

PREVOST

Instruction Sheet

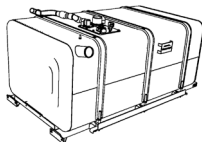
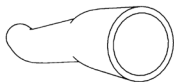
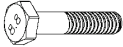

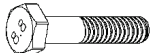
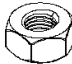
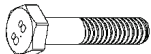




IS-14903




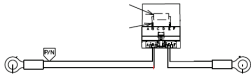
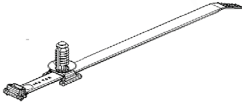



Fuel tank replacement (NYCT Commuter fleet, model year 2012)

REVISION : THIS INSTRUCTION SHEET SUPERSEDES PREVIOUS VERSION.

MATERIAL

Kit IS14903 includes the following parts:

Part No.		Description	Qty
032977P		Fuel Tank Assembly	1
032987		Fill Hose 2 1/2 Dia 750mm	1
5001231		Screw Cap Hex M10-1.5x25 SS	2
500270		Washer FL .406x1.000x.063 SS	2
500806		Screw Cap Hex M12-1.75x35 G10.9	4
500811		Nut Hex Stover M12-1.75 Dp	6
500889		Screw Cap Hex M12-1.75x120 G8.8	2
500958		Washer FL .531x1.062x.095 SS	12
502573		Washer FL 6.4x12.5x1.6 SS	4
502681		Nut Hex Nyrt M6-1.0 Zg603	4
502859		Nut Hex Nyrt M10-1.5 Zg603	2

Part No.		Description	Qty
504381		Hose Clamp / 2"3/4-3"5/8 SS / Ht-350	2
504768		Cable Tie / 3/16" 14.7" / Double Loop Head	1
505056		Antistatic Strap / Under Structure	2
069336		Ground Cable & Sealed Resistor Mount Assy	1
504750		Cable tie and clip. 1/2" x 15"	1
5001188		Nut Hex M8-1.25 SS	1
IS14903		Instruction Sheet	1
FI14903		Feuille d'instructions	1

NOTE

Material can be obtained through regular channels.

PROCEDURE



DANGER

Park vehicle safely, apply parking brake, stop engine and set battery master switch(es) to the OFF position prior to working on the vehicle.

1. Remove all fuel in the fuel tank either by pumping or draining by the plug.

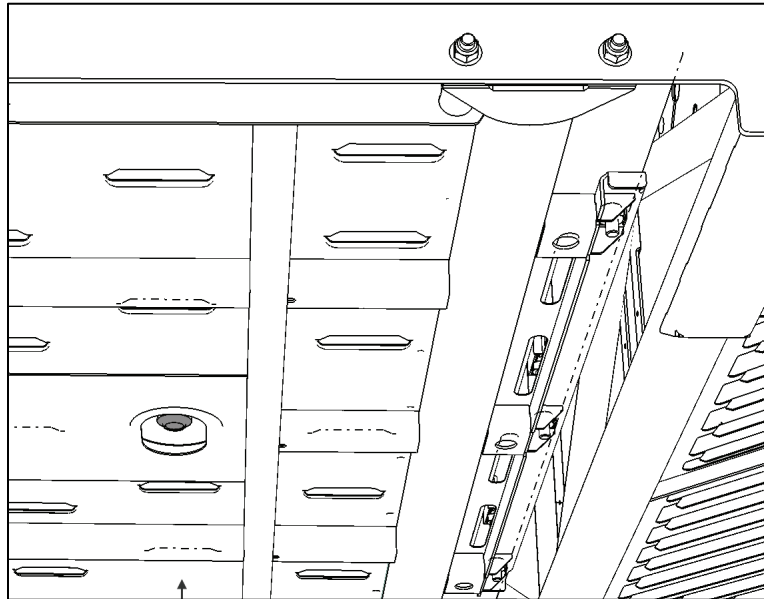


Figure 1

2. By the opening in the condenser compartment, disconnect fuel lines on the tank and the fill tube.

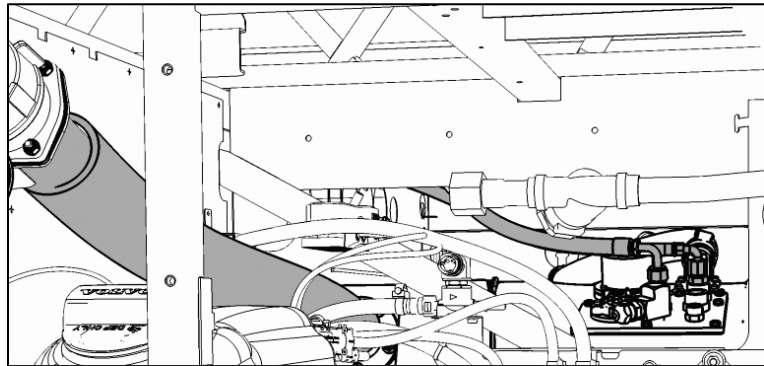


Figure 2

3. Remove electrical connections and any remaining fuel lines.

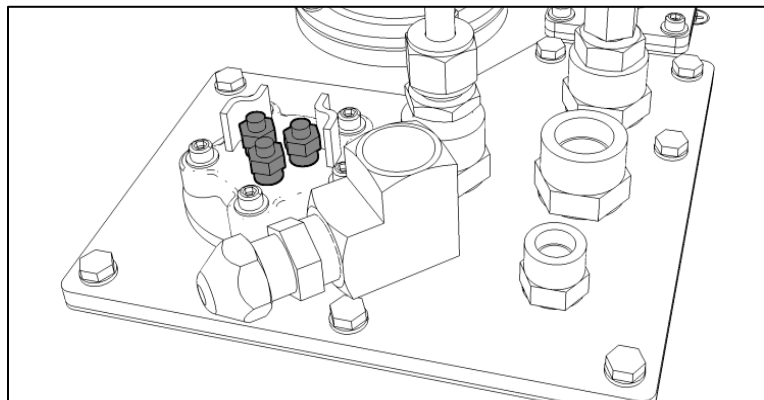


Figure 3

4. Place a wheeled table or wheeled scissor lift table of appropriate load rating under the tank cradle.

(1500lbs rating suggested).

5. Lower the vehicles until the tank cradle touches the table.
6. Unscrew the cradle anchor bolts. (4 locations) Fig 4 & 5
7. Lift vehicle with mobile column lifts and remove tank from under vehicle.

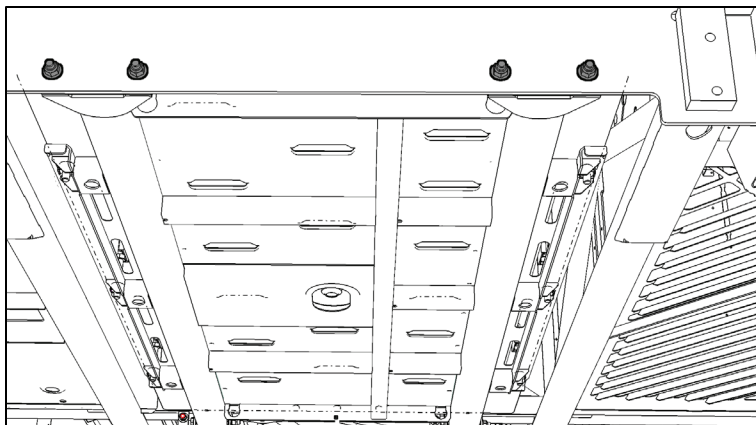


Figure 4

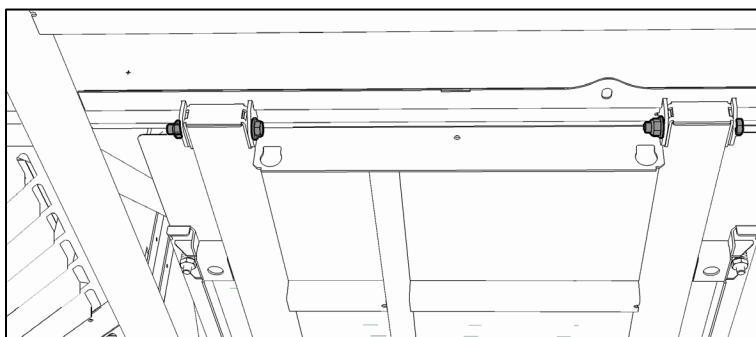


Figure 5

8. Install new steel tank and cradle on a wheeled table and
9. Install grounding straps on these bolts prior to installation

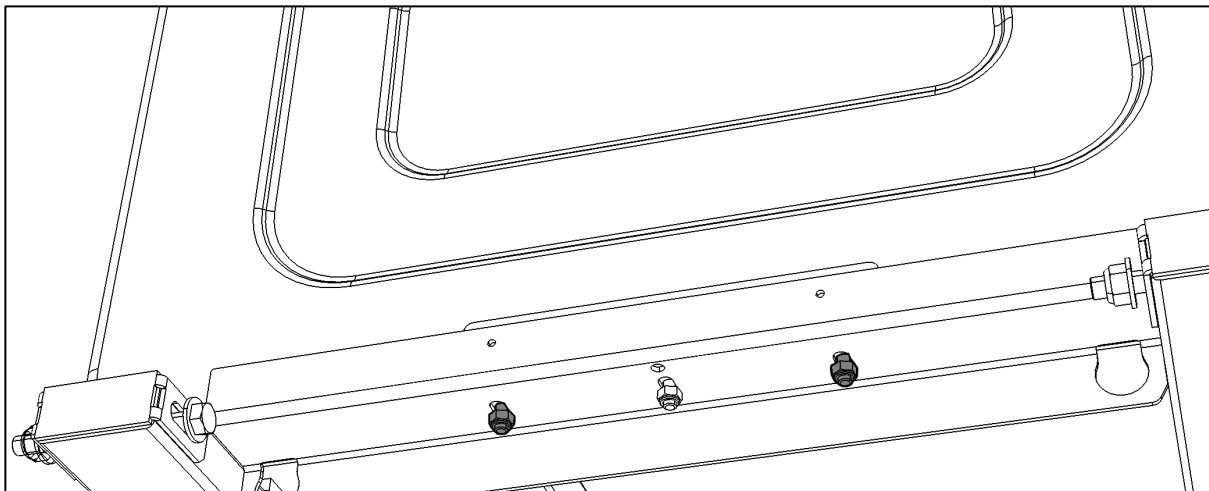


Figure 6

10. Align tank under vehicle.
 11. Lower vehicle.
 12. Bolt tank cradle to frame. (Fig 7 & 8)
- Tighten to 55 ± 5 lbf-ft.

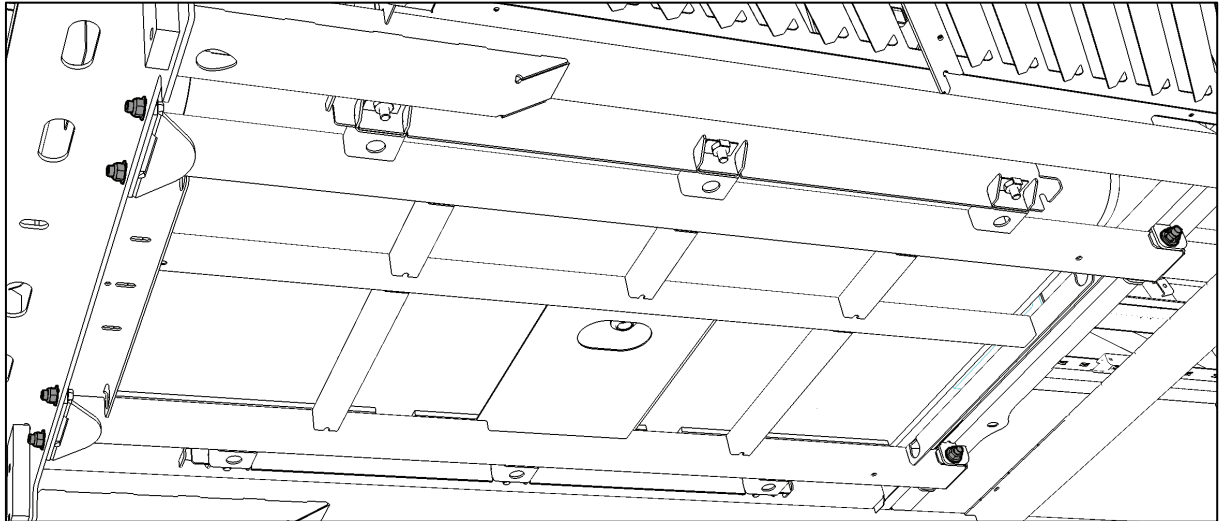


Figure 7

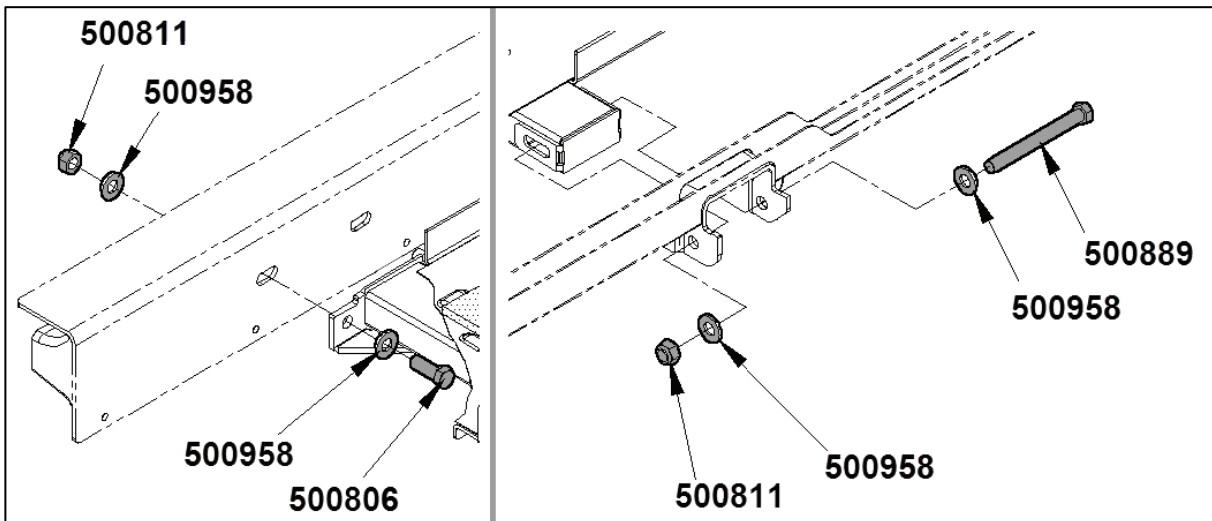


Figure 8

13. Reconnect the different electrical connections to the fuel sender.
14. Drill a 5/16" diameter hole to install fir tree mount cable tie 504750. Refer to Figure 9.
15. Install the resistor mount on ground harness with cable tie 504750. Place cable tie on protective cap to allow disconnection. (Fig 10)

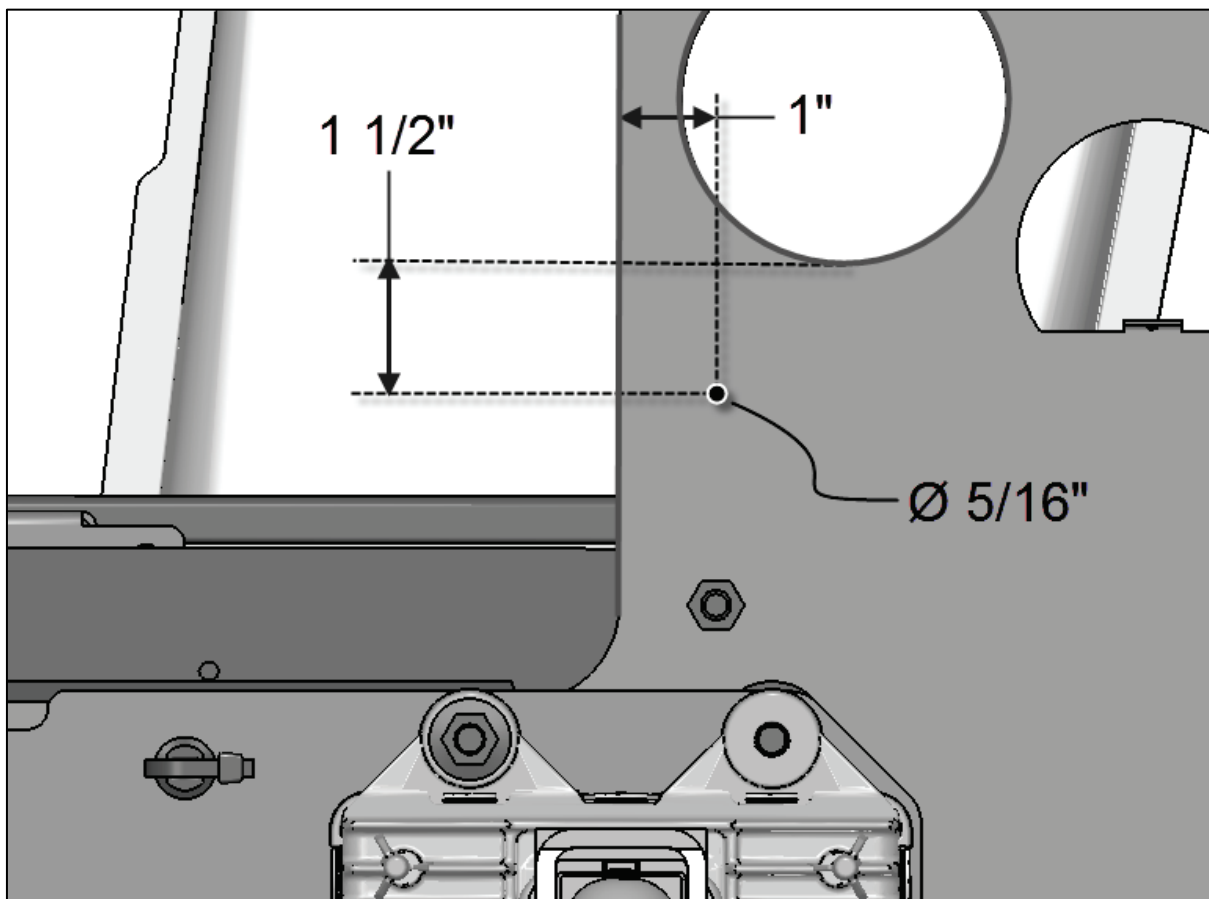


Figure 9 Hole location

16. Connect the short end of the ground wire to the ground stud above the ACM on the condenser compartment wall. (Fig. 10). Use existing M8 nut.



Figure 10

17. Connect the long end of the ground wire to the ground stud on the fuel tank (Fig. 12). Use M8 nut provided.
18. Connect the hoses. Separate the hoses with double head cable tie 504768 (Fig. 10)

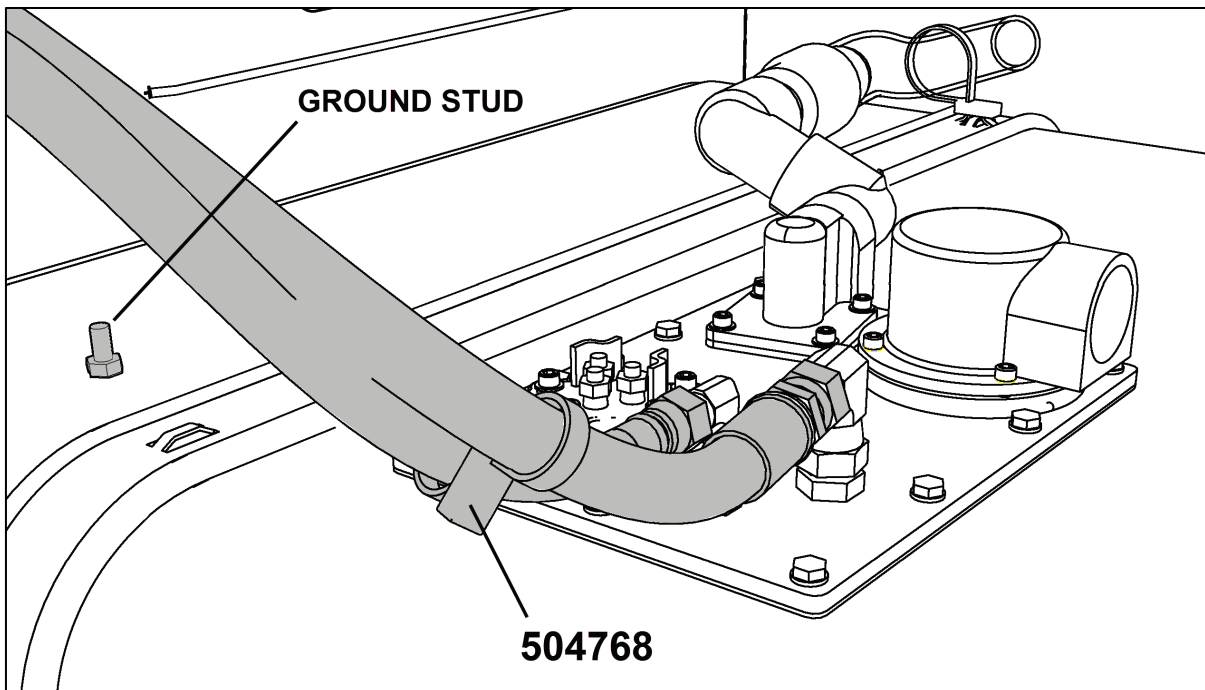


Figure 11

19. Connect the fill hose 032987 to the inlet on the tank.(Fig. 11)

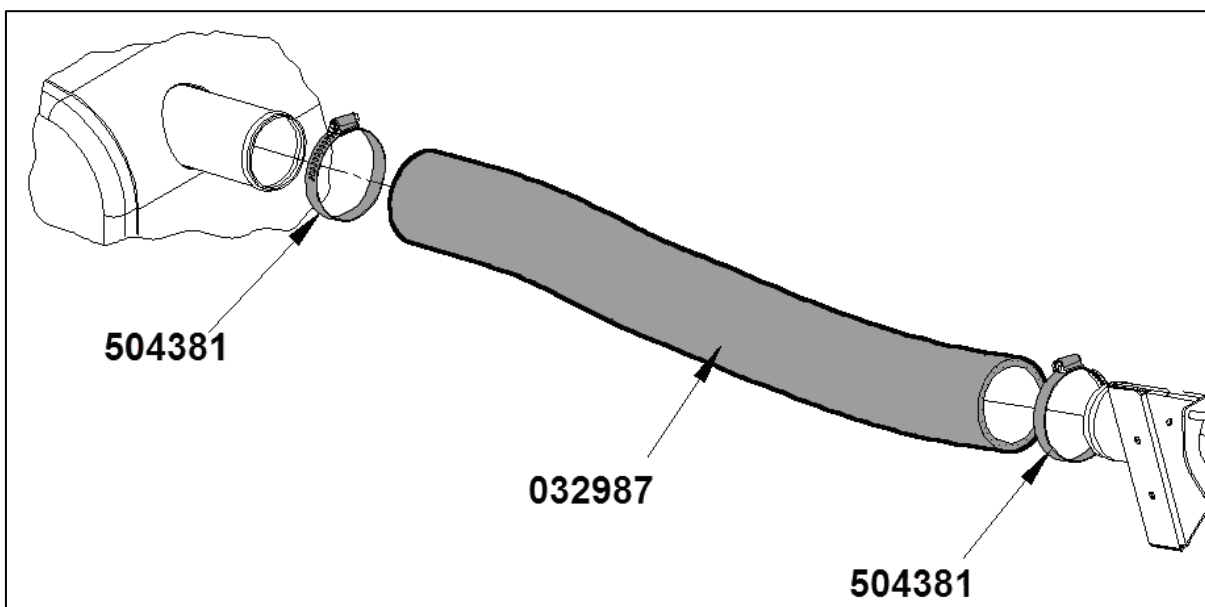


Figure 12

PARTS / WASTE DISPOSAL

Discard waste according to applicable environmental regulations (Municipal/State[Prov.]/ Federal)