

PREVOST

WARRANTY BULLETIN

WB15-26B

DATE :	MAY 2015	SECTION :	12 - Brakes
EXPIRATION:	MAY 2017		
SUBJECT :	BRAKE HOSE INSPECTION		

Rev B This bulletin replaces previous versions.
 Nov 14, 2016 Application: Adjusted model year to reflect VIN range.

APPLICATION

NOTICE TO SERVICE CENTERS	
Model	VIN
<i>Verify vehicle eligibility by checking warranty bulletin status with SAP or via ONLINE WARRANTY SYSTEM available on Service / Warranty tab of Prevost website.</i>	
H3-41, H3-45 coaches Model Year :2014- 2015	From 2PCH33492EC712482 To 2PCH33492FC712810.
X3-45 coaches Model Year : 2010-2015	From 2PCG33496AC729887 To 2PCG3349XFC735795
This bulletin does not necessarily apply to all the above-mentioned vehicles, some vehicles may have been modified before delivery. The owners of the vehicles affected by this bulletin will be advised by a letter indicating the Vehicle Identification Number (VIN) of each vehicle concerned.	

DESCRIPTION

On the vehicles affected by this bulletin the brake hose may come in contact with the air spring support when the front axle is in low or high position, either by kneeling or low-high buoy. Perform an inspection. Depending on the result, adjust the hoses to avoid any interference.

MATERIAL

No parts are required for this bulletin.

PROCEDURE



DANGER

Park vehicle safely, apply parking brake, stop engine and set battery master switch(es) to the OFF position prior to working on the vehicle.

1. On each side of the vehicle, make sure that the brake hose to the brake booster does not come into contact when suspension is in low or high buoy.
2. If no contact is found, end the bulletin here.

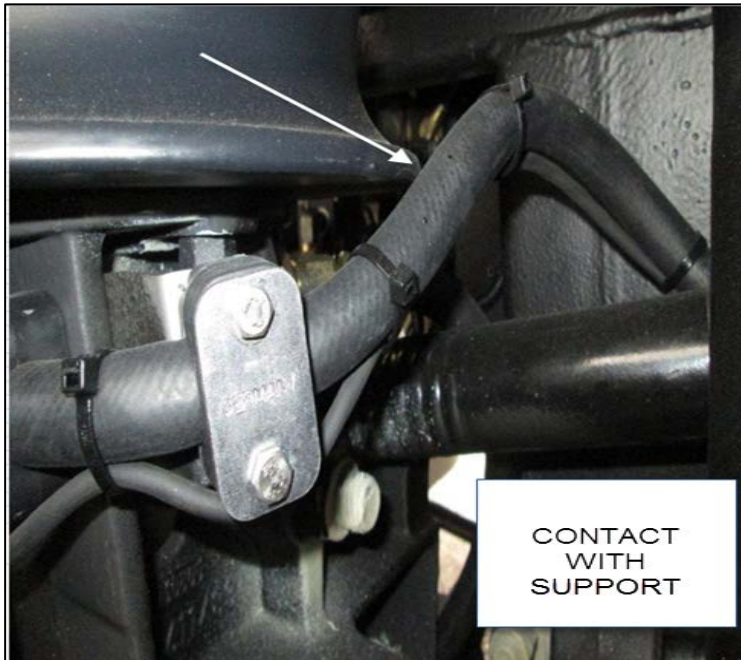


Figure 1

3. If there is interference, reposition the hose on each side of the vehicle as shown in fig. 2 and 3.

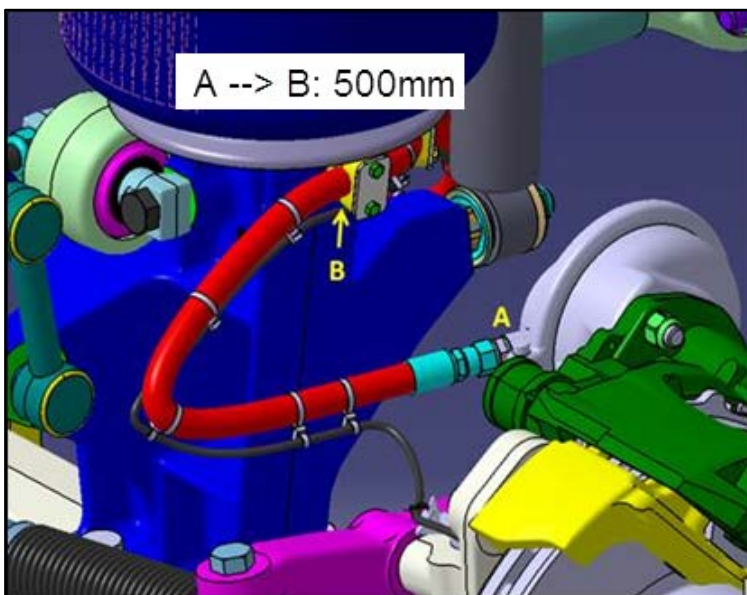


Figure 2

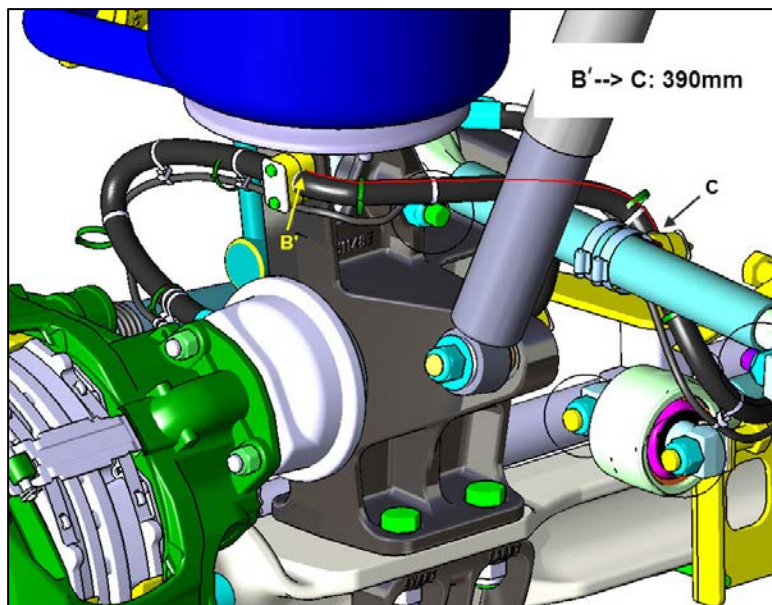


Figure 3

4. Measure and mark distances below on hose and adjust hoses as required to avoid interference.
 - From A to B: 500mm (19 5/8")
 - From B' to C: 390mm (15 3/8")

PARTS / WASTE DISPOSAL

DO NOT RETURN THE REPLACED PARTS. Discard waste according to applicable environmental regulations (Municipal/State[Prov.]/ Federal)

WARRANTY

This modification is covered by Prevost's normal warranty. We will reimburse half an hour (30min) of labor for inspection only or one hour (1.0h) of labor for the complete procedure upon receipt of a warranty claim. Please submit claim via our Online Warranty System, available at www.prevostcar.com (under Service \ Warranty section). Use Claim Type: "Bulletin/Recall" and select "Warranty Bulletin WB15-26".

OTHER

VBC Bulletin	N/A
Fail Code	12.03
Defect Code	09
Syst. Cond	B
Causal Part	641908

Access all our Service Bulletins on <https://secureus5.volvoc.com/technicalpublications/en/pub.asp> or scan the QR-Code with your smart phone.

E-mail us at technicalpublications_prev@volvo.com and type "ADD" in the subject to receive our warranty bulletins by e-mail.

