

PREVOST

Instruction Sheet

IS-16103C

Generation 1, 2 and 3 Slide-Out Module Replacement Instructions

Replaces 690304, 563261 & 563430.

H3-45 VIP: from 3-4417 up to 7-0771; XLII MTH: from Y-7046 up to 6-8805

REVISION : C THIS INSTRUCTION SHEET SUPERSEDES PREVIOUS VERSION.
10-10-2019 Added parts and instructions for generation 1 (GEN1) modules. Effective range was: XLII MTH from 2-7781.

DESCRIPTION

Select among the five kits according to vehicle VIN, module *generation* and slide-out position (*front or rear*).

MATERIAL

Kit #0610320 GEN1 FRONT module replacement. Applies to XLII MTH from Y-7046 up to 2-7780		
Part No.	Description	Qty
060575	BASE	1
060579	KEYBOARD SUPPORT	2
500539	NUT HEX NYRT NX500 M4-0.7	10
502556	WSH FL SS 4.3X9X.8 (M4,#8)	24
502841	NUT HEX NYRT NX500 M5-0.8	4
505537	TAPE AD1 VELCRO N/A BK 0.14"X2"X50 YD	0.027
560558	PRAN J1939 INTERFACE CABLE	1
563923	WIRING FOR PRAN FRONT S/OUT MODUL GEN 1	1
563924	KEYPAD FOR PRAN FRONT S/OUT GEN 1	1
563925	PRAN MODULE GEN 1	1
5000355	SCR MA PAN PH SS 6-32X3/16	4
5001137	WSH FL SS .203X.438X.06 (M5,#10)	4
5001996	SCR MA PAN PH N500 M4-0.7X12	10
5060120	GROMMET EDGING ADHESIVE .036-.062	1
FI-16103	FEUILLE D'INSTRUCTION	1
IS-16103	INSTRUCTION SHEET	1

Kit #0610321 GEN1 REAR module replacement. <i>Applies to XLII MTH from Y-7046 up to 2-7780</i>		
Part No.	Description	Qty
060575	BASE	1
060579	KEYBOARD SUPPORT	2
500539	NUT HEX NYRT NX500 M4-0.7	10
502556	WSH FL SS 4.3X9X.8 (M4,#8)	24
502841	NUT HEX NYRT NX500 M5-0.8	4
505537	TAPE AD1 VELCRO N/A BK 0.14"X2"X50 YD	0.027
560558	PRAN J1939 INTERFACE CABLE	1
563925	PRAN MODULE GEN 1	1
563926	WIRING FOR PRAN REAR S/OUT MODUL GEN 1	1
563927	KEYPAD FOR PRAN REAR S/OUT GEN 1	1
5000355	SCR MA PAN PH SS 6-32X3/16	4
5001137	WSH FL SS .203X.438X.06 (M5,#10)	4
5001996	SCR MA PAN PH N500 M4-0.7X12	10
5060120	GROMMET EDGING ADHESIVE .036-.062	1
FI-16103	FEUILLE D'INSTRUCTION	1
IS-16103	INSTRUCTION SHEET	1

Kit #062328. GEN2 FRONT module replacement. <i>Applies to H3-45 VIP from 3-4417 up to 4-4907 and XLII MTH from 2-7781 up to 5-8384</i>		
Part No.	Description	Qty
060575	BASE	1
060579	KEYBOARD SUPPORT	2
500539	NUT HEX NYRT NX500 M4-0.7	8
502556	WSH FL SS 4.3X9X.8 (M4,#8)	20
502841	NUT HEX NYRT NX500 M5-0.8	4
560555	WIRING FOR PRAN S/OUT MODUL GEN 2	1
560556	KEYPAD FOR PRAN FRONT S/OUT GEN 2	1
560557	PRAN MODULE GEN 2	1
560558	PRAN J1939 INTERFACE CABLE	1
5000355	SCR MA PAN PH SS 6-32X3/16	4
5001137	WSH FL SS .203X.438X.06 (M5,#10)	4
5001996	SCR MA PAN PH N500 M4-0.7X12	8
5060120	GROMMET EDGING ADHESIVE .036-.062	12in
IS-16103	Instruction Sheet	1
FI-16103	Feuille d'instructions	1

Kit #062381 GEN2 REAR module replacement. <i>Applies to H3-45 VIP from 3-4417 up to 4-4907 and XLII MTH from 2-7781 up to 5-8384</i>		
Part No.	Description	Qty
060575	BASE	1
060579	KEYBOARD SUPPORT	2
500539	NUT HEX NYRT NX500 M4-0.7	8
502556	WSH FL SS 4.3X9X.8 (M4,#8)	20
502841	NUT HEX NYRT NX500 M5-0.8	4
560555	WIRING FOR PRAN S/OUT MODUL GEN 2	1
560557	PRAN MODULE GEN 2	1
560558	PRAN J1939 INTERFACE CABLE	1
560559	KEYPAD FOR PRAN REAR S/OUT GEN 2	1
5000355	SCR MA PAN PH SS 6-32X3/16	4
5001137	WSH FL SS .203X.438X.06 (M5,#10)	4
5001996	SCR MA PAN PH N500 M4-0.7X12	8
5060120	GROMMET EDGING ADHESIVE .036-.062	12in
IS-16103	Instruction Sheet	1
FI-16103	Feuille d'instructions	1

Kit #060481. GEN3 Front or Rear module replacement <i>Applies to H3-45 VIP from 4-4908 and XLII MTH from 5-8385</i>		
Part No.	Description	Qty
060575	BASE	1
060579	KEYPAD SUPPORT	2
500539	NUT HEX NYRT NX500 M4-0.7	8
502556	WSH FL SS 4.3X9X.8	20
502841	NUT HEX NYRT NX500 M5-0.8	4
560348	KEYPAD FOR PRAN MODULE	1
560349	PRAN MODULE GEN3	1
560351	WIRING FOR PRAN SLIDE OUT MODULE	1
5000355	SCR MA PAN PH SS 6-32X3/16	4
5001137	WSH FL SS .203X.438X.06	4
5001996	SCR MA PAN PH N500 M4-0.7X12	8
5060120	GROMMET EDGING ADHESIVE .036-.062	12 in
IS-16103	Instruction Sheet	1
FI-16103	Feuille d'instructions	1

PROCEDURE



DANGER

Park vehicle safely, apply parking brake, stop engine. Prior to working on the vehicle, set the ignition switch to the OFF position and trip the main circuit breakers equipped with a trip button. On Commuter type vehicles, set the battery master switch (master cut-out) to the OFF position.

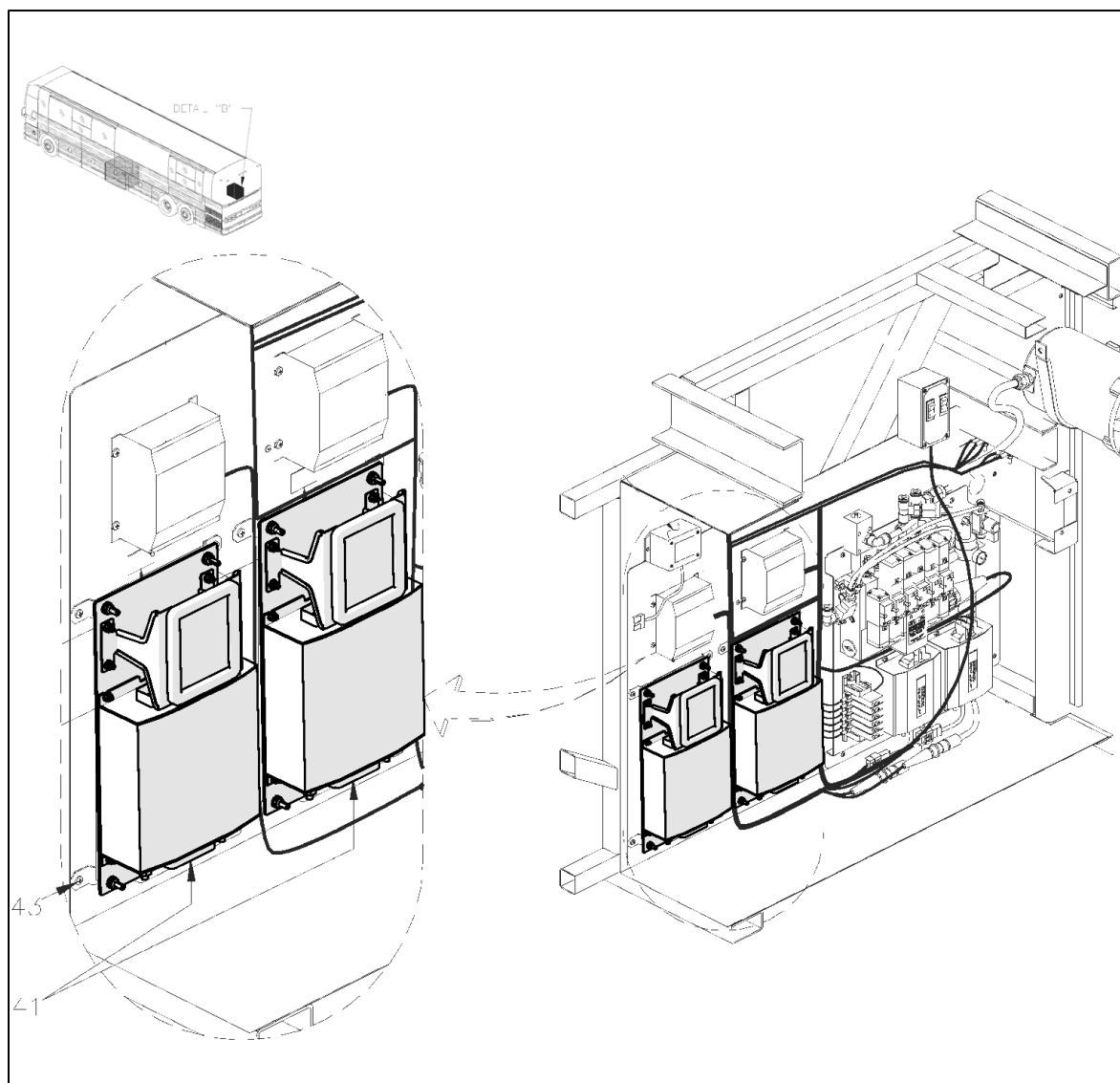


FIGURE 1: FINAL RESULT OVERVIEW (XLII MTH SHOWN)

Follow these steps to replace one existing slide-out module on your vehicle.



CAUTION

Before proceeding, make sure the slide-outs are retracted in and safety pins are applied.

Pre-Assembly:

1. On a table or bench, first install module GEN1 563925, GEN2 560557 or GEN3 560349 on base 060575 with following hardware:

- 4X 5001996 M4 x 12 screw
- 8X 502556 4mm Washer
- 4X 500539 M4 nut

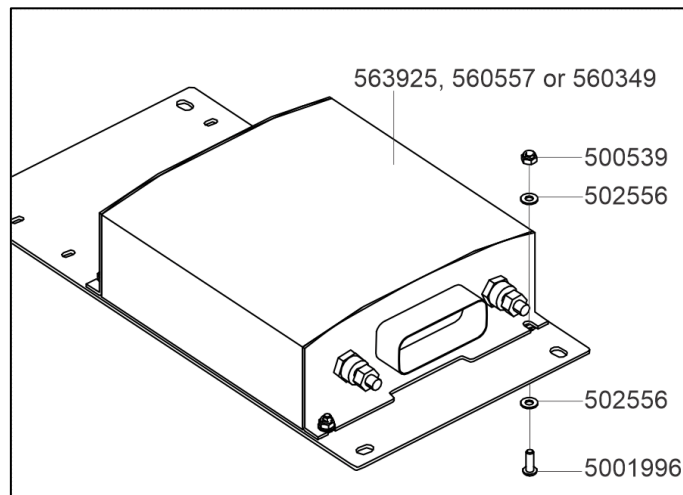


FIGURE 2 : INSTALLING MODULE ON BASE

2. Pre-assemble keypad supports 060579 on keypad GEN1 Front 563924, GEN1 Rear 563927, GEN2 560556 or GEN3 560348 with the following hardware:

- 4x 5000355 6-32 screw
- 4x 502556 4mm washer

Next, cut 5060120 grommet edging in 4 pieces of 3 inch each and place along the support edges.

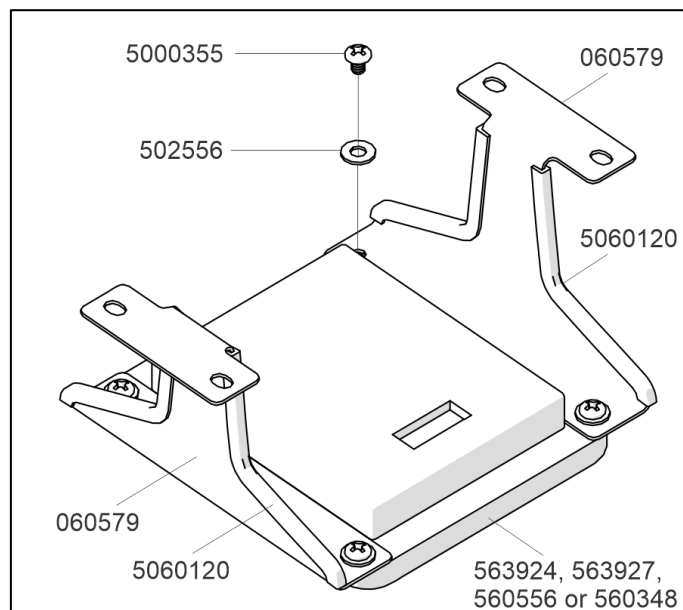


FIGURE 3: KEYPAD

3. Take new wiring harness GEN1 Front 563923, GEN1 Rear 563926, GEN2 560555 or GEN3 560351 and connect output plugs *Gray and Black* to module *before installing the keypad*.

4. Connect keypad to harness.

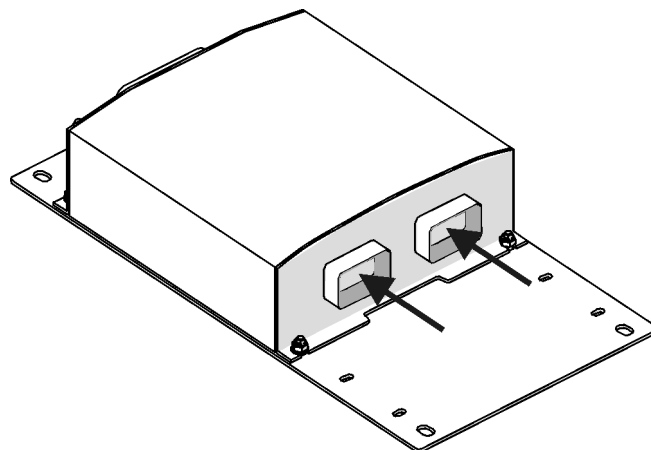


FIGURE 4: CONNECTING

5. Install keypad on base with following hardware:

- 4X 5001996 M4 x 12 screw
- 8X 502556 4mm Washer
- 4X 500539 M4 nut

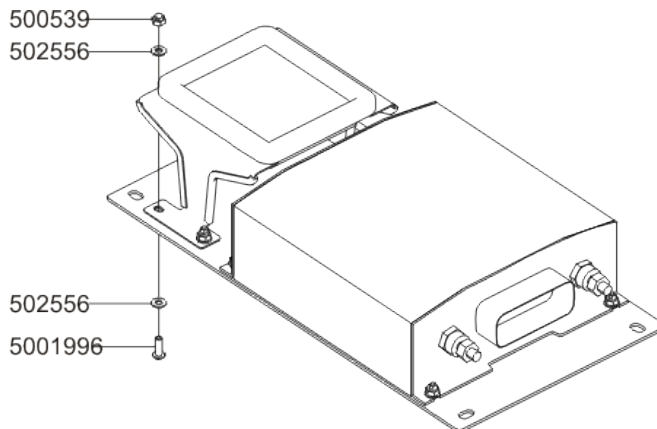


FIGURE 5: KEYPAD ON BASE

6. On GEN1 only, mount the slide out motor controller using the available slotted holes next to the keyboard. Use the following hardware.

- 2X 5001996 M4 x 12 screw
- 4X 502556 4mm Washer
- 2X 500539 M4 nut

Option: If you have access to a stud welding gun, place two M5 weld studs to fit with the mounting plate hole pattern.

Use the following hardware.

- 2X 502841 M5 nut
- 2X 5001137 M5 SS Washer

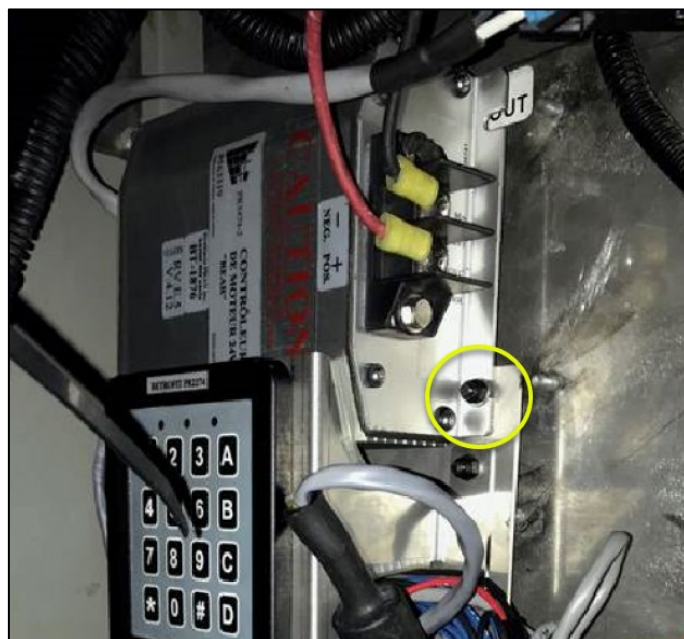


FIGURE 6 :

7. Connect large input plug on new module.
8. Connect 2 RED wire VBAT on 2 studs of new module

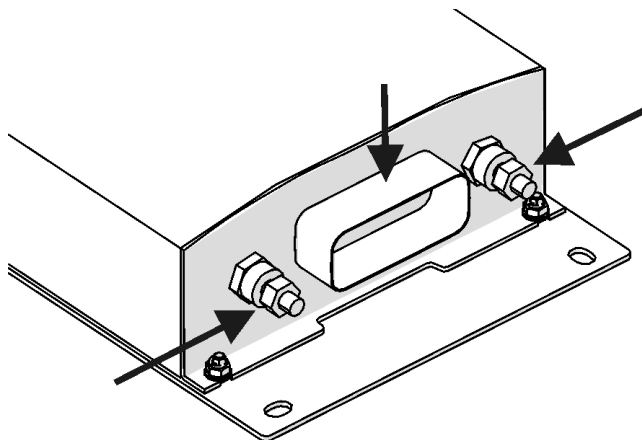


FIGURE 7: INPUT & POWER CONNECTIONS

9. On GEN2 and GEN3 vehicles (Gen1 go to step 12), unplug old module and remove from vehicle. Keep standoff brackets.

10. Install module(s) with the following hardware on standoff bracket studs:

- 4X 5001137 3/16" washer
- 4X 502841 M5 nut

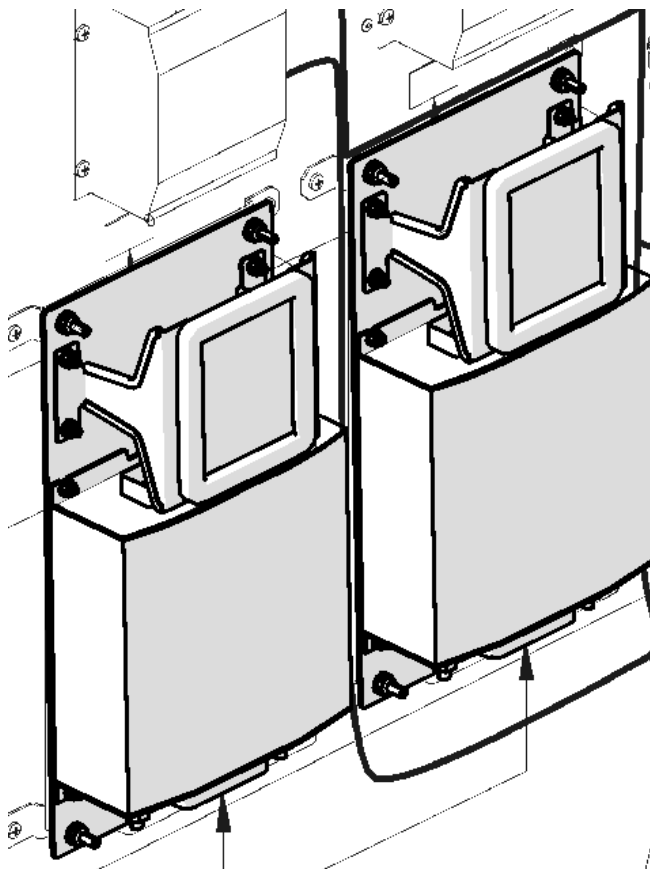


FIGURE 8:INSTALLING MODULE

11. Connect new GEN2: 560555 or GEN3: 560351 harness to vehicle harness.

Front Slide Out module connections:

J1 on CH36

J2 on CH37

J3 on CH38

J4 on CH39

Rear Slide Out module connections:

J1 on CH40

J2 on CH41

J3 on CH42

J4 on CH43

12. On GEN1 only, add a double layer of Velcro under the slide-out motor controller to secure the other end.

Connect harness GEN1 Front 563923
GEN 1 Rear 563926 to vehicle harness.

Front Slide Out module connections:

J1 on CH15

J2 on CH16

Rear Slide Out module connections:

J1 on CH13

J2 on CH14



FIGURE 9 : GEN1 SECURE THE UNSUPPORTED END

13. GEN1 and GEN2 only: connect the Front and Rear modules.

Use supplied J1939 interface cable 560558 to connect between the front and rear modules if present.

NOTE

This step is only necessary if both modules where replaced.

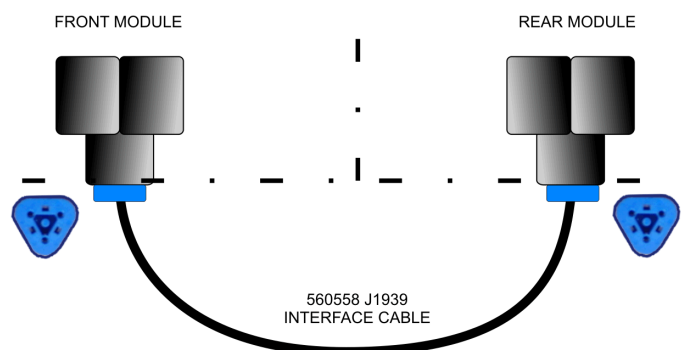


FIGURE 10: CONNECTING TWO MODULES WITH THE INTERFACE CABLE

14. Confirm proper operation of slide-out.

15. Follow steps below to adjust the IN and OUT limits.

GEN1: IN/OUT limit setting using the keypad.

- Unlock the PIN
- Purge air in the seal
- Enter programming mode (TYPE ACBD)
- With slide out closed , Press A&D to set IN LIMIT
- Manually extend the slide in out position, Press A&D to set OUT LIMIT
- Press "D" to confirm "INNER LIMIT" & "OUTER LIMIT" indicator are both ON
- Exit programming mode (TYPE ACBD)

GEN2: Proceed in the same way as original module.

- Same instruction as GEN1 above

GEN3 , Proceed same way as original module

- Purge air in the seal
 - Retract slide to IN POSITION.
 - Manually Lock the PIN.
-

PARTS / WASTE DISPOSAL

Discard waste according to applicable environmental regulations (Municipal/State[Prov.]/ Federal)