

# PREVOST

## WARRANTY BULLETIN

**WB18-06**

DATE :	April 2018	SECTION :	23 ACCESSORIES
EXPIRATION:	April 2020		
SUBJECT :	<b>RIGHT CONSOLE RAMP REPLACEMENT</b>		

### APPLICATION

<i>NOTICE TO SERVICE CENTERS</i>	
Model	VIN
<i>Verify vehicle eligibility by checking warranty bulletin status with <b>SAP</b> or via <b>ONLINE WARRANTY SYSTEM</b> available on Service / Warranty tab of Prevost website.</i>	
X3-45 coaches Model Year : 2018	From 2PCG33491 <u>JC736245</u> up to 2PCG33497 <u>JC736279</u> incl.
X3-45 coaches Model Year : 2018	From 4RKG33494 <u>J9737448</u> up to 4RKG33492 <u>J9737481</u> incl.
<b>This bulletin does not necessarily apply to all the above-mentioned vehicles, some vehicles may have been modified before delivery. The owners of the vehicles affected by this bulletin will be advised by a letter indicating the Vehicle Identification Number (VIN) of each vehicle concerned.</b>	

### DESCRIPTION

On the vehicles affected by this bulletin, replace the existing right console ramp p/n 392494 with the new right console ramp p/n 3200962.

### MATERIAL

Order kit #WB18-06 that contains the following parts:

Part No.	Description	Qty
3200962	YELLOW RIGHT CONSOLE RAMP	1
5001598	SCR CAP HEXS SS M8X30 FT	1
5001604	SCR CAP HEXS G500 M8-1.25X70	1

<i><b>NOTE</b></i>
<i>Material can be obtained through regular channels.</i>

## PROCEDURE



### DANGER

Park vehicle safely, apply parking brake, stop engine. Prior to working on the vehicle, set the ignition switch to the OFF position and trip the main circuit breakers equipped with a trip button.

#### BLA

1. Locate the right console ramp (Figure 1).
2. Remove the existing right console ramp p/n 392494 (two socket head screws) (Figure 1).

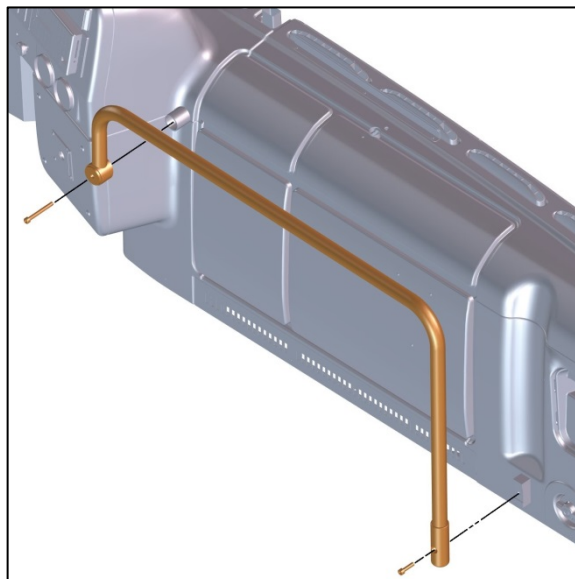


Figure 1

3. Position the new ramp p/n 3200962 on the right console (item A, Figure 2).
4. Install the new socket head screw p/n 5001604 to fix the left side of the ramp (item B, Figure 2).
5. Install the new socket head screw p/n 5001598 to fix the right side of the ramp (item C, Figure 2).
6. Bulletin is complete.

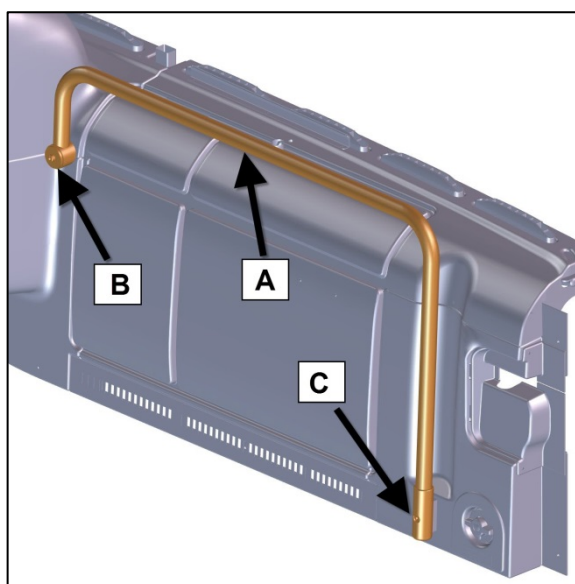


Figure 2

## PARTS / WASTE DISPOSAL

DO NOT RETURN THE REPLACED PARTS. Discard waste according to applicable environmental regulations (Municipal/State[Prov.]/ Federal)

## WARRANTY

This modification is covered by Prevost's normal warranty. We will reimburse you the parts and half hour (30 minutes) of labor upon receipt of a warranty claim. Please submit claim via our Online Warranty System, available at [www.prevostcar.com](http://www.prevostcar.com) (under Service \ Warranty section). Use Claim Type: "Bulletin/Recall" and select "Warranty Bulletin WB18-06".

## OTHER

VBC Bulletin	N/A
Fail Code	23.00
Defect Code	09
Syst. Cond	B
Causal Part	392494

Access all our Service Bulletins on  
<http://techpub.prevostcar.com/en/>  
or scan the QR-Code with your smart phone.



**Are you a Vehicle owner?** E-mail us at  
***technicalpublications\_prev@volvo.com*** and type "ADD" in the  
subject to receive warranty bulletins applicable to your vehicle(s)  
by e-mail.