

# PREVOST

## Instruction Sheet

## IS-18106A

### KIT POWER STEERING TANK CONVERSION CUMMINS TO ZF

Revision: A Add Detroit engine.

10-02-2023

#### MATERIAL

Kit # IS18106-1 includes the following parts: (Model H3 before electric fan, XL-II and X3-45 with Volvo D13)

Part No.	Description	Qty
669400	TANK ZF ASSY PWR STEERING	1
169066	CLAM, TANK H3 BEFORE ELECTRIC FAN DRIVE	1
160370	DECAL	1
5011347	HOSE #10	0.5FT
503809	HOSE, LOW PRESSURE ID 22 MM	1.3M
994557	HOSE CLAMP 25-24	2
504319	CLAMP HOSE LINER SS/CS 21-38	2
952631	CLAMP P STL ZP RUB 19 ID	1
952641	CLAMP P STL ZP RUB 34.9 ID	1
507681	BANJO BOLT M26	1
507680	BANJO UNION M22BB X M26	1
507037	BANJO WASHER M26	2
501183	A ST #8JMX#8JM	1
5011348	FH ST #10x#8JF	1
500411	WSH FL SS .260X.697X.05 (M6,1/4)	8
500958	WSH FL SS .531X1.062X.095 (M12,1/2)	1
502565	NUT HEX SS M6-1.0	4
502570	WSH LO SPT SS 6.1X11.8X1.6 (M6,#12)	4
502622	SCR CAP HEX SS NSS M6X20 FT	4
502868	SCR TC TR PH N500 #10-16 X 1/2	2
504016	CABLE TIE, NYLON BLK (LIGHT-HEAVY)	4
504751	DUAL SWIVEL SADDLE SPACER (100 POUNDS)	2
5001184	SCR TP PAN PH SS410 #12X1/2	4
5001185	SCR CAP HEX SS NSS M8-x80	1
5001341	WSH SS M8 5/16	1
5001787	NUT HEX NYRT SS M8-1.25x9.5	1
500142	WSH FL SS 6.6X22X2 (M6,1/4)	1
FI-18106	INSTRUCTION SHEET (FR)	1
IS-18106	INSTRUCTION SHEET (EN)	1

Kit # IS18106-2 includes the following parts: (Model H3 with electric fan with Volvo D13)

Part No.	Description	Qty
669400	TANK ZF ASSY PWR STEERING	1
160048	CLAMP, TANK 3 AFTER ELECTRIC FAN DRIVE	1
5011347	HOSE #10	0.5FT
503809	HOSE, LOW PRESSURE ID 22 MM	1.3M
994557	HOSE CLAMP 25-24	2
504319	CLAMP HOSE LINER SS/CS 21-38	2
501183	A ST #8JMX#8JM	1
507681	BANJO BOLT M26	1
507680	BANJO UNION M22BB X M26	1
507682	BANJO WASHER M26	2
5011348	FH ST #10x#8JF	1
504016	CABLE TIE, NYLON BLK (LIGHT-HEAVY)	4
952631	CLAMP P STL ZP RUB 19 ID	1
952641	CLAMP P STL ZP RUB 34.9 ID	1
160370	DECAL	1
504751	DUAL SWIVEL SADDLE SPACER (100 POUNDS)	2
5001787	NUT HEX NYRT SS M8-1.25x9.5	1
502837	NUT HEXF STO N500 M8-1.25	2
5001185	SCR CAP HEX SS NSS M8-x80	1
502868	SCR TC TR PH N500 #10-16 X 1/2	2
5001341	WSH SS M8 5/16	1
FI-18106	INSTRUCTION SHEET (FR)	1
IS-18106	INSTRUCTION SHEET (EN)	1

Kit # IS18106-3 includes the following parts: (Model H3, XL-II and X3-45 with Detroit)

Part No.	Description	Qty
669400	TANK ZF ASSY PWR STEERING	1
169066	CLAM, TANK H3 BEFORE ELECTRIC FAN DRIVE	1
160370	DECAL	1
5011347	HOSE #10	0.5FT
503809	HOSE, LOW PRESSURE ID 22 MM	2M
994557	HOSE CLAMP 25-24	2
504319	CLAMP HOSE LINER SS/CS 21-38	2
952631	CLAMP P STL ZP RUB 19 ID	1
952641	CLAMP P STL ZP RUB 34.9 ID	1
7772004	FITTING 16# JIC-M X 22MM HOSE	1
501183	A ST #8JMX#8JM	1
5011348	FH ST #10x#8JF	1
500411	WSH FL SS .260X.697X.05 (M6,1/4)	8
500958	WSH FL SS .531X1.062X.095 (M12,1/2)	1
502565	NUT HEX SS M6-1.0	4
502570	WSH LO SPT SS 6.1X11.8X1.6 (M6,#12)	4
502622	SCR CAP HEX SS NSS M6X20 FT	4
502868	SCR TC TR PH N500 #10-16 X 1/2	2
504016	CABLE TIE, NYLON BLK (LIGHT-HEAVY)	4
504751	DUAL SWIVEL SADDLE SPACER (100 POUNDS)	2
5001184	SCR TP PAN PH SS410 #12X1/2	4
5001185	SCR CAP HEX SS NSS M8-x80	1
5001341	WSH SS M8 5/16	1
5001787	NUT HEX NYRT SS M8-1.25x9.5	1
500142	WSH FL SS 6.6X22X2 (M6,1/4)	1
FI-18106	INSTRUCTION SHEET (FR)	1
IS-18106	INSTRUCTION SHEET (EN)	1

**NOTE**

Material can be obtained through regular channels.

## SAFETY PRECAUTIONS

- Eye protection should always be worn when working in a shop.
- Rules for Personal Protection Equipment should always be respected. Wear your PPE including but not limited to the following:



# Safety First!



## PROCEDURE



### DANGER

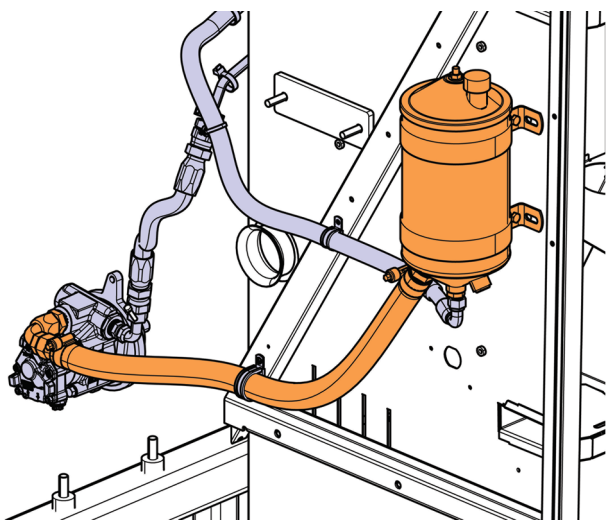
Park vehicle safely, apply parking brake, stop engine. Prior to working on the vehicle, set the ignition switch to the OFF position and trip the main circuit breakers equipped with a trip button. On Commuter type vehicles, set the battery master switch (master cut-out) to the OFF position.

Lock out & Tag out (LOTO) must be performed during set-up, maintenance or repair activities. Refer to your local procedure for detailed information regarding the control of hazardous energy.

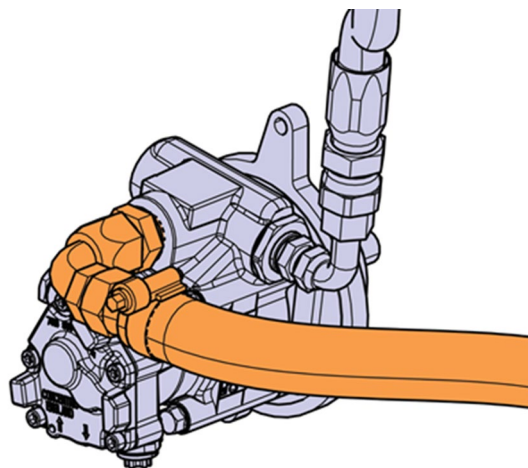
**NOTE**

*If you have an auxiliary sump tank you must unbolt it to facilitate installation*

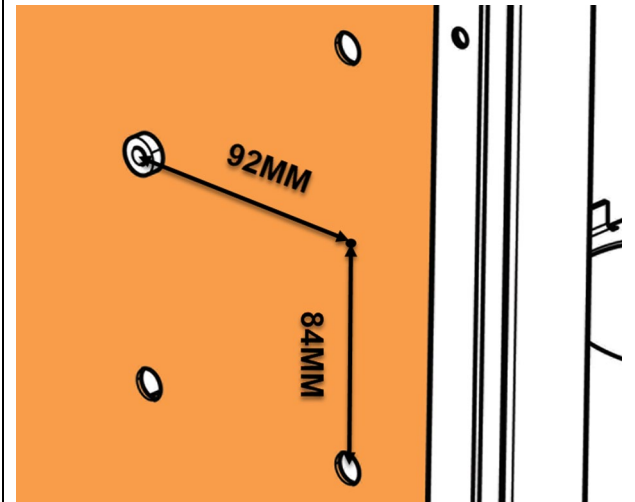
1. Empty the power steering oil tank.
2. Disconnect the pipes from the tank.
3. Uninstall the old tank.



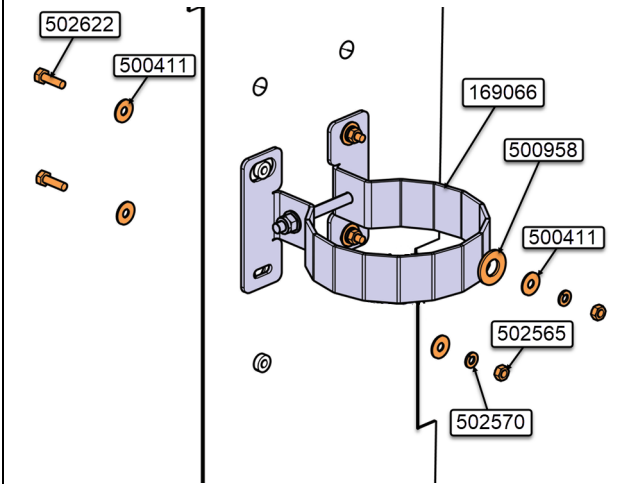
4. Disconnect the power steering pump supply hose.



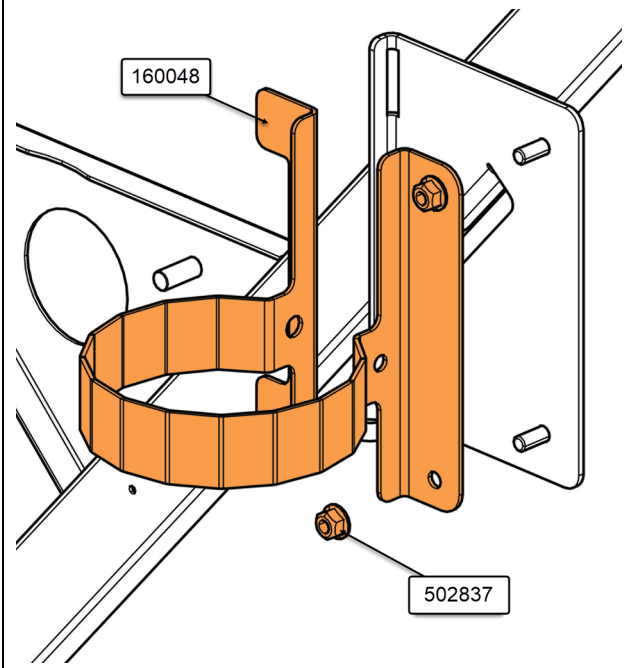
5. With H3 model before electric fan, drill the structure with a ¼ bit to add the missing hole at the shown position.



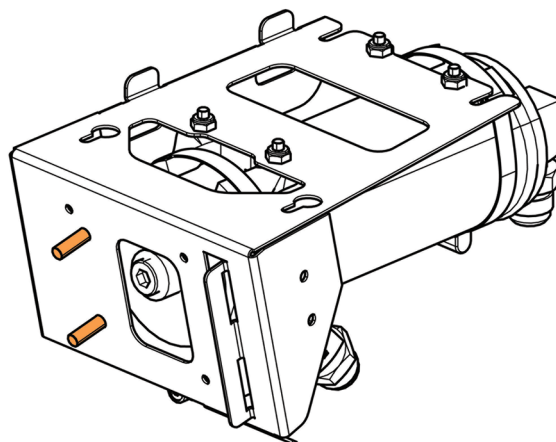
6. With H3 model before electric fan, install support 169066 using bolts 502622 (4x), washers 500411 (8x), washer 500958 (1x), lock washers 502570 (4x) and nylon lock nuts 502565 (4x).



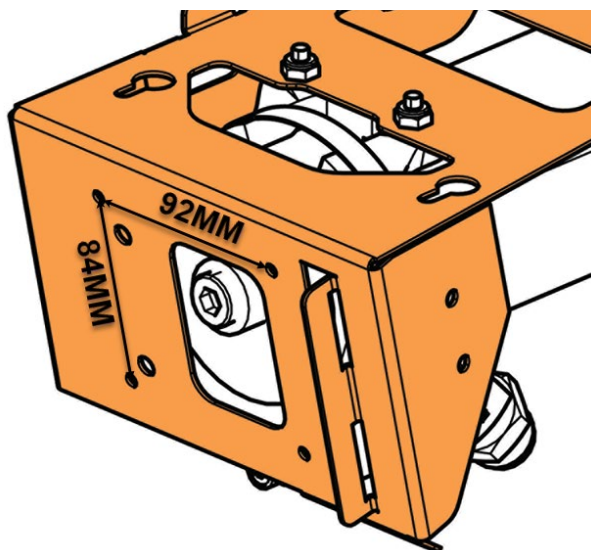
7. With H3 model after electric fans, install support 160048 using nuts 502837 (2x).



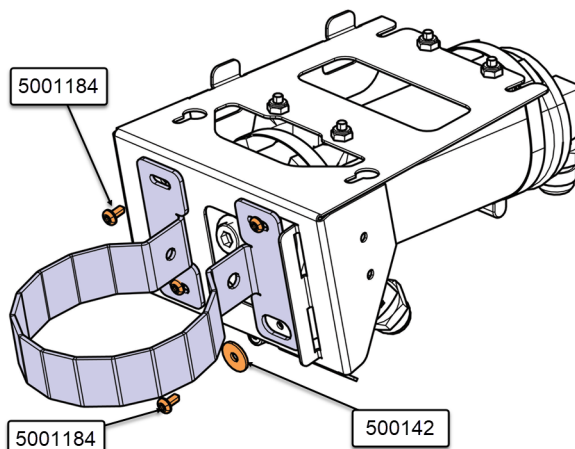
8. With model X3 and XL-II, remove the two studs.



9. Drill four holes with a 7/32 bit.

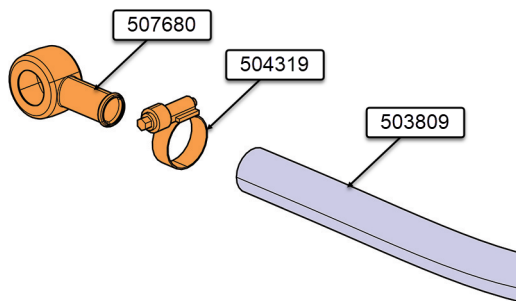


10. Install bracket 169066 with screw 5001184 (4x) and washer 500142 (1x).



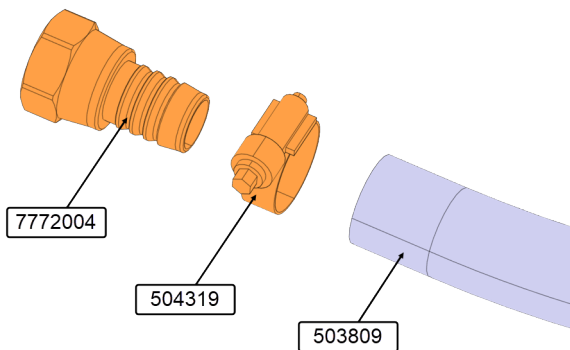
11. Assemble oil supply hose:

A) **With Volvo engine** assemble Hose 503809 and fitting 507680 and collar 504319.



B) **With Detroit engine** assemble Hose 503809 and fitting 7772004 and collar 504319.

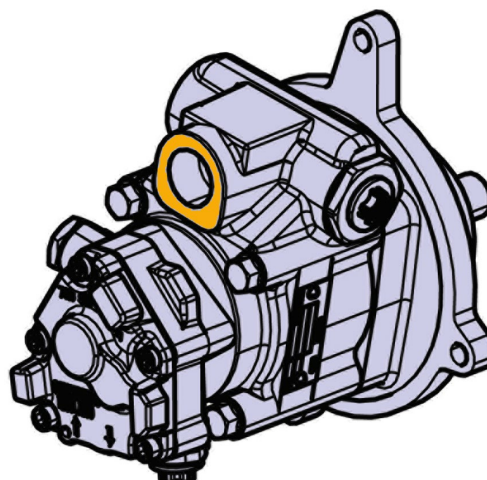
To be easy installation use soap with a hose expansion tool with 1 inch end.



12. Pass the hose following old routing.

13. **With Volvo engine**

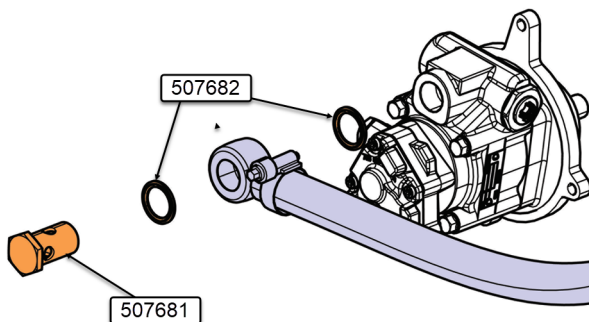
Clean the seating surface of the power steering pump oil inlet to ensure proper seating.



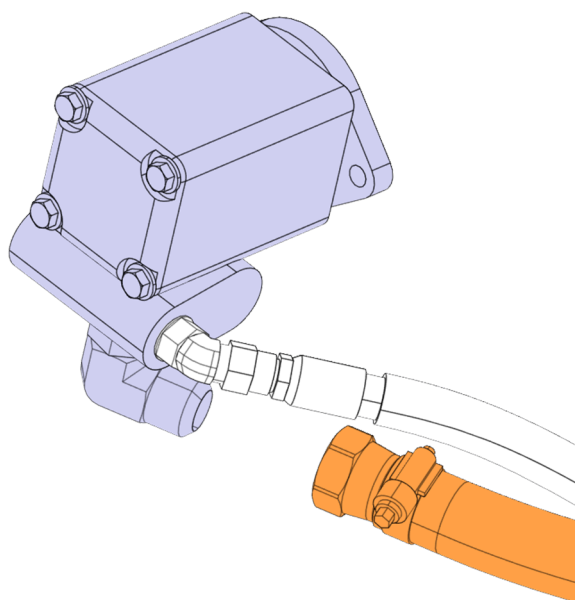


14. Install the pump supply hose:

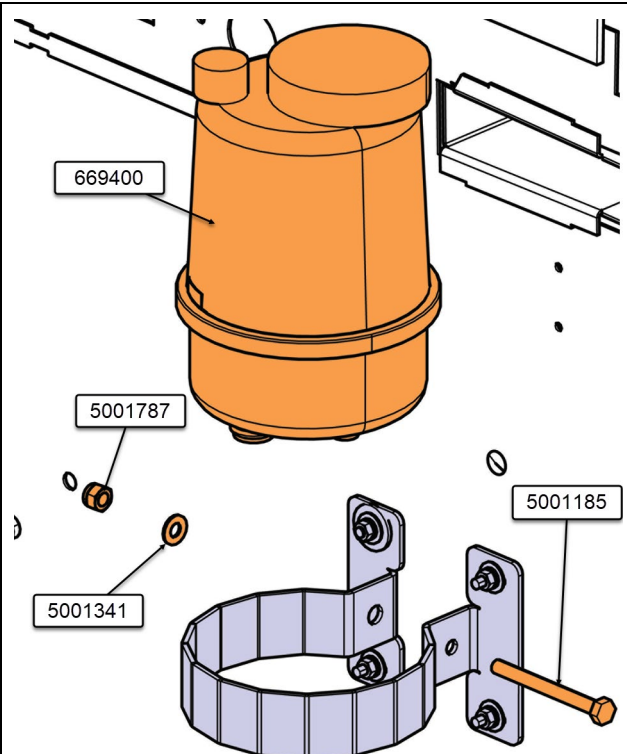
A) **With Volvo engine** Install the pump supply hose using bolt 507681 and washers 506782 (2x).



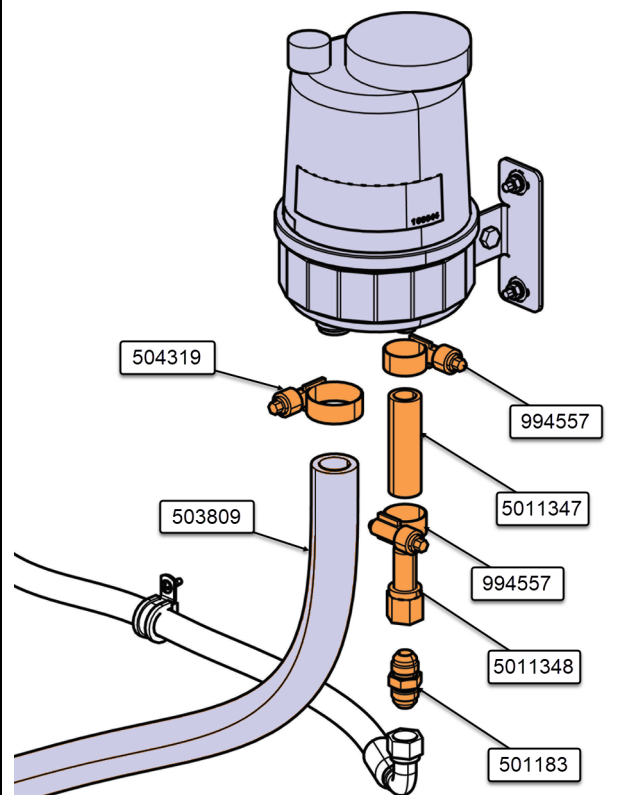
B) **With Detroit engine** Install the pump supply hose.



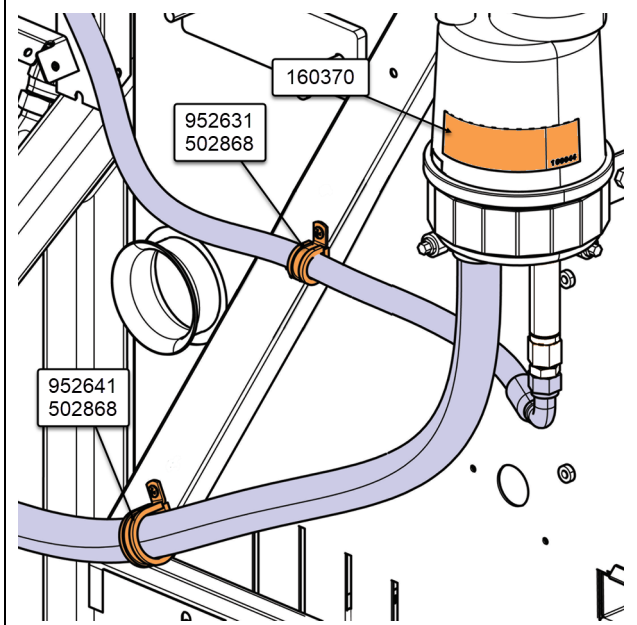
15. Install the tank 669400 on the support with bolt 5001185 washer 5001341 nut 5001787, so that the return of the tank is facing the wall of the structure.



16. Assemble union 501183 and connector 5011348 to the return hose.
17. Check the length of hose 5011347 needed approximately 4.5 inches.
18. Attach hose 5011347 with collar 994557 (2x) to fitting and tank.
19. Attach the pump supply hose 503809 to the tank using the collar 504319. If the hose 503809 is too long, cut off the excess.



20. Install retaining collar 952641 on pump supply hose with screw 502868.
21. Install retaining collar 952631 on return hose with screw 502868.
22. Install the hose separators 504751 (2x) with clip 504016 (4x) on the supply hose.
23. Install decal 160370 on tank.



24. Fill the tank with oil (Dexron-IIIF, G, H or Dexron-VI) to the indicated level mark on the tank.
25. Start and stop the engine and readjust the oil level.
26. Start the engine again and test the direction.



## PARTS / WASTE DISPOSAL

Discard waste according to applicable environmental regulations (Municipal/State[Prov.]/ Federal)