

PREVOST

Instruction Sheet

IS-23502

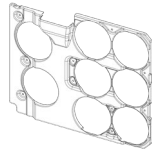
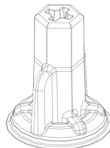
H3 ELECTRIC FAN DRIVE COOLING PLASTIC SHROUD INSTALLATION

First Release

09-08-2023

MATERIAL

Kit #IS23502 includes the following parts:

Part No	Description		Qty
053714	PLASTIC SHROUD		1
491237	WING NUT M6		10
IS-23502	Instruction Sheet		1
FI-23502	Feuille d'instructions		1

NOTE

Material can be obtained through regular channels.

SAFETY PRECAUTIONS

- Eye protection should always be worn when working in a shop.
- Rules for Personal Protection Equipment should always be respected. Wear your PPE including but not limited to the following:



Safety First!



PROCEDURE

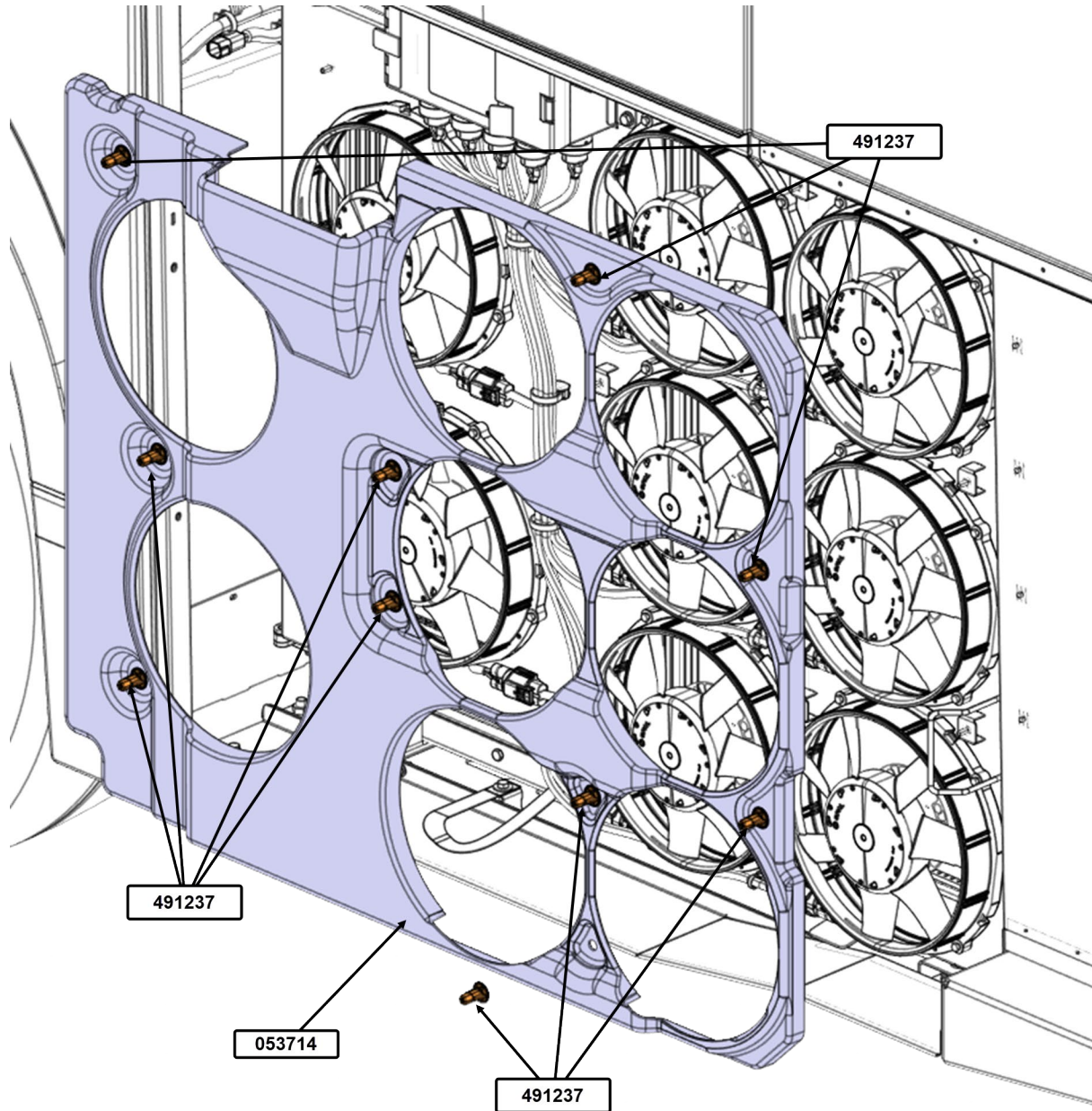


DANGER

Park vehicle safely, apply parking brake, stop engine. Prior to working on the vehicle, set the ignition switch to the OFF position and trip the main circuit breakers equipped with a trip button. On Commuter type vehicles, set the battery master switch (master cut-out) to the OFF position.

Lock out & Tag out (LOTO) must be performed during set-up, maintenance or repair activities. Refer to your local procedure for detailed information regarding the control of hazardous energy.

1. Clean mounting surfaces.
2. Install shroud 053714 using wing nuts 491237 (10x) as shown. Tighten nuts by hand.



PARTS / WASTE DISPOSAL

Discard waste according to applicable environmental regulations (Municipal/State[Prov.]/ Federal)