

PREVOST

Instruction Sheet

IS-23504



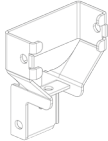
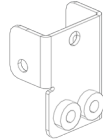




H3 FOUR FOG LAMPS INSTALLATION


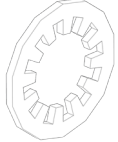

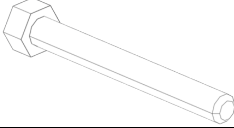
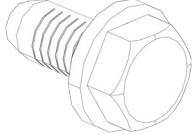
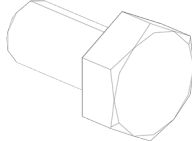

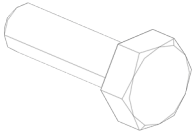
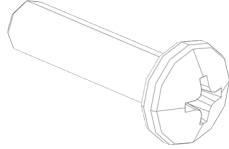
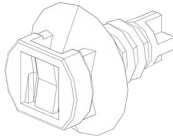

First Release

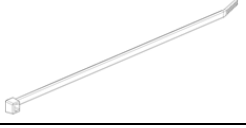
09-08-2023

MATERIAL

Kit #IS23504 includes the following parts:

Part No	Description		Qty
560637	FOG LAMP, LED		4
410249	SUPPORT BUMPER		2
430024	SUPPORT, FOG LAMP		4
430112	BRACKET, LH		2
430111	BRACKET, RH		2
562697	SWITCH		1
562709	CAP, FOG LAMP		1
430015	SPACER		4

5001182	NUT HEX NYRT M6-1.0 SS		4
5001432	WASHER LOCK INT. 0.256x0.478x0.028 SS 410		8
5001467	WASHER FLAT 0.343x1.250x0.062 SS18-8		8
5001636	BOLT HEX M6-1.0x50 SS BK		4
5001720	BOLT THREAD CUTTING HEX WASHER 5/16-18X5/8 EMN		8
5001982	BOLT HEX M6-1.0x12 SS BK		8
502573	WASHER FLAT 6.4x12.5x1.6 SS		16
502622	BOLT HEX M6-1.0x20 SS BK		8
502746	SCREW PAN PH M5-0.8x20 SS BK		4
509815	FIR TREE MOUNTING		2
8631155	CABLE TIE 200X4.6, WITH TREE MOUNT		4

504637	CABLE TIE		8
IS-23504	Instruction Sheet		1
FI-23504	Feuille d'instructions		1

NOTE
<i>Material can be obtained through regular channels.</i>

SAFETY PRECAUTIONS

- Eye protection should always be worn when working in a shop.
- Rules for Personal Protection Equipment should always be respected. Wear your PPE including but not limited to the following:



Safety First!



PROCEDURE



DANGER

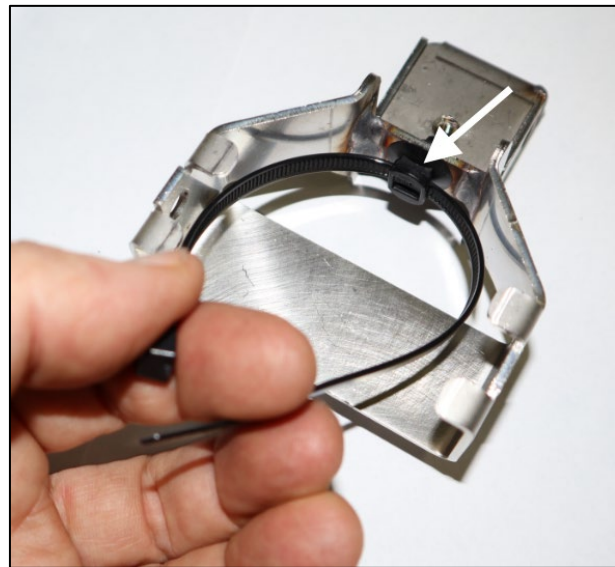
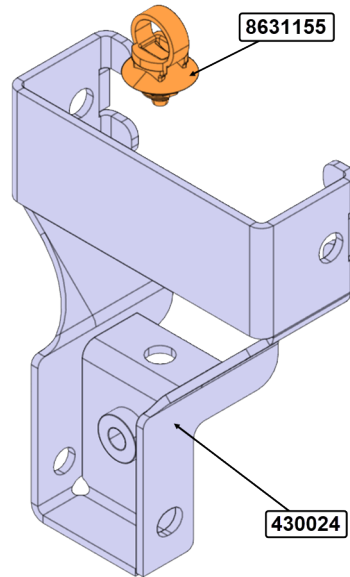
Park vehicle safely, apply parking brake, stop engine. Prior to working on the vehicle, set the ignition switch to the OFF position and trip the main circuit breakers equipped with a trip button. On Commuter type vehicles, set the battery master switch (master cut-out) to the OFF position.

Lock out & Tag out (LOTO) must be performed during set-up, maintenance or repair activities. Refer to your local procedure for detailed information regarding the control of hazardous energy.

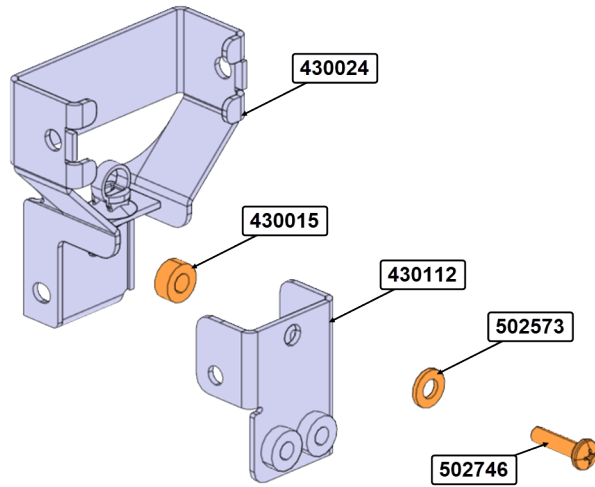
PRE-ASSEMBLY OF FOG LAMPS

For a four-fog lamp installation

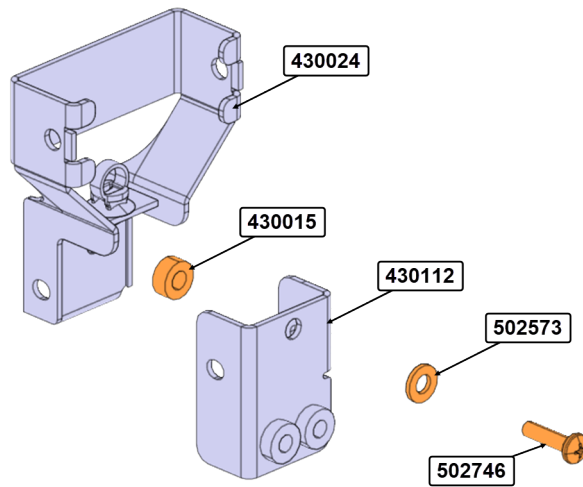
1. Pre-install cable tie #8631155 (4x) on headlight brackets #430024 (4x). **Do not attach.**



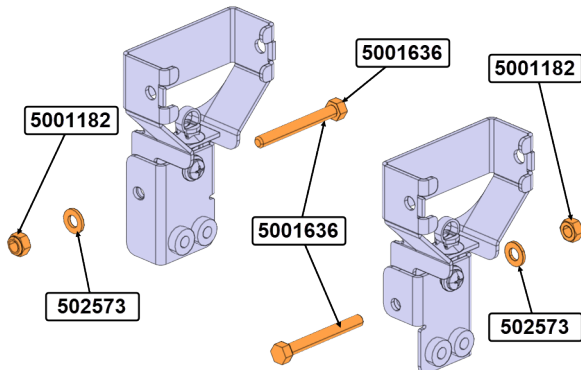
2. Attach left-side brackets 430112 (2x) to supports 430024 (2x) using screws 502746 (2x), washers 502573 (2x) and spacers 430015 (2x).



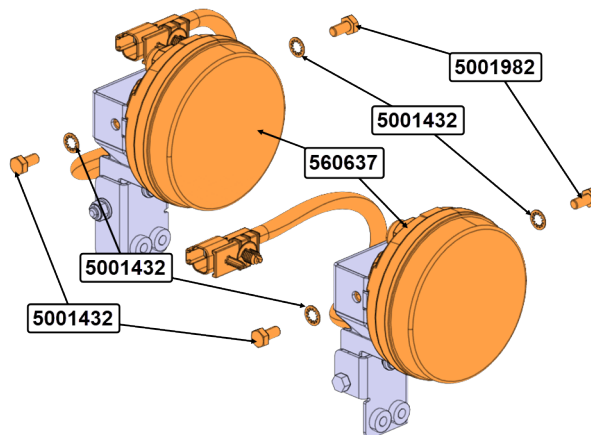
3. Attach right-side brackets 430111 (2x) to supports 430024 (2x) using screws 502746 (2x), washers 502573 (2x) and spacers 430015 (2x).



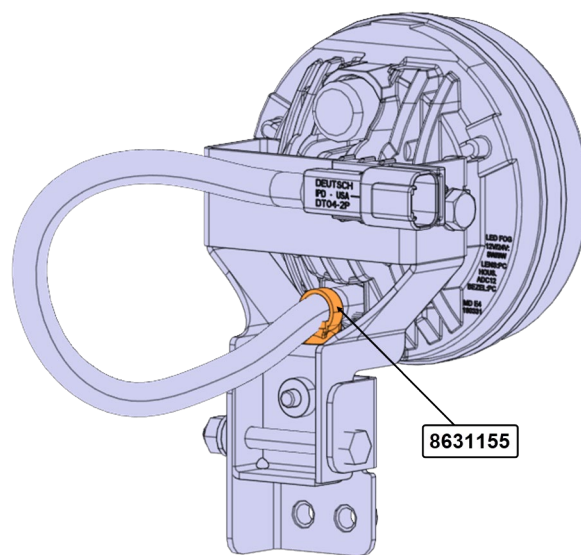
4. On the four sub-assemblies, install bolts 5001636 (4x), flat washers 502573 (4x) and nuts 5001182 (4x).



5. Install a fog lamp 560637 (4x) on each of the four sub-assemblies using bolts 5001982 (8x) and lock washers 5001432 (8x).
6. Torque screws to 35 lb-in.

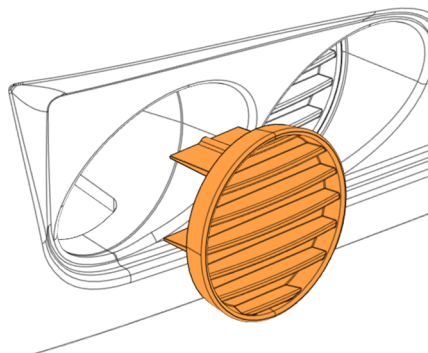


7. Secure the wiring on all sub-assemblies with the 8631155 (4x) cable tie installed previously.

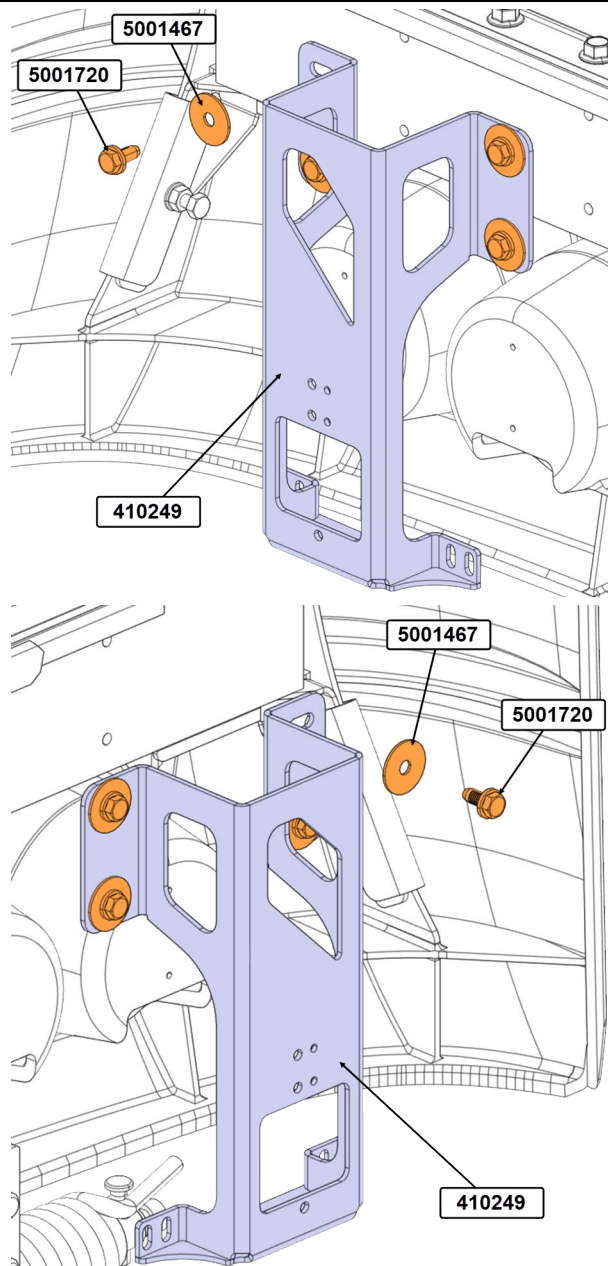


INSTALL FOG LAMPS ON THE BUMPER

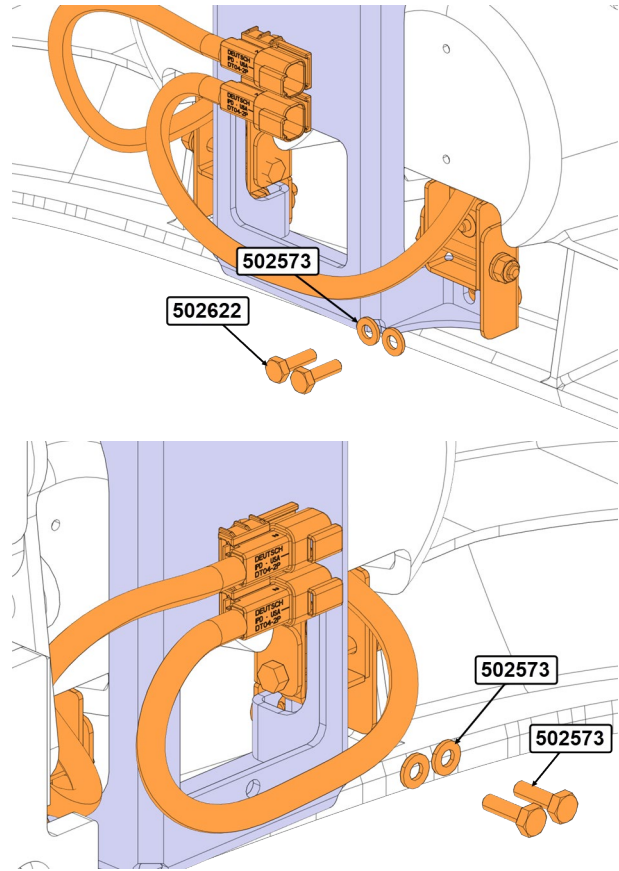
1. Remove the four-fog lamp opening caps (rear screws).



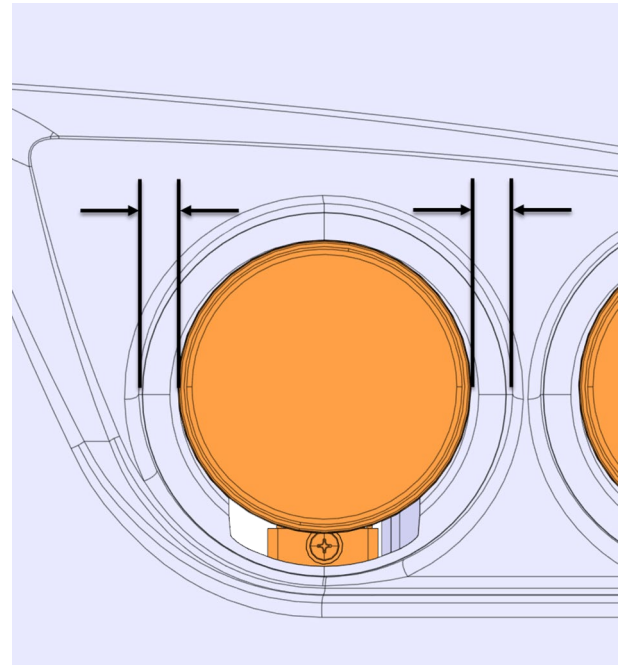
2. Install supports bumper 410249 (2x) with bolts 5001720 (8x) and flat washers 5001467 (8x).



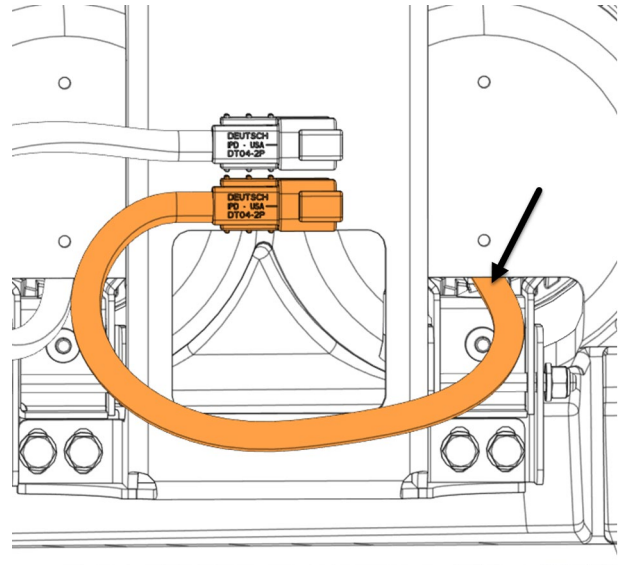
3. Install fog lamp sub-assemblies on the supports using bolts 502622 (8x) and flat washers 502573 (8x).



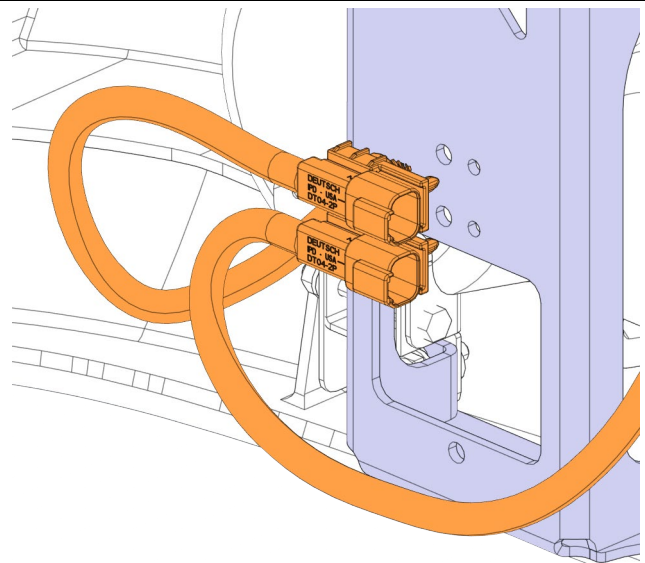
4. For horizontal alignment, make sure the fog lamp is centered in the opening.



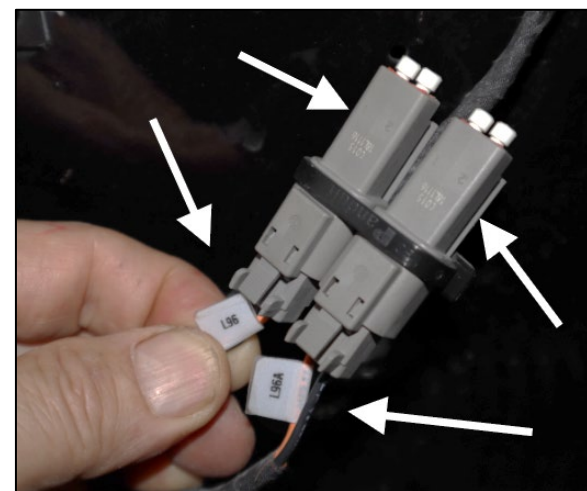
5. Make sure the wiring is positioned in the middle of each support as shown.



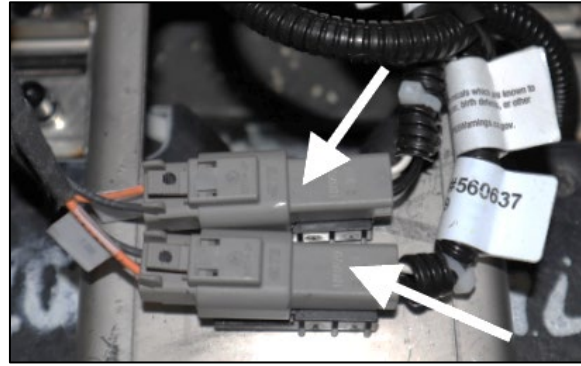
6. Attach fog lamp connectors to support.



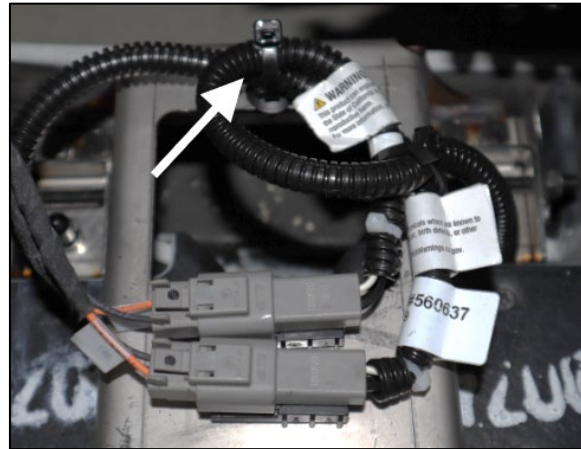
7. Locate existing connectors L96 and L96A on the curb side of the vehicle near the fog lamp installation.
8. Locate connectors L95 and L95A on the driver's side of the vehicle near the fog lamp installation.
9. Cut the cable ties that support the connectors.
10. Remove connectors with white plugs and discard.



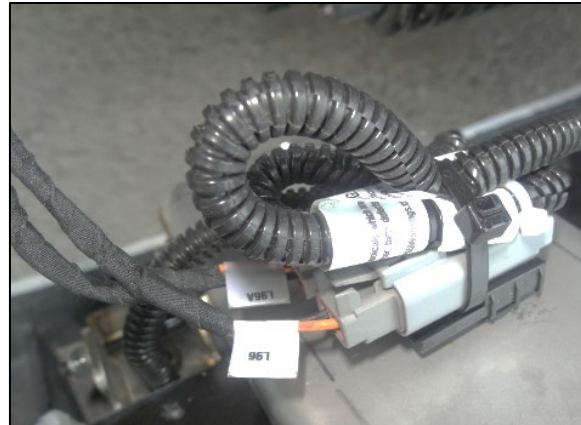
11. Connect all connectors..



12. Install the fir tree mounting 509815 (2x) on support and secure the wiring with cable ties 504637 (2x).

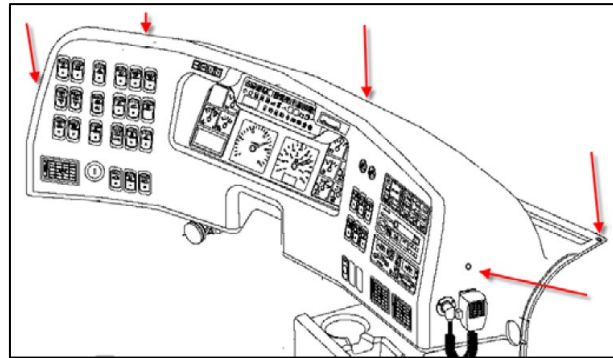


13. Secure wiring with cable ties 504637.

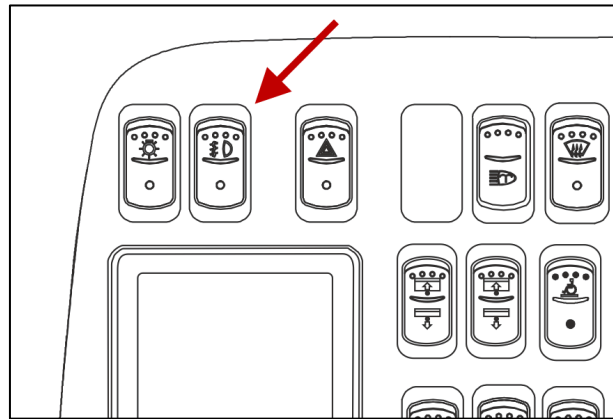


INSTALL THE SWITCH ON THE DASHBOARD

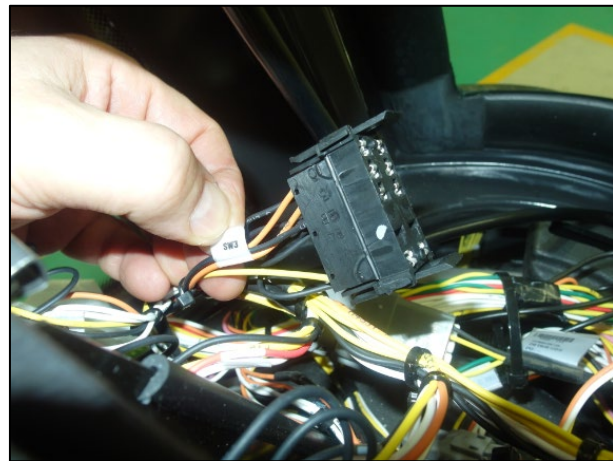
1. Remove the dashboard cover by unscrewing five screws M4-07X20.



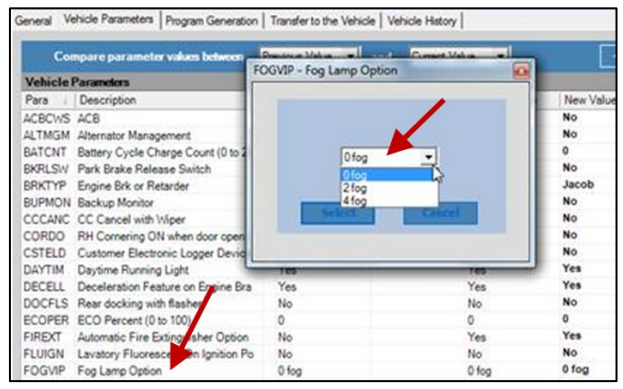
2. Install switch 562697 on the dashboard, to the left of the steering wheel, in the position shown.
3. Install fog lamp cap 562709 on switch 562697.



4. Locate the Sw3 (fog lamp) connector on the existing wiring in the dashboard.
5. Connect the Sw3 (fog lamp) connector of wiring to switch 562697.
6. Test fog lamps operation.
7. Reinstall dashboard cover.



8. The Multiplex network cannot handle LED fog lamps. It is therefore necessary to set the fog lamps parameter to **"0fog"** to avoid repeated error codes.
9. Generate a MUX update and ensure that the fog lamp parameter is set to **"0fog"**.



VERTICAL FOG LAMPS ADJUSTMENT

1. Place the vehicle level, in front of a wall or garage door, with a distance of 80" (1830mm) between fog lamps and the wall or door.



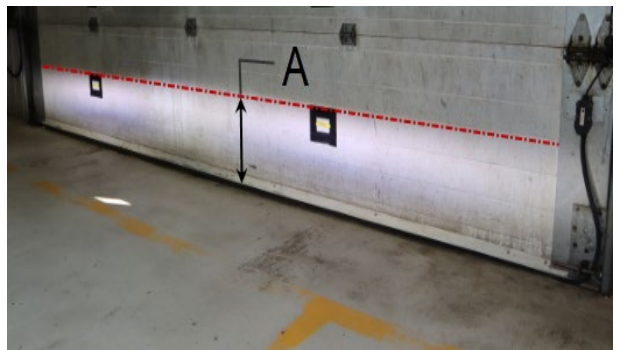
2. Fog lamps are aligned one at a time. Hide the second fog lamp when adjusting.



3. Locate the adjustment screws for lighting height alignment.



4. For each lamp, adjust the height "A" of the horizon (top of light on wall or door) to 16" (405mm).



PARTS / WASTE DISPOSAL

Discard waste according to applicable environmental regulations (Municipal/State[Prov.]/ Federal)