

PREVOST

WARRANTY BULLETIN


WB23-38

DATE :	March 2024	SECTION :	06 ELECTRICAL
EXPIRATION:	March 2026		
SUBJECT :	UREA HARNESS REPLACEMENT		

First Release

03- 22-2024

APPLICATION

NOTICE TO SERVICE CENTERS	
<i>Verify vehicle eligibility by checking warranty bulletin status with SAP or via ONLINE WARRANTY SYSTEM available on Service / Warranty tab of Prevost website.</i>	
Model	VIN 
X3-45 VIP motorhomes Model Year: 2023	2PCBS3494PC736858 2PCBS3494PC736861, 2PCBS3495PC736870
X3-45 VIP commercial use Model Year: 2023	From 2PCCS3493PC736855 up to 2PCC33495PC736868 incl.
X3-45 coaches Model Year: 2023	2PCG33494PC736863, 2PCG33498PC736865 2PCG33491PC736867, 2PCG33495PC736869
<p>This bulletin does not necessarily apply to all the above-mentioned vehicles, some vehicles may have been modified before delivery. The owners of the vehicles affected by this bulletin will be advised by a letter indicating the Vehicle Identification Number (VIN) of each vehicle concerned.</p>	

DESCRIPTION

On the vehicles affected by this bulletin the urea harness possibility needs to be replaced to avoid oxidation.

Order kit **WB23-38** which contains the following parts:

Part No.	Description	Qty
0610591	UREA HARNESS	1
8631155	CABLE TIE W/FIR TREE MOUNT (50 POUNDS)	10
504637	CABLE TIE, NYLON BLK (STD)	5

Other parts that may be required:

Part No.	Description	Qty
564099	CLOTH TAPE, PROTECTOR, 150°C - BLACK	AR

NOTE

Material can be obtained through regular channels.

SAFETY PRECAUTIONS

- Eye protection should always be worn when working in a shop.
- Rules for Personal Protection Equipment should always be respected. Wear your PPE including but not limited to the following:



Safety First!



PROCEDURE



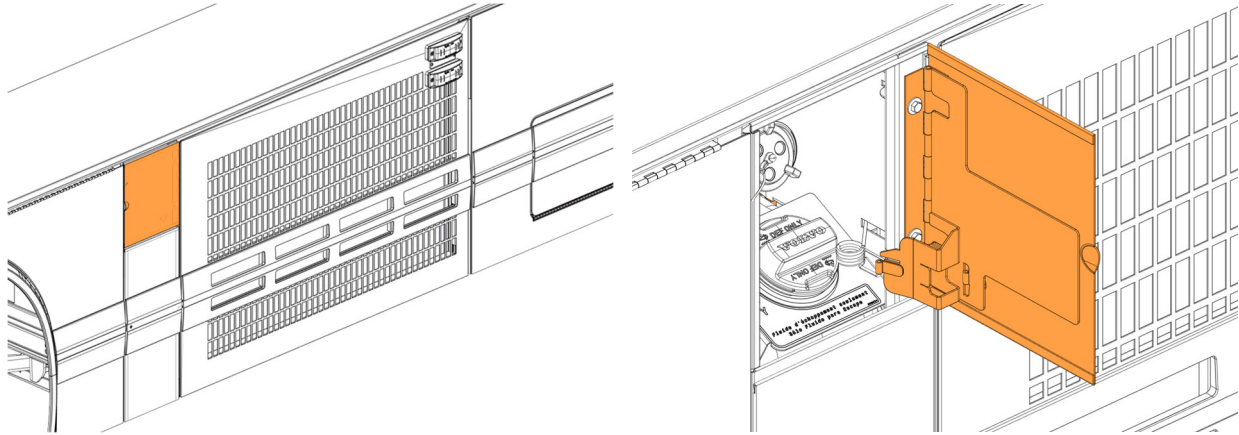
DANGER

Park vehicle safely, apply parking brake, stop the engine. Prior to working on the vehicle, set the ignition switch to the OFF position and trip the main circuit breakers equipped with a trip button. On the Commuter type vehicles, set the battery master switch (master cut-out) to the OFF position.

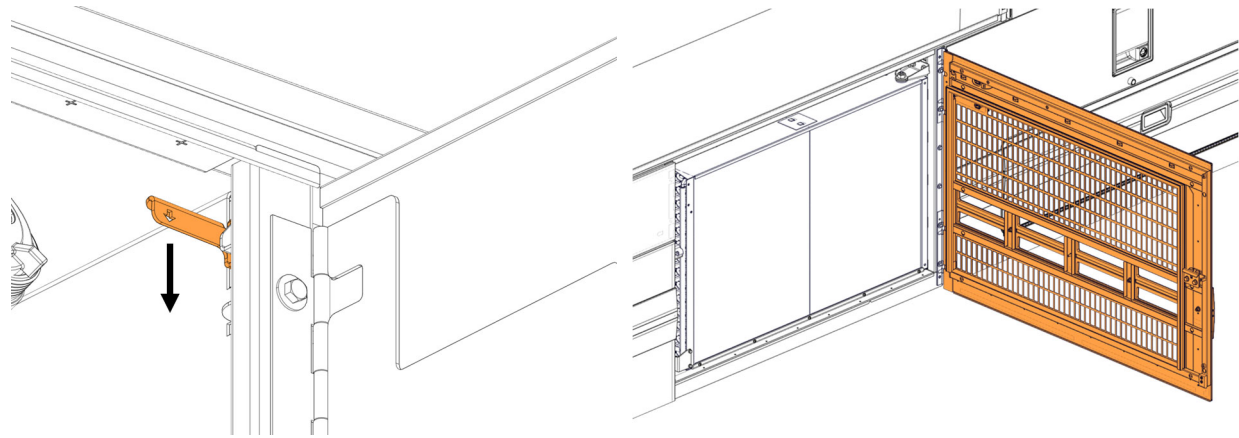
Lockout & Tag out (LOTO) must be performed during set-up, maintenance or repair activities. Refer to your local procedure for detailed information regarding the control of hazardous energy.

HARNESS INSPECTION

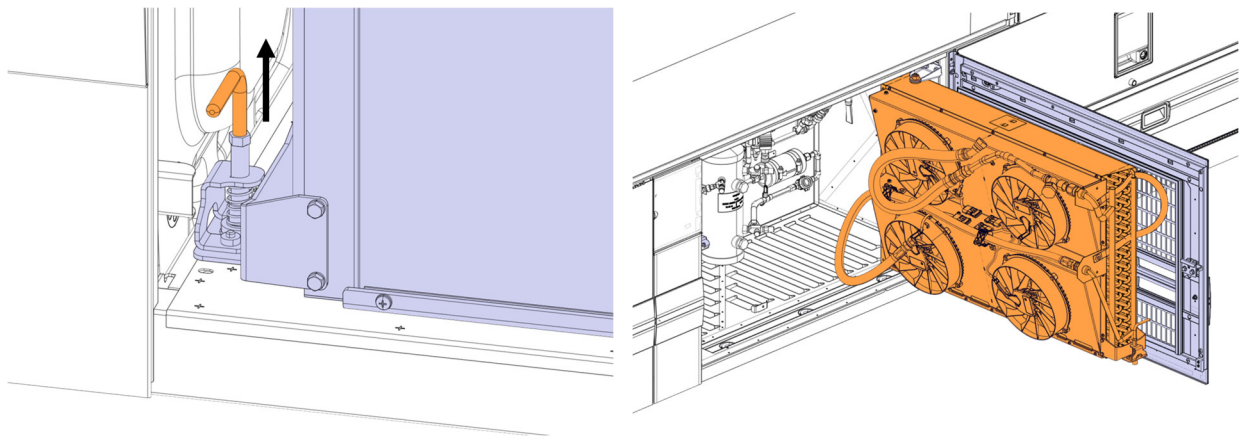
1. Open the fuel door. inspection



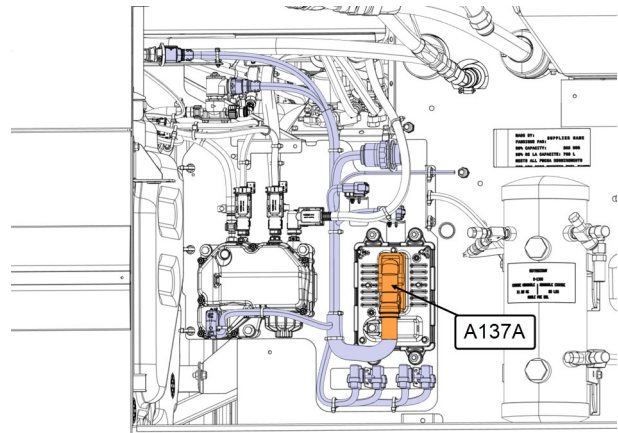
2. Pull down the lever to open the condenser door.



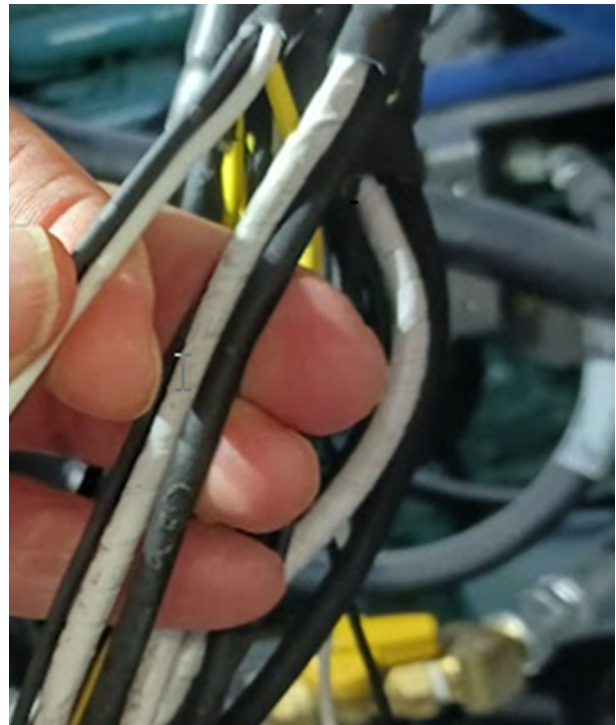
3. To access to the urea system, pull up the lever to remove the condenser.



4. Locate connector A137A.

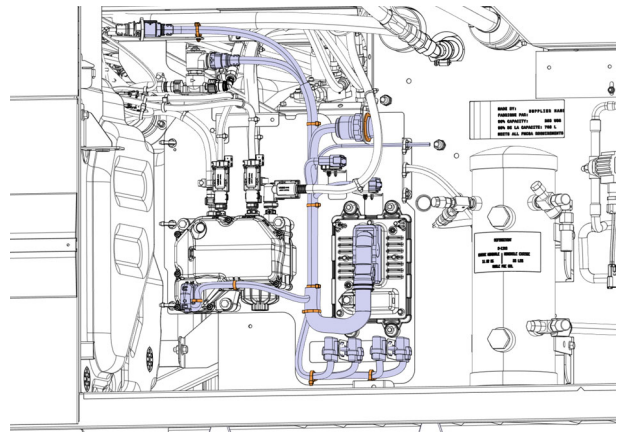


5. Remove eight inches of the loom from connector A137A.
6. Verified if you have wire with a splice see the picture.
- If yes, go to the next step.
 - If no, reinstall the loom and secure the cable to complete the procedure.

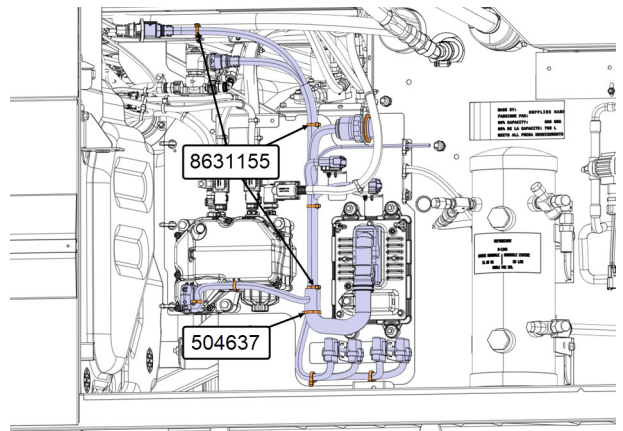


HARNES REPLACEMENT

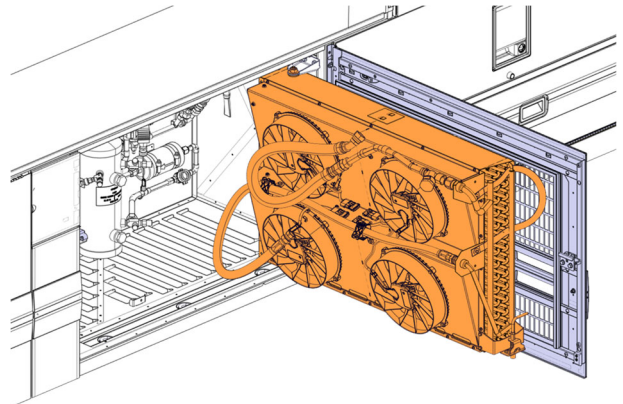
7. Cut all cable ties that secure the urea harness.
8. Unplug the harness.



9. Install the new urea harness 0610591.
10. Secure the harness using cable ties 8631155 (10x) and 504637 (5x).



11. Start the vehicle and make sure there are no error codes.
12. Close condenser door.



PARTS / WASTE DISPOSAL

DO NOT RETURN THE REPLACED PARTS. Discard waste according to applicable environmental regulations (Municipal/State [Prov.]/ Federal)

WARRANTY

This modification is covered by Prevost's normal warranty. We will reimburse you for the part and labor as follows upon receipt of a warranty claim. Please submit claim via our Online Warranty System, available at www.prevostcar.com (under Service \ Warranty section). Use Claim Type: "Bulletin/Recall" and select "Warranty Bulletin WB23-38".

Harness inspection only

½ hour (0.5) of labor

Harness inspection and replacement

2 hours (2.0) of labor

OTHER

VBC Bulletin	N/A
Fail Code	06.15
Defect Code	09
Syst. Cond	B
Causal Part	0610591

Access all our Service Bulletins on
<http://techpub.prevostcar.com/en/>
or scan the QR-Code with your smart phone.



Are you a Vehicle owner? E-mail us at
technicalpublications_prev@volvo.com and type "ADD" in the
subject to receive warranty bulletins applicable to your vehicle(s)
by e-mail.