



PREVOST

SAFETY RECALL

SR24-12

DATE :	April 2024	SECTION :	06 ELECTRICAL
SUBJECT:	GROMMET INSPECTION		

First Release

04-08-2024

APPLICATION

NOTICE TO SERVICE CENTERS	
<i>Verify vehicle eligibility by checking warranty bulletin status with SAP or via ONLINE WARRANTY SYSTEM available on Service / Warranty tab of PrevoSt website.</i>	
Model	VIN
H3-45 coaches Model Year: 2024	From 2PCH33491 <u>RC721714</u> up to 2PCH33498 <u>RC721824</u> incl.
H3-45 VIP motorhomes Model Year: 2024	From 2PCV33496 <u>RC721713</u> up to 2PCVS3491 <u>RC721833</u> incl.
This Safety Recall does not necessarily apply to all the above-mentioned vehicles. Some vehicles may also have been modified before delivery. The owners of the vehicles affected by this recall will be advised by a letter indicating the Vehicle Identification Number (VIN) of each vehicle concerned.	

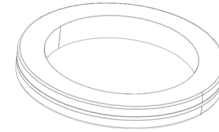
DESCRIPTION

On vehicles affected by this recall, inspect the grommet between the battery compartment and the rear junction box, and cables running through that grommet.

MATERIAL

Order kit **SR24-12** which contains the following

Part No	Description	Qty
504606	GROMMET 3X3.5X.0625X.5X4	1



Order the cable if needed to be replace:

Part No	Description	Qty
0600085	REAR JUNCTION BOX CONTROLE HARNESS H3-45 ONLY	1
0600116	REAR JUNCTION BOX CONTROLE HARNESS VIP-45 ONLY	1
060686	BATTERIE HARNESS 12VD	1
060691	BATTERIE HARNESS 24VD	1
060693	ELECTRONIC BATTERIE GROUND HARNESS	1

Other parts that may be required:

Part No.	Description	Qty
680066	GLUE CYANO. ADBOND 5014S, 25 GR.	AR
680532	SIKAFLEX 221 GREY 310ml	AR

NOTE

Material can be obtained through regular channels.

SAFETY PRECAUTIONS

- Eye protection should always be worn when working in a shop.
- Rules for Personal Protection Equipment should always be respected. Wear your PPE including but not limited to the following:



Safety First!



PROCEDURE



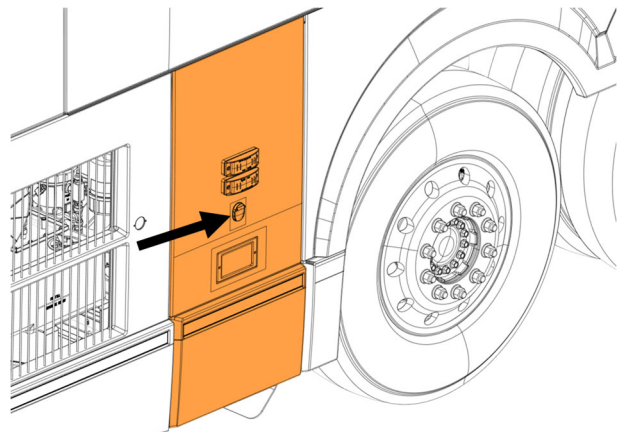
DANGER

Park vehicle safely, apply parking brake, stop the engine. Prior to working on the vehicle, set the ignition switch to the OFF position and trip the main circuit breakers equipped with a trip button. On Commuter type vehicles, set the battery master switch (master cut-out) to the OFF position.

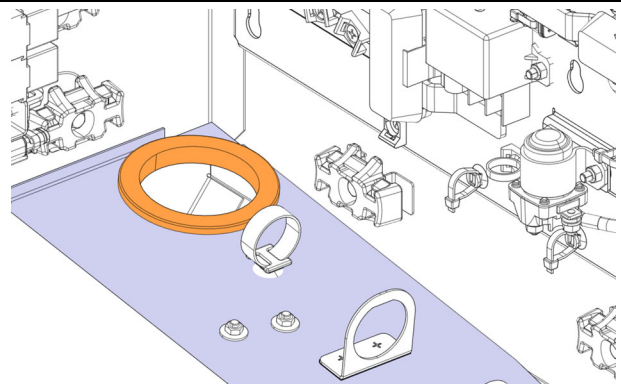
Lockout & Tag out (LOTO) must be performed during set-up, maintenance or repair activities. Refer to your local procedure for detailed information regarding the control of hazardous energy.

GROMMET INSPECTION

1. Open rear service compartment door on curbside.

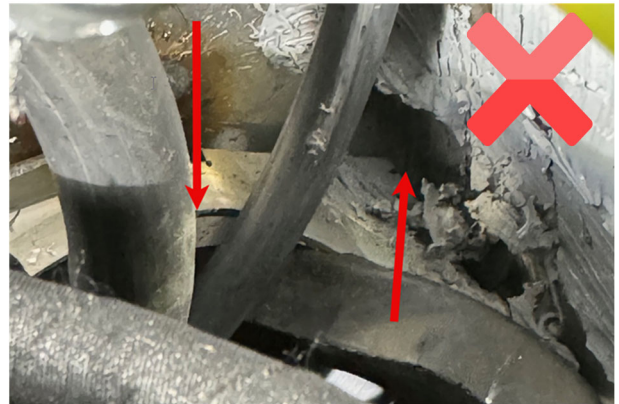


2. Locate the grommet between batteries compartment and rear junction box.

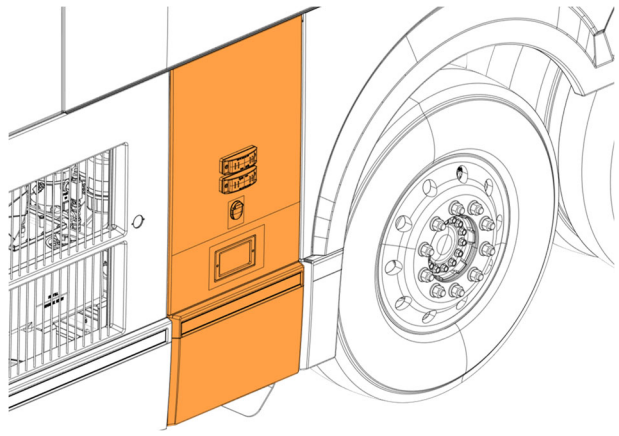


3. Inspect the grommet installation and sealant.

- If the grommet and sealant are correctly installed go to next step to complete the procedure.
- If the grommet and sealant are not correctly installed go to **GROMMET & SEALANT** section.

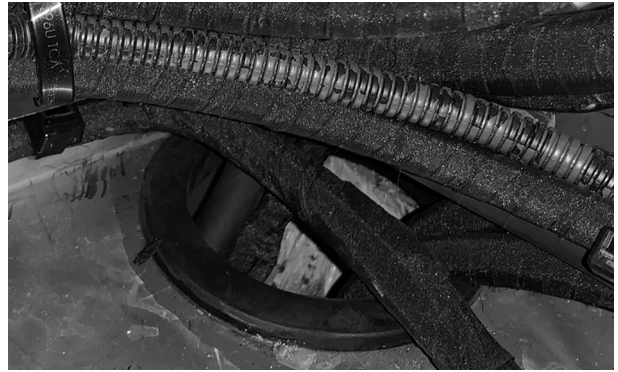


4. Close rear service compartment door.

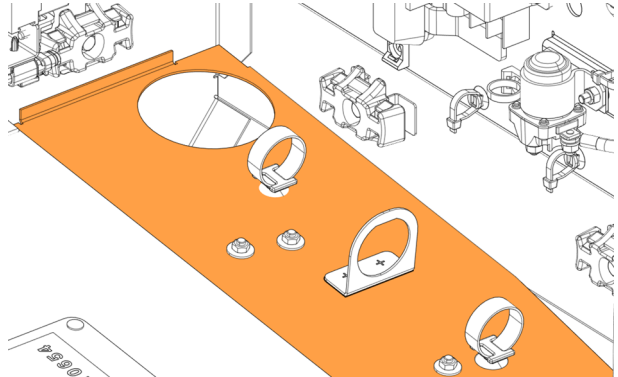


GROMMET & SEALANT

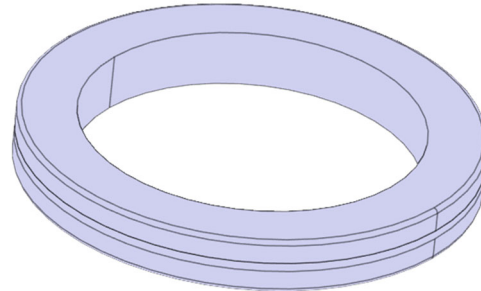
1. Inspect all harnesses at the grommet.
 - If you see the harness sheath is damage, go to **HARNESS REPLACEMENT** section.
 - If harnesses are ok got to next step.



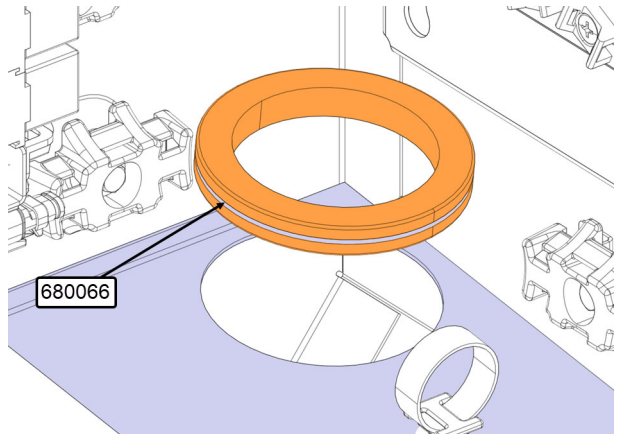
2. Inspect the panel.
 - If the panel is ok go to next step.
 - If no, straighten the sheet metal.



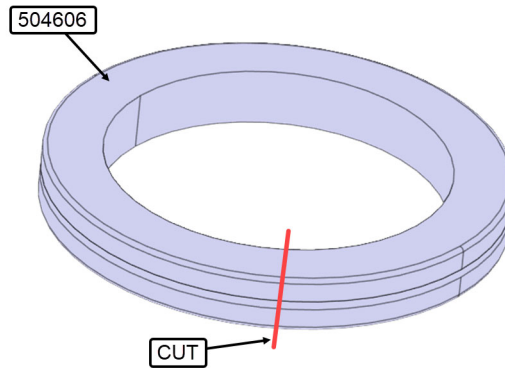
3. Inspect the grommet.
 - If the grommet is ok, go to next step.
 - If the grommet is damage, go to step 7.



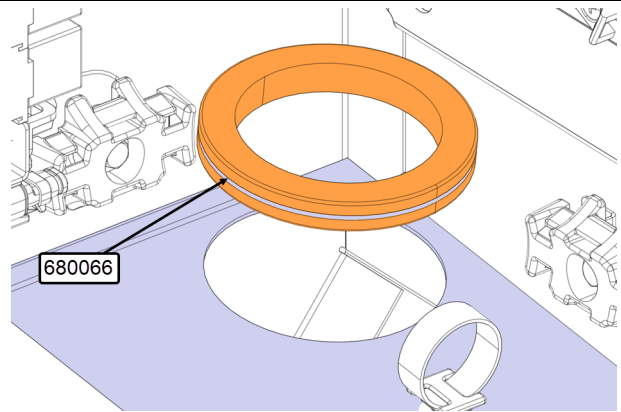
4. Apply glue 680066 to the inside of the grommet groove.
5. Reinstall the grommet on the panel.
6. Go to step 10.



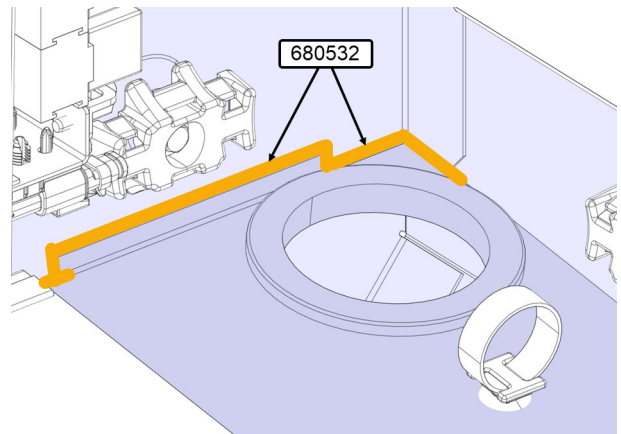
7. Cut the new grommet 504606 to be able to install it.



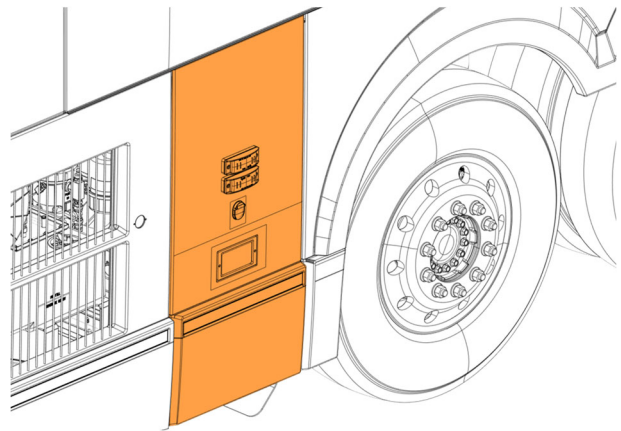
8. Apply glue 680066 to the inside of the grommet groove.
9. Install the grommet on the panel.



10. Apply sealant 680532 panel joint.

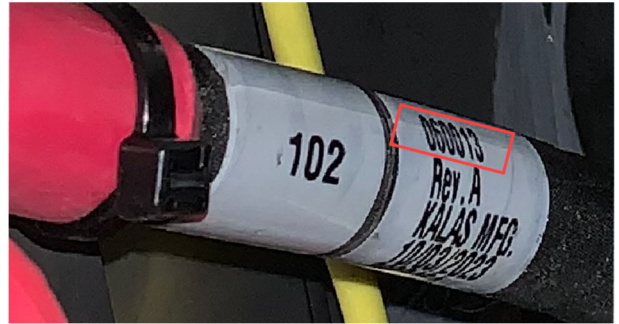


11. Close rear service compartment door.



HARNES REPLACEMENT

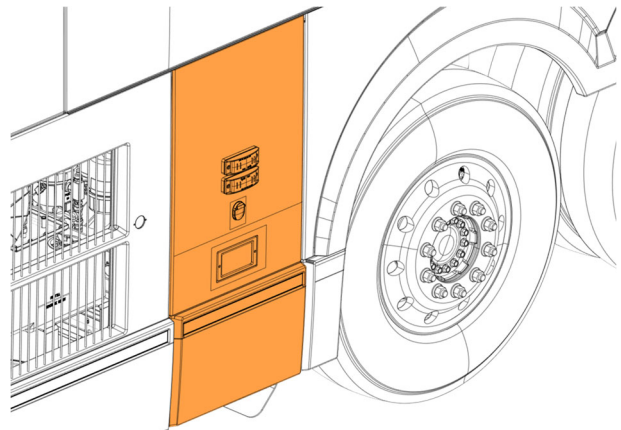
1. Identify the harness number.



2. Order the harness you need see list below.
 - 0600085 Rear junction box control harness H3-45 only
 - 0600116 Rear junction box control harness VIP-45 only
 - 060686 batterie harness 12VD
 - 060691 batterie harness 24VD
 - 060693 Electronic batterie ground harness

3. Unplug the old harness.
4. Plug the new harness use the same rooting of the older one.

5. Close rear service compartment door.



PARTS DISPOSITION

All replaced cables or grommet must be returned to Prevost according to the Return Shipping Instructions available on www.prevostcar.com (under service / warranty section) for full reimbursement. A copy of the warranty claim form must be enclosed with the shipment.

Discard waste according to applicable environmental regulations (Municipal/State[Prov.]/ Federal)

WARRANTY

This modification is covered by Prevost's normal warranty. We will reimburse you the parts and labor as follows upon receipt of a completed A.F.A. Please submit claim via our Online Warranty System, available at www.prevostcar.com (under service \ warranty section). Use Claim Type: "Bulletin/Recall" and select "Safety Recall SR24-12".

Grommet and harness inspection only
¼ hour (0.25) of labor

Grommet and harness inspection and replacement of grommet
¾ hour (0.75) of labor

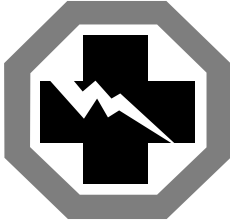
Grommet and harness inspection and replacement grommet and harness replacement
1 ¾ hours (1.75) of labor

OTHER

VBC Bulletin	N/A
Fail Code	06.15
Defect Code	09
Syst.Cond	R
Causal Part	504606

Access all our Service Bulletins on <http://techpub.prevostcar.com/en/> or scan the QR-Code with your smart phone.
E-mail us at technicalpublications_prev@volvo.com and type "ADD" in the subject to receive our warranty bulletins by e-mail.





**Safety Recall
Certification Sheet
(Ref: SR24-12)**

VEHICLE SERIAL NUMBER:

--	--	--	--	--	--	--	--	--	--	--	--	--	--	--	--	--	--	--	--

PERFORMED BY		OWNER/OPERATOR	
We hereby certify that Safety Recall Instructions regarding Safety Recall SR24-12 have been performed.			
Name: _____		Name: _____	
Addr: _____		Addr: _____	
Phone: _____		Phone: _____	
Fax: _____		Fax: _____	
Signature: _____	_____	Signature: _____	_____
Date: _____	_____	Date: _____	_____

If the information mentioned above is incorrect or you are not the owner of this vehicle anymore, please fill this section and return to sender.

NEW OWNER:

BUSINESS:

ADDRESS (including County):

TELEPHONE: _____

FAX: _____

Please return this completed document with your A.F.A. form