

LOW PRESSURE INDICATORS

*Formerly SD-06-2

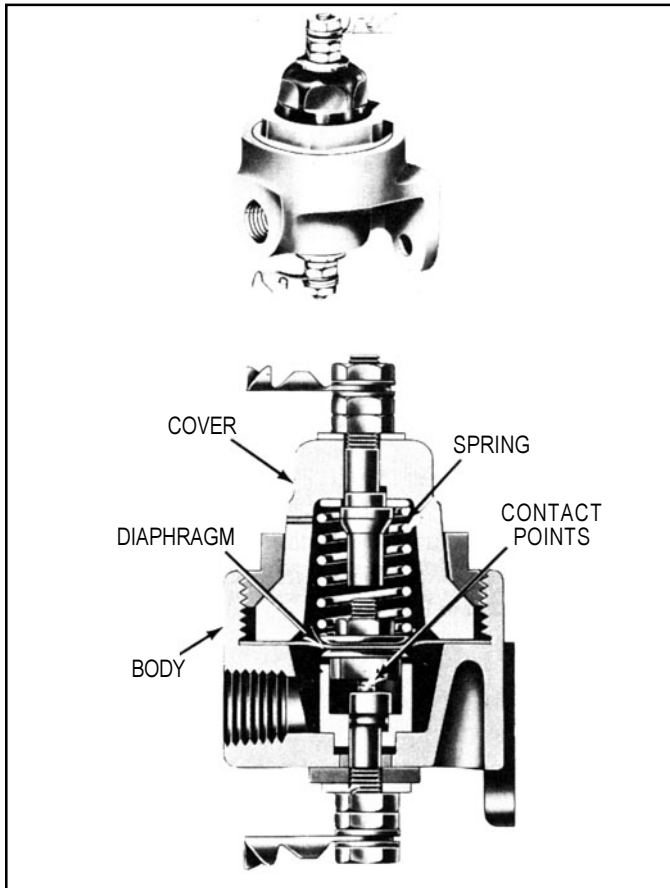


FIGURE 1 - LP-2

DESCRIPTION

The Low Pressure Indicator is a safety device designed to give an automatic warning to the driver whenever air pressure in the air brake system is below the safe minimum for normal vehicle operation. It is usually used to operate an electrical buzzer or warning light, or both, which are audible or visible to the driver.

Two styles of Low Pressure Indicators are currently manufactured.

The LP-2 Low Pressure Indicator, which is the older style and consists of a die cast body with a spring loaded diaphragm clamped between the body and the Bakelite cover.

The LP-3 Low Pressure Indicator is the newer style, consisting of a die cast body, nylon cover and employs a spring loaded O-Ring diaphragm and piston. The LP-3 is

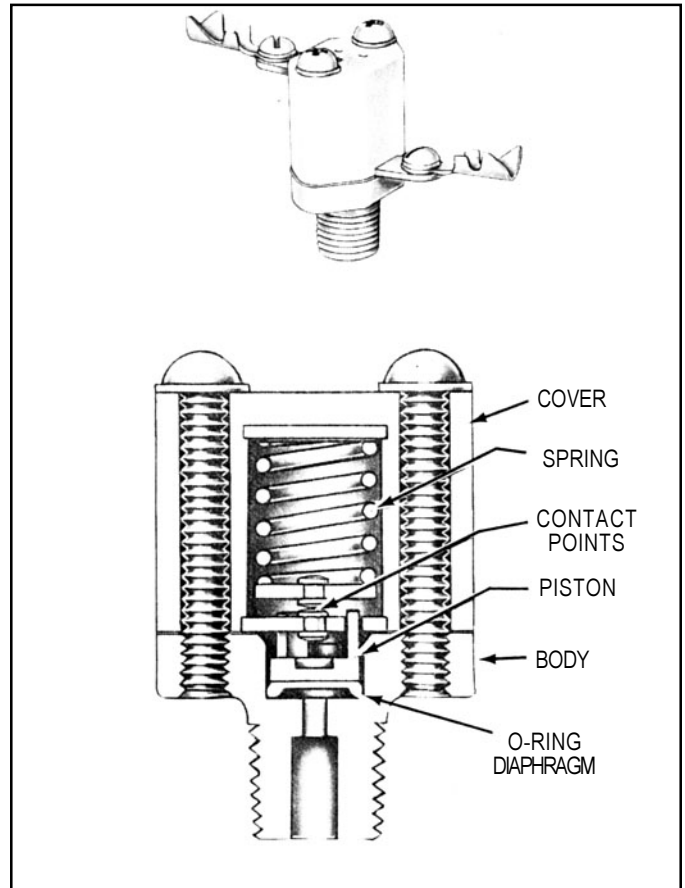


FIGURE 2 - LP-3

available with either one terminal or two. The single terminal unit utilizes a metallic gasket between body and case to ground the lower contact strip. The two terminal unit utilizes a phenolic insulating gasket to isolate both terminals from the vehicle frame.

The electrical contacts provided in both the LP-2 and LP-3 indicators remain closed by spring force until the air brake system pressure below the diaphragm is above the setting (force) of the Low Pressure Indicator spring. The setting of the indicator and piece number is marked on a label on the valve body. If a label is not present, then the vehicle manual should be consulted for the proper setting. The nominal setting of the indicator is 60 psi; however, pressure settings may vary depending upon the vehicle.

OPERATION

To describe the operation, we shall assume that the Low

Pressure Indicator is set for 60 psi. When air pressure at the supply port and under the diaphragm is above 60 psi, the electrical contacts remain open because the force exerted by air pressure underneath the diaphragm overcomes the force exerted by the spring above the diaphragm.

When air pressure below the diaphragm drops below 60 psi, the spring exerts a force which is greater than the force exerted by the air pressure below the diaphragm. This causes the diaphragm (and the piston in the LP-3) to move and allow the electrical contacts to close. This completes or closes the electrical circuit to the warning device, warning the driver of low air pressure in the system.

PREVENTIVE MAINTENANCE

Every six months, 1800 operating hours or 50,000 miles, check electrical connections. Low Pressure Indicator should be checked for proper operation by performing "Operating Test" as described elsewhere in this sheet.

TESTING FOR SERVICEABILITY

OPERATING TEST

1. If possible, determine the setting of the Low Pressure Indicator by referring to the label on the valve or the vehicle manual.
2. Operation of the Low Pressure Indicator may be checked with ignition switch "on" by reducing the system pressure and observing that low pressure warning occurs when system pressure drops below the setting of the Low Pressure Indicator. The contacts will be closed when the warning device operates. If the setting of the indicator is unknown, the contacts should close between approximately 70 psi and 50 psi.

LEAKAGE TEST

1. With air pressure present at the supply port, coat the indicator with soap solution. No leakage permitted.

REMOVING

1. Block the wheels. Otherwise, secure the vehicle with other than service brakes.
2. The ignition switch should be in the "off" position.
3. Drain the air from the system.
4. Disconnect the electrical connections at the Low Pressure Indicator.
5. Disconnect the air line and mounting bolts or unscrew the Indicator from the fitting and remove.

INSTALLING

1. Install in a convenient location for servicing.
2. Connect to a reservoir pressure line at a high point in the system for adequate drainage.

3. If installing an LP-2G Indicator, use a supply line of 1/4 O.D. minimum.
4. Connect the Indicator terminals in series with the ignition switch and the warning device.

DISASSEMBLY

NOTE: It is generally recommended that the Low Pressure Indicator, if faulty, be replaced with a new unit; however, service parts are available; and if repairs are necessary, the following will apply:

LP-2 Unscrew the cover retainer from the body. Remove cover and remove spring and diaphragm assembly.

LP-3. Remove cover screws, lockwashers. Remove cover, contact disc, spring, and shim(s). (Note: Shims may or may not be present.) Remove contact plate, gasket, piston, and O-Ring diaphragm.

CLEANING AND INSPECTION

Clean all metal parts in mineral spirits.

Inspect all parts for wear, cracks, or deterioration and replace all parts not considered serviceable with genuine Bendix parts.

If contact points are not pitted severely, they can be dressed with a fine file.

ASSEMBLY

LP-2

1. Place and position the diaphragm assembly in the body. Position the spring so that it rests on the upper diaphragm follower.
2. Place cover over the diaphragm and screw cover retainer to the body and tighten securely. (Torque to 110-130 inch pounds.)

LP-3

1. Lubricate bore of body and both sides of the O-Ring diaphragm with silicone lubricant BW-650-M (Bendix piece no. 291126).
2. Install O-Ring diaphragm in body. (Note: O-Ring portion of diaphragm should face supply port.)
3. Install piston in body. Flat side of piston should face O-Ring diaphragm.
4. Install gasket. (Always use a phenolic gasket in a two terminal switch and a metallic gasket in the single terminal.)
5. Position contact plate over fingers of piston. Contact plate should rest on face of gasket.
6. If shim(s) are used, place shim(s) in cover.
7. Place spring in cover.
8. Place contact point so that it rests on spring.

9. Install cover on body, using machine screws, making certain that the contact plate is in position over fingers of piston, and arm of contact plate is positioned so that it will fit in groove of cover.
10. Tighten screws securely. (Torque to 20-30 inch pounds).

TEST OF REBUILT LOW PRESSURE INDICATOR

After rebuilding, perform the leakage and operating tests as outlined in section "Testing for Serviceability."

IMPORTANT! PLEASE READ

When working on or around a vehicle, the following general precautions should be observed:

1. Park the vehicle on a level surface, apply the parking brakes, and always block the wheels.
2. Stop the engine when working around the vehicle.
3. If the vehicle is equipped with air brakes, make certain to drain the air pressure from all reservoirs before beginning ANY work on the vehicle.
4. Following the vehicle manufacturer's recommended procedures, deactivate the electrical system in a manner that removes all electrical power from the vehicle.
5. When working in the engine compartment the engine should be shut off. Where circumstances require that the engine be in operation, EXTREME CAUTION should be used to prevent personal injury resulting from contact

- with moving, rotating, leaking, heated, or electrically charged components.
6. Never connect or disconnect a hose or line containing pressure; it may whip. Never remove a component or plug unless you are certain all system pressure has been depleted.
 7. Never exceed recommended pressures and always wear safety glasses.
 8. Do not attempt to install, remove, disassemble or assemble a component until you have read and thoroughly understand the recommended procedures. Use only the proper tools and observe all precautions pertaining to use of those tools.
 9. Use only genuine Bendix replacement parts, components, and kits. Replacement hardware, tubing, hose, fittings, etc. should be of equivalent size, type, and strength as original equipment and be designed specifically for such applications and systems.
 10. Components with stripped threads or damaged parts should be replaced rather than repaired. Repairs requiring machining or welding should not be attempted unless specifically approved and stated by the vehicle or component manufacturer.
 11. Prior to returning the vehicle to service, make certain all components and systems are restored to their proper operating condition.