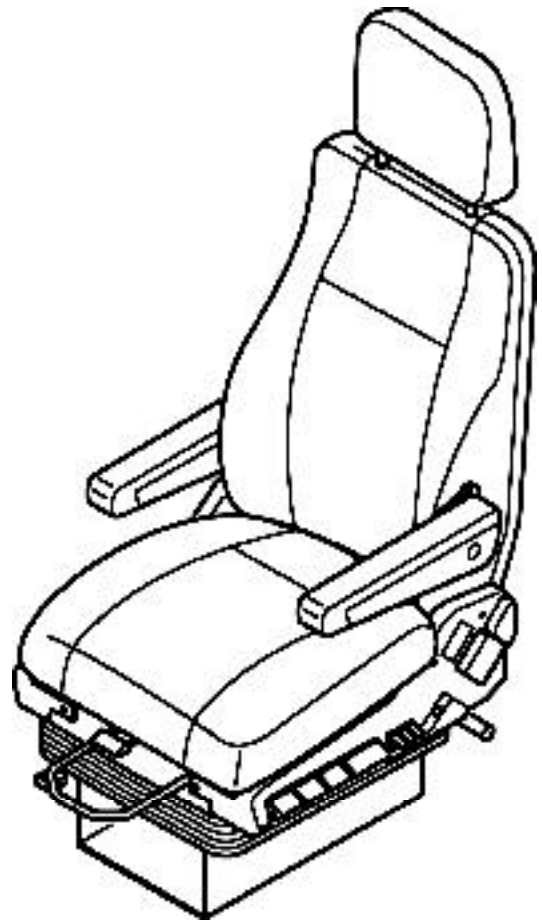


**Isringhausen**  
Seat Model 6800/338 Bus  
Seat Model 6800/338 Premium LX

# Service Manual

---



---

**Read and understand this manual before servicing this seat.**



# INTRODUCTION

**MODEL 6800/338 BUS  
MODEL 6800/338 PREMIUM LX**

## **SERVICE AND REPAIR**

Proper service and repair are important to the safe, reliable operation of this seat. Service and repair should be performed only by responsible persons who have been properly instructed and authorized to do so. The procedures recommend in this manual are safe effective methods for performing service and repair operations.

We could not possibly know, evaluate, and advise the service trade of all conceivable ways in which service can be done or of the possible hazardous consequences of each way. If you use a service procedure which is not recommended, be sure that personal safety and equipment safety will not be jeopardized.

It is the responsibility of the mechanic performing the service and repair to:

- inspect for abnormal wear and damage
- choose a repair procedure that will ensure your safety, the safety of others, and the safe operation of the equipment
- fully inspect and test the equipment to ensure that the repair or service has been properly performed and the equipment will function properly.

This manual describes the correct service procedures for Model 6800/348 Premium seats. The information in this manual was current at the time of printing and is subject to change without notice or liability.

## **READ AND UNDERSTAND THIS MANUAL AND THE OPERATOR'S MANUAL**

Learn how to service Model 6800/348 Premium seats. Failure to do so could result in personal injury or equipment damage. Consult your dealer if you do not understand the instructions in this manual and/or need additional information.

## **KEEP THIS MANUAL**

This manual should be considered a permanent part of the seat and be available for reference when servicing the seat.

## **WARRANTY**

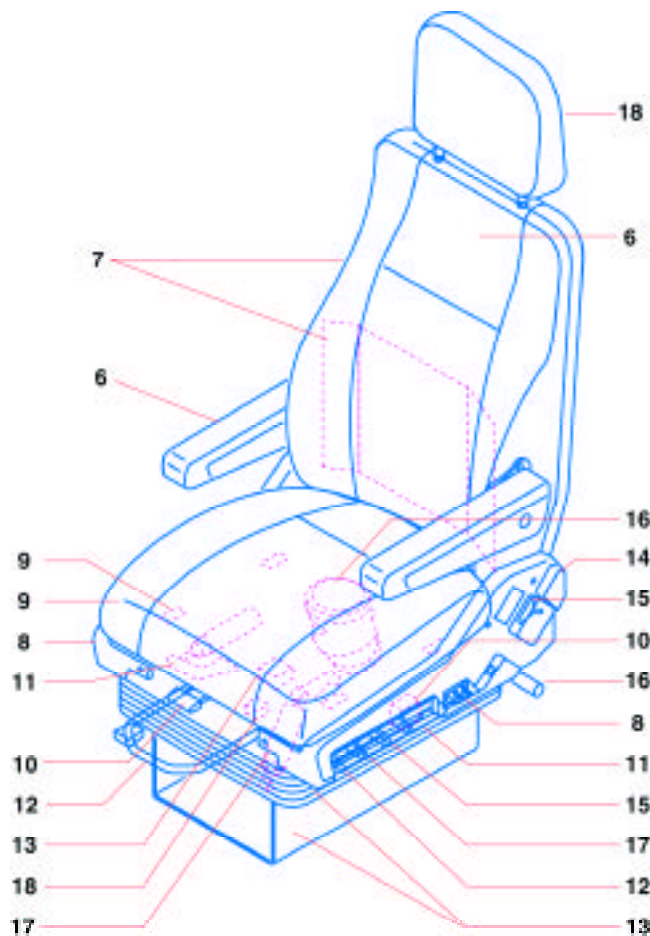
Warranty is provided as part of Isringhausen's support program for customers who operate and maintain their seat as shown in this manual. See the warranty for details.

**MODEL 6800/338 BUS  
MODEL 6800/338 PREMIUM LX**

**TABLE of CONTENTS**

subject	page	subject	page
INTRODUCTION	ii	HEIGHTADJUSTMENT HANDLE	11
GENERAL SAFETY	2	HEIGHTADJUSTMENT CYLINDER AND CAM	11
TROUBLESHOOTING	3	HORIZONTALADJUSTMENT SLIDE SET	12
INSPECTION	4	QUICK AIR RELEASE VALVE AND HANDLE	12
REMOVALAND INSTALLATION		QUICK AIR RELEASE VALVE - SUSPENSION	13
ARMREST	6	RISER AND SUSPENSION	13
BACKREST	6	SEAT FRAME	14
BACKRESTASSEMBLY	7	SEAT FRAME TOOTH PLATE	14
LUMBAR/BOLSTER AIR BAGS	7	BACKRESTADJUSTMENT HANDLE	15
LUMBAR/BOLSTER VALVE	8	TILT ADJUSTMENT HANDLE	15
COVER FRONT, LH AND RH	8	AIR SPRING	16
SEAT PAN ASSEMBLY	9	BOOT, BOOTADAPTER PLATE, BOOT BAR, AND TETHERS	16
GLIDE - SEAT PAN	9	ADJUSTABLE SHOCK ABSORBER CABLE	17
SEAT PAN ASSEMBLY LEVER AND HANDLE	10	ADJUSTABLE SHOCK ABSORBER	17
HEIGHTADJUSTMENT VALVE - SUSPENSION	10	DISTRIBUTION VALVE	18
		HEADREST	18
		PARTS	19

**REMOVAL AND INSTALLATION PAGE NUMBERS**



# GENERAL SAFETY

MODEL 6800/338 BUS  
MODEL 6800/338 PREMIUM LX

In this manual safety messages will alert persons to a specific hazard, the degree or level of hazard seriousness, the probable consequences of involvement with the hazard, and how the hazard can be avoided. Safety messages will include the safety alert symbol, a signal word, and a word message.

## SAFETY ALERT SYMBOL



Indicates a potential personal safety hazard.

## SIGNAL WORDS

**DANGER:** Indicates an imminently hazardous situation which, if not avoided, will result in death or serious injury.

**WARNING:** Indicates an potentially hazardous situation which, if not avoided, could result in death or serious injury.

**CAUTION:** Indicates an potentially hazardous situation which, if not avoided, may result in minor or serious injury.

## WORD MESSAGE

The word message will identify the hazard, indicate how to avoid the hazard, and advise of probable consequence of not avoiding the hazard.

<b>Problem</b>	<b>Cause</b>	<b>Solution</b>	<b>Page</b>
Armrest will not stay in position.	Armrest control is defective.	Replace armrest.	6
Backrest will not adjust and/or stay adjusted.	Teeth on backrest are defective.	Replace backrest.	6
	Backrest seat latch is defective.	Replace backrest seat latch.	14
Lumbar/Bolster will not inflate.	No air supply to seat.	90 to 145 psi req'd.	5
	Air lines leak.	Replace air lines.	7
	Valve is defective.	Replace valve.	8
	Air bags leak.	Replace air bags.	7
Height will not adjust and/or stay adjusted.	Height adj. cam is defective.	Replace height adj. cam.	11
	Height adj. cylinder is defective.	Replace height adj. cylinder.	11
	Height adj. valve is defective.	Replace height adj. valve.	10
Horizontal slide will not adjust and/or stay adjusted.	Horizontal slide is defective.	Replace horizontal slide.	12
Seat pan assem. will not adjust and/or stay adjusted.	Seat pan lever is defective.	Replace seat pan lever.	10
	Seat pan glides are defective.	Replace seat pan glides.	9
Quick air release will not function.	No air supply to seat.	90 to 145 psi req'd.	5
	Valve is defective.	Replace valve.	12
Adjustable shock absorber will not adjust.	Shock absorber is defective.	Replace shock absorber.	17
	Shock absorber cable is defective.	Replace shock absorber cable.	17
Suspension will not function properly.	Suspension is defective.	Replace suspension.	13

# INSPECTION

MODEL 6800/338 BUS  
MODEL 6800/338 PREMIUM LX



## CAUTION

**Avoid the risk of injury.**  
Vehicle must be in a safe parked position before inspecting seat.

Visually inspect the seat. Look for damaged or worn upholstery and parts. The seat should be clean and free of dirt and debris. Check all the seat functions they should work properly and be in good condition.

### 1. Adjustable armrest

Should move up freely, the adjustment knob should be easy to use, the armrest must stay in the adjusted position.

### 2. Backrest adjustment

The control should be easy to release then the backrest should move freely. The backrest must stay in the adjusted position.

### 3. Backrest side bolster

The control should be easy to move to the inflate or deflate position and must return to neutral when released. Each side bolster should inflate and deflate evenly and stay at the adjusted firmness.

### 4. Height adjustment

Control should be easy to move and hold the seat in the adjusted position when released.

### 5. Horizontal adjustment

Control should be easy to move and hold the seat in the adjusted position when released.

### 6. Seat tilt adjustment

Control should be easy to move and hold the seat in the adjusted position when released.

### 7. Lower and upper lumbar support

The controls should be easy to move to the inflate or deflate position and must return to neutral when released. Each lumbar support must stay at the adjusted firmness.

### 8. Cushion length adjustment

Control should be easy to move and hold the seat cushion in the adjusted position when released.

### 9. Adjustable shock absorber

Control should be easy to move and stay in position when released.

### 10. Quick air release

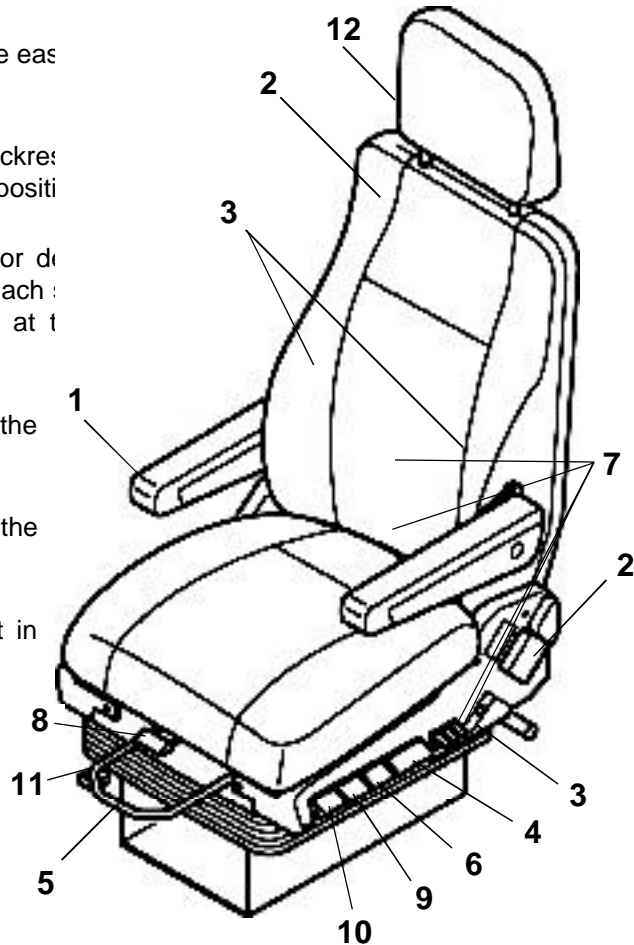
Control should be easy to move and hold seat in the adjusted position when released.

### 11. Horizontal isolator

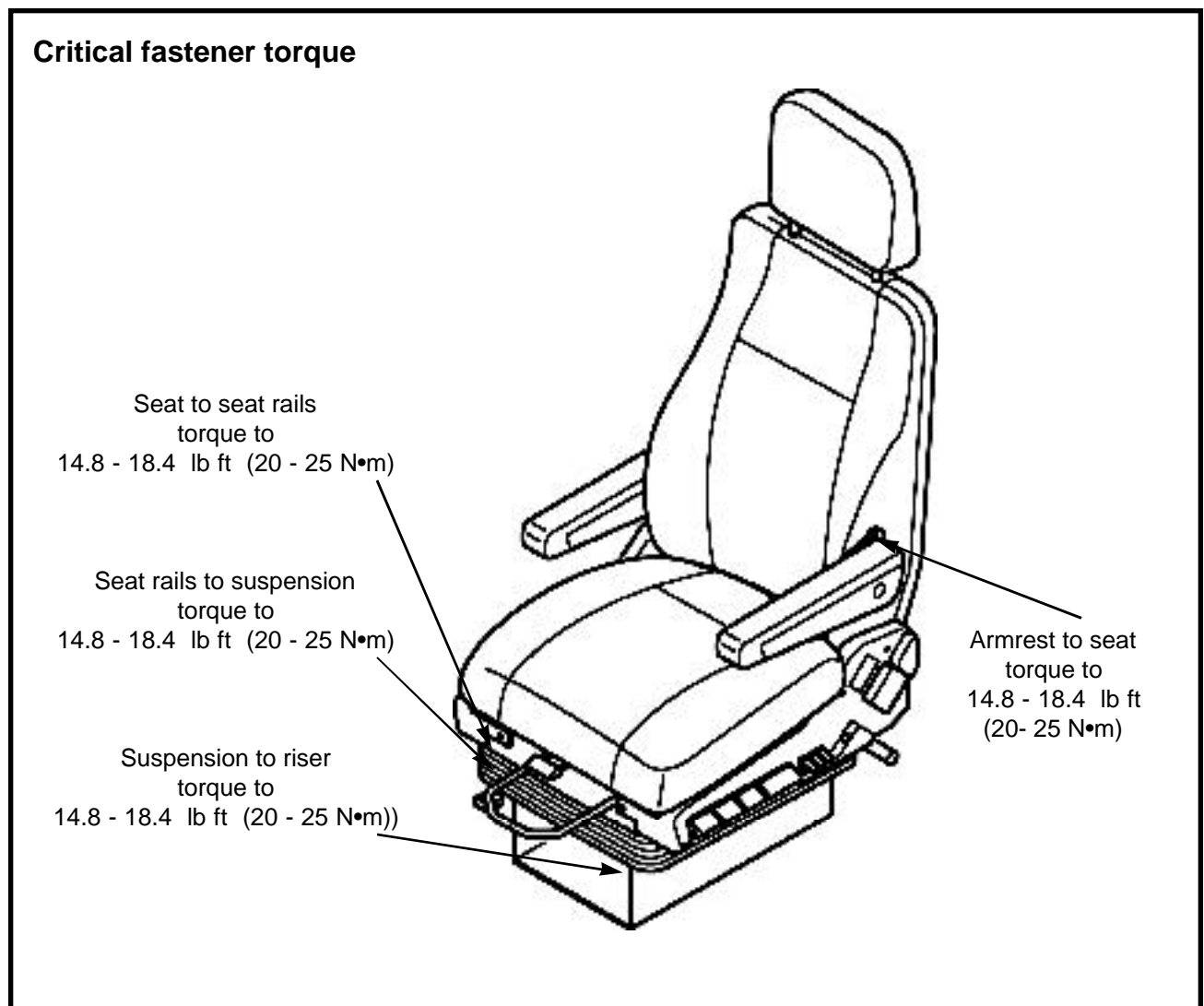
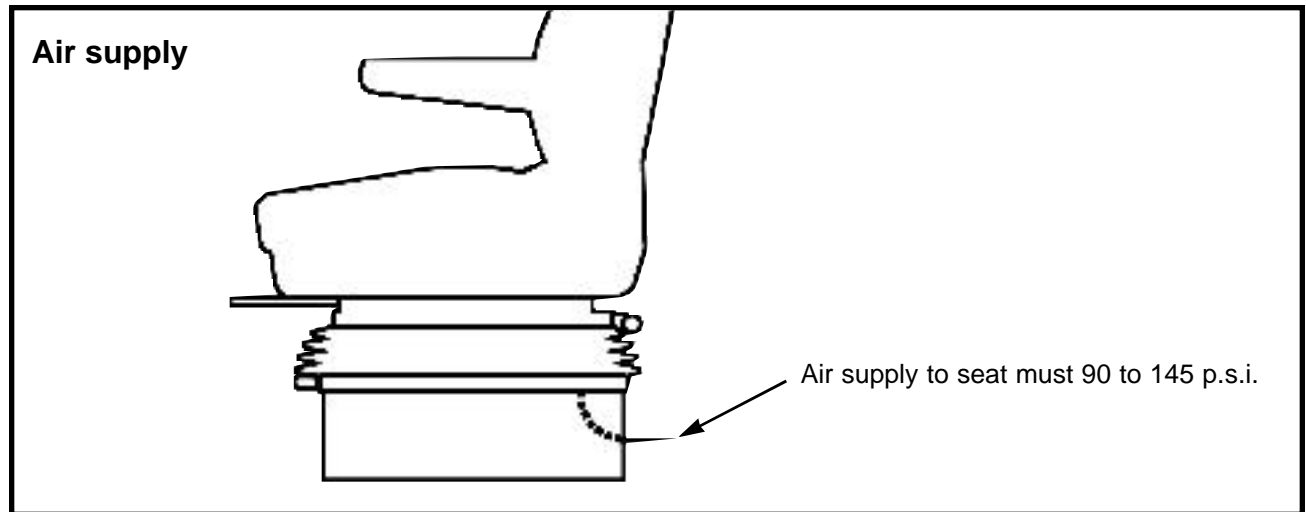
Control should be easy to move and stay in position when released.

### 12. Headrest

Should be easy to move up and down and stay in position. Headrest should tilt forward and backward freely.



If the seat is not functioning properly take it out of service until it can be repaired.



# REMOVAL and INSTALLATION

MODEL 6800/338 BUS  
MODEL 6800/338 PREMIUM LX



**Avoid the risk of injury.** Vehicle must be in a safe parked position before working on the seat.

## NOTICE

To remove seat from vehicle follow vehicle manufacturer's instructions.

### Armrest

#### Set up

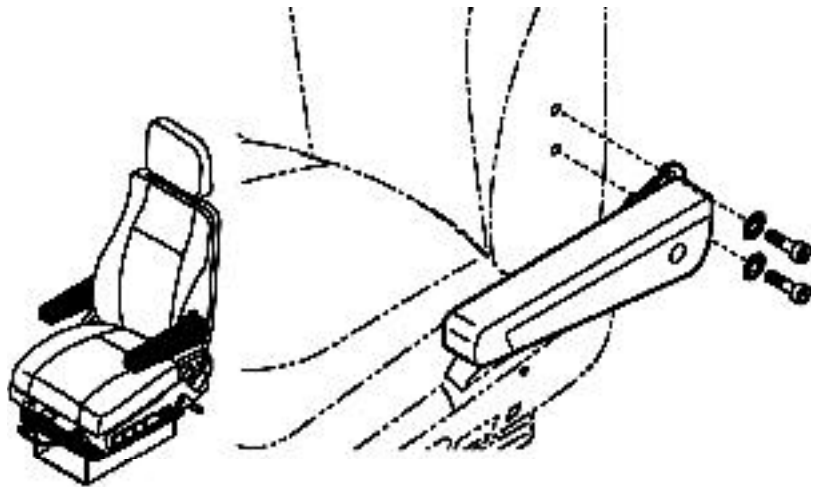
- Vehicle must be in a safe parked position or seat removed from vehicle.

#### Removal

- Remove fasteners
- Remove armrest

#### Installation

- Fasten armrest to seat with screws and lockwashers.
- Torque screws to 14.8 - 18.4 lb ft (20 - 25 N•m)



### Backrest

#### Set up

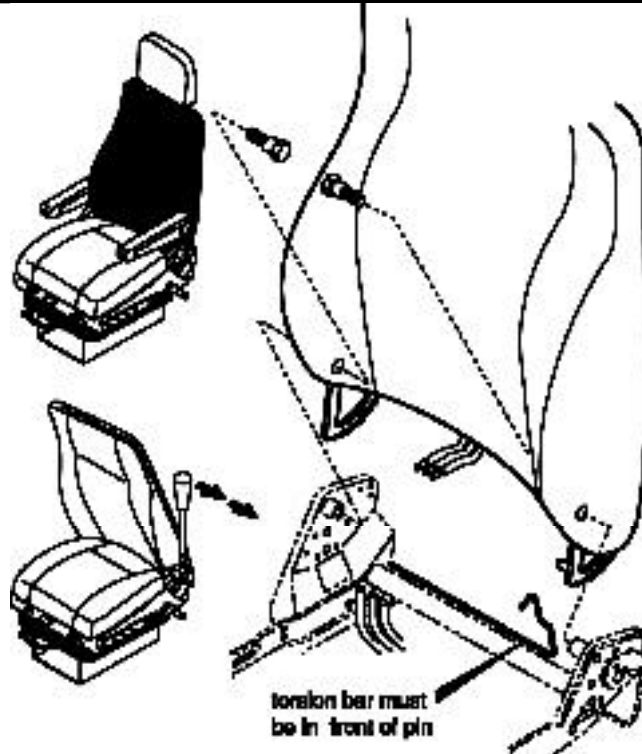
- Vehicle must be in a safe parked position or seat removed from vehicle.

#### Removal

- Mark and disconnect air lines
- Remove fasteners
- Pry one side of seat frame away from backrest
- Remove backrest

#### Installation

- Put one side of backrest in place
- Pry other side of seat frame away and put backrest in place
- Fasten backrest to seat frame with shoulder bolts
- Torque shoulder bolts to 22 - 25.5 lb ft (30 - 35 N•m)
- Connect air lines





## Backrest assembly

### Set up

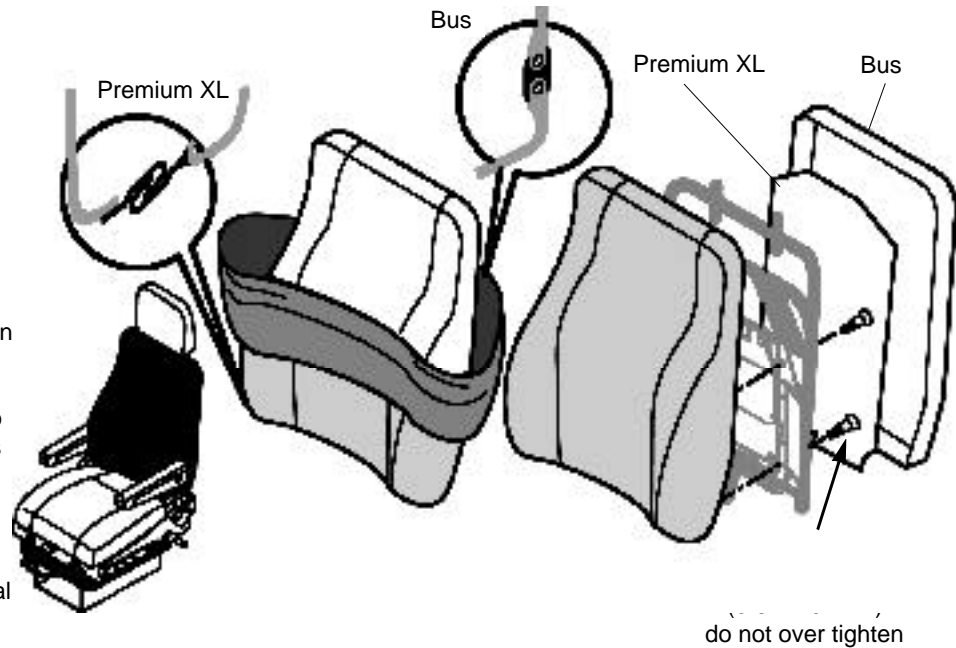
- Backrest must be removed from seat (see **Backrest**)

### Removal

- Premium XL - remove upholstery and backrest liner
- Bus - remove cover, hog rings and wires.-- remove upholstery
- Remove backrest cushion fasteners -- remove cushion

### Installation

- Fasten backrest cushion to backrest frame with screws
- Premium XL - install backrest liner and upholstery
- Bus - install upholstery, hog rings and wires.-- instal cover



## Lumbar and bolster air bags

### Set up

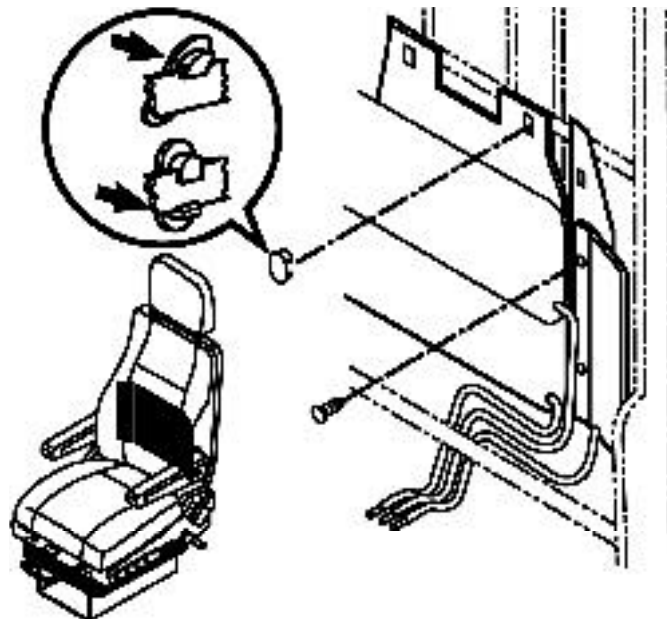
- Remove backrest components (see **Backrest assembly**)

### Removal

- Remove air bag clips, push fasteners and cable ties
- Remove air bags

### Installation

- Fasten air bags to backrest frame with clips - put long clip arm over bar and snap bottom of clip in place
- Install push fasteners and cable ties



# REMOVAL and INSTALLATION

MODEL 6800/338 BUS  
MODEL 6800/338 PREMIUM LX

## Lumbar and bolster valve

### Set up

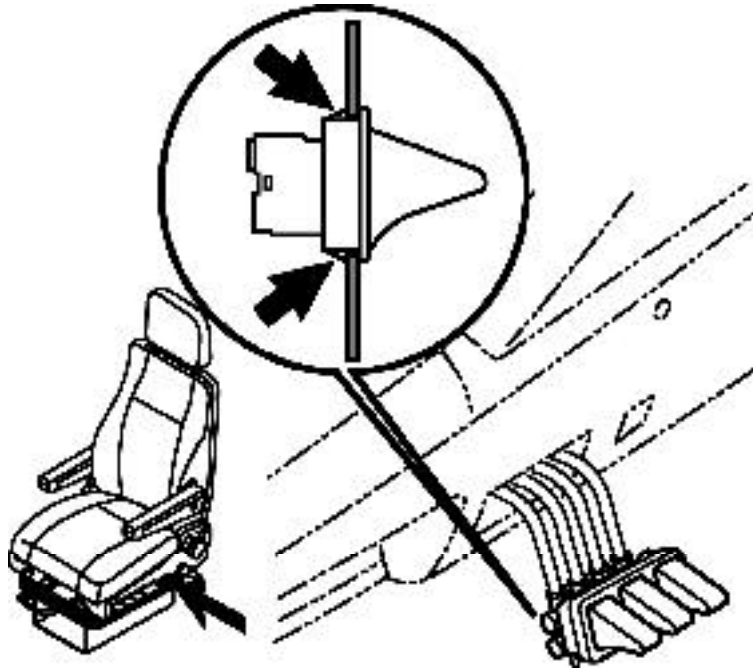
- Cover must be removed from seat (see **Covers front, LH and RH**)

### Removal

- Mark air line and remove them from valve
- Press valve clips in and remove valve from cover

### Installation

- Snap valve into cover
- Connect air lines



## Covers, LH and RH

### Set up

- Vehicle must be in a safe parked position or seat removed from vehicle.

### Removal

#### Control cover

- Remove backrest adjustment handle
- Remove tilt adjustment handle - for fastener access
- Remove fasteners and cover

#### Non control cover

- Remove fasteners and cover

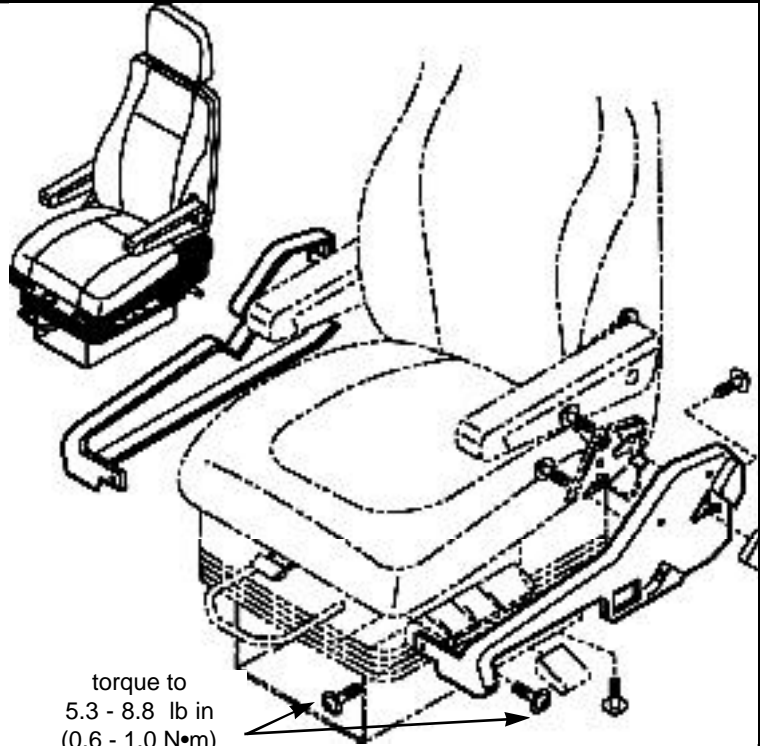
### Installation

#### Control cover

- Fasten cover to seat frame with screws
- Install backrest adjustment handle
- Install tilt adjustment handle - removed for fastener access

#### Non control cover

- Fasten cover to seat frame with screws



torque to  
5.3 - 8.8 lb in  
(0.6 - 1.0 N•m)  
do not over tighten

## Seat pan assembly

### Set up

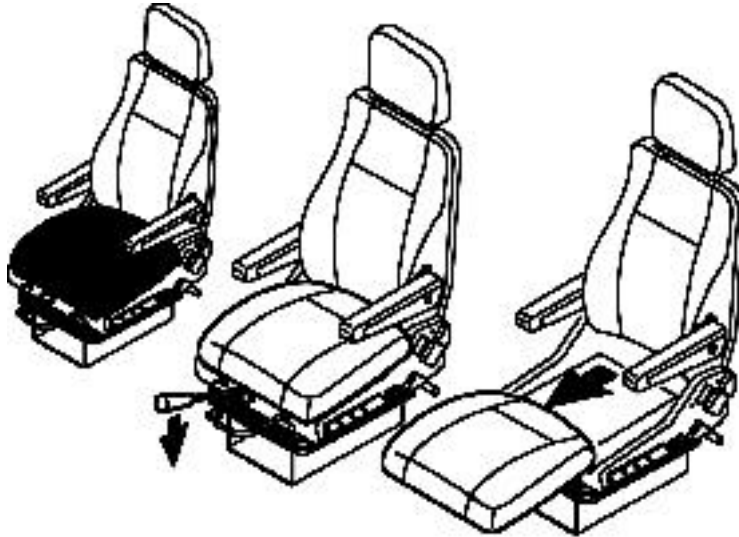
- Vehicle must be in a safe parked position or seat removed from vehicle.

### Removal

- Slide cushion assembly forward
- Pry lever handle up to release cushion stop -- lift cushion off of glides

### Installation

- Put seat cushion assembly on glides and slide back



## Glides - seat pan

### Set up

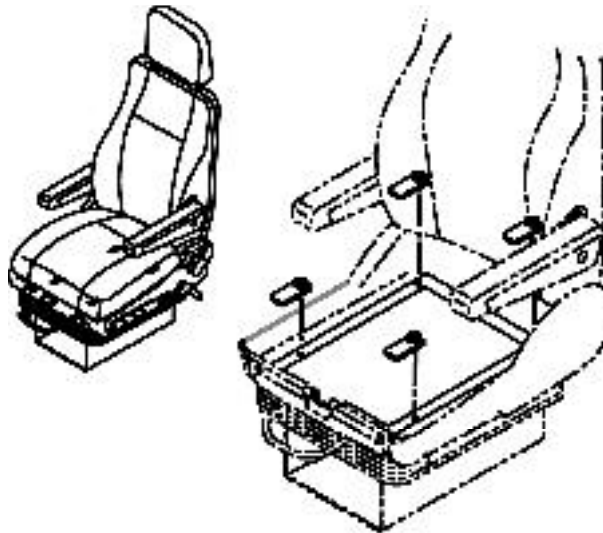
- Seat cushion must be removed from seat (see **Cushion seat pan**)

### Removal

- Remove cushion glides

### Installation

- Install cushion glides to seat frame



# REMOVAL and INSTALLATION

MODEL 6800/338 BUS  
MODEL 6800/338 PREMIUM LX

## Seat pan assembly, lever and handle

### Set up

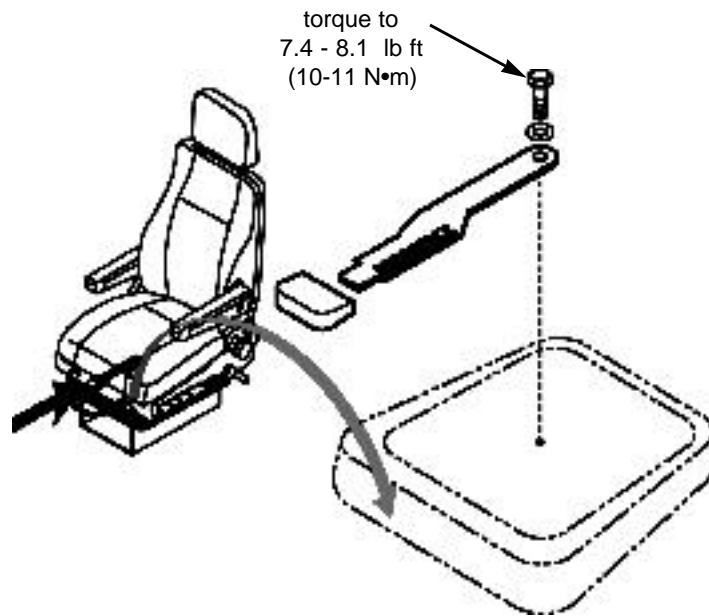
- Seat cushion must be removed from seat (see **Cushion seat pan**)

### Removal

- Pull handle off
- Remove lever fasteners and remove lever

### Installation

- Align locator button of lever with hole in seat pan
- Fasten lever to seat pan with screw and washer
- Push handle on



## Height adjustment valve

### Set up

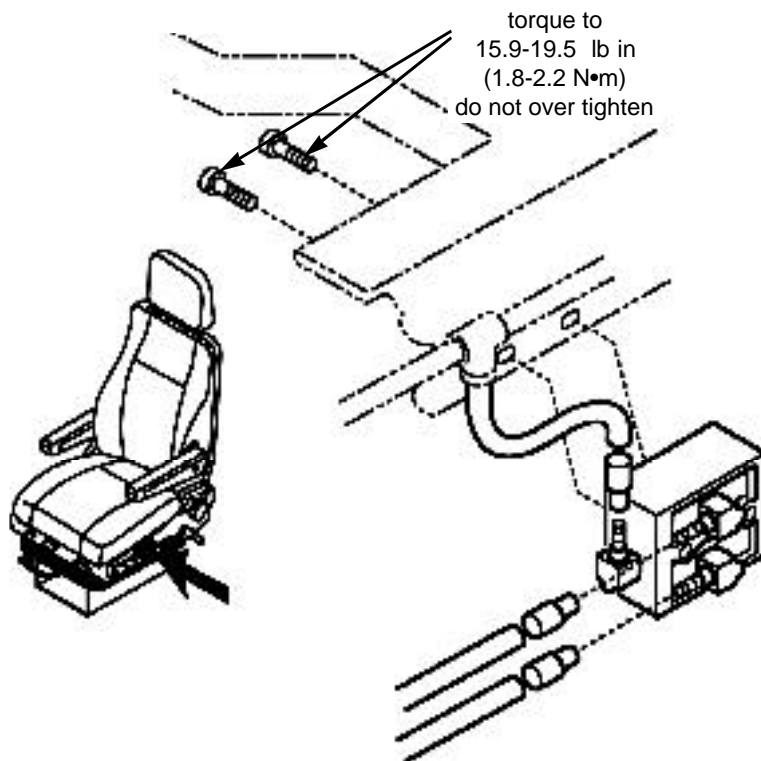
- Seat cushion must be removed from seat (see **Cushion seat pan**)

### Removal

- Mark and remove air lines from valve
- Remove valve fasteners
- \* Remove valve

### Installation

- Fasten valve to seat frame with screw
- Connect air lines



### Height adjustment handle

#### Set up

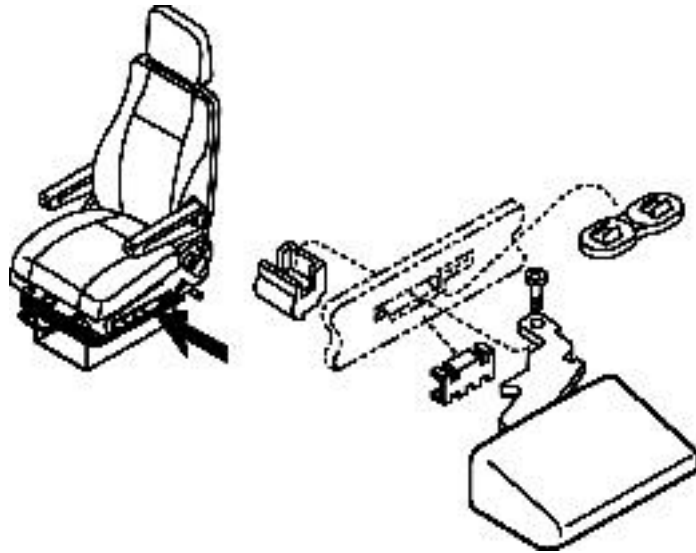
- Vehicle must be in a safe parked position or seat removed from vehicle
- Control cover must be removed (see Covers front, LH and RH)

#### Removal

- Remove screw and cam
- Pull handle and lever out
- Remove retainers

#### Installation

- Put upper retainers in place
- Put lever in place
- Put lower retainers in place - be sure it snaps in place
- Install cam and screw
- Install handle



### Height adjustment cylinder and cam

#### Set up

- Vehicle must be in a safe parked position or seat removed from vehicle
- Seat cushion must be removed from seat (see Cushion seat pan)

#### Removal

##### Air cylinder

- Remove base end pin and retainer washer - remove rod end fastener, air line, and remove cylinder

##### Cam

- Remove rod end fastener
- Remove E ring and mounting pin
- Remove cam

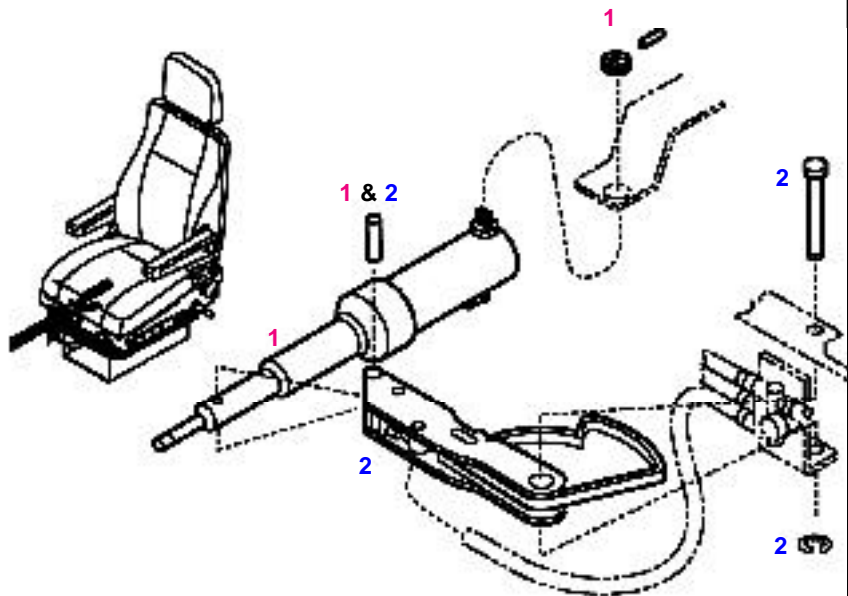
#### Installation

##### Air cylinder

- Put cylinder in place and install base end pin and retainer washer - install rod end fastener, connect air line

##### Cam

- Put cam in place and install pin and E ring



1 = Cylinder kit  
2 = Cam kit

# REMOVAL and INSTALLATION

MODEL 6800/338 BUS  
MODEL 6800/338 PREMIUM LX

## Horizontal adjustment slide set

### Set up

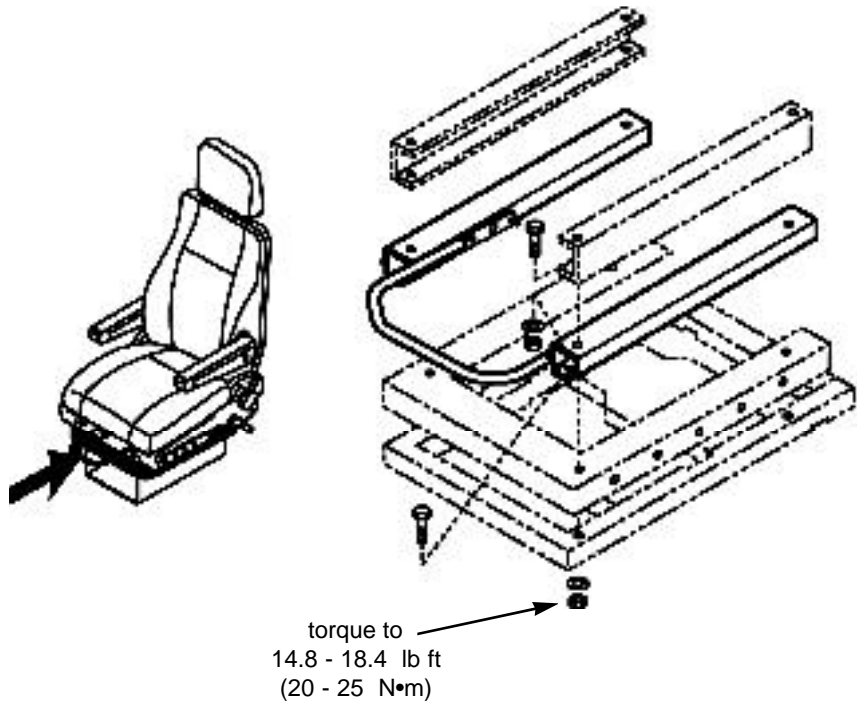
- Seat frame must be removed (see **Seat frame**)

### Removal

- Move horizontal adjustment forward or back to allow access to fasteners
- Remove mounting fasteners

### Installation

- Move horizontal adjustment forward or back to allow access to fasteners
- Install mounting fasteners



## Quick air release - valve and handle LH and RH

### Set up

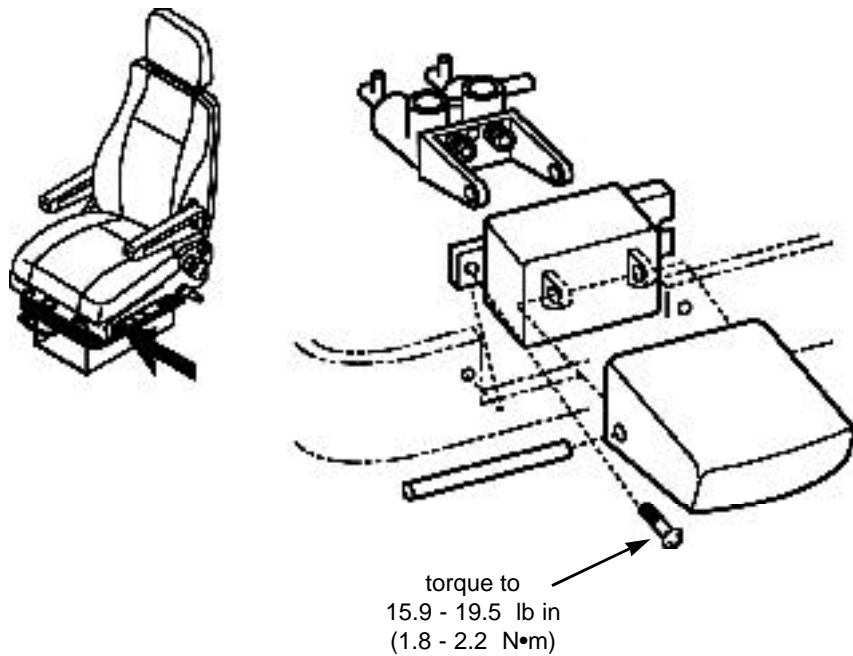
- Seat cushion must be removed from seat (see **Cushion seat pan**)

### Removal

- Mark and remove air lines from valve
- Remove valve fasteners
- Remove valve
- Remove valve handle pin and valve handle

### Installation

- Fasten valve handle to valve with pin
- Fasten valve to seat frame with screw
- Connect air lines



## Quick air release valve - suspension

### Set up

- Seat cushion must be removed from seat (see **Cushion seat pan**)

### Removal

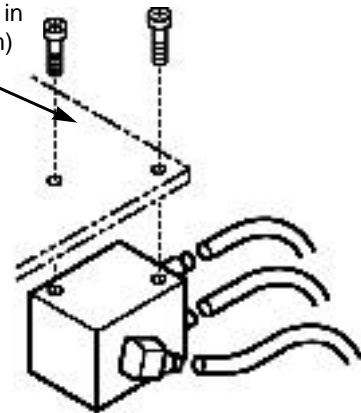
- Mark and remove air lines from valve
- Remove valve fasteners and remove valve

### Installation

- Fasten valve to suspension with screws
- Connect air lines



torque to  
15.9 - 19.5 lb in  
(1.8 - 2.2 N•m)



## Riser and Suspension

### Set up - riser and suspension

- Vehicle must be in a safe parked position or seat removed from vehicle.

### Set up - suspension

- Boot, Boot adapter plate, ICP bar, and tethers must be removed (see **Boot, Boot adapter plate, ICP bar, and tethers**)

### Removal - suspension

- Remove air line
- Remove suspension to riser fasteners and remove suspension

### Installation - suspension

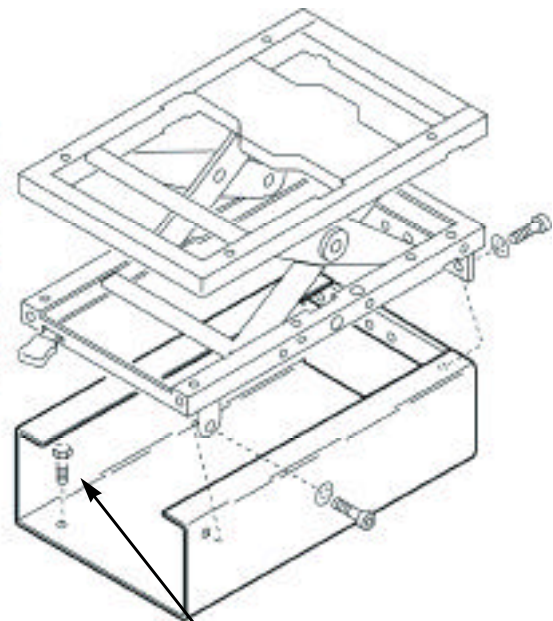
- Put suspension in place
- Install fasteners and torque to 14.8 - 18.4 lb ft (20 - 25 N•m)
- Connect air line

### Removal - riser

- Remove riser to floor fasteners and remove riser

### Installation - riser

- Put riser in place and install fasteners, torque to manufactures specification



torque to  
manufactures  
recommendation

# REMOVAL and INSTALLATION

MODEL 6800/338 BUS  
MODEL 6800/338 PREMIUM LX

## Seat frame

### Set up

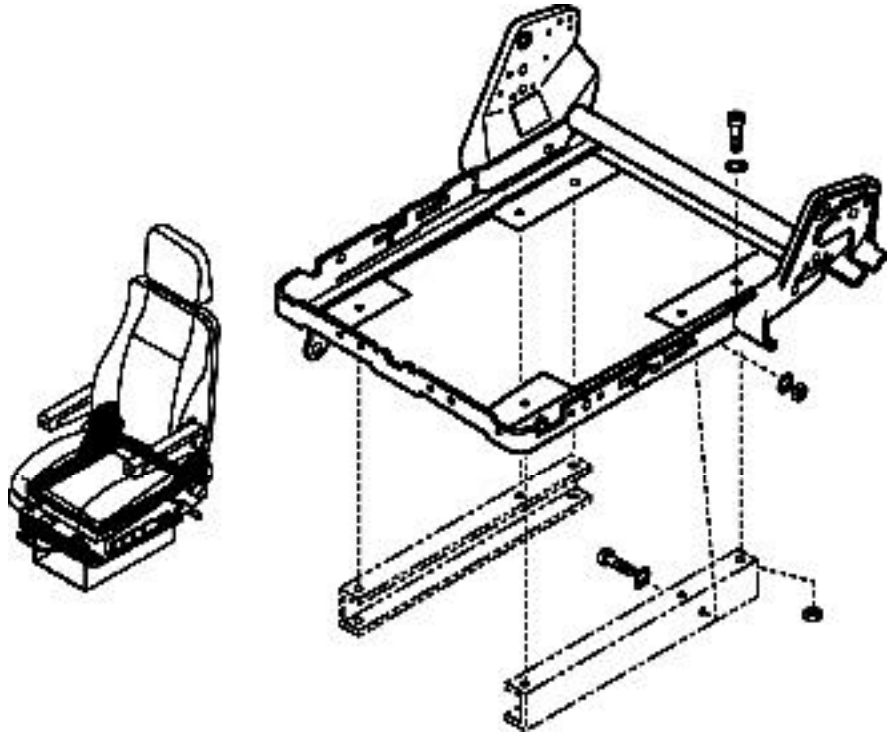
- Seat cushion and backrest must be removed from seat (see **Cushion seat pan and Backrest**)
- Shock absorber handle and cable must be removed. (see **Adjustable shock absorber handle and cable - handle end**)

### Removal

- Mark and remove air lines
- Remove fasteners
- Remove seat frame

### Installation

- Fasten seat frame to static spacer rails with bolts and nuts
- Torque fasteners to 14.8 - 18.4 lb ft (20 - 25 N•m)
- Connect air lines



## Seat frame tooth plate

### Set up

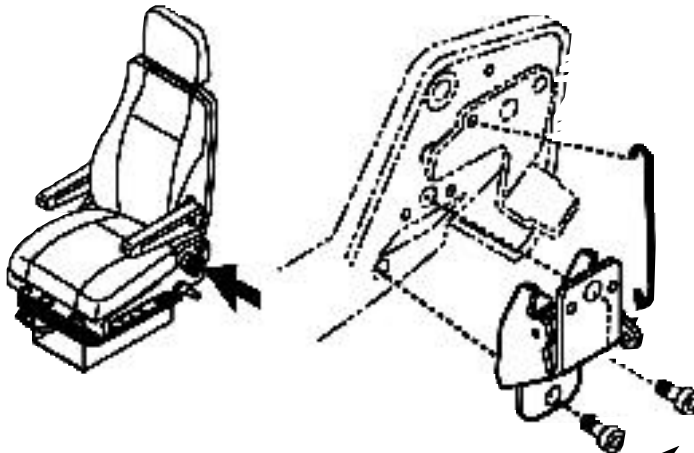
- Backrest and covers must be removed from seat (see **Backrest and Covers front, LH and RH**)

### Removal

- Remove seat latch fasteners
- Remove seat latch
- Remove connecting link

### Installation

- Install connecting link
- Fasten seat latch to seat frame with screws



torque to  
14.8 - 18.4 lb ft  
(20 - 25 N•m)



## Backrest adjustment handle

### Set up

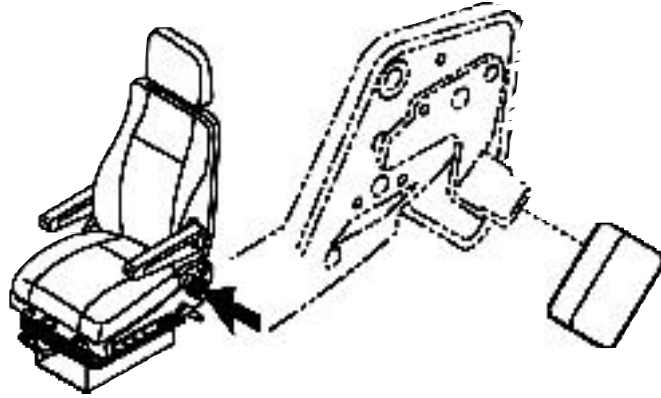
- Vehicle must be in a safe parked position or seat removed from vehicle.

### Removal

- Pull handle off

### Installation

- Push handle on



## Tilt handle

### Set up

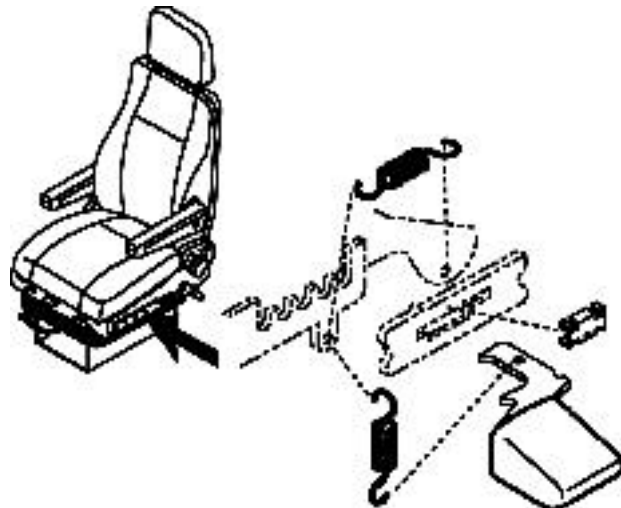
- Vehicle must be in a safe parked position or seat removed from vehicle.

### Removal

- Remove springs
- Pull handle and lever out
- Remove retainer

### Installation

- Put lever in place
- Install retainer, be sure it snaps in place
- Install springs
- Install handle



# REMOVAL and INSTALLATION

MODEL 6800/338 BUS  
MODEL 6800/338 PREMIUM LX

## Air spring

### Set up

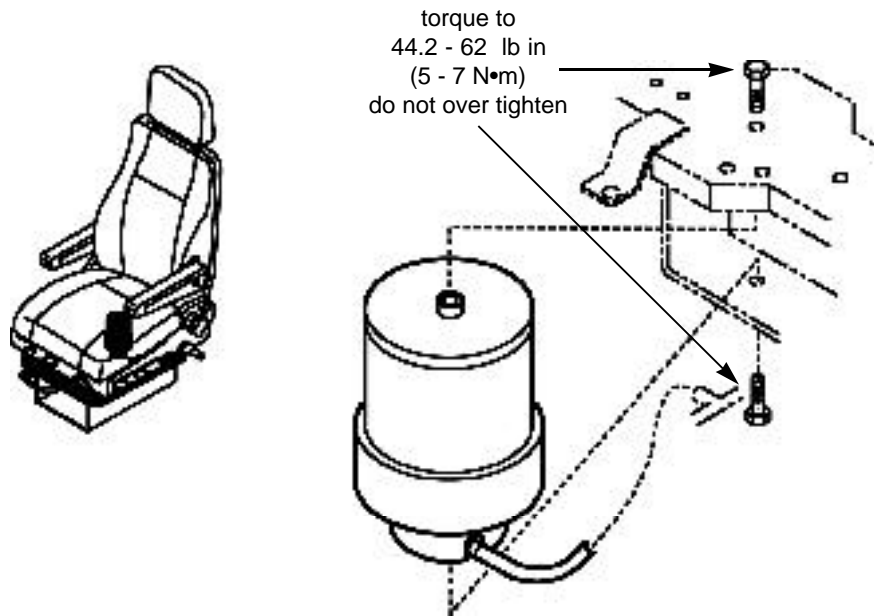
- Seat must be removed from vehicle
- Seat cushion must be removed from seat (see **Cushion seat pan**)

### Removal

- Mark and disconnect air line
- Remove top and bottom mounting fasteners
- Remove air spring

### Installation

- Put air spring in place
- Install top and bottom mounting fasteners
- Connect air line



## Boot, Boot adapter plate ICP bar, and tethers

### Set up

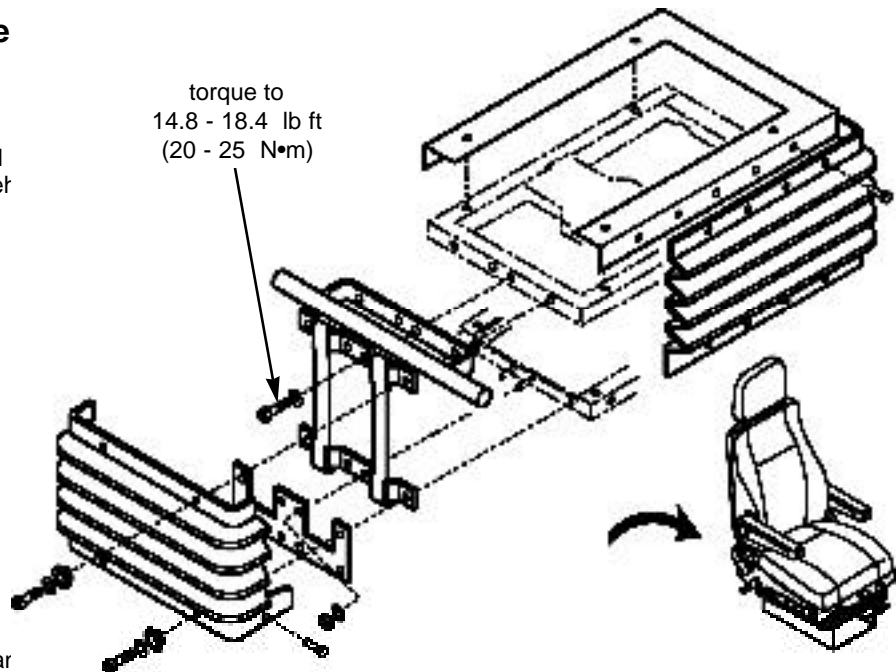
- Vehicle must be in a safe parked position or seat removed from vehicle
- Horizontal adjustment must be removed (see **Horizontal adjustment**)

### Removal

- Remove belts from ICP bar
- Remove boot fasteners, remove boot, and boot adapter plate
- Remove fasteners, tether plate, tether brackets, tethers, and ICP bar

### Installation

- Install fasteners, tether plate, tether brackets, tethers, and ICP bar
- Install boot adapter plate, boot, and fasteners
- Install belts to ICP bar



## Adjustable shock absorber handle and cable (handle end)

### Set up

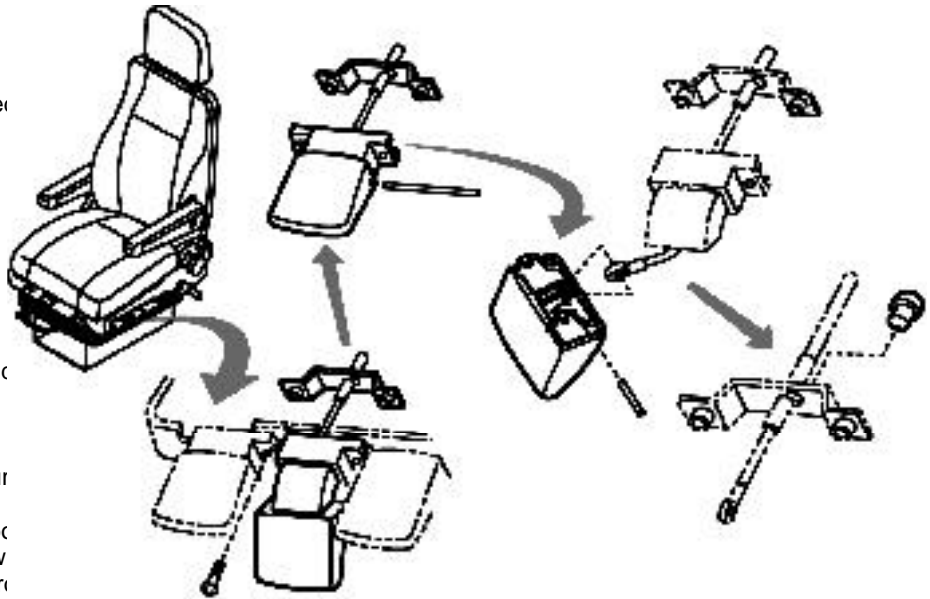
- Seat cushion must be removed from seat (see **Cushion seat pan**)

### Removal

- Remove fasteners and move control, bracket, and cable up away from seat frame
- Remove control handle pin and control handle
- Remove cable pin and cable
- Remove plug from bracket and remove cable

### Installation

- Put cable in bracket and secure plug
- Route cable through control bracket and fasten to control handle with pin
- Fasten control handle to control bracket with pin
- Fasten control and bracket to frame with screws



## Adjustable shock absorber and cable (shock absorber end)

### Set up

- Vehicle must be in a safe parked position or seat removed from vehicle
- Seat cushion must be removed from seat (see **Cushion seat pan**)

### Removal

#### Adjustable shock absorber

- Remove retaining rings
- Remove shock absorber

#### Adjustable shock absorber cable

- Remove retaining ring
- Remove cable

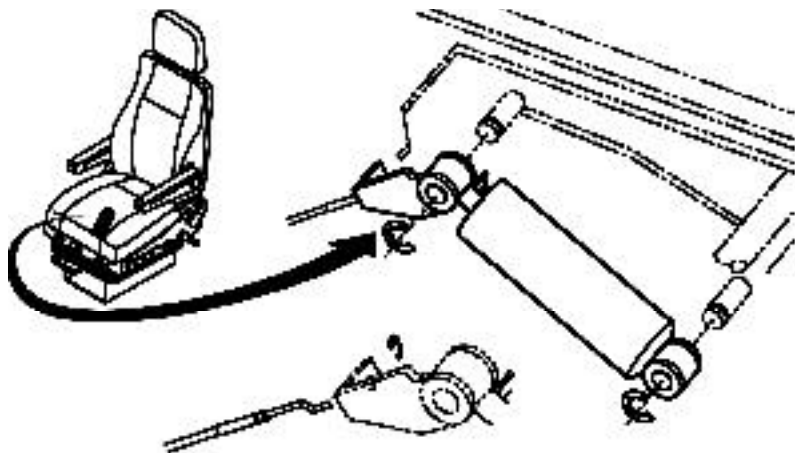
### Installation

#### Adjustable shock absorber cable

- Put cable in place
- Install retaining ring

#### Adjustable shock absorber

- Put shock absorber in place
- Install retaining rings



# REMOVAL and INSTALLATION

MODEL 6800/338 BUS  
MODEL 6800/338 PREMIUM LX

## Distribution valve

### Set up

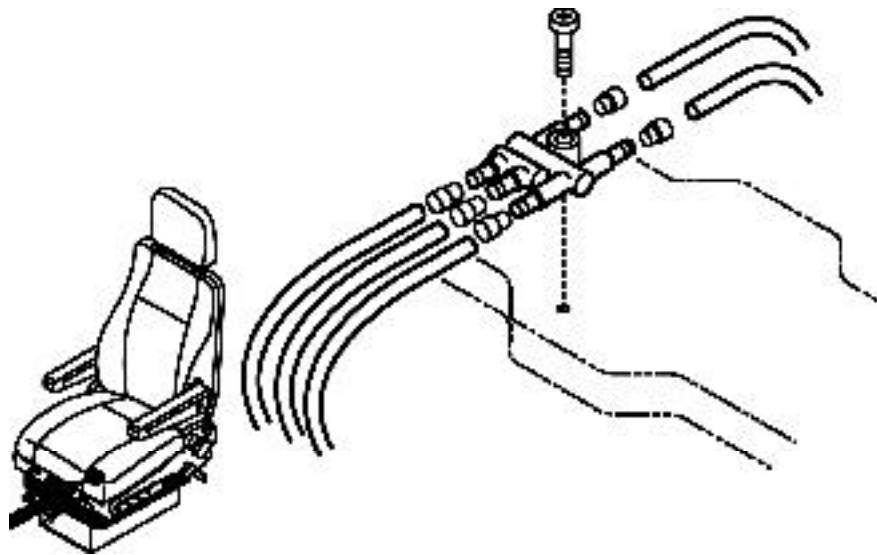
- Seat cushion must be removed from seat (see **Cushion seat pan**)

### Removal

- Mark and remove air lines from valve
- Remove valve fastener and remove valve

### Installation

- Fasten valve to frame with screw
- Connect air lines



## Headrest

### Set up

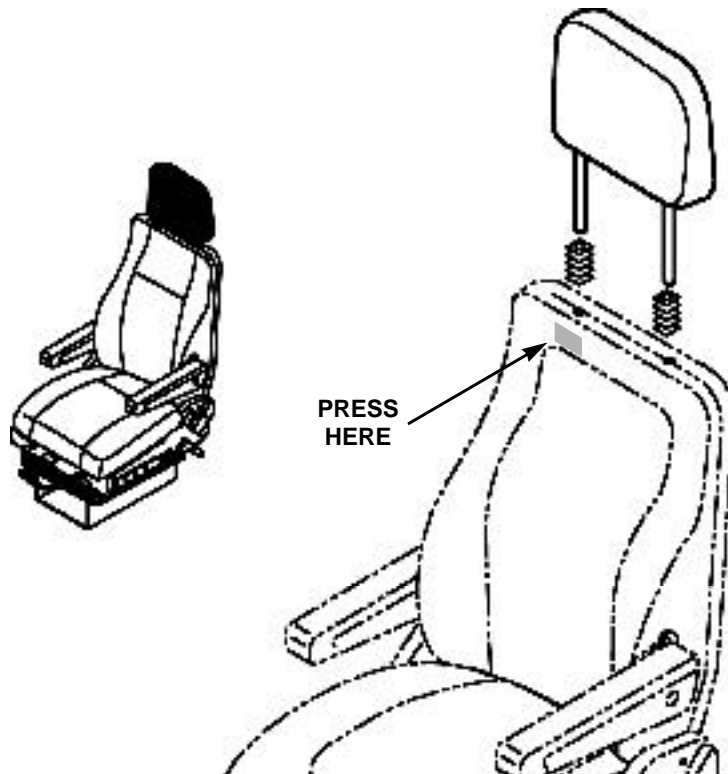
- Vehicle must be in a safe parked position or seat removed from vehicle

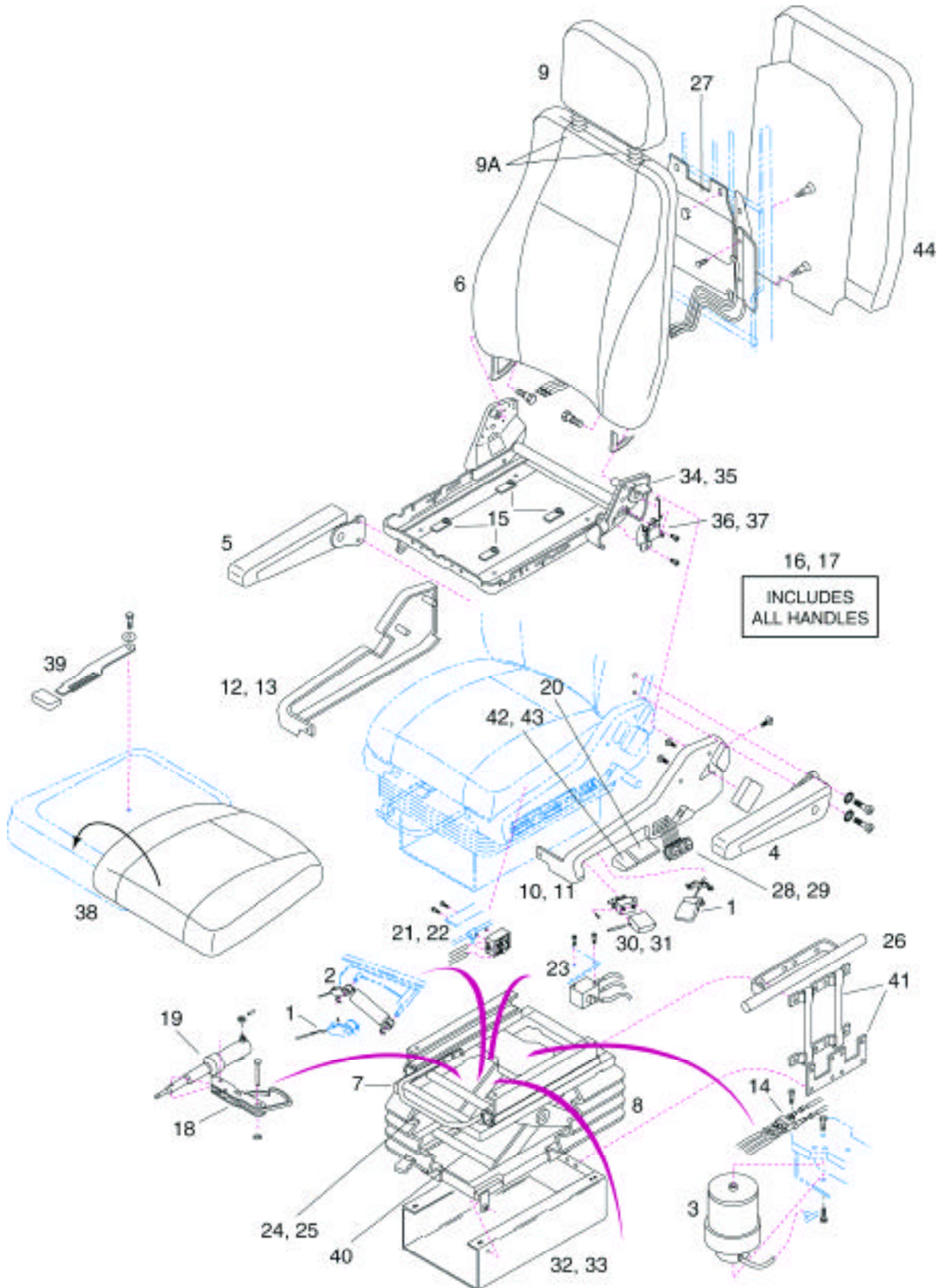
### Removal

- Pull headrest to upper locking position
- Press foam, as shown, to release locking clip from detent on headrest and pull up

### Installation

- Guide headrest bars into position
- Press down to engage locking clip





# REMOVAL and INSTALLATION

MODEL 6800/338 BUS  
MODEL 6800/338 PREMIUM LX

item	part number	description
1	910353-09	ADJUSTABLE SHOCK ABSORBER CABLE KIT
2	98889-06	ADJUSTABLE SHOCK ABSORBER KIT
3	98872-15	AIR SPRING KIT
4	924473-32	ARMREST KIT - LH
5	924474-32	ARMREST KIT - RH
6	03003-00	BACKRESTASSEMBLY - NUDE
7	111776P02	BOOTADAPTER PLATE
8	926513-01	BOOT KIT
9	110922-00	HEADRESTASSEMBLY - NUDE
9A	47541	HEADREST BOOT (2 PCS)
10	920260-04	COVER KIT CONTROL - LH
10	927399-01	COVER KIT CONTROL - LH (W/O LOGO)
11	920263-04	COVER KIT CONTROL - RH
11	927398-01	COVER KIT CONTROL - RH (W/O LOGO)
12	920262-01	COVER KIT NON-CONTROL - LH
12	927397-01	COVER KIT NON-CONTROL - LH (BELT TO FRAME W/ LOGO)
12	927397-02	COVER KIT NON-CONTROL - LH (BELT TO FRAME W/O LOGO)
13	920261-01	COVER KIT NON-CONTROL - RH
13	927396-01	COVER KIT NON-CONTROL - RH (BELT TO FRAME W/ LOGO)
13	927396-02	COVER KIT NON-CONTROL - RH (BELT TO FRAME W/O LOGO)
14	915105-03	DISTRIBUTION VALVE KIT
15	914516-04	GLIDE KIT - SEAT PAN
16	920264-03	HANDLE KIT - SEAT FRAME - LH
17	920264-04	HANDLE KIT - SEAT FRAME - RH
18	33487	HEIGHTADJUSTMENT CAM KIT
19	95486-03	HEIGHTADJUSTMENT CYLINDER KIT
20	920266-05	HEIGHTADJUSTMENT HANDLE KIT - LH
20	920266-06	HEIGHTADJUSTMENT HANDLE KIT - RH
21	98976-07	HEIGHTADJUSTMENT VALVE KIT - LH
22	98875-07	HEIGHTADJUSTMENT VALVE KIT - RH
23	98873	HEIGHTADJUSTMENT VALVE KIT - SUSPENSION
24	24569F	HORIZONTALADJUSTMENT SLIDE HANDLE
25	18755-02	HORIZONTALADJUSTMENT SLIDE SET
26	111973P02	ICP BAR - TRUCK (NOT USED W/ BELT TO FRAME)
26	111895P01	ICP BAR - BUS (FOR BELT TO ICP BAR ONLY)
27	920272-01	LUMBAR/BOLSTER KIT
28	36571-01	LUMBAR/BOLSTER VALVE - LH
29	36572-01	LUMBAR/BOLSTER VALVE - RH
30	914514-24	QUICK AIR RELEASE VALVE AND HANDLE KIT - LH
31	914514-25	QUICK AIR RELEASE VALVE AND HANDLE KIT - RH
32	03007P	RISER - 127 MM (MCI 'D-SERIES' COACH)
33	03463P	RISER - 127 MM (STD, NEOPLAN, ORION VI, NEW FLYER)
33	03013P	RISER - 156 MM (MCI 'E-SERIES' COACH)
33	03468	RISER KIT - 76 MM (PREVOST COACH)
33	111779P03	RISER - 127 MM (KW O W900 & T2000, MACK, NAVISTAR)
33	112256P02	RISER - 110 MM (PB - 379)
34	03307-01	SEAT FRAME - LH
35	03308-01	SEAT FRAME - RH
36	914500-23	SEAT FRAME TOOTH PLATE KIT - LH
37	914500-24	SEAT FRAME TOOTH PLATE KIT - RH
38	03002-00	SEAT PAN ASSEMBLY - NUDE
39	921845-02	SEAT PAN ASSEMBLY LEVER AND HANDLE KIT
40	111833-01	SUSPENSION
41	924464-01	TETHER AND TETHER PLATE KIT
42	920267-05	TILT HANDLE KIT - LH
43	920267-06	TILT HANDLE KIT - RH
44	01955-03	BACKREST PANEL (BUS ONLY)