



**9000470**

**REAR SIGN EXT 16X48 YELLOW 6"**

# **PARTS MANUAL**

**Axion Ref. No.: 3042039  
( Revision A )**

# **Electronic Destination Sign Systems**

**9000470**

**REAR SIGN EXT 16X48 YELLOW 6"**

## **PARTS MANUAL**

**Axion Ref. No.3042039  
( Revision A )**

**2013**

The information provided in this document may be modified without prior notice.  
No part of this manual may be reproduced or transmitted for any purpose by  
any electronic or mechanical means, without a written authorization from:

**© 2013 Axion Technologies Ltd.  
Technical Publications and Training Department  
All rights reserved**

**PRINTED IN CANADA**

## HANDBOOK CHANGE INFORMATION

At AXION TECHNOLOGIES LTD., we continually strive to keep up with the latest electronic developments with circuit and component improvements or simply by designing new equipment.

Sometimes, due to printing requirements, we are unable to incorporate these changes immediately into printed handbooks.

Our customers are welcome to contact our Technical Department concerning their requirements for the latest changes to our publications.

We also request that you notify us of any error found or omission in our publications.

Axion Technologies Ltd.  
151, rue du Parc-de-l'Innovation  
La Pocatière, Québec, Canada, GOR 1Z0  
Phone: (418) 856-1454

[www.axiontech.ca](http://www.axiontech.ca)

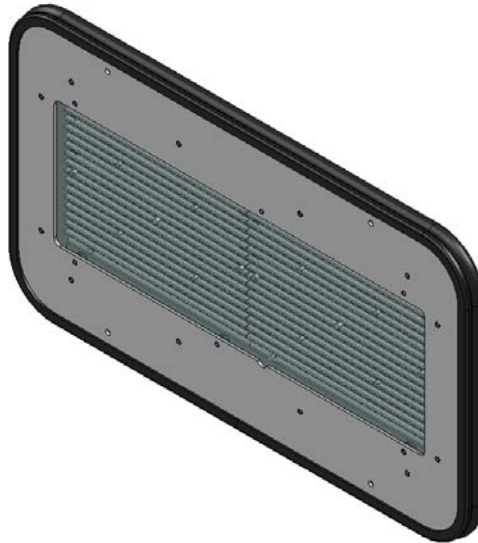
## List of revisions

REVISION	DATE	DESCRIPTION OF CHANGES
--	25 April 2013	Original
A	11 June 2013	<ul style="list-style-type: none"><li>• New figure on cover page</li><li>• New figure at item 1.</li><li>• New figure at item 2.2.1</li><li>• New figure at item 3.2</li><li>• Modifications to parts lists item 2.2<ul style="list-style-type: none"><li>◦ callout 9, item 2825002: modified quantity</li><li>◦ callout 12, item 0302520: replaces 2825062</li><li>◦ callout 27, item 2825163: new item</li><li>◦ callout 28, item 2825165: new item</li><li>◦ callout 29, item 2825170: new item</li></ul></li></ul>

## Table of Contents

1. TECHNICAL DESCRIPTION.....	1
2. SIGN DESCRIPTION.....	2
2.1. DIMENSIONS.....	2
2.2. ASSEMBLY.....	4
2.2.1. Exploded View.....	4
2.2.2. Cabling.....	5
2.3. ASSY PCB LED-DRVR-PS-CPU 8101686.....	6
2.4. WIRING DIAGRAM.....	7
2.5. PARTS LIST.....	8
3. REMOVAL AND REPLACEMENT PROCEDURES.....	10
3.1. SIGN REMOVAL AND REPLACEMENT.....	10
3.2. ELECTRONIC MODULE REMOVAL AND REPLACEMENT.....	11
3.2.1. LED-DRVR-PS-CPU board removal and replacement.....	11
A-1 AVAILABLE OPTIONS.....	13

# 1. TECHNICAL DESCRIPTION



## DISPLAY

Resolution:	16 x 48 pixels
Viewing area:	16.07 cm x 46.52 cm (6.33 in x 18.31 in)
Number of lines of display:	1 or 2 lines, from 5 to 16 pixels depending on font selection
Types of display:	Alphanumeric & pictograms
Font for alphanumeric digits:	Proportional
Modes of message display:	Fixed, multiline or scrolling

## OPTICAL FEATURES

Viewing angle (horizontal):	160°
Viewing angle (vertical):	90°
Number of intensity levels:	Up to 10
Intensity:	Automatic, according to ambient light conditions
Variation of intensity:	From 8% (night) to 100% (sun)

## ELECTRICAL FEATURES

Voltage range:	9 – 36 Vdc
Nominal current:	1.0 A @ 12 Vdc (0.5 A @ 24 Vdc)
Maximum current:	2.5 A @ 9 Vdc (1.25 A @ 18 Vdc)
Operating temperature range:	-30°C to 65°C (-22°F to 149°F)

## MECHANICAL FEATURES

Case material:	Aluminum & cold rolled steel, black
Length:	58.11 cm (22.88 in)
Height:	33.53 cm (13.20 in)
Thickness:	5.50 cm (2.17 in)
Weight:	4.54 kg (10 lb)

## 2. SIGN DESCRIPTION

### 2.1. DIMENSIONS

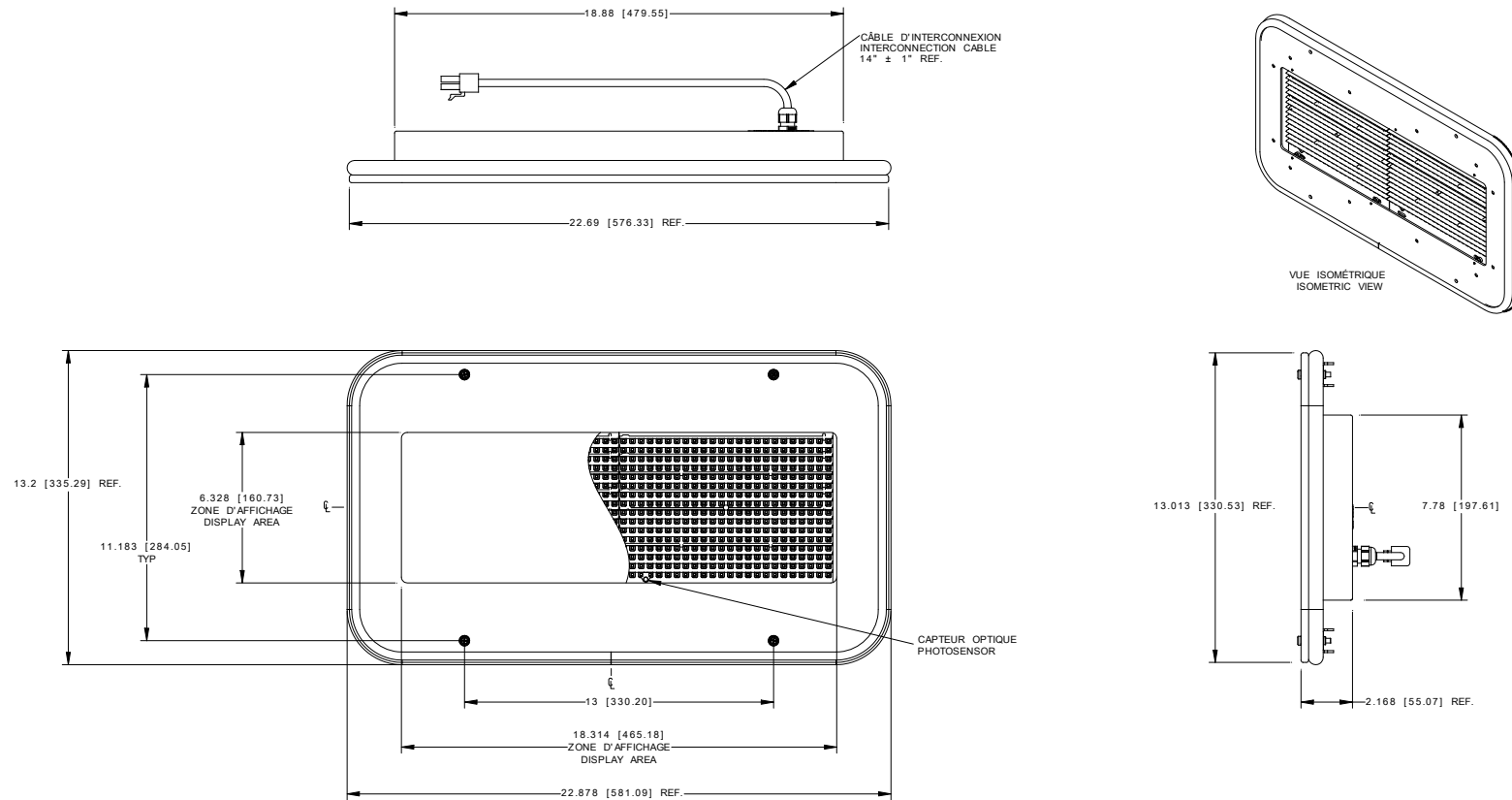


Figure 1: Dimensions (1 of 2)

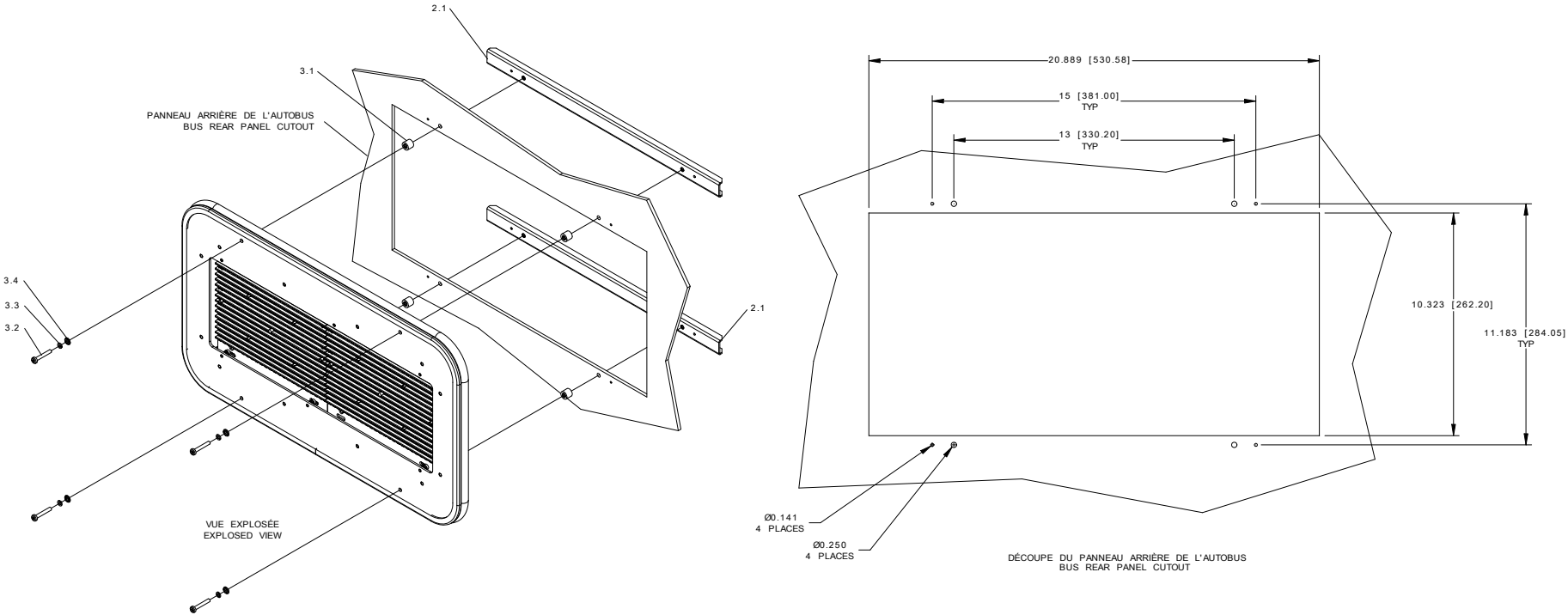
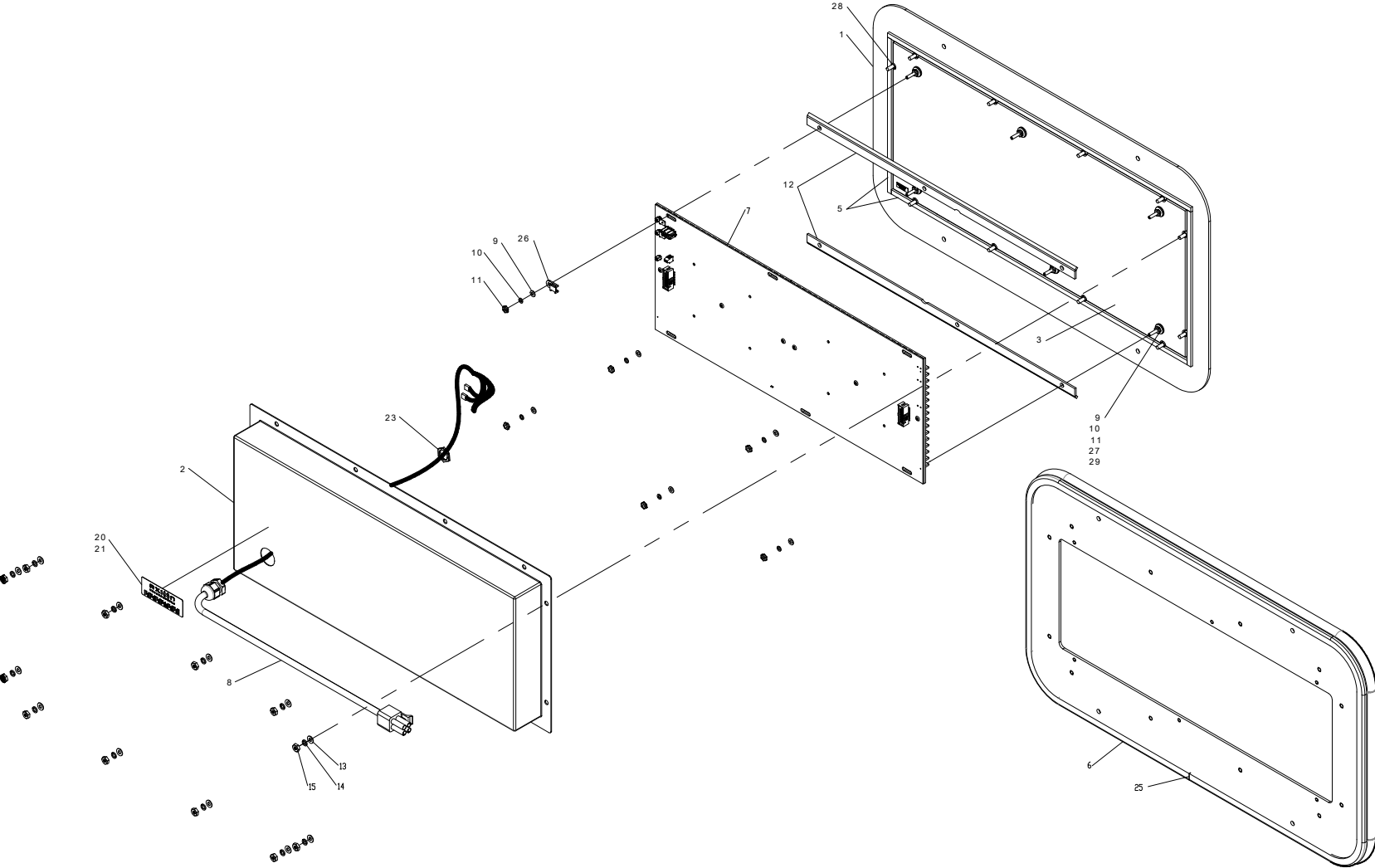


Figure 2: Dimensions (2 of 2)

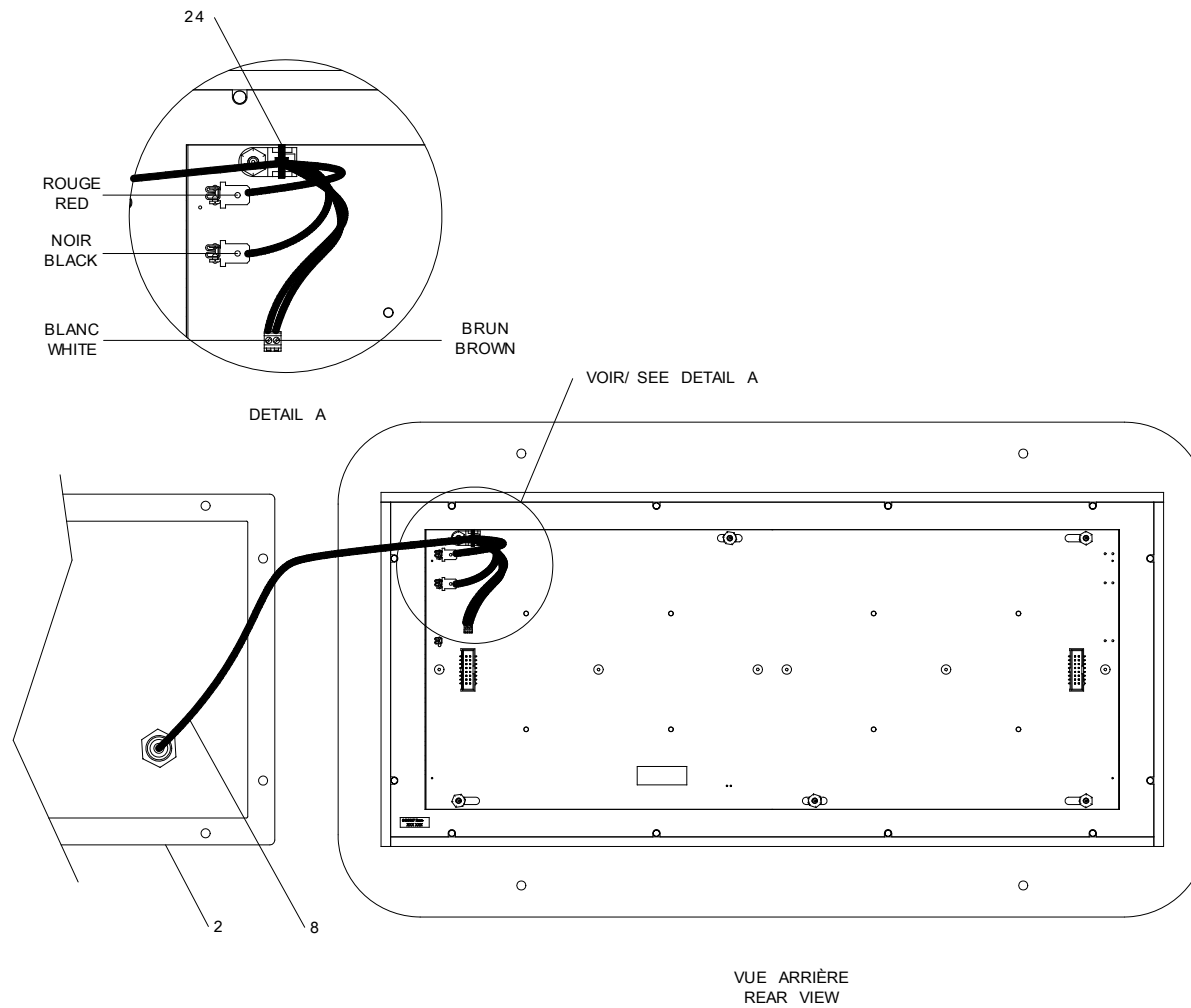


# 2.2. ASSEMBLY

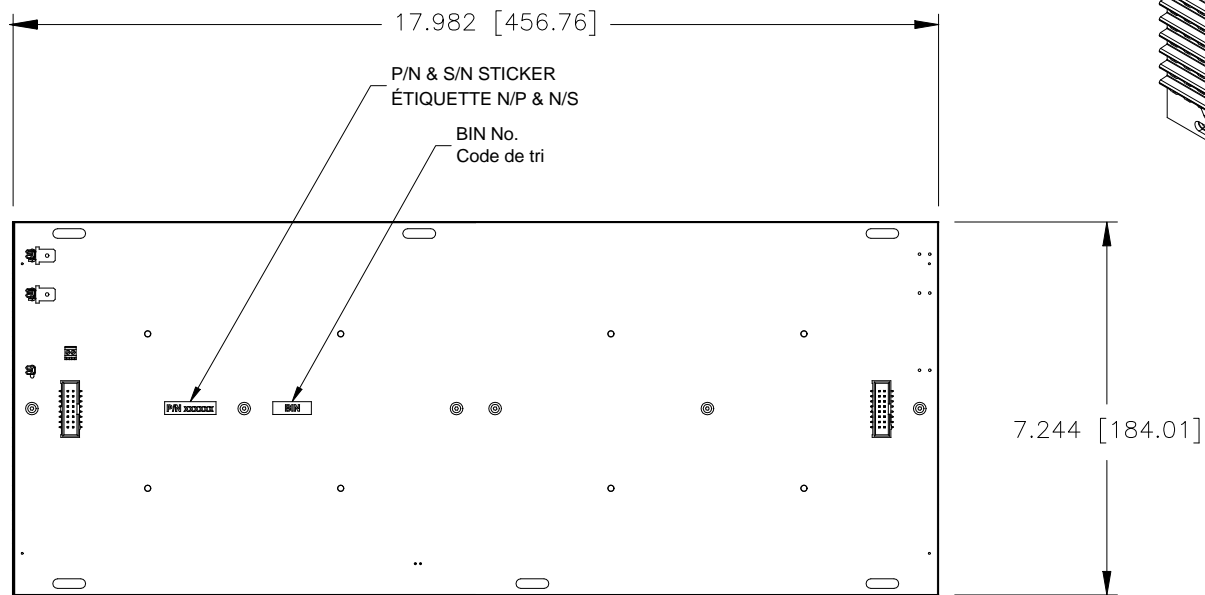
## 2.2.1. Exploded View



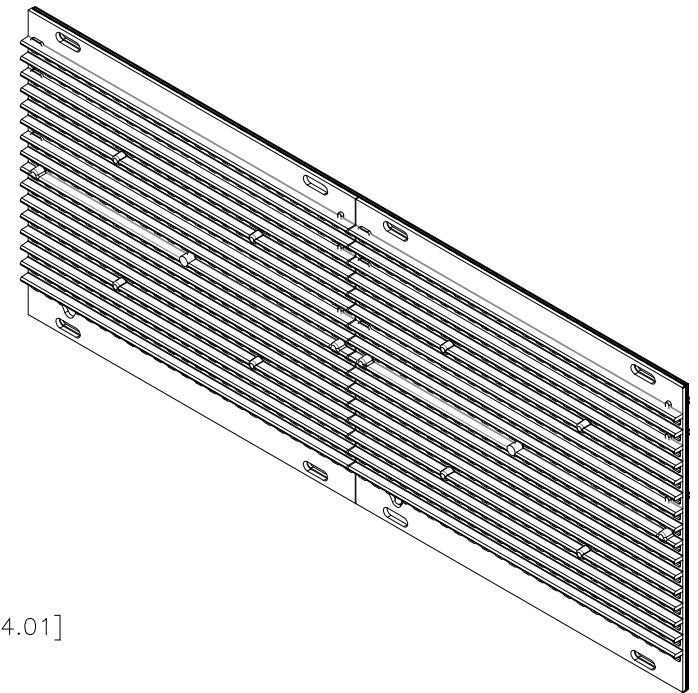
### 2.2.2. Cabling



### 2.3. ASSY PCB LED-DRVR-PS-CPU 8101686

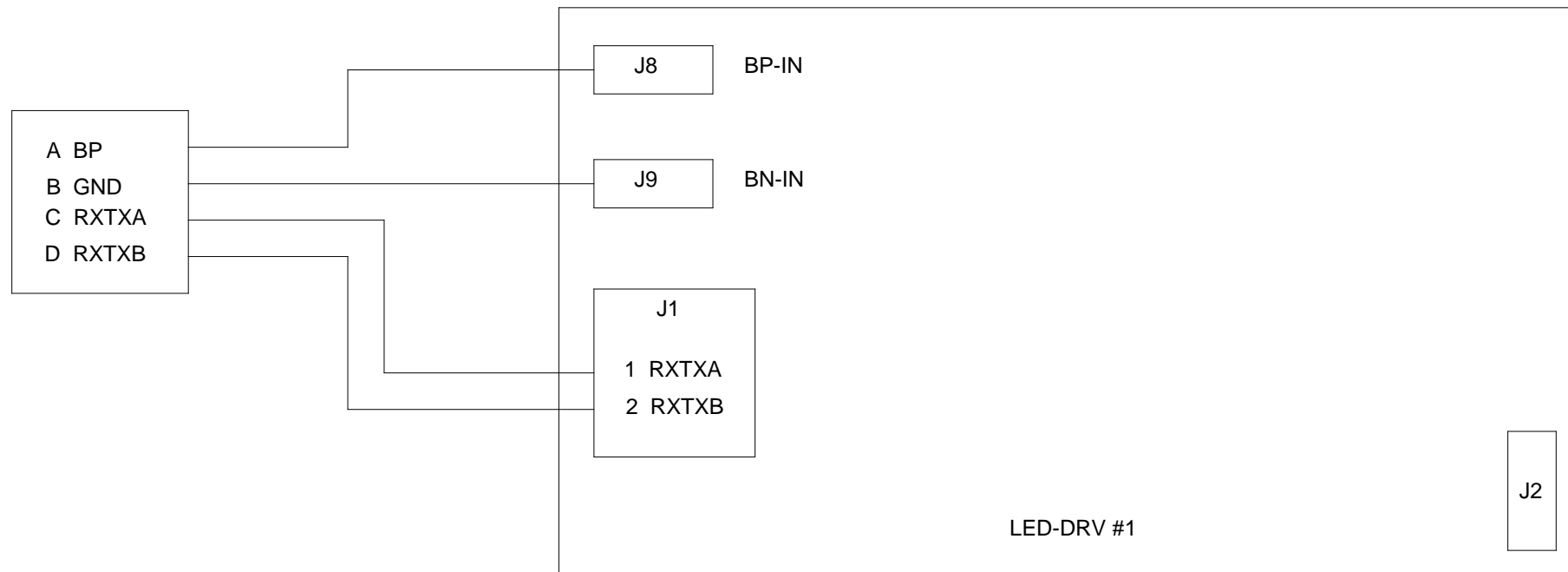


VUE ARRIÈRE  
REAR VIEW



## 2.4. WIRING DIAGRAM

NOTE : VUE INTÉRIEURE DE L' ARRIÈRE DE L' AFFICHEUR  
INSIDE SIGN VIEW (FROM REAR OF SIGN)



## 2.5. PARTS LIST

### NOTE

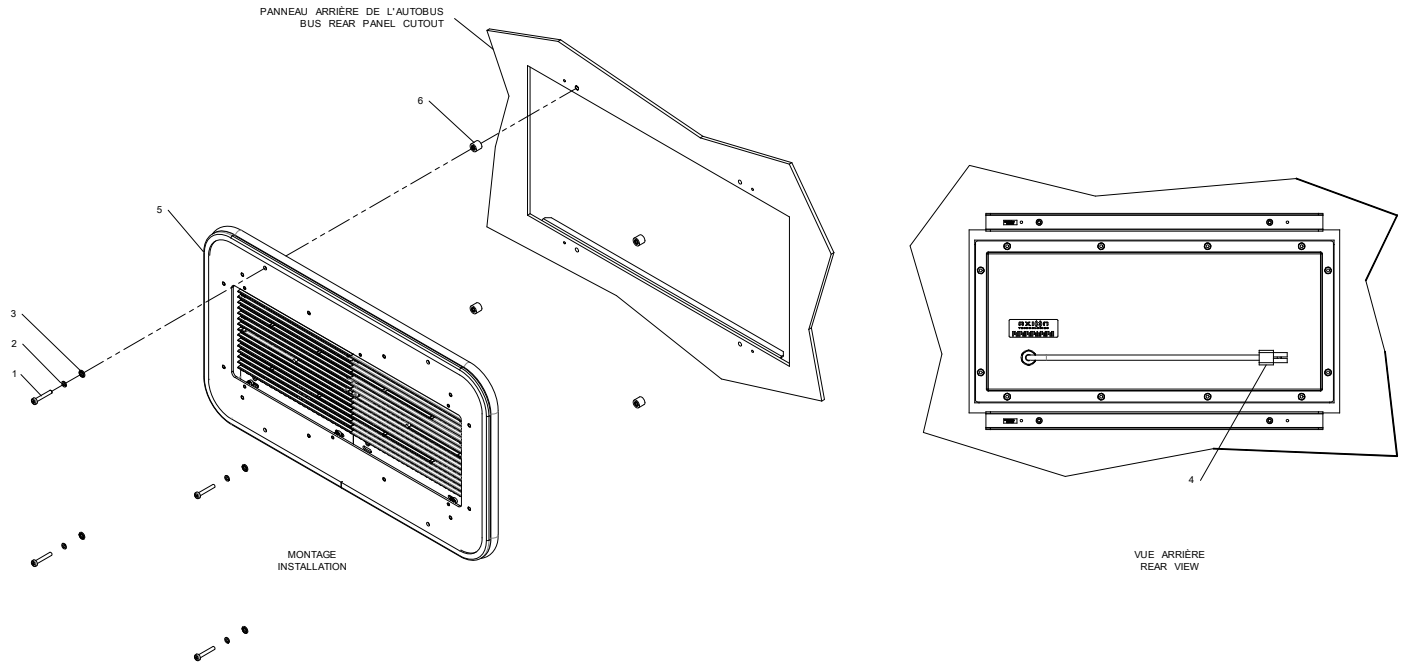
The following callouts correspond to superseded or unavailable items: 4, 16, 17, 18, 19, 20, 21, 22, 25

Item No.	Part No.	Qty	Description	Manufacturer	Remarks
	9000470	1	0940 REAR SIGN EXT 16X48 YELLOW 6" S40	AXION	Complete item.
XXX	8300784	1	COMPLETE EXT REAR SIGN CASING 16x48 6"	AXION	Complete casing only. Includes following items: 1, 2,3, 5, 6, 9, 10, 11, 13, 14, 15, 27, 28, 29.
1	0302500	1	0940 FRONT PLATE RR EXT 16X48 FOR 9000470	AXION	Not to be sold separately. For information only. Refer to 8300784
2	0302501	1	0940 COVER RR EXT 16X48 FOR 9000470	AXION	Not to be sold separately. For information only. Refer to 8300784
3	0400569	1	0940 WINDOW RR EXT 16X48 FOR 9000470	AXION	Not to be sold separately. For information only. Refer to 8300784
5	0400570	1	0940 SEALING GASKET RR EXT FOR 9000470	AXION	Not to be sold separately. For information only. Refer to 8300784
6	2500081	170 CM	TRIM SEAL 1/8 GRIP R	6100B3X1/8A TRM SEAL	Not to be sold separately. For information only. Refer to 8300784
7	8101686	1	0940 LED-DRV-PS-CPU 16X48-6 BD	AXION	Replace X and Y with bin numbers. See Section 2.3 for bin number sticker location.
8	8200343	1	0940 RR EXT 16x48 6" INT HARN FOR 9000470	AXION	
9	2825002	6	FLAT WASHER SST #6	98019A314 MCMMASTER	Not to be sold separately. For information only. Refer to 8300784
10	2825448	12	LOCKWASHER, SST, NO 6 NOM DIA	667-P04-1A SPAENAU	Not to be sold separately. For information only. Refer to 8300784
11	2825717	12	NUT, SST, 6-32 UNC	159-W05-1K SPAENAU	Not to be sold separately. For information only. Refer to 8300784
12	0302520	2	0940 SUPPORT LED BD RR 16X48	AXION	
13	2825572	12	WASHER, FLAT, SST, NO 8, 0.172 IN ID X 0.375 IN OD X .031 IN THK	658-B04-1C SPAENAU	Not to be sold separately. For information only. Refer to 8300784
14	2825437	12	LOCKWASHER, SST, NO 8 NOM DIA	W-2025 SPAENAU	Not to be sold separately. For information only. Refer to 8300784
15	2825601	12	NUT 8-32 SST	HN-2004 SPAENAU	Not to be sold separately. For information only. Refer to 8300784
23	2826224	1	LOCKNUT 3/8" NPT STL	155-012 SPAENAU	
24	2800078	1	TIE WRAP, CLEAR, 3.625 IN LG	CT18075M BURNDY	
26	2825486	1	CABL HOLD TIE SCR NYL 3/8	TA1S8-M PANDUIT	
27	2825163	6	SPCR RND #6 1/8 NYL	1122-6-N RAF	Not to be sold separately. For information only. Refer to 8300784

Item No.	Part No.	Qty	Description	Manufacturer	Remarks
28	2825165	12	SPCR RND #8 1/8 NYL	1122-8-N RAF	Not to be sold separately. For information only. Refer to 8300784
29	2825170	12	FLAT WASHER SST #6 1/2 047	658-061 SPAENAU	Not to be sold separately. For information only. Refer to 8300784

### 3. REMOVAL AND REPLACEMENT PROCEDURES

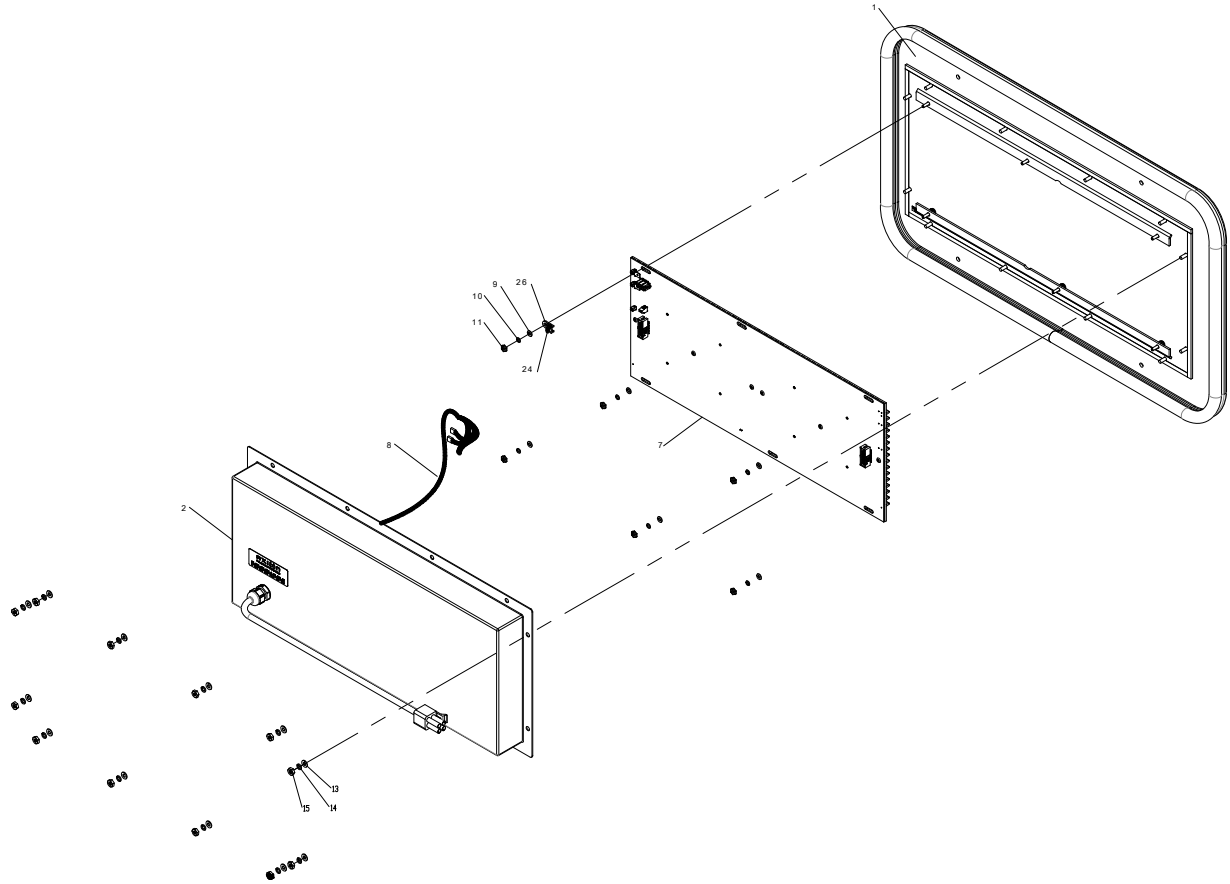
#### 3.1. SIGN REMOVAL AND REPLACEMENT



#### Procedure:

- Turn off sign system power supply.
- Remove rear sign retaining bolts (1, 2, 3).
- Disconnect sign power cable (4).
- Remove sign from bus back panel.
- Reverse procedure to replace sign.

### 3.2. ELECTRONIC MODULE REMOVAL AND REPLACEMENT



#### 3.2.1. LED-DRVR-PS-CPU board removal and replacement

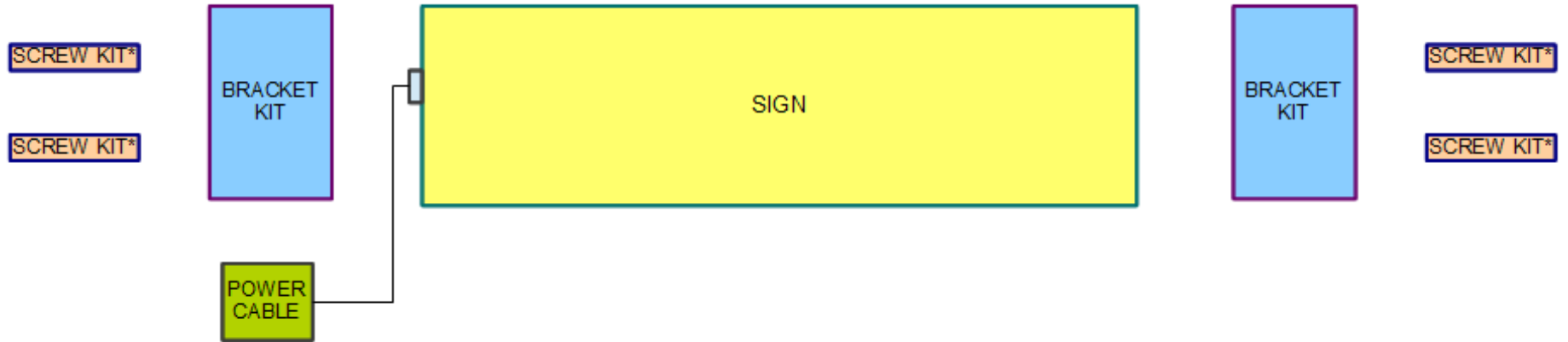
- Remove back cover nuts and washers (13, 14, 15).
- Open back cover to the left (2).
- Cut tie-wrap (24).
- Disconnect power connection from quick-connect terminals J8 and J9.
- Disconnect two wires from J1 terminal block.
- Remove LED-DRVR-PS-CPU (7) board nuts and washers (9, 10, 11, 26).
- Remove LED-DRVR-PS-CPU board (7).
- Reverse procedure to replace LED-DRVR-PS-CPU board (7).
- Set DIP switch as per the following configuration.

Serial Number	Sign ID	CPU DIP SWITCH SETTINGS																	
REAR 16 X 48 6.0"	79	<table border="1"> <tr> <td>■</td> <td></td> <td></td> <td>■</td> <td>■</td> <td>■</td> <td>■</td> <td></td> <td></td> <td>■</td> <td></td> <td></td> <td></td> <td>■</td> <td></td> <td>■</td> <td>■</td> </tr> </table>	■			■	■	■	■			■				■		■	■
■			■	■	■	■			■				■		■	■			



# **APPENDIX**

## A-1 AVAILABLE OPTIONS



*\* Included in bracket kit.*

Level	Part Number	Qty	Description	Manufacturer	Remarks
1	9000470-01	1	Y-RR-1604860-ALU-40 K UNIV	AXION	See Customer drawing #09409032B1
2	9000470	1	0940 Y RR 16X48 6IN S40 STD	AXION	See Customer drawing #09409027B1
2	9000473	1	0755 BRKT KIT RR 16X48 6 PRV	AXION	
3	0302502	2	0940 U SUP LONG RR EXT 16X48	AXION	
3	9000476	2	0000 RR 6" BRKT SCR KIT PRV	AXION	
4	2825112	4	SEAL WASHER SST/NPRN #10 7/16	679-805 SPAENAU	
4	2825098	4	SCR PHI 10-32 1-1/4 SST PAN	424-478 SPAENAU	
4	2825086	4	SPCR RND #10 3/8 NYL	SPRT-0500-0177-0375 WASHERUSA	