

BATTERY EQUALIZER



The Key to Long Battery Life is being "WELL BALANCED"

The concept of a Battery Equalizer is simple: In a vehicle with both 12V and 24V loads, keep your batteries balanced. The Sure Power family of Battery Equalizers is designed to do just that, make sure both batteries in the 24V stack always charge and discharge equally. Sure Power offers 24V to 12V or 12V to 24V equalization. Sure Power also knows that there are rough environments out there, so we offer the following to make sure once you install it, you don't have to worry about it.

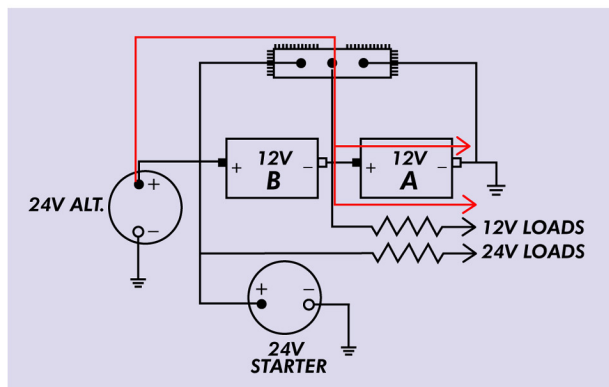
- Up to a 3 year warranty
- Rugged and Robust design
- Designed not to interfere with your other electronic components
- Designed to handle what the environment throws at it.

24V to 12V output currents available:

21030E - 30 AMPS
 21040E/52204 - 40 AMPS
 21060E/52206 - 60 AMPS
 21080E/52208 - 80 AMPS
 21100E/52210 - 100 AMPS
 52210RB - 100 AMPS SEALED

12V to 24V output currents available:

12010E - 10AMPS @ 24V
 12025E - 25AMPS @ 24V
 12040E - 40AMPS @ 24V



UNDER
CHARGED

BATTERIES

OVER
CHARGED



BALANCE THEM, OR BUY THEM AGAIN!