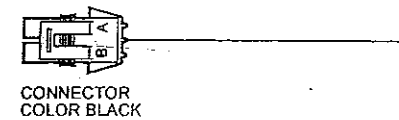
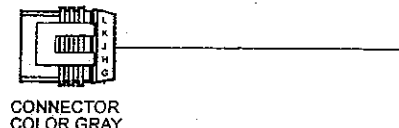


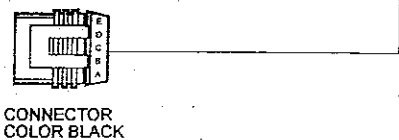
DDEC IV WIRING DIAGRAM



WIRE #	CAVITY	DESCRIPTION
621	A	JAKE BRAKE - LOW
622	B	JAKE BRAKE - MED

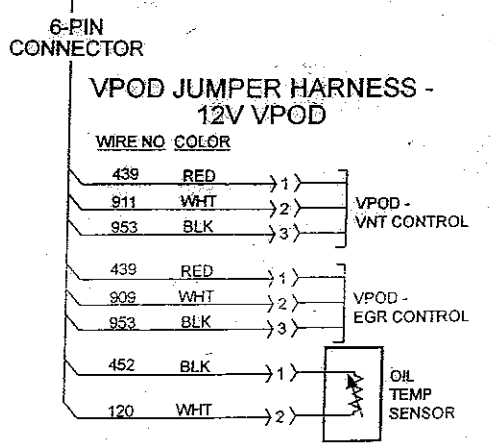
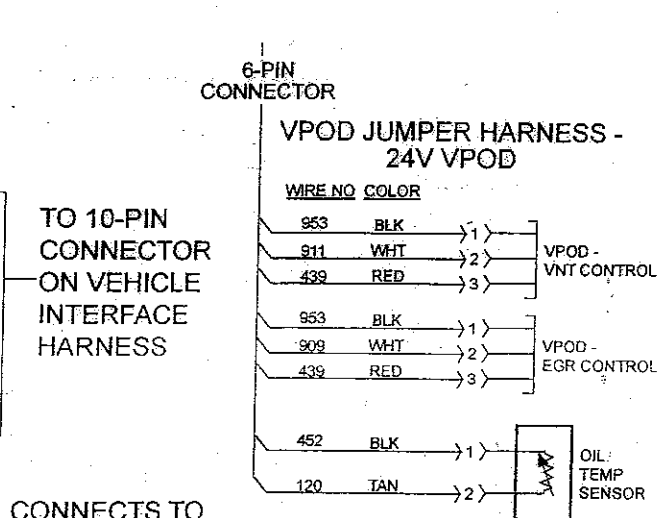
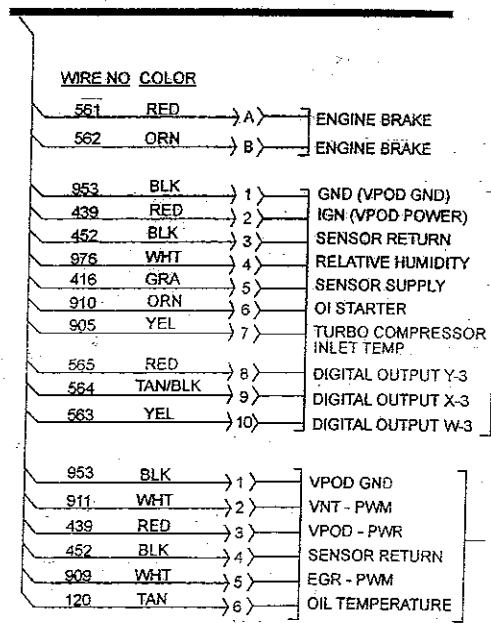
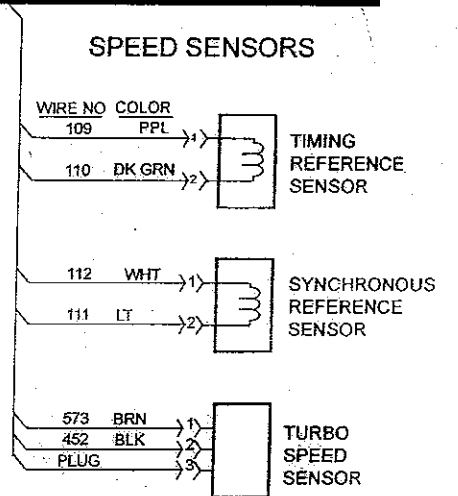
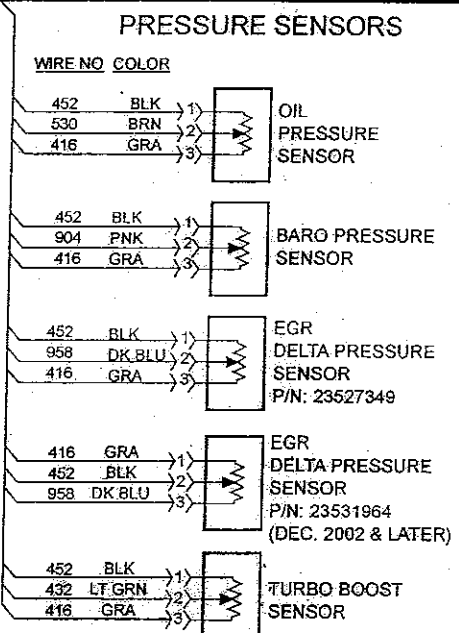
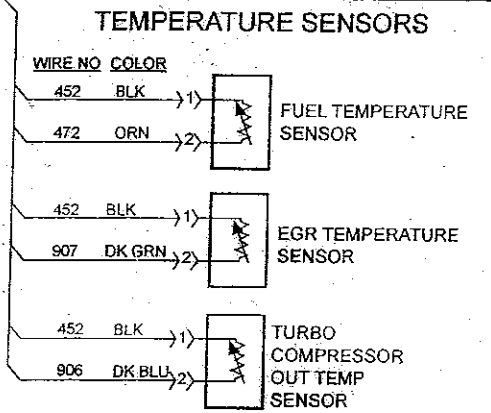
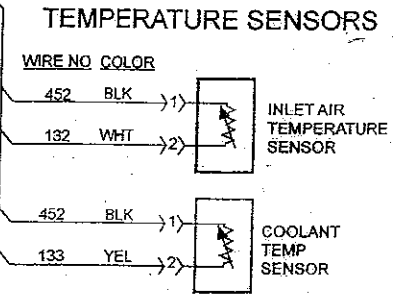
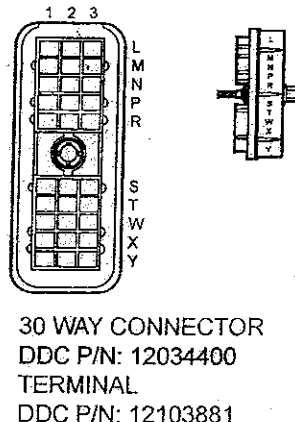
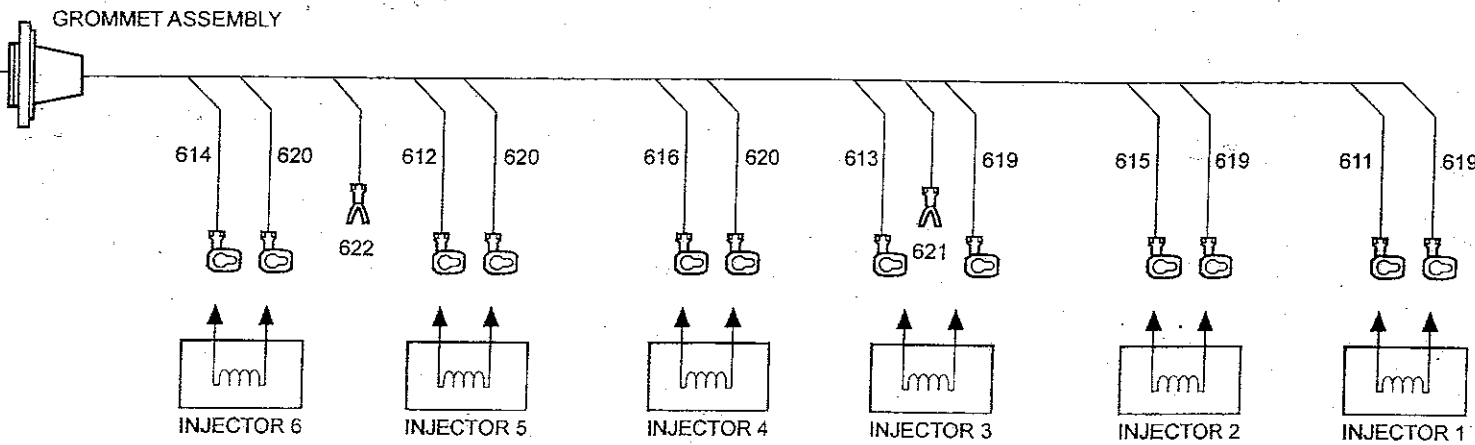


WIRE #	CAVITY	DESCRIPTION
611	L	INJECTOR 1
613	K	INJECTOR 3
	J	CAVITY PLUG
615	H	INJECTOR 2
619	G	INJECTOR COMMON



WIRE #	CAVITY	DESCRIPTION
612	A	INJECTOR 5
614	B	INJECTOR 6
	C	CAVITY PLUG
616	D	INJECTOR 4
620	E	INJECTOR COMMON

LABEL	WIRE NO	CAVITY	COLOR
TRS (-)	109	T-1	PPL
TRS (+)	110	T-2	DK GRN
SRS (+)	111	S-2	LT BLU
SRS (-)	112	S-1	WHT
OIL TEMPERATURE	120	R-2	TAN
INLET AIR TEMPERATURE	132	N-2	WHT
COOLANT TEMPERATURE	133	P-3	YEL
SENSOR SUPPLY (5VDC)	416	W-1	GRA
TURBO BOOST	432	P-1	LT GRN
SENSOR RETURN (ENGINE)	452	Y-2	BLACK
FUEL TEMPERATURE	472	R-3	ORN
OIL PRESSURE	530	P-2	BRN
ENGINE BRAKE MED	561	S-3	RED
ENGINE BRAKE LO	562	T-3	ORN
DIGITAL OUTPUT W-3	563	W-3	YEL
DIGITAL OUTPUT X-3	564	X-3	TAN/BLK
DIGITAL OUTPUT Y-3	565	Y-3	RED
TURBO SPEED	573	X-1	BRN
BAROMETRIC PRESSURE	904	L-1	PNK
TURBO COMPRESSOR INLET TEMP	905	M-1	YEL
TURBO COMPRESSOR OUT TEMPERATURE	906	N-1	DK BLU
EGR TEMPERATURE	907	R-1	DK GRN
EGR CONTROL	909	Y-1	WHT
OI STARTER	910	W-2	ORN
VGT CONTROL	911	X-2	WHT
EGR DELTA PRESSURE	958	M-2	DK BLU
RELATIVE HUMIDITY	976	L-2	WHT
UNUSED	925	L-3	-
UNUSED	926	M-3	-
UNUSED	927	N-3	-



DDC RESPONSIBILITY

INJECTOR HARNESS SCHEMATIC (SERIES 60 WITH JAKE BRAKES SHOWN)

SERIES 60 DDEC IV 2002 EGR ENGINE SENSOR HARNESS

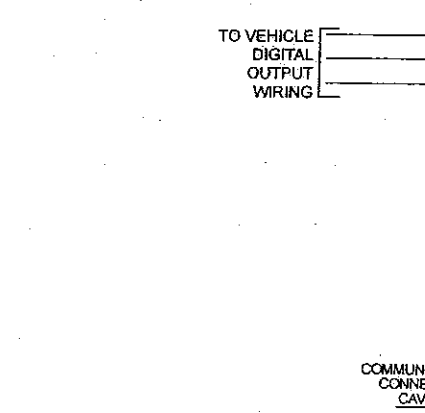
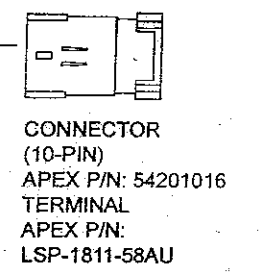
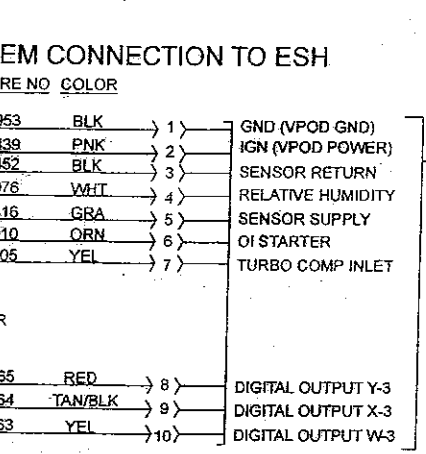
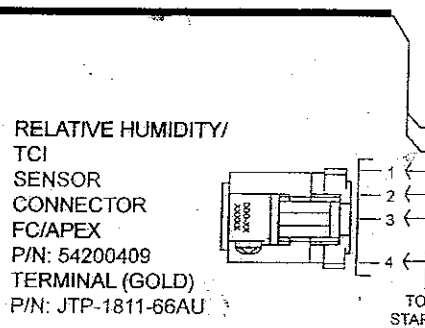
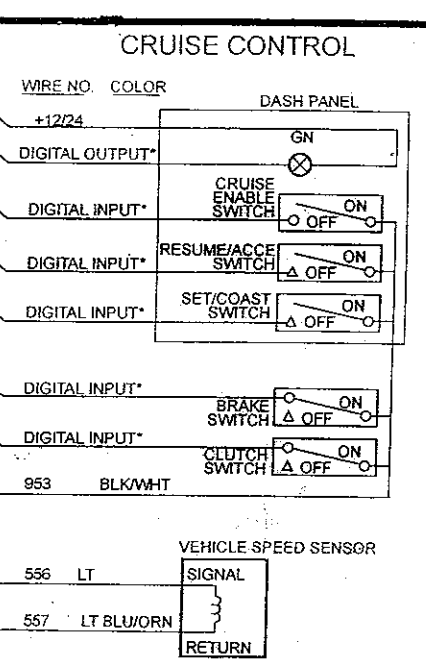
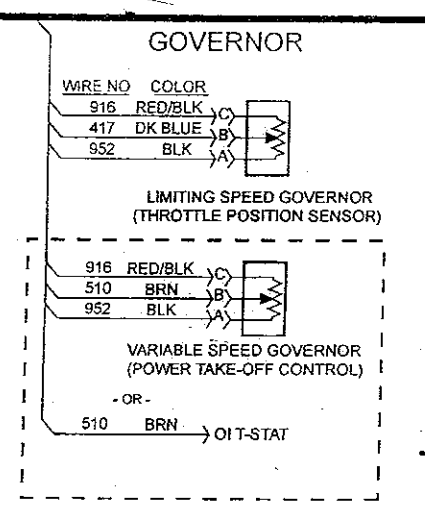
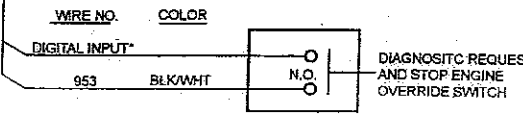
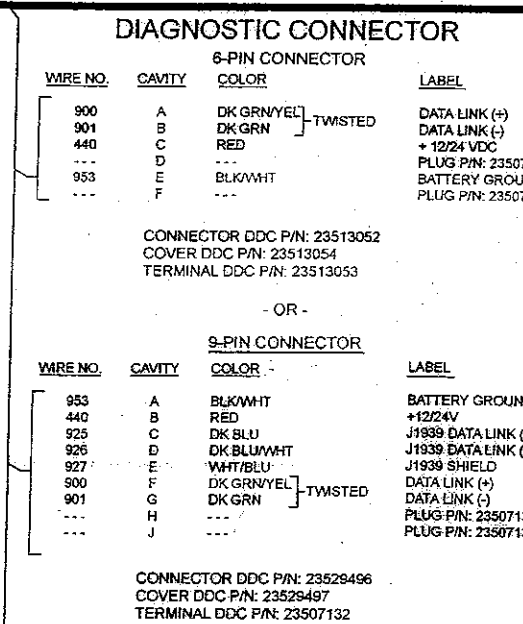
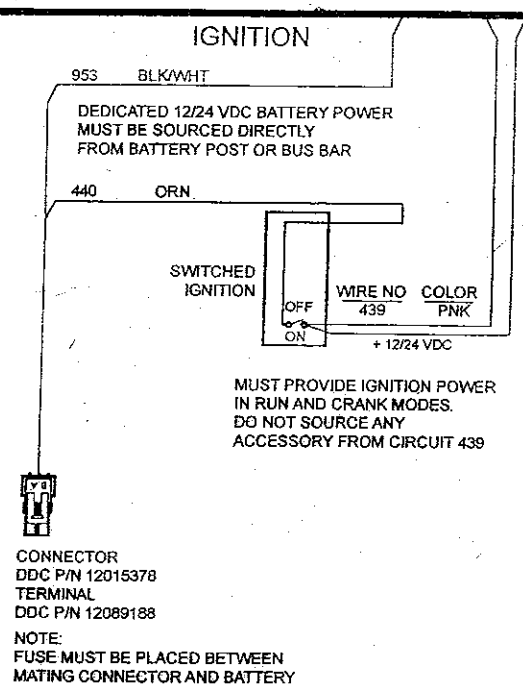
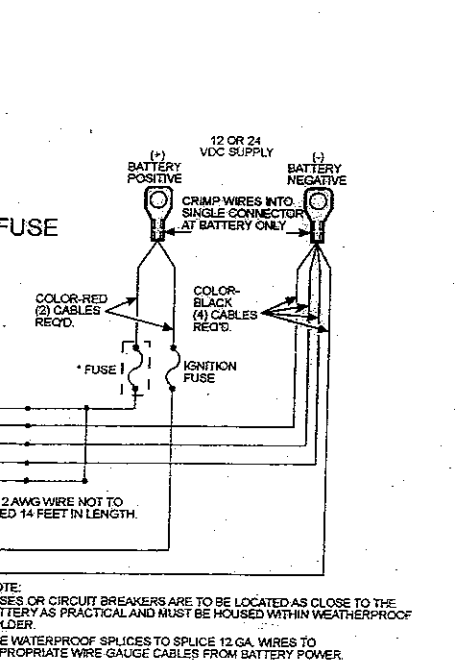
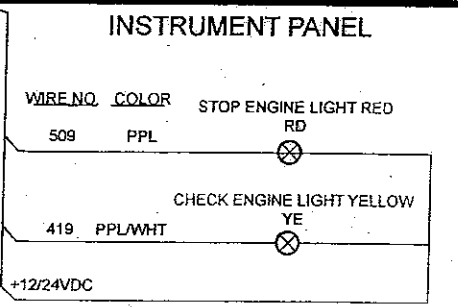
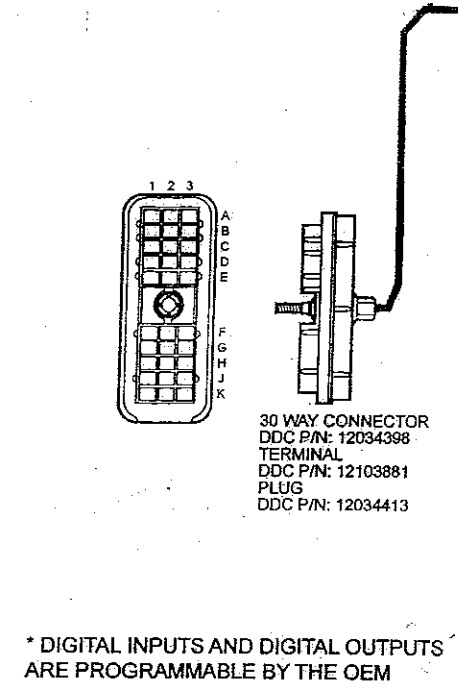
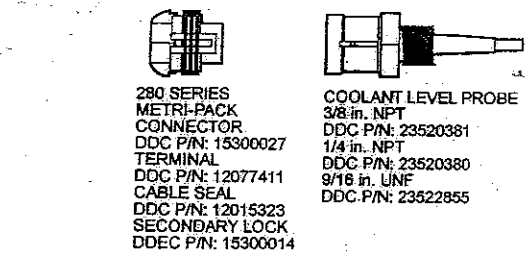
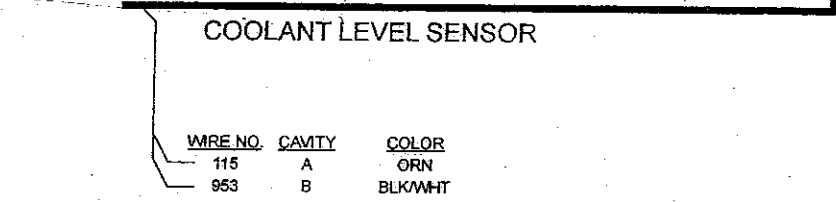
All information subject to change without notice. (Rev. 2/03)
20SF81 0302 Copyright © 2003 DETROIT DIESEL CORPORATION

SERIES 60 DDEC IV 2002 EGR VEHICLE INTERFACE HARNESS

OEM RESPONSIBILITY

LABEL	WIRE NO.	CAVITY	COLOR
COOLANT LEVEL	115	H-3	ORN
LIMITING SPEED GOVERNOR	417	D-2	DK BLUE
CHECK ENGINE LIGHT	419	B-1	PPL/WHT
IGNITION	439	B-3	PNK
DIGITAL INPUT E-1	451	E-1	LT GRN
DIGITAL OUTPUT F-3	499	F-3	LT BLU
TACHOMETER DRIVE	505	K-1	GRA
STOP ENGINE LIGHT	509	B-2	PPL
OI THERMOSTAT OR PTO OR EXHAUST BACK PRESSURE (COACH ONLY)	510	D-1	BRN
DIGITAL INPUT H-1	523	H-1	GRA/RED
DIGITAL INPUT H-2	524	H-2	GRA
DIGITAL INPUT G-1	528	G-1	BRN/RED
DIGITAL INPUT J-2	531	J-2	ORN
DIGITAL INPUT J-1	541	J-1	YEL/RED
DIGITAL INPUT F-1	542	F-1	YEL
DIGITAL INPUT G-2	543	G-2	ORN/BLK
DIGITAL INPUT F-2	544	F-2	BRN/WHT
DIGITAL INPUT G-3	545	G-3	LT BLUE/YEL
DIGITAL OUTPUT A-2	555	A-2	TAN
VEHICLE SPEED (+)	556	E-2	LT BLUE/BLK
VEHICLE SPEED (-)	557	E-3	LT BLUE/ORN
DIGITAL INPUT K-2	583	K-2	LT BLUE/BLK
ESS TRANS OR FIRE TRUCK PUMP PRESSURE OR EXHAUST TEMP	749	D-3	YEL
DATA LINK (+)	900	C-2	DK GREEN/YEL
DATA LINK (-)	901	C-1	DK GREEN
PWM FAN OR OI ALARM OR PWM TRANSMISSION SENSOR SUPPLY (5VDC)	916	A-3	RED/BLK
SENSOR RETURN	952	C-3	BLK
DIGITAL INPUT K-3	979	K-3	WHT
DIGITAL OUTPUT A-1	988	A-1	GRA

IGNITION CONNECTOR			
+12 V FROM BATTERY	440	A	ORN
BATTERY GROUND	953	B	BLK/WHT



COMMUNICATION CONNECTOR CAVITY	WIRE NO.	WIRE COLOR	LABEL
F	925	DK BLU	CAN_H/J 1939 (+) CONTROL DATA LINK
E	926	DK BLU/WHT	CAN_L/J 1939 (-) CONTROL DATA LINK
D	927	WHT/BLU	CAN_SHLD/J 1939 SHIELD
C	439	PNK	IGNITION (OPTIONAL)
B	801	TAN	J 1922 (+) DATA LINK
A	800	TAN/WHT	J 1922 (+) DATA LINK

