



EN / VEHICLE HEATERS / TECHNICAL DOCUMENTATION

SPARE PARTS LIST

HYDRONIC L3

This spare parts list is valid for the following engine-independent water heaters:

Water heaters for diesel	purchase order no.	purchase order no. compact version
Hydronic L3-16, 24 V	25.3042.02.0000	
Hydronic L3-24, 24 V	25.3043.02.0000	25.3043.05.0000
Hydronic L3-30, 24 V	25.3040.02.0000	25.3040.05.0000
Hydronic L3-35, 24 V	25.3041.02.0000	25.3041.05.0000

CONTENTS

1 INFORMATION

1.1	General information	3
1.2	Reference documents	3
1.3	Determining the quantity required for the order	3
1.4	Using the nameplate to determine the production date	3

2 HEATER

2.1	Spare parts diagram heater	4
2.2	Spare parts list heater	5

3 BURNER HEAD

3.1	Spare parts diagram burner head	6
3.2	Spare parts lists burner head	7

1 Information

1.1 General information

This document is to be used when ordering spare parts for the heaters listed on the title page, to the exclusion of all liability claims.

Depending on the version or revision status of the heater, differences may occur compared to this documentation. Please check this before ordering the spare parts and take any possible differences into account.

1.2 Reference documents

Technical description

Describes the function and proper installation and contains all information necessary for safe operation of the heater.

Repair instructions

Contain the necessary information for troubleshooting and for repair of the heater.

Installation recommendation

Describes vehicle-specific installation situations.

Installation Instructions Plus

Supplementary information on heaters and control units.

1.3 Determining the quantity required for the order

The information in the "quantity per unit" and "quantity per SU" (sales unit) columns is used to determine the quantity of a spare part required and the SU (sales units) to be ordered.

Quantity per unit

The number in this column indicates how many of the spare part concerned are installed in the whole unit.

Quantity per SU

The number in this column indicates how many of the spare part concerned are contained in one SU (sales unit).

Order No. (SU)

The order number refers to an SU.

1.4 Using the nameplate to determine the production date

To place the spare parts order correctly, in some cases it is necessary to determine the production date of the heater before ordering the spare part. There are two options for doing this on the heater's nameplate.



1 Determination of the calendar week

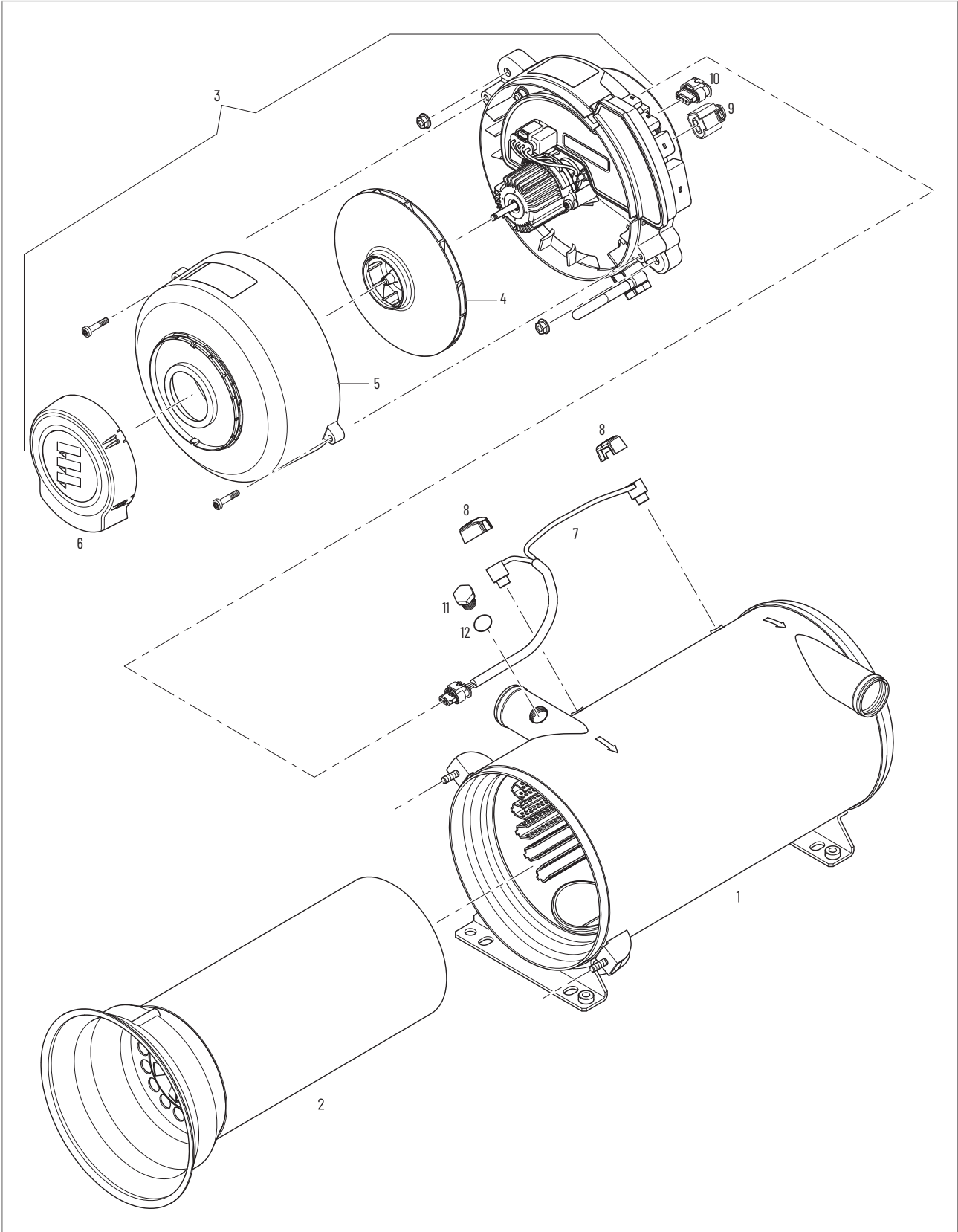
- Representation of the production calendar week as a four-digit number (e.g. "1118" = calendar week 11 in year 2018)

2 Determining the date

- Scan the QR code with a QR code reader.
- The production date is given by the 8-digit representation of the date in the third from last position of the read out text (e.g. "14032018" = 14 March 2018)

2 Heater

2.1 Spare parts diagram heater

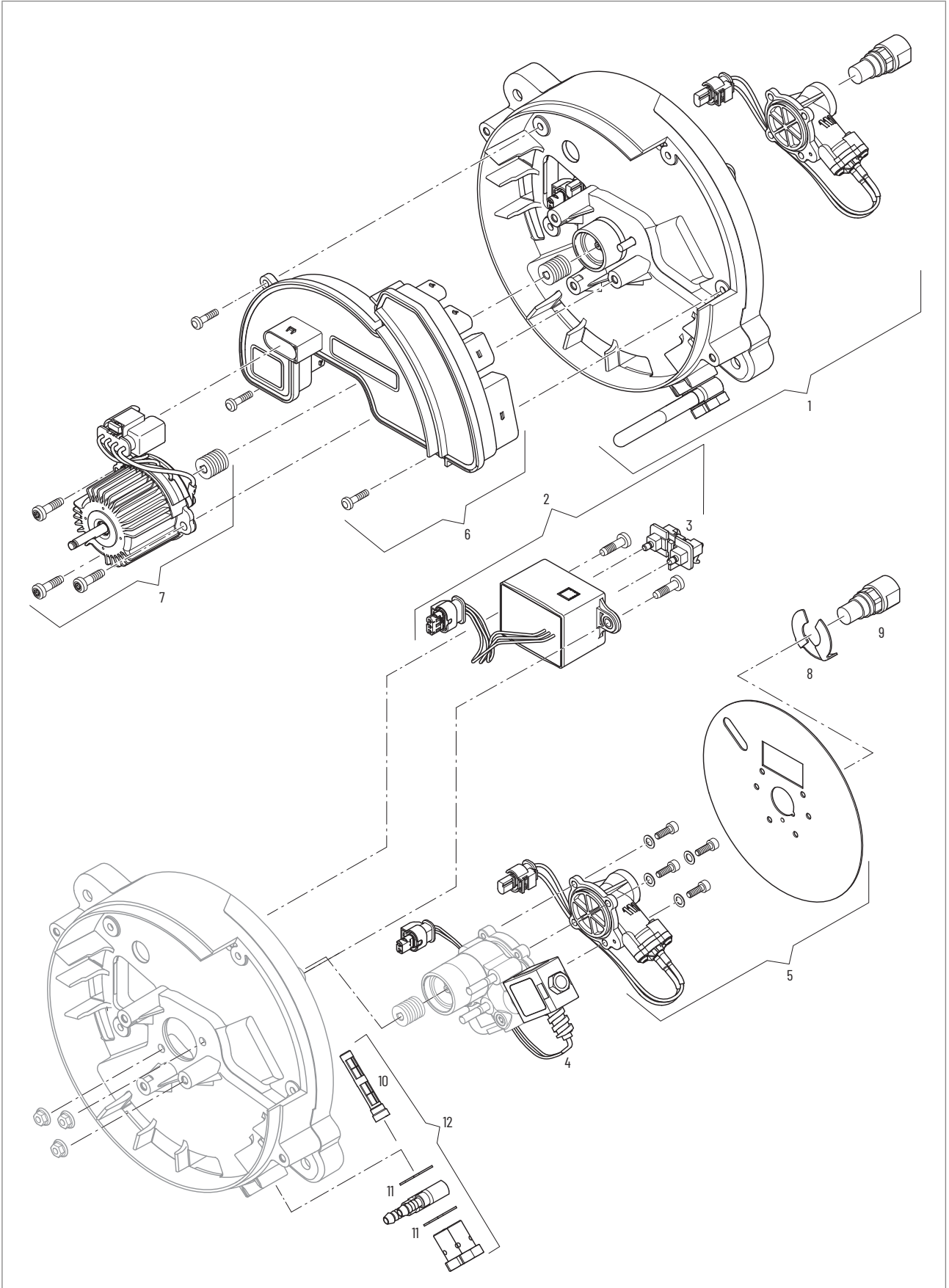


2.2 Spare parts list heater

Item No.	Quantity per unit	Quantity per SU	Designation	Order No. (SU)	For unit						
					L3-16, 24 V - 25.3042.02	L3-24, 24 V - 25.3043.02	L3-24, 24 V - 25.3043.05	L3-30, 24 V - 25.3040.02	L3-30, 24 V - 25.3040.05	L3-35, 24 V - 25.3041.02	L3-35, 24 V - 25.3041.05
1	1	1	Heat exchanger	25.3040.06.0000 25.3042.06.0000	•	•	•	•	•	•	•
2	1	1	Flame tube	25.3040.57.0000	•	•	•	•	•	•	•
3	1	1	Burner incl. fuel pump, control box, electric motor, engine coupling, ignition spark generator, ignition electrodes, deflector plate, impeller, hood, standard cover, fastening screws / nuts, control unit plug, water pump plug	25.3042.99.1500 25.3043.99.1500 25.3040.99.1500 25.3041.99.1500	•	•	•	•	•	•	•
4	1	1	Impeller	25.3040.15.0200	•	•	•	•	•	•	•
5	1	1	Hood	25.3040.15.0901	•	•	•	•	•	•	•
6	1	1	Standard cover	25.3042.15.0902 25.3040.15.0902	•	•	•	•	•	•	•
7	1	1	Lead harness sensors, water temperature inlet sensor and water temperature outlet sensor	25.3040.01.0100	•	•	•	•	•	•	•
not ill.	2	1	Retaining spring temperature sensor	25.3040.01.0006	•	•	•	•	•	•	•
8	2	1	Temperature spring cover	25.3040.01.0007	•	•	•	•	•	•	•
9	1	1	Water pump power supply plug	25.3040.01.0005	•	•	•	•	•	•	•
10	1	1	Control unit plug / EasyScan	25.3040.01.0004	•	•	•	•	•	•	•
11	1	1	Screw plug	25.2599.07.0001	•	•	•	•	•	•	•
12	1	1	Sealing ring	25.2599.07.0002	•	•	•	•	•	•	•

3 Burner head

3.1 Spare parts diagram burner head



3.2 Spare parts lists burner head

Item No.	Quantity per unit	Quantity per SU	Designation	Order No. (SU)	For unit									
					L3-16, 24 V - 25.3042.02	L3-24, 24 V - 25.3043.02	L3-24, 24 V - 25.3043.05	L3-30, 24 V - 25.3040.02	L3-30, 24 V - 25.3040.05	L3-35, 24 V - 25.3041.02	L3-35, 24 V - 25.3041.05			
1	1	1	Pump, 24 V incl. nozzle preheating, fuel nozzle, fuel connection kit, coupling and solenoid valve (incl. test gauge for ignition electrodes)	25.3042.99.4500 25.3043.99.4500 25.3040.99.4500 25.3041.99.4500	•		•		•	•			•	•
2	1	1	Ignition spark generator incl. fastening screws, ignition electrodes incl. test gauge	25.3040.99.1510	•	•	•	•	•	•	•	•	•	•
3	1	1	Ignition electrodes incl. test gauge	25.3040.99.1511	•	•	•	•	•	•	•	•	•	•
4	1	1	Solenoid valve	25.3040.45.0301	•	•	•	•	•	•	•	•	•	•
5	1	1	Nozzle preheating incl. fastening screws and deflector plate	25.3040.99.4506	•	•	•	•	•	•	•	•	•	•
6	1	1	Control box incl. fastening screws M4x16	25.3042.99.5000 25.3043.99.5000 25.3040.99.5000 25.3041.99.5000	•		•		•	•			•	•
7	1	1	Electric motor incl. coupling and fastening screws	25.3040.99.1506	•	•	•	•	•	•	•	•	•	•
8	1	1	Fastening thread deflector plate	25.3040.15.0001	•	•	•	•	•	•	•	•	•	•
9	1	1	Fuel nozzle	330.00.232 330.00.265 330.00.257 330.00.258	•		•		•	•			•	•
10	1	1	Fuel filter	25.2488.45.0202	•	•	•	•	•	•	•	•	•	•
11	2	4	Sealing ring, A10 x 13.5 - DIN 7603 AL	323.04.004	•	•	•	•	•	•	•	•	•	•
12	1	1	Fuel connection kit	25.3040.99.4510	•	•	•	•	•	•	•	•	•	•

