

TABLE OF CONTENTS

| | |
|---|--|
| FOREWORD | MECHANICAL ISRI SEAT..... ERREUR ! SIGNET NON DEFINI. V |
| SAFE OPERATING PRACTICES | DRIVER'S SEAT ADJUSTMENT ERREUR ! SIGNET NON DEFINI. VII |
| DEFENSIVE DRIVING PRACTICES | PNEUMATIC ISRI SEAT..... ERREUR ! SIGNET NON DEFINI. VII |
| COACH EXTERIOR 9 | SAFETY BELTS ERREUR ! SIGNET NON DEFINI. |
| EXTERIOR COMPARTMENTS | TOUR GUIDE SEAT |
| ENGINE COMPARTMENT CURB-SIDE DOOR .. ERREUR ! SIGNET NON DEFINI. | MICROPHONE JACK ERREUR ! SIGNET NON DEFINI. |
| ENGINE COMPARTMENT REAR DOORS ERREUR ! SIGNET NON DEFINI. | PASSENGER SEATS |
| MAIN POWER COMPARTMENT (XLII-45) ERREUR ! SIGNET NON DEFINI. | SWIVEL SEATS..... ERREUR ! SIGNET NON DEFINI. |
| BAGGAGE COMPARTMENTS ... ERREUR ! SIGNET NON DEFINI. | FOLDING TRAYS..... ERREUR ! SIGNET NON DEFINI. |
| FUEL FILLER DOOR ... ERREUR ! SIGNET NON DEFINI. | CARD TABLES ERREUR ! SIGNET NON DEFINI. |
| A/C CONDENSER DOOR..... ERREUR ! SIGNET NON DEFINI. | QUICK-LOUNGE SYSTEM..... ERREUR ! SIGNET NON DEFINI. |
| RECLINING BUMPER.. ERREUR ! SIGNET NON DEFINI. | OVERHEAD CONSOLE |
| FRONT SERVICE COMPARTMENT ERREUR ! SIGNET NON DEFINI. | ADJUSTABLE AIR REGISTERS . ERREUR ! SIGNET NON DEFINI. |
| EVAPORATOR COMPARTMENT ERREUR ! SIGNET NON DEFINI. | SERVICE BELL ERREUR ! SIGNET NON DEFINI. |
| REAR SERVICE COMPARTMENT (XLII-45) ... ERREUR ! SIGNET NON DEFINI. | READING LIGHTS..... ERREUR ! SIGNET NON DEFINI. |
| RADIATOR DOOR..... ERREUR ! SIGNET NON DEFINI. | WINDOWS |
| ENTRANCE DOOR | PANORAMIC WINDOWS ERREUR ! SIGNET NON DEFINI. |
| WHEELCHAIR LIFT DOOR | DRIVER'S POWER WINDOW.... ERREUR ! SIGNET NON DEFINI. |
| REAR VIEW MIRRORS | VENTILATION HATCH ERREUR ! SIGNET NON DEFINI. |
| BACK UP CAMERA | OVERHEAD COMPARTMENTS ERREUR ! SIGNET NON DEFINI. |
| HEADLIGHTS | WASTE CONTAINER ERREUR ! SIGNET NON DEFINI. |
| COACH INTERIOR 21 | GALLEY ERREUR ! SIGNET NON DEFINI. |
| ELECTRICAL DESTINATION SIGN | LAVATORY ERREUR ! SIGNET NON DEFINI. |
| ELECTRONIC DESTINATION SIGN | CONTROLS AND INSTRUMENTS.... 31 |
| UTILITY COMPARTMENTS | KEYS |
| STEERING WHEEL ADJUSTMENT | IGNITION KEY..... ERREUR ! SIGNET NON DEFINI. |
| AISLE MIRROR | EXTERIOR DOOR LOCK KEY ERREUR ! SIGNET NON DEFINI. |
| ADJUSTABLE HVAC REGISTERS | FUEL FILLER DOOR KEY ERREUR ! SIGNET NON DEFINI. |
| DRIVER'S SEAT - ISRI | LAVATORY DOOR LOCK KEY ERREUR ! SIGNET NON DEFINI. |
| | UTILITY AND VIDEO COMPARTMENT KEY ERREUR ! SIGNET NON DEFINI. |
| | BATHROOM TISSUE DISPENSER KEY ERREUR ! SIGNET NON DEFINI. |
| | TV MONITOR KEY ERREUR ! SIGNET NON DEFINI. |

| | |
|---|---|
| HI-BUOY | SIDE WINDOWS... ERREUR ! SIGNET NON DEFINI. |
| | ROOF HATCH..... ERREUR ! SIGNET NON DEFINI. |
| LOW-BUOY | ENTRANCE DOOR ERREUR ! SIGNET NON DEFINI. |
| | EMERGENCY EQUIPMENT |
| RETRACTABLE TAG AXLE | ERREUR ! SIGNET NON DEFINI. |
| TAG LOAD RELEASE SYSTEM (TLR) ..ERREUR ! | FIRE EXTINGUISHERS ERREUR ! SIGNET NON DEFINI. |
| SIGNET NON DEFINI. | FIRST AID KIT ERREUR ! SIGNET NON DEFINI. |
| IN-STATION LIGHTING | FIRE HATCHET ERREUR ! SIGNET NON DEFINI. |
| | WARNING REFLECTOR ERREUR ! SIGNET NON DEFINI. |
| COOLANT HEATER | JACK / TOOLS..... ERREUR ! SIGNET NON DEFINI. |
| SWITCHING THE HEATER ON . ERREUR ! SIGNET NON | SPARE PARTS KIT ERREUR ! SIGNET NON DEFINI. |
| DEFINI. | “LIMP-HOME” BELT .. ERREUR ! SIGNET NON DEFINI. |
| SWITCHING THE HEATER OFF ERREUR ! SIGNET NON | SPARE WHEEL AND TIRE ERREUR ! SIGNET NON |
| DEFINI. | DEFINI. |
| COOLANT HEATER TIMER ERREUR ! SIGNET NON | CHANGING A WHEEL |
| DEFINI. | |
| TROUBLESHOOTING AND MAINTENANCEERREUR ! | EMERGENCY AIR-FILL VALVES |
| SIGNET NON DEFINI. | |
| WHEELCHAIR LIFT | EMERGENCY AND PARKING BRAKES |
| | ERREUR ! SIGNET NON DEFINI. |
| WHEELCHAIR LIFT AND ACCESS DOORSERREUR ! | JACKING POINTS |
| SIGNET NON DEFINI. | |
| OPERATING THE WHEELCHAIR LIFTERREUR ! SIGNET | HYDRAULIC JACK..... ERREUR ! SIGNET NON DEFINI. |
| NON DEFINI. | TOWING |
| INTERIOR APPOINTMENTS ERREUR ! SIGNET NON | |
| DEFINI. | DAYTIME RUNNING LIGHTS |
| EMERGENCY OPERATION ERREUR ! SIGNET NON | |
| DEFINI. | FOG LIGHTS |
| HUBODOMETER | ERREUR ! SIGNET NON DEFINI. |
| | COMPARTMENT LIGHTING |
| STARTING AND STOPPING | |
| PROCEDURES 81 | MUD FLAPS AND SPLASH GUARDS |
| | |
| STARTING THE ENGINE | BACK UP CAMERA |
| | ERREUR ! SIGNET NON DEFINI. |
| STARTING FROM THE DRIVER’S SEAT.....ERREUR ! | BACK UP ALARM |
| SIGNET NON DEFINI. | |
| STARTING FROM THE ENGINE COMPARTMENT | AUDIBLE ALERTS |
| ERREUR ! SIGNET NON DEFINI. | |
| COLD WEATHER STARTING.... ERREUR ! SIGNET NON | CARE AND MAINTENANCE 95 |
| DEFINI. | |
| JUMP STARTING..... ERREUR ! SIGNET NON DEFINI. | CLEANING |
| | |
| ENGINE BLOCK HEATER | SEAT UPHOLSTERY ERREUR ! SIGNET NON DEFINI. |
| | PLASTIC AND VINYL . ERREUR ! SIGNET NON DEFINI. |
| ENGINE WARM-UP | WINDOWS..... ERREUR ! SIGNET NON DEFINI. |
| | STAINLESS STEEL ERREUR ! SIGNET NON DEFINI. |
| TRANSMISSION WARM-UP | FORMICA..... ERREUR ! SIGNET NON DEFINI. |
| | CARPET ERREUR ! SIGNET NON DEFINI. |
| | RUBBER COMPONENTS..... ERREUR ! SIGNET NON |
| SAFETY FEATURES AND | DEFINI. |
| EQUIPMENT 85 | FLOOR CLEANING..... ERREUR ! SIGNET NON DEFINI. |
| | EXTERIOR SURFACES . ERREUR ! SIGNET NON DEFINI. |
| EMERGENCY EXITS | ERREUR ! SIGNET NON DEFINI. |

TABLE OF CONTENTS

| | |
|--|--|
| LAVATORY MAINTENANCE | GENERAL RECOMMENDATIONS |
| FRESH WATER RESERVOIR..... ERREUR ! SIGNET NON DEFINI. | WALK-AROUND INSPECTION |
| CLEANING CABINET .. ERREUR ! SIGNET NON DEFINI. | LUBRICATION AND SERVICING SCHEDULE |
| FILLING THE MAIN SUMP TANK ERREUR ! SIGNET NON DEFINI. | PART NUMBER SPECIFICATIONS |
| DRAINING THE MAIN SUMP TANK . ERREUR ! SIGNET NON DEFINI. | TECHNICAL INFORMATION 121 |
| DRAINING THE AUXILIARY SUMP TANK ERREUR ! SIGNET NON DEFINI. | DIMENSIONS AND WEIGHTS |
| FLUID LEVEL VERIFICATION | ERREUR ! SIGNET NON DEFINI. |
| ENGINE OIL LEVEL.. ERREUR ! SIGNET NON DEFINI. | CAPACITIES |
| TRANSMISSION FLUID LEVEL ERREUR ! SIGNET NON DEFINI. | FUEL TYPE |
| POWER STEERING FLUID LEVEL... ERREUR ! SIGNET NON DEFINI. | WHEELS AND TIRES |
| RADIATOR FAN GEARBOX OIL LEVEL..... ERREUR ! SIGNET NON DEFINI. | RECOMMENDED TIRE INFLATION PRESSURE AT MAXIMUM COLD LOAD..... ERREUR ! SIGNET NON DEFINI. |
| WHEEL BEARING OIL LEVEL ERREUR ! SIGNET NON DEFINI. | BELTS |
| COOLANT FLUID ERREUR ! SIGNET NON DEFINI. | ENGINE |
| WINDSHIELD WASHER RESERVOIR ERREUR ! SIGNET NON DEFINI. | TRANSMISSION |
| OTHER VERIFICATIONS | ERREUR ! SIGNET NON DEFINI. |
| AIR TANK PURGE..... ERREUR ! SIGNET NON DEFINI. | ALLISON WORLD TRANSMISSION ... ERREUR ! SIGNET NON DEFINI. |
| FIRE EXTINGUISHERS ERREUR ! SIGNET NON DEFINI. | EATON AUTO SHIFT AST 7L TRANSMISSION ERREUR ! SIGNET NON DEFINI. |
| FUEL FILTER/WATER SEPARATOR.. ERREUR ! SIGNET NON DEFINI. | BRAKES |
| BELT TENSION ADJUSTMENT . ERREUR ! SIGNET NON DEFINI. | BRAKE CHAMBER EFFECTIVE AREA ERREUR ! SIGNET NON DEFINI. |
| BACK UP CAMERA ERREUR ! SIGNET NON DEFINI. | AIR SYSTEM |
| AIR FILTER RESTRICTION INDICATOR ERREUR ! SIGNET NON DEFINI. | ANTILOCK BRAKING SYSTEM (ABS) |
| A/C AND HEATING SYSTEM AIR FILTERS ERREUR ! SIGNET NON DEFINI. | STEERING |
| DRIVER'S AREA FILTERS..... ERREUR ! SIGNET NON DEFINI. | ELECTRICAL SYSTEM |
| CABIN AIR FILTER..... ERREUR ! SIGNET NON DEFINI. | ERREUR ! SIGNET NON DEFINI. |
| HOSE INSPECTION..... ERREUR ! SIGNET NON DEFINI. | SUSPENSION |
| LUBRICATION ERREUR ! SIGNET NON DEFINI. | RIGID AXLE FRONT SUSPENSION ERREUR ! SIGNET NON DEFINI. |
| ROUTINE INSPECTION | INDEPENDENT FRONT SUSPENSION . ERREUR ! SIGNET NON DEFINI. |
| WITH ENGINE STOPPED :..... ERREUR ! SIGNET NON DEFINI. | ERREUR ! SIGNET NON DEFINI. |
| WITH ENGINE RUNNING :..... ERREUR ! SIGNET NON DEFINI. | DRIVE AXLE ERREUR ! SIGNET NON DEFINI. |
| FIRST SERVICE ON NEW VEHICLE | TAG AXLE ERREUR ! SIGNET NON DEFINI. |
| ENGINE OIL ERREUR ! SIGNET NON DEFINI. | ALIGNMENT SPECIFICATIONS |
| ALLISON TRANSMISSION FLUID FILTER ERREUR ! SIGNET NON DEFINI. | HEATING AND AIR CONDITIONING |
| COOLANT SYSTEM STRAINER. ERREUR ! SIGNET NON DEFINI. | |

TABLE OF CONTENTS

| | |
|---|---|
| OIL SPECIFICATIONS | SAFETY CERTIFICATION |
| ENGINE..... ERREUR ! SIGNET NON DEFINI. | DEFINI. |
| AUTOMATIC TRANSMISSION... ERREUR ! SIGNET NON DEFINI. | DOT CERTIFICATION PLATE .. ERREUR ! SIGNET NON DEFINI. |
| DIFFERENTIAL ERREUR ! SIGNET NON DEFINI. | EPA ENGINE LABEL.. ERREUR ! SIGNET NON DEFINI. |
| FAN GEARBOX ERREUR ! SIGNET NON DEFINI. | VEHICLE IDENTIFICATION NUMBER (VIN) |
| POWER STEERING RESERVOIR ERREUR ! SIGNET NON DEFINI. | COACH FINAL RECORD |
| WHEEL BEARINGS ERREUR ! SIGNET NON DEFINI. | NOTICE |
| PRE-HEATING SYSTEM | ERREUR ! SIGNET NON DEFINI. |
| DDEC IV DIAGNOSTIC CODES | ERREUR ! SIGNET NON DEFINI. |
| ENGINE TROUBLESHOOTING GUIDE ERREUR ! SIGNET NON DEFINI. | |
| WORLD TRANSMISSION (WT) DIAGNOSTIC CODES | ERREUR ! SIGNET NON DEFINI. |
| DIAGNOSTIC CODE MEMORY LIST . ERREUR ! SIGNET NON DEFINI. | |
| MAIN CODE..... ERREUR ! SIGNET NON DEFINI. | |
| SUB CODE ERREUR ! SIGNET NON DEFINI. | |
| ACTIVE INDICATOR ... ERREUR ! SIGNET NON DEFINI. | |
| IGNITION CYCLE COUNTER ERREUR ! SIGNET NON DEFINI. | |
| EVENT COUNTER ERREUR ! SIGNET NON DEFINI. | |
| CLEARING THE ACTIVE INDICATOR AND CODE RECORDS FROM THE CODE LIST IN MEMORY | ERREUR ! SIGNET NON DEFINI. |
| CODE READING AND CODE CLEARING PROCEDURES | ERREUR ! SIGNET NON DEFINI. |
| READING CODES ERREUR ! SIGNET NON DEFINI. | |
| CLEARING CODES..... ERREUR ! SIGNET NON DEFINI. | |
| EXITING THE DIAGNOSTIC DISPLAY MODE.. ERREUR ! SIGNET NON DEFINI. | |
| CLEARING RECORDS FROM THE CODE LIST IN MEMORY | ERREUR ! SIGNET NON DEFINI. |
| DIAGNOSTIC CODE RESPONSE ERREUR ! SIGNET NON DEFINI. | |
| DIAGNOSTIC CODE LIST AND DESCRIPTION.. ERREUR ! SIGNET NON DEFINI. | |
| OIL LEVEL SENSOR (OLS) CODES | ERREUR ! SIGNET NON DEFINI. |
| EXITING THE OIL LEVEL DISPLAY MODE.... ERREUR ! SIGNET NON DEFINI. | |
| CLEARING CODES..... ERREUR ! SIGNET NON DEFINI. | |
| EATON TRANSMISSION TROUBLESHOOTING GUIDE | ERREUR ! SIGNET NON DEFINI. |
| EATON TRANSMISSION FAULT CODES..... ERREUR ! SIGNET NON DEFINI. | |
| LIGHT BULB DATA | ERREUR ! SIGNET NON DEFINI. |
| PLATES AND CERTIFICATION | ERREUR ! SIGNET NON DEFINI. |

FOREWORD

This *Operator's Manual* for the PREVOST XLII coach has been prepared to thoroughly acquaint you, the driver, with the equipment and features of the coach in order for you to fully appreciate and safely enjoy this vehicle. Prevost Car Incorporated is committed to the continuous improvement of coach quality, reliability, durability and safety. With innovative features, the XLII series coach was designed with passenger and driver safety and comfort in mind.

This manual contains information available at the time of publication. Because standard and optional equipment is covered in this manual, some of the optional equipment described may not apply to your coach. If in doubt, refer to the technical documentation package provided with the coach.

Driver's controls and instruments incorporate advanced technology for enhanced driving ease and security. This manual describes the main features, instruments and controls, and servicing requirements for both standard and optional equipment. Read this manual carefully to take advantage of the coach's advanced features and to ensure optimum safety and passenger comfort.

Keep this manual in the coach at all times. Make sure this manual is kept with the coach when ownership is transferred. Please use the appropriate card at the end of this manual to promptly notify Prevost Car of any change of address or transfer of ownership. This will ensure we provide fast and reliable coach service to all coach operators.

Warnings, cautions and notes are used throughout this manual to emphasize important points when necessary:

WARNINGS call attention to instructions which must be precisely followed to avoid personal injury.

CAUTIONS call attention to instructions which must be followed to avoid damage to the coach or to equipment.

NOTES provide supplemental information and call attention to instructions which make the job easier.

The service life of the coach depends on the kind of attention it receives. Pay close attention to the

warnings, cautions and notes. Read the various notices and instructions posted throughout the coach and attached to equipment.

Since continuous improvement is a primary focus at Prevost Car, we reserve the right to make changes anytime, without notice, and without incurring any obligation.

Before reproducing or copying this manual, in whole or in part, written consent must be obtained from Prevost Car Incorporated.

SAFETY PRECAUTIONS

To ensure safe and reliable operation, heed the following safety precautions.

SAFE OPERATING PRACTICES

- Operation and maintenance of the vehicle must be performed only by qualified personnel.
- Before driving, conduct a walk around inspection and check that all baggage compartment doors and equipment access doors are securely shut.
- Make sure good visibility is maintained at all times. Keep windshields clean and free of obstructions.
- Adjust the driver's seat so that all controls can be reached easily.
- Always wear your safety belt when driving.
- Check the instrument panel frequently. Do not operate the vehicle when dials or indicators do not indicate normal operating conditions.
- Always pay attention to pedestrians passing in front and behind the vehicle. Always yield to pedestrians at pedestrian walkways.
- Do not drive over obstacles on the road. Empty boxes, piles of leaves, and snowdrifts could conceal hidden dangers that could damage the vehicle suspension and underbody.
- When turning or changing lanes, signal your intention well in advance.
- When approaching to make a right turn, reduce the space between the vehicle and the curb to make sure another vehicle cannot pass on the right. Since the vehicle makes wide turns, allow enough space to make safe turns.
- Switch from high beams to low beams when meeting or following other vehicles within 500 feet (150 meters).
- Never leave the vehicle unattended with the engine running, or with the key in the ignition. Turn off the engine, remove keys and apply the parking brake before leaving the vehicle.

- Shut-off the engine before refueling, adding oil, performing maintenance or servicing tasks, unless stated otherwise.
- Fuel is highly flammable and explosive. Do not smoke when refueling. Keep away from open flames or sparks.
- Do not run the engine or HVAC system with access doors left open. Close compartment doors before operating any equipment.
- Do not remove the surge tank filler cap or the cooling system pressure cap when the engine is hot. Let the engine cool down before removing filler caps.
- Do not attempt to push or pull-start the vehicle.
- The service life of the vehicle depends on the kind of maintenance it receives. Always record any problems and report them immediately to maintenance personnel.

DEFENSIVE DRIVING PRACTICES

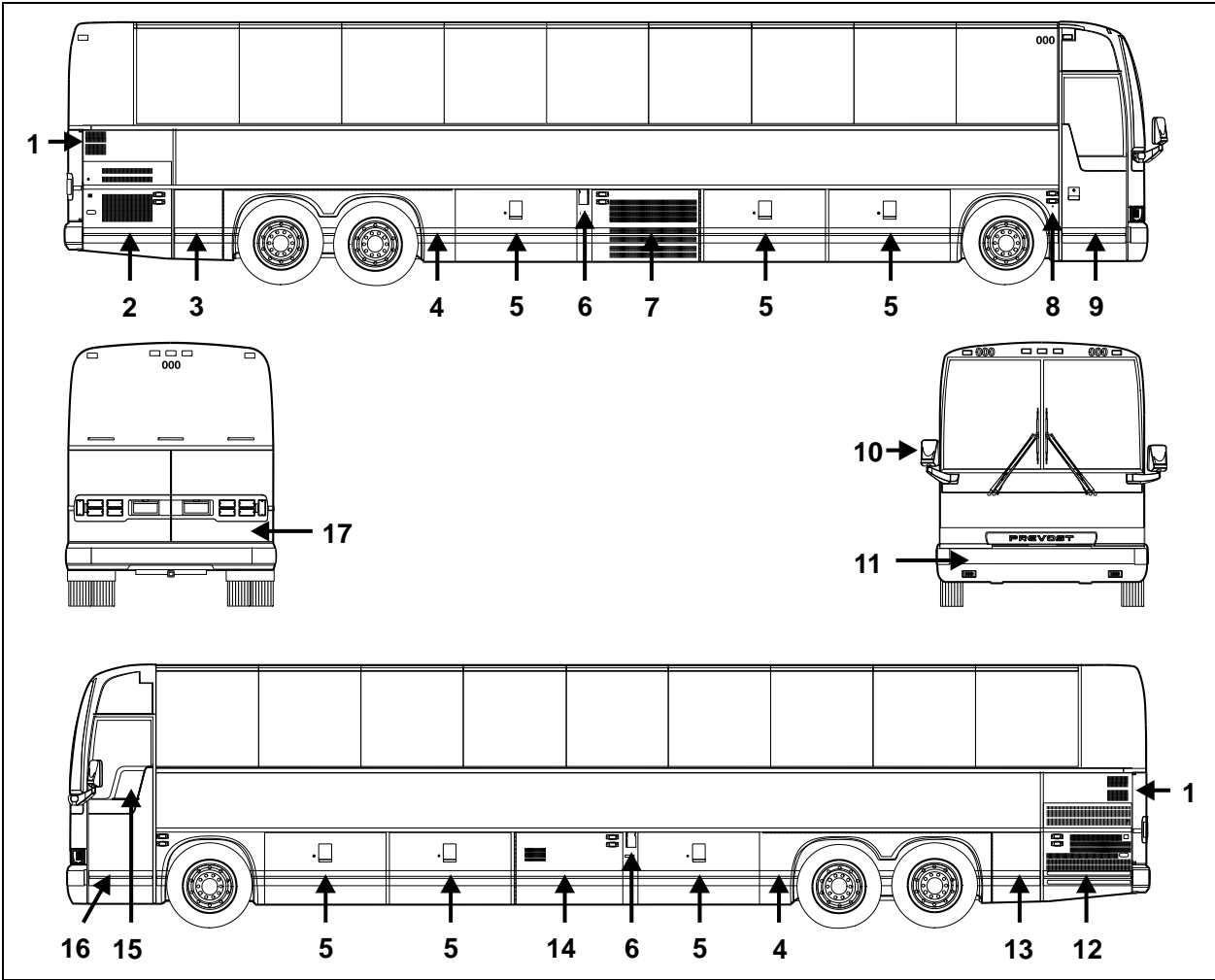
- For city driving, allow a four to six second travel interval between your vehicle and the vehicle ahead. Increase this travel interval to six to eight seconds for highway driving. Increase time interval for driving at night or in foul weather.
- Be prepared to stop when approaching an intersection. The stopping distance of the vehicle increases with the weight and speed.
- Establish eye-to-eye contact with other drivers and with pedestrians. Use, high beam and low beam headlights, turn signals and horn as needed.
- On highway, don't stare at the road ahead. Keep your eyes moving. Check mirrors and dashboard instruments frequently.
- To keep the vehicle from drifting across lanes during highway driving, always look over the horizon on the road ahead.
- Adjust your speed to road conditions, traffic and visibility. Never exceed the posted speed limits.
- If another vehicle is following close behind, reduce your speed to let the vehicle pass.

SAFETY PRECAUTIONS

For additional information about safe operation and defensive driving practices, contact the local department of motor vehicles authority.

SAFETY PRECAUTIONS

COACH EXTERIOR

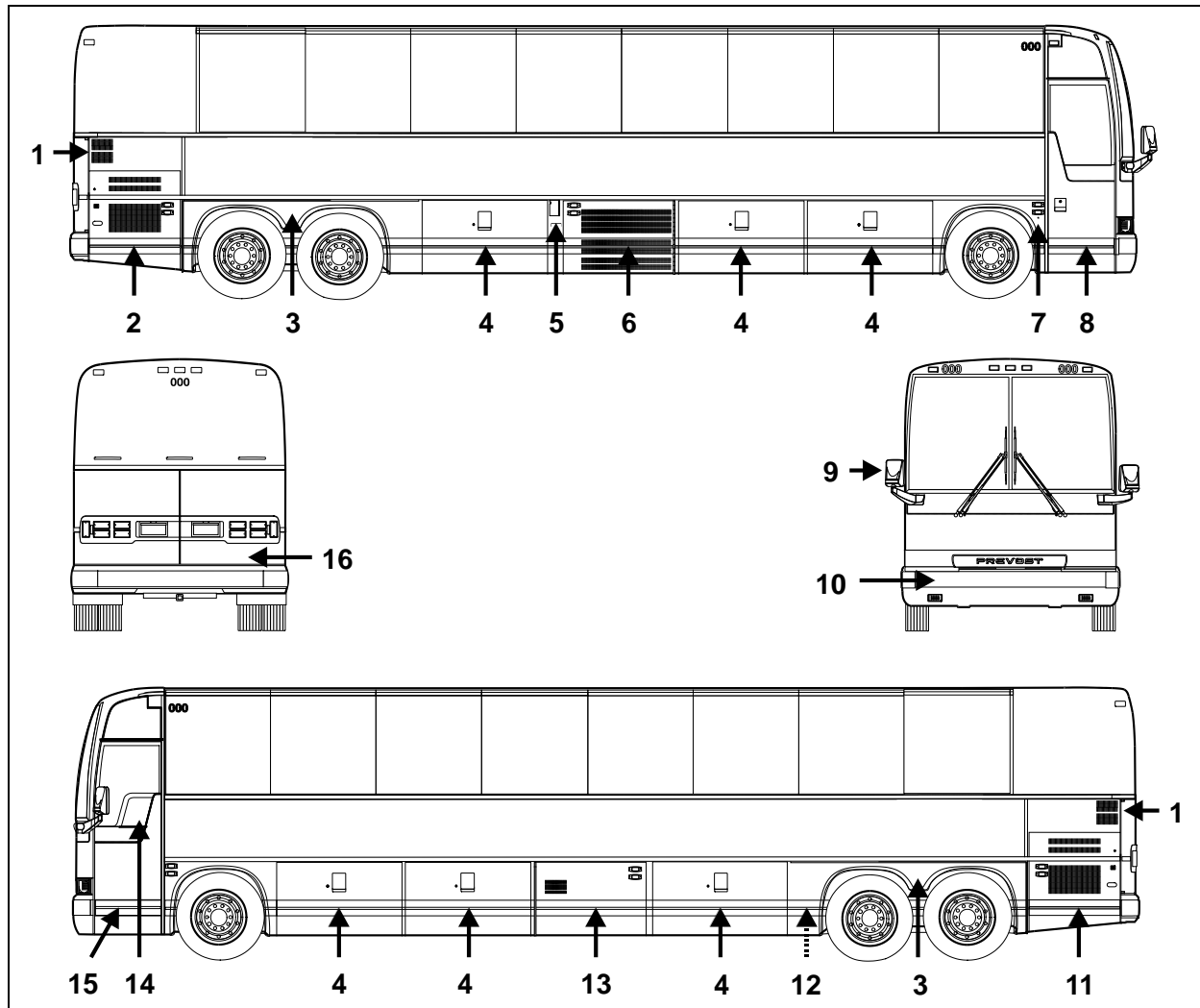


XLII-45 EXTERIOR VIEW (TYPICAL)

18367

- | | |
|--------------------------------------|-----------------------------------|
| 1. Engine air intake | 10. Rear-view mirrors |
| 2. Engine compartment curb-side door | 11. Reclining front bumper |
| 3. Main power compartment | 12. Radiator door |
| 4. Hinged rear fender | 13. Rear service compartment |
| 5. Baggage compartment | 14. Evaporator compartment |
| 6. Fuel filler door | 15. Driver's power window |
| 7. Condenser compartment | 16. Front service compartment |
| 8. Entrance door control switch | 17. Engine compartment rear doors |
| 9. Entrance door | |

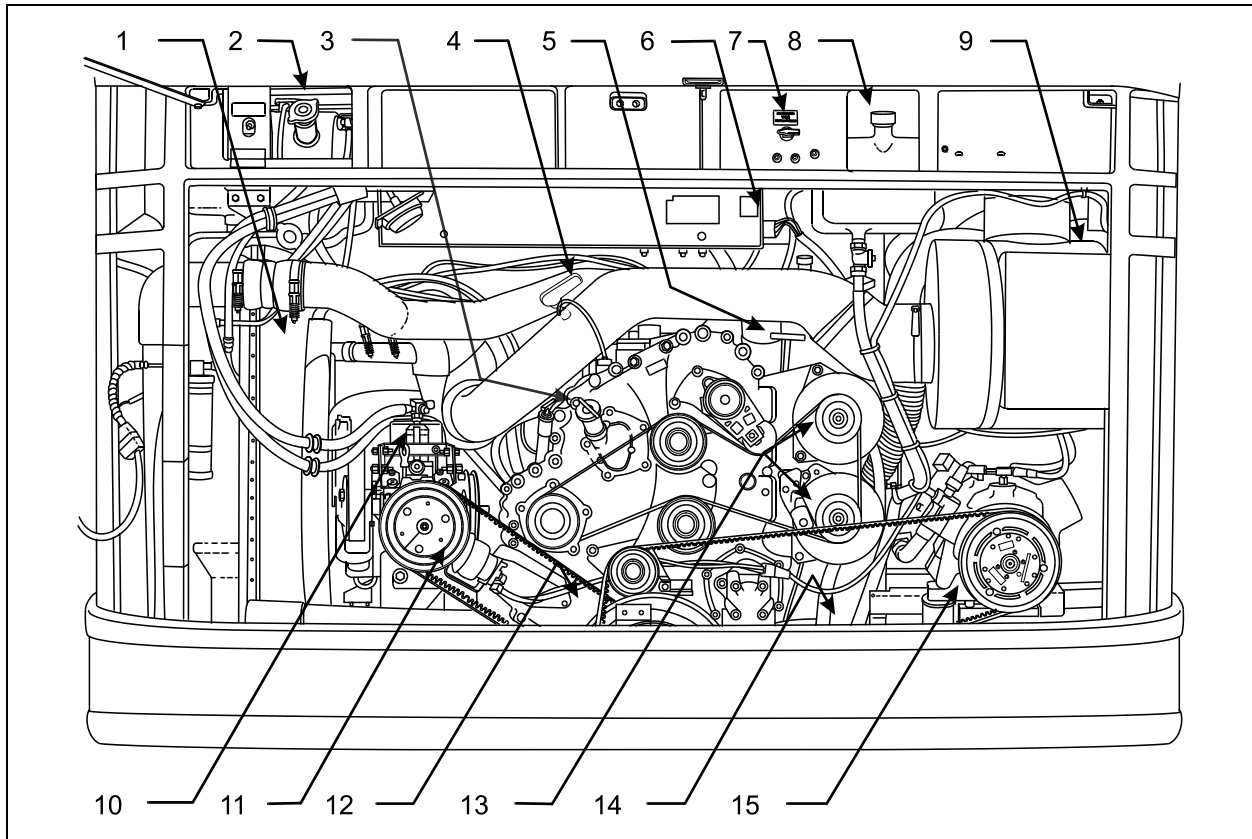
COACH EXTERIOR



XLII-40 EXTERIOR VIEW (TYPICAL)

18364

- | | | | |
|----|-----------------------------------|-----|-------------------------------------|
| 1. | Engine air intake | 9. | Rear-view mirrors |
| 2. | Engine compartment curb-side door | 10. | Reclining front bumper |
| 3. | Hinged rear fender | 11. | Radiator door |
| 4. | Baggage compartment | 12. | Batteries (via baggage compartment) |
| 5. | Fuel filler door | 13. | Evaporator compartment |
| 6. | Condenser compartment | 14. | Driver's power window |
| 7. | Entrance door control switch | 15. | Front service compartment |
| 8. | Entrance door | 16. | Engine compartment rear doors |



ENGINE COMPARTMENT

01084

- | | |
|---|--|
| <ol style="list-style-type: none"> 1. Radiator; 2. Coolant fluid surge tank; 3. Transmission fluid dipstick; 4. Air filter restriction indicator; 5. Engine oil dipstick; 6. Starter selector switch and Engine rear start push-button switch; 7. Belt tensioner control valve; 8. Engine oil reserve tank; | <ol style="list-style-type: none"> 9. Air filter; 10. Auxiliary A/C compressor (optional); 11. Radiator fan gearbox; 12. Engine coolant filter/conditioner and Engine oil filters; 13. Alternator; 14. Primary and secondary fuel filters; 15. Main A/C compressor; |
|---|--|

EXTERIOR COMPARTMENTS

Most serviceable parts may be accessed through exterior compartments. There may be slight differences in the location of parts and in the configuration of compartments between models, depending on options.

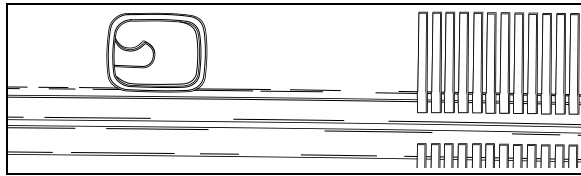
ENGINE COMPARTMENT CURB-SIDE DOOR

The engine compartment curb-side door provides access to the following (if equipped):

- Engine compartment rear door release lever;

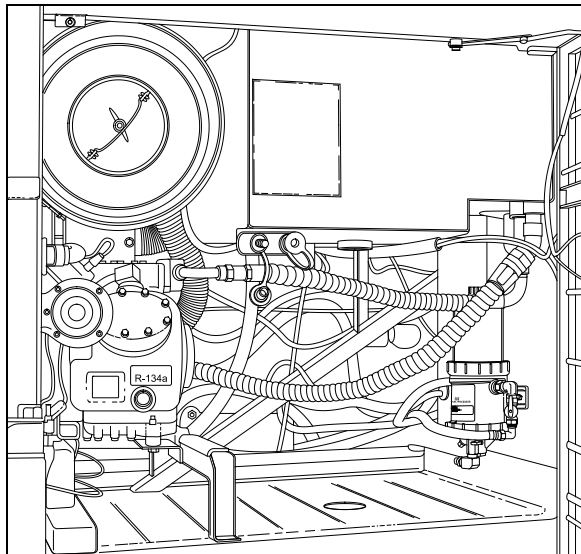
- Alternator(s);
- Primary air circuit fill valve and drain cock;
- Fuel filter/water separator.
- Cold weather starting fluid bottle;
- A/C Compressor.
- 110 - 120 volt connector (see description below)

COACH EXTERIOR



ENGINE COMPARTMENT CURB-SIDE DOOR 18370

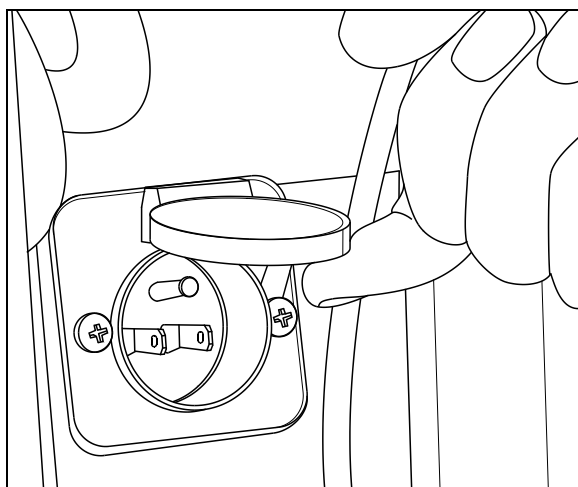
This door can be locked or unlocked using the exterior compartment key or, if so equipped, by the central door locking system. To open, push down on the small lever accessible through an opening in the door.



CURB-SIDE ENGINE COMPARTMENT 18392

Warning: Unless otherwise stated, do not run the engine when the engine compartment is open.

110-120 Volt Connector



110 VOLT CONNECTOR 06390

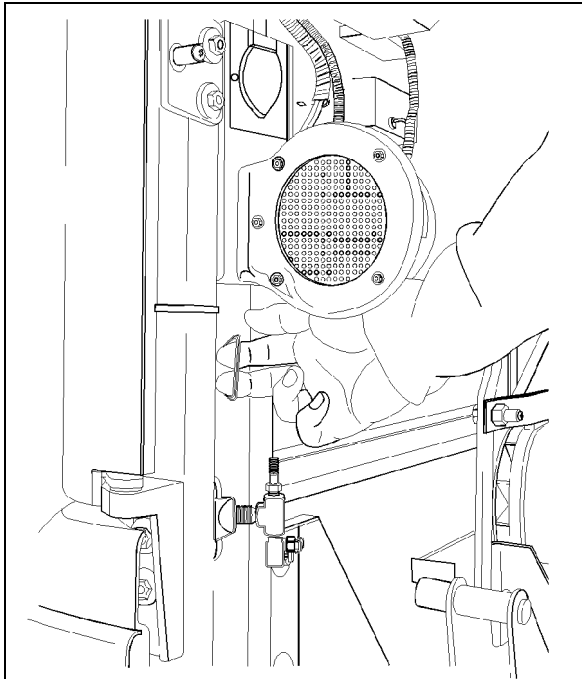
This connector must be used with a 110 - 120 volt supply and is connected to the engine block heater. Refer to "Other Features" chapter.

To access the connector, open the engine compartment curb-side door. The connector is attached to the L.H. side frame post.

ENGINE COMPARTMENT REAR DOORS

To open the engine compartment rear doors, open the engine compartment curb side door and pull the lever located on the rear door, close to the bottom door hinge. The engine compartment doors swing out to provide access to the following:

- Engine;
- Alternator(s);
- Compressor(s);
- Belt tension valve (refer to "Care and Maintenance" chapter);
- Engine starting selector (refer to "Starting and Stopping Procedures" chapter);
- Rear junction box;
- Certification plates;
- Diagnostic Data Reader (DDR) receptacle, located inside the junction box (refer to "Other Features" chapter);
- Engine coolant surge tank;
- Air filter restriction indicator;
- Engine oil dipstick;
- Engine oil reserve tank;
- Power steering fluid reserve tank;
- Automatic transmission fluid dipstick;
- Engine coolant filler cap;
- Primary air circuit fill valve and drain cock;

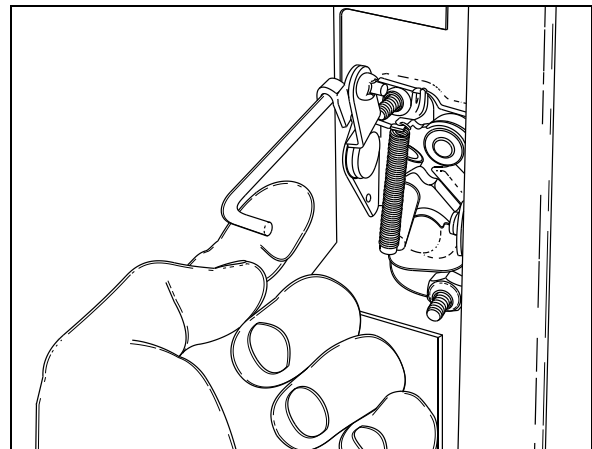


ENGINE CMPT. REAR DOOR OPENING LEVER 18371

A catch holding each door open engages when the door is fully open. Release the catches before closing the doors. Close the L.H. door first, then firmly shut the R.H. door.

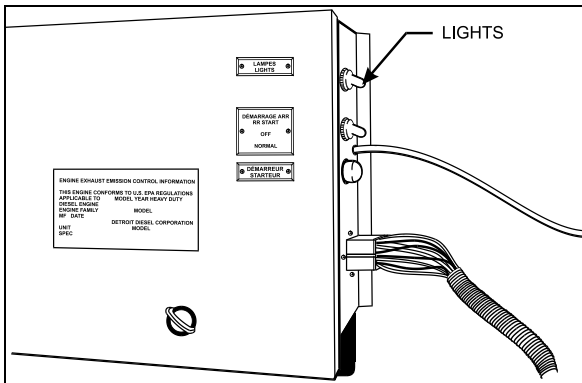
- Batteries (XLII-45 only);
- Battery equalizer;
- Circuit breakers;
- Booster terminals;
- Battery master switch (auxiliary).
- Battery charger connector (optional)

To open the door, first open the engine compartment R.H. side door and pull the lever close to the lower door hinge.



LEVER IN ENGINE COMPARTMENT SIDE DOOR 18372

Lights in the compartment turn ON automatically when the door is opened.



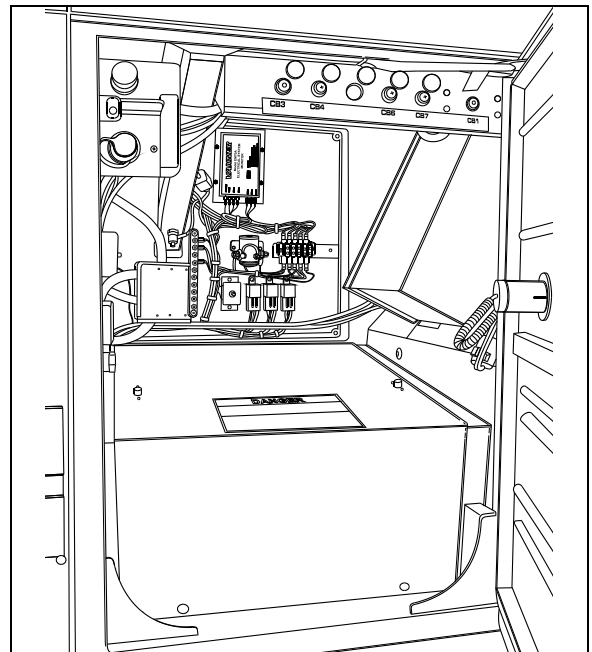
REAR JUNCTION BOX 06409

Turn the lights ON in the engine compartment using the switch on the right-hand side of the rear junction box.

Warning: Unless otherwise specified, do not run engine when the engine compartment rear door is open. Close the engine compartment rear door before starting the engine.

MAIN POWER COMPARTMENT (XLII-45)

This compartment is closed off from the engine compartment and is used for battery and electrical component stowage. The following are housed in the main power compartment:

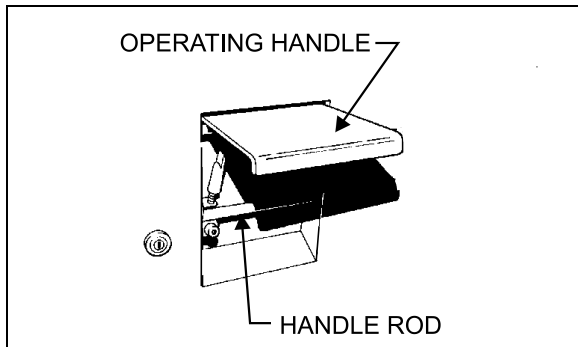


MAIN POWER COMPARTMENT 18392

COACH EXTERIOR

BAGGAGE COMPARTMENTS

The baggage compartment doors of the XLII-45 model provide 407 ft³ (11,53 m³) of storage space (the XLII-40 has 315 ft³ [8,9 m³] of storage capacity). The compartments can be locked or unlocked by using the exterior compartment key. Pull up operating handle to release the latch, then pull the door open. Pressurized cylinders assist the opening and closing of the baggage compartment doors and hold the doors open.



BAGGAGE DOOR LOCK AND LEVER

18417

To close, pull the door down by the handle rod. Complete the closing of the door by returning the operating handle to its initial position.

Caution: Do not slam shut the baggage compartment doors. Damage to door weatherstripping or locking mechanism could result.

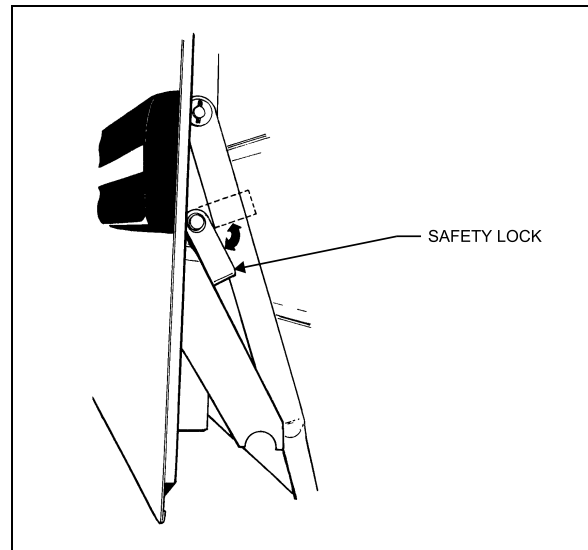
Lights in the baggage compartments turn ON automatically when the door is opened.

Warning: To avoid injury, keep hands clear of baggage compartment door edge and door frame when closing.

Note: To prevent theft and vandalism, always lock the baggage compartment doors before leaving the vehicle unattended.

Note: The baggage compartment doors can be locked/unlocked from the driver's position by the optional central locking system. The switch is on the L.H. control panel. Refer to "Controls & Instruments" chapter.

Note: In case of cylinder failure or in other situations (such as windy conditions), use the safety lock as shown below to maintain the door open.

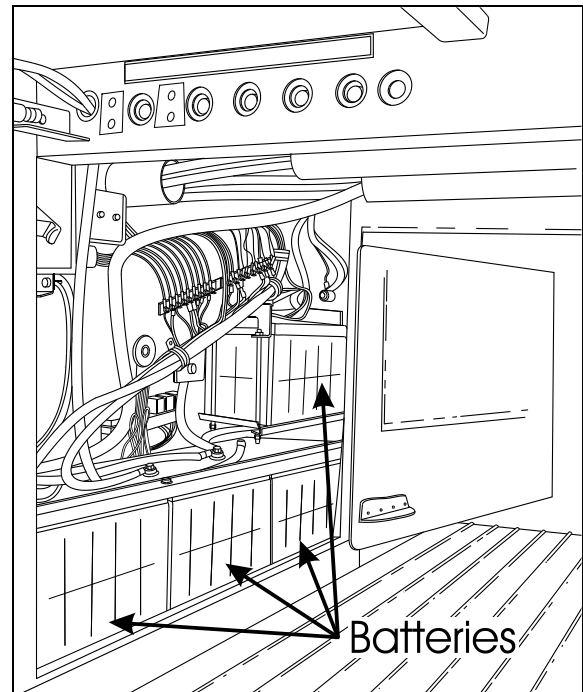


SAFETY LOCK

18038

Battery Compartment (XLII-40)

On XLII-40 models only, batteries are accessible through an access door located on the rearmost baggage compartment wall. To open the access door, lift the door handle, turn CCW ¼ turn and pull open.



BATTERY COMPARTMENT (XLII-40 ONLY)

06449

FUEL FILLER DOOR

There is one fuel filler door on each side of the coach (only one fuel door on XLII-40 coaches), providing easy fuel filling. Both fuel filler doors

can be unlocked with the exterior compartment key. Springs keep the door either open or shut.

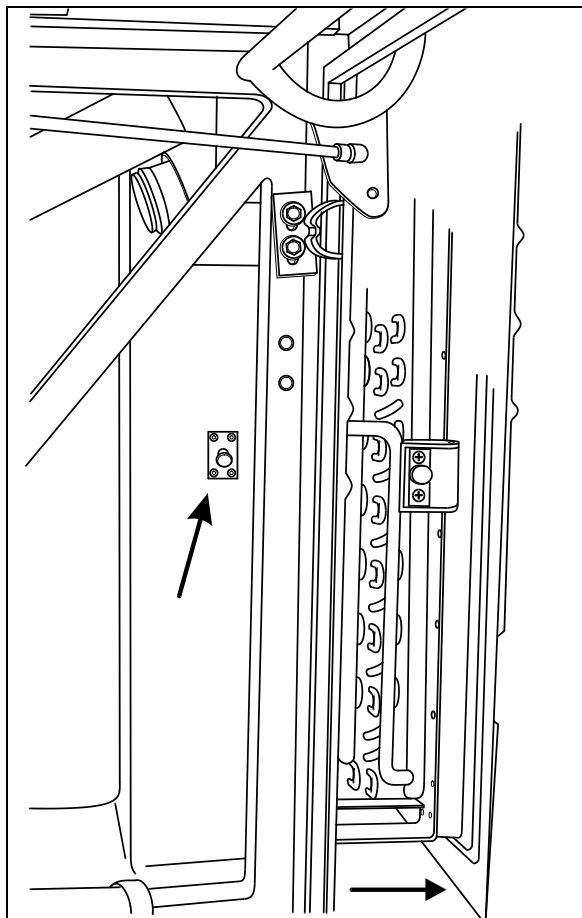
Note: Provided the vehicle is parked on level ground, an automatic nozzle will automatically shut off when tank is approximately 95% full.

Caution: Do not fill to more than 95% of the tank capacity. Do not "top off" the tank, doing so may result in fuel spillage when the fuel expands.

Note: The fuel filler door locks must be in the unlocked position before closing.

A/C CONDENSER DOOR

Pull the release latch located inside the adjacent baggage compartment to open the condenser door.



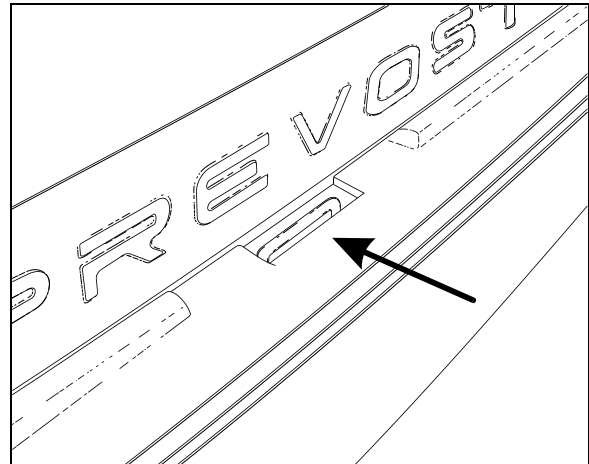
CONDENSER DOOR

18378

RECLINING BUMPER

The front bumper can be tilted downward to give access to the spare wheel. Pull the lever on top of the bumper to unlock. Tilt down the entire bumper assembly to access the spare. Push

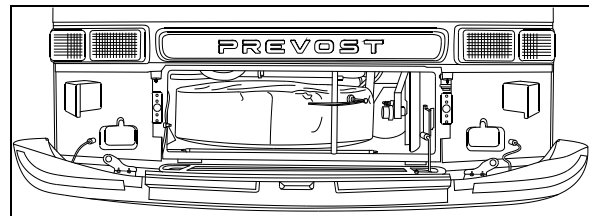
the bumper back up firmly in place to lock in position.



BUMPER UNLOCKING HANDLE

18402

Warning: The compartment behind the bumper is not designed for miscellaneous storage. Never store loose objects in this compartment since they can interfere with the steering linkage mechanism.



SPARE WHEEL IN BUMPER COMPARTMENT

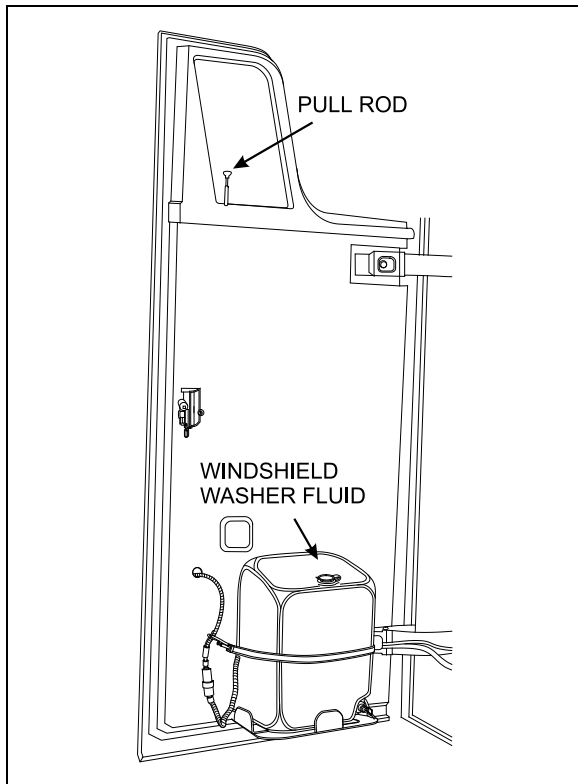
18393

FRONT SERVICE COMPARTMENT

To open the front compartment door, pull the rod inside the vehicle, next to the driver's power window or use the key to open from outside the coach. The front service compartment provides access to the following:

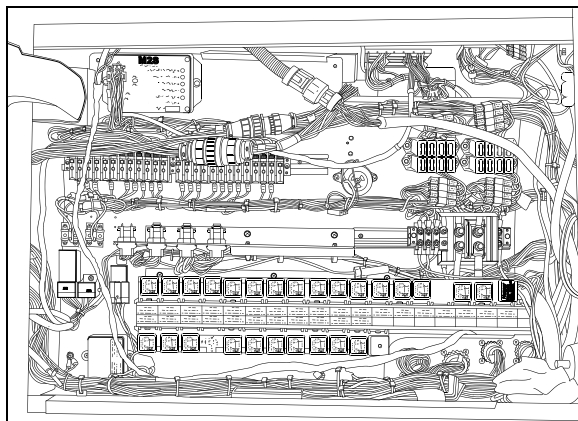
- Front junction box;
- Windshield washer reservoir;
- Accessory air tank drain valve;
- Accessory system fill valve;
- ABS electronic control unit and blinker switch;
- Alternator module;
- Emergency door opening unlock valve;
- WTEC transmission module (ECU).

COACH EXTERIOR

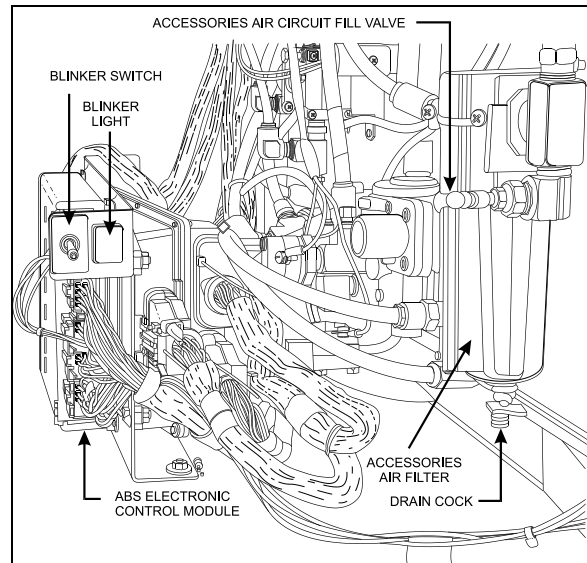


SERVICE COMPARTMENT DOOR 18381

The light in the front service compartment turns *ON* automatically when the door is opened.



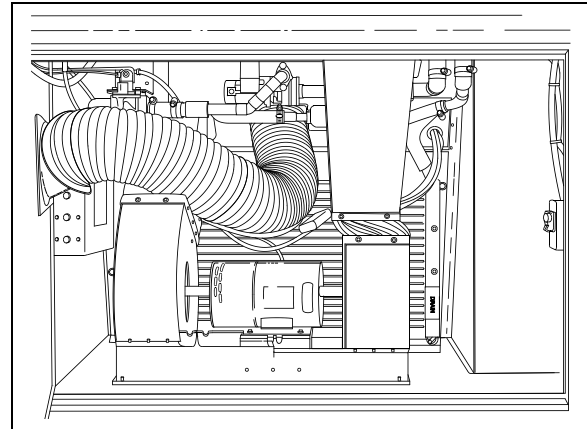
FRONT JUNCTION BOX IN SERVICE COMPARTMENT 06397



FRONT SERVICE COMPARTMENT 06394

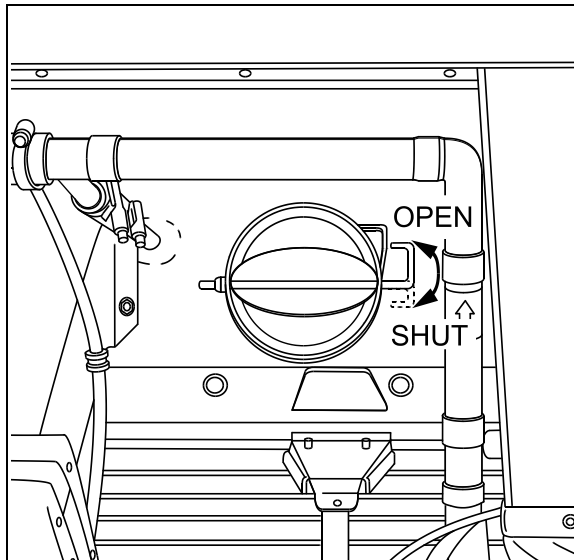
EVAPORATOR COMPARTMENT

The HVAC (Heating, Ventilating and Air-Conditioning) breakers and power relays are located in this compartment. Also, the evaporator blower and coolant fluid circulation pump are located in this compartment.



EVAPORATOR COMPARTMENT 22190

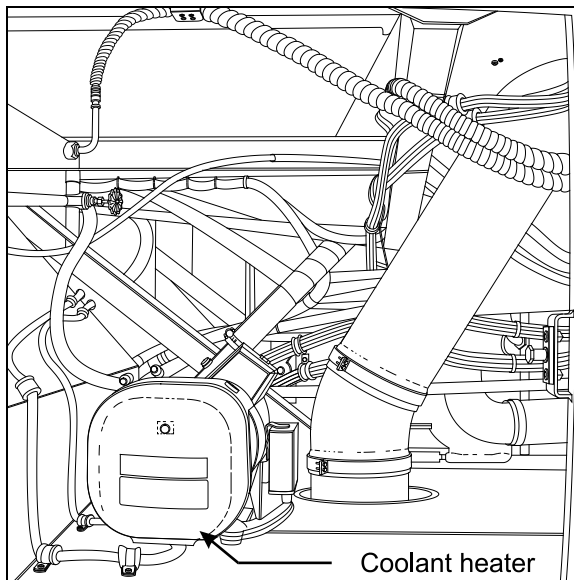
The compartment door release latch is located on the left side of the baggage compartment and to the right of the HVAC compartment door. Pull the release latch then swing the HVAC compartment door open.



RECIRCULATION DAMPER 22175

In the evaporator compartment, open or close the recirculation damper with the lever shown in the illustration above

REAR SERVICE COMPARTMENT (XLII-45)



L.H. SIDE REAR SERVICE COMPARTMENT 18414

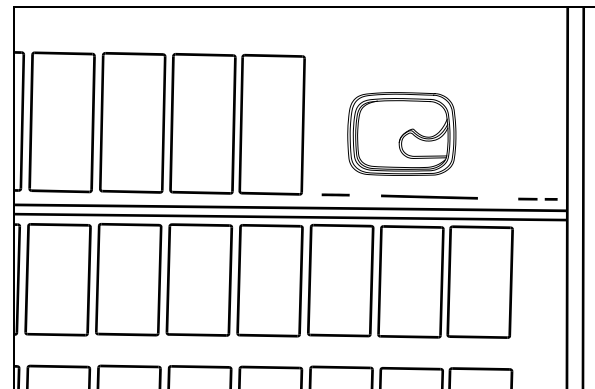
The rear service compartment provides access to the following:

- Coolant line shutoff valve;
- Coolant heater system.

The compartment door can be locked/unlocked using the exterior compartment key. The light in the compartment turns ON automatically when the door is opened.

RADIATOR DOOR

Open the engine radiator door by pushing down the release latch.

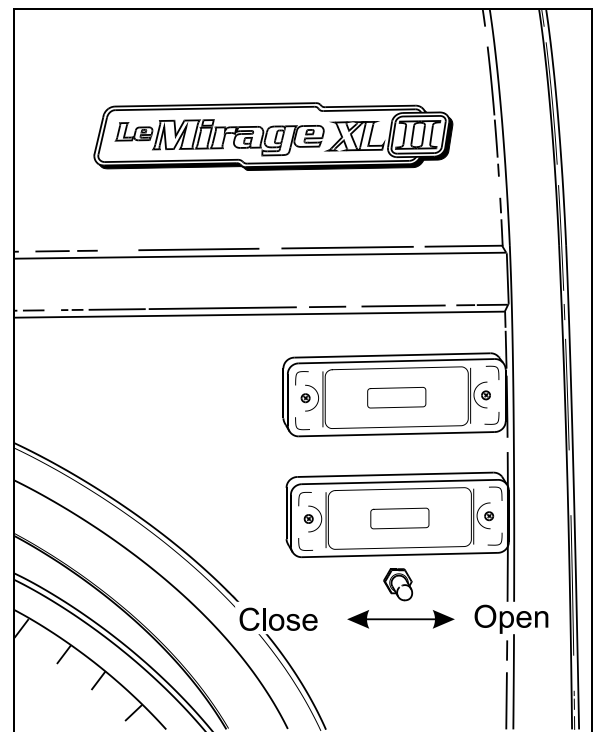


RADIATOR DOOR 18383

ENTRANCE DOOR

Lock or unlock the entrance door from outside the vehicle by turning the key in the door lock (counterclockwise to lock, clockwise to unlock), .

From outside, open the door by pushing the switch forward, close by pushing the switch rearward.



OUTSIDE DOOR OPERATING SWITCH 18408

There are two ways of unlocking the entrance door from the inside. The first consists in actuating the rocker switch on the R.H. dashboard panel. This operation will also unlock

COACH EXTERIOR

the exterior compartments. Also, you can unlock the entrance door by sliding its lock lever to the left. If the orange tab on the door-lock lever is visible, the door is unlocked.

From the inside, open the door by pressing the door opening switch (red button) on the dashboard. Close by pressing the door closing switch (green button) on the dashboard. Refer to “Controls and Instruments” chapter for more information

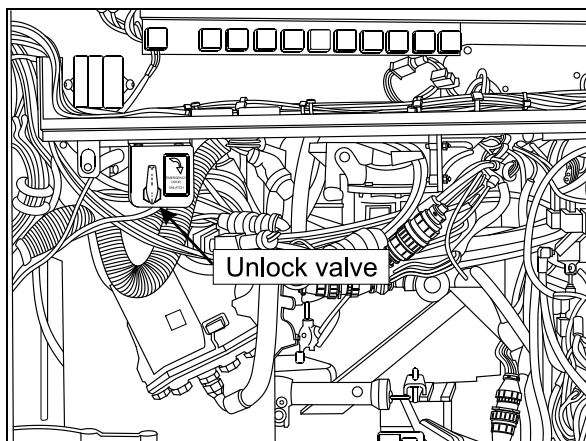
Door Operation Logic

If the switch is held in position until the door is fully open or closed, the system holds pressure in the door cylinder, locking the door in that position. The door can be opened to any position by releasing the switch (or button, if inside) when the desired position is attained. However, the door is not locked in any position other than fully open or fully closed. The door can then be opened or closed further by pushing or pulling on the door.

A proximity sensor will finish the closing of the door when it senses the door is almost shut. This works even when the door is shut manually.

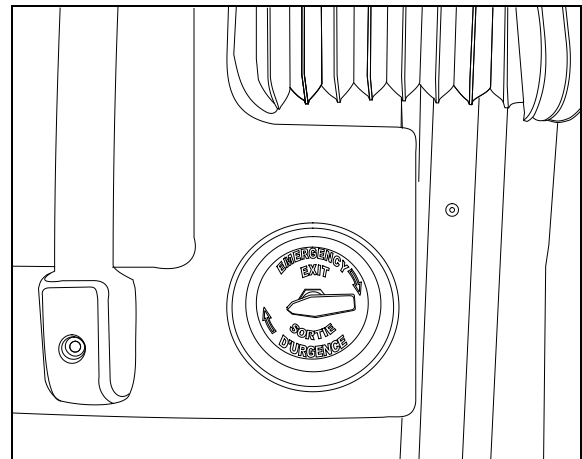
Emergency Door Opening

An unlock valve located in the front service compartment allows emergency opening of the entrance door from outside the coach. Another unlock valve located on the front wall, close to the entrance door allows emergency opening of the door from the inside.



FRONT SERVICE COMPARTMENT

12181



INTERIOR UNLOCK AIR VALVE

12164

To open the door in an emergency situation, first turn the unlock valve in the direction of the arrows and push (or pull) the door open. To close the door after emergency opening, return the valve to its initial position, open the door using the door cylinder, then close the door normally. Refer to “Safety Features and Equipment” chapter.

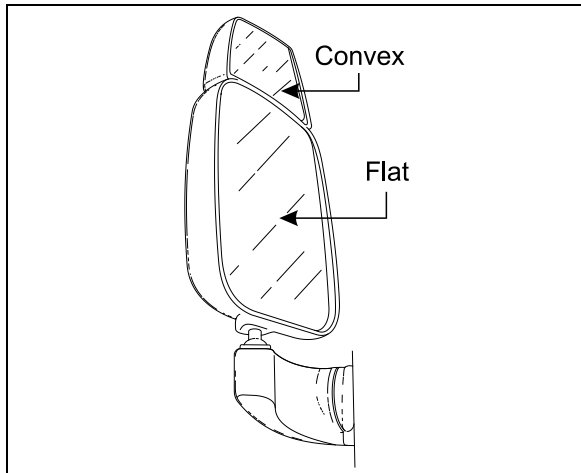
WHEELCHAIR LIFT DOOR

To open the optional wheelchair lift door, the coach must be parked on a flat and level surface with the parking brake on. Open the baggage compartment containing the lift mechanism. The compartment door is located directly below the wheelchair lift door and it swings open to the side. A pin in the top left corner of the baggage compartment unlocks the wheelchair door. If the parking brake is not activated, a switch in the door will activate the parking brake when it detects the door is open.

Open the door completely until it locks in the open position. To close the door, pull on the knob located inside the ventilation duct on the inside of the door and slam the door shut. Refer to “Other Features” for more information on operating the optional wheelchair lift.

REAR VIEW MIRRORS

The vehicle is equipped with flat-type and convex-type rear-view mirrors. Convex mirrors give a wide angle view. Objects viewed in convex-type rear-view mirrors appear smaller and are actually closer than they appear.



REAR VIEW MIRRORS

18398

To provide good visibility in cold weather, the mirrors can be equipped with heating elements. The elements are activated by a rocker switch located on the dashboard. Refer to "Controls & Instruments" chapter. Thermostats are used to prevent continuous operation of the heating elements.

Caution: Do not attach stick-on type convex mirror accessories to the heated mirror glass. This could impede uniform heat distribution on the mirror surface and could break the mirror glass.

The mirrors are adjusted using the controls located on the L.H. control panel. Refer to "Controls & Instruments" chapter. Manual adjustment is also possible.

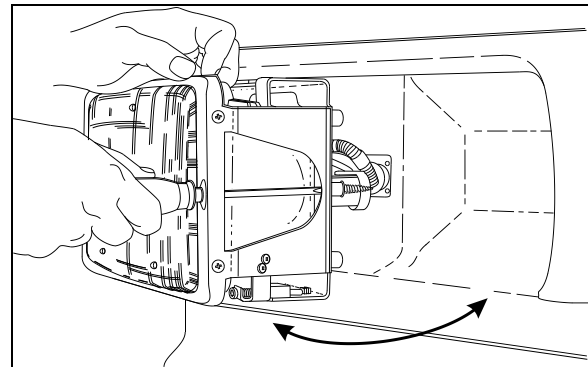
Adjust the side-view mirrors until the side of the vehicle is visible. Adjust the flat-type mirror until the road behind is in full view.

BACK UP CAMERA

An optional back up camera is available which provides the driver with visual assistance when backing up. For additional information, refer to "Controls & Instruments" and "Care and maintenance" chapters.

HEADLIGHTS

To change headlights, remove the single Philips type screw on the inner side of the headlight cluster. The entire assembly swings out for easy maintenance. Refer to "Light Bulb Data" in "Technical Information" chapter for replacement bulbs.



HEADLIGHT CLUSTER

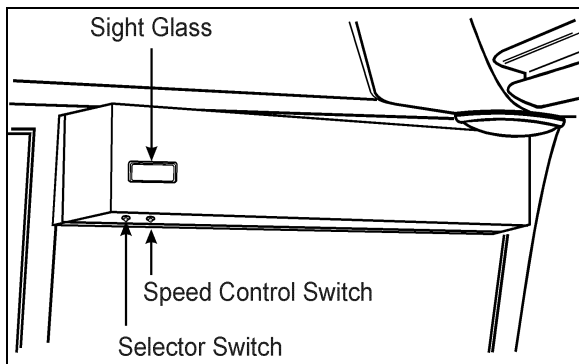
06405

COACH INTERIOR

ELECTRICAL DESTINATION SIGN

Turn the optional destination sign lighting on and off using the rocker switch located on the dashboard. Refer to Controls & Instruments chapter.

Depress the selector switch until the desired destination appears in the sight glass and is aligned with the arrow.



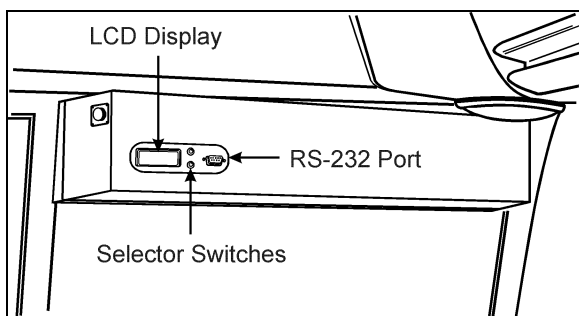
DESTINATION SIGN UNIT

OEH3B210

Note: Use the servo control switch to change the speed of the destination sign. Use high speed to search for the desired destination and slow speed to align the arrow in the sight glass.

ELECTRONIC DESTINATION SIGN

To change the destination, depress the selecting switches until the desired destination appears in the Liquid Crystal Display.



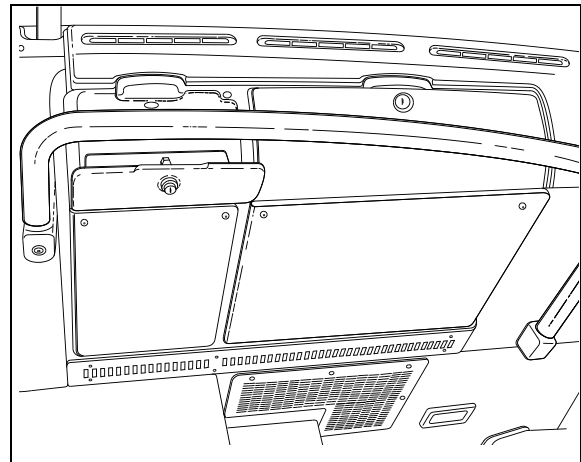
ELECTRONIC DESTINATION SIGN

2EH3B210

Note: The destination sign must be programmed with a computer connected to the RS-232 connector prior to first use. Follow the instructions on the computer disk to install and run the software.

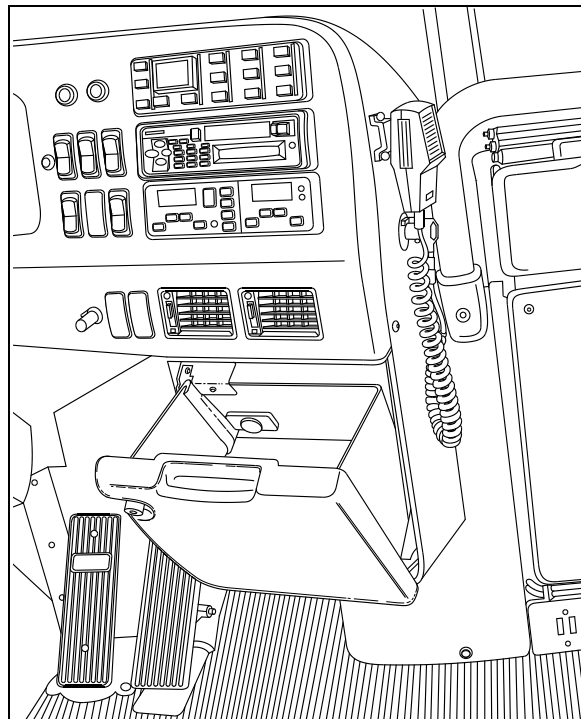
UTILITY COMPARTMENTS

Two lockable utility compartments are located at the base of the windshield. Another utility compartment is located on the console, and includes a 12 volt appliance socket.



UTILITY COMPARTMENTS

18389



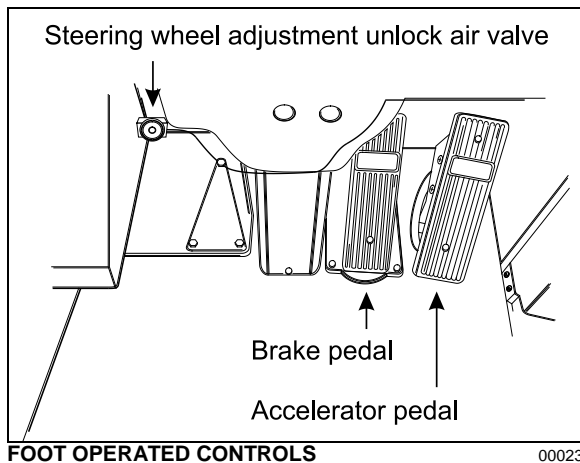
UTILITY COMPARTMENT IN CONSOLE

18409

STEERING WHEEL ADJUSTMENT

Push on the valve button with the left foot to unlock the steering wheel for tilt and telescopic adjustment.

COACH INTERIOR



Warning: Do not adjust the steering wheel while driving. Loss of control could result. Park the vehicle safely and apply parking brakes before adjusting the steering wheel.

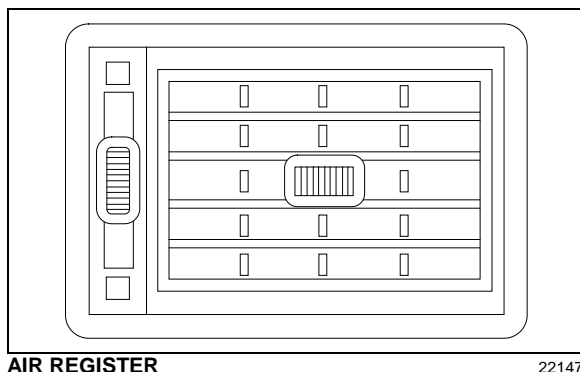
AISLE MIRROR

A central mirror allows the driver to see in the aisle. Adjust mirror manually.

ADJUSTABLE HVAC REGISTERS

The HVAC system has adjustable registers to control air flow around the driver's area. Three are located on the dashboard, refer to Controls & Instruments chapter, and one is located close to the door, below the modesty panel wall for step de-icing. The direction and volume of air flow are adjustable manually.

Use the HVAC control panel to set air temperature.



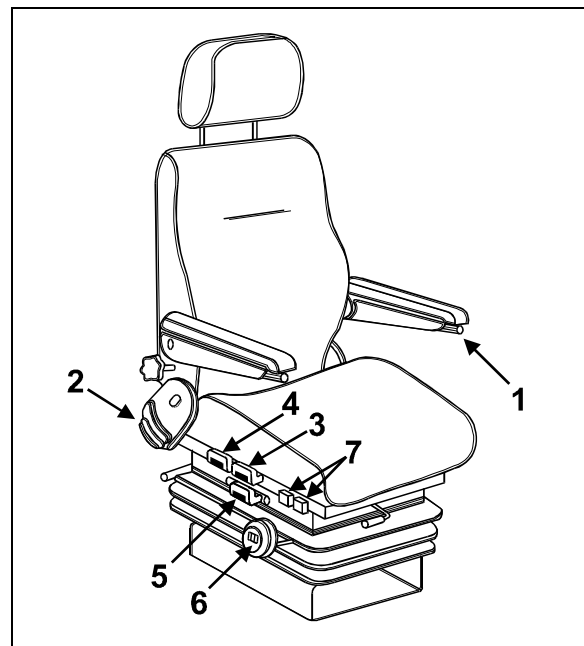
Three windows on each side of the coach, along with the ventilation hatch(es), can be opened from inside for emergency egress. There is a fourth emergency window on the driver's side of 45 foot coaches. Refer to "Safety Features and Equipment" chapter.

DRIVER'S SEAT - ISRI

The coach is equipped with one of two models of ISRI driver's seats. Standard is the mechanically adjusted seat. The pneumatic model is available as an option. Both seats may be equipped with lumbar supports, heated cushions and adjustable armrests. Seats can be adjusted to the desired driving position by following the instructions listed below:

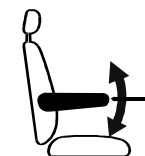
Warning: The driver's seat must be adjusted to allow the driver to easily reach the controls of the coach. Never adjust seat while driving vehicle as this could result in loss of vehicle control.

MECHANICAL ISRI SEAT



DRIVER'S SEAT ADJUSTMENT

Armrest



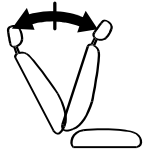
The driver's seat can be equipped with two folding armrests which can be raised or lowered for convenience.

To adjust the armrest to a different position, turn the control

knob (1) counterclockwise about 12 turns without applying pressure on the armrest, push the armrest to desired position. Lock in position by turning the control knob clockwise.

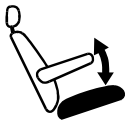
Note : Armrest may be raised at all times from its locked position simply by pulling up.

Backrest



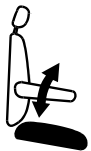
Lift lever (2) then adjust backrest to desired angle.

Tilt (front)



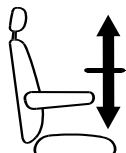
To lower or raise the seat's front section, pull handle (3) up and push or pull the seat cushion.

Tilt (rear)



To lower or raise the seat's rear section, pull handle (4) up and push or pull the seat cushion.

Up and Down



Pull both handles (3 and 4) up to adjust height of the seat.

Fore and Aft



To adjust distance between driver and dashboard, pull handle (5) up and slide the seat forward or backward.

Note: Fore-and-aft seat adjustment control may also be located at the front of the seat.

Suspension



For maximum mechanical suspension performance, rotate handwheel (6) until your body weight (in pounds) is shown on the indicator.

The seat suspension resistance can be changed to suit the driver. Turn handwheel clockwise to increase suspension resistance and counter-clockwise to decrease resistance.

Note: Air suspension seats self-adjust to the driver's weight. There is no handwheel suspension adjustment.

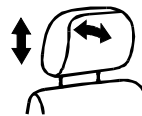
Lumbar Support



To inflate the upper lumbar support bellows, depress the front rocker switch (7) upward. To deflate, depress the rocker switch downward.

Follow the same procedure to inflate and deflate the lower bellows using the rear rocker switch.

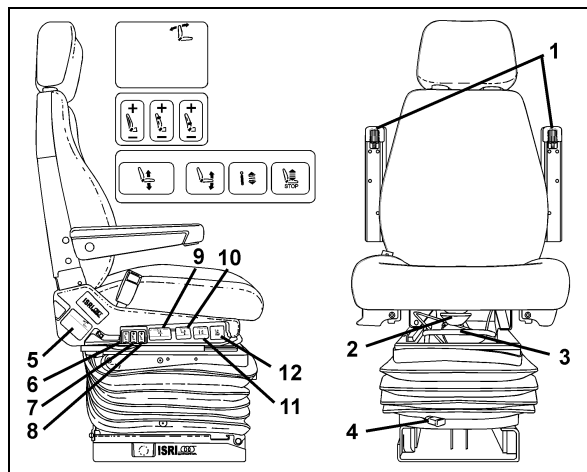
Headrest



The headrest can be adjusted forward, rearward and vertically by 2 inches (50 mm). Directly move headrest to desired position.

Warning: For best protection, position headrest behind your head, not behind your neck.

PNEUMATIC ISRI SEAT



PNEUMATIC DRIVER'S SEAT

COACH INTERIOR

Armrest (1)

Rotate control knob to select desired arm-resting angle. When not in use, raise armrest parallel with backrest.

Seat Cushion (2)

Provides optimum comfort and support for any driver size. Adjustable to 50mm length.

Fore-and-aft (3)*

Pull handle up and slide seat forwards or backwards to adjust distance between seat and dashboard.

Isolator (4)

Reduces horizontal vibration, ensuring smooth ride.

Backrest (5)

Lift lever to select proper adjustment angle of backrest.

Air Side Bolster (6)

Offers desired side support to avoid body side-way.

Air Lumbar (7) (8)

Provides back support with upper and lower settings, ensuring comfort during lengthy sitting.

Air Height Adjustment (9)

Moves seat up or down independently of other seat settings. 100mm total travel.

Adjustable Seat Recline (10)

Allows easy adjustment of four-setting inclination.

Adjustable Shock Absorber (11)

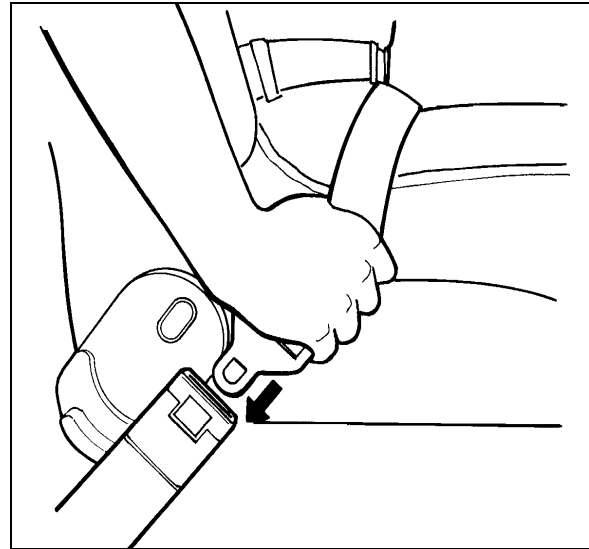
Choose stiff or soft ride infinitely.

Quick Air Release (12)

Exhausts all air from suspension, allowing for easy entry/exit. Returns seat to previous position.

SAFETY BELTS

The driver's seat is equipped with a retractable safety belt as required by State, Provincial and Federal regulations. To fasten, pull seat belt out of the retractor and insert the latch plate into the buckle until it clicks. No special adjustment is required since the reel device is self-adjusting. If seat belt operation becomes defective, report to a Prevost Car service center immediately.



SEATBELT

18028

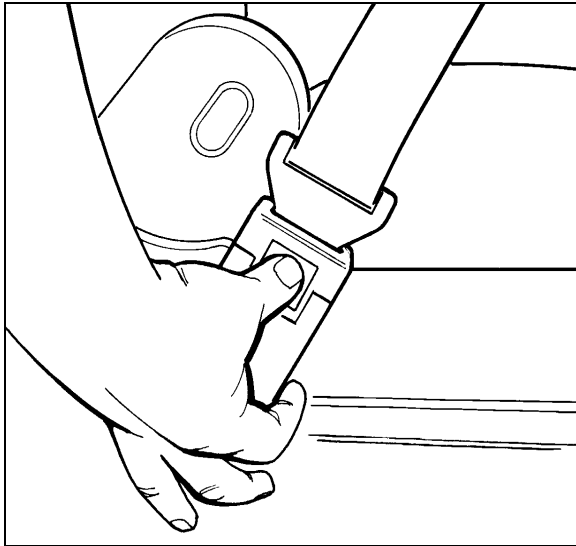
Note: The safety belt must be pulled out slowly and continuously, otherwise it will lock the reel before the latch plate reaches the buckle. If this happens, allow the belt to retract completely and repeat the procedure correctly.

Warning: A snug fit with the lap belt positioned low on the hips is necessary to maximize driver safety. The belt should not be worn twisted. Avoid pinching belt and/or belt hardware in seat mechanism. Do not wear belt over rigid or breakable objects, such as eyeglasses, pens or keys as these may cause injuries.

Caution: Never bleach or dry clean safety belt.

To unfasten belt, press the red button in center of buckle and allow belt to retract. If the belt does not fully retract, pull it out and check for kinks or twists. Make sure that it remains untwisted as it retracts.

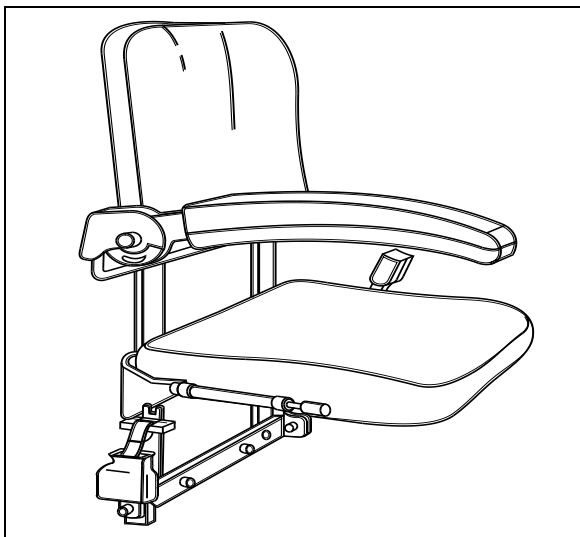
Warning: Most State and Provincial laws require that safety belts be worn when they are supplied with the seat.



SEATBELT

18029

TOUR GUIDE SEAT



TOUR GUIDE SEAT

OEH3B222

The optional folding tour guide seat is equipped with a retractable arm rest and safety belt. The seat can be folded up for convenience when embarking and disembarking passengers.

The tour guide seat can be removed and stored in the first baggage compartment. To remove the seat from the stairwell wall, unscrew and remove the two anchoring pins and washers at the bottom of the seat assembly. Raise and unhook the seat assembly.

Warning: Make sure tour guide's safety belt is buckled up prior to departure.

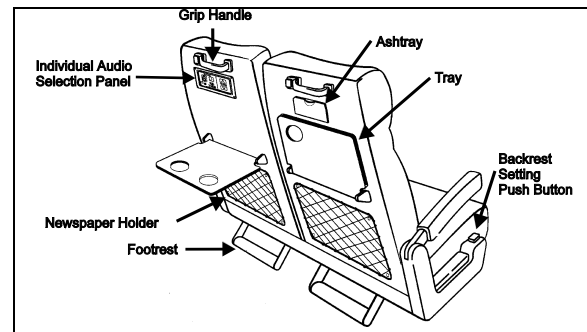
MICROPHONE JACKS

Up to six microphone jacks for the PA system can be located in the following locations:

- On the side wall of the driver's control panel;
- On the right hand side of the dashboard;
- One optional outlet for the tour guide on each of the modesty panels;
- One optional outlet on the lavatory wall, behind the last row of seats;
- One optional outlet under the overhead storage compartment, at the rear of the coach.

PASSENGER SEATS

Passenger seats may be equipped with grip handles, ashtrays, newspaper holders, trays, cup holders and footrests.



PASSENGER SEAT EQUIPMENT

OEH3B226

All seats are track-mounted so that the seating configuration can be changed. Each set is mounted on rectangular aluminum bases to make cleaning between the base and side wall easier.

Passenger seat backrests can be tilted by using the push-button located on the base of the seat. Depress and hold push-button, then adjust backrest to the desired angle. Release push-button to lock backrest in position.

A folding armrest is installed on the aisle side of the passenger. Another folding armrest is located between the two seats and can be raised for passenger convenience. A fixed armrest is installed on the window side of the seat.

SWIVEL SEATS

The coach may be equipped with two sets of swivel seats to allow installation of card tables. The swivel seat can be rotated for passenger privacy. To rotate seats, unscrew the wing nut

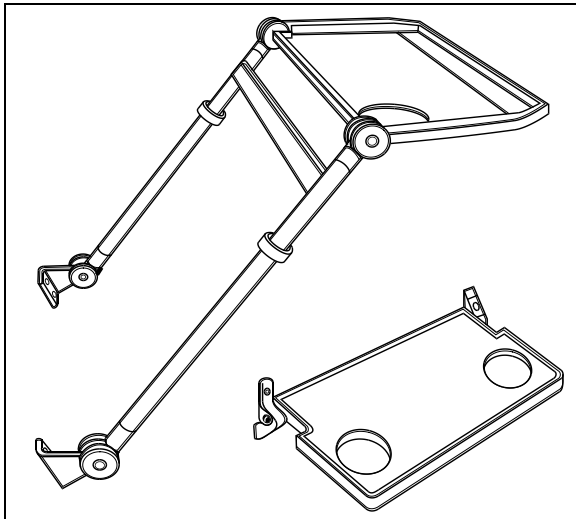
COACH INTERIOR

from under each seat cushion then remove cushions. Remove the four wing screws, pull seats toward the aisle and rotate the seat counter-clockwise. Align mounting holes, secure with wing screws and install seat cushions.

Note: Instructions for making swivel seat adjustments are affixed on the rear frame under the seat cushion.

FOLDING TRAYS

Two optional folding tray models can be installed in the coach.



FOLDING TRAY MODELS

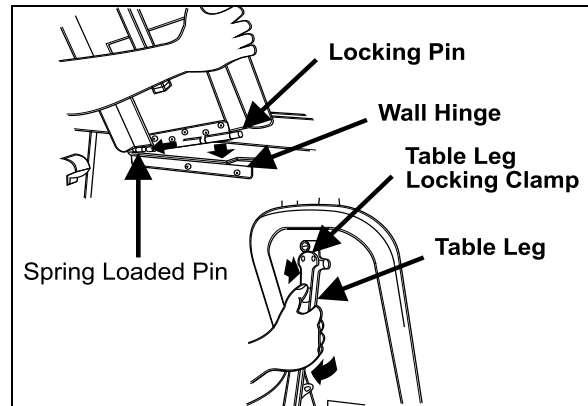
OFH3B232

Note: Both tray models as well as the tray installed in each modesty panel, are equipped with tumbler holders.

CARD TABLES

Two card tables are provided as standard equipment and are used in the passenger swivel seat configuration. The card tables are stored in the overhead storage compartments in separate stowage bags.

To install the card table, hold it at 45° (degrees) to the side wall. Insert the spring-loaded pin then the locking pin into the hinge. Push on the locking clamp to release the leg. Unfold the leg until the clamp locks it in position.



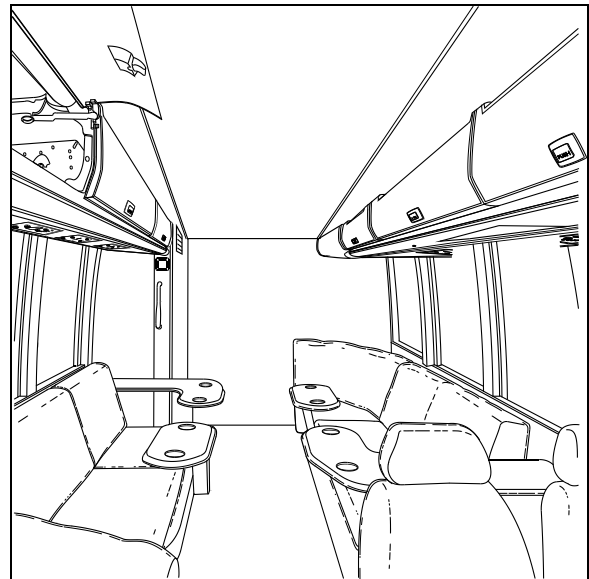
CARD TABLE INSTALLATION

OEH3B234

QUICK-LOUNGE SYSTEM

"Quick-Lounge" is a quick-fit modular system providing luxurious seating accommodations for passengers.

The optional "Quick-Lounge" system occupies the same space as the paired seating configuration it replaces. The existing seat spacing remains unchanged.



QUICK-LOUNGE

18395

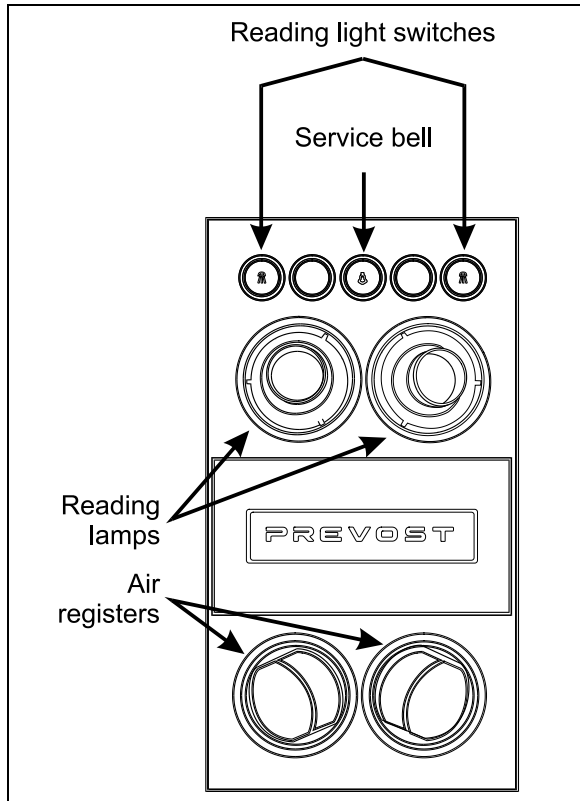
OVERHEAD CONSOLE

Two airplane type overhead consoles are installed for every row of twin seats. Such amenities as reading lights, air vents and an optional service bell are controlled from this panel.

ADJUSTABLE AIR REGISTERS

Adjustable registers located on the overhead console provide air flow to the passengers. Air flow can be directed.. Passengers can orient

individual registers by rotating the nozzle. To adjust air flow, passengers must open or close the flaps. Activation of the fans is done by depressing a rocker switch on the dashboard. Refer to Controls & Instruments chapter.



OVERHEAD CONSOLE

23137

SERVICE BELL

Pressing the service button on the overhead console will illuminate the button providing a visual cue for service personnel and, if activated, will sound a chime in the driver's area. The chime system is activated by a rocker switch located on the dashboard. Refer to Controls & Instruments chapter. Passengers may also use the chime system to request a stop for disembarking. Press the service button a second time to cancel the service request.

READING LIGHTS

Reading lights are mounted underneath the overhead storage compartments. Depressing a rocker switch located on the dashboard (refer to Controls & Instruments chapter) will activate the reading light circuit and allow passenger control of reading lights.

WINDOWS

The coach is equipped with flush-mounted windows all around and a split-window windshield for maximum visibility.

PANORAMIC WINDOWS

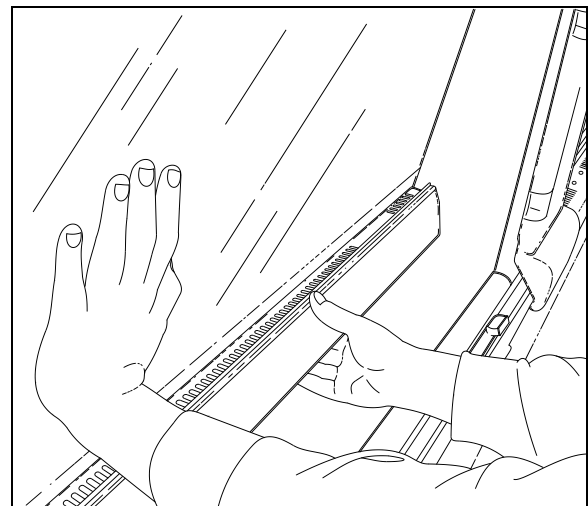
Panoramic side windows can come in either single pane or, as an option, double pane (thermopane) glass. Some of these windows are of the fixed type; they are bonded to the structure and cannot be opened. Others can be easily opened to serve as emergency exits.

Fixed Windows

These windows are bonded to the structure and form an integral part of the body of the vehicle, helping reduce vibration and noise. Fixed windows cannot be opened.

Emergency Windows

These windows can be opened from inside the vehicle as emergency exits. A decal on window sills indicate the location of the emergency windows. To open an emergency window, lift the window release bar (sill) and push the window open from the bottom.



EMERGENCY WINDOW

18391

To close, lift the release bar and pull the window into position. Push down on release bar to lock the window shut.

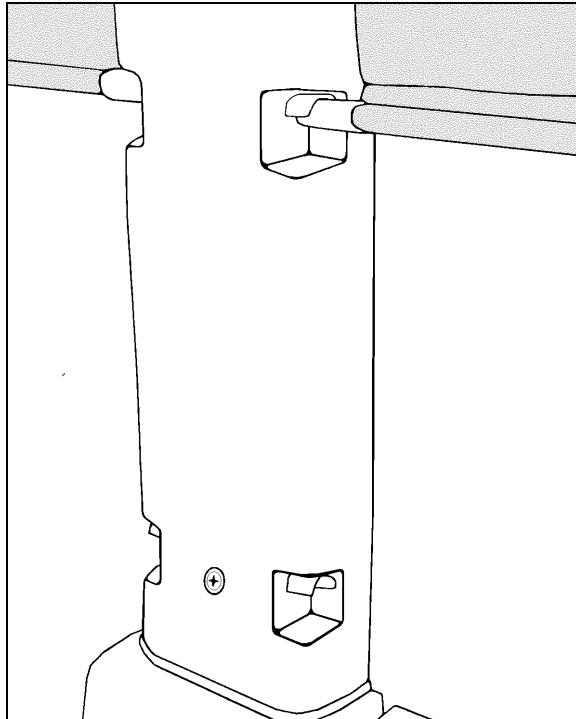
For more information on emergency features, refer to Safety Features and Equipment chapter.

Window Sun Shades

Passenger windows may be equipped with pull-down sun shades. To operate, pull down the

COACH INTERIOR

shade and insert the hem into the first or second catch. To retract pull out from the slots and guide the shade back up.



SUN VISOR MECHANISM

23130

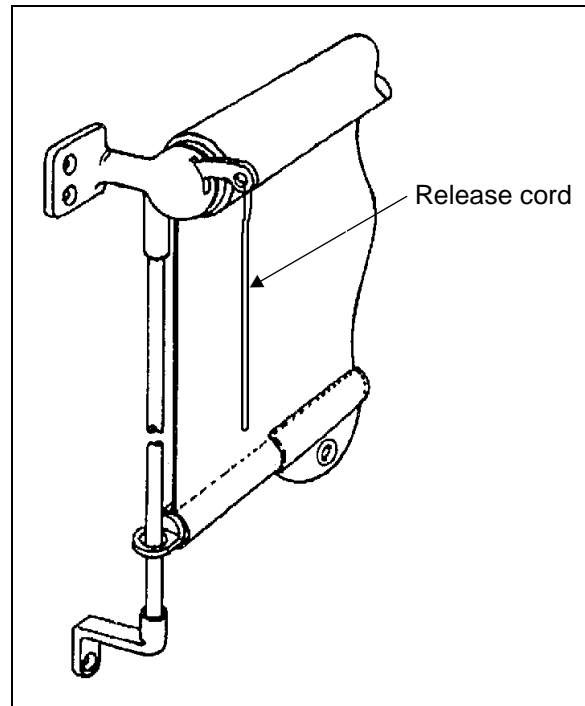
DRIVER'S POWER WINDOW

The driver has a power window on the left side of the coach. The windows are controlled by a rocker switch located on the driver's control panel. Refer to "Controls and Instruments" chapter.

Driver's window shades

This vehicle is provided with a spring release type sun shade on the driver's left side window. Another spring release type shade is available on the optional driver's guard. To operate, pull down the shade by its hem to the appropriate position and release. It will remain in position. To raise, depress the unlocking lever and guide the shade back up using the other hand.

Two electrically-operated shades are installed behind the windshields. Two rocker switches on the dashboard operate each shade individually. Refer to "Controls and Instruments" chapter for more information.



SPRING RELEASE SUNSHADE

23019

VENTILATION HATCH

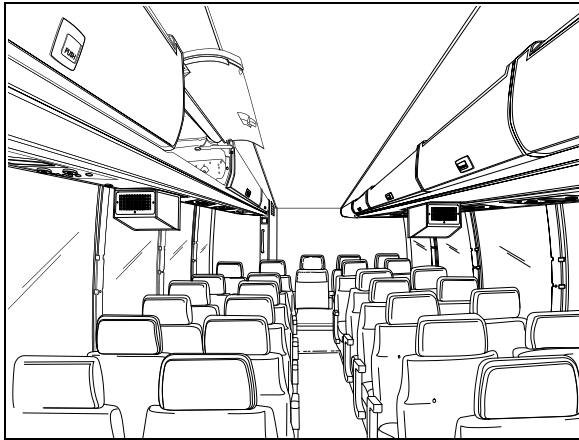
A ventilation hatch is installed in the ceiling at the rear of the coach. A second, optional hatch can be installed in the ceiling at the front of the coach. To open the hatch, push up with both hands and pull down to close. The ventilation hatch can be completely opened for emergency egress. Refer to Emergency Safety Features chapter.

Warning: *Be aware of coach overhead clearance when traveling under overpasses with the ventilation hatch (es) open. Check for maximum clearance height.*

OVERHEAD COMPARTMENTS

Passenger carry on baggage is stored in overhead compartments on each side of the coach. A first aid kit is located in the first front curb side overhead storage compartment. An optional video cassette player and a CD player may be installed in the first front driver's side overhead storage compartment.

To open the optional closed overhead storage compartments, push the handle in to release the latch, then let go. A pressurized cylinder opens the door.



OVERHEAD STORAGE COMPARTMENTS 18390

Note: The overhead storage compartments have a minimum amount of separators installed so as to quicken inspection for forgotten objects.

Note: An optional lock can be installed on the first front driver's side overhead storage compartment door.

WASTE CONTAINER

The waste container is located on the lavatory wall, and is accessible through an opening on each side of the wall. A small door, located on the aisle side, gives access to the waste container for cleaning.

GALLEY

The optional galley may include features such as a microwave oven and refrigerator to accommodate hot or cold food and beverage service. The galley's electrical power circuit is activated by a rocker switch located on the dashboard. Refer to Controls & Instruments chapter.

LAVATORY

The lavatory is located in the rear curb side corner of the coach. It is equipped with a chemical flush toilet, bathroom tissue dispenser, wash-basin, towel dispenser, waste container, mirror, ashtray, and a hose outlet in a compartment located over the mirror. A liquid

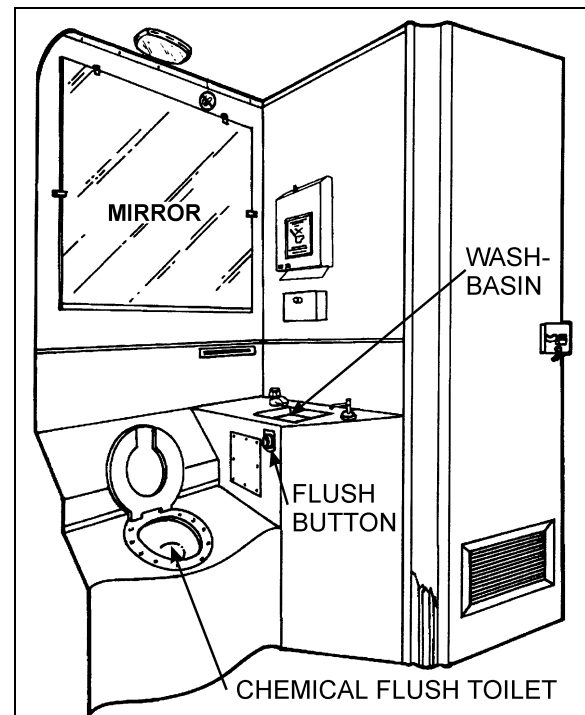
soap dispenser and moist towel dispenser are optional.

Locking the lavatory door from the inside will illuminate a fluorescent light in the lavatory and two outside signs to indicate occupation. One sign is located on the outer wall of the lavatory and another sign is located over the windshield. A telltale light on the dashboard will illuminate to inform the driver when the lavatory is occupied. A night-light is permanently lit in the lavatory when the ignition switch is in the ON position.

If emergency assistance is required, the lavatory occupant can actuate a buzzer that will sound in driver's area. The buzzer's push-button (c/w instruction label) is located on the inner curbside wall of lavatory.

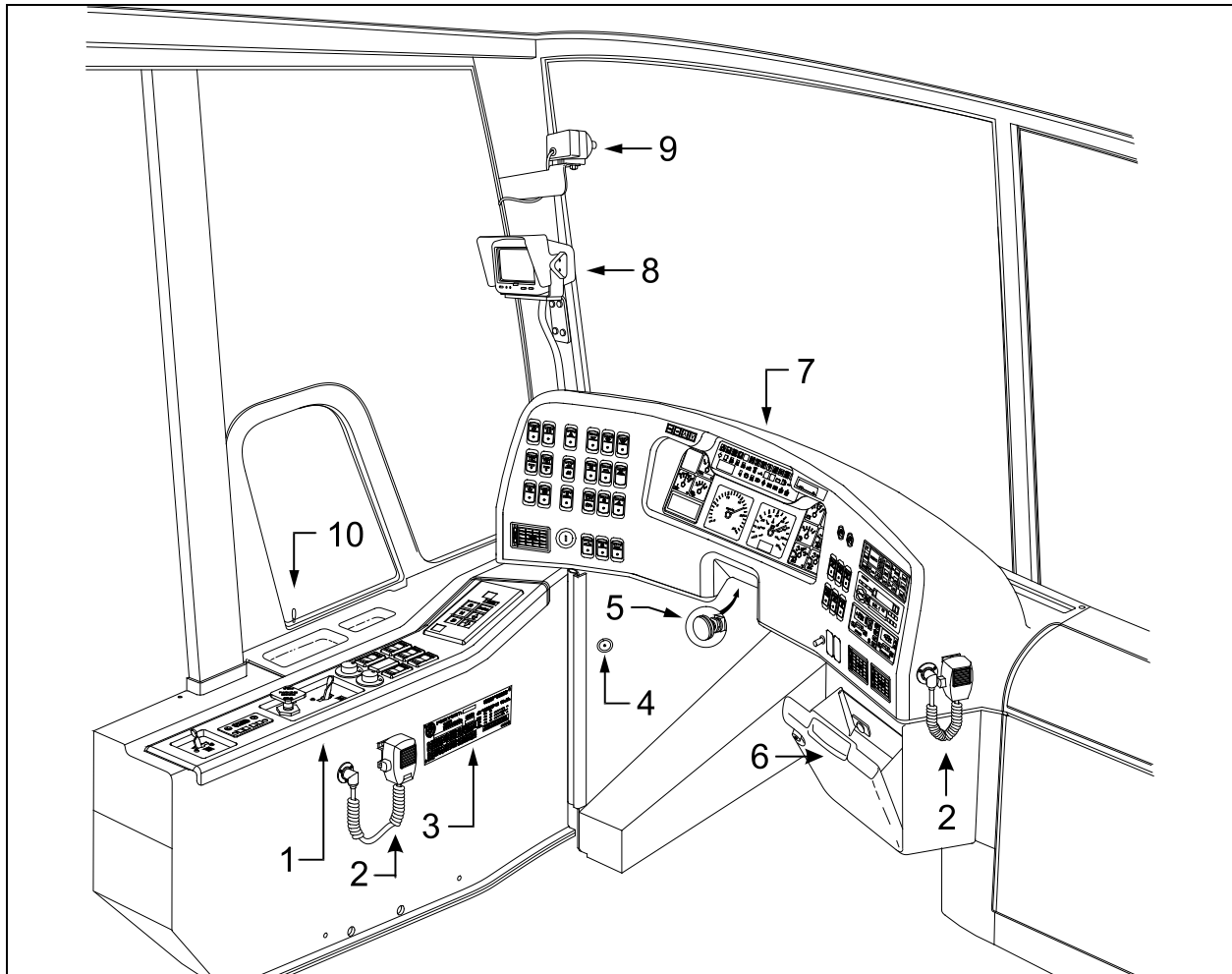
The lavatory has its own ventilation system that operates only when the ignition switch is in the "ON" position.

Note: This fan runs constantly when the ignition switch located on the dashboard is in the "ON" position.



LAVATORY 23235

CONTROLS AND INSTRUMENTS



DRIVER'S AREA

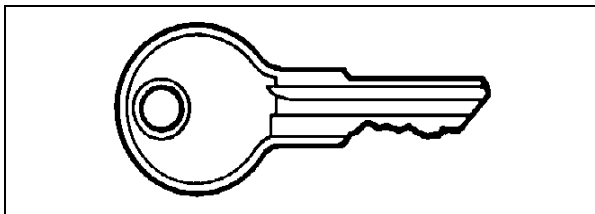
18410

- | | |
|--|--|
| <ol style="list-style-type: none"> 1. Lateral control panel; 2. P.A. System Microphones; 3. DOT certification plate; 4. Diagnostic Data Reader (DDR) receptacle; 5. Foot-operated steering-wheel adjustment unlock air valve; | <ol style="list-style-type: none"> 6. Utility compartment; 7. Dashboard; 8. Rear view TV monitor (optional); 9. Front view scenic camera (optional); 10. Front service door unlocking pull-rod. |
|--|--|

KEYS

Depending on options, up to eight different keys are provided with the coach:

IGNITION KEY



IGNITION KEY

23056

Use the ignition key to activate the electrical circuit by turning it counterclockwise to the ACC position or to start the engine by turning the key clockwise to the start position, then releasing.

To start the engine, turn the key clockwise to the START position, then release it. The key will set to ON position.

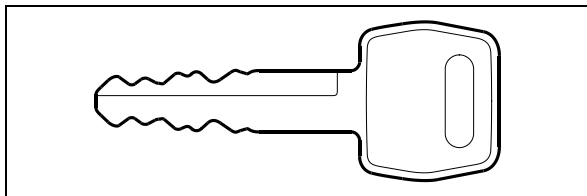
Caution: When the vehicle is parked overnight or for an extended period of time, the battery master switch (ignition switch) should be set to the OFF position.

CONTROLS AND INSTRUMENTS

Note: When the battery master switch (ignition switch) is set to the OFF position, all electrical supply from the batteries is cut off, with the exception of battery equalizer check module, ECM, ignition and power supply, ECU power (Transmission), coolant heater electronic timer, coolant heater and water re-circulating pump, pro-driver, power-verter, and fire alarm.

EXTERIOR DOOR LOCKS KEY

Use this key to lock or unlock the entrance door, the baggage compartment doors the electrical and service compartment doors, except the fuel filler doors.

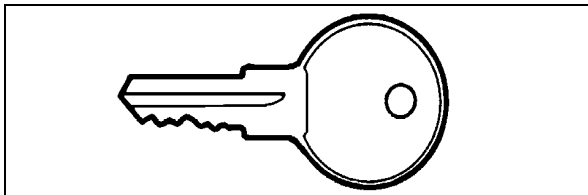


EXTERIOR DOOR LOCKS KEY

23244

It is also possible to lock or unlock the baggage compartments and service compartments from the inside by means of the optional central locking system.

FUEL FILLER DOOR KEY

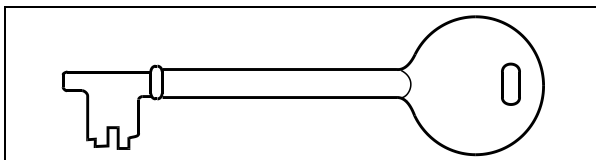


FUEL FILLER DOOR KEY

23014

Use this key to lock or unlock the fuel filler doors.

LAVATORY DOOR LOCK KEY

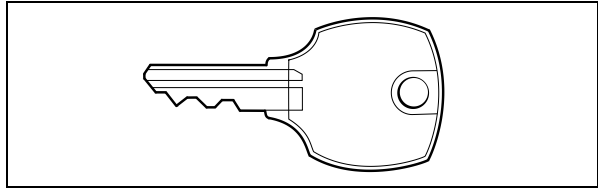


LAVATORY DOOR LOCK KEY

23243

Use this key to lock or unlock the lavatory.

UTILITY AND VIDEO COMPARTMENT KEY

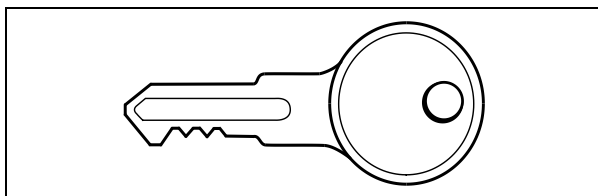


UTILITY AND VIDEO COMPARTMENT KEY

23247

Use this key to lock or unlock the lockable utility compartments and the lockable overhead compartment containing the video cassette player.

BATHROOM TISSUE DISPENSER KEY

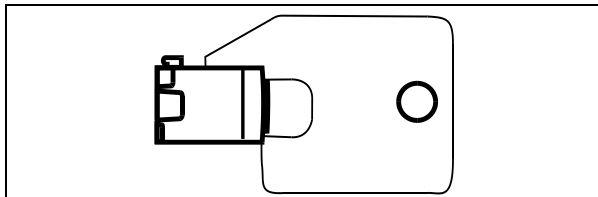


BATHROOM TISSUE DISPENSER KEY

23246

Use these keys (two different keys) to open the bathroom tissue and hand towel dispensers.

TV MONITOR KEY



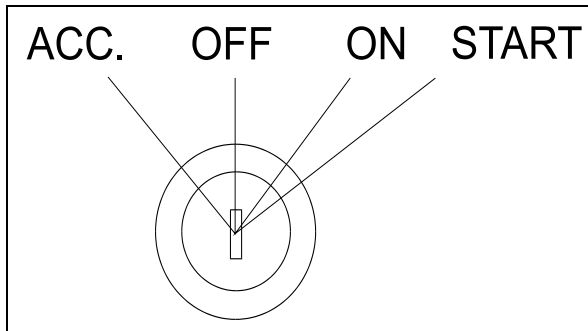
TV MONITOR KEY

23248

Use this key to remove the TV monitors for maintenance.

Note: For your protection against theft, record the key numbers and keep this information in a safe place. Do not keep these records inside the vehicle. It is also advisable to deposit a duplicate of each key in a safe place, so they can be obtained without difficulty in case of an emergency or loss.

IGNITION SWITCH



IGNITION SWITCH POSITIONS

06354

The ignition switch doubles as the battery master switch. Any position other than OFF activates the electrical circuits. Electrical circuits are also activated when the hazard switch is depressed. An auxiliary master switch in series with the ignition switch is located in the main power compartment, for maintenance ease.

The ignition switch is located on the lower left side of the dashboard. It has four positions:

OFF

In the *OFF* position, ignition cannot take place. The key can be removed when in this position.

The electrical circuits are not activated when the switch is in this position. Only the accessories connected directly to the batteries can be activated. These are the coolant heater and water pump, the battery master switch, the central locking system and Message Center Display (MCD). Maintain the switch in this position when parked overnight or for an extended period.

Note: *The battery master switch is ON when the hazard flashers are activated, even if the key is in the OFF position.*

ACCESSORIES

To operate the accessories only, turn the ignition key counterclockwise to the “ACC” position. The key cannot be removed in this position.

The electrical circuits are activated when the switch is in this position or when the hazard flashers are activated.

The features enabled when the key is in the ACC position are all those linked directly to the battery plus the exterior temperature display, the radio or entertainment system, exterior and interior lighting.

ON

To place ignition switch to *ON*, turn the key clockwise to the first position. The key cannot be removed in this position.

The electrical circuits activated when the switch is in the *ACC* position plus the transmission, engine and accessories, ABS system, wipers, dashboard cluster gauges and buzzers, air horn and air dryer heater are activated when the key is in this position. Do not leave the key in this position unless the engine is running.

START

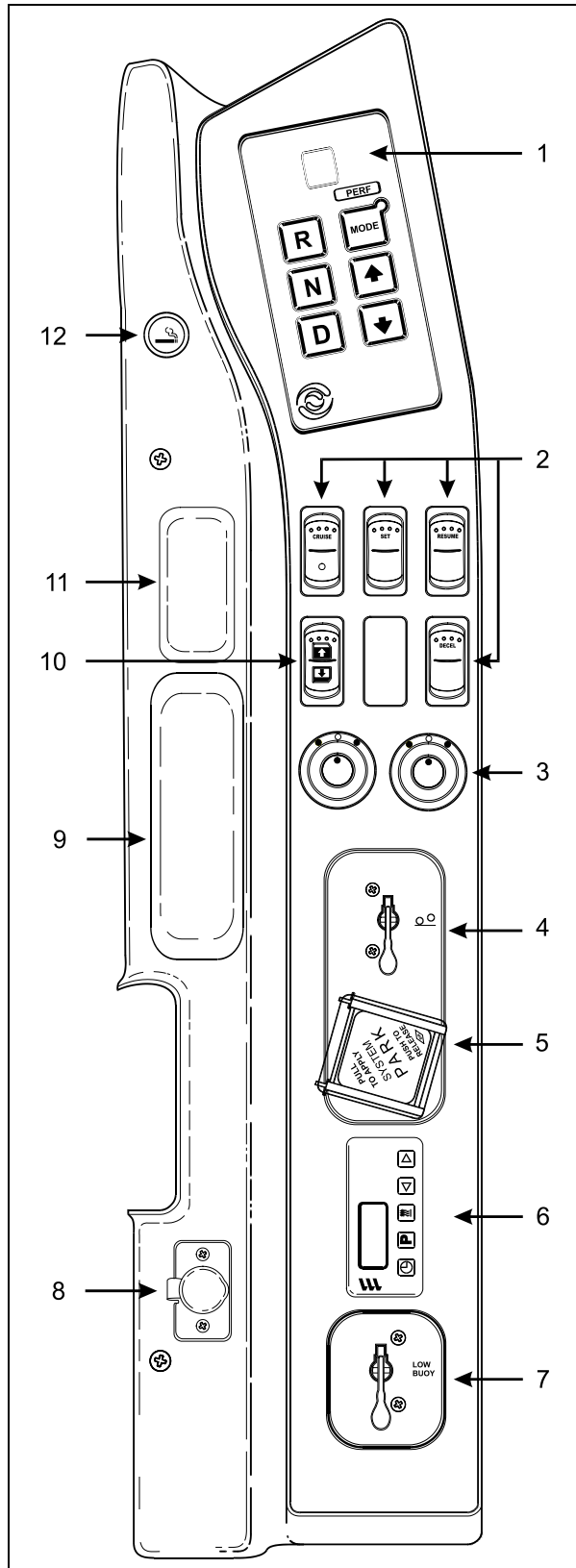
Turn the key clockwise to the second position and release as soon as the engine starts. The key will return to the *ON* position. If the engine did not start, return the ignition key to the *OFF* position before trying to restart the engine.

The ignition switch is equipped with a starter protection which inhibits turning the key to the *START* position if the key has not previously been turned to the *OFF* position.

Caution: *To avoid overheating the starter, do not engage the starter for more than 15 seconds at a time. Allow the starter to cool before trying to restart the engine.*

The features activated when the engine is running are all those described above plus the HVAC system and daytime running lights. The optional ether cold-start system is automatically deactivated once the engine runs.

LATERAL CONTROL PANEL



LATERAL CONTROL PANEL (TYPICAL)

18413

1. Transmission Control Pad
2. Cruise Control Switches (Optional)
3. Mirror Controls
4. Tag Axle Control Valve
5. Parking Brakes Control Valve
6. Coolant Heater Timer (Optional)
7. Low Buoy Control Valve (Optional)
8. 12 Volt DC Power Outlet
9. Accessory Pocket
10. Driver's Power Window Switch
11. Accessory Pocket or Ashtray (Optional)
12. Cigarette Lighter (Optional)

TRANSMISSION CONTROL PAD (1)

The control pad for the transmission is located as shown. Refer to "Automatic Transmission" in this chapter for operating instructions and more information.

CRUISE CONTROL SWITCHES (2)

The cruise control is part of the DDEC IV electronic engine control that will maintain a set speed when the vehicle is traveling above 20 mph (32 km/h).

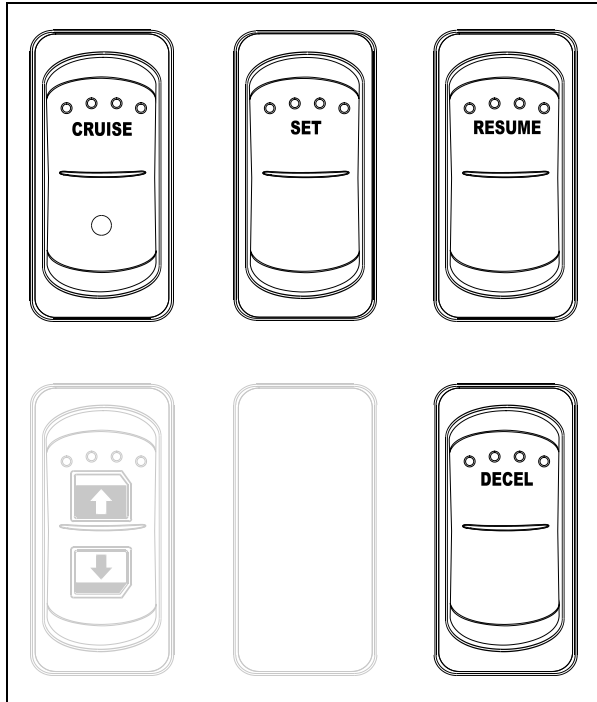
Warning: Do not use the cruise control when driving speed must be constantly adjusted, such as in heavy traffic or on winding, icy, snow-covered or slippery roads, or on gravel roads.

Warning: Do not put the transmission in the neutral (N) position while driving with cruise control. This will cause the engine to over-speed and may result in a loss of driving control.

Setting Coach Speed

Depress the CRUISE rocker switch to activate the cruise control. A LED on the switch illuminates when the cruise control is activated. Accelerate the vehicle to the desired cruising speed using the accelerator pedal. Depress and release the SET switch then remove foot from the accelerator pedal. This will set the vehicle cruise speed and store it in memory.

Note: The CRUISE CONTROL and RESUME switch do not operate at speeds below 20 mph (32 km/h).



CRUISE CONTROL SWITCHES

06233

Increasing Set Speed

The vehicle cruise speed setting can be increased by one of the following methods:

- Accelerate using the accelerator pedal until the desired cruising speed is reached. Depress and release the SET switch.
- Depress and hold the RESUME switch until the desired cruising speed is reached. When the RESUME switch is released, the new cruising speed will be stored in the cruise control memory. The RESUME switch does not operate at speeds below 20 mph (32 km/h).

When driving with cruise control ON, each time the RESUME switch is momentarily depressed, the cruising set speed is raised by 0.6 mph (1.0 km/h).

Note: When driving with cruise control, the vehicle can still be accelerated by depressing the accelerator pedal in the usual manner. Once the accelerator pedal is released, the vehicle will return to the previously set cruising speed.

Decreasing Set Speed

The cruise speed setting can be decreased by one of the following methods:

- Depress and hold the SET switch until the desired cruising speed is reached. When the SET switch is released, the new cruising speed will be stored in the cruise control memory.
- Depressing momentarily the SET switch will decrease set cruising speed by 0.6 mph (1.0 km/h).
- Slightly apply the service brake.
- Depress and release the DECEL switch.

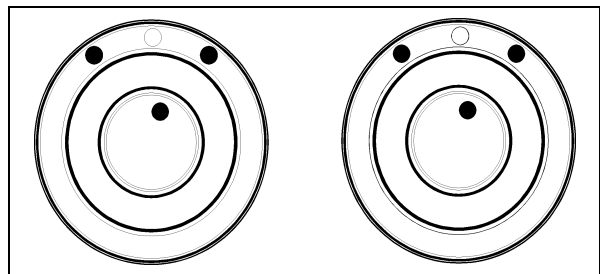
After disengaging the cruise control, you can return to the preset cruising speed by pressing and releasing the RESUME switch providing that your speed is above 20 mph (32 km/h).

Note: To avoid sudden vehicle hesitation, slightly depress the accelerator pedal before disengaging the cruise control.

Note: When the CRUISE rocker switch is turned off, the cruise control is completely shut off and the cruise speed setting is erased from the cruise control memory.

Warning: Every time the SET or the RESUME switch is depressed results in a decrease or increase (respectively) in cruising set speed of 0.6 mph (1.0 km/h).

MIRROR CONTROLS (3)



MIRROR CONTROLS

06374

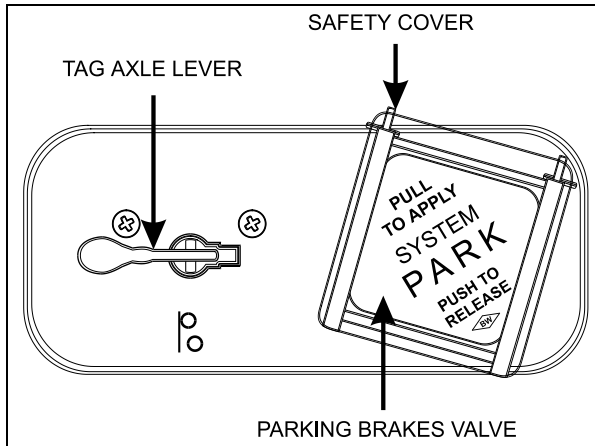
Turn left pointer knob counterclockwise for flat mirror adjustments and to the right for convex mirror adjustments, then use the joystick control to adjust the selected mirror's viewing angle. Adjust the right outside mirror similarly but by using the right side control.

Note: If the mirror assemblies on your vehicle do not include convex mirrors, only one (1) mirror control knob will be installed for both mirrors. To operate, turn knob to the left for L.H. mirror adjustments and to the right for R.H. mirror adjustments, then use the joystick control to adjust the selected mirror's viewing angle.

CONTROLS AND INSTRUMENTS

TAG AXLE CONTROL VALVE (4)

Lift the tag axle by pushing the lever forward. Pulling the lever back will lower the tag axle. Refer to "Other Features" chapter for additional information.



CONTROL VALVES

12129

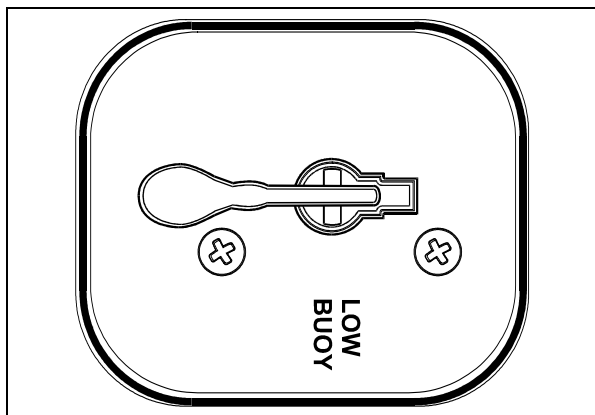
PARKING BRAKES CONTROL VALVE (5)

Spring-loaded parking brake are applied by pulling up the control valve knob and protector assembly. Lift the safety cover and push down to release brakes. Refer to "Safety Features and Equipment" chapter.

COOLANT HEATER TIMER (6)

Use the timer to program the start time of the optional engine coolant heater. Refer to "Other Features" chapter for additional information.

LOW BUOY CONTROL VALVE (7)



LOW BUOY CONTROL VALVE

12165

Toggle back the control lever to lower the coach by about four inches. Returning the lever to the

normal (forward) position raises the vehicle back to its normal height.

12-VOLT DC POWER OUTLET (8)

This socket can be used to power small 12 volt DC appliances such as a cellular phone or a vacuum cleaner. The maximum power consumption allowed for appliances plugged in this socket is 130 watts. Make sure appliances are equipped with suitable plugs that will not damage the socket.

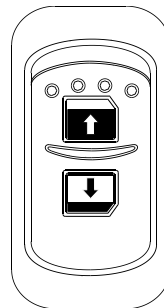
ACCESSORY POCKET (9)

If no ashtray is installed, the space becomes an accessory pocket.

To open the ashtray, push slightly on the cover's side. The ashtray can be removed for cleaning by pulling it out.

Warning: To prevent a fire, never put paper or plastic wrappers in the ashtray. Empty ashtray often.

POWER WINDOW SWITCH (10)



06338

Use the rocker switch to open or close the driver's power window.

ASHTRAY (11)

To open the ashtray, push slightly on the cover's side. The ashtray can be removed for cleaning by pulling it out.

Warning: To prevent a fire, never put paper or plastic wrappers in the ashtray. Empty ashtray often.

CIGARETTE LIGHTER (12)

Push lighter in to activate. When ready to use, it will spring out automatically. Replace lighter in non-activated position. The cigarette lighter socket can be used to power 12-volt appliances (e.g. flashlight, vacuum cleaner). The maximum power consumption allowed for appliances plugged in this socket is 130 watts. Make sure

the appliances are equipped with suitable plugs that will not damage the socket.

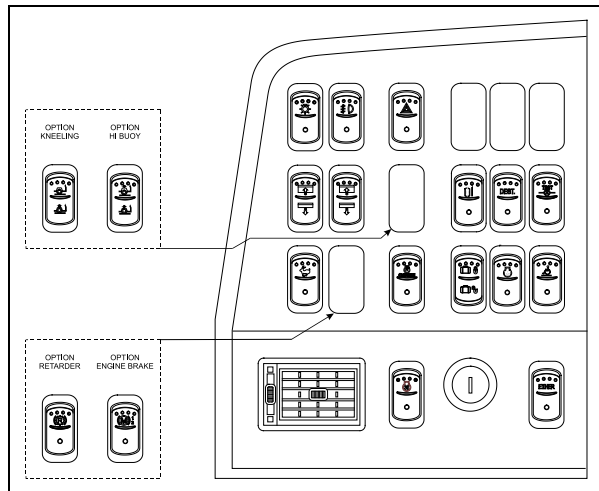
Note: The cigarette lighter can still be used after the ignition key has been removed.

DIAGNOSTIC DATA READER (DDR) RECEPTACLE

To facilitate troubleshooting of the DDEC, WT and ABS systems and to obtain data logged in the ECM (Electronic Control Module) memory, a Diagnostic Data Reader (DDR) (not supplied) can be connected through the DDR receptacle. A user's manual is supplied with the optional DDR.

The DDR receptacle is located inside the footwell, on the upper left side wall.

L.H. DASHBOARD PANEL

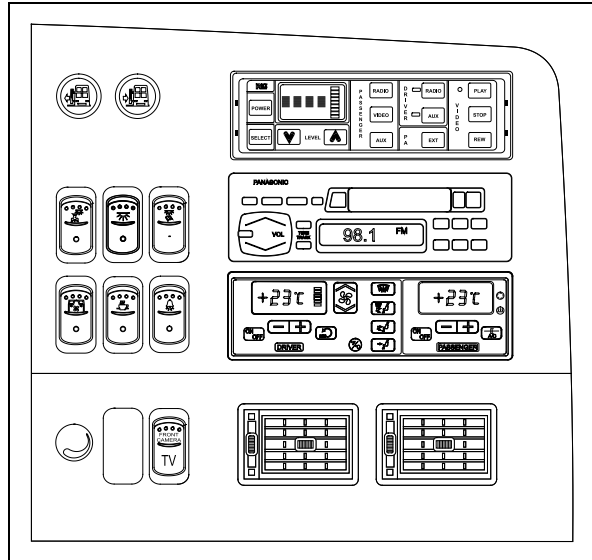


L.H. DASHBOARD PANEL

06347

The dashboard is designed with driver-exclusive controls at the left side, and controls, for passenger comfort and entertainment on the right side of the dashboard.

R.H. DASHBOARD PANEL



R.H. DASHBOARD PANEL

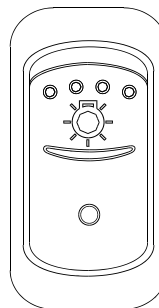
06445

The HVAC control module as well as the cluster dimmer switch, miscellaneous control switches and air vents. are located in the R.H. dashboard panel.

CONTROL SWITCHES

High quality laser-engraved switches are used to control many of the features of the vehicle. Many switches have an embedded witness LED to inform the driver at a glance which features are active. Some switches' LED will turn OFF after a short while when the engine is running. This is normal and is designed to reduce glare when driving. The functions still operate even if the LED is OFF. If the switches are still ON when the engine is turned OFF, the LEDs will illuminate to warn the driver to turn them OFF. Switches are described in the order they appear, from left to right, top to bottom.

Headlights



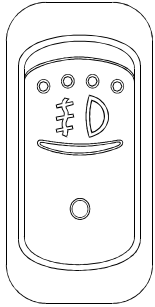
06254

Press rocker switch to the first position to activate clearance, tail and marker lights. Push down fully to turn ON both the clearance and marker lights and the headlights. The controls and instrument lights will illuminate.

CONTROLS AND INSTRUMENTS

Note: Daytime running lights will be automatically cancelled when the exterior lighting switch is fully depressed.

Fog Lights



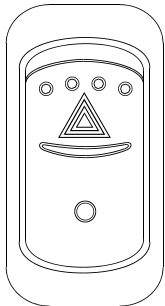
06255

Optional halogen fog lights provide better visibility in fog and precipitation. They improve close range visibility and provide added safety. Remove protective covers from fog lights before use.

Warning: Turn OFF engine and apply parking brake before removing fog light covers.

Note: Some states and provinces restrict the use of fog lights. Verify local state or provincial regulations before using.

Hazard Warning Flashers



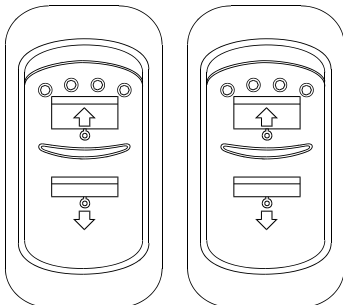
06256

Press the rocker switch to make all turn signal lights flash at once. The dashboard telltale lights will flash when the hazard warning flashers are ON.

Activating the hazard flashers also activates the vehicle's electrical circuits.

Caution: Do not use the hazard flashers for an extended period of time unless necessary because the electrical circuits are activated when the hazard switch is depressed.

Left and Right Sunshades

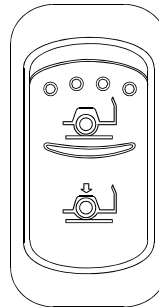


06353

Press and hold to lower or raise left or right sun shade.

Caution: Do not attempt to raise or lower these shades manually. Damage to electric motor or roller mechanism could result.

Kneeling (Optional)

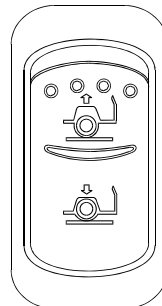


06250

Momentarily press the rocker switch rearward to lower the front end of the coach 4 inches (100 mm), and forward to return the coach to normal driving height. Refer to "Other Features" chapter for more information.

Press and hold the rocker switch forward to raise the front end of the coach 4 inches (100 mm). Release the rocker switch to return the coach to the normal driving height.

Kneeling / Full Hi-Buoy (Optional)

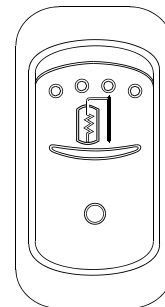


06251

Momentarily press the rocker switch rearward to lower the front end of the coach 4 inches (100mm), and forward to return the coach to normal driving height. Refer to "Other Features" chapter (page 4-12).

Press down and hold rocker switch forward to raise the complete suspension of the coach 4 inches (100 mm). Release the rocker switch to return the coach to the normal driving height.

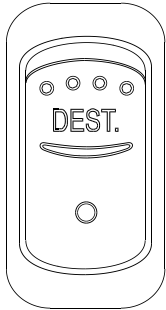
Outside Mirror Heat (Optional)



06261

Turn ON to clear fog, frost or thin ice from outside mirrors.

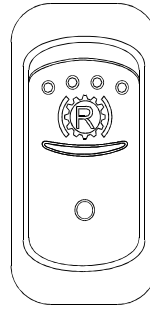
Destination Sign (Optional)



06261

Turn ON to illuminate the destination sign.

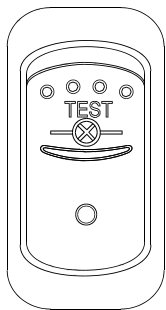
Transmission Retarder (Optional)



06252

Press rocker switch to activate the transmission retarder. Refer to "Steering Column Controls" in this chapter.

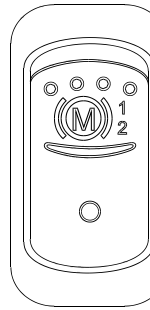
Telltale Light Test



06263

Press this switch while ignition is in the ON position to illuminate the telltale light cluster. Perform this test to verify indicator light functionality. Telltale lights will extinguish automatically after about ten seconds.

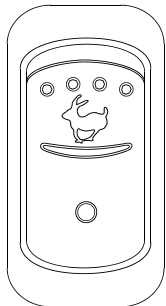
JACOBS Engine Brake (Optional)



06253

Press this switch to the first position to actuate the system to 2/3 engine brake and press to the second position for a full application of engine brake. Refer to "Other Features" chapter.

Fast Idle



06264

For extended idling periods, run the engine at fast idle. Press down the rocker switch to engage fast idle. This increases the engine speed to approximately 1,000 rpm. Return to slow idle before driving or when stopping engine.

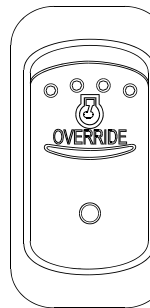
Warning: Engine brake must be used on dry road only. Never use the engine brake on slippery roads; loss of control could result.

Note: Engine brake is activated when accelerator pedal is released and the engine speed is higher than 750 rev/minutes. Stoplights turn ON when the engine brake is used.

Note: If the parking brake is released and/or the transmission is engaged with the engine running at fast idle, the engine will return to slow idle and remain there as long as the parking brake is not applied and/or transmission is not placed in neutral (N).

Caution: Reduce the engine to low idle before shutting the engine OFF.

Engine Stop Override



06265

Press this switch then release to override the emergency engine shutdown protection. Engine emergency shutdown will be turned OFF for 30 seconds. This procedure can be repeated if done before the 30 seconds are up.

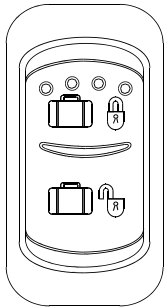
Caution: Use sparingly and in order to move the vehicle to a safe parking place only. Excessive use can cause severe engine damage.

CONTROLS AND INSTRUMENTS

DDEC Diagnostic Request

With the engine at idle or *OFF* and with the ignition switch in the *ON* position, press and release the Engine Stop Override rocker switch. Active codes will be flashed on the "Stop Engine" and inactive codes on the "Check Engine" telltale lights alternately. The first digit of the diagnostic code is determined by the number of flashes before a short pause. The second number of the diagnostic code is then flashed in the same manner. As an example, code "25" (everything O.K.) consists of two flashes, followed by a short pause, then five flashes. Refer to the "Technical Information" chapter under "DDEC IV Diagnostic Codes".

Central Locking System

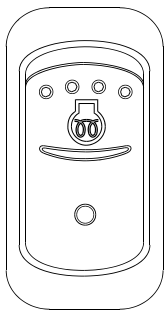


06266

This optional system enables locking baggage compartments and engine curb side door by pressing the switch forward. To unlock, press the switch rearward.

Note: Compartments locked using the key cannot be unlocked with the central locking system.

Coolant Heater Switch



06267

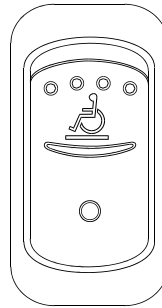
This switch is operational only when the ignition switch is in the *ON* position.

When activated, the heater timer is bypassed and remains activated as long as the ignition switch is in the *ON* position.

The purpose is to provide additional heat from the coolant heater, thereby supplementing the central heating system when required.

The coolant heater will turn *ON* or *OFF* automatically depending on coolant temperature.

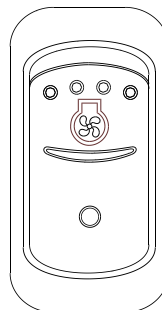
Wheelchair Lift (Optional)



06268

Activate the optional wheelchair lift by pressing down on the rocker switch. Refer to wheelchair lift system's Operator's Manual for operating instructions.

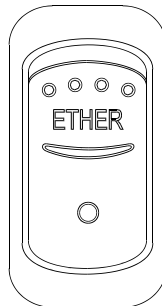
Radiator Fan Override (Optional)



06236

Depressing the switch overrides the radiator fan's thermostatic switch, keeping the fan continuously on. This feature is useful when the fan switches on and off repeatedly, such as when driving up a long grade or when driving in very hot weather.

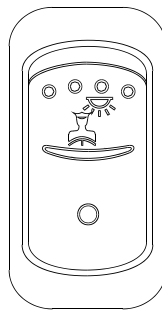
Ether Start Control (Optional)



06237

Activates the engine cold starting aid. Refer to "Starting and Stopping Procedures" chapter.

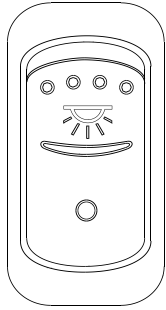
Driver's Area Lighting



06244

Press the rocker switch to illuminate the ceiling lights in the driver's area as needed.

Interior Lighting

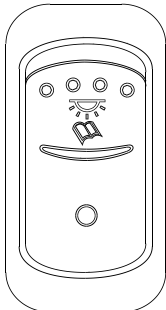


06239

Press this rocker switch to the first position to illuminate the aisle fluorescent lighting. Press down the second position to illuminate the in-station fluorescent lights.

Caution: To avoid running down the batteries when the engine is off, turn off the lights or connect the optional battery charger to a 110 - 120 volt AC power supply.

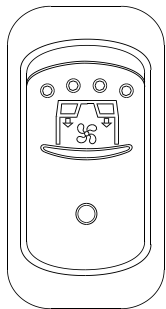
Reading Lights



06240

This switch powers the reading light circuit enabling passengers to operate their personal reading lights.

Passenger Overhead Air Registers

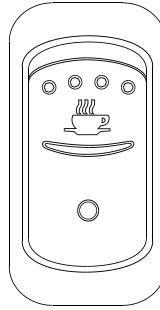


06245

Press the switch to the first position to set the fans to low speed. Press the switch to the second position to set the fans to high speed.

If equipped with the optional air conditioning in the overhead compartments, activating the fans also engages the dedicated A/C compressor.

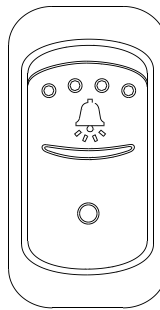
Galley



06241

This switch activates the galley's electrical circuit.

Stop / Service Chime (Optional)



06243

Press this switch to enable the stop / service chime. When depressed, the service buttons illuminate even when the chime circuit is not enabled.

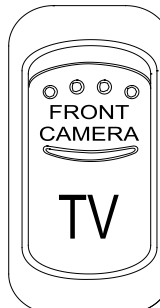
Brightness Control



06249

Adjusts the brightness of the dashboard instruments and switches.

Front Camera Switch (Optional)



06334

Press this switch to turn ON the camera in the windshield and display the road ahead on the passenger TV monitors. When the front camera is not enabled, the TV circuit reverts to the video cassette player output.

Door Operating Buttons



06313

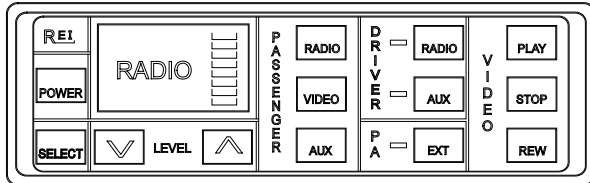
Press and hold the red button to open the door and the green button to close the door.

Releasing the button at any time will immediately stop door movement.

CONTROLS AND INSTRUMENTS

Warning: The door mechanism has no automatic safety protection to avoid injury to bystanders. The driver is responsible for the safe operation of the door.

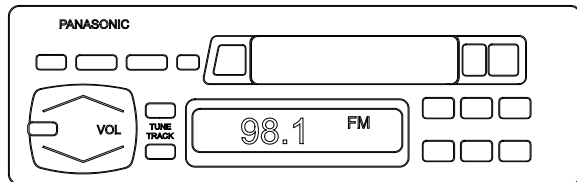
CONTROL HEAD



23070

The control head enables the driver to independently control audio entertainment and volume level in the passenger and driver's areas. The video cassette player, the P.A. system and auxiliary systems, such as a DVD player are also controlled by the control head panel.

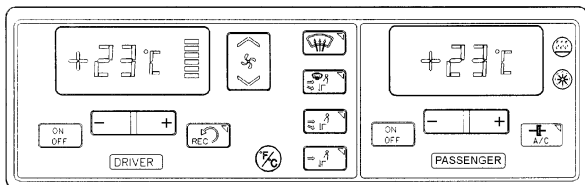
RADIO



23178

Due to the availability of several radio brands, refer to the manufacturers operating instructions.

HVAC CONTROL UNIT



22184

The vehicle is slightly pressurized by the central HVAC system to prevent dust and moisture from entering. Air flow and controls divide the vehicle into two areas: driver's area with defroster and cabin area.


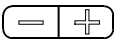

Fresh air is fed in each area and has a separate return air and discharge air duct.

Note: To operate the air conditioning system when stationary, run engine at fast idle. When the system is running, keep windows and door closed.

To prevent battery run-down, the central A/C and heating systems will not operate if the charging system is not working properly.

When the A/C system is running, park at least 4 feet (1,5 m) from other vehicles or buildings to allow sufficient air flow through the condenser core.

Separate driver and cabin heating, ventilation and air conditioning controls are located on this panel. To operate, the vehicle's engine must be running.

The driver's or the cabin's units may be turned ON by pressing  or  or  buttons.

All parameters set before turning the system OFF will be kept in memory for the next power ON.

The HVAC module performs a self diagnosis every time it is turned ON. Codes are shown on displays or flashed on control buttons. Refer to "Maintenance Manual" for more information on the diagnostic codes.

Heating Mode Indicator



22135

This red LED illuminates when system is heating.

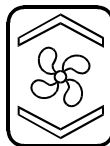
Cooling Mode Indicator



22134

This green LED illuminates when the system is cooling (when the compressor clutch is engaged).

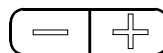
Fan Speed



22135

The driver's fan has six speeds. Increase speed by pressing on the upper portion of the button, decrease by pressing on the lower portion.

Temperature Set Button



22132

The driver's side and the cabin's side have independent temperature controls.

These buttons determine the heating and cooling set points.

To increase the temperature, press on the "+" sign, to decrease the temperature, press on the "-" sign. Temperature range is between 55°F and 85°F (12°C to 28°C). Asking for a temperature set point above 85°F (28°C) will keep the coolant valve open and "FUL" will be

displayed. Temperature increments are 1°F or 1°C depending on units displayed.

In case of interior temperature sender unit failure, the coolant valve will remain open and three lines “---” will be displayed.

Warning: Warm temperatures may cause drowsiness and affect alertness while driving. Keep temperature comfortable but not too high.

Recirculate



When on, the fresh air damper is closed.

A red LED in the top right corner of the button illuminates when cabin air is recirculated. Use for faster cabin heating.

Deactivated by default when defogging is activated.

A/C Button



Engages the A/C compressor. A LED in the top right corner illuminates when activated.

The compressor clutch is disengaged if exterior temperature drops below 25°F (-4°C). The compressor can be re-engaged when exterior temperature rises above 35°F.

Windshield Defogger



The dashboard damper sends air only to the windshield when activated. The footwell damper is closed also.

A red LED in the top right corner of the button illuminates when activated.

Upon pressing this button, the fan is turned on at maximum speed, the fresh air damper opens completely (REC off) and the temperature is set to maximum if the temperature set point is not attained.

All Vents Open



The dashboard damper opens halfway, sending air to the windshield and panel vents.

The footwell damper is also fully open.

A red LED in the top right corner of the button illuminates when activated.

Panel and Footwell



The dashboard damper sends air to the panel vents only. The footwell damper is also open.

A red LED in the top right corner of the button illuminates when activated.

Panel



Air is sent to panel registers only. The foot damper is closed.

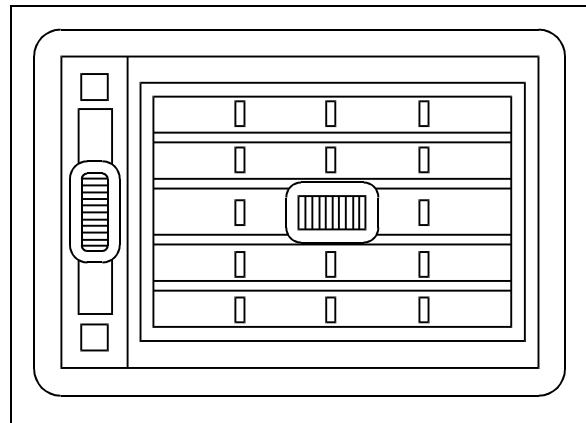
A red LED in the top right corner of the button illuminates when activated.

Temperature Degree Selector



Toggles between Fahrenheit and Celsius units.

AIR REGISTERS

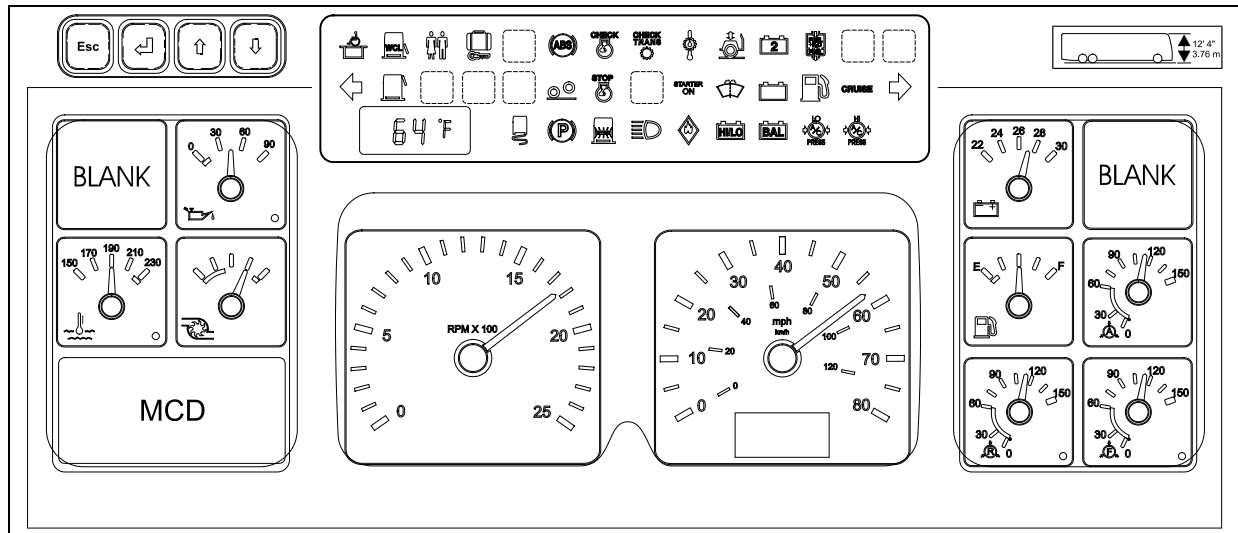


AIR REGISTER

22147

Three adjustable driver air registers in the dashboard and one near the door feed air to the driver's compartment. Use the HVAC control panel to set air temperature and fan speed.

CLUSTER

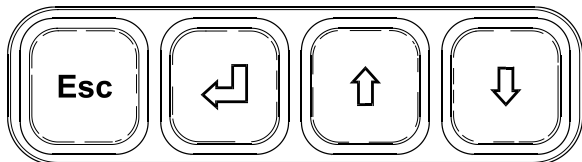


CLUSTER

06379

The cluster incorporates the Message Center Display, the Telltale Panel, the Gauges and Vehicle Clearance Information.

MESSAGE CENTER DISPLAY (MCD)



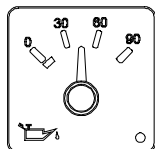
06399

This standard feature gathers, stores and displays important information about the vehicle's operation on a display screen on the lower left portion of the cluster. Refer to Message Center Display in Other Features chapter for a description of how to set up and operate the Message Center Display.

GAUGES

Note: Do not refer to dashboard instruments during adjustment procedures. Use only calibrated gauges.

Engine Oil Pressure



06229

Indicates engine oil pressure. The normal reading should be between 50 and 70 psi (345 - 480 kPa) at 55 mph (90 km/h).

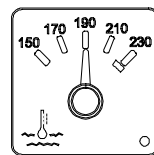
A low oil pressure indicator LED (bottom right

corner of gauge) illuminates when the oil pressure drops below 50 psi (345 kPa).

An audible alert signal also informs the driver of low oil pressure. Refer to Safety Features and Equipment chapter for table of audible alerts.

Caution: Loss of oil pressure may cause severe engine damage. If low oil pressure LED illuminates, park the vehicle safely and stop the engine immediately. Request service assistance.

Engine Coolant Temperature



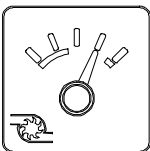
06231

Indicates the operating temperature of the engine coolant. The normal reading should be between 190°F and 222°F (88°C to 106°C).

A high coolant temperature indicator LED (bottom right corner of gauge) illuminates when the coolant temperature rises above 223°F (106°C). An audible alert signal also informs the driver of this condition.

The engine protection system will start power down Refer to Safety Features and Equipment chapter for table of audible alerts.

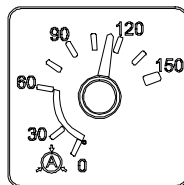
Turbo Boost Pressure



06230

Indicates turbo boost pressure in psi. Reading depends on engine rpm and load conditions.

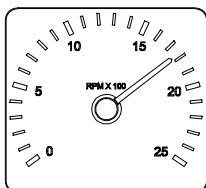
Accessories Air Pressure



06226

Indicates the accessories air system pressure. The normal operating pressure is from 95 to 125 psi (655 to 860 kPa).

Tachometer

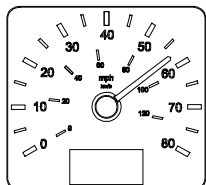


06221

Indicates the operating speed of the engine in hundreds of revolutions per minute (rpm x 100). The tachometer serves as a guide for gear shifting and

helps to prevent engine over-speeding when driving downhill with the JACOBS engine brake operating. The maximum allowed engine speed is 2,450 rpm.

Speedometer

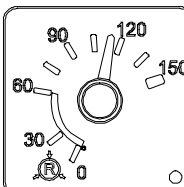


06222

Indicates the vehicle speed in miles per hour (mph) and kilometers per hour (km/h).

The digital odometer records the distance traveled in miles or in kilometers (units are driver selectable).

Primary System Air Pressure (Rear)



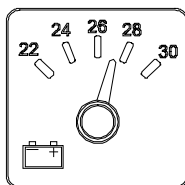
06228

Indicates the primary air system pressure. The normal operating pressure is from 95 to 125 psi (655 to 860 kPa).

A low air pressure indicator LED (bottom right corner of gauge) illuminates when the primary air system pressure drops below 66 psi (455 kPa). An audible alert signal also informs the driver of low air pressure. Refer to Safety Features and Equipment chapter for table of audible alerts. If the air pressure drops below 40 psi (276 kPa), the emergency brake applies at full capacity.

Warning: Do not drive the coach when air pressure is low.

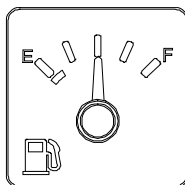
Voltmeter (24-Volt System)



06224

Indicates the condition of the 24-volt electrical system. With the engine running, the normal reading should be between 26.5 and 28.0 volts.

Fuel Level

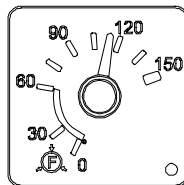


06225

Indicates the amount of fuel remaining in the fuel tank.

A telltale light illuminates when about 12 US gallons (45 liters) of fuel remain in the fuel tank.

Secondary System Air Pressure (Front)



06227

Indicates the secondary air system pressure. The normal operating pressure is from 95 to 125 psi (655 to 860 kPa).

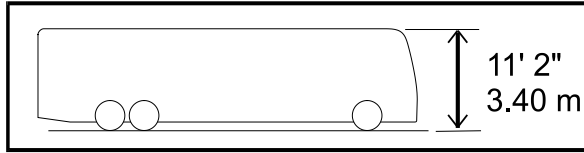
A low air pressure indicator LED (bottom right corner of gauge) illuminates when the secondary air system pressure drops below 66 psi (455 kPa). An audible alert signal also informs the driver of low air pressure. Refer to Safety Features and Equipment chapter for table of audible alerts. If the air pressure drops below 40 psi (276 kPa), the emergency brake applies at full capacity.

Warning: Do not drive the coach when air pressure is low.

Caution: Operating the vehicle when the reading is below 1/8 full is not recommended.

CONTROLS AND INSTRUMENTS

VEHICLE CLEARANCE INFORMATION

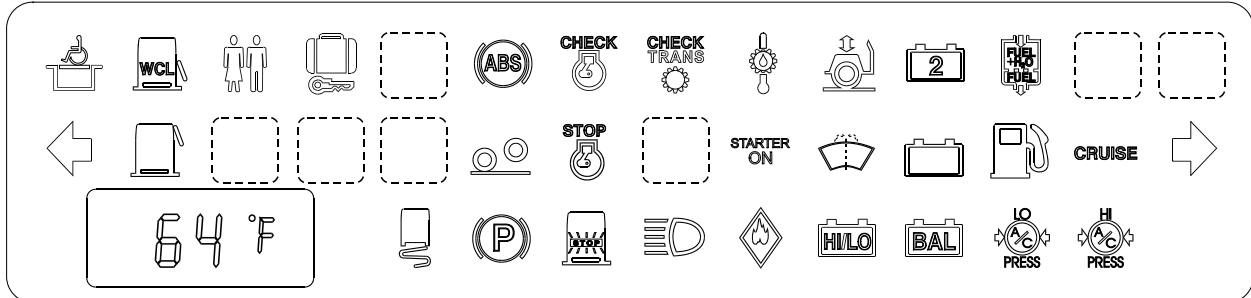


06447

Normal vehicle clearance is 11' 2" (3,40 m).

Caution: vehicle clearance is higher when the ventilation hatch is open or if additional equipment is installed on the roof.

TELLTALE PANEL



TELLTALE PANEL

06444

Some telltale lights described bellow appear on the telltale panel only if the corresponding optional equipment is installed on the vehicle.

Wheelchair Lift Enabled



06295

Illuminates when the wheelchair lift is enabled.

Wheelchair Lift Door Ajar



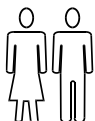
06287

Illuminates when the wheelchair lift compartment door and/or the wheelchair access door is open.

The parking brake is activated when this door is open. Refer to Other Features chapter.

Warning: Opening the door at a speed under 5 mph (8 km/h) will activate the parking brake and sound an audible alert..

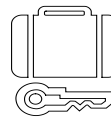
Lavatory Door Locked



06375

Illuminates when the lavatory door is locked

Baggage Compartment Unlocked



06387

Illuminates when one or more compartments are unlocked.

Antilock Brake System



06272

Illuminates when the ABS is not available or when the ABS is malfunctioning. Since the ABS system does not operate under 4 mph (7 km/h), the indicator will remain illuminated until the coach reaches that speed. Refer to "Other Features" chapter.

Check Engine



06281

Illuminates when the ignition switch is ON as a light bulb check. The light should turn OFF after five seconds. If the indicator remains

ON after five seconds or comes ON sometime after starting the engine, the Detroit Diesel Electronic Control (DDEC) system has detected a minor problem.

The indicator light will remain ON until the malfunction has been corrected.

A diagnostic code will be stored in the memory and the indicator can be used to identify the problem. Refer to the "Technical Information" chapter under "DDEC IV Diagnostic Codes".

Check Transmission

CHECK
TRANS



06282

Illuminates briefly when the ignition is switched ON as a light bulb test. The indicator light should go out after two seconds.

When the "CHECK TRANS" indicator is illuminated and the shift selector emits short beeps for 8 seconds, the electronic control unit (ECU) is restricting transmission shifting because special or abnormal conditions are detected. The control pad display will be blank.

If this happens, drive the coach to the next available service center to receive assistance. The ECU will not respond to shift selector requests since operating limitations are being placed on the transmission (i.e. upshifts and downshifts may be restricted). Direction changes and shifts to and from neutral (N) will not occur.

Any time the CHECK TRANS telltale light illuminates, the ECU will register a diagnostic code. It may be identified on the display or by using a diagnostic tool. Refer to "Technical Information" chapter.

Note: The CHECK TRANS indicator may also illuminate when starting the engine in extremely cold weather. Refer to "Starting and Stopping Procedures".

Transmission fluid Temperature

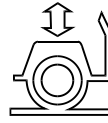


06292

Illuminates when the transmission fluid temperature is too high. Disengage the retarder to allow the oil temperature to cool down.

For vehicles equipped with the Eaton transmission, an audible alert will sound when the transmission fluid reaches 275°F (135°C). Refer to Safety Features and Equipment chapter.

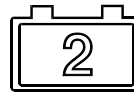
Kneeling / Hi-Buoy Active



06448

Illuminates when Kneeling or Hi-Buoy is active. An audible alert also informs the driver during operation. Refer to Safety Features and Equipment chapter.

Top Alternator



06276

Illuminates when the upper alternator is not charging.

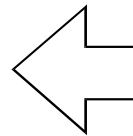
Fuel Filter/Water Separator



06291

Illuminates when accumulated water in the optional fuel filter/water separator needs to be drained. Refer to Care and Maintenance chapter.

Left Turn Signal



06290

Flashes when the left turn signals are activated. Signal right and left turns by operating the multi-function lever. See Steering Column Controls in this chapter.

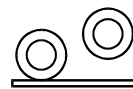
Emergency Window Open



06287

Illuminates when an emergency window is open.

Retracted Tag Axle



06271

Illuminates when the tag axle is retracted. When the tag axle is retracted, an alarm will sound to warn the driver. The control valve is located on the L.H. lateral console.

STOP Engine



06309

Illuminates when the ignition switch is ON as a light bulb and DDEC system check. The indicator should go OFF after five seconds.

If the indicator remains illuminated after five seconds or comes ON sometime after starting the engine, the DDEC system has detected a

CONTROLS AND INSTRUMENTS

major problem. Immediately park the coach in a safe place and stop the engine.

When a problem is detected, the engine power will automatically begin to decrease gradually, followed by full shutdown after 30 seconds.

The engine emergency shutdown may be bypassed by using the "Engine Stop Override" switch on the L.H. lower control panel.


Note: *Once the engine is stopped, it cannot be restarted until the problem has been corrected. A diagnostic code will be stored in memory. The STOP engine indicator can be used to identify the problem. Refer to Technical Information chapter under "DDEC IV Diagnostic Codes".*

Starter ON

STARTER ON
06380 Illuminates when the engine starter is ON.

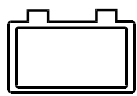
Warning: *If the "STARTER ON" Indicator light remains illuminated even after releasing the ignition switch, Stop the engine immediately and set the battery master switch (ignition key) to the OFF position. Have the starter checked immediately.*

Windshield Washer Fluid Low

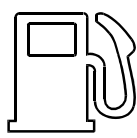
06403 Illuminates when the windshield washer fluid level is low. The washer fluid container is located on the inside of the front service compartment door.

Warning: *Do not drive without sufficient windshield washer fluid.*

Bottom Alternator

06371 Illuminates when the lower alternator is not charging.

Fuel Level Low

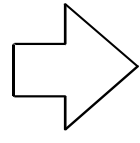
06286 Illuminates when approximately 12 US gallons (45 liters) of fuel remain in the tank. After the light comes ON, the remaining fuel will provide less than 60 miles (100 km) of travel. Do not exceed this distance.

Note: *Refuel as soon as possible.*


Cruise Control Enabled

CRUISE
06284 Illuminates when cruise control is enabled.

Right Turn Signal


06289 Flashes when the right turn signals are activated. Signal right and left turns by operating the multi-function lever. See Steering Column Controls in this chapter.

Freezing Conditions


06273 Flashes for about 10 seconds every 15 minutes when the outside temperature is in the range between 2°C to 1°C (35°F to 34°F), when the road is most slippery.

An audible alert will sound when these conditions arise. Refer to Safety Features and Equipment chapter.


Emergency/Parking Brake

06303 Illuminates when the emergency/parking brake is applied. The control valve is located on the L.H. control panel. An audible alert will sound if ignition is turned to OFF and the parking brake is not engaged.

Stoplights ON

06305 Illuminates when rear stoplights illuminate. This occurs when either cruise control DECEL switch, service brake, parking brake, engine retarder or transmission retarder is applied.

High Beam ON

06300 Illuminates when high beams are selected. High and low beams are selected by operating the multi-function lever. Refer to Steering Column Controls heading in this chapter.

Fire Detected



06288

Illuminates if a fire is detected in the engine compartment. An audible alert also informs the driver when a fire is detected. Refer to Safety Features and Equipment chapter

Warning: *In case of a fire, stop the vehicle immediately, stop the engine and evacuate the vehicle.*

Note: *For extinguisher's location, refer to Safety Features and Equipment chapter.*

Battery Voltage Incorrect



06275

Illuminates when the battery voltage exceeds 30 volts or drops below 24 volts.

Note: *The high/low battery voltage indicator will illuminate for a few seconds after the engine is started because of the voltage drop when the starter is engaged.*

Battery Voltage Not Equal



06274

Illuminates when the battery voltage is not equalized.

Note: *If the battery equalizer indicator illuminates, make sure that the battery equalizer circuit breakers are reset before requesting breakdown assistance. Wait 15 minutes after setting breakers to allow batteries to equalize. The breakers are located in the main power compartment on XLII-45 coaches and in the rearmost baggage compartment for XLII-40 coaches.*

A/C System Pressure Low



06298

Illuminates when the A/C system pressure is too low. If the A/C pressure is too low, the compressor clutch is disengaged and the fan is turned OFF.

This telltale light is only activated when the HVAC control panel not in "Troubleshooting" mode.

Refer to the Maintenance Manual for information on control panel troubleshooting mode.

A/C System Pressure High



06296

Illuminates when the A/C system pressure is too high. If the A/C pressure is too high, the compressor clutch is disengaged, but the fan remains activated.

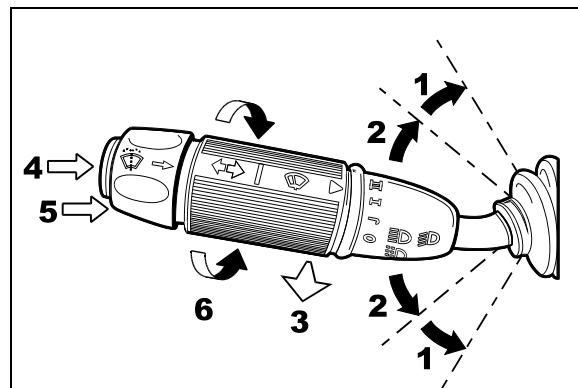
This telltale light is only activated when the HVAC control panel is in "Technician" mode.

Refer to the Maintenance Manual for information on control panel troubleshooting mode.

STEERING COLUMN CONTROLS

Many of the most frequently used controls are conveniently placed on the steering column or the steering wheel, just like a passenger car. The Multi-function lever is located on the left side of the steering wheel while the optional transmission retarder lever is located on the right side of the steering wheel. Switches for the electric horn and the air horn are located directly on the steering wheel.

MULTI-FUNCTION LEVER



MULTI-FUNCTION LEVER

23133

The multi-function lever is used to operate the following:

Turn Signal (1)

Move the lever all the way up until it locks in position to signal a right turn. Move the lever all the way down until it locks in position to signal a left turn. The lever automatically returns to the horizontal OFF position once the turn is completed.

CONTROLS AND INSTRUMENTS

Lane Change Signal (2)

Move the lever part way to the catch position and hold until the lane change maneuver is completed. The lever will spring back into the *OFF* position once released.

Headlight Beam Toggle Switch (3)

Toggle between high and low beams by pulling the lever rearward. Pulling the lever rearward while the lights are *OFF* will flash the headlights.

Courtesy Blinkers (4)

Clearance and parking lights can be flashed by pressing the button located on the lever tip.

Windshield Washer Control (5)

Push the external ring at the end of the lever toward the steering column to activate the windshield washers. The wipers come *ON* and continue wiping for a few seconds after the ring is released.

Warning: Before using the windshield washers in cold weather, heat the windshield with the defroster to prevent icing and reduced visibility.

Caution: To avoid damaging the pump mechanism, do not use the windshield washer when the fluid level is very low or empty.

Windshield Wipers (6)

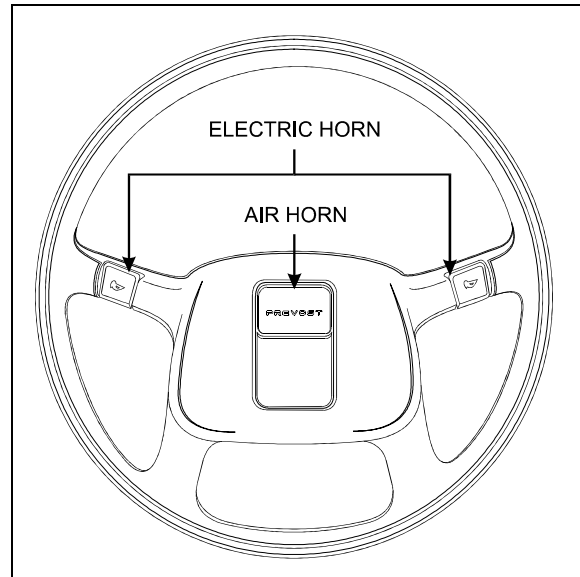
Turn the lever counterclockwise to activate the windshield wipers. The first position activates the wipers intermittently. The second position is the slow speed and the third position is for high speed wiping.

Caution: To avoid scratching the windshield, do not operate the wipers when the windshield is dry. To avoid damaging the wiper motor, loosen wiper blades that may be frozen to the windshield before operating the wipers.

HORN

Electric Horn

The electric horn buttons are on the steering wheel spokes. Use only the electric horn in urban areas.



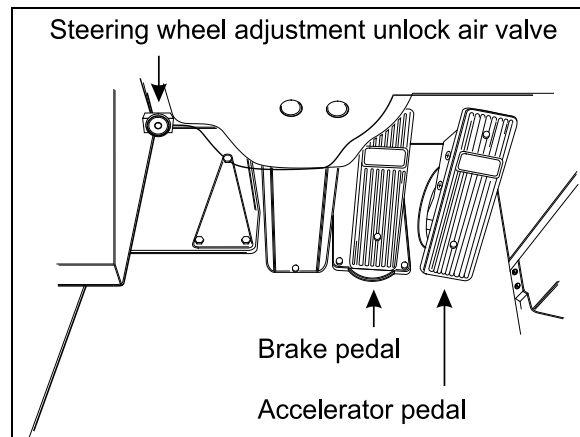
STEERING WHEEL

14029

Air Horn

The air horn button is located on the center of the steering wheel. Use this horn only on the highway.

FOOT-OPERATED CONTROLS



FOOT OPERATED CONTROLS

00023

BRAKE PEDAL

The coach is equipped with a dual braking system. The front brakes operate differently from the drive and tag axle brakes.

The dual braking system becomes a modulated emergency system if a pressure drop occurs in the rear brake system.

Service brakes are applied by depressing the brake pedal. Braking increases with the amount of pressure applied to the foot pedal. Refer to

Other Features chapter under Antilock Braking System. When the brake pedal is depressed, the brake lights turn ON automatically.

For safe and effective braking, the air system pressure should reach at least 95 psi (655 kPa) in both the primary and secondary circuits.

A warning light and an audible alert will sound when the air pressure in either the primary or secondary circuits drops below 66 psi (455 kPa). If this occurs, stop the coach, determine the cause of the pressure loss before proceeding. The brake pedal can be used in conjunction with the transmission retarder. Refer to Transmission Output Retarder in this chapter.

Warning: Immediately report any brake system problem to the nearest Prevost or Prevost-approved service center.

Warning: Do not "fan" or "pump" the brake pedal. This practice does not increase brake system effectiveness but rather reduces system air pressure thereby causing reduced braking effectiveness.

Caution: "Riding" the brake by resting one's foot on the brake pedal when not braking can cause abnormally high brake temperature, can damage and cause premature wear of brake components and reduce brake effectiveness.

ACCELERATOR PEDAL

Controls engine RPM as needed.

Note: The accelerator pedal will not operate when the front door is open.

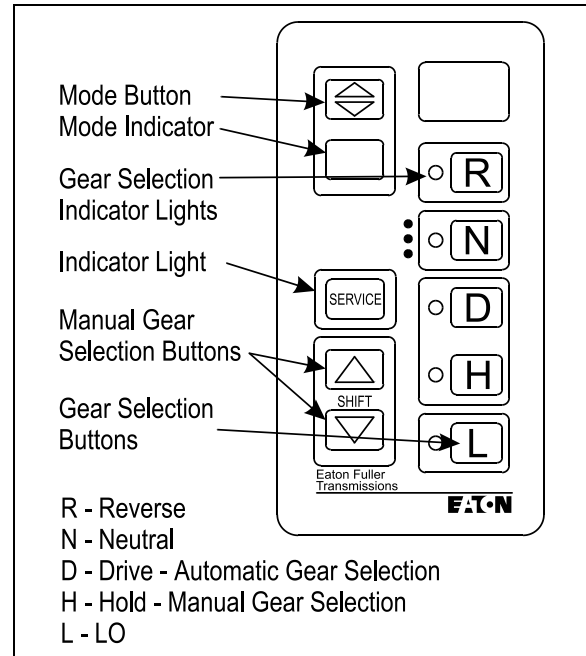
Caution: Do not let the engine operate above 2,450 RPM.

STEERING WHEEL ADJUSTMENT UNLOCK AIR VALVE

Push on the valve button with the left foot to unlock the steering wheel for tilt and telescopic adjustment.

Warning: Do not adjust the steering wheel while the vehicle is moving. Loss of control could result. Park the vehicle safely and apply parking brake before adjusting the steering wheel.

EATON TRANSMISSION



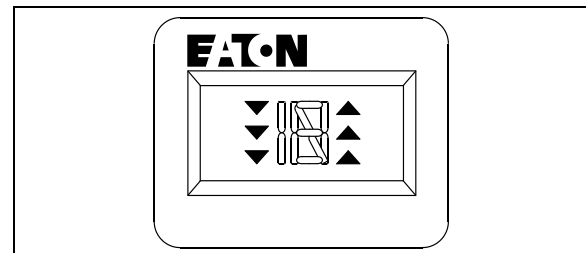
EATON TRANSMISSION CONTROL PAD 07055

The optional Eaton AutoShift AST 7L automatic transmission is a seven-speed automatic transmission.

Control of the transmission is done via a push-button control pad located on the lateral console. Gear select buttons located on the pad allow manual control of the transmission.

The transmission performs a self-test at power-up. It is normal for the service light to illuminate briefly at power-up. If the service light stays on or illuminates while driving, the ECU has detected a fault code. In that case have the vehicle serviced as soon as possible.

Fault codes can be flashed on the control pad service light. Refer to the Technical Information chapter under Eaton Transmission Fault Codes for more information.



GEAR DISPLAY MODULE 07056

A gear display module informs the driver of which gear is presently engaged. A flashing number indicates the next gear to be engaged.

CONTROLS AND INSTRUMENTS

UP arrows indicate that the input shaft rpm is too low to engage the gear. In this situation, the transmission ECU will slightly increase engine rpm. DOWN arrows indicate the input shaft rpm is too high to engage the gear, the ECU is waiting for the shaft to slow down before allowing the shift.

OPERATION

Always place the transmission in neutral (N) when starting and stopping the engine.

Caution: *Never coast with the transmission in neutral position.*

To inhibit upshifts during downhill driving and for optimal engine braking while operating in the desired gear, select low (L) on the control pad. There will be no further upshifts, except to protect the engine from overspeeding. The shift control can be operated at any speed.

For manual control of shifts, select hold (H) mode on the control pad and use the up and down arrows to change gears. Use this mode when driving over railroad tracks and while on steep grades. To return to normal driving, select D. The best gear for the conditions will be automatically selected.

When Cruise Control is engaged, the transmission shifts automatically. No driver intervention is necessary.

If the engine brake (JACOBS brake) is active, it will be disabled automatically during a shift, then enabled when the shift is complete.

Note: *The transmission may activate the engine brake to aid in its operation. This can happen even if the engine brake is not activated by the switch on the dashboard.*

There is a speed limit on reverse engagements. The driver can still rock the vehicle by switching from reverse (R) to drive (D) and back.

Auto Neutral

Some applications requires the system to prohibit any gear selection from neutral (N), as when using a wheelchair lift for example. In that case, gear selection is disabled when the application is active. On the other hand, if the transmission is not in neutral, the application cannot be activated.

Setting Start Gear

The default starting gear can be changed. This change is only active while the engine is running (resets on shut-off) or until another default gear is set.

1. To set a default starting gear, set D or H while stopped;
2. Use the up or down arrow on the control pad to chose the starting gear.

Driving in “D” (Drive) Mode

Drive mode (D) is used for normal driving conditions.

Driving in “H” (Hold) Mode

When driving in the hold (H) mode, the driver must control shifts with the up and down arrows on the shift control pad.

1. Select “H” on the control pad;
2. To upshift, press the UP arrow, to downshift, press the DOWN arrow (skip a gear by pressing twice);
3. Transmission automatically shifts to the next gear.

Driving in “L” (Low) Mode

Low mode automatically completes downshifts at the earliest opportunity.

Note: *The shift control buttons can be selected between drive, hold and low modes as desired while the vehicle is moving forward.*

ALLISON TRANSMISSION

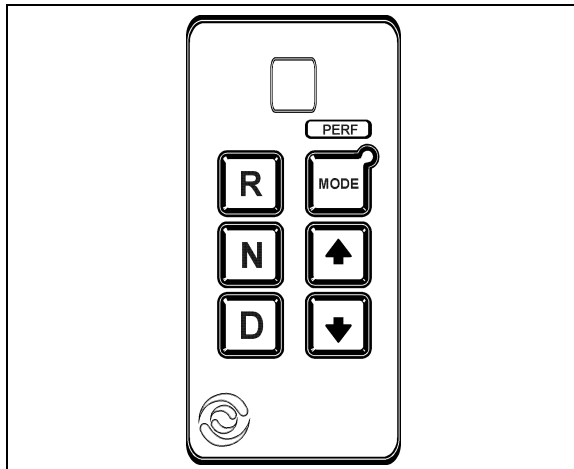
The transmission is fully automatic: Proper ranges should be automatically selected according to driving speeds to improve vehicle performance and control. The speed ratio of the power converter changes automatically as vehicle speed increases and direct-drive goes in and out as necessary, The speed ratio is modulated by vehicle speed and accelerator pedal position.

OPERATION

When a button is depressed on the transmission control pad, the corresponding letter or number is displayed indicating the transmission is ready to operate in the selected range. If the

electronic control system detects a serious problem in the transmission, a buzzing tone sounds for 5 seconds and the "CHECK TRANS" light on the dashboard illuminates to warn the driver that the transmission is held in gear. If another is depressed, the buzzing sound will continue until the original range is selected.

Note: As a light bulb and systems check, the "CHECK TRANS" light will illuminate when the ignition switch is turned to ON. After about two seconds the light will turn off. If the "CHECK TRANS" light remains on, the self-diagnostic system has detected a problem. If the problem disappears, the light will go out, but a trouble code will remain stored in the ECU.



WORLD TRANSMISSION CONTROL PAD 07025

RANGE SELECTION – PUSH BUTTON SHIFTER

The push button shifter is used by the operator to select Neutral (N), Reverse (R) or a range of forward gears (D). When the forward range has been selected, the transmission starts in the lowest gear and, as conditions permit, automatically upshifts until the highest gear is selected.

The digital display indicates the selected gear of transmission operation.

The function of each button is as follows:

- Select REVERSE gear by pressing "R".
- Select NEUTRAL by pressing "N". Note the raised edge around the "N" button so the driver can orient his hand to the push buttons by touch, without looking at the display. It is not necessary to press this button prior to starting the vehicle.

- Select DRIVE range by pressing "D". The highest forward gear will appear on the display and the transmission will shift to the starting gear (not shown on the display).

The "▲" and "▼" buttons are used to shift to a higher or lower range. One press changes gears by one range. If the button is held down, the selection will scroll up or down until the button is released or until the highest or lowest possible range is selected. Protection mechanisms inhibit selecting ranges that are not appropriate for the current speed or which may damage driveline components.

FUNCTIONS OF THE "MODE" BUTTON

This button is used to invoke a special function (mode) that has been programmed into the ECU. Both modes are equivalent from the first to the fourth gear as the transmission upshifts at around 2000 rpm.

the default "ECONOMY" mode allows for upshifts in fifth and sixth gear at around 1700 rpm. This is a more efficient operation of the transmission and thereby helps improve fuel economy.

the "PERF" (performance) mode keeps upshifts at 2000 rpm in fifth and sixth gears. This makes for better performance than the economy mode but with a higher fuel consumption. It is recommended this mode be selected while driving up or down grades. The mode status will be indicated on the digital display by a red LED illuminating in the upper right corner of the MODE button when selected.

Oil Level Display Mode (optional)

Select oil level display mode by pressing simultaneously on the "▲" and "▼" keys. A first press will indicate the transmission fluid level after a two-minute wait if the following conditions are met:

- The vehicle is not moving;
- The engine is in slow idle;
- The transmission has reached it's normal operating temperature;
- Transmission is in NEUTRAL;
- The sender unit is functional.

CONTROLS AND INSTRUMENTS

A code will be displayed one digit at a time. Refer to Technical Information chapter under Oil Level Sensor Codes.

Diagnostic Display Mode

Pressing a second time on the "▲" and "▼" keys simultaneously will select the diagnostic display mode. Refer to the Technical Information chapter for more information about the WT diagnostic codes. To exit diagnostic display mode, press N button, or up and down arrow keys at the same time.

Reverse (R)

Press the R button to select reverse. Stop completely before shifting from forward to reverse or from reverse to forward. The reverse warning signal will be activated when this range is selected.

Neutral (N)

Use this position to start engine. Select neutral (N) when checking vehicle accessories and for extended periods of engine idle operation; parking brake must then be applied. The push-button shifter will automatically select neutral when the master switch is turned ON.

Note: *The automatic transmission does not have a park (P) position. Select neutral (N) and apply parking brake when the vehicle is left unattended. An audible alert will sound if the engine is stopped and the parking brake is not applied.*

Warning: *Always apply parking brake before leaving driver's seat.*

Caution: *Detroit Diesel engines should not be idled for extended periods at "slow" idle. For extended idling, engine should run at "fast" idle.*

Caution: *Do not allow your vehicle to "coast" in neutral. This practice can result in transmission damage. Also, no engine braking is available in neutral.*

Drive (D)

Use this position for all normal driving conditions. After touching this pad, the vehicle will start in first or second range and will automatically upshift to a higher range as output speed increases. As the vehicle slows down, output speed decreases, the transmission

automatically downshifts to the correct range. If a locked brake or a slick surface condition should occur, the ECU (Electronic Control Unit) will command converter operation (disconnect lockup) and inhibit downshifts for a period of time or until normal wheel speed has been restored.

- First range (1):

Select this range when pulling through mud and snow or when speed control is needed for driving up steep grades. This range also provides maximum engine braking power or retarder braking effect. In the lower ranges (1, 2, 3 and 4), the transmission will not upshift above the highest gear selected unless engine overspeed is detected.

Note: *The transmission should normally be allowed to shift by itself, but manual shifting can be done as described below.*

- Second range (2)

Select this range when operating in heavy and congested traffic. The transmission will start in first and automatically upshift to second. When slowing, the transmission will automatically downshift to first range. Low ranges provide progressively greater engine and retarder braking power (the lower the range, the greater the engine and retarder braking effect).

- Third and fourth ranges (3 and 4)

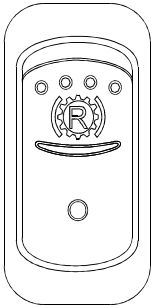
Select these ranges when driving on moderate grades or when load and traffic conditions limit speed.

Warning: *Service brake should not be used to control the speed of vehicle on long, steep descents. Instead, lower transmission ranges should be used (in conjunction with output retarder. Refer to "JACOBS Engine Brake" and "Transmission Retarder" headings in "Technical Information" chapter for details regarding both systems. This procedure keeps service brake cool and ready for emergency stopping.*

Caution: *When descending in lower ranges, care must be taken that engine speed does not exceed 2,450 rpm.*

TRANSMISSION OUTPUT RETARDER

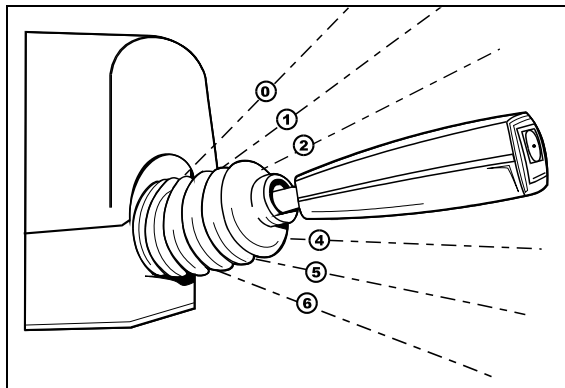
OPERATING THE RETARDER USING THE BRAKE PEDAL



06252

Press down rocker switch to activate the optional transmission output retarder.

OPERATING THE RETARDER USING THE HAND LEVER



RETARDER HAND LEVER

07043

The transmission output retarder is available only with the Allison transmission.

With the retarder activated (retarder switch depressed) and the accelerator pedal released, move the output retarder lever clockwise from the first to the sixth position. The efficiency for each position is as follows:

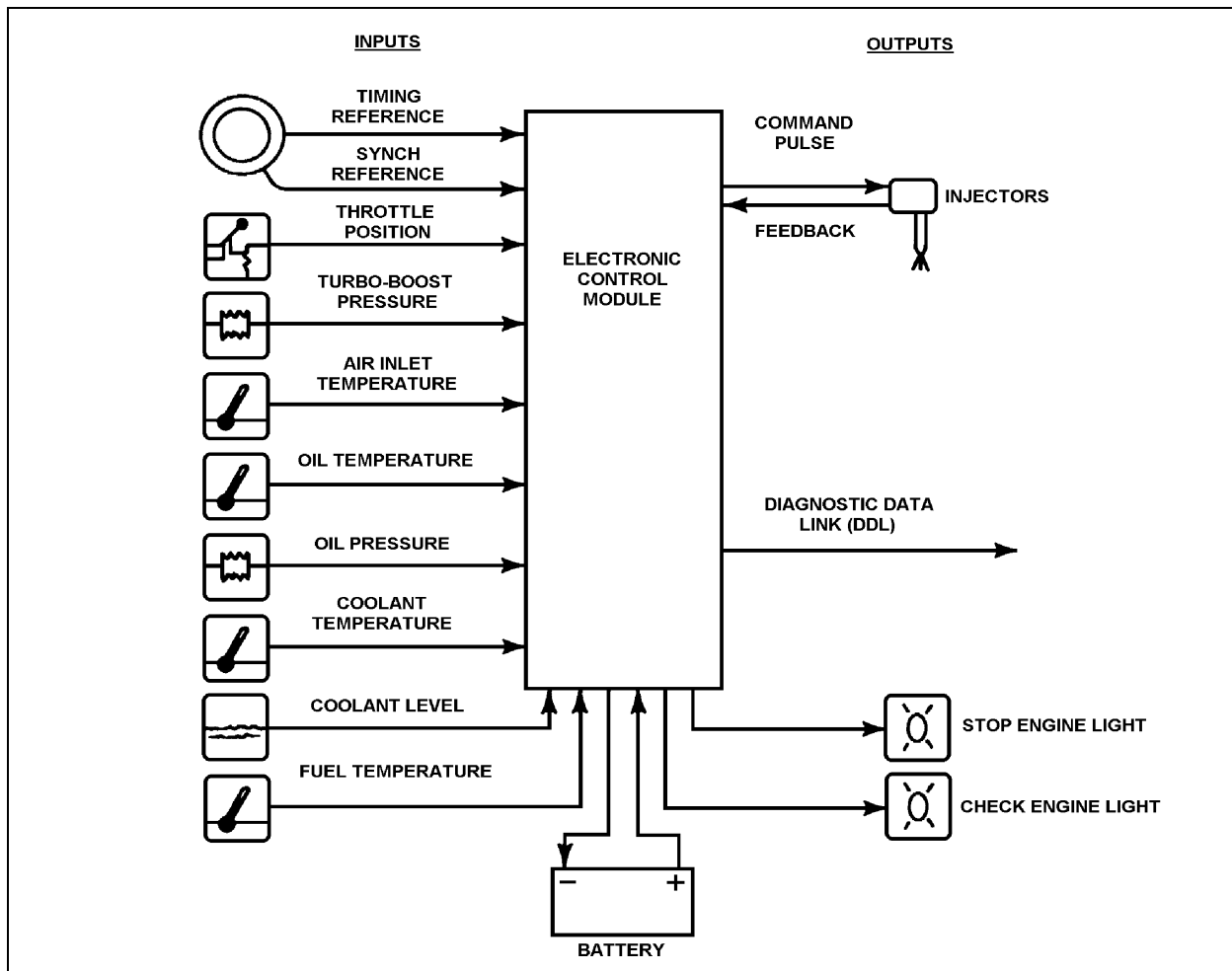
| Position | Efficiency |
|----------|------------|
| Initial | 0% |
| 1st | 16% |
| 2nd | 33% |
| 3rd | 49% |
| 4th | 71% |
| 5th | 89% |
| 6th | 100% |

Note: The output retarder lever is located on the right side of the steering column.

With the retarder activated (retarder switch depressed), the accelerator pedal released and the output retarder lever in the initial position, apply the brake pedal as if using the service brake. The further the brake pedal is depressed, the more the output retarder is applied. Refer to "Other Features" chapter for more information about the transmission retarder.

Note: *For vehicles equipped with the Antilock Braking System (ABS), if the wheels start to lock up on slippery roads, the output retarder will automatically deactivate until the wheels turn freely.*

OTHER FEATURES



SCHEMATIC DIAGRAM OF DDEC IV SYSTEM

OEH3B402

DETROIT DIESEL ELECTRONIC CONTROL (DDEC) SYSTEM

DDEC is an advanced-technology electronic fuel injection and control system for Detroit Diesel engines. As an integral part of the engine, the DDEC system provides a number of performance features and driver benefits including improved fuel economy and performance, reduced cold smoke and reduced maintenance and repair costs. These advantages are obtained by optimizing control of the critical engine functions which affect fuel economy, engine reliability and the performance of the injectors.

Its major components include an Electronic Control Module (ECM), Electronic Unit Injectors (EUI), electronic throttle pedal and sensors. The ECM, which provides central processing and control of the DDEC system, contains the following:

- A microprocessor that continuously monitors and analyzes the engine's performance using sensors during engine operation;
- Flash Random Access Memory (FRAM) that stores ECM runtime software, which contains engine control instructions;
- Electrically Erasable Programmable Read-Only Memory (EEPROM) that provides instructions for basic engine control functions such as rated speed and power, engine governing, cold start logic and diagnostics and an engine protection system.

The Electronic Unit Injectors (EUI) operates on a principle similar to the mechanical unit injector system. However, a solenoid operated control valve performs the injection timing and metering functions which make injector timing much simpler and more precise.

DDEC provides the capability of quickly diagnosing system malfunctions with a self-diagnostic system. The self-diagnostic system monitors all engine sensors and electronic components and recognizes system faults and other engine-related problems by providing the technician with a diagnostic code. The DDEC system will illuminate the dashboard CHECK ENGINE and STOP ENGINE indicators which are integral parts of the electronic diagnostic system. These lights are designed to indicate a problem and transmit a coded signal to the technician to locate the defective component. To facilitate troubleshooting and obtain pertinent data logged in the ECM (Electronic Control Module) memory, a Diagnostic Data Reader (DDR) can be used (not supplied by manufacturer). Plug the DDR into the receptacle on the upper left wall in the driver's footwell. You can also momentarily depress the STOP ENGINE OVERRIDE switch on the left hand lower control panel (refer to Controls & Instruments chapter). Active and inactive codes will flash respectively the STOP ENGINE and the CHECK ENGINE indicators. Refer to Technical Information chapter under "DDEC IV Diagnostic Codes".

DEC IV ELECTRONIC CONTROL MODULE (ECM)

The simplest implementation of Data Hub does not require the addition of any hardware to the vehicle. Instead, basic Data Hub features built into the DDEC IV ECM are used. The ECM stores data such as miles, fuel used, idle time, PTO time, idle fuel, cruise time and cruise fuel on life-to-date, trip and daily basis. Daily recording is limited to a maximum of two days.

Selected parameters, such as oil pressure, are measured periodically under specified conditions. The measurements are analyzed over long time periods, which allows the system to detect degradation in performance and warn the user prior to component failure.

The average life span of up to ten components may be specified in terms of miles, fuel used, time, engine rpm and engine hours. The ECM tracks the specified factors and automatically alerts the user when the average component life span has been attained. An event log is also stored which indicates the vehicle status (e.g., off, idle, in motion) at 15 minute intervals.

Data stored in the DDEC IV ECM is extracted by connecting a cable from a personal computer

(PC) to the vehicle's diagnostic connector via an RP1202 adapter module. Data extraction takes about 20 seconds.

MESSAGE CENTER DISPLAY (MCD)

MCD is a standard dashboard mounted graphic device that displays and records operational data transmitted by the Detroit Diesel Electronic Controls (DDEC) and other electronically controlled components on the SAE J1708/1587 diagnostic data link.

The many functions of the MCD include vehicle operating status for the driver and diagnostics for the technician.

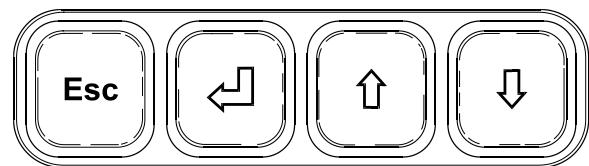
The MCD uses a dashboard integrated liquid crystal display. It provides automated intensity control of the display, based on the dashboard instrument panel lights for improved driver convenience.

Should an alert message be sent out by the ECM, the driver will be shown what is wrong via an error code. Symbols may be displayed on the screen when a condition occurs or as a reminder that a feature is enabled. These symbols include a bell when the reminder alarm is on, "PTO" when fast idle is activated or "CC" when cruise control is activated.

Note: When a condition requiring attention occurs, the screen relating to that condition will automatically replace the current display.

The MCD works with interactive menus in a series of cascading layers. The MCD allows access only to GAUGE MODE, FUEL ECONOMY and CLOCK/DIST menus when the vehicle is moving. Access to the remaining menus is granted when the vehicle is stopped.

The driver inputs commands and settings by using the keys on the MCD keypad.



06399

Use the up (↑) and down (↓) arrows to highlight a function or a setting. At any given level, small arrows may appear in the upper and lower right corner of the display. This means that more information is available by scrolling up or down with the arrow keys.

To change the setting of a feature, press enter key (↵). The first value to set is highlighted. Set the correct value with the arrow keys. Press the enter key when the correct value is displayed. The next value to set is highlighted. In some cases, the enter key will reset compiled data. In that situation, the MCD will prompt you to press the enter key for 1 second to prevent accidental resetting.

To return to the previous level, press Esc key any time. In most cases, the MCD will return to the previous level once a setting has been chosen.

To return to the main menu from any submenu, press Esc key a few times.

GAUGE MODE

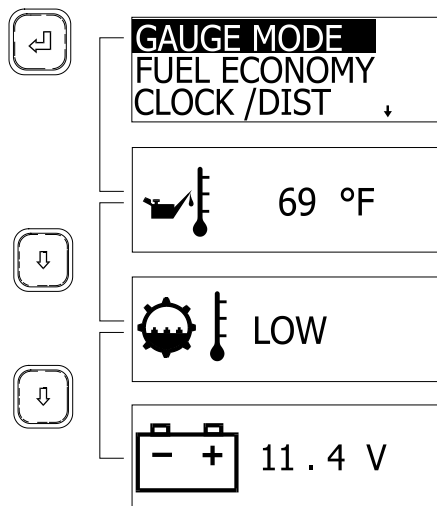
Transmission fluid temperature, engine oil temperature and battery voltage can be displayed in this mode.

To display:

1. Highlight GAUGE MODE;
2. Press enter key (↵);
3. Choose a gauge using the up (↑) or down (↓) arrow keys.

To exit gauge mode, press Esc key.

Note: When a condition requiring attention occurs, the screen relating to that condition will automatically replace the current display.



06398

FUEL ECONOMY MODE

Check average and instantaneous fuel consumption, as well as distance until empty.

To display:

1. Highlight FUEL ECONOMY
2. Press enter key (↵);
3. Toggle between average/instantaneous fuel consumption or leg fuel consumption using the up and down arrows;

To exit FUEL ECONOMY mode, press Esc key any time.

4. To reset average and instantaneous fuel consumption, press enter key. The MCD will prompt you to press enter key for one second to reset;

If you do not wish to reset the fuel data, press Esc to return to previous menu.

CLOCK / DIST. MODE

This mode gives access to the digital clock, the reminder alarm, two trip odometers and the average speed counter.

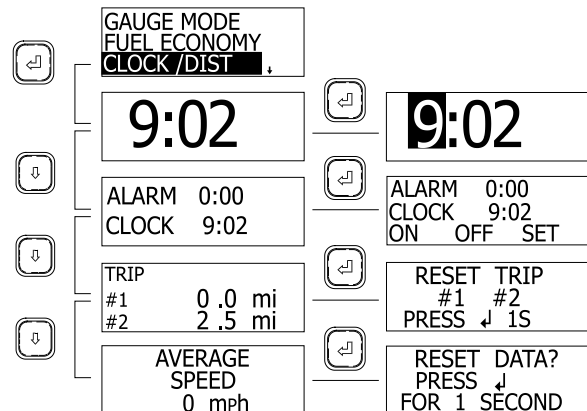
To display the digital clock:

1. Highlight CLOCK/DIST;
2. Press enter key (↵);

The digital clock appears;

3. Use up down arrows to display the alarm and clock display, the trip odometer display or the average speed counter display.

To exit CLOCK/DIST mode, press Esc key.



06388

Setting the Digital Clock

1. Display the clock;
2. Press the enter key (↵);

The first digit of the time is highlighted.

3. Set the correct value using the arrow keys;
4. Press enter key;

The next digit of the time is highlighted.

5. Set the correct time using the arrow keys and the enter key;

After pressing the enter key when the last digit is highlighted, the display reverts to clock mode.

Reminder Alarm

The alarm can be useful to remind the driver of a task to do at a given time.

To set the alarm:

1. Display the alarm and clock menu;
2. Press the enter key;
3. Using the arrow keys, highlight ON, to arm the alarm, OFF to disarm the alarm or SET to set the alarm time;
4. Press the enter key;

If you have chosen SET, set the time using the arrow keys and enter key.

To exit any menu and return to the previous menu, press Esc key.

A bell appears in the upper right corner on all MCD screens if the alarm is armed.

When armed, the alarm will sound at the set time even when the battery master switch is off.

To stop the alarm from sounding, press any key on the MCD keypad.

Trip Odometers

Two trip odometers are available for driver convenience.

To reset a trip odometer:

1. Display the trip odometers;
2. Press the enter key;
3. Using the arrow keys, highlight the trip odometer you wish to reset;
4. Press the enter key for 1 second.

To exit anytime, press Esc key.

Average Speed

The average speed display shows the average speed has been driven since the last reset.

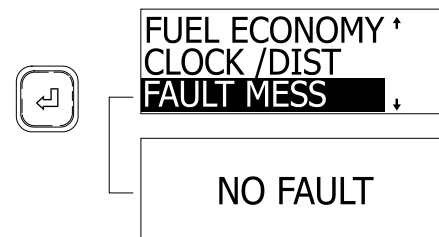
To reset:

1. Display the average speed;
2. Press the enter key;
3. When prompted, press the enter key for 1 second to reset data.

Fault Messages

To display logged fault messages:

1. Highlight FAULT MESS
2. Press the enter key
3. Fault messages are displayed (if any).



06393

SET UP MODE

Set up mode allows the driver to customize the MCD. Set up mode allows setting the language, units used (Metric or Standard), clock format, display contrast, backlight and night display.

If the correct password is entered, default language, fleet fuel target and passwords can also be set.

To configure the MCD, highlight SET UP MODE using the arrow keys, then press the enter key.

Language Selection

If available, language may be selected. To select a language:

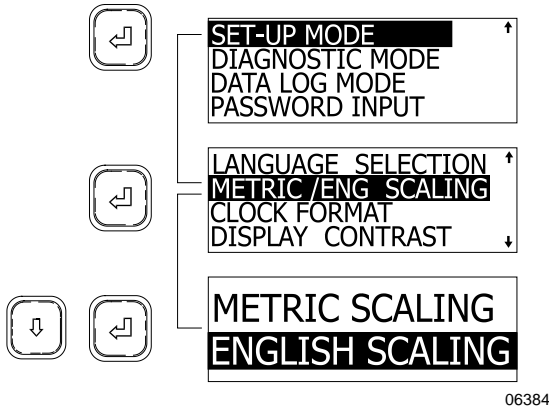
1. In SET UP mode, highlight LANGUAGE SELECTION using the arrow keys;
2. Press the enter key;
3. Highlight the desired language using the arrow keys;
4. Press enter key to confirm the language choice.

The MCD returns to SET UP mode.

Metric or Standard Units

1. In SET UP mode, highlight METRIC/ENG SCALING using the arrow keys;
2. Press the enter key;
3. Highlight the desired units using the arrow keys;
4. Press enter key to confirm.

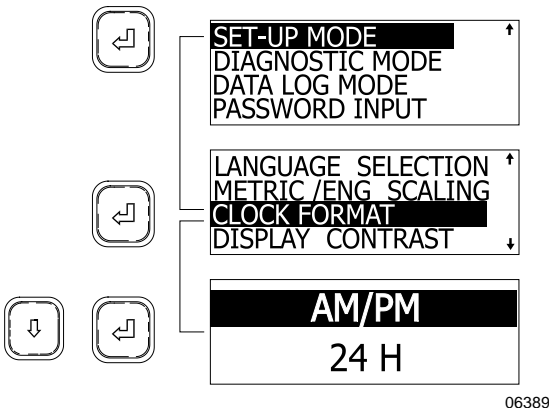
The MCD returns to SET UP mode.



Clock Format

1. In SET UP mode, highlight CLOCK FORMAT using the arrow keys;
2. Press the enter key;
3. Highlight the desired format (AM/PM or 24 H) using the arrow keys;
4. Press enter key to confirm.

The MCD returns to SET UP mode.

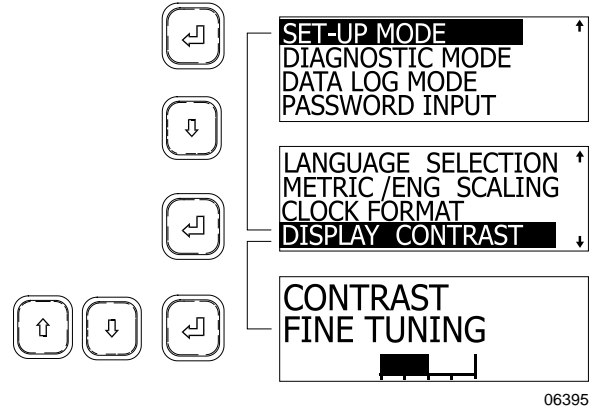


Setting Contrast

1. In SET UP mode, highlight DISPLAY CONTRAST using the arrow keys;
2. Press the enter key;

3. Using the arrow keys, set the desired contrast. A horizontal graphic shows state of contrast;
4. Press enter key to confirm.

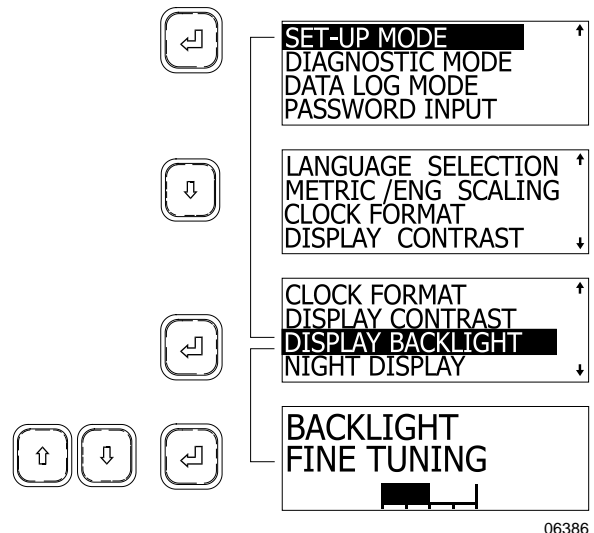
The MCD returns to SET UP mode.



Setting Backlight

1. In SET UP mode, highlight DISPLAY BACKLIGHT using the arrow keys;
2. Press the enter key;
3. Using the arrow keys, set the desired back lighting. A horizontal graphic shows state of lighting;
4. Press enter key to confirm.

The MCD returns to SET UP mode.

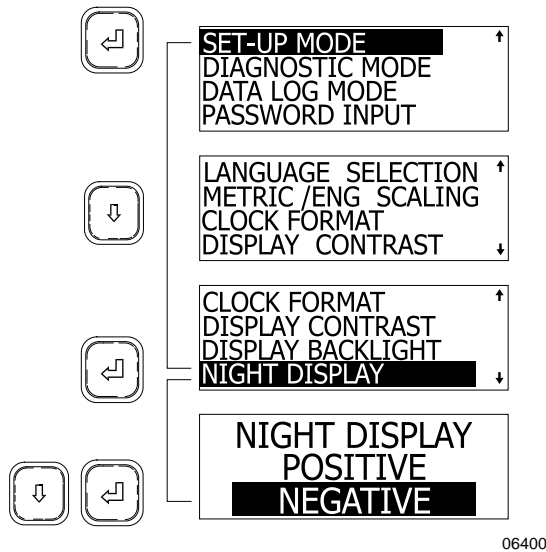


Setting Night Display

Night display, when activated, shows all displays in negative when the headlights are ON.

1. In SET-UP mode, highlight NIGHT DISPLAY using the arrow keys;
2. Press the enter key;
3. Highlight the desired display using the arrow keys;
4. Press enter key to confirm.

The MCD returns to SET UP mode.



Setting Default Language

This feature is enabled when the correct password is entered (see PASSWORD INPUT).

1. In SET UP mode, highlight DEFAULT LANGUAGE using the arrow keys;
2. Press the enter key;
3. Highlight the desired language using the arrow keys;
4. Press enter key to confirm.

The MCD returns to SET UP mode.

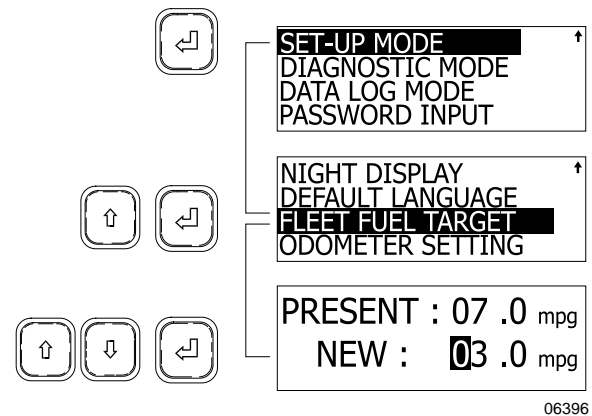
Setting Fleet Fuel Target

This feature is enabled when the correct password is entered (see PASSWORD INPUT).

1. In SET UP mode, highlight FLEET FUEL TARGET using the arrow keys;
2. Press the enter key;
3. Using the arrow keys set the highlighted digit;
4. Press enter key to confirm, the following digit is highlighted. Set as in step three;

5. When last digit is set, press the enter key to confirm new target.

The MCD returns to SET UP mode.



Setting the Odometer

This feature is disabled.

DIAGNOSTIC MODE

Diagnostic mode allows the driver to request diagnostics from the ECU's of components such as the engine, brake and other instruments. The driver can also perform a cluster self test and read data about the ECU's

Enter diagnostic mode by using the arrow keys to highlight DIAGNOSTIC MODE, then pressing the enter key to confirm.

ECU Diagnostic

To request a diagnostic:

1. Highlight ECU DIAGNOSTIC with the arrow keys;
2. Press the enter key to confirm.
3. Highlight the component to request a diagnostic using the arrow keys;
4. Press the enter key

After showing a fault message (if any) the MCD returns to ECU Diagnostic screen.

To request a general diagnostic:

1. Highlight GENERAL REQUEST using the arrow keys;
2. Press the enter key

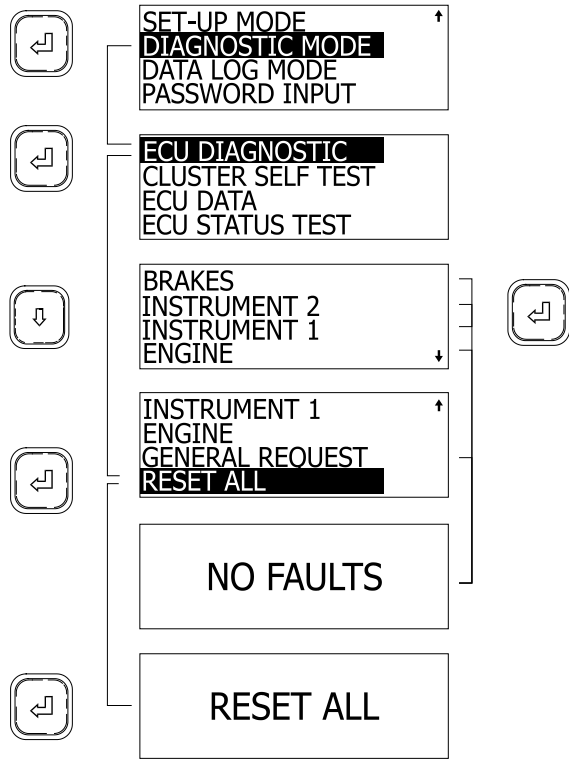
After showing a fault message (if any) the MCD returns to ECU Diagnostic screen.

To reset fault codes:

1. Highlight RESET ALL using the arrow keys;
 2. Press the enter key;
- The MCD displays RESET ALL.
3. Press enter key to confirm.

After resetting the fault codes, the MCD returns to ECU Diagnostic screen.

Exit ECU Diagnostic and return to Diagnostic Mode using Esc key.



06392

Cluster Self Test

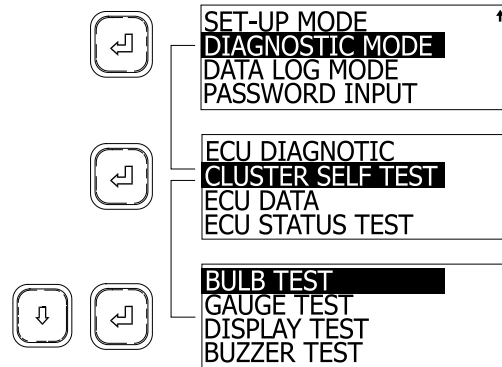
Tests cluster light bulbs, gauges, MCD display and buzzers.

To perform a self test:

1. In diagnostic mode, highlight CLUSTER SELF TEST using the arrow keys;
2. Press enter key to confirm;
3. Highlight the test to perform using the arrow keys;
4. Press enter key to confirm;

The test may normally take several seconds to perform. The MCD may explain the progression of the test as it runs. The display returns to cluster self test mode once finished.

Note: While in the cluster self test mode, the engine ECU data link is disconnected. Therefore, the gauges will not function until the cluster is out of the self test mode. To interrupt any test, cycle the ignition key off and on.



06378

BULB TEST

Turns ON all telltale lights and red warning LED's in the gauges which have them, for ten seconds.

GAUGE TEST

This test causes the pointers in the tachometer, speedometer, oil pressure, coolant temperature, fuel and turbo boost gauges to move from minimum scale to full scale and back, briefly stopping at mid-scale each way. This occurs three times. The air pressure and voltmeter gauges are excluded from the test.

DISPLAY TEST

To help identify defects in the graphic display, the display goes from dark to bright in about ten seconds.

BUZZER TEST

Sounds each of the buzzer signals for ten seconds each. The name of the buzzer is written on the display as the test runs.

ECU Data

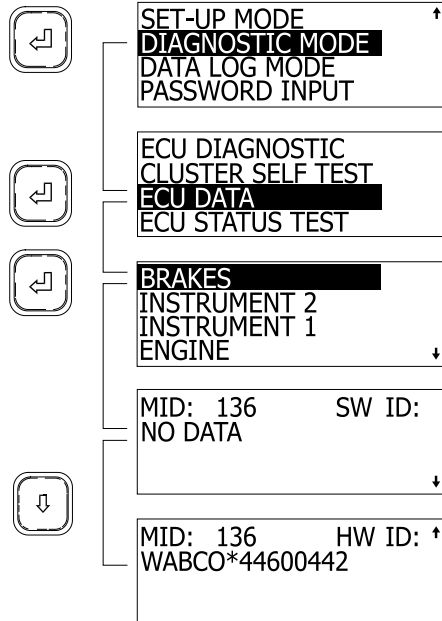
This feature requests information from the available components. This information includes the component's SAE message identifier (MID), its software ID (SW ID) and hardware ID (HW ID) if available.

To access ECU Data:

1. When in DIAGNOSTIC MODE, highlight ECU DATA using the arrow keys;
2. Press enter key;

3. Highlight the desired component;
4. Press enter key.

The MCD displays the information on two screens. Toggle between screens using the arrow keys.



06391

ECU Status Test

This feature allows testing the response of vehicle systems. This can be useful when troubleshooting or checking the proper working order of senders and other components.

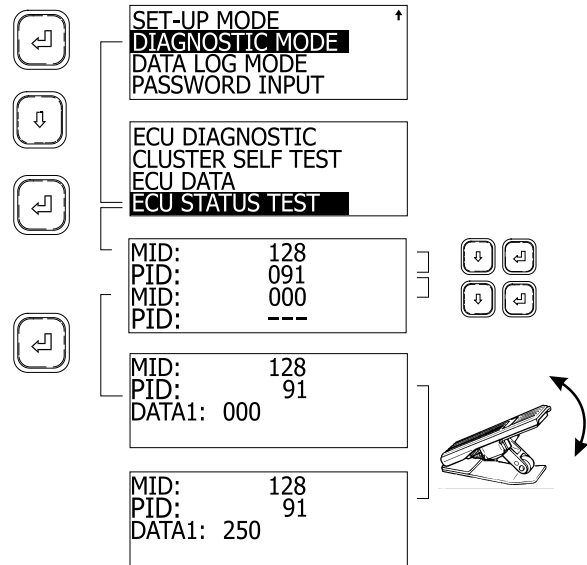
In ECU Status Test mode, the MCD will monitor the system and display the data on the screen. Up to two components can be monitored at once.

To perform a status test:

1. When in DIAGNOSTIC MODE, highlight ECU STATUS TEST using the arrow keys;
2. Press enter key;
3. Using the arrow and enter keys, enter a MID and PID (or PPID);
4. Press enter key;

The MCD now displays in real time the value of the component. The example below shows how changing the throttle position will be displayed on the MCD. That way one can verify if any identifiable sender unit is working properly or whether the link is OK.

5. Press Esc key to exit.



06420

In this example, a throttle pedal in good working order will send a linear and continuous (no jumps) signal to the ECU, appearing as DATA value on the MCD screen. Full pedal movement will display values from 000 (no throttle) to 250 (maximum throttle).

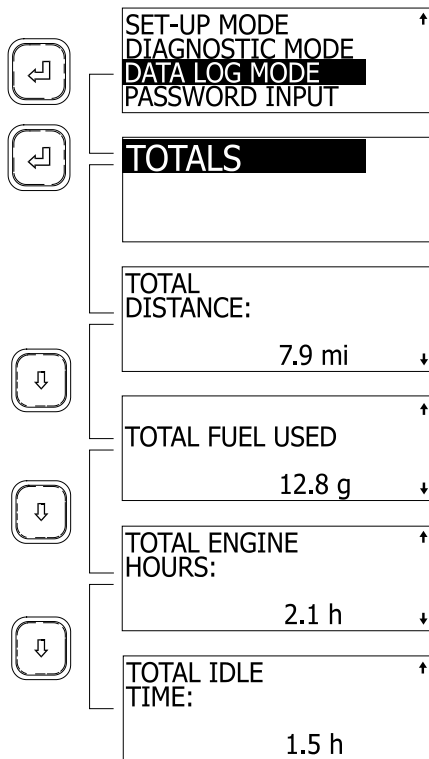
Note: The MCD can perform a status test on as many as two components simultaneously. To do so, when setting MID and PID codes, set a second (non zero) MID and PID code.

DATA LOG MODE

This feature shows total accumulated distance, fuel used engine hours and idle time.

1. To access data log:
 2. Highlight DATA LOG MODE using the arrow keys;
 3. Press enter key to confirm;
- The screen shows TOTALS highlighted.
4. Press enter key;
 5. View totals using the arrow keys.

Exit by pressing the Esc key.



06383

PASSWORDS

The MCD recognizes two passwords: a mechanic's password and an owner's password. The mechanic's password allows setting DEFAULT LANGUAGE, FLEET FUEL TARGET, performing a STATUS TEST and using the RESET ALL function. The owners password gives access to all the above and allows changing both passwords.

The mechanic's password is initially set to "0000".

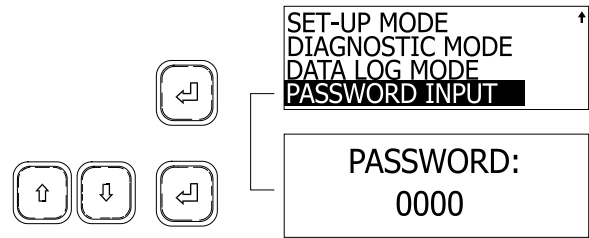
The owner's password is initially set to "1234".

Password Input

To enter either password and have access to restricted functions of the MCD:

1. Use the arrow keys to highlight PASSWORD INPUT;
2. Press enter key to confirm;
3. Use the arrow keys to set the first digit of the password;
4. Press enter to highlight the next digit;
5. Pressing enter key on last digit will confirm the password.

If the entered password is correct, the MCD will revert to the previous screen. Access to restricted screens is allowed.



06402

Changing passwords

To change any password, owner's password must be entered first.

To change passwords:

1. Using the arrow keys, highlight SET UP MODE;
2. Press enter key to confirm;
3. Using the arrow keys, highlight PASSWORD CONFIG;
4. Press enter key to confirm;
5. Using the arrow keys, select MECHANIC or OWNER;
6. Press enter key to confirm;
7. Set new password.

PRODRIVER™

PRODRIVER™ is an optional graphic device similar to MCD but with added features. A summary of data displays available from PRODRIVER™ include:

- Instantaneous and average fuel consumption rate;
- Trip time, miles driven, fuel used, , average speed;
- Driving time, percentage, miles, fuel used, fuel consumption rate;
- Idle time, percentage and fuel used;
- Cruise time, percentage, miles cruised, fuel used, fuel consumption rate;
- Top gear time, percentage, miles driven, fuel used, fuel consumption rate;
- Overspeed time and percentage for two speed thresholds;

- Over-rev time and percentage;
- Maximum vehicle speed and RPM;
- Coasting time and percentage;
- Automated oil change interval tracking;
- Hard braking incident record;
- Driver initiated incident record;
- Stop Engine and Check Engine code log.

ALLISON TRANSMISSION ELECTRONIC CONTROL UNIT (ECU)

The ECU works with the Allison transmission and with the push-button shift selector.

The World Transmission electronic controls has three major elements: The Electronic Control Unit (ECU), speed sensors and the transmission shift selector control pad. Refer to Controls and Instruments chapter. These components work together to electronically control the functions of the transmission. The throttle sensor, speed sensors and shift selector transmit information to the ECU. The ECU processes this information and then sends signals to actuate specific solenoids located on the control valve body in the transmission. The action of the solenoids affects hydraulic circuits, which in turn control the upshifts, downshifts, and lock up functions. In addition to controlling the operation of the transmission, the World Transmission (WT) electronic controls monitor the system for abnormal conditions.

When one of these conditions is detected, the WT electronic control system is programmed to automatically respond in a manner which is safe for the driver, the vehicle and the transmission. The WT electronic control system turns *ON* the CHECK TRANS light on the dashboard, which serves as a fault indicator.

To enhance troubleshooting and to allow interrogation of the ECU for valuable service information, the shift selector display on the transmission control pad or an optional diagnostic tool can be used. For information about reading and interpreting diagnostic codes, refer to Technical Information chapter under "World Transmission Diagnostic Codes".

TRANSMISSION RETARDER

The transmission retarder is an optional device that helps to reduce the speed of a vehicle. It improves vehicle control, increases driving

safety and permits more economical operation. The retarder provides slowing power when it is most needed, such as when descending mountain roads, in stop-and-go traffic and on crowded freeways.

The transmission retarder is a vehicle-slowng device, not a vehicle-stopping device. It is not a substitute for the service braking system. The service brake must be used to bring the vehicle to a complete stop.

The retarder is provided with a switch on the dashboard and a lever on the steering column (refer to Controls and Instruments chapter).

Note: *Extended use will raise the temperature of the transmission fluid.*

The retarder helps reduce speed on grades without using the vehicle's conventional service braking system. This virtually eliminates brake overheating and reduces the risk of a runaway vehicle. A retarder greatly increases the service life of brake pads and discs, resulting in reduced brake maintenance costs.

Note: *Each time the transmission retarder system is in operation, the stoplights automatically illuminate.*

Note: *For vehicles equipped with the Antilock Braking System (ABS), as the wheels start to lock up on slippery roads, the output retarder automatically deactivates until the wheels roll freely.*

JACOBS ENGINE BRAKE

The JACOBS engine brake is an optional diesel engine retarder which uses engine compression to aid in slowing and controlling the vehicle. When activated, (refer to "Controls & Instruments" chapter) the JACOBS brake alters the operation of the engine's exhaust valves so that the engine works as a power-absorbing air compressor. This provides a retarding action to the wheels.

The engine brake is a vehicle-slowng device, not a vehicle-stopping device. It is not a substitute for the service braking system. The service brake must be used to bring the vehicle to a complete stop.

Effectiveness of the engine brake system will vary according to the transmission range in use. The engine brake system is more effective in lower ranges and at higher engine speeds.

Warning: When descending significant grades, use the service brake as little as possible. If the engine does not slow the vehicle to a safe speed, apply service brake and shift to a lower range. Let the engine (and engine brake) slow the vehicle. Keep brakes cool and ready for emergency stopping.

Note: Each time the engine brake system is in operation, the stoplights automatically illuminate.

ANTILOCK BRAKING SYSTEM

The purpose of the Antilock Braking System (ABS) is to maintain vehicle stability and control during braking and to minimize the stopping distance in any road condition.

On slippery roads and more generally in emergency situations, over-braking frequently induces wheel locking. Wheel locking greatly increases braking distance on any road surface. Locked wheels also impede directional control and cause severe tire abrasion. An antilock braking system provides maximum braking performance while maintaining adequate control on slippery roads.

The basis of ABS is constant monitoring of wheel parameters during braking. Sensors on each wheel of the front and drive axles constantly measure wheel speed during braking. This information is transmitted to a four-channel electronic processor which senses when any wheel is about to lock. Modulating valves quickly adjust brake pressure (up to 5 times every second) to prevent wheel lock. Each wheel is therefore controlled according to the available grip.

In this way, the vehicle is brought to a stop in the shortest possible time while remaining stable and under the driver's control.

Caution: Vehicles following ABS-equipped vehicles may not be able to brake as fast on slippery roads. Whenever possible, warn other drivers by depressing the brake pedal lightly several times before braking.

KNEELING SYSTEM

This system lowers the front end, enabling passengers to get on and off the coach without any difficulty. The system operates rapidly; taking only 5 seconds to lower and 9 seconds to rise.

Note: This coach is equipped with an interlock system which automatically applies the parking brake when the kneeling system is activated.

To operate, stop the coach, set the transmission to neutral(N), then push down the rocker switch located on the dashboard. (Refer to "Controls & Instruments" chapter). The parking brake will be applied automatically and a warning flasher will indicate that the front of the coach is being lowered.

To raise the front of the coach to its normal height, push up the rocker switch. The front end will rapidly rise up. The system will release the parking brake and shift the transmission to the previously selected range.

Caution: Avoid parking the coach too close to the sidewalk or to other obstacles which could damage the coach during kneeling.

Note: The kneeling system does not operate when the coach is traveling over 5 mph (8 km/h). Consequently, the driver cannot inadvertently operate the kneeling system at higher speeds.

Note: Kneeling is disabled when the entrance door is open.

HI-BUOY

The coach may be equipped with the optional front Hi-Buoy or full Hi-Buoy. The front Hi-Buoy system has the same functions as front kneeling. In addition it enables passengers to get on or off the coach easily by raising the front end about 4 inches (100 mm), which may prove useful when the dock is higher than usual. The front Hi-Buoy is combined with front kneeling to increase flexibility of the system. Refer to "Controls & Instruments" chapter.

The full Hi-Buoy system raises the whole coach about 4 inches (100 mm). It can be used to enable passengers to get on or off the coach easily, and to safely travel roads with high obstacles. Refer to "Controls & Instruments" chapter.

Note: The Hi-Buoy system does not operate when the coach is traveling over 5 mph (8 km/h). Consequently, the driver cannot inadvertently operate the Hi-Buoy system at higher speeds.

LOW-BUOY

This system lowers the coach about 4 inches (100 mm). It enables the coach to drive through underpasses where the height is less than 12 feet (3.7 m).

Low-Buoy operation is controlled by a valve located on the right lateral console. The valve can be switched to either LOW-BUOY or NORMAL positions. A warning light on the dashboard will indicate that the coach is being lowered. Refer to "Controls & Instruments" chapter.

Caution: Avoid parking too close to the curb or other obstacles that could damage the coach during low-buoy operation.

Note: *The Low-Buoy system does not operate when the coach is traveling over 5 mph (8 km/h). Consequently, the driver cannot inadvertently operate the Low-Buoy system at higher speeds.*

RETRACTABLE TAG AXLE

Tag axle retraction is controlled by a valve located on the right lateral console. The valve can be switched to either the WHEELS UP or WHEELS DOWN position. The axle will be automatically raised or lowered by air pressure according to the valve position. Refer to "Controls & Instruments" chapter.

The tag axle service brakes and parking brakes operate only when the tag axle is in the WHEELS DOWN position. Never lower the tag axle while the coach is moving. When the tag axle is in the WHEELS UP position, the corresponding indicator light will illuminate and a beep will sound to alert the driver of the tag axle's position. The tag axle can be raised in tight maneuvering areas like in a parking lot or to make it easier to turn a short corner. The tag axle shortens the wheelbase and allows tighter turning. Raising the tag axle transfers extra weight and additional traction to the drive wheels providing improved control on slippery roads.

Caution: *In order to prevent damage to the suspension, always raise the tag axle before lifting the coach.*

Caution: *Never lower the tag axle while coach is moving.*

TAG LOAD RELEASE SYSTEM (TLR)

This system allows automatic unloading of the tag axle air springs, without raising the axle, whenever coach speed drops to less than 8 mph (13 km/h) and steer angle exceeds 22.5° (1 1/4 turns of the steering wheel). The system automatically transfers the tag axle load to the drive axle. It reduces tag wheel shearing to convey shorter turning radii for tighter cornering and remarkable agility in close-quarter maneuvering, whether backing up or moving forward.

IN-STATION LIGHTING

The in-station lighting system circuit is linked with the optional battery charger. When the charger is connected to an external power source, the in-station lighting circuit can be energized without depleting the batteries.

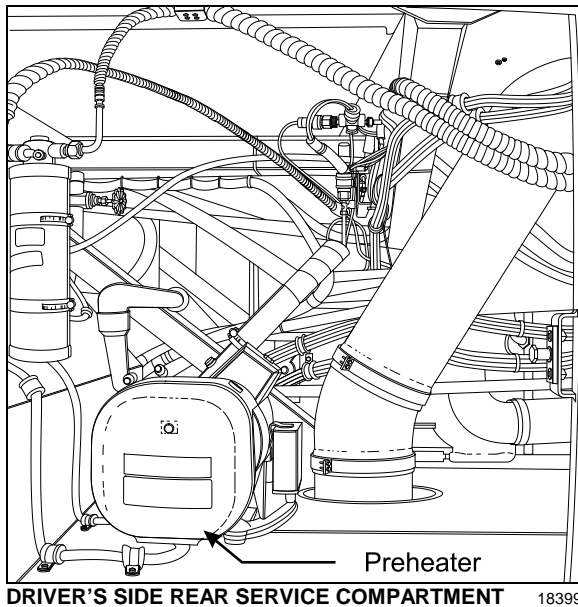
The receptacle used for the battery charger is located on the main power compartment door

COOLANT HEATER

This optional auxiliary heating system is used for preheating and retaining the heat of water-cooled engines. It can be used before startup to ease starting and to provide rapid operation of the interior heating system. It can also be used with the engine running to maintain coolant heat and interior temperature.

The heater operates independently of the engine. It is connected to the cooling system, heating circuits and to the vehicle's fuel and electrical system.

Warning: *The coolant heating system uses the same fuel as the engine. Do not operate in a closed building or while refueling. Operate only in a well ventilated area.*



SWITCHING THE HEATER ON

The pilot light illuminates when the heater is switched **ON**. Air is forced in to flush out the combustion chamber of residual gases and the water circulation pump begins operating. The fuel metering pump delivers fuel in precise amounts to the combustion chamber, where fuel and combustion air form a combustible mixture which is ignited by the ignition unit.

Once the flame sensor has signaled to the control unit that combustion has taken place, the glow ignition unit is switched **OFF**.

Hot combustion gases are diverted at the end of the flame pipe and are then forced through the indirect heating surfaces of the heat exchanger. The heat exchanger transfers the heat to the coolant water passing through the heat exchanger.

The heater is thermostatically controlled and operates intermittently (i.e., the switched-on time of the burner varies depending on the heat requirement). The water temperature is controlled by the built-in water thermostat.

The water circulation pump remains in operation as long as the heater is operating, even during the regulated intervals and during the delayed cut-out of the heater. The pump can also be operated independently of the heater by means of an appropriate circuit. The heater can be switched **ON** at any time (i.e., during the delayed cut-out period). Ignition takes place after the delayed cut-out time expires.

SWITCHING THE HEATER OFF

The fuel supply is interrupted when the heater is switched **OFF**. This causes the flame to go out and a delayed cut-out of 2.5 minutes begins. The circulating combustion air flushes the remaining combustion gases out of the chamber and cools off the heated parts on the exhaust side of the heat exchanger. The water circulation pump continues to transfer the latent heat present in the heat exchanger, thus preventing hot spots. Once the delayed cut-out time expires, both the combustion air blower and the water circulation pump switch **OFF** automatically. A cut-out will automatically take place in case of heater failure. Refer to Technical Information chapter for additional information.

COOLANT HEATER TIMER

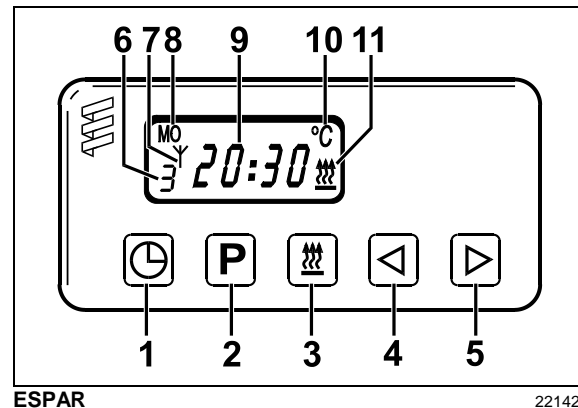
The timer, located on L.H. lateral console is used to program the starting and stopping time of the preheating system. One of three possible timers may be installed in your vehicle (refer to the three following images). The system indicator light, located on the timer, illuminates when the system is functional.

Caution: The preheating system should not operate for more than one hour before starting engine as this could discharge batteries.

Warning: Preheating system must not operate when vehicle is parked inside or during fuel fill stops.

Note: Preheating system uses the same fuel as the engine.

Timer Operating Instructions (Espar)



ESPAR

22142

These Instructions refer to the ESPAR timer illustrated above.

1. Time
2. Program
3. Heating ON
4. Backwards
5. Forwards
6. Memory indicator
7. Symbol for remote control
8. Weekday/program day
9. Current time/program time
10. Temperature display
11. Status display

When the power supply has been connected, all the elements in the display flash -the time must be set. Heating cannot start until the time is set.

Setting Time and Weekday for the First Time

Briefly press (1). The time display 12:00 flashes.

Set the current time using (4) or (5). When the time display stops flashing, the time has been stored.

The weekday begins to flash. Set the current weekday using (4) or (5). When the weekday stops flashing, the weekday has been stored.

If the ignition is "ON", the display continues to be displayed.

If the ignition is "OFF", the display disappears after 10 seconds.

Changing Time and Weekday

Press and hold (1) until the time flashes.

Proceed as per instructions for setting time and day for the first time.

If only the time is to be set, you may skip setting the weekday by pressing (1) twice.

When the weekday has been set, press (1) to stop the display from flashing and to store the time and day.

Heating Without Programming (Ignition "Off")

Press (3). The status display (11) will show heating symbol.

The default heating time is set to 120 minutes. It can be changed temporarily or permanently.

Temporarily Setting Heating Time

With heater on, press (4) to decrease time (minimum 1 minute) or (5) to increase time (maximum 120 minutes).

Permanently Setting Heating Time

With heater "OFF" (do not press (3), press and hold (4) (approx. 3 seconds), until display appears and flashes.

Set heating time (from 10 to 120 minutes) using (4) or (5).

When display disappears, the new heating time has been stored.

Switching Off Heating

Briefly press (3).

The heating symbol will disappear from status display (11).

System switches to automatic after-run for cooling.

Heating Without Programming (Ignition "On")

To switch heating "ON", press (3). The status display (11) will show heating symbol, as well as time and weekday.

Heating will remain "ON" until ignition is switched "OFF".

If the ignition is switched "OFF", the heater remains switched on for 15 minutes.

This time can be increased (max. 120 minutes) by pressing (5) or decreased (min. 1 minute) by pressing (4).

Switching Off Heating

Briefly press (3).

The heating symbol will disappear from status display (11).

System switches to automatic after-run for cooling.

Programming Start Of Heating

3 switch-on times within the following 24 hours or one switch-on time in 7 days can be programmed. Only one switch-on time can be activated at one time.

Selecting and activating memory:

(starting from neutral status with display visible)

First memory – press (2) once.

Memory display: 1 (default time setting 12:00)

Second memory – press (2) twice.

Memory display: 2 (default time setting 12:00)

Third memory – press (2) three times.

Memory display: 3 (default time setting 12:00)

Neutral status (no memory activated) – press (2) repeatedly until memory display disappears.

Start of heating within 24 hours

Set the starting time:

1. Press (2) repeatedly until the desired memory display (1, 2 or 3) flashes.
2. Briefly press and release either (4) or (5). The program time flashes.
3. Set the heating start time using (4) or (5) (Setting is only possible if the program time is flashing).

To select another memory, press (2).

Start of heating after 24 hours (max. 7 days)

Set the starting time:

1. Press (2) repeatedly until the desired memory display (1, 2 or 3) flashes.
2. Briefly press and release either (4) or (5). The program time flashes.
3. Set the heating start time using (4) or (5) (Setting is only possible if the program time is flashing).

Set the program day:

4. The program day begins to flash approximately 5 seconds after the time has been set.
5. Set the heating day using (4) or (5).
6. The program time and day are stored when the time display disappears or when the current time appears.
7. The memory display indicates the activated memory. The flashing “heat-on” symbol (11) also indicates that a memorized start time is activated.

Checking activated memory

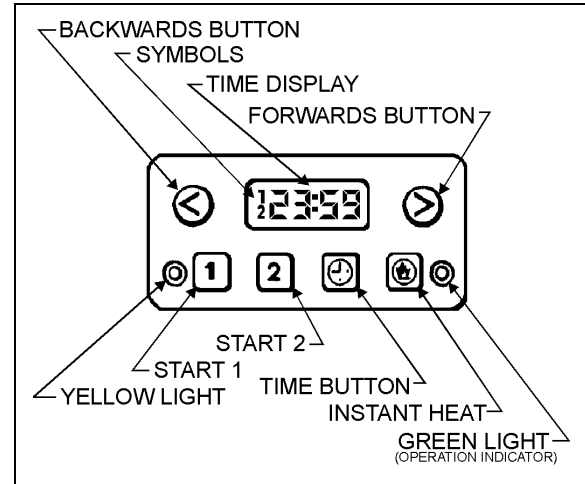
The program time of the displayed memory is displayed for about 5 seconds. The display then disappears or then switches to current time (if the ignition is “ON”).

The programmed time (and day) can be displayed by holding (2) down for five seconds.

Temperature display

If an ambient temperature sensor is connected (Espar # 25 1482 89 41 00) and the ignition is activated, the temperature can be permanently displayed by pressing (1) briefly. If the ignition is deactivated, the time temperature is displayed for 15 seconds when (1) is pressed twice.

Timer Operating Instructions (Webasto)



WEBASTO

22145

These instructions refer to the Webasto timer illustrated above

Note: Heater timer control pad may differ from the one described. Refer to your manufacturer's instruction booklet for detailed operating instructions.

To Set the Clock

If the time display e.g. 18:33 is wrong, or if it flashes 8:88, hold (2) and press either (4) (backwards) or (5) (forwards). The longer you hold the button down, the quicker the display changes. The last few minutes are set accurately by quick pushes. Adjust to get exact time, e.g. 23:59. The display fades after 20 seconds.

Present Time Display

Press (2) at any time. Present time appears on the screen.

Manual Heating Start-Up

Press (1) to switch the heater on or off immediately. The green light illuminates when the heater is on.

Programming Heating Start Time

Press **1** and the display shows the time at which the heater will start. You can alter the starting time by pressing either **←** (backwards) or **→** (forwards) button. The longer you hold the button down, the faster the display changes. The last few minutes are set accurately by quick pushes. The display fades after 20 seconds. Start time 1 remains on the display, and the yellow light stays on. Starting time #1 is now activated.

Button **2** allows you to program a second starting time:

Press button **2** which de-activates starting time 1, then proceed as with **1**.

The activation of the second starting time is indicated by the symbol 2.

To Check (or activate) Start Time

Press button **1** or **2** briefly. The display shows the programmed starting time for 20 seconds. This also programs the timer to start the heater at the time shown.

To Cancel Heating Start Time

Press button **1** or **2** briefly. The appropriate number in the display goes out, together with the yellow light.

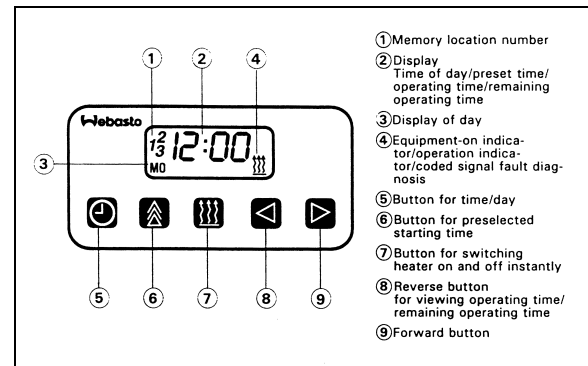
Note: Switch on the preheating system briefly about once a month, even during the warm season.

Caution: When welding on the vehicle, disconnect the preheater module connector in order to protect this system from voltage surges.

Caution: To avoid running down the batteries, do not turn on the preheating system for more than one hour before starting the engine.

Warning: The preheating system uses the same fuel as the engine. Do not operate in a building or while refueling. Operate only in a well-ventilated area.

Timer operating instructions (Webasto)



WEBASTO

22191

These instructions refer to the Webasto timer illustrated above.

Remaining Operating Time

The remaining operating time refers to the period of time the heater still continues to remain in operation. It may be changed while the heater is in operation.

Setting the Digital Timer

After the power has been connected, all symbols on the digital display are flashing. The time of the day and the day of the week must be set.

All flashing symbols of the timer can be set by means of the Forward (9) or Reverse (8) buttons.

When buttons (8) and (9) are pressed for more than 2 seconds, the quick digit advance mode is activated.

Setting the Time and Day of the Week

1. Press button (5) for more than 2 seconds (time display flashes).
2. Press (8) or (9) button to set the time of day.
3. Wait 5 seconds. The time of day is stored (day of week flashes).
4. Press (8) or (9) button to set the correct day of week.
5. Wait 5 seconds. The day of week is stored.

Viewing the Time (Ignition ON)

Continuous display of current time and day of the week.

Viewing the Time (Ignition OFF)

Briefly press button (5) to display current time and day for 5 seconds.

Switching Heater ON (Instant Heating) With Ignition ON:

Press button (7). Heater is switched on (continuous operation) and continues to operate until button (7) is pressed again or ignition is switched off.

Note: *If the ignition is switched off while heater is in operation, the remaining operating time of 5 minutes flashes on the display and the heater will continue to operate for this period of time.*

Switching Heater ON (Instant Heating) With Ignition OFF:

Press button (7). Heater is switched on for preset operating time (the factory-set heater operating duration is 60 minutes)

Switching Heater OFF

Press button (7). The heater starts its after-run cycle and switches off thereafter.

Presetting Starting Time

1. Press button (6). Memory location number flashes.

Note: *By repeatedly pressing button (6), starting time 2 or 3 can be preset.*

2. Press button (8) or (9) until correct startup time is set.
3. Wait 5 seconds. Preset starting time is stored and day of week flashes.
4. Press button (8) or (9) to select the correct startup day of week.
5. Wait 5 seconds. The startup day of week is stored.

The number of memory location remains on the display. The timer is now in the programmed mode and will switch the heater on at the preset time.

Note: *We recommend that memory locations 1 and 2 be used for presetting times within 24 hours of setting the timer. Memory location 3 can be used for a starting time within the next 7 days of setting the timer.*

Recalling Preset Times

Press (6) repeatedly until the desired memory location number and preset time are displayed.

Canceling Preset Time

Press button (6) repeatedly until no more memory location number is visible on the display.

Setting Operating Time

1. With heater off, press button (8). Operating time flashes.
2. Press button (8) or (9) to set the operating time (between 1 and 120 minutes)
3. Wait 5 seconds. Operating time is stored.

The heater remains in operation for the preset time (except for continuous operation).

Setting the Remaining Operating Time

1. With heater in operation, press button (8). Remaining operating time flashes.
2. Set remaining time with button (8) or (9).
3. Wait 5 seconds. Remaining operating time is stored.

Fault Diagnosis by Coded Light Signals

On heaters equipped with a fault diagnosis system using coded light signals, the equipment-on indicator/operation indicator flashes. Please consult your Webasto dealer.

TROUBLESHOOTING AND MAINTENANCE

The Espar preheater has a diagnostic code system, so the driver is informed when something goes wrong. Codes are listed in "Technical Information" chapter under "Espar Preheater Diagnostic Codes".

The diagnostic code system in Webasto timers is optional. Refer to the Maintenance Manual and to Webasto or Espar manuals for more information.

Note: *If there are no heater faults, the heater will go through a normal start cycle and regulate based on thermostat setting.*

Note: *Switch on the preheating system briefly about once a month, even during the warm season.*

Caution: *When welding on the vehicle, disconnect the preheater module connector in order to protect this system from voltage surges.*

Caution: To avoid running down the batteries, do not turn on the preheating system for more than one hour before starting the engine.

Warning: The preheating system uses the same fuel as the engine. Do not operate in a building or while refueling. Operate only in a well-ventilated area.

WHEELCHAIR LIFT

Read and understand the RICON Service/Owner Manual before attempting to use the wheelchair lift. The instructions below are a quick reference and serve to complement the information provided by RICON.

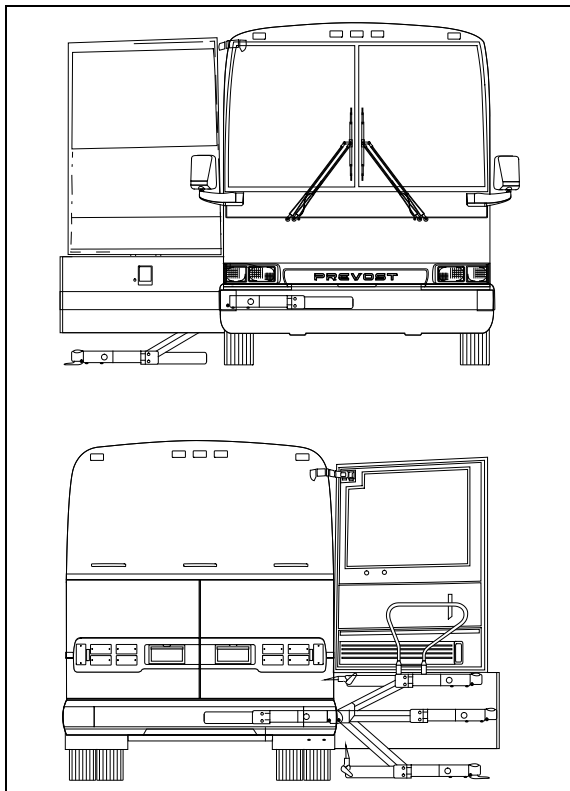
Warning: To operate the optional wheelchair lift, the coach must be parked on a flat and level surface, with the parking brake applied.

Activate the lift mechanism circuit by pressing down on the wheelchair rocker switch on the dashboard.

WHEELCHAIR LIFT AND ACCESS DOORS

Open the lift mechanism baggage door and swing open until locked open. Pull the wheelchair access door opening knob in the top left corner of the baggage compartment and swing the door until locked open.

A light inside the vehicle illuminates the doorway when the wheelchair access door is open.



WHEELCHAIR LIFT AND DOORS

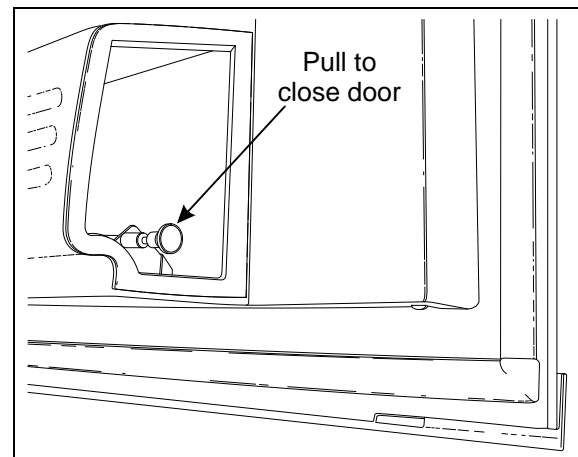
23261

A telltale light on the dashboard illuminates when the lift mechanism door or the wheelchair access door is open. Refer to Controls and Instruments chapter.

When either the lift mechanism door or the wheelchair access door is open, the parking brake cannot be released and the transmission gear selector will not register any gear selection.

If in motion and the access door opens, a telltale light will illuminate and a audible alert will sound. When the coach reaches 2 mph (3 km/h), the parking brake will activate.

To close the door, take the tension off the locking mechanism by pushing the door more open, then pull on the knob inside the air duct at the bottom of the door to unlock from the open position, then slam the door shut.



WHEELCHAIR LIFT DOOR BASEBOARD

23263

OPERATING THE WHEELCHAIR LIFT

Warning: Inspect the lift before each use as described in the RICON owners manual. If any unsafe condition exists, or if unusual noises or movements are noticed, DO NOT use and contact an authorized RICON dealer for repair.

Warning: Read and comply with all warning labels and symbols affixed to the wheelchair lift.

Warning: Do not operate with a load in excess of 660 lbs (300 Kg).

The coach must be parked at least 10 feet (3 meters) away from other vehicles or large objects. Control the movement of the lift platform with the handheld control device stowed in the wheelchair lift baggage compartment. When operating the lift, be careful the control wire doesn't bind with the lift mechanism.

Using the handheld control device, deploy the lift by pressing on the OUT switch.

OTHER FEATURES

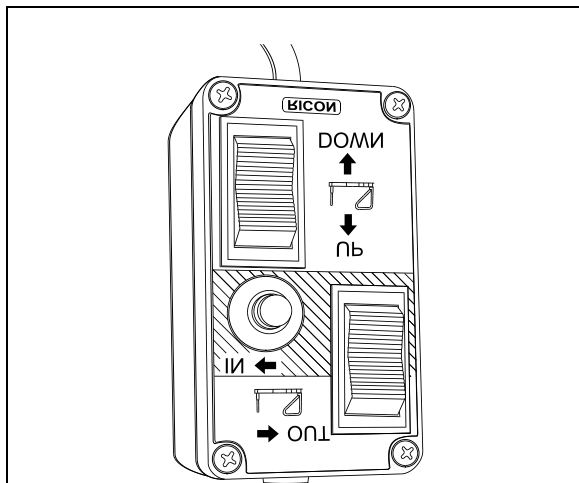
Once deployed, lift the handrails until locked in vertical position. Buckle the restraint belt.

Use the UP/DOWN switch to raise or lower the platform. Upon reaching the top or the bottom of its stroke, the appropriate rollstop will lower.

Note: The restraint belt acts as a safety device and it prevents raising or lowering the lift when not buckled.

Roll the wheelchair onto the platform with the wheelchair facing outwards because the front rollstop is not designed to keep the large rear wheels of a wheelchair from rolling off the platform.

Warning: Use extreme care when rolling on or off the platform and lock the wheelchair brakes while stationary on the platform. Make sure the wheelchair fits safely on the platform. Keep arms and legs away from moving parts.



HANDHELD CONTROL DEVICE

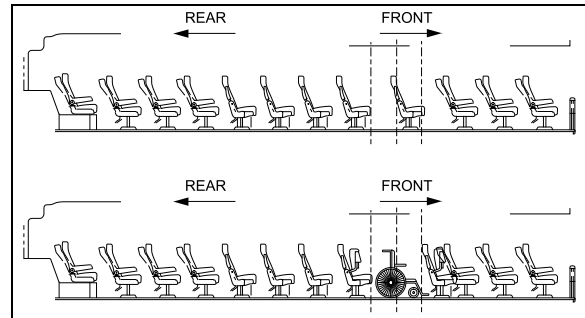
23258

Note: The indicator light on the control device illuminates when power is supplied (when the lift electrical circuit is activated by the switch on the dashboard).

To stow the platform, detach the restraint belt and fold the left handrail, then fold the right handrail (lift the slam lock handles to fold handrails). Press down and hold the IN-LOCKOUT button and the IN switch until the lift is fully stowed.

INTERIOR APPOINTMENTS

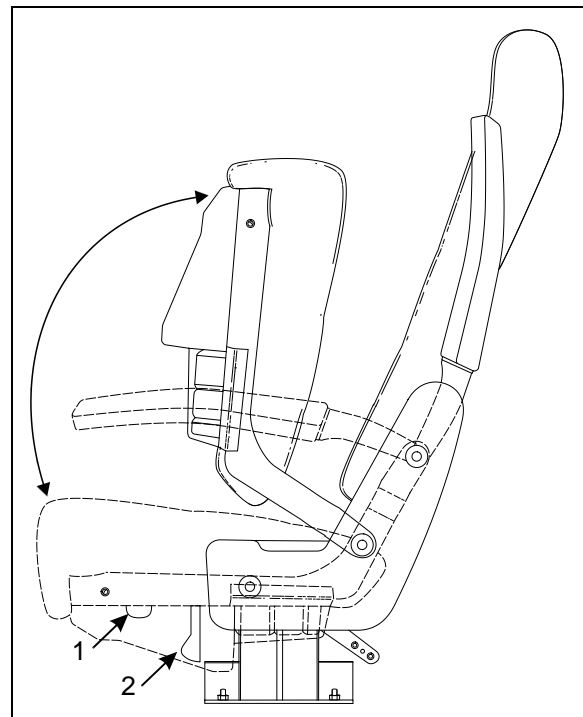
To accommodate a wheelchair, two rows of regular seats on one side of the coach must be folded and slid away. Seats may be folded on both sides of the coach to make room for a second wheelchair.



POSSIBLE SEATING ARRANGEMENTS

23259

An electrical wheelchair or tri-wheeler may require sliding back seats from both sides of the coach to allow enough turnaround space.



FOLDING SEATS

18430

To fold a set of seats, raise the seat back then lift up the seat cushion (pull on lever 1). To slide a row of seats, remove the black covers from the floor tracks. Pull the lever 2 while sliding the seat along the track.

The wheelchair occupants have a hostess/stop chime and a reading light switch at their disposal on the window sill of the coach, within easy reach.

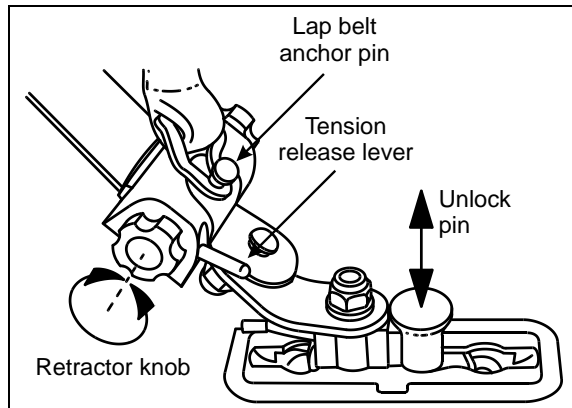
Wheelchair Restraint System

Two sets of wheelchair restraint belts are kept in plastic pouches and stowed in an overhead compartment.

To secure each wheelchair, four tiedown straps must be used (at all four corners).

Two of the four retaining belts have attaching pins on the retractors to secure the occupant's lap belt. They must be placed at the rear of the wheelchair.

Each tiedown retractor slots into a floor anchorage track.



BELT ANCHORING AND RETRACTION SYSTEMS 23266

To anchor the retaining belts, lift the track cover, push in the retractor anchor, then slide it until it locks in place. Hook one strap to each corner of the wheelchair frame (not the wheels) and allow the retractors to tension the belts.

To remove the restraint belts, release tension in the locking mechanism by tightening the belt slightly more with the retractor knob before pushing down on the red release lever on the retractor. Unhook the wheelchair and allow the belts to retract. Guide the belts in, making sure they remain untwisted as they retract.

Release the anchor by lifting the lock pin then sliding out and up the anchor from the floor track. Close the lid on the tracks to prevent dirt from entering the track cavity.

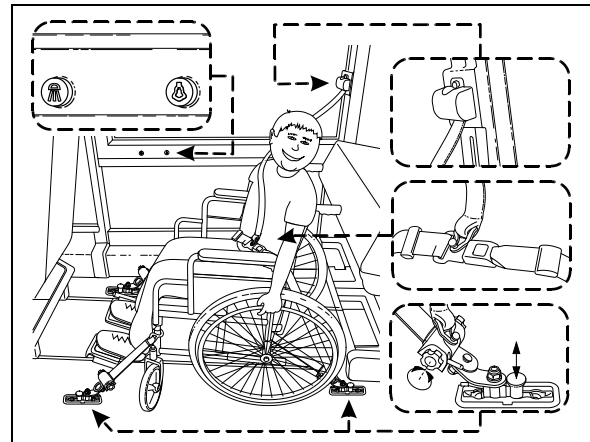
Warning: Do not let restraint or safety belts rub against sharp edges. Do not bleach or dry clean.

Wheelchair Occupant Restraint

Secure the wheelchair occupant in the following manner:

Snap the lap belts to the pins on the retractors of the rear restraint belts. Adjust the lap belt so it sits snug across the hips. Snap the shoulder belt to the pin on the lap belt. A retractor adjusts shoulder belt length automatically.

To release the belt, unsnap the shoulder belt then press the red button in the center of the buckle.



WHEELCHAIR RESTRAINTS AND ACCESSORIES 23262

Warning: A snug fit with the lap belt positioned low on the hips is necessary to maximize safety. The belt should not be worn or twisted. Avoid pinching the belt and/or hardware. Do not wear over rigid or breakable objects such as eyeglasses, pens or keys as these may cause injuries.

EMERGENCY OPERATION

In the event of electrical power loss, manual operation of the lift is possible as explained below.

To manually deploy the platform

Allow enough space for lift operation and passenger boarding. If a break down situation exists and the vehicle cannot be moved so that the lift system can be operated safely, the operator must summon emergency assistance to move the vehicle before operating the lift.

Fully open wheelchair access and lift doors. Ensure that there are no obstacles in the path of the lift.

At the left-side of the lift, raise and hold the stow-loc piston UP.

Warning: Do not attempt to manually deploy or stow the lift using less than two people. Manually deploying and/or stowing of this lift requires forces greater than **100 lbs.**

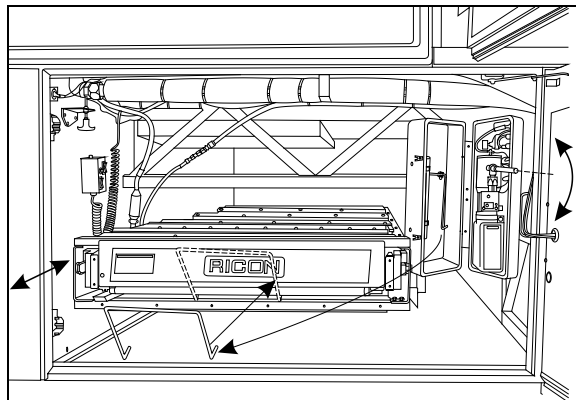
Warning: Ensure that the person or object holding the stow-loc piston is not in the path of the lift platform or frame during this operation.

OTHER FEATURES

Warning: To manually deploy the lift platform, a large force is required to overcome the torque clutch initial resistance. After the lift starts moving outward, sustain a constant force until the lift reaches the deployed position.

Remove the emergency platform handle from inside the cover of the lift mechanism box.

Insert the handle hooks at the base of the platform, two holes near the centre of the base are there to receive the hooks. With TWO PEOPLE, grasp the handle and pull firmly. Best results are attained by starting the deployment with a sharp tug and sustaining a constant pull until the lift is all the way out against the carriage stops.



WHEELCHAIR LIFT MANUAL OPERATION

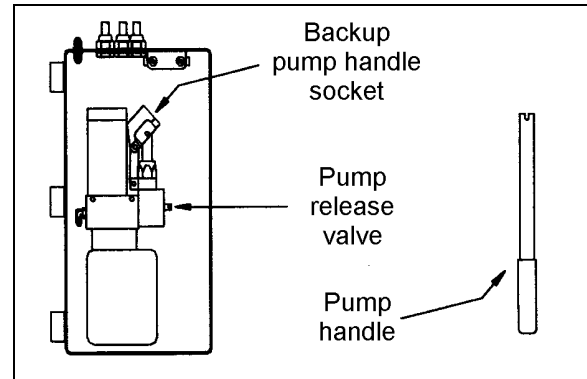
23265

To manually raise the platform

Remove the pump handle from inside the cover of the lift mechanism box.

Insert the handle onto manual backup pump release valve. Make sure the notches at the end of the handle are fully engaged by the release valve pin. Twist the handle CLOCKWISE until lightly-snug and remove.

Caution: During manual raising of the lift, do not raise the platform more than 1-1/2 inches above the vehicle floor level. Any excessive travel will make it difficult to enter the platform and/or damage the lift bridge plate actuator. The outer edge of the bridge plate must rest squarely on the vehicle floor.



WHEELCHAIR LIFT MANUAL HYDRAULIC PUMP

23268

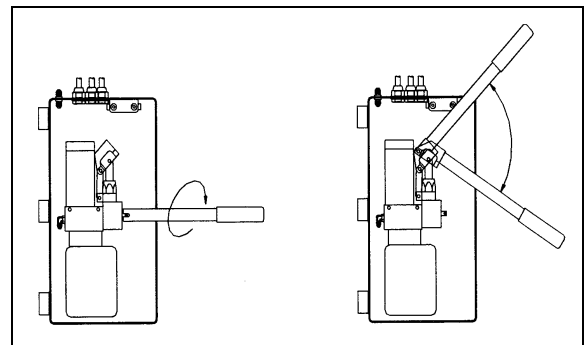
Insert handle extension into manual backup pump handle socket and pump to raise the platform to the vehicle floor level.

The lift passenger and attendant must follow the instructions to ENTER or EXIT the vehicle, as previously described.

To manually lower the platform

Caution: Do not turn pump release valve more than ¼-turn COUNTER-CLOCKWISE. The valve is totally removable which will disable all automatic and manual UP/DOWN functions.

Insert the pump handle extension onto manual backup pump release valve. Make sure the notches at the end of the handle are fully engaged by the release valve pin. Slowly twist the handle ¼-turn COUNTER-CLOCKWISE until the platform begins to lower.



PLATFORM MANUAL RAISING

23267

Allow the platform to reach ground level.

Insert the pump handle over the manual backup pump release valve. Twist the handle CLOCKWISE until lightly-snug and remove.

Using the rollstop manual control knob and one hand on the rollstop, OPEN the rollstop.

The attendant and lift passenger should follow the instructions to ENTER or EXIT the vehicle, as described previously.

To manually stow the platform

Raise or lower the platform to the deploy/stow position, the platform frame must be parallel to the side of the lift enclosure. If the exact position cannot be obtained, slightly low is preferred to slightly high.

Using the rollstop manual control knob and one hand on the rollstop, close the rollstop until it latches.

Use one person on each side of the lift to prevent mechanical binding.

With fingers up and palms forward, push the platform forcefully to start the lift moving inward. As the lift begins to move inward, maintain a constant pushing motion until the lift comes to rest completely inside the lift enclosure.

Check that the stow-loc plunger is engaged in the top-front of the platform guide block.

To manually stow the lift from ground level

In the unlikely event of a hydraulic system failure and the manual backup pump is inoperative, the lift may be stowed as follows by **two or more able-bodied people**:

Raise or lower the platform to the deploy/stow position, the platform frame must be parallel to the side of the lift enclosure. If the exact position cannot be obtained. Slightly low is preferred to slightly high.

STARTING THE ENGINE

In normal circumstances, the engine should be started from the driver's seat. However, a rear-start panel in the engine compartment permits starting the engine from that location, mainly for maintenance purposes.

STARTING FROM THE DRIVER'S SEAT

- Apply the spring-loaded parking brake by pulling the parking brake control button all the way up;
- Make sure the starter selector switch located in the engine compartment is set to the *NORMAL* position.

Using the rollstop manual control knob and one hand on the rollstop, close the rollstop until it latches.

Warning: *The platform is heavy and should be lifted using caution and proper lifting technique: Always lift with legs and not the back when attempting to lift heavy objects.*

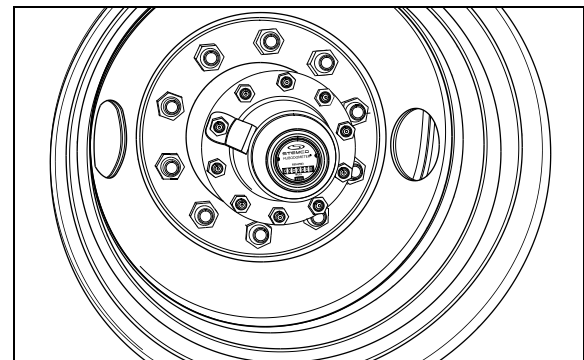
Use one person on each side of the lift to prevent mechanical binding.

With fingers up and palms forward, push the platform forcefully to start the lift moving inward. As the lift begins to move inward, maintain a constant pushing motion until the lift comes to rest completely inside the lift enclosure.

Check that the stow-loc plunger is engaged in the top-front of the platform guide block.

HUBODOMETER

An odometer is installed on the curb-side drive axle wheel hub. The odometer calculates the total distance in miles or kilometers (depending on model installed) traveled by the coach since manufacture, including factory road testing.



HUBODOMETER

13012

- Check that the battery master switch is set to the *ON* position.
- Place transmission in neutral;
- Turn ignition key to *START* position (refer to Controls and Instruments chapter), release the key after the engine starts.

Caution: *Do not engage starter for more than 15 seconds at a time. If engine does not start within 15 seconds, release ignition key and let starter cool for one minute before attempting to restart.*

Caution: *Do not press accelerator pedal before starting. This could result in an electronic control unit fault and degrade the fuel system control.*

STARTING AND STOPPING PROCEDURES

Caution: Special precautions are necessary with turbocharged engines to avoid possible turbine damage. After starting, run the engine at slow idle for two minutes to allow lubricating oil to reach the turbocharger. Then run the engine at fast idle. Let oil pressure reach normal operating range before driving.

Note: If engine does not start, return key to OFF position before attempting to restart.

Note: If the accelerator pedal is depressed before starting, release and wait 30 seconds before attempting to restart.

Stopping the Engine

- Apply parking brake and place transmission in neutral (N);
- Allow engine to idle for at least two minutes before shutting engine OFF. This insures that the turbine speed drops and allows time for the engine exhaust gas temperature to drop to about 300 °F (150 °C);
- Turn the ignition key to the OFF position.

Caution: Do not shut OFF engine when running above slow idle.

Caution: Set the battery master switch to the OFF position after parking and when left unattended for an extended period of time.

STARTING FROM THE ENGINE COMPARTMENT

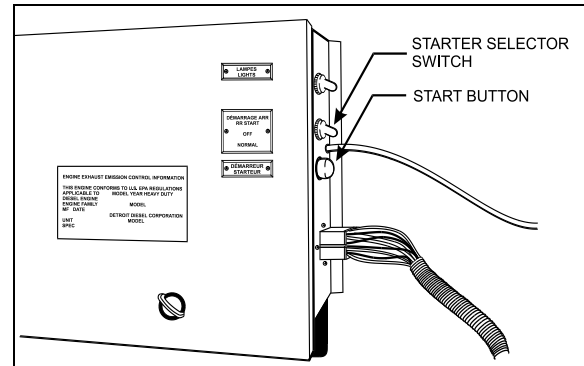
Switches to start and stop the engine from inside the engine compartment are mounted on a small panel over the engine.

Warning: Apply parking brake and place transmission in neutral (N) before starting engine from inside the engine compartment.

Set the battery master switch to the ON position;

Set the starter selector switch to the REAR START position;

Press the starter push-button switch. Release push-button after the engine starts.



REAR JUNCTION PANEL

06409

Warning: Do not wear loose clothing when working near engine. Stand clear of rotating components.

Caution: Refer to cautions in “Starting From The Driver’s Seat” in this chapter.

Stopping the Engine

To stop the engine, set the starter selector switch to the OFF position.

Caution: Do not stop engine by any other method.

Warning: Apply the parking brake before stopping engine. In the event the engine is turned off while the parking brake is not applied, a reminder alert will sound.

COLD WEATHER STARTING

The vehicle may be equipped with the optional ether cold starting aid to facilitate cold-weather starts. To activate the ether starting aid, proceed as follows:

1. Before cranking engine, press the “Ether” rocker switch on the dashboard for 3 seconds to fill the solenoid valve;
2. Release rocker switch to discharge a shot of ether;
3. Allow 3 seconds for the shot to discharge;
4. Start engine.

Caution: Use the cold starting aid only when absolutely necessary. Excessive use of starter fluid could result in serious engine damage.

JUMP STARTING

In order to avoid damage to solid-state electrical components, it is important that jumper (booster)

STARTING AND STOPPING PROCEDURES

cables be used correctly and only in emergencies. To jump start, use another 24 volt DC, negative grounded, power source. Use only jumper cables rated at 500 cranking amperes.

Note: To charge batteries using the booster block terminals, the main power switches must be turned on.

Warning: Injury, explosion, battery acid damage or charging system overload may result if these jump starting procedures are not precisely followed.

Warning: Wear eye protection and remove rings, metal jewelry and watches with metal bands.

Warning: The battery could rupture or explode if jump started when the run-down battery fluid is frozen or if the battery fluid level is low. Check condition of run-down battery before attempting to jump start.

Warning: The gases given off by batteries while jump starting are explosive. Do not smoke near batteries.

Caution: Do not let the two vehicles touch. Keep a walk-through distance between the two vehicles. Make sure positive (red) and negative (black) jumper cable clamps do not touch.

Caution: Never connect the jumper cable to the negative terminal post of the run-down battery.

Caution: Do not jump start if a maintenance-free battery has a yellow test indicator. Have the battery replaced.

Caution: Before attempting to jump start, make sure the parking brake is applied and the transmission is in neutral (N). Turn off all lights, heaters and other electrical accessories.

Caution: Choose a booster vehicle which produces comparable amperage as your vehicle.

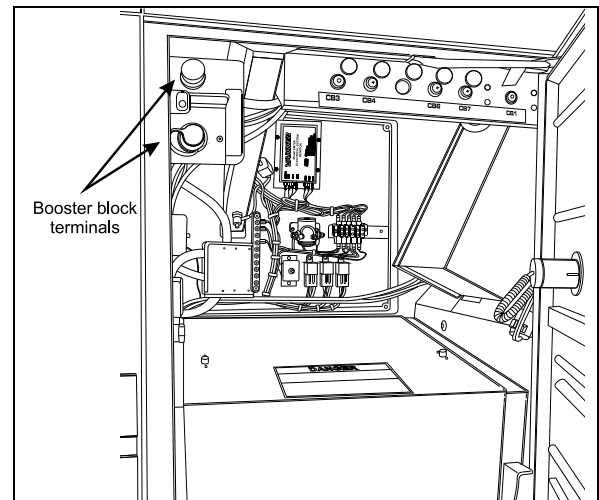
To jump start, proceed as follows:

1. Remove the protective caps from the booster block terminals located in the main power compartment (XLII-45) or in the engine compartment, curb-side (XLII-40);
2. Connect one end of the red jumper cable to the positive (+) post of the booster power source. If the good battery is in another

vehicle, that vehicle's engine must be shut OFF before connecting;

3. Connect the other end of the same red jumper cable to the positive (+) terminal on the booster block;
4. Connect one end of the black jumper cable to the negative (-) post on the booster power source;
5. Connect the other end of the same black jumper cable to the negative (-) terminal on the booster block; If the good battery is in another vehicle, start that vehicle's engine;
6. Let the engine run for a few minutes, then start the vehicle with the run-down battery;
7. Disconnect the jumper cables in reverse order given in steps 2 through 5;
8. Install protective caps on the booster block terminals.

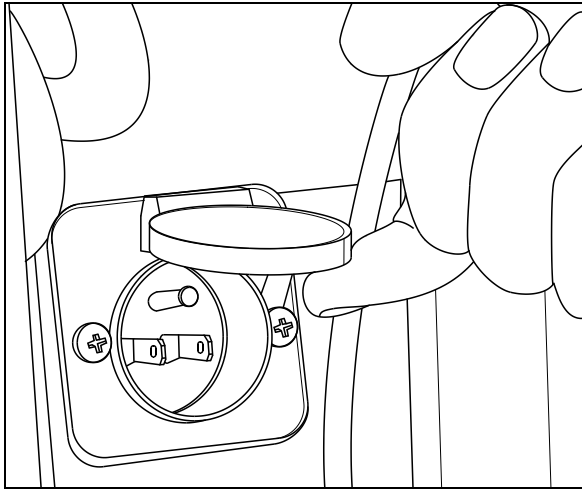
Note: Jumper cables must be rated at 500 cranking amperes. If jumper cable length is 20 feet (6 m) or less, use 2/0 (AWG) gauge wires. If cable length is between 20 to 30 feet (6 to 9 m), use 3/0 (AWG) gauge wires.



ENGINE BLOCK HEATER

The vehicle may be equipped with an engine immersion-type electric block heater to assist cold weather starting. A connector is on the rear pillar of the curb-side engine compartment door frame. Using an extension cord, connect to a 110 - 120 VAC outlet.

STARTING AND STOPPING PROCEDURES



110-120 VOLTS CONNECTOR

06390

Caution: Connect only to a 110-120 VAC power source. Use only grounded (three prongs) extension cords with a minimum rated capacity of 15 amps. Disconnect the extension cord before starting. Before driving, make sure the extension cord is disconnected and the engine compartment door is closed.

ENGINE WARM-UP

After starting the engine, keep the parking brake applied and let the engine run at slow idle for two minutes to allow lubricating oil to reach the turbocharger. Increase engine speed to fast idle, using the FAST IDLE switch located on the dashboard for five minutes, without loading the engine. Monitor the gauges and indicator lights to make sure all conditions are normal. If an abnormal condition is observed, stop the engine immediately and have the condition corrected.

Warning: Never let the engine run in an enclosed, non-ventilated area. Engine exhaust fumes contain dangerous gases which can be fatal if inhaled. Before warming up the engine, open the door(s) or move the vehicle outside.

Note: The engine will reach normal operating temperature shortly after driving. Avoid driving at full throttle until engine coolant temperature reaches 140°F (60°C).

TRANSMISSION WARM-UP

STARTING AND STOPPING PROCEDURES

When the transmission temperature falls below -20°F (-29°C), the CHECK TRANS telltale light illuminates after the engine is started, and a reminder tone will sound. In this case, the transmission will be locked in neutral (N) until the transmission temperature rises above -20°F (-29°C) and the CHECK TRANS telltale light goes out. The transmission will only operate in first or reverse gears until it reaches normal operating temperature.

SAFETY FEATURES AND EQUIPMENT

EMERGENCY EXITS

Locate and learn how to use all possible emergency exits. It is good practice to inform passengers of the location of exits and how to use them in case of an emergency.

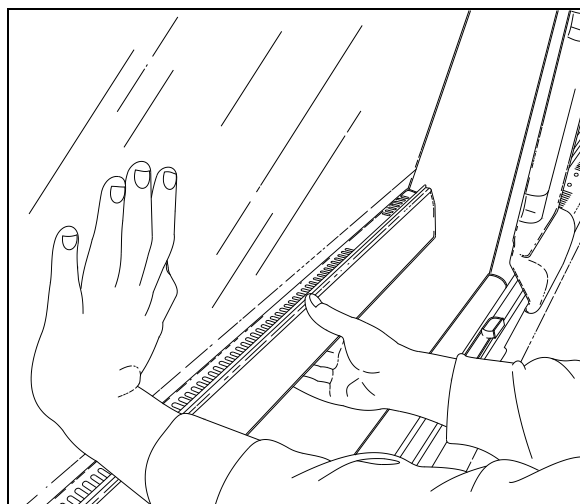
SIDE WINDOWS

Some side windows can be opened from the inside for emergency exit. A decal located on the bottom of each passenger window indicates the location of the nearest emergency exit. Also, blue lights close to the wall in the overhead storage compartments illuminate the emergency exit decals. These lights illuminate when the general lighting switch is on.

To open a side window emergency exit, tilt up the release bar and push the bottom of the window outwards, as illustrated below. The window is hinged from the top and will not fall out.

A telltale light on the dashboard illuminates when a window is opened. Refer to Controls and Instruments chapter for more information.

To close the window, tilt up the release bar and pull the window back. Push down the release bar to lock shut.



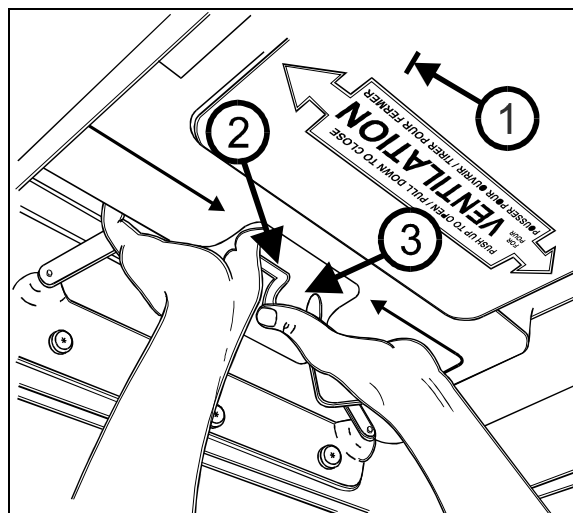
SIDE WINDOW EMERGENCY EXIT

18391

ROOF HATCH

A roof ventilation hatch, designed to be opened by occupants may be installed in the roof at the rear of the vehicle. Another optional roof hatch may be located in the front of the vehicle. The hatches can serve as emergency exits. In case of an emergency, push out the ventilation hatch completely (1). To release the hatch, pull tab (2)

rearward while pushing handle (3) out. An instruction decal with complete operating instructions is located on the hatch.



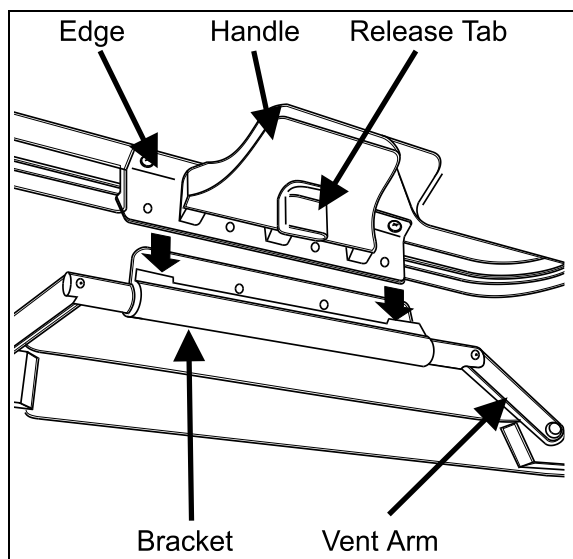
EMERGENCY ROOF ESCAPE OPENING

OEH3B604

Note: In the event of ventilation blower motor failure, the roof hatch may be used to aid ventilation by pushing the hatch upward.

Caution: Be aware of reduced vehicle overhead clearance when driving under overpasses with the roof hatch open.

To latch handle after use, vent arms must be pushed upright in FULL OPEN VENT position. Insert edge between the two sections of the bracket and pull handle in to lock the hatch. Finally, pull the hatch in to closed position, one side at a time.



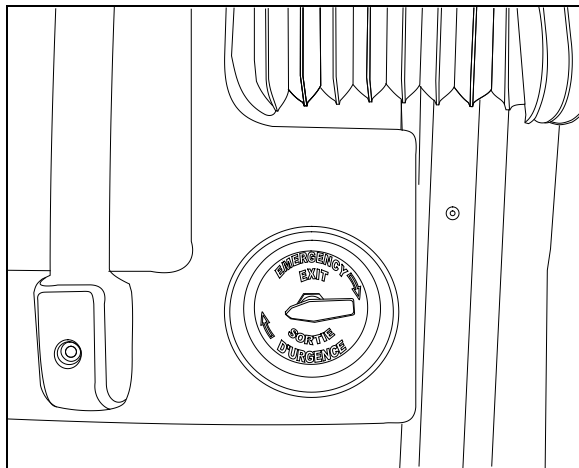
ROOF ESCAPE HANDLE

OEH3B606

SAFETY FEATURES AND EQUIPMENT

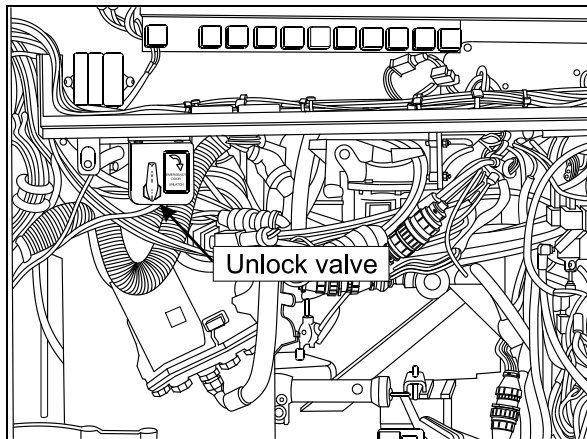
ENTRANCE DOOR

An unlock air valve located on the front wall, close to the entrance door allows emergency depletion of the door and locking cylinders. Another unlock valve is located in the front service compartment and allows opening the door from the outside. To open the door in an emergency situation, first turn the unlock valve in the direction of the arrows and push (or pull) the door open. To close the door after emergency opening, return the valve to its initial position, open the door using the door cylinder, then close the door normally.



INTERIOR UNLOCK AIR VALVE

12164



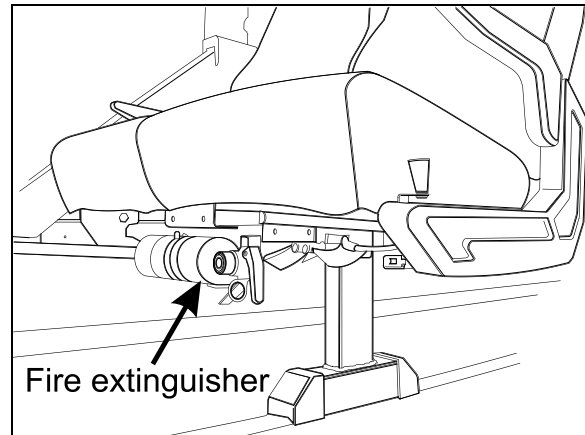
FRONT SERVICE COMPARTMENT

12181

EMERGENCY EQUIPMENT

FIRE EXTINGUISHERS

Two fire extinguishers are located under the seats in the first row behind the driver. Instructions for use are found on the extinguishers. Make sure you know how to operate fire extinguishers in case of an emergency.



FIRST ROW SEATS

23136

FIRST AID KIT

The optional first aid kit is stored in the first curb-side overhead storage compartment. A white cross over red background decal identifies the first aid kit.

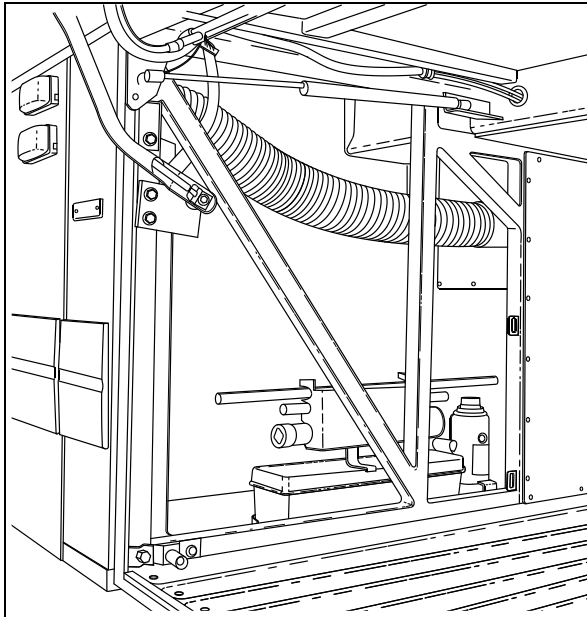
FIRE HATCHET

A optional fire hatchet may be installed in the first curb-side overhead storage compartment.

WARNING REFLECTORS

A kit containing three triangular reflectors is provided to warn other drivers on the road in case of a breakdown. The kit is located in the last driver side baggage compartment. The reflectors provide visible warning of an emergency situation. The three reflectors should be placed as indicated on the box cover. These reflectors comply with FMVSS 125 (Federal Motor Vehicle Safety Standards).

SAFETY FEATURES AND EQUIPMENT



REAR BAGGAGE COMPARTMENT

13020

JACK / TOOLS

A kit for jacking up the vehicle and changing wheels is stored in the rearmost baggage compartment. The kit includes a:

- 30 ton bottle jack;
- Wheel nut wrench and lever;

SPARE PARTS KIT

The vehicle may be equipped with a spare parts kit (optional). The kit contains parts such as bulbs, circuit breakers, belts, etc. The spare parts kit is stored in the first baggage compartment.

“LIMP-HOME” BELT

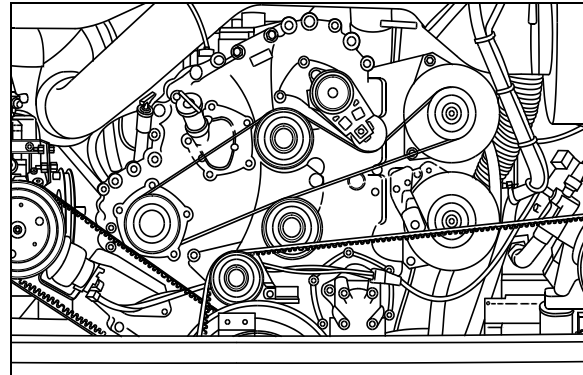
In case of an alternator jamming, install the limp-home belt on the remaining “good” alternator. The installation of the belt allows the coach to be driven to a repair facility after only minor manipulations.

Lower alternator failure:

1. Raise the belt tensioner. Use a breaker bar with a $\frac{3}{4}$ inch drive to rotate the tensioner pulley upward and relieve alternator belt tension. Remove belt;
2. Install the limp-home drive belt (#506669) on the drive and top alternator pulleys first;
3. Install the limp-home belt on the top idler pulley;

4. Slide the belt on the lower idler pulley. Use a screwdriver or even a quarter to ease clearing the pulley lip (the lower pulley is devoid of grooves, making it easier to slide the belt in place);
5. Gently release the belt tensioner.

Note: To prevent the batteries from discharging the HVAC system is turned OFF when running on a single alternator.



LIMP-HOME BELT ON TOP ALTERNATOR

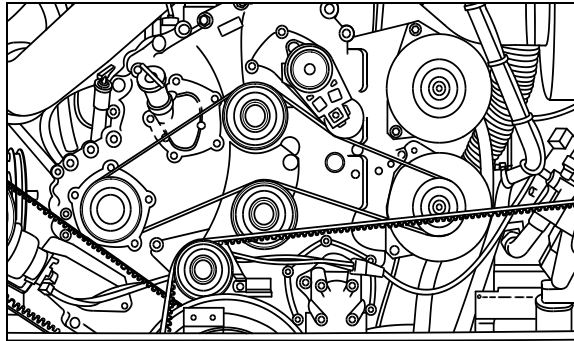
01080

Top alternator failure:

1. Raise the belt tensioner. Use a breaker bar with a $\frac{3}{4}$ inch drive to rotate the tensioner pulley upward and relieve alternator belt tension. Remove belt;
2. Remove the compressor drive belt snubber assembly and bracket;
3. Install the limp-home drive belt (#506669) on the drive and lower alternator pulleys first;
4. Install the belt on the top idler pulley;
5. Slide the belt on the lower idler pulley. Use a screwdriver or even a quarter to ease clearing the pulley lip (the lower pulley is devoid of grooves, making it easier to slide the belt in place);
6. Gently release the belt tensioner. Refer to figure below.

Note: To prevent the batteries from discharging, the HVAC system is turned OFF when running on a single alternator.

SAFETY FEATURES AND EQUIPMENT



LIMP-HOME BELT ON LOWER ALTERNATOR 01081

SPARE WHEEL AND TIRE

The spare wheel and tire is located in a compartment behind the reclining front bumper.

In case of a flat tire, turn ON the hazard flashers and bring the coach to a stop on the side of the road. Apply the parking brake. Make sure the coach is parked safely away from traffic. Set up the triangular reflectors in accordance with applicable highway regulations.

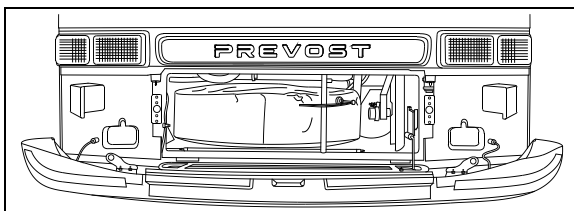
Refer to Care and Maintenance chapter for instructions on replacing a wheel.

Spare wheel compartment

To access, trigger the release latch on top of the bumper and the complete bumper will tilt down on hinges.

To close, tilt up the bumper and slam shut.

Warning: Although powerful springs assist in reclining the bumper, it remains heavy and rests low when open. Caution should be used when reclining.



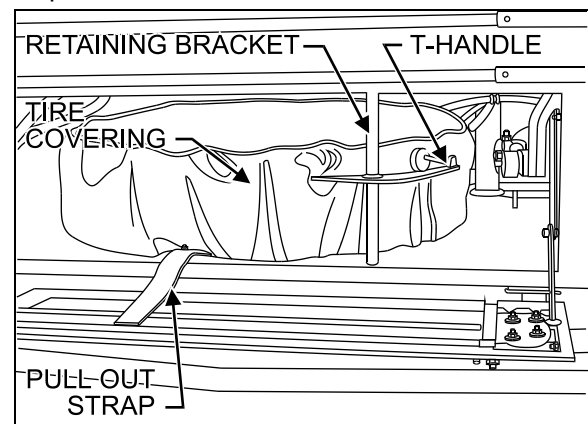
BUMPER COMPARTMENT 18393

CHANGING A WHEEL

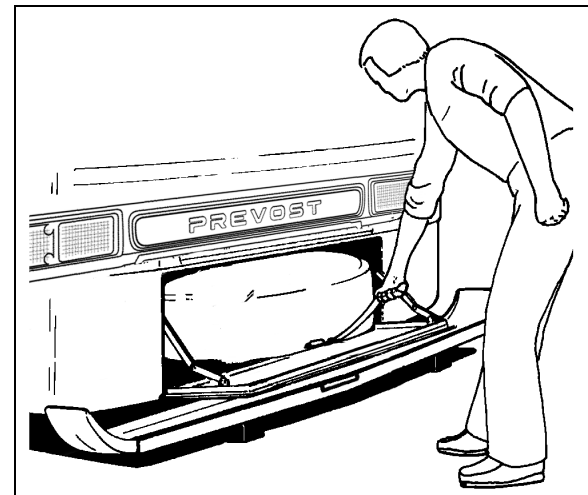
In case of a flat tire, turn ON the hazard flashers and bring the vehicle to a stop on the side of the road. Apply the parking brake. Make sure the vehicle is parked safely away from traffic. Set up the triangular reflectors in accordance with applicable highway regulations.

The spare wheel and tire is located in the compartment directly behind the front bumper. To gain access to the spare, recline the bumper and remove the spare wheel and tire.

To remove the spare, untighten the pressure screw holding the tire in place, then press down on the spring loaded locking pin located at the top of the retaining bracket and remove the bracket. Using the strap, pull the spare out of the compartment (refer to the following illustrations). Rollers ease manipulation. Remove the protective cover. Install the flat in place of the spare by reversing the procedure. Do not forget to have the flat repaired as soon as possible.



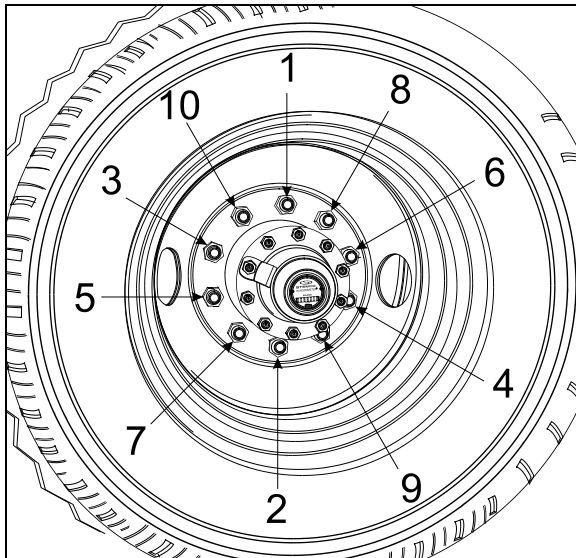
SPARE WHEEL AND TIRE 18415



REMOVING SPARE WHEEL AND TIRE 13022

1. Loosen the wheel nuts about one turn;
2. Raise the vehicle by the closest jacking point (See Jacking Points in this chapter);
3. Remove the wheel nuts and remove the wheel;
4. Mount the spare wheel over the studs, being careful not to damage the stud threads;

5. Screw in the wheel nuts according to the sequence shown in the following figure and tighten slightly more and repeat the sequence a few times to position the wheel correctly. Once tightening induces wheel spin, lower the coach for final tightening;
6. Tighten the nuts progressively in the sequence shown. Final tightening should be done using a torque wrench. Dry tightening torque is 450 – 500 lbf-ft (610 – 680 Nm) for steel as well as for aluminum wheels.



TIGHTENING SEQUENCE

13018

Note: The jack and tools is located in the rearmost driver's side baggage compartment.

Note: Periodically check the spare's inflation pressure. Tire pressure should be the maximum pressure specified in the chart.

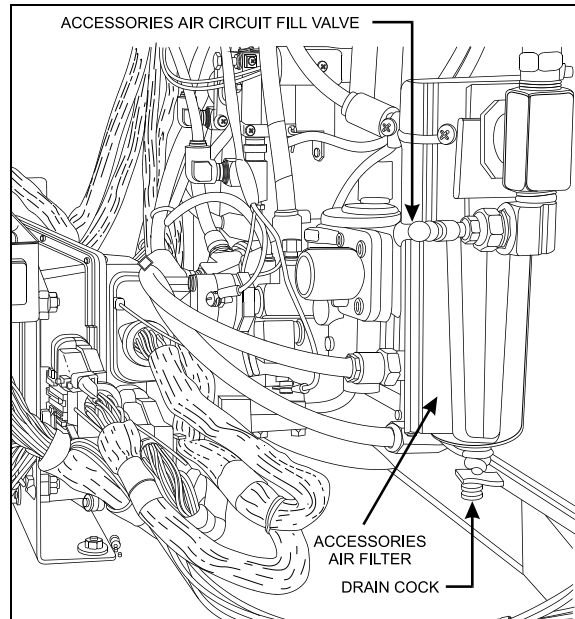
Note: Periodically check that the spare is securely fastened in it's compartment.

Caution: Before driving, be sure the flat tire, track, jack and tools are securely reinstalled in their respective compartments.

Caution: Check that the bumper is securely closed shut before driving.

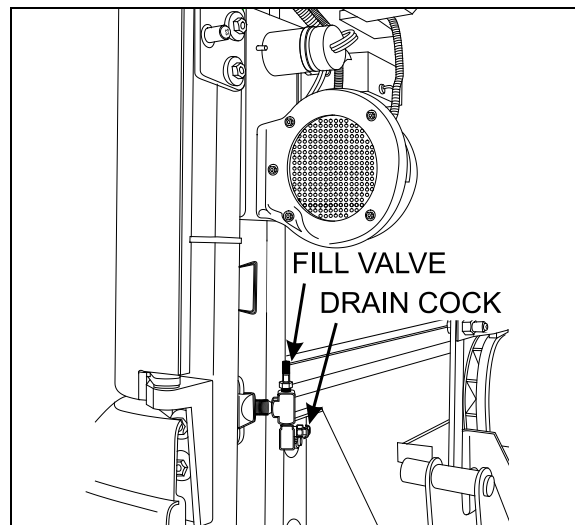
EMERGENCY AIR-FILL VALVES

The vehicle is equipped with two air system emergency fill valves to supplement the air system when air pressure is low and the engine cannot be operated. One valve is located inside the front service compartment. The other valve is located inside the engine compartment.



FRONT SERVICE COMPARTMENT

12130



FILL VALVE IN ENGINE COMPARTMENT

12162

Both air system emergency fill valves are fitted with standard tire valve stems. The air systems can be filled using any standard external air supply line. The fill valve located in the engine compartment supplies air for all systems (brakes, suspension and accessories). The fill valve located in the front service compartment supplies air for accessories only.

Caution: Air filled through the two emergency fill valves will pass through the standard air filtering-drying system. Do not fill air at any other location. Do not exceed 120 psi (827 kPa).

SAFETY FEATURES AND EQUIPMENT

EMERGENCY AND PARKING BRAKES

During normal operation, if air pressure in any brake circuit drops below 40 psi (276 kPa), spring-loaded emergency brake will be immediately applied at full capacity to the drive axle wheels to stop the vehicle.

Spring-loaded parking brake is applied by pulling up the control valve knob located on the L.H. lateral console.

Parking brake is not designed to be used as a service brake. For normal driving conditions, the control valve knob must remain in the down position.

Warning: Always apply the parking brake before leaving the driver's seat.

Note: Only use the parking brake to supplement the service brake to stop the vehicle in emergency conditions. The stopping distance will be considerably longer than when using normal service brake.

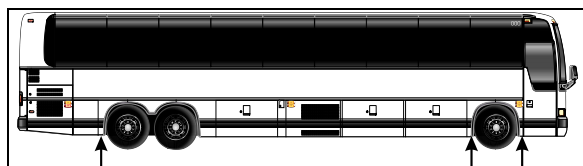
Note: Before releasing the parking brake by pushing down the control valve knob, check the pressure gauges to make sure that the brake system air pressure is greater than or equal to 95 psi (655 kPa).

Note: A beep will sound if the ignition switch has been turned off without applying the parking brake. The same beep will sound if pressure is still applied to the service brake pedal.

Note: The stoplights will automatically turn on when the parking brake is applied and the ignition key is turned to the ON position.

JACKING POINTS

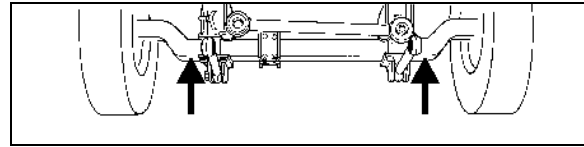
Twelve jacking points are located on the vehicle: three are located on each side of the frame and two are located under each axle. Refer to the following illustrations for the location of jacking points.



JACKING POINTS ON FRAME

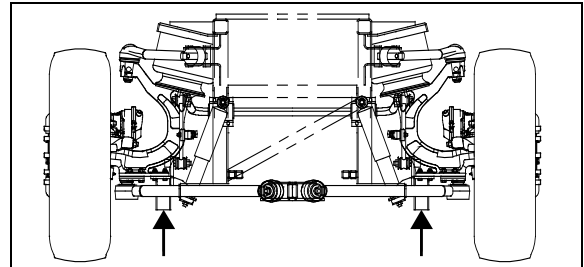
18400

Warning: The suspension of the vehicle must be in the normal ride position before jacking.



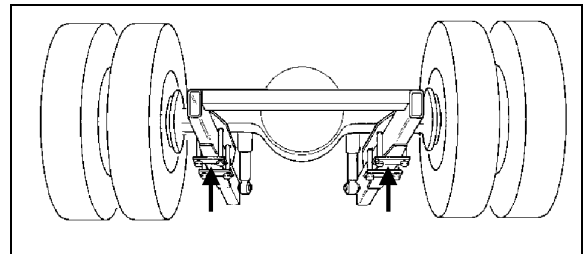
JACKING POINTS ON FRONT AXLE

10005



JACKING POINTS ON IND. FRONT SUSPENSION

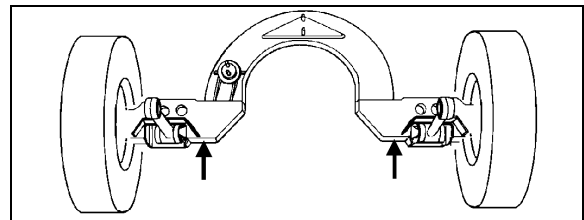
16095



JACKING POINTS ON DRIVE AXLE

OEH3B762

Warning: Always unload or retract the tag axle before jacking the vehicle from the front and drive axle jacking points to prevent damage to suspension components.



JACKING POINTS ON TAG AXLE

OEH3B764

Warning: The jacking points on the tag axle must be used for raising the tag axle only.

Several kinds of hydraulic jacks can be used. Only jack at the specified jacking points. Jack must support the following capacities:

Front axle: 13,000 lbs. (5 900 kg);

Drive axle: 25,000 lbs. (11 365 kg).

HYDRAULIC JACK

To raise: turn release valve clockwise. Insert handle in socket and raise by pumping.

To lower: remove handle and turn the release valve slowly counterclockwise.

Always keep ram and extension screw retracted when jack is not in use.

SAFETY FEATURES AND EQUIPMENT

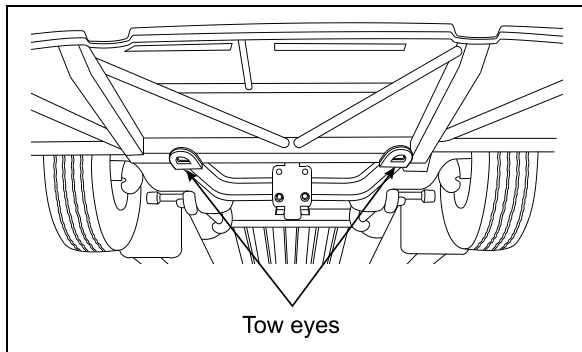
Service: Check oil level when jack fails to raise to full height. Lower ram completely with release valve open and jack in upright position, remove filler plug and refill to level of filler hole with hydraulic jack oil. Never use brake fluid.

Warning: Jack is intended for lifting only. Do not get under the vehicle or load for any reason unless it is properly supported with safety stands and securely blocked.

Warning: Do not load jack above rated capacity. Prevent "side loading", make sure load is centered on ram. Do not push or tilt load off jack.

TOWING

To prevent damage to the vehicle, use the two tow eyes located under the back bumper and/or fixed to the vehicle frame between the front axle and the front bumper. Use only a solid link tow bar and a safety chain to tow the vehicle. If required, connect an auxiliary air supply to the vehicle so the emergency/parking brakes don't apply while towing.



TOW EYES UNDER VEHICLE

18401

Warning: Do not carry passengers while the coach is being towed.

Caution: To prevent damage to the drive train components, disconnect axle shafts or driveshaft before towing. Do not attempt to push or pull-start the coach.

Caution: Make sure axle shafts or driveshaft are installed correctly after towing. Tighten axle shaft and driveshaft nuts to the correct torque settings. Do not invert shafts.

DAYTIME RUNNING LIGHTS

The low beams illuminate automatically at reduced intensity when the engine is started and the parking brake is released. The daytime running lights provide added safety by making

the traveling vehicle more visible to other drivers.

The daytime running lights are not illuminated when:

- Engine is stopped;
- Parking brake is applied;
- The exterior lighting switch is turned to the second position.

Warning: Do not drive with the daytime running lights at night. For night driving, turn ON the headlights by depressing the exterior lighting rocker switch to the second position. The daytime running lights do not provide sufficient illumination for safe driving at night.

FOG LIGHTS

Fog lights provide better visibility in fog and precipitation. They improve visibility immediately in front of the vehicle. They also provide added safety.

Note: Some states or provinces may restrict the use of fog lights. Verify local state or provincial regulations before using.

COMPARTMENT LIGHTING

Baggage compartments, front and rear service compartments and main power compartment lights are automatically turned ON when the corresponding compartment door is opened. A telltale light on the dashboard illuminates when the baggage compartment door is open.

MUD FLAPS AND SPLASH GUARDS

Mud flaps are installed behind each front wheel and the tag axles. Mud flaps minimize dirt on the lower panels of the vehicle and prevent stones and debris from being thrown at vehicles travelling behind the vehicle. Splash guards may be installed behind each dual wheel of the drive axle to prevent stone projectiles from being thrown at the tag axle wheels.

BACK UP CAMERA

An optional back up camera is available which provides the driver with visual assistance when backing-up.

The TV monitor may be mounted on the left side pillar. It switches ON automatically when the transmission is in the reverse (R) range.

SAFETY FEATURES AND EQUIPMENT

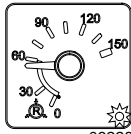
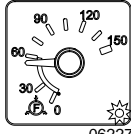
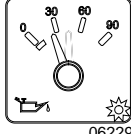
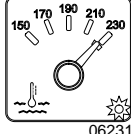


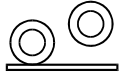
BACK UP ALARM

The back up alarm alerts pedestrians and other drivers when the vehicle is being backed-up. Take extra precautions whenever backing-up. If necessary, use a guide to provide directions

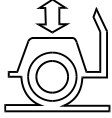



when backing-up. Both the alarm and optional camera are automatically activated when the transmission is put in the reverse (R) range.

AUDIBLE ALERTS

In addition to the dashboard telltale lights, the vehicle is equipped with an alert system to provide audible indications to the driver of the conditions given in the following table.

| Visual Indication | Audible Alert | Condition |
|--|---------------|--|
|  06228 | Yes | Air pressure in primary system below 66 psi (860 kPa). |
|  06227 | Yes | Air pressure in secondary system below 66 psi (860 kPa). |
|  06229 | Yes | Engine oil pressure below 50 psi (345 kPa). |
|  06231 | Yes | Coolant temperature above 223 °F (106 °C). |
|  06282 | Yes | Gear changing inhibited. |
| None | Yes | Reverse gear engaged. |
|  06288 | Yes | Fire in engine compartment. |
|  06271 | Yes | Tag axle retracted. |

SAFETY FEATURES AND EQUIPMENT

| Visual Indication | Audible Alert | Condition |
|---|---------------|--|
|  06448 | Yes | Kneeling down. |
| None | Yes | Engine OFF but parking brake not applied. |
|  06309 | Yes | Major problem detected by engine. |
|  06273 | Yes | Outside temperature close to water freezing point. |
|  06292 | Yes | Transmission fluid too hot. |
| DOOR AJAR 06294 | Yes | Wheelchair lift access door is ajar but the parking brake is not applied |

CARE AND MAINTENANCE

CLEANING

The cleaning information provided in this section is regarded as recommended cleaning practices. Cleaning results may vary depending on the condition of the stain. Always clean stains promptly for best results.

Note: Use only approved cleaning products such as Prevost A.P.C., all purpose cleaner (Prevost # 683664). Never use stain protection products on new fabrics. To prevent permanent staining of fabrics, clean stains soon after they occur. Incorrect treatment of stains can worsen them. Get help from a cleaning specialist to remove stubborn stains.

Caution: Custom fabrics and materials may require different cleaning and maintenance practices. Consult your converter.

SEAT UPHOLSTERY

Firmly beat the fabric with a blunt object, such as a wooden paddle, to release dust and dirt. Vacuum the seat fabric in the direction of the stitching using an upholstery nozzle.

Note: The abrasive nature of dirt and grit will reduce upholstery life expectancy. Vacuum regularly.

Removal Of Stains And Marks

Depending on the nature of the stain, apply one of the two methods explained below to remove stains and marks on wool plush.

Method One:

1. Apply a nonflammable solvent (Trichloroethylene) to stained area with a clean, white absorbent rag;
2. Clean stain by starting at the outer edges of the stain and working in toward the center;
3. Blot affected area frequently with a clean, dry absorbent cloth to prevent stain rings caused by excess solvent.

Warning: Use solvents in a well ventilated area. Open all windows and doors.

Method Two

1. Wet the stain with a solution of household detergent and lukewarm water. Do not soak the stain;

2. Rub the stain with a damp cloth;
3. Rinse cloth after each application.

Caution: Do not use soap, soap powder, ammonia, soda, bleach or cleaning products containing any of these compounds.

Beverage Stains

Remove beverage stains by following method one. If stain persists, repeat method one using methylated spirits instead of solvent.

Alcoholic Beverage Stains

Remove alcoholic beverage stains by wetting the stain with water, then cleaning following method two.

Burns

Scrape burnt area using a knife or razor blade then clean following method two. Consult an upholstery specialist when dealing with extensive burns.

Cosmetic Stains

Remove stains left by cosmetics by following method one then method two.

Ink Stains

Remove ink stains following method two. If stain persists, apply a warm oxalic acid solution. Rinse with water.

Blood, Urine Or Vomit Stains

Remove such stains by following method two.

Copying Ink - Ball-Point Pen Ink

Treat with methylated spirits, blotting frequently to avoid spreading stain, followed by method two.

Marking Ink (Felt-tip Pens)

Treat with Methyl-Ethyl-Ketone (MEK) followed by method two.

Oil, Grease And Paint

Remove excess using a knife. Treat with method one followed by method two. If stain persists, repeat procedure.

CARE AND MAINTENANCE

Rust Stains

Remove rust stains by following method two. Apply a warm oxalic acid solution to stained area. Rinse with water.

Tar

Soften tar with benzene, then treat using method one followed by method two.

Chewing Gum

Soften gum with cyclohexane. Carefully scrape off stains using a sharp knife or razor blade.

PLASTIC AND VINYL

Clean plastic and vinyl trim using a clean damp cloth or sponge. For vinyl trim marks, use a lukewarm all purpose cleaner or a mild saddle soap. Remove water spots and soap traces using a clean damp cloth or sponge. Dry with a clean soft cloth.

Remove grease, tar or oil stains with a clean cloth or sponge and an all purpose or solvent-type vinyl cleaner.

Apply a colorless vinyl or leather protective product to maintain the luster and pliability of the plastic or vinyl surface.

WINDOWS

Clean the inside of the windows with a solution of one part vinegar to ten parts water.

Windshield

To prevent windshield wiper streaking, keep silicone sprays away from windshield. Remove road film and wax build-up from windows with lukewarm soap and water or with an alcohol-based cleaning agent. If a chamois is used to dry and polish glass, use it exclusively for that purpose.

Wiper Blades

To avoid tearing frozen wiper blades, loosen them before removing. Remove and clean wiper blades periodically with an alcohol-based cleaning solution. Clean wiper blades using a sponge or soft cloth.

STAINLESS STEEL

Use a stainless steel cleaner and follow the manufacturer's instructions. Stainless steel cleaning solution may be ordered from Prevost Car Inc. quoting part number 68-0356.

FORMICA

Remove stains on Formica surfaces with a household detergent, methylated spirits or mineral turps. Clean with a mild abrasive and water solution if stain persists.

CARPET

Vacuum carpets regularly to prolong carpet life.

RUBBER COMPONENTS

Use only pure water or glycerin to clean stains on rubber components.

Caution: *Never use solvents on rubber components.*

FLOOR CLEANING

Clean vinyl floors with a quality nonionic detergent cleaner. Follow the manufacturer's recommendations for cleaning.

Remove any excess detergent solution using a wet/dry vacuum or mop. Rinse floor with a solution of one part Clorox to ten parts warm water.

Polish dry floor using a high-speed buffer and a smooth red 3-M polishing pad.

Mop floor periodically with a solution of 5 per cent Clorox in warm water.

Note: *For custom or special floor covering materials, consult the manufacturer or your converter for information on how to clean and maintain these types of floors.*

EXTERIOR SURFACES

Frequent washing and waxing of the vehicle exterior will help protect the finish and luster. The paint finish is attacked by the abrasive effects of airborne particles and corrosive pollutants.

Before washing the exterior of the vehicle, close the fresh air dampers using the "REC" button located on HVAC control panel and on the air intake duct in the evaporator compartment. Install keyhole protectors to prevent water from

penetrating. Rinse vehicle with water to remove all loose dirt. Wash vehicle using a quality brand car wash soap. Follow manufacturer's recommendations for cleaning. Rinse well with water.

The vehicle exterior should be cleaned, waxed and buffed when water droplets no longer form on the painted surfaces.

Caution: Hot water can damage paint. Keep water cool or lukewarm.

Caution: Make sure cleaning solutions are not harmful to painted surfaces. Read the manufacturer's instructions before using.

Caution: Do not spray water jet directly into fresh air inlet dampers.

Caution: Do not aim high pressure water jet at radiator doors. This could damage the radiator fins.

To prevent corrosion, remove caked-on dirt and road salt from the vehicle underbody using a high pressure water jet. Clean wheel housings, bumpers, muffler, tailpipe and brackets.

Carry out corrosion prevention cleaning at least twice a year. Spray underneath of the vehicle and let soak before cleaning. Let engine and exhaust system cool down before cleaning.

Tar Or Oil

Remove tar or oil as soon as possible with an approved automotive tar and oil remover or turpentine. Thoroughly clean area with car wash soap and water. Let dry, then wax.

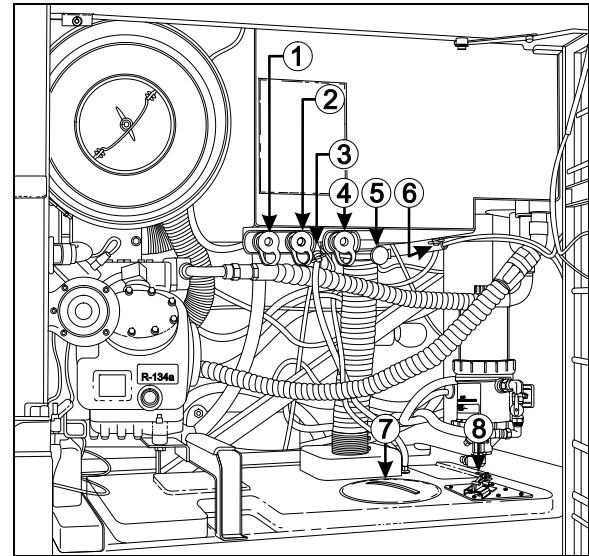
Insects

Remove insect stains as soon as possible with lukewarm soap and water or insect remover.

Tree Sap

Remove tree sap or bird droppings with lukewarm soap and water. Do not allow to harden.

LAVATORY MAINTENANCE



ENGINE COMPARTMENT, CURB-SIDE

23250

1. Fresh water reservoir fill connector;
2. Main sump tank fill connector;
3. Main sump tank overflow cock;
4. Cleaning kit hose connector;
5. Main sump tank drain valve;
6. Fresh water reservoir drain cock;
7. Auxiliary sump tank access cap;
8. Auxiliary sump tank drain valve.

Flush water in the lavatory is recirculated from the main sump tank. When the main sump tank water is too soiled to be recirculated, the driver can dump it into the optional auxiliary sump tank until a suitable dump location can be reached.

Routine draining and filling of lavatory tanks should be performed by maintenance personnel only, and should be done before parking the coach overnight in freezing temperature.

FRESH WATER RESERVOIR

Water from the fresh water reservoir supplies the washbasin in the lavatory.

Warning: Do not drink water from the fresh water reservoir.

Filling The Fresh Water Reservoir

Connect the fresh water supply hose to the fresh water reservoir fill connection located in the curb-side engine compartment. Fill the reservoir

CARE AND MAINTENANCE

until the overflow tube leaks, signaling that the reservoir is full.

Warning: *Never put antifreeze in fresh water reservoir; antifreeze is toxic.*

Warning: *If reservoir has not been drained for an extended period of time, draining and filling operations must be repeated three (3) times in order to clean reservoir and eliminate contaminated water.*

Draining The Fresh Water Reservoir

The fresh water reservoir can be drained by simply opening the drain cock. Don't forget to close the cock when draining is complete.

Note: *The fresh water reservoir is equipped with a thermal valve which is set to open at about 35°F, thereby automatically draining the reservoir in near-freezing temperatures.*

CLEANING CABINET

A hose connection and valve is located behind a small door in the top corner of the rear lavatory wall, over the mirror. It can be used to attach a garden hose for lavatory cleaning. To use, connect a fresh water supply to the connection in the curb-side engine compartment, identified as "Cleaning Kit", located next to the fresh water reservoir fill coupling.

To prevent freezing during cold weather, drain the hose after every use.

FILLING THE MAIN SUMP TANK

Open the main sump tank overflow cock and connect a water supply hose to the toilet sump tank fill connection. The main tank is full when water starts flowing through the clear overflow tube. Close main sump tank overflow cock when the tank is full.

DRAINING THE MAIN SUMP TANK

When recirculating water in the toilet is soiled, drain main sump tank. If equipped with the optional auxiliary sump tank, drain the main sump tank contents into the auxiliary tank and perform the filling procedure of the main tank.

DRAINING THE AUXILIARY SUMP TANK

Remove drain cap located under auxiliary sump tank then pull the auxiliary sump tank drain valve lever up. Remove the access cap and flush tank

with clean water. To close, push the valve lever completely down to its locking position. Reinstall access and drain caps.

Caution: *Lavatory tanks should be serviced only at suitably equipped stations.*

Note: *It is unlawful to dump sump tank contents in any location other than those designated as such.*

When a complete tank draining is required, clean main tank by repeating the draining and filling operations while leaving the auxiliary sump tank drain valve opened. Close valves and drop in a pack of commercial toilet deodorant (Prevost part #900329) in toilet before starting final filling of the main tank.

Warning: *The toilet deodorant contains compounds which can be very irritating to skin. Use rubber gloves when handling and then clean toilet seat.*

Caution: *When cold weather is expected, both sump tanks must be drained if the coach is parked overnight or for an extended period of time.*

Note: *Due to the heat it produces, there is less risk of freezing in the tanks when the engine is operating.*

Note: *New coaches are delivered with the sump and fresh water tanks empty. Fill with water before putting the coach in service.*

FLUID LEVEL VERIFICATION

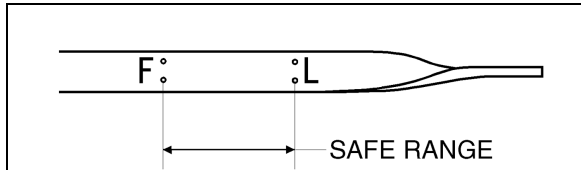
Periodic inspection of oil and fluids levels is the most economical and easiest way to help your vehicle perform at its best. Rigorous oil level inspection and replacement will greatly help minimize expensive and unscheduled repairs.

ENGINE OIL LEVEL

Check engine oil level when engine is still warm and with vehicle parked on a level surface. Shut OFF engine and wait at least 10 minutes for oil to drain into oil pan before checking. Check engine oil level daily or before each trip. Add oil as required. Do not overfill. Remove dipstick, wipe clean and fully reinsert to ensure an accurate reading. Remove dipstick and check engine oil level.

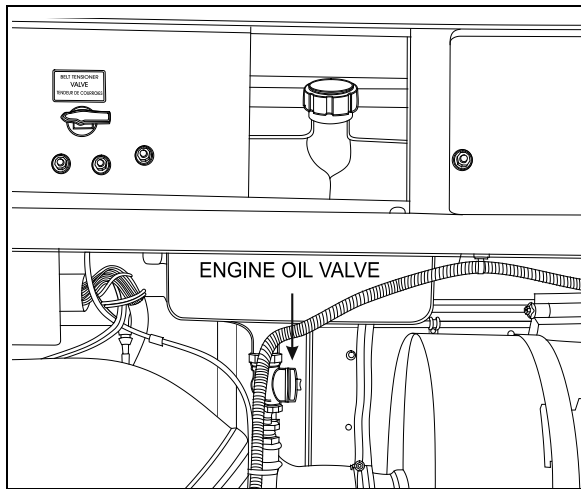
The oil level must be maintained between the two marks indicated on the dipstick. Do not let the oil level drop below the L mark. Add oil by

opening the oil reserve tank drain cock or through the oil filler pipe. Use the markings on the tank to check the quantity of oil added. Close the oil reserve tank drain cock or oil filler cap after adding oil. Recheck the oil level. Do not let the oil level go above the F mark on the dipstick.

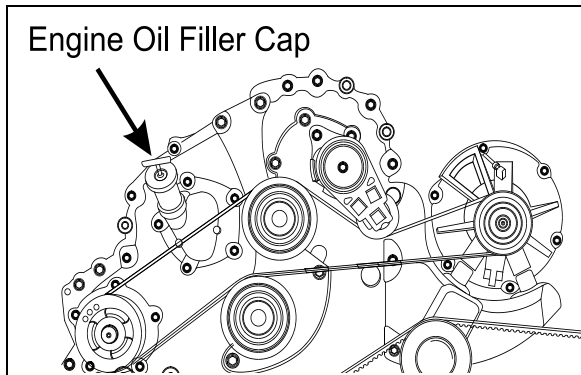


ENGINE OIL LEVEL DIPSTICK 01027

Caution: Keep engine oil level between "L" and "F" on dipstick. Do not overfill. Check when refueling.



ENGINE COMPARTMENT 01063



ENGINE COMPARTMENT 01051

TRANSMISSION FLUID LEVEL

The transmission fluid level dipstick is accessible through the engine compartment rear door and is located on the left side of the engine.

To check the transmission fluid level, a "cold check" and a "hot check" must be performed. A cold check must be made when the transmission

fluid is between 60°F and 120°F (16°C and 50°C).

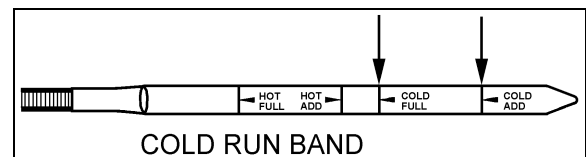
Note: Perform the cold check first to verify the transmission fluid level before performing the hot check.

Warning: To prevent personal injury, do not service transmission wearing loose clothing. Stand clear of the engine and rotating components while checking the oil level.

To prevent dirt and foreign matter from entering the transmission, clean the end of the oil fill tube before removing dipstick. To remove dipstick, unscrew filler cap approximately three turns and pull out dipstick.

Cold Check

Run the engine until the transmission fluid temperature is between 60°F and 120°F (16°C and 50°C). With the engine idling, make sure the parking brake is applied and the transmission is in neutral (N). Remove and wipe the dipstick with a clean cloth. Check oil level. If the oil level is within the COLD RUN band, the oil level is correct and a hot check can be performed. If the oil level is on or below the lower line of the COLD RUN band, add oil until the level lies within the COLD RUN band. If the oil level is above the COLD RUN band, drain oil until the level is within the band.



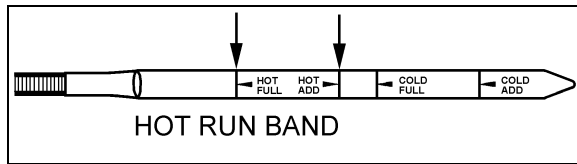
TRANSMISSION FLUID LEVEL DIPSTICK (TYPICAL) 07006

Caution: The oil level rises as oil temperature rises. Do not add oil above the "cold run" band before the transmission reaches 180°F to 220°F (82°C to 104°C).

Hot Check

Make sure the transmission fluid temperature is between 180°F and 220°F (82°C and 104°C) before performing the hot check. Run the engine between 1,000 and 1,200 RPM for approximately one minute to purge air from the system. With the engine idling and the parking brake applied, shift transmission from forward (D) to reverse (R) and back into neutral (N) to fill clutch cavities with oil. Remove and clean dipstick, then check oil level. If the oil level is on or under the lower HOT RUN line, add just enough oil to bring up the level to the middle of the HOT RUN band.

CARE AND MAINTENANCE



TRANSMISSION FLUID LEVEL DIPSTICK (TYPICAL) 07006

Replace dipstick and tighten the filler tube cap until the rubber seal is correctly seated.

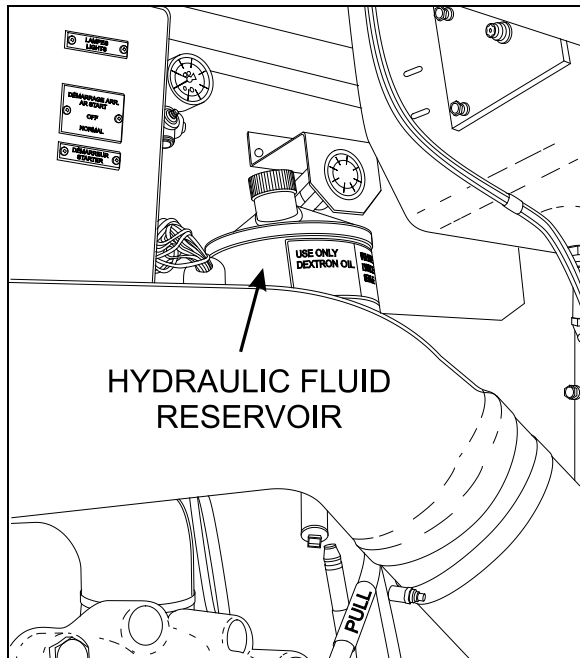
Caution: Do not overfill transmission fluid reservoir. Severe damage may result.

Caution: Do not mix fluid types or brands because of possible incompatibility.

Caution: Use clean fluid and containers when filling transmission. Never use containers that have contained water or anti-freeze (Glycol).

POWER STEERING FLUID LEVEL

The coach is equipped with a power steering system. The hydraulic fluid tank is located in the engine compartment.



ENGINE COMPARTMENT

14044

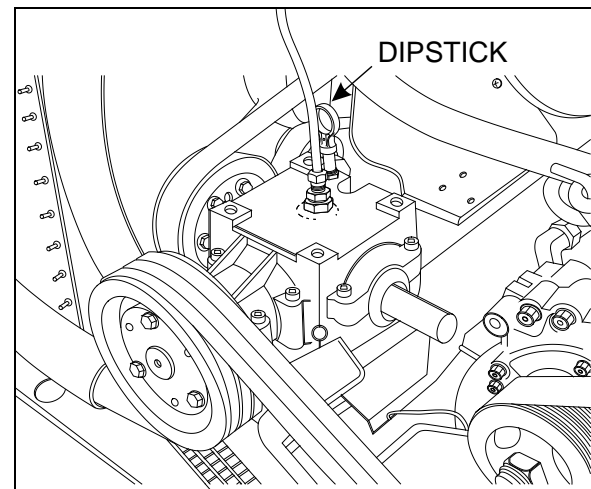
Check fluid level as follows:

1. Stop engine, open engine compartment and place rear start switch to *OFF* position;
2. Unscrew and remove the dipstick located on top of the fluid tank and wipe with a clean rag;
3. Replace dipstick in tank, then remove to check fluid level;

4. Add hydraulic fluid until it reaches the **FULL** mark on the dipstick (use Dexron II, Dexron IIE, Dexron III or Mercon fluid type);
5. Replace and tighten dipstick;
6. Place engine rear start switch to *NORMAL* position. Close engine compartment door .

RADIATOR FAN GEARBOX OIL LEVEL

The radiator fan is belt-driven by the engine crankshaft pulley through a gearbox and drive shaft. A dipstick located on the top of the gearbox is used to check the radiator fan gearbox oil level.



ENGINE COMPARTMENT

05062

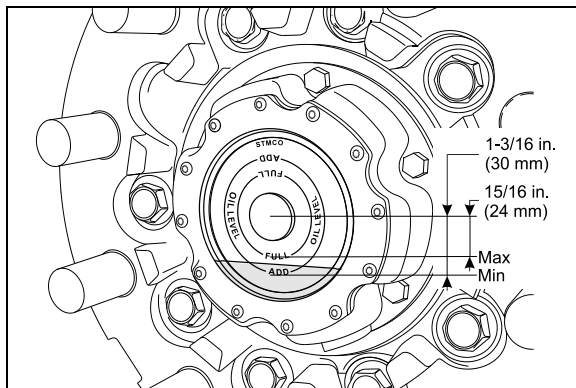
Check radiator fan gear box oil level as follows:

1. Stop engine, open engine compartment and place battery master switch to the *OFF* position;
2. Open engine compartment door and place engine starter switch to *OFF* position;
3. Remove the dipstick located on the top of the gearbox and wipe with a clean rag;
4. Insert dipstick in gearbox case, then remove again to check mark;
5. If necessary, add MOBIL SHC 630 synthetic lubricant (Prevost #180217), through the plug or the oil dipstick tube, until the level reaches the "FULL" mark;
6. Reinsert the dipstick;
7. Place engine rear start switch to *NORMAL* position. Close engine compartment door;
8. Set battery master switch to *ON* position.

WHEEL BEARING OIL LEVEL

If oil lubricated bearings are used, the front and tag axle wheel bearings must be kept filled with differential oil to within 15/16" (maximum level) and 1-3/16" (minimum level) from the wheel centerline (24 to 30 mm). Refer to measurements in illustration below. Drive axle wheel bearings are lubricated by the differential oil. Maintain differential oil at correct level to ensure adequate lubrication of drive axle wheel bearings at all times.

If oil is to be added, use general purpose gear lubricant SAE 85W/140 (API spec. GL5). Oil must be added by removing the oil fill cap in center of hub. To check oil level after vehicle has been driven, wait at least 15 minutes to ensure that oil has settled.



WHEEL HUB 13017

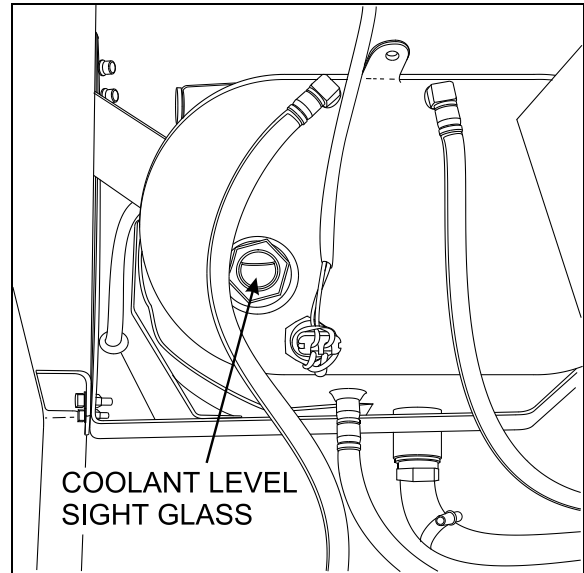
On vehicles equipped with grease lubricated wheel bearings, pack with wheel bearing grease.

Note: It is more precise to measure the oil level in the wheel hubs according to the instructions above than to refer to the indicator lines on the hubs.

Caution: The wheel bearing oil fill cap has a small vent hole in the center to prevent overpressure in the bearing housing. Clean occasionally by inserting a needle.

COOLANT FLUID

Coolant level is correct when coolant is visible through the surge tank sight glass when cold. If coolant level is low, fill system with the same 50-50 mixture normally used.

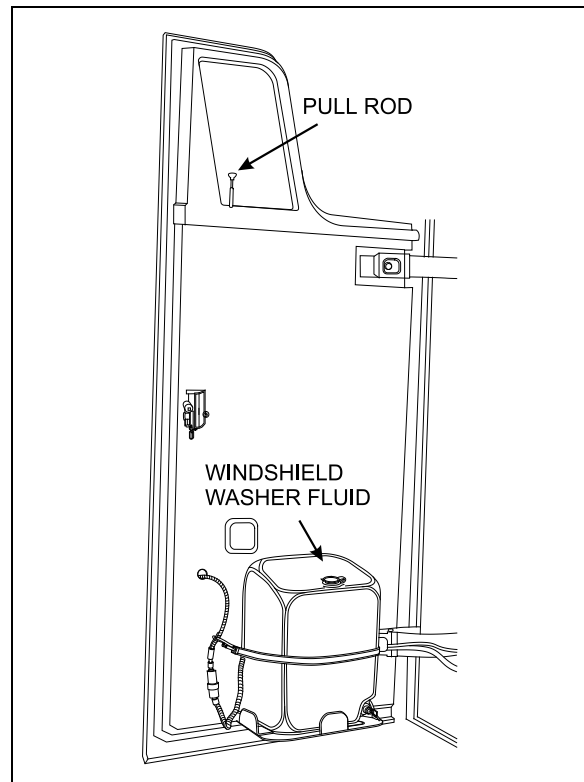


ENGINE COMPARTMENT 05069

Warning: Hot engine coolant is under high pressure. Allow engine to cool down before adding coolant.

WINDSHIELD WASHER RESERVOIR

The windshield washer reservoir is located in the front service compartment door. The reservoir has a capacity of 5.3 US gallons (20 liters). Check fluid level regularly.



FRONT SERVICE DOOR 18381

CARE AND MAINTENANCE

The spray jets are located on the windshield wipers and are angled to spray towards the center of the windshield.

OTHER VERIFICATIONS

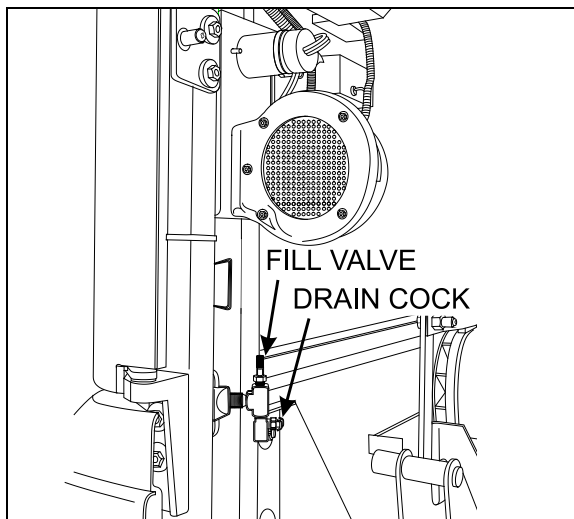
It is good practice to regularly inspect the vehicle for signs of component wear and to perform safety and maintenance routines.

AIR TANK PURGE

The vehicle may be equipped with up to six air tanks. Purge accessory and wet air tanks before each trip. The primary and secondary air tanks must be purged at every oil change. Oil changes should be scheduled at least every 12,500 miles (20 000 km).

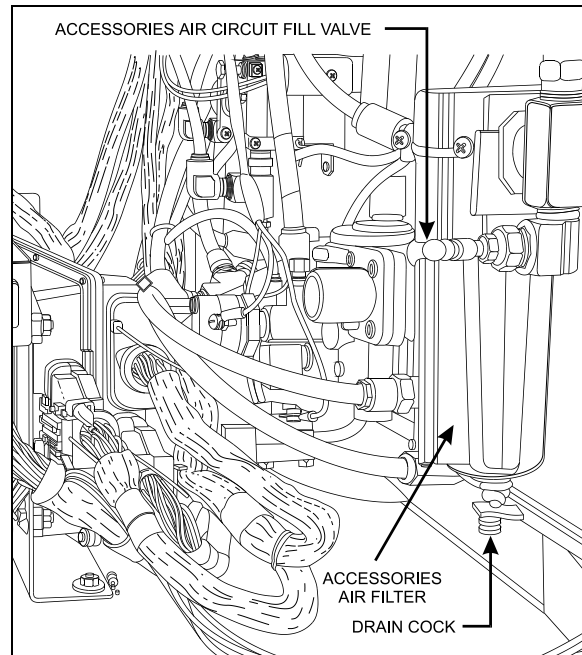
The accessory air tank drain cock is accessible from the front service compartment. The wet air tank drain cock is accessible from the engine compartment. All air tanks are equipped with a drain cock underneath the tank. Refer to the "Lubrication and Service Check Point Chart" in this chapter for tank locations.

Drain tanks by turning cocks counterclockwise.



ENGINE COMPARTMENT

12162



FRONT SERVICE COMPARTMENT

12130

FIRE EXTINGUISHERS

Inspect fire extinguishers monthly to insure operation in emergency situations.

On extinguishers with a pressure gauge, the needle should be in the green or *NORMAL* range. Refill or replace extinguisher if pressure is below normal;

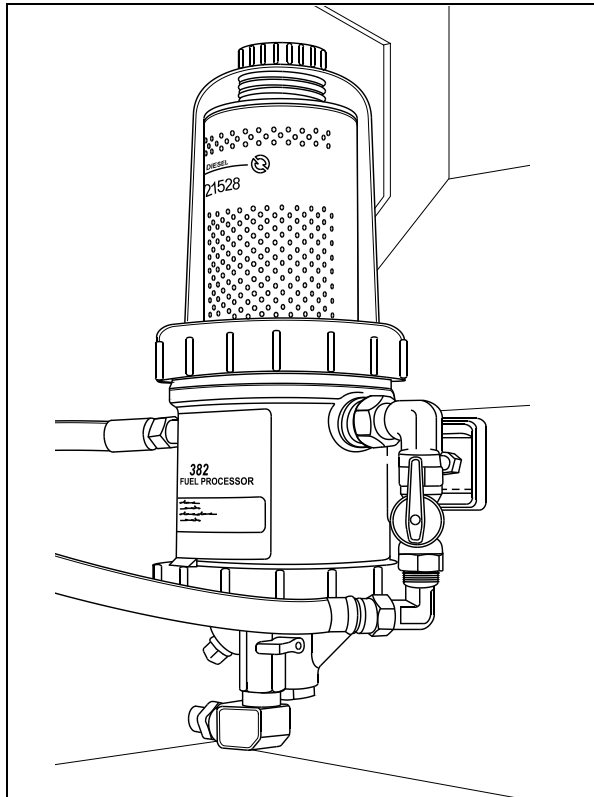
Check that seal on handle is intact;

Check that hose nozzle is in good condition and the nozzle is free of obstructions;

Keep fire extinguishers clean.

FUEL FILTER/WATER SEPARATOR

The optional fuel filter/water separator installed in the engine compartment is used to prevent water from entering the fuel system. The water separator should be drained periodically or when the telltale light on the dashboard illuminates. To drain water, loosen the drain valve below the separator one quarter turn. Close the drain valve when finished.



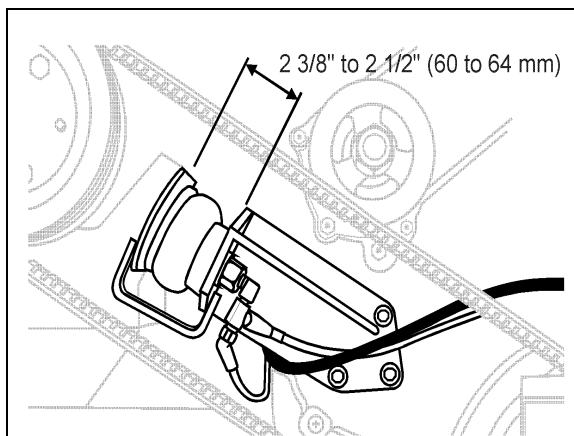
FUEL FILTER / WATER SEPARATOR

03032

BELT TENSION ADJUSTMENT

The radiator transfer fan and air conditioning compressor are driven by V-belts.

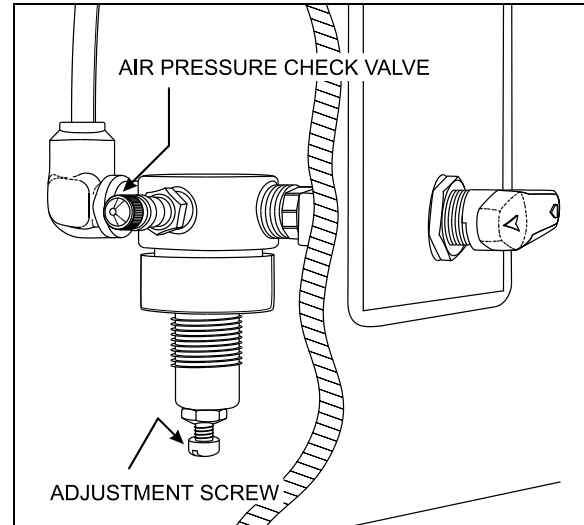
Belt tensioning is applied through air bellows which are adjusted by an air pressure regulating valve mounted in the engine compartment, right behind the belt tensioning pressure control valve. The correct pressure of 50 psi (345 kPa) is set at the factory. Periodically verify the pressure at the regulating valve using a tire pressure gauge and correct if necessary.



AIR BELLOWS

01059

For belt replacement, air pressure must be released from bellows by means of the belt tensioning pressure control valve. This valve, mounted close to the pressure regulating valve, is manually operated. Before handling, set the rear start switch to OFF and observe all applicable safety precautions.



PRESSURE REGULATING VALVE

12175

- Refer to the Parts Manual, Maintenance Manual or "Service Bulletins" for recommended belt sizes and tension settings;
- Periodically inspect belt and pulleys for wear or damage;
- Do not treat belts with any compounds. Keep belts dry;

BACK UP CAMERA

The optional back up camera is located on the rear cap. To clean the camera's protective glass, spray with soapy water. Wipe with a clean damp rag or wiper blade.

Warning: To avoid injury, do not clean camera with transmission in reverse (R). Shut off engine and apply parking brake before cleaning.

Caution: To prevent scratches to the camera protective glass, do not wipe with dry rag. Use a clean damp rag.

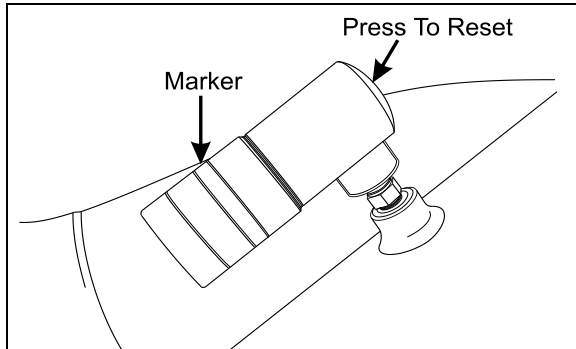
AIR FILTER RESTRICTION INDICATOR

A filter restriction indicator (optional) is used to monitor the vacuum level between the air filter and engine. A red marker is displayed when the air filter is clogged. When a red marker is

CARE AND MAINTENANCE

displayed, the air filter must be replaced. Reset by pressing on the indicator's extremity.

The filter restriction indicator is located on the engine air intake duct.



RESTRICTION INDICATOR

01052

A/C AND HEATING SYSTEM AIR FILTERS

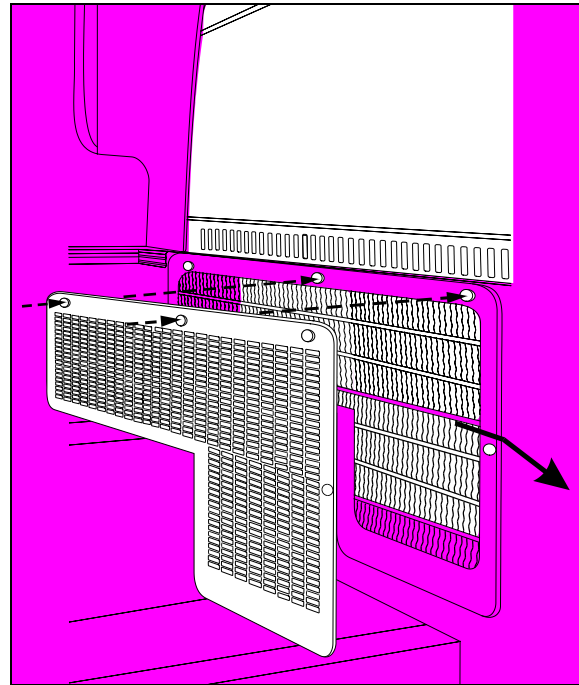
For maximum air conditioning and heating system efficiency, air filters should be inspected and cleaned as required in maintenance schedule to ensure proper ventilation of the evaporator and heating radiator cores. To clean filters, back flush with water, then dry with air.

Caution: Do not use high pressure water jet to avoid damaging filter.

Caution: Be sure not to reverse filter upon installation.

DRIVER'S AREA FILTERS

The driver HVAC system's air filters are located behind the R.H. console. To gain access to the A/C filters, unscrew the grill located at the top step of the entrance door steps. Remove the filters for cleaning or replacement.



DRIVER'S AREA AIR FILTER REMOVAL

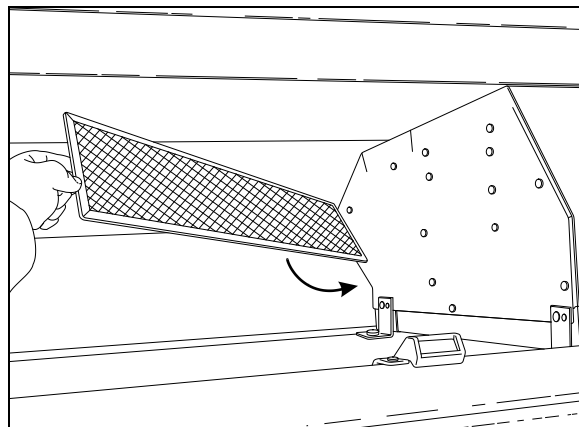
22193

CABIN AIR FILTER

The central HVAC system's uses two air filters. They are located in the evaporator compartment on driver's side of the vehicle. To access, open the baggage compartment forward of the evaporator compartment. An access door held shut by three retaining screws is located in the wall separating the baggage compartment and the evaporator compartment. Slide out the upper filter first, then slide out the lower filter.

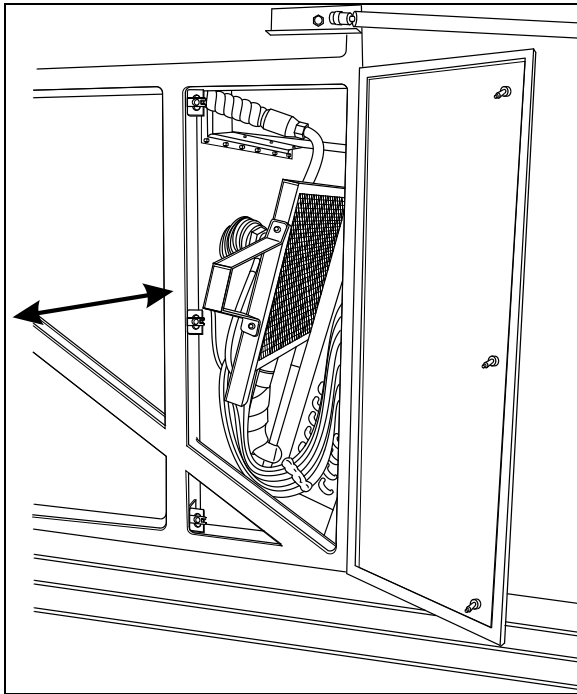
Filters in the Overhead Compartments

Remove, clean or replace the air filter located behind each overhead baggage compartment fan.



OVERHEAD COMPARTMENT FAN AIR FILTER

22201



CABIN SYSTEM AIR FILTER REMOVAL

22179

Caution: Be sure not to install filter in inverted position.

HOSE INSPECTION

Inspect hoses regularly to ensure efficient, economical and safe operation of the engine and related equipment.

LUBRICATION

Grease all lubrication points during scheduled maintenance. For heavy loads or extended use, lubricate more often. Refer to the Maintenance Manual, section 24 for information on lubrication.

ROUTINE INSPECTION

WITH ENGINE STOPPED:

Inspect hoses for leaks. Carefully inspect all fittings, clamps and ties. To prevent chafing, make sure hoses are not touching shafts, couplings, heated surfaces, sharp edges or other parts. Since hose clamps and ties can vibrate loose or fail over time, inspect frequently and tighten or replace as necessary.

Check for loose nuts and bolts. Visually inspect safety of compartment door latches. Test operation of all exterior lights.

Leaks

Check for leaks under vehicle and in compartments.

Correct leaking hoses immediately. Failure to correct leaks can cause severe damage to the equipment, as well as increase operating costs due to lost fluids. Treat fuel and oil leaks as an immediate fire hazard.

Warning: Personal injury and property damage may result from fire caused by leaking flammable fluids.

Hose Service Life

Hoses have a limited service life. Thoroughly inspect hoses annually. Look for surface damage or indications of twisted, worn, crimped, cracked or leaking lines. Replace damaged hoses immediately.

Hoses should be replaced during major overhaul or after a maximum of five years service. Make sure replacement hoses match the original equipment manufacturer's specifications.

Wheels And Tires

Check for loose wheel nuts. Both aluminum alloy and steel wheel nuts should be tightened to 450 to 500 foot-pounds (610 to 680 N.m.) torque.

Tire Pressure

Keep the tires inflated to the recommended inflation pressure to prolong tire life and for safety.

Note: Recommended tire inflation pressures are given in the "Coach Final Record", placed in the technical publications package supplied with the vehicle. The cold tire inflation pressures are on the Department of Transport certification plate located on the L.H. console besides the driver's seat. When special tires are installed by Prevost on a new vehicle, a special tire inflation chart is added next to the certification plate.

Warning: Do not exceed maximum inflation pressure. Incorrect tire pressure increases tire wear and could lead to loss of driving control because of reduced road handling. Check tire pressure regularly.

CARE AND MAINTENANCE

Warning: If replacement tires are different from those described on the certification plate, pressure must be adjusted as requested in the Tire and Rim Association Manual.

Doors

Close all exterior doors and windows. Check for good tightness and fit.

Tools And Spares

Make sure the vehicle is equipped with a wheel nut wrench, door keys, spare belts, reflectors and jack.

Air System

To drain water from air and accessory tanks, open drain cocks. Close drains when completed. Refer to heading "Air Tank Purge" in this chapter.

Water Separator

To drain water separator, open drain valve. Close drain valve after draining.

Coolant Level

Check coolant level. Coolant level is correct when visible in the filler neck of the surge tank. If coolant level is low, fill system with 50-50 coolant-water mixture. Refer to the vehicle "Maintenance Manual" for more information.

Warning: Hot engine coolant is under pressure. Do not attempt to open the coolant filler cap when the engine is hot. Allow engine to cool before adding coolant.

Wheel Bearings

Check wheel bearing oil level in sight glass. Refer to heading "Wheel Bearing Oil Level" in this chapter.

Caution: Check wheel bearing cover for overheating (especially after brake work) during fuel stops by touching the wheel bearing cover.

Windshield Washer Reservoir

Make sure windshield washer reservoir is full. For cold weather, use antifreeze windshield washer fluid.

Engine Oil

Check engine oil level during fuel stops. It is normal for diesel engines to burn some oil. If the oil level is low, refer to heading "Engine Oil Level" in this chapter.

Warning: Check the engine oil level with vehicle parked on a level surface and with the parking brake engaged.

Power Steering Oil Tank

Check steering oil level. Refer to heading "Power Steering Fluid Level" in this chapter.

Belts

Check for loose, worn or broken belts.

Belt Tension Adjustment

Check belt tension using a pressure gauge. Refer to heading "Belt Tension Adjustment" in "Other Verifications" section in this chapter.

Fire Extinguishers

Check fire extinguishers to make sure they are ready for operation. Refer to heading "Fire Extinguishers" in "Other Verifications" section in this chapter.

Emergency Exits

Verify emergency exits for correct operation.

Driver's Section

Adjust driver's mirrors and seat.

WITH ENGINE RUNNING:

Leaks

Walk around vehicle and listen for air leaks.

Turbocharger

Check for leaks and listen for unusual sounds coming from the turbocharger.

Automatic Transmission

Check automatic transmission oil level. Refer to heading "Automatic Transmission Fluid Level" in this chapter.

Gauges And Buzzers

Perform a telltale light test (see "Controls and Instruments" chapter). Make sure gauges are in normal operating condition. Indicator lights and buzzers should all be *OFF* before driving.

Fuel Level

Make sure fuel level is sufficient.

Service Brakes

Check for correct pressure build-up. Pressure loss should not exceed 3 psi/minute (21 kPa/minute) with engine stopped and without brake applied. Perform a full brake application. Air loss should not exceed 7 psi/minute (48 kPa/minute).

Brake Test

Release parking/emergency brake. Pump service brake pedal until air pressure drops to 65 psi (448 kPa). Make sure the warning buzzer operates and that the emergency brakes apply (the control valve knob lifts up). Allow air pressure to reach 95 psi (655 kPa) before releasing parking brake.

Parking And Emergency Brake Test

Driving the vehicle while the parking brake is applied should not be possible.

FIRST SERVICE ON NEW VEHICLE

Note: Refer to Maintenance Manual for precise service schedule.

ENGINE OIL

Preliminary oil change is not required since the engine has been test-run at the factory. Change oil and filter every 12,500 miles (20 000 km) or once a year, whichever comes first.

ALLISON TRANSMISSION FLUID FILTER

Replace World transmission filter cartridges after the first 5,000 miles (8 000 km) and then according to the lubrication schedule at the end of this chapter.

COOLANT SYSTEM STRAINER

The coolant system strainer is designed to recover the soldering residues trapped inside the

coolant lines during their initial assembly. Clean strainer after first 3,000 miles (5 000 km) and then every 50,000 miles (80 000 km). Refer to the Maintenance Manual under section 05: Cooling System.

Note: If soldering has been performed on cooling system, clean strainer after 3,000 miles (5 000 km).

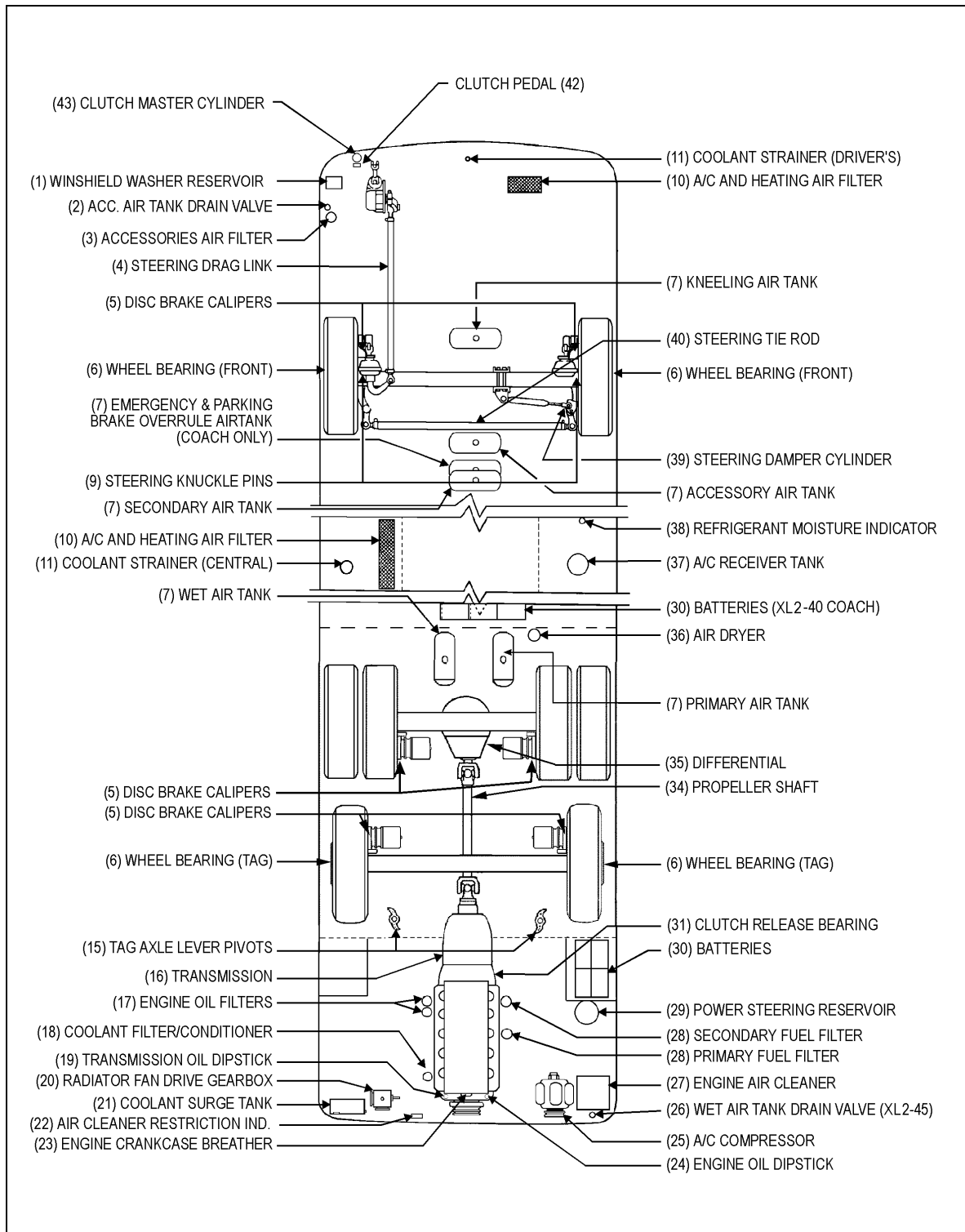
GENERAL RECOMMENDATIONS

- Understand basic principles of vehicle operation;
- Always maintain the vehicle in good running condition;
- Do not drive with low fuel. If the fuel tank runs dry, the engine will not start until the air is bled from the fuel system. Refer to "Maintenance Manual" for more information;
- Allow engine to run for at least two minutes at slow idle before shutting *OFF*;
- Engine should be at idle when shifting from neutral (N) to forward (D) or from neutral (N) to reverse (R);
- The automatic transmission does not have a park (P) position. Place transmission in neutral (N) position and apply parking brake when the vehicle is stopped. A warning buzzer will sound if the engine is stopped and the parking brake has not been applied when foot pressure is removed from the brake pedal;
- Always follow the procedures described in this manual;
- Unless stated otherwise, shut *OFF* the engine before performing all servicing, lubrication and maintenance tasks;
- Do not attempt to push or pull-start the coach;
- The vehicle may be damaged if towed with the axle shafts or driveshaft connected;
- Two chemical fire extinguishers are under the first row of passenger seats. In case of fire, immediately evacuate all occupants. Occupant safety is the first priority. Do not attempt to extinguish the fire if there is immediate danger or risk for personal injury;
- When driving on ice and snow, accelerate and decelerate gradually;

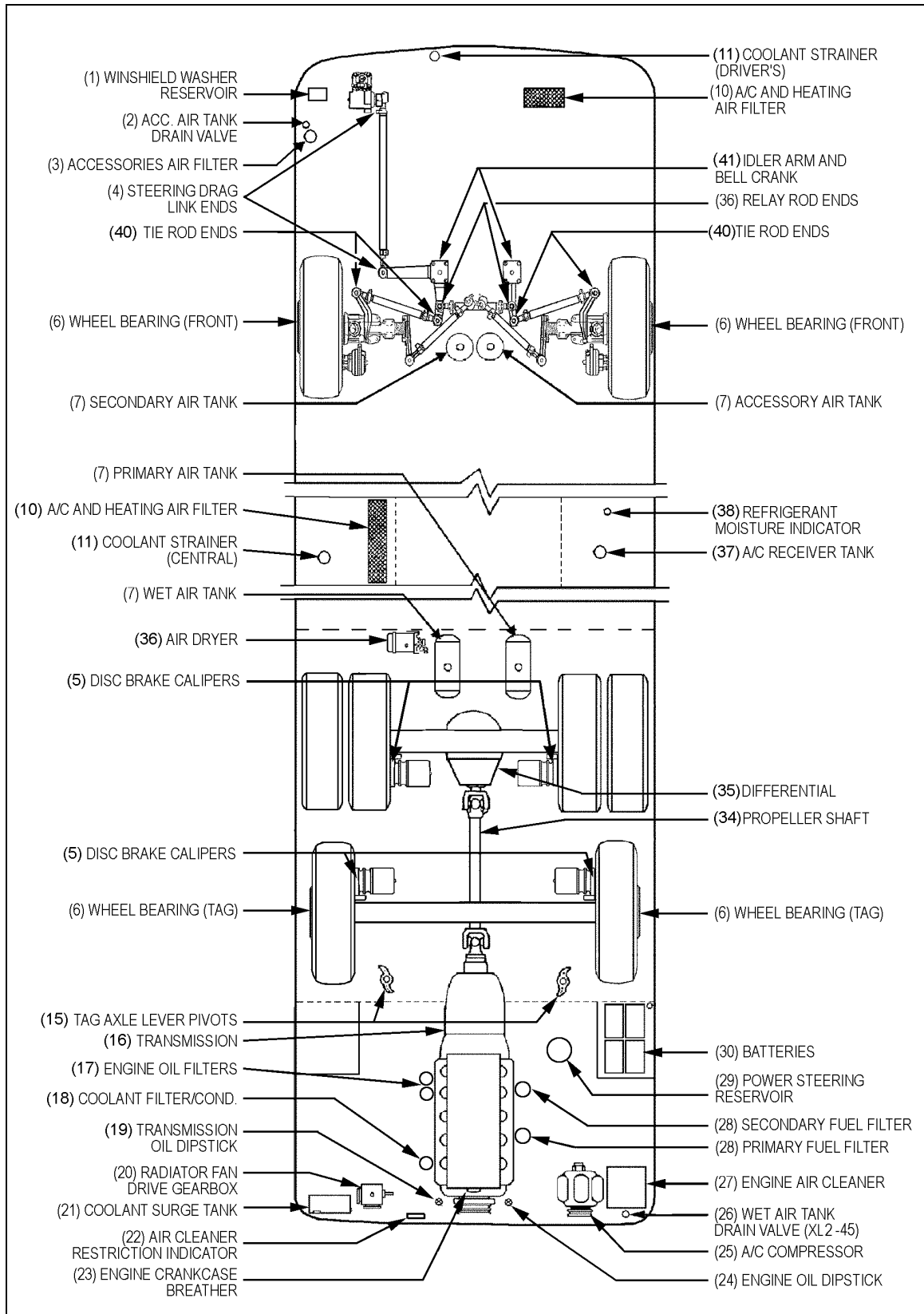
CARE AND MAINTENANCE

Warning: Report all problems affecting passenger or driver safety to a Prevest service

center or an authorized service center. Have problems corrected immediately.



LUBRICATION AND SERVICE CHECK POINTS, RIGID FRONT SUSPENSION (TYPICAL)



LUBRICATION AND SERVICE CHECK POINTS, INDEPENDENT FRONT SUSPENSION (TYPICAL)

24012

CARE AND MAINTENANCE

WALK-AROUND INSPECTION

It is compulsory to make a basic visual inspection of key areas on the vehicle before every trip and to report any problem areas to your Prevost service center or a Prevost-approved authorized service center.

Outside The Vehicle

| ITEM* | DESCRIPTION |
|-------|---|
| --- | Check for leaks under vehicle and in engine compartment. |
| --- | Check that baggage and service compartment doors are properly closed. |
| --- | Inspect tires and wheels for correct tire pressure, wear or damage and for missing wheel studs and nuts. |
| 1 | Check windshield washer fluid level and add if necessary. |
| --- | Check condition of windshield wiper blades. |
| --- | Verify proper operation of all road lights, signal lights, brake lights, marker lights and back up lights; Replace light bulbs as required. |
| 2-26 | Drain accumulated water in accessory and wet air tanks. |

Engine Compartment

| ITEM* | DESCRIPTION |
|--------|--|
| 24 | Check engine crankcase oil level; Add if necessary. |
| 19 | Check transmission fluid level (can be checked from push-button shift selector); Add if necessary. |
| 29 | Check power steering reservoir fluid level; Add if necessary. |
| 21 | Check coolant surge tank fluid level; Add if necessary. |
| 28 | Drain accumulated water in primary fuel filter/water separator (if equipped). |
| 22, 27 | Check air cleaner restriction indicator; Replace air cleaner when red signal locks in full view. |

Inside The Vehicle

| ITEM* | DESCRIPTION |
|-------|---|
| --- | Check for proper operation of the entrance door. |
| --- | Check that emergency exit windows and roof escape hatches can be opened, then close all windows and hatches securely. |
| --- | Verify proper operation of windshield wiper/washer. |
| --- | Adjust mirrors for adequate rear view vision. |
| --- | Start engine and check for proper operation of all gauges and indicator lights. |
| --- | Check for proper operation of electric and air horns and back up alarm. |
| --- | Perform a brake test. Check both primary and secondary pressure gauges. |

* Item numbers refer to figures on lubrication and servicing points in this chapter.

LUBRICATION AND SERVICING SCHEDULE

Caution: On new vehicles, preliminary servicing is required. Refer to the heading “First Service on New Vehicle” in this chapter.

| SERVICE EVERY 6,250 MILES (10 000 KM) OR TWICE A YEAR, WHICHEVER COMES FIRST | | | |
|--|--------------------------------|--|-----------------------|
| ITEM* | DESCRIPTION | REMARKS | LUBRICANT &/OR PART** |
| 27 | Engine Air Cleaner | Inspect and clean, replace element if required. | Filter: #530197 |
| | Engine Air Pre-Cleaner | Check discharge tube. | ----- |
| 25 | A/C Compressor | Check oil level, add if necessary. | Polyolester Oil |
| 37 | A/C Receiver Tank | Check refrigerant level, add if necessary. | HFC 134a |
| 38 | Refrigerant Moisture Indicator | Replace filter dryer unit according to moisture indicator (as needed). | Filter: #950262 |
| 35 | Differential | Check oil level, add if necessary. | Multigrade gear oil |
| 20 | Radiator Fan Drive Gearbox | Check oil level, add if necessary. | Mobil SHC 630 #180217 |
| 34 | Propeller Shaft | Grease one fitting on each universal joint and slip joint. | Multi purpose grease |
| 15 | Tag Axle Lever Pivot | Grease one fitting on each pivot. | Multi purpose grease |
| 4 | Drag Link Ends | Grease one fitting at each end. | Multi purpose grease |
| 40 | Steering Tie Rod Ends | Grease one fitting at each end. | Multi purpose grease |
| 41 | Idler Arm and Bell Crank | Grease fittings. | Multi purpose grease |
| 39 | Steering Damper Cylinder | Grease one fitting at rod end. | Multi purpose grease |
| 9 | Steering Knuckle Pins | Grease two fittings per knuckle. | Multi purpose grease |
| --- | Alternator Drive Belt | Check for wear and cracks. | ----- |

* Item numbers refer to figures on lubrication and servicing points in this chapter.

** See end of this section for lubricant and part number specifications.

CARE AND MAINTENANCE

| SERVICE EVERY 12,500 MILES (20 000 KM) OR ONCE A YEAR, WHICHEVER COMES FIRST | | | |
|--|--------------------------------------|---|---|
| ITEM* | DESCRIPTION | REMARKS | LUBRICANT &/OR PART** |
| 16 | Allison Transmission | Change fluid and filters (if containing non-TranSynd fluid). | Dexron-II-E or Dexron-III |
| 17 | Engine Oil Filters | Change oil and filters. | Engine oil: SAE 15W40, API CG4 Filters: #510458 |
| 28 | Fuel Filters | Change primary and secondary fuel filters (Fill with clean fuel before installation). | Primary: #510137 Prim. w/sep.: #531390 Secondary: #510128 |
| 18 | Coolant Filter/Conditioner | Replace element. | Filter: #550630 |
| 21 | Coolant Surge Tank | Test coolant solution. | ----- |
| 7 | Air Tanks | Drain accumulated water from all tanks. | ----- |
| 10 | A/C and Heating Air Filters | Clean or replace two elements (twice a year). | Driver's: #871049 Passenger's: #871051 |
| --- | Overhead compartment fan air filters | Clean or replace | Filter: #871159 |

| SERVICE EVERY 50,000 MILES (80 000 KM) OR ONCE A YEAR, WHICHEVER COMES FIRST | | | |
|--|--|---|--|
| ITEM* | DESCRIPTION | REMARKS | LUBRICANT &/OR PART** |
| 20 | Radiator Fan Drive Gearbox | Change oil. | Mobil SHC 630 |
| 29 | Power Steering Reservoir | Replace oil filter cartridge element. | Cartridge: #660987 |
| 6 | Axle Bearings | Repack with grease or refill with differential oil. | Multi purpose grease or differential oil |
| 16 | Allison Transmission (50, 000 miles/every 2 years) | Change fluid and filters (if containing TranSynd fluid only). ‡ | Fluid: TranSynd™ Filters: #571709 |
| 18 | Coolant Strainer | Check and clean, change cartridge if required. †† | Cartridge: #871029 |
| 23 | Engine Crankcase Breather | Clean breather steel mesh. | ----- |
| --- | Hoses | Thoroughly inspect all hoses. | ----- |

* Item numbers refer to figures on lubrication and servicing points in this chapter.

** See end of this section for lubricant and part number specifications.

‡ When the transmission contains a mixture of fluids (defined as the quantity of non-TranSynd fluid remaining in the transmission after a fluid change combined with the quantity of TranSynd required to fill the transmission to the proper level), perform the fluid and filter change at 25,000 miles (40 200 Km) or 1 year, whichever comes first.

†† If soldering has been performed on the system, clean strainer after 3,000 miles (5 000 Km).

CARE AND MAINTENANCE

| SERVICE EVERY 100,000 MILES (160 000 KM) OR ONCE EVERY TWO YEARS, WHICHEVER COMES FIRST | | | |
|--|------------------------|---|-----------------------|
| ITEM* | DESCRIPTION | REMARKS | LUBRICANT &/OR PART** |
| 35 | Differential | Change oil; Clean breathers. | Multigrade gear oil |
| 3 | Accessories Air Filter | Change filter element. | Filter: #641252 |
| 36 | Air Dryer | Change cartridge. | Cartridge: #641278 |
| --- | Bosch T1 Alternator | Change the brushes as per "Repair and Testing Instructions for T1 Alternator 0120 69 552" annexed to section 6 of the Maintenance Manual. | ----- |

| SERVICE EVERY 200,000 MILES (320 000 KM) OR ONCE EVERY FOUR YEARS, WHICHEVER COMES FIRST | | | |
|---|---------------------|--|-----------------------|
| ITEM* | DESCRIPTION | REMARKS | LUBRICANT &/OR PART** |
| --- | Bosch T1 Alternator | Replace bearings as per "Repair and Testing Instructions for T1 Alternator 0120 69 552" annexed to section 06. | ----- |

| SERVICE EVERY 250,000 MILES (400 000 KM) OR ONCE EVERY TWO YEARS, WHICHEVER COMES FIRST | | | |
|--|--------------------|---|-----------------------|
| ITEM* | DESCRIPTION | REMARKS | LUBRICANT &/OR PART** |
| 16 | Eaton Transmission | Change transmission fluid and filter and check strainer for dirt. | Dexron III |

| MISCELLANEOUS SERVICE | | | |
|------------------------------|--------------------|--|--------------------------|
| ITEM* | DESCRIPTION | REMARKS | LUBRICANT &/OR PART** |
| 18, 21 | Cooling System | Drain, flush and refill every two years or 200,000 miles (320 000 km) whichever comes first. | Engine coolant |
| 30 | Battery Terminals | Clean and coat terminals yearly. | Battery terminal coating |
| --- | Discharge Tubes*** | Every three months: Check 2 condenser's discharge tubes; Check 6 evaporator's discharge tubes; Check 2 front discharge tubes. | ----- |

* Item numbers refer to figures on lubrication and servicing points in this chapter.

** See end of this section for lubricant and part number specifications.

*** Discharge tubes are rubber tubes located under vehicle.

CARE AND MAINTENANCE

Lubricant Specifications

| ITEM* | DESCRIPTION | SPECIFICATIONS |
|--------|----------------------------|--|
| 24 | Engine Oil | SAE Viscosity Grade: 15W40 API Classification: CG4 |
| 29 | Power Steering Oil | Automatic Transmission fluid (Dexron-II or Dexron-III) |
| 18, 21 | Engine Coolant | Low silicate, ethylene glycol coolant 50% antifreeze/water solution is normally used Antifreeze concentration should be between 30% and 67% |
| 25 | A/C Compressor Oil | Polyolester Oil, HFC 134a compatible: Castrol SW-68 (POE) or equivalent |
| 35 | Differential Oil | Multigrade gear oil meeting MIL-L-2105-D: 85W140 If temperature drops below 10°F (-12°C), 80W90 should be used, and below -15°F (-26°C), 75W90 should be used. (In extreme conditions or for better performance, full synthetic gear oil can be used.) |
| 20 | Fan Gearbox Oil | Mobil SHC 630 |
| 16, 19 | Eaton Transmission Fluid | Dexron III |
| 16, 19 | Allison Transmission Fluid | Dexron IIE, Dexron III or Transynd |
| --- | Multi Purpose Grease | Good quality lithium-base grease: NLGI No.2 Grade is suitable for most temperatures NLGI No.1 Grade is suitable for extremely low temperatures |

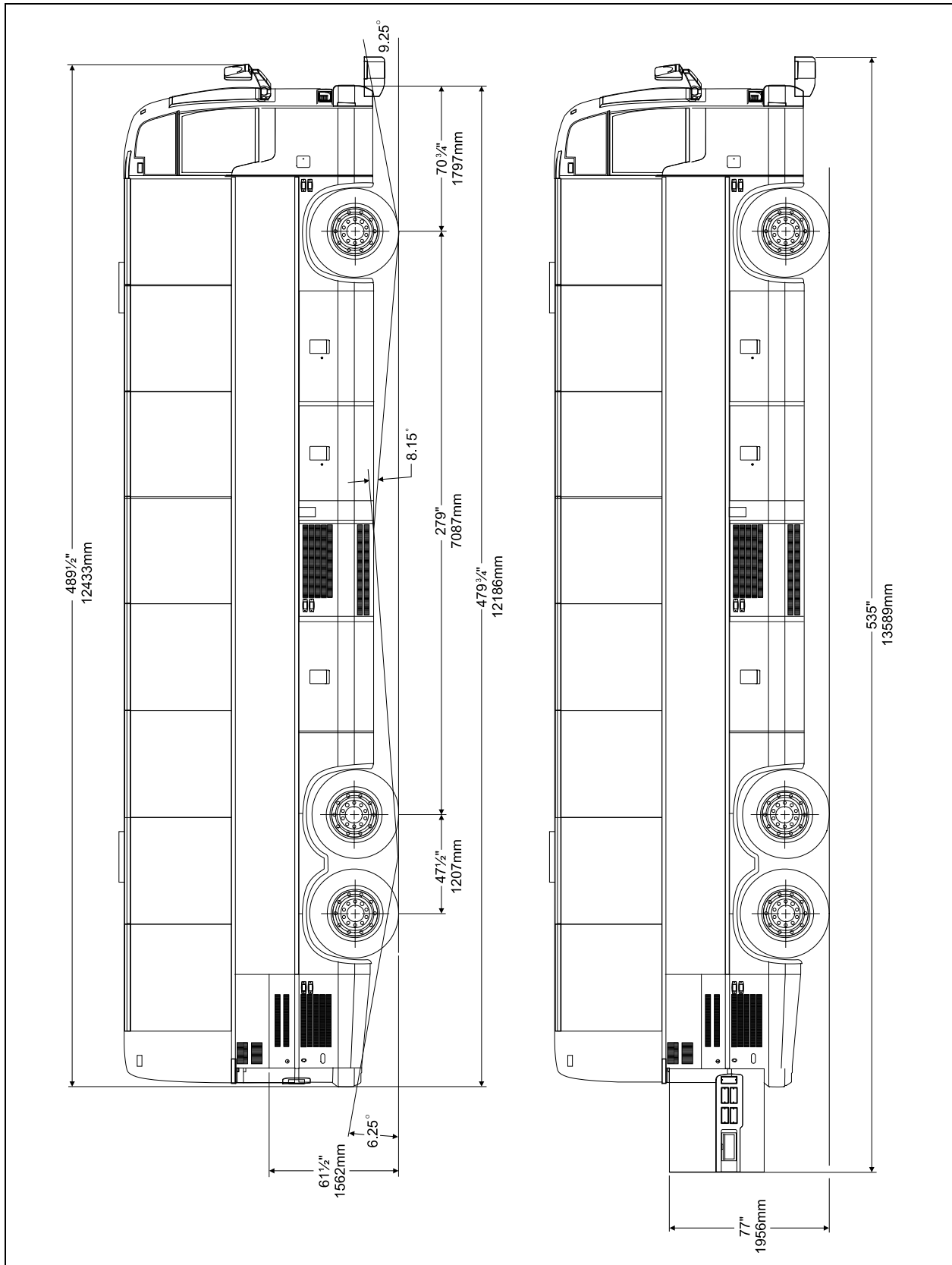
* Item numbers refer to figures on lubrication and servicing points in this chapter.

PART NUMBER SPECIFICATIONS

| | | |
|--|--|--|
| | | |
|--|--|--|

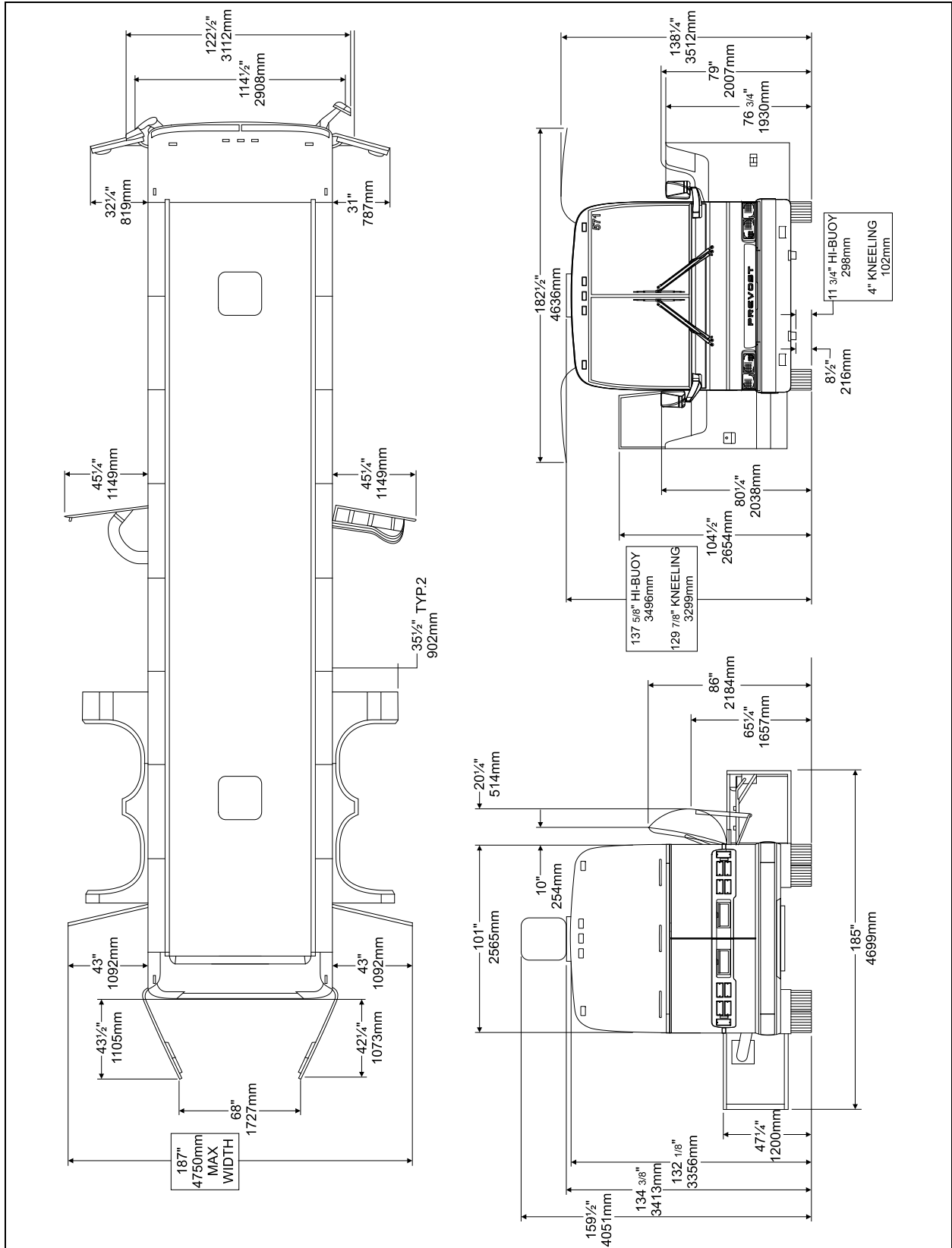
Please, refer to your vehicle Parts Manual

TECHNICAL INFORMATION

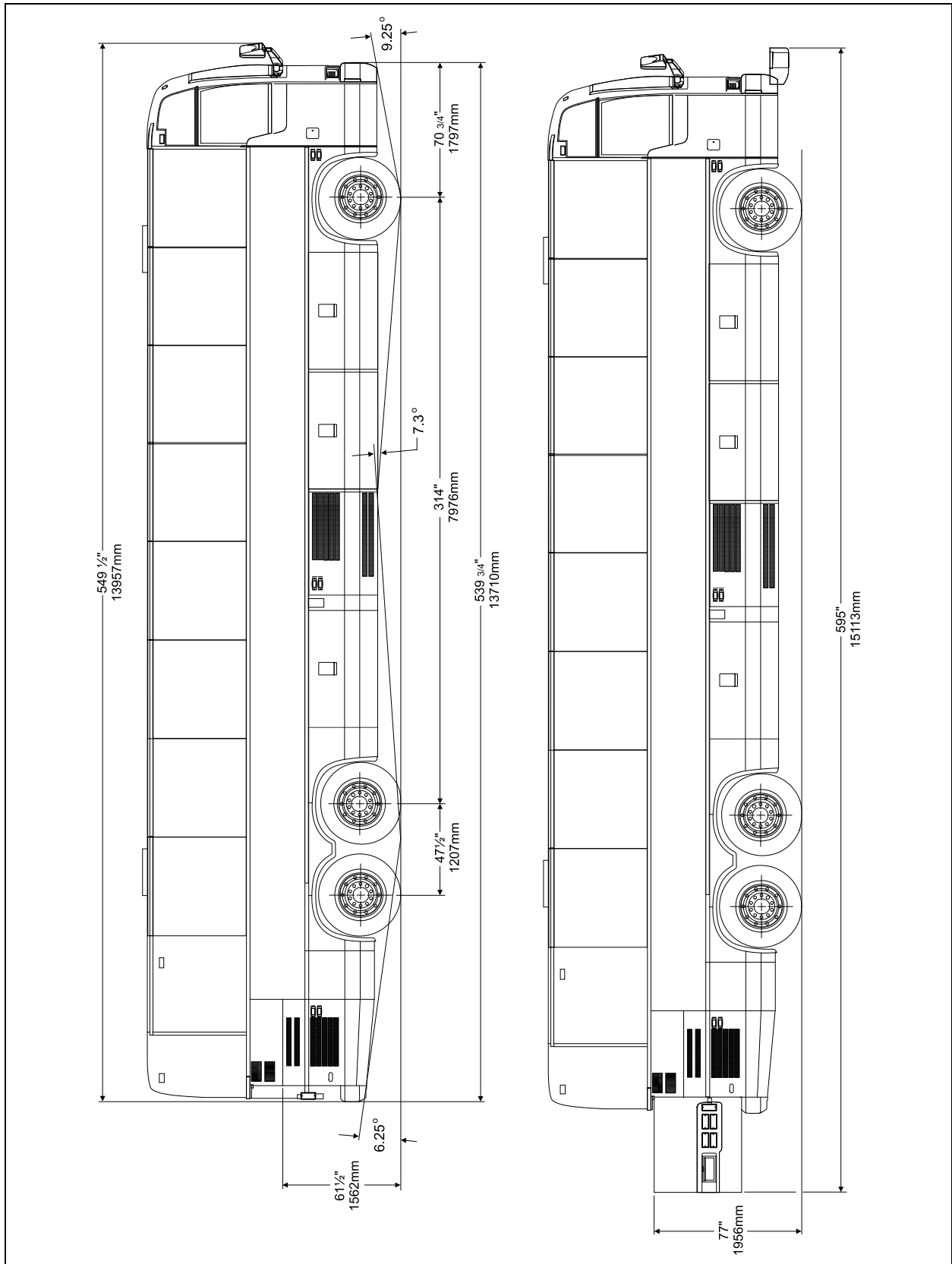


XLII-40 OVERALL DIMENSIONS (SIDE ELEVATION)

TECHNICAL INFORMATION



XLII-40 OVERALL DIMENSIONS (TOP, FRONT AND REAR VIEWS)



XLII-45 OVERALL DIMENSIONS (SIDE ELEVATION)

TECHNICAL INFORMATION

| DIMENSIONS AND WEIGHTS | XLII-40 | XLII-45 |
|--|---------------------------|---------------------------|
| Overall length (over bumpers) | 40'0" (12,2 m) | 45' (13,7 m) |
| Overall width | 102" (2,59 m) | |
| Overall height (normal ride height) | 133 5/8" (3.40 m) | |
| Wheelbase (center of front axle to center of drive axle) | 279" (7,09 m) | 317" (8,05 m) |
| Floor height from ground | 48 1/2" (1,23 m) | |
| Ground clearance | 11" (280 mm) | |
| Step height from ground | 15" (380 mm) | |
| Step height (other steps) | 7" (178 mm) | |
| Headroom | 80" (2,03 m) | |
| Entrance door opening width | 30" (762 mm) | |
| Front overhang | 70 3/4" (1,80 m) | |
| Rear overhang | 82 1/2" (2,09 m) | 107 1/2" (2,73 m) |
| Front track | 85.9" (2,18 m) | |
| Drive track | 76.7" (1,95 m) | |
| Rear track (tag axle) | 83.6" (2,12 m) | |
| Turning circle radius (rigid axle suspension) | 41'-5" (12.6 m) | 45'-7" (13.9 m) |
| Turning circle radius (independent front suspension) | 38'-5" (11.7 m) | 42'-2" (13.3 m) |
| Curb weight* | N/A | 37,090 lbs (16 840 Kg) |
| Gross Vehicle Weight Rating (G.V.W.R.) | 48,900 lbs (22 230 kg) | |
| Front axle Gross Axle Weight Rating (G.A.W.R.) | 16,500 lbs (7 500 kg) | |
| Drive axle (G.A.W.R.) | 20,400 lbs (9 270 kg) | |
| Tag axle (G.A.W.R.) | 12,000 lbs (5 455 kg) | |

(*) Vehicle weight will vary depending on optional equipment.

The Gross Vehicle Weight Rating (G.V.W.R.) and the Gross Axle Weight Rating (G.A.W.R.) for front, drive and tag axles are listed on a certification plate located on the L.H. control panel in driver's section.

| CAPACITIES | XLII-40 | XLII-45 |
|------------------------------|----------------------|---------|
| Engine oil (in crankcase) | 37 U.S. qts (35 l) | |
| Engine oil (in reserve tank) | 8.4 U.S. qts (8,0 l) | |

| CAPACITIES | XLII-40 | XLII-45 |
|---|-----------------------|-----------------------|
| Fuel tank (legal capacity equal to 95% of volume) | 180 U.S. gal. (681 l) | 208 U.S. gal. (787 l) |
| Cooling system | 18.7 U.S. gal. (71 l) | |
| Transmission (does not include external circuit) | 10 U.S. gal. (38 l) | |
| Differential oil | 20 U.S. qts (18,7 l) | |
| Power steering reservoir | 4.0 U.S. qts (3,8 l) | |
| A/C compressor oil | 4.5 U.S. qts (4,3 l) | |
| Windshield washer reservoir | 5.3 U.S. gal. (20 l) | |
| Refrigerant | 24.1 lbs (11 kg) | |

FUEL TYPE

ASTM specification D-975
 Recommended grade 1-D
 Acceptable grade 2-D

WHEELS AND TIRES

Steel wheels..... 9" X 22 1/2"
 Aluminum forged wheels..... 9" X 22 1/2"
 Except inner drive axle (steel) 8 1/4" X 22 1/2"
 Tires 315/80 R 22.5

RECOMMENDED TIRE INFLATION PRESSURE AT MAXIMUM COLD LOAD

The recommended tire inflation pressures are given in the applicable documents supplied with the vehicle. In addition, cold tire inflation pressures are listed on the Department of Transport (DOT) certification plate, affixed on the left wall near the driver's seat. For special tire selection, a "PREVOST COACH SPECIAL SPECIFICATION" chart is supplied with the vehicle and is affixed next to the DOT certification plate.

Caution: These tire pressures are established in accordance with the maximum allowable load on each axle. A lower pressure is recommended if the axle load is less than the above specifications. Weigh vehicle fully loaded and pressurize according to tire manufacturer's recommendations. For non standard tire and wheel specifications, see Prevost tire pressure tabulation in "Coach Final Record" or special specification chart affixed next to the DOT certification plate.

TECHNICAL INFORMATION

BELTS

| Use | Make | Model | Qty |
|-------------------------------|-------|--------------|-----|
| Radiator fan drive (transfer) | Gates | AX-73 | 3 |
| Radiator fan drive (fan) | Dayco | Poly-V 10/51 | 1 |
| A/C system compressor | Gates | BX-100 | 2 |
| Alternator 2 x 28V, 140 Amps. | Gates | Poly-V 12/82 | 1 |
| Alternator, 1x "limp-home" | Gates | Poly-V 12/72 | 1 |

ENGINE

Power is provided by a Detroit Diesel DDEC IV Series 60 engine, displacing 12,7 liters. It is an inline six cylinder, four stroke, turbocharged, air to air charge cooled, diesel engine with an overhead camshaft, and four valves per cylinder.

Rated horsepower.....400 HP @ 2 100 rpm
 Peak torque..... 1,450 lbf•ft @ 1,200 rpm
 Operating range 1,200 – 2,100 rpm

TRANSMISSION

ALLISON WORLD TRANSMISSION

Allison WT B500 electronically controlled six speed automatic transmission. (B500R with the optional output retarder).

Gear Ratios

| | |
|------------------------|--------|
| 1 st | 3.510 |
| 2 nd | 1.906 |
| 3 rd | 1.429 |
| 4 th | 1.000 |
| 5 th | 0.737 |
| 6 th | 0.639 |
| Reverse | 4.801 |
| Converter..... | 1.790 |
| Drive axle ratio | 4.56:1 |

EATON AUTOSHIFT AST 7L TRANSMISSION

Eaton AutoShift TO-14607B-AST seven-speed automatic transmission, electronically controlled with an optional output retarder.

Gear Ratios

| | |
|-----------------------|---------|
| Overall ratio..... | 12.35:1 |
| Reverse | 8.99 |
| 1 st | 9.24 |
| 2 nd | 5.35 |
| 3 rd | 3.22 |

| | |
|------------------------------------|-------|
| 4 th | 2.04 |
| 5 th | 1.37 |
| 6 th | 1.00 |
| 7 th | 0.75 |
| Torque converter stall ratio | 2.2:1 |

BRAKES

The features of the braking system include a dual system where the front and rear circuits are completely independent from each other. The brakes are air operated disc type brakes with automatic slack adjusters on front, drive and tag axles. The emergency/parking brake are located on drive and tag axles.

BRAKE CHAMBER EFFECTIVE AREA

| | |
|---|---|
| Front axle (Rigid front axle)..... | 22 in ² |
| Front axle (Independent suspension) | 24 in ² |
| Drive axle | 24/24 in ² (service / emergency) |
| Tag axle | 16/16 in ² (service / emergency) |

AIR SYSTEM

Compressed air is provided by a 16.5 cfm Bendix-Westinghouse "Tu-Flo", two cylinder, gear-driven, water-cooled and engine oil lubricated air compressor.

Other features and components of the air system include an air dryer and nylon color coded air lines.

ANTILOCK BRAKING SYSTEM (ABS)

The antilock braking system has one Electronic Control Unit (ECU) controlling a four channel system. One wheel slip sensor is mounted at each front axle and drive axle wheel. The Tag axle wheels are slave to the drive axle wheels.

The Electronic Control Module (ECM) is maintenance free. Its operating voltage is 24 ± 6 volts DC. The thermal operating range for the ECM is from -40 to 167°F (-40 to 75°C).

The solenoid control valves are maintenance free. Their operating voltage is 24 (+4.8, -2.4) volts DC. The rated current draw is 1.65 amps. The thermal operating range of the solenoid control valves is from -40 to 176°F (-40 to 80°C).

STEERING

- Tilt steering wheel and telescopic steering column;
- Integral hydraulic assisted steering gear;
- System pressure: 2175 psi (15 000 kPa);

ELECTRICAL SYSTEM

- 24 volt, negative ground;
- 12 volt exterior lighting;
- Twin 28 volt, 140 amp, self-regulated, belt-driven, air-cooled Bosch alternators;
- Four 12 volt, group 31 format maintenance-free batteries connected in series/parallel. Cold cranking capacity is 1900 amps with a reserve capacity of 195 minutes;
- 100 amp battery equalizer;

SUSPENSION

Goodyear rolling lobe type air springs (bellows) are used throughout.

RIGID AXLE FRONT SUSPENSION

- 2 Bellows (12");
- 2 Shock absorbers;
- 4 Radius rods;
- 1 Transverse radius rod.
- 1 Height control valve.

INDEPENDENT FRONT SUSPENSION

- 2 Bellows (12") for a G.A.W.R. of 16,500 lbf;
- 2 Shock absorbers;
- 2 Upper A-arms;
- 2 Lower A-arms;
- 2 Torque rods;
- 2 Steering Levers;
- 1 Height control valve;
- 1 1³/₄" diameter sway bar.

DRIVE AXLE

- 4 Bellows (11");
- 4 Shock absorbers;
- 3 Radius rods;
- 1 Panhard rod;
- 2 Height control valves;

TAG AXLE

- 2 Bellows (11");
- 2 Shock absorbers;
- 3 Radius rods;
- 1 Panhard rod.

ALIGNMENT SPECIFICATIONS

Use wheel alignment systems which work with angle measurements only, such as Josam or Hunter systems. Alignment specifications are listed in the following tables:

FRONT BEAM AXLE

| | Minimum value | Nominal value | Maximum value |
|------------------------|---------------|---------------|---------------|
| Right camber (degrees) | -0.5 | 0.0 | 0.5 |
| Left camber (degrees) | -0.5 | 0.0 | 0.5 |
| Right caster (degrees) | 2.0 | 2.75 | 3.5 |
| Left caster (degrees) | 2.0 | 2.75 | 3.5 |
| Total toe-in (inches) | 1/16 | 3/32 | 1/8 |

| FRONT AXLE (INDEPENDENT FRONT SUSPENSION) | | | |
|--|---------------|---------------|---------------|
| | Minimum value | Nominal value | Maximum value |
| Right camber (degrees) | -0.125 | 0.125 | 0.375 |
| Left camber (degrees) | -0.125 | 0.125 | 0.375 |
| Right caster (degrees) | 1.5 | 2 | 2.5 |
| Left caster (degrees) | 1.5 | 2 | 2.5 |
| Total toe-in (inches) | 1/16 | 3/32 | 1/8 |

| DRIVE AXLE | | | |
|------------------------|---------------|---------------|---------------|
| | Minimum value | Nominal value | Maximum value |
| Thrust angle (degrees) | -0.11 | 0 | 0.11 |

| TAG AXLE | | | |
|-------------------------------------|---------------|---------------|---------------|
| | Minimum value | Nominal value | Maximum value |
| Thrust angle (degrees)* | -0.02 | 0 | 0.02 |
| (*) Use the drive axle as reference | | | |

HEATING AND AIR CONDITIONING

Two air conditioning systems are available: the large capacity (central) A/C and an optional auxiliary A/C. The large capacity A/C provides adequate capacity of conditioned and filtered air for all climatic conditions. Fresh air is drawn into the system from the left (driver's) side of the vehicle. Return air is taken from the middle of the vehicle. The driver's heater and defogger are controlled separately from the central unit. An air mixture selector enables air to be drawn into the system from outside the vehicle or recirculated. The optional auxiliary A/C is used

TECHNICAL INFORMATION

to cool air delivered from registers in the passenger overhead compartments.

| AUXILIARY A/C | |
|---------------------------|------------------------------------|
| Air conditioning capacity | 2 tons |
| Refrigerant type | 134a |
| Air flow | 450 cfm (12,7 m ³ /min) |

| COMPRESSOR (For auxiliary A/C) | |
|---------------------------------------|--|
| Number of cylinders | 2 |
| Operating speed | 400 to 2 200 rpm (1,750 rpm, nominal) |
| Oil capacity | 4.5 U.S. qts (4,3 l) |
| Approved oil | Castrol SW-68 (POE) |

| CENTRAL A/C | |
|---------------------------|--------------------------------------|
| Air conditioning capacity | 7.5 tons |
| Refrigerant type | 134a |
| Heating capacity | 152 000 Btu/h |
| Air flow | 2 600 cfm (73,6 m ³ /min) |

| COMPRESSOR (For central A/C) | |
|-------------------------------------|---|
| Number of cylinders | 6 |
| Operating speed | 400 to 2 200 rpm (2,600 rpm, intermittent) |
| Minimum speed for lubrication | 400 rpm |
| Oil capacity | 4.5 U.S. qts (4,3 l) |
| Approved oil | Castrol SW-68 (POE) |

Note: The above oils are suitable for use with reciprocating compressors using refrigerant R-134a and with evaporator temperatures above -40°F (-40°C).

OIL SPECIFICATIONS

ENGINE

Heavy-duty engine oil SAE 15W-40 meeting API Classification CG-4.

AUTOMATIC TRANSMISSION

The Allison transmission must be filled with *Dexron IIE*, *Dexron III* or automatic transmission fluid or any equivalent Class C4 hydraulic fluid.

DIFFERENTIAL

Multigrade gear oil meeting MIL-L-2105-D: 85W140 is recommended for use in drive axle.

This lubricant performs well over a broad temperature range, providing good gear and bearing protection in a variety of climates. If temperature drops below 10°F (-12°C), 80W90 should be used, and below -15°F (-26°C), 75W90 should be used. In extreme conditions or for better performance, full synthetic gear oil can be used.

FAN GEARBOX

Synthetic oil *Mobil SHC 630 (Prevost #180217)* is recommended for the fan gearbox.

POWER STEERING RESERVOIR

This reservoir must be filled with automatic transmission oil, *Dexron IIE* or *Dexron III*.

WHEEL BEARINGS

If oil is to be added, use general purpose gear lubricant SAE 85W/140 (API spec. GL5). Refer to Care and Maintenance chapter for details on adding oil.

PRE-HEATING SYSTEM

Depending on options chosen, a coolant heater may be installed on the coolant circuit. The heater can be used as a pre-heater or as an auxiliary heat source. Choices are either the Webasto 80,000 Btu, the Webasto 45,000 Btu or the Espar 41,000 Btu heaters. Heaters are controlled by programmable 24 hour timers. See Other Features chapter for information on how to use the timer.

| Webasto | |
|----------------------------|--------------------------------|
| Model | DBW2010 |
| Heating output | 45,000 Btu/h (13 106W) |
| Fuel type | same as engine |
| Fuel consumption | 0.4 U.S. gal./hr (1.5 l/hr) |
| Rated voltage | 24 volts |
| Electric power consumption | 85 watts |

| Webasto | |
|----------------------------|------------------------------|
| Model | DBW2020 |
| Heating output | 80,000 Btu/h (23 300 W) |
| Fuel type | same as engine |
| Fuel consumption | 0.8 U.S. gal./hr (3 l/hr) |
| Rated voltage | 24 volts |
| Electric power consumption | 120 watts |

| Espar | |
|----------------------------|--------------------------------|
| Model | D12W |
| Heating output | 41,000 Btu/h (12 000 W) |
| Fuel type | same as engine |
| Fuel consumption | 0.44 U.S. gal./h (1,65 l/h) |
| Rated voltage | 24 volts |
| Electric power consumption | 55 watts |

ESPAR Preheater Diagnostic Codes

Refer to Espar "Installation, Troubleshooting and Parts Manual" inserted in the Maintenance Manual.

| Espar Preheater Diagnostic Code List | |
|---|---|
| Code # | Description |
| 000 | Normal operation – no faults |
| 002 | Warning – under voltage |
| 011 | Under voltage shutdown |
| 013 | Temperature too high at the heat exchanger |
| 022 | Short circuit in glow plug relay |
| 024 | Short circuit in voltage regulator |
| 032/033 | Blower motor is not turning Blower speed control relay defective |
| 035 | Open in parts control relay |
| 037 | Coolant pump motor not turning |
| 039 | Short in fan motor relay |
| 047 | Short in fuel metering pump |
| 052 | No start – safety time exceeded |
| 054 | Flame out in "high" output setting |
| 056 | Flame out in middle heat |
| 060 | Open circuit in air temp. sensor |
| 062 | Open circuit, operating unit |
| 064 | Open circuit to flame sensor |
| 090 | Control box defective |
| 001 | Warning – over voltage |

| Espar Preheater Diagnostic Code List | |
|---|---|
| Code # | Description |
| 010 | Over voltage shutdown |
| 012 | Overheat switch opened |
| 020 | Glow plug defective |
| 023 | Open circuit to voltage regulator |
| 025 | Short in diagnostic pins |
| 034 | Open circuit to water control relay |
| 036 | Short in part control relay |
| 038 | Open in fan motor relay |
| 040 | Short circuit in water control relay |
| 051 | Flame sensor defect |
| 053 | Flame out during start cycle |
| 055 | Flame out in low heat |
| 057 | Flame sensor defect – harness |
| 061 | Short circuit in air temperature sensor |
| 063 | Short circuit, operating unit |
| 065 | Short circuit in flame sensor |
| 091 | External power supply erratic |

DDEC IV DIAGNOSTIC CODES

To read the diagnostic codes, a Diagnostic Data Reader should be plugged into the receptacle located on the lower side panel of the L.H. control panel. To read diagnostic codes as blink codes, momentarily depress the STOP ENGINE OVERRIDE switch while the ignition is ON, the engine is idling or shut off. Active codes will be flashed on the STOP ENGINE indicator light followed by the inactive codes being flashed on the CHECK ENGINE indicator light. The cycle is repeated until the operator depresses the STOP ENGINE OVERRIDE switch again. For example: code "43" consists of four flashes, followed by a short pause, then another three flashes in quick succession. The following table is a list of the DDEC diagnostic codes.

| DDEC IV CODE | DESCRIPTION |
|---------------------|---|
| 11 | (VSG) Variable speed governor sensor input voltage low |
| 12 | (VSG) Variable speed governor sensor input voltage high |
| 13 | Coolant level sensor input voltage low |
| 14 | Oil, coolant, or intercooler, temperature sensor input voltage high |
| 15 | Oil, coolant, or intercooler, temperature sensor input voltage low |
| 16 | Coolant level sensor input voltage high |
| 17 | Bypass or throttle, valve position sensor input voltage high |

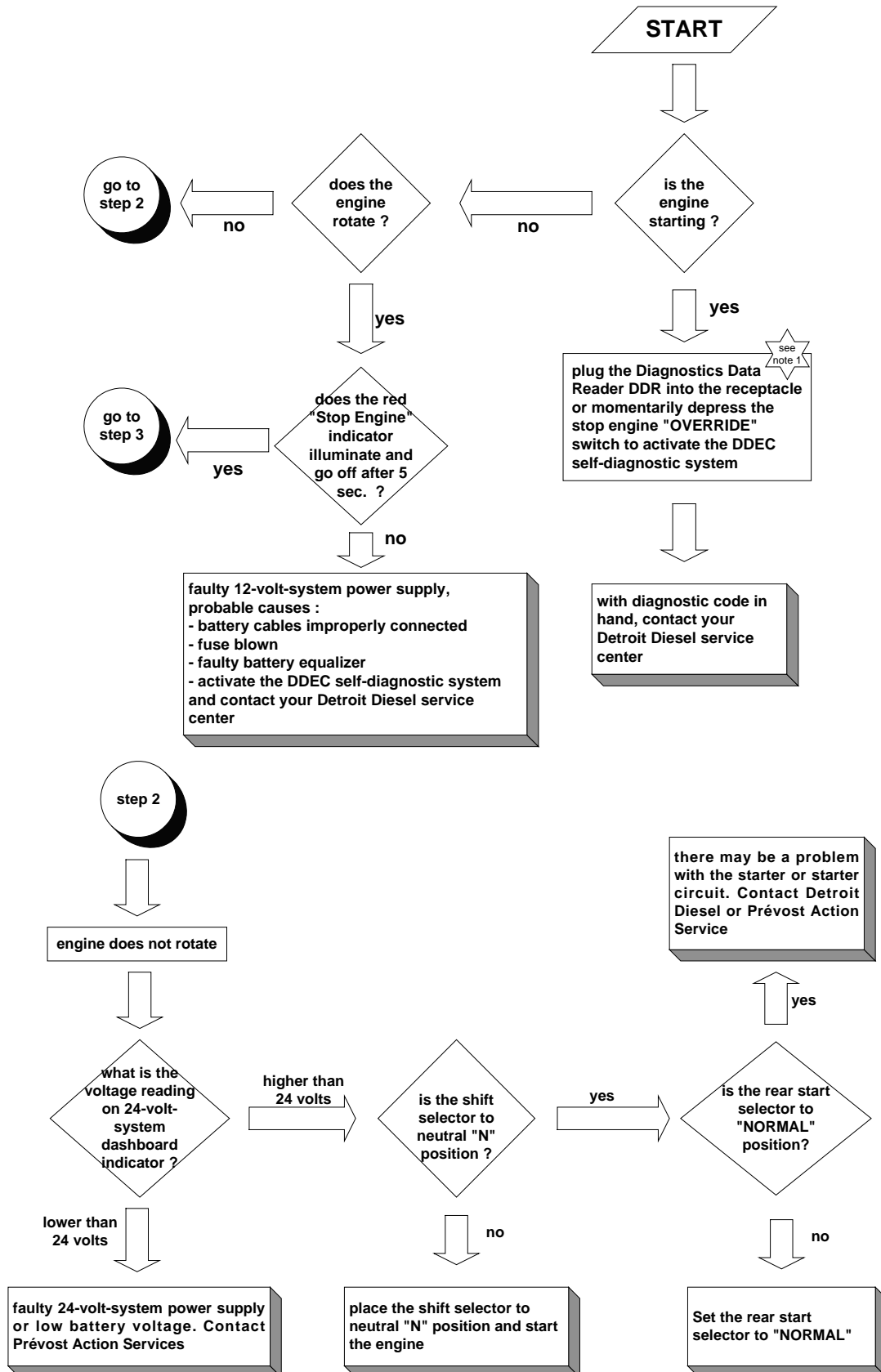
TECHNICAL INFORMATION

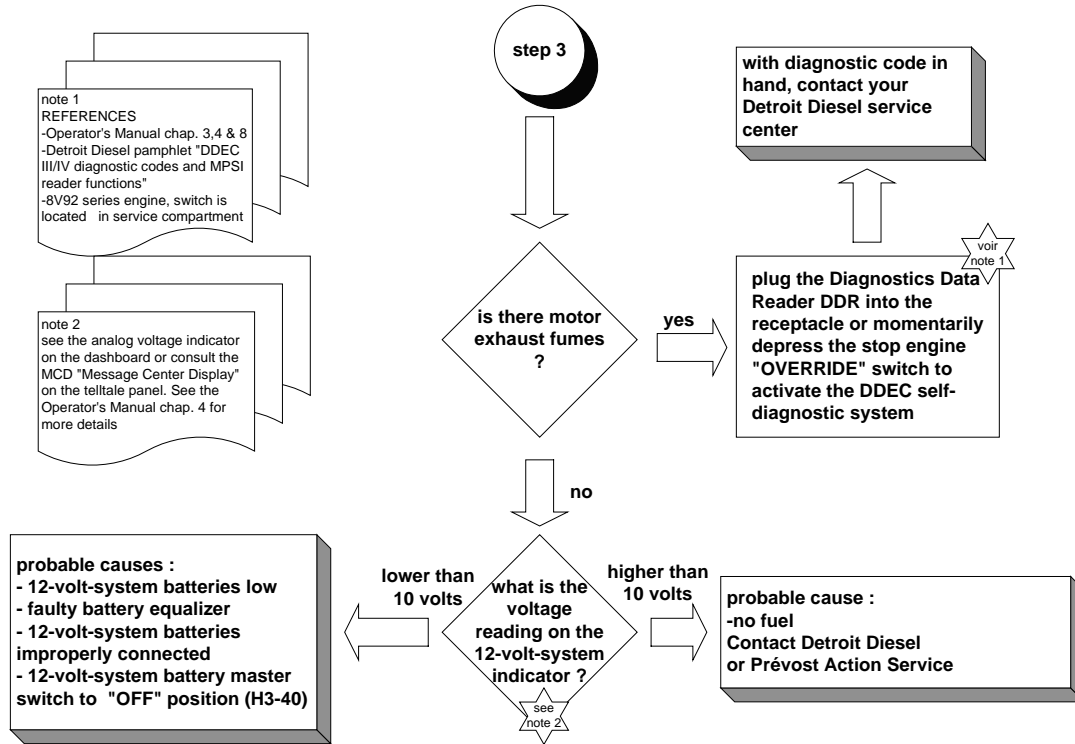
| DDEC IV CODE | DESCRIPTION |
|---------------------|---|
| 18 | Bypass or throttle, valve position sensor input voltage low |
| 21 | TPS input voltage high |
| 22 | TPS input voltage low |
| 23 | Fuel temperature sensor input voltage high |
| 24 | Fuel temperature sensor input voltage low |
| 25 | No active codes |
| 26 | Aux. shutdown #1, or #2, input active |
| 27 | Air inlet or intake air, temperature sensor input voltage high |
| 28 | Air inlet or intake air, temperature sensor input voltage low |
| 31 | Auxiliary high side output open circuit or short to ground |
| 32 | CEL or SEL short to battery (+) or open circuit |
| 33 | Turbo boost sensor input voltage high |
| 34 | Turbo boost sensor input voltage low |
| 35 | Oil pressure sensor input voltage high |
| 36 | Oil pressure sensor input voltage low |
| 37 | Fuel pressure sensor input voltage high |
| 38 | Fuel pressure sensor input voltage low |
| 41 | Too many SRS (missing TRS) |
| 42 | Too few SRS (extra TRS) |
| 43 | Coolant level low |
| 44 | Oil, coolant, intercooler or intake air, temperature high |
| 45 | Oil pressure low |
| 46 | ECM battery voltage low |
| 47 | Fuel, air inlet or turbo boost, pressure high |
| 48 | Fuel or air inlet pressure low |
| 52 | ECM A/D conversion fault |
| 53 | ECM nonvolatile memory fault |
| 54 | Vehicle speed sensor fault |
| 55 | J1939 data link fault |
| 56 | J1587 data link fault |
| 57 | J1922 data link fault |
| 58 | Torque overload |
| 61 | Injector response time long |
| 62 | Auxiliary output short to battery (+) or open circuit or mechanical fault |

| DDEC IV CODE | DESCRIPTION |
|--------------|---|
| 63 | PWM drive short to battery (+) or open circuit |
| 64 | Turbo speed sensor input fault |
| 65 | Throttle valve position input fault |
| 66 | Engine knock sensor input fault |
| 67 | Coolant or air inlet pressure sensor input voltage fault |
| 68 | TPS idle validation switch open circuit or short to ground |
| 71 | Injector response time short |
| 72 | Vehicle overspeed |
| 73 | Gas valve position input fault or ESS fault |
| 74 | Optimized idle safety loop short to ground |
| 75 | ECM battery voltage high |
| 76 | Engine overspeed with engine brake |
| 77 | Fuel temperature high |
| 81 | Oil level, crankcase pressure, dual fuel BOI or exhaust temperature voltage high |
| 82 | Oil level, crankcase pressure, dual fuel BOI or exhaust temperature voltage low |
| 83 | Oil level, crankcase pressure, exhaust temperature or external pump pressure high |
| 84 | Oil level or crankcase pressure low |
| 85 | Engine overspeed |
| 86 | External pump or barometer pressure sensor input voltage high |
| 87 | External pump or barometer pressure sensor input voltage low |
| 88 | Coolant pressure low |

TECHNICAL INFORMATION

ENGINE TROUBLESHOOTING GUIDE





01089

WORLD TRANSMISSION (WT) DIAGNOSTIC CODES

The WT Diagnostic Code Memory List contains the following headings: Code List Position, Main Code, Sub Code, Active indicator, Ignition Cycle Counter and Event counter. Up to five (5) codes can be stored at the same time in this memory.

The last occurring codes are listed first. Accessing the code list position, main code, sub code and active indicator is done through the Shift Selector Display or by using the Pro-Link Diagnostic Tool. Access to the ignition cycle counter and event counter can be done only through the Pro-Link diagnostic tool. The following table is an example of the information stored in memory.

DIAGNOSTIC CODE MEMORY LIST

| Code List Position | Main Code | Sub Code | Active Indicator | Ignition Cycle Counter | Event Counter |
|---|-----------|----------|----------------------------------|--|---------------|
| d1 | 21 | 12 | YES | 00 | 10 |
| d2 | 41 | 12 | YES | 00 | 04 |
| d3 | 23 | 12 | NO | 08 | 02 |
| d4 | 34 | 12 | NO | 13 | 01 |
| d5 | 56 | 11 | NO | 22 | 02 |
| Displayed on Shift Selector Display and Diagnostic Tool | | | "YES" = ACTIVE = "MODE ON" | Ignition cycle counter and event counter are not available on Shift Selector Display | |

Note: All information stored in memory can be accessed using the Pro-Link Diagnostic Tool.

Note: The diagnostic codes are stored in the memory queue in positions 1 through 5. The location of a diagnostic code in the memory queue is identified by "d1" (diagnostic code #1) through "d5".

TECHNICAL INFORMATION

The following paragraphs define the different WT Diagnostic Code Memory List headings:

MAIN CODE

The general condition or area of fault detected by the ECU.

SUB CODE

The specific area or condition under the Main Code in which the condition was detected.

ACTIVE INDICATOR

Illuminates when a fault condition is active (Shift Selector will display *MODE ON* or the Pro-Link Diagnostic Tool will display *YES*). The indicator will extinguish when the fault condition is gone.

IGNITION CYCLE COUNTER

Used to clear inactive diagnostic codes from the code list in memory. The counter is incremented each time a normal ECU power-down occurs following the clearing of the active indicator. A diagnostic code will be cleared from the list when the counter exceeds 25.

EVENT COUNTER

Used to record the number of times a diagnostic code occurs prior to the incident being cleared from the code list. The last occurring code will be stored in position "d1". If the most recent code is already in the code list, that code will be moved to position "d1". The Active Indicator will illuminate (Shift Selector will display *MODE ON* or the Diagnostic Tool will display *YES*), the Ignition Cycle Counter will be cleared and "1" will be added to the Event Counter.

CLEARING THE ACTIVE INDICATOR AND CODE RECORDS FROM THE CODE LIST IN MEMORY

If the conditions causing a diagnostic code to be set are cleared, the Active Indicator can be manually cleared by holding the *MODE* button down continuously for 3 seconds until a tone is heard from the shifter. To clear code records from the list, hold the *MODE* button down continuously for ten seconds until a second tone sounds. All diagnostic records in the list that are not active will then be cleared and the remaining records will then be moved up the list.

CODE READING AND CODE CLEARING PROCEDURES

Diagnostic codes can be read and cleared by two methods: by using the Pro-Link 9000 Diagnostic Tool plugged into the receptacle located in the driver's footwell or by using the Shift Selector Display. The operation of the Pro-Link 9000 Diagnostic Tool is described in the user's manual provided with the Tool. This section describes how to read and clear codes using the Shift Selector Display.

The Diagnostic Display Mode can be entered for viewing codes at any speed. Codes can only be cleared when the output speed = 0 and no output speed sensor failure is active.

READING CODES

Read codes as follows:

Enter the Diagnostic Display Mode by pressing both the "▲" (up arrow) and "▼" (down arrow) push buttons at the same time, twice on the push-button Shift Selector.

Note: To obtain the oil level, press the "▲" (up arrow) and "▼" (down arrow) push-buttons once, at the same time. Refer to "Oil Level Sensor (OLS) Codes" in this chapter.

Read the first code in the first of the five code positions on the digital display of the Shift Selector. For example, code "25 11" is stored in the first position. The display will change every two seconds as follows:

- Code list position = "d1"
- Main code = "25"
- Sub code = "11"

Display will repeat steps a, b and c.

Press the *MODE* button momentarily to view the second position (d2) as described in step 2.

To view the third, fourth and fifth positions (d3, d4 and d5), momentarily press the *MODE* button as explained above.

Pressing the *MODE* button momentarily after the fifth position (d5) is displayed will return the code display to the first position (d1).

Any code which is active will be indicated by the *MODE ON* indicator (Active Indicator) being illuminated while in that code position. While in the normal operating mode, the *MODE ON* indicator is illuminated to indicate the *ECONOMY* mode operation. Refer to "Controls & Instruments" chapter under *MODE*.

Any code position in the list which does not have a diagnostic code logged will display "- -" for both the Main and Sub Code displays. All positions after a code position without any code stored will also display "- -".

CLEARING CODES

Clearing of the Active Indicator is automatically done at ECU power-down for all codes except code "69 34".

Some codes will clear the Active Indicator automatically when the condition causing the code is no longer detected by the ECU. Refer to the "Diagnostic Code List and Description" table in this chapter.

Manual clearing is possible while in the Diagnostic Display Mode and after the condition causing the code is corrected (output speed must be zero).

To clear all Active Indicators, hold down the MODE button continuously for 3 seconds until the Shift Selector tone sounds for 0.5 second.

Release the MODE button to return to normal operating mode. If the condition causing the code was not active at the time, the active indicator will go out.

Note: *If clearing a code while locked in a drive (D) or reverse (R) position (fail-to-range), the transmission will still be in drive (D) or reverse (R) when the clearing procedure is completed. Neutral (N) must be manually selected.*

EXITING THE DIAGNOSTIC DISPLAY MODE

The Diagnostic Display Mode can be exited by any of the following methods:

- Press the "▲" (up arrow) and "▼" (down arrow) push buttons at the same time on the push-button Shift Selector.
- Press any range button, "D", "N" or "R" on the push-button Shift Selector (the shift will be commanded if it is not inhibited by an active code).
- Do nothing and wait until the calibrated time (approximately 10 minutes) has passed. The system will automatically return to the normal operating mode.
- Turn off power to the ECU (shut off the engine with the ignition key).

- After clearing the active indicator as described in "Clearing Codes" section.

CLEARING RECORDS FROM THE CODE LIST IN MEMORY

If the Active Indicator has been successfully cleared manually and the MODE button is held down continuously for 10 seconds while in the display mode until a tone sounds, all diagnostic records in the Code List that are not active will be cleared and the remaining records will be moved up the Code List.

DIAGNOSTIC CODE RESPONSE

The following responses are used in the "Diagnostic Code List and Description" table to command safe operation when diagnostic codes are set.

DNS - Do Not Shift Response

- Release lock up clutch and inhibit lock up operation.
- Inhibit all shifts.
- Turn *ON* the CHECK TRANS light.
- Display the range attained.
- Ignore any range selection inputs from the shift selector.

DNA - Do Not Adapt Response

The ECU stops adaptive shift control while the code is active.

SOL OFF - SOLenoid OFF Response

All solenoids are commanded *OFF* (turning solenoids "A" and "B" off electrically cause them to be on hydraulically).

RPR - Return to Previous Range Response

When the speed sensor ratio or C3 pressure switch test associated with a shift not successful, the ECU commands the same range as commanded before the shift.

NNC - Neutral No Clutches Response

When certain speed sensor ratio or C3 pressure switch tests are not successful, the ECU commands a neutral condition with no clutches applied.

TECHNICAL INFORMATION

DIAGNOSTIC CODE LIST AND DESCRIPTION

| MAIN CODE | SUB CODE | DESCRIPTION | CHECK TRANS LIGHT | INHIBITED OPERATION DESCRIPTION |
|-----------|----------|---|--------------------|--|
| 13 | 12 | ECU input voltage, low | Yes | DNS, DNA, SOL OFF, (Hydraulic default) |
| 13 | 13 | ECU input voltage, medium low | No | DNA |
| 13 | 23 | ECU input voltage, high | Yes | DNS, SOL OFF (Hydraulic default) |
| 14 | 12 | Oil level sensor, failed low | No | None |
| 14 | 23 | Oil level sensor, failed high | No | None |
| 22 | 14 | Engine speed sensor reasonableness test | No | Use default engine speed, DNA |
| 22 | 15 | Turbine speed sensor reasonableness test | Yes | DNS, lock in current range, DNA |
| 22 | 16 | Output speed sensor reasonableness test | Yes ⁽¹⁾ | DNS, LOCK IN CURRENT RANGE, DNA |
| 23 | 12 | Primary Shift Selector or RSI Link Fault | Yes | Hold in last valid direction. May cause "cateye" display |
| 23 | 14 | Secondary Shift Selector or RSI Link Fault | Yes | Hold in last valid direction |
| 23 | 16 | Shift Selector display line fault | No | None, may cause "cateye" display |
| 24 | 12 | Sump fluid temperature, cold | Yes | DNS, lock in neutral |
| 24 | 23 | Sump fluid temperature, hot | No | No upshifts above a calibration range |
| 25 | 0 | Output speed sensor detected at 0 speed (Low) | Yes ⁽¹⁾ | DNS, lock in current range (Low), DNA |
| 25 | 11 | Output speed sensor detected at 0 speed (1st) | Yes ⁽¹⁾ | DNS, lock in current range (1st), DNA |
| 25 | 22 | Output speed sensor detected at 0 speed (2nd) | Yes ⁽¹⁾ | DNS, lock in current range (2nd), DNA |
| 25 | 33 | Output speed sensor detected at 0 speed (3rd) | Yes ⁽¹⁾ | DNS, lock in current range (3rd), DNA |
| 25 | 44 | Output speed sensor detected at 0 speed (4th) | Yes ⁽¹⁾ | DNS, lock in current range (4th), DNA |
| 25 | 55 | Output speed sensor detected at 0 speed (5th) | Yes ⁽¹⁾ | DNS, lock in current range (5th), DNA |
| 25 | 66 | Output speed sensor detected at 0 speed (6th) | Yes ⁽¹⁾ | DNS, lock in current range (6th), DNA |
| 25 | 77 | Output speed sensor detected at 0 speed (R) | Yes ⁽¹⁾ | DNS, lock in current range (R), DNA |
| 26 | 00 | Throttle source not detected | No | Use throttle default values, DNA |
| 26 | 11 | Engine coolant source not detected | No | Use default value of 0°F |
| 32 | 0 | C3 pressure switch open, Low range | Yes | DNS, lock in current range (Low), DNA |
| 32 | 33 | C3 pressure switch open, 3rd range | Yes | DNS, lock in current range (3rd), DNA |
| 32 | 55 | C3 pressure switch open, 5th range | Yes | DNS, lock in current range (5th), DNA |
| 32 | 77 | C3 pressure switch open, Reverse range | Yes | DNS, lock in current range (R), DNA |

TECHNICAL INFORMATION

| MAIN CODE | SUB CODE | DESCRIPTION | CHECK TRANS LIGHT | INHIBITED OPERATION DESCRIPTION |
|-----------|----------|--|--------------------|---|
| 33 | 12 | Sump oil temperature sensor failed low | No | Use default value of 200°F (93°C) |
| 33 | 23 | Sump oil temperature sensor, failed high | No | Use default value of 200°F (93°C) |
| 34 | 12 | Factory calibration compatibility number wrong | Yes | DNS, SOL OFF (Hydraulic default), DNA |
| 34 | 13 | Factory calibration block checksum | Yes | DNS, SOL OFF (Hydraulic default), DNA |
| 34 | 14 | Power off block checksum | No | Use previous location or factory calibration and reset adaptive, DNA |
| 34 | 15 | Diagnostic queue block checksum | No | Use previous location or clear diagnostic queue, DNA |
| 34 | 16 | Real time block checksum | Yes | DNS, SOL OFF (Hydraulic default), DNA |
| 34 | 17 | Customer modifiable constants checksum | Yes | DNS, SOL OFF (Hydraulic default), DNA |
| 35 | 0 | Power interruption (code set after power restored) | No | None (Hydraulic default during interruption) |
| 35 | 16 | Real time write interruption | Yes | DNS, SOL OFF (Hydraulic default), DNA |
| 36 | 0 | Hardware/Software not compatible | Yes ⁽²⁾ | DNS, SOL OFF (Hydraulic default), DNA |
| 42 | 12 | Short to battery, A solenoid circuit | Yes | DNS, SOL OFF, DNA |
| 42 | 13 | Short to battery, B solenoid circuit | Yes | DNS, SOL OFF, DNA |
| 42 | 14 | Short to battery, C solenoid circuit | Yes | DNS, SOL OFF, DNA |
| 42 | 15 | Short to battery, D solenoid circuit | Yes | DNS, SOL OFF, DNA |
| 42 | 16 | Short to battery, E solenoid circuit | Yes | DNS, SOL OFF, DNA |
| 42 | 21 | Short to battery, F solenoid circuit | No | Lock up inhibited, DNA |
| 42 | 22 | Short to battery, G solenoid circuit | Yes | DNS, lock in a range |
| 42 | 23 | Short to battery, H solenoid circuit | No | Differential lock inhibited (3070 only), retarder inhibited |
| 42 | 24 | Short to battery, J solenoid circuit | No | Low and 1st inhibited |
| 42 | 26 | Short to battery, N solenoid circuit | No | Low and 1st inhibited, allow retarder |
| 44 | 12 | Short to ground, A solenoid circuit | Yes | DNS, SOL OFF (Hydraulic default), DNA |
| 44 | 13 | Short to ground, B solenoid circuit | Yes | DNS, SOL OFF (Hydraulic default), DNA |
| 44 | 14 | Short to ground, C solenoid circuit | Yes | DNS, SOL OFF (Hydraulic default), DNA |
| 44 | 15 | Short to ground, D solenoid circuit | Yes | DNS, SOL OFF (Hydraulic default), DNA |
| 44 | 16 | Short to ground, E solenoid circuit | Yes | DNS, SOL OFF (Hydraulic default), DNA |
| 44 | 21 | Short to ground, F solenoid circuit | No | Lockup inhibited, DNA |
| 44 | 22 | Short to ground, G solenoid circuit | Yes | DNS, SOL OFF (Hydraulic default), DNA |
| 44 | 23 | Short to ground, H solenoid circuit | No | Differential lock inhibited (3070 only), retarder operation inhibited |
| 44 | 24 | Short to ground, J solenoid circuit | No | Low and 1st inhibited |

TECHNICAL INFORMATION

| MAIN CODE | SUB CODE | DESCRIPTION | CHECK TRANS LIGHT | INHIBITED OPERATION DESCRIPTION |
|-----------|----------|--|--------------------|---|
| 44 | 26 | Short to ground, N solenoid circuit | No | Low and 1st inhibited, retarder allowed |
| 45 | 12 | Open circuit, A solenoid circuit | Yes | DNS, SOL OFF (Hydraulic default), DNA |
| 45 | 13 | Open circuit, B solenoid circuit | Yes | DNS, SOL OFF (Hydraulic default), DNA |
| 45 | 14 | Open circuit, C solenoid circuit | Yes | DNS, SOL OFF (Hydraulic default), DNA |
| 45 | 15 | Open circuit, D solenoid circuit | Yes | DNS, SOL OFF (Hydraulic default), DNA |
| 45 | 16 | Open circuit, E solenoid circuit | Yes | DNS, SOL OFF (Hydraulic default), DNA |
| 45 | 21 | Open circuit, F solenoid circuit | No | Lock up inhibited, DNA |
| 45 | 22 | Open circuit, G solenoid circuit | Yes | DNS, SOL OFF (Hydraulic default), DNA |
| 45 | 23 | Open circuit, H solenoid circuit | No | Differential lock inhibited (3070 only), retarder inhibited |
| 45 | 24 | Open circuit, J solenoid circuit | No | Low and 1st inhibited |
| 45 | 26 | Open circuit, N solenoid circuit | No | Low and 1st inhibited, retarder allowed |
| 46 | 21 | Overcurrent, F solenoid circuit | No | Lock up inhibited, DNA |
| 46 | 26 | Overcurrent, N and H solenoid circuits | No | Low and first inhibited or retarder inhibited, DNA |
| 46 | 27 | Overcurrent, A-Hi solenoid circuit | Yes | DNS, SOL OFF (Hydraulic default), DNA |
| 51 | 01 | Offgoing ratio test (during shift), Low to 1 | Yes | DNS, RPR, DNA |
| 51 | 10 | Offgoing ratio test (during shift), 1 to Low | Yes | DNS, RPR, DNA |
| 51 | 12 | Offgoing ratio test (during shift), 1 to 2 | Yes | DNS, RPR, DNA |
| 51 | 21 | Offgoing ratio test (during shift), 2 to 1 | Yes | DNS, RPR, DNA |
| 51 | 23 | Offgoing ratio test (during shift), 2 to 3 | Yes | DNS, RPR, DNA |
| 51 | 24 | Offgoing ratio test (during shift), 2 to 4 | Yes | DNS, RPR, DNA |
| 51 | 35 | Offgoing ratio test (during shift), 3 to 5 | Yes | DNS, RPR, DNA |
| 51 | 42 | Offgoing ratio test (during shift), 4 to 2 | Yes | DNS, RPR, DNA |
| 51 | 43 | Offgoing ratio test (during shift), 4 to 3 | Yes ⁽¹⁾ | DNS, RPR, DNA |
| 51 | 45 | Offgoing ratio test (during shift), 4 to 5 | Yes ⁽¹⁾ | DNS, RPR, DNA |
| 51 | 46 | Offgoing ratio test (during shift), 4 to 6 | Yes | DNS, RPR, DNA |
| 51 | 53 | Offgoing ratio test (during shift), 5 to 3 | Yes | DNS, RPR, DNA |
| 51 | 64 | Offgoing ratio test (during shift), 6 to 4 | Yes | DNS, RPR, DNA |
| 51 | 65 | Offgoing ratio test (during shift), 6 to 5 | Yes | DNS, RPR, DNA |
| | XY | Offgoing ratio test, X to Y ⁽³⁾ | | |
| 52 | 1 | Offgoing C3PS test (during shift), Low to 1 | Yes | DNS, RPR, DNA |
| 52 | 8 | Offgoing C3PS test (during shift), L to N1 | Yes | DNS, NNC, DNA |
| 52 | 32 | Offgoing C3PS test (during shift), 3 to 2 | Yes | DNS, RPR, DNA |
| 52 | 34 | Offgoing C3PS test (during shift), 3 to 4 | Yes | DNS, RPR, DNA |

TECHNICAL INFORMATION

| MAIN CODE | SUB CODE | DESCRIPTION | CHECK TRANS LIGHT | INHIBITED OPERATION DESCRIPTION |
|-----------|----------|---|--------------------|---------------------------------|
| 52 | 54 | Offgoing C3PS test (during shift), 5 to 4 | Yes | DNS, RPR, DNA |
| 52 | 56 | Offgoing C3PS test (during shift), 5 to 6 | Yes | DNS, RPR, DNA |
| 52 | 71 | Offgoing C3PS test (during shift), R to 1 | Yes | DNS, NNC, DNA |
| 52 | 72 | Offgoing C3PS test (during shift), R to 2 | Yes | DNS, NNC, DNA |
| 52 | 78 | Offgoing C3PS test (during shift), R to N1 | Yes | DNS, NNC, DNA |
| 52 | 99 | Offgoing C3PS test (during shift), N3 to N2 | Yes | DNS, RPR, DNA |
| 52 | XY | Offgoing C3PS test (during shift) X to Y ⁽³⁾ | | |
| 53 | 8 | Offgoing speed test (during shift), L to N1 | Yes ⁽¹⁾ | DNS, NNC, DNA |
| 53 | 18 | Offgoing speed test (during shift), 1 to N1 | Yes ⁽¹⁾ | DNS, NNC, DNA |
| 53 | 28 | Offgoing speed test (during shift), 2 to N1 | Yes ⁽¹⁾ | DNS, NNC, DNA |
| 53 | 29 | Offgoing speed test (during shift), 2 to N2 | Yes ⁽¹⁾ | DNS, RPR, DNA |
| 53 | 38 | Offgoing speed test (during shift), 3 to N1 | Yes ⁽¹⁾ | DNS, NNC, DNA |
| 53 | 39 | Offgoing speed test (during shift), 3 to N3 | Yes ⁽¹⁾ | DNS, RPR, DNA |
| 53 | 48 | Offgoing speed test (during shift), 4 to N1 | Yes ⁽¹⁾ | DNS, NNC, DNA |
| 53 | 49 | Offgoing speed test (during shift), 4 to N3 | Yes ⁽¹⁾ | DNS, RPR, DNA |
| 53 | 58 | Offgoing speed test (during shift), 5 to N1 | Yes ⁽¹⁾ | DNS, NNC, DNA |
| 53 | 59 | Offgoing speed test (during shift), 5 to N3 | Yes ⁽¹⁾ | DNS, RPR, DNA |
| 53 | 68 | Offgoing speed test (during shift), 6 to N1 | Yes ⁽¹⁾ | DNS, NNC, DNA |
| 53 | 69 | Offgoing speed test (during shift), 6 to N4 | Yes ⁽¹⁾ | DNS, RPR, DNA |
| 53 | 78 | Offgoing speed test (during shift), R to N1 | Yes | DNS, NNC, DNA |
| 53 | 99 | Offgoing speed test (during shift), N2 to N3 or N3 to N2 | Yes | DNS, RPR, DNA |
| 53 | XY | Offgoing speed test (during shift), X to Y ⁽³⁾ | | |
| 54 | 1 | Oncoming ratio test (after shift), L to 1 | Yes | DNS, RPR, DNA |
| 54 | 7 | Oncoming ratio test (after shift), L to R | Yes | DNS, NNC, DNA |
| 54 | 10 | Oncoming ratio test (after shift), 1 to L | Yes | DNS, RPR, DNA |
| 54 | 12 | Oncoming ratio test (after shift), 1 to 2 | Yes | DNS, RPR, DNA |
| 54 | 17 | Oncoming ratio test (after shift), 1 to R | Yes | DNS, NNC, DNA |
| 54 | 21 | Oncoming ratio test (after shift), 2 to 1 | Yes | DNS, RPR, DNA |
| 54 | 23 | Oncoming ratio test (after shift), 2 to 3 | Yes | DNS, RPR, DNA |

TECHNICAL INFORMATION

| MAIN CODE | SUB CODE | DESCRIPTION | CHECK TRANS LIGHT | INHIBITED OPERATION DESCRIPTION |
|-----------|----------|--|--------------------|--|
| 54 | 24 | Oncoming ratio test (during shift), 2 to 4 | Yes | DNS, RPR, DNA |
| 54 | 27 | Oncoming ratio test (after shift), 2 to R | Yes | DNS, RPR, DNA |
| 54 | 32 | Oncoming ratio test (after shift), 3 to 2 | Yes | DNS, RPR, DNA |
| 54 | 34 | Oncoming ratio test (after shift), 3 to 4 | Yes | DNS, RPR, DNA |
| 54 | 35 | Oncoming ratio test (during shift), 3 to 5 | Yes | DNS, RPR, DNA |
| 54 | 42 | Oncoming ratio test (during shift), 4 to 2 | Yes | DNS, RPR, DNA |
| 54 | 43 | Oncoming ratio test (after shift), 4 to 3 | Yes | DNS, RPR, DNA |
| 54 | 45 | Oncoming ratio test (after shift), 4 to 5 | Yes | DNS, RPR or SOL OFF (Hydraulic default), DNA |
| 54 | 46 | Oncoming ratio test (during shift), 4 to 6 | Yes | DNS, RPR, DNA |
| 54 | 53 | Oncoming ratio test (during shift), 5 to 3 | Yes | DNS, RPR, DNA |
| 54 | 54 | Oncoming ratio test (after shift), 5 to 4 | Yes | DNS, RPR, DNA |
| 54 | 56 | Oncoming ratio test (after shift), 5 to 6 | Yes | DNS, RPR, DNA |
| 54 | 64 | Oncoming ratio test (after shift), 6 to 4 | Yes | DNS, RPR, DNA |
| 54 | 65 | Oncoming ratio test (after shift), 6 to 5 | Yes | DNS, RPR, DNA |
| 54 | 70 | Oncoming ratio test (after shift), R to L | Yes | DNS, NNC, DNA |
| 54 | 71 | Oncoming ratio test (after shift), R to 1 | Yes | DNS, NNC, DNA |
| 54 | 72 | Oncoming ratio test (after shift), R to 2 | Yes | DNS, NNC, DNA |
| 54 | 80 | Oncoming ratio test (after shift), N1 to L | Yes | DNS, RPR, DNA |
| 54 | 81 | Oncoming ratio test (after shift), N1 to 1 | Yes | DNS, RPR, DNA |
| 54 | 82 | Oncoming ratio test (after shift), N1 to 2 | Yes | DNS, RPR, DNA |
| 54 | 83 | Oncoming ratio test (after shift), N1 to 3 | Yes | DNS, RPR, DNA |
| 54 | 85 | Oncoming ratio test (after shift), N1 to 5 | Yes | DNS, RPR, DNA |
| 54 | 86 | Oncoming ratio test (after shift), N1 to 6 | Yes | DNS, RPR, DNA |
| 54 | 92 | Oncoming ratio test (after shift), N2 to 2 | Yes | DNS, RPR, DNA |
| 54 | 93 | Oncoming ratio test (after shift), N3 to 3 | Yes | DNS, RPR, DNA |
| 54 | 95 | Oncoming ratio test (after shift), N3 to 5 | Yes | DNS, RPR, DNA |
| 54 | 96 | Oncoming ratio test (after shift), N4 to 6 | Yes | DNS, RPR, DNA |
| 54 | XY | Oncoming ratio test (after shift), X to Y ⁽³⁾ | | |
| 55 | 07 | Oncoming C3PS test (after shift), Low to R | Yes ⁽¹⁾ | DNS, NNC, DNA |
| 55 | 17 | Oncoming C3PS test (after shift), 1 to R | Yes ⁽¹⁾ | DNS, NNC, DNA |
| 55 | 27 | Oncoming C3PS test (after shift), 2 to R | Yes ⁽¹⁾ | DNS, NNC, DNA |

TECHNICAL INFORMATION

| MAIN CODE | SUB CODE | DESCRIPTION | CHECK TRANS LIGHT | INHIBITED OPERATION DESCRIPTION |
|-----------|----------|---|--------------------|---|
| 55 | 87 | Oncoming C3PS test (after shift), N1 to R | Yes | DNS, RPR, DNA |
| 55 | 97 | Oncoming C3PS test (after shift), NVL to R | Yes ⁽¹⁾ | DNS, NNC, DNA |
| 55 | XY | Oncoming C3PS test (after shift), X to Y ⁽³⁾ | | |
| 56 | 0 | Range verification test, L | Yes ⁽¹⁾ | DNS, 1st, Low or SOL OFF (Low),DNA |
| 56 | 11 | Range verification ratio test, 1 st | Yes | DNS, 6th, DNA |
| 56 | 22 | Range verification ratio test, 2 nd | Yes ⁽¹⁾ | DNS, 6th or 5th, DNA |
| 56 | 33 | Range verification ratio test, 3 rd | Yes ⁽¹⁾ | DNS, 5th or SOL OFF (4th), DNA |
| 56 | 44 | Range verification ratio test, 4 th | Yes | DNS, 3rd or 5th, DNA |
| 56 | 55 | Range verification ratio test, 5 th | Yes ⁽¹⁾ | DNS, SOL OFF (5th) or 3rd, DNA |
| 56 | 66 | Range verification ratio test, 6 th | Yes | DNS, 5th, 3rd or SOL OFF (3rd), DNA |
| 56 | 77 | Range verification ratio test, R | Yes | DNS, N2 or N3, DNA |
| 57 | 11 | Range verification C3PS test, 1 st | Yes | DNS, SOL OFF (3rd), DNA |
| 57 | 22 | Range verification C3PS test, 2 nd | Yes | DNS, 3rd, DNA |
| 57 | 44 | Range verification C3PS test, 4 th | Yes | DNS, 5th or SOL OFF (3rd), DNA |
| 57 | 66 | Range verification C3PS test, 6 th | Yes | DSN, SOL OFF (5th), DNA |
| 57 | 88 | Range verification C3PS test, N1 | Yes | DNS, N3, DNA |
| 57 | 99 | Range verification C3PS test, N2 or N4 | Yes | DNS, N3, DNA |
| 61 | 0 | Retarder oil temperature, hot | No | None |
| 62 | 12 | Retarder oil temperature sensor, low | No | None |
| 62 | 23 | Retarder oil temperature sensor, high | No | None |
| 62 | 32 | Engine coolant sensor, failed low | No | Use default value of 0°F |
| 62 | 33 | Engine coolant sensor, failed high | No | Use default value of 0°F |
| 63 | 0 | Input function fault | Yes | Depends on input function, DNA |
| 63 | 26 | Kickdown input, failed on | No | Kickdown operation inhibited |
| 63 | 40 | Service brake status input, failed on | No | No auto Neutral to Drive shifts for refuse packer (I/O package # 41). |
| 64 | 12 | Retarder modulation request sensor, failed low | No | Retarder operation inhibited |
| 64 | 23 | Retarder modulation request sensor, failed high | No | Retarder operation inhibited |
| 66 | 0 | Serial communications interface fault | No | Use default throttle values, DNA |
| 66 | 11 | SCI engine coolant source fault | No | Use default value of 0°F |
| 69 | 27 | ECU, inoperative A-Hi switch | Yes | DNS, NNC, DNA |
| 69 | 28 | ECU, inoperative F-Hi switch | Yes | Lock up inhibited, DNA |
| 69 | 29 | ECU, inoperative N and H-Hi switch | No | Low and 1st inhibited, retarder inhibited, DNA |

TECHNICAL INFORMATION

| MAIN CODE | SUB CODE | DESCRIPTION | CHECK TRANS LIGHT | INHIBITED OPERATION DESCRIPTION |
|-----------|----------|--|-------------------|--|
| 69 | 33 | ECU, Computer Operating Properly (COP) timeout | No | RESET ECU, SHUTDOWN ECU ON 2ND OCCURRENCE (POWER LOSS: HYDRAULIC DEFAULTS), MAY CAUSE "CATEYE" DISPLAY, DNA ⁽⁴⁾ |
| 69 | 34 | ECU, write timeout | Yes | DNS, SOL OFF (Hydraulic default), DNA |
| 69 | 35 | ECU, checksum test | No | Induce COP timeout (reset ECU), DNA ⁽⁴⁾ |
| 69 | 36 | ECU, RAM self test | No | INDUCE COP TIMEOUT (reset ECU), DNA ⁽⁴⁾ |
| 69 | 39 | Communication chip addressing error | No | Use default for J1939 data, DNA |
| 69 | 41 | ECU, I/O ASIC addressing test | No | Induce COP timeout (reset ECU), DNA ⁽⁴⁾ |
| 69 | 42 | SPI output failure | Yes | GPO 1-8 and reverse warning inoperable |
| 69 | 43 | SPI input failure | Yes | DNS, lock in range, DNA |

This code is logged in real time to protect the transmission in case a loss of power to the ECU (Power Interruption code 35 00) occurs.

The ECU hardware or software must be changed so that they are compatible.

Additional codes could be logged for other shifts where X indicates range shifted from and Y indicates range shifted to.

The COP reset will clear the active inhibit.

OIL LEVEL SENSOR (OLS) CODES

Oil level codes are obtained as follows:

Press both the "▲" (up arrow) and "▼" (down arrow) push-buttons simultaneously. Oil level codes are displayed in 2 minutes (e.g. display will flash and 8, 7, ...; countdown will occur during the 2 minutes) once the following parameters are met:

- Engine at idle;
- Oil at operating temperature;
- Transmission in neutral (N);
- Transmission output shaft stopped;
- Oil level sensor present and working.

After 2 minutes, the display will flash one of the codes shown below:

| CODE | CAUSE OF CODE |
|-------|----------------------|
| OL-OK | Oil level is correct |
| LO-01 | One quart low |
| LO-02 | Two quarts low |
| HI-01 | One quart high |
| HI-02 | Two quarts high |

| CODE | CAUSE OF CODE |
|-------|-------------------------------|
| OL-50 | Engine speed (rpm) too low |
| OL-59 | Engine speed (rpm) too high |
| OL-65 | Neutral must be selected |
| OL-70 | Sump oil temperature too low |
| OL-79 | Sump oil temperature too high |
| OL-89 | Output shaft rotation |
| OL-95 | Sensor failure |

Note: Failure to meet one of the above parameters will stop the two minute countdown. One of the codes shown below will indicate the cause of the countdown interruption. Once all parameters are met, the countdown will continue from where it left off.

EXITING THE OIL LEVEL DISPLAY MODE

To exit the Oil Level Display Mode, press any range button ("R", "N" or "D").

CLEARING CODES

If the CHECK TRANS light is illuminated, first clear all diagnostic codes by pressing both the "▲" (up arrow) and "▼" (down arrow) pushbuttons at the same time, twice.

Take the vehicle for a test drive. If the CHECK TRANS light illuminates again, record the diagnostic codes. Refer to "World Transmission (WT) Diagnostic Codes" in this chapter.

EATON TRANSMISSION TROUBLESHOOTING GUIDE

The transmission is equipped with built in diagnostic capabilities combined with a "Service" indicator light, alerts the driver to potential transmission problems. The indicator light on the shift control pad remains off when the transmission is functioning properly.

A flashing or steady "Service" light indicates the transmission has registered a fault code. A mechanic will use the fault codes to assist in fixing the problem.

The transmission controller uses certain shift strategies which, in many instances, lets the transmission continue limited operation when a problem is sensed. These "limp-home" strategies allow the vehicle to operate under its own power, therefore avoiding the need for towing. Examples of this condition are:

- Transmission fails to engage in reverse, however the vehicle is still able to go forward;
- Transmission fails to upshift or downshift, but the vehicle can still proceed although speed and/or power is limited;
- Transmission is not able to engage all ratios. Skip shifts when possible.

The driver should determine the remaining capabilities of the coach before proceeding

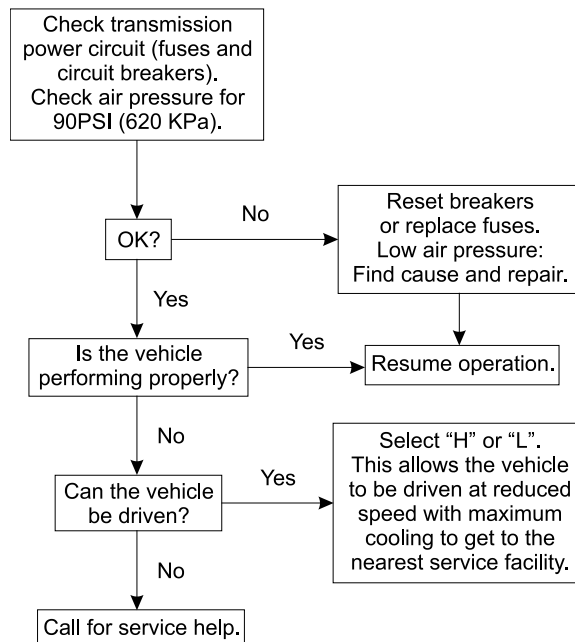
Note: If the driver chooses to stop, the coach may become disabled, and may require towing.

For some transmission errors, it may be possible to "clear" or "reset" the controllers. To do this:

1. Stop the coach in a safe location;

2. Place the transmission in neutral;
3. Set the parking brake;
4. Turn off the engine/ignition;
5. Wait two minutes;
6. Restart the engine;
7. Resume operation.

If the reset steps do not allow the transmission to perform properly, follow this flow chart:



07058

Note: To help service personnel, take note of operating conditions if a problem occurs. As an example, note such things as weather (hot, cold, wet, dry, snow, rain, etc.), driving conditions such as driving up a grade or on a flat surface, vehicle load, etc. Also take note of transmission fluid level and temperature, air pressure and other factors that can influence the diagnosis.

EATON TRANSMISSION FAULT CODES

Retrieve AutoShift fault codes by enabling the system's self-diagnostic mode or using a PC-based service tool, such as the Service Ranger.

- Place the transmission in Neutral;
- Set the parking brake;
- Turn the ignition key to ON but do not start the engine. If the engine is already running, you may still retrieve codes, but do not engage the starter if the engine stalls.

TECHNICAL INFORMATION

Retrieving Active Fault Codes



07044

To retrieve active codes, start with the key/lever in the ON position. Turn the key/lever OFF and ON two times within five seconds ending with the key/lever in the ON position.

After five seconds, the service light begins flashing two-digit fault codes. If no codes are active, the service light will flash code 25 (no codes).

Observe the sequence of flashes on the service light and record the codes. A one to two second pause separates each stored code and the sequence automatically repeats after all the codes have been flashed.

Retrieving Inactive Fault Codes



07045

To retrieve inactive (intermittent) codes, start with the key/lever in the ON position. Turn the key/lever OFF and ON four times within five seconds ending with the key/lever in the ON position.

After five seconds, the service light begins flashing two-digit fault codes. If no codes are active, the service light will flash code 25 (no codes).

Observe the sequence of flashes on the service light and record the codes. A one to two second pause separates each stored code and the sequence automatically repeats after all the codes have been flashed.

Clearing Fault Codes

The following procedure clears all inactive codes from the ECU's memory (active fault codes are automatically cleared when the fault has been corrected).

Note: PC-based tools such as Service Ranger can be used to clear codes.

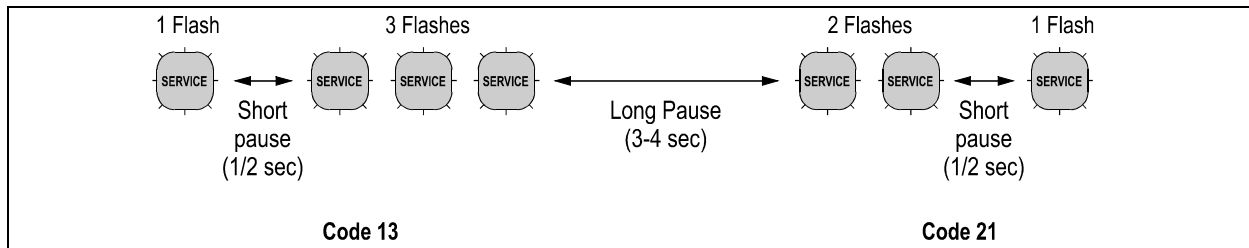


07046

To clear inactive codes, start with the key/lever in the ON position. Turn the key/lever OFF and ON six times within five seconds ending with the key/lever in the ON position.

If the codes have been successfully cleared, the service light will come on and stay on for five seconds.

Turn the key/lever to the OFF position and allow the system to power down.



07047

Refer to Eaton Fuller Troubleshooting Guide (TRTS-0062).

| Eaton Transmission Fault Codes | | | | | |
|--------------------------------|------------------------------|------|---------------------------|------|---------------------------|
| Code | DESCRIPTION | Code | Description | Code | Description |
| 11 | Shift Control | 35 | J-1939 Data Link | 58 | Output Shaft Speed Sensor |
| 12 | Transmission ECU | 41 | Range failed to engage | 61 | Rail Select Motor |
| 16 | Eaton Proprietary Link (EPL) | 42 | Splitter Failed to Engage | 63 | Gear Select Motor |
| 17 | Start Enable Relay Coil | 43 | Range Solenoid Valve | 65 | Logic Power |

| Eaton Transmission Fault Codes | | | | | |
|--------------------------------|-----------------------------|------|-----------------------------|------|-----------------------|
| Code | DESCRIPTION | Code | Description | Code | Description |
| 21 | Interrupt Solenoid Coil | 44 | Inertia Brake Solenoid Coil | 71 | Stuck Engaged |
| 22 | Lockup/Bypass Solenoid Coil | 51 | Rail Select Sensor | 72 | Failed to Select Rail |
| 24 | Hydraulic System Fault | 52 | Gear Select Sensor | 73 | Failed to Engage Gear |
| 32 | Switched System Voltage | 56 | Input Shaft Speed Sensor | 74 | Failed to Synchronize |
| 33 | Battery Voltage Supply | 57 | Main Shaft Speed Sensor | 83 | Shift Lever Missing |

LIGHT BULB DATA



Please, refer to your vehicle Parts Manual for selection of replacement light bulbs.

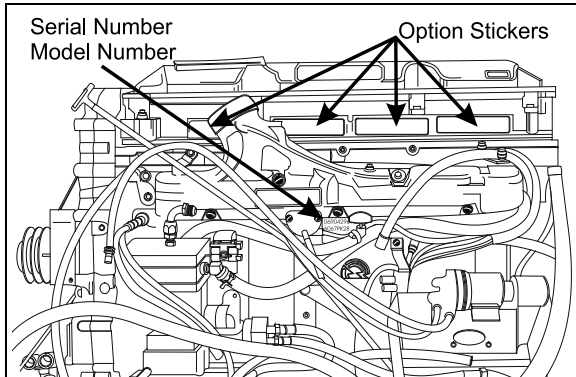
TECHNICAL INFORMATION

PLATES AND CERTIFICATION

The main components of the vehicle such as engine, transmission, axles and chassis are identified by different serial numbers. It may be necessary to locate these numbers for warranty purposes.

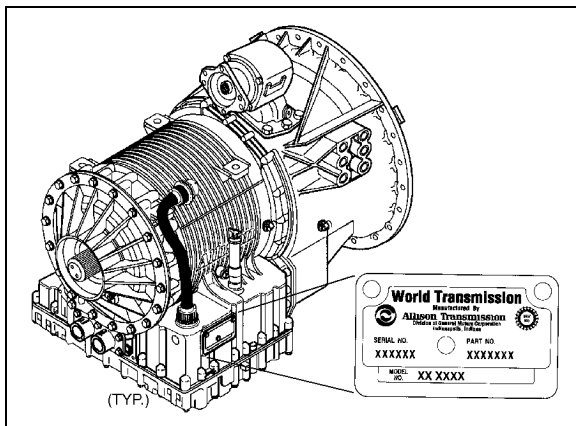
The engine serial and model number are stamped on the cylinder block (as viewed from the flywheel end) on the left side just below the fire deck and above the cast-in Detroit Diesel logo.

In addition, option decals are located on the rocker cover (starter side). The engine serial and model number and a list of the optional engine equipment are written on these decals. Refer to this information when ordering replacement parts.



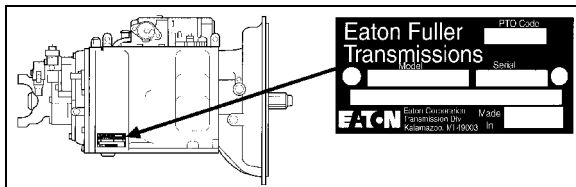
SERIES 60 ENGINE

00009



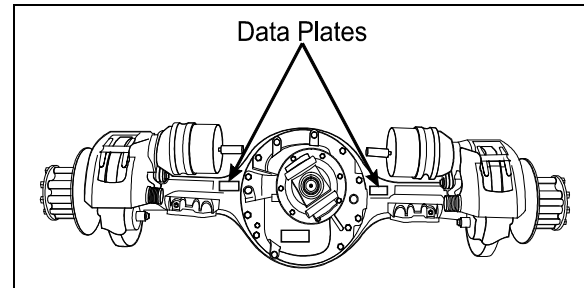
TRANSMISSION DATA PLATE (ALLISON)

07019



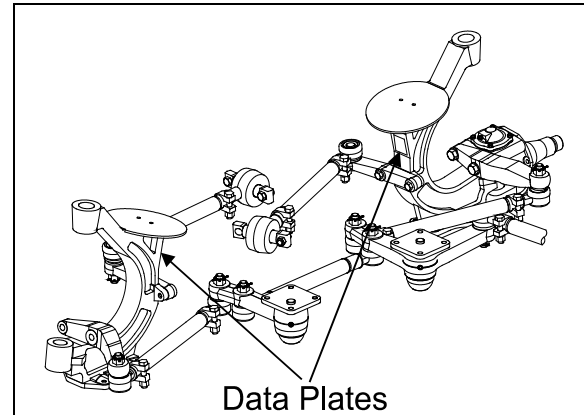
TRANSMISSION DATA PLATE (EATON)

07062



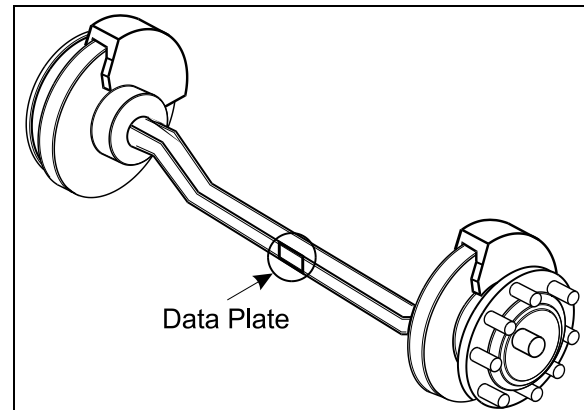
DRIVE AXLE

11019



FRONT AXLE (INDEPENDENT SUSPENSION)

10003



FRONT AXLE (RIGID SUSPENSION)

00008

SAFETY CERTIFICATION

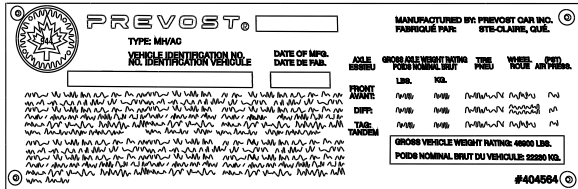
Vehicle components meet specifications and standards as follows:

- Material and parts conform to ASTM and/or SAE standards in effect at the time of manufacture.
- All factory-installed interior materials meet FMVSS 302 for fire resistance.
- Certified according to Provincial, State and Federal Safety standards (Canadian and US) BMCSS, FMVSS and CMVSS.

Other applicable certification labels are affixed to the component.

DOT CERTIFICATION PLATE

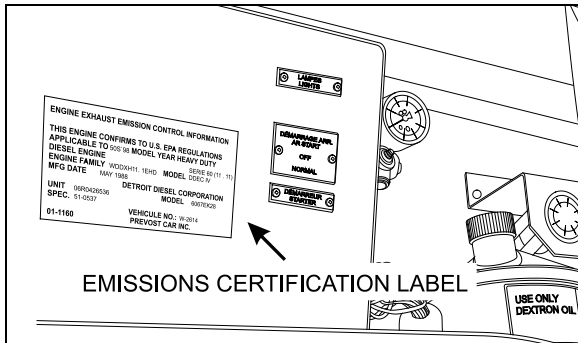
This certifies that vehicles manufactured by Prevost Car Inc. comply with all Federal Motor Vehicle Safety Standards at the time of manufacture. Information such as date of manufacture, model year, gross vehicle weight rating, tire types and inflation pressure is also etched on this plate. The DOT Certification plate is affixed to L.H. control panel.



DOT CERTIFICATION PLATE 00016

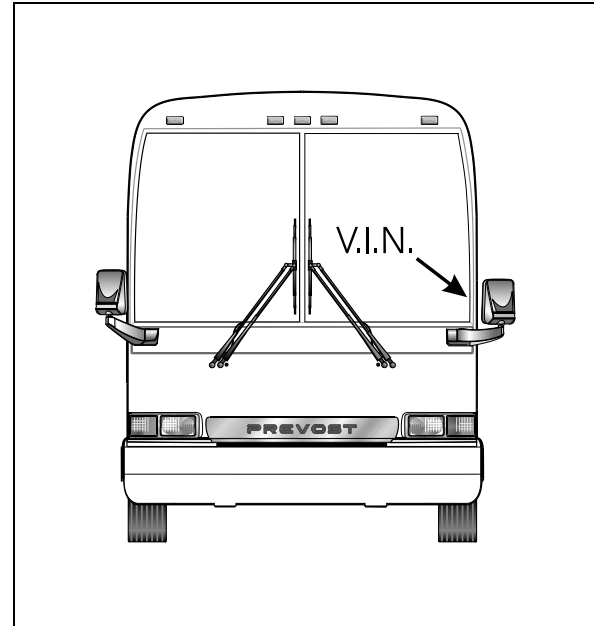
EPA ENGINE LABEL

The emissions certification label affixed to the rear junction box certifies that the engine conforms to federal and any state exhaust emissions regulations.



ENGINE COMPARTMENT 00019

VEHICLE IDENTIFICATION NUMBER (VIN)



VEHICLE IDENTIFICATION NUMBER

00020

The Vehicle Identification Number is stamped on a plate located on the windshield frame pillar (driver's side). The VIN is visible from the outside of the vehicle. Make sure the correct vehicle identification number is given when ordering replacement parts. Using the VIN when ordering parts will facilitate processing.

Note: Record the VIN in the vehicle documentation and keep with company records. The VIN will normally be used for vehicle registration, service reference needs and for obtaining vehicle insurance coverage.

COACH FINAL RECORD

A

A/C *See Air conditioning*
 ABS *See Antilock braking system*
 Accelerator pedal34, 35, **51**, 52, 55, 64, 81
 Active indicator 130
 code clearing.....131
 Air
 circuit
 accessories45
 primary 11, 12, **45**, 92
 secondary.....**45**, 92
 cleaner *See Air filter*
 compressor 122
 conditioning 104, **123**
 capacity 124
 compressor 11, 43
 compressor drive belts.....87, 122
 compressor oil capacity 121
 compressor oil specification..... 114
 condenser core42
 condenser door 15
 control unit.....42
 fan speed42
 pressure high 49
 pressure low.....49
 refrigerant type 124
 temperature set.....42
 dryer cartridge 115
 dryer cartridge 113
 filter 11, **104**, 112, 115
 restriction indicator 11, 12, **104**, 110
 springs 123
 tank 112
 vents *See Registers*
 Alignment specifications..... 123
 Alternator 11, 12, **113**
 drive belt..... 111, 115, 122
 failure 87
 module 15
 primary 48
 secondary.....47
 Antifreeze 98, 106, **114**
 Antilock braking system37, 46, **67**, **122**
 Armrest 22, 25
 Ashtray 25, 36
 Audible alert 44, 45, 47, 48, 51, **92**
 Auto neutral 52
 Average speed **60**, 65
 Axle bearings 112

B

Back up alarm **92**, 110
 Battery 48, 82, **123**

charger 68
 equalizer..... 49, 123
 master switch 32, 81
 terminals 113
 voltage 49, 126

Beams

high vii, 48, 50
 low vii, 48, 50, 91

Bellows 103, 123

Booster cables *See Jumper cables*

Brake

chamber effective area 122
 emergency/parking 122
 pedal **51**, 54, 55, 107
 service 48, **50**, 54, 55, 66, 90
 test 107

Brightness 41

Bumper 9, 10, 15, **88**, 89, 91

Burns 95

C

Camber 123

Camera

back up 19, 92, 103
 front 31, 41

Capacities 121

Card tables 25, 26

Carpet 96

Caster 123

CD player 28

Celsius 43

Central locking system..... 12, 14, 32, 33

Certification plates 12

Chewing gum 96

Chime 26, 27, 41, 76

Cigarette lighter 36

Cleaning 95, 96

floor 96

for corrosion protection 97

Clock format 61

Cluster 19, 33, 37, **44**, 62, 63,
 141

Coach final record..... 105, 121, **143**

Code

clearing 130
 main 130, 132
 reading 130
 sub 130, 132

Cold-start system 33

Combustion chamber..... 69

Compartments

baggage **14**, 25, 32, 86
 unlocked 46
 battery 14
 bumper 88

INDEX

- engine 11, 12, 81, 110
- evaporator 16
- exterior 11
- front service..... 15, 18, 48, 86, 89, 101
- lighting 91
- main power..... 13, 33, 68, 82
- overhead 26, 27, 28, 85
- rear service..... 9, 17
- utility 21, 32
- Component
 - failure 58
 - life span 58
- Connector, 110 - 120 volt 11, 12
- Control
 - head 42
 - switches..... 37
- Coolant
 - fluid 11, 101
 - heater 17, 32, 33, 36, 40, 68, 124, 125
 - timer 34, 36, 69, 72
 - level 101
 - line shutoff valve..... 17
 - temperature 40, 44, 63, 83
- Cooling vii, 68, 70, 71
- mode indicator..... 42
- Corrosion 97
- Courtesy blinkers..... 50
- Cruise
 - control 34, 35, 48, 58
 - fuel 58
 - time 58, 65
- Cup holder 25
- Curb weight 121
- D**
- Dashboard 33, 37, 38, 41, 43, 44, 53, 92
- Data
 - ECU 63
 - hub 58
 - log 64
- Daytime running lights..... 33, 38, 91
- DDEC 34, 37, 40, 46, 47, 48, 57, 58, 122
- diagnostic
 - codes..... 40, 47, 48, 58, 125
 - request 40
- DDR *See Diagnostic data reader*
- Destination sign 21, 39
- Diagnostic
 - codes 42, 54, 66, 125, 130, 131, 139
 - data reader 12, 31, 37, 58, 125
 - tool 130
- Dials *See Instrument panel*
- Differential 111, 113, 124
 - lock 133, 134
 - oil specification..... 114
- Digital clock 59
- Dimensions 117, 118, 119, 120
- Dipstick 98, 99, 100
- Discharge tubes 113
- Door
 - closing switch..... 18, 41
 - cylinder 18, 86
 - opening switch 18, 41
 - operation logic..... 18
- DOT certification 143
- Downshifts 47, 54, 66
- Drag link 111
- Drain cock 11, 12, 15, 98, 102, 106
- Drive axle 90, 91
 - alignment 123
 - components 123
 - gross axle weight rating 121
 - oil 124
 - ratio 122
 - track 121
 - wheel bearings 101
- Drive belt
 - A/C compressor 115, 122
 - alternator 115, 122
 - fan gearbox 115
 - tension adjustment..... 103
- Driver's
 - alertness 43
 - area lighting..... 40
 - drowsiness 43
 - power window 15, 28, 36
 - seat vii, 22, 54, 81, 90, 105, 121
- Driving time 65
- Dust 42, 95
- E**
- ECM *See Electronic control module*
- ECU *See Electronic control unit*
- Electrically erasable programmable read-only memory 57
- Electronic
 - control
 - module 37, 57, 58, 122, 126
 - unit 15, 64, 66, 122, 131
 - diagnostic mode 62
 - input voltage 132
 - interrogation 66
 - power-down..... 130
 - status test..... 64

- write timeout138
 unit injectors57
- Emergency
- air fill valves89
 - brake 48, **90**, 91, 107
 - door
 - opening 15, 18, **86**
 - unlock valve 15, 86
 - engine shutdown39, 48
 - equipment.....86
 - exit 22
 - exits 27, 28, **85**, 106, 110
 - windows.....27
- Engine
- belt tensioner control valve..... 11, 12
 - block heater.....12, **83**
 - brake 39, 45, 52, 54, **66**, 127
 - check **40**, 46, **58**, 66, **125**
 - cold-starting aid33, 40, **82**
 - control functions57
 - coolant
 - filter/conditioner..... 112, 115
 - heater timer *See Coolant heater timer*
 - level.....106, 126
 - level sensor 125
 - precharge unit 115
 - pump125
 - specification 114
 - strainer **107**, 112, 115
 - temperature.....92
 - cooling system maintenance.....113
 - crankcase breather 112
 - hours 58, 64
 - load conditions45
 - oil
 - change107
 - dipstick 11, 12
 - pressure44
 - reserve tank 11, 12, 98
 - specification 114
 - power 47
 - rear start..... 100, 101, 103
 - rpm 39, **45**, 54, 58, 83, 132
 - starter 48, 100
 - starter selector switch 11
 - stop 40, **58**, 66, 125
 - override switch **39**, 125
 - warm-up83
- Entertainment system.....33
- Entrance door **17**, 18, 32, 86, 104, 110
- ESPAR 69 *See Coolant heater*
- Ether *See Engine cold starting aid*
- EUI *See Electronic unit injectors*
- Event counter 129, **130**
- Exhaust 66, 69, 81, 83, 97, **143**
- F**
- Fabrics 95
 - Fahrenheit 43
 - Fan gearbox 11, **124**
 - oil level 100
 - oil specification..... 114
 - Fast idle **39**, 42, 58, 81, 83
 - Fault messages 60, 139, 140
 - Fire 48, 92, 105, 107
 - alarm 32
 - deck 142
 - extinguishers..... **86**, 102, 106, 107
 - hatchet 86
 - resistance..... 142
 - First aid kit 28, 86
 - Fixed windows 27
 - Flame pipe 69
 - Flash random access memory..... 57
 - Flat tire 88
 - Fog lights 38, 91
 - Footrest 25
 - Footwell 37, 58, 130
 - Foreword v
 - Formica 96
 - FRAM *See Flash random access memory*
 - Freezing conditions 48
 - Fresh water reservoir **97**, 98
 - Front axle 90
 - alignment 123
 - components 123
 - gross axle weight rating 121
 - track 121
 - wheel bearings 101
- Fuel
- filler door 14, 15, 32
 - filter 11, 110, 112, 115
 - filter/water separator 11, 47, **103**
 - fleet target 60
 - grade 121
 - instantaneous consumption 59
 - level **45**, 48, 107
 - used 58, 64, 65
- G**
- Galley 29, 41
 - Gauges 33, **44**, 63, 83, 90, 107, 110
 - test 63
 - Grease 96, 101, 111, 112, 114
 - Gross axle weight rating 121
 - Gross vehicle weight rating..... 121

INDEX

H

- Handrail 75
- Hardware 58, 63, 138
- Hazard flashers 33, 38, 88
- Headlights vii, 19, 37, 50, 61, 91
- Heat exchanger 69, 125
- Heating 70, 104
 - capacity 124
 - mode indicator 42
 - output 124
 - symbol 70
 - system 40, 42
 - time 70, 71
- Height 121
- Hi-Buoy 38, 47
- Horn
 - air 33, 49, **50**
 - electric 49, **50**
- Hoses **105**, 112
- Hubodometer 79
- HVAC *See Air conditioning*
- Hydraulic fluid 100, 124

I

- Icing 50
- Idle
 - fuel 58
 - time 58, 64
- Ignition
 - cycle counter 129, **130**
 - switch 29, 32, **33**, 40, 46, 47
- Incident record 66
- Indicators *See Telltale light panel*
- Inspection *See Safety inspection*
- In-station lighting 68
- Instrument panel vii, 58
- Interior lighting 41
- ISRI *See Driver's seat*

J

- Jack **87**, 89, 90, 91, 106
 - oil level 91
- Jacking
 - points 90
 - the coach 90
- JACOBS *See Engine brale*
- Joystick *See Mirror control knob*
- Jump starting 82
- Jumper cables 82
- Junction box 12, **13**, 15, **16**, 143

K

- Key 31, 32, 33
- Kilometers **45**, 112, 113
- Kneeling 38, 47, **67**, 93

Knuckle pins 111

L

- Lane change signal 49
- Lavatory 25, **29**, 32, 46
 - hose outlet 29
 - maintenance 97
 - soap/paper dispenser 29
- Length 121
- Light bulb check 46, 47
- Limp-home belt 87
- Liquid crystal display 58
- Low Buoy 34, 36, **68**
- Lubricant specifications 114, 124
- Lubrication 101, **105**, **111**, 124

M

- MCD *See Message center display*
- Message center display 33, 44
 - clock / dist. mode 59
 - fuel economy mode 59
 - gauge mode 58, 59
 - language selection 60
 - set up mode 60
- Metric 60, 61
- Microphone 25
- Microwave oven 29
- MID 63, 64
- Miles **45**, 58, 65, 112, 113
- Mirror
 - aisle 22
 - control knob 35
 - heating elements 19
 - lavatory 29
 - rear-view 9, 10, **18**
- Model number *See Serial number*
- Moisture 42
- Mud flaps 91
- Multi-function lever 47, 48, **49**

N

- Night-light 29
- Notice 147

O

- Odometer 45, 59, 60, 79
- Oil
 - A/C compressor 114
 - differential 121
 - dipstick 11, 12
 - engine *See Engine oil*
 - fan gearbox 100, 115
 - filter 112, 115
 - gear 111, 113, 124
 - synthetic 114

- level
 automatic transmission 110, 130
 compressor 111
 differential 111
 display 53
 engine **98**, 106, 110
 fan gearbox **100**, 111
 power steering **100**, 106, 110
 transmission **99**
 wheel bearing **101**, 106
 pressure **44**, 58, 63, 81, 92
 reserve tank 11
 specifications *See Lubricant specifications*
 temperature **47**, 59, 99, 133, 137, 138
 wheel bearing 101
- Overhang 121
 Over-rev 66
 Overspeed 65
- P**
- Paint finish 96
 Parking brake vii, 48, 81, **90**, 93, 107
 control valve 34, 36
 Part number specifications 115
 Passenger
 air registers 41
 windows 27
 Password 60, 62, 65
 changing 65
 Personal computer 58
 PID 64
 Plastic 96
 Power steering 106, 115, 124
 fluid
 reserve tank 12
 specification 114
 reserve tank 112
 PPID *See PID*
 Pressure sensor 127
 Pro-Link 129, 130
 Propeller shaft 111
 PTO time 58
 Public-address system 25
 Pull-start *See Push-start*
 Push-start vii, 91, 107
- Q**
- Quick-lounge 26
- R**
- Radiator 9, 11
 door 17
 fan
 gearbox 111, 112
 gearbox oil level 100
 override 40
- Radio 33, 42
 Range *See Transmission range*
 Reading lights 26, 27, 41, 76
 Real time 64, 138
 Rear start *See Engine rear start*
 Recall 147
 Recirculation damper 17
 Reflectors **86**, 106
 Refrigerant 121, 124
 filter dryer unit 115
 moisture indicator 111
 Refrigerator 29
 Registers **22**, **26**, 37, 43, 124
 Release bar 27, 85
 Reminder alarm 60
 Restraint belts 76
 Reverse 54
 Rubber 96, 100, 113
 Rust 96
- S**
- Safety
 belt vii, 24, 25
 breakdown kit 86
 defect 147
 features v
 inspection 105, 110
- Seat
 bellows 23
 driver's *See Driver's Seat*
 fabric 95
 passenger 25
 suspension 23
 swivel 25
 tour guide 25
- Sender unit 53, 64
 Separators 29
 Serial number 142
 Series/parallel 123
- Service
 bell *See Chime*
 life v, vii, 58, 66
- Software 21, 57, 63, 138
 Solenoid 57, 66, 82, 131, 133
 control valve 122
- Spare
 parts kit 87
 wheel 15, **88**, 89
- Speedometer 45
 Splash guards 91
 Stain protection 95
 Stainless steel 96
 Stains 95, 96, 97
 Standard units 22, 60, 61
 Starting
 cold weather 11, 40, 47, **82**

INDEX

- coolant heater.....69
 - from the engine compartment.....81
 - using jumper cables82
 - Status test 64
 - Steering
 - column 122
 - damper 111
 - gear 123
 - wheel **21**, 49, 50, 51, **122**
 - Stoplights 48, 66, 67
 - Sump tank
 - auxiliary97, 98
 - main 97, 98
 - Sun shades 28, 38
 - Surge tank vii, 11, 12, 101, 106, 112
 - coolant level 110
 - Suspension vii, 23, 38, 89, 90, 121, **123**

 - T**
 - Tachometer 45, 63
 - Tag axle 91, 93
 - alignment.....123
 - components.....123
 - control valve34, 36
 - gross axle weight rating.....121
 - load release system68
 - lubrication 111
 - retraction68
 - track 121
 - wheel bearings101
 - Tar 96, 97
 - Telltale light 38, 46
 - cluster 39
 - panel 46
 - test 39, 63
 - Temperature sensor.....125
 - Throttle
 - pedal *See Accelerator pedal*
 - Thrust angle 123
 - Tie rod 111
 - Timer *See Coolant heater*
 - timer
 - Tire inflation pressure.....105, 121
 - Toe 123
 - Toilet *See Lavatory*
 - deodorant98
 - Tools 87, 89
 - Tow eyes 91
 - Towing 91
 - TPS *See Throttle position sensor*
 - Transmission
 - Allison 66, 124
 - gear ratios122
 - check 47, 53, 66, 83, 131, 132, 139
 - cold check.....99
 - cold check.....99
 - control
 - pad..... 34, 47, **52**, 66
 - valve body..... 66
 - diagnostic
 - codes 129, 139
 - display mode..... 54
 - drive 54
 - Eaton 51, 122
 - fluid 114, 115
 - dipstick..... 11
 - level.....99
 - level display 53
 - specification 114
 - temperature 47
 - gear 45, 53
 - hot check.....99
 - mode
 - button.....53, 130, 131
 - economy 53, 130
 - performance 53
 - neutral 54
 - park 54
 - range **52**, 92, 131, 132, 137
 - retarder 39, 48, 51, 54, 55, **66**, 122
 - lever 49, **55**
 - reverse gear.....92
 - top gear.....65
- Transmisson
 - Eaton 113
- Troubleshooting 37, 58, 64, 66, **74**, **125**, **140**
- Turbocharger 83
 - boost
 - guage.....63
 - pressure.....45, 126
 - inspection..... 106
- Turn signals vii, 38, **47**, 48
- Turning circle 121
- TV 31, 32, 41, 92
-
- U**
- Upholstery 95
- Upshift 47, 53, 66, 132
-
- V**
- Vacuum 95, 96
- Valve primary air circuit..... 11
- Variable speed governor 125
- Vehicle
 - clearance 46
 - frame 91

- identification number . *See Serial number*
- Ventilation 29, 85, 104
 - control unit *See Air conditioning control unit*
 - hatch 22, **28**, 85
- Video cassette player28, 32, 41
- VIN *See Serial number*
- Vinyl 96
- Voltmeter 45
- W**
- Walk-around inspection..... 110
- Waste container 29
- Water
 - circulation pump69
 - pump 33
 - separator **103, 106**, 110
 - temperature69
- Weather
 - cold 19, 47, 50, 83, 106
 - hot 40
- Webasto *See Coolant heater*
- Wheel
 - alignment 123
 - bearing 101
 - lock 67
 - nuts 88, 105
 - slip sensor 122
- Wheelbase 121
- Wheelchair lift 40, 46, **74**
 - control device 75
 - door 46, **74**
- Width 121
- Windshield
 - defogger 43
 - washer
 - control 50
 - fluid 48, 106, 110
 - reservoir 15, **101**, 106, 121
 - wiper 50, 102
 - blades 50, 96, 110, 115
 - streaking 96
- WTEC *See Electronic control unit*

PREVOST

CHANGE OF ADDRESS OR OWNERSHIP

Any change in address or ownership should be brought to the attention of the manufacturer by completing and sending out one of the cards supplied below.

ENREGISTRÉ - REGISTERED
ISO 9001 & ISO 14001



CHANGE OF ADDRESS

VEHICLE SERIAL NUMBER

| | | | | | | | | | | | | | | | | | | | | |
|--|--|--|--|--|--|--|--|--|--|--|--|--|--|--|--|--|--|--|--|--|
| | | | | | | | | | | | | | | | | | | | | |
|--|--|--|--|--|--|--|--|--|--|--|--|--|--|--|--|--|--|--|--|--|

OLD ADDRESS

NEW ADDRESS

NAME

NO. STREET APT

CITY STATE/PROVINCE ZIP/POSTAL CODE

() - () -
PHONE FAX

NO. STREET APT

CITY STATE/PROVINCE ZIP/POSTAL CODE

() - () -
PHONE FAX

ENREGISTRÉ - REGISTERED
ISO 9001 & ISO 14001



CHANGE OF OWNERSHIP

VEHICLE SERIAL NUMBER

| | | | | | | | | | | | | | | | | | | | | |
|--|--|--|--|--|--|--|--|--|--|--|--|--|--|--|--|--|--|--|--|--|
| | | | | | | | | | | | | | | | | | | | | |
|--|--|--|--|--|--|--|--|--|--|--|--|--|--|--|--|--|--|--|--|--|

The ownership of this vehicle is transferred

FROM:

TO:

NAME

NO. STREET APT

CITY STATE/PROVINCE ZIP/POSTAL CODE

() - () -
PHONE FAX

NAME

NO. STREET APT

CITY STATE/PROVINCE ZIP/POSTAL CODE

() - () -
PHONE FAX

CHANGE OF ADDRESS OR OWNERSHIP



PREVOST

PRÉVOST CAR INC.
AFTER-SALES SERVICE DEPARTEMENT
35, boulevard Gagnon
Sainte-Claire, (Québec)
Canada G0R 2V0



PREVOST

PRÉVOST CAR INC.
AFTER-SALES SERVICE DEPARTEMENT
35, boulevard Gagnon
Sainte-Claire, (Québec)
Canada G0R 2V0

