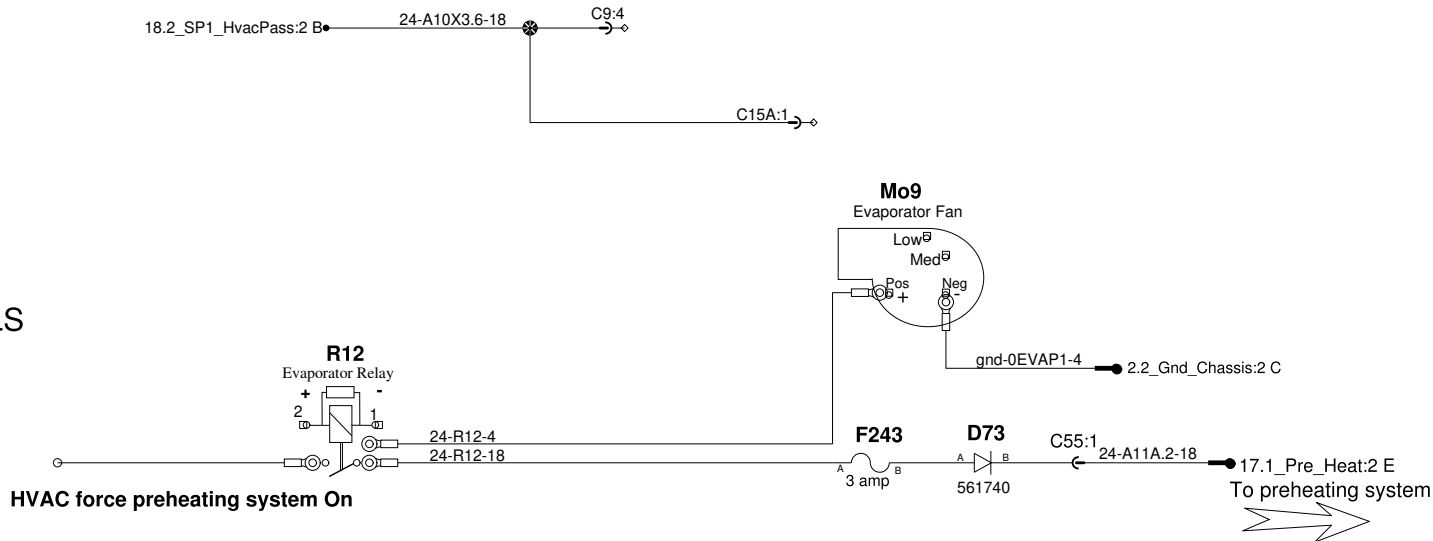


Water PreHeater System Forced Customer Adaptation Offshore Heating Function

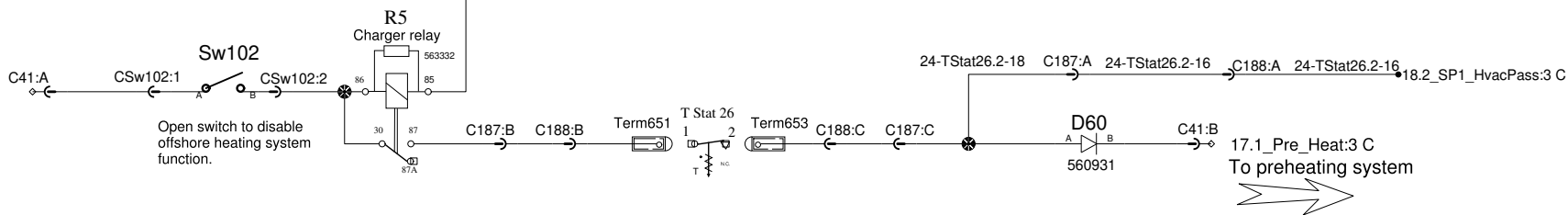
REFER TO P18.2 (STD) FOR ALL DETAILS



REFER TO P17.1 (STD) FOR ALL DETAILS

Battery charger force HVAC system On

From A17_ACplugged ← C41:C 0-A17.AC-18



Timer in FJB

