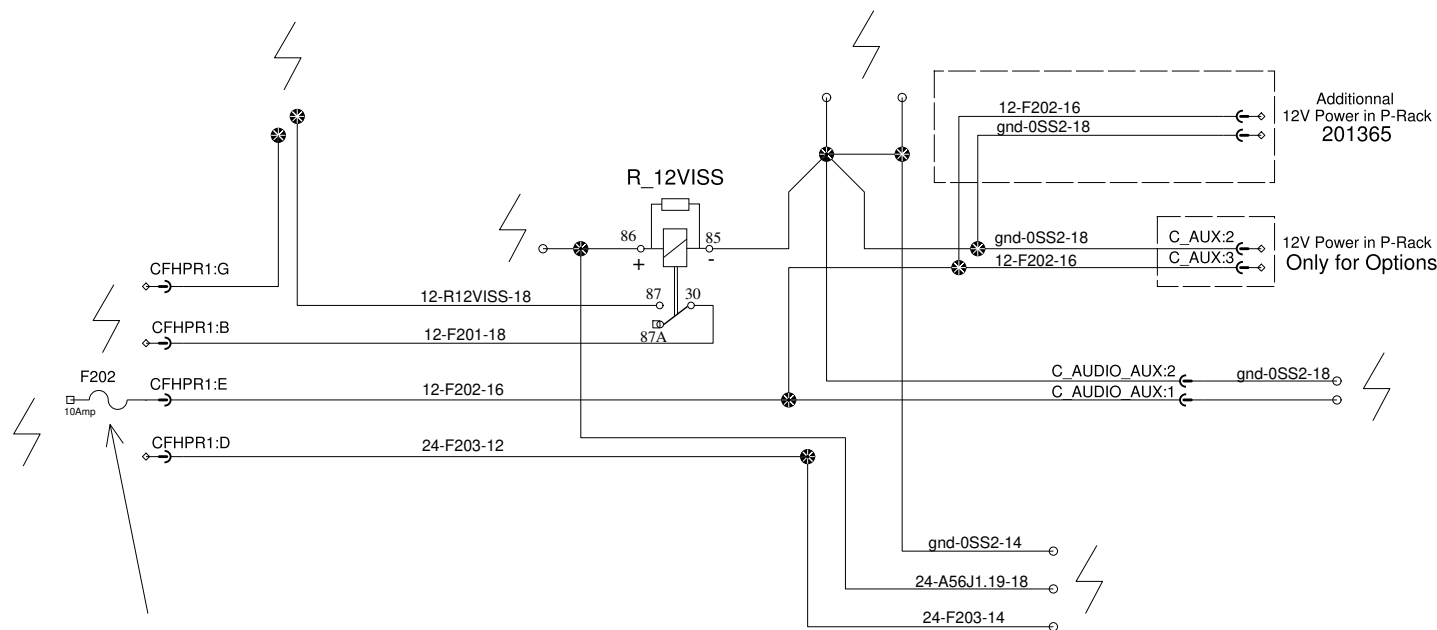


Cust adapt. add 2nd 12V Power outlet in P-Rack



REPLACE F202 (15A) WITH A 10A FUSE