

# PREVOST

## WARRANTY BULLETIN

### WB24-27

DATE :	August 2024	SECTION:	06 ELECTRICAL
EXPIRATION:	August 2026		
SUBJECT:	<b>HARNES CONNECTORS MODIFICATION</b>		

First Release

08-27-2024

### APPLICATION

**NOTICE TO SERVICE CENTERS**

Verify vehicle eligibility by checking warranty bulletin status with **SAP** or via **ONLINE WARRANTY SYSTEM** available on Service / Warranty tab of PrevoSt website.

Model	VIN	
H3-45 coaches Model Year: 2023	2PCH33490 <u>PC721359</u> 2PCH33496 <u>PC721382</u> 2PCH33498 <u>PC721402</u> 2PCH33494 <u>PC721431</u>	
H3-45 coaches Model Year: 2024	From 2PCH3349X <u>RC721453</u> to 2PCH33497 <u>RC721782</u> incl.	

This bulletin does not necessarily apply to all the above-mentioned vehicles, some vehicles may have been modified before delivery. The owners of the vehicles affected by this bulletin will be advised by a letter indicating the Vehicle Identification Number (VIN) of each vehicle concerned.

### DESCRIPTION

On the vehicles affected by this bulletin, modify the connectors harness pin out and fuse.

### MATERIAL

Order the following part:

Part No	Description	Qty
563153	FUSE ATM 25A	1

***NOTE***

*Material can be obtained through regular channels.*

## SAFETY PRECAUTIONS

- Eye protection should always be worn when working in a shop.
- Rules for Personal Protection Equipment should always be respected. Wear your PPE including but not limited to the following:



# Safety First!



## PROCEDURE



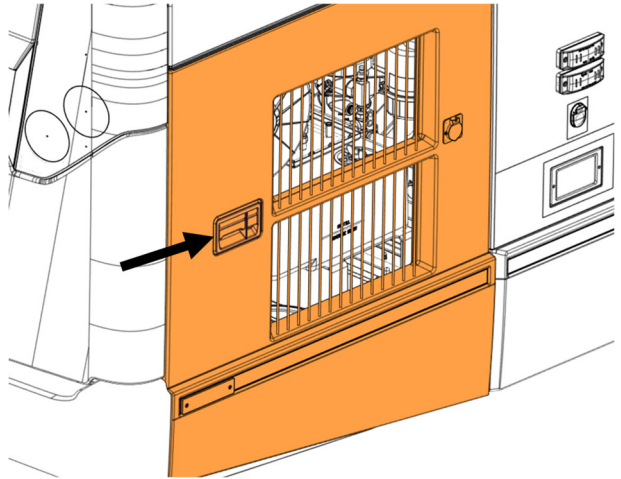
### DANGER

Park vehicle safely, apply parking brake, stop the engine. Prior to working on the vehicle, set the ignition switch to the OFF position and trip the main circuit breakers equipped with a trip button. On the Commuter type vehicles, set the battery master switch (master cut-out) to the OFF position.

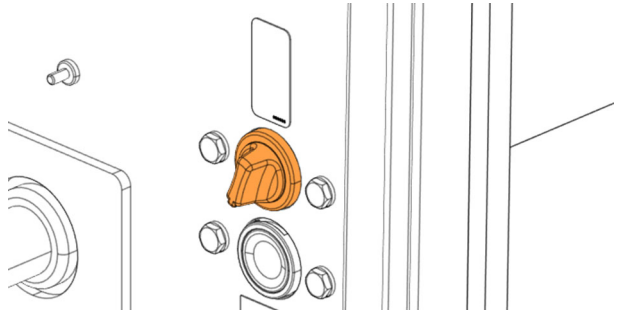
Lockout & Tag out (LOTO) must be performed during set-up, maintenance or repair activities. Refer to your local procedure for detailed information regarding the control of hazardous energy.

**HARNES CONNECTOR PIN OUT MODIFICATION**

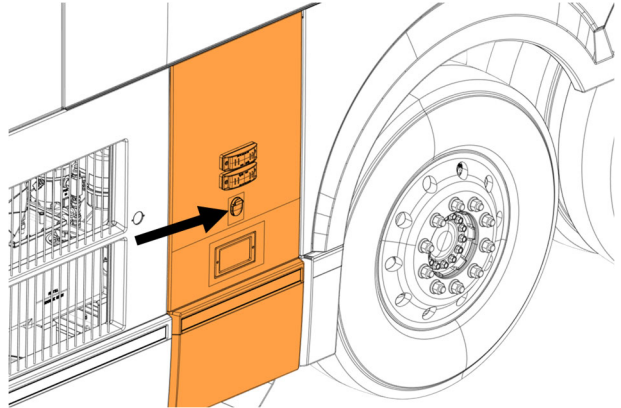
1. Open compressor compartment door.



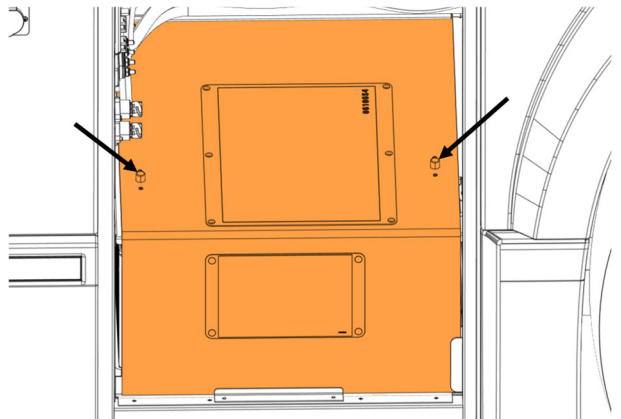
2. Turn off the switch of the main electrical.



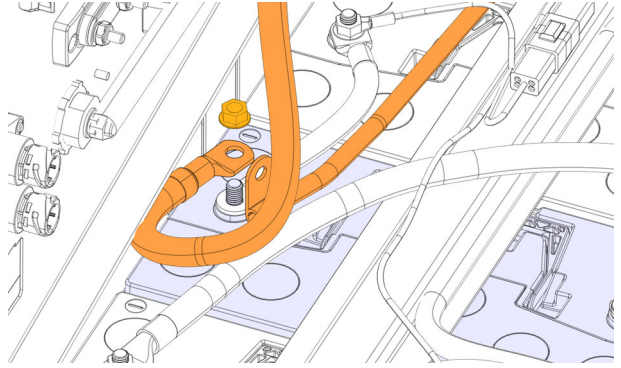
3. Open rear service compartment door on curbside.



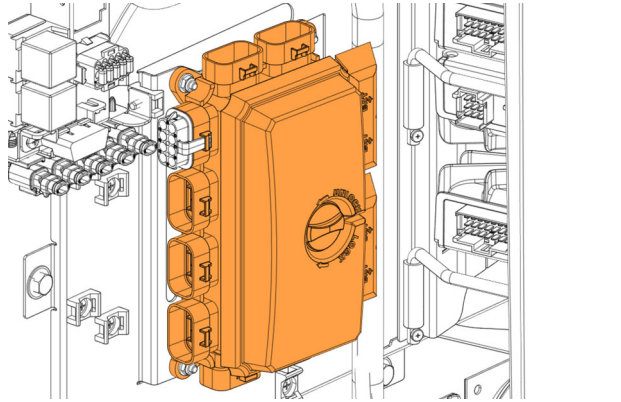
4. Remove battery cover.



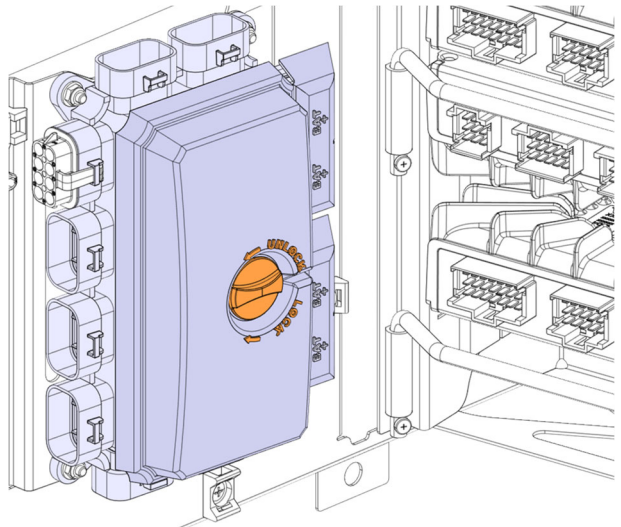
5. Disconnect battery ground.



6. Locate the DVEC module.



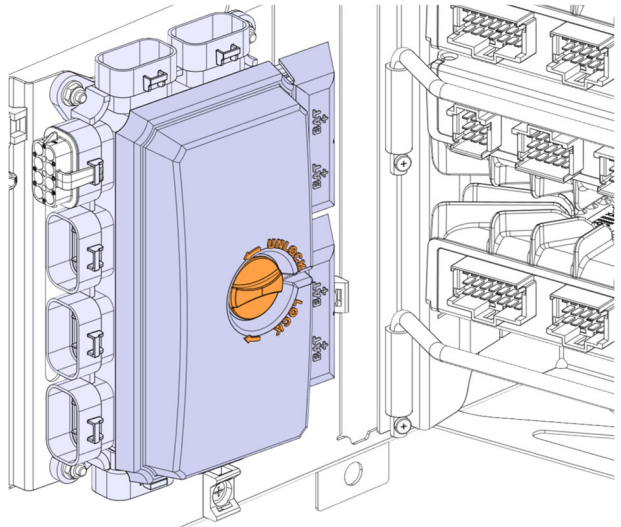
7. Remove the cover of the DVEC module.



8. Replace the fuse **F130** with the new 563153.

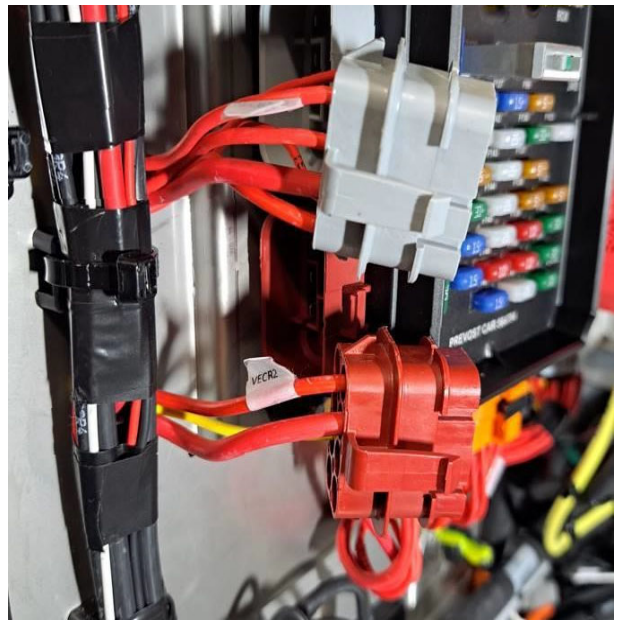


9. Reinstall the cover of the DVEC.

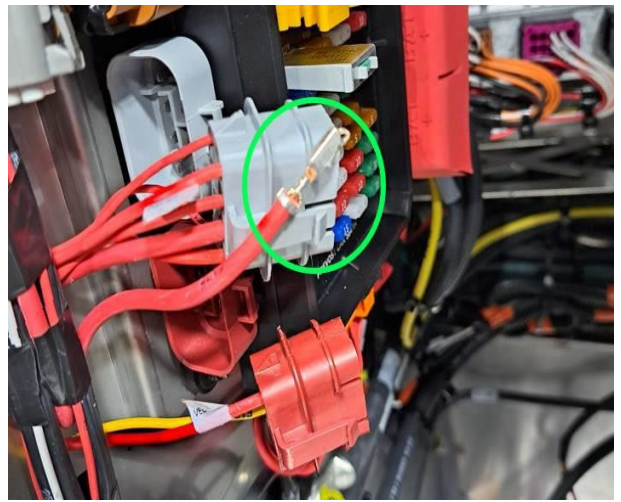


10. Disconnect the connectors **VECR1** (gray) and **VECR2** (red).

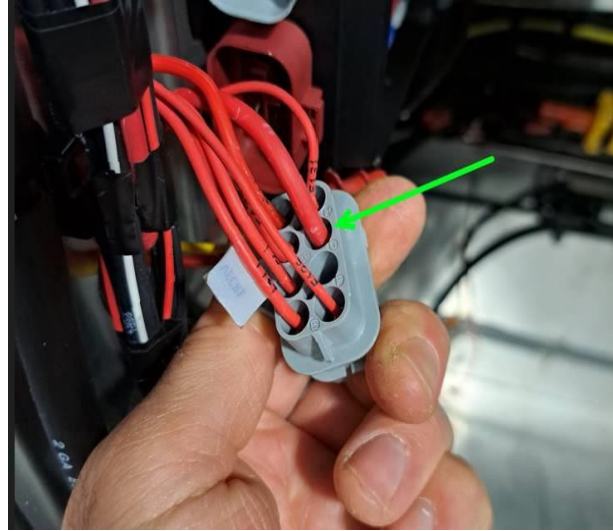
11. Remove the secondary lock of both connectors.



12. Extract the terminal from the position **C** of the connector **VECR2** (red).

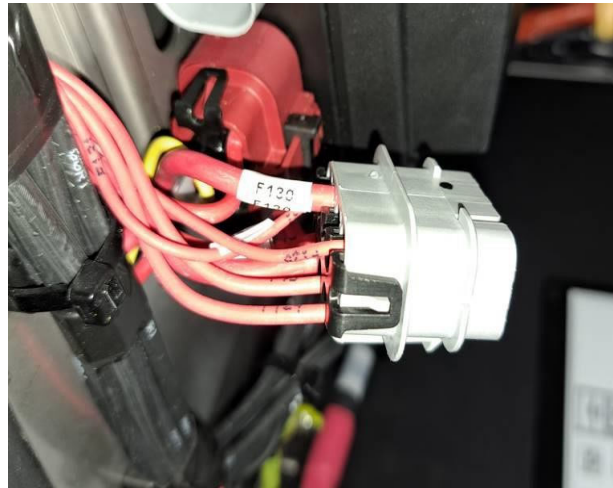


13. Insert the terminal at position **G** of the connector **VECR1** (gray)



14. Reinstall the secondary lock of both connectors.

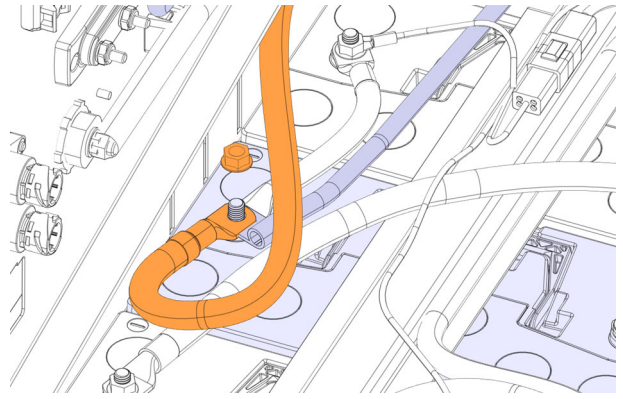
15. Identify the wire of terminal **F130**.



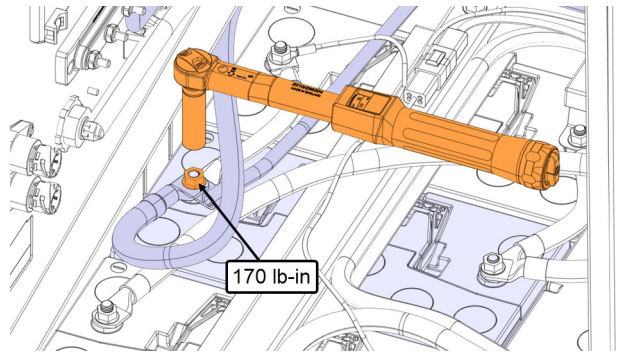
16. Reconnect the connectors **VECR1** (gray) and **VECR2** (red).



17. Reconnect battery ground.



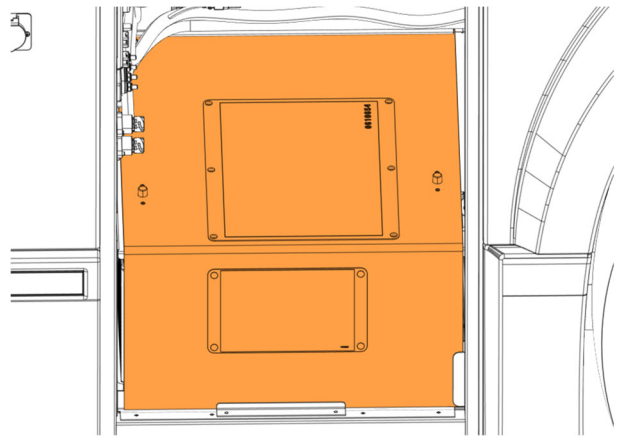
18. Tighten the nut to **170 lb-in** torque.



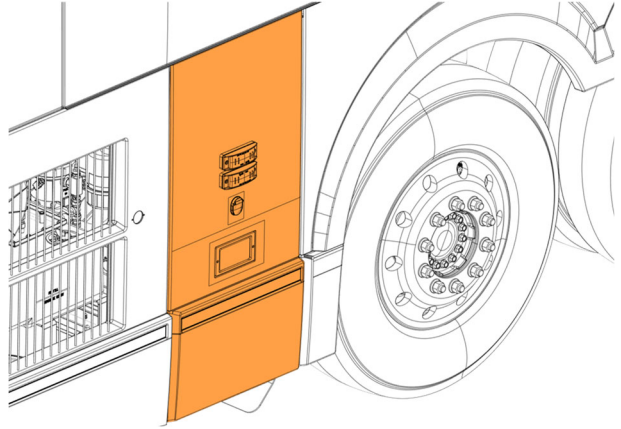
19. Modify the decal of the rear junction box components label printer "P-TOUCH":  
 Change F130: 25AMP P.RACK FAN  
 Change F145: SPARE

	C8128 30amp	F126 5 amp	F124 25 amp	F122 10 amp	24VD
	24VD FJB	R29/So11	Pre-heat	Equalizer	
	F129 15 amp	F127 15 amp	F06 5 amp	24WUP	
	Spare	Water Pump	VECU Pwr		
	F130 25 AMP	F142 25 amp	F136 30 amp		F123 25 amp
	P.RACK FAN	Mo2 Cond	AS3 Pwr		Pre-heat
	F131 5 amp	F143 25 amp	F137 5 amp		
	24VD Cust	Mo27 Cond	Max T.P. Heat		
	F119 10 amp	F144 25 amp	F138 5 amp		F132 5 amp
	Spare	Mo28 Cond	JB Cmp1 Lt		AS7 Pwr
	F120 15 amp	F145 25 amp	F139 10 amp		F133 30 amp
	Spare	Spare	Alternators		AS3 Pwr
F121 15 amp	F146 10 amp	F140 10 amp	F134 30 amp		
12WUP Cust	Spare	Reading Lamps	AS0 Pwr		
	F147 15 amp	F141 25 amp	F135 30 amp		
	24WUP Cust	Mo7 Cond	AS4 Pwr		

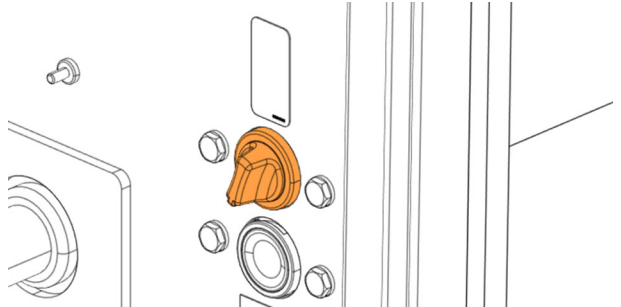
20. Reinstall battery cover.



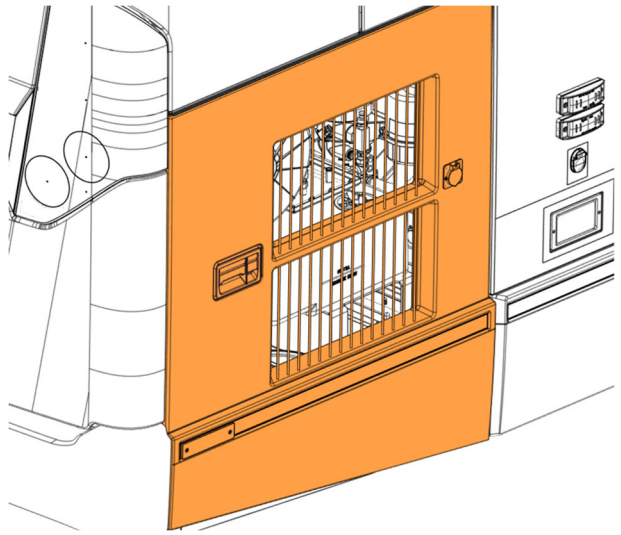
21. Close rear service compartment door.



22. Turn on the switch of the main electrical.



23. Close compressor compartment door.





## PARTS / WASTE DISPOSAL

DO NOT RETURN THE REPLACED PARTS. Discard waste according to applicable environmental regulations (Municipal/State[Prov.]/ Federal)

## WARRANTY

This modification is covered by Prevost's normal warranty. We will reimburse you the parts and ½ hour (0.5) of labor upon receipt of a warranty claim. Please submit claim via our Online Warranty System, available at [www.prevostcar.com](http://www.prevostcar.com) (under Service \ Warranty section).

- Use Claim Type: "Bulletin/Recall" and select "Warranty Bulletin WB24-27".

## OTHER

VBC Bulletin	N/A
Fail Code	06.16
Defect Code	09
Syst. Cond	B
Causal Part	563153

Access all our Service Bulletins on  
<http://techpub.prevostcar.com/en/>  
or scan the QR-Code with your smart phone.



**Are you a Vehicle owner? E-mail us at [technicalpublications\\_prev@volvo.com](mailto:technicalpublications_prev@volvo.com) and type "ADD" in the subject to receive warranty bulletins applicable to your vehicle(s) by e-mail.**