

PREVOST

WARRANTY BULLETIN

WB24-32

DATE :	September 2024	SECTION :	23 ACCESSORIES
EXPIRATION:	September 2026		
SUBJECT :	OUTSIDE MIRROR HEAT SWITCH - WIRING MODIFICATION		

First Release

09-11-2024

APPLICATION

NOTICE TO SERVICE CENTERS	
<i>Verify vehicle eligibility by checking warranty bulletin status with SAP or via ONLINE WARRANTY SYSTEM available on Service / Warranty tab of Prevost website.</i>	
Model	VIN
H3-45 coaches Model Year: 2024	From 2PCH33490RC721770 up to 2PCH33498RC721807 incl.
H3-45 VIP motorhomes Model Year: 2024	From 2PCVS3499RC721773 up to 2PCVS3491RC721833 incl.
<p>This bulletin does not necessarily apply to all the above-mentioned vehicles, some vehicles may have been modified before delivery. The owners of the vehicles affected by this bulletin will be advised by a letter indicating the Vehicle Identification Number (VIN) of each vehicle concerned.</p>	


DESCRIPTION

On the vehicles affected by this bulletin, the outside mirror heat function may be not working properly due to swapped wires on the switch connector.

MATERIAL

No material is needed for this warranty bulletin.

REQUIRED TOOL

Part No	Description
392667	ROCKER SWITCH EXTRACTION TOOL 

NOTE

Material can be obtained through regular channels.

SAFETY PRECAUTIONS

- Eye protection should always be worn when working in a shop.
- Rules for Personal Protection Equipment should always be respected. Wear your PPE including but not limited to the following:



Safety First!



PROCEDURE



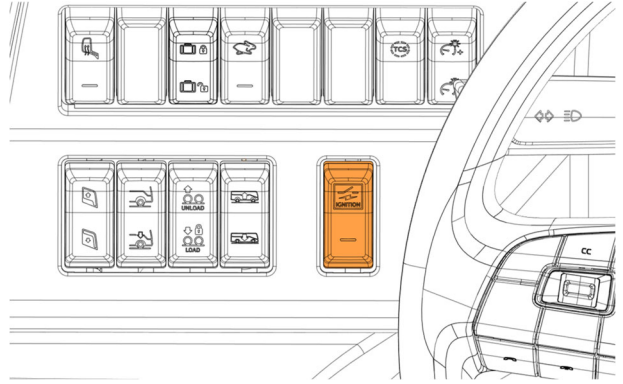
DANGER

Park vehicle safely, apply parking brake, stop the engine. Prior to working on the vehicle, set the ignition switch to the OFF position and trip the main circuit breakers equipped with a trip button. On the Commuter type vehicles, set the battery master switch (master cut-out) to the OFF position.

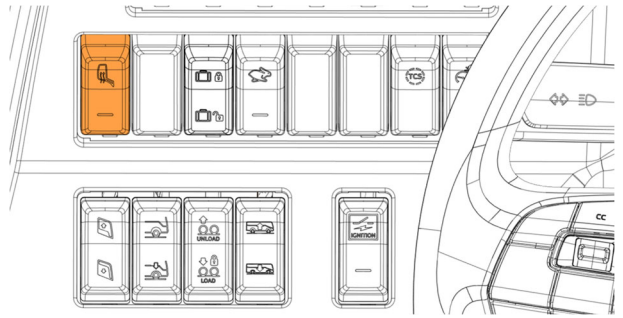
Lockout & Tag out (LOTO) must be performed during set-up, maintenance or repair activities. Refer to your local procedure for detailed information regarding the control of hazardous energy.

OUTSIDE REAR-VIEW MIRROR HEAT INSPECTION

1. Set the ignition switch to the ON position.

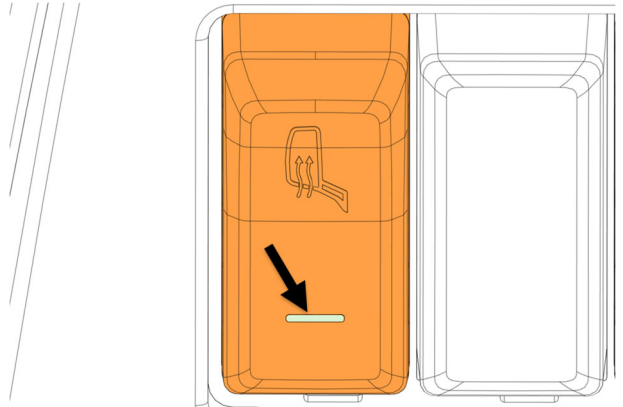


2. Switch on the outside mirror heater.



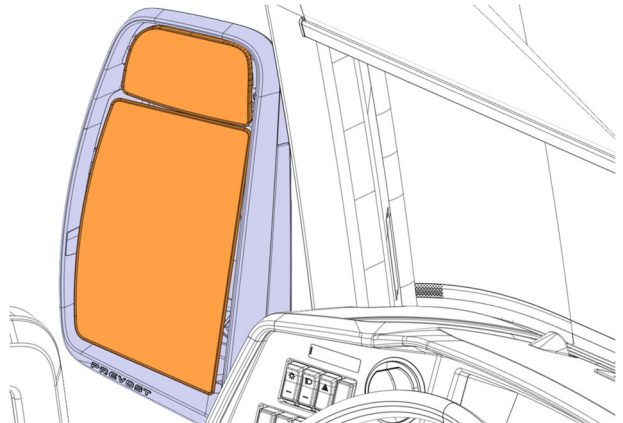
3. Check the indicator LED on the switch:

- If the LED is turned on, go to the next step.
- If the LED is off, go to the "**SWITCH WIRING MODIFICATION**" section.



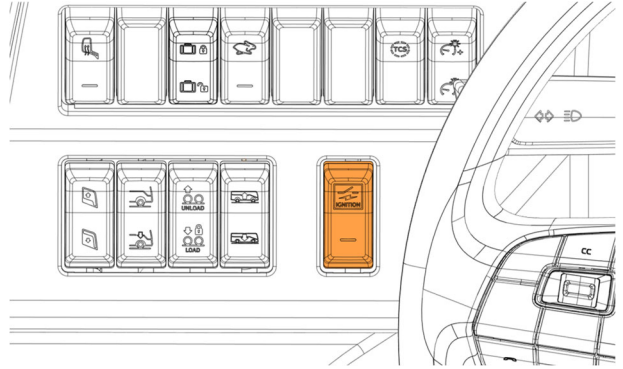
4. Check the outside rear-view mirror with your hand:

- If the mirror glass is warm to the touch, turn OFF the mirror heat and the ignition. No further action is required.
- If the mirror glass is not heated, go to the "**SWITCH WIRING MODIFICATION**" section.

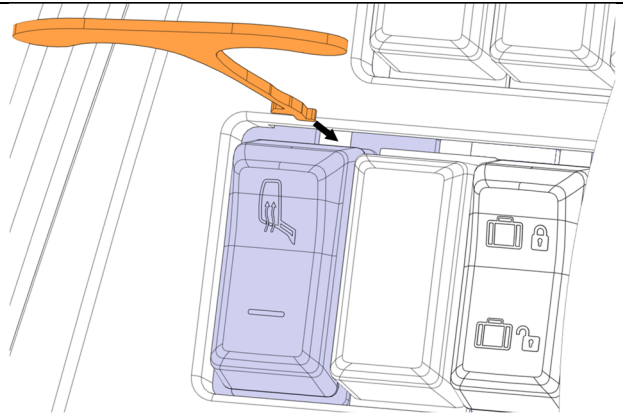


SWITCH WIRING MODIFICATION

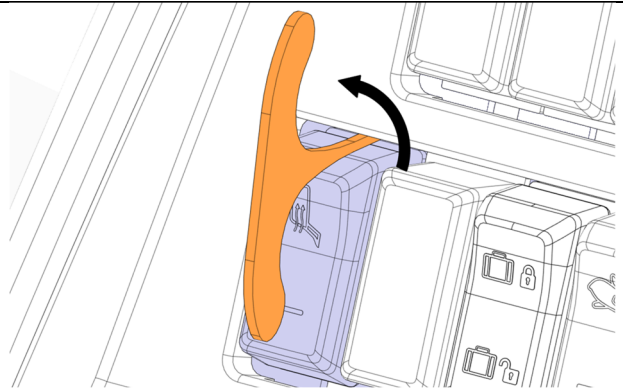
1. Turn the ignition switch to the OFF position.



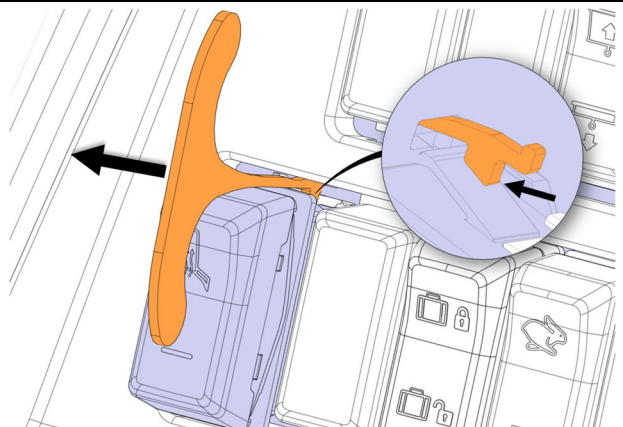
2. Insert the switch removal tool 392667 in the opening above the mirror heat switch.



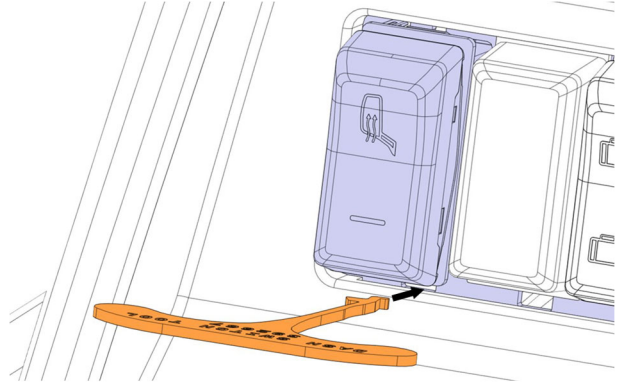
3. Rotate the tool 90 degrees.



4. Pull the tool enough to lower the upper switch tab and disengage the upper part of the switch.



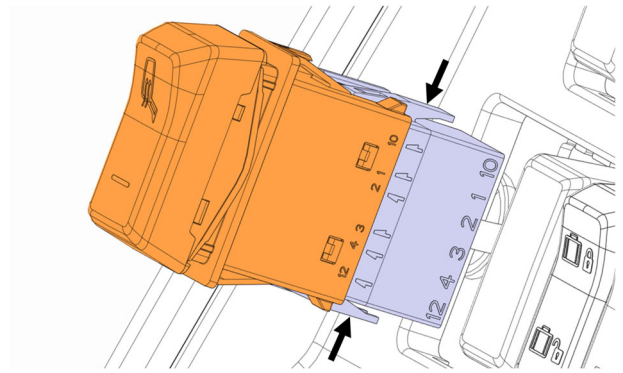
5. Insert the tool in the opening below the mirror heat switch and repeat the process to disengage the lower tab of the switch.



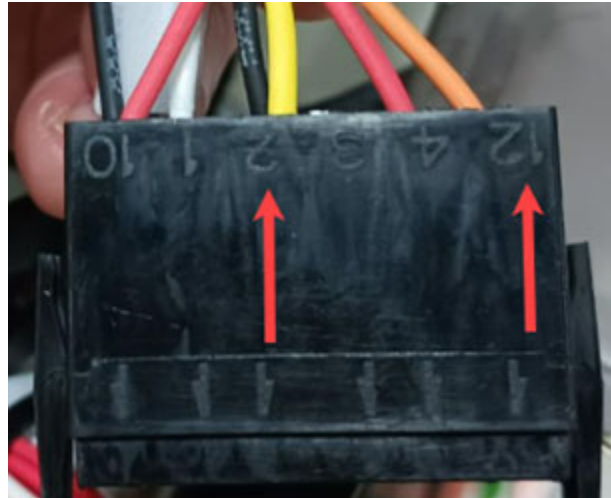
6. Pull the switch to remove it from the dashboard.



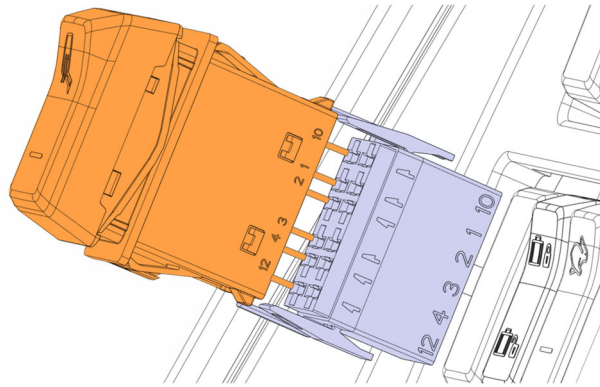
7. Press the connector tabs and unplug the switch from connector.



8. Extract the terminals from pins 2 and 12 of the connector. These wires should be swapped.
9. Insert the terminal of wire **A45J1.16** in the **pin 2** of the connector.
10. Insert the terminal of wire **A49J1.1** in the **pin 12** of the connector.



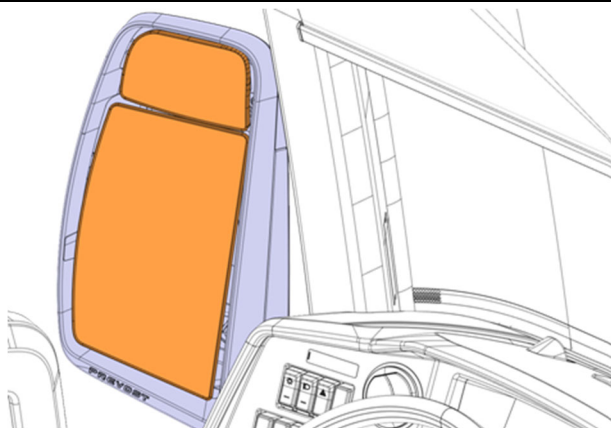
11. Plug the switch into the connector.



12. Reinstall the mirror heat switch in the dashboard.



13. Check that the mirror heat function is working properly, as per the **OUTSIDE REAR-VIEW MIRROR HEAT INSPECTION** section.



PARTS / WASTE DISPOSAL

Discard waste according to applicable environmental regulations (Municipal/State[Prov.]/ Federal)

WARRANTY

This modification is covered by Prevost's normal warranty. We will reimburse you ¼ hour (0.25) of labor upon receipt of a warranty claim. Please submit claim via our Online Warranty System, available at www.prevostcar.com (under Service \ Warranty section).

- Use Claim Type: "Bulletin/Recall" and select "Warranty Bulletin WB24-32".

OTHER

VBC Bulletin	N/A
Fail Code	23.01
Defect Code	09
Syst. Cond	B
Causal Part	563498

Access all our Service Bulletins on
<http://techpub.prevostcar.com/en/>
or scan the QR-Code with your smart phone.



Are you a Vehicle owner? E-mail us at
technicalpublications_prev@volvo.com and type "ADD" in the
subject to receive warranty bulletins applicable to your vehicle(s)
by e-mail.