

# PREVOST

## WARRANTY BULLETIN

**WB24-39**

DATE :	November 2024	SECTION :	06 ELECTRICAL
EXPIRATION:	November 2026		
SUBJECT :	FUSE F130 REPLACEMENT		

First Release

11-28-2024

### APPLICATION

<b>NOTICE TO SERVICE CENTERS</b> Verify vehicle eligibility by checking warranty bulletin status with <b>SAP</b> or via <b>ONLINE WARRANTY SYSTEM</b> available on Service / Warranty tab of Prevost website.	
Model	VIN
H3-45 coaches Model Year: 2024	2PCH33495RC722042, 2PCH33494RC722047, 2PCH33494RC722050, 2PCH33495RC722056.
This bulletin does not necessarily apply to all the above-mentioned vehicles, some vehicles may have been modified before delivery. The owners of the vehicles affected by this bulletin will be advised by a letter indicating the Vehicle Identification Number (VIN) of each vehicle concerned.	

### DESCRIPTION

On the vehicles affected by this bulletin, verify that fuse F130 in the VECR is a 25A fuse, if it is not, replace it.

### MATERIAL

Order the following part:

Part No	Description	Qty
563153	FUSE ATM 25A	1



<b>NOTE</b>
Material can be obtained through regular channels.

## SAFETY PRECAUTIONS

- Eye protection should always be worn when working in a shop.
- Rules for Personal Protection Equipment should always be respected. Wear your PPE including but not limited to the following:



# Safety First!



## PROCEDURE



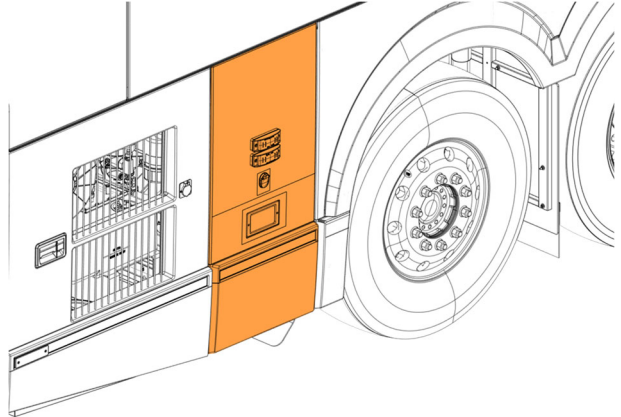
### DANGER

Park vehicle safely, apply parking brake, stop the engine. Prior to working on the vehicle, set the ignition switch to the OFF position and trip the main circuit breakers equipped with a trip button. On the Commuter type vehicles, set the battery master switch (master cut-out) to the OFF position.

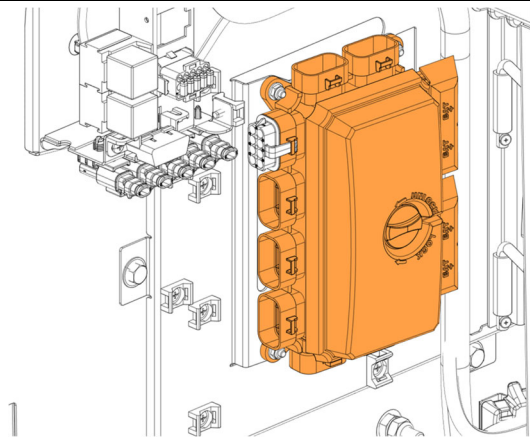
Lockout & Tag out (LOTO) must be performed during set-up, maintenance or repair activities. Refer to your local procedure for detailed information regarding the control of hazardous energy.

## FUSE REPLACEMENT

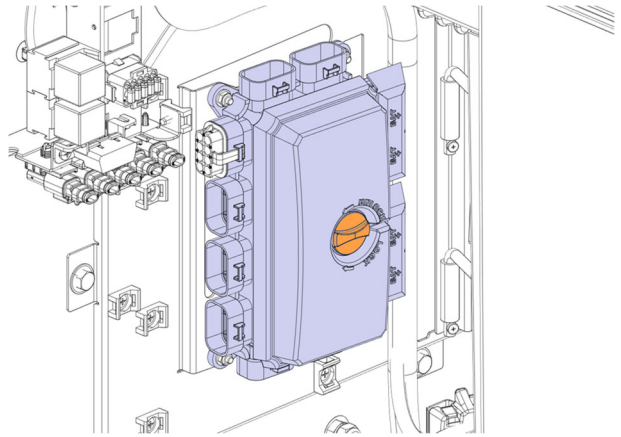
1. Open the main power compartment door on the curbside.



2. Locate the vehicle electrical center rear (VECR).

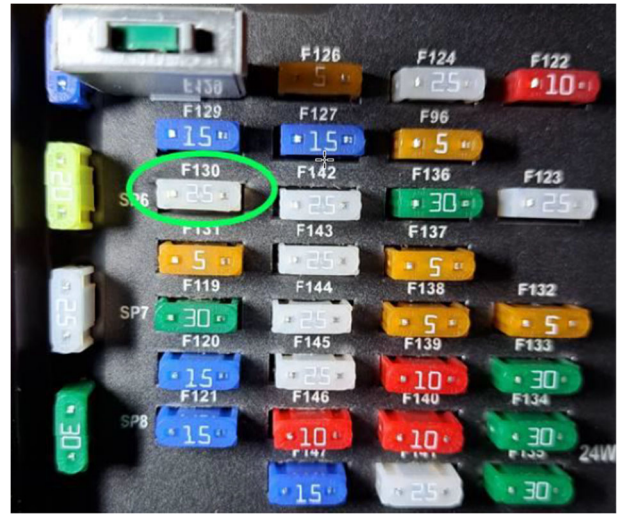


3. Open the VECR cover.

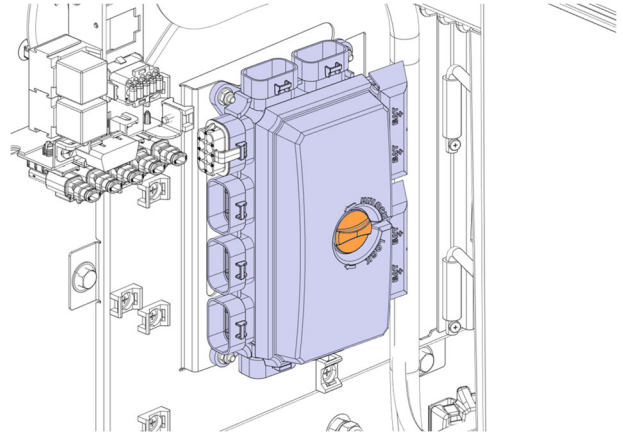


4. Check fuse F130:

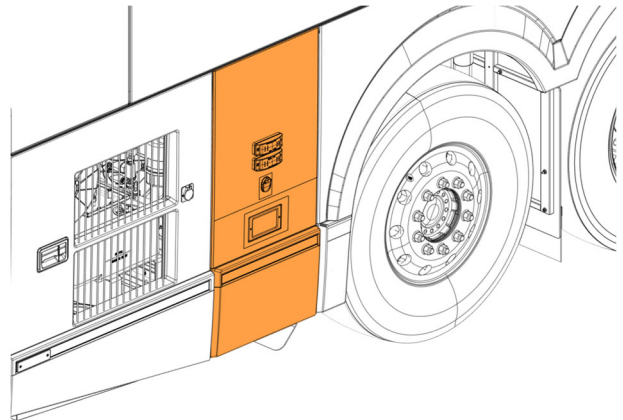
- If it is a 25A fuse, no action is required.
- If it is not a 25A fuse, carefully remove it using needle nose pliers, then, install new fuse **563153**.



5. Close the VECR cover



6. Close the main power compartment door.



## PARTS / WASTE DISPOSAL

DO NOT RETURN THE REPLACED PARTS. Discard waste according to applicable environmental regulations (Municipal/State[Prov.]/ Federal)

## WARRANTY

This modification is covered by Prevost's normal warranty. We will reimburse you the parts and ¼ hour (0.25) of labor upon receipt of a warranty claim. Please submit claim via our Online Warranty System, available at [www.prevostcar.com](http://www.prevostcar.com) (under Service \ Warranty section).

- Use Claim Type: "Bulletin/Recall" and select "Warranty Bulletin WB24-39".

## OTHER

VBC Bulletin	N/A
Fail Code	06.21
Defect Code	09
Syst. Cond	B
Causal Part	563153

Access all our Service Bulletins on  
<http://techpub.prevostcar.com/en/>  
or scan the QR-Code with your smart phone.



**Are you a Vehicle owner? E-mail us at**  
***technicalpublications\_prev@volvo.com*** and type "ADD" in the  
subject to receive warranty bulletins applicable to your vehicle(s)  
by e-mail.