

PREVOST

WARRANTY BULLETIN


WB24-41

DATE :	December 2024	SECTION :	06 ELECTRICAL
EXPIRATION:	December 2026		
SUBJECT :	CB9 WIRE CRIMP INSPECTION		

First Release

12-19-2024

APPLICATION


NOTICE TO SERVICE CENTERS <i>Verify vehicle eligibility by checking warranty bulletin status with SAP or via ONLINE WARRANTY SYSTEM available on Service / Warranty tab of PrevoSt website.</i>	
Model	VIN
X3-45 VIP commercial use Model Year: 2025	 2P9CS3499SC110614, 2P9CS3490SC110615, 2P9CS3492SC110616, 2P9CS3494SC110617, 2P9CS3496SC110618, 2P9CS3498SC110619, 2P9CS3494SC110620, 2P9CS3491SC110624
This bulletin does not necessarily apply to all the above-mentioned vehicles, some vehicles may have been modified before delivery. The owners of the vehicles affected by this bulletin will be advised by a letter indicating the Vehicle Identification Number (VIN) of each vehicle concerned.	

DESCRIPTION

On the vehicles affected by this bulletin, inspect the CB9 wire crimp in the rear junction box. If the crimp is non-compliant, follow the repair section, to replace the terminal.

MATERIAL

Order the following part:

Part No	Description	Qty
561246	RING TERMINAL, ST,12-10,3/8, INS 	1

Other parts that may be required. **Note that these parts are not covered by this bulletin:**

Part No.	Description	Qty
685353	YELLOW TORQUE SEAL, 1 OZ	AR

NOTE

Material can be obtained through regular channels.

SAFETY PRECAUTIONS

- Eye protection should always be worn when working in a shop.
- Rules for Personal Protection Equipment should always be respected. Wear your PPE including but not limited to the following:



Safety First!



PROCEDURE



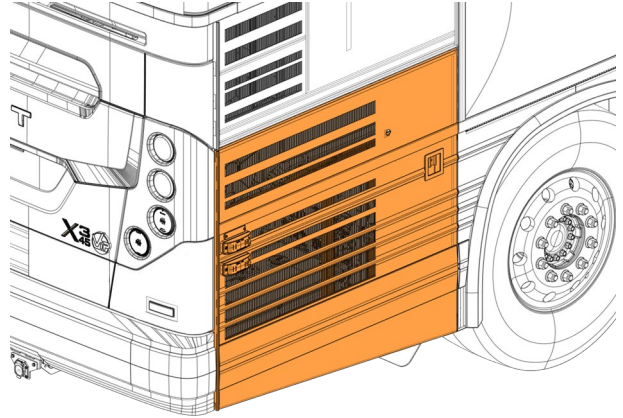
DANGER

Park vehicle safely, apply parking brake, stop the engine. Prior to working on the vehicle, set the ignition switch to the OFF position and trip the main circuit breakers equipped with a trip button. On the Commuter type vehicles, set the battery master switch (master cut-out) to the OFF position.

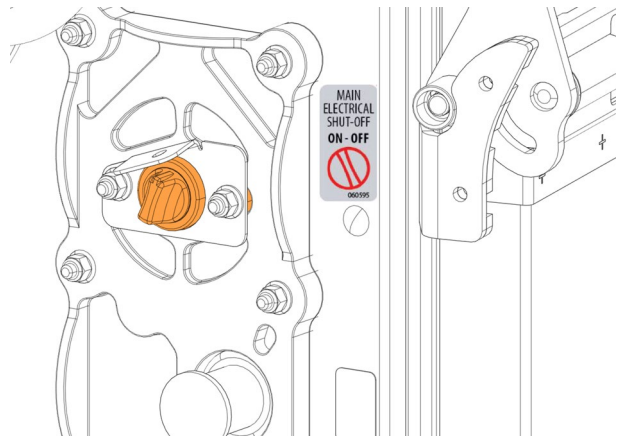
Lockout & Tag out (LOTO) must be performed during set-up, maintenance or repair activities. Refer to your local procedure for detailed information regarding the control of hazardous energy.

CB9 WIRE CRIMP INSPECTION

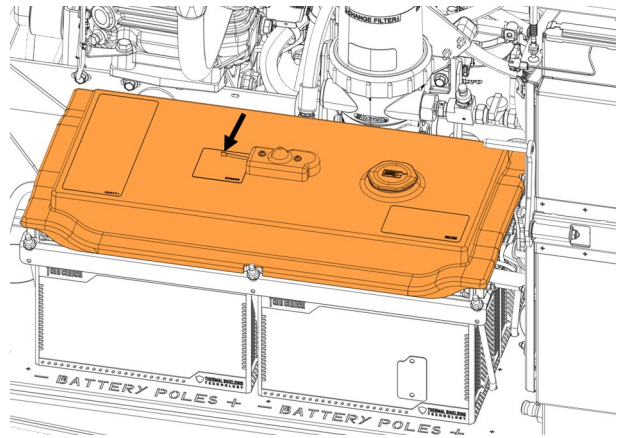
1. Open the compressor compartment door on the curbside.



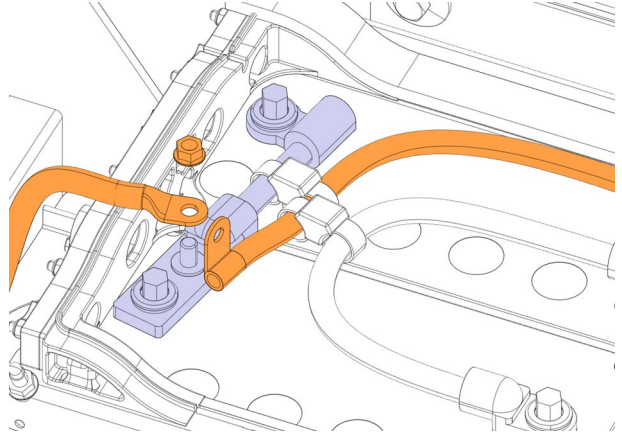
2. Set the main electrical shut-off switch to the OFF position.



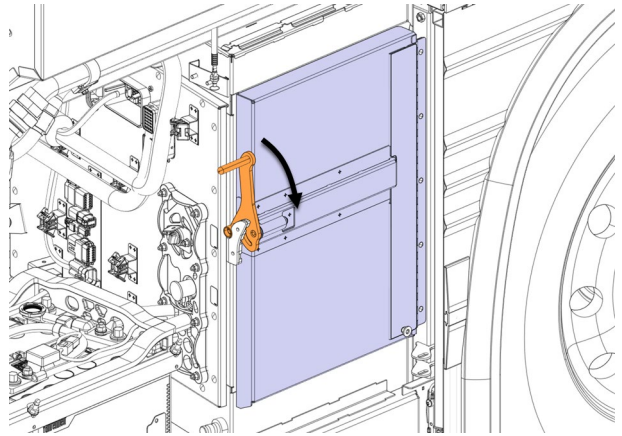
3. Unlock and remove the battery cover.



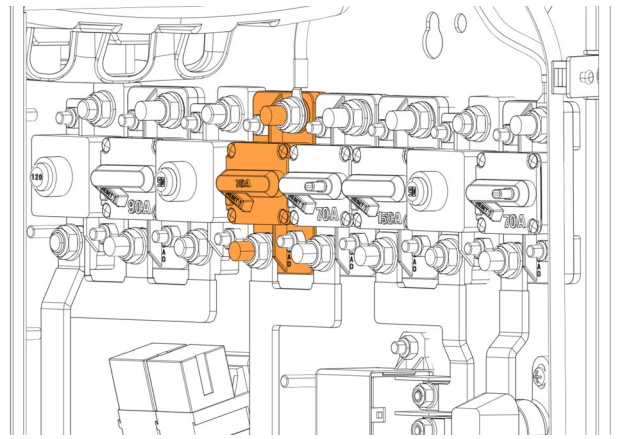
4. Disconnect the battery ground cable.



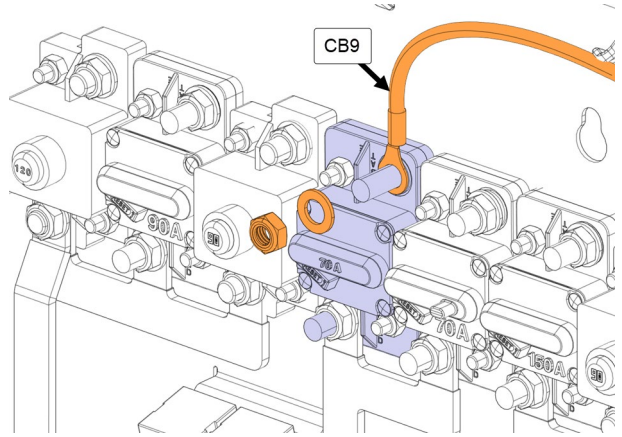
5. Open the rear junction box door.



6. Locate circuit breaker CB9.

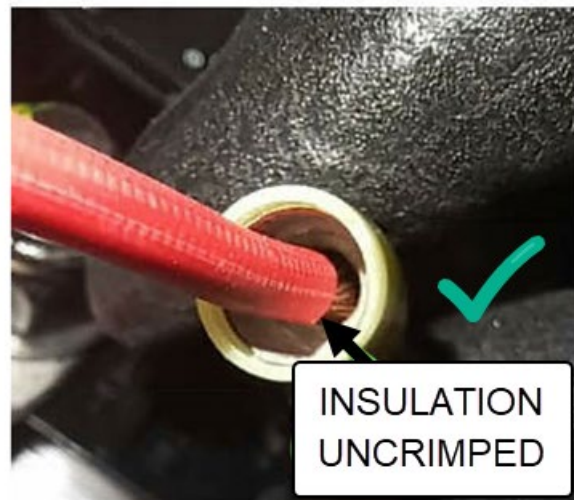


7. Remove the nut and the washer. Keep the hardware for reinstall.
8. Disconnect wire CB9 from the circuit breaker.



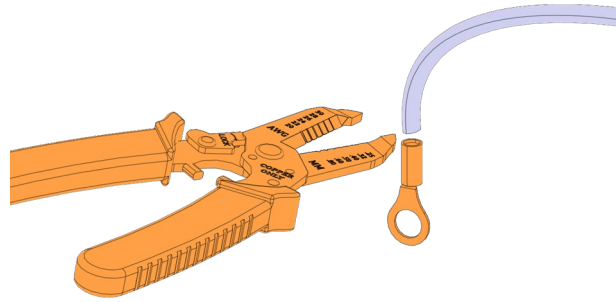
9. Inspect the wire crimp on the ring terminal:

- If the wire insulation is crimped within the terminal barrel, the crimp is non-compliant. Proceed to the **Repair section**.
- If the stripped portion of the wire is securely crimped within the terminal barrel and the insulation remains uncrimped, the crimp is compliant. Go to **Reinstallation section**.

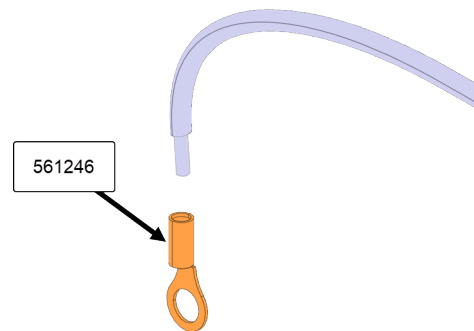


REPAIR (IF NEEDED)

1. Cut off the incorrectly crimped ring terminal from the wire and discard it.
2. Strip the end of the wire.



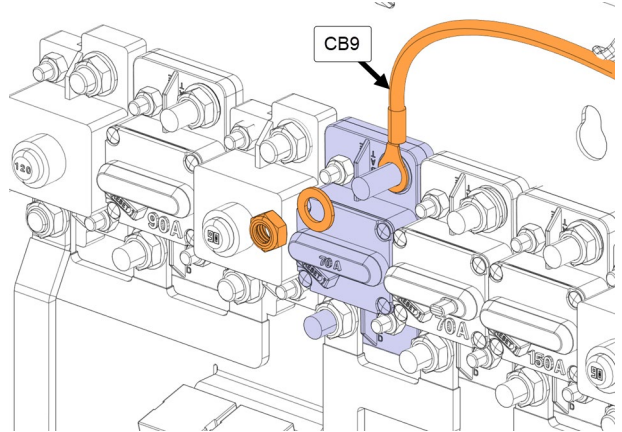
3. Insert the striped portion of the wire into the barrel of new ring terminal 561246.
4. Crimp the ring terminal. The crimp should be tight and uniform, and the insulation should not be crimped.



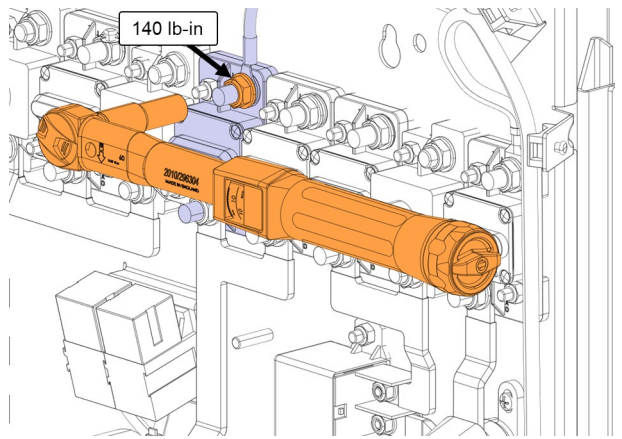
5. Proceed to **Reinstallation** section.

REINSTALLATION

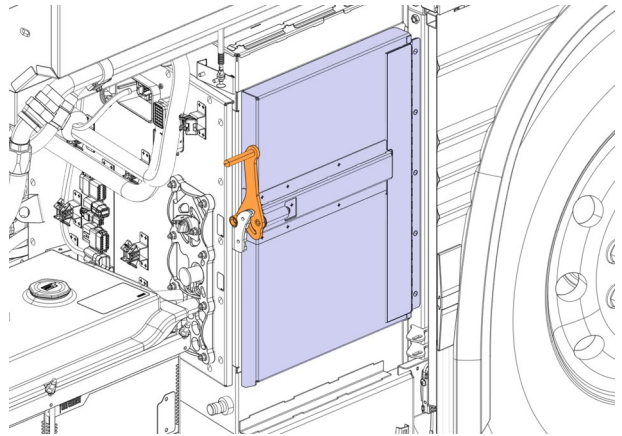
1. Reconnect wire CB9 to the circuit breaker.
2. Reinstall the washer and the nut.



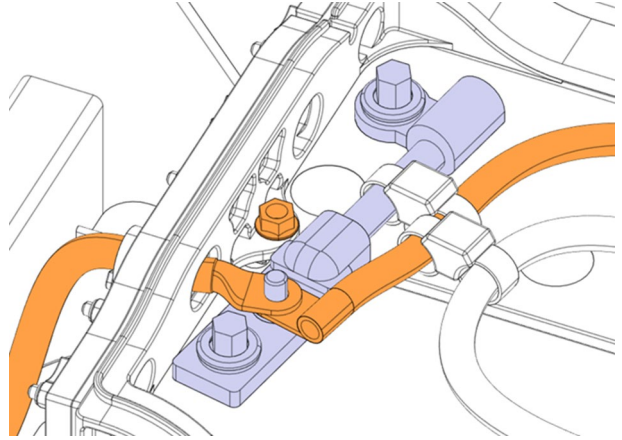
3. Tighten the nut to **140 lb-in**.
4. Apply yellow torque seal 685353.



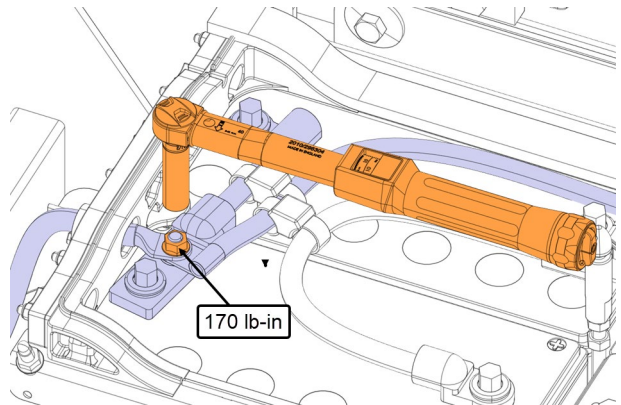
5. Close the rear junction box door.



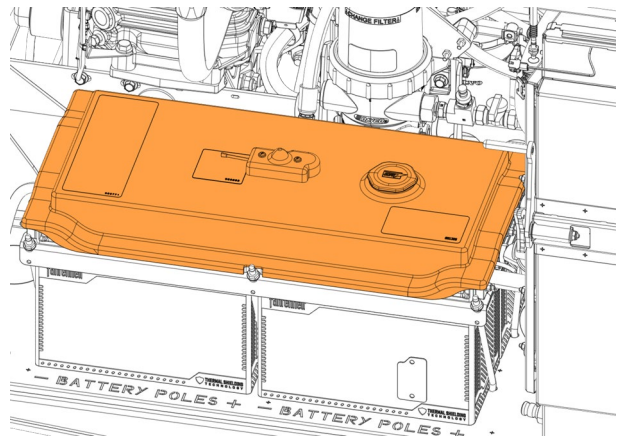
6. Reconnect the battery ground.



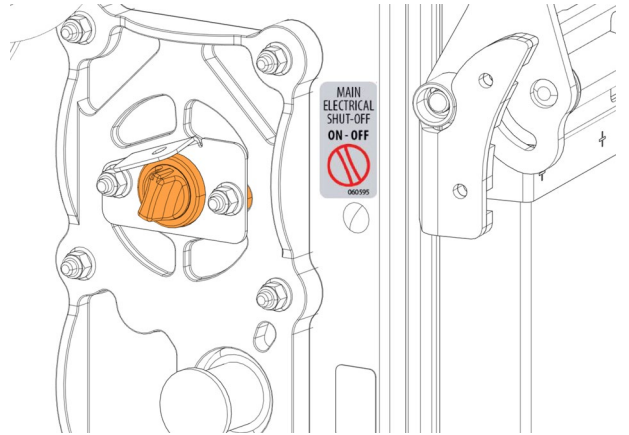
7. Tighten the nut retaining the ground terminal to **170 lb-in**.



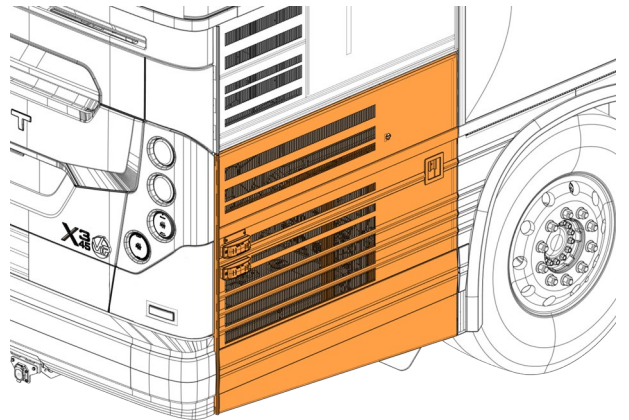
8. Reinstall the battery cover.



9. Set the main electrical shut-off switch to the ON position.



10. Close the compressor compartment door.



PARTS / WASTE DISPOSAL

DO NOT RETURN THE REPLACED PARTS. Discard waste according to applicable environmental regulations (Municipal/State[Prov.]/ Federal)

WARRANTY

This modification is covered by Prevost's normal warranty. We will reimburse you the parts and of labor as follows upon receipt of a warranty claim.

½ hour (0.5) of labor for inspection and reinstallation (without repair)

¾ hour (0.75) of labor for inspection, repair and reinstallation.

Please submit claim via our Online Warranty System, available at www.prevostcar.com (under Service \ Warranty section).

- Use Claim Type: "Bulletin/Recall" and select "Warranty Bulletin WB24-41".

OTHER

VBC Bulletin	N/A
Fail Code	06.16
Defect Code	09
Syst. Cond	B
Causal Part	561246

Access all our Service Bulletins on
<http://techpub.prevostcar.com/en/>
or scan the QR-Code with your smart phone.

Are you a Vehicle owner? E-mail us at
technicalpublications_prev@volvo.com and type "ADD" in the
subject to receive warranty bulletins applicable to your vehicle(s)
by e-mail.

