

PREVOST

COACH MANUFACTURER

PARTS MANUAL



PA-1575

07-2024

PARTS MANUAL



General information

A. Vehicle Identification Number (V.I.N.)

Each time spare parts have to be ordered, you must refer to your vehicle identification number serial number. In order to understand the meaning of this number, please refer to the following:

2 P C Y S 3 4 9 3 B C 7 3 5011

Y = VEHICLE MODEL2PCYS3493BC735011

S = WITH PREVOST SLIDE-OUT

9 = VEHICLE LENGHT

8 = MODEL YEAR

9279= SEQUENCE NUMBER

Vehicle Model

This manual covers vehicle model XL coaches and MTH bus shells.

B	X3-VIP bus shell
Y	MTH bus shell Entertainer

Vehicle Length

9	45 feet
----------	---------

Model Year

YEAR	CODE	YEAR	CODE
2011	B	2014	E
2012	C		
2013	D		

Sequence Number

This number represents the sequence the vehicle has followed on the assembly line.

B. Effectivity

This manual covers information for vehicles from the **B-5001 to D-5489**.

The heading of each page in this manual refers to an effectivity serial number and in the parts description, you may find additional information on the effectivity of a specific part to a serial number (refer to FROM:).

In the description, you may also remark the expression UP TO which means that a component is effective to the vehicles manufactured up to the specified serial number (refer to UP TO:).

C. Illustrations

An exploded view is conveniently located at the beginning of each section and is meant to assist the user in identifying parts and components.

The illustrations show the typical construction of the different assemblies and , in all cases, may not reproduced the full detail or exact shape of parts shown, however, they represent parts which have same or similar function.

PARTS MANUAL

C. Illustrations

An exploded view is conveniently located at the beginning of each section and is meant to assist the user in identifying parts and components.

The illustrations show the typical construction of the different assemblies and , in all cases, may not reproduced the full detail or exact shape of parts shown, however, they represent parts which have same or similar function.

D. General

The information, illustrations and components/system descriptions contained in this manual are correct at time of publication. Prévost Car Inc., however, maintains a policy of continuous improvement of its product without imposing upon itself any obligation to install them on products previously manufactured.

Prévost Car Inc., reserves the right at any time to discontinue or change specifications, designs, features, models or equipment without incurring obligation.

PARTS MANUAL

E. Parts and Service Center

CANADA

Canadian Parts Customer Service 2955-A Watt Street Québec, Québec Canada, G1X 3W1	Toll free phone: 1 (800) 463-8876 Tel.: (418) 654-0174 Fax: (800) 939-0133 Fax: (418) 658-1723	Service Center British Columbia 11911 No. 5 Road Richmond, British Columbia Canada, V7A 4E9	Tel.: (604) 940-3306 Fax: (604) 940-3384
Service Center 850 Chemin Olivier Saint-Nicolas, Quebec Canada G7A 2N1	Toll free phone: 1 866 870-2046 Tel.: (418) 831-2046 Fax: (418) 831-7432	Service Ontario 8301-A Keele Street Vaughan, Ontario Canada, L4K 1Z6	Tel.: (905) 738-0881 Fax: (905) 738-0891
Service Center Alberta 292 MacDonald Crescent Fort McMurray, Alberta Canada T9H 4B6	Tel.: (780) 792-9526 Fax: (780) 743-0983		

UNITED STATES

US Parts Customer Service 2250 Point Blvd., Suite 410 Elgin, IL USA, 60123	Toll free phone 1 800 799-9938 Main office (847) 844-7680 Parts 1 800 621-5519	Prevost Parts & Service Center 800 South Cartwright Street Goodlettsville, TN USA, 37072	Toll free phone 1 877 299-8881 Main office (615) 299-8881 Fax: (615) 299-8816 After-Hours (615) 519-1372 Parts Emergency
Prevost Parts & Service Center 3384 De Forest Circle Mira Loma, CA USA, 91752	Toll free phone 1 800 421-9958 Main office (951) 360-2550 Fax: (951) 360-2560 After-Hours (951) 314-0226 Parts Emergency	Prevost Parts & Service Center 201 South Avenue South Plainfield, NJ USA, 07080	Toll free phone 1 800 223-0830 Main office (908) 222-7211 Fax: (908) 222-7304 Fax parts (908) 222-7305 After-Hours (201) 315-4064 Parts Emergency
Prevost Parts & Service Center 6821 Central Avenue, Newark, CA USA, 94560	Main office (310) 283-1852 After-Hours: (951) 314-0226 Parts Emergency	Prevost Parts & Service Center 15200 Frye Road Fort Worth, TX USA, 76155-2702	Service/Parts 1 866 773-8678 Main office (817) 685-0250 Fax : (817) 685-0460 After-Hours (817) 271-8653 Parts Emergency
Prevost Parts & Service Center 6931 Business Park Blvd North Jacksonville, FL USA, 32256	Toll free phone 1 800 874-7740 Main office (904) 886-4555 Fax: (904) 886-0092 After-Hours (904) 412-8023 Parts Emergency	Prevost Parts & Service Center 11851 Cutten Road Houston, TX USA, 77066	Service/Parts 1 877 602-0273 Main office (713) 849-8562 Fax: (281) 315-1571 After-Hours (346) 333-5520 Parts Emergency
Prevost Parts & Service Center 1300 Green Forest Court Winter Garden, FL USA, 34787	Toll free phone 1 866 726-6235 Main office (407) 554-0196 After-Hours: (407) 259-5720 Parts Emergency	Prevost Parts & Service Center 3715 N. Carnation St. Franklin Park, IL USA, 60131	Main office (847) 778-7475 Fax: (847) 737-2242 After-Hours 1 800 463-7738 Parts Emergency

PARTS MANUAL

KEY & ABBREVIATIONS

(XXXX-XX)	SEE PAGE	N/A	NOT AVAILABLE
<>	BETWEEN	NEG.	NEGATIVE
°	DEGREE	N.O.	NORMALLY OPEN
#	NUMBER	N.C.	NORMALLY CLOSE
??	INFORMATION NOT AVAILABLE AT TIME OF PUBLICATION	N.P.N.	NO PARTS NUMBER
ABS	ANTILOCK BRAKING SYSTEM	NPT	NATIONAL PIPE THREAD
AR	AS REQUIRED	NS	NOT SHOWN
ASSY	ASSEMBLY	N.S.P.	NOT SOLD AT PREVOST (SEE MANUFACTURING PART NUMBER AT THE END OF DESCRIPTION LINE)
CCW	COUNTERCLOCKWISE	N.S.S.	NOT SOLD SEPARATELY
C.E.	COMMUTATOR END	O.D.	OUTSIDE DIAMETER
CHR	CHROME	OPT.	OPTION
CW	CLOCKWISE	O.S.	OVERSIZE
CYL.	CYLINDER	PH	PHILLIPS
C/C	CENTER/CENTER	POS.	POSITIVE
D.E.	DRIVE END	RR	REAR
DIA.	DIAMETER	S.C.C.	SPECIFY COLOR CODE
DIFF.	DIFFERENTIAL	SCT	SECTION
D.P.D.T.	DOUBLE POLE DOUBLE THROW	S.D.	SPECIFY DIMENSION
ECU	ELECTRONIC CONTROL UNIT	S.L.	SPECIFY LENGHT
EDU	ELECTRONIC DISTRIBUTOR UNIT	SM	SMALL
EFF	EFFECTIVE	S.P.S.T.	SINGLE POLE SINGLE THROW
ENG.	ENGINE	S.P.D.T.	SINGLE POLE DOUBLE THROW
EXT	EXTERNAL	S.Q.	SPECIFY QUANTITY
FR	FRONT	SS	STAINLESS STEEL
GND	GROUND	STD	STANDARD
HD	HEAD	STO	STOVER
HEX	HEXAGONAL	SW	SWIVEL
H.P.	HIGH PRESSURE	SWL FITT.	SWIVEL FITTING
HVAC	HEATING, VENTILATION & AIR CONDITIONING	TPG	TAPING
HYD	HYDRAULIC	TH	THICKNESS
I.D.	INSIDE DIAMETER	TRANS.	TRANSMISSION
INT	INTERNAL	TXV	THERMAL EXPANSION VALVE
JCT	JUNCTION	U.S.	UNDERSIZE
LED	LIGHT-EMITTING DIODE	W	WITH
L.P.	LOW PRESSURE	W/O	WITHOUT
LUGG.	LUGGAGE	WIND.	WINDOW
M & F	MALE & FEMALE	ZP	ZINC PLATED

PARTS MANUAL

MEASUREMENT EQUIVALENTS

Fraction - Inches (dec.) - Millimeter

25.4mm = 1 inch

1mm = .03937 inch

fraction	decimal	mm	fraction	decimal	mm
1/64	0.0156	0.397	33/64	0.5156	13.097
1/32	0.0313	0.794	17/32	0.5313	13.494
-	0.0394	1	35/64	0.5469	13.891
3/64	0.0469	1.191	-	0.5512	14
1/16	0.0625	1.588	9/16	0.5625	14.288
5/64	0.0781	1.984	37/64	0.5781	14.684
-	0.0787	2	-	0.5906	15
3/32	0.0938	2.381	19/32	0.5938	15.081
7/64	0.1093	2.778	39/64	0.6094	15.478
-	0.1181	3	5/8	0.6250	15.875
1/8	0.1250	3.175	-	0.6299	16
9/64	0.1406	3.572	41/64	0.6406	16.272
5/32	0.1563	3.969	21/32	0.6563	16.669
-	0.1575	4	-	0.6693	17
11/64	0.1719	4.366	43/64	0.6719	17.066
3/16	0.1875	4.762	11/16	0.6875	17.462
-	0.1969	5	45/64	0.7031	17.859
13/64	0.2031	5.159	-	0.7087	18
7/32	0.2188	5.556	23/32	0.7188	18.256
15/64	0.2344	5.953	47/64	0.7344	18.653
-	0.2362	6	-	0.7480	19
1/4	0.2500	6.350	3/4	0.7500	19.050
17/64	0.2656	6.747	49/64	0.7656	19.447
-	0.2756	7	25/32	0.7813	19.844
9/32	0.2813	7.144	-	0.7874	20
19/64	0.2969	7.541	51/64	0.7969	20.241
5/16	0.3125	7.938	13/16	0.8125	20.638
-	0.3150	8	-	0.8268	21
21/64	0.3281	8.334	53/64	0.8281	21.034
11/32	0.3438	8.731	27/32	0.8438	21.431
-	0.3543	9	55/64	0.8594	21.828
23/64	0.3594	9.128	-	0.8661	22
3/8	0.3750	9.525	7/8	0.8750	22.225
25/64	0.3906	9.922	57/64	0.8096	22.622
-	0.3937	10	-	0.9055	23
13/32	0.4063	10.319	29/32	0.9063	23.019
27/64	0.4219	10.716	59/64	0.9219	23.416
-	0.4331	11	15/16	0.9375	23.812
7/16	0.4375	11.112	-	0.9449	24
29/64	0.4531	11.509	61/64	0.9531	24.209
15/32	0.4688	11.906	31/32	0.9688	24.606
-	0.4724	12	-	0.9843	25
31/64	0.4844	12.303	63/64	0.9844	25.003
12	0.5000	12.700	1/1	1	25.400
-	0.5118	13	-	-	-

PARTS MANUAL

TABLE OF CONTENTS

GENERAL	00
ENGINE	01
CLUTCH	02
FUEL	03
EXHAUST	04
COOLING	05
ELECTRICAL	06
TRANSMISSION	07
PROPELLER SHAFT	09
FRONT AXLE	10
REAR AXLE	11
BRAKE	12
WHEEL, HUBS & TIRES	13
STEERING	14
SUSPENSION	16
BODY	18
HEATING & AIR CONDITIONING	22
ACCESSORIES	23
WHEEL CHAIR LIFT	25

PARTS MANUAL

To have more information about fast moving parts, place an order for the book PA-1105 to your nearest parts order desk.

Thank you!

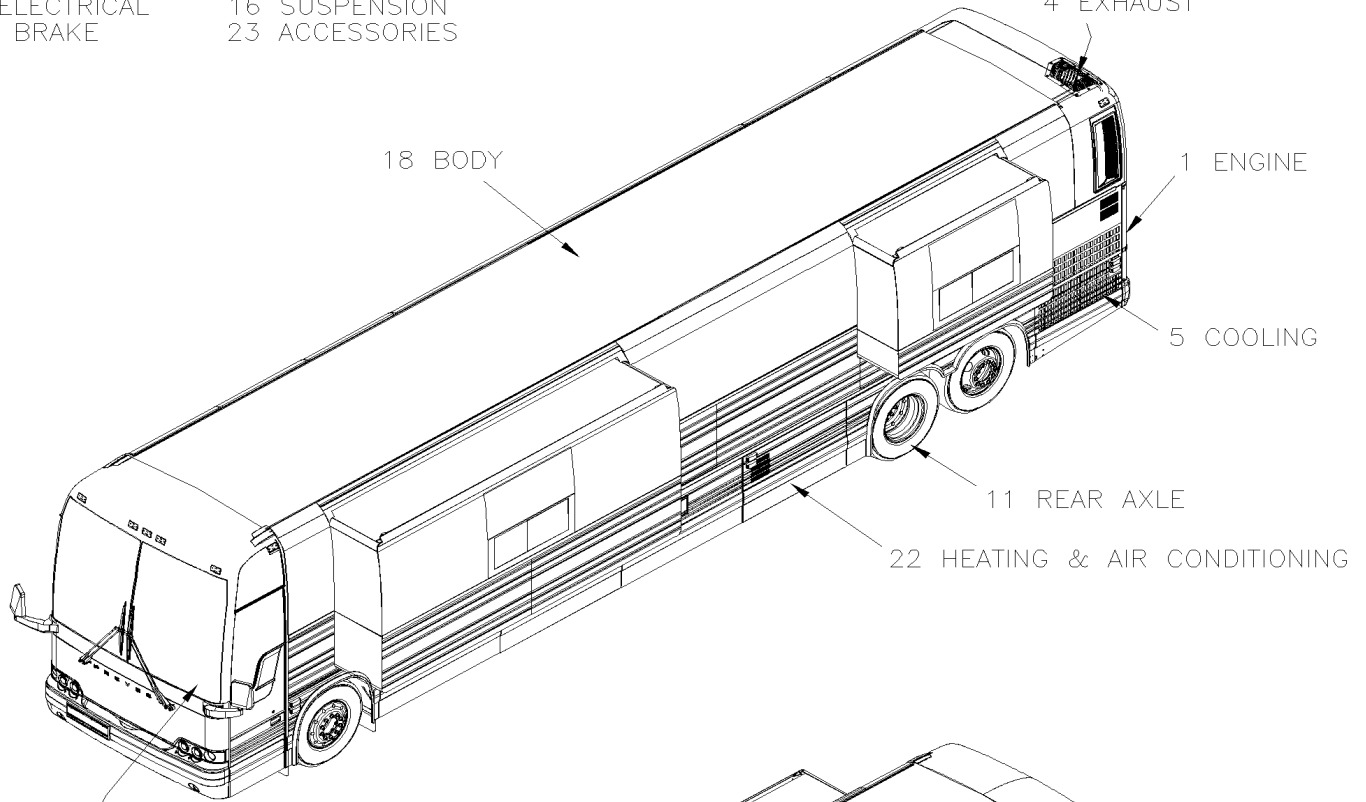


	Date:07/2024	PAGE: X / VIP & ENT
X3-45 VIP & XL-II ENTERTAINER / 2011 TO 2013 / VIN FROM B-5003 TO D-5489		

6 ELECTRICAL
12 BRAKE

16 SUSPENSION
23 ACCESSORIES

4 EXHAUST



18 BODY

1 ENGINE

5 COOLING

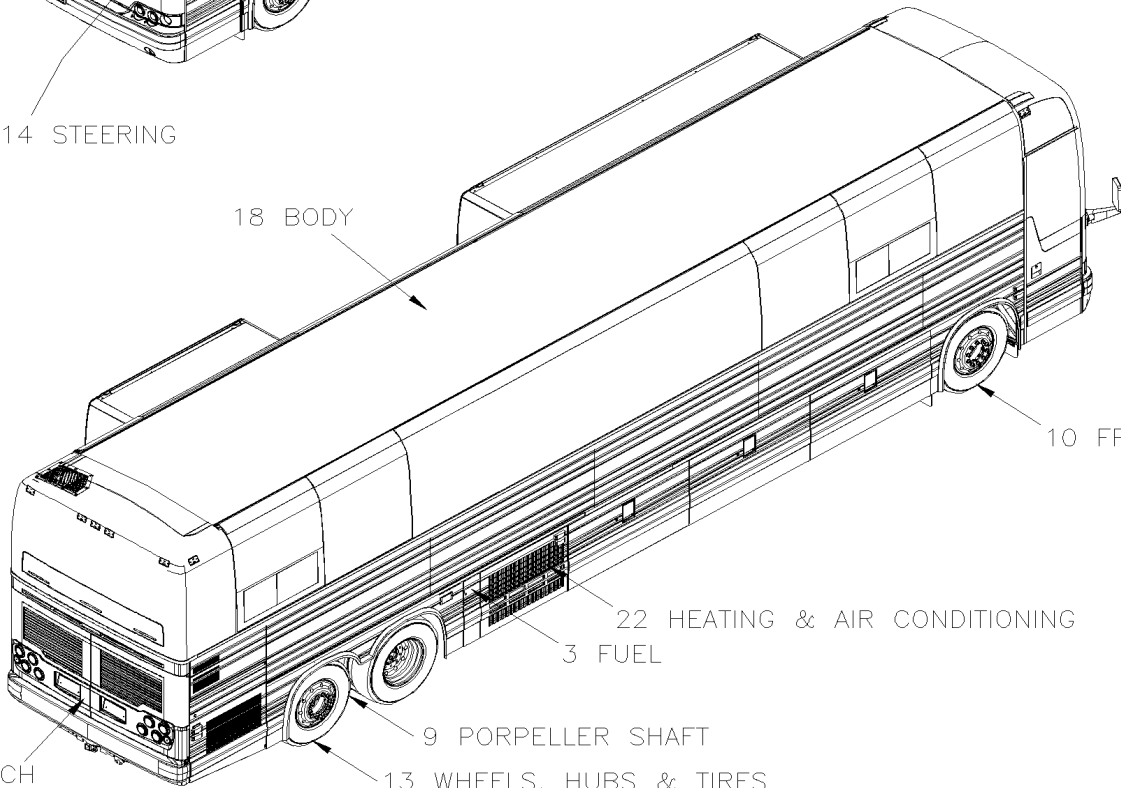
11 REAR AXLE

22 HEATING & AIR CONDITIONING

14 STEERING

18 BODY

10 FRONT AXLE



22 HEATING & AIR CONDITIONING

3 FUEL

9 PORPELLER SHAFT

13 WHEELS, HUBS & TIRES

2 CLUTCH
7 TRANSMISSION

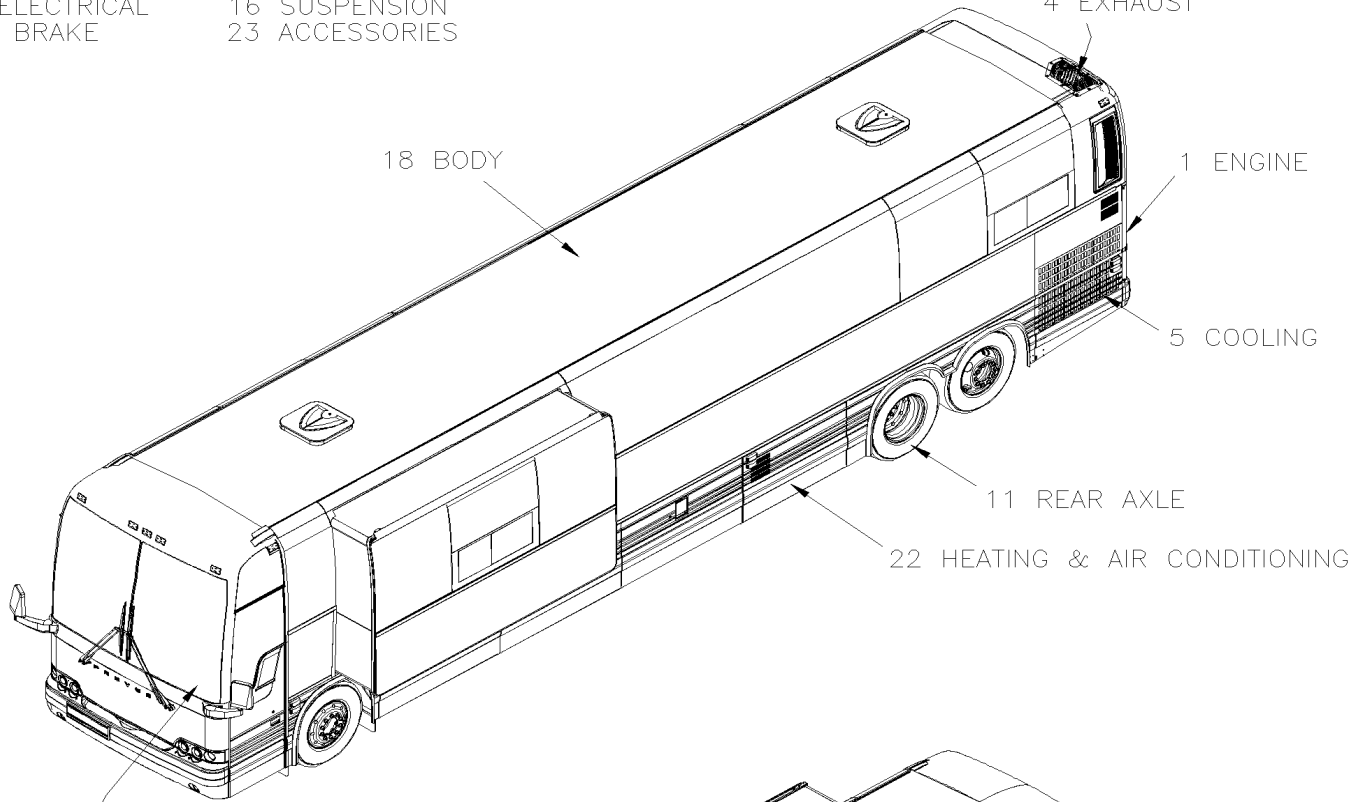


	Date:07/2024	PAGE: X / VIP & ENT
X3-45 VIP & XL-II ENTERTAINER / 2011 TO 2013 / VIN FROM B-5003 TO D-5489		

6 ELECTRICAL
12 BRAKE

16 SUSPENSION
23 ACCESSORIES

4 EXHAUST



18 BODY

1 ENGINE

5 COOLING

11 REAR AXLE

22 HEATING & AIR CONDITIONING

14 STEERING

18 BODY

10 FRONT AXLE

22 HEATING & AIR CONDITIONING

3 FUEL

9 PORPELLER SHAFT

2 CLUTCH
7 TRANSMISSION

13 WHEELS, HUBS & TIRES

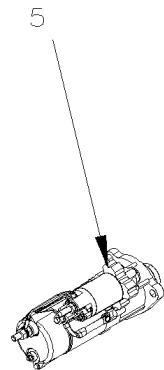
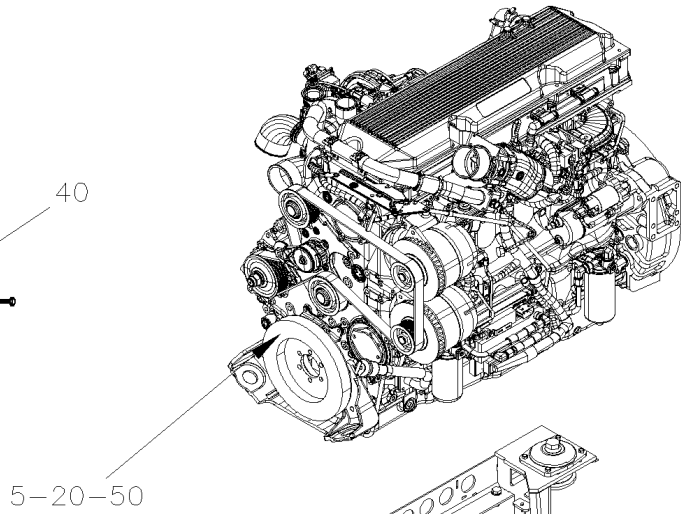
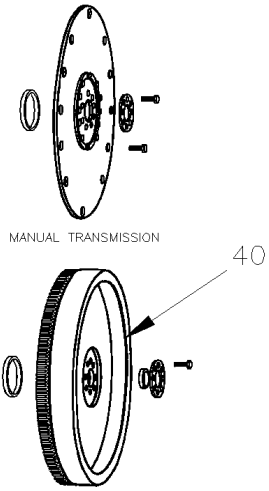
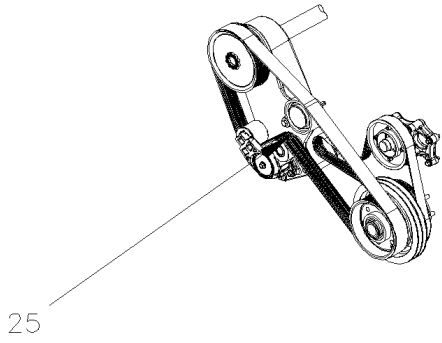


	Date:07/2024	PAGE: _X / VIP & ENT
X3-45 VIP & XL-II ENTERTAINER / 2011 TO 2013 / VIN FROM B-5003 TO D-5489		

Item#	Part	Description	X 3 V I P	X L I I E N T 4 5	N O T E S
1	XV-01	ENGINE			
2	XV-02	CLUTCH			
3	XV-03	FUEL			
4	XV-04	EXHAUST			
5	XV-05	COOLING			
6	XV-06	ELECTRICAL			
7	XV-07	TRANSMISSION			
9	XV-09	PROPELLER SHAFT			
10	XV-10	FRONT AXLE			
11	XV-11	REAR AXLE			
12	XV-12	BRAKE			
13	XV-13	WHEELS, HUBS & TIRES			
14	XV-14	STEERING			
16	XV-16	SUSPENSION			
18	XV-18	BODY			
22	XV-22	HEATING & AIR CONDITIONING			
23	XV-23	ACCESSORIES			
40	XV-DRIVER-00	DRIVER'S SEAT			



	Date:07/2024	XV-01
ENGINE		



30-35



		Date:07/2024	XV-01		
ENGINE					
Item#	Part	Description	X 3 V I P	X L I I E N T 4 5	N O T E S
5	XV-0100-05	VOLVO ENGINE CONTROL SYSTEM From B-5003 To D-5489			
5	XV-0100-06	ENGINE WIRING HARNESS - INSTALLATION WITH "VOLVO" ENGINE D-061103 From B-5003 To D-5489			
5	XV-0100-10	STARTER - INSTALLATION From B-5003 To D-5489			
20	XV-0105-05	ENGINE OIL FILLER CAP & DIPSTICK WITH VOLVO D13 From B-5003 To D-5489			
25	XV-0120-00	DRIVE PULLEY, BELTS & TENSIONER WITH VOLVO D13 & 2x120Amps EPA2010 From B-5003 To D-5458			
25	XV-0120-01	DRIVE PULLEY, BELTS & TENSIONER WITH VOLVO D13 & 2x120Amps From D-5459 To D-5489			
30	XV-0150-00	ENGINE CRADLE - WITH VOLVO D13 From B-5003 To D-5489			
35	XV-0155-10	ENGINE TRANSMISSION GUARD & AIR SHIELD From B-5003 To D-5489			
40	Refer To Volvo	SEE IMPACT OR CALL ORDER DESK From B-5003 To D-5489			V
50	XV-0170-00	ENGINE "VOLVO" D-13 - SPECIFIC PARTS FOR PREVOST From B-5003 To D-5489			
		V) SEE IMPACT OR CALL ORDER DESK			

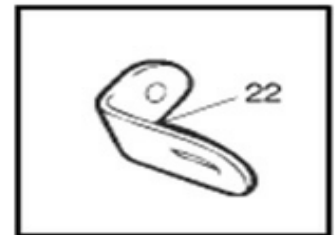
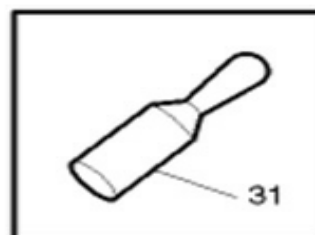
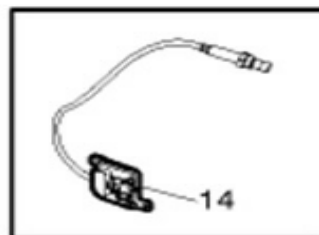
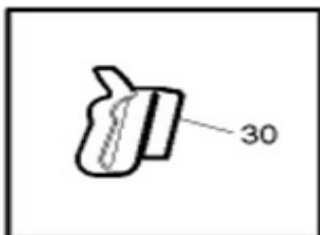
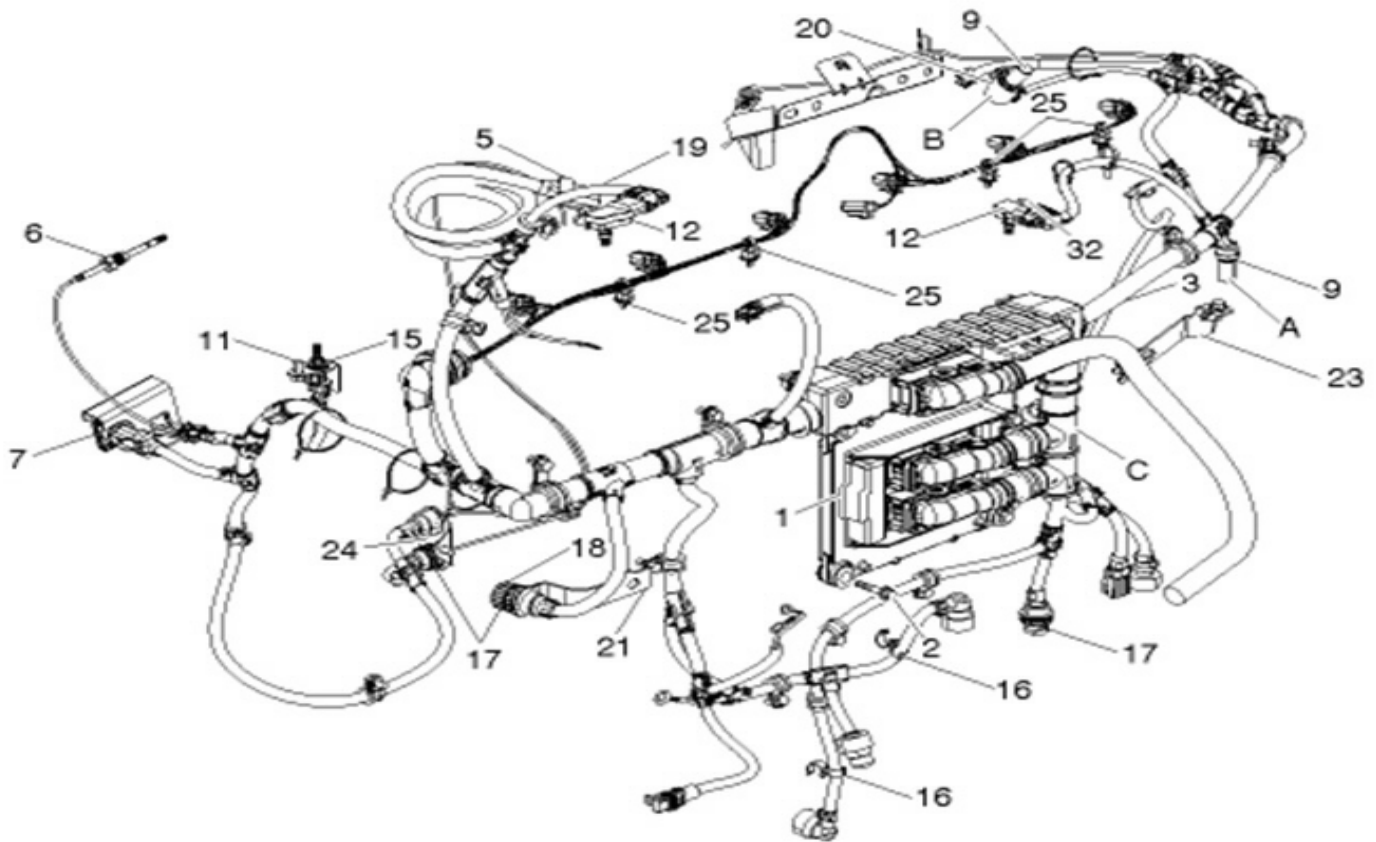
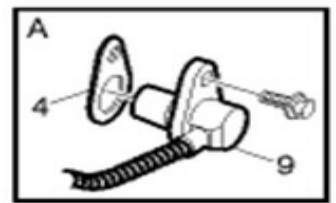
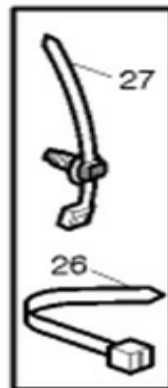
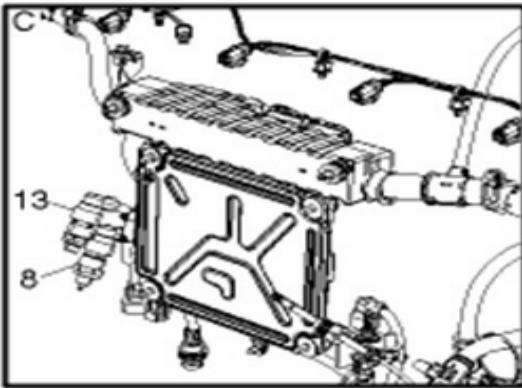


From B-5003 To D-5489

Date:07/2024

PAGE:XV-0100-05

VOLVO ENGINE CONTROL SYSTEM



R1036551



From B-5003 To D-5489 Date:07/2024 PAGE:XV-0100-05

VOLVO ENGINE CONTROL SYSTEM

Item#	Part	Description	X 3 V I P	X L I I E N T 4 5	N O T E S
1	21107008	CONTROL UNIT 1 / 6	1	1	
1	21300060	CONTROL UNIT 8 +	1	1	
NS	20946783	SHIELD CONTROL UNIT INSTAL	1	1	
2	947760	SCREW CAP HEXF M8-1.25x40 G8.8 ZP	4	4	
3	21033597	CABLE HARNESS ASSY 1 / 3	1	1	
3	21271767	CABLE HARNESS ASSY RXX 4 / 6	1	1	
3	21400265	CABLE HARNESS ASSY RXX 8 +	1	1	
3	21159796	CABLE HARNESS ASSY PH/PX 4 / 6	1	1	
3	21400113	CABLE HARNESS ASSY PH/PX 8 +	1	1	
4	20556179	SHIM	1	1	
5	20738963	HUMIDITY SENSOR 1	1	1	
5	21046544	HUMIDITY SENSOR 3 +	1	1	
6	21010707	TEMPERATURE SENSOR DP MIX CHAMBER TEMP	1	1	
7	20930137	PRESSURE SENSOR EGR DIFF PRESSURE 1 / 4	1	1	
NS	21364040	O-RING SENSOR INSTAL 1 / 4	2	2	
7	21304786	PRESSURE SENSOR EGR DIFF PRESSURE 5 +	1	1	
8	20796744	PRESSURE SENSOR,CRANKCASE TB-130329258-1	1	1	
9	20513343	SENSOR,ENGINE SPEED TB-128951072-1	2	2	
10	20556179	SHIM	AR	AR	
11	20513340	SENSOR COOLANT TEMPERATURE	1	1	
12	20524936	PRESSURE SENSOR BOOST PRESSURE/TEMP	2	2	
13	20886108	PRESSURE SENSOR OIL PRESSURE	1	1	
14	20789066	SENSOR NOX ASSY W/CABLE 1	1	1	
14	21069361	SENSOR NOX ASSY W/CABLE 3 / 8	1	1	
14	21479637	SENSOR "NOX" / SCR FILTER From A-9983 To B-5002	1	1	
14	21567763	SENSOR "NOX" / SCR FILTER From B-5003 To D-5376	1	1	
14	21636088	SENSOR "NOX" / SCR FILTER From D-5377 To D-5459	1	1	
14	22014032	SENSOR "NOX" / SCR FILTER From D-5460	1	1	
15	20771140	HEAT SHIELD 1 / 3	1	1	
15	20857215	HEAT SHIELD 4 +	1	1	
16	21018335	CAP	3	3	
17	3963413	RING LOCK / AMP 964610-1	4	4	
18	20374157	CAP	2	2	
19	20448962	HOUSING	1	1	
20	20749801	HEAT SHIELD	1	1	
21	20577191	BRACKET	1	1	
22	965576	BRACKET	1	1	
23	20590744	BRACKET	1	1	
24	3832422	BRACKET	1	1	
25	8131393	RETAINER	4	4	
26	20885496	RETAINER	AR	AR	
NS	948210	CABLE TIE 190MM	2	2	



From B-5003 To D-5489	Date:07/2024	PAGE:XV-0100-05
VOLVO ENGINE CONTROL SYSTEM		

Item#	Part	Description	X 3 V I P	X L I I E N T 4 5	N O T E S
26	948211	CABLE TIE 275MM	AR	AR	
26	983472	CABLE TIE HIGHT TEMP	AR	AR	
27	980881	CABLE TIE 200MM W/PUSH-IN RETAINER	AR	AR	
28	945081	CLAMP / 7/8" I.D.	1	1	
28	946834	CLAMP 11.1MM	1	1	
28	949746	CLAMP 12.7MM	AR	AR	
28	949747	CLAMP / 5/8" I.D.	AR	AR	
28	949786	CLAMP 20.0MM	AR	AR	
28	949997	CLAMP 31.8MM	AR	AR	
28	977743	CLAMP 15.9MM	1	1	
28	981664	CLAMP 15.9MM	1	1	
29	944926	SCREW CAP HEXF M8-1.25x14	1	1	
29	946173	SCREW CAP HEXF M8-1.25x20	2	2	
29	946440	SCREW CAP HEXF M12-1.75x140 G8.8 MAGNI 565	18	18	
29	5001742	SCREW CAP HEXF M8-1.25x30 G8.8 N500	AR	AR	
29	946934	SCREW CAP HEXF M6-1.0x20	1	1	
30	20786586	WIRES JUMPER @ERG VALVE	1	1	
31	3988328	BRACKET PH/PX	1	1	
32	984936	RETAINER 7th INJECTOR HARNESS	4	4	
33	3545508	RETAINER	3	3	
34	21029459	BRACKET	1	1	
35	961613	NUT WD SQ M6-1.0	AR	AR	
37	504637	CABLE TIE / 3/16" x 13"	1	1	

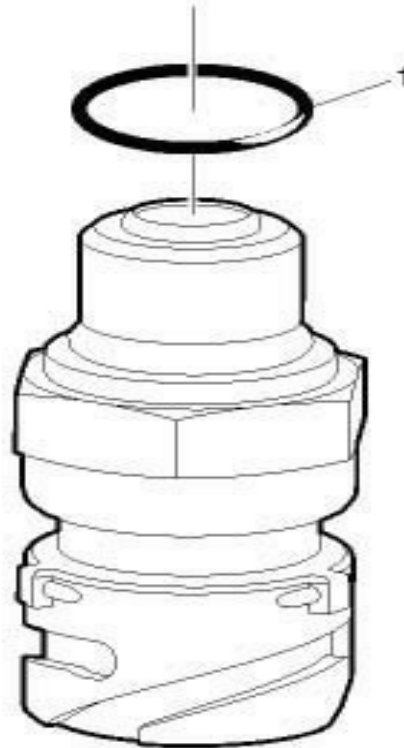
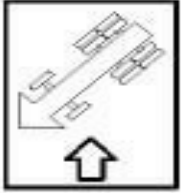


From B-5003 To D-5489

Date:07/2024

PAGE:20796744

PRESSURE SENSOR,CRANKCASE TB-130329258-1





From B-5003 To D-5489	Date:07/2024	PAGE:20796744
-----------------------	--------------	---------------

PRESSURE SENSOR,CRANKCASE TB-130329258-1

Item#	Part	Description	X 3 V I P	X L I E N T 4 5	N O T E S
1	968559	O-RING (PRESSURE SENSOR)	1	1	

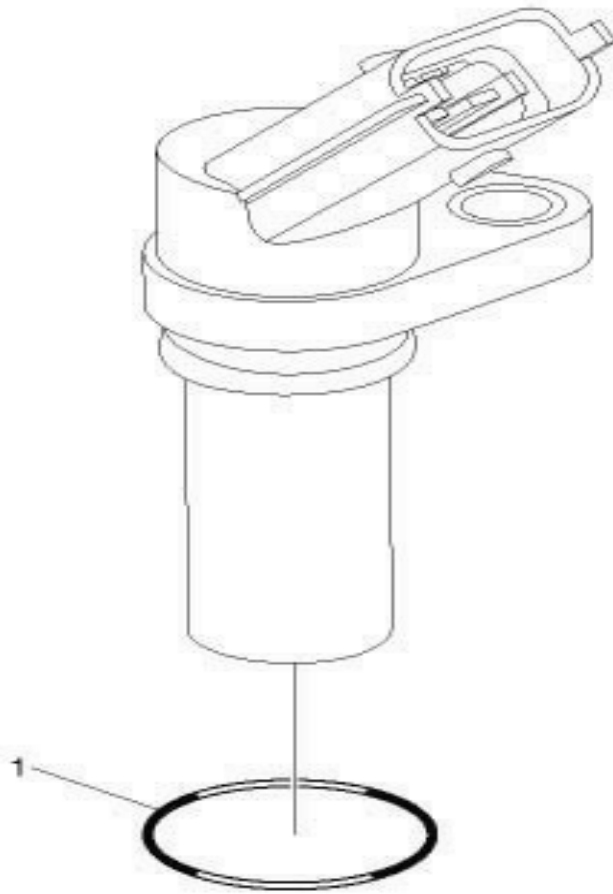


From B-5003 To D-5489

Date:07/2024

PAGE:20513343

SENSOR,ENGINE SPEED TB-128951072-1





From B-5003 To D-5489		Date:07/2024	PAGE:20513343
-----------------------	--	--------------	---------------

SENSOR,ENGINE SPEED TB-128951072-1

Item#	Part	Description	X 3 V I P	X L I I E N T 4 5	N O T E S
1	20966752	O-RING	1	1	

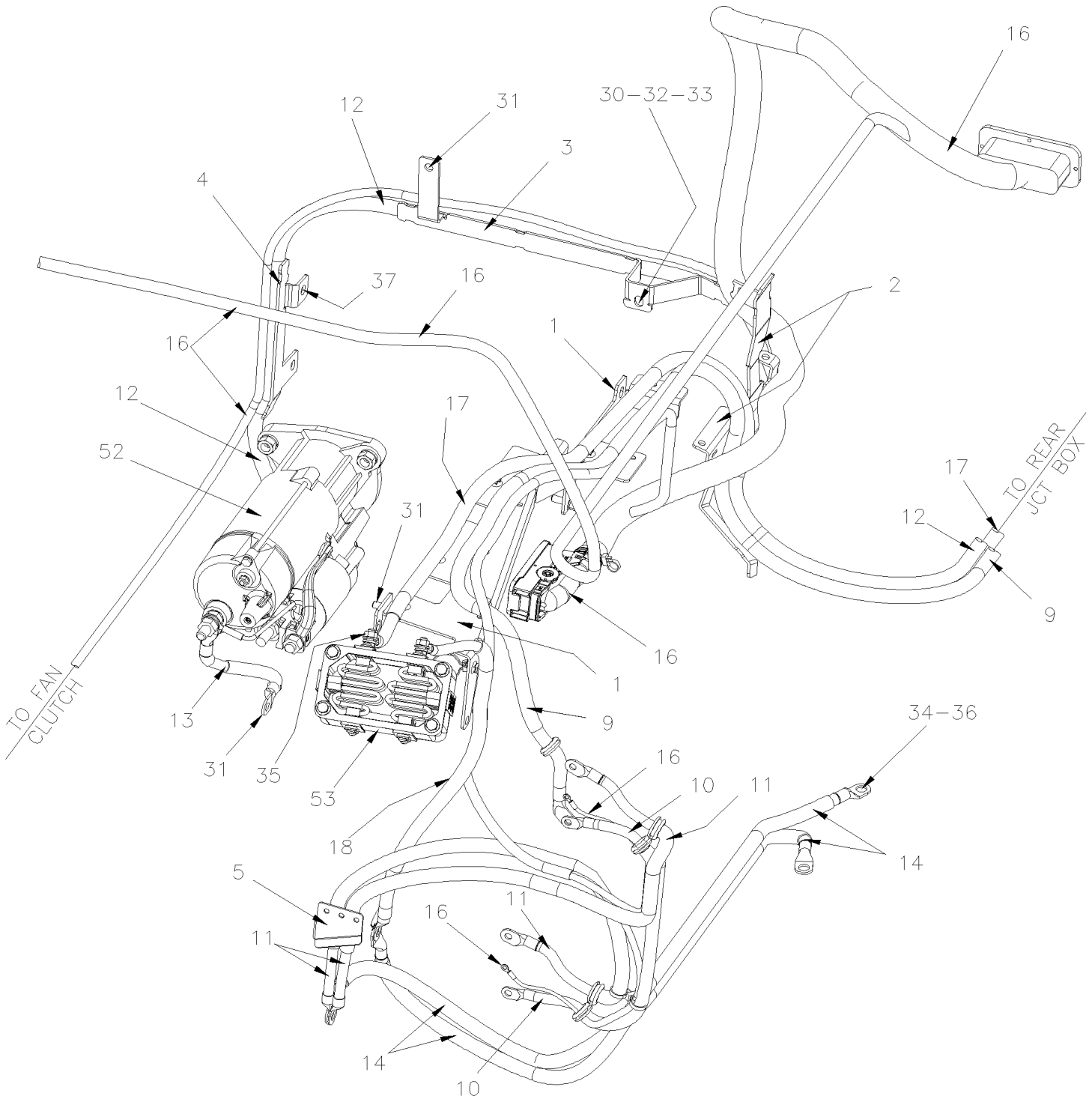


From B-5003 To D-5489

Date:07/2024

PAGE:XV-0100-06

ENGINE WIRING HARNESS - INSTALLATION WITH "VOLVO" ENGINE D-061103



WITH 2 ALTERNATOR 240-140AMP
AND EPA 2007

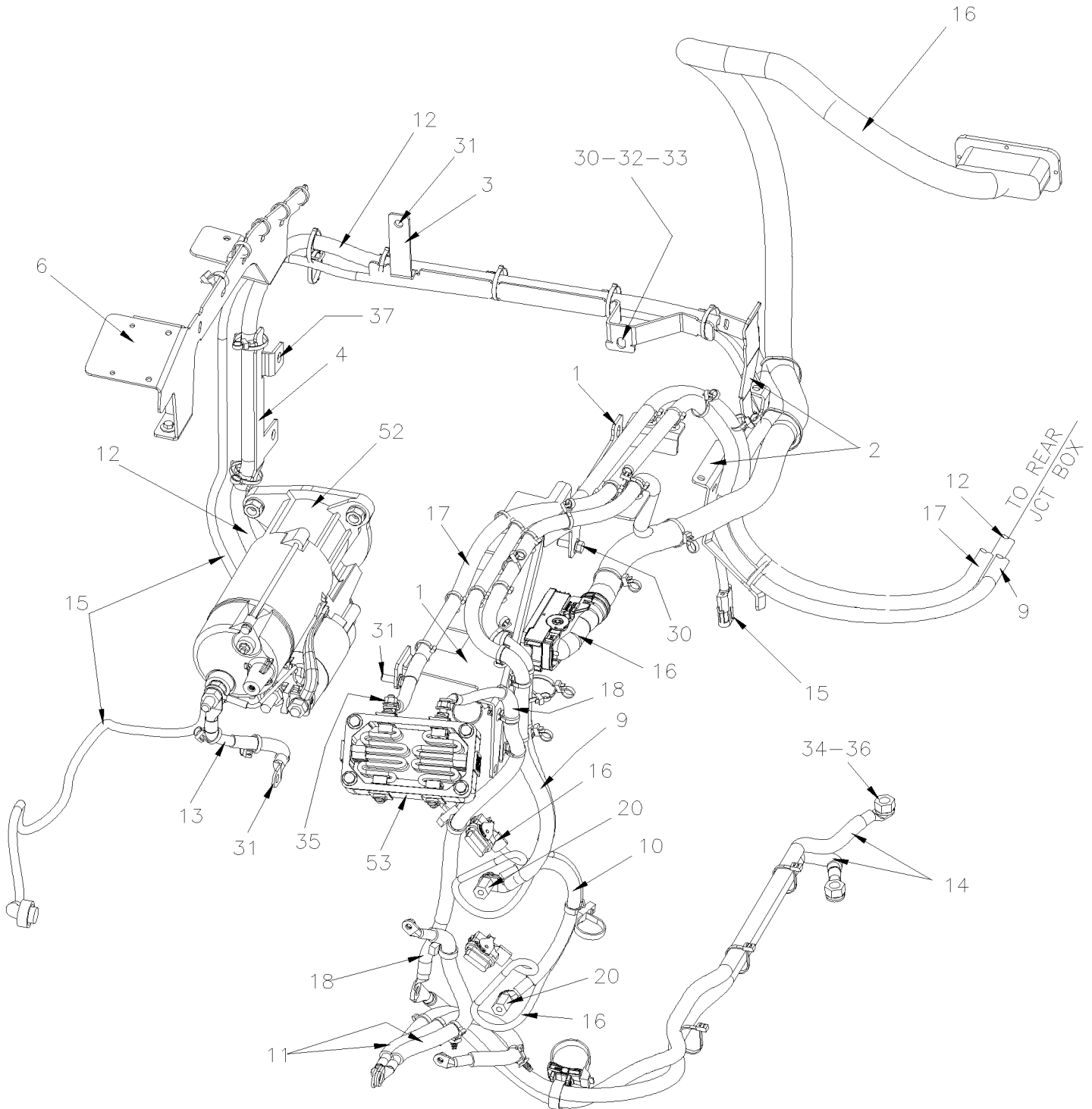


From B-5003 To D-5489

Date:07/2024

PAGE:XV-0100-06

ENGINE WIRING HARNESS - INSTALLATION WITH "VOLVO" ENGINE D-061103



WITH 2 ALTERNATOR 24V-120AMP
EPA 2010

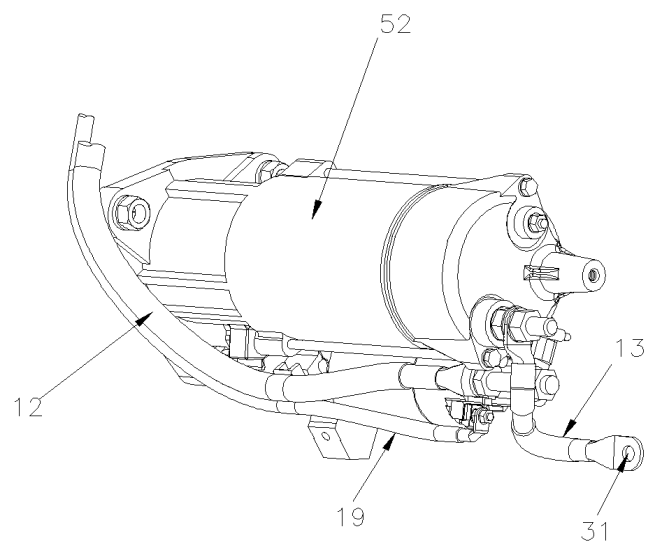
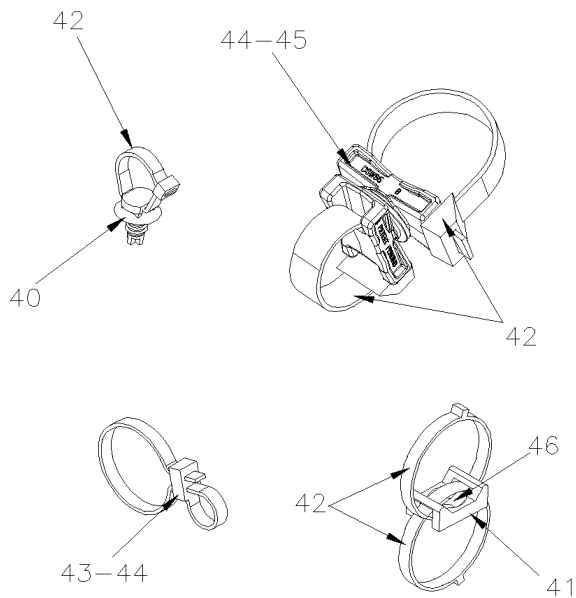
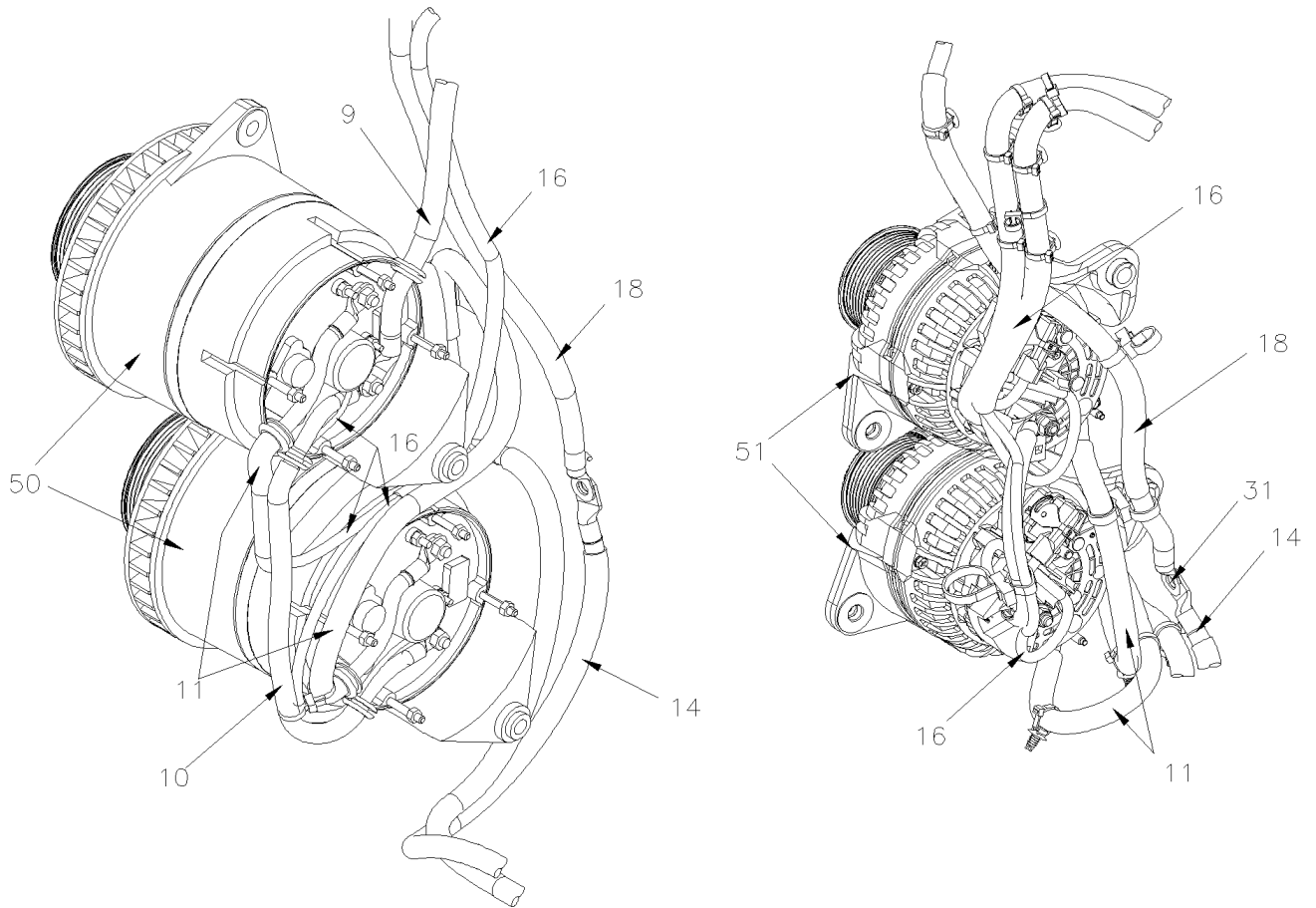


From B-5003 To D-5489

Date:07/2024

PAGE:XV-0100-06

ENGINE WIRING HARNESS - INSTALLATION WITH "VOLVO" ENGINE D-061103





From B-5003 To D-5489	Date:07/2024	PAGE:XV-0100-06
ENGINE WIRING HARNESS - INSTALLATION WITH "VOLVO" ENGINE D-061103		

Item#	Part	Description	X 3 V I P	X L I I E N T 4 5	N O T E S
1	012691	SUPPORT CABLE To D-5458	1	1	
1	012798	SUPPORT CABLE From D-5459	1	1	
2	012682	SUPPORT CABLE COMPRESSOR	1	1	
3	012689	SUPPORT CABLE REAR ENGINE	1	1	
4	012690	SUPPORT CABLE STARTOR MOTOR	1	1	
5	067206	SUPPORT CABLE GROUND ALTERNATOR To D-5458	1	1	
5	068541	SUPPORT CABLE GROUND ALTERNATOR From D-5459	1	1	
6	068102	SUPPORT CABLE & FIRE HARNESS To D-5299	1	1	A
6	068552	SUPPORT CABLE & FIRE HARNESS From D-5300	1	1	A
7	012523	SUPPORT CABLE / NEAR LOWER ENGINE OIL FILTER ANGLE SS W/5 HOLES	1	1	
9	068122	CABLE ASSY W/ALTERNATOR # 102-2/0	1	1	
10	067835	CABLE ALT POWER HARNESS W/VOLVO	1	1	
11	067796	CABLE ALTERNATOR GROUND BODY	1	1	
12	067887	CABLE ASSY SW24V TO STARTER	1	1	
13	067086	CABLE ASSY # 0C	1	1	
NS	684013	RUBBER PROTECTOR / COLOR GUARD 14.5oz	AR	AR	
14	067203	CABLE GROUND MOTOR TO BODY	2	2	
15	067413	CABLE ASSY / 110V BLOCK HEATER ENGINE SECTION To D-5380	1	1	
NS	068723	CABLE ASSY / 110V BLOCK HEATER From D-5381	1	1	
16	067691	CABLE ASSY / RR JCT & ENGINE To B-5088	1	1	
16	068407	CABLE ASSY / RR JCT & ENGINE From B-5089 To C-5274	1	1	
16	068337	CABLE ASSY / RR JCT & ENGINE From C-5275 To D-5458	1	1	
16	068700	CABLE ASSY / RR JCT & ENGINE From D-5459	1	1	
16	067850	CABLE ASSY / ECU & REAR JCT BOX / W/"VOLVO"	1	1	
NS	067904	CABLE ASSY / ALTERNATOR & CABLE To D-5458	1	1	
. NS	564469	. CONNECTOR / MKR-PLUS / SH 5C / G&H 18241 000 000 To D-5458	1	1	
. NS	562479	. CONNECTOR / DT SERIES / PH 4C / GRAY / DEUTSCH DT04-4P-C015 To D-5458	1	1	
16	068567	CABLE ASSY / ALTERNATOR & CABLE From D-5459	1	1	
NS	067932	CABLE ASSY / GROUND To D-5458	1	1	
. NS	562477	. CONNECTOR / DT SERIES / SH 4C / GRAY / DEUTSCH DT06-4S To D-5458	1	1	
. NS	560083	. RING TERMINAL .375 / 16-14 / INSULATED / AMP 160467-2 To D-5458	1	1	
16	068570	CABLE ASSY / GROUND From D-5459	1	1	
16	068515	EXTENSION / ALTERNATOR & COMPRESSOR From C-5275 To D-5458	1	1	
16	068568	EXTENSION / ALTERNATOR & COMPRESSOR From D-5459	1	1	
17	067889	CABLE HEATER ELEMENT RELAY	1	1	
18	067102	CABLE NEG HEATER ELEMENT	1	1	
19	067328	CABLE ASSY / STARTOR "MELCO" X3 W/D13	1	1	
20	564159	ADAPTOR STUD M8 Male x M8 Female M8-1.25 x 18MM SS From A-9975	2	2	
30	507637	SCREW CAP HEXF M8-1.25x20 G10.9 PHC	8	8	
31	5001780	SCREW CAP HEXF M8-1.25x16 G8.8 N500	4	4	
32	5001751	WASHER FL 10.5x26.0x2.0 N500	4	4	



From B-5003 To D-5489	Date:07/2024	PAGE:XV-0100-06
ENGINE WIRING HARNESS - INSTALLATION WITH "VOLVO" ENGINE D-061103		

Item#	Part	Description	X 3 V I P	X L I I E N T 4 5	N O T E S
33	5001737	WASHER LO SPT 10.2x18.1x2.2 N500	4	4	
34	502595	NUT HEX NYRT 1/2-13 Z050	2	2	
35	500615	NUT HEX M8-1.25 BR	2	2	
35	5001736	WASHER FL 8.4x18.0x2.0 N500	2	2	
36	500958	WASHER FL .531x1.062x.095 SS	2	2	
37	5001755	SCREW CAP HEX M12-1.75x30 G8.8 N500	2	2	
38	5001786	SCREW CAP HEXF M12-1.75x30 G8.8 N500	2	2	
40	509815	TIE MOUNT / ATTACHMENT W/TREE MOUNT	AR	AR	
41	504013	TIE MOUNT / 1/4" X 1/4" I.D.	AR	AR	
42	504637	CABLE TIE / 3/16" x 13"	AR	AR	
42	504016	CABLE TIE / 5/16" X 14"1/2	AR	AR	
42	509491	CABLE TIE / 13MM x 383MM	AR	AR	
43	507664	CABLE TIE / 3/16" 11" / DOUBLE LOOP HEAD	AR	AR	
44	507665	CABLE TIE / 1/2" X 20" / TRIPPLE LOOP HEAD	AR	AR	
45	504752	ROTATIF SPACER DOUBLE / LARGE	AR	AR	
46	502817	SCREW MA PAN PH M6-1.0x16 N500	1	1	
50	XV-0605-00	ALTERNATOR 24V/120 AMPS / "BOSCH"			
52	XV-0100-10	STARTER - INSTALLATION			
53	Refer To Volvo	AIR INTAKE PRE HEATER ASSY	1	1	V
		A) AS SHOWN			
		V) SEE IMPACT OR CALL ORDER DESK			

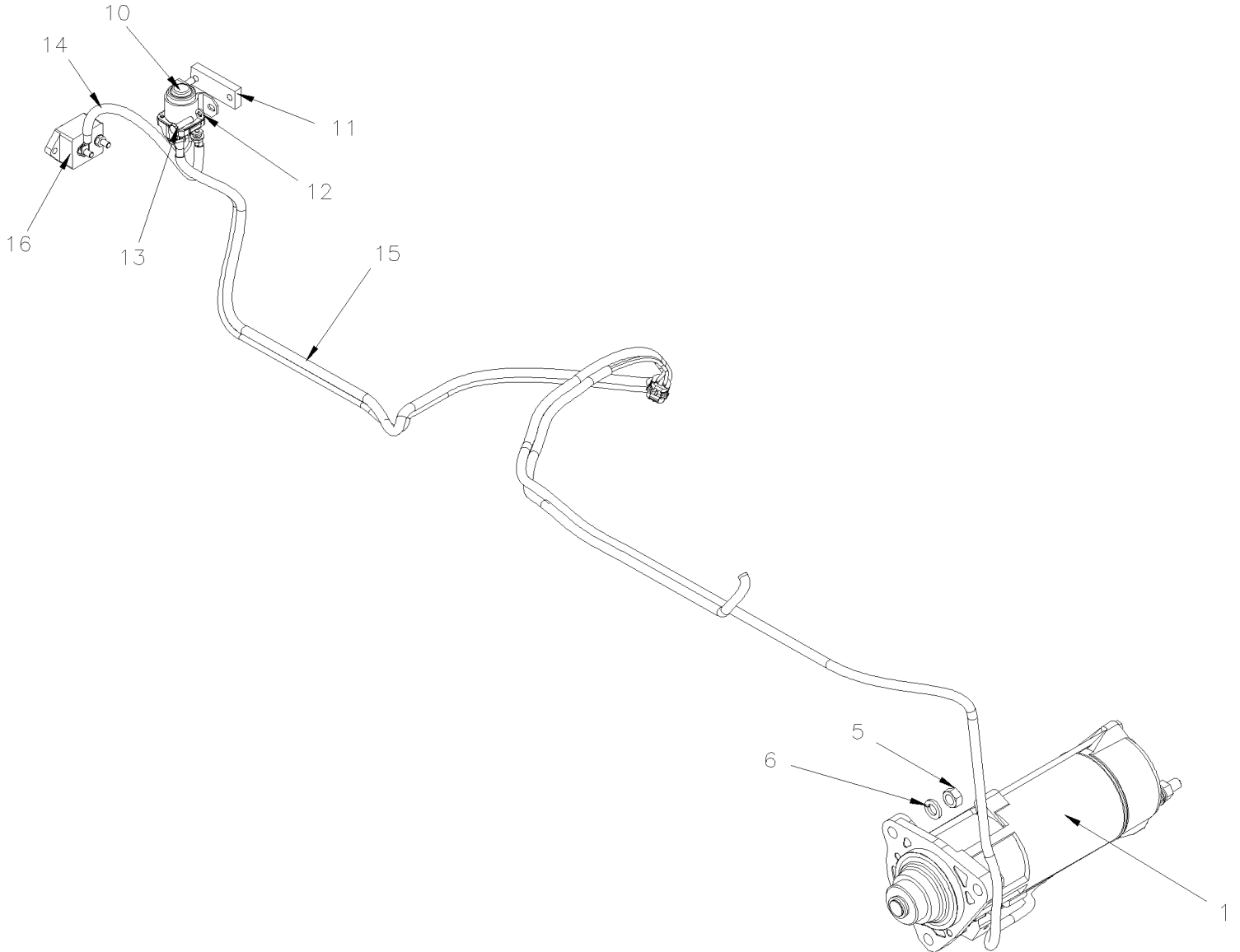


From B-5003 To D-5489

Date:07/2024

PAGE:XV-0100-10

STARTER - INSTALLATION



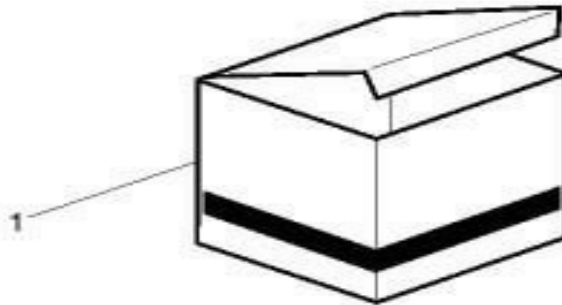


From B-5003 To D-5489	Date:07/2024	PAGE:XV-0100-10
STARTER - INSTALLATION		

Item#	Part	Description	X 3 V I P	X L I I E N T 4 5	N O T E S
1	21212425	VOLVO STARTER 24V, MELCO WITHOUT RELAY TB-129577391-1	1	1	D13
5	971072	NUT HEX M12-1.75 ZG603	3	3	D13
6	500482	WASHER LO SPT .506x.873x.125 Z050	3	3	D13
10	564095	SMALL STARTOR RELAY	1	1	
11	067335	SPACER / PLASTIC / RELAY / STARTOR MELCO	1	1	
12	502570	WASHER LO SPT 6.1x11.8x1.6 SS	1	1	
12	5001182	NUT HEX NYRT M6-1.0 SS	1	1	
13	502568	SCREW MA PAN PH M6-1.0x20 EMN	1	1	
14	067390	CABLE ASSY / RELAY & BREAKER	1	1	
15	067885	CABLE EXTENTION ASSY / STARTER W/D13	1	1	D13
15	502817	SCREW MA PAN PH M6-1.0x16 N500	1	1	
15	504013	TIE MOUNT / 1/4" X 1/4" I.D.	1	1	
15	504637	CABLE TIE / 3/16" x 13"	1	1	
16	562683	BREAKER 90AMPS / 24V /	1	1	
16	565137	BREAKER 90AMPS / 24V / W/O HARDWARE	1	1	
16	5001924	NUT HEX NYRT THN 1/4-28 SS	2	2	
16	502573	WASHER FL 6.4x12.5x1.6 SS	2	2	
		D13) WITH VOLVO ENGINE D13			



From B-5003 To D-5489		Date:07/2024	PAGE:21212425
VOLVO STARTER 24V, MELCO WITHOUT RELAY TB-129577391-1			





From B-5003 To D-5489	Date:07/2024	PAGE:21212425
VOLVO STARTER 24V, MELCO WITHOUT RELAY TB-129577391-1		

Item#	Part	Description	X 3 V I P	X L I E N T 4 5	N O T E S
1	85125992	KIT	1	1	

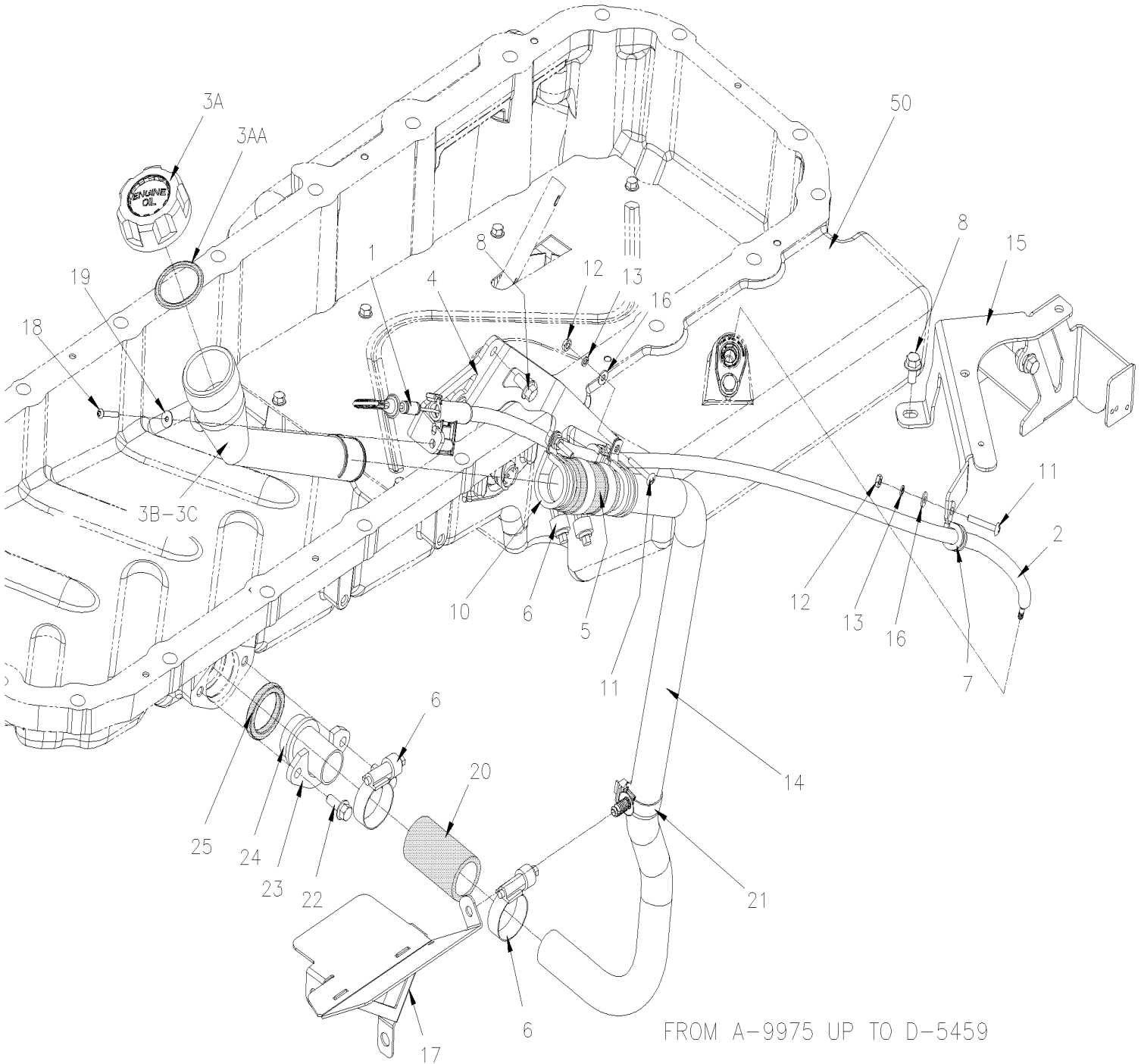


From B-5003 To D-5489

Date:07/2024

PAGE:XV-0105-05

ENGINE OIL FILLER CAP & DIPSTICK WITH VOLVO D13



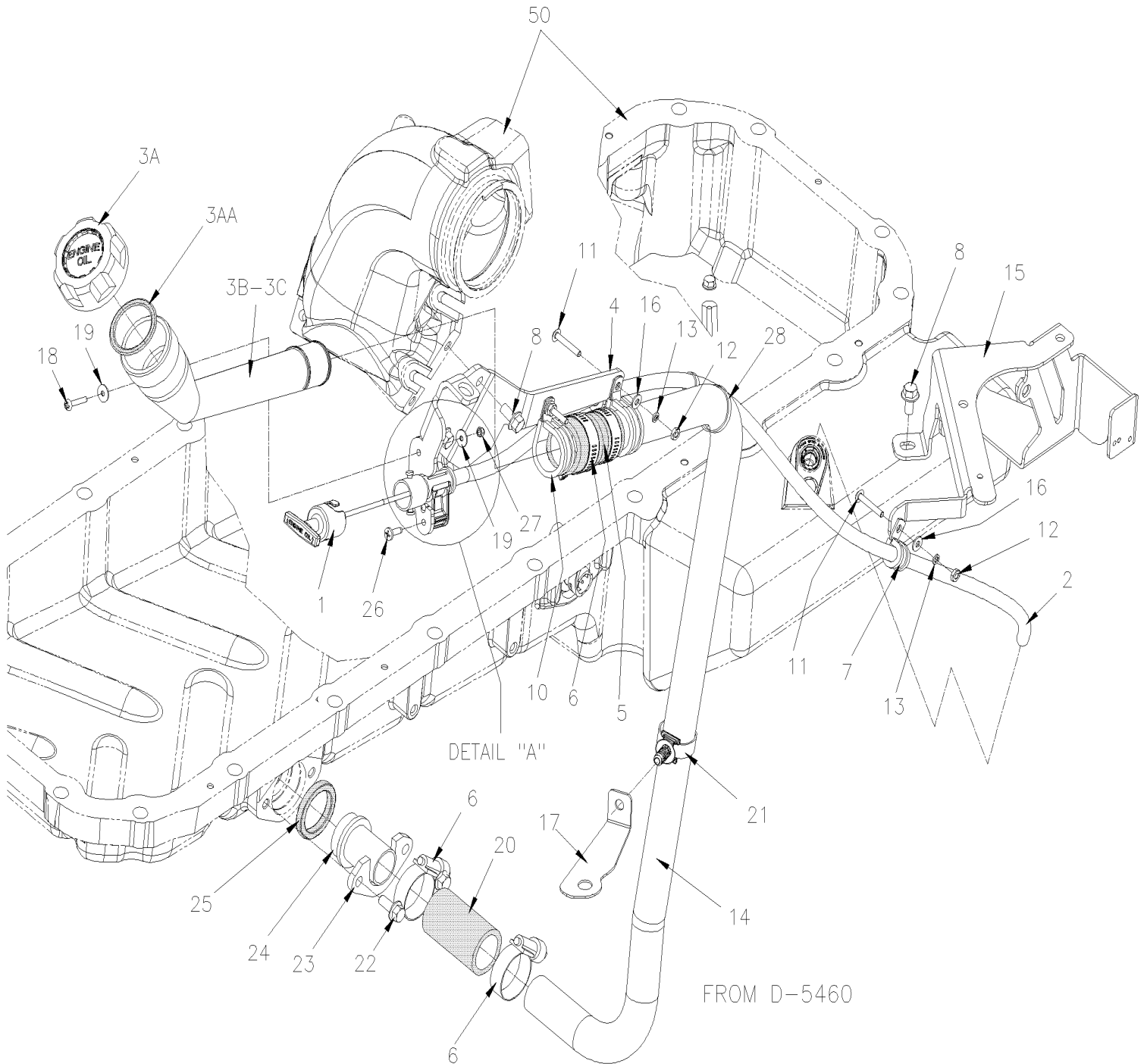


From B-5003 To D-5489

Date:07/2024

PAGE:XV-0105-05

ENGINE OIL FILLER CAP & DIPSTICK WITH VOLVO D13





From B-5003 To D-5489 Date:07/2024 PAGE:XV-0105-05

ENGINE OIL FILLER CAP & DIPSTICK WITH VOLVO D13

Item#	Part	Description	X 3 V I P	X L I I E N T 4 5	N O T E S
1	012565	DIPSTICK ASSY / ENGINE OIL / W/D13 1360MM To C-5132	1	1	B
1	012714	DIPSTICK ASSY / ENGINE OIL / W/D13 1350MM From C-5133 To D-5404	1	1	
1	012801	DIPSTICK ASSY / TUBE AND DIPSTICK From D-5405 To D-5459	1	1	
1	012800	. DIPSTICK ASSY / ENGINE OIL / W/D13 1374MM From D-5405 To D-5459	1	1	
1	015998	DIPSTICK & TUBE ASSY From D-5460	1	1	
1	015997	. DIPSTICK ASSY / ENGINE OIL / W/D13 1362MM From D-5460	1	1	
1	012801	DIPSTICK ASSY / TUBE AND DIPSTICK To D-5404	1	1	S
1	012800	. DIPSTICK ASSY / ENGINE OIL / W/D13 1374MM To D-5404	1	1	S
2	012542	TUBE OIL DIPSTICK W/D13 1270MM To D-5404	1	1	B
2	012799	. TUBE OIL DIPSTICK W/D13 1290MM From D-5405 To D-5459	1	1	
2	015996	. TUBE OIL DIPSTICK W/D13 1276MM From D-5460	1	1	
2	012799	. TUBE OIL DIPSTICK W/D13 1290MM To D-5404	1	1	S
2	5001750	WASHER FL 4.3x14.0x1.0 N500 To D-5404	1	1	S
2	5001793	SCREW TP M4.2 x 30 N500 To D-5404	1	1	S
3	20808092	OIL FILLER NECK	1	1	
. A	20807510	. OIL CAP / WITH GASKET	1	1	
. . A	20365079	. . GASKET OIL CAP	1	1	
. B	8149891	. OIL NECK / PIPE FILLER	1	1	
. C	943361	. SPACER WASHER 6.5 X 12 X 4	1	1	
3	22281824	OIL FILLER NECK TB-133887958-1	1	1	
. A	20807510	. OIL CAP / WITH GASKET	1	1	
. . A	20365079	. . GASKET OIL CAP	1	1	
. B	22281825	. OIL NECK / PIPE FILLER	1	1	
. C	943361	. SPACER WASHER 6.5 X 12 X 4	1	1	
. NS	8149895	. SUPPORT RING	1	1	
4	012634	SUPPORT DIPSTICK & FILLER NECK	1	1	
5	3034195	RACCORD COUPLING	1	1	
6	504657	HOSE CLAMP / 1"1/16-2" C.T. 9424 To D-5404	3	3	
6	504783	HOSE CLAMP / 1"1/16-2" SS / C.T. W.S. From D-5405	3	3	
7	952627	CLAMP / 1/2" I.D.	2	2	
8	5001780	SCREW CAP HEXF M8-1.25x16 G8.8 N500	2	2	
8	680038	THREAD LOCKER LOCTITE #243 / BLUE / 50ml	AR	AR	
10	952639	CLAMP / 1"1/4 I.D.	4	4	
11	500574	SCREW MA TR PH #10-24x1 1/4 SS	5	5	
12	502882	NUT HEX #10-24 N500	5	5	
13	500914	WASHER LO SPT .193x.334x.047 N500	5	5	
14	012126	OIL FILLER TUBE To D-5459	1	1	
14	015991	OIL FILLER TUBE From D-5460	1	1	
14	010068	OIL FILLER TUBE STAINLESS STEEL From D-5460	1	1	
15	032911	SUPPORT FUEL LINE To B-5074	1	1	
15	033185	SUPPORT FUEL LINE From B-5075	1	1	
16	500804	WASHER FL .203x.500x.047 N500	4	4	

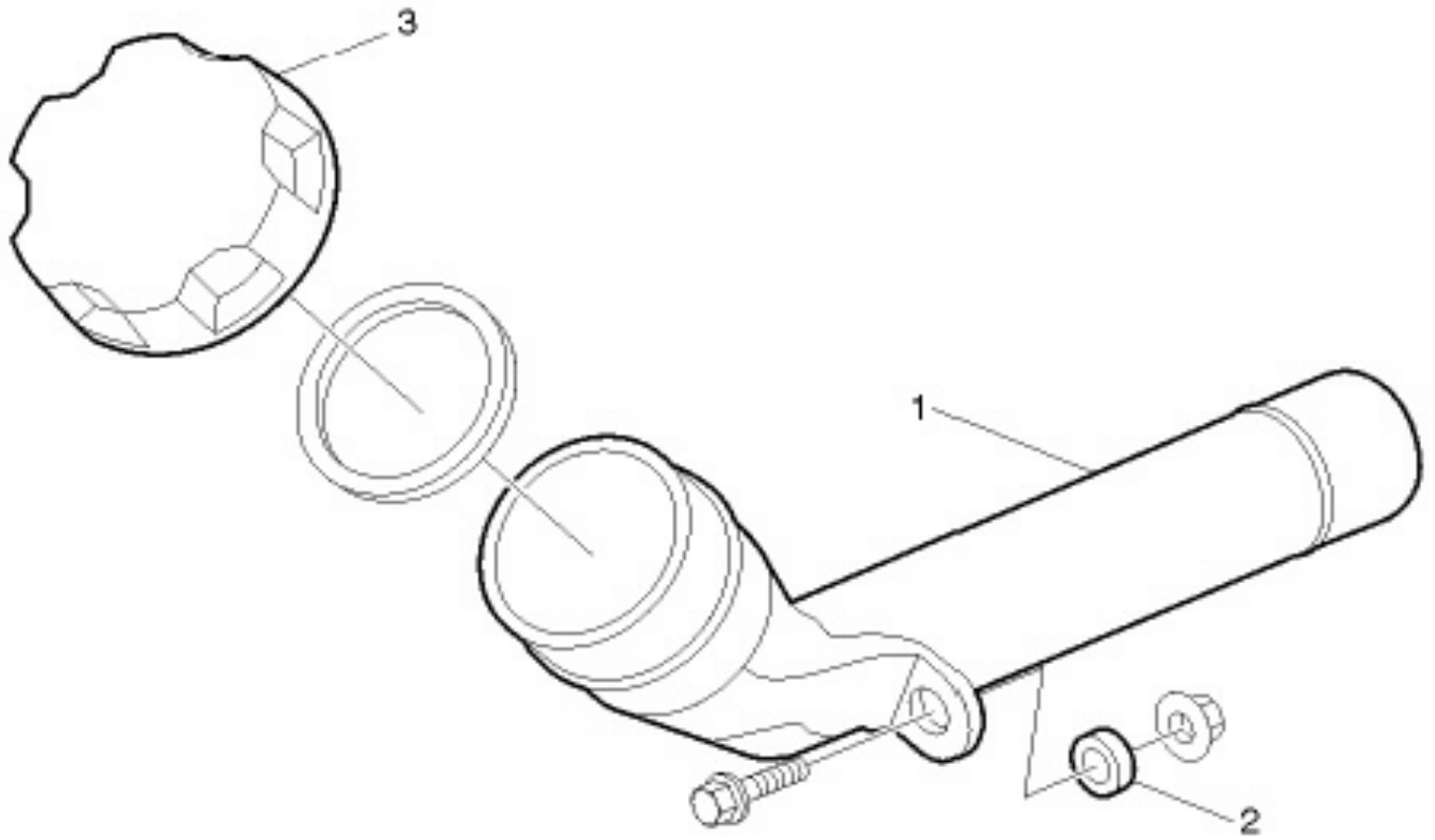


From B-5003 To D-5489	Date:07/2024	PAGE:XV-0105-05
ENGINE OIL FILLER CAP & DIPSTICK WITH VOLVO D13		

Item#	Part	Description	X 3 V I P	X L I I E N T 4 5	N O T E S
17	067854	PROTECTION PLATE ASSY W/"VOLVO" ENGINE To D-5459	1	1	
17	015993	SUPPORT DIPSTICK From D-5460	1	1	
18	5001793	SCREW TP M4.2 x 30 N500 To D-5459	1	1	
18	502677	SCREW MA RND PH M4-0.7x25 SS From D-5460	1	1	
19	5001750	WASHER FL 4.3x14.0x1.0 N500 To D-5459	1	1	
19	5001750	WASHER FL 4.3x14.0x1.0 N500 From D-5460	2	2	
20	1136335	HOSE 31.75MM I.D. x 70MM	1	1	
21	980132	HOSE CLAMP	1	1	
22	946173	SCREW CAP HEXF M8-1.25x20	2	2	
23	469950	FLANGE	1	1	
24	70329332	INLET PIPE	1	1	
25	20555696	SEALING RING	1	1	
26	500414	SCREW TP BDG PH #10x3/4 SS From D-5460	1	1	
27	500539	NUT HEX NYRT M4-0.7 N500 From D-5460	1	1	
28	507664	CABLE TIE / 3/16" 11" / DOUBLE LOOP HEAD From D-5460	1	1	
		NEXT 5 ITEMS TO FIX OIL CAP			
NS	510973	CABLE SS 3/64" DIA. ASSY W/LOOP 8" LG x W/1" LOOP	1	1	
NS	502861	SCREW SHR HEXS 5/16x3/8 (1/4-20 N500	1	1	
NS	502638	WASHER FL .312x.734x.065 N500	1	1	
NS	5001352	NUT HEX NYRT 1/4-20 SS	1	1	
NS	5001008	WASHER FL .218x.437x.062 RUB BK	1	1	
50	Refer To Volvo	SEE IMPACT OR CALL ORDER DESK			V
		B) WHEN YOU REPLACE THE DIPSTICK USE #012801			
		S) USE ONLY WITH EPA 2010			
		V) SEE IMPACT OR CALL ORDER DESK			



From B-5003 To D-5489	Date:07/2024	PAGE:22281824
OIL FILLER NECK TB-133887958-1		





From B-5003 To D-5489	Date:07/2024	PAGE:22281824
OIL FILLER NECK TB-133887958-1		

Item#	Part	Description	X 3 V I P	X L I I E N T 4 5	N O T E S
1	22281825	OIL NECK / PIPE FILLER	1	1	
2	60112502	SPACER WASHER	1	1	
3	20807510	OIL CAP / WITH GASKET	1	1	
.A	20365079	. GASKET OIL CAP	1	1	

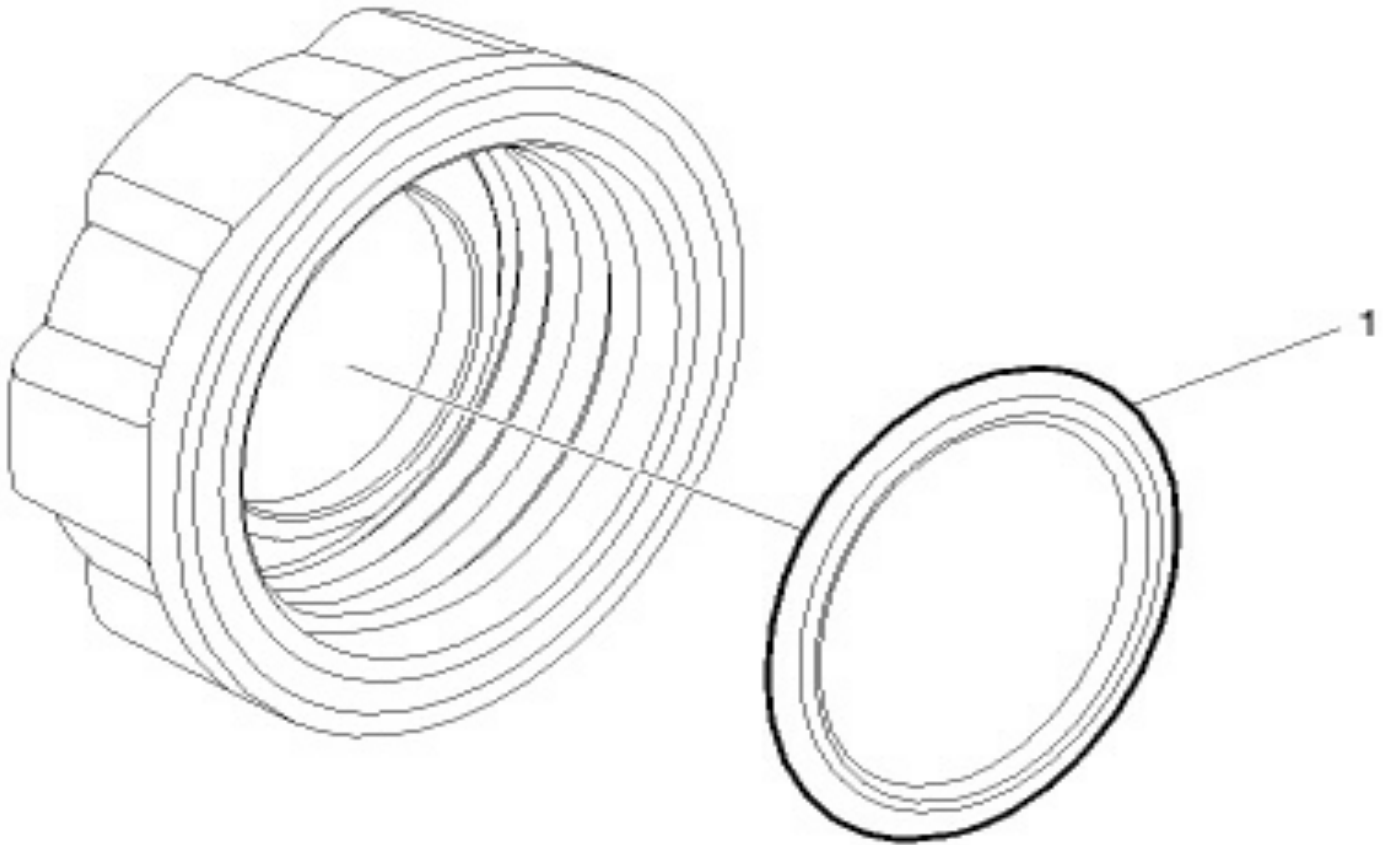


From B-5003 To D-5489

Date:07/2024

PAGE:20807510

OIL CAP / WITH GASKET





From B-5003 To D-5489		Date:07/2024	PAGE:20807510		
OIL CAP / WITH GASKET					
Item#	Part	Description	X 3 V I P	X L I I E N T 4 5	N O T E S
1	20365079	GASKET OIL CAP	1	1	

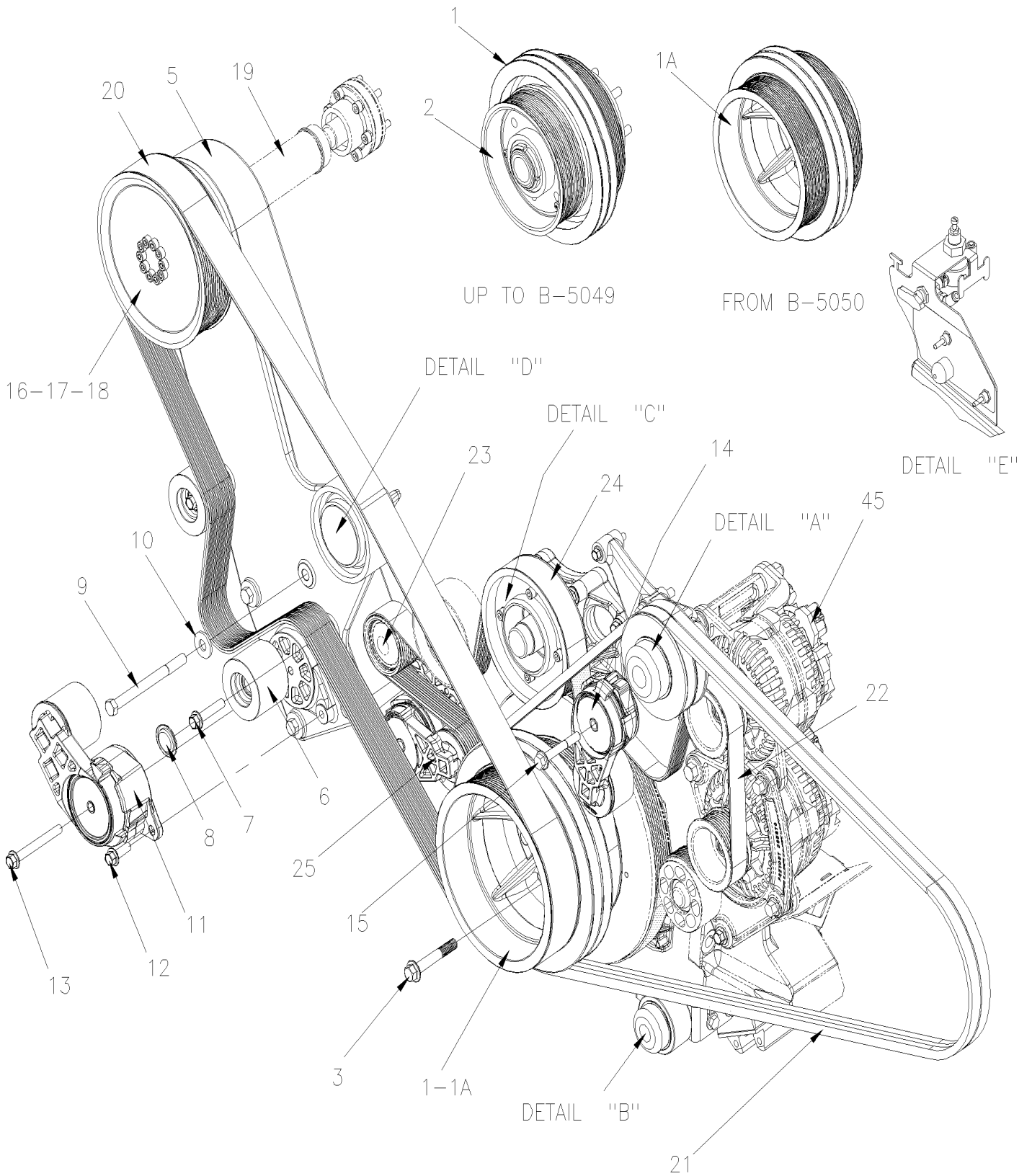


From B-5003 To D-5458

Date:07/2024

PAGE:XV-0120-00

DRIVE PULLEY, BELTS & TENSIONER WITH VOLVO D13 & 2x120Amps EPA2010



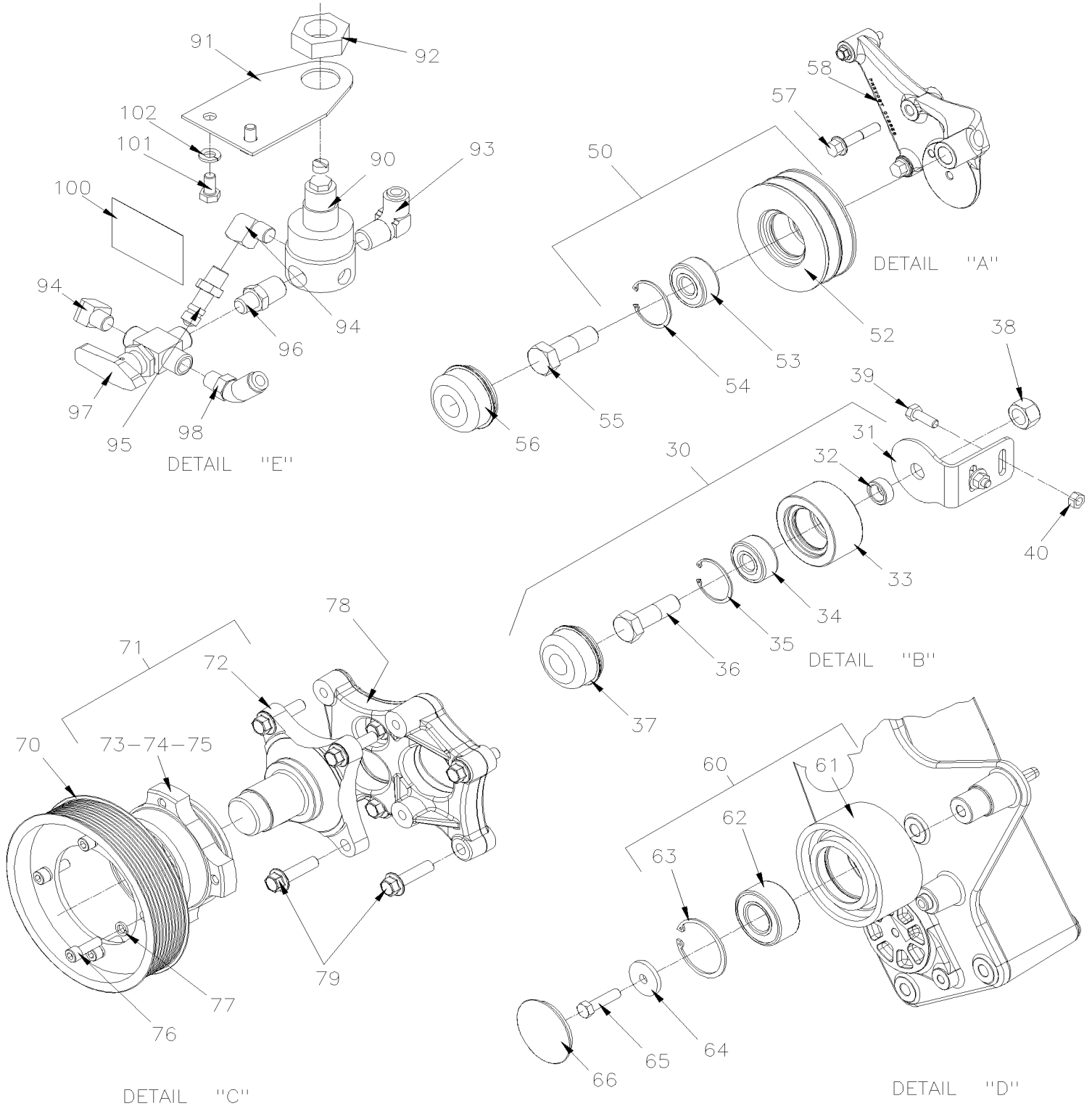


From B-5003 To D-5458

Date:07/2024

PAGE:XV-0120-00

DRIVE PULLEY, BELTS & TENSIONER WITH VOLVO D13 & 2x120Amps EPA2010





From B-5003 To D-5458	Date:07/2024	PAGE:XV-0120-00
DRIVE PULLEY, BELTS & TENSIONER WITH VOLVO D13 & 2x120Amps EPA2010		

Item#	Part	Description	X 3 V I P	X L I E N T 4 5	N O T E S
1	21264333	PULLEY DRIVE 279MM x 2V & 219MM x 10RIB To B-5049	1	1	
NS	5001673	SCREW CAP HEXF M12-1.75x50 G8.8 MAGNI 565	6	6	
1A	21655859	PULLEY DRIVE 279MM x 2V & 219MM x 10RIB & 14 RIB From B-5050	1	1	
2	550963	PULLEY DAMPER 201MM O.D. / W/14 RIB To B-5049	1	1	
. NS	550951	. KIT, DAMPER BUSHING To B-5049	1	1	
. . NS	N.S.S.	. . RUBBER DAMPER BUSHING To B-5049	6	6	1
. . NS	N.S.S.	. . SCREW CAP HEXS To B-5049	6	6	1
. . NS	N.S.S.	. . SCREW CAP BUT TORX To B-5049	3	3	1
2	550982	PULLEY 201MM O.D. / W/14 RIB ALTERNATIVE PART To B-5049	1	1	
3	5001661	SCREW CAP HEXS M8-1.25x35 G10.9 AD MAGNI 565 To B-5049	6	6	
3	5001296	SCREW CAP HEXF M12-1.75x80 G10.9 N500 From B-5050	6	6	
NS	680038	THREAD LOCKER LOCTITE #243 / BLUE / 50ml	AR	AR	
5	20966630	LONG FAN ARM SUPPORT	1	1	
6	550922	PULLEY ASSY W/BEARING 74MM O.D. x 57MM To D-5435	2	2	
6	550985	PULLEY ASSY W/BEARING 74MM O.D. x 57MM CROWNED/DOME From D-5436	2	2	
6	053022	GUIDE, BUSHING From D-5436	2	2	
7	5001843	SCREW CAP HEXF AD M10-1.5x50 G10.9 N500	3	3	
8	550924	PROTECTOR CAP / STEEL 40.7MM O.D. x 5MM To D-5435	1	1	
8	557056	PROTECTOR CAP / STEEL 40.7MM O.D. x 11MM From D-5436	1	1	
9	973967	SCREW CAP HEX M12-1.75x140 G8.8 MAGNI 565	4	4	
10	500211	WASHER FL .531x1.250x.125 N500	4	4	
11	550925	AUTOMATIC TENSIONER ASSY	1	1	
. NS	010032	. TOOL KEY 1 1/2" / TENSIONER RELEASE	1	1	
12	5001644	SCREW CAP HEXF M10-1.5x30 G8.8 G500	1	1	
13	965189	SCREW CAP HEXF M10-1.5x90 G8.8 ZG603	1	1	
14	510991	AUTOMATIC TENSIONER ASSY	1	1	
15	5001802	SCREW CAP HEXF M10-1.5x80 G10.9 N500 To B-5035	1	1	
15	5001799	SCREW CAP HEXF M10-1.5x70 G10.9 N500 From B-5036	1	1	
16	550961	PULLEY ASSY / FAN DRIVE 212MM O.D. W/14 RIB	1	1	
. NS	550983	. BEARING	1	1	
. NS	551021	. SCREW CAP HEXS M8-1.25 x 30	10	10	
16	550981	PULLEY ASSY / FAN DRIVE 212MM O.D. W/14 RIB ALTERNATIVE PART	1	1	
. NS	551020	. BEARING	1	1	
. NS	551021	. SCREW CAP HEXS M8-1.25 x 30	10	10	
. NS	551022	. RETAINING RING	1	1	
17	5001738	SCREW CAP HEX M8-1.25x30 G8.8 N500	6	6	
18	5001161	WASHER LO SPT 8.1x14.8x2.0 SS-304	6	6	
19	XV-0520-00	FAN DRIVE - INSTALLATION To B-5049			
19	XV-0520-01	FAN DRIVE - INSTALLATION From B-5050			
20	5060108	MULTI V-BELT / 14 RIB 99.44" (2526) 14PK2526 QT (21-2111) To B-5049	1	1	
20	5060105	MULTI V-BELT / 14 RIB 99.44" (2526) 14PK2526 QT + SD (21-2117) To B-5049	1	1	H
20	5061284	MULTI V-BELT / 14 RIB 100.98" (2565MM) 14PK2565 QT From B-5050	1	1	



From B-5003 To D-5458	Date:07/2024	PAGE:XV-0120-00
DRIVE PULLEY, BELTS & TENSIONER WITH VOLVO D13 & 2x120Amps EPA2010		

Item#	Part	Description	X 3 V I P	X L I I E N T 4 5	N O T E S
20	5060119	MULTI V-BELT / 14 RIB 100.98" (2565MM) 14PK2565 QT + SD From B-5050	1	1	
21	5060086	V-BELT / BX-96 / SET OF 2 9013-2096 / A/C COMPR	1	1	
21	5060121	SUPER V-BELT / 2B-96	1	1	
22	5061278	MULTI V-BELT / 8 RIB 63" (1600) 8PK1600	1	1	
22	506188	MULTI V-BELT / 8 RIB 63" (1600) 8PK1600 QT + ARAMIDE	1	1	
22	5061279	MULTI V-BELT / 8 RIB 60" (1524) 5080600	1	1	
22	5060113	MULTI V-BELT / 8 RIB 60" (1524) 8PK1524 QT (21-2116)	1	1	C
22	506114	MULTI V-BELT / 8 RIB 60" (1524) 8PK1524 QT +ARAMIDE	1	1	C
23	Refer To Volvo	PULLEY IDLER	1	1	V
24	20712534	MULTI V-BELT / 10 RIB 59.5" (1512MM) 10PK1512	1	1	
24	5060110	MULTI V-BELT / 10 RIB 59.5" (1512MM) 10PK1512 QT (21-2112)	1	1	
24	5060104	MULTI V-BELT / 10 RIB 59.5" (1512MM) 10PK1512 QT + SD (21-2112)	1	1	H
25	510991	AUTOMATIC TENSIONER ASSY	1	1	
NS	012695	SUPPORT ADAPTOR AUTOMTIC TENSIONER ASSY W/DOWEL / WATER PUMP	1	1	
. NS	502941	. DOWEL PIN	2	2	
NS	5001620	SCREW CAP HEXS M10-1.5X35 G10.9 G500	1	1	
NS	5001799	SCREW CAP HEXF M10-1.5x70 G10.9 N500	1	1	
30	457506	PULLEY, LOOSE ASM To D-5297	1	1	
30	457510	PULLEY, LOOSE ASM From D-5298	1	1	
31	457507	. SUPPORT, LOOSE PULLEY To D-5297	1	1	
31	457511	. SUPPORT, LOOSE PULLEY From D-5298	1	1	
32	052205	. SPACER 20MM I.D. X 12.5MM TH	1	1	
33	453834	. PULLEY / 45MM x 90MM O.D.	1	1	
34	507340	. BALL BEARING 20 ID x 52 OD x 22.2 W	1	1	E
34	507014	. BALL BEARING 20 ID x 52 OD x 22.2 W	1	1	
35	504095	. RING RETAINER / INT 2.00 x 2.12 x .062	1	1	
36	453835	. SCREW CAP HEX M20-2.5x65	1	1	
37	453076	. CAP, DUST	1	1	
38	5001252	. NUT HEX STO M20-2.5 DP	1	1	
39	5001741	SCREW CAP HEXF M10-1.5x30 G8.8 N500	2	2	
40	5001727	NUT HEXF NYRT M10-1.5 N500	2	2	
45	XV-0605-00	ALTERNATOR 24V/120 AMPS / "BOSCH"			
45	XV-0610-00	ALTERNATOR MOUNTING / "BOSCH" 2X120AMPS VOLVO D13			
50	454500	PULLEY ASSY W/BEARING	1	1	
52	454182	. PULLEY / 5" O.D. X 2V	1	1	
53	507340	. BALL BEARING 20 ID x 52 OD x 22.2 W	1	1	E
53	507014	. BALL BEARING 20 ID x 52 OD x 22.2 W	1	1	
54	504095	. RING RETAINER / INT 2.00 x 2.12 x .062	1	1	
55	453835	SCREW CAP HEX M20-2.5x65	1	1	
56	453076	CAP, DUST	1	1	



From B-5003 To D-5458	Date:07/2024	PAGE:XV-0120-00
DRIVE PULLEY, BELTS & TENSIONER WITH VOLVO D13 & 2x120Amps EPA2010		

Item#	Part	Description	X 3 V I P	X L I I E N T 4 5	N O T E S
57	5001801	SCREW CAP HEXF M10-1.5x55 G10.9 N500	2	2	
57	500796	SCREW CAP HEXF M8-1.25x50 G10.9 N500	1	1	
58	012656	SUPPORT PULLEY ALT & A/C	1	1	
60	052896	PULLEY ASSY W/BEARING / 54MM x 117MM O.D.	1	1	
61	052625	. PULLEY / 54MM x 117MM O.D.	1	1	
62	510618	. BALL BEARING DBL ROW / 30MM x 62MM x 27 W	1	1	
63	504040	. RING RETAINER / INT 2.440 x 1.860 x 0.078 STL BLK	1	1	
64	012062	WASHER FL 10.2 x38.1x5 ST	1	1	
65	500829	SCREW CAP HEX M10-1.5x40 G8.8	1	1	
66	510798	PROTECTOR CAP / "PREVOST"	1	1	
70	8149875	PULLEY 171 MM O.D. W/10RIB	1	1	
71	21146745	HUB ASSY	1	1	
72	20459796	. SHAFT MOUNTING	1	1	
73	N.S.S.	. BEARING HOUSING	1	1	1
74	21146660	. BALL BEARING	1	1	
75	1675790	. NUT M40 x 9MM	1	1	
76	984065	SCREW CAP HEXS M8-1.25x25 G8.8 DP	4	4	
77	502889	WASHER LO SPT 8.1x12.7x2.0 N500	4	4	
78	012497	SUPPORT PILLEY TENSIONER WATER PUMP	1	1	
78	21270170	SUPPORT PULLEY TENSIONER WATER PUMP	1	1	
79	5001308	SCREW CAP HEXF M10-1.5x40 G10.9 N500	8	8	
90	641472	AIR PRESSURE REGULATOR 1/4" NPT / COPPER	1	1	
91	032892	SUPPORT FILTER AIR	1	1	
92	500734	NUT HEX JAM 3/4-16 Z050	1	1	
93	641371	MALE ELBOW 90° NON-SWIVEL / PUSH-IN FITTING / #4x1/4NPT-M BR	1	1	
94	501331	STREET ELBOW 90° / PIPE FITTING / 1/8NPT-Mx1/8NPT-F BR	2	2	
95	640488	VALVE, AIR FILL 1/8" NPT	1	1	
. NS	650164	. CAP VALVE / CHROME	1	1	
96	501650	NIPPLE REDUCER HEX / PIPE FITTING / 1/4NPT-Mx1/8NPT-Mx1 3/16 BR	1	1	
97	641417	VALVE, 3 WAYS 1/8NPT-Fx1/8NPT-Fx1/8NPT-F BR To C-5134	1	1	
. NS	642014	. HANDLE / RED To C-5134	1	1	
97	642161	VALVE, 3 WAYS 1/8NPT-Fx1/8NPT-Fx1/8NPT-F BR From C-5133	1	1	
. NS	642014	. HANDLE / RED From C-5133	1	1	
98	641365	MALE ELBOW 45° NON-SWIVEL / PUSH-IN FITTING / #4x1/8NPT-M BR	1	1	
NS	142807	HOSE ASSY TEFLON #4 1620MM	1	1	
100	012123	DECAL "BELT TENSIONER" 35 PSI	1	1	
101	5001181	SCREW CAP HEX M6-1.0x12 SS	2	2	
102	502570	WASHER LO SPT 6.1x11.8x1.6 SS	2	2	
103	685290	TOOL PULLEY RETAINER / FOR TORQ # 550912	1	1	



From B-5003 To D-5458	Date:07/2024	PAGE:XV-0120-00
-----------------------	--------------	-----------------

DRIVE PULLEY, BELTS & TENSIONER WITH VOLVO D13 & 2x120Amps EPA2010

Item#	Part	Description	X 3 V I P	X L I I E N T 4 5	N O T E S
		C) EMERGENCY USE ONLY WITH ONE ALTERNATOR			
		E) REPLACE BY # 507014			
		H) HEAVY DUTY			
		1) NOT SOLD SEPARATELY			
		V) SEE IMPACT OR CALL ORDER DESK			

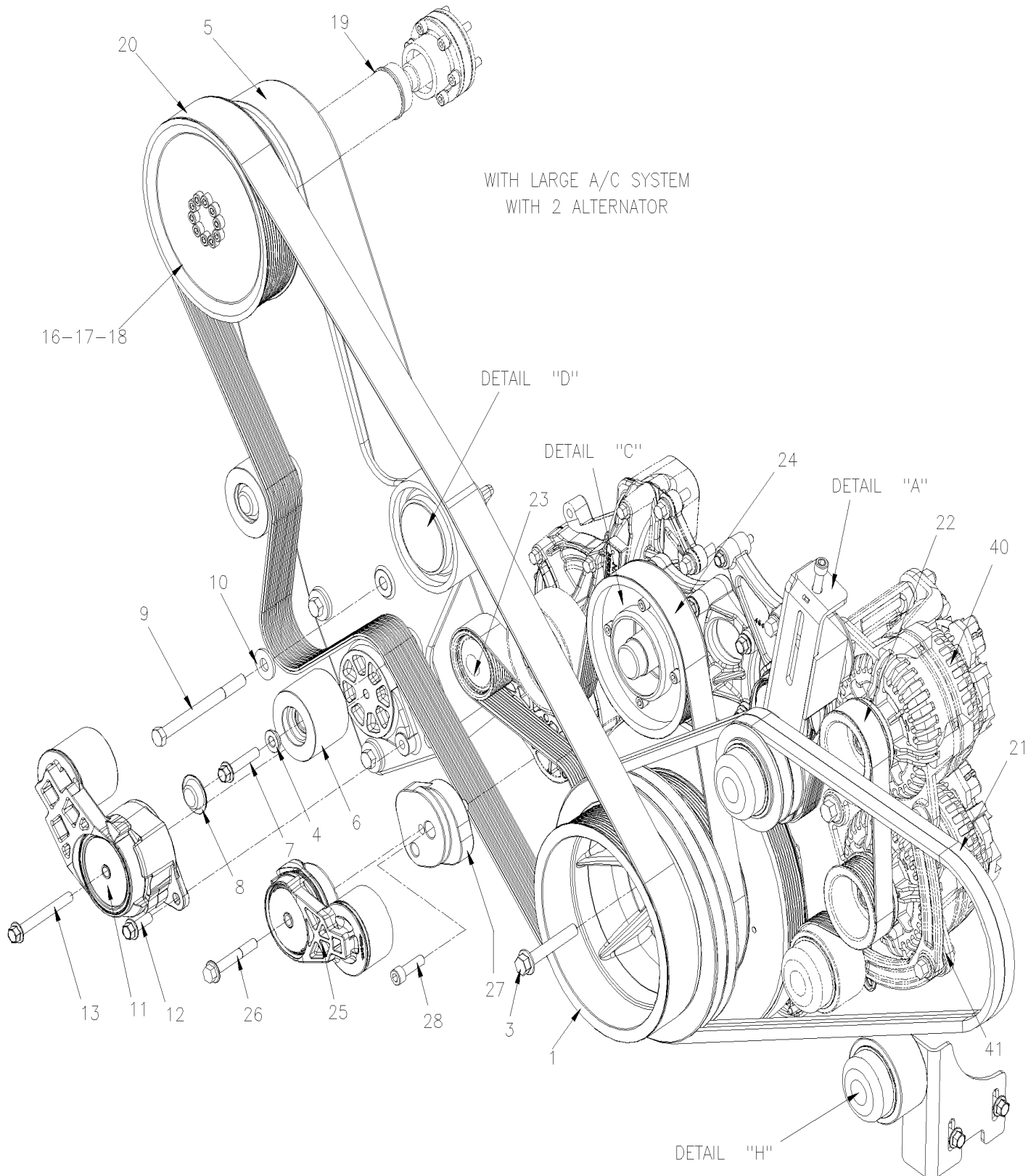


From D-5459 To D-5489

Date:07/2024

PAGE:XV-0120-01

DRIVE PULLEY, BELTS & TENSIONER WITH VOLVO D13 & 2x120Amps



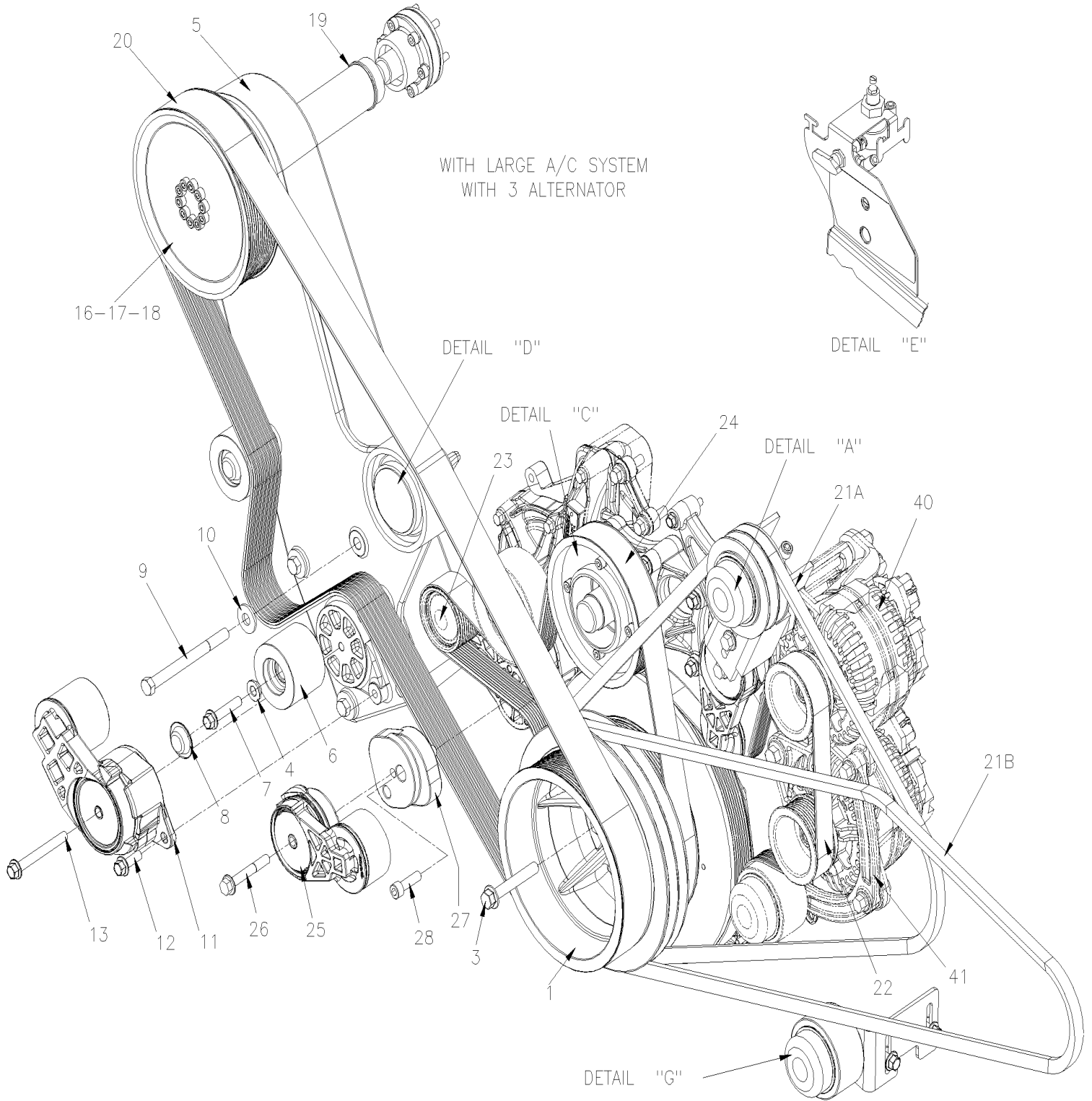


From D-5459 To D-5489

Date:07/2024

PAGE:XV-0120-01

DRIVE PULLEY, BELTS & TENSIONER WITH VOLVO D13 & 2x120Amps



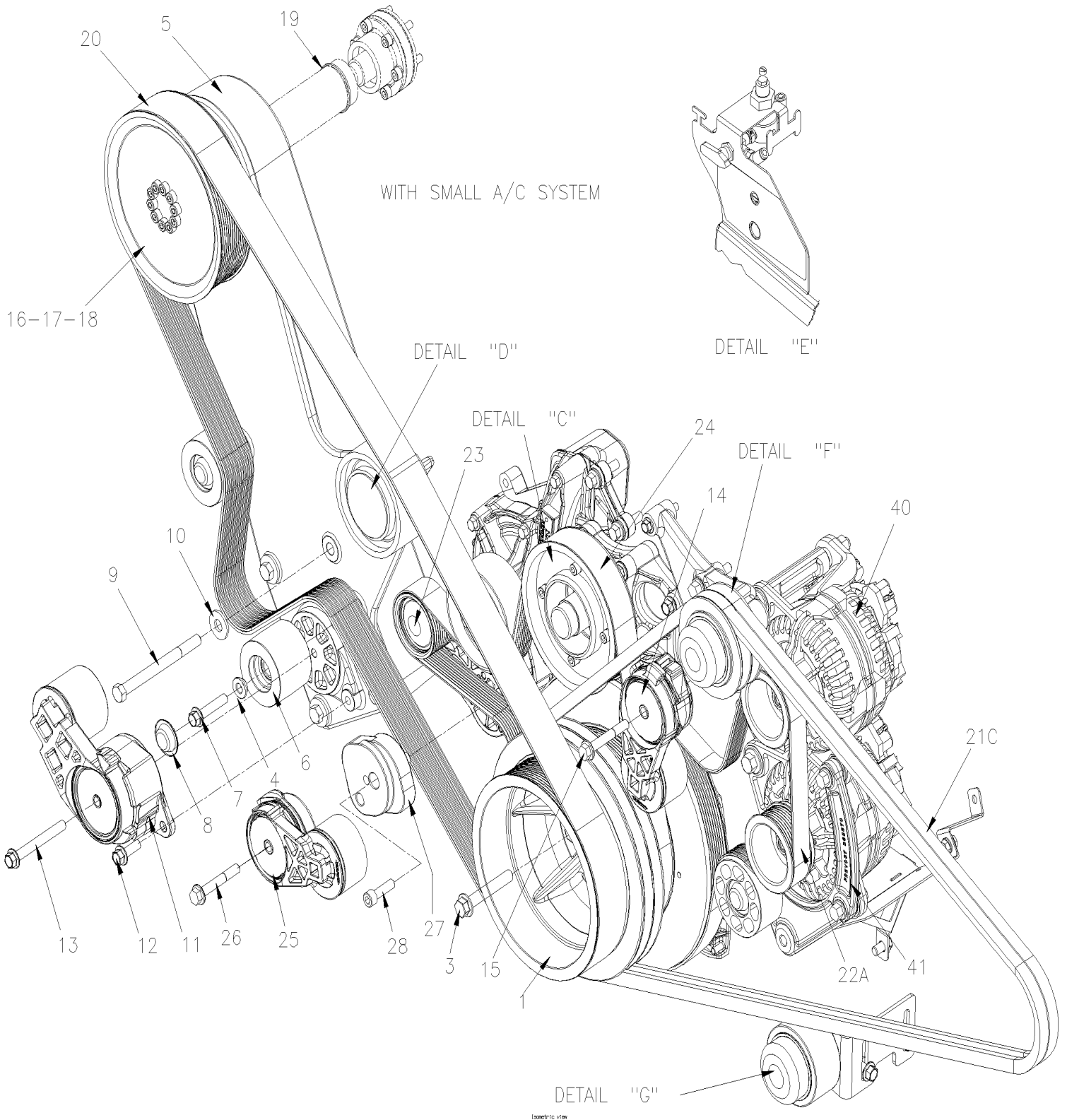


From D-5459 To D-5489

Date:07/2024

PAGE:XV-0120-01

DRIVE PULLEY, BELTS & TENSIONER WITH VOLVO D13 & 2x120Amps



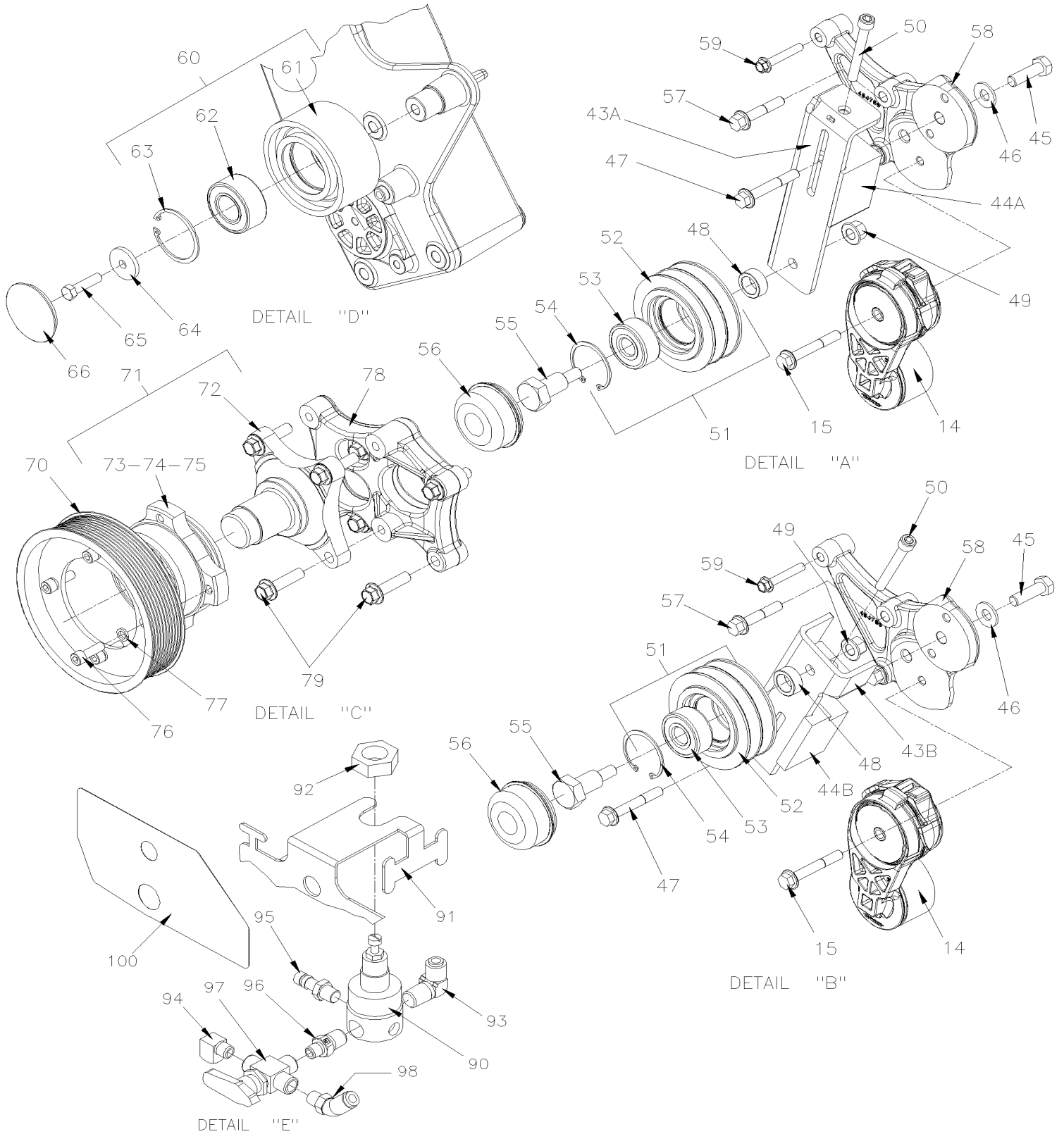


From D-5459 To D-5489

Date:07/2024

PAGE:XV-0120-01

DRIVE PULLEY, BELTS & TENSIONER WITH VOLVO D13 & 2x120Amps



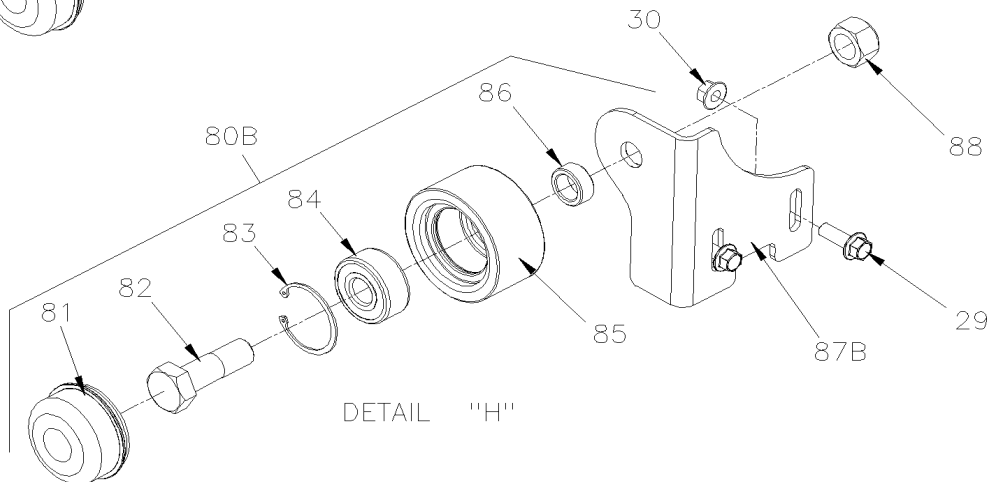
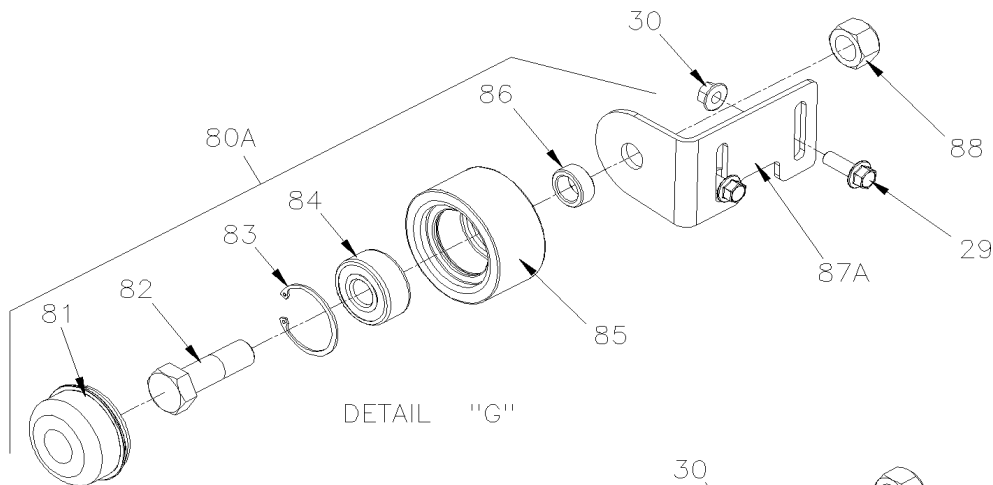
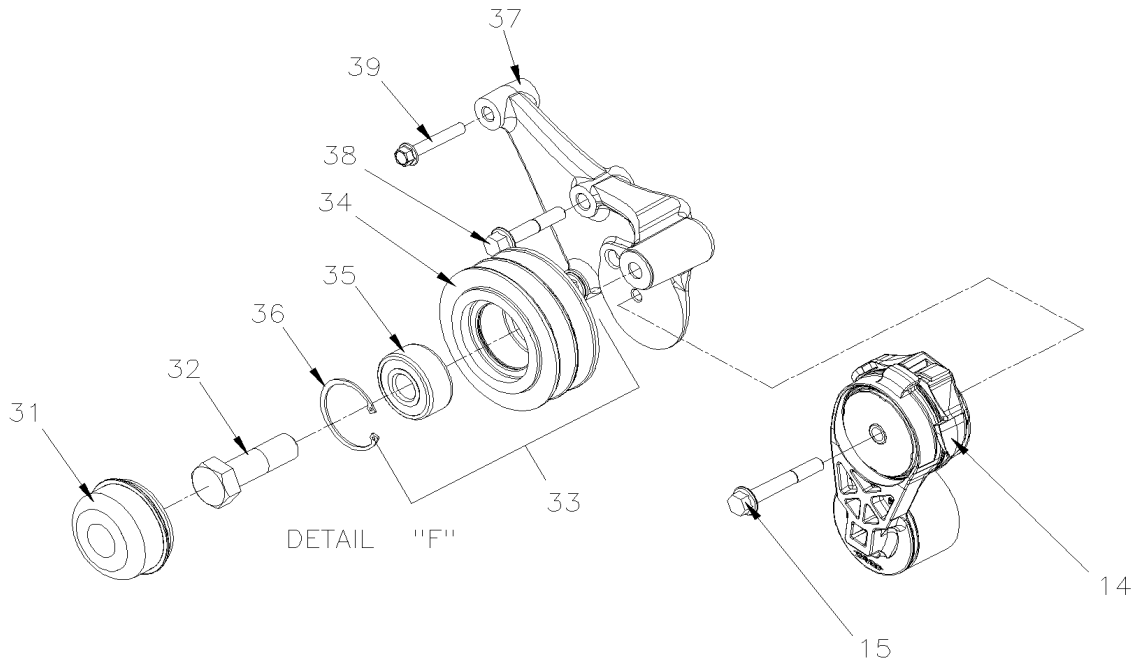


From D-5459 To D-5489

Date:07/2024

PAGE:XV-0120-01

DRIVE PULLEY, BELTS & TENSIONER WITH VOLVO D13 & 2x120Amps





From D-5459 To D-5489	Date:07/2024	PAGE:XV-0120-01
-----------------------	--------------	-----------------

DRIVE PULLEY, BELTS & TENSIONER WITH VOLVO D13 & 2x120Amps

Item#	Part	Description	X 3 V I P	X L I I E N T 4 5	N O T E S
1	012802	PULLEY DRIVE 277MM x 2V & 220MM x 10RIB & 223MM x 14 RIB	1	1	
3	5001296	SCREW CAP HEXF M12-1.75x80 G10.9 N500	6	6	
NS	680038	THREAD LOCKER LOCTITE #243 / BLUE / 50ml	AR	AR	
4	053022	GUIDE, BUSHING	2	2	
5	20966630	LONG FAN ARM SUPPORT	1	1	
6	550985	PULLEY ASSY W/BEARING 74MM O.D. x 57MM CROWNED/DOME	2	2	
7	5001843	SCREW CAP HEXF AD M10-1.5x50 G10.9 N500	2	2	
8	557056	PROTECTOR CAP / STEEL 40.7MM O.D. x 11MM	2	2	
9	5001776	SCREW CAP HEX M12-1.75x140 G8.8 G500	4	4	
10	500211	WASHER FL .531x1.250x.125 N500	4	4	
11	550925	AUTOMATIC TENSIONER ASSY	1	1	
. NS	010032	. TOOL KEY 1 1/2" / TENSIONER RELEASE	1	1	
12	5001644	SCREW CAP HEXF M10-1.5x30 G8.8 G500	1	1	
13	5001784	SCREW CAP HEXF M10-1.5x90 G8.8 AD N500	1	1	
14	510991	AUTOMATIC TENSIONER ASSY	1	1	
15	5001799	SCREW CAP HEXF M10-1.5x70 G10.9 N500	1	1	
16	550961	PULLEY ASSY / FAN DRIVE 212MM O.D. W/14 RIB	1	1	
. NS	550983	. BEARING	1	1	
. NS	551021	. SCREW CAP HEXS M8-1.25 x 30	10	10	
16	550981	PULLEY ASSY / FAN DRIVE 212MM O.D. W/14 RIB ALTERNATIVE PART	1	1	
. NS	551020	. BEARING	1	1	
. NS	551021	. SCREW CAP HEXS M8-1.25 x 30	10	10	
. NS	551022	. RETAINING RING	1	1	
17	5001738	SCREW CAP HEX M8-1.25x30 G8.8 N500	6	6	
18	5001161	WASHER LO SPT 8.1x14.8x2.0 SS-304	6	6	
19	XV-0520-01	FAN DRIVE - INSTALLATION			
20	5061284	MULTI V-BELT / 14 RIB 100.98" (2565MM) 14PK2565 QT	1	1	
20	5060119	MULTI V-BELT / 14 RIB 100.98" (2565MM) 14PK2565 QT + SD	1	1	
21	5060134	V-BELT / BX-71 / SET OF 2	1	1	B
21A	5060127	SUPER V-BELT / 5VX810	1	1	D
21B	5060125	SUPER V-BELT / 5VX918	1	1	D
21C	5060126	SUPER V-BELT / 5VX950 / SET OF 2	1	1	A
22	XV-0610-00	ALTERNATOR MOUNTING / "BOSCH" 2X120AMPS VOLVO D13	1	1	
23	Refer To Volvo	PULLEY IDLER	1	1	V
24	5060110	MULTI V-BELT / 10 RIB 59.5" (1512MM) 10PK1512 QT (21-2112)	1	1	
24	5060104	MULTI V-BELT / 10 RIB 59.5" (1512MM) 10PK1512 QT + SD (21-2112)	1	1	H
25	510991	AUTOMATIC TENSIONER ASSY	1	1	
26	5001799	SCREW CAP HEXF M10-1.5x70 G10.9 N500	1	1	
27	012695	SUPPORT ADAPTOR AUTOMTIC TENSIONER ASSY W/DOWEL / WATER PUMP	1	1	
. NS	502941	. DOWEL PIN	2	2	
28	5001620	SCREW CAP HEXS M10-1.5X35 G10.9 G500	1	1	
29	5001741	SCREW CAP HEXF M10-1.5x30 G8.8 N500	2	2	



From D-5459 To D-5489	Date:07/2024	PAGE:XV-0120-01
-----------------------	--------------	-----------------

DRIVE PULLEY, BELTS & TENSIONER WITH VOLVO D13 & 2x120Amps

Item#	Part	Description	X 3 V I P	X L I I E N T 4 5	N O T E S
30	5001727	NUT HEXF NYRT M10-1.5 N500	2	2	
31	453076	CAP, DUST	1	1	
32	453835	SCREW CAP HEX M20-2.5x65	1	1	
33	457505	PULLEY ASSY W/BEARING	1	1	
34	457504	. PULLEY / 112MM O.D. X 2V	1	1	
35	507340	. BALL BEARING 20 ID x 52 OD x 22.2 W	1	1	E
35	507014	. BALL BEARING 20 ID x 52 OD x 22.2 W	1	1	
36	504095	. RING RETAINER / INT 2.00 x 2.12 x .062	1	1	
37	012656	SUPPORT PULLEY ALT & A/C	1	1	
38	500180	SCREW CAP HEX 5/16-18x1 G8 BR	2	2	
39	500796	SCREW CAP HEXF M8-1.25x50 G10.9 N500	1	1	
40	XV-0605-00	ALTERNATOR 24V/120 AMPS / "BOSCH"			
41	XV-0610-00	ALTERNATOR MOUNTING / "BOSCH" 2X120AMPS VOLVO D13			
42	XV-2245-01	A/C COMPRESSOR "BITZER" - INSTALLATION			
42	XV-2245-50	A/C SMALL COMPRESSOR - INSTALLATION			
43A	457542	TENSIONER	1	1	B
43B	457540	TENSIONER	1	1	D
44A	457543	SUPPORT, TENSIONNER	1	1	B
44B	457541	SUPPORT, TENSIONNER	1	1	D
45	5001885	SCREW CAP HEX M12-1.75X40 G10.9 N500	1	1	
46	500967	WASHER BEL SPR .512x1.142x.098 N500	1	1	
47	5001799	SCREW CAP HEXF M10-1.5x70 G10.9 N500	1	1	
48	457501	BUSHING 30MM O.D. x 20MM I.D. x 12MM	1	1	
49	5001728	NUT HEXF STO M12-1.75 N500 G10	1	1	
50	5001914	SCREW CAP HEX M10-1.5x100 FT SS	1	1	
51	457505	PULLEY ASSY W/BEARING	1	1	
52	457504	. PULLEY / 112MM O.D. X 2V	1	1	
53	507340	. BALL BEARING 20 ID x 52 OD x 22.2 W	1	1	E
53	507014	. BALL BEARING 20 ID x 52 OD x 22.2 W	1	1	
54	504095	. RING RETAINER / INT 2.00 x 2.12 x .062	1	1	
55	457500	ROD, IDLER A/C M12-1.75 x 59	1	1	
56	453076	CAP, DUST	1	1	
57	5001801	SCREW CAP HEXF M10-1.5x55 G10.9 N500	2	2	
58	454779	SUPPORT PULLEY ALT & A/C WELDED PROTO	1	1	
59	500796	SCREW CAP HEXF M8-1.25x50 G10.9 N500	1	1	
60	052896	PULLEY ASSY W/BEARING / 54MM x 117MM O.D.	1	1	
61	052625	. PULLEY / 54MM x 117MM O.D.	1	1	
62	510618	. BALL BEARING DBL ROW / 30MM x 62MM x 27 W	1	1	
63	504040	. RING RETAINER / INT 2.440 x 1.860 x 0.078 STL BLK	1	1	
64	012062	WASHER FL 10.2 x38.1x5 ST	1	1	
65	500829	SCREW CAP HEX M10-1.5x40 G8.8	1	1	



From D-5459 To D-5489 Date:07/2024 PAGE:XV-0120-01

DRIVE PULLEY, BELTS & TENSIONER WITH VOLVO D13 & 2x120Amps

Item#	Part	Description	X 3 V I P	X L I I E N T 4 5	N O T E S
66	510798	PROTECTOR CAP / "PREVOST"	1	1	
70	8149875	PULLEY 171 MM O.D. W/10RIB	1	1	
71	21146745	HUB ASSY	1	1	
72	20459796	. SHAFT MOUNTING	1	1	
73	N.S.S.	. BEARING HOUSING	1	1	1
74	21146660	. BALL BEARING	1	1	
75	1675790	. NUT M40 x 9MM	1	1	
76	5001775	SCREW CAP HEXS M8-1.25x25 G8.8 G500	4	4	
77	500942	WASHER LO SPT 8.1x14.8x2.0 N500	4	4	
78	21270170	SUPPORT PULLEY TENSIONER WATER PUMP	1	1	
79	5001308	SCREW CAP HEXF M10-1.5x40 G10.9 N500	8	8	
80A	457510	PULLEY, LOOSE ASM	1	1	
80B	457545	PULLEY, LOOSE ASM	1	1	
81	453076	. CAP, DUST	1	1	
82	453835	. SCREW CAP HEX M20-2.5x65	1	1	
83	504095	. RING RETAINER / INT 2.00 x 2.12 x .062	1	1	
84	507340	. BALL BEARING 20 ID x 52 OD x 22.2 W	1	1	E
84	507014	. BALL BEARING 20 ID x 52 OD x 22.2 W	1	1	
85	453834	. PULLEY / 45MM x 90MM O.D.	1	1	
86	052205	. SPACER 20MM I.D. X 12.5MM TH	1	1	
87A	457511	. SUPPORT, LOOSE PULLEY	1	1	
87B	457546	. SUPPORT, LOOSE PULLEY	1	1	
88	5001252	. NUT HEX STO M20-2.5 DP	1	1	
90	641472	AIR PRESSURE REGULATOR 1/4" NPT / COPPER	1	1	AD
91	032892	SUPPORT FILTER AIR	1	1	AD
92	500734	NUT HEX JAM 3/4-16 Z050	1	1	AD
93	641371	MALE ELBOW 90° NON-SWIVEL / PUSH-IN FITTING / #4x1/4NPT-M BR	1	1	AD
94	501331	STREET ELBOW 90° / PIPE FITTING / 1/8NPT-Mx1/8NPT-F BR	1	1	AD
95	640488	VALVE, AIR FILL 1/8" NPT	1	1	AD
. NS	650164	. CAP VALVE / CHROME	1	1	AD
96	501650	NIPPLE REDUCER HEX / PIPE FITTING / 1/4NPT-Mx1/8NPT-Mx1 3/16 BR	1	1	AD
97	642161	VALVE, 3 WAYS 1/8NPT-Fx1/8NPT-Fx1/8NPT-F BR	1	1	AD
. NS	642014	. HANDLE / RED	1	1	AD
98	641365	MALE ELBOW 45° NON-SWIVEL / PUSH-IN FITTING / #4x1/8NPT-M BR	1	1	AD
100	068307	DECAL REAR ENGINE START....	1	1	AD
NS	685290	TOOL PULLEY RETAINER / FOR TORQ # 550912	1	1	
		A) WITH SMALL A/C			
		B) WITH LARGE A/C WITH 2 ALTERNATORS			
		D) WITH LARGE A/C WITH 3 ALTERNATORS			



From D-5459 To D-5489	Date:07/2024	PAGE:XV-0120-01
-----------------------	--------------	-----------------

DRIVE PULLEY, BELTS & TENSIONER WITH VOLVO D13 & 2x120Amps

Item#	Part	Description	X 3 V I P	X L I I E N T 4 5	N O T E S
		E) REPLACE BY # 507014			
		H) HEAVY DUTY			
		1) NOT SOLD SEPARATELY			
		V) SEE IMPACT OR CALL ORDER DESK			

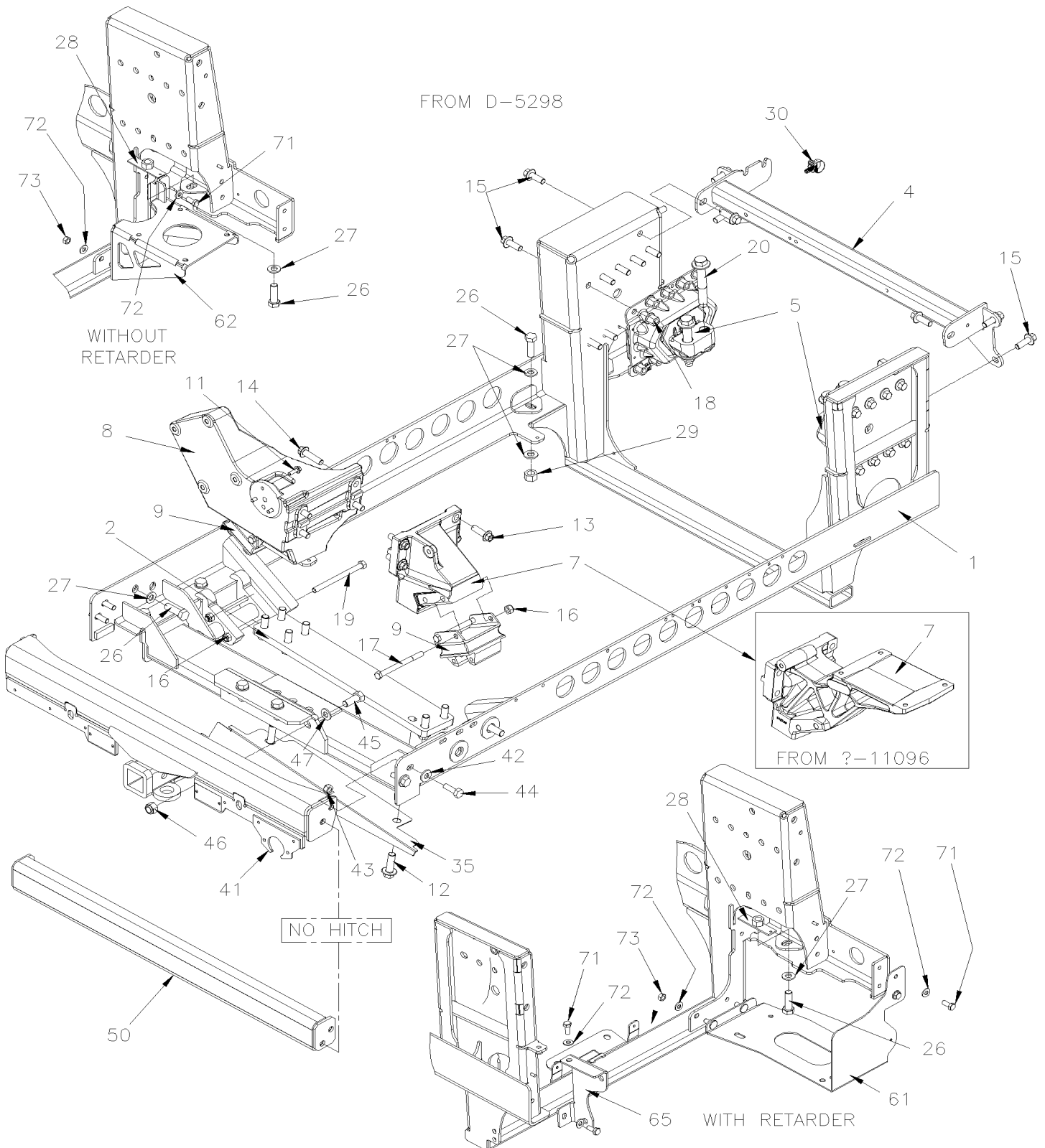


From B-5003 To D-5489

Date:07/2024

PAGE:XV-0150-00

ENGINE CRADLE - WITH VOLVO D13





From B-5003 To D-5489	Date:07/2024	PAGE:XV-0150-00
------------------------------	---------------------	------------------------

ENGINE CRADLE - WITH VOLVO D13

Item#	Part	Description	X 3 V I P	X L I I E N T 4 5	N O T E S
1	012874	ENGINE CRADLE / WWORLD, W/D13 EPA 2010 WITH TRAILER HITCH & RETARDER To D-5297	1	1	
1	012875	ENGINE CRADLE / WWORLD, W/D13 EPA 2010 WITH TRAILER HITCH & W/O RET. To D-5297	1	1	
1	012876	ENGINE CRADLE / WWORLD, W/D13 EPA 2010 W/O TRAILER HITCH & W/RET. To D-5297	1	1	
1	012877	ENGINE CRADLE / WWORLD, W/D13 EPA 2010 W/O TRAILER HITCH & W/O RET. To D-5297	1	1	
1	012775	ENGINE CRADLE / W/D13 WITH TRAILER HITCH From D-5298	1	1	
1	012774	ENGINE CRADLE / W/D13 WITHOUT TRAILER HITCH From D-5298	1	1	
2	012419	BAR PROTECTOR & REINFORCMENT W/D13	1	1	
4	012669	REINFORCEMENT ASSY W/D13 To D-5297	1	1	
4	012785	REINFORCEMENT ASSY W/D13 From D-5298	1	1	
5	20499474	ENGINE MOUNT FRONT W/D13	2	2	
7	012645	ENGINE MOUNT CURBSIDE W/D13 From B-5002 To D-5458	1	1	
7	012727	ENGINE MOUNT CURBSIDE WITH "BITZER" COMPRESSOR BITZER W/D13 From D-5459 To E-5600	1	1	C
7	012832	ENGINE MOUNT CURBSIDE WITH "BITZER" COMPRESSOR BITZER W/D13 From E-5601 To E-5675	1	1	C
7	012839	ENGINE MOUNT CURBSIDE WITH "BITZER" W/D13 From E-5676	1	1	C
7	012645	ENGINE MOUNT CURBSIDE W/D13 From D-5459	1	1	D
8	20966683	ENGINE MOUNT STREET SIDE W/D13	1	1	
9	3037072	INSULATOR, RUBBER MOUNT W/D13	2	2	
11	5001643	SCREW CAP HEXF M8-1.25x25 G8.8 G500	3	3	
12	5001656	SCREW CAP HEXF M16-2.0x50 G10.9 G500	7	7	
13	5001671	SCREW CAP HEXF M14-2.0x45 G8.8 G500	8	8	
14	5001672	SCREW CAP HEXF M14-2.0x55 G8.8 G500	4	4	
15	5001788	SCREW CAP HEXF M14-2.0x40 G8.8 N500	26	26	
16	5001761	NUT HEXF NYRT M12-1.75 G8 N500	8	8	
17	973967	SCREW CAP HEX M12-1.75x140 G8.8 MAGNI 565	4	4	
18	979231	NUT HEXF M14-XXX MAGGI 565	26	26	
19	979935	SCREW CAP HEXF M12-1.75x160 G8.8 ZG603	4	4	
20	991198	SCREW CAP HEXF DOG POINT M20-2.5x120 G10.9	4	4	
26	5001372	SCREW CAP HEX M16-2.0x50 G10.9 N500	AR	AR	
27	5001150	WASHER FL 17.0x30.0x3.0 N500	AR	AR	
28	012546	NUT STO SPECIAL / WELDED ON PLATE M16-2.0 DP	AR	AR	
29	5001662	NUT HEX NYRT M16-2.0 G10 Z050	AR	AR	
30	504750	CABLE TIE / 1/2" x 15" / CHRISTMAS TREE	1	1	
NS	504449	HOLE PLUG BUTTON / .500 O.D. BLACK	2	2	
NS	680042	GLUE LOCTITE 430 BOTTLE 1OZ	AR	AR	
35	015995	PROTECTOR / BELT From D-5436	1	1	
41	411094	PROTECTOR ASSY / W/TRAILER HITCH To D-5297	1	1	
41	411279	PROTECTOR ASSY / W/TRAILER HITCH From D-5298	1	1	
42	500446	WASHER FL .531x1.250x.125 Z050	4	4	
43	500811	NUT HEX STO M12-1.75 G500	4	4	
44	502731	SCREW CAP HEX M12-1.75x40 G8.8 Z050	4	4	
45	502544	SCREW CAP HEX M16-2.0x40 G8.8 Z050	4	4	



From B-5003 To D-5489	Date:07/2024	PAGE:XV-0150-00
ENGINE CRADLE - WITH VOLVO D13		

Item#	Part	Description	X 3 V I P	X L I I E N T 4 5	N O T E S
46	500781	NUT HEX STO M16-2.0 DP	4	4	
47	5001150	WASHER FL 17.0x30.0x3.0 N500	4	4	
50	411372	PULLEY GUARD From B-5003	1	1	
61	071428	SUPPORT OIL COOLER W/RETARDER To D-5297	1	1	A
61	071673	SUPPORT OIL COOLER W/RETARDER From D-5298	1	1	A
62	071418	SUPPORT LOWER To D-5297	1	1	B
62	071674	SUPPORT OIL COOLER W/O RETARDER From D-5298	1	1	B
65	071565	SUPPORT ACCUMULATOR To D-5297	1	1	A
65	071672	SUPPORT ACCUMULATOR From D-5298	1	1	A
71	502804	SCREW CAP HEX M10-1.5x25 G8.8 N500 From D-5298	4	4	
72	5001834	WASHER BEL SPR 10.5X23X2.5 N500 From D-5298	4	4	
73	500847	NUT HEX M10-1.5 N500 From D-5298	2	2	
		A) WITH RETARDER			
		B) WITHOUT RETARDER			
		C) WITH LARGE A/C SYSTEM			
		D) WITH SMALL A/C SYSTEM			

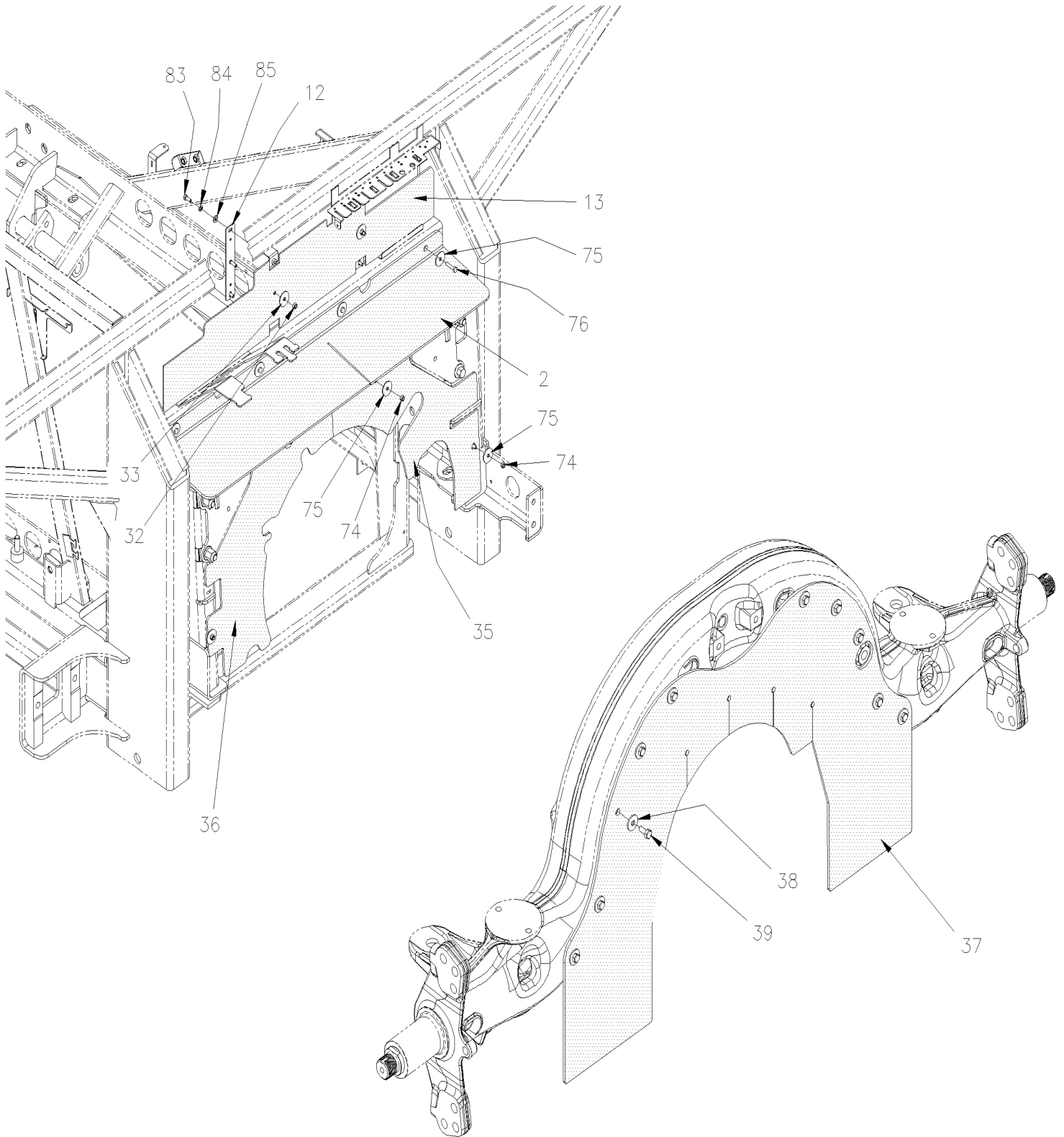


From B-5003 To D-5489

Date:07/2024

PAGE:XV-0155-10

ENGINE TRANSMISSION GUARD & AIR SHIELD



EPA 2010



From B-5003 To D-5489	Date:07/2024	PAGE:XV-0155-10
------------------------------	---------------------	------------------------

ENGINE TRANSMISSION GUARD & AIR SHIELD

Item#	Part	Description	X 3 V I P	X L I I E N T 4 5	N O T E S
2	012476	GUARD CENTRAL PART UPPER 227MM x 1000MM To C-5132	1	1	
2	012712	GUARD CENTRAL PART UPPER 189MM x 1000MM From C-5133	1	1	
12	012575	SUPPORT / GUARD UPPER	2	2	
13	012693	GUARD CENTRAL PART UPPER W/OUT WATER HEATER	1	1	
20	012578P	GUARD ASSY UPPER W/"WEBASTO"	1	1	
32	502860	NUT HEX STO M6-1.0 N500	2	2	
33	500913	WASHER FL .281x1.250x.065 N500	2	2	
34	012476	GUARD CENTRAL PART UPPER 227MM x 1000MM	1	1	
35	012661	GUARD UPPER L.H.	1	1	
36	012662	GUARD UPPER R.H. W/ "WORLD" TRANS	1	1	
37	071592	PROTECTOR PANEL W/ "WORLD" TRANS	1	1	
38	502804	SCREW CAP HEX M10-1.5x25 G8.8 N500	10	10	
39	5001417	WASHER FL 11.0x34.0x3.0 SS	10	10	
74	502621	NUT HEX STO M6-1.0 Z050	6	6	
75	500468	WASHER FL .281x1.250x.065 Z050	9	9	
76	502533	SCREW CAP HEX M6-1.0x30 G8.8 Z050	5	5	
83	955271	SCREW CAP HEX M6-1.0x16 G8.8 ZG603	4	4	
84	502853	WASHER LO SPT 6.1x11.8x1.6 N500	4	4	
85	500877	WASHER FL .250x.562x.065 N500	4	4	

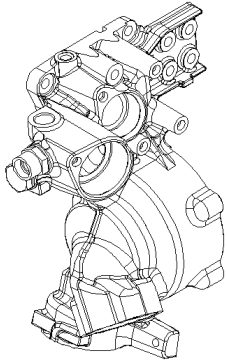


From B-5003 To D-5489

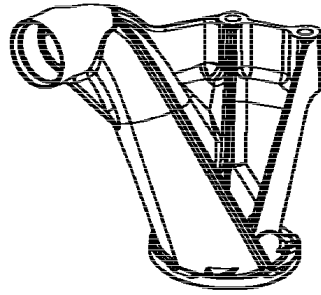
Date:07/2024

PAGE:XV-0170-00

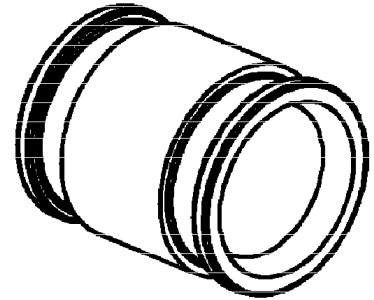
ENGINE "VOLVO" D-13 - SPECIFIC PARTS FOR PREVOST



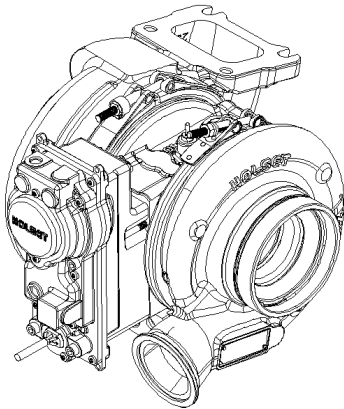
THERMOSTAT HOUSING
1



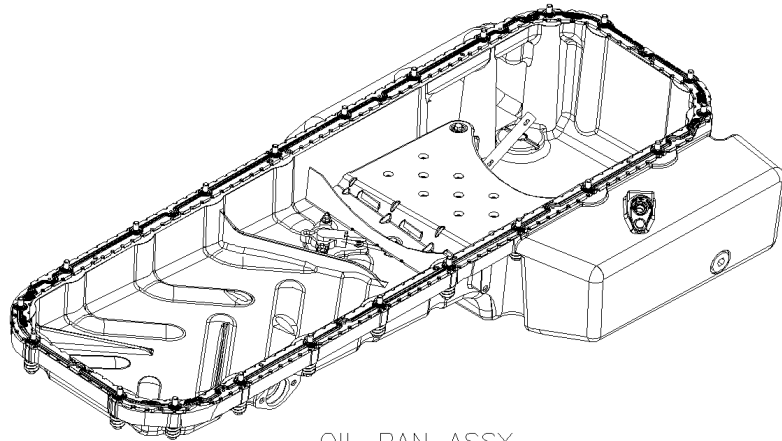
OIL STRAINER ASSY
2



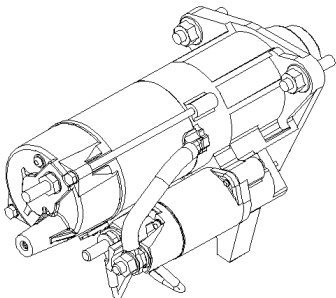
CONNECTION PIPE OIL
OIL STRAINER
3



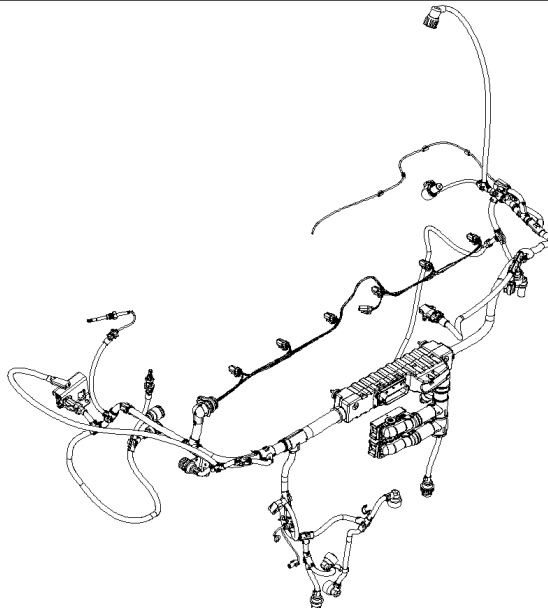
TURBOCHARGER HE431
4



OIL PAN ASSY
5



STARTER MOTOR MELCO
26



WIRING HARNESS
7

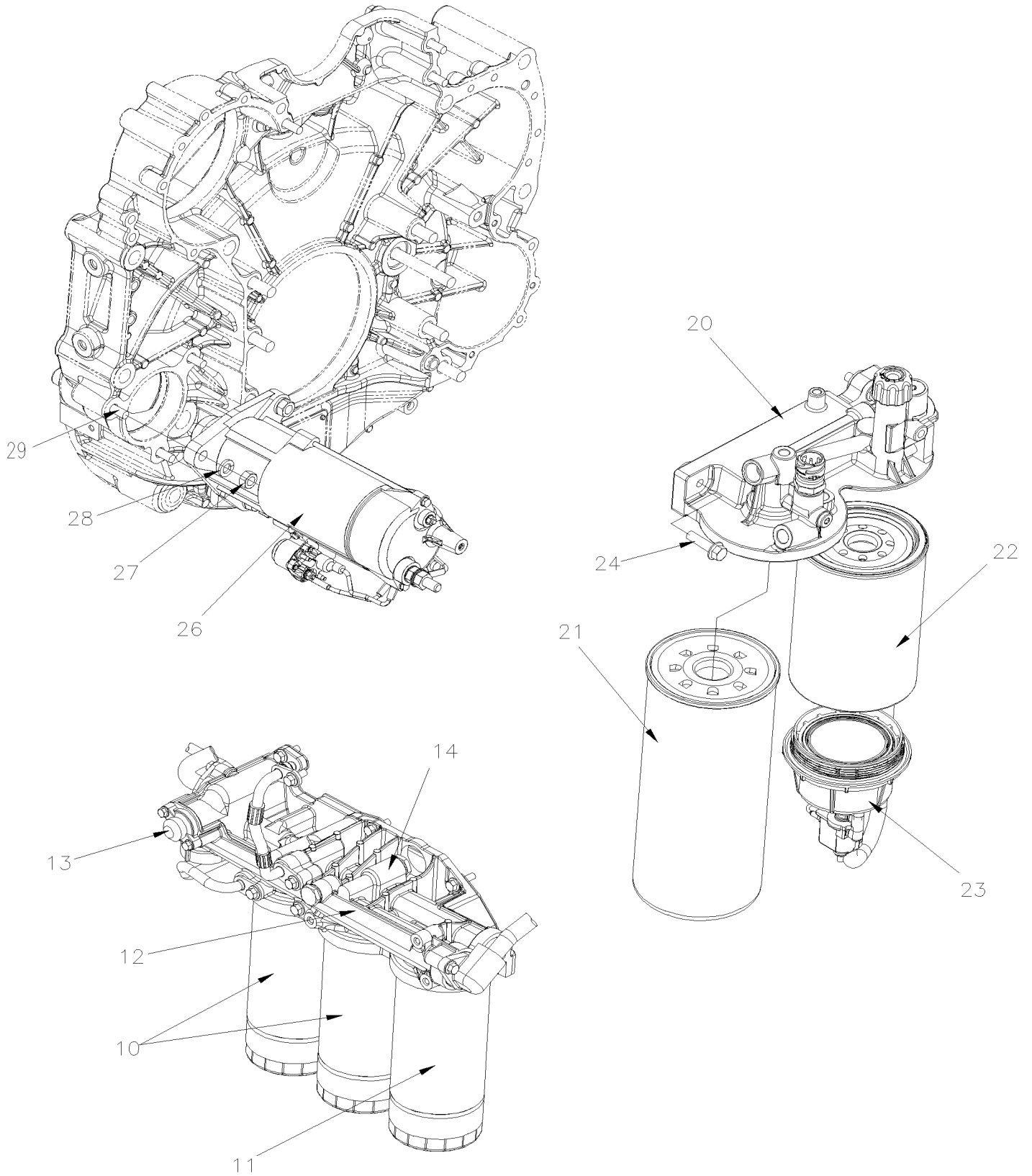


From B-5003 To D-5489

Date:07/2024

PAGE:XV-0170-00

ENGINE "VOLVO" D-13 - SPECIFIC PARTS FOR PREVOST





From B-5003 To D-5489 Date:07/2024 PAGE:XV-0170-00

ENGINE "VOLVO" D-13 - SPECIFIC PARTS FOR PREVOST

Item#	Part	Description	X 3 V I P	X L I E N T 4 5	N O T E S
1	20936109	THERMOSTAT HOUSING / W/D13 ENGINE / "PRÉVOST"	1	1	
. NS	20936107	. THERMOSTAT HOUSING	1	1	
. NS	192639	. NIPPLE 15xM18	1	1	
. NS	960632	. PLUG HEX M18-1.5x12	1	1	
. NS	977935	. GASKET M18x18	2	2	
2	20954445	OIL STRAINER ASSY	1	1	
3	21008852	CONNECTION ENGINE OIL STRAINER / W/D13 ENGINE	1	1	
4	21023367	TURBOCHARGER HE431	1	1	
5	20945172	ENGINE OIL PAN ASSY / W/D13 ENGINE / "PRÉVOST"	1	1	
. NS	20934820	. OIL PAN / "PRÉVOST"	1	1	
. NS	20571854	. PLUG MAGNETIC & GASKET	1	1	
. NS	24424110	. OIL LEVER SENSOR	1	1	
. NS	953035	. STUD M6x35x22	2	2	
. NS	945407	. FLANGE NUT M6x6	2	2	
. NS	20724256	. PIPE	1	1	
. NS	946173	. SCREW CAP HEXF M8-1.25x20	1	1	
. NS	20960713	. PLATE BAFFLE	1	1	
. NS	965175	. SCREW FLANGE M6x12	5	5	
. NS	968612	. PLUG	1	1	
. NS	968209	. O-RING 23.7x2.8	1	1	
. NS	20700754	. CLIP	3	3	
7	20980492	ENGINE WIRING HARNESS ASSY W/D13 ENGINE / "PRÉVOST"	1	1	
10	478736	OIL FILTER (LONG LIFE)	2	2	
11	V477556	OIL FILTER / W/BY-PASS SEE PREV # 510938	1	1	
11	510938	OIL FILTER / W/BY-PASS	1	1	
12	21061917	HOUSING OIL FILTER ASSY	1	1	
13	20903074	. THERMOSTAT OIL FILTER FIXED TO FILTER HOUSING	1	1	
NS	949659	. O-RING	1	1	
NS	947542	. FLANGE SCREW	1	1	
14	V471085	. VALVE BY-PASS	1	1	
NS	466653	. SPRING BY-PASS	1	1	
NS	947627	. GASKET BY-PASS	1	1	
NS	471598	. PLUG BY-PASS	1	1	



From B-5003 To D-5489	Date:07/2024	PAGE:XV-0170-00
-----------------------	--------------	-----------------

ENGINE "VOLVO" D-13 - SPECIFIC PARTS FOR PREVOST

Item#	Part	Description	X 3 V I P	X L I I E N T 4 5	N O T E S
20	21023285	HOUSING FUEL FILTER ASSY W/PRIMER PUMP TB-111262697-1	1	1	
NS	20898038	. PRESSURE SENSOR	1	1	
NS	968559	. O-RING (PRESSURE SENSOR)	1	1	
21	20405160	FUEL FILTER (LONG)	1	1	
21	20972293	FUEL FILTER (LONG) MAIN / PRINCIPAL	1	1	
22	20879806	FUEL FILTER WATER SEPARATOR	1	1	
23	20771580	BOWL / W/WATER DETECTOR IN FUEL UAUXFUEL	1	1	
23	20875050	BOWL / W/WATER DETECTOR & HEATER ELEMENT	1	1	
NS	20869389	BOWL AF-E	1	1	
24	5001742	SCREW CAP HEXF M8-1.25x30 G8.8 N500	3	3	
26	20982072	STARTER MOTOR / "MELCO" / "MITSUBISHI" 105PT	1	1	
. NS	510888	. SOLENOID KIT	1	1	
. . NS	IS752SOL	. . INSTRUCTION SHEET / SOLENOID REPLACEMENT	1	1	
. NS	510889	. SMALL STARTOR RELAY KIT / WITH CABLES	1	1	
. . NS	564095	. . SMALL STARTOR RELAY	1	1	
. . NS	IS752MAG	. . INSTRUCTION SHEET / MAGNETIC SWITCH REPLACEMENT	1	1	
26	510928	STARTER MOTOR, W/O RELAY 24V / W/"DETROIT" ENG	1	1	
. NS	510888	. SOLENOID KIT	1	1	
. . NS	IS752SOL	. . INSTRUCTION SHEET / SOLENOID REPLACEMENT	1	1	
. NS	564095	. SMALL STARTOR RELAY	1	1	
27	971072	NUT HEX M12-1.75 ZG603	3	3	
28	500482	WASHER LO SPT .506x.873x.125 Z050	3	3	
29	V953098	STUD M12x55x33	3	3	

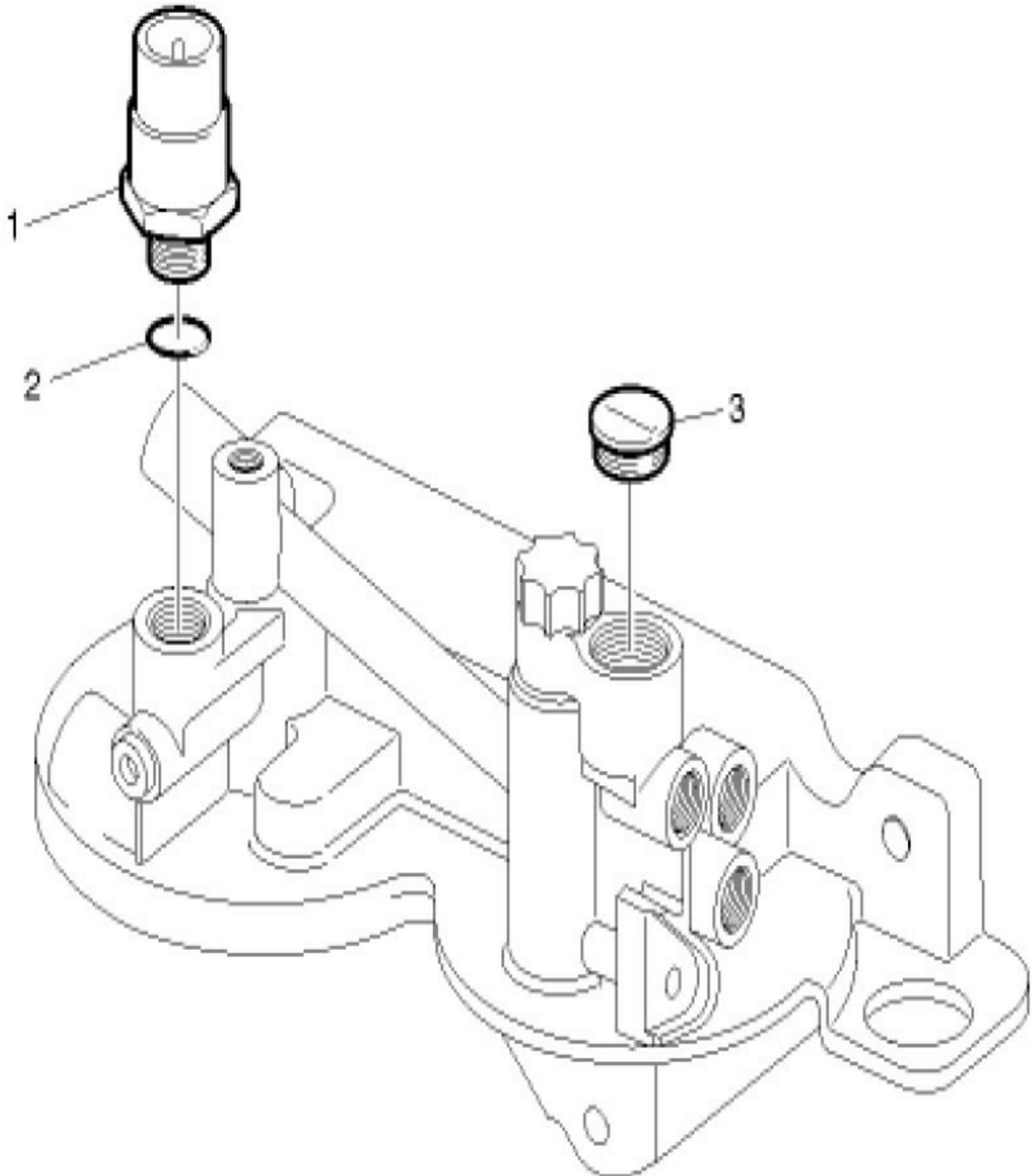


From B-5003 To D-5489

Date:07/2024

PAGE:21023285

HOUSING FUEL FILTER ASSY W/PRIMER PUMP TB-111262697-1





From B-5003 To D-5489	Date:07/2024	PAGE:21023285
HOUSING FUEL FILTER ASSY W/PRIMER PUMP TB-111262697-1		

Item#	Part	Description	X 3 V I P	X L I I E N T 4 5	N O T E S
1	21302639	PRESSURE SENSOR,FUEL/OIL TB-130959470-1	1	1	
2	968559	O-RING (PRESSURE SENSOR)	1	1	
3	20744692	CAP	1	1	

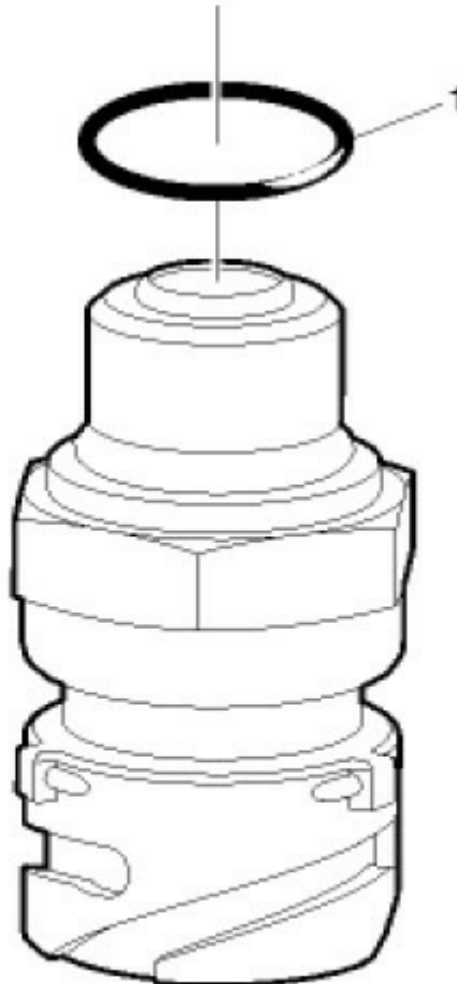
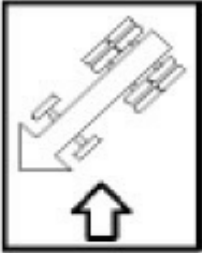


From B-5003 To D-5489

Date:07/2024

PAGE:21302639

PRESSURE SENSOR,FUEL/OIL TB-130959470-1





From B-5003 To D-5489	Date:07/2024	PAGE:21302639
-----------------------	--------------	---------------

PRESSURE SENSOR,FUEL/OIL TB-130959470-1

Item#	Part	Description	X 3 V I P	X L I I E N T 4 5	N O T E S
1	968559	O-RING (PRESSURE SENSOR)	1	1	

PREVOST.



**PARTS
MANUAL**

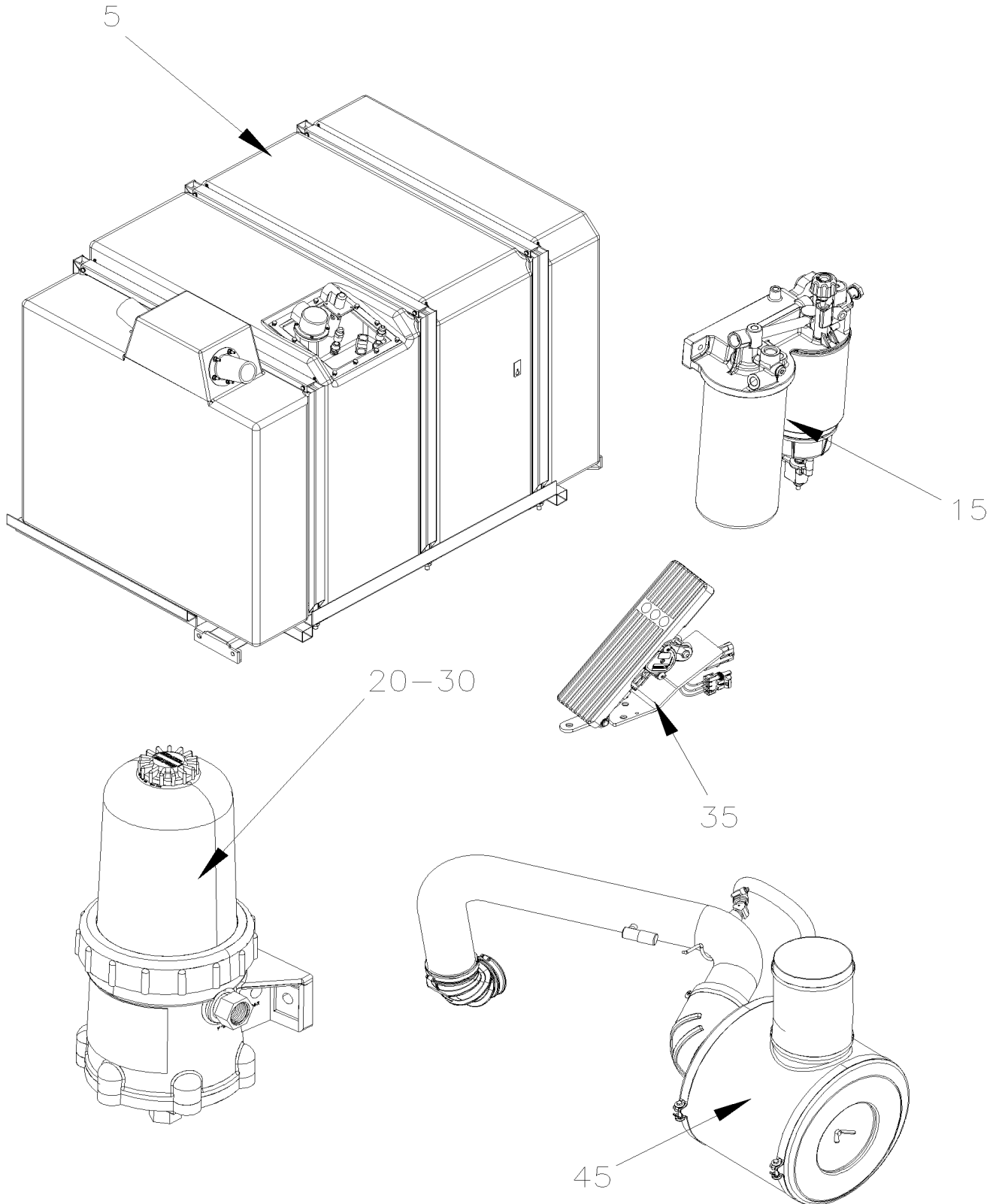
		Date:07/2024	XV-02
CLUTCH			



		Date:07/2024	XV-02		
CLUTCH					
Item#	Part	Description	X 3 V I P	X L I I E N T 4 5	N O T E S



	Date:07/2024	XV-03
FUEL		





	Date:07/2024	XV-03
FUEL		

Item#	Part	Description	X 3 V I P	X L I E N T 4 5	N O T E S
5	XV-0305-00	FUEL TANK PLASTIC 208 GALLONS From B-5003 To C-5096			
5	XV-0305-01	FUEL TANK PLASTIC 208 GALLONS From C-5097 To D-5489			
15	XV-0311-00	FUEL FILTER - PRIMARY & SECONDARY WITH VOLVO D13 From B-5003 To D-5489			
20	XV-0311-15	FUEL FILTER / "PRO 382" From B-5003 To D-5489			
30	XV-0312-10	FUEL PRO - INSTALLATION WITH VOLVO D13 From B-5003 To D-5489			
35	XV-0315-10	ACCELERATOR PEDAL - ELECTRONIC From B-5003 To D-5489			
45	XV-0330-00	AIR FILTER & INTAKE - INSTALLATION WITH VOLVO D13 - EPA 2010 From B-5003 To D-5489			

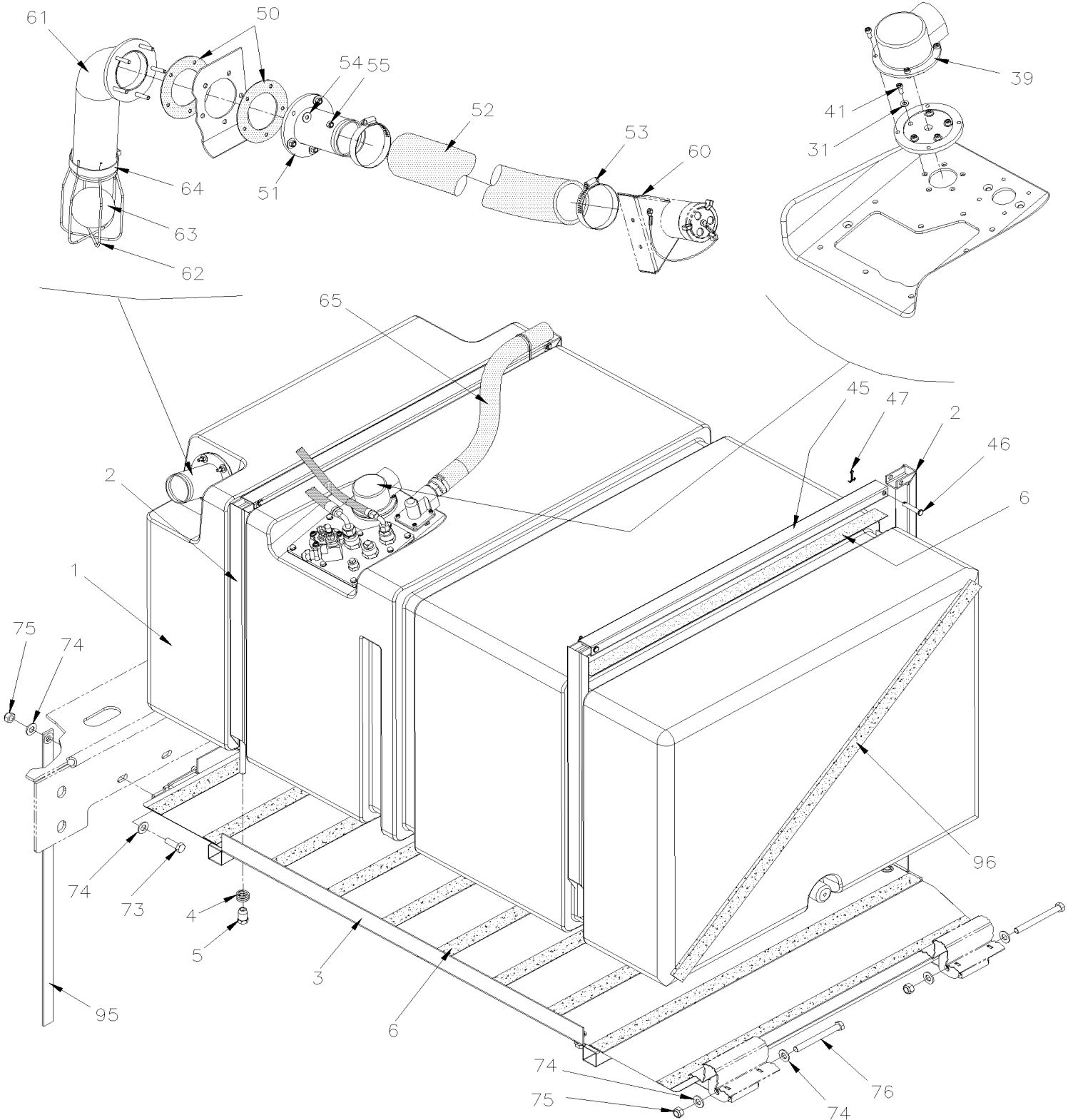


From B-5003 To C-5096

Date:07/2024

PAGE:XV-0305-00

FUEL TANK PLASTIC 208 GALLONS



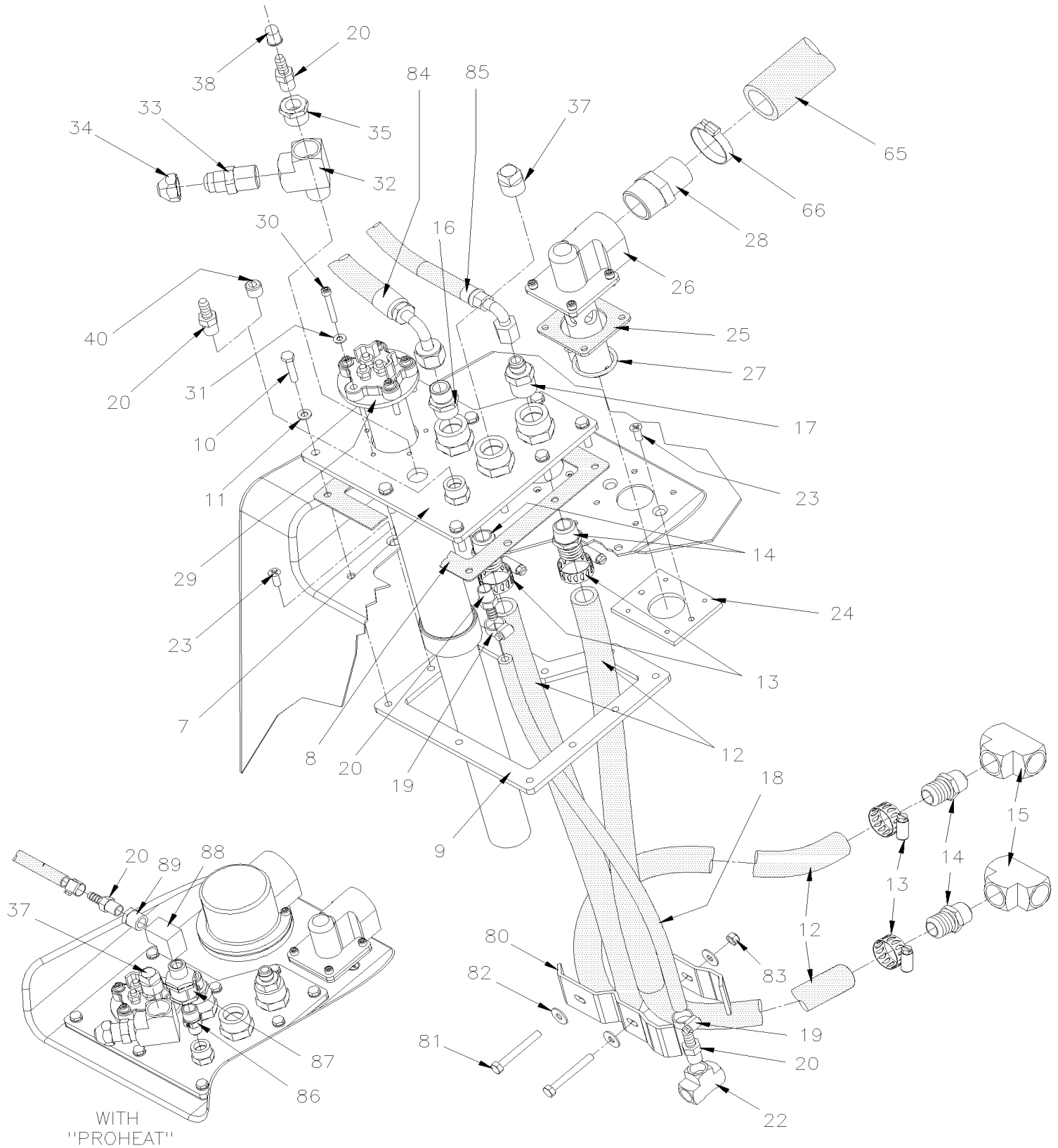


From B-5003 To C-5096

Date:07/2024

PAGE:XV-0305-00

FUEL TANK PLASTIC 208 GALLONS





From B-5003 To C-5096 Date:07/2024 PAGE:XV-0305-00

FUEL TANK PLASTIC 208 GALLONS

Item#	Part	Description	X 3 V I P	X L I I E N T 4 5	N O T E S
	Call order desk	FUEL TANK ASSY	1	1	P
	Call order desk	FUEL TANK ASSY	1	1	P
1	032778	. FUEL TANK / 208 GALLONS US / W/ONE INLET HOLE To B-5086	1	1	
1	030399	. FUEL TANK / 208 GALLONS US / W/ONE INLET HOLE From C-5087	1	1	
2	032463	. ATTACHMENT POST ASSY / 689MM	4	4	
3	032904	. REMOVABLE FLOOR ASSY	1	1	
4	502932	. SPRING COMPRESSION / SS .975 O.D. x 1.250 x .125	AR	AR	
5	032607	. NUT HEX SPECIAL M12-1.75 SS	4	4	
NS	680038	. THREAD LOCKER LOCTITE #243 / BLUE / 50ml	AR	AR	
6	506758	. TAPE RUB ADH1 NEO 1/16"X 1 1/2"X50'	AR	AR	
NS	506007	. TAPE RUB ADH1 CC NEO 3/4" x 1" x 10' / BLACK 1220	AR	AR	
7	032775	. MAIN PLATE / "L" SHAPE	1	1	E
8	032777	. GASKET / "L" SHAPE	1	1	E
9	032776	. INTERIOR FRAME ASSY / "L" SHAPE	1	1	E
10	502686	. SCREW CAP HEX M6-1.0x30 SS BK	8	8	
11	5001392	. WASHER FL 6.0x12.0x1.5 COP	8	8	
12	531417	. HOSE / 2556 / #10 X 48"	2	2	
13	504019	. HOSE CLAMP / 9/16"-1"1/16 SS / HS-10	4	4	
14	501942	. MALE CONNECTOR / PUSH-LOK FITTING / 1/2NPT-Mx#10 BR	2	2	
15	501472	. FEMALE UNION TEE / PIPE FITTING / 1/2NPT-Fx1/2NPT-Fx1/2NPT-F BR	2	2	
16	501739	. MALE CONNECTOR / JIC 37° FITTING / #8JIC-Mx1/2NPT-M STL	1	1	
17	501054	. CAP NUT / SAE 45° FITTING / #10FL-F BR	1	1	
17	501930	. MALE CONNECTOR / JIC 37° FITTING / #6JIC-Mx1/2NPT-M STL	1	1	
18	531444	. HOSE / 2556 / #4 X 18 1/2"	1	1	
19	504014	. HOSE CLAMP / 1/4"-5/8" SS / HM-4	2	2	
20	507602	. MALE CONNECTOR / PUSH-LOK FITTING / 1/4NPT-Mx#4 BR	4	4	
22	501337	. FEMALE UNION TEE / PIPE FITTING / 1/4NPT-Fx1/4NPT-Fx1/4NPT-F BR	1	1	
23	5001198	. SCREW MA FL PH M6-1.0x16 Z050	8	8	
24	031899	. INTERIOR FRAME	1	1	
25	531443	. GASKET / VALVE CONTROL LEVEL	1	1	
26	504701	. VALVE, FUEL TANK LEVEL CONTROL	1	1	
NS	531459	. VALVE, FUEL TANK LEVEL CONTROL EMCO	1	1	B
. NS	530212	. GASKET / VALVE CONTROL LEVEL	1	1	B
NS	531410	. WHISTLE	1	1	B
27	507356	. O-RING	1	1	
28	501205	. ADAPTER / COPPER @ PIPE / 1Mx1NPT-M	1	1	
29	531387	. SENSOR, FUEL LEVEL / 24"	1	1	
. NS	531419	. GASKET, FUEL SENSOR	1	1	
30	5011135	. SCREW CAP HEXS #10-24x1 1/2 N500	10	10	
31	500593	. WASHER FL .200x.437x.036 BR	10	10	
32	501473	. MALE RUN TEE / PIPE FITTING / 1/2NPT-Mx1/2NPT-Fx1/2NPT-F BR	1	1	
33	501616	. MALE CONNECTOR / SAE 45° FITTING / #8FL-Mx1/2NPT-M BR	1	1	



From B-5003 To C-5096	Date:07/2024	PAGE:XV-0305-00
FUEL TANK PLASTIC 208 GALLONS		

Item#	Part	Description	X 3 V I P	X L I I E N T 4 5	N O T E S
34	501053	. CAP NUT / SAE 45° FITTING / #8FL-F BR	1	1	
35	501316	. BUSHING REDUCER / PIPE FITTING / 1/2NPT-Mx1/4NPT-F BR	1	1	
37	501966	. PLUG HEXS / PIPE FITTING / 1/2NPT-M STL	1	1	
38	680733	. CAP PROTECTOR (NO-THREADED)	1	1	
39	530156	. VALVE PRESSURE	1	1	
. NS	531427	. . GASKET / (SMALL)	1	1	
. NS	531428	. . GASKET / (LARGE)	1	1	
39	531414	. VALVE PRESSURE	1	1	B
40	501800	. PLUG HEXS / PIPE FITTING / 1/4NPT-M STL	1	1	
41	500143	. SCREW CAP HEXS #10-24x1/2 N500	5	5	
45	032443	. TRANSVERSAL CROSS BAR / 833.5 MM	2	2	
46	502121	. PIN, CLEVIS 3/8 x 1.625 BZC	4	4	
47	502102	. PIN, COTTER 1/8 x 1	4	4	
50	031804	. GASKET To C-5271	2	2	
50	032938	. GASKET From C-5272	1	1	
51	031896	. FILLING HOSE ADAPTOR ASSY / L.H.	1	1	E
51	032664	. FILLING HOSE ADAPTOR ASSY W/GRILL / R.H. / "GREYHOUND"	1	1	
54	502511	. NUT HEX NYRT M6-1.0 Z050	10	10	
55	500411	. WASHER FL .260x.697x.050 SS	10	10	
61	032437	. TUBE BALL RETAINER To C-5271	1	1	
61	032914	. TUBE BALL RETAINER From C-5272	1	1	
62	032438	. BASKET	1	1	
63	032657	. BALL 70MM O.D. To B-5030	1	1	
63	032871	. BALL 77MM O.D. From B-5031	1	1	
64	504293	. HOSE CLAMP / 2"5/16-3"1/4 SS / E.T. 44	1	1	
65	032415	. HOSE #16 X 28" LG	1	1	
. NS	503579	. . HOSE 1" I.D. X 50' / "GREEN STRIPE"	AR	AR	
NS	504637	. CABLE TIE / 3/16" x 13"	1	1	
66	504021	. HOSE CLAMP / 11/16"-1"1/2 SS / HS-16	1	1	
73	500806	SCREW CAP HEX M12-1.75X35 G10.9 G500	4	4	
73	SR17-28	SAFETY RECALL "FUEL TANK HARDWARE" To C-5096	1	1	
74	500958	WASHER FL .531x1.062x.095 SS	12	12	
75	500811	NUT HEX STO M12-1.75 G500	6	6	
76	5001941	SCREW CAP HEX M12-1.75x120 G10.9 N500	2	2	
76	SR17-28	SAFETY RECALL "FUEL TANK HARDWARE" To C-5096	1	1	
76	030082	SPACER "U" 3.175MM	4	4	
76	030083	SPACER "U" 0.953MM	4	4	
80	032779	HOLDING PLATE / TO HOLD TUBE	2	2	
81	502656	SCREW CAP HEX M6-1.0x50 SS	2	2	
82	500411	WASHER FL .260x.697x.050 SS	4	4	
83	502511	NUT HEX NYRT M6-1.0 Z050	4	4	
84	032901	HOSE ASSY / #8 4542MM	1	1	



From B-5003 To C-5096 Date:07/2024 PAGE:XV-0305-00

FUEL TANK PLASTIC 208 GALLONS

Item#	Part	Description	X 3 V I P	X L I I E N T 4 5	N O T E S
84	033245	HOSE ASSY / #8 4542MM	1	1	A
85	032900	HOSE ASSY / #6 4617MM	1	1	
86	501749	NIPPLE REDUCER HEX / PIPE FITTING / 3/8NPT-Mx1/4NPT-Mx1 13/32 BR	1	1	
87	530042	CHECK VALVE 3/8 NPT	4	4	
88	509863	FEMALE ELBOW 90° / PIPE FITTING / 3/8NPT-Fx3/8NPT-F BR	1	1	
89	501314	BUSHING REDUCER / PIPE FITTING / 3/8NTP-Mx1/4NPT-F BR	1	1	
90	XV-1875-00	. FUEL TANK & UREA FILLING DOOR			
NS	032824	DECAL / ULTRA LOW SULFURE DIESEL / ENGLISH	1	1	
NS	032823	DECAL / ULTRA LOW SULFURE DIESEL (ULSD) / ENGLISH & SPANISH	1	1	
NS	21298228	DECAL / ULTRA LOW SULFURE DIESEL (ULSD) / ENGLISH & SPANISH	1	1	
NS	032822	DECAL / ULTRA LOW SULFURE DIESEL / ENGLISH & FRANCAIS	1	1	
NS	21298562	DECAL / ULTRA LOW SULFURE DIESEL / ENGLISH & FRANCAIS	1	1	
NS	031164	DECAL / CERTIFICATION	1	1	
NS	400137	DECAL / DIESEL FUEL BLACK	1	1	
NS	403747	DECAL / INSTRUCTION FOR FILLING TANK /208 GAL BLACK	1	1	
92	032902	FILLING HOSE / #40 815MM	1	1	
93	504381	HOSE CLAMP / 2"3/4-3"5/8 SS / HT-350	2	2	
95	505056	ANTISTATIC STRAP / UNDER STRUCTURE	1	1	
96	506035	TAPE RUB ADH1 NEO 1/2" x 1" x 15' / BLACK 1220X	AR	AR	
		A) SERVICE ONLY			
		B) WITH "EMCO WHEATON"			
		E) AS SHOWNE			
		P) CALL ORDER DESK FOR SPECIFIC APPLICATION (V.I.N.)			

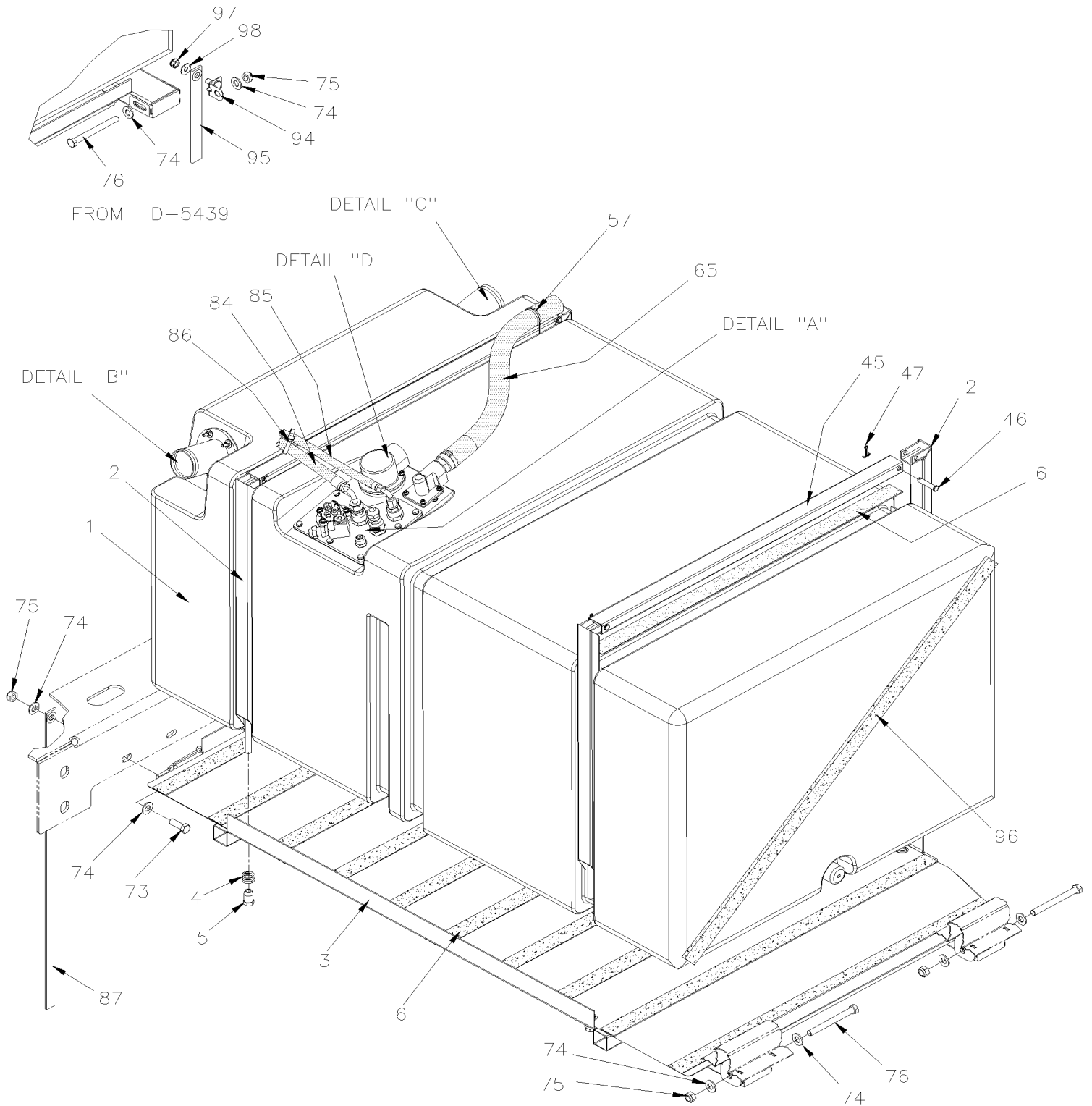


From C-5097 To D-5489

Date:07/2024

PAGE:XV-0305-01

FUEL TANK PLASTIC 208 GALLONS



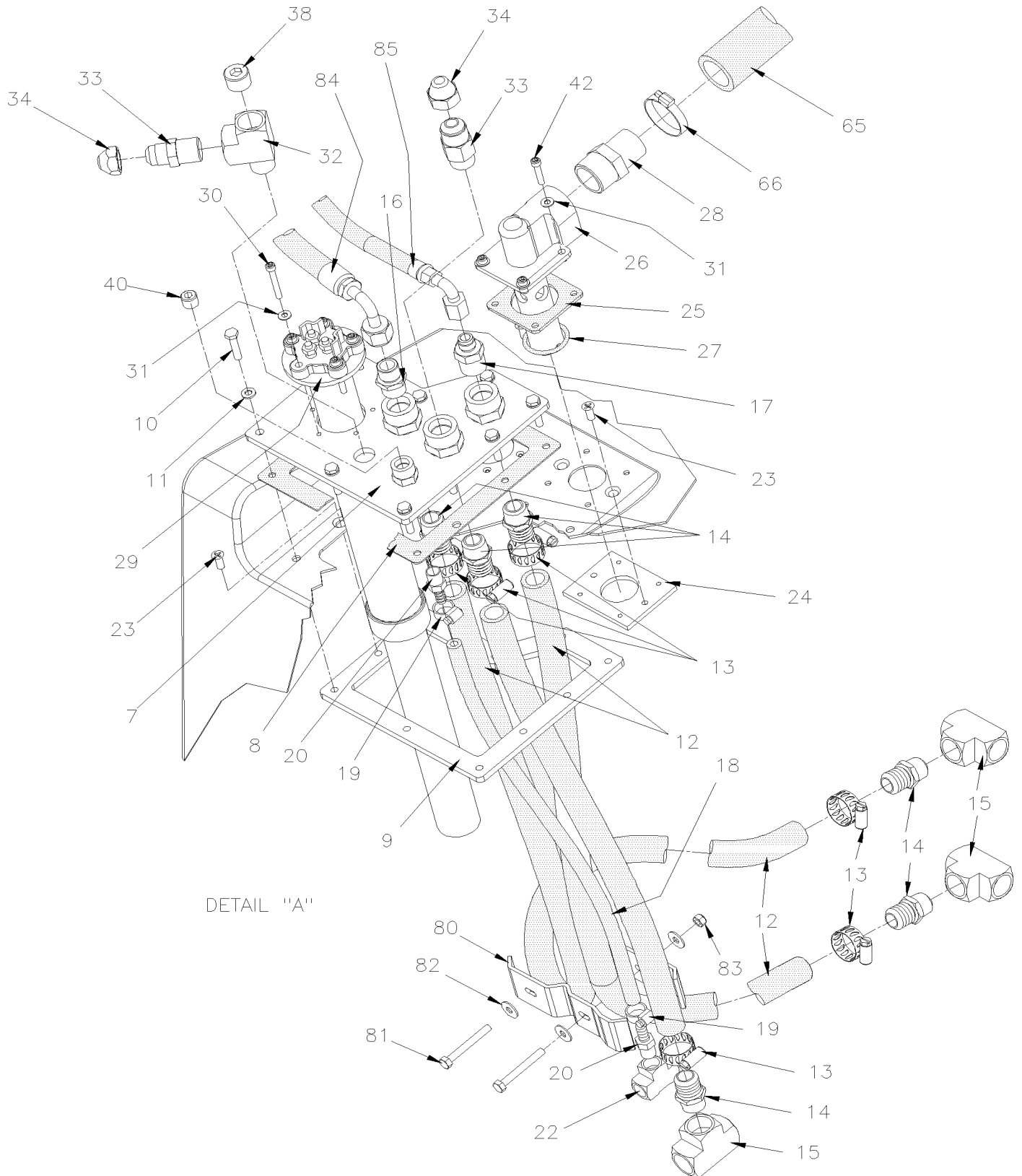


From C-5097 To D-5489

Date:07/2024

PAGE:XV-0305-01

FUEL TANK PLASTIC 208 GALLONS



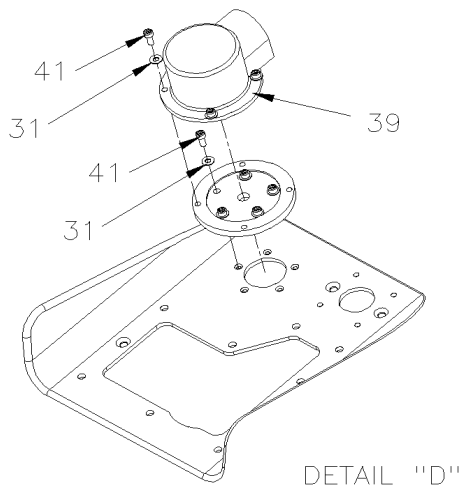
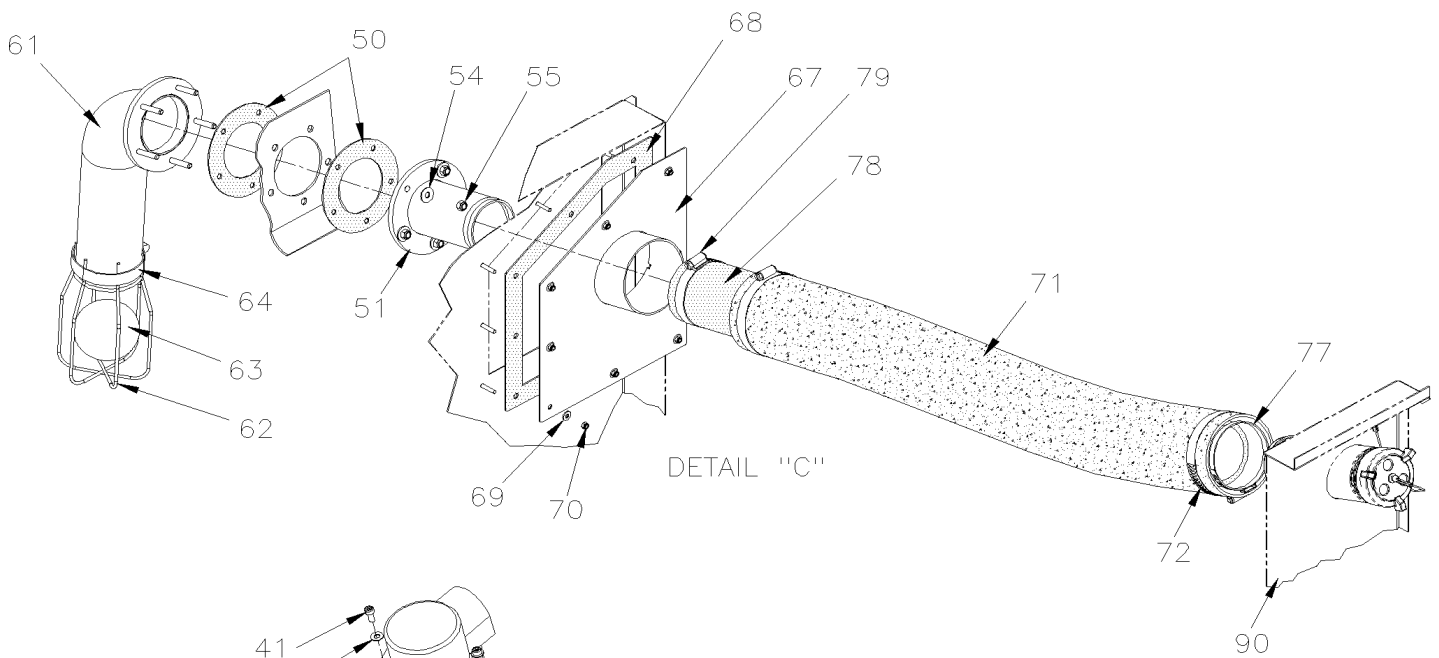
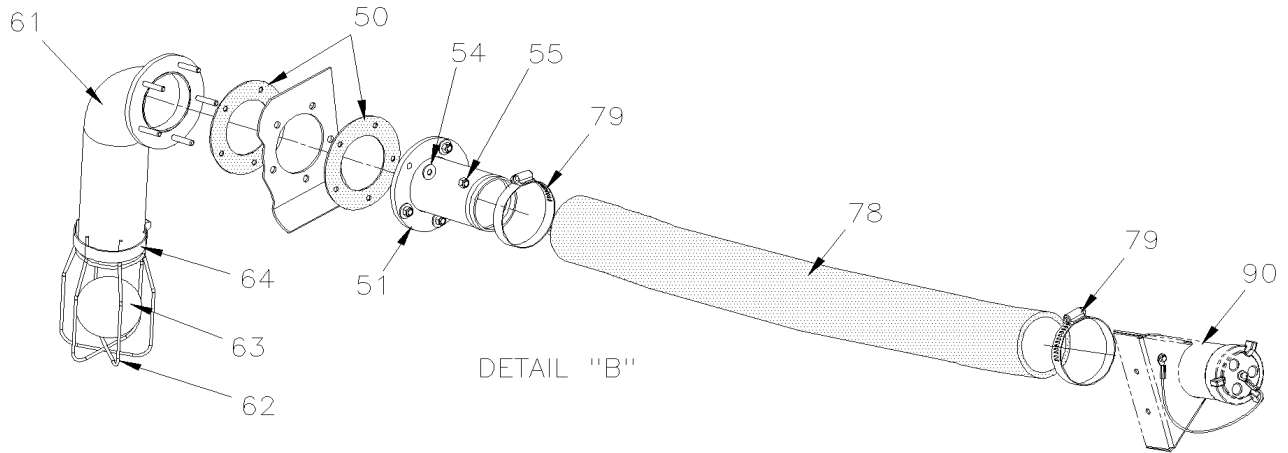


From C-5097 To D-5489

Date:07/2024

PAGE:XV-0305-01

FUEL TANK PLASTIC 208 GALLONS





From C-5097 To D-5489	Date:07/2024	PAGE:XV-0305-01
------------------------------	---------------------	------------------------

FUEL TANK PLASTIC 208 GALLONS

Item#	Part	Description	X 3 V I P	X L I I E N T 4 5	N O T E S
	Call order desk	FUEL TANK ASSY	1	1	P
	Call order desk	FUEL TANK ASSY	1	1	P
1	030404	. FUEL TANK / 208 GALLONS US / W/TWO INLET HOLES From C-5087	1	1	
2	032463	. ATTACHMENT POST ASSY / 689MM	4	4	
3	032904	. REMOVABLE FLOOR ASSY	1	1	
4	502932	. SPRING COMPRESSION / SS .975 O.D. x 1.250 x .125	4	4	
5	032607	. NUT HEX SPECIAL M12-1.75 SS	4	4	
NS	680038	. THREAD LOCKER LOCTITE #243 / BLUE / 50ml	AR	AR	
6	506758	. TAPE RUB ADH1 NEO 1/16"X 1 1/2"X50'	AR	AR	
NS	506007	. TAPE RUB ADH1 CC NEO 3/4" x 1" x 10' / BLACK 1220	AR	AR	
7	032775	. MAIN PLATE / "L" SHAPE	1	1	E
8	032777	. GASKET / "L" SHAPE	1	1	E
9	032776	. INTERIOR FRAME ASSY / "L" SHAPE	1	1	E
10	502686	. SCREW CAP HEX M6-1.0x30 SS BK	8	8	
11	5001392	. WASHER FL 6.0x12.0x1.5 COP	8	8	
12	531417	. HOSE / 2556 / #10 X 48"	2	2	
13	504019	. HOSE CLAMP / 9/16"-1"1/16 SS / HS-10	6	6	
14	501942	. MALE CONNECTOR / PUSH-LOK FITTING / 1/2NPT-Mx#10 BR	6	6	
15	501472	. FEMALE UNION TEE / PIPE FITTING / 1/2NPT-Fx1/2NPT-Fx1/2NPT-F BR	3	3	
16	501739	. MALE CONNECTOR / JIC 37° FITTING / #8JIC-Mx1/2NPT-M STL	1	1	
17	501054	. CAP NUT / SAE 45° FITTING / #10FL-F BR	1	1	
17	501930	. MALE CONNECTOR / JIC 37° FITTING / #6JIC-Mx1/2NPT-M STL	1	1	
18	531444	. HOSE / 2556 / #4 X 18 1/2"	1	1	
19	504014	. HOSE CLAMP / 1/4"-5/8" SS / HM-4	2	2	
20	507602	. MALE CONNECTOR / PUSH-LOK FITTING / 1/4NPT-Mx#4 BR	2	2	
22	501337	. FEMALE UNION TEE / PIPE FITTING / 1/4NPT-Fx1/4NPT-Fx1/4NPT-F BR	1	1	
23	5001198	. SCREW MA FL PH M6-1.0x16 Z050	8	8	
24	031899	. INTERIOR FRAME	1	1	
25	531443	. GASKET / VALVE CONTROL LEVEL	1	1	
26	504701	. VALVE, FUEL TANK LEVEL CONTROL	1	1	
26	531459	. VALVE, FUEL TANK LEVEL CONTROL EMCO	1	1	
. NS	530212	. GASKET / VALVE CONTROL LEVEL	1	1	
27	507356	. O-RING	1	1	
28	501205	. ADAPTER / COPPER @ PIPE / 1Mx1NPT-M	1	1	
29	531387	. SENSOR, FUEL LEVEL / 24"	1	1	
. NS	531419	. GASKET, FUEL SENSOR	1	1	
30	5011135	. SCREW CAP HEXS #10-24x1 1/2 N500 To E-5535	5	5	
30	5001925	. SCREW CAP HEXS #10-24x1 1/4 N500 From E-5536	5	5	
31	500593	. WASHER FL .200x.437x.036 BR	18	18	
32	501473	. MALE RUN TEE / PIPE FITTING / 1/2NPT-Mx1/2NPT-Fx1/2NPT-F BR	1	1	
33	501616	. MALE CONNECTOR / SAE 45° FITTING / #8FL-Mx1/2NPT-M BR	1	1	
34	501053	. CAP NUT / SAE 45° FITTING / #8FL-F BR	1	1	



From C-5097 To D-5489	Date:07/2024	PAGE:XV-0305-01
FUEL TANK PLASTIC 208 GALLONS		

Item#	Part	Description	X 3 V I P	X L I I E N T 4 5	N O T E S
38	501966	PLUG HEXS / PIPE FITTING / 1/2NPT-M STL	1	1	
39	530156	. VALVE PRESSURE	1	1	
. NS	531427	. . GASKET / (SMALL)	1	1	
. NS	531428	. . GASKET / (LARGE)	1	1	
40	501800	. PLUG HEXS / PIPE FITTING / 1/4NPT-M STL	1	1	
41	500143	. SCREW CAP HEXS #10-24x1/2 N500	9	9	
42	5011135	. SCREW CAP HEXS #10-24x1 1/2 N500 To E-5535	4	4	
42	5001925	. SCREW CAP HEXS #10-24x1 1/4 N500 From E-5536	4	4	
45	032443	. TRANSVERSAL CROSS BAR / 833.5 MM	2	2	
46	502121	. PIN, CLEVIS 3/8 x 1.625 BZC	4	4	
47	502102	. PIN, COTTER 1/8 x 1	4	4	
50	031804	. GASKET To C-5271	4	4	
50	032938	. GASKET From C-5272	2	2	
51	031896	. FILLING HOSE ADAPTOR ASSY / L.H.	2	2	E
51	032664	. FILLING HOSE ADAPTOR ASSY W/GRILL / R.H. / "GREYHOUND"	2	2	
54	502511	. NUT HEX NYRT M6-1.0 Z050	10	10	
55	500411	. WASHER FL .260x.697x.050 SS	10	10	
57	504637	. CABLE TIE / 3/16" x 13"	2	2	
61	032437	. TUBE BALL RETAINER To C-5271	2	2	
61	032914	. TUBE BALL RETAINER From C-5272	2	2	
62	032438	. BASKET	2	2	
63	032871	. BALL 77MM O.D.	2	2	
64	504293	. HOSE CLAMP / 2"5/16-3"1/4 SS / E.T. 44	2	2	
65	032415	. HOSE #16 X 28" LG	1	1	
. NS	503579	. . HOSE 1" I.D. X 50' / "GREEN STRIPE"	AR	AR	
66	504021	. HOSE CLAMP / 11/16"-1"1/2 SS / HS-16	1	1	
67	032927	CLOSING PLATE / FUEL TANK FILLER HOSE	1	1	
68	032931	GASKET / CLOSING PLATE	1	1	
69	504357	WASHER FL .187x.437x.050 SS	8	8	
70	500539	NUT HEX NYRT M4-0.7 N500	8	8	
71	503746	HOSE FLEXIBLE / AIR DUCT 3 1/2" I.D. X 12' / PLASTIC	AR	AR	
72	504235	HOSE CLAMP / 3"9/16"-4"1/2 SS / HS-64	2	2	
73	500806	SCREW CAP HEX M12-1.75X35 G10.9 G500	4	4	
73	SR17-28	SAFETY RECALL "FUEL TANK HARDWARE" To D-5489	1	1	
74	500958	WASHER FL .531x1.062x.095 SS	12	12	
75	500811	NUT HEX STO M12-1.75 G500	6	6	
76	5001941	SCREW CAP HEX M12-1.75x120 G10.9 N500	2	2	
76	SR17-28	SAFETY RECALL "FUEL TANK HARDWARE" To D-5489	1	1	
76	030082	SPACER "U" 3.175MM	4	4	
76	030083	SPACER "U" 0.953MM	4	4	
77	504696	HOSE CLAMP EAR / 2.968"-3.090"	1	1	
78	032902	FILLING HOSE / #40 815MM	1	1	



From C-5097 To D-5489	Date:07/2024	PAGE:XV-0305-01
FUEL TANK PLASTIC 208 GALLONS		

Item#	Part	Description	X 3 V I P	X L I I E N T 4 5	N O T E S
79	504381	HOSE CLAMP / 2"3/4-3"5/8 SS / HT-350	2	2	
80	032779	HOLDING PLATE / TO HOLD TUBE	2	2	
81	502656	SCREW CAP HEX M6-1.0x50 SS	2	2	
82	500411	WASHER FL .260x.697x.050 SS	4	4	
83	502511	NUT HEX NYRT M6-1.0 Z050	4	4	
84	032901	HOSE ASSY / #8 4542MM	1	1	
84	033245	HOSE ASSY / #8 4542MM	1	1	A
85	032900	HOSE ASSY / #6 4617MM	1	1	
NS	504768	CABLE TIE / 3/16" 14.7" / DOUBLE LOOP HEAD	1	1	
86	504768	CABLE TIE / 3/16" 14.7" / DOUBLE LOOP HEAD	1	1	
87	505056	ANTISTATIC STRAP / UNDER STRUCTURE To D-5348	1	1	
90	XV-1875-00	. FUEL TANK & UREA FILLING DOOR			
NS	032824	DECAL / ULTRA LOW SULFURE DIESEL / ENGLISH	1	1	
NS	032823	DECAL / ULTRA LOW SULFURE DIESEL (ULSD) / ENGLISH & SPANISH	1	1	
NS	21298228	DECAL / ULTRA LOW SULFURE DIESEL (ULSD) / ENGLISH & SPANISH	1	1	
NS	032822	DECAL / ULTRA LOW SULFURE DIESEL / ENGLISH & FRANCAIS	1	1	
NS	21298562	DECAL / ULTRA LOW SULFURE DIESEL / ENGLISH & FRANCAIS	1	1	
NS	031164	DECAL / CERTIFICATION	1	1	
NS	400137	DECAL / DIESEL FUEL BLACK	1	1	
NS	403747	DECAL / INSTRUCTION FOR FILLING TANK /208 GAL BLACK	1	1	
94	382509	SUPPORT / ANTISTATIC STRAP From D-5349	2	2	
95	505056	ANTISTATIC STRAP / UNDER STRUCTURE From D-5349	2	2	
96	506035	TAPE RUB ADH1 NEO 1/2" x 1" x 15' / BLACK 1220X	AR	AR	
97	502859	NUT HEX NYRT M10-1.5 N500 From D-5349	2	2	
98	500270	WASHER FL .406x1.000x.063 SS From D-5349	2	2	
		A) SERVICE ONLY			
		E) AS SHOWN			
		P) CALL ORDER DESK FOR SPECIFIC APPLICATION (V.I.N.)			

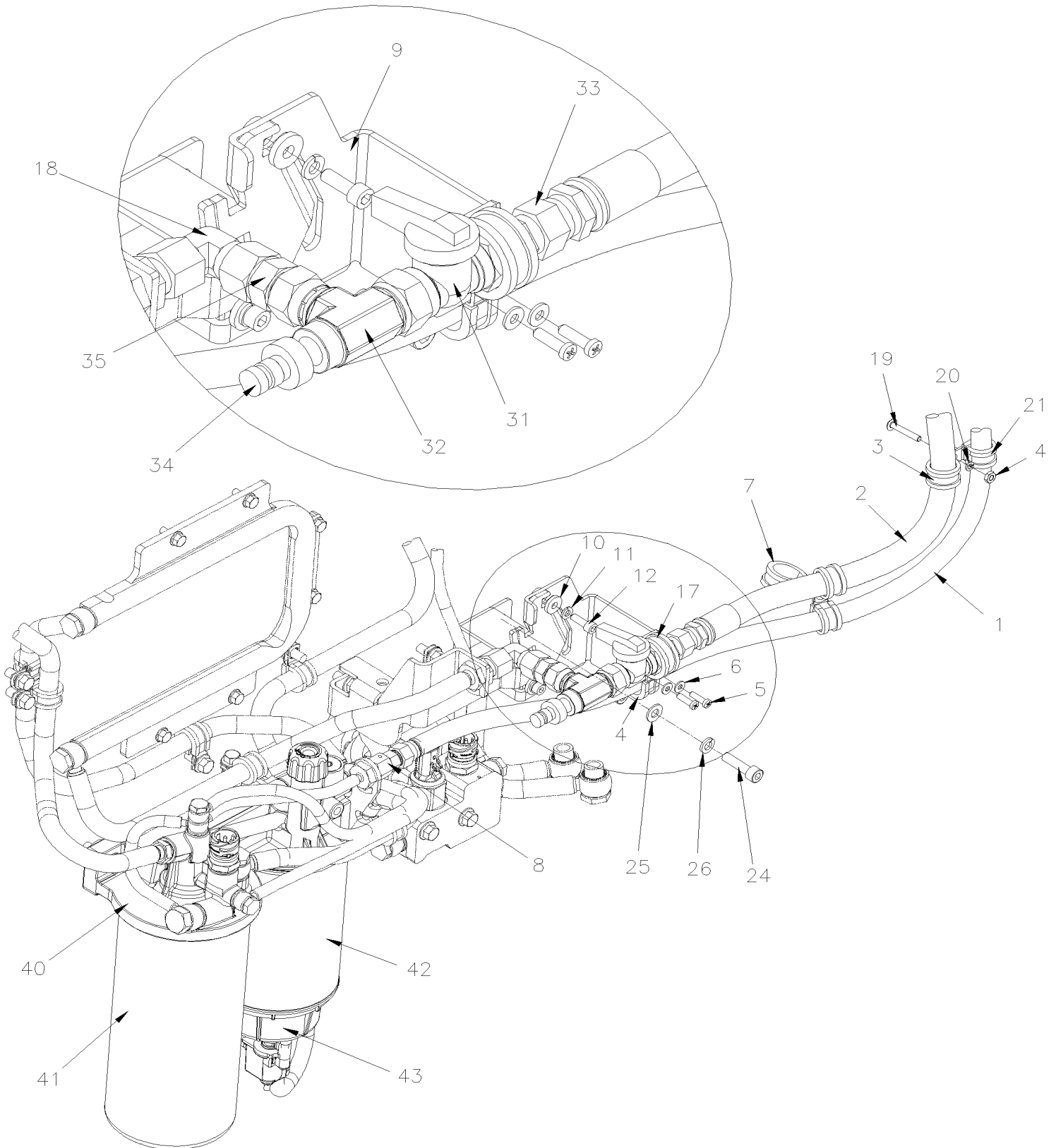


From B-5003 To D-5489

Date:07/2024

PAGE:XV-0311-00

FUEL FILTER - PRIMARY & SECONDARY WITH VOLVO D13





From B-5003 To D-5489	Date:07/2024	PAGE:XV-0311-00
FUEL FILTER - PRIMARY & SECONDARY WITH VOLVO D13		

Item#	Part	Description	X 3 V I P	X L I I E N T 4 5	N O T E S
1	032900	HOSE ASSY / #6 4617MM	1	1	
2	032901	HOSE ASSY / #8 4542MM	1	1	
2	033245	HOSE ASSY / #8 4542MM	1	1	A
3	952631	CLAMP / 3/4" I.D.	2	2	
4	952629	CLAMP / 5/8" I.D.	3	3	
5	500623	SCREW TC PAN PH #10-24x3/4 N500	2	2	
6	500855	WASHER FL .188x.438x.049 N500	1	1	
7	952635	CLAMP / 1" I.D.	1	1	
8	507662	MALE CONNECTOR SWIVEL / JIC 37° @ METRIC24° / #6JIC-Mxm16-1.5 W/24° O-RING-F	1	1	
9	032911	SUPPORT FUEL LINE To B-5088	1	1	
9	033185	SUPPORT FUEL LINE From B-5089	1	1	
10	5001654	WASHER FL 6.4x17.0x3.0 SS	2	2	
11	502570	WASHER LO SPT 6.1x11.8x1.6 SS	2	2	
12	5001648	SCREW CAP HEXS M6-1.0x18 SS BK	2	2	
17	952637	CLAMP / 1"1/16 I.D.	1	1	
18	964016	ELBOW	1	1	
19	500574	SCREW MA TR PH #10-24x1 1/4 SS	2	2	
20	500914	WASHER LO SPT .193x.334x.047 N500	2	2	
21	502882	NUT HEX #10-24 N500	2	2	
24	5001598	SCREW CAP HEXS M8-1.25x30 SS	1	1	
25	5001341	WASHER FL 8.4x17.0x1.6 SS	1	1	
26	5001161	WASHER LO SPT 8.1x14.8x2.0 SS-304	1	1	
31	530096	BALL VALVE 1/2" NPT 1/2 NPT F x 1/2 NPT F	1	1	
32	5001677	SWIVEL NUT ADAPTER TEE / JIC 37° FITTING / #8JIC-Fx1/2NPT-Mx1/4NTP-F STL	1	1	
33	501616	MALE CONNECTOR / SAE 45° FITTING / #8FL-Mx1/2NPT-M BR	1	1	
34	504706	NIPPLE / QUICK DISCONNECT "SAE J1502" / #4x1/4NPT-M STL W/DUST CAP	1	1	
. NS	195533	. DUST CAP / QUICK DISCONNECT "SAE J1502" / #4	1	1	
35	507659	MALE CONNECTOR SWIVEL / JIC 37° @ METRIC24° / #8JIC-Mxm18-1.5 W/24° O-RING-F	1	1	
40	Refer To Volvo	HOUSING FUEL FILTER ASSY W/PRIMER PUMP TB-111262697-1	1	1	V
41	20405160	FUEL FILTER (LONG)	1	1	
41	20972293	FUEL FILTER (LONG) MAIN / PRINCIPAL	1	1	
42	20879806	FUEL FILTER WATER SEPARATOR	1	1	
43	20771580	BOWL / W/WATER DETECTOR IN FUEL UAUXFUEL	1	1	
43	20875050	BOWL / W/WATER DETECTOR & HEATER ELEMENT	1	1	
43	Refer To Volvo	BOWL AF-E	1	1	V
		A) SERVICE ONLY			
		V) SEE IMPACT OR CALL ORDER DESK			

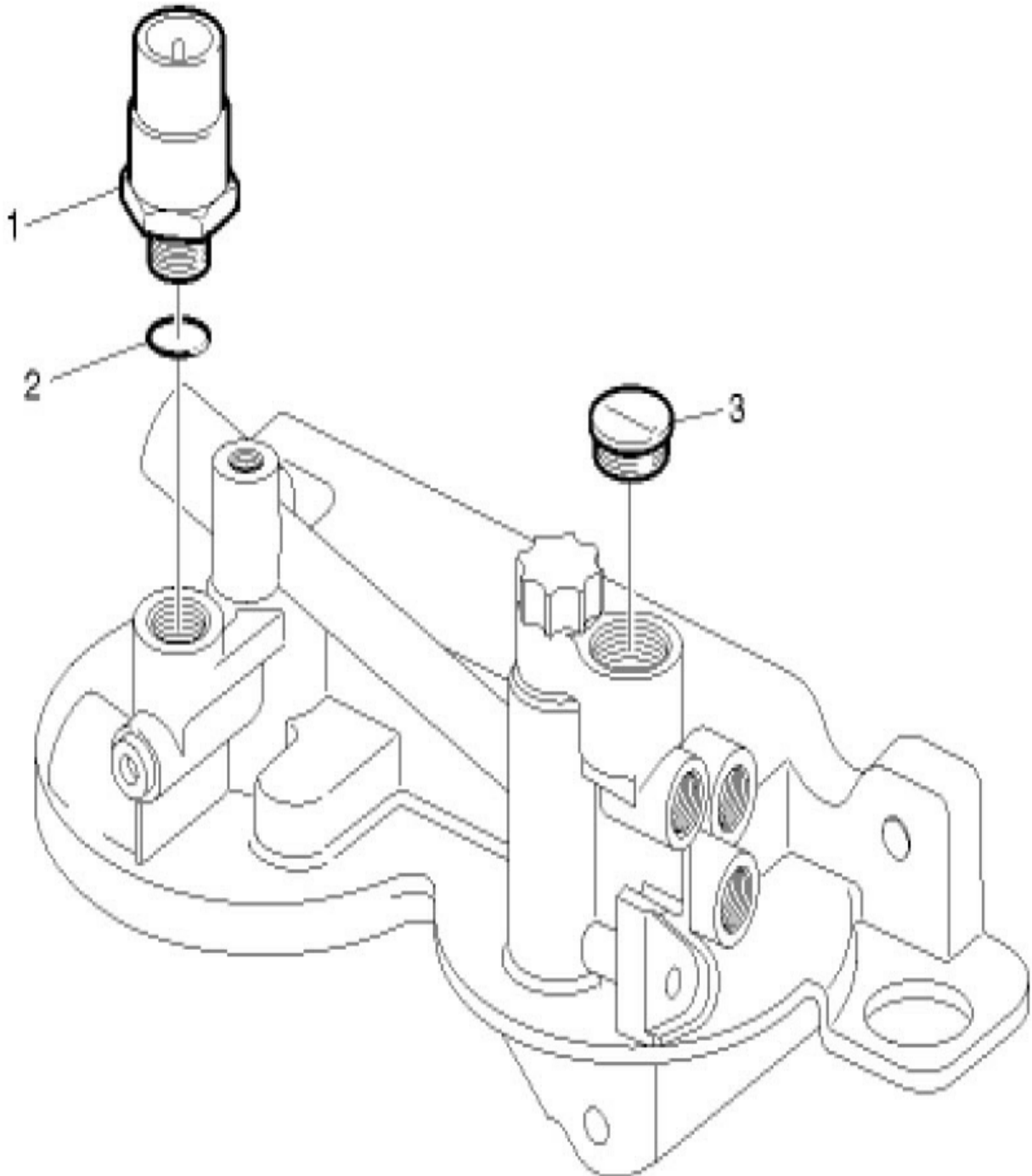


From B-5003 To D-5489

Date:07/2024

PAGE:21023285

HOUSING FUEL FILTER ASSY W/PRIMER PUMP TB-111262697-1





From B-5003 To D-5489	Date:07/2024	PAGE:21023285
HOUSING FUEL FILTER ASSY W/PRIMER PUMP TB-111262697-1		

Item#	Part	Description	X 3 V I P	X L I I E N T 4 5	N O T E S
1	21302639	PRESSURE SENSOR,FUEL/OIL TB-130959470-1	1	1	
2	968559	O-RING (PRESSURE SENSOR)	1	1	
3	20744692	CAP	1	1	

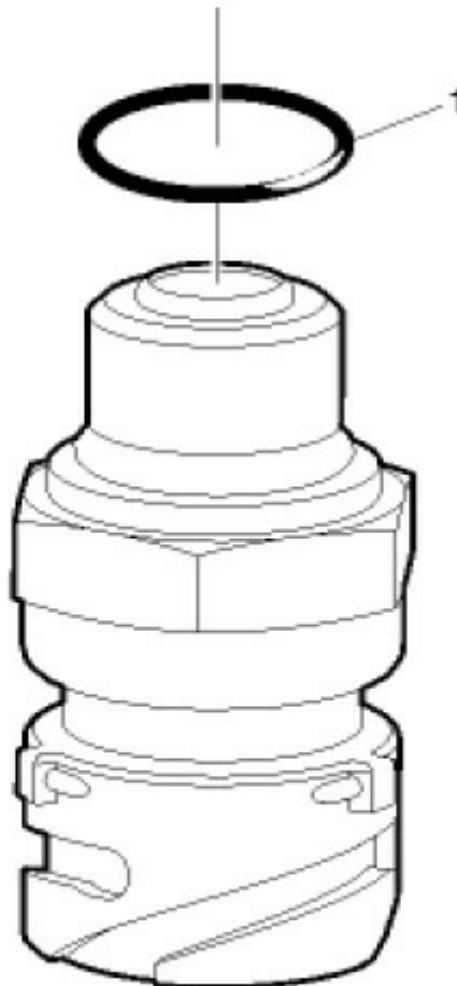
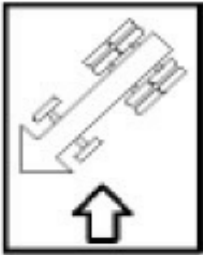


From B-5003 To D-5489

Date:07/2024

PAGE:21302639

PRESSURE SENSOR,FUEL/OIL TB-130959470-1





From B-5003 To D-5489	Date:07/2024	PAGE:21302639
-----------------------	--------------	---------------

PRESSURE SENSOR,FUEL/OIL TB-130959470-1

Item#	Part	Description	X 3 V I P	X L I I E N T 4 5	N O T E S
1	968559	O-RING (PRESSURE SENSOR)	1	1	

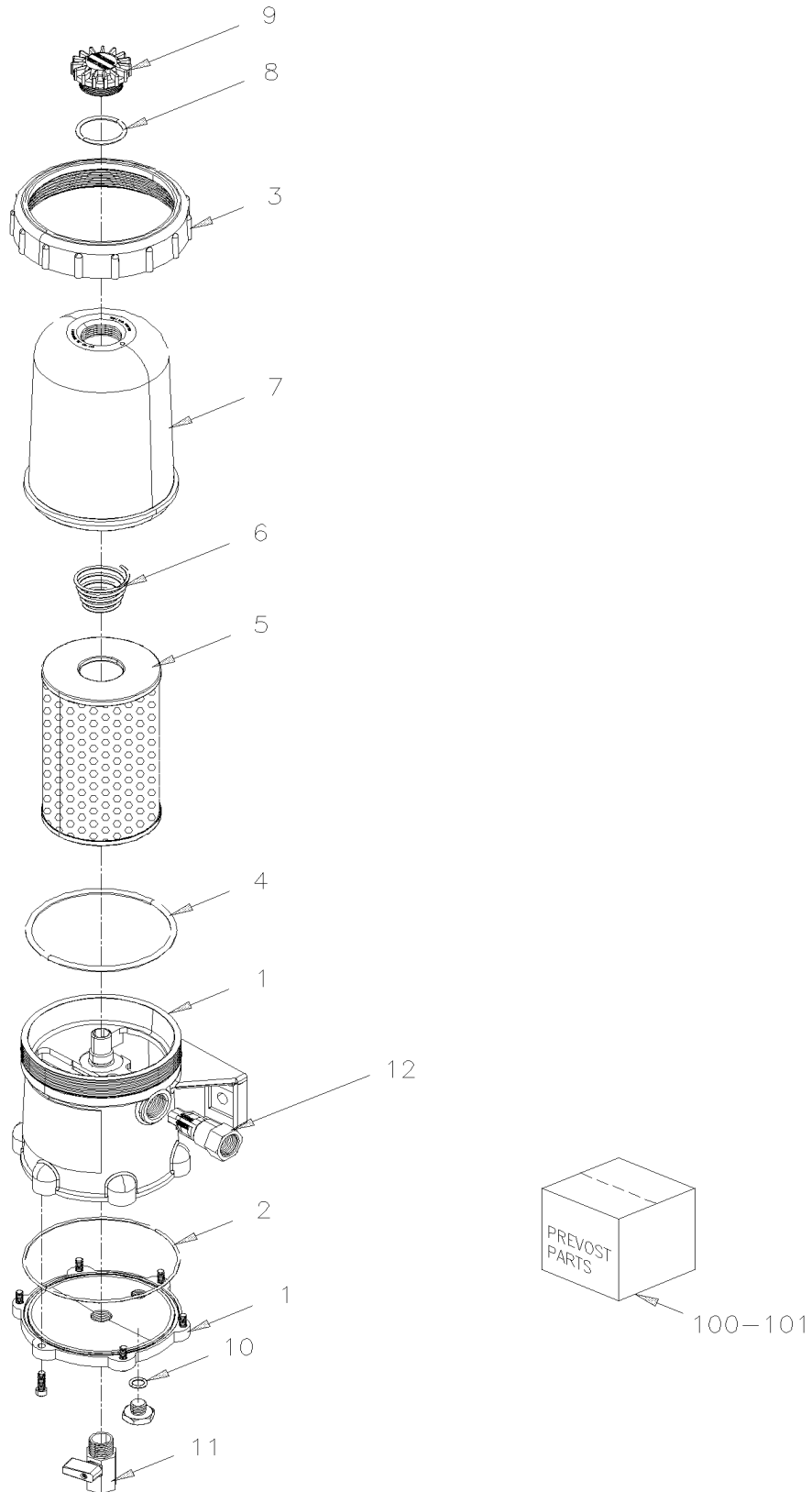


From B-5003 To D-5489

Date:07/2024

PAGE:XV-0311-15

FUEL FILTER / "PRO 382"





From B-5003 To D-5489	Date:07/2024	PAGE:XV-0311-15
FUEL FILTER / "PRO 382"		

Item#	Part	Description	X 3 V I P	X L I I E N T 4 5	N O T E S
	21248323	FILTER ASSY "FUEL PRO 382" / WITHOUT HEATER ELEMENT	1	1	
1	N.S.S.	. BODY CASTING	1	1	1
2	85103295	. SEAL BOTTOM COVER	1	1	
3	3948920	. COLLAR, COVER	1	1	
4	N.S.S.	. O-RING	2	2	1
5	85120233	. FILTER FUEL, ELEMENT / W/"PRO FILTER"	1	1	
6	3099140	. SPRING	1	1	
7	85116443	. COVER, FILTER ELEMENT	1	1	
8	N.S.S.	. SEAL CAP VENT	1	1	1
9	3948921	. CAP VENT	1	1	
10		. SEAL O-RING	1	1	
11	3099141	. DRAIN VALVE	1	1	
12	N.S.P.	. CHECK VALVE / (23518325)	2	2	2
12	3947686	. CHECK VALVE BODY ONLY	1	1	
100	3946029	O-RING SET	1	1	A
. A	N.S.S.	. ANTI TAMPER SEAL	1	1	1 A
. B	N.S.S.	. O-RING	1	1	1 A
101	N.S.P.	CHECK VALVE REPAIR KIT / (23518326)	1	1	2
101	1117798	CHECK VALVE REPAIR KIT /	1	1	
NS	3093385	COLLAR VENT CAP WRENCH METAL	1	1	
		A) OPTION SPECIAL			
		1) NOT SOLD SEPARATELY			
		2) NOT SOLD BY PREVOST (SEE MANUFACTURING PART NUMBER AT END OF DESCRIPTION LINE)			
		1) NOT SOLD SEPARATELY			

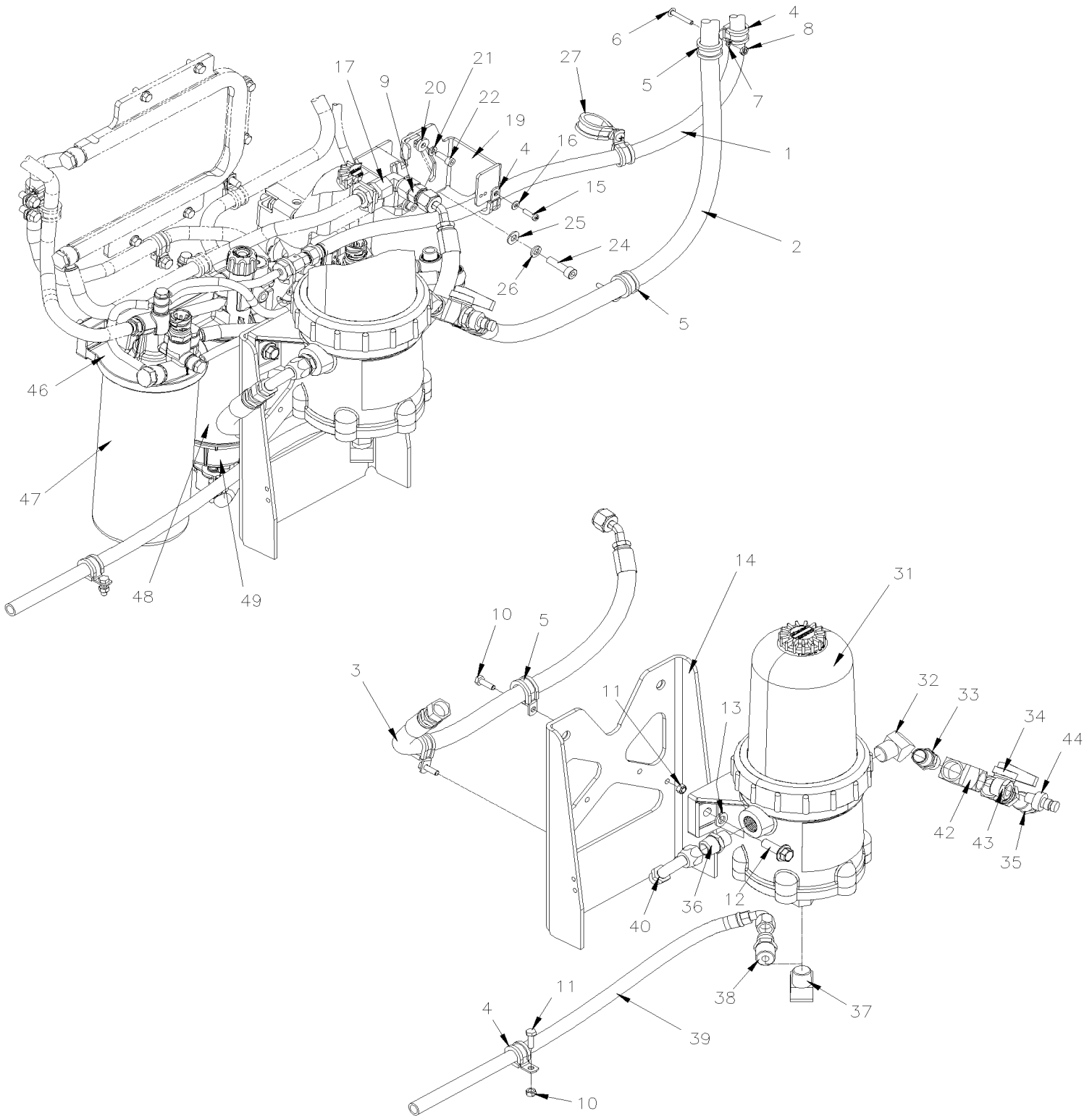


From B-5003 To D-5489

Date:07/2024

PAGE:XV-0312-10

FUEL PRO - INSTALLATION WITH VOLVO D13





From B-5003 To D-5489	Date:07/2024	PAGE:XV-0312-10
FUEL PRO - INSTALLATION WITH VOLVO D13		

Item#	Part	Description	X 3 V I P	X L I I E N T 4 5	N O T E S
1	032900	HOSE ASSY / #6 4617MM	1	1	
2	032901	HOSE ASSY / #8 4542MM	1	1	
2	033245	HOSE ASSY / #8 4542MM	1	1	A
3	032741	HOSE ASSY / #8 700MM	1	1	
3	033250	HOSE ASSY / #8 705MM	1	1	A
4	952629	CLAMP / 5/8" I.D.	3	3	
5	952631	CLAMP / 3/4" I.D.	4	4	
6	500574	SCREW MA TR PH #10-24x1 1/4 SS	3	3	
7	500914	WASHER LO SPT .193x.334x.047 N500	3	3	
8	502882	NUT HEX #10-24 N500	3	3	
9	507659	MALE CONNECTOR SWIVEL / JIC 37° @ METRIC24° / #8JIC-Mxm18-1.5 W/24° O-RING-F	1	1	
10	502830	SCREW CAP HEX M6-1.0x20 G8.8 N500	3	3	
11	502681	NUT HEX NYRT M6-1.0 N500 G8	3	3	
12	946472	SCREW CAP HEXF M10-1.5x30 G8.8 ZG603	2	2	
13	3852496	WASHER LO SPT 10.2x18.1x2.2 ZG603	2	2	
14	032679	SUPPORT "FUEL PRO" (WELDED AT STRUCTURE)	1	1	
15	500623	SCREW TC PAN PH #10-24x3/4 N500	1	1	
16	500855	WASHER FL .188x.438x.049 N500	1	1	
17	964016	ELBOW	1	1	
18	507662	MALE CONNECTOR SWIVEL / JIC 37° @ METRIC24° / #6JIC-Mxm16-1.5 W/24° O-RING-F	1	1	
19	032911	SUPPORT FUEL LINE To B-5088	1	1	
19	033185	SUPPORT FUEL LINE From B-5089	1	1	
20	5001654	WASHER FL 6.4x17.0x3.0 SS	2	2	
21	502570	WASHER LO SPT 6.1x11.8x1.6 SS	2	2	
22	5001648	SCREW CAP HEXS M6-1.0x18 SS BK	2	2	
24	5001598	SCREW CAP HEXS M8-1.25x30 SS	1	1	
25	5001341	WASHER FL 8.4x17.0x1.6 SS	1	1	
26	5001161	WASHER LO SPT 8.1x14.8x2.0 SS-304	1	1	
27	952635	CLAMP / 1" I.D.	1	1	
31	XV-0311-15	FUEL FILTER / "PRO 382"			
32	501528	STREET ELBOW 45° / PIPE FITTING / 1/2NPT-Mx1/2NPT-F BR	1	1	
33	5011067	NIPPLE HEX / PIPE FITTING / 1/2NPT-Mx1/2NPT-Mx1 13/16 BR	1	1	
34	530096	BALL VALVE 1/2" NPT 1/2 NPT F x 1/2 NPT F	1	1	
35	501616	MALE CONNECTOR / SAE 45° FITTING / #8FL-Mx1/2NPT-M BR	1	1	
36	501739	MALE CONNECTOR / JIC 37° FITTING / #8JIC-Mx1/2NPT-M STL	1	1	
37	507557	STREET ELBOW 90° / PIPE FITTING / 1/2NPT-Mx1/2NPT-F BR	1	1	
38	501618	MALE CONNECTOR / SAE 45° FITTING / #6FL-Mx1/2NPT-M BR	1	1	
39	032614	HOSE ASSY / #8 420MM	1	1	
40	501845	SWIVEL NUT ELBOW 90° LONG / JIC 37° FITTING / #8JIC-Fx#8JIC-Mx1.86 STL	1	1	
42	501473	MALE RUN TEE / PIPE FITTING / 1/2NPT-Mx1/2NPT-Fx1/2NPT-F BR	1	1	
43	501316	BUSHING REDUCER / PIPE FITTING / 1/2NPT-Mx1/4NPT-F BR	1	1	
44	504706	NIPPLE / QUICK DISCONNECT "SAE J1502" / #4x1/4NPT-M STL W/DUST CAP	1	1	



From B-5003 To D-5489	Date:07/2024	PAGE:XV-0312-10
FUEL PRO - INSTALLATION WITH VOLVO D13		

Item#	Part	Description	X 3 V I P	X L I I E N T 4 5	N O T E S
. NS	195533	. DUST CAP / QUICK DISCONNECT "SAE J1502" / #4	1	1	
46	Refer To Volvo	HOUSING FUEL FILTER ASSY W/PRIMER PUMP TB-111262697-1	1	1	V
47	20405160	FUEL FILTER (LONG)	1	1	
47	20972293	FUEL FILTER (LONG) MAIN / PRINCIPAL	1	1	
48	20879806	FUEL FILTER WATER SEPARATOR	1	1	
49	20771580	BOWL / W/WATER DETECTOR IN FUEL UAUXFUEL	1	1	
49	Refer To Volvo	BOWL AF-E	1	1	V
		A) SERVICE ONLY			
		V) SEE IMPACT OR CALL ORDER DESK			

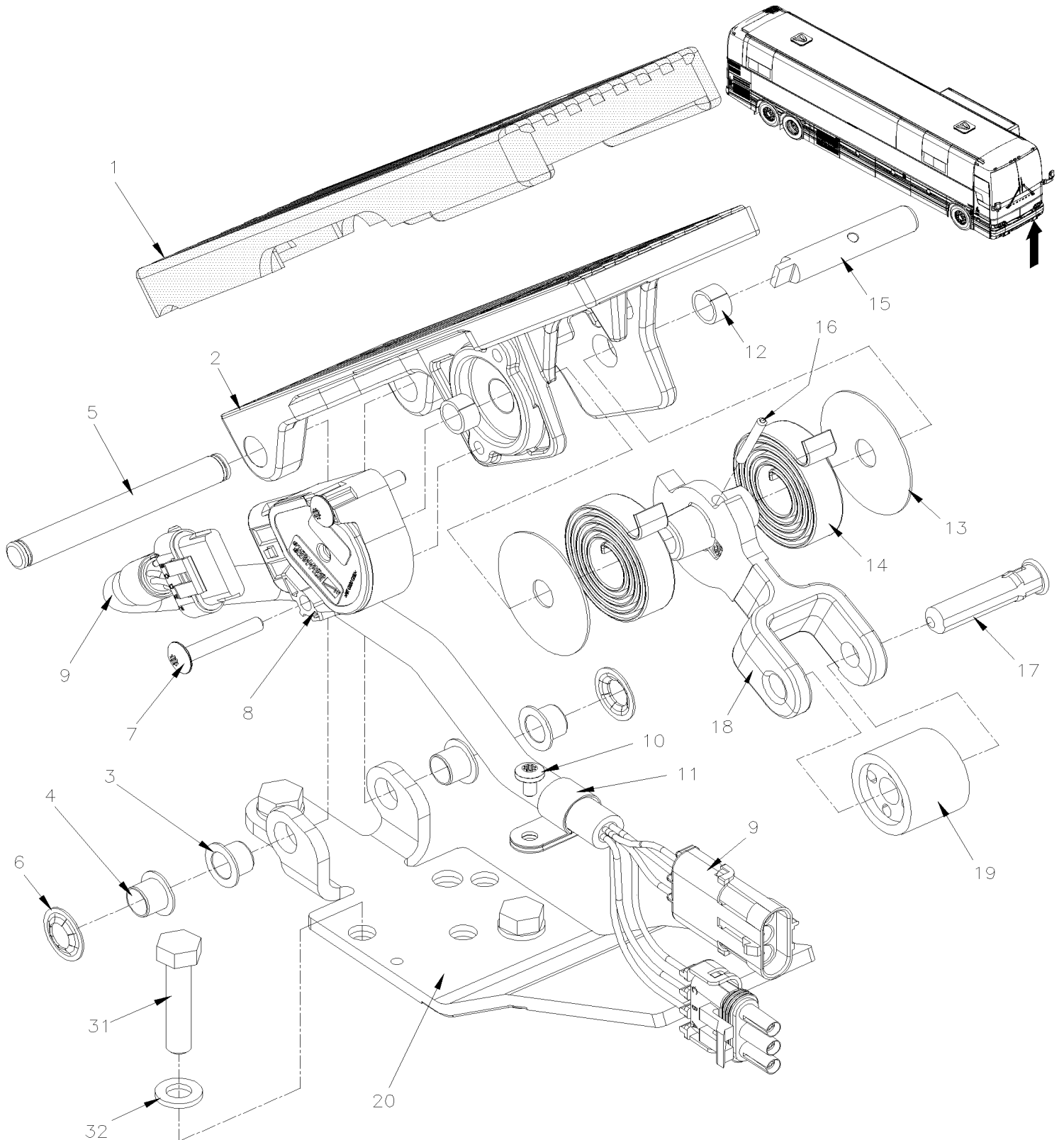


From B-5003 To D-5489

Date:07/2024

PAGE:XV-0315-10

ACCELERATOR PEDAL - ELECTRONIC





From B-5003 To D-5489	Date:07/2024	PAGE:XV-0315-10
-----------------------	--------------	-----------------

ACCELERATOR PEDAL - ELECTRONIC

Item#	Part	Description	X 3 V I P	X L I I E N T 4 5	N O T E S
	531487	ACCELERATOR PEDAL ASSY / W0-32V SENSOR "VOLVO" "VOLVO"	1	1	
1	531401	. THREADLE COVER	1	1	
2	N.S.S.	. THREADLE	1	1	1
3	N.S.S.	. BUSHING, INNER	2	2	1
4	507260	. BUSHING NYLINER W/SHOULDER .375x.437x.375x.594	2	2	
5	N.S.S.	. PIN, THREADLE	1	1	1
6	N.S.S.	. RING, SNAP 5/16" I.D.	3	3	1
7	500427	. SCREW MA RND PH #10-32x1 1/4 ZP	2	2	
8	568084	. POTENTIOMETER PEDAL SENSOR 0-32V	1	1	
9	N8887087	. WIRE HARNESS	1	1	
10	500883	. . SCREW TC PAN PH #8-32x3/8 Z050	2	2	
11	N.S.S.	. . CLIP	2	2	1
12	N.S.S.	. BUSHING, GARLOCK	2	2	1
13	N.S.S.	. THRUST, WASHER-OUTER	2	2	1
13	N.S.S.	. THRUST, WASHER-INNER	2	2	1
14	N.S.S.	. SPRING	2	2	1
15	N.S.S.	. SHAFT SENSOR DRIVE	1	1	1
16	505208	. SPRING, PIN 1/8 X 7/8	1	1	
17	N.S.S.	. ROLLER, PIN	1	1	1
18	N.S.S.	. LEVER, THREADLE	1	1	1
19	N.S.S.	. ROLLER	1	1	1
20	531462	. BASE PLATE / (includes item #5)	1	1	
NS	531393	KIT REPAIR / LOWER THREADLE PIN	1	1	A
NS	531394	KIT REPAIR / ROLLER	1	1	B
31	5001814	SCREW CAP HEX 5/16-18X1 1/2 G5 N500	3	3	
32	500942	WASHER LO SPT 8.1x14.8x2.0 N500	3	3	
NS	680067	SEALANT TAPE BUTYL / BLACK / 1/8"x3/4"x25' / 75211E760	AR	AR	
		A) INCLUDES ITEMS #3-4-5-6			
		B) INCLUDES ITEMS 6, 18, 19			
		1) NOT SOLD SEPARATELY			

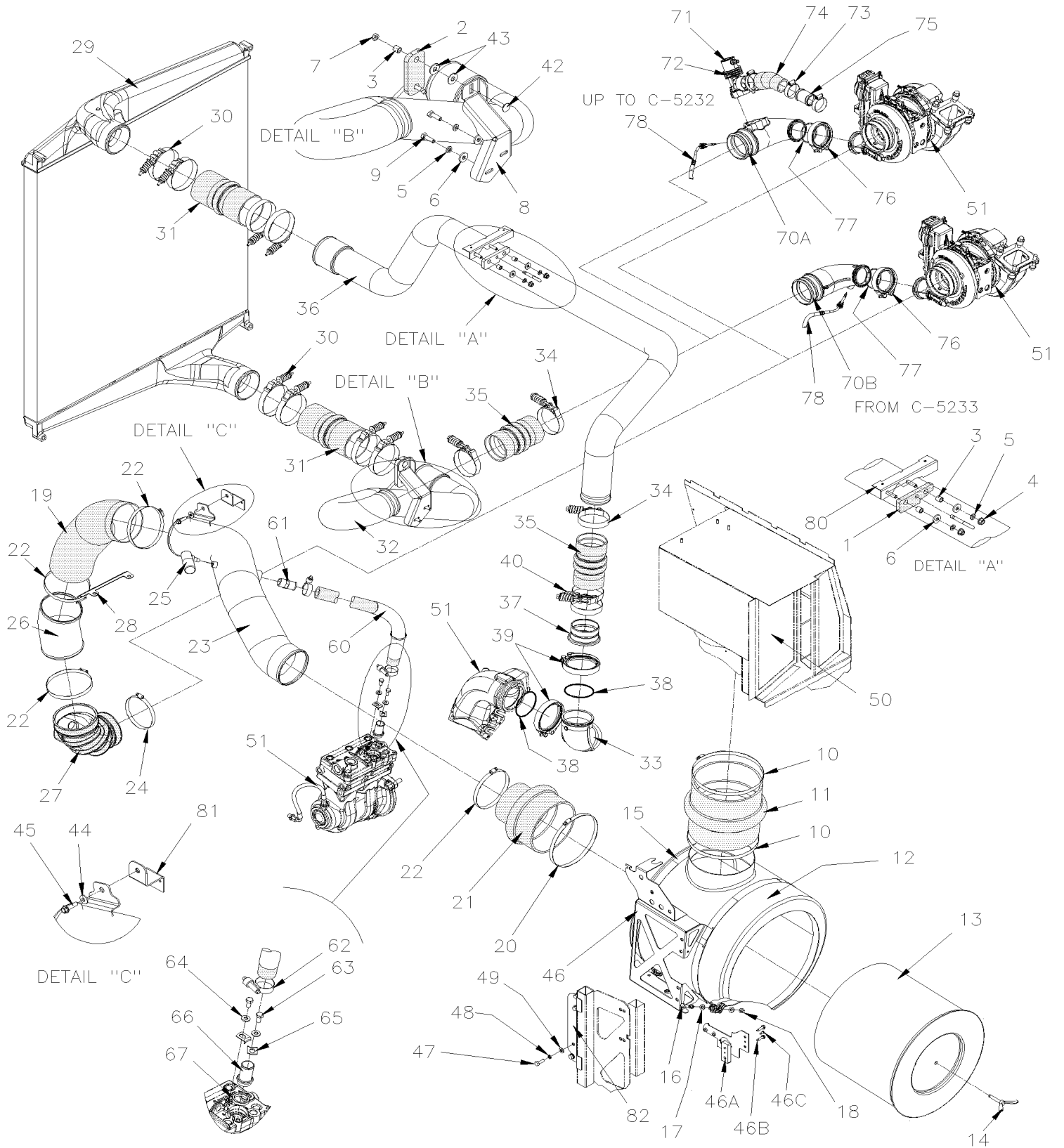


From B-5003 To D-5489

Date:07/2024

PAGE:XV-0330-00

AIR FILTER & INTAKE - INSTALLATION WITH VOLVO D13 - EPA 2010





From B-5003 To D-5489	Date:07/2024	PAGE:XV-0330-00
-----------------------	--------------	-----------------

AIR FILTER & INTAKE - INSTALLATION WITH VOLVO D13 - EPA 2010

Item#	Part	Description	X 3 V I P	X L I I E N T 4 5	N O T E S
1	052987	RUBBER SUPPORT 37MM X 100MM X 7/16" To D-5443	1	1	
1	053034	RUBBER SUPPORT 37.2MM X 110MM X 11.1MM From D-5444	1	1	
2	032541	RUBBER SUPPORT 106.5 x 48 / 2 Holes 72MM C/C	1	1	
3	032540	SPACER 1/2" O.D.X 12MM SS	3	3	
4	502837	NUT HEXF STO M8-1.25 N500	2	2	
5	500942	WASHER LO SPT 8.1x14.8x2.0 N500	5	5	
6	500401	WASHER FL .343x.875x.125 N500	5	5	
7	502851	NUT HEX M8-1.25 N500	1	1	
8	053500	SUPPORT PIPE AIR COOLER & TURBO	1	1	
9	5001745	SCREW CAP HEX M8-1.25x25 G8.8 N500	2	2	
10	504415	HOSE CLAMP / 7"1/4-9"1/4 SS / HS-152	2	2	
11	503743	HOSE FLEXIBLE / AIR DUCT 8" I.D. X 25' / THERMOPLASTIC To C-5276	AR	AR	
11	531488	HUMP HOSE, ENGINE AIR FILTER 8" I.D. X 8" EPDM From C-5277	1	1	
12	531478	FILTER AIR 18"	1	1	
13	530197	. ELEMENT AIR FILTER 18"	1	1	
14	531420	. NUT WING 1/2-13 NY	1	1	
15	031465	STRAP MOUNTING / W/18" AIR FILTER	2	2	
16	502927	SCREW CAP HEX M8-1.25x50 G8.8 N500	2	2	
17	5001736	WASHER FL 8.4x18.0x2.0 N500	4	4	
18	5001740	NUT HEX STO M8-1.25 N500	2	2	
19	032881	HOSE FLEXIBLE / 5" I.D. x 430MM To D-5439	1	1	
19	503522	. HOSE FLEXIBLE / AIR DUCT 5" I.D. X 12' / LINEN RUBBER To D-5439	1	1	
19	033195	HOSE FLEXIBLE / 5" I.D. x 470MM From D-5440	1	1	
20	504229	HOSE CLAMP / 6"1/2-8"1/2 SS / HS-100	1	1	
21	531486	REDUCER 7" X 5"	1	1	
22	504324	HOSE CLAMP / 4"1/2-6"1/2 SS / HS-96	3	3	
23	032879	PIPE 5" O.D. / AIR FILTER & TURBO	1	1	
24	504257	HOSE CLAMP / 4"1/16-5" SS / HS-72	1	1	
25	530161	GAUGE AIR RESTRICTION 20" H2O 1/8" NPT	1	1	
26	032880	PIPE 5" O.D. / AIR FILTER & TURBO	1	1	
27	21228220	ELBOW INLET, RUBBER To C-5232	1	1	
27	21659720	ELBOW INLET, RUBBER From C-5233	1	1	
28	032882	ATTACHMENT AIR INTAKE	1	1	
29	550970	AIR COOLER ASSY TitanX SERVICE	1	1	
29	550967	AIR COOLER ASSY Dura-Lite SERVICE	1	1	
30	21185959	HOSE CLAMP SPRING LOAD / MODIFIED "PREVOST" / 4"1/8-4"7/16 To B-5072	8	8	
. NS	531386	. HOSE CLAMP SPRING LOAD / HEAVY DUTY 4"1/8-4"7/16 To B-5072	1	1	
. NS	502930	. SPRING COMPRESSION / .975 O.D. x 1.5 x .225 To B-5072	1	1	
. NS	500401	. WASHER FL .343x.875x.125 N500 To B-5072	1	1	
. NS	500897	. WASHER FL .437x1.000x.083 N500 To B-5072	2	2	
30	21490616	HOSE CLAMP SPRING LOAD / HEAVY DUTY 4"1/8-4"7/16 From B-5073	8	8	
31	70396486	HOSE / W/2 RING / 4" I.D. 8" / 500°F	2	2	



From B-5003 To D-5489	Date:07/2024	PAGE:XV-0330-00
-----------------------	--------------	-----------------

AIR FILTER & INTAKE - INSTALLATION WITH VOLVO D13 - EPA 2010

Item#	Part	Description	X 3 V I P	X L I E N T 4 5	N O T E S
32	052953	PIPE 4" O.D. / AIR COOLER & TURBO	1	1	
33	052885	ELBOW AIR INTAKE/ MODIFIED	1	1	
34	21185962	HOSE CLAMP SPRING LOAD / MODIFIED "PREVOST" / 3"5/8-3"15/16 To B-5072	4	4	
. NS	531480	. HOSE CLAMP SPRING LOAD / HEAVY DUTY 3"5/8-3"15/16 To B-5072	1	1	
. NS	502930	. SPRING COMPRESSION / .975 O.D. x 1.5 x .225 To B-5072	1	1	
. NS	500401	. WASHER FL .343x.875x.125 N500 To B-5072	1	1	
. NS	500897	. WASHER FL .437x1.000x.083 N500 To B-5072	2	2	
34	21490630	HOSE CLAMP SPRING LOAD / HEAVY DUTY 3"5/8-3"15/16 From B-5073	3	3	
35	20550690	HOSE 86MM I.D. X 162.5MM	2	2	
36	052952	PIPE 4" O.D. / AIR COOLER & MANIFOLD	1	1	
37	1675067	HOSE CONNECTOR	1	1	
38	1675066	GASKET 107.7MM I.D. V-CLAMP	2	2	
39	20592783	V-CLAMP / (USE W GASKET) 107.7MM I.D.	2	2	
40	032868	HOSE CLAMP SPRING LOAD / MODIFIED "PREVOST" / 3"9/16-3"7/8 To B-5072	1	1	
. NS	531485	. HOSE CLAMP SPRING LOAD / HEAVY DUTY 3"9/16-3"7/8 To B-5072	1	1	
. NS	502930	. SPRING COMPRESSION / .975 O.D. x 1.5 x .225 To B-5072	1	1	
. NS	500401	. WASHER FL .343x.875x.125 N500 To B-5072	1	1	
. NS	500897	. WASHER FL .437x1.000x.083 N500 To B-5072	2	2	
40	21490632	HOSE CLAMP SPRING LOAD / HEAVY DUTY 3"9/16-3"7/8 From B-5073 To C-5131	1	1	
40	21490632	HOSE CLAMP SPRING LOAD / HEAVY DUTY 3"9/16-3"7/8 From C-5132	2	2	
42	502891	SCREW CRG M8-1.25x40 G8.8 Z050	1	1	
43	5001751	WASHER FL 10.5x26.0x2.0 N500	2	2	
44	500321	WASHER BEL SPR .331x.827x.098 N500	1	1	
45	5001742	SCREW CAP HEXF M8-1.25x30 G8.8 N500	1	1	
46	032892	SUPPORT FILTER AIR	1	1	
NS	140381	DECAL / "AIR BRAKE SYSTEM FILL" // ENGLISH & FRANCAIS	1	1	
NS	142369	DECAL / "AIR BRAKE SYSTEM FILL" // ENGLISH & SPANISH	1	1	
46A	032951	SPACER, SUPPORT AIR FILTER From C-5277	1	1	
46B	500266	SCREW TC CAP HEX 1/4-20x1 N500 From C-5277	2	2	
46C	502868	SCREW TC TR PH #10-16x1/2 N500 From C-5277	1	1	
47	5001745	SCREW CAP HEX M8-1.25x25 G8.8 N500	4	4	
48	502889	WASHER LO SPT 8.1x12.7x2.0 N500	4	4	
49	5001736	WASHER FL 8.4x18.0x2.0 N500	4	4	
51	Refer To Volvo	SEE IMPACT OR CALL ORDER DESK	1	1	V
60	503739	HOSE (SUCTION) / 1" I.D. X 250' / C.T.L.	AR	AR	
NS	505182	COIL PROTECTOR / PLASTIC / #16	AR	AR	
NS	504637	CABLE TIE / 3/16" x 13"	1	1	
61	5011240	MALE CONNECTOR / BEADED HOSE BARB / #16x3/4NPT-M BR	1	1	
62	504291	HOSE CLAMP / 1"1/8-1"3/4 SS / E.T. 20	2	2	
63	500820	SCREW CAP HEX M8-1.25x16 G10.9 N500	2	2	
64	5001736	WASHER FL 8.4x18.0x2.0 N500	2	2	



From B-5003 To D-5489	Date:07/2024	PAGE:XV-0330-00
-----------------------	--------------	-----------------

AIR FILTER & INTAKE - INSTALLATION WITH VOLVO D13 - EPA 2010

Item#	Part	Description	X 3 V I P	X L I I E N T 4 5	N O T E S
65	1546531	ANGLE RETAINER 13MM I.D.	2	2	
66	032763	PIPE AIR INLET COMPRESSOR 25.5 O.D. x 52MM / W/FLANGE 28MM O.D.	1	1	
67	504738	RUBBER JOINT	1	1	
70A	21419491	ELBOW TURBO DRV To C-5232	1	1	
70B	21673474	ELBOW TURBO From C-5233	1	1	
71	20940438	DRV VALVE (HEAT MODE VALVE) TB-113379305-1 To C-5232	1	1	
72	5001742	SCREW CAP HEXF M8-1.25x30 G8.8 N500 To C-5232	3	3	
73	504292	HOSE CLAMP / 1"5/16-2"1/4 SS / E.T. 28 To C-5232	3	3	
74	052848	HOSE DRV VALVE To C-5232	1	1	
75	20905754	BUSHING DRV VALVE To C-5232	1	1	
76	20592787	V-CLAMP / 81.7MM I.D.	1	1	
77	8167682	GASKET 60MM I.D. To D-5461	1	1	
77	21096684	GASKET 60MM I.D. From D-5462	1	1	
78	21164792	SENSOR TEMPEARATURE	1	1	
80	218242	ATTACHMENT / PIPE AIR COOLER & MANIFOLD	1	1	
81	218496	ATTACHMENT / PIPE AIR FILTER & TURBO	1	1	
82	218497	ATTACHMENT / SUPPORT AIR FILTER	1	1	
NS	8081420	DECAL ETHER / ENGLISH & FRANCAIS	1	1	
NS	8081419	DECAL ETHER / ENGLISH & SPANISH	1	1	
		V) SEE IMPACT OR CALL ORDER DESK			

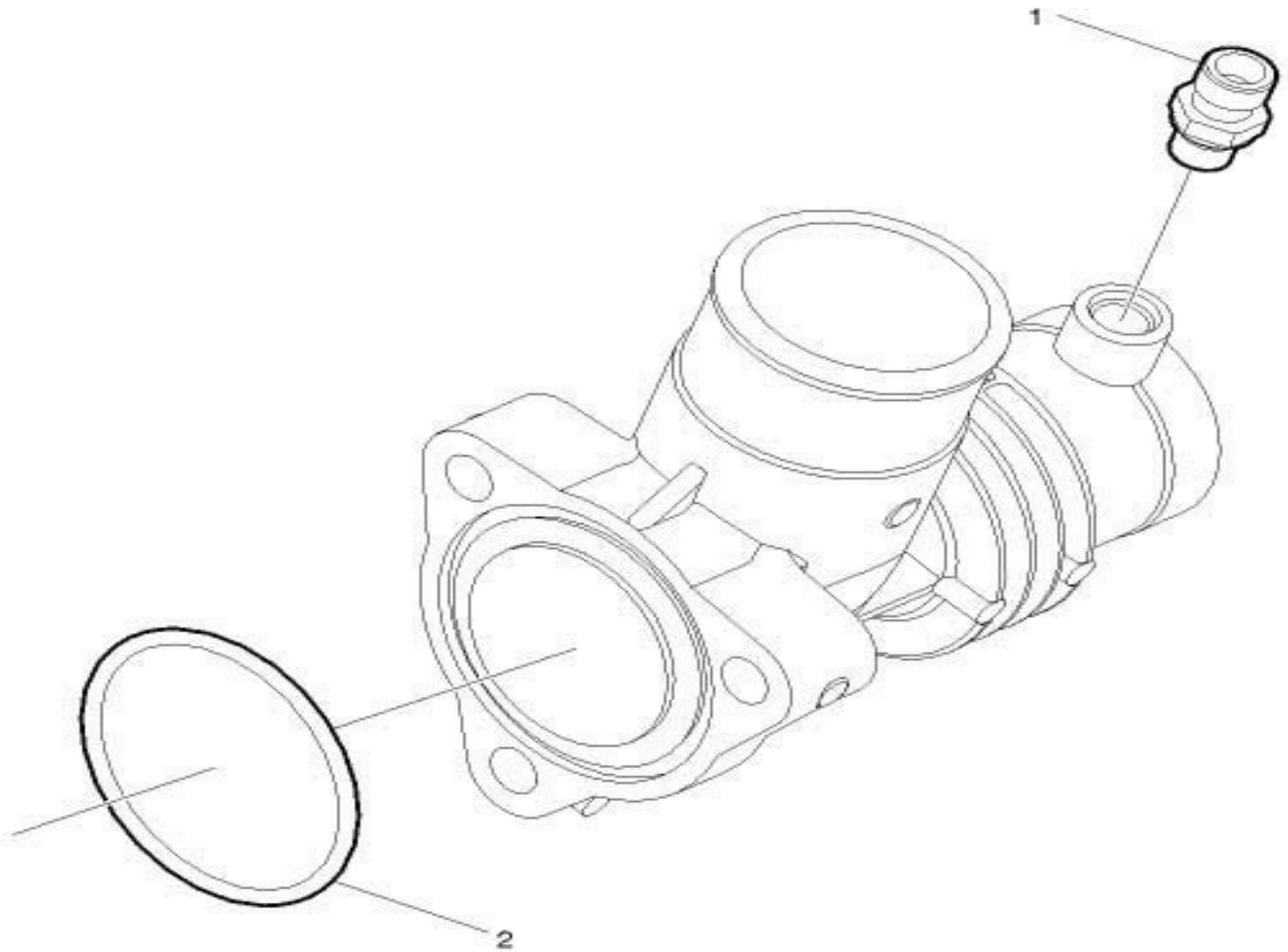


To C-5232

Date:07/2024

PAGE:20940438

DRV VALVE (HEAT MODE VALVE) TB-113379305-1



R1024605



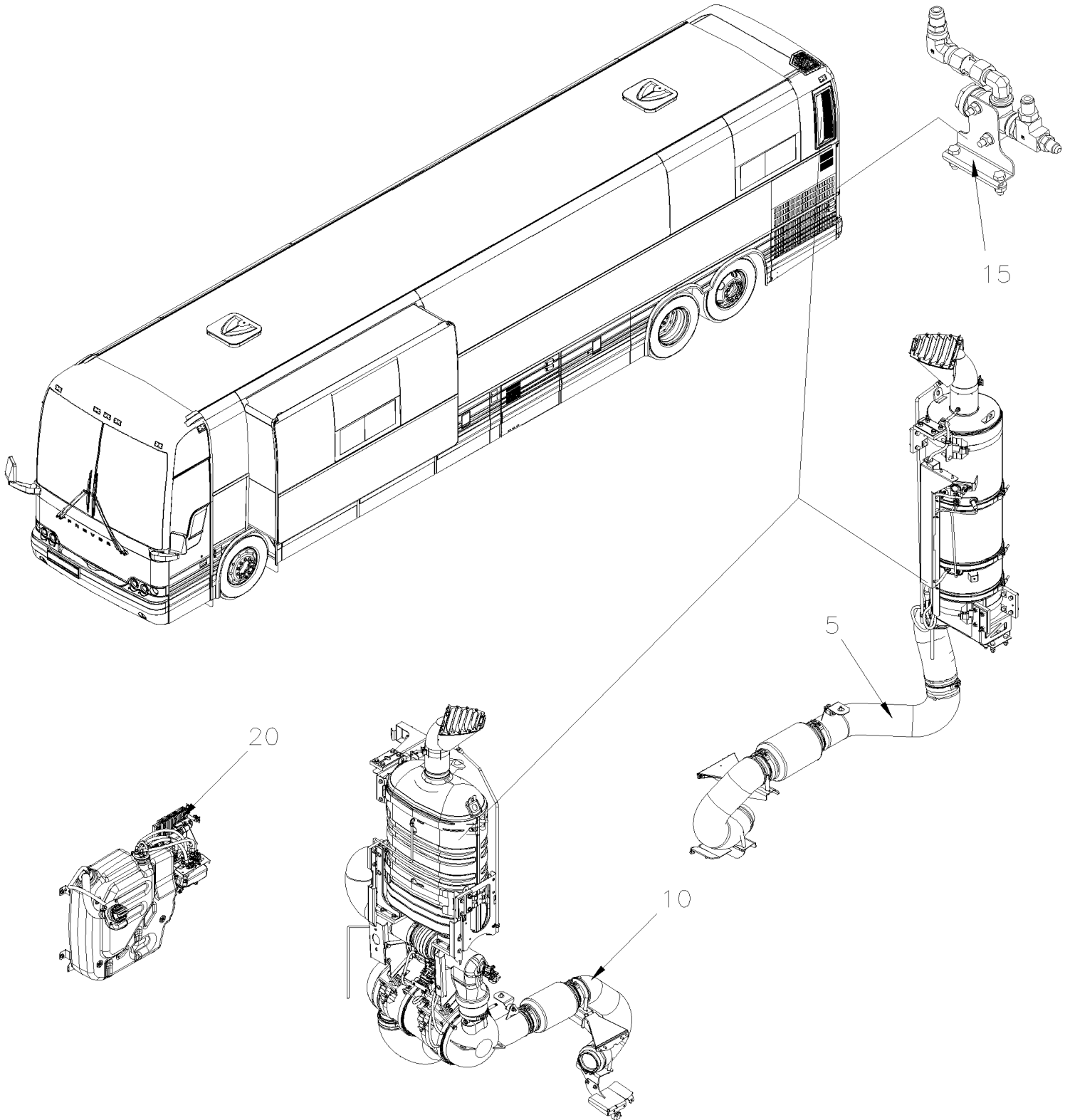
To C-5232	Date:07/2024	PAGE:20940438
-----------	--------------	---------------

DRV VALVE (HEAT MODE VALVE) TB-113379305-1

Item#	Part	Description	X 3 V I P	X L I I E N T 4 5	N O T E S
1	21018786	NIPPLE HEAT MODE VALVE	1	1	
2	20974821	O-RING DISCHARGE RECIR. VALVE	1	1	



	Date:07/2024	XV-04
EXHAUST		





	Date:07/2024	XV-04
EXHAUST		

Item#	Part	Description	X 3 V I P	X L I E N T 4 5	N O T E S
10	XV-0405-00	MUFFLER - INSTALLATION WITH DPF & SCR WITH VOLVO D13 WITH "EPA 2010" From B-5003 To D-5489			
15	XV-0405-10	7TH INJECTOR / EXHAUST VOLVO D13 From B-5003 To B-5088			
16	XV-0405-11	7TH INJECTOR / "AHI" / EXHAUST VOLVO D13 From B-5089 To D-5489			
20	XV-0410-00	UREA RESERVOIR ASSY From B-5003 To D-5489			

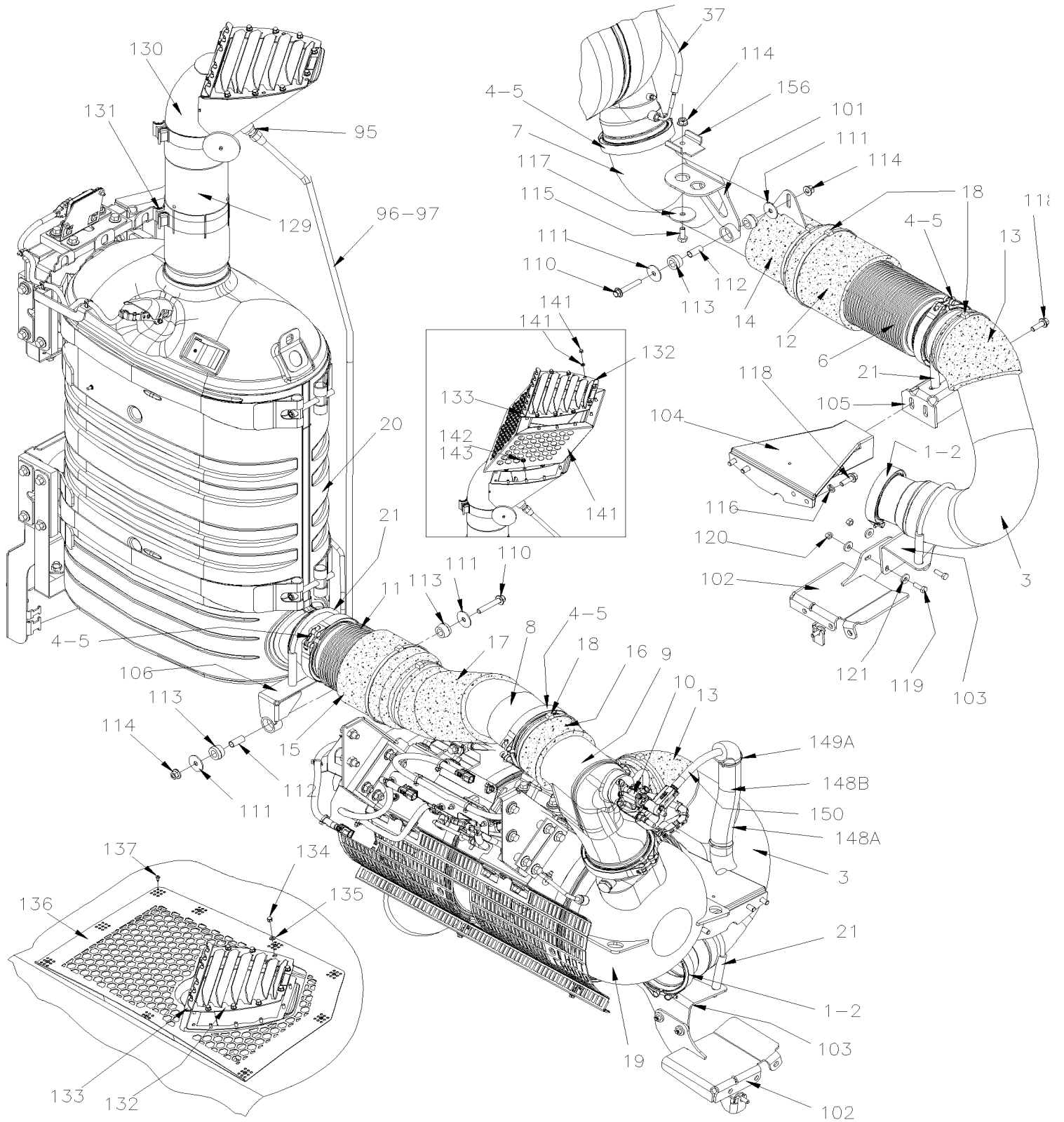


From B-5003 To D-5489

Date:07/2024

PAGE:XV-0405-00

MUFFLER - INSTALLATION WITH DPF & SCR WITH VOLVO D13 WITH "EPA 2010"



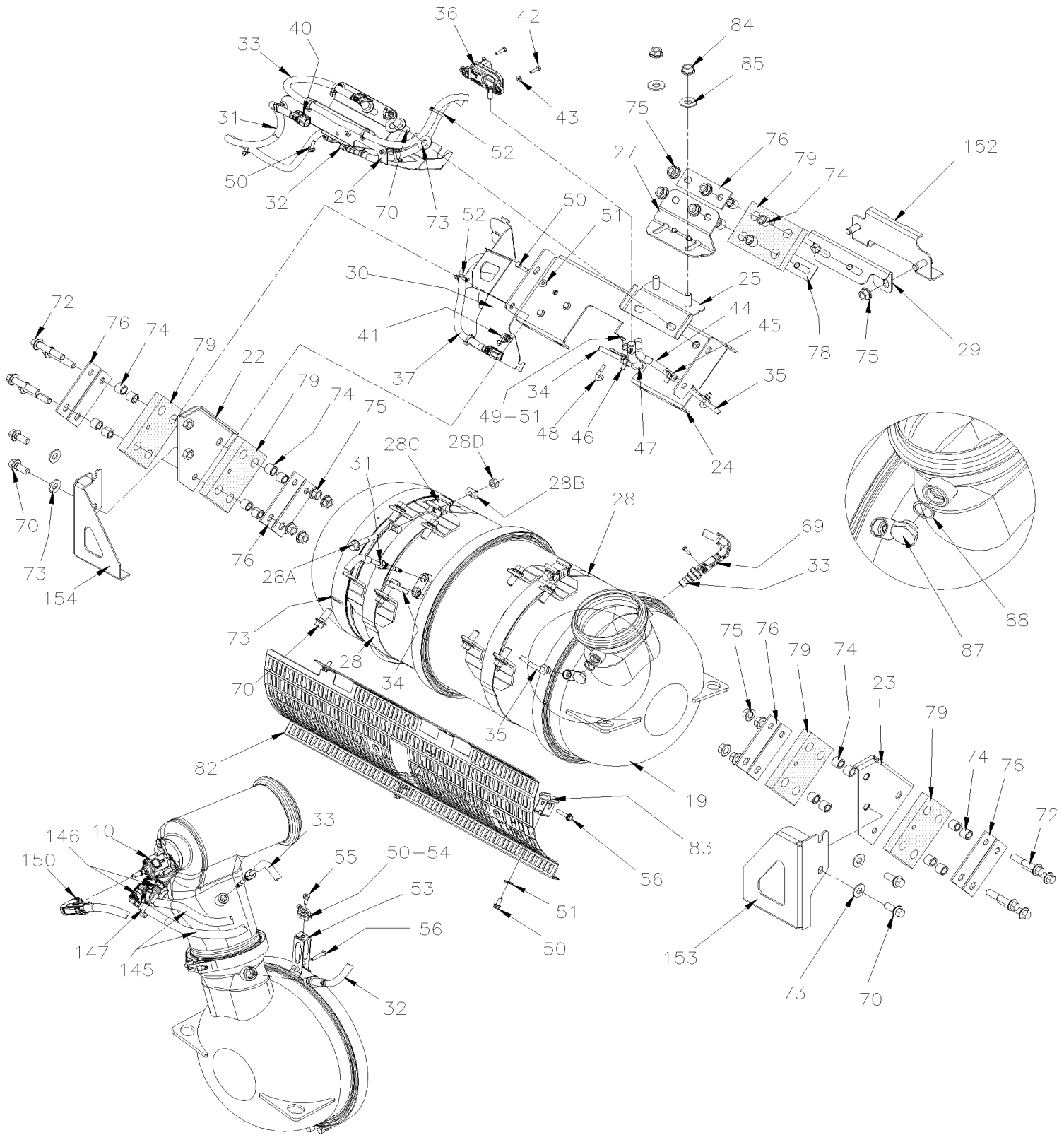


From B-5003 To D-5489

Date:07/2024

PAGE:XV-0405-00

MUFFLER - INSTALLATION WITH DPF & SCR WITH VOLVO D13 WITH "EPA 2010"



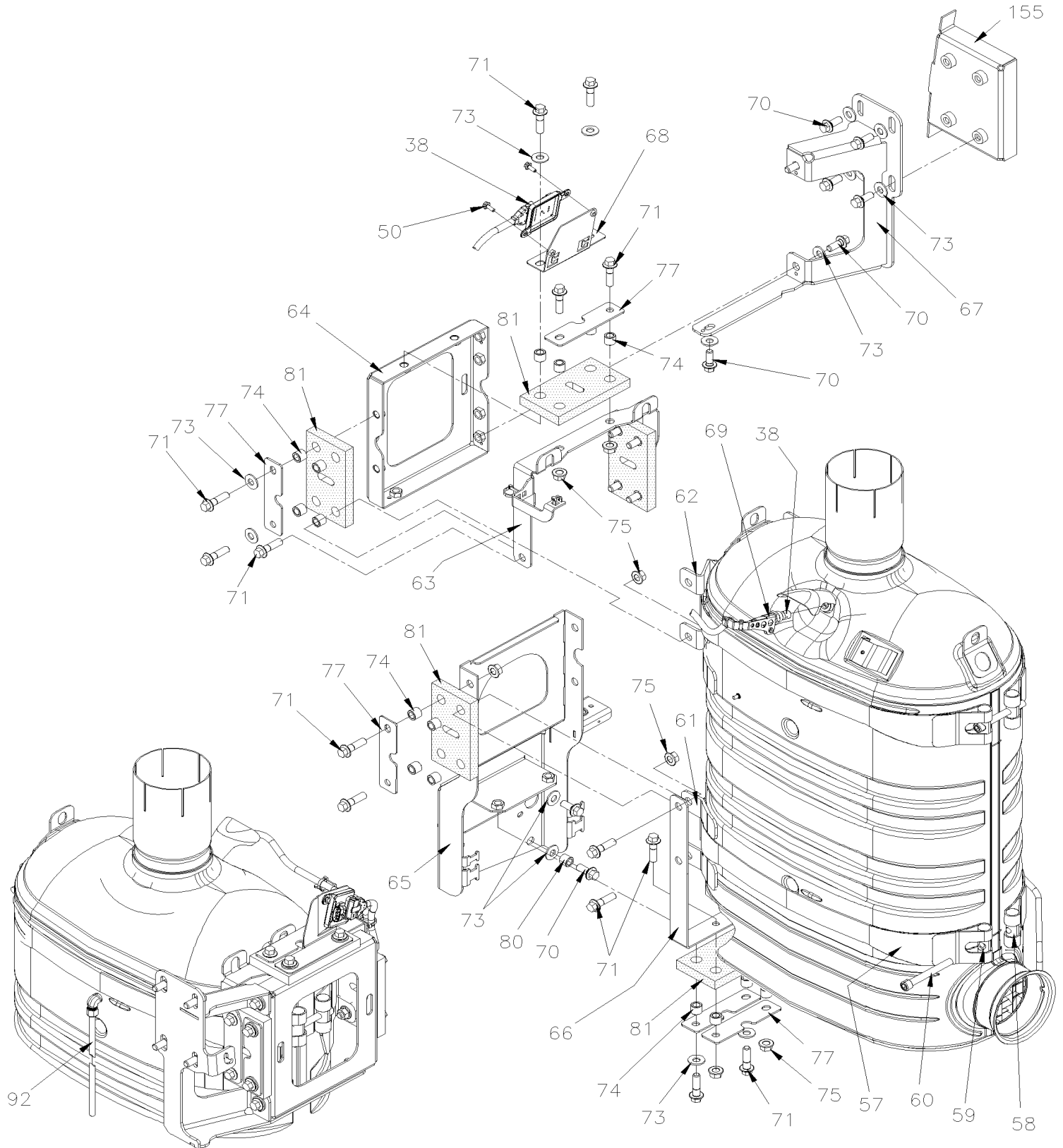


From B-5003 To D-5489

Date:07/2024

PAGE:XV-0405-00

MUFFLER - INSTALLATION WITH DPF & SCR WITH VOLVO D13 WITH "EPA 2010"





From B-5003 To D-5489	Date:07/2024	PAGE:XV-0405-00
MUFFLER - INSTALLATION WITH DPF & SCR WITH VOLVO D13 WITH "EPA 2010"		

Item#	Part	Description	X 3 V I P	X L I I E N T 4 5	N O T E S
1	21060426	V-CLAMP / (USE W GASKET) 4.81" I.D.	1	1	
2	21095721	GASKET	1	1	
3	040651	PIPE, EXHAUST "U"	1	1	
4	21021850	V-CLAMP / (USE W GASKET) 5.91" I.D.	7	7	
5	21095726	GASKET	7	7	
6	540071	BELLOWS - EXHAUST 5" I.D. x 14.49"	1	1	
7	040822	PIPE EXHAUST / INLET	1	1	
8	040823	PIPE EXHAUST / OUTLET	1	1	
9	21403611	SWIRL PIPE	1	1	
10	21575532	NOZZLE UREA TB-129663536-1	1	1	
NS	502622	SCREW CAP HEX M6-1.0x20 SS BK	3	3	
11	540072	BELLOWS - EXHAUST	1	1	
12	040961	INSULATED BLANKET / BELLOW	1	1	
13	040654	INSULATED BLANKET / PIPE TURBO	1	1	
14	040877	INSULATED BLANKET / PIPE DPF INLET	1	1	
15	040960	INSULATED BLANKET / BELLOW	1	1	
16	21512961	INSULATED BLANKET / PIPE SWIRL	1	1	
17	040876	INSULATED BLANKET / PIPE EXHAUST	1	1	
18	504737	CABLE TIE / .300" X 30"1/2	9	9	
19	Refer To Volvo	MUFFLER DPF EXHAUST FILTER	1	1	V
19	067656	HARNESS DPF "VOLVO" To C-5274	1	1	
19	068335	HARNESS DPF "VOLVO" From C-5275 To D-5375	1	1	
19	067825	HARNESS DPF "VOLVO" From D-5376 To D-5459	1	1	
19	068649	HARNESS DPF "VOLVO" From D-5460	1	1	
20	21437514	MUFFLER SCR EXHAUST FILTER	1	1	
. NS	Refer To Volvo	. FOR SERVICE PARTS SEE IMPACT	1	1	V
. NS	Refer To Volvo	. OR CALL ORDER DESK	1	1	V
21	540018	U-CLAMP / (GUILLOTINE TYPE) / 5" I.D.	3	3	
22	040761	ATTACHMENT DPF VOLVO	1	1	
23	040868	ATTACHMENT DPF VOLVO	1	1	
24	040837	SUPPORT DPF VOLVO	1	1	
25	040764	ATTACHMENT SUPPORT DPF VOLVO	1	1	
26	040950	SUPPORT CABLE DPF To D-5459	1	1	
26	040975	SUPPORT CABLE DPF From D-5460	1	1	
27	040762	ATTACHMENT DPF VOLVO UPPER MIDDLE	1	1	
28	21462547	CLAMP SUPPORT ASSY To D-5394	2	2	
. A	5001801	. SCREW CAP HEXF M10-1.5x55 G10.9 N500 To D-5394	1	1	
. B	540085	. SPACER / HALF MOON SHAPE To D-5394	2	2	
. C	540086	. SPACER / ANVIL SHAPE To D-5394	1	1	
. D	5001758	. NUT HEX STO M10-1.5 N500 To D-5394	1	1	
28	040986	CLAMP SUPPORT ASSY From D-5395	2	2	
28A	5001801	SCREW CAP HEXF M10-1.5x55 G10.9 N500 From D-5395	AR	AR	



From B-5003 To D-5489	Date:07/2024	PAGE:XV-0405-00
MUFFLER - INSTALLATION WITH DPF & SCR WITH VOLVO D13 WITH "EPA 2010"		

Item#	Part	Description	X 3 V I P	X L I I E N T 4 5	N O T E S
28B	540085	SPACER / HALF MOON SHAPE From D-5395	AR	AR	
28C	540086	SPACER / ANVIL SHAPE From D-5395	AR	AR	
28D	5001758	NUT HEX STO M10-1.5 N500 From D-5395	AR	AR	
29	040763	ATTACHMENT DPF VOLVO UPPER MIDDLE	1	1	
30	040910	SUPPORT CABLE DPF	1	1	
31	21164414	SENSOR TEMPEARATURE "T2"	1	1	
32	21346959	SENSOR "NOX" / DPF FILTER To B-5002	1	1	
32	21479638	SENSOR "NOX" / DPF FILTER From B-5003 To B-5049	1	1	
32	21567764	SENSOR "NOX" / DPF FILTER From B-5050 To D-5376	1	1	
32	21636091	SENSOR "NOX" / DPF FILTER From D-5377	1	1	
33	21126692	SENSOR TEMPEARATURE "T3"	1	1	
34	040911	PIPE, DP HIGH PRESSURE	1	1	
35	040912	PIPE, DP LOW PRESSURE	1	1	
36	20451992	SENSOR DIFFERENTIAL PRESSURE To D-5459	1	1	
36	21403962	SENSOR PRESSURE "DELTA" From D-5460	1	1	
36	040096	KIT SENSOR PRESSURE DPF From D-5460	1	1	
37	21225020	SENSOR TEMPEARATURE "T1"	1	1	
38	21346963	SENSOR "NOX" / SCR FILTER To B-5002	1	1	
38	21479637	SENSOR "NOX" / SCR FILTER From B-5003 To B-5049	1	1	
38	21567763	SENSOR "NOX" / SCR FILTER From B-5050 To D-5376	1	1	
38	21636088	SENSOR "NOX" / SCR FILTER From D-5377 To D-5459	1	1	
38	22014032	SENSOR "NOX" / SCR FILTER From D-5460	1	1	
40	564108	SELF MOUNTING STUD // DEUTSCH 1011-310-0205	3	3	
41	8631155	CABLE TIE / 4.6MM x 200 / CHRISTMAS TREE	5	5	
42	5001146	SCREW CAP HEX M5-0.8x20 SS BK To D-5459	2	2	
42	5001730	SCREW CAP HEXF M6-1.0x16 G10.9 N500 From D-5460	1	1	
43	500804	WASHER FL .203x.500x.047 N500 To D-5459	2	2	
44	040917	HOSE 1/4" To D-5459	1	1	
44	040977	HOSE 1/4" From D-5460	1	1	
44	503776	HOSE SILICONE 1/4" I.D. x 10' / S.L.	AR	AR	
45	21283793	SPRING HOSE CLAMP 5/16"	2	2	
46	040915	HOSE 5/16" To D-5459	1	1	
46	040976	HOSE 5/16" From D-5460	1	1	
46	503775	HOSE SILICONE 5/16" I.D. x 10' / S.L.	AR	AR	
47	21283796	SPRING HOSE CLAMP 1/4"	2	2	
48	040916	J-HOOK / M6-1.0 x 33 SS	2	2	
49	502854	NUT HEX M6-1.0 N500	2	2	
50	5001730	SCREW CAP HEXF M6-1.0x16 G10.9 N500	11	11	
51	5001833	WASHER BEL SPR 6.1x18x1.27 SS	9	9	
52	504637	CABLE TIE / 3/16" x 13"	7	7	
53	21468325	CABLE SUPPORT	1	1	
54	504013	TIE MOUNT / 1/4" X 1/4" I.D.	3	3	



From B-5003 To D-5489	Date:07/2024	PAGE:XV-0405-00
MUFFLER - INSTALLATION WITH DPF & SCR WITH VOLVO D13 WITH "EPA 2010"		

Item#	Part	Description	X 3 V I P	X L I I E N T 4 5	N O T E S
55	502817	SCREW MA PAN PH M6-1.0x16 N500	1	1	
56	5001815	SCREW CAP HEXF M6-1.0x30 G 8.8 N500	3	3	
57	21282895	STRAP SCR	4	4	
58	21321221	BAR THREAD SCR	4	4	
59	20974254	BAR ROUND SCR	4	4	
60	509892	SCREW CAP HEXS M12-1.75x100 G8.8 N500	4	4	
61	040786	ATTACHMENT, LOWER, SCR VOLVO	2	2	
62	040855	ATTACHMENT, UPPER, SCR VOLVO	1	1	
63	040782	BRACKET "U" SHAPE, UPPER, SCR VOLVO	1	1	
64	040818	SUPPORT ASSY, UPPER, SCR VOLVO	1	1	
65	040854	SUPPORT ASSY, LOWER, SCR VOLVO	1	1	
66	040817	BRACKET "U" SHAPE, LOWER, SCR VOLVO	1	1	
67	040816	SUPPORT "C" SHAPE ASSY, UPPER, SCR VOLVO	1	1	
68	040883	SUPPORT, SENSOR, SCR VOLVO	1	1	
69	040959	GUIDE, WIRING	2	2	
NS	502799	SCREW CAP HEX M4-0.7X16 G8.8 N500	2	2	
NS	502556	WASHER FL 4.3x9.0x0.8 SS	2	2	
NS	504637	CABLE TIE / 3/16" x 13"	4	4	
70	5001726	SCREW CAP HEXF M12-1.75x30 G10.9 N500 To C-5133	27	27	
70	5001866	SCREW CAP HEX M12-1.75x30 G10.9 N500 From C-5134	27	27	
71	5001338	SCREW CAP HEX M12-1.75x45 G10.9 N500	24	24	
72	5001861	SCREW CAP HEX M12-1.75x60 G10.9 N500	8	8	
73	500967	WASHER BEL SPR .512x1.142x.098 N500	35	35	
74	040680	SPACER 3/4" O.D. X 16MM SS To B-9973	46	46	
74	040937	SPACER 3/4" O.D. X 16MM ST From B-9974	46	46	
75	5001774	NUT HEXF STO M12-1.75 MAGNI G500	30	30	
76	21138255	PLATE ATTACHMENT 120MM X 40MM	9	9	
77	040783	PLATE ATTACHMENT 120MM X 40MM	7	7	
78	040844	PLATE ATTACHMENT 120MM X 34MM / W/2 M12-1.75x40	1	1	
79	21120785	MUFFLER CONNECTION RUBBER 135MM x 93MM	5	5	
80	040936	SPACER 4MM O.D. X 12MM ST	2	2	
81	040787	MUFFLER CONNECTION RUBBER 170MM x 93MM	6	6	
82	040953	GRILLE PROTECTOR OVER DFP	1	1	
83	040861	CABLE SUPPORT	2	2	
84	5001774	NUT HEXF STO M12-1.75 MAGNI G500	2	2	
85	500211	WASHER FL .531x1.250x.125 N500	2	2	
87	20565546	PLUG / DPF	1	1	
88	947625	SEAL COPPER / DPF	1	1	
92	040965	HOSE DRAIN SCR	1	1	
95	640873	MALE CONNECTOR / AB FITTING / #8x1/2NPT-M BR	1	1	
96	040863	PIPE DRAIN	1	1	
97	504230	HOSE CLAMP / 3/8"-7/8" SS / HS-6	2	2	



From B-5003 To D-5489	Date:07/2024	PAGE:XV-0405-00
MUFFLER - INSTALLATION WITH DPF & SCR WITH VOLVO D13 WITH "EPA 2010"		

Item#	Part	Description	X 3 V I P	X L I I E N T 4 5	N O T E S
101	040856	ANGLE PIPE SUPPORT	1	1	
102	21589669	SUPPORT EXHAUST PIPE	1	1	
103	040952	SUPPORT PIPE	1	1	
104	040664	SUPPORT PRIMARY / EXHAUST PIPE	1	1	
105	040659	SUPPORT SECONDARY / EXHAUST PIPE To B-5049	1	1	
105	040969	SUPPORT SECONDARY / EXHAUST PIPE From B-5050	1	1	
106	040815	SUPPORT EXHAUST PIPE	1	1	
110	5001595	SCREW CAP HEXF M10-1.5x60 G8.8 G500	2	2	
111	500261	WASHER FL .390x1.500x.083 N500	4	4	
112	505217	SPACER 7/16" X 1 1/4"	2	2	
113	661074	BUSHING / RUBBER 3/4" x 5/8" I.D.	4	4	
114	5001727	NUT HEXF NYRT M10-1.5 N500	3	3	
115	502804	SCREW CAP HEX M10-1.5x25 G8.8 N500	1	1	
116	5001834	WASHER BEL SPR 10.5X23X2.5 N500	4	4	
117	040627	WASHER FL 10.5x54x11GA SS	1	1	
118	5001644	SCREW CAP HEXF M10-1.5x30 G8.8 G500	6	6	
119	5001745	SCREW CAP HEX M8-1.25x25 G8.8 N500	3	3	
120	5001740	NUT HEX STO M8-1.25 N500	2	2	
121	500401	WASHER FL .343x.875x.125 N500	6	6	
129	040821	PIPE 5" O.D. X 304MM	1	1	
130	21603076	DIFFUSOR ASSY	1	1	
NS	041139	KIT, REPLACEMENT SHUTTER OF DIFFUSOR	1	1	
131	540067	CLAMP BAND SEAL / LAP JOINT / 5" I.D.x1.25"	2	2	
132	21139384	GRILL DIFFUSOR	1	1	
133	21139388	PLATE "WARNING" THIS DIFFUSOR MUST BE FLUSH..	1	1	
134	5001684	NUT HEX CAP M6-1.0 SS	10	10	
135	502573	WASHER FL 6.4x12.5x1.6 SS	10	10	
136	479306	GRILL ROOF	1	1	
137	500952	SCREW TP BDG PH #8x1/2 SS	10	10	
140	040821	PIPE 5" O.D. X 304MM	1	1	
141	040706	KIT EXTENSION DIFFUSOR / 9"	1	1	
. NS	040648	. EXTENTION DIFFUSOR / 9"	1	1	
. NS	040671	. PROTECTOR GRILL EXTENTION / 9"	1	1	
. NS	5001684	. NUT HEX CAP M6-1.0 SS	10	10	
. NS	502573	. WASHER FL 6.4x12.5x1.6 SS	10	10	
141	040707	KIT EXTENSION DIFFUSOR / 6 5/8"	1	1	
. NS	040677	. EXTENTION DIFFUSOR / 6 5/8"	1	1	
. NS	040679	. PROTECTOR GRILL EXTENTION / 6 5/8"	1	1	
. NS	5001684	. NUT HEX CAP M6-1.0 SS	10	10	
. NS	502573	. WASHER FL 6.4x12.5x1.6 SS	10	10	
142	502854	NUT HEX M6-1.0 N500	10	10	
143	500877	WASHER FL .250x.562x.065 N500	10	10	



From B-5003 To D-5489	Date:07/2024	PAGE:XV-0405-00
MUFFLER - INSTALLATION WITH DPF & SCR WITH VOLVO D13 WITH "EPA 2010"		

Item#	Part	Description	X 3 V I P	X L I E N T 4 5	N O T E S
145	503702	HOSE / (SAFETY STRIPE) / 3/8" I.D. 50' / S.L.	AR	AR	
NS	053008	RESTRICTION / ALU. TUBE 20MM X 9.05MM O.D. W/3.05MM HOLE	1	1	
146	20805110	QUICK CONNECTOR 90° 10MM	2	2	
147	992081	HOSE CLAMP / 12MM/22MM	2	2	
148A	506205	PIPE INSULATING / 5/8" I.D. X 1/2" TH. X 72 / SPLIT ADHESIVE	AR	AR	
148B	957022	TAPE ELASTOMERIC 1/8" X 2" X 30"	AR	AR	
149A	504637	CABLE TIE / 3/16" x 13"	AR	AR	
150	040909	HOSE HEATED ASSY 9300MM To B-5049	1	1	
. NS	N8902118	. CONNECTOR CLIP - 5/16" To B-5049	2	2	
150	040949	HOSE HEATER ASSY 5775MM From B-5050	1	1	
. NS	N8902118	. CONNECTOR CLIP - 5/16" From B-5050	2	2	
150	IS14152	UREA HOSE REPLACEMENT 6MM TO 4MM FIRST REPLACMENT	1	1	
. NS	041123	. HOSE HEATER ASSY 6200MM	1	1	
. . NS	N8902118	. . CONNECTOR CLIP - 5/16"	2	2	
. NS	502638	. WASHER FL .312x.734x.065 N500	5	5	
. NS	504534	. GROMMET / .875x1.250x.187x.562x1.625	2	2	
. NS	504610	. RIVET MGLP PRDG 1/4x5/8 SS	5	5	
. NS	504637	. CABLE TIE / 3/16" x 13"	10	10	
. NS	506205	. PIPE INSULATING / 5/8" I.D. X 1/2" TH. X 72 / SPLIT ADHESIVE	2	2	
. NS	507383	. TIE MOUNT HOLE 3/8"	5	5	
. NS	507664	. CABLE TIE / 3/16" 11" / DOUBLE LOOP HEAD	10	10	
. NS	5001113	. NUT HEX JAM NYRT 5/16-18	5	5	
. NS	N32553	. SCREW CAP HEX 5/16-18x3/4 FT SS	5	5	
. NS	IS-14152	. SEE INSTRUCTION SHEET	1	1	
150	XV-0410-00	UREA RESERVOIR ASSY			
152	218498	ATTACHMENT, MIDDLE, DPF VOLVO	1	1	
153	216753	ATTACHMENT, DPF VOLVO / CURBSIDE	1	1	
154	216752	ATTACHMENT, DPF VOLVO / STREET SIDE	1	1	
155		POST ATTACHMENT, UPPER, SCR VOLVO	1	1	
155	Call order desk	POST ATTACHMENT, UPPER, SCR VOLVO To D-5299	1	1	P
155	Call order desk	POST ATTACHMENT, UPPER, SCR VOLVO From D-5300	1	1	P
156	218503	ATTACHMENT, SUPPORT EXHAUST PIPE	1	1	
		P) CALL ORDER DESK FOR SPECIFIC APPLICATION (V.I.N.)			
		V) SEE IMPACT OR CALL ORDER DESK			
		V) SEE IMPACT OR CALL ORDER DESK			

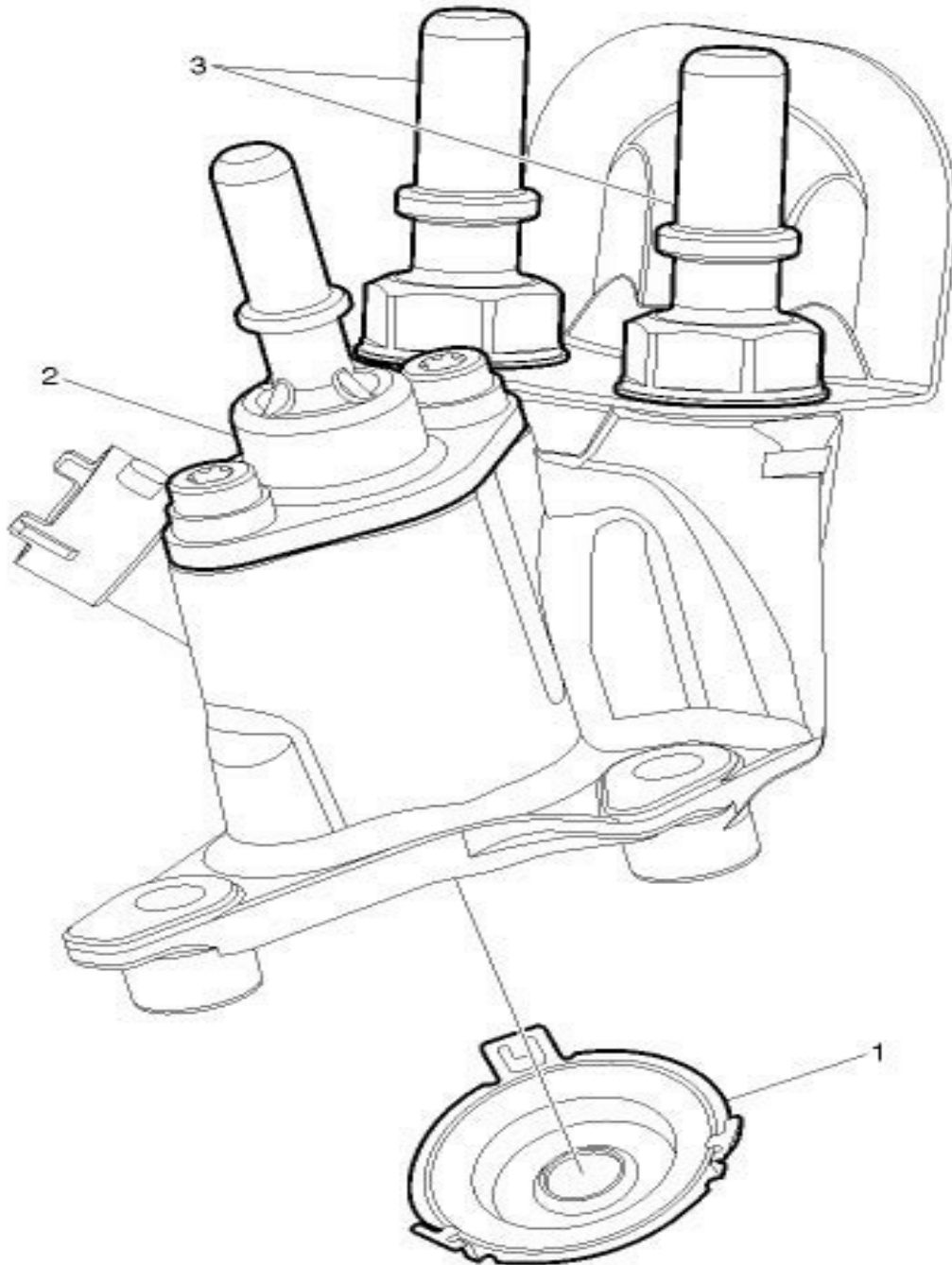


From B-5003 To D-5489

Date:07/2024

PAGE:21575532

NOZZLE UREA TB-129663536-1



R1045156



From B-5003 To D-5489	Date:07/2024	PAGE:21575532
-----------------------	--------------	---------------

NOZZLE UREA TB-129663536-1

Item#	Part	Description	X 3 V I P	X L I I E N T 4 5	N O T E S
1	21376801	SEALING PLATE	1	1	
2	21377177	CONNECTOR UREA TB-128633728-1	1	1	
3	21376813	CONNECTOR COOLING	1	1	

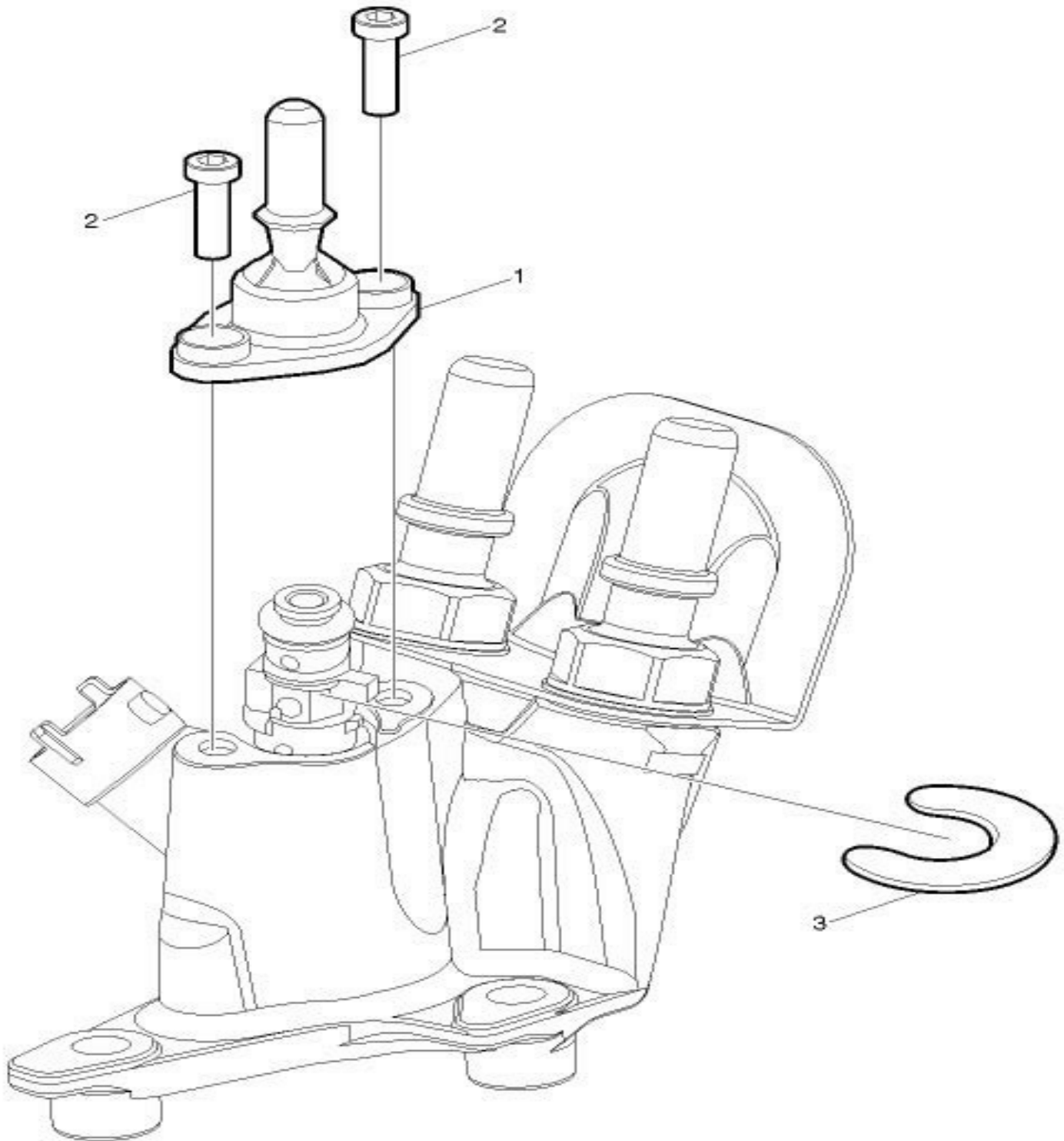


From B-5003 To D-5489

Date:07/2024

PAGE:21377177

CONNECTOR UREA TB-128633728-1



R1045189



From B-5003 To D-5489	Date:07/2024	PAGE:21377177
CONNECTOR UREA TB-128633728-1		

Item#	Part	Description	X 3 V I P	X L I I E N T 4 5	N O T E S
1	N.S.S.	VALVE HOLDER			1
2	N.S.S.	SCREW SOCKET			1
3	N.S.S.	HOLDING PLATE			1
		1) NOT SOLD SEPARATELY			

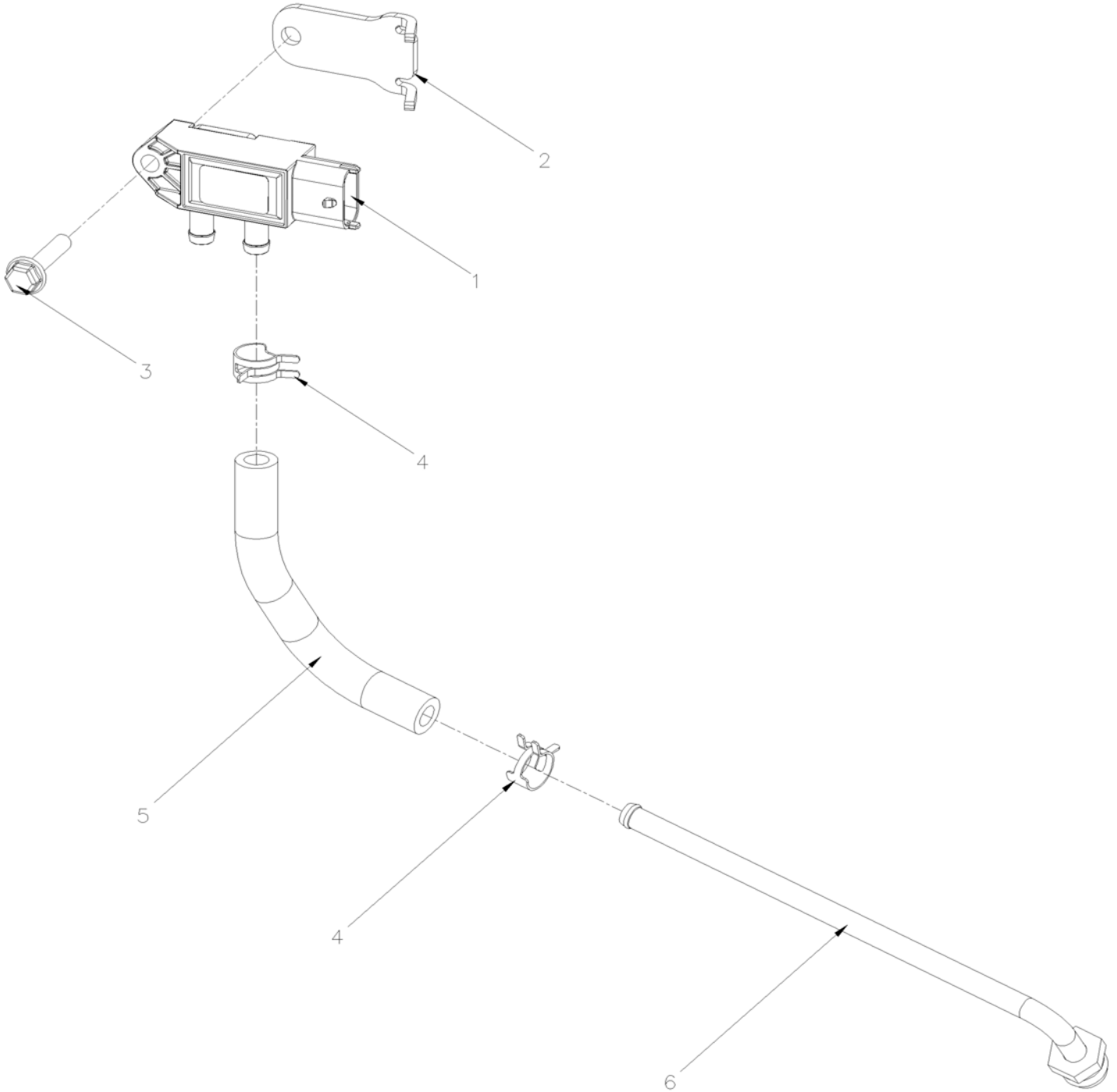


From D-5460

Date:07/2024

PAGE:040096

KIT SENSOR PRESSURE DPF





From D-5460	Date:07/2024	PAGE:040096
KIT SENSOR PRESSURE DPF		

Item#	Part	Description	X 3 V I P	X L I I E N T 4 5	N O T E S
1	23488881	SENSOR PRESSURE "DELTA"	1	1	
2	040097	SPACER, FOR SENSOR OF PRESSURE	1	1	
3	5001815	SCREW CAP HEXF M6-1.0x30 G 8.8 N500	1	1	
4	21283793	SPRING HOSE CLAMP 5/16"	2	2	
5	040914	HOSE	1	1	
6	040093	PIPE, DP LOW PRESSURE	1	1	

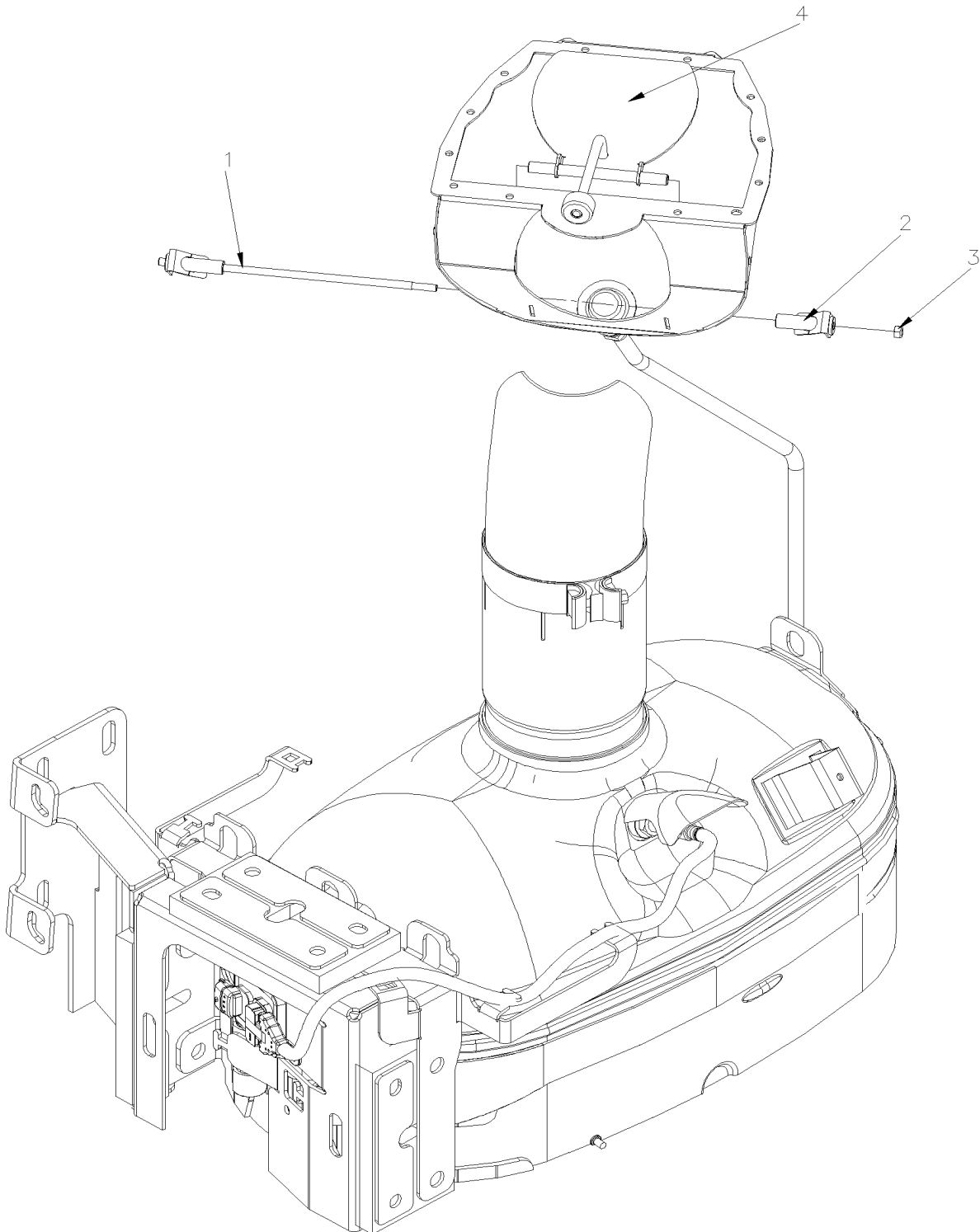


From B-5003 To D-5489

Date:07/2024

PAGE:041139

KIT, REPLACEMENT SHUTTER OF DIFFUSOR





From B-5003 To D-5489	Date:07/2024	PAGE:041139
-----------------------	--------------	-------------

KIT, REPLACEMENT SHUTTER OF DIFFUSOR

Item#	Part	Description	X 3 V I P	X L I I E N T 4 5	N O T E S
1	041137	PIVOT, LATERAL, ASSY	1	1	
2	041134	PIVOT, LATERAL, ASSY	1	1	
3	502860	NUT HEX STO M6-1.0 N500	1	1	
4	041130	SHUTTER ASSY	1	1	

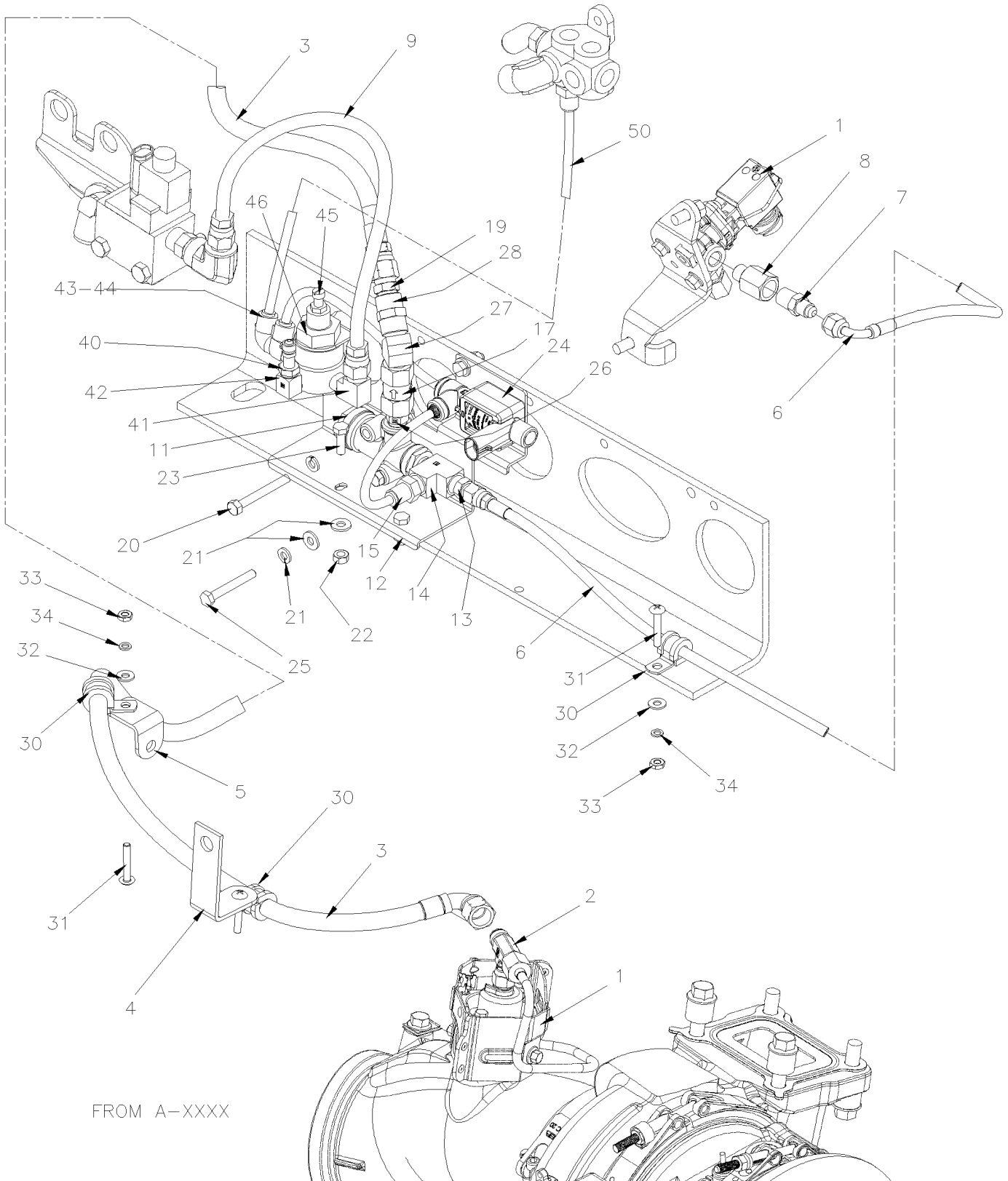


From B-5003 To B-5088

Date:07/2024

PAGE:XV-0405-10

7TH INJECTOR / EXHAUST VOLVO D13





From B-5003 To B-5088	Date:07/2024	PAGE:XV-0405-10
7TH INJECTOR / EXHAUST VOLVO D13		

Item#	Part	Description	X 3 V I P	X L I E N T 4 5	N O T E S
1	Refer To Volvo	SEE IMPACT OR CALL ORDER DESK	1	1	V
2	21226456	CHECK VALVE	1	1	
3	143025	HOSE ASSY TEFLON #6 1524MM	1	1	
4	143024	ANGLE SUPPORT 75x50	1	1	
NS	946173	SCREW CAP HEXF M8-1.25x20	1	1	
NS	507637	SCREW CAP HEXF M8-1.25x20 G10.9 PHC	1	1	
5	142893	ANGLE SUPPORT 34x32	1	1	
6	143023	HOSE ASSY TEFLON #4 820MM	1	1	WB
6	142806	HOSE ASSY TEFLON #4 1500MM	1	1	
NS	501332	STREET ELBOW 90° / PIPE FITTING / 1/4NPT-Mx1/4NPT-F BR	1	1	
7	501027	MALE CONNECTOR / SAE 45° FITTING / #4FL-Mx1/4NPT-M BR	1	1	
8	5011304	FEMALE CONNECTOR / PIPE @ ORB / 1/4NPT-Fxm12-1.5 ORB-M	1	1	
9	071089	HOSE ASSY TEFLON #6 355MM			
10	Call order desk	VALVE ASSY RV-3 W/SUPPORT	1	1	P
10	Call order desk	VALVE ASSY RV-3 W/SUPPORT	1	1	P
11	21243502	VALVE PRESSURE REDUCER RV-3 / K028993	1	1	
12	143123	SUPPORT VALVE	1	1	
13	501027	MALE CONNECTOR / SAE 45° FITTING / #4FL-Mx1/4NPT-M BR	1	1	
14	501338	MALE RUN TEE / PIPE FITTING / 1/4NPT-Mx1/4NPT-Fx1/4NPT-F BR	1	1	
15	641332	MALE CONNECTOR / PUSH-IN FITTING / #4x1/4NPT-M BR	1	1	
17	640135	VALVE, CHECK 1/4 NPT	1	1	
19	501029	MALE CONNECTOR / SAE 45° FITTING / #6FL-Mx1/4NPT-M BR	1	1	
20	502656	SCREW CAP HEX M6-1.0x50 SS	2	2	
21	502573	WASHER FL 6.4x12.5x1.6 SS	4	4	
21	500877	WASHER FL .250x.562x.065 N500	4	4	
21	502853	WASHER LO SPT 6.1x11.8x1.6 N500	1	1	
22	502860	NUT HEX STO M6-1.0 N500	2	2	
23	502830	SCREW CAP HEX M6-1.0x20 G8.8 N500	3	3	
24	20807261	VALVE SOLONID 3 WAY	1	1	
25	502843	SCREW CAP HEX M6-1.0x45 G8.8 N500	2	2	
26	501321	NIPPLE HEX / PIPE FITTING / 1/4NPT-Mx1/4NPT-Mx1 3/8 BR	1	1	
27	501329	STREET ELBOW 45° / PIPE FITTING / 1/4NPT-Mx1/4NPT-F BR	1	1	
28	501318	COUPLING / PIPE FITTING / 1/4NPT-Fx1/4NPT-F BR	1	1	
NS	952627	CLAMP / 1/2" I.D.	3	3	
30	952625	CLAMP / 3/8" I.D.	3	3	
31	500574	SCREW MA TR PH #10-24x1 1/4 SS	AR	AR	
32	500964	WASHER FL .203x.500x.047 Z050	AR	AR	
33	502570	WASHER LO SPT 6.1x11.8x1.6 SS	AR	AR	
33	500470	WASHER LO SPT .193x.334x.047 Z050	AR	AR	
34	500787	NUT HEX #10-24 SS	AR	AR	
34	500786	NUT HEX #10-24 Z050	AR	AR	



From B-5003 To B-5088	Date:07/2024	PAGE:XV-0405-10
7TH INJECTOR / EXHAUST VOLVO D13		

Item#	Part	Description	X 3 V I P	X L I I E N T 4 5	N O T E S
35	5001241	SCREW MA TR PH #10-24x1/2 SS	AR	AR	
		NEXT ITEMS ARE RELATED WITH			
		TRANSMISSION WITH RETARDER			
40	640488	VALVE, AIR FILL 1/8" NPT	1	1	W
. NS	650164	. CAP VALVE / CHROME	1	1	W
41	641371	MALE ELBOW 90° NON-SWIVEL / PUSH-IN FITTING / #4x1/4NPT-M BR	1	1	W
42	501331	STREET ELBOW 90° / PIPE FITTING / 1/8NPT-Mx1/8NPT-F BR	1	1	W
43	501312	BUSHING REDUCER / PIPE FITTING / 1/4NTP-Mx1/8NPT-F BR	1	1	W
44	642127	MALE ELBOW 90° SWIVEL DUAL PORT / PUSH-IN / #4x#4x1/8NPT-M BR	1	1	W
45	641472	AIR PRESSURE REGULATOR 1/4" NPT / COPPER	1	1	W
46	500734	NUT HEX JAM 3/4-16 Z050	1	1	W
50	503402	TUBE, NYLON 1/4 O.D. / BLACK S.L.	AR	AR	
		W) WITH TRANSMISSION "WORLD"			
		WB) SEE WARRANTY BULLETIN # WB-10-26 AND SCI 10-25 SERVICE CENTER INFORMATION			
		P) CALL ORDER DESK FOR SPECIFIC APPLICATION (V.I.N.)			
		V) SEE IMPACT OR CALL ORDER DESK			

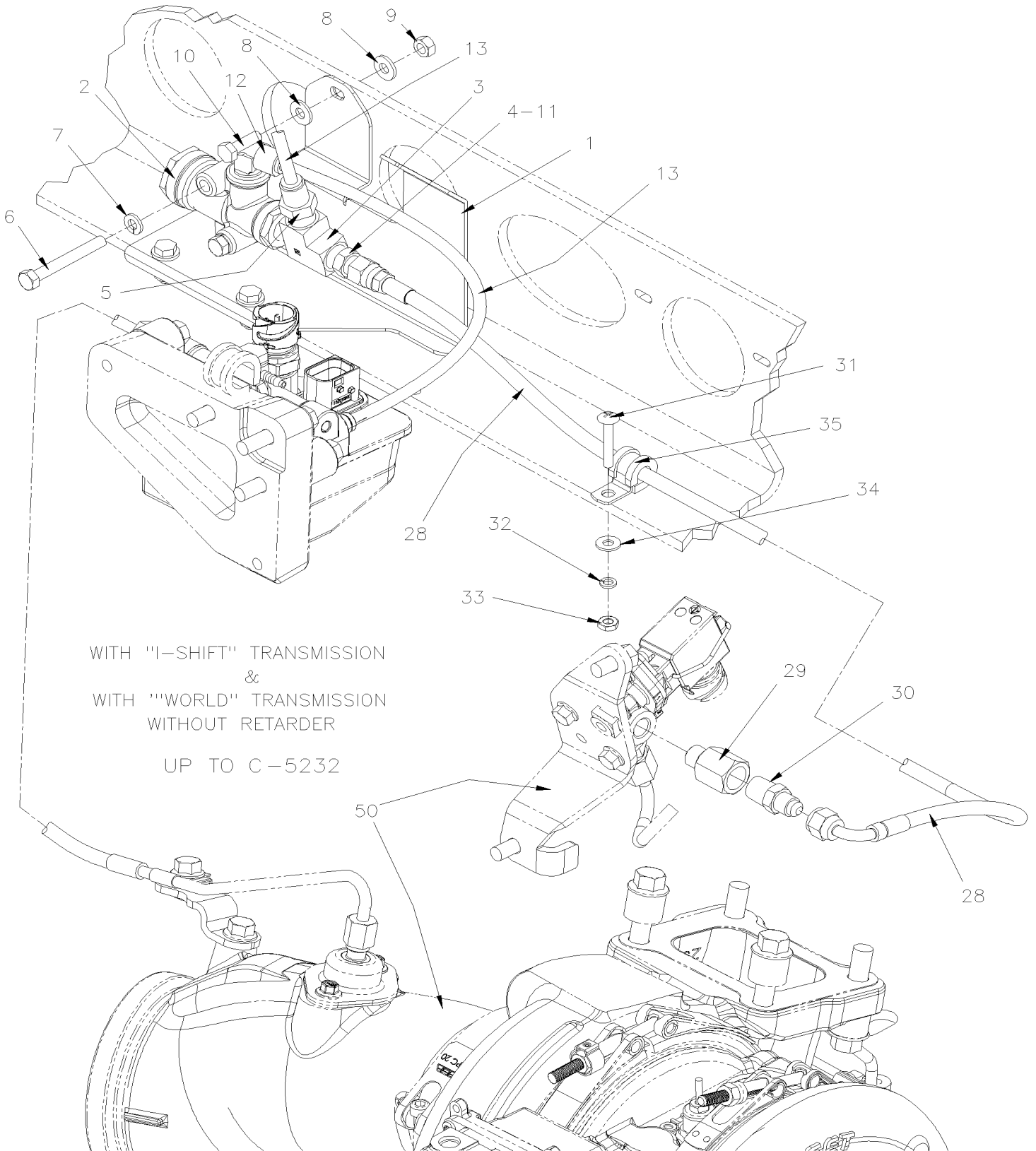


From B-5089 To D-5489

Date:07/2024

PAGE:XV-0405-11

7TH INJECTOR / "AHI" / EXHAUST VOLVO D13



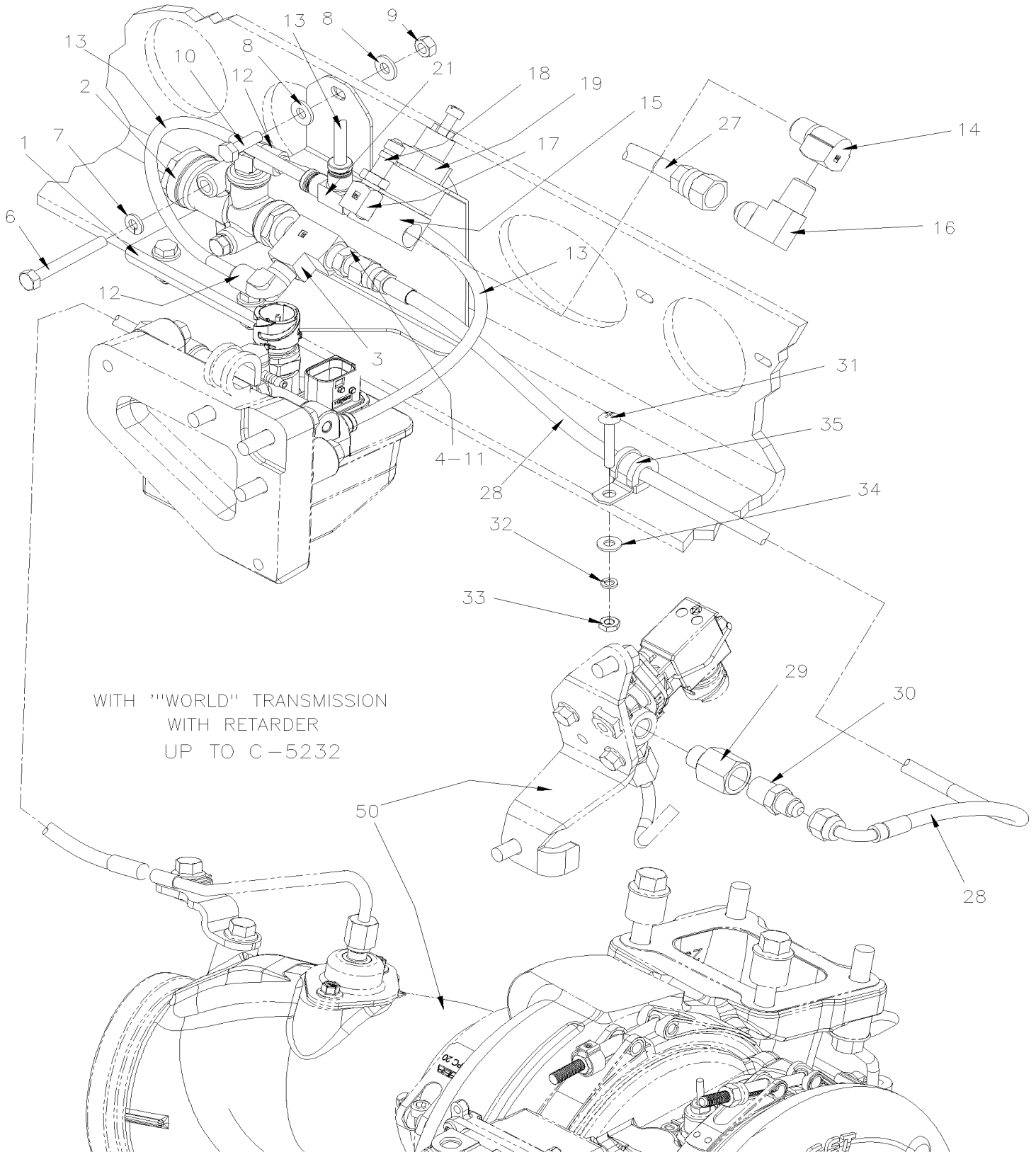


From B-5089 To D-5489

Date:07/2024

PAGE:XV-0405-11

7TH INJECTOR / "AHI" / EXHAUST VOLVO D13



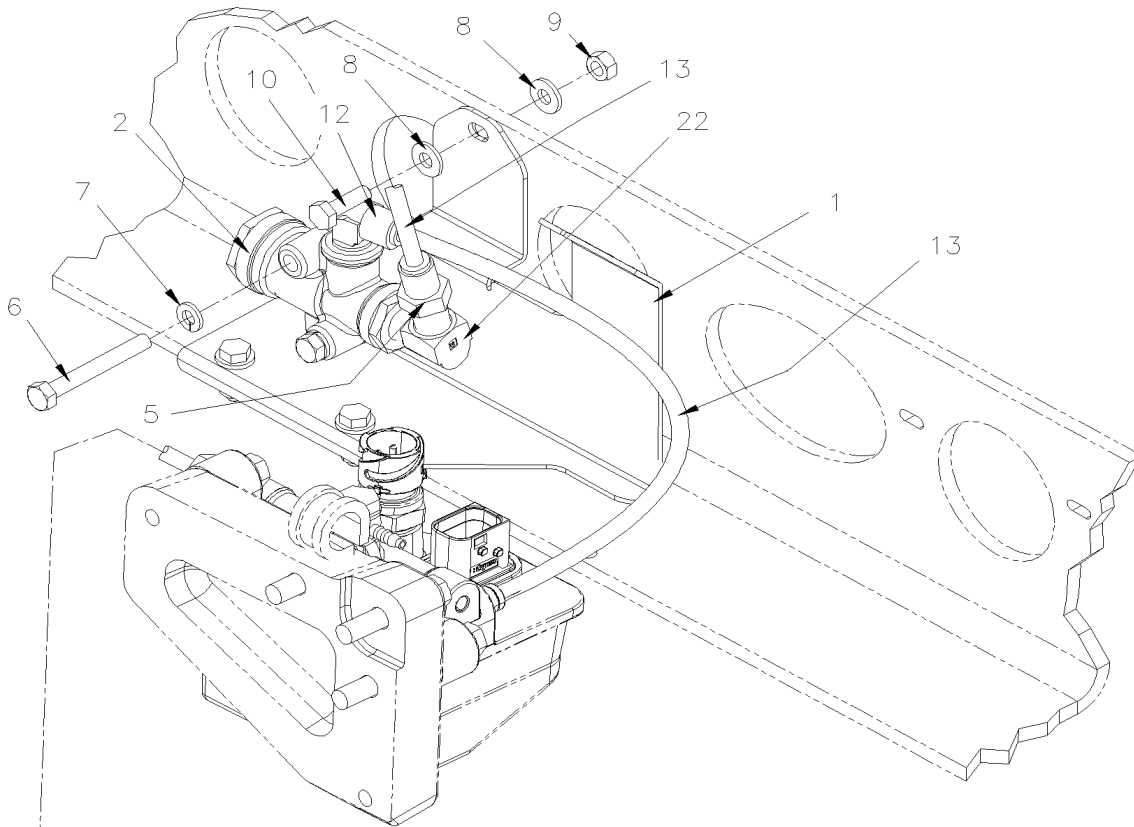


From B-5089 To D-5489

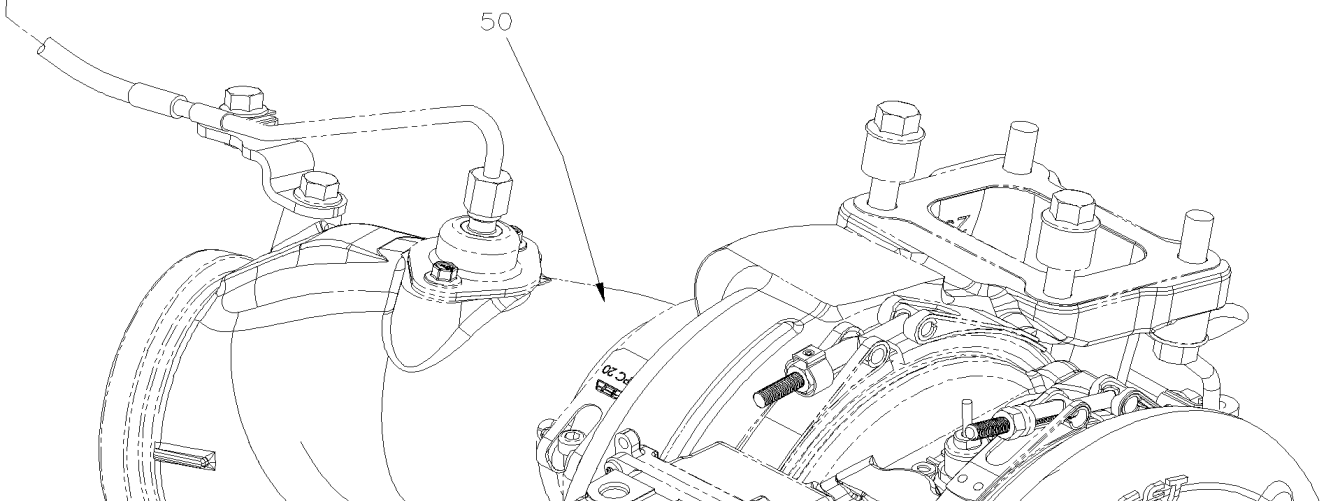
Date:07/2024

PAGE:XV-0405-11

7TH INJECTOR / "AHI" / EXHAUST VOLVO D13



WITH "I-SHIFT" TRANSMISSION
&
WITH "WORLD" TRANSMISSION
WITHOUT RETARDER
FROM C-5233



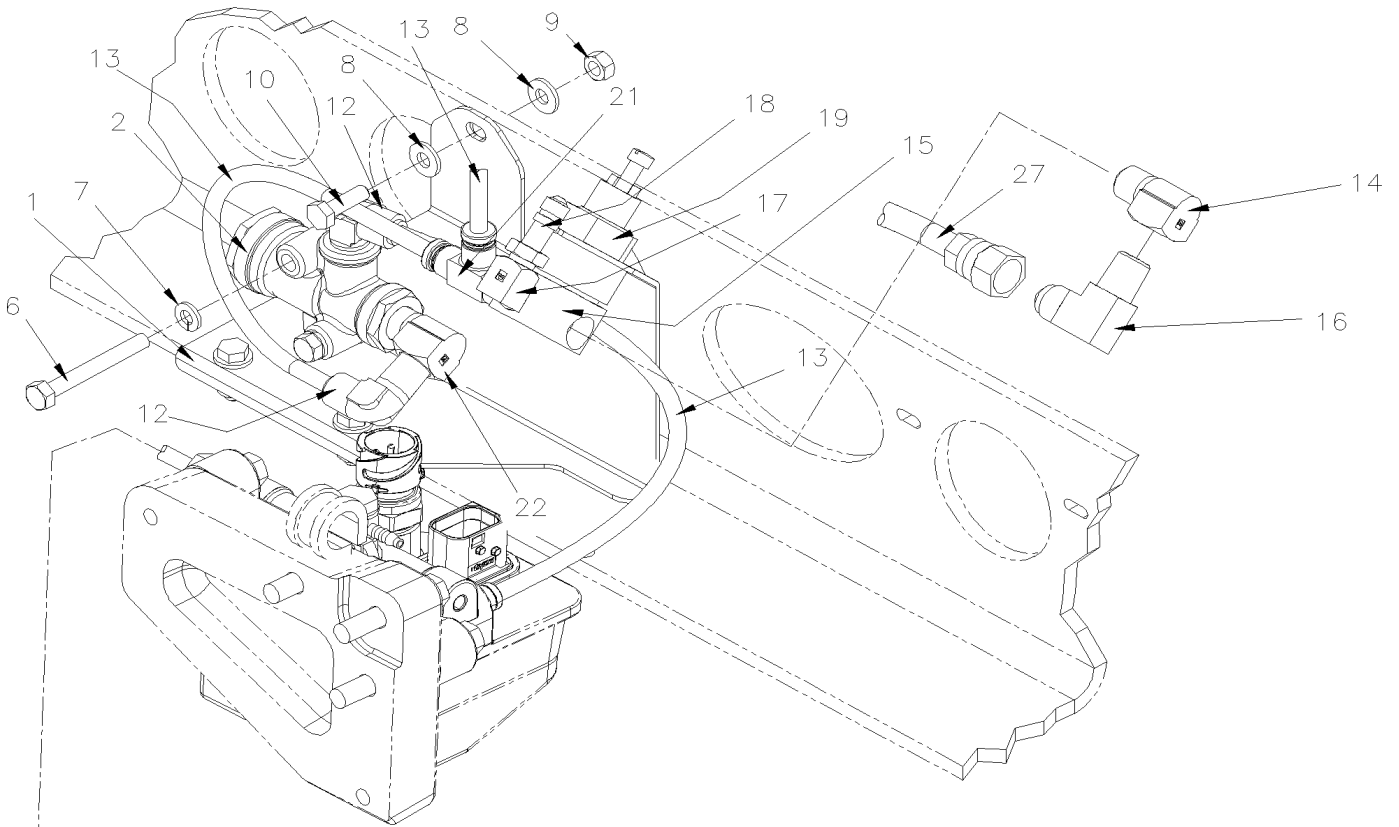


From B-5089 To D-5489

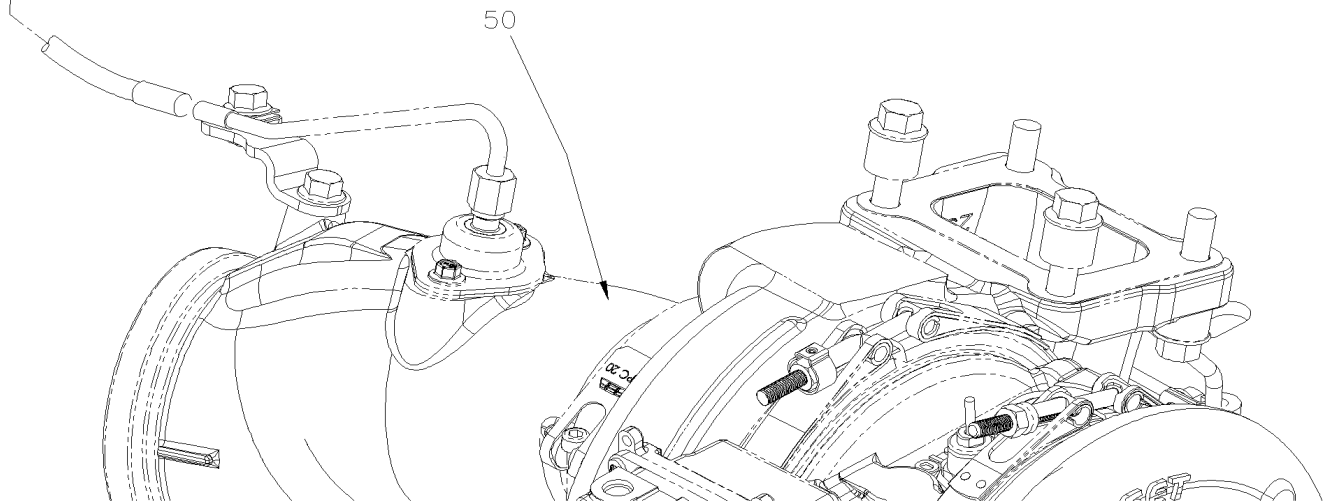
Date:07/2024

PAGE:XV-0405-11

7TH INJECTOR / "AHI" / EXHAUST VOLVO D13



WITH "WORLD" TRANSMISSION
WITH RETARDER
FROM C-5233





From B-5089 To D-5489	Date:07/2024	PAGE:XV-0405-11
7TH INJECTOR / "AHI" / EXHAUST VOLVO D13		

Item#	Part	Description	X 3 V I P	X L I I E N T 4 5	N O T E S
	Call order desk	VALVE ASSY RV-3 W/SUPPORT To C-5232	1	1	PI
	Call order desk	VALVE ASSY RV-3 W/SUPPORT From C-5233	1	1	PI
	Call order desk	VALVE ASSY RV-3 W/SUPPORT To C-5232	1	1	PR
	Call order desk	VALVE ASSY RV-3 W/SUPPORT From C-5233	1	1	PR
1	143243	SUPPORT VALVE	1	1	
2	21243502	VALVE PRESSURE REDUCER RV-3 / K028993	1	1	
3	501338	MALE RUN TEE / PIPE FITTING / 1/4NPT-Mx1/4NPT-Fx1/4NPT-F BR To C-5232	1	1	
4	501027	MALE CONNECTOR / SAE 45° FITTING / #4FL-Mx1/4NPT-M BR	1	1	
5	641956	MALE RUN TEE SWIVEL / PUSH-IN FITTING / #4x#4x1/4NPT-M BR	1	1	I
6	502656	SCREW CAP HEX M6-1.0x50 SS	2	2	
7	502853	WASHER LO SPT 6.1x11.8x1.6 N500	2	2	
8	500877	WASHER FL .250x.562x.065 N500	6	6	
9	502860	NUT HEX STO M6-1.0 N500	3	3	
10	502830	SCREW CAP HEX M6-1.0x20 G8.8 N500	3	3	
11	680098	THREAD SEALANT LOCTITE #567 / WHITE / 250ml	AR	AR	
12	641371	MALE ELBOW 90° NON-SWIVEL / PUSH-IN FITTING / #4x1/4NPT-M BR	1	1	
13	503402	TUBE, NYLON 1/4 O.D. / BLACK S.L.	AR	AR	
14	501332	STREET ELBOW 90° / PIPE FITTING / 1/4NPT-Mx1/4NPT-F BR	1	1	R
15	641472	AIR PRESSURE REGULATOR 1/4" NPT / COPPER	1	1	R
16	501695	MALE ELBOW 90° / JIC 37° FITTING / #6JIC-Mx1/4NPT-M STL	1	1	R
17	501331	STREET ELBOW 90° / PIPE FITTING / 1/8NPT-Mx1/8NPT-F BR	1	1	R
18	640488	VALVE, AIR FILL 1/8" NPT	1	1	R
. NS	650164	. CAP VALVE / CHROME	1	1	R
19	500734	NUT HEX JAM 3/4-16 Z050	1	1	R
21	641956	MALE RUN TEE SWIVEL / PUSH-IN FITTING / #4x#4x1/4NPT-M BR	1	1	R
22	501332	STREET ELBOW 90° / PIPE FITTING / 1/4NPT-Mx1/4NPT-F BR From C-5233	1	1	
27	071658P	HOSE ASSY TEFLON #6 270MM	1	1	
. NS	5011194	. FEMALE CONNECTOR SWIVEL / JIC 37° FITTING / TEFLON / #6JIC-Fx#6 STL	2	2	
. NS	503065	. HOSE TEFLON #6 / S.L.	AR	AR	
28	143023	HOSE ASSY TEFLON #4 820MM	1	1	
29	5011304	FEMALE CONNECTOR / PIPE @ ORB / 1/4NPT-Fxm12-1.5 ORB-M	1	1	
30	501027	MALE CONNECTOR / SAE 45° FITTING / #4FL-Mx1/4NPT-M BR	1	1	
31	500574	SCREW MA TR PH #10-24x1 1/4 SS	3	3	
32	500470	WASHER LO SPT .193x.334x.047 Z050	3	3	
33	500786	NUT HEX #10-24 Z050	3	3	
34	500964	WASHER FL .203x.500x.047 Z050	3	3	
35	952625	CLAMP / 3/8" I.D.	1	1	
NS	Call order desk	KIT RELOCATED VALVE RV-3	1	1	P
50	Refer To Volvo	SEE IMPACT OR CALL ORDER DESK			V



From B-5089 To D-5489	Date:07/2024	PAGE:XV-0405-11
-----------------------	--------------	-----------------

7TH INJECTOR / "AHI" / EXHAUST VOLVO D13

Item#	Part	Description	X 3 V I P	X L I I E N T 4 5	N O T E S
		I) TRANSMISSION WITHOUT RETARDER & TRANSMISSION "I-SHIFT"			
		R) TRANSMISSION WITH RETARDER			
		P) CALL ORDER DESK FOR SPECIFIC APPLICATION (V.I.N.)			
		V) SEE IMPACT OR CALL ORDER DESK			

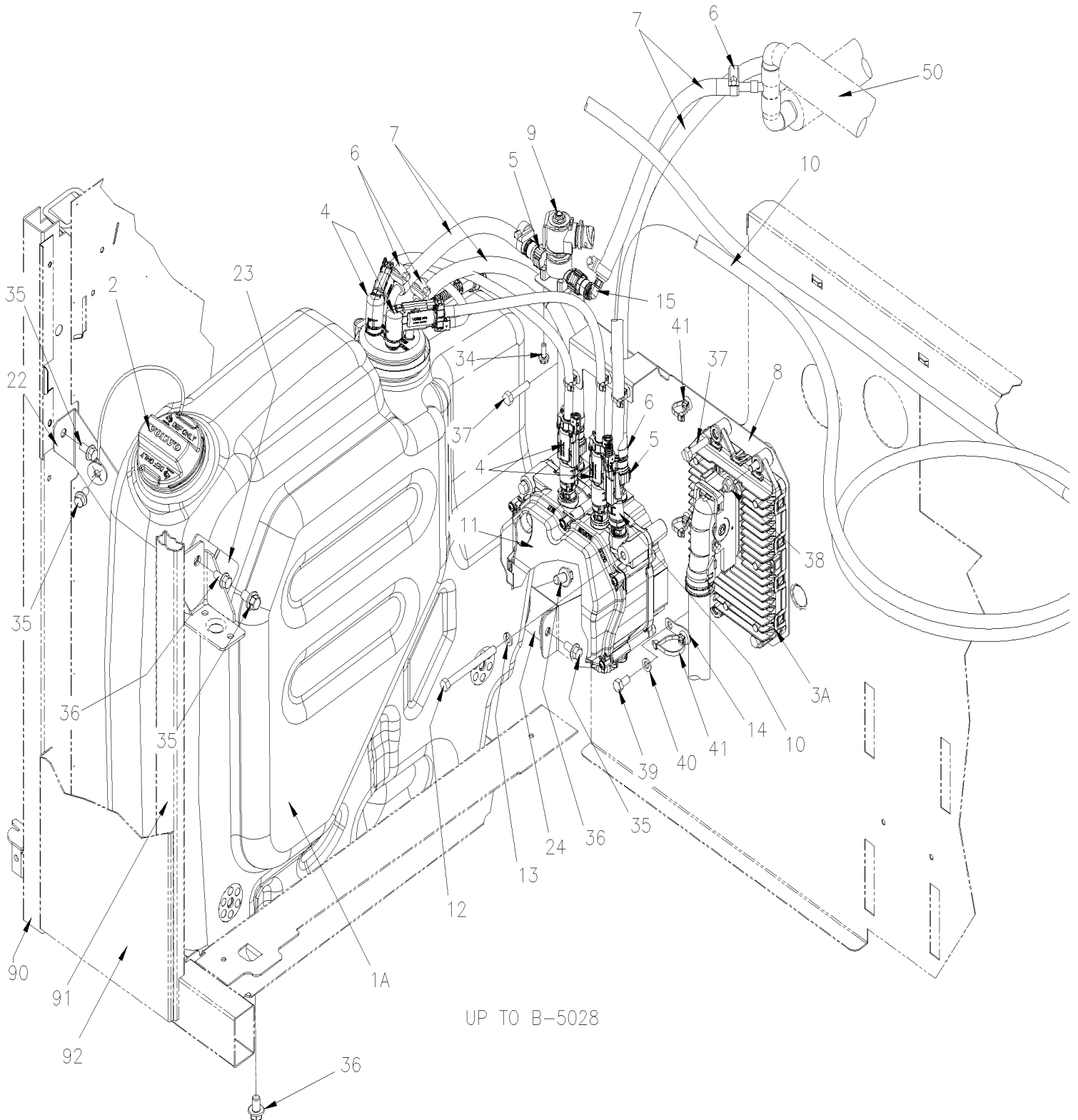


From B-5003 To D-5489

Date:07/2024

PAGE:XV-0410-00

UREA RESERVOIR ASSY



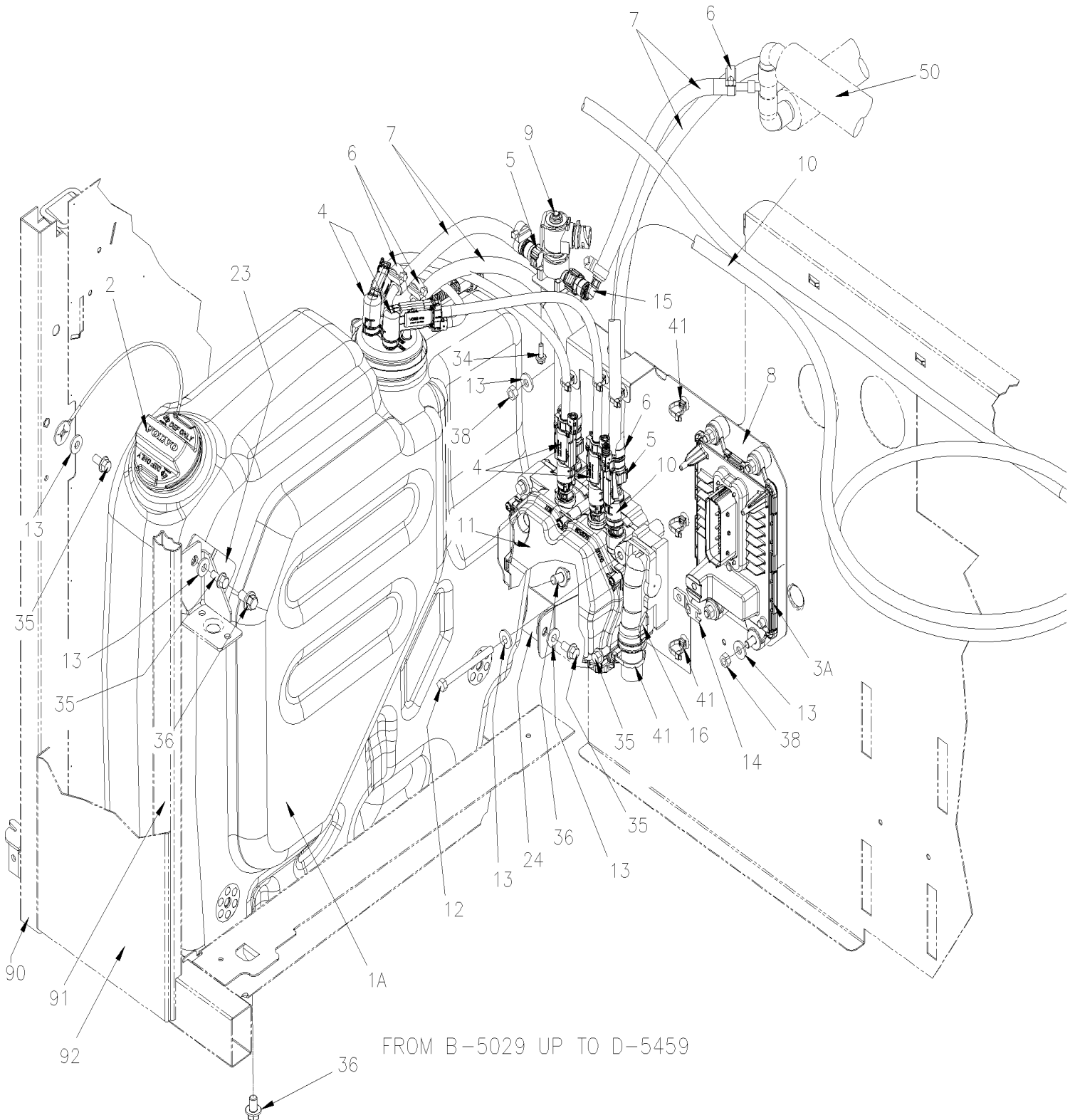


From B-5003 To D-5489

Date:07/2024

PAGE:XV-0410-00

UREA RESERVOIR ASSY



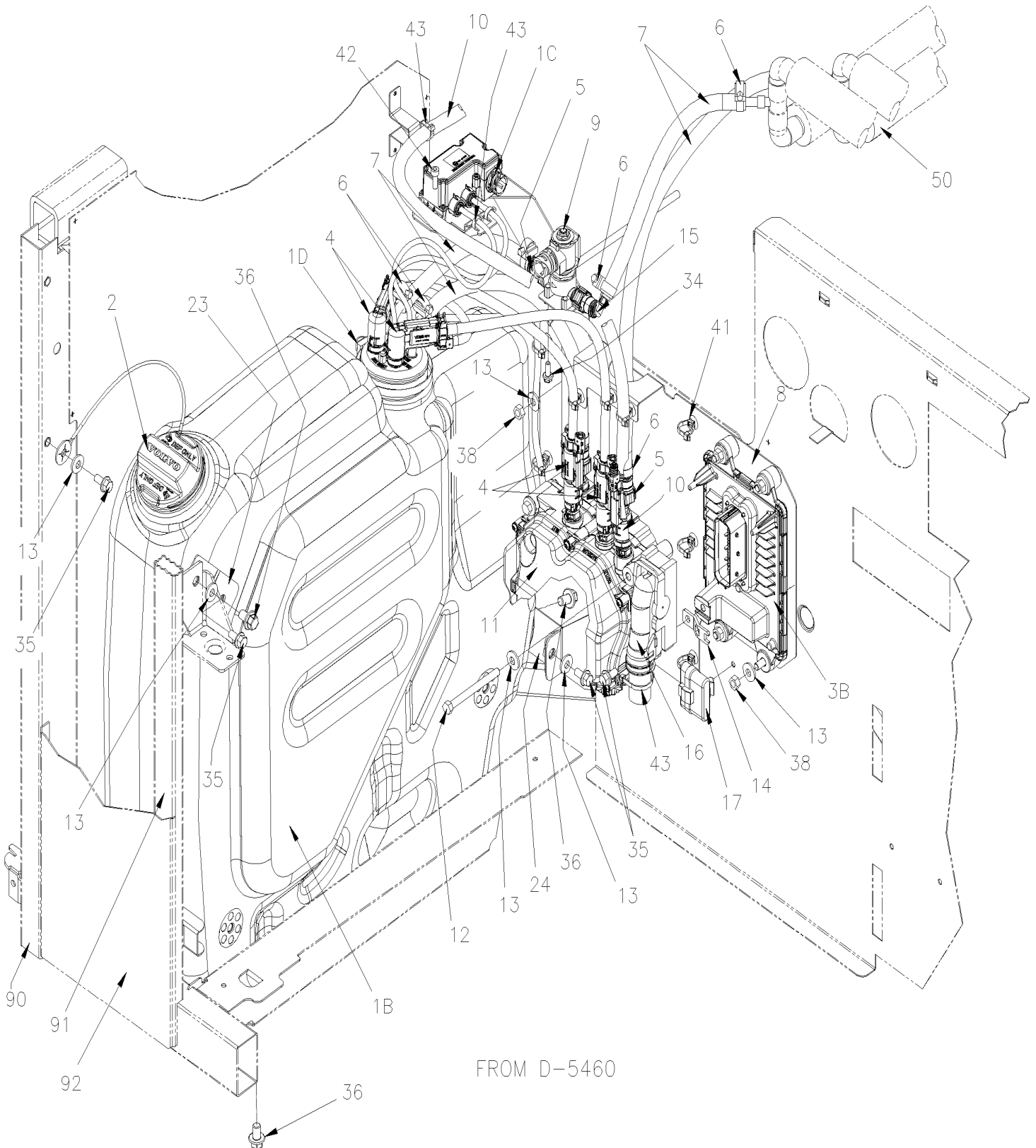


From B-5003 To D-5489

Date:07/2024

PAGE:XV-0410-00

UREA RESERVOIR ASSY





From B-5003 To D-5489	Date:07/2024	PAGE:XV-0410-00
------------------------------	---------------------	------------------------

UREA RESERVOIR ASSY

Item#	Part	Description	X 3 V I P	X L I E N T 4 5	N O T E S
1A	21134658	RESERVOIR UREA 60Liters To C-5287	1	1	
1A	21728142	RESERVOIR UREA 60Liters From C-5288 To D-5459	1	1	
1B	21967924	RESERVOIR UREA 60Liters From D-5460	1	1	
1C	22073036	HEATER AND SENSOR From D-5460	1	1	
1D	992091	HOSE CLAMP / 80MM/100MM From D-5460	1	1	
NS	685328	UREA 2 GALLONS US	AR	AR	
NS	685329	UREA 55 GALLONS US	AR	AR	
NS	680753	UREA 1250 LITER SQ	AR	AR	
2	21148722	CAP FILLER UREA	1	1	
2	21148725	CAP FILLER UREA / WITH LOCK	1	1	
3A	21063597	UNIT CONTROL "ACM" To D-5459	1	1	
3B	21870087	UNIT CONTROL "ACM" From D-5460	1	1	
4	040901	HOSE HEATER ASSY "H" STYLE	1	1	
. NS	540089	. CONNECTOR CLIP - 3/8"	3	3	
. NS	N8902118	. CONNECTOR CLIP - 5/16"	1	1	
4	504751	ROTATIF SPACER DOUBLE / SMALL From D-5460	1	1	
4	504637	CABLE TIE / 3/16" x 13" From D-5460	2	2	
4	504768	CABLE TIE / 3/16" 14.7" / DOUBLE LOOP HEAD From D-5460	1	1	
5	20805109	QUICK CONECTOR 10MM	3	3	
6	992081	HOSE CLAMP / 12MM/22MM	8	8	
7	503779	HOSE SILICONE 1PLY 3/8" I.D. x 100' To D-5381	AR	AR	
7	503806	HOSE SILICONE 1 PLY / NOMEX-ARAMID 3/8" I.D. x 100' From D-5382	AR	AR	
8	040942	SUPPORT PUMP & UNIT CONTROL To D-5459	1	1	
8	040987	SUPPORT PUMP & UNIT CONTROL From D-5460	1	1	
9	21314741	SOLENOID VALVE	1	1	
10	040909	HOSE HEATED ASSY 9300MM To B-5049	1	1	
. NS	N8902118	. CONNECTOR CLIP - 5/16" To B-5049	2	2	
NS	040949	HOSE HEATER ASSY 5775MM From B-5050	1	1	
. NS	N8902118	. CONNECTOR CLIP - 5/16" From B-5050	2	2	
10	IS14152	UREA HOSE REPLACEMENT 6MM TO 4MM FIRST REPLACEMENT	1	1	
. NS	041123	. HOSE HEATER ASSY 6200MM	1	1	
. . NS	N8902118	. . CONNECTOR CLIP - 5/16"	2	2	
. NS	502638	. WASHER FL .312x.734x.065 N500	5	5	
. NS	504534	. GROMMET / .875x1.250x.187x.562x1.625	2	2	
. NS	504610	. RIVET MGLP PRDG 1/4x5/8 SS	5	5	
. NS	504637	. CABLE TIE / 3/16" x 13"	10	10	
. NS	506205	. PIPE INSULATING / 5/8" I.D. X 1/2" TH. X 72 / SPLIT ADHESIVE	2	2	
. NS	507383	. TIE MOUNT HOLE 3/8"	5	5	
. NS	507664	. CABLE TIE / 3/16" 11" / DOUBLE LOOP HEAD	10	10	
. NS	5001113	. NUT HEX JAM NYRT 5/16-18	5	5	
. NS	N32553	. SCREW CAP HEX 5/16-18x3/4 FT SS	5	5	
. NS	IS-14152	. SEE INSTRUCTION SHEET	1	1	



From B-5003 To D-5489	Date:07/2024	PAGE:XV-0410-00
------------------------------	---------------------	------------------------

UREA RESERVOIR ASSY

Item#	Part	Description	X 3 V I P	X L I I E N T 4 5	N O T E S
NS	506205	PIPE INSULATING / 5/8" I.D. X 1/2" TH. X 72 / SPLIT ADHESIVE	AR	AR	
NS	957022	TAPE ELASTOMERIC 1/8" X 2" X 30"	AR	AR	
NS	504637	CABLE TIE / 3/16" x 13"	AR	AR	
NS	509815	TIE MOUNT / ATTACHMENT W/TREE MOUNT	AR	AR	
11	21576178	PUMP ASSY UREA TB-129684310-1 From B-5002	1	1	
12	5001186	SCREW CAP HEX M8-1.25x90 SS BK PROTO	3	3	
13	500321	WASHER BEL SPR .331x.827x.098 N500	11	11	
14	040943	PLATE / ATTACHMENT CABLE To D-5459	1	1	
14	040974	PLATE / ATTACHMENT CABLE From D-5460	1	1	
15	20805110	QUICK CONNECTOR 90° 10MM	2	2	
16	067603	WIRING HARNESS / UREA SYSTEM To C-5274	1	1	
16	068332	WIRING HARNESS / UREA SYSTEM From C-5275 To D-5459	1	1	
17	564542	TREE MOUNT CLIP FOR PED CONNECTOR	1	1	
22	040932	SUPPORT RESERVOIR UREA / "Z" SHAPE To B-5028	1	1	
23	040934	SUPPORT RESERVOIR UREA / OFFSET	1	1	
24	040933	SUPPORT RESERVOIR UREA	1	1	
34	5001730	SCREW CAP HEXF M6-1.0x16 G10.9 N500	2	2	
35	5001780	SCREW CAP HEXF M8-1.25x16 G8.8 N500	4	4	
36	5001729	SCREW CAP HEXF M10-1.5x16 G8.8 N500	7	7	
37	502836	SCREW CAP HEX M8-1.25x35 G8.8 N500 To B-5028	3	3	
38	502837	NUT HEXF STO M8-1.25 N500 To B-5028	2	2	
38	502851	NUT HEX M8-1.25 N500 From B-5029	5	5	
39	5001527	SCREW CAP HEX M8-1.25x16 SS BK To B-5028	1	1	
40	5001161	WASHER LO SPT 8.1x14.8x2.0 SS-304 To B-5028	1	1	
41	8631155	CABLE TIE / 4.6MM x 200 / CHRISTMAS TREE	AR	AR	
42	5001648	SCREW CAP HEXS M6-1.0x18 SS BK	4	4	
43	504637	CABLE TIE / 3/16" x 13"	AR	AR	
50	XV-2210-11	WATER PUMP - INSTALLATION			
90	223967	POST ASSY FORWARD FENDER / CURBSIDE To £-11055	1	1	
. NS	223968	. TUBE ASSY W/NUT INS FL HEX To £-11055	1	1	
. . NS	5001344	. . NUT INS FL HEX M6-1.0 0.5-3.0 SS To £-11055	2	2	
. . NS	5001692	. . NUT INS FL HEX M8-1.25 0.5-3.0 SS To £-11055	1	1	
. NS	213939	. CATCH FENDER LOWER To £-11055	1	1	
. NS	213938	. SHAFT To £-11055	1	1	
90	221802	POST ASSY FORWARD FENDER From D-5460	1	1	
. NS	217130	. CATCH FENDER LOWER From D-5460	1	1	
. NS	213938	. SHAFT From D-5460	1	1	
. NS	5001692	. NUT INS FL HEX M8-1.25 0.5-3.0 SS From D-5460	1	1	
. NS	5001344	. NUT INS FL HEX M6-1.0 0.5-3.0 SS From D-5460	2	2	
91	223954	POST ASSY FORWARD FUEL DOOR ASSY W/REINFORCMENT PANEL	1	1	
. NS	216798	. PANEL REINFORCMENT LOWER FUEL DOOR 249MM x 600MM	1	1	
. NS	223940	. POST ASSY FORWARD FUEL DOOR ASSY	1	1	



From B-5003 To D-5489	Date:07/2024	PAGE:XV-0410-00
-----------------------	--------------	-----------------

UREA RESERVOIR ASSY

Item#	Part	Description	X 3 V I P	X L I I E N T 4 5	N O T E S
.. NS	216797	.. STOPPER CONDENSOR DOOR	2	2	
.. NS	223937	.. BRACKET LATCH COND DOOR	1	1	
.. NS	477296	.. ATTACHMENT SPRING DOOR	1	1	
.. NS	502659	.. NUT WD RND M6-1.0 SS	2	2	
92	216798	. PANEL REINFORCMENT LOWER FUEL DOOR 249MM x 600MM	1	1	
		A) AVIALABLE END OF DECEMBER 2010			

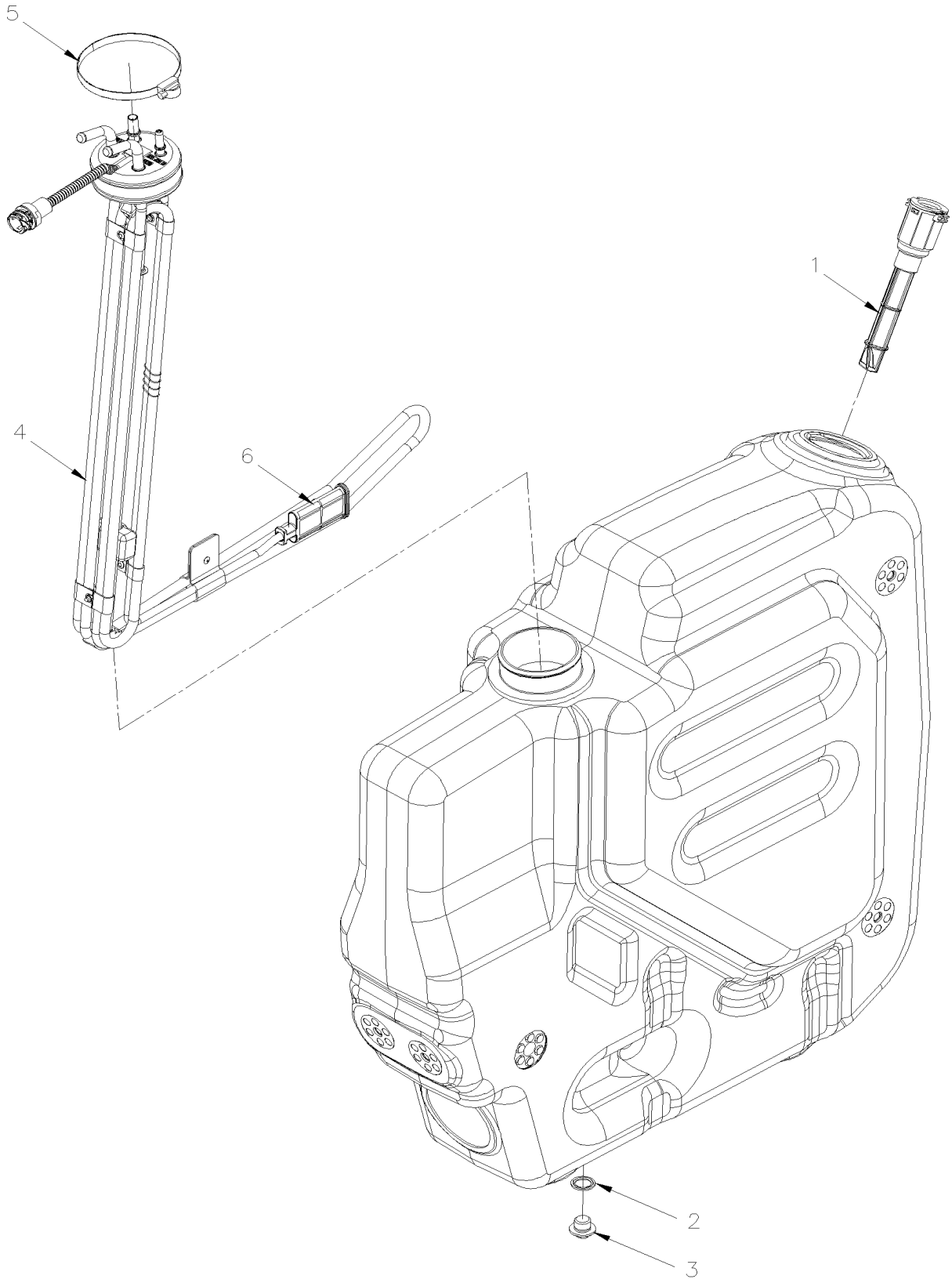


To C-5287

Date:07/2024

PAGE:21134658

RESERVOIR UREA 60Liters





To C-5287	Date:07/2024	PAGE:21134658
-----------	--------------	---------------

RESERVOIR UREA 60Liters

Item#	Part	Description	X 3 V I P	X L I E N T 4 5	N O T E S
		RESERVOIR UREA	1	1	
1	20742759	. INSERT, FILLER NECK	1	1	
2	982724	. GASKET M16x6	1	1	
3	20562668	. DRAIN PLUG	1	1	
4	21073825	. HEATER	1	1	
5	980137	. HOSE CLAMP / 70MM/100MM	1	1	
6	21228120	. FILTER	1	1	

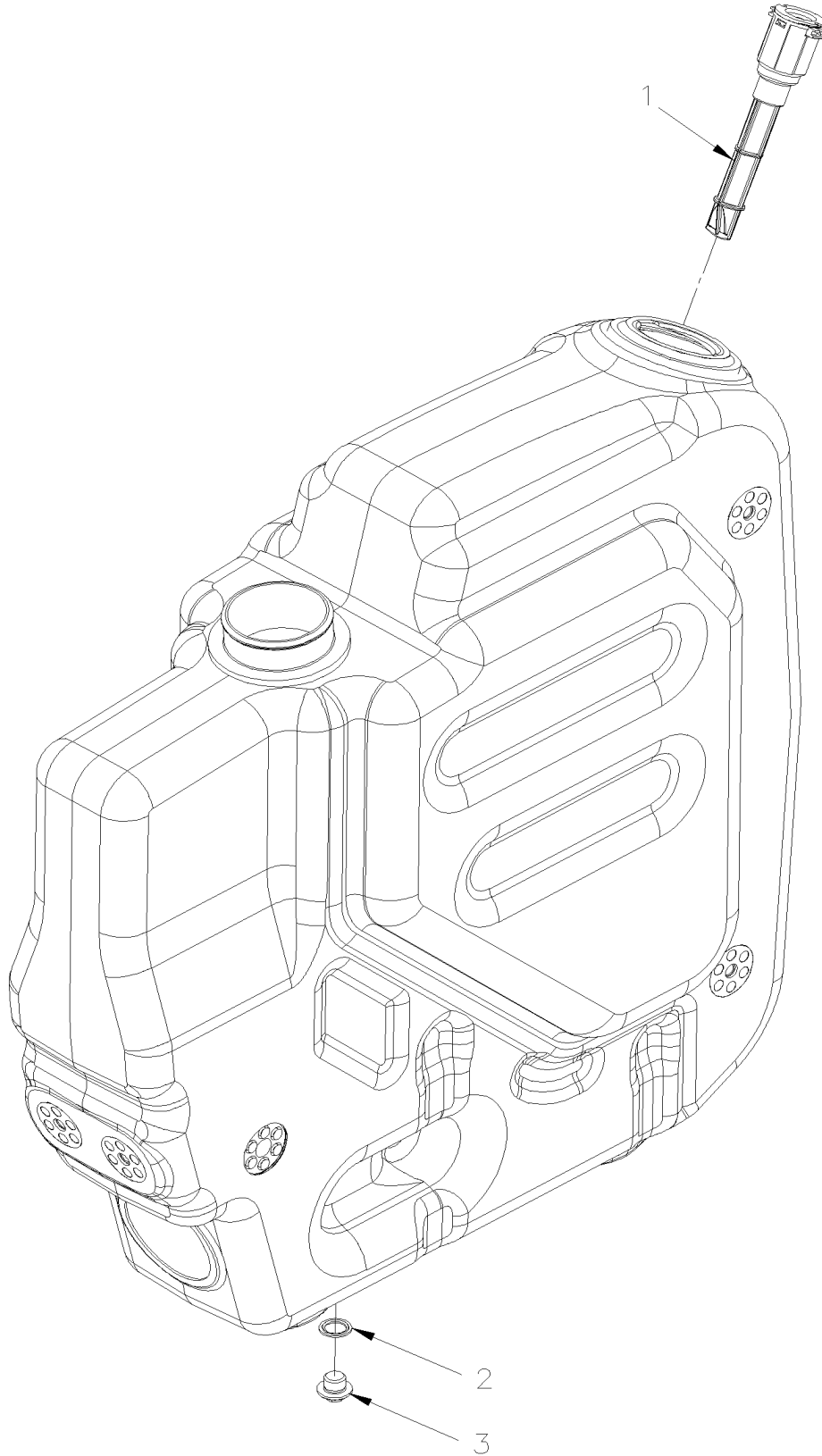


From D-5460

Date:07/2024

PAGE:21967924

RESERVOIR UREA 60Liters





From D-5460	Date:07/2024	PAGE:21967924
-------------	--------------	---------------

RESERVOIR UREA 60Liters

Item#	Part	Description	X 3 V I P	X L I I E N T 4 5	N O T E S
		RESERVOIR UREA	1	1	
1	82269261	. FILTER	1	1	
2	982724	. GASKET M16x6	1	1	
3	20562668	. DRAIN PLUG	1	1	

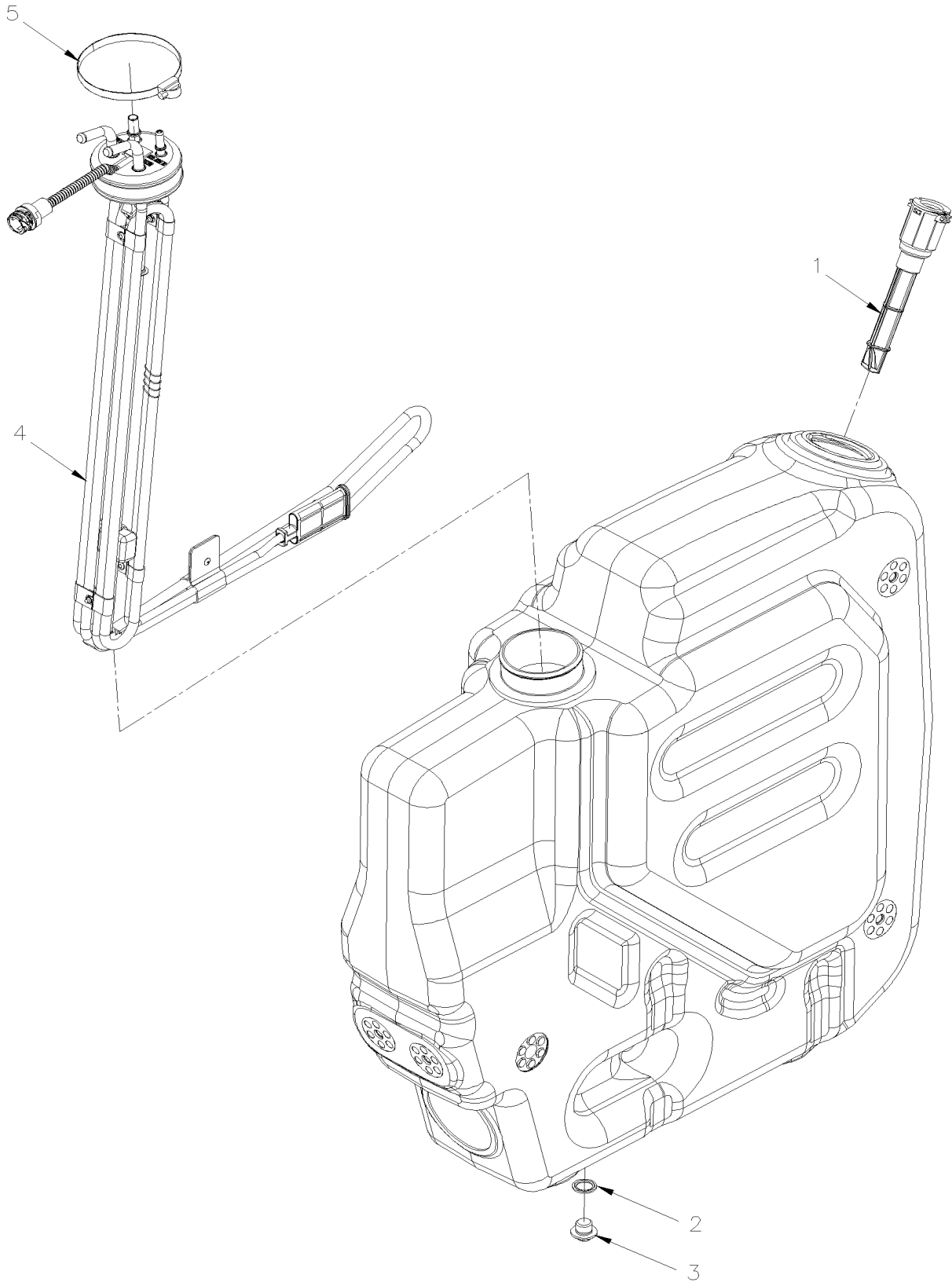


From C-5288 To D-5459

Date:07/2024

PAGE:21728142

RESERVOIR UREA 60Liters





From C-5288 To D-5459	Date:07/2024	PAGE:21728142
-----------------------	--------------	---------------

RESERVOIR UREA 60Liters

Item#	Part	Description	X 3 V I P	X L I I E N T 4 5	N O T E S
		RESERVOIR UREA	1	1	
1	82269261	. FILTER	1	1	
2	982724	. GASKET M16x6	1	1	
3	20562668	. DRAIN PLUG	1	1	
4	21715211	. HEATER	1	1	
5	992091	. HOSE CLAMP / 80MM/100MM	1	1	

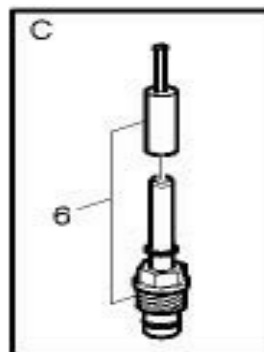
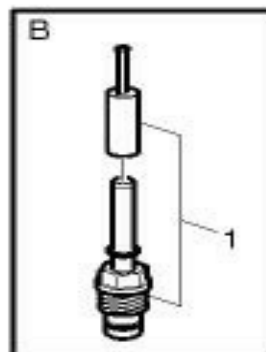
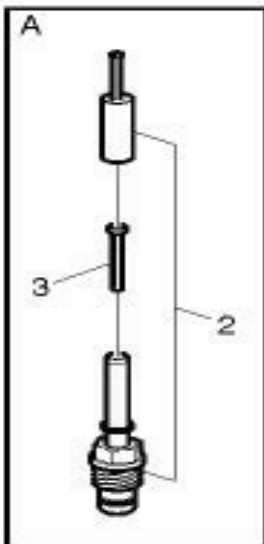
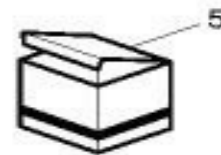
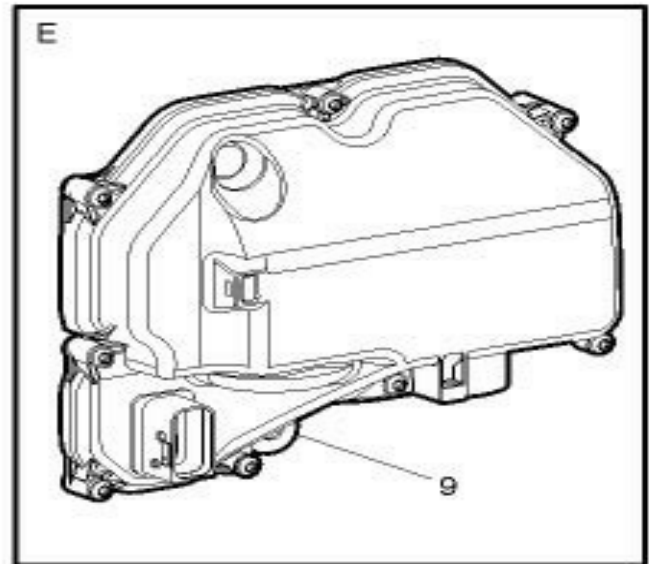
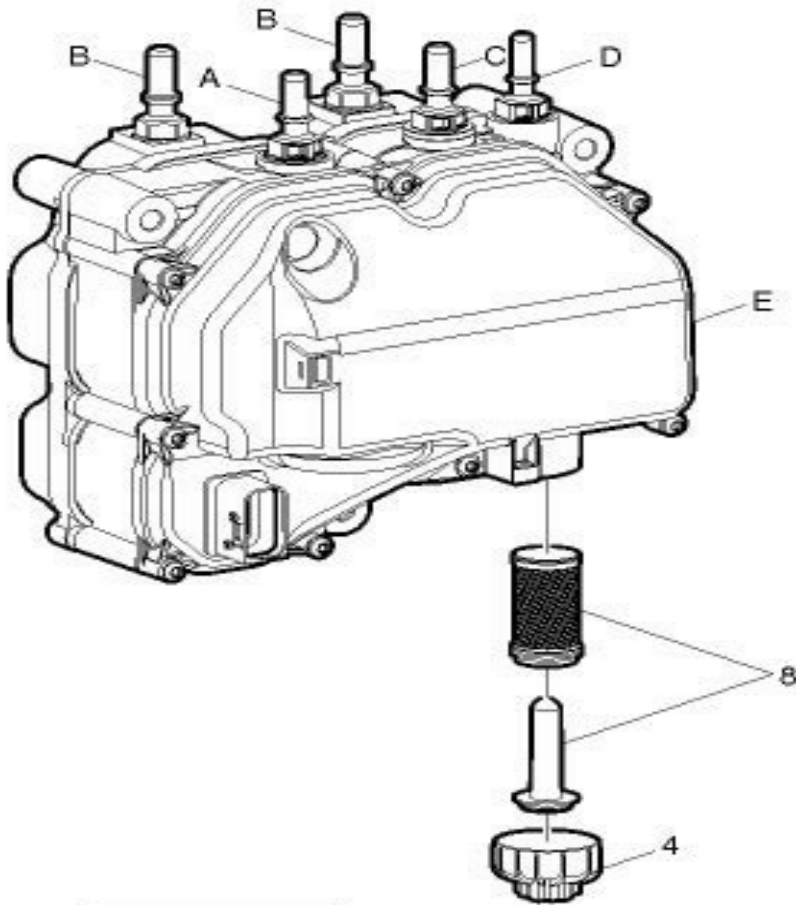


From B-5002

Date:07/2024

PAGE:21576178

PUMP ASSY UREA TB-129684310-1





From B-5002	Date:07/2024	PAGE:21576178
PUMP ASSY UREA TB-129684310-1		

Item#	Part	Description	X 3 V I P	X L I I E N T 4 5	N O T E S
1	21376749	CONNECTOR / HEATER	2	2	
2	21376721	CONNECTOR / INLET	1	1	
3	21954674	. STRAINER	1	1	
4	21376707	FILTER CAP	1	1	
5	21376772	CAP PLUG	1	1	
6	21376746	CONNECTEUR / BACKFLOW	1	1	
7	21376731	CONNECTEUR / OUTLET	1	1	
8	21516229	FILTER	1	1	
9	21378032	COVER	1	1	

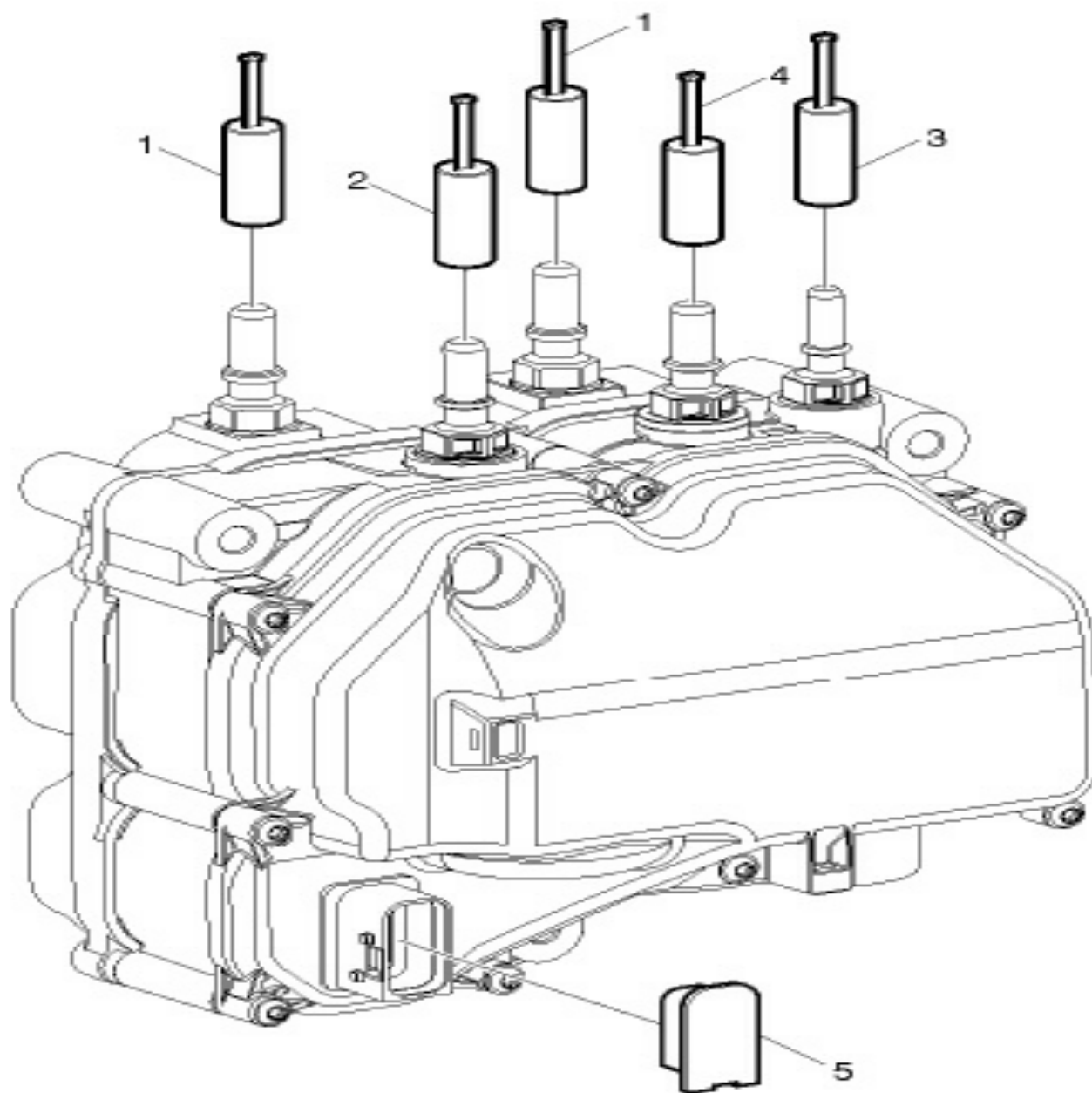


From B-5002

Date:07/2024

PAGE:21376772

CAP PLUG



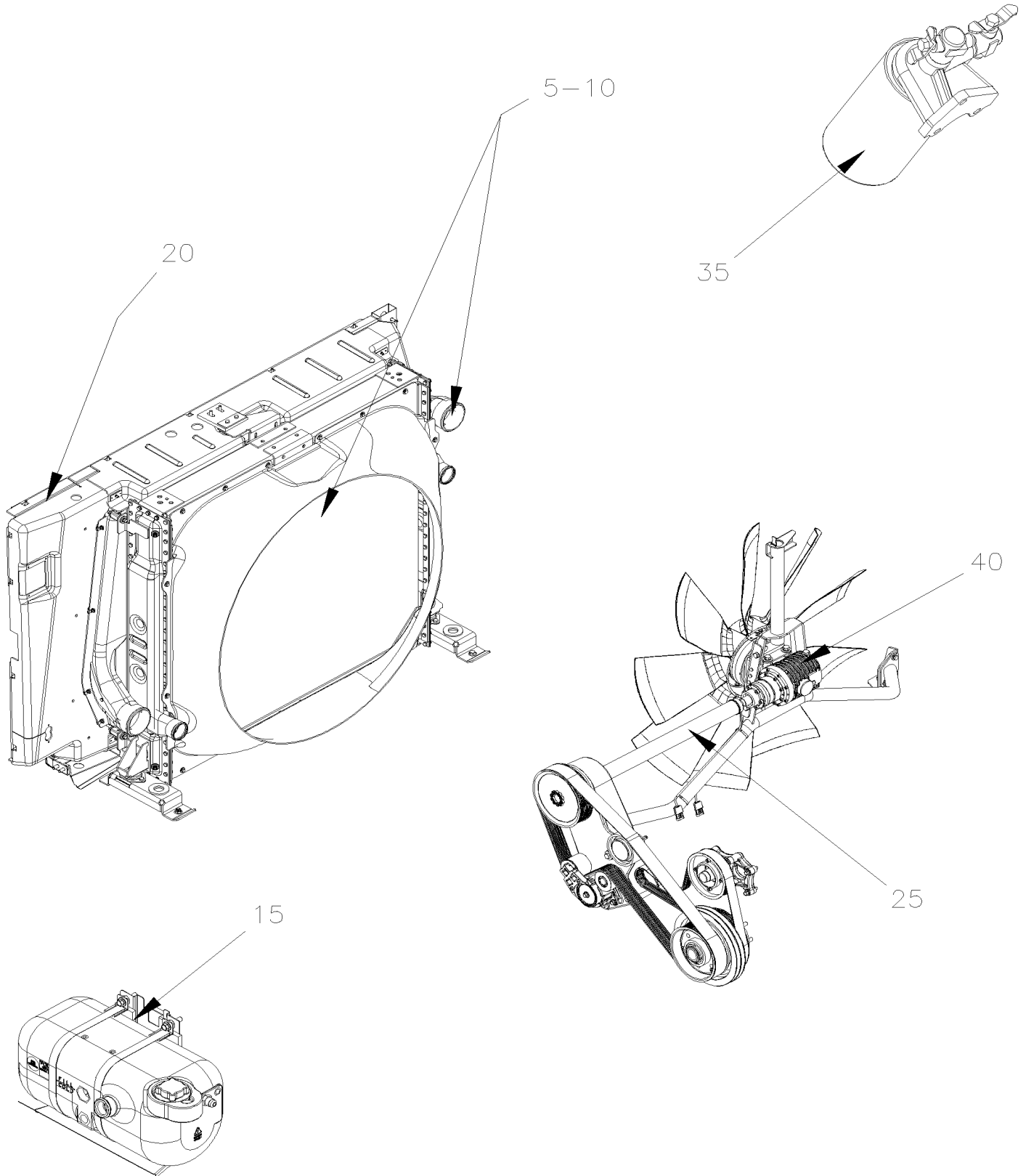


From B-5002	Date:07/2024	PAGE:21376772
CAP PLUG		

Item#	Part	Description	X 3 V I P	X L I I E N T 4 5	N O T E S
1	N.S.S.	COOLANT	1	1	1
2	N.S.S.	INLET	1	1	1
3	N.S.S.	BACKFLOW	1	1	1
4	N.S.S.	OUTLET	1	1	1
5	N.S.S.	ELECTRICAL	1	1	1
		1) NOT SOLD SEPARATELY			



	Date:07/2024	XV-05
COOLING		





		Date:07/2024	XV-05		
COOLING					
Item#	Part	Description	X 3 V I P	X L I I E N T 4 5	N O T E S
5	XV-0500-00	COOLANT PIPING WITH VOLVO D13 From B-5003 To D-5489			
10	XV-0505-50	RADIATOR ASSY From B-5003 To D-5489			
15	XV-0510-00	SURGE TANK From B-5003 To D-5489			
20	XV-0518-60	RADIATOR SEALING FRAME From B-5003 To D-5489			
25	XV-0520-00	FAN DRIVE - INSTALLATION From B-5003 To B-5049			
25	XV-0520-01	FAN DRIVE - INSTALLATION From B-5050 To D-5489			
35	XV-0530-00	COOLANT FILTER - INSTALLATION WITH VOLVO D13 From B-5003 To D-5489			
40	XV-0540-00	FAN CLUTCH & ANGLE DRIVE ASSY C.C.W. From B-5003 To B-5049			
40	XV-0540-01	FAN CLUTCH & ANGLE DRIVE ASSY C.W. From B-5050 To D-5489			

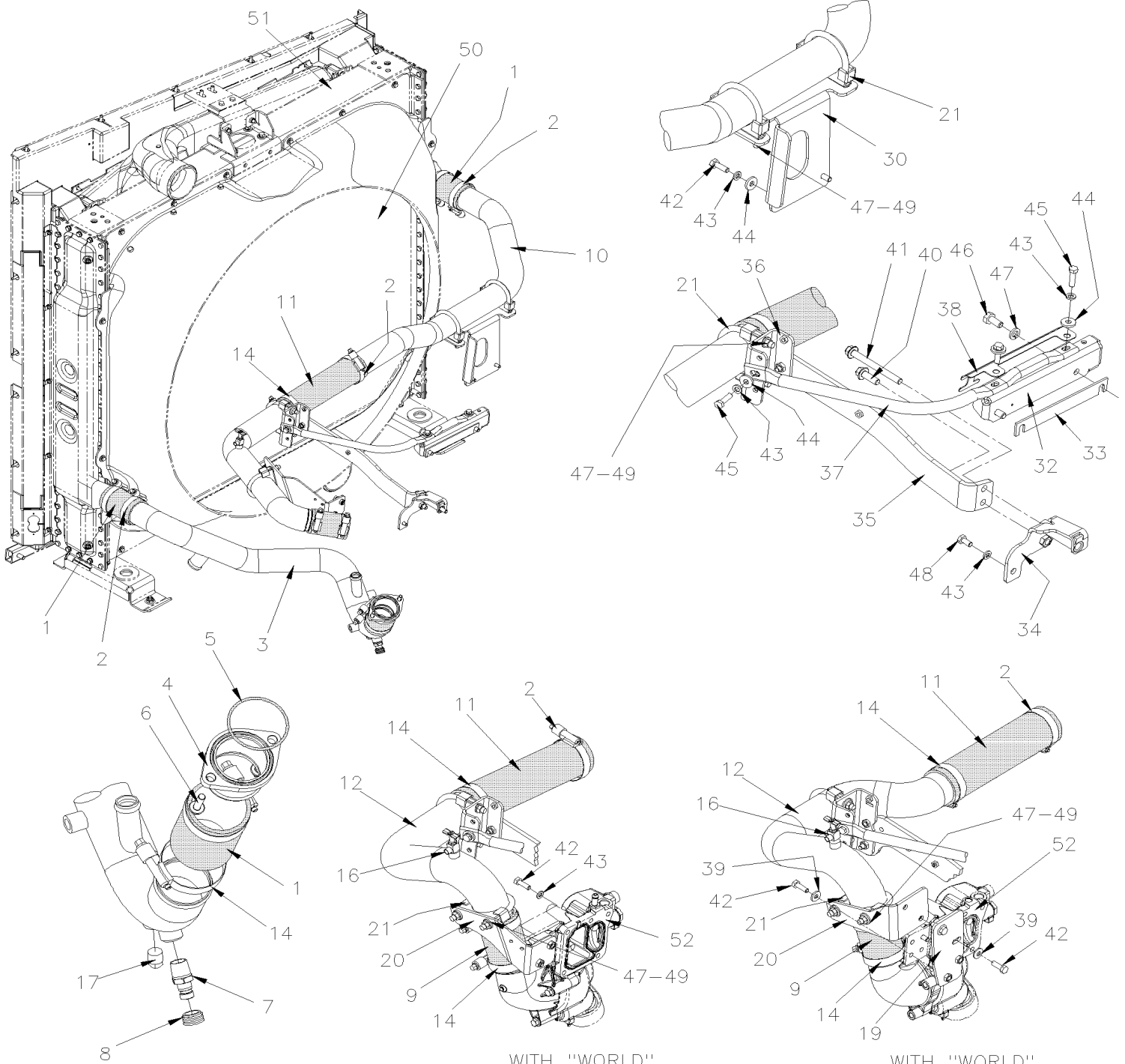


From B-5003 To D-5489

Date:07/2024

PAGE:XV-0500-00

COOLANT PIPING WITH VOLVO D13



WITH "WORLD"
TRANSMISSION
UP TO B-5049

WITH "WORLD"
TRANSMISSION
FROM B-5050



From B-5003 To D-5489	Date:07/2024	PAGE:XV-0500-00
------------------------------	---------------------	------------------------

COOLANT PIPING WITH VOLVO D13

Item#	Part	Description	X 3 V I P	X L I E N T 4 5	N O T E S
1	70396483	HOSE 2 1/2" I.D. 105MM To D-5381	3	3	
1	503722	. HOSE SILICONE 4PLY 2 1/2" I.D. x 4' To D-5381	AR	AR	
1	053617	HOSE SILICONE / NOMEX 2 1/2" I.D. 105MM From D-5382	3	3	
. NS	503786	. HOSE SILICONE 4 PLY / NOMEX-ARAMID 2 1/2" I.D. x 6' From D-5382	1	1	
1	503786	. HOSE SILICONE 4 PLY / NOMEX-ARAMID 2 1/2" I.D. x 6' From D-5382	AR	AR	
2	504561	HOSE CLAMP / 2"1/4-3"1/8 / C.T. 300	5	5	
3	053560	PIPE / RADIATOR & ENGINE WATER PUMP	1	1	
4	21264361	PIPE ADAPTOR ENGINE WATER PUMP	1	1	
5	975675	O-RING 64.5 MM X 3MM	1	1	
6	5001742	SCREW CAP HEXF M8-1.25x30 G8.8 N500	2	2	
7	1675641	NIPPLE / QUICK DISCONNECT "VOLVO" / 1/2NPT-M	1	1	
. NS	V476279	. DUST CAP / QUICK DISCONNECT "VOLVO" /	1	1	
. NS	507666	. DUST CAP / QUICK DISCONNECT "VOLVO" /	1	1	
NS	85112740	COOLANT EXTRACTOR	1	1	
. NS	9996049	. Quick coupling adaptor for Volvo # 1675641	1	1	
8	507666	DUST CAP / QUICK DISCONNECT "VOLVO" /	1	1	
9	053466	HOSE 2 3/8" I.D. 105MM	1	1	
9	503758	. HOSE SILICONE 4PLY 2 3/8" I.D. x 4' To D-5381	AR	AR	
9	503785	. HOSE SILICONE 4PLY / NOMEX-ARAMID 2 3/8" I.D. x 6' From D-5382	AR	AR	
10	053472	PIPE / ELBOW 90° To B-5049	1	1	
10	059061	PIPE / ELBOW 90° PRELIMINAIRE 9614 / 9992 From B-5050	1	1	
11	052889	HOSE SILICONE 2 1/2" I.D. 280MM	1	1	
12	053465	PIPE / ELBOW 90° TO THERMOSTAT HOUSING To B-5049	1	1	
12	053613	PIPE / ELBOW 90° TO THERMOSTAT HOUSING PRELIMINAIRE 9614 / 9992 From B-5050	1	1	
14	504561	HOSE CLAMP / 2"1/4-3"1/8 / C.T. 300	5	5	
16	501025	DRAIN VALVE 1/4NPTM 3/8TUBE	1	1	
17	501449	PLUG HEXS / PIPE FITTING / 3/8NPT-M STL To D-5371	1	1	
17	501305	PLUG SQUARE HEAD / PIPE FITTING / 3/8NPT-M BR From D-5372	1	1	
19	053608	PIPE SUPPORT From B-5050	1	1	
20	053470	PIPE SUPPORT / "WORLD TRANSMISSION To B-5049	1	1	
20	053609	PIPE SUPPORT / "WORLD TRANSMISSION From B-5050	1	1	
21	505535	U BOLT 2 1/2" I.D. SS	4	4	
30	173489	SUPPORT PIPE / ELBOW 90°	1	1	
31	052921	P-CLAMP PIPE / 2 1/2" I.D. / M8-1.25	2	2	
32	053491	ATTACHMENT ENGINE BLOCK	1	1	
33	053501	SPACER	1	1	
34	053485	ATTACHMENT ENGINE BLOCK	1	1	
35	053490	BRACE PIPE SUPPORT To B-5049	1	1	
35	053607	BRACE PIPE SUPPORT From B-5050	1	1	
36	053486	PIPE SUPPORT To B-5049	1	1	
36	053606	PIPE SUPPORT From B-5050	1	1	
37	053489	BRACE PIPE SUPPORT	1	1	



From B-5003 To D-5489	Date:07/2024	PAGE:XV-0500-00
COOLANT PIPING WITH VOLVO D13		

Item#	Part	Description	X 3 V I P	X L I I E N T 4 5	N O T E S
38	032882	ATTACHMENT AIR INTAKE From B-5002	1	1	
39	500321	WASHER BEL SPR .331x.827x.098 N500	8	8	
40	5001644	SCREW CAP HEXF M10-1.5x30 G8.8 G500	1	1	
41	5001785	SCREW CAP HEXF M10-1.5x100 G10.9 N500	1	1	
42	5001745	SCREW CAP HEX M8-1.25x25 G8.8 N500	8	8	
43	500942	WASHER LO SPT 8.1x14.8x2.0 N500	11	11	
44	500401	WASHER FL .343x.875x.125 N500	8	8	
45	5001738	SCREW CAP HEX M8-1.25x30 G8.8 N500	4	4	
46	500359	SCREW CAP HEX M10-1.5x22 G8.8 N500	2	2	
47	500487	WASHER LO SPT .443x.779x.109 N500	6	6	
48	500820	SCREW CAP HEX M8-1.25x16 G10.9 N500	1	1	
49	5001751	WASHER FL 10.5x26.0x2.0 N500	6	6	
50	XV-0505-50	RADIATOR ASSY			
51	XV-0330-00	AIR FILTER & INTAKE - INSTALLATION WITH VOLVO D13 - EPA 2010			
52	Refer To Volvo	SEE IMPACT OR CALL ORDER DESK			V
		V) SEE IMPACT OR CALL ORDER DESK			

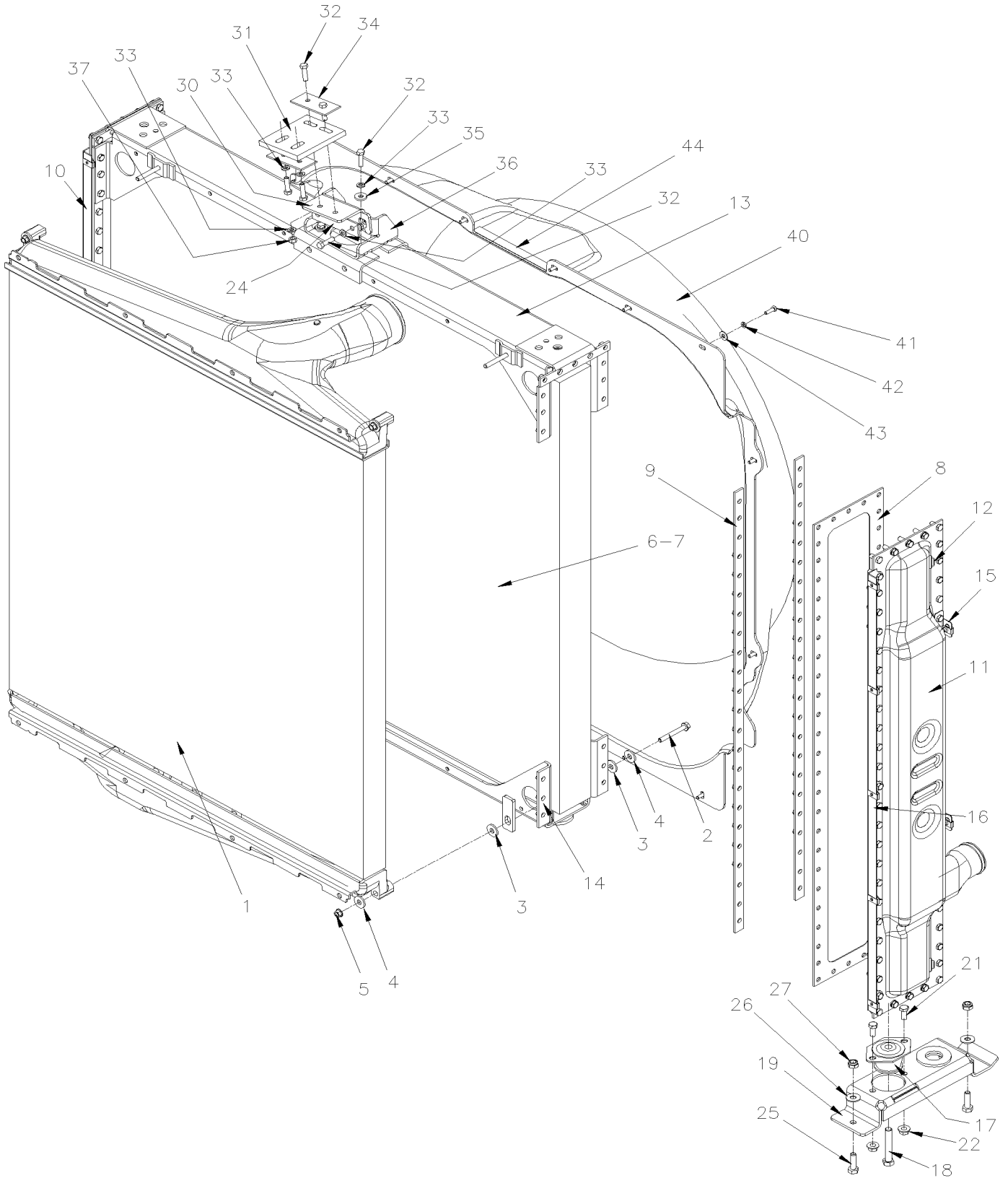


From B-5003 To D-5489

Date:07/2024

PAGE:XV-0505-50

RADIATOR ASSY





From B-5003 To D-5489	Date:07/2024	PAGE:XV-0505-50
-----------------------	--------------	-----------------

RADIATOR ASSY

Item#	Part	Description	X 3 V I P	X L I E N T 4 5	N O T E S
	N.S.A.	RADIATOR & AIR COOLER ASSY	1	1	3
1	550970	. AIR COOLER ASSY TitanX SERVICE	1	1	
1	550297	. BOLT KIT / TO FIX AIR COOLER	1	1	
2	N20874	. SCREW CAP HEX M8-1.25x70 G8.8 YP	2	2	
3	502220	. WASHER FL .375x1.000x.125 RUB	4	4	
4	500270	. WASHER FL .406x1.000x.063 SS	6	6	
5	5001082	. NUT HEXF M8-1.25 G500	4	4	
6	550915	. RADIATOR ASSY	1	1	
6	7770005	. RADIATOR ASSY SERVICE	1	1	
6	550296	. . GASKET / COVER / BOLT KIT	1	1	
7	550931	. . CORE ASSY	1	1	
8	550937	. . GASKET	2	2	
9	550940	. . REINFORCMENT BAR	4	4	
10	550933	. . TANK ASSY / FORWARD	1	1	
11	550934	. . TANK ASSY / BACKWARD	1	1	
12	501800	. . PLUG HEXS / PIPE FITTING / 1/4NPT-M STL	2	2	
13	550935	. . SUPPORT ASSY TOP	1	1	
14	550936	. . SUPPORT ASSY BOTTOM	1	1	
15	550938	. . ANGLE BRACKET 16 GA SS	4	4	
16	550939	. . ANGLE BAR 14 GA SS	2	2	
17	550904	. BUSHING RUBBER	2	2	
NS	550905	. WASHER FL 16x52x3 ZP	2	2	
18	N21798	. SCREW CAP HEX M12-1.75x75 G8.8 YP	2	2	
19	550932	. BRACKET ASSY / RUBBER MOUNTING SUPPORT	2	2	
21	500190	. SCREW CAP HEX 3/8-16x3/4 G5 Z050	4	4	
22	500301	. NUT HEXF STO 3/8-16 Z050	4	4	
24	052795	PLATE / UPPER RADIATOR 30MM X 120MM	1	1	
25	970949	SCREW CAP HEX M10-1.5x35 G8.8 ZG603	4	4	
26	960143	WASHER FL 10.5x26.0x2.0 ZP	4	4	
27	502859	NUT HEX NYRT M10-1.5 N500	4	4	
30	052671	ANGLE ATTACHMENT / TO STRUCTURE	1	1	
31	21185073	RUBBER PAD 100MM X 123MM	1	1	
32	940142	SCREW CAP HEX M8-1.25x30 G8.8 ZG603	8	8	
33	500942	WASHER LO SPT 8.1x14.8x2.0 N500	8	8	
34	052473	PLATE / UPPER RADIATOR 40MM X 90MM	2	2	
35	500401	WASHER FL .343x.875x.125 N500	4	4	
36	052669	ATTACHMENT UPPER RADIATOR	1	1	
37	502851	NUT HEX M8-1.25 N500 To C-5124	2	2	
37	502837	NUT HEXF STO M8-1.25 N500 From C-5125	2	2	
40	21120999	SHROUD W/38" FAN BLADE	1	1	
41	502830	SCREW CAP HEX M6-1.0x20 G8.8 N500	AR	AR	
42	502853	WASHER LO SPT 6.1x11.8x1.6 N500	AR	AR	



From B-5003 To D-5489	Date:07/2024	PAGE:XV-0505-50
RADIATOR ASSY		

Item#	Part	Description	X 3 V I P	X L I I E N T 4 5	N O T E S
43	502638	WASHER FL .312x.734x.065 N500	AR	AR	
44	506277	TAPE RUB ADH1 CC POL 1/2" x 3/4" x 15' / GREY 2520X	AR	AR	
		3) NOT SOLD ASSEMBLY			

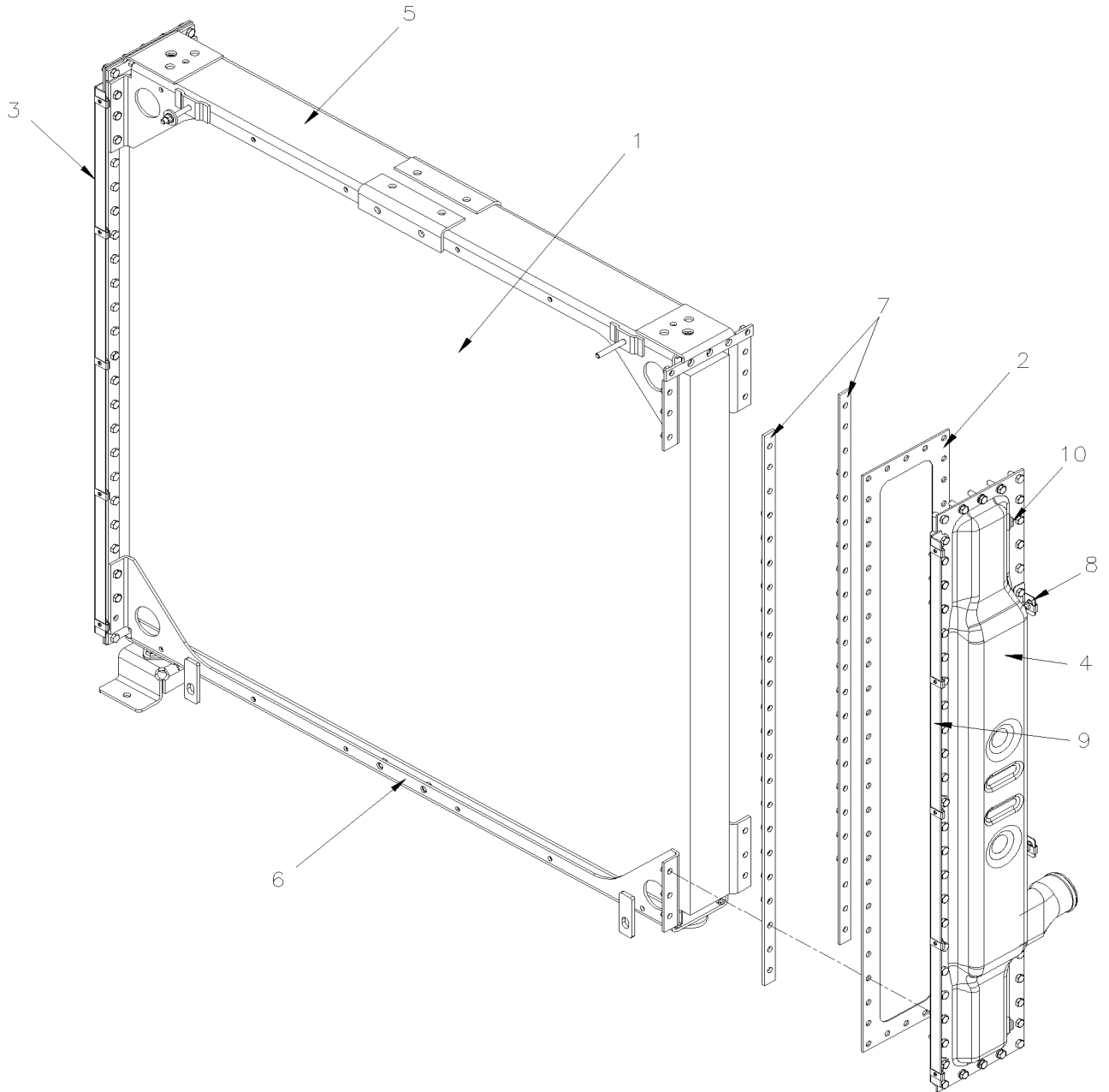


From B-5003 To D-5489

Date:07/2024

PAGE:7770005

RADIATOR ASSY SERVICE





From B-5003 To D-5489	Date:07/2024	PAGE:7770005
-----------------------	--------------	--------------

RADIATOR ASSY SERVICE

Item#	Part	Description	X 3 V I P	X L I I E N T 4 5	N O T E S
1	7770990	CORE ASSY	1	1	
2	7770989	GASKET	1	1	
3	7770951	TANK, LEFT	1	1	
4	7770952	TANK, RIGHT	1	1	
5	7770953	BRACKET UPPER	1	1	
6	7770954	BRACKET LOWER	1	1	
7	7770955	CLAMP STRIP	4	4	
8	7775151	ANGULAR SS 3"	4	4	
9	7770956	ANGULAR SS 41"	2	2	
10	501304	PLUG SQUARE HEAD / PIPE FITTING / 1/4NPT-M BR	2	2	

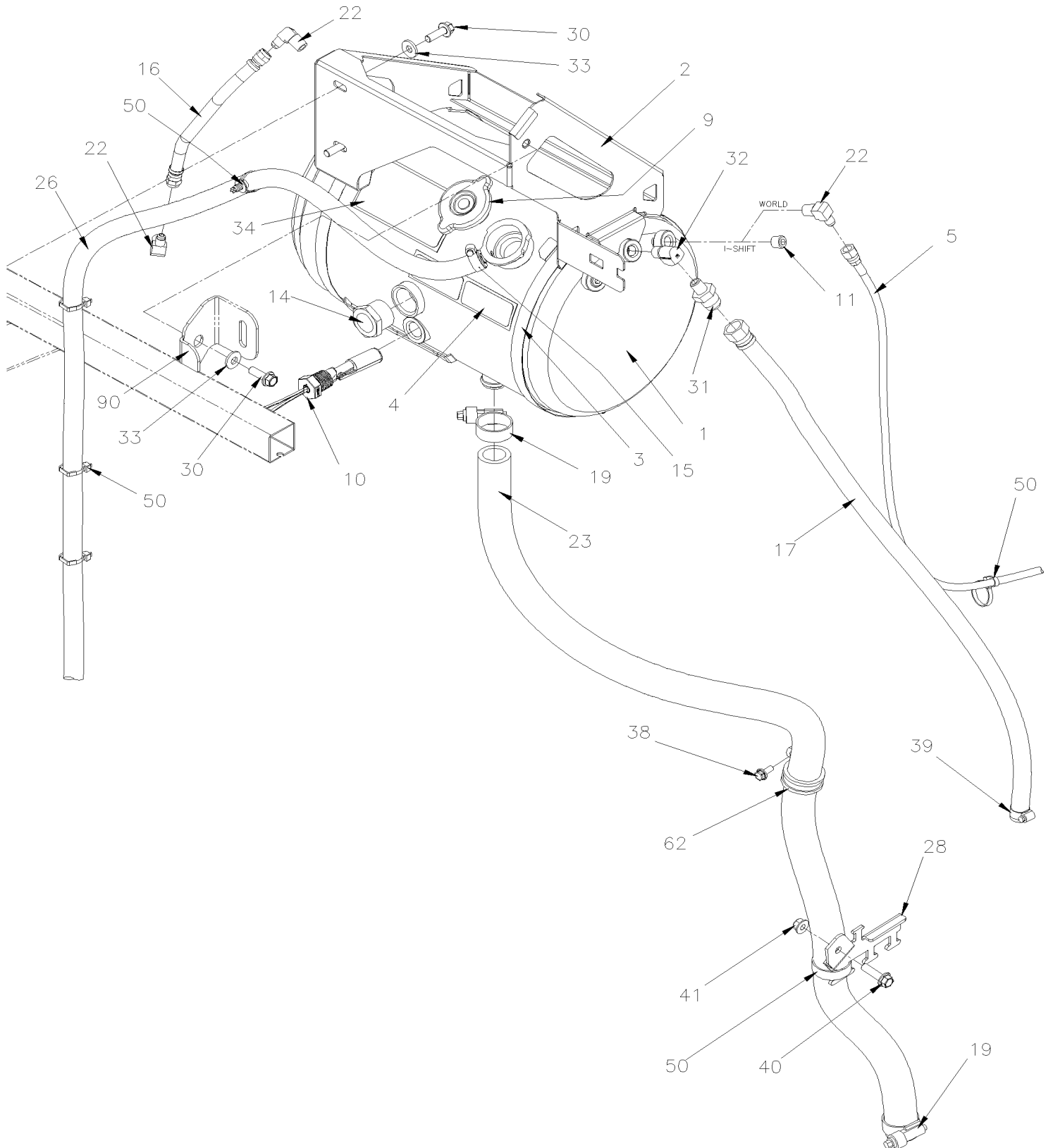


From B-5003 To D-5489

Date:07/2024

PAGE:XV-0510-00

SURGE TANK





From B-5003 To D-5489	Date:07/2024	PAGE:XV-0510-00
SURGE TANK		

Item#	Part	Description	X 3 V I P	X L I I E N T 4 5	N O T E S
1	053602	SURGE TANK SS To D-5299	1	1	
1	053641	SURGE TANK ALUMINUM From D-5300	1	1	
2	053576	SUPPORT ASSY / SURGE TANK / W/ROUND S-T	1	1	
3	504775	T-BOLT BAND CLAMP/ 9.69" ID	2	2	
4	053597	DECAL SPEC / ANTIFREEZE / W/ "VOLVO" ENGINE FRANCAIS / ENGLISH / SPANISH	1	1	
5	053585P	HOSE ASSY TEFLON #4 1850MM	1	1	S
. NS	503064	. HOSE TEFLON #4 / S.L.	AR	AR	S
. NS	5011182	. FEMALE CONNECTOR SWIVEL / SAE 45° FITTING / #4FL-Fx#4 STL	2	2	S
. NS	5011183	. SLEEVE / #4 STL	2	2	S
9	053601	FILLER NECK ASSY WITH PRESSURE CAP To D-5299	1	1	
9	21528785	. CAP PRESSURE / OVER 13 LBS To D-5299	1	1	
9	21528785	CAP PRESSURE / OVER 13 LBS From D-5300	1	1	
10	067304	SENSOR PROBE "LOW LEVEL COOLANT" ASSY / 1/2" NPT	1	1	
. NS	564465	. SENSOR PROBE "LOW LEVEL COOLANT" / 1/2" NPT	1	1	
. NS	21242838	. SENSOR PROBE "LOW LEVEL COOLANT" / 1/2" NPT	1	1	
. NS	563764	. CONNECTOR / CPC SERIES 3 / PH 3C / PED 15300002	1	1	
. NS	563765	. PIN TERMINAL / 18-16 / PED 12048159	2	2	
. NS	563369	. CABLE SEAL / GRAY / PED 12010293	2	2	
. NS	562387	. CONVOLUTED TUBING / SLIT / BLACK / .250"	AR	AR	
. NS	562388	. SECONDARY LOCK / METRI-PACK 280 / 2C / BLUE / PED 15300014	1	1	
NS	680098	THREAD SEALANT LOCTITE #567 / WHITE / 250ml	AR	AR	
NS	688914	PRIMER LOCTITE #7649 1.75 oz	AR	AR	
11	501800	PLUG HEXS / PIPE FITTING / 1/4NPT-M STL	1	1	I
13	21247975	MALE CONNECTOR / BEADED HOSE BARB / #16x#16ORB-M STL	1	1	
14	21331481	SIGHT GLASS 1" NPT	1	1	
15	504018	HOSE CLAMP / 7/16"-1" SS / HS-8	1	1	
16	N.S.A.	HOSE / #6 700MM	1	1	3
. NS	503821	. HOSE SILICONE 4 PLY / NOMEX-ARAMID 3/8" x 144"	AR	AR	
17	N.S.A.	HOSE ASSY / #6 1750MM	1	1	3
. NS	503702	. HOSE / (SAFETY STRIPE) / 3/8" I.D. 50' / S.L.	AR	AR	
18	501308	ADAPTER / PIPE FITTING / 1/4NPT-Fx1/4NPT-M BR	2	2	
19	504658	HOSE CLAMP / 13/16"-1"3/4 / C.T. 9420 To D-5404	2	2	
19	504782	HOSE CLAMP / 1 3/16-1 13/16 SS / C.T. W.S. From D-5405	2	2	
22	501037	MALE ELBOW 90° / SAE 45° FITTING / #4FL-Mx1/4NPT-M BR	3	3	
23	N.S.A.	HOSE RADIATOR / 1" I.D. x 1204MM	1	1	3
. NS	503579	. HOSE 1" I.D. X 50' / "GREEN STRIPE"	AR	AR	
26	N.S.A.	HOSE #12 1204MM	1	1	3
. NS	503579	. HOSE 1" I.D. X 50' / "GREEN STRIPE"	AR	AR	
27	504019	HOSE CLAMP / 9/16"-1"1/16 SS / HS-10 PROTO	1	1	
28	053006	SUPPORT HOSE	1	1	
29	5001800	SCREW CAP HEXF M10-1.5x45 G10.9 N500	2	2	



From B-5003 To D-5489	Date:07/2024	PAGE:XV-0510-00
SURGE TANK		

Item#	Part	Description	X 3 V I P	X L I I E N T 4 5	N O T E S
30	5001643	SCREW CAP HEXF M8-1.25x25 G8.8 G500	3	3	
31	501033	MALE CONNECTOR / SAE 45° FITTING / #8FL-Mx1/4NPT-M BR	1	1	
32	501332	STREET ELBOW 90° / PIPE FITTING / 1/4NPT-Mx1/4NPT-F BR	1	1	
33	500321	WASHER BEL SPR .331x.827x.098 N500	3	3	
34	012702	DECAL "OIL SPEC" 10W/40 / ENGLISH & FRANCAIS / SPANISH	1	1	
35	502848	SCREW TC CAP HEXF 1/4-20x3/4 N500	6	6	
36	502666	SCREW MA FL PH #6-32x3/4 SS BK	1	1	
38	5001730	SCREW CAP HEXF M6-1.0x16 G10.9 N500	1	1	
39	504020	HOSE CLAMP / 9/16"-1"1/4 SS / HS-12	1	1	
40	5001742	SCREW CAP HEXF M8-1.25x30 G8.8 N500	1	1	
41	502837	NUT HEXF STO M8-1.25 N500	1	1	
50	FM-00CW-01	CLAMPS - WIRE & TUBE			
62	952641	CLAMP P STL ZP RUB 34.9 ID	1	1	
62	952629	CLAMP / 5/8" I.D.	1	1	
62	952633	CLAMP / 7/8" I.D.	1	1	
90	040820	SUPPORT TANK	1	1	
NS	685241	. . COOLANT PRESTONE / 208 LITERS 50%/50% PRE-MIXED W/"VOLVO"	AR	AR	
100	685127	. . . COOLANT PRESTONE / 4 LITERS 50%/50% PRE-MIXED W/"VOLVO"	AR	AR	
		I) WITH "I-SHIFT" TRANS			
		S) WORLD TRANSMISSION WITHOUT RETARDER			
		3) NOT SOLD ASSEMBLY			

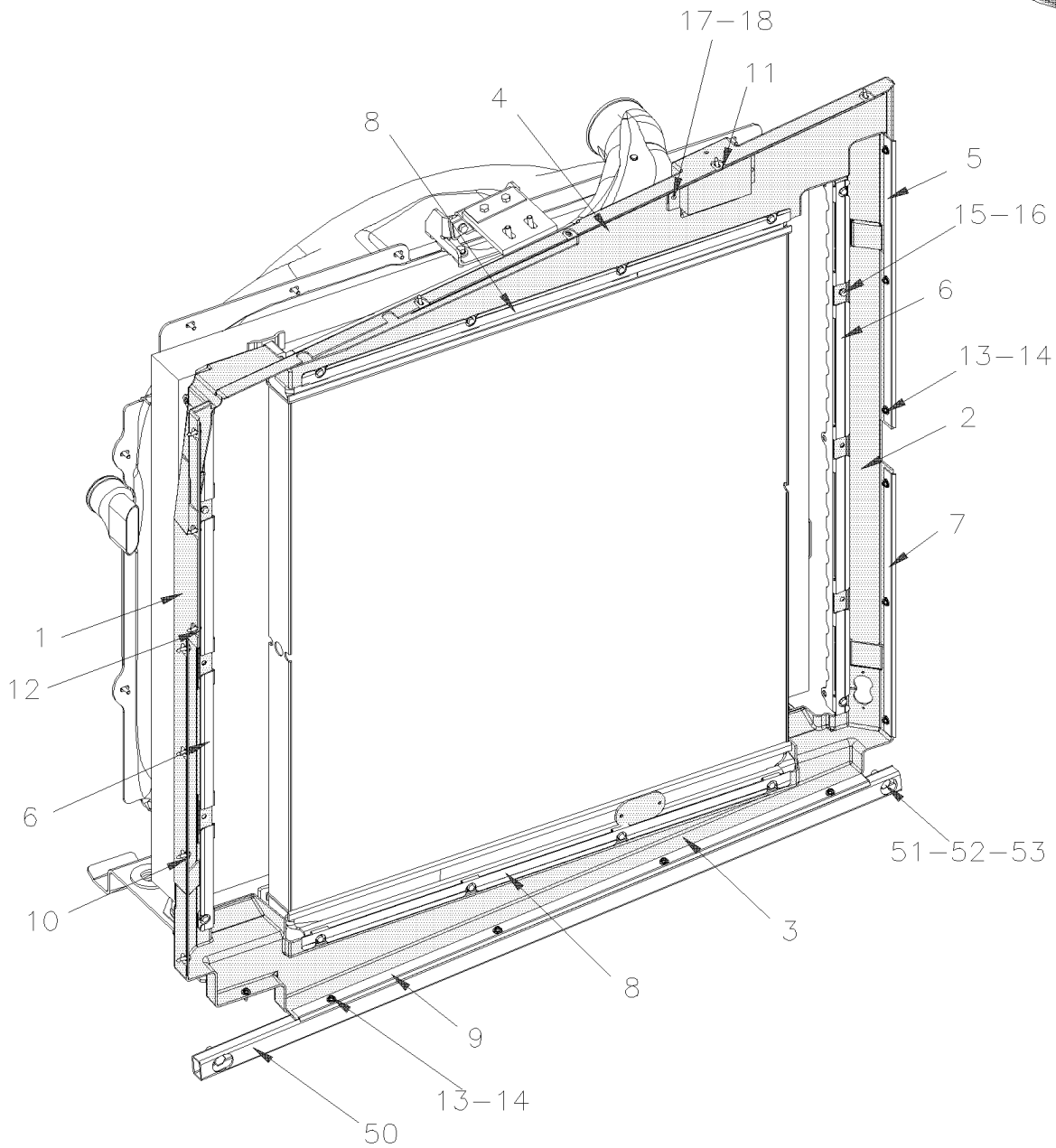
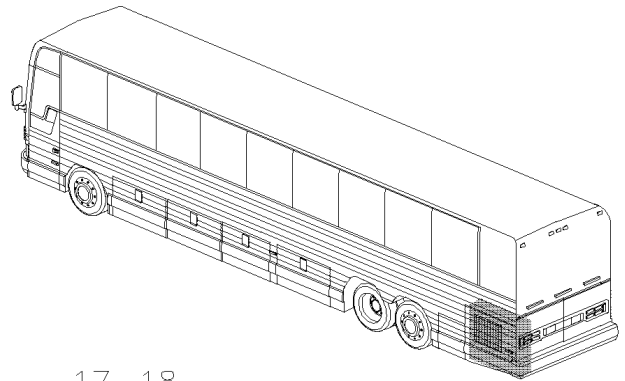


From B-5003 To D-5489

Date:07/2024

PAGE:XV-0518-60

RADIATOR SEALING FRAME



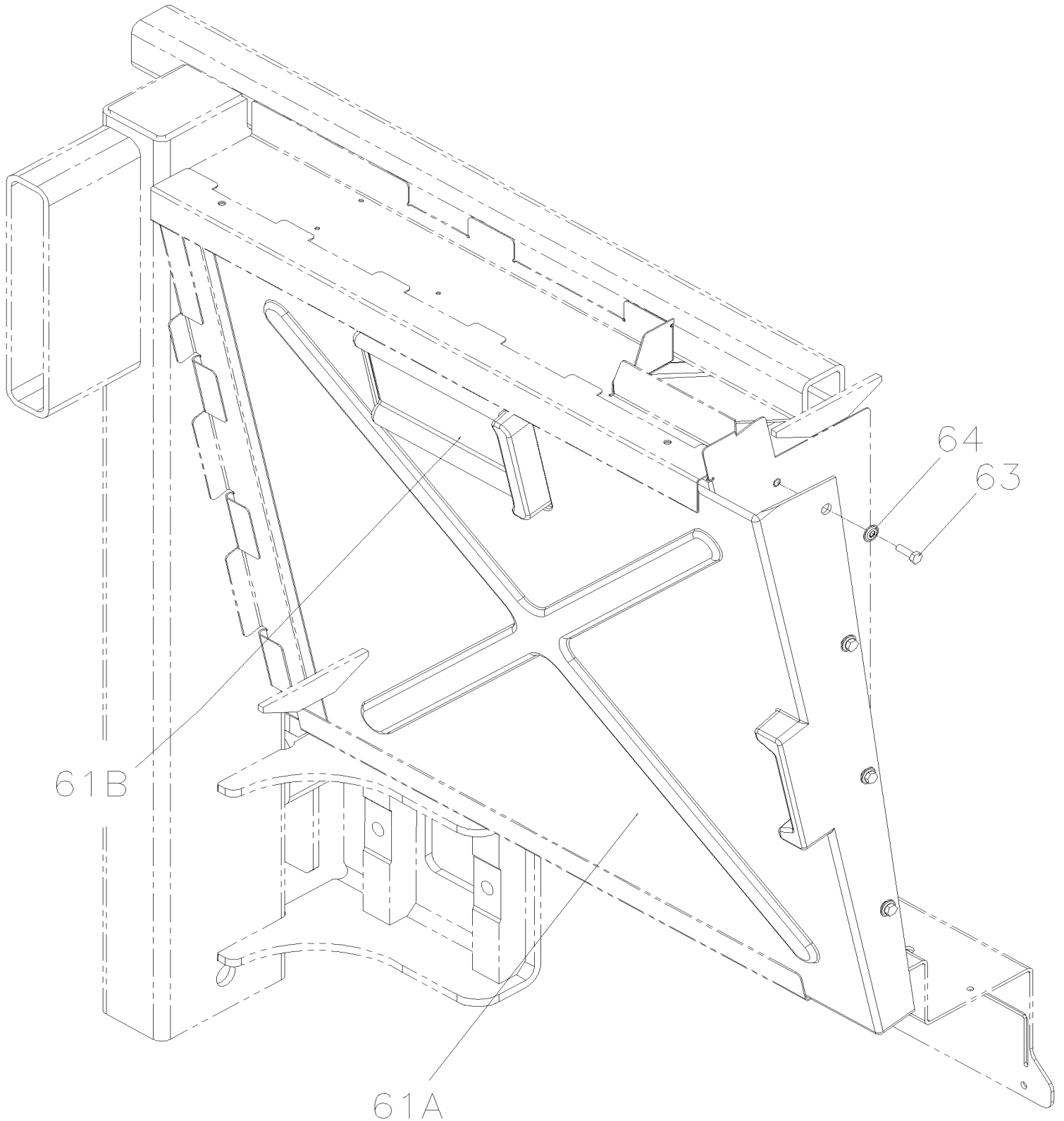


From B-5003 To D-5489

Date:07/2024

PAGE:XV-0518-60

RADIATOR SEALING FRAME





From B-5003 To D-5489 Date:07/2024 PAGE:XV-0518-60

RADIATOR SEALING FRAME

Item#	Part	Description	X 3 V I P	X L I I E N T 4 5	N O T E S
1	052774	FRAME, SEALING / FORWARD	1	1	
2	052779	FRAME, SEALING / BACKWARD	1	1	
3	052780	FRAME, SEALING / LOWER	1	1	
4	052781	FRAME, SEALING / UPPER	1	1	
5	052804	ANGLE REINFORCEMENT 662MM	1	1	
6	052814	REINFORCMENT "U" 1043MM	2	2	
7	052778	ANGLE REINFORCEMENT 515MM	1	1	
8	052815	REINFORCMENT "U" 893MM	2	2	
9	052817	ANGLE REINFORCEMENT 1045MM	1	1	
10	052793	ANGLE REINFORCEMENT 658MM	AR	AR	
11	052805	ANGLE REINFORCEMENT 871MM	AR	AR	
12	052816	ANGLE REINFORCEMENT 435MM	AR	AR	
13	500526	SCREW TP CAP HEXW #12x3/4 N500	AR	AR	
14	500877	WASHER FL .250x.562x.065 N500	AR	AR	
15	502853	WASHER LO SPT 6.1x11.8x1.6 N500	AR	AR	
16	502830	SCREW CAP HEX M6-1.0x20 G8.8 N500	AR	AR	
16	5001965	NUT SPR U M6-1.0 0.6-4.0 N500	AR	AR	
17	5001067	WASHER FL .128x.312x.032 SS	2	2	
18	504339	RIVET POP DOME OE 1/8x3/8 SS	2	2	
50	289399	TUBE PROTECTOR LOWER RADIATOR 1211MM	1	1	
51	502705	SCREW CAP HEX M12-1.75X25 G8.8 N500	2	2	
52	500958	WASHER FL .531x1.062x.095 SS	2	2	
53	500747	WASHER LO SPT 12.2x21.1x2.5 N500	2	2	
61	053455	FENDER ACCESS PANEL ASSY PLASTIC	1	1	
. A	053453	. FENDER ACCESS PANEL LARGE PLASTIC	1	1	
. B	053454	. FENDER ACCESS PANEL SMALL PLASTIC	1	1	
63	502830	SCREW CAP HEX M6-1.0x20 G8.8 N500	4	4	
64	500356	WASHER LO SERR 6.1x16.0x0.9 N500	4	4	

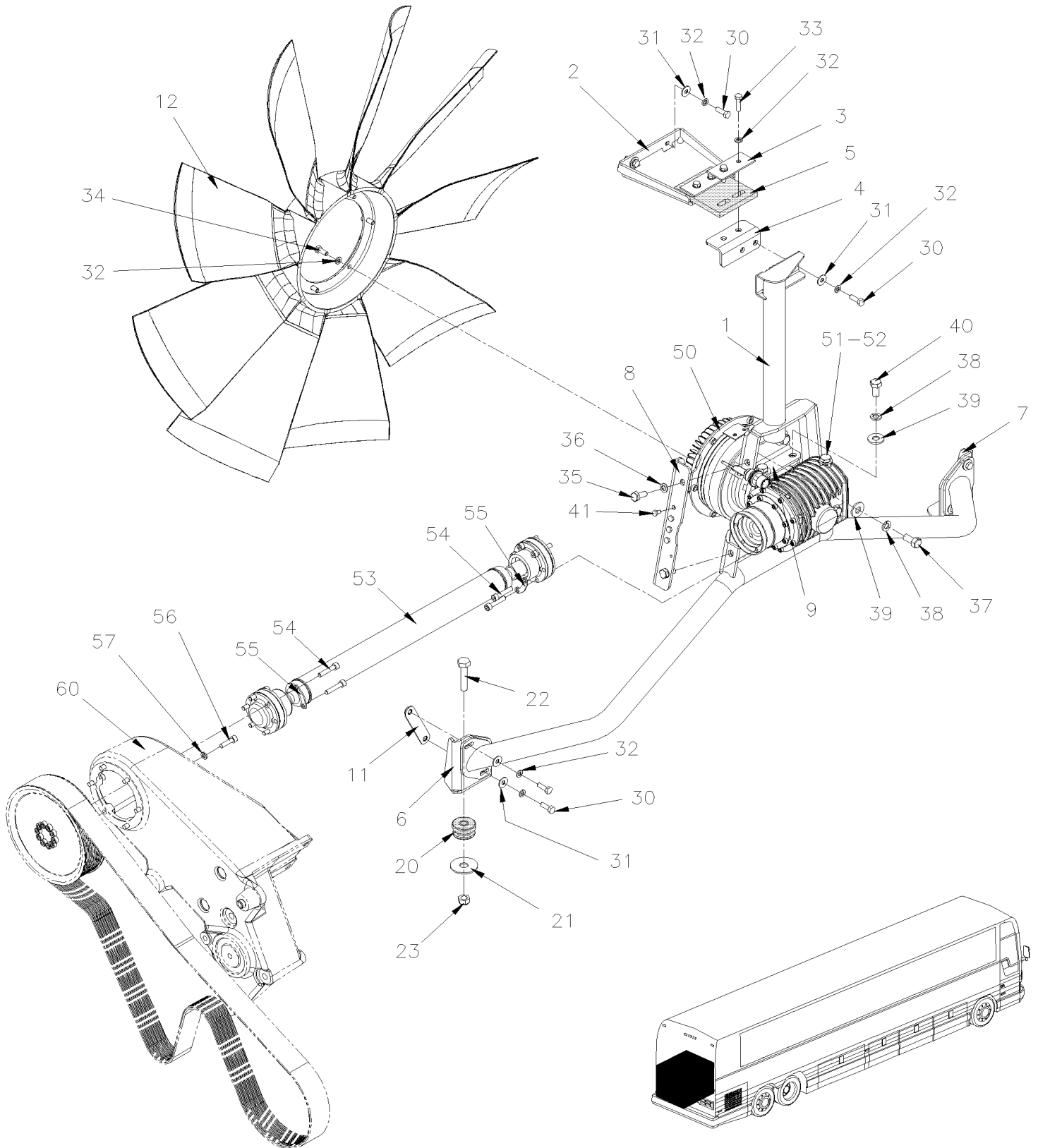


From B-5003 To B-5049

Date:07/2024

PAGE:XV-0520-00

FAN DRIVE - INSTALLATION



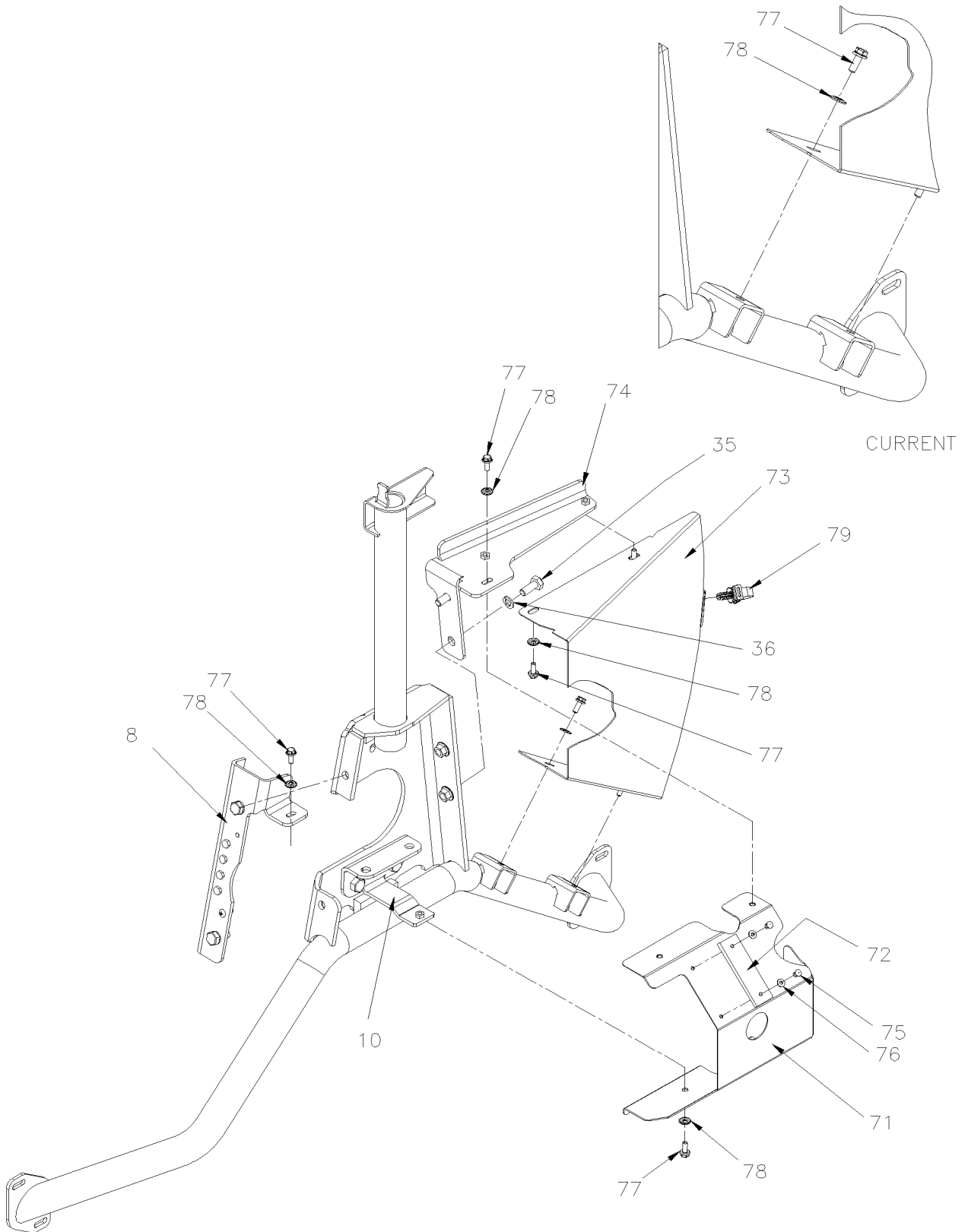


From B-5003 To B-5049

Date:07/2024

PAGE:XV-0520-00

FAN DRIVE - INSTALLATION





From B-5003 To B-5049	Date:07/2024	PAGE:XV-0520-00
FAN DRIVE - INSTALLATION		

Item#	Part	Description	X 3 V I P	X L I I E N T 4 5	N O T E S
1	052939	TRIPOD SUPPORT SHORT	1	1	
2	052728	SUPPORT UPPER TRIPOD	1	1	
2	502851	NUT HEX M8-1.25 N500	2	2	A
3	052473	PLATE / UPPER RADIATOR 40MM X 90MM	2	2	
4	052903	ANGLE OFFSET RETAINER / UPPER RADIATOR	1	1	
4	502851	NUT HEX M8-1.25 N500	2	2	A
5	21185073	RUBBER PAD 100MM X 123MM	1	1	
6	052901	SUPPORT LOWER TRIPOD / BACKWARD	1	1	
7	052905	SUPPORT LOWER TRIPOD / FORWARD	1	1	
8	052979	ANGLE CLOSING BACKWARD SUPPORT TRIPOD	1	1	
9	052884	ANGLE RETAINER UP & LOWER 90° GEARBOX	1	1	
10	052998	ANGLE RETAINER LOWER 90° GEARBOX	1	1	
11	052840	PLATE ATTACHMENT W/2 NUTS M8-1.25	2	2	
12	550908	FAN ASSY / CCW 38" / 9 BLADES PLASTIC	1	1	
20	21183424	RUBBER BUSHING	2	2	
21	052765	WASHER FL 12.5MMx52MMx3MM	2	2	
22	5001861	SCREW CAP HEX M12-1.75x60 G10.9 N500	2	2	
23	971084	NUT HEX STO M12-1.75 ZG603	2	2	
30	955297	SCREW CAP HEX M8-1.25x25 G8.8 ZG603	8	8	
31	500332	WASHER FL .328x.875x.062 N500	12	12	
32	500942	WASHER LO SPT 8.1x14.8x2.0 N500	18	18	
33	940142	SCREW CAP HEX M8-1.25x30 G8.8 ZG603	4	4	
34	502862	SCREW CAP HEX M8-1.25x20 G8.8 N500	6	6	
35	502804	SCREW CAP HEX M10-1.5x25 G8.8 N500	2	2	
36	502616	WASHER LO SPT 10.2x18.1x2.2 SS	2	2	
37	502705	SCREW CAP HEX M12-1.75x25 G8.8 N500	4	4	
38	500747	WASHER LO SPT 12.2x21.1x2.5 N500	8	8	
39	500211	WASHER FL .531x1.250x.125 N500	8	8	
40	5001645	SCREW CAP HEX M12-1.5x25 G8.8 N500	4	4	
41	5001181	SCREW CAP HEX M6-1.0x12 SS	4	4	
41	680038	THREAD LOCKER LOCTITE #243 / BLUE / 50ml	AR	AR	
50	XV-0540-00	FAN CLUTCH & ANGLE DRIVE ASSY C.C.W.			
51	550946	CHECK VALVE	1	1	
52	550947	GASKET CHECK VALVE	1	1	
53	557059	DRIVE SHAFT 463MM	1	1	
. NS	550930	. PLATE REINFORCMENT HALF CIRCLE	6	6	
. NS	502743	. SCREW CAP HEXS M8-1.25x40 G8.8	12	12	
53	557071	DRIVE SHAFT 463MM SERVICE ONLY	1	1	
. NS	550930	. PLATE REINFORCMENT HALF CIRCLE	6	6	
. NS	502743	. SCREW CAP HEXS M8-1.25x40 G8.8	12	12	
54	502743	SCREW CAP HEXS M8-1.25x40 G8.8	12	12	B
55	550930	PLATE REINFORCMENT HALF CIRCLE	6	6	B



From B-5003 To B-5049	Date:07/2024	PAGE:XV-0520-00
FAN DRIVE - INSTALLATION		

Item#	Part	Description	X 3 V I P	X L I I E N T 4 5	N O T E S
56	940142	SCREW CAP HEX M8-1.25x30 G8.8 ZG603	6	6	
57	5001161	WASHER LO SPT 8.1x14.8x2.0 SS-304	6	6	
60	XV-0120-00	DRIVE PULLEY, BELTS & TENSIONER WITH VOLVO D13 & 2x120Amps EPA2010			
71	052992	. AIR DEFLECTOR BACKWARD	1	1	
72	053005	. SPACER 100x30x6.4 RUB	1	1	
73	052993	. AIR DEFLECTOR FORWARD	1	1	
74	052994	. RETAINER UPPER SUPPORT AIR DEFLECTOR	1	1	
75	504379	. RIVET POP DOME OE 3/16x1/4 SS	2	2	
76	504357	. WASHER FL .187x.437x.050 SS	2	2	
77	5001730	. SCREW CAP HEXF M6-1.0x16 G10.9 N500	7	7	
78	500356	. WASHER LO SERR 6.1x16.0x0.9 N500	7	7	
79	504750	. CABLE TIE / 1/2" x 15" / CHRISTMAS TREE	1	1	
		A) FOR PRODUCT IMPROVMENT ADD 2 X 502851			
		B) ONLY USE WITH THE OEM PART			

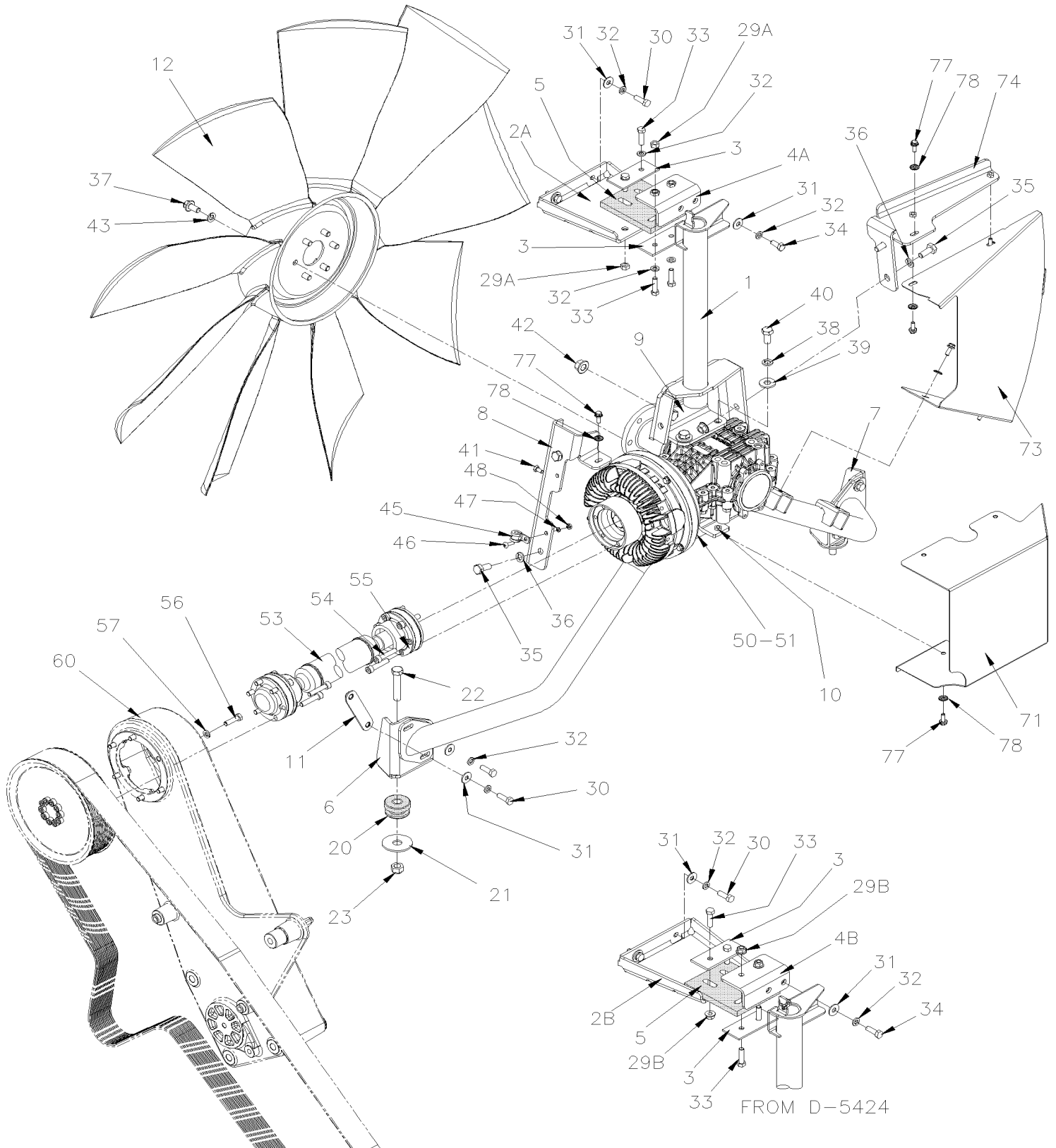


From B-5050 To D-5489

Date:07/2024

PAGE:XV-0520-01

FAN DRIVE - INSTALLATION





From B-5050 To D-5489	Date:07/2024	PAGE:XV-0520-01
------------------------------	---------------------	------------------------

FAN DRIVE - INSTALLATION

Item#	Part	Description	X 3 V I P	X L I I E N T 4 5	N O T E S
1	052939	TRIPOD SUPPORT SHORT	1	1	
2A	052728	SUPPORT UPPER TRIPOD To D-5423	1	1	
2B	053024	SUPPORT UPPER TRIPOD From D-5424	1	1	
3	052473	PLATE / UPPER RADIATOR 40MM X 90MM	2	2	
4A	052903	ANGLE OFFSET RETAINER / UPPER RADIATOR To D-5423	1	1	
4B	053025	SUPPORT UPPER TRIPOD From D-5424	1	1	
5	21185073	RUBBER PAD 100MM X 123MM	1	1	
6	052901	SUPPORT LOWER TRIPOD / BACKWARD	1	1	
7	052905	SUPPORT LOWER TRIPOD / FORWARD	1	1	
8	052754	ANGLE CLOSING BACKWARD SUPPORT TRIPOD To D-5297	1	1	
8	053637	ANGLE CLOSING BACKWARD SUPPORT TRIPOD From D-5298	1	1	
9	052306	ANGLE RETAINER UP 90° GEARBOX To D-5297	1	1	
9	053639	ANGLE RETAINER UP 90° GEARBOX From D-5298	1	1	
10	050902	ANGLE RETAINER LOWER 90° GEARBOX To D-5297	1	1	
10	053640	ANGLE RETAINER LOWER 90° GEARBOX From D-5298	1	1	
11	052840	PLATE ATTACHMENT W/2 NUTS M8-1.25	2	2	
12	557064	FAN ASSY / CW 38" / 9 BLADES PLASTIC	1	1	
20	21183424	RUBBER BUSHING	2	2	
21	052765	WASHER FL 12.5MMx52MMx3MM	2	2	
22	5001861	SCREW CAP HEX M12-1.75x60 G10.9 N500	2	2	
23	5001759	NUT HEX STO M12-1.75 N500	2	2	
29A	502851	NUT HEX M8-1.25 N500 To D-5423	4	4	
29B	502837	NUT HEXF STO M8-1.25 N500 From D-5424	4	4	
30	5001745	SCREW CAP HEX M8-1.25x25 G8.8 N500	6	6	
31	500332	WASHER FL .328x.875x.062 N500	8	8	
32	500942	WASHER LO SPT 8.1x14.8x2.0 N500 To D-5423	12	12	
32	500942	WASHER LO SPT 8.1x14.8x2.0 N500 From D-5424	8	8	
33	5001738	SCREW CAP HEX M8-1.25x30 G8.8 N500	4	4	
34	502862	SCREW CAP HEX M8-1.25x20 G8.8 N500	6	6	
35	502804	SCREW CAP HEX M10-1.5x25 G8.8 N500	4	4	
36	502616	WASHER LO SPT 10.2x18.1x2.2 SS	2	2	
37	5001307	SCREW CAP HEXF M10-1.5x20 8.8 N500	4	4	
38	500747	WASHER LO SPT 12.2x21.1x2.5 N500	8	8	
39	500211	WASHER FL .531x1.250x.125 N500	8	8	
40	5001222	SCREW CAP HEX M12-1.5x30 G10.9 N500	4	4	
41	5001181	SCREW CAP HEX M6-1.0x12 SS	4	4	
41	680038	THREAD LOCKER LOCTITE #243 / BLUE / 50ml	AR	AR	
42	5001774	NUT HEXF STO M12-1.75 MAGNI G500	4	4	
43	5001834	WASHER BEL SPR 10.5X23X2.5 N500	6	6	
45	952624	CLAMP / 1/4" I.D.	1	1	
46	500606	SCREW MA TR PH #10-24x3/4 SS	1	1	
47	500914	WASHER LO SPT .193x.334x.047 N500	1	1	



From B-5050 To D-5489	Date:07/2024	PAGE:XV-0520-01
FAN DRIVE - INSTALLATION		

Item#	Part	Description	X 3 V I P	X L I E N T 4 5	N O T E S
48	502882	NUT HEX #10-24 N500	1	1	
50	XV-0540-01	FAN CLUTCH & ANGLE DRIVE ASSY C.W.			
50	068185	CABLE ADAPTOR FAN CLUTCH / WITH 4 CONTACTS	1	1	
51	550813	CHECK VALVE	1	1	
53	557060	DRIVE SHAFT 335MM	1	1	
. NS	550930	. PLATE REINFORCMENT HALF CIRCLE	6	6	
. NS	502743	. SCREW CAP HEXS M8-1.25x40 G8.8	12	12	
53	557072	DRIVE SHAFT 335MM	1	1	
. NS	550930	. PLATE REINFORCMENT HALF CIRCLE	6	6	
. NS	5000356	. SCREW CAP HEXS LOW HEAD M8-1.25x40 G8.8 YZP	12	12	
53	550990	DRIVE SHAFT 335MM ALTERNATIVE PART	1	1	
. NS	5000356	. SCREW CAP HEXS LOW HEAD M8-1.25x40 G8.8 YZP	12	12	
54	502743	SCREW CAP HEXS M8-1.25x40 G8.8	12	12	B
55	550930	PLATE REINFORCMENT HALF CIRCLE	6	6	B
56	5001738	SCREW CAP HEX M8-1.25x30 G8.8 N500	6	6	
57	5001161	WASHER LO SPT 8.1x14.8x2.0 SS-304	6	6	
60	XV-0120-00	DRIVE PULLEY, BELTS & TENSIONER WITH VOLVO D13 & 2x120Amps EPA2010			
71	052659	AIR DEFLECTOR BACKWARD To D-5297	1	1	
71	053638	AIR DEFLECTOR BACKWARD From D-5298	1	1	
73	052630	AIR DEFLECTOR FORWARD	1	1	
74	052994	RETAINER UPPER SUPPORT AIR DEFLECTOR	1	1	
77	5001730	SCREW CAP HEXF M6-1.0x16 G10.9 N500	7	7	
78	500356	WASHER LO SERR 6.1x16.0x0.9 N500	7	7	
		B) ONLY USE WITH THE OEM PART			

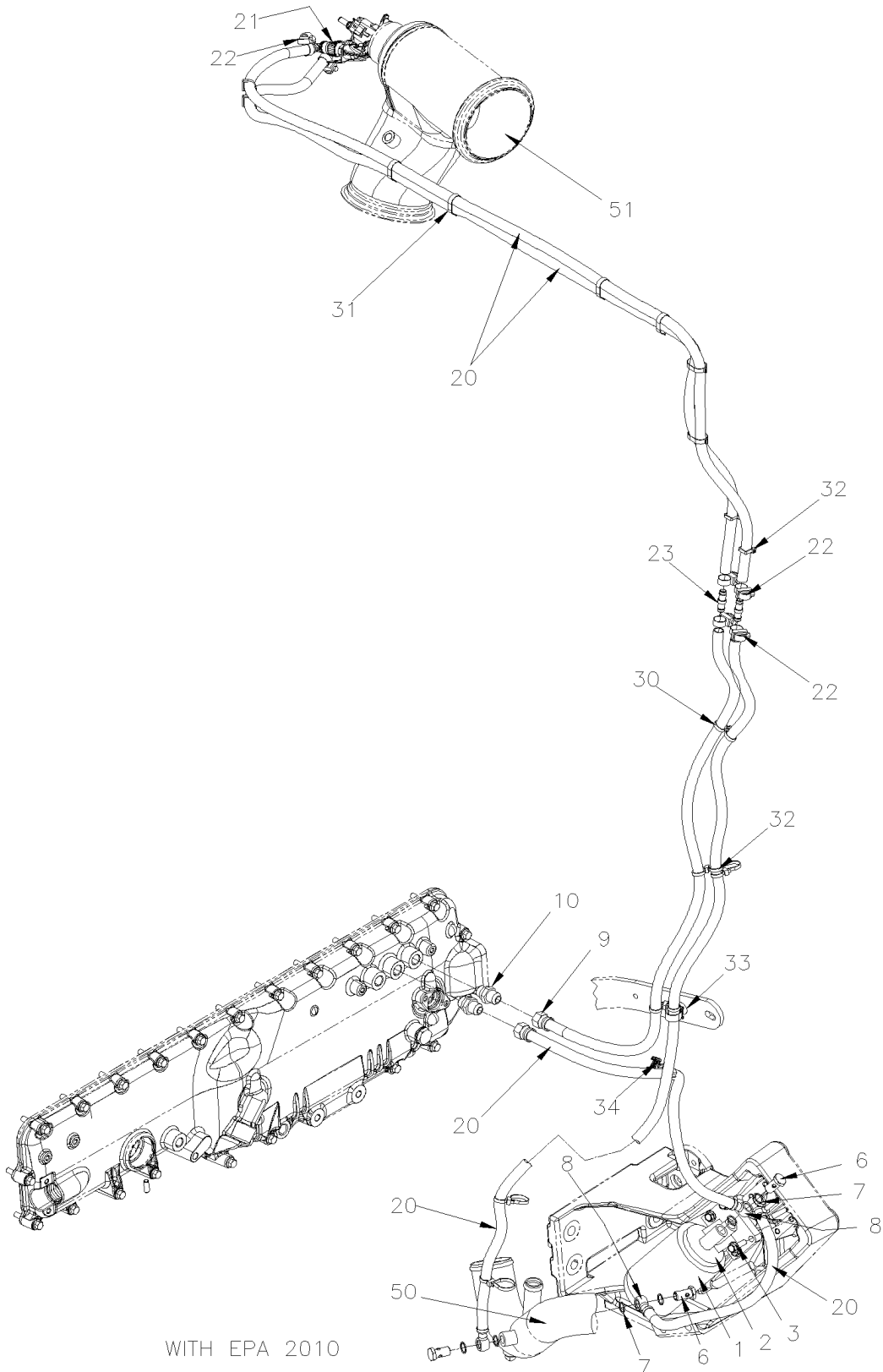


From B-5003 To D-5489

Date:07/2024

PAGE:XV-0530-00

COOLANT FILTER - INSTALLATION WITH VOLVO D13





From B-5003 To D-5489	Date:07/2024	PAGE:XV-0530-00
------------------------------	---------------------	------------------------

COOLANT FILTER - INSTALLATION WITH VOLVO D13

Item#	Part	Description	X 3 V I P	X L I E N T 4 5	N O T E S
1	21388479	CARTRIGE "MAINTENANCE" COOLANT LONG LIFE "WITH D13 ENGINE" From B-5002 To D-5404	1	1	
1	21937327	CARTRIGE "MAINTENANCE" COOLANT LONG LIFE "WITH D13 ENGINE" From D-5405	1	1	
2	3979836	ADAPTOR HEAD, COOLANT FILTER	1	1	
3	5001742	SCREW CAP HEXF M8-1.25x30 G8.8 N500	4	4	
4	503702	. HOSE / (SAFETY STRIPE) / 3/8" I.D. 50' / S.L.	AR	AR	
4	503790	HOSE SILICONE 1 PLY / NOMEX-ARAMID 3/8" X 25' To D-5381	AR	AR	GR
4	503806	HOSE SILICONE 1 PLY / NOMEX-ARAMID 3/8" I.D. x 100' From D-5382	AR	AR	GR
5	503702	. HOSE / (SAFETY STRIPE) / 3/8" I.D. 50' / S.L.	AR	AR	
5	503790	HOSE SILICONE 1 PLY / NOMEX-ARAMID 3/8" X 25' To D-5381	AR	AR	GR
5	503806	HOSE SILICONE 1 PLY / NOMEX-ARAMID 3/8" I.D. x 100' From D-5382	AR	AR	GR
6	507655	BANJO BOLT / M14-1.5	3	3	
7	507657	BANJO WASHER / M14	6	6	
8	507653	BANJO UNION / 14MMx#6HOSE	3	3	
9	5011260	FEMALE CONNECTOR SWIVEL / PUSH-LOK FITTING / #8FL-Fx#6 BR	1	1	
10	5011192	MALE CONNECTOR / JIC 37° FITTING / #8JIC-MxM18-1.5-M STL	1	1	
. NS	N.P.N.	. O-RING	1	1	4
. NS	N.P.N.	. WASHER RET	1	1	4
20	503702	HOSE / (SAFETY STRIPE) / 3/8" I.D. 50' / S.L.	AR	AR	
20	503790	HOSE SILICONE 1 PLY / NOMEX-ARAMID 3/8" X 25' GREYHOUND From B-5050 To D-5381	AR	AR	GR
20	503806	HOSE SILICONE 1 PLY / NOMEX-ARAMID 3/8" I.D. x 100' From D-5382	AR	AR	GR
NS	053008	RESTRICTION / ALU. TUBE 20MM X 9.05MM O.D. W/3.05MM HOLE From B-5002	1	1	
21	20805110	QUICK CONNECTOR 90° 10MM	2	2	
22	992081	HOSE CLAMP / 12MM/22MM	6	6	
23	5011340	UNION / MINI BARB FITTING / #8x#8 BR	2	2	
30	507664	CABLE TIE / 3/16" 11" / DOUBLE LOOP HEAD	AR	AR	
31	504016	CABLE TIE / 5/16" X 14"1/2	AR	AR	
32	504637	CABLE TIE / 3/16" x 13"	AR	AR	
33	504750	CABLE TIE / 1/2" x 15" / CHRISTMAS TREE	AR	AR	
34	504751	ROTATIF SPACER DOUBLE / SMALL	AR	AR	
50	XV-0500-00	COOLANT PIPING WITH VOLVO D13			
51	XV-0405-00	MUFFLER - INSTALLATION WITH DPF & SCR WITH VOLVO D13 WITH "EPA 2010"			
		GR) GREYOUND OPTION			
		4) NO PARTS NUMBER			

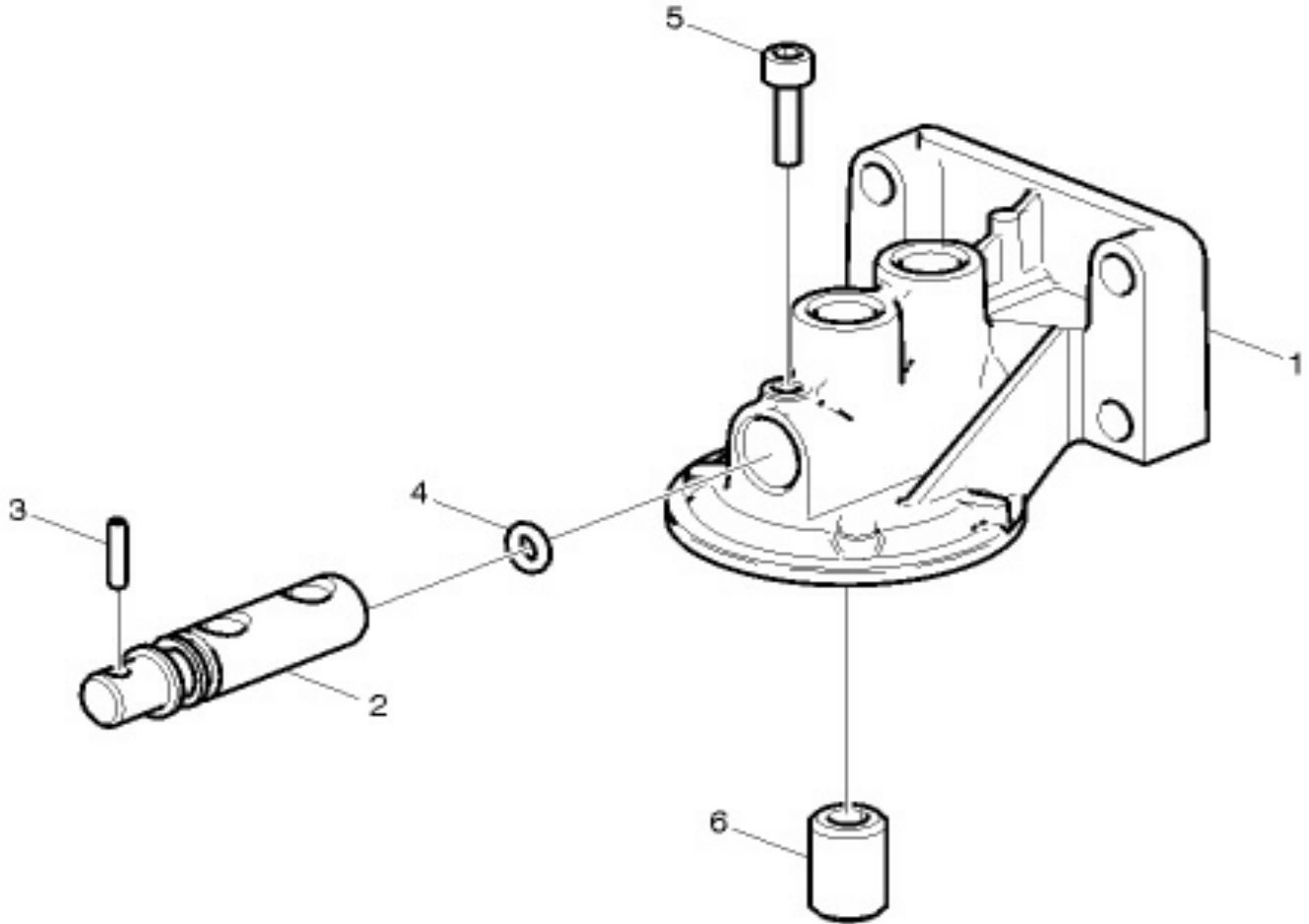


From B-5003 To D-5489

Date:07/2024

PAGE:3979836

ADAPTOR HEAD, COOLANT FILTER





From B-5003 To D-5489	Date:07/2024	PAGE:3979836
-----------------------	--------------	--------------

ADAPTOR HEAD, COOLANT FILTER

Item#	Part	Description	X 3 V I P	X L I I E N T 4 5	N O T E S
1	1661683	HOUSING	1	1	
2	1661686	SPINDLE	1	1	
3	951972	SPRING PIN	1	1	
4	968725	O-RING 11.3X2.4	1	1	
5	963692	HEX. SOCKET SCREW	1	1	
6	1676554	NIPPLE COOLANT FILTER	1	1	

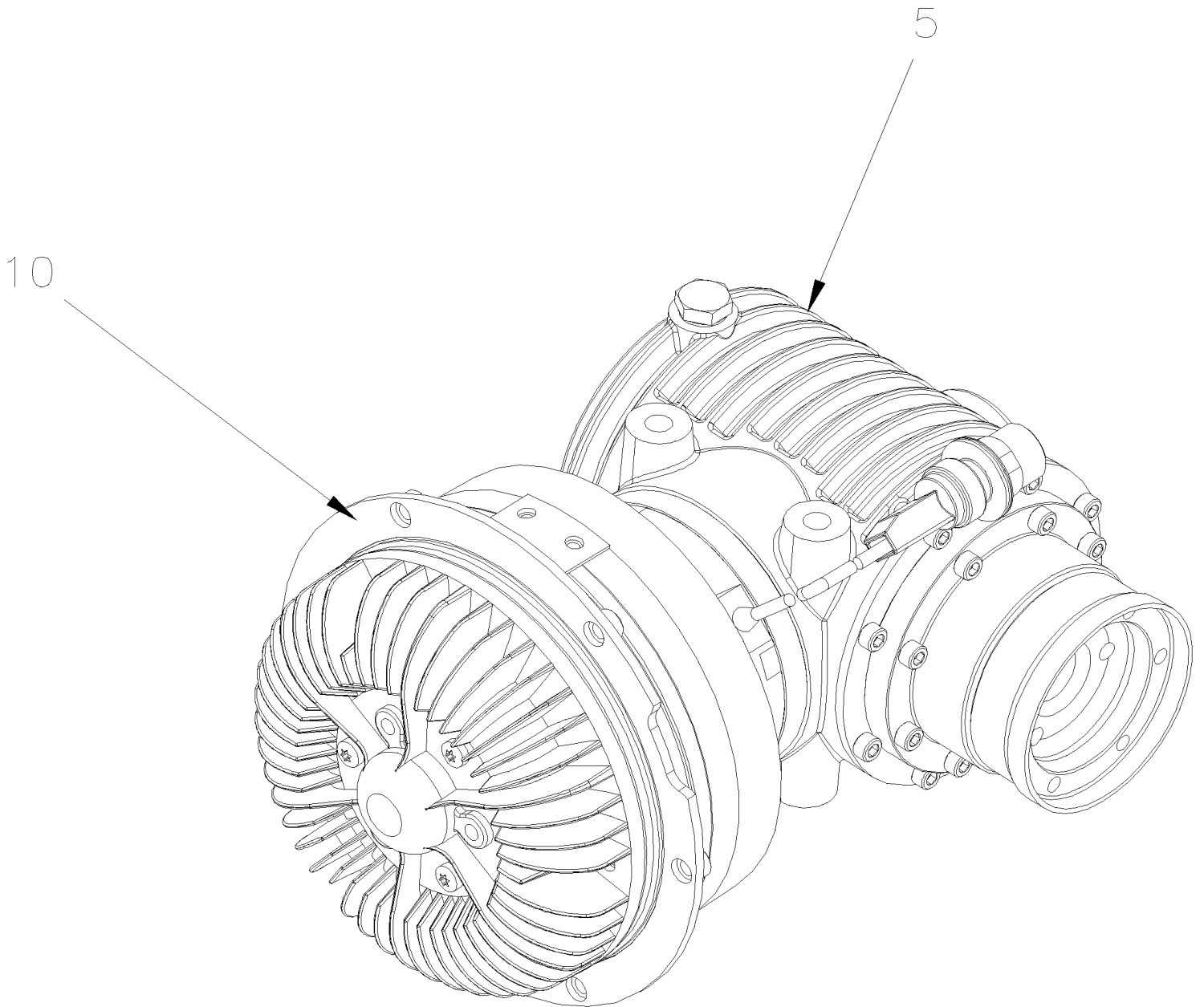


From B-5003 To B-5049

Date:07/2024

PAGE:XV-0540-00

FAN CLUTCH & ANGLE DRIVE ASSY C.C.W.





From B-5003 To B-5049	Date:07/2024	PAGE:XV-0540-00
FAN CLUTCH & ANGLE DRIVE ASSY C.C.W.		

Item#	Part	Description	X 3 V I P	X L I I E N T 4 5	N O T E S
	550962	GEARBOX ASSY WITH FAN CLUTCH	1	1	
. NS	MI10-24	. SEE MAINTENANCE INFORMATION	1	1	
	550974	GEARBOX ASSY WITH FAN CLUTCH ALTERNATIVE PART	1	1	A
. NS	551003	. BREATHER W/ OIL DIPSTICK	1	1	A
. NS	551004	. WASHER, DRAIN PLUG	1	1	A
. NS	551005	. PLUG, DRAIN	1	1	A
. NS	550062	. LOCKING TABS	1	1	A
. NS	551025	. REBUILD KIT FOR CLUTCH/GEAR BOX 550974	1	1	A
	069718	HARNESS JUMPER FAN CLUTCH	1	1	A
NS	680719	. OIL SYNTHETIC GEAR BOX TITAN SAE 75W90 W/O-RING WASHER	1	1	
	068063	CABLE ADAPTOR FORMER TO CURRENT FAN CLUTCH / WITH 3 CONTACTS	1	1	
5	N.P.N.	. GEARBOX	1	1	4
10	N.P.N.	. FAN CLUTCH	1	1	4
		A) USE 069718 WHEN YOU CHANGE THE FAN CLUTCH 550962 FOR A FAN CLUTCH 550974			
		4) NO PARTS NUMBER			



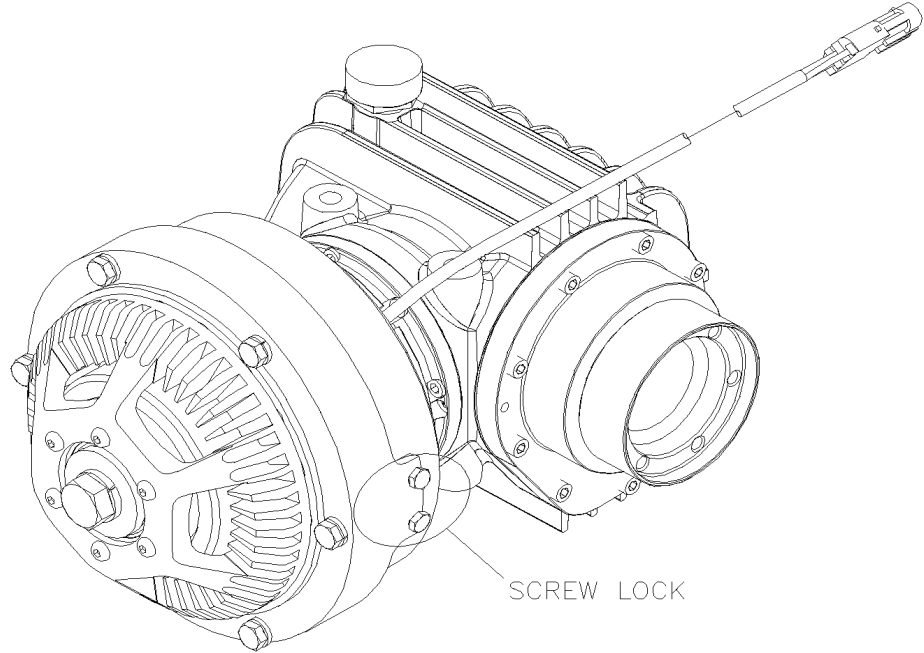
From B-5003 To B-5049

Date:07/2024

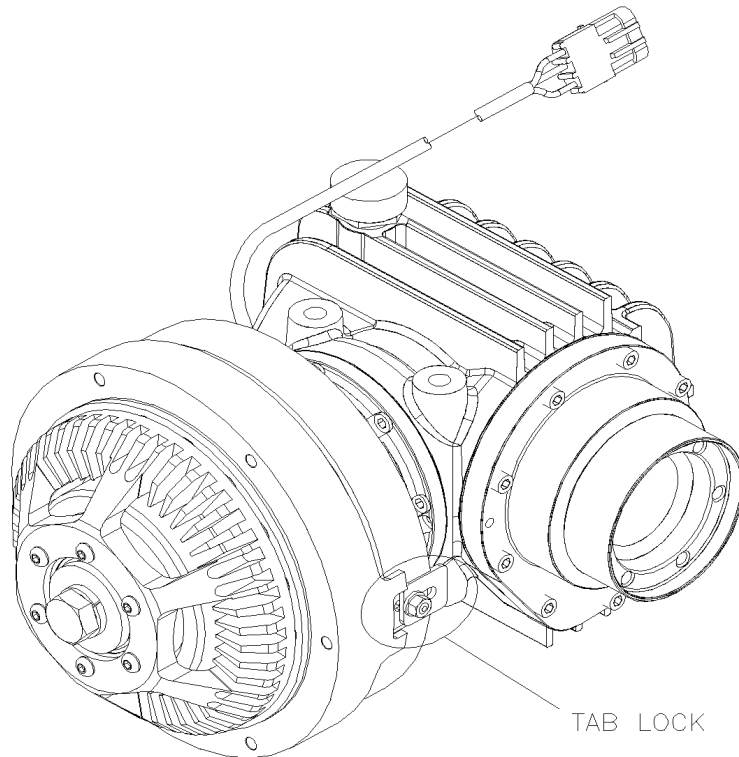
PAGE:550974

GEARBOX ASSY WITH FAN CLUTCH ALTERNATIVE PART

FORMER



CURRENT





From B-5003 To B-5049	Date:07/2024	PAGE:550974
-----------------------	--------------	-------------

GEARBOX ASSY WITH FAN CLUTCH ALTERNATIVE PART

Item#	Part	Description	X 3 V I P	X L I I E N T 4 5	N O T E S
1		FORMER WITH SCREW LOCK	1	1	
2		CURRENT WITH TAB LOCK	1	1	

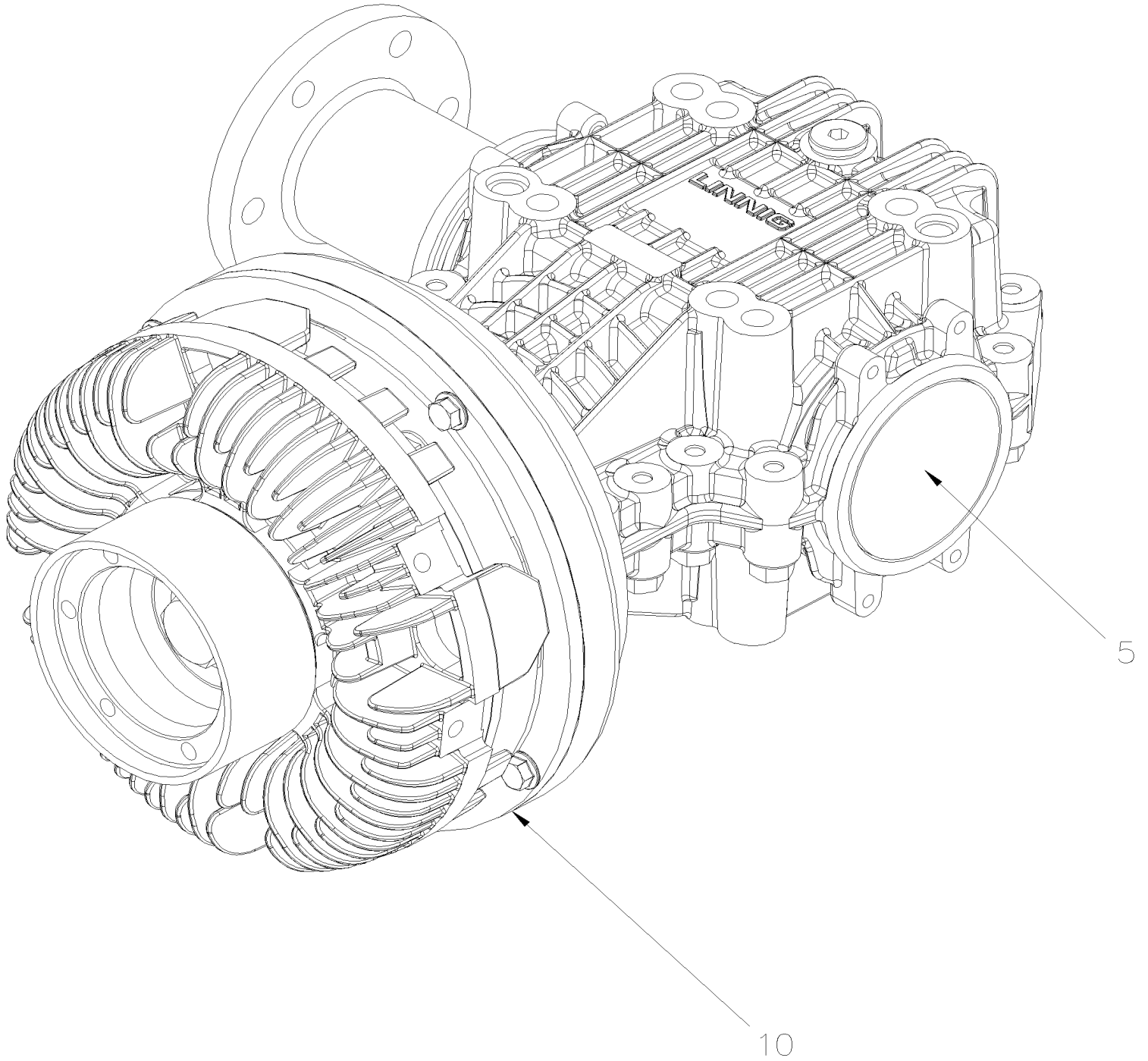


From B-5050 To D-5489

Date:07/2024

PAGE:XV-0540-01

FAN CLUTCH & ANGLE DRIVE ASSY C.W.





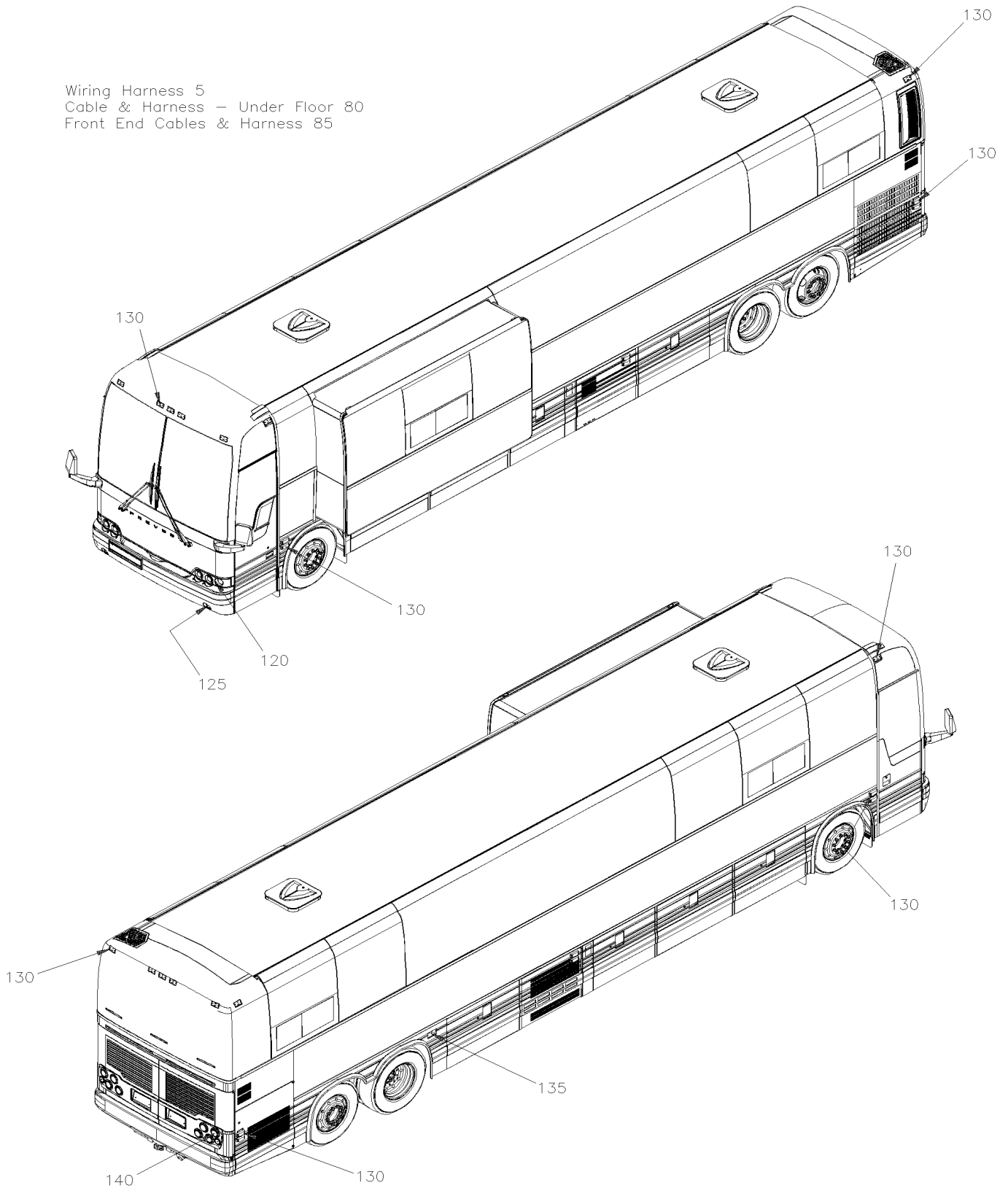
From B-5050 To D-5489	Date:07/2024	PAGE:XV-0540-01
FAN CLUTCH & ANGLE DRIVE ASSY C.W.		

Item#	Part	Description	X 3 V I P	X L I I E N T 4 5	N O T E S
	557065	GEARBOX ASSY WITH FAN CLUTCH To D-5467	1	1	
. NS	550294	. DRAIN PLUG WITH MAGNET To D-5467	1	1	
. NS	550295	. DRAIN PLUG To D-5467	1	1	
. NS	5002257	. SEALING CRUSH WASHER 14.0x20.0x1.5 COP To D-5467	1	1	
	550987	GEARBOX ASSY WITH FAN CLUTCH From D-5468	1	1	
. NS	550294	. DRAIN PLUG WITH MAGNET From D-5468	1	1	
. NS	550295	. DRAIN PLUG From D-5468	1	1	
. NS	551001	. MAGNET From D-5468	1	1	
. NS	5002257	. SEALING CRUSH WASHER 14.0x20.0x1.5 COP From D-5468	1	1	
	680719	. OIL SYNTHETIC GEAR BOX TITAN SAE 75W90 W/O-RING WASHER	1	1	
5	N.P.N.	. GEARBOX	1	1	4
10	N.P.N.	. FAN CLUTCH	1	1	4
NS	551017	REPAIR KIT CLUTCH	1	1	
NS	551016	REPAIR KIT RADIAL SHAFT SEAL	1	1	
NS	551015	TOOL KIT FOR GEARBOX WITH FAN CLUTCH	1	1	
		4) NO PARTS NUMBER			



	Date:07/2024	XV-06
ELECTRICAL		

Wiring Harness 5
Cable & Harness – Under Floor 80
Front End Cables & Harness 85





	Date:07/2024	XV-06
ELECTRICAL		

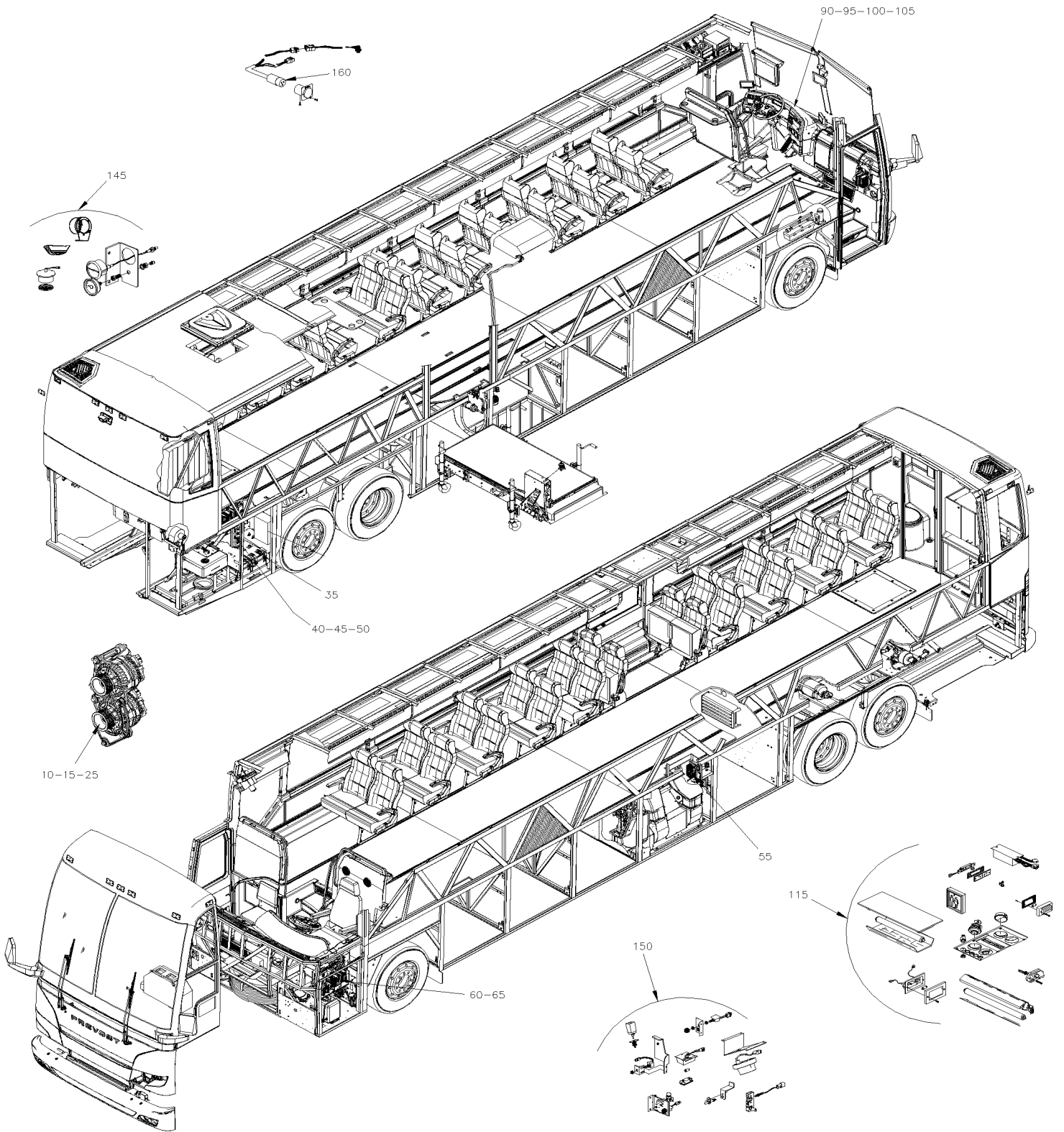


ILLUSTRATION REFERENCE ONLY



		Date:07/2024	XV-06		
ELECTRICAL					
Item#	Part	Description	X 3 V I P	X L I I E N T 4 5	N O T E S
10	XV-0605-00	ALTERNATOR 24V/120 AMPS / "BOSCH" From B-5003 To D-5489			
15	XV-0610-00	ALTERNATOR MOUNTING / "BOSCH" 2X120AMPS VOLVO D13 From B-5003 To D-5489			
25	XV-0610-60	ALTERNATOR MOUNTING From B-5003 To D-5459			
25	XV-0610-61	ALTERNATOR MOUNTING / WITH SMALL A/C SYSTEM From D-5460 To D-5489			
25	XV-0610-65	ALTERNATOR MOUNTING / WITH LARGE A/C SYSTEM From D-5460 To D-5489			
35	XV-0615-50	BATTERIES INSTALLATION WITH "EPA 2010" From B-5003 To D-5459			
35	XV-0615-51	BATTERIES INSTALLATION From D-5460 To D-5489			
40	XV-0616-00	JUNCTION BOX COMPONENTS / MUX From B-5003 To D-5489			
40	XV-0616-50	BREAKERS PANEL From B-5003 To D-5489			
45	XV-0620-05	REAR JUNCTION BOX FAN - INSTALLATION From B-5003 To D-5489			
50	XV-0620-50	REAR JUNCTION BOX ASSY WITH "EPA 2010" From B-5003 To D-5458			
50	XV-0620-51	REAR JUNCTION BOX ASSY From D-5459 To D-5489			
55	XV-0621-50	A/C ELECTRICAL PANEL ASSY / EVAPORATOR DOOR From B-5003 To D-5458			
55	XV-0621-51	A/C ELECTRICAL PANEL ASSY / EVAPORATOR DOOR From D-5459 To D-5489			
60	XV-0625-00	FRONT JUNCTION PANEL From B-5003 To D-5489			
65	XV-0625-10	FRONT JUNCTION BOX - INSTALLATION From B-5003 To D-5489			
85	XV-0640-50	CABLE & HARNESS - FRONT END INSTALLATION From B-5003 To D-5489			
90	XV-0645-05	SWITCHES L.H. CONSOLE - MTH From B-5003 To D-5489			
95	XV-0645-10	L.H. DASHBOARD PANEL From B-5003 To D-5489			
100	XV-0645-21	CENTER DASHBOARD PANEL WITH "EPA 2010" From B-5003 To D-5489			
105	XV-0645-30	R.H. DASHBOARD PANEL From B-5003 To D-5489			
115	XV-0655-00	INTERIOR LIGHTING From B-5003 To D-5489			
120	XV-0660-00	HEADLAMP & FRONT DIRECTIONAL LAMPS ROUND "HALOGENE" & "XENON" From B-5003 To D-5489			
125	XV-0661-00	FOG LAMP From B-5003 To D-5489			
130	XV-0662-00	CLEARANCE & MARKER LIGHT From B-5003 To D-5489			
135	XV-0663-00	DOCK & CORNERING LIGHT From B-5003 To D-5489			
140	XV-0664-00	REAR EXTERIOR LIGHTS & PLATE HOLDER From B-5003 To D-5489			
145	XV-0665-00	ENGINE COMPARTMENT - ELECTRIC COMPONENTS From B-5003 To D-5489			
150	XV-0665-10	SWITCHES, LIGHTS, AJAR - UNDER FLOOR From B-5003 To D-5489			
160	XV-0666-00	BLOCK HEATER RECEPTACLE From B-5003 To D-5489			
165	XV-0675-05	SYSTEM - ADAPTIVE CRUISE CONTROL ACB - "BENDIX" From B-5024 To D-5489			



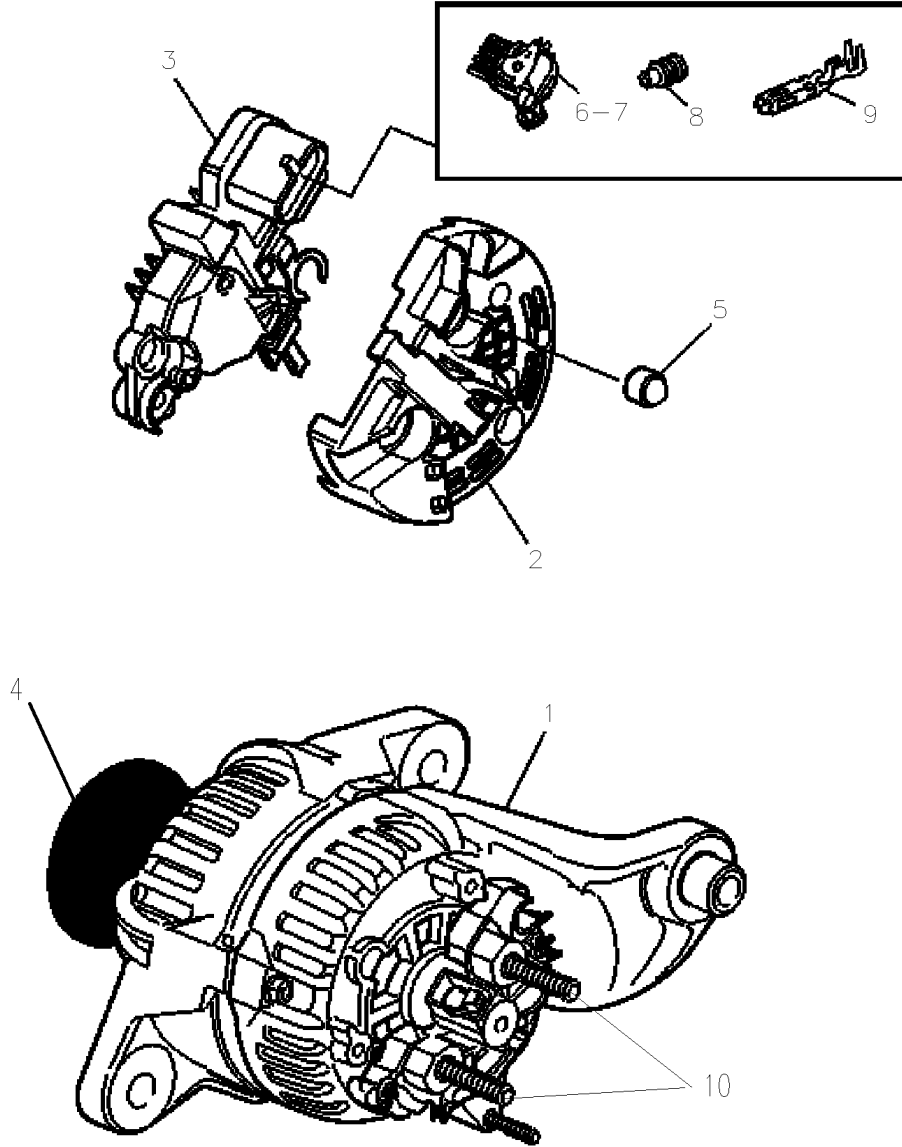
From B-5003 To D-5489

Date:07/2024

PAGE:XV-0605-00

ALTERNATOR 24V/120 AMPS / "BOSCH"

HARNESS INSTALLATION 50





From B-5003 To D-5489	Date:07/2024	PAGE:XV-0605-00
ALTERNATOR 24V/120 AMPS / "BOSCH"		

Item#	Part	Description	X 3 V I P	X L I I E N T 4 5	N O T E S
1	564119	ALTERNATOR ASSY 24V/120 AMPS / W/OUT PULLEY	1	1	
. NS	564469	. CONNECTOR / MKR-PLUS / SH 5C / G&H 18241 000 000	1	1	
1	21429787	ALTERNATOR ASSY 24V/120 AMPS ASSY /	1	1	
2	20523388	. COVER	1	1	
3	20523391	. BRUSH ASSY W/CHARGE REGULATOR / 24VOLT	1	1	
4	565869	PULLEY ALTERNATOR / "BOSCH" / 83MM DOB x 8 RIB	1	1	
NS	21034254	FLANGE NUT	1	1	
5	20576874	NUT, CAP PROTECTOR	1	1	
6	564469	CONNECTOR / MKR-PLUS / SH 5C / G&H 18241 000 000	1	1	
6	20429872	CONNECTOR / MKR-PLUS / SH 5C	1	1	
7	564470	COVER / MKR-PLUS	1	1	
7	20429873	COVER / MKR-PLUS	1	1	
8	564473	CABLE SEAL / BLUE // G&H 16695 627 642	1	1	
8	3944654	CABLE SEAL / BLUE /	1	1	
8	564474	CABLE SEAL / RED // G&H 16694 627 626	1	1	
9	564471	SOCKET TERMINAL / 18-16 / G&H 26780	1	1	
10	564159	ADAPTOR STUD M8 Male x M8 Female M8-1.25 x 18MM SS	2	2	
NS	068013	PROTECTION PLATE ASSY W/"VOLVO" ENGINE	1	1	
50	XV-0100-06	ENGINE WIRING HARNESS - INSTALLATION WITH "VOLVO" ENGINE D-061103			

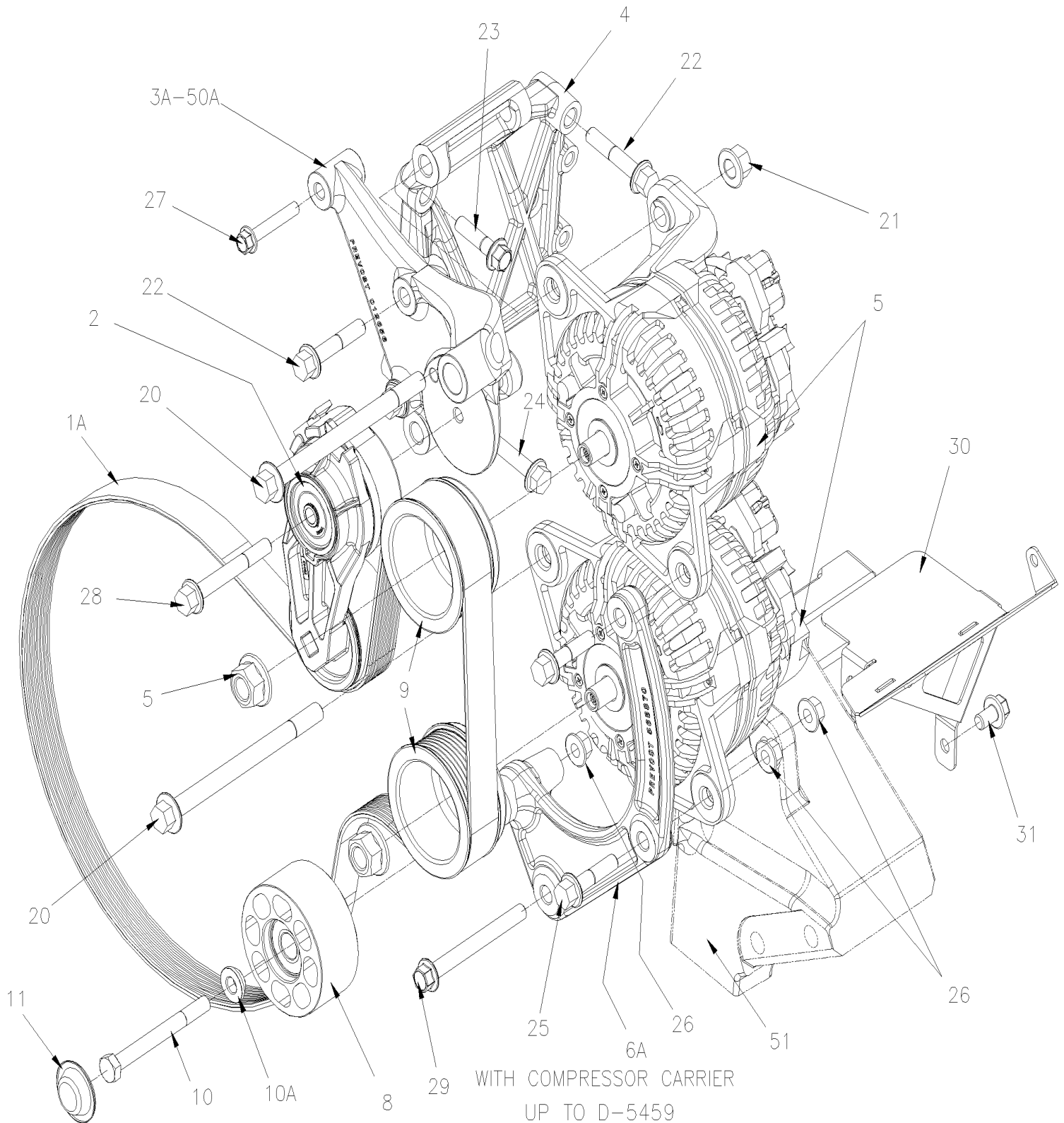


From B-5003 To D-5489

Date:07/2024

PAGE:XV-0610-00

ALTERNATOR MOUNTING / "BOSCH" 2X120AMPS VOLVO D13



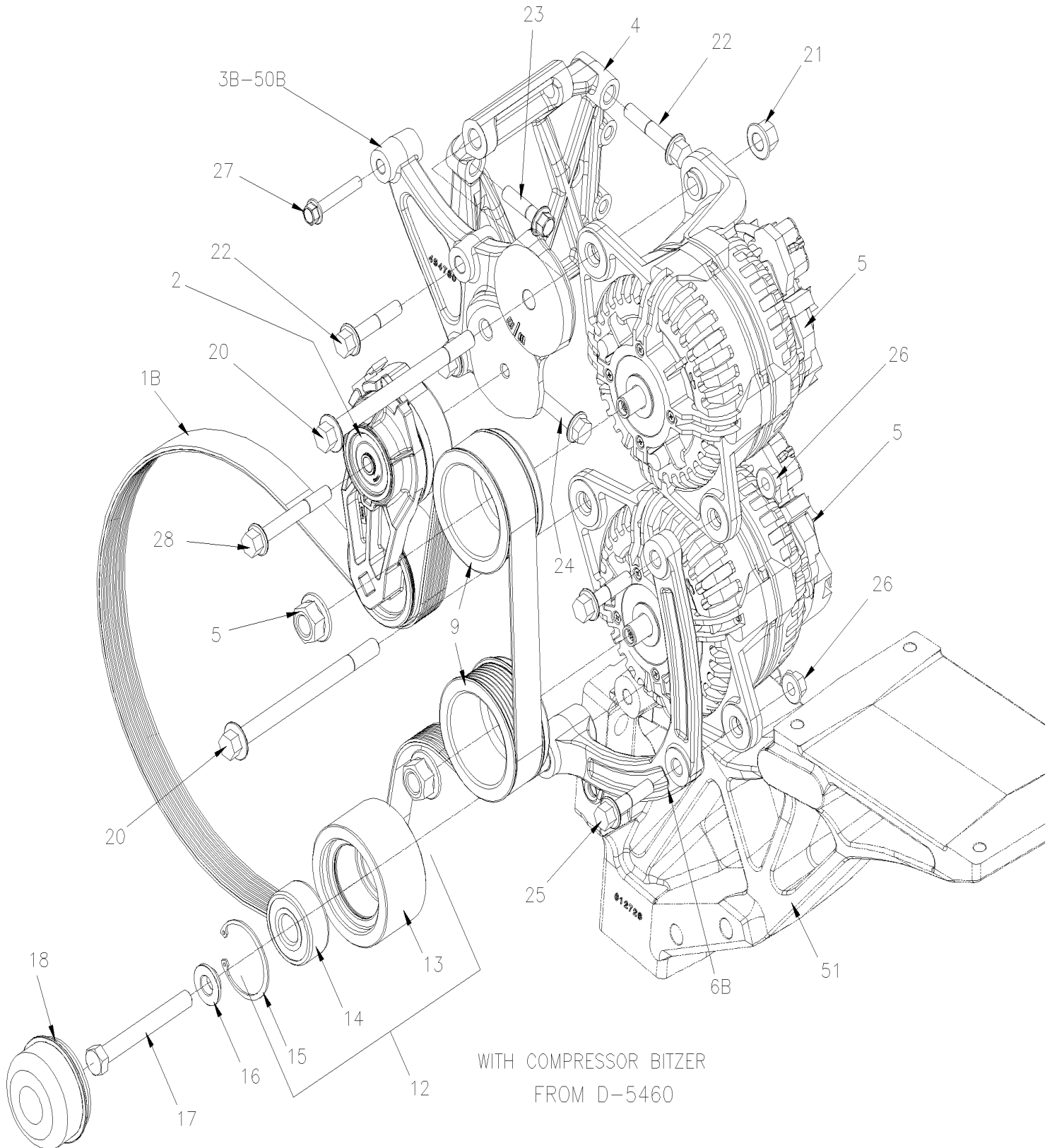


From B-5003 To D-5489

Date:07/2024

PAGE:XV-0610-00

ALTERNATOR MOUNTING / "BOSCH" 2X120AMPS VOLVO D13





From B-5003 To D-5489 Date:07/2024 PAGE:XV-0610-00

ALTERNATOR MOUNTING / "BOSCH" 2X120AMPS VOLVO D13

Item#	Part	Description	X 3 V I P	X L I I E N T 4 5	N O T E S
1A	505608	MULTI V-BELT / 8 RIB 62.48" (1587) 8PK1587 STANDARD DUTY To D-5458	1	1	
1A	5060114	MULTI V-BELT / 8 RIB 62.5" (1587.5) 8PK1587.5 QT + SD (21-2121) To D-5458	1	1	H
1A	5060113	MULTI V-BELT / 8 RIB 60" (1524) 8PK1524 QT (21-2116) To D-5458	1	1	E
1A	5060145	BELT, POLY V 8PK 1539 ORION QT +	1	1	B
1B	5060129	MULTI V-BELT / 8 RIB 62" (1575MM) 8PK1575 QT From D-5459	1	1	
1B	5060130	MULTI V-BELT / 8 RIB 62" (1575MM) 8PK1575 SEVERE DUTY From D-5459	1	1	H
1B	5060131	MULTI V-BELT / 8 RIB 59.5" (1512MM) 8PK1512 QT From D-5459	1	1	E
1B	5060145	BELT, POLY V 8PK 1539 ORION QT +	1	1	B
2	510991	AUTOMATIC TENSIONER ASSY	1	1	
3A	012656	SUPPORT PULLEY ALT & A/C To D-5458	1	1	
3B	454779	SUPPORT PULLEY ALT & A/C WELDED From D-5459	1	1	
4	20995657	ALTERNATOR MOUNT UPPER	1	1	
5	XV-0605-00	ALTERNATOR 24V/120 AMPS / "BOSCH"			
6A	565870	SUPPORT ASSY IDLER PULLEY & ALTERNATOR To D-5458	1	1	
6B	21134692	SUPPORT ASSY IDLER PULLEY & ALTERNATOR From D-5459	1	1	
7	012670	ENGINE MOUNT CURBSIDE W/D13 PROTO	1	1	U
NS	565874	SPACER MOUNTING W/D13 PROTO	1	1	U
8	510970	PULLEY ASSY To D-5458	1	1	C
. NS	560974	. BALL BEARING To D-5458	2	2	C
9	565869	PULLEY ALTERNATOR / "BOSCH" / 83MM DOB x 8 RIB	2	2	
NS	068346	SHIM 20GA	AR	AR	
NS	068347	SHIM 26GA	AR	AR	
10	5001785	SCREW CAP HEXF M10-1.5x100 G10.9 N500 To D-5458	1	1	
10	5001901	SCREW CAP HEX M10-1.5x100 G10.9 N500 From D-5393	1	1	
10A	053022	GUIDE, BUSHING From D-5393	1	1	
11	557056	PROTECTOR CAP / STEEL 40.7MM O.D. x 11MM To D-5458	1	1	
12	457503	PULLEY ASSY W/BEARING / 46MM x 86.5MM O.D. From D-5459	1	1	
13	457502	. PULLEY / 46MM x 86.5MM O.D. From D-5459	1	1	
14	507340	. BALL BEARING 20 ID x 52 OD x 22.2 W From D-5459	1	1	D
14	507014	. BALL BEARING 20 ID x 52 OD x 22.2 W From D-5459	1	1	
15	504095	. RING RETAINER / INT 2.00 x 2.12 x .062 From D-5459	1	1	
16	053033	GUIDE, BUSHING From D-5459 To E-5649	1	1	
16	053690	GUIDE, BUSHING From E-5650	1	1	
17	5001688	SCREW CAP HEX M12-1.75x100 G10.9 G500 From D-5459	1	1	
18	453076	CAP, DUST From D-5459	1	1	
20	5001853	SCREW SHR CAP HEXF 13x130 (M12x1.75 G10.9 N500	2	2	
21	5001728	NUT HEXF STO M12-1.75 N500 G10	2	2	
22	5001801	SCREW CAP HEXF M10-1.5x55 G10.9 N500	4	4	
23	5001308	SCREW CAP HEXF M10-1.5x40 G10.9 N500	1	1	
24	5001799	SCREW CAP HEXF M10-1.5x70 G10.9 N500	1	1	
25	5001800	SCREW CAP HEXF M10-1.5x45 G10.9 N500	2	2	



From B-5003 To D-5489	Date:07/2024	PAGE:XV-0610-00
-----------------------	--------------	-----------------

ALTERNATOR MOUNTING / "BOSCH" 2X120AMPS VOLVO D13

Item#	Part	Description	X 3 V I P	X L I I E N T 4 5	N O T E S
26	5001727	NUT HEXF NYRT M10-1.5 N500	2	2	
27	500796	SCREW CAP HEXF M8-1.25x50 G10.9 N500	1	1	
28	5001802	SCREW CAP HEXF M10-1.5x80 G10.9 N500 To B-5035	1	1	
28	5001799	SCREW CAP HEXF M10-1.5x70 G10.9 N500 From B-5036 To D-5459	1	1	
29	5001785	SCREW CAP HEXF M10-1.5x100 G10.9 N500	2	2	
30	067854	PROTECTION PLATE ASSY W/"VOLVO" ENGINE To D-5459	1	1	
31	5001729	SCREW CAP HEXF M10-1.5x16 G8.8 N500 To D-5459	1	1	
50A	XV-0120-00	DRIVE PULLEY, BELTS & TENSIONER WITH VOLVO D13 & 2x120Amps EPA2010 COMPRESSOR CARRIER			
50B	XV-0120-01	DRIVE PULLEY, BELTS & TENSIONER WITH VOLVO D13 & 2x120Amps COMPRESSOR BITZER			
51	XV-0150-00	ENGINE CRADLE - WITH VOLVO D13			
		B) W DUAL ALT. & W/O IDLER PULLEY			
		C) FOR PRODUCT IMPROVEMENT ASK FOR 1 X 053022 & 1 X 5001901			
		D) REPLACE BY # 507014			
		E) USE ON EMERGENCY WITH ONE ALTERNATOR			
		H) SEVERE DUTY			

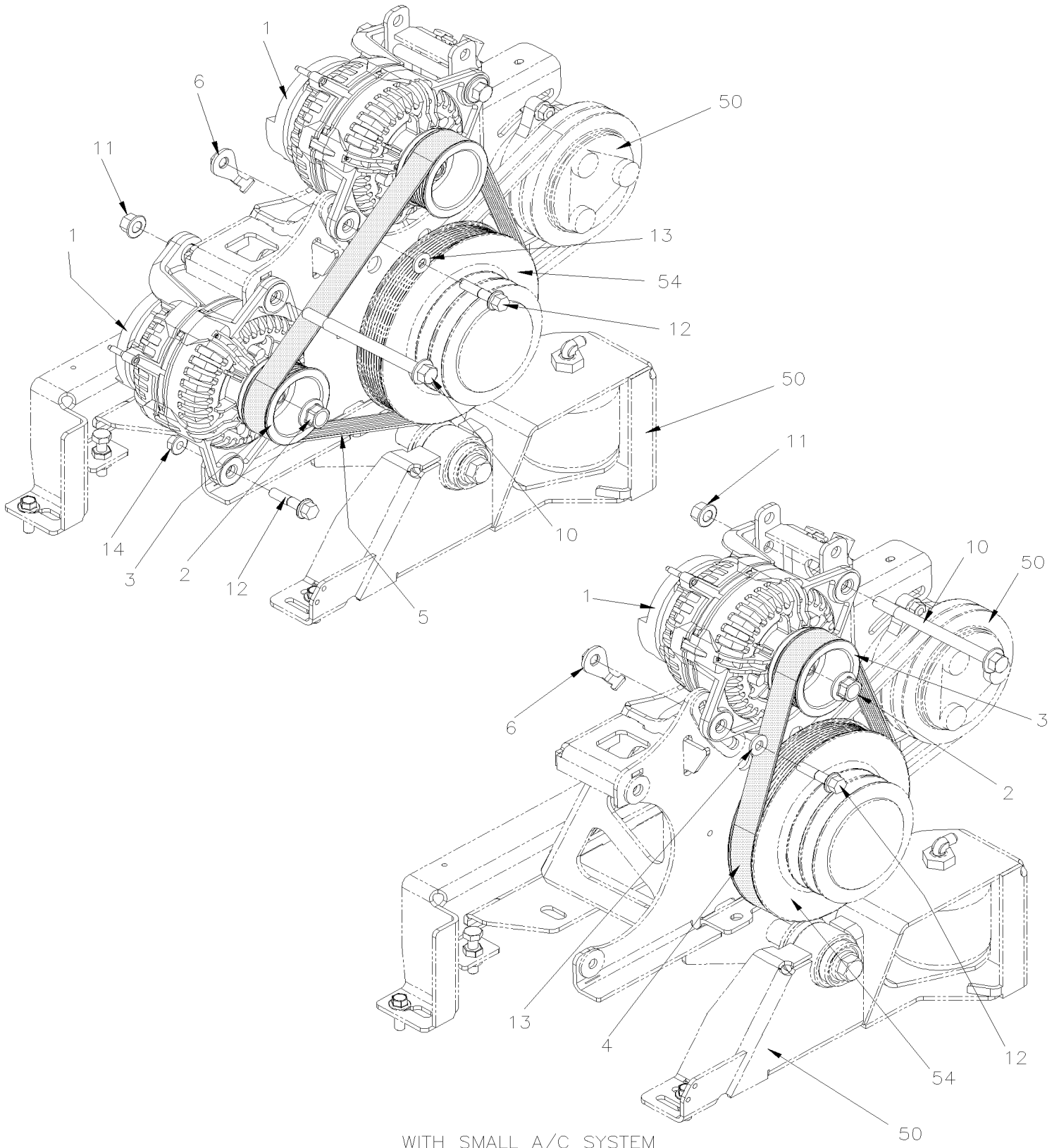


From B-5003 To D-5459

Date:07/2024

PAGE:XV-0610-60

ALTERNATOR MOUNTING



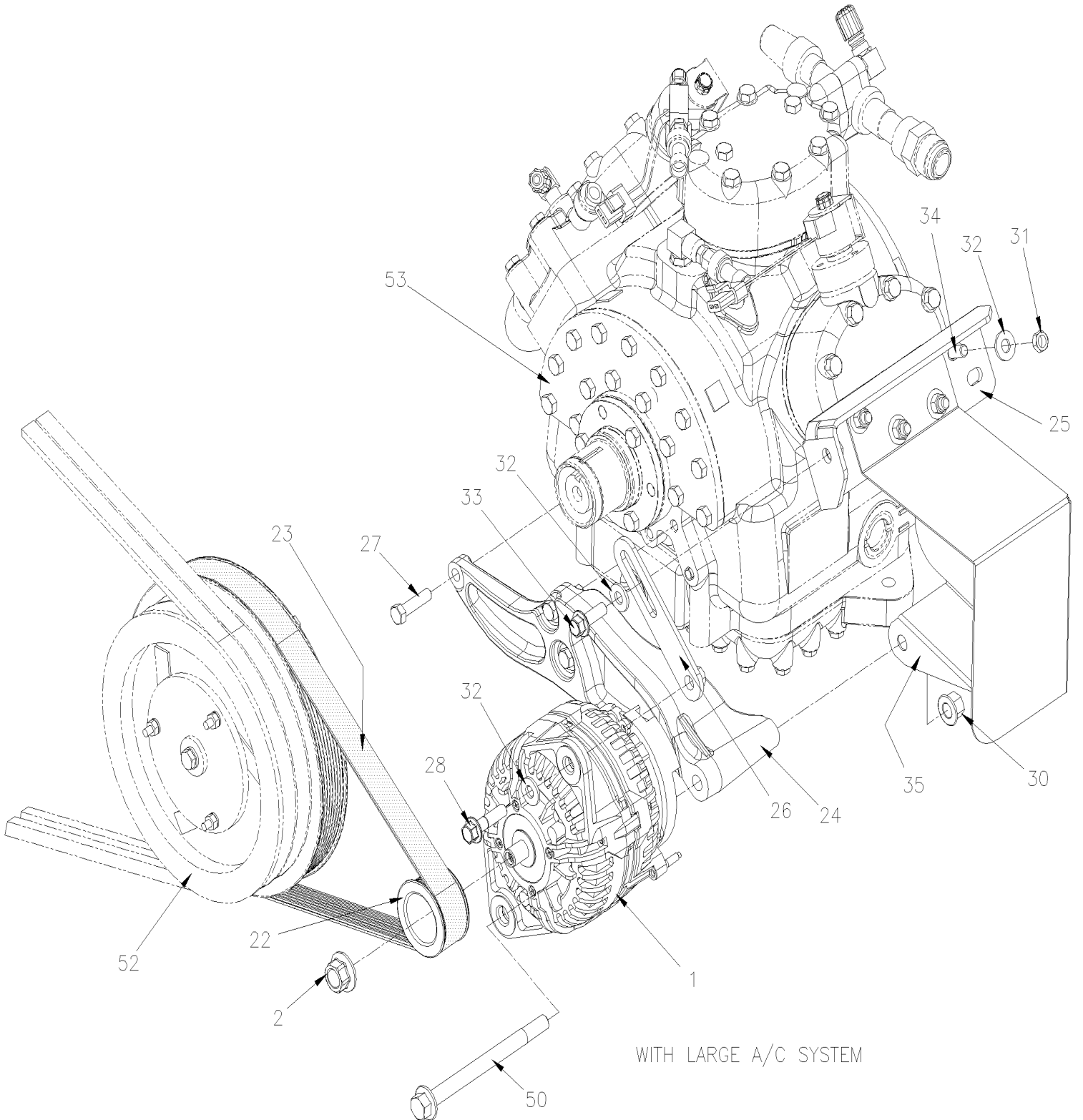


From B-5003 To D-5459

Date:07/2024

PAGE:XV-0610-60

ALTERNATOR MOUNTING





From B-5003 To D-5459 Date:07/2024 PAGE:XV-0610-60

ALTERNATOR MOUNTING

Item#	Part	Description	X 3 V I P	X L I I E N T 4 5	N O T E S
1	564119	ALTERNATOR ASSY 24V/120 AMPS / W/OUT PULLEY	AR	AR	
. NS	564469	. CONNECTOR / MKR-PLUS / SH 5C / G&H 18241 000 000	1	1	
1	564492	ALTERNATOR ASSY 12V/200 AMPS / W/OUT PULLEY	AR	AR	
1	067836	CABLE ALTERNATOR MOUNT ON 1 SMALL COMPRESSOR	1	1	A
2	21034254	. FLANGE NUT	1	1	
3	565869	PULLEY ALTERNATOR / "BOSCH" / 83MM DOB x 8 RIB	AR	AR	24V
3	564511	PULLEY ALTERNATOR / "BOSCH" / 83MM O.D. x 8 RIB	1	1	12V
4	978218	MULTI V-BELT / 8 RIB 33.66" (855) 8PK855	1	1	
4	5060117	MULTI V-BELT / 8 RIB 33.66" (855) 8PK855 QT (21-2186)	1	1	
5	5061281	MULTI V-BELT / 8 RIB 42.52" (1080) 8PK1080	1	1	
5	5060116	MULTI V-BELT / 8 RIB 42.52" (1080) 8PK1080 QT (21-2115)	1	1	
6	457491	ATTACHMENT ALTERNATOR	1	1	
10	5001853	SCREW SHR CAP HEXF 13x130 {M12x1.75 G10.9 N500	2	2	
11	5001728	NUT HEXF STO M12-1.75 N500 G10	2	2	
12	5001800	SCREW CAP HEXF M10-1.5x45 G10.9 N500	2	2	
13	5001834	WASHER BEL SPR 10.5X23X2.5 N500	1	1	
14	5001727	NUT HEXF NYRT M10-1.5 N500	1	1	
22	564493	PULLEY ALTERNATOR / "BOSCH" / 59MM O.D. x 8 RIB	1	1	24V
22	564510	PULLEY ALTERNATOR / "BOSCH" / 59MM O.D. x 8 RIB	1	1	12V
23	5060116	MULTI V-BELT / 8 RIB 42.52" (1080) 8PK1080 QT (21-2115)	1	1	
24	068284	SUPPORT ALTERNATOR LOWER	1	1	
25	068015	SUPPORT UPPER TENSIONER / M10.5	1	1	
26	068016	TENSIONER 144.5MM / M10-1.5	1	1	
27	500193	SCREW CAP HEX 3/8-16x1 1/2 G5 Z050	3	3	
28	5001308	SCREW CAP HEXF M10-1.5x40 G10.9 N500	1	1	
29	5001853	SCREW SHR CAP HEXF 13x130 {M12x1.75 G10.9 N500	1	1	
30	5001728	NUT HEXF STO M12-1.75 N500 G10	1	1	
31	500208	NUT HEX STO 3/8-16 N500 To C-5255	4	4	
31	500102	NUT HEX 3/8-16 SS From C-5255	4	4	
32	5001834	WASHER BEL SPR 10.5X23X2.5 N500	10	10	
33	5001741	SCREW CAP HEXF M10-1.5x30 G8.8 N500	1	1	
34	G5009572	STUD	4	4	
35	068457	MUD GARD FOR ALTERNATOR From C-5255	1	1	
50	XV-2245-50	A/C SMALL COMPRESSOR - INSTALLATION			
51	XV-2250-00	A/C COMPRESSOR ASSY 05G - TWIN PORT			
52	XV-2246-01	A/C CLUTCH - WITH "BITZER" COMPRESSOR			
53	XV-2245-00	A/C COMPRESSOR 05G - INSTALLATION			
54	XV-0120-00	DRIVE PULLEY, BELTS & TENSIONER WITH VOLVO D13 & 2x120Amps EPA2010			



From B-5003 To D-5459	Date:07/2024	PAGE:XV-0610-60
-----------------------	--------------	-----------------

ALTERNATOR MOUNTING

Item#	Part	Description	X 3 V I P	X L I I E N T 4 5	N O T E S
		12V) USE WITH 12VOLTS ALTERNATOR			
		24V) USE WITH 24VOLTS ALTERNATOR			
		A) WITH 1 ALT MOUNT ON SMALL A/C COMPRESSOR			

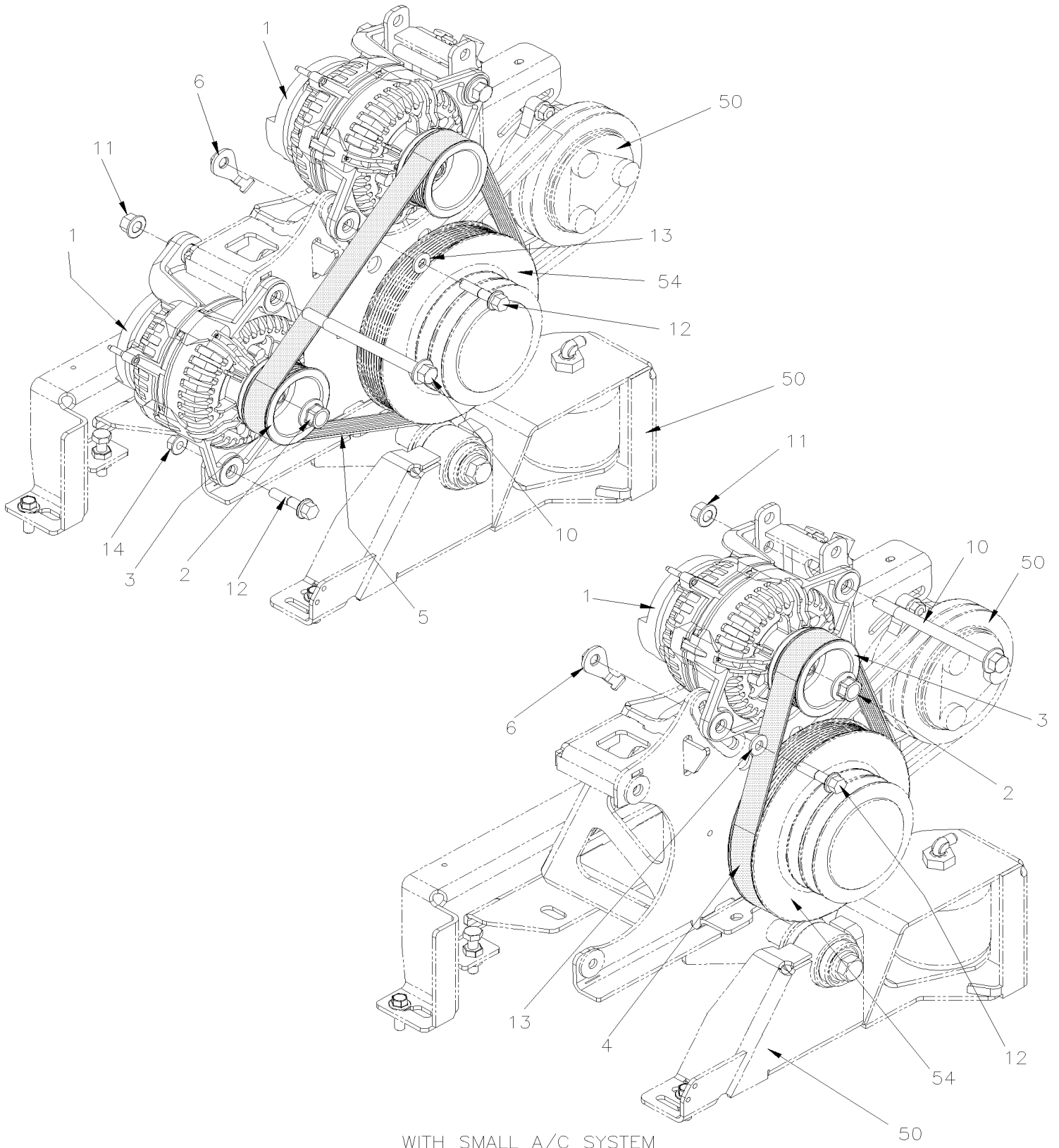


From D-5460 To D-5489

Date:07/2024

PAGE:XV-0610-61

ALTERNATOR MOUNTING / WITH SMALL A/C SYSTEM





From D-5460 To D-5489 Date:07/2024 PAGE:XV-0610-61

ALTERNATOR MOUNTING / WITH SMALL A/C SYSTEM

Item#	Part	Description	X 3 V I P	X L I I E N T 4 5	N O T E S
1	564119	ALTERNATOR ASSY 24V/120 AMPS / W/OUT PULLEY	AR	AR	
NS	564469	. CONNECTOR / MKR-PLUS / SH 5C / G&H 18241 000 000	1	1	
1	564492	ALTERNATOR ASSY 12V/200 AMPS / W/OUT PULLEY	AR	AR	
1	067836	CABLE ALTERNATOR MOUNT ON 1 SMALL COMPRESSOR	1	1	A
2	21034254	. FLANGE NUT	1	1	
3	565869	PULLEY ALTERNATOR / "BOSCH" / 83MM DOB x 8 RIB	AR	AR	24V
3	564511	PULLEY ALTERNATOR / "BOSCH" / 83MM O.D. x 8 RIB	AR	AR	12V
4	978218	MULTI V-BELT / 8 RIB 33.66" (855) 8PK855	1	1	
4	5060117	MULTI V-BELT / 8 RIB 33.66" (855) 8PK855 QT (21-2186)	1	1	
5	5061281	MULTI V-BELT / 8 RIB 42.52" (1080) 8PK1080	1	1	
5	5060116	MULTI V-BELT / 8 RIB 42.52" (1080) 8PK1080 QT (21-2115)	1	1	
6	457491	ATTACHMENT ALTERNATOR	1	1	
10	5001853	SCREW SHR CAP HEXF 13x130 (M12x1.75 G10.9 N500	2	2	
11	5001728	NUT HEXF STO M12-1.75 N500 G10	2	2	
12	5001308	SCREW CAP HEXF M10-1.5x40 G10.9 N500	2	2	
13	5001834	WASHER BEL SPR 10.5X23X2.5 N500	1	1	
14	5001727	NUT HEXF NYRT M10-1.5 N500	1	1	
NS	680038	THREAD LOCKER LOCTITE #243 / BLUE / 50ml			
50	XV-2245-50	A/C SMALL COMPRESSOR - INSTALLATION			
54	XV-2245-50	A/C SMALL COMPRESSOR - INSTALLATION			
		12V) USE WITH 12VOLTS ALTERNATOR			
		24V) USE WITH 24VOLTS ALTERNATOR			
		A) WITH 1 ALT MOUNT ON SMALL A/C COMPRESSOR			

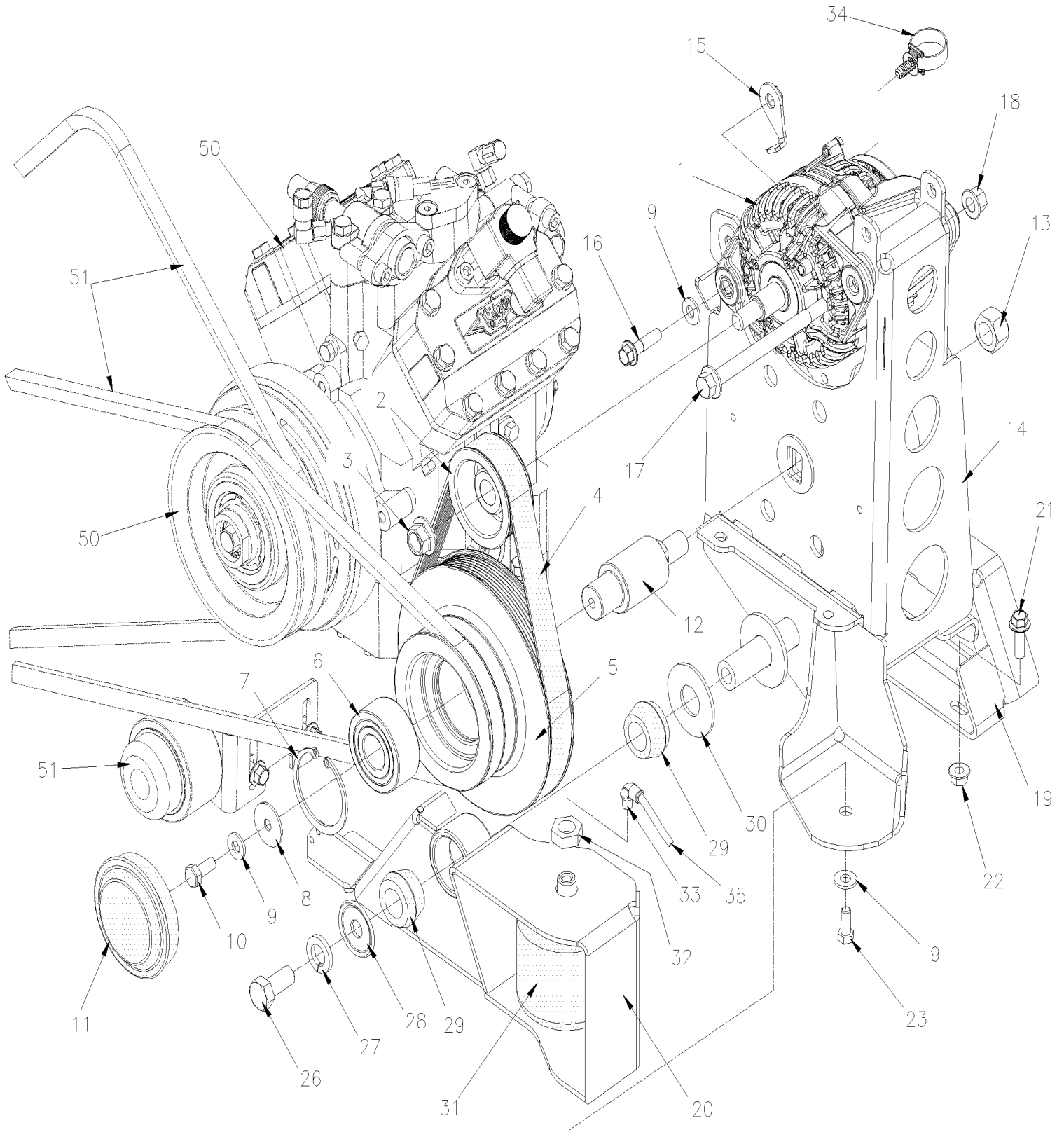


From D-5460 To D-5489

Date:07/2024

PAGE:XV-0610-65

ALTERNATOR MOUNTING / WITH LARGE A/C SYSTEM





From D-5460 To D-5489 Date:07/2024 PAGE:XV-0610-65

ALTERNATOR MOUNTING / WITH LARGE A/C SYSTEM

Item#	Part	Description	X 3 V I P	X L I I E N T 4 5	N O T E S
1	564119	ALTERNATOR ASSY 24V/120 AMPS / W/OUT PULLEY	1	1	
NS	564469	. CONNECTOR / MKR-PLUS / SH 5C / G&H 18241 000 000	1	1	
1	564492	ALTERNATOR ASSY 12V/200 AMPS / W/OUT PULLEY	1	1	
2	565869	PULLEY ALTERNATOR / "BOSCH" / 83MM DOB x 8 RIB	1	1	24V
2	564511	PULLEY ALTERNATOR / "BOSCH" / 83MM O.D. x 8 RIB	1	1	12V
3	21034254	FLANGE NUT	1	1	
4	5060117	MULTI V-BELT / 8 RIB 33.66" (855) 8PK855 QT (21-2186)	1	1	
5	457530	PULLEY / W/4 GROOVE & 8 RIB 2/B + 8 RIB + 2/A	1	1	
6	507675	BALL BEARING	1	1	
7	504736	RING RETAINER / INT 72 x 75 x 2.5MM	1	1	
8	500261	WASHER FL .390x1.500x.083 N500	1	1	
9	5001834	WASHER BEL SPR 10.5X23X2.5 N500	3	3	
10	502804	SCREW CAP HEX M10-1.5x25 G8.8 N500	1	1	
11	950471	CAP, DUST	1	1	
12	457474	SHAFT PULLEY	1	1	
13	5001252	NUT HEX STO M20-2.5 DP	1	1	
14	068612	SUPPORT ASSY / ALTERNATOR	1	1	
15	457491	ATTACHMENT ALTERNATOR	1	1	
16	5001308	SCREW CAP HEXF M10-1.5x40 G10.9 N500	1	1	
17	5001853	SCREW SHR CAP HEXF 13x130 (M12x1.75 G10.9 N500	1	1	
18	5001728	NUT HEXF STO M12-1.75 N500 G10	1	1	
19	457528	SUPPORT OPPOSITE PULLEY SIDE	1	1	
20	457529	SUPPORT ASSY	1	1	
21	5001741	SCREW CAP HEXF M10-1.5x30 G8.8 N500	4	4	
22	5001727	NUT HEXF NYRT M10-1.5 N500	4	4	
23	502926	SCREW CAP HEX 3/8-16x7/8 G5 N500	1	1	
26	500813	SCREW CAP HEX M16-2.0x35 G8.8 ZP	2	2	
27	502884	WASHER LO SPT 16.2x27.4x3.5 N500	2	2	
28	5001151	WASHER CON 16.5x50.0x4.5 ZP	2	2	
29	630002	BUSHING / RUBBER / (TWO PIECES) 1" x 1.005" I.D.	4	4	
30	500997	WASHER FL 1.062x2.500x.125 SS	2	2	
31	550840	BELLOW ASSY / BELT TENSIONER / 4" O.D.	1	1	
32	502917	NUT HEX JAM 3/4-16 G2 N500	1	1	
NS	680038	THREAD LOCKER LOCTITE #243 / BLUE / 50ml	AR	AR	
33	641369	MALE ELBOW 90° NON-SWIVEL / PUSH-IN FITTING / #4x1/8NPT-M BR	1	1	
NS	680098	THREAD SEALANT LOCTITE #567 / WHITE / 250ml	AR	AR	
34	504750	CABLE TIE / 1/2" x 15" / CHRISTMAS TREE	1	1	
35	503402	TUBE, NYLON 1/4 O.D. / BLACK S.L.	AR	AR	
50	XV-2245-01	A/C COMPRESSOR "BITZER" - INSTALLATION			
51	XV-0120-01	DRIVE PULLEY, BELTS & TENSIONER WITH VOLVO D13 & 2x120Amps			



From D-5460 To D-5489	Date:07/2024	PAGE:XV-0610-65
-----------------------	--------------	-----------------

ALTERNATOR MOUNTING / WITH LARGE A/C SYSTEM

Item#	Part	Description	X 3 V I P	X L I I E N T 4 5	N O T E S
		12V) USE WITH 12VOLTS ALTERNATOR			
		24V) USE WITH 24VOLTS ALTERNATOR			

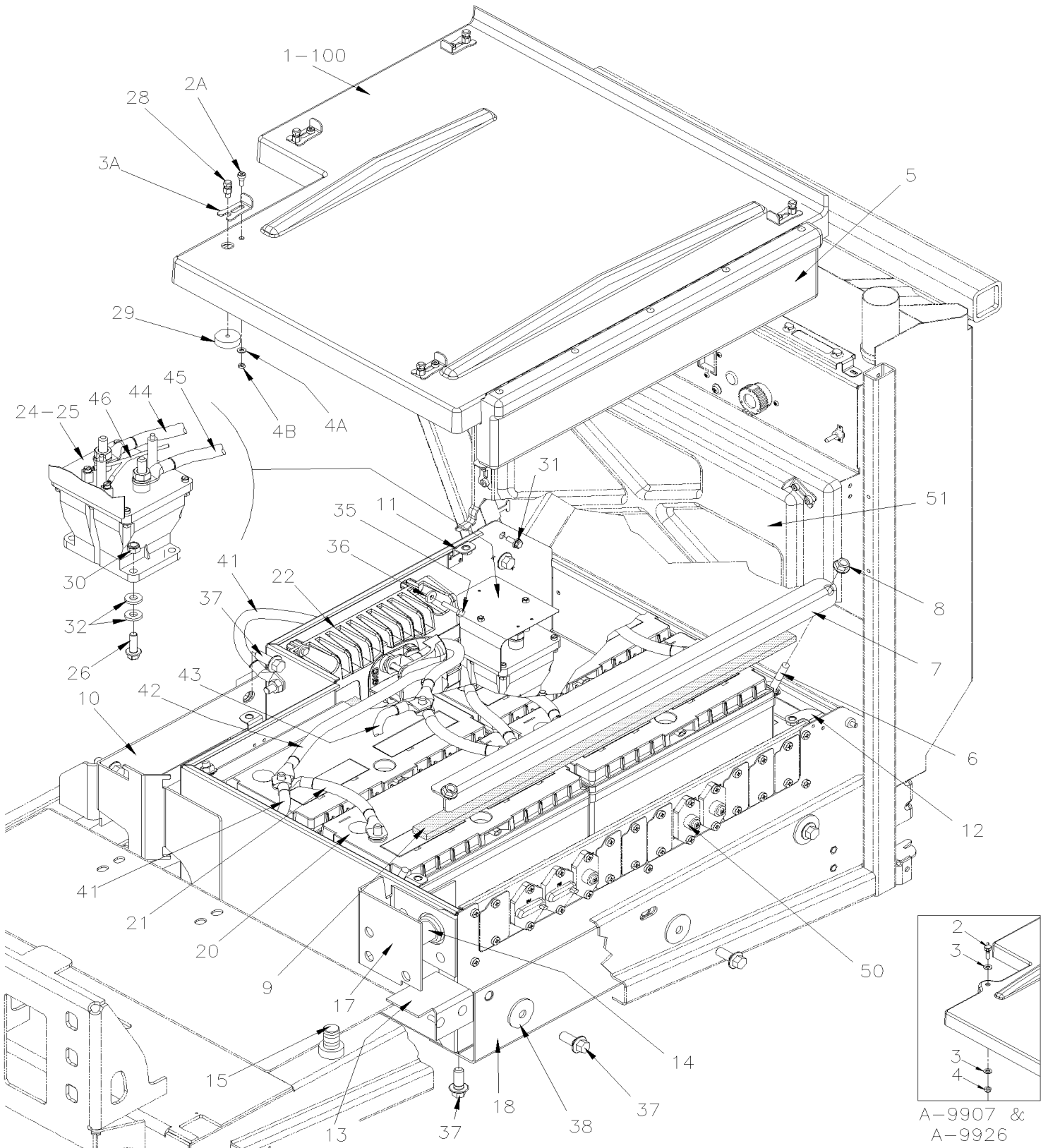


From B-5003 To D-5459

Date:07/2024

PAGE:XV-0615-50

BATTERIES INSTALLATION WITH "EPA 2010"





From B-5003 To D-5459	Date:07/2024	PAGE:XV-0615-50
------------------------------	---------------------	------------------------

BATTERIES INSTALLATION WITH "EPA 2010"

Item#	Part	Description	X 3 V I P	X L I I E N T 4 5	N O T E S
	Call order desk	COVER ASSY W/SIDE BREAKER COVER PROTECTOR From B-5002	1	1	P
1	068231	. COVER From B-5002	1	1	
NS	5060103	. RUBBER SEAL 6.56FT LONG	AR	AR	
2A	5001606	. SCREW SHR HEXS 1/4x3/16 #10-24 SS From B-5002	5	5	
3A	068235	. LATCH ANGLE SLOTTED SS From B-5002	5	5	
4A	5001137	. WASHER FL .203x.438x.050 SS From B-5002	5	5	
4B	5001180	. NUT HEX NYRT #10-24 SS From B-5002	5	5	
5	067757	. COVER SIDE BREAKERS	1	1	
NS	506302	. RUBBER EXTRUSION TRIM SEAL / GRIP .024 / 7/16" HOLLOW BULB C.T.L.	AR	AR	
NS	067756	. HINGE 622MM	1	1	
NS	504379	. RIVET POP DOME OE 3/16x1/4 SS	10	10	
NS	068121	DECAL "REAR JCT BREAKER'S PANEL	1	1	
6	067753	J-HOOK / 270.8MM / 3/8-16 SS	4	4	
7	067754	ANGLE BAR / BATTERIES RETAINER 700MM	1	1	
8	500960	NUT HEXF 3/8-16 ZP	2	2	
9	5060102	TAPE RUB ADH1 URE 3/8" x 1" x 30' / GREY 1820	AR	AR	
10	068239	BOX ASSY / BATERIES COMPARTMENT	1	1	
11	068238	COVER BRACKET ANGLE	4	4	
12	068240	COVER BRACKET "J" FORM	1	1	
13	067785	GUARD BOX	1	1	
14	561856	BOOSTER BLOCK, REMOTE / RED	1	1	
15	382101	STUD, GROUND (WELDED TO STRUCTURE)	1	1	
NS	564178	GROUND CABLE BRAID 2/0	1	1	
17	067759	GUARD BOX	1	1	
NS	500515	SCREW MA BDG SLT 1/4-20x1 NYL	3	3	
17	5001348	NUT WING 1/4-20 NYL	3	3	
18	067755	SUPPORT BOX ASSY / BATERIES COMPARTMENT To D-5295	1	1	
18	068209	SUPPORT BOX ASSY / BATERIES COMPARTMENT From D-5296	1	1	
20	563030	BATTERY 12V/930 CCA / GR31	4	4	
21	062371	CABLE ASSY / B + TO B +	5	5	
22	563634	EQUALIZER "VANNER" 100AMPS	1	1	
NS	5060074	TAPE RUB ADH1 URE 3/8" X 2" X 30' / GREY 1820	AR	AR	
24	562364	RELAY 24V S.P.S.T. / 300 AMPS N.O. // BATTERY DISCONNECT	1	1	
25	064792	DIODE ASSY	1	1	
. NS	561740	. DIODE / 3AMPS	1	1	
. NS	560082	. RING TERMINAL #10 / 16-14 / INSULATED / AMP 626033-2	1	1	
. NS	560815	. RING TERMINAL #10 / 22-18 / INSULATED / AMP 42037-2	1	1	
. NS	562499	. SHRINK TUBING / .250" - .125" / CLEAR / ALPHA FIT 221-1/4	AR	AR	
26	5001687	SCREW CAP HEX M8-1.25x30 G10.9 MAGNI 565	3	3	
27	067888	CABLE ASSY / BATTERIES GND TO BODY	2	2	
28	068345	SCREW SPECIAL 1/4-20x25MM SS	1	1	
29	473378	SEAL WASHER / RUB RAIL & PANEL From B-5002	5	5	



From B-5003 To D-5459	Date:07/2024	PAGE:XV-0615-50
BATTERIES INSTALLATION WITH "EPA 2010"		

Item#	Part	Description	X 3 V I P	X L I I E N T 4 5	N O T E S
30	502847	NUT HEX NYRT M8-1.25 N500	3	3	
31	5001730	SCREW CAP HEXF M6-1.0x16 G10.9 N500	1	1	
32	5001869	WASHER FL .343x.750x.12 SS	6	6	
35	502686	SCREW CAP HEX M6-1.0x30 SS BK	2	2	
36	5001654	WASHER FL 6.4x17.0x3.0 SS	2	2	
37	5001726	SCREW CAP HEXF M12-1.75x30 G10.9 N500 To C-5133	4	4	
37	5001866	SCREW CAP HEX M12-1.75x30 G10.9 N500 From C-5134	4	4	
38	500494	WASHER BEL SPR .470x1.680x.125 N500	3	3	
41	067888	CABLE ASSY / BATTERIES GND TO BODY	2	2	
42	067655	CABLE EQUALIZER	1	1	
43	066296	CABLE ASSY / B + TO B -	1	1	
44	068163	CABLE	1	1	
45	068208	CABLE	1	1	
46	068134	DIODE ASSY	1	1	
NS	5001522	NUT HEXF LO 3/8-16 SS	AR	AR	
50	XV-0616-50	BREAKERS PANEL			
51	XV-0620-50	REAR JUNCTION BOX ASSY WITH "EPA 2010"			
52	068210	DECAL / "BATTERIES CONNECTION WIRING" DIAGRAMG	1	1	
53	066155	DECAL PIN OUT / JCT BOX W/MUX	1	1	
100	068875	BATTERY PACK COVER SERVICE KIT	1	1	
NS	068881	DRILLING TEMPLATE	AR	AR	S
		S) SERVICE			
		P) CALL ORDER DESK FOR SPECIFIC APPLICATION (V.I.N.)			

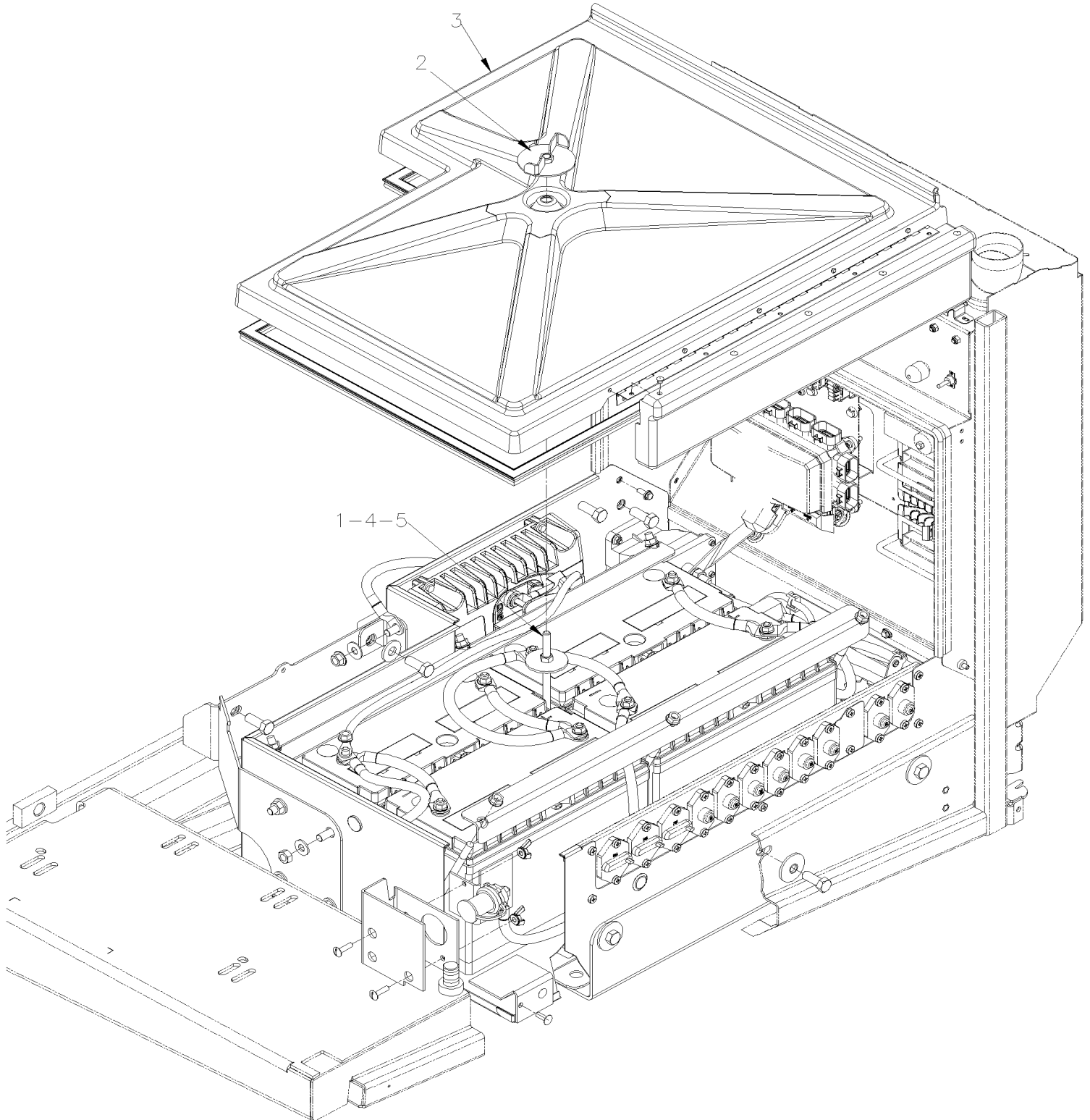


From B-5003 To D-5459

Date:07/2024

PAGE:068875

BATTERY PACK COVER SERVICE KIT





From B-5003 To D-5459	Date:07/2024	PAGE:068875
-----------------------	--------------	-------------

BATTERY PACK COVER SERVICE KIT

Item#	Part	Description	X 3 V I P	X L I I E N T 4 5	N O T E S
1	068704	PLATE, ROD FOR COVER BATTERY BOX	1	1	
2	068765	NUT WING 3/8-16	1	1	
3	068858	BATTERY BOX COVER ASSY	1	1	
4	068867	ROD, BATTERY BOX COVER (WELDED)	1	1	
5	500702	NUT HEX NYRT 3/8-16 SS	1	1	

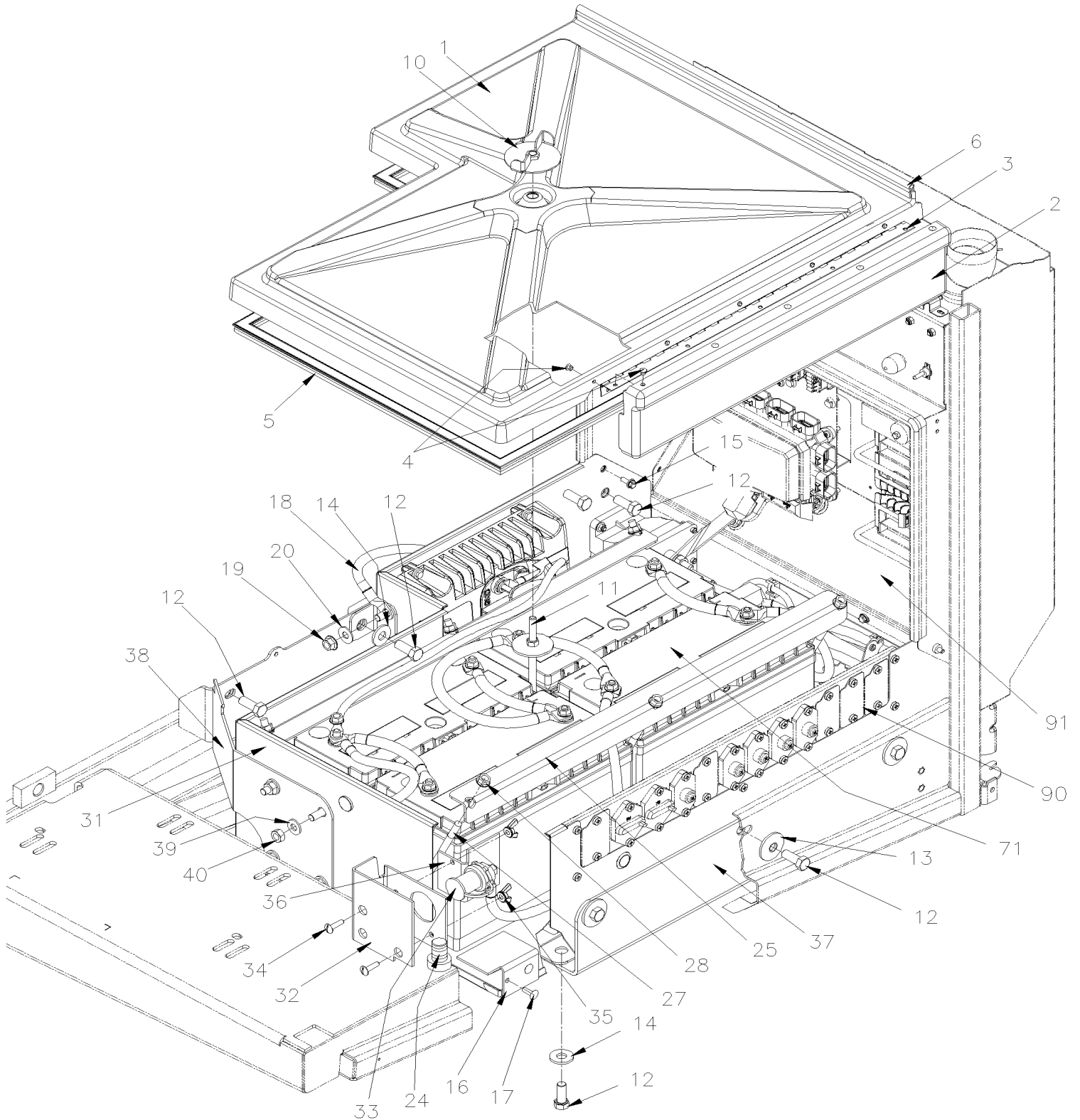


From D-5460 To D-5489

Date:07/2024

PAGE:XV-0615-51

BATTERIES INSTALLATION



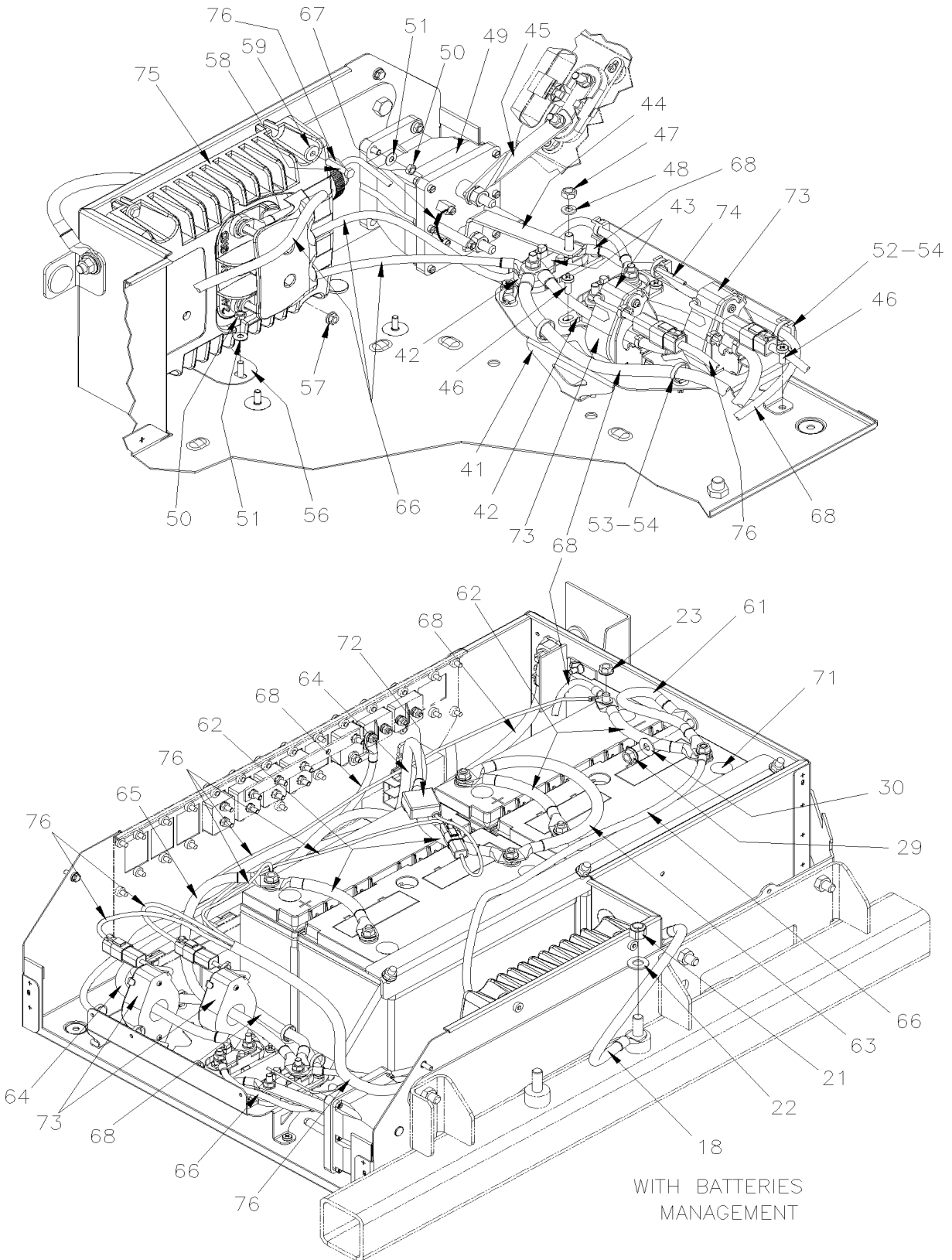


From D-5460 To D-5489

Date:07/2024

PAGE:XV-0615-51

BATTERIES INSTALLATION





From D-5460 To D-5489	Date:07/2024	PAGE:XV-0615-51
------------------------------	---------------------	------------------------

BATTERIES INSTALLATION

Item#	Part	Description	X 3 V I P	X L I I E N T 4 5	N O T E S
	068701P	COVER ASSY W/SIDE BREAKER COVER PROTECTOR	1	1	
1	068575	. COVER	1	1	
2	067757	. COVER SIDE BREAKERS	1	1	
3	067756	. HINGE 622MM	1	1	
4	504379	. RIVET POP DOME OE 3/16x1/4 SS	10	10	
5	5060103	. RUBBER SEAL 6.56FT LONG	AR	AR	
6	506302	. RUBBER EXTRUSION TRIM SEAL / GRIP .024 / 7/16" HOLLOW BULB C.T.L.	AR	AR	
10	068765	NUT WING 3/8-16	1	1	
11	068902	ROD, COVER BATTERY BOX	1	1	
12	5001866	SCREW CAP HEX M12-1.75x30 G10.9 N500	9	9	
13	500494	WASHER BEL SPR .470x1.680x.125 N500	3	3	
14	500211	WASHER FL .531x1.250x.125 N500	4	4	
15	5001730	SCREW CAP HEXF M6-1.0x16 G10.9 N500	3	3	
16	067785	GUARD BOX	1	1	
17	5001438	RIVET DRV TR 1/4x3/4 NYL	2	2	
18	067888	CABLE ASSY / BATTERIES GND TO BODY	1	1	
19	502216	NUT HEXF M10-1.5 SS	1	1	
20	500270	WASHER FL .406x1.000x.063 SS	1	1	
21	502595	NUT HEX NYRT 1/2-13 Z050	1	1	
22	500958	WASHER FL .531x1.062x.095 SS	1	1	
23	5001522	NUT HEXF LO 3/8-16 SS	8	8	
24	382101	STUD, GROUND (WELDED TO STRUCTURE)	1	1	
25	068580	ANGLE BAR / BATTERIES RETAINER 710MM	2	2	
27	067753	J-HOOK / 270.8MM / 3/8-16 SS	6	6	
28	5001522	NUT HEXF LO 3/8-16 SS	6	6	
29	502216	NUT HEXF M10-1.5 SS	1	1	
30	500270	WASHER FL .406x1.000x.063 SS	1	1	
31	068573	BOX ASSY / BATERIES COMPARTMENT	1	1	
31	506338	RUBBER CHANNEL / 1/16" x 1/4" INT "U" SHAPE / ROUND C.T.L.	AR	AR	
31	680066	ADHESIVE / ADBOND #5014 / 23.6ML BOTTLE	AR	AR	
32	067759	GUARD BOX	1	1	
32	067313	DECAL / "BOOSTER BLOCK" + 24 / ENGLISH & FRANCAIS To D-5459	1	1	
32	067968	DECAL / "BOOSTER BLOCK" + 24 PICTOGRAM From D-5460	1	1	
33	561856	BOOSTER BLOCK, REMOTE / RED	1	1	
34	500515	SCREW MA BDG SLT 1/4-20x1 NYL	3	3	
35	5001348	NUT WING 1/4-20 NYL	3	3	
36	067785	GUARD BOX	1	1	
37	068209	SUPPORT BOX ASSY / BATERIES COMPARTMENT	1	1	
38	068574	SUPPORT, BOX BATTERY	1	1	
39	5001834	WASHER BEL SPR 10.5X23X2.5 N500	5	5	
40	500847	NUT HEX M10-1.5 N500	5	5	
41	068599	SUPPORT, ELECTRIC SENSOR	1	1	



From D-5460 To D-5489 Date:07/2024 PAGE:XV-0615-51

BATTERIES INSTALLATION

Item#	Part	Description	X 3 V I P	X L I E N T 4 5	N O T E S
42	563750	FUSEHOLDER W/RED COVER / MEGA FUSE /	2	2	
43	068169	BUS BAR / W/2 HOLES	2	2	
43	561756	SHRINK TUBING / 1.000" - .500" / RED / ALPHA FIT-221-1	AR	AR	
44	068705	BUS BAR / W/2 HOLES	1	1	
45	068706	BUS BAR / W/2 HOLES	1	1	
46	502817	SCREW MA PAN PH M6-1.0x16 N500	7	7	
47	500615	NUT HEX M8-1.25 BR	4	4	
48	500035	WASHER LO SPT .317x.586x.078 SS	4	4	
49	562364	RELAY 24V S.P.S.T. / 300 AMPS N.O. // BATTERY DISCONNECT	1	1	
50	502854	NUT HEX M6-1.0 N500	4	4	
51	5001608	WASHER BEL SPR 6.2x15.0x0.7 G500	4	4	
52	504013	TIE MOUNT / 1/4" X 1/4" I.D.	4	4	
52	504379	RIVET POP DOME OE 3/16x1/4 SS	4	4	
53	509815	TIE MOUNT / ATTACHMENT W/TREE MOUNT	4	4	
54	504637	CABLE TIE / 3/16" x 13"	AR	AR	
56	068578	SUPPORT INTERMEDIARY, EQUALIZER	1	1	
57	5001857	NUT HEXF M6-1.0 N500	2	2	
58	502686	SCREW CAP HEX M6-1.0x30 SS BK	2	2	
59	5001654	WASHER FL 6.4x17.0x3.0 SS	2	2	
61	067888	CABLE ASSY / BATTERIES GND TO BODY	1	1	
62	062371	CABLE ASSY / B + TO B +	4	4	
63	066296	CABLE ASSY / B + TO B -	1	1	
64	067974	CABLE 12VD	1	1	
65	067972	CABLE 24VD	1	1	
66	067970	CABLE EQUALIZER	1	1	
67	068134	DIODE ASSY	1	1	
68	068165	CABLE ASSY REAR JCT BREAKER ASSY	1	1	
		NEXT FOLLOWING ITEM ARE USE ONLY WITH			
		BATTERIES MANAGEMENT			
71	21258363	BATTERY AGM - 12V GR31 800 CCA	4	4	
71	068735	DECAL BATTERIES MANAGEMENT	1	1	
72	067952	SENSOR VOLT AND TEMP - VANNER	1	1	
73	067954	SENSOR 80/600AMP - VANNER	2	2	
74	5001694	SCREW MA PAN PH M4-0.7x40 SS BK	4	4	
75	067951	EQUALIZER "VANNER" 100AMPS	1	1	A
75	560705	EQUALIZER "VANNER" 100AMPS	1	1	
76	067965	HARNESS EQUALIZER CONTROL	1	1	
90	XV-0616-50	BREAKERS PANEL			
91	XV-0620-51	REAR JUNCTION BOX ASSY	1	1	



From D-5460 To D-5489		Date:07/2024	PAGE:XV-0615-51
-----------------------	--	--------------	-----------------

BATTERIES INSTALLATION

Item#	Part	Description	X 3 V I P	X L I I E N T 4 5	N O T E S
		A) FOR PRODUCT IMPROVMENT ASK FOR #560705			

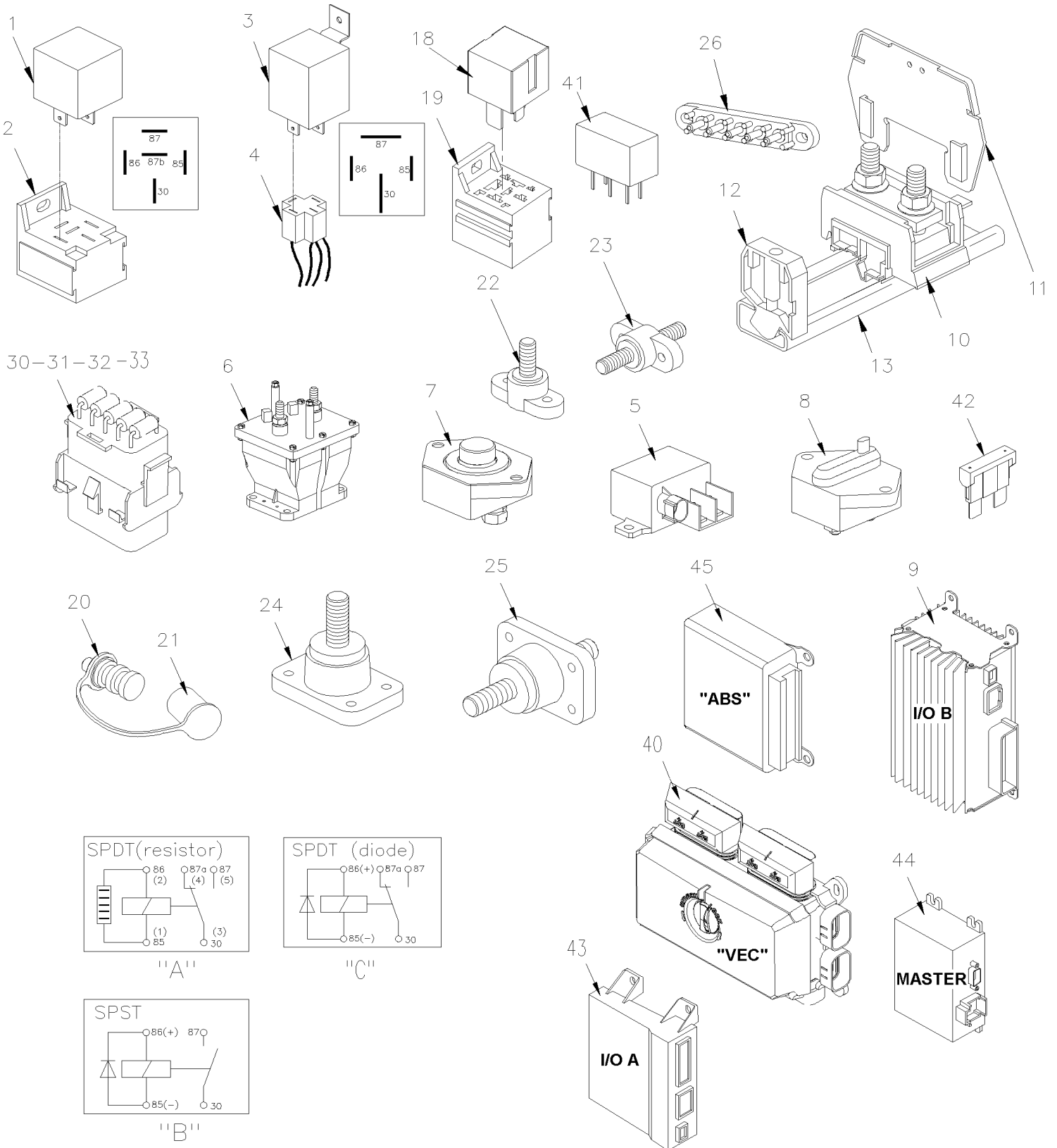


From B-5003 To D-5489

Date:07/2024

PAGE:XV-0616-00

JUNCTION BOX COMPONENTS / MUX





From B-5003 To D-5489 Date:07/2024 PAGE:XV-0616-00

JUNCTION BOX COMPONENTS / MUX

Item#	Part	Description	X 3 V I P	X L I I E N T 4 5	N O T E S
1	563332	RELAY 24V S.P.D.T. W/RESISTOR / "VOLVO" (20374662)	AR	AR	A
1	561707	RELAY 24V S.P.D.T. W/RESISTOR /	1	1	C
1	563337	RELAY 12V S.P.D.T. W/RESISTOR /	AR	AR	A
2	561183	RELAY BASE / TAB TERMINAL / BOSCH 3334485008	AR	AR	
3	561991	RELAY 24V S.P.S.T. / 70 AMPS N.O. To C-5133	AR	AR	B
4	562367	CONNECTOR / TAB HOUSING 4C / POTTER BRUMFIELD VCF7-1000 To C-5133	AR	AR	
5	563348	RELAY POWER 24V 200 AMPS / S.P.S.T. N.O.	AR	AR	
. NS	5001182	. NUT HEX NYRT M6-1.0 SS	1	1	
. NS	502573	. WASHER FL 6.4x12.5x1.6 SS	1	1	
. NS	563409	. CONNECTOR / SUPERSEAL 1.5 SERIES / SH 2C / AMP 282080-1	1	1	
. NS	562607	. SOCKET TERMINAL / 20-16 / AMP 183025-1	1	1	
6	562364	RELAY 24V S.P.S.T. / 300 AMPS N.O. // BATTERY DISCONNECT	1	1	
NS	064792	DIODE ASSY	1	1	
. NS	561740	. DIODE / 3AMPS	1	1	
. NS	560082	. RING TERMINAL #10 / 16-14 / INSULATED / AMP 626033-2	1	1	
. NS	560815	. RING TERMINAL #10 / 22-18 / INSULATED / AMP 42037-2	1	1	
. NS	562499	. SHRINK TUBING / .250" - .125" / CLEAR / ALPHA FIT 221-1/4	AR	AR	
7	563594	BREAKER 35AMPS / 24V / To E-5525	AR	AR	
7	565133	BREAKER 35AMPS / 24V / W/O HARDWARE From E-5526	AR	AR	
7	562686	BREAKER 40AMPS / 24V / To E-5525	AR	AR	
7	565134	BREAKER 40AMPS / 24V / W/O HARDWARE From E-5526	AR	AR	
7	563355	BREAKER 50AMPS / 24V / To E-5525	AR	AR	
7	565135	BREAKER 50AMPS / 24V / W/O HARDWARE From E-5526	AR	AR	
7	562687	BREAKER 70AMPS / 24V / To E-5525	AR	AR	
7	565136	BREAKER 70AMPS / 24V / W/O HARDWARE From E-5526	AR	AR	
7	562683	BREAKER 90AMPS / 24V / To E-5525	AR	AR	
7	565137	BREAKER 90AMPS / 24V / W/O HARDWARE From E-5526	AR	AR	
7	562685	BREAKER 105AMPS / 24V / To E-5525	AR	AR	
7	565138	BREAKER 105AMPS / 24V / W/O HARDWARE From E-5526	AR	AR	
7	562688	BREAKER 120AMPS / 24V / To E-5525	AR	AR	
7	565139	BREAKER 120AMPS / 24V / W/O HARDWARE From E-5526	AR	AR	
7	562684	BREAKER 150AMPS / 24V / To E-5525	AR	AR	
7	565140	BREAKER 150AMPS / 24V / W/O HARDWARE From E-5526	AR	AR	
NS	5001924	NUT HEX NYRT THN 1/4-28 SS From E-5526	AR	AR	
NS	502573	WASHER FL 6.4x12.5x1.6 SS From E-5526	AR	AR	
8	563418	BREAKER 30AMPS / 24V / To E-5525	AR	AR	
8	565141	BREAKER 30AMPS / 24V / W/O HARDWARE From E-5526	AR	AR	
8	563420	BREAKER 40AMPS / 24V / To E-5525	AR	AR	
8	565143	BREAKER 40AMPS / 24V / W/O HARDWARE From E-5526	AR	AR	
8	563553	BREAKER 50AMPS / 24V / To E-5525	AR	AR	
8	563424	BREAKER 70AMPS / 24V / To E-5525	AR	AR	
8	565146	BREAKER 70AMPS / 24V / W/O HARDWARE From E-5526	AR	AR	



From B-5003 To D-5489 Date:07/2024 PAGE:XV-0616-00

JUNCTION BOX COMPONENTS / MUX

Item#	Part	Description	X 3 V I P	X L I I E N T 4 5	N O T E S
8	563425	BREAKER 90AMPS / 24V / To E-5525	AR	AR	
8	565147	BREAKER 90AMPS / 24V / W/O HARDWARE From E-5526	AR	AR	
8	563419	BREAKER 100AMPS / 24V / To E-5525	AR	AR	
8	565142	BREAKER 100AMPS / 24V / W/O HARDWARE	AR	AR	
8	563421	BREAKER 120AMPS / 24V / To E-5525	AR	AR	
8	565144	BREAKER 120AMPS / 24V / W/O HARDWARE From E-5526	AR	AR	
8	563422	BREAKER 150AMPS / 24V / To E-5525	AR	AR	
8	565145	BREAKER 150AMPS / 24V / W/O HARDWARE From E-5526	AR	AR	
NS	5001924	NUT HEX NYRT THN 1/4-28 SS From E-5526	AR	AR	
NS	502573	WASHER FL 6.4x12.5x1.6 SS From E-5526	AR	AR	
9	564075	I/O B-MODULE VOLVO MULTIPLEX / ALUMINUM To B-5029	AR	AR	
. NS	563132	. CONNECTOR / SH 2C / YAZAKI 7283-6458-40 To B-5029	1	1	
. NS	563133	. CONNECTOR / JUNIOR POWER TIMER / SH 29C / AMP 1-963449-2 To B-5029	1	1	
. NS	562957	. CONNECTOR / SH 5C / GREEN / JAE IL-AG5-5S-S3C1 To B-5029	1	1	
9	564193	I/O B-MODULE VOLVO MULTIPLEX / ALUMINUM From B-5030	AR	AR	
. NS	563132	. CONNECTOR / SH 2C / YAZAKI 7283-6458-40 From B-5030	1	1	
. NS	563133	. CONNECTOR / JUNIOR POWER TIMER / SH 29C / AMP 1-963449-2 From B-5030	1	1	
. NS	562957	. CONNECTOR / SH 5C / GREEN / JAE IL-AG5-5S-S3C1 From B-5030	1	1	
10	561727	JUNCTION BLOCK	AR	AR	
11	561731	COVER SUPPORT	AR	AR	
NS	562024	COVER / PROTECTOR / 3 BLOCKS	1	1	
12	562645	STOPPER "U" RAIL	AR	AR	
13	382184	RAIL SUPPORT "U" SHAPE 112MM	AR	AR	
13	382187	RAIL SUPPORT "U" SHAPE 400MM	AR	AR	
18	564218	RELAY 24V S.P.S.T. / 40 AMPS N.O. From C-5134	AR	AR	
19	564210	RELAY BASE / TAB TERMINAL / COLE HERSEE 99025 From C-5134	AR	AR	
20	561856	BOOSTER BLOCK, REMOTE / RED	AR	AR	
20	561857	BOOSTER BLOCK, REMOTE / BLACK	AR	AR	
21	562691	. PROTECTOR CAP / RED	1	1	
21	562692	. PROTECTOR CAP / BLACK	1	1	
22	560422	BLOCK, TERMINAL / 1 STUD 3/8-16 / BLACK	AR	AR	
23	561102	BLOCK, JUNCTION / 2 STUD 3/8-16 / BLACK	AR	AR	
24	560177	BLOCK, TERMINAL / 1 STUD 1/2-13 / BLACK	AR	AR	
NS	562024	COVER / PROTECTOR / 3 BLOCKS	AR	AR	
25	560176	BLOCK, JUNCTION / 2 STUD 1/2-13 / RED	AR	AR	
26	563218	JUNCTION BLOCK W/5 STUDS	AR	AR	
NS	500765	NUT HEX #10-32 BR	AR	AR	
30	381145	DIODE ASSY / W/5 3AMPS	AR	AR	
31	382421	DIODE ASSY / W/3 3AMPS	AR	AR	
32	382175	DIODE ASSY / W/3 3AMPS & 2 RESISTORS 100 OHMS	AR	AR	
33	382244	RESISTANCE ASSY / W/5 RESISTORS 1.2k OHMS From B-5002	AR	AR	
40	563698	VEC DISTRIBUTION MODULE / REAR JCT BOX To B-5001	1	1	



From B-5003 To D-5489 Date:07/2024 PAGE:XV-0616-00

JUNCTION BOX COMPONENTS / MUX

Item#	Part	Description	X 3 V I P	X L I I E N T 4 5	N O T E S
. NS	564104	. COVER / VEC BOX To B-5001	1	1	
. NS	563269	. RELAY 24V S.P.D.T. W/RESISTOR / To B-5001	3	3	
. NS	563004	. FUSE / ATM 2 AMPS GREY To B-5001	1	1	
. NS	563279	. FUSE / ATM 3 AMPS VIOLET To B-5001	1	1	
. NS	563005	. FUSE / ATM 7.5 AMPS BROWN To B-5001	1	1	
. NS	563283	. FUSE / ATM 10 AMPS RED To B-5001	12	12	
. NS	563284	. FUSE / ATM 15 AMPS BLUE To B-5001	11	11	
. NS	563282	. FUSE / ATM 20 AMPS YELLOW To B-5001	9	9	
. NS	563153	. FUSE / ATM 25 AMPS NATURAL To B-5001	6	6	
. NS	563165	. FUSE / ATM 30 AMPS GREEN To B-5001	1	1	
. NS	564464	. MINI BREAKER / 20 AMPS / SERIES 223 To B-5001	1	1	
. NS	563181	. CONNECTOR / SH 8C / YELLOW / BUSSMANN 32006-E21 To B-5001	1	1	
. NS	563182	. CONNECTOR / SH 8C / ORANGE / BUSSMANN 32006-G21 To B-5001	1	1	
. NS	563183	. CONNECTOR / SH 8C / RED / BUSSMANN 32006-F21 To B-5001	1	1	
. NS	563184	. CONNECTOR / SH 8C / GREEN / BUSSMANN 32006-C21 To B-5001	1	1	
. NS	563185	. CONNECTOR / SH 8C / BLACK / BUSSMANN 32006-A21 To B-5001	1	1	
. NS	563186	. CONNECTOR / SH 8C / GREY / BUSSMANN 32006-B21 To B-5001	1	1	
. NS	563187	. CONNECTOR / SH 8C / BROWN / BUSSMANN 32006-H21 To B-5001	1	1	
. NS	563448	. CONNECTOR / SH 8C / BLUE / BUSSMANN 32006-D21 To B-5001	1	1	
. NS	19518268	. COVER RUBBER RED To B-5001	2	2	
40	563635	VEC DISTRIBUTION MODULE / REAR JCT BOX From B-5002 To C-5274	1	1	
. NS	564104	. COVER / VEC BOX From B-5002 To C-5274	1	1	
. NS	563269	. RELAY 24V S.P.D.T. W/RESISTOR / From B-5002 To C-5274	4	4	
. NS	563004	. FUSE / ATM 2 AMPS GREY From B-5002 To C-5274	2	2	
. NS	563279	. FUSE / ATM 3 AMPS VIOLET From B-5002 To C-5274	3	3	
. NS	563005	. FUSE / ATM 7.5 AMPS BROWN From B-5002 To C-5274	2	2	
. NS	563283	. FUSE / ATM 10 AMPS RED From B-5002 To C-5274	13	13	
. NS	563284	. FUSE / ATM 15 AMPS BLUE From B-5002 To C-5274	9	9	
. NS	563282	. FUSE / ATM 20 AMPS YELLOW From B-5002 To C-5274	12	12	
. NS	563153	. FUSE / ATM 25 AMPS NATURAL From B-5002 To C-5274	6	6	
. NS	563165	. FUSE / ATM 30 AMPS GREEN From B-5002 To C-5274	3	3	
. NS	563181	. CONNECTOR / SH 8C / YELLOW / BUSSMANN 32006-E21 From B-5002 To C-5274	1	1	
. NS	563182	. CONNECTOR / SH 8C / ORANGE / BUSSMANN 32006-G21 From B-5002 To C-5274	1	1	
. NS	563183	. CONNECTOR / SH 8C / RED / BUSSMANN 32006-F21 From B-5002 To C-5274	1	1	
. NS	563184	. CONNECTOR / SH 8C / GREEN / BUSSMANN 32006-C21 From B-5002 To C-5274	1	1	
. NS	563185	. CONNECTOR / SH 8C / BLACK / BUSSMANN 32006-A21 From B-5002 To C-5274	1	1	
. NS	563186	. CONNECTOR / SH 8C / GREY / BUSSMANN 32006-B21 From B-5002 To C-5274	1	1	
. NS	563187	. CONNECTOR / SH 8C / BROWN / BUSSMANN 32006-H21 From B-5002 To C-5274	1	1	
. NS	563448	. CONNECTOR / SH 8C / BLUE / BUSSMANN 32006-D21 From B-5002 To C-5274	1	1	
. NS	19518268	. COVER RUBBER RED From B-5002 To C-5274	2	2	
40	563239	VEC DISTRIBUTION MODULE / REAR JCT BOX From C-5275	1	1	
. NS	564104	. COVER / VEC BOX From C-5275	1	1	



From B-5003 To D-5489 Date:07/2024 PAGE:XV-0616-00

JUNCTION BOX COMPONENTS / MUX

Item#	Part	Description	X 3 V I P	X L I I E N T 4 5	N O T E S
. NS	563269	. RELAY 24V S.P.D.T. W/RESISTOR / From C-5275	4	4	
. NS	563004	. FUSE / ATM 2 AMPS GREY From C-5275	2	2	
. NS	563279	. FUSE / ATM 3 AMPS VIOLET From C-5275	3	3	
. NS	563005	. FUSE / ATM 7.5 AMPS BROWN From C-5275	2	2	
. NS	563283	. FUSE / ATM 10 AMPS RED From C-5275	13	13	
. NS	563284	. FUSE / ATM 15 AMPS BLUE From C-5275	9	9	
. NS	563282	. FUSE / ATM 20 AMPS YELLOW From C-5275	12	12	
. NS	563153	. FUSE / ATM 25 AMPS NATURAL From C-5275	6	6	
. NS	563165	. FUSE / ATM 30 AMPS GREEN From C-5275	3	3	
. NS	563181	. CONNECTOR / SH 8C / YELLOW / BUSSMANN 32006-E21 From C-5275	1	1	
. NS	563182	. CONNECTOR / SH 8C / ORANGE / BUSSMANN 32006-G21 From C-5275	1	1	
. NS	563183	. CONNECTOR / SH 8C / RED / BUSSMANN 32006-F21 From C-5275	1	1	
. NS	563184	. CONNECTOR / SH 8C / GREEN / BUSSMANN 32006-C21 From C-5275	1	1	
. NS	563185	. CONNECTOR / SH 8C / BLACK / BUSSMANN 32006-A21 From C-5275	1	1	
. NS	563186	. CONNECTOR / SH 8C / GREY / BUSSMANN 32006-B21 From C-5275	1	1	
. NS	563187	. CONNECTOR / SH 8C / BROWN / BUSSMANN 32006-H21 From C-5275	1	1	
. NS	563448	. CONNECTOR / SH 8C / BLUE / BUSSMANN 32006-D21 From C-5275	1	1	
. NS	19518268	. COVER RUBBER RED From C-5275	2	2	
40	564145	VEC DISTRIBUTION MODULE / FRONT JCT BOX From B-5002	1	1	
. NS	564104	. COVER / VEC BOX From B-5002	1	1	
. NS	563269	. RELAY 24V S.P.D.T. W/RESISTOR / From B-5002	1	1	
. NS	563004	. FUSE / ATM 2 AMPS GREY From B-5002	1	1	
. NS	563279	. FUSE / ATM 3 AMPS VIOLET From B-5002	12	12	
. NS	563280	. FUSE / ATM 5 AMPS AMBER From B-5002	4	4	
. NS	563005	. FUSE / ATM 7.5 AMPS BROWN From B-5002	3	3	
. NS	563283	. FUSE / ATM 10 AMPS RED From B-5002	7	7	
. NS	563284	. FUSE / ATM 15 AMPS BLUE From B-5002	8	8	
. NS	563282	. FUSE / ATM 20 AMPS YELLOW From B-5002	7	7	
. NS	563153	. FUSE / ATM 25 AMPS NATURAL From B-5002	1	1	
. NS	563165	. FUSE / ATM 30 AMPS GREEN From B-5002	1	1	
. NS	564464	. MINI BREAKER / 20 AMPS / SERIES 223 From B-5002	1	1	
. NS	563181	. CONNECTOR / SH 8C / YELLOW / BUSSMANN 32006-E21 From B-5002	1	1	
. NS	563182	. CONNECTOR / SH 8C / ORANGE / BUSSMANN 32006-G21 From B-5002	1	1	
. NS	563183	. CONNECTOR / SH 8C / RED / BUSSMANN 32006-F21 From B-5002	1	1	
. NS	563184	. CONNECTOR / SH 8C / GREEN / BUSSMANN 32006-C21 From B-5002	1	1	
. NS	563185	. CONNECTOR / SH 8C / BLACK / BUSSMANN 32006-A21 From B-5002	1	1	
. NS	563186	. CONNECTOR / SH 8C / GREY / BUSSMANN 32006-B21 From B-5002	1	1	
. NS	563187	. CONNECTOR / SH 8C / BROWN / BUSSMANN 32006-H21 From B-5002	1	1	
. NS	563448	. CONNECTOR / SH 8C / BLUE / BUSSMANN 32006-D21 From B-5002	1	1	
. NS	564132	. LOCK CONNECTOR POSITION ASSURANCE / BUSSMANN 32004-CP From B-5002	AR	AR	
. NS	19518268	. COVER RUBBER RED From B-5002	2	2	
40	563699	. MINI BREAKER / 20 AMPS / SERIES 212	2	2	V



From B-5003 To D-5489	Date:07/2024	PAGE:XV-0616-00
------------------------------	---------------------	------------------------

JUNCTION BOX COMPONENTS / MUX

Item#	Part	Description	X 3 V I P	X L I E N T 4 5	N O T E S
41	563269	. RELAY 24V S.P.D.T. W/RESISTOR /	AR	AR	AV
42	563004	. FUSE / ATM 2 AMPS GREY	AR	AR	V
42	563279	. FUSE / ATM 3 AMPS VIOLET	AR	AR	V
42	563280	. FUSE / ATM 5 AMPS AMBER	AR	AR	V
42	563005	. FUSE / ATM 7.5 AMPS BROWN	AR	AR	V
42	563283	. FUSE / ATM 10 AMPS RED	AR	AR	V
42	563284	. FUSE / ATM 15 AMPS BLUE	AR	AR	V
42	563282	. FUSE / ATM 20 AMPS YELLOW	AR	AR	V
42	563153	. FUSE / ATM 25 AMPS NATURAL	AR	AR	V
42	563165	. FUSE / ATM 30 AMPS GREEN	AR	AR	V
43	564101	I/O A-MODULE VOLVO MULTIPLEX / BLACK To B-5029	AR	AR	
. NS	562767	. CONNECTOR / SH 30C / GREEN / JAE IL-AG5-30S-D3C1 To B-5029	1	1	
. NS	562957	. CONNECTOR / SH 5C / GREEN / JAE IL-AG5-5S-S3C1 To B-5029	1	1	
. NS	563132	. CONNECTOR / SH 2C / YAZAKI 7283-6458-40 To B-5029	1	1	
43	564194	I/O A-MODULE VOLVO MULTIPLEX / BLACK From B-5030	AR	AR	
. NS	562767	. CONNECTOR / SH 30C / GREEN / JAE IL-AG5-30S-D3C1 From B-5030	1	1	
. NS	562957	. CONNECTOR / SH 5C / GREEN / JAE IL-AG5-5S-S3C1 From B-5030	1	1	
. NS	563132	. CONNECTOR / SH 2C / YAZAKI 7283-6458-40 From B-5030	1	1	
44	563295	MASTER ID-MODULE VOLVO MULTIPLEX To C-5159	1	1	
. NS	562794	. CONNECTOR / JUNIOR POWER TIMER / SH 9C / AMP 964561-4 To C-5159	1	1	
44	069538	"MASTER ID" REPLACEMENT WITH "MCM" MODULE To C-5159	1	1	
. NS	069420	. HARNESS MCM To C-5159	1	1	
. NS	IS-11003	. SEE INSTRUCTION SHEET To C-5159	1	1	
45	7770363	CONTROL UNIT 12V / ABS 4 CH / UNPROGRAMMED	1	1	
45	641948P	CONTROL UNIT 12V / ABS 4 CH / PROGRAMMED	1	1	
50	068380	SERVICE KIT TO REPLACE 70 AMP RELAY	AR	AR	
. NS	564210	. RELAY BASE / TAB TERMINAL / COLE HERSEE 99025	1	1	
. NS	564218	. RELAY 24V S.P.S.T. / 40 AMPS N.O.	1	1	
. NS	FI11015	. SEE INSTRUCTION SHEET ENS. REMPLACEMENT RELAIS 70A	1	1	
. NS	IS11015	. SEE INSTRUCTION SHEET	1	1	
		A) SEE CONTACT CONFIGURATION "A"			
		B) SEE CONTACT CONFIGURATION "B"			
		C) SEE CONTACT CONFIGURATION "C"			
		V) INSIDE OF "VEC"			

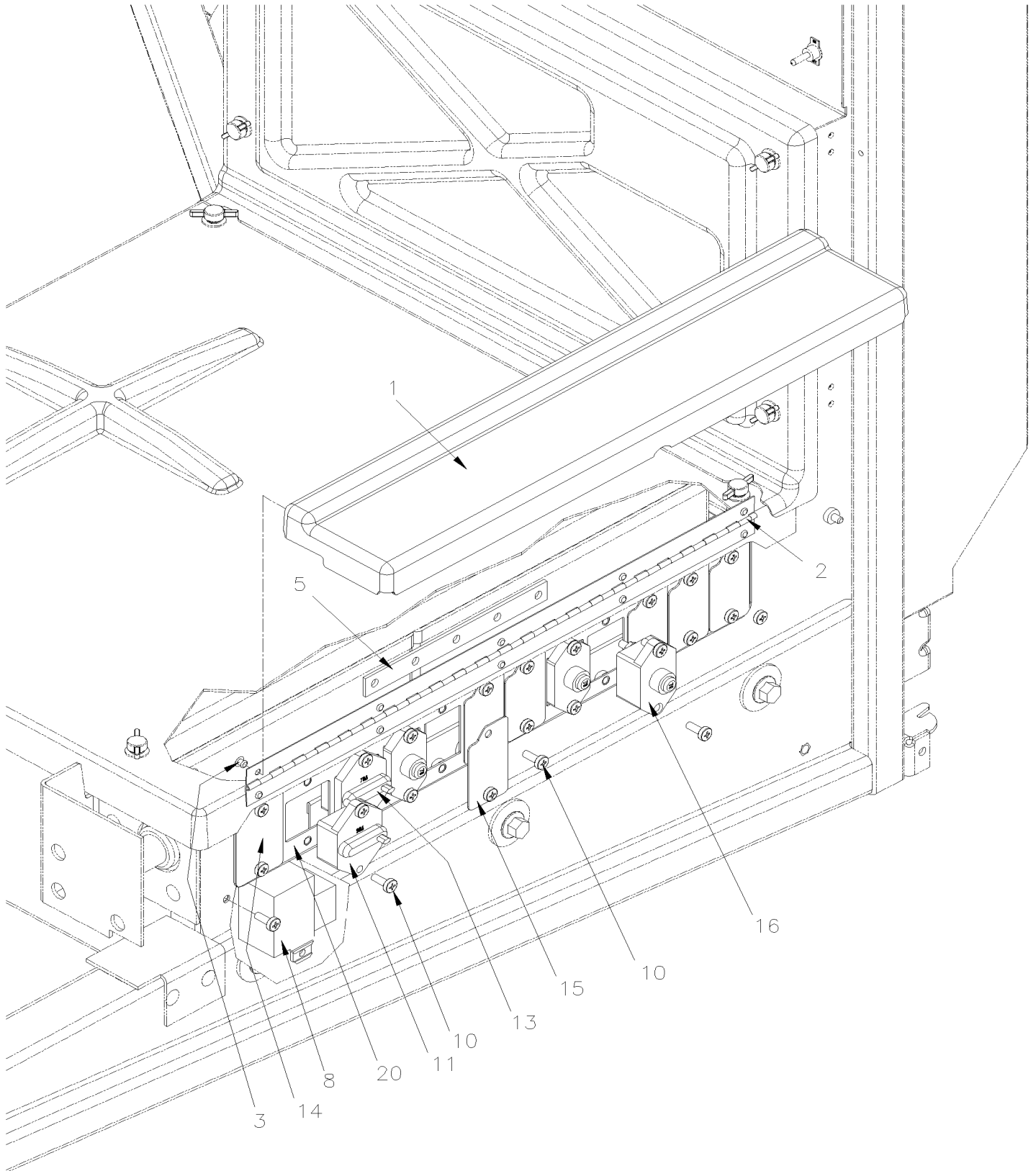


From B-5003 To D-5489

Date:07/2024

PAGE:XV-0616-50

BREAKERS PANEL





From B-5003 To D-5489	Date:07/2024	PAGE:XV-0616-50
-----------------------	--------------	-----------------

BREAKERS PANEL

Item#	Part	Description	X 3 V I P	X L I I E N T 4 5	N O T E S
	Call order desk	SUPPORT BREAKERS ASSY W/CABLE	1	1	P
1	067757	COVER SIDE BREAKERS	1	1	
2	067756	HINGE 622MM	1	1	
3	504379	RIVET POP DOME OE 3/16x1/4 SS	10	10	
5	068059	BUS BAR / W/5 HOLES / 45.5MM C/C	1	1	
8	563348	RELAY POWER 24V 200 AMPS / S.P.S.T. N.O.	1	1	
. NS	5001182	. NUT HEX NYRT M6-1.0 SS	1	1	
. NS	502573	. WASHER FL 6.4x12.5x1.6 SS	1	1	
. NS	563409	. CONNECTOR / SUPERSEAL 1.5 SERIES / SH 2C / AMP 282080-1	1	1	
. NS	562607	. SOCKET TERMINAL / 20-16 / AMP 183025-1	1	1	
NS	5001182	NUT HEX NYRT M6-1.0 SS	1	1	
10	502817	SCREW MA PAN PH M6-1.0x16 N500	24	24	
11	563425	BREAKER 90AMPS / 24V / To E-5525	1	1	
11	565147	BREAKER 90AMPS / 24V / W/O HARDWARE From E-5526	1	1	S
13	563424	BREAKER 70AMPS / 24V / To E-5525	1	1	
13	565146	BREAKER 70AMPS / 24V / W/O HARDWARE From E-5526	1	1	S
NS	5001924	NUT HEX NYRT THN 1/4-28 SS From E-5526	AR	AR	S
NS	502573	WASHER FL 6.4x12.5x1.6 SS From E-5526	AR	AR	S
14	382116	CLOSING PLATE BREAKER HOLE To D-5459	1	1	
14	382450	CLOSING PLATE BREAKER HOLE From D-5460	1	1	
15	382450	CLOSING PLATE BREAKER HOLE	6	6	
16	562687	BREAKER 70AMPS / 24V / To E-5525	3	3	
16	565136	BREAKER 70AMPS / 24V / W/O HARDWARE From E-5526	1	1	
20	068124	SUPPORT BREAKER	1	1	
		S) SERVICE ONLY			
		P) CALL ORDER DESK FOR SPECIFIC APPLICATION (V.I.N.)			

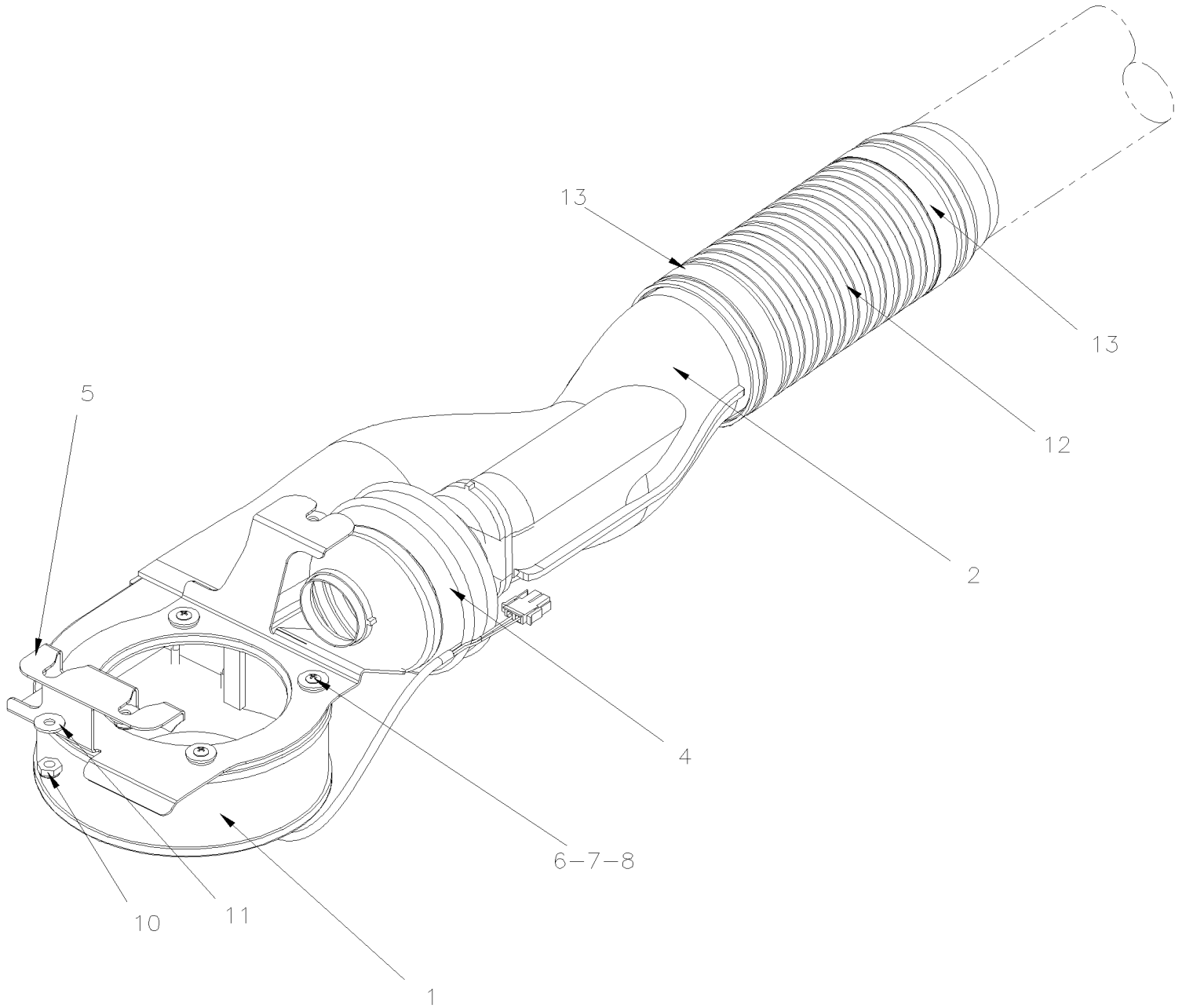


From B-5003 To D-5489

Date:07/2024

PAGE:XV-0620-05

REAR JUNCTION BOX FAN - INSTALLATION





From B-5003 To D-5489	Date:07/2024	PAGE:XV-0620-05
------------------------------	---------------------	------------------------

REAR JUNCTION BOX FAN - INSTALLATION

Item#	Part	Description	X 3 V I P	X L I E N T 4 5	N O T E S
	Call order desk	FAN ASSY / REAR JUNCTION BOX, W/MUX	1	1	P
	Call order desk	FAN ASSY / REAR JUNCTION BOX, W/MUX	1	1	P
1	454539	. FAN ASSY 24V W/CONNECTOR	1	1	
1	950439	. FAN ASSY 24V	1	1	
1	561247	. CONNECTOR / UNIVERSAL MATE-N-LOK / SH 2C / AMP 1-480698-0	1	1	
NS	562131	. SOCKET TERMINAL / 20-14 / AMP 350550-1	2	2	
1	563158	. SHRINK TUBING / .300" - .060" / BLACK / 3M EPS-400.300	AR	AR	
2	950438	. ADAPTOR "Y" FAN & CABLE TUBE	1	1	
3	504024	. HOSE CLAMP / 1"13/16"-2"3/4 SS / HS-36	1	1	
4	504499	. CUFF END BELLOW / 2 7/8" I.D. x 3 5/8" x 4 7/16	1	1	
5	457475	. SUPPORT	1	1	
6	500642	. SCREW TP PAN PH #10x3/4 Z050	8	8	
7	5001462	. WASHER FL 6.4x18.0x1.6 Z050	4	4	
8	500950	. WASHER FL .187x.625x.094 RUB	8	8	
10	502716	NUT HEX NYRT 1/4-20	4	4	
11	5001462	WASHER FL 6.4x18.0x1.6 Z050	4	4	
12	454522	HOSE FLEXIBLE 3 1/2 I.D X 200MM	1	1	
12	457482	HOSE FLEXIBLE 3 1/2 I.D X 342MM	1	1	
NS	503746	. HOSE FLEXIBLE / AIR DUCT 3 1/2" I.D. X 12' / PLASTIC	AR	AR	
13	504026	HOSE CLAMP / 2"13/16-3"3/4 SS / HS-52	2	2	
		P) CALL ORDER DESK FOR SPECIFIC APPLICATION (V.I.N.)			

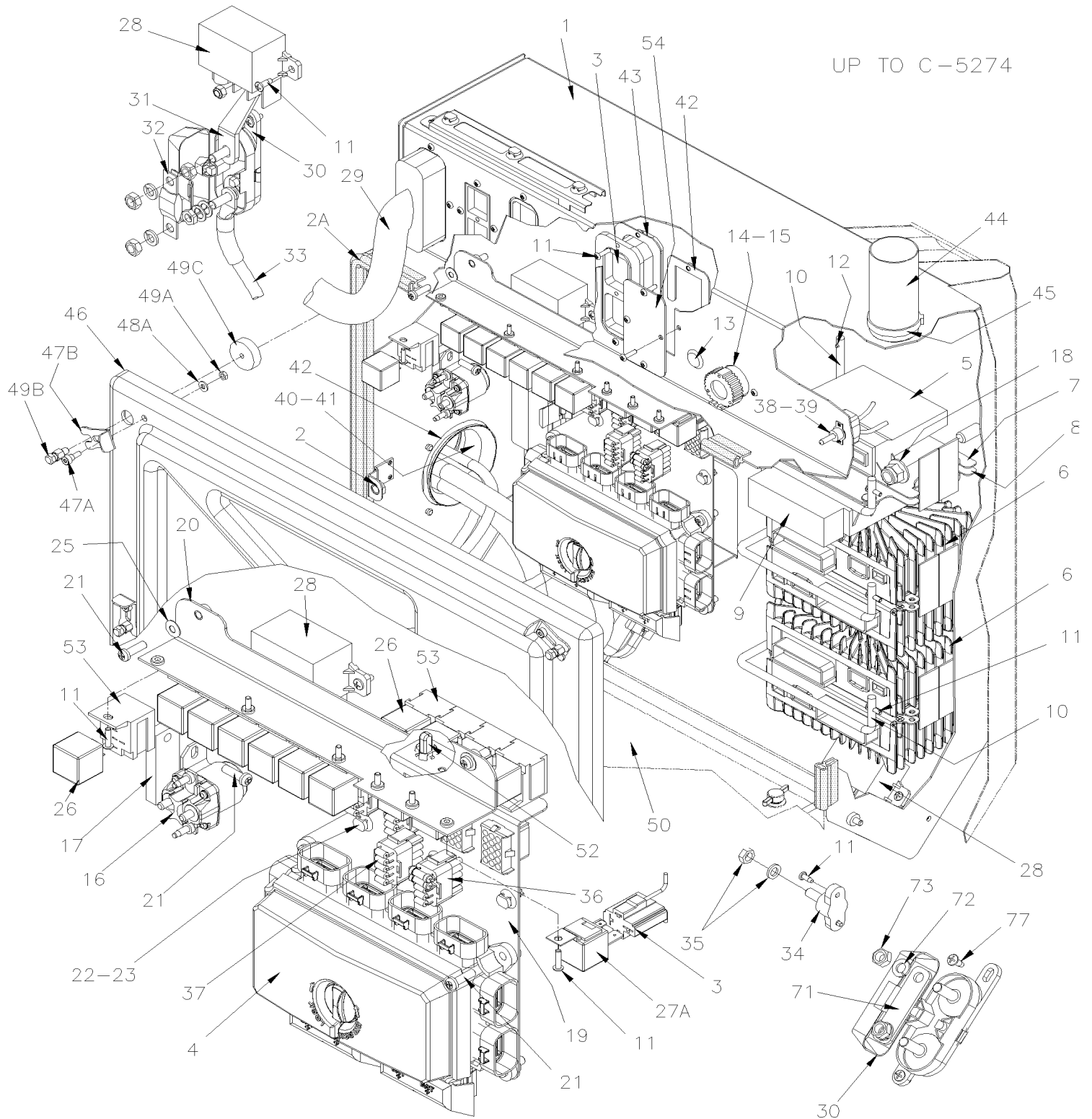


From B-5003 To D-5458

Date:07/2024

PAGE:XV-0620-50

REAR JUNCTION BOX ASSY WITH "EPA 2010"





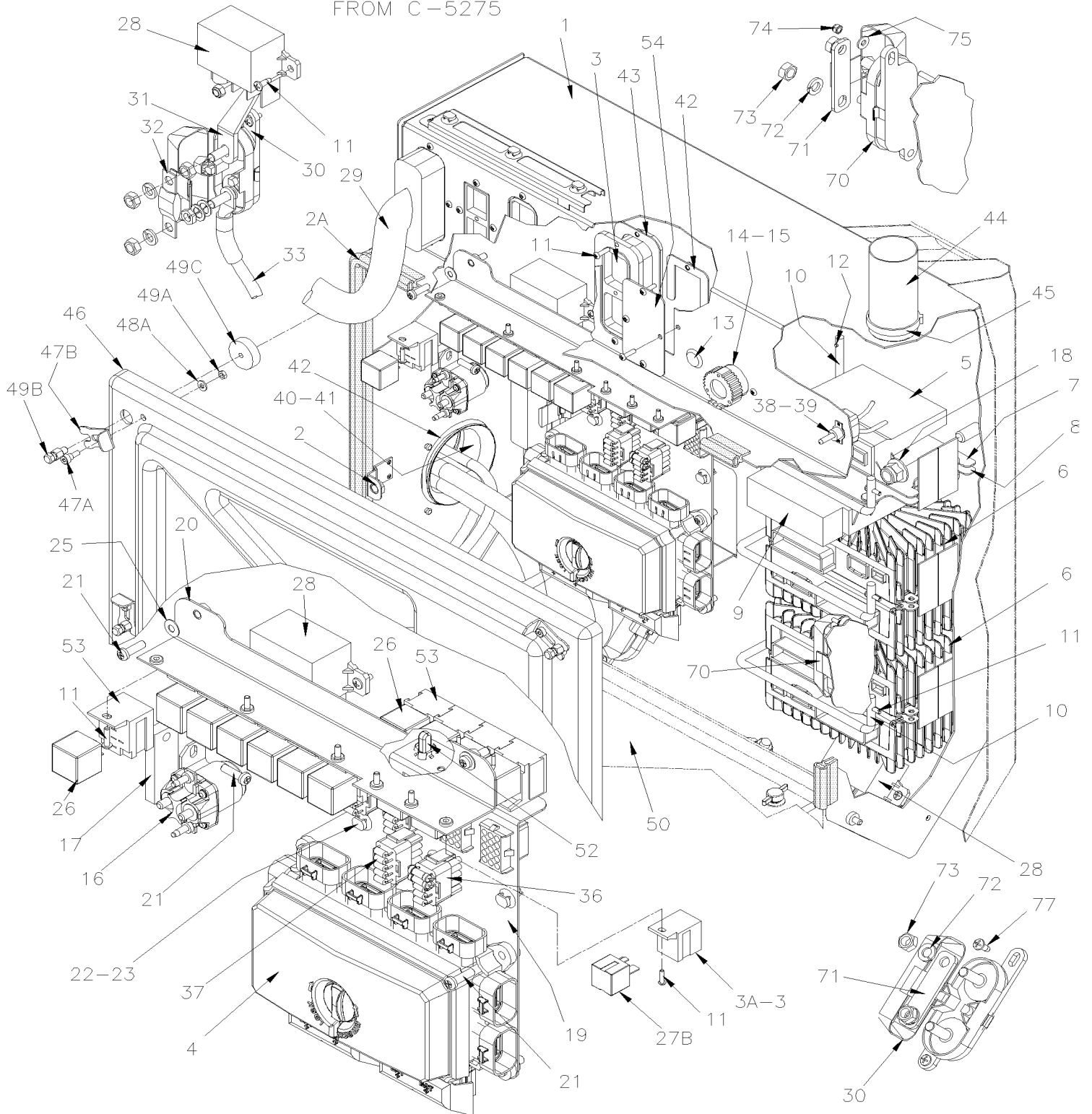
From B-5003 To D-5458

Date:07/2024

PAGE:XV-0620-50

REAR JUNCTION BOX ASSY WITH "EPA 2010"

FROM C-5275





From B-5003 To D-5458	Date:07/2024	PAGE:XV-0620-50
REAR JUNCTION BOX ASSY WITH "EPA 2010"		

Item#	Part	Description	X 3 V I P	X L I I E N T 4 5	N O T E S
	Call order desk	REAR JCT BOX ASSY D380252	1	1	P
	Call order desk	REAR JCT BOX ASSY	1	1	P
1	068237	PANEL BOX SUPPORT ASSY REAR From B-5002 To C-5274	1	1	
1	0677702	PANEL BOX SUPPORT ASSY REAR From C-5275	1	1	
2	067771	. COVER BRACKET ANGLE	4	4	
2A	506302	RUBBER EXTRUSION TRIM SEAL / GRIP .024 / 7/16" HOLLOW BULB C.T.L. From B-5002	AR	AR	
3	068110	CABLE HARNESS / REAR JUNCTION BOX From B-5002 To B-5039	1	1	
3	067693	CABLE HARNESS / REAR JUNCTION BOX From B-5040 To C-5133	1	1	
3	068395	CABLE HARNESS / REAR JUNCTION BOX From C-5134 To C-5274	1	1	
3	068329	CABLE HARNESS / REAR JUNCTION BOX From C-5275	1	1	
3A	564210	RELAY BASE / TAB TERMINAL / COLE HERSEE 99025 From C-5134	1	1	
4	563635	VEC DISTRIBUTION MODULE / REAR JCT BOX To C-5274	1	1	
. NS	564104	. COVER / VEC BOX To C-5274	1	1	
. NS	563269	. RELAY 24V S.P.D.T. W/RESISTOR / To C-5274	4	4	
. NS	563004	. FUSE / ATM 2 AMPS GREY To C-5274	2	2	
. NS	563279	. FUSE / ATM 3 AMPS VIOLET To C-5274	3	3	
. NS	563005	. FUSE / ATM 7.5 AMPS BROWN To C-5274	2	2	
. NS	563283	. FUSE / ATM 10 AMPS RED To C-5274	13	13	
. NS	563284	. FUSE / ATM 15 AMPS BLUE To C-5274	9	9	
. NS	563282	. FUSE / ATM 20 AMPS YELLOW To C-5274	12	12	
. NS	563153	. FUSE / ATM 25 AMPS NATURAL To C-5274	6	6	
. NS	563165	. FUSE / ATM 30 AMPS GREEN To C-5274	3	3	
. NS	563181	. CONNECTOR / SH 8C / YELLOW / BUSSMANN 32006-E21 To C-5274	1	1	
. NS	563182	. CONNECTOR / SH 8C / ORANGE / BUSSMANN 32006-G21 To C-5274	1	1	
. NS	563183	. CONNECTOR / SH 8C / RED / BUSSMANN 32006-F21 To C-5274	1	1	
. NS	563184	. CONNECTOR / SH 8C / GREEN / BUSSMANN 32006-C21 To C-5274	1	1	
. NS	563185	. CONNECTOR / SH 8C / BLACK / BUSSMANN 32006-A21 To C-5274	1	1	
. NS	563186	. CONNECTOR / SH 8C / GREY / BUSSMANN 32006-B21 To C-5274	1	1	
. NS	563187	. CONNECTOR / SH 8C / BROWN / BUSSMANN 32006-H21 To C-5274	1	1	
. NS	563448	. CONNECTOR / SH 8C / BLUE / BUSSMANN 32006-D21 To C-5274	1	1	
. NS	19518268	. COVER RUBBER RED To C-5274	2	2	
4	563239	VEC DISTRIBUTION MODULE / REAR JCT BOX From C-5275	1	1	
. NS	564104	. COVER / VEC BOX From C-5275	1	1	
. NS	563269	. RELAY 24V S.P.D.T. W/RESISTOR / From C-5275	4	4	
. NS	563004	. FUSE / ATM 2 AMPS GREY From C-5275	2	2	
. NS	563279	. FUSE / ATM 3 AMPS VIOLET From C-5275	3	3	
. NS	563005	. FUSE / ATM 7.5 AMPS BROWN From C-5275	2	2	
. NS	563283	. FUSE / ATM 10 AMPS RED From C-5275	13	13	
. NS	563284	. FUSE / ATM 15 AMPS BLUE From C-5275	9	9	
. NS	563282	. FUSE / ATM 20 AMPS YELLOW From C-5275	12	12	
. NS	563153	. FUSE / ATM 25 AMPS NATURAL From C-5275	6	6	
. NS	563165	. FUSE / ATM 30 AMPS GREEN From C-5275	3	3	



From B-5003 To D-5458	Date:07/2024	PAGE:XV-0620-50
------------------------------	---------------------	------------------------

REAR JUNCTION BOX ASSY WITH "EPA 2010"

Item#	Part	Description	X 3 V I P	X L I E N T 4 5	N O T E S
. NS	563181	. CONNECTOR / SH 8C / YELLOW / BUSSMANN 32006-E21 From C-5275	1	1	
. NS	563182	. CONNECTOR / SH 8C / ORANGE / BUSSMANN 32006-G21 From C-5275	1	1	
. NS	563183	. CONNECTOR / SH 8C / RED / BUSSMANN 32006-F21 From C-5275	1	1	
. NS	563184	. CONNECTOR / SH 8C / GREEN / BUSSMANN 32006-C21 From C-5275	1	1	
. NS	563185	. CONNECTOR / SH 8C / BLACK / BUSSMANN 32006-A21 From C-5275	1	1	
. NS	563186	. CONNECTOR / SH 8C / GREY / BUSSMANN 32006-B21 From C-5275	1	1	
. NS	563187	. CONNECTOR / SH 8C / BROWN / BUSSMANN 32006-H21 From C-5275	1	1	
. NS	563448	. CONNECTOR / SH 8C / BLUE / BUSSMANN 32006-D21 From C-5275	1	1	
. NS	19518268	. COVER RUBBER RED From C-5275	2	2	
5	564101	I/O A-MODULE VOLVO MULTIPLEX / BLACK To B-5029	1	1	
. NS	562767	. CONNECTOR / SH 30C / GREEN / JAE IL-AG5-30S-D3C1 To B-5029	1	1	
. NS	562957	. CONNECTOR / SH 5C / GREEN / JAE IL-AG5-5S-S3C1 To B-5029	1	1	
. NS	563132	. CONNECTOR / SH 2C / YAZAKI 7283-6458-40 To B-5029	1	1	
5	564194	I/O A-MODULE VOLVO MULTIPLEX / BLACK From B-5030	1	1	
. NS	562767	. CONNECTOR / SH 30C / GREEN / JAE IL-AG5-30S-D3C1 From B-5030	1	1	
. NS	562957	. CONNECTOR / SH 5C / GREEN / JAE IL-AG5-5S-S3C1 From B-5030	1	1	
. NS	563132	. CONNECTOR / SH 2C / YAZAKI 7283-6458-40 From B-5030	1	1	
6	564075	I/O B-MODULE VOLVO MULTIPLEX / ALUMINUM To B-5029	1	1	
. NS	563132	. CONNECTOR / SH 2C / YAZAKI 7283-6458-40 To B-5029	1	1	
. NS	563133	. CONNECTOR / JUNIOR POWER TIMER / SH 29C / AMP 1-963449-2 To B-5029	1	1	
. NS	562957	. CONNECTOR / SH 5C / GREEN / JAE IL-AG5-5S-S3C1 To B-5029	1	1	
6	564193	I/O B-MODULE VOLVO MULTIPLEX / ALUMINUM From B-5030	1	1	
. NS	563132	. CONNECTOR / SH 2C / YAZAKI 7283-6458-40 From B-5030	1	1	
. NS	563133	. CONNECTOR / JUNIOR POWER TIMER / SH 29C / AMP 1-963449-2 From B-5030	1	1	
. NS	562957	. CONNECTOR / SH 5C / GREEN / JAE IL-AG5-5S-S3C1 From B-5030	1	1	
7	067773	PLATE SUPPORT / I/O A-MODULE	1	1	
NS	5001587	NUT HEX NYRT M5-0.8 SS	3	3	
8	067772	PLATE SUPPORT TRANS ECU WORLD	1	1	
NS	5001182	NUT HEX NYRT M6-1.0 SS	3	3	
9	572146	INTERFACE TCM / B500 / GEN IV USE WITH 3.91 RATIO	1	1	W
9	572152	INTERFACE TCM / B500 / USE WITH 3.91/4.10 RATIO From B-5050	1	1	W
9	572127	INTERFACE TCM / B500 / GEN IV USE WITH 3.42 RATIO	1	1	W
9	572151	INTERFACE TCM / B500 / GEN IV USE WITH 3.58 RATIO From B-5050	1	1	W
9	572145	E.C.U. 4000MH	1	1	W
10	382166	ROD ATTACHMENT / I/O B MODULE	3	3	
11	502698	SCREW MA PAN PH M4-0.7x16 SS BK	AR	AR	
12	505221	SPRING, PIN 1/8 X 3/8	3	3	
13	561891	CAP RUBBER	1	1	
NS	5001719	SNAP-IN PLUG / .6875 O.D	1	1	
NS	562484	SWITCH S.P.S.T. / N.C.	1	1	
NS	065466	DECAL / LAVATORY PUMP FLUSH / ENGLISH & FRANCAIS	1	1	
14	562543	PROTECTIVE CAP / HD10 SERIES / 9C / DEUTSCH HDC16-9	1	1	



From B-5003 To D-5458	Date:07/2024	PAGE:XV-0620-50
------------------------------	---------------------	------------------------

REAR JUNCTION BOX ASSY WITH "EPA 2010"

Item#	Part	Description	X 3 V I P	X L I I E N T 4 5	N O T E S
15	067817	PLATE REAIINER CABLE "U" FORM 60MM x40MM	1	1	
NS	562492	TYPE A COUPLING	1	1	
NS	562493	CHAIN / C.T.L.	1	1	
NS	562494	RING / ATTACHMENT END	1	1	
16	564095	SMALL STARTOR RELAY	1	1	
17	067335	SPACER / PLASTIC / RELAY / STARTOR MELCO	1	1	
18	5001761	NUT HEXF NYRT M12-1.75 G8 N500	2	2	
19	067807	PLATE SUPPORT "VEC"	1	1	
20	067805	PLATE SUPPORT UPPER RELAY To C-5133	1	1	
20	068386	PLATE SUPPORT UPPER RELAY From C-5134	1	1	
21	502626	SCREW MA PAN PH M6-1.0x20 N500	AR	AR	
22	504637	CABLE TIE / 3/16" x 13"	AR	AR	
23	509815	TIE MOUNT / ATTACHMENT W/TREE MOUNT	3	3	
24	504340	RIVET POP DOME OE 1/8x3/16 SS	12	12	
25	5001608	WASHER BEL SPR 6.2x15.0x0.7 G500	2	2	
26	563332	RELAY 24V S.P.D.T. W/RESISTOR / "VOLVO" (20374662)	7	7	
27A	561991	RELAY 24V S.P.S.T. / 70 AMPS N.O. To C-5133	3	3	
27B	564218	RELAY 24V S.P.S.T. / 40 AMPS N.O. From C-5134	AR	AR	
28	563348	RELAY POWER 24V 200 AMPS / S.P.S.T. N.O.	3	3	
. NS	5001182	. NUT HEX NYRT M6-1.0 SS	1	1	
. NS	502573	. WASHER FL 6.4x12.5x1.6 SS	1	1	
. NS	563409	. CONNECTOR / SUPERSEAL 1.5 SERIES / SH 2C / AMP 282080-1	1	1	
. NS	562607	. SOCKET TERMINAL / 20-16 / AMP 183025-1	1	1	
29	067691	CABLE ASSY / RR JCT & ENGINE From B-5002 To B-5074	1	1	
29	068407	CABLE ASSY / RR JCT & ENGINE From B-5075 To C-5274	1	1	
29	068337	CABLE ASSY / RR JCT & ENGINE From C-5275	1	1	
30	563750	FUSEHOLDER W/RED COVER / MEGA FUSE /	1	1	
31	068072	BUS BAR / W/2 HOLES / 96.4MM C/C 14MM / OFFSET	1	1	
32	564174	FUSE / MEGA FUSE / 150 AMPS / ORANGE	1	1	
33	068134	DIODE ASSY	1	1	
34	560422	BLOCK, TERMINAL / 1 STUD 3/8-16 / BLACK From C-5275	1	1	
35	500379	NUT HEX 3/8-16 BR	2	2	
NS	500478	WASHER LO SPT .380x.683x.094 Z050	1	1	
36	381145	DIODE ASSY / W/5 3AMPS	3	3	
37	382175	DIODE ASSY / W/3 3AMPS & 2 RESISTORS 100 OHMS	1	1	
38	563609	SWITCH / OFF-ON / S.P.S.T. / SEALED W/WIRES ASSY	1	1	
39	562394	PLATE, INDICATING (ON/OFF)	1	1	
40	068050	PANEL ASSY / PASS CABLE LOWER SIDE BOX	1	1	A
NS	067818	PANEL ASSY / PASS CABLE UPPER SIDE BOX	1	1	
NS	504379	RIVET POP DOME OE 3/16x1/4 SS	4	4	



From B-5003 To D-5458 Date:07/2024 PAGE:XV-0620-50

REAR JUNCTION BOX ASSY WITH "EPA 2010"

Item#	Part	Description	X 3 V I P	X L I I E N T 4 5	N O T E S
41	504499	CUFF END BELLOW / 2 7/8" I.D. x 3 5/8" x 4 7/16	2	2	
41	5060103	RUBBER SEAL 6.56FT LONG	AR	AR	
42	067775	PLATE RETAINER CONECTORS 40 PINS "J" FORM 55MMx99.7MM	3	3	
43	067774	PLATE RETAINER CONECTORS 70 PINS "J" FORM 60.6MM x 128.5MM	3	3	
44	503021	HOSE FLEXIBLE / AIR DUCT 1 3/4" I.D. X 25"/LINEN RUBBER	AR	AR	
45	504016	CABLE TIE / 5/16" X 14"1/2 From B-5002	AR	AR	
46	Call order desk	COVER ASSY REAR JCT BOX From B-5002	1	1	P
46	068232	. COVER REAR JCT BOX From B-5002	1	1	
47A	5001606	. SCREW SHR HEXS 1/4x3/16 #10-24 SS From B-5002	4	4	
47B	068235	. LATCH ANGLE SLOTTED SS From B-5002	4	4	
48A	5001137	. WASHER FL .203x.438x.050 SS From B-5002	4	4	
49A	5001180	. NUT HEX NYRT #10-24 SS From B-5002	4	4	
49B	068345	SCREW SPECIAL 1/4-20x25MM SS From B-5002	4	4	
49C	473378	SEAL WASHER / RUB RAIL & PANEL From B-5002	4	4	
50	XV-0615-50	BATTERIES INSTALLATION WITH "EPA 2010"			
NS	564178	GROUND CABLE BRAID 2/0	1	1	
52	563335	SENSOR THERMISTOR ASSY / OUTSIDE // PED 15416387	1	1	
53	561183	RELAY BASE / TAB TERMINAL / BOSCH 3334485008	11	11	
54	068182	PLATE CLOSING	1	1	
NS	066155	DECAL PIN OUT / JCT BOX W/MUX	1	1	
NS	068176	DECAL / REAR JCT BOX COMPONENTS CONN,	1	1	
NS	068210	DECAL / "BATTERIES CONNECTION WIRING" DIAGRAMG	1	1	
60	068380	SERVICE KIT TO REPLACE 70 AMP RELAY	AR	AR	
. NS	564210	. RELAY BASE / TAB TERMINAL / COLE HERSEE 99025	1	1	
. NS	564218	. RELAY 24V S.P.S.T. / 40 AMPS N.O.	1	1	
. NS	FI11015	. SEE INSTRUCTION SHEET ENS. REMPLACEMENT RELAIS 70A	1	1	
. NS	IS11015	. SEE INSTRUCTION SHEET	1	1	
NS	067671	DECAL REAR JUNCTION BOX / COMPONENTS To C-5133	1	1	
. NS	060134	. DECAL / "R34 24V 12VI ENGINE ECU" To C-5133	1	1	
NS	068403	DECAL REAR JUNCTION BOX / COMPONENTS From C-5134 To C-5274	1	1	
. NS	060134	. DECAL / "R34 24V 12VI ENGINE ECU" From C-5134 To C-5274	1	1	
NS	068501	DECAL REAR JUNCTION BOX / COMPONENTS From C-5275	1	1	
. NS	060134	. DECAL / "R34 24V 12VI ENGINE ECU" From C-5275	1	1	
70	563238	FUSEHOLDER W/BLACK COVER / MEGA FUSE / From C-5275	1	1	
71	068169	BUS BAR / W/2 HOLES	2	2	
72	500035	WASHER LO SPT .317x.586x.078 SS	4	4	
73	500615	NUT HEX M8-1.25 BR	4	4	
74	500539	NUT HEX NYRT M4-0.7 N500 From C-5275	2	2	
75	500855	WASHER FL .188x.438x.049 N500 From C-5275	2	2	
77	502868	SCREW TC TR PH #10-16x1/2 N500	2	2	



From B-5003 To D-5458	Date:07/2024	PAGE:XV-0620-50
-----------------------	--------------	-----------------

REAR JUNCTION BOX ASSY WITH "EPA 2010"

Item#	Part	Description	X 3 V I P	X L I I E N T 4 5	N O T E S
		A) AS SHOWN			
		W) WITH "WORLD TRANSMISSION			
		P) CALL ORDER DESK FOR SPECIFIC APPLICATION (V.I.N.)			

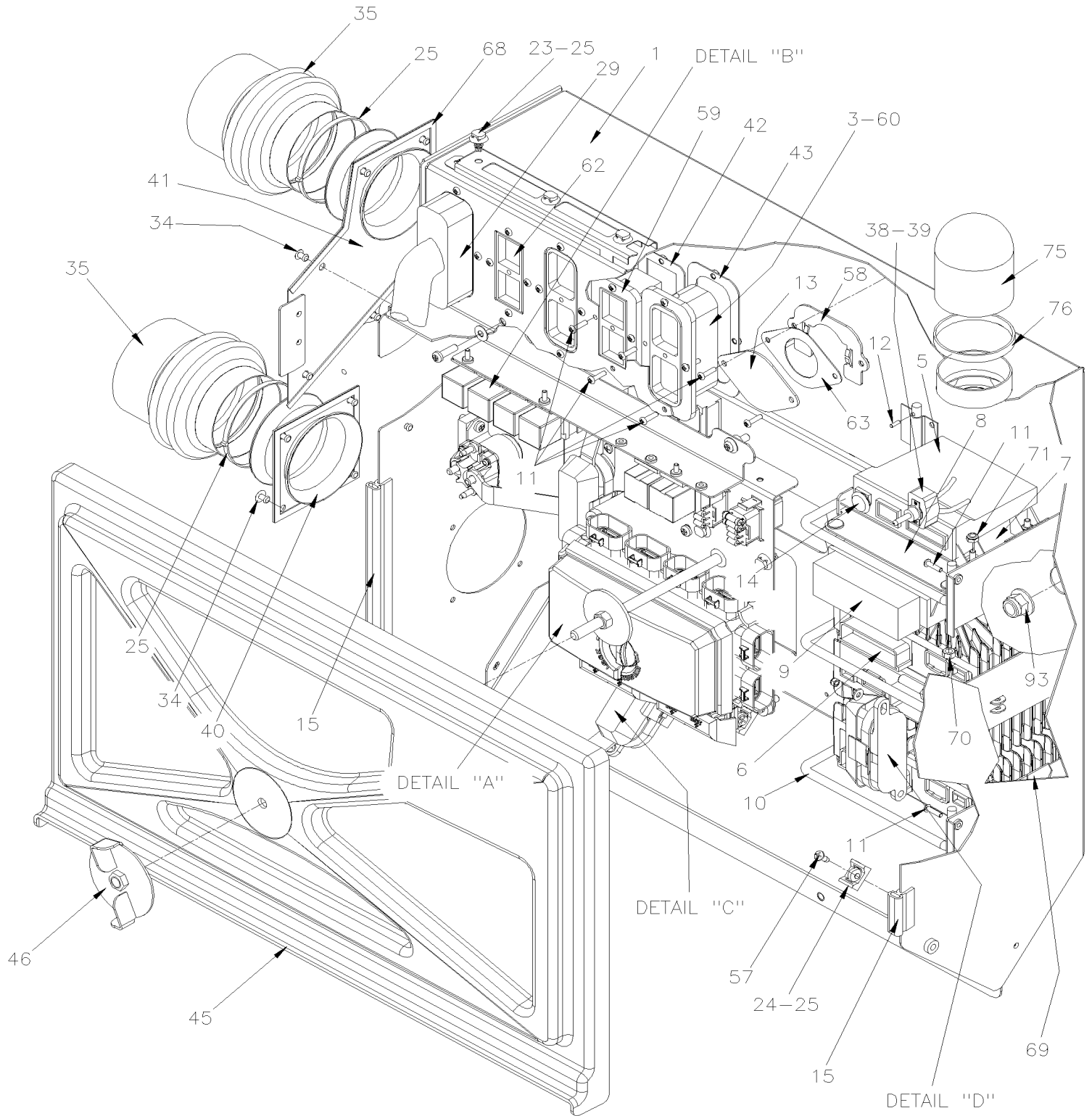


From D-5459 To D-5489

Date:07/2024

PAGE:XV-0620-51

REAR JUNCTION BOX ASSY



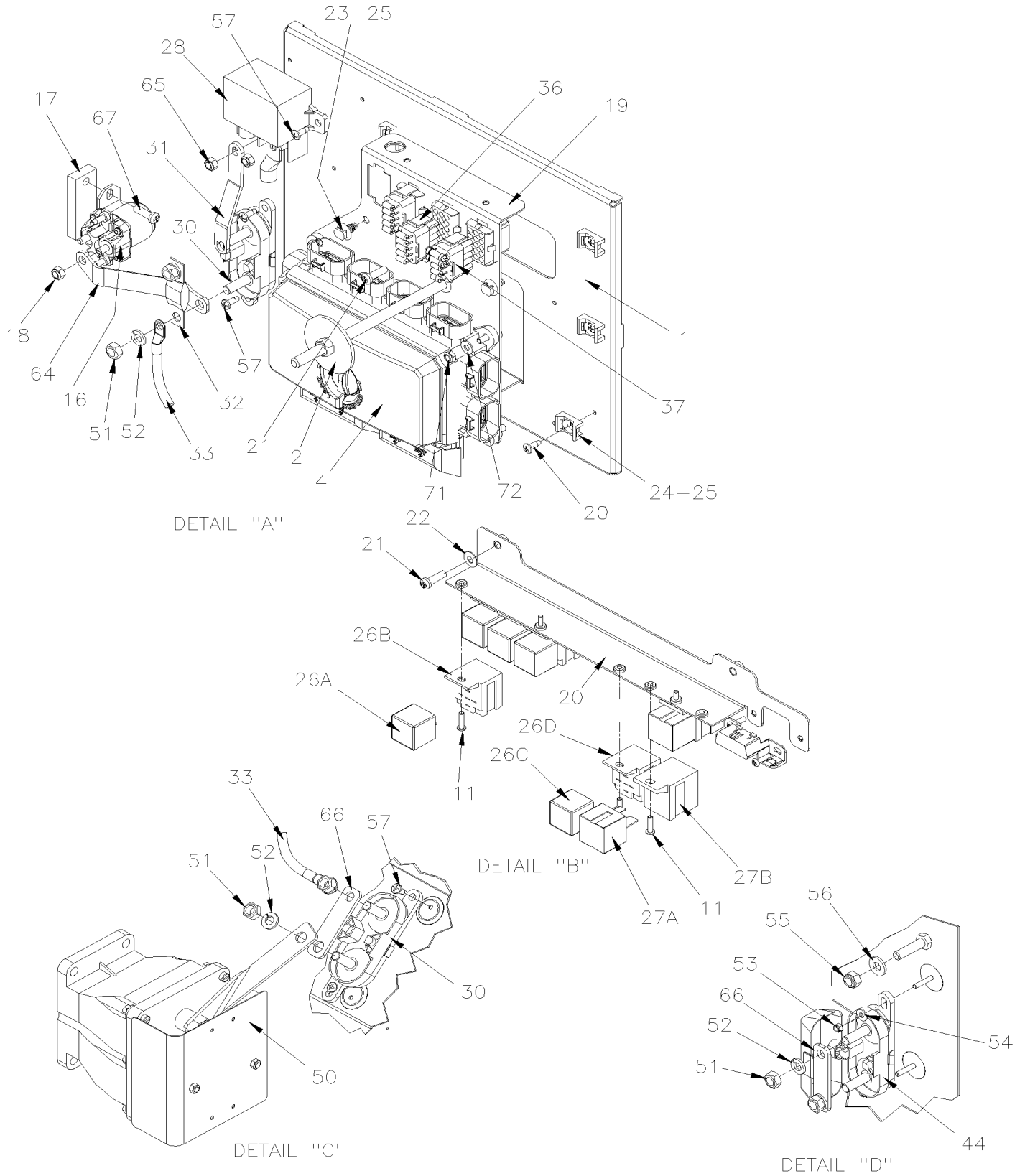


From D-5459 To D-5489

Date:07/2024

PAGE:XV-0620-51

REAR JUNCTION BOX ASSY





From D-5459 To D-5489	Date:07/2024	PAGE:XV-0620-51
-----------------------	--------------	-----------------

REAR JUNCTION BOX ASSY

Item#	Part	Description	X 3 V I P	X L I E N T 4 5	N O T E S
	Call order desk	REAR JCT BOX ASSY	1	1	P
	Call order desk	REAR JCT BOX ASSY	1	1	P
1	068814	PANEL BOX SUPPORT ASSY REAR	1	1	
1	680093	SEALANT TAPE BUTYL / GREY / 1/16"x1 1/2"x50' /71079B11760	AR	AR	
2	068781	ROD, COVER REAR JCT BOX	1	1	
3	068507	CABLE HARNESS / REAR JUNCTION BOX To D-5459	1	1	
3	068887	CABLE HARNESS / REAR JUNCTION BOX From D-5460	1	1	
4	563239	VEC DISTRIBUTION MODULE / REAR JCT BOX	1	1	
. NS	564104	. COVER / VEC BOX	1	1	
. NS	563269	. RELAY 24V S.P.D.T. W/RESISTOR /	4	4	
. NS	563004	. FUSE / ATM 2 AMPS GREY	2	2	
. NS	563279	. FUSE / ATM 3 AMPS VIOLET	3	3	
. NS	563005	. FUSE / ATM 7.5 AMPS BROWN	2	2	
. NS	563283	. FUSE / ATM 10 AMPS RED	13	13	
. NS	563284	. FUSE / ATM 15 AMPS BLUE	9	9	
. NS	563282	. FUSE / ATM 20 AMPS YELLOW	12	12	
. NS	563153	. FUSE / ATM 25 AMPS NATURAL	6	6	
. NS	563165	. FUSE / ATM 30 AMPS GREEN	3	3	
. NS	563181	. CONNECTOR / SH 8C / YELLOW / BUSSMANN 32006-E21	1	1	
. NS	563182	. CONNECTOR / SH 8C / ORANGE / BUSSMANN 32006-G21	1	1	
. NS	563183	. CONNECTOR / SH 8C / RED / BUSSMANN 32006-F21	1	1	
. NS	563184	. CONNECTOR / SH 8C / GREEN / BUSSMANN 32006-C21	1	1	
. NS	563185	. CONNECTOR / SH 8C / BLACK / BUSSMANN 32006-A21	1	1	
. NS	563186	. CONNECTOR / SH 8C / GREY / BUSSMANN 32006-B21	1	1	
. NS	563187	. CONNECTOR / SH 8C / BROWN / BUSSMANN 32006-H21	1	1	
. NS	563448	. CONNECTOR / SH 8C / BLUE / BUSSMANN 32006-D21	1	1	
. NS	19518268	. COVER RUBBER RED	2	2	
5	564194	I/O A-MODULE VOLVO MULTIPLEX / BLACK	1	1	
. NS	562767	. CONNECTOR / SH 30C / GREEN / JAE IL-AG5-30S-D3C1	1	1	
. NS	562957	. CONNECTOR / SH 5C / GREEN / JAE IL-AG5-5S-S3C1	1	1	
. NS	563132	. CONNECTOR / SH 2C / YAZAKI 7283-6458-40	1	1	
6	564193	I/O B-MODULE VOLVO MULTIPLEX / ALUMINUM	3	3	
. NS	563132	. CONNECTOR / SH 2C / YAZAKI 7283-6458-40	1	1	
. NS	563133	. CONNECTOR / JUNIOR POWER TIMER / SH 29C / AMP 1-963449-2	1	1	
. NS	562957	. CONNECTOR / SH 5C / GREEN / JAE IL-AG5-5S-S3C1	1	1	
7	067773	PLATE SUPPORT / I/O A-MODULE	1	1	
8	067772	PLATE SUPPORT TRANS ECU WORLD	1	1	
9	572161	INTERFACE TCM / 400MH / WITH 4.10 RATIO To E-5624	1	1	W
9	572165	INTERFACE TCM / GEN V From E-5625	1	1	W
10	382166	ROD ATTACHMENT / I/O B MODULE	3	3	
11	502698	SCREW MA PAN PH M4-0.7x16 SS BK	AR	AR	
12	505221	SPRING, PIN 1/8 X 3/8	3	3	



From D-5459 To D-5489	Date:07/2024	PAGE:XV-0620-51
------------------------------	---------------------	------------------------

REAR JUNCTION BOX ASSY

Item#	Part	Description	X 3 V I P	X L I E N T 4 5	N O T E S
13	068594	CLOSING PLATE	1	1	
14	5001719	SNAP-IN PLUG / .6875 O.D	1	1	
15	506303	RUBBER SEAL EXTRUSION	AR	AR	
16	564095	SMALL STARTOR RELAY	1	1	
17	067335	SPACER / PLASTIC / RELAY / STARTOR MELCO	1	1	
18	500539	NUT HEX NYRT M4-0.7 N500	1	1	
19	068783	PLATE SUPPORT "VEC"	1	1	
20	068456	PLATE SUPPORT UPPER RELAY	1	1	
21	502626	SCREW MA PAN PH M6-1.0x20 N500	AR	AR	
22	5001608	WASHER BEL SPR 6.2x15.0x0.7 G500	2	2	
23	509815	TIE MOUNT / ATTACHMENT W/TREE MOUNT	10	10	
24	504013	TIE MOUNT / 1/4" X 1/4" I.D.	8	8	
25	504637	CABLE TIE / 3/16" x 13"	AR	AR	
25	504016	CABLE TIE / 5/16" X 14"1/2	AR	AR	
26A	563332	RELAY 24V S.P.D.T. W/RESISTOR / "VOLVO" (20374662)	4	4	
26B	564496	CONNECTOR / METRI-PACK 630 / SH 5C / PED 12033871	4	4	
26C	563337	RELAY 12V S.P.D.T. W/RESISTOR /	1	1	
26D	561183	RELAY BASE / TAB TERMINAL / BOSCH 3334485008	1	1	
27A	564218	RELAY 24V S.P.S.T. / 40 AMPS N.O.	2	2	
27B	564210	RELAY BASE / TAB TERMINAL / COLE HERSEE 99025	2	2	
28	563348	RELAY POWER 24V 200 AMPS / S.P.S.T. N.O.	1	1	
. NS	5001182	. NUT HEX NYRT M6-1.0 SS	1	1	
. NS	502573	. WASHER FL 6.4x12.5x1.6 SS	1	1	
. NS	563409	. CONNECTOR / SUPERSEAL 1.5 SERIES / SH 2C / AMP 282080-1	1	1	
. NS	562607	. SOCKET TERMINAL / 20-16 / AMP 183025-1	1	1	
29	068700	CABLE ASSY / RR JCT & ENGINE	1	1	
30	563750	FUSEHOLDER W/RED COVER / MEGA FUSE /	2	2	
31	068072	BUS BAR / W/2 HOLES / 96.4MM C/C 14MM / OFFSET	1	1	
31	561754	SHRINK TUBING / .500" - .250" / RED / ALPHA FIT-221-1/2	AR	AR	
32	564174	FUSE / MEGA FUSE / 150 AMPS / ORANGE	1	1	
33	067669	CABLE ASSY / BATTERIES & FUSE HOLDER	1	1	
34	504379	RIVET POP DOME OE 3/16x1/4 SS	AR	AR	
35	504499	CUFF END BELLOW / 2 7/8" I.D. x 3 5/8" x 4 7/16	2	2	
36	381145	DIODE ASSY / W/5 3AMPS	2	2	
37	382175	DIODE ASSY / W/3 3AMPS & 2 RESISTORS 100 OHMS	1	1	
38	562394	PLATE, INDICATING (ON/OFF)	1	1	
39	563609	SWITCH / OFF-ON / S.P.S.T. / SEALED W/WIRES ASSY	1	1	
39	562477	CONNECTOR / DT SERIES / SH 4C / GRAY / DEUTSCH DT06-4S	1	1	
39	562478	SECONDARY LOCK / DT SERIES / SH 4C / DEUTSCH W4S	1	1	
39	562482	SOCKET TERMINAL / 16-14 / DEUTSCH 0462-209-16141	2	2	
40	068050	PANEL ASSY / PASS CABLE LOWER SIDE BOX	1	1	
41	067818	PANEL ASSY / PASS CABLE UPPER SIDE BOX	1	1	

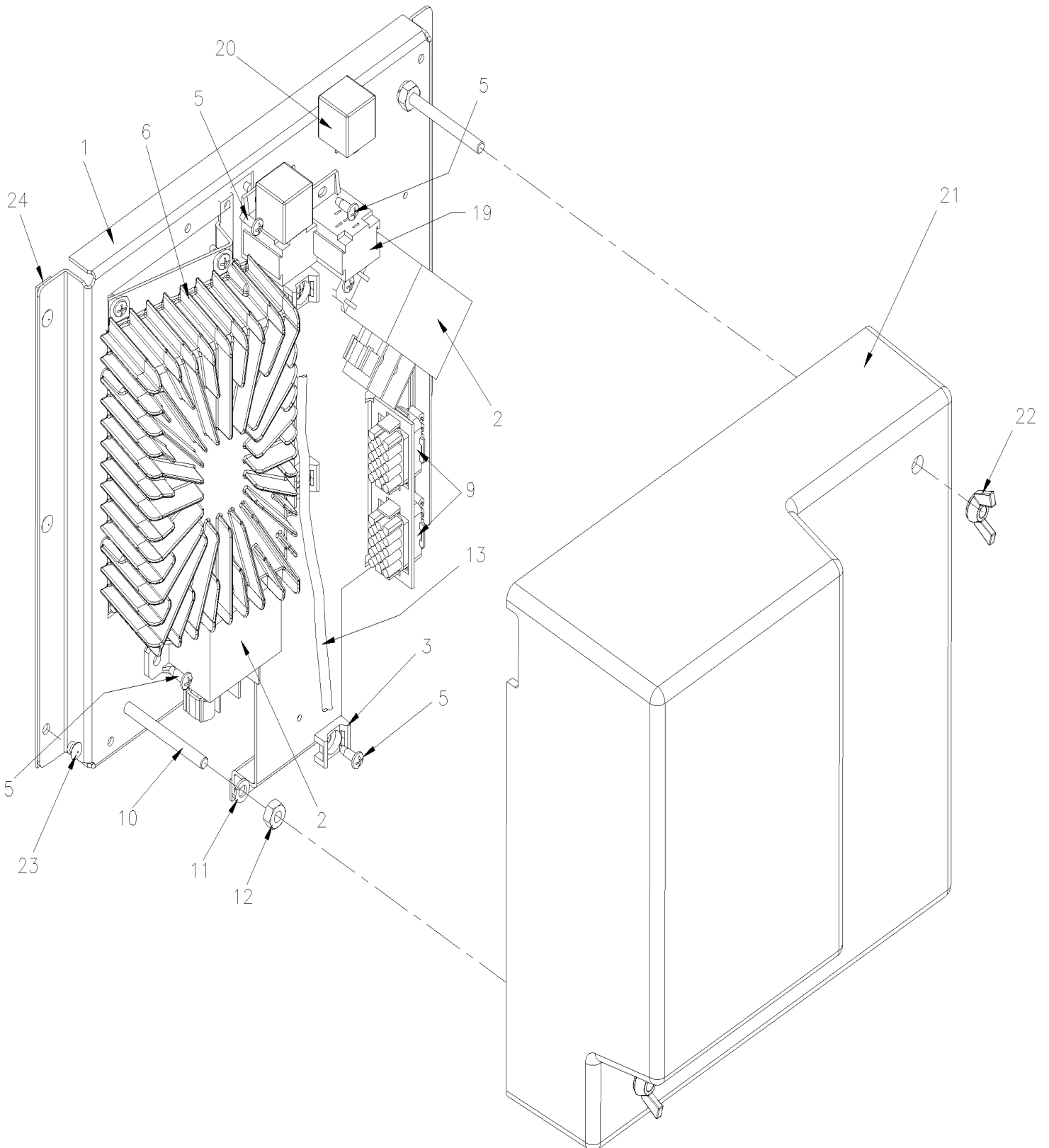


From B-5003 To D-5458

Date:07/2024

PAGE:XV-0621-50

A/C ELECTRICAL PANEL ASSY / EVAPORATOR DOOR





From B-5003 To D-5458 Date:07/2024 PAGE:XV-0621-50

A/C ELECTRICAL PANEL ASSY / EVAPORATOR DOOR

Item#	Part	Description	X 3 V I P	X L I I E N T 4 5	N O T E S
1	382077	PANEL MOUNTING REAR JCT BOX / MUX	1	1	
2	563348	RELAY POWER 24V 200 AMPS / S.P.S.T. N.O.	1	1	
. NS	5001182	. NUT HEX NYRT M6-1.0 SS	1	1	
. NS	502573	. WASHER FL 6.4x12.5x1.6 SS	1	1	
. NS	563409	. CONNECTOR / SUPERSEAL 1.5 SERIES / SH 2C / AMP 282080-1	1	1	
. NS	562607	. SOCKET TERMINAL / 20-16 / AMP 183025-1	1	1	
3	504013	TIE MOUNT / 1/4" X 1/4" I.D.	AR	AR	
NS	504637	CABLE TIE / 3/16" x 13"	AR	AR	
5	502868	SCREW TC TR PH #10-16x1/2 N500	AR	AR	
6	564075	I/O B-MODULE VOLVO MULTIPLEX / ALUMINUM To B-5029	1	1	
. NS	563132	. CONNECTOR / SH 2C / YAZAKI 7283-6458-40 To B-5029	1	1	
. NS	563133	. CONNECTOR / JUNIOR POWER TIMER / SH 29C / AMP 1-963449-2 To B-5029	1	1	
. NS	562957	. CONNECTOR / SH 5C / GREEN / JAE IL-AG5-5S-S3C1 To B-5029	1	1	
6	564193	I/O B-MODULE VOLVO MULTIPLEX / ALUMINUM From B-5030	1	1	
. NS	563132	. CONNECTOR / SH 2C / YAZAKI 7283-6458-40 From B-5030	1	1	
. NS	563133	. CONNECTOR / JUNIOR POWER TIMER / SH 29C / AMP 1-963449-2 From B-5030	1	1	
. NS	562957	. CONNECTOR / SH 5C / GREEN / JAE IL-AG5-5S-S3C1 From B-5030	1	1	
9	381145	DIODE ASSY / W/5 3AMPS	2	2	
10	5001593	SCREW MA RND SLT 1/4-20x2 3/4 SS	1	1	
11	500477	WASHER LO SPT .262x.489x.062 SS	1	1	
12	500771	NUT HEX 1/4-20 SS	1	1	
13	068382	CABLE ASSY / EVAPORATOR	1	1	
13	068383	CABLE ASSY / HVAC CONTROL From C-5277 To D-5373	1	1	
13	068625	CABLE ASSY / HVAC CONTROL From D-5374	1	1	
19	561183	RELAY BASE / TAB TERMINAL / BOSCH 3334485008	1	1	
20	563332	RELAY 24V S.P.D.T. W/RESISTOR / "VOLVO" (20374662)	2	2	
21	382078	COVER PROTECTOR	1	1	
21	067573	DECAL RELAY IDENTIFICATION EVAPORATOR CONTROL	1	1	
NS	066155	DECAL PIN OUT / JCT BOX W/MUX	1	1	
22	5001348	NUT WING 1/4-20 NYL	1	1	
23	504379	RIVET POP DOME OE 3/16x1/4 SS	7	7	
24	506236	TAPE RUB ADH1 CC POL 1/16" x 1/2" x 100' / GREY 2520	AR	AR	

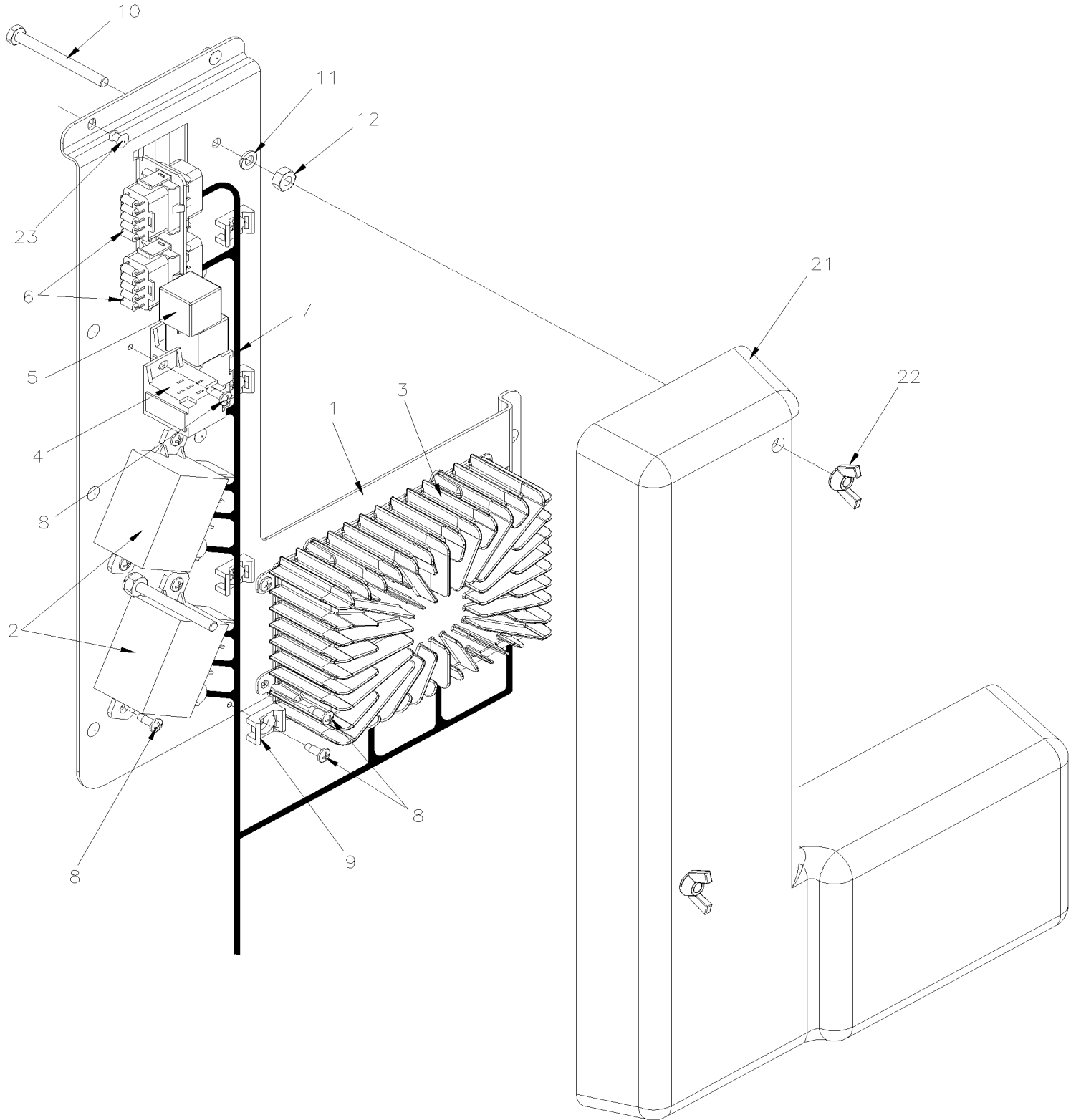


From D-5459 To D-5489

Date:07/2024

PAGE:XV-0621-51

A/C ELECTRICAL PANEL ASSY / EVAPORATOR DOOR





From D-5459 To D-5489	Date:07/2024	PAGE:XV-0621-51
A/C ELECTRICAL PANEL ASSY / EVAPORATOR DOOR		

Item#	Part	Description	X 3 V I P	X L I I E N T 4 5	N O T E S
1	382501	PANEL MOUNTING EVAPORATOR DOOR	1	1	
NS	506236	TAPE RUB ADH1 CC POL 1/16" x 1/2" x 100' / GREY 2520	AR	AR	
2	563348	RELAY POWER 24V 200 AMPS / S.P.S.T. N.O.	2	2	
. NS	5001182	. NUT HEX NYRT M6-1.0 SS	1	1	
. NS	502573	. WASHER FL 6.4x12.5x1.6 SS	1	1	
. NS	563409	. CONNECTOR / SUPERSEAL 1.5 SERIES / SH 2C / AMP 282080-1	1	1	
. NS	562607	. SOCKET TERMINAL / 20-16 / AMP 183025-1	1	1	
NS	5001182	NUT HEX NYRT M6-1.0 SS	2	2	
3	564193	I/O B-MODULE VOLVO MULTIPLEX / ALUMINUM	1	1	
. NS	563132	. CONNECTOR / SH 2C / YAZAKI 7283-6458-40	1	1	
. NS	563133	. CONNECTOR / JUNIOR POWER TIMER / SH 29C / AMP 1-963449-2	1	1	
. NS	562957	. CONNECTOR / SH 5C / GREEN / JAE IL-AG5-5S-S3C1	1	1	
4	564496	CONNECTOR / METRI-PACK 630 / SH 5C / PED 12033871	2	2	
5	563332	RELAY 24V S.P.D.T. W/RESISTOR / "VOLVO" (20374662)	2	2	
6	381145	DIODE ASSY / W/5 3AMPS	2	2	
7	068616	CABLE HARNESS / EVAPORATOR DOOR	1	1	
8	502868	SCREW TC TR PH #10-16x1/2 N500	14	14	
9	504013	TIE MOUNT / 1/4" X 1/4" I.D.	4	4	
NS	504637	CABLE TIE / 3/16" x 13"	4	4	
10	5001593	SCREW MA RND SLT 1/4-20x2 3/4 SS	2	2	
11	500477	WASHER LO SPT .262x.489x.062 SS	2	2	
12	500771	NUT HEX 1/4-20 SS	2	2	
21	382500	COVER PROTECTOR	1	1	
22	5001348	NUT WING 1/4-20 NYL	2	2	
23	504114	RIVET POP DOME OE 3/16x1/4 AL	10	10	
NS	068733	DECAL EVAPORATOR PANEL	1	1	

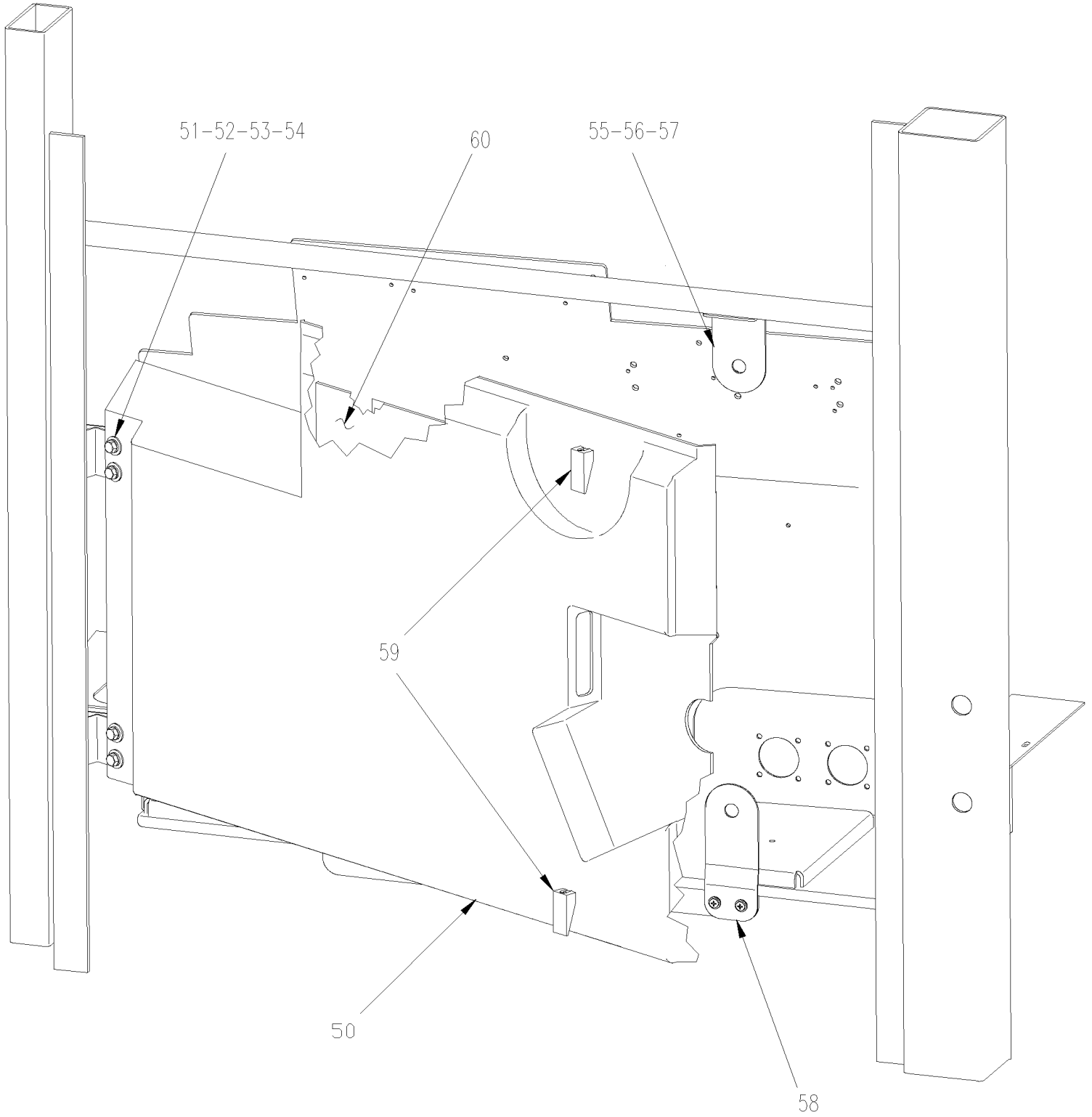


From B-5003 To D-5489

Date:07/2024

PAGE:XV-0625-00

FRONT JUNCTION PANEL



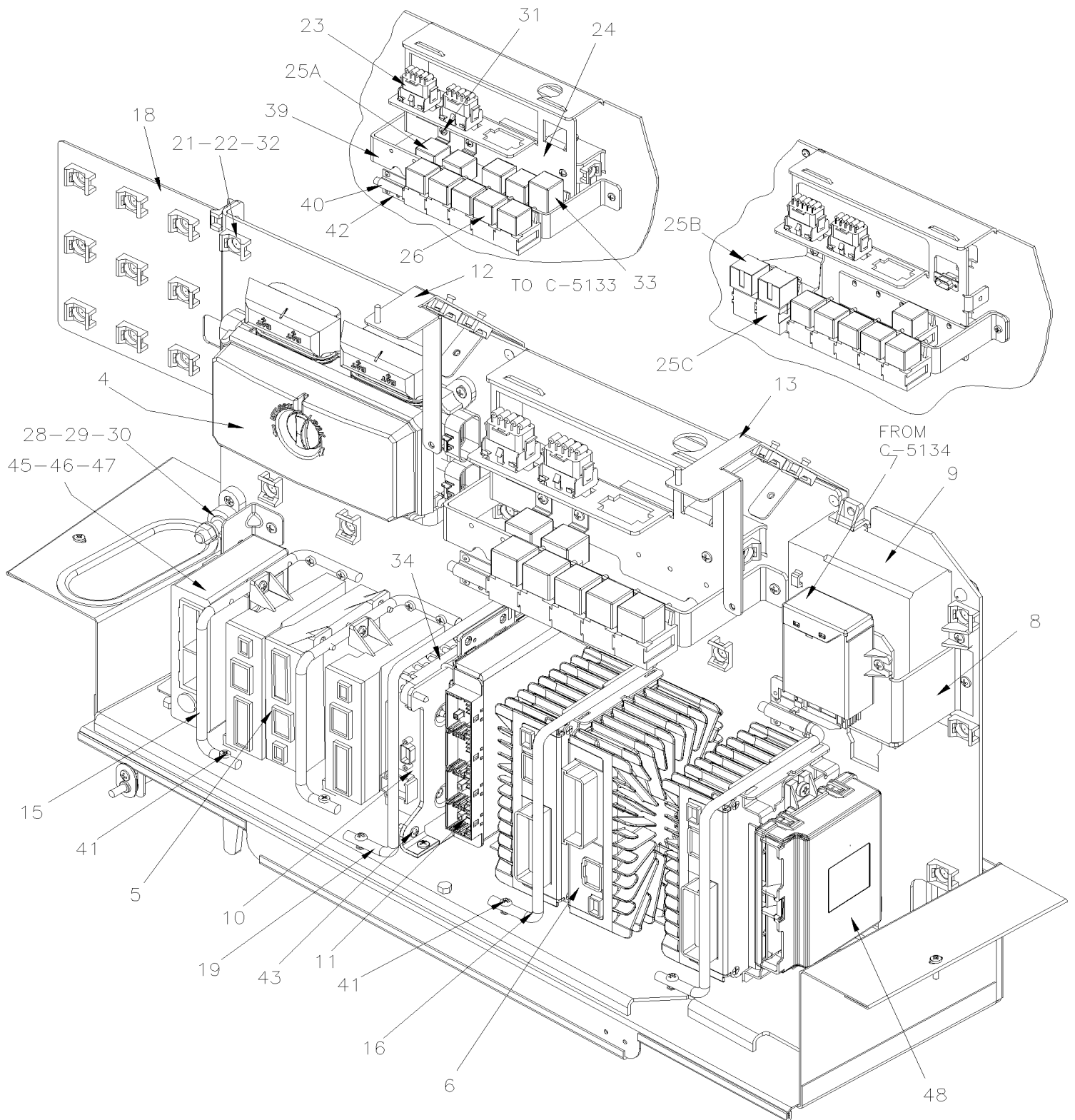


From B-5003 To D-5489

Date:07/2024

PAGE:XV-0625-00

FRONT JUNCTION PANEL





From B-5003 To D-5489	Date:07/2024	PAGE:XV-0625-00
------------------------------	---------------------	------------------------

FRONT JUNCTION PANEL

Item#	Part	Description	X 3 V I P	X L I E N T 4 5	N O T E S
1	067684	WIRING HARNESS FRONT JUNCTION BOX / W/MUX To B-5123	1	1	
1	068268	WIRING HARNESS FRONT JUNCTION BOX / W/MUX From B-5124 To C-5092	1	1	
1	068368	WIRING HARNESS FRONT JUNCTION BOX / W/MUX From C-5093 To C-5133	1	1	
1	068394	WIRING HARNESS FRONT JUNCTION BOX / W/MUX From C-5134 To C-5276	1	1	
1	068314	WIRING HARNESS FRONT JUNCTION BOX / W/MUX From C-5277 To D-5299	1	1	
1	068559	WIRING HARNESS FRONT JUNCTION BOX / W/MUX From D-5300 To D-5459	1	1	
1	068505	WIRING HARNESS FRONT JUNCTION BOX / W/MUX From D-5460	1	1	
2	068073	UNIVERSAL CAN HARNESS / FRT JCT BOX	1	1	
3	382416	FRONT PANEL BOX To C-5263	1	1	
3	382463	FRONT PANEL BOX From C-5264 To C-5276	1	1	
3	382471	FRONT PANEL BOX From C-5277 To D-5369	1	1	
3	382502	FRONT PANEL BOX From D-5370	1	1	
. NS	504784	. NUT INS FL HEX M4-0.7 0.5-3.0 ZP From D-5370	3	3	
4	563674	VEC DISTRIBUTION MODULE / FRONT JCT BOX	1	1	
. NS	564104	. COVER / VEC BOX	1	1	
. NS	563004	. FUSE / ATM 2 AMPS GREY	1	1	
. NS	563279	. FUSE / ATM 3 AMPS VIOLET	14	14	
. NS	563280	. FUSE / ATM 5 AMPS AMBER	2	2	
. NS	563005	. FUSE / ATM 7.5 AMPS BROWN	3	3	
. NS	563283	. FUSE / ATM 10 AMPS RED	6	6	
. NS	563284	. FUSE / ATM 15 AMPS BLUE	9	9	
. NS	563282	. FUSE / ATM 20 AMPS YELLOW	6	6	
. NS	563153	. FUSE / ATM 25 AMPS NATURAL	1	1	
. NS	563165	. FUSE / ATM 30 AMPS GREEN	3	3	
. NS	564464	. MINI BREAKER / 20 AMPS / SERIES 223	1	1	
. NS	563181	. CONNECTOR / SH 8C / YELLOW / BUSSMANN 32006-E21	1	1	
. NS	563182	. CONNECTOR / SH 8C / ORANGE / BUSSMANN 32006-G21	1	1	
. NS	563183	. CONNECTOR / SH 8C / RED / BUSSMANN 32006-F21	1	1	
. NS	563184	. CONNECTOR / SH 8C / GREEN / BUSSMANN 32006-C21	1	1	
. NS	563185	. CONNECTOR / SH 8C / BLACK / BUSSMANN 32006-A21	1	1	
. NS	563186	. CONNECTOR / SH 8C / GREY / BUSSMANN 32006-B21	1	1	
. NS	563187	. CONNECTOR / SH 8C / BROWN / BUSSMANN 32006-H21	1	1	
. NS	563448	. CONNECTOR / SH 8C / BLUE / BUSSMANN 32006-D21	1	1	
. NS	19518268	. COVER RUBBER RED	2	2	
5	564101	I/O A-MODULE VOLVO MULTIPLEX / BLACK To B-5029	3	3	
. NS	562767	. CONNECTOR / SH 30C / GREEN / JAE IL-AG5-30S-D3C1 To B-5029	1	1	
. NS	562957	. CONNECTOR / SH 5C / GREEN / JAE IL-AG5-5S-S3C1 To B-5029	1	1	
. NS	563132	. CONNECTOR / SH 2C / YAZAKI 7283-6458-40 To B-5029	1	1	
5	564194	I/O A-MODULE VOLVO MULTIPLEX / BLACK From B-5030	1	1	
. NS	562767	. CONNECTOR / SH 30C / GREEN / JAE IL-AG5-30S-D3C1 From B-5030	1	1	
. NS	562957	. CONNECTOR / SH 5C / GREEN / JAE IL-AG5-5S-S3C1 From B-5030	1	1	
. NS	563132	. CONNECTOR / SH 2C / YAZAKI 7283-6458-40 From B-5030	1	1	



From B-5003 To D-5489	Date:07/2024	PAGE:XV-0625-00
------------------------------	---------------------	------------------------

FRONT JUNCTION PANEL

Item#	Part	Description	X 3 V I P	X L I E N T 4 5	N O T E S
6	564075	I/O B-MODULE VOLVO MULTIPLEX / ALUMINUM To B-5029	3	3	
. NS	563132	. CONNECTOR / SH 2C / YAZAKI 7283-6458-40 To B-5029	1	1	
. NS	563133	. CONNECTOR / JUNIOR POWER TIMER / SH 29C / AMP 1-963449-2 To B-5029	1	1	
. NS	562957	. CONNECTOR / SH 5C / GREEN / JAE IL-AG5-5S-S3C1 To B-5029	1	1	
6	564193	I/O B-MODULE VOLVO MULTIPLEX / ALUMINUM From B-5030	1	1	
. NS	563132	. CONNECTOR / SH 2C / YAZAKI 7283-6458-40 From B-5030	1	1	
. NS	563133	. CONNECTOR / JUNIOR POWER TIMER / SH 29C / AMP 1-963449-2 From B-5030	1	1	
. NS	562957	. CONNECTOR / SH 5C / GREEN / JAE IL-AG5-5S-S3C1 From B-5030	1	1	
7	564076	ECU TIRE PRESSURE	1	1	
. NS	564073	. CONNECTOR TANDEM SPRING/ AMPMODU / SH 32C / AMP 1394010-1	1	1	
8	382406	SUPPORT TIRE ECU PRESSURE	1	1	
9	563274	CECM VOLVO MULTIPLEX MODULE To C-5159	1	1	
9	563851	MCM - VOLVO MULTIPLEX MODULE From C-5160	1	1	B
9	23317365	MCM - VOLVO MULTIPLEX MODULE	1	1	B
10	563295	MASTER ID-MODULE VOLVO MULTIPLEX To C-5159	1	1	
. NS	562794	. CONNECTOR / JUNIOR POWER TIMER / SH 9C / AMP 964561-4 To C-5159	1	1	
10	069538	"MASTER ID" REPLACEMENT WITH "MCM" MODULE To C-5159	1	1	
. NS	069420	. HARNESS MCM To C-5159	1	1	
. NS	IS-11003	. SEE INSTRUCTION SHEET To C-5159	1	1	
10	066009	CABLE ADAPTOR / INTERFACE PC TO MASTER ID (3Meter)	1	1	
. NS	562650	. CONNECTOR / HDP-20 / SH 9C / AMP 205203-1	2	2	
11	642081	ECU ABS / W/6 CHANNELS / STANDARD From B-5003 To D-5299	1	1	
11	642146	ECU ABS / W/6 CHANNELS / ADVANCED ESP UNPROGRAMMED / NON-PROGRAMME	1	1	
11	067934	CABLE ASSY ESP FRT JC BOX To B-5086	1	1	
11	068260	CABLE ASSY ESP FRT JC BOX From C-5087 To D-5299	1	1	
12	382126	SUPPORT FRONT PANEL UPPER FORWARD To C-5276	1	1	
12	382465	SUPPORT FRONT PANEL UPPER FORWARD From C-5277	1	1	
13	382129	SUPPORT FRONT PANEL UPPER BACKWARD To C-5276	1	1	
13	382466	SUPPORT FRONT PANEL UPPER BACKWARD From C-5277	1	1	
15	382179	ROD ATTACHMENT / I/O A MODULE	2	2	
16	382417	ROD ATTACHMENT / I/O B MODULE	2	2	
18	386652	SUPPORT From C-5125	1	1	
19	382418	ROD ATTACHMENT CABLE	1	1	
21	504013	TIE MOUNT / 1/4" X 1/4" I.D.	AR	AR	
22	504347	RIVET POP DOME OE 3/16x1/4 AL	AR	AR	
23	381145	DIODE ASSY / W/5 3AMPS	2	2	
23	382244	RESISTANCE ASSY / W/5 RESISTORS 1.2k OHMS	1	1	
24	382387	DIODE SUPPORT PLATE To C-5276	1	1	D13
24	382470	DIODE SUPPORT PLATE From C-5277	1	1	D13
25A	561991	RELAY 24V S.P.S.T. / 70 AMPS N.O. To C-5133	2	2	
25B	564218	RELAY 24V S.P.S.T. / 40 AMPS N.O. From C-5134	2	2	
25C	564210	RELAY BASE / TAB TERMINAL / COLE HERSEE 99025 From C-5134	2	2	



From B-5003 To D-5489	Date:07/2024	PAGE:XV-0625-00
------------------------------	---------------------	------------------------

FRONT JUNCTION PANEL

Item#	Part	Description	X 3 V I P	X L I I E N T 4 5	N O T E S
26	563332	RELAY 24V S.P.D.T. W/RESISTOR / "VOLVO" (20374662)	AR	AR	
27	952627	CLAMP / 1/2" I.D.	2	2	
28	560422	BLOCK, TERMINAL / 1 STUD 3/8-16 / BLACK	1	1	
29	500478	WASHER LO SPT .380x.683x.094 Z050	1	1	
30	500379	NUT HEX 3/8-16 BR	1	1	
31	500623	SCREW TC PAN PH #10-24x3/4 N500	1	1	
32	504637	CABLE TIE / 3/16" x 13"	AR	AR	
33	563033	E.C.U. / W/STEERING ASSIST (STP 272 or 330) ((77//125))	1	1	
33	661170	E.C.U. / W/STEERING ASSIST (STP 338) ((60//95))	1	1	C
34	563218	JUNCTION BLOCK W/5 STUDS	1	1	
NS	500765	NUT HEX #10-32 BR	AR	AR	
39	382407	SUPPORT / RELAY To C-5276	1	1	
39	382472	SUPPORT / RELAY From C-5277 To D-5457	1	1	
39	382557	SUPPORT / RELAY From D-5458	1	1	
40	382169	HINGE ROD ATTACHMENT	5	5	
41	509827	SCREW MA RND PH M4-0.7x20 SS	9	9	
42	504340	RIVET POP DOME OE 1/8x3/16 SS	12	12	
43	502868	SCREW TC TR PH #10-16x1/2 N500	AR	AR	
44	500965	SCREW TC BDG PH #8-32x1/2 N500	AR	AR	
45	563541	KEYLESS MODULE / 350' RANGE	1	1	
46	382162	SUPPORT UPPER KEYLESS MODULE	1	1	
47	382163	SUPPORT LOWER KEYLESS MODULE	1	1	
48	21083383	VECU MODULE / VOLVO To D-5297	1	1	
48	21720495	VECU4 MODULE / VOLVO From D-5298	1	1	
NS	067625	CABLE ASSY FRT JCT BOX WORLD TRANSMISSION To C-5276	1	1	
NS	068376	CABLE ASSY FRT JCT BOX WORLD TRANSMISSION From C-5277 To D-5459	1	1	
48	068592	CABLE ASSY FRT JCT BOX WORLD TRANSMISSION From D-5460	1	1	
50	287562	PROTECTOR FRONT ELECTRIC COMPARTMENT	1	1	
51	502531	SCREW CAP HEX M6-1.0x16 G8.8 Z050 To C-5276	4	4	
51	5001744	SCREW CAP HEX M6-1.0x16 G8.8 N500 From C-5277	4	4	
52	500411	WASHER FL .260x.697x.050 SS To C-5276	10	10	
52	5001833	WASHER BEL SPR 6.1x18x1.27 SS From C-5277	10	10	
53	502570	WASHER LO SPT 6.1x11.8x1.6 SS To C-5276	6	6	
54	287210	ATTACHMENT PLATE W/NUT	2	2	
55	500641	SCREW TP PAN PH #8x3/4 Z050 To C-5276	4	4	
55	502868	SCREW TC TR PH #10-16x1/2 N500 From C-5277	4	4	
56	500438	WASHER FL .187x.437x.050 Z050 To C-5276	4	4	
56	500855	WASHER FL .188x.438x.049 N500 From C-5277	4	4	
57	384286	RETAINER UPPER	1	1	
58	382360	RETAINER LOWER	1	1	
59	901052	LATCH RUBBER	2	2	
60	068175	DECAL "FRT JCT BOX" COMPONENTS To C-5092	1	1	



From B-5003 To D-5489	Date:07/2024	PAGE:XV-0625-00
------------------------------	---------------------	------------------------

FRONT JUNCTION PANEL

Item#	Part	Description	X 3 V I P	X L I E N T 4 5	N O T E S
60	068364	DECAL "FRT JCT BOX" COMPONENTS From C-5093 To C-5133	1	1	
60	068400	DECAL "FRT JCT BOX" COMPONENTS From C-5134 To C-5159	1	1	
60	068424	DECAL "FRT JCT BOX" COMPONENTS From C-5160 To D-5457	1	1	
60	068664	DECAL "FRT JCT BOX" COMPONENTS From D-5458	1	1	
61	066155	DECAL PIN OUT / JCT BOX W/MUX	1	1	
70	068380	SERVICE KIT TO REPLACE 70 AMP RELAY	AR	AR	
. NS	564210	. RELAY BASE / TAB TERMINAL / COLE HERSEE 99025	1	1	
. NS	564218	. RELAY 24V S.P.S.T. / 40 AMPS N.O.	1	1	
. NS	FI11015	. SEE INSTRUCTION SHEET ENS. REMPLACEMENT RELAIS 70A	1	1	
. NS	IS11015	. SEE INSTRUCTION SHEET	1	1	
		B) WHEN YOU MUST REPLACE 563851, YOU MUST ORDER 23317365, BUT YOU MUST GIVE THE SERIAL NUMBER OF YOUR VEHICLE FOR IT TO BE PROGRAM			
		C) THIS E.C.U. GIVE LESS ASSISTANCE AT LOW SPEED			
		D13) WITH "VOLVO" ENGINE			

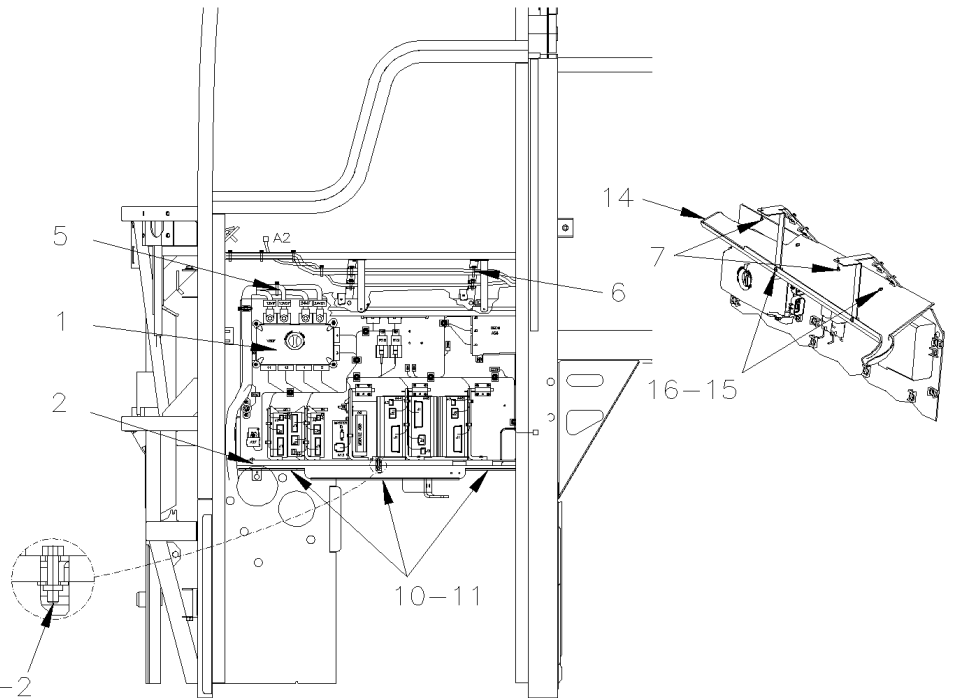
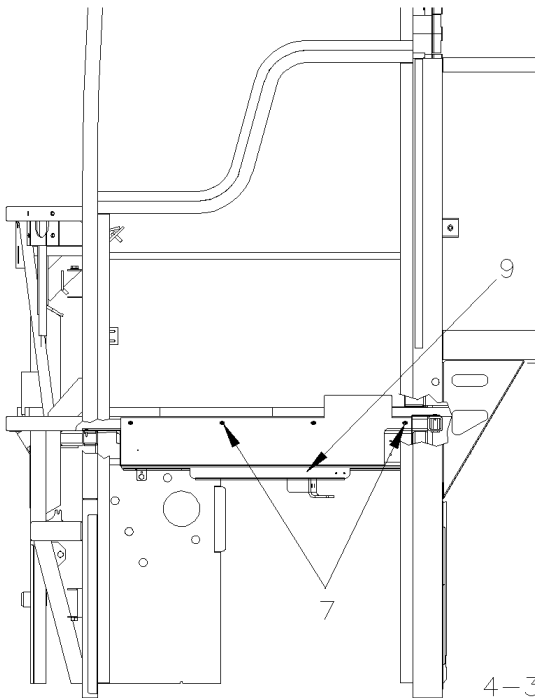
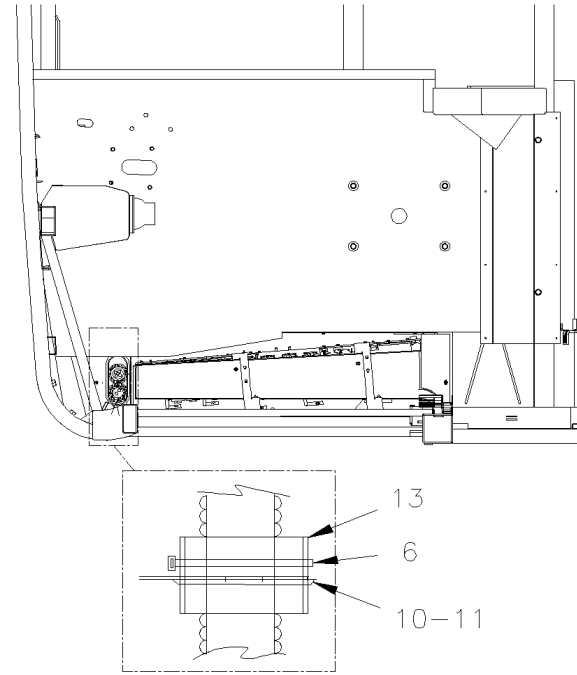
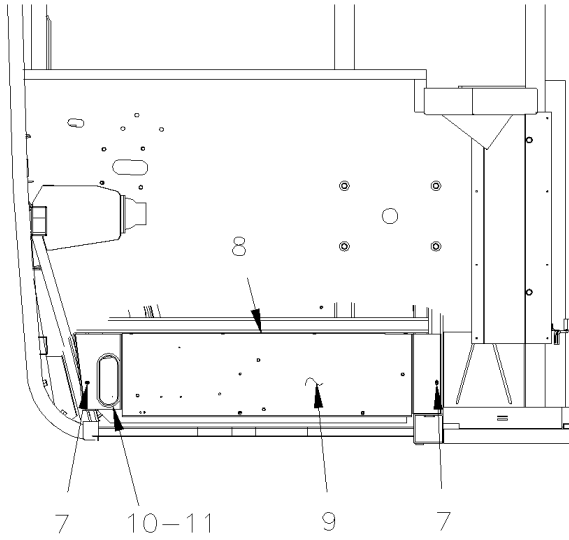


From B-5003 To D-5489

Date:07/2024

PAGE:XV-0625-10

FRONT JUNCTION BOX - INSTALLATION



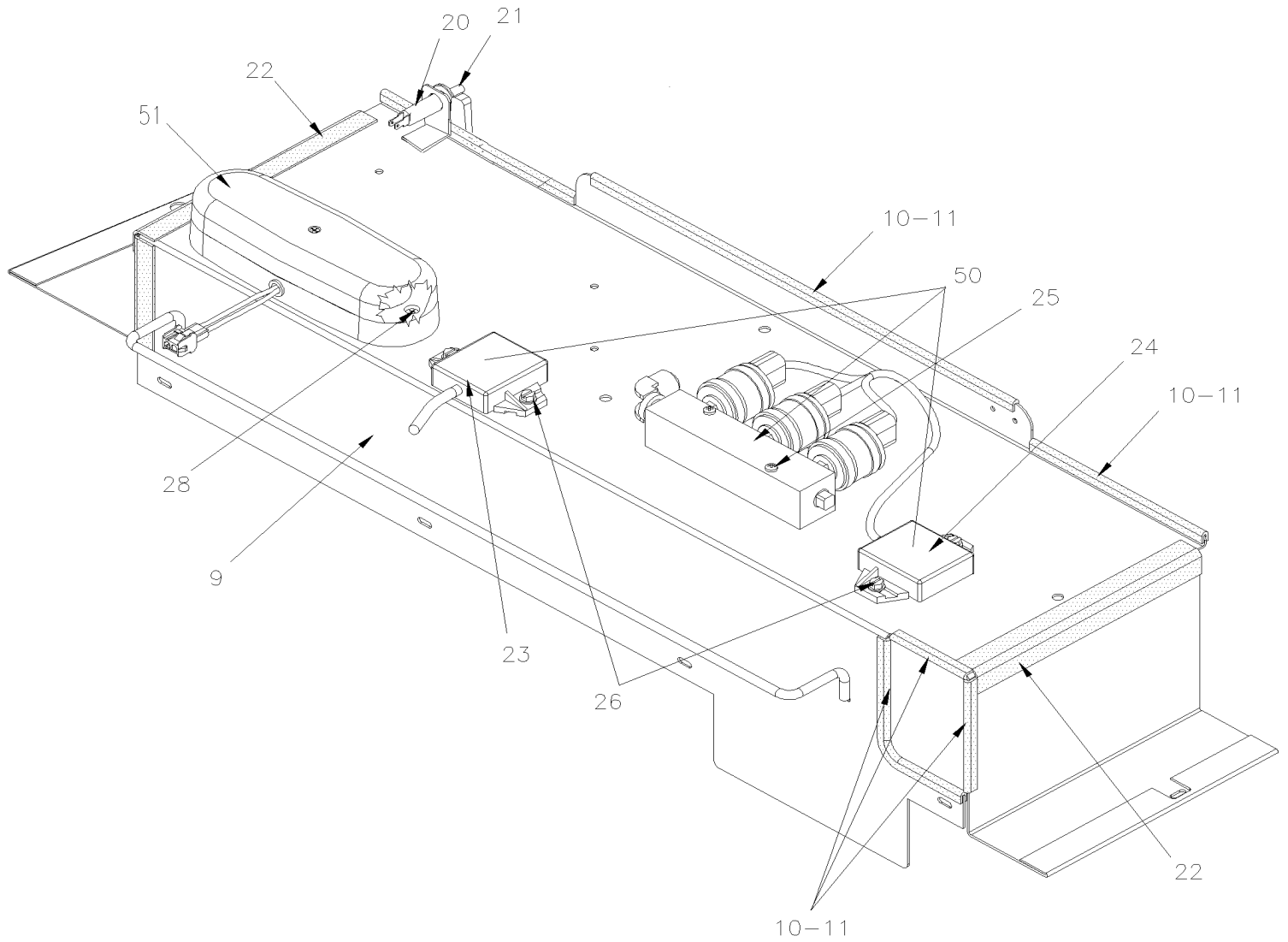


From B-5003 To D-5489

Date:07/2024

PAGE:XV-0625-10

FRONT JUNCTION BOX - INSTALLATION





From B-5003 To D-5489 Date:07/2024 PAGE:XV-0625-10

FRONT JUNCTION BOX - INSTALLATION

Item#	Part	Description	X 3 V I P	X L I I E N T 4 5	N O T E S
1	XV-0625-00	FRONT JUNCTION PANEL			
2	502565	NUT HEX M6-1.0 SS	4	4	
3	502564	WASHER LO SPT 6.1x11.8x1.6 Z050	4	4	
4	502737	SCREW CAP HEX M6-1.0x25 SS BK	1	1	
5	504016	CABLE TIE / 5/16" X 14"1/2	AR	AR	
6	504637	CABLE TIE / 3/16" x 13"	AR	AR	
7	500641	SCREW TP PAN PH #8x3/4 Z050	6	6	
8	680532	SEALANT SIKA #221 / GREY / 310ml CARTRIDGE	AR	AR	
9	382452	SUPPORT FRONT JCT BOX To C-5132	1	1	
9	382455	SUPPORT FRONT JCT BOX From C-5133	1	1	
NS	564108	SELF MOUNTING STUD // DEUTSCH 1011-310-0205	3	3	
NS	509815	TIE MOUNT / ATTACHMENT W/TREE MOUNT	1	1	
NS	504637	CABLE TIE / 3/16" x 13"	1	1	
10	506338	RUBBER CHANNEL / 1/16" x 1/4" INT "U" SHAPE / ROUND C.T.L.	AR	AR	
11	680066	ADHESIVE / ADBOND #5014 / 23.6ML BOTTLE	AR	AR	
12	500615	NUT HEX M8-1.25 BR	12	12	
13	371600	INSULATING PAD 76.2MM x 374.7MM	1	1	
14	382135	DRIP PAN FRONT JCT BOX To C-5276	1	1	
14	382467	DRIP PAN FRONT JCT BOX From C-5277	1	1	
NS	382464	SUPPORT FRONT JCT BOX From C-5277	2	2	
15	502556	WASHER FL 4.3x9.0x0.8 SS	4	4	
16	502698	SCREW MA PAN PH M4-0.7x16 SS BK	4	4	
NS	5001182	NUT HEX NYRT M6-1.0 SS	1	1	
NS	500964	WASHER FL .203x.500x.047 Z050	1	1	
NS	064993	CABLE ASSY / 12Volt "CB" DELIVERY	1	1	
20	066638	SWITCH SUPPORT	1	1	
21	563464	SWITCH / S.P.S.T. / N.C. / W/RUBBER BOOT	1	1	
22	382404	RUBBER PROTECTOR, CORNER	2	2	
23	562357	RESISTANCE MODULE	1	1	
24	562381	RESISTANCE MODULE	1	1	
25	500508	SCREW TC PAN PH #10-32x1 1/2 Z050	2	2	
26	5001245	SCREW TC CAP HEXW SLT #12-24x1/2 Z050	AR	AR	
27	500473	WASHER LO SPT .262x.489x.062 Z050	AR	AR	
28	500430	SCREW TC PAN PH #8-32x1 1/4 SS BK	2	2	
50	XV-0750-00	AUTOMATIC TRANSMISSION - "WORLD" WITH VOLVO D13			
51	XV-0665-10	SWITCHES, LIGHTS, AJAR - UNDER FLOOR			

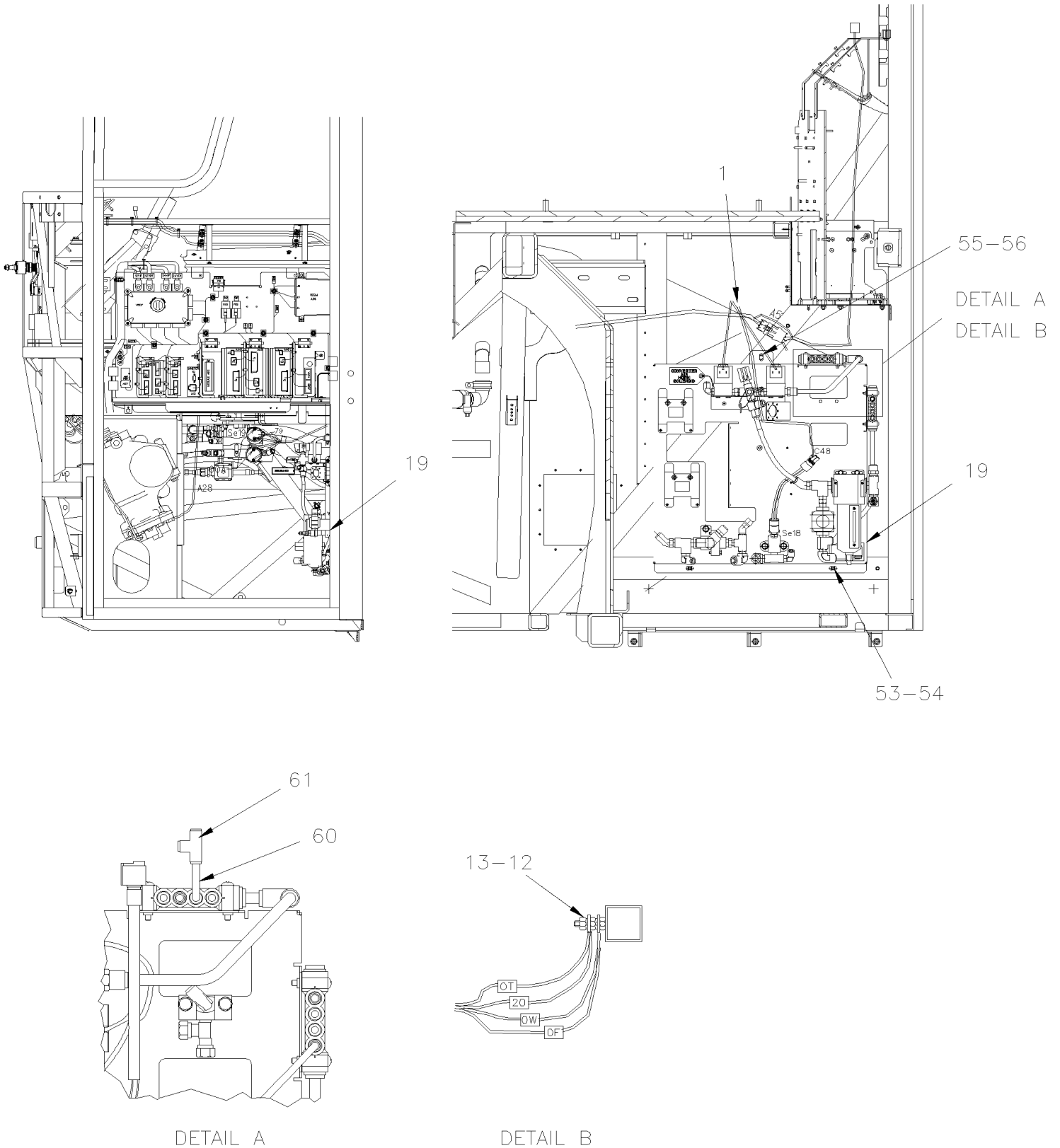


From B-5003 To D-5489

Date:07/2024

PAGE:XV-0640-50

CABLE & HARNESS - FRONT END INSTALLATION



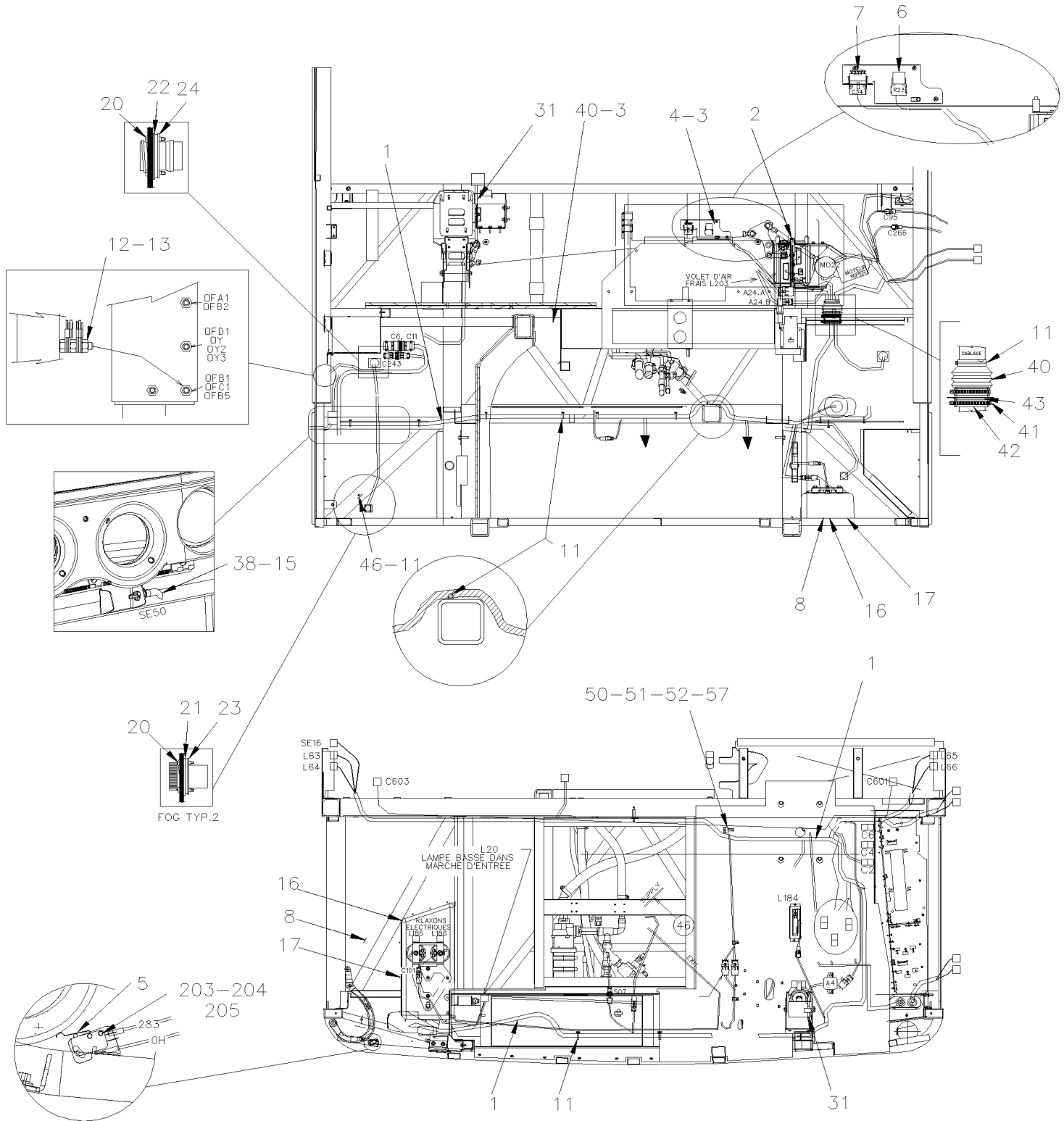


From B-5003 To D-5489

Date:07/2024

PAGE:XV-0640-50

CABLE & HARNESS - FRONT END INSTALLATION





From B-5003 To D-5489	Date:07/2024	PAGE:XV-0640-50
------------------------------	---------------------	------------------------

CABLE & HARNESS - FRONT END INSTALLATION

Item#	Part	Description	X 3 V I P	X L I I E N T 4 5	N O T E S
1	067446	CABLE ASSY / FRONT LOWER END To C-5276	1	1	
1	068490	CABLE ASSY / FRONT LOWER END From C-5277 To D-5459	1	1	
1	068707	CABLE ASSY / FRONT LOWER END From D-5460	1	1	
2	Call order desk	I/O B-MODULE VOLVO MULTIPLEX ASSY	1	1	P
2	Call order desk	I/O B-MODULE VOLVO MULTIPLEX ASSY	1	1	P
3	500638	SCREW TP PAN PH #8x1/2 Z050	3	3	
4	289652	SUPPORT & RELAY ASSY From A-9873	1	1	
5	562096	MICRO SWITCH	1	1	
6	563332	RELAY 24V S.P.D.T. W/RESISTOR / "VOLVO" (20374662)	1	1	
7	381145	DIODE ASSY / W/5 3AMPS	1	1	
8	5001407	WASHER LO EXT 3.2x6.0x0.4 SS	2	2	
11	504637	CABLE TIE / 3/16" x 13"	AR	AR	
12	502565	NUT HEX M6-1.0 SS	15	15	
13	502570	WASHER LO SPT 6.1x11.8x1.6 SS	8	8	
14	500167	SCREW CAP HEX 1/4-20x1 1/4 G5 PT Z050	3	3	
15	502716	NUT HEX NYRT 1/4-20	3	3	
16	562387	CONVOLUTED TUBING / SLIT / BLACK / .250"	AR	AR	
17	XV-2310-00	HORN - INSTALLATION			
18	500658	SCREW TC PAN PH #10-24x3/4 Z050	10	10	
19	XV-1640-50	LEVEL-LOW - CONTROL PANEL & VALVES			
20	5001454	SCREW MA BDG PH #4-40x1/2 SS	16	16	
21	562945	GASKET MOUNTING / HD10 SERIES / 3C / DEUTSCH HD10-3-GKT	2	2	
22	563096	GASKET MOUNTING / HD10 SERIES / 6C / DEUTSCH HD10-6-GKT	2	2	
23	562381	RESISTANCE MODULE	1	1	
24	062268	NUT, RING #11 / .940" I.D. W/4 4-40	2	2	
25	500642	SCREW TP PAN PH #10x3/4 Z050	4	4	
26	561821	NUT, RING #17 & 20 / 1.500" I.D W/4 4-40	2	2	
30	562357	RESISTANCE MODULE	1	1	
31	063782	CABLE ASSY / RESISTANCE MODULE & SWITCH	1	1	
34	500411	WASHER FL .260x.697x.050 SS	6	6	
38	563335	SENSOR THERMISTOR ASSY / OUTSIDE // PED 15416387	1	1	
40	504499	CUFF END BELLOW / 2 7/8" I.D. x 3 5/8" x 4 7/16	1	1	
41	504026	HOSE CLAMP / 2"13/16-3"3/4 SS / HS-52	2	2	
42	065035	TUBE PVC / 3" X 50MM	1	1	
43	680067	SEALANT TAPE BUTYL / BLACK / 1/8"x3/4"x25' / 75211E760	1	1	
46	562679	4 WAY ADH. BACKED MOUNTS 1.000 x 1.000 x .160	1	1	
50	500102	NUT HEX 3/8-16 SS	1	1	
51	502616	WASHER LO SPT 10.2x18.1x2.2 SS	1	1	
52	500641	SCREW TP PAN PH #8x3/4 Z050	2	2	
53	502573	WASHER FL 6.4x12.5x1.6 SS	1	1	
54	502854	NUT HEX M6-1.0 N500	2	2	
55	500942	WASHER LO SPT 8.1x14.8x2.0 N500	1	1	



From B-5003 To D-5489	Date:07/2024	PAGE:XV-0640-50
-----------------------	--------------	-----------------

CABLE & HARNESS - FRONT END INSTALLATION

Item#	Part	Description	X 3 V I P	X L I I E N T 4 5	N O T E S
56	502862	SCREW CAP HEX M8-1.25x20 G8.8 N500	1	1	
57	560422	BLOCK, TERMINAL / 1 STUD 3/8-16 / BLACK	1	1	
58	952624	CLAMP / 1/4" I.D.	1	1	
59	684685	ADHESIVE SIMSON #ISR 70-03 / 310ml CARTRIDGE	AR	AR	
60	503402	TUBE, NYLON 1/4 O.D. / BLACK S.L.	AR	AR	
61	641955	UNION TEE / PUSH-IN FITTING / #4x#4x#4 BR	1	1	
62	502526	SCREW TC BDG PH #12-24x3/4 Z050	10	10	
		P) CALL ORDER DESK FOR SPECIFIC APPLICATION (V.I.N.)			

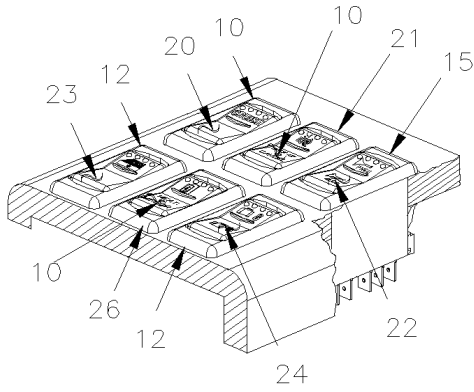


From B-5003 To D-5489

Date:07/2024

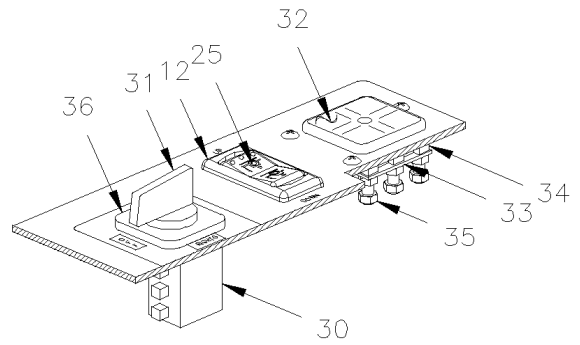
PAGE:XV-0645-05

SWITCHES L.H. CONSOLE - MTH

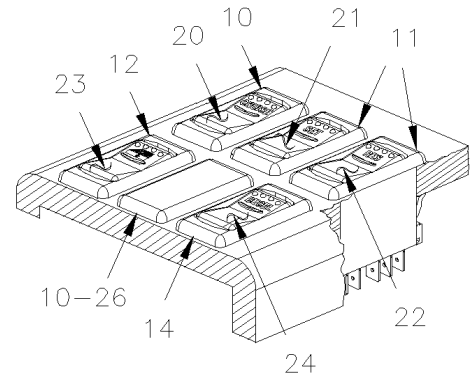
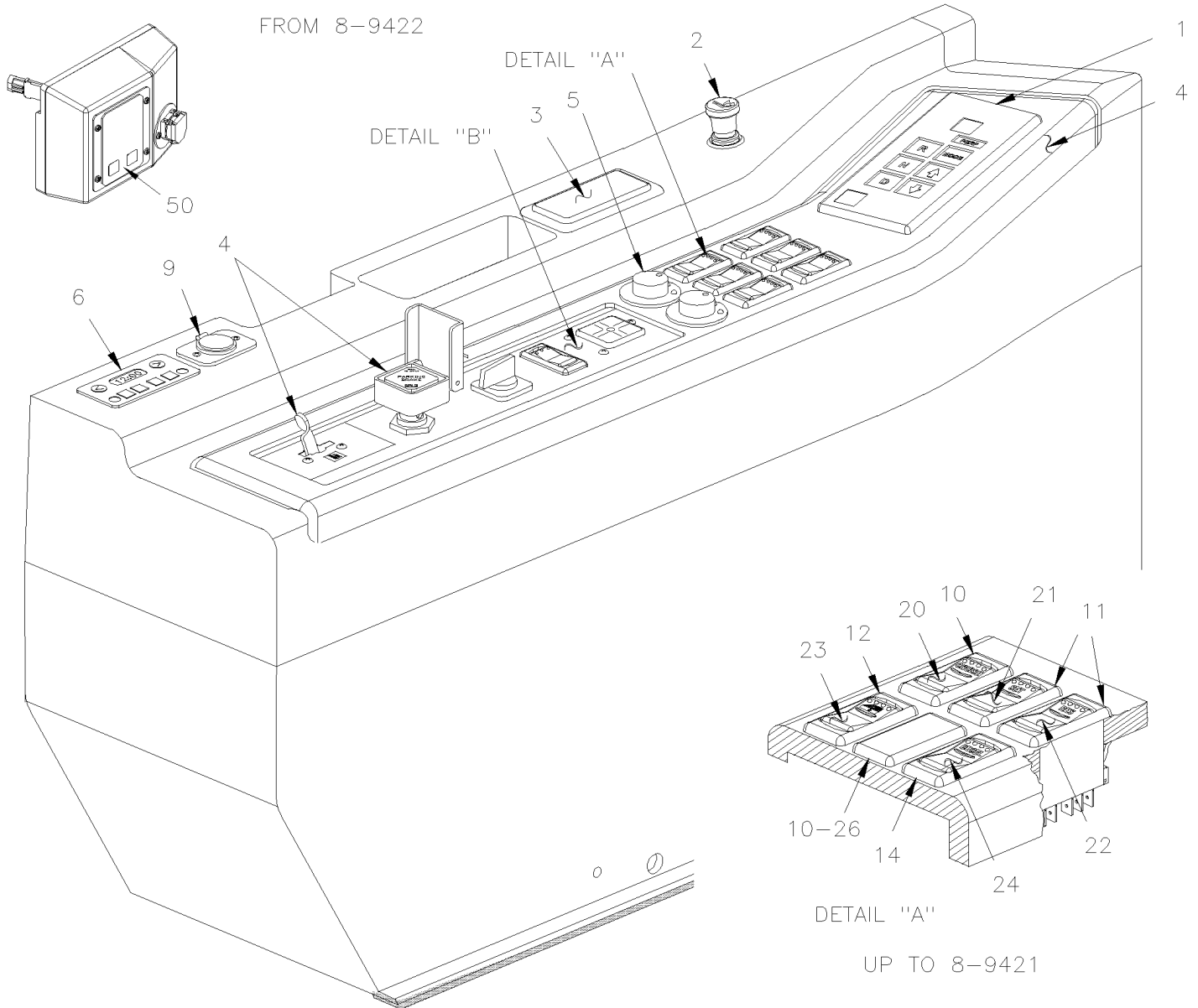


DETAIL "A"

FROM 8-9422



DETAIL "B"



DETAIL "A"

UP TO 8-9421



From B-5003 To D-5489	Date:07/2024	PAGE:XV-0645-05
SWITCHES L.H. CONSOLE - MTH		

Item#	Part	Description	X 3 V I P	X L I I E N T 4 5	N O T E S
1	572124	SHIFTER, SELECTOR "WORLD" / GEN IV To E-5624	1	1	
1	572155	SHIFTER, SELECTOR "WORLD" / GEN V From E-5625	1	1	
1	067278	WIRING HARNESS DASHBOARD LEFT MODULE	1	1	
2	561491	LIGHTER ASSY / 12V	1	1	
2	561492	. POP OUT 12V	1	1	
2	562944	. BASE LIGHTER	1	1	
NS	392043	DUMMY PLUG LIGHTER	AR	AR	
3	890006	ASHTRAY	1	1	
4	XV-1806-50	L.H. CONSOLE - MTH			
5	562748	SWITCH, MIRROR / ROUND	AR	AR	
5		CLIP RETAINER / MIRROR SWITCH (R2000-1372P)	2	2	
NS	562749	CONNECTOR / SH 8C / EURAMTEC W-RT8-200	2	2	
NS	507295	HOLE PLUG BUTTON / 1.375 O.D. BLACK	AR	AR	
NS	562799	DUMMY PLUG MIRROR	AR	AR	
6	871250	TIMER ASSY / W/"WEBASTO" PREHEATER	1	1	
. NS	19511692	. BULB	1	1	
NS	066217	WIRING HARNESS / W/ "WEBASTO" PREHEATER / W/MUX	1	1	
9	562796	12 VOLTS POWER OUTLET	1	1	
9	562773	SWITCH / "DUMMY" / PLUG	AR	AR	
10	562697	SWITCH / ON-ON / D.P.D.T. / CH-OVER / W/RED & GREEN LED	AR	AR	
11	562698	SWITCH / OFF-M/ON / D.P.S.T. / W/GREEN LED	AR	AR	
12	562699	SWITCH / M/ON-OFF-M/ON / D.P.D.T. / W/GREEN LED	AR	AR	
15	563012	SWITCH / ON-ON / D.P.D.T. / CH-OVER / W/GREEN LED	1	1	
20	562724	CAP / CRUISE CONTROL	1	1	
21	562731	CAP / BACK-UP ALARM	1	1	
22	564081	CAP / HORN SELECTOR - ELEC / AIR	1	1	
23	562740	CAP / WINDOW DRIVER'S	1	1	
24	562736	CAP / LUGGAGE DOOR LOCK	1	1	
25	562738	CAP / UP-DOWN	1	1	
26	562713	CAP / MIRROR HEATER	1	1	
30	563086	SWITCH / 10 AMPS 4 POSITIONS 90°	1	1	
31		. KNOB	1	1	
NS	066510	CABLE ASSY / W/"LEVEL LOW" / MUX	1	1	
32	630075	LEVEL 5 WAYS	1	1	
33	391827	BRACKET / TO FIX LEVEL	1	1	
34	502162	SPRING COMPRESSION / .240 O.D. x .312 x .026	3	3	
35	500670	NUT HEX NYRT #8-32 Z050	3	3	
36	392317	PLATE PLASTIC "LEVEL LOW"	1	1	
50	XV-2320-50	FIRE PROTECTION SYSTEM To C-5266			
50	XV-2320-51	FIRE PROTECTION SYSTEM / HEATER & EVAPORATOR COMPARTMENT From C-5267			



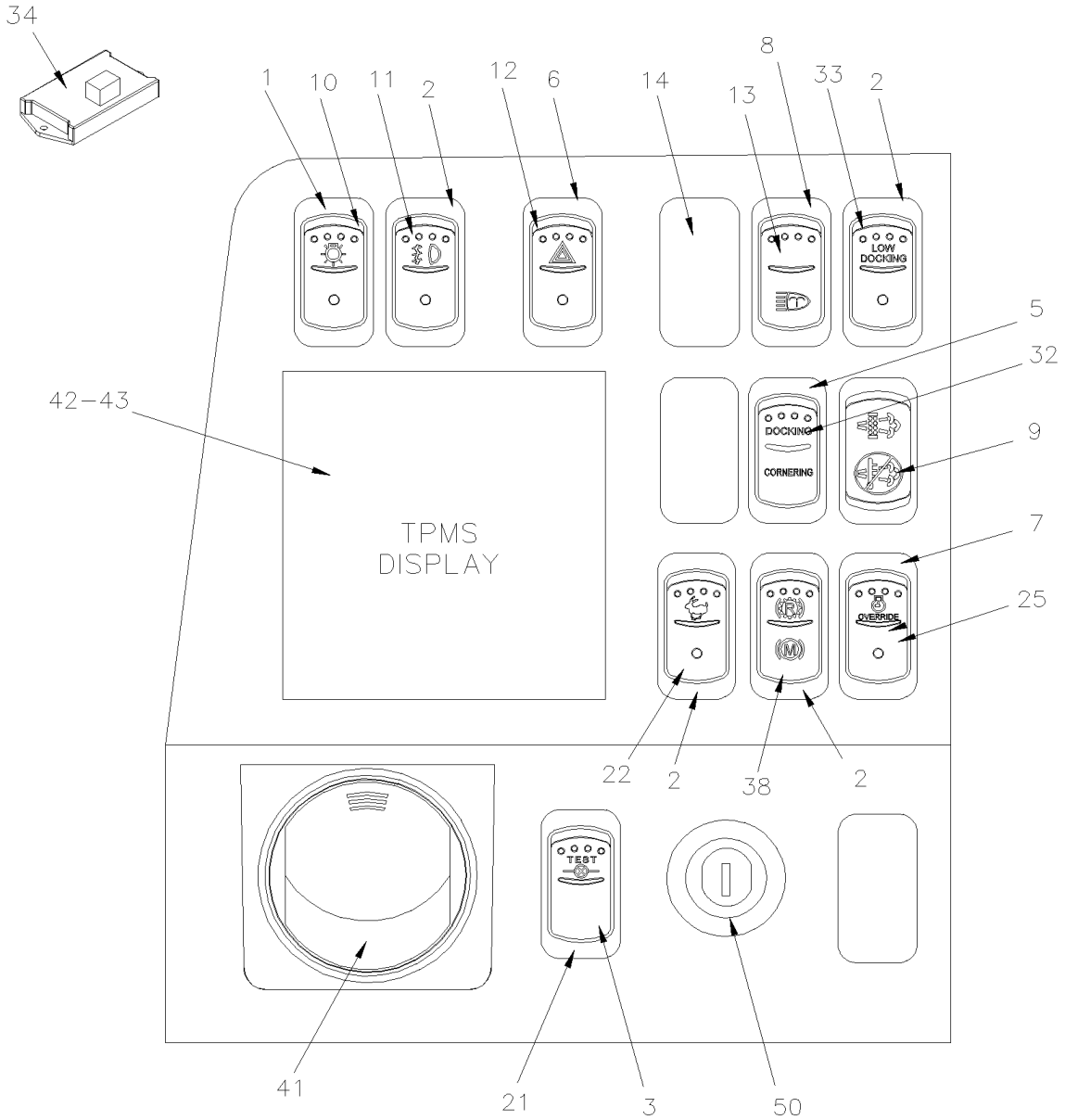
From B-5003 To D-5489

Date:07/2024

PAGE:XV-0645-10

L.H. DASHBOARD PANEL

MTH



FROM 8-9422



From B-5003 To D-5489 Date:07/2024 PAGE:XV-0645-10

L.H. DASHBOARD PANEL

Item#	Part	Description	X 3 V I P	X L I I E N T 4 5	N O T E S
1	562696	SWITCH / OFF-ON-ON SERIES S.P.D.T. / W/RED & GREEN LED	4	4	
2	562697	SWITCH / ON-ON / D.P.D.T. / CH-OVER / W/RED & GREEN LED	AR	AR	
3	562698	SWITCH / OFF-M/ON / D.P.S.T. / W/GREEN LED	1	1	
4	562699	SWITCH / M/ON-OFF-M/ON / D.P.D.T. / W/GREEN LED	3	3	
5	562700	SWITCH / ON-OFF-ON / D.P.D.T. / W/GREEN LED	1	1	
6	562854	SWITCH / ON-ON / D.P.D.T. / CH-OVER / W/RED LED	1	1	
7	562855	SWITCH / OFF-M/ON / D.P.S.T. / W/RED LED	1	1	
8	564008	SWITCH / OFF-M/ON / S.P.S.T. / W/GREEN LED	1	1	
9	562763	CONNECTOR RH 10C / SWITCH / NGR 28-5637-2	AR	AR	
9	562768	SOCKET TERMINAL / 16-14 / PED 12015870	AR	AR	
10	562708	CAP / HEADLIGHT	1	1	
11	562709	CAP / FOG	1	1	
12	562710	CAP / WARNING LIGHT HAZARD	1	1	
13	564006	CAP / HEADLAMP WASHER	1	1	
14	562773	SWITCH / "DUMMY" / PLUG	AR	AR	
22	562723	CAP / FAST IDLE	1	1	
25	562727	CAP / ENGINE OVERRIDE	1	1	
32	562733	CAP / DOCKING & CORNERING	1	1	
33	562732	CAP / LIGHT LOW DOCKING	1	1	
34	382446	GATEWAY LIN BUS INTERFACE To D-5459	1	1	A
34	382562	GATEWAY LIN BUS INTERFACE From D-5460	1	1	A
38	564082	CAP / "JACOB'S" & RETARDER"	1	1	
41	871314	LOUVER, ADJUSTABLE / ROUND 2 5/8" O.D.	1	1	
42	564083	SCREEN MONITOR TIRE To B-5023	1	1	
42	564094	SCREEN MONITOR TIRE From B-5024	1	1	
43	564084	PLATE TPMS / FIXED AT CENTRAL BOARD	1	1	
43	564086	PLATE REAR TPMS ON CENTRAL BOARD	1	1	
NS	564085	PLATE W/OUT TPMS ON CENTRAL BOARD	1	1	
NS	5001690	SCREW TC M5	5	5	
50	562147	SWITCH, IGNITION / CODE 801	1	1	
. NS	780003	. KEY, IGNITION SWITCH CODE 801	1	1	
50	562148	SWITCH, IGNITION / CODE 802	1	1	
. NS	780004	. KEY, IGNITION SWITCH CODE 802	1	1	
50	562151	SWITCH, IGNITION / CODE 803	1	1	
. NS	780006	. KEY, IGNITION SWITCH CODE 803	1	1	
50	562150	SWITCH, IGNITION / CODE 804	1	1	
. NS	780007	. KEY, IGNITION SWITCH CODE 804	1	1	
50	562152	SWITCH, IGNITION / CODE 805	1	1	
. NS	780008	. KEY, IGNITION SWITCH CODE 805	1	1	
50	562149	SWITCH, IGNITION / CODE 806	1	1	
. NS	780009	. KEY, IGNITION SWITCH CODE 806	1	1	
50	562146	SWITCH, IGNITION / KEYLESS (ACC-OFF-IGN-START)	1	1	



From B-5003 To D-5489	Date:07/2024	PAGE:XV-0645-10
-----------------------	--------------	-----------------

L.H. DASHBOARD PANEL

Item#	Part	Description	X 3 V I P	X L I I E N T 4 5	N O T E S
50	562296	KEY / IGNITION BLANCK UNCUT	AR	AR	
NS	563542	KEYLESS / TRANSMITTER KEY RING / W/PICTOGRA	1	1	
		A) THIS INTERFACE IS LOCATED INSIDE OF DASH			

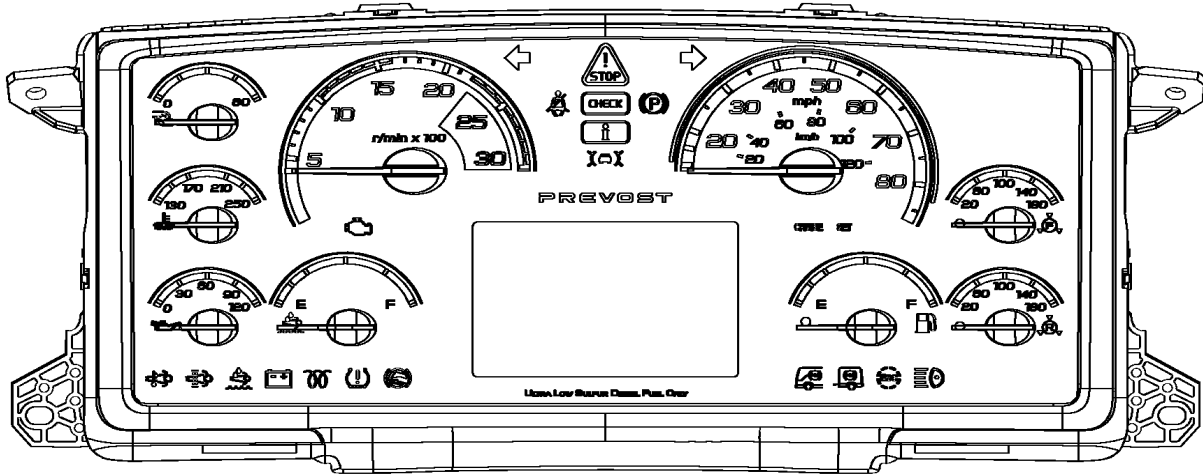


From B-5003 To D-5489

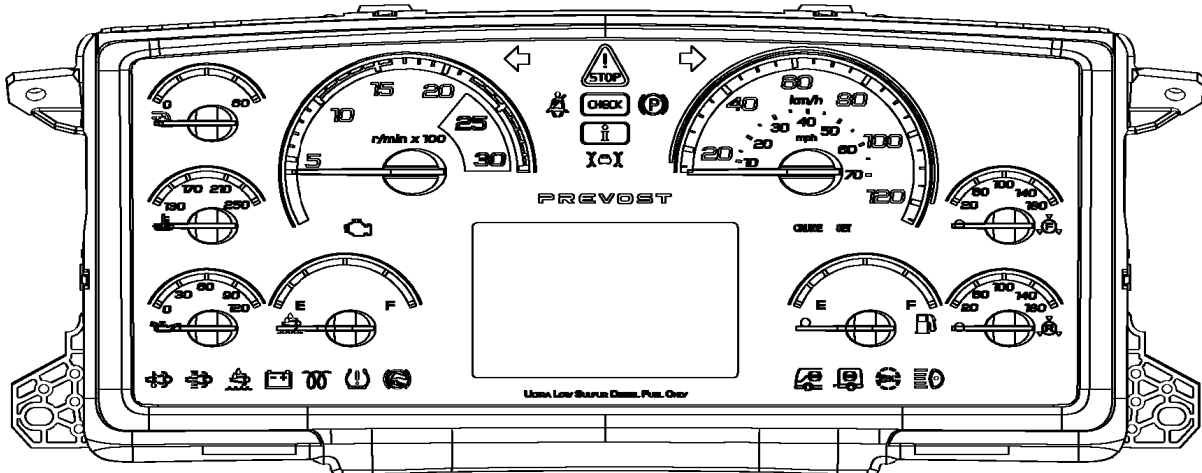
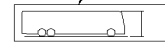
Date:07/2024

PAGE:XV-0645-21

CENTER DASHBOARD PANEL WITH "EPA 2010"



21





From B-5003 To D-5489	Date:07/2024	PAGE:XV-0645-21
CENTER DASHBOARD PANEL WITH "EPA 2010"		

Item#	Part	Description	X 3 V I P	X L I I E N T 4 5	N O T E S
1	564111	CLUSTER, MPH To C-5271	1	1	
1	21580323	CLUSTER, MPH From C-5272 To D-5412	1	1	
1	21874708	CLUSTER, MPH From D-5413	1	1	
1	564144	CLUSTER, KPH To C-5271	1	1	
1	21580324	CLUSTER, KPH From C-5272 To D-5412	1	1	
1	21874711	CLUSTER, KPH From D-5413	1	1	
1	N.P.N.	. . GAUGE WATER TEMPERATURE	1	1	4
1	N.P.N.	. . GAUGE OIL TEMPERATURE	1	1	4
1	N.P.N.	. . GAUGE OIL PRESSURE	1	1	4
1	N.P.N.	. . GAUGE VOLTAGE	1	1	4
1	N.P.N.	. . GAUGE FUEL LEVEL	1	1	4
1	N.P.N.	. . TACHOMETER	1	1	4
1	N.P.N.	. . SPEEDOMETER MILES	1	1	4
1	N.P.N.	. . SPEEDOMETER KM	1	1	4
1	N.P.N.	. . ODO LCD	1	1	4
1	N.P.N.	. GAUGE AIR APPLICATION	1	1	4
1	N.P.N.	. GAUGE AIR REAR	1	1	4
1	N.P.N.	. GAUGE AIR FRONT	1	1	4
NS	20476992	TRANSDUCER PRESSURE (0-12Bar / 0-174PSI)	3	3	B
21	405108	DECAL / VEHICLE HEIGHT 12' 2" / MTH 89"	1	1	
21	408275	DECAL / VEHICLE HEIGHT 13' 3" W/SATELITE R6DX	AR	AR	
31	XV-1806-00	CENTRAL DASHBOARD PANEL			
		B) THIS TRANDCUER USE ON ALLS AIR GAUGE APPLICATION			
		4) NO PARTS NUMBER			

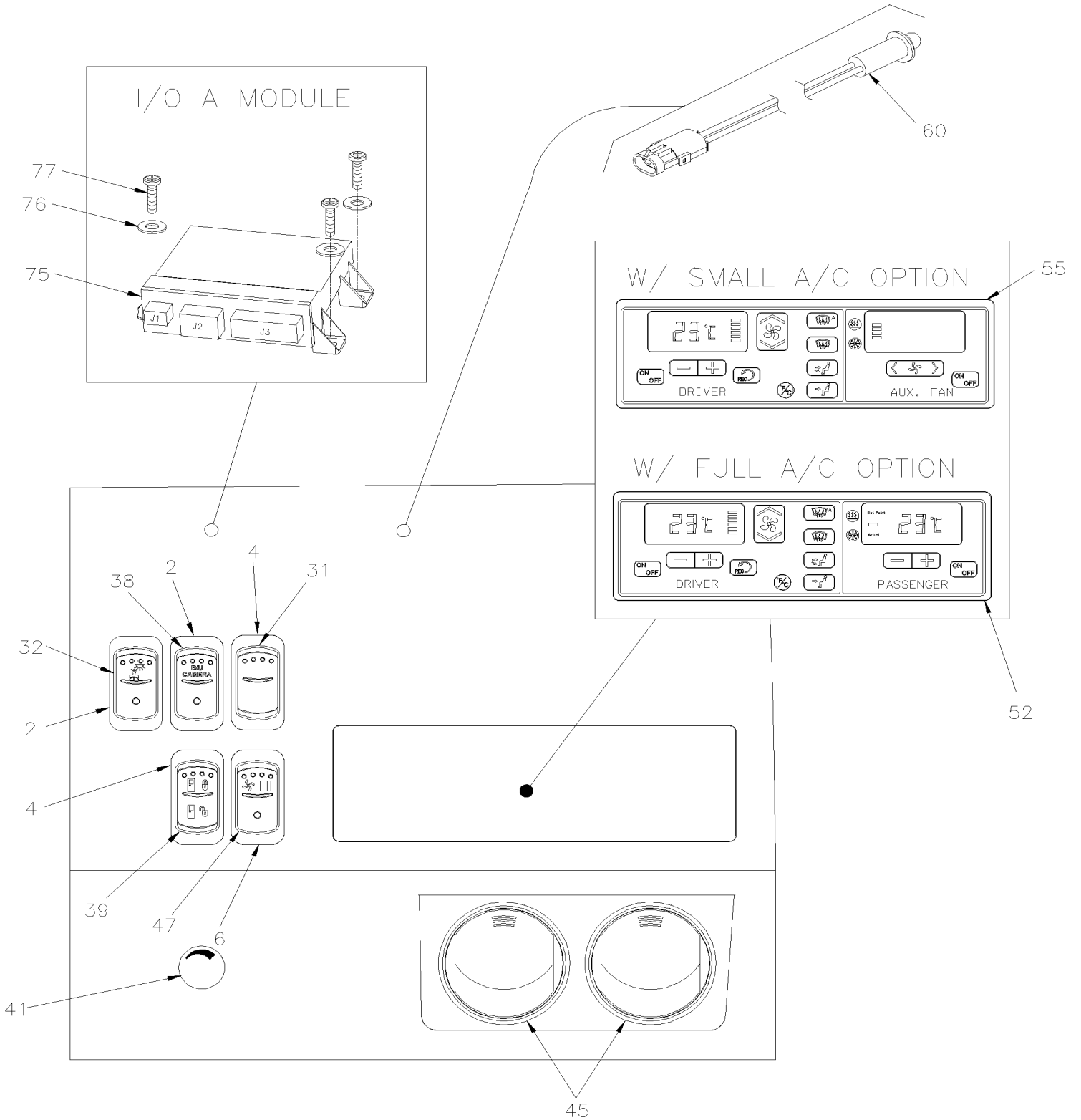


From B-5003 To D-5489

Date:07/2024

PAGE:XV-0645-30

R.H. DASHBOARD PANEL



M.T.H.



From B-5003 To D-5489	Date:07/2024	PAGE:XV-0645-30
------------------------------	---------------------	------------------------

R.H. DASHBOARD PANEL

Item#	Part	Description	X 3 V I P	X L I E N T 4 5	N O T E S
2	562697	SWITCH / ON-ON / D.P.D.T. / CH-OVER / W/RED & GREEN LED	AR	AR	
4	562699	SWITCH / M/ON-OFF-M/ON / D.P.D.T. / W/GREEN LED	1	1	
NS	562773	SWITCH / "DUMMY" / PLUG	AR	AR	
NS	562763	CONNECTOR RH 10C / SWITCH / NGR 28-5637-2	AR	AR	
NS	562768	SOCKET TERMINAL / 16-14 / PED 12015870	AR	AR	
6	562854	SWITCH / ON-ON / D.P.D.T. / CH-OVER / W/RED LED	AR	AR	
31	562740	CAP / WINDOW DRIVER'S	1	1	
32	562716	CAP / DRIVER'S LAMP	1	1	
39	562831	CAP / DOOR LOCK	1	1	
41	562846	KNOB / DASH ILLUMINATION	1	1	
NS	562845	RHEOSTAT / DASH ILLUMINATION	1	1	
NS	1212770	. NUT RND SLT BK M8-.75	1	1	
45	871314	LOUVER, ADJUSTABLE / ROUND 2 5/8" O.D.	2	2	
47	563278	CAP / HI SPEED MAIN VENTILATION	AR	AR	
52	871350	A/C CONTROL MODULE / W/MUX	1	1	
55	871417	A/C CONTROL MODULE / W/SMALL A/C SYSTEM	1	1	
NS	563063	SENSOR THERMISTOR ASSY / TEMPERATURE / ("DELPHI")	2	2	B
60	330238	TELLTALE ASSY / RED	1	1	
75	565864	I/O A-MODULE VOLVO MULTIPLEX / BLACK To 9-9493	1	1	
. NS	562767	. CONNECTOR / SH 30C / GREEN / JAE IL-AG5-30S-D3C1 To 9-9493	1	1	
. NS	562957	. CONNECTOR / SH 5C / GREEN / JAE IL-AG5-5S-S3C1 To 9-9493	1	1	
. NS	563132	. CONNECTOR / SH 2C / YAZAKI 7283-6458-40 To 9-9493	1	1	
75	564101	I/O A-MODULE VOLVO MULTIPLEX / BLACK To B-5029	1	1	
. NS	562767	. CONNECTOR / SH 30C / GREEN / JAE IL-AG5-30S-D3C1 To B-5029	1	1	
. NS	562957	. CONNECTOR / SH 5C / GREEN / JAE IL-AG5-5S-S3C1 To B-5029	1	1	
. NS	563132	. CONNECTOR / SH 2C / YAZAKI 7283-6458-40 To B-5029	1	1	
75	564194	I/O A-MODULE VOLVO MULTIPLEX / BLACK From B-5030	1	1	
. NS	562767	. CONNECTOR / SH 30C / GREEN / JAE IL-AG5-30S-D3C1 From B-5030	1	1	
. NS	562957	. CONNECTOR / SH 5C / GREEN / JAE IL-AG5-5S-S3C1 From B-5030	1	1	
. NS	563132	. CONNECTOR / SH 2C / YAZAKI 7283-6458-40 From B-5030	1	1	
76	502690	WASHER FL 4.3x9.0x0.8 Z050	3	3	
77	502698	SCREW MA PAN PH M4-0.7x16 SS BK	3	3	
		B) USE IN FLOOR RETURN AIR BOX & AT DRIVER'S KNEE			

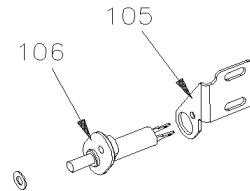
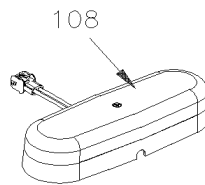
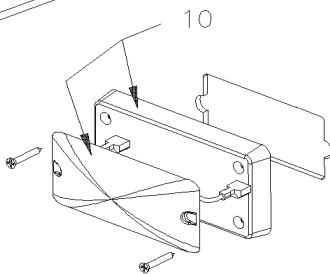
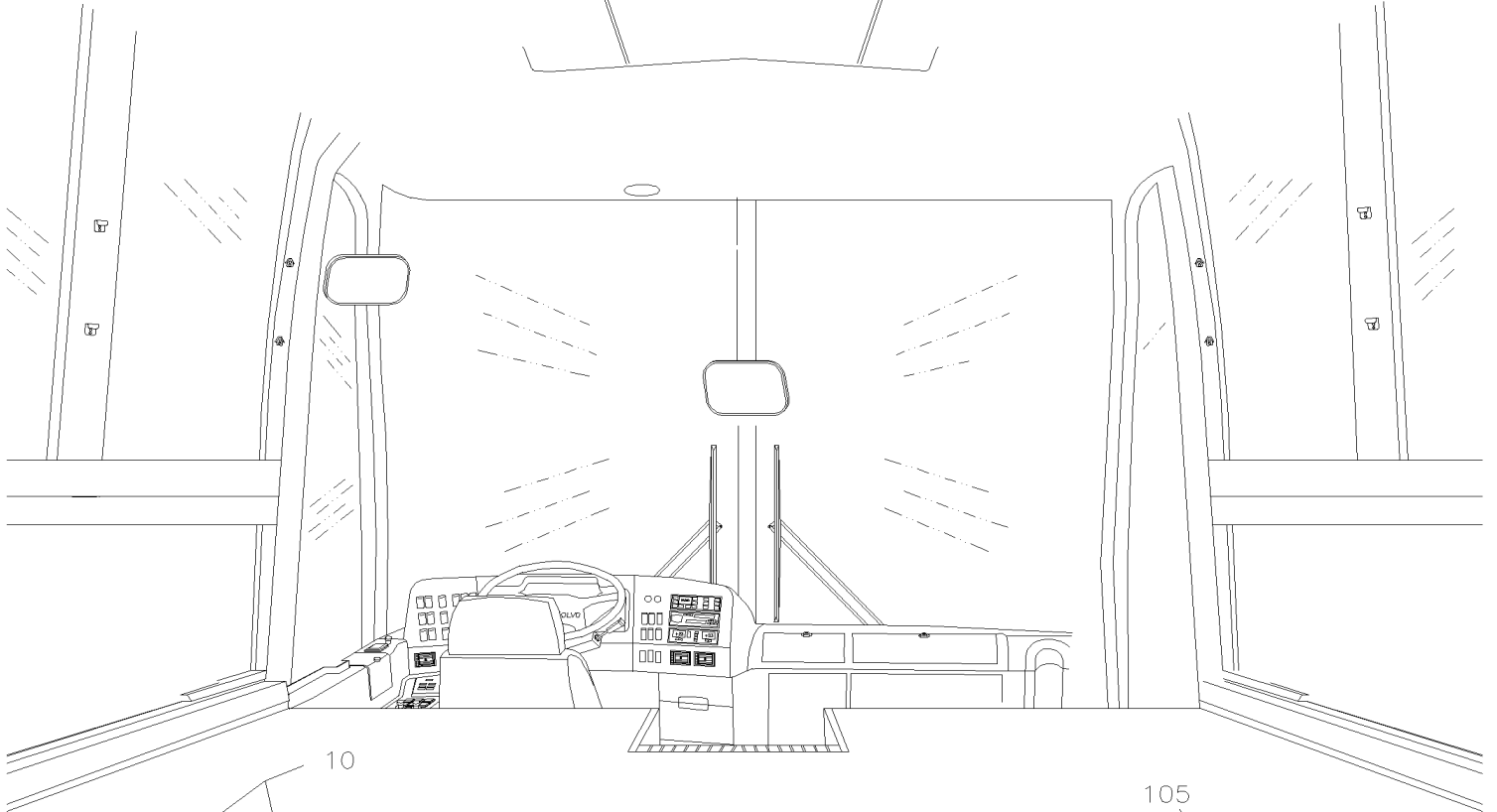
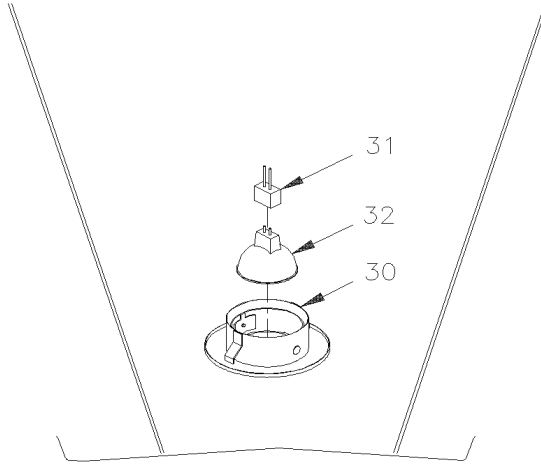


From B-5003 To D-5489

Date:07/2024

PAGE:XV-0655-00

INTERIOR LIGHTING





From B-5003 To D-5489		Date:07/2024	PAGE:XV-0655-00
------------------------------	--	---------------------	------------------------

INTERIOR LIGHTING

Item#	Part	Description	X 3 V I P	X L I I E N T 4 5	N O T E S
		STEPWELL LAMP			
10	830197	LAMP ASSY 24V LEDS	1	1	
NS	500148	SCREW MA RND PH #6-32x1/2 SS	AR	AR	
NS	500422	NUT SPR U #6-32 .110-.120 SS	AR	AR	
		DRIVER'S LAMP			
30	830179	LAMP BASE	2	2	
31	562803	CONNECTOR / SOCKET HOUSING ASSY / LEECRAFT QBL-12	1	1	
32	830176	BULB / 20 WATTS-12V/SAE#Q20MR16/FL40D	1	1	
		BAGGAGE & SERVICE DOOR			
105	064278	CABLE ASSY / TO ADD MORE LAMP IN BAGGAGE COMPARTMENT	AR	AR	
105	Call order desk	SWITCH ASSY / BAGGAGE COMPARTMENT	8	8	P
105	066614	. SWITCH SUPPORT / W/BAGGAGE DOORS STD To D-5459	1	1	
105	068756	. SWITCH SUPPORT / W/BAGGAGE DOORS From D-5460	1	1	
106	563464	. SWITCH / S.P.S.T. / N.C. / W/RUBBER BOOT	1	1	
107	500623	SCREW TC PAN PH #10-24x3/4 N500	1	1	
NS	5001544	WASHER LO EXT .195x.410x.025 SS	1	1	
108	330224	LAMP ASSY 24V / BAGGAGE COMPARTMENT LAMP W/2 BULBS G4-10W To C-5132	AR	AR	
. NS	330396	. BULB / 10 WATTS -28VOLTS / SAE# G4-28 To C-5132	2	2	
108	330299	LAMP ASSY 24V / BAGGAGE COMPARTMENT LAMP / LED From C-5133	AR	AR	A
. NS	561248	. CONNECTOR / UNIVERSAL MATE-N-LOK / PH 2C / AMP 1-480699-0 From C-5133	1	1	A
108	830008	LAMP ASSY 24V / LED	1	1	
. NS	561248	. CONNECTOR / UNIVERSAL MATE-N-LOK / PH 2C / AMP 1-480699-0	1	1	
		A) WHEN YOU REPLACE LAMP #330299 BY THE NEW LAMP #830008 YOU HAVE TO DRILL HOLE TO INSTALL IT WITH TWO SCREWS #500443 OR #500965			
		P) CALL ORDER DESK FOR SPECIFIC APPLICATION (V.I.N.)			

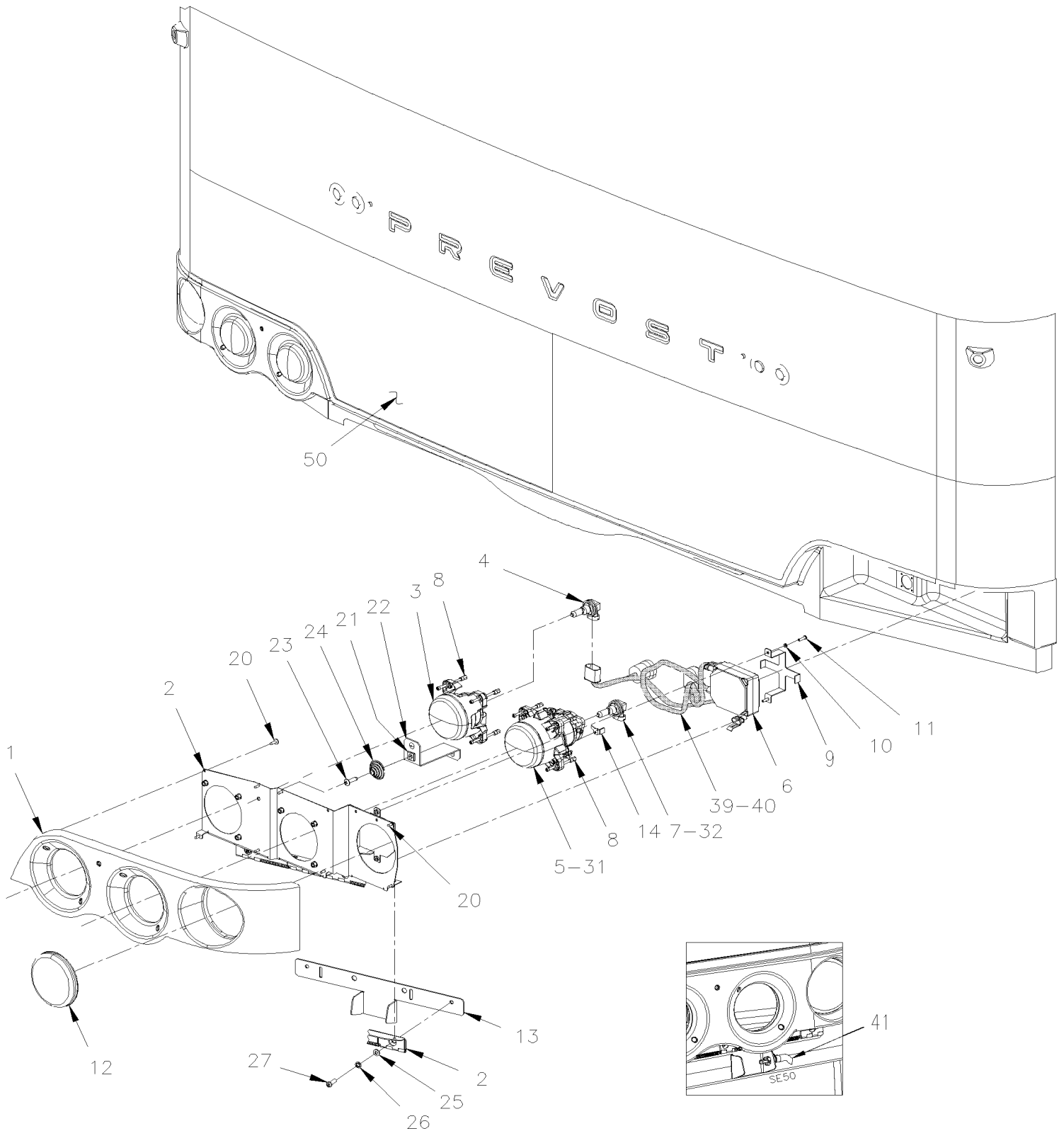


From B-5003 To D-5489

Date:07/2024

PAGE:XV-0660-00

HEADLAMP & FRONT DIRECTIONAL LAMPS ROUND "HALOGENE" & "XENON"





From B-5003 To D-5489 Date:07/2024 PAGE:XV-0660-00

HEADLAMP & FRONT DIRECTIONAL LAMPS ROUND "HALOGENE" & "XENON"

Item#	Part	Description	X 3 V I P	X L I I E N T 4 5	N O T E S
	430615	LAMP ASSY L.H. "XENON" W/BEZEL XL-II W/O CABLE ASSY	1	1	
	430619	LAMP ASSY L.H. "HALOGENE" W/BEZEL XL-II W/O CABLE ASSY	1	1	
	430616	LAMP ASSY R.H. "XENON" W/BEZEL XL-II W/O CABLE ASSY	1	1	
	430620	LAMP ASSY R.H. "HALOGENE" W/BEZEL XL-II W/O CABLE ASSY	1	1	
1	476210	. HEADLAMP BEZEL, R.H. / CURBE SIDE	1	1	
1	476211	. HEADLAMP BEZEL, L.H. / STREET SIDE	1	1	
2	430575	. SUPPORT R.H.	1	1	
2	430587	. SUPPORT L.H.	1	1	
3	930359	. LAMP ASSY / HIGH	1	1	
4	563092	. . BULB / 65WATT-12VOLTS / SAE# H9	1	1	
5	930388	. LAMP ASSY "XENON" / W/BALLAST	1	1	
5	930389	. . LAMP ASSY "XENON" / W/OUT BALLAST & W/OUT BULB	1	1	
6	930390	. . BALLAST "XENON" LOW BEAM 12Volt Power To C-5159	1	1	B
6	930390	. . BALLAST "XENON" LOW BEAM 12Volt Power From C-5160	1	1	
7	563365	. . BULB / 35WATT / SAE D2S / 85122	1	1	
8	930373	. . KIT, BOLTS ADJUSTMENT (3 BOLTS)	1	1	
9	930434	. . SUPPORT "XENON" BALLAST BLACK	1	1	
10	502698	. SCREW MA PAN PH M4-0.7x16 SS BK	4	4	
11	502834	. WASHER LO SPT 4.1x7.6x0.9 N500	4	4	
12	930364	. LED AMBER 4" / DIRECTIONAL / FRONT 12Volt / 60L (PREVOST)	1	1	
13	430576	. HOLDER LAMP	1	1	
14	430604	. BULB STOPPER / "SAFETY FAILURE STRESS" / SS	2	2	
20	5001536	. SCREW PTR BDG PH M4x12 SS	8	8	
21	5001009	. NUT AN 1/4 NYL	1	1	
22	430572	. SUPPORT CENTRAL	1	1	
23	504249	. RIVET CHY Q PRDG 3/16x3/8 SS	AR	AR	
24	930369	. SPRING CONICAL	1	1	
25	502573	. WASHER FL 6.4x12.5x1.6 SS	4	4	
26	5001432	. WASHER LO INT .256x.478x.028 SS 410	4	4	
27	5001507	. SCREW MA PAN PH M6-1.0x20 SS	4	4	
31	930360	. LAMP ASSY / LOW	1	1	H A
32	563092	. BULB / 65WATT-12VOLTS / SAE# H9	1	1	H
39	066990	CABLE ASSY / W/"HALOGENE" LAMPS / MUX	1	1	H
40	066991	CABLE ASSY / W/"XENON" LAMPS / MUX	1	1	
41	563335	SENSOR THERMISTOR ASSY / OUTSIDE // PED 15416387	1	1	
50	XV-1851-00	FRONT CAP - INSTALLATION			
NS	430602	KIT RETROFIT "XENON" FROM HALOGENE "XL-II"	1	1	
		A) TO CONVERT HALOGENE TO XENON, ASK KIT #430603			



From B-5003 To D-5489	Date:07/2024	PAGE:XV-0660-00
-----------------------	--------------	-----------------

HEADLAMP & FRONT DIRECTIONAL LAMPS ROUND "HALOGENE" & "XENON"

Item#	Part	Description	X 3 V I P	X L I I E N T 4 5	N O T E S
		B) FOR OPTIMAL OPERATION OF THIS BALLAST REPLACE MASTER ID/CECM WITH NEW MCM. PERFORM IS-11003E			
		H) USE WITH HALOGENE ONLY			

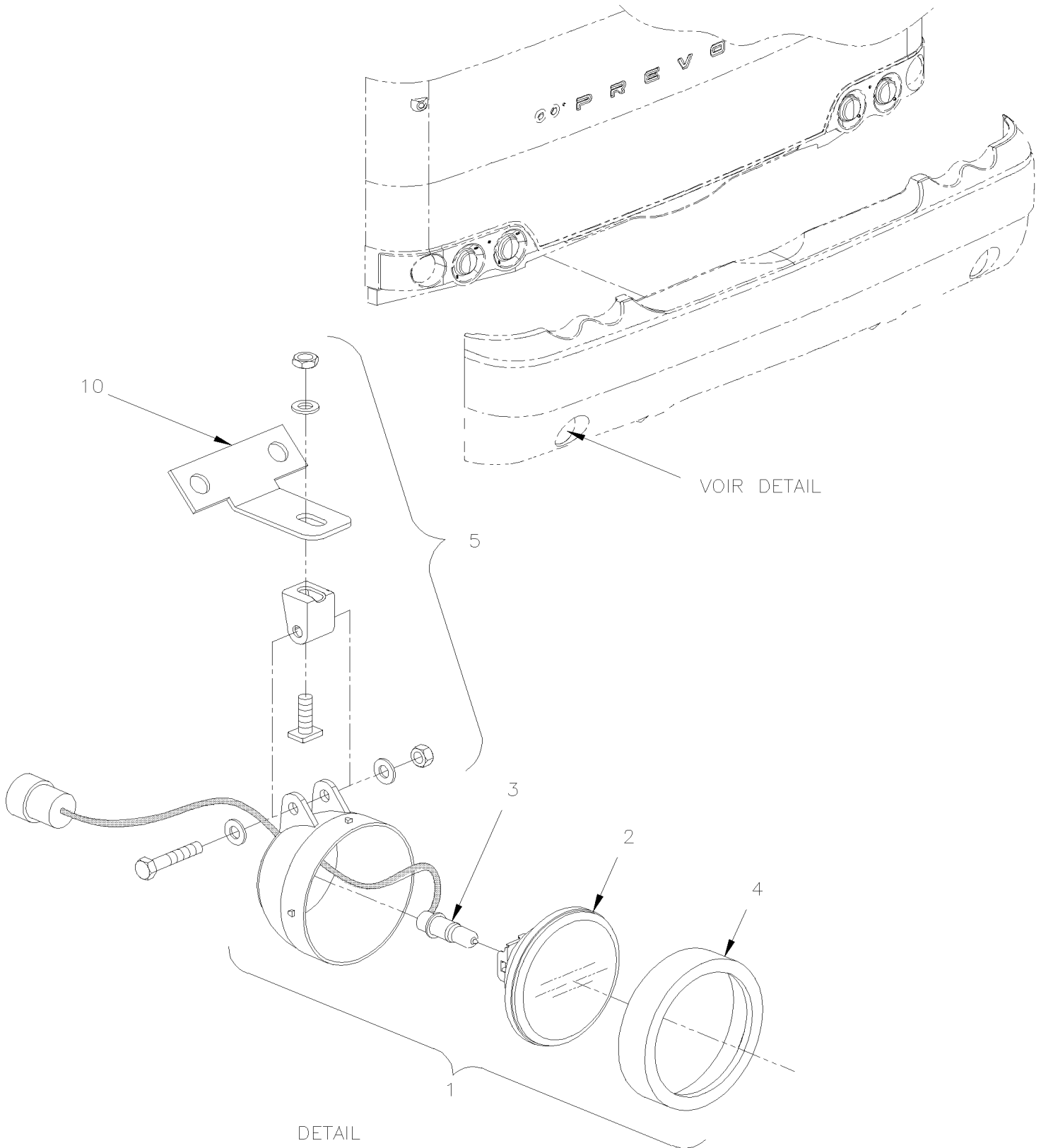


From B-5003 To D-5489

Date:07/2024

PAGE:XV-0661-00

FOG LAMP





From B-5003 To D-5489	Date:07/2024	PAGE:XV-0661-00
-----------------------	--------------	-----------------

FOG LAMP

Item#	Part	Description	X 3 V I P	X L I I E N T 4 5	N O T E S
	430553	FOG LAMP 12 V / "BOSCH" COMPACT 100 / W/CONECTOR "DEUTSCH"	2	2	
1	930361	. FOG LAMP ASSY	1	1	
2	930370	. GLASS	1	1	
3	561882	. BULB / 55WATT-12VOLTS / SAE# H3 / 64151	1	1	
4	930371	. HOLDER RING	1	1	
5	930372	. KIT HARDWARE	1	1	
10	XV-1850-00	BUMPER FRONT			
NS	430029	FOG LAMP / REPLACEMENT KIT 2 LAMPS LED / "XL-II" & "X3-VIP" / ADVANCED KIT	1	1	A
20	430220	FOG LAMP / REPLACEMENT KIT 2 LAMPS / "XL-II" & "X3" & "H3" & "VIP" / BASIC KIT	1	1	B
		A) ADVANCED KIT WITH ADJUSTMENT			
		B) BASIC KIT WITHOUT ADJUSTMENT			

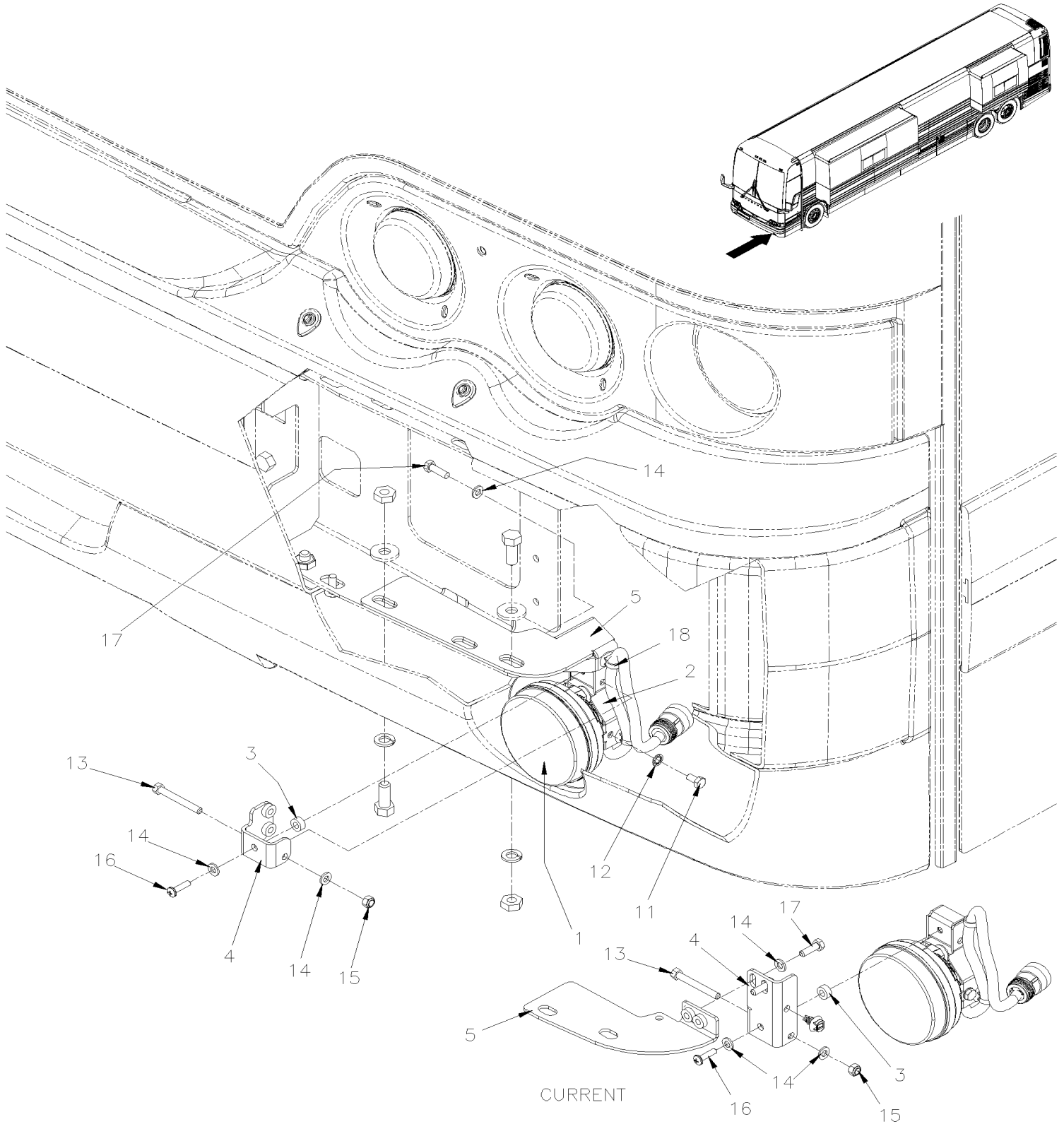


From B-5003 To D-5489

Date:07/2024

PAGE:430029

FOG LAMP / REPLACEMENT KIT 2 LAMPS LED / "XL-II" & "X3-VIP" / ADVANCED KIT





From B-5003 To D-5489	Date:07/2024	PAGE:430029
FOG LAMP / REPLACEMENT KIT 2 LAMPS LED / "XL-II" & "X3-VIP" / ADVANCED KIT		

Item#	Part	Description	X 3 V I P	X L I I E N T 4 5	N O T E S
1	560636	FOG LAMP LED			
2	430011	SUPPORT, FOG LIGHT			
3	430015	SPACER			
4	430023	ATTACH, LH FOG LIGHT To FORMER			
4	430106	ATTACH, LH FOG LIGHT From CURRENT			
4	430022	ATTACH, RH FOG LIGHT To FORMER			
4	430105	ATTACH, RH FOG LIGHT From CURRENT			
5	430021	ATTACH, LH FOG LIGHT To FORMER			
5	430110	ATTACH, LH FOG LIGHT From CURRENT			
5	430020	ATTACH, RH FOG LIGHT To FORMER			
5	430109	ATTACH, RH FOG LIGHT From CURRENT			
11	5001982	SCREW CAP HEX M6-1.0x12 SS BK			
12	5001432	WASHER LO INT .256x.478x.028 SS 410			
13	5001636	SCREW CAP HEX M6-1.0x50 SS BK			
14	502573	WASHER FL 6.4x12.5x1.6 SS			
15	5001182	NUT HEX NYRT M6-1.0 SS			
16	502746	SCREW MA PAN PH M5-0.8x20 SS BK			
17	502622	SCREW CAP HEX M6-1.0x20 SS BK			
18	509815	TIE MOUNT / ATTACHMENT W/TREE MOUNT			
18	504637	CABLE TIE / 3/16" x 13"			

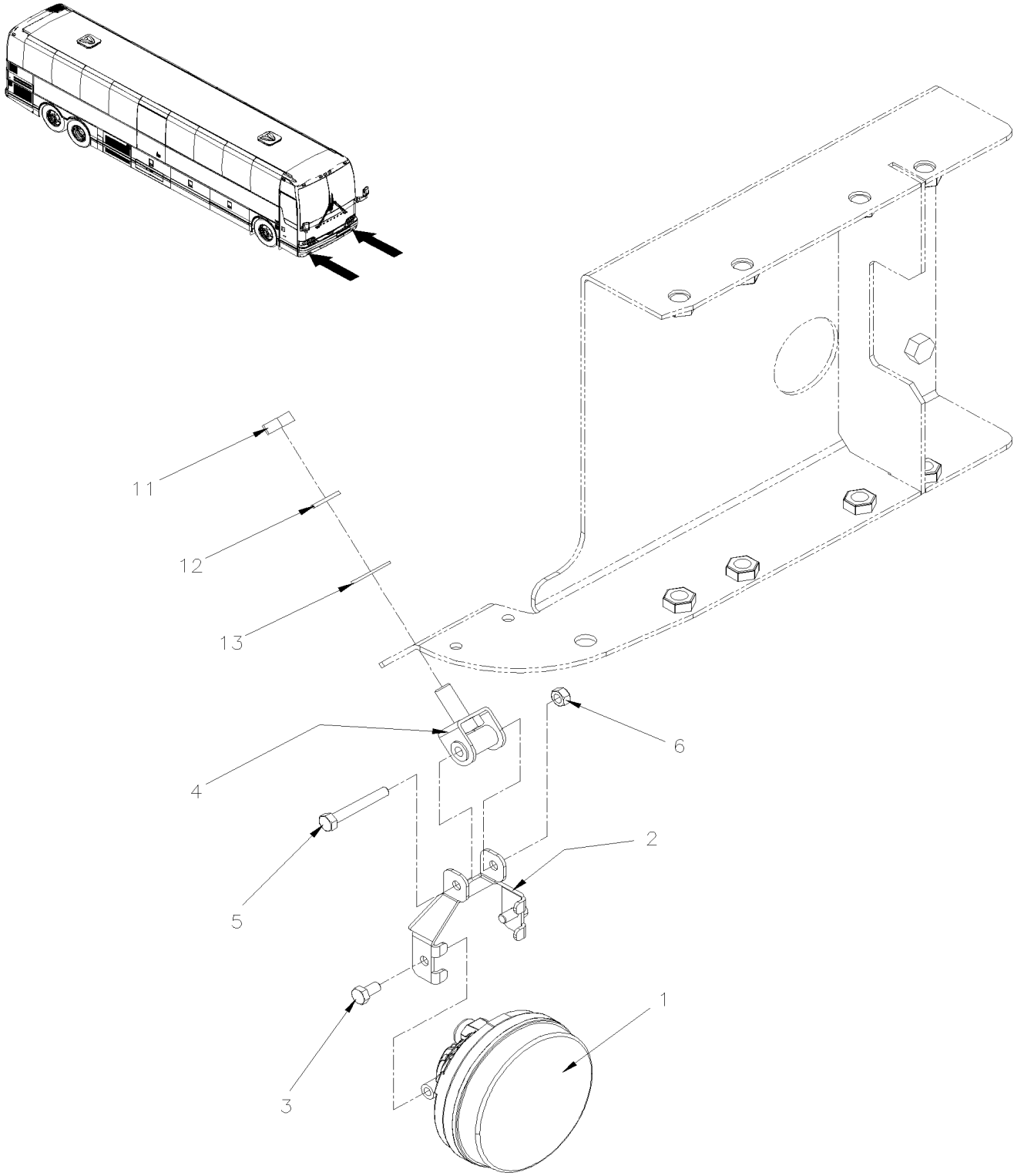


From B-5003 To D-5489

Date:07/2024

PAGE:430220

FOG LAMP / REPLACEMENT KIT 2 LAMPS / "XL-II" & "X3" & "H3" & "VIP" / BASIC KIT





From B-5003 To D-5489	Date:07/2024	PAGE:430220
FOG LAMP / REPLACEMENT KIT 2 LAMPS / "XL-II" & "X3" & "H3" & "VIP" / BASIC KIT		

Item#	Part	Description	X 3 V I P	X L I I E N T 4 5	N O T E S
1	560636	FOG LAMP LED	2	2	
2	430200	SUPPORT, FOG LIGHT	2	2	
3	5001982	SCREW CAP HEX M6-1.0x12 SS BK	4	4	
4	430208	SUPPORT, FOG LIGHT	2	2	
5	5001923	SCREW CAP HEX M6-1.0x45 SS BK	2	2	
6	5001182	NUT HEX NYRT M6-1.0 SS	2	2	
11	502567	NUT HEX M10-1.5 SS	2	2	
12	502616	WASHER LO SPT 10.2x18.1x2.2 SS	2	2	
13	500270	WASHER FL .406x1.000x.063 SS	2	2	
NS	IS-17151	SEE INSTRUCTION SHEET	1	1	
NS	FI-17151	VOIR FEUILLE D'INSTRUCTION	1	1	

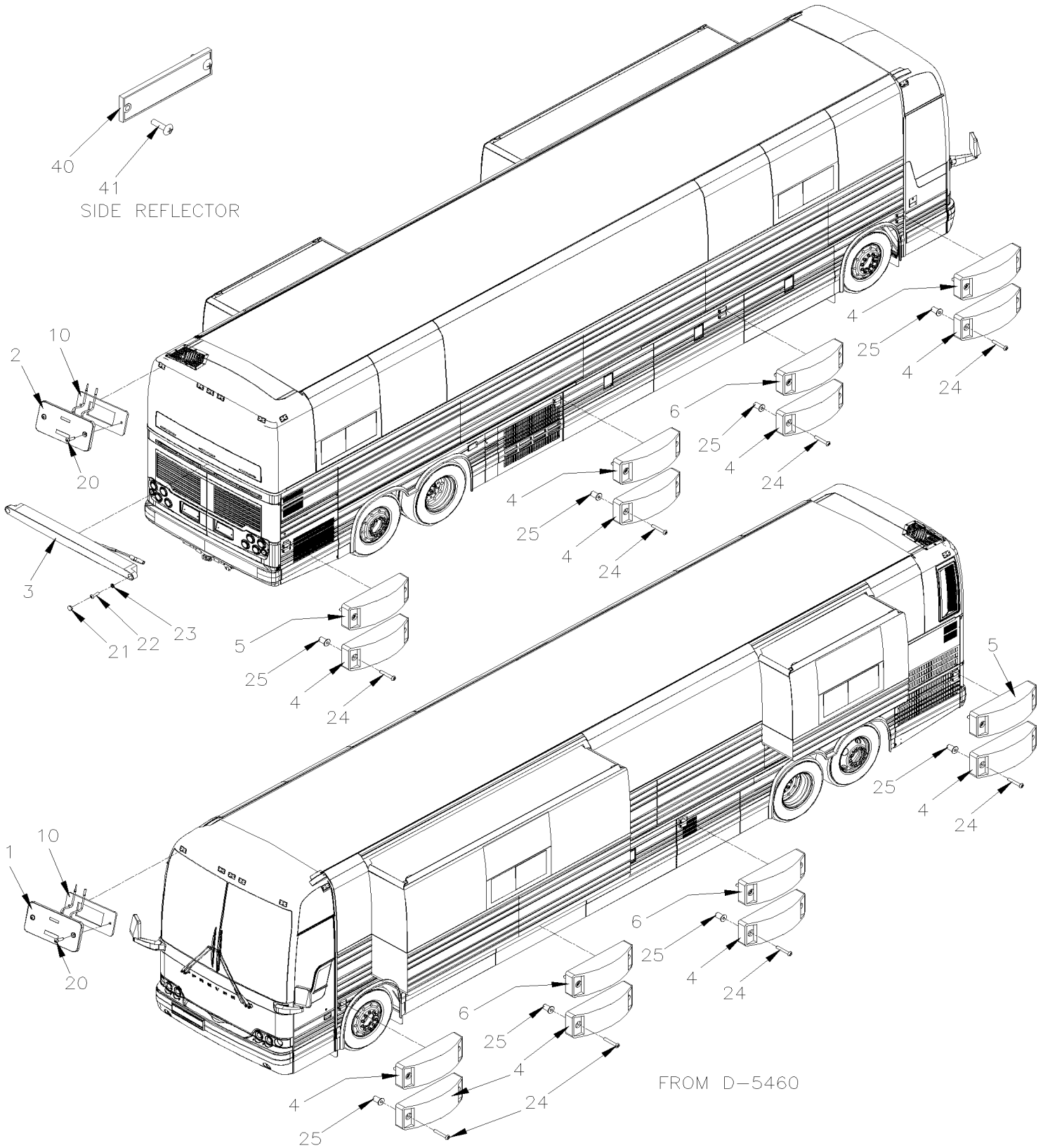


From B-5003 To D-5489

Date:07/2024

PAGE:XV-0662-00

CLEARANCE & MARKER LIGHT





From B-5003 To D-5489	Date:07/2024	PAGE:XV-0662-00
CLEARANCE & MARKER LIGHT		

Item#	Part	Description	X 3 V I P	X L I E N T 4 5	N O T E S
1	066123	LAMP ID & CLEAR -6 LED AMBER / "JIFFI SPLICE" To C-5118	7	7	
. NS	930337	. LAMP ID & CLEAR -LED AMBER / 6 LEDS To C-5118	1	1	
. NS	430630	. SEAL LAMP BLACK 1/8" THICK To C-5118	1	1	
. NS	562286	. PIN TERMINAL / 18-16 / DEUTSCH 0460-202-16141 To C-5118	1	1	
. NS	561608	. SOCKET TERMINAL / 18-16 / DEUTSCH 0462-201-16141 To C-5118	1	1	
1	066527	LAMP ID & CLEAR -3 LED AMBER / "JIFFI SPLICE" From C-5119	7	7	M
. NS	930416	. LAMP ID & CLEAR -LED AMBER / 3 LEDS From C-5119	1	1	M
. NS	430630	. SEAL LAMP BLACK 1/8" THICK From C-5119	1	1	M
. NS	562286	. PIN TERMINAL / 18-16 / DEUTSCH 0460-202-16141 From C-5119	1	1	M
. NS	561608	. SOCKET TERMINAL / 18-16 / DEUTSCH 0462-201-16141 From C-5119	1	1	M
NS	563545	SPLICE / JIFFI SPLICE / 16G / DEUTSCH JS16-00	AR	AR	
2	066122	LAMP ID & CLEAR -6 LED RED / "JIFFI SPLICE" To C-5118	7	7	
. NS	930334	. LAMP ID & CLEAR -LED RED / 6 LEDS To C-5118	1	1	
. NS	430630	. SEAL LAMP BLACK 1/8" THICK To C-5118	1	1	
. NS	562286	. PIN TERMINAL / 18-16 / DEUTSCH 0460-202-16141 To C-5118	1	1	
. NS	561608	. SOCKET TERMINAL / 18-16 / DEUTSCH 0462-201-16141 To C-5118	1	1	
2	066526	LAMP ID & CLEAR -3 LED RED / "JIFFI SPLICE" From C-5119	7	7	N
. NS	930415	. LAMP ID & CLEAR -LED RED / 3 LEDS From C-5119	1	1	N
. NS	430630	. SEAL LAMP BLACK 1/8" THICK From C-5119	1	1	N
. NS	562286	. PIN TERMINAL / 18-16 / DEUTSCH 0460-202-16141 From C-5119	1	1	N
. NS	561608	. SOCKET TERMINAL / 18-16 / DEUTSCH 0462-201-16141 From C-5119	1	1	N
NS	563545	SPLICE / JIFFI SPLICE / 16G / DEUTSCH JS16-00	AR	AR	
3	930330	CYCLOP LAMP	3	3	
. NS	930353	. CAP PLUG SCREW	2	2	
NS	506191	TAPE RUB ADH1 CC POL 1/8" x 1/4" x 50' / GREY 2520X	AR	AR	
4	930401	SIDE MARKER ASSY / AMBER / W/6 LED W/REFLECTOR To D-5378	10	10	
4	930443	SIDE MARKER ASSY / AMBER / W/2 LED W/REFLECTOR To D-5378	10	10	S
4	930441	SIDE MARKER ASSY / AMBER / W/6 LED W/O REFLECTOR From D-5379 To D-5459	10	10	
4	930441	SIDE MARKER ASSY / AMBER / W/6 LED W/O REFLECTOR From D-5460	10	10	
NS	478900	GROMMET, MARKER LIGHT	10	10	
NS	562155	CONNECTOR ASSY SEALED 2C / GROTE 6618-G8	10	10	
5	930400	SIDE MARKER ASSY / RED / W/6 LED W/REFLECTOR To D-5378	2	2	
5	930444	SIDE MARKER ASSY / RED / W/2 LED W/REFLECTOR To D-5378	2	2	S
5	930440	SIDE MARKER ASSY / RED / W/6 LED W/O REFLECTOR From D-5379	2	2	
NS	478900	GROMMET, MARKER LIGHT	2	2	
NS	562155	CONNECTOR ASSY SEALED 2C / GROTE 6618-G8	2	2	
6	430695	SIDE MARKER ASSY / RED / W/6 LED W/O REFLECTOR MODIFIED From D-5460	1	1	
10	430630	SEAL LAMP BLACK 1/8" THICK	14	14	
20	5001547	SCREW PTR TR PH M4x20 G500	2	2	
21	930353	CAP PLUG SCREW	2	2	
22	502698	SCREW MA PAN PH M4-0.7x16 SS BK	2	2	
23	502834	WASHER LO SPT 4.1x7.6x0.9 N500	2	2	



From B-5003 To D-5489	Date:07/2024	PAGE:XV-0662-00
CLEARANCE & MARKER LIGHT		

Item#	Part	Description	X 3 V I P	X L I I E N T 4 5	N O T E S
24	5001042	SCREW MA RND PH #10-32x1 1/4 SS	2	2	
25	502774	NUT WELL #10-32x.625	2	2	
30	066116	CABLE HARNESS / FRONT ROOF	1	1	
31	067666	CABLE HARNESS / REAR ROOF / CURBSIDE To B-5039	1	1	
31	068322	CABLE HARNESS / REAR ROOF / CURBSIDE From B-5040	1	1	
31	067667	CABLE HARNESS / REAR ROOF / STREETSIDE	1	1	
40	930212	REFLECTOR AMBER 1 1/8" x 4 3/8"	4	4	A B
40	930320	REFLECTOR RED 1 3/16" x 4 7/16"	2	2	C
41	500124	SCREW TP TR PH #8x1/2 SS	AR	AR	A
41	500124	SCREW TP TR PH #8x1/2 SS To D-5459	2	2	B
41	5001305	SCREW MA RND PH #8-32X3/4 SS From D-5460	2	2	B
41	500678	NUT WELL #8-32x.450 From D-5460	2	2	B
41	500606	SCREW MA TR PH #10-24x3/4 SS To D-5459	4	4	C
41	500914	WASHER LO SPT .193x.334x.047 N500 To D-5459	4	4	C
41	500787	NUT HEX #10-24 SS To D-5459	4	4	C
41	5001299	SCREW MA PAN PH #10-32x3/4 SS From D-5460	4	4	C
41	500423	NUT HEX NYRT #10-32 SS From D-5460	4	4	C
		A) USE WITH FRONT ENTRANCE DOOR / FRONT SERVICE DOOR / CONDENSOR DOOR			
		B) USE WITH EVAPORATOR DOOR			
		C) USE WITH RADIATOR DOOR / COMPRESSOR DOOR			
		M) 066527 CAN'T BE SOLD / BUY COMPONENTS SEPARATELY			
		N) 066526 CAN'T BE SOLD / BUY COMPONENTS SEPARATELY			
		S) SERVICE			

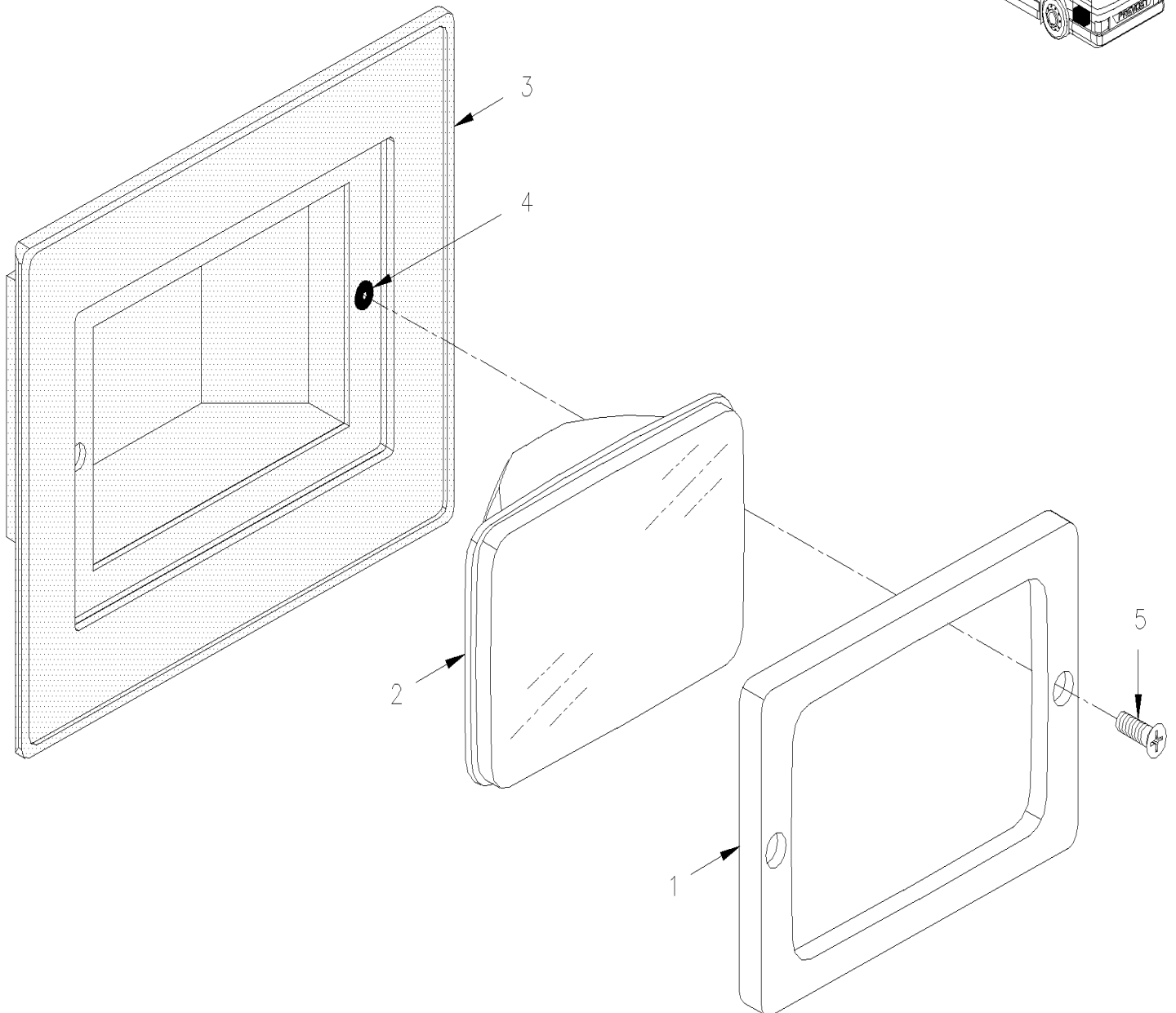
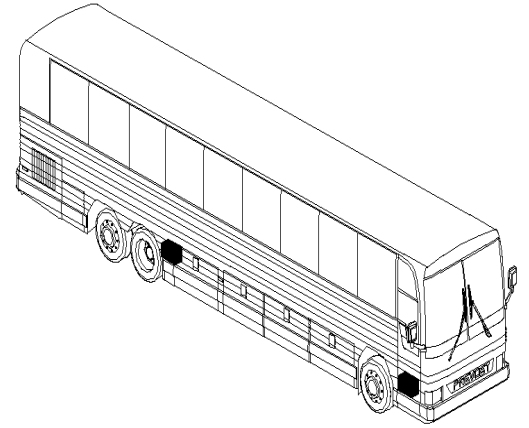


From B-5003 To D-5489

Date:07/2024

PAGE:XV-0663-00

DOCK & CORNERING LIGHT





From B-5003 To D-5489	Date:07/2024	PAGE:XV-0663-00
-----------------------	--------------	-----------------

DOCK & CORNERING LIGHT

Item#	Part	Description	X 3 V I P	X L I I E N T 4 5	N O T E S
1	286400	BEZEL	4	4	
2	930319	SEAL BEAM / 37.5WATT-12V / SAE# H9415	4	4	
3	490879	BOX / FIXED ON REAR FENDER	1	1	
4	500589	. NUT WELL M4-0.7x13.5	2	2	
4	5001055	NUT WELL M4-0.7x14.5	1	1	
5	502530	SCREW MA OV PH M4-0.7x40 SS	AR	AR	

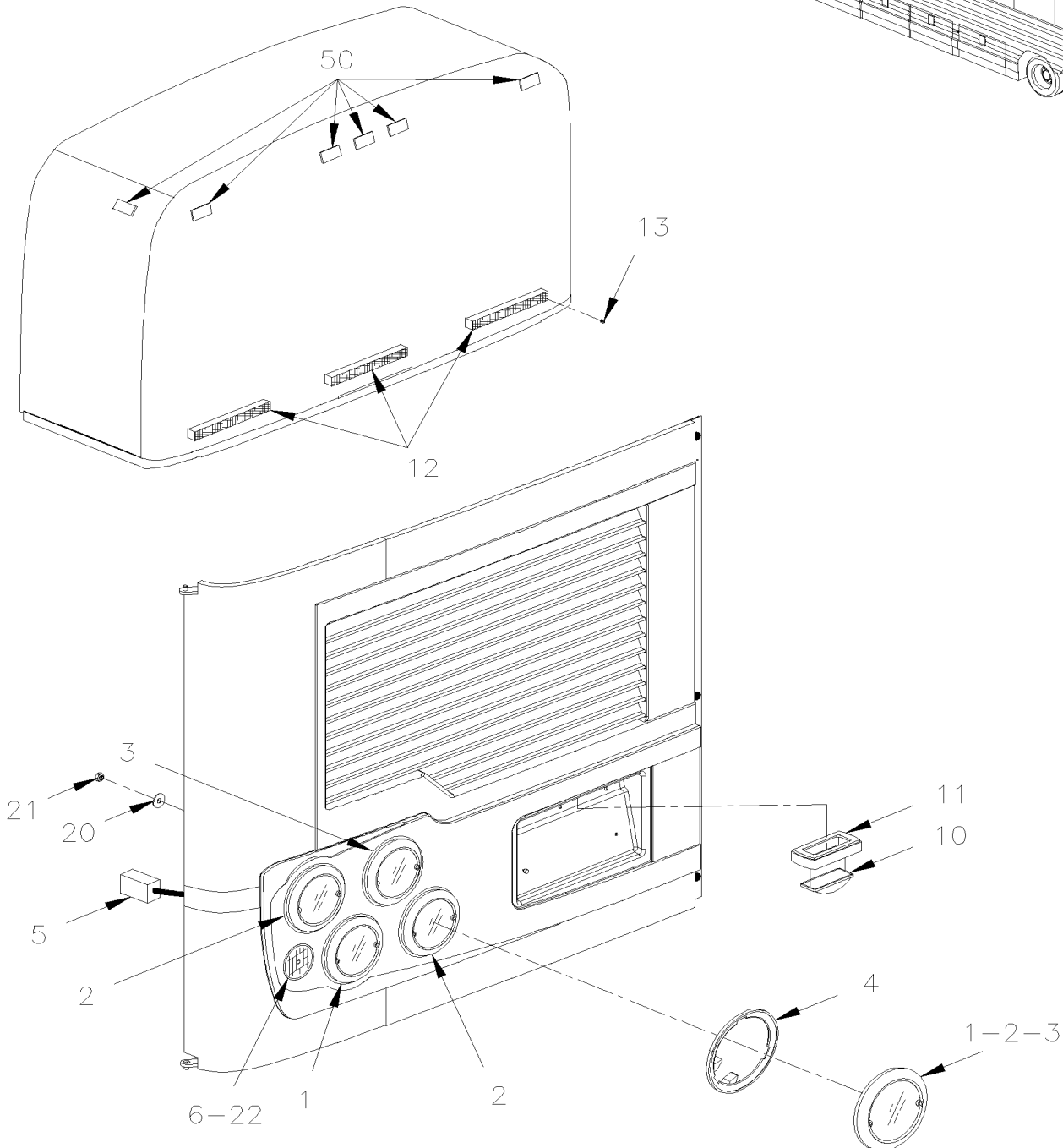
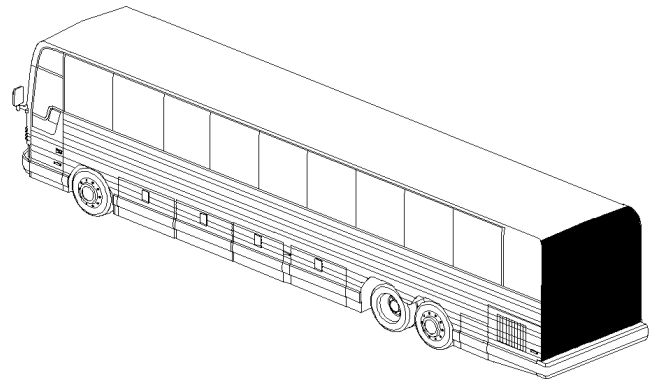


From B-5003 To D-5489

Date:07/2024

PAGE:XV-0664-00

REAR EXTERIOR LIGHTS & PLATE HOLDER





From B-5003 To D-5489	Date:07/2024	PAGE:XV-0664-00
-----------------------	--------------	-----------------

REAR EXTERIOR LIGHTS & PLATE HOLDER

Item#	Part	Description	X 3 V I P	X L I E N T 4 5	N O T E S
1	930365	LED AMBER 4" / DIRECTIONAL / REAR 12Volt / 42L (PREVOST)	1	1	
2	930366	LED STOP & TAIL 4" 12Volt / 6L (PREVOST)	2	2	
3	930367	LAMP BACK-UP 4" 12Volt / Sealed	1	1	A
4	430554	SUPPORT LAMP	4	4	
5	066491	CABLE / ENGINE DOOR REAR LAMP W/LEDS	1	1	
5	066003	CABLE ADAPTOR / N.J. D.O.T / TAIL & STOP / SEPARATED TAIL & STOP	2	2	N
6	930391	REFLECTOR RED 3 3/16" O.D. / W/ADH	1	1	
10	930368	SEAL LEDS / W/CONNECTOR LEDS - 12VOLTS	1	1	
. NS	12015378	. CONNECTOR / WEATHER PACK / SH 2C / GRAY / PED 12015378	1	1	
. NS	N.P.N.	. SEAL LEDS / W/CONNECTOR			4
. NS	562348	. CONNECTOR / WEATHER PACK / PH 2C / GRAY / PED 12034074	1	1	
. NS	561786	. CABLE SEAL / GRAY / PED 15324980	2	2	
. NS	561568	. PIN TERMINAL / 16-14 / PED 12089305	2	2	
11	930408	GROMMET RUBBER RETAINER / LICENCE LAMP TL 150702	1	1	
12	930330	CYCLOP LAMP	3	3	
. NS	930353	. CAP PLUG SCREW	2	2	
13	502665	SCREW TP OV PH #6x3/4 SS EMN	6	6	
20	5001547	SCREW PTR TR PH M4x20 G500	8	8	
21	504357	WASHER FL .187x.437x.050 SS	8	8	
22	192215	LED BACK-UP 4" / W/CABLE ADAPTOR & GROMMET 12Volt / 27L	1	1	
. A	194114	. LED BACK-UP 4" 12Volt / 27L	1	1	
. B	G1076517	. GROMMET 4" I.D, BLACK TL 40700	1	1	
. C	N.P.N.	. LED BACK-UP 4" / W/CABLE ADAPTOR & GROMMET	1	1	4
22	G1093246	ADAPTOR HARNESS ASSY / 2 WIRES / TRUCK-LITE 94789	1	1	
. NS	562601	. CONNECTOR / SUPERSEAL 1.5 SERIES / SH 3C / AMP 282087-1	1	1	
50	XV-0662-00	CLEARANCE & MARKER LIGHT			
		A) FOR REPLACE BULB LAMP TO "LEDS" ASK FOR 1 x 192215 + 1 x G1093246			
		N) USE WITH "NEW JERSEY" DOT REGULATION			
		4) NO PARTS NUMBER			

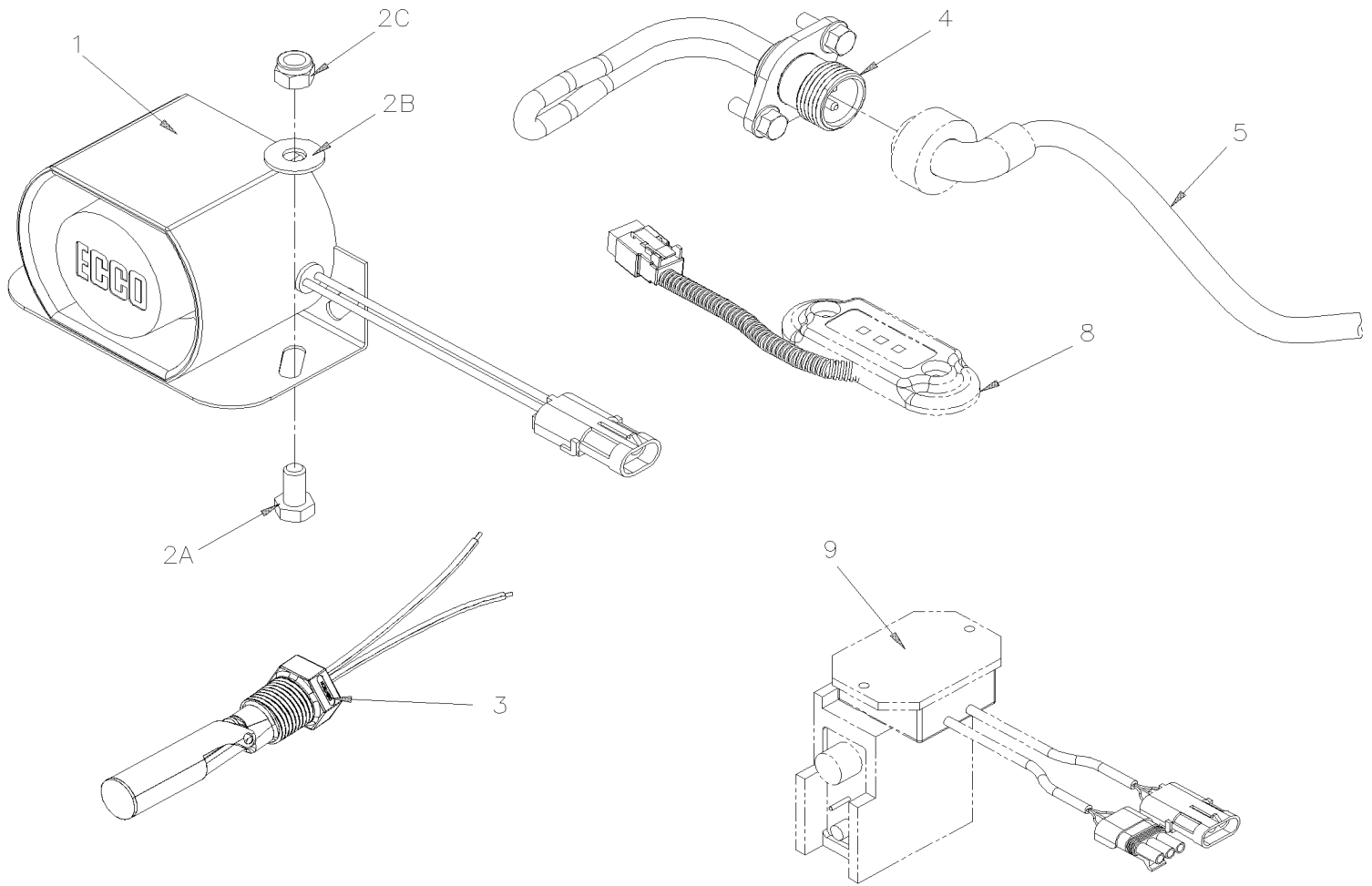


From B-5003 To D-5489

Date:07/2024

PAGE:XV-0665-00

ENGINE COMPARTMENT - ELECTRIC COMPONENTS





From B-5003 To D-5489	Date:07/2024	PAGE:XV-0665-00
-----------------------	--------------	-----------------

ENGINE COMPARTMENT - ELECTRIC COMPONENTS

Item#	Part	Description	X 3 V I P	X L I E N T 4 5	N O T E S
1	563199	BACK-UP ALARM "ECCO" / 12-36vdc / 107db	1	1	
2A	5001527	SCREW CAP HEX M8-1.25x16 SS BK	2	2	
2B	5001448	WASHER FL .343x.875x.062 SS18-8	2	2	
2C	5001787	NUT HEX NYRT M8-1.25 SS	2	2	
3	067304	SENSOR PROBE "LOW LEVEL COOLANT" ASSY / 1/2" NPT	1	1	D13
. NS	564465	. SENSOR PROBE "LOW LEVEL COOLANT" / 1/2" NPT	1	1	D13
. NS	21242838	. SENSOR PROBE "LOW LEVEL COOLANT" / 1/2" NPT	1	1	D13
. NS	563764	. CONNECTOR / CPC SERIES 3 / PH 3C / PED 15300002	1	1	D13
. NS	563765	. PIN TERMINAL / 18-16 / PED 12048159	2	2	D13
. NS	563369	. CABLE SEAL / GRAY / PED 12010293	2	2	D13
. NS	562387	. CONVOLUTED TUBING / SLIT / BLACK / .250"	AR	AR	D13
. NS	562388	. SECONDARY LOCK / METRI-PACK 280 / 2C / BLUE / PED 15300014	1	1	D13
4	Refer To Volvo	BLOCK HEATER	1	1	V D13
5	XV-0666-00	BLOCK HEATER RECEPTACLE			
8	XV-0665-10	SWITCHES, LIGHTS, AJAR - UNDER FLOOR			
9	XV-2320-50	FIRE PROTECTION SYSTEM To C-5266			
9	XV-2320-51	FIRE PROTECTION SYSTEM / HEATER & EVAPORATOR COMPARTMENT From C-5267			
		D13) WITH VOLVO ENGINE D-13			
		V) SEE IMPACT OR CALL ORDER DESK			

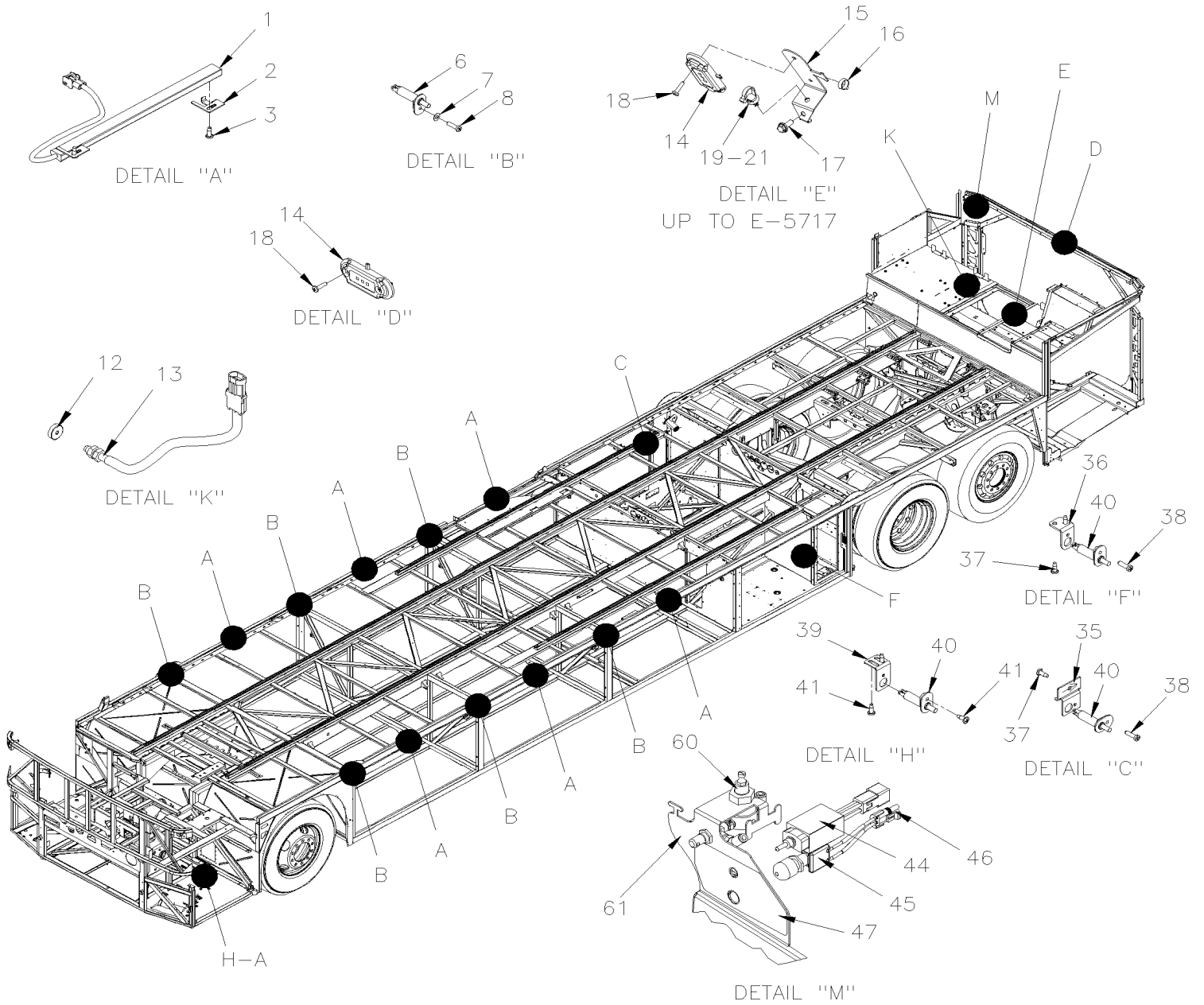


From B-5003 To D-5489

Date:07/2024

PAGE:XV-0665-10

SWITCHES, LIGHTS, AJAR - UNDER FLOOR





From B-5003 To D-5489	Date:07/2024	PAGE:XV-0665-10
SWITCHES, LIGHTS, AJAR - UNDER FLOOR		

Item#	Part	Description	X 3 V I P	X L I E N T 4 5	N O T E S
1	330224	LAMP ASSY 24V / BAGGAGE COMPARTMENT LAMP W/2 BULBS G4-10W To C-5132	6	6	
. NS	330396	. BULB / 10 WATTS -28VOLTS / SAE# G4-28 To C-5132	2	2	
1	330299	LAMP ASSY 24V / BAGGAGE COMPARTMENT LAMP / LED From C-5133	6	6	
. NS	561248	. CONNECTOR / UNIVERSAL MATE-N-LOK / PH 2C / AMP 1-480699-0 From C-5133	1	1	
1	830008	LAMP ASSY 24V / LED	6	6	
. NS	561248	. CONNECTOR / UNIVERSAL MATE-N-LOK / PH 2C / AMP 1-480699-0	1	1	
2	330411	SUPPORT, LIGHT From C-5133	12	12	
3	502868	SCREW TC TR PH #10-16x1/2 N500	12	12	
4	287150	LOCKING GUIDE R.H. ASSY	6	6	
5	288526	LOCKING GUIDE L.H. ASSY	6	6	
6	563464	SWITCH / S.P.S.T. / N.C. / W/RUBBER BOOT	6	6	
7	500840	WASHER LO EXT .195x.410x.025 N500	5	5	
8	500623	SCREW TC PAN PH #10-24x3/4 N500	5	5	
12	562949	MAGNET ROUND .200x.700 DIA	1	1	
13	068053	SWITCH PROXIMITY WITH LED ASSY To D-5299	1	1	
. NS	564176	. SWITCH PROXIMITY / S.P.D.T. / W/3 WIRES W/LED To D-5299	1	1	
13	068076	SWITCH PROXIMITY WITH LED ASSY From D-5300	1	1	
. NS	564176	. SWITCH PROXIMITY / S.P.D.T. / W/3 WIRES W/LED From D-5300	1	1	
13	068621	KIT SERVICE / PROXIMITY SWITCH CONNECTOR To D-5299	1	1	S
. NS	564555	. CONNECTOR / DT SERIES / SH 3C / BLACK / DEUTSCH DT06-3S-CE02 To D-5299	1	1	S
. NS	564556	. BACKSHELL / DT SERIES / 3C / DEUTSCH 1011-259-0305 To D-5299	1	1	S
. NS	IS-12059	. SEE INSTRUCTION SHEET To D-5299	1	1	S
13	068622	KIT SERVICE / PROXIMITY SWITCH To D-5299	1	1	S
. NS	068076	. SWITCH PROXIMITY WITH LED ASSY To D-5299	1	1	S
. NS	564176	. SWITCH PROXIMITY / S.P.D.T. / W/3 WIRES W/LED To D-5299	1	1	S
. NS	IS-12059	. SEE INSTRUCTION SHEET To D-5299	1	1	S
14	563845	LAMP ASSY 24V / W/LEDS	5	5	
. NS	563589	. CONNECTOR / DTM SERIES / SH 2C / GRAY / DEUTSCH DTM06-2S-E007	1	1	
15	068170	SUPPORT LAMP To E-5717	1	1	
16	504637	CABLE TIE / 3/16" x 13" To E-5717	1	1	
17	5001730	SCREW CAP HEXF M6-1.0x16 G10.9 N500 To E-5717	1	1	
18	500244	SCREW TP BDG PH #8x3/4 N500	AR	AR	
19	509815	TIE MOUNT / ATTACHMENT W/TREE MOUNT To E-5717	AR	AR	
21	504637	CABLE TIE / 3/16" x 13" To E-5717	AR	AR	
35	068756	SWITCH SUPPORT / W/BAGGAGE DOORS	1	1	A
36	068668	SWITCH SUPPORT / W/BAGGAGE DOORS	1	1	A
37	502868	SCREW TC TR PH #10-16x1/2 N500	2	2	A
38	500623	SCREW TC PAN PH #10-24x3/4 N500	2	2	A
39	066638	SWITCH SUPPORT	1	1	
40	563464	SWITCH / S.P.S.T. / N.C. / W/RUBBER BOOT	1	1	
41	502868	SCREW TC TR PH #10-16x1/2 N500	3	3	
44	064362	SWITCH ASSY / WATERPROOF	1	1	



From B-5003 To D-5489	Date:07/2024	PAGE:XV-0665-10
SWITCHES, LIGHTS, AJAR - UNDER FLOOR		

Item#	Part	Description	X 3 V I P	X L I I E N T 4 5	N O T E S
45	562484	SWITCH S.P.S.T. / N.C.	1	1	
46	562471	CONNECTOR / WEATHER PACK / SH 2C / BLACK / PED 12103784	1	1	
46	561578	SOCKET TERMINAL / 16-14 / PED 12010182	2	2	
46	561786	CABLE SEAL / GRAY / PED 15324980	2	2	
47	067876	DECAL REAR ENGINE START.... To B-5024	1	1	
47	068307	DECAL REAR ENGINE START.... From B-5025 To D-5459	1	1	
47	068808	DECAL REAR ENGINE START NO TENSIONER... From D-5460	1	1	
47	068307	DECAL REAR ENGINE START.... From D-5460	1	1	A
60	XV-0120-00	DRIVE PULLEY, BELTS & TENSIONER WITH VOLVO D13 & 2x120Amps EPA2010			
60	XV-0120-01	DRIVE PULLEY, BELTS & TENSIONER WITH VOLVO D13 & 2x120Amps			
61	XV-0330-00	AIR FILTER & INTAKE - INSTALLATION WITH VOLVO D13 - EPA 2010			
		A) WITH SMALL A/C SYSTEM			
		S) SERVICE			

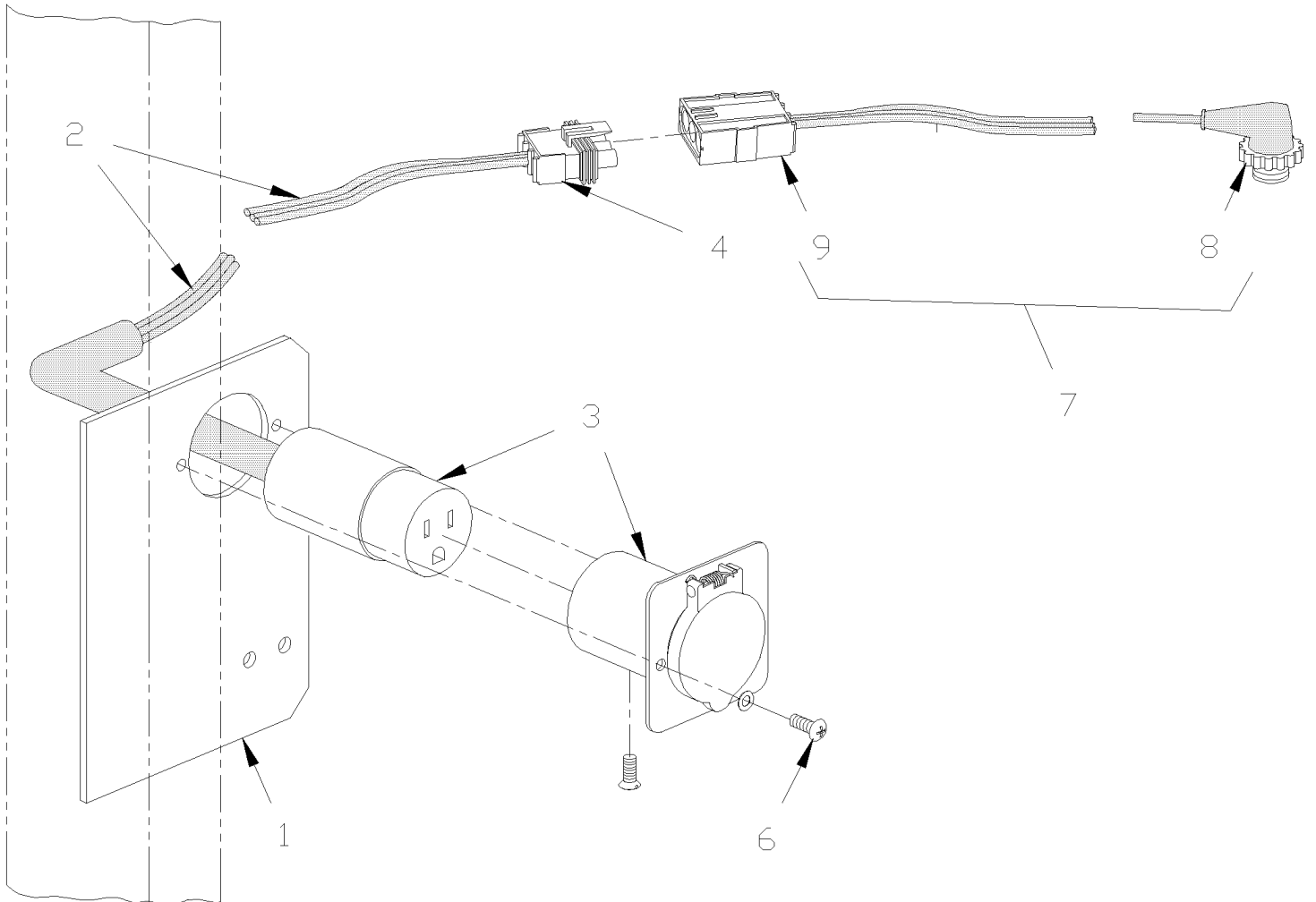
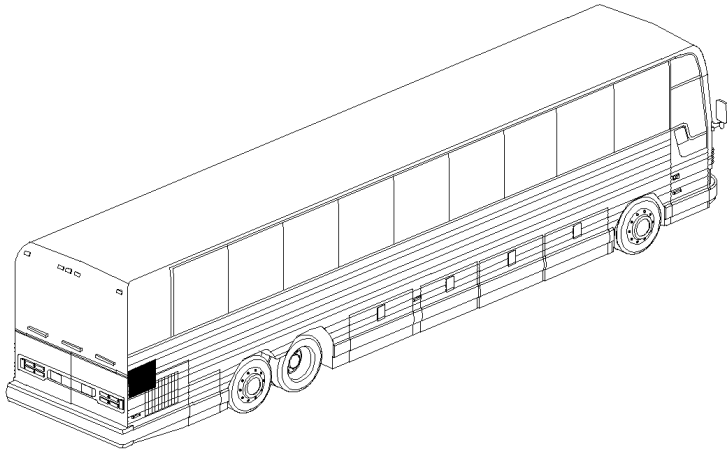


From B-5003 To D-5489

Date:07/2024

PAGE:XV-0666-00

BLOCK HEATER RECEPTACLE





From B-5003 To D-5489	Date:07/2024	PAGE:XV-0666-00
BLOCK HEATER RECEPTACLE		

Item#	Part	Description	X 3 V I P	X L I I E N T 4 5	N O T E S
1	213957	SUPPORT BACK-UP ALARM	1	1	
2	067411	CABLE ASSY / 110V BLOCK HEATER To D-5380	1	1	
2	068723	CABLE ASSY / 110V BLOCK HEATER From D-5381	1	1	
2	019224	DECAL / BLOCK HEATER To D-5380	1	1	
2	019224	. DECAL / BLOCK HEATER From D-5381	1	1	
3	564103	. RECEPTACLE ASSY W/CORD	1	1	
4	561782	. CONNECTOR / WEATHER PACK / SH 3C / BLACK / PED 12015793 To D-5380	1	1	
NS	561778	. WIRE CABLE 12 / BLUE / TEW To D-5380	3	3	
NS	561786	. CABLE SEAL / GRAY / PED 15324980 To D-5380	3	3	
NS	561681	. CONVOLUTED TUBING / SLIT / BLACK & GRAY / .350" To D-5380	AR	AR	
6	500654	SCREW TC BDG PH #8-32x1/2 Z050	2	2	
7	067413	CABLE ASSY / 110V BLOCK HEATER ENGINE SECTION To D-5380	1	1	
8	564102	. HEATER PLUG ASSY	1	1	
NS	561681	. CONVOLUTED TUBING / SLIT / BLACK & GRAY / .350"	AR	AR	
9	561781	. CONNECTOR / WEATHER PACK / PH 3C / BLACK / PED 12010717 To D-5380	1	1	
NS	561786	. CABLE SEAL / GRAY / PED 15324980 To D-5380	3	3	
NS	561568	. PIN TERMINAL / 16-14 / PED 12089305 To D-5380	3	3	
10	Refer To Volvo	BLOCK HEATER	1	1	V
		V) SEE IMPACT OR CALL ORDER DESK			

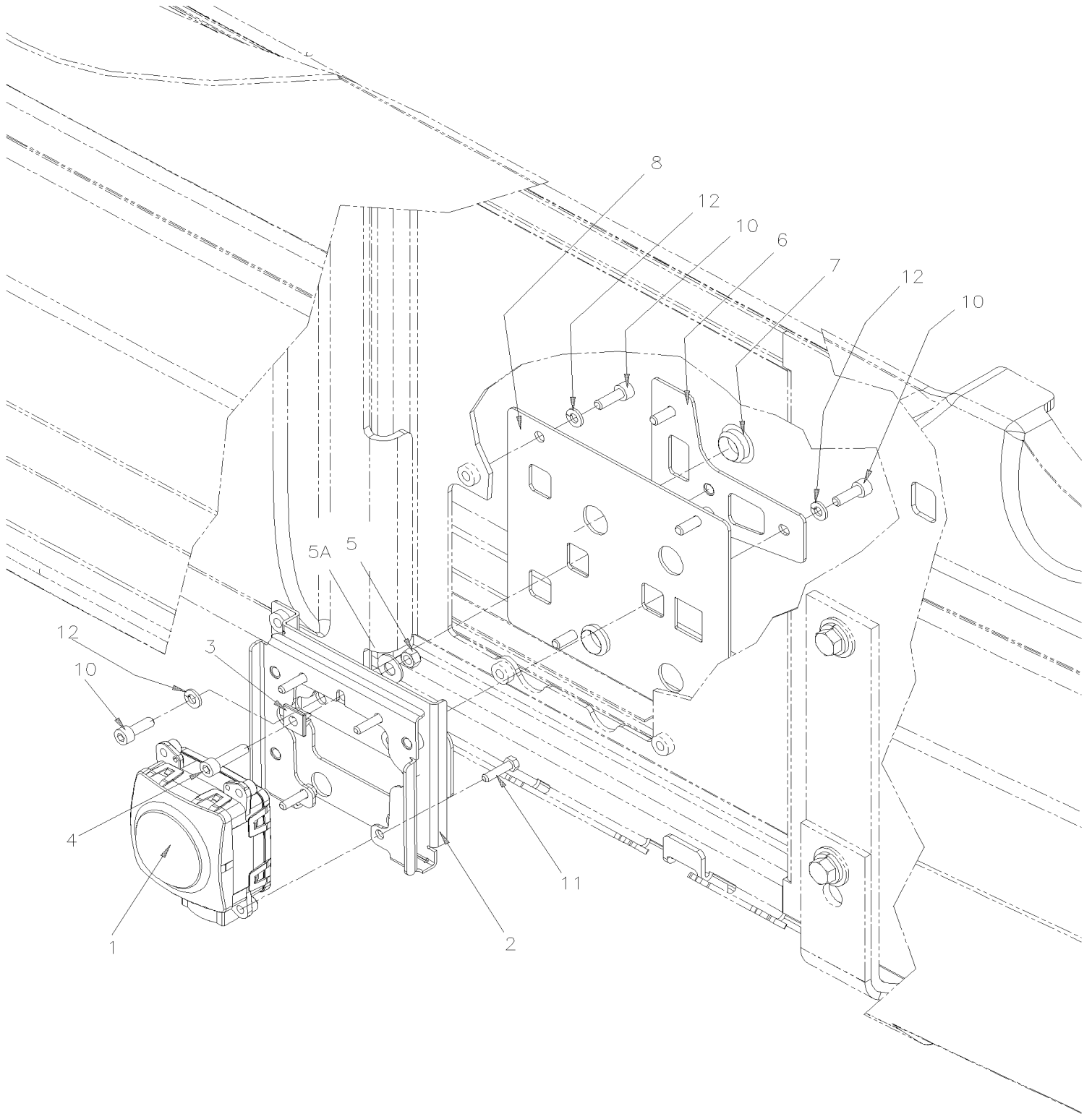


From B-5024 To D-5489

Date:07/2024

PAGE:XV-0675-05

SYSTEM - ADAPTIVE CRUISE CONTROL ACB - "BENDIX"



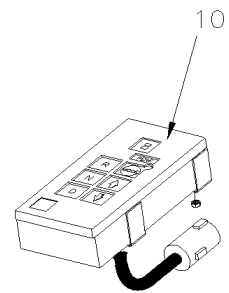
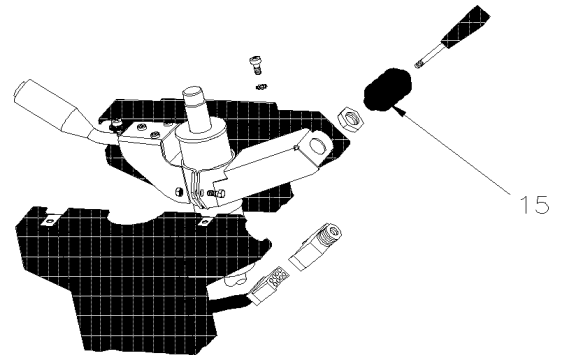
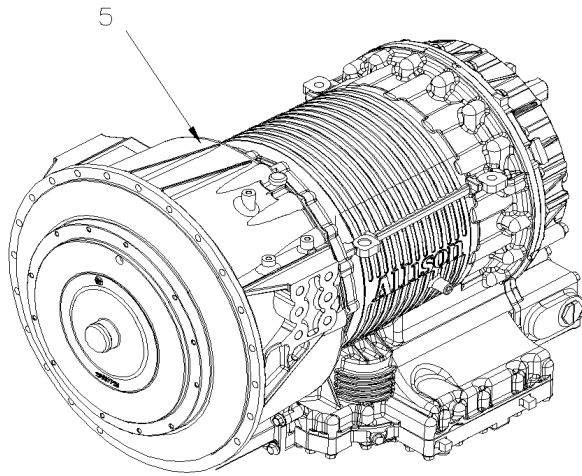


From B-5024 To D-5489	Date:07/2024	PAGE:XV-0675-05
SYSTEM - ADAPTIVE CRUISE CONTROL ACB - "BENDIX"		

Item#	Part	Description	X 3 V I P	X L I I E N T 4 5	N O T E S
1	563636	RADAR ACB "BENDIX" To C-5092	1	1	
1	564209	RADAR ACB "BENDIX" From C-5093	1	1	
1	564561	RADAR ACB "BENDIX"	1	1	S
1	564594	RADAR ACB "BENDIX"	1	1	S
NS	068247	CABLE ADAPTIVE CRUISE CONTROL 1500MM	1	1	
2	Call order desk	SUPPORT ASSY	1	1	P
2	Call order desk	SUPPORT ASSY	1	1	P
2	143204	. SUPPORT	1	1	
3	502939	. NUT AN 1/4 NYL	2	2	
4	5001610	. SCREW CAP HEXS M6-1.0x25 SS EMN	2	2	
5	5001182	. NUT HEX NYRT M6-1.0 SS	2	2	
5A	502573	. WASHER FL 6.4x12.5x1.6 SS	2	2	
6	143207	ATTACHMENT	1	1	
7	504690	SNAP-IN PLUG / .750 O.D.	1	1	
8	280251	PLATE CLOSING W/"ACB"	1	1	
10	5001648	SCREW CAP HEXS M6-1.0x18 SS BK	4	4	
11	500032	SCREW CAP HEX M5-0.8x16 BK	4	4	
12	502570	WASHER LO SPT 6.1x11.8x1.6 SS	4	4	
13	IS19922	PREVOST AWARE ADAPTIVE CRUISE BRAKING (ACB) – FLR10 TO FLR21 RADAR SENSOR UPGRADE	1	1	
. NS	069043	. CABLE ADAPTIVE CRUISE CONTROL	1	1	
. NS	145206	. MAIN SUPPORT, RADAR	1	1	
. NS	145207	. PLATE, RADAR MOUNTING	1	1	
. NS	560468	. FLR21 RADAR (NEW)	1	1	
. NS	564257	. FLR20 AJUSTER KIT SET OF 3	1	1	
. NS	504637	. CABLE TIE / 3/16" x 13"	6	6	
. NS	5001648	. SCREW CAP HEXS M6-1.0x18 SS BK	4	4	
. NS	5001833	. WASHER BEL SPR 6.1x18x1.27 SS	4	4	
. NS	IS-19922	. SEE INSTRUCTION SHEET	1	1	
. NS	FI-19922	. VOIR FEUILLE D'INSTRUCTION	1	1	
		S) SERVICE			
		P) CALL ORDER DESK FOR SPECIFIC APPLICATION (V.I.N.)			



	Date:07/2024	XV-07
TRANSMISSION		





		Date:07/2024	XV-07		
TRANSMISSION					
Item#	Part	Description	X 3 V I P	X L I I E N T 4 5	N O T E S
5	XV-0750-00	AUTOMATIC TRANSMISSION - "WORLD" WITH VOLVO D13 From B-5003 To D-5489			
10	XV-0755-15	SHIFTER ELECTRONIC - "WORLD" TRANSMISSION From B-5003 To D-5489			
15	XV-0760-00	RETARDER SELECTOR SWITCH - "WORLD" From B-5003 To D-5489			

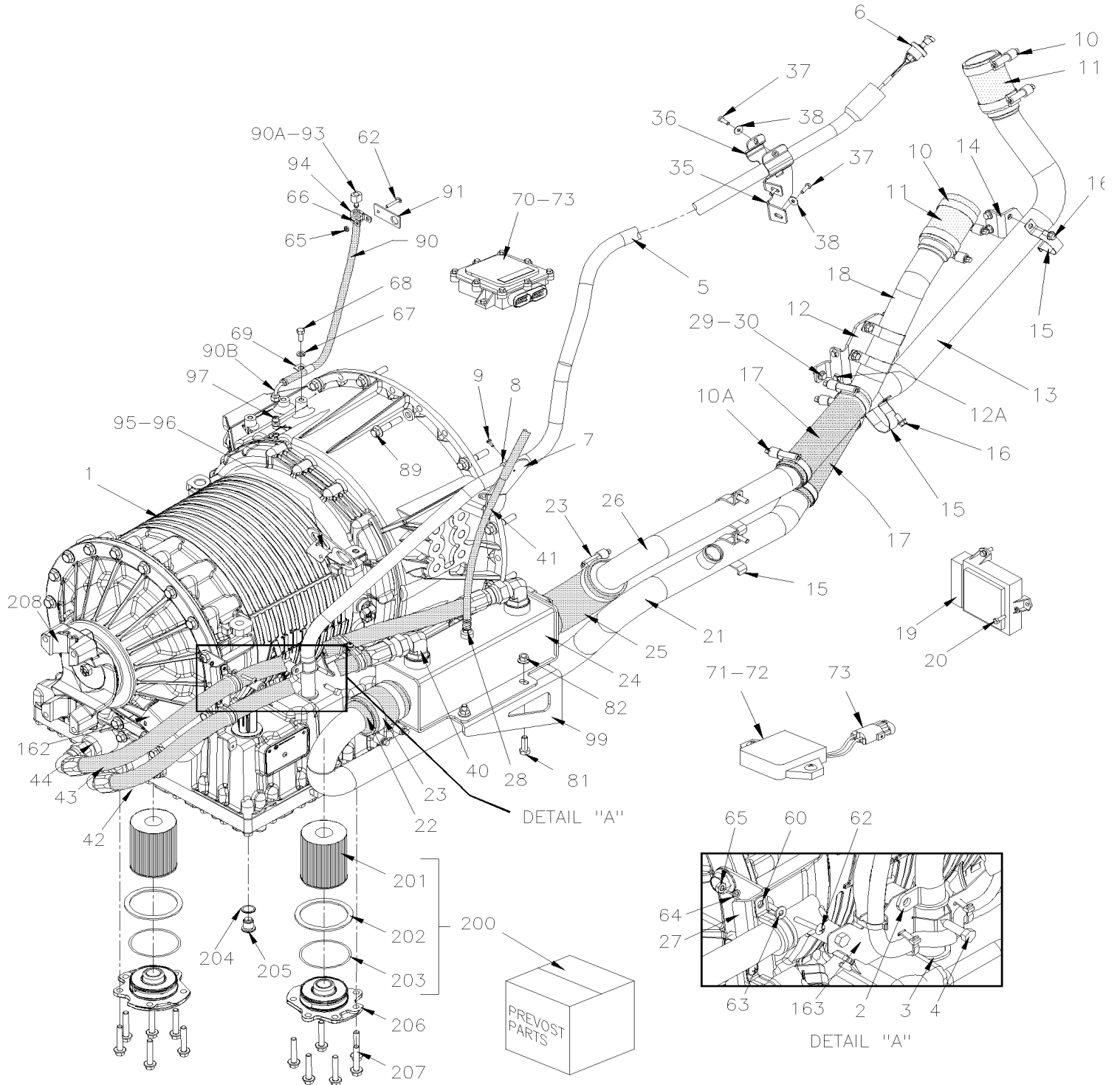


From B-5003 To D-5489

Date:07/2024

PAGE:XV-0750-00

AUTOMATIC TRANSMISSION - "WORLD" WITH VOLVO D13



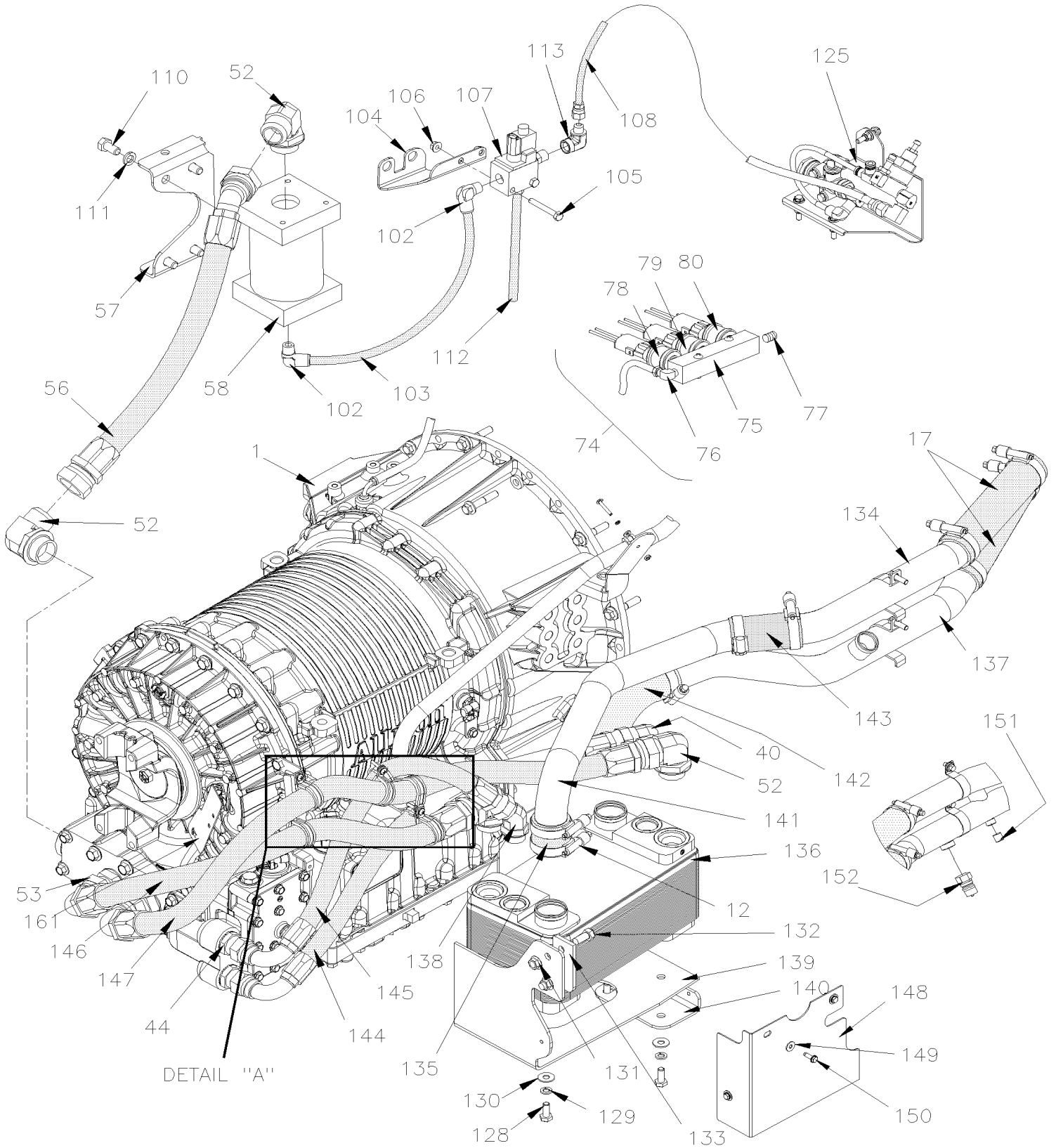


From B-5003 To D-5489

Date:07/2024

PAGE:XV-0750-00

AUTOMATIC TRANSMISSION - "WORLD" WITH VOLVO D13





From B-5003 To D-5489 Date:07/2024 PAGE:XV-0750-00

AUTOMATIC TRANSMISSION - "WORLD" WITH VOLVO D13

Item#	Part	Description	X 3 V I P	X L I I E N T 4 5	N O T E S
		THE NEXT FOLLOWING TRANSMISSION W/O RETARDER			
	572138	TRANSMISSION ASSY B500 / GEN V		1	
	572136	TRANSMISSION ASSY4000MH / GEN V	1		
		THE NEXT FOLLOWING TRANSMISSION W/RETARDER			
	572139	TRANSMISSION ASSY B500R / GEN V		1	
	572137	TRANSMISSION ASSY4000MH R / GEN V	1		
		TRANSMISSION ASSY SEE ABOVE			
NS	683276	GREASE LOW TEMPERATURE 450GR	AR	AR	
NS	20788933	SPACER FLY WHEEL HOUSING 21MM	1	1	
NS	684016	OIL TRANSYND TRANSMISSION "WORLD"	AR	AR	
2	504602	CLAMP / 1" I.D. X .375 HOLE	1	1	
3	571662	GROMMET RUBBER / TUBE & TRANS	1	1	
4	502513	SCREW TP CAP HEX 5/16x1 Z050	1	1	
5	071636	TUBE DIPSTICK ASSY To B-5053	1	1	
5	071656	TUBE DIPSTICK ASSY From B-5054	1	1	
6	572147	TRANS DIPSTICK 2385.7MM	1	1	
NS	071249	DECAL "TranSynd OIL ONLY" / ENGLISH & FRANCAIS	1	1	
NS	071364	DECAL "TranSynd OIL ONLY" / ENGLISH & SPANISH	1	1	
7	071641	SUPPORT / TUBE DIPSTICK	1	1	
8	504602	CLAMP / 1" I.D. X .375 HOLE	1	1	
9	502830	SCREW CAP HEX M6-1.0x20 G8.8 N500	1	1	
9	5001833	WASHER BEL SPR 6.1x18x1.27 SS	1	1	
10	504561	HOSE CLAMP / 2"1/4-3"1/8 / C.T. 300	4	4	
10A	504754	HOSE CLAMP / 1"3/4-2"5/8 / C.T. 250	4	4	
11	984677	HOSE 60 I.D. x 102MM / SILICONE To C-5130	2	2	
11	071660	HOSE / SILICONE W/NOMEX 2 3/8" I.D. 98MM From C-5131	2	2	
12	012668	SUPPORT OIL COOLER PIPE	1	1	
12A	509815	TIE MOUNT / ATTACHMENT W/TREE MOUNT	2	2	
12A	504637	CABLE TIE / 3/16" x 13"	2	2	
13	019225	PIPE / THERMOSTAT HOUSING & OIL COOLER	1	1	
14	012358	SUPPORT OIL COOLER PIPE	1	1	
15	012551	"U" CLAMP OFFSET 51MM I.D.	3	3	
16	5001780	SCREW CAP HEXF M8-1.25x16 G8.8 N500	3	3	
17	071429	HOSE SILICONE 4PLY 2" I.D. x 254 MM	2	2	
17	572049	. HOSE SILICONE 4PLY 2" I.D. x 12' To D-5381	AR	AR	
17	503784	. HOSE SILICONE 4 PLY / NOMEX-ARAMID 2" I.D. x 12' From D-5382	AR	AR	



From B-5003 To D-5489 Date:07/2024 PAGE:XV-0750-00

AUTOMATIC TRANSMISSION - "WORLD" WITH VOLVO D13

Item#	Part	Description	X 3 V I P	X L I I E N T 4 5	N O T E S
18	019226	PIPE / OIL COOLER TO HOSE REDUCER	1	1	
19	572115	INTERFACE TCM	1	1	
20	502622	SCREW CAP HEX M6-1.0x20 SS BK	3	3	
20	502570	WASHER LO SPT 6.1x11.8x1.6 SS	3	3	
21	071517	PIPE 2" O.D. INLET x 2 3/4" O.D. OUTLET	1	1	
22	071268	HOSE SILICONE 4 PLY 2 3/4" I.D X 84MM	1	1	
22	503395	. HOSE SILICONE 4PLY 2 3/4" I.D. x 3' To D-5381	AR	AR	
22	503787	. HOSE SILICONE 4 PLY / NOMEX-ARAMID 2 3/4" I.D. x 6' From D-5382	AR	AR	
23	504562	HOSE CLAMP / 2"3/4-3"5/8 / C.T. 350	4	4	
24	571769	OIL COOLER "MODINE" / SINGLE	1	1	
25	052898	ELBOW 90° X 2 3/4" I.D. / 110MM x 110MM C/C / SILICONE	1	1	
26	071516	PIPE 2 3/4" I.D. INLET x 2" O.D. OUTLET	1	1	
27	071407	SUPPORT HOSE	1	1	
29	5001745	SCREW CAP HEX M8-1.25x25 G8.8 N500	3	3	
30	500321	WASHER BEL SPR .331x.827x.098 N500	3	3	
35	071640	SUPPORT / TUBE DIPSTICK	1	1	
36	071487	ATTACHMENT DIPSTICK TUBE W1 HOLE & HOCK	1	1	
37	502830	SCREW CAP HEX M6-1.0x20 G8.8 N500	3	3	
38	5001833	WASHER BEL SPR 6.1x18x1.27 SS	3	3	
39	502862	SCREW CAP HEX M8-1.25x20 G8.8 N500	4	4	
40	501523	MALE ELBOW 90° / JIC 37° FITTING / #16JIC-Mx#16ORB-M STL To D-5452	1	1	
40	5001917	MALE ELBOW 90° / JIC 37° FITTING / #16JIC-Mx#16ORB-M STL VITON From D-5453	1	1	
41	052916	HOSE ASSY TEFLON #4 2015MM	1	1	
42	071566	HOSE ASSY / #16 725MM	1	1	
43	071567	HOSE ASSY / #16 1045MM	1	1	
NS	071511	PROTECTOR RUBBER CABLE HARNESS & HOSES	1	1	
44	501523	MALE ELBOW 90° / JIC 37° FITTING / #16JIC-Mx#16ORB-M STL To C-5132	2	2	
44	501708	MALE ELBOW 90° LONG / JIC 37° FITTING / #16JIC-Mx#16ORB-Mx3.72 STL From C-5133 To D-5452	2	2	
44	5001917	MALE ELBOW 90° / JIC 37° FITTING / #16JIC-Mx#16ORB-M STL VITON From D-5453	2	2	
52	5011065	MALE ELBOW 90° / JIC 37° FITTING / #20JIC-Mx#20ORB-M STL VITON	4	4	
53	501575	MALE CONNECTOR / JIC 37° FITTING / #20JIC-Mx#20ORB-M STL VITON To C-5132	2	2	
53	501709	MALE ELBOW 90° LONG / JIC 37° FITTING / #20JIC-Mx#20ORB-Mx4.41 STL From C-5133 To D-5452	2	2	
53	5001918	MALE ELBOW 90° LONG / JIC 37° FITTING / #20JIC-Mx#20ORB-Mx4.41 STL VIT From D-5453	2	2	
56	071595	HOSE ASSY / #20 493MM	1	1	
57	071432	SUPPORT ACCUMULATOR	1	1	
58	572030	ACCUMULATOR & SOLENOID / GEN IV	1	1	
60	952637	CLAMP / 1"1/16 I.D.	AR	AR	
60	952641	CLAMP P STL ZP RUB 34.9 ID	AR	AR	
62	500574	SCREW MA TR PH #10-24x1 1/4 SS	AR	AR	
63	500964	WASHER FL .203x.500x.047 Z050	AR	AR	
64	500470	WASHER LO SPT .193x.334x.047 Z050	AR	AR	
65	500786	NUT HEX #10-24 Z050	AR	AR	



From B-5003 To D-5489	Date:07/2024	PAGE:XV-0750-00
AUTOMATIC TRANSMISSION - "WORLD" WITH VOLVO D13		

Item#	Part	Description	X 3 V I P	X L I I E N T 4 5	N O T E S
66	500440	WASHER FL .250x.562x.065 Z050	1	1	
67	504601	CLAMP / 5/16" I.D. x .375 HOLE	1	1	
68	502862	SCREW CAP HEX M8-1.25x20 G8.8 N500	1	1	
69	500942	WASHER LO SPT 8.1x14.8x2.0 N500	1	1	
70	XV-0625-00	FRONT JUNCTION PANEL To D-5297			
71	562357	RESISTANCE MODULE	1	1	
72	562381	RESISTANCE MODULE	1	1	
73	565867	CPC MODULE DETROIT	1	1	
74	070902	PRESSURES SWITCH ASSY W/MANIFOLD	1	1	
75	070903	. MANIFOLD	1	1	
76	640999	. MALE ELBOW 90° / NTA FITTING / #6x1/4NPT-M BR	1	1	
77	501800	. PLUG HEXS / PIPE FITTING / 1/4NPT-M STL	1	1	
78	562358	. PRESSURE SWITCH N.O. 2PSI / 1/8NPT	1	1	
79	562384	. PRESSURE SWITCH N.O. 4PSI / 1/8NPT	1	1	
80	562385	. PRESSURE SWITCH N.O. 7PSI / 1/8NPT	1	1	
81	946472	SCREW CAP HEXF M10-1.5x30 G8.8 ZG603	4	4	
82	971098	NUT HEXF STO M10-1.5 G8 ZP	4	4	
89	20953751	SCREW CAP HEXF 7/16-14x2 1/4 G8 MAGNI 565	12	12	
NS	8397499	WASHER FL HARD .468x.937x.187 ZP	12	12	
90	071500	HOSE ASSY / #4 610MM	1	1	
. A	071167	. FEMALE CONNECTOR / HOSE BARB @ METRIC / #4x M10-1.5-F BR	1	1	
. B	5011303	. FEMALE ELBOW 90° SWIVEL / PUSH-LOK FITTING / #4FL-Fx#4 BR	1	1	
. C	503706	. HOSE FC-332-4 #4	AR	AR	
91	060840	SUPPORT HARNESS	1	1	
93	571763	BREATHER	1	1	
94	952627	CLAMP / 1/2" I.D.	1	1	
95	071403	SUPPORT CABLE HARNESS / W/1 HOLE & 1 STUD / GEN IV	1	1	
96	071035	SUPPORT CABLE HARNESS / W/2 HOLES / WTEC III	1	1	
97	071497	MALE CONNECTOR / SAE 45° @ METRIC / #4FL-Mx M10-1.5 M BR	1	1	
99	Call order desk	SUPPORT OIL COOLER W/O RETARDER	1	1	P
102	641376	MALE ELBOW 90° NON-SWIVEL / PUSH-IN FITTING / #8x3/8NPT-M BR	2	2	
103	503488	TUBE, NYLON 1/2 O.D. / BLACK S.L./	AR	AR	
104	071484	SUPPORT SOLENOID	1	1	
105	5001178	SCREW CAP HEX M8-1.25x60 SS BK	2	2	
106	502837	NUT HEXF STO M8-1.25 N500	2	2	
107	571708	VALVE SOLENOID 12V	1	1	
108	071089	HOSE ASSY TEFLON #6 355MM	1	1	
110	500213	SCREW CAP HEX 1/2-13x1 G5 Z050	4	4	
111	500482	WASHER LO SPT .506x.873x.125 Z050	4	4	
112	560384	PLASTIC TUBING / 3/8" / CLEAR	AR	AR	
113	5011112	FEMALE ELBOW 90° / JIC 37° FITTING / #6JIC-Mx3/8NPT-F STL	1	1	
125	XV-0405-10	7TH INJECTOR / EXHAUST VOLVO D13 To B-5088			



From B-5003 To D-5489	Date:07/2024	PAGE:XV-0750-00
------------------------------	---------------------	------------------------

AUTOMATIC TRANSMISSION - "WORLD" WITH VOLVO D13

Item#	Part	Description	X 3 V I P	X L I I E N T 4 5	N O T E S
125	XV-0405-11	7TH INJECTOR / "AHI" / EXHAUST VOLVO D13 From B-5089			
128	502804	SCREW CAP HEX M10-1.5x25 G8.8 N500 To D-5297	4	4	
128	5001741	SCREW CAP HEXF M10-1.5x30 G8.8 N500 From D-5298	4	4	
129	502616	WASHER LO SPT 10.2x18.1x2.2 SS To B-5001	4	4	
130	960143	WASHER FL 10.5x26.0x2.0 ZP To B-5001	4	4	
130	5001834	WASHER BEL SPR 10.5X23X2.5 N500 From B-5002 To D-5297	4	4	
131	5001456	NUT HEXF M12-1.75 SS	2	2	
132	502705	SCREW CAP HEX M12-1.75X25 G8.8 N500	2	2	
133	012373	PLATE 100MMx45MM W/2 HOLES	1	1	
134	071532	PIPE OIL COOLER 2" O.D.	1	1	
135	071494	HOSE SILICONE 4PLY 2" I.D. 60MM	1	1	
135	572049	HOSE SILICONE 4PLY 2" I.D. x 12' To D-5381	AR	AR	
135	503784	HOSE SILICONE 4 PLY / NOMEX-ARAMID 2" I.D. x 12' From D-5382	AR	AR	
136	572043	COOLER, OIL, DOUBLE CIRCUIT	1	1	
137	071530	PIPE OIL COOLER 2" O.D.	1	1	
NS	501449	PLUG HEXS / PIPE FITTING / 3/8NPT-M STL To D-5371	1	1	
137	501305	PLUG SQUARE HEAD / PIPE FITTING / 3/8NPT-M BR From D-5372	1	1	
138	5011035	MALE ELBOW 90° / JIC 37° FITTING / #16JIC-Mx#16ORB-M STL	1	1	
139	071588	SUPPORT OIL COOLER W/RETARDER To D-5297	1	1	
139	071673	SUPPORT OIL COOLER W/RETARDER From D-5298	1	1	
140	071428	SUPPORT OIL COOLER W/RETARDER To D-5297	1	1	
141	071591	PIPE OIL COOLER 2" O.D.	1	1	
142	071533	ELBOW 90° X 2" I.D. / 114.3MM x 101.2MM C/C / SILICONE	1	1	
143	071493	HOSE SILICONE 4PLY 2" I.D. 110MM	1	1	
143	572049	HOSE SILICONE 4PLY 2" I.D. x 12' To D-5381	AR	AR	
143	503784	HOSE SILICONE 4 PLY / NOMEX-ARAMID 2" I.D. x 12' From D-5382	AR	AR	
144	071601	HOSE ASSY / #16 474.8MM To C-5132	1	1	
144	071649P	HOSE ASSY / #16 466MM From C-5133	1	1	
145	071600	HOSE ASSY / #16 781.5MM To C-5132	1	1	
145	071648P	HOSE ASSY / #16 766MM From C-5133	1	1	
146	071598	HOSE ASSY / #20 1102.1MM To C-5132	1	1	
146	071650P	HOSE ASSY / #20 1083MM From C-5133	1	1	
147	071599	HOSE ASSY / #20 673MM To C-5132	1	1	
147	071651P	HOSE ASSY / #20 649MM From C-5133	1	1	
NS	071510	PROTECTOR RUBBER CABLE HARNESS & HOSES	1	1	
148	071589	PROTECTOR OIL COOLER \	1	1	
149	502848	SCREW TC CAP HEXF 1/4-20x3/4 N500	3	3	
150	500411	WASHER FL .260x.697x.050 SS	3	3	
151	501449	PLUG HEXS / PIPE FITTING / 3/8NPT-M STL To D-5371	1	1	
151	501305	PLUG SQUARE HEAD / PIPE FITTING / 3/8NPT-M BR From D-5372	1	1	
152	1675641	NIPPLE / QUICK DISCONNECT "VOLVO" / 1/2NPT-M	1	1	
. NS	V476279	. DUST CAP / QUICK DISCONNECT "VOLVO" /	1	1	



From B-5003 To D-5489 Date:07/2024 PAGE:XV-0750-00

AUTOMATIC TRANSMISSION - "WORLD" WITH VOLVO D13

Item#	Part	Description	X 3 V I P	X L I I E N T 4 5	N O T E S
. NS	507666	. DUST CAP / QUICK DISCONNECT "VOLVO" /	1	1	
161	071097	PROTECTOR SUPPORT SS 102MM X 90MM	1	1	
162	079022	PROTECTOR SUPPORT SS "V" SHAPE 74MM HIGH	1	1	
163	071581	SUPPORT CABLE HARNESS	1	1	
163	066209	CABLE HARNESS / SENSOR WTEC W/OUT RETARDER / MUX	1	1	
163	066797	CABLE HARNESS / SENSOR WTEC W/RETARDER / MUX	1	1	
NS	065398	SUPPORT RETARDER TEMPERATURE SENSOR	1	1	
NS	500344	SCREW MA RND PH M4-0.7x12 Z050	1	1	
NS	502636	WASHER LO SPT 4.1x7.6x0.9 Z050	1	1	
NS	502524	NUT HEX M4-0.7 Z050	1	1	
200	572050	TRANSMISSION FILTER / MAINTENANCE KIT	1	1	
. NS	571692	. O-RING / (LARGE SQUARE CUT)	2	2	
. NS	571693	. O-RING / (SMALL)	2	2	
. NS	571694	. O-RING / DRAIN PLUG	2	2	
. NS	571695	. DRAIN PLUG ASSY W/O-RING	1	1	
201	N.S.S.	. FILTER	1	1	1
202	571692	. O-RING / (LARGE SQUARE CUT)	2	2	
203	571693	. O-RING / (SMALL)	2	2	
204	571694	. O-RING / DRAIN PLUG	2	2	
205	571695	. DRAIN PLUG ASSY W/O-RING	1	1	
205	684016	OIL TRANSYND TRANSMISSION "WORLD"	AR	AR	
206	N.S.P.	COVER FILTER / (29507434)	2	2	2
207	N.S.P.	BOLT M10-1.5 x 55M / (2954186)	AR	AR	2
208	N.S.P.	YOKE (1810) HALF ROUND (29511516/6.5-4-4521-1)	1	1	2
208	N.S.P.	STRAP LOCK PLATE	1	1	2
208	N.S.P.	BOLT M10-1.5 X 30MM GR 10.9	2	2	2
208	N.S.P.	SEAL OUTPUT / (29515621)	1	1	2
		1) NOT SOLD SEPARATELY			
		2) NOT SOLD BY PREVOST (SEE MANUFACTURING PART NUMBER AT END OF DESCRIPTION LINE)			
		P) CALL ORDER DESK FOR SPECIFIC APPLICATION (V.I.N.)			

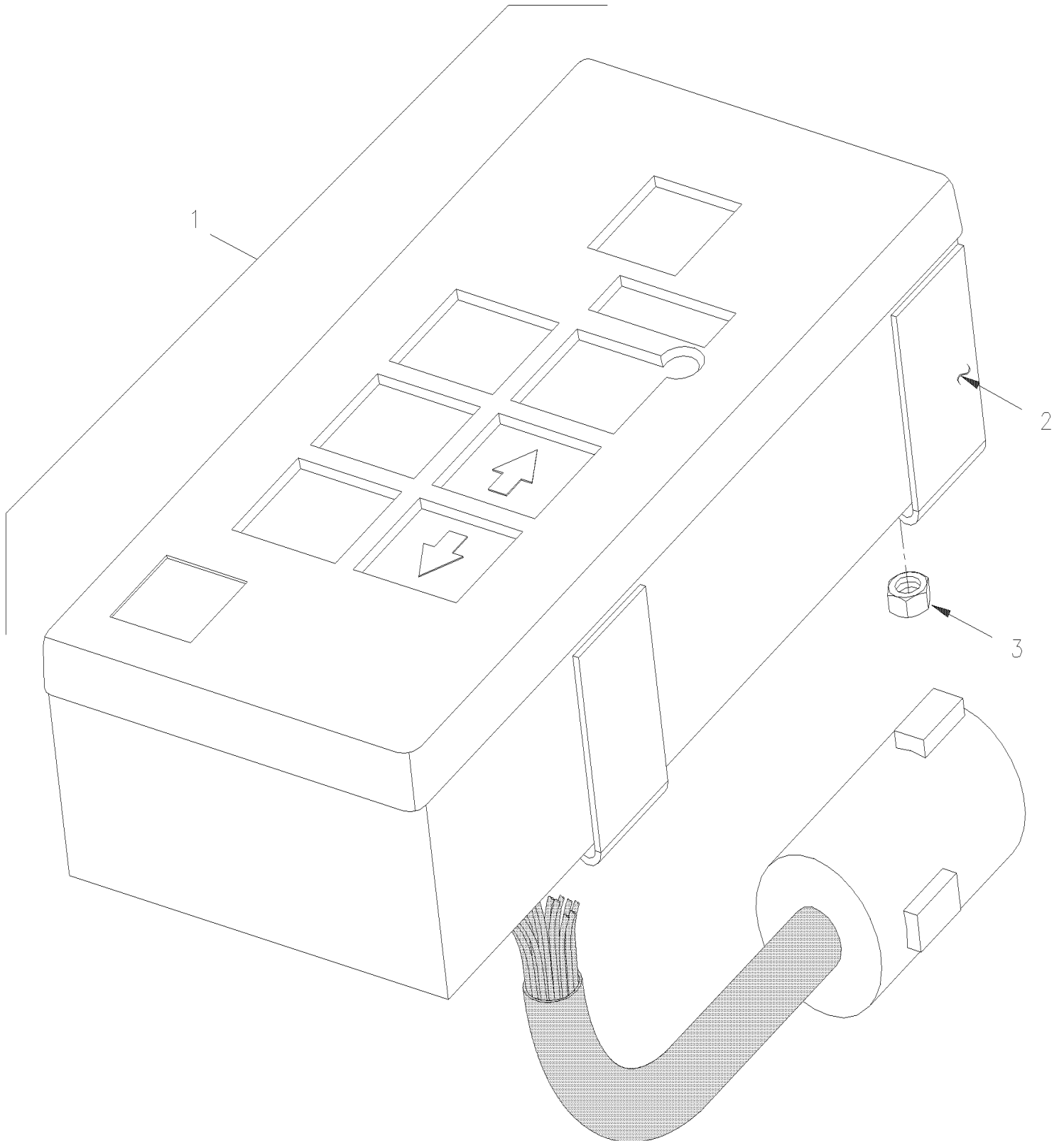


From B-5003 To D-5489

Date:07/2024

PAGE:XV-0755-15

SHIFTER ELECTRONIC - "WORLD" TRANSMISSION





From B-5003 To D-5489	Date:07/2024	PAGE:XV-0755-15
-----------------------	--------------	-----------------

SHIFTER ELECTRONIC - "WORLD" TRANSMISSION

Item#	Part	Description	X 3 V I P	X L I I E N T 4 5	N O T E S
1	572124	SHIFTER, SELECTOR "WORLD" / GEN IV From 9-9590 To E-5624	1	1	
1	572155	SHIFTER, SELECTOR "WORLD" / GEN V From E-5625	1	1	
2	N.S.P.	. BRACKET	2	2	2
3	500423	. NUT HEX NYRT #10-32 SS	4	4	
		2) NOT SOLD BY PREVOST (SEE MANUFACTURING PART NUMBER AT END OF DESCRIPTION LINE)			

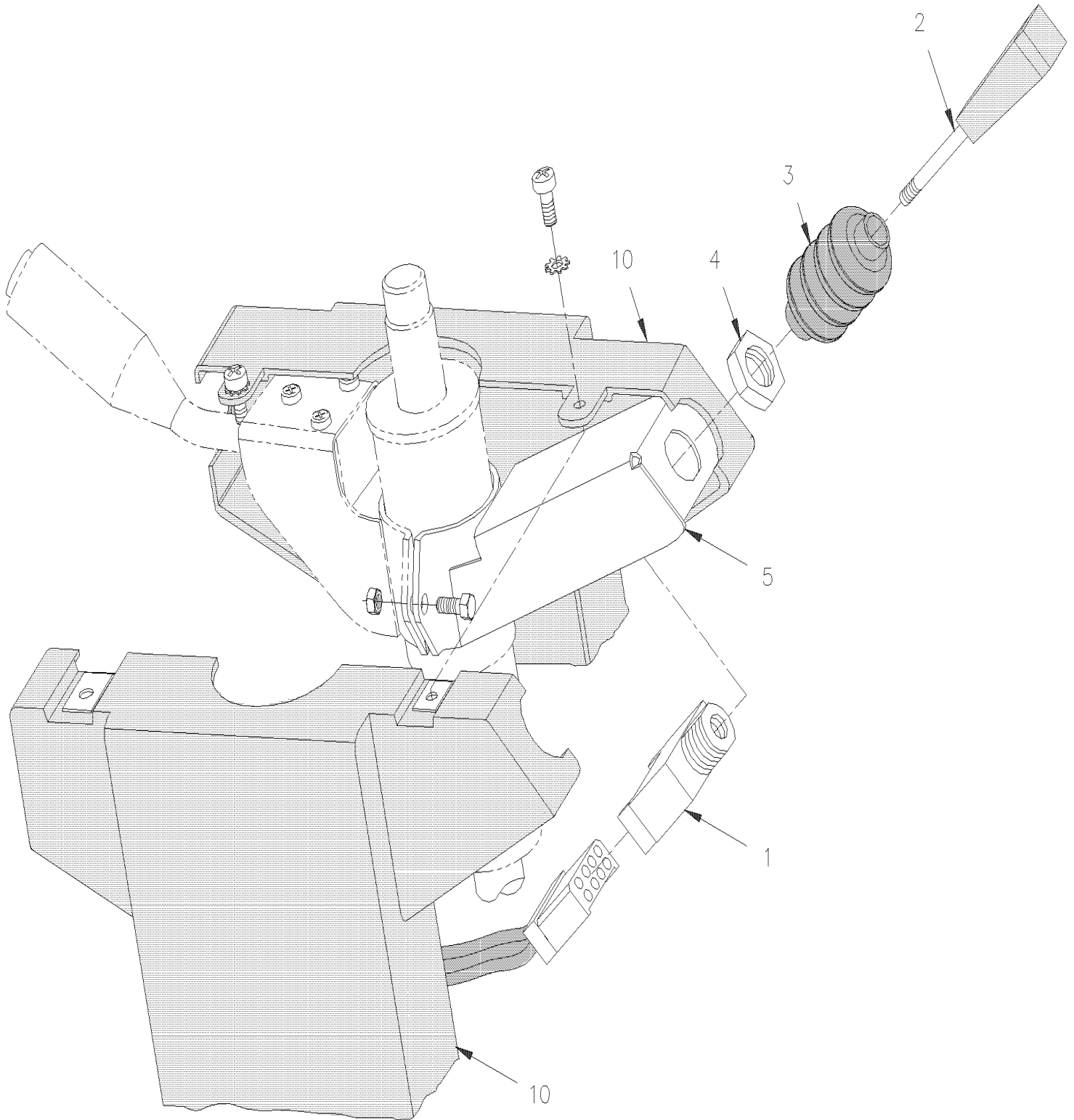


From B-5003 To D-5489

Date:07/2024

PAGE:XV-0760-00

RETARDER SELECTOR SWITCH - "WORLD"





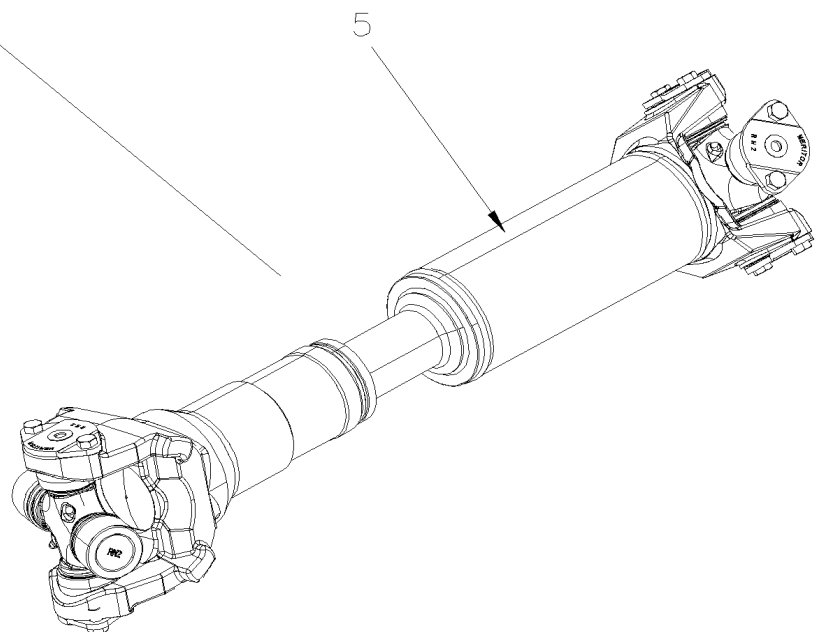
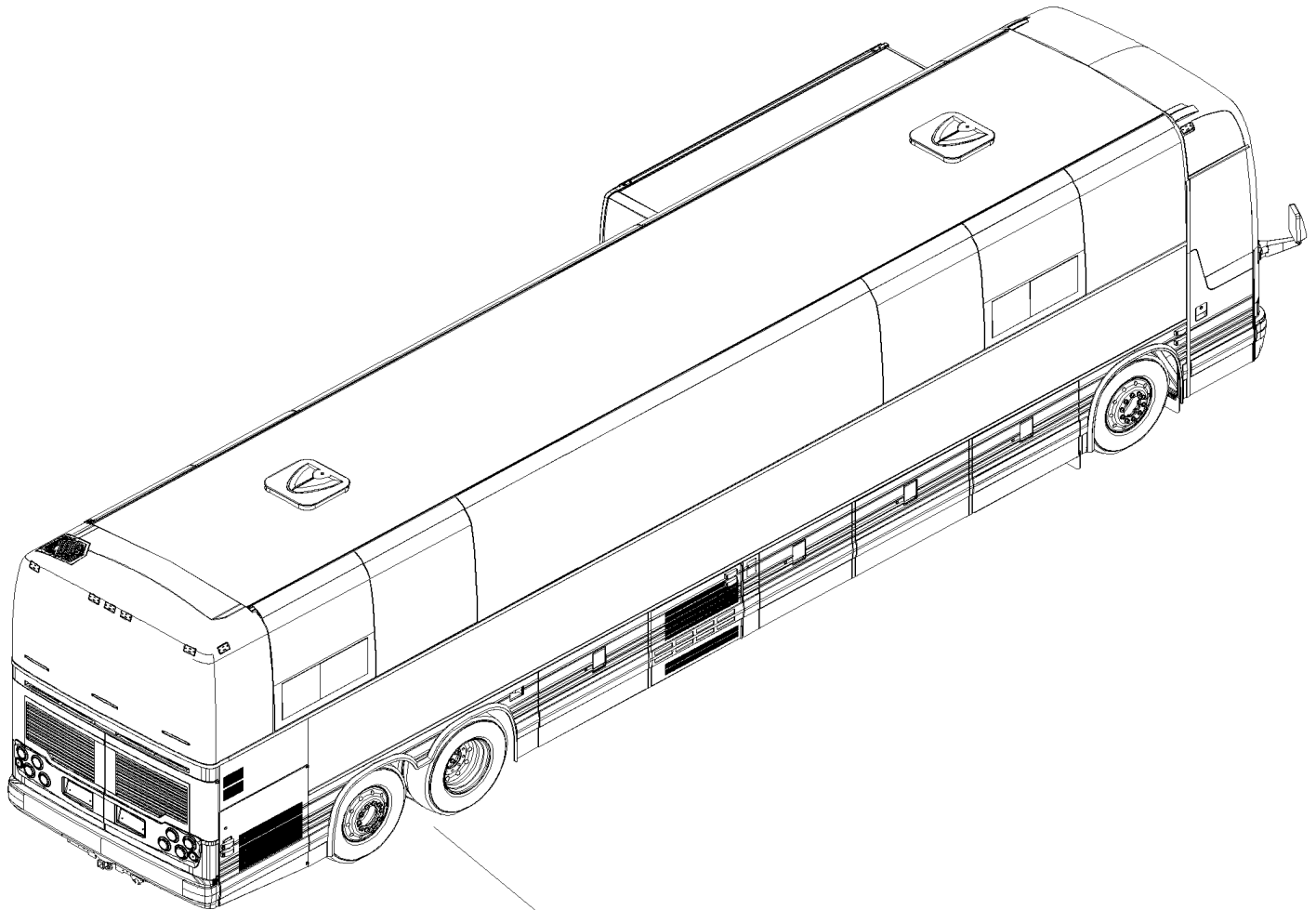
From B-5003 To D-5489	Date:07/2024	PAGE:XV-0760-00
-----------------------	--------------	-----------------

RETARDER SELECTOR SWITCH - "WORLD"

Item#	Part	Description	X 3 V I P	X L I I E N T 4 5	N O T E S
1	562356	SWITCH ASSY / W/LEVER & BOOT / 6 POSITIONS	1	1	
2	N.S.S.	. LEVER	1	1	1
3	N.S.S.	. BOOT	1	1	1
4	N.S.S.	. NUT JAM	1	1	1
5	N.P.N.	SUPPORT CONTROL SWITCH	1	1	4
10	XV-1407-00	STEERING COLUMN & COVER - INSTALLATION			
		1) NOT SOLD SEPARATELY			
		4) NO PARTS NUMBER			



	Date:07/2024	XV-09
PROPELLER SHAFT		





		Date:07/2024	XV-09		
PROPELLER SHAFT					
Item#	Part	Description	X 3 V I P	X L I I E N T 4 5	N O T E S
5	XV-0905-00	PROPELLER SHAFT WITH "EPA 2010" From B-5003 To D-5489			

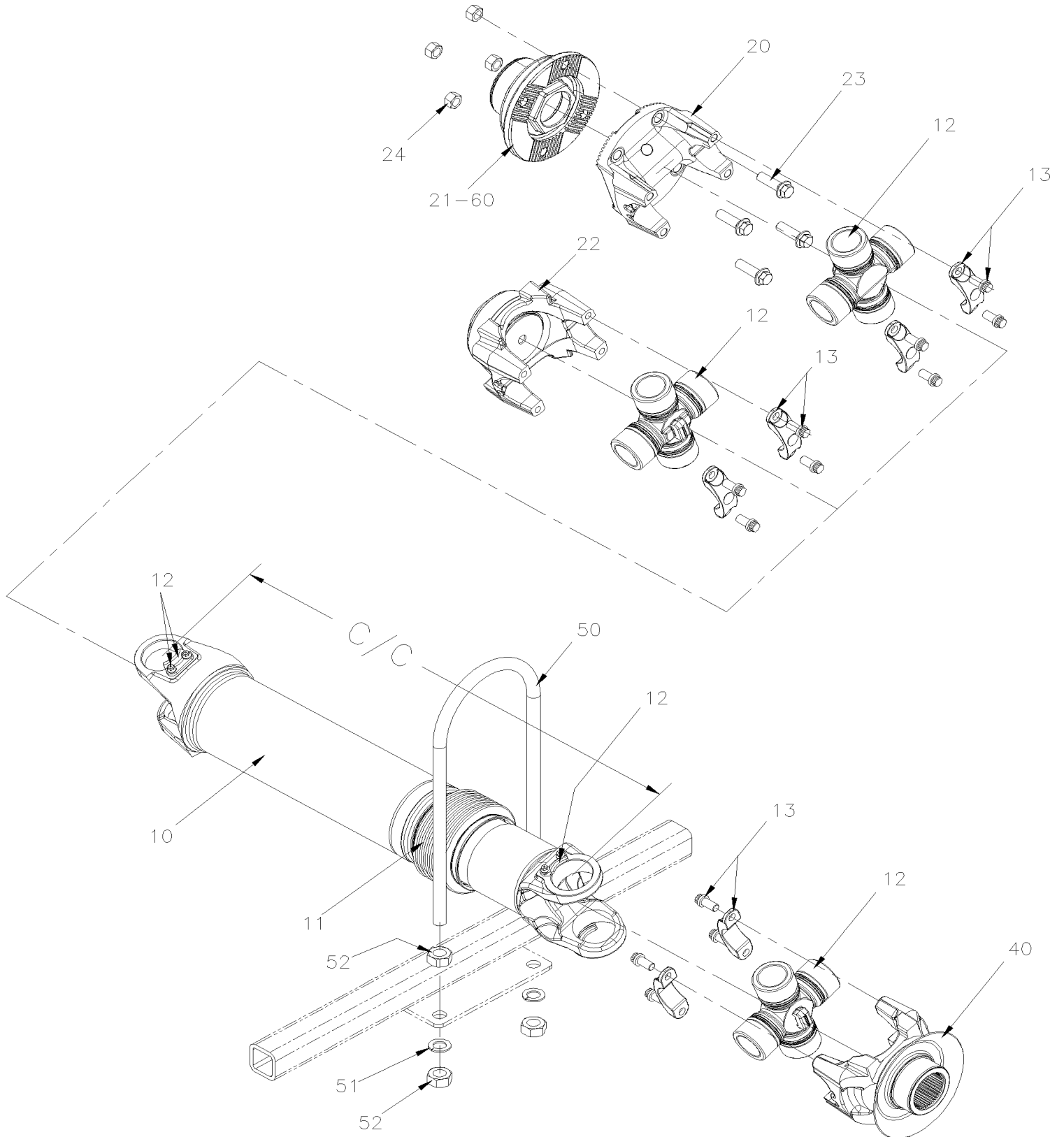


From B-5003 To D-5489

Date:07/2024

PAGE:XV-0905-00

PROPELLER SHAFT WITH "EPA 2010"



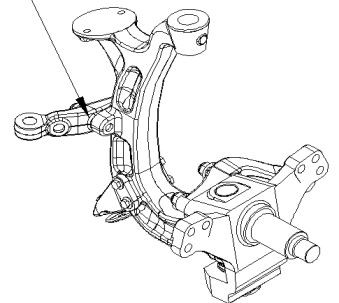
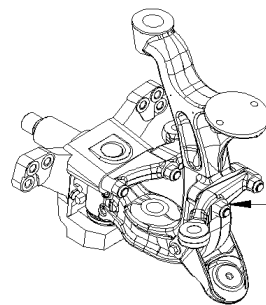
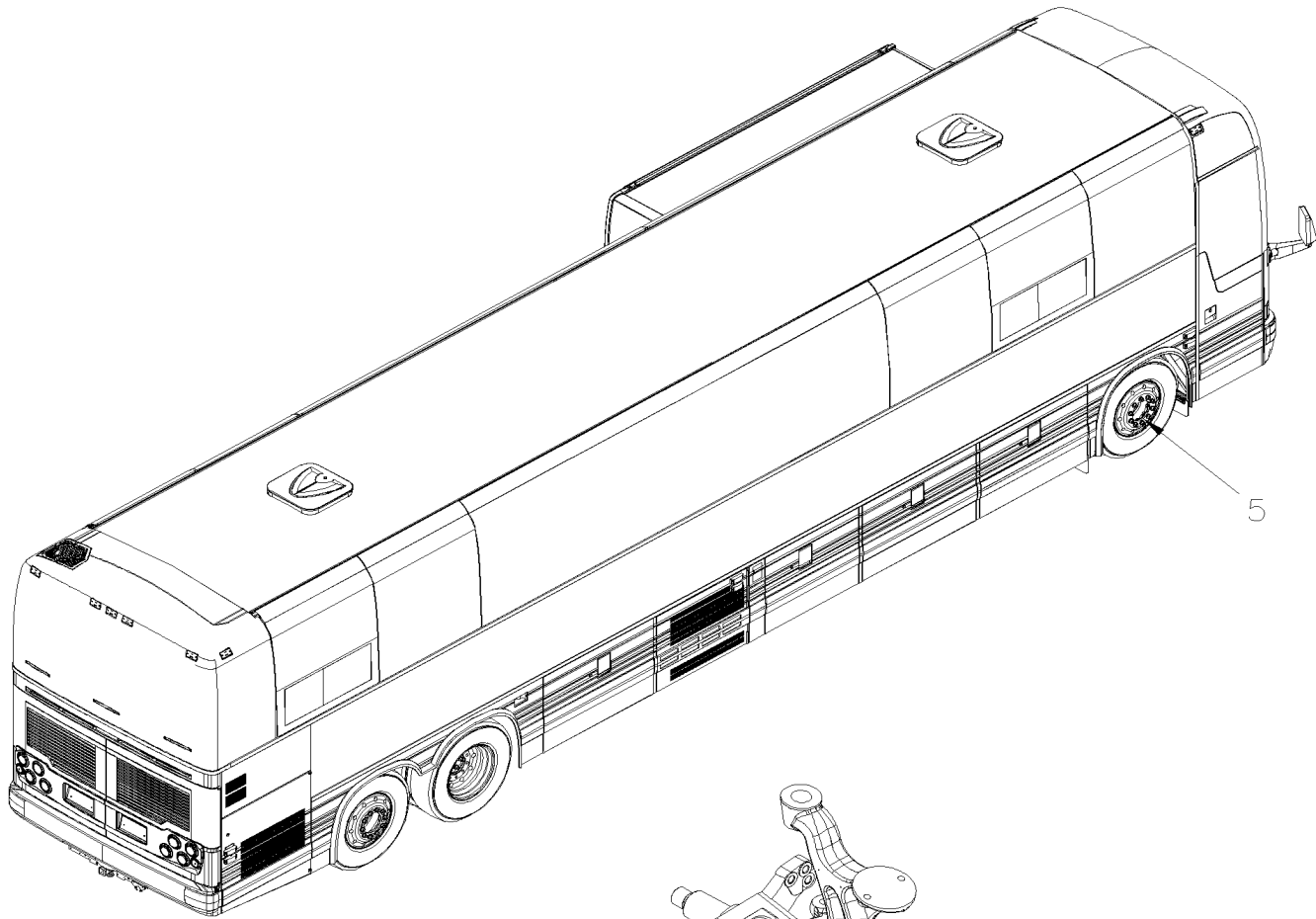


From B-5003 To D-5489	Date:07/2024	PAGE:XV-0905-00
PROPELLER SHAFT WITH "EPA 2010"		

Item#	Part	Description	X 3 V I P	X L I I E N T 4 5	N O T E S
		PROPELLER SHAFT SERIES SPL250			
10	580090	DRIVE SHAFT ASSY 451MM C/C WORLD TRANS	1	1	
11	3947801	. KIT BOOT & CLIPS SPL250X	1	1	
12	19511258	. KIT, CROSS & BEARING SPL250-3X	2	2	
. NS	3095735	. . GREASE FITTING	1	1	
13	3947800	. KIT STRAP & BOLT SPL250-70-18X	2	2	
		NEXT FOLLOWING YOKE ARE PART OF TRANSMISSION			
20	580089	FLANGE YOKE "I"-SHIFT SPL250	1	1	
20	20828302	FLANGE YOKE "I"-SHIFT OR "ZF DRIVE AXLE" SPL250	1	1	
21	20773853	COMPANION FLANGE "I" -SHIFT TRANS	1	1	
22	N.P.N.	YOKE SERIES 250 HALF ROUND / W/"WORLD" TRANS	1	1	4
23	5001715	SCREW CAP HEXF M14-2.0x47 G10.9 MAGNI 565	4	4	
24	5001716	NUT HEX M14-2.0 MAG565 G10.9	4	4	
		NEXT FOLLOWING YOKE ARE PART OF DIFERENTIAL			
40	621833	YOKE SERIES 250 HALF ROUND	1	1	
. NS	621501	. DEFLECTOR, OIL	1	1	
. NS	621492	. SPEEDY SLEEVE 3.250" I.D. / TO REPAIR OIL LEAK ON YOKE	1	1	
50	121909	PROTECTOR GUARD PROPELLER SHAFT 433.5MM x 169MM	1	1	
51	500488	WASHER LO SPT .760x1.271x.188 Z050	2	2	
52	500733	NUT HEX 3/4-16 Z050	4	4	
60	SEE IMPACT	SEE IMPACT OR CALL ORDER DESK			
		4) NO PARTS NUMBER			



	Date:07/2024	XV-10
FRONT AXLE		





		Date:07/2024	XV-10		
FRONT AXLE					
Item#	Part	Description	X 3 V I P	X L I I E N T 4 5	N O T E S
5	XV-1005-50	FRONT AXLE - INDEPENDENT MODEL "NDIFS80P" / 18000LBS From B-5003 To D-5489			
5	XV-1005-60	FRONT AXLE - INDEPENDENT MODEL "NDIFS80P" / 18000LBS From B-5003 To C-5235			
5	XV-1005-61	FRONT AXLE - INDEPENDENT MODEL "NDIFS80P" / 19000LBS From C-5236 To D-5489			

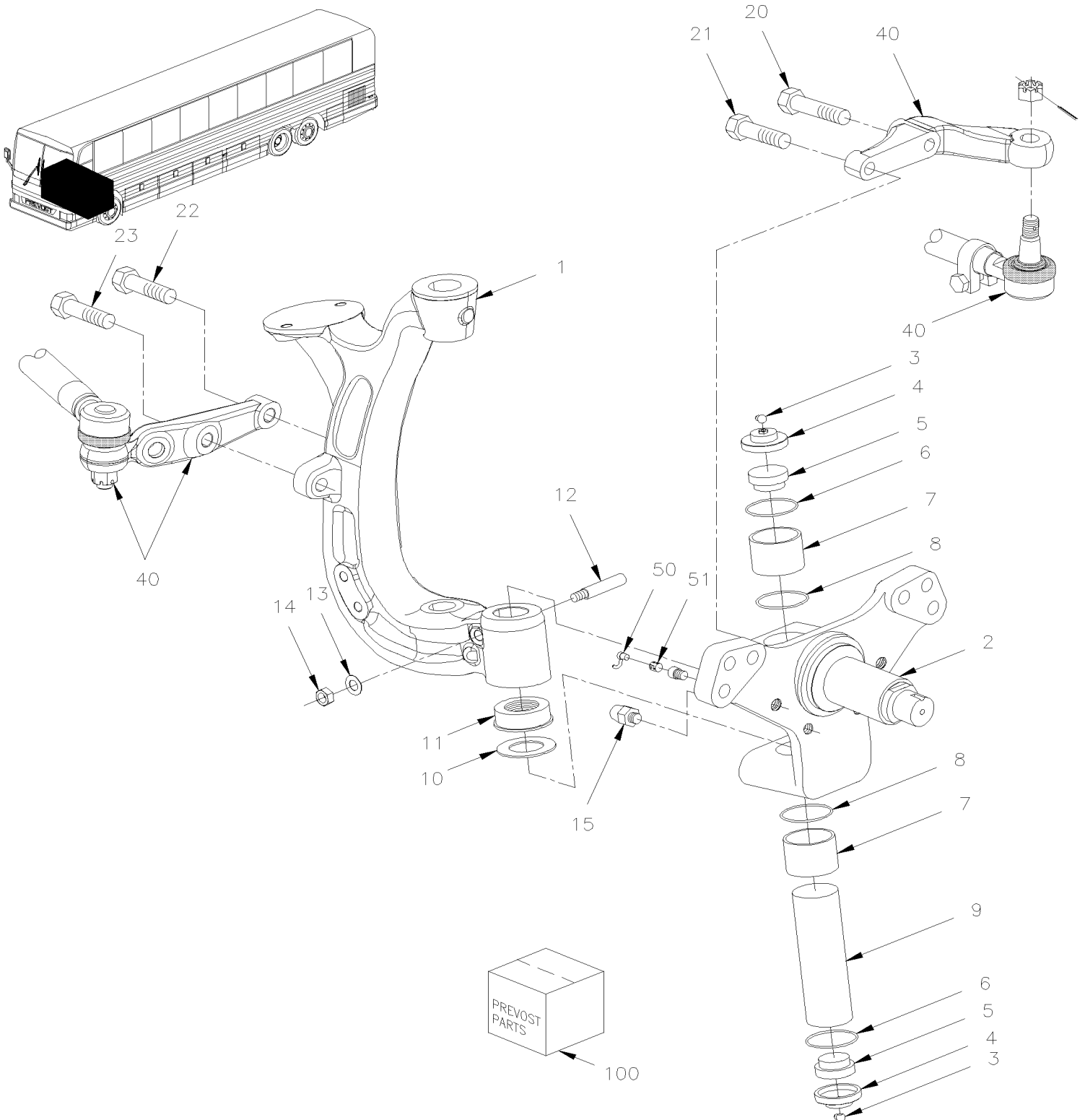


From B-5003 To D-5489

Date:07/2024

PAGE:XV-1005-50

FRONT AXLE - INDEPENDENT MODEL "NDIFS80P" / 18000LBS





From B-5003 To D-5489 Date:07/2024 PAGE:XV-1005-50

FRONT AXLE - INDEPENDENT MODEL "NDIFS80P" / 18000LBS

Item#	Part	Description	X 3 V I P	X L I I E N T 4 5	N O T E S
	611352	AXLE ASSY L.H. & R.H. / NDIFS80P / W/58 Deg		1	
1	612370	. AXLE L.H. / W/DOUBLE LOCK ON KING PIN		1	
1	612369	. AXLE R.H. / W/DOUBLE LOCK ON KING PIN		1	
2	611280	. KNUCKLE L.H. & R.H.		2	
3	501490	. GREASE FITTING / 1/8 NPT		2	
4	611283	. CAP UPPER & LOWER		2	
5	611939	. FOAM INSERT		2	
6	611284	. SNAP RING, EXT 2400-55		2	
7	611937	. BUSHING (STD)		2	
8	611936	. OIL SEAL		2	
13	500446	. WASHER FL .531x1.250x.125 Z050		1	
14	500716	. NUT HEX 1/2-20 Z050		1	
15	611287	. LOCKSTOP SCREW FRONT		1	
NS	611288	. LOCKSTOP SCREW BACK		1	
20	611308	. SCREW CAP HEX M20-2.5x100 G12.9		1	
21	611306	. SCREW CAP HEX M20-2.5x65 G12.9		1	
22	611305	. SCREW CAP HEX M20-2.5x60 G12.9		1	
23	611307	. SCREW CAP HEX M20-2.5x80 G12.9		1	
40	XV-1410-50	STEERING RODS - INSTALLATION W/INDEPENDENT "NDIFS80P" / 18000LBS			
50	642085	SENSOR ABS - OEM		2	
50	642184	SENSOR ABS - AFTER MARKET		2	
51	641096	CLIP, SPRING / TO FIX SENSOR		2	
100	611131	KIT REPAIR / STEERING KNUCKLE BUSHING (UNDER SIZED) / (REQUIRE 2 KITS)		1	T
. NS	SB07_03	. NSDIFS80P - KINGPIN KITS		1	T
100	611132	KIT REPAIR / STEERING KNUCKLE BUSHING (STD) / (REQUIRE 2 KITS)		1	
. NS	SB07_03	. NSDIFS80P - KINGPIN KITS		1	
		T) WITH THIS KITS YOU REQUIRE REAMER TOOL TO REPAIR			

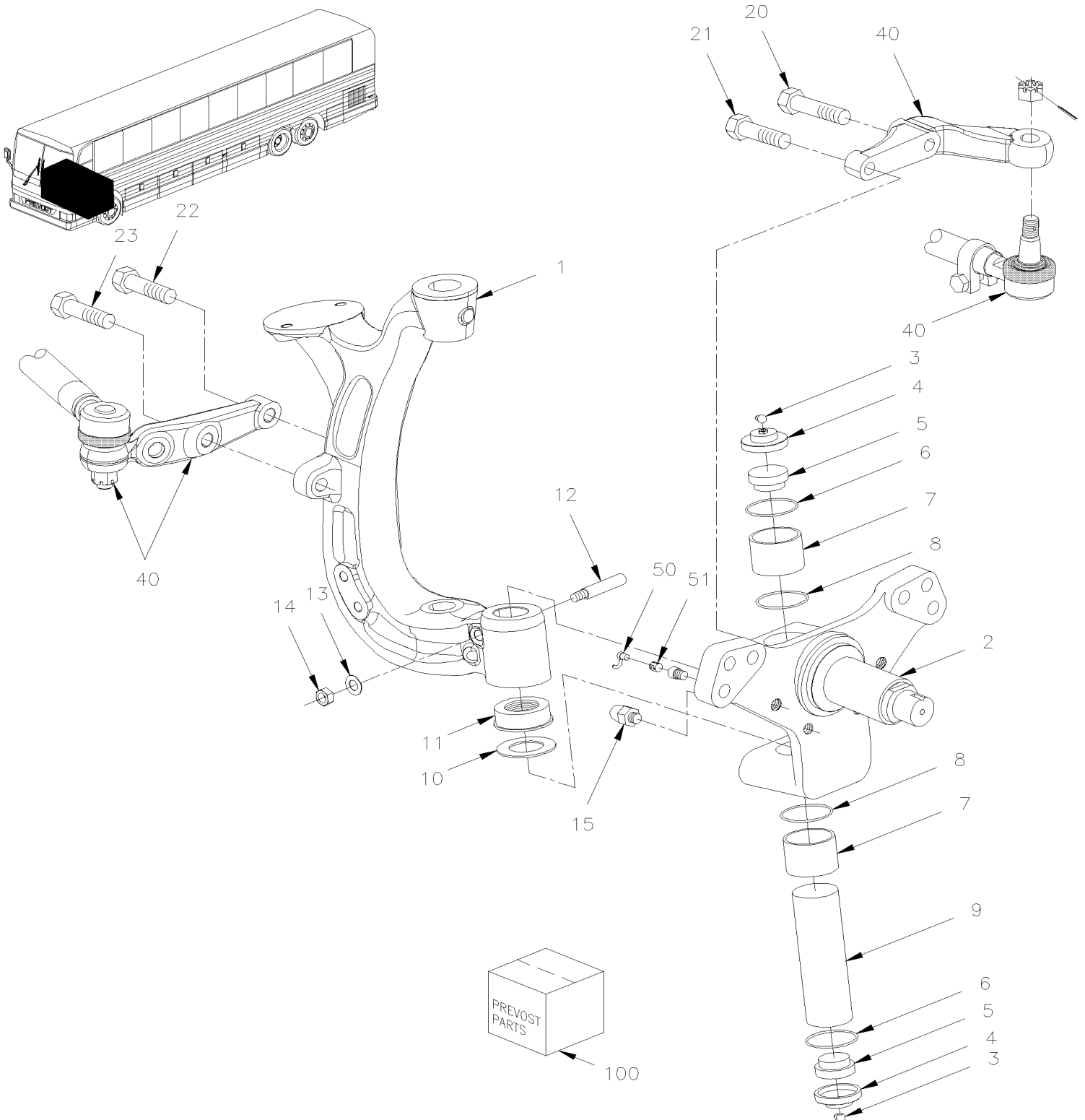


From B-5003 To C-5235

Date:07/2024

PAGE:XV-1005-60

FRONT AXLE - INDEPENDENT MODEL "NDIFS80P" / 18000LBS





From B-5003 To C-5235 Date:07/2024 PAGE:XV-1005-60

FRONT AXLE - INDEPENDENT MODEL "NDIFS80P" / 18000LBS

Item#	Part	Description	X 3 V I P	X L I I E N T 4 5	N O T E S
	611352	AXLE ASSY L.H. & R.H. / NDIFS80P / W/58 Deg	1		
1	612370	. AXLE L.H. / W/DOUBLE LOCK ON KING PIN	1		
1	612369	. AXLE R.H. / W/DOUBLE LOCK ON KING PIN	1		
2	611280	. KNUCKLE L.H. & R.H.	2		
3	501490	. GREASE FITTING / 1/8 NPT	2		
4	611283	. CAP UPPER & LOWER	2		
5	611939	. FOAM INSERT	2		
6	611284	. SNAP RING, EXT 2400-55	2		
7	611937	. BUSHING (STD)	2		
8	611936	. OIL SEAL	2		
13	500446	. WASHER FL .531x1.250x.125 Z050	1		
14	500716	. NUT HEX 1/2-20 Z050	1		
15	611287	. LOCKSTOP SCREW FRONT	1		
NS	611288	. LOCKSTOP SCREW BACK	1		
20	611308	. SCREW CAP HEX M20-2.5x100 G12.9	1		
21	611306	. SCREW CAP HEX M20-2.5x65 G12.9	1		
22	611305	. SCREW CAP HEX M20-2.5x60 G12.9	1		
23	611307	. SCREW CAP HEX M20-2.5x80 G12.9	1		
40	XV-1410-50	STEERING RODS - INSTALLATION W/INDEPENDENT "NDIFS80P" / 18000LBS			
50	642085	SENSOR ABS - OEM	2		
50	642184	SENSOR ABS - AFTER MARKET	2		
51	641096	CLIP, SPRING / TO FIX SENSOR	2		
100	611131	KIT REPAIR / STEERING KNUCKLE BUSHING (UNDER SIZED) / (REQUIRE 2 KITS)	1		T
. NS	SB07_03	. NSDIFS80P - KINGPIN KITS	1		T
100	611132	KIT REPAIR / STEERING KNUCKLE BUSHING (STD) / (REQUIRE 2 KITS)	1		
. NS	SB07_03	. NSDIFS80P - KINGPIN KITS	1		
		T) WITH THIS KITS YOU REQUIRE REAMER TOOL TO REPAIR			

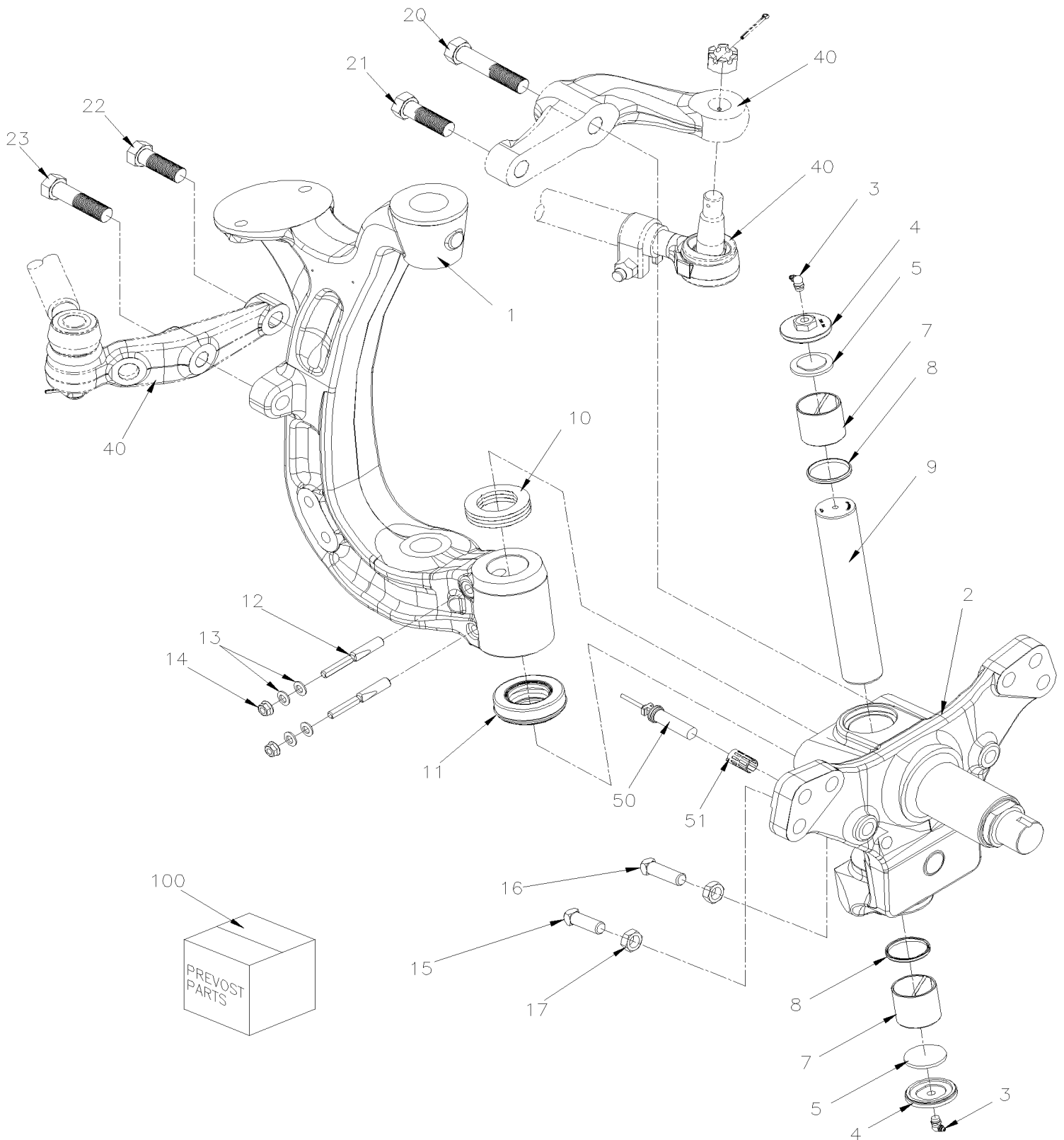


From C-5236 To D-5489

Date:07/2024

PAGE:XV-1005-61

FRONT AXLE - INDEPENDENT MODEL "NDIFS80P" / 19000LBS



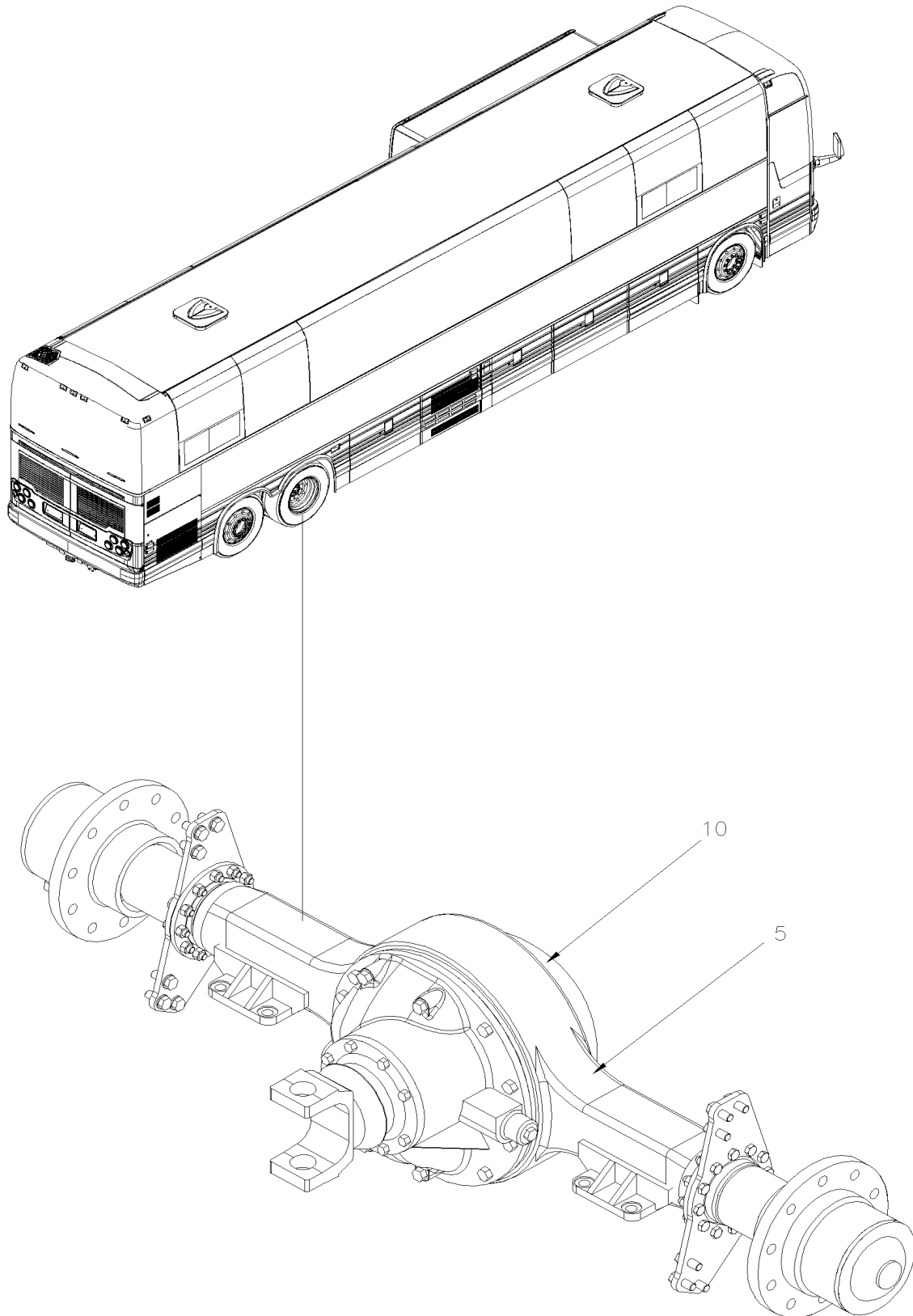


FRONT AXLE - INDEPENDENT MODEL "NDIFS80P" / 19000LBS

Item#	Part	Description	X 3 V I P	X L I I E N T 4 5	N O T E S
	612375	AXLE ASSY L.H. & R.H. / NDIFS80P / 19K	1		
1	612377	. AXLE L.H. / W/DOUBLE LOCK ON KING PIN / 19K	1		
1	612376	. AXLE R.H. / W/DOUBLE LOCK ON KING PIN / 19K	1		
2	612361	. KNUCKEL L.H. & R.H.	2		
3	501490	. GREASE FITTING / 1/8 NPT	2		
4	611283	. CAP UPPER & LOWER	2		
5	611939	. FOAM INSERT	2		
7	N.S.S.	. BUSHING (STD)	2		1
8	611936	. OIL SEAL	2		
9	N.S.S.	. KING PIN	2		1
10	611956	. SHIM 0.013	AR		
10	611957	. SHIM 0.025	AR		
11	N.S.S.	. THRUST BEARING	2		1
12	N.S.S.	. DRAW KEY	4		1
13	N.S.S.	. WASHER - DRAW KEY	8		1
14	N.S.S.	. NUT - DRAW KEY	4		1
15	611287	. LOCKSTOP SCREW FRONT	2		
16	611288	. LOCKSTOP SCREW BACK	2		
17	N.S.S.	. NUT - LOCKSTOP	4		1
20	612359	. SCREW CAP HEX M22-2.5x100 G12.9	1		
21	612360	. SCREW CAP HEX M22-2.5x65 G12.9	1		
22	611305	. SCREW CAP HEX M20-2.5x60 G12.9	1		
23	611307	. SCREW CAP HEX M20-2.5x80 G12.9	1		
40	XV-1410-51	STEERING RODS - INSTALLATION W/INDEPENDENT "NDIFS80P" / 19000LBS			
50	642085	SENSOR ABS - OEM	2		
50	642184	SENSOR ABS - AFTER MARKET	2		
51	641096	CLIP, SPRING / TO FIX SENSOR	2		
100	611132	KIT REPAIR / STEERING KNUCKLE BUSHING (STD) / (REQUIRE 2 KITS)	1		A
. NS	SB07_03	. NSDIFS80P - KINGPIN KITS	1		A
		A) THIS KIT INCLUDES ITEMS 3, 4, 5, 7, 8, 9, 10, 11, 12, 13, 14			
		1) NOT SOLD SEPARATELY			



	Date:07/2024	XV-11
REAR AXLE		



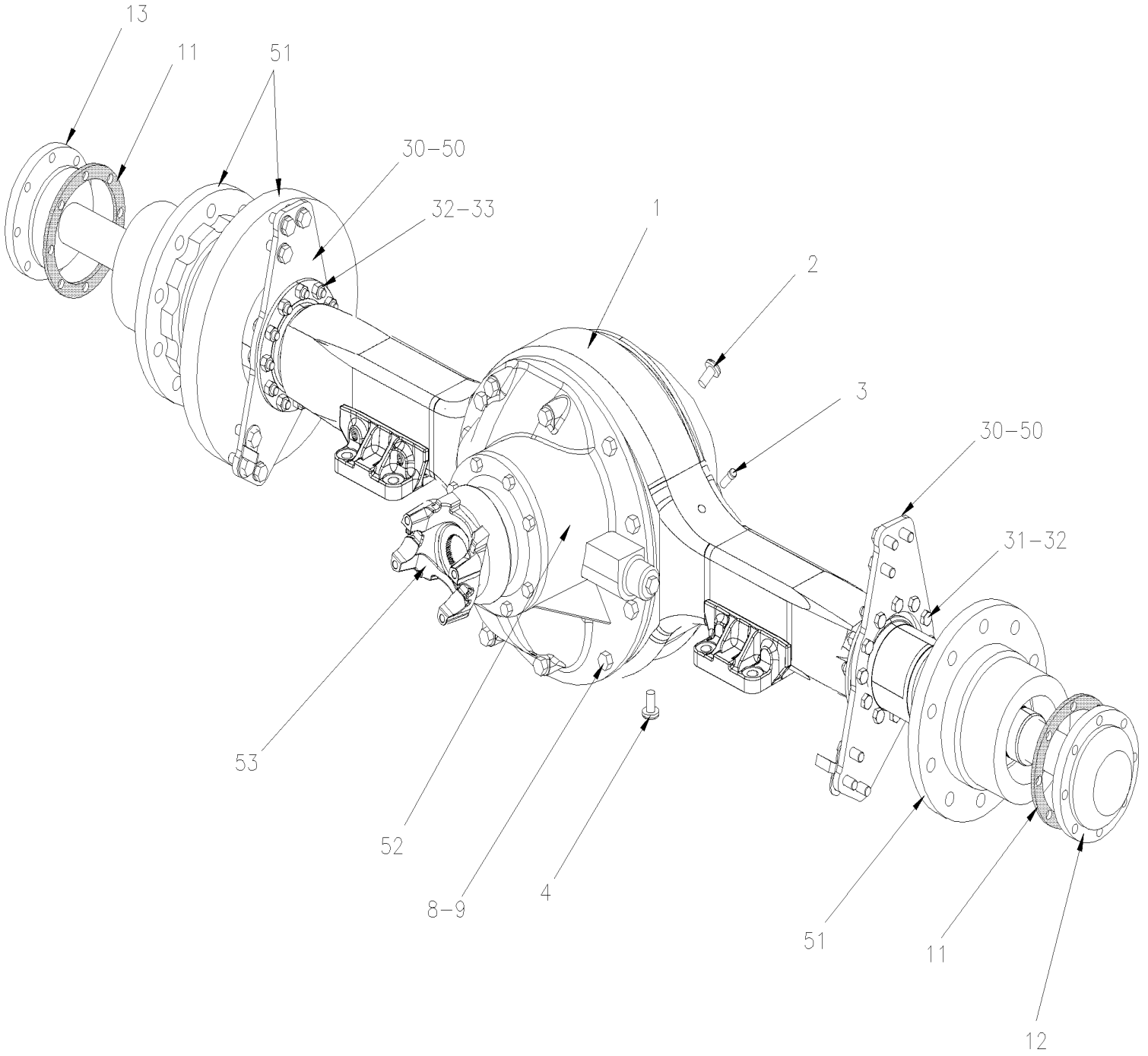


		Date:07/2024	XV-11
REAR AXLE			

Item#	Part	Description	X 3 V I P	X L I I E N T 4 5	N O T E S
5	XV-1105-00	REAR AXLE - MODEL "RC23165" From B-5003 To D-5489			
10	XV-1110-00	CARRIER ASSY From B-5003 To D-5489			



From B-5003 To D-5489	Date:07/2024	PAGE:XV-1105-00
REAR AXLE - MODEL "RC23165"		





From B-5003 To D-5489	Date:07/2024	PAGE:XV-1105-00
REAR AXLE - MODEL "RC23165"		

Item#	Part	Description	X 3 V I P	X L I I E N T 4 5	N O T E S
		AXLE ASSY WITHOUT WHEELS STUD			
	621820	REAR AXLE ASSY / 3.91 RATIO To D-5459	1	1	
	621882	REAR AXLE ASSY / 3.91 RATIO From D-5460	1	1	
	621824	REAR AXLE ASSY / 3.91 RATIO / SUPER SINGLE To D-5459	1	1	
	621887	REAR AXLE ASSY / 3.91 RATIO / SUPER SINGLE From D-5460	1	1	
	621818	REAR AXLE ASSY / 4.10 RATIO To D-5459	1	1	
	621883	REAR AXLE ASSY / 4.10 RATIO From D-5460	1	1	
	621822	REAR AXLE ASSY / 4.10 RATIO / SUPER SINGLE To D-5459	1	1	
	621888	REAR AXLE ASSY / 4.10 RATIO / SUPER SINGLE From D-5460	1	1	
1	620046	HOUSING ASSY W/BRACKET WELDED To D-5459	1	1	
1	620047	HOUSING ASSY W/BRACKET WELDED From D-5460	1	1	
1	621752	HOUSING ASSY W/BRACKET WELDED / SUPER SINGLE	1	1	
NS	680053	. SILICONE TUBE RTV103 / BLACK / 3 oz	2	2	
2	621142	. PLUG FILLER	1	1	
3	620442	. BREATHER / (CURRENT 1 PIECE)	2	2	
3	621871	. BREATHER AND TUBE	1	1	S
4	621615	. PLUG MAGNETIC	1	1	
6	XV-1110-00	. CARRIER ASSY			
8	5001422	. SCREW CAP HEX 5/8-11x2 1/2 G8 ZP	12	12	
8	5001423	. SCREW CAP HEX 5/8-11x4 G8 ZP	4	4	
8	621221	. SCREW CAP HEX 5/8-11x1 3/4 G8 ZP	AR	AR	
9	620474	. WASHER HARDENED / 5/8" I.D.	18	18	
10	500742	. NUT HEX STO 7/8-14 ZP	18	18	
11	621640	. GASKET / AXLE SHAFT W/8 STUDS	2	2	
12	621626	. SHAFT, AXLE / 42" (stp 1537) (INSTALL RH CURBSIDE) To D-5459	1	1	E
12	620022	. SHAFT, AXLE / 41.41" (STP 2394) (INSTALL RH CURBSIDE) From D-5460	1	1	E
12	621755	. SHAFT, AXLE / 46.30" (stp 1998) / SUPER SINGLE (INSTALL RH CURBSIDE)	1	1	F
13	621625	. SHAFT, AXLE / 40 1/8" (stp 1536) (INSTALL LH STREET SIDE) To D-5459	1	1	E
13	620020	. SHAFT, AXLE / 39.41" (STP 2393) (INSTALL LH STREET SIDE) From D-5460	1	1	E
13	621756	. SHAFT, AXLE / 44.37"(stp 1999) / SUPER SINGLE (INSTALL LH STREET SIDE)	1	1	F
NS	689949	OIL DIFERENTIAL S.A.E. 140 GL5 85-140W (VRAC) To D-5400	AR	AR	
NS	686082	OIL DIFERENTIAL S.A.E. 140 GL5 85-140W (VRAC) From D-5401	AR	AR	
		NEXT FOLLOWING ITEMS ARE RELATED			
		WITH "OPTION" DIFFERENTIAL LOCK			



From B-5003 To D-5489	Date:07/2024	PAGE:XV-1105-00
REAR AXLE - MODEL "RC23165"		

Item#	Part	Description	X 3 V I P	X L I I E N T 4 5	N O T E S
NS	624216	DECAL "CAUTION" DIFFERENTIAL LOCK..."	1	1	
NS	562697	SWITCH / ON-ON / D.P.D.T. / CH-OVER / W/RED & GREEN LED	1	1	
NS	564013	CAP / DIFFERENTIAL LOCK	1	1	
NS	142198	HOSE ASSY / DIFF & STRUCTURE / #6 875MM	1	1	
NS	172589	SUPPORT HOSE / (WELDED TO STRUCTURE)	1	1	
NS	641937	VALVE, 3 WAYS, 2 POSITIONS N.C. / W/MAN OVERRIDE	1	1	
. NS	641929	. COIL 24V	1	1	
. NS	641385	. CONNECTOR / SOCKET HOUSING ASSY 3C / PNEUMAC 54934-01	1	1	
NS	641934	SILENCER / MUFFLER / 3/8NPT-M	1	1	
NS	260862	PANEL TO FIX VALVE AT REAR COMPARTMENT	1	1	
30	621868	CALIPER MOUNTING BRACKET L.H. & R.H. W/OUT BUSHING	2	2	
30	621869	BUSHING - ABS SENSOR	2	2	
31	621636	SCREW CAP HEX / TO FIX BRACKET TO AXLE 9/16-18 X 2 GR 8	12	12	
32	621365	WASHER (HARD) .59IDX.97ODX.09	24	24	
33	621638	NUT HEX 9/16-18 GR8	12	12	
50	XV-1235-00	BRAKE PARTS - DRIVE AXLE "KNORR-BREMSE" SN7 SERIES To E-5527			
51	XV-1305-00	HUB & ROTOR - DRIVE AXLE			
52	XV-1110-00	CARRIER ASSY			
53	XV-0905-00	PROPELLER SHAFT WITH "EPA 2010"			
		E) WITH DOUBLE WHEEL ONLY			
		F) WITH SUPER SINGLE ONLY			
		IS) WITH TRANS I-SHIFT			
		S) PRODUCT IMPROVEMENT			

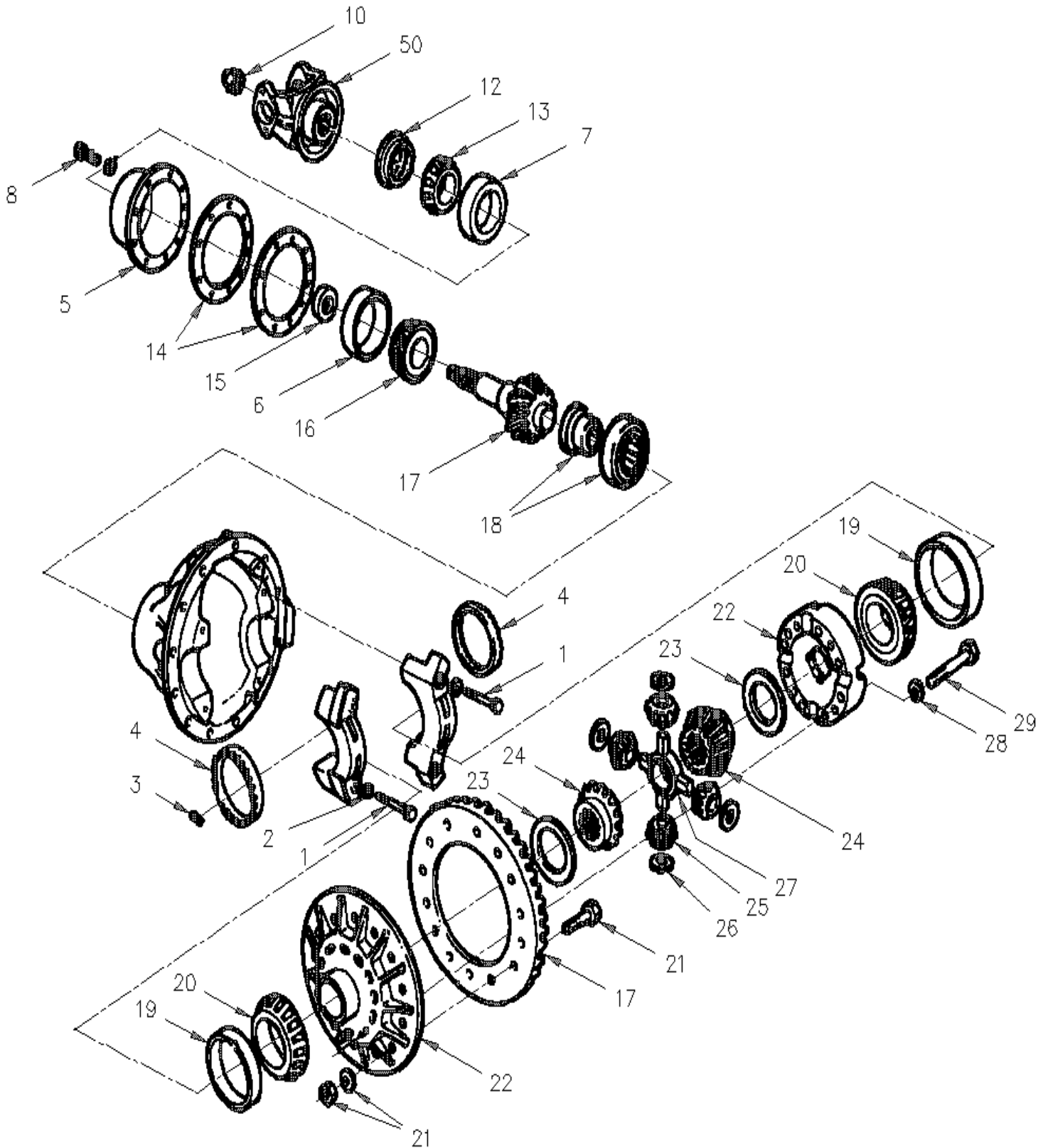


From B-5003 To D-5489

Date:07/2024

PAGE:XV-1110-00

CARRIER ASSY





From B-5003 To D-5489	Date:07/2024	PAGE:XV-1110-00
CARRIER ASSY		

Item#	Part	Description	X 3 V I P	X L I I E N T 4 5	N O T E S
	621866	CARRIER ASSY / 3.91 RATIO	1	1	
	621249	CARRIER ASSY / 4.10 RATIO	1	1	
	N.S.S.	. CASE CARRIER	1	1	1
1	621418	. . SCREW, CAP	2	2	
2	621417	. . WASHER	4	4	
3	505128	. SPRING, PIN 1/4 X 2	2	2	
4	621479	. RING, ADJUSTING / W/MODEL 3200-P-1706	2	2	
5	621419	. CASE & CUP ASSY / PINION BEARING	1	1	
6	621420	. . CUP BEARING / INNER BEARING	1	1	
7	621421	. . CUP BEARING / OUTER BEARING	1	1	
8	621439	. SCREW, CAP	8	8	
10	621418	. SCREW, CAP	4	4	
NS	621445	. NUT / DRIVE PINION	1	1	
12	621424	. SEAL, OIL	1	1	
NS	195671	SEAL INSTALLER TOOL / CARRIER DRIVE PINION (2731T1)	1	1	I
13	621423	. CONE BEARING / OUTER	1	1	
14	621438	. SHIM 0.020	AR	AR	
14	621437	. SHIM 0.008	AR	AR	
14	621436	. SHIM 0.005	AR	AR	
14	621435	. SHIM 0.003	AR	AR	
15	621434	. SPACER .263	AR	AR	
15	621433	. SPACER .262	AR	AR	
15	621432	. SPACER .261	AR	AR	
15	621431	. SPACER .260	AR	AR	
15	621430	. SPACER .256	AR	AR	
15	621429	. SPACER .254	AR	AR	
15	621428	. SPACER .253	AR	AR	
15	621427	. SPACER .252	AR	AR	
15	621426	. SPACER .251	AR	AR	
15	621425	. SPACER .250	AR	AR	
16	621422	. CONE BEARING / INNER	1	1	
17	621716	. SET, GEAR DRIVE & PINION / 4.56 RATIO	1	1	
17	621719	. SET, GEAR DRIVE & PINION / 4.89 RATIO	1	1	
18	621481	. BEARING SPIGOT / INNER & OUTER / W/3200-P-1706	1	1	
NS	621482	. RING, SNAP / TO FIX SPIGOT BEARING	1	1	
19	621210	. CUP BEARING	2	2	A
20	621209	. CONE BEARING	2	2	A
21	621444	. BOLT, NUT & WASHER / (KIT OF 12)	1	1	
22	621488	. CASE ASSY / W/RATIO 3.91, 4.10, 4.30 & 4.56	1	1	
22	621539	. CASE ASSY / W/RATIO 4.89	1	1	
23	621449	. . WASHER, THRUST / SIDE GEAR	2	2	
24	621450	. . GEAR, SIDE	2	2	

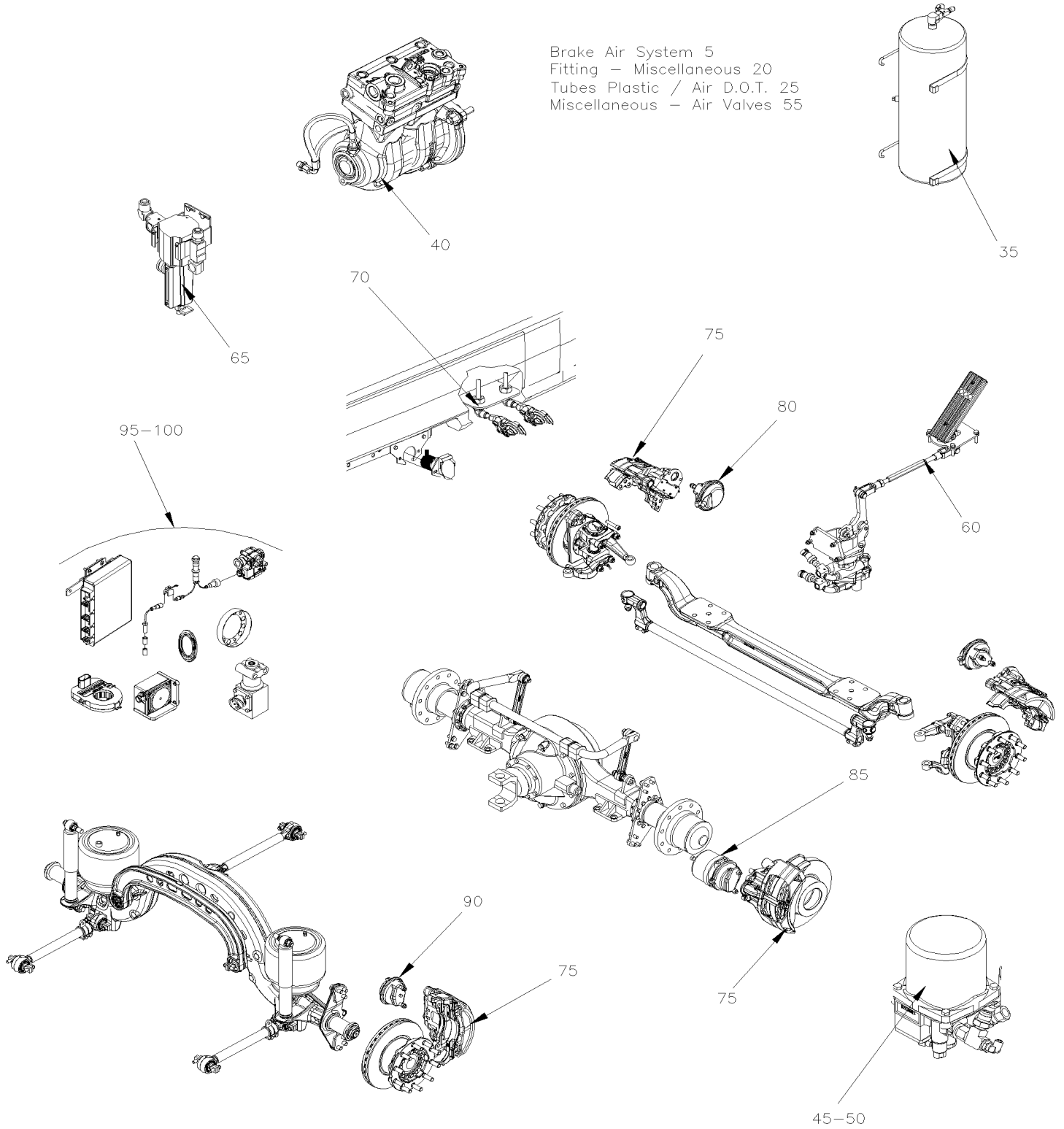


From B-5003 To D-5489	Date:07/2024	PAGE:XV-1110-00
CARRIER ASSY		

Item#	Part	Description	X 3 V I P	X L I I E N T 4 5	N O T E S
25	621452	. . GEAR, PINION	4	4	
26	621453	. . WASHER, GEAR PINION	4	4	
27	621451	. . SPIDER	1	1	
28	621447	. . WASHER	12	12	
29	621448	. . SCREW, CAP	12	12	
NS	621653	KIT, CUP & CONE	1	1	A
50	621833	YOKE SERIES 250 HALF ROUND	1	1	
. NS	621501	. DEFLECTOR, OIL	1	1	
. NS	621492	. SPEEDY SLEEVE 3.250" I.D. / TO REPAIR OIL LEAK ON YOKE	1	1	
		A) ALSO SOLD IN KIT #621653			
		I) THIS TOOL INSTALLER ARE USE WITH NEW SEAL STAMPED A1205A2731			
		1) NOT SOLD SEPARATELY			



	Date:07/2024	XV-12
BRAKE		





		Date:07/2024	XV-12		
BRAKE					
Item#	Part	Description	X 3 V I P	X L I I E N T 4 5	N O T E S
20	XV-1201-00	FITTING - MISCELLANEOUS From B-5003 To D-5489			
25	XV-1202-00	TUBES PLASTIC / AIR D.O.T. From B-5003 To D-5489			
35	XV-1203-50	AIR TANK - INSTALLATION From B-5003 To D-5489			
40	XV-1205-10	AIR COMPRESSOR - "WABCO" 636CC - WITH VOLVO D13 From B-5003 To D-5489			
45	XV-1215-00	AIR DRYER - "HALDEX" From B-5003 To D-5459			
45	XV-1215-01	AIR DRYER - "WABCO" From D-5460 To D-5489			
50	XV-1215-10	AIR DRYER - INSTALLATION From B-5003 To D-5489			
55	XV-1220-00	MISCELLANEOUS AIR VALVE From B-5003 To D-5489			
60	XV-1220-10	BRAKE PEDAL VALVE - "BENDIX" From B-5003 To D-5489			
65	XV-1220-15	AIR FILTER - ACCESSORIES From B-5003 To D-5489			
70	XV-1220-50	TRAILER VALVE INSTALLATION From B-5003 To D-5489			
75	XV-1225-00	BRAKE PARTS - FRONT & TAG AXLE "KNORR-BREMSE" SN7 SERIES W/NEW SLIDE PINS From B-5003 To D-5489			
80	XV-1225-10	BRAKE CHAMBER - FRONT AXLE From B-5003 To D-5489			
85	XV-1235-00	BRAKE PARTS - DRIVE AXLE "KNORR-BREMSE" SN7 SERIES From B-5003 To D-5489			
85	XV-1235-10	BRAKE CHAMBER - DRIVE AXLE From B-5003 To D-5489			
90	XV-1245-10	BRAKE CHAMBER - TAG AXLE From B-5003 To D-5489			
95	XV-1250-00	ABS & ESP CONTROL From B-5003 To D-5489			
100	XV-1250-10	ABS BRAKE VALVE - INSTALLATION From B-5003 To D-5459			
100	XV-1250-11	ABS/ESP BRAKE VALVE - INSTALLATION From D-5460 To D-5489			

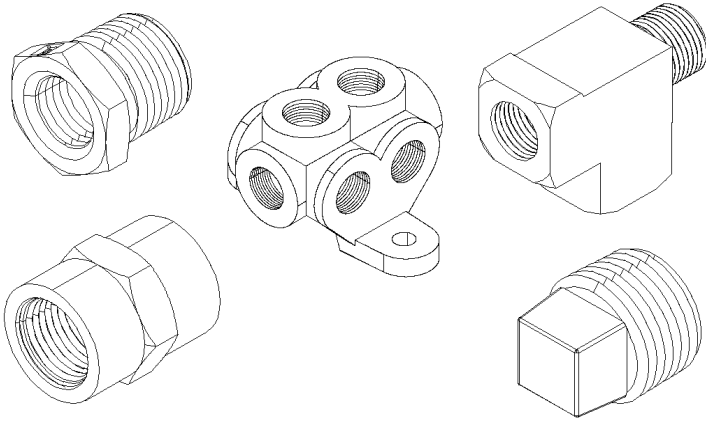


From B-5003 To D-5489

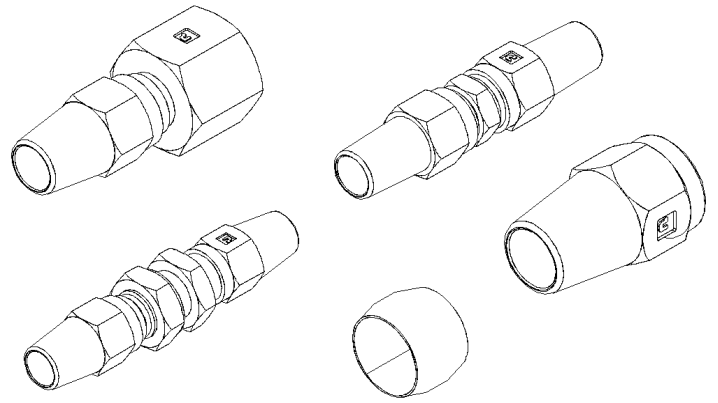
Date:07/2024

PAGE:XV-1201-00

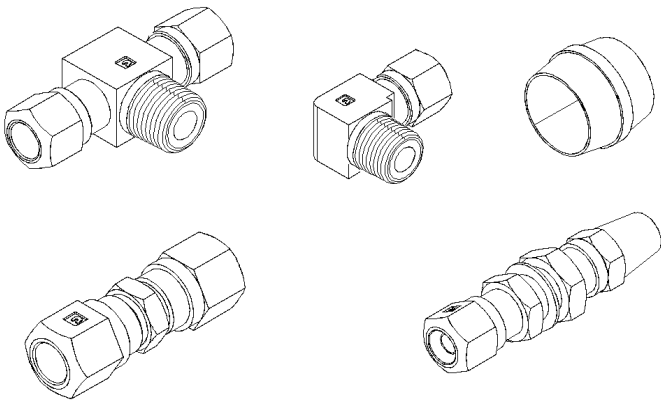
FITTING - MISCELLANEOUS



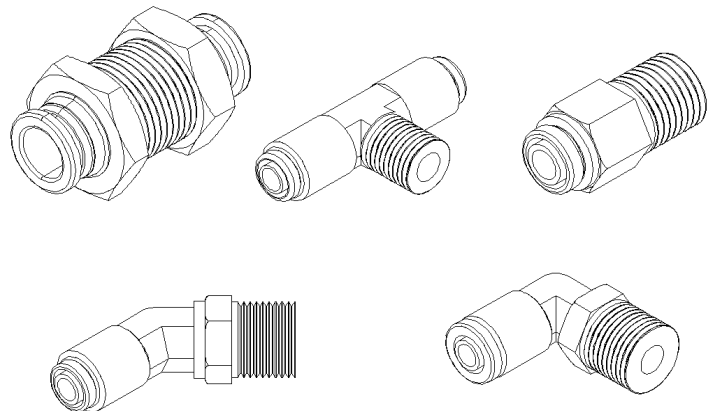
FITTING PIPE "NPT"
1



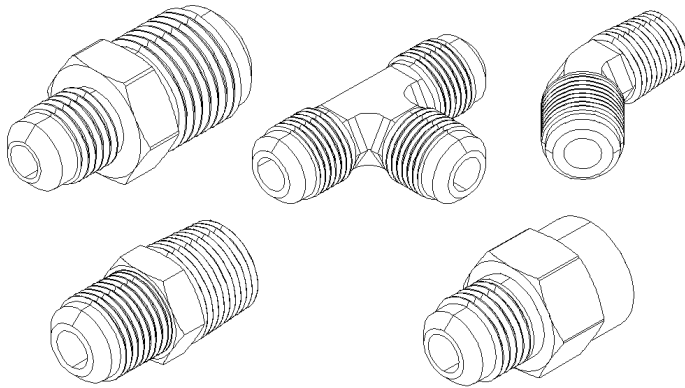
FITTING BRAKE "AB"
2



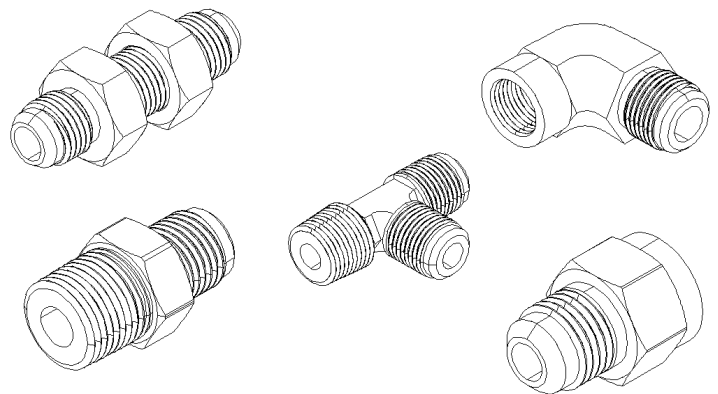
FITTING BRAKE "NTA"
3



FITTING BRAKE "PUSH-IN"
4



FITTING "SAE 45°"
5



FITTING "JIC 37°"
6

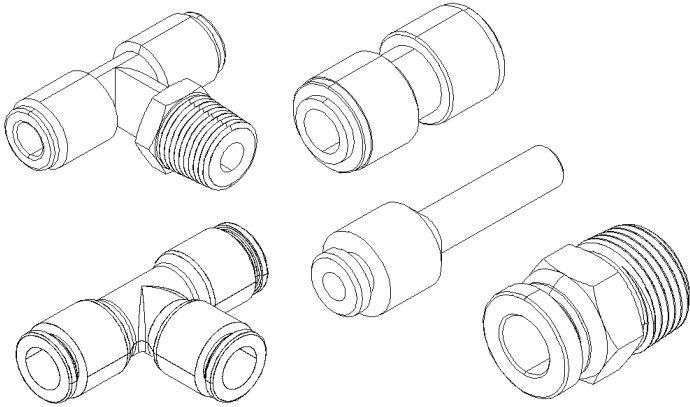


From B-5003 To D-5489

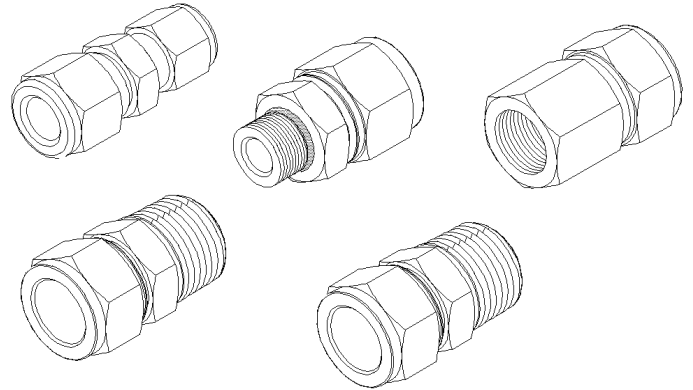
Date:07/2024

PAGE:XV-1201-00

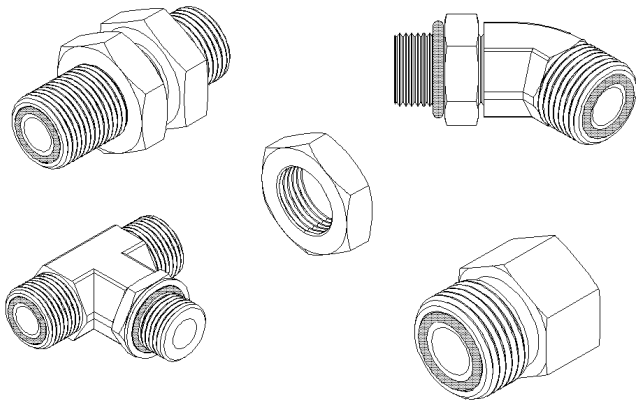
FITTING - MISCELLANEOUS



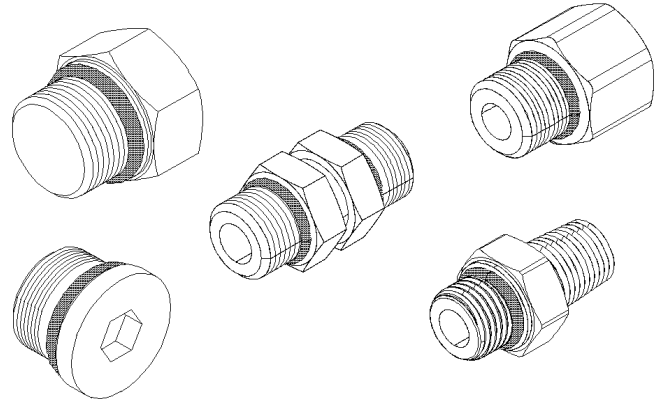
FITTING "PUSH-IN"
7



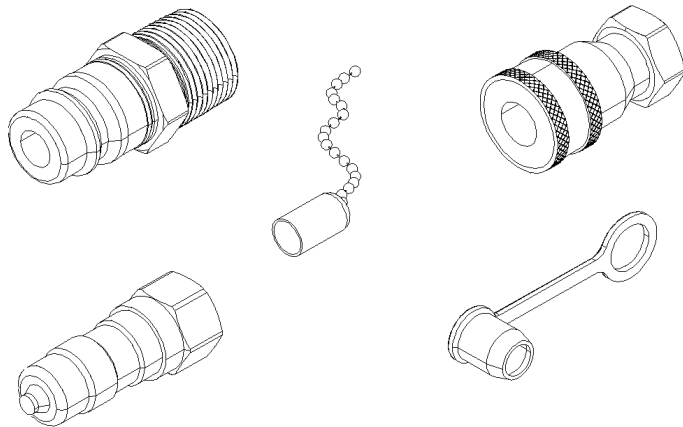
FITTING "A-LOK"
8



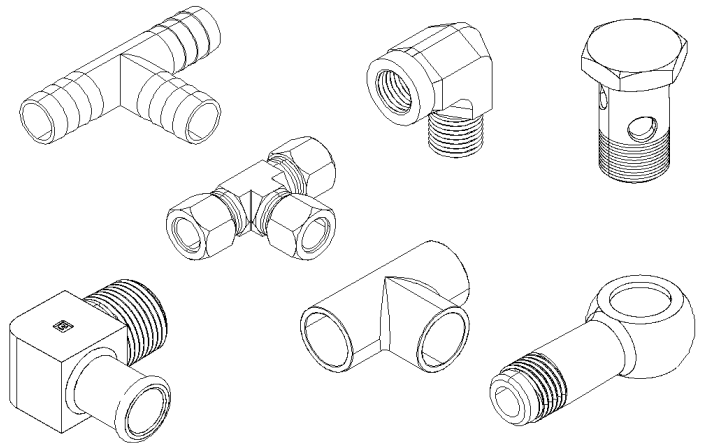
FITTING "ORS"
9



FITTING "ORB"
10



FITTING "QUICK DISCONNECT"
11



FITTING "MISCELANOUS"
12

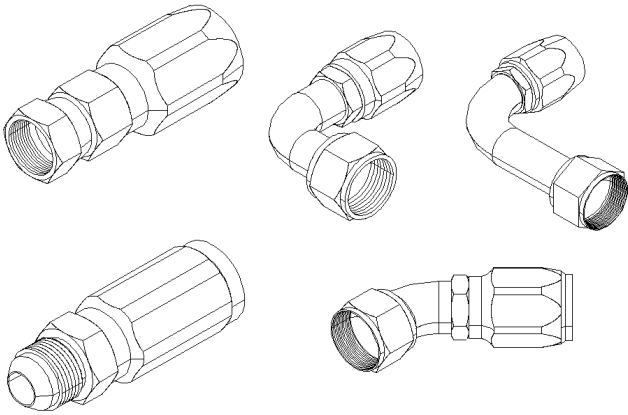


From B-5003 To D-5489

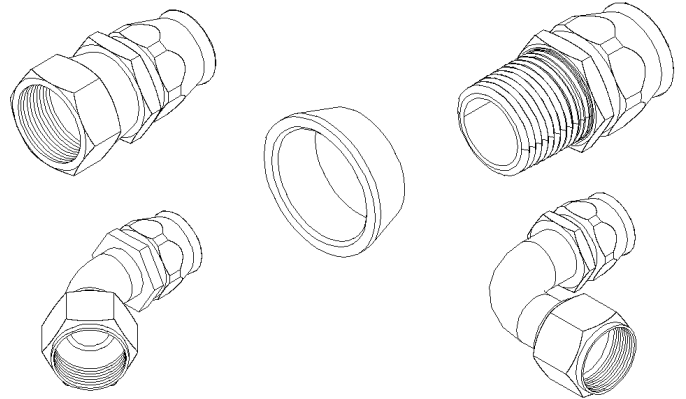
Date:07/2024

PAGE:XV-1201-00

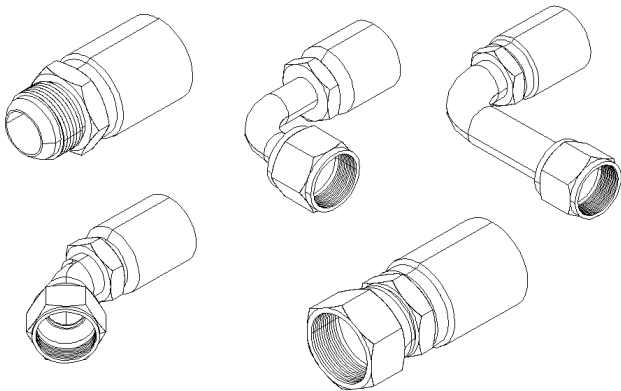
FITTING - MISCELLANEOUS



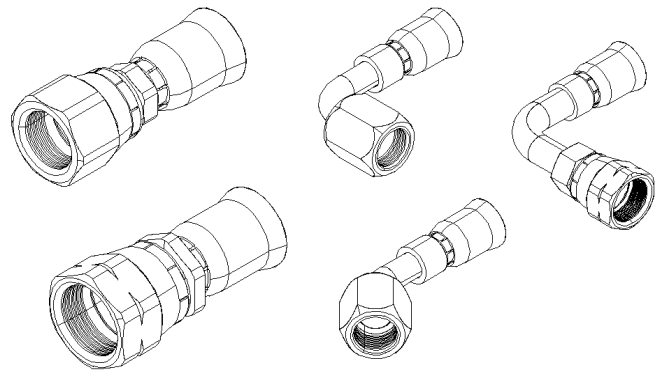
FITTING "HOSE END REUSABLE"
13



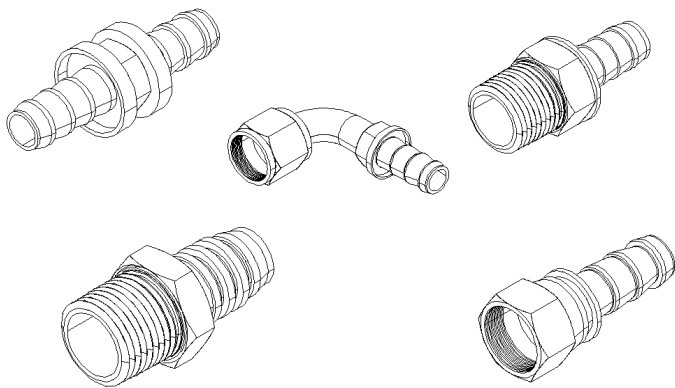
FITTING "HOSE END REUSABLE"
TEFLON
14



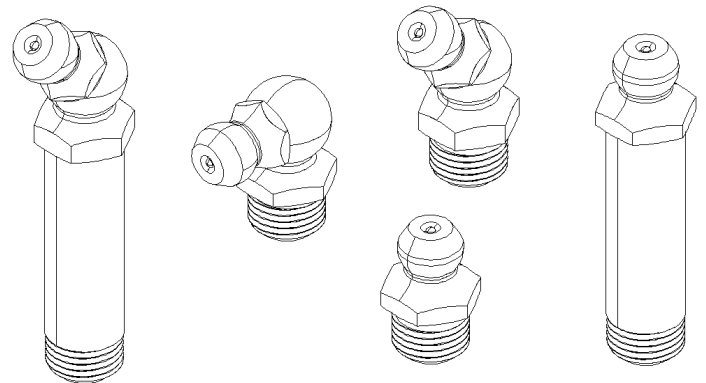
FITTING "HOSE END CRIMP"
15



FITTING "HOSE END CRIMP"
TEFLON
16



FITTING "HOSE END"
"PUSH-LOK & COLLAR"
17



FITTING "GREASE"
30



From B-5003 To D-5489	Date:07/2024	PAGE:XV-1201-00
-----------------------	--------------	-----------------

FITTING - MISCELLANEOUS

Item#	Part	Description	X 3 V I P	X L I E N T 4 5	N O T E S
	 BRAKE			
1	FM-00FM-00	FITTING NPT PIPE - MISCELANOUS			
2	FM-00FM-01	FITTING BRAKE "AB" - MISCELANOUS (D.O.T.)			
3	FM-00FM-02	FITTING BRAKE "NTA" - MISCELANOUS (D.O.T.)			
4	FM-00FM-03	FITTING BRAKE "PUSH-IN" - MISCELANOUS (D.O.T.)			
	 SAE & JIC			
5	FM-00FM-04	FITTING "SAE 45°" - MISCELANOUS			
6	FM-00FM-05	FITTING "JIC 37°" - MISCELANOUS			
7	FM-00FM-06	FITTING "PUSH-IN" - MISCELANOUS			
8	FM-00FM-07	FITTING "A-LOK" - MISCELANOUS (SWAGLELOK)			
	 ORS & ORB			
9	FM-00FM-08	FITTING "ORS" - MISCELANOUS			
10	FM-00FM-09	FITTING "ORB" - MISCELANOUS			
	 QUICK DISCONNECT			
11	FM-00FM-10	FITTING "QUICK DISCONNECT" - MISCELANOUS			
12	FM-00FM-11	FITTING "MISCELANOUS"			
	 HOSE END FITTING			
13	FM-00FM-12	FITTING "HOSE END REUSABLE" - MISCELANOUS			
14	FM-00FM-13	FITTING "HOSE END REUSABLE TEFLON" - MISCELANOUS			
15	FM-00FM-14	FITTING "HOSE END CRIMP" - MISCELANOUS			
16	FM-00FM-15	FITTING "HOSE END CRIMP TEFLON" - MISCELANOUS			
17	FM-00FM-16	FITTING "HOSE END" - "PUSH-LOK & COLLAR"			
30	FM-00GF-00	GREASE FITTING			



From B-5003 To D-5489

Date:07/2024

PAGE:XV-1202-00

TUBES PLASTIC / AIR D.O.T.

ILLUSTRATION NOT
AVAILABLE AT TIME OF
PRINTING



From B-5003 To D-5489	Date:07/2024	PAGE:XV-1202-00
TUBES PLASTIC / AIR D.O.T.		

Item#	Part	Description	X 3 V I P	X L I E N T 4 5	N O T E S
		ADAPTER, 90HT, MALE (PUSH IN TUBE FITTINGS)			
	503747	TUBE, NYLON 6MM O.D. / BLACK S.L.			
	503529	TUBE, NYLON 8MM O.D. / BLACK S.L.			
	503563	TUBE, NYLON 6MM O.D. / WHITE S.L.			
	503566	TUBE, NYLON 1/4 O.D. / BLUE S.L.			
	503471	TUBE, NYLON 3/8 O.D. / BLUE S.L.			
	503517	TUBE, NYLON 1/2 O.D. / BLUE S.L.			
	503536	TUBE, NYLON 1/8 O.D. / BLACK S.L.			
	503402	TUBE, NYLON 1/4 O.D. / BLACK S.L.			
	503404	TUBE, NYLON 3/8 O.D. / BLACK S.L.			
	503488	TUBE, NYLON 1/2 O.D. / BLACK S.L./			
	503540	TUBE, NYLON 5/8 O.D. / BLACK S.L.			
	503541	TUBE, NYLON 3/4" O.D. / BLACK S.L			
	503548	TUBE, NYLON 1/4 O.D. / YELLOW S.L.			
	503470	TUBE, NYLON 3/8 O.D. / YELLOW S.L.			
	503533	TUBE, NYLON 1/2 O.D. / YELLOW S.L.			
NS	19514092	. TUBE, NYLON 1/2 O.D. / YELLOW / 100FT ROLL			
	503466	TUBE, NYLON 1/4 O.D. / RED S.L.			
	503467	TUBE, NYLON 3/8 O.D. / RED S.L.			
	503468	TUBE, NYLON 1/2 O.D. / RED S.L.			
	503469	TUBE, NYLON 5/8 O.D. / RED S.L.			
	503464	TUBE, NYLON 1/4 O.D. / GREEN S.L.			
	503463	TUBE, NYLON 3/8 O.D. / GREEN S.L.			
	503406	TUBE, NYLON 1/2 O.D. / GREEN S.L.			
	503408	TUBE, NYLON 5/8 O.D. / GREEN S.L.			
	503465	TUBE, NYLON 3/4 O.D. / GREEN S.L.			
	503472	TUBE, NYLON 3/8 O.D. / GREY S.L.			
	503638	TUBE, NYLON 1/2 O.D. / BROWN S.L.			
NS	683355	TOOL PLASTIC TUBE CUTTER / PLASTIC	1	1	
NS	681625	TOOL PLASTIC TUBE CUTTER / METAL	1	1	

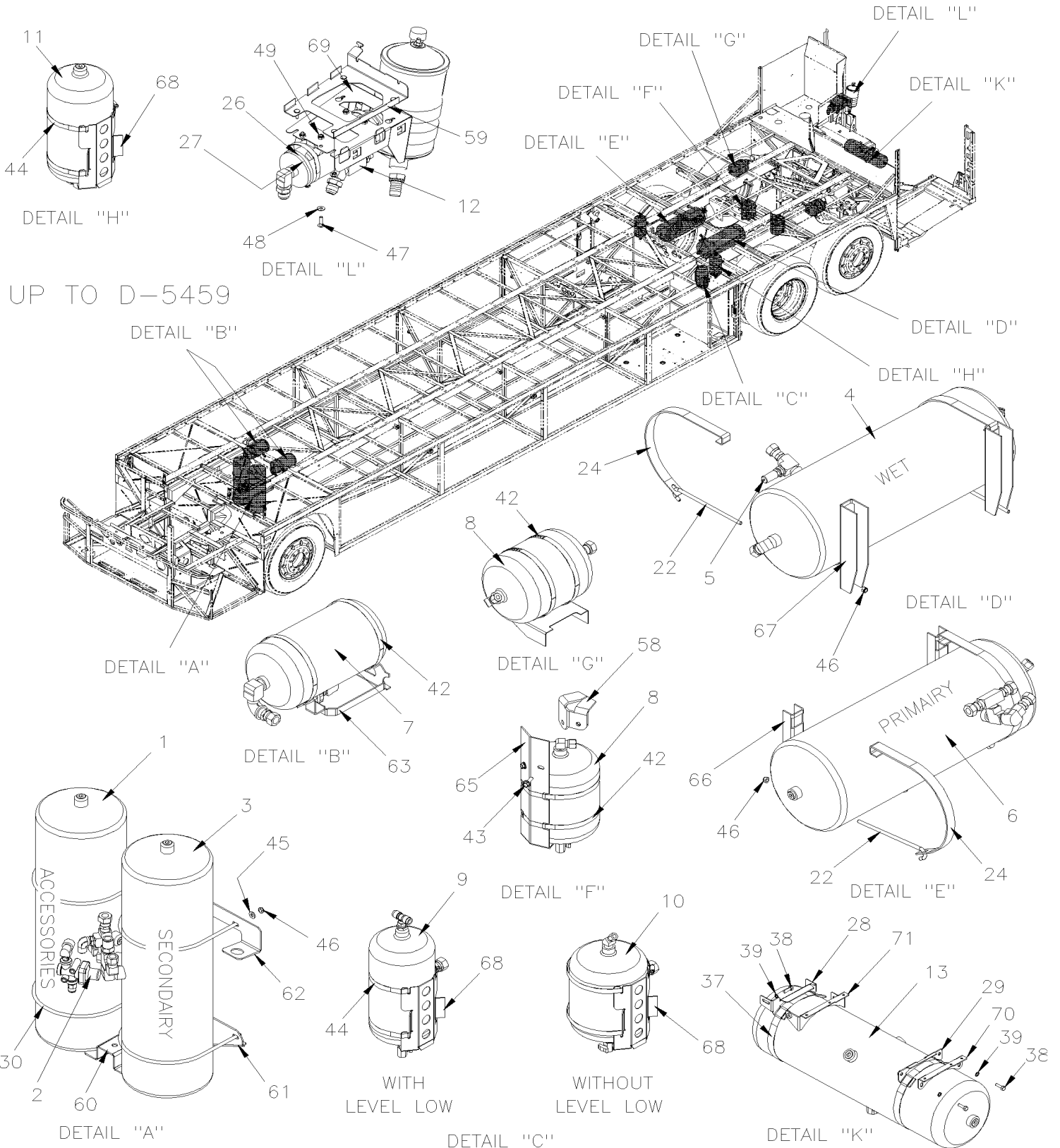


From B-5003 To D-5489

Date:07/2024

PAGE:XV-1203-50

AIR TANK - INSTALLATION



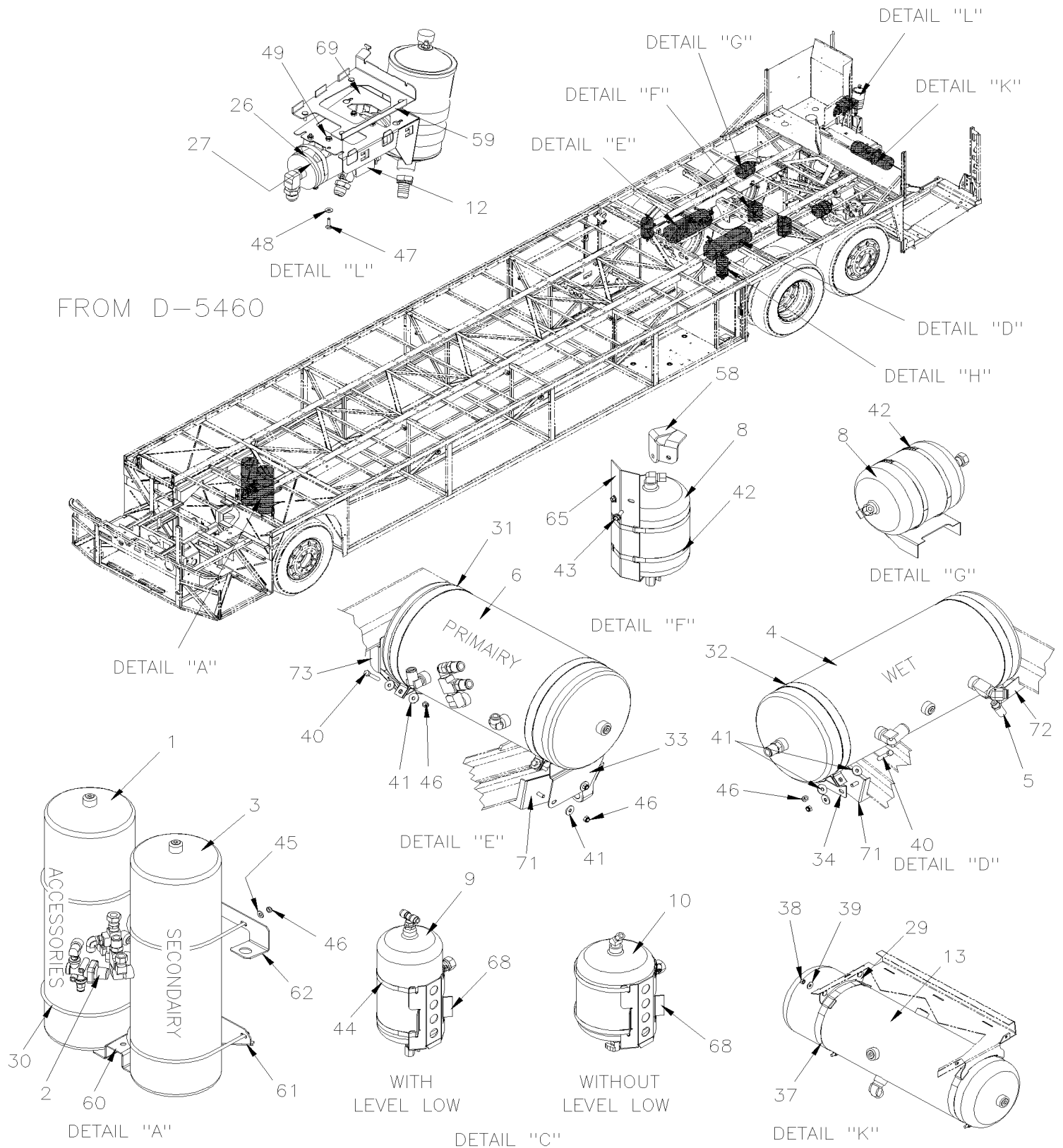


From B-5003 To D-5489

Date:07/2024

PAGE:XV-1203-50

AIR TANK - INSTALLATION





From B-5003 To D-5489	Date:07/2024	PAGE:XV-1203-50
AIR TANK - INSTALLATION		

Item#	Part	Description	X 3 V I P	X L I E N T 4 5	N O T E S
		ACCESSORIES AIR TANK			
1	141834	AIR TANK / 1303 IN° / 8" O.D. X 27"1/2	1	1	
2	641137	VALVE, PRESSURE PROTECTION TYPE PR-4 70PSI	1	1	
		SECONDARY AIR TANK			
3	141834	AIR TANK / 1303 IN° / 8" O.D. X 27"1/2	1	1	
		WET AIR TANK			
4	144848	AIR TANK / 1791 IN° / 9 1/2" O.D. X 27" To D-5459	1	1	
4	642000	AIR TANK / 1791 IN° / 9 1/2" O.D. X 27" From D-5460	1	1	
5	642022	SAFETY VALVE 150 PSI X 3/8 NPT / ST-3	1	1	
		PRIMARY AIR TANK			
6	140869	AIR TANK / 1791 IN° / 9 1/2" O.D. X 27" To D-5459	1	1	
6	642026	AIR TANK / 1954 IN° / 10 1/2" OD X24 1/2" From D-5460	1	1	
		AIR BELLOW EXPANSION TANK			
7	131403	AIR TANK / 434 IN° / 7" O.D. X 13 1/4" To C-5133	2	2	
7	131403	AIR TANK / 434 IN° / 7" O.D. X 13 1/4" To C-5133	2	2	
8	641424	AIR TANK / 288 IN° / 7" O.D. X 9 1/4" / W/(3) 1/2" NPT	4	4	
9	642110	AIR TANK / 290 IN° / 6" O.D. X 12" / W/(3) 1/2" NPT	2	2	L
10	641424	AIR TANK / 288 IN° / 7" O.D. X 9 1/4" / W/(3) 1/2" NPT	2	2	W
		PURGE TANK To D-5459			
11	642110	AIR TANK / 290 IN° / 6" O.D. X 12" / W/(3) 1/2" NPT To D-5459	1	1	
		PING AIR TANK			
12	641982	AIR TANK / 96 IN° / 3 1/2" O.D. X 10"	1	1	
		PRIMARY AIR TANK			
13	641456	AIR TANK / 976 IN° / 7" O.D. X 25.5"	1	1	
22	141409	J-HOOK / 220 MM / M8-1.25 SS To D-5459	4	4	
24	141816	STRAP / TO USE W/9"1/2 O.D. TANK / "J" SHAPE To D-5459	4	4	



From B-5003 To D-5489	Date:07/2024	PAGE:XV-1203-50
------------------------------	---------------------	------------------------

AIR TANK - INSTALLATION

Item#	Part	Description	X 3 V I P	X L I E N T 4 5	N O T E S
25	141835	ROD / TO USE W/8" O.D. TANK / "U" SHAPE	4	4	
26	161337	SUPPORT / PING AIR TANK	2	2	
27	504235	HOSE CLAMP / 3"9/16"-4"1/2 SS / HS-64	2	2	
28	143120	SUPPORT AIR TANK To C-5132	1	1	
29	143121	SUPPORT AIR TANK To C-5132	1	1	
29	144991	SUPPORT AIR TANK From C-5133	1	1	
30	141835	ROD / TO USE W/8" O.D. TANK / "U" SHAPE	4	4	
31	145052	BAND CLAMPS 270MM I.D. From D-5460	2	2	
32	145051	BAND CLAMPS 245MM I.D. From D-5460	2	2	
33	145008	SUPPORT / PRIMARY AIR TANK / FOWARD From D-5460	1	1	
34	145007	SUPPORT / WET AIR TANK / FORWAD From D-5460	1	1	
37	504041	T-BOLT BAND CLAMP/ 6.75" ID	2	2	
38	502622	SCREW CAP HEX M6-1.0x20 SS BK To C-5132	4	4	
38	5001851	NUT HEX M6-1.0 SS BK From C-5133	2	2	
39	5001739	WASHER LO EXT 6.4x11.0x0.7 N500 To C-5132	4	4	
39	5001833	WASHER BEL SPR 6.1x18x1.27 SS From C-5133	2	2	
40	502927	SCREW CAP HEX M8-1.25x50 G8.8 N500 From D-5460	4	4	
41	500381	WASHER FL 8.4x25.0x2.0 N500 From D-5460	AR	AR	
42	504649	HOSE CLAMP / 4"5/8-7"1/2 SS	AR	AR	
43	5001643	SCREW CAP HEXF M8-1.25x25 G8.8 G500	4	4	
44	504324	HOSE CLAMP / 4"1/2-6"1/2 SS / HS-96	6	6	
45	5001736	WASHER FL 8.4x18.0x2.0 N500	8	8	
46	502847	NUT HEX NYRT M8-1.25 N500	AR	AR	
47	500558	SCREW MA TR PH 1/4-20x1 SS	4	4	
48	500411	WASHER FL .260x.697x.050 SS	4	4	
49	502874	NUT HEX NYRT 1/4-20 N500	4	4	
55	XV-1215-10	AIR DRYER - INSTALLATION			
58	175073	SUPPORT / AIR TANK (WELDED AT STRUCTURE)	2	2	
59	218493	SUPPORT / AIR TANK & POWER STEERING RESERVOIR / (WELDED TO FRAME)	1	1	
60	172705	SUPPORT AIR TANK / LOWER	1	1	
61	172704	SUPPORT AIR TANK / LOWER	1	1	
62	171815	SUPPORT AIR TANK / UPPER To C-5132	1	1	
62	173724	SUPPORT AIR TANK / UPPER From C-5133	1	1	
63	173028	SUPPORT CURBSIDE To C-5132	1	1	
63	173029	SUPPORT STREET SIDE To C-5132	1	1	
64	171974	SUPPORT / (WELDED TO FRAME)	2	2	
65	173481	SUPPORT / AIR TANK	1	1	
66	172147	SUPPORT "U" / AIR TANK / 263MM To D-5459	2	2	
67	171600	SUPPORT "U" / AIR TANK / 250MM To C-5124	1	1	
67	173744	SUPPORT "U" / AIR TANK / 250MM From C-5125 To D-5459	1	1	
68	173506	SUPPORT / AIR TANK W/6" TANK	3	3	
69	161332	SUPPORT / AIR TANK & POWER STEERING RESERVOIR	1	1	



From B-5003 To D-5489	Date:07/2024	PAGE:XV-1203-50
------------------------------	---------------------	------------------------

AIR TANK - INSTALLATION

Item#	Part	Description	X 3 V I P	X L I I E N T 4 5	N O T E S
70	213984	SUPPORT AIR TANK (WELDED AT STRUCTURE) To C-5132	1	1	
70	217022	SUPPORT AIR TANK (WELDED AT STRUCTURE) From C-5133 To D-5459	1	1	
71	213983	SUPPORT AIR TANK (WELDED AT STRUCTURE) To C-5132	1	1	
71	217023	SUPPORT AIR TANK (WELDED AT STRUCTURE) From C-5133 To D-5459	1	1	
72	175124	SUPPORT / AIR TANK / BACKWARD / (WELDED TO FRAME) From D-5460	2	2	
73	175125	SUPPORT / WET AIR TANK / FORWAD / (WELDED TO FRAME) From D-5460	1	1	
74	175126	SUPPORT, AIR TANK From D-5460	1	1	
		L) WITH LEVEL LOW			
		W) WITHOUT LEVEL LOW			

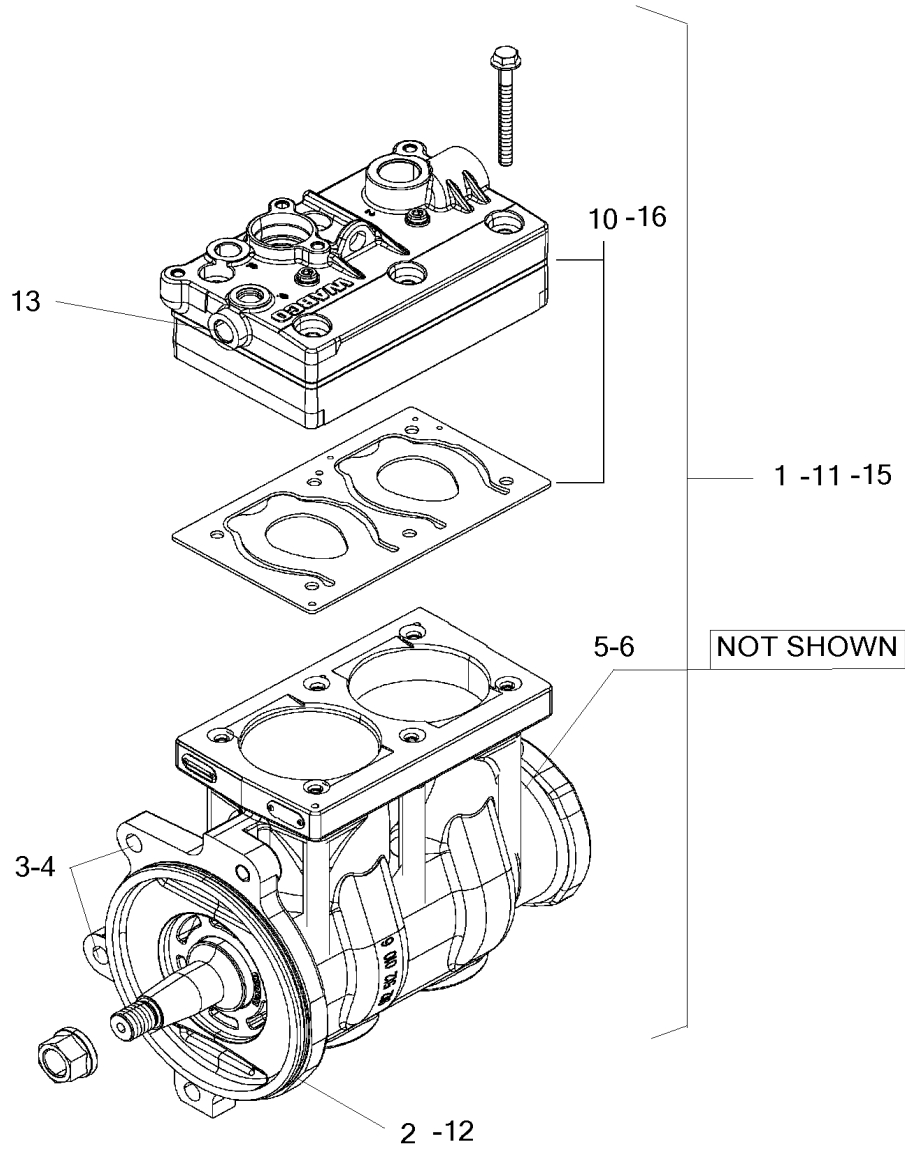


From B-5003 To D-5489

Date:07/2024

PAGE:XV-1205-10

AIR COMPRESSOR - "WABCO" 636CC - WITH VOLVO D13





From B-5003 To D-5489 Date:07/2024 PAGE:XV-1205-10

AIR COMPRESSOR - "WABCO" 636CC - WITH VOLVO D13

Item#	Part	Description	X 3 V I P	X L I I E N T 4 5	N O T E S
1	Refer To Volvo	AIR COMPRESSOR 636CC ASSY		1	V
2	Refer To Volvo	O-RING 164.3		1	V
3	Refer To Volvo	STUD TO FIX COMPRESSOR M12x65x43		2	V
4	Refer To Volvo	FLANGE NUT M12x19.8		3	V
5	Refer To Volvo	NIPPLE (OIL HOSE)		2	V
6	Refer To Volvo	HOSE ASSEMBLY M12-1.5x340MM		1	V
10	Refer To Volvo	KIT COMPRESSOR EXCHANGE WABCO		1	V
11	Refer To Volvo	. AIR COMPRESSOR 636CC ASSY / EXCHANGE		1	V
12	Refer To Volvo	. O-RING 164.3		1	V
13	Refer To Volvo	. O-RING		1	V
NS	Refer To Volvo	. HOSE CLAMP		1	V
15	Refer To Volvo	. COMPRESSOR WABCO		1	V
16	Refer To Volvo	. KIT REPAIR WABCO		1	V
		. CHAR(255)	1	1	
		V) SEE IMPACT OR CALL ORDER DESK			

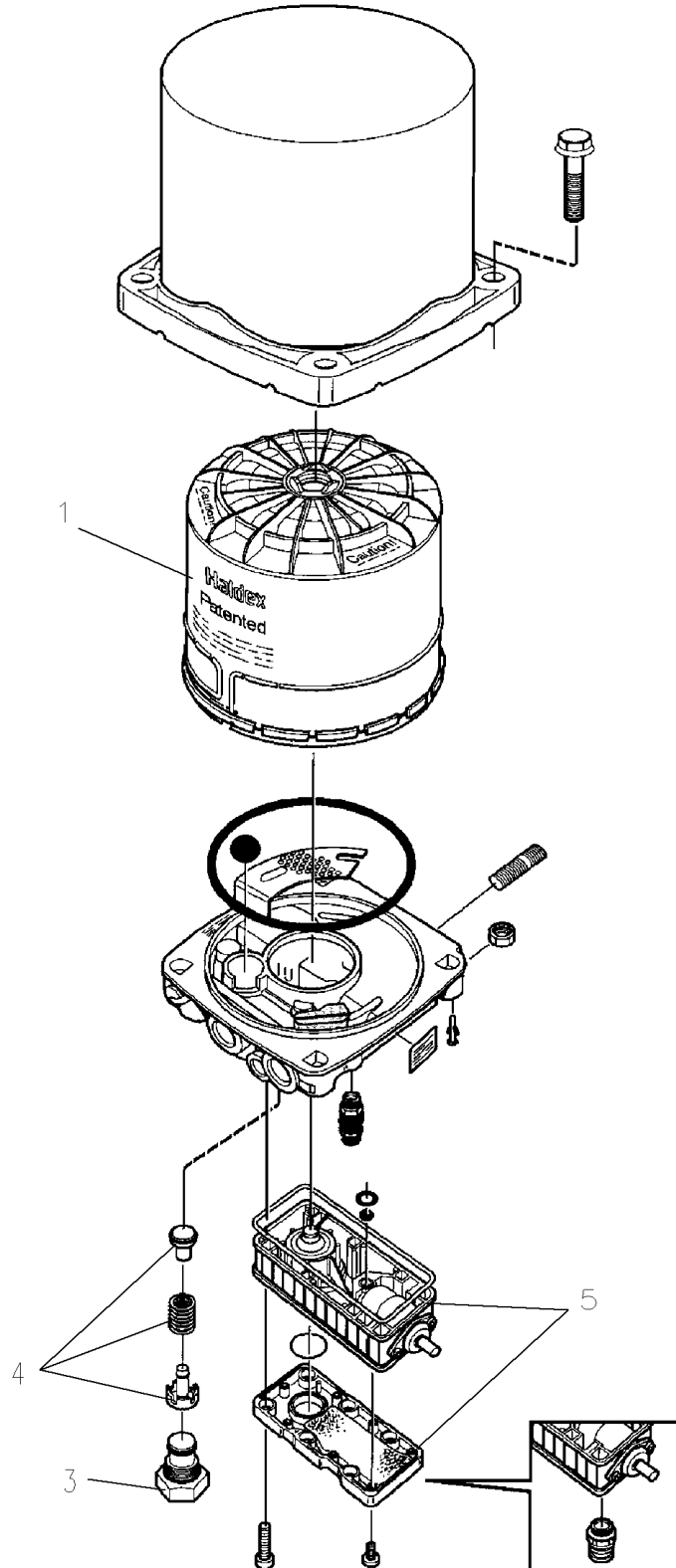


From B-5003 To D-5459

Date:07/2024

PAGE:XV-1215-00

AIR DRYER - "HALDEX"



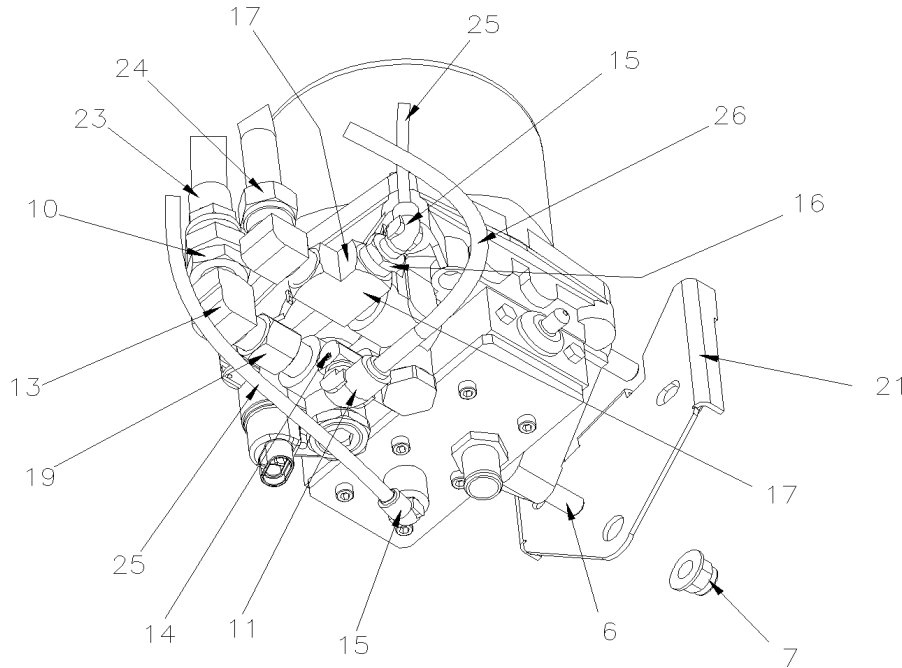


From B-5003 To D-5459

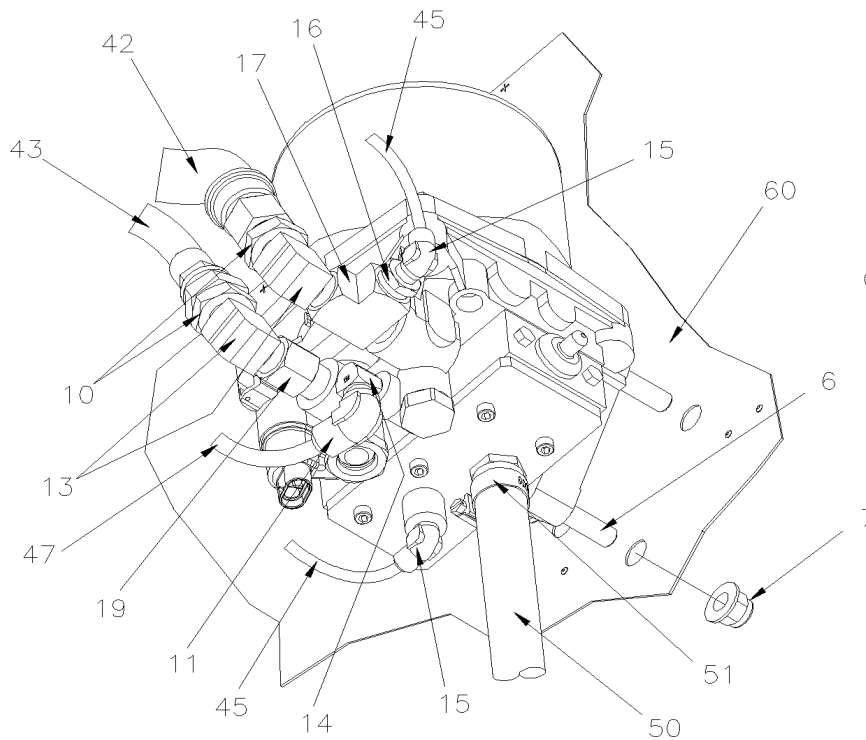
Date:07/2024

PAGE:XV-1215-00

AIR DRYER - "HALDEX"



FROM B-5002
REAR SUB-FRAME
INSTALLATION



FROM B-5002
WATER HEATER
COMPARTMENT INST.



From B-5003 To D-5459	Date:07/2024	PAGE:XV-1215-00
------------------------------	---------------------	------------------------

AIR DRYER - "HALDEX"

Item#	Part	Description	X 3 V I P	X L I I E N T 4 5	N O T E S
	642111	AIR DRYER "HALDEX" / WITH GOVERNOR 9.0 Bar	1	1	D13
NS	067967	CABLE AIR DRYER	1	1	
1	3097369	. DESICANT CARTRIDGE / "HALDEX"	1	1	
2	641953	SAFETY VALVE	1	1	
3	N8885277	. REGENERATION VALVE BLACK PLASTIC M22-1.5	1	1	
4	N8894693	. . KIT CHECK VALVE	1	1	
5	642017	. VALVE PACK / W/INTEGRATED GOVERNOR 8.5BAR	1	1	
5	642071	. VALVE PACK / W/INTEGRATED GOVERNOR 9.0BAR	1	1	
6	5001700	STUD M12-1.75x50 From B-5002	3	3	
7	5001761	NUT HEXF NYRT M12-1.75 G8 N500 From B-5002	3	3	
7	502705	SCREW CAP HEX M12-1.75X25 G8.8 N500	1	1	
7	500944	WASHER LO SPT .506x.873x.125 N500	1	1	
10	501600	MALE CONNECTOR / JIC 37° FITTING / #12JIC-Mx1/2NPT-M STL	1	1	
11	641372	MALE ELBOW 90° NON-SWIVEL / PUSH-IN FITTING / #6x1/4NPT-M BR	1	1	
12	500720	PLUG HEXS / PIPE FITTING / 3/4NPT-M STL	1	1	
13	507557	STREET ELBOW 90° / PIPE FITTING / 1/2NPT-Mx1/2NPT-F BR	1	1	
14	501332	STREET ELBOW 90° / PIPE FITTING / 1/4NPT-Mx1/4NPT-F BR	1	1	
15	641371	MALE ELBOW 90° NON-SWIVEL / PUSH-IN FITTING / #4x1/4NPT-M BR	1	1	
16	501316	BUSHING REDUCER / PIPE FITTING / 1/2NPT-Mx1/4NPT-F BR	1	1	
17	501473	MALE RUN TEE / PIPE FITTING / 1/2NPT-Mx1/2NPT-Fx1/2NPT-F BR	1	1	
18	641134	MALE ELBOW 90° / NTA FITTING / #12x1/2NPT-M BR	1	1	
19	5011119	ADAPTER / PIPE FITTING / 1/2NPT-Fx1/2NPT-M BR	1	1	
21	Call order desk	SUPPORT, AIR DRYER From B-5002	1	1	P
22	5001647	SCREW CAP FL HEXS M12-1.75x25 G10.9	3	3	
23	141943	HOSE ASSY TEFLON /DRYER&COMPRESSOR / #12 3738MM From B-5002	1	1	
24	503465	TUBE, NYLON 3/4 O.D. / GREEN S.L.	AR	AR	
25	503464	TUBE, NYLON 1/4 O.D. / GREEN S.L. From B-5002	AR	AR	
26	503472	TUBE, NYLON 3/8 O.D. / GREY S.L.	AR	AR	
		NEXT ITEMS ARE USED WITH			
		AIR DRIER INSIDE OF BAGGAGE COMPARTMENT			
39	504499	CUFF END BELLOW / 2 7/8" I.D. x 3 5/8" x 4 7/16	1	1	
NS	504026	HOSE CLAMP / 2"13/16-3"3/4 SS / HS-52	1	1	
NS	504637	CABLE TIE / 3/16" x 13"	1	1	
NS	371600	INSULATING PAD 76.2MM x 374.7MM	1	1	
42	143153P	HOSE ASSY / #12 1550MM	1	1	
43	143151P	HOSE ASSY TEFLON #12 4860MM From B-5002	1	1	



From B-5003 To D-5459	Date:07/2024	PAGE:XV-1215-00
AIR DRYER - "HALDEX"		

Item#	Part	Description	X 3 V I P	X L I I E N T 4 5	N O T E S
44	503465	TUBE, NYLON 3/4 O.D. / GREEN S.L.	AR	AR	
45	503464	TUBE, NYLON 1/4 O.D. / GREEN S.L. From B-5002	AR	AR	
47	Call order desk	TUBE, NYLON 1/2 O.D. / GREY S.L. #8 2195MM From B-5002	1	1	P
50	503523	HOSE SILICONE 1PLY 3/4" I.D. x 100' / S.L.	AR	AR	
51	504020	HOSE CLAMP / 9/16"-1"1/4 SS / HS-12	2	2	
NS	067307	CABLE ASSY / "AIR DRYER "WABCO" EXTENTION W/"OPTION" BAGGAGE	1	1	
60	216437	PANEL REAR STREET SIDE To B-5049	1	1	
60	216985	PANEL REAR STREET SIDE From B-5050	1	1	
61	172326	TUBE / FIXED TO REAR WALL / 89MM O.D.	1	1	
62	142512	TUBE 3/4" O.D. / FIXED TO REAR WALL	1	1	
		D13) D13 WITH "VOLVO" ENGINE			
		P) CALL ORDER DESK FOR SPECIFIC APPLICATION (V.I.N.)			

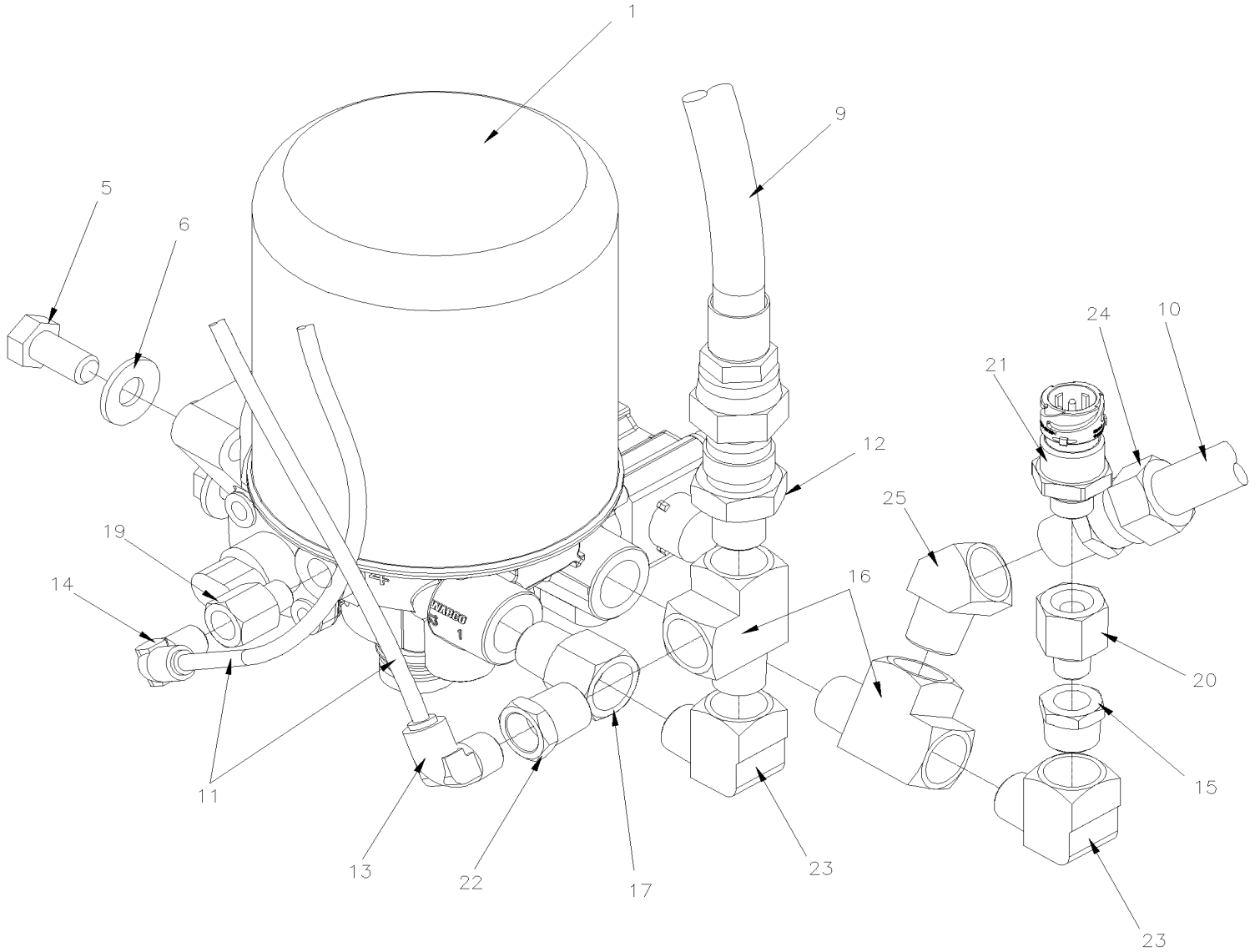


From D-5460 To D-5489

Date:07/2024

PAGE:XV-1215-01

AIR DRYER - "WABCO"





From D-5460 To D-5489	Date:07/2024	PAGE:XV-1215-01
AIR DRYER - "WABCO"		

Item#	Part	Description	X 3 V I P	X L I E N T 4 5	N O T E S
1	21440978	AIR DRYER "WABCO" 12 VOLTS	1	1	
1	067966	HARNESS / AIR DRYER CONTROL	1	1	A
NS	680098	THREAD SEALANT LOCTITE #567 / WHITE / 250ml	AR	AR	
5	5001565	SCREW CAP HEX 1/2-13x1 G5 N500	3	3	
6	500967	WASHER BEL SPR .512x1.142x.098 N500	3	3	
9	145061	HOSE ASSY TEFLON / #12 3510MM	1	1	
10	503465	TUBE, NYLON 3/4 O.D. / GREEN S.L.	AR	AR	
11	503464	TUBE, NYLON 1/4 O.D. / GREEN S.L.	AR	AR	
12	501600	MALE CONNECTOR / JIC 37° FITTING / #12JIC-Mx1/2NPT-M STL	1	1	
13	641374	MALE ELBOW 90° NON-SWIVEL / PUSH-IN FITTING / #4x3/8NPT-M BR	1	1	
14	641371	MALE ELBOW 90° NON-SWIVEL / PUSH-IN FITTING / #4x1/4NPT-M BR	1	1	
15	501316	BUSHING REDUCER / PIPE FITTING / 1/2NPT-Mx1/4NPT-F BR	1	1	
16	501473	MALE RUN TEE / PIPE FITTING / 1/2NPT-Mx1/2NPT-Fx1/2NPT-F BR	2	2	
17	5011119	ADAPTER / PIPE FITTING / 1/2NPT-Fx1/2NPT-M BR	1	1	
19	501308	ADAPTER / PIPE FITTING / 1/4NPT-Fx1/4NPT-M BR	1	1	
20	647893	ADAPTER / PIPE FITTING / 1/4NPT-MxM16-F STL	1	1	
21	20829689	SENSOR PRESSURE / 0-15bar	1	1	
22	501534	BUSHING REDUCER / PIPE FITTING / 1/2NPT-Mx3/8NPT-F BR	1	1	
23	507557	STREET ELBOW 90° / PIPE FITTING / 1/2NPT-Mx1/2NPT-F BR	2	2	
24	640995	MALE CONNECTOR / NTA FITTING / #12x1/2NPT-M BR	1	1	
25	501528	STREET ELBOW 45° / PIPE FITTING / 1/2NPT-Mx1/2NPT-F BR	1	1	
		A) WITH PRIME - "POWER RECOVERY BY INTELLIGENT MANAGEMENT OF ENERGY"			

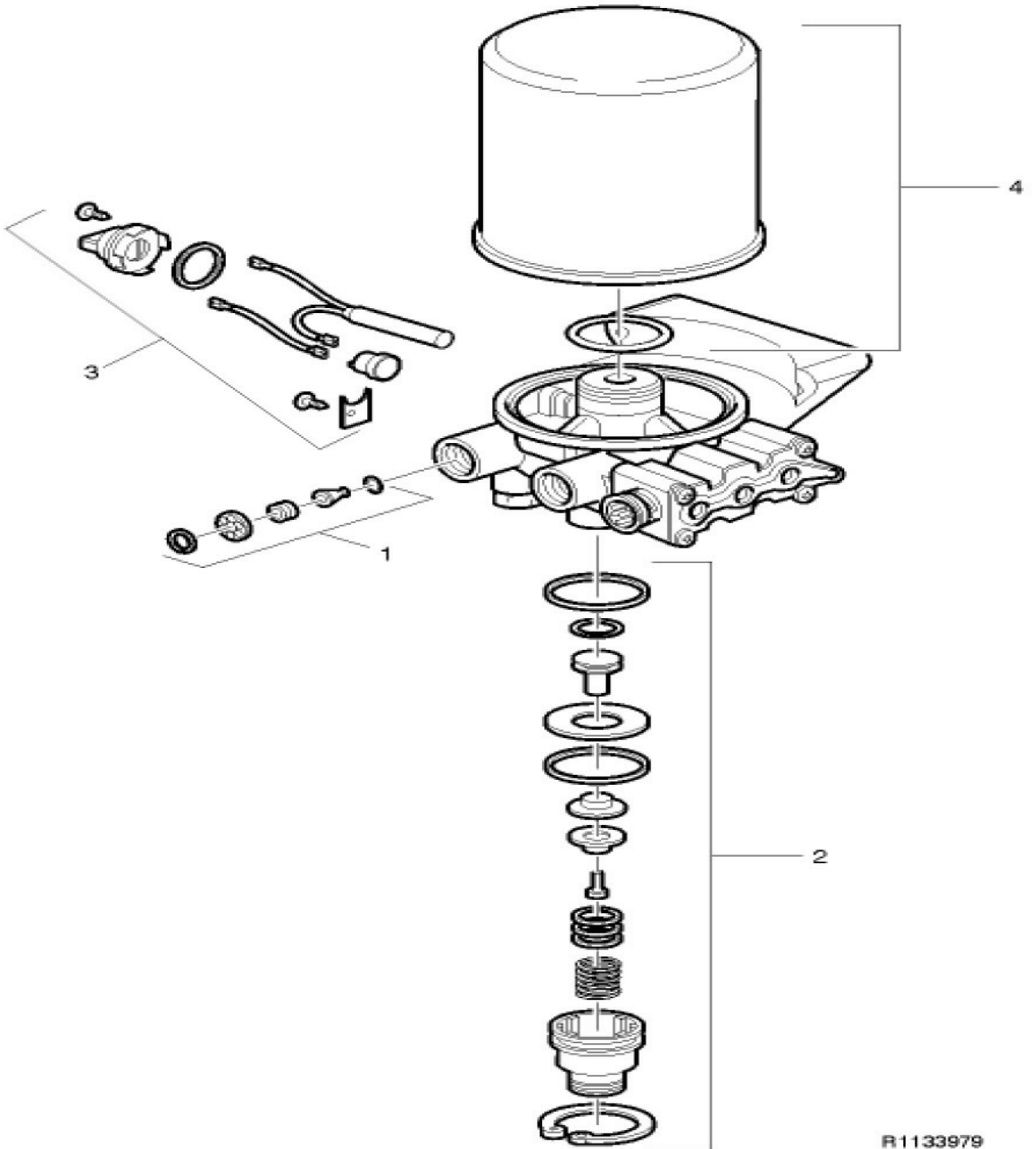


From D-5460 To D-5489

Date:07/2024

PAGE:21440978

AIR DRYER "WABCO" 12 VOLTS



R1133979



From D-5460 To D-5489	Date:07/2024	PAGE:21440978
AIR DRYER "WABCO" 12 VOLTS		

Item#	Part	Description	X 3 V I P	X L I I E N T 4 5	N O T E S
1	641281	OUTLET CHECK VALVE KIT	1	1	
2	641283	PURGE VALVE KIT	1	1	
3	3918354	HEATER ASSY KIT 12 VOLTS	1	1	
. NS	562251	. CONNECTOR / METRI-PACK 280 / SH 2C / PED 12020599	1	1	
. NS	562101	. SOCKET TERMINAL / 14-12 / PED 12129493	2	2	
4	642123	DESICANT CARTRIDGE / "WABCO" / SS-1200UP	1	1	
4	640045	DESICANT CARTRIDGE / "WABCO"	1	1	



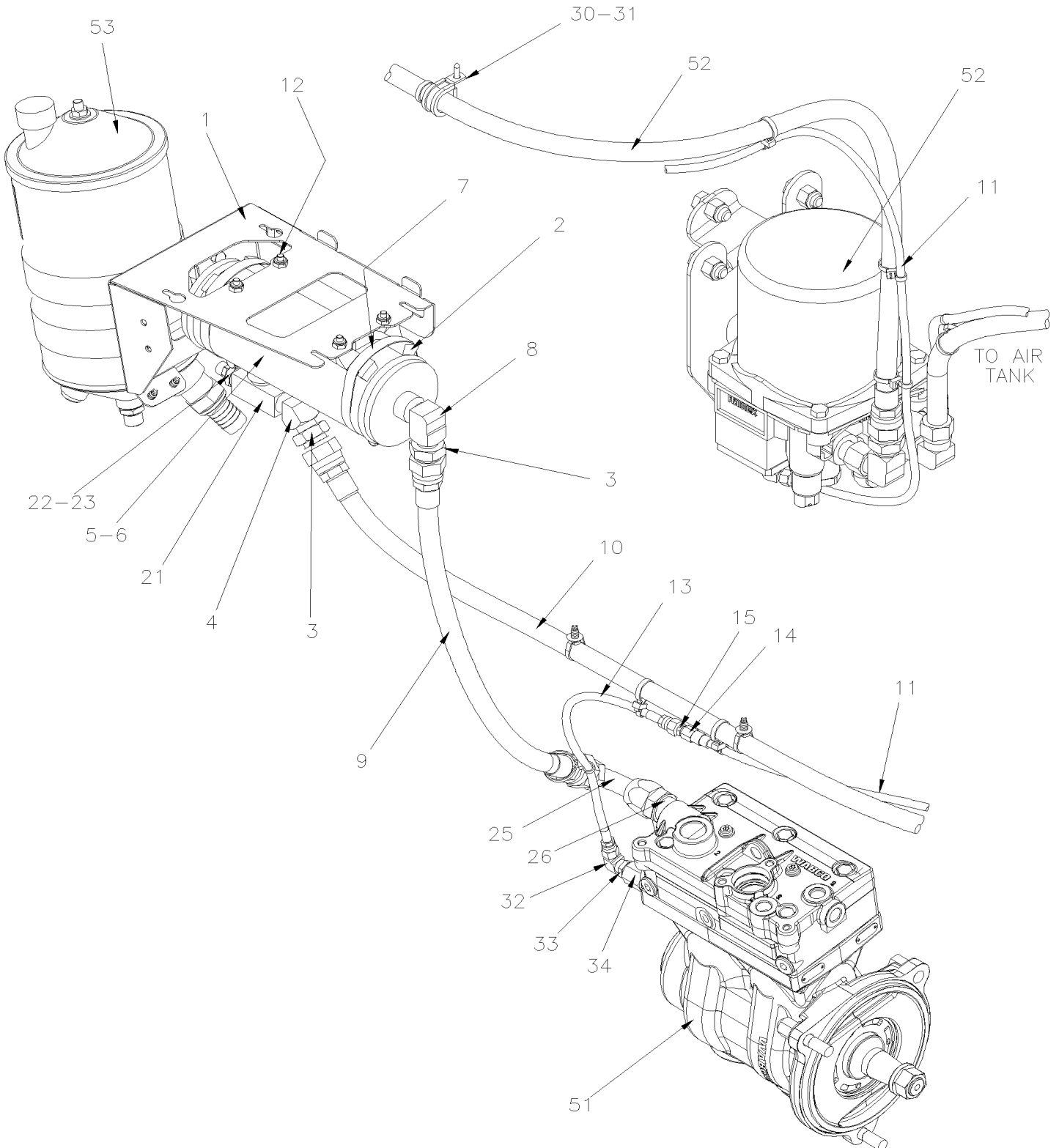
From B-5003 To D-5489

Date:07/2024

PAGE:XV-1215-10

AIR DRYER - INSTALLATION

WITH VOLVO D13 ENGINE EPA 2010





From B-5003 To D-5489	Date:07/2024	PAGE:XV-1215-10
AIR DRYER - INSTALLATION		

Item#	Part	Description	X 3 V I P	X L I E N T 4 5	N O T E S
1	161332	SUPPORT / AIR TANK & POWER STEERING RESERVOIR	1	1	
2	161337	SUPPORT / PING AIR TANK	1	1	
3	501600	MALE CONNECTOR / JIC 37° FITTING / #12JIC-Mx1/2NPT-M STL	2	2	
4	501528	STREET ELBOW 45° / PIPE FITTING / 1/2NPT-Mx1/2NPT-F BR	1	1	
5	501966	PLUG HEXS / PIPE FITTING / 1/2NPT-M STL	1	1	
6	641982	AIR TANK / 96 IN° / 3 1/2" O.D. X 10"	1	1	
7	504235	HOSE CLAMP / 3"9/16"-4"1/2 SS / HS-64	2	2	
8	507557	STREET ELBOW 90° / PIPE FITTING / 1/2NPT-Mx1/2NPT-F BR	1	1	
9	143198	HOSE ASSY TEFLON #12 410MM	1	1	
11	503464	TUBE, NYLON 1/4 O.D. / GREEN S.L.	AR	AR	
12	500558	SCREW MA TR PH 1/4-20x1 SS	4	4	
NS	500411	WASHER FL .260x.697x.050 SS	4	4	
NS	502874	NUT HEX NYRT 1/4-20 N500	4	4	
13	140657	HOSE ASSY TEFLON #4 364MM	1	1	
14	642080	FEMALE CONNECTOR / PUSH-IN FITTING / #4x1/8NPT-F NP	1	1	
15	501026	MALE CONNECTOR / SAE 45° FITTING / #4FL-Mx1/8NPT-M BR	1	1	
21	507556	MALE BRANCHE TEE / PIPE FITTING / 1/2NPT-Fx1/2NPT-Fx1/2NPT-M BR	1	1	
22	501316	BUSHING REDUCER / PIPE FITTING / 1/2NPT-Mx1/4NPT-F BR	1	1	
23	642109	SAFETY VALVE 200 PSI x 1/4 NPT / ST-4	1	1	
25	507544	SWIVEL NUT ELBOW 90° SHORT / JIC 37° FITTING/ #12JIC-Fx#12JIC-Mx1.82 STL	1	1	
26	507647	MALE CONNECTOR W/ED SEAL / JIC 37° FITTING / #12JIC-MxM26-1.5-M STL	1	1	
30	952631	CLAMP / 3/4" I.D.	AR	AR	
30	952633	CLAMP / 7/8" I.D.	AR	AR	
31	500957	SCREW TP BDG PH #10x3/4 N500	AR	AR	
32	501873	MALE ELBOW 90° / JIC 37° FITTING / #4JIC-Mx1/4NPT-M STL	1	1	
33	501314	BUSHING REDUCER / PIPE FITTING / 3/8NTP-Mx1/4NPT-F BR	1	1	
34	5011205	FEMALE CONNECTOR / PIPE @ METRIC / 3/8NPT-FxM16-1.5-M ZP	1	1	
. NS	641297	. O-RING 13.1MM I.D. X 2.6 TH	1	1	
. NS	641298	. WASHER FL 17MM I.D x 22MM O.D. x 1.5MM	1	1	
51	XV-1205-10	AIR COMPRESSOR - "WABCO" 636CC - WITH VOLVO D13			
52	XV-1215-00	AIR DRYER - "HALDEX"			
53	XV-1420-00	POWER STEERING TANK - 4 QT U.S.	1	1	

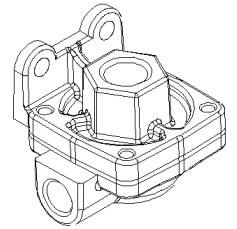
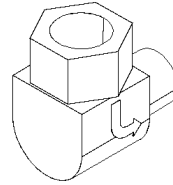
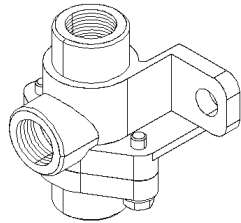
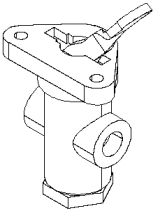
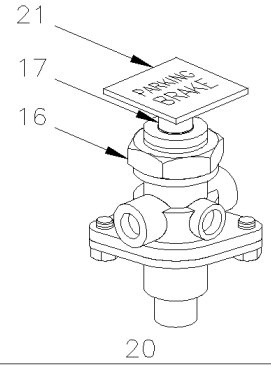


From B-5003 To D-5489

Date:07/2024

PAGE:XV-1220-00

MISCELLANEOUS AIR VALVE

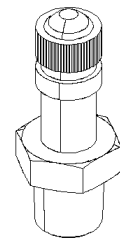
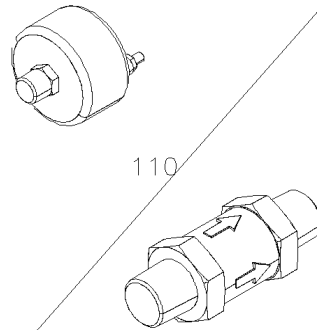
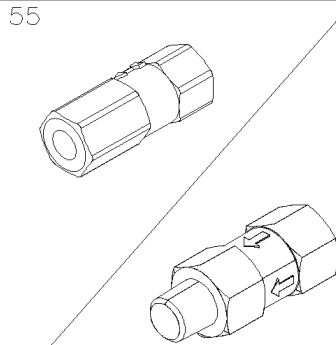
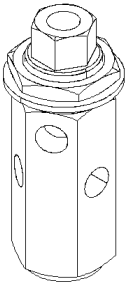


25

30

35

40



45

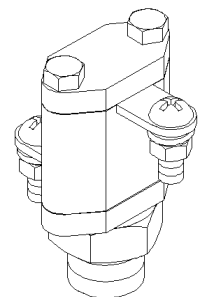
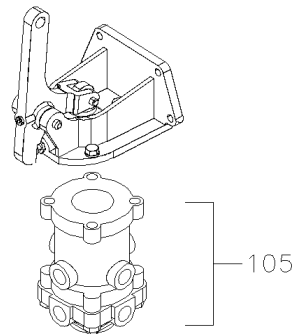
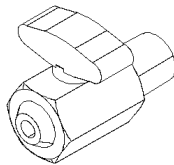
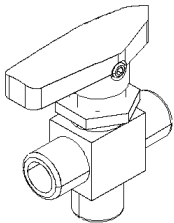
55

50

110

60

70



75

90

100

85

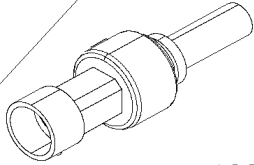


From B-5003 To D-5489

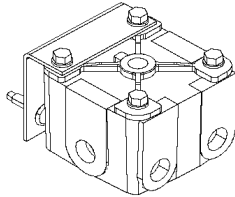
Date:07/2024

PAGE:XV-1220-00

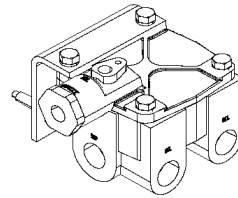
MISCELLANEOUS AIR VALVE



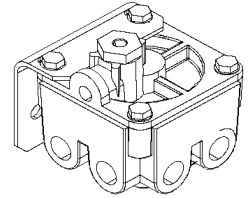
120



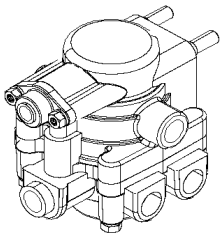
125



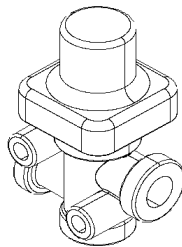
130



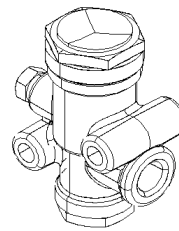
135



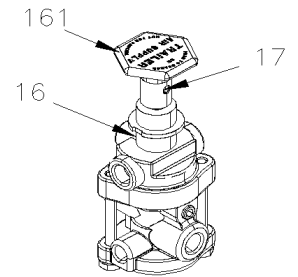
145



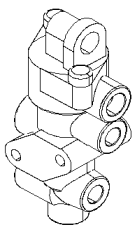
150



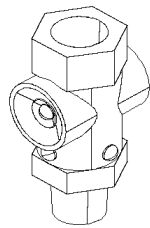
155



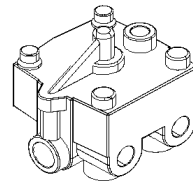
160



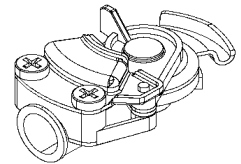
170



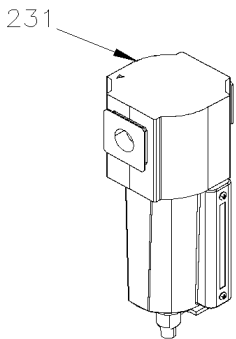
175



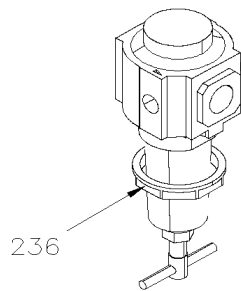
180



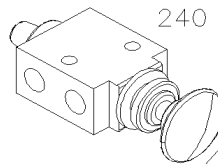
185



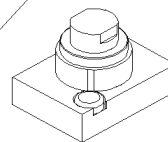
230



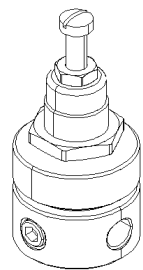
235



240



241



245

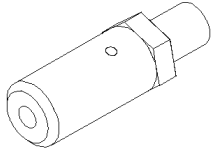


From B-5003 To D-5489

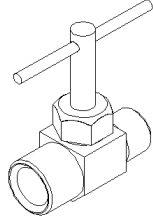
Date:07/2024

PAGE:XV-1220-00

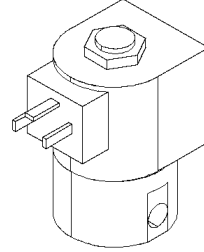
MISCELLANEOUS AIR VALVE



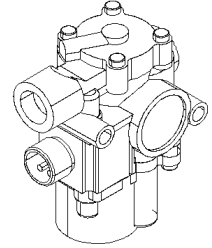
250



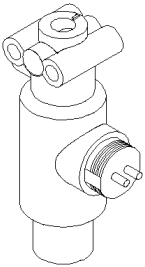
260



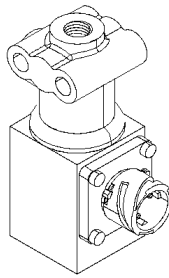
275



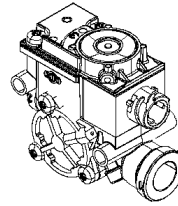
300



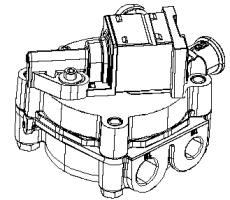
305



310



322



323

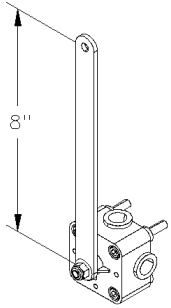


From B-5003 To D-5489

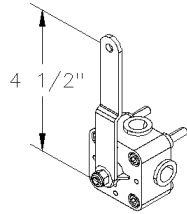
Date:07/2024

PAGE:XV-1220-00

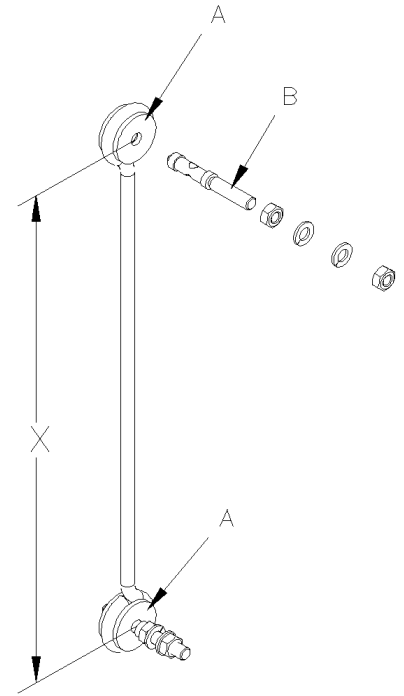
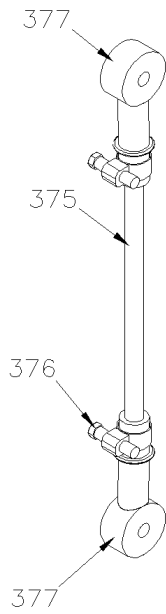
MISCELLANEOUS AIR VALVE



350



355



385

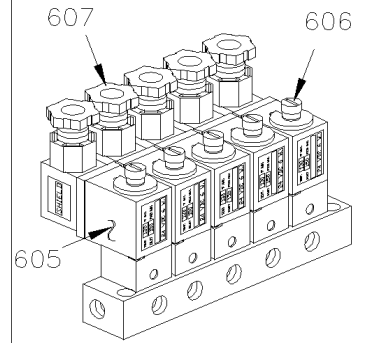


From B-5003 To D-5489

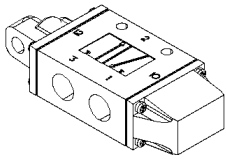
Date:07/2024

PAGE:XV-1220-00

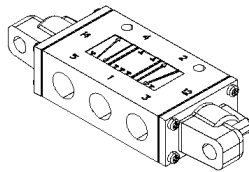
MISCELLANEOUS AIR VALVE



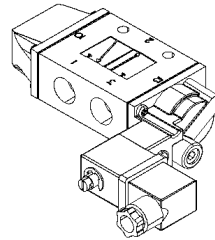
603



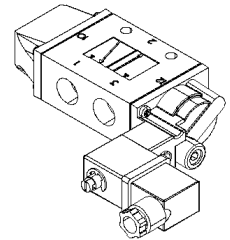
610



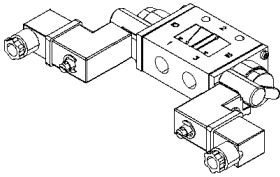
615



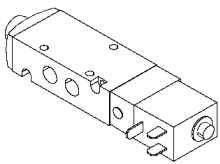
620



625



630



650



From B-5003 To D-5489	Date:07/2024	PAGE:XV-1220-00
------------------------------	---------------------	------------------------

MISCELLANEOUS AIR VALVE

Item#	Part	Description	X 3 V I P	X L I E N T 4 5	N O T E S
16	640297	NUT	1	1	
17	640286	PIN ROLLER	1	1	
18	641155	BUTTON, OVERRULE ROUND BLACK	1	1	
NS	640394	BUTTON, PARKING BRAKE ROUND BLACK / 1"	1	1	
20	641128	VALVE, CONTROL VALVE PP-1 / 40PSI To D-5452	1	1	
. NS	641154	. REPAIR KIT / PP-1 & RD-3 To D-5452	1	1	
20	642169	VALVE, CONTROL VALVE PP-1 / 60PSI From D-5453	1	1	
. NS	641154	. REPAIR KIT / PP-1 & RD-3 From D-5453	1	1	
. NS	641149	. BUTTON, PARKING BRAKE DIAMOND YELLOW / 1" From D-5453	1	1	
21	641149	BUTTON, PARKING BRAKE DIAMOND YELLOW / 1"	1	1	
25	640136	VALVE, CONTROL TW-1	1	1	
. NS	641156	. REPAIR KIT / TW-1	1	1	
30	641564	VALVE, DOUBLE CHECK DC-4	1	1	
35	641172	VALVE, CHECK ELBOW 90° 1/2 NPT	1	1	
40	641429	VALVE, QUICK RELEASE QR-1 / 3/8NPTx3/8NPTx3/8NPT	1	1	
. NS	640924	. REPAIR KIT / QR-1	1	1	
45	640442	VALVE, INVERSION TR-2	1	1	
50	640135	VALVE, CHECK 1/4 NPT	1	1	
55	640123	VALVE, CHECK 1/2 NPT SC-1	1	1	
. NS	641401	. VALVE, CHECK 1/2 NPT SC-1	1	1	
55	641401	VALVE, CHECK 1/2 NPT SC-1	1	1	
60	530175	VALVE, CHECK 1/8 NPT	1	1	
70	640488	VALVE, AIR FILL 1/8" NPT	1	1	
. NS	650164	. CAP VALVE / CHROME	1	1	
75	641417	VALVE, 3 WAYS 1/8NPT-Fx1/8NPT-Fx1/8NPT-F BR To C-5132	1	1	
. NS	642014	. HANDLE / RED To C-5132	1	1	
75	642161	VALVE, 3 WAYS 1/8NPT-Fx1/8NPT-Fx1/8NPT-F BR From C-5133	1	1	
. NS	642014	. HANDLE / RED From C-5133	1	1	
85	640975	PRESSURE SWITCH N.C. 66PSI / 1/4NPT LP-3	1	1	
85	641174	PRESSURE SWITCH N.C. 30PSI / 1/4NPT LP-2	1	1	
90	641043	DRAIN VALVE 1/4 NPT M	1	1	
100	641856	BRAKE VALVE ASSY W/BACKET / MODEL E-10P	1	1	
. NS	19507993	. BOOT PLUNGER	1	1	
. NS	19510779	. PLUNGER	1	1	
. NS	2222120	. MOUNTING BRACKET COUPLING D-1	1	1	
105	641925	. VALVE SUB ASSY / MODEL E-10P	1	1	
110	641462	PRESSURE SWITCH N.O. 4PSI / 1/4NPT W/10-32 / SL-5 BRAKE	1	1	
120	642075	TRANSDUCER PRESSURE	1	1	
. NS	563159	. CONNECTOR / METRI-PACK 150 / SH 3C / PED 12065287	1	1	
125	641088	VALVE, RELAY R-12 HORIZONTAL PORT	1	1	
125	642068	VALVE, RELAY R-12 HORIZONTAL PORT / W/OUT SUPPORT	1	1	
130	641120	VALVE, RELAY R-14 HORIZONTAL PORT 4psi Crack	1	1	



From B-5003 To D-5489	Date:07/2024	PAGE:XV-1220-00
-----------------------	--------------	-----------------

MISCELLANEOUS AIR VALVE

Item#	Part	Description	X 3 V I P	X L I E N T 4 5	N O T E S
. NS	10508267	. KIT, REPAIR	1	1	
135	641991	VALVE, RELAY R-14 "WABCO"	1	1	
145	643384	VALVE / SPRING BRAKE SR-7	1	1	
. NS	642119	. VALVE / SPRING BRAKE SR-7	1	1	
150	641137	VALVE, PRESSURE PROTECTION TYPE PR-4 70PSI	1	1	
155	640471	VALVE, INVERSION TR-3 25-40LBS	1	1	
155	21243502	VALVE PRESSURE REDUCER RV-3 / K028993	1	1	
160	641397	TRAILER SUPPLY VALVE PP-7	1	1	
161	641935	BUTTON RED / FOR TRAILER VALVE PP-7	1	1	
170	641495	TRACTOR PROTECTION VALVE TP-3 DC	1	1	
175	642088	VALVE, QUICK RELEASE QR-L / IN LINE	1	1	
180	641399	VALVE, RELAY R-12 P SUPPERSEDED 642097	1	1	
185	641939	GLANDHAND W/DUST COVER "BLUE"	1	1	
185	641938	GLANDHAND W/DUST COVER "RED"	1	1	
230	641338	AIR FILTER ASSY	1	1	
231	641339	SUPPORT / AIR FILTER	1	1	
235	641352	AIR PRESSURE REGULATOR 1/2" NPT	1	1	
236	641506	NUT RING / AIR REGULATOR RETAINING	1	1	
240	641445	VALVE, 3 WAYS, 2 POSITIONS MECHANICAL To D-5458	1	1	
. NS	641992	. KNOB To D-5458	1	1	
241	642173	VALVE, 3 WAYS, 2 POSITIONS MECHANICAL From D-5459	1	1	
245	641472	AIR PRESSURE REGULATOR 1/4" NPT / COPPER	1	1	
250	642022	SAFETY VALVE 150 PSI X 3/8 NPT / ST-3	1	1	
260	501354	NEEDLE VALVE 1/8 NPT M x 1/8 NPT F	1	1	
275	562804	VALVE, 2 WAYS N.C.	1	1	
. NS	562848	. CONNECTOR / SOCKET HOUSING ASSY 3C / PNEUMAC 54933-05	1	1	
300	641951	VALVE, "ABS" 12VOLT	1	1	
305	641460	VALVE, "ATC" 24VOLT	1	1	
305	641950	VALVE, "ATC" 12VOLT	1	1	
310	642079	VALVE, "ATC" 12VOLT	1	1	
322	642077	VALVE, "ABS" 12VOLT / M-32QR	1	1	A
322	640228	VALVE, "ABS" 12VOLT / M-40QR	1	1	
350	630156	VALVE, HEIGHT CONTROL "BARKSDALE" 8"	1	1	
355	630237	VALVE, HEIGHT CONTROL "BARKSDALE" / FRONT 4½"	1	1	
375	131351	ROD LINK / 140MM	1	1	
375	131308	ROD LINK / 305MM x .250"	1	1	
376	504014	. HOSE CLAMP / 1/4"-5/8" SS / HM-4	AR	AR	
377	630133	. ROD END / BLACK RUBBER 1/4" I.D.			
385	630231	LINK ASSY 185MM C/C 7 1/4"	1	1	
. A	N8889244	. GROMMET / LINK	2	2	
. B	630250	. STUD RETAINER 1/4-20 X 1"	2	2	
. C	500247	. NUT HEX 1/4-20 N500	4	4	



From B-5003 To D-5489	Date:07/2024	PAGE:XV-1220-00
MISCELLANEOUS AIR VALVE		

Item#	Part	Description	X 3 V I P	X L I I E N T 4 5	N O T E S
. D	500473	. WASHER LO SPT .262x.489x.062 Z050	4	4	
385	630263	LINK ASSY 317MM C/C 11 1/2"	1	1	
. A	N8889244	. GROMMET / LINK	2	2	
. B	630250	. STUD RETAINER 1/4-20 X 1"	2	2	
. NS	500769	. NUT HEX 1/4-20 Z050	4	4	
. NS	500473	. WASHER LO SPT .262x.489x.062 Z050	4	4	
603	641205	MANIFOLD VALVE / W/5 SOLENOID	1	1	
. NS	641928	. KIT, MANIFOLD REPAIR / N.C.	5	5	
. NS	641107	. COIL 24V	5	5	
610	641274	VALVE, 3 WAYS, 2 POSITIONS N.C.	1	1	
615	641531	VALVE, 5 WAYS, 3 POSITIONS	1	1	
. NS	641186	. SPOOL	1	1	
620	641937	VALVE, 3 WAYS, 2 POSITIONS N.C. / W/MAN OVERRIDE	1	1	
. NS	641929	. COIL 24V	1	1	
. NS	641385	. CONNECTOR / SOCKET HOUSING ASSY 3C / PNEUMAC 54934-01	1	1	
625	641528	VALVE, 3 WAYS, 2 POSITIONS N.O.	1	1	
. NS	641929	. COIL 24V	1	1	
. NS	641169	. SPOOL	1	1	
. NS	641385	. CONNECTOR / SOCKET HOUSING ASSY 3C / PNEUMAC 54934-01	1	1	
630	641530	VALVE, 3 WAYS, 2 POSITIONS / 2 SOLONIDS	1	1	
. NS	641929	. COIL 24V	1	1	
. NS	641169	. SPOOL	1	1	
. NS	641385	. CONNECTOR / SOCKET HOUSING ASSY 3C / PNEUMAC 54934-01	1	1	
650	642023	VALVE, 5 WAYS, 2 POSITIONS 24V / MODEL V19	1	1	
. NS	641385	. CONNECTOR / SOCKET HOUSING ASSY 3C / PNEUMAC 54934-01	1	1	
		A) WHEN YOU REPLACE THE VALVE #642077 BY THE VALVE #640228 YOU HAVE REPLACE BOTH SIDE LEFT AND RIGHT			

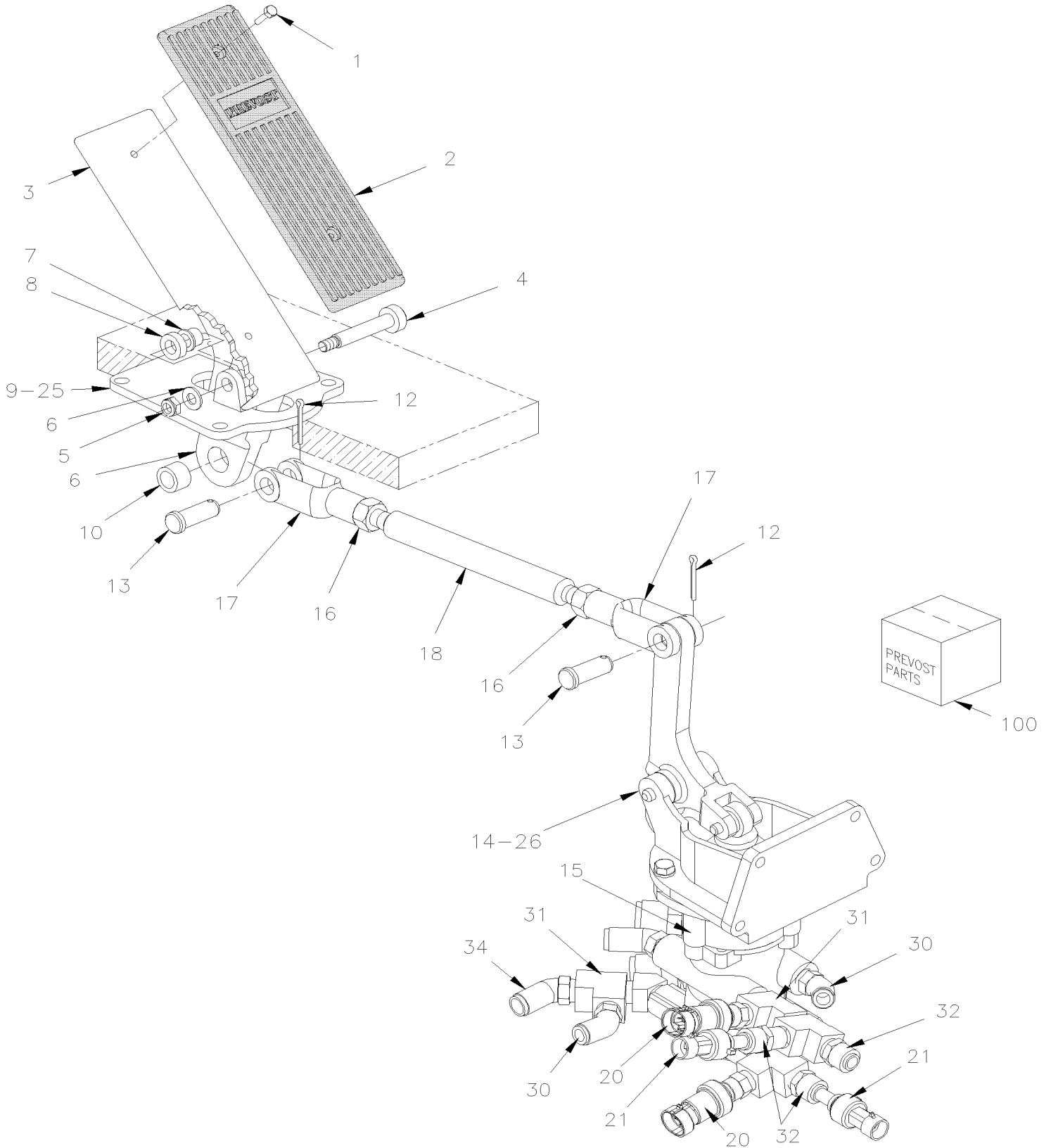


From B-5003 To D-5489

Date:07/2024

PAGE:XV-1220-10

BRAKE PEDAL VALVE - "BENDIX"





From B-5003 To D-5489	Date:07/2024	PAGE:XV-1220-10
BRAKE PEDAL VALVE - "BENDIX"		

Item#	Part	Description	X 3 V I P	X L I I E N T 4 5	N O T E S
	141206	PEDAL ASSY	1	1	
1	500416	. SCREW MA PAN PH #10-32x1/2 BK	2	2	
2	142842	. THREADLE COVER / W/STEEL BACKING	1	1	
3	141207	. PEDAL BRAKE	1	1	
4	502575	. SCREW SHR HEXS 10x50 (M8-1.25	1	1	
5	500868	. NUT HEX NYRT M8-1.25 Z050	1	1	
6	500874	. WASHER FL 8.4x17.0x1.6 Z050	1	1	
7	507297	. FLANGE BUSHING	2	2	
8	141211	. SPACER	1	1	
9	141996	. SUPPORT ASSY / TO FIX BRAKE PEDAL	1	1	
10	507307	. BUSHING OIL 1/2 I.D. X 3/4 O.D. X 1/2	1	1	
12	502102	PIN, COTTER 1/8 x 1	1	1	
13	502035	PIN, CLEVIS 1/2 x 1 3/8 Z050	1	1	
14	641856	BRAKE VALVE ASSY W/BACKET / MODEL E-10P	1	1	
. NS	19507993	. BOOT PLUNGER	1	1	
. NS	19510779	. PLUNGER	1	1	
. NS	2222120	. MOUNTING BRACKET COUPLING D-1	1	1	
15	641925	. VALVE SUB ASSY / MODEL E-10P	1	1	
16	500716	NUT HEX 1/2-20 Z050	1	1	
17	142830	YOKE 1/2-20x1 15/16 C/Lx9/16Wx1/2	1	1	
17	142831	YOKE L.H. 1/2-20x1 15/16 C/Lx9/16Wx1/2	1	1	
18	142829	SHAFT THREADED W/R.H. & L.H. THREAD 260MM To C-5235	1	1	
18	142849	SHAFT THREADED W/R.H. & L.H. THREAD 275MM From C-5236	1	1	
20	642072	PRESSURE SWITCH N.C. 2-6 PSI / 1/4" TUBE	2	2	
. NS	563677	. CONNECTOR / METRI-PACK 150 / SH 4C / PED 12065402	1	1	
21	642075	TRANSDUCER PRESSURE	AR	AR	
. NS	563159	. CONNECTOR / METRI-PACK 150 / SH 3C / PED 12065287	1	1	
25	5001814	SCREW CAP HEX 5/16-18X1 1/2 G5 N500	4	4	
25	500942	WASHER LO SPT 8.1x14.8x2.0 N500	4	4	
26	5001738	SCREW CAP HEX M8-1.25x30 G8.8 N500	4	4	
26	502692	NUT HEXF STO M8-1.25 Z050	4	4	
30	641367	MALE ELBOW 45° NON-SWIVEL / PUSH-IN FITTING / #6x3/8NPT-M BR	AR	AR	
31	501699	MALE RUN TEE / PIPE FITTING / 3/8NPT-Mx3/8NPT-Fx3/8NPT-F BR	AR	AR	
32	641330	MALE CONNECTOR / PUSH-IN FITTING / #6x3/8NPT-M BR	AR	AR	
33	641375	MALE ELBOW 90° NON-SWIVEL / PUSH-IN FITTING / #6x3/8NPT-M BR	AR	AR	
34	641368	MALE ELBOW 45° NON-SWIVEL / PUSH-IN FITTING / #8x3/8NPT-M BR	AR	AR	
35	641602	MALE CONNECTOR / PUSH-IN FITTING / #10x3/8NPT-M BR	AR	AR	
36	501330	STREET ELBOW 45° / PIPE FITTING / 3/8NPT-Mx3/8NPT-F BR	AR	AR	
37	501449	PLUG HEXS / PIPE FITTING / 3/8NPT-M STL	1	1	
100	640949	KIT, REPAIR / BRAKE VALVE E-10	1	1	

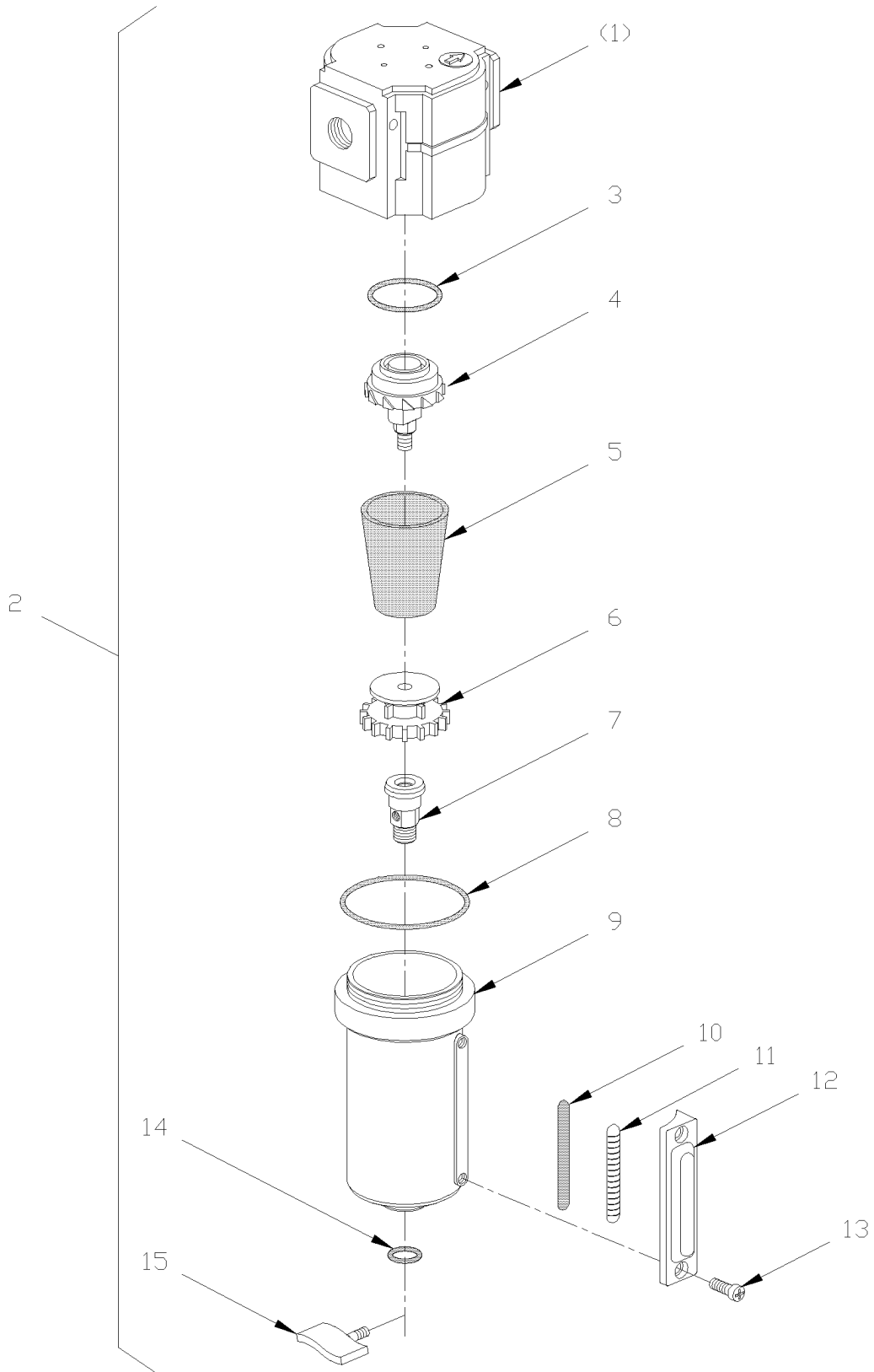


From B-5003 To D-5489

Date:07/2024

PAGE:XV-1220-15

AIR FILTER - ACCESSORIES





From B-5003 To D-5489	Date:07/2024	PAGE:XV-1220-15
AIR FILTER - ACCESSORIES		

Item#	Part	Description	X 3 V I P	X L I I E N T 4 5	N O T E S
1	641339	SUPPORT / AIR FILTER	1	1	
2	641338	AIR FILTER ASSY	1	1	
3	N.S.S.	. O-RING / UPPER CENTER POST	1	1	1
4	641969	. CENTER POST	1	1	
5	641340	. FILTER ELEMENT	1	1	
6	641970	. SCREW BAFFLE	1	1	
7	641971	. DRAIN VALVE BODY	1	1	
8	N.S.S.	. O-RING / UPPER BOWL	1	1	1
9	N.S.S.	. BOWL METAL	1	1	1
10	N.S.S.	. INDICATOR FILTER	1	1	1
11	N.S.S.	. GLASS / INDICATOR	1	1	1
12	N.S.S.	. RETAINER / GLASS	1	1	1
13	N.S.S.	. SCREW / TO FIX RETAINER	2	2	1
14	N.S.S.	. O-RING / LOWER BOWL	1	1	1
15	641972	. DRAIN VALVE	1	1	
16	N.S.S.	. NUT RETAINER / DRAIN VALVE	1	1	1
17	641354	KIT, O-RING	AR	AR	A
17	641355	KIT, LEVEL INDICATOR	AR	AR	B
17	7770058	KIT, DRAIN VALVE	AR	AR	C
		A) INCLUDE ITEMS #3,8 & 14			
		B) INCLUDE ITEMS #8,10,11 & 13			
		C) INCLUDE ITEMS #7,14 & 15			
		1) NOT SOLD SEPARATELY			

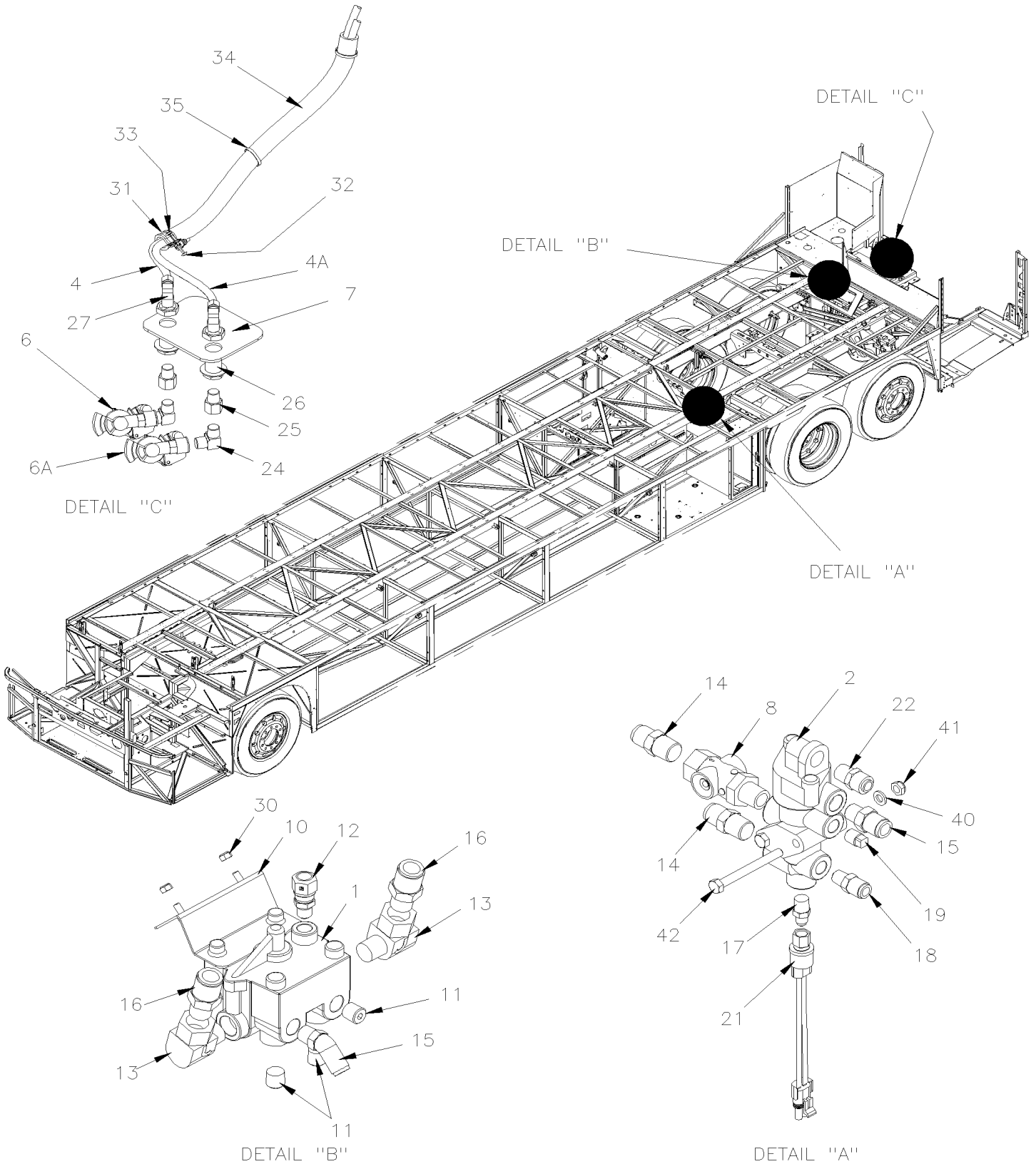


From B-5003 To D-5489

Date:07/2024

PAGE:XV-1220-50

TRAILER VALVE INSTALLATION



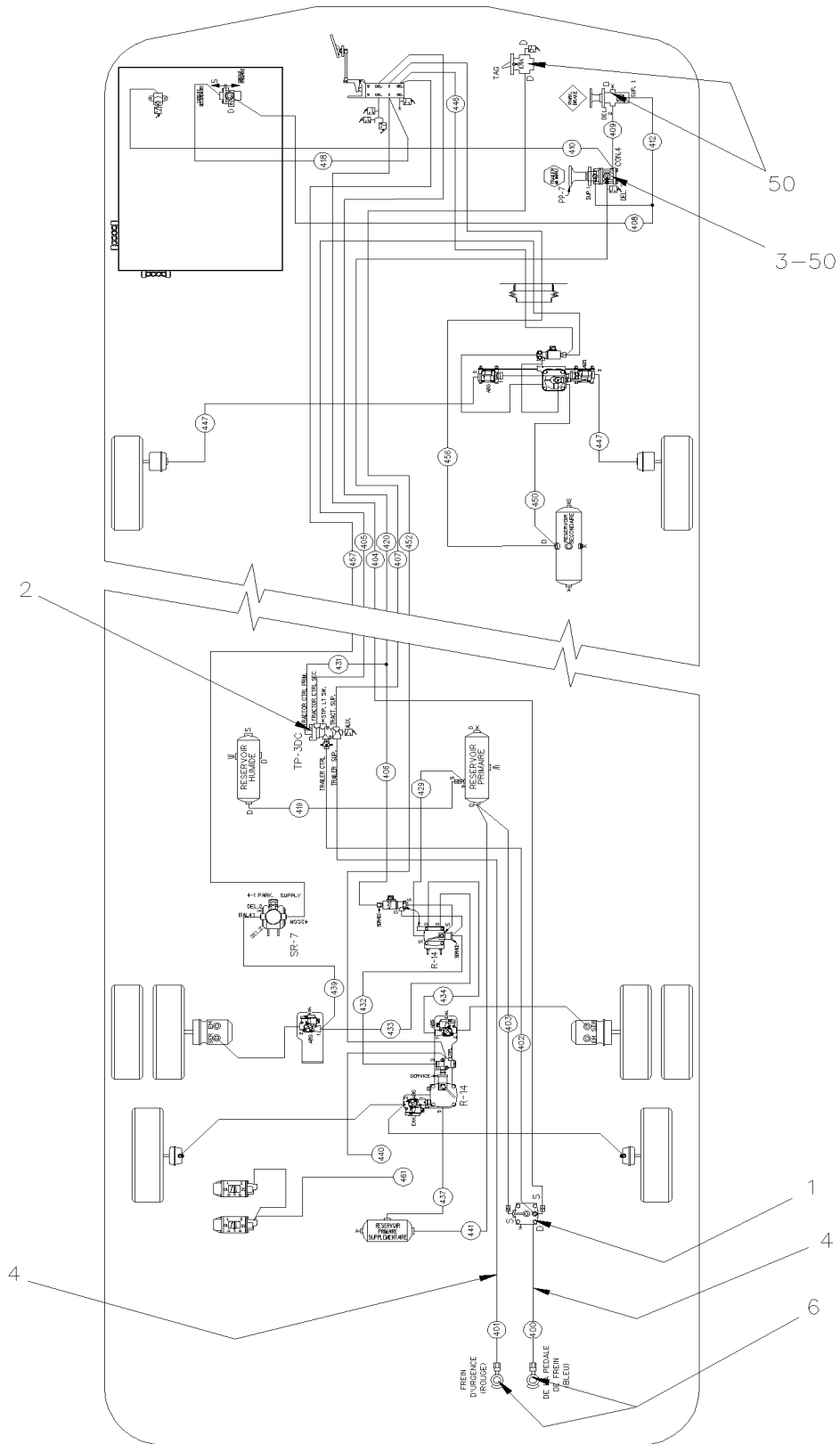


From B-5003 To D-5489

Date:07/2024

PAGE:XV-1220-50

TRAILER VALVE INSTALLATION





From B-5003 To D-5489	Date:07/2024	PAGE:XV-1220-50
------------------------------	---------------------	------------------------

TRAILER VALVE INSTALLATION

Item#	Part	Description	X 3 V I P	X L I I E N T 4 5	N O T E S
1	641399	VALVE, RELAY R-12 P SUPPERSEDED 642097	1	1	
2	641495	TRACTOR PROTECTION VALVE TP-3 DC	1	1	
3	641397	TRAILER SUPPLY VALVE PP-7	1	1	
4	503638	TUBE, NYLON 1/2 O.D. / BROWN S.L.	AR	AR	
4A	503406	TUBE, NYLON 1/2 O.D. / GREEN S.L.	AR	AR	
5	640992	MALE CONNECTOR / NTA FITTING / #8x1/2NPT-M BR	AR	AR	
6	641938	GLANDHAND W/DUST COVER "RED"	1	1	
6A	641939	GLANDHAND W/DUST COVER "BLUE"	1	1	
7	410997	SUPPORT QUICK CONNECT HOSE CONNECTOR	1	1	
8	642088	VALVE, QUICK RELEASE QR-L / IN LINE	1	1	
9	643384	VALVE / SPRING BRAKE SR-7	1	1	
. NS	642119	. VALVE / SPRING BRAKE SR-7	1	1	
10	142697	SUPPORT VALVE R-12P To D-5459	1	1	
10	142850	SUPPORT VALVE R-12P From D-5460	1	1	
11	501449	PLUG HEXS / PIPE FITTING / 3/8NPT-M STL	3	3	
12	641173	MALE CONNECTOR / NTA FITTING / #8x1/4NPT-M BR	1	1	
13	641172	VALVE, CHECK ELBOW 90° 1/2 NPT	2	2	
14	641383	MALE CONNECTOR / PUSH-IN FITTING / #8x1/2NPT-M BR	AR	AR	
15	641381	MALE CONNECTOR / PUSH-IN FITTING / #8x3/8NPT-M BR	AR	AR	
16	641384	MALE CONNECTOR / PUSH-IN FITTING / #10x1/2NPT-M BR	AR	AR	
17	641027	MALE ELBOW 45° / NTA FITTING / #10x1/2NPT-M BR	AR	AR	
18	641331	MALE CONNECTOR / PUSH-IN FITTING / #6x1/4NPT-M BR	AR	AR	
19	501800	PLUG HEXS / PIPE FITTING / 1/4NPT-M STL	AR	AR	
21	950245	PRESSURE SWITCH N.C. 20-30 LO-UNLOAD W/WIRE BLACK	1	1	
22	641330	MALE CONNECTOR / PUSH-IN FITTING / #6x3/8NPT-M BR	AR	AR	
23	452043	PRESSURE SWITCH N.O. 60-35 20SP001AA060E035E	1	1	
24	501713	MALE ELBOW 90° / PIPE FITTING / 1/2NPT-Mx1/2NPT-M BR	2	2	
25	5011119	ADAPTER / PIPE FITTING / 1/2NPT-Fx1/2NPT-M BR	2	2	
26	501796	BULKHEAD COUPLING / PIPE FITTING / 1/2NPT-Fx1/2NPT-Fx1 1/2 BR	2	2	
27	641076	MALE ELBOW 90° / NTA FITTING / #8x1/2NPT-M BR	2	2	
30	502681	NUT HEX NYRT M6-1.0 N500 G8	2	2	
31	562036	CLAMP / 7/8" I.D. X 90°	1	1	
32	500606	SCREW MA TR PH #10-24x3/4 SS	3	3	
33	500767	NUT HEX #10-24 Z050	3	3	
34	562218	CONVOLUTED TUBING / UNSLIT / BLACK & GRAY / 1.000"	AR	AR	
35	504637	CABLE TIE / 3/16" x 13"	AR	AR	
40	502507	WASHER LO SPT 8.1x14.8x2.0 Z050	2	2	
41	500868	NUT HEX NYRT M8-1.25 Z050	2	2	
42	502650	SCREW CAP HEX M8-1.25x80 G8.8 Z050	2	2	
50	XV-1806-50	L.H. CONSOLE - MTH			
51	XV-1220-10	BRAKE PEDAL VALVE - "BENDIX"			



From B-5003 To D-5489	Date:07/2024	PAGE:XV-1220-50
-----------------------	--------------	-----------------

TRAILER VALVE INSTALLATION

Item#	Part	Description	X 3 V I P	X L I I E N T 4 5	N O T E S
NS	143039	DECAL / TRAILER FRENCH	1	1	
NS	143040	DECAL / TRAILER ENGLISH	1	1	
NS	143065	DECAL / TRAILER SPANISH	1	1	

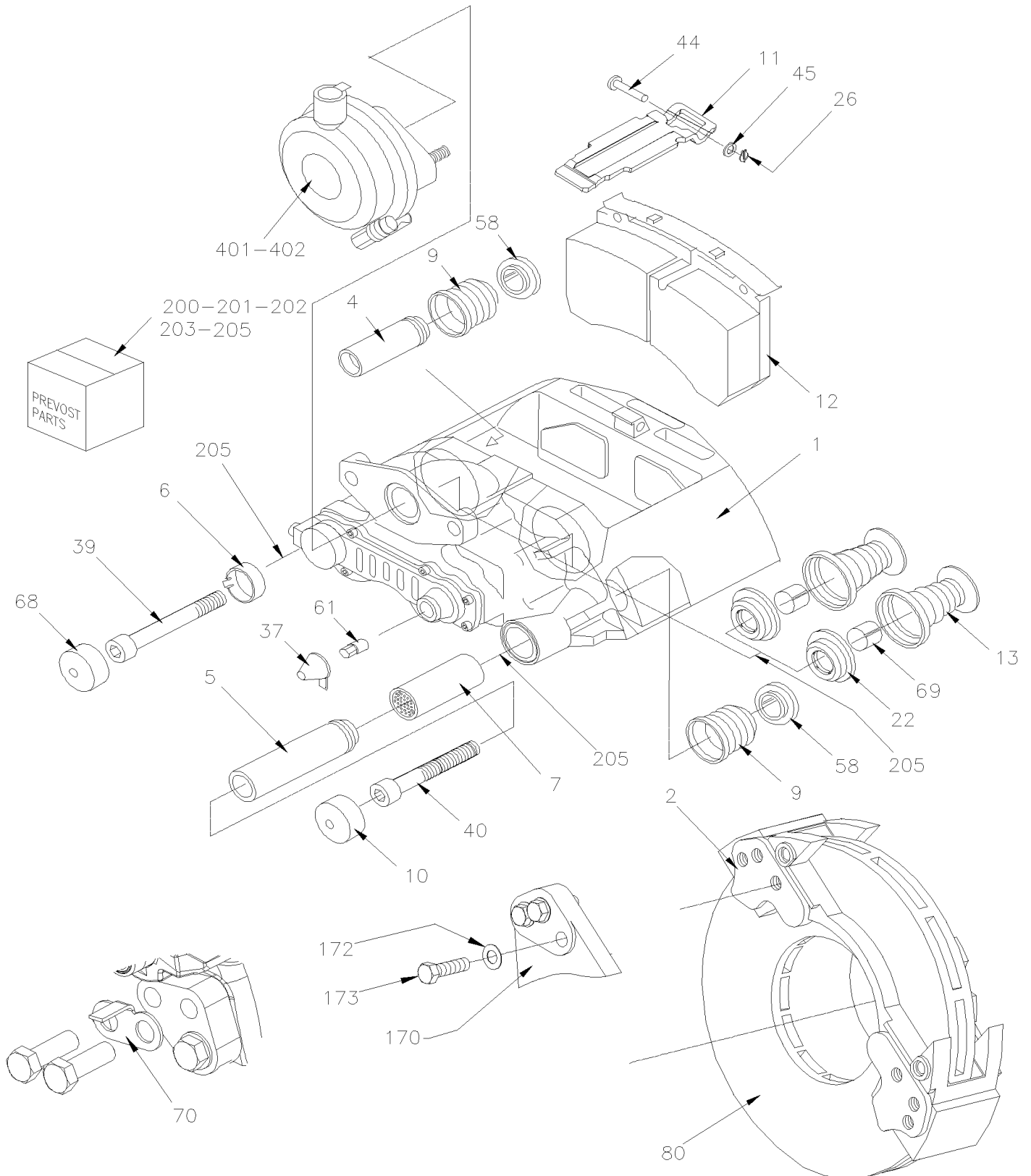


From B-5003 To D-5489

Date:07/2024

PAGE:XV-1225-00

BRAKE PARTS - FRONT & TAG AXLE "KNORR-BREMSE" SN7 SERIES W/NEW SLIDE PINS





From B-5003 To D-5489 Date:07/2024 PAGE:XV-1225-00

BRAKE PARTS - FRONT & TAG AXLE "KNORR-BREMSE" SN7 SERIES W/NEW SLIDE PINS

Item#	Part	Description	X 3 V I P	X L I I E N T 4 5	N O T E S
	642134	CALIPER ASSY R.H. FRONT & TAG OR L.H. DRIVE AXLE / W/O BOOSTER SN7	1	1	
	642139	CALIPER ASSY L.H. FRONT & TAG OR R.H. DRIVE AXLE / W/O BOOSTER SN7	1	1	
1	N.S.S.	. CALIPER HOUSING	1	1	1
2	611960	. BRAKE CARRIER / W/6 HOLES BOLT RETAINERS M20-1.5	1	1	
4	N.S.S.	. . GUIDE BUSHING / SHORT	1	1	1
5	N.S.S.	. . GUIDE BUSHING / LONG	1	1	1
6	N.S.S.	. . GUIDE BUSHING / DU	1	1	1
7		. . BUSHING / BRASS	1	1	
8	N.S.S.	. . BOOT RUBBER / WHITE	2	2	1
9	N.S.S.	. . BELLOW GUIDE BUSHING / RED	2	2	1
10	N.S.S.	. . STEEL CAP	1	1	1
11	N.S.S.	. . BRAKE PAD BRACKET	1	1	1
12	611049	. . LINING SET STD /	1	1	B
. 11	N.S.S.	. . . BRAKE PAD BRACKET	1	1	1 B
. 26	N.S.S.	. . . SPRING SPLIT PIN	1	1	1 B
. 37	641313	. . . PLUG CAP / ADJUSTING DEVICE / PLASTIC INTERIOR GRIP	1	1	B
. 44	N.S.S.	. . . CLEVIS PIN	1	1	1 B
. 45	N.S.S.	. . . WASHER	1	1	1 B
. 61	N.S.S.	. . . SHEAR ADAPTER	1	1	1 B
13	N.S.S.	. . TAPPET WITH BOOT ASSY	2	2	1
22	N.S.S.	. . BOOT	2	2	1
26	N.S.S.	. . SPRING SPLINT PIN	1	1	1
37	N.S.S.	. . PLUG CAP / ADJUSTING DEVICE	1	1	1
39	N.S.S.	. . SCREW CAP HEXS ZP M16-1.5 GR10.9	1	1	1
40	N.S.S.	. . SCREW CAP HEXS ZP M16-1.5 GR10.9	1	1	1
44	N.S.S.	. . CLEVIS PIN	1	1	1
45	N.S.S.	. . WASHER	1	1	1
58	N.S.S.	. . RING	2	2	1
61	N.S.S.	. . SHEAR ADAPTER	1	1	1
68	N.S.S.	. . CAP	1	1	1
69	N.S.S.	. RING RETAINING	2	2	1
70	110786	BRAKE WEAR INDICATOR MECHANICAL / 44MM From A-9953	AR	AR	
80	XV-1300-00	HUB & ROTOR - FRONT AXLE MODEL "NDIFS80P"			
80	XV-1310-00	HUB & ROTOR - TAG AXLE TYPE TS8U			
170	XV-1005-50	FRONT AXLE - INDEPENDENT MODEL "NDIFS80P" / 18000LBS			
170	XV-1615-00	TAG AXLE - INSTALL SUSPENSION ONE PIECE			
172	502558	WASHER FL 21.0x37.0x3.0 G500	6	6	
173	5001529	SCREW CAP HEX M20-1.5x60 G10.9 G500	6	6	
200	642032	KIT, TAPPET W/BOOT	AR	AR	C
201	642141	KIT, GUIDANCE PINS & BELLOW / SN W/ GUIDE SLEEVE BUSHING END	AR	AR	E
202	642034	KIT, PLUG CAP W/AJUSTING DEVICE (PACK of 10x #37, #37a & 61)	AR	AR	S
203	641402	KIT, PAD HOLDER	AR	AR	H



From B-5003 To D-5489 Date:07/2024 PAGE:XV-1225-00

BRAKE PARTS - FRONT & TAG AXLE "KNORR-BREMSE" SN7 SERIES W/NEW SLIDE PINS

Item#	Part	Description	X 3 V I P	X L I I E N T 4 5	N O T E S
. 26	N.S.S.	. SPRING SPLIT PIN	1	1	1 H
. 44	N.S.S.	. CLEVIS PIN	1	1	1 H
. 45	N.S.S.	. WASHER	1	1	1 H
205	683345	GREASE WHITE / 5GR	AR	AR	K
205	641930	GREASE WHITE / 500GR	AR	AR	K
NS	641321	TOOL / THRUST MEMBER W/BELLOW	AR	AR	L
NS	641322	TOOL / CALIPER INNER BELLOW	AR	AR	M
NS	19400416	TOOL / PUSH-IN INNER BOOT (9)	AR	AR	M
NS	642074	TOOL / BUSHING INSTALLER / SERIES SN	AR	AR	N
NS	641435	TOOL / FORK (FOR BELLOW CAP)	AR	AR	L
305	N.P.N.	TOOL / PRESS IN COVER / K015825	AR	AR	4 X
306	N.P.N.	TOOL / BUSHING - INSTALLER & REMOVER KIT / K005986	AR	AR	4 Y
307	N.P.N.	TOOL / RUBBER BUSHING - INSTALLER / K016743	AR	AR	4 Z
NS	642035	KIT TOOL BOX "KNORR BREMSE" SERIE SN7	AR	AR	
401	XV-1225-10	BRAKE CHAMBER - FRONT AXLE			
402	XV-1245-10	BRAKE CHAMBER - TAG AXLE			
500	Y006471_000_EN	MAINTENANCE MANUAL / ENGLISH KNORR-BREMSE			
NS	Y006471_000_FR	MANUEL D'ENTRETIEN / FRANÇAIS KNORR-BREMSE			
		B) INCLUDES ITEMS #11, 26, 37, 44, 45 & 61			
		C) INCLUDES 2 OF ITEMS #13, 22 & 69			
		E) INCLUDES ITEMS #4, 5, 6, 7, 9, 10, 39, 40, 58 & 68			
		H) INCLUDES ITEMS #11,26,44 & 45			
		K) FOR ITEMS #5 & 7			
		L) TO USE W/ITEMS #13			
		M) TO USE W/ITEM #9			
		N) TO USE W/ITEM #7			
		S) INCLUDES 10 ITEMS #37 AND 61			
		X) TO USE WITH ITEM #10			
		Y) TO USE WITH ITEM 6			
		Z) TO USE WITH ITEM #68			
		1) NOT SOLD SEPARATELY			
		4) NO PARTS NUMBER			
		1) NOT SOLD SEPARATELY			

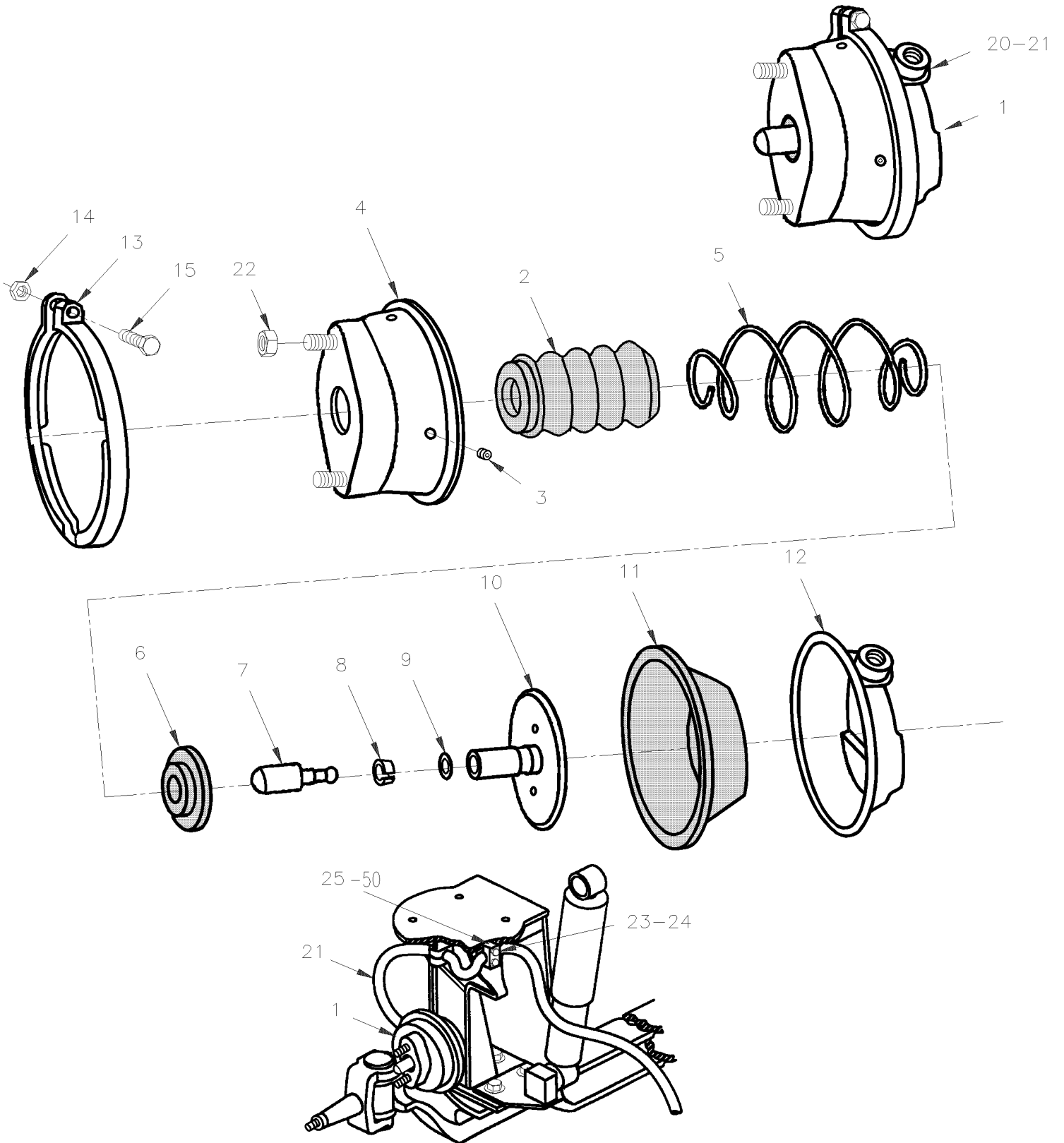


From B-5003 To D-5489

Date:07/2024

PAGE:XV-1225-10

BRAKE CHAMBER - FRONT AXLE





From B-5003 To D-5489	Date:07/2024	PAGE:XV-1225-10
-----------------------	--------------	-----------------

BRAKE CHAMBER - FRONT AXLE

Item#	Part	Description	X 3 V I P	X L I I E N T 4 5	N O T E S
1	611276	BRAKE CHAMBER ASSY R.H. / TYPE 27	1	1	
NS	611277	BRAKE CHAMBER ASSY L.H. / TYPE 27	1	1	
2	N.S.S.	. BOOT	1	1	1
3	N.S.S.	. HOLE PLUG	1	1	1
4	N.S.S.	. CHAMBER , NO-PRESSURE	1	1	1
5	N.S.S.	. SPRING	1	1	1
6	N.S.S.	. SPRING SEAT	1	1	1
7	N.S.S.	. PUSH ROD END	1	1	1
8	N.S.S.	. RETAINER	1	1	1
9	N.S.S.	. RING	1	1	1
10	N.S.S.	. PUSH ROD	1	1	1
11	N.S.S.	. DIAPHRAMG / TYPE 27	1	1	1
12	N.S.S.	. CHAMBER PRESSURE PLATE	1	1	1
13	N.S.S.	. CLAMP W/BOLT & NUT	1	1	1
14	502543	. NUT HEX M8-1.25 Z050	1	1	
15	5001021	. SCREW CAP HEXS M8-1.25x60 G8.8 PT	1	1	
20	660914	MALE ELBOW 90° / JIC 37° FITTING / #8JIC-MxM16-1.5-M STL	AR	AR	
. NS	641297	. O-RING 13.1MM I.D. X 2.6 TH	1	1	
. NS	641298	. WASHER FL 17MM I.D x 22MM O.D. x 1.5MM	1	1	
21	641903	HOSE BRAKE #8 1090MM (43")	2	2	
22	5001253	NUT HEX STO M16-1.5 G500	1	1	
23	504612	COLLAR 13/16" I.D. / TO FIX HOSE	2	2	
24	504614	PLATE RETAINING / COLLAR	2	2	
25	142352	HOSE SUPPORT R.H.	1	1	
25	142353	HOSE SUPPORT L.H.	1	1	
50	XV-1250-10	ABS BRAKE VALVE - INSTALLATION			
100	641422	KIT REPAIR / TYPE 24	1	1	
		1) NOT SOLD SEPARATELY			

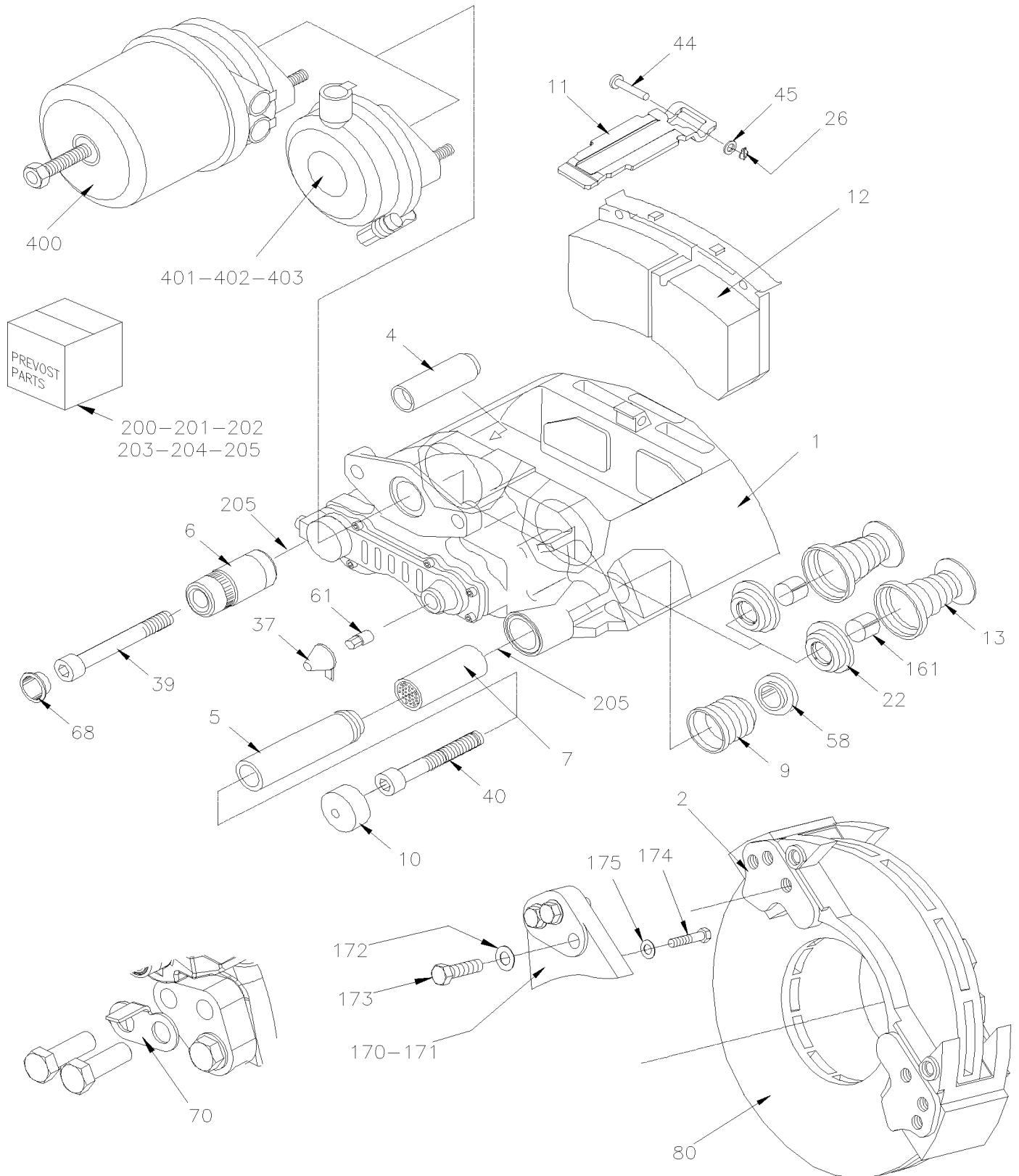


From B-5003 To D-5489

Date:07/2024

PAGE:XV-1235-00

BRAKE PARTS - DRIVE AXLE "KNORR-BREMSE" SN7 SERIES





From B-5003 To D-5489 Date:07/2024 PAGE:XV-1235-00

BRAKE PARTS - DRIVE AXLE "KNORR-BREMSE" SN7 SERIES

Item#	Part	Description	X 3 V I P	X L I I E N T 4 5	N O T E S
	611341	CALIPER ASSY R.H. / W/O BOOSTER / SN7	1	1	A
	611342	CALIPER ASSY L.H. / W/O BOOSTER / SN7	1	1	A
1	N.S.S.	. CALIPER HOUSING	1	1	1
2	611960	. BRAKE CARRIER / W/6 HOLES BOLT RETAINERS M20-1.5	1	1	
4	N.S.S.	. . GUIDE BUSHING / SHORT	1	1	1
5	N.S.S.	. . GUIDE BUSHING / LONG	1	1	1
6	N.S.S.	. . GUIDE SLEEVE	1	1	1
7	611107	. . BUSHING / BRASS	1	1	
8	N.S.S.	. . BOOT RUBBER / WHITE	2	2	1
9	N.S.S.	. . BELLOW GUIDE BUSHING / RED	1	1	1
10	N.S.S.	. . STEEL CAP	1	1	1
11	N.S.S.	. . BRAKE PAD BRACKET	1	1	1
12	611049	. . LINING SET STD /	1	1	B
. 11	N.S.S.	. . . BRAKE PAD BRACKET	1	1	1 B
. 26	N.S.S.	. . . SPRING SPLIT PIN	1	1	1 B
. 37	641313	. . . PLUG CAP / ADJUSTING DEVICE / PLASTIC INTERIOR GRIP	1	1	B
. 44	N.S.S.	. . . CLEVIS PIN	1	1	1 B
. 45	N.S.S.	. . . WASHER	1	1	1 B
. 61	N.S.S.	. . . SHEAR ADAPTER	1	1	1 B
13	N.S.S.	. . TAPPET WITH BOOT ASSY	2	2	1
22	N.S.S.	. . BOOT	2	2	1
26	N.S.S.	. . SPRING SPLINT PIN	1	1	1
37	N.S.S.	. . PLUG CAP / ADJUSTING DEVICE	1	1	1
39	N.S.S.	. . SCREW CAP HEXS ZP M16-1.5 GR10.9	1	1	1
40	N.S.S.	. . SCREW CAP HEXS ZP M16-1.5 GR10.9	1	1	1
44	N.S.S.	. . CLEVIS PIN	1	1	1
45	N.S.S.	. . WASHER	1	1	1
58	N.S.S.	. . RING	1	1	1
61	N.S.S.	. . SHEAR ADAPTER	1	1	1
68	N.S.S.	. . CAP	1	1	1
70	110786	BRAKE WEAR INDICATOR MECHANICAL / 44MM From A-9953	2	2	
80	XV-1305-00	HUB & ROTOR - DRIVE AXLE			
161	N.S.S.	. RING RETAINING	2	2	1
170	XV-1105-00	REAR AXLE - MODEL "RC23165"			
171	621868	CALIPER MOUNTING BRACKET L.H. & R.H. W/OUT BUSHING	1	1	D
172	N8889049	WASHER	6	6	
173	5001529	SCREW CAP HEX M20-1.5x60 G10.9 G500	6	6	
174	621636	SCREW CAP HEX / TO FIX BRACKET TO AXLE 9/16-18 X 2 GR 8	24	24	D
175	621365	WASHER (HARD) .59IDX.97ODX.09	24	24	D
200	642032	KIT, TAPPET W/BOOT	AR	AR	C
201	642031	KIT, GUIDANCE PINS & BELLOW / SN W/39MM BUSHING END	AR	AR	E
202	642034	KIT, PLUG CAP W/AJUSTING DEVICE (PACK of 10x #37, #37a & 61)	AR	AR	S



From B-5003 To D-5489 Date:07/2024 PAGE:XV-1235-00

BRAKE PARTS - DRIVE AXLE "KNORR-BREMSE" SN7 SERIES

Item#	Part	Description	X 3 V I P	X L I I E N T 4 5	N O T E S
203	641402	KIT, PAD HOLDER	AR	AR	H
.26	N.S.S.	. SPRING SPLIT PIN	1	1	1 H
.44	N.S.S.	. CLEVIS PIN	1	1	1 H
.45	N.S.S.	. WASHER	1	1	1 H
205	683345	GREASE WHITE / 5GR	AR	AR	K
205	641930	GREASE WHITE / 500GR	AR	AR	K
NS	641321	TOOL / THRUST MEMBER W/BELLOW	AR	AR	L
NS	641322	TOOL / CALIPER INNER BELLOW	AR	AR	M
NS	642074	TOOL / BUSHING INSTALLER / SERIES SN	AR	AR	N
NS	641435	TOOL / FORK (FOR BELLOW CAP)	AR	AR	L
NS	641993	TOOL / PRESS IN COVER	AR	AR	X
NS	641994	TOOL / BUSHING - INSTALLER	AR	AR	Y
NS	641998	TOOL / RUBBER BUSHING - INSTALLER	AR	AR	Z
NS	642035	KIT TOOL BOX "KNORR BREMSE" SERIE SN7	AR	AR	
400	XV-1235-10	BRAKE CHAMBER - DRIVE AXLE			
401	XV-1225-10	BRAKE CHAMBER - FRONT AXLE			
402	XV-1245-10	BRAKE CHAMBER - TAG AXLE			
500	Y006471_000_EN	MAINTENANCE MANUAL / ENGLISH KNORR-BREMSE			
NS	Y006471_000_FR	MANUEL D'ENTRETIEN / FRANÇAIS KNORR-BREMSE			
		A) DO NOT INCLUDE ITEM #2 & #12			
		B) INCLUDES ITEMS #11, 26, 37, 44, 45 & 61			
		C) INCLUDES 2 OF ITEMS #13, 22 & 161			
		D) ON DRIVE AXLE ONLY			
		E) INCLUDES ITEMS #4, 5, 6, 7, 9, 10, 39, 40, 58 & 68			
		H) INCLUDES ITEMS #11,26,44 & 45			
		K) FOR ITEMS #5 & 7			
		L) TO USE W/ITEMS #13			
		M) TO USE W/ITEM #9			
		N) TO USE W/ITEM #7			
		S) INCLUDES 10 ITEMS #37 AND 61			
		X) TO USE WITH ITEM #10			
		Y) TO USE WITH ITEM 6			
		Z) TO USE WITH ITEM #68			
		1) NOT SOLD SEPARATELY			
		1) NOT SOLD SEPARATELY			

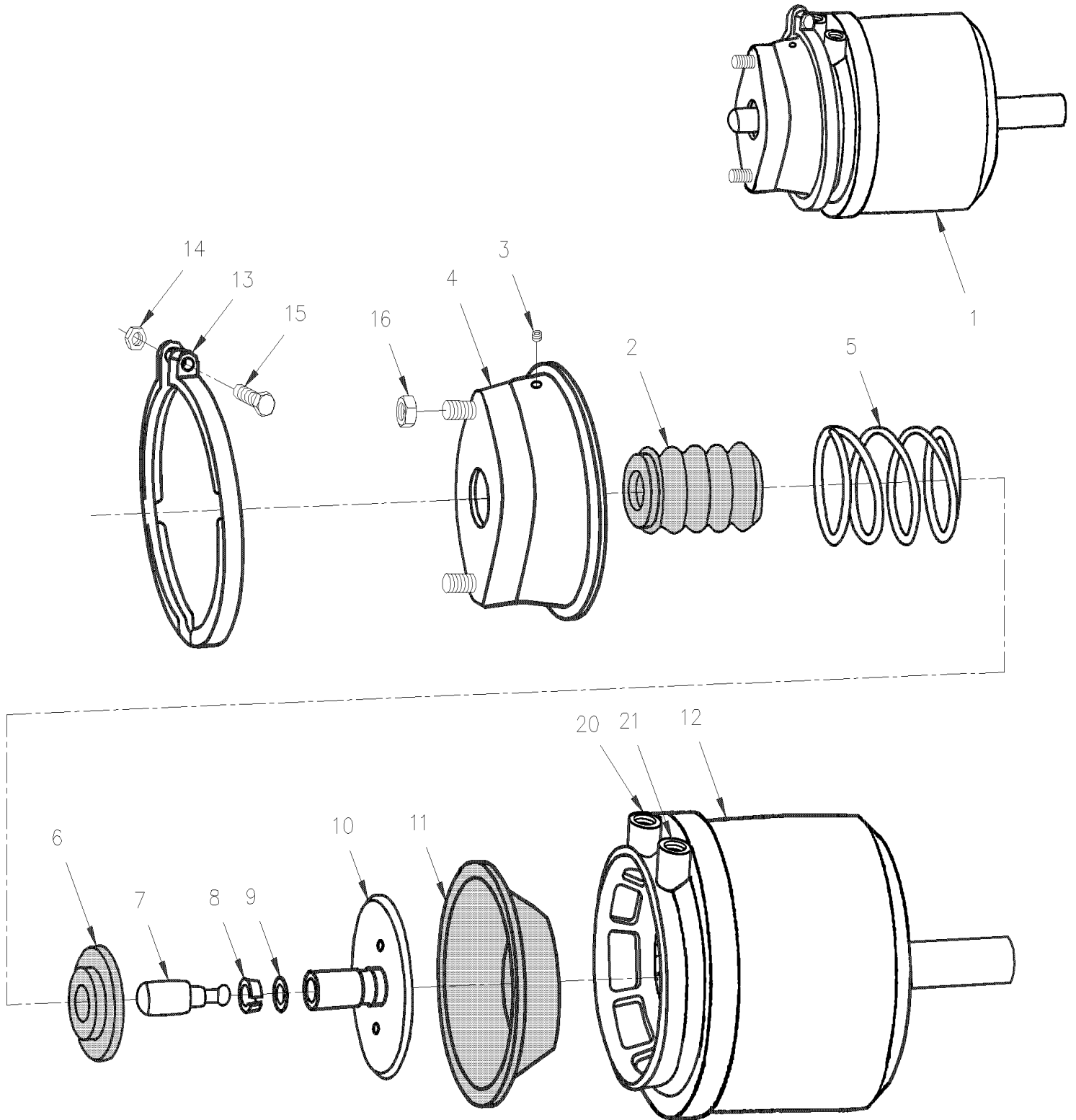


From B-5003 To D-5489

Date:07/2024

PAGE:XV-1235-10

BRAKE CHAMBER - DRIVE AXLE





From B-5003 To D-5489	Date:07/2024	PAGE:XV-1235-10
BRAKE CHAMBER - DRIVE AXLE		

Item#	Part	Description	X 3 V I P	X L I I E N T 4 5	N O T E S
1	642057	BRAKE CHAMBER ASSY L.H. / TYPE 24/24 (SEALED)	1	1	
1	642058	BRAKE CHAMBER ASSY R.H. / TYPE 24/24 (SEALED)	1	1	
2	N.S.S.	. BOOT	1	1	1
3	N.S.S.	. HOLE PLUG	1	1	1
4	N.S.S.	. CHAMBER , NO-PRESSURE	1	1	1
5	N.S.S.	. SPRING	1	1	1
6	N.S.S.	. SPRING SEAT	1	1	1
7	N.S.S.	. PUSH ROD END	1	1	1
8	N.S.S.	. RETAINER	1	1	1
9	N.S.S.	. RING	1	1	1
10	N.S.S.	. PUSH ROD	1	1	1
16	5001253	NUT HEX STO M16-1.5 G500	2	2	
		HOSE SERVICE BRAKE			
20	641303	HOSE BRAKE #8 914MM (36")	2	2	A
20	5011205	FEMALE CONNECTOR / PIPE @ METRIC / 3/8NPT-FxM16-1.5-M ZP	1	1	
. NS	641297	. O-RING 13.1MM I.D. X 2.6 TH	1	1	
. NS	641298	. WASHER FL 17MM I.D x 22MM O.D. x 1.5MM	1	1	
NS	501842	ADAPTER / AIR BRAKE HOSE FITTING / 3/4-20-Mx3/8NPT-M STL	1	1	
NS	501330	STREET ELBOW 45° / PIPE FITTING / 3/8NPT-Mx3/8NPT-F BR	1	1	
		HOSE EMERGENCY BRAKE			
21	503488	TUBE, NYLON 1/2 O.D. / BLACK S.L./	AR	AR	
NS	641040	MALE ELBOW 90° / NTA FITTING / #8x3/8NPT-M BR	1	1	
NS	5011205	FEMALE CONNECTOR / PIPE @ METRIC / 3/8NPT-FxM16-1.5-M ZP	2	2	
. NS	641297	. O-RING 13.1MM I.D. X 2.6 TH	1	1	
. NS	641298	. WASHER FL 17MM I.D x 22MM O.D. x 1.5MM	1	1	
NS	641297	O-RING 13.1MM I.D. X 2.6 TH	2	2	
NS	641298	WASHER FL 17MM I.D x 22MM O.D. x 1.5MM	2	2	
		A) L.H. & R.H.			
		1) NOT SOLD SEPARATELY			



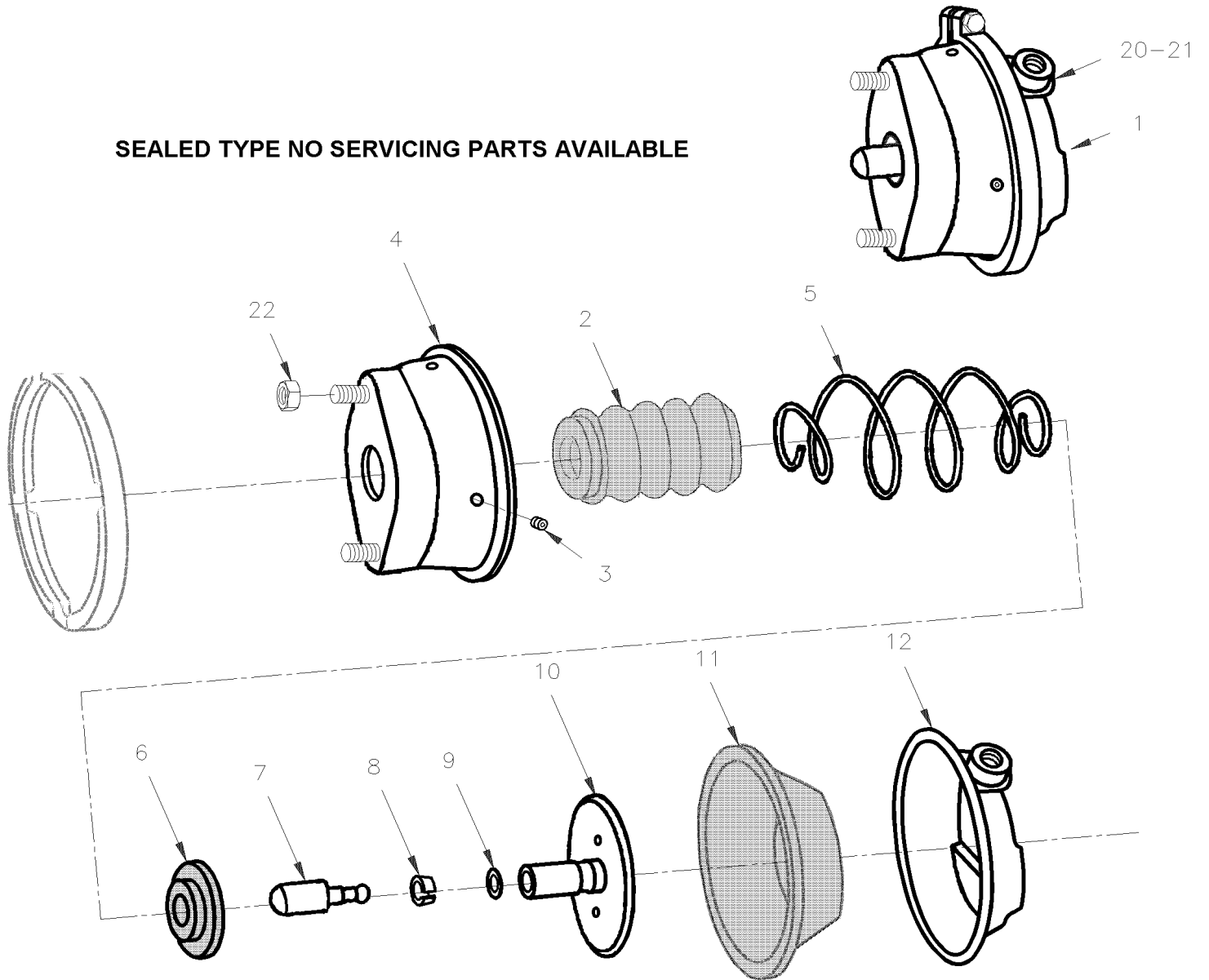
From B-5003 To D-5489

Date:07/2024

PAGE:XV-1245-10

BRAKE CHAMBER - TAG AXLE

SEALED TYPE NO SERVICING PARTS AVAILABLE





From B-5003 To D-5489	Date:07/2024	PAGE:XV-1245-10
------------------------------	---------------------	------------------------

BRAKE CHAMBER - TAG AXLE

Item#	Part	Description	X 3 V I P	X L I I E N T 4 5	N O T E S
1	642087	BRAKE CHAMBER ASSY / TYPE 14 / SEALED To D-5299	2	2	ABS
1	642086	BRAKE CHAMBER ASSY / TYPE 16 / SEALED	2	2	ESP
2	N.S.S.	. BOOT	1	1	1
3	N.S.S.	. HOLE PLUG	1	1	1
4	N.S.S.	. CHAMBER , NO-PRESSURE	1	1	1
5	N.S.S.	. SPRING, COMP.	1	1	1
6	N.S.S.	. SPRING SEAT	1	1	1
7	N.S.S.	. PUSH ROD END	1	1	1
8	N.S.S.	. RETAINER	1	1	1
9	N.S.S.	. RING	1	1	1
10	N.S.S.	. PUSH ROD	1	1	1
11	N.S.S.	. DIAPHRAGM / TYPE 14 To D-5299	1	1	1 ABS
11	N.S.S.	. DIAPHRAGM / TYPE 16	1	1	1 ESP
12	N.S.S.	. CHAMBER PRESSURE PLATE	1	1	1
13	N.S.S.	. CLAMP W/BOLT & NUT	1	1	1
20	660914	MALE ELBOW 90° / JIC 37° FITTING / #8JIC-MxM16-1.5-M STL	1	1	
. NS	641297	. O-RING 13.1MM I.D. X 2.6 TH	1	1	
. NS	641298	. WASHER FL 17MM I.D x 22MM O.D. x 1.5MM	1	1	
21	641903	HOSE BRAKE #8 1090MM (43") To D-5299	2	2	ABS
21	641905	HOSE BRAKE #8 952MM (37 1/2")	2	2	ESP
22	5001253	NUT HEX STO M16-1.5 G500	2	2	
		ABS) WITH "ABS"			
		ESP) WITH "ESP"			
		1) NOT SOLD SEPARATELY			

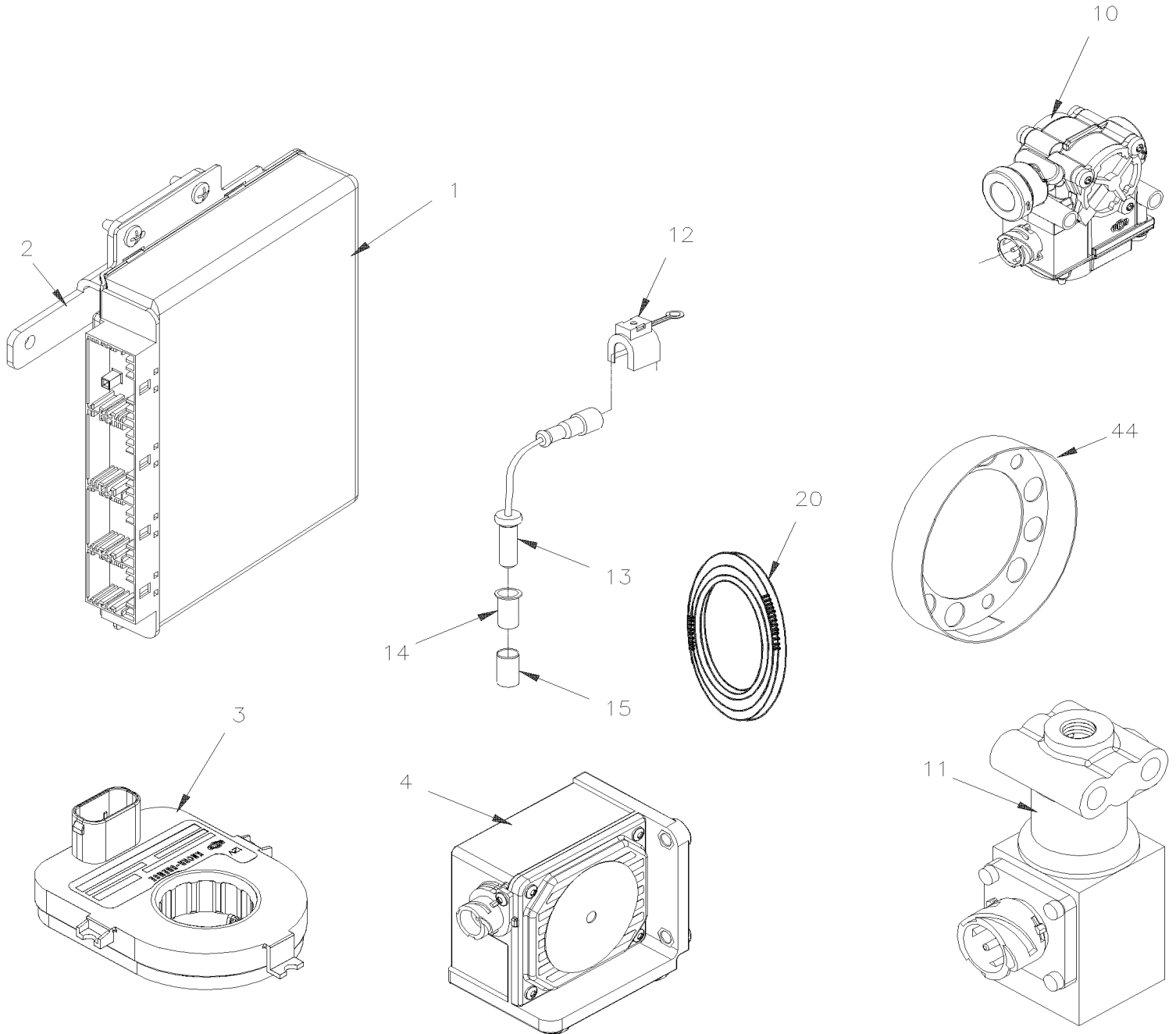


From B-5003 To D-5489

Date:07/2024

PAGE:XV-1250-00

ABS & ESP CONTROL





From B-5003 To D-5489	Date:07/2024	PAGE:XV-1250-00
ABS & ESP CONTROL		

Item#	Part	Description	X 3 V I P	X L I I E N T 4 5	N O T E S
1	642081	ECU ABS / W/6 CHANNELS / STANDARD To D-5299	1	1	
1	642146	ECU ABS / W/6 CHANNELS / ADVANCED ESP UNPROGRAMMED / NON-PROGRAMME	1	1	
2	382375	SUPPORT ECU To C-5276	1	1	
2	382468	SUPPORT ECU From C-5277	1	1	
3	661120	SENSOR ANGLE POSITION DETECTOR	1	1	
. NS	564042	. CONNECTOR / BOSCH 1 928 404 025	1	1	
3	661148	SENSOR ANGLE POSITION DETECTOR	1	1	
. NS	564042	. CONNECTOR / BOSCH 1 928 404 025	1	1	
4	642076	SENSOR "YAW" To B-5086	1	1	
4	642151	SENSOR "YAW" From C-5087	1	1	
5	642075	TRANSDUCER PRESSURE	1	1	
. NS	563159	. CONNECTOR / METRI-PACK 150 / SH 3C / PED 12065287	1	1	
10	642077	VALVE, "ABS" 12VOLT / M-32QR	AR	AR	B
10	640228	VALVE, "ABS" 12VOLT / M-40QR	AR	AR	
11	642079	VALVE, "ATC" 12VOLT To D-5459	1	1	
11	640018	VALVE, RELAY & ATC / ATR-6	1	1	
12	561115	CLAMP W/ 3 & 4 / ITT CANNON 029-0262-000	AR	AR	
13	642085	SENSOR ABS - OEM	2	2	I
13	642184	SENSOR ABS - AFTER MARKET	2	2	I
13	642085	SENSOR ABS - OEM	2	2	T
13	642184	SENSOR ABS - AFTER MARKET	2	2	T
13	642085	SENSOR ABS - OEM	2	2	A
13	642184	SENSOR ABS - AFTER MARKET	2	2	A
14	641096	CLIP, SPRING / TO FIX SENSOR	AR	AR	
15	621869	BUSHING - ABS SENSOR	2	2	A
15	610641	BUSHING ABS SENSOR MOUNTING TAG AXLE	2	2	T
15	121912	BUSHING ABS SENSOR MOUNTING TAG AXLE ONE PIECE	2	2	T
20	611473	TOOTH WHEEL / FRONT AXLE & TAG W/ "FAG" 143.90MM I.D.	2	2	I F
20	611457	ROTOR VENTED (W/TOOTH WHEEL / DRIVE AXLE)	2	2	A
20	621801	TOOTH WHEEL / TAG AXLE W/CAST TAG	2	2	T
44	621870	ABS SHIELD PROTECTOR	2	2	
		A) ON DRIVE AXLE ONLY			
		B) WHEN YOU REPLACE THE VALVE #642077 BY THE VALVE #640228 YOU HAVE REPLACE BOTH SIDE LEFT AND RIGHT			
		F) WITH HUB "FAG" ONLY			
		I) WITH INDEPENDENT SUSPENSION			
		T) ON TAG AXLE ONLY			

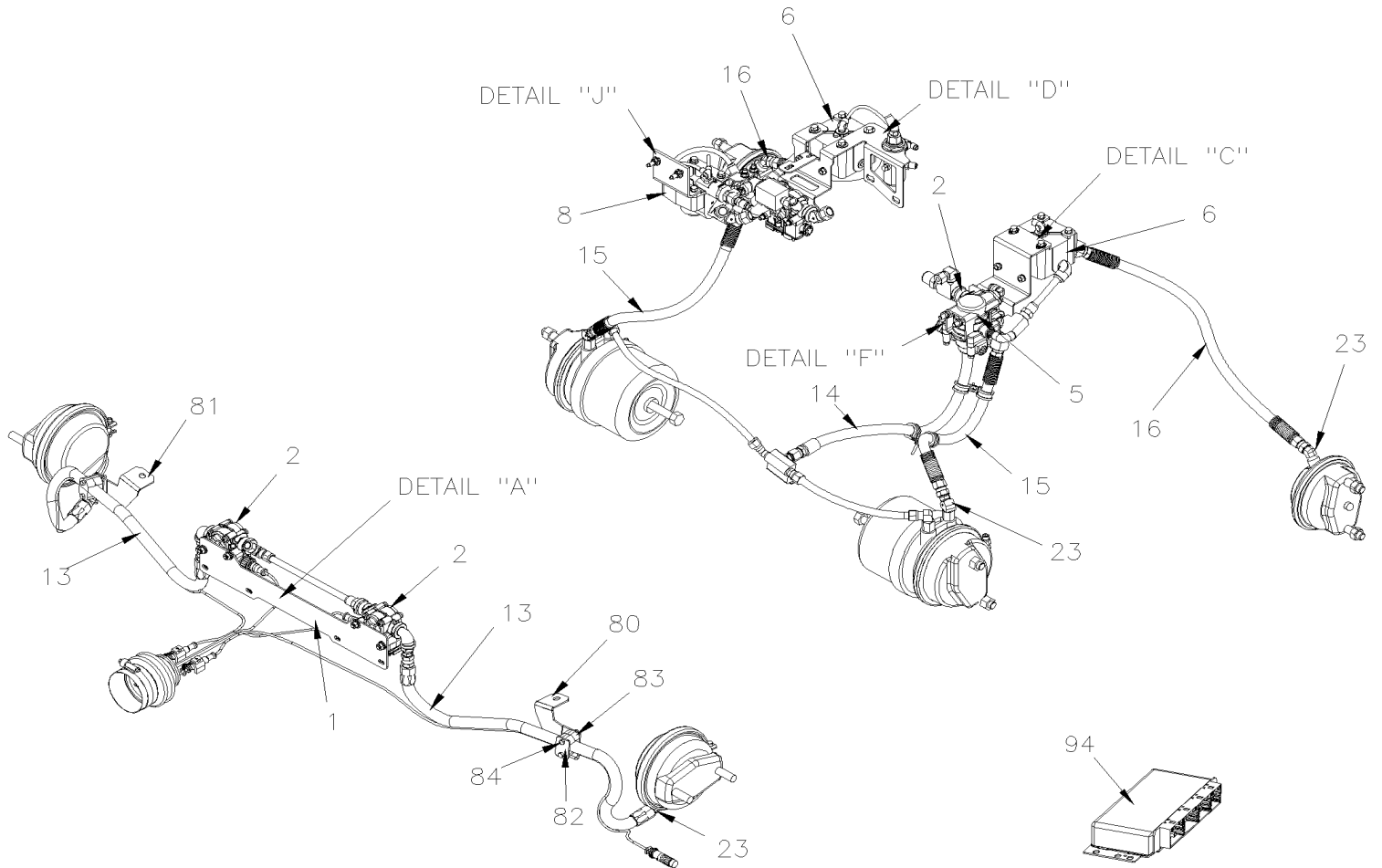


From B-5003 To D-5459

Date:07/2024

PAGE:XV-1250-10

ABS BRAKE VALVE - INSTALLATION



BASIC "STANDARD"

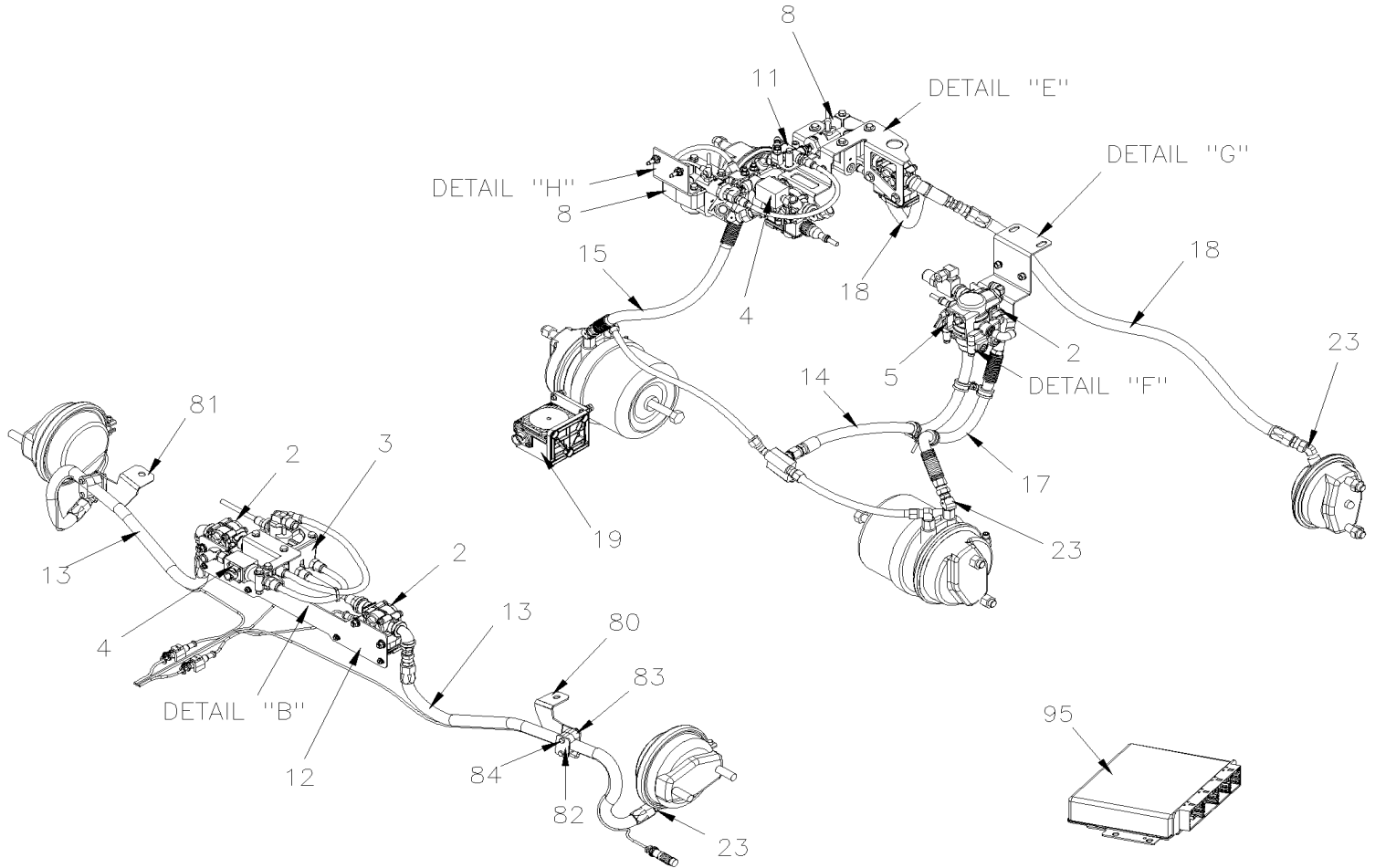


From B-5003 To D-5459

Date:07/2024

PAGE:XV-1250-10

ABS BRAKE VALVE - INSTALLATION



ADVANCE "OPTION"

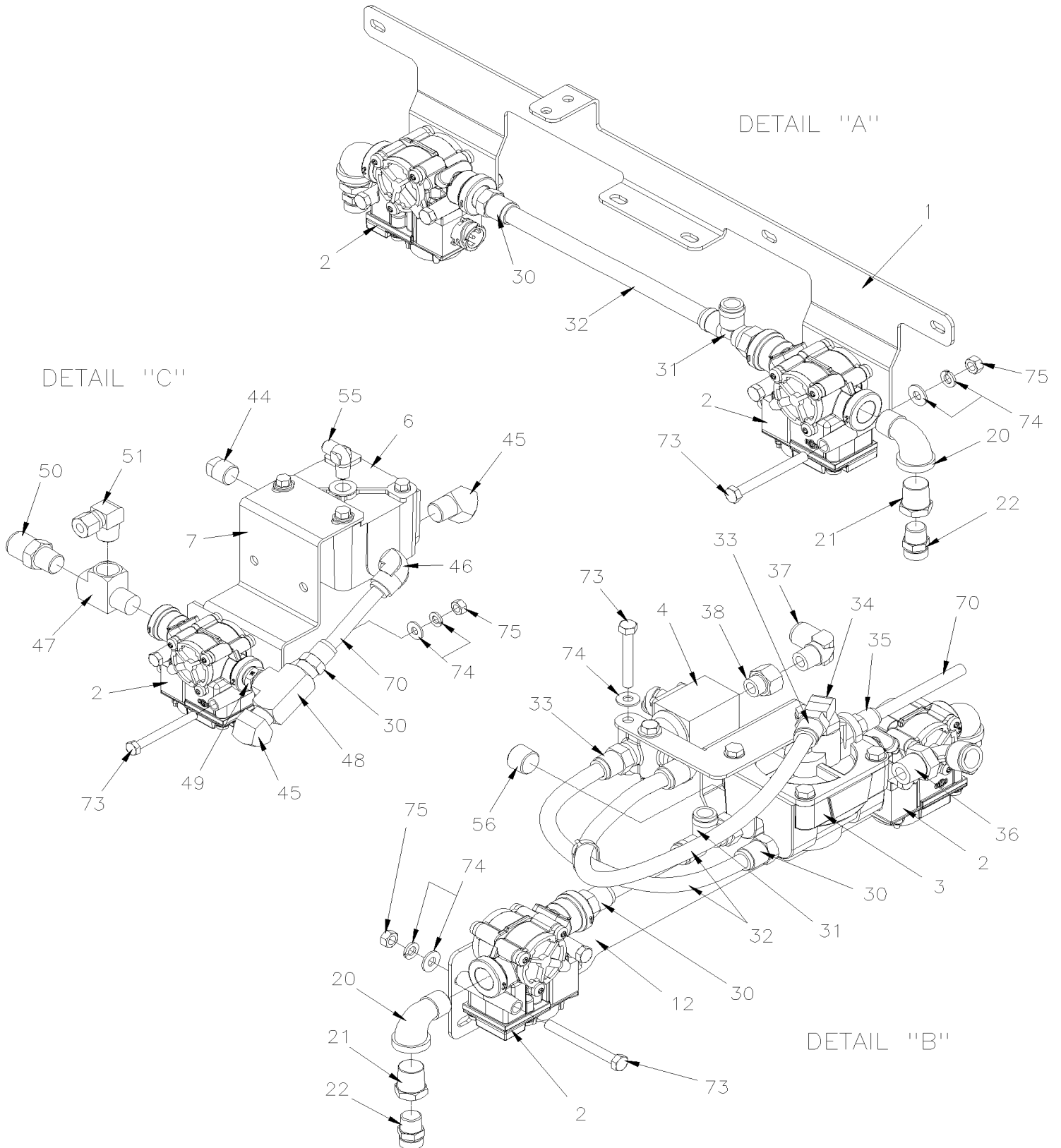


From B-5003 To D-5459

Date:07/2024

PAGE:XV-1250-10

ABS BRAKE VALVE - INSTALLATION



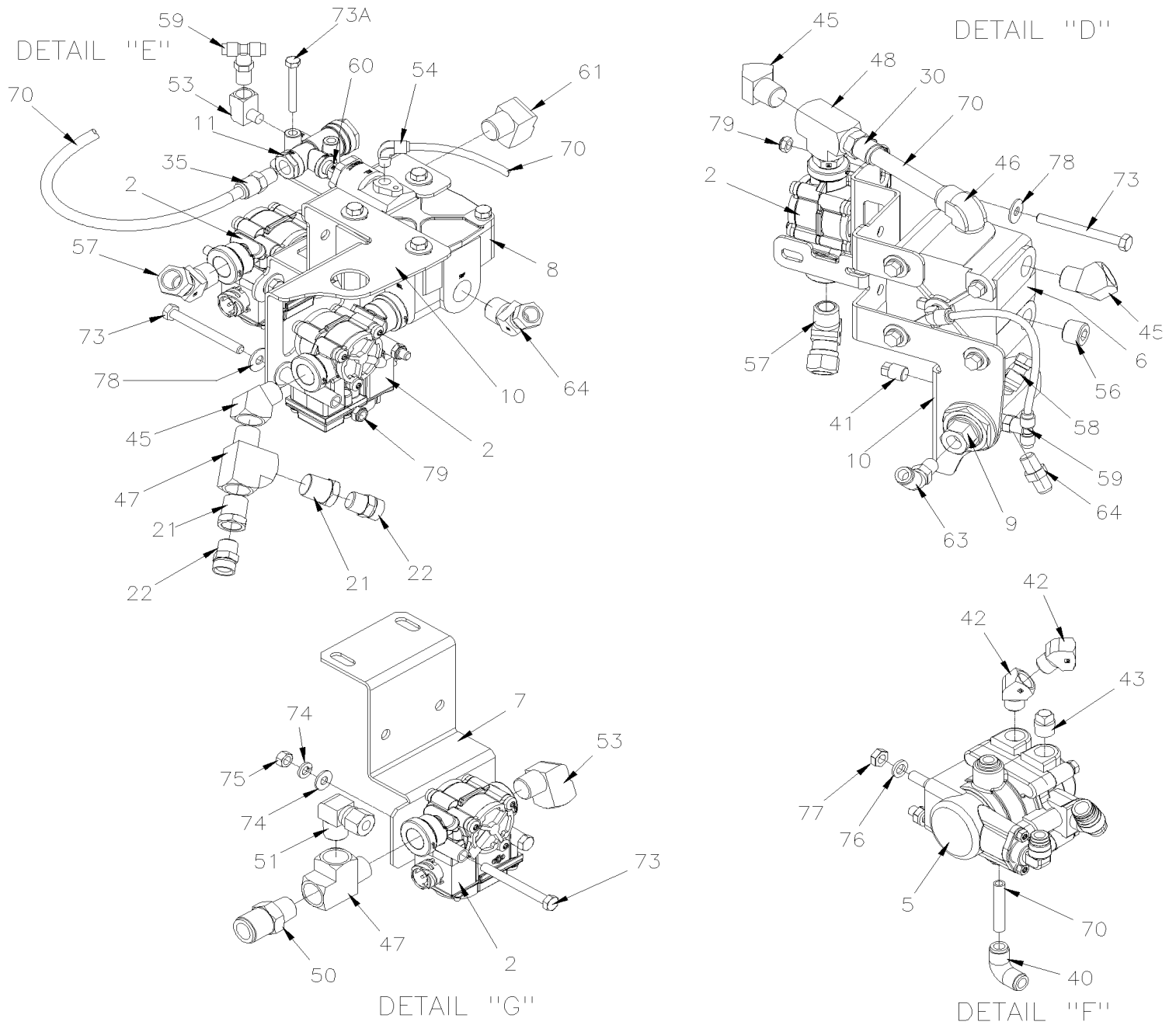


From B-5003 To D-5459

Date:07/2024

PAGE:XV-1250-10

ABS BRAKE VALVE - INSTALLATION



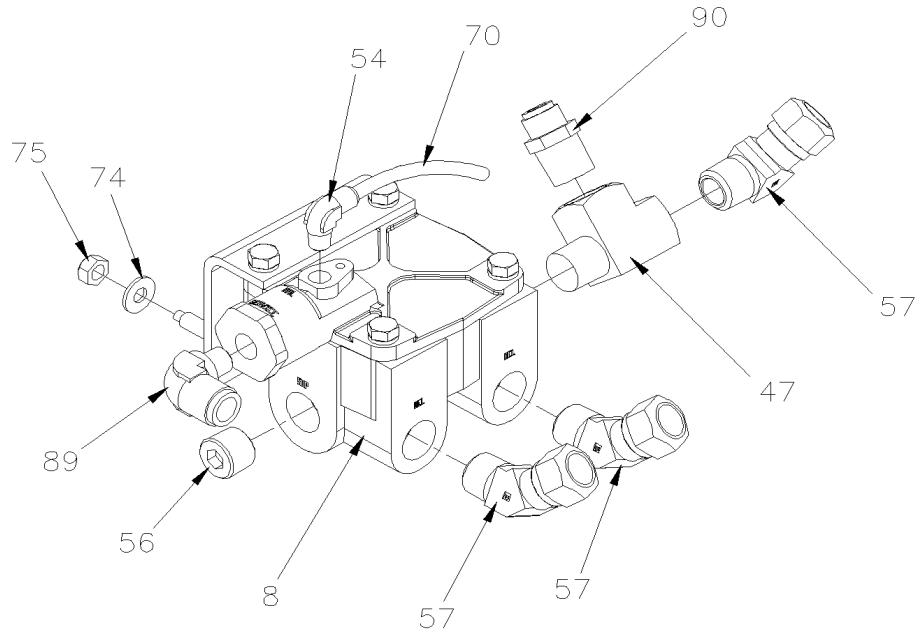


From B-5003 To D-5459

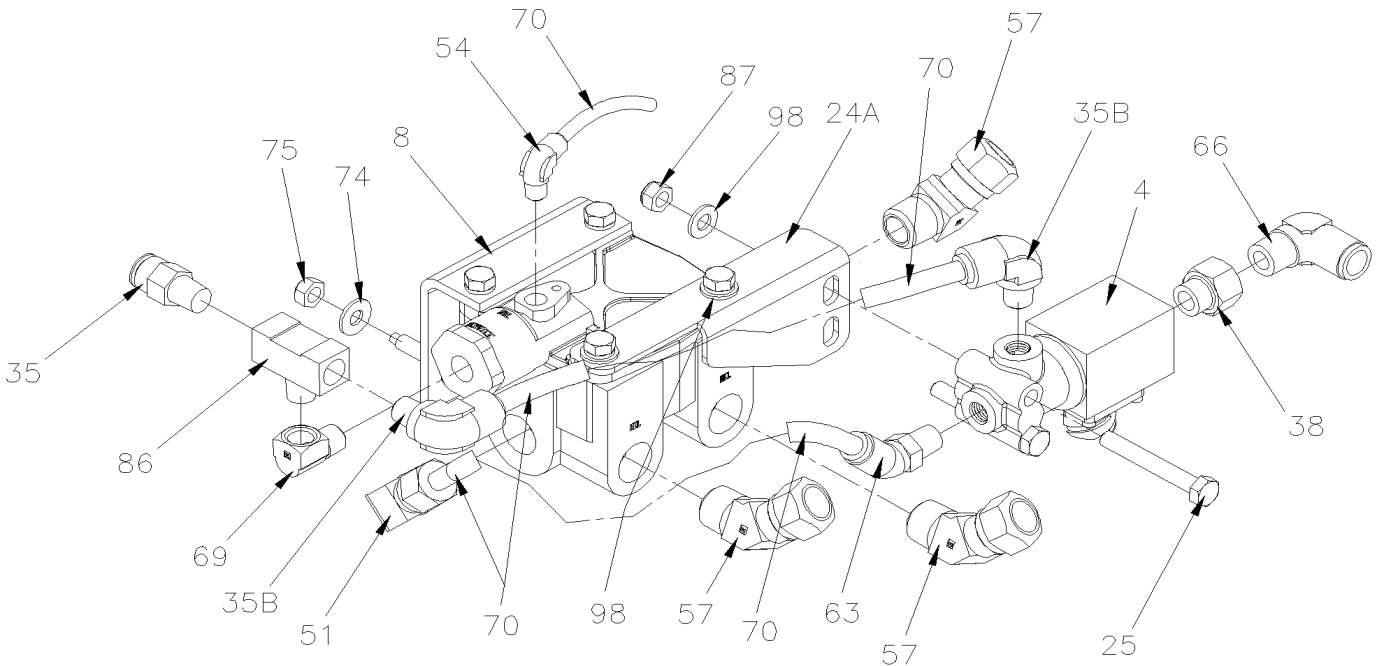
Date:07/2024

PAGE:XV-1250-10

ABS BRAKE VALVE - INSTALLATION



DETAIL "J"
WITH WORLD TRANSMISSION
WITH "ABS 6"
UP TO D-5300



DETAIL "H"
WITH WORLD TRANSMISSION
WITH "ESP"



From B-5003 To D-5459	Date:07/2024	PAGE:XV-1250-10
------------------------------	---------------------	------------------------

ABS BRAKE VALVE - INSTALLATION

Item#	Part	Description	X 3 V I P	X L I I E N T 4 5	N O T E S
1	142624	SUPPORT VALVE FRONT "STD" To D-5299	1	1	
2	642077	VALVE, "ABS" 12VOLT / M-32QR	AR	AR	B
2	640228	VALVE, "ABS" 12VOLT / M-40QR	AR	AR	
3	641991	VALVE, RELAY R-14 "WABCO"	1	1	
4	642079	VALVE, "ATC" 12VOLT	1	1	
5	643384	VALVE / SPRING BRAKE SR-7	1	1	
. NS	642119	. VALVE / SPRING BRAKE SR-7	1	1	
6	642068	VALVE, RELAY R-12 HORIZONTAL PORT / W/OUT SUPPORT To D-5299	2	2	
7	144862	SUPPORT L.H. / VALVE ABS & RELAY VALVE	1	1	
8	641120	VALVE, RELAY R-14 HORIZONTAL PORT	1	1	
. NS	10508267	. KIT, REPAIR	1	1	
9	640442	VALVE, INVERSION TR-2 To D-5299	1	1	
10	142682	SUPPORT BRAKE VALVE REAR / CURBSIDE	1	1	
11	640471	VALVE, INVERSION TR-3 25-40LBS	1	1	
12	142781	SUPPORT VALVE FRONT "ADV"	1	1	
13	641903	HOSE BRAKE #8 1090MM (43")	3	3	
14	642143	HOSE BRAKE #8 560MM (22")	1	1	
15	641305	HOSE BRAKE #8 718MM (28 1/4")	AR	AR	
16	641902	HOSE BRAKE #8 737MM (29") To D-5299	2	2	
17	641302	HOSE BRAKE #8 610MM (24")	1	1	
18	641905	HOSE BRAKE #8 952MM (37 1/2")	2	2	
19	642076	SENSOR "YAW" To B-5086	1	1	
19	642151	SENSOR "YAW" From C-5087	1	1	
20	501406	STREET ELBOW 90° / PIPE FITTING / 1/2NPT-Mx1/2NPT-F BR	2	2	
21	501534	BUSHING REDUCER / PIPE FITTING / 1/2NPT-Mx3/8NPT-F BR	2	2	
22	501842	ADAPTER / AIR BRAKE HOSE FITTING / 3/4-20-Mx3/8NPT-M STL	2	2	
23	660914	MALE ELBOW 90° / JIC 37° FITTING / #8JIC-MxM16-1.5-M STL	AR	AR	
. NS	641297	. O-RING 13.1MM I.D. X 2.6 TH	1	1	
. NS	641298	. WASHER FL 17MM I.D x 22MM O.D. x 1.5MM	1	1	
24A	143031	SUPPORT "ATC" VALVE & RELAY VALVE	1	1	
25	5001178	SCREW CAP HEX M8-1.25x60 SS BK	AR	AR	
30	641383	MALE CONNECTOR / PUSH-IN FITTING / #8x1/2NPT-M BR	AR	AR	
31	642096	MALE RUN TEE NON-SWIVEL / PUSH-IN FITTING / #8x#8x1/2NPT-M COMPOSITE	AR	AR	
31	641210	MALE RUN TEE / NTA FITTING / #8x#8x1/2NPT-M BR	AR	AR	
32	503468	TUBE, NYLON 1/2 O.D. / RED S.L.	AR	AR	
33	641380	MALE CONNECTOR / PUSH-IN FITTING / #8x1/4NPT-M BR	AR	AR	
34	501787	STREET ELBOW 90° / PIPE FITTING / 1/8NPT-Mx1/4NPT-F BR	AR	AR	
35	641331	MALE CONNECTOR / PUSH-IN FITTING / #6x1/4NPT-M BR	AR	AR	
35B	641372	MALE ELBOW 90° NON-SWIVEL / PUSH-IN FITTING / #6x1/4NPT-M BR	AR	AR	



From B-5003 To D-5459 Date:07/2024 PAGE:XV-1250-10

ABS BRAKE VALVE - INSTALLATION

Item#	Part	Description	X 3 V I P	X L I I E N T 4 5	N O T E S
36	642098	MALE ELBOW 90° NON-SWIVEL / PUSH-IN FITTING / #10x1/2NPT-M COMPOSITE	AR	AR	
37	641376	MALE ELBOW 90° NON-SWIVEL / PUSH-IN FITTING / #8x3/8NPT-M BR	AR	AR	
38	5001660	REDUCER COUPLING / PIPE FITTING / 3/8NPT-Fx1/8NPT-F BR	AR	AR	
39	641379	MALE ELBOW 90° NON-SWIVEL / PUSH-IN FITTING / #10x1/2NPT-M BR	AR	AR	
40	641436	UNION ELBOW 90° / PUSH-IN FITTING / #6x#6 BR	AR	AR	
41	501800	PLUG HEXS / PIPE FITTING / 1/4NPT-M STL	AR	AR	
42	501330	STREET ELBOW 45° / PIPE FITTING / 3/8NPT-Mx3/8NPT-F BR	AR	AR	
43	501449	PLUG HEXS / PIPE FITTING / 3/8NPT-M STL	AR	AR	
44	501966	PLUG HEXS / PIPE FITTING / 1/2NPT-M STL	AR	AR	
45	501528	STREET ELBOW 45° / PIPE FITTING / 1/2NPT-Mx1/2NPT-F BR	AR	AR	
46	641378	MALE ELBOW 90° / PUSH-IN FITTING / #8x1/2NPT-M BRASS	AR	AR	
47	501473	MALE RUN TEE / PIPE FITTING / 1/2NPT-Mx1/2NPT-Fx1/2NPT-F BR	AR	AR	
48	501472	FEMALE UNION TEE / PIPE FITTING / 1/2NPT-Fx1/2NPT-Fx1/2NPT-F BR	AR	AR	
49	5011067	NIPPLE HEX / PIPE FITTING / 1/2NPT-Mx1/2NPT-Mx1 13/16 BR	AR	AR	
50	641384	MALE CONNECTOR / PUSH-IN FITTING / #10x1/2NPT-M BR	AR	AR	
51	641175	MALE ELBOW 90° / NTA FITTING / #6x1/2NPT-M BR	AR	AR	
52	641119	MALE ELBOW 45° / NTA FITTING / #6x1/2NPT-M BR	AR	AR	
53	507557	STREET ELBOW 90° / PIPE FITTING / 1/2NPT-Mx1/2NPT-F BR	AR	AR	
54	641369	MALE ELBOW 90° NON-SWIVEL / PUSH-IN FITTING / #4x1/8NPT-M BR	AR	AR	
55	641371	MALE ELBOW 90° NON-SWIVEL / PUSH-IN FITTING / #4x1/4NPT-M BR	AR	AR	
56	501966	PLUG HEXS / PIPE FITTING / 1/2NPT-M STL	AR	AR	
57	641027	MALE ELBOW 45° / NTA FITTING / #10x1/2NPT-M BR	AR	AR	
58	641042	MALE ELBOW 45° / NTA FITTING / #4x1/4NPT-M BR	AR	AR	
59	642094	MALE BRANCH TEE / PUSH-IN FITTING / #4x#4x1/4NPT-M COMPOSITE	AR	AR	
60	501321	NIPPLE HEX / PIPE FITTING / 1/4NPT-Mx1/4NPT-Mx1 3/8 BR	AR	AR	
61	501424	NIPPLE / PIPE FITTING / 1/2NPT-Mx1/2NPT-Mx1 1/8 BR	AR	AR	
62	641089	MALE ELBOW 45° / NTA FITTING / #8x1/2NPT-M BR	AR	AR	
63	641366	MALE ELBOW 45° NON-SWIVEL / PUSH-IN FITTING / #6x1/4NPT-M BR	AR	AR	
64	641332	MALE CONNECTOR / PUSH-IN FITTING / #4x1/4NPT-M BR	AR	AR	
65	641366	MALE ELBOW 45° NON-SWIVEL / PUSH-IN FITTING / #6x1/4NPT-M BR	AR	AR	
66	641376	MALE ELBOW 90° NON-SWIVEL / PUSH-IN FITTING / #8x3/8NPT-M BR	AR	AR	
67	641388	MALE RUN TEE NON-SWIVEL / PUSH-IN FITTING / #6x#6x3/8NPT-M BR	AR	AR	
69	501332	STREET ELBOW 90° / PIPE FITTING / 1/4NPT-Mx1/4NPT-F BR	AR	AR	
70	XV-1202-00	TUBES PLASTIC / AIR D.O.T.			
73	500187	SCREW CAP HEX 5/16-18x3 G5 Z050	AR	AR	
73	500185	SCREW CAP HEX 5/16-18x2 1/4 G5 Z050	AR	AR	
73	502650	SCREW CAP HEX M8-1.25x80 G8.8 Z050	AR	AR	
73A	500170	SCREW CAP HEX 1/4-20x2 G5 PT Z050	AR	AR	
74	500441	WASHER FL .312x.734x.065 Z050	AR	AR	
74	502638	WASHER FL .312x.734x.065 N500	AR	AR	
NS	500942	WASHER LO SPT 8.1x14.8x2.0 N500	AR	AR	
75	500778	NUT HEX 5/16-18 N500	AR	AR	



From B-5003 To D-5459	Date:07/2024	PAGE:XV-1250-10
------------------------------	---------------------	------------------------

ABS BRAKE VALVE - INSTALLATION

Item#	Part	Description	X 3 V I P	X L I I E N T 4 5	N O T E S
75	500248	NUT HEX STO 5/16-18 N500	AR	AR	
76	500478	WASHER LO SPT .380x.683x.094 Z050	AR	AR	
77	500783	NUT HEX 3/8-16 Z050	AR	AR	
78	5011215	WASHER FL .328x.875x.062 Z050	AR	AR	
79	500868	NUT HEX NYRT M8-1.25 Z050	AR	AR	
80	142353	HOSE SUPPORT L.H.	1	1	
81	142352	HOSE SUPPORT R.H.	1	1	
82	504614	PLATE RETAINING / COLLAR	2	2	
83	504612	COLLAR 13/16" I.D. / TO FIX HOSE	2	2	
84	502656	SCREW CAP HEX M6-1.0x50 SS	2	2	
NS	502565	NUT HEX M6-1.0 SS	2	2	
86	501894	MALE BRANCHE TEE / PIPE FITTING / 1/4NPT-Fx1/4NPT-Fx1/4NPT-M BR	AR	AR	
87	502847	NUT HEX NYRT M8-1.25 N500	AR	AR	
89	641373	MALE ELBOW 90° NON-SWIVEL / PUSH-IN FITTING / #8x1/4NPT-M BR	AR	AR	
90	641382	MALE CONNECTOR / PUSH-IN FITTING / #6x1/2NPT-M BR	AR	AR	
94	642081	ECU ABS / W/6 CHANNELS / STANDARD To D-5299	1	1	
95	642146	ECU ABS / W/6 CHANNELS / ADVANCED ESP UNPROGRAMMED / NON-PROGRAMME	1	1	
NS	XV-1250-00	ABS & ESP CONTROL			
98	5001341	WASHER FL 8.4x17.0x1.6 SS	AR	AR	
		B) WHEN YOU REPLACE THE VALVE #642077 BY THE VALVE #640228 YOU HAVE REPLACE BOTH SIDE LEFT AND RIGHT			

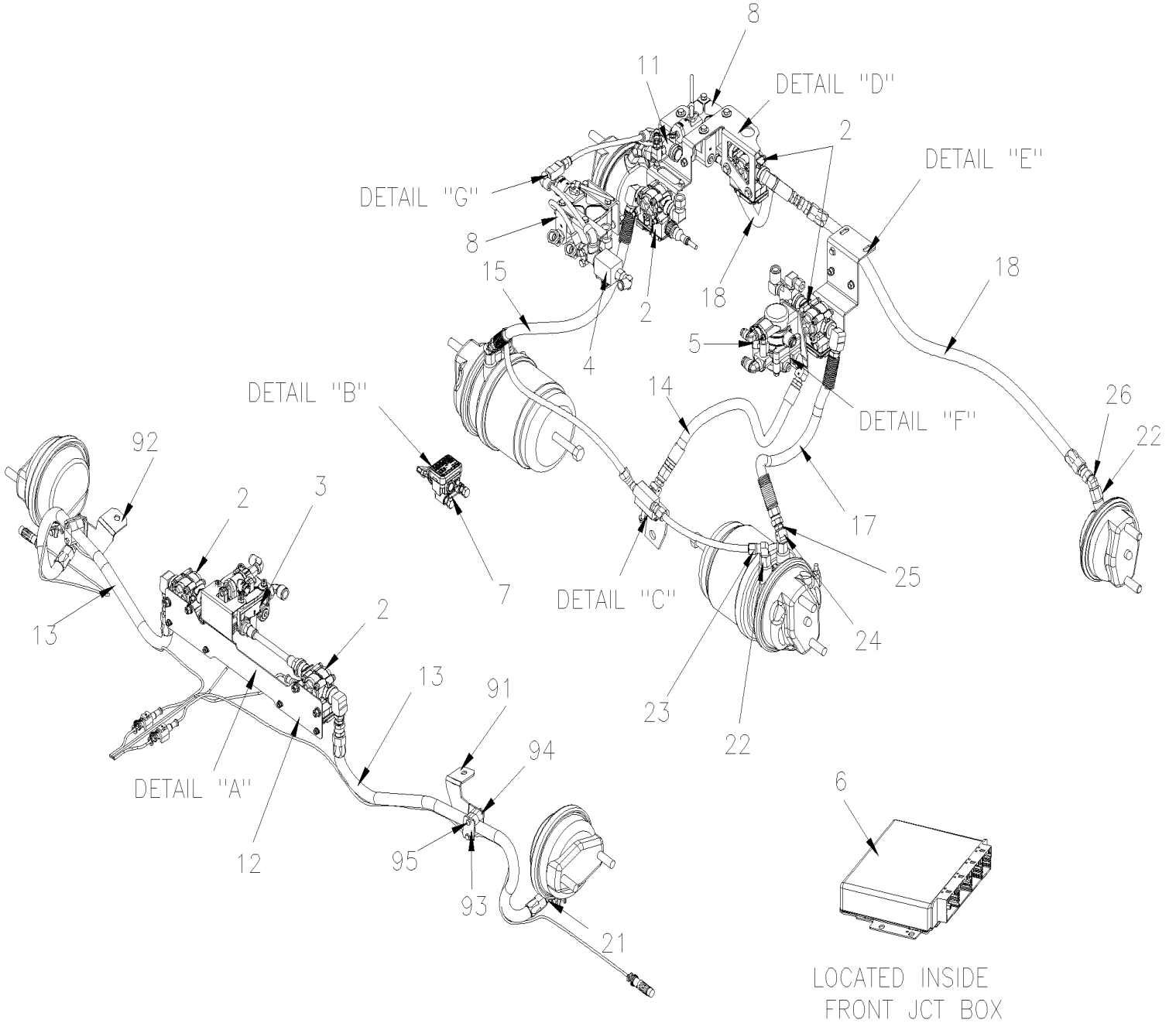


From D-5460 To D-5489

Date:07/2024

PAGE:XV-1250-11

ABS/ESP BRAKE VALVE - INSTALLATION



ADVANCE "OPTION"

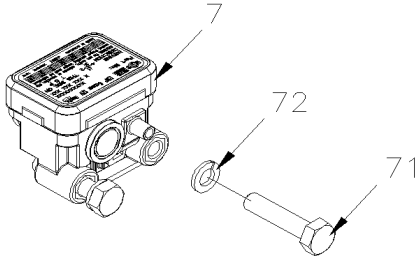


From D-5460 To D-5489

Date:07/2024

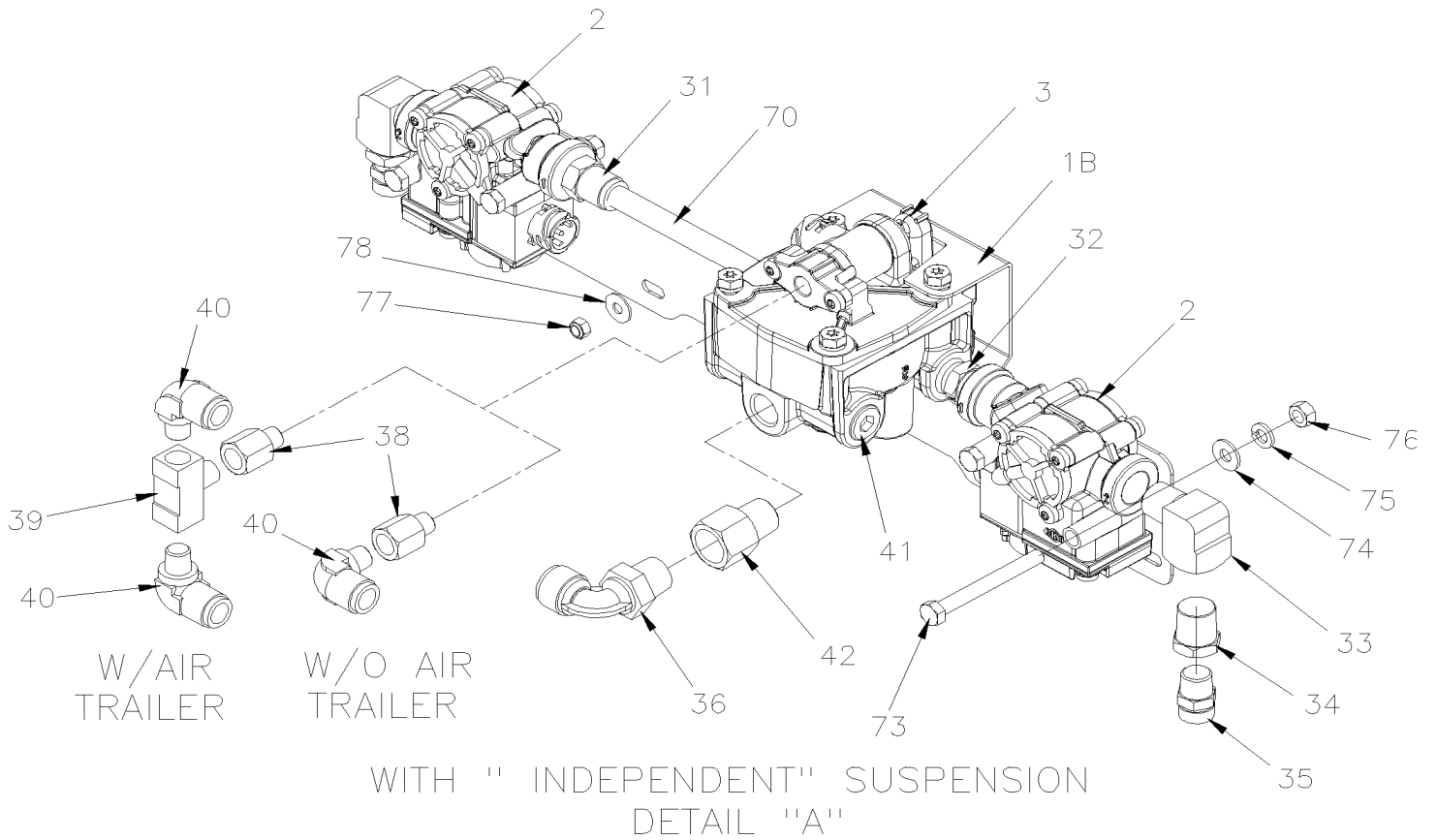
PAGE:XV-1250-11

ABS/ESP BRAKE VALVE - INSTALLATION



DETAIL "B"

DETAIL "A"



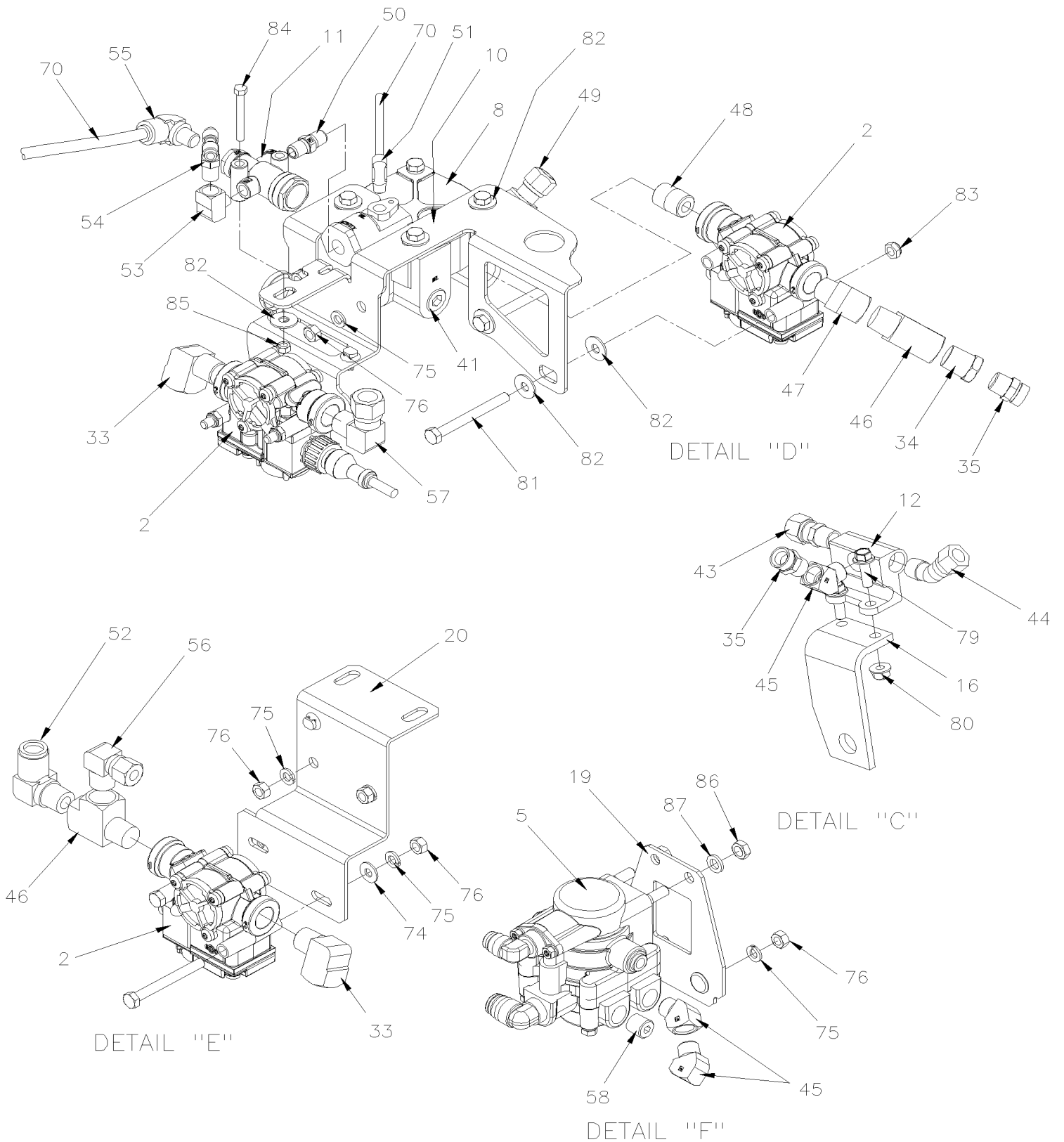


From D-5460 To D-5489

Date:07/2024

PAGE:XV-1250-11

ABS/ESP BRAKE VALVE - INSTALLATION



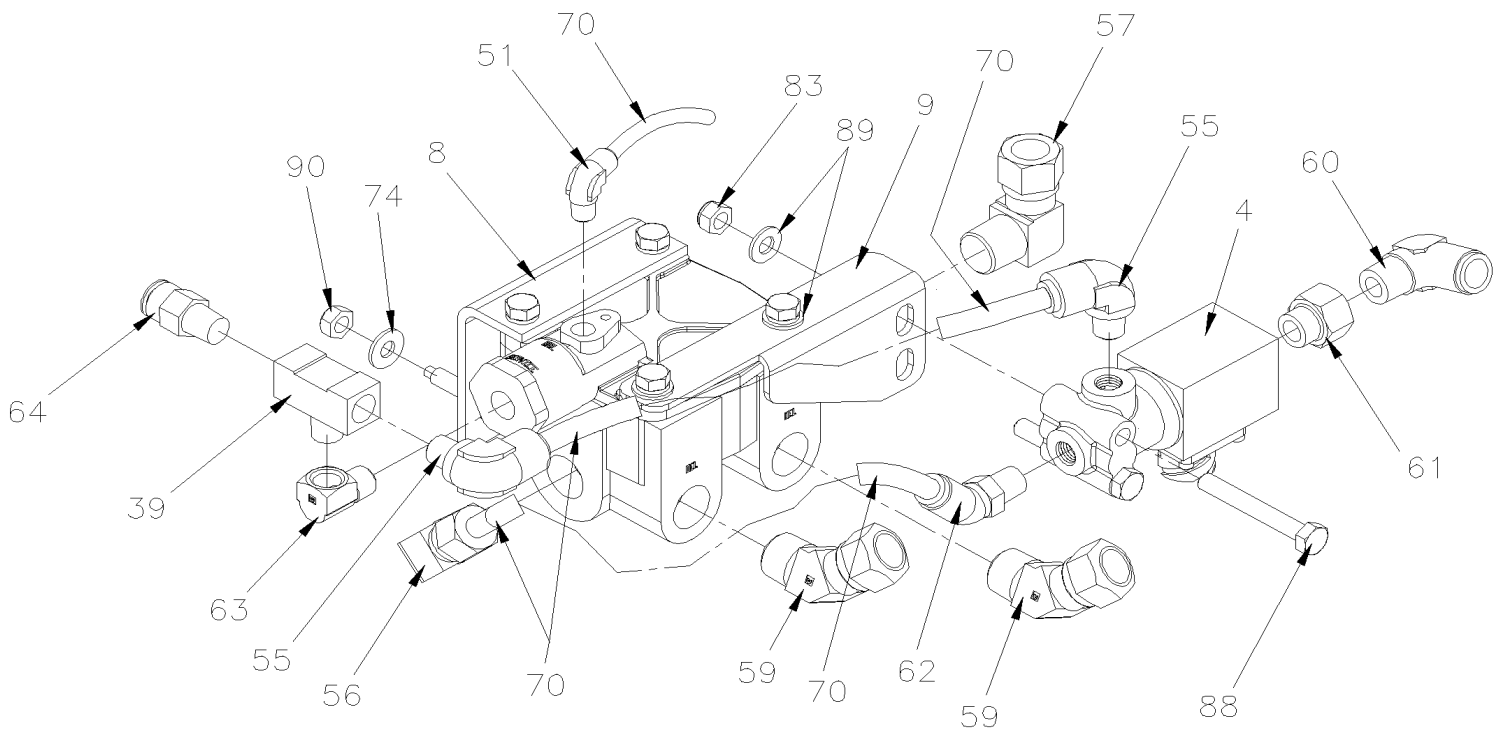


From D-5460 To D-5489

Date:07/2024

PAGE:XV-1250-11

ABS/ESP BRAKE VALVE - INSTALLATION



DETAIL "G"
WITH WORLD TRANSMISSION
WITH "ESP"



From D-5460 To D-5489	Date:07/2024	PAGE:XV-1250-11
-----------------------	--------------	-----------------

ABS/ESP BRAKE VALVE - INSTALLATION

Item#	Part	Description	X 3 V I P	X L I I E N T 4 5	N O T E S
1B	145056	SUPPORT VALVE FRONT	1	1	I
2	642077	VALVE, "ABS" 12VOLT / M-32QR	AR	AR	B
2	640228	VALVE, "ABS" 12VOLT / M-40QR	AR	AR	
3	640018	VALVE, RELAY & ATC / ATR-6	1	1	
4	642079	VALVE, "ATC" 12VOLT	1	1	
5	643384	VALVE / SPRING BRAKE SR-7	1	1	
. NS	642119	. VALVE / SPRING BRAKE SR-7	1	1	
6	642146	ECU ABS / W/6 CHANNELS / ADVANCED ESP UNPROGRAMMED / NON-PROGRAMME	1	1	
7	642151	SENSOR "YAW"	1	1	
8	641120	VALVE, RELAY R-14 HORIZONTAL PORT	2	2	
. NS	10508267	. KIT, REPAIR	1	1	
9	143031	SUPPORT "ATC" VALVE & RELAY VALVE	1	1	
10	142682	SUPPORT BRAKE VALVE REAR / CURBSIDE	1	1	
11	640471	VALVE, INVERSION TR-3 25-40LBS	1	1	
12	641136	ANCHOR TEE / PIPE FITTING / 3/8NPT-Fx3/8NPT-Fx3/8NPT-F ZP	1	1	
13	641903	HOSE BRAKE #8 1090MM (43")	2	2	I
14	642143	HOSE BRAKE #8 560MM (22")	1	1	
15	641305	HOSE BRAKE #8 718MM (28 1/4")	1	1	
16	121444	SUPPORT / ANCHOR TEE / WITH MERITOR DRIVE AXLE	1	1	
17	641302	HOSE BRAKE #8 610MM (24")	1	1	
18	641905	HOSE BRAKE #8 952MM (37 1/2")	2	2	
19	142475	SUPPORT SPRING BRAKE VALVE	1	1	
20	144862	SUPPORT L.H. / VALVE ABS & RELAY VALVE	1	1	
21	660914	MALE ELBOW 90° / JIC 37° FITTING / #8JIC-MxM16-1.5-M STL	2	2	I
. NS	641297	. O-RING 13.1MM I.D. X 2.6 TH	1	1	I
. NS	641298	. WASHER FL 17MM I.D x 22MM O.D. x 1.5MM	1	1	I
22	5011205	FEMALE CONNECTOR / PIPE @ METRIC / 3/8NPT-FxM16-1.5-M ZP	6	6	
. NS	641297	. O-RING 13.1MM I.D. X 2.6 TH	1	1	
. NS	641298	. WASHER FL 17MM I.D x 22MM O.D. x 1.5MM	1	1	
23	641040	MALE ELBOW 90° / NTA FITTING / #8x3/8NPT-M BR	2	2	
24	501330	STREET ELBOW 45° / PIPE FITTING / 3/8NPT-Mx3/8NPT-F BR	2	2	
25	501842	ADAPTER / AIR BRAKE HOSE FITTING / 3/4-20-Mx3/8NPT-M STL	2	2	
26	501291	MALE ELBOW 45° / JIC 37° FITTING / #8JIC-Mx3/8NPT-M STL	2	2	
31	641383	MALE CONNECTOR / PUSH-IN FITTING / #8x1/2NPT-M BR	AR	AR	
32	5011067	NIPPLE HEX / PIPE FITTING / 1/2NPT-Mx1/2NPT-Mx1 13/16 BR	AR	AR	
33	507557	STREET ELBOW 90° / PIPE FITTING / 1/2NPT-Mx1/2NPT-F BR	AR	AR	
34	501534	BUSHING REDUCER / PIPE FITTING / 1/2NPT-Mx3/8NPT-F BR	AR	AR	
35	501842	ADAPTER / AIR BRAKE HOSE FITTING / 3/4-20-Mx3/8NPT-M STL	AR	AR	
36	642098	MALE ELBOW 90° NON-SWIVEL / PUSH-IN FITTING / #10x1/2NPT-M COMPOSITE	AR	AR	
38	501308	ADAPTER / PIPE FITTING / 1/4NPT-Fx1/4NPT-M BR	AR	AR	
39	501894	MALE BRANCHE TEE / PIPE FITTING / 1/4NPT-Fx1/4NPT-Fx1/4NPT-M BR	AR	AR	



From D-5460 To D-5489	Date:07/2024	PAGE:XV-1250-11
------------------------------	---------------------	------------------------

ABS/ESP BRAKE VALVE - INSTALLATION

Item#	Part	Description	X 3 V I P	X L I I E N T 4 5	N O T E S
40	641373	MALE ELBOW 90° NON-SWIVEL / PUSH-IN FITTING / #8x1/4NPT-M BR	AR	AR	
41	501966	PLUG HEXS / PIPE FITTING / 1/2NPT-M STL	AR	AR	
42	5011119	ADAPTER / PIPE FITTING / 1/2NPT-Fx1/2NPT-M BR	AR	AR	
43	640991	MALE CONNECTOR / NTA FITTING / #8x3/8NPT-M BR	AR	AR	
44	641010	MALE ELBOW 45° / NTA FITTING / #8x3/8NPT-M BR	AR	AR	
45	501330	STREET ELBOW 45° / PIPE FITTING / 3/8NPT-Mx3/8NPT-F BR	AR	AR	
46	501473	MALE RUN TEE / PIPE FITTING / 1/2NPT-Mx1/2NPT-Fx1/2NPT-F BR	AR	AR	
47	501528	STREET ELBOW 45° / PIPE FITTING / 1/2NPT-Mx1/2NPT-F BR	AR	AR	
48	501424	NIPPLE / PIPE FITTING / 1/2NPT-Mx1/2NPT-Mx1 1/8 BR	AR	AR	
49	641089	MALE ELBOW 45° / NTA FITTING / #8x1/2NPT-M BR	AR	AR	
50	501321	NIPPLE HEX / PIPE FITTING / 1/4NPT-Mx1/4NPT-Mx1 3/8 BR	AR	AR	
51	641369	MALE ELBOW 90° NON-SWIVEL / PUSH-IN FITTING / #4x1/8NPT-M BR	AR	AR	
52	641379	MALE ELBOW 90° NON-SWIVEL / PUSH-IN FITTING / #10x1/2NPT-M BR	AR	AR	
53	501787	STREET ELBOW 90° / PIPE FITTING / 1/8NPT-Mx1/4NPT-F BR	AR	AR	
54	642094	MALE BRANCH TEE / PUSH-IN FITTING / #4x#4x1/4NPT-M COMPOSITE	AR	AR	
55	641372	MALE ELBOW 90° NON-SWIVEL / PUSH-IN FITTING / #6x1/4NPT-M BR	AR	AR	
56	641175	MALE ELBOW 90° / NTA FITTING / #6x1/2NPT-M BR	AR	AR	
57	641001	MALE ELBOW 90° / NTA FITTING / #10x1/2NPT-M BR	AR	AR	
58	501449	PLUG HEXS / PIPE FITTING / 3/8NPT-M STL	AR	AR	
59	641027	MALE ELBOW 45° / NTA FITTING / #10x1/2NPT-M BR	AR	AR	
60	641376	MALE ELBOW 90° NON-SWIVEL / PUSH-IN FITTING / #8x3/8NPT-M BR	AR	AR	
61	5001660	REDUCER COUPLING / PIPE FITTING / 3/8NPT-Fx1/8NPT-F BR	AR	AR	
62	641366	MALE ELBOW 45° NON-SWIVEL / PUSH-IN FITTING / #6x1/4NPT-M BR	AR	AR	
63	501332	STREET ELBOW 90° / PIPE FITTING / 1/4NPT-Mx1/4NPT-F BR	AR	AR	
64	641331	MALE CONNECTOR / PUSH-IN FITTING / #6x1/4NPT-M BR	AR	AR	
65	501338	MALE RUN TEE / PIPE FITTING / 1/4NPT-Mx1/4NPT-Fx1/4NPT-F BR	AR	AR	
70	XV-1202-00	TUBES PLASTIC / AIR D.O.T.			
71	5001316	SCREW CAP HEX M10-1.5x45 SS	2	2	
72	502616	WASHER LO SPT 10.2x18.1x2.2 SS	2	2	
73	500187	SCREW CAP HEX 5/16-18x3 G5 Z050	AR	AR	
74	502638	WASHER FL .312x.734x.065 N500	AR	AR	
75	500942	WASHER LO SPT 8.1x14.8x2.0 N500	AR	AR	
76	500778	NUT HEX 5/16-18 N500	AR	AR	
77	5001182	NUT HEX NYRT M6-1.0 SS	AR	AR	
78	500411	WASHER FL .260x.697x.050 SS	AR	AR	
79	5001643	SCREW CAP HEXF M8-1.25x25 G8.8 G500	2	2	
80	502837	NUT HEXF STO M8-1.25 N500	2	2	
81	502650	SCREW CAP HEX M8-1.25x80 G8.8 Z050	AR	AR	
82	500332	WASHER FL .328x.875x.062 N500	AR	AR	
83	502847	NUT HEX NYRT M8-1.25 N500	AR	AR	

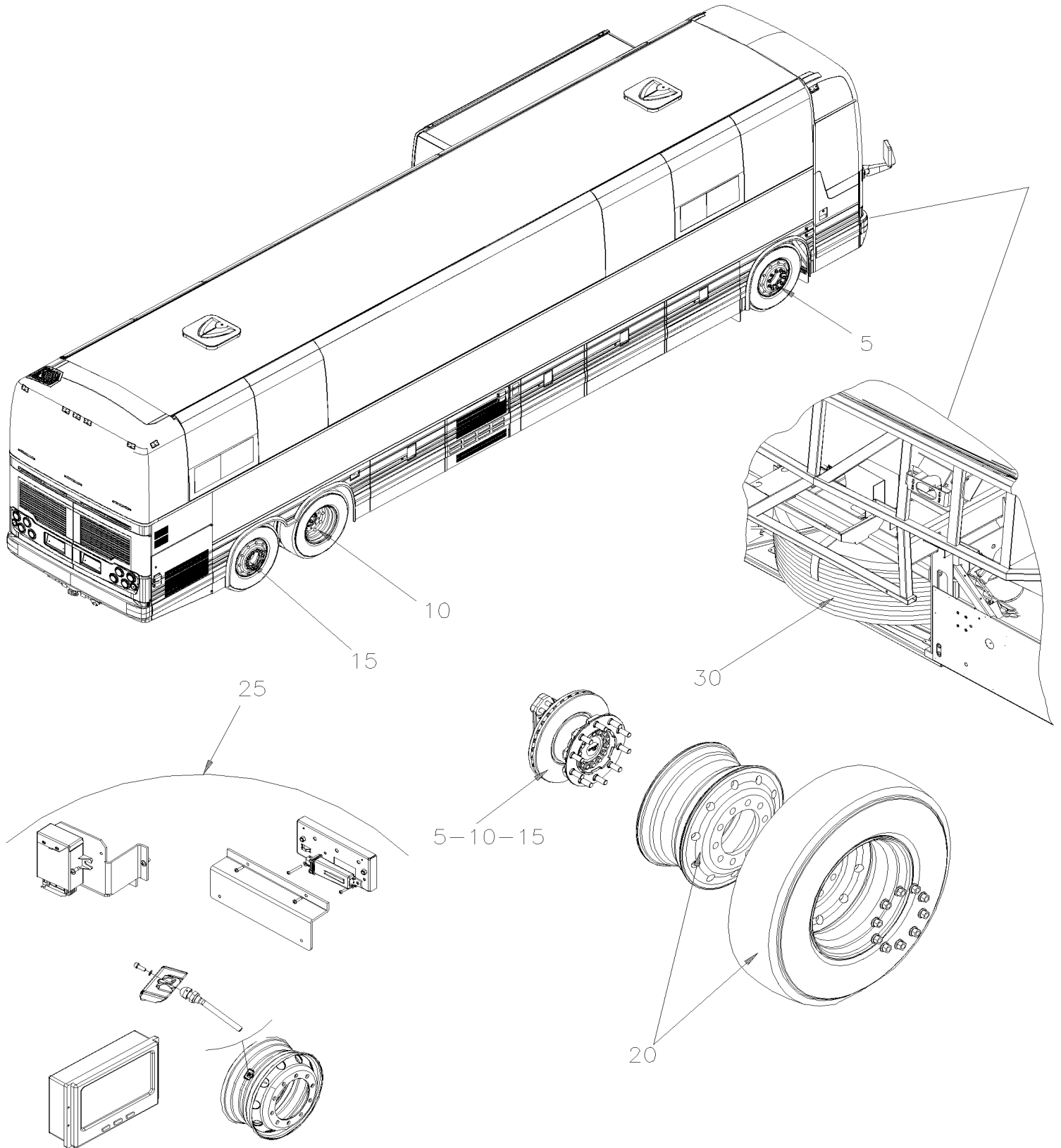


From D-5460 To D-5489	Date:07/2024	PAGE:XV-1250-11
ABS/ESP BRAKE VALVE - INSTALLATION		

Item#	Part	Description	X 3 V I P	X L I I E N T 4 5	N O T E S
84	5001636	SCREW CAP HEX M6-1.0x50 SS BK	1	1	
85	502681	NUT HEX NYRT M6-1.0 N500 G8	1	1	
86	500783	NUT HEX 3/8-16 Z050	2	2	
87	500478	WASHER LO SPT .380x.683x.094 Z050	2	2	
88	5001178	SCREW CAP HEX M8-1.25x60 SS BK	2	2	
89	5001341	WASHER FL 8.4x17.0x1.6 SS	2	2	
90	500248	NUT HEX STO 5/16-18 N500	2	2	
91	142353	HOSE SUPPORT L.H.	1	1	I
92	142352	HOSE SUPPORT R.H.	1	1	I
93	504614	PLATE RETAINING / COLLAR	2	2	
94	504612	COLLAR 13/16" I.D. / TO FIX HOSE	2	2	
95	502656	SCREW CAP HEX M6-1.0x50 SS	2	2	
95	502565	NUT HEX M6-1.0 SS	2	2	
		B) WHEN YOU REPLACE THE VALVE #642077 BY THE VALVE #640228 YOU HAVE REPLACE BOTH SIDE LEFT AND RIGHT			
		I) WITH INDEPENDENT SUSPENSION			



	Date:07/2024	XV-13
WHEELS, HUBS & TIRES		





	Date:07/2024	XV-13
WHEELS, HUBS & TIRES		

Item#	Part	Description	X 3 V I P	X L I I E N T 4 5	N O T E S
5	XV-1300-00	HUB & ROTOR - FRONT AXLE MODEL "NDIFS80P" From B-5003 To D-5489			
10	XV-1305-00	HUB & ROTOR - DRIVE AXLE From B-5003 To D-5489			
10	XV-1305-99	ROTOR (SPLINED DISC) PRODUCT IMPROVMENT From B-5003 To D-5489			
15	XV-1310-00	HUB & ROTOR - TAG AXLE TYPE TS8U From B-5003 To D-5489			
20	XV-1318-00	WHEELS & COMPONENTS - TRUCK MOUNT (METRIC) From B-5003 To D-5489			
25	XV-1318-10	TIRE MONITOR PRESSURE - "BERU" From B-5003 To D-5489			
30	XV-1325-00	SPARE WHEEL - INSTALLATION From B-5003 To D-5489			

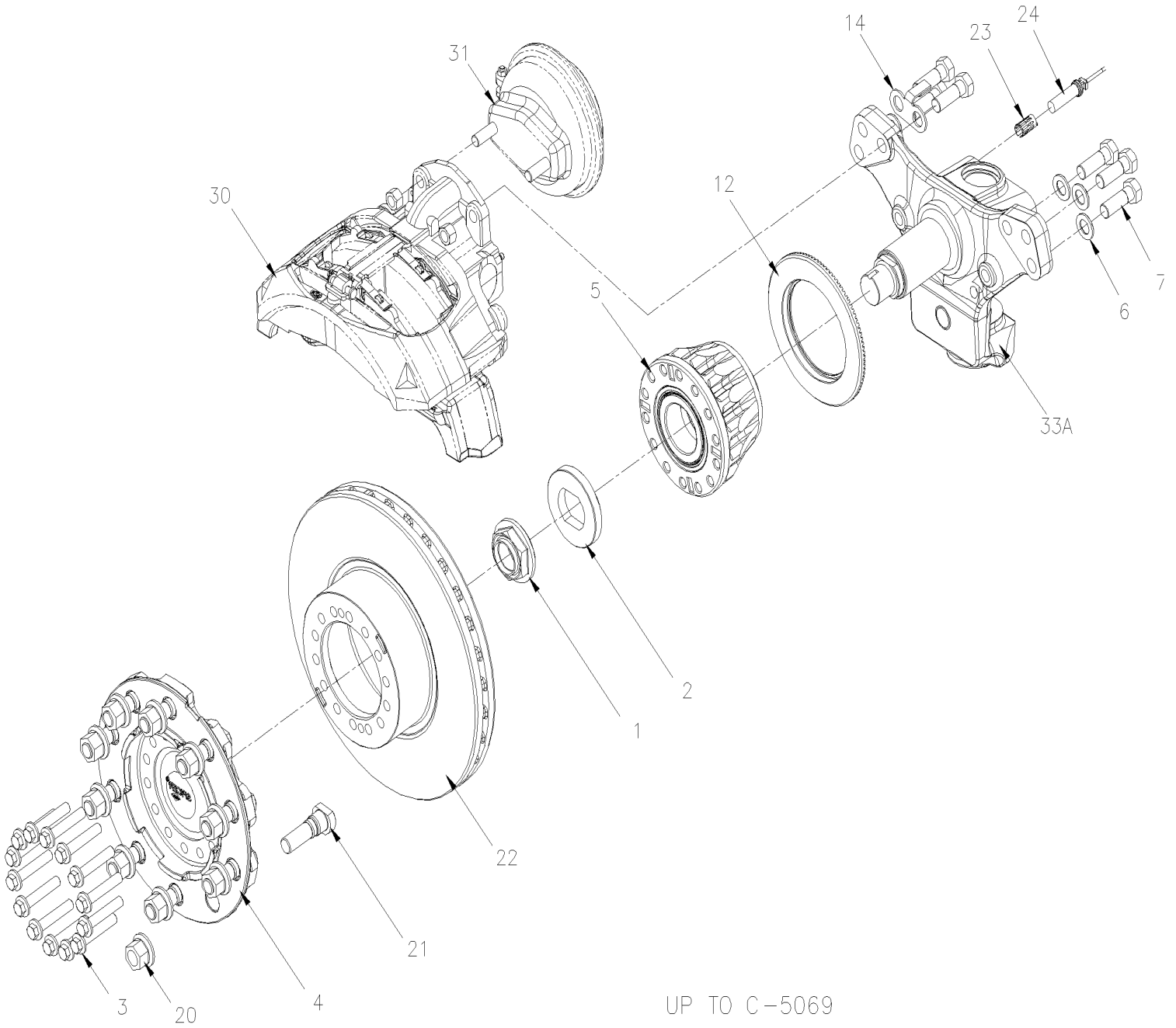


From B-5003 To D-5489

Date:07/2024

PAGE:XV-1300-00

HUB & ROTOR - FRONT AXLE MODEL "NDIFS80P"



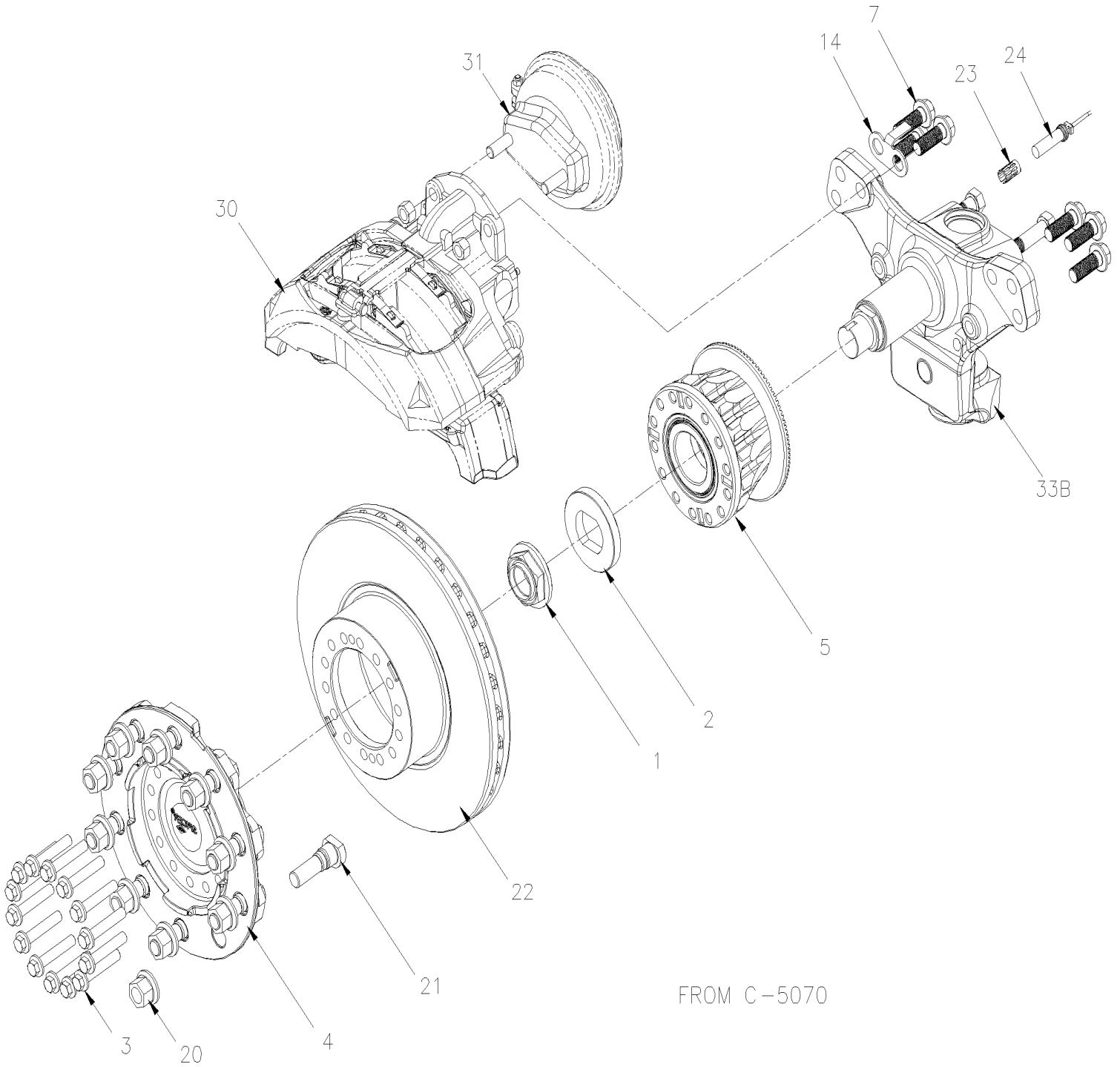


From B-5003 To D-5489

Date:07/2024

PAGE:XV-1300-00

HUB & ROTOR - FRONT AXLE MODEL "NDIFS80P"





From B-5003 To D-5489	Date:07/2024	PAGE:XV-1300-00
HUB & ROTOR - FRONT AXLE MODEL "NDIFS80P"		

Item#	Part	Description	X 3 V I P	X L I E N T 4 5	N O T E S
1	611949	HUB NUT 1 3/4-8 To E-5493		1	A
1	612357	HUB NUT M42-2.0 From E-5494		1	B
1	611949	HUB NUT 1 3/4-8 To C-5235	1		A
1	612357	HUB NUT M42-2.0 From C-5236	1		B
2	611948	THRUST WASHER To E-5493		1	A
2	612358	THRUST WASHER From E-5494		1	B
2	611948	THRUST WASHER To C-5235	1		A
2	612358	THRUST WASHER From C-5236	1		B
3	611955	SCREW CAP HEXF M14-1.5x78 G12.9 N500	14	14	S
4	611301	HUB FLANGE	1	1	
5	611474	HUB ASSY / UNITISED L.H. & R.H. "FAG" ASSY W/"ABS" RING To E-5493		1	A S
. NS	611472	. HUB ASSY / UNITISED L.H. & R.H. "FAG" To E-5493		1	A S
. NS	611473	. TOOTH WHEEL / FRONT AXLE & TAG W/ "FAG" 143.90MM I.D. To E-5493		1	A S
5	611471	HUB ASSY / UNITISED L.H. & R.H. "FAG" ASSY W/"ABS" RING From E-5494		1	B S
. NS	N.S.S.	. TOOTH WHEEL From E-5494		1	1 B S
. NS	509939	. SCREW DRV RND #4x1/4 SS From E-5494		3	B S
5	611474	HUB ASSY / UNITISED L.H. & R.H. "FAG" ASSY W/"ABS" RING To C-5235	1	1	A S
. NS	611472	. HUB ASSY / UNITISED L.H. & R.H. "FAG" To C-5235	1	1	A S
. NS	611473	. TOOTH WHEEL / FRONT AXLE & TAG W/ "FAG" 143.90MM I.D. To C-5235	1	1	A S
5	611471	HUB ASSY / UNITISED L.H. & R.H. "FAG" ASSY W/"ABS" RING From C-5236	1	1	B S
. NS	N.S.S.	. TOOTH WHEEL From C-5236	1	1	1 B S
. NS	509939	. SCREW DRV RND #4x1/4 SS From C-5236	3	3	B S
NS	491115	TOOL, HUB INSTALLER W/UNITISED BEARING / 70MM	1	1	
. NS	NDS8	. MAINTENANCE INSTRUCTION	1	1	
6	611044	WASHER FL HARD 21.0x37.0x3.0 N500	4	4	
7	5001529	SCREW CAP HEX M20-1.5x60 G10.9 G500 To E-5493		6	A
7	612362	SCREW CAP HEXF M20-1.5x55 G10.9 From E-5494		6	B
7	5001529	SCREW CAP HEX M20-1.5x60 G10.9 G500 To C-5235	6		A
7	612362	SCREW CAP HEXF M20-1.5x55 G10.9 From C-5236	6		B
12	611473	TOOTH WHEEL / FRONT AXLE & TAG W/ "FAG" 143.90MM I.D. To E-5493		1	A
12	611473	TOOTH WHEEL / FRONT AXLE & TAG W/ "FAG" 143.90MM I.D. To C-5235	1		A
14	110786	BRAKE WEAR INDICATOR MECHANICAL / 44MM	1	1	
20	20434082	NUT R.H. / W/HUB-MOUNT WHEEL M22-1.5 / 27 MM TH	10	10	
21	611207	STUD / R.H. / W/HUB-MOUNT WHEEL M22-1.5 x 81MM	10	10	
22	611300	ROTOR VENTED	1	1	
23	641096	CLIP, SPRING / TO FIX SENSOR	1	1	
24	642085	SENSOR ABS - OEM	1	1	
24	642184	SENSOR ABS - AFTER MARKET	1	1	
30	XV-1225-00	BRAKE PARTS - FRONT & TAG AXLE "KNORR-BREMSE" SN7 SERIES W/NEW SLIDE PINS To E-5526			
30	XV-1225-01	BRAKE PARTS - FRONT & TAG AXLE "KNORR-BREMSE" SN7 SERIES From E-5527			
31	XV-1225-10	BRAKE CHAMBER - FRONT AXLE			



From B-5003 To D-5489	Date:07/2024	PAGE:XV-1300-00
HUB & ROTOR - FRONT AXLE MODEL "NDIFS80P"		

Item#	Part	Description	X 3 V I P	X L I I E N T 4 5	N O T E S
33A	XV-1005-50	FRONT AXLE - INDEPENDENT MODEL "NDIFS80P" / 18000LBS To E-5493			
33A	XV-1005-60	FRONT AXLE - INDEPENDENT MODEL "NDIFS80P" / 18000LBS To C-5235			
33B	XV-1005-61	FRONT AXLE - INDEPENDENT MODEL "NDIFS80P" / 19000LBS From C-5236			
		A) WITH 18,000LBS INDEPENDANTE SUSPENSION			
		B) WITH 19,000LBS INDEPENDANTE SUSPENSION			
		S) INSPECTED ALL BOLTS FOR DAMAGE TO THE THREAD AND ON THE SURFACE BELOW THE HEAD WHEN YOU DISASSEMBLED OR UNSCREWED THE HUB AND REPLACE IF NECESSARY			
		1) NOT SOLD SEPARATELY			

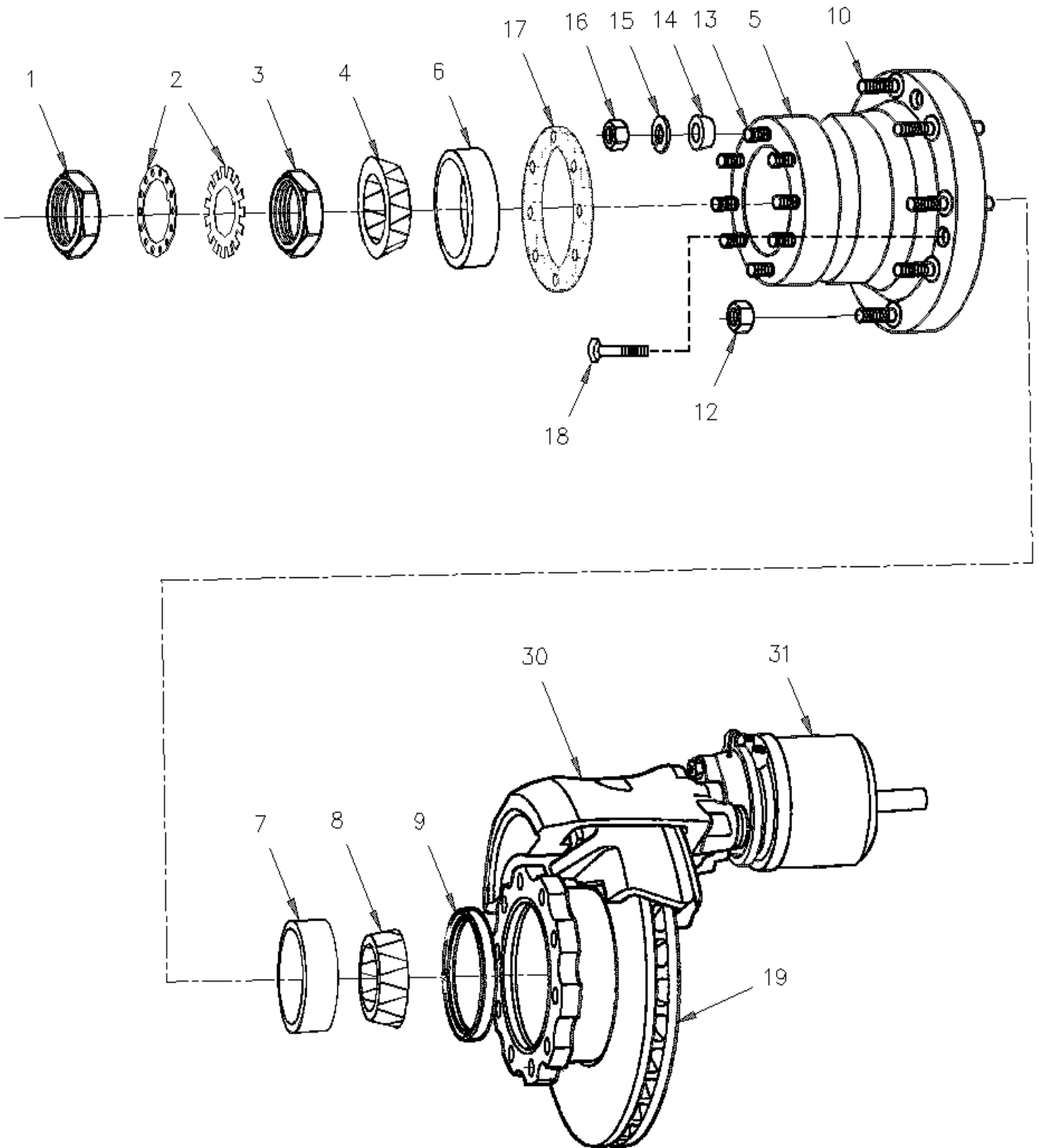


From B-5003 To D-5489

Date:07/2024

PAGE:XV-1305-00

HUB & ROTOR - DRIVE AXLE





From B-5003 To D-5489 Date:07/2024 PAGE:XV-1305-00

HUB & ROTOR - DRIVE AXLE

Item#	Part	Description	X 3 V I P	X L I I E N T 4 5	N O T E S
1	620275	NUT OUTER / WHEEL BEARING	1	1	
2	621624	WASHER LOCK / KIT	1	1	
3	620279	NUT INNER / WHEEL BEARING	1	1	
4	620034	CONE BEARING / OUTER WHEEL BEARING	1	1	A
5	621617	HUB & CUPS ASSY	2	2	
6	620032	. CUP BEARING	1	1	A
7	621210	. CUP BEARING	1	1	B
8	621209	CONE BEARING	1	1	B
9	621623	SEAL OIL	1	1	
9	621916	SEAL OIL	1	1	S
10	621645	STUD / R.H. / W/HUB-MOUNT WHEEL M22-1.5 x 100 MM	10	10	
10	621686	STUD / R.H. / W/HUB-MOUNT WHEEL M22-1.5 x 110 MM	AR	AR	D
12	20434082	NUT R.H. / W/HUB-MOUNT WHEEL M22-1.5 / 27 MM TH	10	10	
13	621730	STUD / 5/8-11x 5/8-18 x 2 7/8"	8	8	
14	621627	DOWEL 5/8" I.D.	8	8	
15	5001518	WASHER LO EXT .625x1.070x.055 ZP	8	8	
16	500723	NUT HEX 5/8-18 ZP	8	8	
17	621640	GASKET / AXLE SHAFT W/8 STUDS	AR	AR	
18	621628	SCREW CAP HEXS 5/8-18x1 3/4 GR8	10	10	
19	621672	ROTOR SOLID (W/TOOTH WHEEL / DRIVE AXLE)	1	1	
19	611457	ROTOR VENTED (W/TOOTH WHEEL / DRIVE AXLE)	1	1	
30	XV-1235-00	BRAKE PARTS - DRIVE AXLE "KNORR-BREMSE" SN7 SERIES			
31	XV-1235-10	BRAKE CHAMBER - DRIVE AXLE			
NS	621652	KIT, CUP & CONE	1	1	
NS	621653	KIT, CUP & CONE	1	1	
NS	684646	SEAL INSTALLER TOOL / DRIVE W/DISC	1	1	
NS	XV-1305-99	ROTOR (SPLINED DISC) PRODUCT IMPROVMENT			
		A) ALSO AVAILABLE IN KIT #621652			
		B) ALSO AVAILABLE IN KIT #621653			
		D) WITH 2 ALUMINUM WHEELS			
		S) SERVICE			

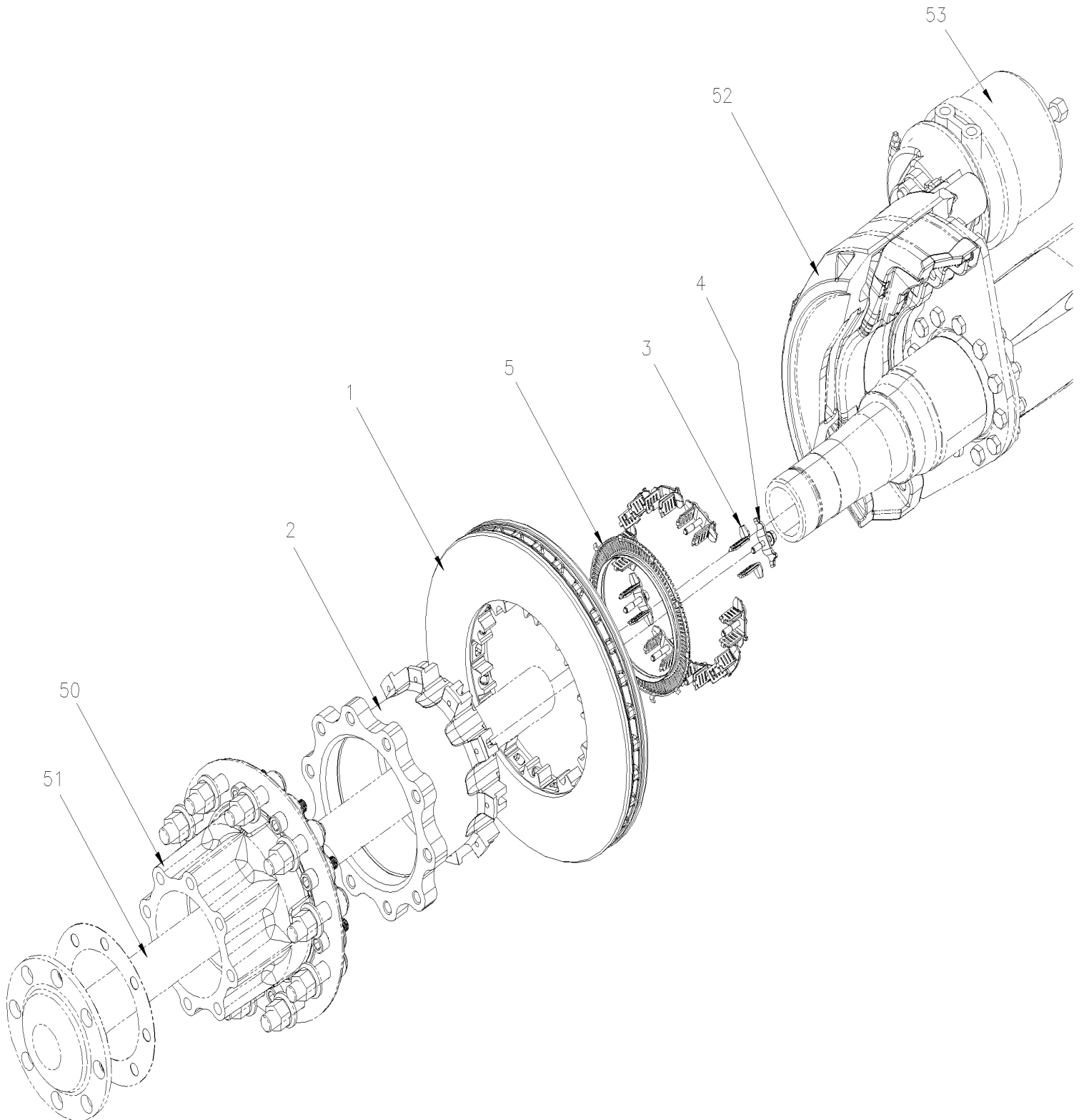


From B-5003 To D-5489

Date:07/2024

PAGE:XV-1305-99

ROTOR (SPLINED DISC) PRODUCT IMPROVMENT





From B-5003 To D-5489	Date:07/2024	PAGE:XV-1305-99
-----------------------	--------------	-----------------

ROTOR (SPLINED DISC) PRODUCT IMPROVMENT

Item#	Part	Description	X 3 V I P	X L I I E N T 4 5	N O T E S
	144982	KIT SPLINED BRAKE DISC ON DRIVE AXLE	1	1	
. NS	IS-09085	. SEE INSTRUCTION SHEET	1	1	
1	144984	. ROTOR / "SPLINED DISC"	1	1	
2	144983	. ROTOR ADAPTOR / "SPLINED DISC"	1	1	
3	144986	. PIECE INTERMEDIATE / "SPLINED DISC"	20	20	
4	144985	. SPRING ELEMENT / "SPLINED DISC"	10	10	
5	124921	. TOOTH WHEEL / DRIVE AXLE / "SPLINED DISC"	1	1	
NS	680754	GREASE, ANTI-SEIZE PERMATEx COPPER (454GR)	AR	AR	
50	XV-1305-00	HUB & ROTOR - DRIVE AXLE			
51	XV-1105-00	REAR AXLE - MODEL "RC23165"			
52	XV-1235-00	BRAKE PARTS - DRIVE AXLE "KNORR-BREMSE" SN7 SERIES To E-5526			
52	XV-1225-01	BRAKE PARTS - FRONT & TAG AXLE "KNORR-BREMSE" SN7 SERIES From E-5527			
53	XV-1235-10	BRAKE CHAMBER - DRIVE AXLE			

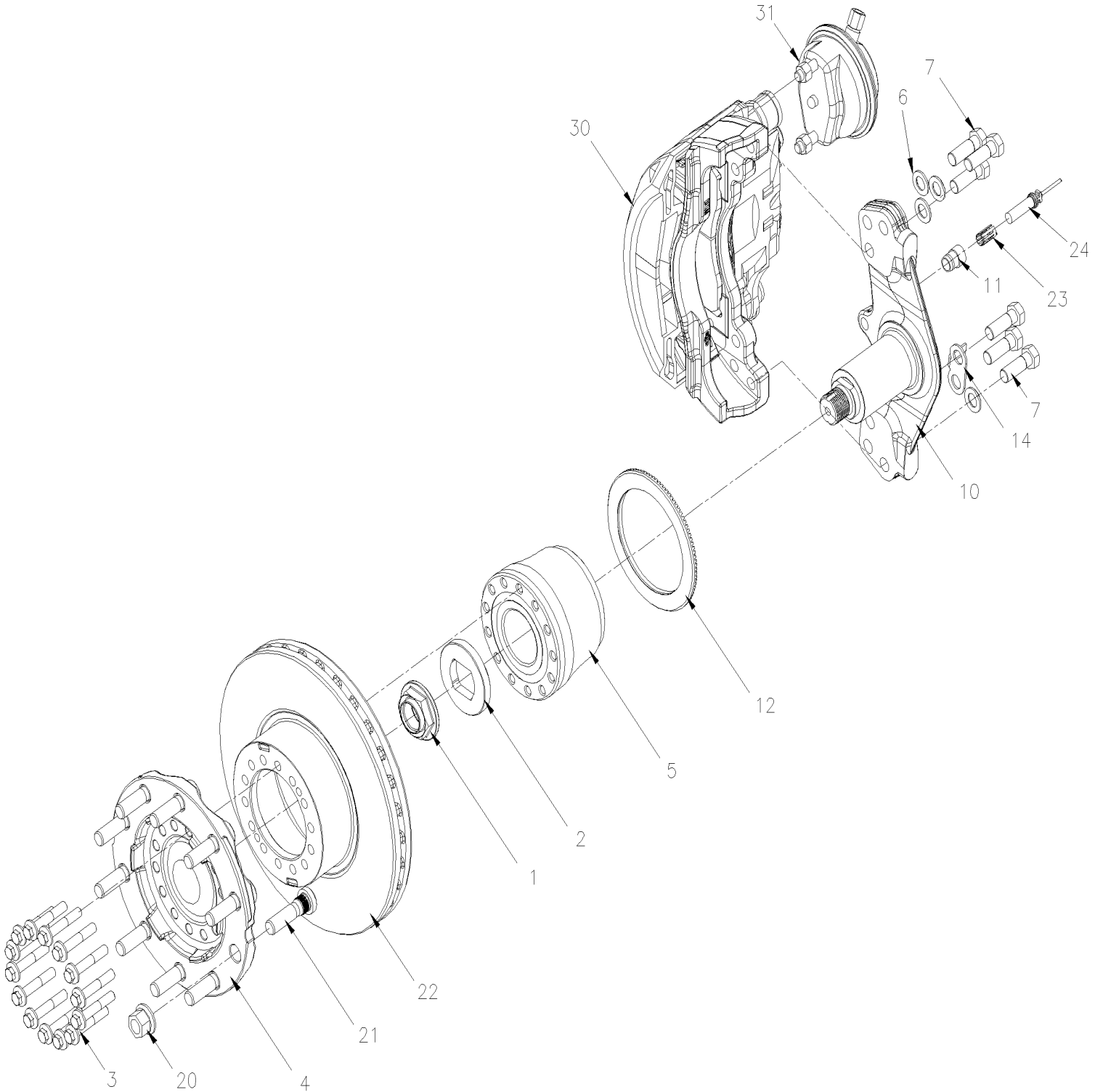


From B-5003 To D-5489

Date:07/2024

PAGE:XV-1310-00

HUB & ROTOR - TAG AXLE TYPE TS8U



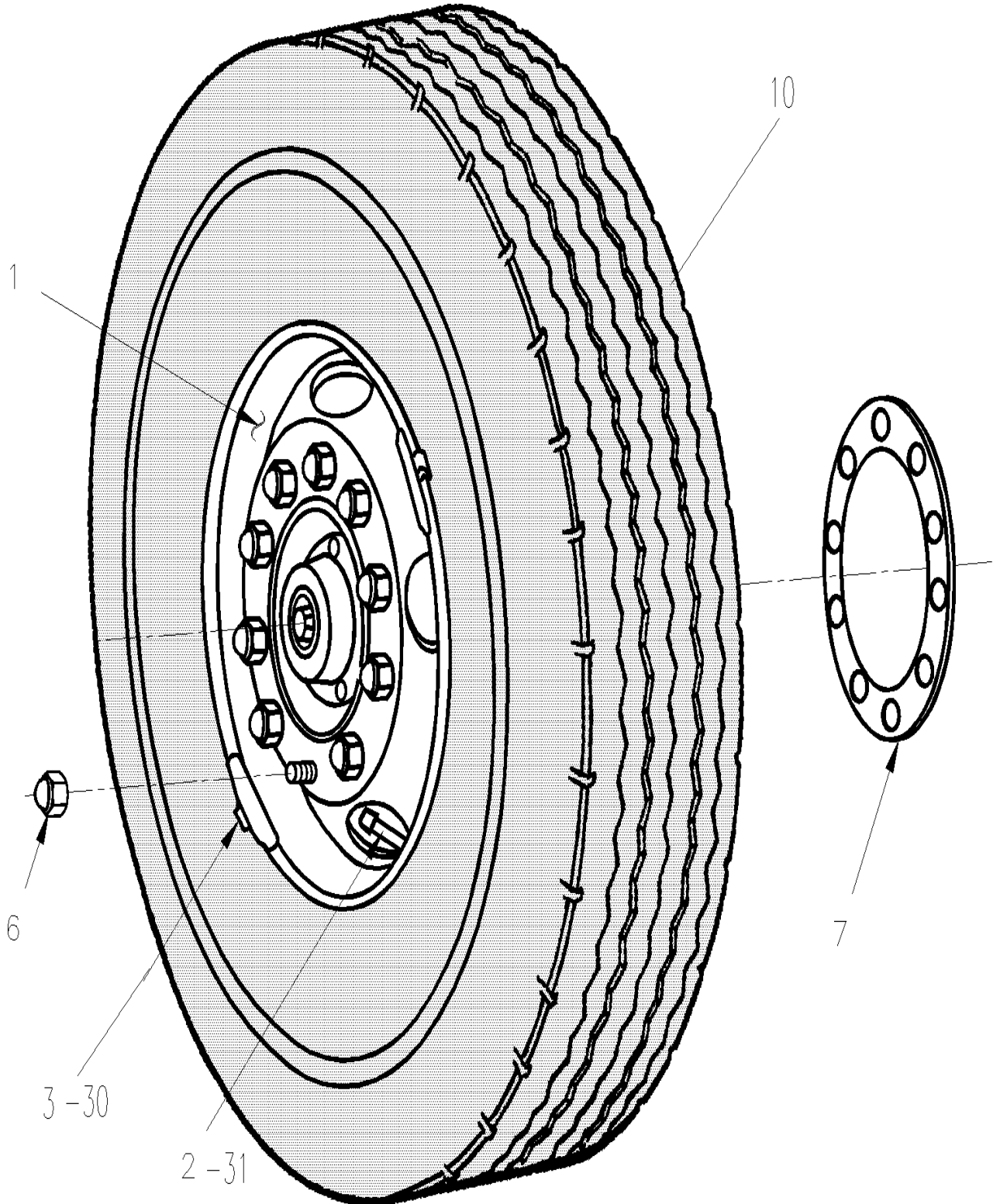


From B-5003 To D-5489

Date:07/2024

PAGE:XV-1318-00

WHEELS & COMPONENTS - TRUCK MOUNT (METRIC)





From B-5003 To D-5489 Date:07/2024 PAGE:XV-1318-00

WHEELS & COMPONENTS - TRUCK MOUNT (METRIC)

Item#	Part	Description	X 3 V I P	X L I E N T 4 5	N O T E S
		ALUMINUM WHEELS / HUB-MOUNTED			
1	650662	WHEEL, ALU. HUB 22.5 X 10.5 / BOTH SIDE DURA-BRIGHT XBR	AR	AR	C
1	650443	WHEEL, ALU. HUB 22.5 X 10.5 / OUTSIDE POLISH	AR	AR	C
1	650989	WHEEL, ALU. HUB 22.5 X 9.00 / INSIDE POLISH	AR	AR	H
1	651007	WHEEL, ALU. HUB 22.5 X 9.00 / INSIDE DURA BRIGHT	AR	AR	H
1	651021	WHEEL, ALU. HUB 22.5 X 9.00 / BOTH SIDE POLISH	AR	AR	H
1	651038	WHEEL, ALU. HUB 22.5 X 9.00 / BOTH SIDE DURA-BRIGHT	AR	AR	H
1	650728	WHEEL, ALU. HUB 22.5 X 14.00 / INSIDE POLISH	AR	AR	S
1	651548	WHEEL, ALU. HUB 22.5 X 14.00 / INSIDE POLISH	AR	AR	S
1	650729	WHEEL, ALU. HUB 22.5 X 14.00 / INSIDE DURA BRIGHT	AR	AR	S
1	651549	WHEEL, ALU. HUB 22.5 X 14.00 / INSIDE DURA BRIGHT	AR	AR	S
NS	683529	CLEANER "ALUMINUM WHEEL" / SPRAY 22 OZ.	AR	AR	
NS	683527	SEALANT "ALLUMINUM WHEEL" / SPRAY 13 OZ.	AR	AR	
NS	683528	POLISH "ALLUMINUM WHEEL" / WAX 16 OZ.	AR	AR	
		VALVES - VALVE EXTENTION & HOLDER			
2	651078	VALVE / W/ALUMINUM WHEEL / 2.31" LG	AR	AR	
NS	650164	. CAP VALVE / CHROME	AR	AR	
NS	650151	. CAP VALVE / STD	AR	AR	
NS	650151	. CAP VALVE / STD	AR	AR	
NS	650008	. SPRING VALVE	AR	AR	
2	650745	EXTENSION VALVE 3/4" LG	AR	AR	
2	650201	EXTENSION VALVE 1 3/8" LG	AR	AR	
NS	650188	EXTENSION VALVE / 7" LG	AR	AR	
2	650178	RUBBER HOLDER / 1.5" O.D. / EXTENSION VALVE	AR	AR	
2	651064	RUBBER HOLDER / 2" O.D. / EXTENSION VALVE	AR	AR	
2	650205	SPRING VALVE 21116	AR	AR	B
		WEIGHTS			
3	650175	WEIGHT BALANCING / W/ALUMINUM WHEEL / INT. & EXT. / 2 OZ	AR	AR	
3	650109	WEIGHT BALANCING / W/ALUMINUM WHEEL / INT. & EXT. / 3 OZ	AR	AR	
3	650110	WEIGHT BALANCING / W/ALUMINUM WHEEL / EXT. ON 4 OZ	AR	AR	
3	650114	WEIGHT BALANCING / W/ALUMINUM WHEEL / INT. ON 4 OZ	AR	AR	
3	650111	WEIGHT BALANCING / W/ALUMINUM WHEEL / EXT. ON 6 OZ	AR	AR	
3	650115	WEIGHT BALANCING / W/ALUMINUM WHEEL / INT. ON 6 OZ	AR	AR	
3	650112	WEIGHT BALANCING / W/ALUMINUM WHEEL / EXT. ON 8 OZ	AR	AR	
3	650116	WEIGHT BALANCING / W/ALUMINUM WHEEL / INT. ON 8 OZ	AR	AR	
3	650192	WEIGHT BALANCING / W/ALUMINUM WHEEL / W/ADHES 6 OZ	AR	AR	



From B-5003 To D-5489 Date:07/2024 PAGE:XV-1318-00

WHEELS & COMPONENTS - TRUCK MOUNT (METRIC)

Item#	Part	Description	X 3 V I P	X L I I E N T 4 5	N O T E S
3	650206	WEIGHT BALANCING / POWDER (12 OZ BAG)	AR	AR	
		OTHERS			
6	5001339	CAP, PLASTIC CHROME / WHEEL NUT / HUB MOUNT / PUSH-ON TYPE	60	60	E
7	650134	WHEEL GUARD MYLAR / WHEEL & HUB	AR	AR	
8	621753	HUB CAP PLASTIC CHROME W/NUT / HUB MOUNT / METRIC	2	2	G
. NS	624215	. CAP NUT COVER WRENCH	1	1	G
8	652236	HUB CAP PLASTIC CHROME / HUB MOUNT / METRIC ONE SET OF 2	1	1	G
. NS	652238	. RETENTION NUT, PACK OF 10	1	1	G
. NS	652237	. RETENTION NUT, PACK OF 50	1	1	G
NS	611470	HUB CAP PLASTIC CHROME W/NUT / HUB MOUNT / METRIC	2	2	F
. NS	624215	. CAP NUT COVER WRENCH	1	1	F
8	652235	HUB CAP PLASTIC CHROME W/NUT / HUB MOUNT / METRIC ONE SET OF 2	2	2	F
NS	652066	WHEEL NUT FLAG, ORANGE	AR	AR	
		VALVES - WITH TIRE PRESSURE SENSOR			
30	066446	DECAL / "WARNING DETECTOR INSIDE" / ENGLISH & FRANCAIS	AR	AR	
30	066445	DECAL / "WARNING DETECTOR INSIDE" / ENGLISH	AR	AR	
31	XV-1318-10	TIRE MONITOR PRESSURE - "BERU"			
NS	MI02-17	SEE MAINTENANCE INFORMATION	1	1	
NS	MI03-26A	SEE MAINTENANCE INFORMATION	1	1	
		B) USE THIS EXTENSION WITH POWDER BALANCING WEIGHT			
		C) USE WITH 650178 RUBBER HOLDER			
		E) TO USE WITH NUT 22MM X 33MM THICK (611189)			
		F) TO USE WITH FRONT AND TAG WHEEL			
		G) TO USE WITH DRIVE AXLE WHEEL			
		H) USE WITH 651064 RUBBER HOLDER			
		S) USE ONLY WITH SUPER SINGLE TIRE (650447)			

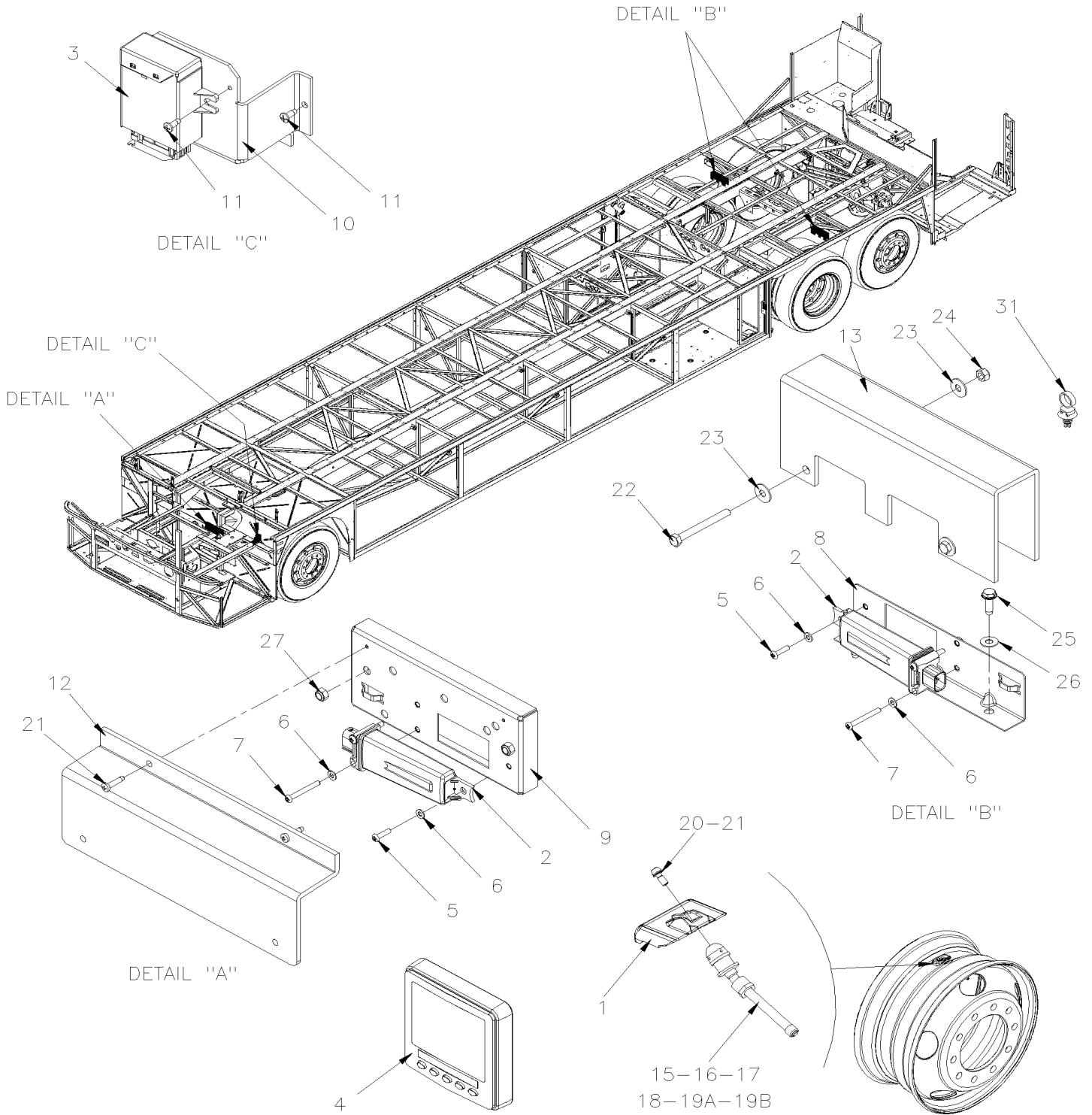


From B-5003 To D-5489

Date:07/2024

PAGE:XV-1318-10

TIRE MONITOR PRESSURE - "BERU"



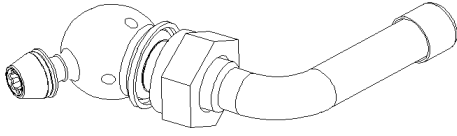


From B-5003 To D-5489

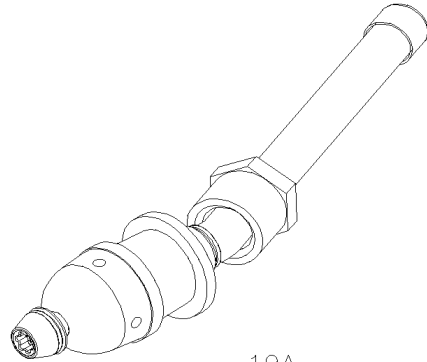
Date:07/2024

PAGE:XV-1318-10

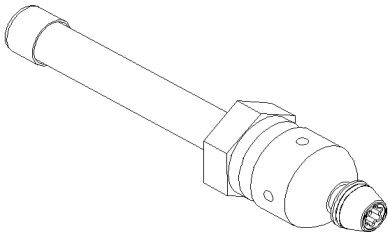
TIRE MONITOR PRESSURE - "BERU"



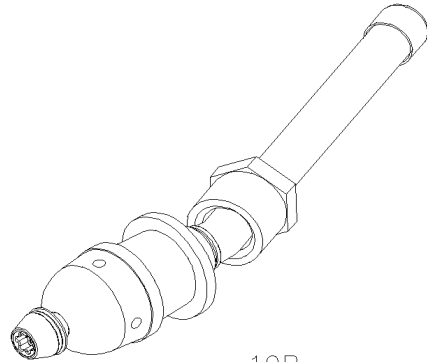
15



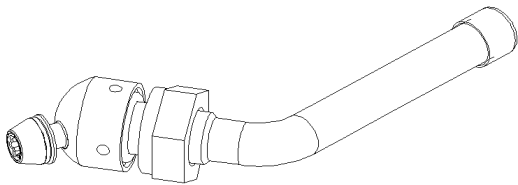
19A



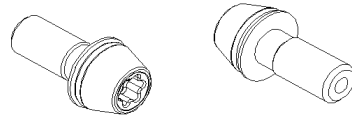
16



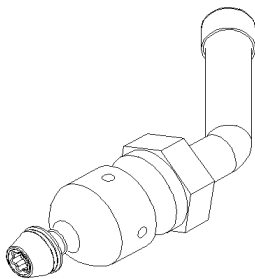
19B



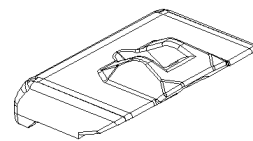
17



20



18



1



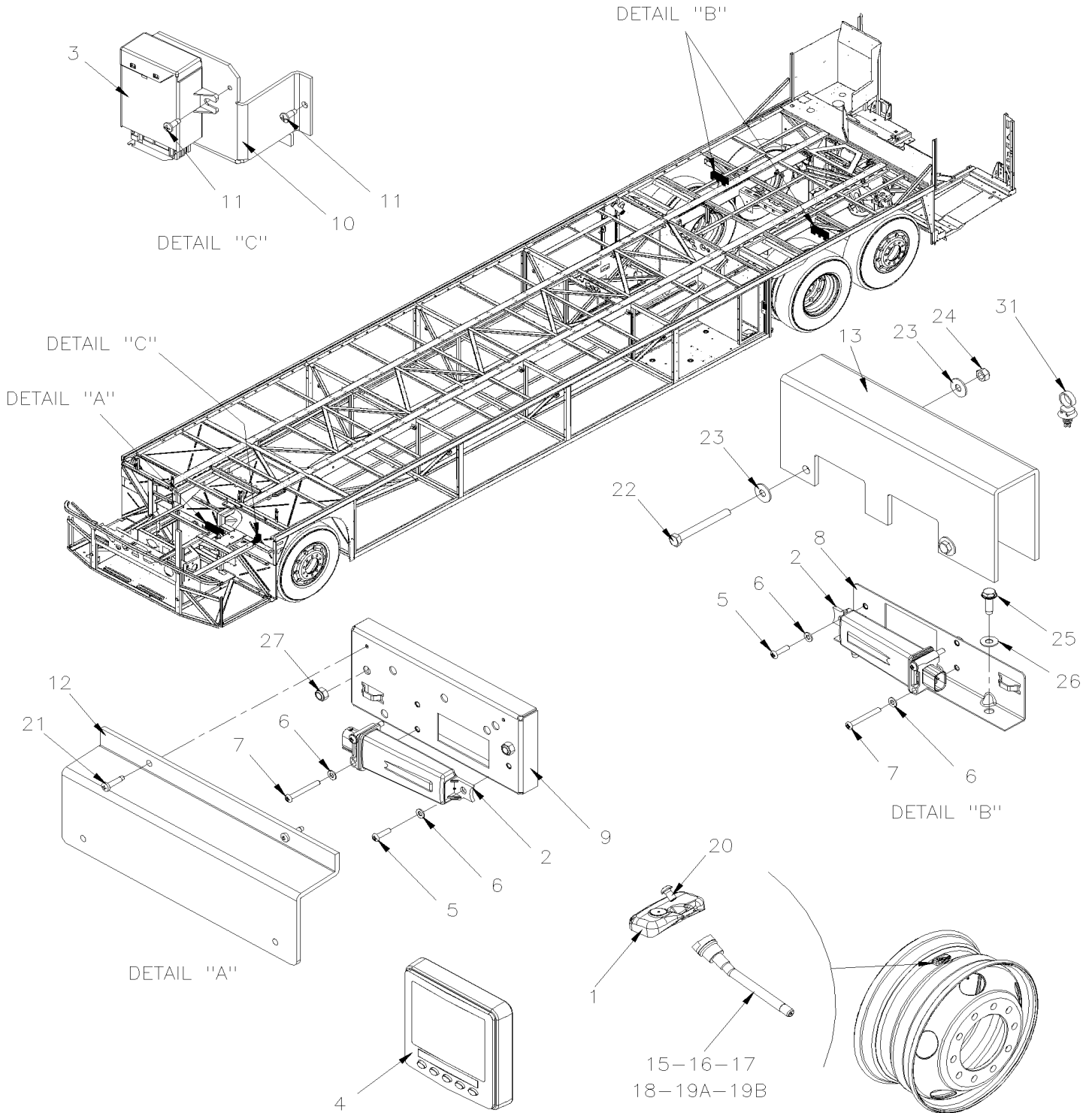
From B-5003 To D-5489

Date:07/2024

PAGE:XV-1318-10

TIRE MONITOR PRESSURE - "BERU"

SERVICE





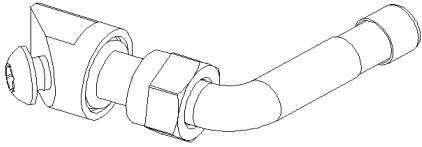
From B-5003 To D-5489

Date:07/2024

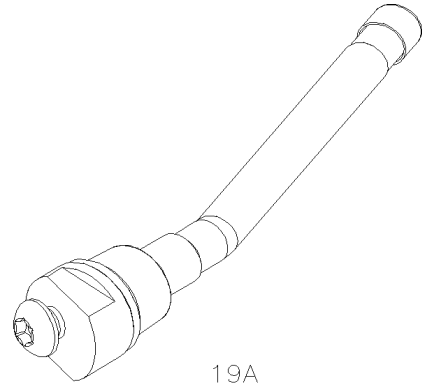
PAGE:XV-1318-10

TIRE MONITOR PRESSURE - "BERU"

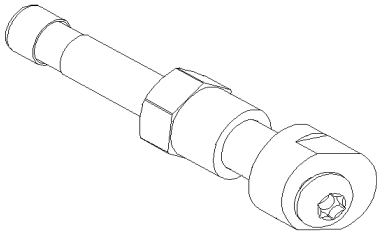
SERVICE



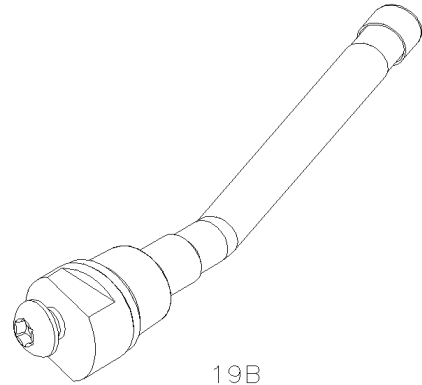
15



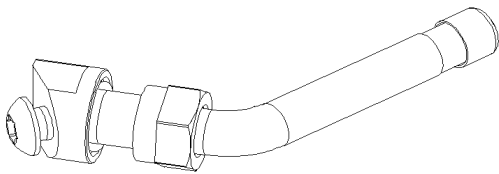
19A



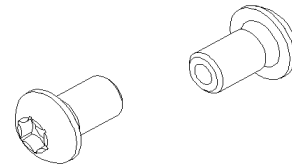
16



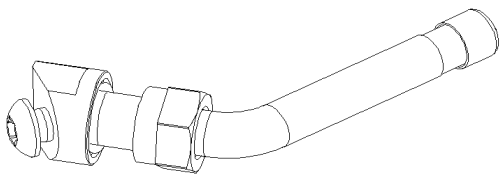
19B



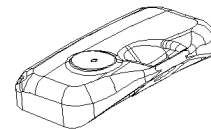
17



20



18



1



From B-5003 To D-5489	Date:07/2024	PAGE:XV-1318-10
------------------------------	---------------------	------------------------

TIRE MONITOR PRESSURE - "BERU"

Item#	Part	Description	X 3 V I P	X L I I E N T 4 5	N O T E S
1	564078	SENSOR TIRE PRESSURE - "BERU"	9	9	A
. NS	651118	. WASHER REINFORCMENT SENSOR TIRE MODULE OBLONG / SS	1	1	A
1	560032	SENSOR TIRE PRESSURE - "BERU"	9	9	
NS	066445	DECAL / "WARNING DETECTOR INSIDE" / ENGLISH	AR	AR	
NS	066446	DECAL / "WARNING DETECTOR INSIDE" / ENGLISH & FRANCAIS	AR	AR	
2	564077	ANTENNA - TIRE PRESSURE	3	3	
. NS	563758	. CONNECTOR / MICRO-QUADLOK-SYSTEM / SH 4C / AMP 1-967640-1	1	1	
. NS	564074	. CONNECTOR CAP 90° / MICRO-QUADLOK-SYSTEM / SCH 7806880-K	1	1	
. NS	563759	. SOCKET TERMINAL / 24-20 / AMP 963727-1	1	1	
. NS	563761	. SEAL PLUG CAVITY / BLUE / AMP 967056-1	1	1	
3	564076	ECU TIRE PRESSURE	1	1	
. NS	564073	. CONNECTOR TANDEM SPRING/ AMPMODU / SH 32C / AMP 1394010-1	1	1	
4	564083	SCREEN MONITOR TIRE To B-5023	1	1	
4	564094	SCREEN MONITOR TIRE From B-5024	1	1	
NS	564084	PLATE TPMS / FIXED AT CENTRAL BOARD	1	1	
NS	564086	PLATE REAR TPMS ON CENTRAL BOARD	1	1	
NS	5001690	SCREW TC M5	3	3	
NS	564085	PLATE W/OUT TPMS ON CENTRAL BOARD	1	1	
NS	067286	CABLE ASSY / FRT JCT BOX & REAR JCT BOX	1	1	
NS	067204	WIRING HARNESS / ECU FRT JCT BOX & ACCES..	1	1	
NS	5001694	SCREW MA PAN PH M4-0.7x40 SS BK	6	6	
5	5001332	SCREW MA PAN PH M4-0.7x16 SS	3	3	
6	502556	WASHER FL 4.3x9.0x0.8 SS	9	9	
7	5001696	SCREW MA PAN PH M4-0.7x35 SS	6	6	
8	406121	SUPPORT ANTENNA TIRE PRESSURE	2	2	
9	406085	SUPPORT ANTENNA TIRE PRESSURE	1	1	
10	382406	SUPPORT TIRE ECU PRESSURE	1	1	
11	502868	SCREW TC TR PH #10-16x1/2 N500	5	5	
12	406119	PROTECTOR ANTENNA / AL "Z" SHAPE	1	1	
13	406122	PROTECTOR ANTENNA / AL "U" SHAPE		2	
13	406133	PROTECTOR ANTENNA / AL "U" SHAPE	1		
15	651079	KIT VALVE TR543E 60DEG 17.1 HD / W/AL / 14" To C-5195	1	1	
. NS	651084	. SCREW MA BUT TORX W/HOLE M5-0.8x17 To C-5195	1	1	
. . NS	651118	. . WASHER REINFORCMENT SENSOR TIRE MODULE OBLONG / SS To C-5195	1	1	
. NS	651116	. O-RING 8.9MM I.D. x 1.9MM "VITON" To C-5195	1	1	
15	651126	KIT VALVE TR543E 60DEG 17.1 HD / W/AL / 14" From C-5196	1	1	
. NS	651084	. SCREW MA BUT TORX W/HOLE M5-0.8x17 From C-5196	1	1	
. . NS	651118	. . WASHER REINFORCMENT SENSOR TIRE MODULE OBLONG / SS From C-5196	1	1	
. NS	651117	. O-RING 9.5MM I.D. x 2.0MM "VITON" From C-5196	1	1	
15	650013	KIT VALVE 60DEG / W/AL / 14"	1	1	A
. NS	651116	. O-RING 8.9MM I.D. x 1.9MM "VITON"	1	1	A
. NS	650019	. SCREW MA BUT TORX W/HOLE M5	1	1	A



From B-5003 To D-5489 Date:07/2024 PAGE:XV-1318-10

TIRE MONITOR PRESSURE - "BERU"

Item#	Part	Description	X 3 V I P	X L I E N T 4 5	N O T E S
15	650635	KIT VALVE 60DEG / W/AL / 14"	1	1	
16	651080	KIT VALVE TR543 13HD / W/AL / 10.5" To C-5195	1	1	
. NS	651084	. SCREW MA BUT TORX W/HOLE M5-0.8x17 To C-5195	1	1	
. . NS	651118	. . WASHER REINFORCMENT SENSOR TIRE MODULE OBLONG / SS To C-5195	1	1	
. NS	651117	. O-RING 9.5MM I.D. x 2.0MM "VITON" To C-5195	1	1	
16	651128	KIT VALVE TR543 13HD / W/AL / 10.5" From C-5196	1	1	
. NS	651084	. SCREW MA BUT TORX W/HOLE M5-0.8x17 From C-5196	1	1	
. . NS	651118	. . WASHER REINFORCMENT SENSOR TIRE MODULE OBLONG / SS From C-5196	1	1	
. NS	651117	. O-RING 9.5MM I.D. x 2.0MM "VITON" From C-5196	1	1	
16	650014	KIT VALVE / W/AL / 10.5"	1	1	A
. NS	651116	. O-RING 8.9MM I.D. x 1.9MM "VITON"	1	1	A
. NS	650019	. SCREW MA BUT TORX W/HOLE M5	1	1	A
16	650636	KIT VALVE / W/AL / 10.5"	1	1	
17	651081	KIT VALVE TR544D 40DEG 13HD / W/AL HUB MOUNT / 9" To C-5195	1	1	
. NS	651084	. SCREW MA BUT TORX W/HOLE M5-0.8x17 To C-5195	1	1	
. . NS	651118	. . WASHER REINFORCMENT SENSOR TIRE MODULE OBLONG / SS To C-5195	1	1	
. NS	651117	. O-RING 9.5MM I.D. x 2.0MM "VITON" To C-5195	1	1	
17	651122	KIT VALVE TR544D 40DEG 13HD / W/AL HUB MOUNT / 9" From C-5196	1	1	
. NS	651084	. SCREW MA BUT TORX W/HOLE M5-0.8x17 From C-5196	1	1	
. . NS	651118	. . WASHER REINFORCMENT SENSOR TIRE MODULE OBLONG / SS From C-5196	1	1	
. NS	651117	. O-RING 9.5MM I.D. x 2.0MM "VITON" From C-5196	1	1	
17	650015	KIT VALVE 40DEG / W/AL / 9"	1	1	A
. NS	651116	. O-RING 8.9MM I.D. x 1.9MM "VITON"	1	1	A
. NS	650019	. SCREW MA BUT TORX W/HOLE M5	1	1	A
17	650634	KIT VALVE 40DEG / W/AL / 9"	1	1	
. NS	650019	. SCREW MA BUT TORX W/HOLE M5	1	1	
. NS	651191	. NUT	1	1	
. NS	651267	. GROMMET V9-10-6 BLACK, TPMS VALVE	1	1	
18	651082	KIT VALVE TR543C 9.5HD / W/AL STUD MOUNT / 9"	1	1	
. NS	651084	. SCREW MA BUT TORX W/HOLE M5-0.8x17	1	1	
. . NS	651118	. . WASHER REINFORCMENT SENSOR TIRE MODULE OBLONG / SS	1	1	
. NS	651117	. O-RING 9.5MM I.D. x 2.0MM "VITON"	1	1	
18	650015	KIT VALVE 40DEG / W/AL / 9"	1	1	A
. NS	651116	. O-RING 8.9MM I.D. x 1.9MM "VITON"	1	1	A
. NS	650019	. SCREW MA BUT TORX W/HOLE M5	1	1	A
18	650634	KIT VALVE 40DEG / W/AL / 9"	1	1	
. NS	650019	. SCREW MA BUT TORX W/HOLE M5	1	1	
. NS	651191	. NUT	1	1	
. NS	651267	. GROMMET V9-10-6 BLACK, TPMS VALVE	1	1	
19A	651083	KIT VALVE TR572 20DEG 13HD / W/STEEL WHEELS 8.25" & 9"	1	1	9.0
19A	651083	KIT VALVE TR572 20DEG 13HD / W/STEEL WHEELS 8.25" & 9"	1	1	9.0
. NS	651084	. SCREW MA BUT TORX W/HOLE M5-0.8x17	1	1	9.0



From B-5003 To D-5489	Date:07/2024	PAGE:XV-1318-10
TIRE MONITOR PRESSURE - "BERU"		

Item#	Part	Description	X 3 V I P	X L I I E N T 4 5	N O T E S
. . NS	651118	. . WASHER REINFORCMENT SENSOR TIRE MODULE OBLONG / SS	1	1	9.0
. NS	651119	. SEAL VALVE / STEEL "VITON" GREEN	1	1	9.0
19A	650018	KIT VALVE 20DEG / W/STEEL WHEELS 9"	1	1	A 9.0
. NS	650019	. SCREW MA BUT TORX W/HOLE M5	1	1	A 9.0
. NS	651119	. SEAL VALVE / STEEL "VITON" GREEN	1	1	A 9.0
19B	651083	KIT VALVE TR572 20DEG 13HD / W/STEEL WHEELS 8.25" & 9"	1	1	8.25
19B	651083	KIT VALVE TR572 20DEG 13HD / W/STEEL WHEELS 8.25" & 9"	1	1	8.25
. NS	651084	. SCREW MA BUT TORX W/HOLE M5-0.8x17	1	1	8.25
. . NS	651118	. . WASHER REINFORCMENT SENSOR TIRE MODULE OBLONG / SS	1	1	8.25
. NS	651119	. SEAL VALVE / STEEL "VITON" GREEN	1	1	8.25
19B	650017	KIT VALVE 20DEG / W/STEEL WHEELS 8.25"	1	1	8.25 A
. NS	650019	. SCREW MA BUT TORX W/HOLE M5	1	1	8.25 A
. NS	651119	. SEAL VALVE / STEEL "VITON" GREEN	1	1	8.25 A
20	651084	. SCREW MA BUT TORX W/HOLE M5-0.8x17	1	1	
. NS	651118	. . WASHER REINFORCMENT SENSOR TIRE MODULE OBLONG / SS	1	1	
20	650019	. SCREW MA BUT TORX W/HOLE M5	1	1	A
NS	685324	GREASE "PERMATEX" DIELECTRIC TUBE 3 OZ	AR	AR	S
NS	680038	THREAD LOCKER LOCTITE #243 / BLUE / 50ml	AR	AR	
21	500952	SCREW TP BDG PH #8x1/2 SS	2	2	
22	5001681	SCREW CAP HEX M6-1.0x60 SS	2	2	
23	500411	WASHER FL .260x.697x.050 SS	8	8	
24	502681	NUT HEX NYRT M6-1.0 N500 G8	AR	AR	
25	502848	SCREW TC CAP HEXF 1/4-20x3/4 N500	2	2	
26	5001608	WASHER BEL SPR 6.2x15.0x0.7 G500	4	4	
27	5001182	NUT HEX NYRT M6-1.0 SS	2	2	
31	509815	TIE MOUNT / ATTACHMENT W/TREE MOUNT	AR	AR	
31	504637	CABLE TIE / 3/16" x 13"	AR	AR	
NS	IS21070	KIT TPMS ANTENNAS REPLACEMENT			
		8.25) USE WITH STEEL WHEEL 8.25"			
		9.0) USE WITH STEEL WHEEL 9.0"			
		A) WHEN YOU REPLACE SENSOR 564078 YOU NEED TO REPLACE IT WITH SENSOR 560032 AND CHOOSE KIT VALVE 650013 / 650014 / 650015 / 650018 / 650017 FOR YOUR WHEEL MODEL			
		S) USE TO PREVENT CORROSION WITH ALUMINUM WHEELS			



From B-5003 To D-5489		Date:07/2024	PAGE:IS21070
KIT TPMS ANTENNAS REPLACEMENT			

PREVOST

Feuille d'instructions

FI-21070

REPLACEMENT ANTENNES TPMS OBSOLÈTE

PREVOST

Instruction Sheet

IS-21070

OBSOLETE TPMS ANTENNAS REPLACEMENT



From B-5003 To D-5489	Date:07/2024	PAGE:IS21070
KIT TPMS ANTENNAS REPLACEMENT		

Item#	Part	Description	X 3 V I P	X L I E N T 4 5	N O T E S
NS	564305	ANTENNA, TPMS "SENSATA"	3	3	
NS	564413	TPMS, SENSATA ECU	1	1	
NS	380252	SUPPORT / RELAY	1	1	
NS	406762	SUPPORT, ANTENNA	1	1	
NS	406119	PROTECTOR ANTENNA / AL "Z" SHAPE	1	1	
NS	401333	SUPPORT, ANTENNA	2	2	
NS	406764	PROTECTOR, ANTENNA	2	2	
NS	0610632	WIRING HARNESS / ECU FRT JCT BOX & ACCES..	1	1	
NS	504622	GROMMET / 1.500x1.750x.062x.437x2.125	1	1	
NS	0610631	WIRING HARNESS / FRT JCT BOX & ANTENNA	1	1	
NS	562795	CONNECTOR / JUNIOR POWER TIMER / SH 15C / AMP 964561-2	1	1	
NS	5001182	NUT HEX NYRT M6-1.0 SS	2	2	
NS	502708	SCREW CAP HEX M5-0.8x35 SS	3	3	
NS	5001137	WASHER FL .203x.438x.050 SS	3	3	
NS	502848	SCREW TC CAP HEXF 1/4-20x3/4 N500	4	4	
NS	5001608	WASHER BEL SPR 6.2x15.0x0.7 G500	4	4	
NS	5001681	SCREW CAP HEX M6-1.0x60 SS	4	4	
NS	500411	WASHER FL .260x.697x.050 SS	8	8	
NS	502681	NUT HEX NYRT M6-1.0 N500 G8	4	4	
NS	502868	SCREW TC TR PH #10-16x1/2 N500	2	2	
NS	500804	WASHER FL .203x.500x.047 N500	2	2	
NS	509815	TIE MOUNT / ATTACHMENT W/TREE MOUNT	17	17	
NS	504637	CABLE TIE / 3/16" x 13"	20	20	
NS	8631155	CABLE TIE / 4.6MM x 200 / CHRISTMAS TREE	2	2	
NS	504013	TIE MOUNT / 1/4" X 1/4" I.D.	2	2	
NS	504347	RIVET POP DOME OE 3/16x1/4 AL	2	2	
NS	IS-21070	SEE ENGLISH INSTRUCTION SHEET	1	1	
NS	FI-21070	SEE FRENCH INSTRUCTION SHEET	1	1	
NS		PARTS BELOW NOT INCLUDED IN KIT IS21070			
NS		STEEL WHEEL 9"			
NS	150006	KIT VALVE & SENSOR / FOR WHEEL STEEL 9"	1	1	
NS		ALUMINIUM WHEEL 9"			
NS	150201	KIT VALVE & SENSOR / FOR WHEEL AL 9"	1	1	
NS		ALUMINIUM WHEEL 10.5"			
NS	150149	KIT VALVE & SENSOR / FOR WHEEL AL 10.5"	1	1	
NS		ALUMINIUM WHEEL 14"			
NS	150177	KIT VALVE & SENSOR / FOR WHEEL AL 14"	1	1	



From B-5003 To D-5489	Date:07/2024	PAGE:IS21070
KIT TPMS ANTENNAS REPLACEMENT		

Item#	Part	Description	X 3 V I P	X L I I E N T 4 5	N O T E S
NS	684517	ADHESIVE SIMSON #ISR 70-03 / GREY / 310ml CARTRIDGE	1	1	
NS	680038	THREAD LOCKER LOCTITE #243 / BLUE / 50ml	1	1	
NS	685324	GREASE "PERMATEx" DIELECTRIC TUBE 3 OZ	1	1	

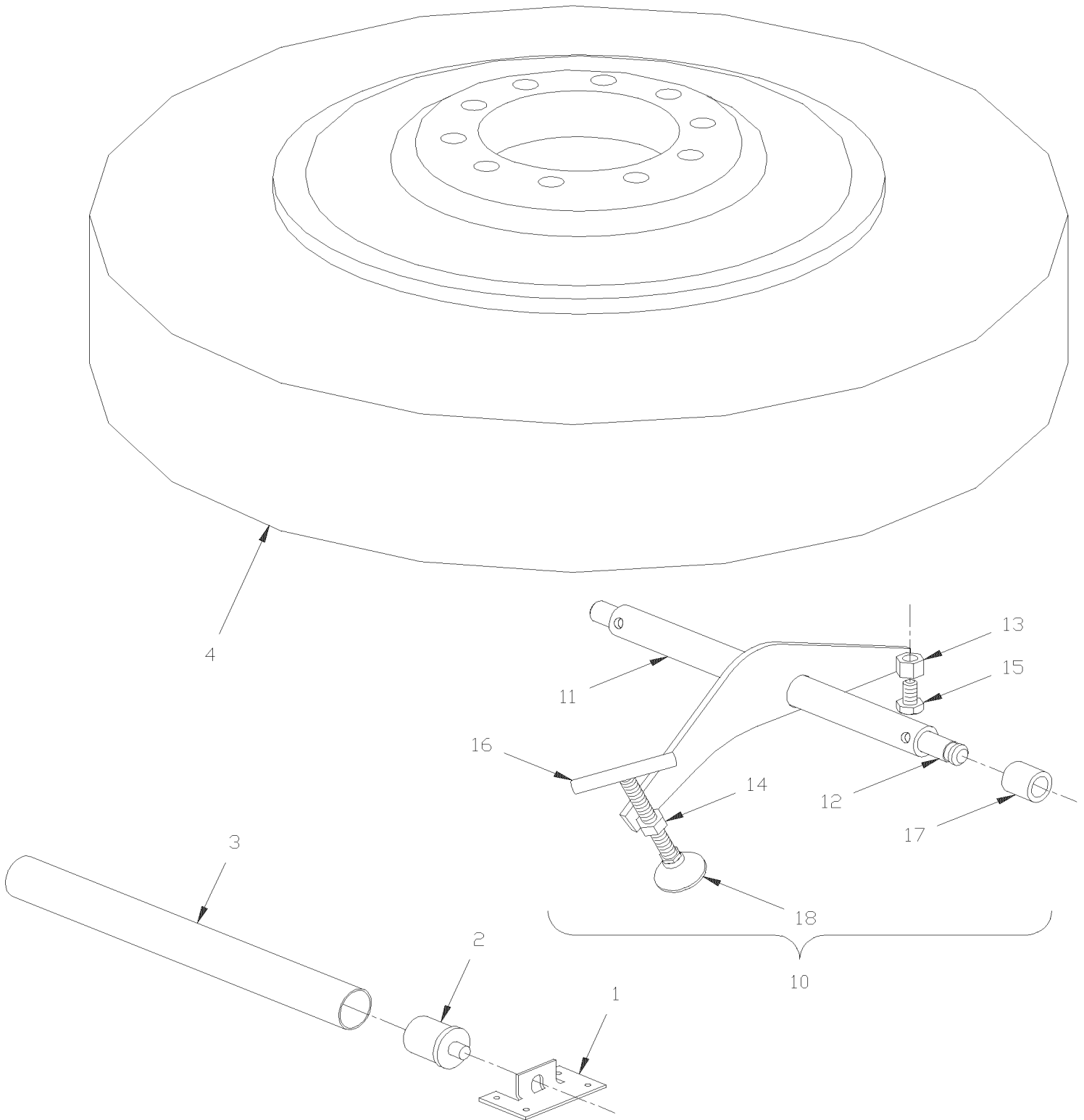


From B-5003 To D-5489

Date:07/2024

PAGE:XV-1325-00

SPARE WHEEL - INSTALLATION



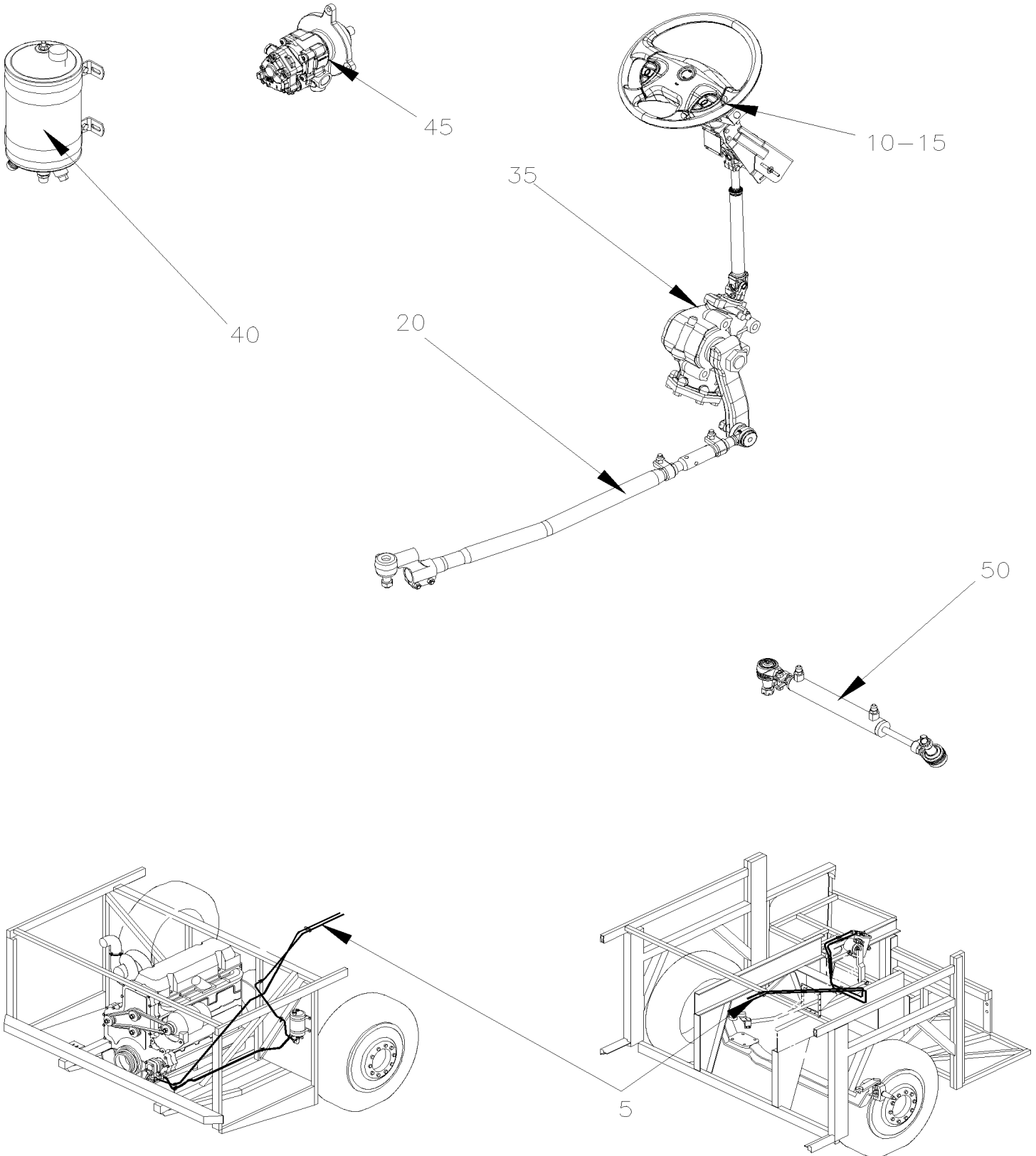


From B-5003 To D-5489	Date:07/2024	PAGE:XV-1325-00
SPARE WHEEL - INSTALLATION		

Item#	Part	Description	X 3 V I P	X L I I E N T 4 5	N O T E S
1	150313	ANGLE SUPPORT		4	
2	150314	AXLE SHAFT		4	
3	150318	TUBE		2	
4	150128	COVER SPARE WHEEL		1	
10	150670	ATTACHMENT SPARE TIRE RETAINER ASSY / COMPLETE To C-5086		1	
10	150788	ATTACHMENT SPARE TIRE RETAINER ASSY / COMPLETE From C-5087		1	
11	150669	. ATTACHMENT ASSY		1	
14	500789	. . NUT HEX 1/2-13 Z050		1	
16	150223	. HANDLE ASSY		1	
17	150767	SPACER		1	
18	5001001	NUT SW 1/2-13		1	



	Date:07/2024	XV-14
STEERING		





		Date:07/2024	XV-14		
STEERING					
Item#	Part	Description	X 3 V I P	X L I I E N T 4 5	N O T E S
5	XV-1400-00	POWER STEERING HOSE - INSTALLATION From B-5003 To D-5489			
10	XV-1405-00	STEERING WHEEL & COLUMN ASSY WITH CONTROL SWITCHES From B-5003 To D-5489			
15	XV-1407-00	STEERING COLUMN & COVER - INSTALLATION From B-5003 To D-5489			
20	XV-1410-00	STEERING GEAR BOX & DRAG LINK - INSTALLATION From B-5003 To D-5489			
20	XV-1410-50	STEERING RODS - INSTALLATION W/INDEPENDENT "NDIFS80P" / 18000LBS From B-5003 To D-5489			
20	XV-1410-60	STEERING RODS - INSTALLATION W/INDEPENDENT "NDIFS80P" / 18000LBS From B-5003 To C-5235			
20	XV-1410-61	STEERING RODS - INSTALLATION W/INDEPENDENT "NDIFS80P" / 19000LBS From C-5236 To D-5489			
35	XV-1415-00	STEERING GEARBOX - "ZF" From B-5003 To D-5489			
40	XV-1420-00	POWER STEERING TANK - 4 QT U.S. From B-5003 To D-5489			
45	Refer To Volvo	POWER STEERING PUMP - "VOLVO" D13 From B-5003 To D-5489			V
50	XV-1430-50	CYLINDER POWER STEERING From B-5003 To D-5489			
		V) SEE IMPACT OR CALL ORDER DESK			

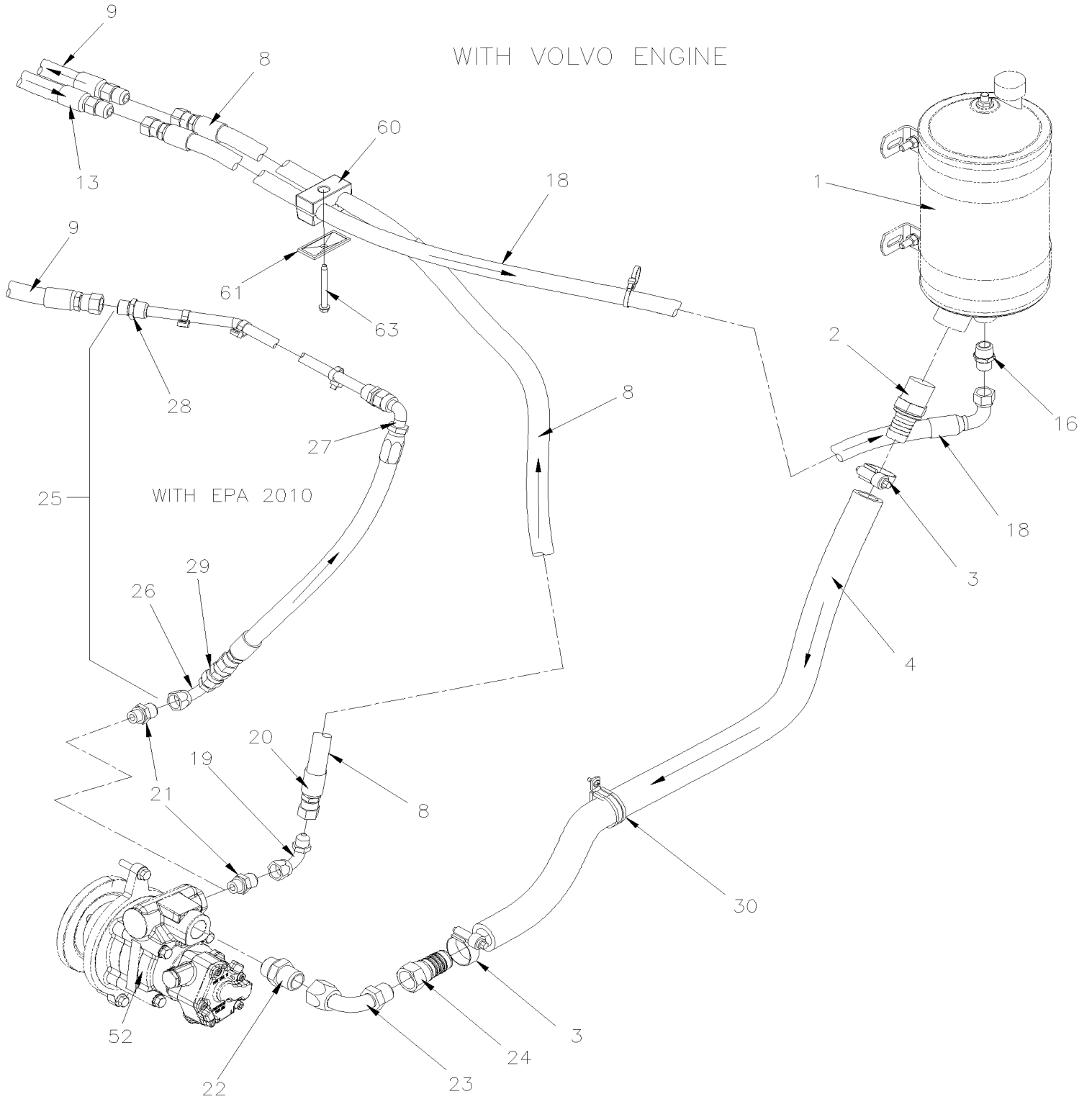


From B-5003 To D-5489

Date:07/2024

PAGE:XV-1400-00

POWER STEERING HOSE - INSTALLATION



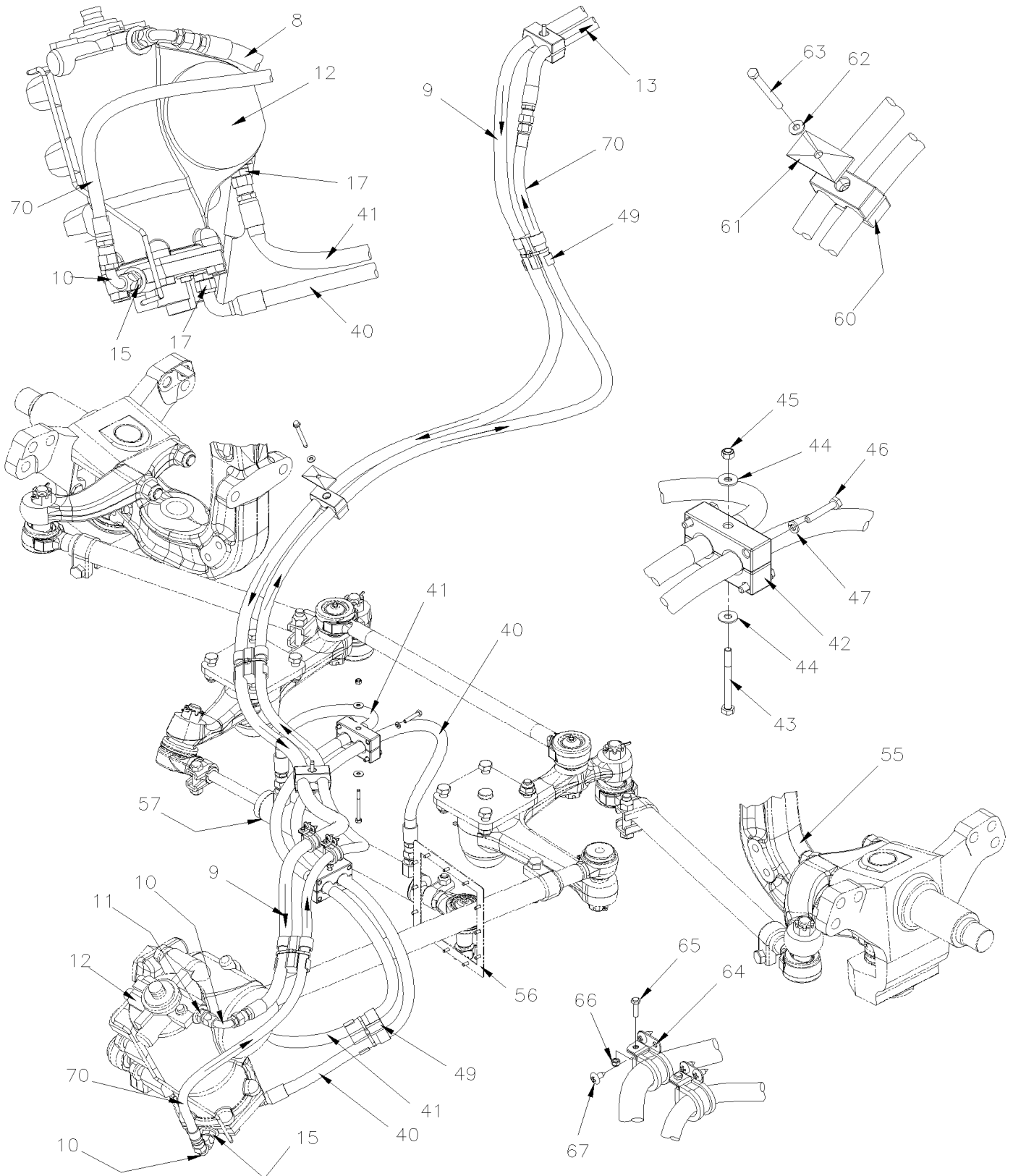


From B-5003 To D-5489

Date:07/2024

PAGE:XV-1400-00

POWER STEERING HOSE - INSTALLATION





From B-5003 To D-5489	Date:07/2024	PAGE:XV-1400-00
------------------------------	---------------------	------------------------

POWER STEERING HOSE - INSTALLATION

Item#	Part	Description	X 3 V I P	X L I I E N T 4 5	N O T E S
1	XV-1420-00	POWER STEERING TANK - 4 QT U.S.			
2	5011086	MALE CONNECTOR / PUSH-LOK FITTING / 1NPT-Mx#16 STL	1	1	
3	504291	HOSE CLAMP / 1"1/8-1"3/4 SS / E.T. 20	AR	AR	
4	161334P	HOSE #16 1040MM	1	1	D13
4	503577	. HOSE #16 / S.L.	AR	AR	
5	5011147	FEMALE CONNECTOR SWIVEL / COLLAR FITTING / #16JIC-Fx#16 STL	1	1	
6	5011148	MALE ELBOW 90° / JIC 37° FITTING / #16JIC-Mx#12ORB-M STL	1	1	
7	5011167	MALE ELBOW 45° / JIC 37° FITTING / #8JIC-Mx#8ORB-M STL	1	1	
8	161335P	HOSE ASSY / #8 11620MM	1	1	
NS	505181	. COIL PROTECTOR / PLASTIC / #8	AR	AR	
9	161335P	HOSE ASSY / #8 11620MM	1	1	
NS	505181	. COIL PROTECTOR / PLASTIC / #8	AR	AR	
9	160122	KIT, POWER STEERING PUMP DISCHARGE HOSE (PRESSURE) X To D-5387	1	1	
. NS	160006	. HOSE PRESSURE, POWER STEERING #8 11690MM To D-5387	1	1	
. NS	1600100	. FLANGE, POWER STEERING HOSE To D-5387	2	2	
. NS	500107	. SCREW TC CAP HEXW 1/4-20x2 1/2 Z050 To D-5387	3	3	
. NS		. FLARETITE SEAL ARE NO LONGER USED IN PRODUCTION AND SERVICE To D-5387	1	1	
. NS	504189	. CLAMP DOUBLE ASS / SPLIT BLOC / 22MM/19MM x 67MM POLYA To D-5387	13	13	
. NS	504728	. PLATE RETAINER To D-5387	3	3	
. NS	IS-19040	. INSTRUCTION SHEET To D-5387	1	1	
. NS	FI-19040	. VOIR FEUILLE D'INSTRUCTION To D-5387	1	1	
9	160127	KIT, POWER STEERING PUMP DISCHARGE HOSE (PRESSURE) X From D-5388	1	1	
. NS	160006	. HOSE PRESSURE, POWER STEERING #8 11690MM From D-5388	1	1	
. NS	500107	. SCREW TC CAP HEXW 1/4-20x2 1/2 Z050 From D-5388	3	3	
. NS		. FLARETITE SEAL ARE NO LONGER USED IN PRODUCTION AND SERVICE From D-5388	1	1	
. NS	504189	. CLAMP DOUBLE ASS / SPLIT BLOC / 22MM/19MM x 67MM POLYA From D-5388	13	13	
. NS	504728	. PLATE RETAINER From D-5388	3	3	
. NS	IS-19040	. INSTRUCTION SHEET From D-5388	1	1	
. NS	FI-19040	. VOIR FEUILLE D'INSTRUCTION From D-5388	1	1	
10	501845	SWIVEL NUT ELBOW 90° LONG / JIC 37° FITTING / #8JIC-Fx#8JIC-Mx1.86 STL	2	2	
11	5011192	MALE CONNECTOR / JIC 37° FITTING / #8JIC-MxM18-1.5-M STL	2	2	
. NS	N.P.N.	. O-RING	1	1	4
. NS	N.P.N.	. WASHER RET	1	1	4
NS	688910	THREAD LOCKER LOCTITE #262 / RED / 250ml	AR	AR	
12	XV-1415-00	STEERING GEARBOX - "ZF"			
13	163248	HOSE ASSY / #8 8850MM			A
13	161336P	HOSE ASSY /	1	1	
. NS	163250	. HOSE ASSY / #8 1860MM	1	1	
. NS	163248	. HOSE ASSY / #8 8850MM	1	1	
. NS	163249	. HOSE ASSY / #6 3000MM	1	1	
NS	505181	. COIL PROTECTOR / PLASTIC / #8	AR	AR	
15	5011192	MALE CONNECTOR / JIC 37° FITTING / #8JIC-MxM18-1.5-M STL	1	1	



From B-5003 To D-5489	Date:07/2024	PAGE:XV-1400-00
POWER STEERING HOSE - INSTALLATION		

Item#	Part	Description	X 3 V I P	X L I I E N T 4 5	N O T E S
. NS	N.P.N.	. O-RING	1	1	4
. NS	N.P.N.	. WASHER RET	1	1	4
16	501739	MALE CONNECTOR / JIC 37° FITTING / #8JIC-Mx1/2NPT-M STL	1	1	
17	5011192	MALE CONNECTOR / JIC 37° FITTING / #8JIC-MxM18-1.5-M STL	1	1	
. NS	N.P.N.	. O-RING	1	1	4
. NS	N.P.N.	. WASHER RET	1	1	4
18	163250	HOSE ASSY / #8 1860MM	1	1	
18	161336P	HOSE ASSY /	1	1	
. NS	163250	. HOSE ASSY / #8 1860MM	1	1	
. NS	163248	. HOSE ASSY / #8 8850MM	1	1	
. NS	163249	. HOSE ASSY / #6 3000MM	1	1	
19	501845	SWIVEL NUT ELBOW 90° LONG / JIC 37° FITTING / #8JIC-Fx#8JIC-Mx1.86 STL	1	1	D13
20	5011162	FEMALE CONNECTOR SWIVEL / JIC 37° FITTING / #8JIC-Fx#8 STL	1	1	D13
21	641294	MALE CONNECTOR / JIC 37° FITTING / #8JIC-MxM16-1.5-M STL	1	1	D13
. NS	641297	. O-RING 13.1MM I.D. X 2.6 TH	1	1	D13
. NS	641298	. WASHER FL 17MM I.D x 22MM O.D. x 1.5MM	1	1	D13
22	507647	MALE CONNECTOR W/ED SEAL / JIC 37° FITTING / #12JIC-MxM26-1.5-M STL	1	1	D13
23	507544	SWIVEL NUT ELBOW 90° SHORT / JIC 37° FITTING/ #12JIC-Fx#12JIC-Mx1.82 STL	1	1	D13
24	507646	FEMALE CONNECTOR SWIVEL / COLLAR FITTING / #12JIC-Fx#16 STL	1	1	D13
25	163597	HOSE ASSY WITH NOISE ATENUATOR TUBE	1	1	D13
. NS	163603	. HOSE ASSY / #12 593MM	1	1	D13
26	501845	. SWIVEL NUT ELBOW 90° LONG / JIC 37° FITTING / #8JIC-Fx#8JIC-Mx1.86 STL	1	1	D13
NS	5011249	. SWIVEL NUT MALE CONNECTOR / JIC 37° FITTING / #8JIC-Fx1/2NPT-M STL	1	1	D13
27	501594	. FEMALE ELBOW 90° SHORT DROP/ JIC 37° FITTING/ #8JIC-Fx#8 STL	1	1	D13
28	501739	. MALE CONNECTOR / JIC 37° FITTING / #8JIC-Mx1/2NPT-M STL	1	1	D13
29	5011162	. FEMALE CONNECTOR SWIVEL / JIC 37° FITTING / #8JIC-Fx#8 STL	1	1	D13
30	952631	CLAMP / 3/4" I.D.	AR	AR	
30	952634	CLAMP / 15/16" I.D.	AR	AR	
31	500613	SCREW TP PAN PH #10x1/2 Z050	AR	AR	
32	952641	CLAMP P STL ZP RUB 34.9 ID	AR	AR	
33	500574	SCREW MA TR PH #10-24x1 1/4 SS	AR	AR	
34	500767	NUT HEX #10-24 Z050	AR	AR	
35	562036	CLAMP / 7/8" I.D. X 90°	AR	AR	
36	500657	SCREW TC TR PH #10-24x1/2 Z050	AR	AR	
40	161178	HOSE SET ASSY / CYLINDER POWER STEERING XL SERIES	1	1	
40	163470	. HOSE ASSY / #8 1648MM	1	1	
41	163469	. HOSE ASSY / #8 1648MM	1	1	
42	160033	. HOSE RETAINER BLOCK CLAMP	2	2	
43	502888	. SCREW CAP HEX M6-1.0x35 G8.8 N500	1	1	
44	502570	. WASHER LO SPT 6.1x11.8x1.6 SS	1	1	
45	5001182	. NUT HEX NYRT M6-1.0 SS	1	1	
46	500411	. WASHER FL .260x.697x.050 SS	1	1	



From B-5003 To D-5489 Date:07/2024 PAGE:XV-1400-00

POWER STEERING HOSE - INSTALLATION

Item#	Part	Description	X 3 V I P	X L I I E N T 4 5	N O T E S
47	502570	WASHER LO SPT 6.1x11.8x1.6 SS	4	4	
49	504634	T-CLIP / 7/8" - 1"	AR	AR	
NS	504637	CABLE TIE / 3/16" x 13"	AR	AR	
NS	500620	SCREW TP FL PH #10x1 1/2 Z050	AR	AR	
52	XV-1427-01	POWER STEERING PUMP - "VOLVO" D13			
55	XV-1005-50	FRONT AXLE - INDEPENDENT MODEL "NDIFS80P" / 18000LBS			
55	XV-1005-60	FRONT AXLE - INDEPENDENT MODEL "NDIFS80P" / 18000LBS To C-5235			
55	XV-1005-61	FRONT AXLE - INDEPENDENT MODEL "NDIFS80P" / 19000LBS From C-5236			
56	XV-1410-00	STEERING GEAR BOX & DRAG LINK - INSTALLATION			
57	XV-1430-50	CYLINDER POWER STEERING			
60	504727	CLAMP DOUBLE ASS / 2 HOSE SIZE 3/8"	AR	AR	
61	504728	PLATE RETAINER	AR	AR	
62	500440	WASHER FL .250x.562x.065 Z050	AR	AR	
63	500107	SCREW TC CAP HEXW 1/4-20x2 1/2 Z050	AR	AR	
64	562036	CLAMP / 7/8" I.D. X 90°	AR	AR	
65	502550	SCREW CAP HEX M4-0.7x16 G8.8 Z050	AR	AR	
66	500590	NUT HEX NYRT M4-0.7 Z050	AR	AR	
67	500657	SCREW TC TR PH #10-24x1/2 Z050	AR	AR	
70	163249	HOSE ASSY / #6 3000MM	1	1	
70	161336P	HOSE ASSY /	1	1	
. NS	163250	. HOSE ASSY / #8 1860MM	1	1	
. NS	163248	. HOSE ASSY / #8 8850MM	1	1	
. NS	163249	. HOSE ASSY / #6 3000MM	1	1	
		A) FOR SERVICE, IT'S POSSIBLE TO REPAIR THIS HOSE IN FRONT SERVICE COMPARTMENT WITH KIT #161197			
		D13) WITH "VOLVO" ENGINE D13			
		4) NO PARTS NUMBER			

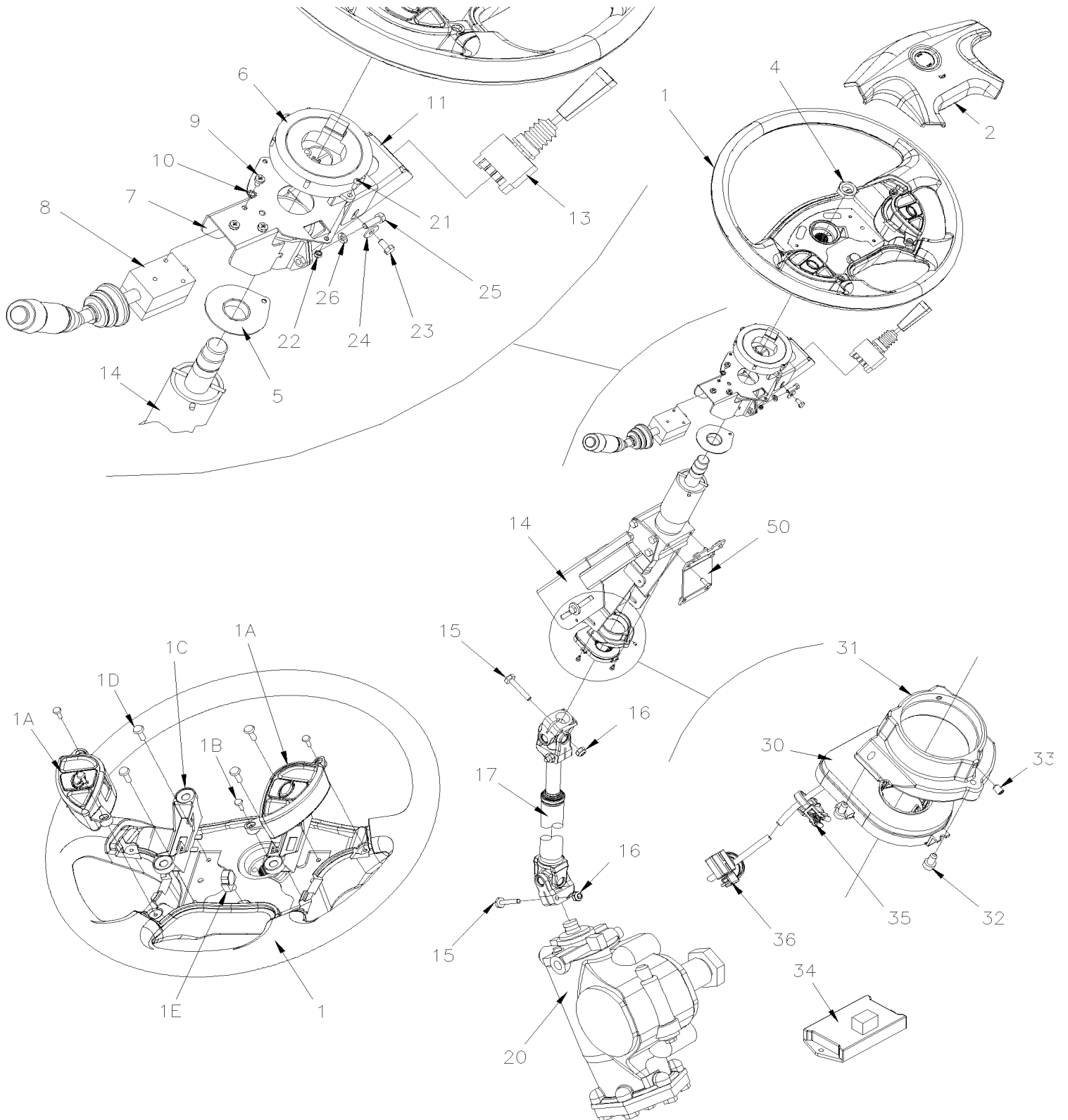


From B-5003 To D-5489

Date:07/2024

PAGE:XV-1405-00

STEERING WHEEL & COLUMN ASSY WITH CONTROL SWITCHES





From B-5003 To D-5489 Date:07/2024 PAGE:XV-1405-00

STEERING WHEEL & COLUMN ASSY WITH CONTROL SWITCHES

Item#	Part	Description	X 3 V I P	X L I I E N T 4 5	N O T E S
1	661172	STEERING WHEEL URHETHANE	1	1	
. A	661204	. SWITCH ASSY / W/OUT TRANS SHIFTER	1	1	
. B	661159	. SCREW MA BUT M4-0.7x8	4	4	
. C	661157	. HORN PAD BASE	2	2	
. D	661160	. SCREW MA M5-0.8x8	4	4	
. E	661158	. CLIP WIRE RETAINER	1	1	
1	661174	STEERING WHEEL LEATHER	1	1	
. A	661204	. SWITCH ASSY / W/OUT TRANS SHIFTER	1	1	
. B	661159	. SCREW MA BUT M4-0.7x8	4	4	
. C	661157	. HORN PAD BASE	2	2	
. D	661160	. SCREW MA M5-0.8x8	4	4	
. E	661158	. CLIP WIRE RETAINER	1	1	
1	661176	STEERING WHEEL LEATHER & WOOD	1	1	
. A	661204	. SWITCH ASSY / W/OUT TRANS SHIFTER	1	1	
. B	661159	. SCREW MA BUT M4-0.7x8	4	4	
. C	661157	. HORN PAD BASE	2	2	
. D	661160	. SCREW MA M5-0.8x8	4	4	
. E	661158	. CLIP WIRE RETAINER	1	1	
2	661149	HORN BUTTON CUSHION PAD W PROVOST EMBLEM	1	1	
. NS	N.S.S.	. SPRING HORN	4	4	1
. NS	661162	. SPRING RETAINER / HORN SPRING	4	4	
. NS	661163	. HORN CONTACT	1	1	
4	661051	NUT	1	1	
5	161273	RING TURN SIGNAL CANCELING	1	1	
NS	502506	SCREW SET HEXS CUP M4-0.7x16	2	2	
6	661119	ROTATING CONTACT / CLOCK SPRING	1	1	
NS	067214	EXTENSION, CLOCK SPRING	1	1	
NS	161249	GUIDE ROTATING CONTACT	1	1	
NS	504742	RING RETAINER / EXT 1.562 x 1.446 x 0.62	1	1	
7	161212	SUPPORT, DIRECTIONAL SWITCH	1	1	
8	661075	LEVER ASSY / MULTIFONCTINAL	1	1	
. NS	660781	. CAP PLEATED RUBBER	1	1	
9	5001377	SCREW MA PAN PH M5-0.8x8 SS	3	3	
10	5001378	WASHER LO EXT 5.3x10x0.6 Z050	3	3	
11	161211	COLLAR W/SWITCH SUPPORT	1	1	
13	562356	SWITCH ASSY / W/LEVER & BOOT / 6 POSITIONS	1	1	
14	661147	STEERING COLUMN ASSY W/E.C.S. 36SPL / 66SPL LOWER	1	1	
NS	161220	DECAL "WARNING" STREERING SYSTEM CALIBRA.."	2	2	
NS	641242	MALE CONNECTOR / PUSH-IN FITTING / #4x1/8NPT-M BR	1	1	
15	661195	SCREW "SPECIAL" STEERING SHAFT "ZF"	2	2	
17	661179	SHAFT ASSY STEERING W/E.C.S. 66SPL / 79SPL LOWER	1	1	
. NS	661195	. SCREW "SPECIAL" STEERING SHAFT "ZF"	2	2	



From B-5003 To D-5489	Date:07/2024	PAGE:XV-1405-00
-----------------------	--------------	-----------------

STEERING WHEEL & COLUMN ASSY WITH CONTROL SWITCHES

Item#	Part	Description	X 3 V I P	X L I I E N T 4 5	N O T E S
20	XV-1415-00	STEERING GEARBOX - "ZF"			
21	500344	SCREW MA RND PH M4-0.7x12 Z050	2	2	
22	500590	NUT HEX NYRT M4-0.7 Z050	2	2	
23	502563	SCREW CAP HEX M6-1.0x12 G8.8 Z050	2	2	
24	5001462	WASHER FL 6.4x18.0x1.6 Z050	2	2	
25	502631	SCREW CAP HEX M6-1.0x20 G8.8 Z050	2	2	
26	500356	WASHER LO SERR 6.1x16.0x0.9 N500	2	2	
30	661148	SENSOR ANGLE POSITION DETECTOR	1	1	
. NS	564042	. CONNECTOR / BOSCH 1 928 404 025	1	1	
31	161265	SUPPORT SENSOR ANGLE POSITION STEERING	1	1	
32	5001670	SCREW CAP HEXS M4-0.7x8 G8.8 Z050	3	3	
33	500587	SCREW SET HEXS CUP M4-0.7x6	3	3	
34	382446	GATEWAY LIN BUS INTERFACE To D-5459	1	1	A
34	382562	GATEWAY LIN BUS INTERFACE From D-5460	1	1	A
35	564204	CABLE TIE / WITH EDGE CLIP / T50REC4A 10MMx200MM From D-5353	1	1	
36	564534	CABLE TIE / WITH EDGE CLIP / T50REC5A 10 MM x 200 MM From D-5353	1	1	
50	XV-1407-00	STEERING COLUMN & COVER - INSTALLATION			
		A) THIS INTERFACE BOX ARE LOCATED INSIDE OF DASH ON L.H. SIDE			
		1) NOT SOLD SEPARATELY			

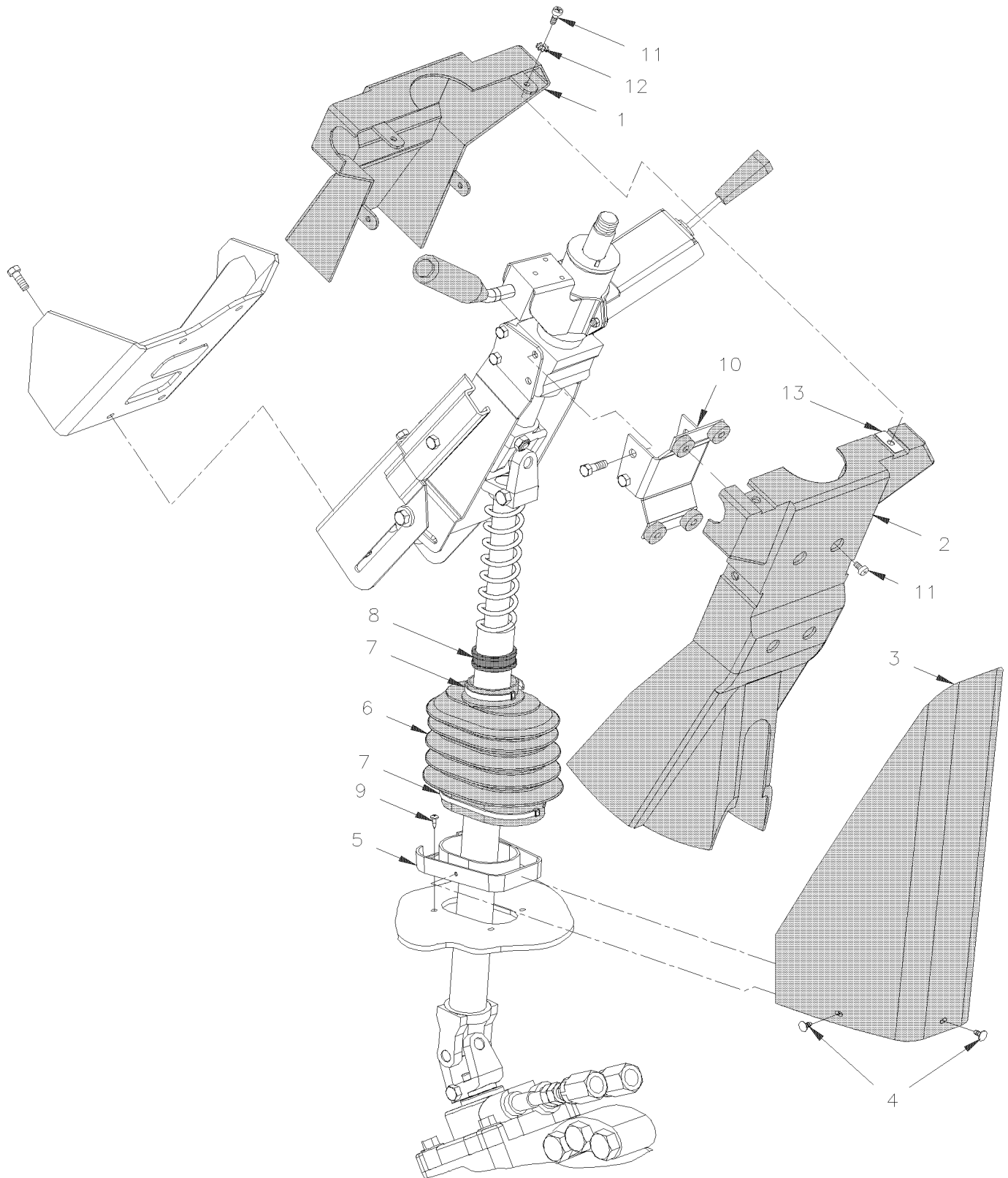


From B-5003 To D-5489

Date:07/2024

PAGE:XV-1407-00

STEERING COLUMN & COVER - INSTALLATION





From B-5003 To D-5489	Date:07/2024	PAGE:XV-1407-00
STEERING COLUMN & COVER - INSTALLATION		

Item#	Part	Description	X 3 V I P	X L I I E N T 4 5	N O T E S
1	161268	COVER / W/RETARDER / BLACK	1	1	
1	161270	COVER / W/O RETARDER / BLACK	1	1	
2	161271	COVER / W/RETARDER / BLACK	1	1	
2	161269	COVER / W/O RETARDER / BLACK	1	1	
3	161152	COVER, LOWER / BLACK	1	1	
4	504619	CLIP CHRISTMAS TREE / BLACK 7/32"O.D.x1/2" HOLE 3/16	3	3	
5	391974	PLATE SUPPORT	1	1	
6	660981	BELLOW	1	1	
7	504637	CABLE TIE / 3/16" x 13"	2	2	
8	391930	COLLAR	1	1	
9	500641	SCREW TP PAN PH #8x3/4 Z050	4	4	
10	161068	ATTACHMENT	1	1	
11	502569	SCREW MA PAN PH M6-1.0x16 BK	8	8	
12	500472	WASHER LO INT .256x.478x.028 Z050	8	8	
13	502738	NUT SPR U M6-1.0 0.6-4.0	2	2	
13	504669	RIVET DRV BDG .187x.609 NYL	2	2	

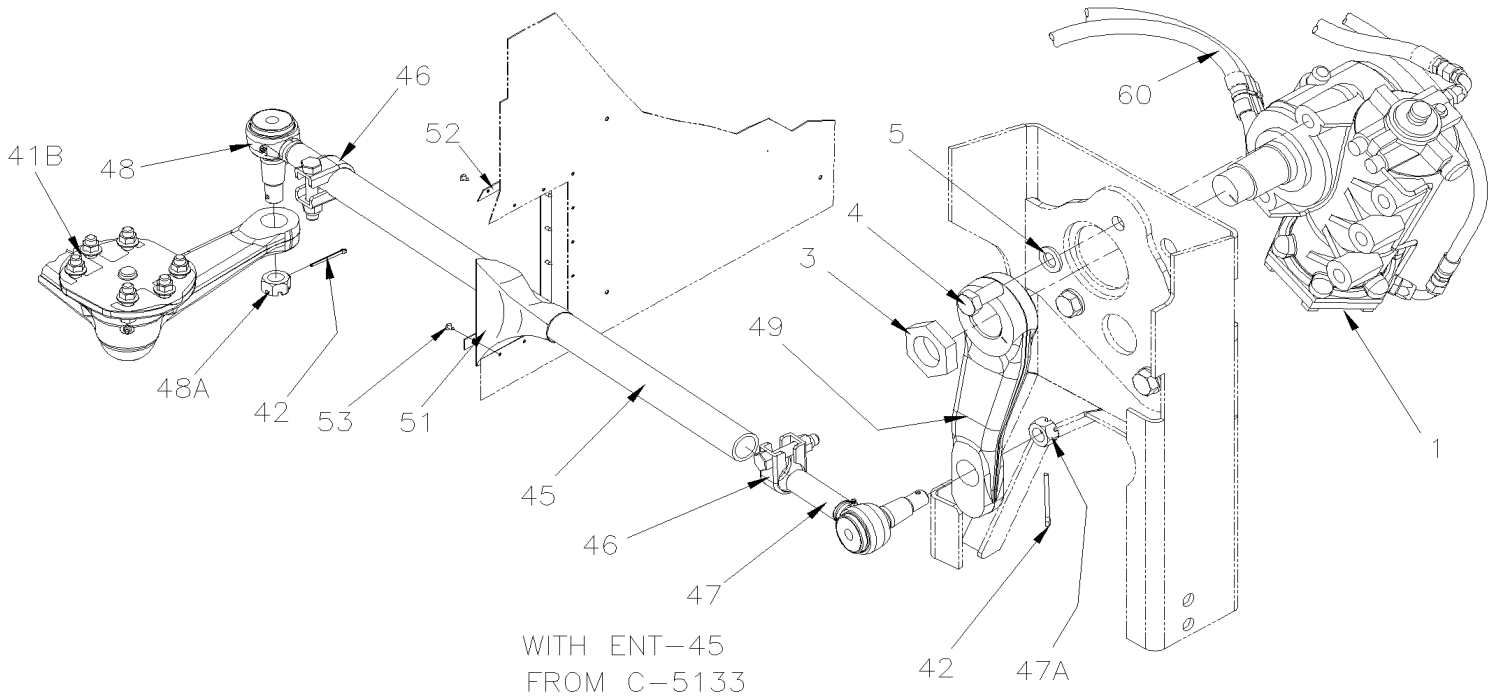
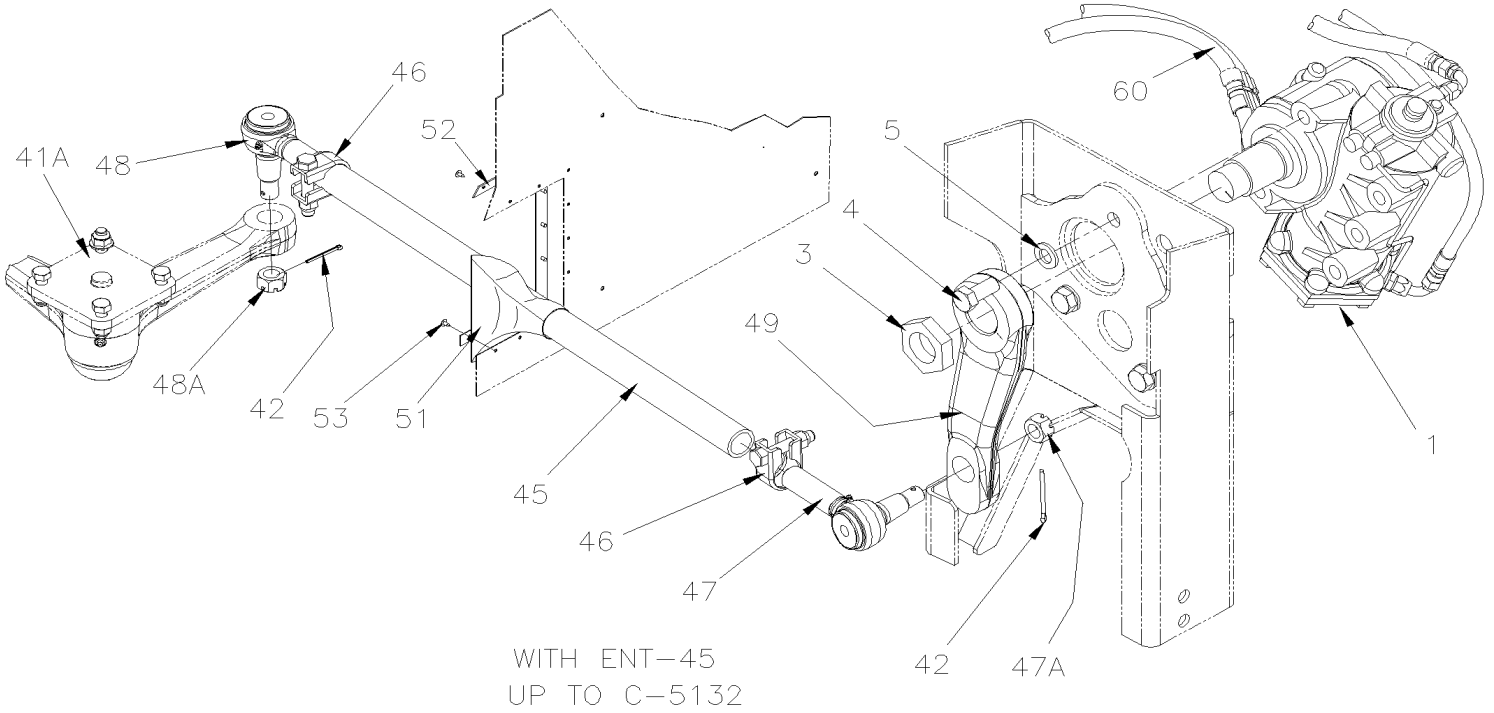


From B-5003 To D-5489

Date:07/2024

PAGE:XV-1410-00

STEERING GEAR BOX & DRAG LINK - INSTALLATION



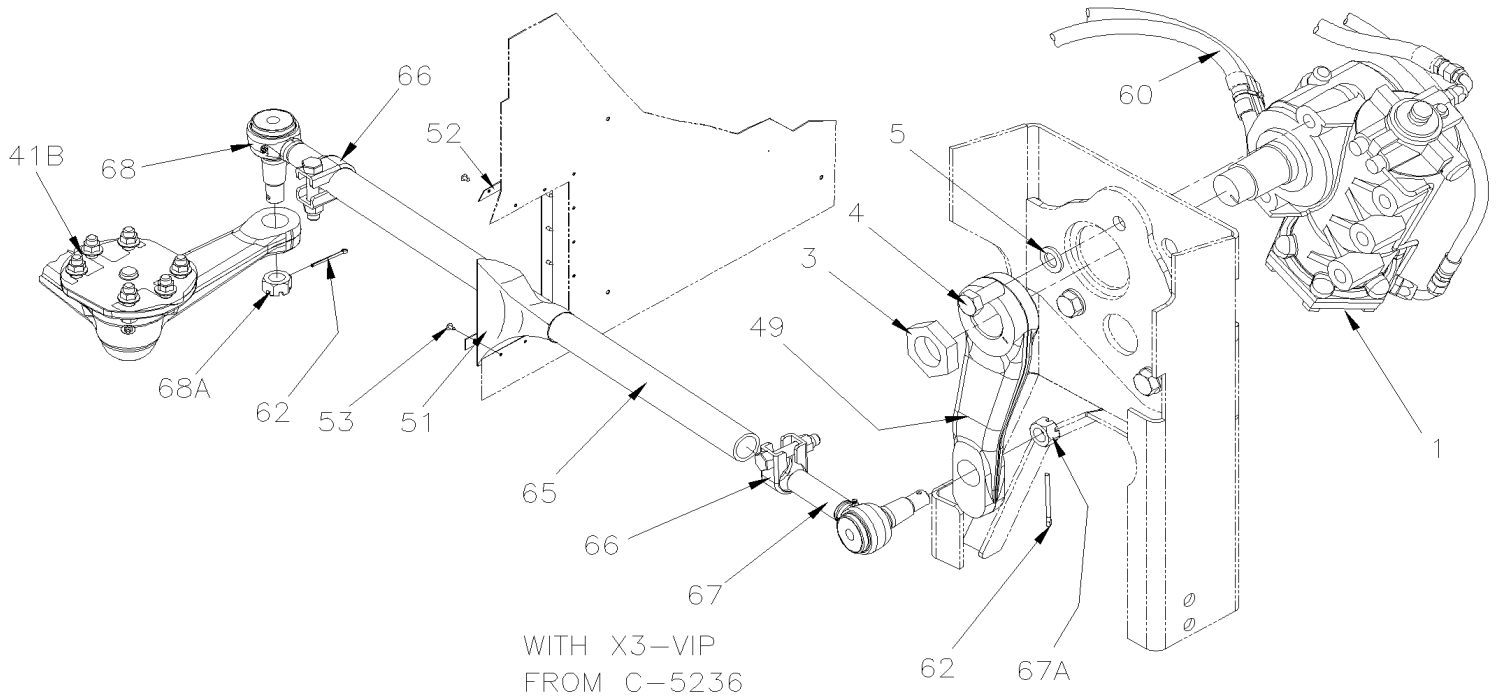
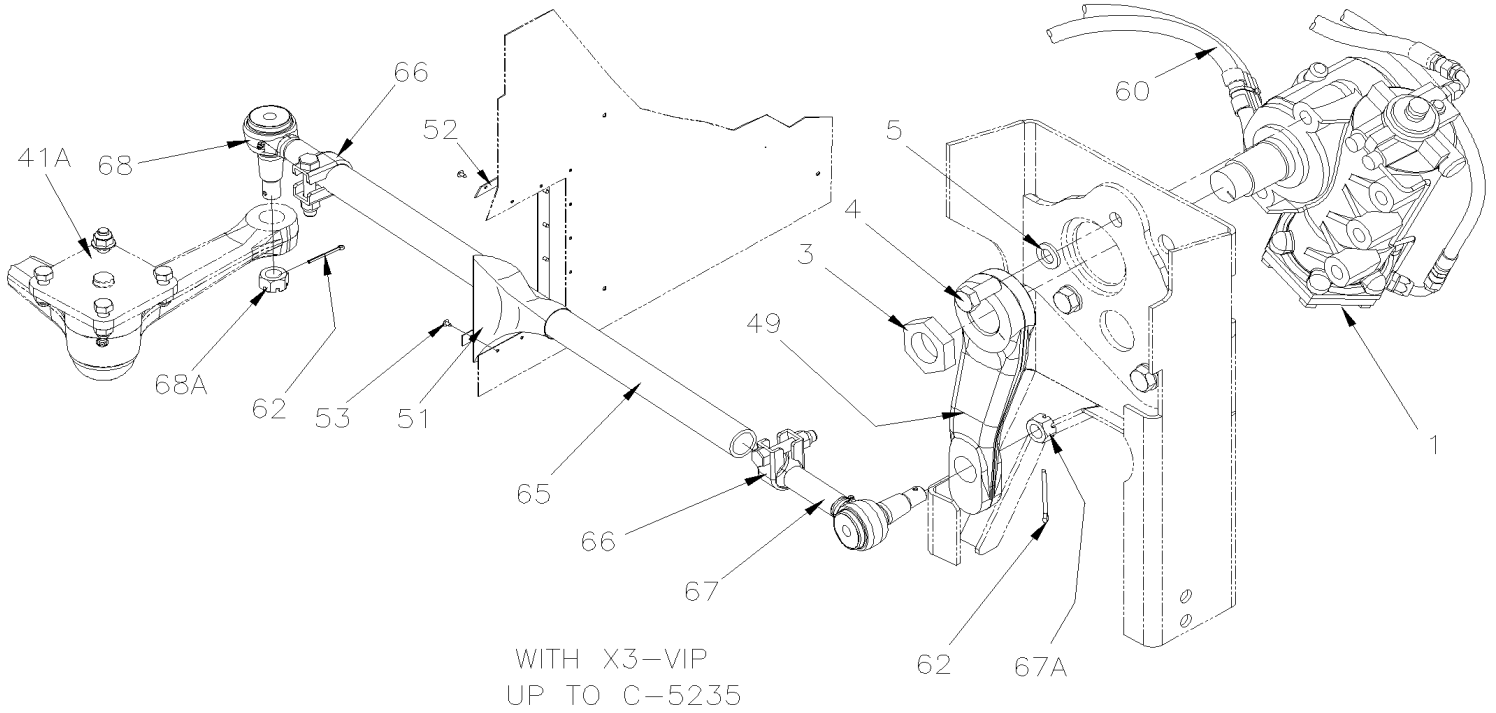


From B-5003 To D-5489

Date:07/2024

PAGE:XV-1410-00

STEERING GEAR BOX & DRAG LINK - INSTALLATION





From B-5003 To D-5489 Date:07/2024 PAGE:XV-1410-00

STEERING GEAR BOX & DRAG LINK - INSTALLATION

Item#	Part	Description	X 3 V I P	X L I I E N T 4 5	N O T E S
1	XV-1415-00	STEERING GEARBOX - "ZF"			
3	661050	LOCKNUT M45X1.5 GEARBOX ZF	1	1	
4	5001494	SCREW CAP HEX M20-1.5x45 G10.9 Z050 To D-5394	5		R
4	5001442	SCREW CAP HEX M20-1.5x40 G10.9 N500 From D-5395	5		
4	5001494	SCREW CAP HEX M20-1.5x45 G10.9 Z050 To E-5493		5	R
4	5001442	SCREW CAP HEX M20-1.5x40 G10.9 N500 From E-5494		5	
5	5001495	WASHER FL 21.0x37.0x4.0 ZP To D-5394	5		R
5	611044	WASHER FL HARD 21.0x37.0x3.0 N500 From D-5395	5		
5	5001495	WASHER FL 21.0x37.0x4.0 ZP To E-5493		5	R
5	611044	WASHER FL HARD 21.0x37.0x3.0 N500 From E-5494		5	
39	XV-1005-50	FRONT AXLE - INDEPENDENT MODEL "NDIFS80P" / 18000LBS			
39A	XV-1005-60	FRONT AXLE - INDEPENDENT MODEL "NDIFS80P" / 18000LBS To C-5235	1		
39A	XV-1005-61	FRONT AXLE - INDEPENDENT MODEL "NDIFS80P" / 19000LBS From C-5236	1		
		WITH INDEPENDENT FRONT SUSPENSION			
41A	XV-1410-50	STEERING RODS - INSTALLATION W/INDEPENDENT "NDIFS80P" / 18000LBS			
41A	XV-1410-60	STEERING RODS - INSTALLATION W/INDEPENDENT "NDIFS80P" / 18000LBS To C-5235			
41B	XV-1410-61	STEERING RODS - INSTALLATION W/INDEPENDENT "NDIFS80P" / 19000LBS From C-5236			
42	502115	PIN, COTTER 3/16 x 2 1/2 To E-5493		2	
42	502104	PIN, COTTER 5/32 x 2 From E-5494		2	
45	661153	DRAG LINK ASSY / 970 MM C/C WITH LONG NECK TIE ROD END To E-5493		1	L
45	661188	DRAG LINK ASSY / 970 MM C/C / 19000LBS / LARGE TIE ROD END From E-5494		1	
45	N.P.N.	. ROD		1	4
46	661133	. COLLAR ASSY / W/BOLT & NUT & STOPPER 1 5/8" I.D.		2	
. NS	500231	. . SCREW CAP HEX 5/8-11x3 G5 ZP		1	
. NS	500683	. . NUT HEX STO 5/8-11 ZP		1	
47	661152	. TIE ROD END R.H. THREAD 1 1/4-12 W/LONG NECK TIE ROD To E-5493		1	LL
47	661200	. TIE ROD END R.H. THREAD 1 1/4-12 / 19000LBS From E-5494		1	
47A	5001345	. . NUT HEX CSL THN 7/8-14 To E-5493		1	
47A		. . NUT HEX CSL THN From E-5494		1	
48	661151	. TIE ROD END L.H. THREAD 1 1/4-12 W/LONG NECK TIE ROD To E-5493		1	LL
48	661202	. TIE ROD END L.H. THREAD 1 1/4-12 / 19000LBS From E-5494		1	
48A	5001345	. . NUT HEX CSL THN 7/8-14 To E-5493		1	
48A		. . NUT HEX CSL THN From E-5494		1	
49	661760	ARM, PITMAN 9" / (PAINTED BLACK) To E-5493		1	
49	661187	ARM, PITMAN 9" / (PAINTED BLACK) / 19000LBS From E-5494		1	
49	661760	ARM, PITMAN 9" / (PAINTED BLACK) To C-5235	1		
49	661187	ARM, PITMAN 9" / (PAINTED BLACK) / 19000LBS From C-5236	1		



From B-5003 To D-5489	Date:07/2024	PAGE:XV-1410-00
-----------------------	--------------	-----------------

STEERING GEAR BOX & DRAG LINK - INSTALLATION

Item#	Part	Description	X 3 V I P	X L I I E N T 4 5	N O T E S
51	161009	SHIELD RUBBER	1	1	I
52	160994	COLLAR SHIELD RETAINER / "O" FORM CLOSED	1	1	I
53	500657	SCREW TC TR PH #10-24x1/2 Z050	16	16	
60	XV-1400-00	POWER STEERING HOSE - INSTALLATION			
62	502115	PIN, COTTER 3/16 x 2 1/2 To C-5235	2		
62	502104	PIN, COTTER 5/32 x 2 From C-5236	2		
65	661153	DRAG LINK ASSY / 970 MM C/C WITH LONG NECK TIE ROD END To C-5235	1		L
65	661188	DRAG LINK ASSY / 970 MM C/C / 19000LBS / LARGE TIE ROD END From C-5236	1		
65	N.P.N.	. ROD	1		4
66	661133	. COLLAR ASSY / W/BOLT & NUT & STOPPER 1 5/8" I.D.	2		
. NS	500231	. . SCREW CAP HEX 5/8-11x3 G5 ZP	1		
. NS	500683	. . NUT HEX STO 5/8-11 ZP	1		
67	661152	. TIE ROD END R.H. THREAD 1 1/4-12 W/LONG NECK TIE ROD To C-5235	1		
67	661200	. TIE ROD END R.H. THREAD 1 1/4-12 / 19000LBS From C-5236	1		
67A	5001345	. . NUT HEX CSL THN 7/8-14 To C-5235	1		
67A	661207	. . NUT HEX CSL THN 1 1/8-12 From C-5236	1		
68	661151	. TIE ROD END L.H. THREAD 1 1/4-12 W/LONG NECK TIE ROD To C-5235	1		
68	661202	. TIE ROD END L.H. THREAD 1 1/4-12 / 19000LBS From C-5236	1		
68A	5001345	. . NUT HEX CSL THN 7/8-14 To C-5235	1		
68A	661207	. . NUT HEX CSL THN 1 1/8-12 From C-5236	1		
		I) WITH INDEPENDENT SUSPENSION			
		L) THIS ASSY USE ONLY LONG NECK TIE ROD END # 661151 & # 661152			
		LL) USE ONLY WITH ASSY 661134 & 661153			
		R) IF YOU HAVE REBUILT THE FRONT END STRUCTURE USE THOSE SCREW CAP 5001494 AND WASHER 611044			
		S) BUILD WITH TIE ROD END 661200 (LAGRE) AND TIE ROD END 661151 (SMALL)			
		4) NO PARTS NUMBER			

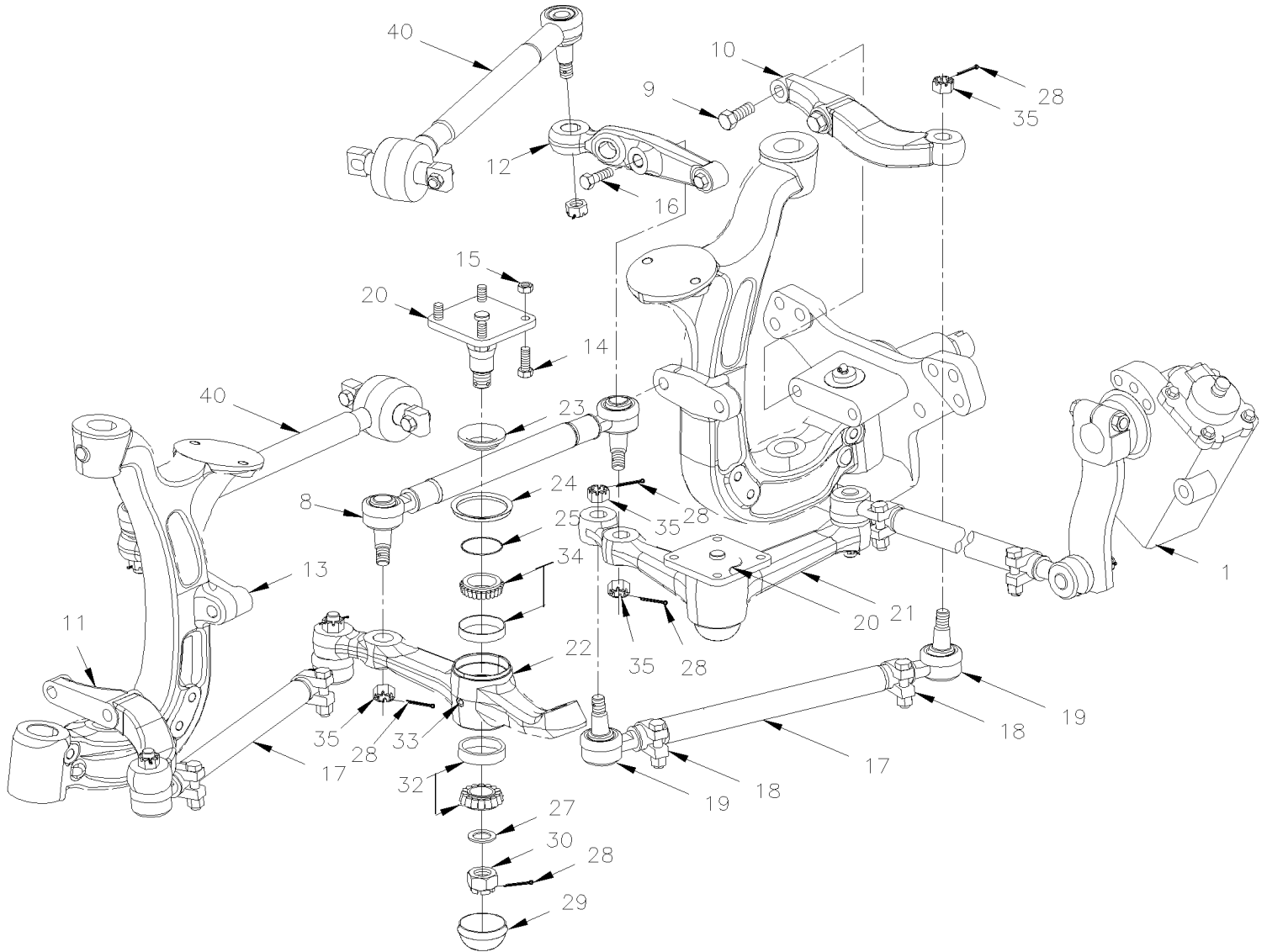


From B-5003 To D-5489

Date:07/2024

PAGE:XV-1410-50

STEERING RODS - INSTALLATION W/INDEPENDENT "NDIFS80P" / 18000LBS





From B-5003 To D-5489	Date:07/2024	PAGE:XV-1410-50
STEERING RODS - INSTALLATION W/INDEPENDENT "NDIFS80P" / 18000LBS		





From B-5003 To D-5489	Date:07/2024	PAGE:XV-1410-50
-----------------------	--------------	-----------------

STEERING RODS - INSTALLATION W/INDEPENDENT "NDIFS80P" / 18000LBS

Item#	Part	Description	X 3 V I P	X L I I E N T 4 5	N O T E S
1	XV-1410-00	STEERING GEAR BOX & DRAG LINK - INSTALLATION			
8	661132	ROD ASSY / 591.8MM C/C CENTER		1	
8	661183	ROD ASSY / 591.8MM C/C CENTER		1	S
9	611306	SCREW CAP HEX M20-2.5x65 G12.9		1	
NS	611308	SCREW CAP HEX M20-2.5x100 G12.9		1	
10	163246	STEERING ARM L.H.		1	
10	612084	STEERING ARM L.H.		1	S
11	163468	STEERING ARM R.H.		1	
11	612085	STEERING ARM R.H.		1	S
12	661113	UPRIGHT ARM L.H / W/58 Deg		1	
12	612380	UPRIGHT ARM L.H		1	S
13	661114	UPRIGHT ARM R.H / W/58 Deg		1	
13	612381	UPRIGHT ARM R.H		1	S
14	5001476	SCREW CAP HEX M14-2.0x45 G8.8 G500		8	
15	502538	NUT HEX STO M14-2.0 Z050		8	
16	611305	SCREW CAP HEX M20-2.5x60 G12.9		1	
16	611307	SCREW CAP HEX M20-2.5x80 G12.9		1	
17	661129	ROD ASSY / 657MM C/C WITH LONG NECK TIE ROD END		2	
17	661182	ROD ASSY / 657MM C/C		1	S
17	N.P.N.	. ROD		1	4
18	661133	. COLLAR ASSY / W/BOLT & NUT & STOPPER 1 5/8" I.D.		2	
. NS	500231	. . SCREW CAP HEX 5/8-11x3 G5 ZP		1	
. NS	500683	. . NUT HEX STO 5/8-11 ZP		1	
19	661138	. TIE ROD END R.H. THREAD 1 1/4-12		1	
19	661199	. TIE ROD END R.H. THREAD 1 1/4-12		1	S
19	661139	. TIE ROD END L.H. THREAD 1 1/4-12		1	
19	661201	. TIE ROD END L.H. THREAD 1 1/4-12		1	S
20	160983	SPINDLE SHAFT To C-5132		1	
20	661206	SPINDLE SHAFT From C-5133		1	
NS	161005	SHIM 26GAGE 105MM C/C x 14MM slot		AR	
NS	161006	SHIM 20GAGE 105MM C/C x 14MM slot		AR	
21	161169	LEVER L.H.		1	
21	161349	REPLACEMENT KIT / LEVER L.H.		1	SA
22	161170	LEVER R.H.		1	
22	161350	REPLACEMENT KIT / LEVER R.H.		1	SA
23	160984	SLEEVE WIPER 63.5MM O.D.		1	
24	507351	DUST SEAL 3.270 I.D. X 3.085 O.D.		1	
25	507350	OIL SEAL		1	
27	5001227	WASHER FL .453x.875x.090		1	
28	502115	PIN, COTTER 3/16 x 2 1/2		1	
29	661014	COVER		1	
30	5001218	NUT HEX CSL M30-1.5		1	



From B-5003 To D-5489	Date:07/2024	PAGE:XV-1410-50
-----------------------	--------------	-----------------

STEERING RODS - INSTALLATION W/INDEPENDENT "NDIFS80P" / 18000LBS

Item#	Part	Description	X 3 V I P	X L I I E N T 4 5	N O T E S
32	507354	KIT, CUP & CONE BEARING		2	
33	501490	GREASE FITTING / 1/8 NPT		1	
34	507353	KIT, CUP & CONE BEARING		2	
35	5001345	NUT HEX CSL THN 7/8-14		1	
40	XV-1605-50	FRONT AXLE - INSTALL W/INDEPENDENT "NDIFS80P" / 18000LBS			
		A) USE ONLY WHEN THE OLD NUMBER IS NO LONGER AVAILABLE			
		S) SERVICE			
		4) NO PARTS NUMBER			

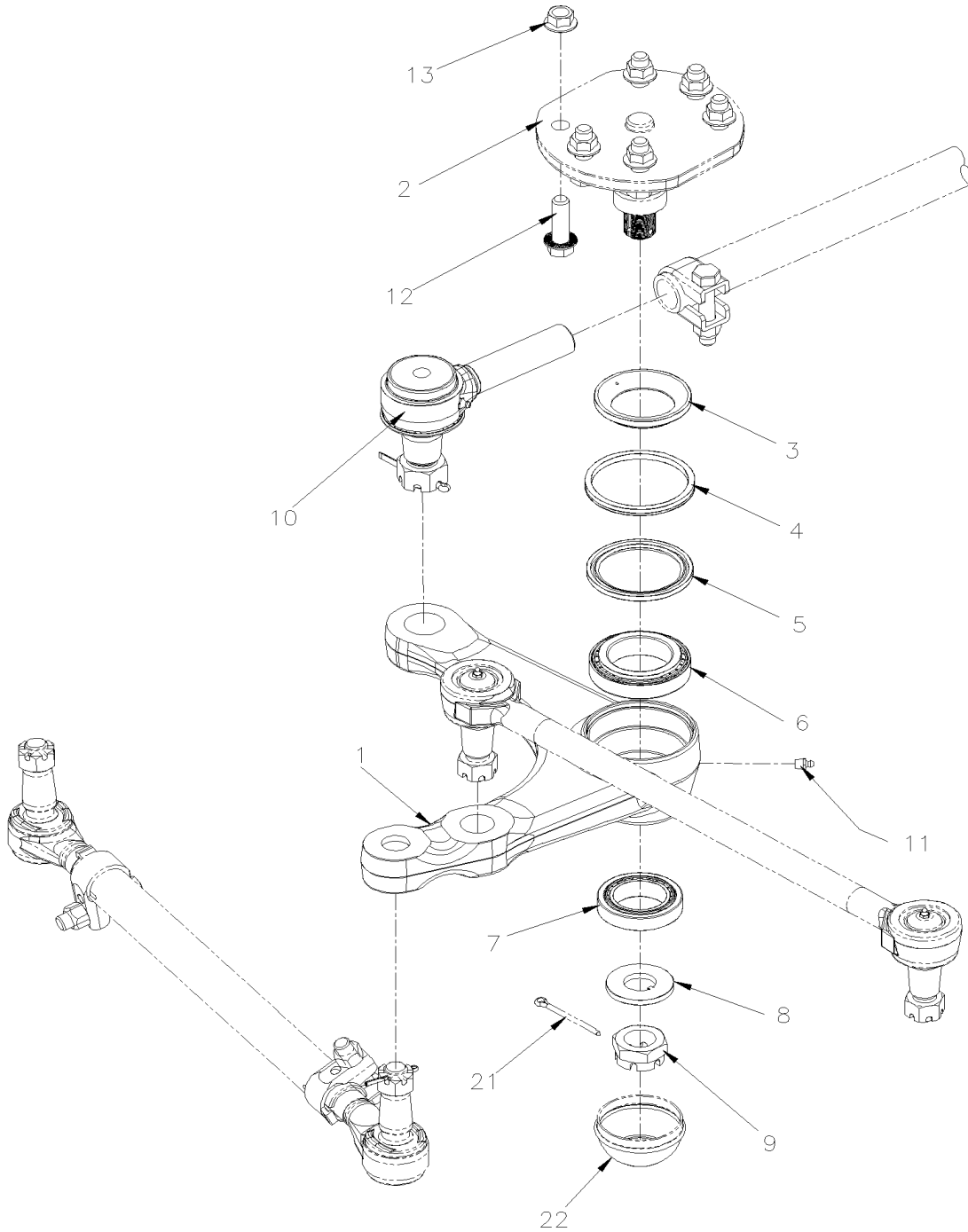


From B-5003 To D-5489

Date:07/2024

PAGE:161349

REPLACEMENT KIT / LEVER L.H.





From B-5003 To D-5489	Date:07/2024	PAGE:161349
REPLACEMENT KIT / LEVER L.H.		

Item#	Part	Description	X 3 V I P	X L I I E N T 4 5	N O T E S
1	661185	LEVER L.H. / 19000LBS	1	1	
2	661186	SPINDLE SHAFT / 19K	1	1	
3	160115	SLEEVE WIPER 77.2MM O.D.	1	1	
4	507673	DUST SEAL 3.470 I.D. X 4.085 O.D.	1	1	
5	507674	OIL SEAL	1	1	
6	507672	KIT, CUP & CONE BEARING / 19K	1	1	
7	507353	KIT, CUP & CONE BEARING	1	1	
8	161338	WASHER FL / W/ INTERIOR KEY 30.5x63.05x6.3	1	1	
9	5001218	NUT HEX CSL M30-1.5	1	1	
10	661202	TIE ROD END L.H. THREAD 1 1/4-12 / 19000LBS	1	1	
11	501490	GREASE FITTING / 1/8 NPT	1	1	
12	5001859	SCREW CAP HEXF SERR M16-2.0x50 G10.9	4	4	
13	5001844	NUT HEXF SERR M16-2.0 G500	4	4	
NS	IS-12010	SEE INSTRUCTION SHEET	1	1	
NS	FI-12010	VOIR FEUILLE D'INSTRUCTION	1	1	
21	502115	PIN, COTTER 3/16 x 2 1/2 NOT INCLUDE WITH KIT	1	1	
NS	502104	PIN, COTTER 5/32 x 2 NOT INCLUDE WITH KIT	2	2	
NS	502109	PIN, COTTER 6.3MM x 71MM Z50 NOT INCLUDE WITH KIT	1	1	
22	661014	COVER NOT INCLUDE WITH KIT	1	1	

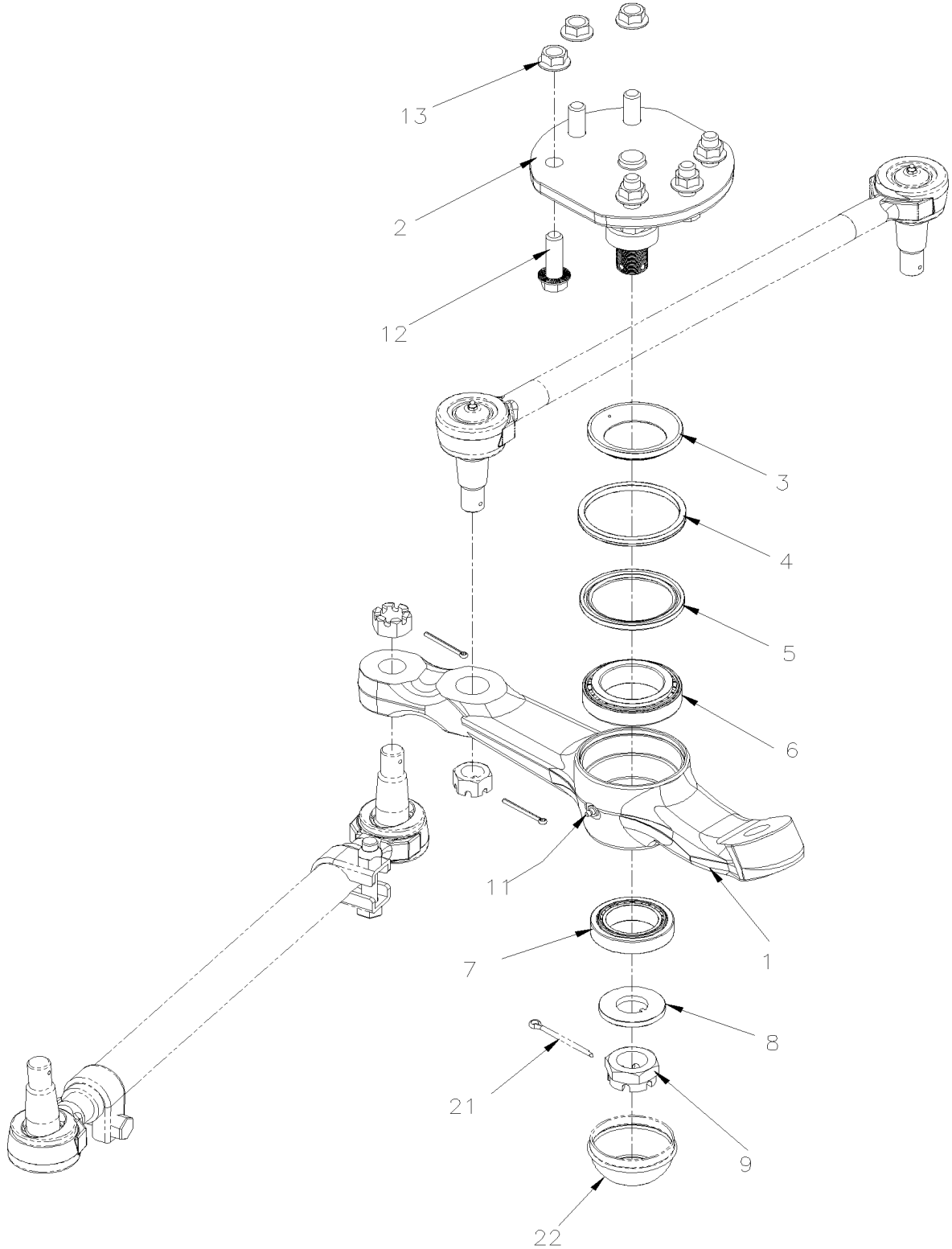


From B-5003 To D-5489

Date:07/2024

PAGE:161350

REPLACEMENT KIT / LEVER R.H.





From B-5003 To D-5489	Date:07/2024	PAGE:161350
REPLACEMENT KIT / LEVER R.H.		

Item#	Part	Description	X 3 V I P	X L I I E N T 4 5	N O T E S
1	661184	LEVER R.H. / 19000LBS	1	1	
2	661186	SPINDLE SHAFT / 19K	1	1	
3	160115	SLEEVE WIPER 77.2MM O.D.	1	1	
4	507673	DUST SEAL 3.470 I.D. X 4.085 O.D.	1	1	
5	507674	OIL SEAL	1	1	
6	507672	KIT, CUP & CONE BEARING / 19K	1	1	
7	507353	KIT, CUP & CONE BEARING	1	1	
8	161338	WASHER FL / W/ INTERIOR KEY 30.5x63.05x6.3	1	1	
9	5001218	NUT HEX CSL M30-1.5	1	1	
11	501490	GREASE FITTING / 1/8 NPT	1	1	
12	5001859	SCREW CAP HEXF SERR M16-2.0x50 G10.9	4	4	
13	5001844	NUT HEXF SERR M16-2.0 G500	4	4	
NS	IS-12010	SEE INSTRUCTION SHEET	1	1	
NS	FI-12010	VOIR FEUILLE D'INSTRUCTION	1	1	
21	502115	PIN, COTTER 3/16 x 2 1/2 NOT INCLUDE WITH KIT	1	1	
22	661014	COVER NOT INCLUDE WITH KIT	1	1	

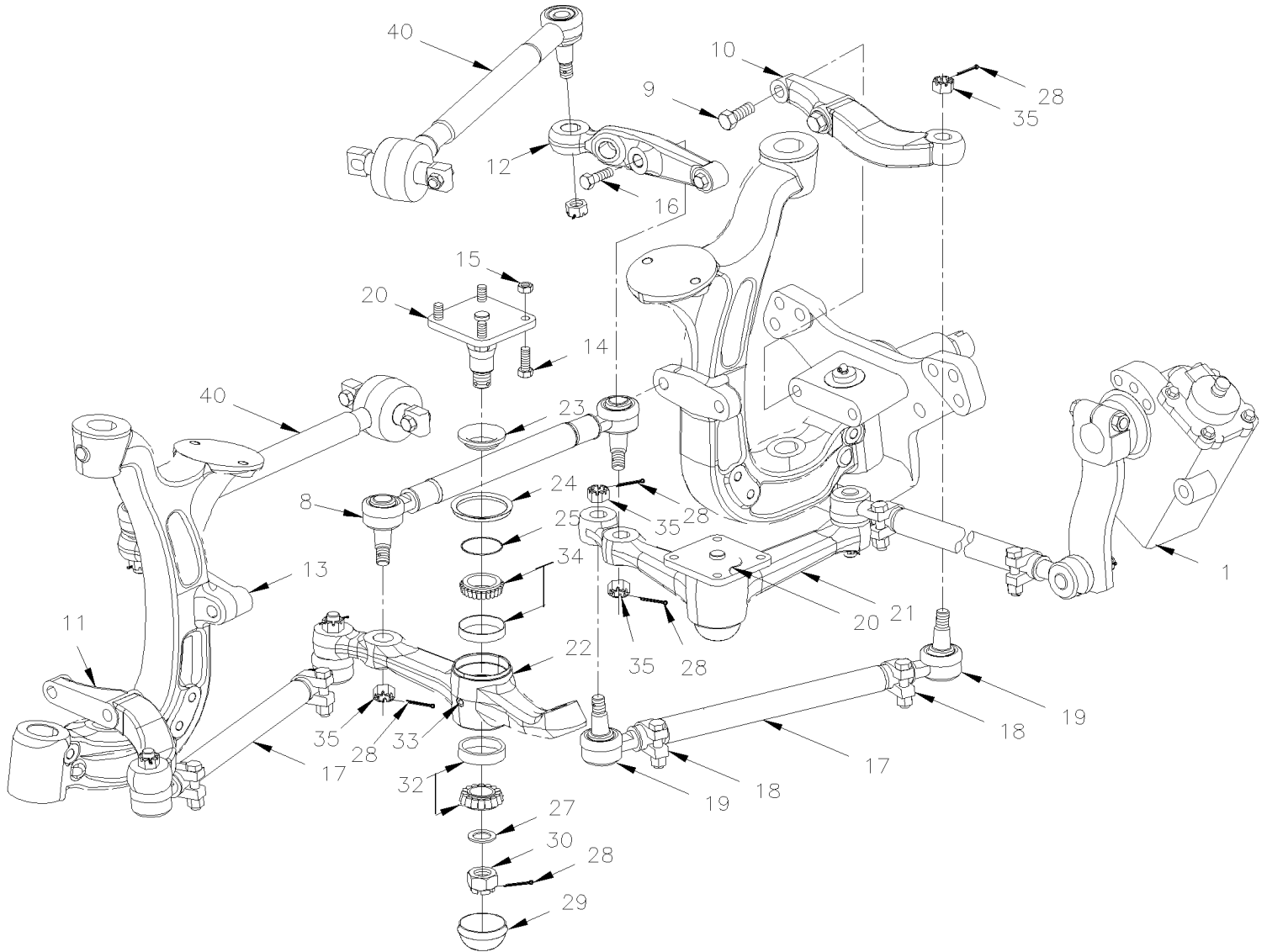


From B-5003 To C-5235

Date:07/2024

PAGE:XV-1410-60

STEERING RODS - INSTALLATION W/INDEPENDENT "NDIFS80P" / 18000LBS





From B-5003 To C-5235	Date:07/2024	PAGE:XV-1410-60
STEERING RODS - INSTALLATION W/INDEPENDENT "NDIFS80P" / 18000LBS		





From B-5003 To C-5235 Date:07/2024 PAGE:XV-1410-60

STEERING RODS - INSTALLATION W/INDEPENDENT "NDIFS80P" / 18000LBS

Item#	Part	Description	X 3 V I P	X L I I E N T 4 5	N O T E S
1	XV-1410-00	STEERING GEAR BOX & DRAG LINK - INSTALLATION			
8	661132	ROD ASSY / 591.8MM C/C CENTER	1		
8	661183	ROD ASSY / 591.8MM C/C CENTER	1		S
9	611306	SCREW CAP HEX M20-2.5x65 G12.9	1		
NS	611308	SCREW CAP HEX M20-2.5x100 G12.9	1		
10	163246	STEERING ARM L.H.	1		
10	612084	STEERING ARM L.H.	1		S
11	163468	STEERING ARM R.H.	1		
11	612085	STEERING ARM R.H.	1		S
12	661113	UPRIGHT ARM L.H / W/58 Deg	1		
12	612380	UPRIGHT ARM L.H	1		S
13	661114	UPRIGHT ARM R.H / W/58 Deg	1		
13	612381	UPRIGHT ARM R.H	1		S
14	5001476	SCREW CAP HEX M14-2.0x45 G8.8 G500	8		
15	502538	NUT HEX STO M14-2.0 Z050	8		
16	611305	SCREW CAP HEX M20-2.5x60 G12.9	1		
16	611307	SCREW CAP HEX M20-2.5x80 G12.9	1		
17	661129	ROD ASSY / 657MM C/C WITH LONG NECK TIE ROD END	2		
17	661182	ROD ASSY / 657MM C/C	2		S
17	N.P.N.	. ROD	1		4
18	661133	. COLLAR ASSY / W/BOLT & NUT & STOPPER 1 5/8" I.D.	2		
. NS	500231	. . SCREW CAP HEX 5/8-11x3 G5 ZP	1		
. NS	500683	. . NUT HEX STO 5/8-11 ZP	1		
19	661138	. TIE ROD END R.H. THREAD 1 1/4-12	1		
19	661199	. TIE ROD END R.H. THREAD 1 1/4-12	1		S
19	661139	. TIE ROD END L.H. THREAD 1 1/4-12	1		
19	661201	. TIE ROD END L.H. THREAD 1 1/4-12	1		S
20	160983	SPINDLE SHAFT	1		
NS	161005	SHIM 26GAGE 105MM C/C x 14MM slot	AR		
NS	161006	SHIM 20GAGE 105MM C/C x 14MM slot	AR		
21	161169	LEVER L.H.	1		
21	161349	REPLACEMENT KIT / LEVER L.H.	1		SA
22	161170	LEVER R.H.	1		
22	161350	REPLACEMENT KIT / LEVER R.H.	1		SA
23	160984	SLEEVE WIPER 63.5MM O.D.	1		
24	507351	DUST SEAL 3.270 I.D. X 3.085 O.D.	1		
25	507350	OIL SEAL	1		
27	5001227	WASHER FL .453x.875x.090	1		
28	502115	PIN, COTTER 3/16 x 2 1/2	1		
29	661014	COVER	1		
30	5001218	NUT HEX CSL M30-1.5	1		
32	507354	KIT, CUP & CONE BEARING	2		



From B-5003 To C-5235	Date:07/2024	PAGE:XV-1410-60
-----------------------	--------------	-----------------

STEERING RODS - INSTALLATION W/INDEPENDENT "NDIFS80P" / 18000LBS

Item#	Part	Description	X 3 V I P	X L I I E N T 4 5	N O T E S
33	501490	GREASE FITTING / 1/8 NPT	1		
34	507353	KIT, CUP & CONE BEARING	2		
35	5001345	NUT HEX CSL THN 7/8-14	1		
40	XV-1605-60	FRONT AXLE - INSTALL W/INDEPENDENT "NDIFS80P" / 18000LBS			
		A) USE ONLY WHEN THE OLD NUMBER IS NO LONGER AVAILABLE			
		S) SERVICE			
		4) NO PARTS NUMBER			

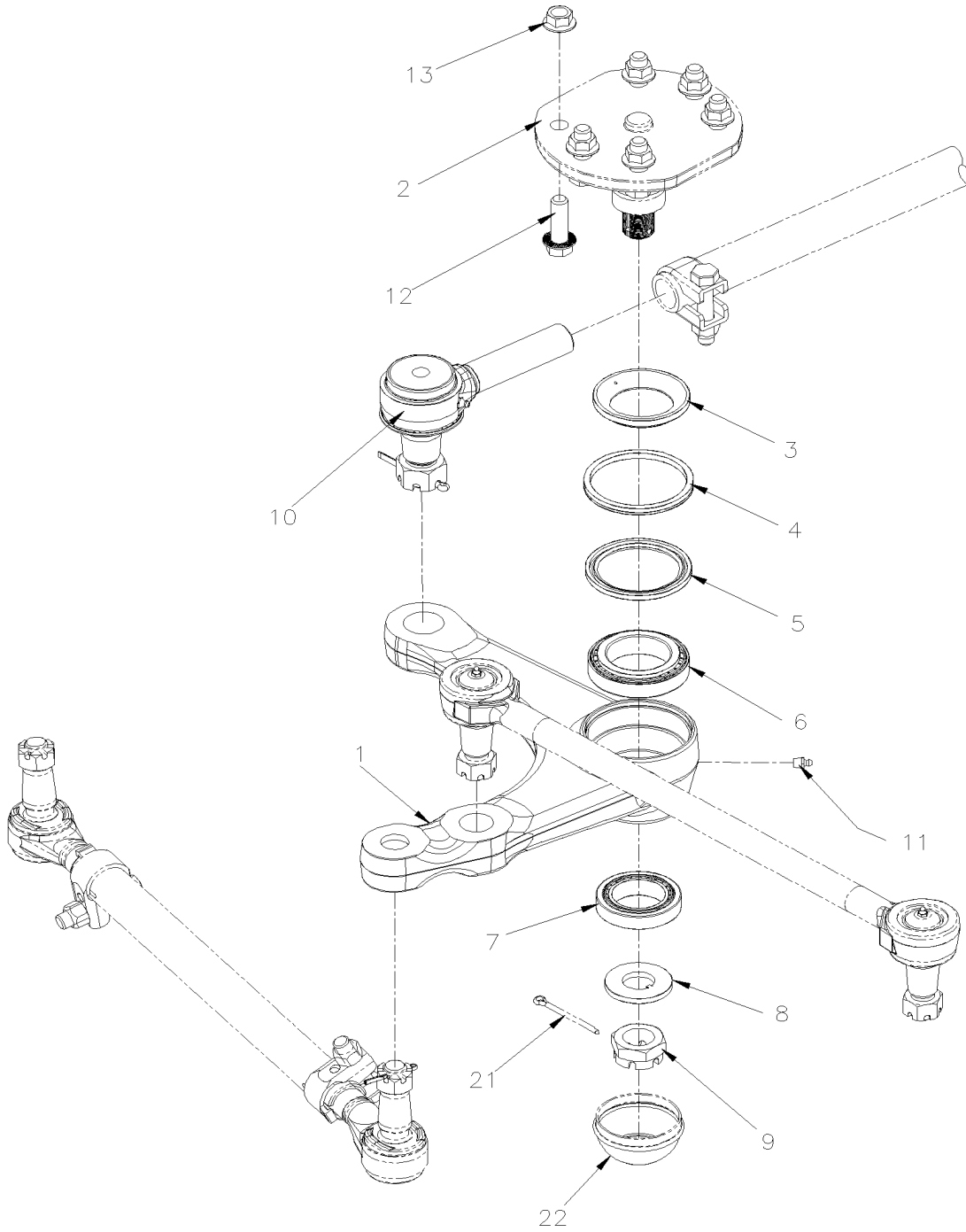


From B-5003 To C-5235

Date:07/2024

PAGE:161349

REPLACEMENT KIT / LEVER L.H.





From B-5003 To C-5235	Date:07/2024	PAGE:161349
REPLACEMENT KIT / LEVER L.H.		

Item#	Part	Description	X 3 V I P	X L I I E N T 4 5	N O T E S
1	661185	LEVER L.H. / 19000LBS	1	1	
2	661186	SPINDLE SHAFT / 19K	1	1	
3	160115	SLEEVE WIPER 77.2MM O.D.	1	1	
4	507673	DUST SEAL 3.470 I.D. X 4.085 O.D.	1	1	
5	507674	OIL SEAL	1	1	
6	507672	KIT, CUP & CONE BEARING / 19K	1	1	
7	507353	KIT, CUP & CONE BEARING	1	1	
8	161338	WASHER FL / W/ INTERIOR KEY 30.5x63.05x6.3	1	1	
9	5001218	NUT HEX CSL M30-1.5	1	1	
10	661202	TIE ROD END L.H. THREAD 1 1/4-12 / 19000LBS	1	1	
11	501490	GREASE FITTING / 1/8 NPT	1	1	
12	5001859	SCREW CAP HEXF SERR M16-2.0x50 G10.9	4	4	
13	5001844	NUT HEXF SERR M16-2.0 G500	4	4	
NS	IS-12010	SEE INSTRUCTION SHEET	1	1	
NS	FI-12010	VOIR FEUILLE D'INSTRUCTION	1	1	
21	502115	PIN, COTTER 3/16 x 2 1/2 NOT INCLUDE WITH KIT	1	1	
NS	502104	PIN, COTTER 5/32 x 2 NOT INCLUDE WITH KIT	2	2	
NS	502109	PIN, COTTER 6.3MM x 71MM Z50 NOT INCLUDE WITH KIT	1	1	
22	661014	COVER NOT INCLUDE WITH KIT	1	1	

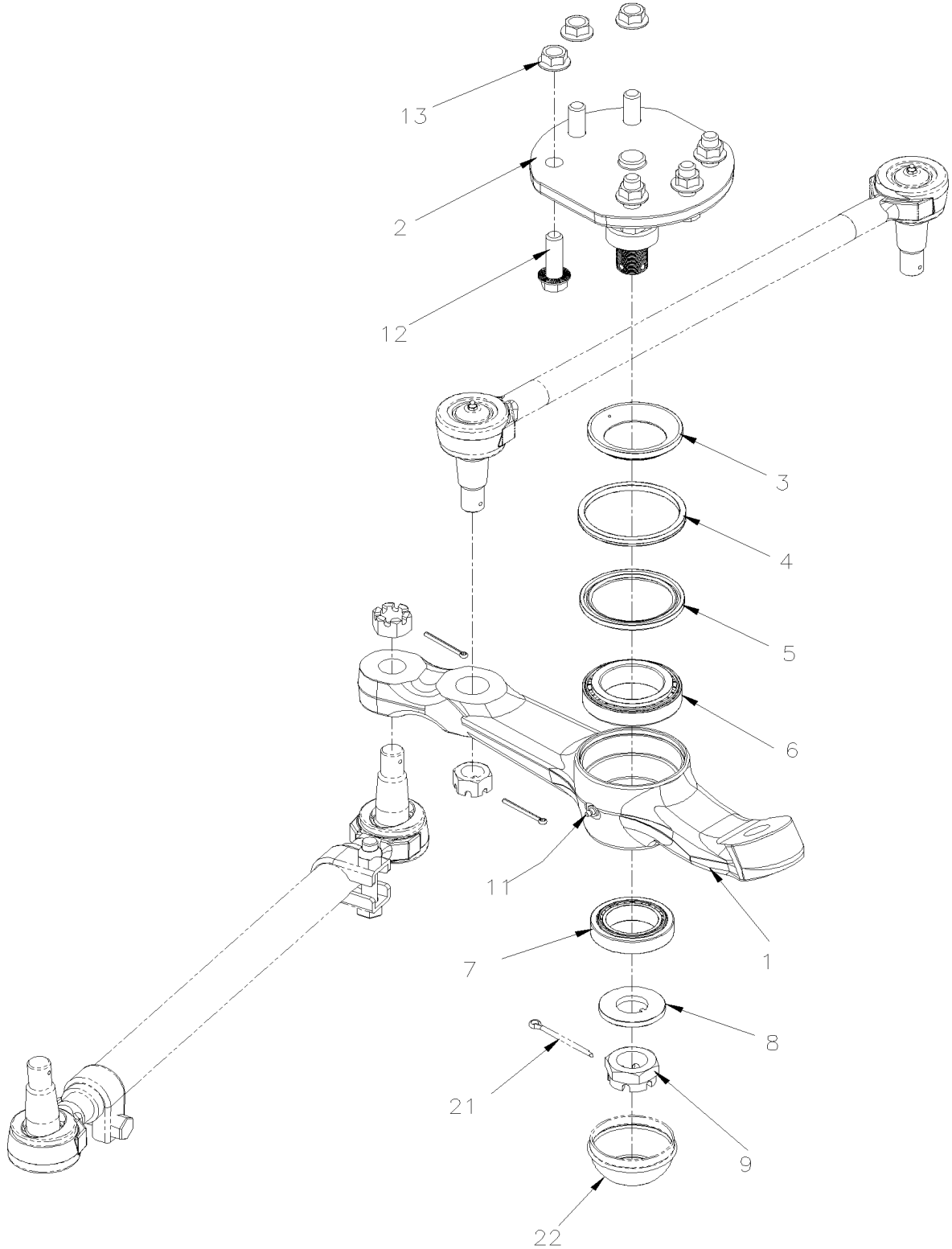


From B-5003 To C-5235

Date:07/2024

PAGE:161350

REPLACEMENT KIT / LEVER R.H.





From B-5003 To C-5235	Date:07/2024	PAGE:161350
REPLACEMENT KIT / LEVER R.H.		

Item#	Part	Description	X 3 V I P	X L I I E N T 4 5	N O T E S
1	661184	LEVER R.H. / 19000LBS	1	1	
2	661186	SPINDLE SHAFT / 19K	1	1	
3	160115	SLEEVE WIPER 77.2MM O.D.	1	1	
4	507673	DUST SEAL 3.470 I.D. X 4.085 O.D.	1	1	
5	507674	OIL SEAL	1	1	
6	507672	KIT, CUP & CONE BEARING / 19K	1	1	
7	507353	KIT, CUP & CONE BEARING	1	1	
8	161338	WASHER FL / W/ INTERIOR KEY 30.5x63.05x6.3	1	1	
9	5001218	NUT HEX CSL M30-1.5	1	1	
11	501490	GREASE FITTING / 1/8 NPT	1	1	
12	5001859	SCREW CAP HEXF SERR M16-2.0x50 G10.9	4	4	
13	5001844	NUT HEXF SERR M16-2.0 G500	4	4	
NS	IS-12010	SEE INSTRUCTION SHEET	1	1	
NS	FI-12010	VOIR FEUILLE D'INSTRUCTION	1	1	
21	502115	PIN, COTTER 3/16 x 2 1/2 NOT INCLUDE WITH KIT	1	1	
22	661014	COVER NOT INCLUDE WITH KIT	1	1	

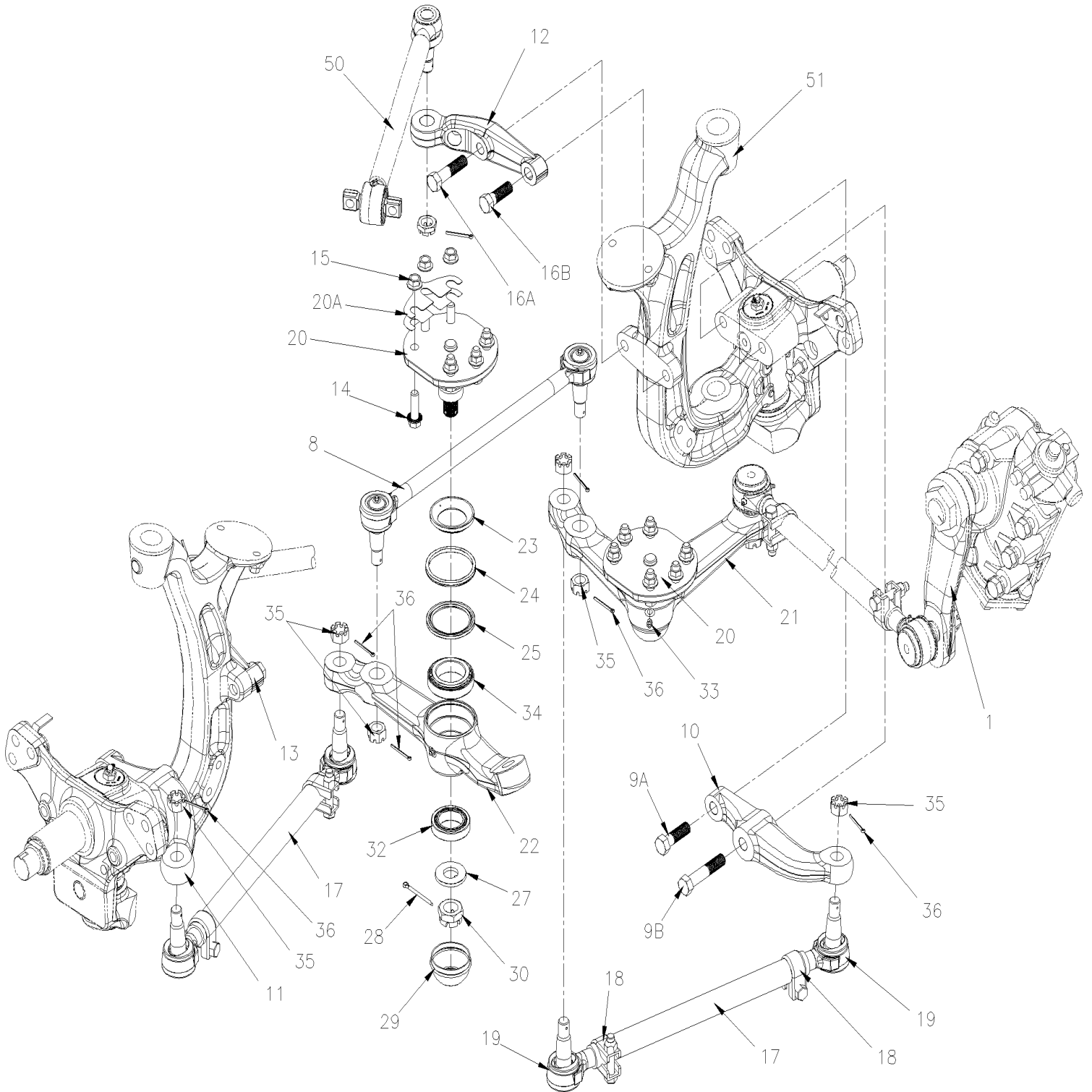


From C-5236 To D-5489

Date:07/2024

PAGE:XV-1410-61

STEERING RODS - INSTALLATION W/INDEPENDENT "NDIFS80P" / 19000LBS





From C-5236 To D-5489 Date:07/2024 PAGE:XV-1410-61

STEERING RODS - INSTALLATION W/INDEPENDENT "NDIFS80P" / 19000LBS

Item#	Part	Description	X 3 V I P	X L I I E N T 4 5	N O T E S
1	XV-1410-00	STEERING GEAR BOX & DRAG LINK - INSTALLATION			
8	661183	ROD ASSY / 591.8MM C/C CENTER	1		
9A	612360	SCREW CAP HEX M22-2.5x65 G12.9	1		
9B	612359	SCREW CAP HEX M22-2.5x100 G12.9	1		
10	612378	STEERING ARM L.H. / 19000LBS	1		
11	612379	STEERING ARM R.H. / 19000LBS	1		
12	612380	UPRIGHT ARM L.H	1		
13	612381	UPRIGHT ARM R.H	1		
14	5001859	SCREW CAP HEXF SERR M16-2.0x50 G10.9	12		
15	5001844	NUT HEXF SERR M16-2.0 G500	12		
16A	611307	SCREW CAP HEX M20-2.5x80 G12.9	1		
16B	611305	SCREW CAP HEX M20-2.5x60 G12.9	1		
17	661182	ROD ASSY / 657MM C/C	2		
17	N.P.N.	. ROD	1		4
18	661133	. COLLAR ASSY / W/BOLT & NUT & STOPPER 1 5/8" I.D.	2		
. NS	500231	. . SCREW CAP HEX 5/8-11x3 G5 ZP	1		
. NS	500683	. . NUT HEX STO 5/8-11 ZP	1		
19	661199	. TIE ROD END R.H. THREAD 1 1/4-12	1		
19	661201	. TIE ROD END L.H. THREAD 1 1/4-12	1		
20	661186	SPINDLE SHAFT / 19K	1		
20A	161343	SHIM 26GAGE 105MM C/C x 18MM slot	AR		
20A	161344	SHIM 20GAGE 105MM C/C x 18MM slot	AR		
21	661185	LEVER L.H. / 19000LBS	1		
22	661184	LEVER R.H. / 19000LBS	1		
23	160115	SLEEVE WIPER 77.2MM O.D.	2		
24	507673	DUST SEAL 3.470 I.D. X 4.085 O.D.	2		
24	680752	GREASE LITHIUM / BLUE	AR		
25	507674	OIL SEAL	2		
27	161338	WASHER FL / W/ INTERIOR KEY 30.5x63.05x6.3	2		
28	502115	PIN, COTTER 3/16 x 2 1/2	2		
29	661014	COVER	2		
30	5001218	NUT HEX CSL M30-1.5	2		
32	507353	KIT, CUP & CONE BEARING	2		
33	501490	GREASE FITTING / 1/8 NPT	2		
34	507672	KIT, CUP & CONE BEARING / 19K	2		
35	5001345	NUT HEX CSL THN 7/8-14	6		
36	502104	PIN, COTTER 5/32 x 2	6		
50	XV-1605-61	FRONT AXLE - INSTALL W/INDEPENDENT "NDIFS80P" / 19000LBS			
51	XV-1005-61	FRONT AXLE - INDEPENDENT MODEL "NDIFS80P" / 19000LBS			



From C-5236 To D-5489		Date:07/2024		PAGE:XV-1410-61	
STEERING RODS - INSTALLATION W/INDEPENDENT "NDIFS80P" / 19000LBS					
Item#	Part	Description	X 3 V I P	X L I I E N T 4 5	N O T E S
		4) NO PARTS NUMBER			

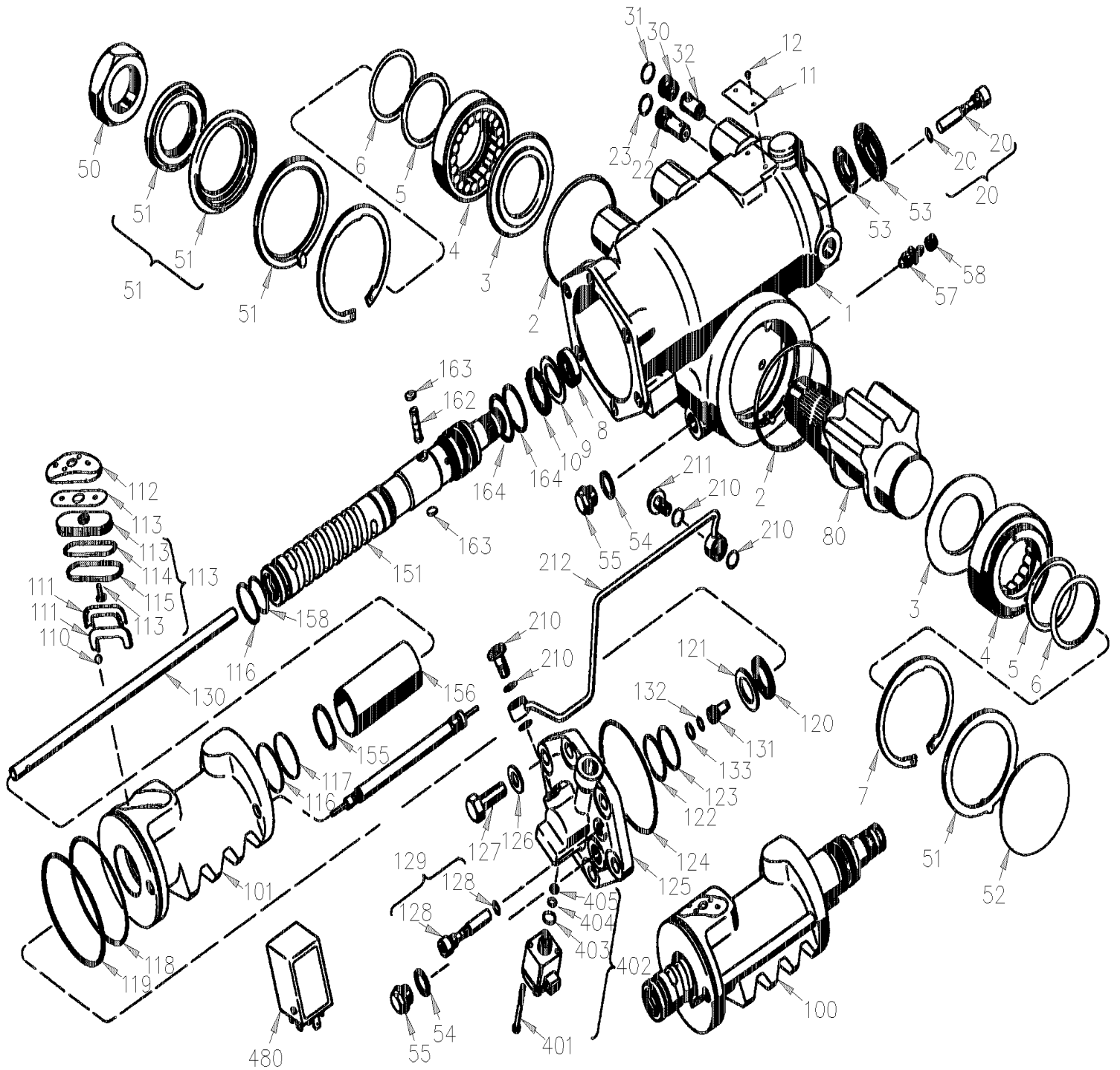


From B-5003 To D-5489

Date:07/2024

PAGE:XV-1415-00

STEERING GEARBOX - "ZF"



MODEL "ZF" - SERVOCOMTRONIC

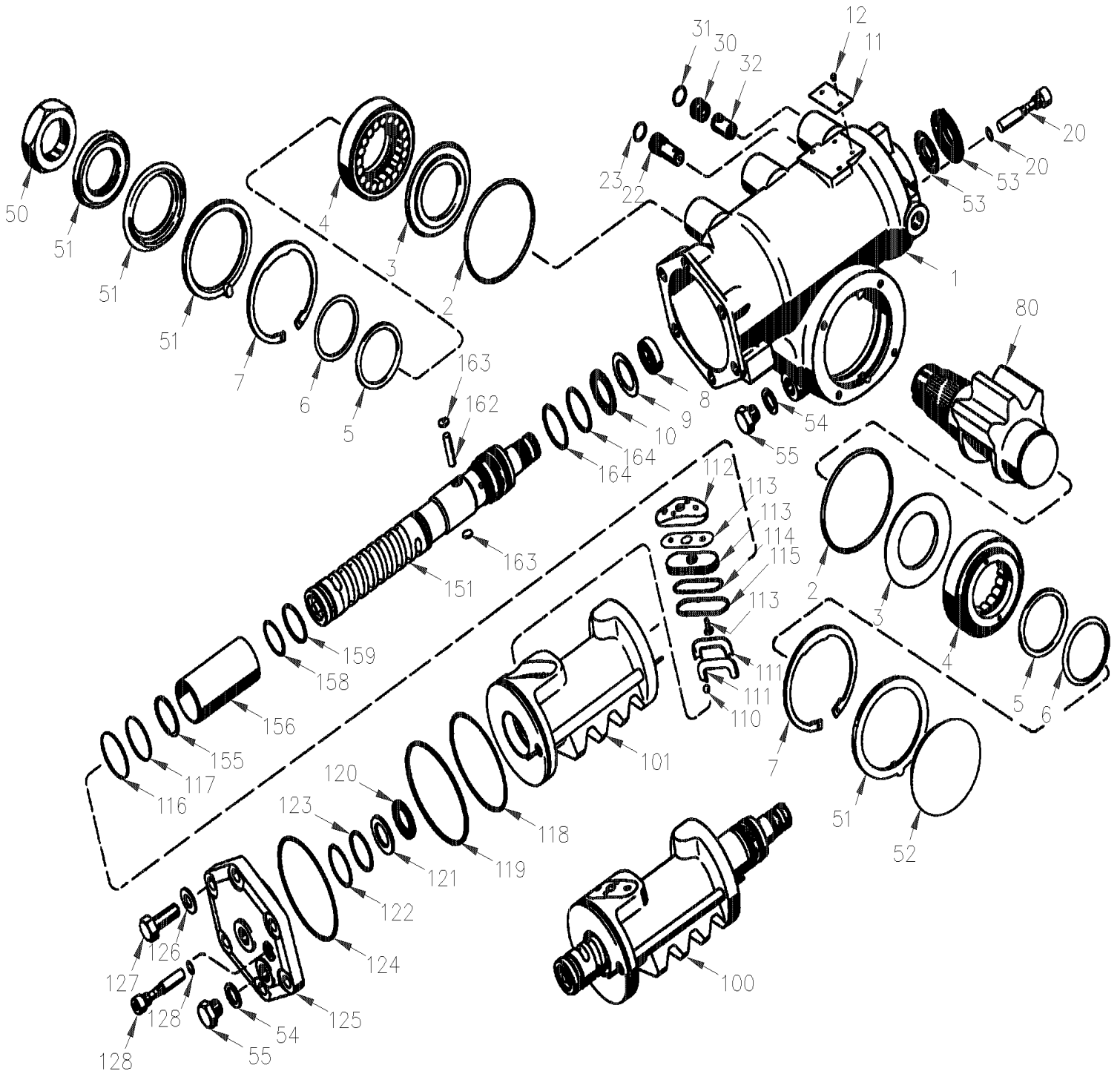


From B-5003 To D-5489

Date:07/2024

PAGE:XV-1415-00

STEERING GEARBOX - "ZF"



MODEL "ZF" - SEVOCOM



From B-5003 To D-5489	Date:07/2024	PAGE:XV-1415-00
STEERING GEARBOX - "ZF"		

Item#	Part	Description	X 3 V I P	X L I I E N T 4 5	N O T E S
	661167	GEARBOX STEERING "ZF" W/VARIABLE STEERING ASSISTANCE "SERVOCOMTRONIC" To D-5392	1		
	661191	GEARBOX STEERING "ZF"@ / W/SERVOCOMTRONIC From D-5393	1		
	661137	GEARBOX STEERING "ZF" To D-5392	1		
	661190	GEARBOX STEERING "ZF"@ From D-5393	1		
	661167	GEARBOX STEERING "ZF" W/VARIABLE STEERING ASSISTANCE "SERVOCOMTRONIC" To E-5493		1	
	661191	GEARBOX STEERING "ZF"@ / W/SERVOCOMTRONIC From E-5494		1	
	661137	GEARBOX STEERING "ZF" To E-5493		1	
	661190	GEARBOX STEERING "ZF"@ From E-5494		1	
1	N.P.N.	. HOUSING	1	1	4
2	N.P.N.	. O-RING	1	1	4
3	N.P.N.	. WASHER	1	1	4
4	N.P.N.	. HOUSING COVER	1	1	4
5	N.P.N.	. GASKET	1	1	4
6	N.P.N.	. SUPPORT RING	1	1	4
7	N.P.N.	. RETAINING RING	1	1	4
8	N.P.N.	. SHAFT SEAL	1	1	4
9	N.P.N.	. AXIAL-, WASHER	1	1	4
10	N.P.N.	. NEEDLE CAGE	1	1	4
11	N.P.N.	. TYPE PLATE	1	1	4
12	N.P.N.	. GROOVED STUD	1	1	4
20	N.P.N.	. SET SCREW / ADJUSTING SCREW / SCREW	1	1	4
20	N.P.N.	. O-RING	1	1	4
21	N.P.N.	. COLLAR NUT	1	1	4
22	N.P.N.	. VALVE INSERT	1	1	4
23	N.P.N.	. O-RING	1	1	4
30	N.P.N.	. SCREW	1	1	4
31	N.P.N.	. O-RING	1	1	4
32	N.P.N.	. VALVE INSERT	1	1	4
50	661050	. LOCKNUT M45X1.5 GEARBOX ZF	1	1	
51	N.P.N.	. DUST SEAL	1	1	4
51	N.P.N.	. STOP-RING	1	1	4
51	N.P.N.	. GASKET	1	1	4
51	N.P.N.	. DUST SEAL	1	1	4
52	N.P.N.	. PLUG	1	1	4
53	N.P.N.	. PROTECTING CAP	1	1	4
53	N.P.N.	. GASKET	1	1	4
54	N.P.N.	. SEALING RING	1	1	4
55	N.P.N.	. SCREW PLUG	1	1	4
56	N.P.N.	. PROTECTING SLEEVE	1	1	4
57	N.P.N.	. BREATHER	1	1	4
58	N.P.N.	. PROTECTING CAP	1	1	4
80	661102	. SECTOR SHAFT	1	1	



From B-5003 To D-5489	Date:07/2024	PAGE:XV-1415-00
STEERING GEARBOX - "ZF"		

Item#	Part	Description	X 3 V I P	X L I I E N T 4 5	N O T E S
100	661104	. PISTON	1	1	
101	N.P.N.	. PISTON	1	1	4
110	N.P.N.	. BALL SET	1	1	4
111	N.P.N.	. RECIRCULATING HALF TUBE	1	1	4
112	N.P.N.	. GASKET / PLUG	1	1	4
113	N.P.N.	. GASKET	1	1	4
113	N.P.N.	. COMPENSATING PLATE	1	1	4
113	N.P.N.	. PIN	1	1	4
114	N.P.N.	. O-RING	1	1	4
115	N.P.N.	. SEALING RING	1	1	4
116	N.P.N.	. SEALING RING	1	1	4
117	N.P.N.	. SEALING RING	1	1	4
118	N.P.N.	. O-RING	1	1	4
119	N.P.N.	. GASKET	1	1	4
120	N.P.N.	. NEEDLE CAGE	1	1	4
121	N.P.N.	. WASHER	1	1	4
122	N.P.N.	. O-RING	1	1	4
123	N.P.N.	. SEALING RING	1	1	4
124	N.P.N.	. O-RING	1	1	4
125	N.P.N.	. CYLINDER COVER	1	1	4
126	N.P.N.	. WASHER	1	1	4
127	N.P.N.	. HEXAGON SCREW	1	1	4
128	N.P.N.	. SET SCREW / SCREW	1	1	4
128	N.P.N.	. O-RING	1	1	4
129	N.P.N.	. COLLAR NUT	1	1	4
130	N.P.N.	. PIPE	1	1	4
131	N.P.N.	. REACTION PISTON	1	1	4
132	N.P.N.	. O-RING	1	1	4
133	N.P.N.	. SEALING RING	1	1	4
151	N.P.N.	. WORM	1	1	4
155	N.P.N.	. SNAP RING	1	1	4
156	N.P.N.	. SLIDING TUBE	1	1	4
158	N.P.N.	. O-RING	1	1	4
159	N.P.N.	. SEALING RING	1	1	4
162	N.P.N.	. PIN	1	1	4
163	N.P.N.	. PLUG	1	1	4
164	N.P.N.	. SEALING RING	1	1	4
210	661105	. O-RING	1	1	
211	661106	. UNION SCREW	1	1	
212	661107	. PIPE	1	1	
401	N.P.N.	. CAP SCREW	1	1	4 B
402	661108	. CONVERTER	1	1	B



From B-5003 To D-5489	Date:07/2024	PAGE:XV-1415-00
STEERING GEARBOX - "ZF"		

Item#	Part	Description	X 3 V I P	X L I I E N T 4 5	N O T E S
403	N.P.N.	. O-RING	1	1	4 B
404	N.P.N.	. O-RING	1	1	4 B
405	N.P.N.	. OIL SCREEN	1	1	4 B
480	563033	E.C.U. / W/STEERING ASSIST (STP 272 or 330) ((77//125))	1	1	B
480	661170	E.C.U. / W/STEERING ASSIST (STP 338) ((60//95))	1	1	B C
NS	661110	KIT, SEAL REPAIR MAJOR / W/SERVOCOMTRONIC	1	1	B
. NS	85109291	. KIT, SEAL REPAIR MAJOR / W/SERVOCOMTRONIC	1	1	B
		B) USE WITH #661044			
		C) THIS E.C.U. GIVE LESS ASSISTANCE AT LOW SPEED			
		4) NO PARTS NUMBER			

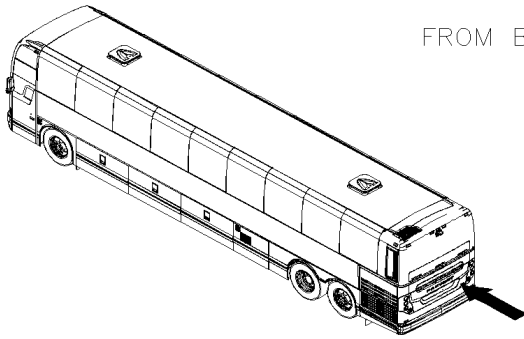


From B-5003 To D-5489

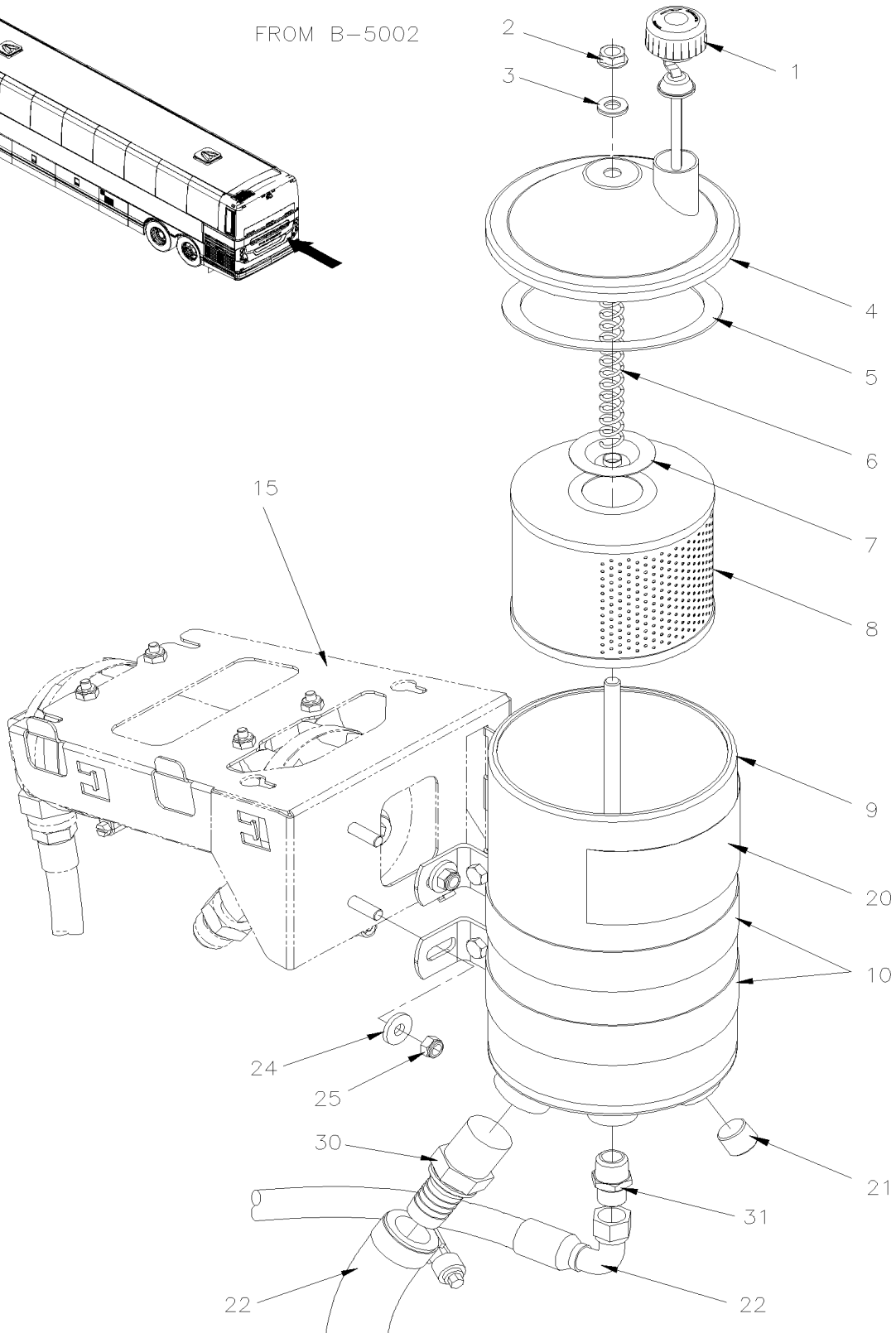
Date:07/2024

PAGE:XV-1420-00

POWER STEERING TANK - 4 QT U.S.



FROM B-5002





From B-5003 To D-5489	Date:07/2024	PAGE:XV-1420-00
POWER STEERING TANK - 4 QT U.S.		

Item#	Part	Description	X 3 V I P	X L I I E N T 4 5	N O T E S
	660982	TANK ASSY 4QT U.S.	1	1	
	661060	TANK ASSY 4QT US / WITH SIGHT GLASS OPTION	1	1	A
1	660985	. DIPSTICK	1	1	
2	N.S.P.	. WING NUT 3/8-16	1	1	2
3	19512588	. WASHER	1	1	
4	660989	. COVER ASSY	1	1	
5	660986	. GASKET	1	1	
6	660991	. SPRING, COMP.	1	1	
7	N8886469	. WASHER, RETAINER	1	1	
8	660987	. ELEMENT FILTER	1	1	
9		. TANK	1	1	
10	660988	. ATTACHMENT SUPPORT	2	2	
15	XV-1203-50	AIR TANK - INSTALLATION	1	1	
20	160370	DECAL "OIL DEXTRON"	1	1	
21	501966	PLUG HEXS / PIPE FITTING / 1/2NPT-M STL	1	1	
21	667586	PLUG HEXS / PIPE FITTING / MAGNETIC / 1/2NPT-M STL From C-5125	1	1	D13
22	XV-1400-00	POWER STEERING HOSE - INSTALLATION			
24	500401	WASHER FL .343x.875x.125 N500	2	2	
25	502847	NUT HEX NYRT M8-1.25 N500	2	2	
30	5011086	MALE CONNECTOR / PUSH-LOK FITTING / 1NPT-Mx#16 STL	1	1	
31	501739	MALE CONNECTOR / JIC 37° FITTING / #8JIC-Mx1/2NPT-M STL	1	1	
		A) OPTION AMERICAN COACH LINES			
		D13) WITH "VOLVO" ENGINE			
		2) NOT SOLD BY PREVOST (SEE MANUFACTURING PART NUMBER AT END OF DESCRIPTION LINE)			

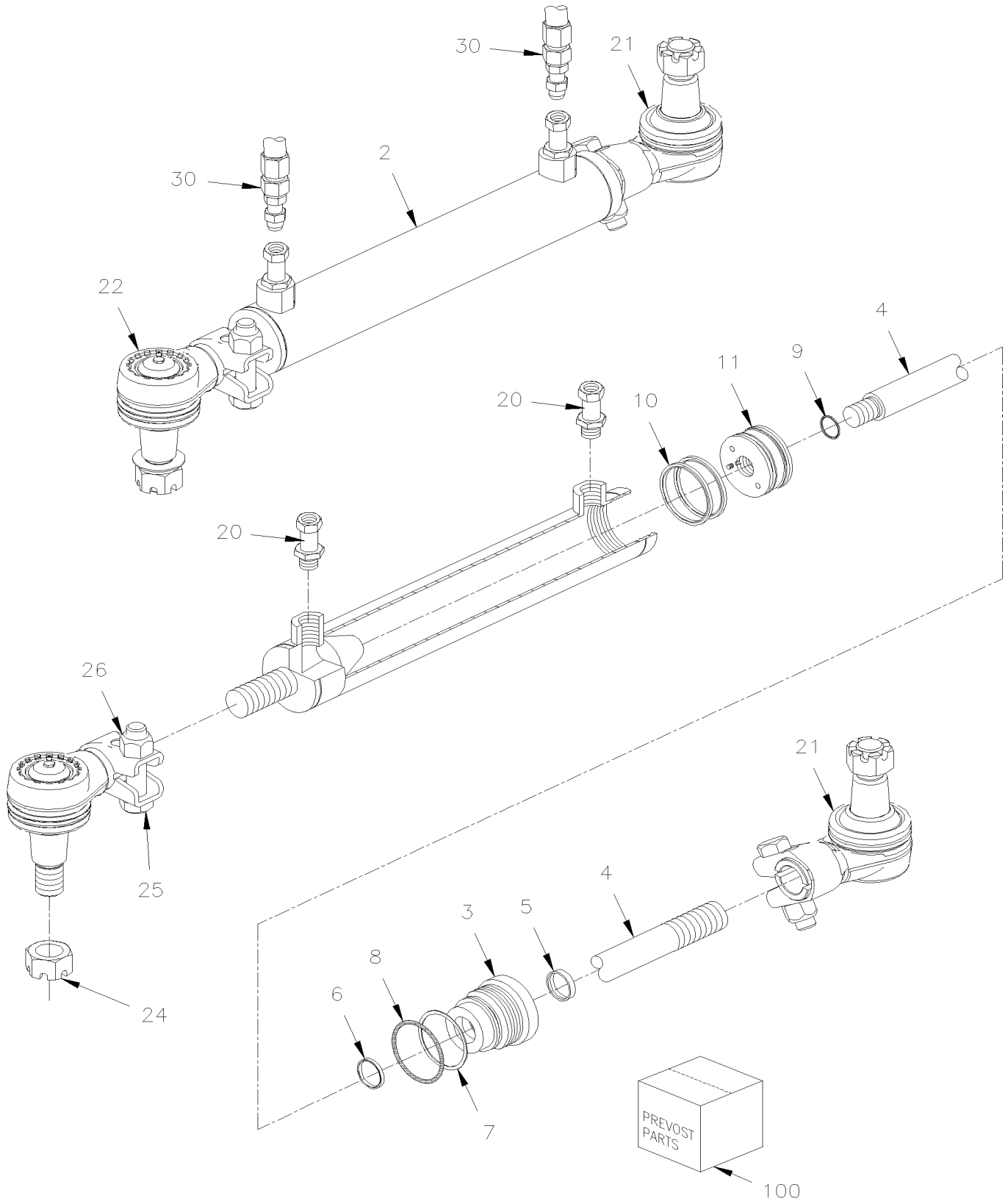


From B-5003 To D-5489

Date:07/2024

PAGE:XV-1430-50

CYLINDER POWER STEERING





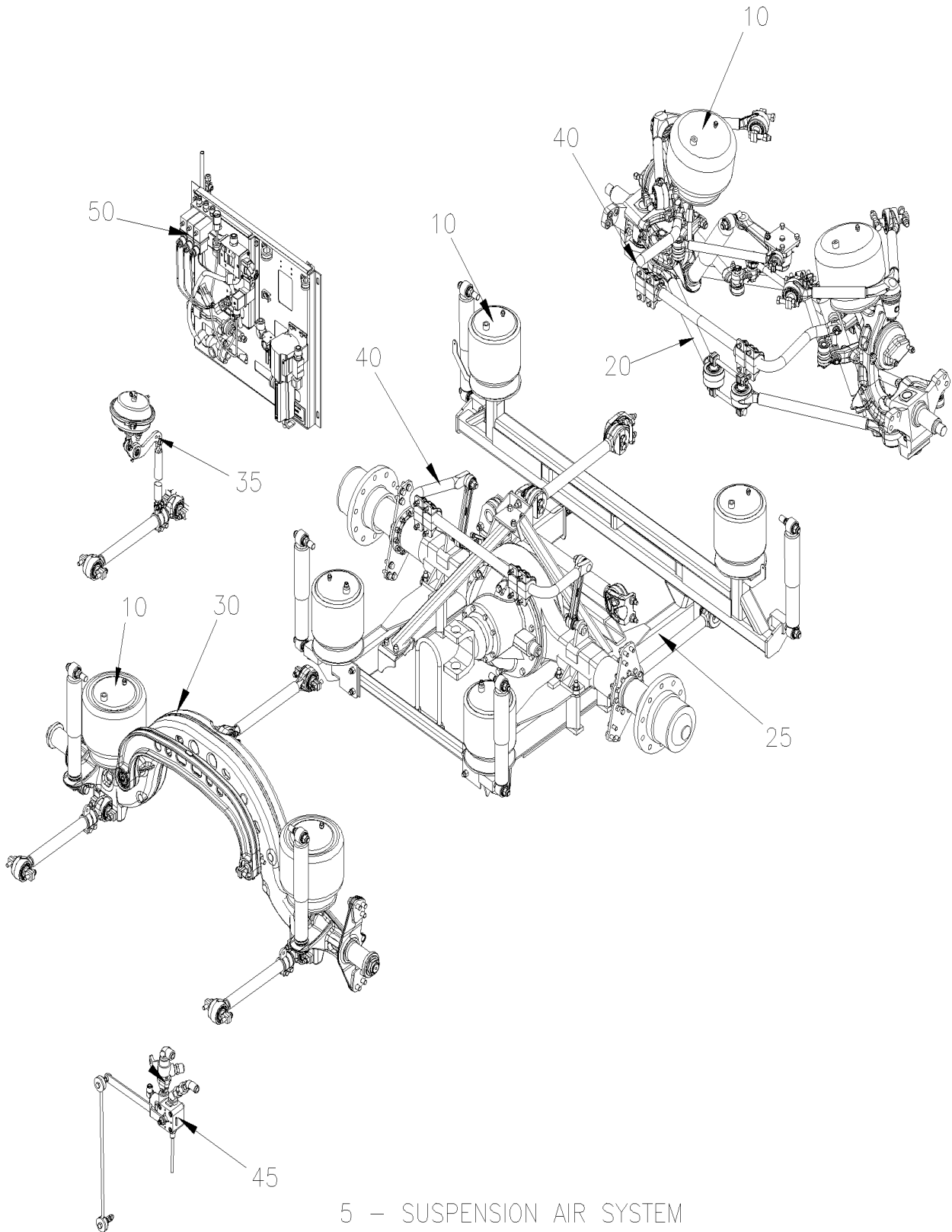
From B-5003 To D-5489	Date:07/2024	PAGE:XV-1430-50
-----------------------	--------------	-----------------

CYLINDER POWER STEERING

Item#	Part	Description	X 3 V I P	X L I I E N T 4 5	N O T E S
1	661076	CYLINDER ASSY PRESSURE 160bar To D-5392	1		
1	661194	CYLINDER ASSY PRESSURE 170bar From D-5393	1		
1	661076	CYLINDER ASSY PRESSURE 160bar To E-5493		1	
1	661194	CYLINDER ASSY PRESSURE 170bar From E-5494		1	
2	N.S.S.	. TUBE	1	1	1
3	661098	. HEAD	1	1	
4	661097	. ROD	1	1	
5	N.S.S.	. WIPER ROD	1	1	1
6	N.S.S.	. SEAL ROD	1	1	1
7	N.S.S.	. BACK-UP	1	1	1
8	N.S.S.	. O-RING	1	1	1
9	N.S.S.	. O-RING	1	1	1
10	N.S.S.	. SEAL PISTON	2	2	1
11	661099	. PISTON	1	1	
20	501593	. MALE CONNECTOR / JIC 37° FITTING / #8JIC-Mx#8ORB-M STL	2	2	
21	611275	. END ASSY / STRUCTURE SIDE	1	1	
22	611469	. END ASSY / ROD SIDE	1	1	
24	5001345	. NUT HEX CSL THN 7/8-14	1	1	
25	N.P.N.	. SCREW CAP HEX ZP 1/2-20X2.25 G8	2	2	4
26	N.P.N.	. NUT HEX 1/2-20 G8	2	2	4
30	XV-1400-00	POWER STEERING HOSE - INSTALLATION			
100	661100	SEAL KIT, REPAIR	1	1	A
		A) INCLUDES ITEMS 5, 6, 7, 8, 9, 10			
		1) NOT SOLD SEPARATELY			
		4) NO PARTS NUMBER			



	Date:07/2024	XV-16
SUSPENSION		



5 - SUSPENSION AIR SYSTEM



		Date:07/2024	XV-16		
SUSPENSION					
Item#	Part	Description	X 3 V I P	X L I I E N T 4 5	N O T E S
5	XV-1600-50	SUSPENSION AIR SYSTEM - MTH From B-5003 To D-5489			
10	XV-1601-00	BELLOWS - AIR SUSPENSION From B-5003 To D-5489			
20	XV-1605-50	FRONT AXLE - INSTALL W/INDEPENDENT "NDIFS80P" / 18000LBS From B-5003 To D-5489			
20	XV-1605-60	FRONT AXLE - INSTALL W/INDEPENDENT "NDIFS80P" / 18000LBS From B-5003 To C-5235			
20	XV-1605-61	FRONT AXLE - INSTALL W/INDEPENDENT "NDIFS80P" / 19000LBS From C-5236 To D-5489			
25	XV-1610-00	REAR AXLE - INSTALL SUSPENSION From B-5003 To D-5459			
25	XV-1610-01	REAR AXLE - INSTALL SUSPENSION From D-5460 To D-5489			
31	XV-1615-00	TAG AXLE - INSTALL SUSPENSION ONE PIECE From B-5003 To D-5489			
35	XV-1615-10	TAG AXLE - LIFTING From B-5003 To D-5489			
40	XV-1616-00	SWAY BAR From B-5003 To D-5489			
45	XV-1620-50	HEIGHT CONTROL VALVE - MTH From B-5003 To D-5459			
45	XV-1620-51	HEIGHT CONTROL VALVE - MTH From D-5460 To D-5489			
50	XV-1640-50	LEVEL-LOW - CONTROL PANEL & VALVES From B-5003 To D-5489			

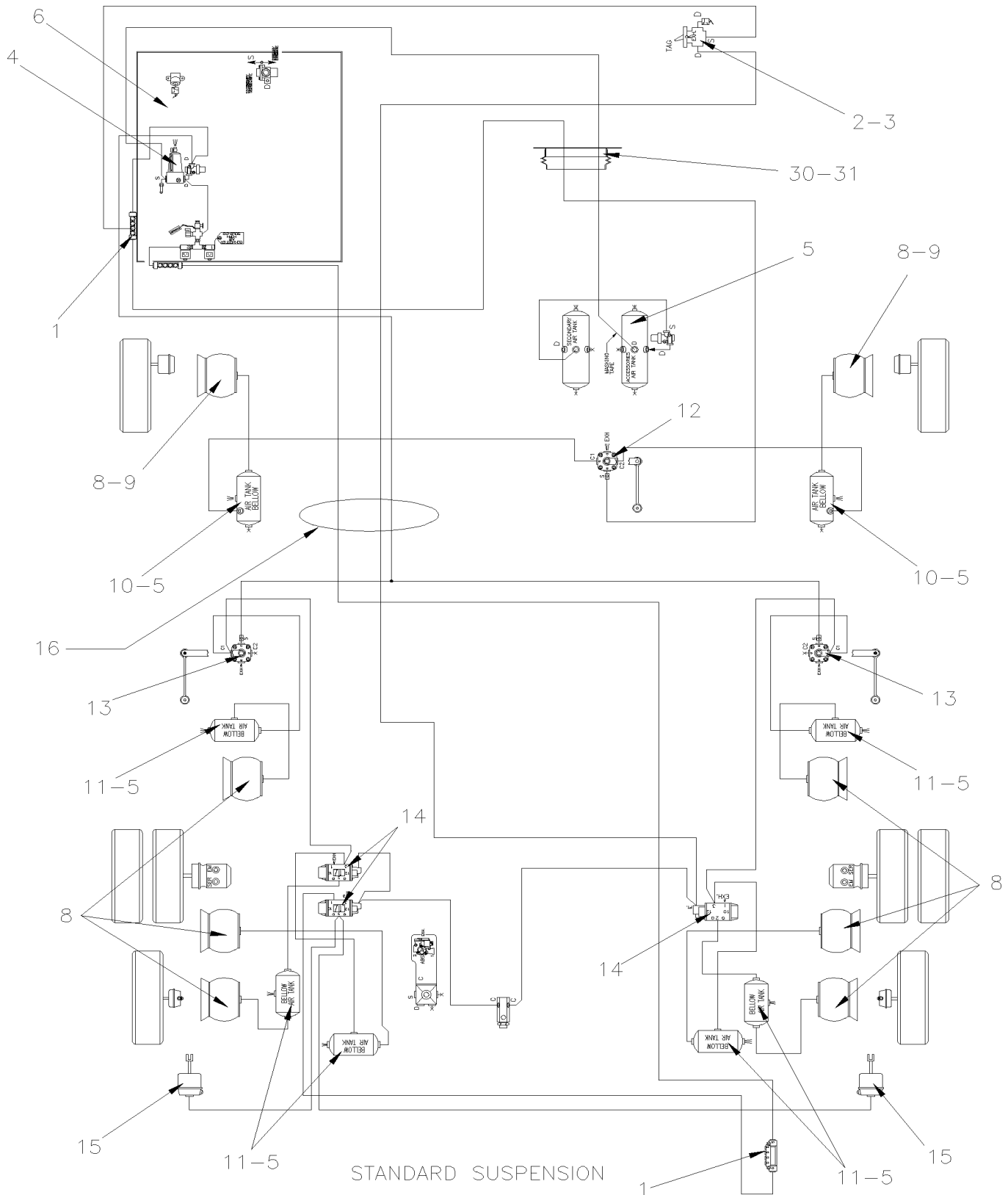


From B-5003 To D-5489

Date:07/2024

PAGE:XV-1600-50

SUSPENSION AIR SYSTEM - MTH



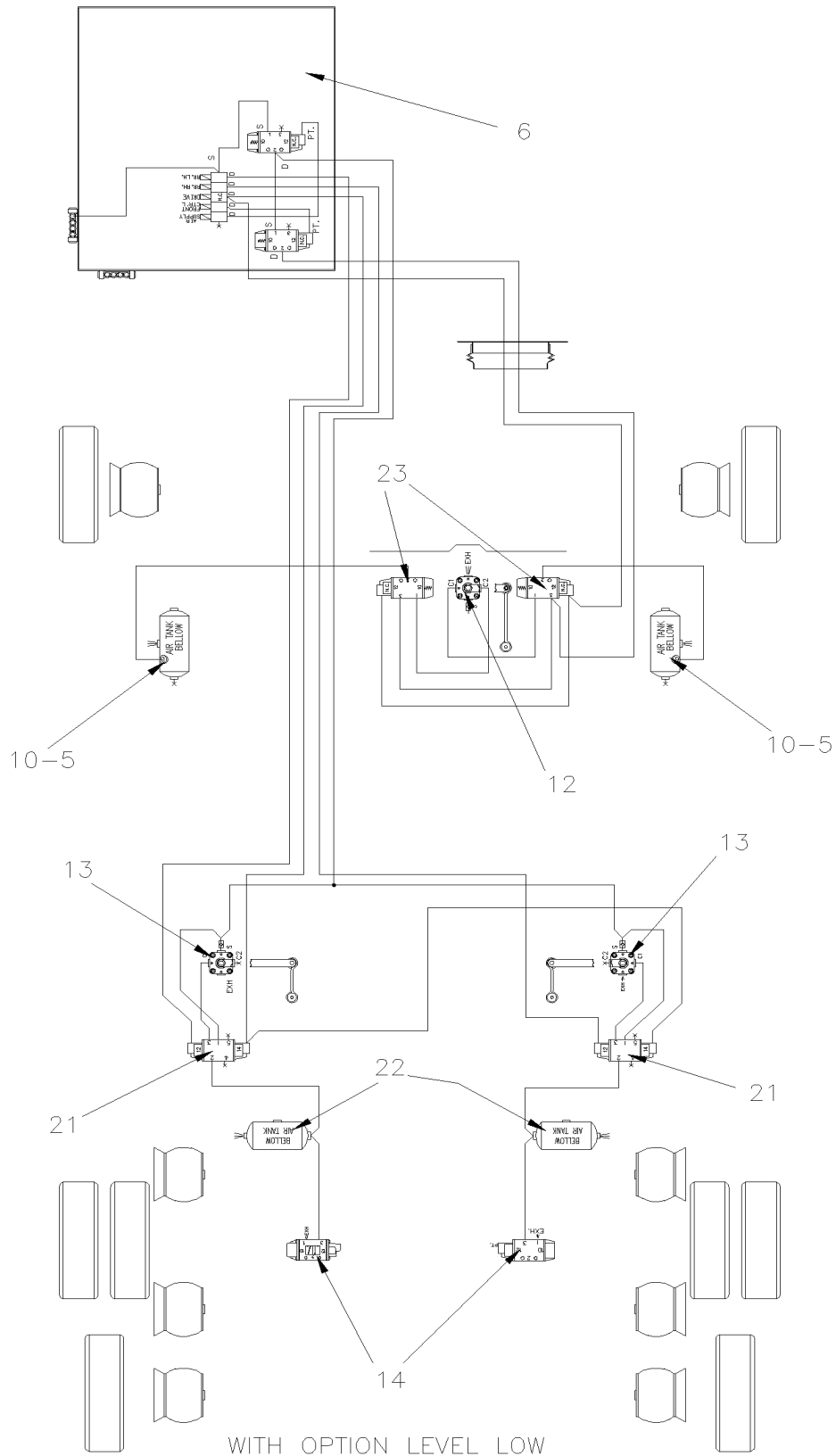


From B-5003 To D-5489

Date:07/2024

PAGE:XV-1600-50

SUSPENSION AIR SYSTEM - MTH





From B-5003 To D-5489	Date:07/2024	PAGE:XV-1600-50
SUSPENSION AIR SYSTEM - MTH		

Item#	Part	Description	X 3 V I P	X L I I E N T 4 5	N O T E S
1	641897	MANIFOLD / PUSH-IN FITTING / 2x#6 / 4x#4 PLAS	3	3	
2	640136	VALVE, CONTROL TW-1	1	1	
. NS	641156	. REPAIR KIT / TW-1	1	1	
3	XV-1806-50	L.H. CONSOLE - MTH			
4	XV-1220-15	AIR FILTER - ACCESSORIES			
5	XV-1203-50	AIR TANK - INSTALLATION			
6	XV-1640-50	LEVEL-LOW - CONTROL PANEL & VALVES			
8	XV-1601-00	BELLOWS - AIR SUSPENSION			
9	131737	MALE CONNECTOR 123.8MM 1/2 NPT	2	2	
10	131403	AIR TANK / 434 IN° / 7" O.D. X 13 1/4"	2	2	
11	641424	AIR TANK / 288 IN° / 7" O.D. X 9 1/4" / W/(3) 1/2" NPT	6	6	
12	630237	VALVE, HEIGHT CONTROL "BARKSDALE" / FRONT	1	1	
13	630156	VALVE, HEIGHT CONTROL "BARKSDALE"	2	2	
14	641274	VALVE, 3 WAYS, 2 POSITIONS N.C.	AR	AR	
15	XV-1615-10	TAG AXLE - LIFTING			
16	XV-1202-00	TUBES PLASTIC / AIR D.O.T.			
21	641531	VALVE, 5 WAYS, 3 POSITIONS	2	2	L
. NS	641186	. SPOOL	1	1	L
22	642110	AIR TANK / 290 IN° / 6" O.D. X 12" / W/(3) 1/2" NPT	2	2	L
23	641274	VALVE, 3 WAYS, 2 POSITIONS N.C.	2	2	
30	504499	CUFF END BELLOW / 2 7/8" I.D. x 3 5/8" x 4 7/16	1	1	
31	141567	PROTECTOR RUBBER 100MM	1	1	
		L) WITH LEVEL LOW			

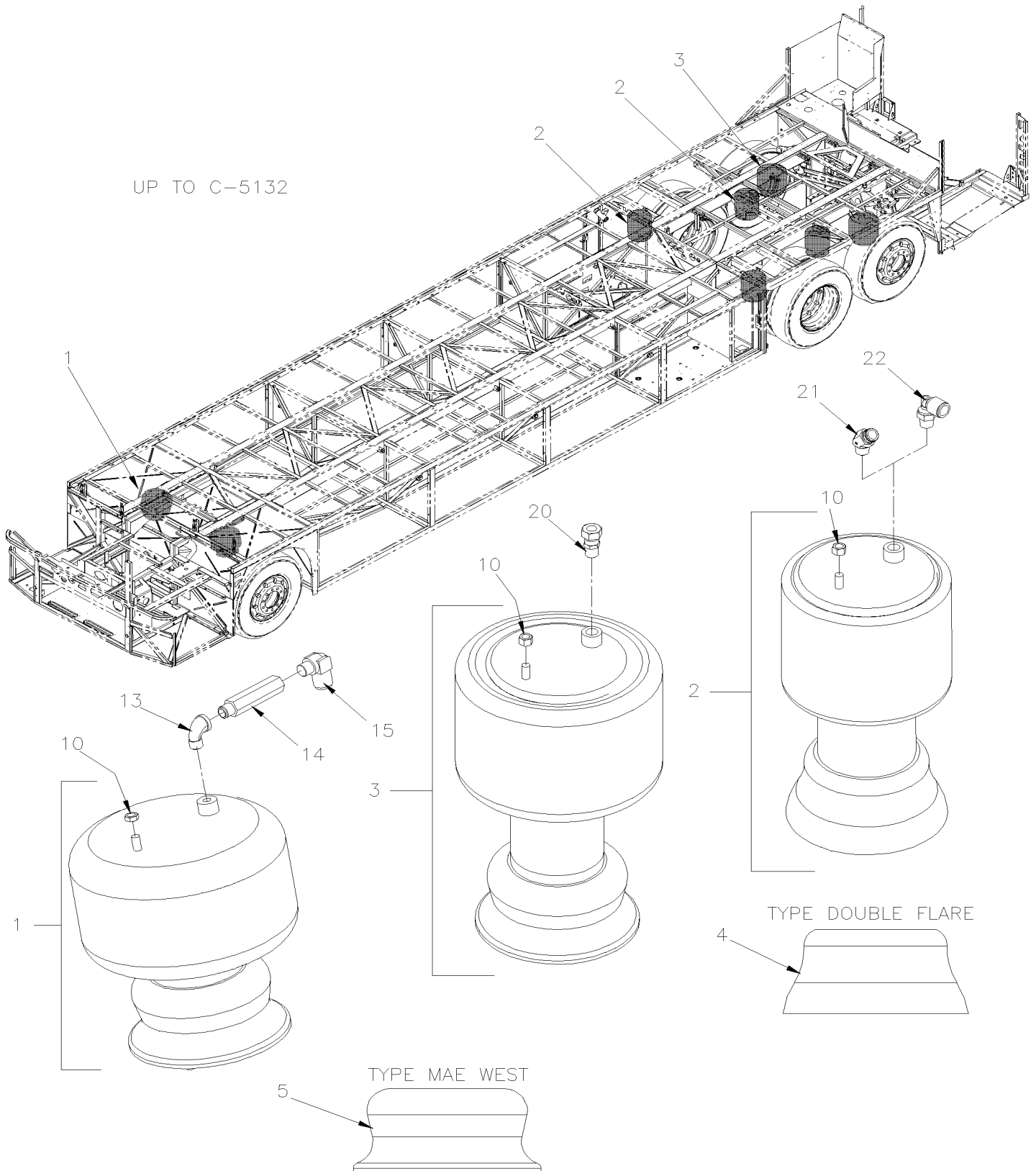


From B-5003 To D-5489

Date:07/2024

PAGE:XV-1601-00

BELLOWS - AIR SUSPENSION



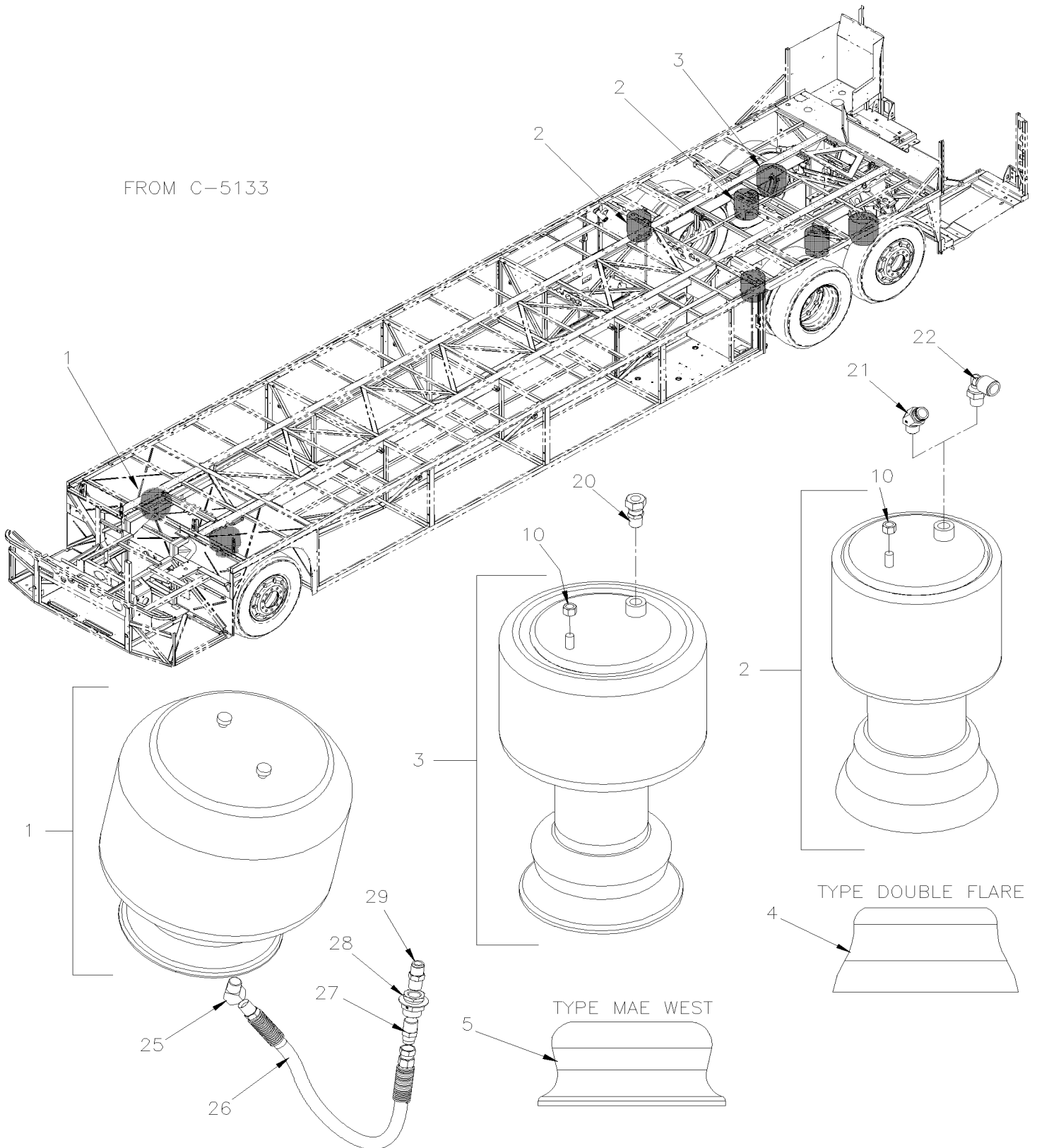


From B-5003 To D-5489

Date:07/2024

PAGE:XV-1601-00

BELLOWS - AIR SUSPENSION





From B-5003 To D-5489	Date:07/2024	PAGE:XV-1601-00
BELLOWS - AIR SUSPENSION		

Item#	Part	Description	X 3 V I P	X L I I E N T 4 5	N O T E S
	 FRONT AXLE BELLOW			
1	630239	BELLOW ASSY / MODEL 1400 M.W. To C-5132	2	2	
1	630280	BELLOW ASSY / MODEL 1400 M.W. / 19000lbs From C-5133	2	2	
	 DRIVE AXLE BELLOW			
2	630260	BELLOW ASSY / MODEL 1100 D.F.	4	4	
	 TAG AXLE BELLOW			
3	630162	BELLOW ASSY / MODEL 1200 M.W.	2	2	
10	500276	NUT HEX STO 1/2-13 N500	AR	AR	
13	5011339	STREET ELBOW 90° / PIPE FITTING / 1/2NPT-Mx1/2NPT-F STL To C-5132	2	2	
14	131737	MALE CONNECTOR 123.8MM 1/2 NPT To C-5132	2	2	
15	641410	MALE ELBOW 90° NON-SWIVEL / PUSH-IN FITTING / #12x1/2NPT-M BR To C-5132	2	2	
20	640994	MALE CONNECTOR / NTA FITTING / #10x1/2NPT-M BR	2	2	
21	642069	MALE ELBOW 45° NON-SWIVEL / PUSH-IN FITTING / #10x1/2NPT-M BR	2	2	
22	642124	MALE ELBOW 90° NON-SWIVEL / PUSH-IN FITTING / #12x1/2NPT-M COMPOSITE	2	2	
25	501528	STREET ELBOW 45° / PIPE FITTING / 1/2NPT-Mx1/2NPT-F BR From C-5133	2	2	
26	642153	HOSE ASSY / #8 22" From C-5133	2	2	
27	501616	MALE CONNECTOR / SAE 45° FITTING / #8FL-Mx1/2NPT-M BR From C-5133	2	2	
28	501796	BULKHEAD COUPLING / PIPE FITTING / 1/2NPT-Fx1/2NPT-Fx1 1/2 BR From C-5133	2	2	
29	641383	MALE CONNECTOR / PUSH-IN FITTING / #8x1/2NPT-M BR From C-5133	2	2	

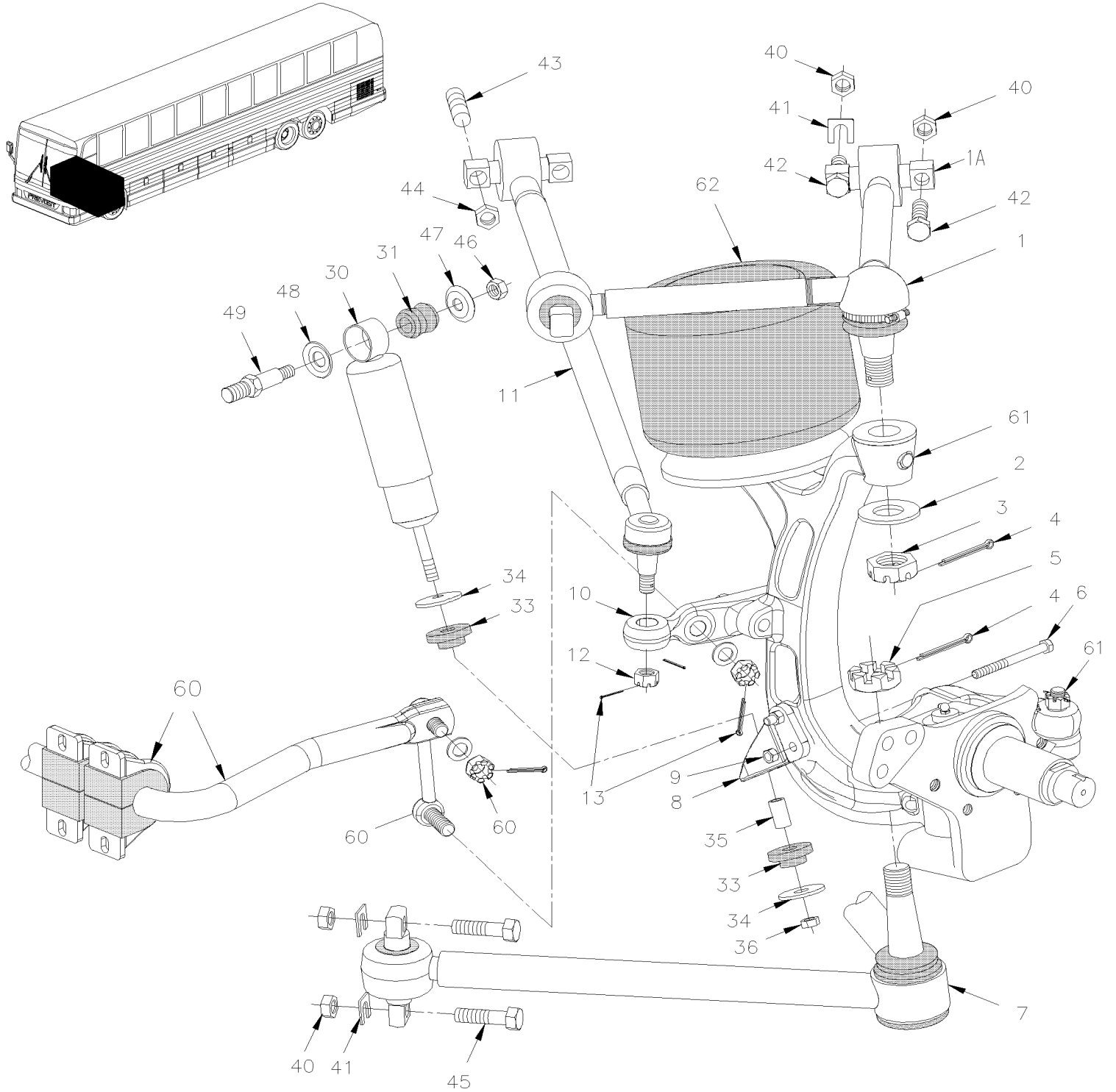


From B-5003 To D-5489

Date:07/2024

PAGE:XV-1605-50

FRONT AXLE - INSTALL W/INDEPENDENT "NDIFS80P" / 18000LBS





From B-5003 To D-5489 Date:07/2024 PAGE:XV-1605-50

FRONT AXLE - INSTALL W/INDEPENDENT "NDIFS80P" / 18000LBS

Item#	Part	Description	X 3 V I P	X L I I E N T 4 5	N O T E S
1	611270	UPPER ARM ASSY / L.H. & R.H.		2	
. A	611346	. BUSHING BAR PIN / 20MM 150mm c/c 85MM O.D. x 72MM wide		2	
. A1	611358	. BUSHING BAR PIN / 20MM 150mm c/c 85MM O.D. x 72MM wide		2	
2	5001255	WASHER FL 31.75x54.77x3.175		1	
3	5001321	NUT HEX CSL M30-1.5 17TH CJ		1	
4	502115	PIN, COTTER 3/16 x 2 1/2		2	
5	5001333	NUT HEX CSL M36-1.5 17TH CJ		1	
6	611273	SCREW CAP HEX M14-2.0x135 G8.8 Z050		2	
7	611344	LOWER ARM ASSY / R.H / W/58 Deg		1	
. NS	611326	. LOWER BEARING BALL ASSY / REPAIR KIT		1	
. NS	611325	. BUSHING BAR PIN / 20MM 150mm c/c 85MM O.D. x 70MM wide		2	
7	611343	LOWER ARM ASSY / L.H / W/58 Deg		1	
. NS	611326	. LOWER BEARING BALL ASSY / REPAIR KIT		1	
. NS	611325	. BUSHING BAR PIN / 20MM 150mm c/c 85MM O.D. x 70MM wide		2	
8	116454	ATTACHMENT / SHOCK ABSORBER		1	
9	502538	NUT HEX STO M14-2.0 Z050		2	
10	661113	UPRIGHT ARM L.H / W/58 Deg		1	
10	612380	UPRIGHT ARM L.H		1	S
10	661114	UPRIGHT ARM R.H / W/58 Deg		1	
10	612380	UPRIGHT ARM L.H		1	S
11	661111	ROD ASSY / 5TH / W/58 Deg		2	
12	5001325	. NUT HEX CSL M24-1.5 15TH CJ		1	
13	661215	. PIN, COTTER 5MMx40MM		1	
30	630240	SHOCK ABSORBER / SACHS / 475		2	
. NS	630255	. KIT WASHER & RUBBER BUSHING		1	
. NS	630257	. BUSHING / RUBBER / (TWO PIECES) 1" x 1.005" I.D.		1	
31	630257	. BUSHING / RUBBER / (TWO PIECES) 1" x 1.005" I.D.		2	
33	630249	. KIT WASHER & RUBBER BUSHING		2	
36	5001579	. NUT HEX NYRT M16-1.5 Z050		1	
40	5001252	NUT HEX STO M20-2.5 DP		4	
41	160992	SHIM "U" 6.35 x 39.5MM x 38MM x 20 i.d.		AR	
41	160993	SHIM "U" 3.175x 39.5MM x 38MM x 20 i.d.		AR	
41	661094	SHIM "U" 4.76 x 39.5MM x 38MM x 20 i.d.		AR	
42	983296	SCREW CAP HEX M20-2.5x90 G10.9 ZP		4	
42	5001525	SCREW CAP HEX M20-2.5x100 G10.9 N500		4	
43	130963	STUD M16-2.0x70		2	
44	502588	NUT HEX M16-2.0 ZP		2	
45	5001561	SCREW CAP HEX M20-2.5x250 G10.9 ZP		4	
46	500809	NUT HEX STO M20-2.5 N500		1	
47	5001152	WASHER CON 21.0x50.0x4.5 ZP		1	
48	5001153	WASHER CON 25.5x50.0x4.5 ZP		1	
49	131424	PIN W/TAPER ATTACHMENT M20-2.5		1	



From B-5003 To D-5489	Date:07/2024	PAGE:XV-1605-50
-----------------------	--------------	-----------------

FRONT AXLE - INSTALL W/INDEPENDENT "NDIFS80P" / 18000LBS

Item#	Part	Description	X 3 V I P	X L I I E N T 4 5	N O T E S
60	XV-1616-00	SWAY BAR			
61	XV-1005-50	FRONT AXLE - INDEPENDENT MODEL "NDIFS80P" / 18000LBS			
62	XV-1601-00	BELLOWS - AIR SUSPENSION			
		S) SERVICE			

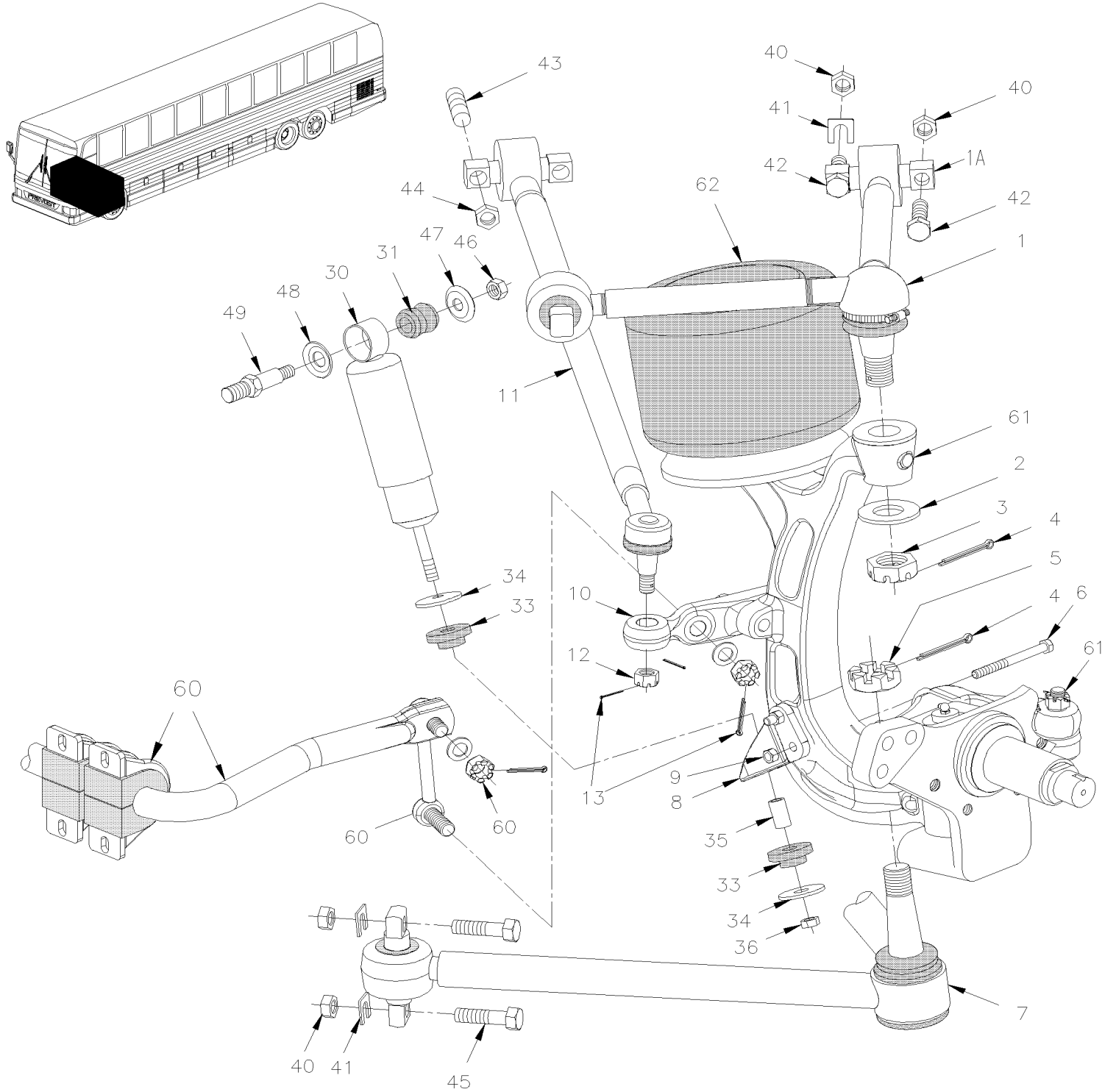


From B-5003 To C-5235

Date:07/2024

PAGE:XV-1605-60

FRONT AXLE - INSTALL W/INDEPENDENT "NDIFS80P" / 18000LBS





From B-5003 To C-5235	Date:07/2024	PAGE:XV-1605-60
-----------------------	--------------	-----------------

FRONT AXLE - INSTALL W/INDEPENDENT "NDIFS80P" / 18000LBS

Item#	Part	Description	X 3 V I P	X L I I E N T 4 5	N O T E S
1	611270	UPPER ARM ASSY / L.H. & R.H.	2		
. A	611346	. BUSHING BAR PIN / 20MM 150mm c/c 85MM O.D. x 72MM wide	2		
. A1	611358	. BUSHING BAR PIN / 20MM 150mm c/c 85MM O.D. x 72MM wide	2		
2	5001255	WASHER FL 31.75x54.77x3.175	1		
3	5001321	NUT HEX CSL M30-1.5 17TH CJ	1		
4	502115	PIN, COTTER 3/16 x 2 1/2	2		
5	5001333	NUT HEX CSL M36-1.5 17TH CJ	1		
6	611273	SCREW CAP HEX M14-2.0x135 G8.8 Z050	2		
7	611344	LOWER ARM ASSY / R.H / W/58 Deg	1		
. NS	611326	. LOWER BEARING BALL ASSY / REPAIR KIT	1		
. NS	611325	. BUSHING BAR PIN / 20MM 150mm c/c 85MM O.D. x 70MM wide	2		
7	611343	LOWER ARM ASSY / L.H / W/58 Deg	1		
. NS	611326	. LOWER BEARING BALL ASSY / REPAIR KIT	1		
. NS	611325	. BUSHING BAR PIN / 20MM 150mm c/c 85MM O.D. x 70MM wide	2		
8	116454	ATTACHMENT / SHOCK ABSORBER	1		
9	502538	NUT HEX STO M14-2.0 Z050	2		
10	661113	UPRIGHT ARM L.H / W/58 Deg	1		
10	612380	UPRIGHT ARM L.H	1		S
10	661114	UPRIGHT ARM R.H / W/58 Deg	1		
10	612381	UPRIGHT ARM R.H	1		S
11	661111	ROD ASSY / 5TH / W/58 Deg	2		
12	5001325	. NUT HEX CSL M24-1.5 15TH CJ	1		
13	661215	. PIN, COTTER 5MMx40MM	1		
30	630240	SHOCK ABSORBER / SACHS / 475	2		
. NS	630255	. KIT WASHER & RUBBER BUSHING	1		
. NS	630257	. BUSHING / RUBBER / (TWO PIECES) 1" x 1.005" I.D.	1		
31	630257	. BUSHING / RUBBER / (TWO PIECES) 1" x 1.005" I.D.	2		
33	630249	. KIT WASHER & RUBBER BUSHING	2		
36	5001579	. NUT HEX NYRT M16-1.5 Z050	1		
40	5001252	NUT HEX STO M20-2.5 DP	4		
41	160992	SHIM "U" 6.35 x 39.5MM x 38MM x 20 i.d.	AR		
41	160993	SHIM "U" 3.175x 39.5MM x 38MM x 20 i.d.	AR		
41	661094	SHIM "U" 4.76 x 39.5MM x 38MM x 20 i.d.	AR		
42	983296	SCREW CAP HEX M20-2.5x90 G10.9 ZP	4		
42	5001525	SCREW CAP HEX M20-2.5x100 G10.9 N500	4		
43	130963	STUD M16-2.0x70	2		
44	502588	NUT HEX M16-2.0 ZP	2		
45	5001561	SCREW CAP HEX M20-2.5x250 G10.9 ZP	4		
46	500809	NUT HEX STO M20-2.5 N500	1		
47	5001152	WASHER CON 21.0x50.0x4.5 ZP	1		
48	5001153	WASHER CON 25.5x50.0x4.5 ZP	1		
49	131424	PIN W/TAPER ATTACHMENT M20-2.5	1		



From B-5003 To C-5235	Date:07/2024	PAGE:XV-1605-60
-----------------------	--------------	-----------------

FRONT AXLE - INSTALL W/INDEPENDENT "NDIFS80P" / 18000LBS

Item#	Part	Description	X 3 V I P	X L I I E N T 4 5	N O T E S
60	XV-1616-00	SWAY BAR			
61	XV-1005-60	FRONT AXLE - INDEPENDENT MODEL "NDIFS80P" / 18000LBS			
62	XV-1601-00	BELLOWS - AIR SUSPENSION			
		S) SERVICE			

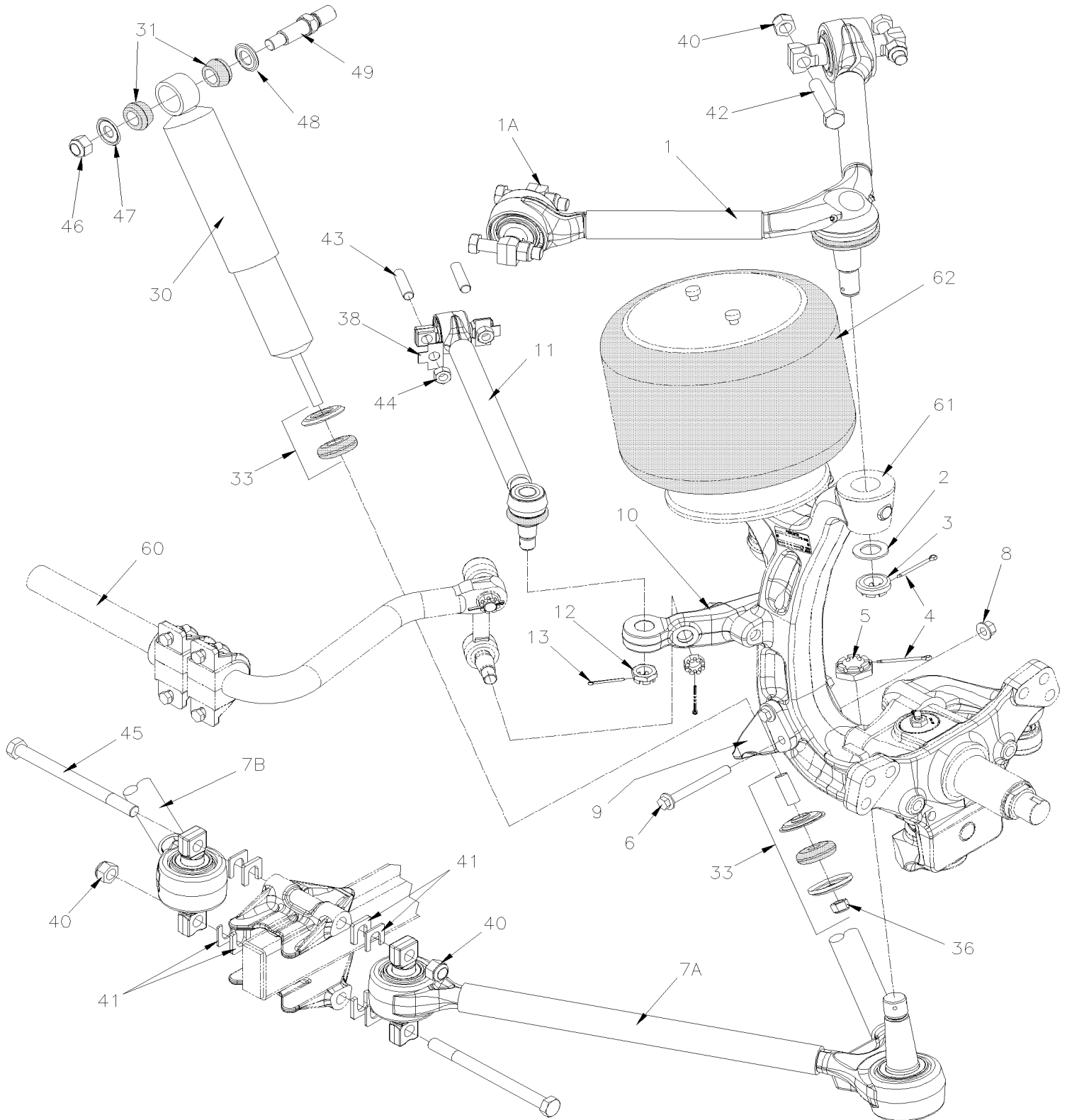


From C-5236 To D-5489

Date:07/2024

PAGE:XV-1605-61

FRONT AXLE - INSTALL W/INDEPENDENT "NDIFS80P" / 19000LBS





From C-5236 To D-5489 Date:07/2024 PAGE:XV-1605-61

FRONT AXLE - INSTALL W/INDEPENDENT "NDIFS80P" / 19000LBS

Item#	Part	Description	X 3 V I P	X L I I E N T 4 5	N O T E S
1	611270	UPPER ARM ASSY / L.H. & R.H.	2		
. A	611346	. BUSHING BAR PIN / 20MM 150mm c/c 85MM O.D. x 72MM wide	2		
. A1	611358	. BUSHING BAR PIN / 20MM 150mm c/c 85MM O.D. x 72MM wide	2		
2	5001255	WASHER FL 31.75x54.77x3.175	2		
3	5001321	NUT HEX CSL M30-1.5 17TH CJ	2		
4	502115	PIN, COTTER 3/16 x 2 1/2	4		
5	5001333	NUT HEX CSL M36-1.5 17TH CJ	2		
6	5001790	SCREW CAP HEXF M14-2.0x130 G10.9 PHC	2		
7A	612373	LOWER ARM ASSY / R.H / 19K	1		
. NS	611477	. BUSHING BAR PIN / REPAIR KIT	2		
. NS	611478	. BALL ASSY / REPAIR KIT	1		
7B	612374	LOWER ARM ASSY / L.H / 19K	1		
. NS	611477	. BUSHING BAR PIN / REPAIR KIT	2		
. NS	611478	. BALL ASSY / REPAIR KIT	1		
8	5001771	NUT HEXF STO M14-2.0 G10 PHC	2		
9	116454	ATTACHMENT / SHOCK ABSORBER	2		
10	612380	UPRIGHT ARM L.H	1		
10	612381	UPRIGHT ARM R.H	1		
11	661111	ROD ASSY / 5TH / W/58 Deg	2		
12	5001325	. NUT HEX CSL M24-1.5 15TH CJ	1		
13	661215	. PIN, COTTER 5MMx40MM	1		
30	630281	SHOCK ABSORBER / SACHS To D-5378	2		
. NS	630255	. KIT WASHER & RUBBER BUSHING To D-5378	1		
. NS	630257	. BUSHING / RUBBER / (TWO PIECES) 1" x 1.005" I.D. To D-5378	1		
30	630282	SHOCK ABSORBER / "KONI" (GOLD) From D-5379	2		
. NS	630255	. KIT WASHER & RUBBER BUSHING From D-5379	1		
. NS	630291	. BUSHING / RUBBER / (TWO PIECES) 1" x 1.005" I.D. From D-5379	1		
31	630257	. BUSHING / RUBBER / (TWO PIECES) 1" x 1.005" I.D.	2		
33	630255	. KIT WASHER & RUBBER BUSHING	2		
36	5001579	. NUT HEX NYRT M16-1.5 Z050	2		
38	161176	TAB LOCK W/1 HOLE 17MM I.D.	4		
40	5001663	NUT HEX NYRT M20-2.5 G10 Z050	12		
41	661219	SHIM "U" 0.79 x 39.5MM x 38MM x 20 i.d.	AR		
41	661101	SHIM "U" 1.52 x 39.5MM x 38MM x 20 i.d.	AR		
41	160993	SHIM "U" 3.175x 39.5MM x 38MM x 20 i.d.	AR		
41	661094	SHIM "U" 4.76 x 39.5MM x 38MM x 20 i.d.	AR		
41	160992	SHIM "U" 6.35 x 39.5MM x 38MM x 20 i.d.	AR		
41	163599	SHIM "U" 9.53 x 39.5MM x 38MM x 20 i.d.	AR		
42	5001525	SCREW CAP HEX M20-2.5x100 G10.9 N500	4		
43	130963	STUD M16-2.0x70	2		
44	502588	NUT HEX M16-2.0 ZP	2		
45	5001561	SCREW CAP HEX M20-2.5x250 G10.9 ZP	8		



From C-5236 To D-5489	Date:07/2024	PAGE:XV-1605-61
FRONT AXLE - INSTALL W/INDEPENDENT "NDIFS80P" / 19000LBS		

Item#	Part	Description	X 3 V I P	X L I I E N T 4 5	N O T E S
46	5001663	NUT HEX NYRT M20-2.5 G10 Z050	2		
47	5001152	WASHER CON 21.0x50.0x4.5 ZP	2		
48	5001153	WASHER CON 25.5x50.0x4.5 ZP	2		
49	131424	PIN W/TAPER ATTACHMENT M20-2.5	2		
60	XV-1616-00	SWAY BAR			
61	XV-1005-61	FRONT AXLE - INDEPENDENT MODEL "NDIFS80P" / 19000LBS			
62	XV-1601-00	BELLOWS - AIR SUSPENSION			

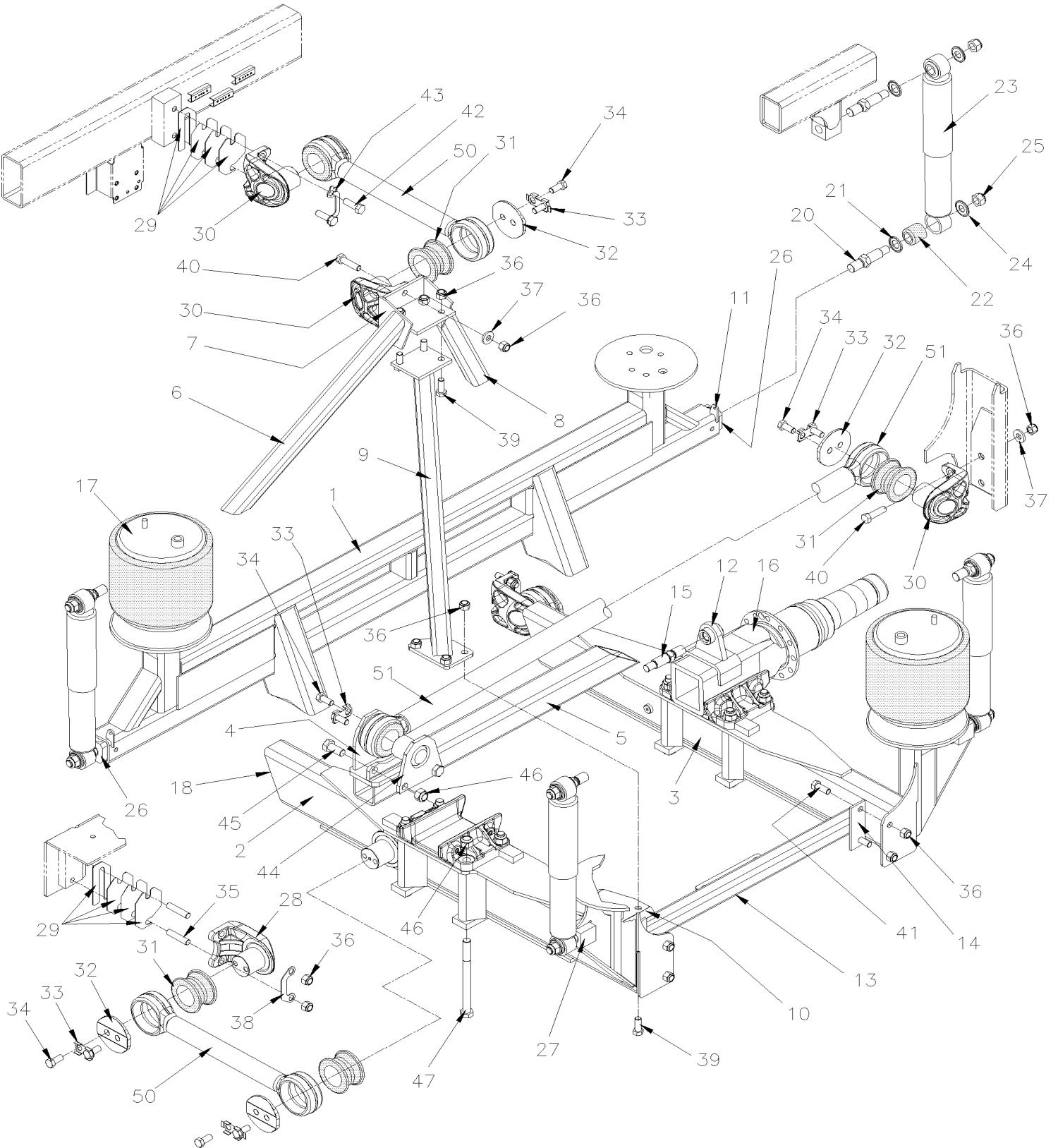


From B-5003 To D-5459

Date:07/2024

PAGE:XV-1610-00

REAR AXLE - INSTALL SUSPENSION





From B-5003 To D-5459	Date:07/2024	PAGE:XV-1610-00
-----------------------	--------------	-----------------

REAR AXLE - INSTALL SUSPENSION

Item#	Part	Description	X 3 V I P	X L I I E N T 4 5	N O T E S
	Call order desk	REAR DIFFERENTIAL CARRIER ASSY WELDED	1	1	P
1	121790P	. FRONT FRAME ASSY / W/AXLE WITH DISC BRAKE	1	1	
2	121788P	. BEAM ASSY / L.H.	1	1	
3	121789P	. BEAM ASSY / R.H.	1	1	
4	131785	. SUPPORT ASSY / (WELDED)	1	1	
5	121773	. TUBE / (WELDED) UNDER	1	1	
6	121098	. BRACE / FRONT L.H.	1	1	
7	121577P	. PLATE TOP TRIPOD ASSY WELDED	1	1	
8	121099	. BRACE / FRONT R.H.	1	1	
9	121610P	. TRIPOD ASSY WELDED	1	1	
10	121601	PLATE SUPPORT	1	1	
11	121776	ACTUATOR SUPPORT / TO FIX LINK / (WELDED)	2	2	
12	121467	ATTACHMENT PIN SWAY BAR / (WELDED TO HOUSING)	2	2	
13	121911	BAR ASSY	1	1	
14	121442	. ATTACHMENT PLATE	2	2	
15	131522	PIN W/TAPER ATTACHMENT M20-2.5 / SWAY-BAR	2	2	
16	XV-1105-00	REAR AXLE - MODEL "RC23165"			
17	XV-1601-00	BELLOWS - AIR SUSPENSION			
18	121786	CLOSING END / BEAM / (WELDED)	2	2	
20	131424	PIN W/TAPER ATTACHMENT M20-2.5	4	4	
21	5001153	WASHER CON 25.5x50.0x4.5 ZP	8	8	
22	630257	BUSHING / RUBBER / (TWO PIECES) 1" x 1.005" I.D.	8	8	
23	630253	SHOCK ABSORBER / SACHS / 209	4	4	
23	630283	SHOCK ABSORBER / "KONI" (GOLD)	4	4	O
. NS	630255	. KIT WASHER & RUBBER BUSHING	1	1	O
. NS	630291	. BUSHING / RUBBER / (TWO PIECES) 1" x 1.005" I.D.	1	1	O
24	5001152	WASHER CON 21.0x50.0x4.5 ZP	8	8	
25	500809	NUT HEX STO M20-2.5 N500	4	4	
26	121703	RETAINER / (WELDED)	2	2	
27	171032	SUPPORT 1"-14 / SHOCK ABSORBER / 55MM	2	2	
28	131807	SUPPORT / ROD / W/2 M16-2 HOLES / 144MM C/C // 169MM LONG	2	2	
29	121267	SHIM 26GAGE	AR	AR	
NS	121039	SHIM 20GAGE	AR	AR	
NS	131068	SHIM 14GAGE	AR	AR	
NS	121419	SHIM "U" 14GA SS 133MM x 62MM x 18 i.d.	AR	AR	
NS	121418	SHIM "U" 26 GA SS 133MM x 62MM x 18 i.d.	AR	AR	
30	132914	SUPPORT / ROD / W/2 M16-2 HOLES / 95MM C/C // 150MM SHORT	3	3	
. NS	121890	. TORQUE PLATE / W/2HOLES 17MM I.D. X 90MM C/C	AR	AR	
31	630021	RUBBER BUSHING "PREVOST"	8	8	
NS	192380	SHIM WASHER / BUSHING RADIUS ROD 2.795x4.330x.0625 SS	AR	AR	W
32	110681	RETAINER PLATE / IRON 110MM OD W/16.7 @ 38C/C	7	7	
33	110788	TAB LOCK / W/2 HOLES / W/6 TABS / 18MM I.D. X 38MM C/C	8	8	



From B-5003 To D-5459	Date:07/2024	PAGE:XV-1610-00
REAR AXLE - INSTALL SUSPENSION		

Item#	Part	Description	X 3 V I P	X L I E N T 4 5	N O T E S
34	500813	SCREW CAP HEX M16-2.0x35 G8.8 ZP	AR	AR	
35	621795	STUD M16-2.0x72 MM ZP	4	4	
36	5001662	NUT HEX NYRT M16-2.0 G10 Z050	18	18	
37	5001046	WASHER FL .656x1.500x.187	4	4	
38	121890	TORQUE PLATE / W/2HOLES 17MM I.D. X 90MM C/C	2	2	
39	5001590	SCREW CAP HEX M16-2.0x40 G10.9 N500	6	6	
40	5001224	SCREW CAP HEX M16-2.0x60 G10.9 G500	4	4	
41	5001590	SCREW CAP HEX M16-2.0x40 G10.9 N500	4	4	
42	5001372	SCREW CAP HEX M16-2.0x50 G10.9 N500	2	2	
43	121578	TAB LOCK / W/2 HOLES 17MM I.D. X 90MM C/C	1	1	
44	131784	ATTACHMENT	1	1	
45	5001765	SCREW CAP HEX M20-2.5x45 G8.8 Z050	2	2	
46	5001663	NUT HEX NYRT M20-2.5 G10 Z050	10	10	
47	5001829	SCREW CAP HEX M20-2.5x240 G10.9 N500	8	8	
50	121697	ROD ASSY / 21 1/8" C/C (536.5MM)	3	3	
51	110648	ROD ASSY / 34 13/16" C/C (885MM)	1	1	
NS	688910	THREAD LOCKER LOCTITE #262 / RED / 250ml	AR	AR	
NS	680038	THREAD LOCKER LOCTITE #243 / BLUE / 50ml	AR	AR	
		O) OPTION			
		W) IF NEED, USE BETWEEN BUSHING ROD SUPPORT			
		P) CALL ORDER DESK FOR SPECIFIC APPLICATION (V.I.N.)			

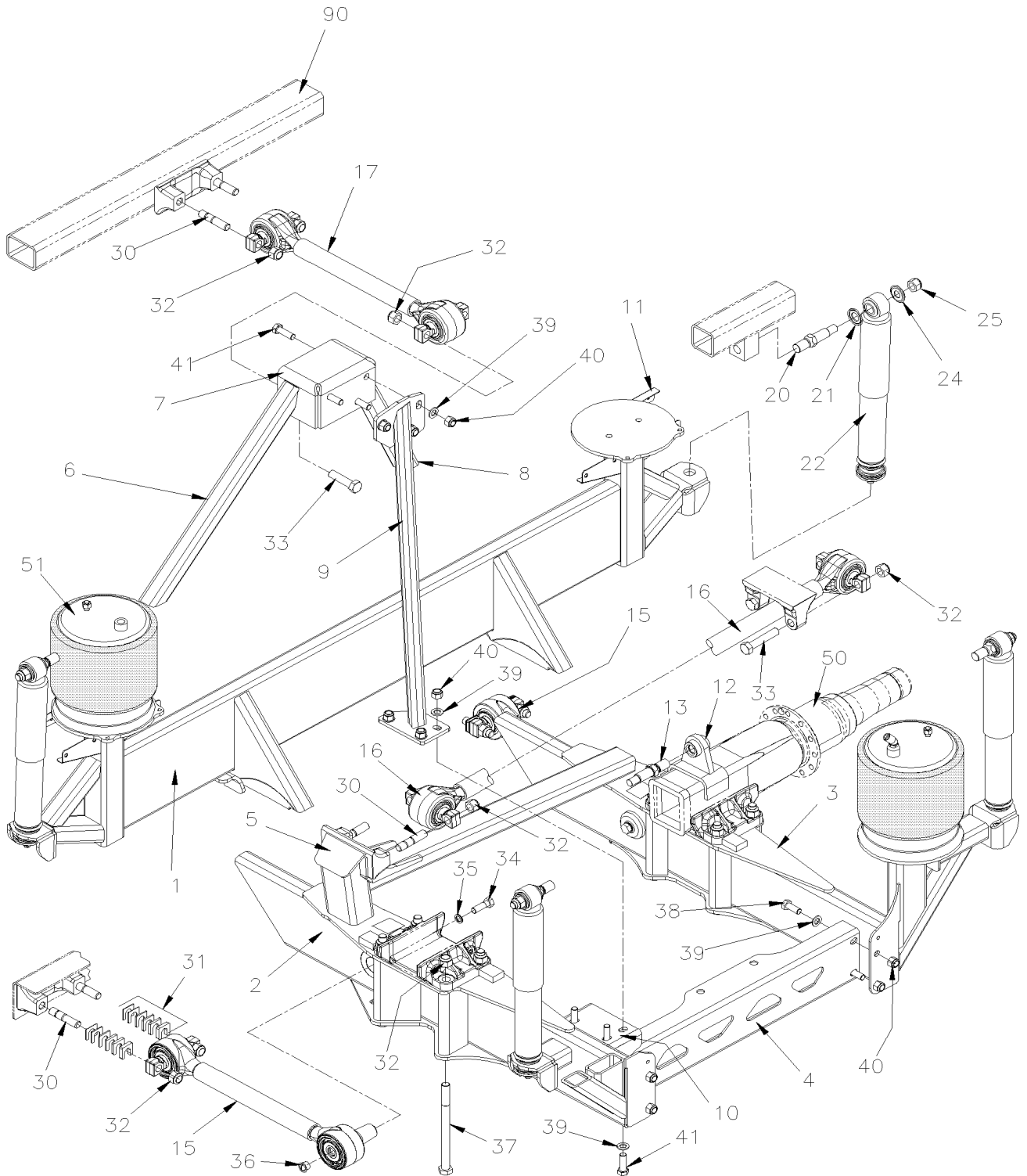


From D-5460 To D-5489

Date:07/2024

PAGE:XV-1610-01

REAR AXLE - INSTALL SUSPENSION





From D-5460 To D-5489	Date:07/2024	PAGE:XV-1610-01
-----------------------	--------------	-----------------

REAR AXLE - INSTALL SUSPENSION

Item#	Part	Description	X 3 V I P	X L I I E N T 4 5	N O T E S
	120188	REAR DIFFERENTIAL CARRIER ASSY WELDED	1	1	
1	121977	. FRONT FRAME ASSY / W/AXLE	1	1	
2	121967	. BEAM ASSY / L.H.	1	1	
3	121968	. BEAM ASSY / R.H.	1	1	
4	122000	. CROSS MEMBER ASSY	1	1	
5	121990	. PANHARD ATTACHMENT, CARRIER FRAME	1	1	
6	121998	BRACE / FRONT L.H.	1	1	
7	121970	TOP TRIPOD ASSY WELDED	1	1	
8	121997	BRACE / FRONT R.H.	1	1	
9	121980	TRIPOD ASSY WELDED	1	1	
10	122023	PLATE SUPPORT	1	1	
11	122013	ACTUATOR SUPPORT / TO FIX LINK / (WELDED)	2	2	
12	121467	ATTACHMENT PIN SWAY BAR / (WELDED TO HOUSING)	2	2	
13	131522	PIN W/TAPER ATTACHMENT M20-2.5 / SWAY-BAR	2	2	
15	621874	ROD ASSY / 594MM	2	2	
. NS	621891	. BALL PIN BUSHING / REPAIR KIT 70MM O.D.	1	1	
. NS	621892	. BALL PIN BUSHING / REPAIR KIT 70MM O.D. / 130MM C/C	1	1	
16	621873	ROD ASSY / 889MM	1	1	
. NS	621890	. BALL PIN BUSHING / REPAIR KIT 70MM O.D. / 130MM C/C	2	2	
17	621878	ROD ASSY / 594MM	1	1	
. NS	621890	. BALL PIN BUSHING / REPAIR KIT 70MM O.D. / 130MM C/C	2	2	
20	131424	PIN W/TAPER ATTACHMENT M20-2.5	4	4	
21	5001153	WASHER CON 25.5x50.0x4.5 ZP	4	4	
22	630271	SHOCK ABSORBER / SACHS	4	4	
. NS	630257	. BUSHING / RUBBER / (TWO PIECES) 1" x 1.005" I.D.	2	2	
. NS	630255	. KIT WASHER & RUBBER BUSHING	1	1	
24	5001152	WASHER CON 21.0x50.0x4.5 ZP	4	4	
25	5001663	NUT HEX NYRT M20-2.5 G10 Z050	4	4	
30	5001897	STUD M20-2.5x70 G10.9 N500	8	8	
31	661219	SHIM "U" 0.79 x 39.5MM x 38MM x 20 i.d.	AR	AR	
31	661101	SHIM "U" 1.52 x 39.5MM x 38MM x 20 i.d.	AR	AR	
31	161351	SHIM "U" 2.28 x 39.5MM x 38MM x 20 i.d.	AR	AR	
31	160993	SHIM "U" 3.175x 39.5MM x 38MM x 20 i.d.	AR	AR	
31	661094	SHIM "U" 4.76 x 39.5MM x 38MM x 20 i.d.	AR	AR	
31	160992	SHIM "U" 6.35 x 39.5MM x 38MM x 20 i.d.	AR	AR	
31	163599	SHIM "U" 9.53 x 39.5MM x 38MM x 20 i.d.	AR	AR	
32	5001663	NUT HEX NYRT M20-2.5 G10 Z050	20	20	
33	5001225	SCREW CAP HEX M20-2.5x80 G10.9 G500	4	4	
34	5001899	SCREW CAP HEX M16-1.5x50 G10.9 N500	2	2	
35	630278	WASHER "NORD-LOCK" 17.0x25.4x3.4 YP	2	2	
36	621832	PULL PLUG DIA. 23MM	2	2	
37	5001898	SCREW CAP HEX M20-2.5x275 G10.9 N500	8	8	



From D-5460 To D-5489	Date:07/2024	PAGE:XV-1610-01
REAR AXLE - INSTALL SUSPENSION		

Item#	Part	Description	X 3 V I P	X L I I E N T 4 5	N O T E S
38	5001590	SCREW CAP HEX M16-2.0x40 G10.9 N500	4	4	
39	5001150	WASHER FL 17.0x30.0x3.0 N500	13	13	
40	5001662	NUT HEX NYRT M16-2.0 G10 Z050	10	10	
41	5001372	SCREW CAP HEX M16-2.0x50 G10.9 N500	6	6	
NS	680038	THREAD LOCKER LOCTITE #243 / BLUE / 50ml	AR	AR	
NS	688910	THREAD LOCKER LOCTITE #262 / RED / 250ml	AR	AR	
NS	680098	THREAD SEALANT LOCTITE #567 / WHITE / 250ml	AR	AR	
NS	680064	OIL ANTICOROSIVE GREY (TECTYL) (20 LITERS)	AR	AR	
NS	682175	UNDERCOATING BLACK PROTECTOR (GRAVELGUARD) 567gr	AR	AR	
50	XV-1105-00	REAR AXLE - MODEL "RC23165"			
51	XV-1601-00	BELLOWS - AIR SUSPENSION			
90	Call order desk	CROSSMEMBER REAR SUB-FRAM	1	1	P
		P) CALL ORDER DESK FOR SPECIFIC APPLICATION (V.I.N.)			

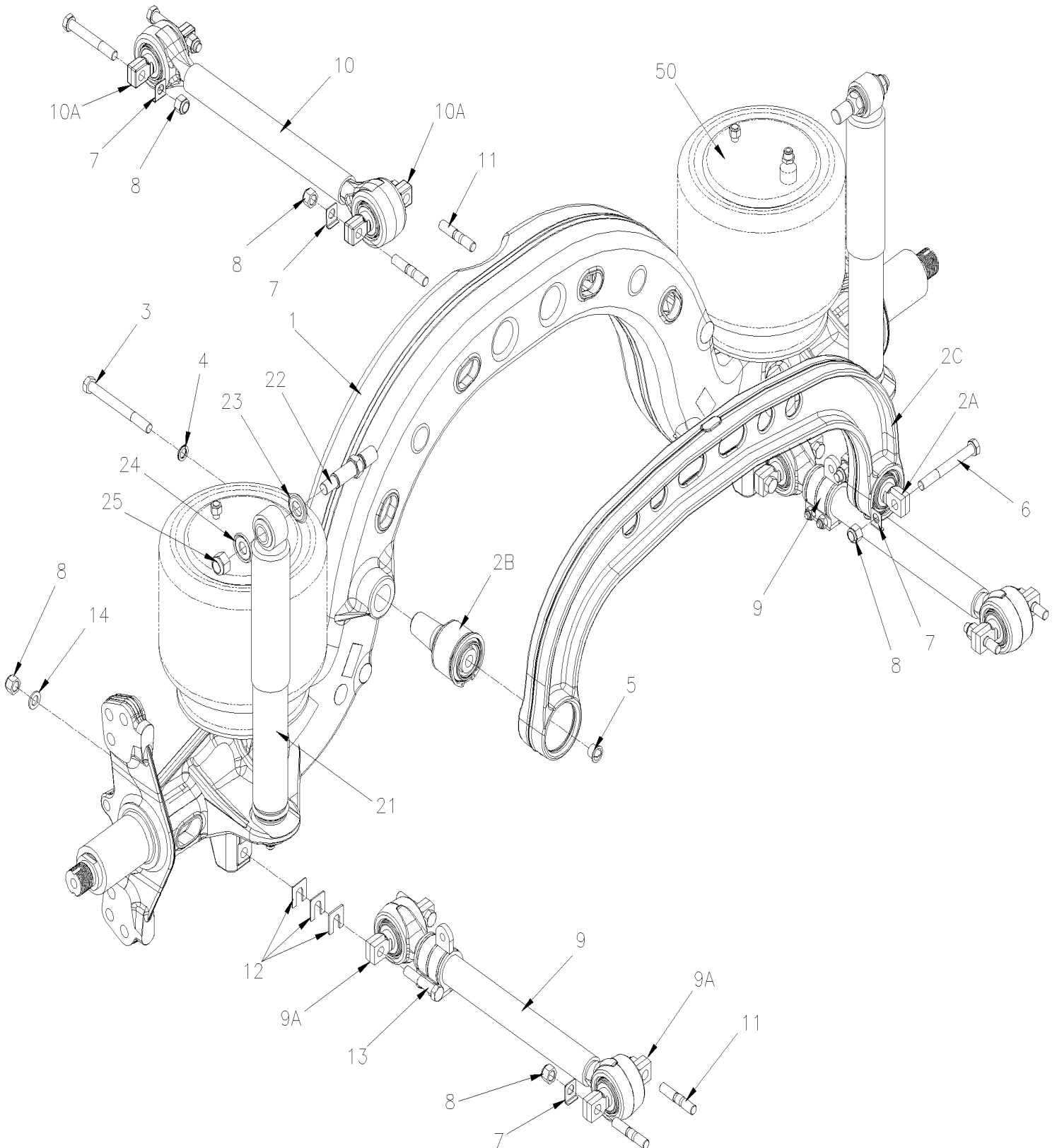


From B-5003 To D-5489

Date:07/2024

PAGE:XV-1615-00

TAG AXLE - INSTALL SUSPENSION ONE PIECE





From B-5003 To D-5489 Date:07/2024 PAGE:XV-1615-00

TAG AXLE - INSTALL SUSPENSION ONE PIECE

Item#	Part	Description	X 3 V I P	X L I I E N T 4 5	N O T E S
1	621808	TAG AXLE / FORGE	1	1	
2	630272	ROD ASSY WITH / 35" C/C (889MM) / CASTING	1	1	
. A	630274	. BALL PIN BUSHING / REPAIR KIT 75MM O.D. / 130MM C/C	1	1	
. B	630275	. BALL PIN BUSHING / REPAIR KIT 85MM O.D.	1	1	
. C	630273	. ROD 35" C/C (889MM) / CASTING	1	1	
NS	G32952	TOOL REMOVER TAG PANHARD FROM AXLE	1	1	
3	5001795	SCREW CAP HEX M16-1.5x160 G10.9 N500	1	1	
4	630278	WASHER "NORD-LOCK" 17.0x25.4x3.4 YP	1	1	
5	621832	PULL PLUG DIA. 23MM	1	1	
6	5001828	SCREW CAP HEX M16-2.0x140 G10.9 N500	2	2	
7	131961	TAB LOCK From B-5017	10	10	
8	5001662	NUT HEX NYRT M16-2.0 G10 Z050	14	14	
9	621803	ROD ASSY / 23.38" (594.1MM) / 130MM / M16	2	2	
. A	630274	. BALL PIN BUSHING / REPAIR KIT 75MM O.D. / 130MM C/C	2	2	
10	621806	ROD ASSY / 23.38" (594.1MM) / 130MM / M16	1	1	
. A	630274	. BALL PIN BUSHING / REPAIR KIT 75MM O.D. / 130MM C/C	2	2	
11	621795	STUD M16-2.0x72 MM ZP To B-5016	6	6	
11	5001867	STUD M16-2.0x60 G10.9 N500 From B-5017	6	6	
12	661220	SHIM "U" 0.79 x39.5MM x 38MM x17 i.d.	AR	AR	
12	621830	SHIM "U" 1.59 x 39.5MM x 38MM x17 i.d.	AR	AR	
12	161352	SHIM "U" 2.28 x39.5MM x 38MM x17 i.d.	AR	AR	
12	621831	SHIM "U" 3.175 x39.5MM x 38MM x17 i.d.	AR	AR	
13	5001830	SCREW CAP HEX M16-2.0x80 G10.9 N500	4	4	
14	5001722	WASHER FL 17.0x30.0x3.0 SS	4	4	
15	5001827	SCREW CAP HEX M16-2.0x120 G10.9 N500	2	2	
21	630271	SHOCK ABSORBER / SACHS	2	2	
. NS	630257	. BUSHING / RUBBER / (TWO PIECES) 1" x 1.005" I.D.	2	2	
. NS	630255	. KIT WASHER & RUBBER BUSHING	1	1	
22	131424	PIN W/TAPER ATTACHMENT M20-2.5	1	1	
23	5001153	WASHER CON 25.5x50.0x4.5 ZP	2	2	
24	5001152	WASHER CON 21.0x50.0x4.5 ZP	2	2	
25	5001663	NUT HEX NYRT M20-2.5 G10 Z050	2	2	
50	XV-1601-00	BELLOWS - AIR SUSPENSION			

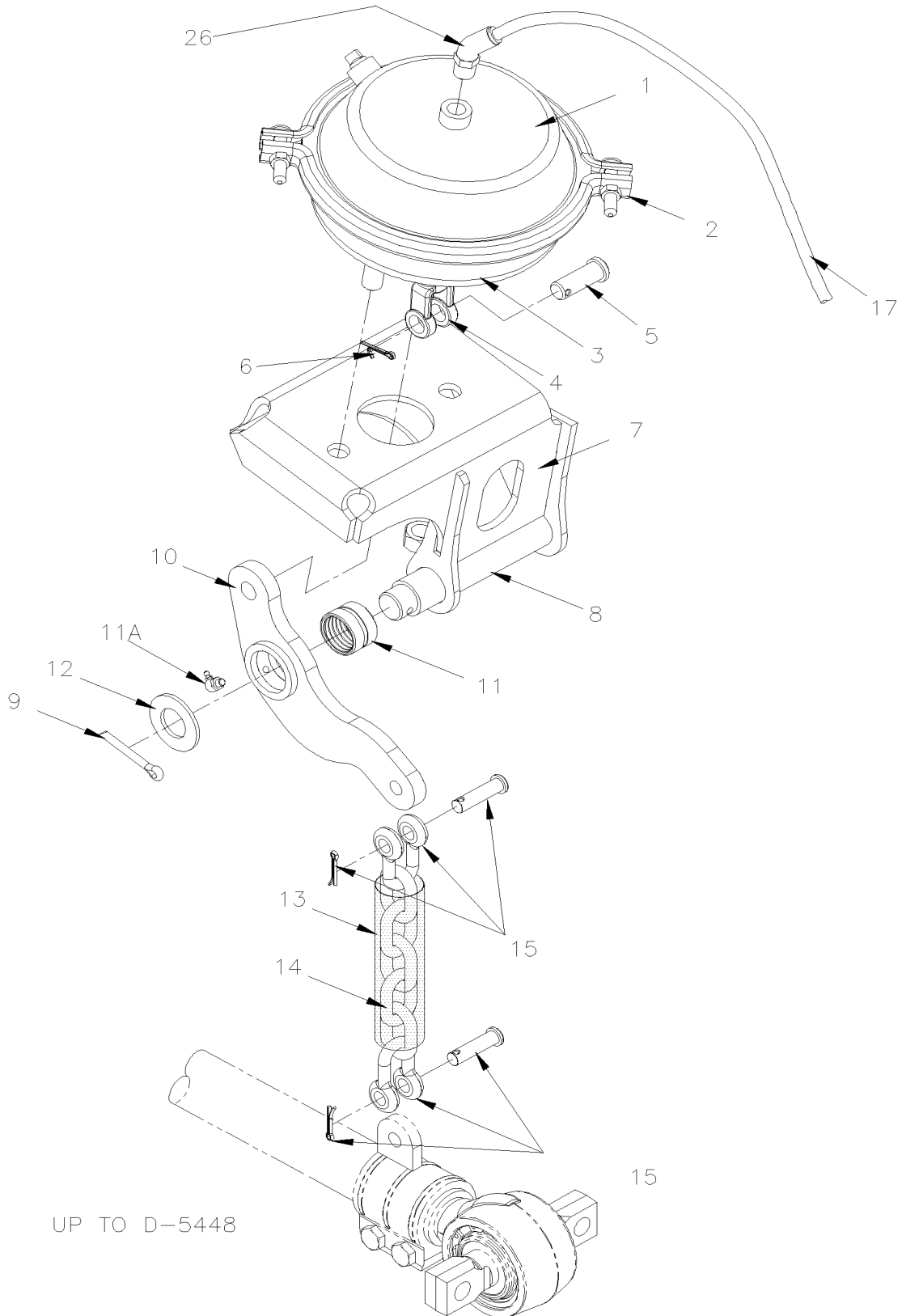


From B-5003 To D-5489

Date:07/2024

PAGE:XV-1615-10

TAG AXLE - LIFTING



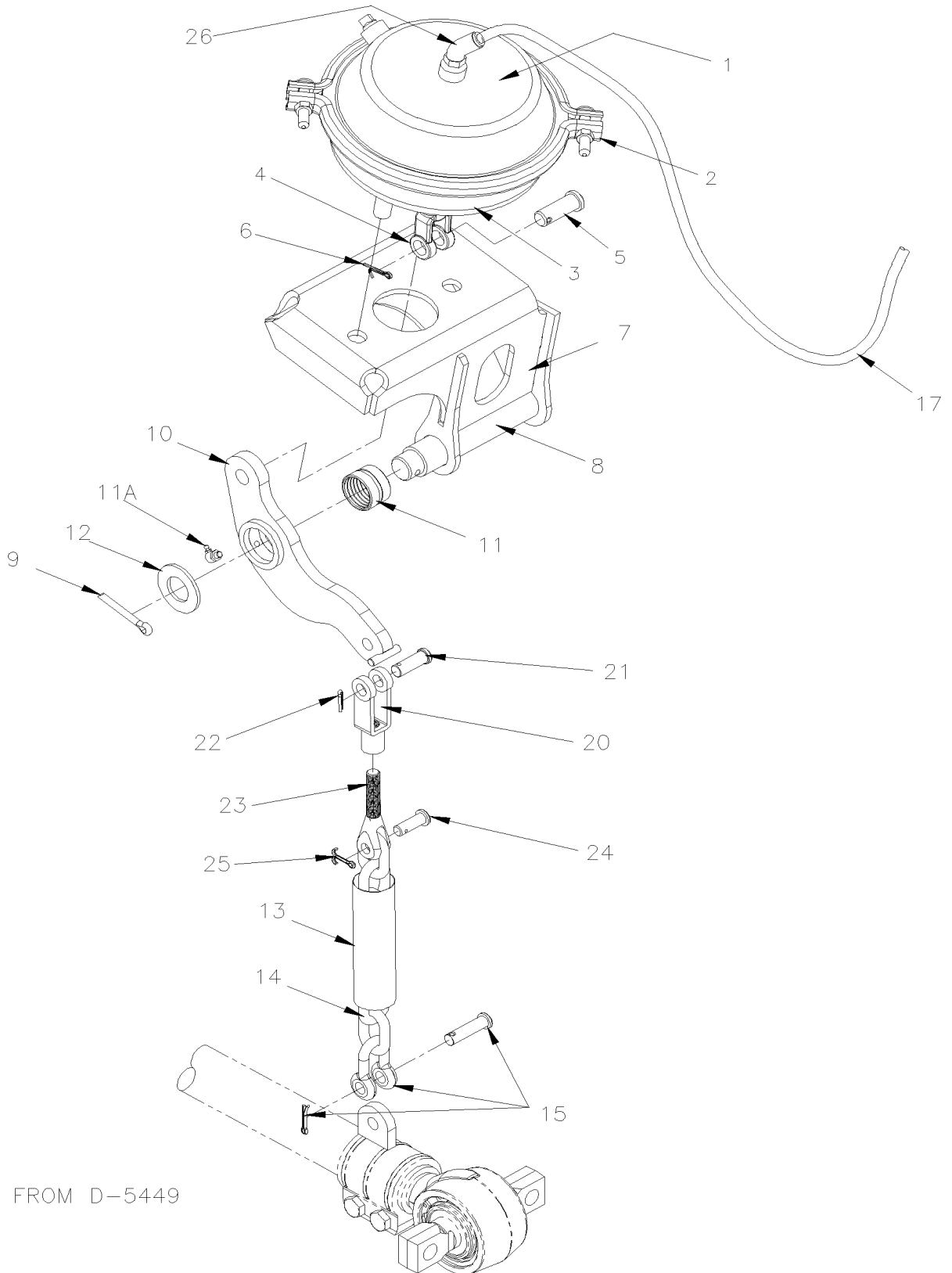


From B-5003 To D-5489

Date:07/2024

PAGE:XV-1615-10

TAG AXLE - LIFTING



FROM D-5449



From B-5003 To D-5489	Date:07/2024	PAGE:XV-1615-10
------------------------------	---------------------	------------------------

TAG AXLE - LIFTING

Item#	Part	Description	X 3 V I P	X L I I E N T 4 5	N O T E S
1	641425	BRAKE CHAMBER ASSY / TYPE 36	2	2	
2	641067	. CLAMP TYPE 36	1	1	
3	640979	. DIAPHRAGM / TYPE 36	1	1	
3	641066	. BOOT RUBBER	1	1	
4	640130	. YOKE 5/8-18x1 3/8 C/Lx9/16Wx5/8	1	1	
5	502028	. . PIN, CLEVIS 5/8 x 3/4	1	1	
6	502102	. . PIN, COTTER 1/8 x 1	1	1	
NS	641426	. SHIELD, ROD CENTER HOLE	1	1	
7	173154P	BRACKET / R.H.	1	1	
7	173155P	BRACKET / L.H.	1	1	
8	121724	. PIVOT PIN	1	1	
9	502106	PIN, COTTER 1/4 x 2	1	1	
10	131837	LEVER ASSY To D-5448	2	2	
10	132007	LEVER ASSY From D-5449	2	2	
11	131699	. BUSHING BRASS / W/GROOVE INSIDE 31.94 O.D. x 25.5 I.D. x 25.4	1	1	
11A	501500	. GREASE FITTING 90° / 1/4-28	1	1	
12	500456	WASHER FL 1.062x2.000x.134 Z050	1	1	
13	121123	TUBE COVERING CHAIN 290MM	1	1	
. NS	5001503	. TUBE, PVC / CLEAR / 1 1/2" I.D./ S.L.	AR	AR	
14	121913	CHAIN / 340MM To D-5448	1	1	
14	121930	CHAIN / 243MM From D-5449	1	1	
15	505064	SHACKLE CHAIN 3/8 To D-5448	2	2	
15	505064	SHACKLE CHAIN 3/8 From D-5449	1	1	
17	503404	TUBE, NYLON 3/8 O.D. / BLACK S.L.	1	1	
20	5021002	CLEVIS ROD END 1/2 From D-5449	1	1	
21	502035	. PIN, CLEVIS 1/2 x 1 3/8 Z050 From D-5449	1	1	
22	502103	. PIN, COTTER 1/8 x 2 From D-5449	1	1	
23	5021003	CLEVIS ROD END 7/16 From D-5449	1	1	
24	5021004	PIN, CLEVIS 7/16 x 1 1/4 ZP From D-5449	1	1	
25	502102	PIN, COTTER 1/8 x 1 From D-5449	1	1	
26	641367	MALE ELBOW 45° NON-SWIVEL / PUSH-IN FITTING / #6x3/8NPT-M BR	1	1	

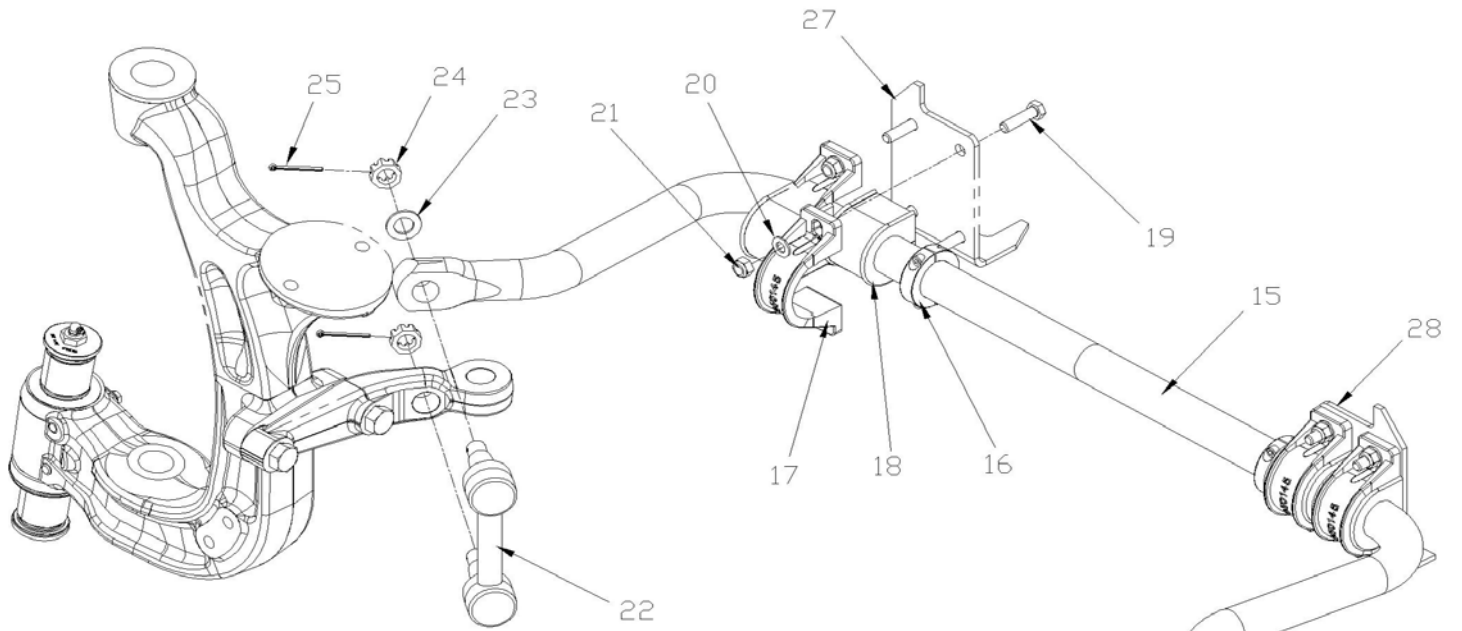


From B-5003 To D-5489

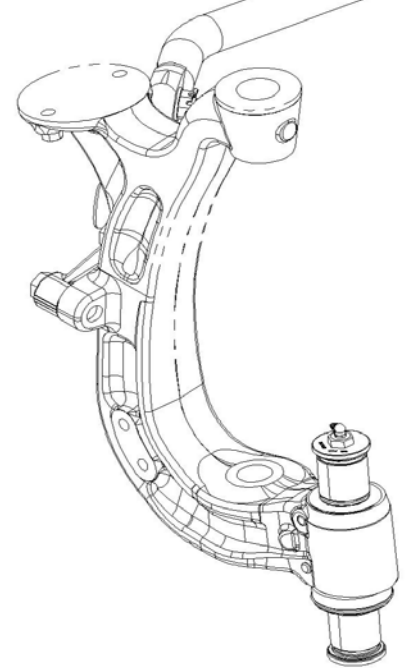
Date:07/2024

PAGE:XV-1616-00

SWAY BAR



WITH INDEPENDANTE SUSPENSION



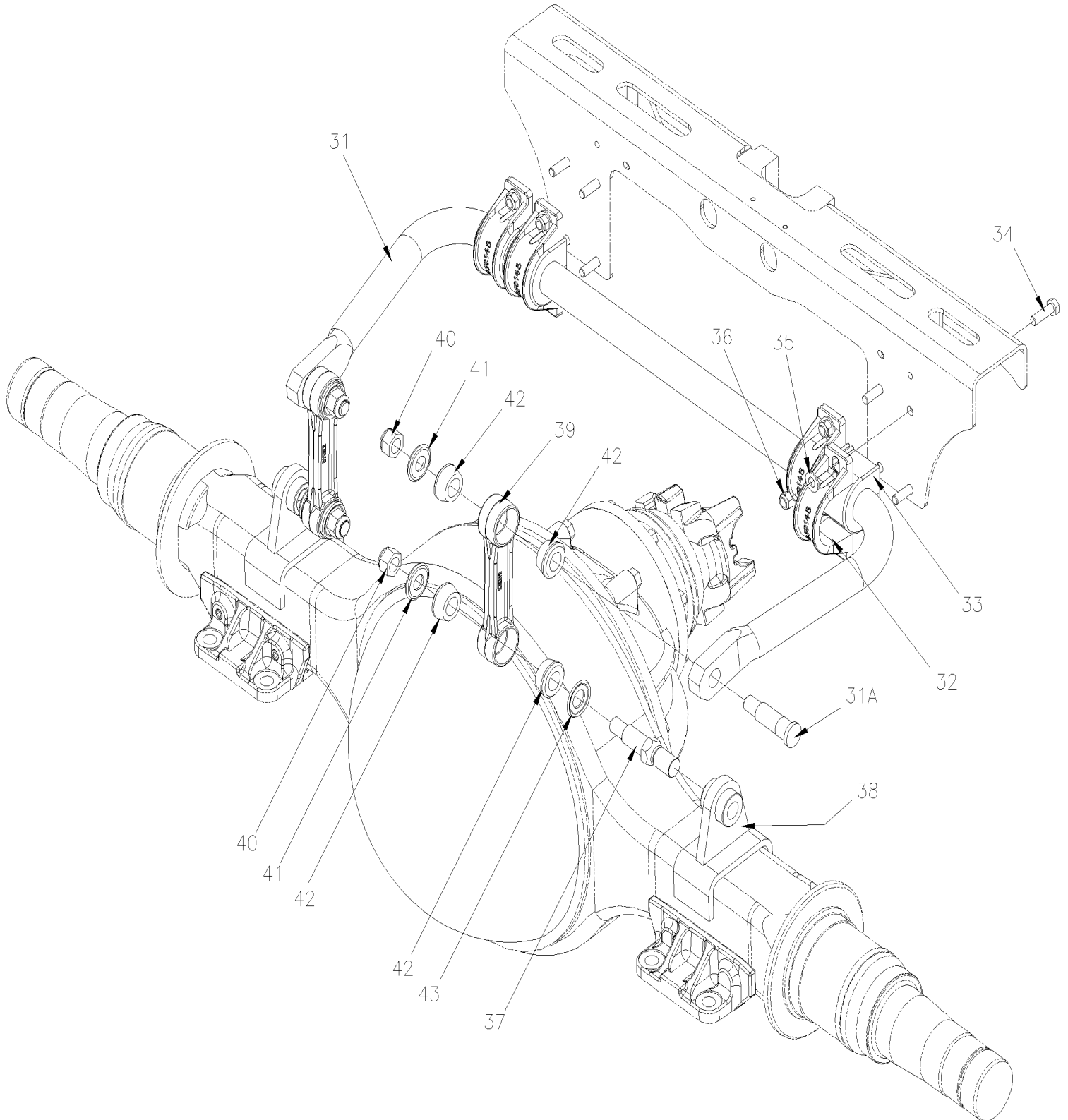


From B-5003 To D-5489

Date:07/2024

PAGE:XV-1616-00

SWAY BAR





From B-5003 To D-5489	Date:07/2024	PAGE:XV-1616-00
------------------------------	---------------------	------------------------

SWAY BAR

Item#	Part	Description	X 3 V I P	X L I I E N T 4 5	N O T E S
15	131755	SWAY BAR 1 3/4" O.D. 1175MM // W/58 Deg	1	1	
16	563042	COLLAR 1 3/4" I.D.	2	2	
17	630145	COLLAR / IRON / 2x.472" HOLE 4 5/8 C/C	4	4	
NS	130078	SERV. KIT SWAYBAR COLLAR 45MM 1,75" DI	1	1	
. NS	130076	. MACHINED NODULAR COLLAR	4	4	
. NS	630020	. BUSHING / RUBBER / USE WITH SWAY BAR 1 3/4"	4	4	
. NS	5001688	. SCREW CAP HEX M12-1.75x100 G10.9 G500	8	8	
. NS	5001695	. NUT HEX NYRT M12-1.75 Z050	8	8	
. NS	5002008	. WASHER FL 13.0x35.0x5.0 N500	8	8	
. NS	IS-23019	. SEE ENGLISH INSTRUCTION SHEET	1	1	
. NS	FI-23019	. SEE FRENCH INSTRUCTION SHEET	1	1	
18	630020	BUSHING / RUBBER / USE WITH SWAY BAR 1 3/4"	4	4	
19	500806	SCREW CAP HEX M12-1.75x35 G10.9 G500	8	8	
20	500011	WASHER FL / HARDENED 13.0x24.0x3.0 STL	8	8	
21	5001695	NUT HEX NYRT M12-1.75 Z050	8	8	
22	630246	LINK ASSY / 150MM C/C / W/18000LBS	2	2	
23	502558	WASHER FL 21.0x37.0x3.0 G500	2	2	
24	5001553	NUT HEX CSL M20-1.5 N500	4	4	
25	502104	PIN, COTTER 5/32 x 2	4	4	
27	171718	ATTACHMENT SWAY BAR CURBSIDE	1	1	
28	171908	ATTACHMENT SWAY BAR STREETSIDE	1	1	
31	131019	SWAY BAR ASSY / 1 1/2" O.D. X 848MM	1	1	R
. A	131520	. STUD 1 1/4" O.D.	2	2	R
32	630145	COLLAR / IRON / 2x.472" HOLE 4 5/8 C/C	4	4	R
NS	130077	SERV. KIT SWAYBAR COLLAR 38MM, 1.5" DI	1	1	
. NS	130076	. MACHINED NODULAR COLLAR	4	4	
. NS	130953	. BUSHING / RUBBER / USE WITH SWAY BAR 1 1/2"	4	4	
. NS	5001688	. SCREW CAP HEX M12-1.75x100 G10.9 G500	8	8	
. NS	5001695	. NUT HEX NYRT M12-1.75 Z050	8	8	
. NS	5002008	. WASHER FL 13.0x35.0x5.0 N500	8	8	
. NS	IS-23019	. SEE ENGLISH INSTRUCTION SHEET	1	1	
. NS	FI-23019	. SEE FRENCH INSTRUCTION SHEET	1	1	
33	130953	BUSHING / RUBBER / USE WITH SWAY BAR 1 1/2"	4	4	R
34	5001338	SCREW CAP HEX M12-1.75x45 G10.9 N500	8	8	R
35	500011	WASHER FL / HARDENED 13.0x24.0x3.0 STL	8	8	R
36	5001695	NUT HEX NYRT M12-1.75 Z050	8	8	R
37	131522	PIN W/TAPER ATTACHMENT M20-2.5 / SWAY-BAR	2	2	R B
38	121467	ATTACHMENT PIN SWAY BAR / (WELDED TO HOUSING)	2	2	R
39	630146	LINK ASSY / 7" C/C / IRON	2	2	R
40	5001663	NUT HEX NYRT M20-2.5 G10 Z050	4	4	R



From B-5003 To D-5489	Date:07/2024	PAGE:XV-1616-00
SWAY BAR		

Item#	Part	Description	X 3 V I P	X L I I E N T 4 5	N O T E S
41	5001152	WASHER CON 21.0x50.0x4.5 ZP	4	4	R
42	506678	BUSHING / POLYURETHANE / (TWO PIECES) RED 1" x 1.005" I.D.	8	8	R
43	5001153	WASHER CON 25.5x50.0x4.5 ZP	2	2	R
		B) THIS PIN IS 3MM SHORTER ON BUSHING SIDE AND BLACK PAINTED FOR EASY IDENTIFICATION			
		I) INDEPENDANT SUSPENSION			
		R) REAR SUSPENSION			



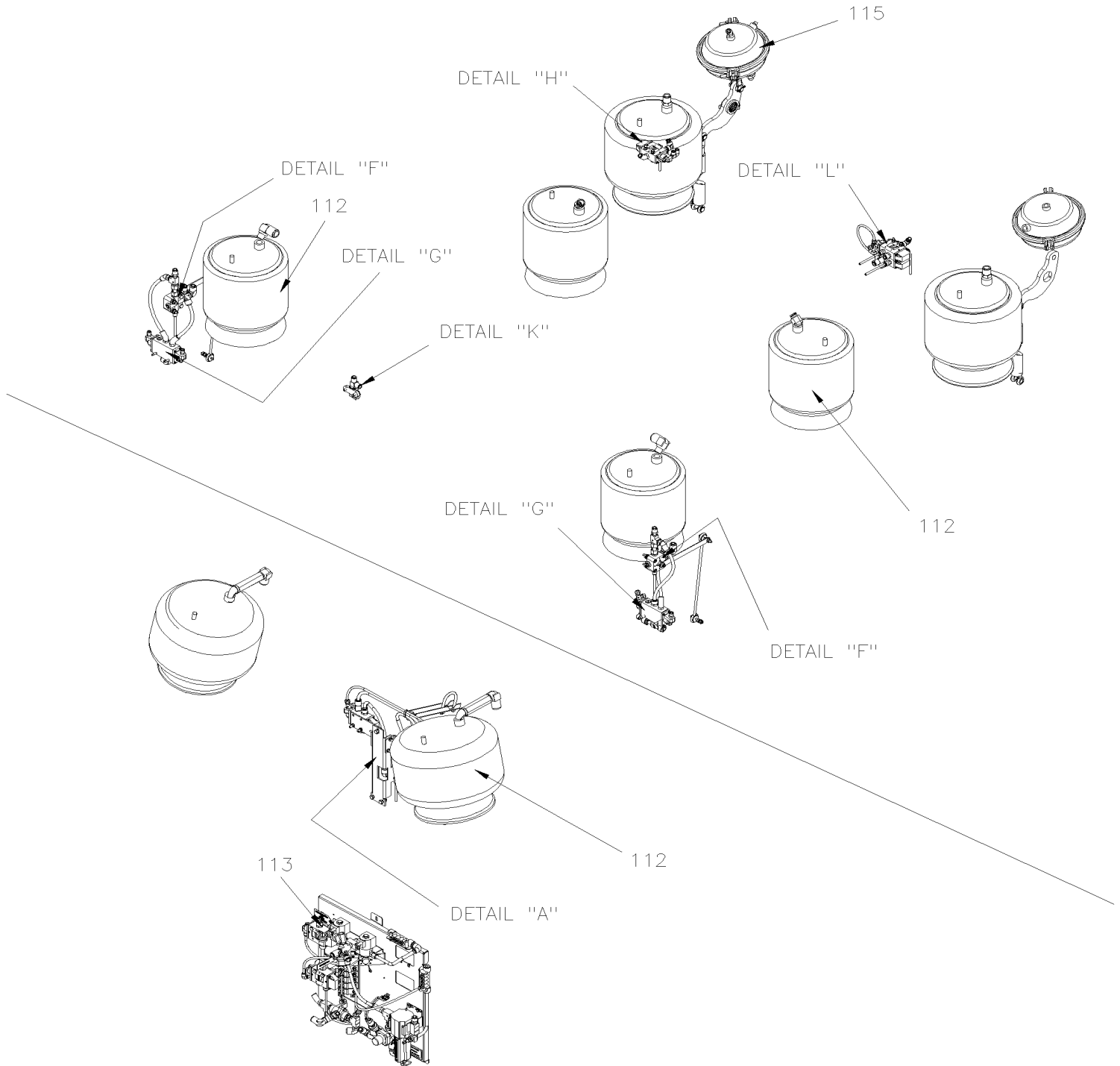
From B-5003 To D-5459

Date:07/2024

PAGE:XV-1620-50

HEIGHT CONTROL VALVE - MTH

REAR AND TAG AXLE



UP TO C-5132

INDEPENDANT SUSPENSION



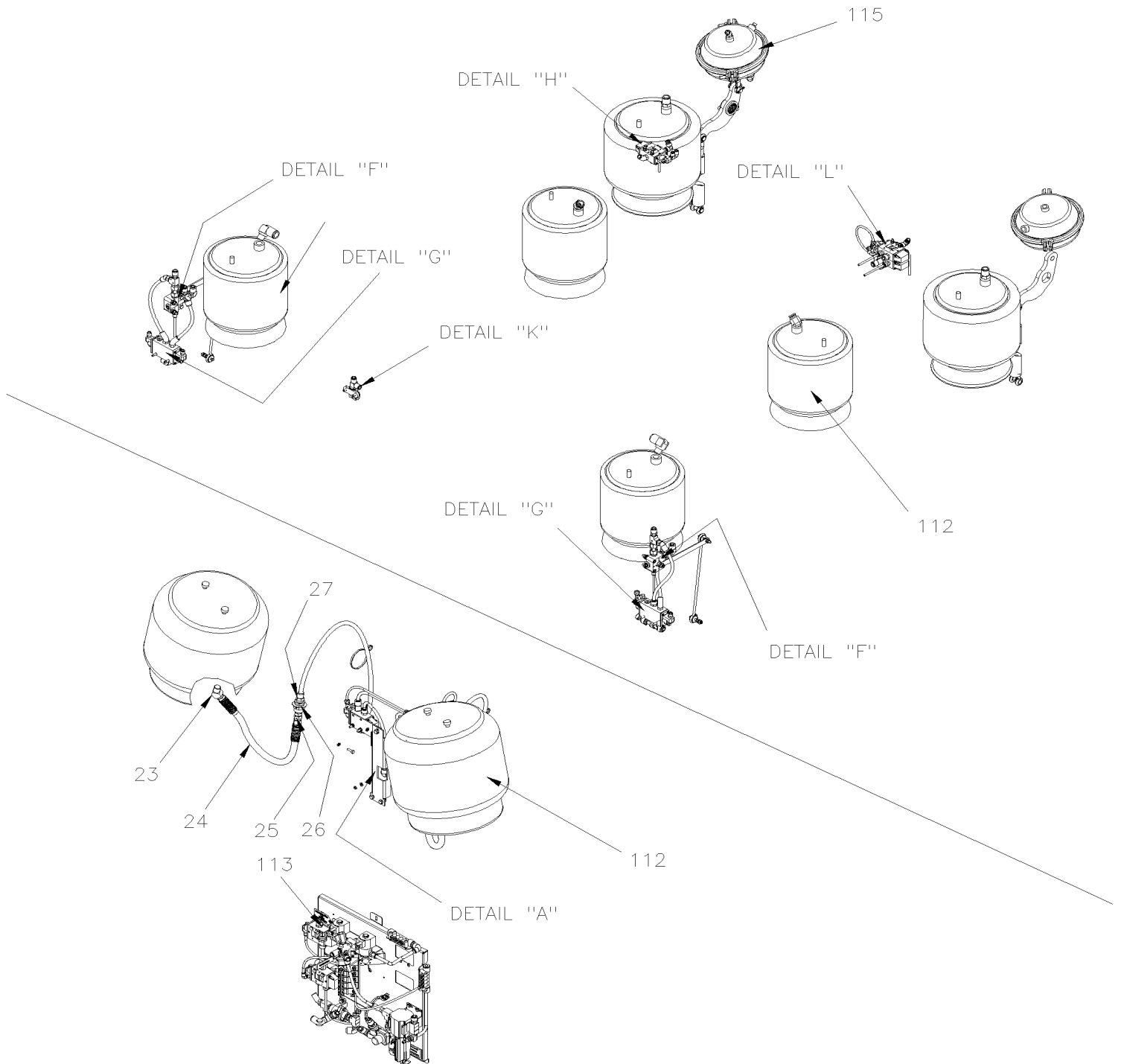
From B-5003 To D-5459

Date:07/2024

PAGE:XV-1620-50

HEIGHT CONTROL VALVE - MTH

REAR AND TAG AXLE



FROM C-5133

INDEPENDANT SUSPENSION

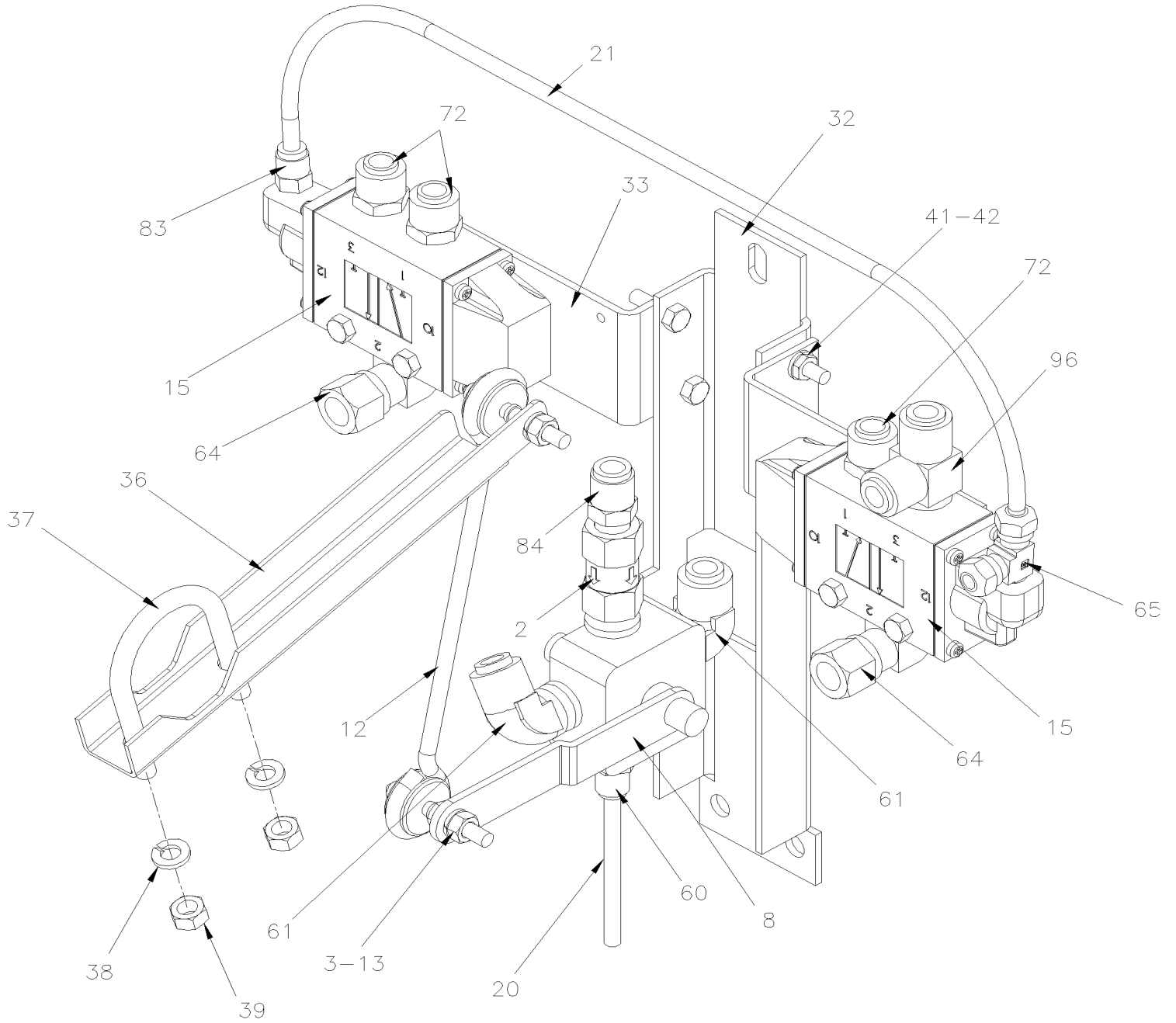


From B-5003 To D-5459

Date:07/2024

PAGE:XV-1620-50

HEIGHT CONTROL VALVE - MTH



DETAIL "A"

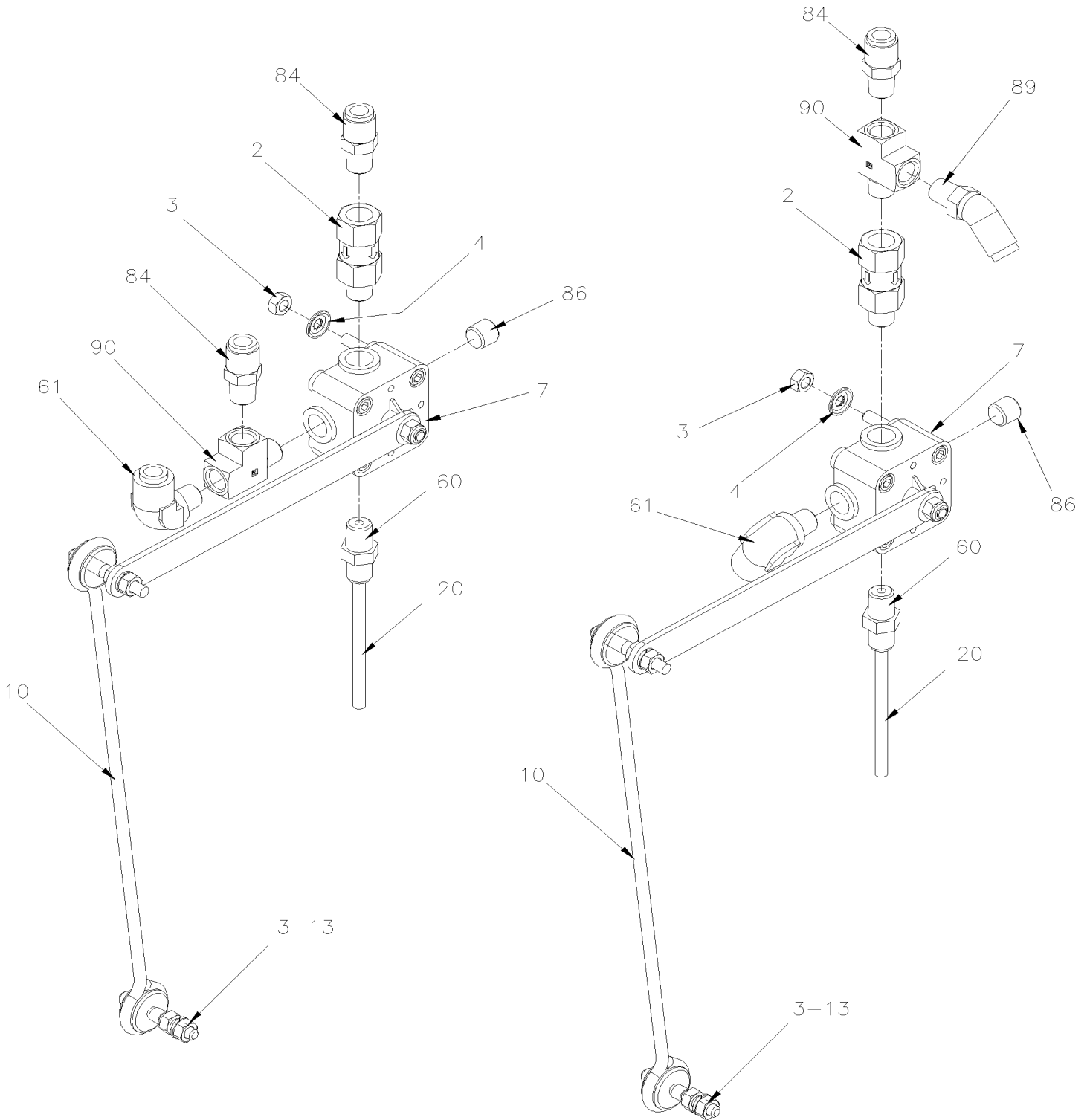


From B-5003 To D-5459

Date:07/2024

PAGE:XV-1620-50

HEIGHT CONTROL VALVE - MTH



WITHOUT "LEVEL LOW"

DETAIL "F"

WITH "LEVEL LOW"

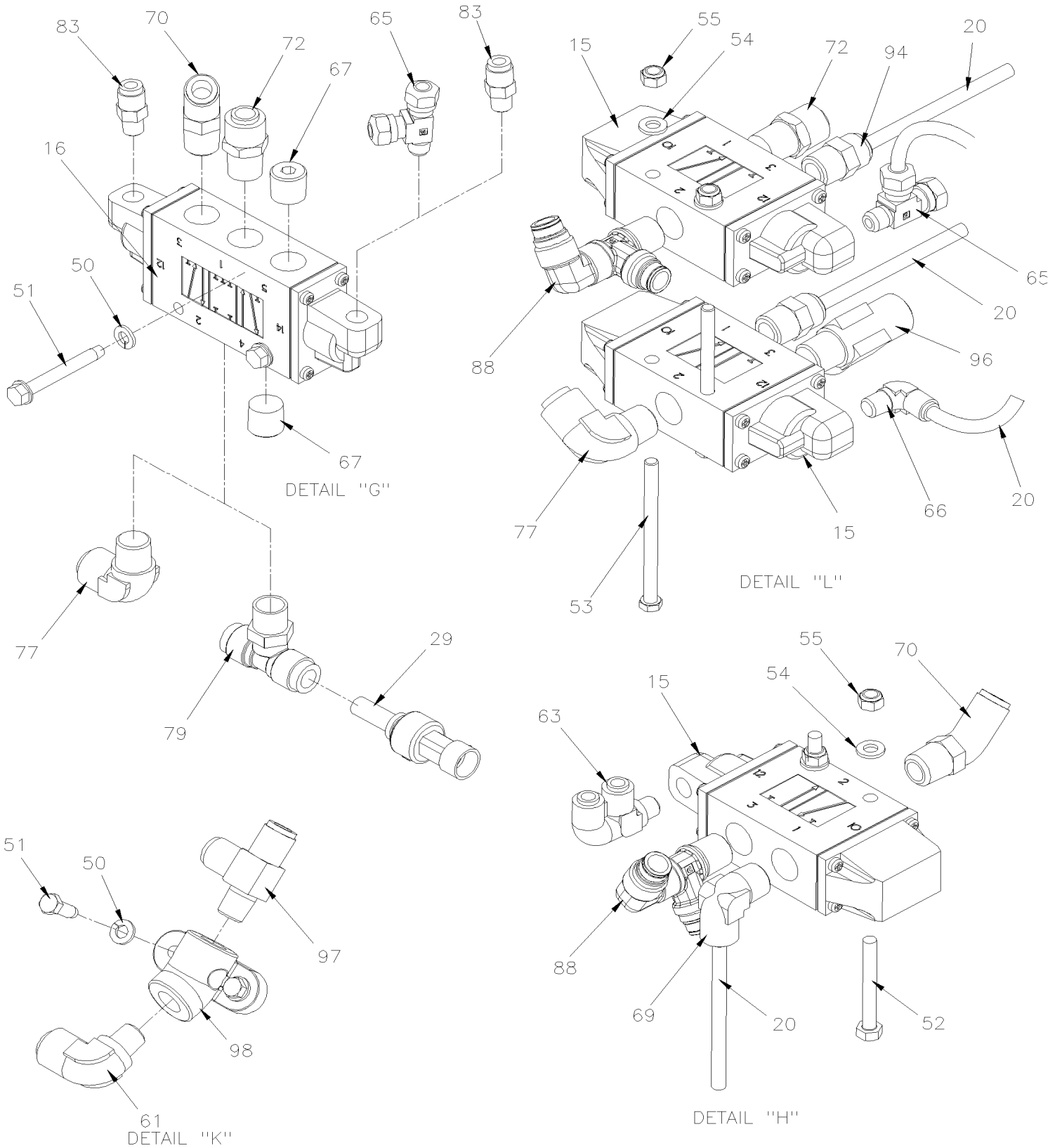


From B-5003 To D-5459

Date:07/2024

PAGE:XV-1620-50

HEIGHT CONTROL VALVE - MTH





From B-5003 To D-5459	Date:07/2024	PAGE:XV-1620-50
HEIGHT CONTROL VALVE - MTH		

Item#	Part	Description	X 3 V I P	X L I I E N T 4 5	N O T E S
2	640135	VALVE, CHECK 1/4 NPT	1	1	
3	500769	NUT HEX 1/4-20 Z050	2	2	
4	502582	WASHER LO SERR 6.1x16.2x0.9 Z050	2	2	
7	630156	VALVE, HEIGHT CONTROL "BARKSDALE"	2	2	
8	630237	VALVE, HEIGHT CONTROL "BARKSDALE" / FRONT	1	1	
10	630229	LINK ASSY 344MM C/C 13 1/2"	2	2	
. A	N8889244	. GROMMET / LINK	2	2	
. C	630250	. STUD RETAINER 1/4-20 X 1"	2	2	
. NS	500769	. NUT HEX 1/4-20 Z050	4	4	
. NS	500473	. WASHER LO SPT .262x.489x.062 Z050	4	4	
12	630231	LINK ASSY 185MM C/C 7 1/4"	1	1	
. A	N8889244	. GROMMET / LINK	2	2	
. B	630250	. STUD RETAINER 1/4-20 X 1"	2	2	
. C	500247	. NUT HEX 1/4-20 N500	4	4	
. D	500473	. WASHER LO SPT .262x.489x.062 Z050	4	4	
13	630250	STUD RETAINER 1/4-20 X 1"	2	2	
15	641274	VALVE, 3 WAYS, 2 POSITIONS N.C.	2	2	
16	641531	VALVE, 5 WAYS, 3 POSITIONS	2	2	
. NS	641186	. SPOOL	1	1	
20	503402	TUBE, NYLON 1/4 O.D. / BLACK S.L.	AR	AR	
21	503517	TUBE, NYLON 1/2 O.D. / BLUE S.L.	AR	AR	
NS	507664	CABLE TIE / 3/16" 11" / DOUBLE LOOP HEAD	AR	AR	
23	501528	STREET ELBOW 45° / PIPE FITTING / 1/2NPT-Mx1/2NPT-F BR From C-5133	2	2	
24	642153	HOSE ASSY / #8 22" From C-5133	2	2	
25	501616	MALE CONNECTOR / SAE 45° FITTING / #8FL-Mx1/2NPT-M BR From C-5133	2	2	
26	501796	BULKHEAD COUPLING / PIPE FITTING / 1/2NPT-Fx1/2NPT-Fx1 1/2 BR From C-5133	2	2	
27	641383	MALE CONNECTOR / PUSH-IN FITTING / #8x1/2NPT-M BR From C-5133	2	2	
29	642075	TRANSDUCER PRESSURE	1	1	
. NS	563159	. CONNECTOR / METRI-PACK 150 / SH 3C / PED 12065287	1	1	
32	131468	SUPPORT HEIGHT CONTROL VALVE	1	1	
33	131319	SUPPORT VALVE	2	2	
36	110679	ACTUATOR LEVER	1	1	
37	504635	U-BOLT 1 3/4" I.D. x 2 3/4" x 5/16-18	1	1	
38	500942	WASHER LO SPT 8.1x14.8x2.0 N500	2	2	
39	500778	NUT HEX 5/16-18 N500	2	2	
40	502656	SCREW CAP HEX M6-1.0x50 SS	4	4	
41	502570	WASHER LO SPT 6.1x11.8x1.6 SS	8	8	
42	502565	NUT HEX M6-1.0 SS	8	8	
44	500600	SCREW TC CAP HEXW 1/4-20x2 N500	AR	AR	
45	5001749	WASHER LO SPT 6.5x11.5x1.6 N500	AR	AR	
46	502622	SCREW CAP HEX M6-1.0x20 SS BK	4	4	
50	500473	WASHER LO SPT .262x.489x.062 Z050	AR	AR	



From B-5003 To D-5459 Date:07/2024 PAGE:XV-1620-50

HEIGHT CONTROL VALVE - MTH

Item#	Part	Description	X 3 V I P	X L I I E N T 4 5	N O T E S
50	500440	WASHER FL .250x.562x.065 Z050	AR	AR	
51	500923	SCREW TC CAP HEX 1/4-20x3/4 Z050	AR	AR	
51	500625	SCREW TC CAP HEXW 1/4-20x2 Z050	AR	AR	
52	502656	SCREW CAP HEX M6-1.0x50 SS	2	2	
53	5001682	SCREW CAP HEX M6-1.0x80 SS	2	2	
54	502573	WASHER FL 6.4x12.5x1.6 SS	4	4	
55	502681	NUT HEX NYRT M6-1.0 N500 G8	4	4	
60	641332	MALE CONNECTOR / PUSH-IN FITTING / #4x1/4NPT-M BR	1	1	
61	641372	MALE ELBOW 90° NON-SWIVEL / PUSH-IN FITTING / #6x1/4NPT-M BR	1	1	
62	641373	MALE ELBOW 90° NON-SWIVEL / PUSH-IN FITTING / #8x1/4NPT-M BR	2	2	
63	642127	MALE ELBOW 90° SWIVEL DUAL PORT / PUSH-IN / #4x#4x1/8NPT-M BR	1	1	
64	641040	MALE ELBOW 90° / NTA FITTING / #8x3/8NPT-M BR	2	2	
65	641002	MALE RUN TEE / NTA FITTING / #4x#4x1/8NPT-M BR	1	1	
66	641369	MALE ELBOW 90° NON-SWIVEL / PUSH-IN FITTING / #4x1/8NPT-M BR	2	2	
67	501449	PLUG HEXS / PIPE FITTING / 3/8NPT-M STL	2	2	
68	501309	ADAPTER / PIPE FITTING / 3/8NPT-Fx3/8NPT-M BR	1	1	
69	641374	MALE ELBOW 90° NON-SWIVEL / PUSH-IN FITTING / #4x3/8NPT-M BR	1	1	
70	641367	MALE ELBOW 45° NON-SWIVEL / PUSH-IN FITTING / #6x3/8NPT-M BR	2	2	
71	501699	MALE RUN TEE / PIPE FITTING / 3/8NPT-Mx3/8NPT-Fx3/8NPT-F BR	1	1	
72	641330	MALE CONNECTOR / PUSH-IN FITTING / #6x3/8NPT-M BR	3	3	
77	641375	MALE ELBOW 90° NON-SWIVEL / PUSH-IN FITTING / #6x3/8NPT-M BR	1	1	
79	642090	MALE BRANCH TEE / PUSH-IN FITTING / #6x#6x1/4NPT-M COMPOSITE	1	1	
83	641242	MALE CONNECTOR / PUSH-IN FITTING / #4x1/8NPT-M BR	1	1	
84	641331	MALE CONNECTOR / PUSH-IN FITTING / #6x1/4NPT-M BR	1	1	
86	501800	PLUG HEXS / PIPE FITTING / 1/4NPT-M STL	2	2	
88	642128	MALE ELBOW 90° SWIVEL DUAL PORT / PUSH-IN / #6x#6x3/8NPT-M BR	1	1	
90	501338	MALE RUN TEE / PIPE FITTING / 1/4NPT-Mx1/4NPT-Fx1/4NPT-F BR	1	1	
92	501800	PLUG HEXS / PIPE FITTING / 1/4NPT-M STL	1	1	
94	641347	MALE CONNECTOR / PUSH-IN FITTING / #4x3/8NPT-M BR	1	1	
96	641388	MALE RUN TEE NON-SWIVEL / PUSH-IN FITTING / #6x#6x3/8NPT-M BR	1	1	
97	641389	MALE RUN TEE SWIVEL / PUSH-IN FITTING / #6x#6x1/4NPT-M BR	1	1	
98	640643	ANCHOR ELBOW / PIPE FITTING / 1/4NPT-Fx1/4NPT-F STL	1	1	
99	641008	MALE BRANCH TEE / NTA FITTING / #6x#6x3/8NPT-M BR	1	1	
102	501653	MALE RUN TEE / PIPE FITTING / 1/8NPT-Mx1/8NPT-Fx1/8NPT-F BR	1	1	
112	XV-1601-00	BELLOWS - AIR SUSPENSION			
113	XV-1640-50	LEVEL-LOW - CONTROL PANEL & VALVES			
115	XV-1615-10	TAG AXLE - LIFTING			
116	MI07-06	SEE MAINTENANCE INFORMATION			



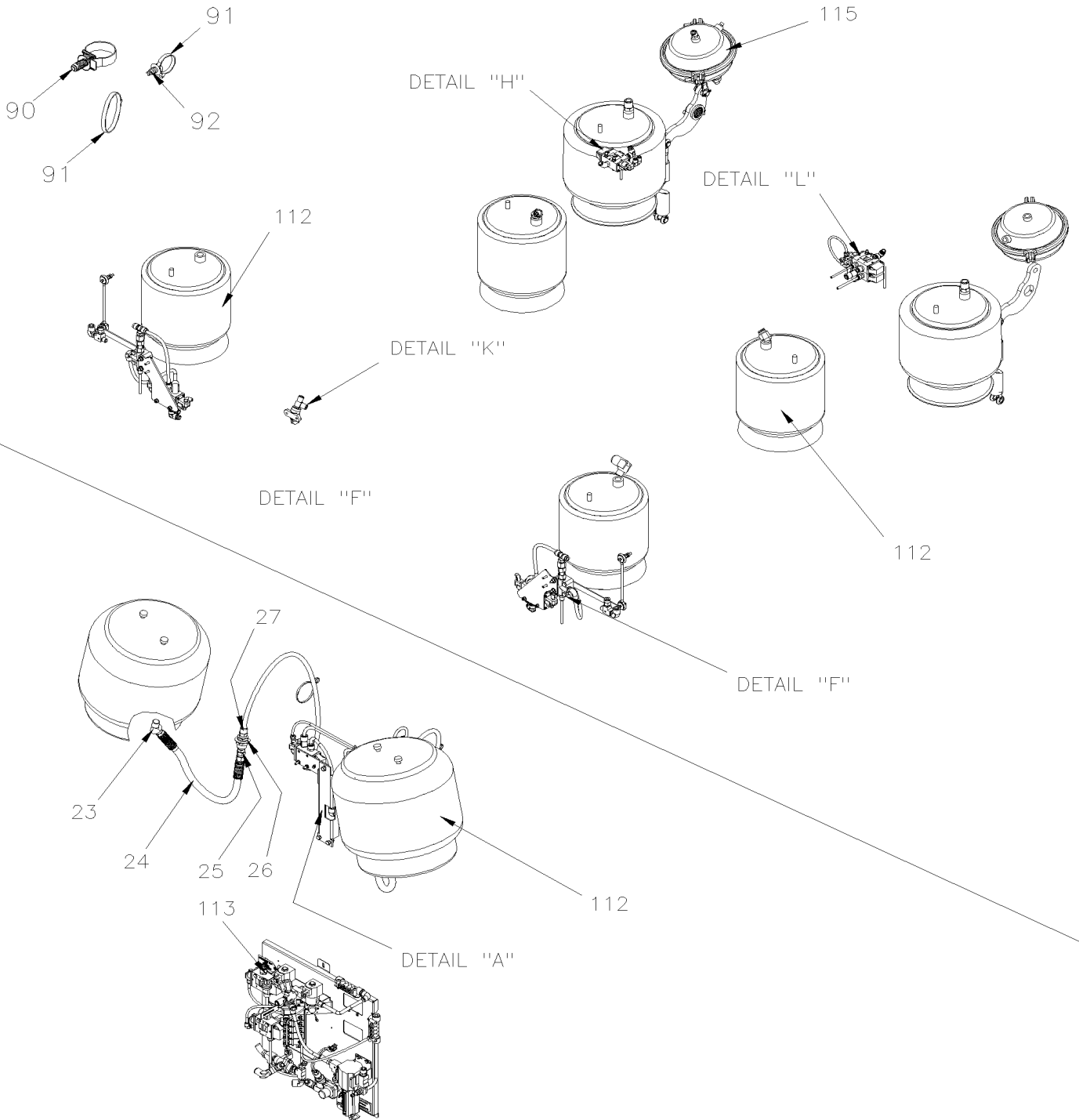
From D-5460 To D-5489

Date:07/2024

PAGE:XV-1620-51

HEIGHT CONTROL VALVE - MTH

REAR AND TAG AXLE



INDEPENDANT SUSPENSION

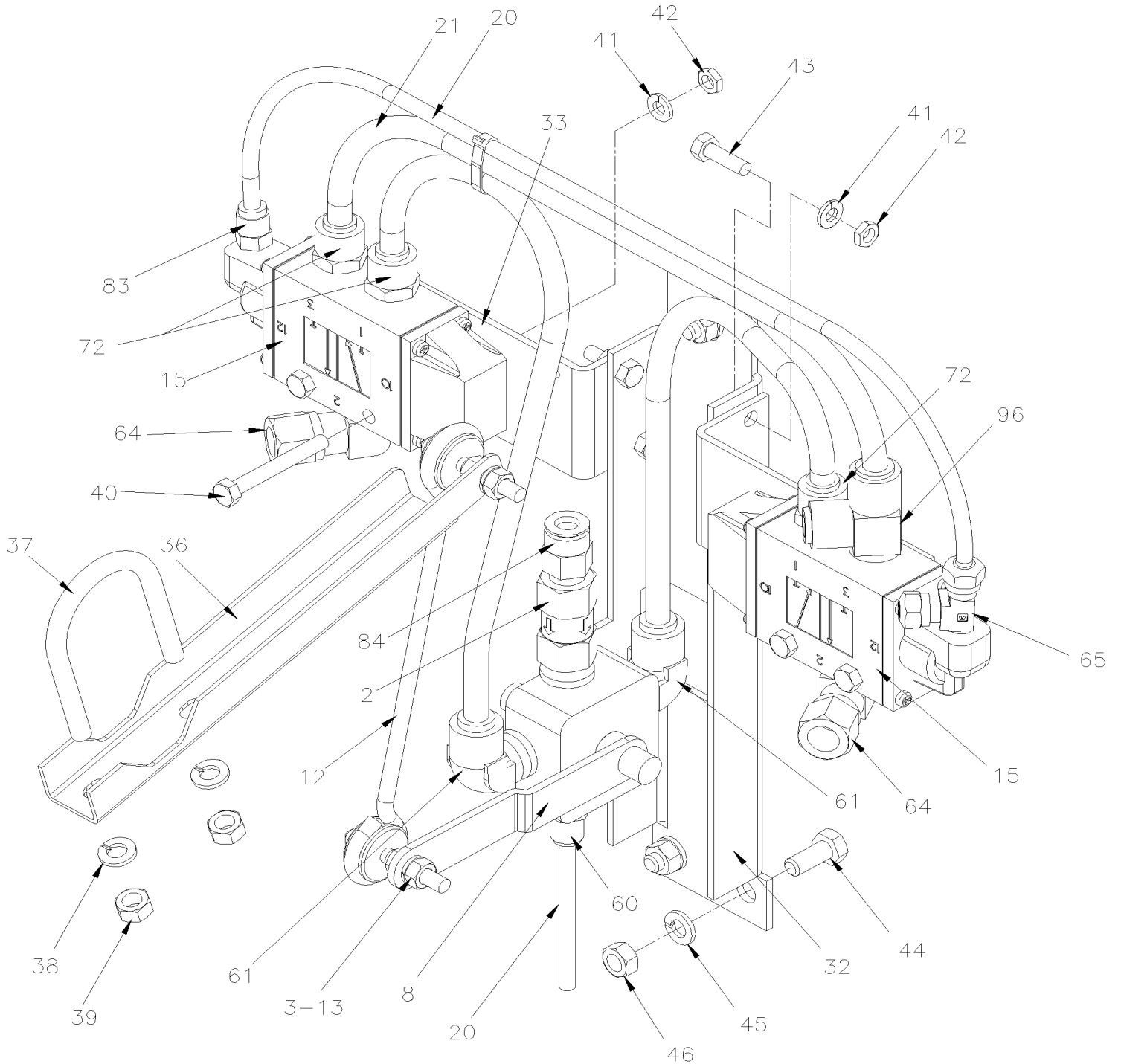


From D-5460 To D-5489

Date:07/2024

PAGE:XV-1620-51

HEIGHT CONTROL VALVE - MTH



DETAIL "A"

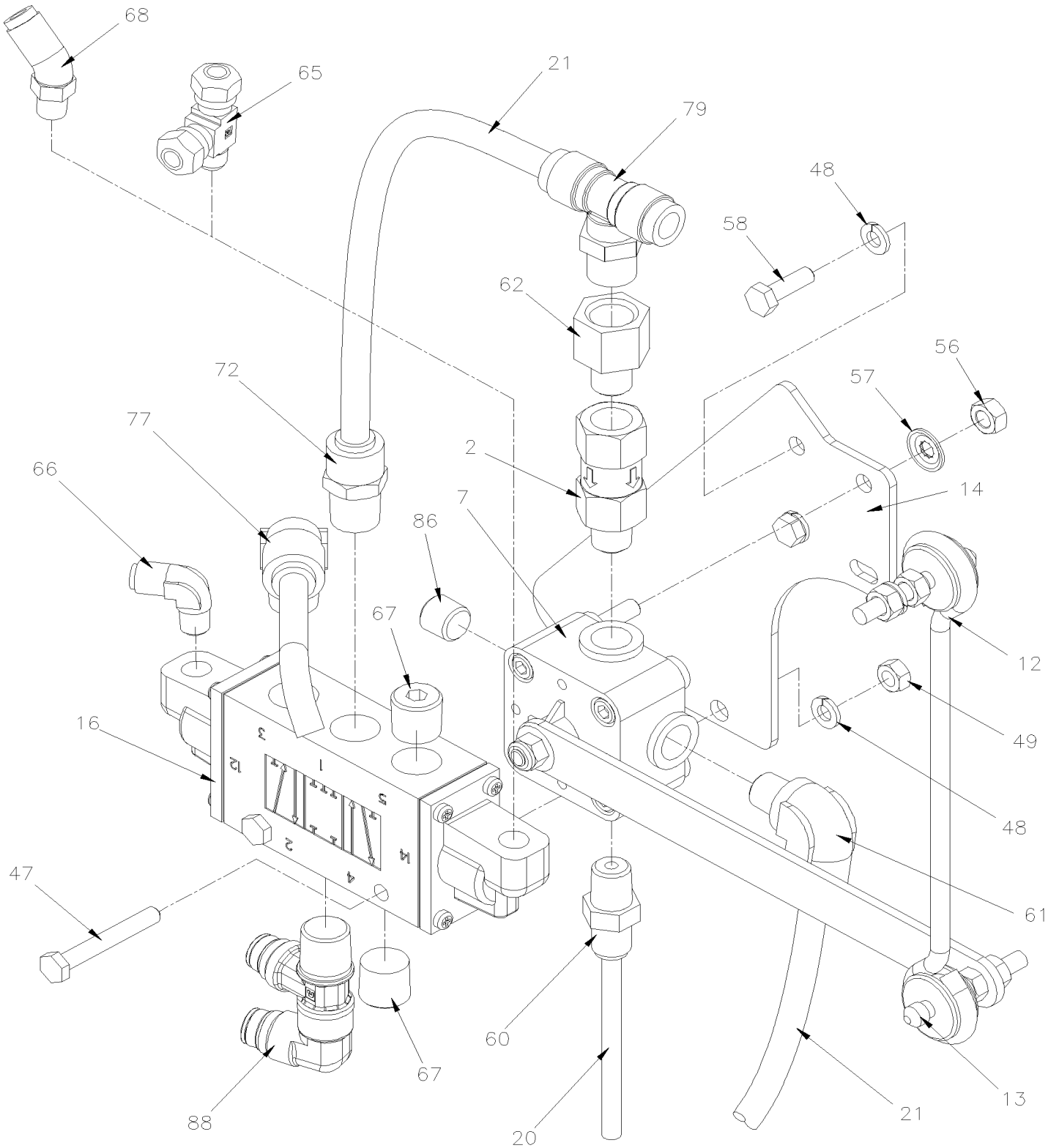


From D-5460 To D-5489

Date:07/2024

PAGE:XV-1620-51

HEIGHT CONTROL VALVE - MTH



DETAIL "F"

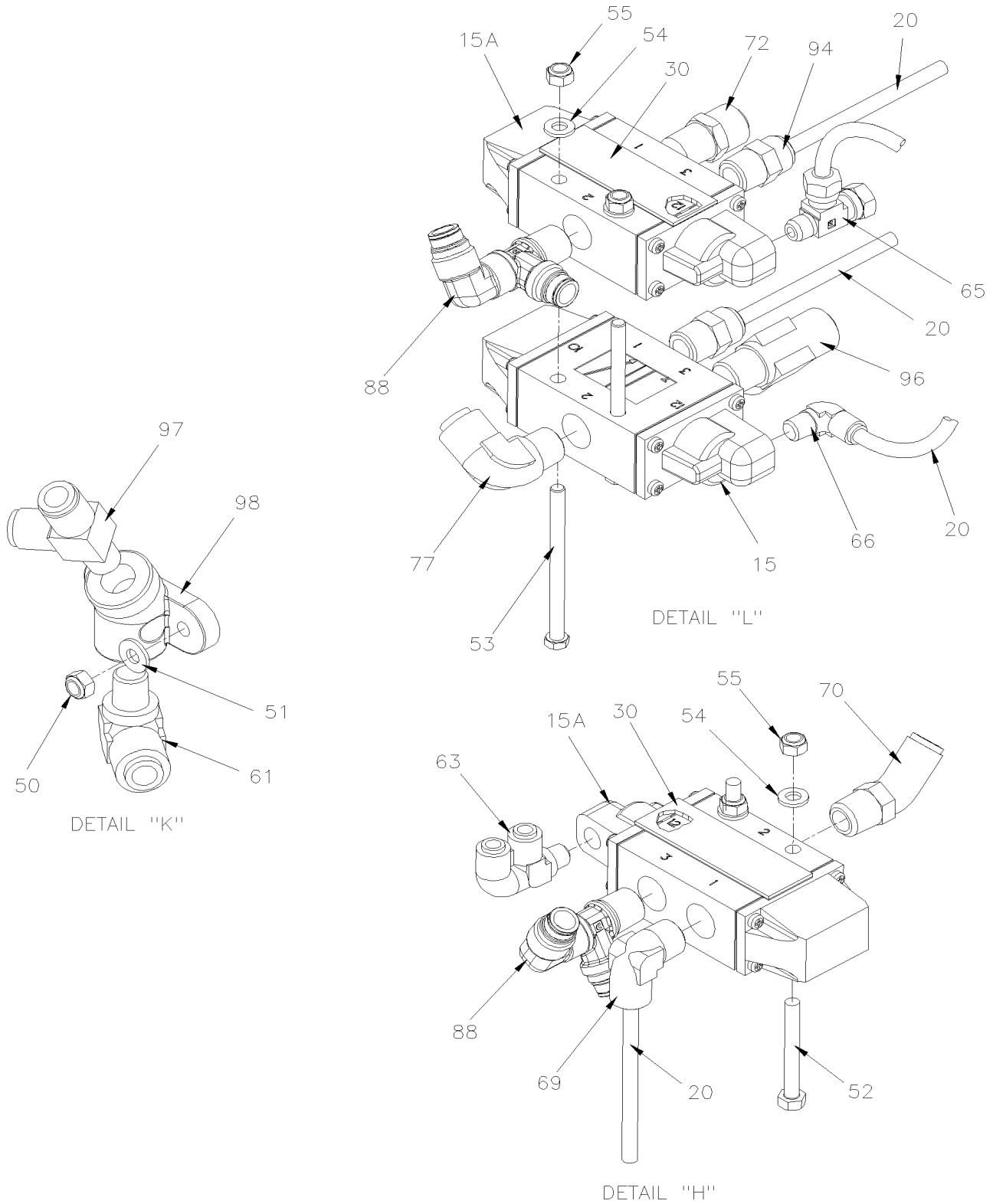


From D-5460 To D-5489

Date:07/2024

PAGE:XV-1620-51

HEIGHT CONTROL VALVE - MTH





From D-5460 To D-5489 Date:07/2024 PAGE:XV-1620-51

HEIGHT CONTROL VALVE - MTH

Item#	Part	Description	X 3 V I P	X L I I E N T 4 5	N O T E S
2	640135	VALVE, CHECK 1/4 NPT	1	1	
3	500769	NUT HEX 1/4-20 Z050	2	2	
7	630156	VALVE, HEIGHT CONTROL "BARKSDALE"	2	2	
8	630237	VALVE, HEIGHT CONTROL "BARKSDALE" / FRONT	1	1	
8	500247	NUT HEX 1/4-20 N500	2	2	
8	500473	WASHER LO SPT .262x.489x.062 Z050	2	2	
12	630231	LINK ASSY 185MM C/C 7 1/4"	1	1	
. A	N8889244	. GROMMET / LINK	2	2	
. B	630250	. STUD RETAINER 1/4-20 X 1"	2	2	
. C	500247	. NUT HEX 1/4-20 N500	4	4	
. D	500473	. WASHER LO SPT .262x.489x.062 Z050	4	4	
13	630250	STUD RETAINER 1/4-20 X 1"	2	2	
14	131980	SUPPORT VALVE	1	1	
15	641274	VALVE, 3 WAYS, 2 POSITIONS N.C.	2	2	A
15A	130009	VALVE, 3 WAYS, 2 POSITIONS N.C. WITH VENT PROTECTOR	2	2	
. NS	641274	. VALVE, 3 WAYS, 2 POSITIONS N.C.	1	1	
. NS	640004	. VENT PROTECTOR	1	1	
16	641531	VALVE, 5 WAYS, 3 POSITIONS	2	2	
. NS	641186	. SPOOL	1	1	
20	503402	TUBE, NYLON 1/4 O.D. / BLACK S.L.	AR	AR	
21	503471	TUBE, NYLON 3/8 O.D. / BLUE S.L.	AR	AR	
23	501528	STREET ELBOW 45° / PIPE FITTING / 1/2NPT-Mx1/2NPT-F BR	2	2	
24	642153	HOSE ASSY / #8 22"	2	2	
25	501616	MALE CONNECTOR / SAE 45° FITTING / #8FL-Mx1/2NPT-M BR	2	2	
26	501796	BULKHEAD COUPLING / PIPE FITTING / 1/2NPT-Fx1/2NPT-Fx1 1/2 BR	2	2	
27	641383	MALE CONNECTOR / PUSH-IN FITTING / #8x1/2NPT-M BR	2	2	
30	640004	VENT PROTECTOR	2	2	
32	131468	SUPPORT HEIGHT CONTROL VALVE	1	1	
33	131319	SUPPORT VALVE	2	2	
36	110679	ACTUATOR LEVER	1	1	
37	504635	U-BOLT 1 3/4" I.D. x 2 3/4" x 5/16-18	1	1	
38	500942	WASHER LO SPT 8.1x14.8x2.0 N500	2	2	
39	500778	NUT HEX 5/16-18 N500	2	2	
40	502656	SCREW CAP HEX M6-1.0x50 SS	4	4	
41	502570	WASHER LO SPT 6.1x11.8x1.6 SS	8	8	
42	502565	NUT HEX M6-1.0 SS	8	8	
43	502622	SCREW CAP HEX M6-1.0x20 SS BK	4	4	
44	500836	SCREW CAP HEX 5/16-18x3/4 G5 N500	3	3	
45	500942	WASHER LO SPT 8.1x14.8x2.0 N500	3	3	
46	500778	NUT HEX 5/16-18 N500	3	3	
47	502843	SCREW CAP HEX M6-1.0x45 G8.8 N500	4	4	
48	502853	WASHER LO SPT 6.1x11.8x1.6 N500	4	4	



From D-5460 To D-5489		Date:07/2024	PAGE:XV-1620-51
-----------------------	--	--------------	-----------------

HEIGHT CONTROL VALVE - MTH

Item#	Part	Description	X 3 V I P	X L I I E N T 4 5	N O T E S
49	502860	NUT HEX STO M6-1.0 N500	4	4	
50	502681	NUT HEX NYRT M6-1.0 N500 G8	2	2	
51	500877	WASHER FL .250x.562x.065 N500	2	2	
52	502656	SCREW CAP HEX M6-1.0x50 SS	2	2	
53	5001682	SCREW CAP HEX M6-1.0x80 SS	2	2	
54	502573	WASHER FL 6.4x12.5x1.6 SS	4	4	
55	502681	NUT HEX NYRT M6-1.0 N500 G8	4	4	
56	500247	NUT HEX 1/4-20 N500	2	2	
57	502582	WASHER LO SERR 6.1x16.2x0.9 Z050	2	2	
58	502830	SCREW CAP HEX M6-1.0x20 G8.8 N500	2	2	
60	641332	MALE CONNECTOR / PUSH-IN FITTING / #4x1/4NPT-M BR	1	1	
61	641372	MALE ELBOW 90° NON-SWIVEL / PUSH-IN FITTING / #6x1/4NPT-M BR	1	1	
62	501311	ADAPTER / PIPE FITTING / 3/8NPT-Fx1/4NPT-M BR	2	2	
63	642127	MALE ELBOW 90° SWIVEL DUAL PORT / PUSH-IN / #4x#4x1/8NPT-M BR	1	1	
64	641040	MALE ELBOW 90° / NTA FITTING / #8x3/8NPT-M BR	2	2	
65	641002	MALE RUN TEE / NTA FITTING / #4x#4x1/8NPT-M BR	1	1	
66	641369	MALE ELBOW 90° NON-SWIVEL / PUSH-IN FITTING / #4x1/8NPT-M BR	2	2	
67	501449	PLUG HEXS / PIPE FITTING / 3/8NPT-M STL	2	2	
68	641365	MALE ELBOW 45° NON-SWIVEL / PUSH-IN FITTING / #4x1/8NPT-M BR	1	1	
69	641374	MALE ELBOW 90° NON-SWIVEL / PUSH-IN FITTING / #4x3/8NPT-M BR	1	1	
70	641367	MALE ELBOW 45° NON-SWIVEL / PUSH-IN FITTING / #6x3/8NPT-M BR	2	2	
72	641330	MALE CONNECTOR / PUSH-IN FITTING / #6x3/8NPT-M BR	3	3	
77	641375	MALE ELBOW 90° NON-SWIVEL / PUSH-IN FITTING / #6x3/8NPT-M BR	1	1	
79	642090	MALE BRANCH TEE / PUSH-IN FITTING / #6x#6x1/4NPT-M COMPOSITE	1	1	
83	641242	MALE CONNECTOR / PUSH-IN FITTING / #4x1/8NPT-M BR	1	1	
84	641331	MALE CONNECTOR / PUSH-IN FITTING / #6x1/4NPT-M BR	1	1	
86	501800	PLUG HEXS / PIPE FITTING / 1/4NPT-M STL	2	2	
88	642128	MALE ELBOW 90° SWIVEL DUAL PORT / PUSH-IN / #6x#6x3/8NPT-M BR	1	1	
90	504750	CABLE TIE / 1/2" x 15" / CHRISTMAS TREE	AR	AR	
91	504637	CABLE TIE / 3/16" x 13"	AR	AR	
92	509815	TIE MOUNT / ATTACHMENT W/TREE MOUNT	AR	AR	
94	641347	MALE CONNECTOR / PUSH-IN FITTING / #4x3/8NPT-M BR	1	1	
96	641388	MALE RUN TEE NON-SWIVEL / PUSH-IN FITTING / #6x#6x3/8NPT-M BR	1	1	
97	641389	MALE RUN TEE SWIVEL / PUSH-IN FITTING / #6x#6x1/4NPT-M BR	1	1	
98	640643	ANCHOR ELBOW / PIPE FITTING / 1/4NPT-Fx1/4NPT-F STL	1	1	
112	XV-1601-00	BELLOWS - AIR SUSPENSION			
113	XV-1640-50	LEVEL-LOW - CONTROL PANEL & VALVES			
115	XV-1615-10	TAG AXLE - LIFTING			
		A) WHEN YOU CHANGE THE VALVE 641274 OF THE TAG AXLE, YOU MUST ORDER THE NEW VALVE 130009 TO PROTECT THE EVENT OF DUST			

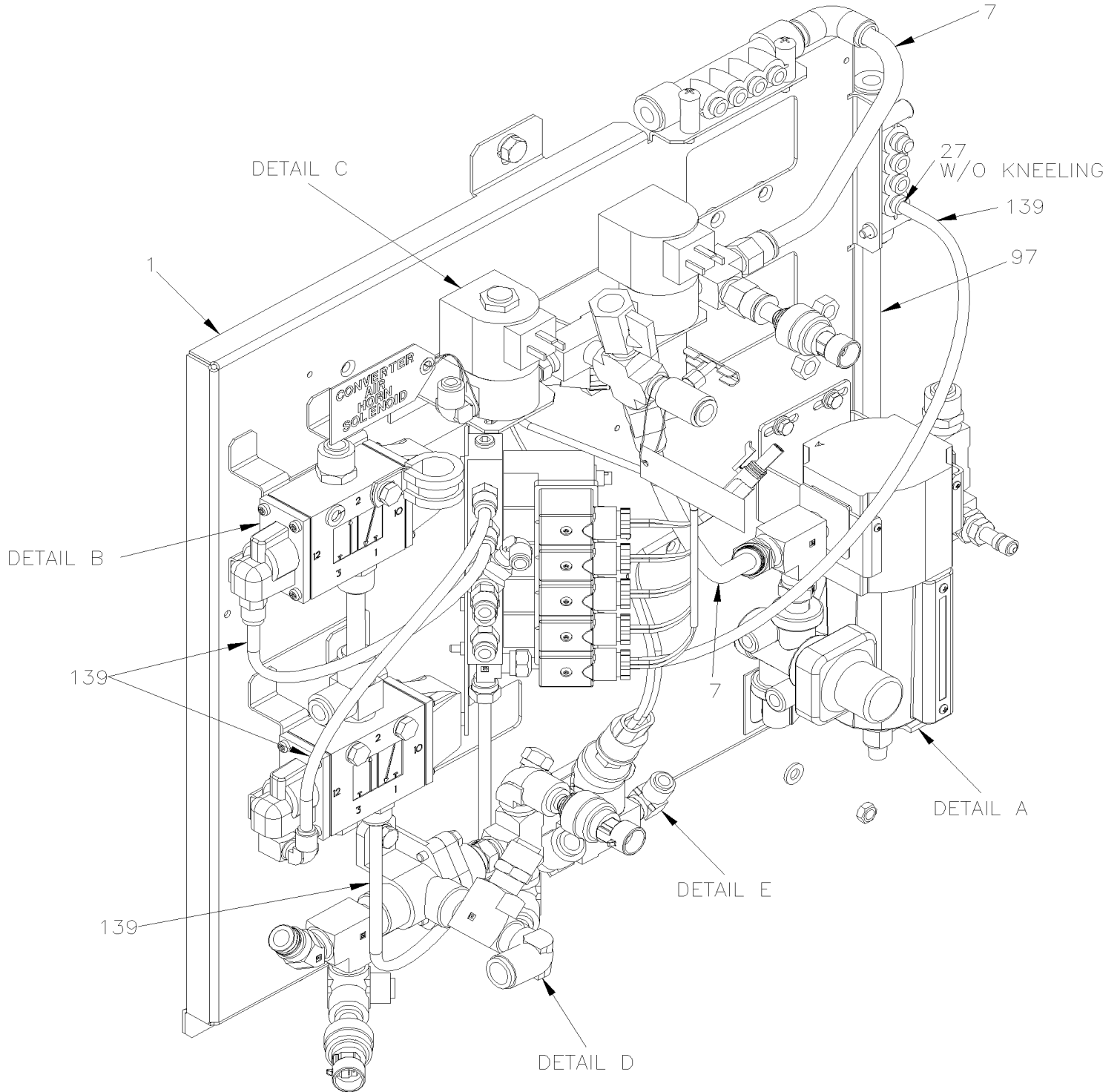


From B-5003 To D-5489

Date:07/2024

PAGE:XV-1640-50

LEVEL-LOW - CONTROL PANEL & VALVES



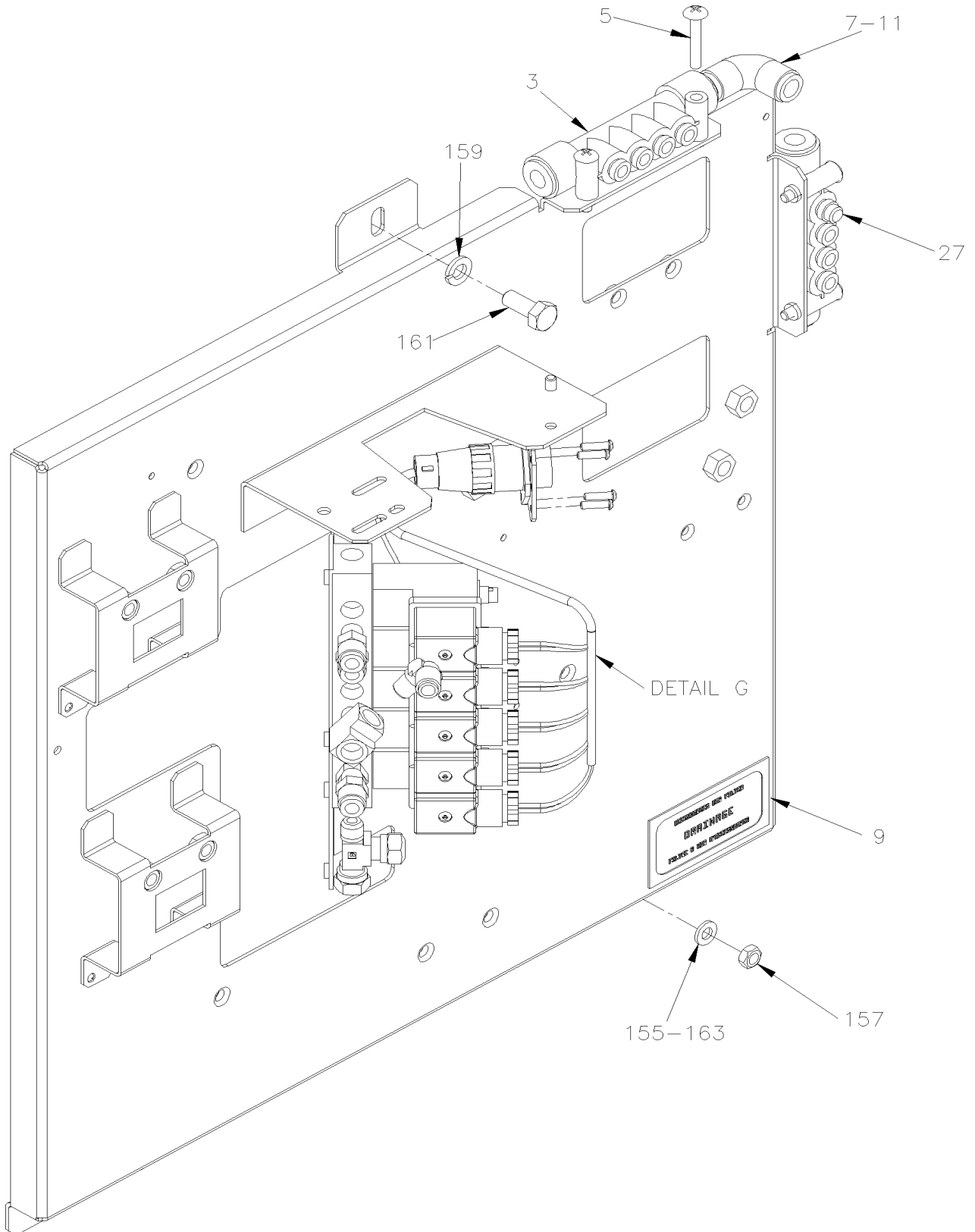


From B-5003 To D-5489

Date:07/2024

PAGE:XV-1640-50

LEVEL-LOW - CONTROL PANEL & VALVES



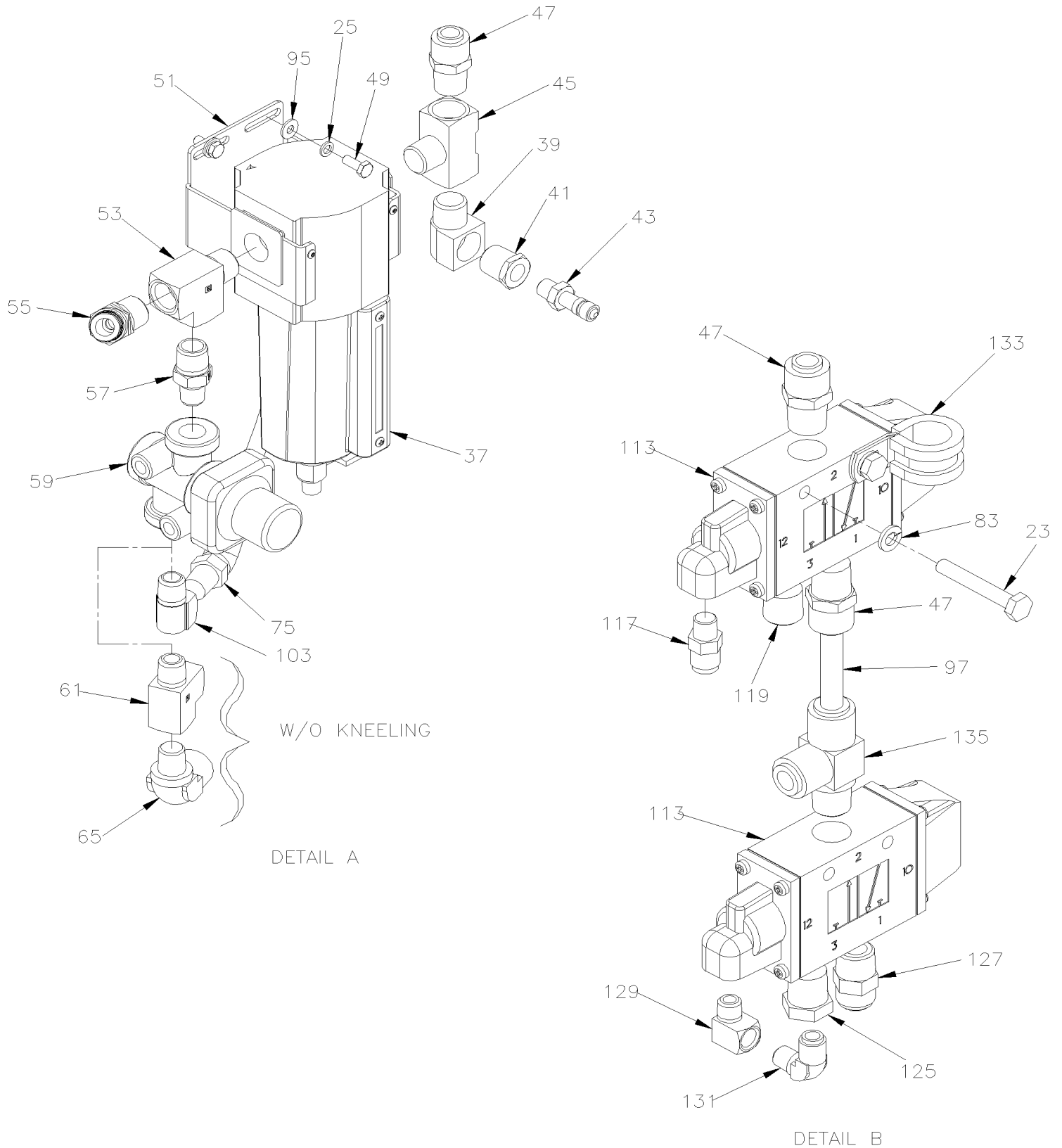


From B-5003 To D-5489

Date:07/2024

PAGE:XV-1640-50

LEVEL-LOW - CONTROL PANEL & VALVES



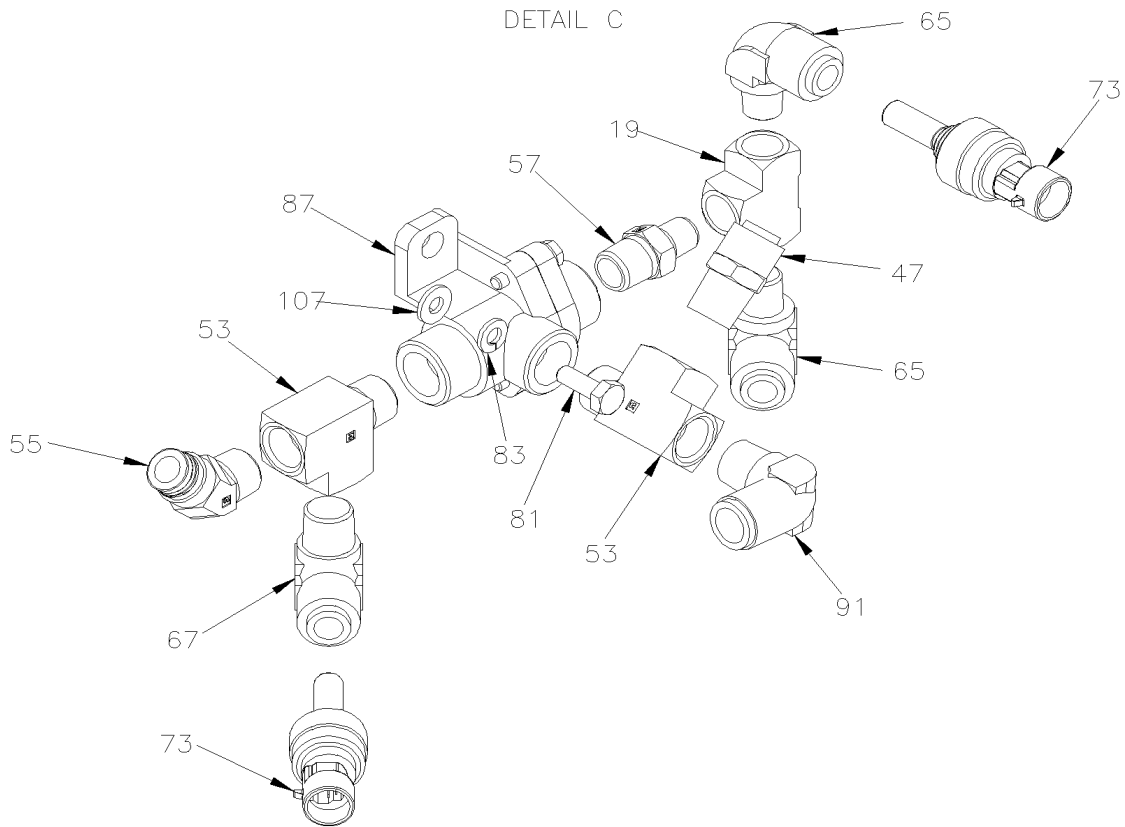
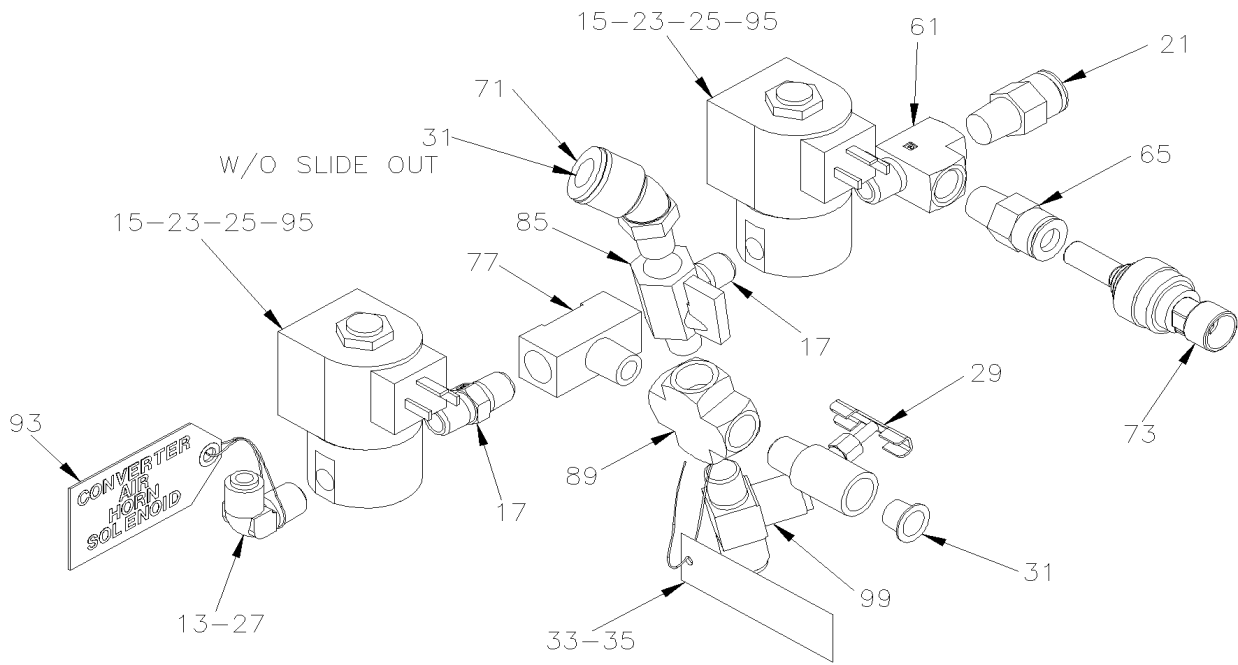


From B-5003 To D-5489

Date:07/2024

PAGE:XV-1640-50

LEVEL-LOW - CONTROL PANEL & VALVES



DETAIL D

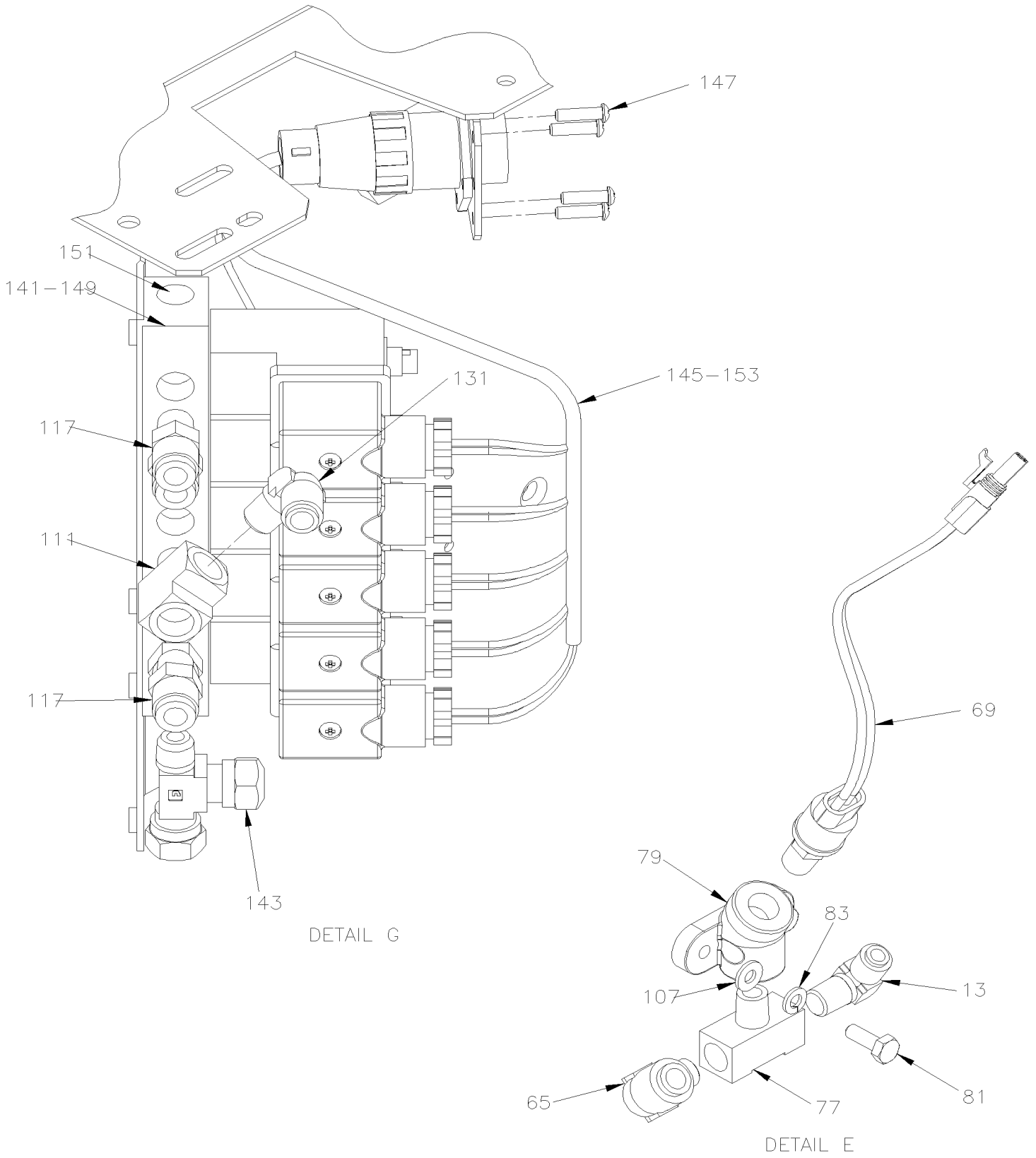


From B-5003 To D-5489

Date:07/2024

PAGE:XV-1640-50

LEVEL-LOW - CONTROL PANEL & VALVES





From B-5003 To D-5489	Date:07/2024	PAGE:XV-1640-50
-----------------------	--------------	-----------------

LEVEL-LOW - CONTROL PANEL & VALVES

Item#	Part	Description	X 3 V I P	X L I I E N T 4 5	N O T E S
1	142366	VALVE SUPPORT ASSY	1	1	
3	641897	MANIFOLD / PUSH-IN FITTING / 2x#6 / 4x#4 PLAS	2	2	
5	500574	SCREW MA TR PH #10-24x1 1/4 SS	4	4	
7	503404	TUBE, NYLON 3/8 O.D. / BLACK S.L.	AR	AR	
9	140227	DECAL / ACC AIR FILTER DRAIN / ENGLISH & FRANCAIS	1	1	
11	641436	UNION ELBOW 90° / PUSH-IN FITTING / #6x#6 BR	1	1	
13	641371	MALE ELBOW 90° NON-SWIVEL / PUSH-IN FITTING / #4x1/4NPT-M BR	2	2	
15	562804	VALVE, 2 WAYS N.C.	2	2	
. NS	562848	. CONNECTOR / SOCKET HOUSING ASSY 3C / PNEUMAC 54933-05	1	1	
17	501321	NIPPLE HEX / PIPE FITTING / 1/4NPT-Mx1/4NPT-Mx1 3/8 BR	2	2	
19	501337	FEMALE UNION TEE / PIPE FITTING / 1/4NPT-Fx1/4NPT-Fx1/4NPT-F BR	1	1	
21	641331	MALE CONNECTOR / PUSH-IN FITTING / #6x1/4NPT-M BR	2	2	
23	502751	SCREW CAP HEX #10-32x3/8 Z050	4	4	
25	500470	WASHER LO SPT .193x.334x.047 Z050	6	6	
27	641416	PLUG STEM / PUSH-IN FITTING / #4 PLAS	3	3	
29	5011129	NEEDLE VALVE 1/4 NPT M x 1/4 NPT F	1	1	
31	680408	CAP PLUG (ID 0.402, OD 0.471)	1	1	
33	504273	CABLE TIE / 1/8" X 3"1/2	1	1	
35	391812	IDENTIFICATION PLATE (CONVERTER)	1	1	
37	XV-1220-15	AIR FILTER - ACCESSORIES			
39	501333	STREET ELBOW 90° / PIPE FITTING / 3/8NPT-Mx3/8NPT-F BR	1	1	
41	501313	BUSHING REDUCER / PIPE FITTING / 3/8NTP-Mx1/8NPT-F BR	1	1	
43	640488	VALVE, AIR FILL 1/8" NPT	1	1	
. NS	650164	. CAP VALVE / CHROME	1	1	
45	501737	MALE BRANCHE TEE / PIPE FITTING / 3/8NPT-Fx3/8NPT-Fx3/8NPT-M BR	1	1	
47	641330	MALE CONNECTOR / PUSH-IN FITTING / #6x3/8NPT-M BR	4	4	
49	500160	SCREW CAP HEX #10-24x1/2 Z050	2	2	
51	641339	SUPPORT / AIR FILTER	1	1	
53	501699	MALE RUN TEE / PIPE FITTING / 3/8NPT-Mx3/8NPT-Fx3/8NPT-F BR	3	3	
55	641367	MALE ELBOW 45° NON-SWIVEL / PUSH-IN FITTING / #6x3/8NPT-M BR	2	2	
57	501749	NIPPLE REDUCER HEX / PIPE FITTING / 3/8NPT-Mx1/4NPT-Mx1 13/32 BR	2	2	
59	641137	VALVE, PRESSURE PROTECTION TYPE PR-4 70PSI	1	1	
61	501338	MALE RUN TEE / PIPE FITTING / 1/4NPT-Mx1/4NPT-Fx1/4NPT-F BR	2	2	
65	641372	MALE ELBOW 90° NON-SWIVEL / PUSH-IN FITTING / #6x1/4NPT-M BR	4	4	
67	641375	MALE ELBOW 90° NON-SWIVEL / PUSH-IN FITTING / #6x3/8NPT-M BR	1	1	
69	287234	PRESSURE SWITCH N.C. 30-10 20PS001AB030E010E	1	1	
71	642073	MALE ELBOW 45° / PUSH-IN FITTING / #8x1/4NPT-M	1	1	
73	20476992	TRANSDUCER PRESSURE (0-12Bar / 0-174PSI)	3	3	
75	641366	MALE ELBOW 45° NON-SWIVEL / PUSH-IN FITTING / #6x1/4NPT-M BR	1	1	
77	501894	MALE BRANCHE TEE / PIPE FITTING / 1/4NPT-Fx1/4NPT-Fx1/4NPT-M BR	2	2	
79	640643	ANCHOR ELBOW / PIPE FITTING / 1/4NPT-Fx1/4NPT-F STL	1	1	
81	5001746	SCREW CAP HEX 1/4-20x3/4 G5 N500	3	3	



From B-5003 To D-5489 Date:07/2024 PAGE:XV-1640-50

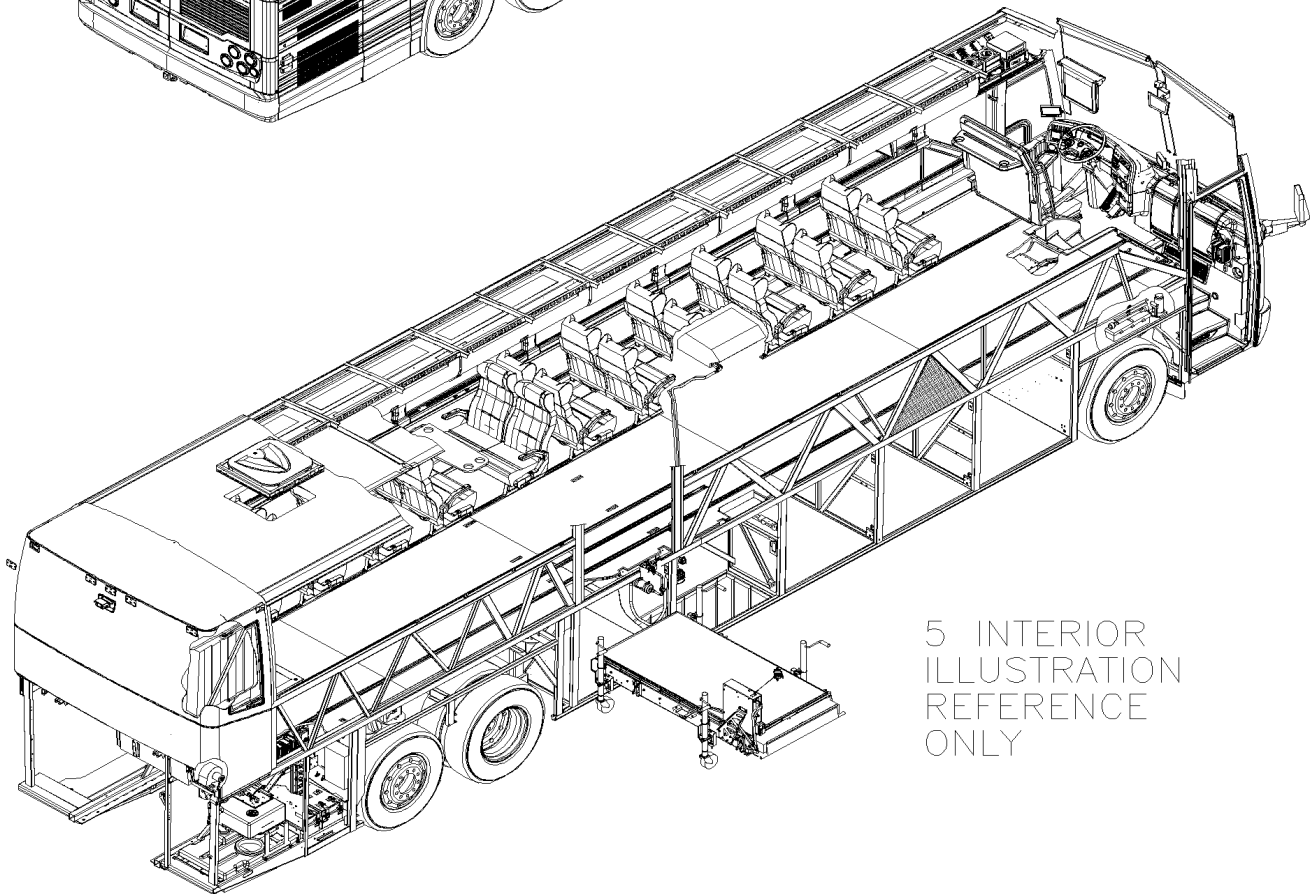
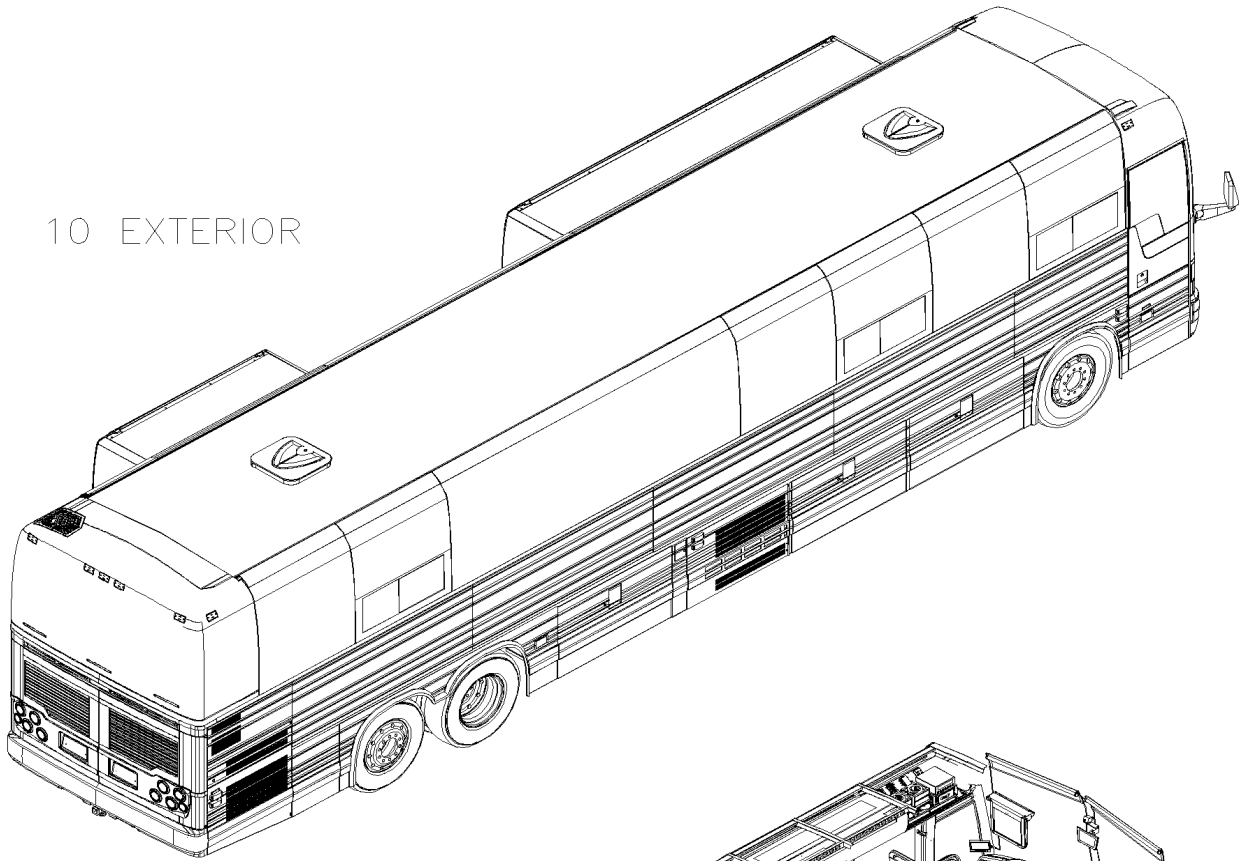
LEVEL-LOW - CONTROL PANEL & VALVES

Item#	Part	Description	X 3 V I P	X L I I E N T 4 5	N O T E S
83	500473	WASHER LO SPT .262x.489x.062 Z050	7	7	
85	641936	BALL VALVE 1/4 NPT M x 1/4 NPT F	1	1	
87	641564	VALVE, DOUBLE CHECK DC-4	1	1	
89	501902	CROSS / PIPE FITTING / 1/4NPT-Fx1/4NPT-Fx 1/4NPT-Fx1/4NPT-F BR	1	1	
91	641376	MALE ELBOW 90° NON-SWIVEL / PUSH-IN FITTING / #8x3/8NPT-M BR	1	1	
93	142042	PLATE CONVERTER AIR HORN SOLENOID	1	1	
95	500855	WASHER FL .188x.438x.049 N500	6	6	
97	503471	TUBE, NYLON 3/8 O.D. / BLUE S.L.	AR	AR	
99	641389	MALE RUN TEE SWIVEL / PUSH-IN FITTING / #6x#6x1/4NPT-M BR	1	1	
103	501332	STREET ELBOW 90° / PIPE FITTING / 1/4NPT-Mx1/4NPT-F BR	1	1	
107	500877	WASHER FL .250x.562x.065 N500	3	3	
111	501653	MALE RUN TEE / PIPE FITTING / 1/8NPT-Mx1/8NPT-Fx1/8NPT-F BR	1	1	
113	641274	VALVE, 3 WAYS, 2 POSITIONS N.C.	2	2	
117	641242	MALE CONNECTOR / PUSH-IN FITTING / #4x1/8NPT-M BR	6	6	
119	501449	PLUG HEXS / PIPE FITTING / 3/8NPT-M STL	1	1	
121	500994	SCREW CAP HEX 1/4-20x1 3/4 G5 PT Z050	4	4	
125	641934	SILENCER / MUFFLER / 3/8NPT-M	1	1	
127	641347	MALE CONNECTOR / PUSH-IN FITTING / #4x3/8NPT-M BR	1	1	
129	501331	STREET ELBOW 90° / PIPE FITTING / 1/8NPT-Mx1/8NPT-F BR	1	1	
131	641369	MALE ELBOW 90° NON-SWIVEL / PUSH-IN FITTING / #4x1/8NPT-M BR	2	2	
133	977742	CLAMP / 3/4" I.D.	1	1	
135	641388	MALE RUN TEE NON-SWIVEL / PUSH-IN FITTING / #6x#6x3/8NPT-M BR	1	1	
139	503402	TUBE, NYLON 1/4 O.D. / BLACK S.L.	AR	AR	
141	500671	SCREW CAP HEXS #8-32x7/8	2	2	
143	641002	MALE RUN TEE / NTA FITTING / #4x#4x1/8NPT-M BR	2	2	
145	065429	CABLE ASSY / VALVE "LEVEL-LOW"	1	1	
147	500654	SCREW TC BDG PH #8-32x1/2 Z050	4	4	
149	641205	MANIFOLD VALVE / W/5 SOLENOID	1	1	
. NS	641928	. KIT, MANIFOLD REPAIR / N.C.	5	5	
. NS	641107	. COIL 24V	5	5	
151	501072	PLUG HEXS / PIPE FITTING / 1/8NPT-M STL	1	1	
153	500657	SCREW TC TR PH #10-24x1/2 Z050	1	1	
155	502573	WASHER FL 6.4x12.5x1.6 SS	2	2	
157	502854	NUT HEX M6-1.0 N500	2	2	
159	500942	WASHER LO SPT 8.1x14.8x2.0 N500	1	1	
161	502862	SCREW CAP HEX M8-1.25x20 G8.8 N500	1	1	
163	502853	WASHER LO SPT 6.1x11.8x1.6 N500	2	2	



	Date:07/2024	XV-18
BODY		

10 EXTERIOR



5 INTERIOR
ILLUSTRATION
REFERENCE
ONLY



		Date:07/2024	XV-18		
BODY					
Item#	Part	Description	X 3 V I P	X L I I E N T 4 5	N O T E S
5	XV-18-INT	BODY INTERIOR From B-5003 To D-5489			
10	XV-18-EXT	BODY EXTERIOR From B-5003 To D-5489			



From B-5003 To D-5489

Date:07/2024

PAGE:XV-18-INT

BODY INTERIOR

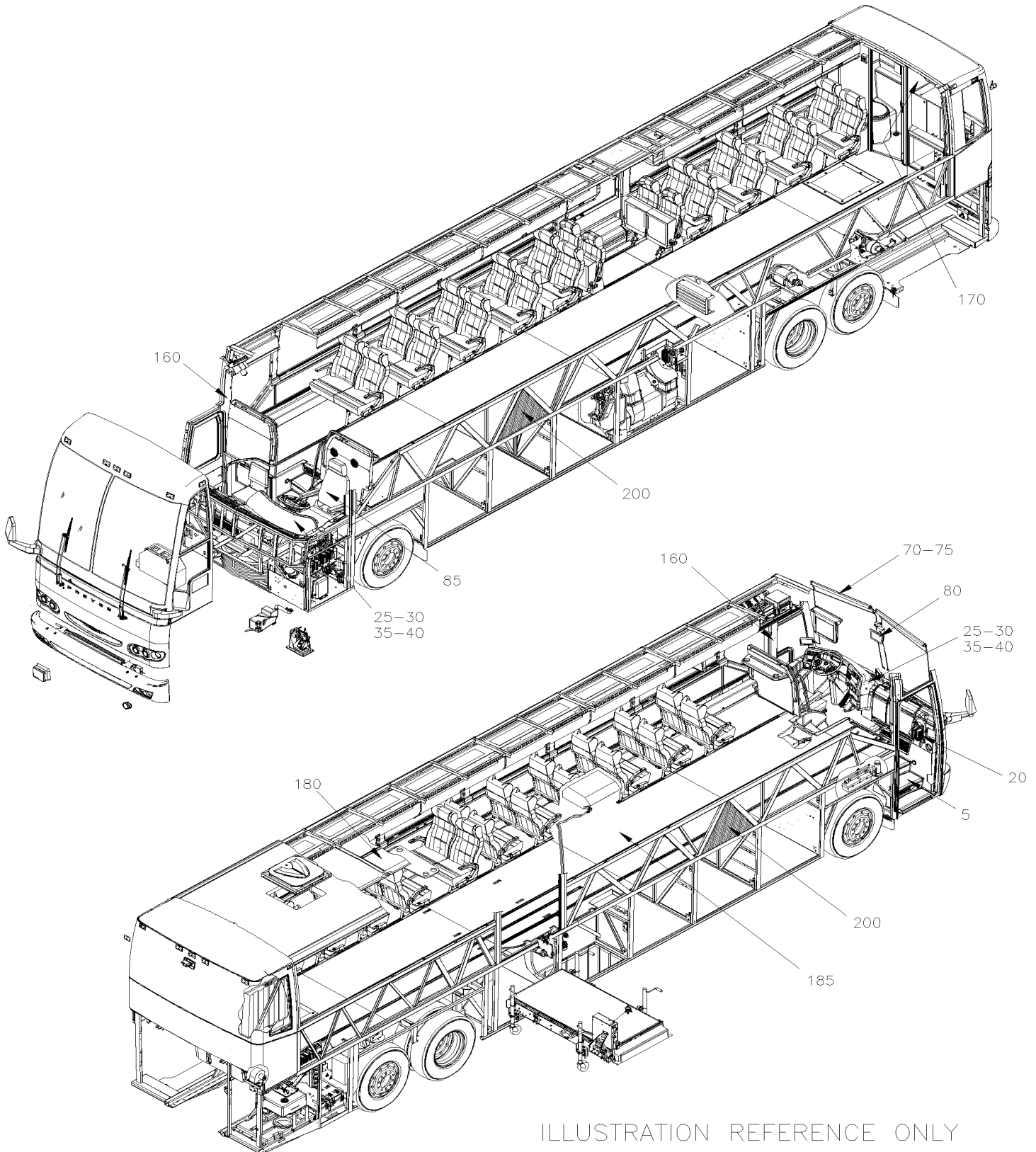


ILLUSTRATION REFERENCE ONLY



From B-5003 To D-5489		Date:07/2024	PAGE:XV-18-INT
------------------------------	--	---------------------	-----------------------

BODY INTERIOR

Item#	Part	Description	X 3 V I P	X L I I E N T 4 5	N O T E S
5	XV-1800-50	FRONT STEPWELL - MTH From B-5003 To D-5489			
20	XV-1804-50	ENTRANCE DOOR - VALVE From B-5003 To D-5489			
25	XV-1806-00	CENTRAL DASHBOARD PANEL From B-5003 To D-5489			
30	XV-1806-15	DASHBOARD - ASSY From B-5003 To D-5489			
35	XV-1806-20	DASHBOARD PANEL From B-5003 To D-5489			
40	XV-1806-50	L.H. CONSOLE - MTH From B-5003 To D-5489			
70	XV-1816-00	ROLLER BLIND - DRIVER' S & WINDSHIELD From B-5003 To D-5489			
70	XV-1816-05	ROLLER BLIND - WINDSHIELD W/ELECTRICAL From B-5003 To D-5489			
75	XV-1817-00	SUN VISOR - "LE MIRAGE" From B-5003 To D-5489			
80	XV-1820-00	MIRROR - INTERIOR From B-5003 To D-5489			
85	XV-1822-00	DRIVER'S SEAT - "ISRI" - 6800/338 From B-5003 To C-5104			
85	XV-1822-01	DRIVER'S SEAT - "ISRI" - 6832/872 From B-5050 To D-5489			
160	XV-1832-50	FRONT FINISHING CAP From B-5003 To D-5489			
180	XV-1837-50	CEILING PANELS & MOULDING From B-5003 To D-5489			
185	Call order desk	FLOOR - FRONT SECTION From B-5003 To D-5489			P
185	XV-1838-50	FLOOR - REAR SECTION From B-5003 To D-5489			
200	XV-1839-10	INSULATING FLOOR REAR AXLE From B-5003 To D-5489			
200	XV-1839-15	INSULATING FRONT - SUBFRAME From B-5003 To C-5132			
200	XV-1839-16	INSULATING FRONT - SUBFRAME From C-5133 To D-5489			
200	XV-1839-25	INSULATING - REAR SCR FILTER From B-5003 To D-5489			
200	XV-1839-30	INSULATING ROOF PANELS From B-5003 To D-5489			
200	Call order desk	INSULATING SIDE WALL - LOWER PANEL - MTH From B-5003 To D-5489			P
200	XV-1839-55	INSULATING FRONT - MTH From B-5003 To D-5489			
200	Call order desk	INSULATING SIDE WALL - UPPER From B-5003 To D-5489			P
200	XV-1839-70	INSULATING REAR END INSIDE OVER ENGINE From B-5003 To D-5489			
200	XV-1839-90	INSULATING - "SLIDE-OUT" From B-5003 To D-5489			
		P) CALL ORDER DESK FOR SPECIFIC APPLICATION (V.I.N.)			

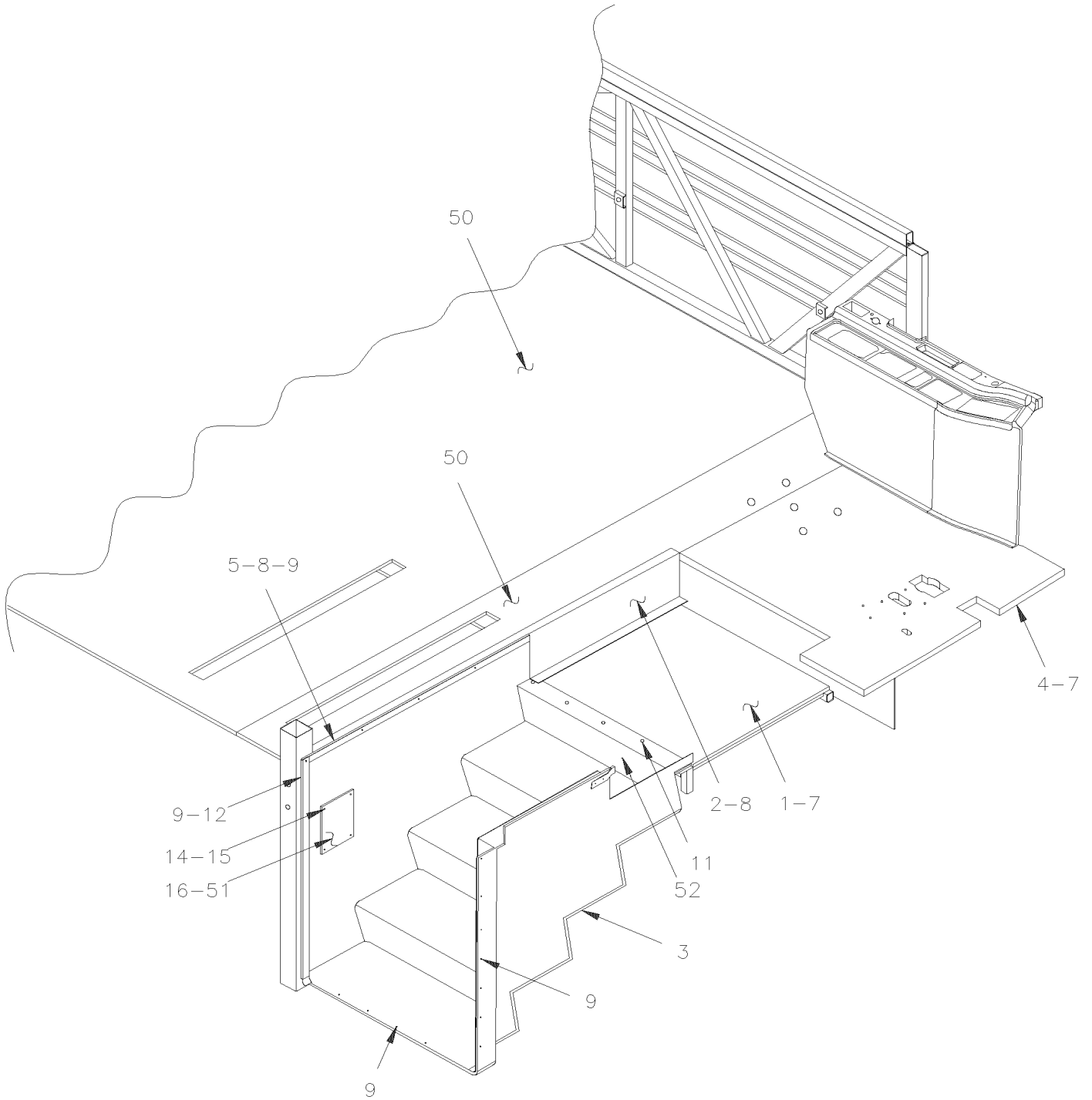


From B-5003 To D-5489

Date:07/2024

PAGE:XV-1800-50

FRONT STEPWELL - MTH



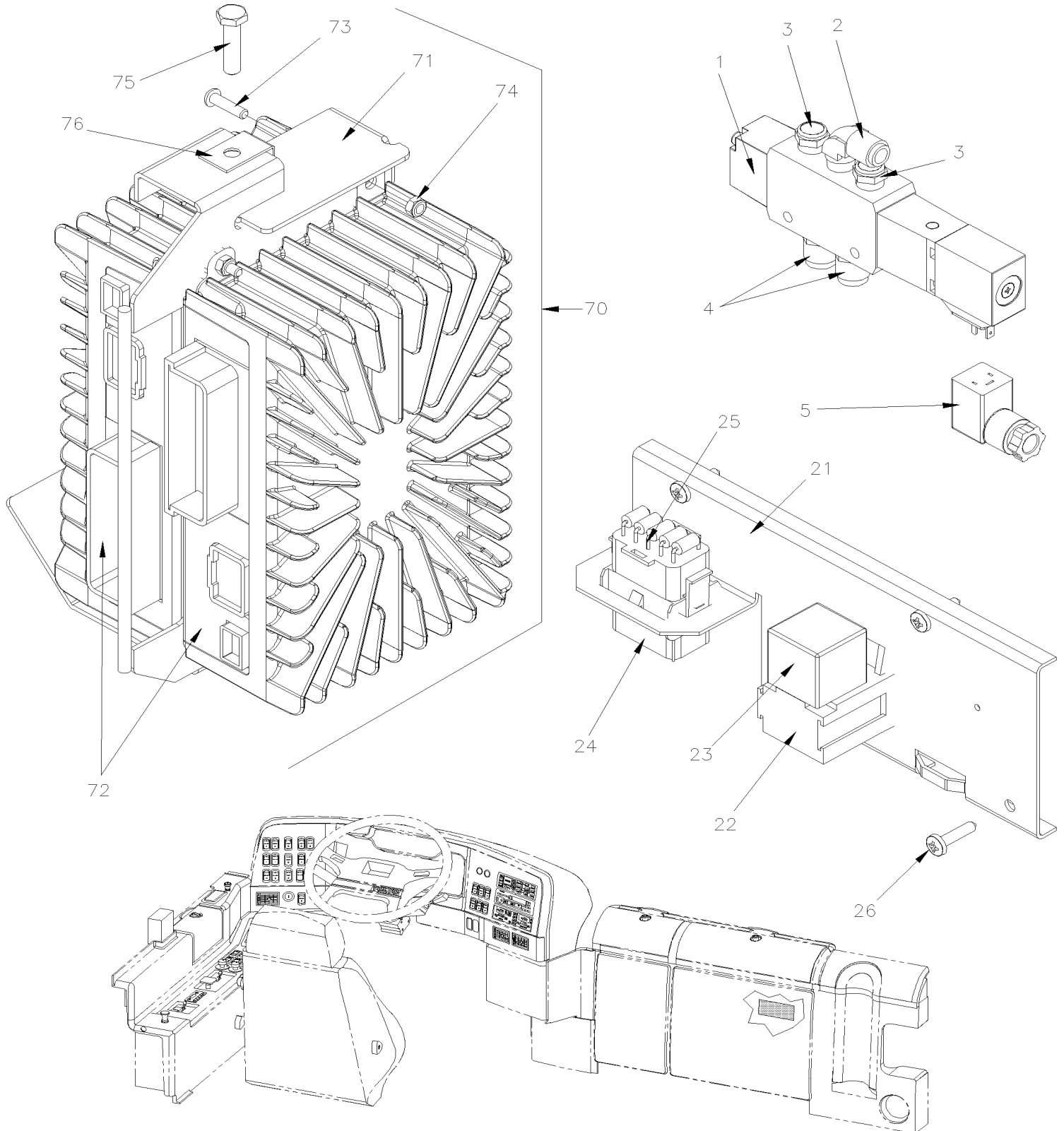


From B-5003 To D-5489

Date:07/2024

PAGE:XV-1804-50

ENTRANCE DOOR - VALVE





From B-5003 To D-5489	Date:07/2024	PAGE:XV-1804-50
------------------------------	---------------------	------------------------

ENTRANCE DOOR - VALVE

Item#	Part	Description	X 3 V I P	X L I I E N T 4 5	N O T E S
1	642023	VALVE, 5 WAYS, 2 POSITIONS 24V / MODEL V19	1	1	
. NS	641385	. CONNECTOR / SOCKET HOUSING ASSY 3C / PNEUMAC 54934-01	1	1	
2	641369	MALE ELBOW 90° NON-SWIVEL / PUSH-IN FITTING / #4x1/8NPT-M BR	1	1	
3	641943	SILENCER / MUFFLER / 1/8NPT-M	2	2	
4	641242	MALE CONNECTOR / PUSH-IN FITTING / #4x1/8NPT-M BR	2	2	
5	563147	CONNECTOR / SOCKET HOUSING ASSY 3C / PNEUTECH C052-09-N-22	1	1	
21	289652	SUPPORT & RELAY ASSY	1	1	
22	561183	RELAY BASE / TAB TERMINAL / BOSCH 3334485008	1	1	
23	563332	RELAY 24V S.P.D.T. W/RESISTOR / "VOLVO" (20374662)	1	1	
24	561987	CONNECTOR / UNIVERSAL MATE-N-LOK / PH 15C / AMP 1-480711-0 / NATURAL	1	1	
25	381145	DIODE ASSY / W/5 3AMPS	1	1	
26	500641	SCREW TP PAN PH #8x3/4 Z050	3	3	
70	Call order desk	I/O B-MODULE VOLVO MULTIPLEX ASSY	1	1	P
71	382398	. SUPPORT REAR I/O B MODULE	1	1	
72	564075	. I/O B-MODULE VOLVO MULTIPLEX / ALUMINUM To B-5029	2	2	
. NS	563132	. . CONNECTOR / SH 2C / YAZAKI 7283-6458-40 To B-5029	1	1	
. NS	563133	. . CONNECTOR / JUNIOR POWER TIMER / SH 29C / AMP 1-963449-2 To B-5029	1	1	
. NS	562957	. . CONNECTOR / SH 5C / GREEN / JAE IL-AG5-5S-S3C1 To B-5029	1	1	
72	564193	. I/O B-MODULE VOLVO MULTIPLEX / ALUMINUM From B-5030	2	2	
. NS	563132	. . CONNECTOR / SH 2C / YAZAKI 7283-6458-40 From B-5030	1	1	
. NS	563133	. . CONNECTOR / JUNIOR POWER TIMER / SH 29C / AMP 1-963449-2 From B-5030	1	1	
. NS	562957	. . CONNECTOR / SH 5C / GREEN / JAE IL-AG5-5S-S3C1 From B-5030	1	1	
73	502698	. SCREW MA PAN PH M4-0.7x16 SS BK	4	4	
74	500409	. SCREW TP PAN PH #8x1/2 BK	4	4	
75	5001433	. SCREW CAP HEX M6-1.0x25 SS	1	1	
76	502738	. NUT SPR U M6-1.0 0.6-4.0	1	1	
		P) CALL ORDER DESK FOR SPECIFIC APPLICATION (V.I.N.)			

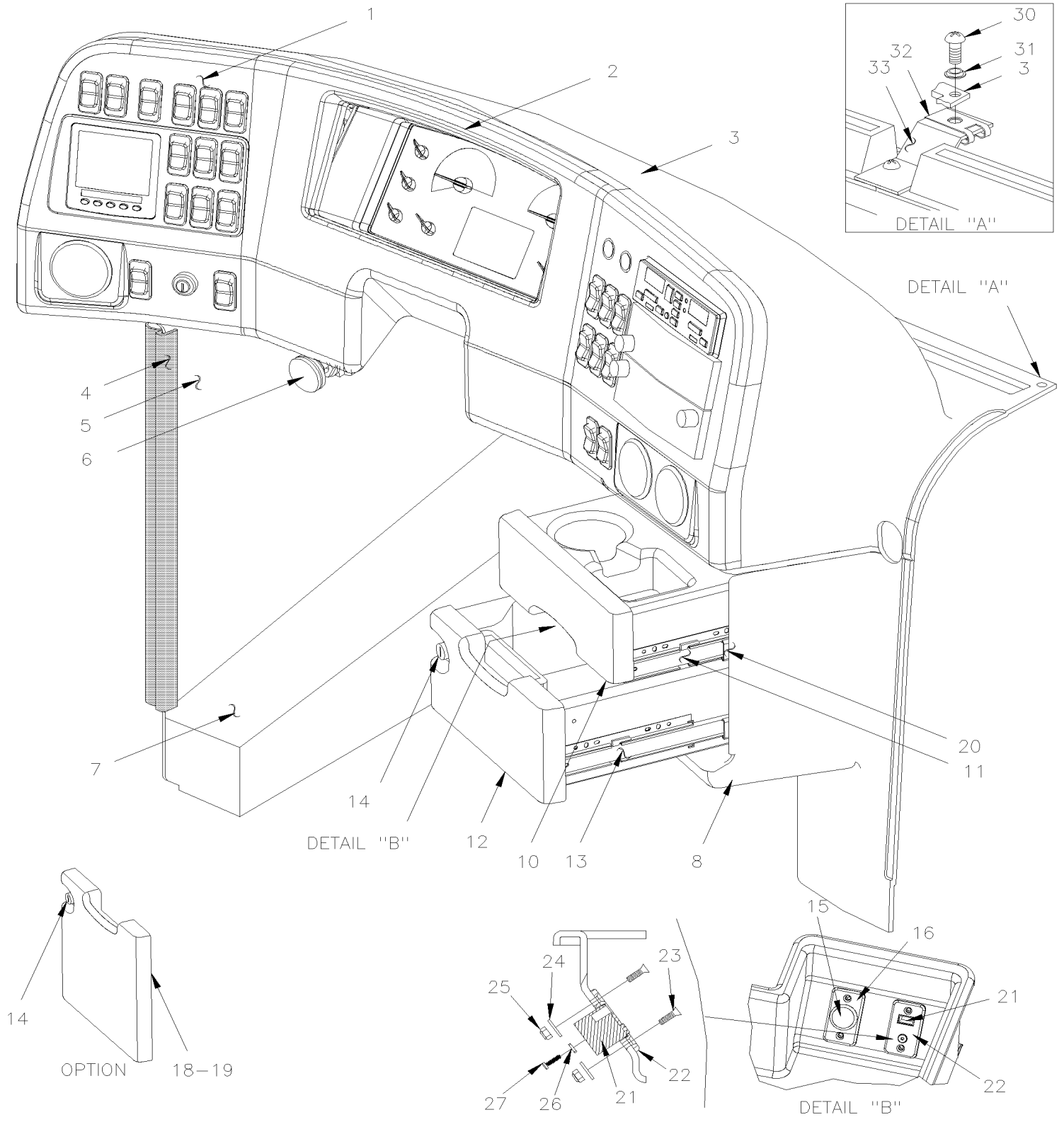


From B-5003 To D-5489

Date:07/2024

PAGE:XV-1806-00

CENTRAL DASHBOARD PANEL





From B-5003 To D-5489 Date:07/2024 PAGE:XV-1806-00

CENTRAL DASHBOARD PANEL

Item#	Part	Description	X 3 V I P	X L I I E N T 4 5	N O T E S
1	392483	PANEL / FRONT INSTRUMENTATION	1	1	
2	XV-0645-10	L.H. DASHBOARD PANEL			
2	XV-0645-21	CENTER DASHBOARD PANEL WITH "EPA 2010"			
2	XV-0645-30	R.H. DASHBOARD PANEL			
3	392144	COVER, DASHBOARD PANEL / MTH 89"	1		C
3	392433	COVER, DASHBOARD PANEL / MTH 89"		1	A
4	504675	RUBBER EXTRUSION TRIM SEAL / GRIP .040/.070 / 5/8" HOLLOW BULB C.T.L.	AR	AR	
5	392486	STRUCTURE / L.H. / W/TPMS To D-5459	1	1	C
5	392502	STRUCTURE / L.H. / W/TPMS W/HANDRAIL From D-5460	1	1	C
5	392487	STRUCTURE / L.H. / W/TPMS To D-5452	1	1	A
5	392505	STRUCTURE / L.H. / W/TPMS W/O HANDRAIL From D-5453	1	1	A
5	392320	ADAPTOR TO CONVERT UPPER HVAC TO LOWER / "W " SHAPE SS	1	1	V
NS	562361	PROTECTIVE CAP / HD10 SERIES / 6C / DEUTSCH HDC16-6-BLACK	1	1	F
NS	562492	TYPE A COUPLING	1	1	F
NS	562493	CHAIN / C.T.L.	1	1	F
NS	562494	RING / ATTACHMENT END	1	1	F
6	641445	VALVE, 3 WAYS, 2 POSITIONS MECHANICAL To D-5458	1	1	
. NS	641992	. KNOB To D-5458	1	1	
NS	5001403	SCREW MA CHE PH M5-0.8x40 ZP To D-5458	2	2	
NS	500964	WASHER FL .203x.500x.047 Z050 To D-5458	2	2	
NS	502782	NUT HEX NYRT M5-0.8 Z050 To D-5458	2	2	
6	642173	VALVE, 3 WAYS, 2 POSITIONS MECHANICAL From D-5459	1	1	
NS	5001036	SCREW MA PAN PH M4-0.7x10 Z050 From D-5459	2	2	
NS	500539	NUT HEX NYRT M4-0.7 N500 From D-5459	2	2	
NS	501307	ADAPTER / PIPE FITTING / 1/8NPT-Fx1/8NPT-M BR	1	1	
NS	641365	MALE ELBOW 45° NON-SWIVEL / PUSH-IN FITTING / #4x1/8NPT-M BR	2	2	
NS	392073	ACCESS PANEL / FOR WIPER REPAIR	1	1	
7	392013	FOOT REST / SUPPORT	1	1	
NS	5001036	SCREW MA PAN PH M4-0.7x10 Z050	4	4	
8	392026	UNDER DASH PANEL	1	1	
8	392181	UNDER DASH PANEL	1		B
8	392182	UNDER DASH PANEL	1	1	G
8	392068	UNDER DASH PANEL	1	1	E
8	Call order desk	UNDER DASH PANEL	1	1	P J
8	392199	UNDER DASH PANEL / BLACK	1	1	D
8	392028	UNDER DASH PANEL ASSY W/FLIP-UP BOX	1	1	J
. NS	901217	. LATCH GRABBER CATCH / 44N PLASTIC BLACK	1	1	J
10	391932	DRAWER, UPPER / BLACK	1	1	
. NS	392237	. SUPPORT MAGNETIC LOCK / UPPER DRAWER	1	1	
. NS	392241	. CATCH MAGNETIC LOCK LOWER DRAWER	1	1	
. NS	504733	. KIT SLIDE TRACK / FIXED AT DRAWER	1	1	
11	504677	. RAIL ASSY 8" / (SET)	1	1	



From B-5003 To D-5489	Date:07/2024	PAGE:XV-1806-00
------------------------------	---------------------	------------------------

CENTRAL DASHBOARD PANEL

Item#	Part	Description	X 3 V I P	X L I I E N T 4 5	N O T E S
NS	504673	CATCH MAGNETIC	2	2	
12	391933	DRAWER, LOWER / BLACK	1	1	
. NS	392238	. SUPPORT MAGNETIC LOCK / LOWER DRAWER	1	1	
. NS	392240	. CATCH MAGNETIC LOCK LOWER DRAWER	1	1	
. NS	504733	. KIT SLIDE TRACK / FIXED AT DRAWER	1	1	
13	504678	. RAIL ASSY 10" / (SET)	1	1	
NS	504673	CATCH MAGNETIC	2	2	
14	504672	LATCH ASSY W/2 KEYS	1	1	
. NS	810084	. KEY / (CH751)	1	1	
14	810084	. KEY / (CH751)	2	2	
15	562796	12 VOLTS POWER OUTLET	1	1	
16	500343	SCREW MA FL PH M4-0.7x16 ZP	2	2	
NS	500590	NUT HEX NYRT M4-0.7 Z050	2	2	
18	392028	UNDER DASH PANEL ASSY W/FLIP-UP BOX	1	1	
. NS	901217	. LATCH GRABBER CATCH / 44N PLASTIC BLACK	1	1	
19	392205	. COVER ONLY / W/OUT BOX OR DRAWER	1	1	
NS	504673	CATCH MAGNETIC	2	2	
NS	392239	SUPPORT MAGNET FLIP-UP BOX	1	1	
20	392012	MOUNTING PLATE / DRAWER	4	4	
NS	5001413	SCREW MA FL PH M4-0.7x20 Z050	AR	AR	
21	21280133	CABLE USB / (DRAWER TO RADIO) / I-POD CONECTOR To E-5495	AR	AR	
21	401044	CABLE USB / (DRAWER TO RADIO) / I-POD CONECTOR From E-5496	AR	AR	
22	406413	SUPPORT "USB" CONNECTOR	1	1	
23	5001429	SCREW MA FL PH M4-0.7x25 BK	2	2	
24	500855	WASHER FL .188x.438x.049 N500	1	1	
25	500539	NUT HEX NYRT M4-0.7 N500	2	2	
26	406414	PLATE RETAINER "USB" CONECTOR	1	1	
27	500798	SCREW TP PAN PH #4-3/8 ZP	2	2	
30	5001411	SCREW MA FL PH M4-0.7x20 BK	AR	AR	
30	392144	COVER, DASHBOARD PANEL / MTH 89"	1	1	
31	500345	WASHER FN CKF .187x.500x.090 BR BK	AR	AR	
32	5001406	NUT SPR U M4-0.7 0.8-4.0x13.5	AR	AR	
33	XV-2230-00	DEFROSTER - INSTALLATION			
34	563063	SENSOR THERMISTOR ASSY / TEMPERATURE / ("DELPHI")	1	1	
NS	067445	WIRING HARNESS DASHBOARD CENTRAL MODULE / MUX To C-5276	1	1	
NS	068489	WIRING HARNESS DASHBOARD CENTRAL MODULE From C-5277 To D-5459	1	1	
51	068504	WIRING HARNESS DASHBOARD CENTRAL MODULE From D-5460	1	1	
NS	561821	NUT, RING #17 & 20 / 1.500" I.D W/4 4-40 To D-5459	1	1	M
NS	5001454	SCREW MA BDG PH #4-40x1/2 SS To D-5459	4	4	M
NS	562543	PROTECTIVE CAP / HD10 SERIES / 9C / DEUTSCH HDC16-9 To D-5459	1	1	M
NS	562492	TYPE A COUPLING To D-5459	1	1	M
NS	562493	CHAIN / C.T.L. To D-5459	1	1	M



From B-5003 To D-5489	Date:07/2024	PAGE:XV-1806-00
CENTRAL DASHBOARD PANEL		

Item#	Part	Description	X 3 V I P	X L I I E N T 4 5	N O T E S
NS	562494	RING / ATTACHMENT END To D-5459	1	1	M
		A) USE WITHOUT HANDRAIL			
		B) USE WITHOUT HANDRAIL & WITHOUT DRAWER			
		C) USE WITH HANDRAIL			
		D) USE WITHOUT HANDRAIL & WITH DRAWER			
		E) USE WITH HANDRAIL WITHOUT DRAWER & WITHOUT FLIP-UP BOX			
		F) ITEMS ARE RELATED WITH CONNECTOR FOR DIAGNOSTIC "DDEC"			
		G) USE WITHOUT HANDRAIL & WITH FLIP-UP BOX			
		J) USE WITH HANDRAIL & WITH FLIP-UP BOX			
		M) USE WITH DIAGNOSTIC CONNECTOR			
		V) THIS PART ARE REQUIRE TO CONVERT UPPER HVAC TO LOWER HVAC ON STRUCTURE #392316			
		P) CALL ORDER DESK FOR SPECIFIC APPLICATION (V.I.N.)			

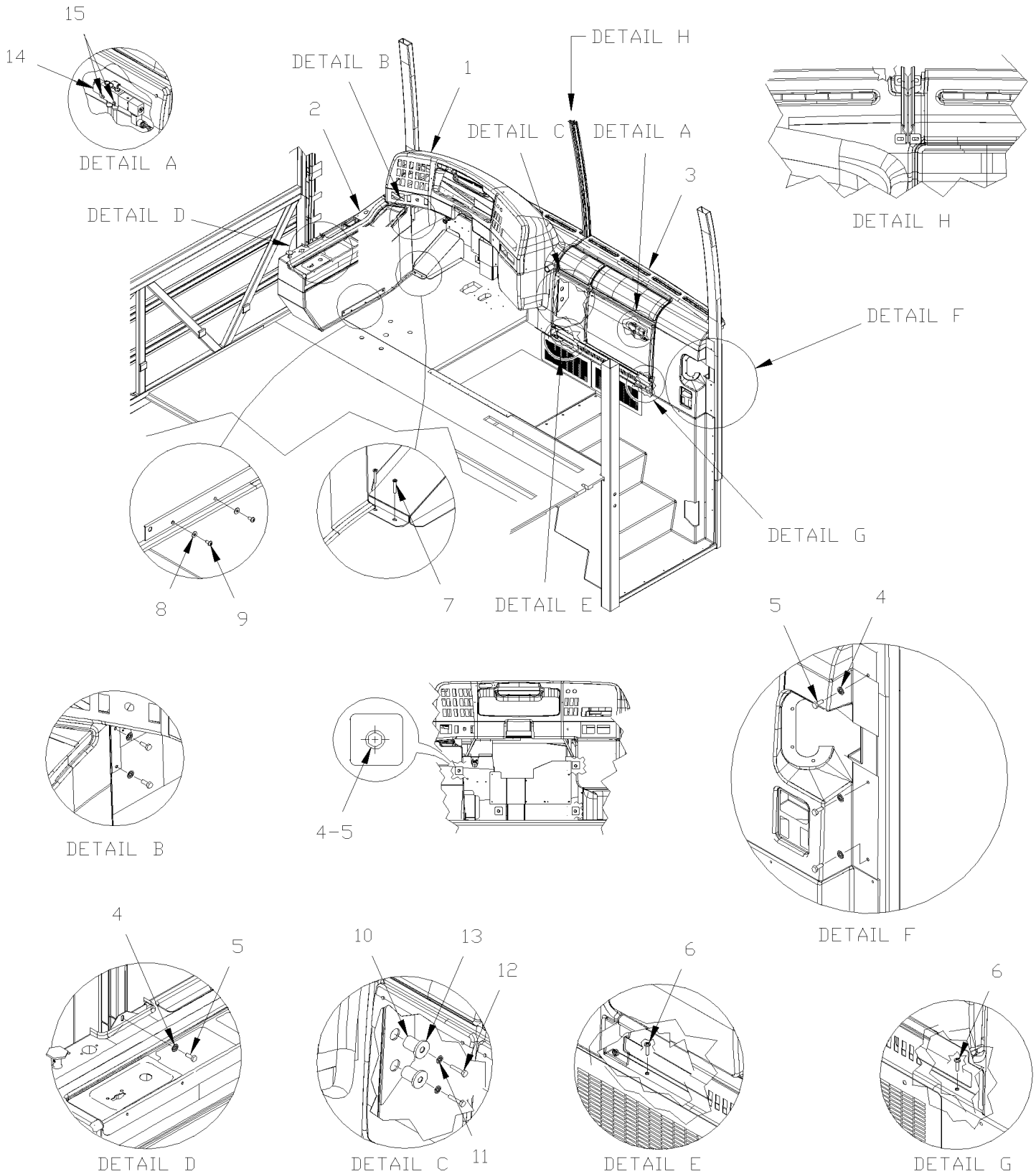


From B-5003 To D-5489

Date:07/2024

PAGE:XV-1806-15

DASHBOARD - ASSY





From B-5003 To D-5489 Date:07/2024 PAGE:XV-1806-15

DASHBOARD - ASSY

Item#	Part	Description	X 3 V I P	X L I I E N T 4 5	N O T E S
1	XV-1806-00	CENTRAL DASHBOARD PANEL			
2	XV-1806-50	L.H. CONSOLE - MTH			
3	XV-1806-20	DASHBOARD PANEL			
4	502582	WASHER LO SERR 6.1x16.2x0.9 Z050	6	6	
5	500923	SCREW TC CAP HEX 1/4-20x3/4 Z050	6	6	
6	500641	SCREW TP PAN PH #8x3/4 Z050	3	3	
7	5001531	SCREW TP FL PH #10x1 SS410	2	2	
8	500964	WASHER FL .203x.500x.047 Z050	2	2	
9	500613	SCREW TP PAN PH #10x1/2 Z050	2	2	
10	890007	UNION TUBE	2	2	
11	502507	WASHER LO SPT 8.1x14.8x2.0 Z050	2	2	
12	502797	SCREW CAP HEX M8-1.25x70 G10.9 G500	2	2	
13	5001164	WASHER FL 8.4x25.0x2.0 Z050	2	2	
14	XV-1804-50	ENTRANCE DOOR - VALVE			
15	5001074	SCREW CAP HEX M4-0.7x30 G8.8 Z050	2	2	

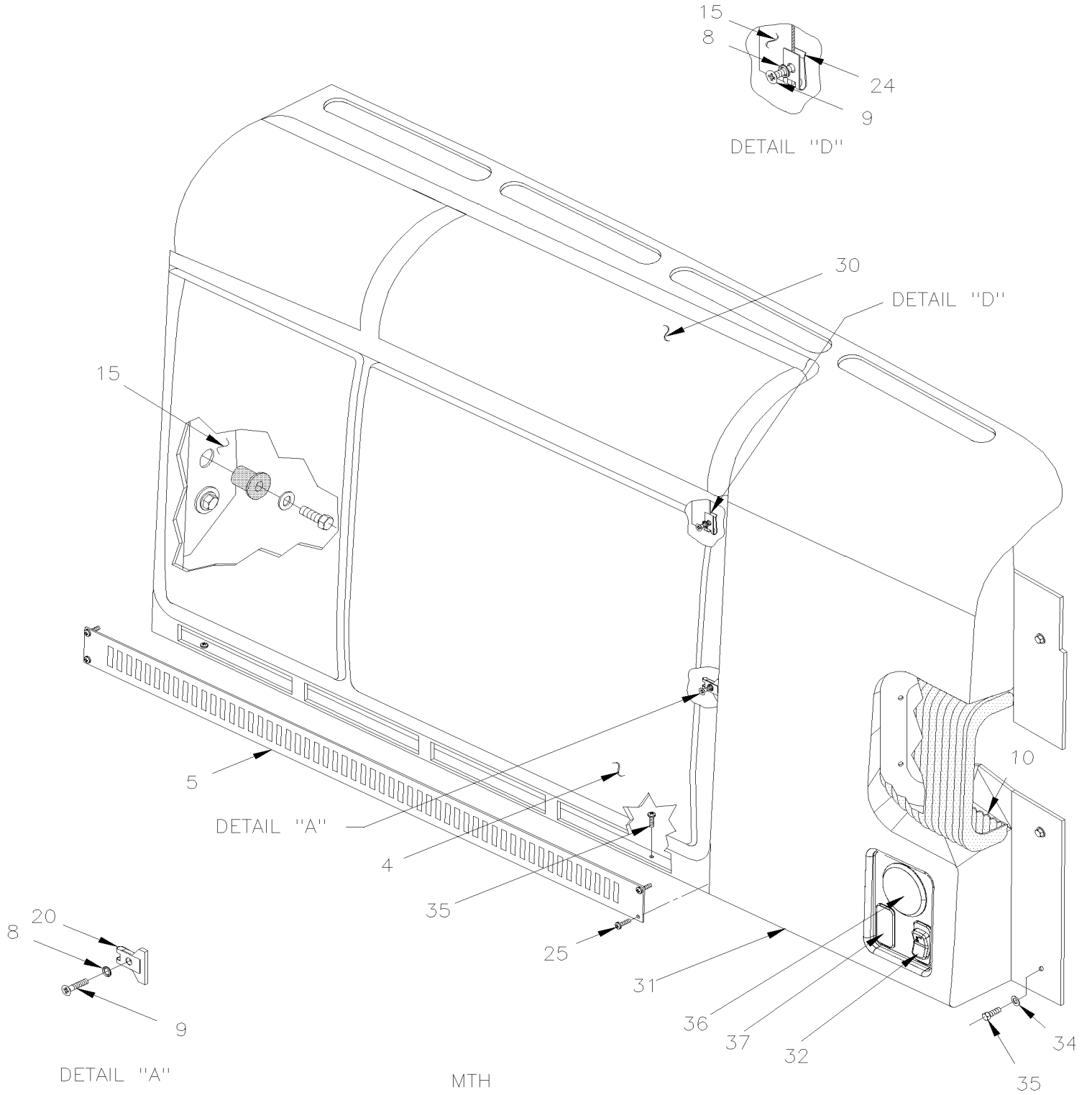


From B-5003 To D-5489

Date:07/2024

PAGE:XV-1806-20

DASHBOARD PANEL



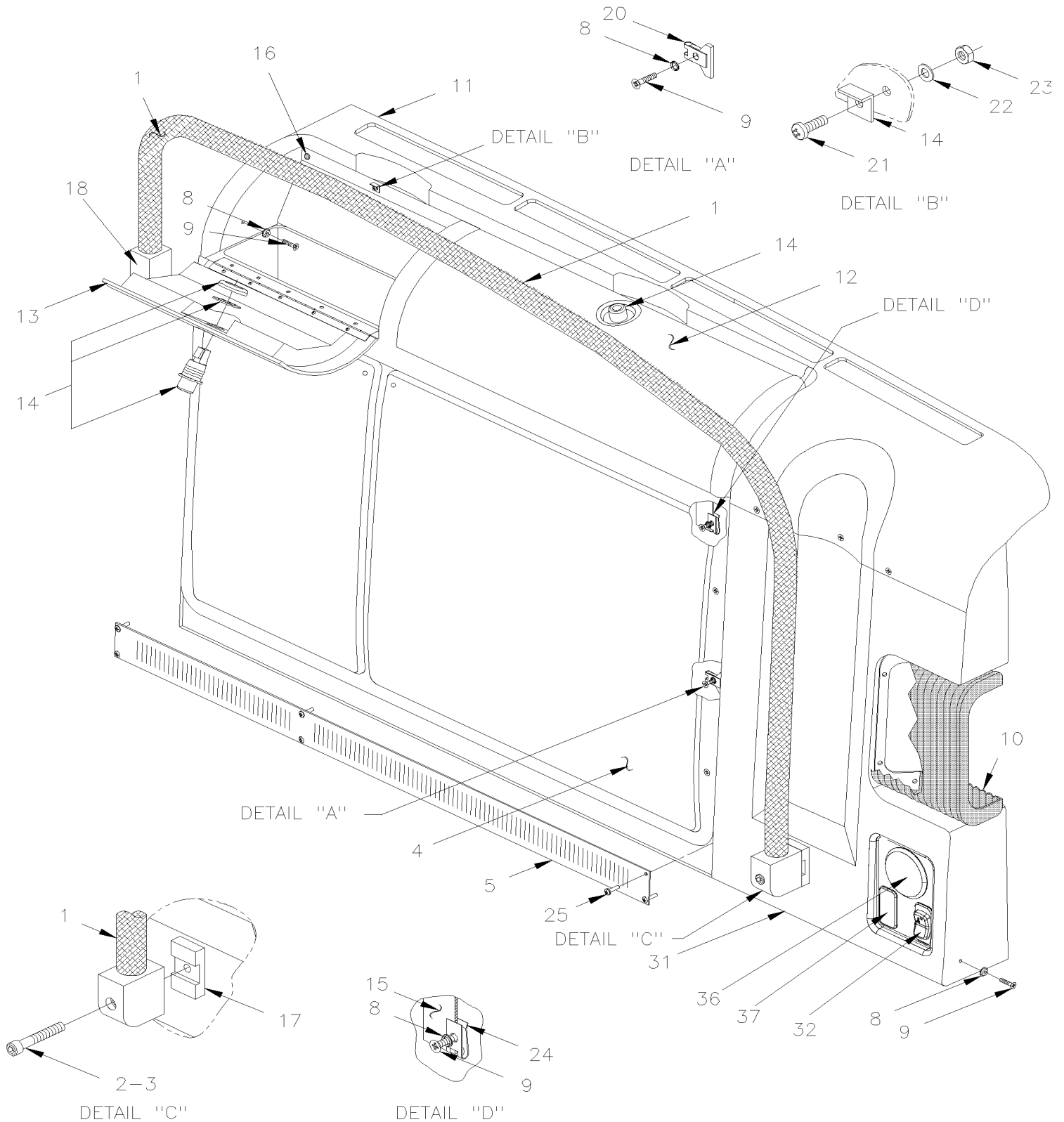


From B-5003 To D-5489

Date:07/2024

PAGE:XV-1806-20

DASHBOARD PANEL





From B-5003 To D-5489 Date:07/2024 PAGE:XV-1806-20

DASHBOARD PANEL

Item#	Part	Description	X 3 V I P	X L I I E N T 4 5	N O T E S
1	392266	HAND RAIL / BLACK	AR	AR	B C
1	3202061	KIT SERVICE METAL BLACK RAMP DASHBOARD	1	1	
2	5001598	SCREW CAP HEXS M8-1.25x30 SS	AR	AR	B
3	5001380	SCREW CAP HEXS M8-1.25x100 SS	AR	AR	B
4	392007	PANEL / SERVICING	1	1	
5	392194	GRILLE / LOWER	1	1	
8	500345	WASHER FN CKF .187x.500x.090 BR BK	AR	AR	
9	5001413	SCREW MA FL PH M4-0.7x20 Z050	AR	AR	
9	5001429	SCREW MA FL PH M4-0.7x25 BK	AR	AR	
10	XV-1862-60	ENTRANCE DOOR FRAME - INSTALLATION	1	1	
11	392146	PANEL R.H. / TOP W/2 BOX MTH 89"	1	1	
12	391954	COVER R.H. / BLACK	1	1	
13	391955	COVER L.H. / BLACK	1	1	
13	504676	STRAP RETAINER	1	1	
14	504672	LATCH ASSY W/2 KEYS	AR	AR	
NS	810084	. KEY / (CH751)	1	1	
15	392148	STRUCTURE / R.H. MTH 89"	1	1	B
15	392434	STRUCTURE / R.H. MTH 89"	1	1	A
16	504674	BUMPER RUBBER / 1/4X13/32X13/32X1/8	4	4	
17	392489	RAMP BLOCK SUPPORT WELD TO DASH STRUCTURE	1	1	
18	392116	RAMP SUPPORT WELD TO DASH STRUCTURE	1	1	
20	5001406	NUT SPR U M4-0.7 0.8-4.0x13.5	4	4	
21	5001398	SCREW MA CHE PH M3-0.5x10 SS	1	1	
22	N.P.N.	WASHER	4	4	4
23	5001408	NUT HEX STO M3-0.5 ZP	4	4	
24	5001405	NUT SPR U M4-0.7 0.8-4.0x9.5	14	14	
25	5001410	SCREW MA CHE PH M4-0.7x16 SS	6	6	
30	392147	PANEL R.H. / TOP W/O BOX MTH 89"	1	1	
31	392133	COVER / ENTRANCE DOOR MECHANISM / MTH 89"	1	1	B
31	392435	COVER / ENTRANCE DOOR MECHANISM / MTH 89"	1	1	A
32	562697	SWITCH / ON-ON / D.P.D.T. / CH-OVER / W/RED & GREEN LED	1	1	
33	500923	SCREW TC CAP HEX 1/4-20x3/4 Z050	AR	AR	
34	502582	WASHER LO SERR 6.1x16.2x0.9 Z050	AR	AR	
35	500641	SCREW TP PAN PH #8x3/4 Z050	AR	AR	
36	871315	LOUVER, ADJUSTABLE / ROUND 2 1/8" O.D.	1	1	
36	871314	LOUVER, ADJUSTABLE / ROUND 2 5/8" O.D.	1	1	A
37	562716	CAP / DRIVER'S LAMP	1	1	
NS	562773	SWITCH / "DUMMY" / PLUG	1	1	
		A) USE WITHOUT HANDRAIL			



From B-5003 To D-5489	Date:07/2024	PAGE:XV-1806-20
-----------------------	--------------	-----------------

DASHBOARD PANEL

Item#	Part	Description	X 3 V I P	X L I I E N T 4 5	N O T E S
		B) WITH HANDRAIL			
		C) FOR SOLUTION IN SERVICE, SEE SERVICE KIT 3202061			
		4) NO PARTS NUMBER			

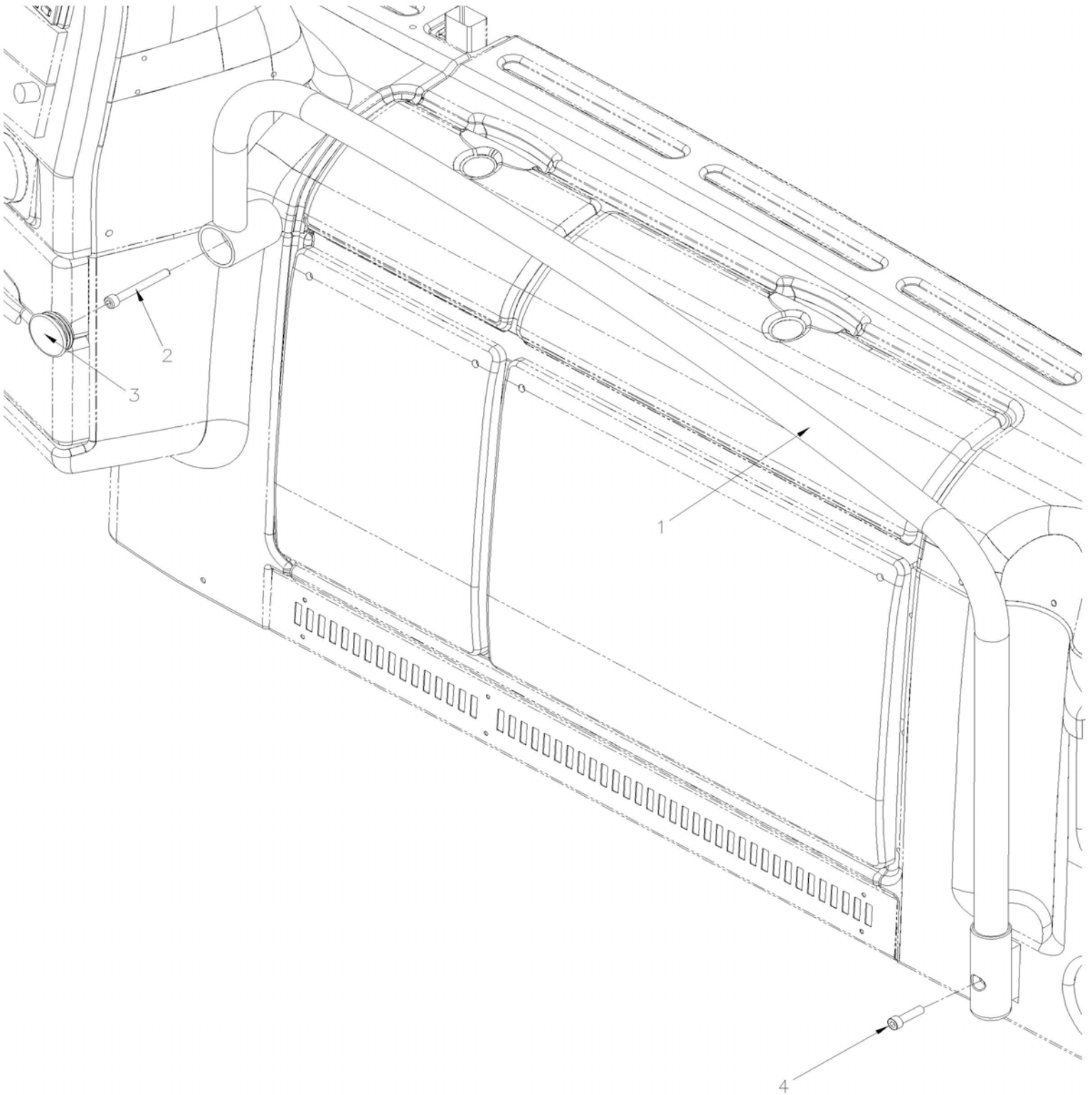


From B-5003 To D-5489

Date:07/2024

PAGE:3202061

KIT SERVICE METAL BLACK RAMP DASHBOARD





From B-5003 To D-5489	Date:07/2024	PAGE:3202061
-----------------------	--------------	--------------

KIT SERVICE METAL BLACK RAMP DASHBOARD

Item#	Part	Description	X 3 V I P	X L I I E N T 4 5	N O T E S
1	3202048	METAL HANDRAIL BLACK DASHBOARD	1	1	
2	5001604	SCREW CAP HEXS M8-1.25x70 G8.8 G500	1	1	
3	504513	PLUG BUTTON / 1.9 X 0.58 POL BK	1	1	
4	5001598	SCREW CAP HEXS M8-1.25x30 SS	1	1	

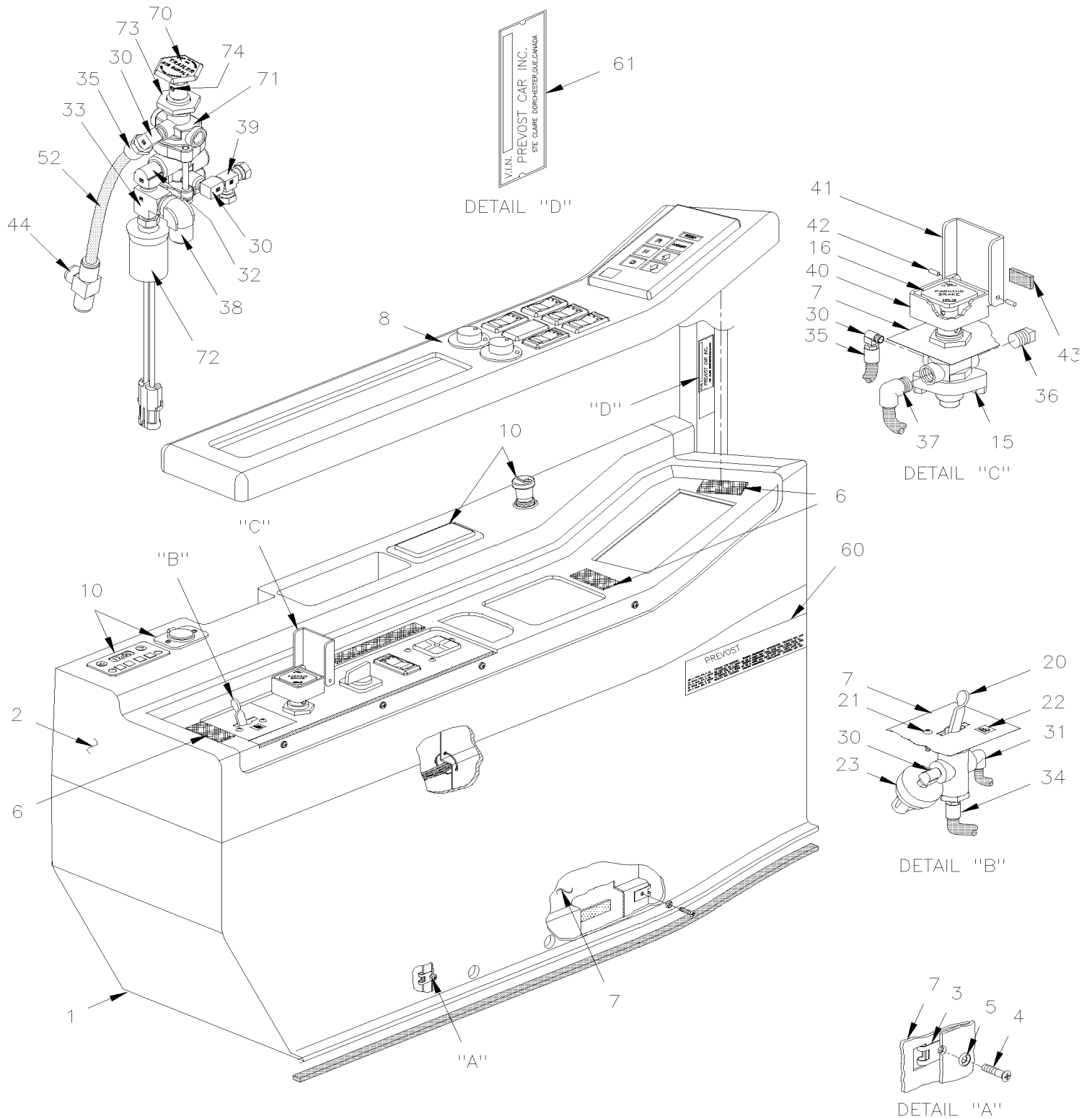


From B-5003 To D-5489

Date:07/2024

PAGE:XV-1806-50

L.H. CONSOLE - MTH





From B-5003 To D-5489	Date:07/2024	PAGE:XV-1806-50
------------------------------	---------------------	------------------------

L.H. CONSOLE - MTH

Item#	Part	Description	X 3 V I P	X L I E N T 4 5	N O T E S
1	392042	CONSOLE / LOWER	1	1	
2	392037	CONSOLE / UPPER	1	1	
3	5001405	NUT SPR U M4-0.7 0.8-4.0x9.5	10	10	
4	5001414	SCREW MA FL PH M4-0.7x16 BK	10	10	
5	500345	WASHER FN CKF .187x.500x.090 BR BK	10	10	
6	506493	TAPE DUAL LOCK 1/2" x 150' / BLACK SJ3541	AR	AR	
7	392039	STRUCTURE ASSY	1	1	
8	392038	PANEL / W/AUTOMATIC TRANSMISSION	1	1	
10	XV-0645-05	SWITCHES L.H. CONSOLE - MTH			
10	392043	DUMMY PLUG LIGHTER	1	1	
15	641128	VALVE, CONTROL VALVE PP-1 / 40PSI To D-5395	1	1	
. NS	641154	. REPAIR KIT / PP-1 & RD-3 To D-5395	1	1	
15	642169	VALVE, CONTROL VALVE PP-1 / 60PSI From D-5396	1	1	
. NS	641154	. REPAIR KIT / PP-1 & RD-3 From D-5396	1	1	
. NS	641149	. BUTTON, PARKING BRAKE DIAMOND YELLOW / 1" From D-5396	1	1	
16	641149	. BUTTON, PARKING BRAKE DIAMOND YELLOW / 1"	1	1	
20	640136	VALVE, CONTROL TW-1	1	1	
. NS	641156	. REPAIR KIT / TW-1	1	1	
21	500572	SCREW MA TR PH #10-24x1/2 SS BK	2	2	
22	391992	DECAL "TAG"	1	1	
23	562518	PRESSURE SWITCH N.O. 4PSI / 1/8NPT W/2 SCREWS / TAG	1	1	
24	391994	DECAL "LEVEL LOW"	1	1	
30	501331	STREET ELBOW 90° / PIPE FITTING / 1/8NPT-Mx1/8NPT-F BR	3	3	
31	641369	MALE ELBOW 90° NON-SWIVEL / PUSH-IN FITTING / #4x1/8NPT-M BR	3	3	
32	501332	STREET ELBOW 90° / PIPE FITTING / 1/4NPT-Mx1/4NPT-F BR	1	1	
33	501338	MALE RUN TEE / PIPE FITTING / 1/4NPT-Mx1/4NPT-Fx1/4NPT-F BR	1	1	
34	641242	MALE CONNECTOR / PUSH-IN FITTING / #4x1/8NPT-M BR	1	1	
35	641349	MALE CONNECTOR / PUSH-IN FITTING / #6x1/8NPT-M BR	1	1	
36	501800	PLUG HEXS / PIPE FITTING / 1/4NPT-M STL	1	1	
37	641371	MALE ELBOW 90° NON-SWIVEL / PUSH-IN FITTING / #4x1/4NPT-M BR	1	1	
38	641372	MALE ELBOW 90° NON-SWIVEL / PUSH-IN FITTING / #6x1/4NPT-M BR	1	1	
39	641002	MALE RUN TEE / NTA FITTING / #4x#4x1/8NPT-M BR	1	1	
40	391727	PROTECTOR BOX ASSY / OVER PARKING BRAKE VALVE	1	1	
40	391725	. BOX	1	1	
41	391726	. COVER / CLEAR PLASTIC	1	1	
42	505221	. SPRING, PIN 1/8 X 3/8	1	1	
43	506035	. TAPE RUB ADH1 NEO 1/2" x 1" x 15' / BLACK 1220X	1	1	
44	641922	UNION TEE / PUSH-IN FITTING / #6x#6x#6 BR	1	1	
52	XV-1202-00	TUBES PLASTIC / AIR D.O.T.			
61	Call order desk	PLATE / V.I.N.	1	1	P
NS	504107	RIVET POP DOME OE 1/8x5/16 AL	6	6	
70	641935	BUTTON RED / FOR TRAILER VALVE PP-7	1	1	



From B-5003 To D-5489	Date:07/2024	PAGE:XV-1806-50
-----------------------	--------------	-----------------

L.H. CONSOLE - MTH

Item#	Part	Description	X 3 V I P	X L I I E N T 4 5	N O T E S
71	641397	TRAILER SUPPLY VALVE PP-7	1	1	
72	452043	PRESSURE SWITCH N.O. 60-35 20SP001AA060E035E	1	1	
73	640297	NUT	1	1	
74	640286	PIN ROLLER	1	1	
		P) CALL ORDER DESK FOR SPECIFIC APPLICATION (V.I.N.)			

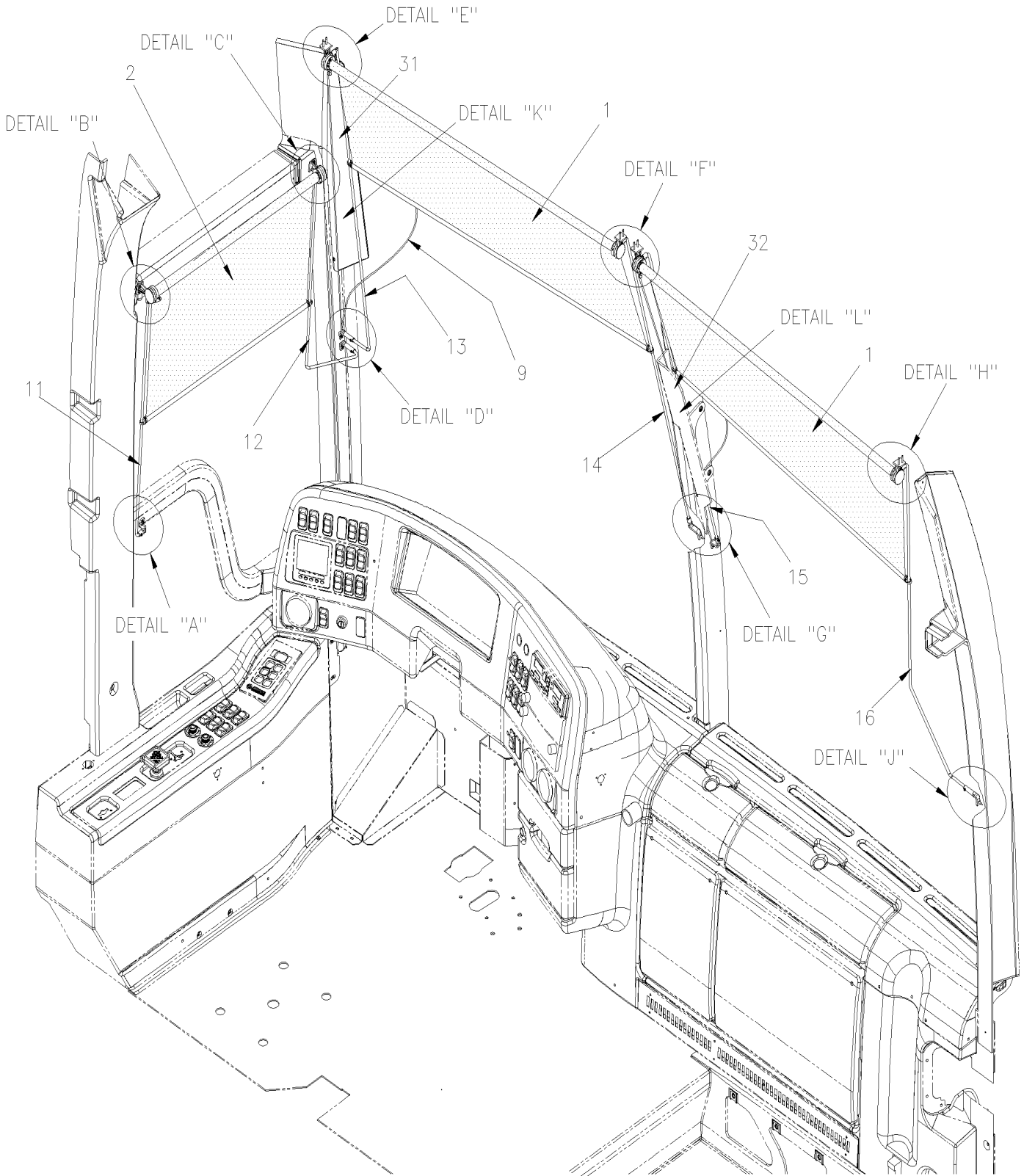


From B-5003 To D-5489

Date:07/2024

PAGE:XV-1816-00

ROLLER BLIND - DRIVER' S & WINDSHIELD



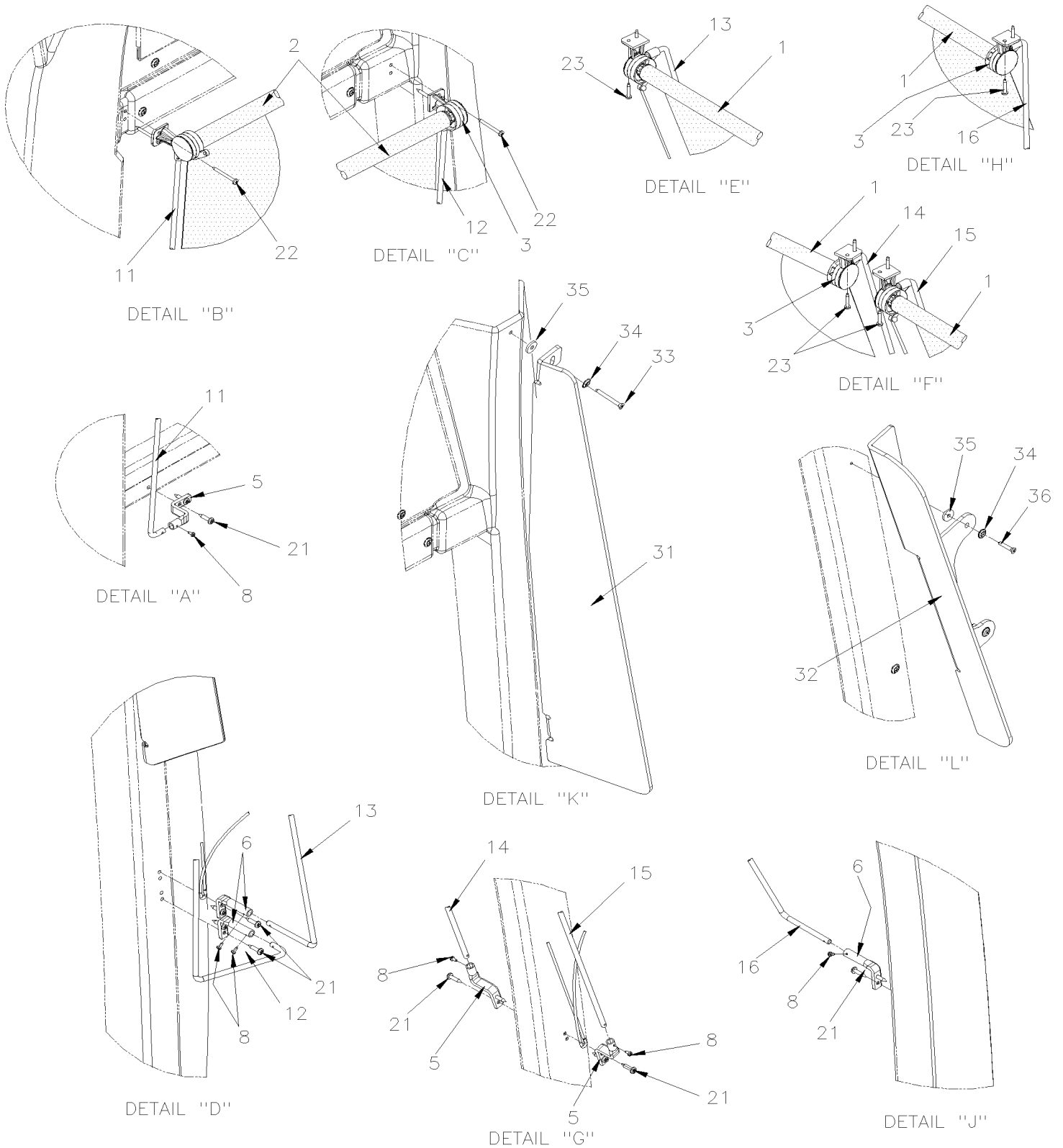


From B-5003 To D-5489

Date:07/2024

PAGE:XV-1816-00

ROLLER BLIND - DRIVER'S & WINDSHIELD





From B-5003 To D-5489	Date:07/2024	PAGE:XV-1816-00
ROLLER BLIND - DRIVER' S & WINDSHIELD		

Item#	Part	Description	X 3 V I P	X L I I E N T 4 5	N O T E S
1	901043	BLIND ROLLER / CHARCOAL / 996MM To D-5449	2	2	
NS	900597	. GUIDING PLUG / EACH END OF BLIND To D-5449	2	2	
1	901373	BLIND ROLLER / CHARCOAL / 1045MM From D-5450	2	2	
. NS	901561	. BRACKET W/SHAFT & RATCHED LEVER From D-5450	1	1	
. NS	901560	. BRACKET W/SHAFT & RATCHED LEVER From D-5450	1	1	
2	901042	BLIND ROLLER / CHARCOAL / 600MM To D-5449	1	1	
NS	900597	. GUIDING PLUG / EACH END OF BLIND To D-5449	2	2	
2	901374	BLIND ROLLER / CHARCOAL / 593MM From D-5450	1	1	
. NS	5001999	. SCREW SET HEXS CUP M4-0.7x5 From D-5450	2	2	
. NS	901562	. BRACKET W/O SHAFT & RATCHED LEVER From D-5450	1	1	
. NS	901560	. BRACKET W/SHAFT & RATCHED LEVER From D-5450	1	1	
3	900478	BEARING HOLDER / R.H. / BLACK CASTING To D-5449	1	1	
5	900476	ROD HOLDER 90° / BLACK PLASTIC 30MM C/L	AR	AR	
6	901263	ROD HOLDER / BLACK / PLASTIC 50MM	3	3	
8	5001091	SCREW TC PAN PH #4-40x1/4 BK	AR	AR	
9	900482	CORD, W/BUTTON / BLACK 1700MM To D-5449	1	1	
11	405129	ROD / BACKWARD / 720MM X 25MM	1	1	
12	405193	ROD / FORWARD / 670MM X 126MM	1	1	
13	405071	ROD / L.H. STREET SIDE / 718MM X 107MM	1	1	
14	405070	ROD / R.H. STREET SIDE / 710MM X 20MM	1	1	
15	405077	ROD / L.H. CURBSIDE / 710MM X 20MM	1	1	
16	405072	ROD / R.H. CURBSIDE / 718MM X 107MM	1	1	
21	500814	SCREW TP BDG PH #6x3/4 BK	AR	AR	
21	5001145	SCREW TP BDG PH #6x1 BK	AR	AR	
22	5001298	SCREW TP BDG PH #6x1 1/2 BK	AR	AR	
23	500333	SCREW TP OV PH #6x3/4 BK	AR	AR	
31	3200339	PLEXIGLASS / TINTED L.H. STREET SIDE / 795MM	1	1	
32	3200340	PLEXIGLASS / TINTED L.H. CURBSIDE / 540MM	1	1	
33	500632	SCREW TP OV PH #8x1 1/2 Z050	AR	AR	
34	500463	WASHER FN CKF .187x.500x.090 BR Z050	AR	AR	
35	500950	WASHER FL .187x.625x.094 RUB	AR	AR	
36	500629	SCREW TP OV PH #8x1 Z050	AR	AR	

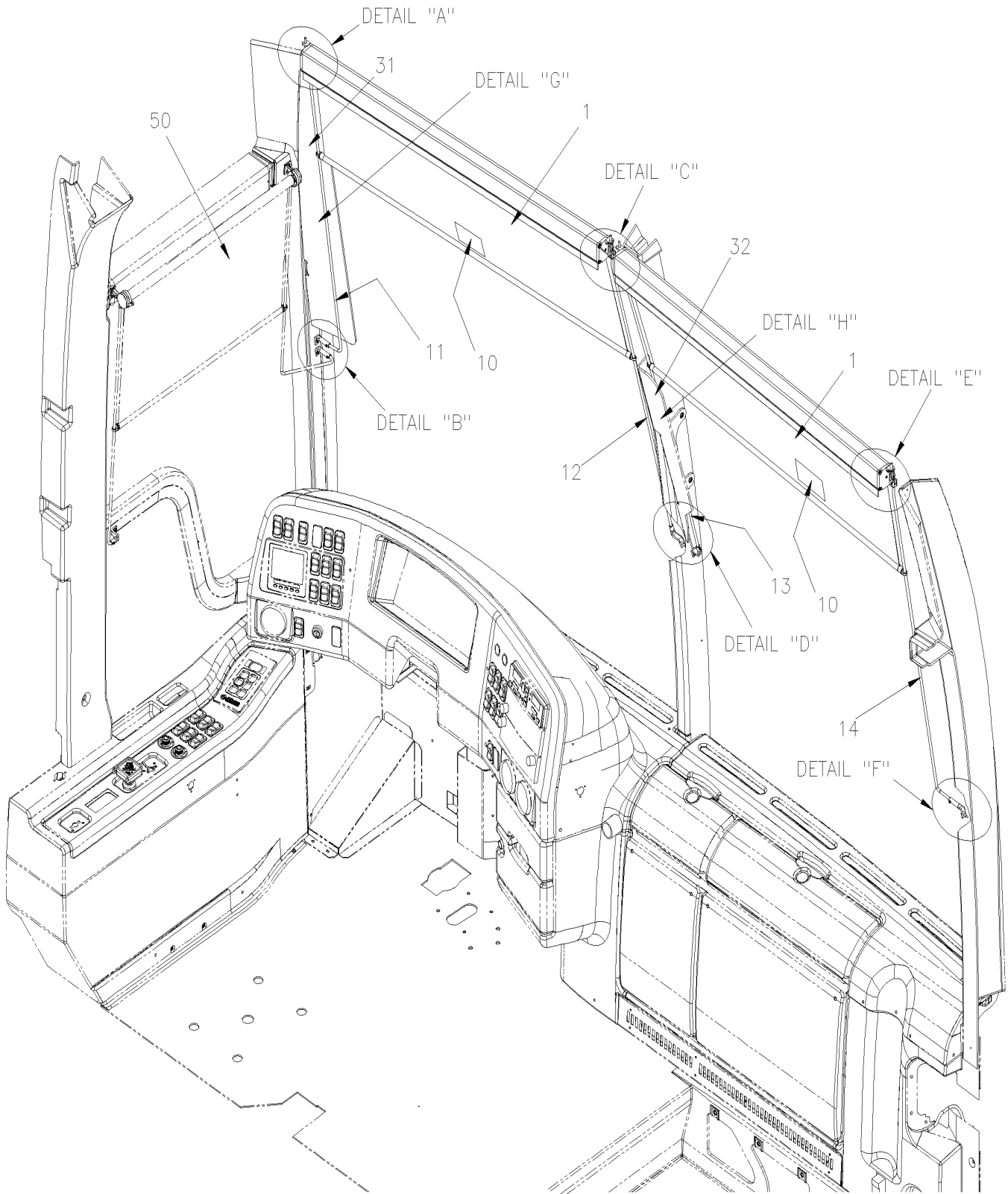


From B-5003 To D-5489

Date:07/2024

PAGE:XV-1816-05

ROLLER BLIND - WINDSHIELD W/ELECTRICAL



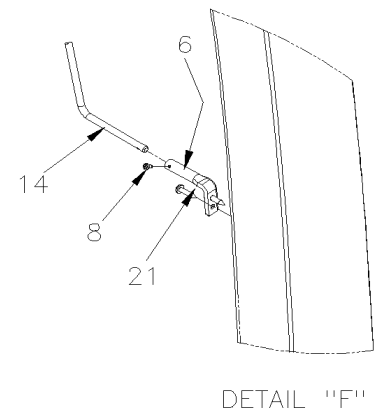
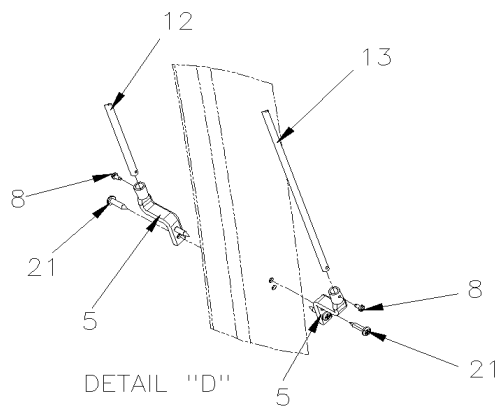
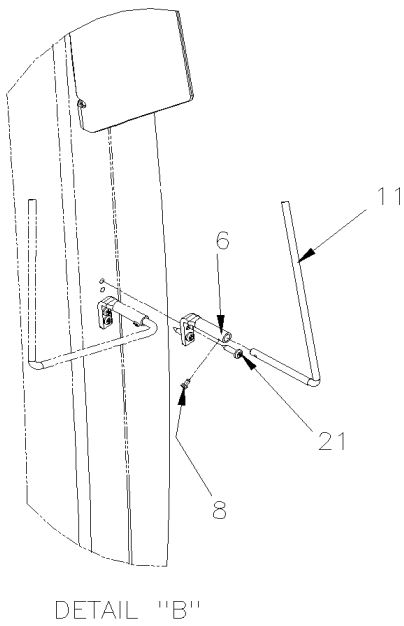
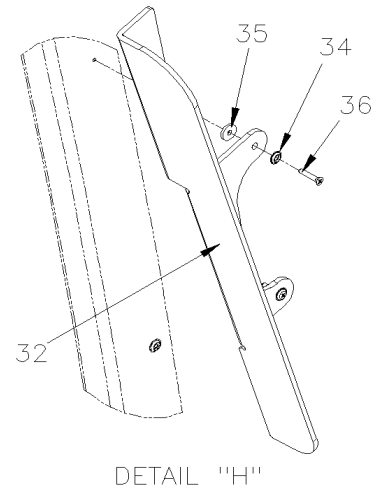
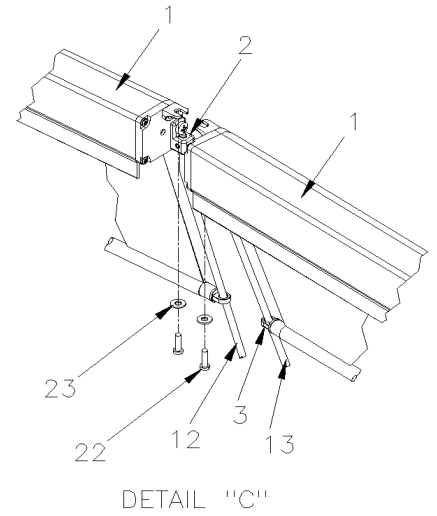
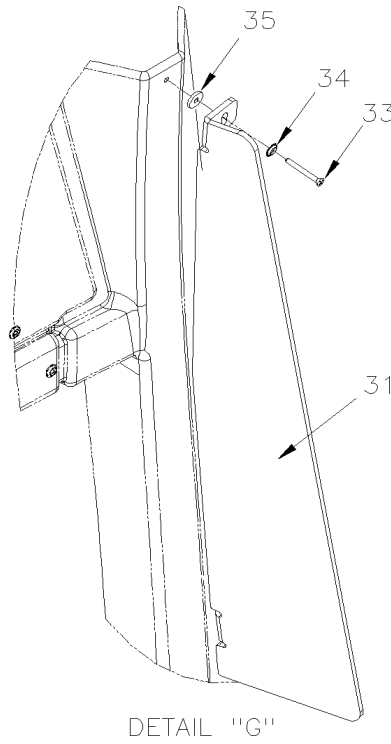
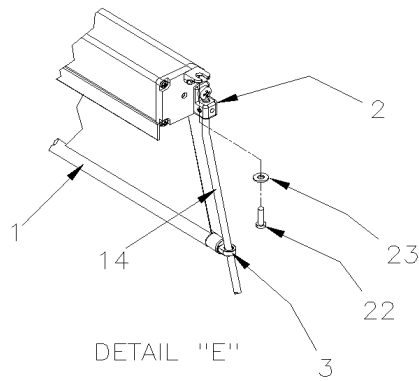
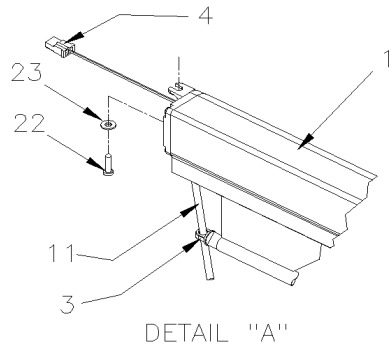


From B-5003 To D-5489

Date:07/2024

PAGE:XV-1816-05

ROLLER BLIND - WINDSHIELD W/ELECTRICAL





From B-5003 To D-5489 Date:07/2024 PAGE:XV-1816-05

ROLLER BLIND - WINDSHIELD W/ELECTRICAL

Item#	Part	Description	X 3 V I P	X L I I E N T 4 5	N O T E S
1	901121	ROLLER BLIND ASSY / ELECTRIC To C-5187	2	2	
1	408404	ROLLER BLIND / ELECTRIC / PRODUCT IMPROVMENT To C-5187	1	1	
. NS	901532	. ROLLER BLIND ASSY / ELECTRIC To C-5187	2	2	
1	901375	ROLLER BLIND ASSY / ELECTRIC From C-5188	2	2	
2	901048	. KIT BRACKET L.H. & R.H. To C-5187	AR	AR	
3	900597	. GUIDING PLUG / EACH END OF BLIND To C-5187	1	1	
4	560854	SOCKET TERMINAL / 24-18 / AMP 60617-1	2	2	
5	900476	ROD HOLDER 90° / BLACK PLASTIC 30MM C/L	2	2	
6	901263	ROD HOLDER / BLACK / PLASTIC 50MM To E-5589	2	2	
6	901445	ROD HOLDER / BLACK / PLASTIC From E-5590	2	2	
8	500409	SCREW TP PAN PH #8x1/2 BK	4	4	
10	402952	DECAL	1	1	
11	405373	ROD / STREET SIDE / 730MM X 70MM / 10 DEG BEND	1	1	
12	405374	ROD 737MM / 10 DEG BEND	1	1	
13	405374	ROD 737MM / 10 DEG BEND	1	1	
14	405375	ROD / CURBSIDE / 730MM X 70MM / 10 DEG BEND	1	1	
21	500814	SCREW TP BDG PH #6x3/4 BK	4	4	
22	500658	SCREW TC PAN PH #10-24x3/4 Z050	4	4	
23	500964	WASHER FL .203x.500x.047 Z050	4	4	
31	3200339	PLEXIGLASS / TINTED L.H. STREET SIDE / 795MM	1	1	
31	3201220	PLEXIGLASS / TINTED L.H. STREET SIDE / 645MM	1	1	O
32	3200340	PLEXIGLASS / TINTED L.H. CURBSIDE / 540MM	1	1	
33	500632	SCREW TP OV PH #8x1 1/2 Z050	AR	AR	
34	500463	WASHER FN CKF .187x.500x.090 BR Z050	AR	AR	
35	500950	WASHER FL .187x.625x.094 RUB	AR	AR	
36	500629	SCREW TP OV PH #8x1 Z050	AR	AR	
NS	327623	SUPPORT / ROLLER BLIND / UNDER DESTINATION SIGN / 244MM	1	1	
50	XV-1816-00	ROLLER BLIND - DRIVER' S & WINDSHIELD			
		O) OPTION			

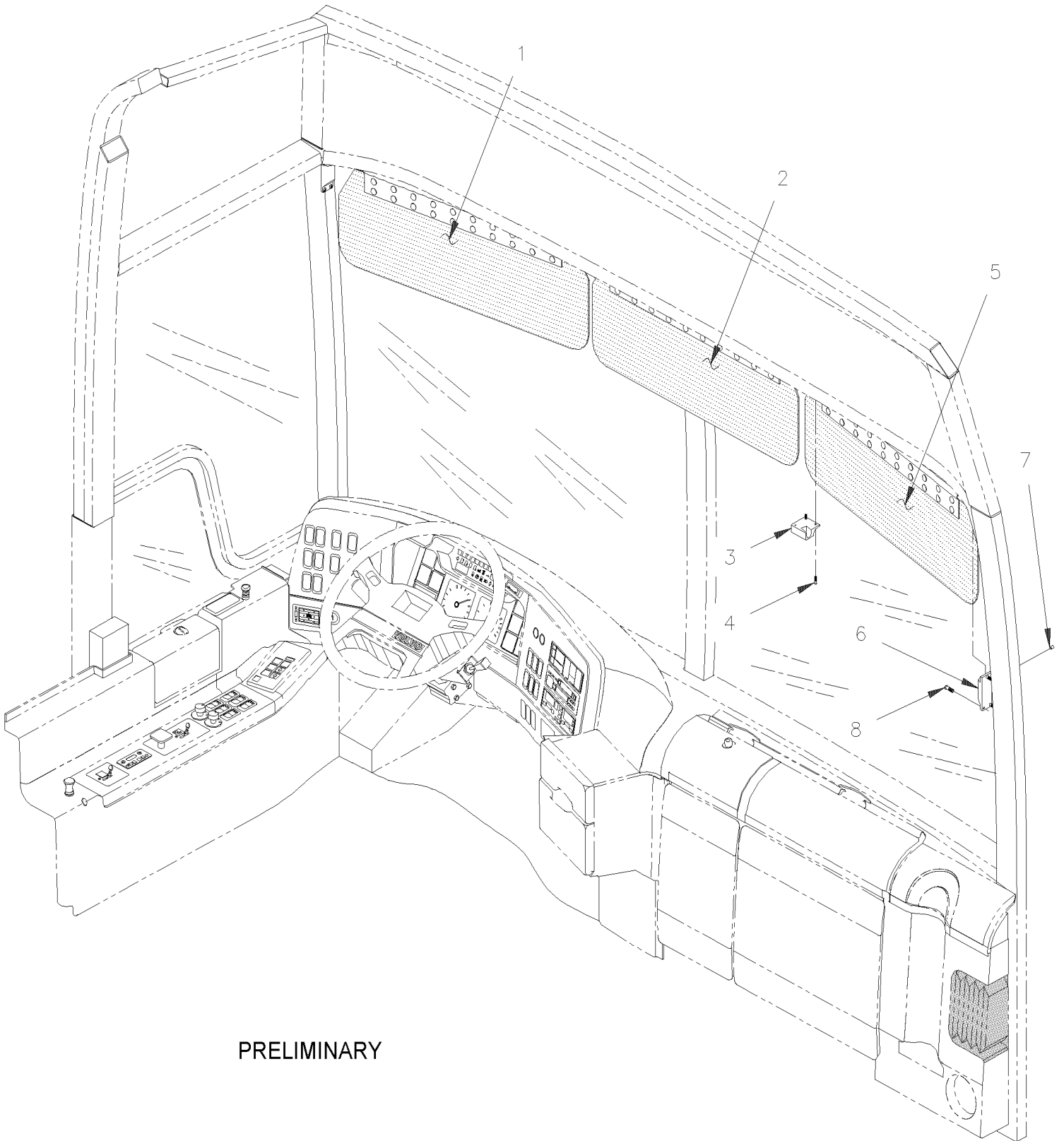


From B-5003 To D-5489

Date:07/2024

PAGE:XV-1817-00

SUN VISOR - "LE MIRAGE"



PRELIMINARY



From B-5003 To D-5489	Date:07/2024	PAGE:XV-1817-00
SUN VISOR - "LE MIRAGE"		

Item#	Part	Description	X 3 V I P	X L I I E N T 4 5	N O T E S
1	404741	SUN VISOR ASSY / L.H. W/COVERING (BLACK)	1	1	
1	404724	. SUN VISOR ASSY / L.H. W/O COVERING	1	1	
2	404740	SUN VISOR ASSY / CENTRAL W/COVERING (BLACK)	1	1	
2	404726	. SUN VISOR ASSY / CENTRAL W/O COVERING	1	1	
3	401586	ATTACHMENT, R.H. / CENTRAL SUN VISOR	1	1	
3	401585	ATTACHMENT, L.H. / CENTRAL SUN VISOR	1	1	
NS	401535	HOOK, RETAINING / L.H. SUN VISOR W/O CENTRAL & R.H. SUNVISOR	1	1	
3	505173	SPRING, PIN 1/8 X 3/4	2	2	
NS	500409	SCREW TP PAN PH #8x1/2 BK	4	4	
NS	500263	SCREW TP PAN PH #8x3/8 BK	4	4	
5	404739	SUN VISOR ASSY / R.H. W/COVERING (BLACK)	1	1	
5	404725	. SUN VISOR ASSY / R.H. W/O COVERING	1	1	
5	404706	. . PLATE, SUN VISOR LH & RH	2	2	
5	404722	. . PLATE, SUN VISOR CENTRAL	2	2	
5	404727	. . PRESSURE PLATE	2	2	
5	504117	. . RIVET POP DOME CLE 3/16x3/8 AL	20	20	
5	500438	. . WASHER FL .187x.437x.050 Z050	20	20	
5	401708	. . ROD, SUN VISOR CENTRAL	1	1	
5	404709	. . ROD, SUN VISOR LH & RH	1	1	
5	560171	SLEEVE INSULATING	1	1	
6	401465	ATTACHMENT, PIVOT L.H. & R.H. CHARCOAL	2	2	
7	500303	SCREW SET HEXS CUP #10-24x3/16	2	2	
8	500630	SCREW TP OV PH #10x1 Z050	6	6	

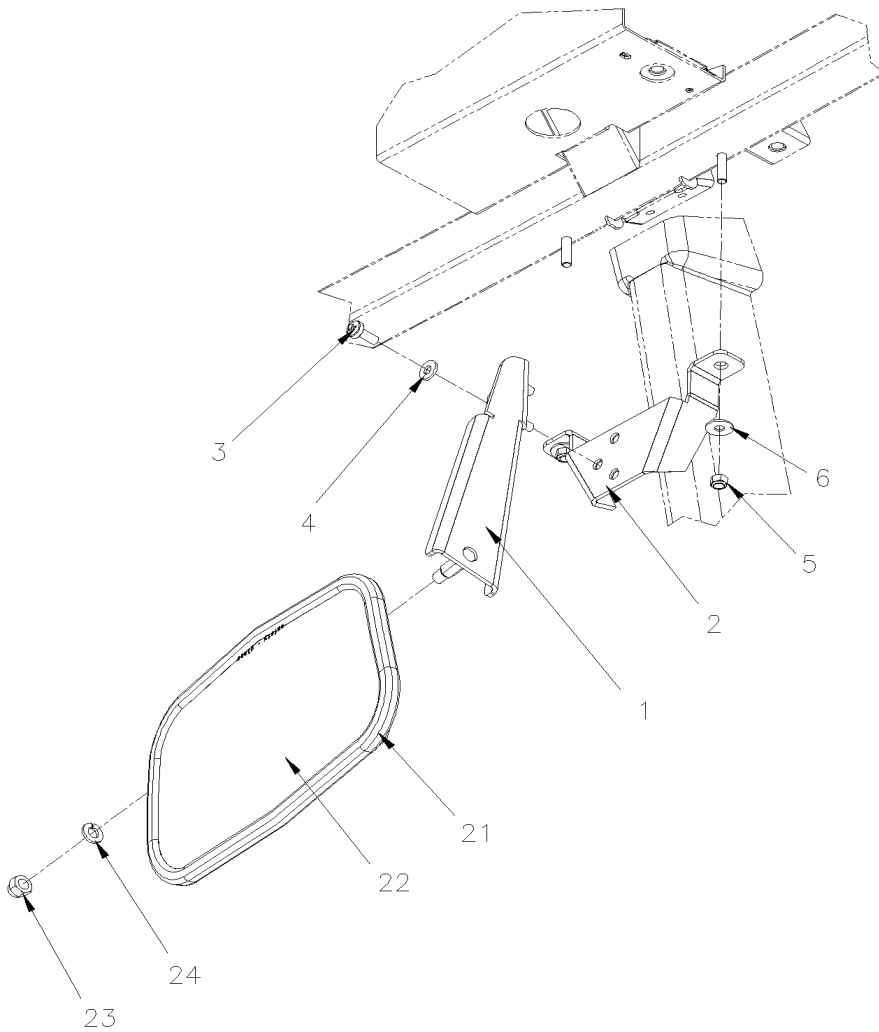
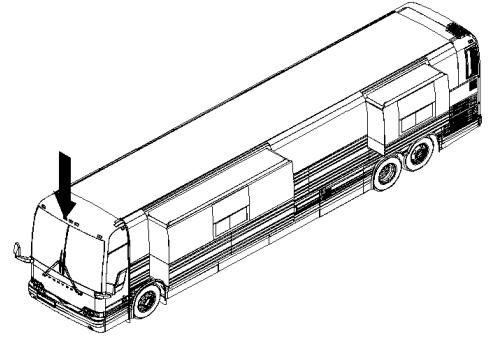


From B-5003 To D-5489

Date:07/2024

PAGE:XV-1820-00

MIRROR - INTERIOR





From B-5003 To D-5489	Date:07/2024	PAGE:XV-1820-00
-----------------------	--------------	-----------------

MIRROR - INTERIOR

Item#	Part	Description	X 3 V I P	X L I I E N T 4 5	N O T E S
1	405136	SUPPORT CENTRAL ASSY, MIRROR	1	1	
2	408099	MIRROR SUPPORT / CENTER WINDSHIELD	1	1	
3	502569	SCREW MA PAN PH M6-1.0x16 BK	3	3	
4	500877	WASHER FL .250x.562x.065 N500	3	3	
5	5001353	NUT HEX NYRT M6-1.0 SS	2	2	
6	500411	WASHER FL .260x.697x.050 SS	2	2	
21	900438	MIRROR ASSY SAFETY	1	1	
22	900440	. GLASS / SAFETY	1	1	
23	500780	NUT HEX CAP 5/16-18 Z050	1	1	
24	500942	WASHER LO SPT 8.1x14.8x2.0 N500	1	1	

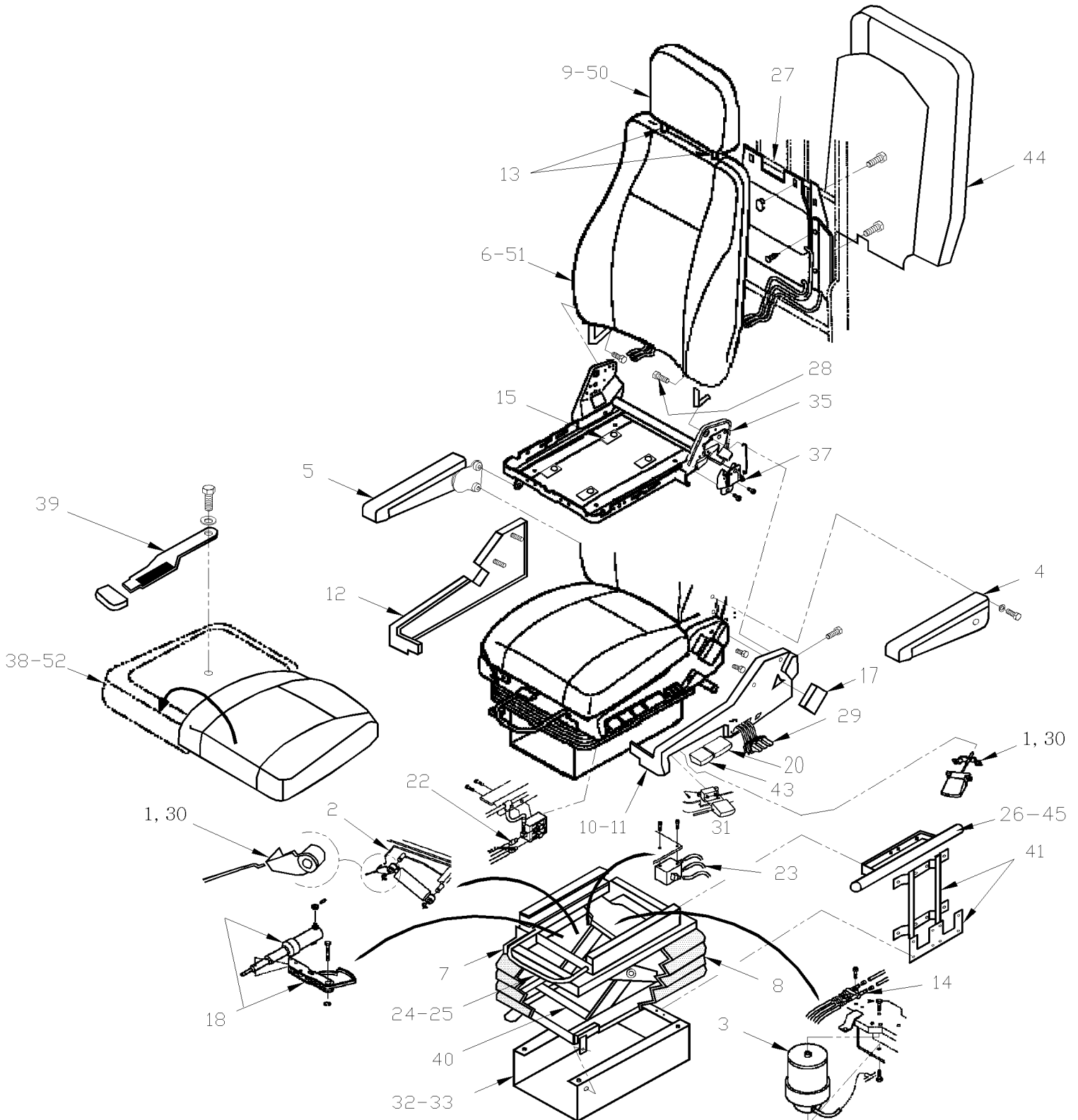


From B-5003 To D-5489

Date:07/2024

PAGE:XV-1822-00

DRIVER'S SEAT - "ISRI" - 6800/338





From B-5003 To D-5489	Date:07/2024	PAGE:XV-1822-00
DRIVER'S SEAT - "ISRI" - 6800/338		

Item#	Part	Description	X 3 V I P	X L I I E N T 4 5	N O T E S
	364108	DRIVER'S SEAT ASSY W/COVERING / SPECYFIED COLOR CODE		1	F
	861373	DRIVER'S SEAT - "ISRI" - MODEL 6800/338 / W/R.H. CONTROL		1	A
	861374	DRIVER'S SEAT - "ISRI" - MODEL 6800/338 / W/R.H. CONTROL	1	1	B
NS	862420	. LEVER RETAINING CLIP	1	1	
NS	862421	. NUT PLASTIC WHITE	1	1	
NS	862422	. RETAINING CLIP	1	1	
NS	862423	. SCREW FOR RETAINING CLIP	1	1	
1	861638	. ADJUSTABLE SHOCK ABSORBER CABLE KIT	1	1	
2	861639	. ADJUSTABLE SHOCK ABSORBER KIT	1	1	
3	861640	. AIR SPRING KIT	1	1	
4	861641	. ARMREST KIT - LH / W/OUT COVERING	1	1	
4	861377	. ARMREST KIT - LH / W/POLYURETHANE PAD		1	
5	861642	. ARMREST KIT - RH / W/OUT COVERING	1	1	
5	861378	. ARMREST KIT - RH POLYURETHANE PAD		1	
6	861643	. BACKREST ASSY / NUDE	1	1	
. NS	864557	. . FOAM / BACKREST	1	1	
7	861644	. BOOT ADAPTER PLATE	1	1	
8	861645	. BOOT KIT	1	1	
9	861646	. HEADREST ASSEMBLY - NUDE	1	1	
10	861648	. COVER KIT CONTROL - LH	1	1	
11	861649	. COVER KIT CONTROL - RH	1	1	
12	861650	. COVER KIT NON-CONTROL - LH	1	1	
13	861647	. HEADREST BOOT (2PCS)	1	1	
14	861651	. DISTRIBUTION VALVE KIT	1	1	
15	861652	. GLIDE - SEAT PAN	1	1	
16	861653	. HANDLE KIT - SEAT FRAME - LH	1	1	
17	861654	. HANDLE KIT - SEAT FRAME - RH	1	1	D
18	864140	. KIT, CYLINDER & CAM ADJUSTEMENT KIT	1	1	
. 18	861655	. . HEIGHT ADJUSTMENT CAM KIT	1	1	
. 19	861656	. . HEIGHT ADJUSTMENT CYLINDER KIT	1	1	
NS	863741	. KIT SLIDING TRACK PLASTIC OBLONG	1	1	
20	862203	. AIR HEIGHT ADJUST HANDLE KIT RH	1	1	
22	861657	. HEIGHT ADJUSTMENT VALVE KIT - RH	1	1	
23	861658	. HEIGHT ADJUSTMENT VALVE KIT - SUSPENSION	1	1	
24	861659	. HORIZONTAL ADJUSTMENT SLIDE HANDLE	1	1	
25	861660	. HORIZONTAL ADJUSTMENT SLIDE SET	1	1	
26	862205	. SEAT BELT KIT NOT ILLUSTRATED / PAS ILLUSTRÉ	1	1	
27	864242	. LUMBAR/BOLSTER KIT NEW STYLE	1	1	
28	862204	. BACKREST BOLT	2	2	
29	861662	. LUMBAR/BOLSTER VALVE RH	1	1	
30	862424	. HANDLE FOR ADJUSTMENT SHOCK	1	1	
NS	862425	. SHORT PIN ADJUSTMENT HANDLE	1	1	



From B-5003 To D-5489	Date:07/2024	PAGE:XV-1822-00
DRIVER'S SEAT - "ISRI" - 6800/338		

Item#	Part	Description	X 3 V I P	X L I I E N T 4 5	N O T E S
NS	862426	. LONG PIN ADJUSTMENT HANDLE	1	1	
NS	862956	. HANDLE SUPPORT / PLASTIC BLACK	1	1	
31	861663	. QUICK AIR RELEASE VALVE AND HANDLE KIT - RH	1	1	
33	861664	. RISER KIT 76MM	1	1	
35	861665	. SEAT FRAME - RH	1	1	
37	861666	. SEAT FRAME TOOTH PLATE KIT RH	1	1	
38	864243	. SEAT PAN ASSEMBLY - NUDE NEW STYLE	1	1	
. NS	864237	. . CUSHHION FOAM NEW PATERN	1	1	
39	861668	. SEAT PAN ASSEMBLY LEVER AND HANDLE KIT	1	1	
40	861669	. SUSPENSION	1	1	
41	861670	. TETHER AND TETHER PLATE KIT	1	1	
43	861671	. TILT HANDLE KIT - RH	1	1	
44	861672	. BACKREST PANEL	1	1	
NS	363705	INTERFACE COPILOTE ISRI 6800	1	1	C
NS	326831	ANCHORAGE "U" FORM 48MM x 38MM x 112MM	1	1	C
NS	362056	ANCHOR PLATE ASSY USE W/CURBSIDE SEAT 7/16-14x1" / 32MMx89MM	2	2	C
NS	362521	ANCHOR PLATE ASSY USE W/CURBSIDE SEAT 7/16-14x2" / 32MMx89MM	2	2	C
45	364128	DRIVER'S SAFETY BELT EXTENSION R.H.	1	1	E
45	364129	DRIVER'S SAFETY BELT EXTENSION L.H.	1	1	E
NS	500071	SCREW CAP HEX 7/16-20x1 1/2 G5 Z050	2	2	E
NS	500709	NUT HEX 7/16-20 Z050	2	2	E
NS	500747	WASHER LO SPT 12.2x21.1x2.5 N500	4	4	E
NS	500860	NUT HEX M12-1.75 Z050	2	2	E
NS	502731	SCREW CAP HEX M12-1.75x40 G8.8 Z050	2	2	E
50	363740P	COVERING HEADREST ASSY / S.C.C. / DRIVER'S "ISRI" / 6800		1	
51	364168P	COVERING BACKREST ASSY / S.C.C. / DRIVER'S "ISRI" / 6800		1	
52	364071P	COVERING SEATREST ASSY / S.C.C. NEW STYLE / DRIVER'S "ISRI" / 6800		1	
NS	867958	ADAPTOR	1	1	
NS	868125	UNION 4MM/4MM	1	1	
NS	868128	UNION 6MM/4MM	1	1	
NS	868833	AIR PIPE CONNECTOR SML	AR	AR	
NS	864709	TUBE PLASTIC 6MM O.D. CHARCOAL W/RED LINE	AR	AR	
NS	864710	TUBE PLASTIC 6MM O.D. CHARCOAL W/GREY LINE	AR	AR	
NS	864711	TUBE PLASTIC 6MM O.D. CHARCOAL	AR	AR	
NS	5001862	SCREW CAP HEX M12-1.75x70 G10.9 N500	4	4	G
NS	500958	WASHER FL .531x1.062x.095 SS	4	4	GH
NS	500747	WASHER LO SPT 12.2x21.1x2.5 N500	6	6	GH
NS	362549	SPACER / STRUCTURE & BASE / 27MM	4	4	G
NS	361677	JOINT / W/AIR SUSPENSION / W/2 HOLES .344 O / 3 1/8" x W/2" C/C	2	2	H
NS	363410	JOINT / W/AIR SUSPENSION / W/2 HOLES .562 O.D / 3 1/8" x W/2 1/8 C/C"	2	2	H
NS	364155	JOINT / W/AIR SUSPENSION / W/2 HOLES .344 O / 4 3/8" x W/3 1/4" C/C SERVICE	1	1	H



From B-5003 To D-5489	Date:07/2024	PAGE:XV-1822-00
DRIVER'S SEAT - "ISRI" - 6800/338		

Item#	Part	Description	X 3 V I P	X L I I E N T 4 5	N O T E S
NS	500860	NUT HEX M12-1.75 Z050	2	2	H
NS	5001365	SCREW CAP HEX M12-1.75x30 G10.9 DP	2	2	H
		A) THIS SEAT IS WITHOUT COVERING & ARMREST			
		B) THIS SEAT HAS BLACK COVERING, LARGE ARMREST & HEADREST FOR FACTORY DELIVERY			
		C) USE WITH CO-PILOTE SEAT INSTALLATION			
		D) INCLUDE ALL KNOB FOR ITEM # 17, 20, 29, & 39			
		E) YOU REQUIRE THOSE COMPONENTS TO EXTEND DRIVER'S SAFETY BELT			
		F) INCLUDE ITEMS # 50, 51 & 52			
		G) TO FIX SEAT TO FLOOR			
		H) TO FIX SAFETY BELT			

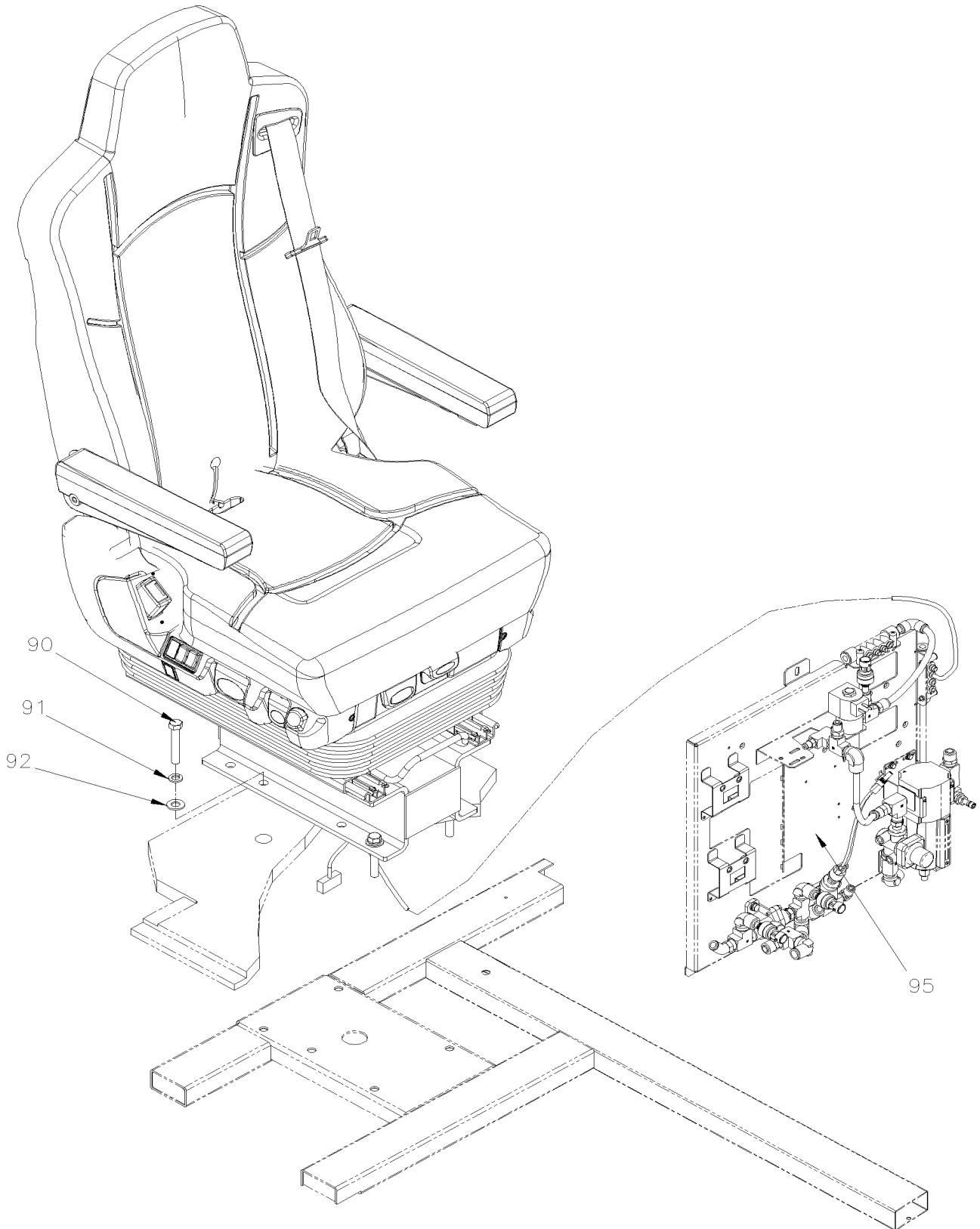


From B-5003 To D-5489

Date:07/2024

PAGE:XV-1822-01

DRIVER'S SEAT - "ISRI" - 6832/872



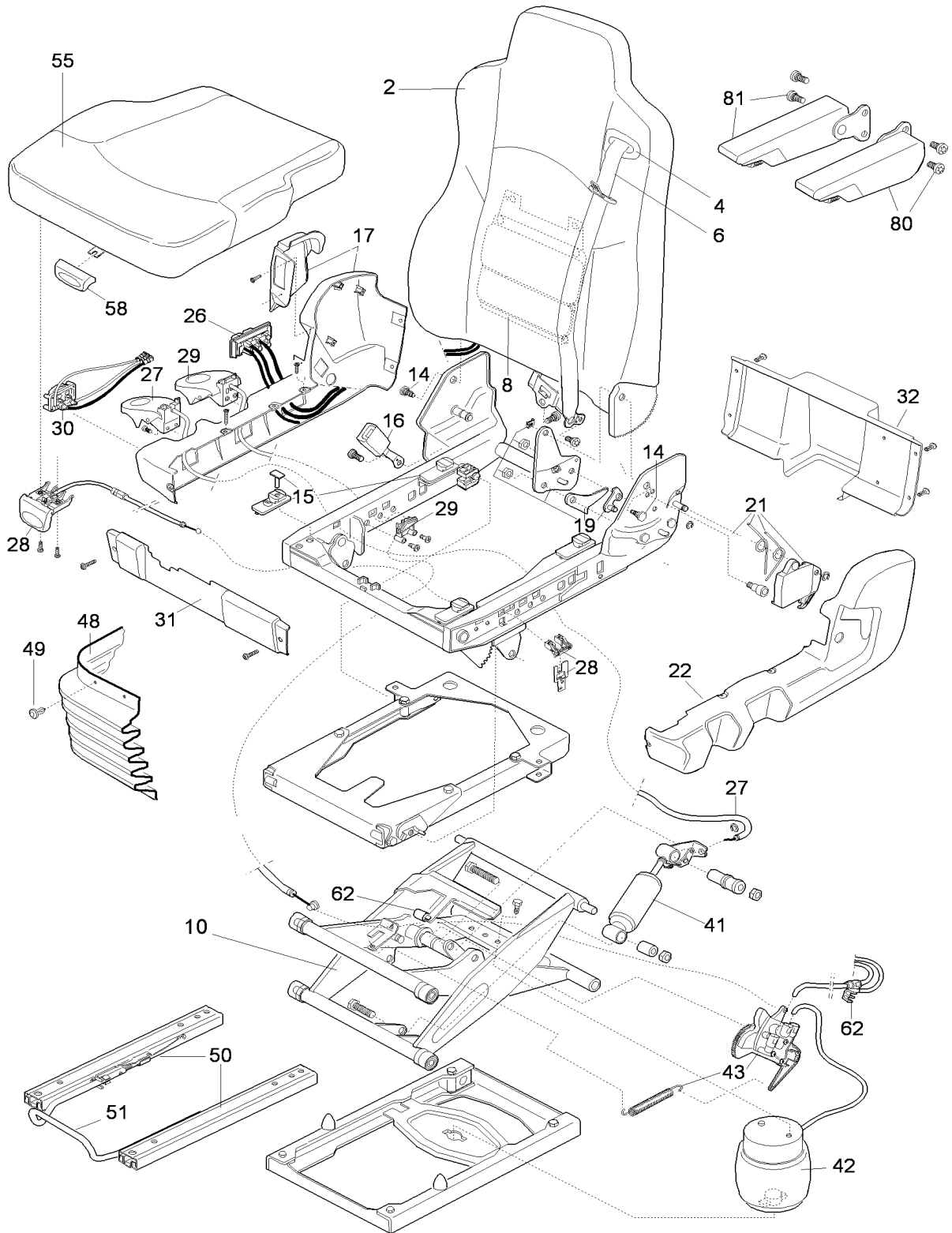


From B-5003 To D-5489

Date:07/2024

PAGE:XV-1822-01

DRIVER'S SEAT - "ISRI" - 6832/872





From B-5003 To D-5489	Date:07/2024	PAGE:XV-1822-01
DRIVER'S SEAT - "ISRI" - 6832/872		

Item#	Part	Description	X 3 V I P	X L I E N T 4 5	N O T E S
	864374	DRIVER'S SEAT - "ISRI" - MODEL 6832/872 / W/O ACTIVE CLIMATE CONTROL / W/COVERING BLACK / NOIR	1	1	
	864373	DRIVER'S SEAT - "ISRI" - MODEL 6832/872 / W/ACTIVE CLIMATE CONTROL / W/COVERING BLACK / NOIR	1	1	
	864414	DRIVER'S SEAT - "ISRI" - MODEL 6832/872 / W/HEATING / W/COVERING BLACK / NOIR	1	1	
	864371	DRIVER'S SEAT - "ISRI" - MODEL 6832/872 / W/ACTIVE CLIMATE CONTROL / W/O COVERING	1	1	
	360114	DRIVER'S SEAT - "ISRI" - MODEL 6832/872 / W/O ACTIVE CLIMATE CONTROL / W/COVERING WITH ORANGE SEAT BELT	1	1	
	864372	. DRIVER'S SEAT - "ISRI" - MODEL 6832/872 / W/O ACTIVE CLIMATE CONTROL / W/O COVERING WITH ORANGE SEAT BELT	1	1	
	864413	DRIVER'S SEAT - "ISRI" - MODEL 6832/872 / WITH HEATING / W/O COVERING	1	1	
1	865236	. RISER	1	1	
2	866273	. BACKREST ASSEMBLY LH	1	1	
3	364310	. COVERING BACKREST ASSY / S.C.C. / DRIVER'S "ISRI" / 6832/872	1	1	C
3	364311	. COVERING BACKREST ASSY / S.C.C. / DRIVER'S "ISRI" / 6832/872	1	1	
4	864418	. . BELT GUIDE LH/RH	1	1	
6	864419	. . 3 POINT SAFETY BELT, LH	1	1	
8	864420	. . LUMBAR AIR CHAMBERS	1	1	
10	Call order desk	. SUSPENSION / SEAT FRAME ASSEMBLY	1	1	P S
14	N8904018	. SCREWS FOR BACKREST PIVOT	1	1	
15	861652	. GLIDE - SEAT PAN	1	1	
16	864421	. BELT BUCKLE	1	1	
17	864845	. RH COVER (CONTROL SIDE)	1	1	
19	866274	. BACKREST RECLINE MECH.	1	1	
21	N8904020	. BACKREST HANDLE LH	1	1	
22	861708	. LH COVER - (NON CONTROL SIDE)	1	1	
26	864422	. LUMBAR CONTROL VALVE, RH 2 BUTTONS	1	1	
26	N8911085	LUMBAR CONTROL VALVE 3 BUTTONS	1	1	
27	864423	. HANDLE/CABLE FOR SHOCK ABSORBER	1	1	
28	865718	. TILT GLIDER	1	1	
29	864424	. HANDLE/CABLE FOR HEIGHT ADJUSTMENT	1	1	
30	864425	. QUICK AIR RELEASE VALVE, RH	1	1	
31	Call order desk	. FRONT COVER	1	1	P
32	865389	. REAR COVER	1	1	
41	864426	. SHOCK ABSORBER	1	1	
42	864427	. AIR SPRING	1	1	
43	864428	. HEIGHT CONTROL VALVE	1	1	
48	Call order desk	. RUBBER BELLOW	1	1	P
49	Call order desk	. BELLOW FASTENERS	1	1	P
50	866109	. SLIDE SET	1	1	
51	866037	. . SLIDE HANDLE	1	1	
55	N8903231	. SEAT CUSHION ASSEMBLY / WITHOUT COVERING	1	1	
55	Call order desk	. SEAT CUSHION ASSEMBLY / WITH COVERING	1	1	P
56	364309	. COVERING SEATREST ASSY / S.C.C. / DRIVER'S "ISRI" / 6832/872	1	1	
58	864429	. . CUSHION ADJUSTMENT HANDLE	1	1	
62	864430	. PLASTIC VALVE STOP	1	1	



From B-5003 To D-5489	Date:07/2024	PAGE:XV-1822-01
DRIVER'S SEAT - "ISRI" - 6832/872		

Item#	Part	Description	X 3 V I P	X L I I E N T 4 5	N O T E S
80	864411	. ARMREST LH / S.C.C. 13"	1	1	
80	866245	. ARMREST LH / LONG 14"	1	1	
81	864412	. ARMREST RH / S.C.C. 13"	1	1	
81	866246	. ARMREST RH / LONG 14"	1	1	
NS	865350	. KIT PNEUMATIC COMPONENTS	1	1	
NS	867958	. ADAPTOR	1	1	
NS	7771643	. FITTING CONNECTOR "Y"	1	1	
NS	868125	. UNION 4MM/4MM	1	1	
NS	868128	. UNION 6MM/4MM	1	1	
NS	868460	. HOSE AIR KIT	1	1	
NS	868833	. AIR PIPE CONNECTOR SML	AR	AR	
90	5001862	SCREW CAP HEX M12-1.75x70 G10.9 N500	4	4	
NS	362549	SPACER / STRUCTURE & BASE / 27MM	4	4	
91	500747	WASHER LO SPT 12.2x21.1x2.5 N500	4	4	
92	500958	WASHER FL .531x1.062x.095 SS	4	4	
95	XV-1640-50	LEVEL-LOW - CONTROL PANEL & VALVES	1	1	
		C) WITH CHOICE BACKREST BACK COLOR			
		O) OPTION			
		S) INCLUDES 15, 19, 21, 27, 28, 41, 42, 43, 48, 49, 50, 62			
		P) CALL ORDER DESK FOR SPECIFIC APPLICATION (V.I.N.)			

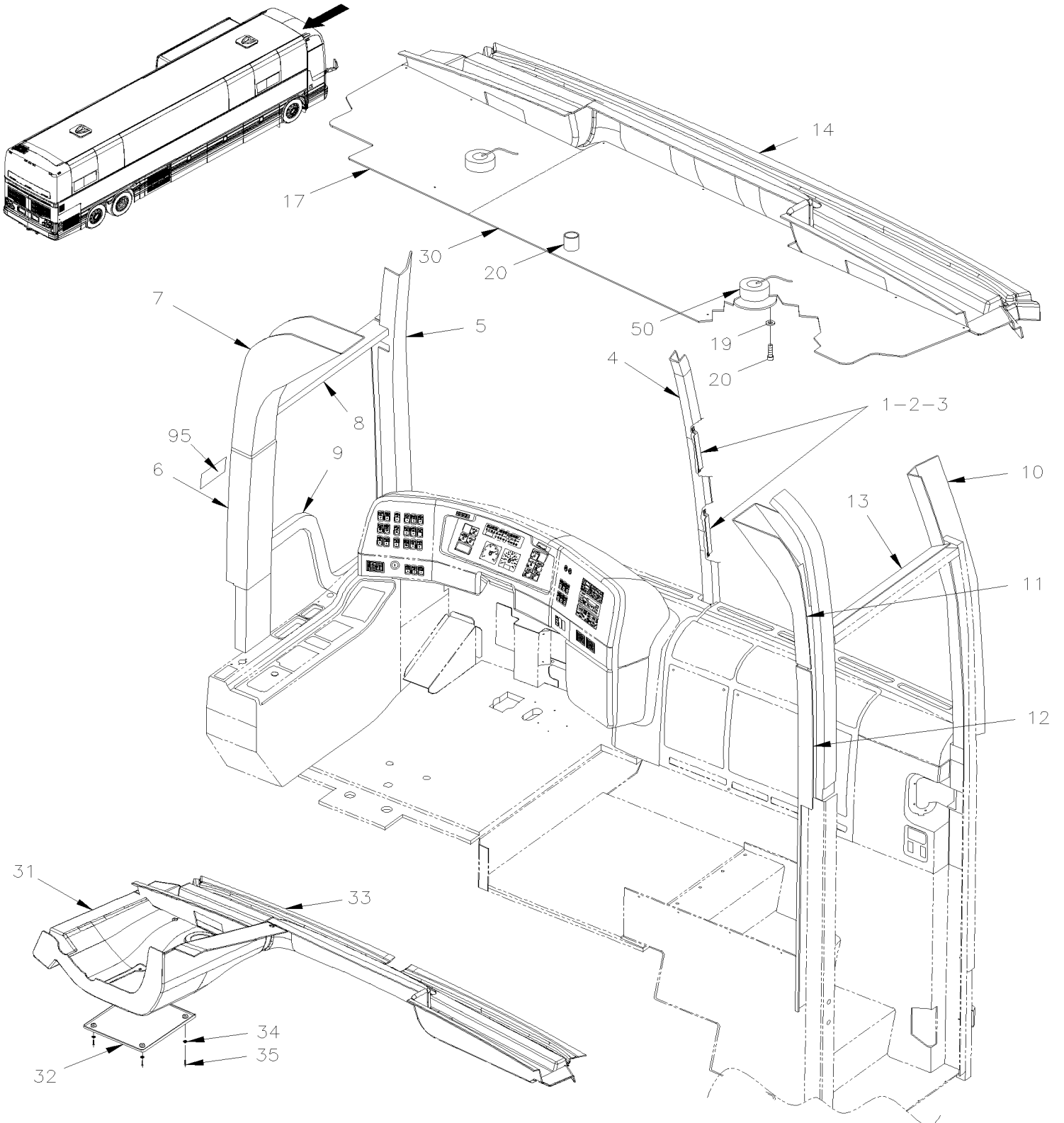


From B-5003 To D-5489

Date:07/2024

PAGE:XV-1832-50

FRONT FINISHING CAP





From B-5003 To D-5489	Date:07/2024	PAGE:XV-1832-50
FRONT FINISHING CAP		

Item#	Part	Description	X 3 V I P	X L I I E N T 4 5	N O T E S
1	326744	CENTRAL MOULDING SUPPORT	6	6	
2	502531	SCREW CAP HEX M6-1.0x16 G8.8 Z050	6	6	
3	502511	NUT HEX NYRT M6-1.0 Z050	12	12	
4	327142	CENTER MOULDING / W/WINDSHIELD 86"	1	1	
5	327182	L.H. MOULDING / WINDSHIELD 89"		1	
6	328012	L.H. MOULDING / 89"		1	
6	328013	L.H. MOULDING / 89"		1	A
7	327029	UPPER FINISHING MOULDING L.H.	1	1	
8	327135	UPPER MOULDING SERVICE DOOR	1	1	
9	326741	FINISHING MOULDING SERVICE DOOR	1	1	B
9	327179	FINISHING MOULDING SERVICE DOOR	1	1	C
10	327183	R.H. MOULDING / WINDSHIELD 89"		1	
11	327030	UPPER FINISHING MOULDING R.H.	1	1	
12	327181	R.H. MOULDING / 89"		1	
12	327655	R.H. MOULDING / 89"		1	A
13	327134	UPPER MOULDING ENTRANCE DOOR	1	1	
14	327136	TRANSITION CEILING	1		
15	500463	WASHER FN CKF .187x.500x.090 BR Z050	36	36	
16	500552	SCREW TP OV PH #6x3/4 Z050	36	36	
17	327825	TRANSITION CEILING PANEL	1		
18	500436	SCREW TP OV PH #10x2 Z050	AR	AR	
19	500465	WASHER FN CKF .278x.729x.119 SS	AR	AR	
20	504586	WASHER FL SPACER .450x.625x.875 NYL	AR	AR	
30	327993	TRANSITION CEILING PANEL		1	
31	341099	TRANSITION CEILING FRONT LEFT W/HALOGEN		1	
32	341070	ACCESS PANEL CEILING FRONT		1	
33	327992	TRANSITION CEILING		1	
34	500464	WASHER FN CKF .210x.540 SS		4	
35	500626	SCREW TP OV PH #8x3/4 Z050		4	
50	XV-0665-00	ENGINE COMPARTMENT - ELECTRIC COMPONENTS			
95	0691001	DECAL EMISSION WARNING CALIFORNIA	1	1	D
		A) WITHOUT CUT AWAY FOR WINDOW CLEARANCE			
		B) MTH 83"			
		C) MTH 86" & MTH 89"			
		D) REGULATIONS OF CALIFORNIA			



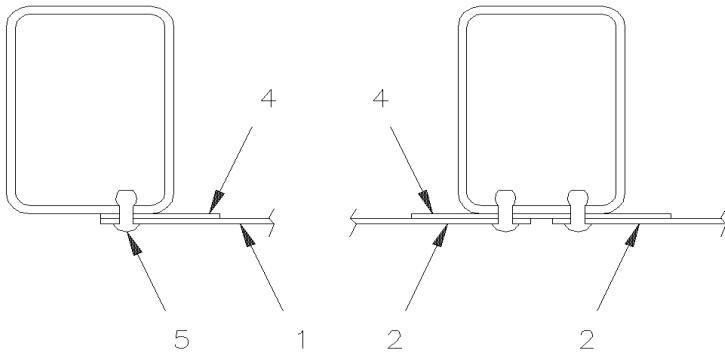
From B-5003 To D-5489

Date:07/2024

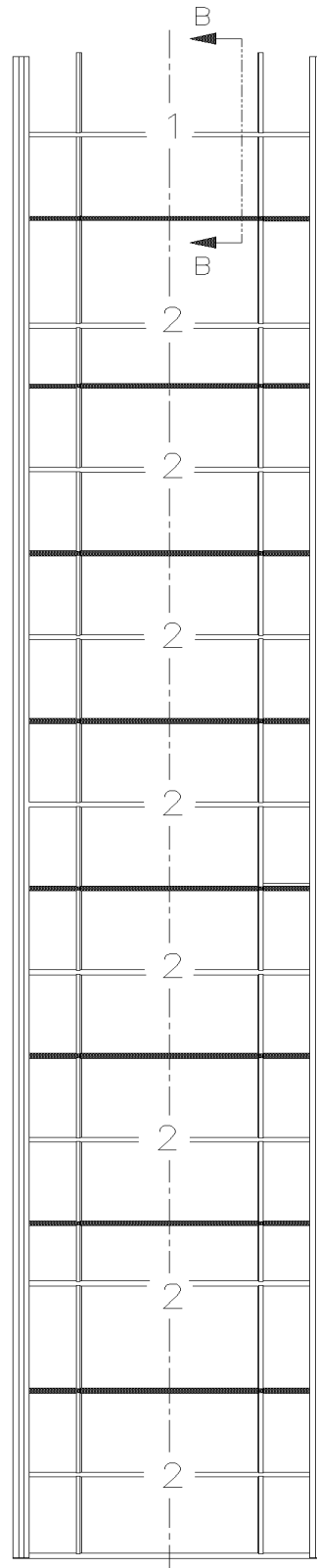
PAGE:XV-1837-50

CEILING PANELS & MOULDING

FRONT



SECTION B-B





From B-5003 To D-5489	Date:07/2024	PAGE:XV-1837-50
-----------------------	--------------	-----------------

CEILING PANELS & MOULDING

Item#	Part	Description	X 3 V I P	X L I I E N T 4 5	N O T E S
1	341075	CEILLING PANEL #1	1	1	
1	341095	CEILLING PANEL #1 / W/SLIDE-OUT	1		
2	341074	CEILLING PANEL	8	8	
2	341096	CEILLING PANEL #2,3 & 4 / W/SLIDE-OUT	7		
4	506466	TAPE RUB ADH1 CC POL 1/16" x 1 1/2" x 100 / GREY 2520	2	2	
5	504339	RIVET POP DOME OE 1/8x3/8 SS	AR	AR	

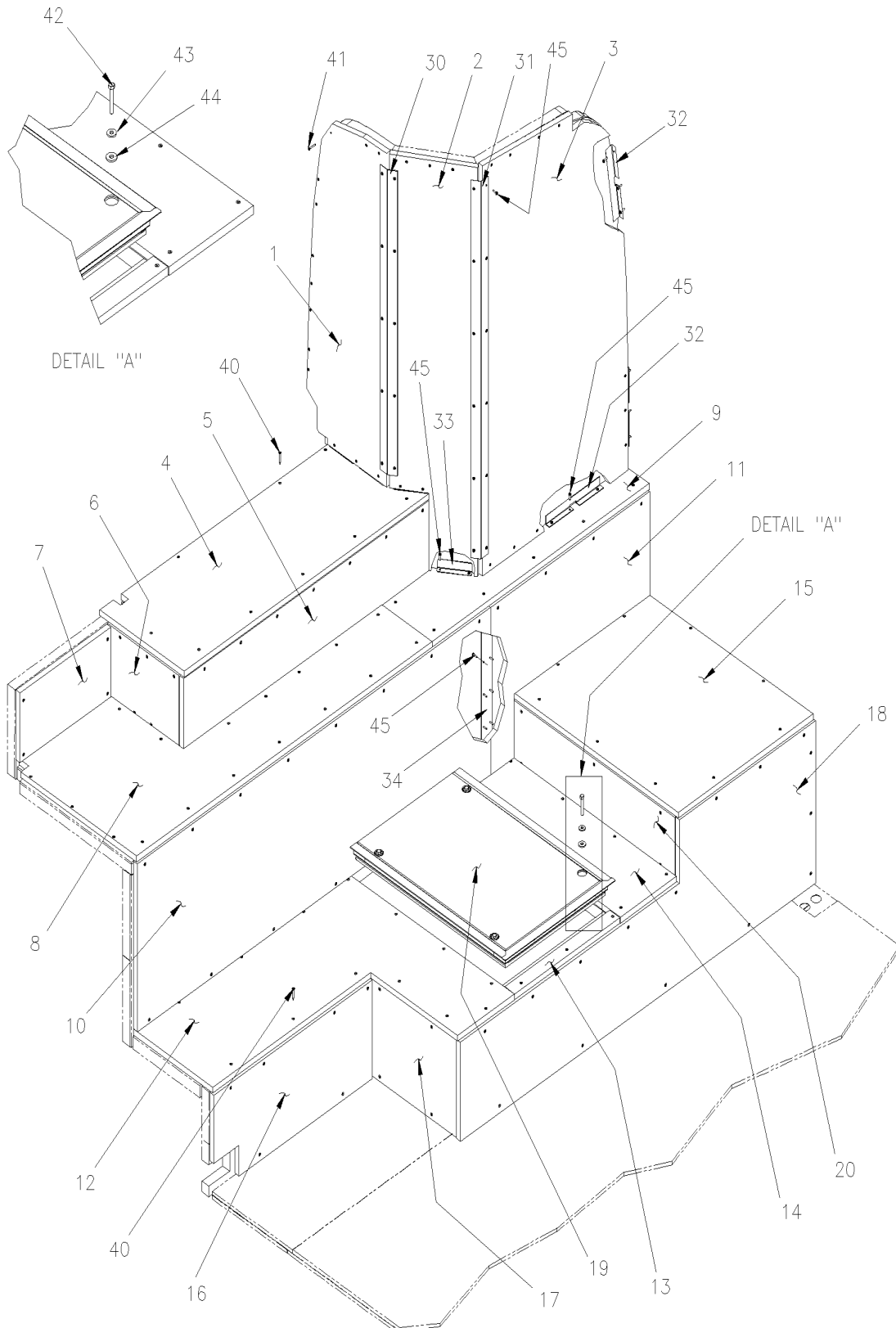


From B-5003 To D-5489

Date:07/2024

PAGE:XV-1838-50

FLOOR - REAR SECTION





From B-5003 To D-5489	Date:07/2024	PAGE:XV-1838-50
------------------------------	---------------------	------------------------

FLOOR - REAR SECTION

Item#	Part	Description	X 3 V I P	X L I I E N T 4 5	N O T E S
1	3200281	FLOOR PANEL	1	1	
2	3200297	FLOOR PANEL	1	1	
3	3200298	FLOOR PANEL	1	1	
4	3200263	FLOOR PANEL	1	1	
5	3200265	FLOOR PANEL	1	1	
6	3200264	FLOOR PANEL	1	1	
7	3200276	FLOOR PANEL	1	1	
8	3200257	FLOOR PANEL	1	1	
9	3200262	FLOOR PANEL	1	1	
10	3200261	FLOOR PANEL	1	1	
11	3200279	FLOOR PANEL	1	1	
12	3200278	FLOOR PANEL To D-5431	1	1	
12	320871	FLOOR PANEL From D-5432	1	1	
13	3200260	FLOOR PANEL To D-5431	1	1	
13	320879	FLOOR PANEL From D-5432	1	1	
14	3200277	FLOOR PANEL To D-5431	1	1	
14	320872	FLOOR PANEL From D-5432	1	1	
15	3200258	FLOOR PANEL	1	1	
16	328663	FLOOR PANEL / W/LARGE A/C	1	1	B
16	328676	FLOOR PANEL / W/SMALL A/C	1	1	A
17	328664	FLOOR PANEL ASSY	1	1	
18	3200256	FLOOR PANEL	1	1	
19	328772P	PANEL ASSY / ENGINE ACCESS To D-5431	1	1	
. NS	320037	. WEATHERSTRIP RUBBER ASSY To D-5431	1	1	
19	Call order desk	PANEL ASSY / ENGINE ACCESS From D-5432	1	1	P
. NS	485669	. WEATHERSTRIP RUBBER ASSY 480MMx723MM From D-5432	1	1	
20	3200259	FLOOR PANEL	1	1	
30	3200301	SUPPORT VENEER	1	1	
31	320399	SUPPORT VENEER	1	1	
32	405809	ANGLE LOWER 260MM	5	5	
33	3200302	ANGLE LOWER 120MM	2	2	
34	3200282	PLATE ATTACHMENT 50MM x 450MM	1	1	
40	500620	SCREW TP FL PH #10x1 1/2 Z050	AR	AR	
41	500645	SCREW TP OV PH #8x1 1/4 Z050	AR	AR	
42	500185	SCREW CAP HEX 5/16-18x2 1/4 G5 Z050 To D-5431	4	4	
42	5001581	SCREW CAP BUT HEXS M8-1.25x40 SS From D-5432	4	4	
43	500985	WASHER FL .343x.875x.125 Z050 To D-5431	4	4	
43	500496	WASHER FL .437x.750x.054 Z050 From D-5432	4	4	
44	471119	SEAL WASHER / RUB RAIL & PANEL To D-5431	4	4	
45	500641	SCREW TP PAN PH #8x3/4 Z050	AR	AR	
NS	680096	SEALANT BUTYL ALUM / GREY / 310ml CARTRIDGE	AR	AR	
NS	684517	ADHESIVE SIMSON #ISR 70-03 / GREY / 310ml CARTRIDGE	AR	AR	



From B-5003 To D-5489	Date:07/2024	PAGE:XV-1838-50
-----------------------	--------------	-----------------

FLOOR - REAR SECTION

Item#	Part	Description	X 3 V I P	X L I I E N T 4 5	N O T E S
		A) WITH SMALL A/C SYSTEM			
		B) WITH LARGE A/C SYSTEM			
		P) CALL ORDER DESK FOR SPECIFIC APPLICATION (V.I.N.)			

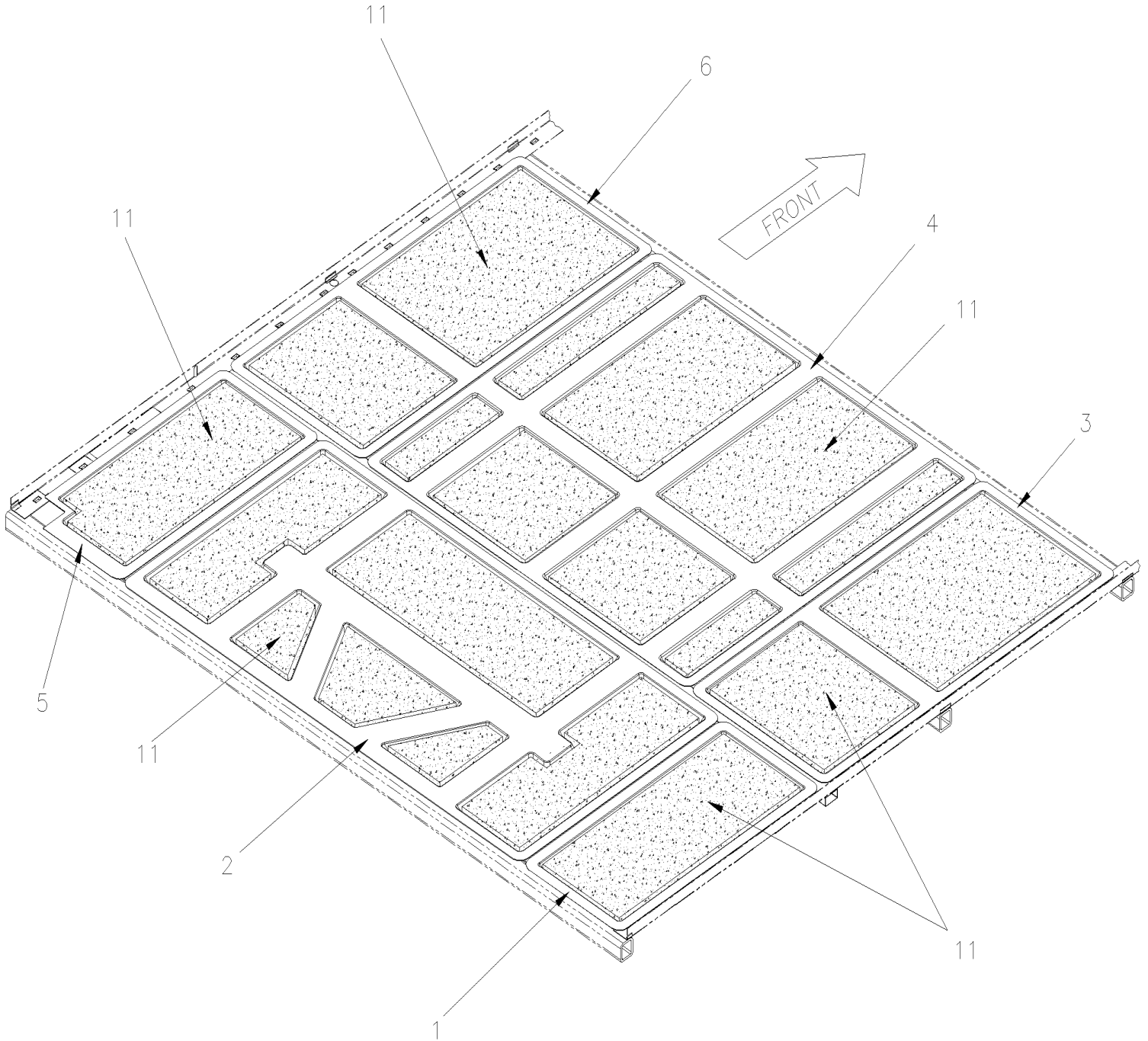


From B-5003 To D-5489

Date:07/2024

PAGE:XV-1839-10

INSULATING FLOOR REAR AXLE





From B-5003 To D-5489	Date:07/2024	PAGE:XV-1839-10
-----------------------	--------------	-----------------

INSULATING FLOOR REAR AXLE

Item#	Part	Description	X 3 V I P	X L I I E N T 4 5	N O T E S
1	324561	INSULATING HOLDER To D-5458	1	1	
1	3200852	INSULATING HOLDER From D-5459	1	1	
2	321264	INSULATING HOLDER To D-5458	1	1	
2	3200875	INSULATING HOLDER From D-5459	1	1	
3	324563	INSULATING HOLDER To D-5458	1	1	
3	3200854	INSULATING HOLDER From D-5459	1	1	
4	324564	INSULATING HOLDER To D-5458	1	1	
4	3200857	INSULATING HOLDER From D-5459	1	1	
5	328644	INSULATING HOLDER # 1 STREETSIDE To D-5458	1	1	
5	3200853	INSULATING HOLDER From D-5459	1	1	
6	324563	INSULATING HOLDER To D-5458	1	1	
6	3200876	INSULATING HOLDER From D-5459	1	1	
11	321265	INSULATING KIT To D-5458	1	1	
11	356214	INSULATING KIT From D-5459	1	1	
NS	329069	. INSULATING PAD 48" X 48" / CUT TO FIT	AR	AR	

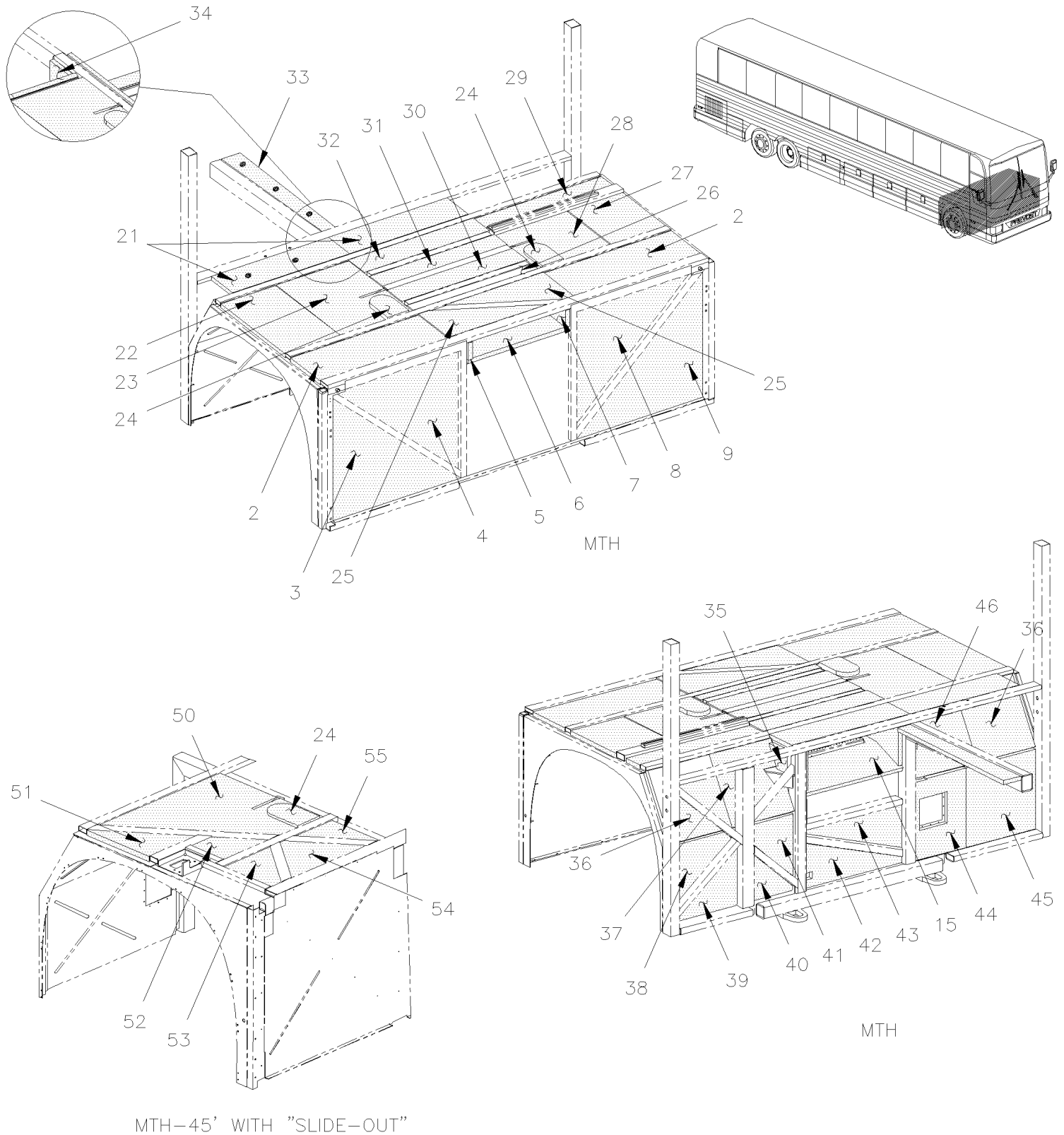


From B-5003 To C-5132

Date:07/2024

PAGE:XV-1839-15

INSULATING FRONT - SUBFRAME





From B-5003 To C-5132	Date:07/2024	PAGE:XV-1839-15
INSULATING FRONT - SUBFRAME		

Item#	Part	Description	X 3 V I P	X L I I E N T 4 5	N O T E S
3	326503	INSULATING	1	1	
5	325357	INSULATING PAD NOISE 1"	1	1	
5	325360	INSULATING PAD 1"	1	1	
6	326521	INSULATING PAD 1"1/16	1	1	
7	328748	INSULATING PAD NOISE 1"	1	1	
15	326520	INSULATING PAD 1"1/16	1	1	
21	326577	INSULATING PAD NOISE 1"	2	2	
22	326525	INSULATING	1	1	
23	326510	INSULATING	1	1	
24	326512	INSULATING	2	2	
25	325023	INSULATING PAD NOISE 1"	2	2	
26	326509	INSULATING	1	1	
27	326514	INSULATING	1	1	
28	326513	INSULATING	1	1	
29	326515	INSULATING	1	1	
30	351489	INSULATING	1	1	
31	325322	INSULATING	1	1	
32	351490	INSULATING	1	1	
33	326529	INSULATING	1	1	
34	326523	INSULATING	1	1	
35	326524	INSULATING	2	2	
36	326508	INSULATING	2	2	
37	351486	INSULATING	1	1	
42	327279	INSULATING	1	1	
43	327278	INSULATING	1	1	
44	351484	INSULATING	1	1	
45	326517	INSULATING	1	1	
46	351485	INSULATING	1	1	
50	327775	INSULATING	1		
51	327776	INSULATING	1		
52	327777	INSULATING	1		
53	327778	INSULATING	1		
54	327779	INSULATING	1		
55	327780	INSULATING	1		

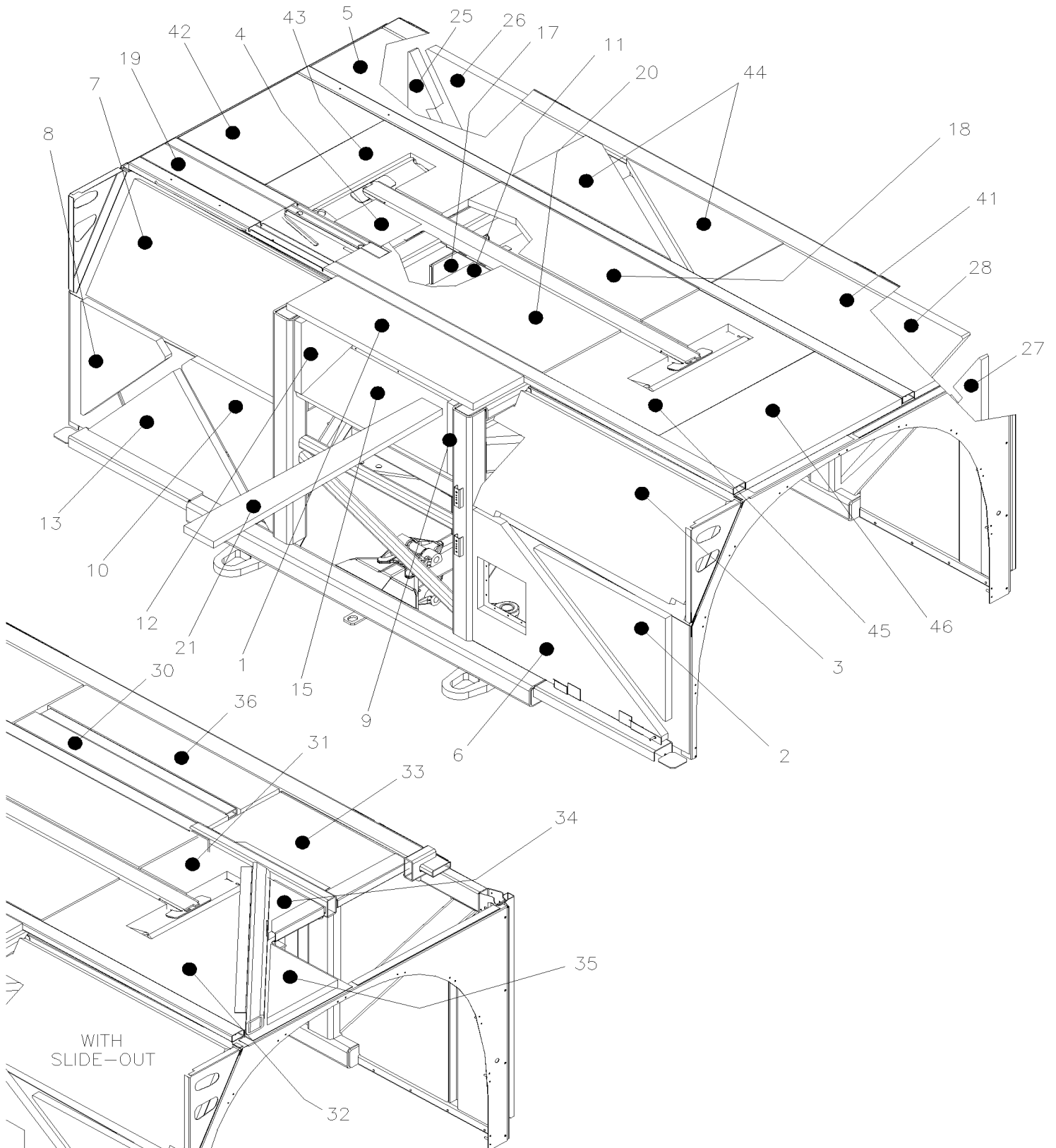


From C-5133 To D-5489

Date:07/2024

PAGE:XV-1839-16

INSULATING FRONT - SUBFRAME





INSULATING FRONT - SUBFRAME

Item#	Part	Description	X 3 V I P	X L I I E N T 4 5	N O T E S
1	326577	INSULATING PAD NOISE 1"	1	1	
2	356133	INSULATING PAD 1" 1/16	1	1	
3	356131	INSULATING PAD 1" 1/16	1	1	
4	3200665	INSULATING PAD 1" 1/16	1	1	
5	326511	INSULATING PAD 1" 1/16	1	1	
6	356132	INSULATING PAD 1" 1/16	1	1	
7	357391	INSULATING PAD 1" 1/16	1	1	
8	356134	INSULATING PAD 1" 1/16	1	1	
9	3200656	INSULATING PAD NOISE 1"	1	1	
10	356274	INSULATING PAD 1" 1/16	1	1	
11	3200655	INSULATING PAD 1"1/16	1	1	
12	3200657	INSULATING PAD NOISE 1"	1	1	
13	357379	INSULATING PAD 1" 1/16	1	1	
15	326520	INSULATING PAD 1"1/16	1	1	
NS	680397	CONTACT GLUE / AEROSOL 17oz	AR	AR	
17	3200661	INSULATING PAD 5/16"	2	2	
18	3200663	INSULATING PAD NOISE 1"	1	1	
19	3200660	INSULATING PAD 1"1/16	1	1	
19	3200697	INSULATING PAD 1"1/16 To D-5458	1	1	A
20	3200662	INSULATING PAD NOISE 1"	1	1	
21	326529	INSULATING	1	1	
25	352585	INSULATING	1	1	
25	352593	INSULATING To D-5458	1	1	A
26	352586	INSULATING	1	1	
26	352592	INSULATING To D-5458	1	1	A
27	352587	INSULATING To D-5333	1	1	
27	356277	INSULATING From D-5334	1	1	
27	352591	INSULATING To D-5333	1	1	S
27	356279	INSULATING From D-5334	1	1	S
27	352591	INSULATING To D-5458	1	1	A
28	352588	INSULATING To D-5333	1	1	
28	356278	INSULATING From D-5334	1	1	
28	352590	INSULATING	1	1	S
28	352590	INSULATING To D-5458	1	1	A
NS	680532	SEALANT SIKA #221 / GREY / 310ml CARTRIDGE	3	3	
30	329186	INSULATING PAD 1"1/16	1	1	S
31	3200670	INSULATING PAD 1"1/16	1	1	S
32	3200669	INSULATING PAD 1"1/16	1	1	S
33	329183	INSULATING PAD 1"1/16	1	1	S
34	329184	INSULATING PAD 1"1/16	1	1	S
35	329185	INSULATING PAD 1"1/16	1	1	S
35	3200695	INSULATING PAD 1"1/16 To D-5458	1	1	A



From C-5133 To D-5489	Date:07/2024	PAGE:XV-1839-16
-----------------------	--------------	-----------------

INSULATING FRONT - SUBFRAME

Item#	Part	Description	X 3 V I P	X L I I E N T 4 5	N O T E S
36	329187	INSULATING PAD 1"1/16	1	1	S
41	326511	INSULATING PAD 1" 1/16	1	1	
42	3200658	INSULATING PAD 1"1/16	1	1	
42	3200698	INSULATING PAD 1"1/16 To D-5458	1	1	A
43	3200659	INSULATING PAD 1"1/16	1	1	
43	3200696	INSULATING PAD 1"1/16 To D-5458	1	1	A
44	325023	INSULATING PAD NOISE 1"	2	2	
45	3200664	INSULATING PAD 1"1/16	1	1	
46	326525	INSULATING	1	1	
NS	682484	TAPE ALUMINUM ADH1 .005" x 3" x 300' ALUMINUM FSK3"	AR	AR	
NS	850026	INSULATING PAD NOISE ADH1 1" x 54" x 50"	AR	AR	
NS	850061	SOUND INSULATION 1"1/16X36X54	AR	AR	
		A) WITH TWO BEAM WITHOUT SLIDE-OUT			
		S) WITH SLIDE OUT			

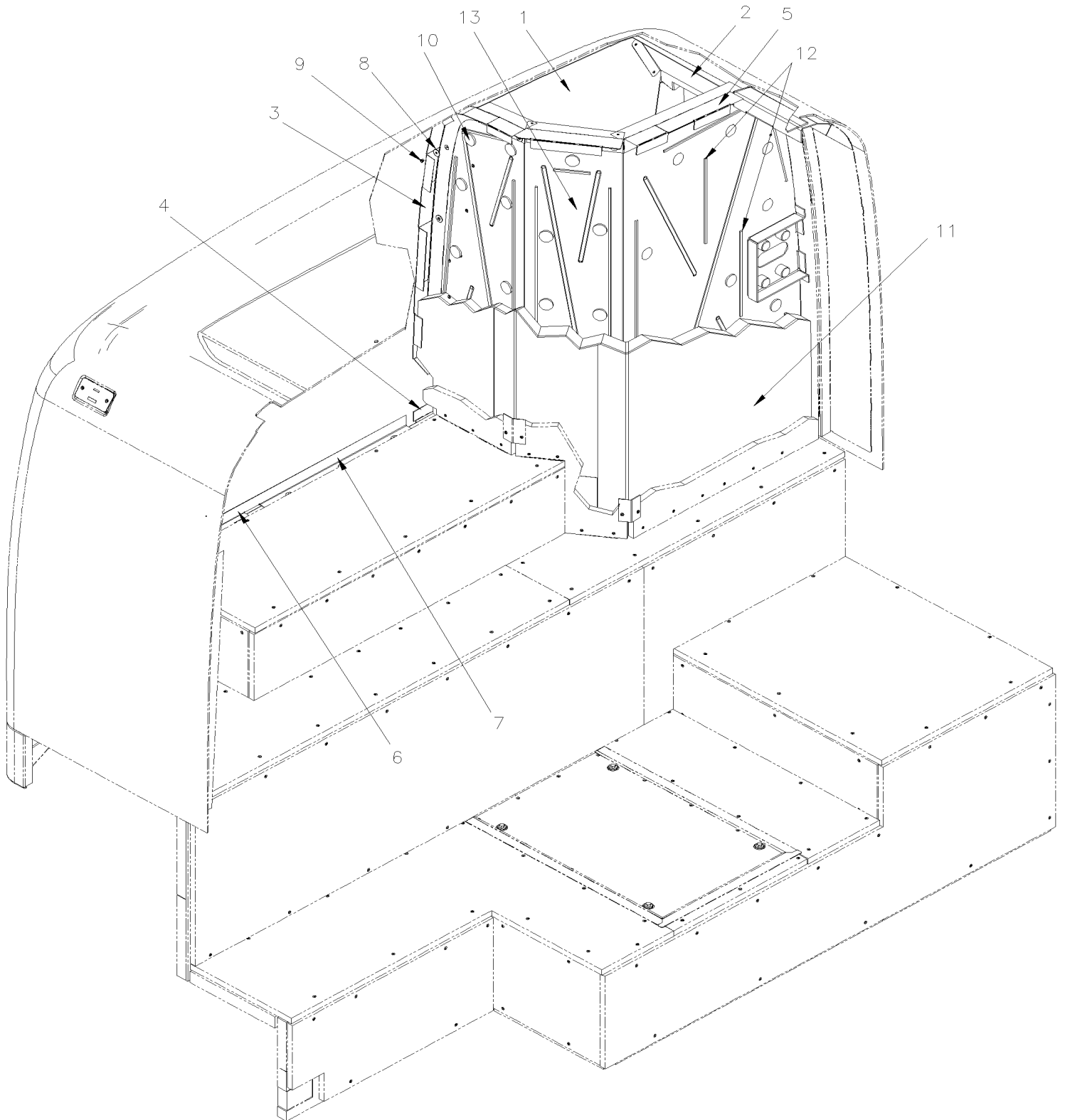


From B-5003 To D-5489

Date:07/2024

PAGE:XV-1839-25

INSULATING - REAR SCR FILTER





From B-5003 To D-5489	Date:07/2024	PAGE:XV-1839-25
-----------------------	--------------	-----------------

INSULATING - REAR SCR FILTER

Item#	Part	Description	X 3 V I P	X L I I E N T 4 5	N O T E S
1	352245	PANEL FIRE WALL	1	1	
2	352246	PANEL FIRE WALL	1	1	
3	356126	ANGLE RETAINER	1	1	
4	356127	ANGLE RETAINER	1	1	
5	356128	ANGLE RETAINER	1	1	
6	356129	ANGLE RETAINER	1	1	
7	356130	ANGLE RETAINER	1	1	
8	500989	WASHER FL .219x.875x.062 Z050	AR	AR	
9	504488	RIVET MGLP PRDG 3/16x17/64 SS	AR	AR	
10	684517	ADHESIVE SIMSON #ISR 70-03 / GREY / 310ml CARTRIDGE	AR	AR	
11	356122	KIT REAR END INSULATING SCR SECTION	1	1	
12	507000	TAPE RUB ADH2 POL 3/16" x 1/4" x 50' / BLACK V2206	AR	AR	
13	261249	WALL SHEET PANEL	1	1	



From B-5003 To D-5489	Date:07/2024	PAGE:XV-1839-30
INSULATING ROOF PANELS		

OPTIONS: 98 WITH ESCAPE HATCH, 96 WITHOUT

1		1		1		1		1		2		3		2		1		1		1	
95	91	97	93	91	91	91	91	91	91	91	91	91	91	93	97	91	95				
94	90		92	90	90	90	90	90	90	90	90	90	90	92		90	94				
95	91	97	93	91	91	91	91	91	91	91	91	91	91	93	97	91	95				
1		1		1		1		1		1		1		1		1					

103 102

← FRONT

BUS & MTH 45

OPTIONS: 98 WITH ESCAPE HATCH, 96 WITHOUT

1		1		1		1		1		1		1		1	
95	91	97	93	91	91	91	91	91	91	91	91	93	97	91	95
94	90		92	90	90	90	90	90	90	90	90	92		90	94
95	91	97	93	91	91	91	91	91	91	91	91	93	97	91	95
1		1		1		1		1		1		1		1	

← FRONT

BUS & MTH 40



From B-5003 To D-5489	Date:07/2024	PAGE:XV-1839-30
-----------------------	--------------	-----------------

INSULATING ROOF PANELS

Item#	Part	Description	X 3 V I P	X L I I E N T 4 5	N O T E S
	350794	KIT ROOF INSULATING PANEL	1	1	
	354333	KIT ROOF INSULATING PANEL	1	1	
	351321	KIT ROOF SIDE INSULATING PANEL	1	1	
	351371	KIT ROOF INSILATING PANEL / W/SLIDE OUT To D-5297	1		
	356179	KIT ROOF INSILATING PANEL / W/SLIDE OUT From D-5298	1		
1	351316	. INSULATING PANEL	17	17	
2	351317	. INSULATING PANEL	2	2	
3	351319	. INSULATING PANEL	1	1	
90	350713	. INSULATING PANEL	12	12	
91	350714	. INSULATING PANEL	24	24	
92	350715	. INSULATING PANEL	2	2	
93	350716	. INSULATING PANEL	4	4	
94	350717	. INSULATING PANEL	2	2	
95	350719	. INSULATING PANEL	4	4	
96	350725	. INSULATING PANEL	2	2	
97	350734	. INSULATING PANEL	4	4	
102	351337	. INSULATING PANEL / W/SLIDE OUT	1		
103	351365	. INSULATING PANEL / W/SLIDE OUT	1		

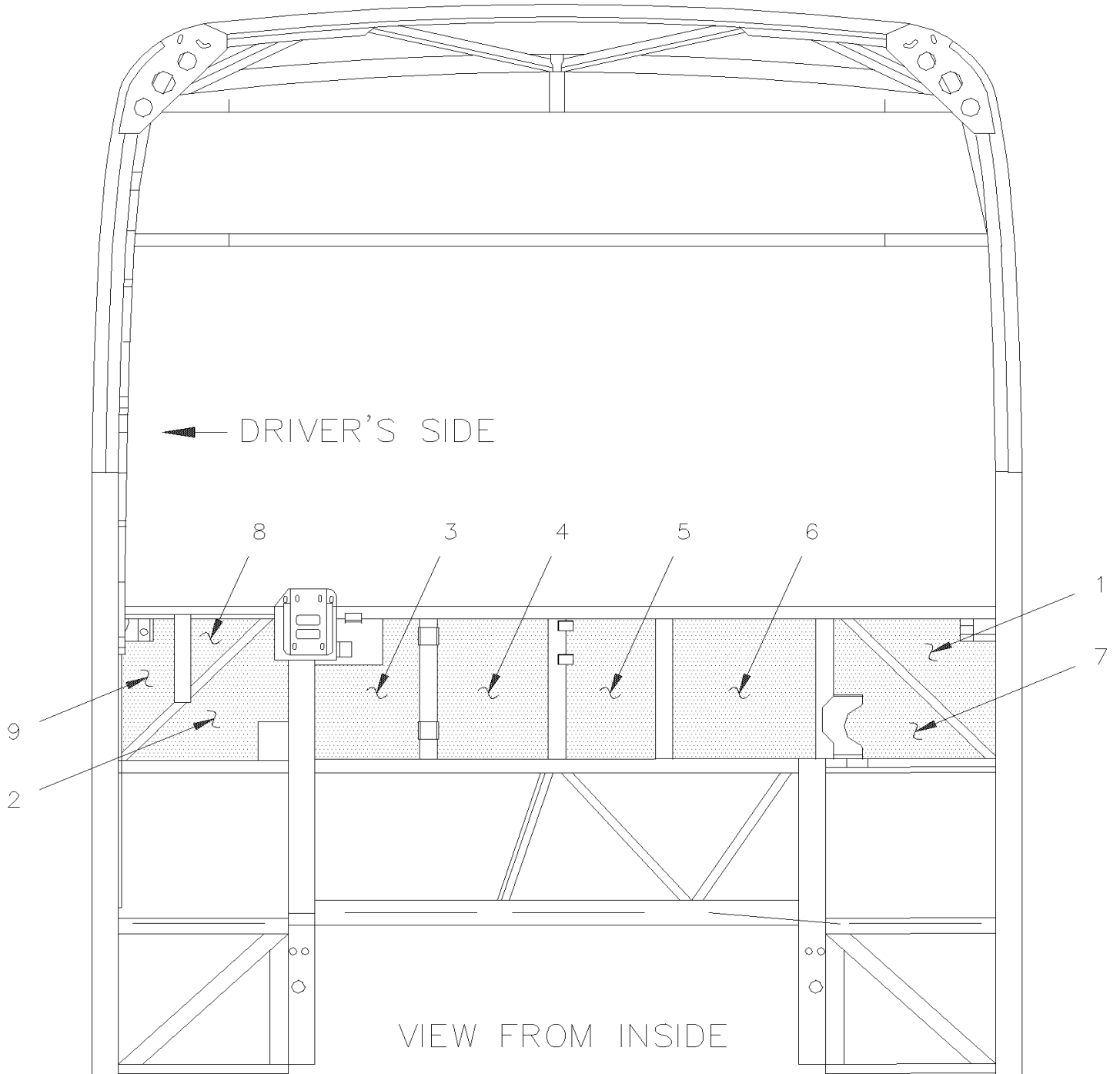


From B-5003 To D-5489

Date:07/2024

PAGE:XV-1839-55

INSULATING FRONT - MTH



MTH



From B-5003 To D-5489	Date:07/2024	PAGE:XV-1839-55
-----------------------	--------------	-----------------

INSULATING FRONT - MTH

Item#	Part	Description	X 3 V I P	X L I I E N T 4 5	N O T E S
1	350962	INSULATING PANEL MTH 86"	1	1	
1	351050	INSULATING PANEL MTH 89"		1	
2	350963	INSULATING PANEL MTH 86"	1	1	
2	351051	INSULATING PANEL MTH 89"		1	
3	350964	INSULATING PANEL MTH 86"	1	1	
3	351052	INSULATING PANEL MTH 89"		1	
4	350965	INSULATING PANEL MTH 86"	1	1	
4	351053	INSULATING PANEL MTH 89"		1	
5	350966	INSULATING PANEL MTH 86"	1	1	
5	351054	INSULATING PANEL MTH 89"		1	
6	350967	INSULATING PANEL MTH 86"	1	1	
6	351055	INSULATING PANEL MTH 89"		1	
7	350968	INSULATING PANEL MTH 86"	1	1	
7	351056	INSULATING PANEL MTH 89"		1	
8	350969	INSULATING PANEL MTH 86"	1	1	
8	351058	INSULATING PANEL MTH 89"		1	
9	350970	INSULATING PANEL MTH 86"	1	1	
9	351057	INSULATING PANEL MTH 89"		1	
NS	680397	CONTACT GLUE / AEROSOL 17oz	AR	AR	
9	850032	INSULATION PAD NOISE 1" x 48" x 35' / ARMAFLEX POLYURETHANE FOAM	AR	AR	

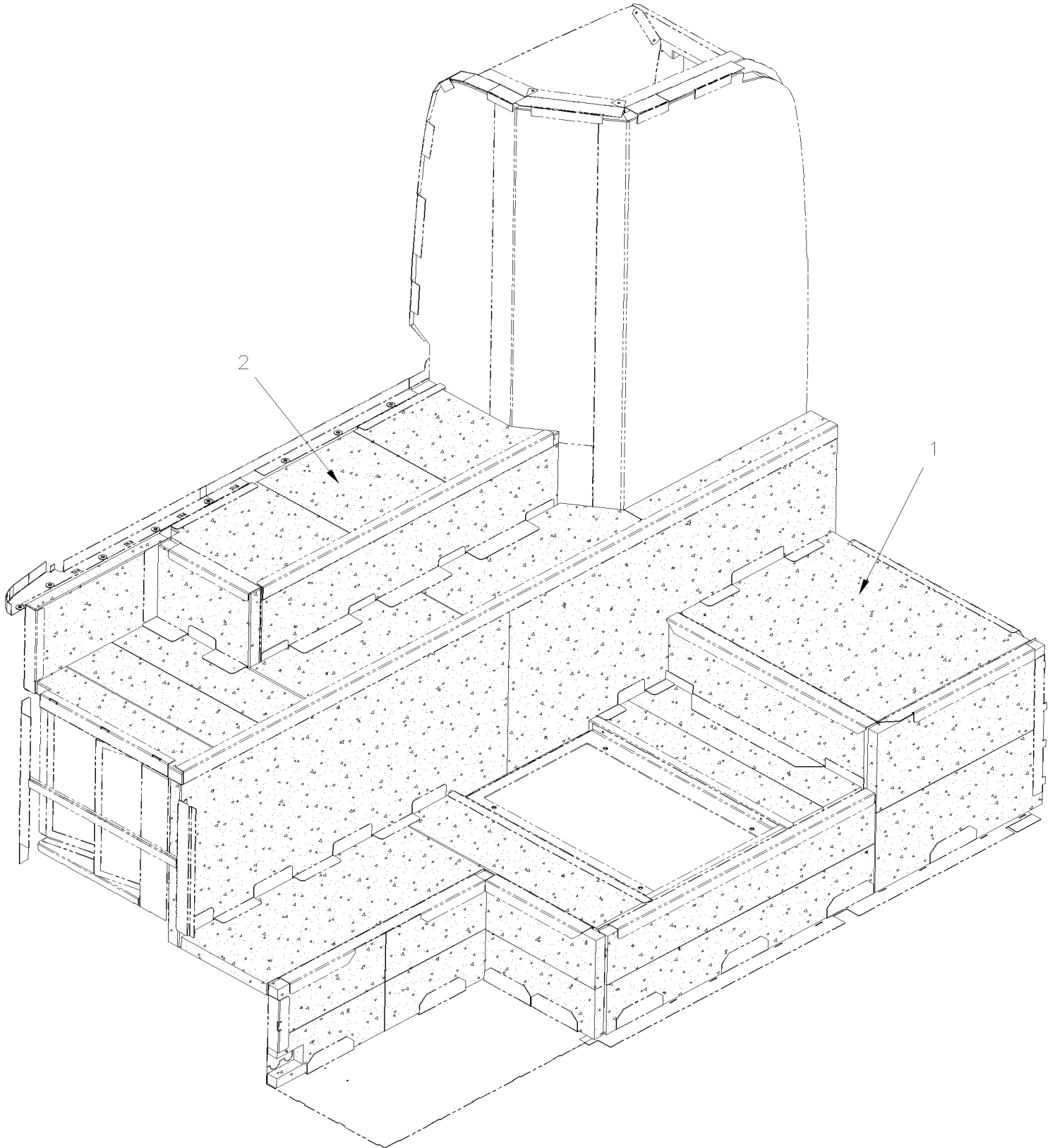


From B-5003 To D-5489

Date:07/2024

PAGE:XV-1839-70

INSULATING REAR END INSIDE OVER ENGINE





From B-5003 To D-5489	Date:07/2024	PAGE:XV-1839-70
-----------------------	--------------	-----------------

INSULATING REAR END INSIDE OVER ENGINE

Item#	Part	Description	X 3 V I P	X L I I E N T 4 5	N O T E S
1	356123	KIT REAR END INSULATING BOTTOM To D-5431	1	1	
. NS	850079	. INSULATING PAD NOISE ADH1 1 5/8" x 36" x 48" To D-5431	AR	AR	
1	352605	KIT REAR END INSULATING BOTTOM From D-5432	1	1	
. NS	850079	. INSULATING PAD NOISE ADH1 1 5/8" x 36" x 48" From D-5432	AR	AR	
. NS	850055	. INSULATING AC AD1 URE FOAM 3/4"x36"x54 From D-5432	AR	AR	
2	3200251	KIT REAR END INSULATING MIDDLE	1	1	
NS	682484	TAPE ALUMINUM ADH1 .005" x 3" x 300' ALUMINUM FSK3"	AR	AR	

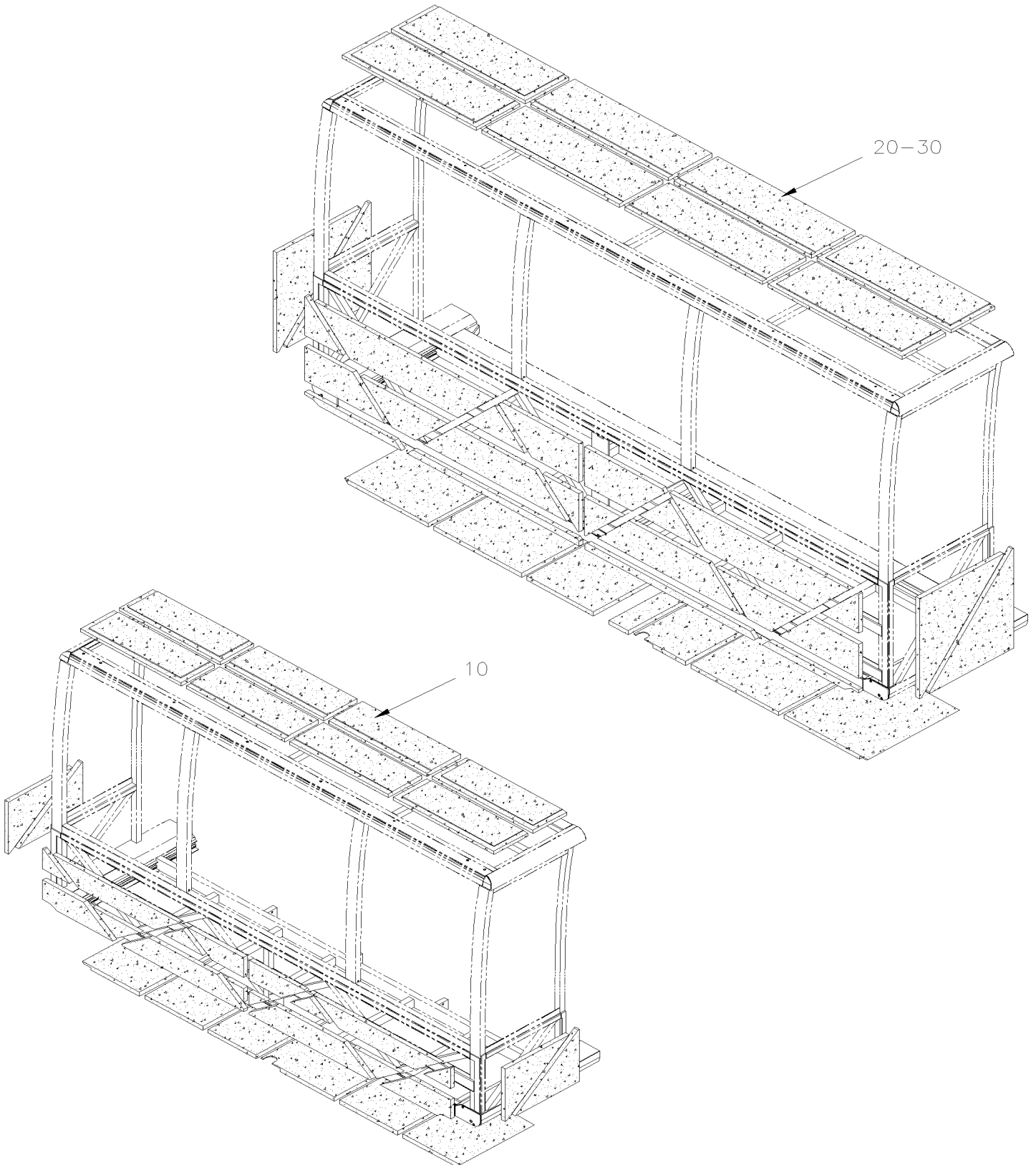


From B-5003 To D-5489

Date:07/2024

PAGE:XV-1839-90

INSULATING - "SLIDE-OUT"





From B-5003 To D-5489	Date:07/2024	PAGE:XV-1839-90
-----------------------	--------------	-----------------

INSULATING - "SLIDE-OUT"

Item#	Part	Description	X 3 V I P	X L I I E N T 4 5	N O T E S
10	Call order desk	FRONT S/O INSULATION KIT			P
20	Call order desk	REAR S/O INSULATION KIT			P 7.5
20	Call order desk	REAR S/O INSULATION KIT			P 10
30	Call order desk	FRONT S/O INSULATION KIT			P
41	850095	WHITE WALL COVERING ADHESIVE / 32 1/4" X 300"	AR	AR	
41	680415	TAPE ADHESIVE 3" WIDE BLUE	AR	AR	
		10) WITH 10' SLIDE OUT			
		7.5) WITH 7.5' SLIDE-OUT			
		P) CALL ORDER DESK FOR SPECIFIC APPLICATION (V.I.N.)			



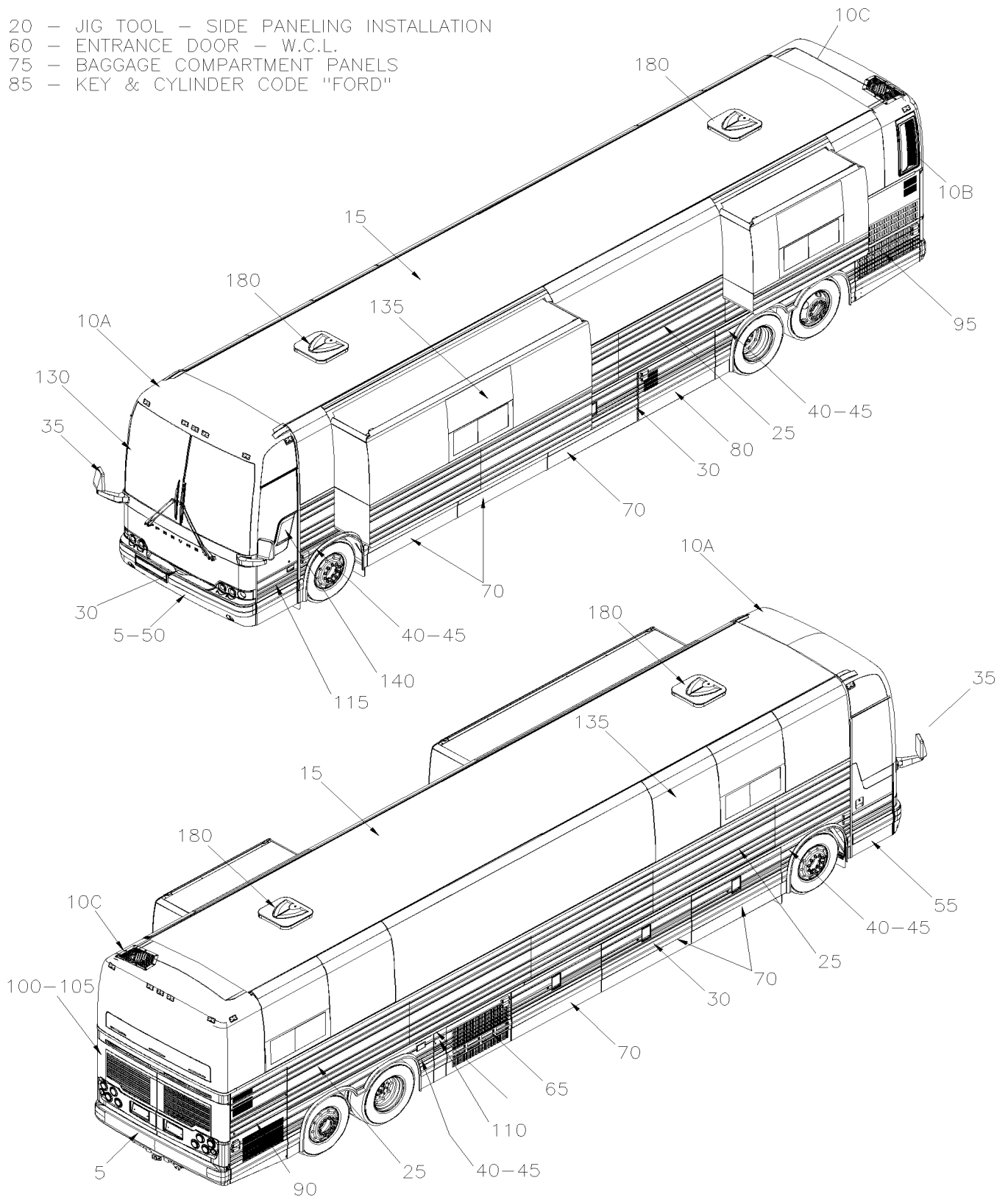
From B-5003 To D-5489

Date:07/2024

PAGE:XV-18-EXT

BODY EXTERIOR

- 20 - JIG TOOL - SIDE PANELING INSTALLATION
- 60 - ENTRANCE DOOR - W.C.L.
- 75 - BAGGAGE COMPARTMENT PANELS
- 85 - KEY & CYLINDER CODE "FORD"





From B-5003 To D-5489	Date:07/2024	PAGE:XV-18-EXT
------------------------------	---------------------	-----------------------

BODY EXTERIOR

Item#	Part	Description	X 3 V I P	X L I E N T 4 5	N O T E S
5	XV-1850-00	BUMPER FRONT From B-5003 To D-5489			
5	XV-1850-10	BUMPER REAR From B-5003 To D-5489			
10A	XV-1851-00	FRONT CAP - INSTALLATION From B-5003 To D-5489			
10B	XV-1851-05	REAR CAP - DOOR DPF & SCR From B-5003 To D-5489			
10C	XV-1851-20	REAR CAP - INSTALLATION From B-5003 To D-5489			
15	XV-1852-00	ROOF PANEL From B-5003 To D-5489			
25	XV-1854-00	SIDE PANELING From B-5003 To D-5489			
25	XV-1854-50	UPPER FIBERGLASS SIDE PANELING - MTH BETWEN SIDE WINDOW From B-5003 To D-5489			
25	XV-1854-90	SIDE PANELING - W/"SLIDE-OUT" From B-5003 To D-5489			
30	XV-1855-00	RUB RAIL - EXTERIOR CREST & TRIMS From B-5003 To D-5489			
35	XV-1856-23	MIRROR "RAMCO" FLAT GLASS / BLACK PAINTED From B-5003 To D-5489			
35	XV-1856-50	MIRROR "RAMCO" FLAT GLASS / CHROME From B-5003 To D-5489			
35	XV-1856-51	MIRROR "RAMCO" FLAT GLASS / CHROME WITH DIRECTIONAL From B-5003 To D-5489			
40	XV-1857-50	FENDERS L.H. From B-5003 To D-5459			
40	XV-1857-51	FENDERS L.H. From D-5460 To D-5489			
40	XV-1857-55	FENDERS R.H. From B-5003 To D-5459			
40	XV-1857-56	FENDERS R.H. From D-5460 To D-5489			
45	XV-1859-00	SPLASH GUARD - FRONT & REAR From B-5003 To D-5489			
50	XV-1860-10	SPARE WHEEL DOOR ASSY From B-5003 To B-5009			
50	XV-1860-11	SPARE WHEEL DOOR ASSY From B-5010 To D-5489			
55	XV-1862-50	ENTRANCE DOOR ASSY From B-5003 To D-5489			
55	XV-1862-60	ENTRANCE DOOR FRAME - INSTALLATION From B-5003 To D-5489			
65	XV-1863-50	CONDENSOR DOOR ASSY From B-5003 To D-5489			
70	XV-1864-00	BAGGAGE DOOR ASSY / 70" From B-5003 To D-5459			
70	XV-1864-01	BAGGAGE DOOR ASSY / 70" From D-5460 To D-5489			
70	XV-1864-50	BAGGAGE DOOR W/HINGE STREET SIDE WITH SMALL A/C SYSTEM / 60" From B-5003 To C-5096			
70	XV-1864-51	BAGGAGE DOOR W/HINGE STREET SIDE WITH SMALL A/C SYSTEM / 53 3/4 From C-5097 To D-5459			
70	XV-1864-52	BAGGAGE DOOR W/HINGE STREET SIDE WITH SMALL A/C SYSTEM / 53 3/4 From D-5460 To D-5489			
70	XV-1864-60	BAGGAGE DOOR W/HINGE CURBSIDE WITH SMALL A/C SYSTEM / 50 1/2 From B-5003 To D-5489			
70	XV-1864-90	BAGGAGE DOOR W/HINGE / 70" From B-5003 To D-5459			
70	XV-1864-91	BAGGAGE DOOR W/HINGE / 70" From D-5460 To D-5489			
75	XV-1865-00	FLOOR BAGGAGE COMPARTMENT From B-5003 To D-5489			
75	XV-1865-10	SEPARATOR PANEL - BAGGAGE COMPARTMENT From B-5003 To D-5489			
75	XV-1865-20	EVAPORATOR & CONDENSOR WALL INSTALLATION From B-5003 To C-5096			
75	XV-1865-21	EVAPORATOR & CONDENSOR WALL INSTALLATION From C-5097 To D-5489			
80	XV-1866-50	EVAPORATOR DOOR ASSY From B-5003 To C-5096			
80	XV-1866-51	EVAPORATOR DOOR ASSY From C-5097 To D-5459			
80	XV-1866-52	EVAPORATOR DOOR ASSY From D-5460 To D-5489			
85	XV-1867-00	KEY & CYLINDER CODE From B-5003 To D-5489			
90	XV-1868-00	A/C COMPRESSOR DOOR ASSY From B-5003 To D-5489			
95	XV-1869-55	RADIATOR DOOR ASSY From B-5003 To D-5489			
100	XV-1870-00	ENGINE DOOR ASSY L.H. From B-5003 To D-5489			



From B-5003 To D-5489	Date:07/2024	PAGE:XV-18-EXT
BODY EXTERIOR		

Item#	Part	Description	X 3 V I P	X L I I E N T 4 5	N O T E S
100	XV-1870-05	ENGINE DOOR ASSY R.H. From B-5003 To D-5489			
105	XV-1870-10	ENGINE DOOR ASSY - INSTALLATION From B-5003 To D-5489			
107	XV-1870-20	REAR ENGINE UPPER DOOR WITH "EPA 2010" From B-5003 To D-5489			
110	XV-1875-00	FUEL TANK & UREA FILLING DOOR From B-5003 To D-5489			
115	XV-1879-00	FRONT SERVICE DOOR ASSY From B-5003 To D-5489			
115	XV-1879-10	FRONT SERVICE DOOR - INSTALLATION From B-5003 To D-5489			
130	XV-1880-00	WINDSHIELD & CHANNEL From B-5003 To D-5489			
135	XV-1884-50	SIDE WINDOW From B-5003 To D-5489			
135	XV-1884-65	ELECTRICAL AWNING WINDOW ASSY From B-5003 To D-5489			
135	XV-1884-80	ELECTRICAL SLIDING WINDOW ASSY From B-5003 To D-5489			
135	XV-1884-90	SIDE WINDOW - "SLIDE-OUT" From B-5003 To D-5489			
140	XV-1886-00	POWER WINDOW - ELECTRICAL INSTALLATION From B-5003 To D-5489			
145	XV-189X-XX	STRUCTURE / CALL ORDER DESK From D-5460 To D-5489			
180	XV-1898-00	ESCAPE HATCH - INSTALLATION From B-5003 To D-5489			

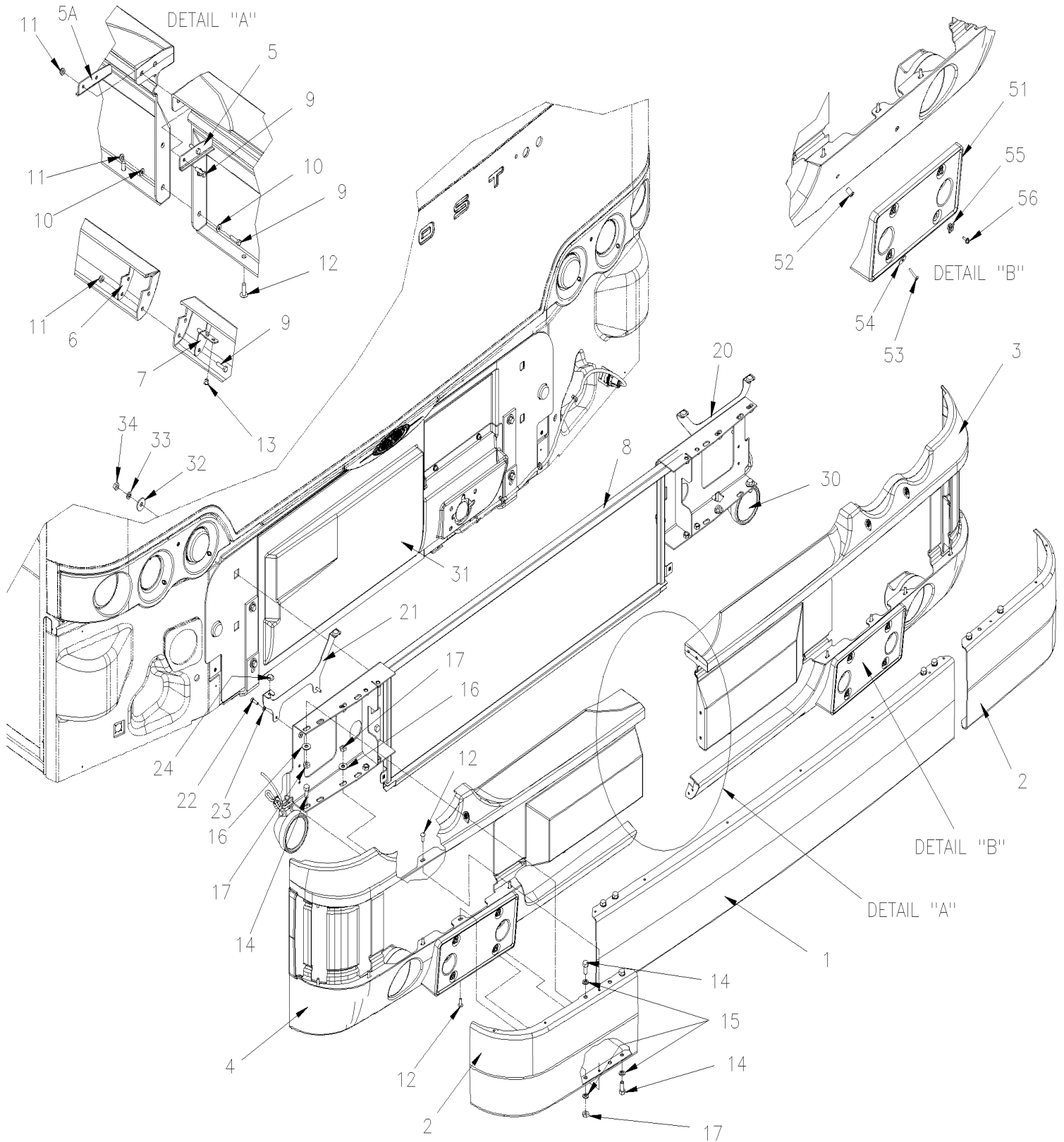


From B-5003 To D-5489

Date:07/2024

PAGE:XV-1850-00

BUMPER FRONT





From B-5003 To D-5489	Date:07/2024	PAGE:XV-1850-00
------------------------------	---------------------	------------------------

BUMPER FRONT

Item#	Part	Description	X 3 V I P	X L I E N T 4 5	N O T E S
	411063P	BUMPER ASSY W/FOG LAMP W/HEAD LAMP WASHER HOLE W/O "ACB" / B.A.	1	1	
1	411116	. BUMPER CENTER PART / SS / B.A.	1	1	
2	411057	. BUMPER CORNER / SS / S.B	2	2	
3	411104	. MOULDING L.H. W/HEAD LAMP WASHER HOLE	1	1	
4	411103	. MOULDING R.H. W/HEAD LAMP WASHER HOLE	1	1	
5	411036	. ATTACHMENT UPPER / CURBSIDE	1	1	
5A	411042	. ATTACHMENT UPPER / STREETSIDE	1	1	
6	411037	. ATTACHMENT LOWER / STREETSIDE To B-5023	1	1	
6	411228	. ATTACHMENT LOWER / STREETSIDE From B-5024	1	1	
7	411038	. ATTACHMENT LOWER / CURBSIDE To B-5023	1	1	
7	411227	. ATTACHMENT LOWER / CURBSIDE From B-5024	1	1	
8	411118	. STRUCTURE BUMPER To B-5023	1	1	
8	411229	. STRUCTURE BUMPER From B-5024	1	1	
9	5001146	. SCREW CAP HEX M5-0.8x20 SS BK	6	6	
10	5001137	. WASHER FL .203x.438x.050 SS	4	4	
11	5001587	. NUT HEX NYRT M5-0.8 SS	6	6	
12	5001438	. RIVET DRV TR 1/4x3/4 NYL	28	28	
13	504379	. RIVET POP DOME OE 3/16x1/4 SS	2	2	
14	502655	. SCREW CAP HEX M10-1.5x25 SS BK	16	16	
15	5001737	. WASHER LO SPT 10.2x18.1x2.2 N500	16	16	
16	5001751	. WASHER FL 10.5x26.0x2.0 N500	8	8	
17	502567	. NUT HEX M10-1.5 SS	8	8	
20	411054	. SUPPORT UPPER CORNER STREETSIDE	1	1	
21	411053	. SUPPORT UPPER CORNER CURBSIDE	1	1	
22	502622	. SCREW CAP HEX M6-1.0x20 SS BK	4	4	
23	502570	. WASHER LO SPT 6.1x11.8x1.6 SS	4	4	
24	504716	. BUMPER RUBBER / .875OD X .256 TH X .312 HOLE	4	4	
30	XV-0661-00	. FOG LAMP			
31	XV-1860-10	SPARE WHEEL DOOR ASSY To B-5009			
31	XV-1860-11	SPARE WHEEL DOOR ASSY From B-5010	1	1	
32	5001417	WASHER FL 11.0x34.0x3.0 SS	4	4	
33	5001737	WASHER LO SPT 10.2x18.1x2.2 N500	4	4	
34	502567	NUT HEX M10-1.5 SS	4	4	
51	410827	MOULDING / PLATE HOLDER	2	2	
52	500589	NUT WELL M4-0.7x13.5	4	4	
53	502677	SCREW MA RND PH M4-0.7x25 SS	4	4	
54	508401	WASHER FL .218x.875x.062 SS XL BK	4	4	
55	5001009	NUT AN 1/4 NYL	8	8	
56	5001245	SCREW TC CAP HEXW SLT #12-24x1/2 Z050	8	8	

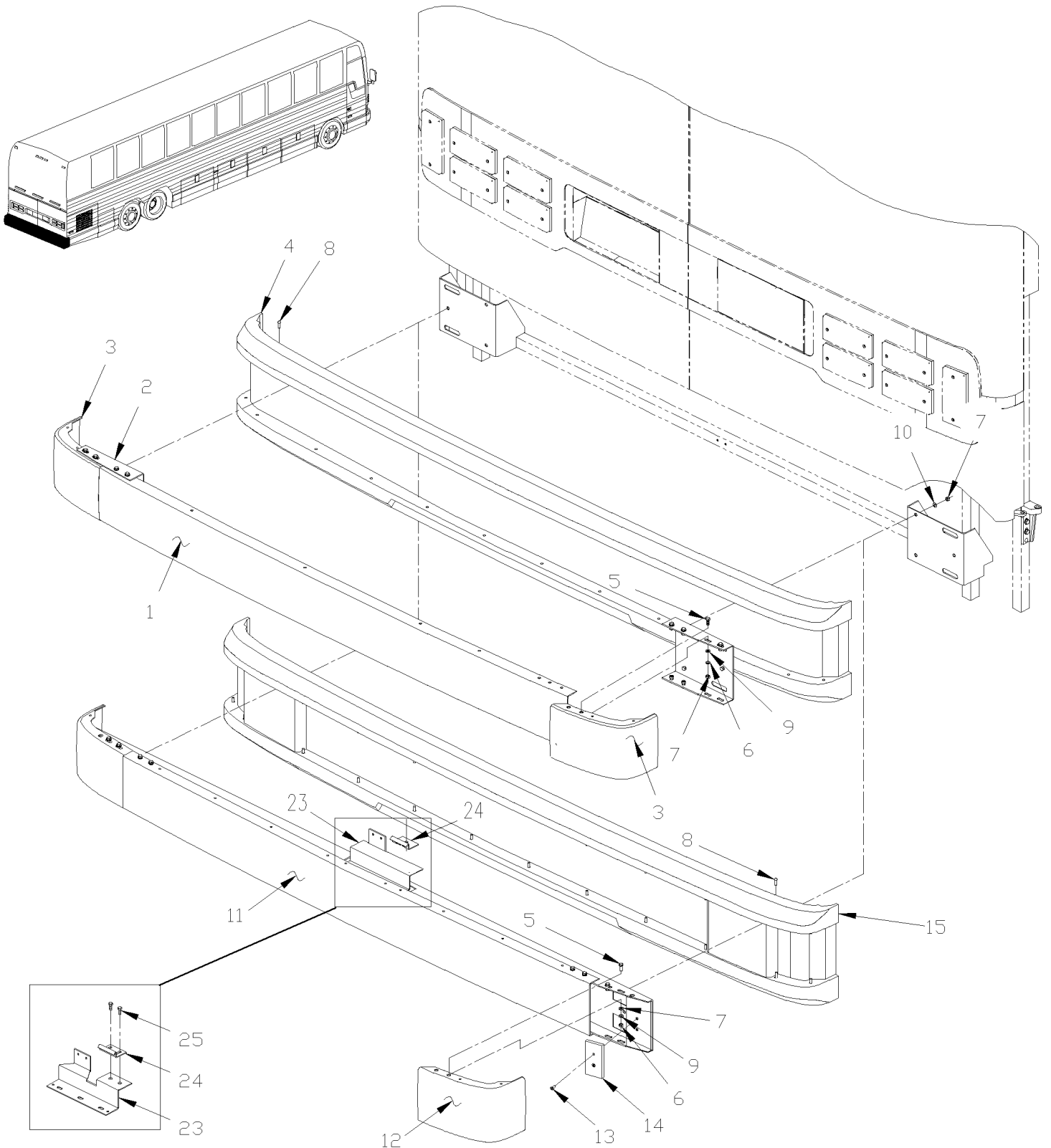


From B-5003 To D-5489

Date:07/2024

PAGE:XV-1850-10

BUMPER REAR





From B-5003 To D-5489	Date:07/2024	PAGE:XV-1850-10
BUMPER REAR		

Item#	Part	Description	X 3 V I P	X L I I E N T 4 5	N O T E S
		LE PARE-CHOCS SUIVANT EST STANDARD SUR X3-VIP			
		AND IT "OPTIONAL" WITH "ENT-45"			
	411090P	BUMPER ASSY REAR CHROME / W/TRAILLER HITCH	1	1	
1	411059	. BUMPER REAR CENTER / SS / S.B.2B	1	1	
2	410691	. SUPPORT	2	2	
3	411061	. BUMPER / CORNER / SS / S.B.2B	2	2	
4	473858	. TRIM REAR BUMPER / W/TRAILLER HITCH	1	1	
5	5001231	. SCREW CAP HEX M10-1.5x25 SS	16	16	
6	500958	. WASHER FL .531x1.062x.095 SS	16	16	
7	502567	. NUT HEX M10-1.5 SS	16	16	
8	5001438	. RIVET DRV TR 1/4x3/4 NYL	23	23	
9	502585	. WASHER LO SERR 10.2x26.3x1.4 ZP	16	16	
10	284447	WASHERS BELLEVILLE	6	6	
		NEXT BUMPER IT STANDARD ON "ENT-45"			
11	410740P	BUMPER ASSY REAR BLACK		1	
11	411214	. BUMPER REAR CENTER / BLACK		1	
12	410748	. BUMPER / CORNER / BLACK		2	
13	5001198	. SCREW MA FL PH M6-1.0x16 Z050		4	
13	5001182	. NUT HEX NYRT M6-1.0 SS		4	
14	410737	. STOPPER		2	
15	473770	. TRIM REAR BUMPER / W/O TRAILLER HITCH		1	
15	473858	TRIM REAR BUMPER / W/TRAILLER HITCH		1	A
23	287231	ATTACHMENT & STOPPER LH ENGINE DOOR / (WELDED TO BUMPER)		1	
24	287286	CATCH PIN / RETAINER 45MMx21MM 90°		1	
25	502780	SCREW CAP HEX M8-1.25x25 SS BK		2	
		A) THIS BUMPER ARE ASSY WITH TRIM W/TRAILER HITCH			

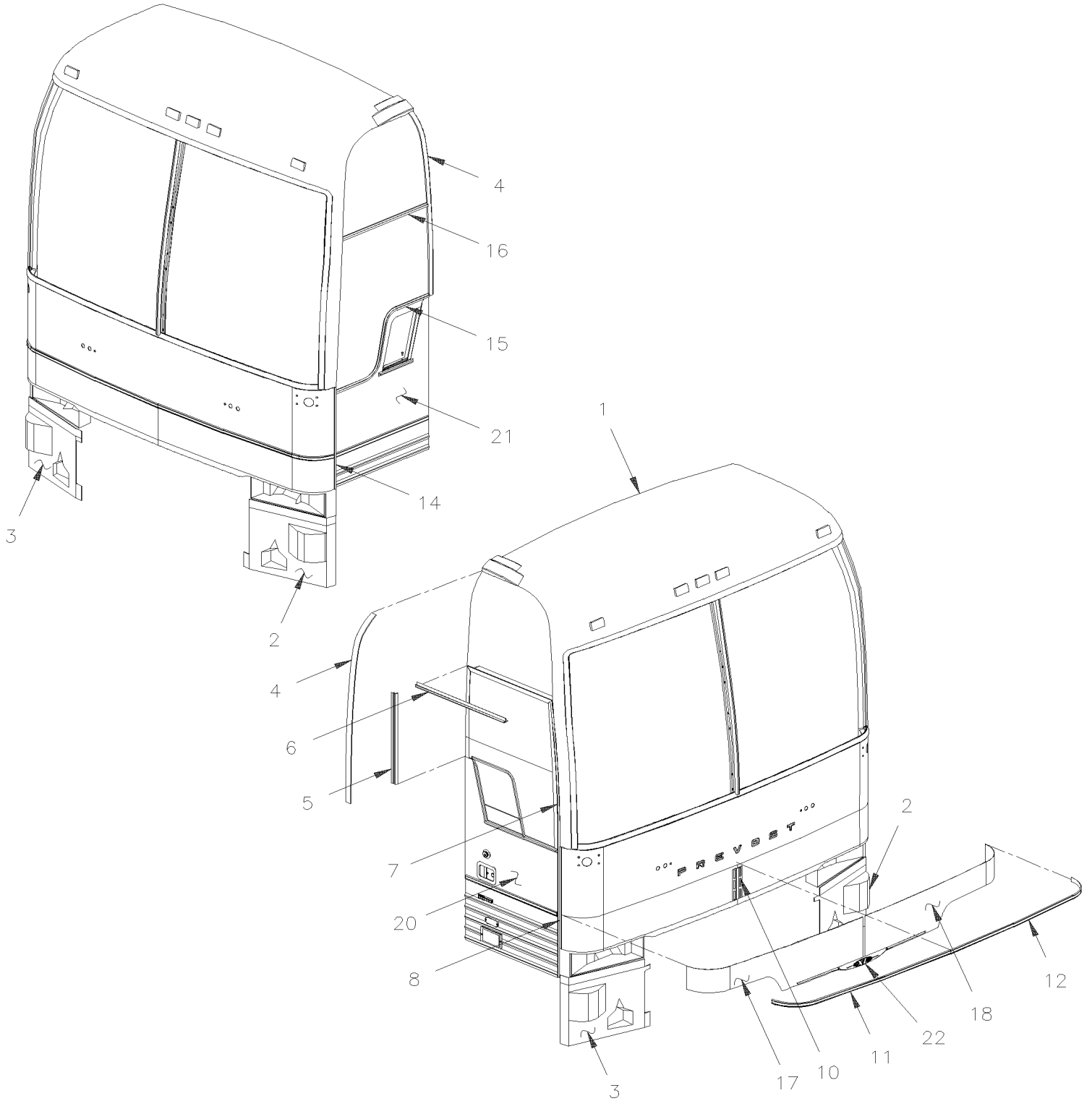


From B-5003 To D-5489

Date:07/2024

PAGE:XV-1851-00

FRONT CAP - INSTALLATION





From B-5003 To D-5489	Date:07/2024	PAGE:XV-1851-00
FRONT CAP - INSTALLATION		

Item#	Part	Description	X 3 V I P	X L I I E N T 4 5	N O T E S
1	478303	FRONT CAP MTH 89" / WLARGE WINDSHIELD			
1	478304	FRONT CAP MTH 89" / WLARGE WINDSHIELD			B
2	476709	. PANEL LOWER L.H. To C-5086	1	1	
2	478535	. PANEL LOWER L.H. From C-5087	1	1	
3	476710	. PANEL LOWER R.H. To C-5086	1	1	
3	478532	. PANEL LOWER R.H. From C-5087	1	1	
NS	504546	RIVET CHY MONOLOK PRDG 1/4x5/8 ZP To E-5499	36	36	
NS	504787	RIVET CHY MONOLOK PRDG 1/4x5/8 ZP From E-5500	36	36	
NS	500426	SCREW TP PAN PH #8x1 SS	6	6	
NS	506769	TAPE RUB ADH2 CC POL 1/8" x 1/4" x 60' / BLACK H1CC-N-#14	AR	AR	
NS	506785	TAPE RUB ADH2 CC POL 1/16" X 1/4" X 200' / BLACK I1C-N-A	AR	AR	
NS	475703	KIT STONE PROTECTOR / VINYL FILM 2x25"x120 + 1x16"x120"	1	1	
4	474068	FINISHING MOULDING 1340MM MTH 86" To C-5096	2	2	
4	477511	FINISHING MOULDING 1295MM From C-5097	2	2	
NS	504339	RIVET POP DOME OE 1/8x3/8 SS	AR	AR	
5	474042	MOULDING SUPPORT 709MM / MTH 86"	1	1	
6	477516	DRIP MOULDING OVER ENTRANCE DOOR / B.A.	1	1	
7	477517	FINISHING MOULDING ENTRANCE DOOR / 1131MM / B.A.	1	1	
8	477522	FINISHING MOULDING ENTRANCE DOOR / 1531MM MTH89" / B.A.	1	1	
10	478404	FINISHING CENTER SS / B.A.	1	1	
11	477512	MOULDING PLASTIC R.H. / B.A.	1	1	
12	477513	MOULDING PLASTIC L.H. / B.A.	1	1	
14	477523	FINISHING MOULDING SERVIR DOOR / 1531MM MTH89" / B.A.	1	1	
15	286646	DRIP MOULDING "S" MTH86" & MTH89"	1	1	
NS	790392	RUBBER BLOCK ADJUSTEMENT 1" x 5/16" x 1/8" 80DURO	AR	AR	
16	286454	DRIP MOULDING OVER DRIVER'S WINDOW	1	1	
17	478402	PANEL SS / CURBSIDE / B.A.	1	1	
18	478403	PANEL SS / STREETSIDE / B.A.	1	1	
20	XV-1862-50	ENTRANCE DOOR ASSY			
21	XV-1879-00	FRONT SERVICE DOOR ASSY			
22	XV-1855-00	RUB RAIL - EXTERIOR CREST & TRIMS			
NS	681092	ADHESIVE SIKA #255FC / BLACK / 310ml CARTRIDGE	AR	AR	
NS	683083	ADHESIVE SIKA #252 / BLACK / 600 ml SAUSAGE	AR	AR	
NS	687957	GLUE MS POLYMER TEROSON MS 9399 / 400ml CARTRIDGE	AR	AR	
NS	687961	GLUE MS POLYMER TEROSON MS 9399 / "A" 21 Liters	AR	AR	
NS	687962	GLUE MS POLYMER TEROSON MS 9399 / "B" 21 Liters	AR	AR	
NS	684685	ADHESIVE SIMSON #ISR 70-03 / 310ml CARTRIDGE	AR	AR	



From B-5003 To D-5489	Date:07/2024	PAGE:XV-1851-00
-----------------------	--------------	-----------------

FRONT CAP - INSTALLATION

Item#	Part	Description	X 3 V I P	X L I I E N T 4 5	N O T E S
NS	685124	ADHESIVE SIMSON #ISR 70-03 / BLACK / 600ml SAUSAGE	AR	AR	
NS	684517	ADHESIVE SIMSON #ISR 70-03 / GREY / 310ml CARTRIDGE	AR	AR	
		B) WITHOUT UPPER SIDE GLASS			

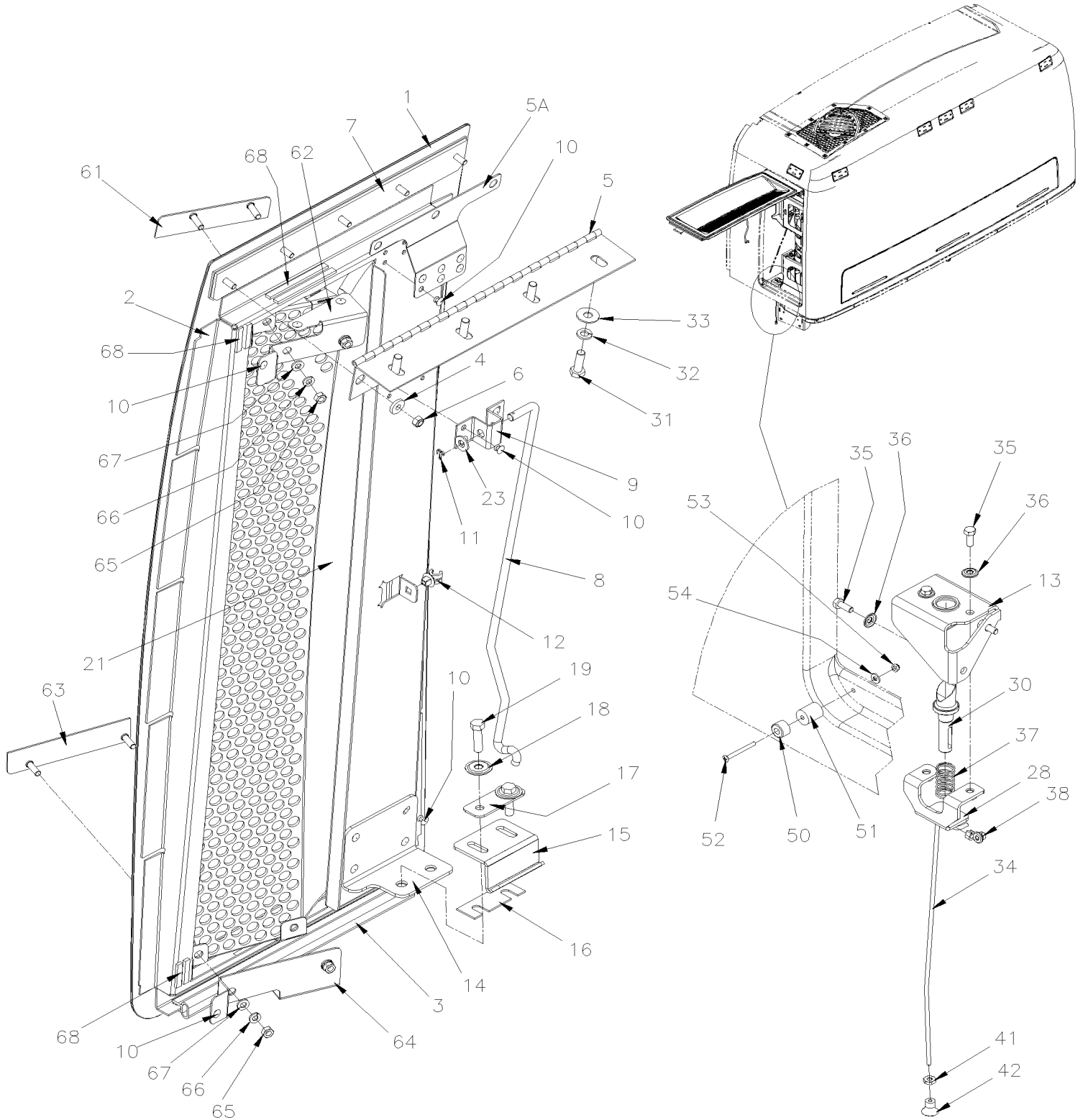


From B-5003 To D-5489

Date:07/2024

PAGE:XV-1851-05

REAR CAP - DOOR DPF & SCR





From B-5003 To D-5489	Date:07/2024	PAGE:XV-1851-05
REAR CAP - DOOR DPF & SCR		

Item#	Part	Description	X 3 V I P	X L I I E N T 4 5	N O T E S
	478567	DOOR PANEL ASSY WITH HINGE	1	1	
1	479169	DOOR PANEL	1	1	
2	479195	FRAME DOOR To D-5484	1	1	
3	506303	RUBBER SEAL EXTRUSION	8	8	
4	5001654	WASHER FL 6.4x17.0x3.0 SS	4	4	
5	479170	HINGE 338MM	1	1	
5A	479244	ATTACHMENT PLATE "T" SHAPE	1	1	
6	502681	NUT HEX NYRT M6-1.0 N500 G8	4	4	
7	478258	ATTACHMENT PLATE ASSY W/STUD 5	1	1	
8	478269	ROD 442MM	1	1	
9	478218	ATTACHMENT ROD LOCK	1	1	
10	504379	RIVET POP DOME OE 3/16x1/4 SS	AR	AR	
11	502094	PIN, COTTER 1/16 x 1/2 SS	1	1	
12	504734	ATTACHMENT ROD	1	1	
NS	680066	ADHESIVE / ADBOND #5014 / 23.6ML BOTTLE	AR	AR	
13	479274	STOPPER CATCH PIN	1	1	
14	479273	ATTACHMENT LOCK	1	1	
15	289700	CATCH PIN / RETAINER 49.2MMx36.4MM 90° / OFFSET	1	1	
16	287452	SHIM SPACER 70MM X 25 X 14GA	1	1	
17	288088	PLATE RETAINER 66MM X 25.4MM	1	1	
18	5001699	WASHER BEL SPR 8.2x22x1.4 N500	2	2	
19	5001738	SCREW CAP HEX M8-1.25x30 G8.8 N500	2	2	
NS	684743	GLUE METHACRYLATE PLEXUS MA832GB 380 ml	AR	AR	
21	478289	GRILLE FIBERGLASS / AIR INLET / PAINTED	1	1	
. NS	478278	. GRILLE FIBERGLASS / AIR INLET	1	1	
23	5001341	WASHER FL 8.4x17.0x1.6 SS	1	1	
NS	506236	TAPE RUB ADH1 CC POL 1/16" x 1/2" x 100' / GREY 2520	AR	AR	
28	288061	SUPPORT CATCH PIN	1	1	
30	288118	CATCH PIN ACETAL / 82MM	1	1	
31	502580	NUT HEX CAP M5-0.8 ZP	7	7	
32	5001161	WASHER LO SPT 8.1x14.8x2.0 SS-304	7	7	
33	5001448	WASHER FL .343x.875x.062 SS18-8	7	7	
34	479477	ROD OPENING 540MM	1	1	
35	5001744	SCREW CAP HEX M6-1.0x16 G8.8 N500	2	2	
36	500356	WASHER LO SERR 6.1x16.0x0.9 N500	2	2	
37	502910	SPRING COMPRESSION / .720 O.D. 1.75 x .055	1	1	
38	780340	CLIP, RETAINER ROD	1	1	
41	500986	NUT HEX #8-32 N500	1	1	
42	505504	KNOB, PULL / 8-32	1	1	
50	504334	BUMPER RUBBER / .625 OD x .406 TH x .156 HOLE	1	1	
51	479222	SPACER ACETAL BLACK 4.37 I.D. x 17 O.D. x 20MM	1	1	
52	502530	SCREW MA OV PH M4-0.7x40 SS	1	1	



From B-5003 To D-5489	Date:07/2024	PAGE:XV-1851-05
REAR CAP - DOOR DPF & SCR		

Item#	Part	Description	X 3 V I P	X L I I E N T 4 5	N O T E S
53	502557	NUT HEX NYRT M4-0.7 SS	1	1	
54	504357	WASHER FL .187x.437x.050 SS	1	1	
61	478968	UPPER PLATE From D-5485	1	1	
62	478965	SUPPORT UPPER, GRILLE From D-5485	1	1	
63	478969	LOWER PLATE From D-5485	1	1	
64	478966	SUPPORT LOWER, GRILLE From D-5485	1	1	
65	5001851	NUT HEX M6-1.0 SS BK From D-5485	4	4	
66	502570	WASHER LO SPT 6.1x11.8x1.6 SS From D-5485	4	4	
67	502573	WASHER FL 6.4x12.5x1.6 SS From D-5485	4	4	
68	506191	TAPE RUB ADH1 CC POL 1/8" x 1/4" x 50' / GREY 2520X From D-5485	AR	AR	

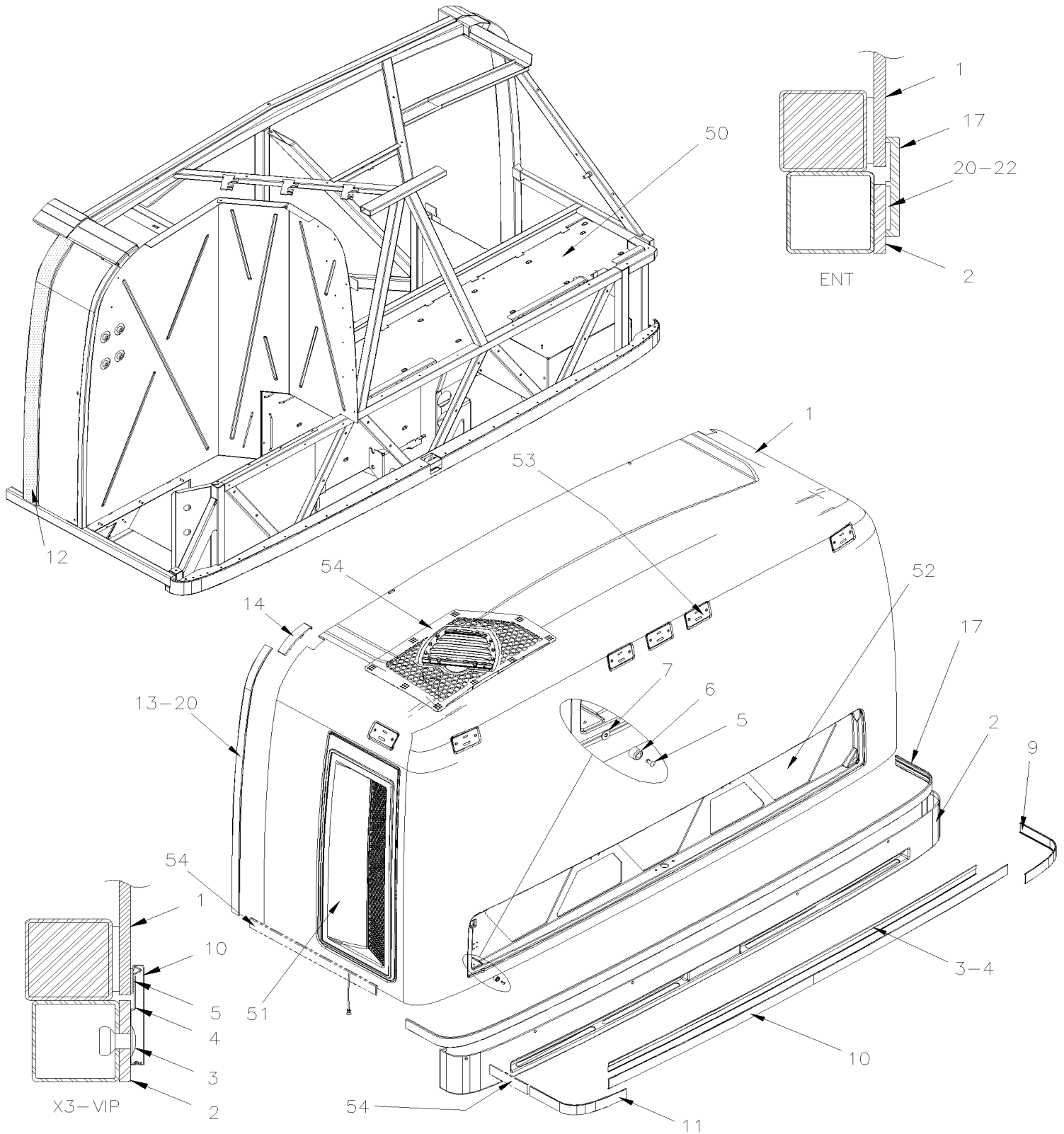


From B-5003 To D-5489

Date:07/2024

PAGE:XV-1851-20

REAR CAP - INSTALLATION





From B-5003 To D-5489	Date:07/2024	PAGE:XV-1851-20
------------------------------	---------------------	------------------------

REAR CAP - INSTALLATION

Item#	Part	Description	X 3 V I P	X L I E N T 4 5	N O T E S
1	479263	REAR CAP ASSY / MTH-86" & MTH-89"	1	1	
2	479309	AIR INTAKE / W/MTH-89"	1	1	
NS	5001845	SCREW TP FL PH #8x3/4 SS410	6	6	
3	504416	RIVET POP DOME OE 3/16x5/8 SS	12	12	
4	473895	MOULDING RETAINER / 2250MM	1		
5	500414	SCREW TP BDG PH #10x3/4 SS	2	2	
6	5001168	BUMPER RUBBER / .750 OD x .562 TH x .187 HOLE	2	2	
7	500411	WASHER FL .260x.697x.050 SS	2	2	
9	473831	MOULDING RIGHT CORNER	1		
10	473896	FINISHING MOULDING SS / 2125MM	1		
11	473833	MOULDING LEFT CORNER	1		
12	293136	RUBBER SEAL 1391MM W/86" & 89"	2	2	
13	474068	FINISHING MOULDING 1340MM MTH 86"	2	2	
14	293715	UPPER EXTRUSION 38MM	2	2	
17	474359	FINISHING MOULDING PLASTIC 2800MM		1	
. NS	506785	. TAPE RUB ADH2 CC POL 1/16" X 1/4" X 200' / BLACK I1C-N-A			AR
. NS	506769	. TAPE RUB ADH2 CC POL 1/8" x 1/4" x 60' / BLACK H1CC-N-#14			AR
20	506759	TAPE RUB ADH2 CC POL 1/8" x 1/2" x 100' / BLACK I1C-N-A	AR		AR
22	683083	ADHESIVE SIKA #252 / BLACK / 600 ml SAUSAGE	AR		AR
NS	687957	GLUE MS POLYMER TEROSON MS 9399 / 400ml CARTRIDGE	AR		AR
NS	683084	SEALANT SIKA #221 / GREY / 600 ml SAUSAGE	AR		AR
NS	680066	ADHESIVE / ADBOND #5014 / 23.6ML BOTTLE	AR		AR
NS	687956	GLUE METHACRYLATE PLEXUS MA530 400 ml	AR		AR
NS	684743	GLUE METHACRYLATE PLEXUS MA832GB 380 ml	AR		AR
NS	684517	ADHESIVE SIMSON #ISR 70-03 / GREY / 310ml CARTRIDGE	AR		AR
50	XV-1894-00	REAR CAP - STRUCTURE			
51	XV-1851-05	REAR CAP - DOOR DPF & SCR			
52	XV-1870-20	REAR ENGINE UPPER DOOR WITH "EPA 2010"			
53	XV-0662-00	CLEARANCE & MARKER LIGHT			
54	XV-0405-00	MUFFLER - INSTALLATION WITH DPF & SCR WITH VOLVO D13 WITH "EPA 2010"			
55	XV-1854-50	UPPER FIBERGLASS SIDE PANELING - MTH BETWEEN SIDE WINDOW			

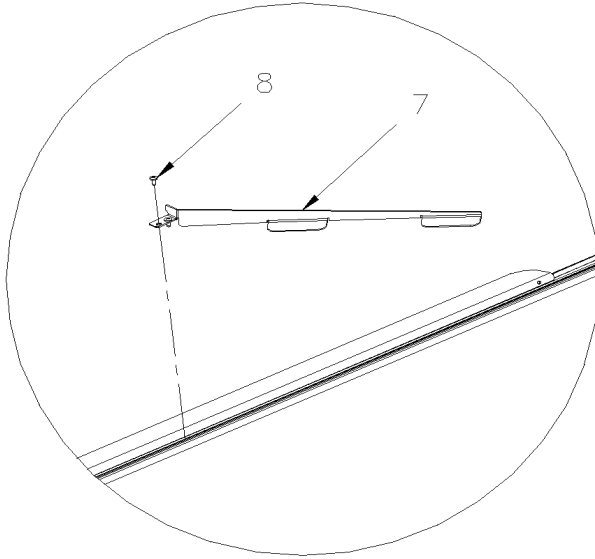


From B-5003 To D-5489

Date:07/2024

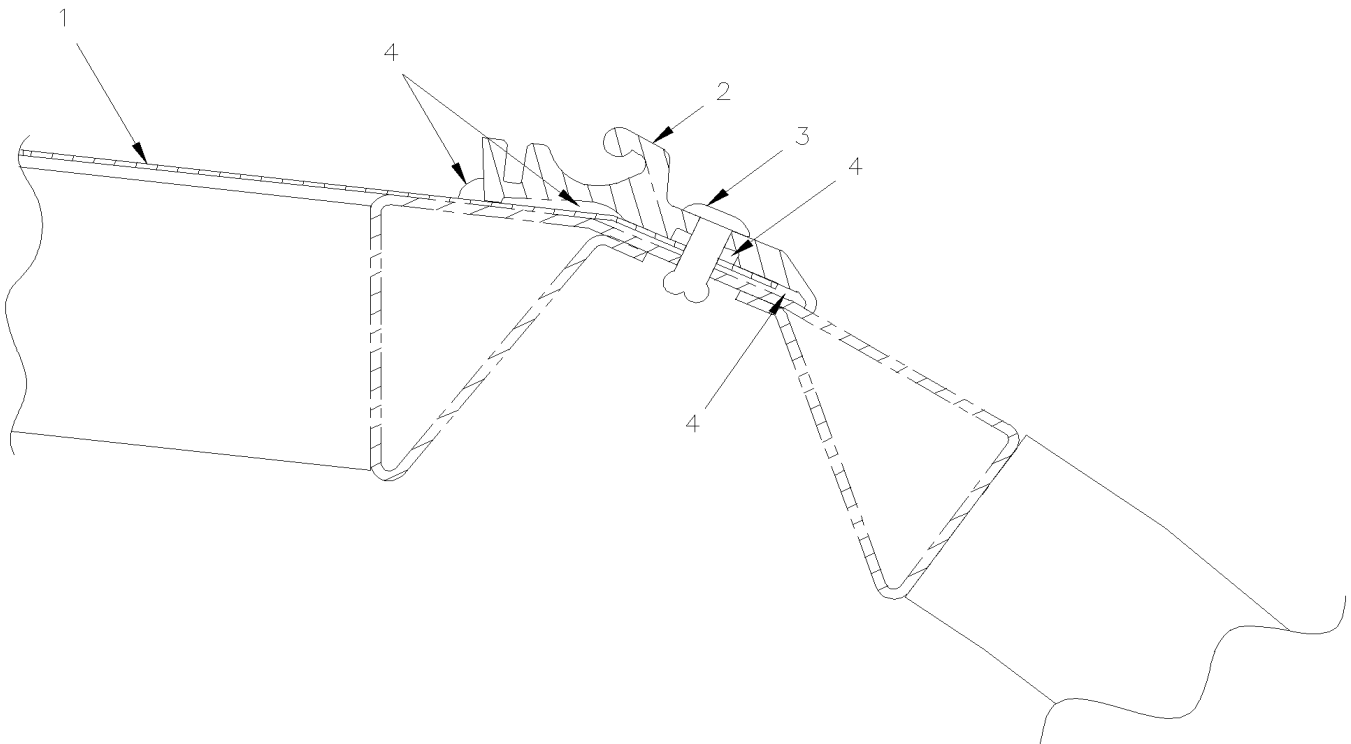
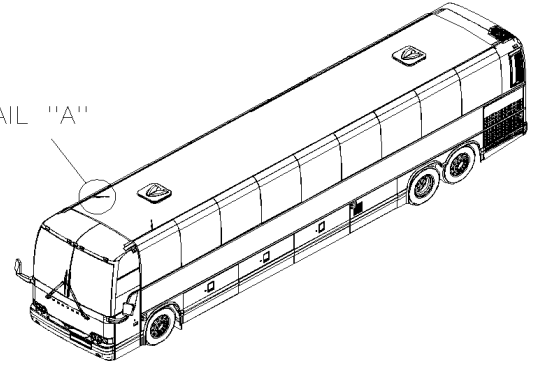
PAGE:XV-1852-00

ROOF PANEL



DETAIL "A"

DETAIL "A"





From B-5003 To D-5489	Date:07/2024	PAGE:XV-1852-00
ROOF PANEL		

Item#	Part	Description	X 3 V I P	X L I I E N T 4 5	N O T E S
1	970274	ALUMINUM SHEET 3003 WHITE 18GAX82 1/4"	165	165	
2	293181	EXTRUSION, ALUMINUM 5870MM (231.1") To D-5297	4	4	
2	294092	EXTRUSION, ALUMINUM 5870MM (231.1") From D-5298	4	4	
3	504546	RIVET CHY MONOLOK PRDG 1/4x5/8 ZP To E-5499	AR	AR	
3	504545	RIVET CHY MONOLOK PRDG 1/4x3/8 ZP To E-5499	50	50	A
3	504787	RIVET CHY MONOLOK PRDG 1/4x5/8 ZP From E-5500	AR	AR	
4	680532	SEALANT SIKA #221 / GREY / 310ml CARTRIDGE	AR	AR	
4	682462	ADHESIVE SIKA #252 / BLACK / 310ml CARTRIDGE	AR	AR	
5	474057P	KIT, ROOF PANELING XL SERIES	1	1	
6	Call order desk	DEFLECTOR, ROOF			P
. NS	IS-12024	. SEE INSTRUCTION SHEET	1	1	
7	294115	. DEFLECTOR R.H.	1	1	
NS	294116	. DEFLECTOR L.H.	1	1	
8	500393	. SCREW TC PAN PH #10-24x3/8 Z050	4	4	
		A) EACH END			
		P) CALL ORDER DESK FOR SPECIFIC APPLICATION (V.I.N.)			



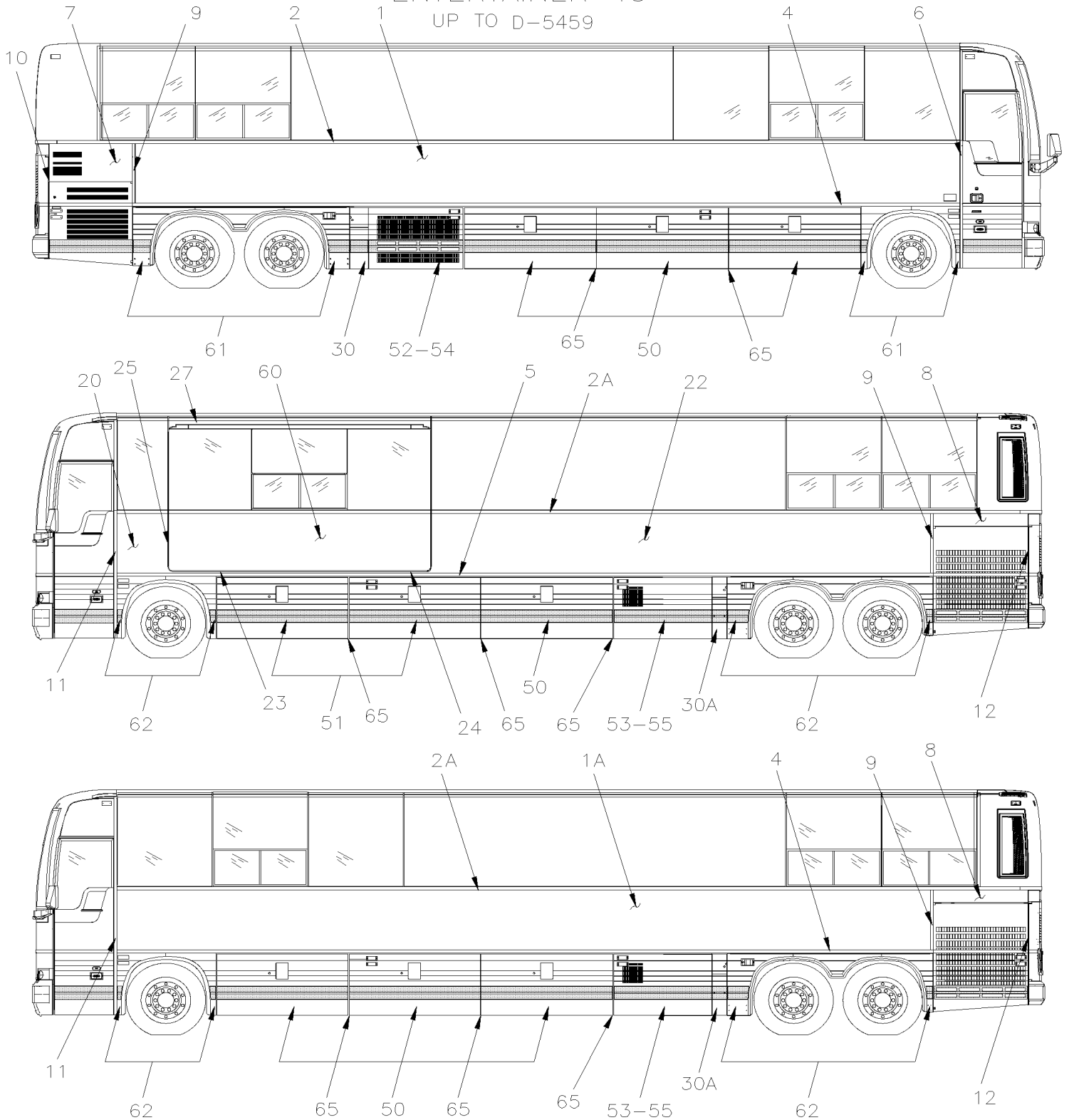
From B-5003 To D-5489

Date:07/2024

PAGE:XV-1854-00

SIDE PANELING

ENTERTAINER 45'
UP TO D-5459





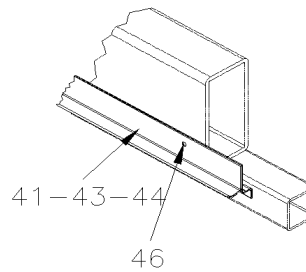
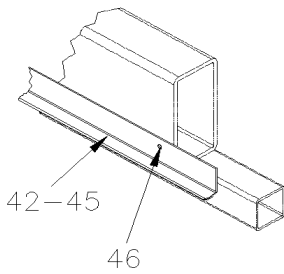
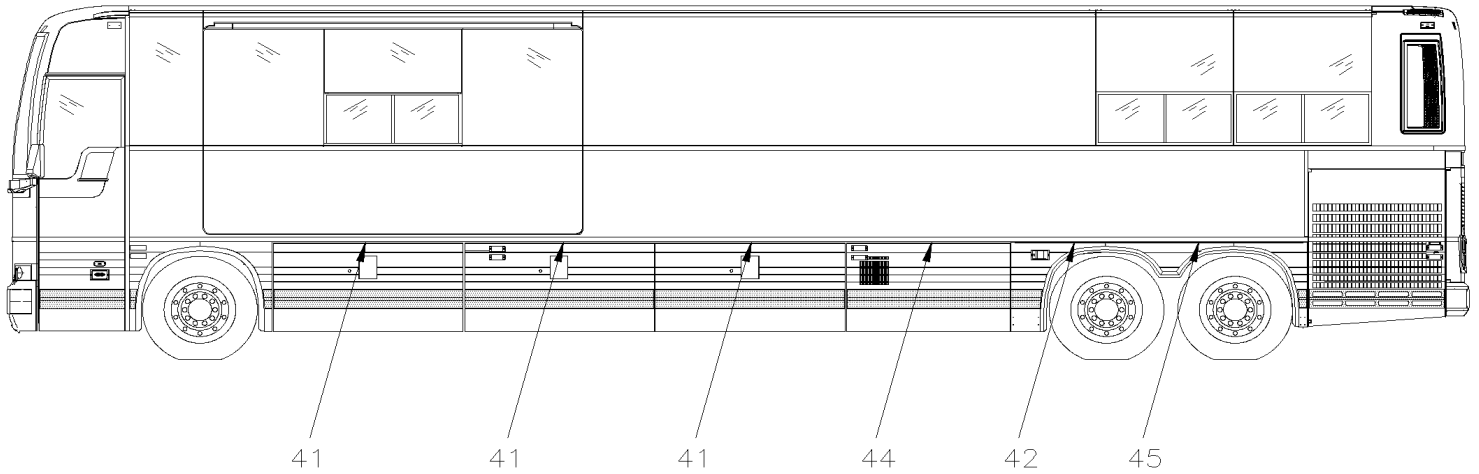
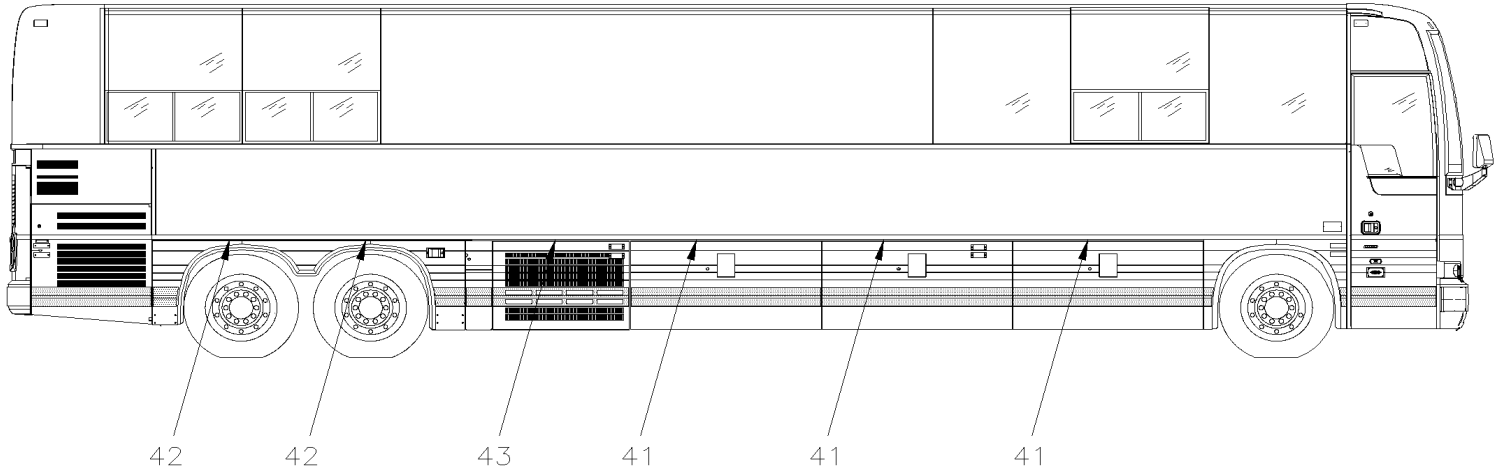
From B-5003 To D-5489

Date:07/2024

PAGE:XV-1854-00

SIDE PANELING

ENTERTAINER 45'
UP TO D-5459



UP TO D-5458

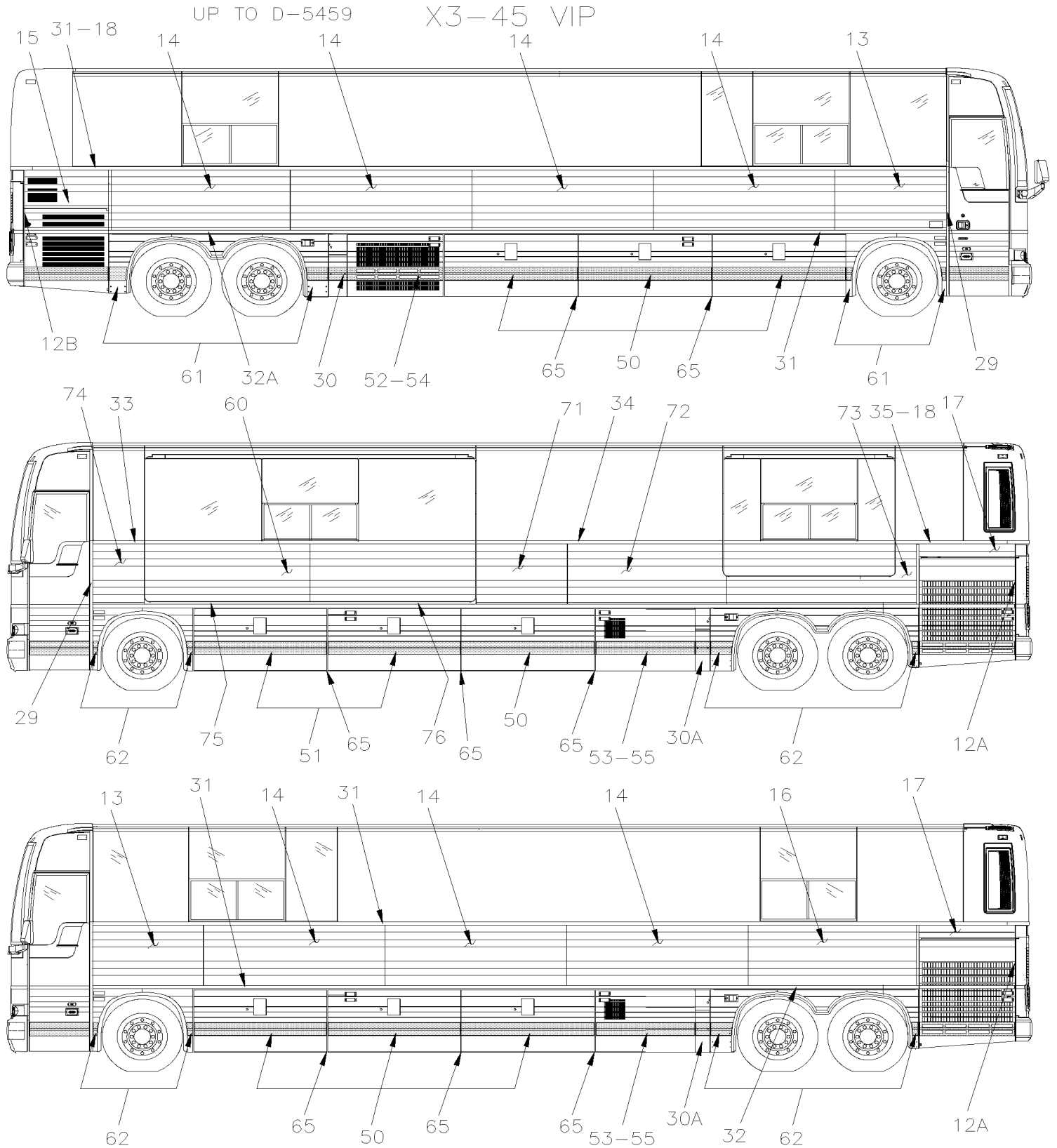


From B-5003 To D-5489

Date:07/2024

PAGE:XV-1854-00

SIDE PANELING





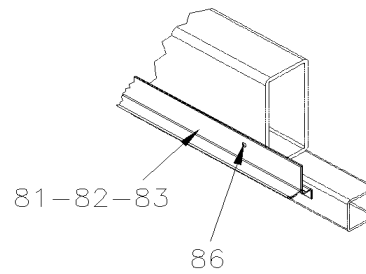
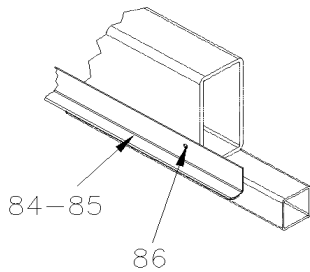
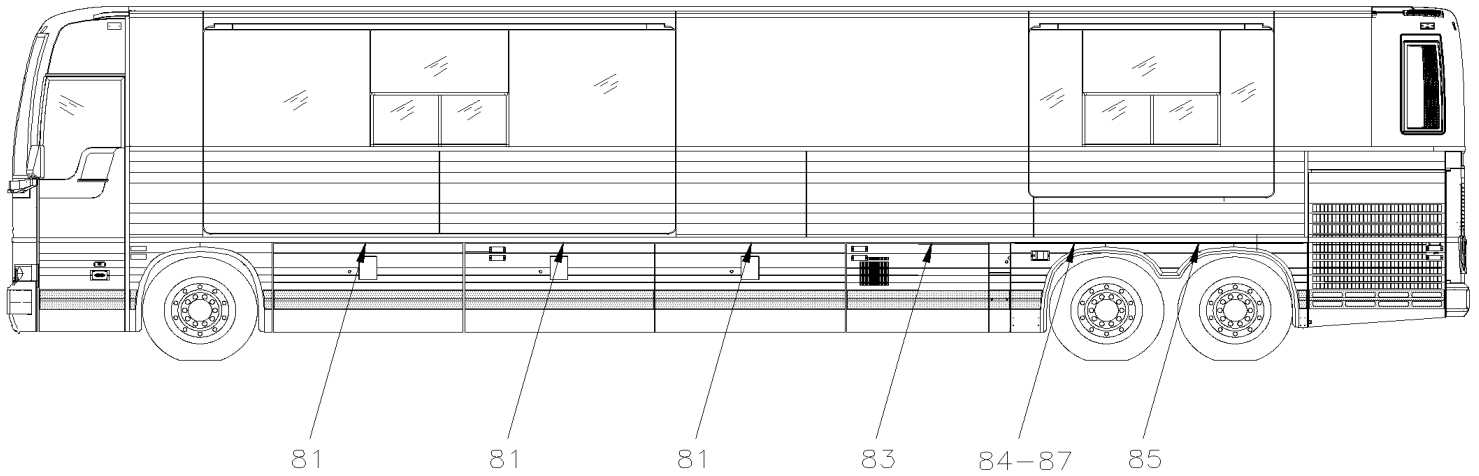
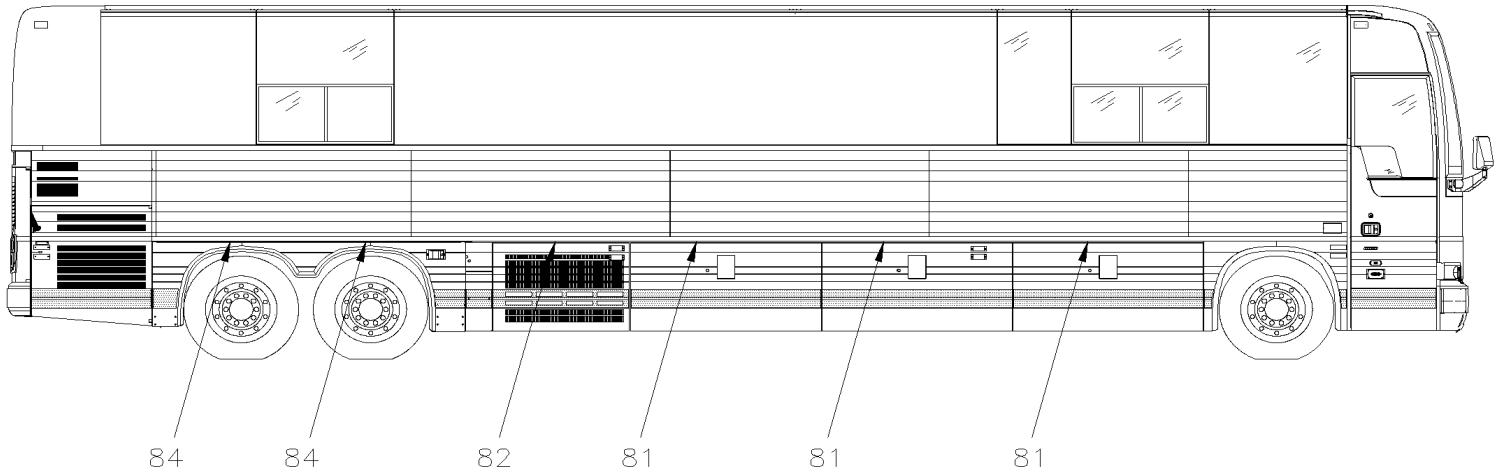
From B-5003 To D-5489

Date:07/2024

PAGE:XV-1854-00

SIDE PANELING

X3-45 VIP
UP TO D-5459





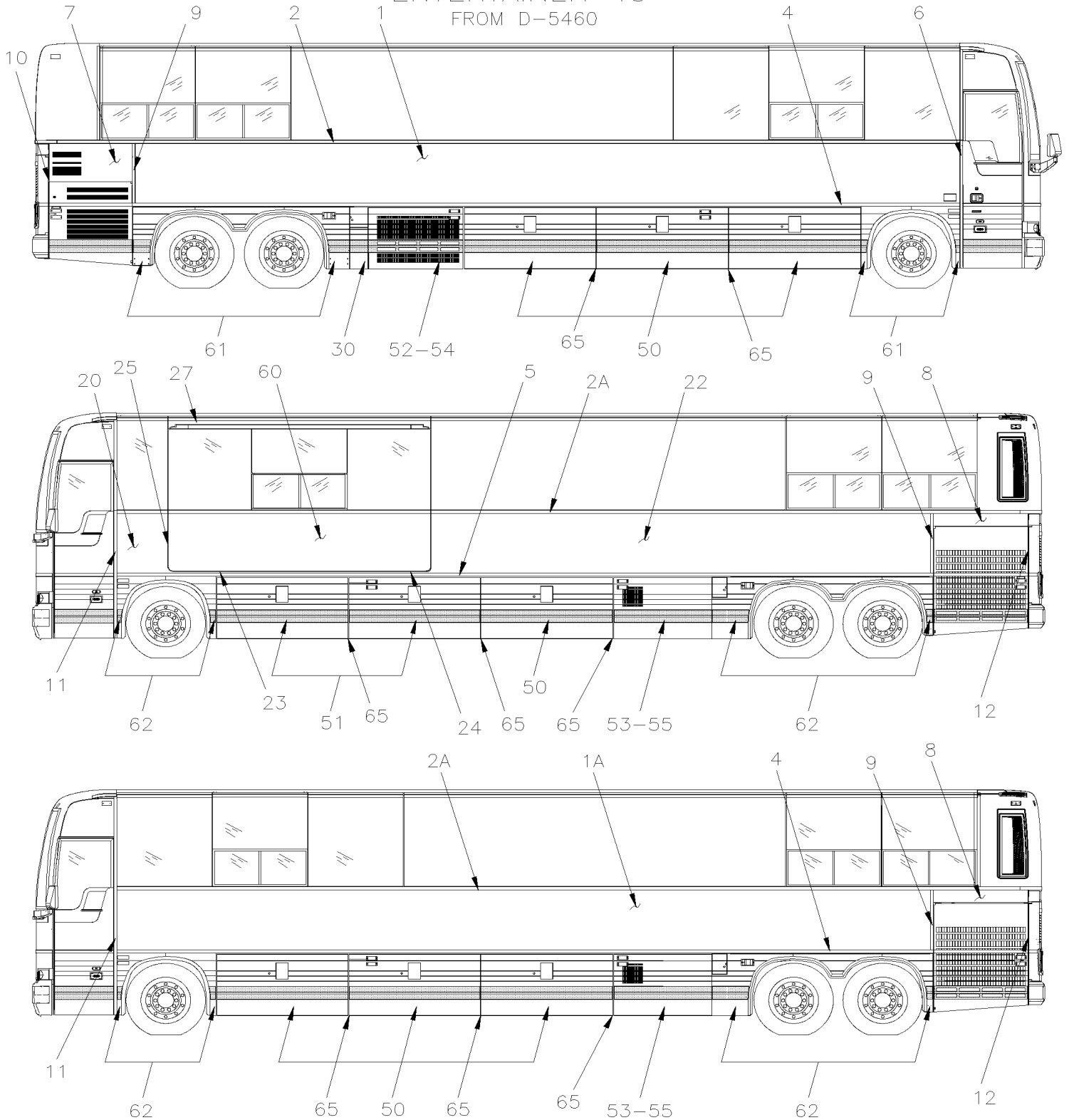
From B-5003 To D-5489

Date:07/2024

PAGE:XV-1854-00

SIDE PANELING

ENTERTAINER 45'
FROM D-5460





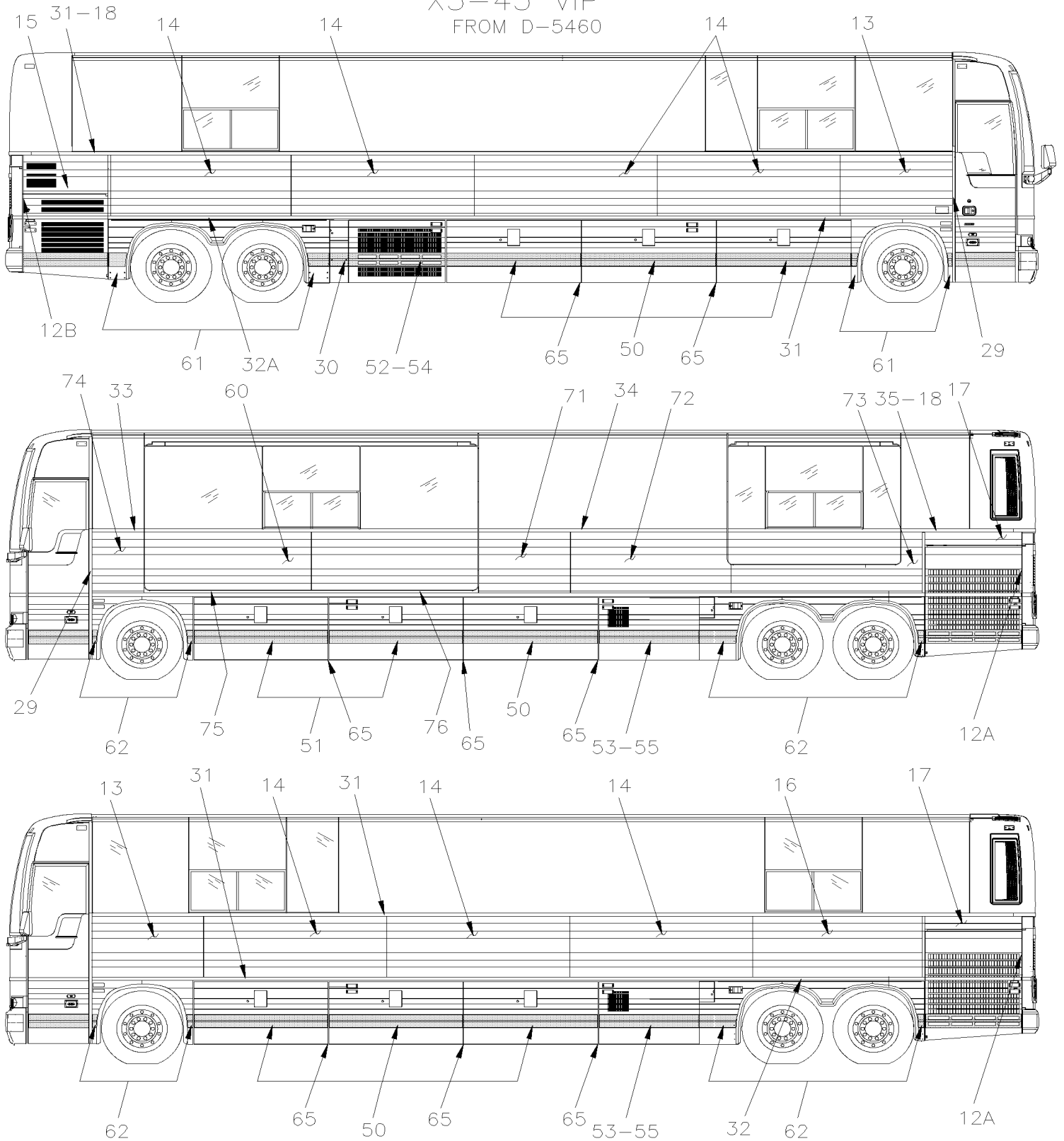
From B-5003 To D-5489

Date:07/2024

PAGE:XV-1854-00

SIDE PANELING

X3-45 VIP
FROM D-5460





From B-5003 To D-5489	Date:07/2024	PAGE:XV-1854-00
------------------------------	---------------------	------------------------

SIDE PANELING

Item#	Part	Description	X 3 V I P	X L I I E N T 4 5	N O T E S
1	970286	STAINLESS STEEL SHEET 912MM X 11392MM		1	
1A	970316	STAINLESS STEEL SHEET / STREET SIDE / 912MM X 11240MM		1	
2	474514	FINISHING MOULDING UPPER R.H. 12253MM		1	
. NS	506785	. TAPE RUB ADH2 CC POL 1/16" X 1/4" X 200' / BLACK I1C-N-A		AR	
. NS	506790	. TAPE RUB ADH2 CC POL 1/16" x 1/2" x 200' / BLACK I1C-N-A		AR	
2A	474515	FINISHING MOULDING UPPER L.H. 12253MM		1	A
. NS	506785	. TAPE RUB ADH2 CC POL 1/16" X 1/4" X 200' / BLACK I1C-N-A		AR	A
. NS	506790	. TAPE RUB ADH2 CC POL 1/16" x 1/2" x 200' / BLACK I1C-N-A		AR	A
3	474515	FINISHING MOULDING UPPER L.H. 12253MM		1	
. NS	506785	. TAPE RUB ADH2 CC POL 1/16" X 1/4" X 200' / BLACK I1C-N-A		AR	
. NS	506790	. TAPE RUB ADH2 CC POL 1/16" x 1/2" x 200' / BLACK I1C-N-A		AR	
4	474512	FINISHING MOULDING LOWER R.H. 9846MM To D-5459		1	
. NS	506785	. TAPE RUB ADH2 CC POL 1/16" X 1/4" X 200' / BLACK I1C-N-A To D-5459		AR	
. NS	506769	. TAPE RUB ADH2 CC POL 1/8" x 1/4" x 60' / BLACK H1CC-N-#14 To D-5459		AR	
4	478582	FINISHING MOULDING LOWER R.H. 11239MM From D-5460		1	
. NS	506785	. TAPE RUB ADH2 CC POL 1/16" X 1/4" X 200' / BLACK I1C-N-A From D-5460		AR	
. NS	506869	. TAPE RUB ADH2 POL .031" X 1/4" X 300' / BLACK From D-5460		AR	
5	479199	FINISHING MOULDING LOWER L.H. 11086MM To D-5459		1	
. NS	506785	. TAPE RUB ADH2 CC POL 1/16" X 1/4" X 200' / BLACK I1C-N-A To D-5459		AR	
. NS	506769	. TAPE RUB ADH2 CC POL 1/8" x 1/4" x 60' / BLACK H1CC-N-#14 To D-5459		AR	
5	478581	FINISHING MOULDING LOWER L.H. 11086MM From D-5460		1	
. NS	506785	. TAPE RUB ADH2 CC POL 1/16" X 1/4" X 200' / BLACK I1C-N-A From D-5460		AR	
. NS	506869	. TAPE RUB ADH2 POL .031" X 1/4" X 300' / BLACK From D-5460		AR	
6	477524	FINISHING MOULDING / ANGLE / 1853MM SS / W/89" / B.A.		1	
NS	504473	RIVET POP DOME OE 1/8x1/4 SS		12	
7	474971	PANEL AIR INTAKE R.H. / MTH 89" To C-5132		1	
7	478800	PANEL AIR INTAKE R.H. / MTH 89" From C-5133		1	
8	479184	PANEL SUB ASSY AIR INTAKE L.H. / MTH 89" To C-5069		1	
8	479164	PANEL SUB ASSY L.H. / MTH 89" From C-5070		1	
9	475101	FINISHING MOULDING ALUMINUM 865MM / W89"		2	
10	477525	FINISHING MOULDING / ANGLE / 552MM SS / W/89" / B.A.		1	
11	477526	FINISHING MOULDING / ANGLE / 1853MM SS / W/89" / B.A.		1	
NS	506869	TAPE RUB ADH2 POL .031" X 1/4" X 300' / BLACK	AR	AR	
NS	506769	TAPE RUB ADH2 CC POL 1/8" x 1/4" x 60' / BLACK H1CC-N-#14	AR	AR	
NS	506225	TAPE RUB ADH1 CC POL 1/16" x 1/4" x 100' / GREY 2520	AR	AR	
NS	687957	GLUE MS POLYMER TEROSON MS 9399 / 400ml CARTRIDGE	AR	AR	
NS	683097	CLEANER SIKA #205 / CLEAR / 1000ml	AR	AR	
NS	685126	ADHESIVE SIMSON #ISR 70-03 / GREY / 600ml SAUSAGE	AR	AR	
12	479167	FINISHING MOULDING / S.S. / 184MM		1	
12A	470064	FINISHING MOULDING / B.A. / 184MM	1		
12B	470066	FINISHING MOULDING / B.A. / 547MM	1		
13	470340	LOWER PANEL / B.A. / 1521MM	2		



From B-5003 To D-5489	Date:07/2024	PAGE:XV-1854-00
------------------------------	---------------------	------------------------

SIDE PANELING

Item#	Part	Description	X 3 V I P	X L I E N T 4 5	N O T E S
14	470327	LOWER PANEL / B.A. / 2428MM	7		
15	470329	PANEL AIR INTAKE RH / B.A.	1		
16	470345	LOWER PANEL / B.A. / 2275MM	1		
17	470331	LOWER PANEL / B.A. / 1283MM	1		
17	470343	PANEL JOINT CENTER PART B.A.	1		
17	502872	RIVET POP CK OE 1/8x3/16 SS	AR		
18	475669	MOULDING RETAINER / 312MM	2		
18	504488	RIVET MGLP PRDG 3/16x17/64 SS	AR		
20	477938	PANEL FLAT FORWARD SLIDE OUT		1	
22	970317	STAINLESS STEEL SHEET / STREET SIDE / 912MM X 6934MM		1	
23	477836	PANEL FLAT FORWARD UNDER SLIDE OUT		1	
24	477921	PANEL FLAT BACKWARD UNDER SLIDE OUT		1	
25	477939	MOULDING FORWARD SLIDE OUT		1	
26	477940	MOULDING BACKWARD SLIDE OUT		1	
27	293834	PANEL ASSY / UPPER "SLIDE-OUT" 3553.2MM		1	
29	470071	FINISHING MOULDING SS / 1853MM	2		
NS	504717	RIVET POP DOME OE 1/8x1/4 SS	AR		
30	477230	PANEL CURBESIDE / B.A. 246.4MM	1	1	
30A	477238	PANEL STREET SIDE / B.A. From C-5097 To D-5459	1	1	
31	474159	FINISHING MOULDING S.S. / 6385MM	6		
31	477436	MOULDING RETAINER / 50MM	AR		
32	470072	FINISHING MOULDING S.S. / 4708MM	1		
32A	474161	FINISHING MOULDING S.S. / 4861MM	1		
33	476112	FINISHING MOULDING SS / 720.6MM	1		A
33	470348	FINISHING MOULDING B.A. / 1220MM	1		A
34	474159	FINISHING MOULDING S.S. / 6385MM	1		A
34	478340	FINISHING MOULDING SS / 3300MM	1		B
34	470367	FINISHING MOULDING SS / 2286MM	1		C
34	478604	FINISHING MOULDING SS / 1066MM	1		D
35	478339	FINISHING MOULDING SS / 1489.8MM	1		
41	476263	DRIP MOULDING / 1786MM To D-5459	6	6	
42	477536	DRIP MOULDING / 1468MM / B.A. To D-5459	3	3	
43	478551	DRIP MOULDING / 1541.4MM To D-5459	1	1	
44	478555	DRIP MOULDING / 1541.4MM To D-5459	1	1	
45	476797	DRIP MOULDING / 1315.65MM / B.A. To D-5459	1	1	
50	XV-1864-00	BAGGAGE DOOR ASSY / 70" To D-5459			
50	XV-1864-01	BAGGAGE DOOR ASSY / 70" From D-5460			
51	XV-1864-90	BAGGAGE DOOR W/HINGE / 70" To D-5459			
51	XV-1864-91	BAGGAGE DOOR W/HINGE / 70" From D-5460			
52	XV-1863-50	CONDENSOR DOOR ASSY			



From B-5003 To D-5489	Date:07/2024	PAGE:XV-1854-00
------------------------------	---------------------	------------------------

SIDE PANELING

Item#	Part	Description	X 3 V I P	X L I E N T 4 5	N O T E S
53	XV-1866-50	EVAPORATOR DOOR ASSY To C-5096			
53	XV-1866-51	EVAPORATOR DOOR ASSY From C-5097 To D-5459			
53	XV-1866-52	EVAPORATOR DOOR ASSY From D-5460			
54	XV-1864-60	BAGGAGE DOOR W/HINGE CURBSIDE WITH SMALL A/C SYSTEM / 50 1/2			
55	XV-1864-50	BAGGAGE DOOR W/HINGE STREET SIDE WITH SMALL A/C SYSTEM / 60" To C-5096			
55	XV-1864-51	BAGGAGE DOOR W/HINGE STREET SIDE WITH SMALL A/C SYSTEM / 53 3/4 From C-5097 To D-5459			
55	XV-1864-52	BAGGAGE DOOR W/HINGE STREET SIDE WITH SMALL A/C SYSTEM / 53 3/4 From D-5460			
60	XV-1854-90	SIDE PANELING - W/"SLIDE-OUT"			
61	XV-1857-55	FENDERS R.H. To D-5459			
61	XV-1857-56	FENDERS R.H. From D-5460			
62	XV-1857-50	FENDERS L.H. To D-5459			
62	XV-1857-51	FENDERS L.H. From D-5460			
63	XV-1854-50	UPPER FIBERGLASS SIDE PANELING - MTH BETWEEN SIDE WINDOW			
65	221777	ANTI-SPLASH	5	5	
65	507030	RIVET POP DOME LARGE HEAD 3/16x1.2" SS	AR	AR	
71	470337	LOWER PANEL / B.A. / 1218.6MM	1		
NS	N.S.S.	PANEL JOINT 125MM	1		1
NS	477609	PANEL JOINT / CORNER	1		
72	470327	LOWER PANEL / B.A. / 2428MM	1		A
72	470335	LOWER PANEL / B.A. / 2428MM	1		B
72	470349	LOWER PANEL / B.A. / 2428MM	1		C
NS	470341	PANEL JOINT CENTER PART 125MM	1		
73	470345	LOWER PANEL / B.A. / 2275MM	1		A
73	470334	LOWER PANEL / B.A. / 2275MM	1		B C
NS	470332	PANEL JOINT CENTER PART	1		
74	470338	LOWER PANEL / B.A. / 720MM	1		
NS	477604	PANEL JOINT / CORNER	1		
75	477588	PANEL LOWER / "SLIDE-OUT" & MOULDING FORWARD / B.A.	1		
76	477589	PANEL LOWER / "SLIDE-OUT" & MOULDING / BACKWARD / B.A.	1		
81	476263	DRIP MOULDING / 1786MM To D-5459	6		
81	476590	DRIP MOULDING / 1788MM From D-5460	1		
82	478551	DRIP MOULDING / 1541.4MM To D-5459	1		
82	478552	DRIP MOULDING / 1541.4MM From D-5460	1		
83	478555	DRIP MOULDING / 1541.4MM To D-5459	1		
83	477396	DRIP MOULDING / 1210.6MM From D-5460	1		
84	477536	DRIP MOULDING / 1468MM / B.A. To D-5459	3		
84	477536	DRIP MOULDING / 1468MM / B.A. From D-5460	2		
85	476797	DRIP MOULDING / 1315.65MM / B.A.	1		
86	504339	RIVET POP DOME OE 1/8x3/8 SS	AR		



From B-5003 To D-5489	Date:07/2024	PAGE:XV-1854-00
-----------------------	--------------	-----------------

SIDE PANELING

Item#	Part	Description	X 3 V I P	X L I I E N T 4 5	N O T E S
87	477397	DRIP MOULDING / 1799MM From D-5460	1	1	
		A) WITH ONE SLIDE-OUT			
		B) WITH 2 SLIDE-OUT / WITH REAR ONE 7.5'			
		C) WITH 2 SLIDE-OUT / WITH REAR ONE 10'			
		D) USE WITH ONLY A REAR SLIDE OUT			
		1) NOT SOLD SEPARATELY			



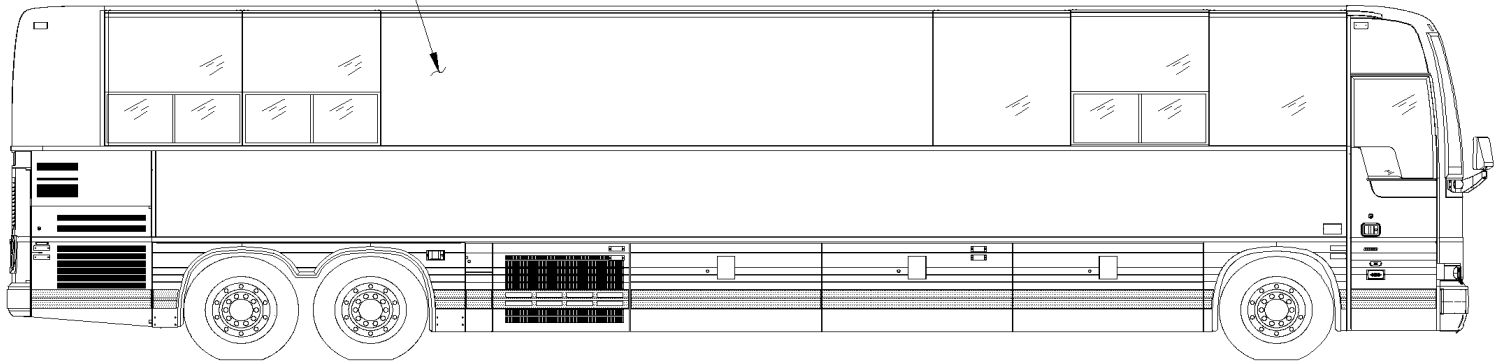
From B-5003 To D-5489

Date:07/2024

PAGE:XV-1854-50

UPPER FIBERGLASS SIDE PANELING - MTH BETWEEN SIDE WINDOW

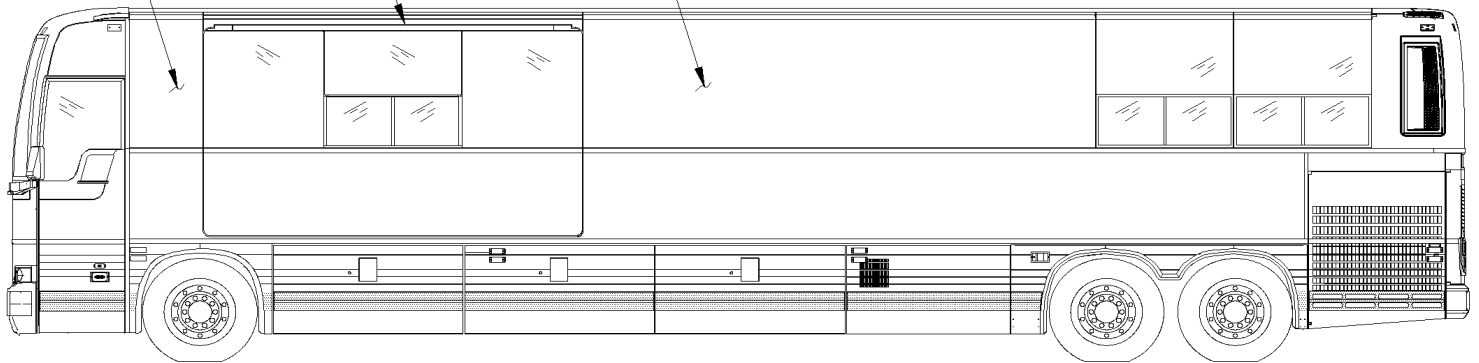
10-11-12
13-14 ENTERTAINER 45'



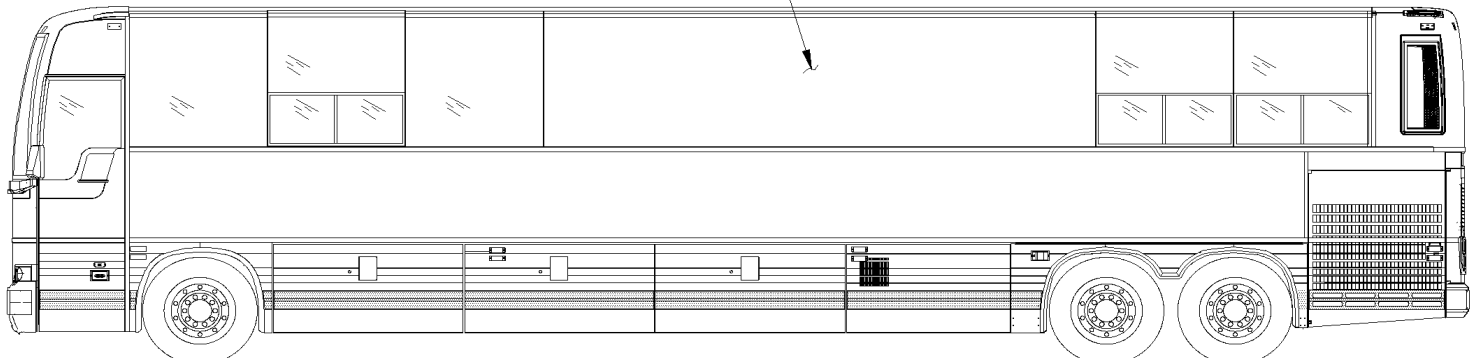
10-11-12
13-14

23-24

10-11-12
13-14



10-11-12
13-14



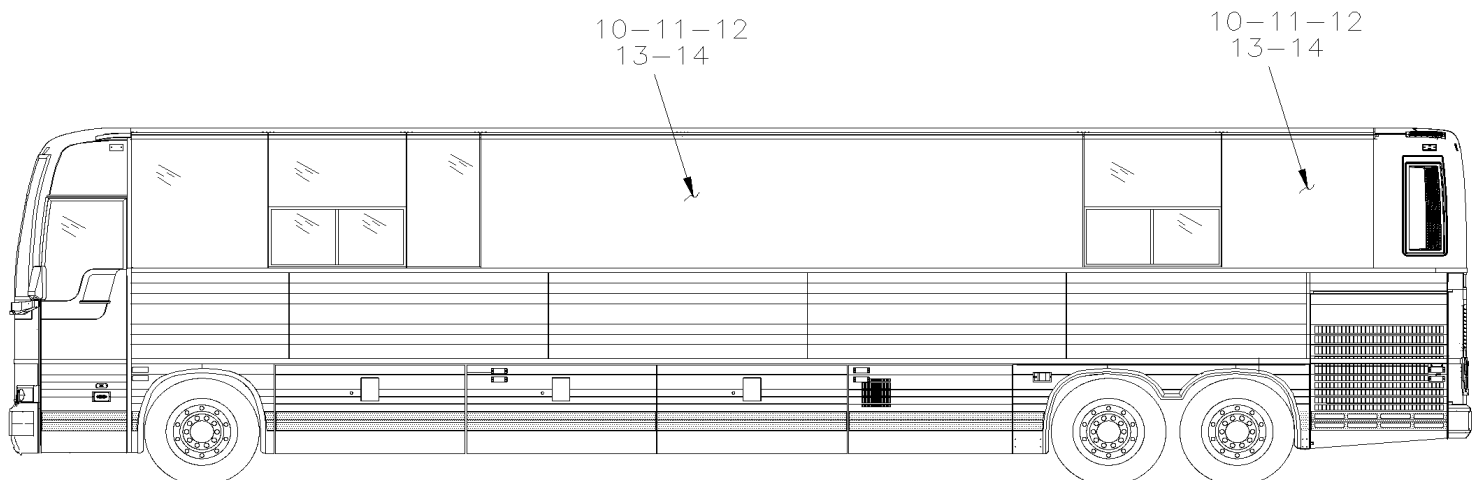
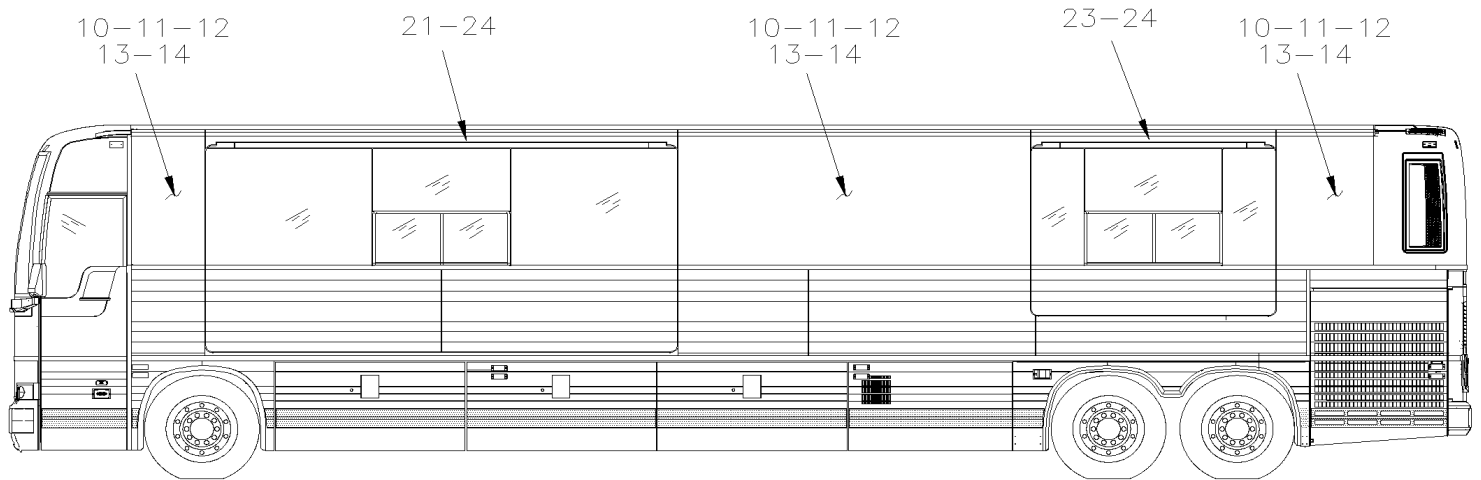
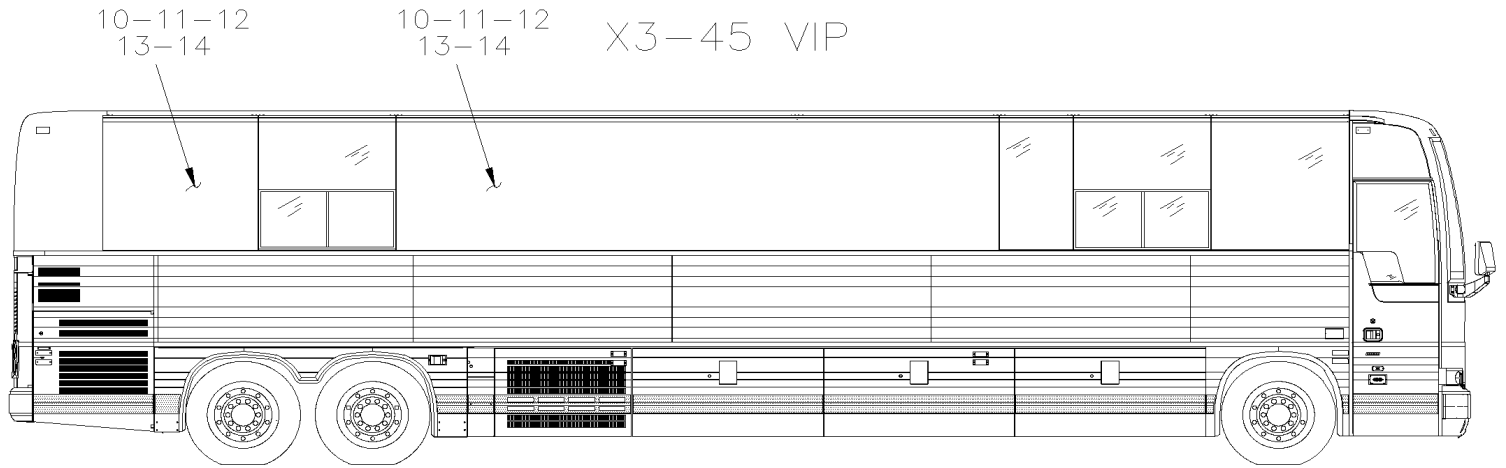


From B-5003 To D-5489

Date:07/2024

PAGE:XV-1854-50

UPPER FIBERGLASS SIDE PANELING - MTH BETWEEN SIDE WINDOW





From B-5003 To D-5489 Date:07/2024 PAGE:XV-1854-50

UPPER FIBERGLASS SIDE PANELING - MTH BETWEEN SIDE WINDOW

Item#	Part	Description	X 3 V I P	X L I I E N T 4 5	N O T E S
10	475011	UPPER PANEL / MTH-86" & 89" 96MM	AR	AR	
10	474660	UPPER PANEL / MTH-86" & 89" 195.2MM	AR	AR	
10	476541	UPPER PANEL / MTH-86" & 89" 215MM	AR	AR	
10	475479	UPPER PANEL / MTH-86" & 89" 271.4MM	AR	AR	
10	475027	UPPER PANEL / MTH-86" & 89" 310MM	AR	AR	
10	474851	UPPER PANEL / MTH-86" & 89" 328.6MM	AR	AR	
10	475040	UPPER PANEL / MTH-86" & 89" 340.5MM	AR	AR	
10	479526	UPPER PANEL / MTH-86" & 89" 347.6MM	AR	AR	
10	474655	UPPER PANEL / MTH-86" & 89" 399.5MM	AR	AR	
10	474732	UPPER PANEL / MTH-86" & 89" 414.3MM	AR	AR	
10	474591	UPPER PANEL / MTH-86" & 89" 423.8MM	AR	AR	
10	475110	UPPER PANEL / MTH-86" & 89" 433.3MM	AR	AR	
10	474465	UPPER PANEL / MTH-86" & 89" 489.3MM	AR	AR	
10	475003	UPPER PANEL / MTH-86" & 89" 500MM	AR	AR	
10	474990	UPPER PANEL / MTH-86" & 89" 500MM	AR	AR	
10	475408	UPPER PANEL / MTH-86" & 89" 579.4MM	AR	AR	
10	474654	UPPER PANEL / MTH-86" & 89" 589.5MM	AR	AR	
10	474712	UPPER PANEL / MTH-86" & 89" 593.7MM	AR	AR	
10	474788	UPPER PANEL / MTH-86" & 89" 603.3MM	AR	AR	
10	475366	UPPER PANEL / MTH-86" & 89" 613MM	AR	AR	
10	474562	UPPER PANEL / MTH-86" & 89" 639.7MM	AR	AR	
10	474572	UPPER PANEL / MTH-86" & 89" 689.8MM	AR	AR	
10	476246	UPPER PANEL / MTH-86" & 89" 703MM	AR	AR	
10	477125	UPPER PANEL / MTH-86" & 89" 717MM	AR	AR	
10	479528	UPPER PANEL / MTH-86" & 89" 722.2MM	AR	AR	
10	475128	UPPER PANEL / MTH-86" & 89" 741.3MM	AR	AR	
10	474998	UPPER PANEL / MTH-86" & 89" 843MM	AR	AR	
10	476237	UPPER PANEL / MTH-86" & 89" 849MM	AR	AR	
10	475084	UPPER PANEL / MTH-86" & 89" 881MM	AR	AR	
10	474651	UPPER PANEL / MTH-86" & 89" 887.2MM	AR	AR	
10	478331	UPPER PANEL / MTH-86" & 89" 908.1MM	AR	AR	
10	475078	UPPER PANEL / MTH-86" & 89" 914MM	AR	AR	
10	477132	UPPER PANEL / MTH-86" & 89" 921MM	AR	AR	
10	477193	UPPER PANEL / MTH-86" & 89" 931.8MM	AR	AR	
10	474879	UPPER PANEL / MTH-86" & 89" 938.2MM	AR	AR	
10	476128	UPPER PANEL / MTH-86" & 89" 982MM	AR	AR	
11	475482	UPPER PANEL / MTH-86" & 89" 1084.2MM	AR	AR	
11	479502	UPPER PANEL / MTH-86" & 89" 1094.1MM	AR	AR	
11	476488	UPPER PANEL / MTH-86" & 89" 1103MM	AR	AR	
11	475283	UPPER PANEL / MTH-86" & 89" 1107MM	AR	AR	
11	474553	UPPER PANEL / MTH-86" & 89" 1109.5MM	AR	AR	
11	479371	UPPER PANEL / MTH-86" & 89" 1116MM	AR	AR	



From B-5003 To D-5489 Date:07/2024 PAGE:XV-1854-50

UPPER FIBERGLASS SIDE PANELING - MTH BETWEEN SIDE WINDOW

Item#	Part	Description	X 3 V I P	X L I I E N T 4 5	N O T E S
11	474495	UPPER PANEL / MTH-86" & 89" 1127MM	AR	AR	
11	477163	UPPER PANEL / MTH-86" & 89" 1195.4MM	AR	AR	
11	479479	UPPER PANEL / MTH-86" & 89" 1245.2MM	AR	AR	
11	474558	UPPER PANEL / MTH-86" & 89" 1287.4MM	AR	AR	
11	479500	UPPER PANEL / MTH-86" & 89" 1316.6MM	AR	AR	
11	478334	UPPER PANEL / MTH-86" & 89" 1411.4MM	AR	AR	
11	476508	UPPER PANEL / MTH-86" & 89" 1440MM	AR	AR	
11	479501	UPPER PANEL / MTH-86" & 89" 1506.9MM	AR	AR	
11	477129	UPPER PANEL / MTH-86" & 89" 1614.6MM	AR	AR	
11	477212	UPPER PANEL / MTH-86" & 89" 1889.1MM	AR	AR	
11	470470	UPPER PANEL / MTH-86" & 89" 1919.4MM	AR	AR	
11	474656	UPPER PANEL / MTH-86" & 89" 2177.5MM	AR	AR	
11	477164	UPPER PANEL / MTH-86" & 89" 2212.2MM	AR	AR	
11	479499	UPPER PANEL / MTH-86" & 89" 2337.6MM	AR	AR	
11	475098	UPPER PANEL / MTH-86" & 89" 2490.9MM	AR	AR	
11	476099	UPPER PANEL / MTH-86" & 89" 2526.5MM	AR	AR	
11	474772	UPPER PANEL / MTH-86" & 89" 2560MM	AR	AR	
11	474182	UPPER PANEL / MTH-86" & 89" 2582.8MM	AR	AR	
11	475072	UPPER PANEL / MTH-86" & 89" 2836MM	AR	AR	
11	477131	UPPER PANEL / MTH-86" & 89" 2857.2 MM	AR	AR	
11	475148	UPPER PANEL / MTH-86" & 89" 2907MM	AR	AR	
11	476127	UPPER PANEL / MTH-86" & 89" 2932MM	AR	AR	
11	475077	UPPER PANEL / MTH-86" & 89" 2956.3MM	AR	AR	
11	475365	UPPER PANEL / MTH-86" & 89" 3165MM	AR	AR	
11	477178	UPPER PANEL / MTH-86" & 89" 3184.5MM	AR	AR	
11	474623	UPPER PANEL / MTH-86" & 89" 3230.5MM	AR	AR	
11	474564	UPPER PANEL / MTH-86" & 89" 3230.5MM	AR	AR	
11	476129	UPPER PANEL / MTH-86" & 89" 3237MM	AR	AR	
11	475407	UPPER PANEL / MTH-86" & 89" 3291MM	AR	AR	
11	475181	UPPER PANEL / MTH-86" & 89" 3414.5MM	AR	AR	
11	478330	UPPER PANEL / MTH-86" & 89" 3302.7MM	AR	AR	
11	475109	UPPER PANEL / MTH-86" & 89" 3344.9MM	AR	AR	
11	475485	UPPER PANEL / MTH-86" & 89" 3364.7MM	AR	AR	
11	474786	UPPER PANEL / MTH-86" & 89" 3607.5MM	AR	AR	
11	476540	UPPER PANEL / MTH-86" & 89" 3655MM	AR	AR	
11	477124	UPPER PANEL / MTH-86" & 89" 3662.9MM	AR	AR	
11	476786	UPPER PANEL / MTH-86" & 89" 3675MM	AR	AR	
11	475010	UPPER PANEL / MTH-86" & 89" 3682MM	AR	AR	
11	475086	UPPER PANEL / MTH-86" & 89" 3731MM	AR	AR	
11	476495	UPPER PANEL / MTH-86" & 89" 3838MM	AR	AR	
11	475081	UPPER PANEL / MTH-86" & 89" 3859.1MM	AR	AR	
11	474183	UPPER PANEL / MTH-86" & 89" 3878.2MM	AR	AR	



From B-5003 To D-5489 Date:07/2024 PAGE:XV-1854-50

UPPER FIBERGLASS SIDE PANELING - MTH BETWEEN SIDE WINDOW

Item#	Part	Description	X 3 V I P	X L I I E N T 4 5	N O T E S
11	474791	UPPER PANEL / MTH-86" & 89" 3930.5MM	AR	AR	
11	474959	UPPER PANEL / MTH-86" & 89" 3967MM	AR	AR	
12	474496	UPPER PANEL / MTH-86" & 89" 4038.5MM	AR	AR	
12	474554	UPPER PANEL / MTH-86" & 89" 4056MM	AR	AR	
12	475392	UPPER PANEL / MTH-86" & 89" 4059MM	AR	AR	
12	476487	UPPER PANEL / MTH-86" & 89" 4062MM	AR	AR	
12	474790	UPPER PANEL / MTH-86" & 89" 4105.6MM	AR	AR	
12	475790	UPPER PANEL / MTH-86" & 89" 4105.6MM	AR	AR	
12	475617	UPPER PANEL / MTH-86" & 89" 4108MM	AR	AR	
12	475071	UPPER PANEL / MTH-86" & 89" 4131.4MM	AR	AR	
12	476268	UPPER PANEL / MTH-86" & 89" 4193MM	AR	AR	
12	474878	UPPER PANEL / MTH-86" & 89" 4227.4MM	AR	AR	
12	475079	UPPER PANEL / MTH-86" & 89" 4251.7MM	AR	AR	
12	474652	UPPER PANEL / MTH-86" & 89" 4278.1MM	AR	AR	
12	476236	UPPER PANEL / MTH-86" & 89" 4316.5MM	AR	AR	
12	470297	UPPER PANEL / MTH-86" & 89" 4355.9MM	AR	AR	
12	475000	UPPER PANEL / MTH-86" & 89" 4372MM	AR	AR	
12	475367	UPPER PANEL / MTH-86" & 89" 4461MM	AR	AR	
12	474597	UPPER PANEL / MTH-86" & 89" 4475.8MM	AR	AR	
12	Call order desk	UPPER PANEL / MTH-86" & 89" 4480MM	AR	AR	P
12	476247	UPPER PANEL / MTH-86" & 89" 4512MM	AR	AR	
12	474561	UPPER PANEL / MTH-86" & 89" 4525.9MM	AR	AR	
12	475565	UPPER PANEL / MTH-86" & 89" 4529MM	AR	AR	
12	476435	UPPER PANEL / MTH-86" & 89" 4532MM	AR	AR	
12	470469	UPPER PANEL / MTH-86" & 89" 4561.5MM	AR	AR	
12	477209	UPPER PANEL / MTH-86" & 89" 4599.7MM	AR	AR	
12	476729	UPPER PANEL / MTH-86" & 89" 4656MM	AR	AR	
12	475282	UPPER PANEL / MTH-86" & 89" 4660MM	AR	AR	
12	476570	UPPER PANEL / MTH-86" & 89" 4711MM	AR	AR	
12	475004	UPPER PANEL / MTH-86" & 89" 4715MM	AR	AR	
12	476787	UPPER PANEL / MTH-86" & 89" 4803MM	AR	AR	
12	470471	UPPER PANEL / MTH-86" & 89" 4825.4MM	AR	AR	
12	477135	UPPER PANEL / MTH-86" & 89" 4846.45MM	AR	AR	
12	474661	UPPER PANEL / MTH-86" & 89" 4970.5MM	AR	AR	
12	479372	UPPER PANEL / MTH-86" & 89" 4974MM	AR	AR	
13	476507	UPPER PANEL / MTH-86" & 89" 5021MM	AR	AR	
13	476463	UPPER PANEL / MTH-86" & 89" 5022.8MM	AR	AR	
13	477122	UPPER PANEL / MTH-86" & 89" 5049.6MM	AR	AR	
13	476245	UPPER PANEL / MTH-86" & 89" 5064MM	AR	AR	
13	476567	UPPER PANEL / MTH-86" & 89" 5068.1MM	AR	AR	
13	474801	UPPER PANEL / MTH-86" & 89" 5081.3MM	AR	AR	
13	475458	UPPER PANEL / MTH-86" & 89" 5154.5MM	AR	AR	



From B-5003 To D-5489	Date:07/2024	PAGE:XV-1854-50
------------------------------	---------------------	------------------------

UPPER FIBERGLASS SIDE PANELING - MTH BETWEEN SIDE WINDOW

Item#	Part	Description	X 3 V I P	X L I I E N T 4 5	N O T E S
13	477194	UPPER PANEL / MTH-86" & 89" 5158.5MM	AR	AR	
13	474184	UPPER PANEL / MTH-86" & 89" 5173.6MM	AR	AR	
13	479478	UPPER PANEL / MTH-86" & 89" 5215.6MM	AR	AR	
13	476534	UPPER PANEL / MTH-86" & 89" 5226MM	AR	AR	
13	475388	UPPER PANEL / MTH-86" & 89" 5326MM	AR	AR	
13	479370	UPPER PANEL / MTH-86" & 89" 5345MM	AR	AR	
13	474556	UPPER PANEL / MTH-86" & 89" 5351.4MM	AR	AR	
13	479527	UPPER PANEL / MTH-86" & 89" 5368.1MM	AR	AR	
13	476506	UPPER PANEL / MTH-86" & 89" 5404.6MM	AR	AR	
13	475799	UPPER PANEL / MTH-86" & 89" 5438.8MM	AR	AR	
13	477128	UPPER PANEL / MTH-86" & 89" 5448MM	AR	AR	
13	476902	UPPER PANEL / MTH-86" & 89" 5590.3MM	AR	AR	
13	475002	UPPER PANEL / MTH-86" & 89" 5631MM	AR	AR	
13	478335	UPPER PANEL / MTH-86" & 89" 5651.3MM	AR	AR	
13	476330	UPPER PANEL / MTH-86" & 89" 5654MM	AR	AR	
13	475127	UPPER PANEL / MTH-86" & 89" 5719.7MM	AR	AR	
13	474573	UPPER PANEL / MTH-86" & 89" 5771.2MM	AR	AR	
13	474814	UPPER PANEL / MTH-86" & 89" 5775.3MM	AR	AR	
13	476557	UPPER PANEL / MTH-86" & 89" 5895.1MM	AR	AR	
13	474977	UPPER PANEL / MTH-86" & 89" 5953MM	AR	AR	
13	474989	UPPER PANEL / MTH-86" & 89" 5961MM	AR	AR	
13	474464	UPPER PANEL / MTH-86" & 89" 5971.7MM	AR	AR	
13	293716	. EXTRUSION WINDOW UPPER (PANEL) 6705mm	1	1	
14	474590	UPPER PANEL / MTH-86" & 89" 6037.2MM	AR	AR	
14	476560	UPPER PANEL / MTH-86" & 89" 6098.3MM	AR	AR	
14	475028	UPPER PANEL / MTH-86" & 89" 6151MM	AR	AR	
14	479525	UPPER PANEL / MTH-86" & 89" 6113.4MM	AR	AR	
14	475083	UPPER PANEL / MTH-86" & 89" 6181.7MM	AR	AR	
14	475478	UPPER PANEL / MTH-86" & 89" 6189.6MM	AR	AR	
14	474674	UPPER PANEL / MTH-86" & 89" 6265.8MM	AR	AR	
14	474715	UPPER PANEL / MTH-86" & 89" 6377MM	AR	AR	
14	473592	UPPER PANEL / MTH-86" & 89" 6469MM	AR	AR	
14	474717	UPPER PANEL / MTH-86" & 89" 6469MM	AR	AR	
14	478478	UPPER PANEL / MTH-86" & 89" 6734MM	AR	AR	
14	475803	UPPER PANEL / MTH-86" & 89" 6753.2MM	AR	AR	
14	475129	UPPER PANEL / MTH-86" & 89" 6867.5MM	AR	AR	
14	474625	UPPER PANEL / MTH-86" & 89" 7764.4MM	AR	AR	
14	475029	UPPER PANEL / MTH-86" & 89" 7446.4MM	AR	AR	
14	475386	UPPER PANEL / MTH-86" & 89" 8113.7MM	AR	AR	
14	478108	UPPER PANEL / MTH-86" & 89" 9661.4MM	AR	AR	
14	475636	UPPER PANEL / MTH-86" & 89" 10957MM	AR	AR	
14	476682	UPPER PANEL / MTH-86" & 89" 43507.5MM	AR	AR	



From B-5003 To D-5489	Date:07/2024	PAGE:XV-1854-50
-----------------------	--------------	-----------------

UPPER FIBERGLASS SIDE PANELING - MTH BETWEEN SIDE WINDOW

Item#	Part	Description	X 3 V I P	X L I I E N T 4 5	N O T E S
21	293825	PANEL ASSY / UPPER "SLIDE-OUT" 4426MM	1		
22	293826	PANEL ASSY / UPPER "SLIDE-OUT" 2293MM	1		7.5
22	293962	PANEL ASSY / UPPER "SLIDE-OUT" 3309MM	1		10
23	293834	PANEL ASSY / UPPER "SLIDE-OUT" 3553.2MM		1	
24	293741	RUBBER SEAL 255MM / 86"	4	4	
31	687957	GLUE MS POLYMER TEROSON MS 9399 / 400ml CARTRIDGE	AR	AR	
32	506751	TAPE RUB ADH1 CC PVC 3/16" x 7/8" x 50' / BLACK 1320	AR	AR	
33	683083	ADHESIVE SIKA #252 / BLACK / 600 ml SAUSAGE	AR	AR	
34	506759	TAPE RUB ADH2 CC POL 1/8" x 1/2" x 100' / BLACK I1C-N-A	AR	AR	
35	506225	TAPE RUB ADH1 CC POL 1/16" x 1/4" x 100' / GREY 2520	AR	AR	
36	683084	SEALANT SIKA #221 / GREY / 600 ml SAUSAGE	AR	AR	
37	506002	TAPE RUB ADH1 CC POL 3/16" x 1/2" x 40' / GREY 2520	AR3	AR3	
100	XV-1884-50	SIDE WINDOW			
		10) WITH 10' SLIDE OUT			
		7.5) WITH 7.5' SLIDE-OUT			
		P) CALL ORDER DESK FOR SPECIFIC APPLICATION (V.I.N.)			

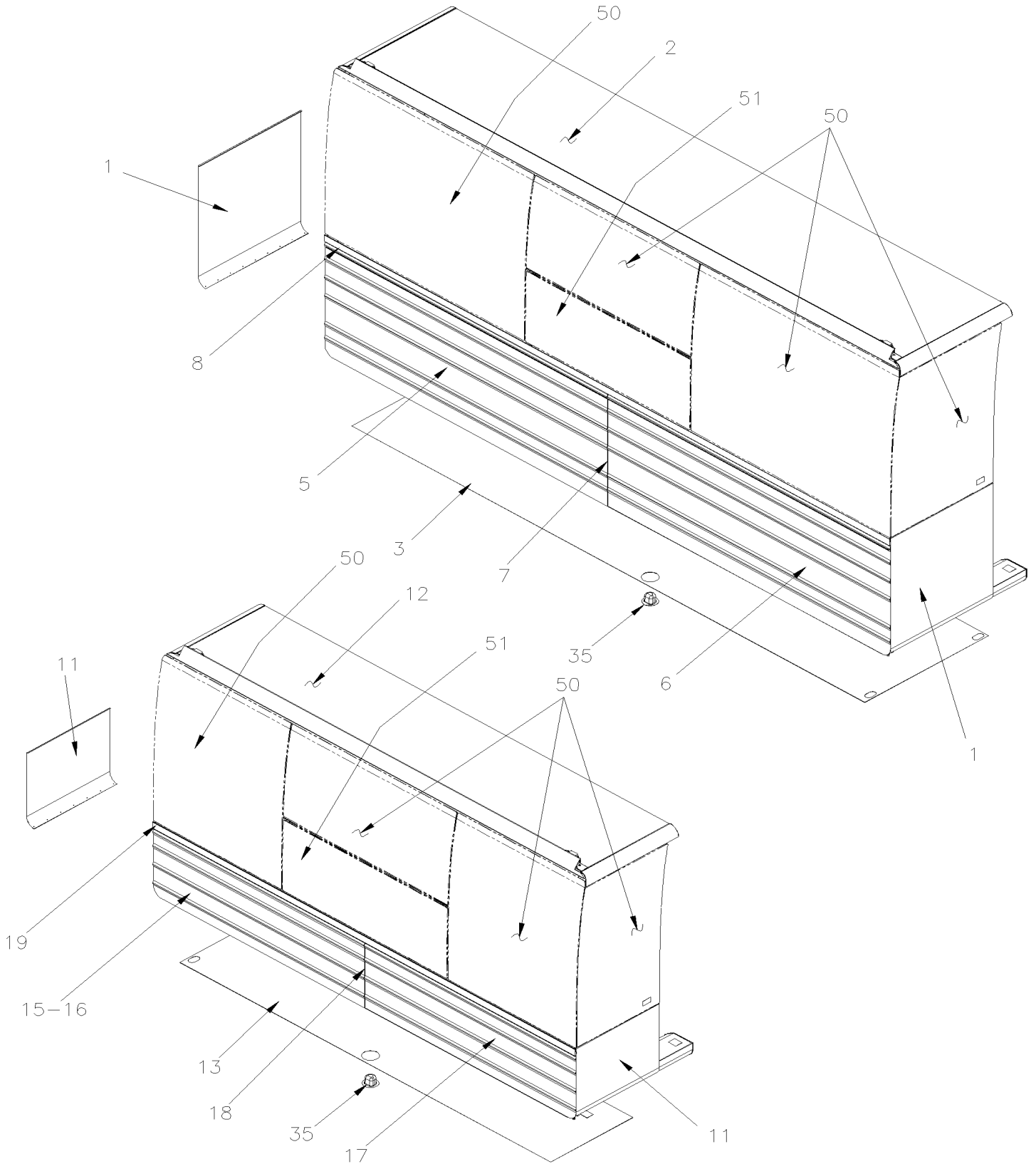


From B-5003 To D-5489

Date:07/2024

PAGE:XV-1854-90

SIDE PANELING - W/"SLIDE-OUT"



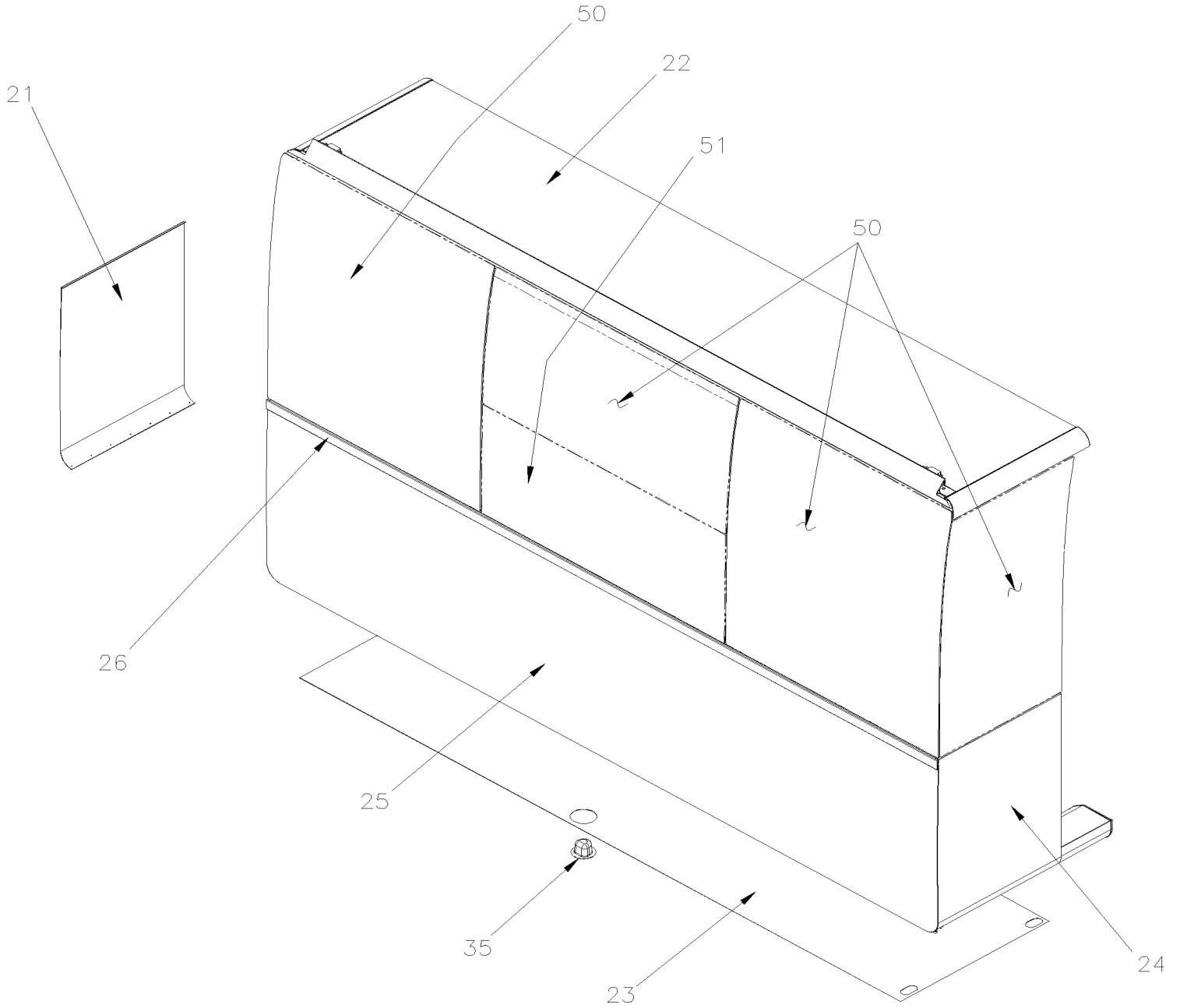


From B-5003 To D-5489

Date:07/2024

PAGE:XV-1854-90

SIDE PANELING - W/"SLIDE-OUT"





From B-5003 To D-5489	Date:07/2024	PAGE:XV-1854-90
SIDE PANELING - W/"SLIDE-OUT"		

Item#	Part	Description	X 3 V I P	X L I I E N T 4 5	N O T E S
1	478507	FRONT & REAR PANEL S.S. / B.A.	2		
2	477763	ROOF PANEL AL.	1		
3	478506	PANEL UNDER To D-5459	1		
3	478576	PANEL UNDER From D-5460	1		
5	470328	PANEL / FORWARD FRT/"SLIDE-OUT" / B.A. 2211MM	1		
6	470339	PANEL / BACKWARD FRT/"SLIDE-OUT" / B.A. 2211MM	1		
7	470330	PANEL JOINT CENTER PART	1		
7	502872	RIVET POP CK OE 1/8x3/16 SS	AR		
7	683478	TAPE VHB ADH2 1.1MMx18MMx32.9M	AR		
8	476132	FINISHING MOULDING SS / 4425.6MM	1		
11	477318	FRONT & REAR PANEL S.S. / B.A.	2		
12	477771	ROOF PANEL AL.	1		7.5
12	478343	ROOF PANEL AL.	1		10
13	477772	UNDER FLOOR PANEL AL.	1		7.5
13	478121	UNDER FLOOR PANEL AL.	1		10
15	470333	PANEL / REAR / "SLIDE-OUT" / B.A.	1		7.5
16	470363	PANEL / FORWARD REAR/"SLIDE-OUT" / B.A.	1		10
17	470364	PANEL / BACKWARD RR / "SLIDE-OUT" / B.A.	1		10
18	470365	PANEL JOINT CENTER PART / B.A.	1		10
18	502872	RIVET POP CK OE 1/8x3/16 SS	AR		10
18	683478	TAPE VHB ADH2 1.1MMx18MMx32.9M	AR		10
19	476135	FINISHING MOULDING SS / 2292.4MM	1		7.5
19	477023	FINISHING MOULDING SS / 3309MM	1		10
21	470033	FRONT PANEL S.S. / B.A.		1	
22	477837	ROOF PANEL AL.		1	
23	479470	PANEL UNDER SLIDE OUT To D-5459		1	
23	478569	PANEL UNDER SLIDE OUT From D-5460		1	
24	470032	REAR PANEL S.S. / B.A.		1	
25	477936	PANEL FLAT FRONT SLIDE OUT		1	
NS	506071	TAPE RUB ADH1 CC POL 1/8" x 1/2" x 50' / GREY 2520X		AR	
NS	507000	TAPE RUB ADH2 POL 3/16" x 1/4" x 50' / BLACK V2206		AR	
26	474515	FINISHING MOULDING UPPER L.H. 12253MM		1	
. NS	506785	. TAPE RUB ADH2 CC POL 1/16" X 1/4" X 200' / BLACK I1C-N-A		AR	
. NS	506790	. TAPE RUB ADH2 CC POL 1/16" x 1/2" x 200' / BLACK I1C-N-A		AR	
NS	683083	ADHESIVE SIKA #252 / BLACK / 600 ml SAUSAGE		AR	
NS	506759	TAPE RUB ADH2 CC POL 1/8" x 1/2" x 100' / BLACK I1C-N-A		AR	
NS	502872	RIVET POP CK OE 1/8x3/16 SS	AR	AR	
NS	687957	GLUE MS POLYMER TEROSON MS 9399 / 400ml CARTRIDGE	AR	AR	
NS	506759	TAPE RUB ADH2 CC POL 1/8" x 1/2" x 100' / BLACK I1C-N-A	AR	AR	
NS	506785	TAPE RUB ADH2 CC POL 1/16" X 1/4" X 200' / BLACK I1C-N-A	AR	AR	
NS	506071	TAPE RUB ADH1 CC POL 1/8" x 1/2" x 50' / GREY 2520X	AR	AR	
NS	5060038	TAPE RUB ADH1 CC POL 1/4" x 1" x 35' / BLACK H1C	AR	AR	



From B-5003 To D-5489	Date:07/2024	PAGE:XV-1854-90
-----------------------	--------------	-----------------

SIDE PANELING - W/"SLIDE-OUT"

Item#	Part	Description	X 3 V I P	X L I I E N T 4 5	N O T E S
NS	506207	TAPE RUB ADH1 CC POL 3/16" x 1" x 50' / GREY 2520X	AR	AR	
NS	506002	TAPE RUB ADH1 CC POL 3/16" x 1/2" x 40' / GREY 2520	AR	AR	
NS	680532	SEALANT SIKA #221 / GREY / 310ml CARTRIDGE	AR	AR	
NS	683083	ADHESIVE SIKA #252 / BLACK / 600 ml SAUSAGE	AR	AR	
35	477902	CAP PLASTIC BLACK / ROD LOOK	1	1	
50	XV-1884-90	SIDE WINDOW - "SLIDE-OUT"	1	1	
51	XV-1884-65	ELECTRICAL AWNING WINDOW ASSY	1	1	
51	XV-1884-80	ELECTRICAL SLIDING WINDOW ASSY	1	1	
		10) WITH 10' SLIDE-OUT			
		7.5) WITH 7.5' SLIDE-OUT			



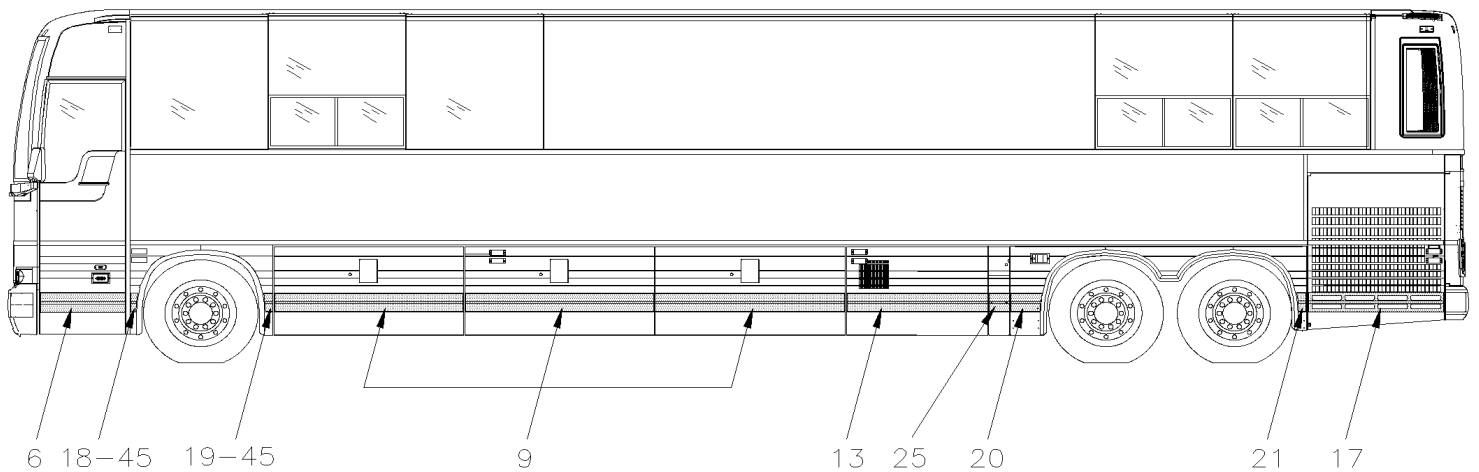
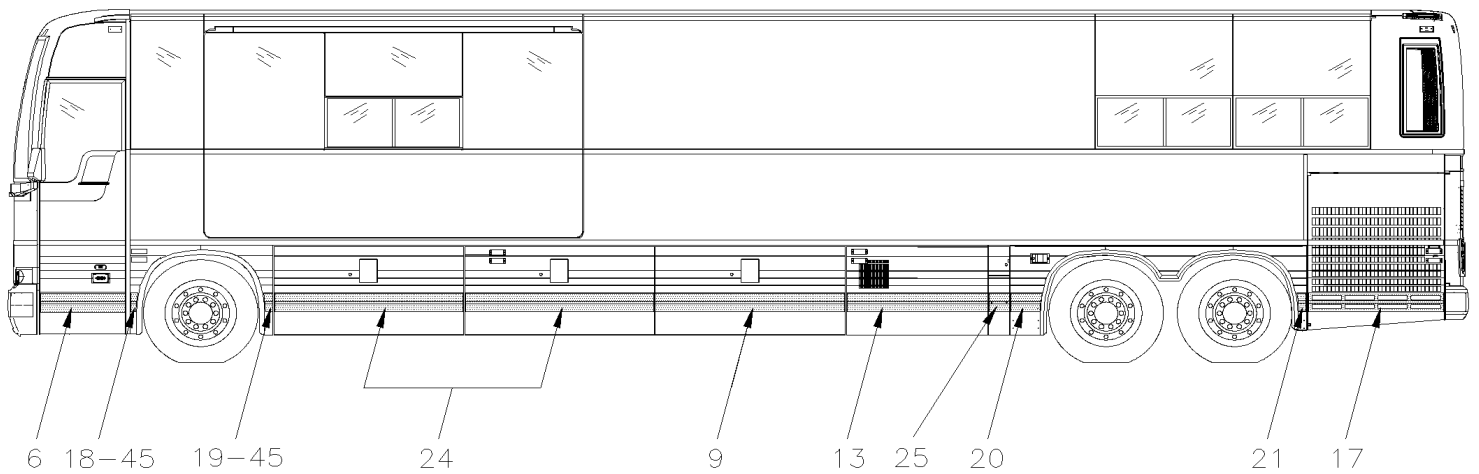
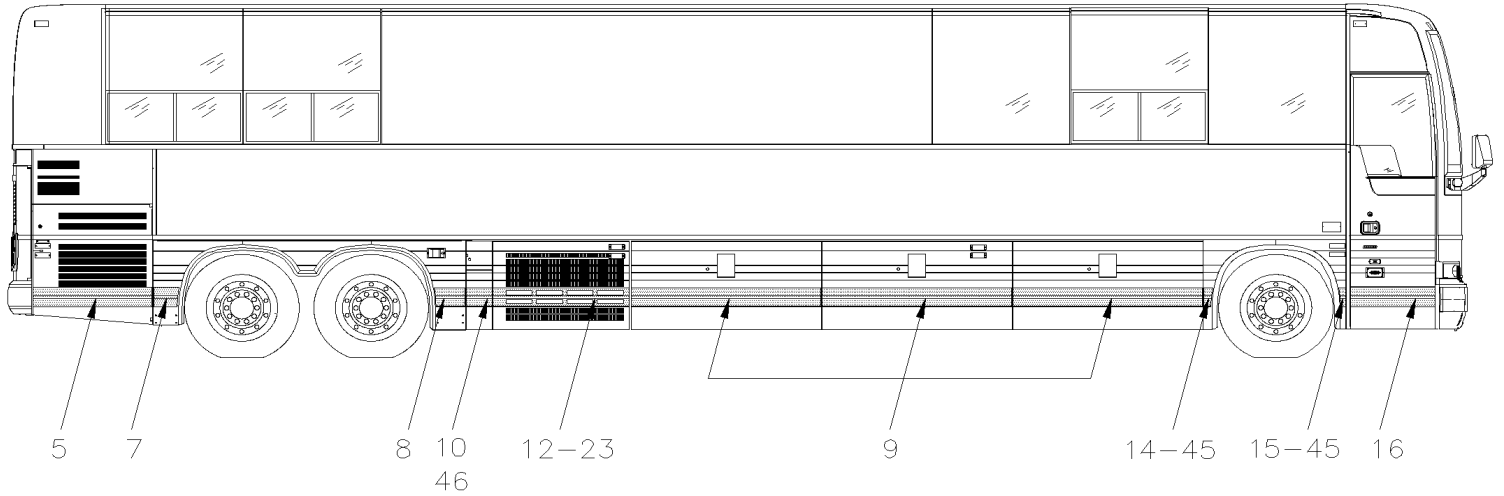
From B-5003 To D-5489

Date:07/2024

PAGE:XV-1855-00

RUB RAIL - EXTERIOR CREST & TRIMS

ENTERTAINER 45'





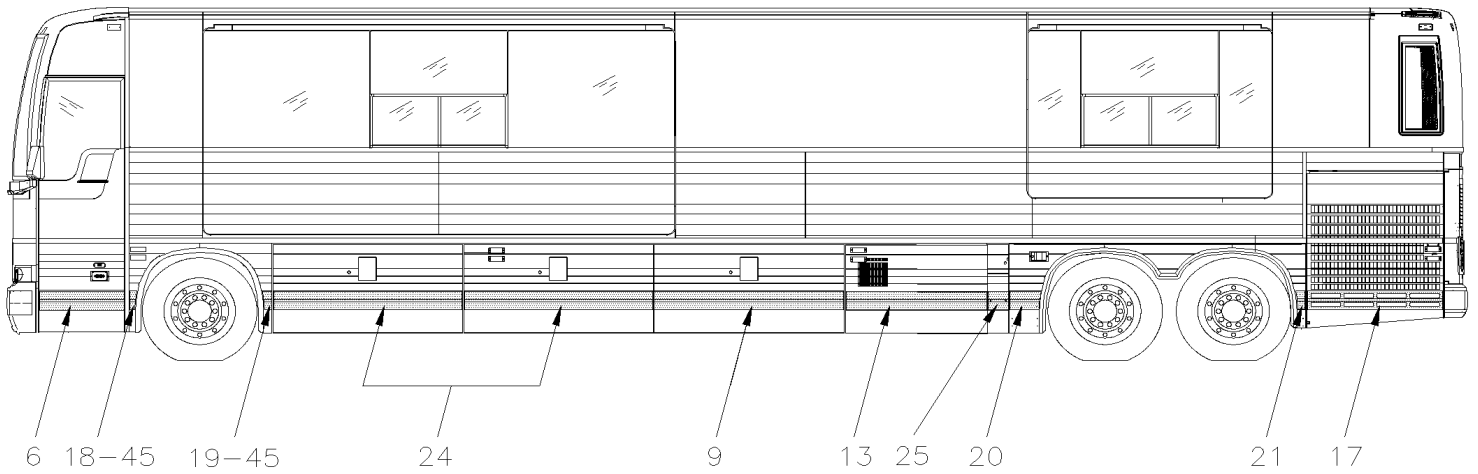
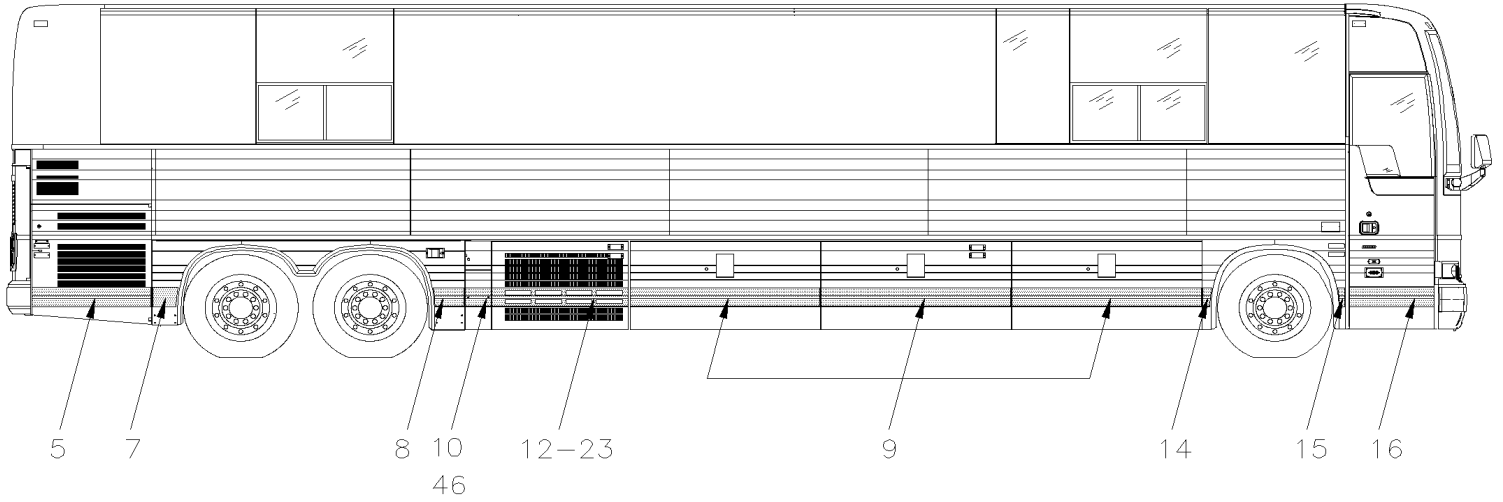
From B-5003 To D-5489

Date:07/2024

PAGE:XV-1855-00

RUB RAIL - EXTERIOR CREST & TRIMS

X3-45 VIP



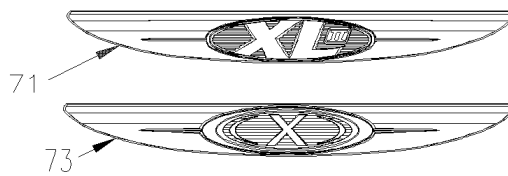
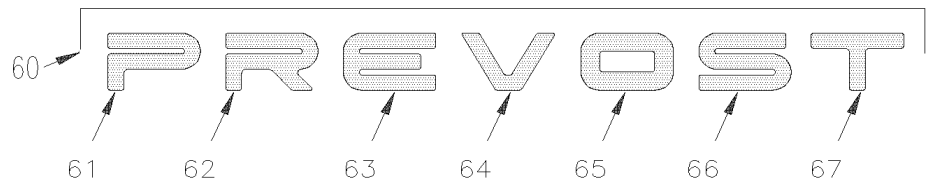
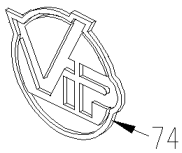
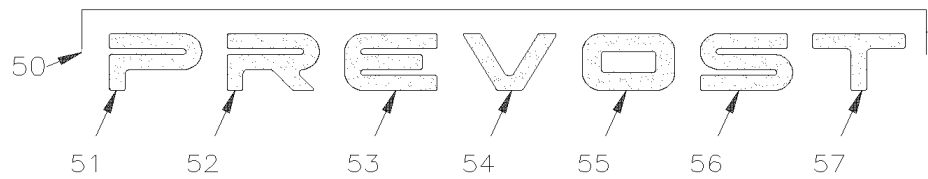
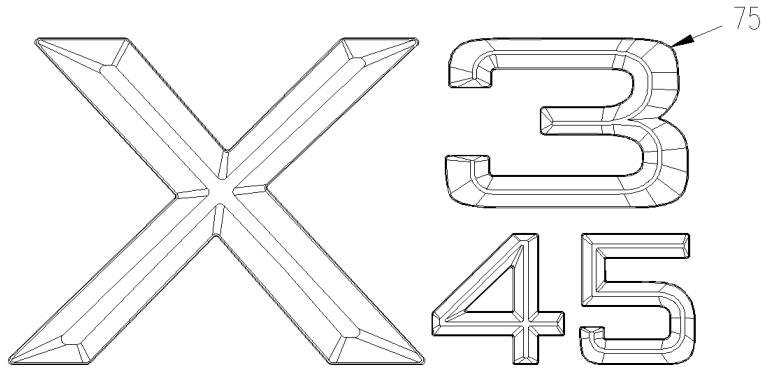
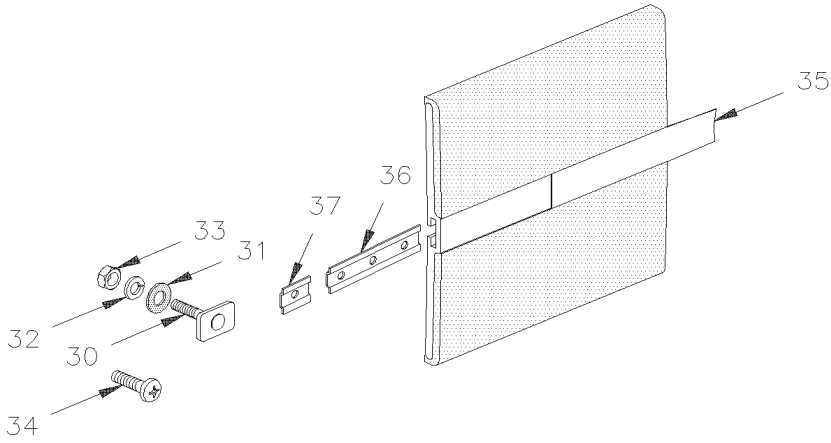


From B-5003 To D-5489

Date:07/2024

PAGE:XV-1855-00

RUB RAIL - EXTERIOR CREST & TRIMS





From B-5003 To D-5489 Date:07/2024 PAGE:XV-1855-00

RUB RAIL - EXTERIOR CREST & TRIMS

Item#	Part	Description	X 3 V I P	X L I I E N T 4 5	N O T E S
5	286639	RUB RAIL ASSY / 1115MM	1	1	
6	474766	RUB RAIL ASSY / 794MM / W/1" SCREW	1	1	
7	476584	RUB RAIL ASSY / 249MM	1	1	
8	476583	RUB RAIL ASSY / 294MM	1	1	
9	471529	RUB RAIL ASSY / 1782.3MM	6	6	
10	477294	RUB RAIL ASSY / 245.4MM	1	1	
12	477291	RUB RAIL ASSY / 1279.3MM PERFORATED	1	1	
13	477292	RUB RAIL ASSY / 1532.5MM To C-5096	1	1	
13	477336	RUB RAIL ASSY / 1361.8MM From C-5097 To D-5459	1	1	
13	479399	RUB RAIL ASSY / 1205MM From D-5460	1	1	
14	476640	RUB RAIL ASSY / 87MM	1	1	
15	478358	RUB RAIL ASSY / 89MM	1	1	
16	474290	RUB RAIL ASSY / 794MM / W/1 1/2" SCREW	1	1	
. NS	474304	. SPECIAL SCREW ASSY SQ SS 1/4-20 X 1 1/2"	1	1	
17	289417	RUB RAIL ASSY / 1267.4MM PERFORATED	1	1	
18	478359	RUB RAIL ASSY / 89MM	1	1	
19	476641	RUB RAIL ASSY / 87MM	1	1	
20	476581	RUB RAIL ASSY / 294MM To D-5459	1	1	
20	479407	RUB RAIL ASSY / 627MM From D-5460	1	1	
21	476793	RUB RAIL ASSY / 99MM	1	1	
23	478525	RUB RAIL ASSY / 1277.3MM	1	1	A
24	477299	RUB RAIL ASSY / 1777MM To D-5459	2	2	B
25	477335	RUB RAIL ASSY / 155.4MM From C-5097 To D-5459	1	1	
30	474304	SPECIAL SCREW ASSY SQ SS 1/4-20 X 1 1/2"	AR	AR	
31	473378	SEAL WASHER / RUB RAIL & PANEL	AR	AR	
32	500270	WASHER FL .406x1.000x.063 SS To D-5459	AR	AR	
32	5001850	WASHER FL 8.4 x 18 x 2 NYL From D-5460	AR	AR	
32	500270	WASHER FL .406x1.000x.063 SS From D-5460	3	3	Z
33	5001123	NUT HEXF 1/4-20 SS	AR	AR	
NS	504433	SNAP-IN PLUG / 1.090 O.D.	AR	AR	
34	500310	SCREW TC FL PH #10-24x1 1/4 SS410	AR	AR	
35	920010	STRIPE, REFLECTIVE BLACK / 22MM X 150'	AR	AR	
35	287287	. STRIPE, REFLECTIVE BLACK / 22MM X 15'	AR	AR	
36	474777	ATTACHMENT SUPPORT THIN 5.6MM X 100MM 3 HOLES OK	AR	AR	
36	474783	ATTACHMENT SUPPORT THICK 5.6MM X 30MM	AR	AR	
37	474953	ATTACHMENT SUPPORT THIN 4MM X 30MM 1 HOLE	AR	AR	
37	476796	ATTACHMENT SUPPORT THIN 4MM X 59MM 2 HOLES	AR	AR	
37	474944	ATTACHMENT SUPPORT THIN 4MM X 100MM 3 HOLES	AR	AR	
45	506790	TAPE RUB ADH2 CC POL 1/16" x 1/2" x 200' / BLACK 11C-N-A From D-5460	AR	AR	
46	5001533	SCREW TC FL PH #10-24x1 1/4 Z050 SS410 From D-5460	2	2	
49	490902	CREST "XL-II" To E-5489		1	
50	490922	CREST "PREVOST" GOLD REAR	1		



From B-5003 To D-5489	Date:07/2024	PAGE:XV-1855-00
RUB RAIL - EXTERIOR CREST & TRIMS		

Item#	Part	Description	X 3 V I P	X L I I E N T 4 5	N O T E S
51	490931	. LETTER "P" GOLD	1		
52	490932	. LETTER "R" GOLD	1		
53	490933	. LETTER "E" GOLD	1		
54	490934	. LETTER "V" GOLD	1		
55	490935	. LETTER "O" GOLD	1		
56	490936	. LETTER "S" GOLD	1		
57	490937	. LETTER "T" GOLD	1		
60	490921	CREST "PREVOST" SILVER REAR		1	
61	490924	. LETTER "P" SILVER		1	
62	490925	. LETTER "R" SILVER		1	
63	490926	. LETTER "E" SILVER		1	
64	490927	. LETTER "V" SILVER		1	
65	490928	. LETTER "O" SILVER		1	
66	490929	. LETTER "S" SILVER		1	
67	490930	. LETTER "T" SILVER		1	
70	491015	CREST "XL-II" & X3-45 / CURBSIDE WING PART	1	1	
71	491014	CREST "XL-II" / CENTER PART To E-5489	1	1	
72	491016	CREST "XL-II" & X3-45 / STREETSIDE WING PART	1	1	
73	491069	CREST "X3" / CENTER PART From E-5490	1	1	
74	491471	CREST "V.I.P." / SELF ADHESIVE	1		
75	491070	CREST "X3-45"	1		
76	478519	RUB RAIL KIT FOR ENT-45 W/ LARGE A/C	1	1	
		A) WITH SMALL A/C SYSTEM			
		B) WITH SLIDE OUT			
		Z) USE ONLY W/ FRONT SERVICE DOOR			

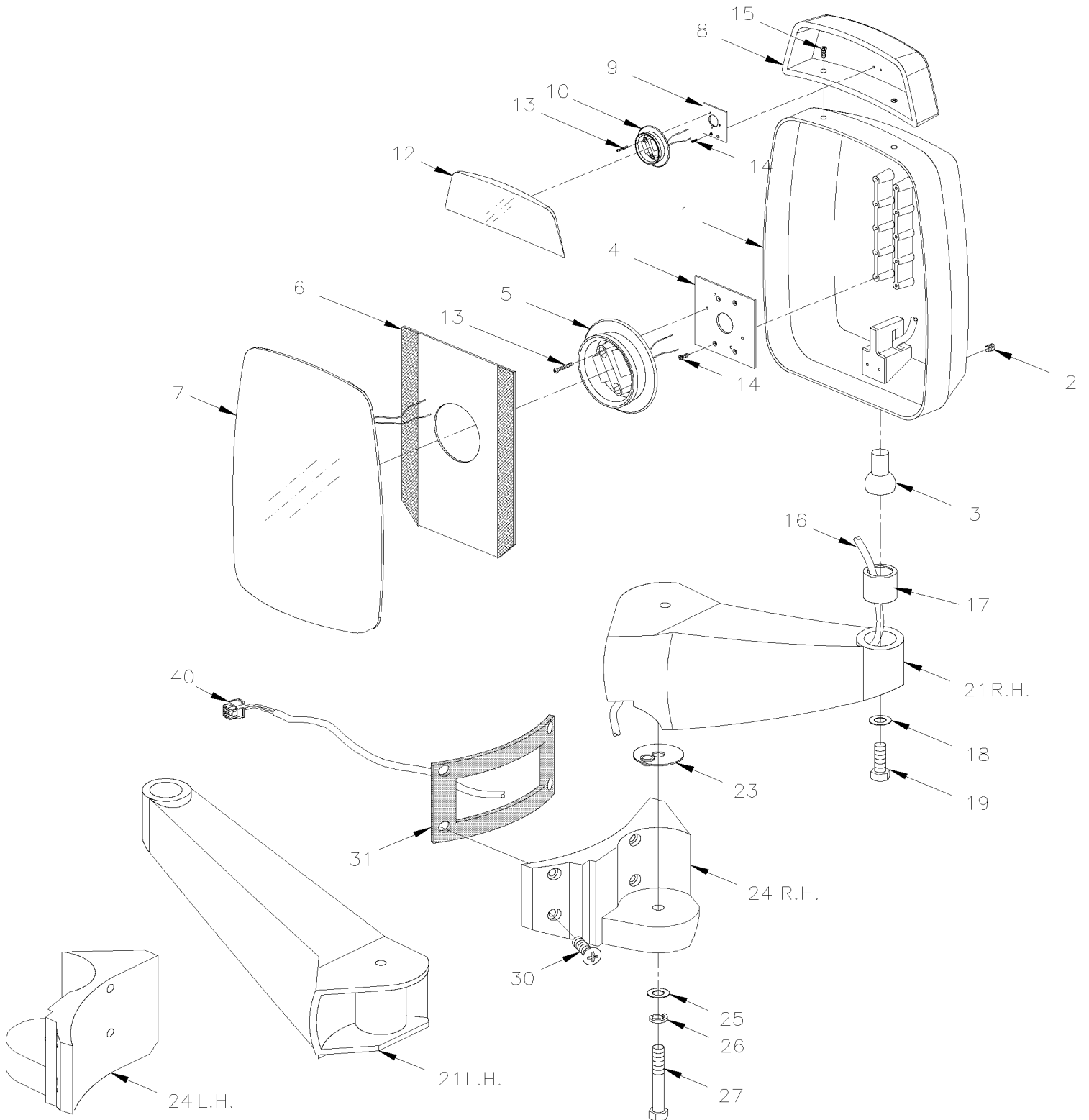


From B-5003 To D-5489

Date:07/2024

PAGE:XV-1856-23

MIRROR "RAMCO" FLAT GLASS / BLACK PAINTED





From B-5003 To D-5489 Date:07/2024 PAGE:XV-1856-23

MIRROR "RAMCO" FLAT GLASS / BLACK PAINTED

Item#	Part	Description	X 3 V I P	X L I E N T 4 5	N O T E S
	990431	MIRROR ASSY, R.H. / W/CONVEX ELECTRIC / W/9 PINS CONNECTOR		1	
	990452	MIRROR ASSY, L.H. / W/CONVEX ELECTRIC / W/9 PINS CONNECTOR		1	
1	990443	. . HEAD ASSY / W/CONVEX ELECTRIC / W/9 PINS CONNECTOR		1	
2	502812	. . SCREW SET HEXS CUP 3/8-16X3/8 SS		1	
3	990478	. . STUD, BALL		1	
4	990272	. . NOTCHED BACK MOUNTING PLATE (2" X 3")		1	
5	990349	. . MOTOR 12V / MEDIUM / BLACK / 108MM / 4 1/4" O.D.		1	
. NS	564494	. . . TAB TERMINAL / 20-16 / AMP 63138-1		4	
6	990268	. . VELCRO PLATE / 8" X 8"		1	
7	990199	. . GLASS ASSY W/HEATER 12V		1	
8	990297	. MIRROR ASSY / CONVEX ELECTRIC		1	
9	990295	. . PLATE, TOP MOTOR MOUNTING		1	
10	990219	. . MOTOR 12V / SMALL / BLACK / 85MM / 3 5/16" O.D.		1	
. NS	564494	. . . TAB TERMINAL / 20-16 / AMP 63138-1		4	
12	990339	. . GLASS CONVEX ASSY W/HEATER 12V		1	
13	N.P.N.	. . SCREW TC FL PH ZP 6-32 X 1 1/8"		3	4
14	500660	. . SCREW TC FL PH #6-32x3/8 Z050		2	
15	990530	. . SCREW CAP HEX #10-24x1" SS		2	
NS	500787	. . NUT HEX #10-24 SS		2	
16	N.P.N.	. . CABLE ASSY / W/CONNECTOR / SEE ITEM # 40		1	4
17	990379	. . CUP, BALL STUD RETAINER / ONE PIECE		1	
18	500270	. . WASHER FL .406x1.000x.063 SS		1	
19	N.P.N.	. . SCREW CAP HEX SS 3/8-24 X 1.250		1	4
21	990392	. ARM, L.H. / DIRTY FREE		1	
21	990308	. ARM, R.H.		1	
23	990265	. WASHER ALUMINUM / 2 " O.D.		1	
NS	504082	. . SNAP BUSHING / .125x.312x.312		1	
24	990305	. BRACKET, MOUNTING R.H.		1	
24	990306	. BRACKET, MOUNTING L.H.		1	
25	500958	. WASHER FL .531x1.062x.095 SS		1	
26	500035	. WASHER LO SPT .317x.586x.078 SS		1	
27	990500	. SCREW 1/2-13x2 HHCS SS		1	
30	5001461	SCREW MA FL PH M8-1.25x40 SS		2	
30	5001581	SCREW CAP BUT HEXS M8-1.25x40 SS		2	
NS	5001341	WASHER FL 8.4x17.0x1.6 SS		2	
31	490873	GASKET, RH		1	
31	490894	GASKET, LH		1	
40	563802	CONNECTOR / W 45" CABLE ASSY / PH 9C		2	
41	563801	CONNECTOR / MULTI CON X / SH 9C / CONXALL 4280-9SG-300		2	B
NS	562511	SOCKET TERMINAL / 20 / CONXALL 586SG		AR	B
NS	MI16-28	DRIP EDGE ADDITION ON FRONT MIRRORS / PRODUCT IMPROVMENT		1	



From B-5003 To D-5489	Date:07/2024	PAGE:XV-1856-23
-----------------------	--------------	-----------------

MIRROR "RAMCO" FLAT GLASS / BLACK PAINTED

Item#	Part	Description	X 3 V I P	X L I I E N T 4 5	N O T E S
		B) THIS CONNECTOR IT USED ON CABLE HARNESS FROM INSIDE OF VEHICLE			
		4) NO PARTS NUMBER			

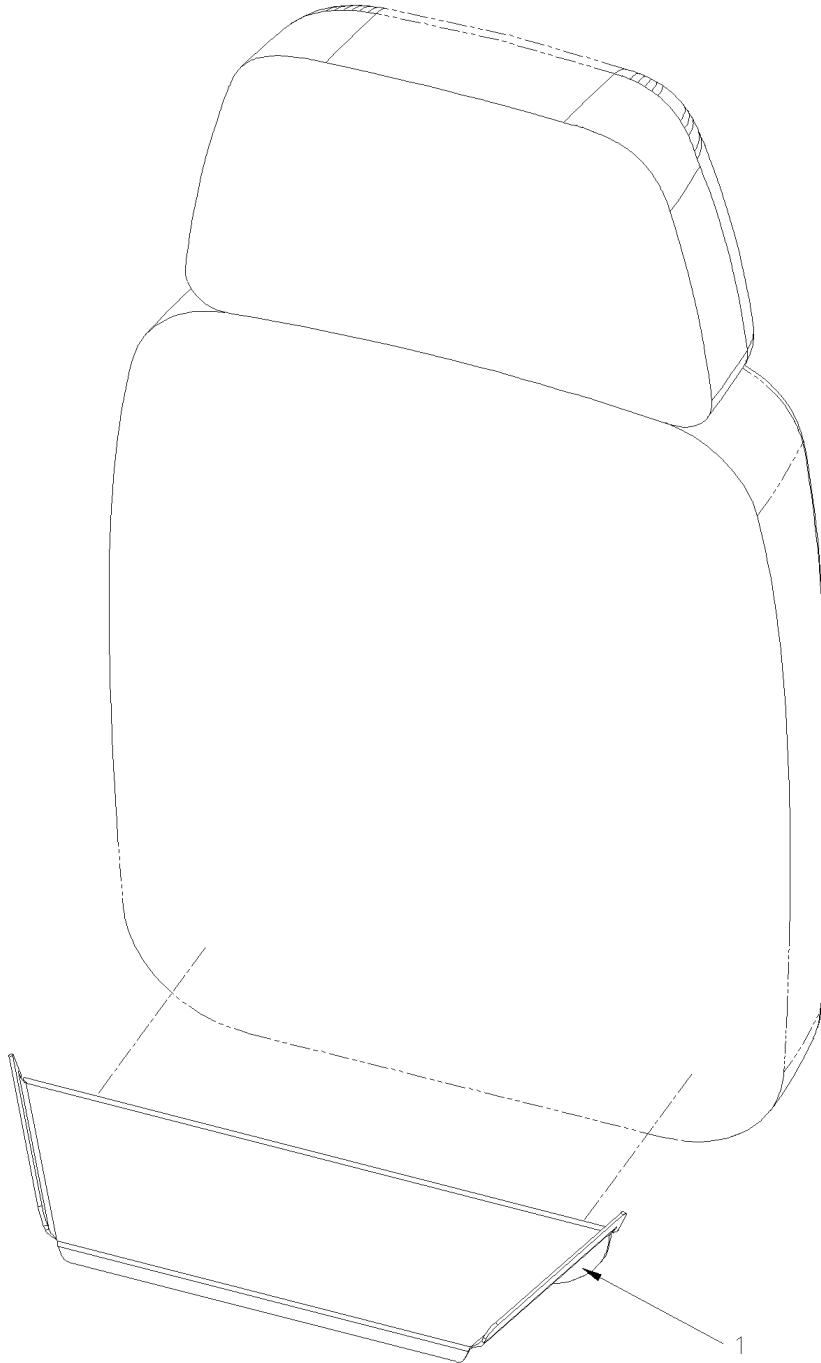


From B-5003 To D-5489

Date:07/2024

PAGE:MI16-28

DRIP EDGE ADDITION ON FRONT MIRRORS / PRODUCT IMPROVMENT





From B-5003 To D-5489 Date:07/2024 PAGE:MI16-28

DRIP EDGE ADDITION ON FRONT MIRRORS / PRODUCT IMPROVMENT

Item#	Part	Description	X 3 V I P	X L I I E N T 4 5	N O T E S
1	491507	MIRROR EXT. DRIP MOLDING ASSY	2	2	
2		MAINTENANCE INFORMATION	1	1	

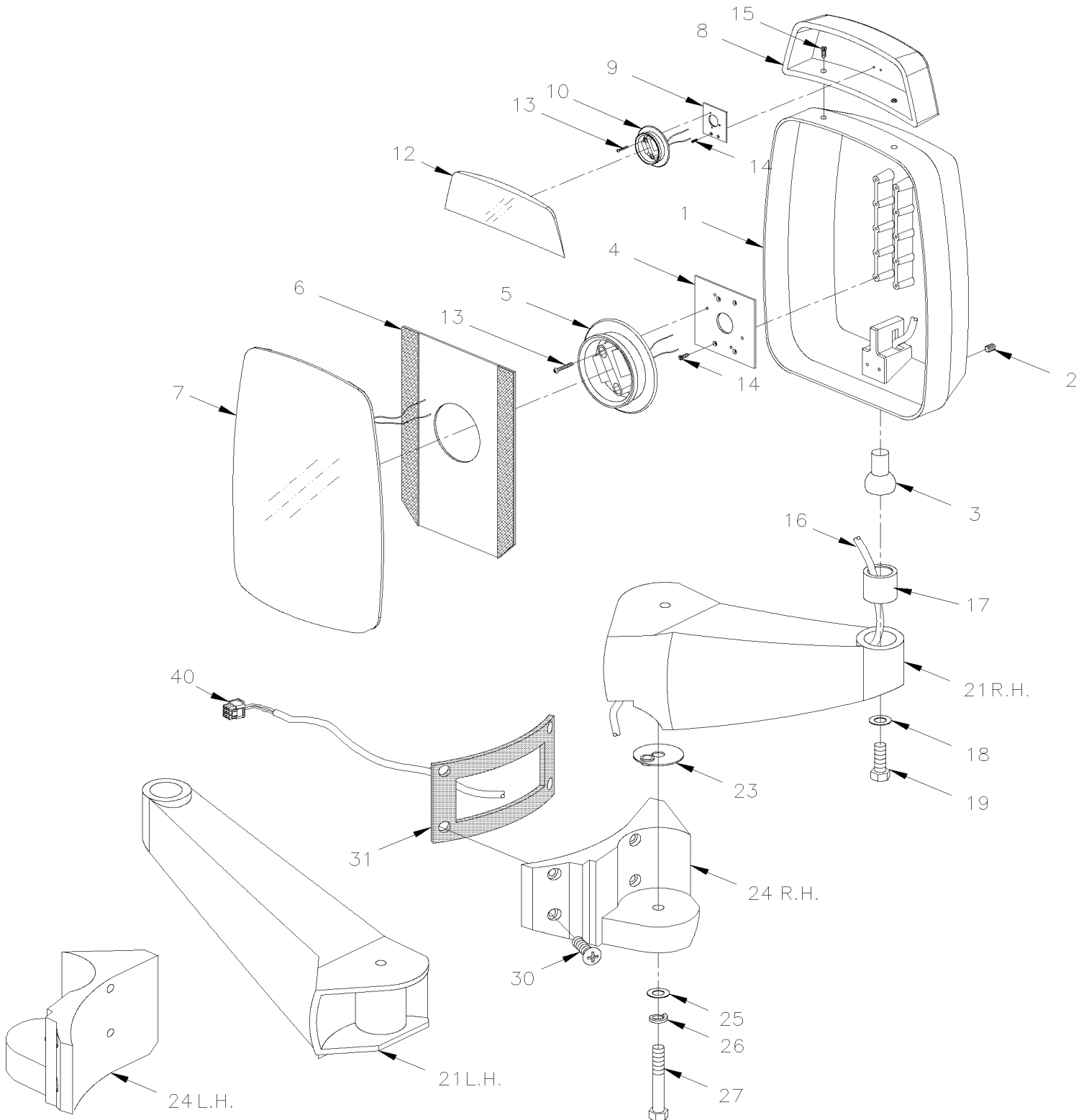


From B-5003 To D-5489

Date:07/2024

PAGE:XV-1856-50

MIRROR "RAMCO" FLAT GLASS / CHROME





From B-5003 To D-5489 Date:07/2024 PAGE:XV-1856-50

MIRROR "RAMCO" FLAT GLASS / CHROME

Item#	Part	Description	X 3 V I P	X L I I E N T 4 5	N O T E S
	990454	MIRROR ASSY, L.H. / W/CONVEX ELECTRIC / W/9 PINS CONNECTOR	1	1	
	990433	MIRROR ASSY, R.H. / W/CONVEX ELECTRIC / W/9 PINS CONNECTOR	1	1	
1	990444	. HEAD ASSY / W/CONVEX ELECTRIC / W/9 PINS CONNECTOR	1	1	
2	502812	. . SCREW SET HEXS CUP 3/8-16X3/8 SS	1	1	
3	990478	. . STUD, BALL	1	1	
4	990272	. . NOTCHED BACK MOUNTING PLATE (2" X 3")	1	1	
5	990349	. . MOTOR 12V / MEDIUM / BLACK / 108MM / 4 1/4" O.D.	1	1	
. NS	564494	. . . TAB TERMINAL / 20-16 / AMP 63138-1	4	4	
6	990268	. . VELCRO PLATE / 8" X 8"	1	1	
7	990199	. . GLASS ASSY W/HEATER 12V	1	1	
8	990302	. MIRROR ASSY / CONVEX ELECTRIC	1	1	
9	990295	. . PLATE, TOP MOTOR MOUNTING	1	1	
10	990219	. . MOTOR 12V / SMALL / BLACK / 85MM / 3 5/16" O.D.	1	1	
. NS	564494	. . . TAB TERMINAL / 20-16 / AMP 63138-1	4	4	
12	990339	. . GLASS CONVEX ASSY W/HEATER 12V	1	1	
13	N.P.N.	. . SCREW TC FL PH ZP 6-32 X 1 1/8"	3	3	4
14	500660	. . SCREW TC FL PH #6-32x3/8 Z050	2	2	
15	990530	. . SCREW CAP HEX #10-24x1" SS	2	2	
NS	500787	. . NUT HEX #10-24 SS	2	2	
16	N.P.N.	. . CABLE ASSY / W/CONNECTOR 8PIN / SEE ITEM # 40	1	1	4
17	990379	. . CUP, BALL STUD RETAINER / ONE PIECE	1	1	
18	500270	. . WASHER FL .406x1.000x.063 SS	1	1	
19	N.P.N.	. . SCREW CAP HEX SS 3/8-24 X 1.250	1	1	4
21	990316	. ARM, R.H.	1	1	
21	990394	. ARM, L.H. / DIRTY FREE	1	1	
23	990265	. WASHER ALUMINUM / 2 " O.D.	1	1	
NS	504082	. . SNAP BUSHING / .125x.312x.312	1	1	
24	990310	. BRACKET, MOUNTING R.H.	1	1	
24	990312	. BRACKET, MOUNTING L.H.	1	1	
25	500958	. WASHER FL .531x1.062x.095 SS	1	1	
26	500035	. WASHER LO SPT .317x.586x.078 SS	1	1	
27	990500	. SCREW 1/2-13x2 HHCS SS	1	1	
30	5001461	SCREW MA FL PH M8-1.25x40 SS	2	2	
30	5001581	SCREW CAP BUT HEXS M8-1.25x40 SS	2	2	
NS	5001341	WASHER FL 8.4x17.0x1.6 SS	2	2	
31	490873	GASKET, RH	1	1	
31	490894	GASKET, LH	1	1	
40	563802	CONNECTOR / W 45" CABLE ASSY / PH 9C	1	1	
41	563801	CONNECTOR / MULTI CON X / SH 9C / CONXALL 4280-9SG-300	2	2	B
NS	562511	SOCKET TERMINAL / 20 / CONXALL 586SG	AR	AR	B
NS	MI16-28	DRIP EDGE ADDITION ON FRONT MIRRORS / PRODUCT IMPROVMENT	1	1	



From B-5003 To D-5489	Date:07/2024	PAGE:XV-1856-50
-----------------------	--------------	-----------------

MIRROR "RAMCO" FLAT GLASS / CHROME

Item#	Part	Description	X 3 V I P	X L I I E N T 4 5	N O T E S
		B) THIS CONNECTOR IT USED ON CABLE HARNESS FROM INSIDE OF VEHICLE			
		4) NO PARTS NUMBER			

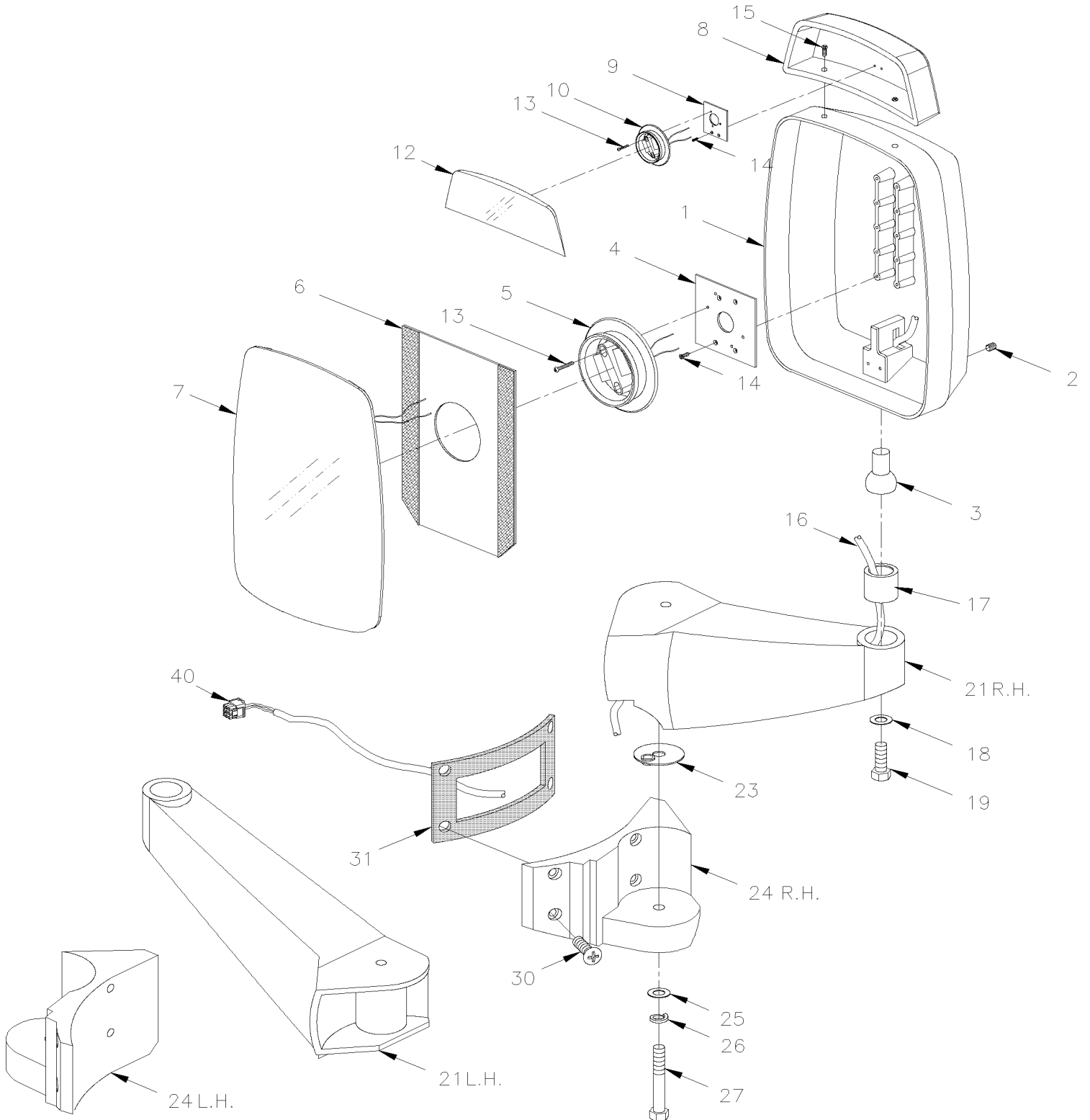


From B-5003 To D-5489

Date:07/2024

PAGE:XV-1856-51

MIRROR "RAMCO" FLAT GLASS / CHROME WITH DIRECTIONAL





From B-5003 To D-5489 Date:07/2024 PAGE:XV-1856-51

MIRROR "RAMCO" FLAT GLASS / CHROME WITH DIRECTIONAL

Item#	Part	Description	X 3 V I P	X L I I E N T 4 5	N O T E S
	990456	MIRROR ASSY, L.H. / DIRECTIONAL / W/CONVEX / W/9 PINS CONNECTOR	1	1	
	990436	MIRROR ASSY, R.H. / DIRECTIONAL / W/CONVEX / W/9 PINS CONNECTOR	1	1	
1	990495	. HEAD ASSY / ELECTRIC L.H. / W/9 PINS CONNECTOR	1	1	
1	990494	. HEAD ASSY / ELECTRIC R.H. / W/9 PINS CONNECTOR	1	1	
2	502812	. . SCREW SET HEXS CUP 3/8-16X3/8 SS	1	1	
3	990478	. . STUD, BALL	1	1	
4	990272	. . NOTCHED BACK MOUNTING PLATE (2" X 3")	1	1	
5	990349	. . MOTOR 12V / MEDIUM / BLACK / 108MM / 4 1/4" O.D.	1	1	
. NS	564494	. . . TAB TERMINAL / 20-16 / AMP 63138-1	4	4	
6	990474	. . VELCRO PLATE / 8" X 8" / W/RECESS FOR FLASHER	1	1	
7	990427	. . GLASS ASSY W/DIRECTIONAL ARROW L.H.	1	1	
7	990428	. . GLASS ASSY W/DIRECTIONAL ARROW R.H.	1	1	
8	990302	. MIRROR ASSY / CONVEX ELECTRIC	1	1	
9	990295	. . PLATE, TOP MOTOR MOUNTING	1	1	
10	990219	. . MOTOR 12V / SMALL / BLACK / 85MM / 3 5/16" O.D.	1	1	
. NS	564494	. . . TAB TERMINAL / 20-16 / AMP 63138-1	4	4	
12	990339	. . GLASS CONVEX ASSY W/HEATER 12V	1	1	
13	N.P.N.	. . SCREW TC FL PH ZP 6-32 X 1 1/8"	3	3	4
14	500660	. . SCREW TC FL PH #6-32x3/8 Z050	2	2	
15	990530	. . SCREW CAP HEX #10-24x1" SS	2	2	
NS	500787	. . NUT HEX #10-24 SS	2	2	
16	N.P.N.	. . CABLE ASSY / W/CONNECTOR 8PIN / SEE ITEM # 40	1	1	4
17	990379	. . CUP, BALL STUD RETAINER / ONE PIECE	1	1	
18	500270	. . WASHER FL .406x1.000x.063 SS	1	1	
19	N.P.N.	. . SCREW CAP HEX SS 3/8-24 X 1.250	1	1	4
21	990316	. ARM, R.H.	1	1	
21	990394	. ARM, L.H. / DIRTY FREE	1	1	
23	990265	. WASHER ALUMINUM / 2 " O.D.	1	1	
NS	504082	. . SNAP BUSHING / .125x.312x.312	1	1	
24	990310	. BRACKET, MOUNTING R.H.	1	1	
24	990312	. BRACKET, MOUNTING L.H.	1	1	
25	500958	. WASHER FL .531x1.062x.095 SS	1	1	
26	500035	. WASHER LO SPT .317x.586x.078 SS	1	1	
27	990500	. SCREW 1/2-13x2 HHCS SS	1	1	
30	5001461	SCREW MA FL PH M8-1.25x40 SS	2	2	
30	5001581	SCREW CAP BUT HEXS M8-1.25x40 SS	2	2	
NS	5001341	WASHER FL 8.4x17.0x1.6 SS	2	2	
31	490873	GASKET, RH	1	1	
31	490894	GASKET, LH	1	1	
40	563802	CONNECTOR / W 45" CABLE ASSY / PH 9C From A-9873	2	2	
41	563801	CONNECTOR / MULTI CON X / SH 9C / CONXALL 4280-9SG-300 From A-9873	2	2	B
NS	562511	SOCKET TERMINAL / 20 / CONXALL 586SG	AR	AR	B



From B-5003 To D-5489	Date:07/2024	PAGE:XV-1856-51
-----------------------	--------------	-----------------

MIRROR "RAMCO" FLAT GLASS / CHROME WITH DIRECTIONAL

Item#	Part	Description	X 3 V I P	X L I I E N T 4 5	N O T E S
NS	MI16-28	DRIP EDGE ADDITION ON FRONT MIRRORS / PRODUCT IMPROVMENT	1	1	
		B) THIS CONNECTOR IT USED ON CABLE HARNESS FROM INSIDE OF VEHICLE			
		4) NO PARTS NUMBER			

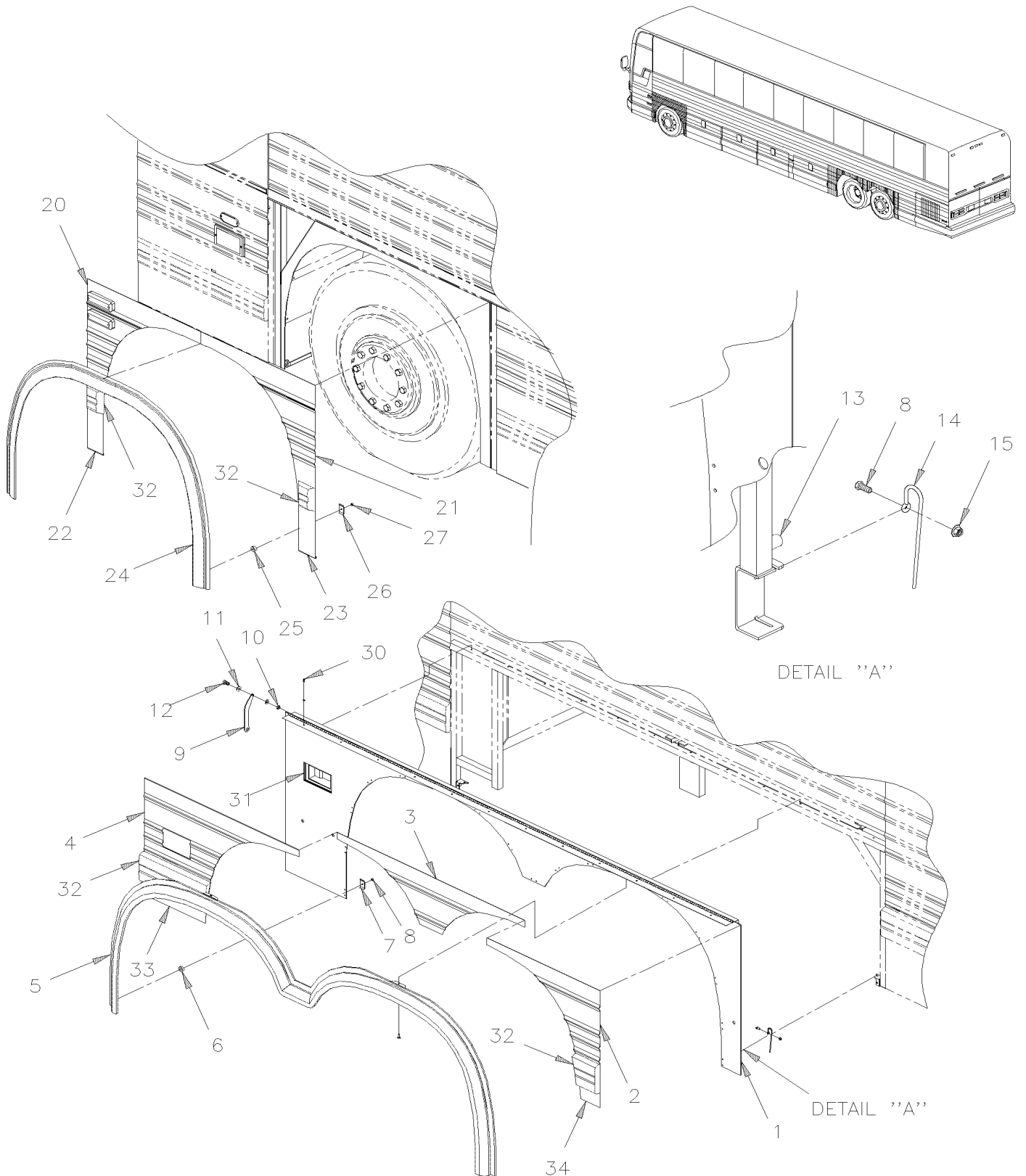


From B-5003 To D-5459

Date:07/2024

PAGE:XV-1857-50

FENDERS L.H.





From B-5003 To D-5459	Date:07/2024	PAGE:XV-1857-50
FENDERS L.H.		

Item#	Part	Description	X 3 V I P	X L I I E N T 4 5	N O T E S
	460518	REAR FENDER ASSY L.H. W/EDGE / B.A.	1	1	
	460519	. REAR FENDER ASSY L.H. W/OUT EDGE / B.A.	1	1	
1	460517	. . FRAME REAR FENDER L.H.	1	1	
2	476736	. . PANEL REAR L.H. BACKWARD / B.A.	1	1	
3	477562	. . PANEL CENTER / B.A.	1	1	
4	476716	. . PANEL REAR L.H. FORWARD / B.A.	1	1	
5	240482	. . EDGE MOULDING LH W/FLUTED PANEL	1	1	
5	240418	. . EDGE MOULDING LH W/FLUTED & SS RAIL RECESS	1	1	O
NS	500283	. . SCREW TC TR PH #10-24x3/4 SS	2	2	
6	571755	. . SPACERS BUTTITE STAINLESS	15	15	
7	240436	. . MOUNTING PLATE EDGE 43.2MM x 25MM	15	15	
8	502622	. . SCREW CAP HEX M6-1.0x20 SS BK	2	2	
9	240412	. . LEVER / FOR LOCK	1	1	
NS	502803	. . PIN HITCH CLIP 3/32 x 2 1/2 SS	1	1	
10	500868	. . NUT HEX NYRT M8-1.25 Z050	1	1	
10	502543	. . NUT HEX M8-1.25 Z050	1	1	
11	471119	. . SEAL WASHER / RUB RAIL & PANEL	1	1	
11	500874	. . WASHER FL 8.4x17.0x1.6 Z050	1	1	
12	502589	. . SCREW CAP HEX M8-1.25x25 G8.8 Z050	1	1	
13	504527	. . BUMPER PLUG / .625ODx.312THx.250HOLEx.125	4	4	
14	472830	. . SPRING GUIDE HOLDER	2	2	
15	5001182	. . NUT HEX NYRT M6-1.0 SS	17	17	
NS	681092	. . ADHESIVE SIKA #255FC / BLACK / 310ml CARTRIDGE	AR	AR	
NS	683097	. . CLEANER SIKA #205 / CLEAR / 1000ml	AR	AR	
NS	683446	. . PRIMER SIKA #206 / BLACK / 1000ml	AR	AR	
NS	506790	. . TAPE RUB ADH2 CC POL 1/16" x 1/2" x 200' / BLACK I1C-N-A	AR	AR	
20	477634	PANEL FRONT L.H. FORWARD / B.A.	1	1	
21	476170	PANEL FRONT L.H. BACKWARD / B.A.	1	1	
22	479483	PANEL LOWER 95MM X 243MM / B.A.	1	1	
23	476489	PANEL LOWER 81MM X 243MM / B.A.	1	1	
24	240528	EDGE MOULDING W/FLUTED PANEL	1	1	
24	240415	EDGE MOULDING W/FLUTED & SS RAIL RECESS	1	1	O
25	571755	SPACERS BUTTITE STAINLESS	22	22	
26	240436	MOUNTING PLATE EDGE 43.2MM x 25MM	22	22	
27	5001182	NUT HEX NYRT M6-1.0 SS	22	22	
30	504488	RIVET MGLP PRDG 3/16x17/64 SS	14	14	
31	XV-0663-00	DOCK & CORNERING LIGHT			
32	XV-1855-00	RUB RAIL - EXTERIOR CREST & TRIMS			
33	477232	PANEL LOWER 286MM X 255MM / B.A.	1	1	
34	477234	PANEL LOWER 88MM X 205MM / B.A.	1	1	



From B-5003 To D-5459	Date:07/2024	PAGE:XV-1857-50
-----------------------	--------------	-----------------

FENDERS L.H.

Item#	Part	Description	X 3 V I P	X L I I E N T 4 5	N O T E S
		O) WITH "OPTION"			

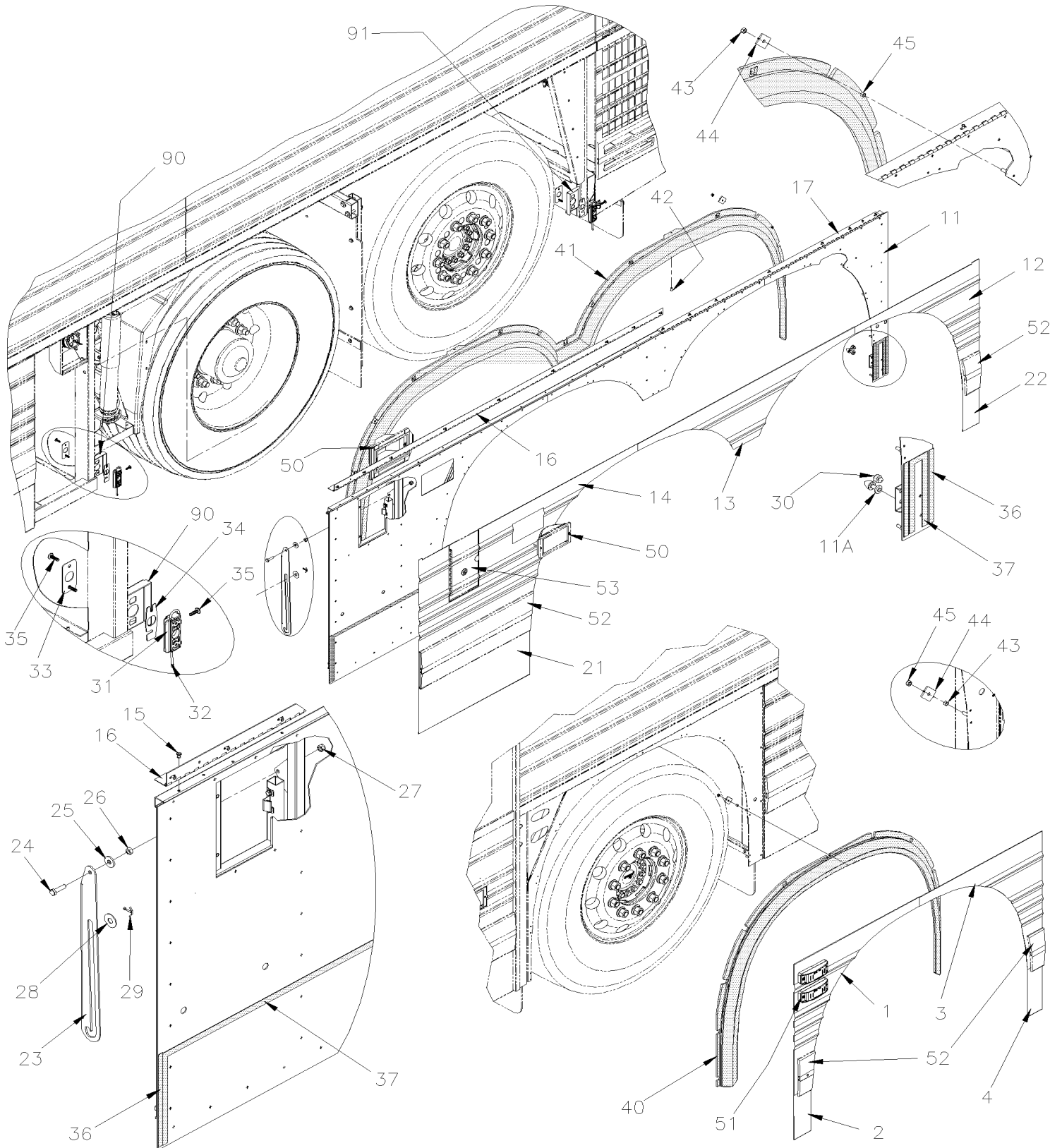


From D-5460 To D-5489

Date:07/2024

PAGE:XV-1857-51

FENDERS L.H.





From D-5460 To D-5489	Date:07/2024	PAGE:XV-1857-51
FENDERS L.H.		

Item#	Part	Description	X 3 V I P	X L I I E N T 4 5	N O T E S
1	477634	PANEL FRONT L.H. FORWARD / B.A.	1	1	
2	479483	PANEL LOWER 95MM X 243MM / B.A.	1	1	
3	476170	PANEL FRONT L.H. BACKWARD / B.A.	1	1	
4	476489	PANEL LOWER 81MM X 243MM / B.A.	1	1	
5	506759	TAPE RUB ADH2 CC POL 1/8" x 1/2" x 100' / BLACK I1C-N-A	AR	AR	
5	685126	ADHESIVE SIMSON #ISR 70-03 / GREY / 600ml SAUSAGE	AR	AR	
5	506790	TAPE RUB ADH2 CC POL 1/16" x 1/2" x 200' / BLACK I1C-N-A	AR	AR	
11	460542	REAR FENDER ASSY L.H. W/EDGE	1	1	
11	460582	REAR FENDER ASSY L.H. W/OUT EDGE	1	1	
11	460544	. FRAME REAR FENDER L.H.	1	1	
11A	460694	. . STOPPER	2	2	
12	460574	. PANEL REAR L.H. BACKWARD	1	1	
13	460572	. PANEL CENTER	1	1	
14	460547	. PANEL REAR L.H. FORWARD	1	1	
NS	685124	. ADHESIVE SIMSON #ISR 70-03 / BLACK / 600ml SAUSAGE	AR	AR	
NS	506790	. TAPE RUB ADH2 CC POL 1/16" x 1/2" x 200' / BLACK I1C-N-A	AR	AR	
15	504488	. RIVET MGLP PRDG 3/16x17/64 SS	AR	AR	
16	464757	. HINGE ASSY 1829MM	1	1	
17	464759	. HINGE ASSY 1213MM	1	1	
21	460556	PANEL LOWER 616MM X 255MM / B.A.	1	1	
22	477234	PANEL LOWER 88MM X 205MM / B.A.	1	1	
23	460695	LEVER / FOR LOCK	1	1	
24	5001912	SCREW CAP HEX M8-1.25x30 SS BK	1	1	
25	471119	SEAL WASHER / RUB RAIL & PANEL	1	1	
26	5001852	NUT HEX M8-1.25 SS BK	1	1	
27	5001787	NUT HEX NYRT M8-1.25 SS	1	1	
28	5001233	WASHER FL .500x1.250x.062 NYL	1	1	
29	502111	PIN, COTTER 1/8 x 1 1/2 SS	1	1	
30	504527	BUMPER PLUG / .625ODx.312THx.250HOLEx.125	2	2	
31	477399	RECEPTACLE	2	2	
32	472830	SPRING GUIDE HOLDER	2	2	
33	460708	ADJUSTMENT PLATE	2	2	
34	464765	ADJUSTMENT PLATE	2	2	
35	5001630	SCREW TP BUTF TORX M6x20 SS	6	6	
36	506790	TAPE RUB ADH2 CC POL 1/16" x 1/2" x 200' / BLACK I1C-N-A	AR	AR	
37	685126	ADHESIVE SIMSON #ISR 70-03 / GREY / 600ml SAUSAGE	AR	AR	
40	240528	EDGE MOULDING W/FLUTED PANEL	1	1	
41	240482	EDGE MOULDING LH W/FLUTED PANEL	1	1	
42	504748	RIVET HKL MMS 3/16x1/2 SS	2	2	
43	5001182	NUT HEX NYRT M6-1.0 SS	AR	AR	
44	240436	MOUNTING PLATE EDGE 43.2MM x 25MM	AR	AR	
45	571755	SPACERS BUTTITE STAINLESS	AR	AR	



From D-5460 To D-5489	Date:07/2024	PAGE:XV-1857-51
FENDERS L.H.		

Item#	Part	Description	X 3 V I P	X L I I E N T 4 5	N O T E S
50	XV-0663-00	DOCK & CORNERING LIGHT	1	1	
51	XV-0662-00	CLEARANCE & MARKER LIGHT	1	1	
52	XV-1855-00	RUB RAIL - EXTERIOR CREST & TRIMS	1	1	
53	XV-1875-00	FUEL TANK & UREA FILLING DOOR	1	1	
90	217133	CATCH FENDER LOWER	1	1	
91	217140	CATCH FENDER LOWER	1	1	

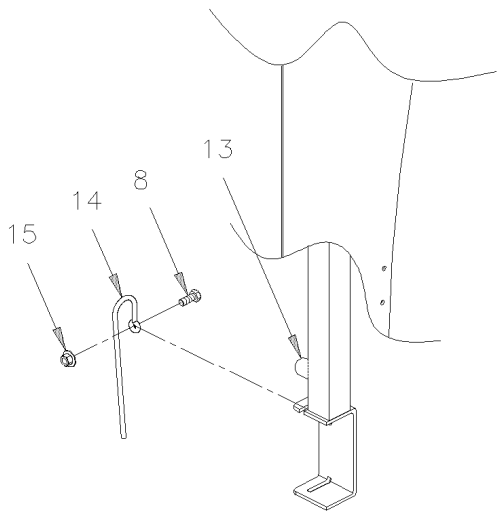
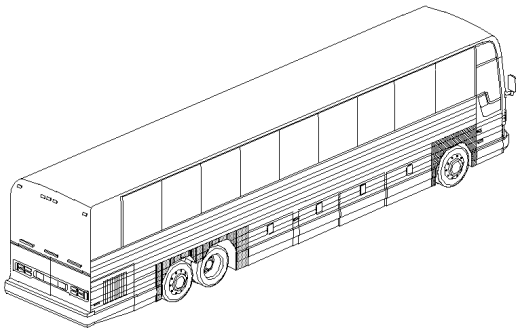


From B-5003 To D-5459

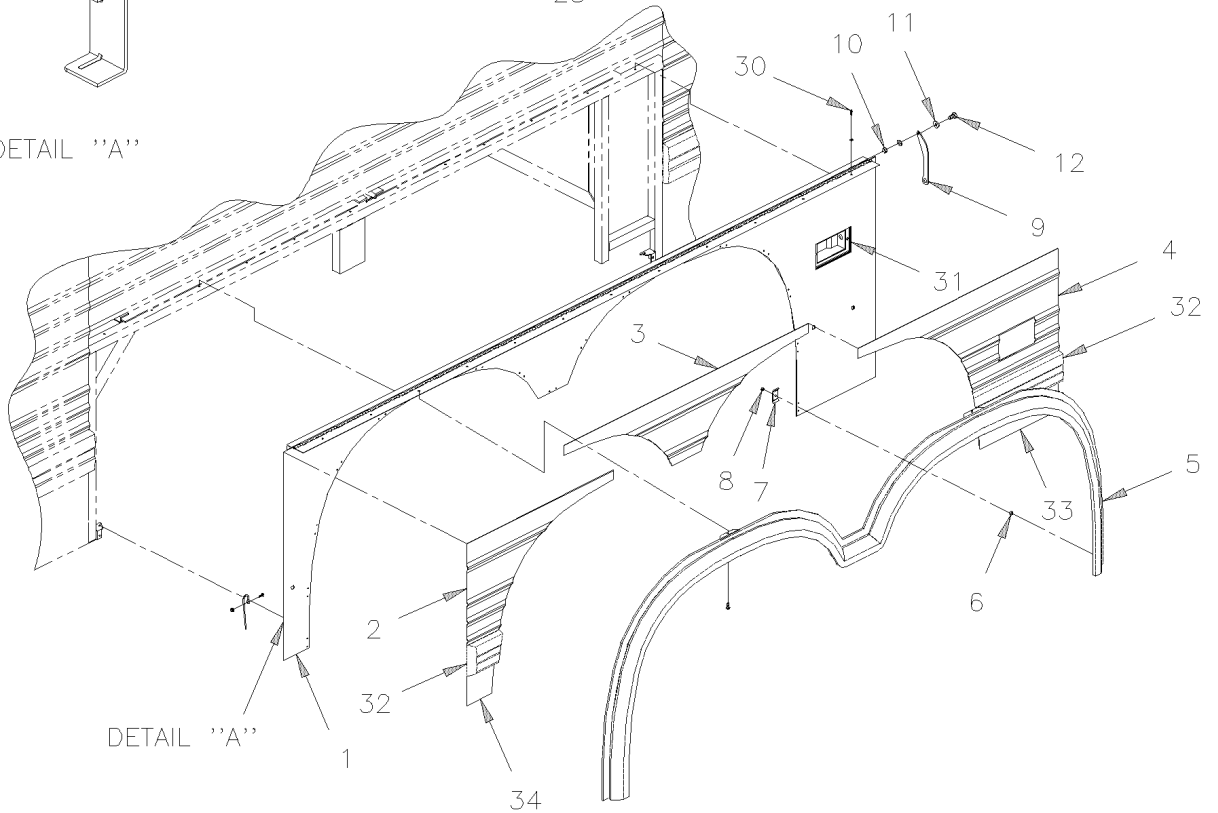
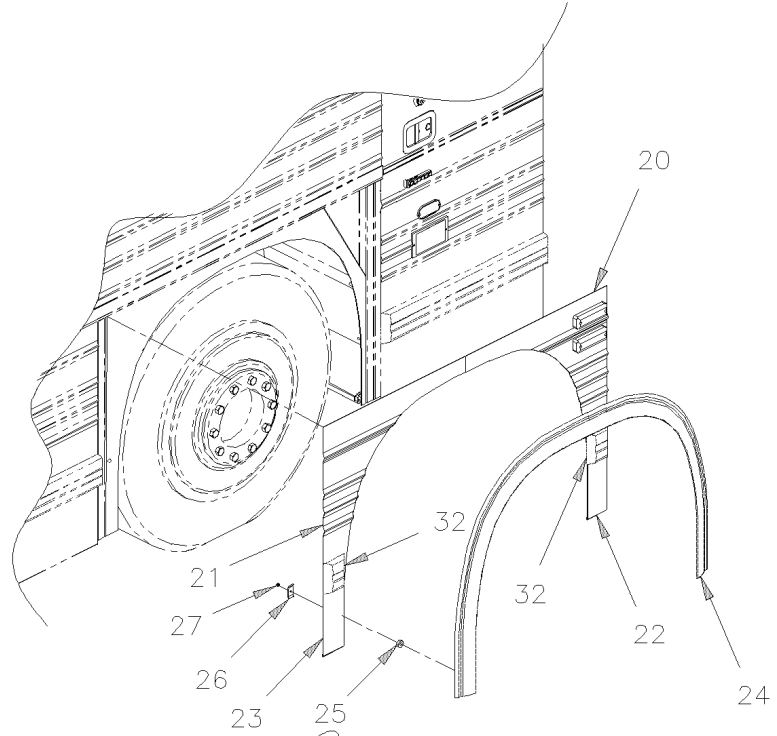
Date:07/2024

PAGE:XV-1857-55

FENDERS R.H.



DETAIL "A"



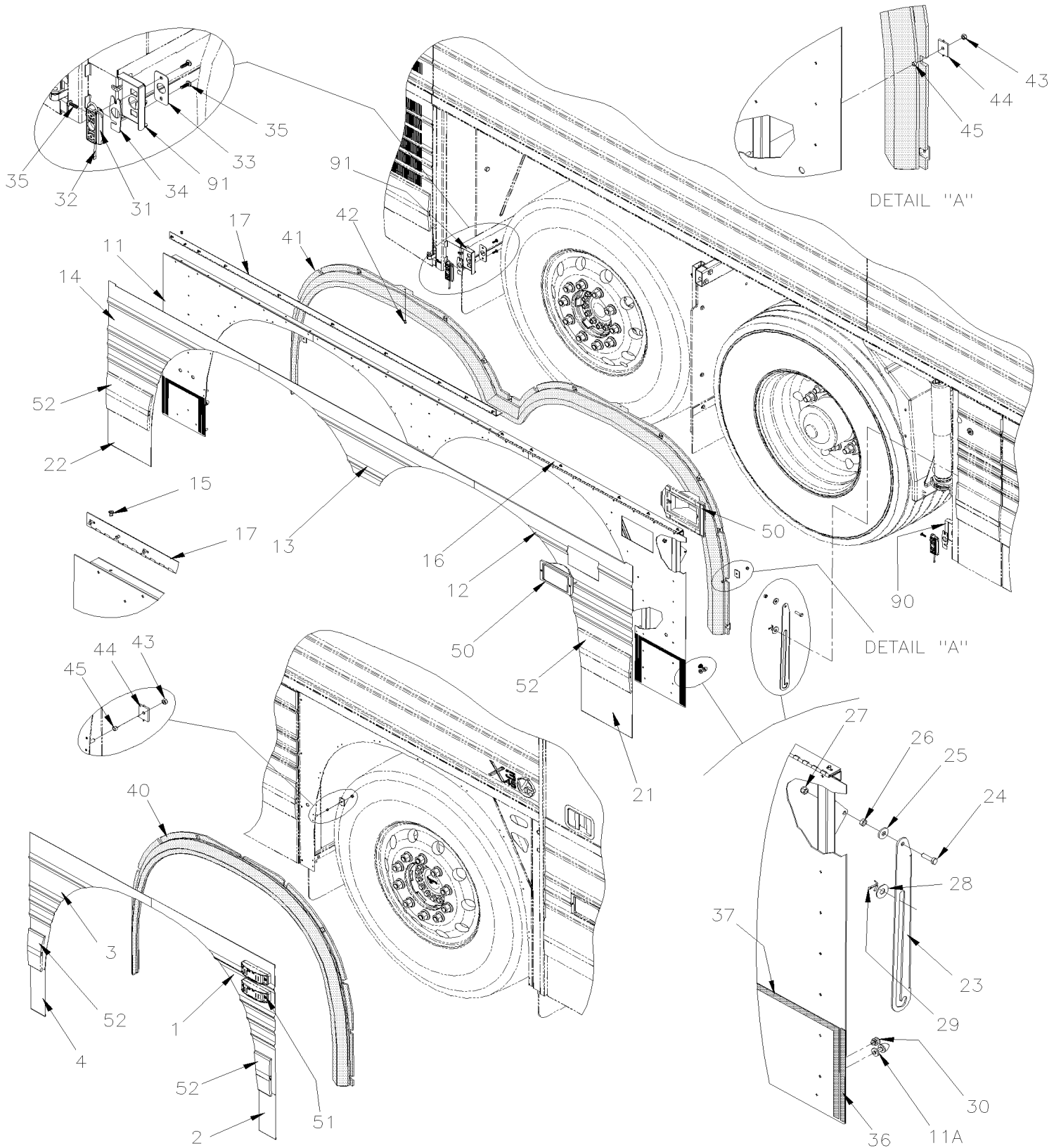


From D-5460 To D-5489

Date:07/2024

PAGE:XV-1857-56

FENDERS R.H.





From D-5460 To D-5489	Date:07/2024	PAGE:XV-1857-56
FENDERS R.H.		

Item#	Part	Description	X 3 V I P	X L I I E N T 4 5	N O T E S
1	477635	PANEL FRONT R.H. FORWARD / B.A.	1	1	
2	479483	PANEL LOWER 95MM X 243MM / B.A.	1	1	
3	477429	PANEL FRONT R.H. BACKWARD / B.A.	1	1	
4	476489	PANEL LOWER 81MM X 243MM / B.A.	1	1	
NS	506759	TAPE RUB ADH2 CC POL 1/8" x 1/2" x 100' / BLACK I1C-N-A	AR	AR	
NS	506790	TAPE RUB ADH2 CC POL 1/16" x 1/2" x 200' / BLACK I1C-N-A	AR	AR	
NS	685126	ADHESIVE SIMSON #ISR 70-03 / GREY / 600ml SAUSAGE	AR	AR	
11	460581	REAR FENDER ASSY R.H. W/OUT EDGE	1	1	
11	460541	REAR FENDER ASSY R.H. W/EDGE	1	1	
11	460543	. FRAME REAR FENDER R.H.			
11A	460694	. . STOPPER	2	2	
12	460571	. PANEL REAR R.H. FORWARD			
13	460572	. PANEL CENTER			
14	460573	. PANEL REAR R.H BACKWARD			
NS	685124	. ADHESIVE SIMSON #ISR 70-03 / BLACK / 600ml SAUSAGE	AR	AR	
NS	506790	. TAPE RUB ADH2 CC POL 1/16" x 1/2" x 200' / BLACK I1C-N-A	AR	AR	
15	504488	. RIVET MGLP PRDG 3/16x17/64 SS	AR	AR	
16	464758	. HINGE ASSY 1013MM	1	1	
17	464757	. HINGE ASSY 1829MM	1	1	
21	477232	PANEL LOWER 286MM X 255MM / B.A.	1	1	
22	477233	PANEL LOWER 240MM X 205MM / B.A.	1	1	
23	460707	LEVER / FOR LOCK	1	1	
24	5001912	SCREW CAP HEX M8-1.25x30 SS BK	1	1	
25	471119	SEAL WASHER / RUB RAIL & PANEL	1	1	
26	5001852	NUT HEX M8-1.25 SS BK	1	1	
27	5001787	NUT HEX NYRT M8-1.25 SS	1	1	
28	5001233	WASHER FL .500x1.250x.062 NYL	1	1	
29	502111	PIN, COTTER 1/8 x 1 1/2 SS	1	1	
30	504527	BUMPER PLUG / .625ODx.312THx.250HOLEx.125	2	2	
31	477399	RECEPTACLE	2	2	
32	472830	SPRING GUIDE HOLDER	2	2	
33	460708	ADJUSTMENT PLATE	2	2	
34	464765	ADJUSTMENT PLATE	2	2	
35	5001630	SCREW TP BUTF TORX M6x20 SS	6	6	
36	506790	TAPE RUB ADH2 CC POL 1/16" x 1/2" x 200' / BLACK I1C-N-A	AR	AR	
37	685126	ADHESIVE SIMSON #ISR 70-03 / GREY / 600ml SAUSAGE	AR	AR	
40	240528	EDGE MOULDING W/FLUTED PANEL	1	1	
41	240483	EDGE MOULDING RH W/FLUTED PANEL			
42	504748	RIVET HKL MMS 3/16x1/2 SS			
43	5001182	NUT HEX NYRT M6-1.0 SS			



From D-5460 To D-5489	Date:07/2024	PAGE:XV-1857-56
FENDERS R.H.		

Item#	Part	Description	X 3 V I P	X L I I E N T 4 5	N O T E S
44	240436	MOUNTING PLATE EDGE 43.2MM x 25MM			
45	571755	SPACERS BUTTITE STAINLESS			
50	XV-0663-00	DOCK & CORNERING LIGHT			
51	XV-0662-00	CLEARANCE & MARKER LIGHT			
52	XV-1855-00	RUB RAIL - EXTERIOR CREST & TRIMS			
90	217130	CATCH FENDER LOWER	1	1	
91	217144	CATCH FENDER LOWER	1	1	

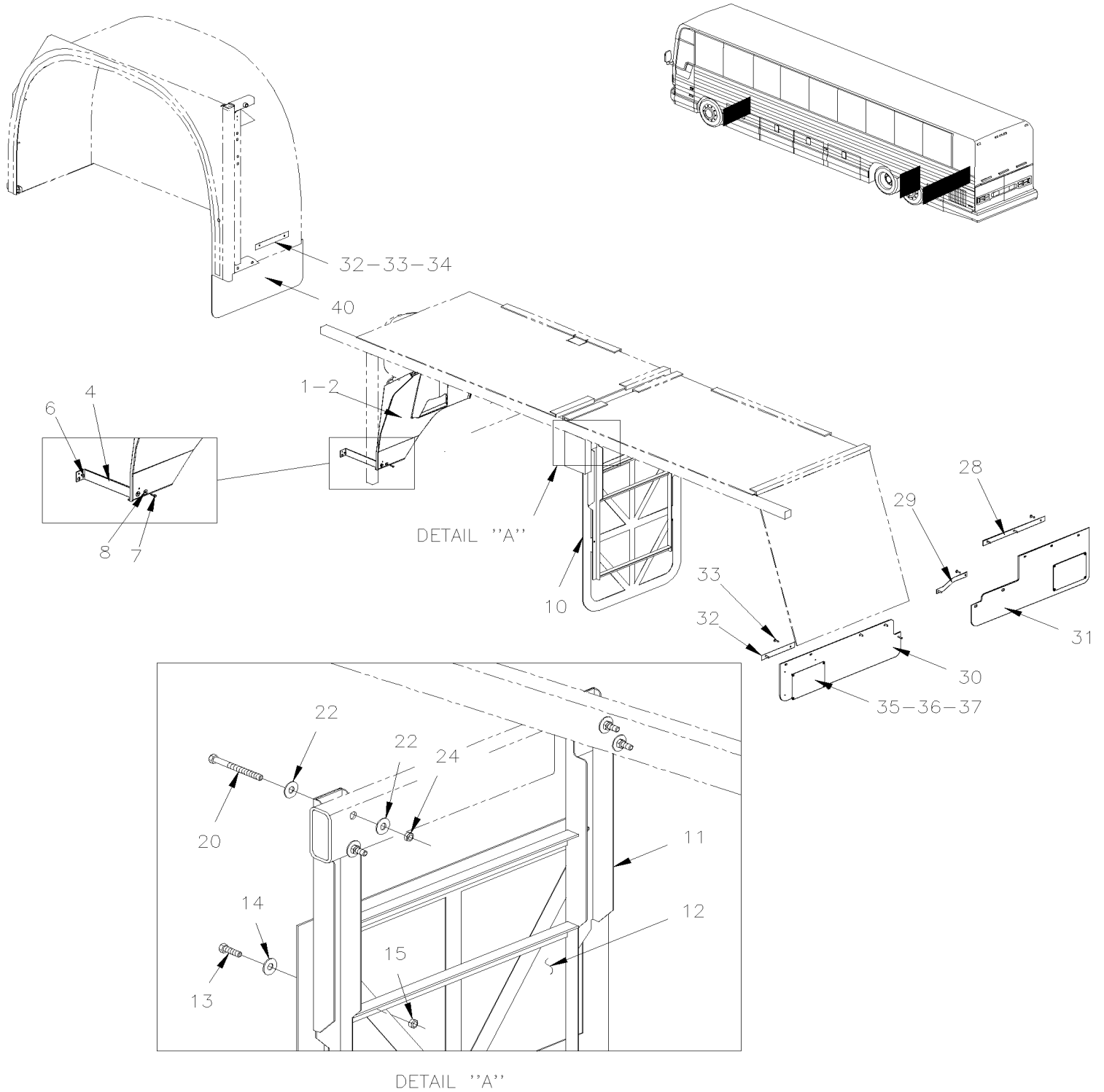


From B-5003 To D-5489

Date:07/2024

PAGE:XV-1859-00

SPLASH GUARD - FRONT & REAR



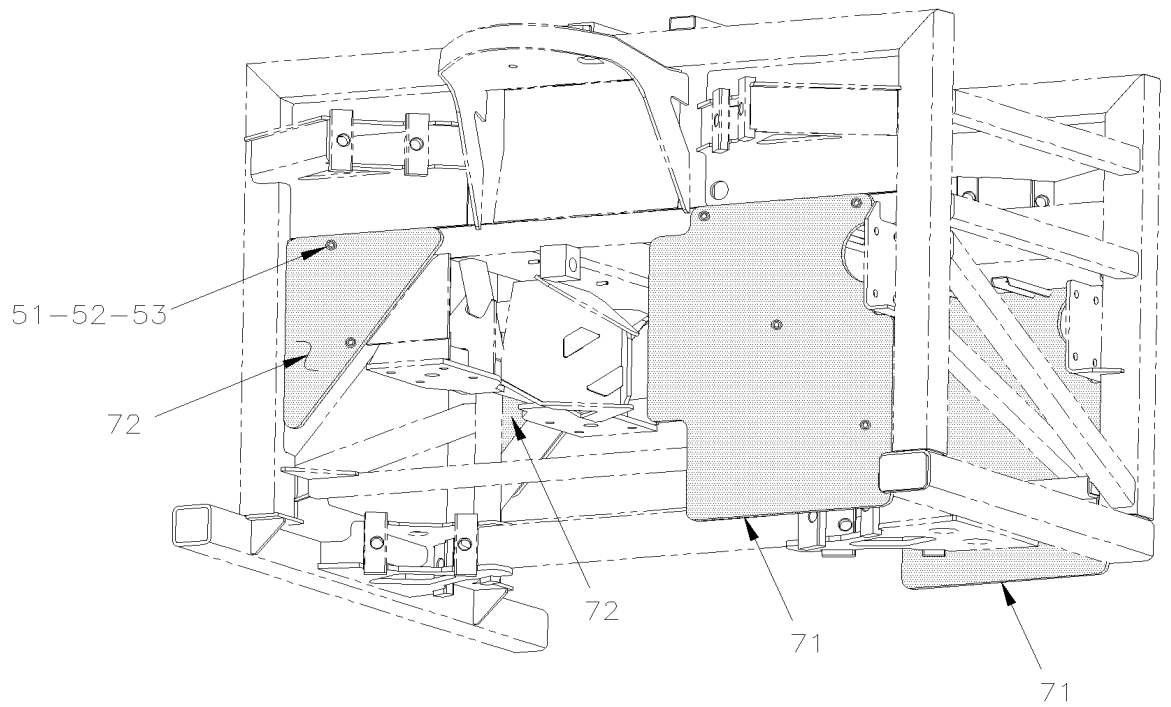
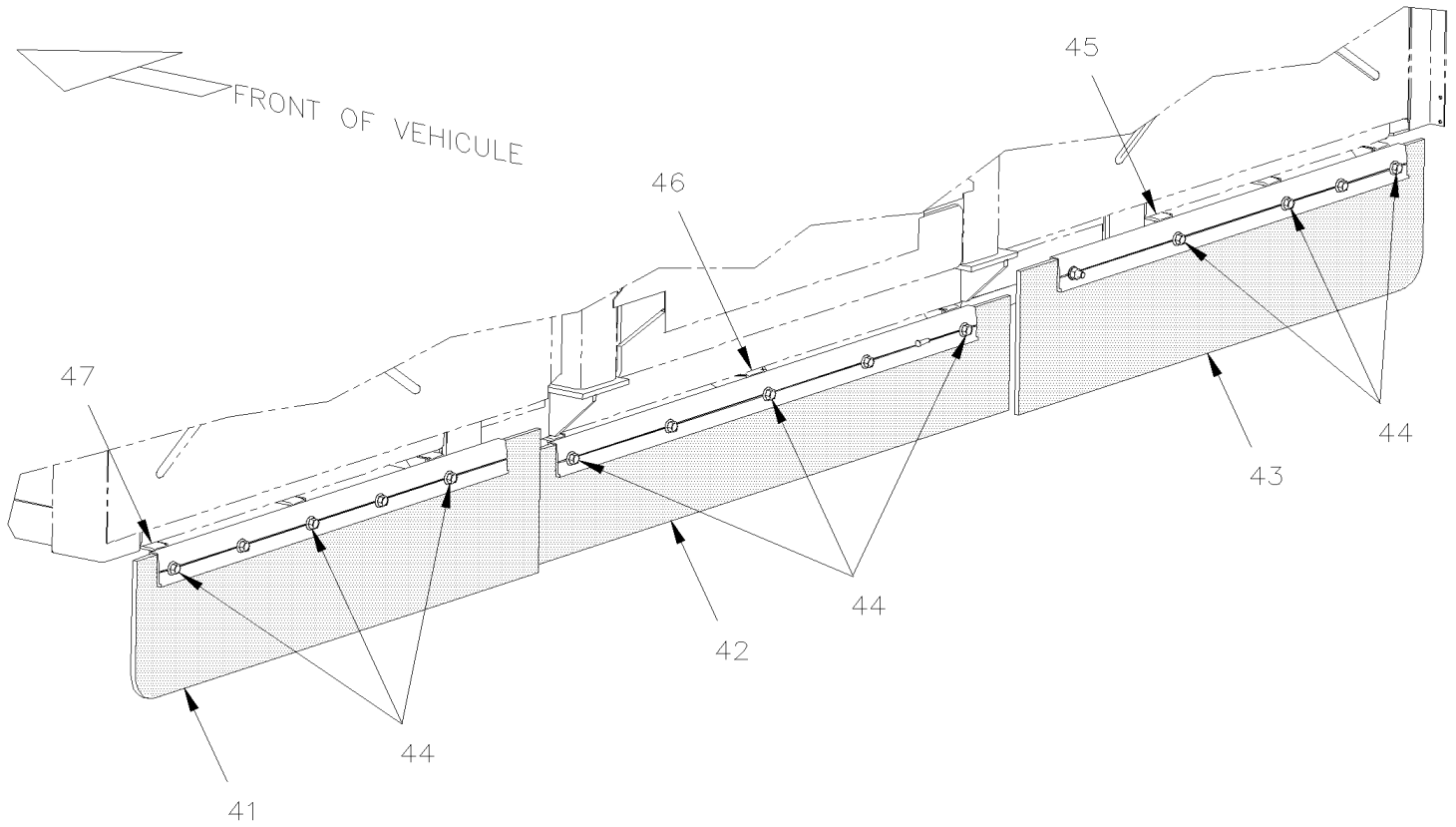


From B-5003 To D-5489

Date:07/2024

PAGE:XV-1859-00

SPLASH GUARD - FRONT & REAR





From B-5003 To D-5489	Date:07/2024	PAGE:XV-1859-00
------------------------------	---------------------	------------------------

SPLASH GUARD - FRONT & REAR

Item#	Part	Description	X 3 V I P	X L I I E N T 4 5	N O T E S
1	460644	SPLASH GUARD RH To D-5459	1	1	
1	464764	SPLASH GUARD From D-5460	2	2	
2	460645	SPLASH GUARD LH To D-5459	1	1	
4	460646	SUPPORT To D-5459	1	1	
4	460698	SUPPORT From D-5460	1	1	
6	504746	RIVET HKL MMS 3/16x1/4 SS	4	4	
7	5001169	SCREW TP CAP HEXW #12x3/4 SS410	12	12	
8	500411	WASHER FL .260x.697x.050 SS	12	12	
10	460643	SPLASH GUARD / R.H. DRIVE & TAG To D-5459	1	1	
10	464701	. SPLASH GUARD / R.H. DRIVE & TAG To D-5459	AR	AR	S
10	460566P	SPLASH GUARD / R.H. DRIVE & TAG From D-5460	1	1	
10	460637	SPLASH GUARD / L.H. DRIVE & TAG To D-5459	1	1	
10	464700	. SPLASH GUARD / L.H. DRIVE & TAG To D-5459	AR	AR	S
10	460565P	SPLASH GUARD / L.H. DRIVE & TAG From D-5460	1	1	
11	460638	. SUPPORT L.H. & R.H. To D-5459	2	2	
11	460561	. SUPPORT L.H. & R.H. From D-5460	2	2	
12	460642	. RUBBER PAD R.H. To D-5459	1	1	
. NS	960015	. . RUBBER PAD To D-5459	1	1	
12	460641	. RUBBER PAD L.H. To D-5459	1	1	
. NS	960015	. . RUBBER PAD To D-5459	1	1	
12	464704	. REINFORCMENT STRIP SS 749MM x 63MM To D-5459	AR	AR	S
12	464702	. PAD L.H. & R.H. 749MM x 762MM To D-5459	AR	AR	S
12	460562	. PAD L.H. & R.H. 749MM x 762MM From D-5460	2	2	
12	460563	. PAD LOWER 749MM x 237MM From D-5460	2	2	
12	460564	. REINFORCMENT STRIP SS 749MM x 38MM From D-5460	2	2	
13	5001636	. SCREW CAP HEX M6-1.0x50 SS BK To D-5459	8	8	S
14	500411	. WASHER FL .260x.697x.050 SS	16	16	
15	5001182	. NUT HEX NYRT M6-1.0 SS	8	8	
20	5001185	SCREW CAP HEX M8-1.25x80 SS BK	8	8	
22	500270	WASHER FL .406x1.000x.063 SS	8	8	
24	5001787	NUT HEX NYRT M8-1.25 SS	8	8	
28	460672	STRIP, FIXATION / SS 380MM W/3 HOLES	1	1	
29	460673	STRIP, FIXATION / SS 188MM W/2 HOLES / OFFSET	1	1	
30	460533	SPLASH GUARD / BEHIND TAG AXLE STREETSIDE 740MM x 200MM	1	1	
31	460671	SPLASH GUARD / BEHIND TAG AXLE CURBSIDE 725MM x 295MM	1	1	
32	460189	STRIP, FIXATION / SS 203MM W/2 HOLES	4	4	
33	504610	RIVET MGLP PRDG 1/4x5/8 SS	8	8	
34	5001749	WASHER LO SPT 6.5x11.5x1.6 N500	16	16	
35	071509	PLATE ASSY W/DECAL "EDGE"	2	2	
. NS	071507	. PLATE SS 200MM x 133MM	1	1	
. NS	071508	. DECAL / "EDGE" - TRANS ALLISON	1	1	
36	504487	RIVET MGLP PRDG 3/16x7/16 SS	4	4	



From B-5003 To D-5489	Date:07/2024	PAGE:XV-1859-00
SPLASH GUARD - FRONT & REAR		

Item#	Part	Description	X 3 V I P	X L I I E N T 4 5	N O T E S
37	502637	WASHER FL .200x.437x.037 SS	4	4	
40	490081	SPLASH GUARD / BEHIND FRONT AXLE 9" X 22"	2	2	
41	460449	AIR SHIELD DEFLECTOR ASSY / STREETSIDE To D-5371	1	1	
. NS	460443	. AIR SHIELD DEFLECTOR To D-5371	1	1	
. NS	460433	. EXTRUSION ALUMINUM / STREETSIDE To D-5371	1	1	
41	460443	AIR SHIELD DEFLECTOR From D-5372	1	1	
41	464731	STRIP DEFELECTOR 645MM From D-5372	1	1	
42	460450	AIR SHIELD DEFLECTOR ASSY / CENTER To D-5371	1	1	
. NS	460444	. AIR SHIELD DEFLECTOR / CENTER To D-5371	1	1	
. NS	460434	. EXTRUSION ALUMINUM / CENTER To D-5371	1	1	
42	460444	AIR SHIELD DEFLECTOR / CENTER From D-5372	1	1	
42	464732	STRIP DEFELECTOR 804MM From D-5372	1	1	
43	460451	AIR SHIELD DEFLECTOR ASSY / CURBSIDE To D-5371	1	1	
. NS	460445	. AIR SHIELD DEFLECTOR / CURBSIDE To D-5371	1	1	
. NS	460435	. EXTRUSION ALUMINUM / CURBSIDE To D-5371	1	1	
43	460443	AIR SHIELD DEFLECTOR From D-5372	1	1	
43	464731	STRIP DEFELECTOR 645MM From D-5372	1	1	
44	502912	SCREW CAP HEXF M8-1.25x25 SS BK	15	15	
44	502911	NUT HEXF M8-1.25 SS	6	6	
45	460440	SUPPORT / AIR SHIELD / STREETSIDE To D-5371	1	1	
45	460682	SUPPORT / AIR SHIELD From D-5372	1	1	
46	460441	SUPPORT / AIR SHIELD / CENTER To D-5371	1	1	
46	460681	SUPPORT / AIR SHIELD / CENTER From D-5372	1	1	
47	460442	SUPPORT / AIR SHIELD / CURBSIDE To D-5371	1	1	
47	460682	SUPPORT / AIR SHIELD From D-5372	1	1	
51	502565	NUT HEX M6-1.0 SS	AR	AR	
52	502570	WASHER LO SPT 6.1x11.8x1.6 SS	AR	AR	
53	5001467	WASHER FL .343x1.250x.062 SS18-8	AR	AR	
NS	460436	KIT RETROFIT AIR SHIELD DEFLECTOR / W/IND SUSPENSION	1	1	
. NS	D460031	. SEE DRAWING	1	1	
71	460492	AIR SHIELD DEFLECTOR / FORWARD / W/IND SUSPENSION To C-5132	2	2	
71	460679	AIR SHIELD DEFLECTOR / FORWARD / W/IND SUSPENSION From C-5133	2	2	
72	460456	DEFLECTOR, FRONT	2	2	
		S) WITH SPECIAL REQUEST ONLY			

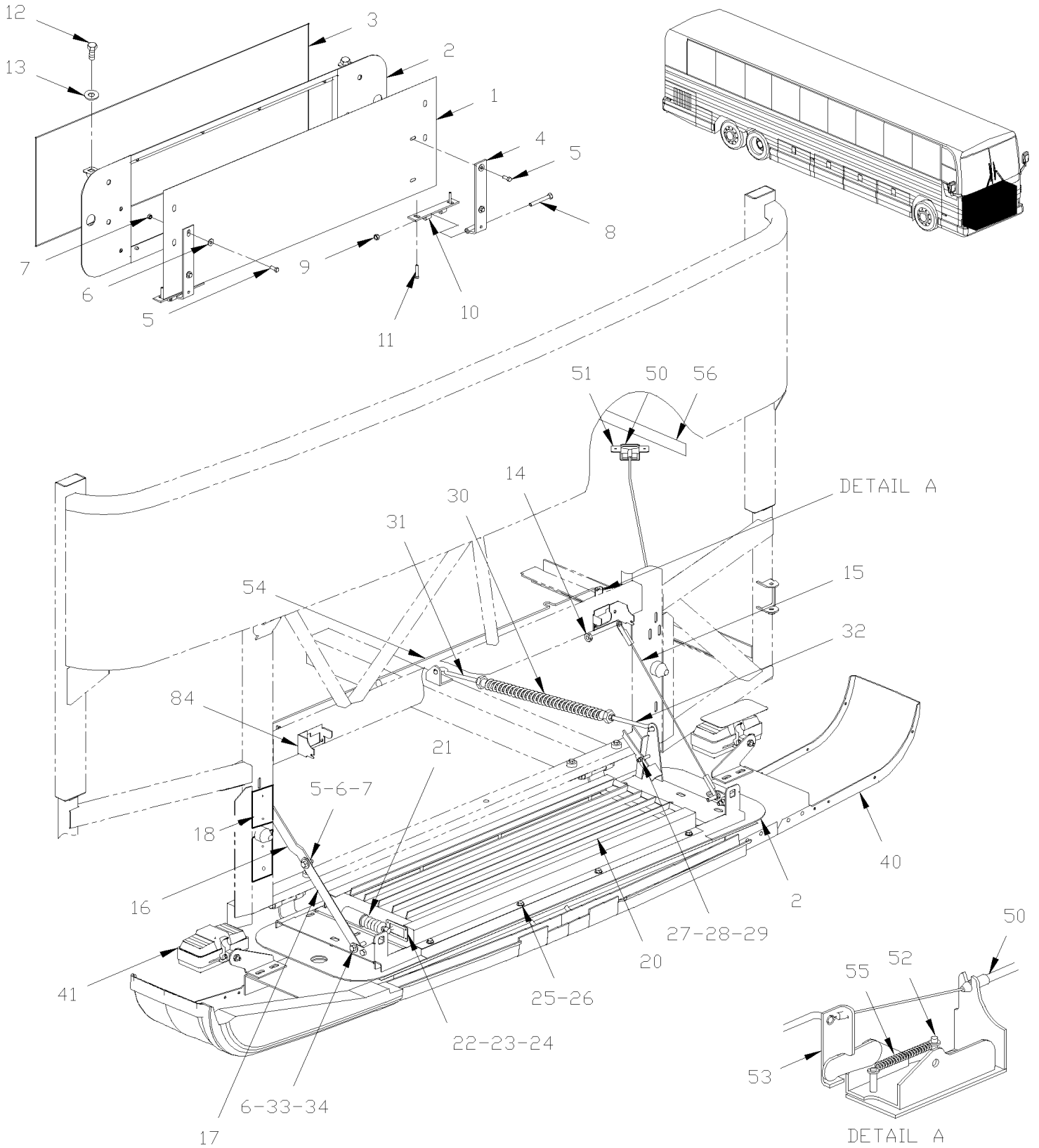


From B-5003 To B-5009

Date:07/2024

PAGE:XV-1860-10

SPARE WHEEL DOOR ASSY





From B-5003 To B-5009	Date:07/2024	PAGE:XV-1860-10
------------------------------	---------------------	------------------------

SPARE WHEEL DOOR ASSY

Item#	Part	Description	X 3 V I P	X L I E N T 4 5	N O T E S
	287351	SPARE WHEEL DOOR ASSY / W/PLAIN PANEL	1	1	
	287353	SPARE WHEEL DOOR ASSY / W/PERFORATED	1	1	
	287355	SPARE WHEEL DOOR ASSY / W/HINGE		1	C
1	287289	. PANEL, PLASTIC		1	A
1	288536	. PANEL, PERFORATED / B.A.	1	1	
1	288535	. PANEL, PLAIN PANEL WITHOUT ACB SYSTEM / B.A. WITHOUT ACB SYSTEM	1	1	
2	287386	. FRAME ASSY	1	1	
3	288907	. RUBBER SEAL EXTRUSION / SPARE WHEEL DOOR	1	1	
3	2800124	. RUBBER SEAL EXTRUSION / SPARE WHEEL DOOR	1	1	
4	288564	. HINGE UPPER SECTION	2	2	
5	955535	. SCREW CAP HEX 3/8-16x1 1/4 G5 ZG603	4	4	
NS	287383	. RETAINING PLATE W/NUT / 195MM X 30MM	2	2	
6	500445	. WASHER FL .437x1.000x.083 Z050	10	10	
NS	500897	. WASHER FL .437x1.000x.083 N500	6	6	
7	500102	. NUT HEX 3/8-16 SS	6	6	
8	500080	. SCREW CAP HEX 7/16-20x4 1/2 G5 Z050	2	2	
9	3853273	. NUT HEX STO 7/16-20 ZG603	2	2	
10	288563	. HINGE LOWER SECTION	2	2	
11	500214	. SCREW CAP HEX 1/2-13x1 1/4 G5 Z050	4	4	
11	500482	. WASHER LO SPT .506x.873x.125 Z050	4	4	
11	500448	. WASHER FL .625x1.469x.109 ZP	4	4	
12	284438	. PIN STRIKER	2	2	
13	284447	. WASHERS BELLEVILLE	2	2	
14	500208	NUT HEX STO 3/8-16 N500	AR	AR	
15	287284	CABLE DOOR ASSY 550MM	1	1	
16	281348	ARM, TIRE DOOR SUPPORT SUPERIOR	1	1	
17	281347	ARM, TIRE DOOR SUPPORT INFERIOR	1	1	
18	287258	RUBBER BUMPER 126MM X 48MM	4	4	
NS	502903	SCREW TC FL PH #10-24x1 1/4 N500	8	8	
NS	411084	SHIM SPACER	4	4	
20	051570	SHUTTER ASSY	1	1	
. NS	550568	. CYLINDER AIR / SHUTTER / W/4" MOUNT	1	1	
. NS	550569	. BOOT RUBBER	1	1	
. NS	550577	. SPRING EXTENSION / .350 O.D. x 6.875 x .069	1	1	
. NS	550179	. BUSHING 5/16" I.D. / NYLON	AR	AR	
21	641365	MALE ELBOW 45° NON-SWIVEL / PUSH-IN FITTING / #4x1/8NPT-M BR	1	1	
NS	640996	MALE ELBOW 90° / NTA FITTING / #4x1/8NPT-M BR	1	1	
NS	503402	TUBE, NYLON 1/4 O.D. / BLACK S.L.	8	8	
22	282953	PLATE, CLOSING	1	1	
23	282954	GASKET	1	1	
24	504340	RIVET POP DOME OE 1/8x3/16 SS	1	1	
26	500441	WASHER FL .312x.734x.065 Z050	AR	AR	



From B-5003 To B-5009	Date:07/2024	PAGE:XV-1860-10
SPARE WHEEL DOOR ASSY		

Item#	Part	Description	X 3 V I P	X L I I E N T 4 5	N O T E S
NS	500942	WASHER LO SPT 8.1x14.8x2.0 N500	AR	AR	
27	287274	DOOR LOCKER	1	1	
28	502170	PIN, CLEVIS 5/16 x 1 5/8 SS	1	1	
29	502097	PIN, COTTER 3/32 x 3/4	1	1	
30	410836	SPRING ASSY	1	1	
31	5001238	. SCREW HOOK 3/8-16x5 ZP	1	1	
NS	500102	. NUT HEX 3/8-16 SS	1	1	
32	5001239	. SCREW HOOK 3/8-16x5 LH ZP	1	1	
NS	5061019	. NUT HEX LH 3/8-16 SS	1	1	
33	500197	SCREW CAP HEX 3/8-16x1 G5 N500	2	2	
34	500265	NUT HEX STO 3/8-16 Z050	2	2	
40	XV-1850-00	BUMPER FRONT			
41	XV-0660-00	HEADLAMP & FRONT DIRECTIONAL LAMPS ROUND "HALOGENE" & "XENON"			
50	289495	CABLE HANDLE ASSY	1	1	
NS	504379	RIVET POP DOME OE 3/16x1/4 SS	4	4	
51	289981	SUPPORT / HANDLE	1	1	
NS	502500	SCREW TC BDG PH #8-32x1/2 CJ	2	2	
NS	5001378	WASHER LO EXT 5.3x10x0.6 Z050	2	2	
52	780653	LOCK SPAGNOLET R.H. / W/G-FITTING	2	2	
. NS	780340	. CLIP, RETAINER ROD	1	1	
. NS	507607	. GREASE FITTING / M6-1.00	1	1	
NS	502582	WASHER LO SERR 6.1x16.2x0.9 Z050	4	4	
NS	502531	SCREW CAP HEX M6-1.0x16 G8.8 Z050	4	4	
53	289496	LEVER PIVOT	1	1	
NS	504379	RIVET POP DOME OE 3/16x1/4 SS	2	2	
54	287257	ROD	1	1	
55	284914	SPRING EXTENSION / .305 O.D. x 1.562 x .051	2	2	
56	287290	DECAL / "UNLATCH FRONT BUMPER" / ENGLISH & FRANCAIS	1	1	
56	288199	DECAL / "UNLATCH FRONT BUMPER" / ENGLISH & SPANISH	1	1	
84	289497	SUPPORT SPAGNOLET	1	1	
		A) ALSO USE WITH ENT45 WITH SPARE TIRE			
		C) USE W/OUT SPARE & WITH BLACK BUMPER			

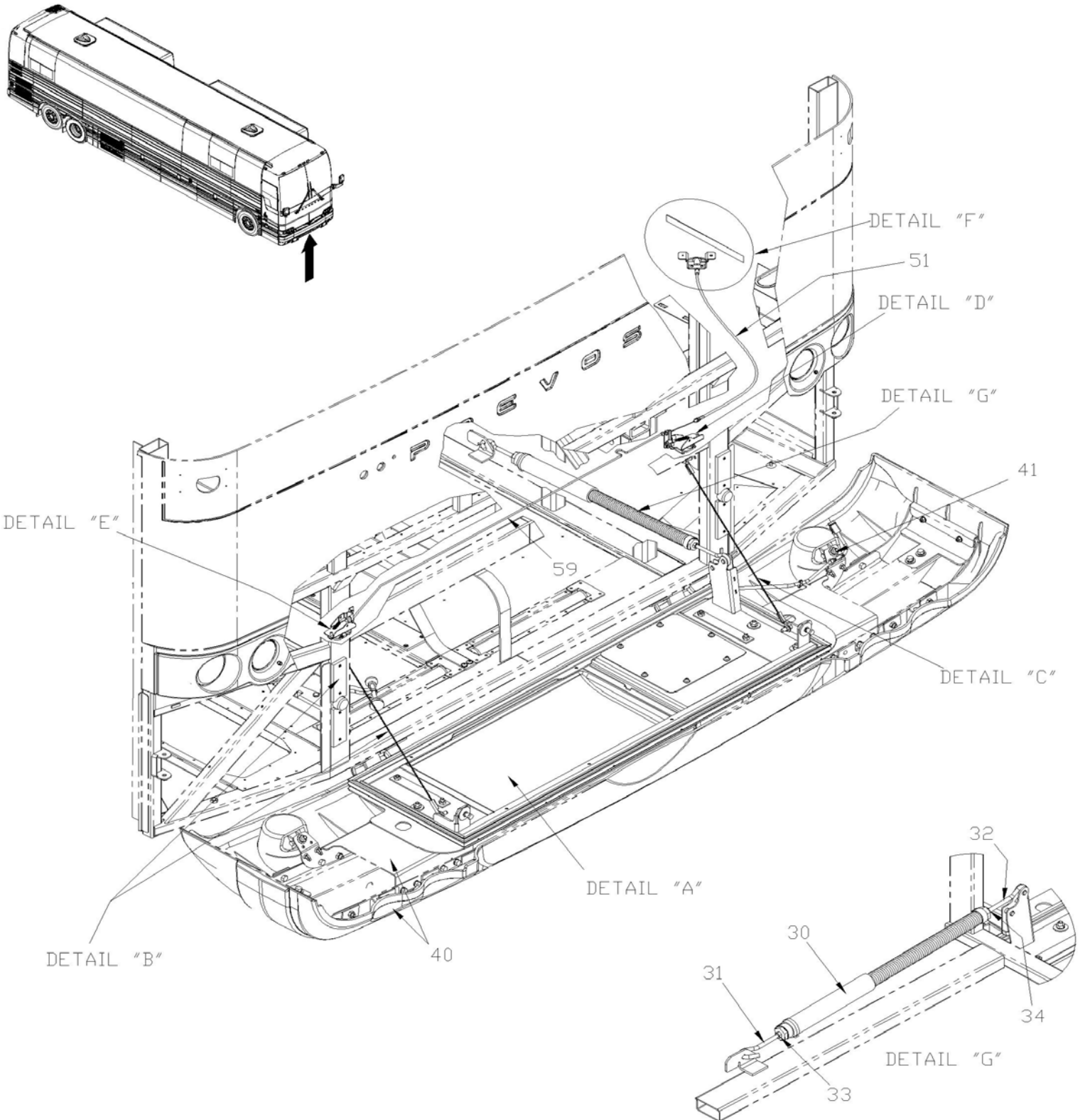


From B-5010 To D-5489

Date:07/2024

PAGE:XV-1860-11

SPARE WHEEL DOOR ASSY



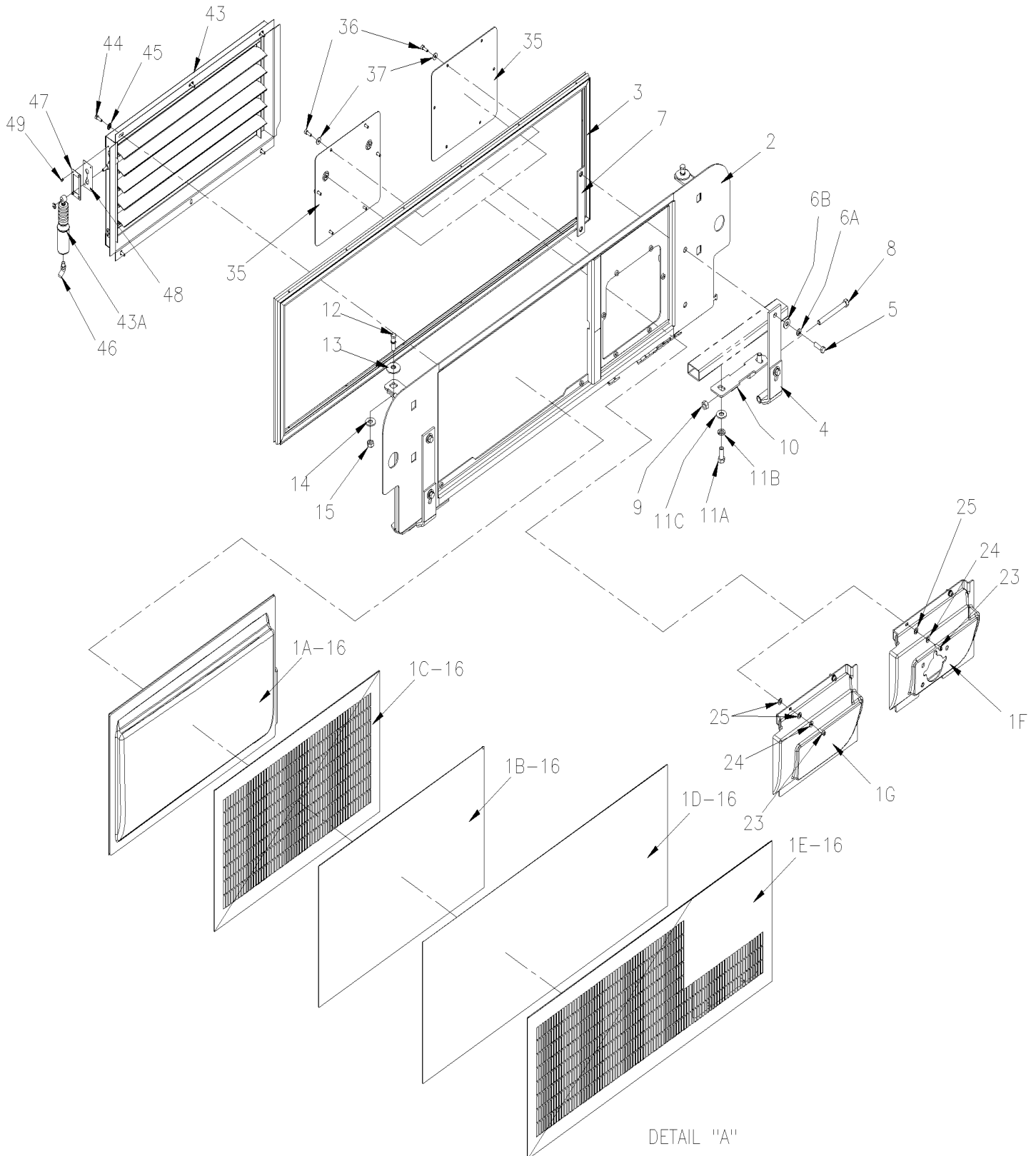


From B-5010 To D-5489

Date:07/2024

PAGE:XV-1860-11

SPARE WHEEL DOOR ASSY



DETAIL "A"

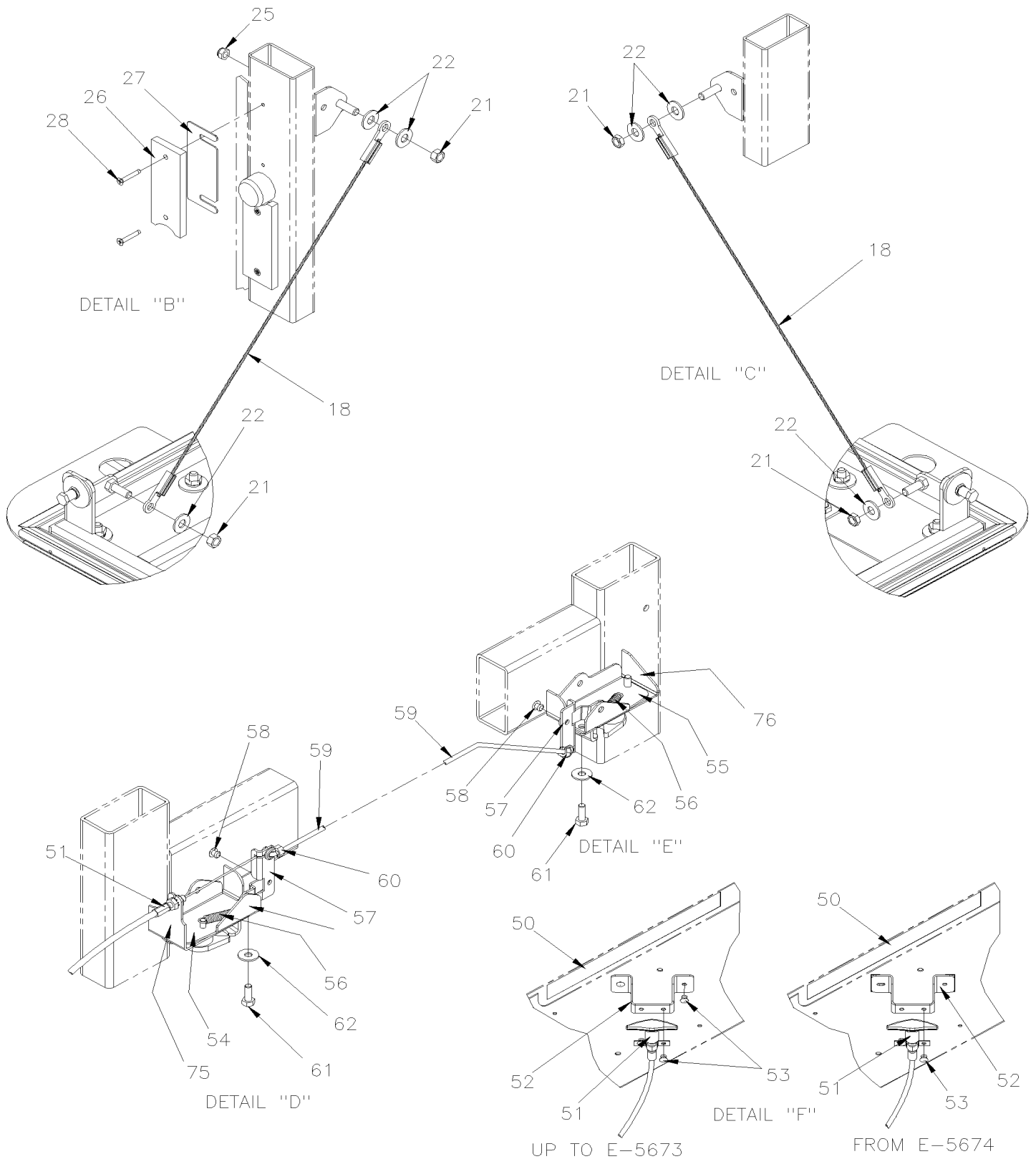


From B-5010 To D-5489

Date:07/2024

PAGE:XV-1860-11

SPARE WHEEL DOOR ASSY





From B-5010 To D-5489	Date:07/2024	PAGE:XV-1860-11
------------------------------	---------------------	------------------------

SPARE WHEEL DOOR ASSY

Item#	Part	Description	X 3 V I P	X L I I E N T 4 5	N O T E S
	289273P	SPARE WHEEL DOOR ASSY / W/HINGE		1	
	287371	SPARE WHEEL DOOR ASSY / W/HINGE / W/ACB		1	
1A	411230	. PANEL, PLASTIC / WITH SPARE WHEEL CENTRAL	1	1	
1B	280254	. PANEL, STAINLESS / WITHOUT SPARE WHEEL CENTRAL	1	1	
1C	280255	. PANEL, PERFORATED WITH ACB SYSTEM	1	1	
1D	288535	. PANEL, PLAIN PANEL WITHOUT ACB SYSTEM / B.A.	1	1	
1E	280259	. PANEL, PERFORATED WITHOUT ACB SYSTEM	1	1	
1F	411231	. PANEL, PLASTIC WITH ACB SYSTEM STREET SIDE		1	
1G	411245	. PANEL, PLASTIC WITHOUT ACB SYSTEM STREET SIDE		1	
2	280243	. FRAME ASSY To D-5299	1	1	
2	289152	. FRAME ASSY From D-5300	1	1	
3	288907	. RUBBER SEAL EXTRUSION / SPARE WHEEL DOOR To C-5244	1	1	
3	2800124	. RUBBER SEAL EXTRUSION / SPARE WHEEL DOOR From C-5245	1	1	
4	288564	. HINGE UPPER SECTION	2	2	
5	5001748	. SCREW CAP HEX 3/8-16x1 1/4 G5 N500	4	4	
6A	502616	. WASHER LO SPT 10.2x18.1x2.2 SS	4	4	
6B	500897	. WASHER FL .437x1.000x.083 N500	4	4	
7	287383	. RETAINING PLATE W/NUT / 195MM X 30MM	2	2	
8	500696	. SCREW CAP HEX 7/16-20x4 1/2 G5 N500	2	2	
9	502661	. NUT HEX STO 7/16-20 N500	2	2	
10	288563	. HINGE LOWER SECTION	2	2	
11A	502594	. SCREW CAP HEX M12-1.75x30 G8.8 Z050	4	4	
11B	500944	. WASHER LO SPT .506x.873x.125 N500	4	4	
11C	500211	. WASHER FL .531x1.250x.125 N500	4	4	
12	284438	. PIN STRIKER	2	2	
13	500494	. WASHER BEL SPR .470x1.680x.125 N500	2	2	
14	500211	. WASHER FL .531x1.250x.125 N500	2	2	
15	502883	. NUT HEX 7/16-14 N500	2	2	
16	506785	. TAPE RUB ADH2 CC POL 1/16" X 1/4" X 200' / BLACK 11C-N-A	AR	AR	
16	684685	. ADHESIVE SIMSON #ISR 70-03 / 310ml CARTRIDGE	AR	AR	
18	287284	CABLE DOOR ASSY 550MM	2	2	
21	500208	NUT HEX STO 3/8-16 N500	4	4	
22	500897	WASHER FL .437x1.000x.083 N500	6	6	
23	5001648	SCREW CAP HEXS M6-1.0x18 SS BK	2	2	
24	500877	WASHER FL .250x.562x.065 N500	2	2	
25	500374	WASHER FL .375x.625x.062 RUB	2	2	
26	287258	RUBBER BUMPER 126MM X 48MM	4	4	
26	680030	ADHESIVE ADCHEM #EC847 / 1 Liter	AR	AR	
27	411084	SHIM SPACER	AR	AR	
28	502903	SCREW TC FL PH #10-24x1 1/4 N500	8	8	
30	410836	SPRING ASSY To C-5240	1	1	
30	411267P	SPRING ASSY From C-5241	1	1	



From B-5010 To D-5489	Date:07/2024	PAGE:XV-1860-11
-----------------------	--------------	-----------------

SPARE WHEEL DOOR ASSY

Item#	Part	Description	X 3 V I P	X L I I E N T 4 5	N O T E S
31	5001238	. SCREW HOOK 3/8-16x5 ZP	1	1	
32	5001239	. SCREW HOOK 3/8-16x5 LH ZP	1	1	
33	500102	. NUT HEX 3/8-16 SS	1	1	
34	5061019	. NUT HEX LH 3/8-16 SS	1	1	
35	280251	PLATE CLOSING W/"ACB"	1	1	
35	280256	PLATE CLOSING W/OUT "ACB"	1	1	
36	5001648	SCREW CAP HEXS M6-1.0x18 SS BK	4	4	
37	5001833	WASHER BEL SPR 6.1x18x1.27 SS	4	4	
40	XV-1850-00	BUMPER FRONT			
41	XV-0661-00	FOG LAMP			
42	XV-189X-XX	STRUCTURE / CALL ORDER DESK			
43	051570	SHUTTER ASSY To C-5262	1	1	
. NS	550568	. CYLINDER AIR / SHUTTER / W/4" MOUNT To C-5262	1	1	
. NS	550569	. BOOT RUBBER To C-5262	1	1	
. NS	550577	. SPRING EXTENSION / .350 O.D. x 6.875 x .069 To C-5262	1	1	
. NS	550179	. BUSHING 5/16" I.D. / NYLON To C-5262	AR	AR	
43	053011	SHUTTER ASSY From C-5263	1	1	
43	550577	. SPRING EXTENSION / .350 O.D. x 6.875 x .069	1	1	
43A	550568	. CYLINDER AIR / SHUTTER / W/4" MOUNT	1	1	
43A	550569	. . BOOT RUBBER	1	1	
43A	550179	. . BUSHING 5/16" I.D. / NYLON	1	1	
44	5001648	SCREW CAP HEXS M6-1.0x18 SS BK	5	5	
45	500356	WASHER LO SERR 6.1x16.0x0.9 N500	5	5	
46	641365	MALE ELBOW 45° NON-SWIVEL / PUSH-IN FITTING / #4x1/8NPT-M BR	1	1	
47	282953	PLATE, CLOSING	1	1	
48	282954	GASKET	1	1	
49	504340	RIVET POP DOME OE 1/8x3/16 SS	4	4	
50	287290	DECAL / "UNLATCH FRONT BUMPER" / ENGLISH & FRANCAIS	1	1	
50	288199	DECAL / "UNLATCH FRONT BUMPER" / ENGLISH & SPANISH	1	1	
51	289495	CABLE HANDLE ASSY	1	1	
52	289981	SUPPORT / HANDLE	1	1	
53	504379	RIVET POP DOME OE 3/16x1/4 SS	4	4	
54	780653	LOCK SPAGNOLET R.H. / W/G-FITTING	1	1	
. NS	780340	. CLIP, RETAINER ROD	1	1	
. NS	507607	. GREASE FITTING / M6-1.00	1	1	
54	680739	GREASE SYNTHETIC / RED 20KG	AR	AR	
55	780652	LOCK SPAGNOLET L.H. / W/G-FITTING	1	1	
. NS	780340	. CLIP, RETAINER ROD	1	1	
. NS	507607	. GREASE FITTING / M6-1.00	1	1	
55	680739	GREASE SYNTHETIC / RED 20KG	AR	AR	
56	284914	SPRING EXTENSION / .305 O.D. x 1.562 x .051	2	2	
57	289496	LEVER PIVOT	2	2	



From B-5010 To D-5489	Date:07/2024	PAGE:XV-1860-11
-----------------------	--------------	-----------------

SPARE WHEEL DOOR ASSY

Item#	Part	Description	X 3 V I P	X L I I E N T 4 5	N O T E S
58	504379	RIVET POP DOME OE 3/16x1/4 SS	2	2	
59	287424	ROD	1	1	
60	780340	CLIP, RETAINER ROD	2	2	
61	5001744	SCREW CAP HEX M6-1.0x16 G8.8 N500	4	4	
62	500356	WASHER LO SERR 6.1x16.0x0.9 N500	4	4	
NS	680739	GREASE SYNTHETIC / RED 20KG	AR	AR	
75	289497	SUPPORT SPAGNOLET	1	1	
76	287423	SUPPORT SPAGNOLET	1	1	
NS	161192	DECAL "WARNING SPARE TIRE...." BILINGUAL 315/80/R22.5 Tag & Dr125	1	1	

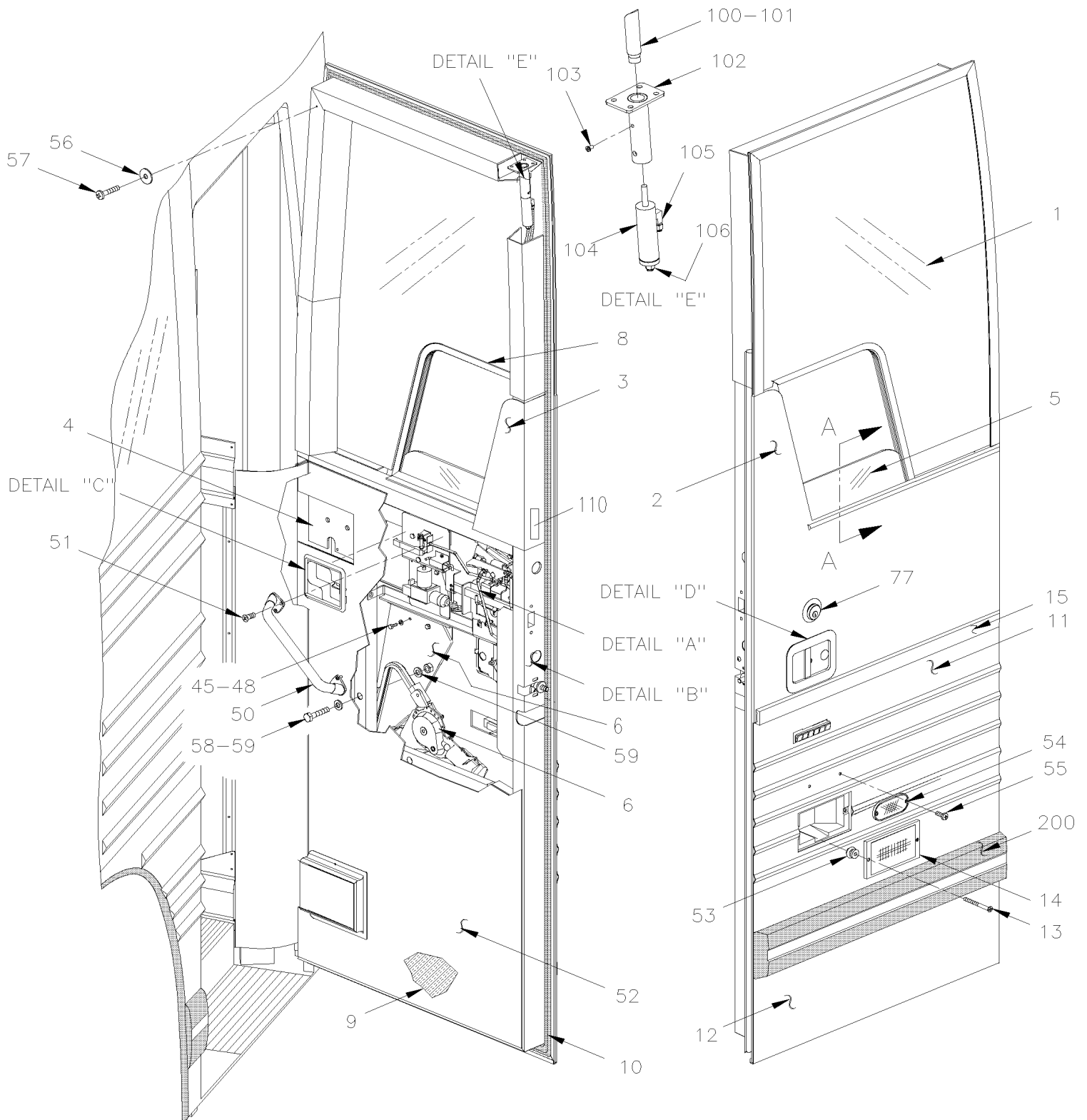


From B-5003 To D-5489

Date:07/2024

PAGE:XV-1862-50

ENTRANCE DOOR ASSY



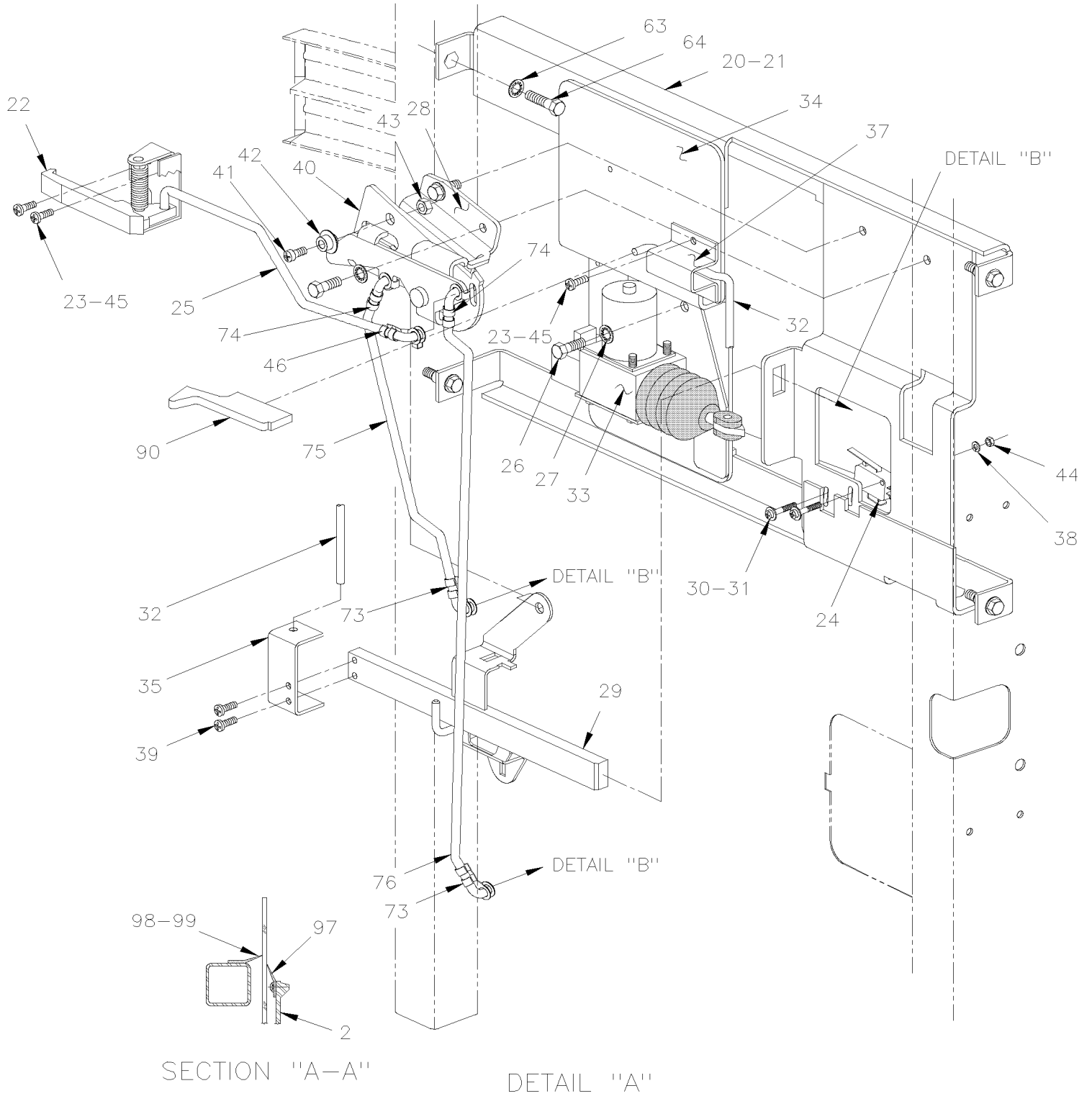


From B-5003 To D-5489

Date:07/2024

PAGE:XV-1862-50

ENTRANCE DOOR ASSY



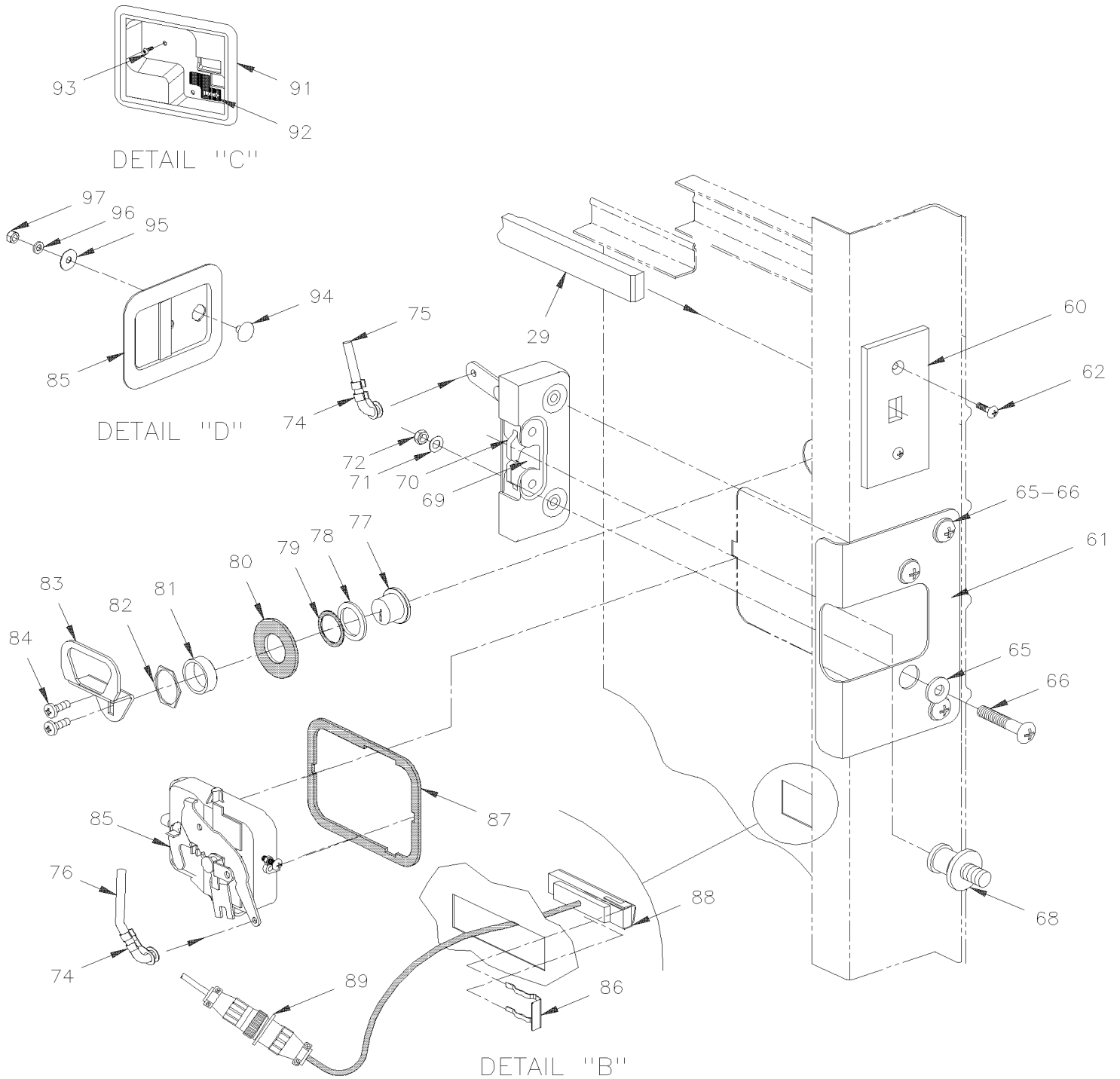


From B-5003 To D-5489

Date:07/2024

PAGE:XV-1862-50

ENTRANCE DOOR ASSY





From B-5003 To D-5489	Date:07/2024	PAGE:XV-1862-50
-----------------------	--------------	-----------------

ENTRANCE DOOR ASSY

Item#	Part	Description	X 3 V I P	X L I I E N T 4 5	N O T E S
		ALL DOORS ASSY DO NOT INCLUDE			
		RUB-RAIL PLEASE ORDER SEPARATELY			
	287181P	ENTRANCE DOOR ASSY MTH 89"	1	1	
1	286427	GLASS ENTRANCE DOOR / MTH 86" & 89"	1	1	
2	286715	PANEL UPPER / MTH 89"	1	1	
3	287915	FINISHING CAP MTH 83", 86", & 89"	1	1	
NS	504340	RIVET POP DOME OE 1/8x3/16 SS	3	3	
4	287136P	FRAME ASSY 89"	1	1	
5	286196	GLASS ASSY W/SUPPORT	1	1	
5	286078	GLASS	1	1	
5	299049	SUPPORT ASSY	1	1	
5	681092	ADHESIVE SIKA #255FC / BLACK / 310ml CARTRIDGE	1	1	
6	XV-1886-00	POWER WINDOW - ELECTRICAL INSTALLATION			
8	293088	MOULDING	1	1	
9	286736	INSULATION WITH 89" DOOR	1	1	
10	288916	RUBBER SEAL EXTRUSION / ENTRANCE DOOR MTH-89" To C-5244	1	1	
10	2800129	RUBBER SEAL EXTRUSION // ENTRANCE DOOR MTH-89" From C-5245	1	1	
11	288523	PANEL CENTER / MTH W/DOCKING LAMP / B.A.	1	1	
12	288524	PANEL LOWER / B.A.	1	1	
NS	504335	RIVET POP DOME CLE 3/16x1/4 AL	2	2	
NS	500437	WASHER FL .125x.375x.040 Z050	2	2	
13	502530	SCREW MA OV PH M4-0.7x40 SS	2	2	
14	XV-0663-00	DOCK & CORNERING LIGHT			
15	288522	FINISHING MOULDING 800MM / B.A.	1	1	
20	288554	. MECHANISM ASSY	1	1	
21	289957	. . SUPPORT ASSY	1	1	
22	780484	. . LEVER, RELEASE	1	1	
23	500654	. . SCREW TC BDG PH #8-32x1/2 Z050	4	4	
24	561677	. . MICRO SWITCH	1	1	
NS	680066	. . ADHESIVE / ADBOND #5014 / 23.6ML BOTTLE	AR	AR	
25	283387	. . ROD	1	1	
26	500472	. . WASHER LO INT .256x.478x.028 Z050	4	4	
27	502531	. . SCREW CAP HEX M6-1.0x16 G8.8 Z050	4	4	
28	288552	. . SHUTTER, RELEASE ASSY	1	1	
29	286217	. . BAR ASSY, RIVETED	1	1	
30	5001412	. . SCREW MA CHE PH M3-0.5x20 EMN	2	2	
31	500591	. . WASHER FL 4.3x9.0x0.8 Z050	2	2	
32	284836	. . ROD	1	1	
33	780814	. . LOCK ACTUATOR / 12V To C-5169	1	1	
. NS	562076	. . . CONNECTOR / PACK-CON I / FEMALE HOUSING / 2C / PED 8911772 To C-5169	1	1	



From B-5003 To D-5489	Date:07/2024	PAGE:XV-1862-50
-----------------------	--------------	-----------------

ENTRANCE DOOR ASSY

Item#	Part	Description	X 3 V I P	X L I I E N T 4 5	N O T E S
33	2800049	. . LOCK ACTUATOR / 12V From C-5170	1	1	
34	289960	. . SUPPORT ACTUATOR	1	1	
35	283364	. . TIE	1	1	
37	780483	. . CLAMP	1	1	
38	502579	. . NUT HEX M3-0.5 NP	2	2	
39	500393	. . SCREW TC PAN PH #10-24x3/8 Z050	2	2	
40	502156	. . SPRING EXTENSION / .437 O.D. x 2 x .041	1	1	
41	502746	. . SCREW MA PAN PH M5-0.8x20 SS BK	1	1	
42	285546	. . STOPPER	1	1	
43	502782	. . NUT HEX NYRT M5-0.8 Z050	1	1	
44	502691	. . WASHER LO SPT 3.6x6.7x0.8 Z050	2	2	
45	680066	. . ADHESIVE / ADBOND #5014 / 23.6ML BOTTLE	AR	AR	
46	504541	. . CLIP ROD 1/4" R.H.	1	1	
48	502806	SCREW MA FL PH M6-1.0x10 Z050	2	2	
50	901047	HANDLE / SHORT	1	1	
51	500616	SCREW TP FL PH #10x3/4 Z050	4	4	
52	289281	PANEL FINISHING / AL. / MTH 89"	1	1	
NS	504373	PLUG BUTTON / 1.000 O.D. / BARE METAL	3	3	
NS	286117	FINISHING PLATE	1	1	
NS	289282	ACCESS PANEL 834MM X 494MM	1	1	
53	500589	NUT WELL M4-0.7x13.5	2	2	
54	930212	REFLECTOR AMBER 1 1/8" x 4 3/8"	1	1	
55	500124	SCREW TP TR PH #8x1/2 SS	2	2	
56	500345	WASHER FN CKF .187x.500x.090 BR BK	14	14	
57	5001097	SCREW TC OV PH #6-32x3/4 SS410 BK	14	14	
58	502622	SCREW CAP HEX M6-1.0x20 SS BK	4	4	
59	502573	WASHER FL 6.4x12.5x1.6 SS	4	4	
60	283397	GUIDE ASSY	1	1	
61	286117	FINISHING PLATE	1	1	
62	500654	SCREW TC BDG PH #8-32x1/2 Z050	2	2	
62	500438	WASHER FL .187x.437x.050 Z050	2	2	
63	502582	WASHER LO SERR 6.1x16.2x0.9 Z050	2	2	
64	5001433	SCREW CAP HEX M6-1.0x25 SS	1	1	
65	500411	WASHER FL .260x.697x.050 SS	4	4	
66	500559	SCREW MA TR PH 1/4-20x1 1/2 SS EMN	4	4	
68	780189	STRIKER & SHIM	1	1	A
70	780592	LATCH, LH.	1	1	
71	500411	WASHER FL .260x.697x.050 SS	4	4	
72	502716	NUT HEX NYRT 1/4-20	4	4	
73	504243	CLIP ROD 1/4" L.H.	2	2	
74	504541	CLIP ROD 1/4" R.H.	4	4	
NS	504541	CLIP ROD 1/4" R.H.	2	2	



From B-5003 To D-5489	Date:07/2024	PAGE:XV-1862-50
ENTRANCE DOOR ASSY		

Item#	Part	Description	X 3 V I P	X L I I E N T 4 5	N O T E S
75	288201	RELEASE MECHANISM ROD	1	1	
76	288200	HANDLE ROD	1	1	
77	780803	CYLINDER LOCK ASSY W/2 KEYS / "SCHLAGE" SERVICE	1	1	
. NS	780902	. KEY / "SCHLAGE" BLANK	1	1	
NS	780562	KEY / "CORBIN" BLANK	1	1	
78	283468	WASHER FINISHING	1	1	
80	285188	GASKET	1	1	
81	286704	SPACER / LOCK & NUT	1	1	
82	780427	NUT	1	1	
83	286626	LEVER, TRIANGULAR SHAPE / W/"CORBIN" 18MM OFFSET	1	1	
83	289029	LEVER, TRIANGULAR SHAPE / W/"SCHLAGE" 18MM OFFSET SERVICE	1	1	
84	N.S.P.	SCREW MA FL PH 22 (INCLUDE W/ITEM #77)	1	1	2
85	780713	HANDLE EXTERIOR	1	1	
NS	288814	SPACER	1	1	
NS	500438	WASHER FL .187x.437x.050 Z050	1	1	
NS	500438	WASHER FL .187x.437x.050 Z050	1	1	
NS	507610	FOAM LOW EXPANSION	1	1	
86	780637	CLIP RETAINER	1	1	
87	288815	GASKET	1	1	
88	065301	KEYBOARD ASSY	1	1	
88	069141	KEYBOARD REPLACEMENT KIT	1	1	S
. NS	069071	. HARNESS ENTRANCE DOOR KEYLESS SKIM	1	1	S
. NS	069164	. SUPPORT SKIM MODULE	1	1	S
. NS	069166	. HARNESS KEYLESS KEYPAD - CPC	1	1	S
. NS	502868	. SCREW TC TR PH #10-16x1/2 N500	2	2	S
. NS	502903	. SCREW TC FL PH #10-24x1 1/4 N500	3	3	S
. NS	504013	. TIE MOUNT / 1/4" X 1/4" I.D.	3	3	S
. NS	504637	. CABLE TIE / 3/16" x 13"	6	6	S
. NS	565914	. KEYPAD, DOOR LOCK W/CONNECTOR	1	1	S
. NS	565916	. MODULE INTERFACE KEYLESS SYSTEM	1	1	S
. NS	IS-13158	. SEE INSTRUCTION SHEET	1	1	S
. NS	FI-13158	. VOIR FEUILLE D'INSTRUCTION	1	1	S
88	065900	WATER DEFLECTOR / PLASTIC	1	1	C
89	064831	CABLE KEYLESS MODULE	1	1	
NS	504637	CABLE TIE / 3/16" x 13"	1	1	
NS	560503	CLAMP / 1/4" I.D.	1	1	
NS	500641	SCREW TP PAN PH #8x3/4 Z050	1	1	
90	284127	BUTTON	1	1	
91	780482	BEZEL	1	1	
92	283769	. DECAL / "LOCK"	1	1	
93	5001155	SCREW TP PAN PH #8X3/4 N050	1	1	
94	286480	PLUG SS 3/4" O.D. X M8-1.25	1	1	



From B-5003 To D-5489	Date:07/2024	PAGE:XV-1862-50
ENTRANCE DOOR ASSY		

Item#	Part	Description	X 3 V I P	X L I I E N T 4 5	N O T E S
95	286481	WASHER FL .354x1.02x 22GA SS	1	1	
96	502507	WASHER LO SPT 8.1x14.8x2.0 Z050	1	1	
97	286993	FLAP SEAL GLASS ASSY	1	1	
NS	286992	. FLAP SUPPORT	1	1	
98	288063	. FLAP SEAL / W/FLOCKING 37.6MM x 335MM	1	1	
99	286717	JOINT SUPPORT 345MM SS	1	1	
NS	500124	SCREW TP TR PH #8x1/2 SS	4	4	
100	287012	UPPER LOCK ASSY	1	1	
101	285271	. CATCH To C-5124	1	1	
101	282383	. CATCH From C-5125	1	1	
102	287011	. PLATE MOUNTING	1	1	
103	500560	. SCREW MA PAN PH M4-0.7x6 Z050	1	1	
NS	502636	. WASHER LO SPT 4.1x7.6x0.9 Z050	1	1	
104	641983	. CYLINDER 7/8" X 1" STROKE / DOUBLE ACTION	1	1	
105	641369	. MALE ELBOW 90° NON-SWIVEL / PUSH-IN FITTING / #4x1/8NPT-M BR	1	1	
106	641242	. MALE CONNECTOR / PUSH-IN FITTING / #4x1/8NPT-M BR	1	1	
NS	683276	. GREASE LOW TEMPERATURE 450GR	AR	AR	
110	406050	DECAL / "C.W.A." & "T.C.A."	1	1	
110	157729	DECAL / WALL TO WALL TURNING DIAM 90' 3" WITH VIN #	1	1	
. NS	157730	. DECAL / WALL TO WALL TURNING DIAM 90' 3" W/OUT VIN RAW MATERIAL	1	1	
200	XV-1855-00	RUB RAIL - EXTERIOR CREST & TRIMS			
NS	506769	TAPE RUB ADH2 CC POL 1/8" x 1/4" x 60' / BLACK H1CC-N-#14	AR	AR	
NS	506790	TAPE RUB ADH2 CC POL 1/16" x 1/2" x 200' / BLACK I1C-N-A	AR	AR	
NS	680065	TAPE COMPOUND / BLACK / 1/32" X 1" X 33' / L163-2400	AR	AR	
NS	684517	ADHESIVE SIMSON #ISR 70-03 / GREY / 310ml CARTRIDGE	AR	AR	
NS	687957	GLUE MS POLYMER TEROSON MS 9399 / 400ml CARTRIDGE	AR	AR	
NS	687958	MIXER QUADRO 10.7MM W/"V" ADAPTOR / "B"	1	1	
NS	289984	SUPPORT WATER DEFLECTOR	1	1	
NS	289948	DEFLECTOR LONG	1	1	
		A) FIXED ON STRUCTURAL FRAME			
		C) FOR PRODUCT IMPROVEMENT USE THIS NEW DEFLECTOR UP TO 4-8261			
		S) SERVICE ONLY			
		2) NOT SOLD BY PREVOST (SEE MANUFACTURING PART NUMBER AT END OF DESCRIPTION LINE)			

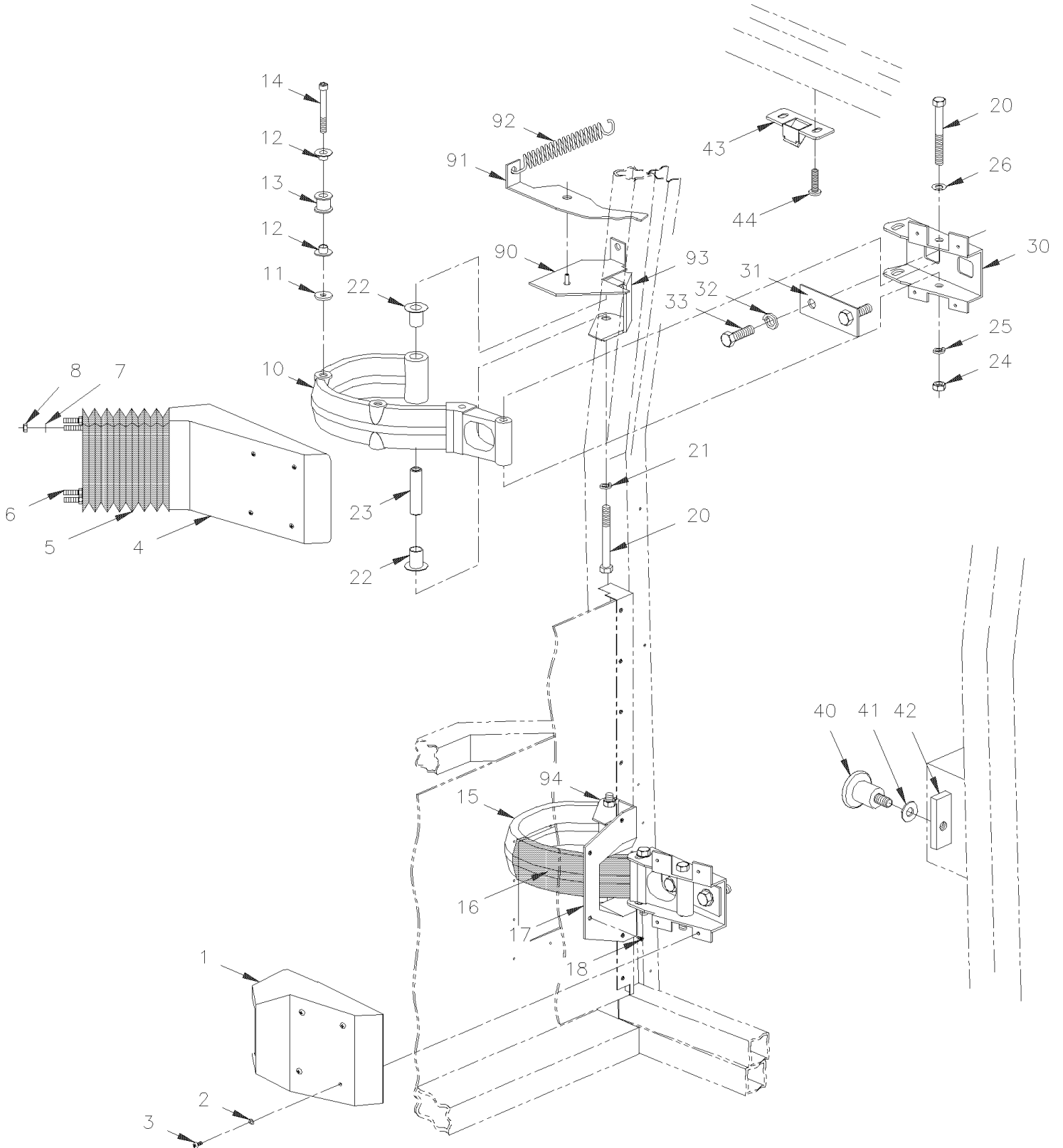


From B-5003 To D-5489

Date:07/2024

PAGE:XV-1862-60

ENTRANCE DOOR FRAME - INSTALLATION





From B-5003 To D-5489	Date:07/2024	PAGE:XV-1862-60
ENTRANCE DOOR FRAME - INSTALLATION		

Item#	Part	Description	X 3 V I P	X L I I E N T 4 5	N O T E S
1	326604	CAP COVER LOWER	1	1	
2	500950	WASHER FL .187x.625x.094 RUB	8	8	
3	500409	SCREW TP PAN PH #8x1/2 BK	8	8	
4	326727	CAP COVER UPPER	1	1	
5	285492	BELLOWS / RUBBER	1	1	
6	285491	PLATE BELLOW RETAINER	2	2	
7	500964	WASHER FL .203x.500x.047 Z050	8	8	
8	502782	NUT HEX NYRT M5-0.8 Z050	8	8	
10	287472	HINGE UPPER	1	1	
11	502638	WASHER FL .312x.734x.065 N500	1	1	
12	507628	BUSHING NYLINER	2	2	
13	287405	ROLLER SS 11MM I.D.x14.5 O.D. 19Fix17Th	1	1	
14	500876	SCREW SHR HEXS 3/8x3/4 {5/16-18	1	1	
15	287341	HINGE	1	1	
16	326228	COVER HINGE LOWER / PLASTIC	1	1	
17	326227	PANEL FINISHING LOWER	1	1	
20	5001016	SCREW CAP HEX M10-1.5x90 G8.8 Z050	2	2	
21	500257	WASHER LO SPT 10.2x18.1x2.2 Z050	2	2	
22	507326	BEARING FLANGE	2	2	
23	287337	SPACER / BEARING FLANGE	2	2	
24	500256	NUT HEX M10-1.5 Z050	4	4	
25	502585	WASHER LO SERR 10.2x26.3x1.4 ZP	4	4	
26	500445	WASHER FL .437x1.000x.083 Z050	2	2	
30	284040	ATTACHMENT	2	2	
31	286998	SUPPORT PLATE 134MM X 48MM	2	2	
32	500747	WASHER LO SPT 12.2x21.1x2.5 N500	4	4	
33	502731	SCREW CAP HEX M12-1.75x40 G8.8 Z050	4	4	
40	780189	STRIKER & SHIM	1	1	
41	500446	WASHER FL .531x1.250x.125 Z050	1	1	
42	285014	FIXING BLOCK	1	1	
43	287008	DOOR STOPPER ASSY	1	1	
44	502806	SCREW MA FL PH M6-1.0x10 Z050	2	2	
90	251548	LEVER AND SUPPORT ASSY SS (WELDED TO FRAME) To D-5466	1	1	
90	251609	LEVER AND SUPPORT ASSY SS (WELDED TO FRAME) From D-5467	1	1	
NS	504543	. RIVET SHR FL 3/8x3/16 STL	1	1	
91	214664	. DOOR STOPPER To D-5466	1	1	
91	251610	. DOOR STOPPER From D-5467	1	1	
92	502255	SPRING EXTENSION / .814 O.D. x 3.14 x .148	1	1	
93	251083	HINGE SUPPORT / UPPER	1	1	
94	251001	HINGE SUPPORT / LOWER	1	1	

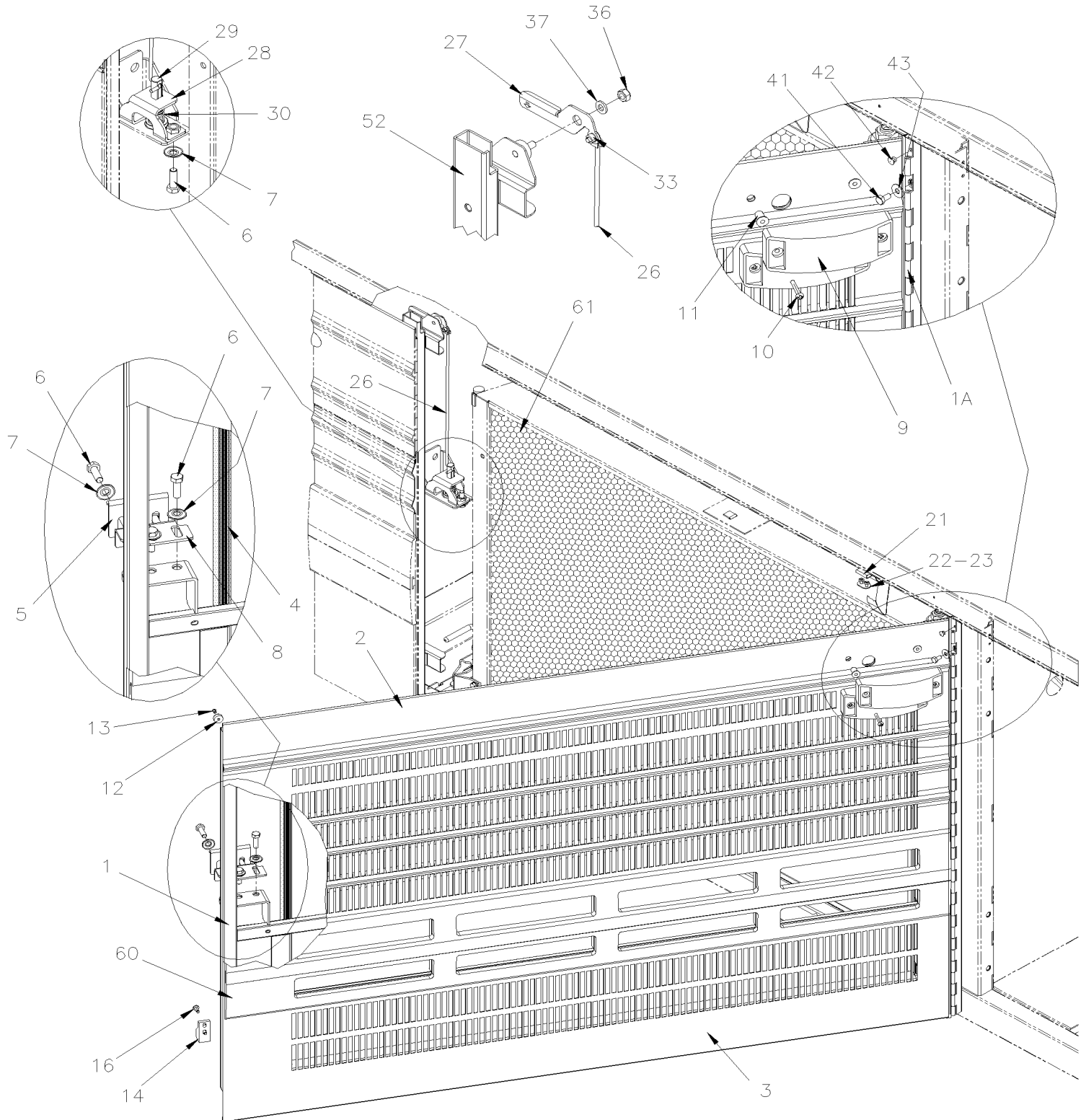


From B-5003 To D-5489

Date:07/2024

PAGE:XV-1863-50

CONDENSOR DOOR ASSY





From B-5003 To D-5489	Date:07/2024	PAGE:XV-1863-50
CONDENSOR DOOR ASSY		

Item#	Part	Description	X 3 V I P	X L I I E N T 4 5	N O T E S
		THIS DOOR ASSY DO NOT INCLUDE RUB-RAIL			
		PLEASE ORDER SEPARATELY			
	485868	CONDENSOR DOOR ASSY / W/FLUTED To D-5459	1	1	
	485869	CONDENSOR DOOR ASSY / W/FLUTED From D-5460	1	1	
1	484154	. FRAME ASSY / 1285MM To D-5459	1	1	
1	484334	. FRAME ASSY / 1285MM From D-5460	1	1	
1A	484163	. . HINGE	1	1	
2	484250	. ONE PIECE PANEL 1281.6MM W/ 3.20 SQF PERFORATED AREA To D-5459	1	1	
2	484333	. ONE PIECE PANEL / FLUTED 1281.6MM From D-5460	1	1	
2	484202	. . PANEL, UPPER / FLUTED To D-5459	1	1	
3	484205	. . PANEL, LOWER 1285MM / FLUTED	1	1	
NS	684517	. ADHESIVE SIMSON #ISR 70-03 / GREY / 310ml CARTRIDGE	AR	AR	
NS	687961	. GLUE MS POLYMER TEROSON MS 9399 / "A" 21 Liters	AR	AR	
NS	687962	. GLUE MS POLYMER TEROSON MS 9399 / "B" 21 Liters	AR	AR	
4	506303	. RUBBER SEAL EXTRUSION	12	12	
5	287051	. CATCH PIN / RETAINER 52MM x 70MM	1	1	
6	502780	. SCREW CAP HEX M8-1.25x25 SS BK	4	4	
7	5001699	. WASHER BEL SPR 8.2x22x1.4 N500	4	4	
8	484167	. DOOR LATCH ADJUSTABLE	1	1	
9	XV-0662-00	. CLEARANCE & MARKER LIGHT			
10	5001042	. SCREW MA RND PH #10-32x1 1/4 SS	2	2	
11	502774	. NUT WELL #10-32x.625	2	2	
12	5001393	. BUMPER RUBBER / .625 OD x .281 TH x .125 HOLE	2	2	
13	504340	. RIVET POP DOME OE 1/8x3/16 SS	2	2	
14	289708	. GUIDE LOWER COND DOOR PLASTIC To D-5484	1	1	
14	2800374	. GUIDE LOWER COND DOOR PLASTIC From D-5485	1	1	
16	500945	. SCREW TC BDG PH #10-24x1/2 G500 To D-5484	2	2	
16	500623	. SCREW TC PAN PH #10-24x3/4 N500 From D-5485	2	2	
21	505507	STRAP NYLON 1" WIDE / S.L.	AR	AR	
NS	452813	SUPPORT STRAP RETAINER W/2 SLOTS & 2 HOLES	1	1	
NS	285476	SUPPORT STRAP RETAINER W/2 SLOTS & 1 HOLE (WELDED AT DOOR STRUCTURE)	1	1	
22	284439	PLATE, STRAP RETAINING / OBLONG 16.5MM x 25.4MM W/2 HOLES	1	1	
23	504747	RIVET HKL MMS 3/16x3/8 SS	2	2	
26	484169	ROD OPENING 309MM	1	1	
27	484216	HANDLE	1	1	
28	289674	SUPPORT CATCH PIN W/OUT PIVOT	1	1	
29	289636	CATCH PIN ACETAL / 90.5MM	1	1	
30	502910	SPRING COMPRESSION / .720 O.D. 1.75 x .055	1	1	
33	780340	CLIP, RETAINER ROD	2	2	
36	5001182	NUT HEX NYRT M6-1.0 SS	1	1	



From B-5003 To D-5489	Date:07/2024	PAGE:XV-1863-50
-----------------------	--------------	-----------------

CONDENSOR DOOR ASSY

Item#	Part	Description	X 3 V I P	X L I I E N T 4 5	N O T E S
37	502573	WASHER FL 6.4x12.5x1.6 SS	1	1	
41	5001743	SCREW CAP HEX M6-1.0x12 G8.8 N500	6	6	
42	504379	RIVET POP DOME OE 3/16x1/4 SS	2	2	
43	500411	WASHER FL .260x.697x.050 SS	6	6	
52	223954	POST ASSY FORWARD FUEL DOOR ASSY W/REINFORCMENT PANEL	1	1	
. NS	216798	. PANEL REINFORCMENT LOWER FUEL DOOR 249MM x 600MM	1	1	
. NS	223940	. POST ASSY FORWARD FUEL DOOR ASSY	1	1	
. . NS	216797	. . STOPPER CONDENSOR DOOR	2	2	
. . NS	223937	. . BRACKET LATCH COND DOOR	1	1	
. . NS	477296	. . ATTACHMENT SPRING DOOR	1	1	
. . NS	502659	. . NUT WD RND M6-1.0 SS	2	2	
60	XV-1855-00	RUB RAIL - EXTERIOR CREST & TRIMS			
61	XV-2255-00	CONDENSOR - INSTALLATION			



From B-5003 To D-5489

Date:07/2024

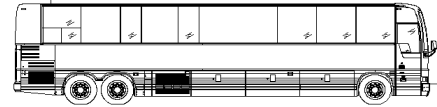
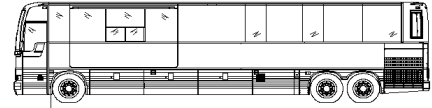
PAGE:484250

ONE PIECE PANEL 1281.6MM W/ 3.20 SQF PERFORATED AREA

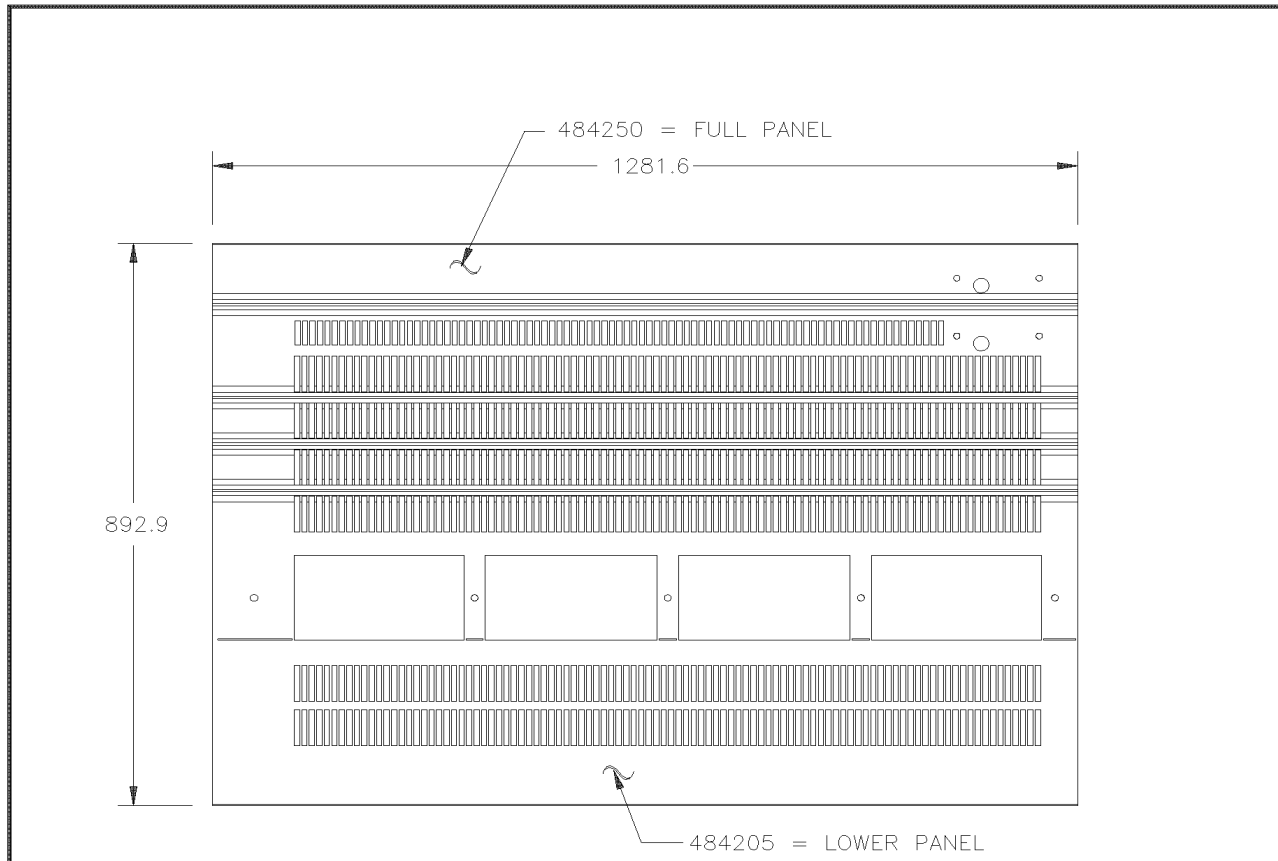
PREVOST



X3-VIP



XL-II ENT.



EXTERIOR VIEW

NOTE:

4TH DOOR RH
WITH SMALL A/C

TOTAL PERFORATED AREA: 3.20 f ²	EFF : B-5003	DOOR ASSY ONLY IN SERVICE PART	N.A.
	PRIOR:		
DATE: 09-2011	WITH INSULATION	REFERENCE ONLY	484250
REV. :	WITHOUT INSULATION		



From B-5003 To D-5489	Date:07/2024	PAGE:484250
-----------------------	--------------	-------------

ONE PIECE PANEL 1281.6MM W/ 3.20 SQF PERFORATED AREA

Item#	Part	Description	X 3 V I P	X L I I E N T 4 5	N O T E S
1		BAGAGE DOOR FULL PANEL	1	1	
2	Call order desk	. PANEL, LOWER 1285MM / FLUTED	1	1	P
		P) CALL ORDER DESK FOR SPECIFIC APPLICATION (V.I.N.)			

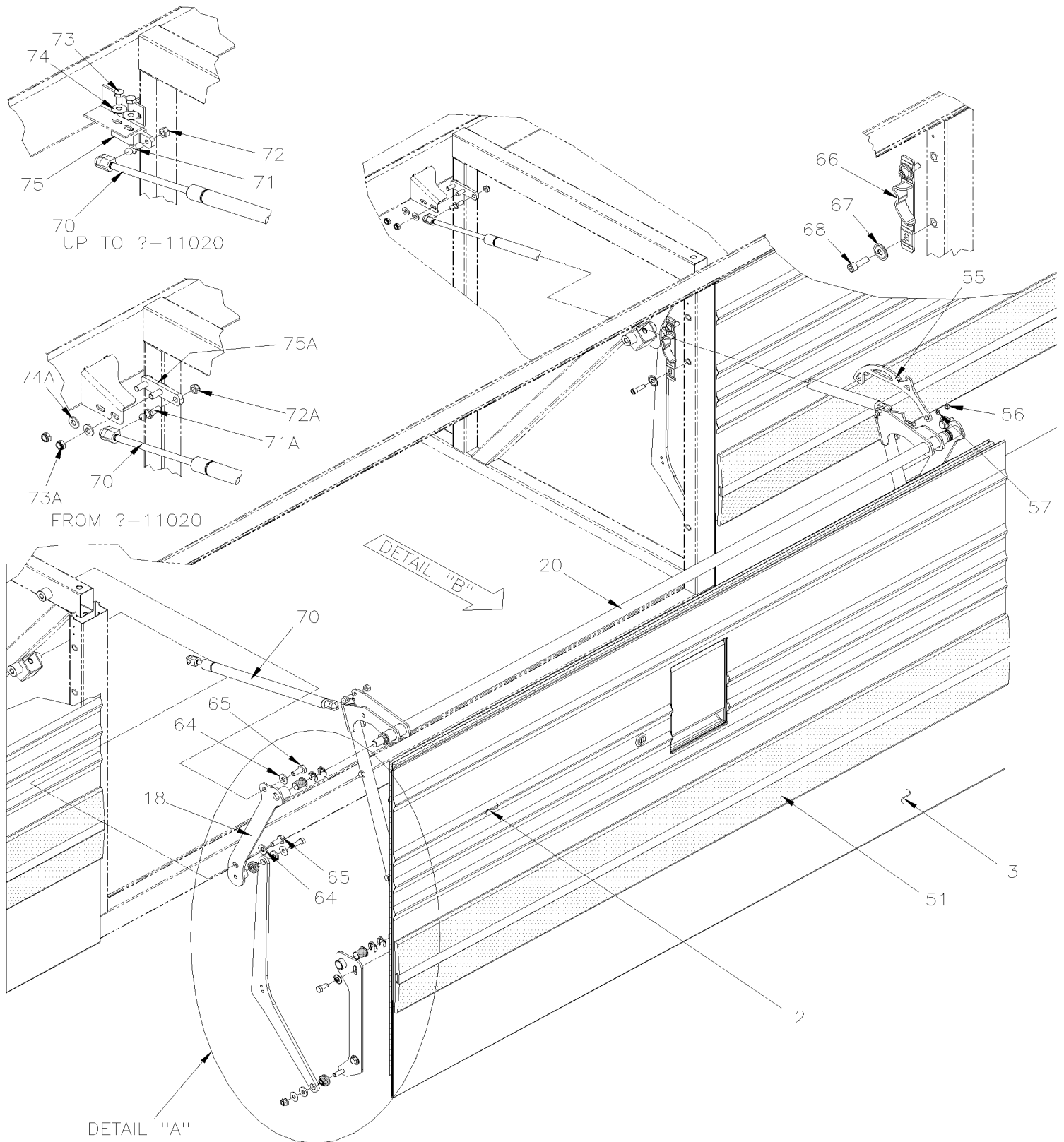


From B-5003 To D-5459

Date:07/2024

PAGE:XV-1864-00

BAGGAGE DOOR ASSY / 70"



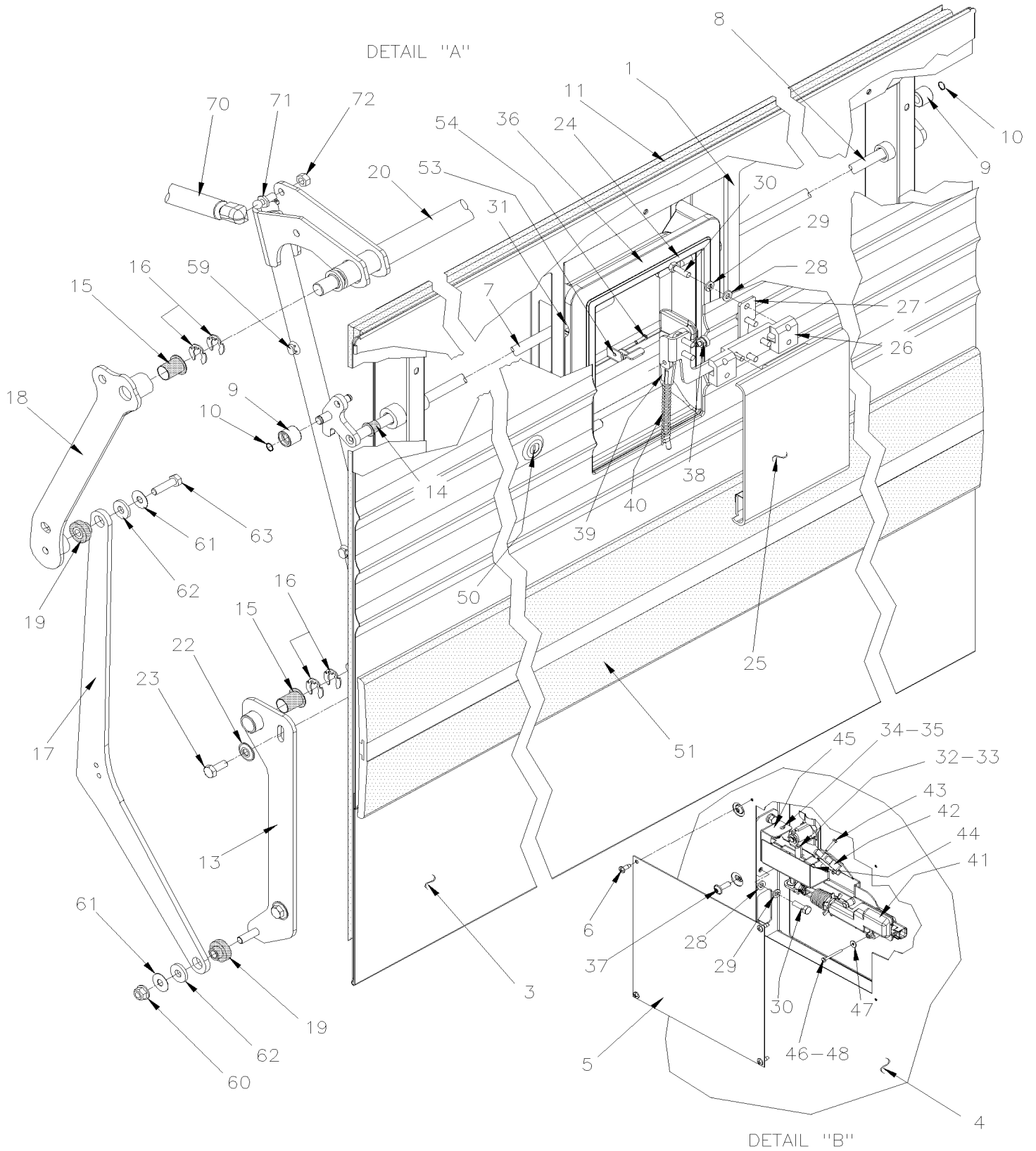


From B-5003 To D-5459

Date:07/2024

PAGE:XV-1864-00

BAGGAGE DOOR ASSY / 70"





From B-5003 To D-5459	Date:07/2024	PAGE:XV-1864-00
BAGGAGE DOOR ASSY / 70"		

Item#	Part	Description	X 3 V I P	X L I E N T 4 5	N O T E S
	485713	DOOR ASSY 70" / ELECTRICAL LOCK / SS	1	1	
	Call order desk	DOOR ASSY 70" / ELECTRICAL LOCK / SS	1	1	P
	Call order desk	DOOR ASSY 70" / ELECTRICAL LOCK / SS	1	1	P
	485712	DOOR ASSY 70" W/VENT HOLE / ELECTRICAL LOCK / SS	1	1	
NS	Call order desk	. INSULATING KIT / BAGGAGE DOOR STD	1	1	P
1	287057P	. FRAME 70" To D-5299	1	1	
1	289830P	. FRAME 70" From D-5300	1	1	
2	489174	. ONE PIECE PANEL 1786.8 MM / FLUTED / B.A.	1	1	
2	480124	. ONE PIECE PANEL 1786.8 MM / FLUTED / W/MARKER LIGHT / CURBSIDE	1	1	
2	480125	. ONE PIECE PANEL 1786.8 MM / FLUTED / W/MARKER LIGHT / STREET SIDE	1	1	
3	484340	. . PANEL, LOWER / B.A. 1786.8 MM	1	1	
4	287055	. PANEL INTERIOR 70"	1	1	
4	484228	. PANEL INTERIOR 70"	1	1	
NS	506785	. TAPE RUB ADH2 CC POL 1/16" X 1/4" X 200' / BLACK 11C-N-A	AR	AR	
NS	504433	. SNAP-IN PLUG / 1.090 O.D.	AR	AR	
5	481787	. PANEL ACCESS 9" X 9"	1	1	
6	502868	. SCREW TC TR PH #10-16x1/2 N500	4	4	
7	288100	. LOCKING ROD L.H. 793MM	1	1	
8	280247	. LOCKING ROD R.H. 793MM	1	1	
9	288607	. ROLLER CATCH	2	2	
10	504318	. RING RETAINER / EXT .375 x .352 x .025	2	2	
11	287060	. RUBBER SEAL EXTRUSION / W/70" DOOR 1698MM x 800MM To C-5244	1	1	
11	2800140	. RUBBER SEAL EXTRUSION / W/70" DOOR 1698MM x 800MM From C-5245	1	1	
13	287415	SUPPORT LOWER L.H.	1	1	
13	285724	SUPPORT LOWER R.H.	1	1	
14	507141	BUSHING, NYLINER W/SHOULDER (7-L-7-F)	2	2	
15	507299	BUSHING NYLINER	4	4	
16	508398	RING RETAINER / EXT .625 x .500 x .050" / SS	AR	AR	
17	287690	ARM LOWER L.H.	1	1	
17	287713	ARM LOWER R.H.	1	1	
18	287414	ARM UPPER L.H.	1	1	
18	286707	ARM UPPER R.H.	1	1	
19	286716	SPACER BUSHING FLANGE / AUX. ARM & SUPPORT ACETAL 8.3MM I.D.	4	4	
20	287691	ARM PANTOGRAPH	1	1	
21	283876	ARM PANTOGRAPH W/ W.C.L.	1	1	
22	5001699	WASHER BEL SPR 8.2x22x1.4 N500	4	4	
23	502862	SCREW CAP HEX M8-1.25x20 G8.8 N500	4	4	
24	287621	FINISHING FRAME PLASTIC / AROUND HANDLE BLACK	1	1	
25	287175	HANDLE ASSY / B.A.	1	1	
26	288606	HINGE	1	1	
27	288634	GRIP HANDLE	1	1	



From B-5003 To D-5459	Date:07/2024	PAGE:XV-1864-00
BAGGAGE DOOR ASSY / 70"		

Item#	Part	Description	X 3 V I P	X L I I E N T 4 5	N O T E S
28	502573	WASHER FL 6.4x12.5x1.6 SS	9	9	
29	502570	WASHER LO SPT 6.1x11.8x1.6 SS	9	9	
30	502622	SCREW CAP HEX M6-1.0x20 SS BK	9	9	
31	507644	O-RING 10MM I.D. X 2MM	2	2	
32	287406	PIVOT LOCK 9.5MM OFFSET	1	1	
33	504402	RING RETAINER / EXT .250 x .210 x .025"	1	1	
34	481564	ROD GUIDE	2	2	
35	502934	SPRING COMPRESSION / .300 O.D. x 1 x .026	2	2	
36	288611	SEALING BOX	1	1	F
37	5001630	SCREW TP BUTF TORX M6x20 SS	6	6	
38	287271	RIVET SHR FL 9.95x3.6(4.8x4.8 SS	1	1	
39	288639	PIN HANDLE RELEASE	1	1	
40	480394	SPRING COMPRESSION / .355 O.D. 3.375 x .063	1	1	
41	780814	LOCK ACTUATOR / 12V To C-5169	1	1	
. NS	562076	. CONNECTOR / PACK-CON I / FEMALE HOUSING / 2C / PED 8911772 To C-5169	1	1	
41	2800049	LOCK ACTUATOR / 12V From C-5170	1	1	
NS	504273	CABLE TIE / 1/8" X 3"1/2 O	AR	AR	
NS	562679	4 WAY ADH. BACKED MOUNTS 1.000 x 1.000 x .160	AR	AR	
NS	504637	CABLE TIE / 3/16" x 13"	AR	AR	
42	562096	MICRO SWITCH	1	1	
43	502577	SCREW MA PAN PH M3-0.5x16 ZP	2	2	
43	502826	NUT HEX M3-0.5 N500	2	2	
44	502579	NUT HEX M3-0.5 NP	2	2	
45	289000	SUPPORT LOCK ACTUATOR ASSY W/ ROD	1	1	
NS	068011	CABLE INTERFACE DOOR LOCK ACTUATOR (780428 vs 2800049) From A-9965 To A-9965	1	1	
46	5001100	SCREW CAP HEX M3-0.5x30 G8.8 ZP	2	2	
47	500437	WASHER FL .125x.375x.040 Z050	2	2	
48	5001408	NUT HEX STO M3-0.5 ZP	2	2	
49	068083	. CABLE ASSY / ACTUATOR POWER / EACH DOOR	1	1	
NS	685126	ADHESIVE SIMSON #ISR 70-03 / GREY / 600ml SAUSAGE O	AR	AR	
NS	684517	ADHESIVE SIMSON #ISR 70-03 / GREY / 310ml CARTRIDGE O	AR	AR	
NS	680343	GREASE CLEAR SPRAY BOTTLE 283GR O	AR	AR	
NS	506268	TAPE RUB ADH1 URE 3/8" x 1/2" x 25' / GREY 1820 O	AR	AR	
NS	687961	GLUE MS POLYMER TEROSON MS 9399 / "A" 21 Liters O	AR	AR	
49	687962	GLUE MS POLYMER TEROSON MS 9399 / "B" 21 Liters O	AR	AR	
49	685252	GLUE MS POLYMER LOCTITE 5570 (CLEAR) 300ml CARTRIDGE O	AR	AR	
49	506785	TAPE RUB ADH2 CC POL 1/16" X 1/4" X 200' / BLACK I1C-N-A P	AR	AR	
49	506268	TAPE RUB ADH1 URE 3/8" x 1/2" x 25' / GREY 1820	AR	AR	
50	XV-1867-00	KEY & CYLINDER CODE			
51	XV-1855-00	RUB RAIL - EXTERIOR CREST & TRIMS			
53	2800645	HANDLE REINFORCEMENT	1	1	F



From B-5003 To D-5459	Date:07/2024	PAGE:XV-1864-00
BAGGAGE DOOR ASSY / 70"		

Item#	Part	Description	X 3 V I P	X L I I E N T 4 5	N O T E S
54	502673	SCREW TC PAN PH #6-32x1/2 SS	1	1	F
55	289336	HOOK, BAGGAGE DOOR	1	1	
56	5001182	NUT HEX NYRT M6-1.0 SS	1	1	
57	502573	WASHER FL 6.4x12.5x1.6 SS	1	1	
59	509815	TIE MOUNT / ATTACHMENT W/TREE MOUNT	4	4	
60	502837	NUT HEXF STO M8-1.25 N500	2	2	
61	502856	WASHER LO SERR 8.15x22.3x1.0 DP320	4	4	
62	500401	WASHER FL .343x.875x.125 N500	4	4	
63	5001738	SCREW CAP HEX M8-1.25x30 G8.8 N500	2	2	
64	5001834	WASHER BEL SPR 10.5X23X2.5 N500	4	4	
65	502804	SCREW CAP HEX M10-1.5x25 G8.8 N500	4	4	
66	288526	LOCKING GUIDE L.H. ASSY	1	1	
66	287150	LOCKING GUIDE R.H. ASSY	1	1	
67	502857	WASHER LO SERR 8.2x26.3x1.8 N500	4	4	
68	5001775	SCREW CAP HEXS M8-1.25x25 G8.8 G500	4	4	
70	980030	CYLINDER GAZ / 669/409MM C/C / 210LBS	2	2	
70	7770081	CYLINDER GAZ / 669/409MM C/C / 300LBS	2	2	J
71	980015	BALL STUD / W/10 MM X M8-1.25 / 29.18 MM To C-5132	4	4	
71A	980027	BALL STUD / W/10 MM X M8-1.25 / 36.5MM From C-5133	4	4	
72	980016	NUT, CYLINDER RETAINER To C-5132	4	4	
72A	500868	NUT HEX NYRT M8-1.25 Z050 From C-5133	4	4	
73	500820	SCREW CAP HEX M8-1.25x16 G10.9 N500 To C-5132	4	4	
73A	500868	NUT HEX NYRT M8-1.25 Z050 From C-5133	4	4	
74	502856	WASHER LO SERR 8.15x22.3x1.0 DP320 To C-5132	4	4	
74A	5001736	WASHER FL 8.4x18.0x2.0 N500 From C-5133	4	4	
75	288781	BLOCK W/1 THREADED HOLE M8-1.25 To C-5132	2	2	
75A	287727	ATTACHMENT / DOOR CYLINDER From C-5133	1	1	
		F) USE TO REPAIR 288611 / TO INSTALL IT YOU HAVE TO DRILL A HOLE 7/64			
		J) USE WITH DOOR WITH ACCESSORIES			
		P) CALL ORDER DESK FOR SPECIFIC APPLICATION (V.I.N.)			

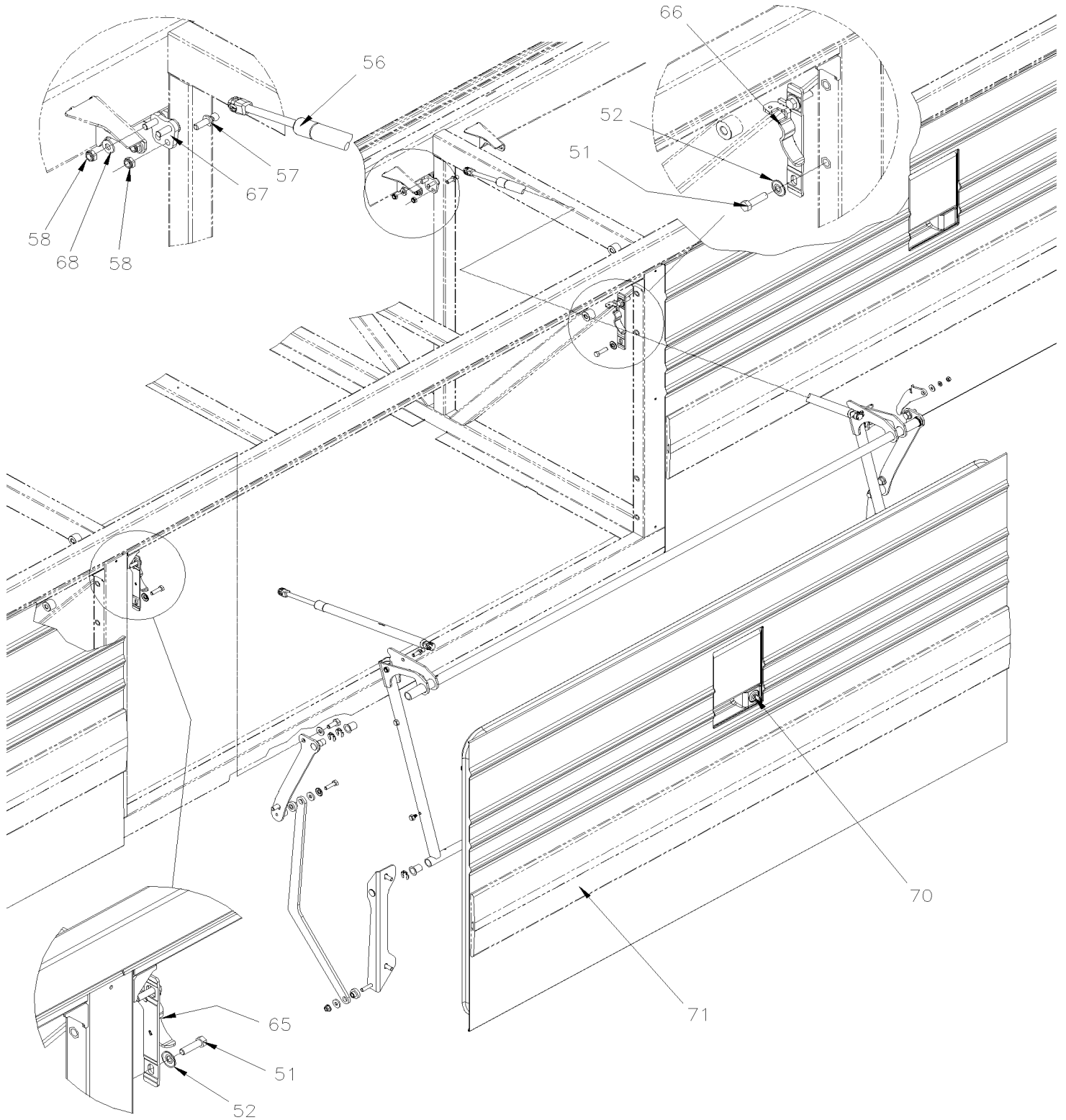


From D-5460 To D-5489

Date:07/2024

PAGE:XV-1864-01

BAGGAGE DOOR ASSY / 70"



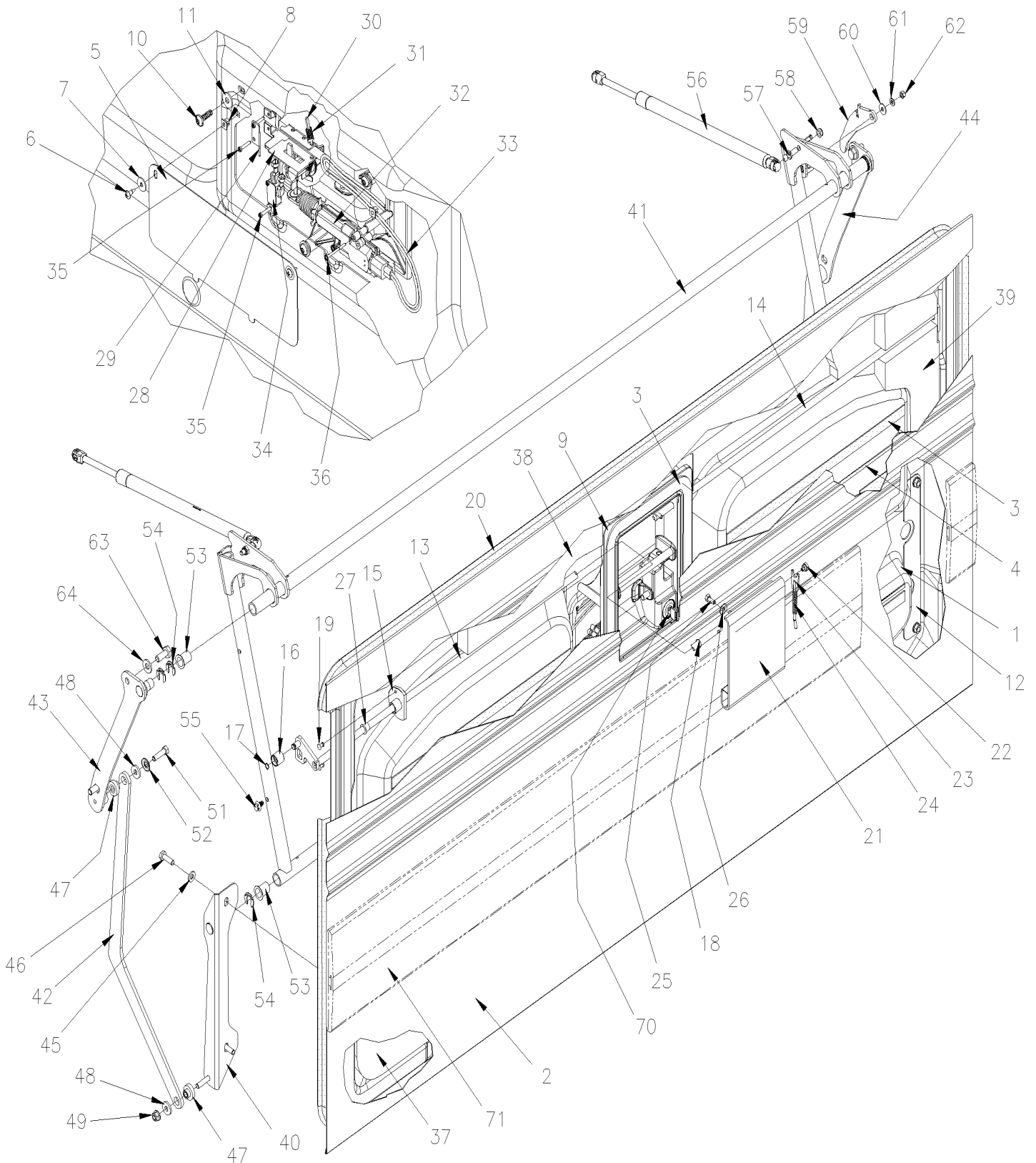


From D-5460 To D-5489

Date:07/2024

PAGE:XV-1864-01

BAGGAGE DOOR ASSY / 70"





From D-5460 To D-5489 Date:07/2024 PAGE:XV-1864-01

BAGGAGE DOOR ASSY / 70"

Item#	Part	Description	X 3 V I P	X L I I E N T 4 5	N O T E S
	485714	DOOR ASSY 70" / W/ELECTRICAL LOCK / SS	1	1	
	485715	DOOR ASSY 70" / W/ELECTRICAL LOCK / W/LAMP / SS / LH	1	1	
	485716	DOOR ASSY 70" / W/ELECTRICAL LOCK / W/LAMP / SS / RH	1	1	
	485727	DOOR ASSY 70" W/VENT HOLE / ELECTRICAL LOCK / SS / ELECTRICAL LOCK / SS	1	1	
1	287941	. FRAME 70" / ALUMINUM	1	1	
1	2800291	. FRAME 70" / ALUMINUM / W/VENT HOLE	1	1	
2	484317	. ONE PIECE PANEL / FLUTED 70"	1	1	
2	484324	. ONE PIECE PANEL / W/MARKER LIGHT / RH / FLUTED 70"	1	1	
2	484323	. ONE PIECE PANEL / W/MARKER LIGHT / LH / FLUTED 70"	1	1	
2	484340	. . PANEL, LOWER / B.A. 1786.8 MM	1	1	
3	687961	. GLUE MS POLYMER TEROSON MS 9399 / "A" 21 Liters	AR	AR	
3	687962	. GLUE MS POLYMER TEROSON MS 9399 / "B" 21 Liters	AR	AR	
3	684517	. ADHESIVE SIMSON #ISR 70-03 / GREY / 310ml CARTRIDGE	AR	AR	
4	506769	. TAPE RUB ADH2 CC POL 1/8" x 1/4" x 60' / BLACK H1CC-N-#14	AR	AR	
5	2800265	. PANEL ACCESS 10 3/4" x 4 3/8"	1	1	
6	500124	. SCREW TP TR PH #8x1/2 SS	2	2	
7	5001076	. WASHER FL RET 4.6x15.4x1.37 NYL BK	2	2	
8	502741	. NUT AN #8 NYL	2	2	
9	289062	. SEALING BOX / W/FORD LOCK	1	1	
10	5001630	. SCREW TP BUTF TORX M6x20 SS	5	5	
11	5001114	. WASHER FL .260x.687x.060 NYL	5	5	
12	2800053	. ATTACH, HINGE	2	2	
13	2800237	. LOCKING ROD L.H. 793MM	1	1	
14	2800238	. LOCKING ROD R.H. 793MM	1	1	
15	2800269	. LOCKING ROD GUIDE	2	2	
16	2800270	. ROLLER CATCH	2	2	
17	504318	. RING RETAINER / EXT .375 x .352 x .025	2	2	
18	507644	. O-RING 10MM I.D. X 2MM	2	2	
19	504120	. RIVET POP DOME CLE 3/16x1/2 AL	4	4	
20	2800358	. RUBBER SEAL EXTRUSION / W/70" DOOR	1	1	
21	2800316	. HANDLE ASSY / BAGAGE DOOR / SS	1	1	
22	287271	. . RIVET SHR FL 9.95x3.6{4.8x4.8 SS	1	1	
23	289068	. PIN HANDLE RELEASE	1	1	
24	289070	. SPRING COMPRESSION / .355 O.D. 2.755 x .063	1	1	
25	5001697	. SCREW CAP HEX M6-1.0x16 SS BK	2	2	
26	5001833	. WASHER BEL SPR 6.1x18x1.27 SS	2	2	
27	507141	. BUSHING, NYLINER W/SHOULDER (7-L-7-F)	2	2	
28	289065	. PIN LATCH	1	1	
29	289064	. STOP PLATE LATCH	1	1	
30	481564	. ROD GUIDE	2	2	
31	502934	. SPRING COMPRESSION / .300 O.D. x 1 x .026	2	2	
32	2800049	. LOCK ACTUATOR / 12V	1	1	



From D-5460 To D-5489	Date:07/2024	PAGE:XV-1864-01
BAGGAGE DOOR ASSY / 70"		

Item#	Part	Description	X 3 V I P	X L I I E N T 4 5	N O T E S
33	068617	. CABLE ASSY / DOOR LOCK	1	1	
NS	504637	. CABLE TIE / 3/16" x 13"	AR	AR	
34	562096	. MICRO SWITCH	1	1	
35	5001888	. SCREW TP CAP TORX M3X18 SS	4	4	
36	5001887	. SCREW TP PAN WSHR TORX M3X35 SS	2	2	
37	352597	. INSULATING PANEL / LOWER	1	1	
38	352598	. INSULATING PANEL / UPPER LEFT	1	1	
39	352599	. INSULATING PANEL / UPPER RIGHT	1	1	
40	288735	BRACKET LOWER LH	1	1	
40	288734	BRACKET LOWER RH	1	1	
41	2800107	ARM PANTOGRAPH	1	1	
42	2800307	ARM LOWER L.H.	1	1	
42	2800104	ARM LOWER R.H.	1	1	
43	288737	ARM UPPER L.H.	1	1	
44	288736	ARM UPPER R.H.	1	1	
45	5001868	WASHER BEL SPR 8.4x18x2 SS	4	4	
46	502780	SCREW CAP HEX M8-1.25x25 SS BK	4	4	
47	286716	SPACER BUSHING FLANGE / AUX. ARM & SUPPORT ACETAL 8.3MM I.D.	4	4	
48	500401	WASHER FL .343x.875x.125 N500	4	4	
49	502837	NUT HEXF STO M8-1.25 N500	2	2	
51	5001738	SCREW CAP HEX M8-1.25x30 G8.8 N500	6	6	
52	5001699	WASHER BEL SPR 8.2x22x1.4 N500	6	6	
53	507299	BUSHING NYLINER	4	4	
54	508398	RING RETAINER / EXT .625 x .500 x .050" / SS	6	6	
55	509815	TIE MOUNT / ATTACHMENT W/TREE MOUNT	2	2	
56	980030	CYLINDER GAZ / 669/409MM C/C / 210LBS	2	2	
56	7770081	CYLINDER GAZ / 669/409MM C/C / 300LBS	2	2	J
57	980027	BALL STUD / W/10 MM X M8-1.25 / 36.5MM	4	4	
58	502847	NUT HEX NYRT M8-1.25 N500	8	8	
59	2800310	HOOK, BAGGAGE DOOR	1	1	
NS	2800309	SPRING TENSION	1	1	
60	5001833	WASHER BEL SPR 6.1x18x1.27 SS	1	1	
61	502573	WASHER FL 6.4x12.5x1.6 SS	1	1	
62	5001182	NUT HEX NYRT M6-1.0 SS	1	1	
63	502804	SCREW CAP HEX M10-1.5x25 G8.8 N500	4	4	
64	5001834	WASHER BEL SPR 10.5X23X2.5 N500	4	4	
65	2800260	LOCKING GUIDE L.H. ASSY	1	1	
66	2800259	LOCKING GUIDE R.H. ASSY	1	1	
67	2800370	ATTACHMENT / DOOR CYLINDER	2	2	
68	5001736	WASHER FL 8.4x18.0x2.0 N500	4	4	
70	XV-1867-00	KEY & CYLINDER CODE			
71	XV-1855-00	RUB RAIL - EXTERIOR CREST & TRIMS			



From D-5460 To D-5489	Date:07/2024	PAGE:XV-1864-01
-----------------------	--------------	-----------------

BAGGAGE DOOR ASSY / 70"

Item#	Part	Description	X 3 V I P	X L I I E N T 4 5	N O T E S
		J) USE WITH DOOR WITH ACCESSORIES			

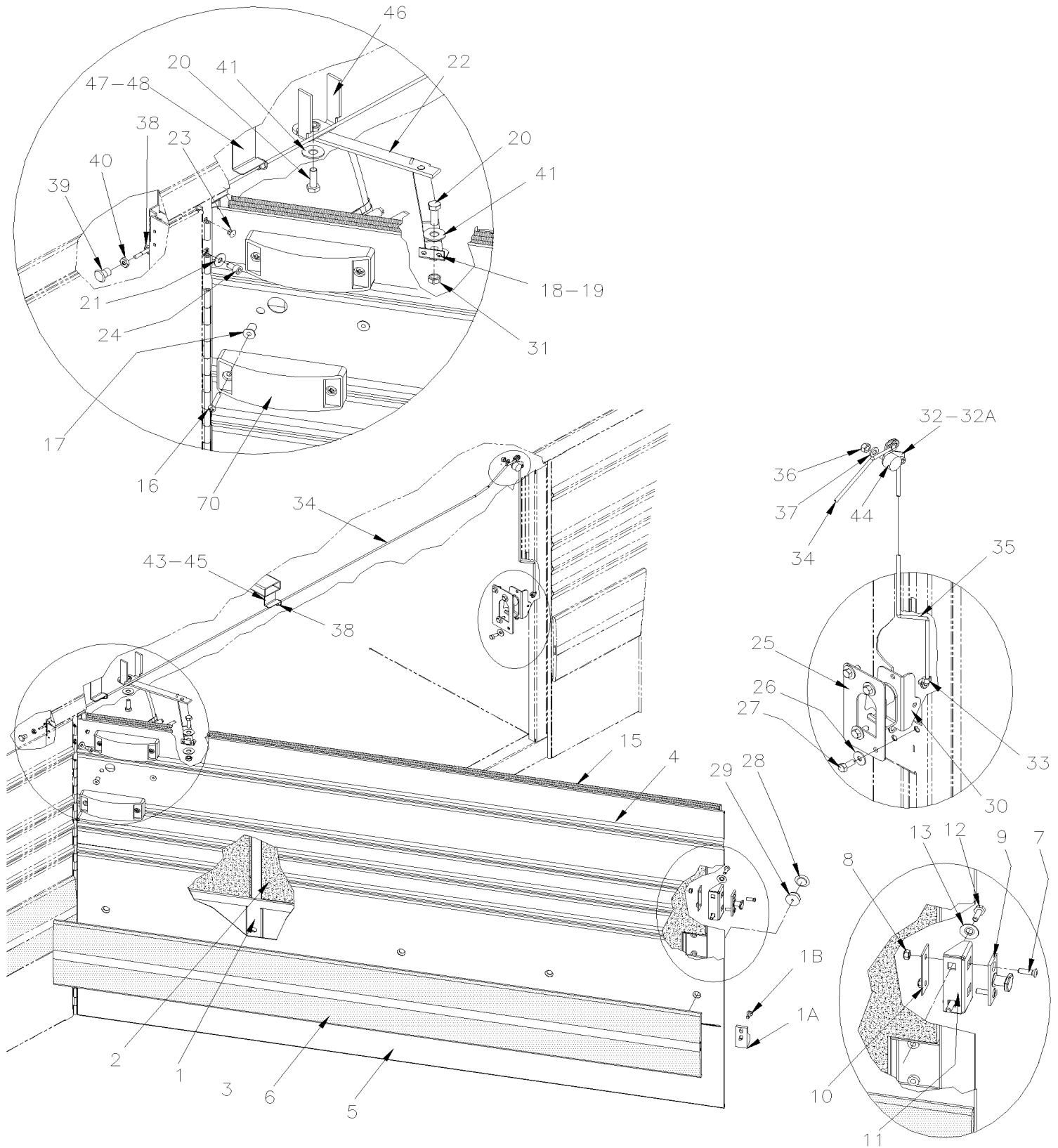


From B-5003 To C-5096

Date:07/2024

PAGE:XV-1864-50

BAGGAGE DOOR W/HINGE STREET SIDE WITH SMALL A/C SYSTEM / 60"





From B-5003 To C-5096	Date:07/2024	PAGE:XV-1864-50
BAGGAGE DOOR W/HINGE STREET SIDE WITH SMALL A/C SYSTEM / 60"		

Item#	Part	Description	X 3 V I P	X L I I E N T 4 5	N O T E S
		ALL EVAPORATOR DOORS ASSY DO NOT INCLUDE			
		RUB-RAIL PLEASE ORDER SEPARATELY			
	480023	BAGGAGE DOOR ASSY / W/HINGE 60"	1	1	
1	484243	. DOOR FRAME (WELDED)	1	1	
NS	504013	. TIE MOUNT / 1/4" X 1/4" I.D.	4	4	
NS	504379	. RIVET POP DOME OE 3/16x1/4 SS	4	4	
NS	504398	. GROMMET / 1.000x1.375x.062x.437x1.750	1	1	
1A	289708	. GUIDE LOWER COND DOOR PLASTIC	1	1	
1B	500945	. SCREW TC BDG PH #10-24x1/2 G500	2	2	
2	484193	. INSULATING PANEL	1	1	
2	484194	. INSULATING PANEL	2	2	
2	484195	. INSULATING PANEL	1	1	
2	484247	. INSULATING PANEL 436MM X 350MM	1	1	
4	484251	. ONE PIECE PANEL 1530.9 MM / FLUTED / B.A. UPPER & LOWER	1	1	
4	484238	. . PANEL, UPPER / FLUTED / B.A. 1530.9 MM	1	1	
5	484203	. . PANEL, LOWER / B.A. 1530.9 MM	1	1	
NS	684517	. ADHESIVE SIMSON #ISR 70-03 / GREY / 310ml CARTRIDGE	AR	AR	
NS	687962	. GLUE MS POLYMER TEROSON MS 9399 / "B" 21 Liters	AR	AR	
NS	687961	. GLUE MS POLYMER TEROSON MS 9399 / "A" 21 Liters	AR	AR	
6	XV-1855-00	. RUB RAIL - EXTERIOR CREST & TRIMS			
7	5001497	. SCREW MA OV PH M6-1.0x20 SS	2	2	
8	5001182	. NUT HEX NYRT M6-1.0 SS	2	2	
9	780278	. PIN, STRIKER STUD	1	1	
10	283326	. STRIKER PLATE, MOUNTING / 60MM X 25MM	1	1	
11	289709	. STRIKER SUPPORT 86 x 25 x 36	1	1	
12	500163	. SCREW CAP HEX 1/4-20x3/4 G5 Z050	2	2	
13	5001699	. WASHER BEL SPR 8.2x22x1.4 N500	2	2	
15	484176	. WEATHERSTRIP / EVAPORATOR DOOR	1	1	
16	5001042	SCREW MA RND PH #10-32x1 1/4 SS	4	4	
17	502774	NUT WELL #10-32x.625	4	4	
18	483562	SUPPORT ASSY / DOOR GUIDE M8-1.25	1	1	
19	504379	RIVET POP DOME OE 3/16x1/4 SS	2	2	
20	502780	SCREW CAP HEX M8-1.25x25 SS BK	2	2	
21	500411	WASHER FL .260x.697x.050 SS	AR	AR	
22	288031	GUIDE ASSY / R.H. DOOR	1	1	
23	504379	RIVET POP DOME OE 3/16x1/4 SS	2	2	
24	5001743	SCREW CAP HEX M6-1.0x12 G8.8 N500	6	6	
25	485648	LOCK SUPPORT	1	1	
26	5001833	WASHER BEL SPR 6.1x18x1.27 SS	4	4	
27	5001697	SCREW CAP HEX M6-1.0x16 SS BK	4	4	
28	504433	SNAP-IN PLUG / 1.090 O.D.	4	4	



From B-5003 To C-5096	Date:07/2024	PAGE:XV-1864-50
BAGGAGE DOOR W/HINGE STREET SIDE WITH SMALL A/C SYSTEM / 60"		

Item#	Part	Description	X 3 V I P	X L I I E N T 4 5	N O T E S
29	473378	SEAL WASHER / RUB RAIL & PANEL	4	4	
NS	500692	NUT HEX 1/4-28 Z050	2	2	
NS	502582	WASHER LO SERR 6.1x16.2x0.9 Z050	2	2	
30	289807	LOCK SPAGNOLET W/GREASE FITTING	1	1	
. NS	780340	. CLIP, RETAINER ROD	1	1	
31	5001188	NUT HEX M8-1.25 SS	1	1	
32	484168	PIVOT ROD OPENNG	2	2	
32A	502159	SPRING EXTENSION / .312 O.D. x 1.375 x .031	1	1	
33	780340	CLIP, RETAINER ROD	2	2	
34	484184	ROD OPENING 1536MM	1	1	
35	484183	ROD OPENING 438MM	1	1	
36	5001182	NUT HEX NYRT M6-1.0 SS	1	1	
37	502573	WASHER FL 6.4x12.5x1.6 SS	1	1	
38	504083	SNAP BUSHING / .250x.468.406	2	2	
39	505504	KNOB, PULL / 8-32	1	1	
40	500986	NUT HEX #8-32 N500	1	1	
41	500270	WASHER FL .406x1.000x.063 SS	5	5	
43	500657	SCREW TC TR PH #10-24x1/2 Z050	2	2	
44	223938	SUPPORT PIVOT / DOOR GUIDE M-1.0 W/SHOULDER 10MM (WELD)	1	1	
45	223956	SUPPORT ROD UPPER FIXED W/SCREWS	1	1	
46	216796	SUPPORT PIVOT / DOOR GUIDE M8-1.25 / (WELDED AT STRUCTURE	1	1	
47	484227	SUPPORT ROD UPPER	1	1	
48	500957	SCREW TP BDG PH #10x3/4 N500	2	2	
70	XV-0662-00	CLEARANCE & MARKER LIGHT			

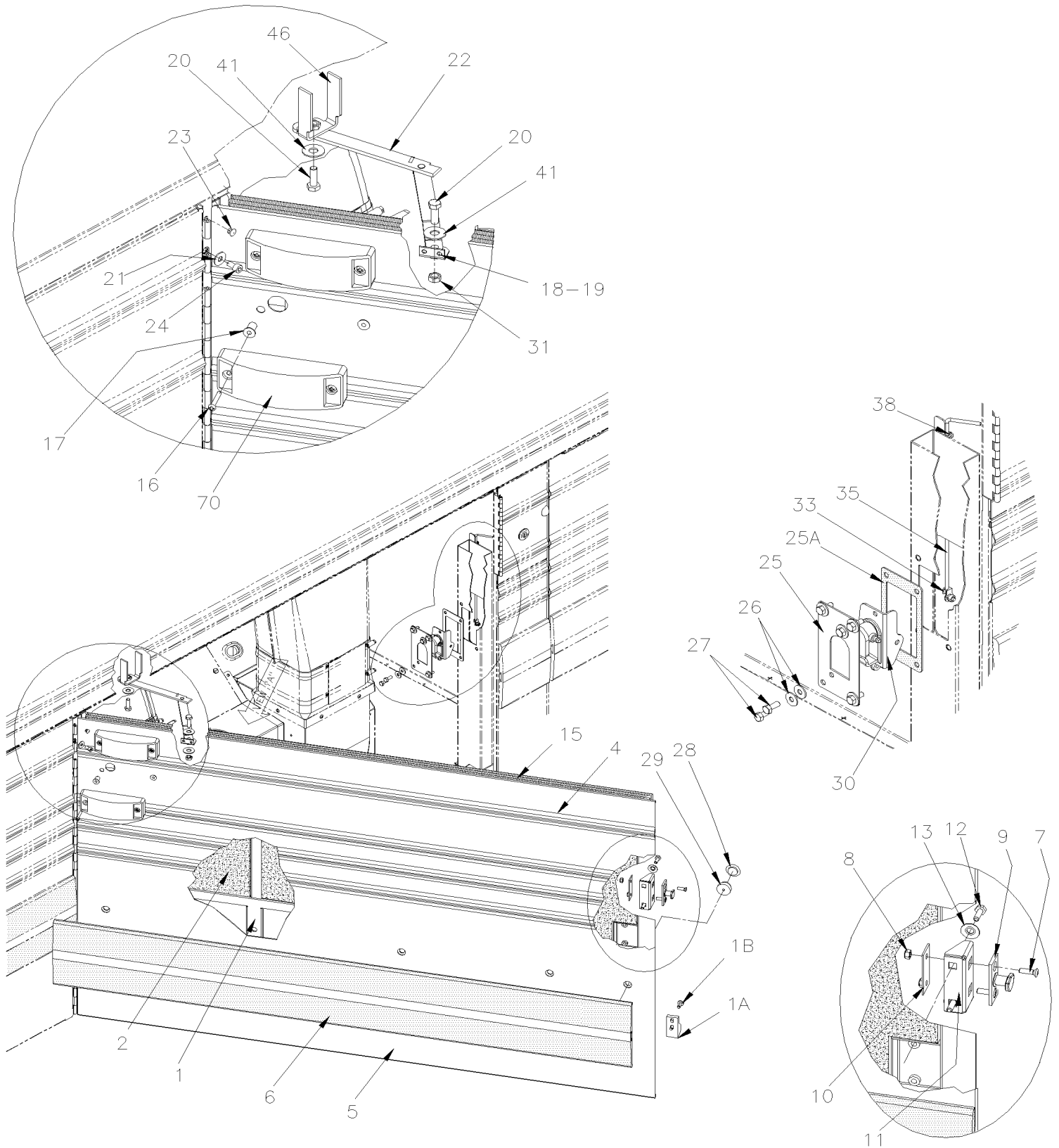


From C-5097 To D-5459

Date:07/2024

PAGE:XV-1864-51

BAGGAGE DOOR W/HINGE STREET SIDE WITH SMALL A/C SYSTEM / 53 3/4





From C-5097 To D-5459 Date:07/2024 PAGE:XV-1864-51

BAGGAGE DOOR W/HINGE STREET SIDE WITH SMALL A/C SYSTEM / 53 3/4

Item#	Part	Description	X 3 V I P	X L I I E N T 4 5	N O T E S
		ALL EVAPORATOR DOORS ASSY DO NOT INCLUDE			
		RUB-RAIL PLEASE ORDER SEPARATELY			
	480024	BAGGAGE DOOR ASSY / W/HINGE 53 3/4"	1	1	
1	484243	. DOOR FRAME (WELDED)	1	1	
NS	504013	. TIE MOUNT / 1/4" X 1/4" I.D.	4	4	
NS	504379	. RIVET POP DOME OE 3/16x1/4 SS	4	4	
1	504398	. GROMMET / 1.000x1.375x.062x.437x1.750	1	1	
1A	289708	. GUIDE LOWER COND DOOR PLASTIC	1	1	
1B	500945	. SCREW TC BDG PH #10-24x1/2 G500	2	2	
2	484259	. INSULATING PANEL 1270MM X 150MM	1	1	
2	484260	. INSULATING PANEL 434MM X 301MM	2	2	
2	484261	. INSULATING PANEL 434MM X 288MM	1	1	
2	484247	. INSULATING PANEL 436MM X 350MM	2	2	
3	484185	. GRILL	1	1	
3	684517	. ADHESIVE SIMSON #ISR 70-03 / GREY / 310ml CARTRIDGE	AR	AR	
3	871432	. FILTER SCREEN 12" x 12" / W2 STRIP GAL	1	1	
4	484283	. ONE PIECE PANEL 1365.9 MM / FLUTED / B.A. "OEM" UPPER & LOWER	1	1	
5	484299	. PANEL, LOWER / B.A. 1365.9 MM	1	1	
NS	684517	. ADHESIVE SIMSON #ISR 70-03 / GREY / 310ml CARTRIDGE	AR	AR	
NS	687962	. GLUE MS POLYMER TEROSON MS 9399 / "B" 21 Liters	AR	AR	
NS	687961	. GLUE MS POLYMER TEROSON MS 9399 / "A" 21 Liters	AR	AR	
6	XV-1855-00	. RUB RAIL - EXTERIOR CREST & TRIMS			
7	5001497	. SCREW MA OV PH M6-1.0x20 SS	2	2	
8	5001182	. NUT HEX NYRT M6-1.0 SS	2	2	
9	780278	. PIN, STRIKER STUD	1	1	
10	283326	. STRIKER PLATE, MOUNTING / 60MM X 25MM	1	1	
11	289709	. STRIKER SUPPORT 86 x 25 x 36	1	1	
12	5001746	. SCREW CAP HEX 1/4-20x3/4 G5 N500	2	2	
13	5001699	. WASHER BEL SPR 8.2x22x1.4 N500	2	2	
15	484262	. WEATHERSTRIP / EVAPORATOR DOOR	1	1	
16	5001042	SCREW MA RND PH #10-32x1 1/4 SS	4	4	
17	502774	NUT WELL #10-32x.625	4	4	
18	483562	SUPPORT ASSY / DOOR GUIDE M8-1.25	1	1	
19	504379	RIVET POP DOME OE 3/16x1/4 SS	2	2	
20	502780	SCREW CAP HEX M8-1.25x25 SS BK	2	2	
21	500411	WASHER FL .260x.697x.050 SS	6	6	
22	288031	GUIDE ASSY / R.H. DOOR	1	1	
23	504379	RIVET POP DOME OE 3/16x1/4 SS	AR	AR	
24	5001743	SCREW CAP HEX M6-1.0x12 G8.8 N500	6	6	
25	484268	LOCK SUPPORT	1	1	
25A	484270	RUBBER SEAL / LOCK SUPPORT	1	1	



From C-5097 To D-5459	Date:07/2024	PAGE:XV-1864-51
-----------------------	--------------	-----------------

BAGGAGE DOOR W/HINGE STREET SIDE WITH SMALL A/C SYSTEM / 53 3/4

Item#	Part	Description	X 3 V I P	X L I I E N T 4 5	N O T E S
26	5001833	WASHER BEL SPR 6.1x18x1.27 SS	4	4	
27	5001697	SCREW CAP HEX M6-1.0x16 SS BK	4	4	
28	504433	SNAP-IN PLUG / 1.090 O.D.	4	4	
29	473378	SEAL WASHER / RUB RAIL & PANEL	4	4	
NS	500692	NUT HEX 1/4-28 Z050	2	2	
NS	502582	WASHER LO SERR 6.1x16.2x0.9 Z050	2	2	
30	289205	LOCK SPAGNOLET W/GREASE FITTING	1	1	
31	5001188	NUT HEX M8-1.25 SS	1	1	
33	780340	CLIP, RETAINER ROD	2	2	
35	484267	ROD OPENING 269MM	1	1	
38	504083	SNAP BUSHING / .250x.468.406	2	2	
41	500270	WASHER FL .406x1.000x.063 SS	5	5	
46	216796	SUPPORT PIVOT / DOOR GUIDE M8-1.25 / (WELDED AT STRUCTURE	1	1	
NS	068384	CABLE DOOR LAMP	1	1	
70	XV-0662-00	CLEARANCE & MARKER LIGHT			

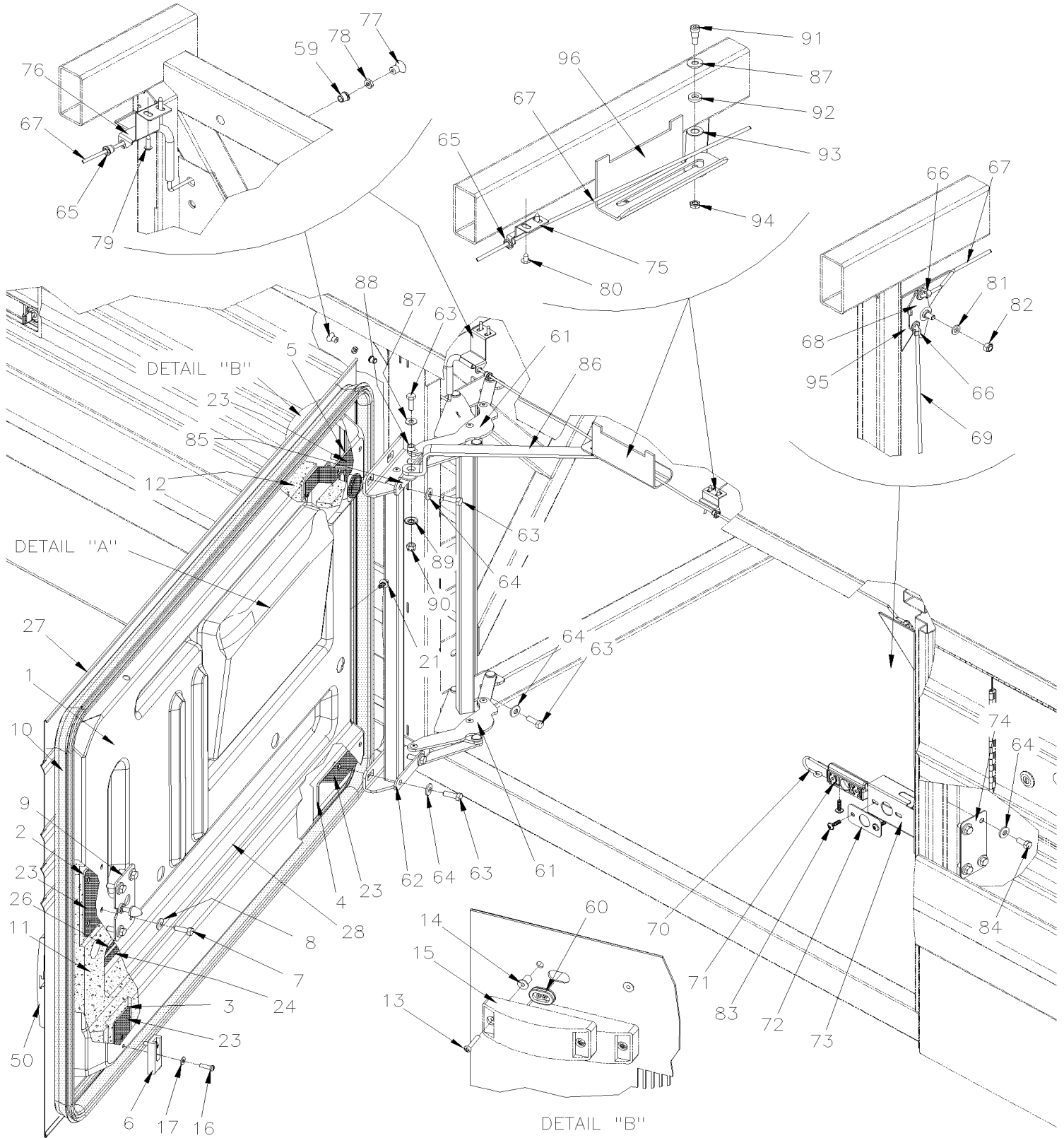


From D-5460 To D-5489

Date:07/2024

PAGE:XV-1864-52

BAGGAGE DOOR W/HINGE STREET SIDE WITH SMALL A/C SYSTEM / 53 3/4





From D-5460 To D-5489	Date:07/2024	PAGE:XV-1864-52
-----------------------	--------------	-----------------

BAGGAGE DOOR W/HINGE STREET SIDE WITH SMALL A/C SYSTEM / 53 3/4

Item#	Part	Description	X 3 V I P	X L I I E N T 4 5	N O T E S
	484335P	BAGGAGE DOOR ASSY / W/HINGE 1210mm	1	1	
1	2800305	. DOOR FRAME	1	1	
2	2800250	. ATTACH, PENE	1	1	
3	2800251	. ATTACH, SKID	1	1	
4	2800252	. ATTACH, DOWN HINGE	1	1	
5	2800253	. ATTACH, UPPER HINGE	1	1	
6	2800234	. GUIDE, HINGE DOOR	1	1	
7	5001745	. SCREW CAP HEX M8-1.25x25 G8.8 N500	4	4	
8	5001848	. WASHER BEL SPR .827 x .331 x .098 th SS	4	4	
9	2800226	. PENE ASSY	1	1	
10	2800357	. WEATHERSTRIP / EVAPORATOR DOOR	1	1	
11	352595	. INSULATION, EVAPORATOR DOOR	1	1	
11	352606	. INSULATION WITHOUT FRESH AIR HOLES	1	1	
12	352596	. INSULATION, EVAPORATOR DOOR	1	1	
13	5001042	. SCREW MA RND PH #10-32x1 1/4 SS	4	4	
14	502774	. NUT WELL #10-32x.625	4	4	
15	XV-0662-00	. CLEARANCE & MARKER LIGHT			
15	068731	. HARNESS DOOR	1	1	
. NS	504398	. . GROMMET / 1.000x1.375x.062x.437x1.750	1	1	
. NS	478900	. . GROMMET, MARKER LIGHT	2	2	
16	502626	. SCREW MA PAN PH M6-1.0x20 N500	2	2	
17	500877	. WASHER FL .250x.562x.065 N500	2	2	
20	504398	. GROMMET / 1.000x1.375x.062x.437x1.750	1	1	
21	509815	. TIE MOUNT / ATTACHMENT W/TREE MOUNT	3	3	
23	684743	. GLUE METHACRYLATE PLEXUS MA832GB 380 ml	AR	AR	
24	687961	. GLUE MS POLYMER TEROSON MS 9399 / "A" 21 Liters	AR	AR	
24	687962	. GLUE MS POLYMER TEROSON MS 9399 / "B" 21 Liters	AR	AR	
26	685126	. ADHESIVE SIMSON #ISR 70-03 / GREY / 600ml SAUSAGE	AR	AR	
27	484329	. ONE PIECE PANEL / FLUTED 1210mm	1	1	
50	XV-1855-00	RUB RAIL - EXTERIOR CREST & TRIMS			
59	504226	SNAP BUSHING / .391x.578x.406	1	1	
60	478900	GROMMET, MARKER LIGHT	1	1	
61	2800218	HINGE ASSY	1	1	
62	2800267	SPACER	1	1	
63	5001745	SCREW CAP HEX M8-1.25x25 G8.8 N500	9	9	
64	500321	WASHER BEL SPR .331x.827x.098 N500	12	12	
65	504083	SNAP BUSHING / .250x.468.406	2	2	
66	780340	CLIP, RETAINER ROD	2	2	
67	484313	ROD OPENING 1200MM	1	1	
68	484309	PIVOT LATCH	1	1	
69	484310	ROD OPENING 381MM	1	1	
70	478577	SPRING HOLDER	1	1	



From D-5460 To D-5489 Date:07/2024 PAGE:XV-1864-52

BAGGAGE DOOR W/HINGE STREET SIDE WITH SMALL A/C SYSTEM / 53 3/4

Item#	Part	Description	X 3 V I P	X L I I E N T 4 5	N O T E S
71	477399	RECEPTACLE	1	1	
72	460708	ADJUSTMENT PLATE	1	1	
73	2800228	SUPPORT, RECEPTACLE ASSY	1	1	
74	484319	FIXATION PLATE	1	1	
75	484321	ROD SUPPOPRT	1	1	
76	484320	ROD SUPPOPRT	1	1	
77	505504	KNOB, PULL / 8-32	1	1	
78	500986	NUT HEX #8-32 N500	1	1	
79	500957	SCREW TP BDG PH #10x3/4 N500	2	2	
80	500657	SCREW TC TR PH #10-24x1/2 Z050	2	2	
81	502573	WASHER FL 6.4x12.5x1.6 SS	1	1	
82	5001182	NUT HEX NYRT M6-1.0 SS	1	1	
83	5001630	SCREW TP BUTF TORX M6x20 SS	3	3	
84	502862	SCREW CAP HEX M8-1.25x20 G8.8 N500	4	4	
85	2800225	ATTACH, ARM STOPPER	1	1	
86	2800223	ARM STOPPER	1	1	
87	502638	WASHER FL .312x.734x.065 N500	2	2	
88	283770	SPACER / TO FIX RETAINING ARM	1	1	
89	5001699	WASHER BEL SPR 8.2x22x1.4 N500	1	1	
90	5001787	NUT HEX NYRT M8-1.25 SS	1	1	
91	5001560	SCREW SHR HEXS 5/16x3/8 {1/4-20 SS	1	1	
92	502768	WASHER FL RUB .312x.625x.125 NEO	1	1	
93	502723	WASHER FL .386x.750x.050 NYL	1	1	
94	500384	NUT HEX JAM 1/4-20 G500	1	1	
95	221810	SUPPORT PIVOT / DOOR GUIDE M6-1.0 W/SHOULDER 10M	1	1	
96	2800231	GUIDE, ARM STOPPER	1	1	
NS	680038	THREAD LOCKER LOCTITE #243 / BLUE / 50ml	AR	AR	

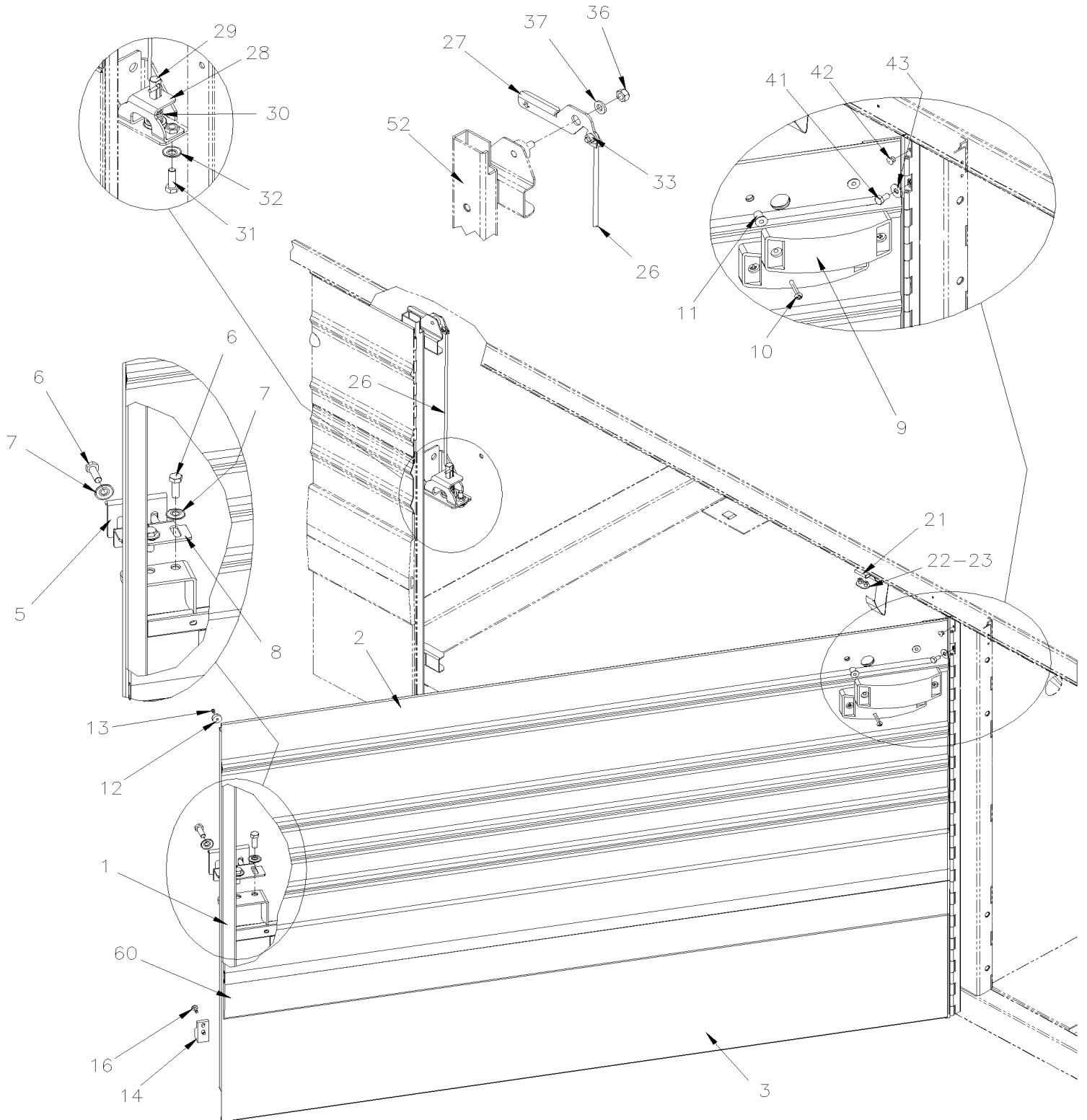


From B-5003 To D-5489

Date:07/2024

PAGE:XV-1864-60

BAGGAGE DOOR W/HINGE CURBSIDE WITH SMALL A/C SYSTEM / 50 1/2





From B-5003 To D-5489 Date:07/2024 PAGE:XV-1864-60

BAGGAGE DOOR W/HINGE CURBSIDE WITH SMALL A/C SYSTEM / 50 1/2

Item#	Part	Description	X 3 V I P	X L I I E N T 4 5	N O T E S
		THIS DOOR ASSY DO NOT INCLUDE RUB-RAIL			
		PLEASE ORDER SEPARATELY			
	480025	BAGGAGE DOOR ASSY / W/HINGE 50 1/2" To D-5459	1	1	
	480026	BAGGAGE DOOR ASSY / W/HINGE 50 1/2" From D-5460	1	1	
1	484154	. FRAME ASSY / 1285MM To D-5459	1	1	
1	484334	. FRAME ASSY / 1285MM From D-5460	1	1	
2	484252	. ONE PIECE PANEL / FLUTED 1281.6MM To D-5459	1	1	
2	484332	. ONE PIECE PANEL / FLUTED 1281.6 / B.A. UPPER & LOWER From D-5460	1	1	
3	484240	. . PANEL, LOWER / B.A. 1281.6 MM	1	1	
NS	687962	. GLUE MS POLYMER TEROSON MS 9399 / "B" 21 Liters	AR	AR	
NS	687961	. GLUE MS POLYMER TEROSON MS 9399 / "A" 21 Liters	AR	AR	
NS	684517	. ADHESIVE SIMSON #ISR 70-03 / GREY / 310ml CARTRIDGE	AR	AR	
5	287051	. CATCH PIN / RETAINER 52MM x 70MM	1	1	
6	502780	. SCREW CAP HEX M8-1.25x25 SS BK	4	4	
7	5001699	. WASHER BEL SPR 8.2x22x1.4 N500	4	4	
8	484167	DOOR LATCH ADJUSTABLE	1	1	
9	XV-0662-00	CLEARANCE & MARKER LIGHT			
10	5001042	. SCREW MA RND PH #10-32x1 1/4 SS	2	2	
11	502774	. NUT WELL #10-32x.625	2	2	
12	5001393	. BUMPER RUBBER / .625 OD x .281 TH x .125 HOLE	2	2	
13	504340	. RIVET POP DOME OE 1/8x3/16 SS	2	2	
14	289708	. GUIDE LOWER COND DOOR PLASTIC To D-5484	1	1	
14	2800374	. GUIDE LOWER COND DOOR PLASTIC From D-5485	1	1	
16	500945	. SCREW TC BDG PH #10-24x1/2 G500 To D-5484	2	2	
16	500623	. SCREW TC PAN PH #10-24x3/4 N500 From D-5485	2	2	
21	505507	STRAP NYLON 1" WIDE / S.L.	AR	AR	
NS	452813	SUPPORT STRAP RETAINER W/2 SLOTS & 2 HOLES	1	1	
NS	285476	SUPPORT STRAP RETAINER W/2 SLOTS & 1 HOLE (WELDED AT DOOR STRUCTURE)	1	1	
22	284439	PLATE, STRAP RETAINING / OBLONG 16.5MM x 25.4MM W/2 HOLES	1	1	
23	504747	RIVET HKL MMS 3/16x3/8 SS	2	2	
26	484169	ROD OPENING 309MM	1	1	
27	484216	HANDLE	1	1	
28	289674	SUPPORT CATCH PIN W/OUT PIVOT	1	1	
29	289636	CATCH PIN ACETAL / 90.5MM	1	1	
30	502910	SPRING COMPRESSION / .720 O.D. 1.75 x .055	1	1	
31	502780	SCREW CAP HEX M8-1.25x25 SS BK	2	2	
32	5001699	WASHER BEL SPR 8.2x22x1.4 N500	2	2	
33	780340	CLIP, RETAINER ROD	2	2	
36	5001182	NUT HEX NYRT M6-1.0 SS	1	1	
37	502573	WASHER FL 6.4x12.5x1.6 SS	1	1	
41	5001743	SCREW CAP HEX M6-1.0x12 G8.8 N500	6	6	



From B-5003 To D-5489	Date:07/2024	PAGE:XV-1864-60
BAGGAGE DOOR W/HINGE CURBSIDE WITH SMALL A/C SYSTEM / 50 1/2		

Item#	Part	Description	X 3 V I P	X L I I E N T 4 5	N O T E S
42	504379	RIVET POP DOME OE 3/16x1/4 SS	2	2	
43	500411	WASHER FL .260x.697x.050 SS	6	6	
52	223954	POST ASSY FORWARD FUEL DOOR ASSY W/REINFORCMENT PANEL	1	1	
. NS	216798	. PANEL REINFORCMENT LOWER FUEL DOOR 249MM x 600MM	1	1	
. NS	223940	. POST ASSY FORWARD FUEL DOOR ASSY	1	1	
. . NS	216797	. . STOPPER CONDENSOR DOOR	2	2	
. . NS	223937	. . BRACKET LATCH COND DOOR	1	1	
. . NS	477296	. . ATTACHMENT SPRING DOOR	1	1	
. . NS	502659	. . NUT WD RND M6-1.0 SS	2	2	
60	XV-1855-00	RUB RAIL - EXTERIOR CREST & TRIMS			



From B-5003 To D-5489

Date:07/2024

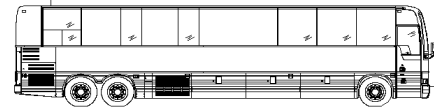
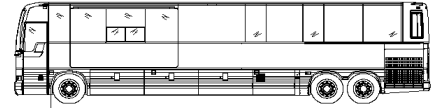
PAGE:484252

ONE PIECE PANEL / FLUTED 1281.6MM

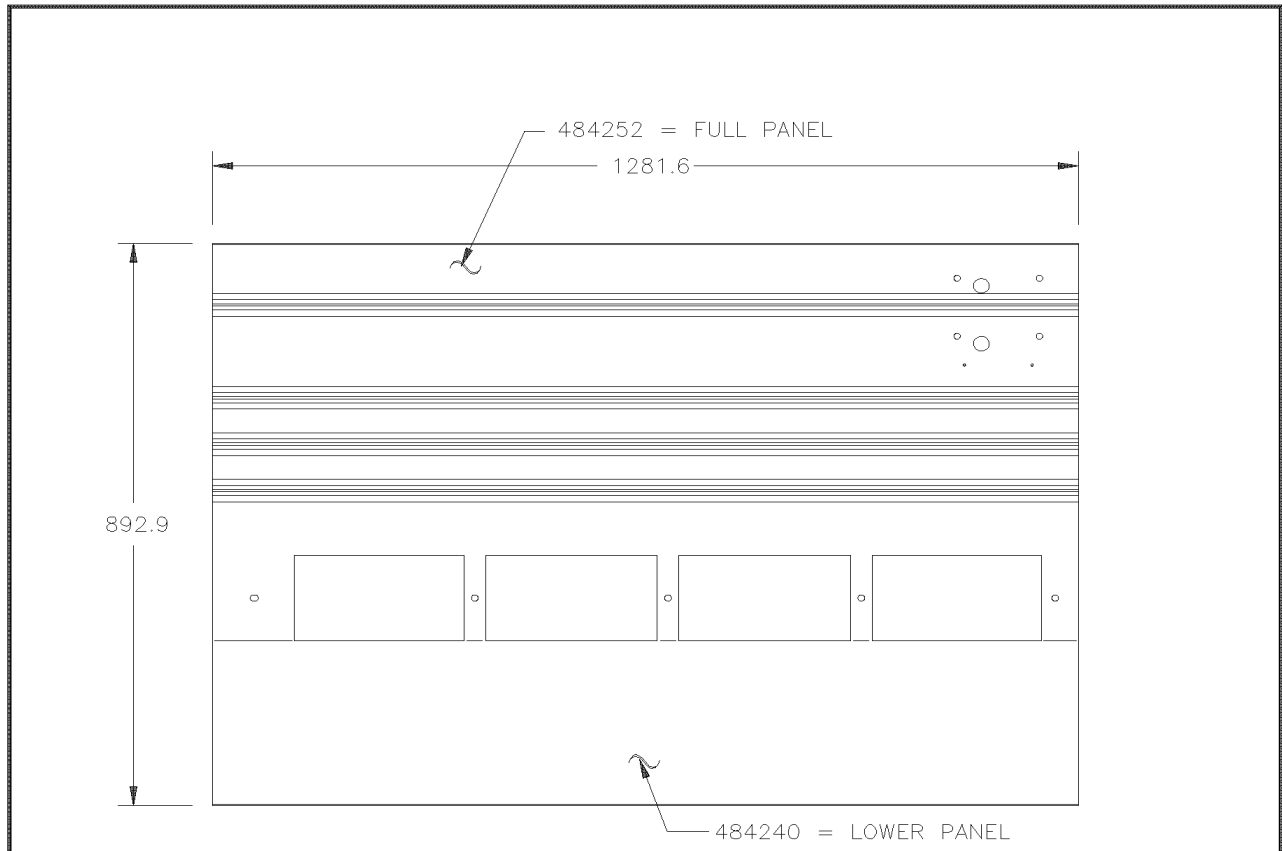
PREVOST



X3-VIP



XL-II ENT.



EXTERIOR VIEW

NOTE:

4TH DOOR RH
WITH SMALL A/C

TOTAL PERFORATED AREA: 0 f ²	EFF : B-5003	DOOR ASSY ONLY IN SERVICE PART	N.A.
	PRIOR:		
DATE: 12-2012	WITH INSULATION	REFERENCE ONLY	484252
REV. : C	WITHOUT INSULATION		



From B-5003 To D-5489	Date:07/2024	PAGE:484252
-----------------------	--------------	-------------

ONE PIECE PANEL / FLUTED 1281.6MM

Item#	Part	Description	X 3 V I P	X L I I E N T 4 5	N O T E S
1		BAGAGE DOOR FULL PANEL	1	1	
2	484240	PANEL, LOWER / B.A. 1281.6 MM	1	1	



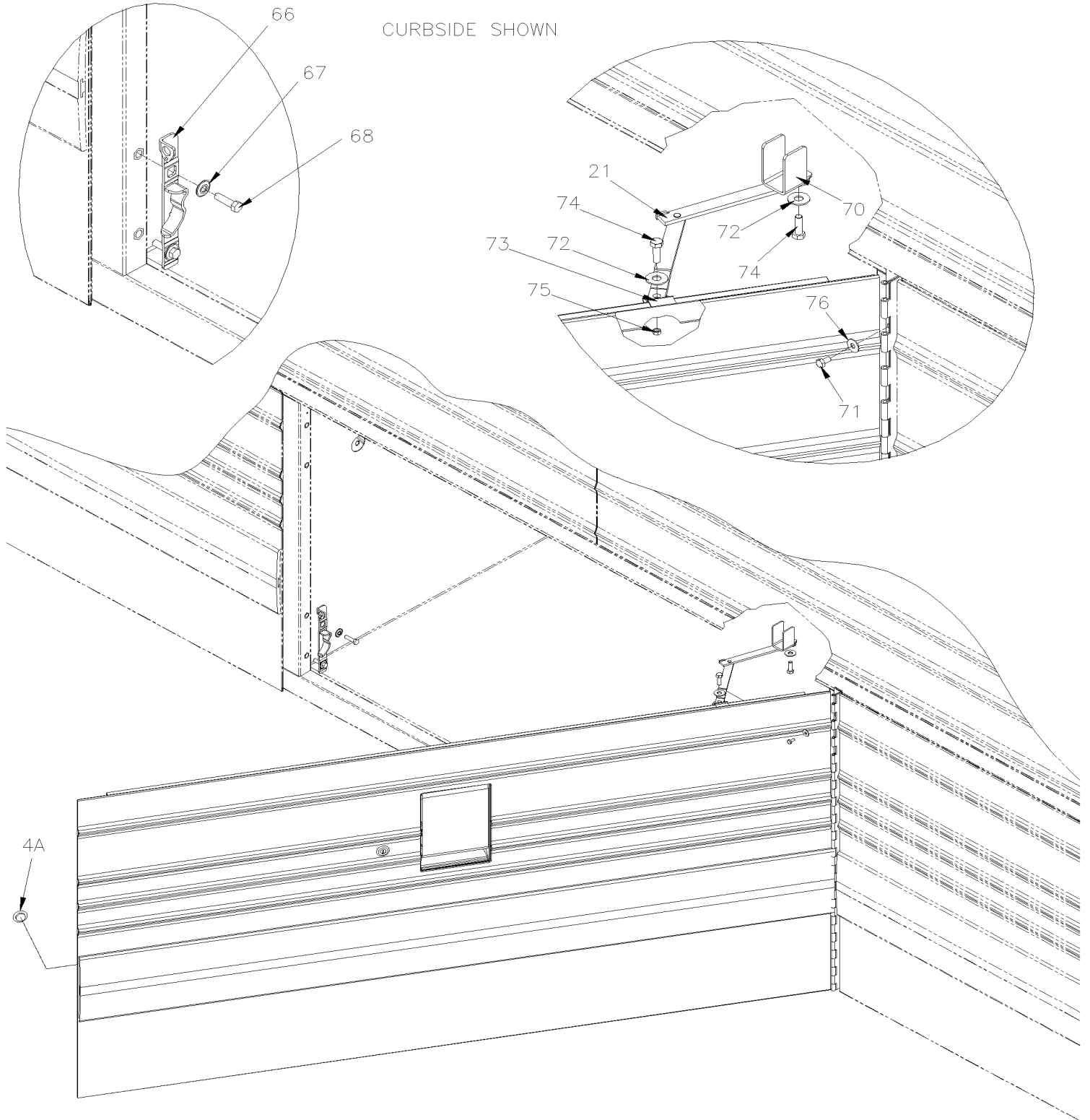
From B-5003 To D-5489

Date:07/2024

PAGE:XV-1864-90

BAGGAGE DOOR W/HINGE / 70"

CURBSIDE SHOWN



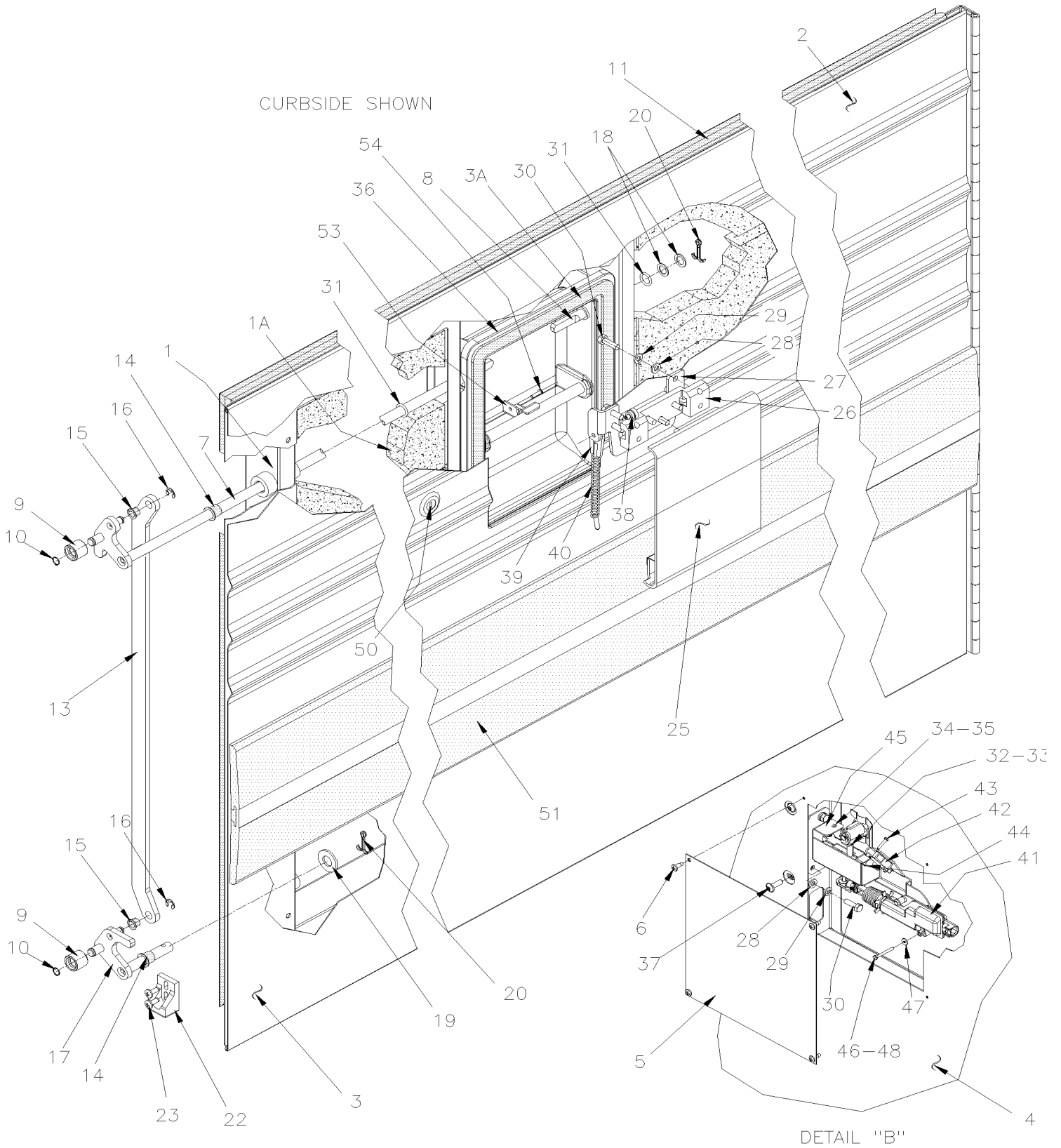


From B-5003 To D-5489

Date:07/2024

PAGE:XV-1864-90

BAGGAGE DOOR W/HINGE / 70"





From B-5003 To D-5489	Date:07/2024	PAGE:XV-1864-90
BAGGAGE DOOR W/HINGE / 70"		

Item#	Part	Description	X 3 V I P	X L I I E N T 4 5	N O T E S
	289051P	BAGGAGE DOOR ASSY 70" RH HINGE / CUBRSIDE	1	1	
	289736P	BAGGAGE DOOR ASSY 70" LH HINGE / STREET SIDE	1	1	
1	289052P	. FRAME ASSY 70" RH HINGE / CUBRSIDE	1	1	
1	289737P	. FRAME ASSY 70" LH HINGE / STREET SIDE	1	1	
1A	Call order desk	. INSULATING KIT / BAGGAGE DOOR STD	1	1	P
1A	352367	. INSULATING / HINGE TYPE BAGGAGE DOOR	1	1	
2	484286	. ONE PIECE PANEL 1777.1 MM / FLUTED / B.A. / RH HINGE / CUBRSIDE	1	1	
2	484253	. ONE PIECE PANEL 1777.1 MM / FLUTED / B.A. / LH HINGE / STREET SIDE	1	1	
3	484225	. . PANEL, LOWER / B.A. 1777.1 MM	1	1	
3A	687961	. GLUE MS POLYMER TEROSON MS 9399 / "A" 21 Liters	AR	AR	
3A	687962	. GLUE MS POLYMER TEROSON MS 9399 / "B" 21 Liters	AR	AR	
3A	684517	. ADHESIVE SIMSON #ISR 70-03 / GREY / 310ml CARTRIDGE	AR	AR	
4	484284	. PANEL INTERIOR 70" RH HINGE / CUBRSIDE	1	1	
4	484237	. PANEL INTERIOR 70" LH HINGE / STREET SIDE	1	1	
NS	506785	. TAPE RUB ADH2 CC POL 1/16" X 1/4" X 200' / BLACK 11C-N-A	AR	AR	
4A	504433	. SNAP-IN PLUG / 1.090 O.D.	AR	AR	
5	481787	. PANEL ACCESS 9" X 9"	1	1	
6	502868	. SCREW TC TR PH #10-16x1/2 N500	4	4	
7	287061	. LOCKING ROD UPPER L.H. / W/70" DOOR 793MM / CUBRSIDE	1	1	
7	287062	. LOCKING ROD UPPER R.H. / W/70" DOOR 793MM / STREET SIDE	1	1	
8	289743	. LOCKING ROD UPPER / W/70" HINGED DOOR 112.7MM	1	1	
9	288607	. ROLLER CATCH	2	2	
10	504318	. RING RETAINER / EXT .375 x .352 x .025	2	2	
11	289738	. RUBBER SEAL EXTRUSION / W/70" DOOR 1688MM x 800MM	1	1	
13	288516	. LINKAGE	1	1	
14	507141	. BUSHING, NYLINER W/SHOULDER (7-L-7-F)	2	2	
15	507301	. BUSHING NYLINER	2	2	
16	504689	. RING RETAINER / EXT .312 x .243 x .025 / SS	2	2	
17	288788	. LOCKING ROD LOWER L.H. CUBRSIDE	1	1	
17	288787	. LOCKING ROD LOWER R.H. STREET SIDE	1	1	
18	5001011	. WASHER FL .406x.625x.040 Z050	2	2	
19	500958	. WASHER FL .531x1.062x.095 SS	1	1	
20	502102	. PIN, COTTER 1/8 x 1	2	2	
21	281912	. GUIDE ASSY / L.H. DOOR RH HINGE / CUBRSIDE	1	1	
21	288031	. GUIDE ASSY / R.H. DOOR LH HINGE / STREET SIDE	1	1	
22	289708	. GUIDE LOWER COND DOOR PLASTIC	1	1	
23	500945	. SCREW TC BDG PH #10-24x1/2 G500	2	2	
25	287175	. HANDLE ASSY / B.A.	1	1	
26	288606	. HINGE	1	1	
27	288634	. GRIP HANDLE	1	1	
28	502573	. WASHER FL 6.4x12.5x1.6 SS	9	9	
29	502570	. WASHER LO SPT 6.1x11.8x1.6 SS	9	9	



From B-5003 To D-5489	Date:07/2024	PAGE:XV-1864-90
BAGGAGE DOOR W/HINGE / 70"		

Item#	Part	Description	X 3 V I P	X L I I E N T 4 5	N O T E S
30	502622	. SCREW CAP HEX M6-1.0x20 SS BK	9	9	
31	507644	. O-RING 10MM I.D. X 2MM	2	2	
32	287406	. PIVOT LOCK 9.5MM OFFSET	1	1	
33	504402	. RING RETAINER / EXT .250 x .210 x .025"	1	1	
34	481564	. ROD GUIDE	2	2	
35	502934	. SPRING COMPRESSION / .300 O.D. x 1 x .026	2	2	
36	288611	. SEALING BOX	1	1	F
37	5001630	. SCREW TP BUTF TORX M6x20 SS	6	6	
38	287271	. RIVET SHR FL 9.95x3.6(4.8x4.8 SS	1	1	
39	288639	. PIN HANDLE RELEASE	1	1	
40	480394	. SPRING COMPRESSION / .355 O.D. 3.375 x .063	1	1	
NS	506268	. TAPE RUB ADH1 URE 3/8" x 1/2" x 25' / GREY 1820	AR	AR	
NS	680343	. GREASE CLEAR SPRAY BOTTLE 283GR	AR	AR	
NS	684685	. ADHESIVE SIMSON #ISR 70-03 / 310ml CARTRIDGE	AR	AR	
NS	685252	. GLUE MS POLYMER LOCTITE 5570 (CLEAR) 300ml CARTRIDGE	AR	AR	
41	780814	LOCK ACTUATOR / 12V To C-5169	1	1	
. NS	562076	. CONNECTOR / PACK-CON I / FEMALE HOUSING / 2C / PED 8911772 To C-5169	1	1	
41	2800049	LOCK ACTUATOR / 12V From C-5170	1	1	
NS	504273	CABLE TIE / 1/8" X 3"1/2	AR	AR	
NS	562679	4 WAY ADH. BACKED MOUNTS 1.000 x 1.000 x .160	AR	AR	
NS	504637	CABLE TIE / 3/16" x 13"	AR	AR	
42	562096	MICRO SWITCH	1	1	
43	502577	SCREW MA PAN PH M3-0.5x16 ZP	2	2	
43	502691	WASHER LO SPT 3.6x6.7x0.8 Z050	2	2	
44	502579	NUT HEX M3-0.5 NP	2	2	
45	289000	SUPPORT LOCK ACTUATOR ASSY W/ ROD	1	1	
46	5001100	SCREW CAP HEX M3-0.5x30 G8.8 ZP	2	2	
47	500437	WASHER FL .125x.375x.040 Z050	2	2	
48	5001408	NUT HEX STO M3-0.5 ZP	2	2	
49	068083	CABLE ASSY / ACTUATOR POWER / EACH DOOR	1	1	
50	XV-1867-00	KEY & CYLINDER CODE			
51	XV-1855-00	RUB RAIL - EXTERIOR CREST & TRIMS			
53	2800645	HANDLE REINFORCEMENT	1	1	F
54	502673	SCREW TC PAN PH #6-32x1/2 SS	1	1	F
66	288526	LOCKING GUIDE L.H. ASSY RH HINGE / CUBRSIDE	2	2	
66	287150	LOCKING GUIDE R.H. ASSY LH HINGE / STREET SIDE	1	1	
67	5001699	WASHER BEL SPR 8.2x22x1.4 N500	2	2	
68	5001738	SCREW CAP HEX M8-1.25x30 G8.8 N500	2	2	
70	216917	SUPPORT PIVOT / DOOR GUIDE M8-1.25 / (WELDED AT STRUCTURE	1	1	
71	5001743	SCREW CAP HEX M6-1.0x12 G8.8 N500	6	6	
72	500270	WASHER FL .406x1.000x.063 SS	5	5	



From B-5003 To D-5489	Date:07/2024	PAGE:XV-1864-90
BAGGAGE DOOR W/HINGE / 70"		

Item#	Part	Description	X 3 V I P	X L I I E N T 4 5	N O T E S
73	484220	SUPPORT ASSY / DOOR GUIDE M8-1.25	1	1	
74	502780	SCREW CAP HEX M8-1.25x25 SS BK	2	2	
75	5001188	NUT HEX M8-1.25 SS	1	1	
76	500411	WASHER FL .260x.697x.050 SS	6	6	
		F) USE TO REPAIR 288611 / TO INSTALL IT YOU HAVE TO DRILL A HOLE 7/64			
		P) CALL ORDER DESK FOR SPECIFIC APPLICATION (V.I.N.)			

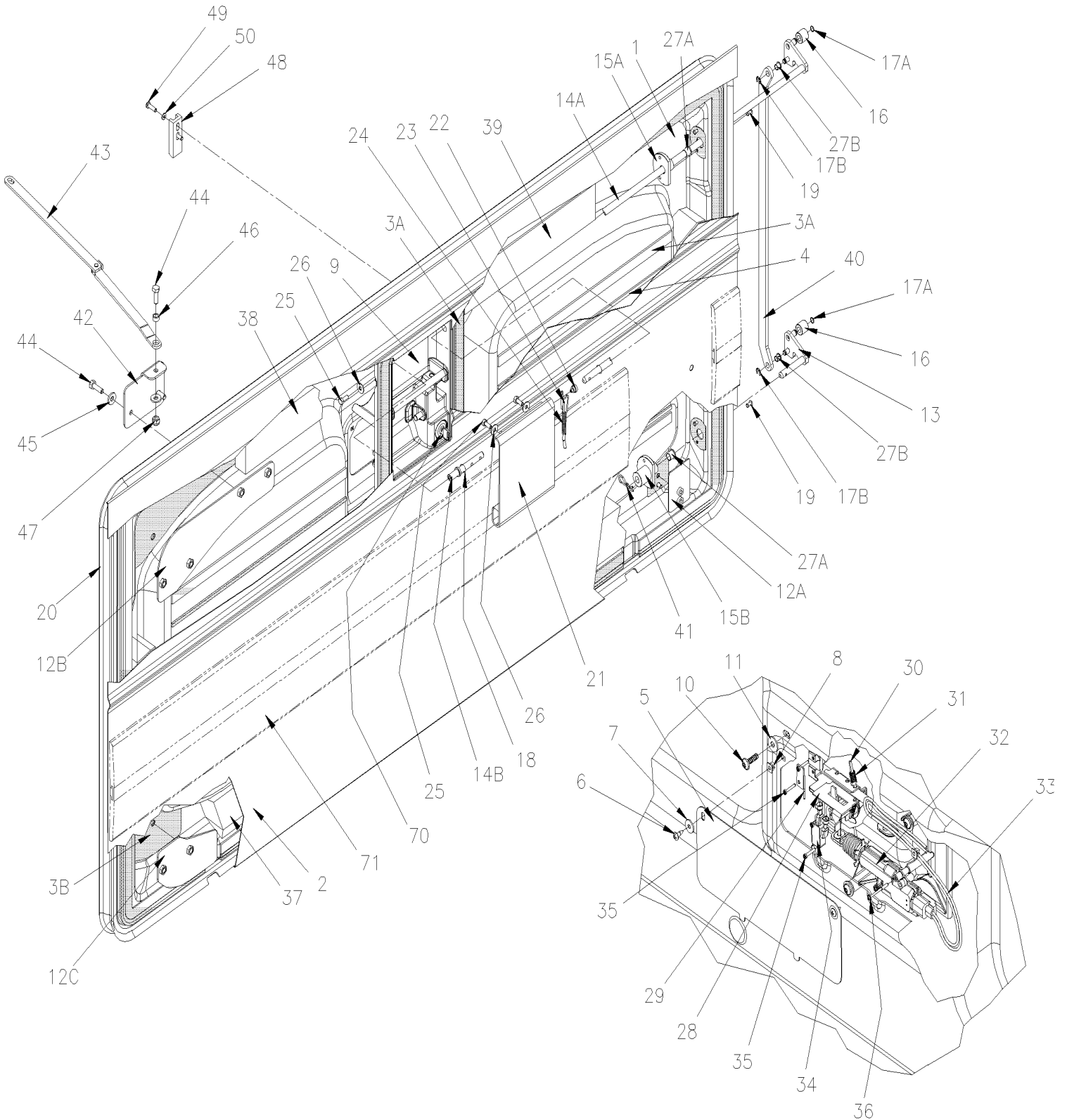


From B-5003 To D-5489

Date:07/2024

PAGE:XV-1864-91

BAGGAGE DOOR W/HINGE / 70"





From B-5003 To D-5489	Date:07/2024	PAGE:XV-1864-91
BAGGAGE DOOR W/HINGE / 70"		

Item#	Part	Description	X 3 V I P	X L I I E N T 4 5	N O T E S
	487602	DOOR ASSY 70" / W/FLUTED PANEL / ELECTRICAL LOCK / SS	1	1	
	487601	DOOR ASSY 70" / W/FLUTED PANEL / ELECTRICAL LOCK / MARKER LIGHT / SS	1	1	
1	2800256	. FRAME 70"	1	1	
2	484317	. ONE PIECE PANEL / FLUTED 70"	1	1	
2	484323	. ONE PIECE PANEL / W/MARKER LIGHT / LH / FLUTED 70"	1	1	
2	484341	. . LOWER PANEL 70"	1	1	
3A	687961	. GLUE MS POLYMER TEROSON MS 9399 / "A" 21 Liters	AR	AR	
3A	687962	. GLUE MS POLYMER TEROSON MS 9399 / "B" 21 Liters	AR	AR	
3A	684517	. ADHESIVE SIMSON #ISR 70-03 / GREY / 310ml CARTRIDGE	AR	AR	
3B	684743	. GLUE METHACRYLATE PLEXUS MA832GB 380 ml	AR	AR	
4	506769	. TAPE RUB ADH2 CC POL 1/8" x 1/4" x 60' / BLACK H1CC-N-#14	AR	AR	
5	2800265	. PANEL ACCESS 10 3/4" x 4 3/8"	1	1	
6	500124	. SCREW TP TR PH #8x1/2 SS	2	2	
7	5001076	. WASHER FL RET 4.6x15.4x1.37 NYL BK	2	2	
8	502741	. NUT AN #8 NYL	2	2	
9	289062	. SEALING BOX / W/FORD LOCK	1	1	
10	5001630	. SCREW TP BUTF TORX M6x20 SS	5	5	
11	5001114	. WASHER FL .260x.687x.060 NYL	5	5	
12A	2800251	. ATTACH, SKID	1	1	
12B	2800254	. ATTACH, HINGE UPPER	1	1	
12C	2800255	. ATTACH, HINGE LOWER	1	1	
13	2800245	. LOCKING ROD LOWER 65MM	1	1	
14A	2800246	. LOCKING ROD UPPER RH 793MM	1	1	
14B	2800317	. LOCKING ROD UPPER LH 94.5MM	1	1	
15A	2800269	. LOCKING ROD GUIDE	1	1	
15B	2800248	. LOCKING ROD GUIDE LOWER	1	1	
16	2800270	. ROLLER CATCH	2	2	
17A	504318	. RING RETAINER / EXT .375 x .352 x .025	2	2	
17B	504689	. RING RETAINER / EXT .312 x .243 x .025 / SS	2	2	
18	507644	. O-RING 10MM I.D. X 2MM	2	2	
19	504120	. RIVET POP DOME CLE 3/16x1/2 AL	4	4	
20	2800358	. RUBBER SEAL EXTRUSION / W/70" DOOR	1	1	
21	2800316	. HANDLE ASSY / BAGAGE DOOR / SS	1	1	
22	287271	. . RIVET SHR FL 9.95x3.6{4.8x4.8 SS	1	1	
23	289068	. PIN HANDLE RELEASE	1	1	
24	289070	. SPRING COMPRESSION / .355 O.D. 2.755 x .063	1	1	
25	5001697	. SCREW CAP HEX M6-1.0x16 SS BK	4	4	
26	5001833	. WASHER BEL SPR 6.1x18x1.27 SS	4	4	
27A	507141	. BUSHING, NYLINER W/SHOULDER (7-L-7-F)	2	2	
27B	507301	. BUSHING NYLINER	2	2	
28	289065	. PIN LATCH	1	1	
29	289064	. STOP PLATE LATCH	1	1	



From B-5003 To D-5489	Date:07/2024	PAGE:XV-1864-91
BAGGAGE DOOR W/HINGE / 70"		

Item#	Part	Description	X 3 V I P	X L I I E N T 4 5	N O T E S
30	481564	. ROD GUIDE	2	2	
31	502934	. SPRING COMPRESSION / .300 O.D. x 1 x .026	2	2	
32	2800049	. LOCK ACTUATOR / 12V	1	1	
33	068617	. CABLE ASSY / DOOR LOCK	1	1	
NS	504637	. CABLE TIE / 3/16" x 13"	AR	AR	
34	562096	. MICRO SWITCH	1	1	
35	5001888	. SCREW TP CAP TORX M3X18 SS	4	4	
36	5001887	. SCREW TP PAN WSHR TORX M3X35 SS	2	2	
37	352597	. INSULATING PANEL / LOWER	1	1	
38	352598	. INSULATING PANEL / UPPER LEFT	1	1	
39	352599	. INSULATING PANEL / UPPER RIGHT	1	1	
40	288516	. LINKAGE	1	1	
41	502945	. PIN HITCH CLIP 3/32 x 1/2 SS	1	1	
42	2800288	. ATTACH, ARM DOOR	1	1	
43	2800285	. ARM DOOR ASSY	1	1	
44	5001745	. SCREW CAP HEX M8-1.25x25 G8.8 N500	3	3	
45	500321	. WASHER BEL SPR .331x.827x.098 N500	3	3	
46	283770	. SPACER / TO FIX RETAINING ARM	1	1	
47	5001787	. NUT HEX NYRT M8-1.25 SS	1	1	
48	2800234	. GUIDE, HINGE DOOR	1	1	
49	502626	. SCREW MA PAN PH M6-1.0x20 N500	2	2	
50	500855	. WASHER FL .188x.438x.049 N500	2	2	
55	2800219	HINGE ASSY	1	1	
56	2800267	SPACER	2	2	
57	5001745	SCREW CAP HEX M8-1.25x25 G8.8 N500	4	4	
58	500321	WASHER BEL SPR .331x.827x.098 N500	8	8	
59	500270	WASHER FL .406x1.000x.063 SS	3	3	
60	217204	SUPPORT PIVOT / DOOR GUIDE M8-1.25 / (WELDED AT STRUCTURE	1	1	
65	2800259	LOCKING GUIDE R.H. ASSY	1	1	
66	5001738	SCREW CAP HEX M8-1.25x30 G8.8 N500	4	4	
67	5001699	WASHER BEL SPR 8.2x22x1.4 N500	4	4	
NS	680739	GREASE SYNTHETIC / RED 20KG	AR	AR	
NS	680343	GREASE CLEAR SPRAY BOTTLE 283GR	AR	AR	
69	502780	SCREW CAP HEX M8-1.25x25 SS BK	7	7	
70	XV-1867-00	KEY & CYLINDER CODE			
71	XV-1855-00	RUB RAIL - EXTERIOR CREST & TRIMS			

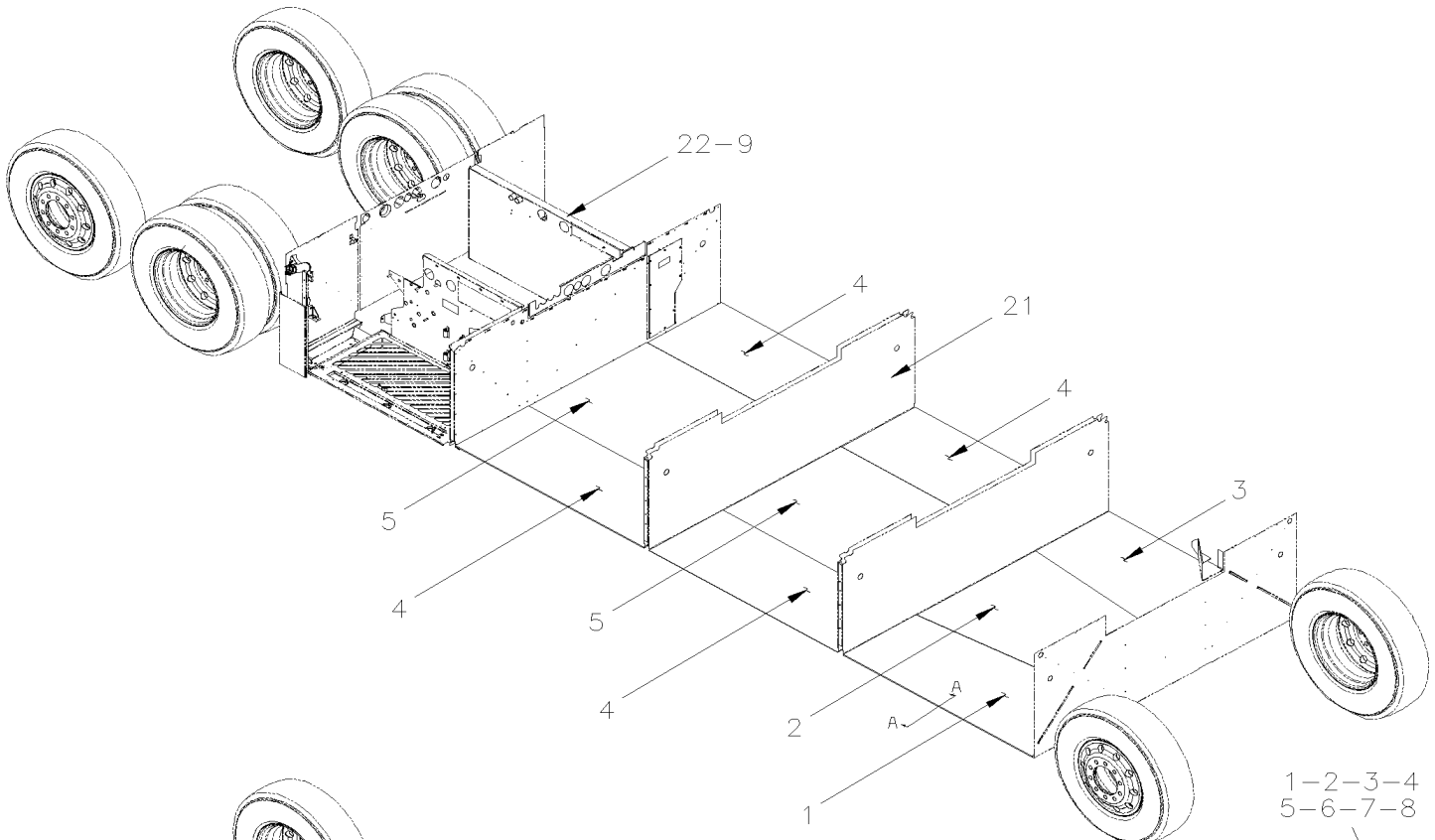


From B-5003 To D-5489

Date:07/2024

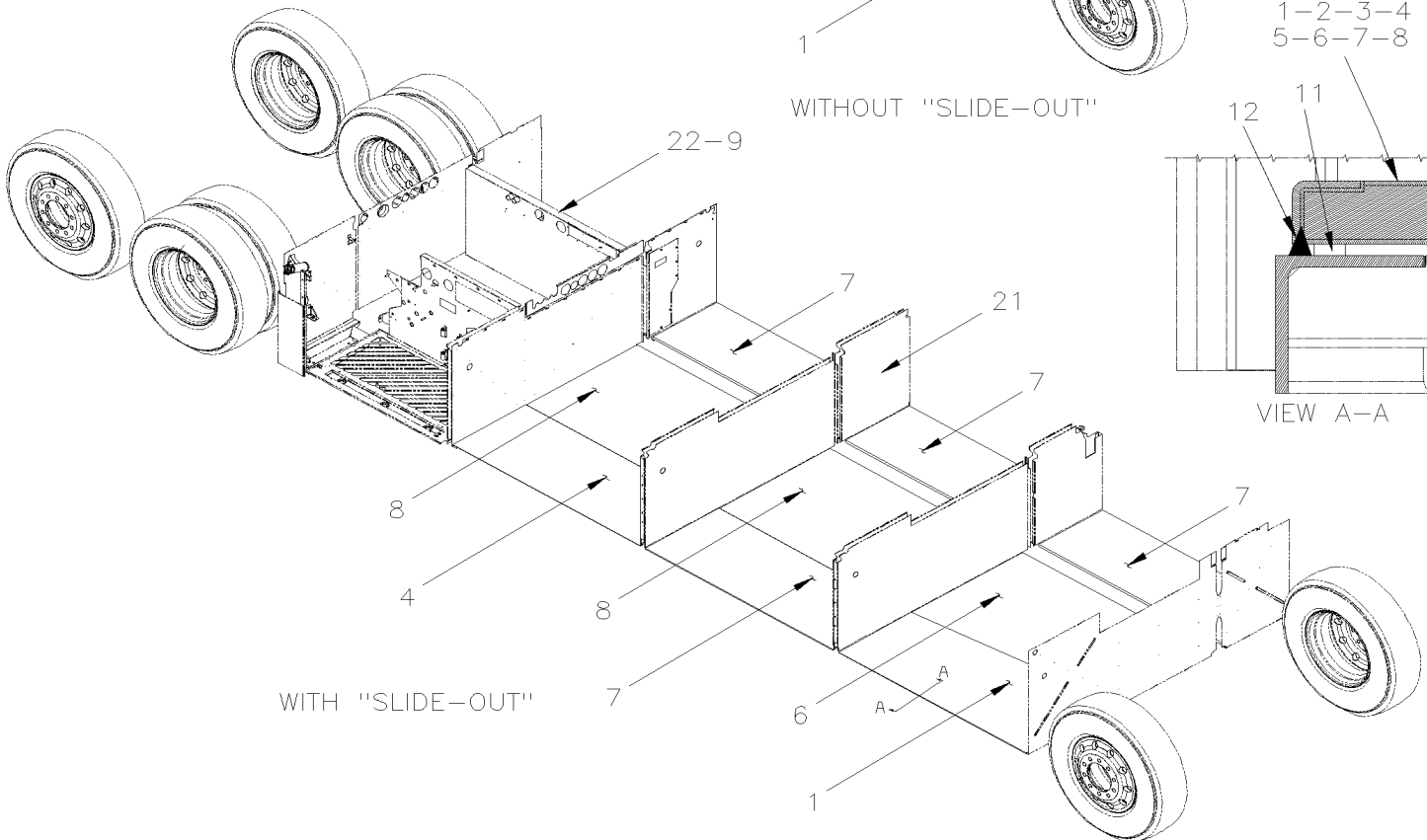
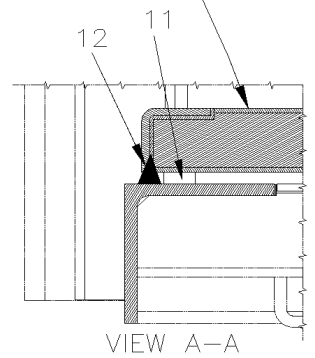
PAGE:XV-1865-00

FLOOR BAGGAGE COMPARTMENT



WITHOUT "SLIDE-OUT"

1-2-3-4
5-6-7-8



WITH "SLIDE-OUT"

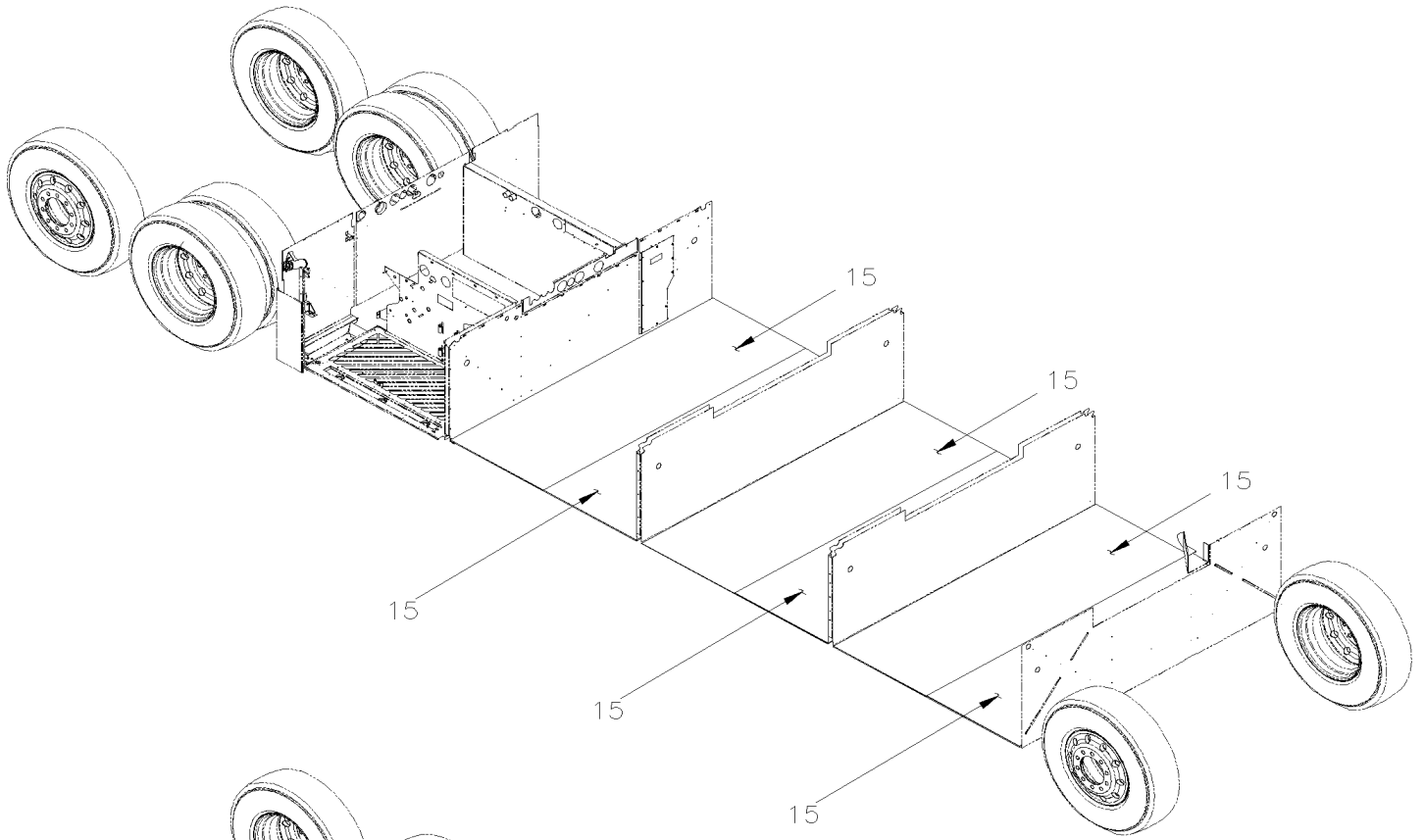


From B-5003 To D-5489

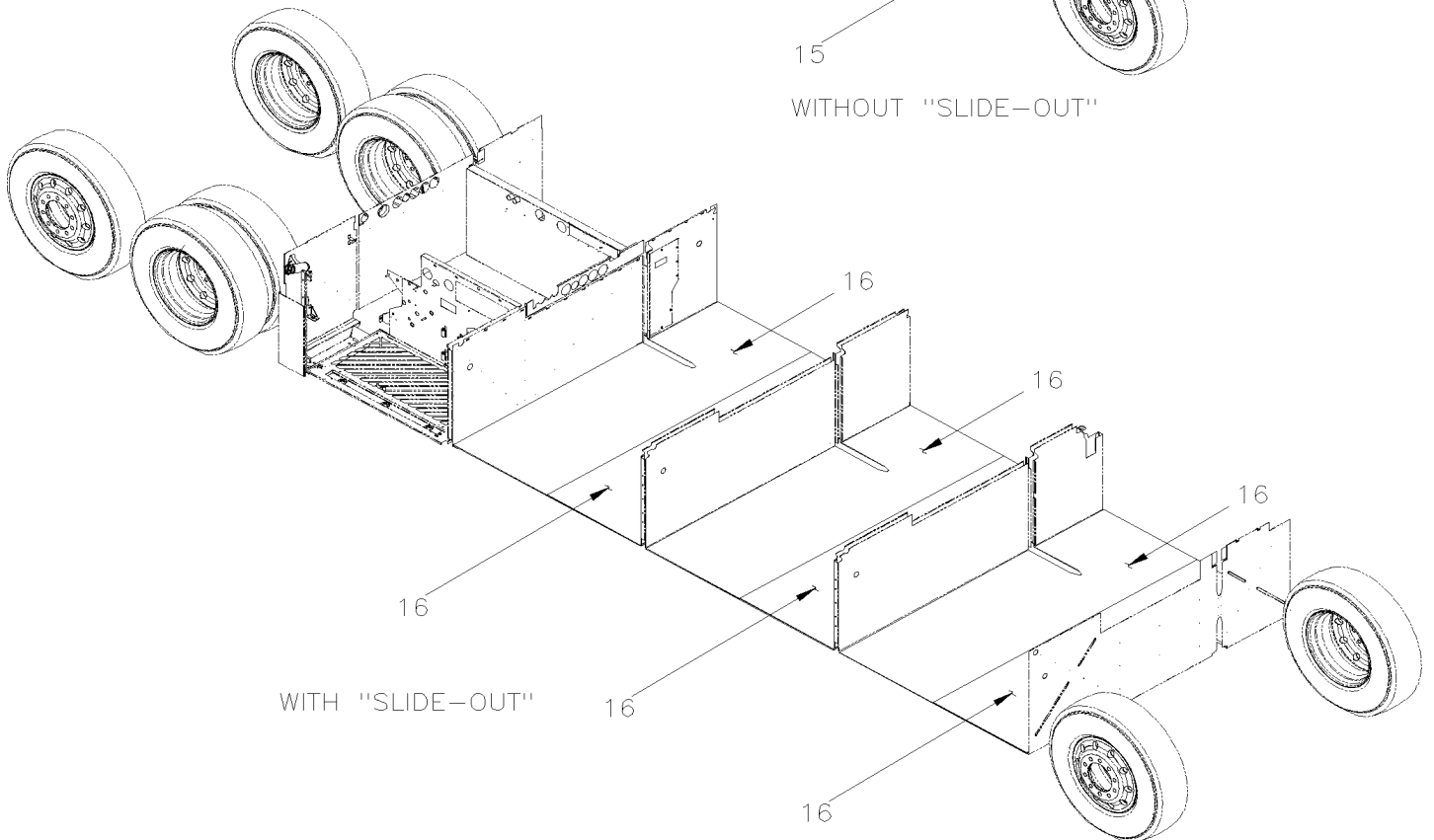
Date:07/2024

PAGE:XV-1865-00

FLOOR BAGGAGE COMPARTMENT



WITHOUT "SLIDE-OUT"



WITH "SLIDE-OUT"



From B-5003 To D-5489	Date:07/2024	PAGE:XV-1865-00
------------------------------	---------------------	------------------------

FLOOR BAGGAGE COMPARTMENT

Item#	Part	Description	X 3 V I P	X L I I E N T 4 5	N O T E S
1	489197	PANEL FLOOR L.H. FRONT 858MM x 1743 x 677MM To D-5459	1	1	
1	485692	PANEL FLOOR L.H. FRONT 846MM x 1743 x 665MM From D-5460	1	1	
2	489201	PANEL FLOOR CENTER / FRONT 1102MM x 1743 x 740MM	1	1	
2	489204	PANEL FLOOR CENTER / FRONT 598MM x 1517MM	1	1	A
2	485697	PANEL FLOOR CENTER / FRONT 586MM x 1138MM	1	1	A
3	489202	PANEL FLOOR L.H. FRONT 858MM x 1743 x 677MM	1	1	
3	485694	PANEL FLOOR L.H. FRONT 846MM x 1743 x 665MM	1	1	
4	489198	PANEL FLOOR L.H. & R.H. 682MM x 1743MM	4	4	
4	485693	PANEL FLOOR L.H. & R.H. 670MM x 1743MM	4	4	
4	489198	PANEL FLOOR L.H. & R.H. 682MM x 1743MM To D-5459	2	2	S
4	485693	PANEL FLOOR L.H. & R.H. 670MM x 1743MM From D-5460	1	1	S
5	489203	PANEL FLOOR CENTER 1092MM x 1743MM	2	2	
6	489196	PANEL FLOOR R.H. FRONT 1035MM x 1743 x 854MM	1	1	
7	489200	PANEL FLOOR L.H. & R.H. 598MM x 1743MM To D-5459	3	3	
7	485696	PANEL FLOOR CENTER 586MM x 1743MM From D-5460	3	3	
8	489199	PANEL FLOOR CENTER 1030MM x 1743MM	2	2	
9	489205	PANEL FLOOR L.H. WITH SMALL A/C SYSTEM 751MM x 1517MM To D-5459	1	1	
9	485695	PANEL FLOOR L.H. WITH SMALL A/C SYSTEM 740MM x 1138MM From D-5460	1	1	
11	790392	RUBBER BLOCK ADJUSTEMENT 1" x 5/16" x 1/8" 80DURO	AR	AR	
12	685126	ADHESIVE SIMSON #ISR 70-03 / GREY / 600ml SAUSAGE	AR	AR	
12	680532	SEALANT SIKA #221 / GREY / 310ml CARTRIDGE	AR	AR	
NS	684459	PAINT GREY FOR BAGGAGE FLOOR	AR	AR	
15	485402	FLOOR COVERING / ALUMINIUM / W/O SLIDE OUT	6	6	O
15	485702	FLOOR COVERING / ALUMINIUM / W/O SLIDE OUT	1	1	O
16	480033	FLOOR COVERING / ALUMINIUM / W/SLIDE OUT	6	6	O
16	485701	FLOOR COVERING / ALUMINIUM / W/SLIDE OUT	1	1	O
17	685126	ADHESIVE SIMSON #ISR 70-03 / GREY / 600ml SAUSAGE	AR	AR	O
20	XV-1893-00	BAGGAGE COMPARTMENT STRUCTURE			
21	XV-1865-10	SEPARATOR PANEL - BAGGAGE COMPARTMENT			
22	XV-1865-20	EVAPORATOR & CONDENSOR WALL INSTALLATION To C-5096			
22	XV-1865-21	EVAPORATOR & CONDENSOR WALL INSTALLATION From C-5097			
		A) WITH SMALL A/C SYSTEME			
		O) OPTION ALUMINIUM BAGGAGE COMPARTMENT FLOOR			
		S) WITH SLIDE OUT			

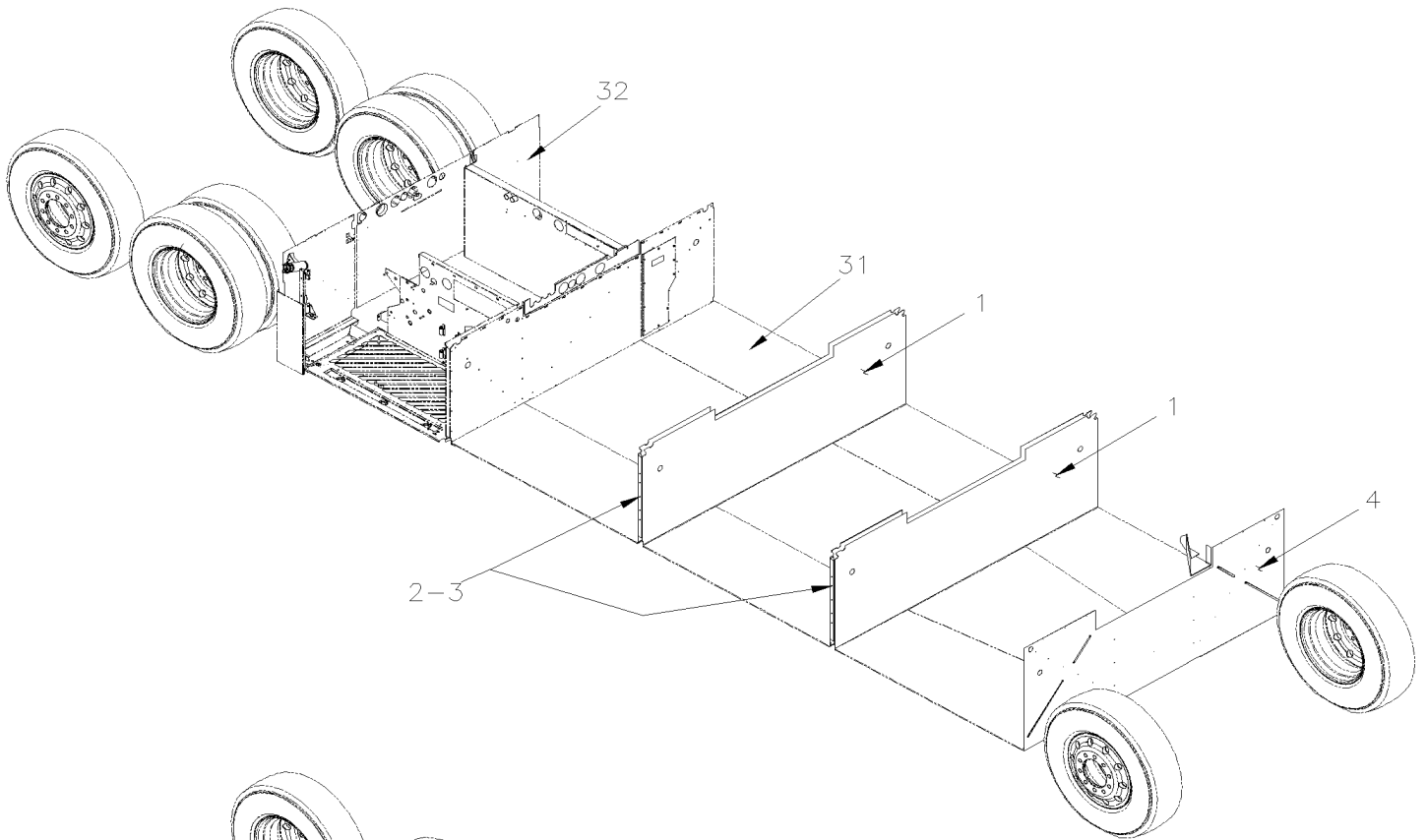


From B-5003 To D-5489

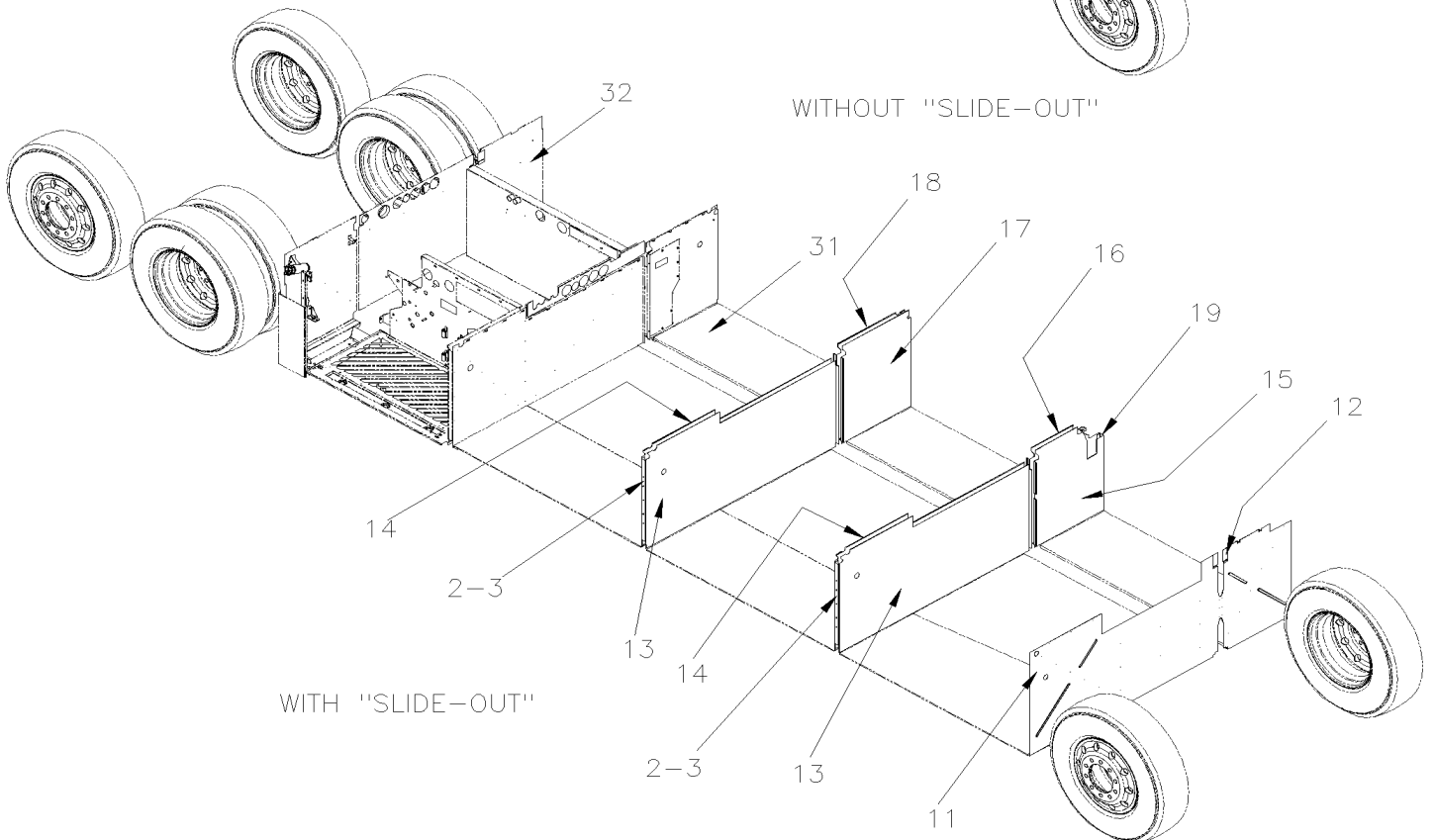
Date:07/2024

PAGE:XV-1865-10

SEPARATOR PANEL - BAGGAGE COMPARTMENT



WITHOUT "SLIDE-OUT"



WITH "SLIDE-OUT"



From B-5003 To D-5489 Date:07/2024 PAGE:XV-1865-10

SEPARATOR PANEL - BAGGAGE COMPARTMENT

Item#	Part	Description	X 3 V I P	X L I I E N T 4 5	N O T E S
1	485657	PANEL SIDE WALL COVERING To D-5459	4	4	W
1	485680	PANEL SIDE WALL COVERING From D-5460	4	4	W
2	485658	PANEL HOLDER 700MM x 38MM x 30MM To D-5459	4	4	W
2	485681	PANEL HOLDER 635MM x 38MM x 30MM From D-5460	4	4	W
2	485658	PANEL HOLDER 700MM x 38MM x 30MM To D-5459	3	3	S
2	485681	PANEL HOLDER 635MM x 38MM x 30MM From D-5460	3	3	S
3	504347	RIVET POP DOME OE 3/16x1/4 AL	AR	AR	
4	216687	PANEL BACKWARD FRONT FENDER / ONE PIECE	1	1	W
11	221619	PANEL BACKWARD FRONT FENDER / ONE PIECE	1	1	S
12	240536	CLOSING PLATE	2	2	S
13	485662	PANEL FORWARD To D-5459	2	2	S
13	485685	PANEL FORWARD From D-5460	2	2	S
14	485666	PANEL BACKWARD To D-5459	2	2	S
14	485686	PANEL BACKWARD From D-5460	2	2	S
15	485663	PANEL FORWARD To D-5459	1	1	S
15	485679	PANEL FORWARD From D-5460	1	1	S
16	485661	PANEL BACKWARD To D-5459		1	S
16	485677	PANEL BACKWARD From D-5460		1	S
16	485688	PANEL BACKWARD To D-5459	1		S
16	485690	PANEL BACKWARD From D-5460	1		S
17	485659	PANEL FORWARD To D-5459		1	S
17	485683	PANEL FORWARD From D-5460		1	S
17	485682	PANEL BACKWARD To D-5459	1		S
17	485689	PANEL BACKWARD From D-5460	1		S
18	485660	PANEL BACKWARD To D-5459	1	1	S
18	485684	PANEL BACKWARD From D-5460	1	1	S
19	485664	PANEL HOLDER 580MM x 38MM x 30MM To D-5459	1	1	S
19	485678	PANEL HOLDER 580MM x 25MM x 30MM From D-5460	1	1	S
NS	506785	TAPE RUB ADH2 CC POL 1/16" X 1/4" X 200' / BLACK I1C-N-A	AR	AR	
NS	683084	SEALANT SIKA #221 / GREY / 600 ml SAUSAGE	AR	AR	
31	XV-1865-00	FLOOR BAGGAGE COMPARTMENT			
32	XV-1865-20	EVAPORATOR & CONDENSOR WALL INSTALLATION To C-5096			
32	XV-1865-21	EVAPORATOR & CONDENSOR WALL INSTALLATION From C-5097			
		S) WITH SLIDE OUT			
		W) WITHOUT SLIDE OUT			

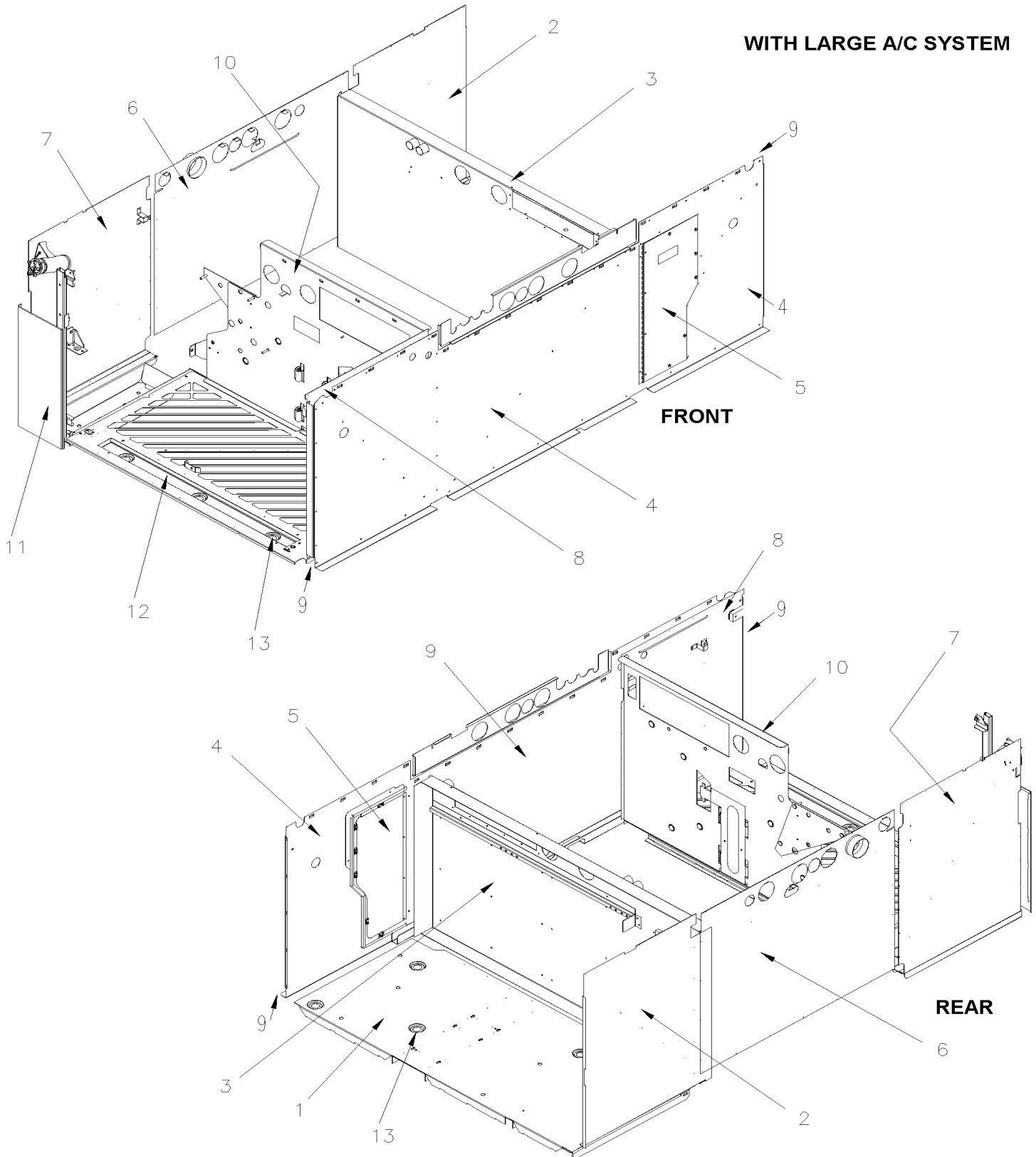


From B-5003 To C-5096

Date:07/2024

PAGE:XV-1865-20

EVAPORATOR & CONDENSOR WALL INSTALLATION





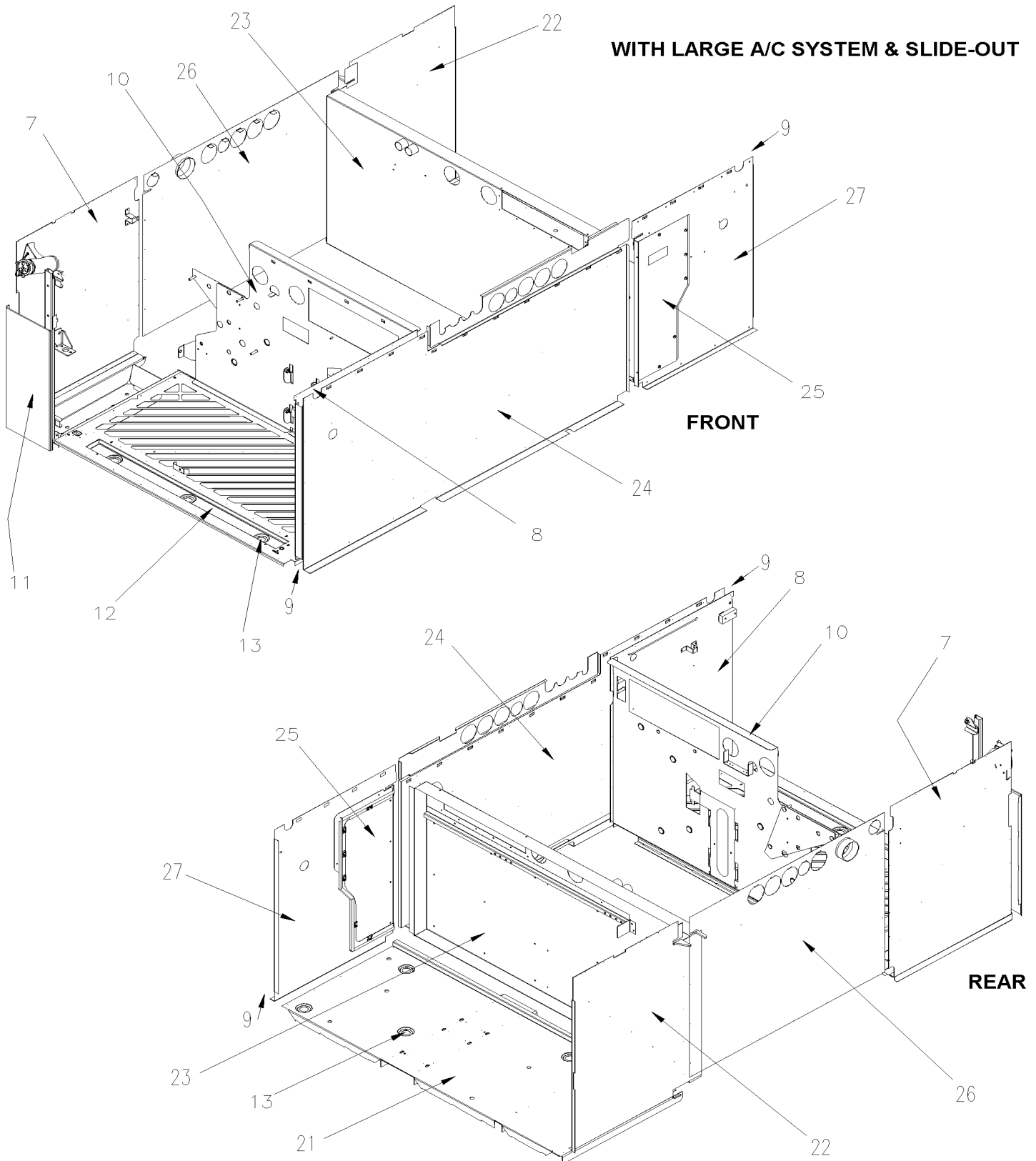
From B-5003 To C-5096

Date:07/2024

PAGE:XV-1865-20

EVAPORATOR & CONDENSOR WALL INSTALLATION

WITH LARGE A/C SYSTEM & SLIDE-OUT



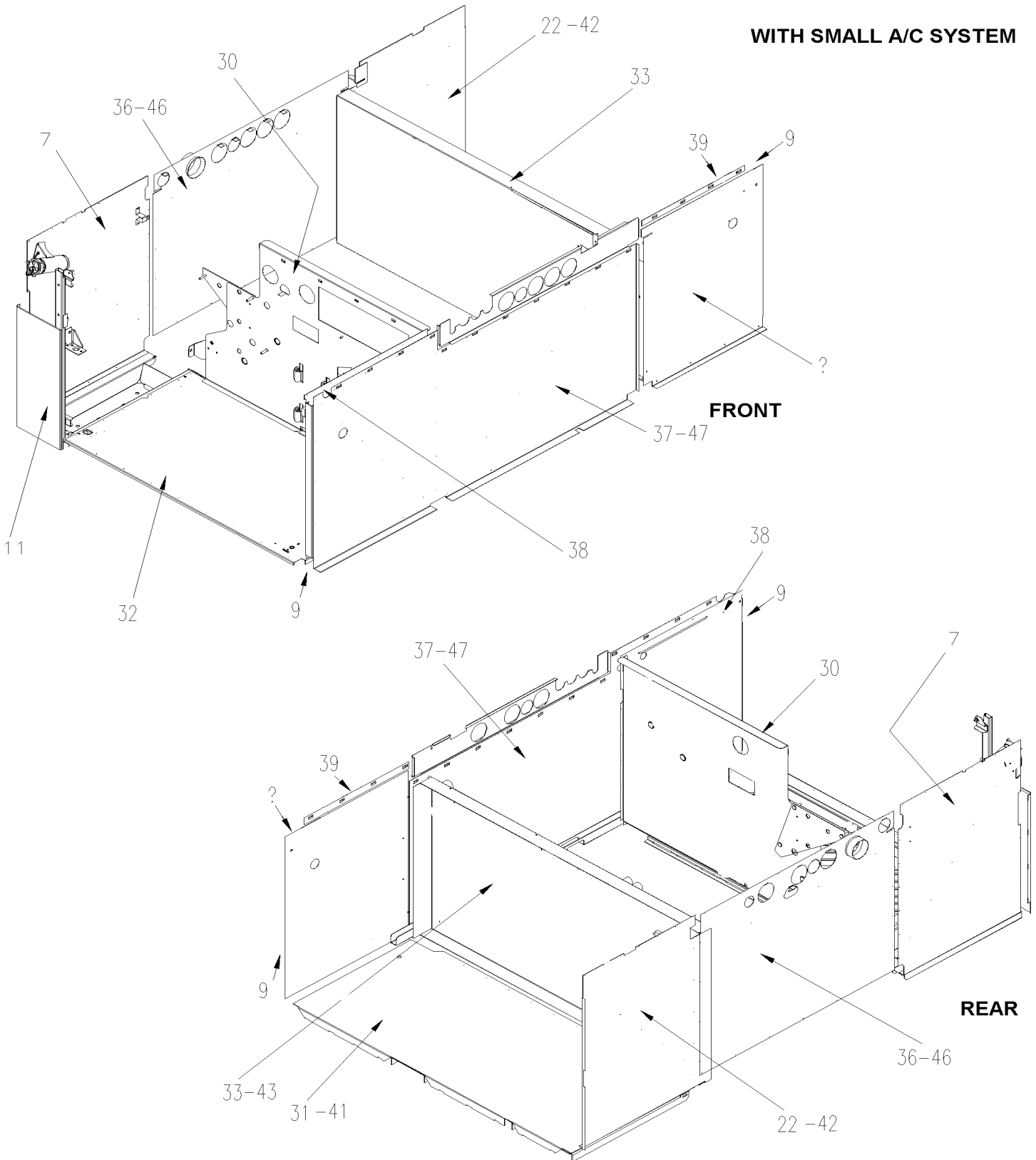


From B-5003 To C-5096

Date:07/2024

PAGE:XV-1865-20

EVAPORATOR & CONDENSOR WALL INSTALLATION





EVAPORATOR & CONDENSOR WALL INSTALLATION

Item#	Part	Description	X 3 V I P	X L I I E N T 4 5	N O T E S
1	216895	PANEL ASSY / EVAPORATOR FLOOR WITH REINFORCMENT	1	1	
. NS	216897	. PANEL FLOOR	1	1	
. NS	216840	. SUPPORT MOTOR	1	1	
. NS	216896	. REINFORCMENT	1	1	
2	216892	PANEL REAR STREET SIDE	1	1	
3	216893	REAR VERTICAL PANEL EVAPORATOR	1	1	
4	216927	PANEL FRONT ONE PIECE	1	1	
5	374491	PANEL DOOR	1	1	
5	374522	PANEL DOOR	1	1	
NS	374511	HINGE / DOOR	1	1	
NS	504681	STUD 6MM (DZUS)	6	6	
NS	504604	FASTENER	6	6	
NS	506228	TAPE RUB ADH1 CC POL 1/4" x 1/2" x 37.5' / GREY 2520X	AR	AR	
NS	370354	DECAL / AIR FILTER / ENGLISH & FRANCAIS	1	1	
NS	374207	DECAL / AIR FILTER / ENGLISH & SPANISH	1	1	
6	216667	PANEL REAR CENTER	1	1	
7	223925	PANEL REAR CURBSIDE	1	1	
8	216852	PANEL ASSY / INTERIOR EVAPORATOR	1	1	
9	485658	PANEL HOLDER 700MM x 38MM x 30MM	2	2	
10	216850	REAR VERTICAL PANEL CONDENSOR	1	1	
11	223954	POST ASSY FORWARD FUEL DOOR ASSY W/REINFORCMENT PANEL	1	1	
. NS	216798	. PANEL REINFORCMENT LOWER FUEL DOOR 249MM x 600MM	1	1	
. NS	223940	. POST ASSY FORWARD FUEL DOOR ASSY	1	1	
. . NS	216797	. . STOPPER CONDENSOR DOOR	2	2	
. . NS	223937	. . BRACKET LATCH COND DOOR	1	1	
. . NS	477296	. . ATTACHMENT SPRING DOOR	1	1	
. . NS	502659	. . NUT WD RND M6-1.0 SS	2	2	
12	216686	PANEL CONDENSOR FLOOR ASSY W/LOUVER	1	1	
. NS	216677	. GRILL FLOOR	1	1	
. NS	221576	. SUPPORT UREA	1	1	
. NS	216678	. ANGLE REINFORCMENT FLOOR 1290MM	1	1	
. NS	216679	. ANGLE "Z" REINFORCMENT FLOOR 1287MM	1	1	
. NS	223941	. ANGLE REINFORCMENT FLOOR 748MM	1	1	
. NS	216671	. TUBE ASSY COND PIVOT 127MM	1	1	
. NS	480081	. DRAIN RECEPTACLE	1	1	
. NS	216724	. STOPPER CONDENSOR DOOR	1	1	
13	414654	DRAIN BOOT 1" I.D. W/GROOVE 1.5 x 35MM I.D. x 85MM	7	7	
	 PANEL WITH LARGE A/C & SLIDE-OUT			
21	216884	PANEL ASSY / EVAPORATOR FLOOR WITH REINFORCMENT	1	1	
22	216879	PANEL REAR STREET SIDE	1	1	



From B-5003 To C-5096	Date:07/2024	PAGE:XV-1865-20
-----------------------	--------------	-----------------

EVAPORATOR & CONDENSOR WALL INSTALLATION

Item#	Part	Description	X 3 V I P	X L I I E N T 4 5	N O T E S
23	216882	REAR VERTICAL PANEL EVAPORATOR	1	1	
24	221622	PANEL FRONT	1	1	
25	374522	PANEL DOOR	1	1	
NS	504681	STUD 6MM (DZUS)	6	6	
NS	504604	FASTENER	6	6	
NS	506228	TAPE RUB ADH1 CC POL 1/4" x 1/2" x 37.5' / GREY 2520X	AR	AR	
NS	370354	DECAL / AIR FILTER / ENGLISH & FRANCAIS	1	1	
26	216880	PANEL REAR CENTER	1	1	
27	216928	PANEL ASSY FRONT CURB-SIDE	1	1	
	 PANEL WITH SMALL A/C			
30	216898	REAR VERTICAL PANEL R.H. FUEL TANK	1	1	
31	N.P.N.	PANEL ASSY / FLOOR STREET SIDE WITH REINFORCMENT	1	1	4
32	223957	PANEL ASSY / FLOOR CURBSIDE	1	1	
. NS	293946	. PANEL	1	1	
. NS	221576	. SUPPORT UREA	1	1	
. NS	216896	. REINFORCMENT	3	3	
33	216908	REAR VERTICAL PANEL L.H. FUEL TANK	1	1	
34	216909	PANEL / CURBSIDE	1	1	
36	216915	PANEL REAR CENTER	1	1	
38	216899	PANEL ASSY	1	1	
39	221649	SUPPORT CABLE ATTACH	1	1	
	 PANEL WITH SMALL A/C & SLIDE-OUT			
41	N.P.N.	PANEL ASSY / FLOOR STREET SIDE WITH REINFORCMENT	1	1	4
42	221618	PLATE FINISHING	1	1	
43	216914	REAR VERTICAL PANEL	1	1	
44	485665	PANEL / STREET SIDE	1	1	
46	216799	PANEL REAR CENTER	1	1	
49	Call order desk	PANEL HOLDER	1	1	P S
		S) WITH SLIDE-OUT			
		4) NO PARTS NUMBER			
		P) CALL ORDER DESK FOR SPECIFIC APPLICATION (V.I.N.)			

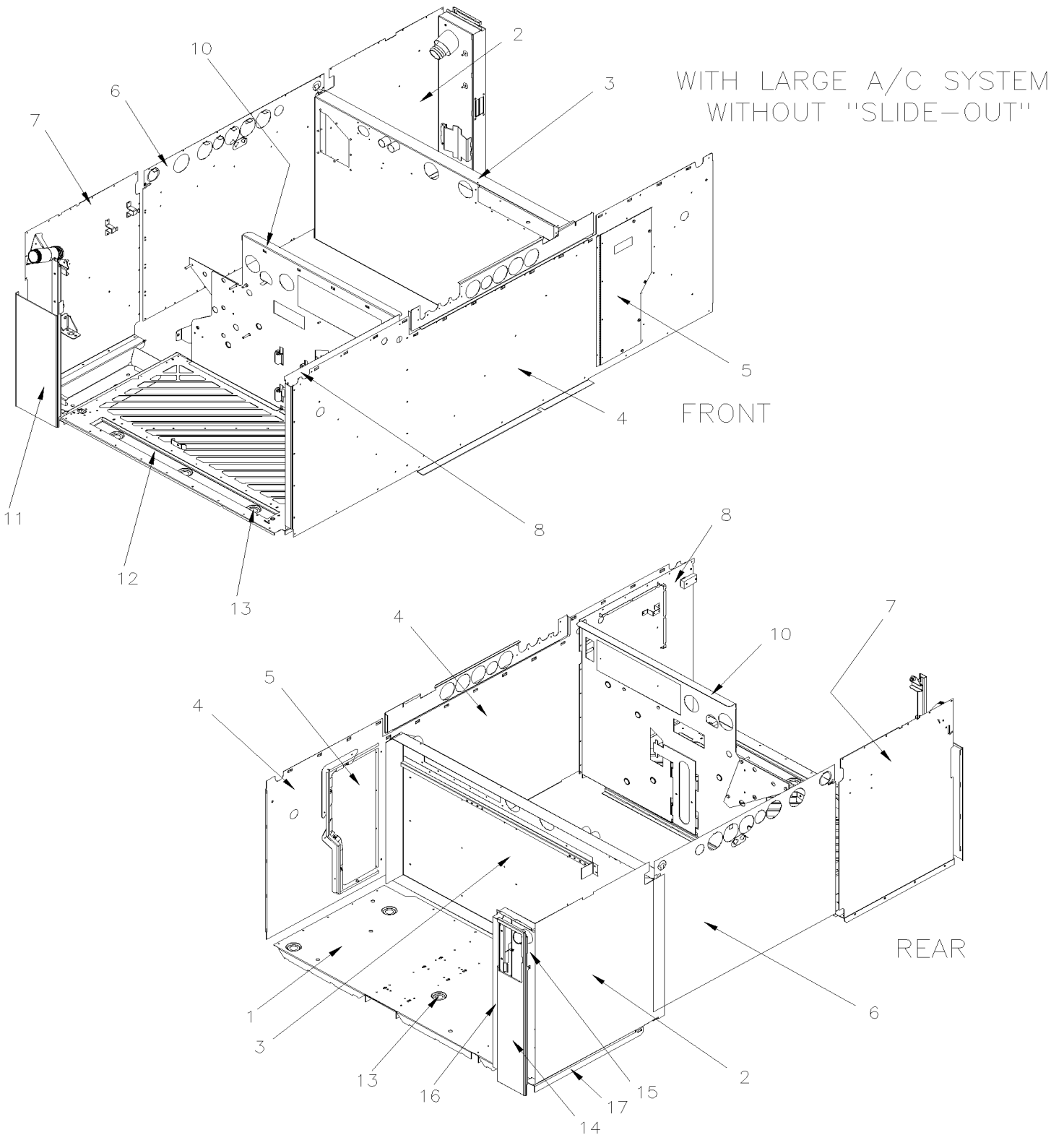


From C-5097 To D-5489

Date:07/2024

PAGE:XV-1865-21

EVAPORATOR & CONDENSOR WALL INSTALLATION



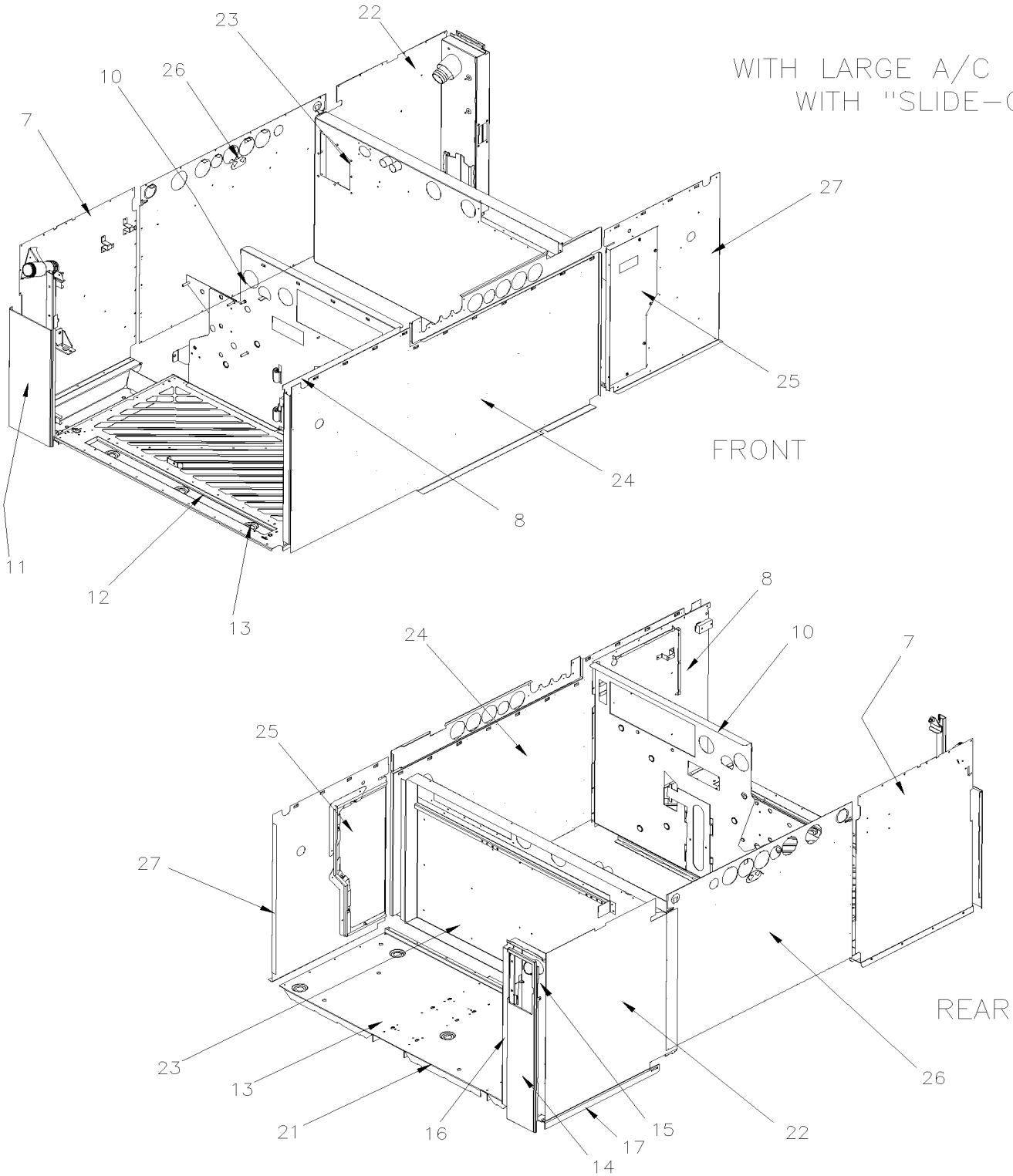


From C-5097 To D-5489

Date:07/2024

PAGE:XV-1865-21

EVAPORATOR & CONDENSOR WALL INSTALLATION



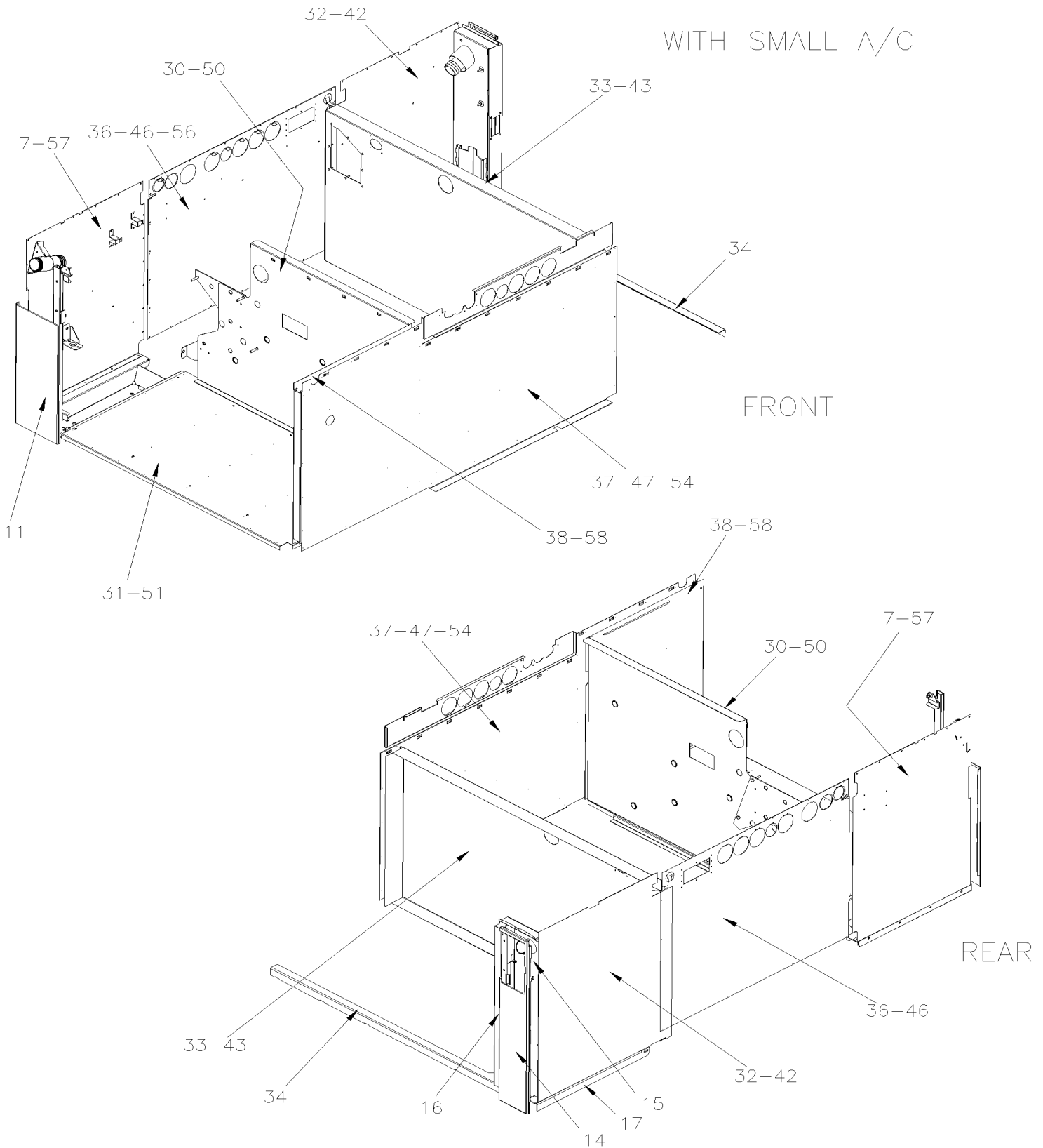


From C-5097 To D-5489

Date:07/2024

PAGE:XV-1865-21

EVAPORATOR & CONDENSOR WALL INSTALLATION





From C-5097 To D-5489 Date:07/2024 PAGE:XV-1865-21

EVAPORATOR & CONDENSOR WALL INSTALLATION

Item#	Part	Description	X 3 V I P	X L I E N T 4 5	N O T E S
1	216895	PANEL ASSY / EVAPORATOR FLOOR WITH REINFORCMENT To C-5135	1	1	
. NS	216897	. PANEL FLOOR To C-5135	1	1	
. NS	216840	. SUPPORT MOTOR To C-5135	1	1	
. NS	216896	. REINFORCMENT To C-5135	1	1	
1	216947	PANEL ASSY / EVAPORATOR FLOOR WITH REINFORCMENT From C-5136	1	1	
2	216952	PANEL REAR STREET SIDE	1	1	
3	216981	REAR VERTICAL PANEL EVAPORATOR To C-5266	1	1	
3	217069	REAR VERTICAL PANEL EVAPORATOR From C-5267	1	1	
4	216927	PANEL FRONT ONE PIECE To C-5132	1	1	
4	217024	PANEL FRONT ONE PIECE From C-5133	1	1	
5	374491	PANEL DOOR To C-5132	1	1	
5	374623	PANEL DOOR From C-5133	1	1	
NS	374511	HINGE / DOOR	1	1	
NS	504681	STUD 6MM (DZUS)	6	6	
NS	504604	FASTENER	6	6	
NS	506228	TAPE RUB ADH1 CC POL 1/4" x 1/2" x 37.5' / GREY 2520X	AR	AR	
NS	370354	DECAL / AIR FILTER / ENGLISH & FRANCAIS	1	1	
NS	374207	DECAL / AIR FILTER / ENGLISH & SPANISH	1	1	
6	216667	PANEL REAR CENTER To C-5132	1	1	
6	217011	PANEL REAR CENTER From C-5133 To C-5232	1	1	
6	173738	PANEL REAR CENTER From C-5233	1	1	
7	223925	PANEL REAR CURBSIDE To C-5276	1	1	
7	223929	PANEL REAR CURBSIDE From C-5277	1	1	
8	216852	PANEL ASSY / INTERIOR EVAPORATOR	1	1	
10	216850	REAR VERTICAL PANEL CONDENSOR To D-5374	1	1	
10	217141	REAR VERTICAL PANEL CONDENSOR From D-5375 To D-5459	1	1	
10	217132	REAR VERTICAL PANEL CONDENSOR From D-5460	1	1	
11	223954	POST ASSY FORWARD FUEL DOOR ASSY W/REINFORCMENT PANEL	1	1	
. NS	216798	. PANEL REINFORCMENT LOWER FUEL DOOR 249MM x 600MM	1	1	
. NS	223940	. POST ASSY FORWARD FUEL DOOR ASSY	1	1	
. . NS	216797	. . STOPPER CONDENSOR DOOR	2	2	
. . NS	223937	. . BRACKET LATCH COND DOOR	1	1	
. . NS	477296	. . ATTACHMENT SPRING DOOR	1	1	
. . NS	502659	. . NUT WD RND M6-1.0 SS	2	2	
12	216686	PANEL CONDENSOR FLOOR ASSY W/LOUVER To C-5242	1	1	
. NS	216677	. GRILL FLOOR To C-5242	1	1	
. NS	221576	. SUPPORT UREA To C-5242	1	1	
. NS	216678	. ANGLE REINFORCMENT FLOOR 1290MM To C-5242	1	1	
. NS	216679	. ANGLE "Z" REINFORCMENT FLOOR 1287MM To C-5242	1	1	
. NS	223941	. ANGLE REINFORCMENT FLOOR 748MM To C-5242	1	1	
. NS	216671	. TUBE ASSY COND PIVOT 127MM To C-5242	1	1	
. NS	480081	. DRAIN RECEPTACLE To C-5242	1	1	



From C-5097 To D-5489	Date:07/2024	PAGE:XV-1865-21
------------------------------	---------------------	------------------------

EVAPORATOR & CONDENSOR WALL INSTALLATION

Item#	Part	Description	X 3 V I P	X L I E N T 4 5	N O T E S
. NS	216724	. STOPPER CONDENSOR DOOR To C-5242	1	1	
12	217072	PANEL CONDENSOR FLOOR ASSY W/LOUVER From C-5243	1	1	
. NS	216677	. GRILL FLOOR From C-5243	1	1	
. NS	221709	. SUPPORT UREA From C-5243	1	1	
. NS	216678	. ANGLE REINFORCMENT FLOOR 1290MM From C-5243	1	1	
. NS	216679	. ANGLE "Z" REINFORCMENT FLOOR 1287MM From C-5243	1	1	
. NS	223941	. ANGLE REINFORCMENT FLOOR 748MM From C-5243	1	1	
. NS	216671	. TUBE ASSY COND PIVOT 127MM From C-5243	1	1	
. NS	480081	. DRAIN RECEPTACLE From C-5243	1	1	
. NS	216724	. STOPPER CONDENSOR DOOR From C-5243	1	1	
13	414654	DRAIN BOOT 1" I.D. W/GROOVE 1.5 x 35MM I.D. x 85MM	7	7	
14	216977	PANEL / FRAME REINFORCMENT	1	1	
15	217058	FILLING CAP ASSY / STREET SIDE	1	1	
16	240932	POST ASSY	1	1	
17	221553	SUPPORT / FLOOR 662MM	1	1	
	 PANEL WITH LARGE A/C & SLIDE-OUT			
21	216884	PANEL ASSY / EVAPORATOR FLOOR WITH REINFORCMENT To C-5138	1	1	
21	216949	PANEL ASSY / EVAPORATOR FLOOR WITH REINFORCMENT From C-5139	1	1	
22	216879	PANEL REAR STREET SIDE To C-5138	1	1	
22	216951	PANEL REAR STREET SIDE From C-5139	1	1	
22	221618	PLATE FINISHING	1	1	
23	216979	REAR VERTICAL PANEL EVAPORATOR From C-5097 To C-5266	1	1	
23	217070	REAR VERTICAL PANEL EVAPORATOR From C-5267	1	1	
24	221622	PANEL FRONT	1	1	
25	374522	PANEL DOOR To C-5132	1	1	
25	374624	PANEL DOOR From C-5133	1	1	
NS	374511	HINGE / DOOR	1	1	
NS	504681	STUD 6MM (DZUS)	6	6	
NS	504604	FASTENER	6	6	
NS	506228	TAPE RUB ADH1 CC POL 1/4" x 1/2" x 37.5' / GREY 2520X	AR	AR	
NS	370354	DECAL / AIR FILTER / ENGLISH & FRANCAIS	1	1	
26	216880	PANEL REAR CENTER To C-5232	1	1	
26	173738	PANEL REAR CENTER From C-5233	1	1	
27	216928	PANEL ASSY FRONT CURB-SIDE To C-5132	1	1	
27	217025	PANEL ASSY FRONT CURB-SIDE From C-5133	1	1	
	 PANEL WITH SMALL A/C			
30	216898	REAR VERTICAL PANEL R.H. FUEL TANK	1	1	



From C-5097 To D-5489	Date:07/2024	PAGE:XV-1865-21
-----------------------	--------------	-----------------

EVAPORATOR & CONDENSOR WALL INSTALLATION

Item#	Part	Description	X 3 V I P	X L I I E N T 4 5	N O T E S
31	223957	PANEL ASSY / FLOOR CURBSIDE	1	1	
. NS	293946	. PANEL	1	1	
. NS	221576	. SUPPORT UREA	1	1	
. NS	216896	. REINFORCMENT	3	3	
32	216952	PANEL REAR STREET SIDE	1	1	
33	216986	REAR VERTICAL PANEL L.H. FUEL TANK To C-5266	1	1	
33	217067	REAR VERTICAL PANEL L.H. FUEL TANK From C-5267	1	1	
34	221677	PANEL SUPPORT	1	1	
36	216915	PANEL REAR CENTER To C-5232	1	1	
36	173740	PANEL REAR CENTER From C-5233	1	1	
37	216909	PANEL / CURBSIDE	1	1	
38	216899	PANEL ASSY	1	1	
39	221649	SUPPORT CABLE ATTACH	1	1	
	 PANEL WITH SMALL A/C & SLIDE-OUT			
	 PANEL WITH SMALL A/C & ONE "H-BEAM"			
42	216951	PANEL REAR STREET SIDE	1	1	
42	221618	PLATE FINISHING	1	1	
43	216984	REAR VERTICAL PANEL To C-5266	1	1	
43	217068	REAR VERTICAL PANEL From C-5267	1	1	
44	485665	PANEL / STREET SIDE	1	1	
46	216799	PANEL REAR CENTER To C-5232	1	1	
46	173740	PANEL REAR CENTER From C-5233	1	1	
47	221622	PANEL FRONT	1	1	
		PANEL WITH SMALL A/C & TWO "H-BEAM"			
50	216966	REAR VERTICAL PANEL R.H. FUEL TANK	1		
51	217000	PANEL ASSY / FLOOR CURBSIDE	1		
. NS	217001	. PANEL	1		
. NS	216999	. SUPPORT UREA	1		
. NS	216998	. REINFORCMENT	3		
54	217005	PANEL / CURBSIDE	1		
54	217003	PANEL FRONT CENTER	1		
56	216995	PANEL REAR CENTER	1		
57	216996	PANEL REAR CURBSIDE	1		
58	217002	PANEL ASSY	1		

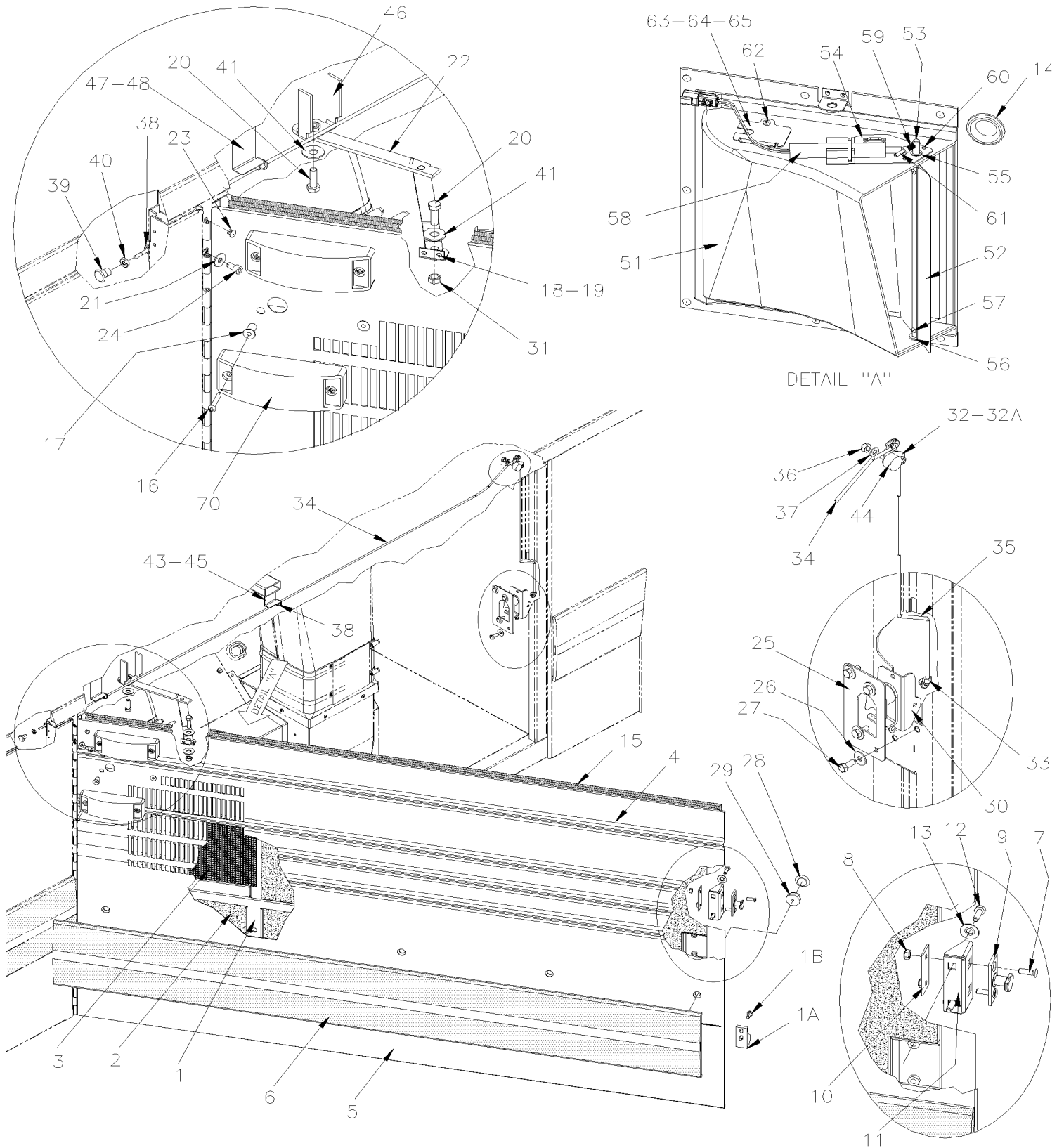


From B-5003 To C-5096

Date:07/2024

PAGE:XV-1866-50

EVAPORATOR DOOR ASSY





From B-5003 To C-5096	Date:07/2024	PAGE:XV-1866-50
EVAPORATOR DOOR ASSY		

Item#	Part	Description	X 3 V I P	X L I I E N T 4 5	N O T E S
		ALL EVAPORATOR DOORS ASSY DO NOT INCLUDE			
		RUB-RAIL PLEASE ORDER SEPARATELY			
	485706	EVAPORATOR DOOR ASSY	1	1	
1	484175	. DOOR FRAME (WELDED)	1	1	
. NS	484229	. . HINGE, L.H. ASSY	1	1	
NS	504013	. TIE MOUNT / 1/4" X 1/4" I.D.	4	4	
NS	504379	. RIVET POP DOME OE 3/16x1/4 SS	4	4	
1A	289708	GUIDE LOWER COND DOOR PLASTIC	1	1	
1B	500945	SCREW TC BDG PH #10-24x1/2 G500	2	2	
2	484187	. KIT INSULATING PANEL	1	1	
3	484185	. GRILL	1	1	
3	684517	ADHESIVE SIMSON #ISR 70-03 / GREY / 310ml CARTRIDGE	AR	AR	
3	871432	. FILTER SCREEN 12" x 12" / W2 STRIP GAL	1	1	
4	484249	. ONE PIECE PANEL 60" W/ 0.44 SQF PERFORATED AREA	1	1	
4	484204	. PANEL, UPPER / FLUTED / B.A. 1530.9 MM	1	1	
5	484203	. PANEL, LOWER / B.A. 1530.9 MM	1	1	
NS	684517	. ADHESIVE SIMSON #ISR 70-03 / GREY / 310ml CARTRIDGE	AR	AR	
NS	687962	. GLUE MS POLYMER TEROSON MS 9399 / "B" 21 Liters	AR	AR	
NS	687961	. GLUE MS POLYMER TEROSON MS 9399 / "A" 21 Liters	AR	AR	
6	XV-1855-00	. RUB RAIL - EXTERIOR CREST & TRIMS			
7	5001497	. SCREW MA OV PH M6-1.0x20 SS	2	2	
8	5001182	. NUT HEX NYRT M6-1.0 SS	2	2	
9	780278	. PIN, STRIKER STUD	1	1	
10	283326	. STRIKER PLATE, MOUNTING / 60MM X 25MM	1	1	
11	289709	. STRIKER SUPPORT 86 x 25 x 36	1	1	
12	500163	. SCREW CAP HEX 1/4-20x3/4 G5 Z050	2	2	
13	5001699	. WASHER BEL SPR 8.2x22x1.4 N500	2	2	
14	504398	. GROMMET / 1.000x1.375x.062x.437x1.750	1	1	
15	484176	. WEATHERSTRIP / EVAPORATOR DOOR	1	1	
16	5001042	SCREW MA RND PH #10-32x1 1/4 SS	4	4	
17	502774	NUT WELL #10-32x.625	4	4	
18	483562	SUPPORT ASSY / DOOR GUIDE M8-1.25	1	1	
19	504379	RIVET POP DOME OE 3/16x1/4 SS	2	2	
20	502780	SCREW CAP HEX M8-1.25x25 SS BK	2	2	
21	500411	WASHER FL .260x.697x.050 SS	AR	AR	
22	288031	GUIDE ASSY / R.H. DOOR	1	1	
23	504379	RIVET POP DOME OE 3/16x1/4 SS	2	2	
24	5001743	SCREW CAP HEX M6-1.0x12 G8.8 N500	6	6	
25	485648	LOCK SUPPORT	1	1	
26	5001833	WASHER BEL SPR 6.1x18x1.27 SS	4	4	
27	5001697	SCREW CAP HEX M6-1.0x16 SS BK	4	4	



From B-5003 To C-5096	Date:07/2024	PAGE:XV-1866-50
EVAPORATOR DOOR ASSY		

Item#	Part	Description	X 3 V I P	X L I I E N T 4 5	N O T E S
28	504433	SNAP-IN PLUG / 1.090 O.D.	4	4	
29	473378	SEAL WASHER / RUB RAIL & PANEL	4	4	
NS	500692	NUT HEX 1/4-28 Z050	2	2	
NS	502582	WASHER LO SERR 6.1x16.2x0.9 Z050	2	2	
30	289807	LOCK SPAGNOLET W/GREASE FITTING	1	1	
. NS	780340	. CLIP, RETAINER ROD	1	1	
30	504528	HOLE PLUG BUTTON / .437 O.D. BLACK	1	1	
31	5001188	NUT HEX M8-1.25 SS	1	1	
32	484168	PIVOT ROD OPENNG	2	2	
32A	502159	SPRING EXTENSION / .312 O.D. x 1.375 x .031	1	1	
33	780340	CLIP, RETAINER ROD	2	2	
34	484184	ROD OPENING 1536MM	1	1	
35	484183	ROD OPENING 438MM	1	1	
36	5001182	NUT HEX NYRT M6-1.0 SS	1	1	
37	502573	WASHER FL 6.4x12.5x1.6 SS	1	1	
38	504083	SNAP BUSHING / .250x.468.406	2	2	
39	505504	KNOB, PULL / 8-32	1	1	
40	500986	NUT HEX #8-32 N500	1	1	
41	500270	WASHER FL .406x1.000x.063 SS	5	5	
43	500657	SCREW TC TR PH #10-24x1/2 Z050	2	2	
44	223938	SUPPORT PIVOT / DOOR GUIDE M-1.0 W/SHOULDER 10MM (WELD)	1	1	
45	223956	SUPPORT ROD UPPER FIXED W/SCREWS	1	1	
46	216796	SUPPORT PIVOT / DOOR GUIDE M8-1.25 / (WELDED AT STRUCTURE	1	1	
47	484227	SUPPORT ROD UPPER	1	1	
48	500957	SCREW TP BDG PH #10x3/4 N500	2	2	
50	374183P	DAMPER TRAP ASSY	1	1	
51	374184	. DEFLECTOR PANEL	1	1	
52	374171	. DAMPER	1	1	
53	374172	. ROD	1	1	
54	374173	. PLATE FIXTURE	1	1	
55	507309	. BUSHING NYLINED .312x.375x.078x.500	1	1	
56	500975	. WASHER FL .378x.620x.094 NYL	1	1	
57	504339	. RIVET POP DOME OE 1/8x3/8 SS	1	1	
58	373415	. ACTUATOR ASSY	1	1	
59	374021	. TUBE NYLON #4 12MM	1	1	
60	504340	. RIVET POP DOME OE 1/8x3/16 SS	5	5	
61	502243	. SPRING PIN	1	1	
62	500952	. SCREW TP BDG PH #8x1/2 SS	1	1	
63	374185	. SUPPORT SENSOR	1	1	
64	563335	. SENSOR THERMISTOR ASSY / OUTSIDE // PED 15416387	1	1	
NS	067573	DECAL RELAY IDENTIFICATION EVAPORATOR CONTROL	1	1	



From B-5003 To C-5096	Date:07/2024	PAGE:XV-1866-50
-----------------------	--------------	-----------------

EVAPORATOR DOOR ASSY

Item#	Part	Description	X 3 V I P	X L I I E N T 4 5	N O T E S
65	500996	NUT SPR U #6-32 .135-.150	1	1	
70	XV-0662-00	CLEARANCE & MARKER LIGHT			



From B-5003 To D-5489

Date:07/2024

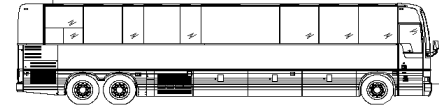
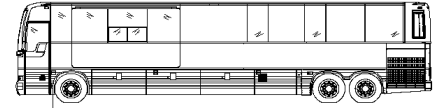
PAGE:484249

ONE PIECE PANEL 60" W/ 0.44 SQF PERFORATED AREA

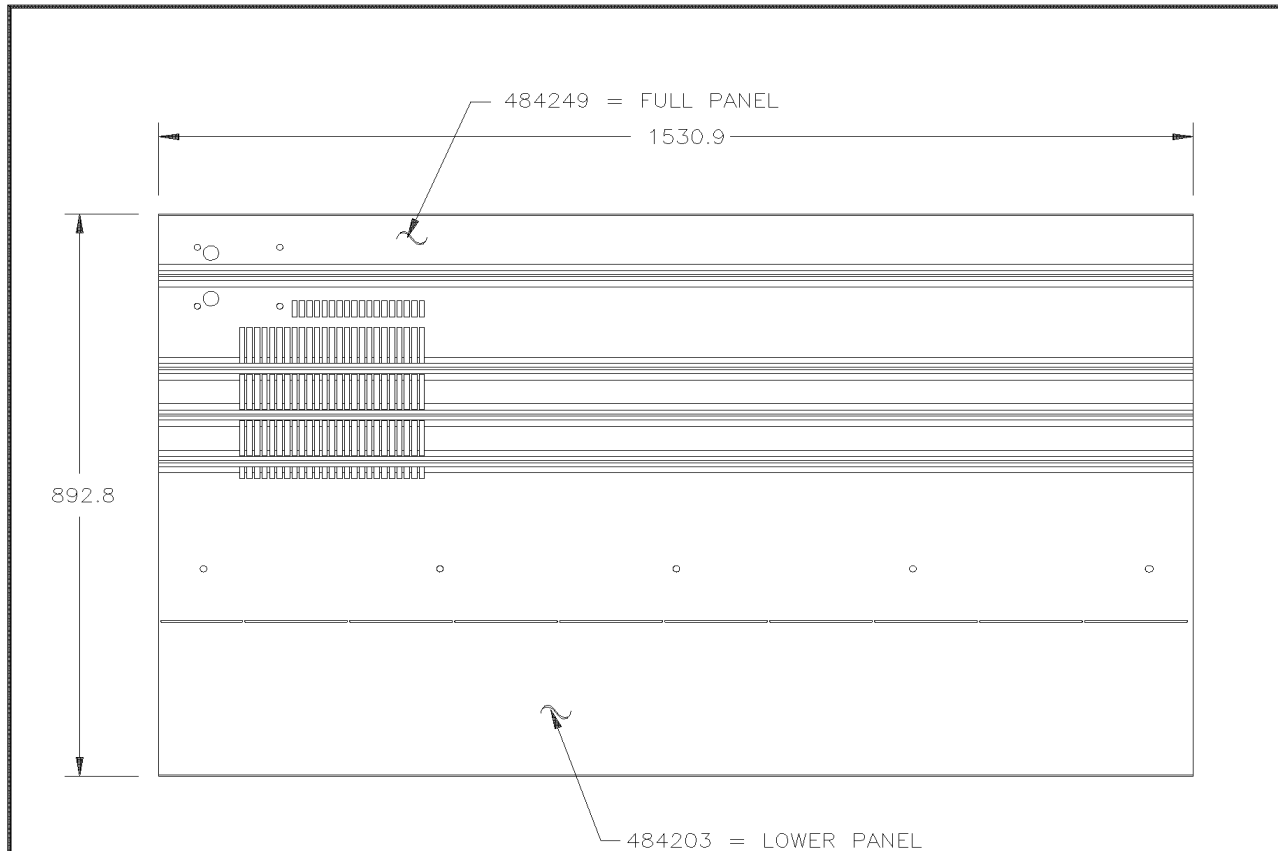
PREVOST



X3-VIP



XL-II ENT.



EXTERIOR VIEW

NOTE:

4TH DOOR LH
WITH SMALL A/C

TOTAL PERFORATED AREA: 0.44 f ²	EFF : B-5003	DOOR ASSY ONLY IN SERVICE PART	N.A.
	PRIOR:		
DATE: 11-2010	WITH INSULATION	REFERENCE ONLY	484249
REV. : B	WITHOUT INSULATION		



From B-5003 To D-5489	Date:07/2024	PAGE:484249
-----------------------	--------------	-------------

ONE PIECE PANEL 60" W/ 0.44 SQF PERFORATED AREA

Item#	Part	Description	X 3 V I P	X L I I E N T 4 5	N O T E S
1		BAGAGE DOOR FULL PANEL	1	1	
2	Call order desk	. PANEL, LOWER / B.A. 1530.9 MM	1	1	P
		P) CALL ORDER DESK FOR SPECIFIC APPLICATION (V.I.N.)			

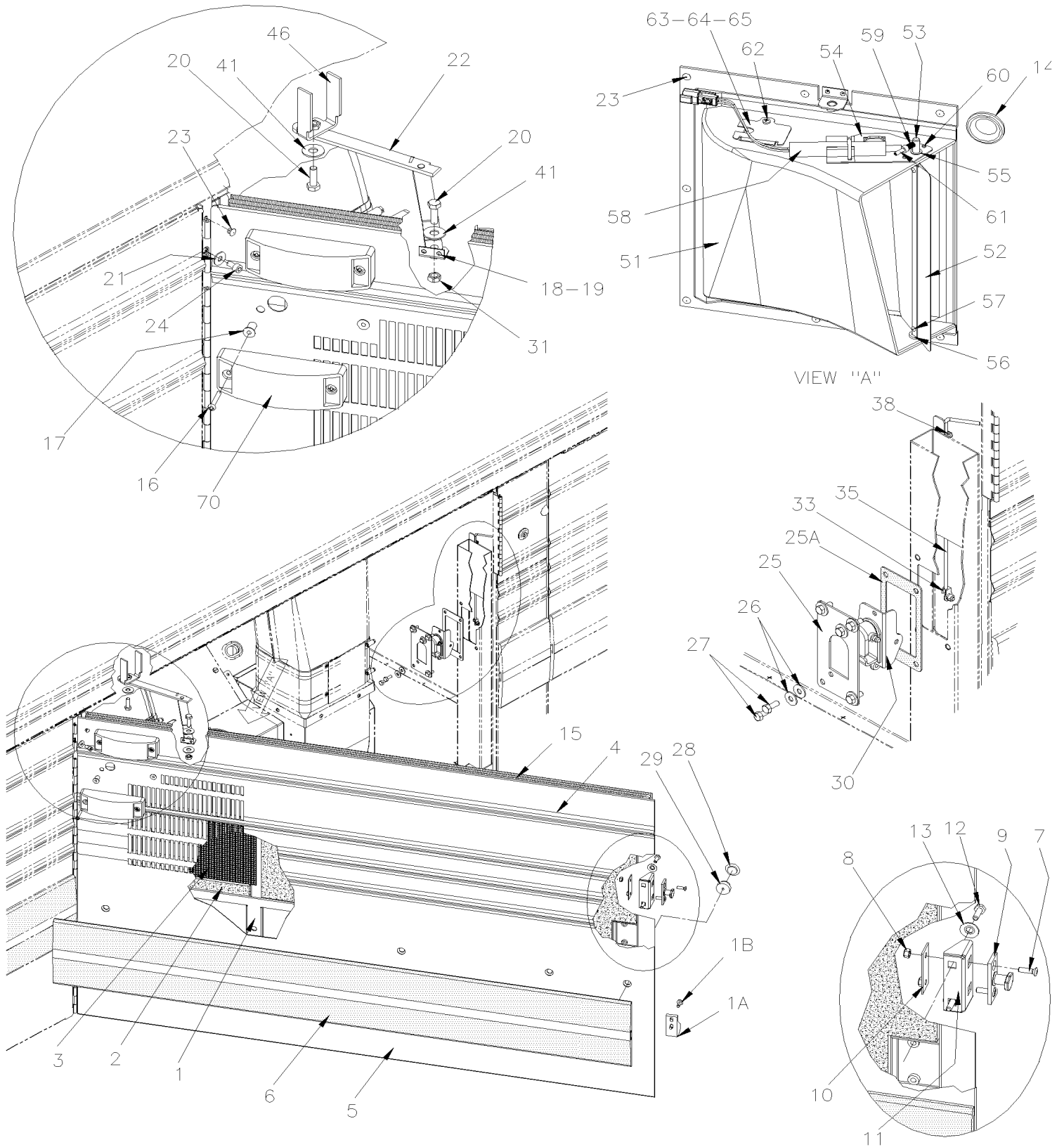


From C-5097 To D-5459

Date:07/2024

PAGE:XV-1866-51

EVAPORATOR DOOR ASSY





From C-5097 To D-5459	Date:07/2024	PAGE:XV-1866-51
EVAPORATOR DOOR ASSY		

Item#	Part	Description	X 3 V I P	X L I I E N T 4 5	N O T E S
		ALL EVAPORATOR DOORS ASSY DO NOT INCLUDE			
		RUB-RAIL PLEASE ORDER SEPARATELY			
	485707	EVAPORATOR DOOR ASSY	1	1	
1	484255	. DOOR FRAME (WELDED)	1	1	
NS	504013	. TIE MOUNT / 1/4" X 1/4" I.D.	4	4	
NS	504379	. RIVET POP DOME OE 3/16x1/4 SS	4	4	
1A	289708	. GUIDE LOWER COND DOOR PLASTIC	1	1	
1B	500945	. SCREW TC BDG PH #10-24x1/2 G500	2	2	
2	484189	. INSULATING PANEL 284MM X 68MM	2	2	
2	484188	. INSULATING PANEL 310MM X 60MM	1	1	
2	484259	. INSULATING PANEL 1270MM X 150MM	1	1	
2	484260	. INSULATING PANEL 434MM X 301MM	2	2	
2	484261	. INSULATING PANEL 434MM X 288MM	1	1	
3	484185	. GRILL	1	1	
3	684517	ADHESIVE SIMSON #ISR 70-03 / GREY / 310ml CARTRIDGE	AR	AR	
3	871432	. FILTER SCREEN 12" x 12" / W2 STRIP GAL	1	1	
4	484263	. ONE PIECE PANEL 1365.9MM W/ 0.44 SQF PERFORATED AREA	1	1	
5	484299	. PANEL, LOWER / B.A. 1365.9 MM	1	1	
NS	684517	. ADHESIVE SIMSON #ISR 70-03 / GREY / 310ml CARTRIDGE	AR	AR	
NS	687962	. GLUE MS POLYMER TEROSON MS 9399 / "B" 21 Liters	AR	AR	
NS	687961	. GLUE MS POLYMER TEROSON MS 9399 / "A" 21 Liters	AR	AR	
6	XV-1855-00	. RUB RAIL - EXTERIOR CREST & TRIMS			
7	5001497	. SCREW MA OV PH M6-1.0x20 SS	2	2	
8	5001182	. NUT HEX NYRT M6-1.0 SS	2	2	
9	780278	. PIN, STRIKER STUD	1	1	
10	283326	. STRIKER PLATE, MOUNTING / 60MM X 25MM	1	1	
11	289709	. STRIKER SUPPORT 86 x 25 x 36	1	1	
12	5001746	. SCREW CAP HEX 1/4-20x3/4 G5 N500	2	2	
13	5001699	. WASHER BEL SPR 8.2x22x1.4 N500	2	2	
14	504398	. GROMMET / 1.000x1.375x.062x.437x1.750	1	1	
15	484262	. WEATHERSTRIP / EVAPORATOR DOOR	1	1	
16	5001042	SCREW MA RND PH #10-32x1 1/4 SS	4	4	
17	502774	NUT WELL #10-32x.625	4	4	
18	483562	SUPPORT ASSY / DOOR GUIDE M8-1.25	1	1	
19	504379	RIVET POP DOME OE 3/16x1/4 SS	2	2	
20	502780	SCREW CAP HEX M8-1.25x25 SS BK	2	2	
21	500411	WASHER FL .260x.697x.050 SS	6	6	
22	288031	GUIDE ASSY / R.H. DOOR	1	1	
23	504379	RIVET POP DOME OE 3/16x1/4 SS	AR	AR	
24	5001743	SCREW CAP HEX M6-1.0x12 G8.8 N500	6	6	
25	484268	LOCK SUPPORT	1	1	



From C-5097 To D-5459	Date:07/2024	PAGE:XV-1866-51
EVAPORATOR DOOR ASSY		

Item#	Part	Description	X 3 V I P	X L I E N T 4 5	N O T E S
25A	484270	RUBBER SEAL / LOCK SUPPORT	1	1	
26	5001833	WASHER BEL SPR 6.1x18x1.27 SS	4	4	
27	5001697	SCREW CAP HEX M6-1.0x16 SS BK	4	4	
28	504433	SNAP-IN PLUG / 1.090 O.D.	4	4	
29	473378	SEAL WASHER / RUB RAIL & PANEL	4	4	
NS	500692	NUT HEX 1/4-28 Z050	2	2	
NS	502582	WASHER LO SERR 6.1x16.2x0.9 Z050	2	2	
30	289205	LOCK SPAGNOLET W/GREASE FITTING	1	1	
31	5001188	NUT HEX M8-1.25 SS	1	1	
33	780340	CLIP, RETAINER ROD	2	2	
35	484267	ROD OPENING 269MM	1	1	
38	504083	SNAP BUSHING / .250x.468.406	2	2	
41	500270	WASHER FL .406x1.000x.063 SS	5	5	
46	216796	SUPPORT PIVOT / DOOR GUIDE M8-1.25 / (WELDED AT STRUCTURE	1	1	
50	374183P	DAMPER TRAP ASSY	1	1	
51	374184	. DEFLECTOR PANEL	1	1	
52	374171	. DAMPER	1	1	
53	374172	. ROD	1	1	
54	374173	. PLATE FIXTURE	1	1	
55	507309	. BUSHING NYLINED .312x.375x.078x.500	1	1	
56	500975	. WASHER FL .378x.620x.094 NYL	1	1	
57	504339	. RIVET POP DOME OE 1/8x3/8 SS	1	1	
58	373415	. ACTUATOR ASSY	1	1	
59	374021	. TUBE NYLON #4 12MM	1	1	
60	504340	. RIVET POP DOME OE 1/8x3/16 SS	5	5	
61	502243	. SPRING PIN	1	1	
62	500952	. SCREW TP BDG PH #8x1/2 SS	1	1	
63	374185	. SUPPORT SENSOR	1	1	
64	563335	. SENSOR THERMISTOR ASSY / OUTSIDE // PED 15416387	1	1	
NS	067573	DECAL RELAY IDENTIFICATION EVAPORATOR CONTROL	1	1	
65	500996	NUT SPR U #6-32 .135-.150	1	1	
70	XV-0662-00	CLEARANCE & MARKER LIGHT			



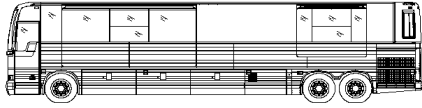
From B-5003 To D-5489

Date:07/2024

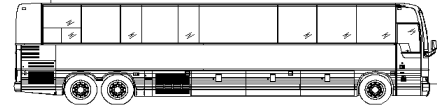
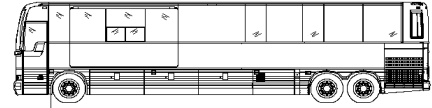
PAGE:484263

ONE PIECE PANEL 1365.9MM W/ 0.44 SQF PERFORATED AREA

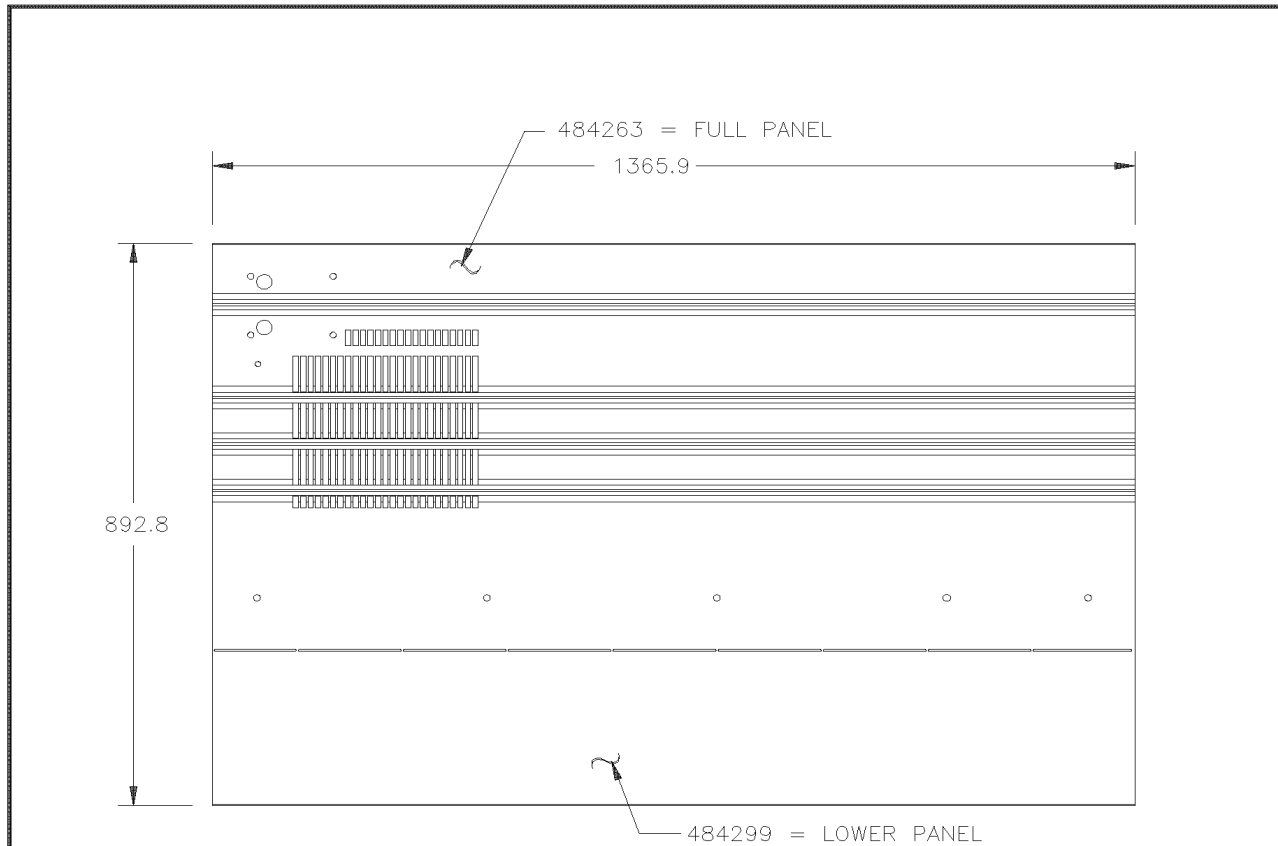
PREVOST



X3-VIP



XL-II ENT.



EXTERIOR VIEW

NOTE:

4TH DOOR LH
WITH SMALL A/C

TOTAL PERFORATED AREA: 0.44 f ²	EFF : C-5097	DOOR ASSY ONLY IN SERVICE PART	N.A.
	PRIOR:		
DATE: 12-2012	WITH INSULATION	REFERENCE ONLY	484263
REV. : B	WITHOUT INSULATION		



From B-5003 To D-5489	Date:07/2024	PAGE:484263
-----------------------	--------------	-------------

ONE PIECE PANEL 1365.9MM W/ 0.44 SQF PERFORATED AREA

Item#	Part	Description	X 3 V I P	X L I I E N T 4 5	N O T E S
1		BAGAGE DOOR FULL PANEL	1	1	
2	Call order desk	. PANEL, LOWER / B.A. 1365.9 MM	1	1	P
		P) CALL ORDER DESK FOR SPECIFIC APPLICATION (V.I.N.)			

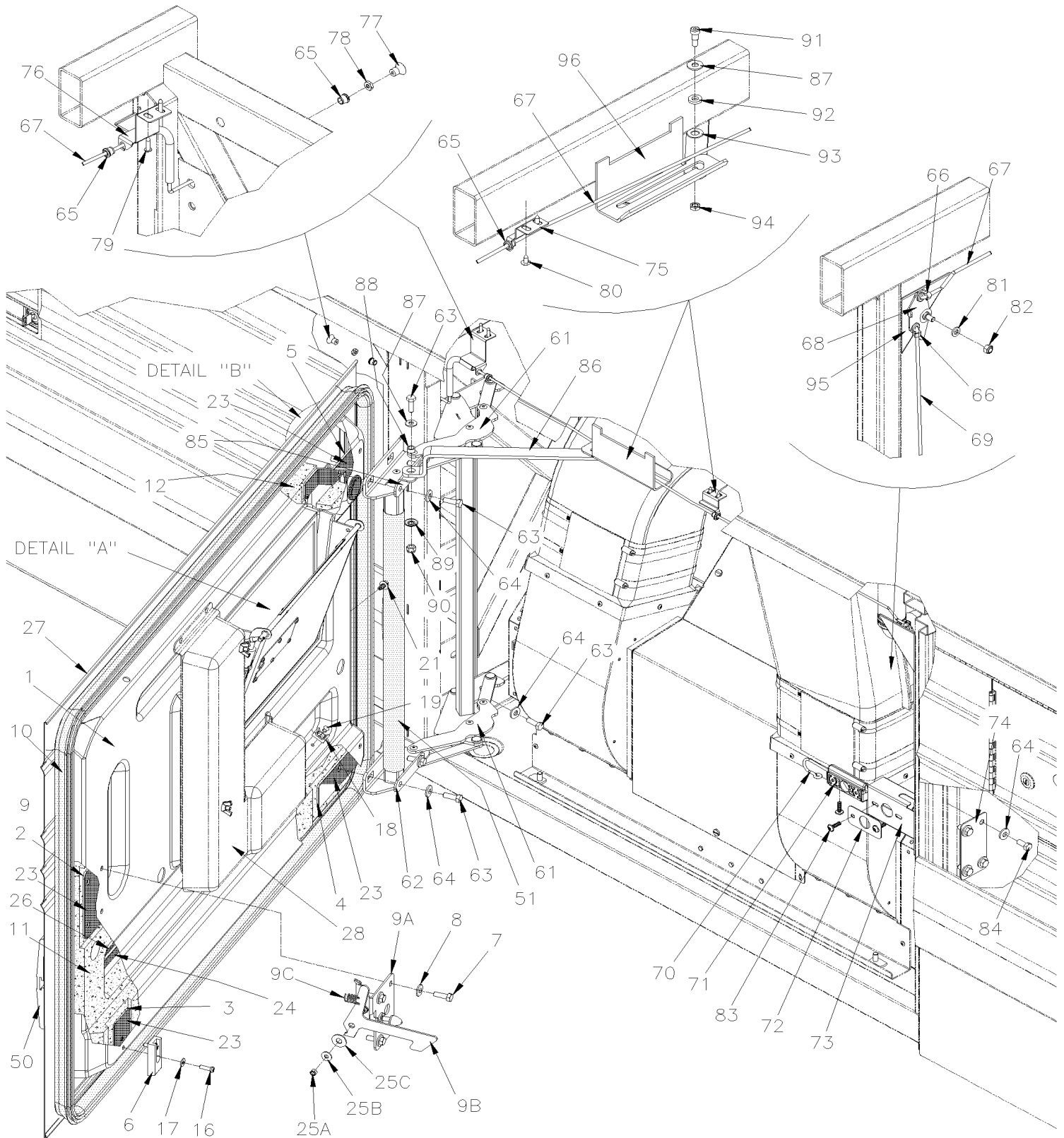


From D-5460 To D-5489

Date:07/2024

PAGE:XV-1866-52

EVAPORATOR DOOR ASSY



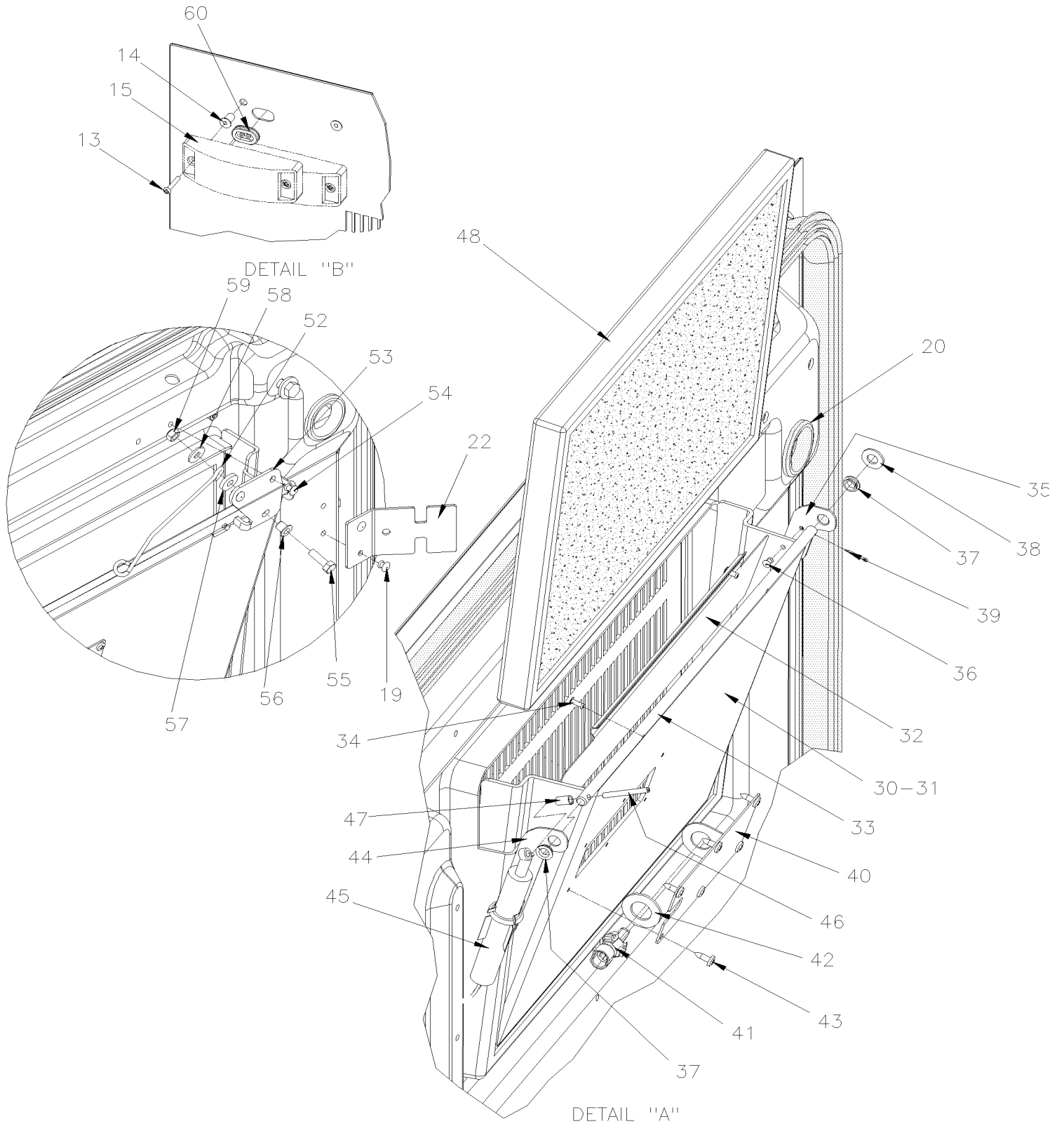


From D-5460 To D-5489

Date:07/2024

PAGE:XV-1866-52

EVAPORATOR DOOR ASSY





From D-5460 To D-5489 Date:07/2024 PAGE:XV-1866-52

EVAPORATOR DOOR ASSY

Item#	Part	Description	X 3 V I P	X L I I E N T 4 5	N O T E S
	Call order desk	EVAPORATOR DOOR ASSY	1	1	P
1	2800204	. DOOR FRAME	1	1	
2	2800250	. ATTACH, PENE	1	1	
3	2800251	. ATTACH, SKID	1	1	
4	2800252	. ATTACH, DOWN HINGE	1	1	
5	2800253	. ATTACH, UPPER HINGE	1	1	
6	2800234	. GUIDE, HINGE DOOR	1	1	
7	502780	. SCREW CAP HEX M8-1.25x25 SS BK	4	4	
8	500321	. WASHER BEL SPR .331x.827x.098 N500	4	4	
9A	2800389	. PENE ASSY	1	1	
9B	2800388	. LATCH	1	1	
9C	502245	. SPRING COMPRESSION / .600 O.D. x 1.25 x .059	1	1	
10	2800357	. WEATHERSTRIP / EVAPORATOR DOOR	1	1	
11	352595	. INSULATION, EVAPORATOR DOOR	1	1	
12	352596	. INSULATION, EVAPORATOR DOOR	1	1	
13	5001042	. SCREW MA RND PH #10-32x1 1/4 SS	4	4	
14	502774	. NUT WELL #10-32x.625	4	4	
15	XV-0662-00	. CLEARANCE & MARKER LIGHT			
15	068731	. HARNESS DOOR	1	1	
. NS	504398	. . GROMMET / 1.000x1.375x.062x.437x1.750	1	1	
. NS	478900	. . GROMMET, MARKER LIGHT	2	2	
16	502626	. SCREW MA PAN PH M6-1.0x20 N500	2	2	
17	500877	. WASHER FL .250x.562x.065 N500	2	2	
18	504013	. TIE MOUNT / 1/4" X 1/4" I.D.	4	4	
19	504114	. RIVET POP DOME OE 3/16x1/4 AL	AR	AR	
20	504398	. GROMMET / 1.000x1.375x.062x.437x1.750	1	1	
21	509815	. TIE MOUNT / ATTACHMENT W/TREE MOUNT	3	3	
22	060998	. SUPPORT CABLAGE A/C	1	1	
23	684743	. GLUE METHACRYLATE PLEXUS MA832GB 380 ml	AR	AR	
24	687961	. GLUE MS POLYMER TEROSON MS 9399 / "A" 21 Liters	AR	AR	
24	687962	. GLUE MS POLYMER TEROSON MS 9399 / "B" 21 Liters	AR	AR	
25A	5001182	. NUT HEX NYRT M6-1.0 SS	1	1	
25B	5001833	. WASHER BEL SPR 6.1x18x1.27 SS	1	1	
25C	500270	. WASHER FL .406x1.000x.063 SS	1	1	
26	685126	. ADHESIVE SIMSON #ISR 70-03 / GREY / 600ml SAUSAGE	AR	AR	
27	484315	. ONE PIECE PANEL EVAPORATOR SS	1	1	
27	484327	. . LOWER PANEL / FLAT SS	1	1	
28	XV-0621-51	A/C ELECTRICAL PANEL ASSY / EVAPORATOR DOOR			
30	374707P	INTAKE FRESH AIR ASSY	1	1	
31	374706	. AIR DEFLECTOR	1	1	
32	374713	. FLAP	1	1	
33	374714	. PIVOT , FLAP	1	1	



From D-5460 To D-5489	Date:07/2024	PAGE:XV-1866-52
EVAPORATOR DOOR ASSY		

Item#	Part	Description	X 3 V I P	X L I E N T 4 5	N O T E S
34	504339	. RIVET POP DOME OE 1/8x3/8 SS	2	2	
35	374708	. SUPPORT, FRESH AIR FLAP	1	1	
36	504340	. RIVET POP DOME OE 1/8x3/16 SS	5	5	
37	507309	. BUSHING NYLINED .312x.375x.078x.500	2	2	
38	5001341	. WASHER FL 8.4x17.0x1.6 SS	1	1	
39	502094	. PIN, COTTER 1/16 x 1/2 SS	1	1	
40	374710	. SENSOR SUPPORT ASSY	1	1	
41	563335	. SENSOR THERMISTOR ASSY / OUTSIDE // PED 15416387	1	1	
42	5001460	. WASHER FL .640x1.188x0.073 SS	1	1	
43	500952	. SCREW TP BDG PH #8x1/2 SS	6	6	
44	374709	. SUPPORT, ACTUATOR	1	1	
45	871180	. ACTUATOR W/BOOT	1	1	G
. NS	871452	. . CLIP MOUTING ACTUATOR	1	1	G
. NS	N.S.S.	. . ACTUATOR	1	1	1 G
. NS	N.S.S.	. . BOOT	1	1	1 G
45	870135	. ACTUATOR W/BOOT W/E-COAT PROTECTION	1	1	
. NS	871452	. . CLIP MOUTING ACTUATOR	1	1	
46	502243	. SPRING PIN	1	1	
47	503402	. TUBE, NYLON 1/4 O.D. / BLACK S.L.	1	1	
48	871448	AIR FILTER 1" x 10 7/8" x 15 1/2"	1	1	
49	502780	SCREW CAP HEX M8-1.25x25 SS BK	5	5	
50	XV-1855-00	RUB RAIL - EXTERIOR CREST & TRIMS			
51	505110	COIL PROTECTOR / PLASTIC / #12	AR	AR	
51	505182	COIL PROTECTOR / PLASTIC / #16	AR	AR	
51	680319	TAPE ADHESIF ELECTRIC / BLACK 3/4"	AR	AR	
52	374777	SPRING RETAINER	1	1	
53	374778	SUPPORT, SPRING	1	1	
54	504113	RIVET POP DOME CLE 3/16x1/4 AL	2	2	
55	502622	SCREW CAP HEX M6-1.0x20 SS BK	1	1	
56	507381	BUSHING W/SHOULDER 1/4" I,D,	1	1	
57	5001481	SPACER NYLON .323 I.D. X .750 O.D. X .125	2	2	
58	5001114	WASHER FL .260x.687x.060 NYL	1	1	
59	5001182	NUT HEX NYRT M6-1.0 SS	1	1	
60	478900	GROMMET, MARKER LIGHT	1	1	
61	2800218	HINGE ASSY	1	1	
62	2800267	SPACER	1	1	
63	5001745	SCREW CAP HEX M8-1.25x25 G8.8 N500	4	4	
64	500321	WASHER BEL SPR .331x.827x.098 N500	12	12	
65	504083	SNAP BUSHING / .250x.468.406	3	3	
66	780340	CLIP, RETAINER ROD	2	2	
67	484313	ROD OPENING 1200MM	1	1	
68	484309	PIVOT LATCH	1	1	

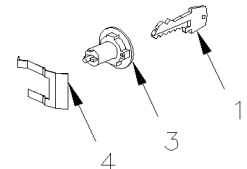
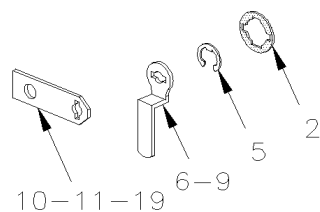
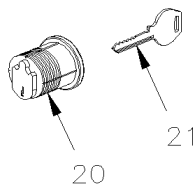
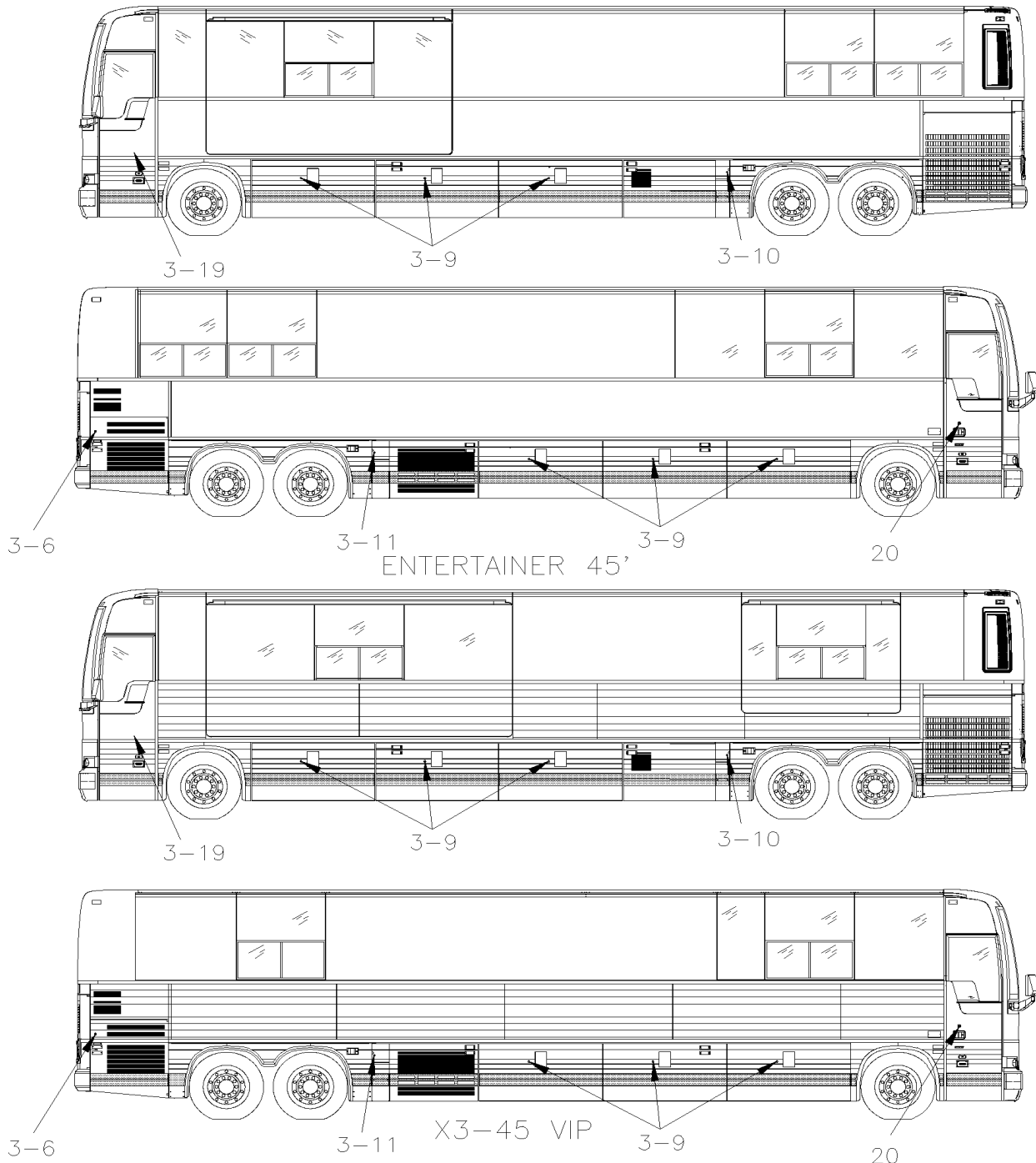


From B-5003 To D-5489

Date:07/2024

PAGE:XV-1867-00

KEY & CYLINDER CODE





From B-5003 To D-5489	Date:07/2024	PAGE:XV-1867-00
------------------------------	---------------------	------------------------

KEY & CYLINDER CODE

Item#	Part	Description	X 3 V I P	X L I E N T 4 5	N O T E S
1	282179	KEY CODE / 00	1	1	
1	282180	KEY CODE / 01	1	1	
1	282181	KEY CODE / 02	1	1	
1	282182	KEY CODE / 03	1	1	
1	282183	KEY CODE / 04	1	1	
1	282184	KEY CODE / 05	1	1	
1	282185	KEY CODE / 06	1	1	
1	282186	KEY CODE / 07	1	1	
1	282187	KEY CODE / 08	1	1	
1	282188	KEY CODE / 09	1	1	
1	282189	KEY CODE / 10	1	1	
1	282190	KEY CODE / 11	1	1	
1	282191	KEY CODE / 12	1	1	
1	282192	KEY CODE / 13	1	1	
1	282193	KEY CODE / 14	1	1	
1	282194	KEY CODE / 15	1	1	
1	282195	KEY CODE / 16	1	1	
1	282196	KEY CODE / 17	1	1	
1	282197	KEY CODE / 18	1	1	
1	282198	KEY CODE / 19	1	1	
1	282199	KEY CODE / 20	1	1	
1	282200	KEY CODE / 21	1	1	
1	282201	KEY CODE / 22	1	1	
1	282202	KEY CODE / 23	1	1	
1	282203	KEY CODE / 24	1	1	
1	282204	KEY CODE / 25	1	1	
1	282205	KEY CODE / 26	1	1	
1	282206	KEY CODE / 27	1	1	
1	282207	KEY CODE / 28	1	1	
1	282208	KEY CODE / 29	1	1	
1	282209	KEY CODE / 30	1	1	
1	282210	KEY CODE / 31	1	1	
1	282211	KEY CODE / 32	1	1	
1	282212	KEY CODE / 33	1	1	
1	282213	KEY CODE / 34	1	1	
1	282214	KEY CODE / 35	1	1	
1	282215	KEY CODE / 36	1	1	
1	282216	KEY CODE / 37	1	1	
1	282217	KEY CODE / 38	1	1	
1	282218	KEY CODE / 39	1	1	
1	282219	KEY CODE / 40	1	1	
1	282220	KEY CODE / 41	1	1	



From B-5003 To D-5489	Date:07/2024	PAGE:XV-1867-00
KEY & CYLINDER CODE		

Item#	Part	Description	X 3 V I P	X L I I E N T 4 5	N O T E S
1	282221	KEY CODE / 42	1	1	
1	282222	KEY CODE / 43	1	1	
1	282223	KEY CODE / 44	1	1	
1	282224	KEY CODE / 45	1	1	
1	282225	KEY CODE / 46	1	1	
1	282226	KEY CODE / 47	1	1	
1	282227	KEY CODE / 48	1	1	
1	282228	KEY CODE / 49	1	1	
1	282229	KEY CODE / 50	1	1	
1	282230	KEY CODE / 51	1	1	
1	282231	KEY CODE / 52	1	1	
1	282232	KEY CODE / 53	1	1	
1	282233	KEY CODE / 54	1	1	
1	282234	KEY CODE / 55	1	1	
1	282235	KEY CODE / 56	1	1	
1	282236	KEY CODE / 57	1	1	
1	282237	KEY CODE / 58	1	1	
1	282238	KEY CODE / 59	1	1	
1	282239	KEY CODE / 60	1	1	
1	282240	KEY CODE / 61	1	1	
1	282241	KEY CODE / 62	1	1	
1	282242	KEY CODE / 63	1	1	
1	282243	KEY CODE / 64	1	1	
1	282244	KEY CODE / 65	1	1	
1	282245	KEY CODE / 66	1	1	
1	282246	KEY CODE / 67	1	1	
1	282247	KEY CODE / 68	1	1	
1	282248	KEY CODE / 69	1	1	
1	282249	KEY CODE / 70	1	1	
1	282250	KEY CODE / 71	1	1	
1	282251	KEY CODE / 72	1	1	
1	282252	KEY CODE / 73	1	1	
1	282253	KEY CODE / 74	1	1	
1	282254	KEY CODE / 75	1	1	
1	282255	KEY CODE / 76	1	1	
1	282256	KEY CODE / 77	1	1	
1	282257	KEY CODE / 78	1	1	
1	282258	KEY CODE / 79	1	1	
1	282259	KEY CODE / 80	1	1	
1	282260	KEY CODE / 81	1	1	
1	282261	KEY CODE / 82	1	1	
1	282262	KEY CODE / 83	1	1	



From B-5003 To D-5489	Date:07/2024	PAGE:XV-1867-00
KEY & CYLINDER CODE		

Item#	Part	Description	X 3 V I P	X L I I E N T 4 5	N O T E S
1	282263	KEY CODE / 84	1	1	
1	282264	KEY CODE / 85	1	1	
1	282265	KEY CODE / 86	1	1	
1	282266	KEY CODE / 87	1	1	
1	282267	KEY CODE / 88	1	1	
1	282268	KEY CODE / 89	1	1	
1	282269	KEY CODE / 90	1	1	
1	282270	KEY CODE / 91	1	1	
1	282271	KEY CODE / 92	1	1	
1	282272	KEY CODE / 93	1	1	
1	282273	KEY CODE / 94	1	1	
1	282274	KEY CODE / 95	1	1	
1	282275	KEY CODE / 96	1	1	
1	282276	KEY CODE / 97	1	1	
1	282277	KEY CODE / 98	1	1	
1	282278	KEY CODE / 99	1	1	
1	780238	KEY BLANK UNCUT	AR	AR	
2	780237	SEAL RUBBER 1/32" TH To B-5026	AR	AR	
2	2800032	SEAL RUBBER 1/16" TH From B-5027	AR	AR	
3	282079	CYLINDER LOCK / CODE 00	1	1	
3	282080	CYLINDER LOCK / CODE 01	1	1	
3	282081	CYLINDER LOCK / CODE 02	1	1	
3	282082	CYLINDER LOCK / CODE 03	1	1	
3	282083	CYLINDER LOCK / CODE 04	1	1	
3	282084	CYLINDER LOCK / CODE 05	1	1	
3	282085	CYLINDER LOCK / CODE 06	1	1	
3	282086	CYLINDER LOCK / CODE 07	1	1	
3	282087	CYLINDER LOCK / CODE 08	1	1	
3	282088	CYLINDER LOCK / CODE 09	1	1	
3	282089	CYLINDER LOCK / CODE 10	1	1	
3	282090	CYLINDER LOCK / CODE 11	1	1	
3	282091	CYLINDER LOCK / CODE 12	1	1	
3	282092	CYLINDER LOCK / CODE 13	1	1	
3	282093	CYLINDER LOCK / CODE 14	1	1	
3	282094	CYLINDER LOCK / CODE 15	1	1	
3	282095	CYLINDER LOCK / CODE 16	1	1	
3	282096	CYLINDER LOCK / CODE 17	1	1	
3	282097	CYLINDER LOCK / CODE 18	1	1	
3	282098	CYLINDER LOCK / CODE 19	1	1	
3	282099	CYLINDER LOCK / CODE 20	1	1	
3	282100	CYLINDER LOCK / CODE 21	1	1	



From B-5003 To D-5489	Date:07/2024	PAGE:XV-1867-00
------------------------------	---------------------	------------------------

KEY & CYLINDER CODE

Item#	Part	Description	X 3 V I P	X L I I E N T 4 5	N O T E S
3	282101	CYLINDER LOCK / CODE 22	1	1	
3	282102	CYLINDER LOCK / CODE 23	1	1	
3	282103	CYLINDER LOCK / CODE 24	1	1	
3	282104	CYLINDER LOCK / CODE 25	1	1	
3	282105	CYLINDER LOCK / CODE 26	1	1	
3	282106	CYLINDER LOCK / CODE 27	1	1	
3	282107	CYLINDER LOCK / CODE 28	1	1	
3	282108	CYLINDER LOCK / CODE 29	1	1	
3	282109	CYLINDER LOCK / CODE 30	1	1	
3	282110	CYLINDER LOCK / CODE 31	1	1	
3	282111	CYLINDER LOCK / CODE 32	1	1	
3	282112	CYLINDER LOCK / CODE 33	1	1	
3	282113	CYLINDER LOCK / CODE 34	1	1	
3	282114	CYLINDER LOCK / CODE 35	1	1	
3	282115	CYLINDER LOCK / CODE 36	1	1	
3	282116	CYLINDER LOCK / CODE 37	1	1	
3	282117	CYLINDER LOCK / CODE 38	1	1	
3	282118	CYLINDER LOCK / CODE 39	1	1	
3	282119	CYLINDER LOCK / CODE 40	1	1	
3	282120	CYLINDER LOCK / CODE 41	1	1	
3	282121	CYLINDER LOCK / CODE 42	1	1	
3	282122	CYLINDER LOCK / CODE 43	1	1	
3	282123	CYLINDER LOCK / CODE 44	1	1	
3	282124	CYLINDER LOCK / CODE 45	1	1	
3	282125	CYLINDER LOCK / CODE 46	1	1	
3	282126	CYLINDER LOCK / CODE 47	1	1	
3	282127	CYLINDER LOCK / CODE 48	1	1	
3	282128	CYLINDER LOCK / CODE 49	1	1	
3	282129	CYLINDER LOCK / CODE 50	1	1	
3	282130	CYLINDER LOCK / CODE 51	1	1	
3	282131	CYLINDER LOCK / CODE 52	1	1	
3	282132	CYLINDER LOCK / CODE 53	1	1	
3	282133	CYLINDER LOCK / CODE 54	1	1	
3	282134	CYLINDER LOCK / CODE 55	1	1	
3	282135	CYLINDER LOCK / CODE 56	1	1	
3	282136	CYLINDER LOCK / CODE 57	1	1	
3	282137	CYLINDER LOCK / CODE 58	1	1	
3	282138	CYLINDER LOCK / CODE 59	1	1	
3	282139	CYLINDER LOCK / CODE 60	1	1	
3	282140	CYLINDER LOCK / CODE 61	1	1	
3	282141	CYLINDER LOCK / CODE 62	1	1	
3	282142	CYLINDER LOCK / CODE 63	1	1	



From B-5003 To D-5489	Date:07/2024	PAGE:XV-1867-00
------------------------------	---------------------	------------------------

KEY & CYLINDER CODE

Item#	Part	Description	X 3 V I P	X L I I E N T 4 5	N O T E S
3	282143	CYLINDER LOCK / CODE 64	1	1	
3	282144	CYLINDER LOCK / CODE 65	1	1	
3	282145	CYLINDER LOCK / CODE 66	1	1	
3	282146	CYLINDER LOCK / CODE 67	1	1	
3	282147	CYLINDER LOCK / CODE 68	1	1	
3	282148	CYLINDER LOCK / CODE 69	1	1	
3	282149	CYLINDER LOCK / CODE 70	1	1	
3	282150	CYLINDER LOCK / CODE 71	1	1	
3	282151	CYLINDER LOCK / CODE 72	1	1	
3	282152	CYLINDER LOCK / CODE 73	1	1	
3	282153	CYLINDER LOCK / CODE 74	1	1	
3	282154	CYLINDER LOCK / CODE 75	1	1	
3	282155	CYLINDER LOCK / CODE 76	1	1	
3	282156	CYLINDER LOCK / CODE 77	1	1	
3	282157	CYLINDER LOCK / CODE 78	1	1	
3	282158	CYLINDER LOCK / CODE 79	1	1	
3	282159	CYLINDER LOCK / CODE 80	1	1	
3	282160	CYLINDER LOCK / CODE 81	1	1	
3	282161	CYLINDER LOCK / CODE 82	1	1	
3	282162	CYLINDER LOCK / CODE 83	1	1	
3	282163	CYLINDER LOCK / CODE 84	1	1	
3	282164	CYLINDER LOCK / CODE 85	1	1	
3	282165	CYLINDER LOCK / CODE 86	1	1	
3	282166	CYLINDER LOCK / CODE 87	1	1	
3	282167	CYLINDER LOCK / CODE 88	1	1	
3	282168	CYLINDER LOCK / CODE 89	1	1	
3	282169	CYLINDER LOCK / CODE 90	1	1	
3	282170	CYLINDER LOCK / CODE 91	1	1	
3	282171	CYLINDER LOCK / CODE 92	1	1	
3	282172	CYLINDER LOCK / CODE 93	1	1	
3	282173	CYLINDER LOCK / CODE 94	1	1	
3	282174	CYLINDER LOCK / CODE 95	1	1	
3	282175	CYLINDER LOCK / CODE 96	1	1	
3	282176	CYLINDER LOCK / CODE 97	1	1	
3	282177	CYLINDER LOCK / CODE 98	1	1	
3	282178	CYLINDER LOCK / CODE 99	1	1	
4	780236	. RETAINER CLIP	1	1	
5	504477	. RING RETAINER / EXT 14.0 X 13.4 X 1.0MM	1	1	
6	287406	PIVOT LOCK 9.5MM OFFSET	1	1	
9	287406	PIVOT LOCK 9.5MM OFFSET To D-5459	AR	AR	
9	289071	PIVOT LOCK From D-5460	AR	AR	
10	484276	LEVER LOCK / STREET SIDE	1	1	



From B-5003 To D-5489	Date:07/2024	PAGE:XV-1867-00
-----------------------	--------------	-----------------

KEY & CYLINDER CODE

Item#	Part	Description	X 3 V I P	X L I E N T 4 5	N O T E S
11	484218	PIVOT LOCK / CURBSIDE	1	1	
19	287087	PIVOT	1	1	
20	780803	CYLINDER LOCK ASSY W/2 KEYS / "SCHLAGE"	1	1	
. NS	780902	. KEY / "SCHLAGE" BLANK	1	1	
21	780562	KEY / "CORBIN" BLANK	AR	AR	

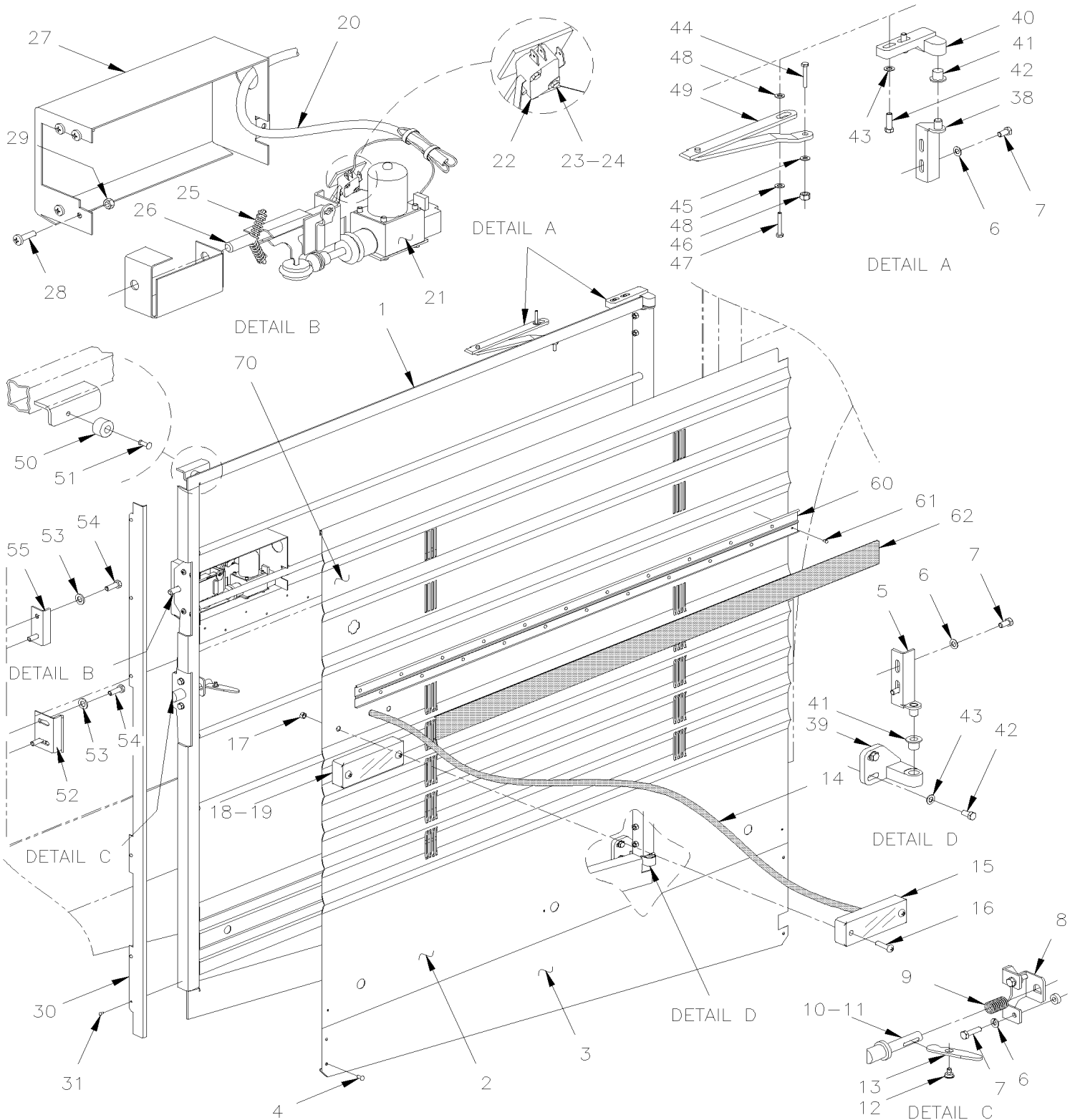


From B-5003 To D-5489

Date:07/2024

PAGE:XV-1868-00

A/C COMPRESSOR DOOR ASSY





From B-5003 To D-5489	Date:07/2024	PAGE:XV-1868-00
A/C COMPRESSOR DOOR ASSY		

Item#	Part	Description	X 3 V I P	X L I I E N T 4 5	N O T E S
	288339	COMPRESSOR DOOR ASSY / W/FLUTED LOWER MOULDING To D-5459		1	
	280064	COMPRESSOR DOOR ASSY / W/FLUTED To D-5459	1		
	280065	COMPRESSOR DOOR ASSY / W/FLUTED LOWER MOULDING From D-5460		1	
	280066	COMPRESSOR DOOR ASSY / W/FLUTED From D-5460	1		
1	288950	. FRAME ASSY / COMPRESSOR DOOR	1	1	
. NS	288989	. . SUPPORT ACTUATOR / WELDED AT FRAME CURRENT ACTUATOR 780814	1	1	
2	477680	. PANEL, UPPER / W/FLUTED / B.A. To D-5459		1	
2	477392	. PANEL, UPPER / W/FLUTED / B.A. From D-5460		1	
2	470342	. PANEL, UPPER / W/FLUTED / B.A. To D-5459	1		
2	477393	. PANEL, UPPER / W/FLUTED / B.A. From D-5460	1		
3	477236	. PANEL, LOWER / B.A.	1	1	
4	504340	. RIVET POP DOME OE 1/8x3/16 SS	5	5	
5	286102	. ARM ASSY To C-5279	1	1	
5	289150	. ARM ASSY From C-5280	1	1	
6	500356	. WASHER LO SERR 6.1x16.0x0.9 N500	4	4	
7	502737	. SCREW CAP HEX M6-1.0x25 SS BK	4	4	
8	288006	. GUIDE PIN HOLDER To D-5299	1	1	B
8	288125	. GUIDE PIN HOLDER From D-5300	1	1	
9	502910	. SPRING COMPRESSION / .720 O.D. 1.75 x .055	1	1	
10	289585	. CATCH PIN ACETAL / 90MM	1	1	
11	507212	. O-RING	1	1	
12	287271	. RIVET SHR FL 9.95x3.6{4.8x4.8 SS	1	1	
13	286612	. PIVOT	1	1	
14	064990	. CABLE ASSY / SIDE MARKER LAMP FOR DOORS	1	1	
. NS	473832	. . GROMMET 2 HOLESx1.6x11.0MMx2.0MMx8.0MMx16MM	1	1	
14	067207	. CABLE ASSY / SIDE MARKER LAMP FOR DOORS	1	1	
. NS	473832	. . GROMMET 2 HOLESx1.6x11.0MMx2.0MMx8.0MMx16MM	1	1	
NS	504273	. CABLE TIE / 1/8" X 3" 1/2	2	2	
15	XV-0662-00	. CLEARANCE & MARKER LIGHT			
16	5001042	. SCREW MA RND PH #10-32x1 1/4 SS	4	4	
17	502774	. NUT WELL #10-32x.625	4	4	
18	930320	. REFLECTOR RED 1 3/16" x 4 7/16"	1	1	
19	500510	. SCREW MA BDG PH #10-32x3/4 SS EMN	2	2	
19	500423	. NUT HEX NYRT #10-32 SS	2	2	
19	500787	. NUT HEX #10-24 SS	2	2	
20	068084	. CABLE ASSY / COMPRESSOR DOOR LOCK	1	1	
21	780814	. LOCK ACTUATOR / 12V To C-5169	1	1	
. NS	562076	. . CONNECTOR / PACK-CON I / FEMALE HOUSING / 2C / PED 8911772 To C-5169	1	1	
21	2800049	. LOCK ACTUATOR / 12V From C-5170	1	1	
22	562096	. MICRO SWITCH	1	1	
23	502577	. SCREW MA PAN PH M3-0.5x16 ZP	2	2	
24	502579	. NUT HEX M3-0.5 NP	2	2	



From B-5003 To D-5489	Date:07/2024	PAGE:XV-1868-00
A/C COMPRESSOR DOOR ASSY		

Item#	Part	Description	X 3 V I P	X L I I E N T 4 5	N O T E S
NS	502691	. WASHER LO SPT 3.6x6.7x0.8 Z050	2	2	
25	502151	. SPRING COMPRESSION / .300 O.D. x 1 x .032	2	2	
26	481564	. ROD GUIDE	1	1	
27	288990	. COVER / ACTUATOR PROTECTOR From A-9966	1	1	
28	502698	. SCREW MA PAN PH M4-0.7x16 SS BK	2	2	
29	5001544	. WASHER LO EXT .195x.410x.025 SS	2	2	
30	288527	. FINISHING MOULDING 1110MM / B.A.	1	1	
31	504339	. RIVET POP DOME OE 1/8x3/8 SS	4	4	
38	286098	. ARM ASSY To C-5279	1	1	
38	289149	. ARM ASSY From C-5280	1	1	
39	286103	LOWER HINGE To D-5484	1	1	
39	288945	LOWER HINGE From D-5485	1	1	
40	286085	HINGE / UPPER	1	1	
41	284607	BUSHING, NYLON / (NOT INCLUDE W/HINGE)	1	1	
NS	502723	WASHER FL .386x.750x.050 NYL	1	1	
42	502737	SCREW CAP HEX M6-1.0x25 SS BK	4	4	
43	430406	WASHER FLAT	8	8	
44	502737	SCREW CAP HEX M6-1.0x25 SS BK	1	1	
45	502573	WASHER FL 6.4x12.5x1.6 SS	1	1	
46	502511	NUT HEX NYRT M6-1.0 Z050	1	1	
47	502686	SCREW CAP HEX M6-1.0x30 SS BK	1	1	
48	5001448	WASHER FL .343x.875x.062 SS18-8	2	2	
49	288031	GUIDE ASSY / R.H. DOOR	1	1	
50	504334	BUMPER RUBBER / .625 OD x .406 TH x .156 HOLE	1	1	
51	504339	RIVET POP DOME OE 1/8x3/8 SS	1	1	
52	287286	CATCH PIN / RETAINER 45MMx21MM 90° To D-5299	1	1	B
52	288124	CATCH PIN / RETAINER / SWITCH SUPPORT From D-5300	1	1	
NS	287452	SHIM SPACER 70MM X 25 X 14GA	AR	AR	
53	5001699	WASHER BEL SPR 8.2x22x1.4 N500	4	4	
54	502780	SCREW CAP HEX M8-1.25x25 SS BK	4	4	
55	287578	STRICKING PLATE	1	1	
60	473826	MOULDING RETAINER / 1125MM	1		
61	504488	RIVET MGLP PRDG 3/16x17/64 SS	10		
62	473830	FINISHING MOULDING SS / 1123MM	1		
62	474389	FINISHING MOULDING PLASTIC 1123MM To D-5459		1	
. NS	506769	. TAPE RUB ADH2 CC POL 1/8" x 1/4" x 60' / BLACK H1CC-N-#14 To D-5459		AR	
62	478584	FINISHING MOULDING PLASTIC 1123MM From D-5460		1	
NS	289005	SERVICE KIT SWITCH RELOCATION To D-5299	1	1	B
. NS	288124	. CATCH PIN / RETAINER / SWITCH SUPPORT To D-5299	1	1	B
. NS	288125	. GUIDE PIN HOLDER To D-5299	1	1	B
. NS	287271	. RIVET SHR FL 9.95x3.6(4.8x4.8 SS To D-5299	1	1	B
. NS	286688	. DECAL DOOR OPEN To D-5299	1	1	B



From B-5003 To D-5489	Date:07/2024	PAGE:XV-1868-00
A/C COMPRESSOR DOOR ASSY		

Item#	Part	Description	X 3 V I P	X L I I E N T 4 5	N O T E S
. NS	IS12026	. SEE INSTRUCTION SHEET To D-5299	1	1	B
NS	061325	DECAL "CAUTION" ALWAYS FIRST.... / ENGLISH & FRANCAIS	1	1	
70	XV-1867-00	KEY & CYLINDER CODE			
		B) FOR THE SWITCH RELOCATION ASK KIT #289005			

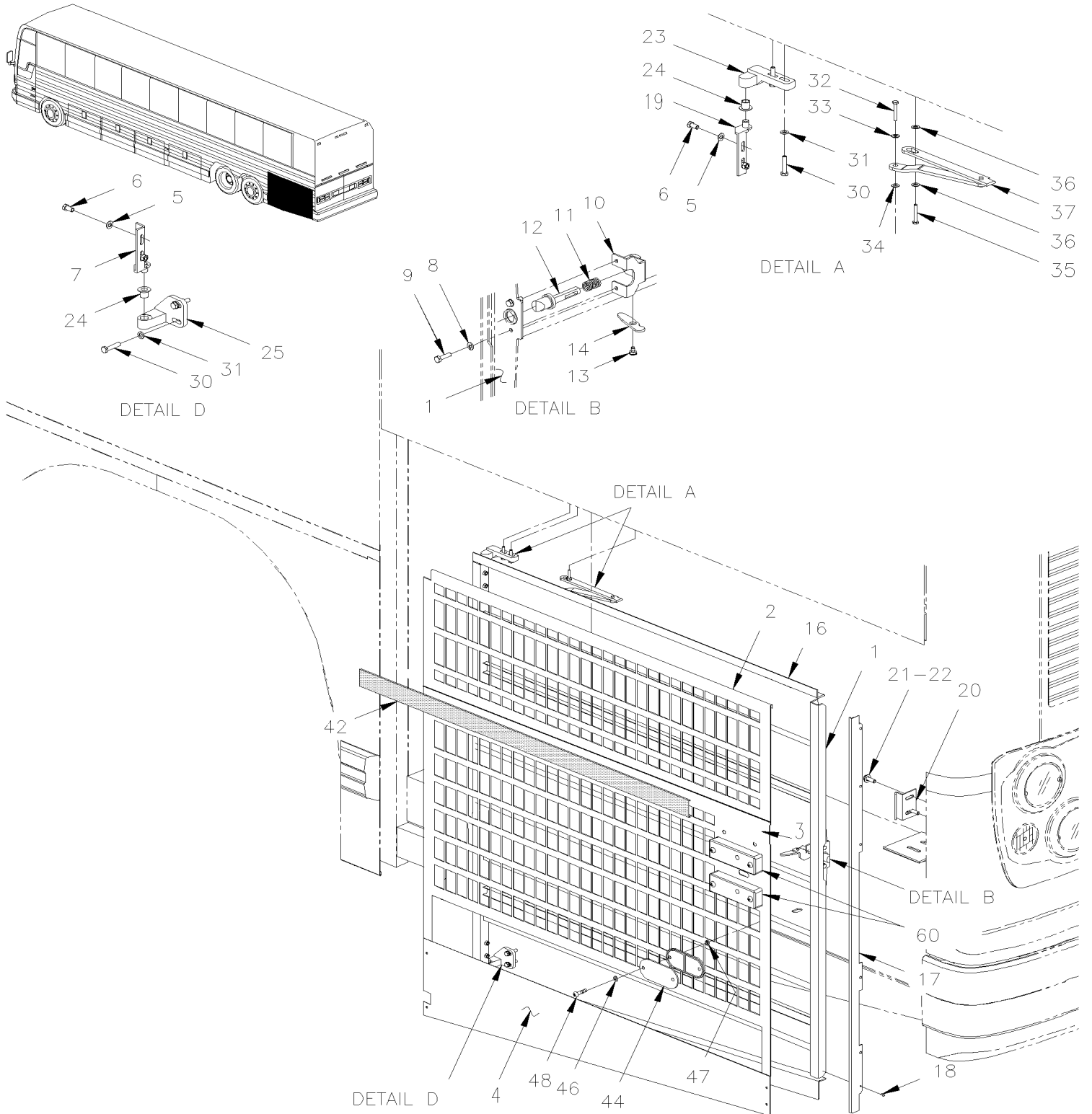


From B-5003 To D-5489

Date:07/2024

PAGE:XV-1869-55

RADIATOR DOOR ASSY





From B-5003 To D-5489	Date:07/2024	PAGE:XV-1869-55
RADIATOR DOOR ASSY		

Item#	Part	Description	X 3 V I P	X L I I E N T 4 5	N O T E S
	Call order desk	RADIATOR DOOR ASSY / W/FLUTED LOWER MOULDING To C-5096		1	P
	287827	RADIATOR DOOR ASSY / W/FLUTED LOWER MOULDING From C-5097		1	
	287828	RADIATOR DOOR ASSY / W/FLUTED From C-5097	1		
1	289398	. FRAME ASSY / RADIATOR DOOR To C-5096		1	
1	281294	. FRAME ASSY / RADIATOR DOOR From C-5097	1	1	
2	479188	. PANEL, UPPER / W/FLAT UPPER MOULDING / B.A. To C-5096		1	
2	470344	. PANEL, UPPER / W/FLAT UPPER MOULDING / B.A. From C-5097		1	
2	470336	. PANEL, UPPER / W/FLUTED UPPER MOULDING / B.A.	1		
3	479161	. PANEL, CENTER / W/FLUTED LOWER MOULDING / B.A. To D-5459	1	1	
3	477391	. PANEL, CENTER / W/FLUTED LOWER MOULDING / B.A. From D-5460	1	1	
4	477235	. PANEL, LOWER / B.A.	1	1	
5	502737	. SCREW CAP HEX M6-1.0x25 SS BK	4	4	
NS	430406	. WASHER FLAT	4	4	
6	502686	. SCREW CAP HEX M6-1.0x30 SS BK	4	4	
7	286098	. ARM ASSY To C-5279	1	1	
7	289149	. ARM ASSY From C-5280	1	1	
8	500356	. WASHER LO SERR 6.1x16.0x0.9 N500	6	6	
9	502737	. SCREW CAP HEX M6-1.0x25 SS BK	6	6	
10	288006	. GUIDE PIN HOLDER	1	1	
11	502910	. SPRING COMPRESSION / .720 O.D. 1.75 x .055	1	1	
12	289585	. CATCH PIN ACETAL / 90MM	1	1	
NS	507212	. O-RING	1	1	
13	287271	. RIVET SHR FL 9.95x3.6(4.8x4.8 SS	1	1	
14	286612	. PIVOT	1	1	
16	504334	. BUMPER RUBBER / .625 OD x .406 TH x .156 HOLE	1	1	
16	504339	. RIVET POP DOME OE 1/8x3/8 SS	1	1	
16	504340	. RIVET POP DOME OE 1/8x3/16 SS	7	7	
17	289415	. FINISHING MOULDING 1477MM / B.A.	1	1	
18	504339	. RIVET POP DOME OE 1/8x3/8 SS	AR	AR	
19	286102	. ARM ASSY To C-5279	1	1	
19	289150	. ARM ASSY From C-5280	1	1	
20	287286	. CATCH PIN / RETAINER 45MMx21MM 90°	1	1	
NS	287452	. SHIM SPACER 70MM X 25 X 14GA	AR	AR	
21	502857	. WASHER LO SERR 8.2x26.3x1.8 N500	4	4	
22	502780	. SCREW CAP HEX M8-1.25x25 SS BK	4	4	
23	286129	HINGE / UPPER	1	1	
24	284607	BUSHING, NYLON / (NOT INCLUDE W/HINGE)	2	2	
NS	502723	WASHER FL .386x.750x.050 NYL	1	1	
25	286128	LOWER HINGE To D-5484	1	1	
25	288827	LOWER HINGE From D-5485	1	1	
30	502737	SCREW CAP HEX M6-1.0x25 SS BK	4	4	
31	430406	WASHER FLAT	4	4	



From B-5003 To D-5489	Date:07/2024	PAGE:XV-1869-55
RADIATOR DOOR ASSY		

Item#	Part	Description	X 3 V I P	X L I E N T 4 5	N O T E S
32	502568	SCREW MA PAN PH M6-1.0x20 EMN	1	1	
33	502573	WASHER FL 6.4x12.5x1.6 SS	1	1	
34	502511	NUT HEX NYRT M6-1.0 Z050	1	1	
35	502780	SCREW CAP HEX M8-1.25x25 SS BK	1	1	
36	500270	WASHER FL .406x1.000x.063 SS	2	2	
37	281912	GUIDE ASSY / L.H. DOOR	1	1	
42	479176	FINISHING MOULDING PLASTIC 1276MM		1	
. NS	506769	. TAPE RUB ADH2 CC POL 1/8" x 1/4" x 60' / BLACK H1CC-N-#14		AR	
42	470073	FINISHING MOULDING SS 1280MM	1		
NS	683083	ADHESIVE SIKA #252 / BLACK / 600 ml SAUSAGE	AR	AR	
NS	5060044	TAPE RUB ADH2 CC POL 1/4" X 1/4" X 50' / BLACK I1C-N-A	AR	AR	
44	930320	REFLECTOR RED 1 3/16" x 4 7/16"	1	1	
46	500914	WASHER LO SPT .193x.334x.047 N500	2	2	
47	500787	NUT HEX #10-24 SS	2	2	
48	500606	SCREW MA TR PH #10-24x3/4 SS	2	2	
60	XV-0662-00	CLEARANCE & MARKER LIGHT			
NS	064990	CABLE ASSY / SIDE MARKER LAMP FOR DOORS	1	1	
. NS	473832	. GROMMET 2 HOLESx1.6x11.0MMx2.0MMx8.0MMx16MM	1	1	
61	067207	CABLE ASSY / SIDE MARKER LAMP FOR DOORS	1	1	
. NS	473832	. GROMMET 2 HOLESx1.6x11.0MMx2.0MMx8.0MMx16MM	1	1	
		P) CALL ORDER DESK FOR SPECIFIC APPLICATION (V.I.N.)			

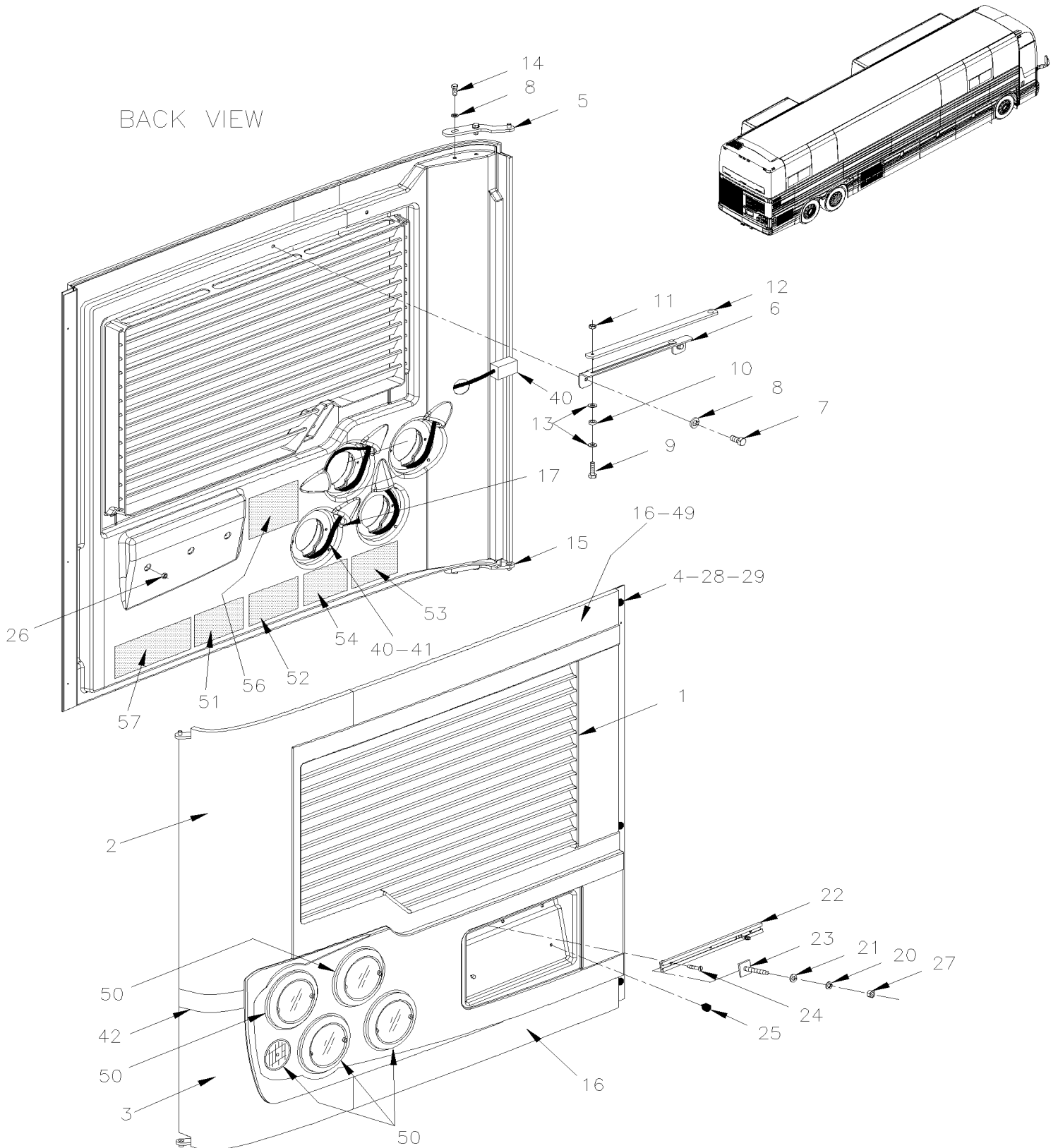


From B-5003 To D-5489

Date:07/2024

PAGE:XV-1870-00

ENGINE DOOR ASSY L.H.





From B-5003 To D-5489 Date:07/2024 PAGE:XV-1870-00

ENGINE DOOR ASSY L.H.

Item#	Part	Description	X 3 V I P	X L I I E N T 4 5	N O T E S
	288326	ENGINE DOOR LH ASSY		1	D
	288325	ENGINE DOOR LH ASSY	1		D
1	289433	. ENGINE DOOR LH MOULDED VENTED		1	
1	289431	. ENGINE DOOR LH MOULDED VENTED	1		
2	288528	. UPPER PANEL / B.A.	1		
3	288529	. LOWER PANEL / B.A.	1	1	
4	509828	. BUMPER RUBBER / .750 OD x .312 TH x .125 HOLE	6	6	
5	289620	. ARM ASSY	1	1	
6	283776	. GUIDE RETAINING ARM	1	1	
7	955295	. SCREW CAP HEX M8-1.25x20 G8.8 ZG603	2	2	
8	502857	. WASHER LO SERR 8.2x26.3x1.8 N500	6	6	
9	5001560	. SCREW SHR HEXS 5/16x3/8 {1/4-20 SS	1	1	
10	502768	. WASHER FL RUB .312x.625x.125 NEO	1	1	
11	500384	. NUT HEX JAM 1/4-20 G500	1	1	
12	283772	. ARM RETAINING	1	1	
13	502638	. WASHER FL .312x.734x.065 N500	2	2	
14	955297	. SCREW CAP HEX M8-1.25x25 G8.8 ZG603	4	4	
15	289617	. ARM ASSY	1	1	
16	288530	. PANEL UPPER & LOWER DOOR / B.A.		1	
16	288530	. PANEL UPPER & LOWER DOOR / B.A.	2		
17	504530	. GROMMET / .750x1.250x.125x.312x1.625	5	5	
20	502570	. WASHER LO SPT 6.1x11.8x1.6 SS	2	2	
21	502637	. WASHER FL .200x.437x.037 SS	2	2	
22	286053	. TRACK / LICENCE PLATE HOLDER 326MM	1	1	
22	491572	. TRACK / LICENCE PLATE HOLDER 321 MM	1	1	
23	504286	. T SCREW 10-24 X 3/4" / SS / PLATE HOLDER	2	2	
24	502666	. SCREW MA FL PH #6-32x3/4 SS BK	3	3	
25	504498	. BUMPER PLUG / .406ODx.218THx.250HOLEx.125	2	2	
26	500286	. NUT WELL #6-32	3	3	
27	500787	. NUT HEX #10-24 SS	2	2	
28	509827	. SCREW MA RND PH M4-0.7x20 SS	3	3	
29	502557	. NUT HEX NYRT M4-0.7 SS	3	3	
31	683097	. CLEANER SIKA #205 / CLEAR / 1000ml	AR	AR	
40	066491	. CABLE / ENGINE DOOR REAR LAMP W/LEDS	1	1	
41	504637	. CABLE TIE / 3/16" x 13"	7	7	
41	509815	. TIE MOUNT / ATTACHMENT W/TREE MOUNT	7	7	
42	285899	. FINISHING MOULDING L.H. / PLASTIC / (LOWER 3MM THINER THAN UPPER		1	
42	288531	. FINISHING MOULDING SS / B.A.	1		
NS	506769	. TAPE RUB ADH2 CC POL 1/8" x 1/4" x 60' / BLACK H1CC-N-#14	AR	AR	
49	506790	. TAPE RUB ADH2 CC POL 1/16" x 1/2" x 200' / BLACK I1C-N-A	AR	AR	
49	683084	. SEALANT SIKA #221 / GREY / 600 ml SAUSAGE	AR	AR	
49	683083	. ADHESIVE SIKA #252 / BLACK / 600 ml SAUSAGE	AR	AR	



From B-5003 To D-5489	Date:07/2024	PAGE:XV-1870-00
ENGINE DOOR ASSY L.H.		

Item#	Part	Description	X 3 V I P	X L I I E N T 4 5	N O T E S
50	XV-0664-00	. REAR EXTERIOR LIGHTS & PLATE HOLDER			
51	405730	DECAL THIS VEHICULE EQUIPED ... FIRE SUPPRES / ENGLISH & FRANCAIS	1	1	
51	405729	DECAL THIS VEHICULE EQUIPED ... FIRE SUPPRES / ENGLISH	1	1	
51	405731	DECAL THIS VEHICULE EQUIPED ... FIRE SUPPRES / ENGLISH & SPANISH	1	1	
52	071249	DECAL "TranSynd OIL ONLY" / ENGLISH & FRANCAIS	1	1	
52	071364	DECAL "TranSynd OIL ONLY" / ENGLISH & SPANISH	1	1	
53	454105	DECAL "R-134A NOMINAL CHARGE...." / ENGLISH & FRANCAIS	1	1	
54	141064	DECAL / COLOR CODE / PNEUMATIC SYSTEM / ENGLISH & FRANCAIS	1	1	
54	142370	DECAL / COLOR CODE / PNEUMATIC SYSTEM / ENGLISH & SPANISH	1	1	
56	066596	DECAL / "CAUTION" BEFORE WELDING...." // ENGLISH & FRANCAIS	1	1	
56	066436	DECAL / "CAUTION" BEFORE WELDING...." // ENGLISH	1	1	
56	067072	DECAL / "CAUTION" BEFORE WELDING...." // ENGLISH	1	1	
56	067067	DECAL / "CAUTION" BEFORE WELDING...." // ENGLISH & SPANISH	1	1	
57	012698	DECAL / "BELT ROUTING" SHORT END COOL 2010 To D-5459	1	1	
57	012811	DECAL / "BELT ROUTING" From D-5460	1	1	
		D) THIS DOOR ASSEMBLY DO NOT INCLUDE ITEM #40			

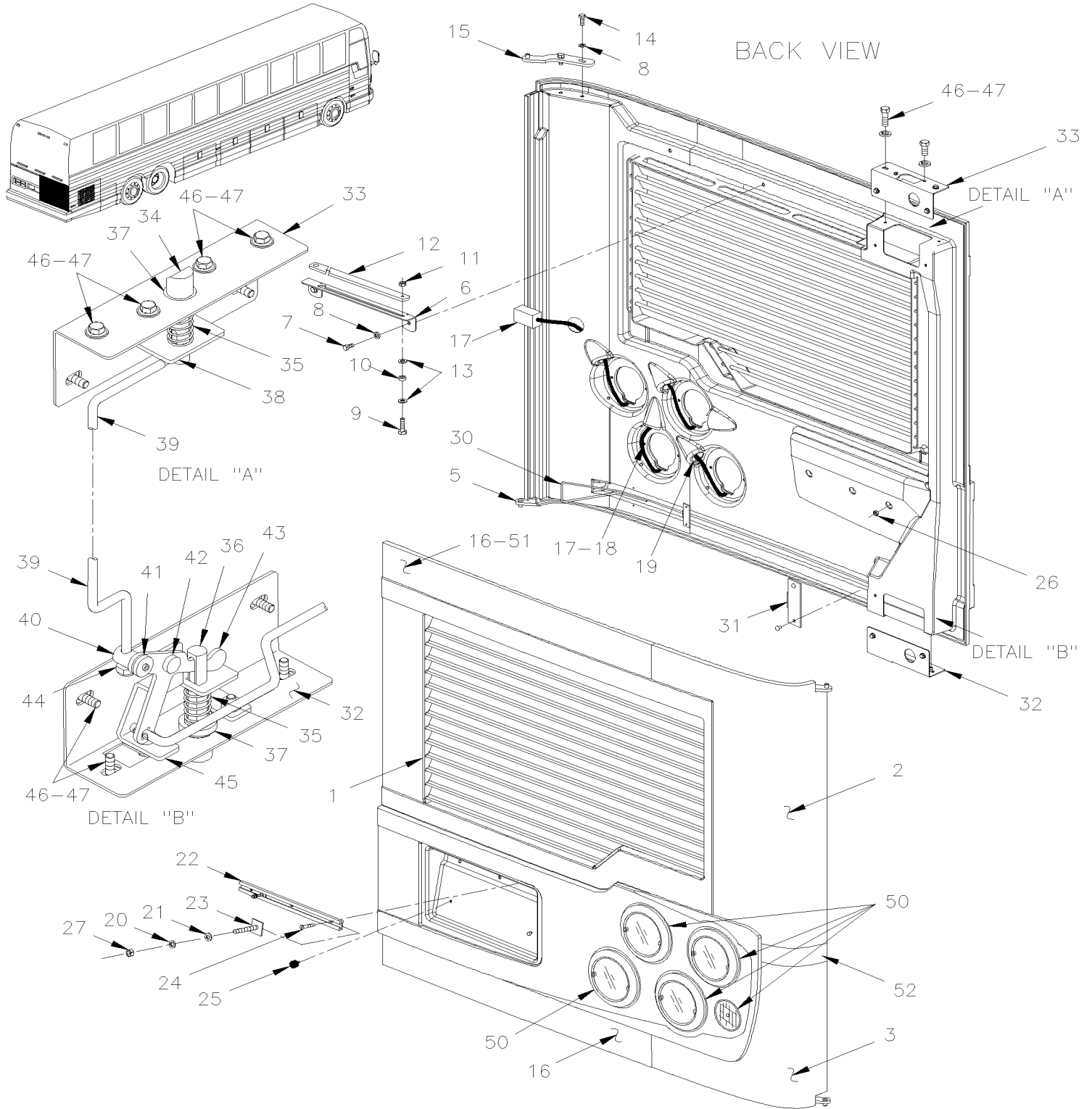


From B-5003 To D-5489

Date:07/2024

PAGE:XV-1870-05

ENGINE DOOR ASSY R.H.





From B-5003 To D-5489 Date:07/2024 PAGE:XV-1870-05

ENGINE DOOR ASSY R.H.

Item#	Part	Description	X 3 V I P	X L I I E N T 4 5	N O T E S
	288327	ENGINE DOOR RH ASSY	1		D
	288328	ENGINE DOOR RH ASSY		1	D
1	289432	. ENGINE DOOR RH MOULDED VENTED		1	
1	289430	. ENGINE DOOR RH MOULDED VENTED	1		
2	288532	. UPPER PANEL / B.A.	1		
3	288533	. LOWER PANEL / B.A.	1	1	
5	289620	. ARM ASSY	1	1	
6	283771	. GUIDE RETAINING ARM	1	1	
7	955295	. SCREW CAP HEX M8-1.25x20 G8.8 ZG603	2	2	
8	502857	. WASHER LO SERR 8.2x26.3x1.8 N500	6	6	
9	5001560	. SCREW SHR HEXS 5/16x3/8 {1/4-20 SS	1	1	
10	502768	. WASHER FL RUB .312x.625x.125 NEO	1	1	
11	500384	. NUT HEX JAM 1/4-20 G500	1	1	
12	283772	. ARM RETAINING	1	1	
13	502638	. WASHER FL .312x.734x.065 N500	2	2	
14	955297	. SCREW CAP HEX M8-1.25x25 G8.8 ZG603	4	4	
15	289617	. ARM ASSY	1	1	
16	288530	. PANEL UPPER & LOWER DOOR / B.A.	2		
16	288530	. PANEL UPPER & LOWER DOOR / B.A.		1	
17	066491	. CABLE / ENGINE DOOR REAR LAMP W/LEDS	1	1	
18	504637	. CABLE TIE / 3/16" x 13"	AR	AR	
18	509815	TIE MOUNT / ATTACHMENT W/TREE MOUNT	7	7	
19	504530	. GROMMET / .750x1.250x.125x.312x1.625	5	5	
20	502570	. WASHER LO SPT 6.1x11.8x1.6 SS	2	2	
21	502637	. WASHER FL .200x.437x.037 SS	2	2	
22	286053	. TRACK / LICENCE PLATE HOLDER 326MM	1	1	
22	491572	TRACK / LICENCE PLATE HOLDER 321 MM	1	1	
23	504286	. T SCREW 10-24 X 3/4" / SS / PLATE HOLDER	2	2	
24	502666	. SCREW MA FL PH #6-32x3/4 SS BK	3	3	
25	504498	. BUMPER PLUG / .406ODx.218THx.250HOLEx.125	2	2	
26	500286	. NUT WELL #6-32	3	3	
27	500787	. NUT HEX #10-24 SS	2	2	
30	287325	. CONTROL ROD	1	1	
NS	506018	. HANDLE PLASTIC / 1/4" I.D. X 4"	1	1	
31	280143	. FIXTURE / W/HOLE FOR ROD	2	2	
31	287369	. FIXTURE	1	1	
NS	504339	. RIVET POP DOME OE 1/8x3/8 SS	4	4	
32	285018	. SUPPORT LOCK / LOWER	1	1	
33	286581	. SUPPORT LOCK / UPPER	1	1	
34	287381	. CATCH PIN SS / 80.5MM	1	1	
NS	506225	. TAPE RUB ADH1 CC POL 1/16" x 1/4" x 100' / GREY 2520	AR	AR	
35	502910	. SPRING COMPRESSION / .720 O.D. 1.75 x .055	2	2	



From B-5003 To D-5489	Date:07/2024	PAGE:XV-1870-05
-----------------------	--------------	-----------------

ENGINE DOOR ASSY R.H.

Item#	Part	Description	X 3 V I P	X L I I E N T 4 5	N O T E S
36	287391	. CATCH PIN SS / 90.5MM	1	1	
37	507212	. O-RING	2	2	
38	287382	. GUIDE PIN HOLDER UPPER	1	1	
39	287276	. ROD / JUNCTION	1	1	
40	280142	. ROD HOLDER	1	1	
41	280140	. RETAINING WASHER	1	1	
42	287271	. RIVET SHR FL 9.95x3.6{4.8x4.8 SS	1	1	
43	287277	. PIVOT	1	1	
44	5001251	. NUT HEX NYRT 1/4-20 SS	1	1	
45	287291	. GUIDE PIN HOLDER LOWER	1	1	
46	955271	. SCREW CAP HEX M6-1.0x16 G8.8 ZG603	12	12	
47	500356	. WASHER LO SERR 6.1x16.0x0.9 N500	12	12	
50	XV-0664-00	REAR EXTERIOR LIGHTS & PLATE HOLDER			
51	506790	. TAPE RUB ADH2 CC POL 1/16" x 1/2" x 200' / BLACK I1C-N-A	AR	AR	
51	683084	. SEALANT SIKA #221 / GREY / 600 ml SAUSAGE	AR	AR	
51	683083	. ADHESIVE SIKA #252 / BLACK / 600 ml SAUSAGE	AR	AR	
52	285900	. FINISHING MOULDING R.H. / PLASTIC / (LOWER 3MM THINER THAN UPPER		1	
52	288531	. FINISHING MOULDING SS / B.A.	1		
		D) THIS DOOR ASSEMBLY DO NOT INCLUDE ITEM #17			

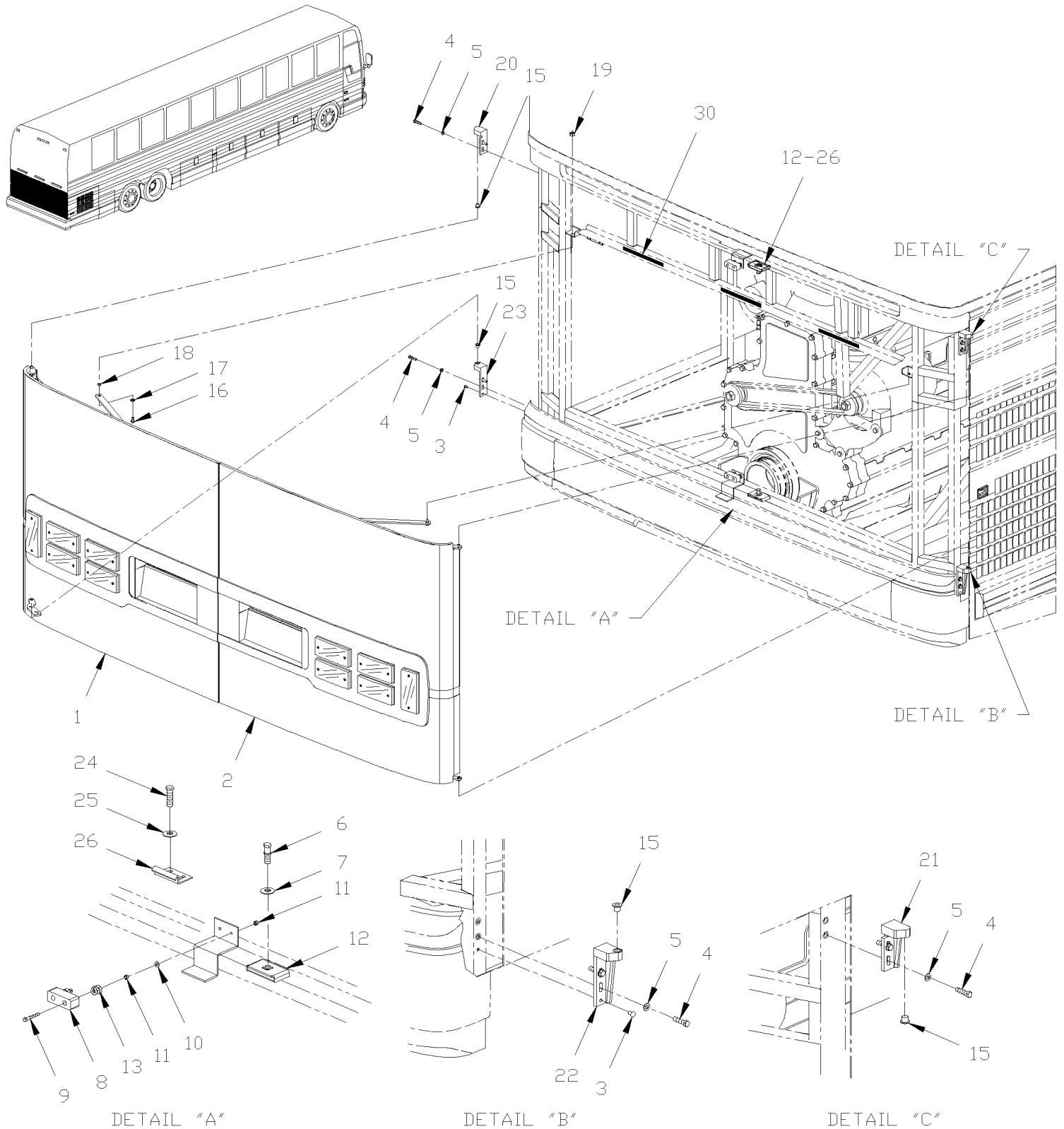


From B-5003 To D-5489

Date:07/2024

PAGE:XV-1870-10

ENGINE DOOR ASSY - INSTALLATION





From B-5003 To D-5489	Date:07/2024	PAGE:XV-1870-10
------------------------------	---------------------	------------------------

ENGINE DOOR ASSY - INSTALLATION

Item#	Part	Description	X 3 V I P	X L I I E N T 4 5	N O T E S
1	XV-1870-00	ENGINE DOOR ASSY L.H.			
2	XV-1870-05	ENGINE DOOR ASSY R.H.			
3	504122	RIVET POP DOME OE 1/4x3/8 AL	2	2	
4	502780	SCREW CAP HEX M8-1.25x25 SS BK	5	5	
5	502584	WASHER LO SERR 8.2x26.3x1.8 Z050	8	8	
8	506250	RUBBER BUMPER	1	1	
9	502708	SCREW CAP HEX M5-0.8x35 SS	2	2	
10	500411	WASHER FL .260x.697x.050 SS	2	2	
11	5001449	NUT HEX M5-0.8 SS	4	4	
13	502205	SPRING COMPRESSION / .850 O.D. x .750 x .072	2	2	
15	284607	BUSHING, NYLON / (NOT INCLUDE W/HINGE)	4	4	
16	502780	SCREW CAP HEX M8-1.25x25 SS BK	10	10	
17	502583	WASHER LO SERR 8.15x22.3x1.0 Z050	2	2	
18	283770	SPACER / TO FIX RETAINING ARM	2	2	
19	966171	NUT HEX NYRT M8x1.25 SS	2	2	
20	285930	HINGE UPPER L.H.	1	1	
21	285854	HINGE UPPER R.H.	1	1	
22	285855	HINGE LOWER R.H.	1	1	
23	285931	HINGE LOWER L.H.	1	1	
24	502780	SCREW CAP HEX M8-1.25x25 SS BK	4	4	
25	5001161	WASHER LO SPT 8.1x14.8x2.0 SS-304	4	4	
26	287286	CATCH PIN / RETAINER 45MMx21MM 90°	2	2	
30	920009	REFLECTOR STRIP RED	AR	AR	
NS	286688	DECAL DOOR OPEN	1	1	
NS	012818	DECAL "VEHICLE EMISSION..." CANADA From D-5459	1	1	

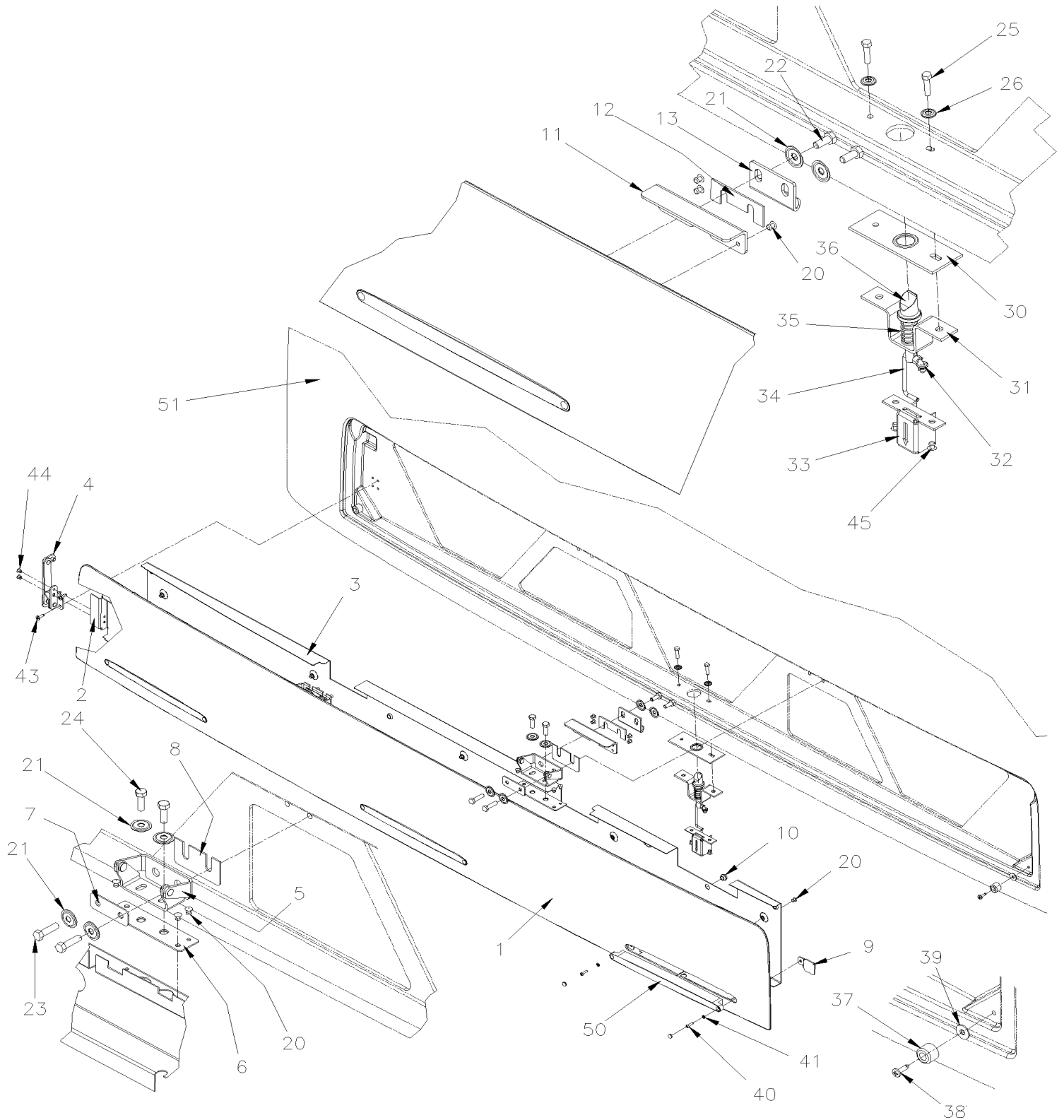


From B-5003 To D-5489

Date:07/2024

PAGE:XV-1870-20

REAR ENGINE UPPER DOOR WITH "EPA 2010"





From B-5003 To D-5489	Date:07/2024	PAGE:XV-1870-20
REAR ENGINE UPPER DOOR WITH "EPA 2010"		

Item#	Part	Description	X 3 V I P	X L I I E N T 4 5	N O T E S
	479002	DOOR ASSY	1	1	
1	479269	DOOR PANEL ALUMINUM	1	1	
2	479474	FRAME DOOR	1	1	
3	479475	PANEL INSULATING ALUMINUM	1	1	
4	479323	ARM ASSY	1	1	
5	479268	HINGE ASSY	2	2	
6	479275	ATTACHMENT PLATE W/2 NUTS 131MMx35MM / 40MM C/C	2	2	
7	288088	PLATE RETAINER 66MM X 25.4MM	2	2	
NS	506869	TAPE RUB ADH2 POL .031" X 1/4" X 300' / BLACK	AR	AR	
8	479299	SHIM SPACER 40MM x 80MM x 14GA	1	1	
9	479300	ATTACHMENT LAMPS 32MMx32MM	6	6	
10	504496	GROMMET 2 HOLESx.062x.625x.062x.312x.875x.031 x.375	10	10	
11	479283	ATTACHMENT ANGLE W/2 NUTS 131MMx35MM / 40MM C/C	1	1	
12	479301	SHIM SPACER 28MM x 78MM x 14GA	1	1	
13	479288	CATCH PIN / RETAINER 125X45	1	1	
20	504379	RIVET POP DOME OE 3/16x1/4 SS	AR	AR	
21	5001699	WASHER BEL SPR 8.2x22x1.4 N500	10	10	
22	502862	SCREW CAP HEX M8-1.25x20 G8.8 N500	2	2	
23	5001738	SCREW CAP HEX M8-1.25x30 G8.8 N500	4	4	
24	502780	SCREW CAP HEX M8-1.25x25 SS BK	4	4	
25	502737	SCREW CAP HEX M6-1.0x25 SS BK	2	2	
26	500356	WASHER LO SERR 6.1x16.0x0.9 N500	2	2	
30	479280	GUIDE PIN PLATE 125MMx 45MM	1	1	
31	479282	SUPPORT CATCH PIN	1	1	
32	780340	CLIP, RETAINER ROD	1	1	
33	479482	COVER, MECANISME	1	1	
34	479476	ROD "J" FORM 213MMx31MMx15MM	1	1	
35	502910	SPRING COMPRESSION / .720 O.D. 1.75 x .055	1	1	
36	289636	CATCH PIN ACETAL / 90.5MM	1	1	
37	5001168	BUMPER RUBBER / .750 OD x .562 TH x .187 HOLE	2	2	
38	500414	SCREW TP BDG PH #10x3/4 SS	2	2	
39	500411	WASHER FL .260x.697x.050 SS	2	2	
40	5001332	SCREW MA PAN PH M4-0.7x16 SS	6	6	
41	502834	WASHER LO SPT 4.1x7.6x0.9 N500	6	6	
NS	504637	CABLE TIE / 3/16" x 13"	8	8	
NS	067665	CABLE ASSY DPF DOOR 3 LIGHTS	9	9	
43	504610	RIVET MGLP PRDG 1/4x5/8 SS	4	4	
44	504793	RIVET MNB OE LARGE HEAD 3/16x7/16 SS	2	2	
45	504487	RIVET MGLP PRDG 3/16x7/16 SS	2	2	
50	XV-0664-00	REAR EXTERIOR LIGHTS & PLATE HOLDER			



From B-5003 To D-5489	Date:07/2024	PAGE:XV-1870-20
-----------------------	--------------	-----------------

REAR ENGINE UPPER DOOR WITH "EPA 2010"

Item#	Part	Description	X 3 V I P	X L I I E N T 4 5	N O T E S
51	XV-1851-20	REAR CAP - INSTALLATION			



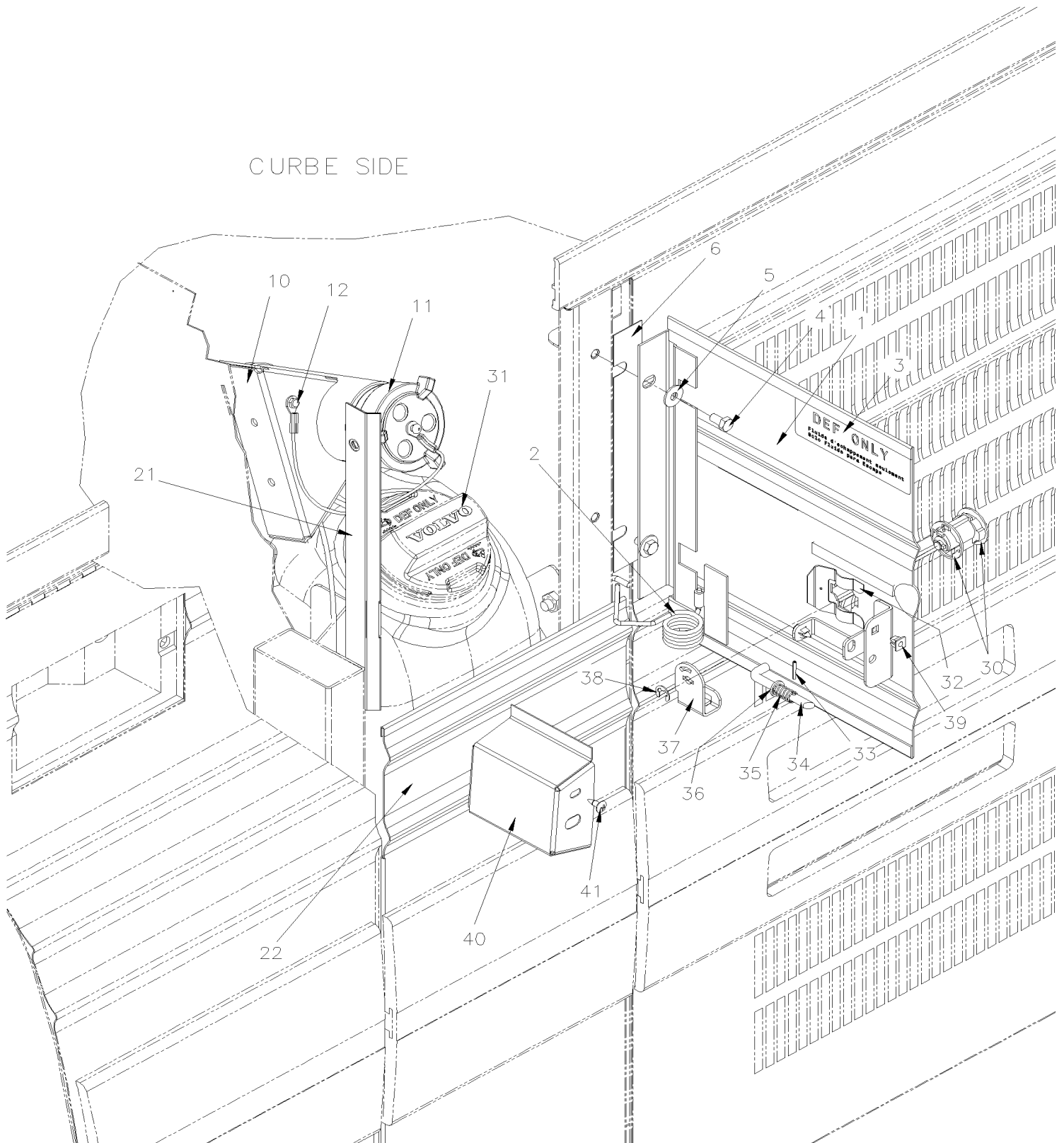
From B-5003 To D-5489

Date:07/2024

PAGE:XV-1875-00

FUEL TANK & UREA FILLING DOOR

CURBE SIDE





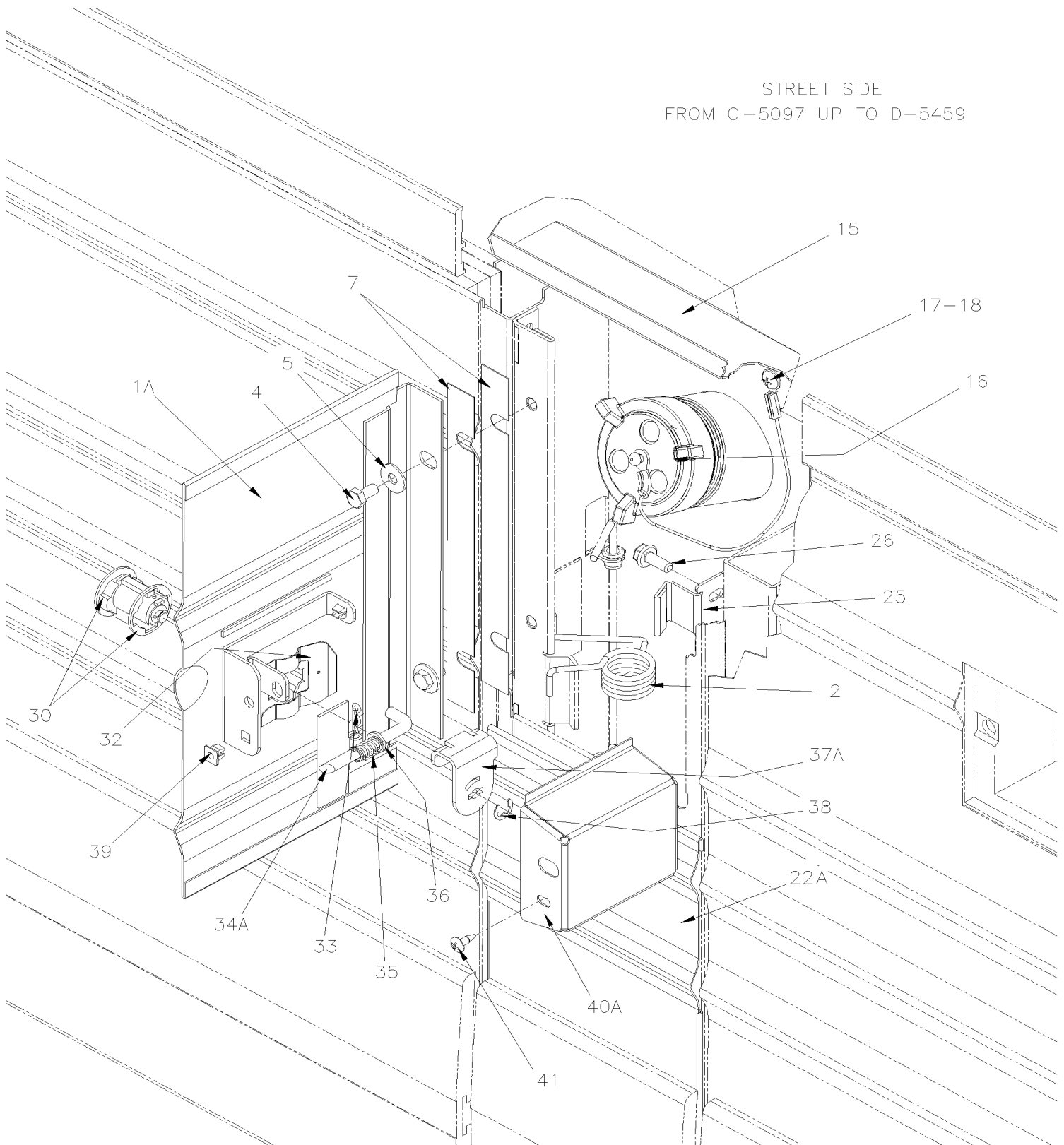
From B-5003 To D-5489

Date:07/2024

PAGE:XV-1875-00

FUEL TANK & UREA FILLING DOOR

STREET SIDE
FROM C-5097 UP TO D-5459



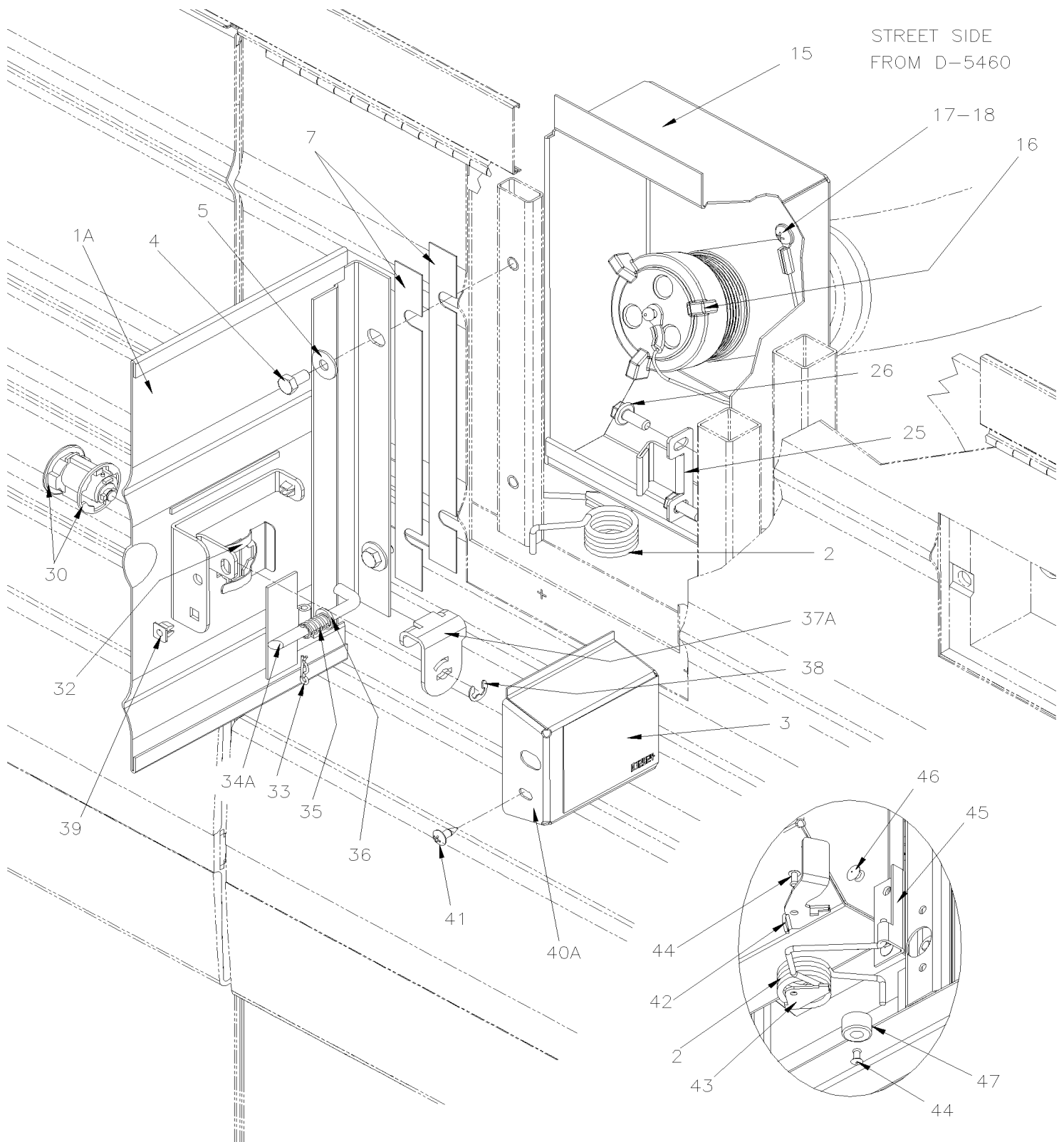


From B-5003 To D-5489

Date:07/2024

PAGE:XV-1875-00

FUEL TANK & UREA FILLING DOOR





From B-5003 To D-5489	Date:07/2024	PAGE:XV-1875-00
FUEL TANK & UREA FILLING DOOR		

Item#	Part	Description	X 3 V I P	X L I I E N T 4 5	N O T E S
	Call order desk	DOOR ASSY, R.H. / W/LOCK installation	1	1	P
1	484211	DOOR ASSY, CURB SIDE / W/LOCK	1	1	
1A	484264	DOOR ASSY, STREET SIDE / W/LOCK From C-5097 To D-5459	1	1	
1A	460554	DOOR ASSY, STREET SIDE / W/LOCK From D-5460	1	1	
2	032910	SPRING, TORSION /	1	1	
3	21467930	DECAL, UREA FILLING	1	1	
3	032824	DECAL / ULTRA LOW SULFURE DIESEL / ENGLISH	2	2	
3	400137	DECAL / DIESEL FUEL BLACK	2	2	
3	031164	DECAL / CERTIFICATION	2	2	
3	403747	DECAL / INSTRUCTION FOR FILLING TANK /208 GAL BLACK	2	2	
4	5001743	SCREW CAP HEX M6-1.0x12 G8.8 N500	2	2	
5	500411	WASHER FL .260x.697x.050 SS	2	2	
6	484214	SHIM SS / DOOR HINGE 28MM x 220MM x 24GA / CURBE SIDE To B-5002	2	2	
6	484278	SHIM SS / DOOR HINGE 20MM x 220MM x 24GA From B-5003	AR	AR	
7	484278	SHIM SS / DOOR HINGE 20MM x 220MM x 24GA / STREET SIDE	AR	AR	
10	032903	FILLING CAP ASSY / CURB-SIDE To C-5276	1	1	
10	032932	FILLING CAP ASSY / CURB-SIDE From C-5277	1	1	
11	531424	FUEL FILLING CAP / SCREW TYPE CAP	1	1	
. NS	530133	. REPLACEMENT GASKET FOR 2" FEMALE CAP	1	1	
12	502799	SCREW CAP HEX M4-0.7X16 G8.8 N500	1	1	
15	032923	FILLING CAP ASSY / STREET SIDE From C-5097 To C-5266	1	1	
15	217058	FILLING CAP ASSY / STREET SIDE From C-5267 To D-5459	1	1	
15	217190	FILLING CAP ASSY / STREET SIDE From D-5460	1	1	
16	531424	FUEL FILLING CAP / SCREW TYPE CAP From C-5097	1	1	
. NS	530133	. REPLACEMENT GASKET FOR 2" FEMALE CAP From C-5097	1	1	
17	500510	SCREW MA BDG PH #10-32x3/4 SS EMN From C-5097	1	1	
18	500519	NUT WELL #10-32x.518 From C-5097	1	1	
21	477295	CATCH PLATE / CURBSIDE	1	1	
22	477230	PANEL CURBESIDE / B.A. 246.4MM	1	1	
22A	477238	PANEL STREET SIDE / B.A. From C-5097 To D-5459	1	1	
NS	506759	TAPE RUB ADH2 CC POL 1/8" x 1/2" x 100' / BLACK I1C-N-A	AR	AR	
NS	685126	ADHESIVE SIMSON #ISR 70-03 / GREY / 600ml SAUSAGE	AR	AR	
25	477334	CATCH PLATE / STREET SIDE From C-5097 To D-5459	1	1	
25	460551	CATCH PLATE / STREET SIDE From D-5460	1	1	
26	5001730	SCREW CAP HEXF M6-1.0x16 G10.9 N500 From C-5097	2	2	
30	XV-1867-00	KEY & CYLINDER CODE			
31	XV-0410-00	UREA RESERVOIR ASSY			
32	780236	RETAINER CLIP	1	1	
33	505532	SPRING, PIN 3/32 x 5/8 SS To B-5002	1	1	
33	5001860	PIN HITCH CLIP .054 x 3/4 SS From B-5003	1	1	



From B-5003 To D-5489	Date:07/2024	PAGE:XV-1875-00
FUEL TANK & UREA FILLING DOOR		

Item#	Part	Description	X 3 V I P	X L I I E N T 4 5	N O T E S
34	289633	ROD / CURBSIDE To B-5002	1	1	
34	289800	ROD From B-5003	1	1	
34A	289824	ROD / STREET SIDE From C-5097	1	1	
35	474008	SPRING COMPRESSION / .360 O.D. x .625 x .035	1	1	
36	502573	WASHER FL 6.4x12.5x1.6 SS	1	1	
37	484218	PIVOT LOCK / CURBSIDE			
37A	484276	LEVER LOCK / STREET SIDE From C-5097	1	1	
38	504402	RING RETAINER / EXT .250 x .210 x .025"	1	1	
39	502741	NUT AN #8 NYL	2	2	
40	484217	PROTECTOR BOX / CURBSIDE	1	1	
40A	484275	PROTECTOR BOX / STREET SIDE From C-5097	1	1	
40A	506225	TAPE RUB ADH1 CC POL 1/16" x 1/4" x 100' / GREY 2520	AR	AR	
41	500124	SCREW TP TR PH #8x1/2 SS	2	2	
42	460557	ARM, FUEL DOOR From D-5460	1	1	
43	460558	PLATE From D-5460	1	1	
44	504717	RIVET POP DOME OE 1/8x1/4 SS From D-5460	2	2	
45	460555	ATTACH, FUEL DOOR From D-5460	1	1	
46	504379	RIVET POP DOME OE 3/16x1/4 SS From D-5460	2	2	
47	504334	BUMPER RUBBER / .625 OD x .406 TH x .156 HOLE From D-5460	1	1	
		P) CALL ORDER DESK FOR SPECIFIC APPLICATION (V.I.N.)			

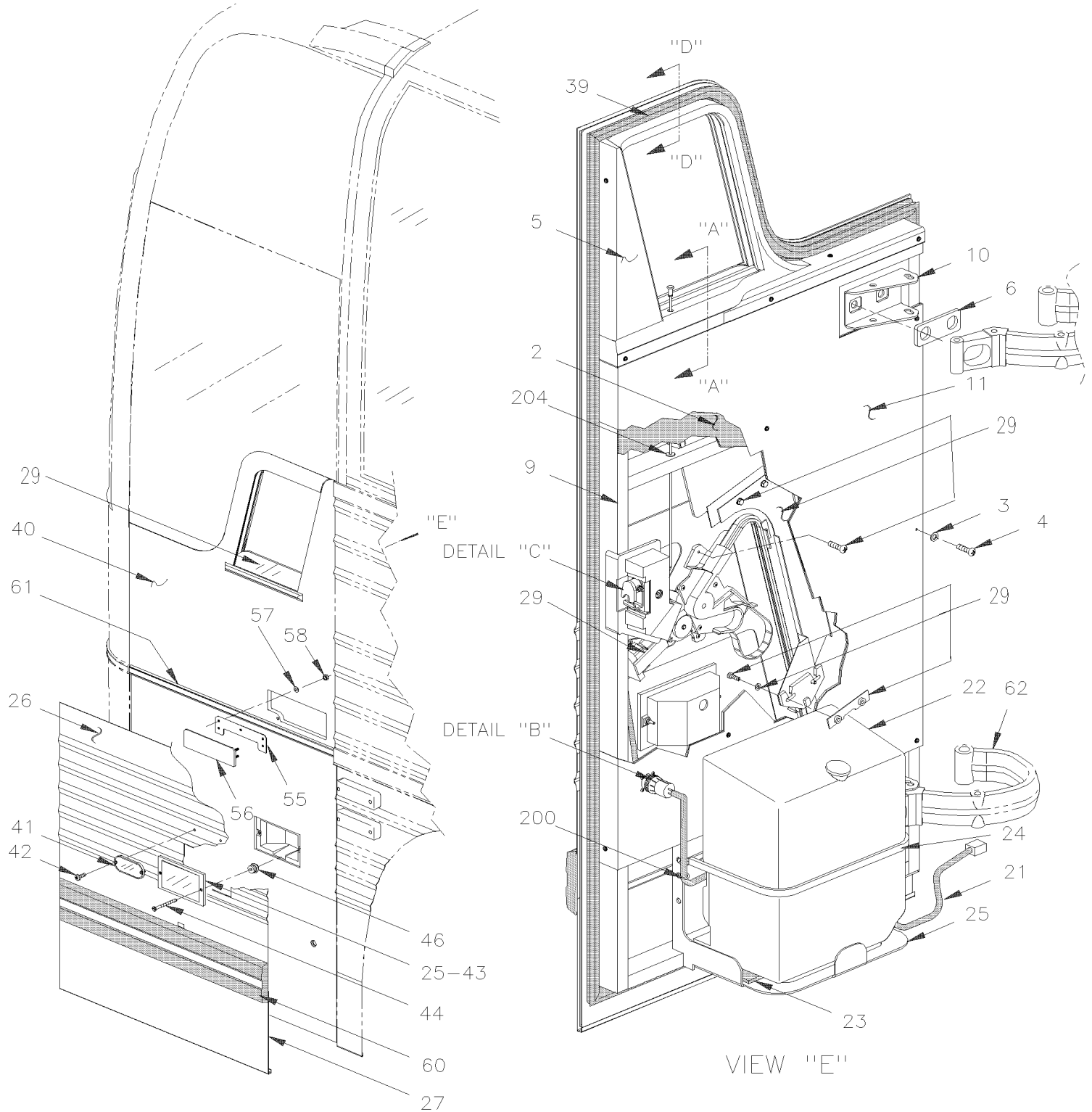


From B-5003 To D-5489

Date:07/2024

PAGE:XV-1879-00

FRONT SERVICE DOOR ASSY



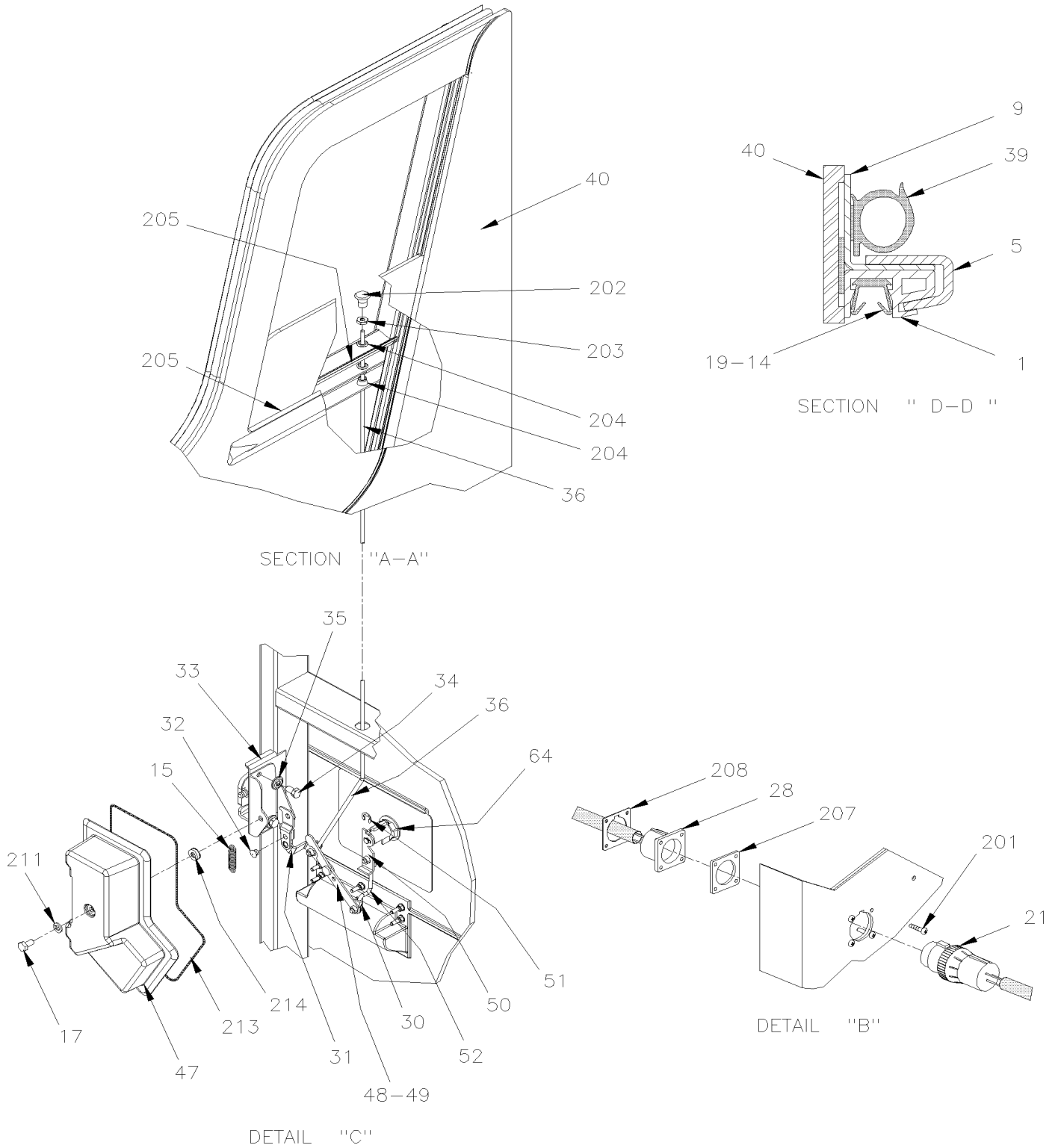


From B-5003 To D-5489

Date:07/2024

PAGE:XV-1879-00

FRONT SERVICE DOOR ASSY





From B-5003 To D-5489 Date:07/2024 PAGE:XV-1879-00

FRONT SERVICE DOOR ASSY

Item#	Part	Description	X 3 V I P	X L I I E N T 4 5	N O T E S
		ALL FRONT SERVICE DOORS DO NOT INCLUDE RUB-RAIL PLEASE ORDER SEPARATELY			
	287914P	FRONT SERVICE DOOR ASSY MTH 89"	1	1	
1	285983	WINDOW TRACK	1	1	
2	287906	INSULATING / 89"	1	1	
3	500463	WASHER FN CKF .187x.500x.090 BR Z050	17	17	
4	502673	SCREW TC PAN PH #6-32x1/2 SS	2	2	
5	286491	INTERIOR FINISHING / 86" & 89"	1	1	
6	283402	SUPPORT PLATE	2	2	
7	502731	SCREW CAP HEX M12-1.75x40 G8.8 Z050	4	4	
8	500747	WASHER LO SPT 12.2x21.1x2.5 N500	4	4	
9	287478	DOOR FRAME ASSY / 89"	1	1	
10	286014	HINGE SUPPORT	2	2	
11	287905	INTERIOR PANEL / 89"	1	1	
NS	506790	TAPE RUB ADH2 CC POL 1/16" x 1/2" x 200' / BLACK 11C-N-A	4	4	
13	5001182	NUT HEX NYRT M6-1.0 SS	4	4	
13	502570	WASHER LO SPT 6.1x11.8x1.6 SS	2	2	
14	286440	FELT SLIDING 677MM	1	1	
15	284914	SPRING EXTENSION / .305 O.D. x 1.562 x .051	1	1	
17	5001433	SCREW CAP HEX M6-1.0x25 SS	1	1	
19	286439	FELT SLIDING 930MM	1	1	
21	066516	CABLE ASSY / WINDSHIELD WASHER PUMP To C-5113	1	1	
21	067947	CABLE ASSY / WINDSHIELD WASHER PUMP From C-5114	1	1	
21	067948	CABLE ASSY / ADAPTOR / NEW LEVEL (SERVICE ONLY) To C-5113	1	1	
22	XV-2305-20	WINDSHIELD WASHER - INSTALLATION			
23	506339	TAPE RUB ADH1 NIT 1/4" x 1" x 35' / BLACK 1220	1	1	
24	287097	STRAP RETAINING SS / 330MM x 196MM	1	1	
25	286422	SUPPORT / WINDSHIELD WASHER TANK / WELDED TO STRUCTURE	1	1	
26	288525	PANEL UPPER / B.A.	1	1	
27	288524	PANEL LOWER / B.A.	1	1	
28	066626	WIRING HARNESS SERVICE DOOR	1	1	
29	XV-1886-00	POWER WINDOW - ELECTRICAL INSTALLATION			
30	780340	CLIP, RETAINER ROD	3	3	
31	287077	PIVOT	1	1	
32	504379	RIVET POP DOME OE 3/16x1/4 SS	1	1	
33	780652	LOCK SPAGNOLET L.H. / W/G-FITTING	1	1	
. NS	780340	. CLIP, RETAINER ROD	1	1	
. NS	507607	. GREASE FITTING / M6-1.00	1	1	
34	502563	SCREW CAP HEX M6-1.0x12 G8.8 Z050	2	2	
35	502582	WASHER LO SERR 6.1x16.2x0.9 Z050	2	2	



From B-5003 To D-5489	Date:07/2024	PAGE:XV-1879-00
-----------------------	--------------	-----------------

FRONT SERVICE DOOR ASSY

Item#	Part	Description	X 3 V I P	X L I E N T 4 5	N O T E S
36	287907	OPENING ROD / 89"	1	1	
37	500289	SCREW TC OV PH #6-32x3/4 SS410	15	15	
38	286212	GLASS ASSY W/SUPPORT	1	1	
39	288914	RUBBER SEAL EXTRUSION / SERVICE DOOR MTH-89" To C-5244	1	1	
39	2800128	RUBBER SEAL EXTRUSION / SERVICE DOOR MTH-89" From C-5245	1	1	
40	286075	PANEL FIBERGLASS / 89"	1	1	
41	930212	REFLECTOR AMBER 1 1/8" x 4 3/8"	1	1	
42	500124	SCREW TP TR PH #8x1/2 SS	2	2	
43	286400	BEZEL	1	1	
44	502530	SCREW MA OV PH M4-0.7x40 SS	2	2	
45	504473	RIVET POP DOME OE 1/8x1/4 SS	2	2	
46	500589	NUT WELL M4-0.7x13.5	2	2	
47	286456	LOCK CAP	1	1	
48	504542	RIVET SHR FL 9/32x3/32 STL	1	1	
49	287073	ROD	1	1	
50	287087	PIVOT	1	1	
51	504402	RING RETAINER / EXT .250 x .210 x .025"	1	1	
52	286709	ROD	1	1	
60	XV-1855-00	RUB RAIL - EXTERIOR CREST & TRIMS			
61	288522	FINISHING MOULDING 800MM / B.A.	1	1	
NS	681051	TAPE RUB ADH2 URE .045" x 1/2" x 108" / WHITE 4085	AR	AR	A
NS	682462	ADHESIVE SIKA #252 / BLACK / 310ml CARTRIDGE	AR	AR	A
62	XV-1879-10	FRONT SERVICE DOOR - INSTALLATION			
64	XV-1867-00	KEY & CYLINDER CODE			
200	504637	CABLE TIE / 3/16" x 13"	2	2	
201	5001454	SCREW MA BDG PH #4-40x1/2 SS	4	4	
202	505504	KNOB, PULL / 8-32	1	1	
203	500764	NUT HEX #8-32 Z050	1	1	
204	504083	SNAP BUSHING / .250x.468.406	3	3	
205	286419	FLAP SEAL / 25MM x 260MM	2	2	
206	506866	FLAP SEAL 3/4" x 7/8" / PVC / C.T.L. / RAW MATERIAL	AR	AR	
NS	680030	ADHESIVE ADCHEM #EC847 / 1 Liter	AR	AR	
207	562946	GASKET MOUNTING / HD10 SERIES / 5C / DEUTSCH HD10-5-GKT	1	1	
208	561820	NUT, RING #13 / 1.125" I.D. W/4 4-40	1	1	
211	502570	WASHER LO SPT 6.1x11.8x1.6 SS	1	1	
213	506002	TAPE RUB ADH1 CC POL 3/16" x 1/2" x 40' / GREY 2520	AR	AR	
214	504399	WASHER RETAINER SNAP CAP #10	1	1	
NS	684517	ADHESIVE SIMSON #ISR 70-03 / GREY / 310ml CARTRIDGE	AR	AR	
NS	687957	GLUE MS POLYMER TEROSON MS 9399 / 400ml CARTRIDGE	AR	AR	
NS	687958	MIXER QUADRO 10.7MM W"/V" ADAPTOR / "B"	1	1	



From B-5003 To D-5489	Date:07/2024	PAGE:XV-1879-00
-----------------------	--------------	-----------------

FRONT SERVICE DOOR ASSY

Item#	Part	Description	X 3 V I P	X L I I E N T 4 5	N O T E S
		A) USE WITH BUS WITH FLUTED LOWER PANELLING WITH DOCKING LIGHT			

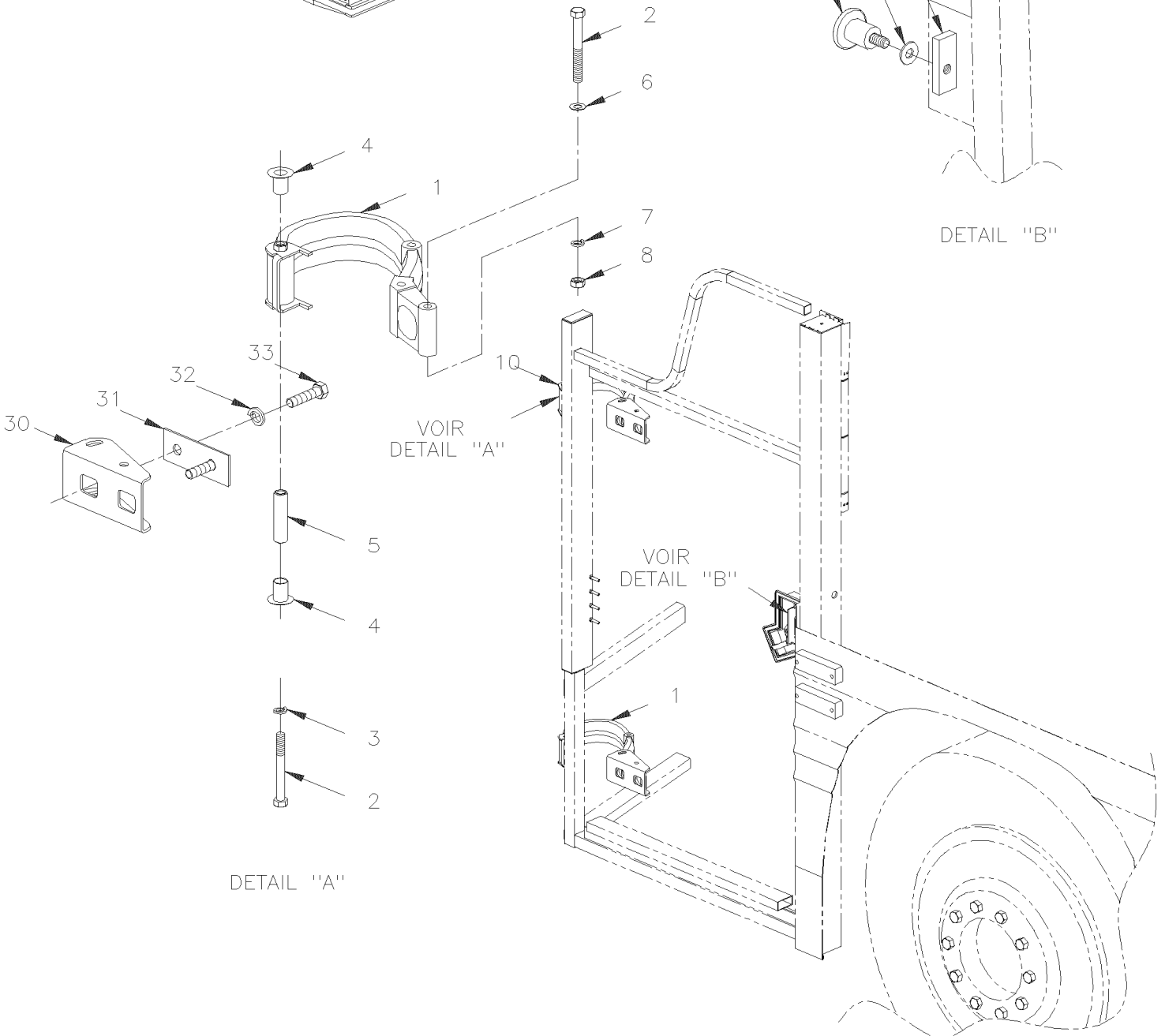
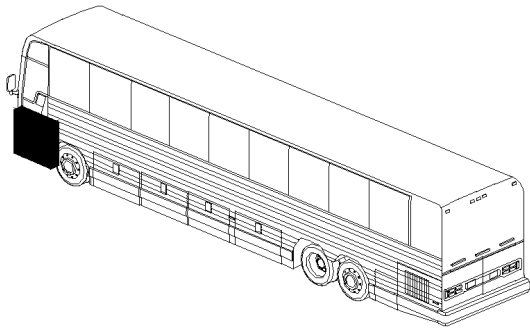


From B-5003 To D-5489

Date:07/2024

PAGE:XV-1879-10

FRONT SERVICE DOOR - INSTALLATION





From B-5003 To D-5489	Date:07/2024	PAGE:XV-1879-10
FRONT SERVICE DOOR - INSTALLATION		

Item#	Part	Description	X 3 V I P	X L I I E N T 4 5	N O T E S
1	287341	HINGE	2	2	
2	502890	SCREW CAP HEX M10-1.5x90 G8.8 N500	4	4	
3	500257	WASHER LO SPT 10.2x18.1x2.2 Z050	2	2	
4	507326	BEARING FLANGE	2	2	
5	287337	SPACER / BEARING FLANGE	1	1	
6	500445	WASHER FL .437x1.000x.083 Z050	4	4	
7	502585	WASHER LO SERR 10.2x26.3x1.4 ZP	4	4	
8	500256	NUT HEX M10-1.5 Z050	4	4	
10	251186	STOPPER SERVICE DOOR	1	1	
NS	502622	SCREW CAP HEX M6-1.0x20 SS BK	2	2	
NS	502570	WASHER LO SPT 6.1x11.8x1.6 SS	2	2	
20	284438	PIN STRIKER	1	1	
21	284447	WASHERS BELLEVILLE	1	1	
30	286014	HINGE SUPPORT	2	2	
31	283402	SUPPORT PLATE	2	2	
32	500747	WASHER LO SPT 12.2x21.1x2.5 N500	4	4	
33	502731	SCREW CAP HEX M12-1.75x40 G8.8 Z050	4	4	

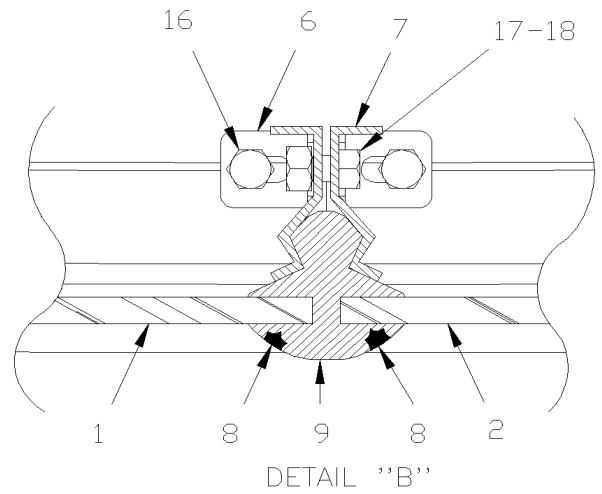
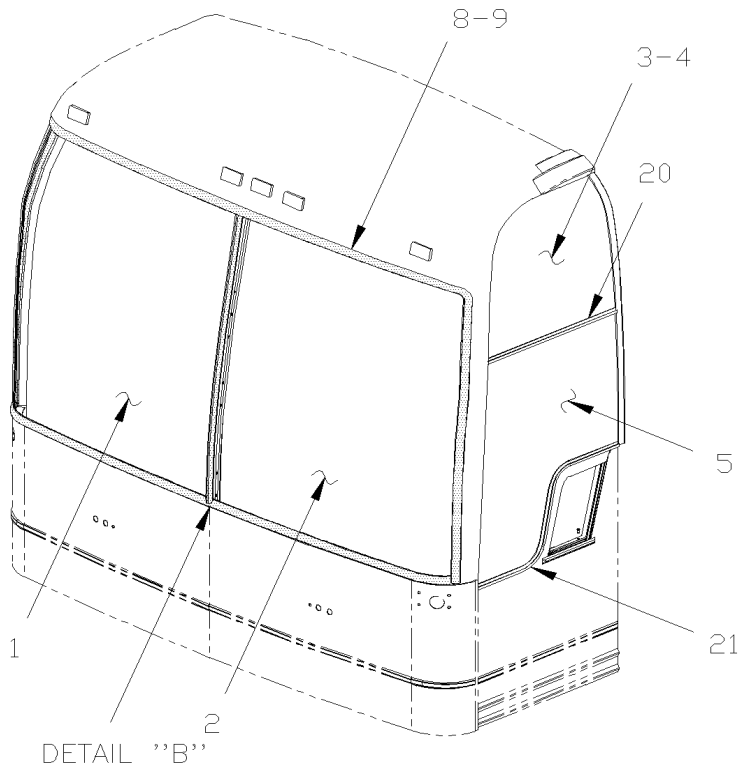


From B-5003 To D-5489

Date:07/2024

PAGE:XV-1880-00

WINDSHIELD & CHANNEL





From B-5003 To D-5489	Date:07/2024	PAGE:XV-1880-00
-----------------------	--------------	-----------------

WINDSHIELD & CHANNEL

Item#	Part	Description	X 3 V I P	X L I I E N T 4 5	N O T E S
1	300476	WINDSHIELD R.H.	1	1	
2	300475	WINDSHIELD L.H.	1	1	
3	293241	GLASS UPPER L.H. THERMOS	1	1	
4	293240	GLASS UPPER R.H. THERMOS	1	1	
5	293081	GLASS DRIVER'S WINDOW / MTH 86" & 89"	1	1	
5	506962	RUB POL 1/4 X 7/16 X 1 LG	AR	AR	
6	293070	POST R.H. WINDSHIELD / WITH LARGE	1	1	
7	293689	POST L.H. WINDSHIELD / WITH LARGE	1	1	
8	293059	STRIP, LOCKING / S.L.	70FT	70FT	
9	293393	WINDSHIELD RUBBER SEAL / WITH LARGE / DOUBLE LOCK	1	1	
. NS	MI03-22	. SEE MAINTENANCE INFORMATION	1	1	
16	500948	SCREW TC CAP HEX 1/4-20x1 Z050	4	4	
17	5001106	SCREW CAP HEX M6-1.0x10 G8.8 Z050	8	8	
18	502570	WASHER LO SPT 6.1x11.8x1.6 SS	8	8	
20	286454	DRIP MOULDING OVER DRIVER'S WINDOW	1	1	
20	477516	DRIP MOULDING OVER ENTRANCE DOOR / B.A.	1	1	
21	286646	DRIP MOULDING "S" MTH86" & MTH89"	1	1	
NS	293842	HANDLE ASSY (TO FIX FRONT GLASS CHANNEL)	1	1	
. NS	293843	. END TIP "PRÉVOST"	AR	AR	



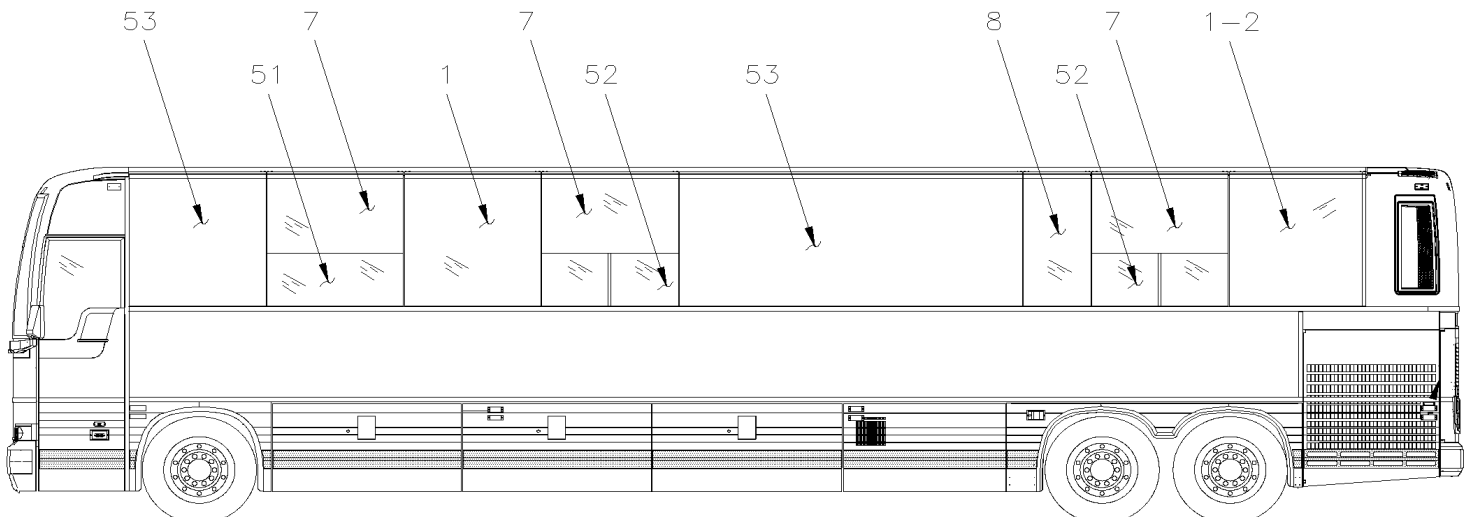
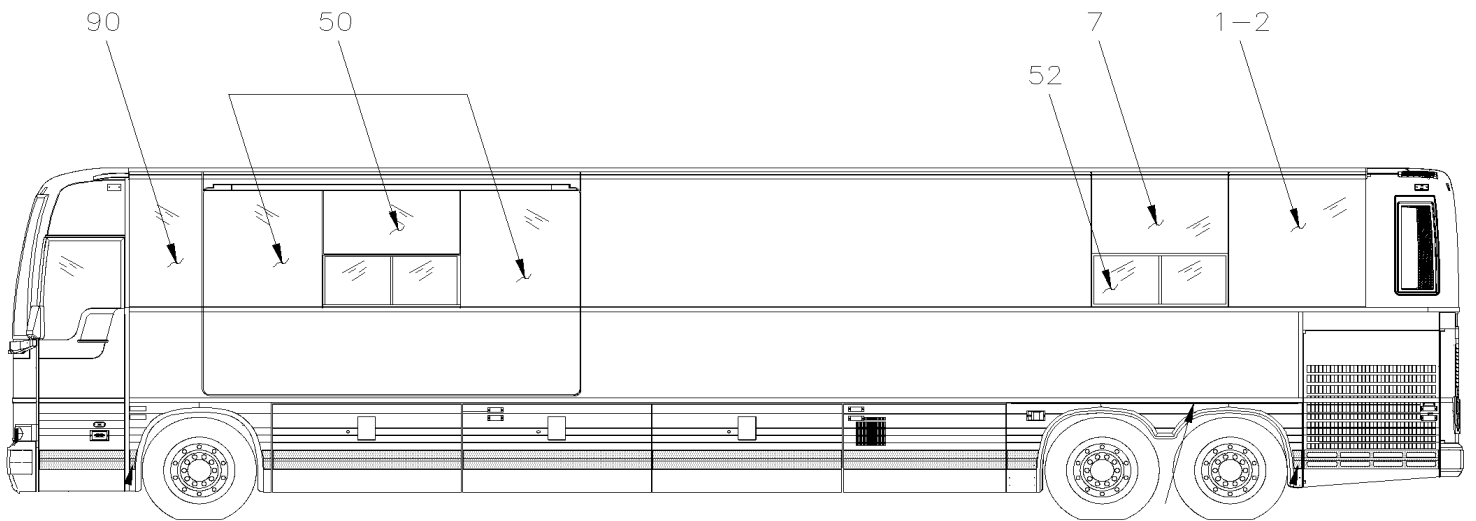
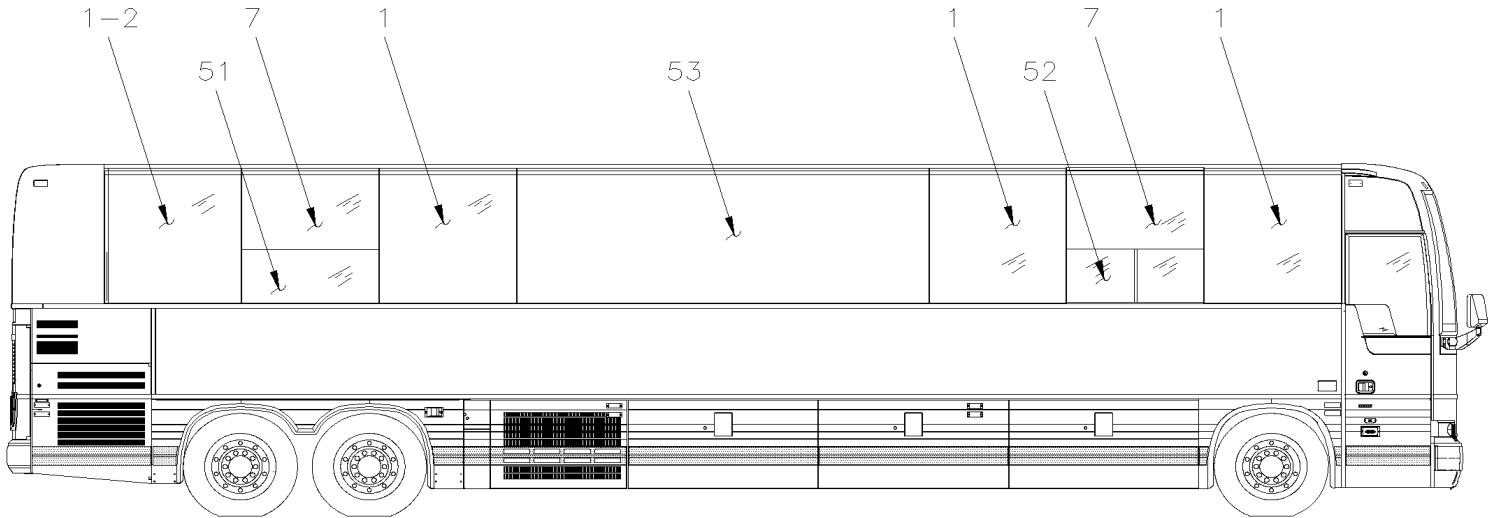
From B-5003 To D-5489

Date:07/2024

PAGE:XV-1884-50

SIDE WINDOW

ENTERTAINER 45'





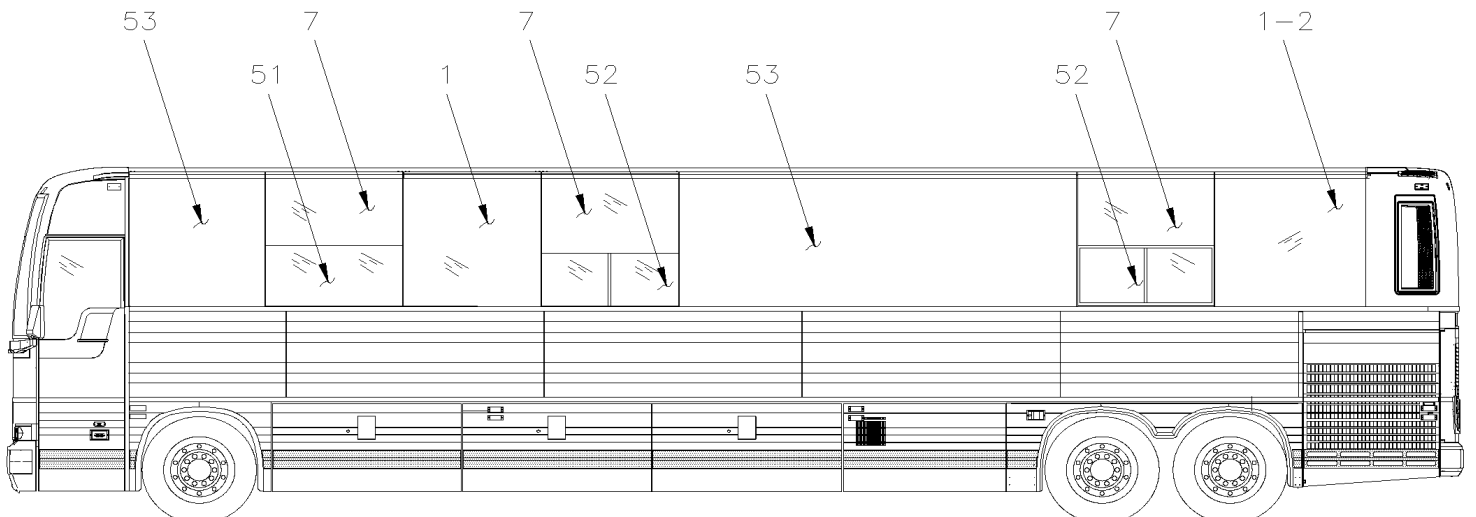
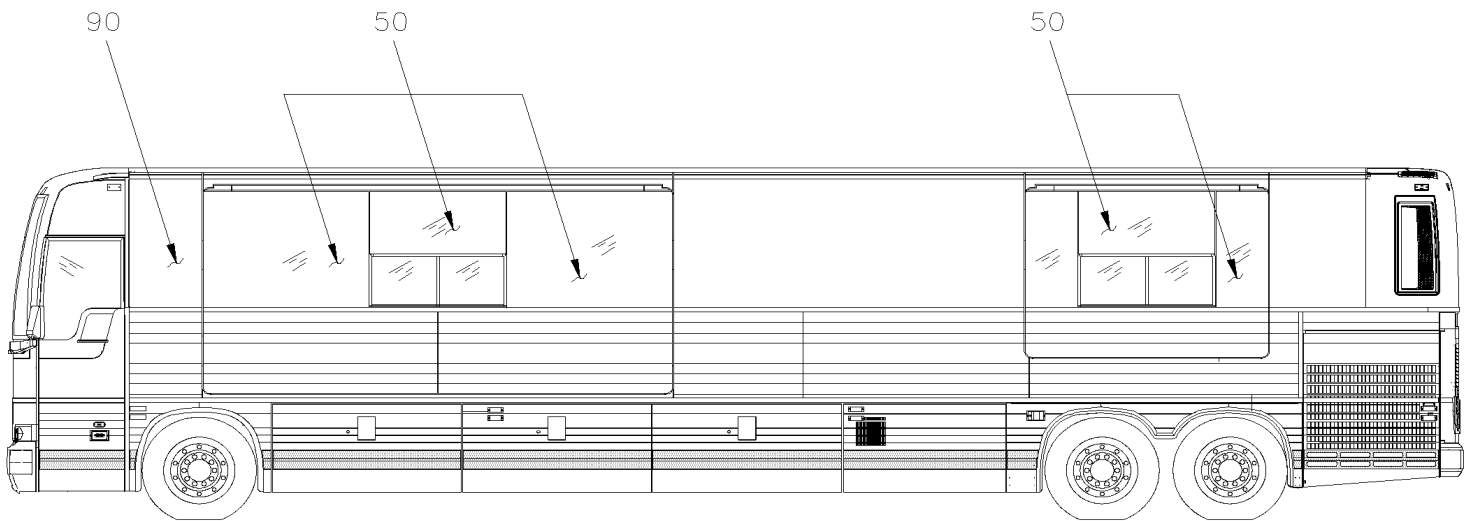
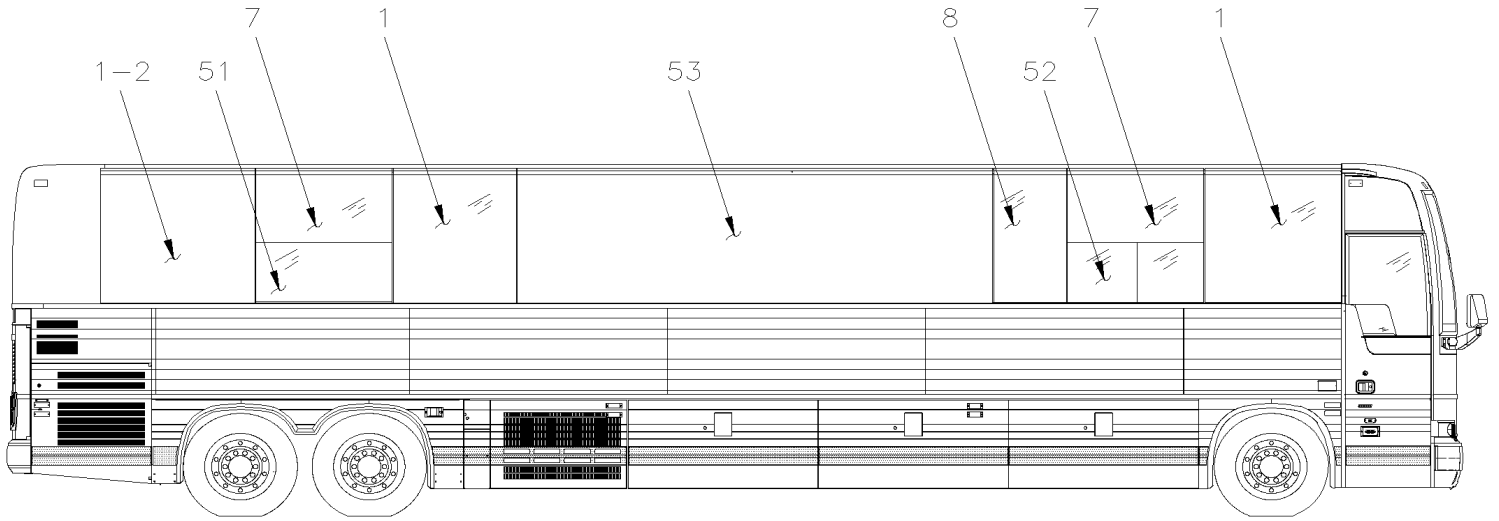
From B-5003 To D-5489

Date:07/2024

PAGE:XV-1884-50

SIDE WINDOW

X3-45 VIP



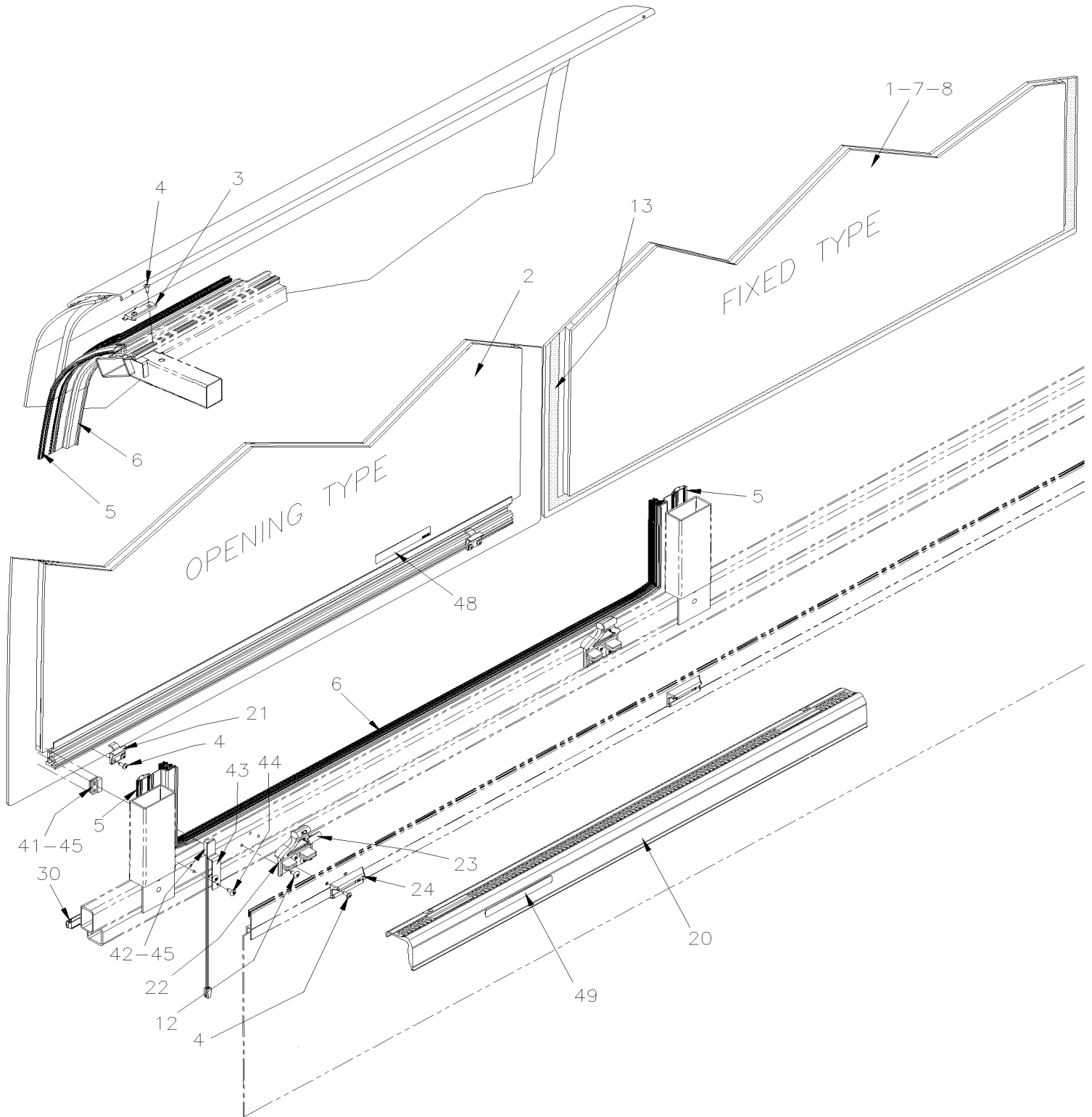


From B-5003 To D-5489

Date:07/2024

PAGE:XV-1884-50

SIDE WINDOW





From B-5003 To D-5489	Date:07/2024	PAGE:XV-1884-50
------------------------------	---------------------	------------------------

SIDE WINDOW

Item#	Part	Description	X 3 V I P	X L I I E N T 4 5	N O T E S
1	297084	GLASS ASSY, SINGLE 13% / 1287.4MM / W/86" & 89" MTH	AR	AR	
1	297083	GLASS ASSY, THERMOS 13% / 1287.4MM / W/86" & 89" MTH	AR	AR	
2	294104	GLASS ASSY, SINGLE 13% / OPEN TYPE / 1287.4M/ W/86" MTH	2	2	
NS	293290	. STRAP NYLON 108MM	2	2	C
NS	5001889	. SCREW TC FL PH #12-24x1/2 ZP	2	2	C
NS	502573	. WASHER FL 6.4x12.5x1.6 SS	2	2	C
3	293124	STOPPER BLOCK	4	4	
3	293125	STOPPER BLOCK SEPARATOR / 2 GLASS	16	16	
4	500611	SCREW TC PAN PH #10-24x1/2 Z050	AR	AR	
5	293136	RUBBER SEAL 1391MM W/86" & 89"	2	2	
NS	507000	TAPE RUB ADH2 POL 3/16" x 1/4" x 50' / BLACK V2206	AR	AR	
NS	507087	TAPE RUB ADH1 NEO BLACK 1/4"X3/8"X1/2"LG	AR	AR	
6	294107P	FRAME W/WINDOW SEAL ASSY / WITH OPEN TYPE ONLY	1	1	C
. NS	294106	. FRAME FIBERGLASS SEAL SUPPORT	1	1	C
. NS	294108	. WINDOW SEAL / WITH OPEN TYPE ONLY 1249MM X 1219MM	1	1	C
. NS	685124	. ADHESIVE SIMSON #ISR 70-03 / BLACK / 600ml SAUSAGE	AR	AR	C
NS	684743	GLUE METHACRYLATE PLEXUS MA832GB 380 ml	AR	AR	C
NS	685124	ADHESIVE SIMSON #ISR 70-03 / BLACK / 600ml SAUSAGE	AR	AR	C
NS	684517	ADHESIVE SIMSON #ISR 70-03 / GREY / 310ml CARTRIDGE	AR	AR	C
7	297085	GLASS ASSY, SINGLE 13% / UPPER / 1287.4MM / W/86" MTH	1	1	
7	293906	GLASS ASSY, THERMOS 13% / UPPER / 1287.4MM / W/86" MTH	1	1	
8	293328	GLASS ASSY, SINGLE 13% / 685.7MM / W/86" MTH	1	1	
8	293329	GLASS ASSY, THERMOS 13% / 685.7MM / W/86" MTH	1	1	
12	504249	RIVET CHY Q PRDG 3/16x3/8 SS	AR	AR	C
13	683097	CLEANER SIKA #205 / CLEAR / 1000ml	AR	AR	
13	683446	PRIMER SIKA #206 / BLACK / 1000ml	AR	AR	
13	684685	ADHESIVE SIMSON #ISR 70-03 / 310ml CARTRIDGE	AR	AR	
13	683083	ADHESIVE SIKA #252 / BLACK / 600 ml SAUSAGE	AR	AR	
13	687957	GLUE MS POLYMER TEROSON MS 9399 / 400ml CARTRIDGE	AR	AR	
13	687958	MIXER QUADRO 10.7MM W/"V" ADAPTOR / "B"	AR	AR	
20	293284	HANDLE WINDOW OPENING 1098MM	2	2	C
21	791007	SUPPORT W/STOPPER (ONE PIECE)	4	4	C
22	293235	SUPPORT	4	4	C
23	292837	CUSHION 2.0MM TH / BLACK PLASTIC	4	4	C
23	298215	CUSHION / BLACK PLASTIC / 1.5MM TH	AR	AR	C
23	298225	CUSHION / BLACK PLASTIC / 2.5MM TH	AR	AR	C
23	680066	ADHESIVE / ADBOND #5014 / 23.6ML BOTTLE	AR	AR	C
24	293975	PROTECTOR	4	4	C
30	293281	RUBBER SEAL EXTRUSION / ADHESIVE / LOWER WINDOW	AR	AR	C
41	064679	MAGNET SENSOR ASSY W/TAPE DUAL LOCK	2	2	C
42	064678	SWITCH MAGNETIC ASSY W/TAPE DUAL LOCK	2	2	C



From B-5003 To D-5489	Date:07/2024	PAGE:XV-1884-50
SIDE WINDOW		

Item#	Part	Description	X 3 V I P	X L I I E N T 4 5	N O T E S
43	293345	SUPPORT / SWITCH MAGNETIC	2	2	C
44	504793	RIVET MNB OE LARGE HEAD 3/16x7/16 SS	4	4	C
45	680415	TAPE ADHESIVE 3" WIDE BLUE	AR	AR	C
45	685089	TAPE ADHESIVE RED 60MMx60M	AR	AR	C
48	408206	DECAL / "EMERGENCY EXIT" / ENGLISH	1	1	C
49	408209	DECAL 1.PULL UP BAR 2. PUSH OUT WINDOW" / ENGLISH	1	1	C
50	XV-1884-90	SIDE WINDOW - "SLIDE-OUT"	1	1	
51	XV-1884-65	ELECTRICAL AWNING WINDOW ASSY	1	1	
52	XV-1884-80	ELECTRICAL SLIDING WINDOW ASSY	1	1	
53	XV-1854-50	UPPER FIBERGLASS SIDE PANELING - MTH BETWEEN SIDE WINDOW	1	1	
90	293736	GLASS ASSY, THERMOS 685.7MM W/86" / STREETSIDE 685.7MM x 1382.6MM	1	1	S
		C) OPEN TYPE ONLY			
		S) USE ONLY WITH FRONT "SLIDE-OUT"			

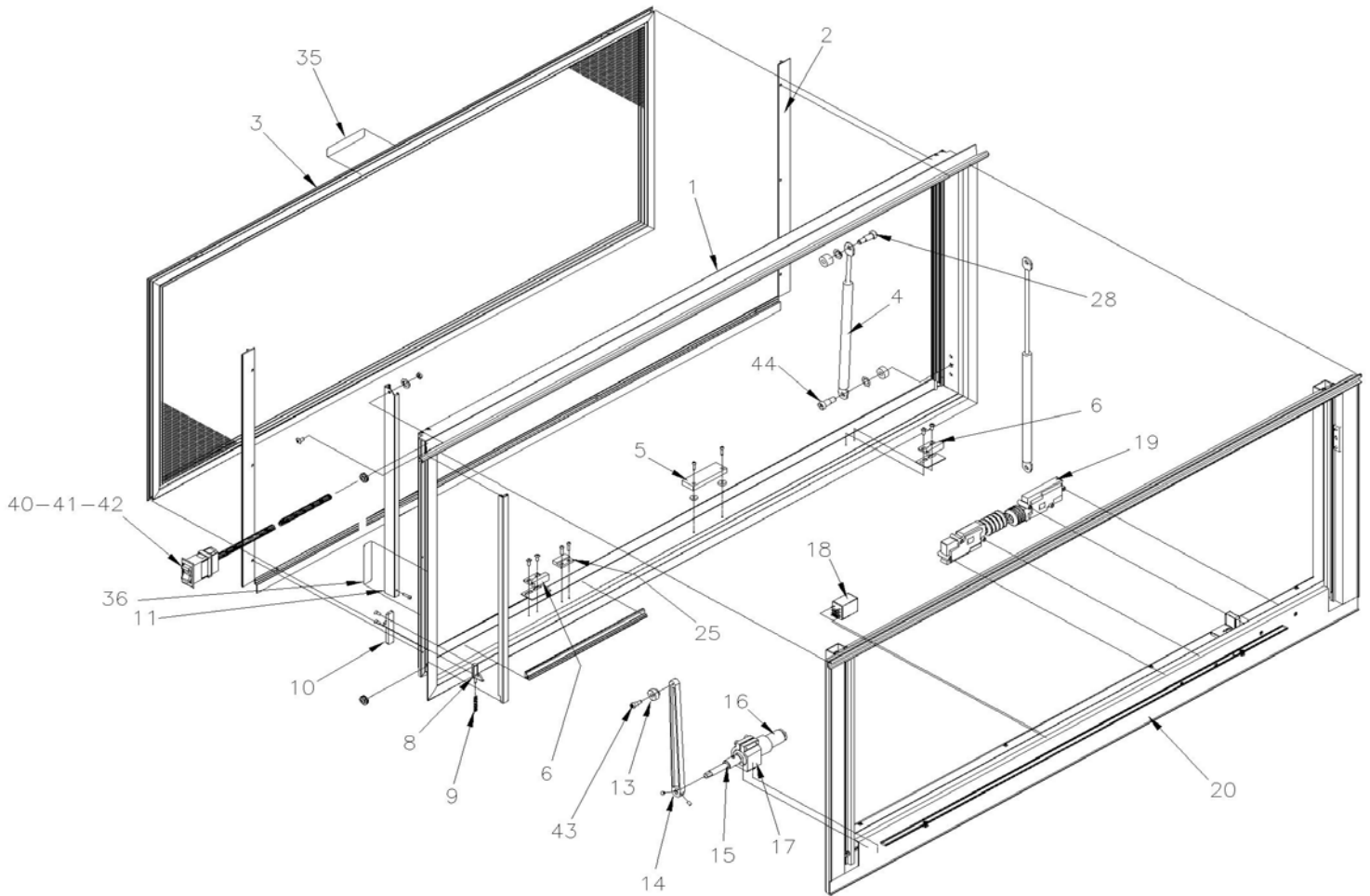


From B-5003 To D-5489

Date:07/2024

PAGE:XV-1884-65

ELECTRICAL AWNING WINDOW ASSY



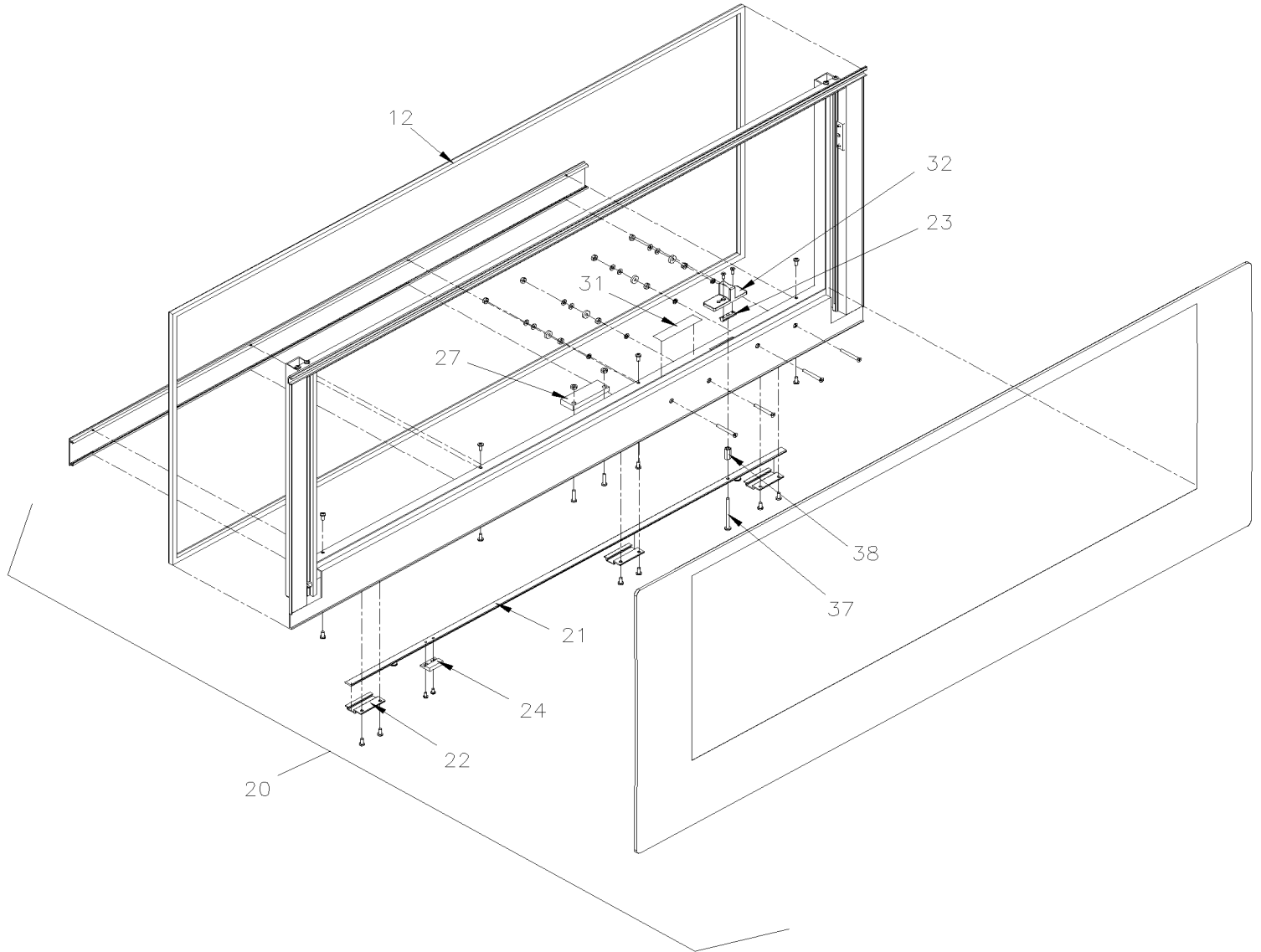


From B-5003 To D-5489

Date:07/2024

PAGE:XV-1884-65

ELECTRICAL AWNING WINDOW ASSY





From B-5003 To D-5489	Date:07/2024	PAGE:XV-1884-65
------------------------------	---------------------	------------------------

ELECTRICAL AWNING WINDOW ASSY

Item#	Part	Description	X 3 V I P	X L I I E N T 4 5	N O T E S
	790613	AWNING WINDOW ASSY / W/REMOTE SWITCH OPERATING	1	1	
. NS	291204	. DECAL,SP2 FI (2)OPEN AWNING WIND	1	1	
. NS	291205	. DECAL, SP2 FI (3)OPEN WINDOW	1	1	
	790614	AWNING WINDOW ASSY / W/REMOTE SWITCH OPERATING	1		A
. NS	291204	. DECAL,SP2 FI (2)OPEN AWNING WIND	1		A
. NS	291205	. DECAL, SP2 FI (3)OPEN WINDOW	1		A
1	790595	. FRAME ASSY	1	1	
2	790568	. RETAINING RING	1	1	
2	790569	. RETAINING RING	1		A
3	790571	. SCREEN / XL-II 45" x 18 1/2"	1	1	
4	790578	. CYLINDER	1	1	
5	563442	. PROXIMITY SWITCH MAGNET	1	1	
6	790609	. TIE BAR KEEPER	2	2	
NS	790611	. SHIM KEEPER	2	2	
8	790574	. TRACK LATCH	1	1	
9	790575	. SPRING	1	1	
10	790582	. RELEASE LATCH HANDLE / RED / SASH	1	1	
11	790581	. TRACK ROLLER	1	1	
12	790579	. SEAL	12	12	
13	790586	. ROLLER	1	1	
14	790585	. ARM	1	1	
NS	790045	. SET SCREW 10-32X1/4 S/S	1	1	
15	790587	. MOTOR COUPLER	1	1	
16	790619	. MOTOR ASSY W/MOTOR MOUNT / SMALL O.D.	1	1	E
16	N.P.N.	. . MOTOR / SMALL O.D.	1	1	4
17	N.P.N.	. . MOTOR MOUNT / SMALL O.D.	1	1	4
18	563444	. RELAY 24V	1	1	
19	790592	. ACTUATOR	2	2	
20	790548	. GLASS ASSY W/AWNING FRAME	1	1	
21	790583	. TIE BAR XL	1	1	
22	790584	. GUIDE	2	2	
23	790580	. RELEASE LATCH GUIDE	1	1	
24	562641	. MAGNET	.1	.1	
25	562640	. SWITCH MAGNETIC	1	1	
26	N8888119	. SCREW #8-32 X 0.38	AR	AR	
27	563443	. PROXIMITY SWITCH SENSOR	1	1	
28	790996	. SHOULDER BOLT 3/8 X 5/8	1	1	
31	790601	. DECAL / "EMERGENCY EXIT" # 3	1	1	
32	790620	. RELEASE LATCH HANDLE / RED / FRAME	1	1	
35	790599	. DECAL / "EMERGENCY EXIT" # 1 / PULL SCREEN	1	1	
36	790600	. DECAL / "EMERGENCY EXIT" # 2	1	1	
37	790012	. SCREW MA PAN PH #10-32x2 1/4 SS	1	1	



From B-5003 To D-5489	Date:07/2024	PAGE:XV-1884-65
-----------------------	--------------	-----------------

ELECTRICAL AWNING WINDOW ASSY

Item#	Part	Description	X 3 V I P	X L I I E N T 4 5	N O T E S
38	790013	. COUPLING #10-32x5/16 OD x3/4 ZP	1	1	
40	563570	. CABLE ASSY WITH ROCKER SWITCH AND HARNESS / W/XL2 & H3	1	1	B
NS	293854	. SUPPORT SWITCH / REMOTE OPERATIONAL MODEL	1	1	
41	563571	. SWITCH / M/ON-OFF-M/ON S.P.D.T.	1	1	
42	563572	. CAP / "OPEN - CLOSE"	1	1	
43	790058	. SHOULDER BOLT SS, 10-24X0.625	1	1	
44	790059	. SHOULDER BOLT SS, 3/8 X 1/2	1	1	
NS	066029	CABLE ASSY / POWER AWNING EXTENTION 3M	1	1	
NS	7770423	MASK FOR WINDOW MTH	1	1	
		A) WITH "SLIDE-OUT"			
		B) THIS SWITCH ASSY COULD BE USE FROM 5-8624			
		E) INCLUDE ITEMS # 15,16 & 17 WITH ELECTRICAL CONNECTOR			
		4) NO PARTS NUMBER			

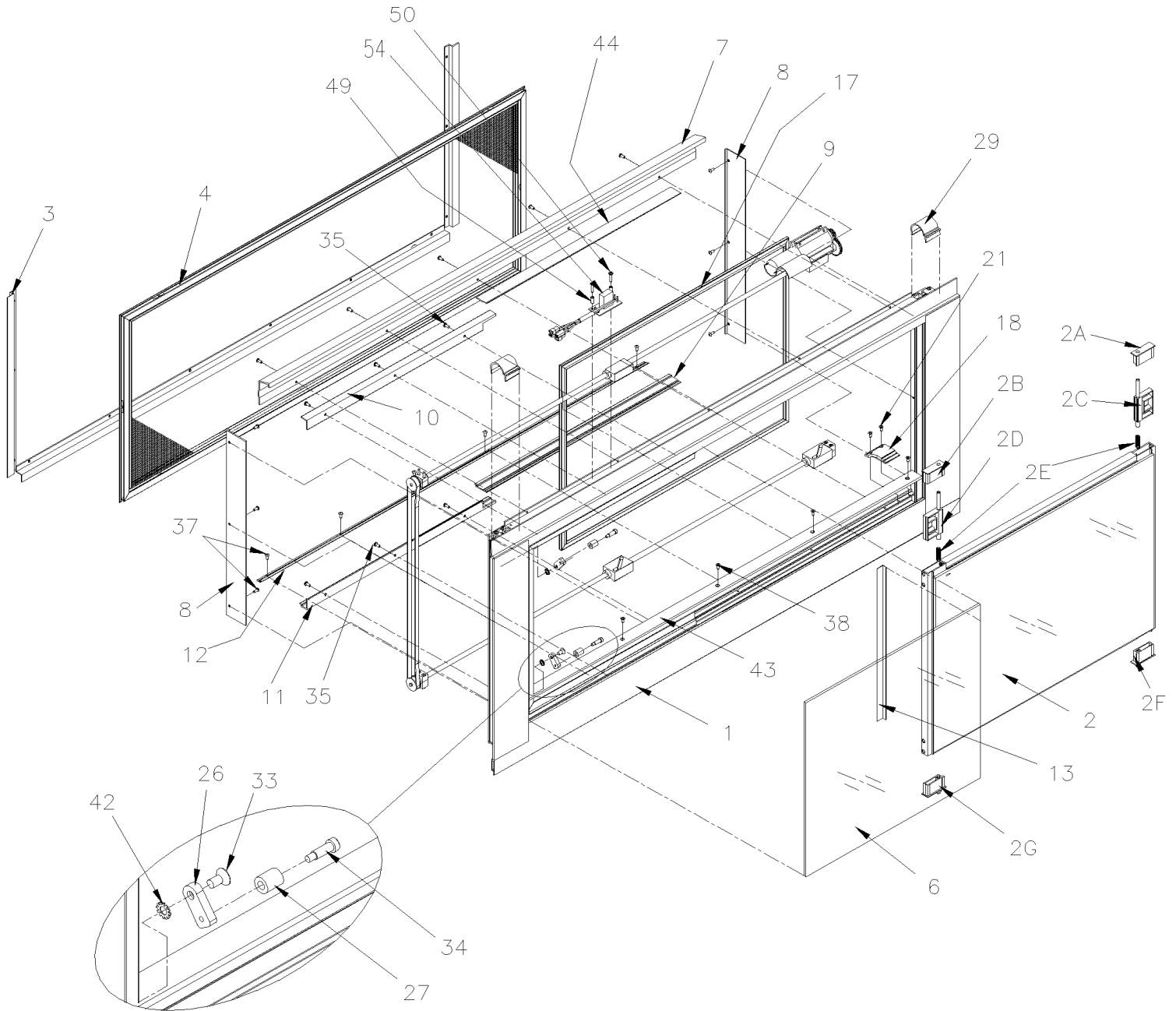


From B-5003 To D-5489

Date:07/2024

PAGE:XV-1884-80

ELECTRICAL SLIDING WINDOW ASSY



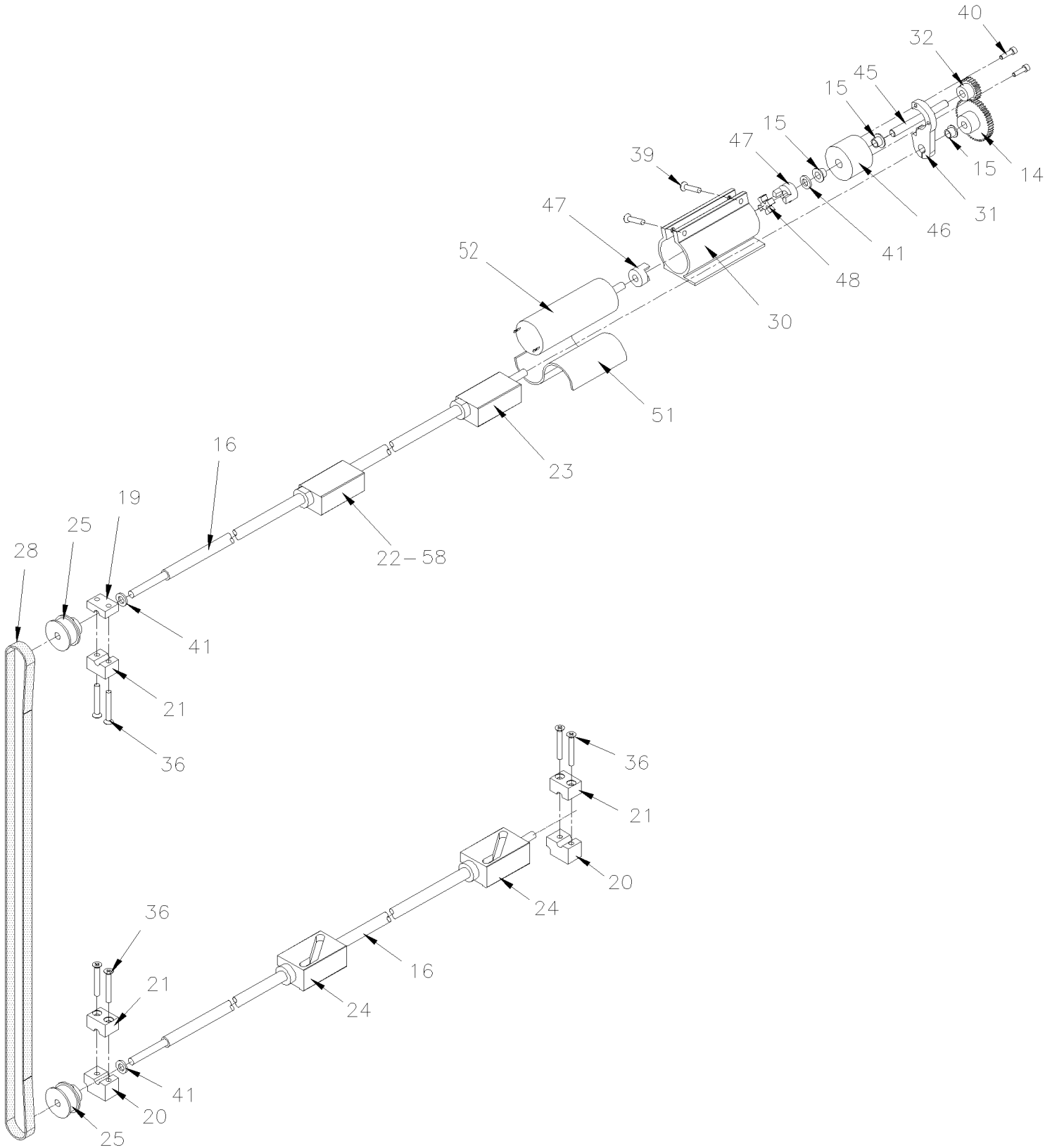


From B-5003 To D-5489

Date:07/2024

PAGE:XV-1884-80

ELECTRICAL SLIDING WINDOW ASSY





From B-5003 To D-5489 Date:07/2024 PAGE:XV-1884-80

ELECTRICAL SLIDING WINDOW ASSY

Item#	Part	Description	X 3 V I P	X L I I E N T 4 5	N O T E S
	791005	ELECTRICAL SLIDING WINDOW ASSY	1	1	
. NS	291203	. DECAL,SP2 FI (2)OPEN SLIDING WIND	1	1	
NS	293911	CLAMPRING, POWER SLIDER WINDOW		1	
NS	500657	SCREW TC TR PH #10-24x1/2 Z050		6	
1	790711	. FRAME COMPONENT ASSY	1	1	
2	790713	. SASH ASSY - 5MM T GRAY/4mm T CLR	1	1	
. A	790751	. . SASH INSERT - RH UPPER / LH LOWER	1	1	
. B	790750	. . SASH INSERT - LH UPPER / RH LOWER	1	1	
. C	790728	. . RELEASE LATCH ASSY - RH	1	1	
. D	790727	. . RELEASE LATCH ASSY - LH	1	1	
. E	790752	. . SPRING RELEASE LATCH	2	2	
. F	790732	. . FIXED SASH INSERT ASSY - RH	1	1	
. G	790730	. . FIXED SASH INSERT ASSY - LH	1	1	
3	790717	. CLAMPRING ASSY	1	1	
4	790719	. SCREEN ASSY	1	1	
6	790707	. GLASS ASSY-5MM T GRAY/4mm T CLR-XL2-FIXED	1	1	
7	790709	. COVER HEADER ACCESS	1	1	
8	790714	. JAMB COVER	2	2	
9	790729	. COVER SASH GUIDE - SILL	2	2	
10	790734	. COVER FIXED GUIDE - HEADER	1	1	
11	790737	. COVER FIXED GUIDE - SILL	1	1	
12	790758	. COVER INNER GUIDE	1	1	
13	790741	. FIXED GLAZING ANGLE	1	1	
14	790770	. SPUR GEAR - 1 1/2" - STAINLESS / W/24Volt Motor	1	1	
14	790780	. SPUR GEAR - 1 1/4" - STAINLESS / W/30Volt Motor	1	1	
15	790743	. FLANGE BEARING 0.25" DEPTH	1	1	
16	790744	. DRIVE SHAFT	2	2	
17	790778	. D-SEAL EPDM SPONGE (PER FT)	AR	AR	
18	790746	. SASH END STOP	1	1	
19	790747	. BLOCK BASE SUPPORT SHAFT - UPPER	1	1	
20	790748	. BLOCK BASE SUPPORT SHAFT - LOWER	2	2	
21	790749	. CAP SUPPORT BLOCK SHAFT	3	3	
22	790724	. FOLLOWER CAM ASSY - UPPER w/ MAGNET	1	1	
. NS	790015	. . BUSHING INSERT	1	1	
23	790725	. FOLLOWER CAM ASSY - UPPER	1	1	
. NS	790015	. . BUSHING INSERT	1	1	
24	790726	. FOLLOWER CAM ASSY - LOWER	2	2	
. NS	790015	. . BUSHING INSERT	1	1	
25	790753	. PULLEY	2	2	
26	790754	. BRACKET TENSIONER	2	2	
27	790755	. ROLLER TENSIONER	2	2	
28	790756	. DRIVE BELT	1	1	



From B-5003 To D-5489 Date:07/2024 PAGE:XV-1884-80

ELECTRICAL SLIDING WINDOW ASSY

Item#	Part	Description	X 3 V I P	X L I E N T 4 5	N O T E S
29	790757	. COVER, GEAR	1	1	
30	790740	. MOTOR MOUNT	1	1	
31	790742	. MOTOR MOUNT END PLATE	1	1	
32	790769	. SPUR GEAR - 3/4" - ACETAL / W/24Volt Motor	1	1	
32	790781	. SPUR GEAR - 1" - ACETAL / W/30Volt Motor	1	1	
33	N.P.N.	. SCREW CAP FL HEXS 1/4-20 x 1/2	2	2	4
34	N.P.N.	. SCREW SHR CAP HEX .250x.625	2	2	4
35	500883	. SCREW TC PAN PH #8-32x3/8 Z050	6	6	
36	500887	. SCREW MA FL PH #8-32x1 1/4 SS	6	6	
37	790704	. SCREW CAP BUT HEXS #8-32x3/8 420 S/S BLACK OX	19	19	
38	790702	. SCREW MA FL PH #8-32x3/8 410 S/S BLACK OX	7	7	
39	790703	. SCREW MA FL PH #8-32x7/8 TYPE 23 410 SS	2	2	
40	790773	. SCREW CAP HEXS M3-0.5x9.5 SS	2	2	
41	790774	. WASHER FL .250x.470x .065	2	2	
42	790775	. WASHER LO EXT .250x.500x.187 SS	2	2	
43	790760	. STRIP ANTI FRICTION	1	1	
44	790762	. COVER SASH GUIDE - HEADER	1	1	
45	790767	. OUTPUT SHAFT	1	1	
46	790768	. SUPPORT OUTPUT SHAFT	1	1	
47	790766	. JAW COUPLER	2	2	
48	790765	. SPIDER	1	1	
49	790772	. SPACER SLEEVE	2	2	
50	790700	. SCREW MA PAN PH #8-32x7/8 TYPE 23 410 SS	1	1	
51	790771	. PAD VIBRATION DAMPER	1	1	
52	790738	MOTOR ELECTRIC 24V ASSY / W/CABLE	1	1	
52	790779	. MOTOR ELECTRIC 30V ASSY	1	1	
53	790736	CABLE ASSY W/CAPACITOR / MOTOR 24V	1	1	
. NS	790721	. FRAME WIRING HARNESS WITH RELAY ASSY	1	1	
. . NS	790002	. . RELAY	1	1	
. NS	790722	. POWER WIRING HARNESS ASSY	1	1	
. NS	790738	. MOTOR ELECTRIC 24V ASSY / W/CABLE	1	1	
. NS	790723	. PROXIMITY SENSOR ASSY	2	2	
. NS	563570	. CABLE ASSY WITH ROCKER SWITCH AND HARNESS / W/XL2 & H3	1	1	
. NS	790764	. VOLTAGE REGULATOR	1	1	
NS	790721	. FRAME WIRING HARNESS WITH RELAY ASSY	1	1	
. NS	790002	. . RELAY	1	1	
55	790780	SPUR GEAR - 1 1/4" - STAINLESS / W/30Volt Motor	1	1	
56	790781	SPUR GEAR - 1" - ACETAL / W/30Volt Motor	1	1	
57	790779	MOTOR ELECTRIC 30V ASSY	1	1	
58	790723	PROXIMITY SENSOR ASSY	1	1	
NS	790599	DECAL / "EMERGENCY EXIT" # 1 / PULL SCREEN	1	1	
NS	790600	DECAL / "EMERGENCY EXIT" # 2	1	1	



From B-5003 To D-5489	Date:07/2024	PAGE:XV-1884-80
-----------------------	--------------	-----------------

ELECTRICAL SLIDING WINDOW ASSY

Item#	Part	Description	X 3 V I P	X L I I E N T 4 5	N O T E S
		4) NO PARTS NUMBER			

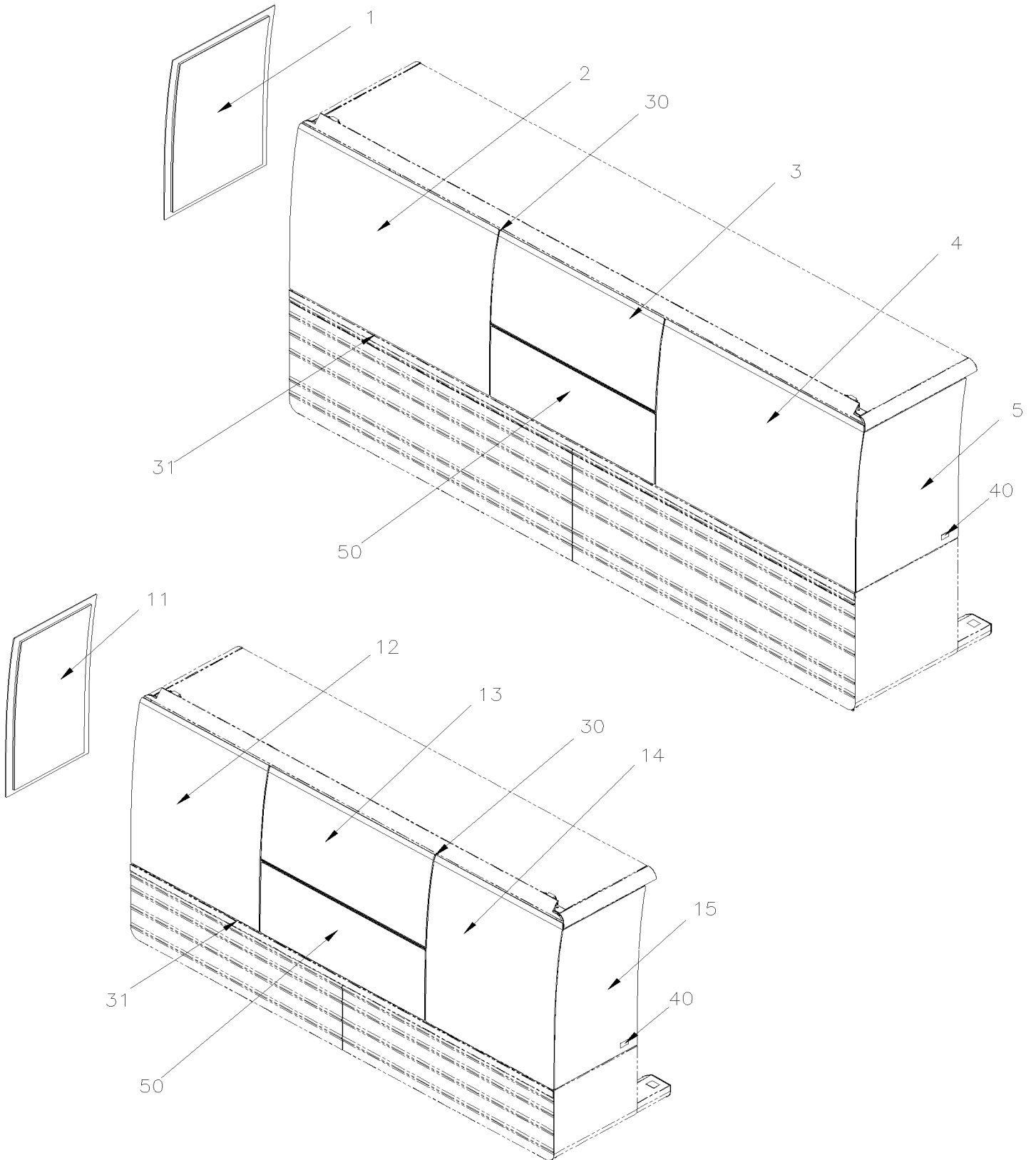


From B-5003 To D-5489

Date:07/2024

PAGE:XV-1884-90

SIDE WINDOW - "SLIDE-OUT"



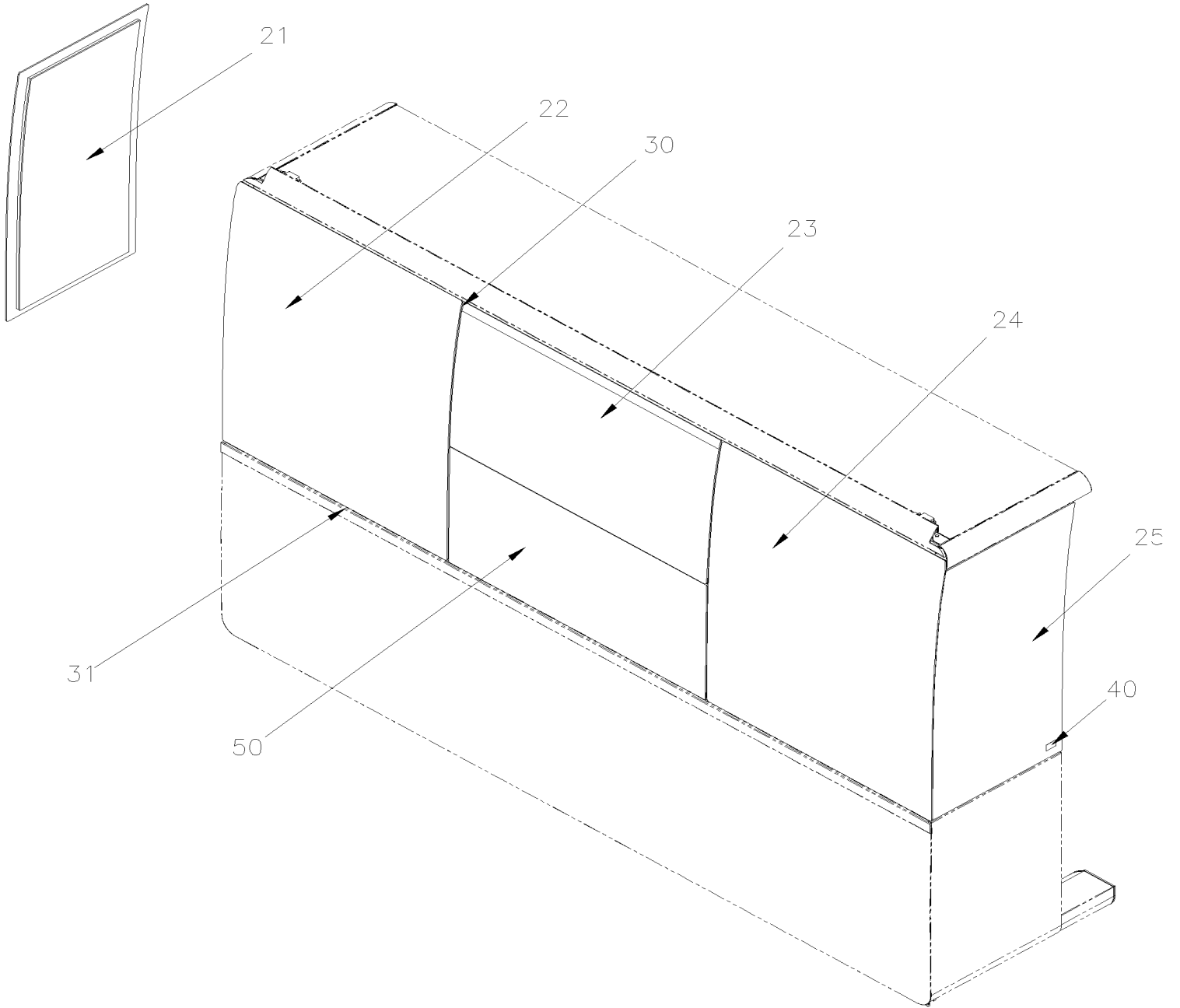


From B-5003 To D-5489

Date:07/2024

PAGE:XV-1884-90

SIDE WINDOW - "SLIDE-OUT"



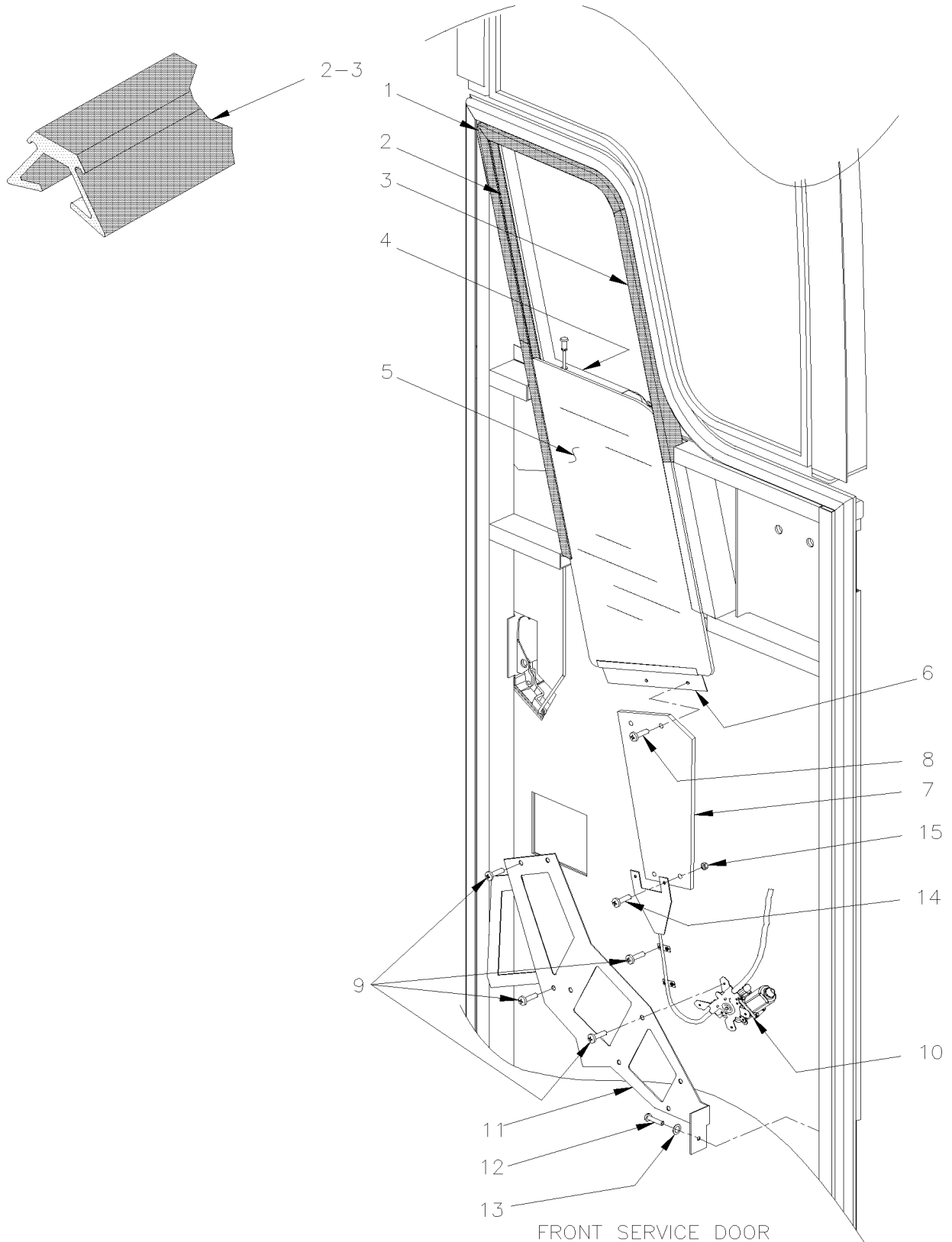


From B-5003 To D-5489

Date:07/2024

PAGE:XV-1886-00

POWER WINDOW - ELECTRICAL INSTALLATION



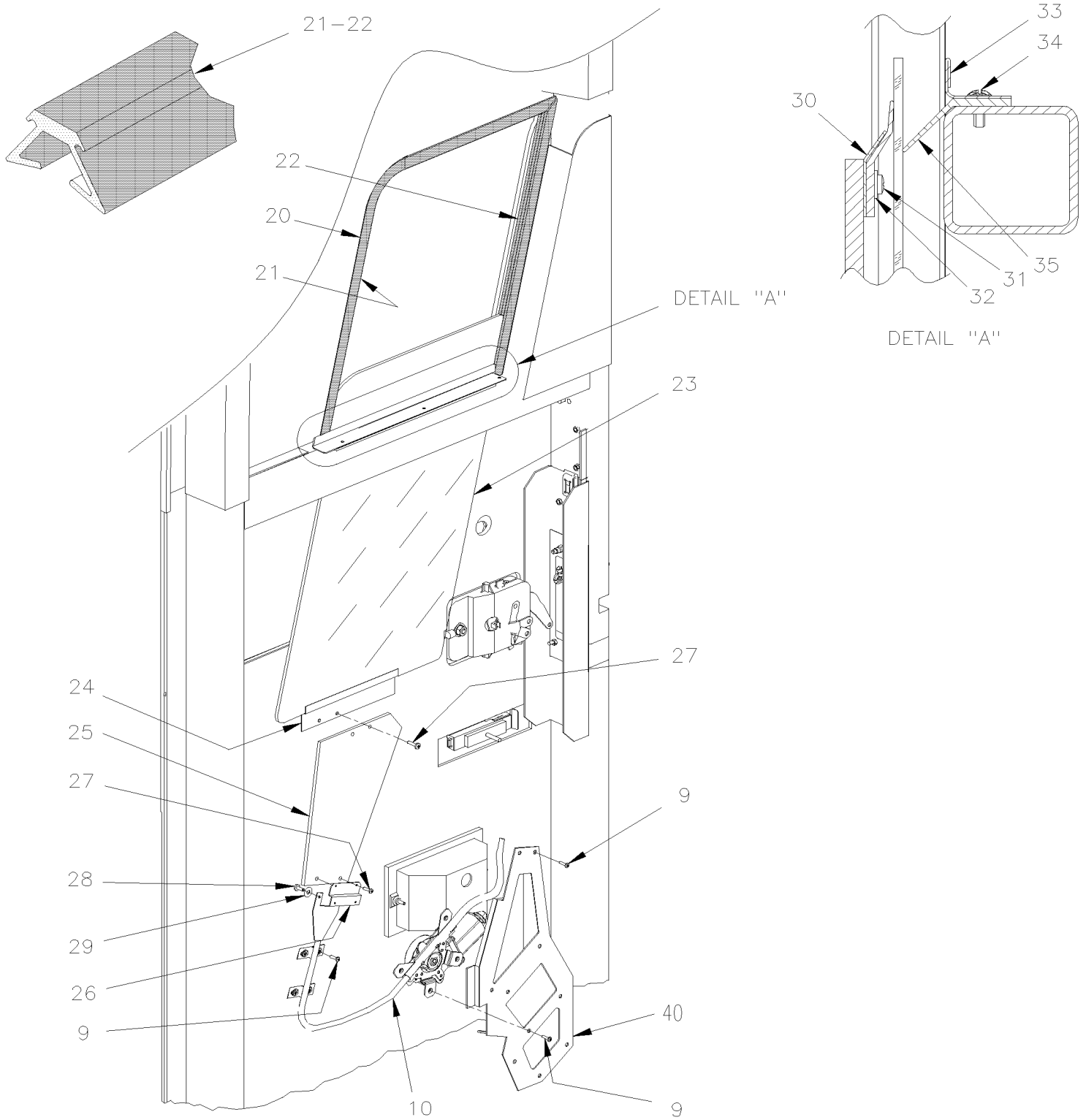


From B-5003 To D-5489

Date:07/2024

PAGE:XV-1886-00

POWER WINDOW - ELECTRICAL INSTALLATION



ENTRANCE DOOR - MTH



From B-5003 To D-5489	Date:07/2024	PAGE:XV-1886-00
------------------------------	---------------------	------------------------

POWER WINDOW - ELECTRICAL INSTALLATION

Item#	Part	Description	X 3 V I P	X L I I E N T 4 5	N O T E S
		THIS ELECTRICAL WINDOW FIT ALSO ON MTH-40' SERVICE			
1	285983	WINDOW TRACK	1	1	
2	286440	FELT SLIDING 677MM	1	1	
3	286439	FELT SLIDING 930MM	1	1	
4	286419	FLAP SEAL / 25MM x 260MM	2	2	
5	286212	GLASS ASSY W/SUPPORT	1	1	
6	293194	. SUPPORT ASSY	1	1	
7	293857	SUPPORT TRANSITION PLASTIC / MTH 89" ONLY	1	1	
8	5001633	SCREW MA FL PH M6-1.0x12 Z050	2	2	
9	500541	SCREW MA FL PH 1/4-20x1/2 SS BK	8	8	
10	790500	MOTOR & REGULATOR ASSY / SERIES "XL-II"	1	1	
11	293850	SUPPORT MOTOR SERVICE DOOR / MTH 86" & 89"	1	1	
12	502857	WASHER LO SERR 8.2x26.3x1.8 N500	1	1	
13	5001433	SCREW CAP HEX M6-1.0x25 SS	1	1	
14	955271	SCREW CAP HEX M6-1.0x16 G8.8 ZG603	2	2	
15	5001182	NUT HEX NYRT M6-1.0 SS	2	2	
20	293088	MOULDING	1	1	
21	293211	FELT SLIDING 923MM	1	1	
22	293210	FELT SLIDING 597MM	1	1	
23	286196	GLASS ASSY W/SUPPORT	1	1	
24	299049	. SUPPORT ASSY	1	1	
25	293861	SUPPORT TRANSITION PLASTIC / MTH 89" ONLY	1	1	
26	293845	ATTACHMENT ASSY W/NUTS WINDOW "Z" SHAPE	1	1	
27	5001633	SCREW MA FL PH M6-1.0x12 Z050	4	4	
28	5001181	SCREW CAP HEX M6-1.0x12 SS	2	2	
NS	502570	WASHER LO SPT 6.1x11.8x1.6 SS	2	2	
30	286993	FLAP SEAL GLASS ASSY	1	1	
30	286992	. FLAP SUPPORT	1	1	
30	288063	. FLAP SEAL / W/FLOCKING 37.6MM x 335MM	1	1	
31	955223	SCREW CAP HEX M4-0.7x6 G8.8 ZP	4	4	
32	500989	WASHER FL .219x.875x.062 Z050	4	4	
33	286717	JOINT SUPPORT 345MM SS	1	1	
34	500124	SCREW TP TR PH #8x1/2 SS	3	3	
35	288063	FLAP SEAL / W/FLOCKING 37.6MM x 335MM	1	1	
36	502622	SCREW CAP HEX M6-1.0x20 SS BK	4	4	
36	502573	WASHER FL 6.4x12.5x1.6 SS	4	4	
39	502806	SCREW MA FL PH M6-1.0x10 Z050	2	2	
40	293848	SUPPORT MOTOR ENTRANCE DOOR / MTH 86" & 89"	1	1	
NS	680066	ADHESIVE / ADBOND #5014 / 23.6ML BOTTLE	AR	AR	
50	685072	THREAD LOCKER LOCTITE #243 / BLUE / 5ml	AR	AR	

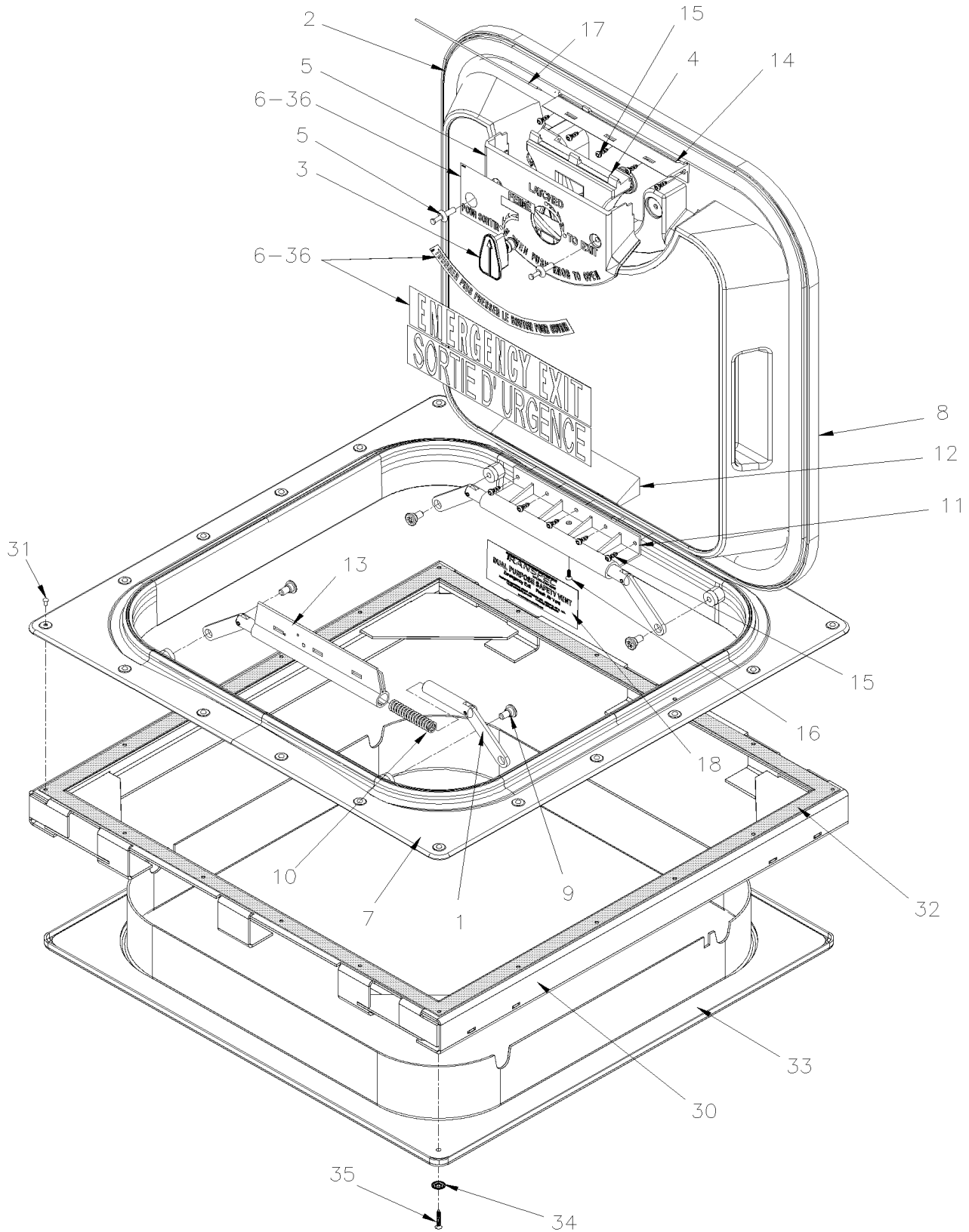


From B-5003 To D-5489

Date:07/2024

PAGE:XV-1898-00

ESCAPE HATCH - INSTALLATION





From B-5003 To D-5489	Date:07/2024	PAGE:XV-1898-00
------------------------------	---------------------	------------------------

ESCAPE HATCH - INSTALLATION

Item#	Part	Description	X 3 V I P	X L I I E N T 4 5	N O T E S
	950396	HATCH ASSY / 23" X 23" GREY / LOW PROFILE GREY / ENG & FRENCH To C-5114		1	
	950468	HATCH ASSY / 23" X 23" GREY / LOW PROFILE GREY / ENG & FRENCH From C-5115		1	
1	790436	. LINK & LEVER ASSY		4	
2	950069	. SEAL, GASKET KIT		1	
3	790663	. RELEASE KNOB W/SCREW / RED		1	
4	790664	. RELEASE HANDLE ASSY GREY		1	
4	790371	. HANDLE, RELEASE W/SPRING / GREY		1	
5	790662	. RELEASE HINGE SHIELD ASSY GREY To C-5114		1	
5	N8893808	. RELEASE HINGE SHIELD ASSY GREY From C-5115		1	
6	950690	. DECAL KIT INSTRUCTION / ENGLISH & FRANCAIS		1	
6	950698	. DECAL KIT INSTRUCTION / ENGLISH From C-5115		1	
NS	403651	. DECAL, "EMEREGENCY... JAPAN"		AR	
NS	405775	. DECAL / BRAILLE / EMERGENCY EXIT ONLY / ENGLISH & FRANCAIS		AR	
6	406161	. DECAL / DO NOT OPEN... MOTION / ENGLISH & SPANISH		1	
6	406329	. DECAL / DO NOT OPEN... MOTION / ENGLISH & FRANCAIS		1	
7	950205	. FRAME ASSY, EXTERIOR FIBERGLASS / 23" X 23" GREY		1	
8	950464	. COVER ASSY / LOW PROFILE / GREY ENGLISH & FRENCH To C-5114		1	A
8	950478	. COVER ASSY / LOW PROFILE / THIN GREY ENGLISH & FRENCH From C-5115		1	A
8	950480	. COVER ASSY / LOW PROFILE / THIN / GREY ENGLISH ONLY From C-5115		1	A
9	790372	. SCREW SHR HEXS 7/16x3/16 {5/16-18		4	
9	950449	. SCREW CAP BUT TORX 5/16-18x3/4 BK G8		4	
9	950450	. SPACER BUSHING 5/16I.D.x 7/16O.D.x 3/16TH		4	
10	790449	. SPRING COMPRESSION / .549 O.D. x 2.590 x .078		4	
11	N.S.S.	. HINGE COVER SECTION		1	1
12	N8891498	. HINGE COVER GREY To C-5114		1	
12	950479	. HINGE COVER GREY From C-5115		1	
13	790375	. HINGE, RELEASE / GREY		1	
14	6982866	. HANDLE BASE		1	
15	N8880007	. SPECIAL TORX SCREW #10 x 1/2 SS		10	
16	7775130	. SCREW FL PH #8 x 1/2 SS		1	
17	950693	. HINGE PIN SS		1	
18	N8891500	DECAL PURPOSE SAFETY VENT		1	
30	292398	FRAME ASSY, MOUNTING 23" X 23"		1	
NS	685126	ADHESIVE SIMSON #ISR 70-03 / GREY / 600ml SAUSAGE		AR	
31	504546	RIVET CHY MONOLOK PRDG 1/4x5/8 ZP		20	
32	685126	ADHESIVE SIMSON #ISR 70-03 / GREY / 600ml SAUSAGE		AR	
33	291720	MOULDING, INTERIOR 23" X 23" GREY		1	
34	500464	WASHER FN CKF .210x.540 SS		4	
35	500629	SCREW TP OV PH #8x1 Z050		4	
36	297090	DECAL / "PARA SALIR" / SPANISH		1	



From B-5003 To D-5489	Date:07/2024	PAGE:XV-1898-00
-----------------------	--------------	-----------------

ESCAPE HATCH - INSTALLATION

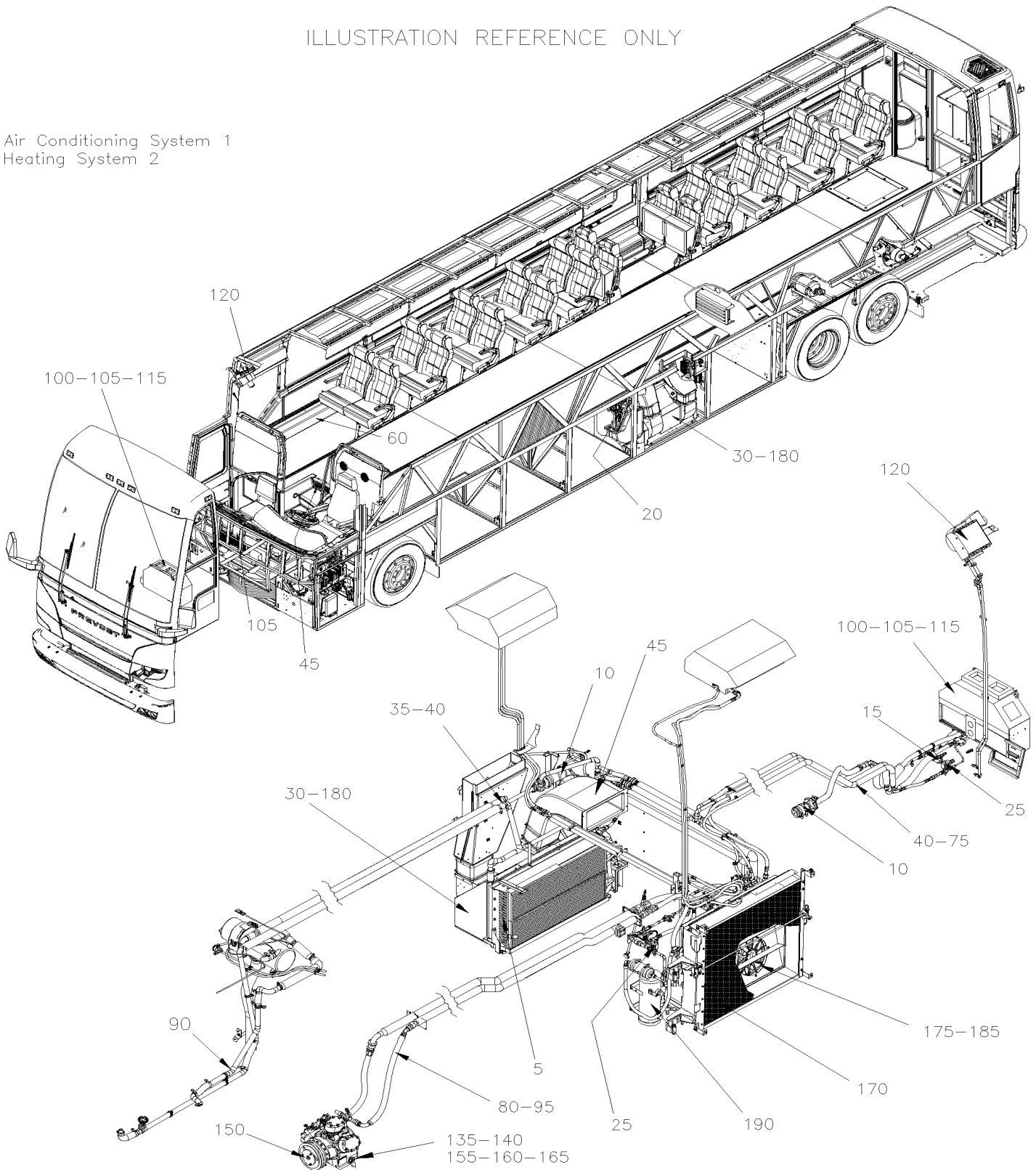
Item#	Part	Description	X 3 V I P	X L I I E N T 4 5	N O T E S
36	297089	DECAL / "CERRADO" / SPANISH		1	
36	297091	DECAL / "GIRE Y EMPUHE EL BUTON.. / SPANISH		1	
36	297092	DECAL / "EMERGENCY..." / ENGLISH & SPANISH		1	
36	400019	DECAL / "EMERGENCY..." / ENGLISH & SPANISH & FRANCAIS		1	
36	406161	DECAL / DO NOT OPEN... MOTION / ENGLISH & SPANISH		1	
36	400020	DECAL / DO NOT OPEN... MOTION / ENGLISH & SPANISH & FRANCAIS		1	
		A) INCLUDED ITEMS 2-3-4-5-6-8-11-12-15-16-17			
		1) NOT SOLD SEPARATELY			



	Date:07/2024	XV-22
HEATING & AIR CONDITIONING		

ILLUSTRATION REFERENCE ONLY

Air Conditioning System 1
Heating System 2





		Date:07/2024	XV-22		
HEATING & AIR CONDITIONING					
Item#	Part	Description	X 3 V I P	X L I I E N T 4 5	N O T E S
1	XV-2200-00	AIR CONDITIONING SYSTEM From B-5003 To D-5489			
2	XV-2200-05	HEATING SYSTEM From B-5003 To D-5489			
5	XV-2205-00	HEATER & EVAPORATOR COIL - INSTALLATION From B-5003 To D-5489			
10	XV-2206-00	WATER PUMP #871342 SEALLESS From B-5003 To D-5299			
10	XV-2206-01	WATER PUMP #874297 AMETEK From D-5300 To D-5489			
15	XV-2207-00	WATER VALVE - HEATER From B-5003 To D-5489			
15	XV-2207-05	WATER VALVE - HEATER From B-5003 To D-5489			
15	XV-2207-99	WATER VALVE - W/2 WAYS / SERVICE From B-5003 To D-5489			
20	XV-2208-00	A/C EXPANSION VALVE From B-5003 To D-5489			
25	XV-2208-10	REFRIGERANT SOLENOID VALVE From B-5003 To D-5489			
30	XV-2210-00	HEATER & EVAPORATOR BLOWER - INSTALLATION From B-5003 To D-5489			
35	XV-2210-11	WATER PUMP - INSTALLATION From B-5003 To D-5489			
40	XV-2210-20	WATER PUMP & FILTER - W/SMALL A/C From B-5003 To D-5489			
45	XV-2220-00	UNDER FLOOR AIR DUCTING From B-5003 To D-5489			
46	XV-2221-05	UNDER FLOOR AIR FILTERS From D-5372 To D-5489			
60	XV-2221-50	DUCTING HEATER & A/C - MTH FLOOR From B-5003 To D-5489			
75	XV-2222-10	A/C & HEATING LINE FRONT SECTION From B-5003 To D-5489			
80	XV-2222-15	A/C LINE REAR SECTION W/05G From B-5003 To D-5458			
80	XV-2222-16	A/C LINE REAR SECTION W/ "BITZER" From D-5459 To D-5489			
90	XV-2222-35	HEATER LINE REAR SECTION WITH "VOLVO" ENGINE "EPA 2010" From B-5003 To D-5489			
95	XV-2222-50	SMALL A/C LINES & HOSES WITH R134A From B-5003 To D-5489			
100	XV-2225-00	DRIVER'S HEATER & DEFROSTER ASSY From B-5003 To D-5489			
105	XV-2230-00	DEFROSTER - INSTALLATION From B-5003 To D-5489			
120	XV-2240-10	UPPER WINDSHIELD FAN - INSTALLATION From B-5003 To D-5489			
135	XV-2245-00	A/C COMPRESSOR 05G - INSTALLATION From B-5003 To D-5458			
135	XV-2245-01	A/C COMPRESSOR "BITZER" - INSTALLATION From D-5459 To D-5489			
140	XV-2245-50	A/C SMALL COMPRESSOR - INSTALLATION From B-5003 To D-5489			
150	XV-2246-00	A/C CLUTCH 05G - HOUSING MOUNTED From B-5003 To D-5458			
150	XV-2246-01	A/C CLUTCH - WITH "BITZER" COMPRESSOR From D-5459 To D-5489			
155	XV-2250-00	A/C COMPRESSOR ASSY 05G - TWIN PORT From B-5003 To D-5458			
155	XV-2250-01	A/C COMPRESSOR "BITZER" 4NFCY From D-5459 To D-5489			
160	XV-2250-15	A/C ELECTRIC UNLOADER - W/05G COMPRESSOR From B-5003 To D-5458			
160	XV-2250-16	A/C ELECTRIC UNLOADER - WITH "BITZER" COMPRESSOR From D-5459 To D-5489			
165	XV-2251-00	GASKET - 05G A/C COMPRESSOR From B-5003 To D-5458			
170	XV-2255-00	CONDENSOR - INSTALLATION From B-5003 To D-5489			
170	XV-2255-10	CONDENSOR - INSTALLATION SMALL A/C SYSTEM From B-5003 To D-5489			
175	XV-2260-00	CONDENSOR FANS - INSTALLATION From B-5003 To D-5489			
180	XV-2265-01	MOTOR - EVAPORATOR BRUSHLESS From B-5003 To D-5489			
190	XV-2270-00	RECEIVER TANK & FILTER DRYER From B-5003 To D-5489			



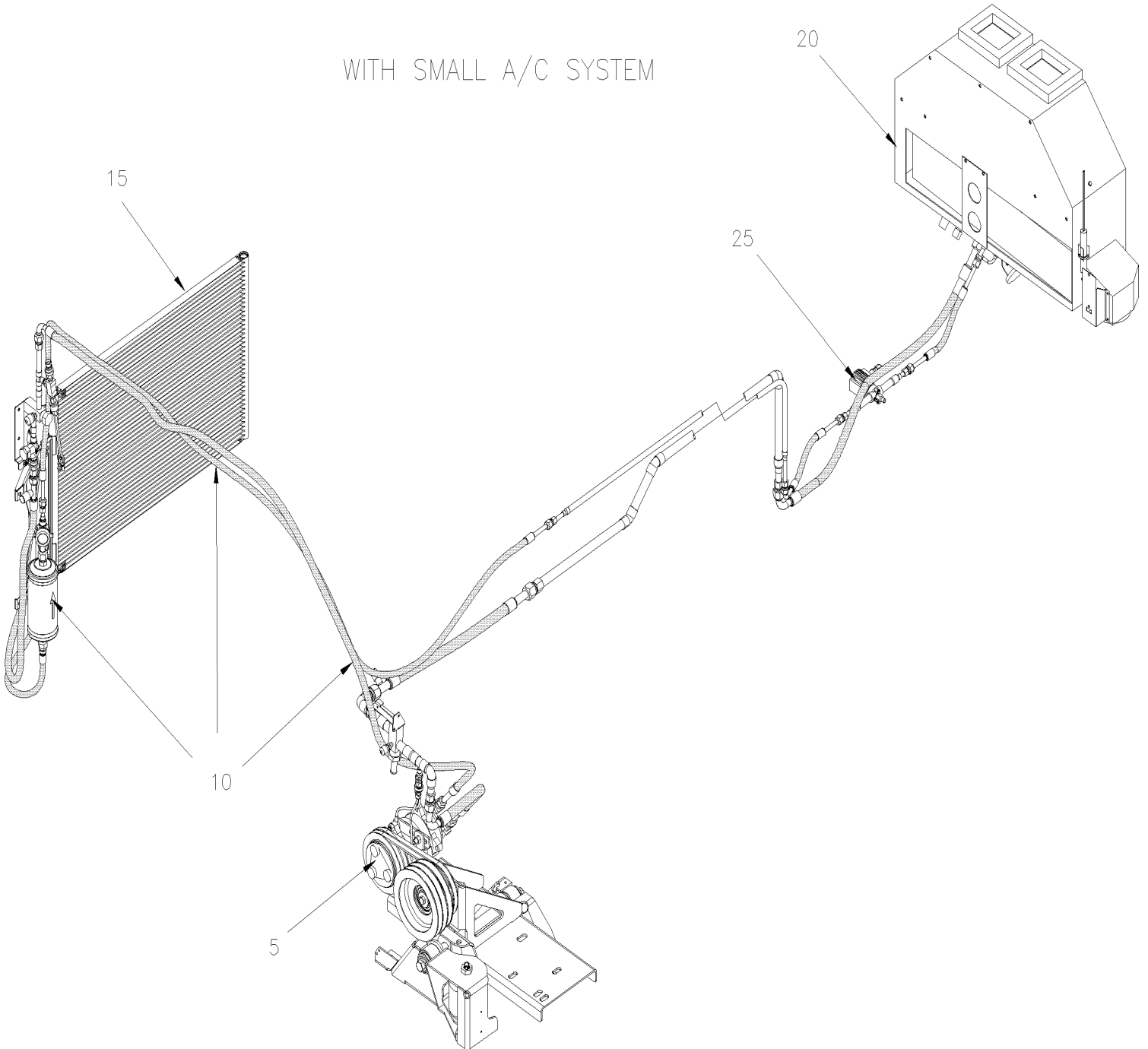
From B-5003 To D-5489

Date:07/2024

PAGE:XV-2200-00

AIR CONDITIONING SYSTEM

WITH SMALL A/C SYSTEM





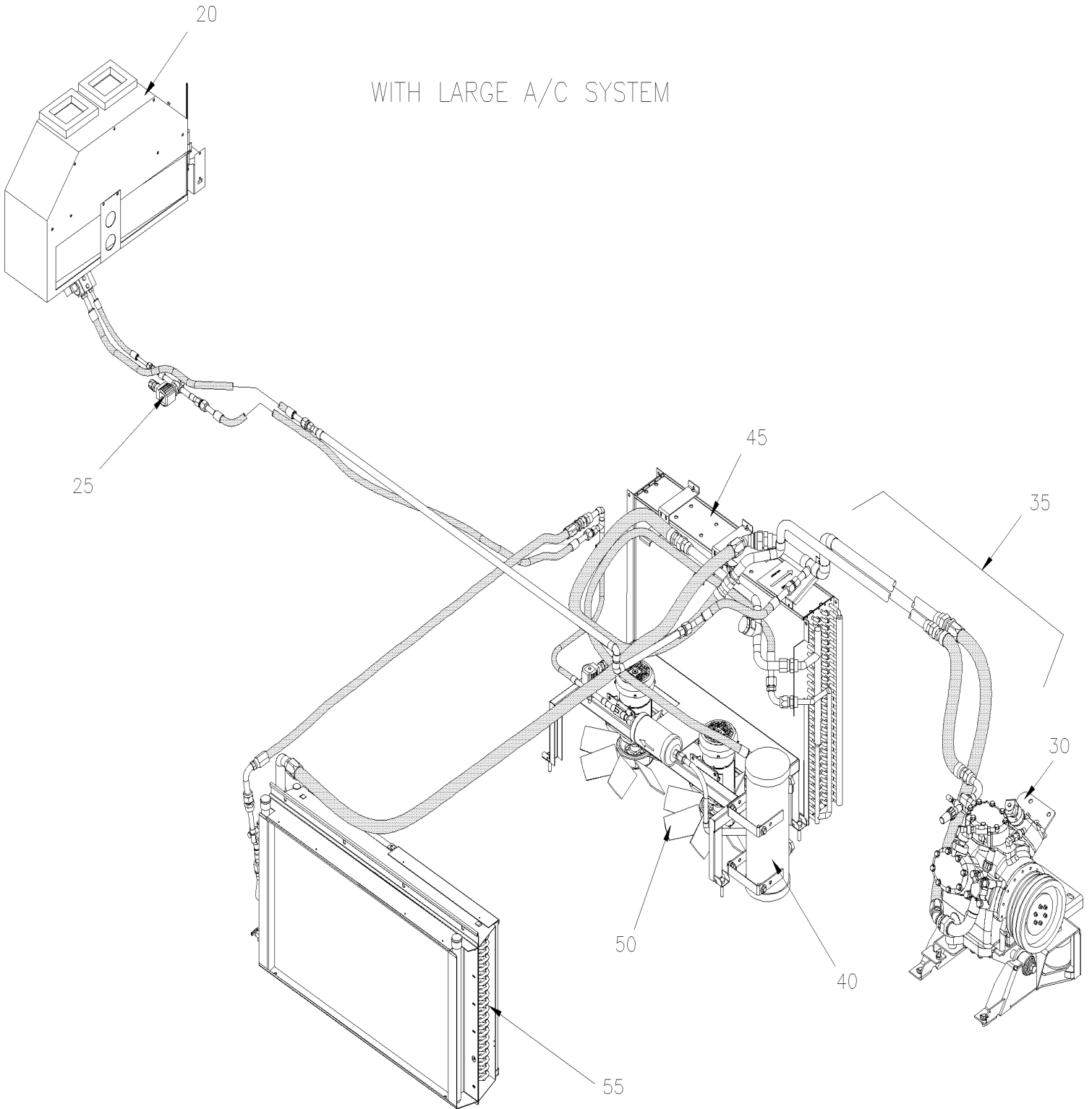
From B-5003 To D-5489

Date:07/2024

PAGE:XV-2200-00

AIR CONDITIONING SYSTEM

WITH LARGE A/C SYSTEM





From B-5003 To D-5489	Date:07/2024	PAGE:XV-2200-00
-----------------------	--------------	-----------------

AIR CONDITIONING SYSTEM

Item#	Part	Description	X 3 V I P	X L I I E N T 4 5	N O T E S
5	XV-2245-50	A/C SMALL COMPRESSOR - INSTALLATION From B-5003 To D-5489			
10	XV-2222-50	SMALL A/C LINES & HOSES WITH R134A From B-5003 To D-5489			
15	XV-2255-10	CONDENSOR - INSTALLATION SMALL A/C SYSTEM From B-5003 To D-5489			
20	XV-2225-00	DRIVER'S HEATER & DEFROSTER ASSY From B-5003 To D-5489			
25	XV-2208-10	REFRIGERANT SOLENOID VALVE From B-5003 To D-5489			
30	XV-2245-00	A/C COMPRESSOR 05G - INSTALLATION From B-5003 To D-5458			
30	XV-2245-01	A/C COMPRESSOR "BITZER" - INSTALLATION From D-5459 To D-5489			
30	XV-2250-00	A/C COMPRESSOR ASSY 05G - TWIN PORT From B-5003 To D-5458			
30	XV-2250-01	A/C COMPRESSOR "BITZER" 4NFCY From D-5459 To D-5489			
35	XV-2222-15	A/C LINE REAR SECTION W/05G From B-5003 To D-5458			
35	XV-2222-16	A/C LINE REAR SECTION W/ "BITZER" From D-5459 To D-5489			
40	XV-2270-00	RECEIVER TANK & FILTER DRYER From B-5003 To D-5489			
45	XV-2255-00	CONDENSOR - INSTALLATION From B-5003 To D-5489			
50	XV-2260-00	CONDENSOR FANS - INSTALLATION From B-5003 To D-5489			
55	XV-2205-00	HEATER & EVAPORATOR COIL - INSTALLATION From B-5003 To D-5489			



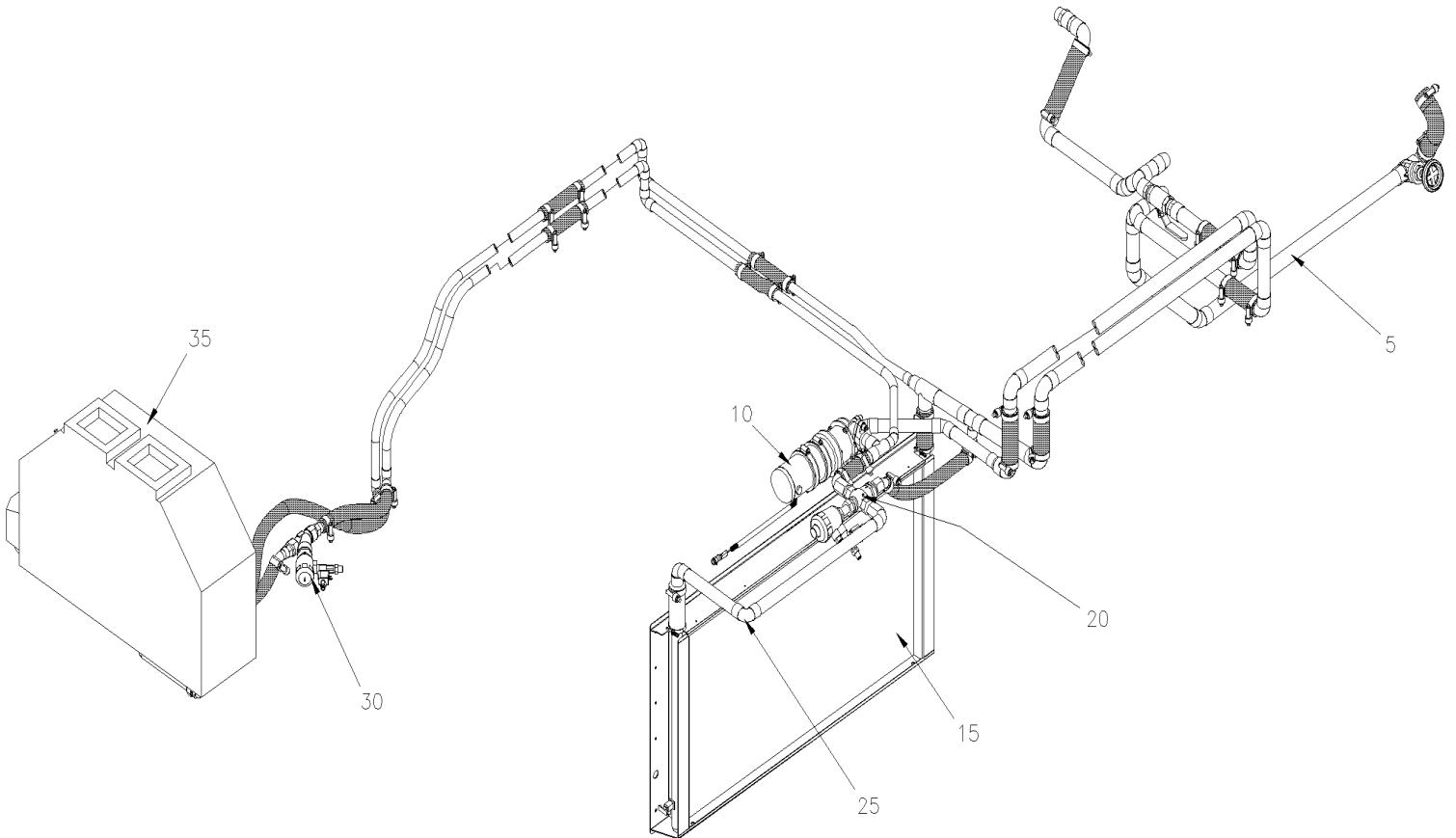
From B-5003 To D-5489

Date:07/2024

PAGE:XV-2200-05

HEATING SYSTEM

WITH LARGE A/C SYSTEM





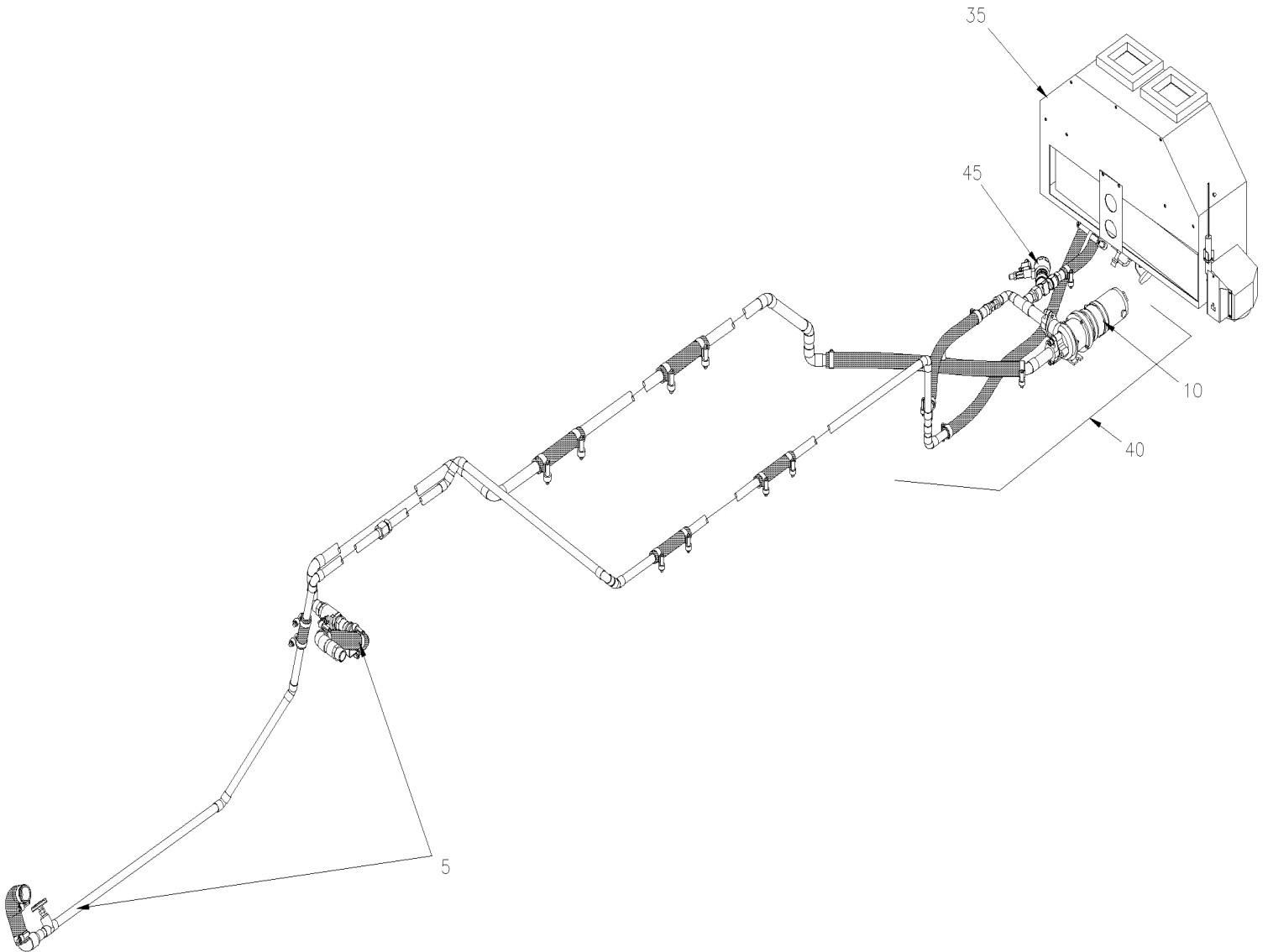
From B-5003 To D-5489

Date:07/2024

PAGE:XV-2200-05

HEATING SYSTEM

WITH SMALL A/C SYSTEM





From B-5003 To D-5489	Date:07/2024	PAGE:XV-2200-05
HEATING SYSTEM		

Item#	Part	Description	X 3 V I P	X L I I E N T 4 5	N O T E S
5	XV-2222-35	HEATER LINE REAR SECTION WITH "VOLVO" ENGINE "EPA 2010" From B-5003 To D-5489			
10	XV-2206-00	WATER PUMP #871342 SEALLESS From B-5003 To D-5299			
10	XV-2206-01	WATER PUMP #874297 AMETEK From D-5300 To D-5489			
15	XV-2205-00	HEATER & EVAPORATOR COIL - INSTALLATION From B-5003 To D-5489			
15	XV-2210-00	HEATER & EVAPORATOR BLOWER - INSTALLATION From B-5003 To D-5489			
20	XV-2207-00	WATER VALVE - HEATER From B-5003 To D-5489			
25	XV-2210-11	WATER PUMP - INSTALLATION From B-5003 To D-5489			
30	XV-2207-05	WATER VALVE - HEATER From B-5003 To D-5489			
35	XV-2230-00	DEFROSTER - INSTALLATION From B-5003 To D-5489			
40	XV-2210-20	WATER PUMP & FILTER - W/SMALL A/C From B-5003 To D-5489			
45	XV-2207-05	WATER VALVE - HEATER From B-5003 To D-5489			

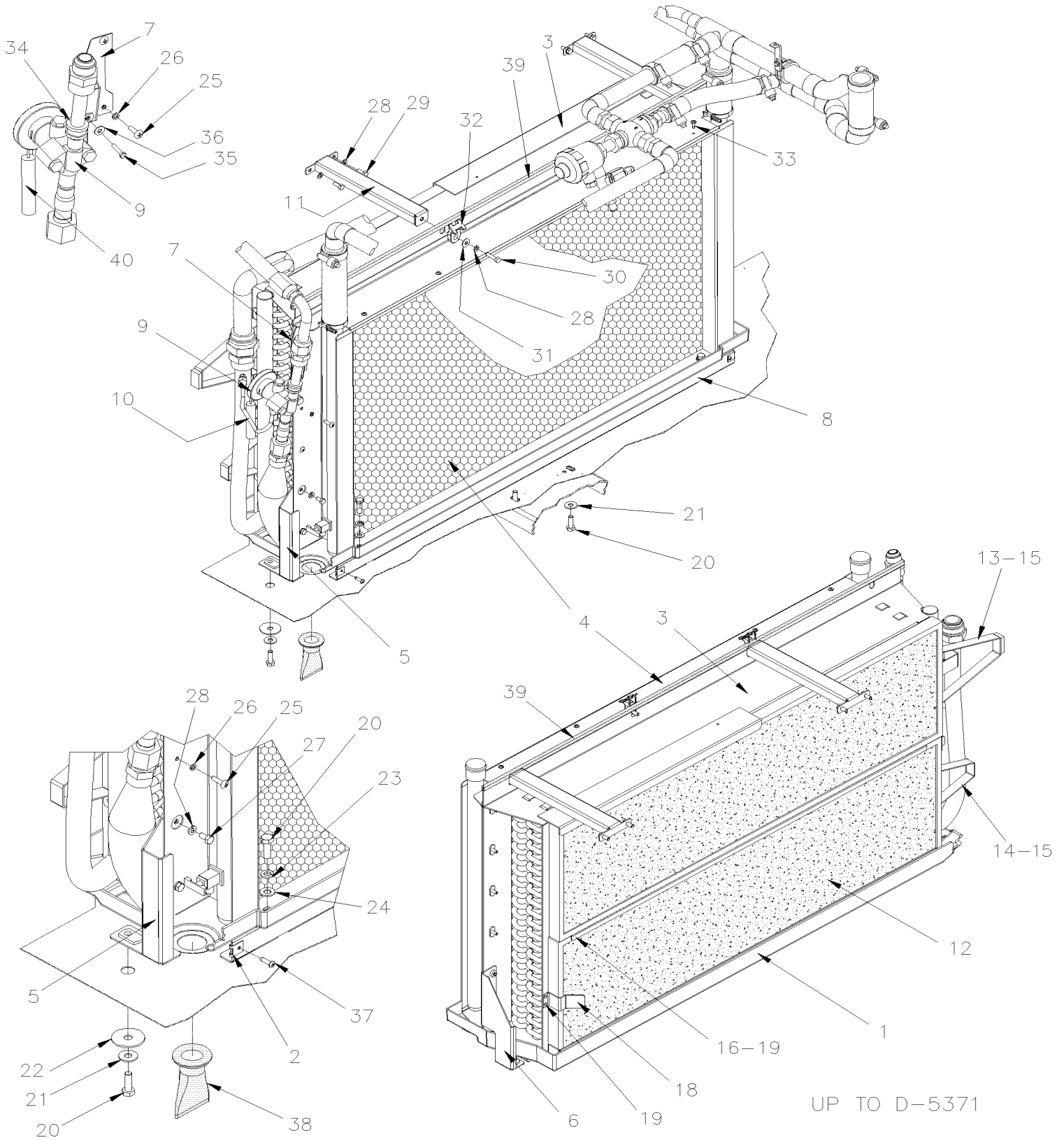


From B-5003 To D-5489

Date:07/2024

PAGE:XV-2205-00

HEATER & EVAPORATOR COIL - INSTALLATION



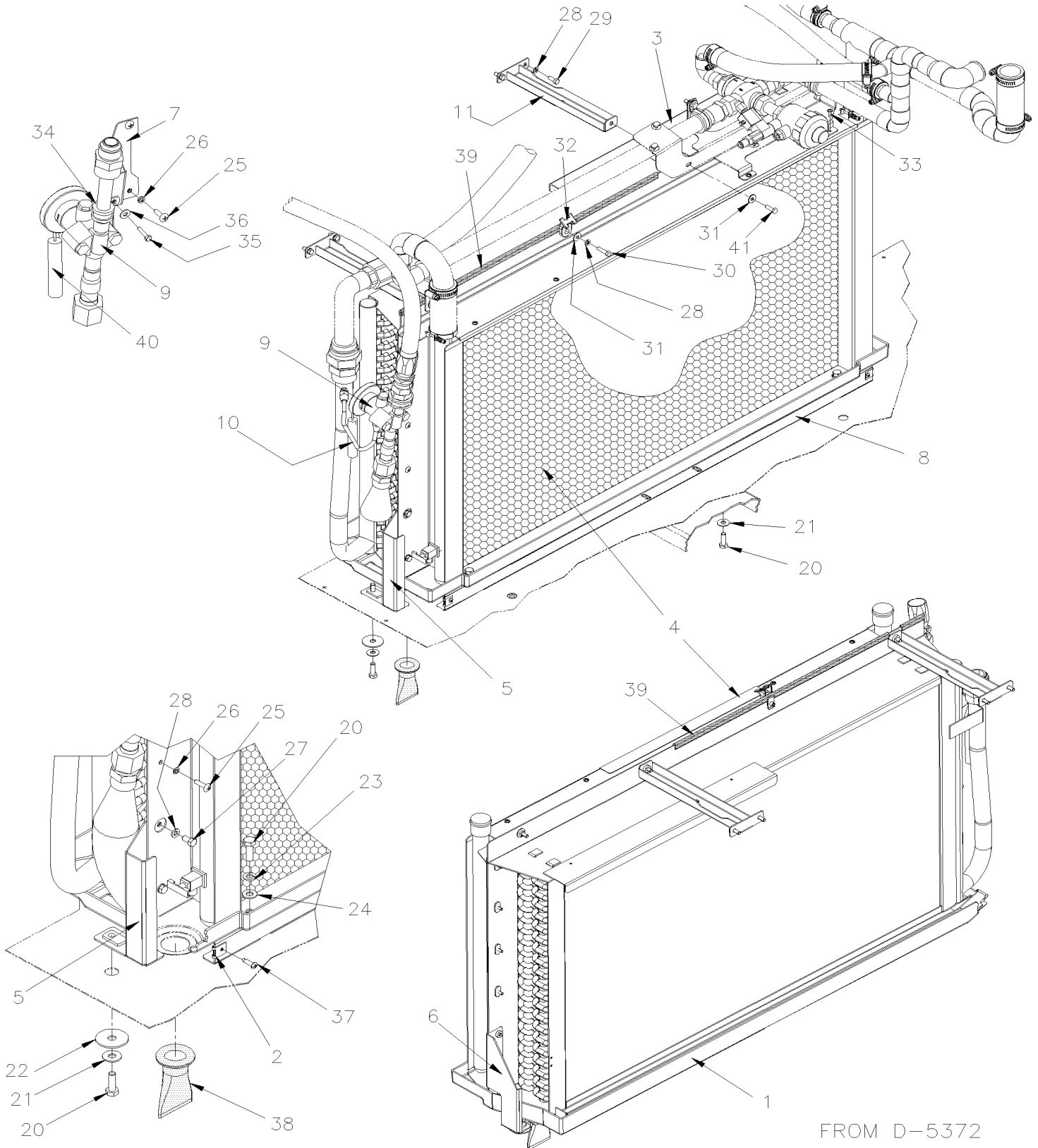


From B-5003 To D-5489

Date:07/2024

PAGE:XV-2205-00

HEATER & EVAPORATOR COIL - INSTALLATION



FROM D-5372



From B-5003 To D-5489 Date:07/2024 PAGE:XV-2205-00

HEATER & EVAPORATOR COIL - INSTALLATION

Item#	Part	Description	X 3 V I P	X L I I E N T 4 5	N O T E S
1	453994	DRAIN PAN	1	1	
2	481249	NUT	2	2	
3	950390	COIL EVAPORATOR	1	1	
. NS	501829	. O-RING / ORS FITTING / #12 NEO	1	1	
. NS	501803	. O-RING / ORS FITTING / #20 NEO	1	1	
4	871372	COIL HEATER	1	1	
5	453983	SUPPORT EVAPORATOR / FORWARD	1	1	
6	453984	SUPPORT EVAPORATOR / BACKWARD	1	1	
7	454257	SUPPORT VALVE EXPANSION To C-5132	1	1	
7	454700	SUPPORT VALVE EXPANSION From C-5133	1	1	
8	453982	SUPPORT HEATER CORE	1	1	
9	XV-2208-00	A/C EXPANSION VALVE	1	1	
10	454256	TUBE STABILISATOR A/C PRESSURE	1	1	
11	374505	SUPPORT / EVAPORATOR	2	2	
12	871383	FILTER 1" x 38" x 10 1/2"	2	2	
13	374509	HANDLE UPPER W/RETAINER SLOT To B-5049	1	1	
13	374611	HANDLE UPPER W/RETAINER SLOT From B-5050 To D-5371	1	1	
14	374510	HANDLE LOWER W/GUIDE To B-5049	1	1	
14	374612	HANDLE LOWER W/GUIDE From B-5050 To D-5371	1	1	
15	504340	RIVET POP DOME OE 1/8x3/16 SS To D-5371	5	5	
16	374231	SLIDING GUIDE 55MM To B-5049	1	1	
16	374606	SLIDING GUIDE 885MM From B-5050 To D-5371	1	1	
18	374232	SUPPORT LOWER GUIDE To D-5371	1	1	
19	504340	RIVET POP DOME OE 1/8x3/16 SS To D-5371	AR	AR	
20	502780	SCREW CAP HEX M8-1.25x25 SS BK	6	6	
21	5001448	WASHER FL .343x.875x.062 SS18-8	4	4	
22	500261	WASHER FL .390x1.500x.083 N500	2	2	
23	500035	WASHER LO SPT .317x.586x.078 SS	2	2	
24	5001341	WASHER FL 8.4x17.0x1.6 SS	2	2	
25	500510	SCREW MA BDG PH #10-32x3/4 SS EMN	7	7	
26	500914	WASHER LO SPT .193x.334x.047 N500	7	7	
27	5001743	SCREW CAP HEX M6-1.0x12 G8.8 N500	4	4	
28	502853	WASHER LO SPT 6.1x11.8x1.6 N500	11	11	
29	5001744	SCREW CAP HEX M6-1.0x16 G8.8 N500	4	4	
30	502737	SCREW CAP HEX M6-1.0x25 SS BK To D-5371	3	3	
30	502830	SCREW CAP HEX M6-1.0x20 G8.8 N500 From D-5372	1	1	
31	500411	WASHER FL .260x.697x.050 SS To D-5371	3	3	
31	5001833	WASHER BEL SPR 6.1x18x1.27 SS From D-5372	1	1	
32	507383	TIE MOUNT HOLE 3/8"	2	2	
NS	502738	NUT SPR U M6-1.0 0.6-4.0	1	1	
33	502868	SCREW TC TR PH #10-16x1/2 N500	4	4	
34	952629	CLAMP / 5/8" I.D. To C-5132	1	1	



From B-5003 To D-5489	Date:07/2024	PAGE:XV-2205-00
HEATER & EVAPORATOR COIL - INSTALLATION		

Item#	Part	Description	X 3 V I P	X L I I E N T 4 5	N O T E S
34	952639	CLAMP / 1"1/4 I.D. From C-5133	1	1	
35	500588	SCREW CAP HEX M4-0.7x20 G8.8 Z050	1	1	
36	500964	WASHER FL .203x.500x.047 Z050	1	1	
37	500957	SCREW TP BDG PH #10x3/4 N500	2	2	
38	414654	DRAIN BOOT 1" I.D. W/GROOVE 1.5 x 35MM I.D. x 85MM	5	5	
39	506337	RUBBER CHANNEL / 3/32" x 11/32" INT "U" SHAPE / ROUND C.T.L.	AR	AR	
40	680091	TAPE INSULATING / 1/8" x 2" x 30' / BLACK PT-1	AR	AR	
41	502737	SCREW CAP HEX M6-1.0x25 SS BK From D-5372	2	2	
50	374694	KIT EVAPORATOR FILTER W WITH/ EXT. RETROFIT	1	1	
51	374695	KIT EVAPORATOR FILTER W WITHOUT/ EXT. RETROFIT	1	1	

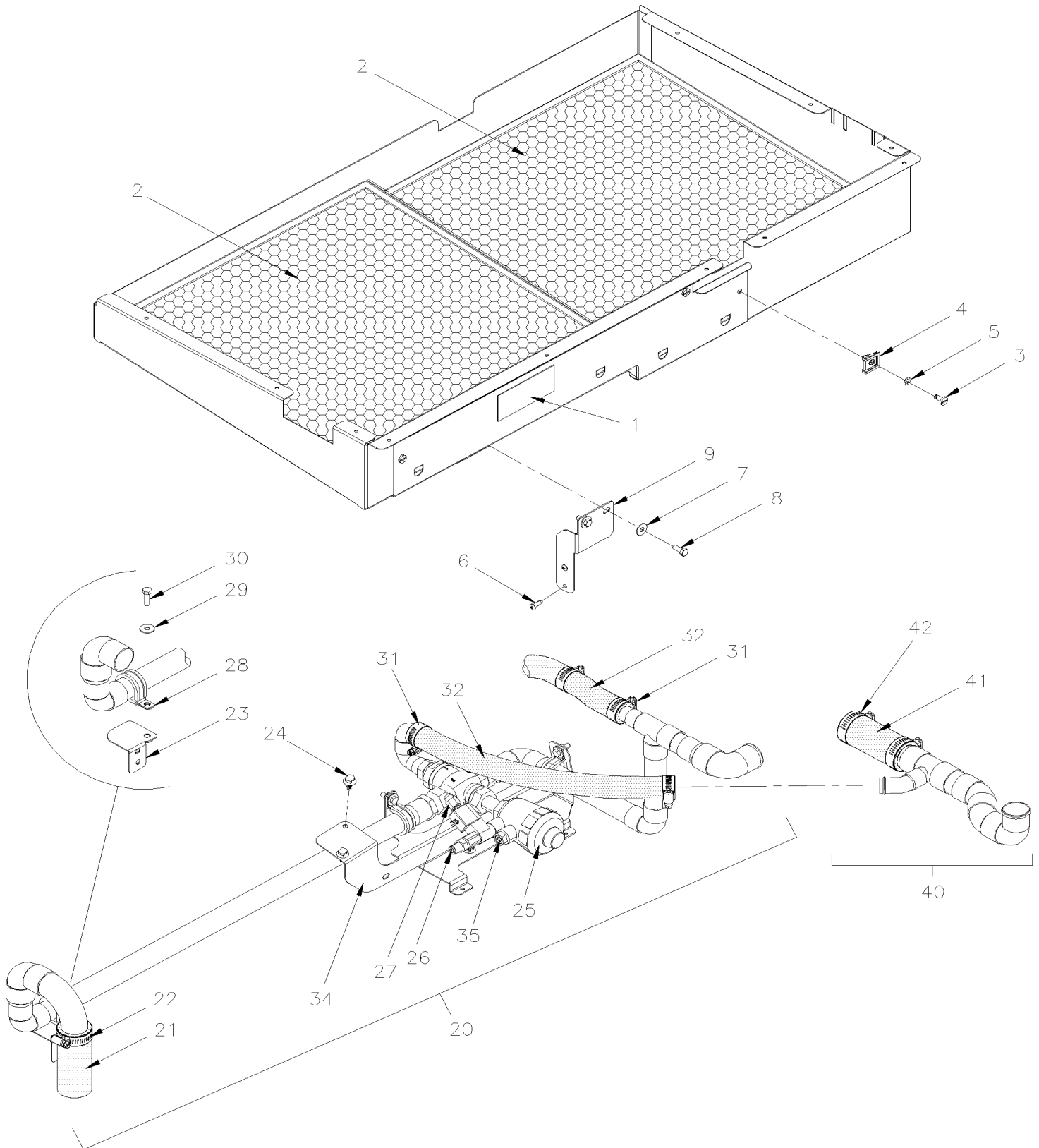


From B-5003 To D-5489

Date:07/2024

PAGE:374694

KIT EVAPORATOR FILTER W WITH/ EXT. RETROFIT





From B-5003 To D-5489 Date:07/2024 PAGE:374694

KIT EVAPORATOR FILTER W WITH/ EXT. RETROFIT

Item#	Part	Description	X 3 V I P	X L I I E N T 4 5	N O T E S
1	370354	DECAL / AIR FILTER / ENGLISH & FRANCAIS	1	1	
2	871447	FILTER 1" x 19 1/2" X 19 1/2"	2	2	
3	504681	STUD 6MM (DZUS)	3	3	
4	504605	RECEPTACLE 6 MM	3	3	
5	504604	FASTENER	3	3	
6	500957	SCREW TP BDG PH #10x3/4 N500	13	13	
7	5001833	WASHER BEL SPR 6.1x18x1.27 SS	3	3	
8	5001744	SCREW CAP HEX M6-1.0x16 G8.8 N500	3	3	
9	374685	SUPPORT, EVAPORATOR DUCT W/ SLIDE-OUT	1	1	
20	374690	CENTRAL WATER VALVE, ASSY	1	1	
21	503783	. HOSE SILICONE 4PLY / NOMEX-ARAMID 34MM I.D. x 6'	AR	AR	
22	504783	. HOSE CLAMP / 1"1/16-2" SS / C.T. W.S.	1	1	
23	374673	. SUPPORT WATER VALVE FORWARD	1	1	
24	509815	. TIE MOUNT / ATTACHMENT W/TREE MOUNT	3	3	
25	871430	. WATER VALVE ASSY / 24V / 3/WAY 3/4" NPT	1	1	
26	641332	. MALE CONNECTOR / PUSH-IN FITTING / #4x1/4NPT-M BR	1	1	
NS	142087	. RESTRICTION / ALU. TUBE 10MM x 4.14MM O.D. W/0.79" HOLE / W/FLANGE	1	1	
27	642028	. MALE CONNECTOR / PUSH-IN FITTING / 6MM x M5-0.8 BR	1	1	
28	952637	. CLAMP / 1"1/16 I.D.	3	3	
29	5001833	. WASHER BEL SPR 6.1x18x1.27 SS	3	3	
30	502830	. SCREW CAP HEX M6-1.0x20 G8.8 N500	3	3	
31	504781	. HOSE CLAMP / 13/16"-1 5/16" SS / C.T. W.S.	4	4	
32	503797	. HOSE SILICONE 4 PLY / NOMEX-ARAMID 7/8" I.D. x 6'	AR	AR	
34	374674	. SUPPORT WATER VALVE BACKWARD	1	1	
35	641926	. SILENCER / MUFFLER / 1/4NPT-M	1	1	
40	374691	PIPE, OUTLET HEATING COIL ASSY	1	1	
41	503783	. HOSE SILICONE 4PLY / NOMEX-ARAMID 34MM I.D. x 6'	AR	AR	
42	504783	. HOSE CLAMP / 1"1/16-2" SS / C.T. W.S.	2	2	
NS	IS-12050	SEE INSTRUCTION SHEET	1	1	

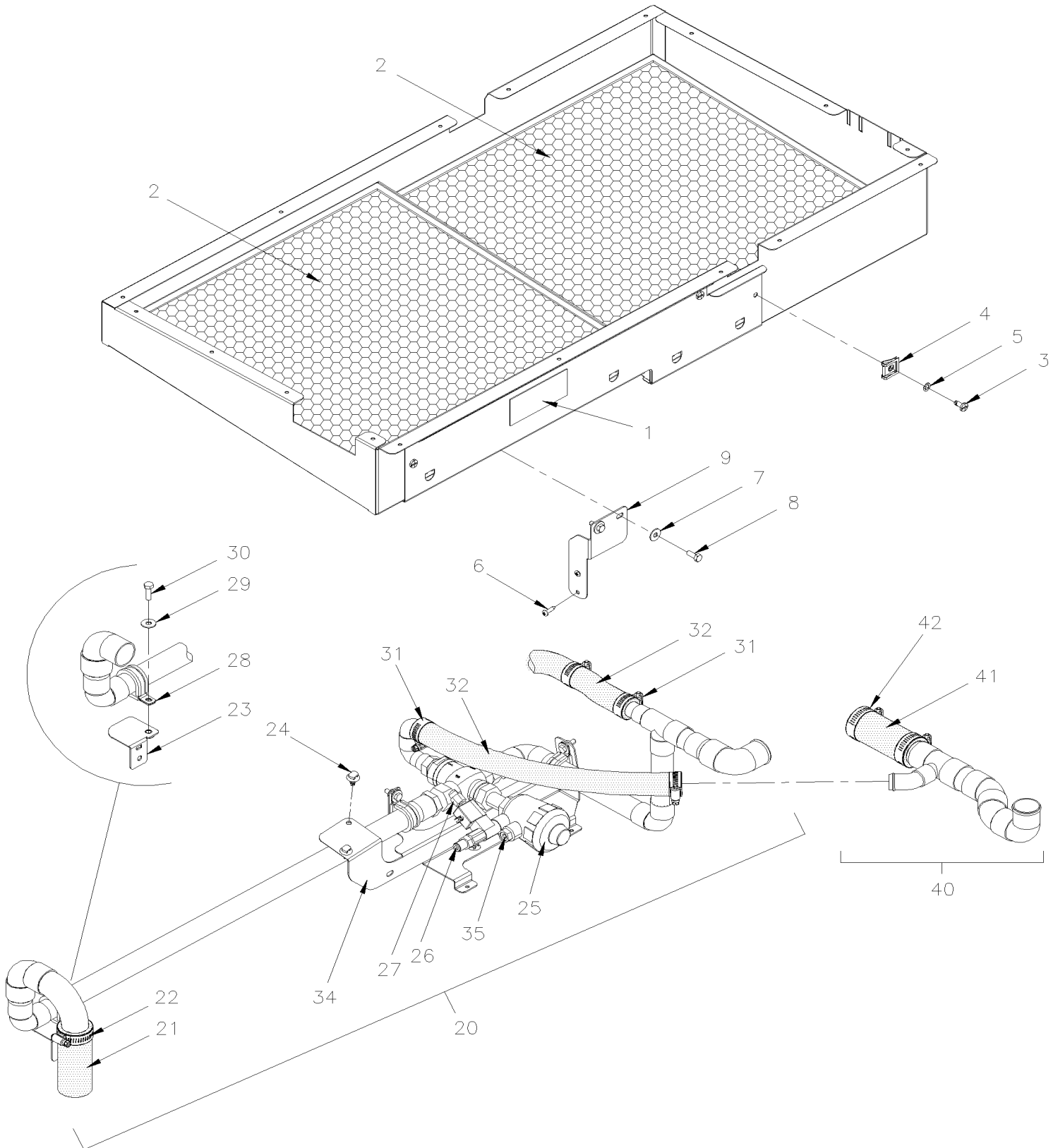


From B-5003 To D-5489

Date:07/2024

PAGE:374695

KIT EVAPORATOR FILTER W WITHOUT/ EXT. RETROFIT





From B-5003 To D-5489	Date:07/2024	PAGE:374695
-----------------------	--------------	-------------

KIT EVAPORATOR FILTER W WITHOUT/ EXT. RETROFIT

Item#	Part	Description	X 3 V I P	X L I I E N T 4 5	N O T E S
1	370354	DECAL / AIR FILTER / ENGLISH & FRANCAIS	1	1	
2	871447	FILTER 1" x 19 1/2" X 19 1/2"	2	2	
3	504681	STUD 6MM (DZUS)	3	3	
4	504605	RECEPTACLE 6 MM	3	3	
5	504604	FASTENER	3	3	
6	500957	SCREW TP BDG PH #10x3/4 N500	13	13	
7	5001833	WASHER BEL SPR 6.1x18x1.27 SS	3	3	
8	5001744	SCREW CAP HEX M6-1.0x16 G8.8 N500	3	3	
9	374684	SUPPORT, EVAPORATOR DUCT WO/ SLIDE-OUT	1	1	
20	374690	CENTRAL WATER VALVE, ASSY	1	1	
21	503783	. HOSE SILICONE 4PLY / NOMEX-ARAMID 34MM I.D. x 6'	AR	AR	
22	504783	. HOSE CLAMP / 1"1/16-2" SS / C.T. W.S.	1	1	
23	374673	. SUPPORT WATER VALVE FORWARD	1	1	
24	509815	. TIE MOUNT / ATTACHMENT W/TREE MOUNT	3	3	
25	871430	. WATER VALVE ASSY / 24V / 3/WAY 3/4" NPT	1	1	
26	641332	. MALE CONNECTOR / PUSH-IN FITTING / #4x1/4NPT-M BR	1	1	
NS	142087	. RESTRICTION / ALU. TUBE 10MM x 4.14MM O.D. W/0.79" HOLE / W/FLANGE	1	1	
27	642028	. MALE CONNECTOR / PUSH-IN FITTING / 6MM x M5-0.8 BR	1	1	
28	952637	. CLAMP / 1"1/16 I.D.	3	3	
29	5001833	. WASHER BEL SPR 6.1x18x1.27 SS	3	3	
30	502830	. SCREW CAP HEX M6-1.0x20 G8.8 N500	3	3	
31	504781	. HOSE CLAMP / 13/16"-1 5/16" SS / C.T. W.S.	4	4	
32	503797	. HOSE SILICONE 4 PLY / NOMEX-ARAMID 7/8" I.D. x 6'	AR	AR	
34	374674	. SUPPORT WATER VALVE BACKWARD	1	1	
35	641926	. SILENCER / MUFFLER / 1/4NPT-M	1	1	
40	374691	PIPE, OUTLET HEATING COIL ASSY	1	1	
41	503783	. HOSE SILICONE 4PLY / NOMEX-ARAMID 34MM I.D. x 6'	AR	AR	
42	504783	. HOSE CLAMP / 1"1/16-2" SS / C.T. W.S.	2	2	
NS	IS-12050	SEE INSTRUCTION SHEET	1	1	



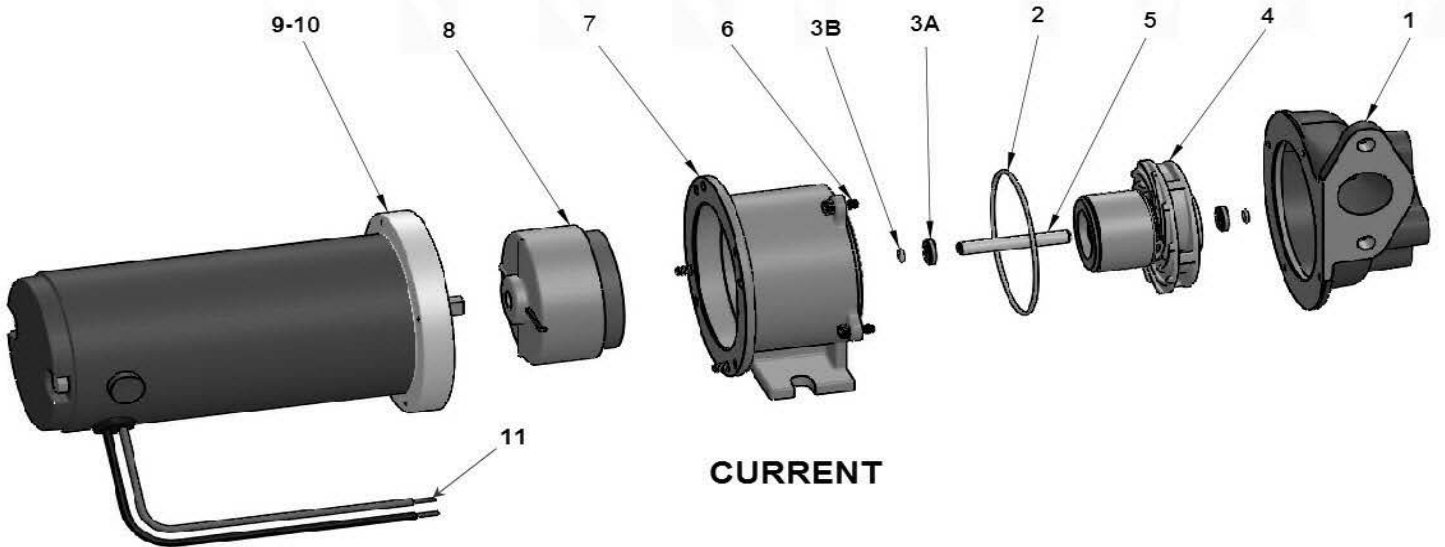
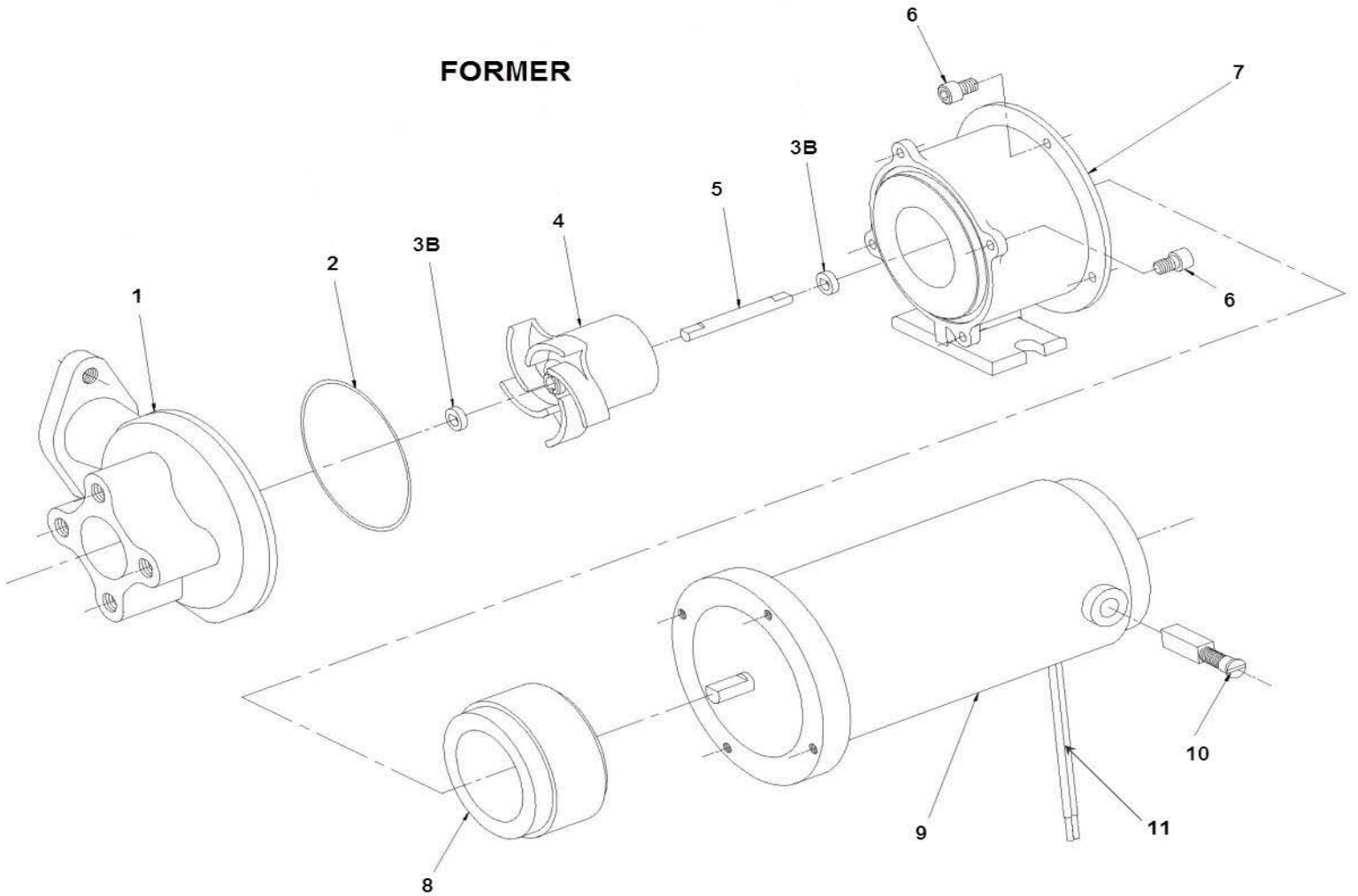
From B-5003 To D-5299

Date:07/2024

PAGE:XV-2206-00

WATER PUMP #871342 SEALLESS

FORMER



CURRENT

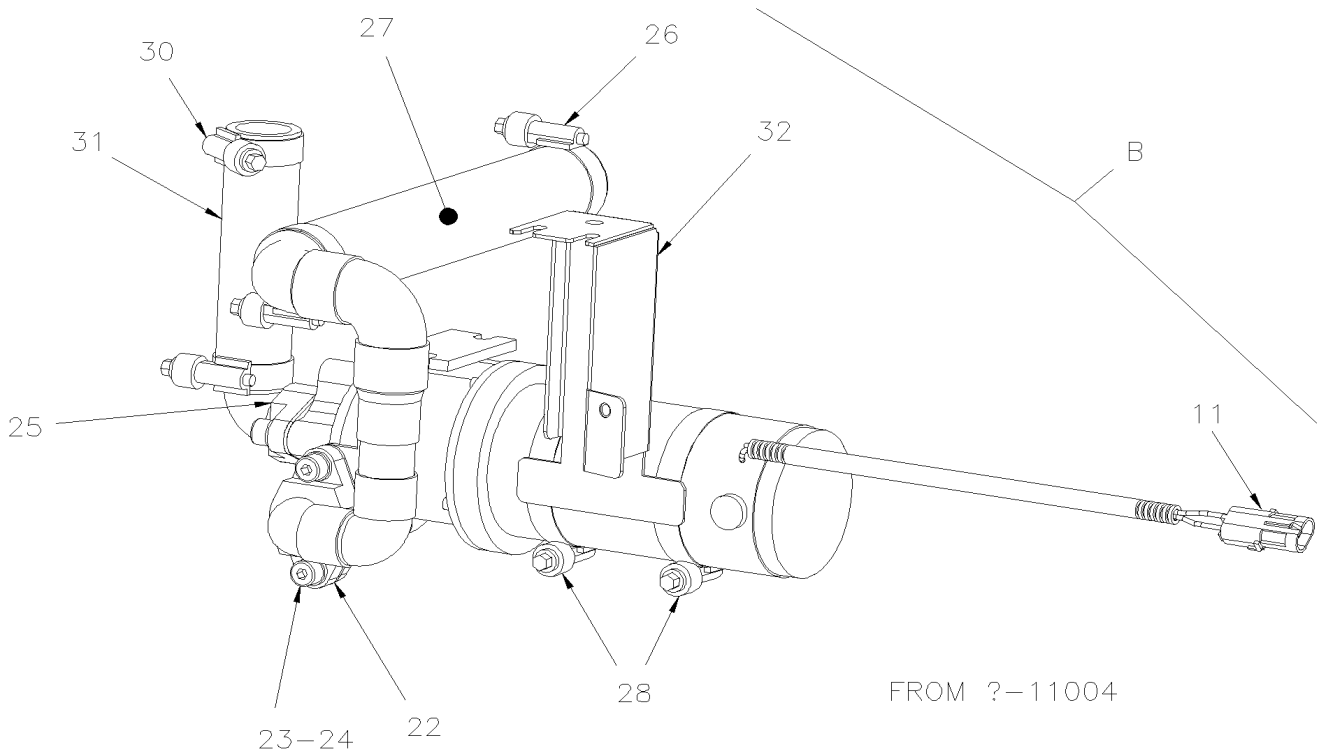
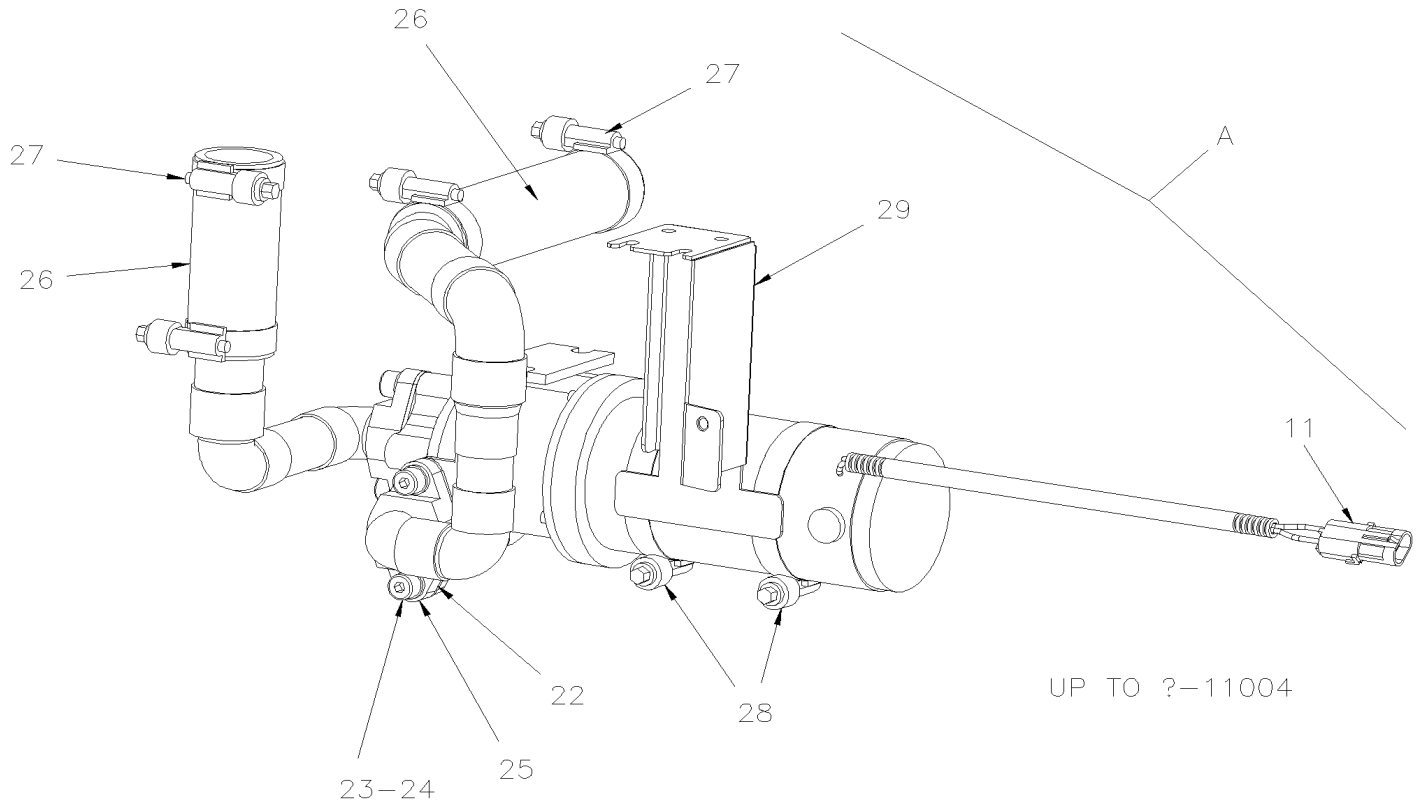


From B-5003 To D-5299

Date:07/2024

PAGE:XV-2206-00

WATER PUMP #871342 SEALLESS





From B-5003 To D-5299	Date:07/2024	PAGE:XV-2206-00
WATER PUMP #871342 SEALLESS		

Item#	Part	Description	X 3 V I P	X L I I E N T 4 5	N O T E S
	374032	. PUMP WATER ASSY WITH CONNECTOR / SEALLESS MODEL	1	1	
	871414	WATER PUMP ASSY / 24V / SEALLESS / "MP PUMPS"	1	1	A
	871342	. WATER PUMP ASSY / 24V / SEALLESS / "MP PUMPS"	1	1	
1	N.S.S.	. . HOUSING	1	1	1
2	871236	. . O-RING	1	1	
3A	870138	. . O-RING	2	2	C
3B	871239	. . WASHER SS	2	2	F
3B	Call order desk	. . WASHER THRUST	2	2	PC
4	871240	. . ROTOR ASSY	1	1	F
4	870117	. . ROTOR ASSY	1	1	C
5	871241	. . SHAFT SS	1	1	F
5	Call order desk	. . SHAFT SS	1	1	PC
6	G1094056	. . SCREW CAP HEXS 8-32x3/8	8	8	
7	G1094057	. . ADAPTOR	1	1	
8	871242	. . DRIVE MAGNET	1	1	
9	871322	. . MOTOR ASSY 24V	1	1	
10	871323	. . BRUSH	2	2	
11	561566	. CONNECTOR / WEATHER PACK / PH 2C / BLACK / PED 12010973	1	1	
11	561568	. PIN TERMINAL / 16-14 / PED 12089305	2	2	
11	561786	. CABLE SEAL / GRAY / PED 15324980	2	2	
11	562387	. CONVOLUTED TUBING / SLIT / BLACK / .250"	AR	AR	
22	870441	GASKET PUMP INLET & OUTLET	2	2	
22	680527	SEALANT 473ml	AR	AR	
23	5001580	SCREW CAP HEXS 3/8-16x7/8	4	4	
24	500478	WASHER LO SPT .380x.683x.094 Z050	4	4	
25	871206	FLANGE ADAPTOR / W/QUAD RING	2	2	
26	504657	HOSE CLAMP / 1"1/16-2" C.T. 9424 To D-5404	4	4	
27	503392	HOSE SILICONE 4PLY 1 3/8" I.D. x 4'	AR	AR	
28	504026	HOSE CLAMP / 2"13/16-3"3/4 SS / HS-52	2	2	
29	374494	SUPPORT WATER PUMP	1	1	
30	504658	HOSE CLAMP / 13/16"-1"3/4 / C.T. 9420 To D-5404	2	2	
31	503652	HOSE SILICONE 2PLY 1 1/8" I.D. x 3'	AR	AR	
32	374595	SUPPORT WATER PUMP	1	1	
A	Call order desk	PUMP WATER ASSY W/PIPE & CONNECTOR W/OUT WATER HEATER To B-5049	1	1	P
B	Call order desk	PUMP WATER ASSY W/PIPE & CONNECTOR W/OUT WATER HEATER From B-5050	1	1	P
		A) THIS PUMP IS PACKAGING INDIVIDUALLY WITHOUT ELECTRICAL CONNECTORS			
		C) CURRENT			
		F) FORMER			
		1) NOT SOLD SEPARATELY			



From B-5003 To D-5299		Date:07/2024	PAGE:XV-2206-00
-----------------------	--	--------------	-----------------

WATER PUMP #871342 SEALLESS

Item#	Part	Description	X 3 V I P	X L I I E N T 4 5	N O T E S
		P) CALL ORDER DESK FOR SPECIFIC APPLICATION (V.I.N.)			

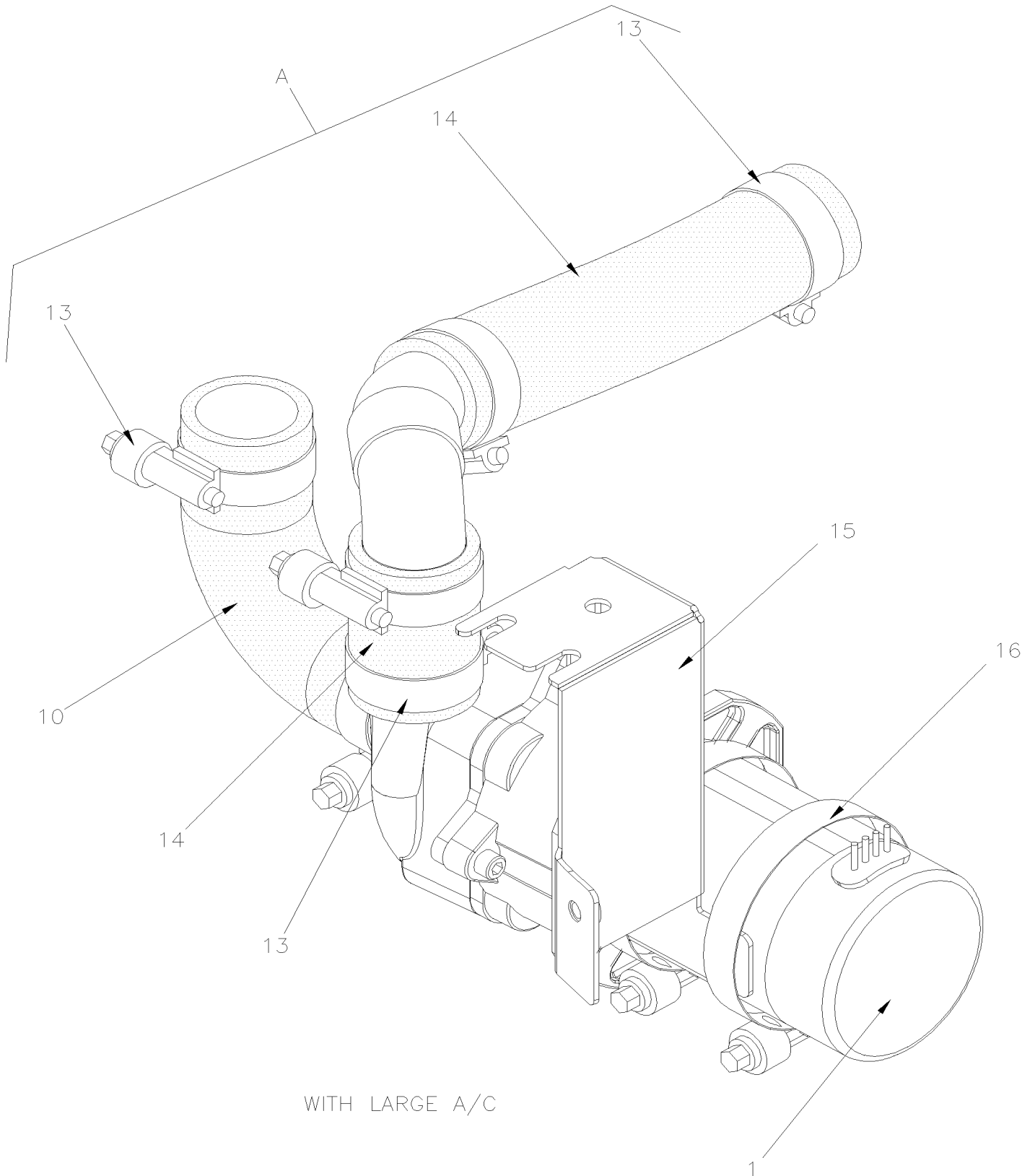


From D-5300 To D-5489

Date:07/2024

PAGE:XV-2206-01

WATER PUMP #874297 AMETEK



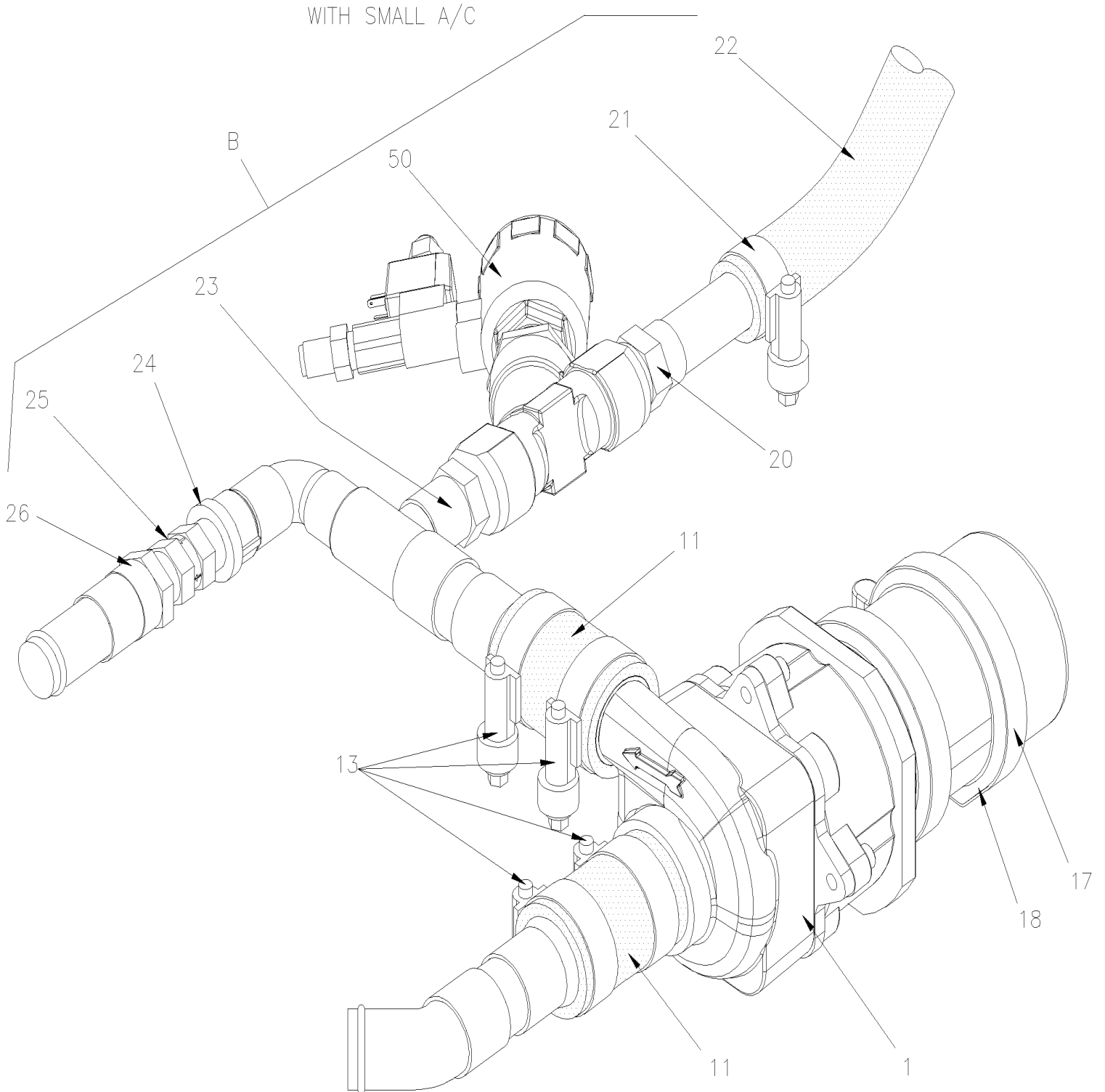


From D-5300 To D-5489

Date:07/2024

PAGE:XV-2206-01

WATER PUMP #874297 AMETEK





From D-5300 To D-5489	Date:07/2024	PAGE:XV-2206-01
WATER PUMP #874297 AMETEK		

Item#	Part	Description	X 3 V I P	X L I I E N T 4 5	N O T E S
1	874297	WATER PUMP "AMETEK" / SEALLESS & BRUSHLESS	1	1	
NS	561781	CONNECTOR / WEATHER PACK / PH 3C / BLACK / PED 12010717	1	1	
NS	561568	PIN TERMINAL / 16-14 / PED 12089305	2	2	
NS	561786	CABLE SEAL / GRAY / PED 15324980	2	2	
NS	561783	SEAL PLUG CAVITY / GREEN / PED 12010300	1	1	
NS	680319	TAPE ADHESIF ELECTRIC / BLACK 3/4"	AR	AR	
NS	562387	CONVOLUTED TUBING / SLIT / BLACK / .250"	AR	AR	
10	374307	ELBOW 90° X 1 3/8" I.D. / 88MM x 150MM C/C / SILICONE 1 PLY	1	1	
11	503392	HOSE SILICONE 4PLY 1 3/8" I.D. x 4' To D-5299	AR	AR	
11	503653	HOSE SILICONE 4PLY 1 3/8" I.D. x 3' From D-5300 To D-5381	AR	AR	
11	503783	HOSE SILICONE 4PLY / NOMEX-ARAMID 34MM I.D. x 6' From D-5382	AR	AR	
13	504657	HOSE CLAMP / 1"1/16-2" C.T. 9424 To D-5404	6	6	
13	504783	HOSE CLAMP / 1"1/16-2" SS / C.T. W.S. From D-5405	1	1	
14	503392	HOSE SILICONE 4PLY 1 3/8" I.D. x 4' To D-5381	AR	AR	
14	503783	HOSE SILICONE 4PLY / NOMEX-ARAMID 34MM I.D. x 6' From D-5382	AR	AR	
15	374649	SUPPORT / WATER PUMP	1	1	
16	504026	HOSE CLAMP / 2"13/16-3"3/4 SS / HS-52	2	2	
17	504235	HOSE CLAMP / 3"9/16"-4"1/2 SS / HS-64	2	2	
18	506728	TAPE RUB ADH1 NEO 1/4" x 3/4" x 10' / BLACK	AR	AR	
20	501866	ADAPTER / COPPER @ PIPE / 3/4Fx3/4NPT-M	1	1	
21	504646	HOSE CLAMP / 11/16"-1"1/4 / C.T. 9412 To D-5404	1	1	
21	504781	HOSE CLAMP / 13/16"-1 5/16" SS / C.T. W.S. From D-5405	1	1	
22	503684	HOSE SILICONE 1 PLY 7/8" I.D. x 100' / S.L. To D-5381	AR	AR	
22	503803	HOSE SILICONE 1 PLY / NOMEX-ARAMID 7/8" I.D. x 100' / S.L. From D-5382	AR	AR	
23	501896	ADAPTER / COPPER @ PIPE / 3/4Fx3/4NPT-M	1	1	
24	501889	ADAPTER / COPPER @ PIPE / 3/4Mx1/2NPT-F	1	1	
25	870727	CHECK VALVE 1/2 NPT	1	1	
26	501568	ADAPTER / COPPER @ PIPE / 3/4Fx1/2NPT-F	1	1	
50	XV-2207-05	WATER VALVE - HEATER			
A	Call order desk	WATER PUMP ASSY WITH PIPE / WITH LARGE A/C	1	1	P
B	Call order desk	WATER PUMP ASSY WITH PIPE / WITH SMALL A/C	1	1	P
		P) CALL ORDER DESK FOR SPECIFIC APPLICATION (V.I.N.)			

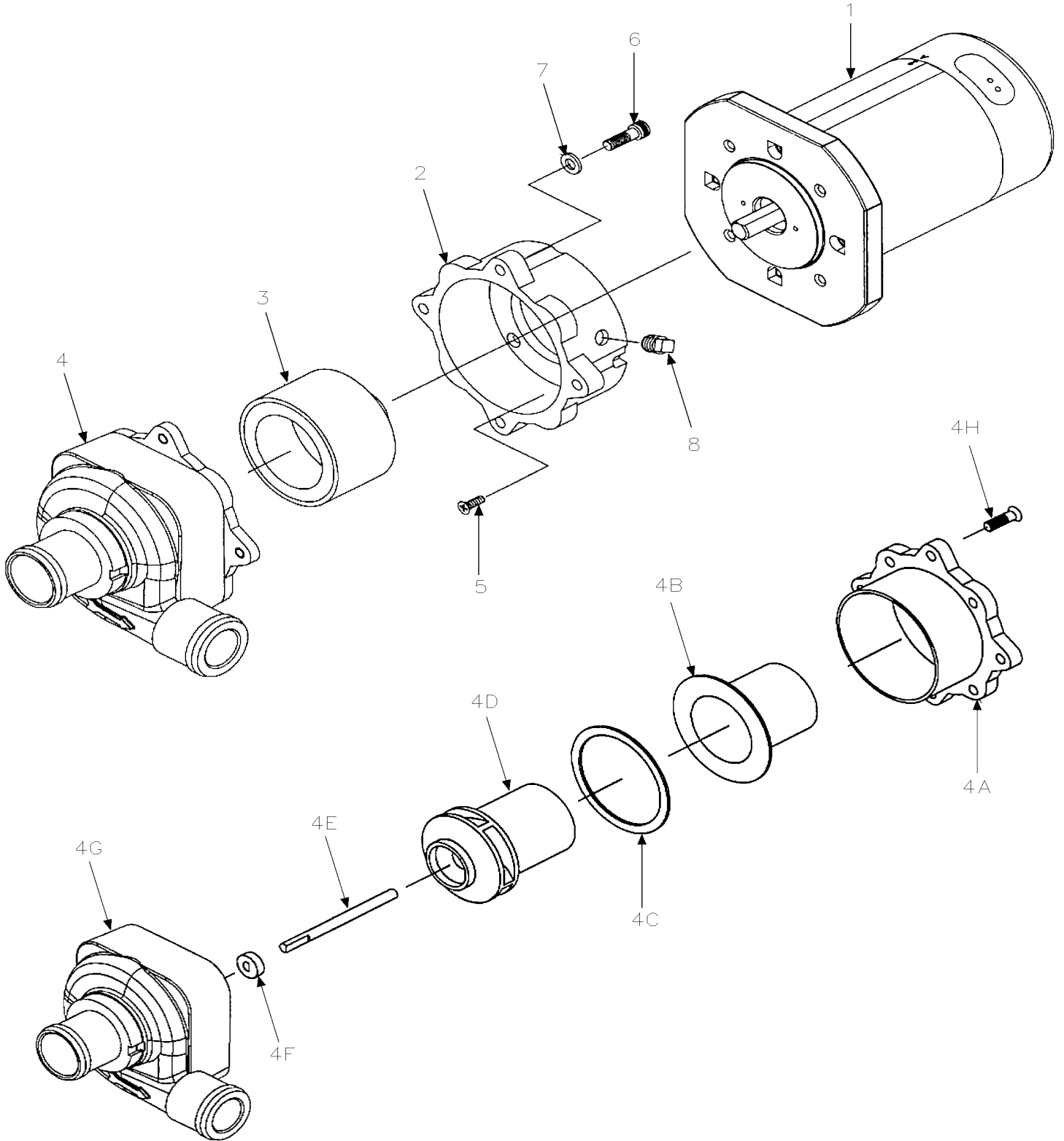


From D-5300 To D-5489

Date:07/2024

PAGE:874297

WATER PUMP "AMETEK" / SEALLESS & BRUSHLESS





From D-5300 To D-5489	Date:07/2024	PAGE:874297
------------------------------	---------------------	--------------------

WATER PUMP "AMETEK" / SEALLESS & BRUSHLESS

Item#	Part	Description	X 3 V I P	X L I I E N T 4 5	N O T E S
1	N.P.N.	MOTOR ASSEMBLY WITHOUT BASEPLATE	1	1	4
2	N8896645	CONNECTING HOUSING	1	1	
3	N8896646	DRIVE MAGNET	1	1	
4	19517742	HOUSING	1	1	
4A	G1091780	. HOUSING CONNECTOR RING	1	1	
4B	G1091781	. IMPELLER HOUSING	1	1	
4C	G1091782	. GASKET ROUND	1	1	
4D	G1091783	. IMPELLER ASSY	1	1	
4E	G1091785	. IMPELLER SHAFT	1	1	
4F	G1091784	. THRUST WASHER	1	1	
4G	870074	. PUMP HOUSING BRASS	1	1	
4H	19508912	. SCREW FLAT HEAD	4	4	
5	N.P.N.	SCREW FLAT HEAD	4	4	4
6	N8896647	SCREW SOCKET HEAD	4	4	
7	N8896640	FLAT WASHER	4	4	
8	195971	PLUG, TREATED	1	1	
		4) NO PARTS NUMBER			

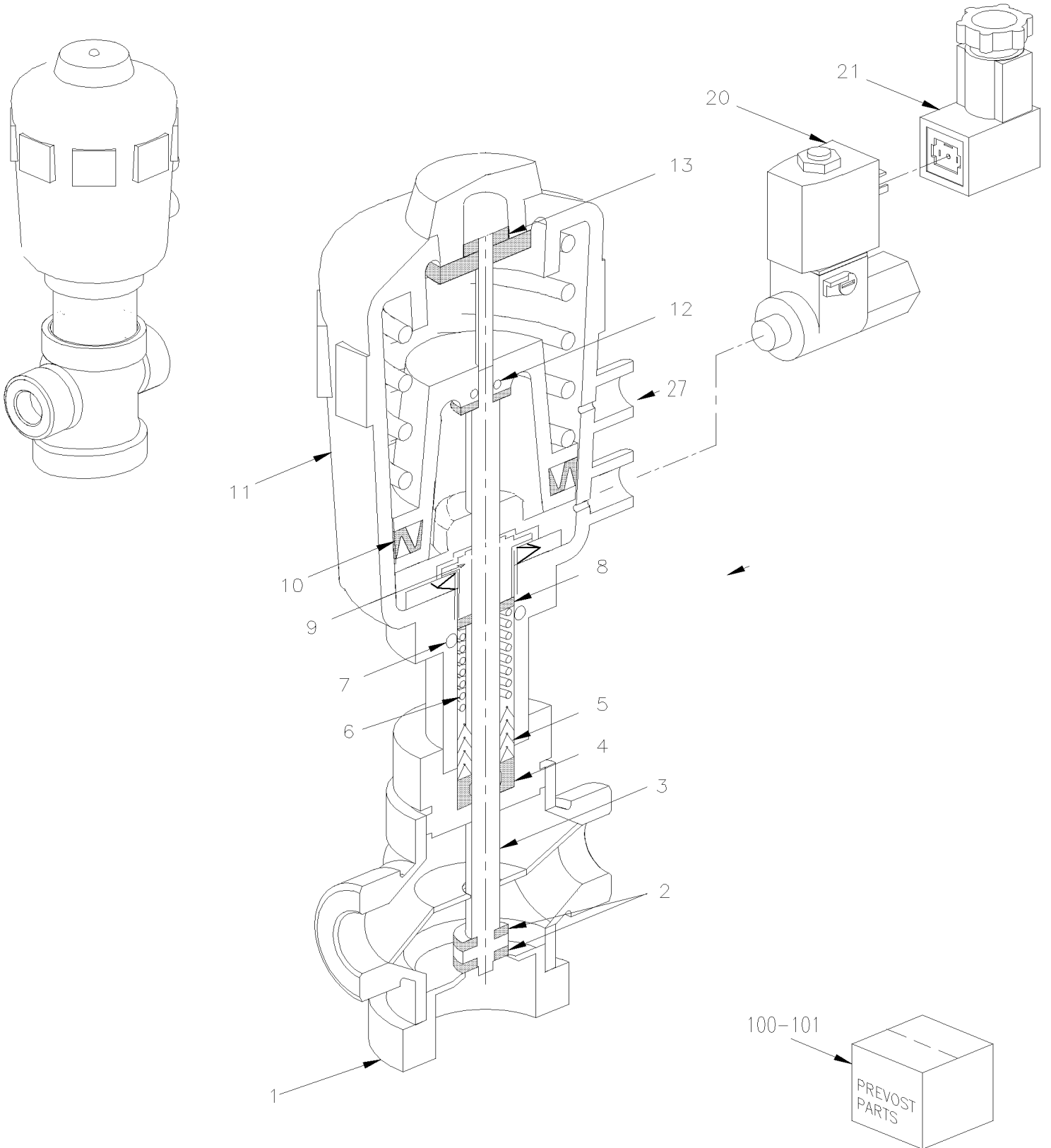


From B-5003 To D-5489

Date:07/2024

PAGE:XV-2207-00

WATER VALVE - HEATER



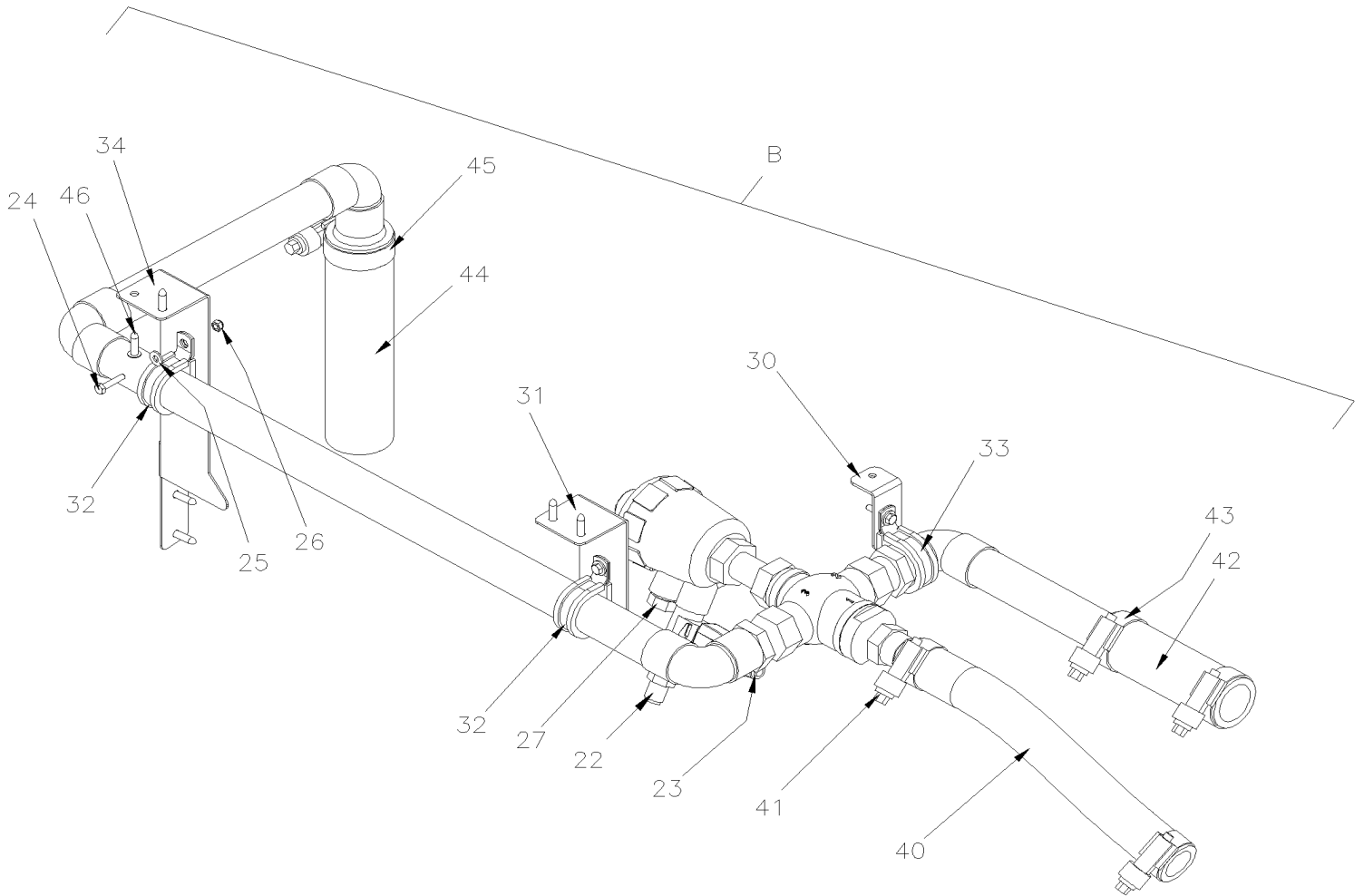


From B-5003 To D-5489

Date:07/2024

PAGE:XV-2207-00

WATER VALVE - HEATER



UP TO D-5371

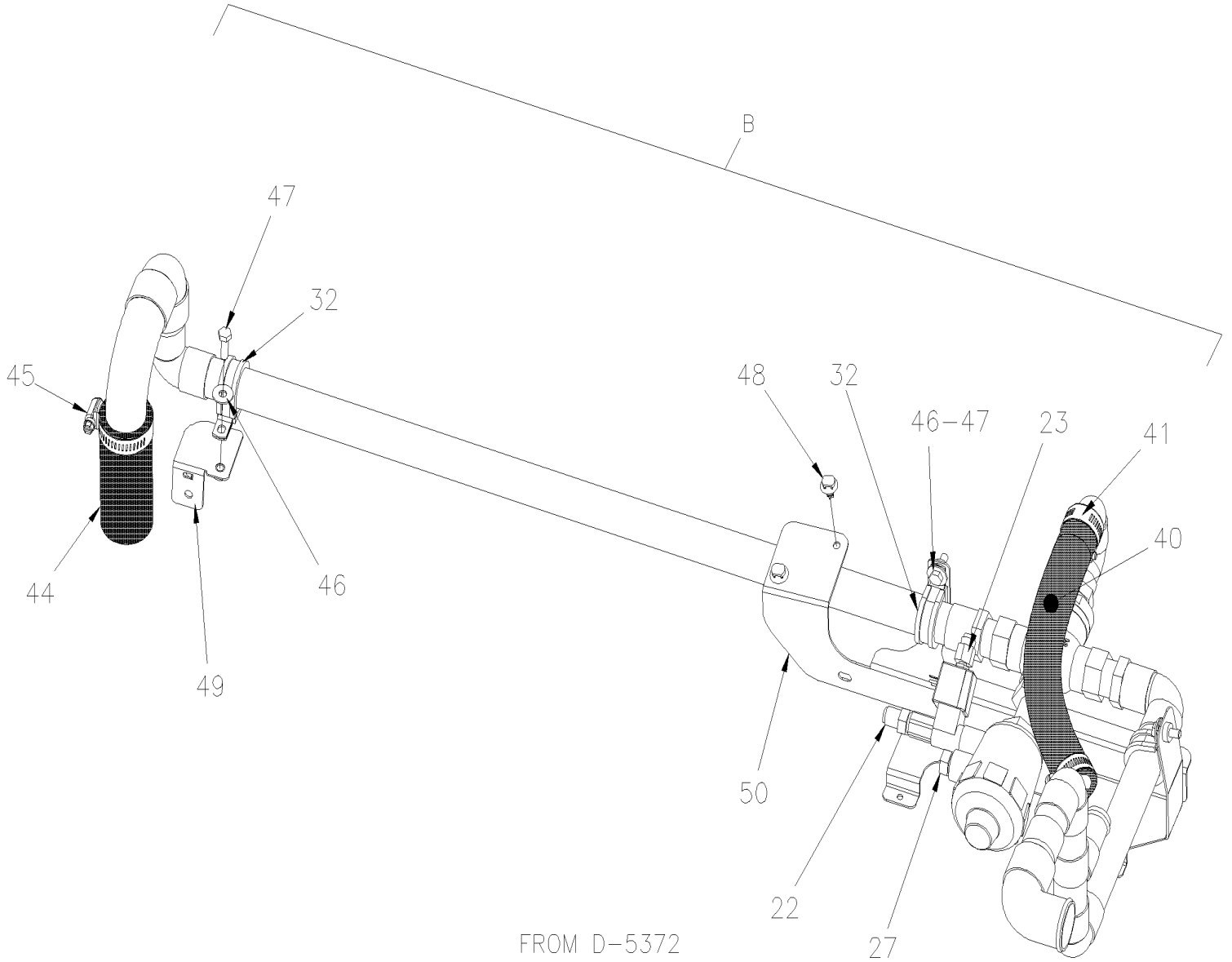


From B-5003 To D-5489

Date:07/2024

PAGE:XV-2207-00

WATER VALVE - HEATER





From B-5003 To D-5489	Date:07/2024	PAGE:XV-2207-00
WATER VALVE - HEATER		

Item#	Part	Description	X 3 V I P	X L I I E N T 4 5	N O T E S
	871430	WATER VALVE ASSY / 24V / 3/WAY 3/4" NPT	1	1	
1	N.S.S.	. BODY	1	1	1
2	N.S.S.	. SEAL	1	1	1
3	N.S.S.	. SPINDLE	1	1	1
4	N.S.S.	. WIPER	1	1	1
5	N.S.S.	. V-SEAL	3	3	1
6	N.S.S.	. SPRING	1	1	1
7	N.S.S.	. O-RING	1	1	1
8	N.S.S.	. LIP SEAL	1	1	1
9	N.S.S.	. SCREW PISTON	1	1	1
10	N.S.S.	. CYLINDER SEAL	1	1	1
11	N.S.S.	. ACTUATOR CASING	1	1	1
12	N.S.S.	. O-RING.	1	1	1
13	N.S.S.	. LIP SEAL	1	1	1
14	N.S.S.	. CONE GLAND 1/8"	2	2	1
20	871390	. SOLENOID VALVE / 24V 4 WATTS	1	1	
. NS	871391	. . COIL 24V 4 WATTS	1	1	
21	563204	. CONNECTOR / SOCKET HOUSING ASSY 4C / BURKET 303148	1	1	
22	641332	MALE CONNECTOR / PUSH-IN FITTING / #4x1/4NPT-M BR	1	1	
23	642028	MALE CONNECTOR / PUSH-IN FITTING / 6MM x M5-0.8 BR	1	1	
24	500588	SCREW CAP HEX M4-0.7x20 G8.8 Z050	3	3	
25	500438	WASHER FL .187x.437x.050 Z050	3	3	
26	500590	NUT HEX NYRT M4-0.7 Z050	3	3	
27	641926	SILENCER / MUFFLER / 1/4NPT-M	1	1	
NS	142087	RESTRICTION / ALU. TUBE 10MM x 4.14MM O.D. W/0.79" HOLE / W/FLANGE	1	1	
30	374576	SUPPORT PIPE	1	1	
31	374499	SUPPORT WATER VALVE BACKWARD	1	1	
32	952637	CLAMP / 1"1/16 I.D.	2	2	
33	952639	CLAMP / 1"1/4 I.D.	1	1	
34	374595	SUPPORT WATER PUMP	1	1	
40	503651	HOSE SILICONE 2PLY 7/8" I.D. x 3' To C-5166	AR	AR	
40	503791	HOSE SILICONE 4 PLY / NOMEX-ARAMID 7/8" I.D. x 4' From C-5167 To D-5381	AR	AR	
40	503797	HOSE SILICONE 4 PLY / NOMEX-ARAMID 7/8" I.D. x 6' From D-5382	AR	AR	
41	504646	HOSE CLAMP / 11/16"-1"1/4 / C.T. 9412 To D-5404	2	2	
41	504781	HOSE CLAMP / 13/16"-1 5/16" SS / C.T. W.S. From D-5405	2	2	
42	503652	HOSE SILICONE 2PLY 1 1/8" I.D. x 3' To D-5381	AR	AR	
42	503796	HOSE SILICONE 2 PLY / NOMEX-ARAMID 1 1/8" I.D. x 6' From D-5382	AR	AR	
43	504658	HOSE CLAMP / 13/16"-1"3/4 / C.T. 9420 To D-5404	2	2	
43	504782	HOSE CLAMP / 1 3/16-1 13/16 SS / C.T. W.S. From D-5405	2	2	
44	503392	HOSE SILICONE 4PLY 1 3/8" I.D. x 4' To D-5381	AR	AR	
44	503783	HOSE SILICONE 4PLY / NOMEX-ARAMID 34MM I.D. x 6' From D-5382	AR	AR	
45	504657	HOSE CLAMP / 1"1/16-2" C.T. 9424 To D-5404	1	1	



From B-5003 To D-5489	Date:07/2024	PAGE:XV-2207-00
WATER VALVE - HEATER		

Item#	Part	Description	X 3 V I P	X L I I E N T 4 5	N O T E S
45	504783	HOSE CLAMP / 1"1/16-2" SS / C.T. W.S. From D-5405	1	1	
46	500957	SCREW TP BDG PH #10x3/4 N500 To D-5371	4	4	
46	5001833	WASHER BEL SPR 6.1x18x1.27 SS From D-5372	4	4	
47	502830	SCREW CAP HEX M6-1.0x20 G8.8 N500 From D-5372	3	3	
48	509815	TIE MOUNT / ATTACHMENT W/TREE MOUNT From D-5372	3	3	
49	374673	SUPPORT WATER VALVE FORWARD From D-5372	1	1	
50	374674	SUPPORT WATER VALVE BACKWARD From D-5372	1	1	
100	871389	SEAL KIT / WATER SIDE	1	1	
101	871388	SEAL KIT / AIR PISTON SIDE	1	1	
B	Call order desk	WATER VALVE ASSY W/PIPE & SUPPORT	1	1	P
B	Call order desk	WATER VALVE ASSY W/PIPE & SUPPORT To C-5166	1	1	P
B	Call order desk	WATER VALVE ASSY W/PIPE & SUPPORT From C-5167 To D-5371		1	P
B	374688	WATER VALVE ASSY W/PIPE & SUPPORT From D-5372		1	
		1) NOT SOLD SEPARATELY			
		P) CALL ORDER DESK FOR SPECIFIC APPLICATION (V.I.N.)			

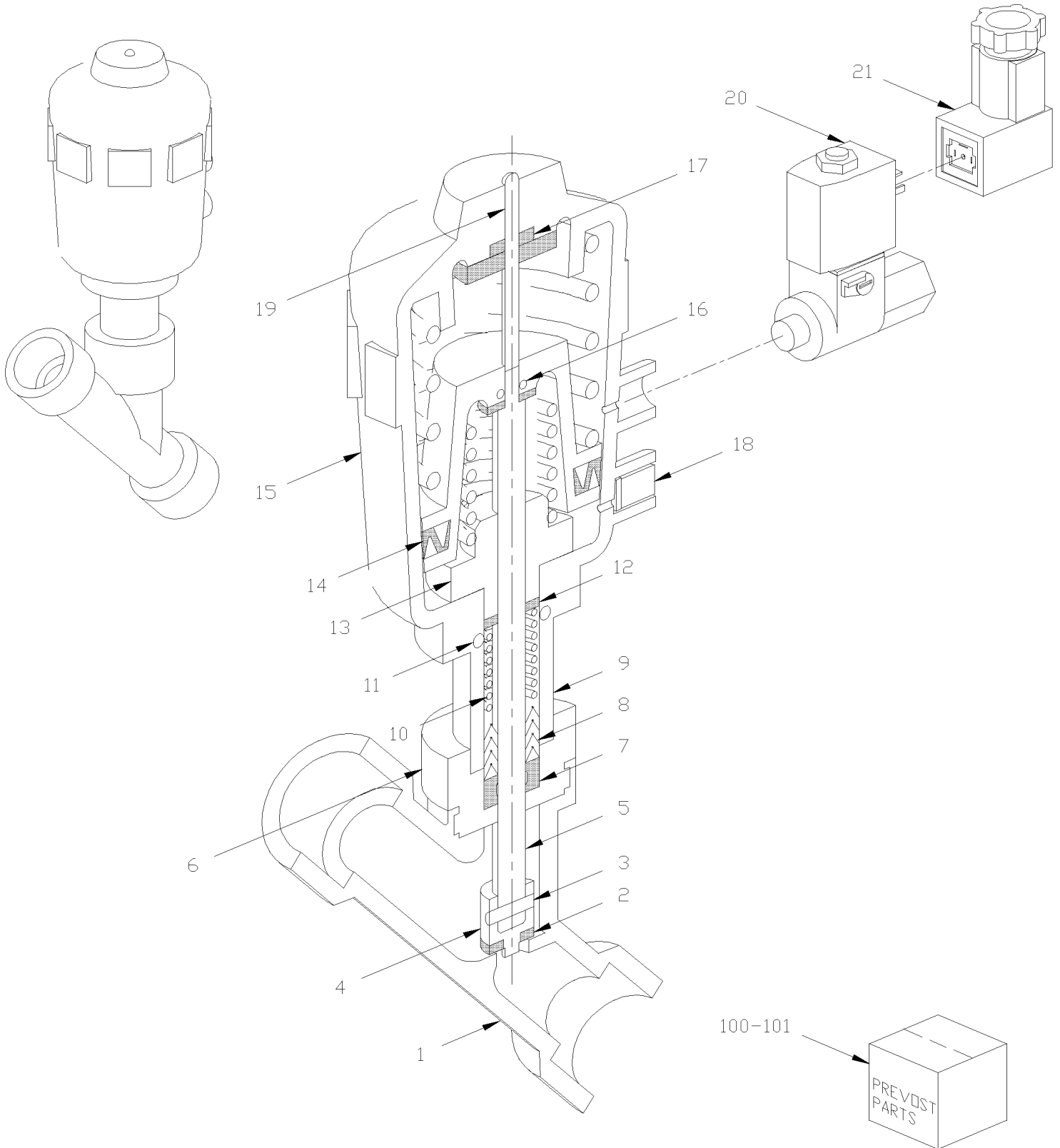


From B-5003 To D-5489

Date:07/2024

PAGE:XV-2207-05

WATER VALVE - HEATER



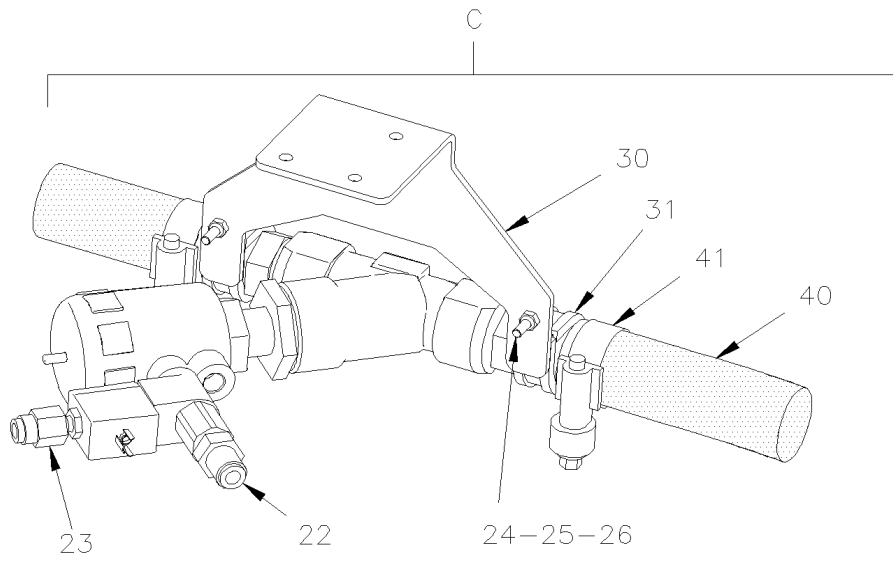


From B-5003 To D-5489

Date:07/2024

PAGE:XV-2207-05

WATER VALVE - HEATER





From B-5003 To D-5489	Date:07/2024	PAGE:XV-2207-05
------------------------------	---------------------	------------------------

WATER VALVE - HEATER

Item#	Part	Description	X 3 V I P	X L I E N T 4 5	N O T E S
	871252	. WATER VALVE ASSY / 24V	1	1	
1	N.S.S.	. . BODY	1	1	1
2	N.S.S.	. . SEAL	1	1	1
3	N.S.S.	. . PIN	1	1	1
4	N.S.S.	. . SWIVEL PLATE	1	1	1
5	N.S.S.	. . SPINDLE	1	1	1
6	N.S.S.	. . NIPPLE	1	1	1
7	N.S.S.	. . WIPER	1	1	1
8	N.S.S.	. . V-SEAL	3	3	1
9	N.S.S.	. . TUBE	1	1	1
10	N.S.S.	. . SPRING	1	1	1
11	N.S.S.	. . O-RING	1	1	1
12	N.S.S.	. . LIP SEAL	1	1	1
13	N.S.S.	. . SCREW	1	1	1
14	N.S.S.	. . CYLINDER SEAL	1	1	1
15	N.S.S.	. . ACTUATOR CASING	1	1	1
16	N.S.S.	. . O-RING	1	1	1
17	N.S.S.	. . LIP SEAL	1	1	1
18	N.S.S.	. . CONE GLAND 1/8"	2	2	1
19	N.S.S.	. . POSITION INDICATOR	1	1	1
20	871313	. SOLENOID VALVE 24V 4 WATTS 1/8SPT X 1/4NPT	1	1	
. NS	871391	. . COIL 24V 4 WATTS	1	1	
21	563204	. CONNECTOR / SOCKET HOUSING ASSY 4C / BURKET 303148	1	1	
22	641332	MALE CONNECTOR / PUSH-IN FITTING / #4x1/4NPT-M BR	1	1	
23	642028	MALE CONNECTOR / PUSH-IN FITTING / 6MM x M5-0.8 BR	1	1	
24	500588	SCREW CAP HEX M4-0.7x20 G8.8 Z050	2	2	
25	500438	WASHER FL .187x.437x.050 Z050	2	2	
26	500590	NUT HEX NYRT M4-0.7 Z050	2	2	
30	374147	SUPPORT WATER VALVE	1	1	A
31	952635	CLAMP / 1" I.D.	2	2	
40	503684	HOSE SILICONE 1 PLY 7/8" I.D. x 100' / S.L. To C-5166	AR	AR	
40	503791	HOSE SILICONE 4 PLY / NOMEX-ARAMID 7/8" I.D. x 4' From C-5167 To D-5381	AR	AR	
40	503797	HOSE SILICONE 4 PLY / NOMEX-ARAMID 7/8" I.D. x 6' From D-5382	AR	AR	
41	504646	HOSE CLAMP / 11/16"-1"1/4 / C.T. 9412 To D-5404	2	2	
41	504781	HOSE CLAMP / 13/16"-1 5/16" SS / C.T. W.S. From D-5405	2	2	
100	871311	SEAL KIT / WATER SIDE	1	1	
101	871312	SEAL KIT / AIR PISTON SIDE	1	1	
C	Call order desk	WATER VALVE ASSY W/PIPE & SUPPORT	1	1	P
C	Call order desk	WATER VALVE ASSY W/PIPE & SUPPORT	1	1	P



From B-5003 To D-5489	Date:07/2024	PAGE:XV-2207-05
-----------------------	--------------	-----------------

WATER VALVE - HEATER

Item#	Part	Description	X 3 V I P	X L I I E N T 4 5	N O T E S
		A) AS SHOWN			
		1) NOT SOLD SEPARATELY			
		P) CALL ORDER DESK FOR SPECIFIC APPLICATION (V.I.N.)			

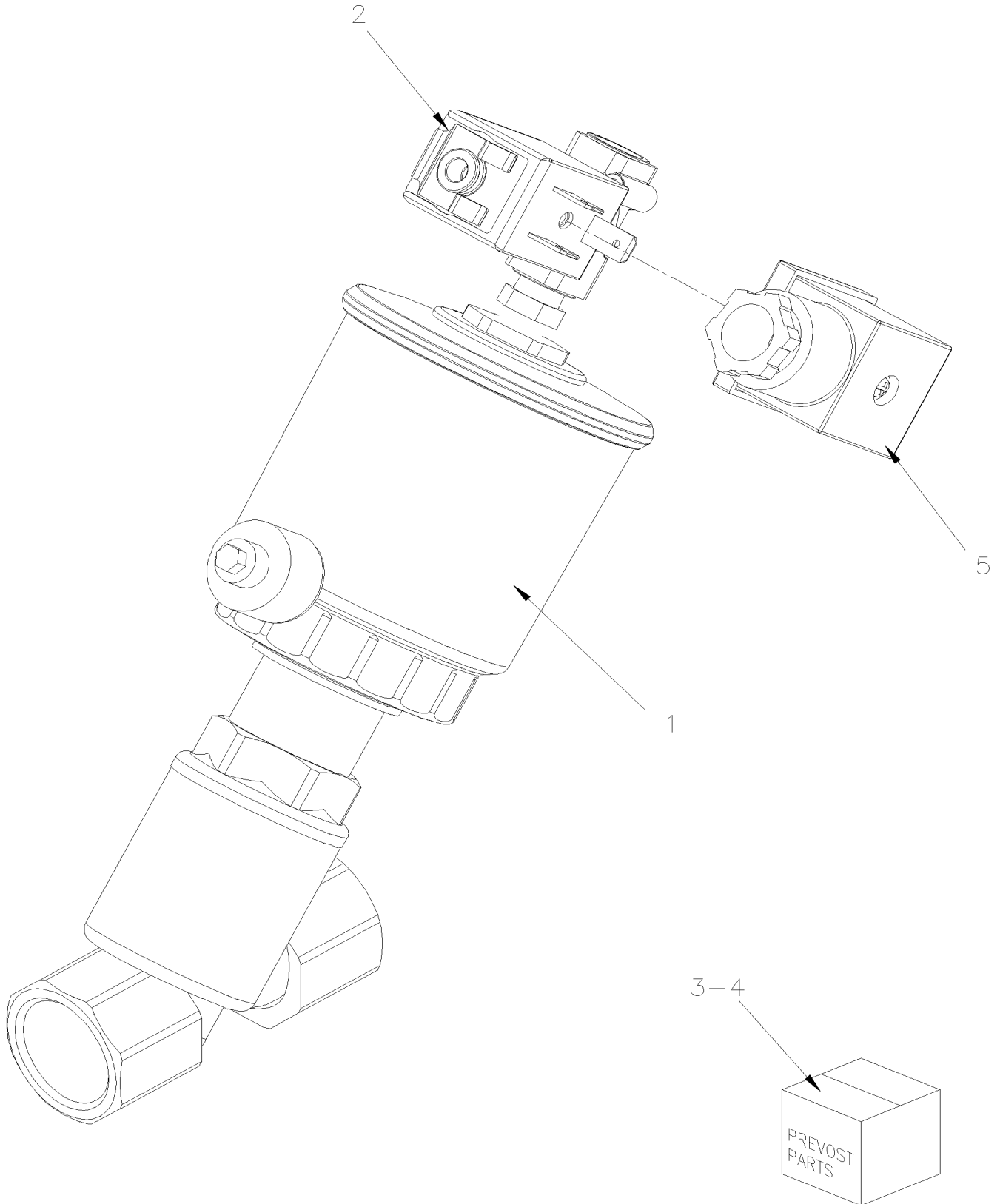


From B-5003 To D-5489

Date:07/2024

PAGE:XV-2207-99

WATER VALVE - W/2 WAYS / SERVICE





From B-5003 To D-5489	Date:07/2024	PAGE:XV-2207-99
------------------------------	---------------------	------------------------

WATER VALVE - W/2 WAYS / SERVICE

Item#	Part	Description	X 3 V I P	X L I I E N T 4 5	N O T E S
1	871454	WATER VALVE ASSY / 24V	1	1	
2	871458	. VALVE PILOT	1	1	
3	871459	. VALVE PSITON SERVICE KIT	1	1	
. NS	N.S.S.	. . VALVE PSITON SERVICE KIT	1	1	1
. NS	N.S.S.	. . WASHER	1	1	1
. NS	N.S.S.	. . WASHER	1	1	1
. NS	N.S.S.	. . SEAL	1	1	1
4	871460	. CONNECTOR KIT	1	1	
5	641385	CONNECTOR / SOCKET HOUSING ASSY 3C / PNEUMAC 54934-01	1	1	
		1) NOT SOLD SEPARATELY			

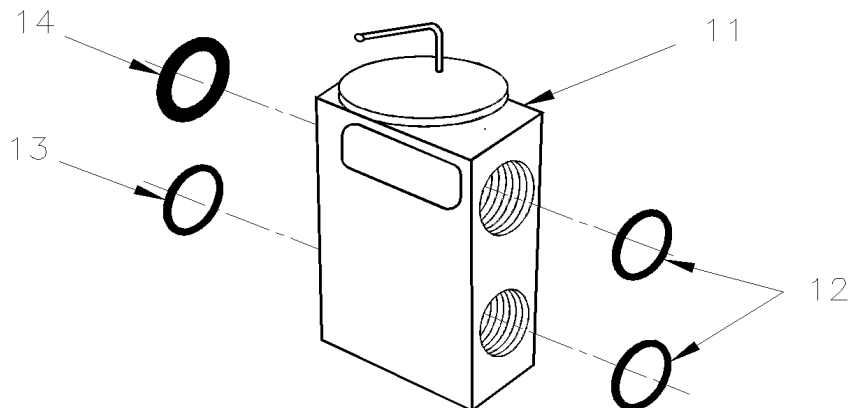
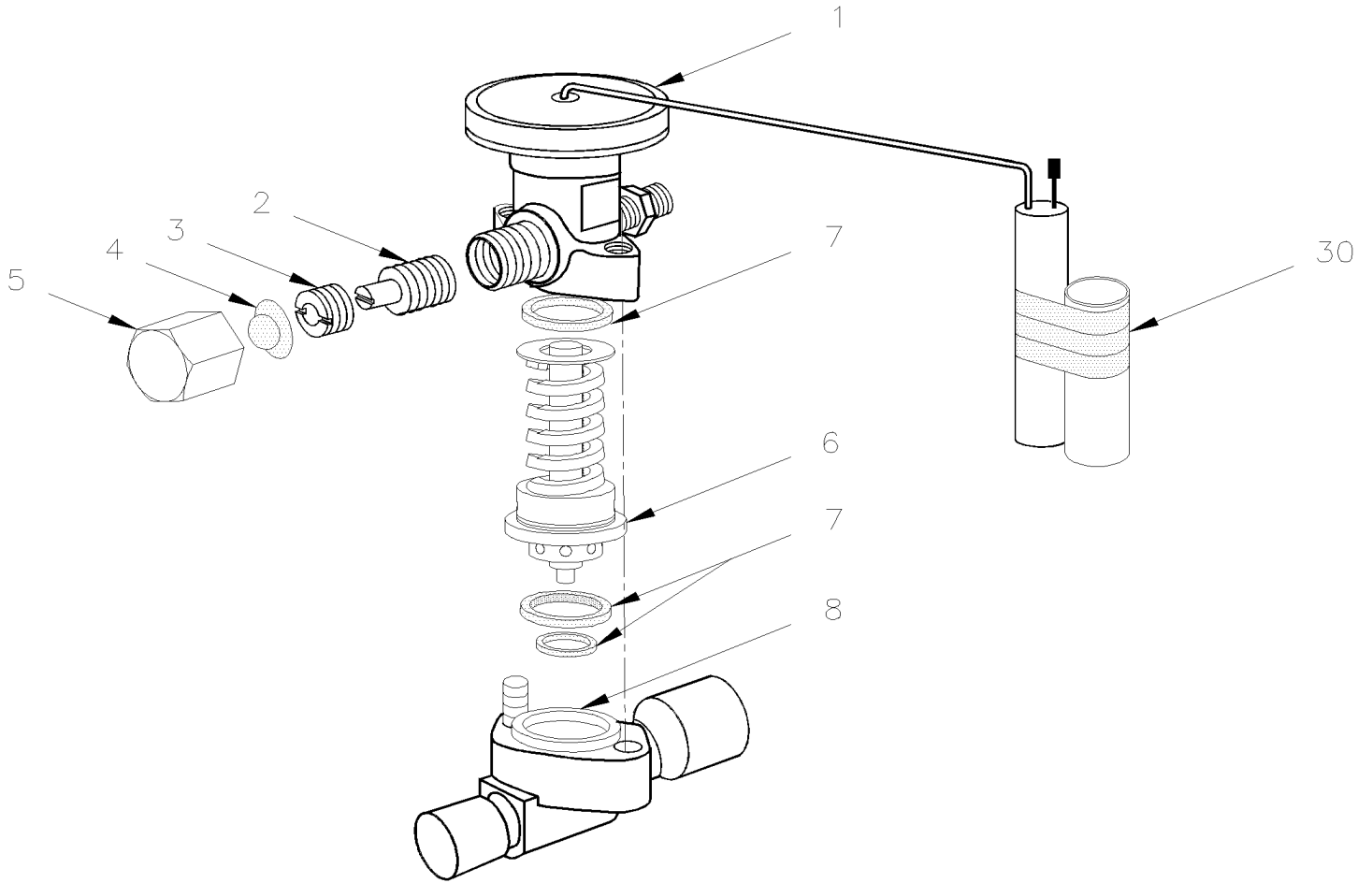


From B-5003 To D-5489

Date:07/2024

PAGE:XV-2208-00

A/C EXPANSION VALVE



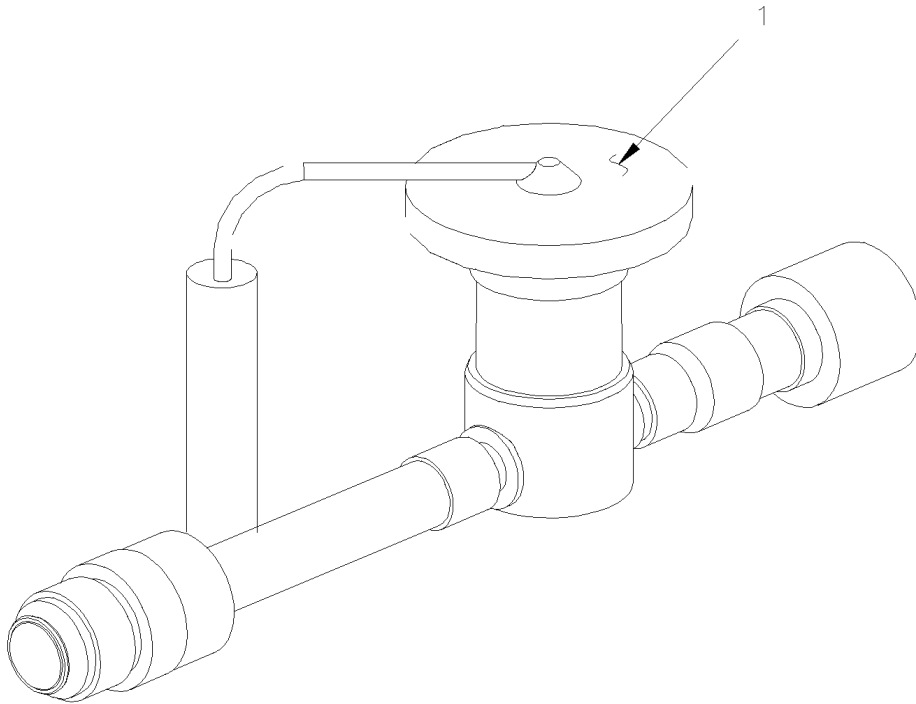


From B-5003 To D-5489

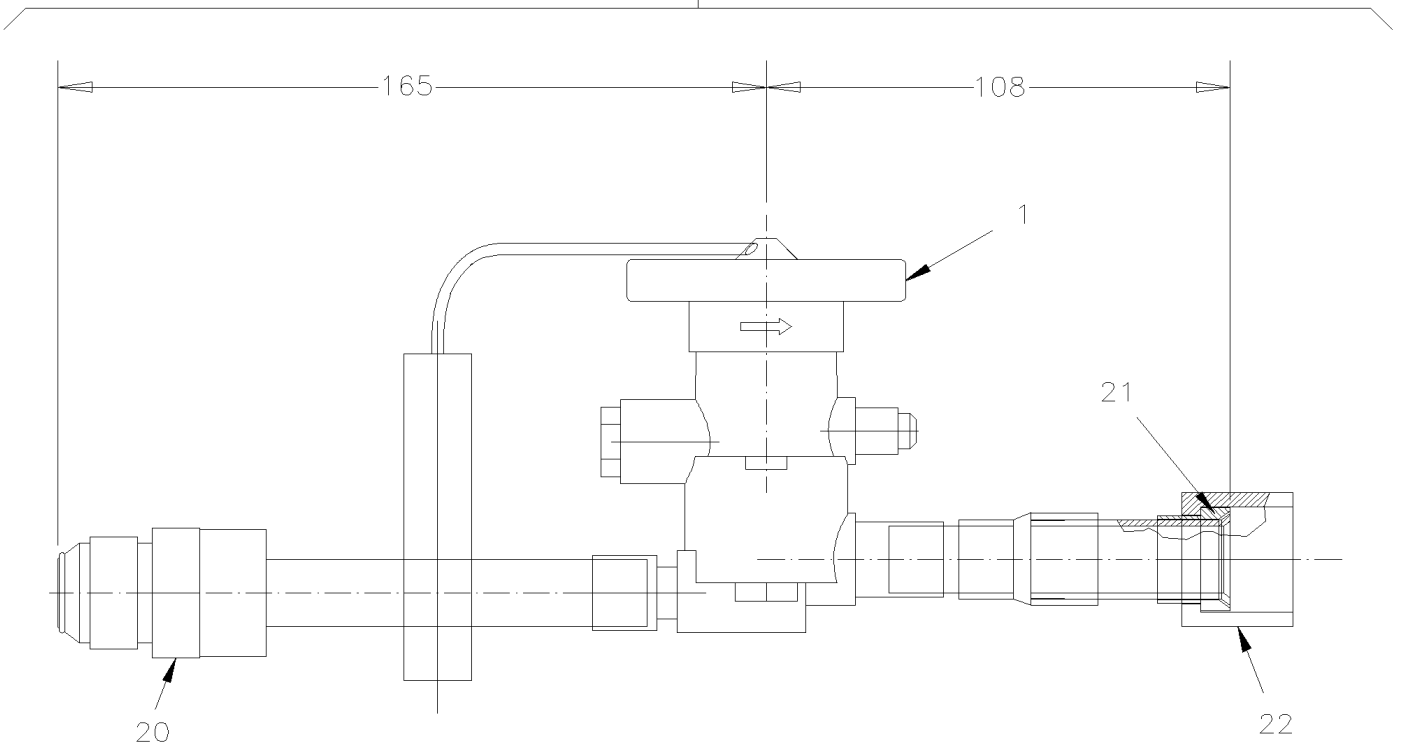
Date:07/2024

PAGE:XV-2208-00

A/C EXPANSION VALVE



B





From B-5003 To D-5489	Date:07/2024	PAGE:XV-2208-00
------------------------------	---------------------	------------------------

A/C EXPANSION VALVE

Item#	Part	Description	X 3 V I P	X L I E N T 4 5	N O T E S
	871344	VALVE, EXPANSION ASSY / WITH PIPE	1	1	A
	950320	. VALVE, EXPANSION 5 1/2 TON	1	1	
1	950241	. . ELEMENT POWER R134A	1	1	
1	950241	. . ELEMENT POWER R134A	1	1	A
2	870622	. . ADJUSTING STEM & PACKING ASSY	1	1	
3	870621	. . NUT PACKING	1	1	
4	N.S.S.	. . SEAL	1	1	1
5	870619	. . NUT CAP	1	1	
6	950317	. . CAGE ASSY & SPRING / B6B	1	1	
6	950258	. . CAGE ASSY & SPRING / B3B	1	1	A
7	870709	. . SET GASKET	1	1	
8	N.S.S.	. . FLANGE BODY	1	1	1
8	504634	T-CLIP / 7/8" - 1"	1	1	
8	504637	CABLE TIE / 3/16" x 13"	1	1	
11	950221	VALVE, EXPANSION / DRIVER'S W/R134A	1	1	
12	507279	O-RING / ORS FITTING / #8 NEO	1	1	
13	507278	O-RING / ORS FITTING / #4 NEO	1	1	
14	507344	O-RING / ORS FITTING / #10 NEO	1	1	
20	507525	ADAPTER JIC @ BRAZE W/O-RING / / #12JIC-Mx#10BRAZE-F BR	1	1	
. NS	501829	. O-RING / ORS FITTING / #12 NEO	1	1	
21	507518	SLEEVE / JIC 37° FITTING / #12 STL	1	1	
22	507519	NUT / JIC 37° FITTING / #12JIC-F STL	1	1	
30	680091	TAPE INSULATING / 1/8" x 2" x 30' / BLACK PT-1	1	1	
B	453985	VALVE, EXPANSION ASSY / WITH PIPE To C-5132	1	1	
B	454699	VALVE, EXPANSION ASSY / WITH PIPE From C-5133	1	1	
		A) WITH SMALL A/C SYSTEM INSTALL ON FRONT DEFROSTER ASSY			
		1) NOT SOLD SEPARATELY			

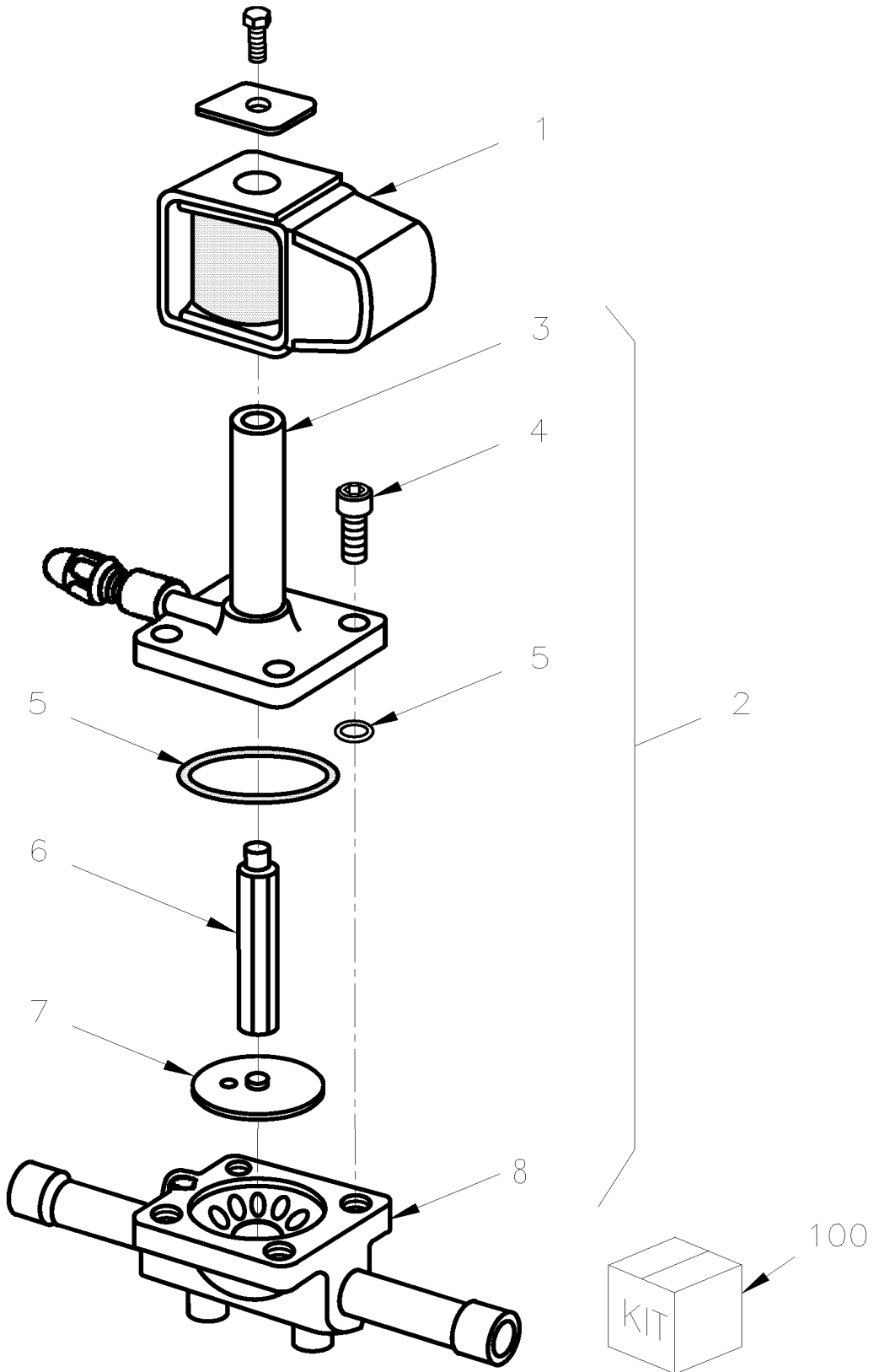


From B-5003 To D-5489

Date:07/2024

PAGE:XV-2208-10

REFRIGERANT SOLENOID VALVE





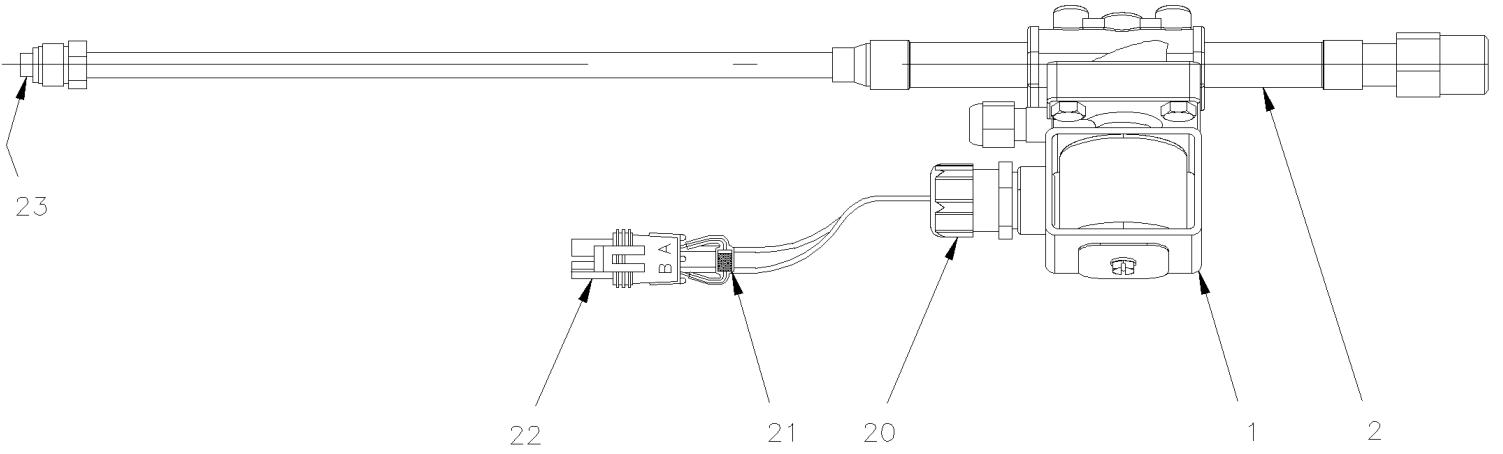
From B-5003 To D-5489

Date:07/2024

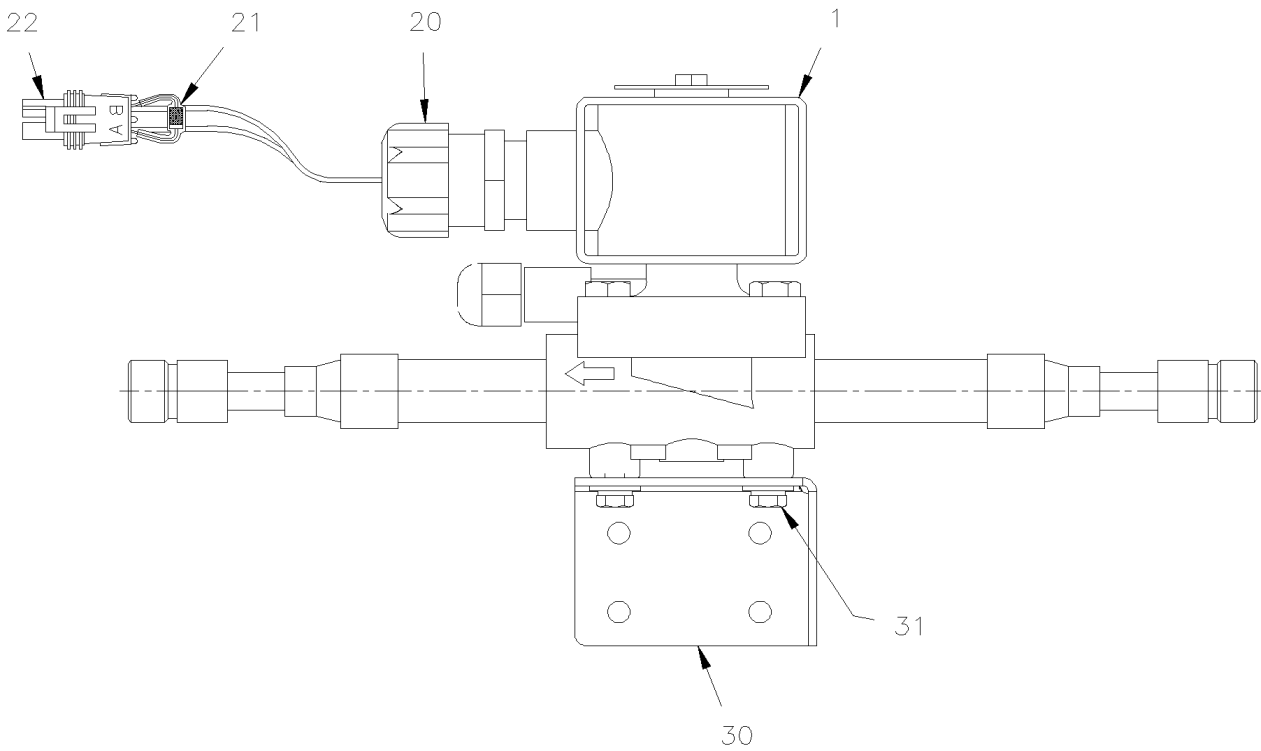
PAGE:XV-2208-10

REFRIGERANT SOLENOID VALVE

A



B





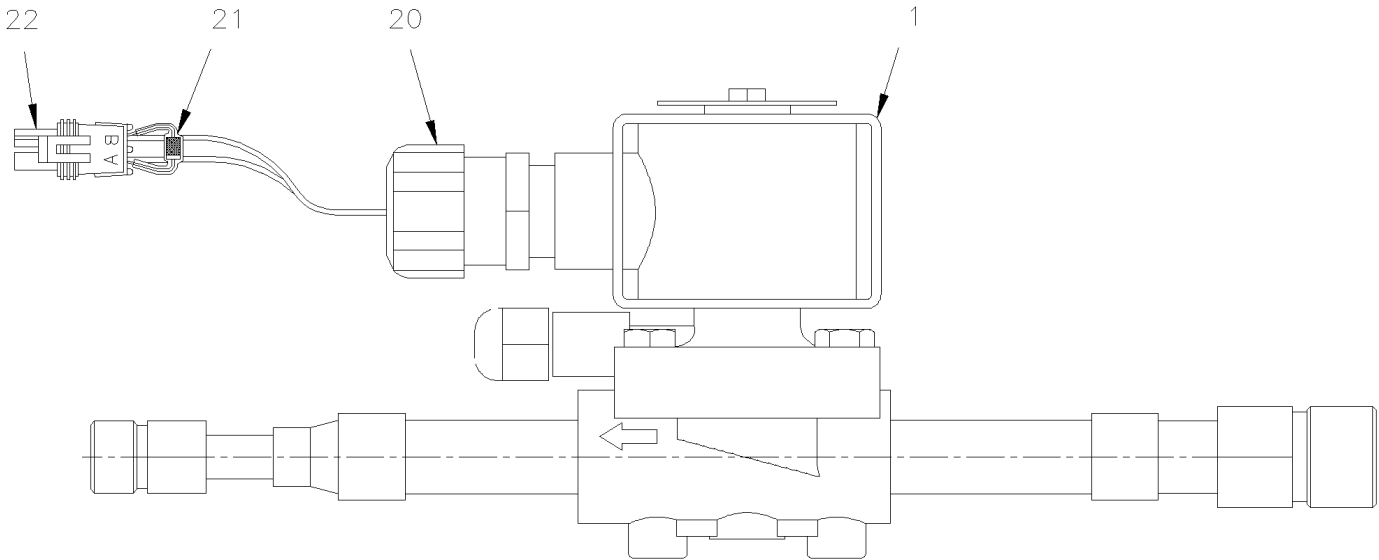
From B-5003 To D-5489

Date:07/2024

PAGE:XV-2208-10

REFRIGERANT SOLENOID VALVE

C





From B-5003 To D-5489	Date:07/2024	PAGE:XV-2208-10
-----------------------	--------------	-----------------

REFRIGERANT SOLENOID VALVE

Item#	Part	Description	X 3 V I P	X L I I E N T 4 5	N O T E S
1	950953	. COIL 24V / SERVICE	1	1	
2	950951	. VALVE REFRIGERANT SOLENOID	1	1	
3	N.S.S.	. . BONNET & ENCLOSING TUBE ASSY	1	1	1
4	500238	. . SCREW CAP HEXS 1/4-20x3/4 ZP	4	4	
5	N.S.S.	. . O-RING	1	1	1
6	N.S.S.	. . PLUNGER ASSY	1	1	1
7	N.S.S.	. . DIAPRAGM ASSY	1	1	1
8	N.S.S.	. . BODY	1	1	1
NS	500160	. SCREW CAP HEX #10-24x1/2 Z050	2	2	
20	560434	. CONNECTOR 1/2" PIPE	1	1	
21	560931	. DIODE / 3AMPS	1	1	
22	561690	. CONNECTOR / WEATHER PACK / SH 2C / BLACK / PED 12015792	1	1	
NS	561565	. CABLE SEAL / GREEN / PED 15324982	2	2	
NS	561578	. SOCKET TERMINAL / 16-14 / PED 12010182	2	2	
23	507278	. O-RING / ORS FITTING / #4 NEO	1	1	
30	453315	. SUPPORT / A/C VALVE	1	1	
31	500041	. SCREW CAP HEX #10-24x3/8 SS	2	2	
NS	500470	. WASHER LO SPT .193x.334x.047 Z050	2	2	
NS	500964	. WASHER FL .203x.500x.047 Z050	2	2	
B	453318	VALVE ASSY / REFRIGERANT SOLENOID	1	1	B
C	453151	VALVE ASSY / REFRIGERANT SOLENOID	1	1	A
		A) IN SPARE COMPARTMENT			
		B) IN SPARE COMPARTEMENT WITH SMALL A/C SYSTEM			
		1) NOT SOLD SEPARATELY			

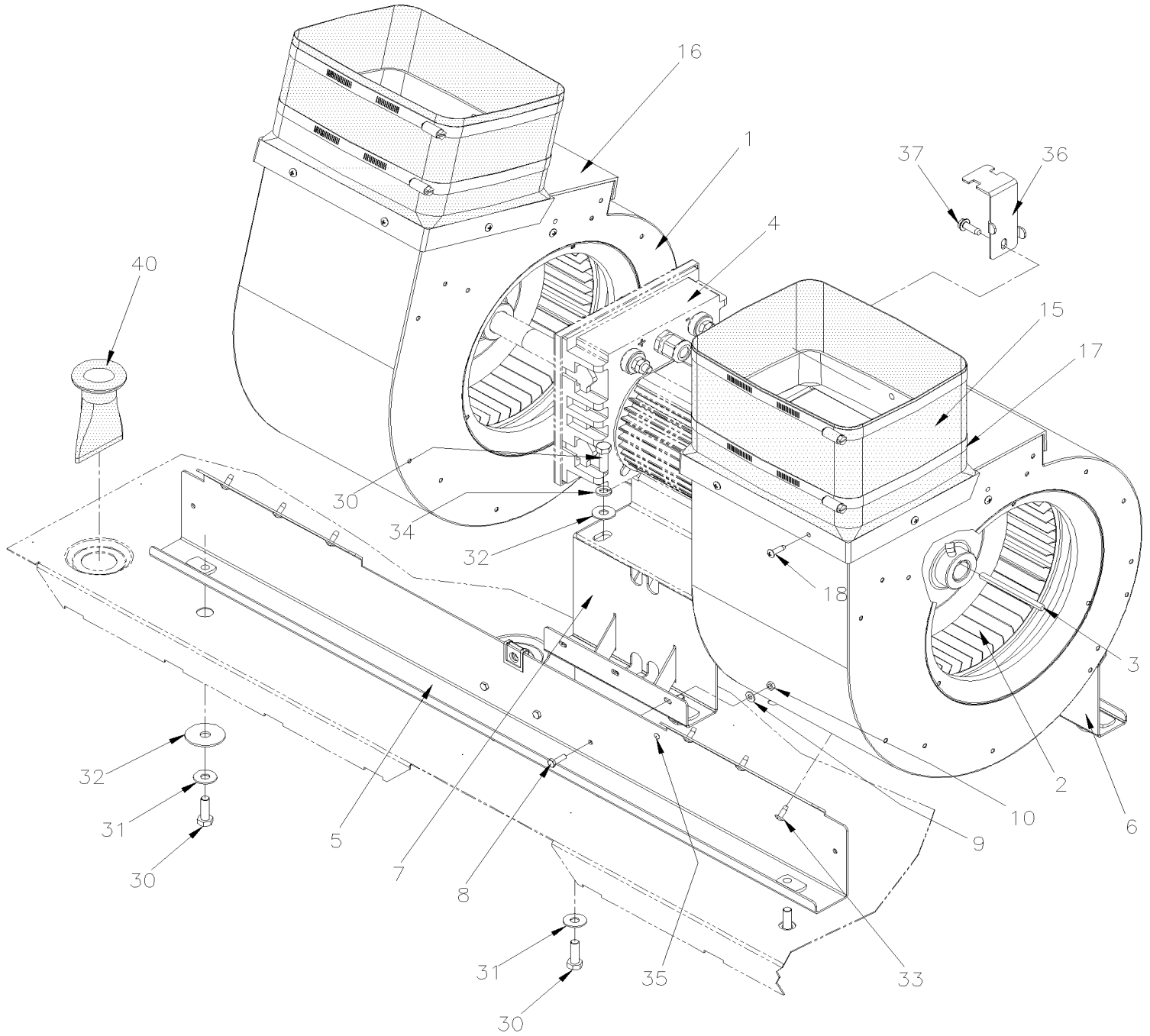


From B-5003 To D-5489

Date:07/2024

PAGE:XV-2210-00

HEATER & EVAPORATOR BLOWER - INSTALLATION





From B-5003 To D-5489	Date:07/2024	PAGE:XV-2210-00
HEATER & EVAPORATOR BLOWER - INSTALLATION		

Item#	Part	Description	X 3 V I P	X L I I E N T 4 5	N O T E S
1	871306	HOUSING ASSY W/BLOWER WHEEL	2	2	
1	871308	. HOUSING ASSY, GALVANISED	1	1	
2	870956	. BLOWER WHEEL	1	1	
3	452085	KEY 3/16 X 82 MM	2	2	
4	XV-2265-01	MOTOR - EVAPORATOR BRUSHLESS			
5	453990	SUPPORT	1	1	
6	453995	SUPPORT	1	1	
7	457414	BASE SUB ASSY	1	1	
8	5001447	SCREW CAP HEX #10-24x5/8 PT SS BK	6	6	
9	5001137	WASHER FL .203x.438x.050 SS	6	6	
10	5001180	NUT HEX NYRT #10-24 SS	6	6	
15	453986	FLEXIBLE DUCT / HEIGHT 140MM	2	2	
16	453992	TRANSITION ADAPTOR FLEXIBLE DUCT	2	2	
17	504729	CLAMP HOSE SS/CR 203-279	2	2	
18	500957	SCREW TP BDG PH #10x3/4 N500	10	10	
30	502780	SCREW CAP HEX M8-1.25x25 SS BK	12	12	
31	5001448	WASHER FL .343x.875x.062 SS18-8	12	12	
32	500261	WASHER FL .390x1.500x.083 N500	4	4	
33	502868	SCREW TC TR PH #10-16x1/2 N500	AR	AR	
34	500035	WASHER LO SPT .317x.586x.078 SS	4	4	
35	504112	RIVET POP DOME OE 1/8x1/8 AL	2	2	
36	068359	SUPPORT WIRING HARNESS	1	1	
37	502848	SCREW TC CAP HEXF 1/4-20x3/4 N500	1	1	
40	414654	DRAIN BOOT 1" I.D. W/GROOVE 1.5 x 35MM I.D. x 85MM	4	4	

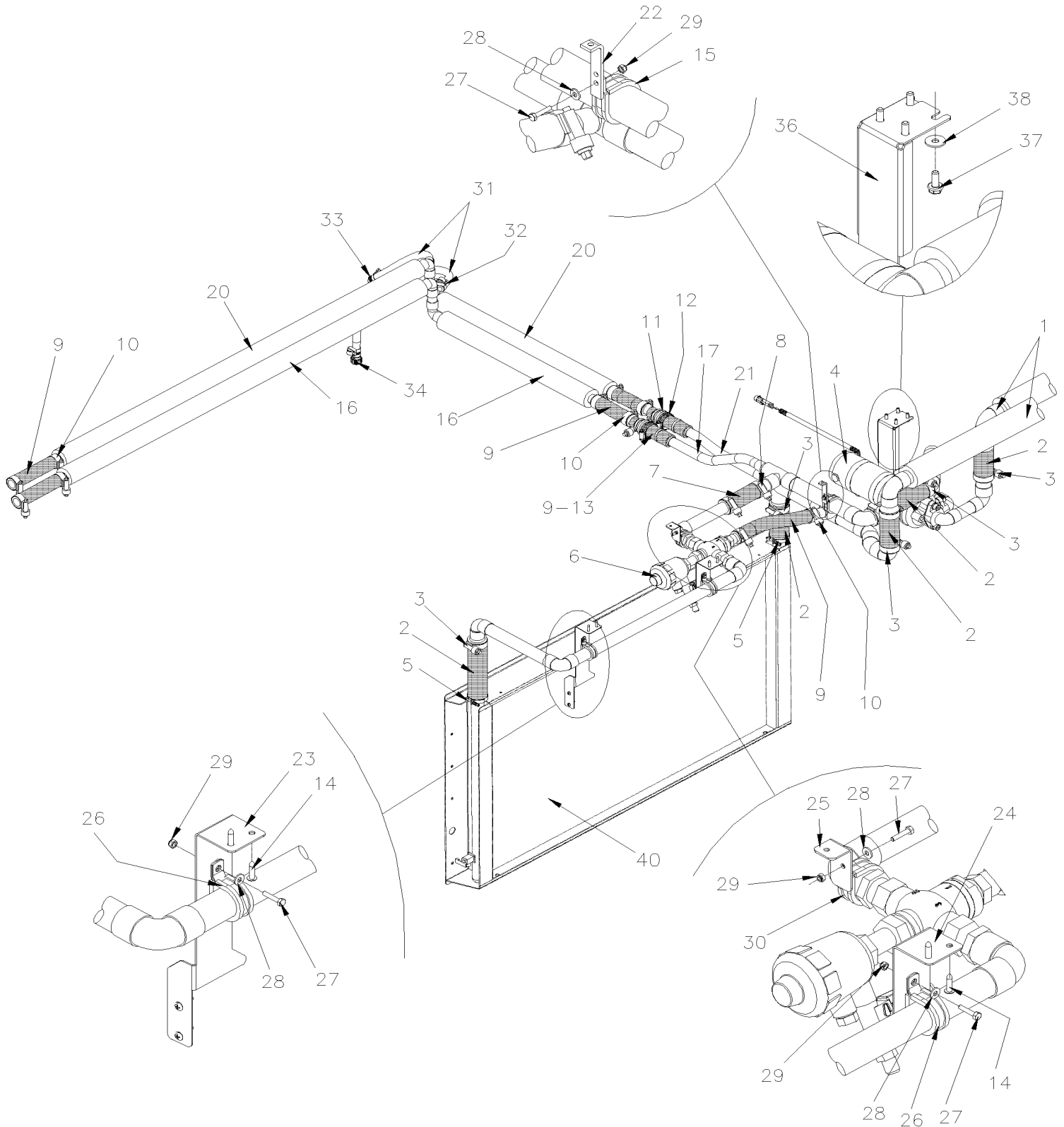


From B-5003 To D-5489

Date:07/2024

PAGE:XV-2210-11

WATER PUMP - INSTALLATION





From B-5003 To D-5489	Date:07/2024	PAGE:XV-2210-11
------------------------------	---------------------	------------------------

WATER PUMP - INSTALLATION

Item#	Part	Description	X 3 V I P	X L I I E N T 4 5	N O T E S
1	XV-2222-35	HEATER LINE REAR SECTION WITH "VOLVO" ENGINE "EPA 2010"			
2	503392	HOSE SILICONE 4PLY 1 3/8" I.D. x 4' To D-5381	AR	AR	
2	503783	HOSE SILICONE 4PLY / NOMEX-ARAMID 34MM I.D. x 6' From D-5382	AR	AR	
3	504657	HOSE CLAMP / 1"1/16-2" C.T. 9424 To D-5404	AR	AR	
3	504783	HOSE CLAMP / 1"1/16-2" SS / C.T. W.S. From D-5405	AR	AR	
4	XV-2206-00	WATER PUMP #871342 SEALLESS To D-5299			
4	XV-2206-01	WATER PUMP #874297 AMETEK From D-5300			
5	504692	HOSE CLAMP STEPLESS SPRING SS / OETIKER / 1.5-1.8	2	2	
6	XV-2207-00	WATER VALVE - HEATER			
7	503652	HOSE SILICONE 2PLY 1 1/8" I.D. x 3' To D-5381	AR	AR	
7	503796	HOSE SILICONE 2 PLY / NOMEX-ARAMID 1 1/8" I.D. x 6' From D-5382	AR	AR	
8	504658	HOSE CLAMP / 13/16"-1"3/4 / C.T. 9420 To D-5404	AR	AR	
8	504782	HOSE CLAMP / 1 3/16-1 13/16 SS / C.T. W.S. From D-5405	AR	AR	
9	503651	HOSE SILICONE 2PLY 7/8" I.D. x 3' To C-5166	AR	AR	
9	503791	HOSE SILICONE 4 PLY / NOMEX-ARAMID 7/8" I.D. x 4' From C-5167 To D-5381	AR	AR	
9	503797	HOSE SILICONE 4 PLY / NOMEX-ARAMID 7/8" I.D. x 6' From D-5382	AR	AR	
10	504646	HOSE CLAMP / 11/16"-1"1/4 / C.T. 9412 To D-5404	AR	AR	
10	504781	HOSE CLAMP / 13/16"-1 5/16" SS / C.T. W.S. From D-5405	AR	AR	
11	504383	CUFF END BELLOW / 7/8" I.D. x 1 1/2" x 2 1/4"	2	2	
12	504022	HOSE CLAMP / 3/4"-1"3/4 SS / HS-20	2	2	
13	504637	CABLE TIE / 3/16" x 13"	1	1	
14	500957	SCREW TP BDG PH #10x3/4 N500	AR	AR	
15	952641	CLAMP P STL ZP RUB 34.9 ID	AR	AR	
16	Call order desk	PIPE ASSY / INLET 1220MM To C-5166	1	1	P
16	Call order desk	PIPE ASSY / INLET 1220MM To C-5166	1	1	P
16	Call order desk	PIPE ASSY / INLET 1220MM From C-5167 To D-5371	1	1	P
16	Call order desk	PIPE ASSY / INLET 1220MM From C-5167 To D-5371	1	1	P
16	Call order desk	PIPE ASSY / INLET From D-5372	1	1	P
16	Call order desk	PIPE ASSY / INLET From D-5372	1	1	P
17	Call order desk	PIPE ASSY / INLET 267.8MM C/C To B-5049	1	1	P
17	Call order desk	PIPE ASSY / INLET To B-5049	1	1	P
17	Call order desk	PIPE ASSY / INLET From B-5050 To C-5166	1	1	P
17	Call order desk	PIPE ASSY / INLET From B-5050 To C-5166	1	1	P
17	Call order desk	PIPE ASSY / INLET 757MM From C-5167	1	1	P
17	Call order desk	PIPE ASSY / INLET From C-5167	1	1	P
20	Call order desk	PIPE ASSY / OUTLET 1225MM To C-5166	1	1	P
20	Call order desk	PIPE ASSY / OUTLET 1225MM To C-5166	1	1	P
20	Call order desk	PIPE ASSY / OUTLET 1225MM From C-5167 To D-5371	1	1	P
20	Call order desk	PIPE ASSY / OUTLET 1225MM From C-5167 To D-5371	1	1	P
20	Call order desk	PIPE ASSY / OUTLET From D-5372	1	1	P
20	Call order desk	PIPE ASSY / OUTLET 1225MM From D-5372	1	1	P
21	Call order desk	PIPE ASSY / OUTLET 395.2MM C/C To C-5166	1	1	P



From B-5003 To D-5489	Date:07/2024	PAGE:XV-2210-11
WATER PUMP - INSTALLATION		

Item#	Part	Description	X 3 V I P	X L I I E N T 4 5	N O T E S
21	Call order desk	PIPE ASSY / OUTLET To C-5166	1	1	P
21	Call order desk	PIPE ASSY / OUTLET From C-5167 To D-5371	1	1	P
21	Call order desk	PIPE ASSY / OUTLET From C-5167 To D-5371	1	1	P
21	Call order desk	PIPE ASSY / OUTLET From D-5372	1	1	P
21	Call order desk	PIPE ASSY / OUTLET From D-5372	1	1	P
22	450488	SUPPORT PIPE	1	1	
23	374498	SUPPORT WATER VALVE FORWARD	1	1	
24	374499	SUPPORT WATER VALVE BACKWARD	1	1	
25	374576	SUPPORT PIPE	1	1	
26	952637	CLAMP / 1"1/16 I.D.	3	3	
27	500588	SCREW CAP HEX M4-0.7x20 G8.8 Z050	4	4	
28	500438	WASHER FL .187x.437x.050 Z050	4	4	
29	500590	NUT HEX NYRT M4-0.7 Z050	4	4	
30	952639	CLAMP / 1"1/4 I.D.	1	1	
31	503779	HOSE SILICONE 1PLY 3/8" I.D. x 100' To D-5381	AR	AR	
31	503806	HOSE SILICONE 1 PLY / NOMEX-ARAMID 3/8" I.D. x 100' From D-5382	AR	AR	
32	992081	HOSE CLAMP / 12MM/22MM	4	4	
33	20805110	QUICK CONNECTOR 90° 10MM	1	1	
34	20805109	QUICK CONECTOR 10MM	1	1	
36	374494	SUPPORT WATER PUMP	1	1	
37	5001730	SCREW CAP HEXF M6-1.0x16 G10.9 N500	4	4	
38	5001833	WASHER BEL SPR 6.1x18x1.27 SS	4	4	
40	XV-2205-00	HEATER & EVAPORATOR COIL - INSTALLATION			
		P) CALL ORDER DESK FOR SPECIFIC APPLICATION (V.I.N.)			

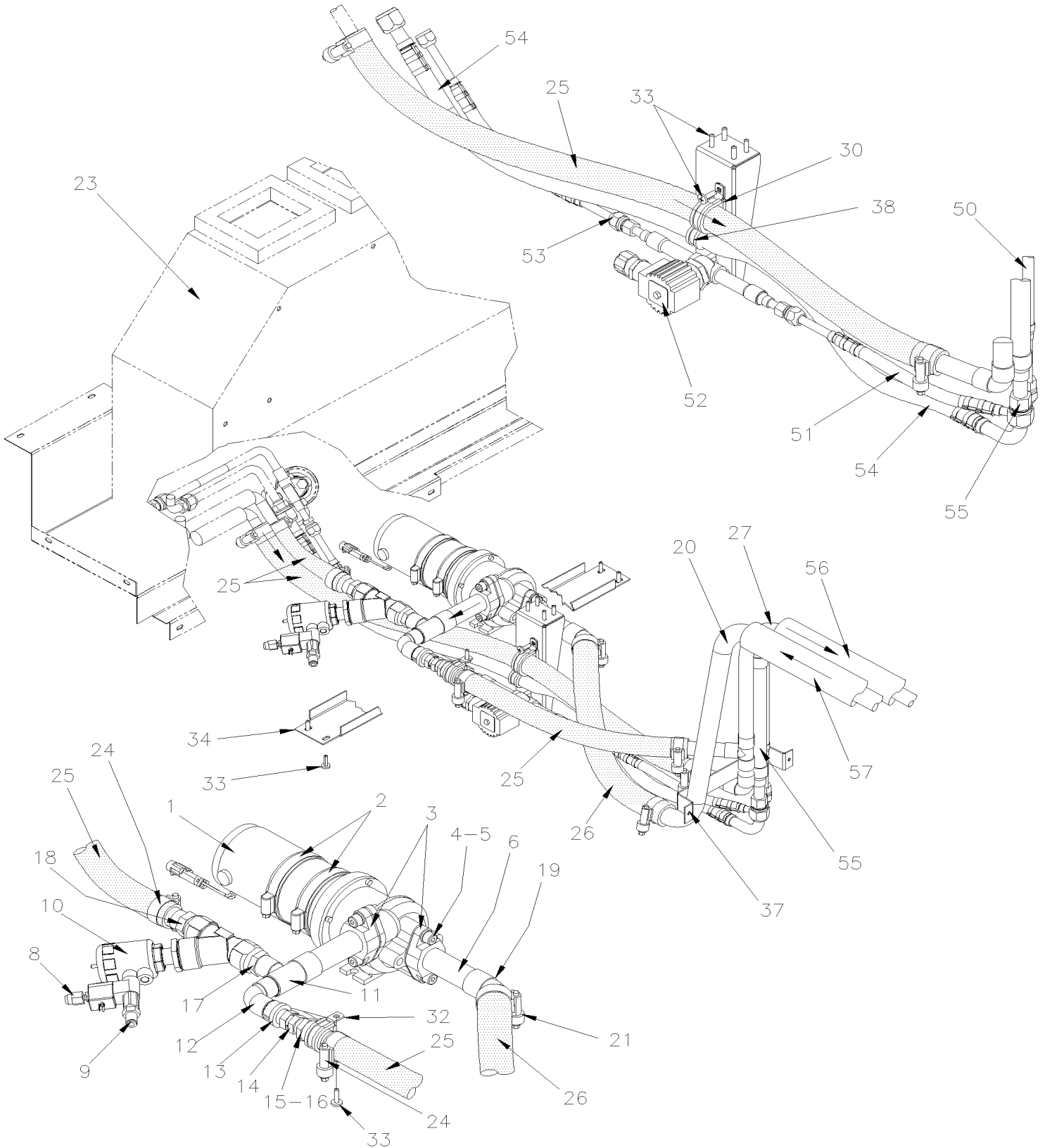


From B-5003 To D-5489

Date:07/2024

PAGE:XV-2210-20

WATER PUMP & FILTER - W/SMALL A/C





From B-5003 To D-5489 Date:07/2024 PAGE:XV-2210-20

WATER PUMP & FILTER - W/SMALL A/C

Item#	Part	Description	X 3 V I P	X L I I E N T 4 5	N O T E S
	Call order desk	WATER PUMP ASSY W/WATER VALVE	1	1	P
1	XV-2206-00	WATER PUMP #871342 SEALLESS To D-5299			
1	XV-2206-01	WATER PUMP #874297 AMETEK From D-5300			
2	504235	HOSE CLAMP / 3"9/16"-4"1/2 SS / HS-64	2	2	
NS	506728	TAPE RUB ADH1 NEO 1/4" x 3/4" x 10' / BLACK	AR	AR	
3	871206	FLANGE ADAPTOR / W/QUAD RING	2	2	
NS	870441	GASKET PUMP INLET & OUTLET	2	2	
4	5001580	SCREW CAP HEXS 3/8-16x7/8	4	4	
5	500478	WASHER LO SPT .380x.683x.094 Z050	4	4	
6	503199	COPPER TUBE 1.125" O.D.x .050" x 240"	AR	AR	
8	642028	MALE CONNECTOR / PUSH-IN FITTING / 6MM x M5-0.8 BR	1	1	
9	641332	MALE CONNECTOR / PUSH-IN FITTING / #4x1/4NPT-M BR	1	1	
10	XV-2207-05	WATER VALVE - HEATER			
11	501963	UNION TEE / COPPER TUBE / 1Fx3/4Fx3/4F	1	1	
12	501217	STREET ELBOW 90° SHORT RADIUS / COPPER TUBE / 3/4Mx3/4F	1	1	
13	501889	ADAPTER / COPPER @ PIPE / 3/4Mx1/2NPT-F	1	1	
14	870727	CHECK VALVE 1/2 NPT	1	1	
15	501568	ADAPTER / COPPER @ PIPE / 3/4Fx1/2NPT-F	1	1	
16	503198	COPPER TUBE .875" O.D. x .045" x 240"	AR	AR	
17	501896	ADAPTER / COPPER @ PIPE / 3/4Fx3/4NPT-M	1	1	
18	501866	ADAPTER / COPPER @ PIPE / 3/4Fx3/4NPT-M	1	1	
19	372675	ELBOW 45° W/BEAD	1	1	
20	374556	PIPE ASSY / FORWARD SECTION 4038MM	1	1	
20	Call order desk	PIPE ASSY / CENTRAL SECTION 2345MM	1	1	P
20	Call order desk	PIPE ASSY / BACKWARD SECTION	1	1	P
21	504658	HOSE CLAMP / 13/16"-1"3/4 / C.T. 9420 To D-5404	2	2	
21	504782	HOSE CLAMP / 1 3/16-1 13/16 SS / C.T. W.S. From D-5405	2	2	
23	XV-2230-00	DEFROSTER - INSTALLATION			
24	504646	HOSE CLAMP / 11/16"-1"1/4 / C.T. 9412 To D-5404	AR	AR	
24	504781	HOSE CLAMP / 13/16"-1 5/16" SS / C.T. W.S. From D-5405	AR	AR	
25	503684	HOSE SILICONE 1 PLY 7/8" I.D. x 100' / S.L. To C-5166	AR	AR	
25	503791	HOSE SILICONE 4 PLY / NOMEX-ARAMID 7/8" I.D. x 4' From C-5167 To D-5381	AR	AR	
25	503797	HOSE SILICONE 4 PLY / NOMEX-ARAMID 7/8" I.D. x 6' From D-5382	AR	AR	
26	503652	HOSE SILICONE 2PLY 1 1/8" I.D. x 3' To D-5381	AR	AR	
26	503796	HOSE SILICONE 2 PLY / NOMEX-ARAMID 1 1/8" I.D. x 6' From D-5382	AR	AR	
27	Call order desk	PIPE ASSY / FORWARD SECTION	1	1	P
27	Call order desk	PIPE ASSY / CENTRAL SECTION 2345MM	1	1	P
27	Call order desk	PIPE ASSY / BACKWARD SECTION To C-5166	1	1	P
27	Call order desk	PIPE ASSY / BACKWARD SECTION From C-5167	1	1	P
30	952639	CLAMP / 1"1/4 I.D.	AR	AR	
32	952635	CLAMP / 1" I.D.	AR	AR	
33	502526	SCREW TC BDG PH #12-24x3/4 Z050	10	10	



From B-5003 To D-5489	Date:07/2024	PAGE:XV-2210-20
WATER PUMP & FILTER - W/SMALL A/C		

Item#	Part	Description	X 3 V I P	X L I I E N T 4 5	N O T E S
34	172355	SUPPORT / VALVE	1	1	
NS	504637	CABLE TIE / 3/16" x 13"	AR	AR	
37	450458	SUPPORT	1	1	
38	952631	CLAMP / 3/4" I.D.	AR	AR	
50	453319	PIPE ASSY	1	1	
51	455212	HOSE ASSY / PIPE & VALVE #6 205MM	1	1	
. NS	507278	. O-RING / ORS FITTING / #4 NEO	2	2	
52	XV-2208-10	REFRIGERANT SOLENOID VALVE			
53	455290	HOSE ASSY / VALVE & EVAPORATOR / #6 205MM	1	1	A
. NS	507278	. O-RING / ORS FITTING / #4 NEO	2	2	A
54	455289	HOSE ASSY / EXPANSION VALVE OUTLET / #10 875MM	1	1	A
. NS	507344	. O-RING / ORS FITTING / #10 NEO	2	2	A
55	453704	PIPE	1	1	
56	506276	PIPE INSULATING / 7/8" I.D. X 1/2" TH. X 72 / APT07812	AR	AR	
57	506267	PIPE INSULATING / 1 1/8" I.D. X 1/2" TH. X / APT11812	AR	AR	
		A) ALSO USE WITH "SELTEC" RETROFIT			
		P) CALL ORDER DESK FOR SPECIFIC APPLICATION (V.I.N.)			

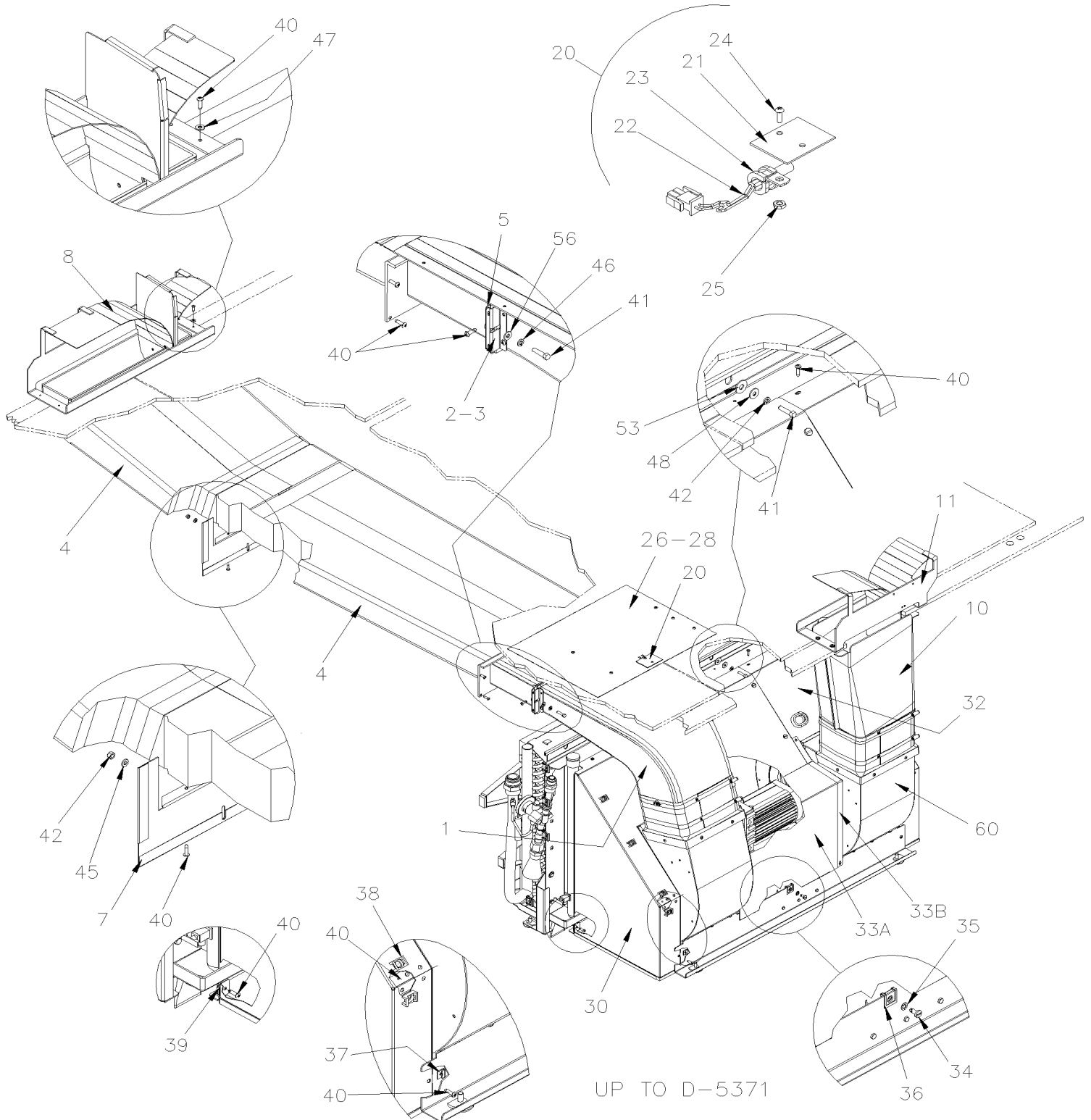


From B-5003 To D-5489

Date:07/2024

PAGE:XV-2220-00

UNDER FLOOR AIR DUCTING



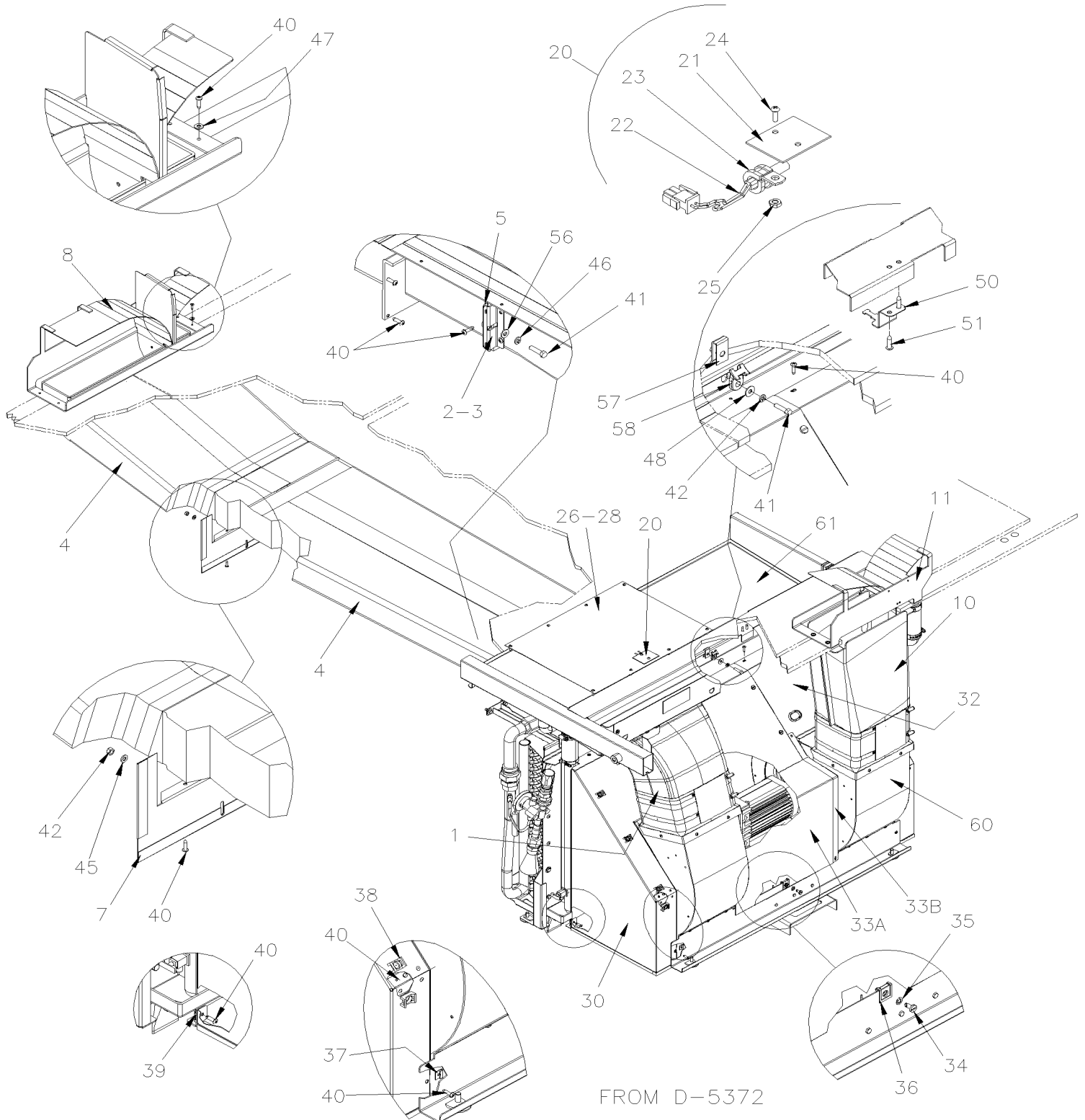


From B-5003 To D-5489

Date:07/2024

PAGE:XV-2220-00

UNDER FLOOR AIR DUCTING





From B-5003 To D-5489	Date:07/2024	PAGE:XV-2220-00
-----------------------	--------------	-----------------

UNDER FLOOR AIR DUCTING

Item#	Part	Description	X 3 V I P	X L I I E N T 4 5	N O T E S
1	Call order desk	DUCT, L.H. OUTLET EVAPORATOR FAN	1	1	P
1	453978	. DUCT	1	1	
2	454236	. ATTACHMENT	2	2	
3	453997	. GASKET	1	1	
4	Call order desk	DUCT UNDER FLOOR ASSY	1	1	P
4	454279	. DUCT	4	4	
5	454235	. ATTACHMENT W/NUT	1	1	
NS	500957	. SCREW TP BDG PH #10x3/4 N500	4	4	
NS	506268	. TAPE RUB ADH1 URE 3/8" x 1/2" x 25' / GREY 1820	AR	AR	
7	453640	PLATE SEALING	1	1	
8	374561	DEFLECTOR ASSY CONDENSOR SIDE	1	1	
10	453979	DUCT, R,H, OUTLET EVAPORATOR FAN	1	1	
11	374557	DEFLECTOR ASSY EVAPORATOR SIDE	1	1	
20	453791	TEMPERATURE SENSOR ASSY W/SUPPORT	1	1	
21	453792	. SUPPORT TERMISTOR	1	1	
22	563063	. SENSOR THERMISTOR ASSY / TEMPERATURE / ("DELPHI")	1	1	
23	952637	. CLAMP / 1"1/16 I.D.	1	1	
24	500416	. SCREW MA PAN PH #10-32x1/2 BK	1	1	
25	500700	. NUT HEX #10-32 Z050	1	1	
26	453789	. GRILL / AIR RETURN	1	1	
28	500642	SCREW TP PAN PH #10x3/4 Z050	AR	AR	
30	454665P	PLENUM FORWARD SECTION To D-5459	1	1	
30	Call order desk	PLENUM FORWARD SECTION From D-5460	1	1	P
31	453991	REINFORCMENT	2	2	
32	454664P	PLENUM BACKWARD SECTION	1	1	
NS	504574	. GROMMET / 1.125x1.312x.062x.312x1.56	1	1	
33A	454670P	PLENUM CENTRAL SECTION	1	1	
33B	454648	SUPPORT PLENUM CENTRAL SECTION	1	1	
34	504681	STUD 6MM (DZUS)	5	5	
35	504604	FASTENER	5	5	
36	504605	RECEPTACLE 6 MM	5	5	
37	502904	NUT SPR J #10A .035-.050 N500	2	2	
38	504013	TIE MOUNT / 1/4" X 1/4" I.D.	AR	AR	
39	481249	NUT	2	2	
40	500957	SCREW TP BDG PH #10x3/4 N500	17	17	
41	502737	SCREW CAP HEX M6-1.0x25 SS BK	2	2	
42	502681	NUT HEX NYRT M6-1.0 N500 G8	2	2	
43	500642	SCREW TP PAN PH #10x3/4 Z050	9	9	
44	502737	SCREW CAP HEX M6-1.0x25 SS BK	2	2	
45	502573	WASHER FL 6.4x12.5x1.6 SS	2	2	
46	502853	WASHER LO SPT 6.1x11.8x1.6 N500	6	6	
47	500804	WASHER FL .203x.500x.047 N500	4	4	



From B-5003 To D-5489	Date:07/2024	PAGE:XV-2220-00
-----------------------	--------------	-----------------

UNDER FLOOR AIR DUCTING

Item#	Part	Description	X 3 V I P	X L I I E N T 4 5	N O T E S
48	500411	WASHER FL .260x.697x.050 SS	4	4	
49	502868	SCREW TC TR PH #10-16x1/2 N500	16	16	
50	374705	SUPPORT WIRING From D-5372	1	1	
51	500957	SCREW TP BDG PH #10x3/4 N500 From D-5372	2	2	
53	5001448	WASHER FL .343x.875x.062 SS18-8 To D-5371	3	3	
56	500877	WASHER FL .250x.562x.065 N500	2	2	
57	502738	NUT SPR U M6-1.0 0.6-4.0 From D-5372	1	1	
58	507383	TIE MOUNT HOLE 3/8" From D-5372	1	1	
60	XV-2210-00	HEATER & EVAPORATOR BLOWER - INSTALLATION			
61	XV-2221-05	UNDER FLOOR AIR FILTERS From D-5372			
		P) CALL ORDER DESK FOR SPECIFIC APPLICATION (V.I.N.)			

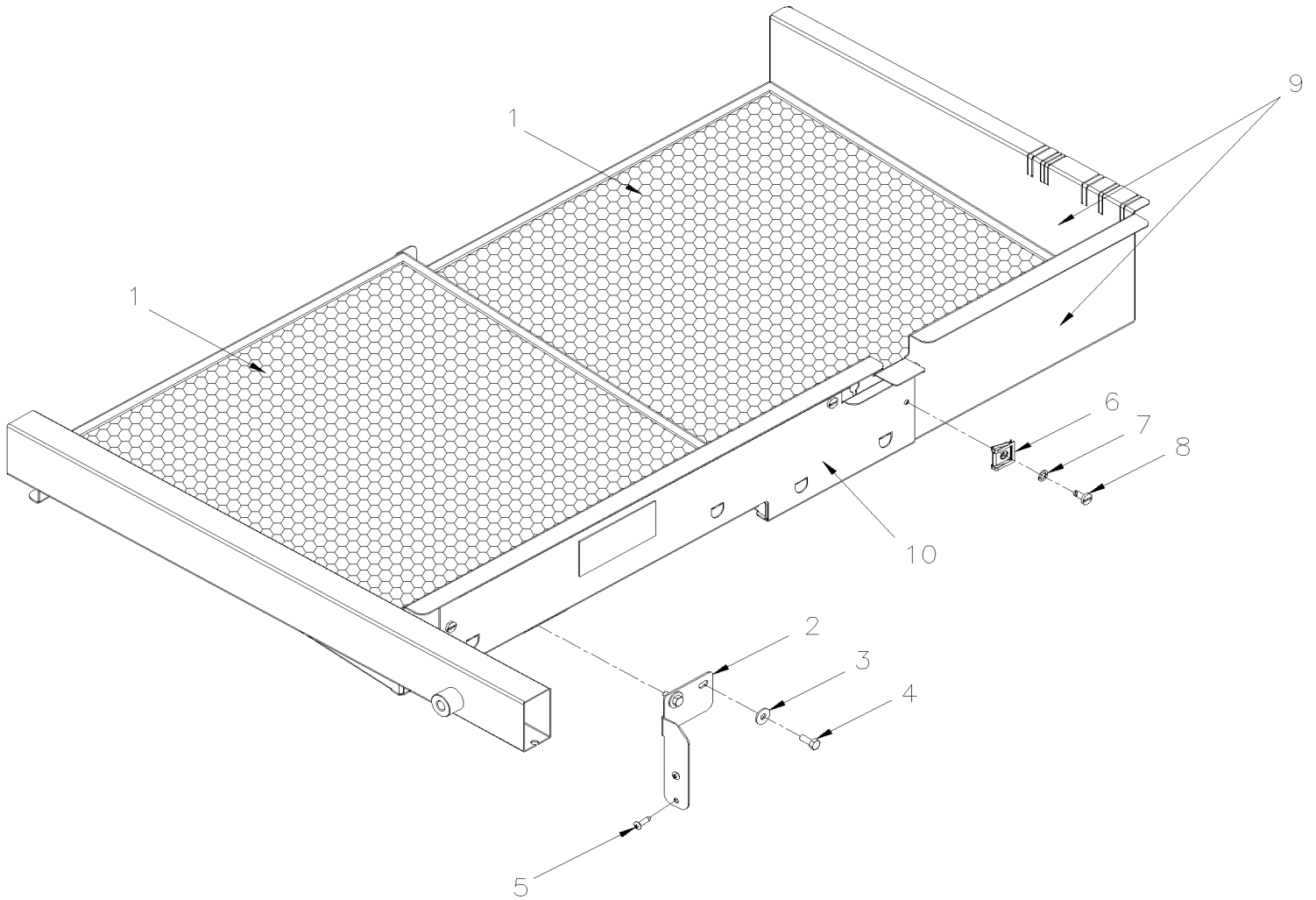
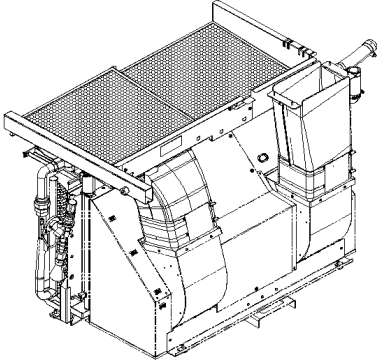


From D-5372 To D-5489

Date:07/2024

PAGE:XV-2221-05

UNDER FLOOR AIR FILTERS





From D-5372 To D-5489	Date:07/2024	PAGE:XV-2221-05
UNDER FLOOR AIR FILTERS		

Item#	Part	Description	X 3 V I P	X L I I E N T 4 5	N O T E S
1	871447	FILTER 1" x 19 1/2" X 19 1/2"	2	2	
2	374684	SUPPORT, EVAPORATOR DUCT WO/ SLIDE-OUT	1	1	
2	374685	SUPPORT, EVAPORATOR DUCT W/ SLIDE-OUT	1	1	
3	5001833	WASHER BEL SPR 6.1x18x1.27 SS	2	2	
4	5001744	SCREW CAP HEX M6-1.0x16 G8.8 N500	2	2	
5	500957	SCREW TP BDG PH #10x3/4 N500	2	2	
6	504605	RECEPTACLE 6 MM	AR	AR	
7	504604	FASTENER	AR	AR	
8	504681	STUD 6MM (DZUS)	AR	AR	
9	217063	SUPPORT FILTER, FRONT PANEL ASSY	1	1	
10	374681	CLOSING, FILTER	1	1	

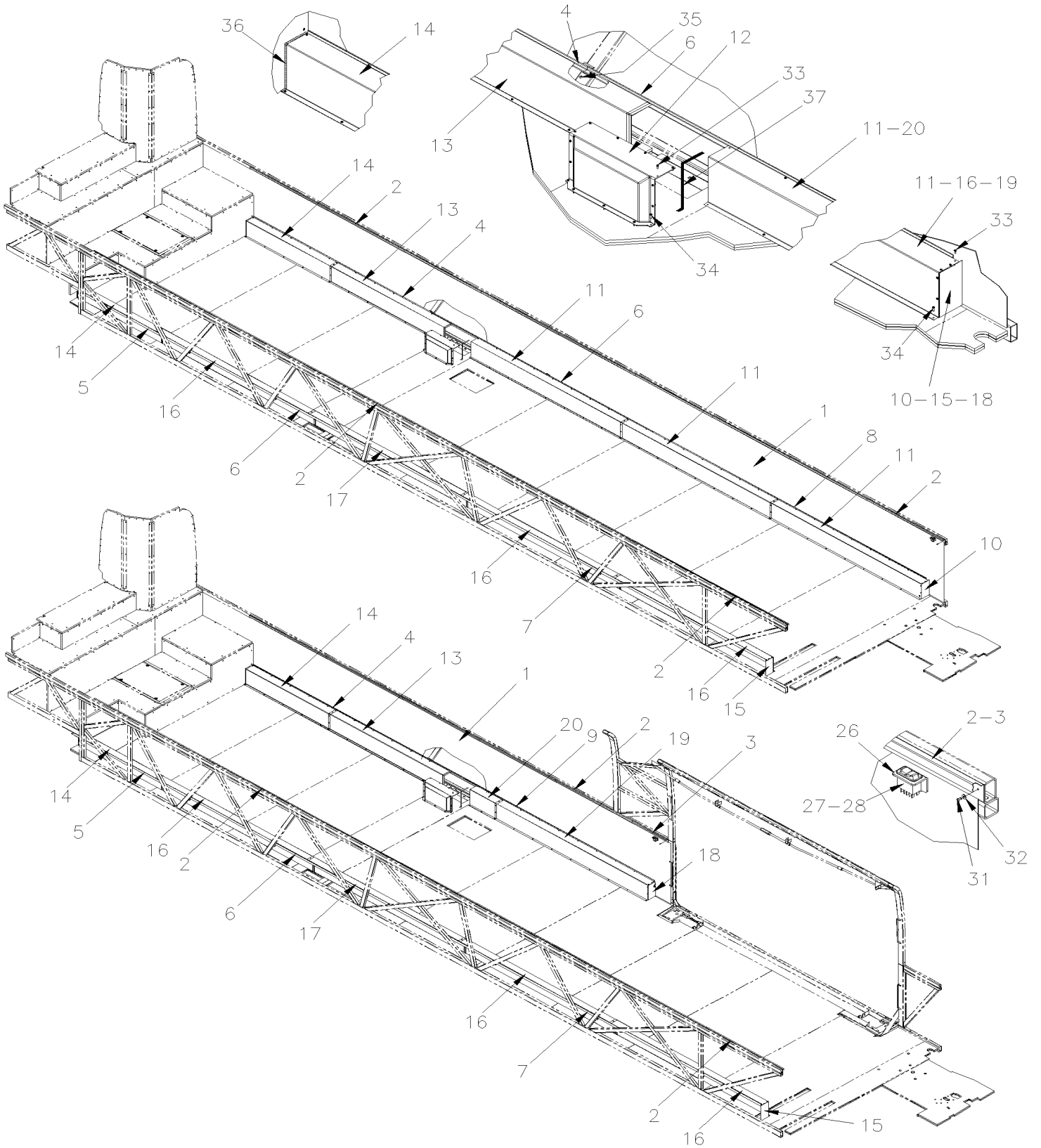


From B-5003 To D-5489

Date:07/2024

PAGE:XV-2221-50

DUCTING HEATER & A/C - MTH FLOOR





From B-5003 To D-5489 Date:07/2024 PAGE:XV-2221-50

DUCTING HEATER & A/C - MTH FLOOR

Item#	Part	Description	X 3 V I P	X L I I E N T 4 5	N O T E S
1	850090	WHITE WALL COVERING ADHESIVE / 36" X 438"	2	2	
2	320186	AIR GRILL & SPACER 48"LG / BELOW WINDOW To B-5028	18	18	
3	328243	AIR GRILL & SPACER 560MM / BELOW WINDOW		1	E
4	374571	"T" SUPPORT, AIR DUCT 2799MM	1	1	
5	374572	"T" SUPPORT, AIR DUCT 3015MM	1	1	
6	374573	"T" SUPPORT, AIR DUCT 3519MM	2	2	
7	374574	"T" SUPPORT, AIR DUCT 4241MM	1	1	
8	374575	"T" SUPPORT, AIR DUCT 4316MM	1	1	
9	370201	"T" SUPPORT, AIR DUCT 3599MM		1	E
10	371716	CAP L.H. / FRONT	1	1	
11	374555	AIR DUCT 2391MM	3	3	
12	374180	AIR DUCT 450MM / W/SLIDE OUT	1	1	
13	374181	AIR DUCT 1826MM / W/SLIDE OUT	1	1	
14	378898	AIR DUCT 1350MM	2	2	
15	371715	CAP R.H. / FRONT	1	1	
16	371712	AIR DUCT 2438MM	3	3	
17	374553	AIR DUCT 2438MM	1	1	
18	374218	CAP L.H. / FRONT / W/SLIDE OUT		1	E
19	371712	AIR DUCT 2438MM		1	E
20	374554	AIR DUCT 448MM		1	E
20	374589	AIR DUCT 406MM	1		V
26	293854	SUPPORT SWITCH / REMOTE OPERATIONAL MODEL	1	1	
27	562699	SWITCH / M/ON-OFF-M/ON / D.P.D.T. / W/GREEN LED	1	1	
28	563278	CAP / HI SPEED MAIN VENTILATION	1	1	
31	504105	RIVET POP DOME OE 1/8x3/16 AL	AR	AR	
32	500437	WASHER FL .125x.375x.040 Z050	AR	AR	
33	500654	SCREW TC BDG PH #8-32x1/2 Z050	AR	AR	
34	500641	SCREW TP PAN PH #8x3/4 Z050	AR	AR	
35	504379	RIVET POP DOME OE 3/16x1/4 SS	AR	AR	
36	506025	RUBBER CHANNEL / 1/18" x 5/16" INT "U" SHAPE / SQUARE C.T.L.	AR	AR	
37	506236	TAPE RUB ADH1 CC POL 1/16" x 1/2" x 100' / GREY 2520	AR	AR	
		E) WITH SLIDE-OUT ENT-45			
		V) WITH X3-VIP			

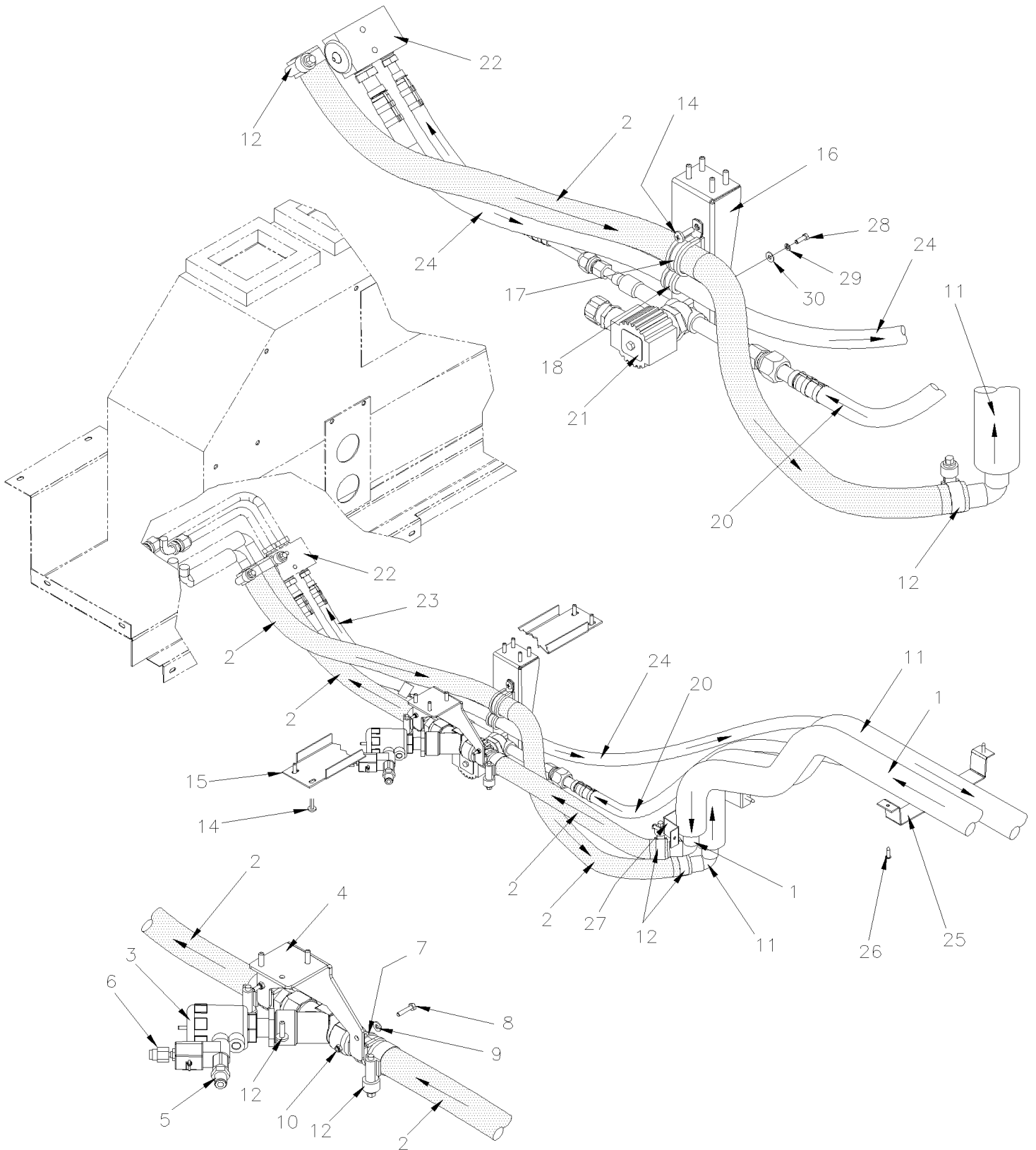


From B-5003 To D-5489

Date:07/2024

PAGE:XV-2222-10

A/C & HEATING LINE FRONT SECTION



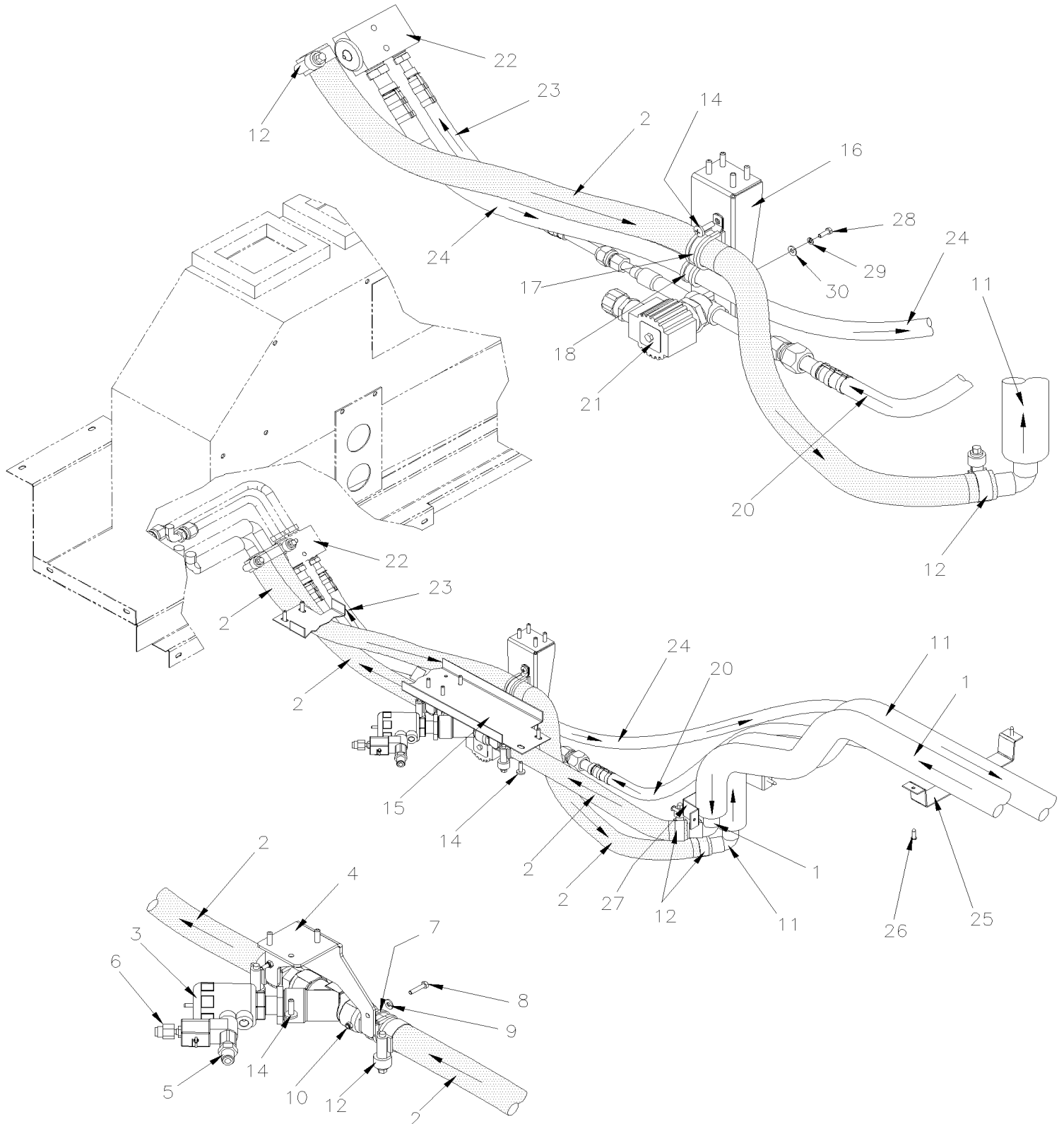


From B-5003 To D-5489

Date:07/2024

PAGE:XV-2222-10

A/C & HEATING LINE FRONT SECTION





From B-5003 To D-5489	Date:07/2024	PAGE:XV-2222-10
------------------------------	---------------------	------------------------

A/C & HEATING LINE FRONT SECTION

Item#	Part	Description	X 3 V I P	X L I E N T 4 5	N O T E S
1	Call order desk	PIPE ASSY / FORWARD SECTION To C-5166	1	1	P
1	Call order desk	PIPE ASSY / FORWARD SECTION To C-5166	1	1	P
1	Call order desk	PIPE ASSY / FORWARD SECTION From C-5167	1	1	P
1	Call order desk	PIPE ASSY / FORWARD SECTION From C-5167	1	1	P
2	503684	HOSE SILICONE 1 PLY 7/8" I.D. x 100' / S.L. To C-5166	AR	AR	
2	503803	HOSE SILICONE 1 PLY / NOMEX-ARAMID 7/8" I.D. x 100' / S.L. From C-5167	AR	AR	
3	Call order desk	WATER VALVE ASSY W/PIPE & SUPPORT To C-5166	1	1	P
3	Call order desk	WATER VALVE ASSY W/PIPE & SUPPORT From C-5167	1	1	P
3	XV-2207-05	. WATER VALVE - HEATER			
4	374147	. SUPPORT WATER VALVE To C-5166	1	1	
4A	374646	. SUPPORT WATER VALVE From C-5167	1	1	
5	641332	. MALE CONNECTOR / PUSH-IN FITTING / #4x1/4NPT-M BR	1	1	
6	642028	. MALE CONNECTOR / PUSH-IN FITTING / 6MM x M5-0.8 BR	1	1	
7	952635	. CLAMP / 1" I.D.	2	2	
8	500588	. SCREW CAP HEX M4-0.7x20 G8.8 Z050	2	2	
9	500438	. WASHER FL .187x.437x.050 Z050	2	2	
10	500590	. NUT HEX NYRT M4-0.7 Z050	2	2	
11	Call order desk	PIPE ASSY / 4094MM / FORWARD SECTION To C-5166	1	1	P
11	Call order desk	PIPE ASSY / 4094MM To C-5166	1	1	P
11	Call order desk	PIPE ASSY / 4352MM / FORWARD SECTION From C-5167	1	1	P
11	Call order desk	PIPE ASSY / 4352MM From C-5167	1	1	P
12	504646	HOSE CLAMP / 11/16"-1"1/4 / C.T. 9412 To D-5404	6	6	
12	504781	HOSE CLAMP / 13/16"-1 5/16" SS / C.T. W.S. From D-5405	6	6	
14	502526	SCREW TC BDG PH #12-24x3/4 Z050	AR	AR	
15	172355	SUPPORT / VALVE	1	1	
16	453315	SUPPORT / A/C VALVE	1	1	
17	952639	CLAMP / 1"1/4 I.D.	1	1	
18	952631	CLAMP / 3/4" I.D.	1	1	
20	455375	HOSE ASSY / #10 7620MM	1	1	
. NS	507344	. O-RING / ORS FITTING / #10 NEO	2	2	
21	453151	VALVE ASSY / REFRIGERANT SOLENOID	1	1	
21	XV-2208-10	REFRIGERANT SOLENOID VALVE			
22	XV-2208-00	A/C EXPANSION VALVE			
23	455210	HOSE ASSY / VALVE & EVAPORATOR / #6 250MM	1	1	
. NS	507278	. O-RING / ORS FITTING / #4 NEO	2	2	
24	455376	HOSE ASSY / #10 6775MM	1	1	
. NS	507344	. O-RING / ORS FITTING / #10 NEO	2	2	
25	450458	SUPPORT To B-5049	AR	AR	
25	454675	SUPPORT From B-5050	AR	AR	
26	500957	SCREW TP BDG PH #10x3/4 N500	AR	AR	
27	452906	SUPPORT	1	1	
28	5001689	SCREW CAP HEX #8-32x1/2 SS	2	2	



From B-5003 To D-5489	Date:07/2024	PAGE:XV-2222-10
-----------------------	--------------	-----------------

A/C & HEATING LINE FRONT SECTION

Item#	Part	Description	X 3 V I P	X L I I E N T 4 5	N O T E S
29	502636	WASHER LO SPT 4.1x7.6x0.9 Z050	2	2	
30	500438	WASHER FL .187x.437x.050 Z050	2	2	
		P) CALL ORDER DESK FOR SPECIFIC APPLICATION (V.I.N.)			

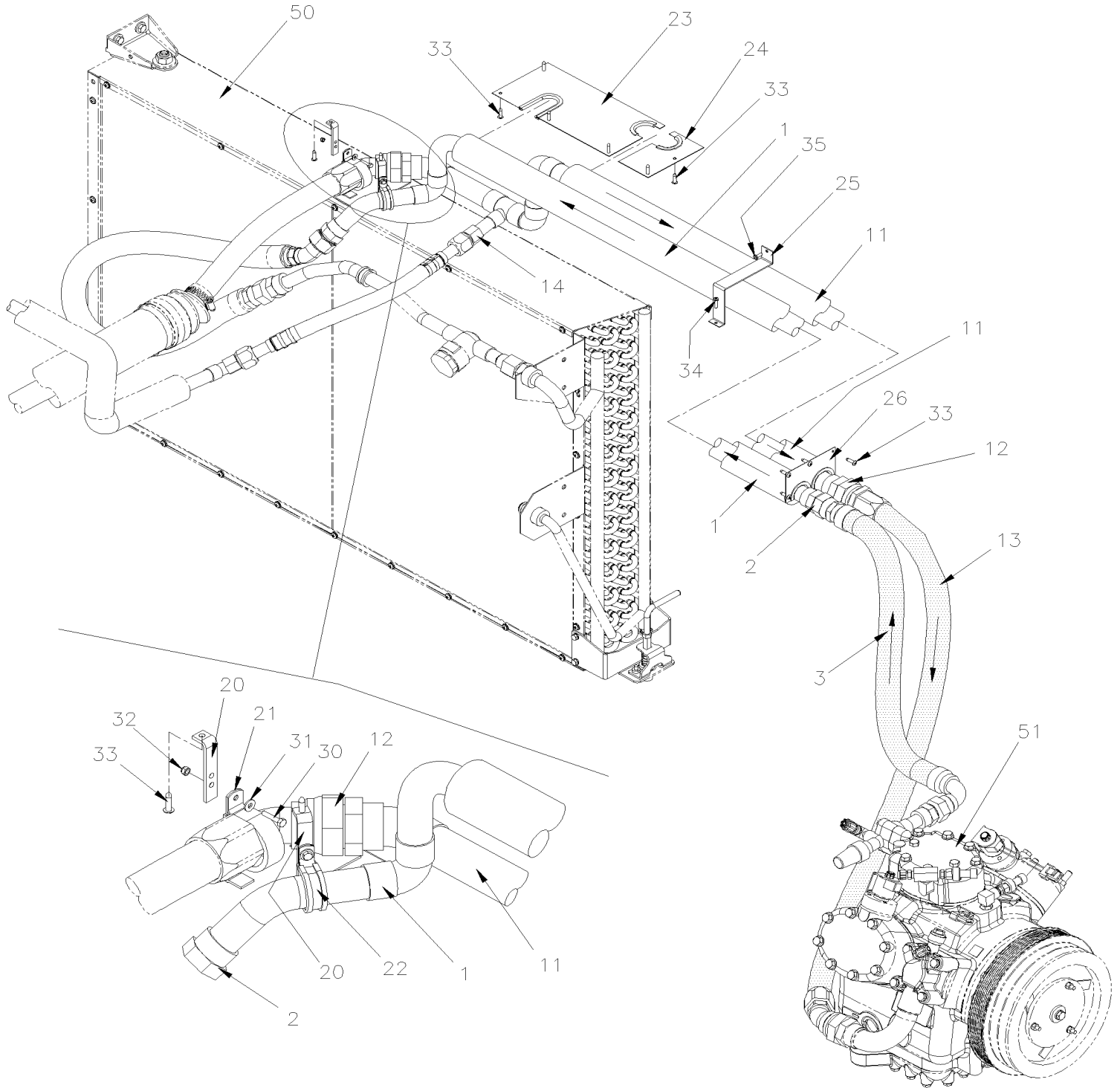


From B-5003 To D-5458

Date:07/2024

PAGE:XV-2222-15

A/C LINE REAR SECTION W/05G





From B-5003 To D-5458	Date:07/2024	PAGE:XV-2222-15
A/C LINE REAR SECTION W/05G		

Item#	Part	Description	X 3 V I P	X L I I E N T 4 5	N O T E S
1	455389	TUBE ASSY, PRESSURE / A/C COMPRESSOR	1	1	
2	501718	ADAPTER JIC @ BRAZE W/O-RING // #16JIC-Mx#18BRAZE-F BR	2	2	
. NS	501802	. O-RING / ORS FITTING / #16 NEO	1	1	
3	950462	HOSE ASSY / DISCHARGE W/R-134a / #16 662MM / SS BELLOW	1	1	
11	Call order desk	TUBE ASSY, VACUUM / A/C COMPRESSOR To C-5132	1	1	P
11	Call order desk	TUBE ASSY, VACUUM / A/C COMPRESSOR From C-5133	1	1	P
12	501717	ADAPTER JIC @ BRAZE W/O-RING // #20JIC-Mx#22BRAZE-F BR	2	2	
. NS	501803	. O-RING / ORS FITTING / #20 NEO	1	1	
13	454304	HOSE ASSY / SUCTION W/R-134a / #20 1000MM	1	1	
14	5011099	ADAPTER "TUBE-O" @ BRAZE / #12TUBE-O-Mx#14 BR	1	1	
20	450488	SUPPORT PIPE	2	2	
21	504458	CLAMP / 1 5/8" I.D.	1	1	
22	952637	CLAMP / 1"1/16 I.D.	1	1	
23	326417	PLATE CLOSING AROUND PIPE / LARGE To B-5066	1	1	
23	3200543	PLATE CLOSING AROUND PIPE / LARGE From B-5067	1	1	
24	326738	PLATE CLOSING AROUND PIPE / SMALL	1	1	
25	372005	SUPPORT / TUBE	3	3	
26	483041	PLATE CLOSING AROUND PIPE	1	1	
26	506338	RUBBER CHANNEL / 1/16" x 1/4" INT "U" SHAPE / ROUND C.T.L.	AR	AR	
30	500588	SCREW CAP HEX M4-0.7x20 G8.8 Z050	2	2	
31	500438	WASHER FL .187x.437x.050 Z050	2	2	
32	500590	NUT HEX NYRT M4-0.7 Z050	2	2	
33	500957	SCREW TP BDG PH #10x3/4 N500	AR	AR	
34	500641	SCREW TP PAN PH #8x3/4 Z050	3	3	
35	500654	SCREW TC BDG PH #8-32x1/2 Z050	3	3	
50	XV-2270-00	RECEIVER TANK & FILTER DRYER			
51	XV-2245-00	A/C COMPRESSOR 05G - INSTALLATION			
		P) CALL ORDER DESK FOR SPECIFIC APPLICATION (V.I.N.)			

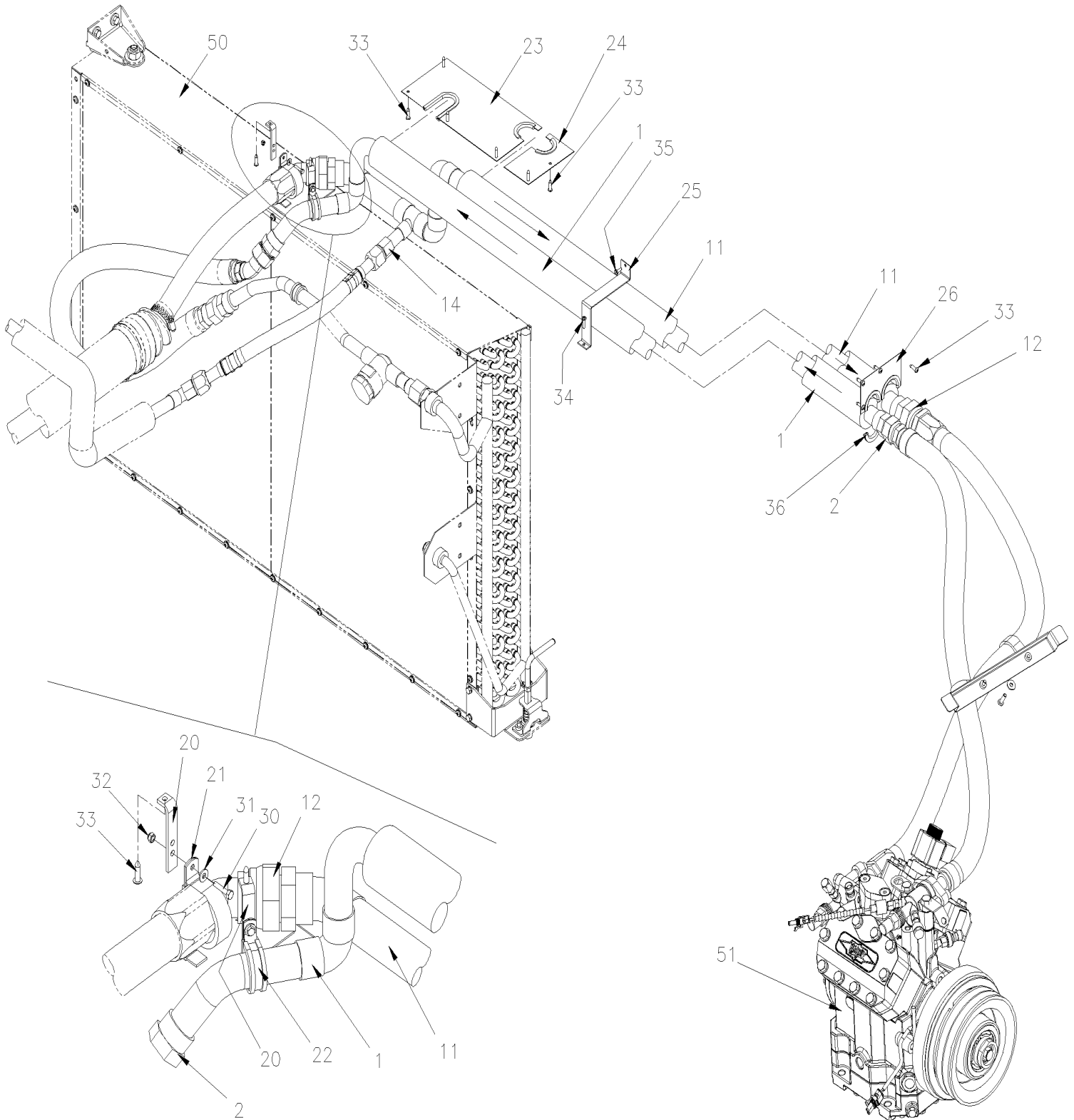


From D-5459 To D-5489

Date:07/2024

PAGE:XV-2222-16

A/C LINE REAR SECTION W/ "BITZER"



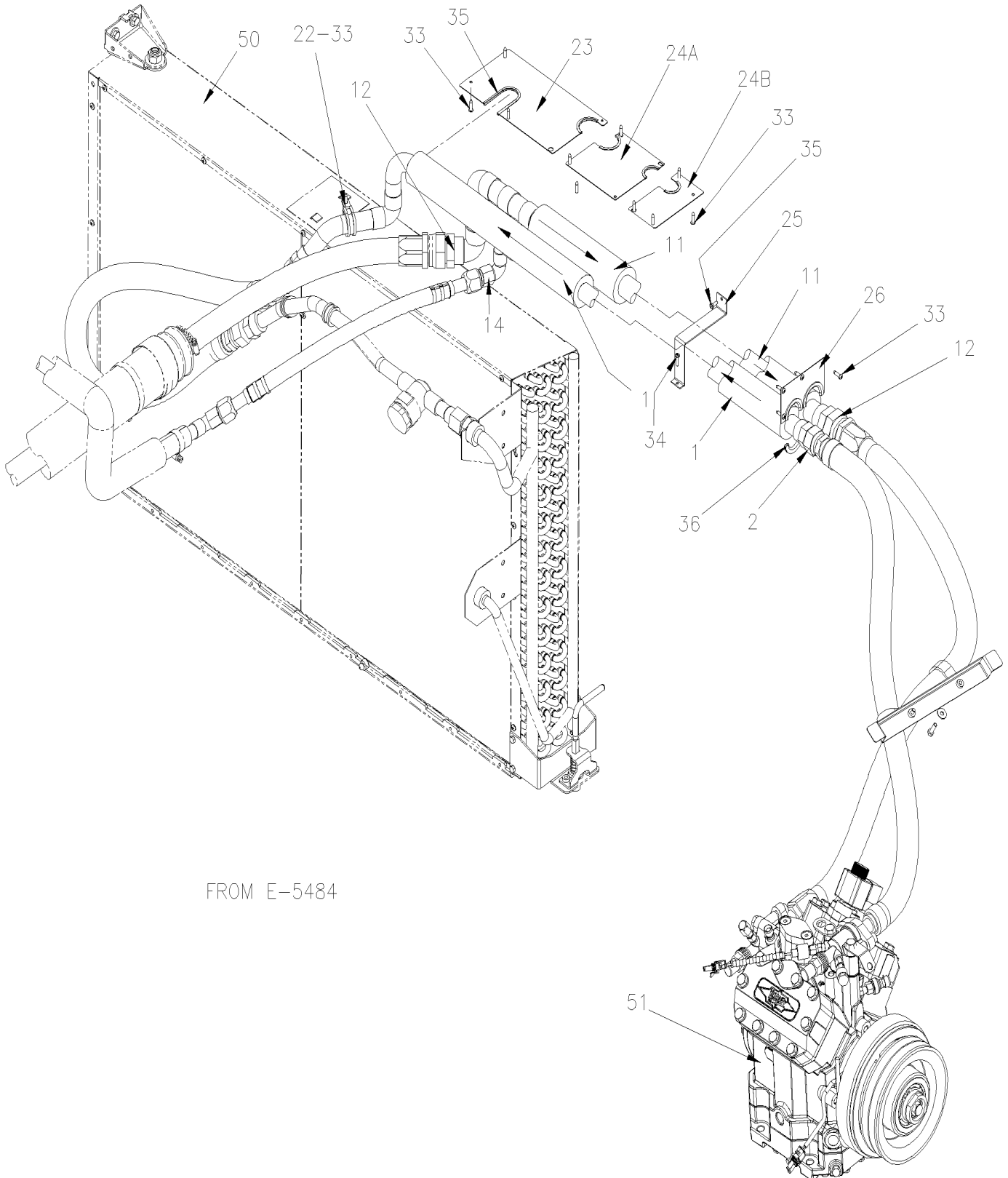


From D-5459 To D-5489

Date:07/2024

PAGE:XV-2222-16

A/C LINE REAR SECTION W/ "BITZER"





From D-5459 To D-5489	Date:07/2024	PAGE:XV-2222-16
A/C LINE REAR SECTION W/ "BITZER"		

Item#	Part	Description	X 3 V I P	X L I E N T 4 5	N O T E S
1	455389	TUBE ASSY, PRESSURE / A/C COMPRESSOR	1	1	
2	501718	ADAPTER JIC @ BRAZE W/O-RING // #16JIC-Mx#18BRAZE-F BR	2	2	
. NS	501802	. O-RING / ORS FITTING / #16 NEO	1	1	
11	Call order desk	TUBE ASSY, VACUUM / A/C COMPRESSOR To D-5483	1	1	P
11	Call order desk	TUBE ASSY, VACUUM / A/C COMPRESSOR From D-5484	1	1	P
12	501717	ADAPTER JIC @ BRAZE W/O-RING // #20JIC-Mx#22BRAZE-F BR	2	2	
. NS	501803	. O-RING / ORS FITTING / #20 NEO	1	1	
14	5011099	ADAPTER "TUBE-O" @ BRAZE / #12TUBE-O-Mx#14 BR	1	1	
20	450488	SUPPORT PIPE	2	2	
21	504458	CLAMP / 1 5/8" I.D.	1	1	
22	952637	CLAMP / 1"1/16 I.D.	1	1	
23	Call order desk	PLATE CLOSING AROUND PIPE / LARGE To D-5483	1	1	P
23	454787	PLATE CLOSING AROUND PIPE / 264MMx132MM From D-5484	1	1	
24	Call order desk	PLATE CLOSING AROUND PIPE / SMALL To D-5483	1	1	P
24A	454785	PLATE CLOSING AROUND PIPE / 132MMx132MM From D-5484	1	1	
24B	454786	PLATE CLOSING AROUND PIPE / 70MMx132MM From D-5484	1	1	
25	372005	SUPPORT / TUBE	3	3	
26	483041	PLATE CLOSING AROUND PIPE	1	1	
30	500588	SCREW CAP HEX M4-0.7x20 G8.8 Z050	2	2	
31	500438	WASHER FL .187x.437x.050 Z050	2	2	
32	500590	NUT HEX NYRT M4-0.7 Z050	2	2	
33	500957	SCREW TP BDG PH #10x3/4 N500	AR	AR	
34	500641	SCREW TP PAN PH #8x3/4 Z050	3	3	
35	500654	SCREW TC BDG PH #8-32x1/2 Z050	3	3	
36	506338	RUBBER CHANNEL / 1/16" x 1/4" INT "U" SHAPE / ROUND C.T.L.	AR	AR	
50	XV-2270-00	RECEIVER TANK & FILTER DRYER			
51	XV-2245-01	A/C COMPRESSOR "BITZER" - INSTALLATION			
		P) CALL ORDER DESK FOR SPECIFIC APPLICATION (V.I.N.)			

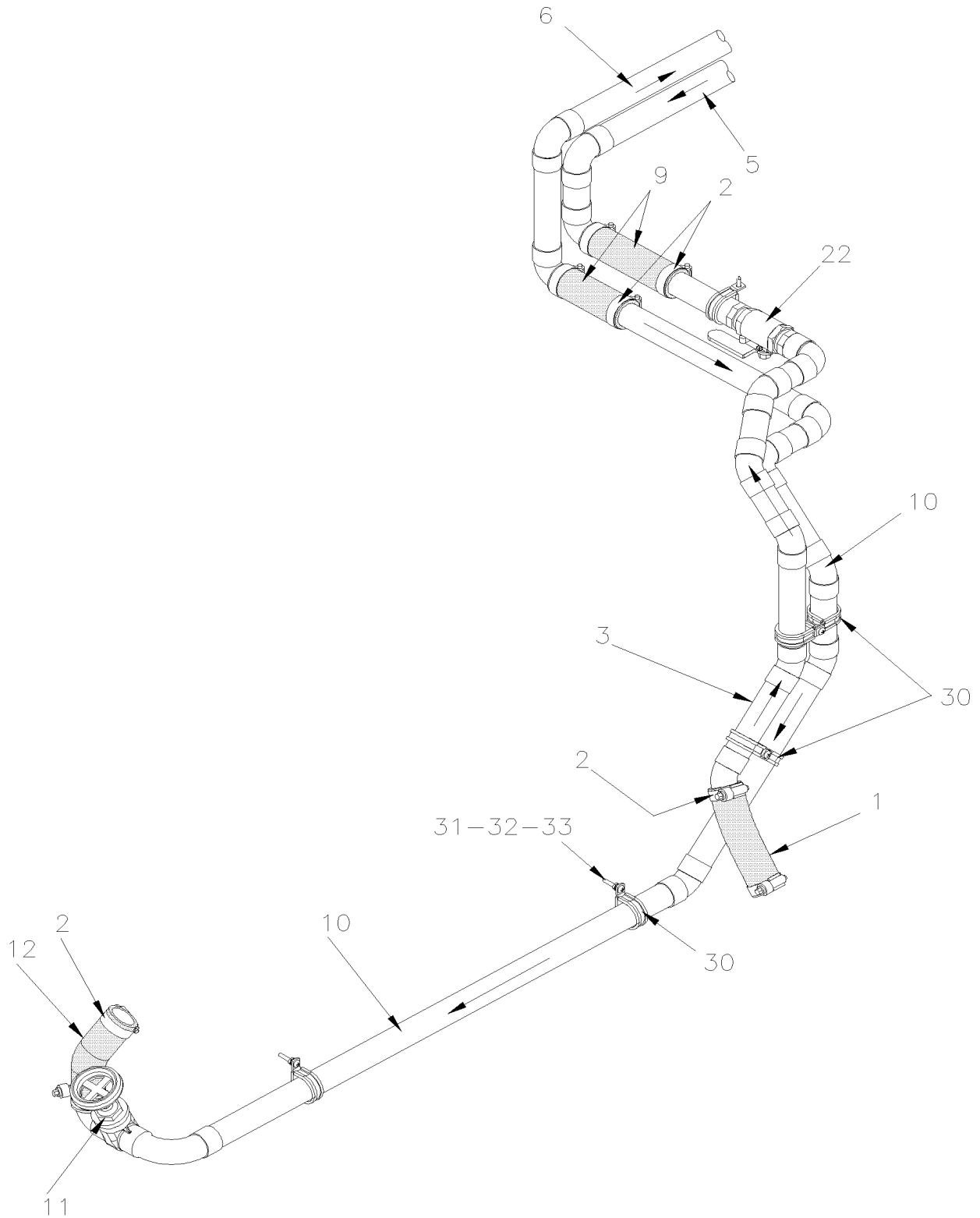


From B-5003 To D-5489

Date:07/2024

PAGE:XV-2222-35

HEATER LINE REAR SECTION WITH "VOLVO" ENGINE "EPA 2010"



WITH LARGE A/C SYSTEM

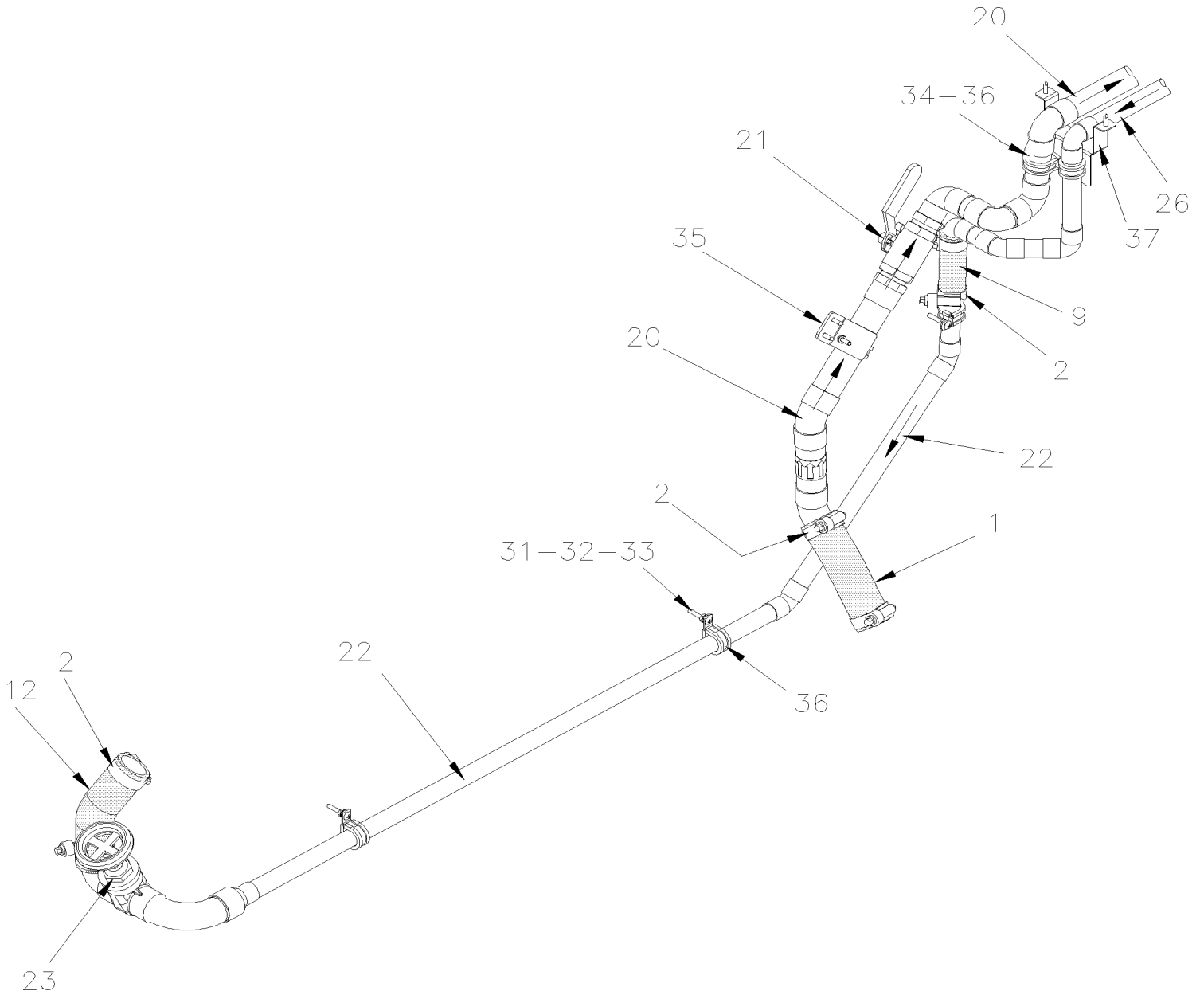


From B-5003 To D-5489

Date:07/2024

PAGE:XV-2222-35

HEATER LINE REAR SECTION WITH "VOLVO" ENGINE "EPA 2010"



WITH SMALL A/C SYSTEM



From B-5003 To D-5489 Date:07/2024 PAGE:XV-2222-35

HEATER LINE REAR SECTION WITH "VOLVO" ENGINE "EPA 2010"

Item#	Part	Description	X 3 V I P	X L I I E N T 4 5	N O T E S
1	374365	HOSE 1 3/8" I.D. X 180MM	1	1	
1	503392	. HOSE SILICONE 4PLY 1 3/8" I.D. x 4' To D-5381	AR	AR	
1	503783	. HOSE SILICONE 4PLY / NOMEX-ARAMID 34MM I.D. x 6' From D-5382	AR	AR	
2	504657	HOSE CLAMP / 1"1/16-2" C.T. 9424 To D-5404	AR	AR	
2	504783	HOSE CLAMP / 1"1/16-2" SS / C.T. W.S. From D-5405	AR	AR	
3	374312P	PIPE ASSY HEATING / FEED LINE / LOWER SECTION W/"WORLD" TRANS	1	1	
4	871419	. BALL VALVE 1" NPT-F	1	1	
4	501997	. ADAPTER / COPPER @ PIPE / 1 1/4Fx1NPT-M	2	2	
5	374488P	PIPE ASSY HEATING / RETURN LINE To D-5299	1	1	
5	374665	PIPE ASSY HEATING / RETURN LINE From D-5300	1	1	
6	374487P	PIPE ASSY HEATING / FEED LINE To B-5049	1	1	
6	Call order desk	PIPE ASSY HEATING / FEED LINE From B-5050 To D-5299	1	1	P
6	374664	PIPE ASSY HEATING / FEED LINE From D-5300	1	1	
9	503392	HOSE SILICONE 4PLY 1 3/8" I.D. x 4' To D-5381	AR	AR	
9	503783	HOSE SILICONE 4PLY / NOMEX-ARAMID 34MM I.D. x 6' From D-5382	AR	AR	
10	374313P	PIPE ASSY HEATING / RETURN LINE	1	1	
11	501861	. GATE VALVE 1 1/4" (WELDED)	1	1	
12	374377	ELBOW 35° X 1 3/8" I.D. / 80MM x 80MM C/C / SILICONE To D-5381	1	1	
12	374616	ELBOW 35° X 1 3/8" I.D. / 80MM x 80MM C/C / SILICONE / NOMEX From D-5382	1	1	
		WITH SMALL A/C SYSTEM			
20	374534P	PIPE ASSY HEATING / FEED LINE / W/SMALL A/C SYSTEM	1	1	
21	871419	. BALL VALVE 1" NPT-F	1	1	
21	501997	. ADAPTER / COPPER @ PIPE / 1 1/4Fx1NPT-M	2	2	
22	Call order desk	PIPE ASSY HEATING / RETURN LINE / W/SMALL A/C SYSTEM	1	1	P
23	501861	. GATE VALVE 1 1/4" (WELDED)	1	1	
26	Call order desk	PIPE ASSY HEATING / RETURN LINE / W/SMALL A/C SYSTEM To C-5166	1	1	P
26	Call order desk	PIPE ASSY HEATING / RETURN LINE / W/SMALL A/C SYSTEM From C-5167	1	1	P
30	952641	CLAMP P STL ZP RUB 34.9 ID	AR	AR	
31	500574	SCREW MA TR PH #10-24x1 1/4 SS	AR	AR	
32	500914	WASHER LO SPT .193x.334x.047 N500	AR	AR	
33	502882	NUT HEX #10-24 N500	AR	AR	
34	500957	SCREW TP BDG PH #10x3/4 N500	AR	AR	
35	374402	SUPPORT FEED LINE	1	1	
36	952633	CLAMP / 7/8" I.D.	4	4	
36	952637	CLAMP / 1"1/16 I.D.	1	1	
37	374361	SUPPORT PIPE	1	1	



From B-5003 To D-5489		Date:07/2024		PAGE:XV-2222-35	
HEATER LINE REAR SECTION WITH "VOLVO" ENGINE "EPA 2010"					
Item#	Part	Description	X 3 V I P	X L I I E N T 4 5	N O T E S
		P) CALL ORDER DESK FOR SPECIFIC APPLICATION (V.I.N.)			

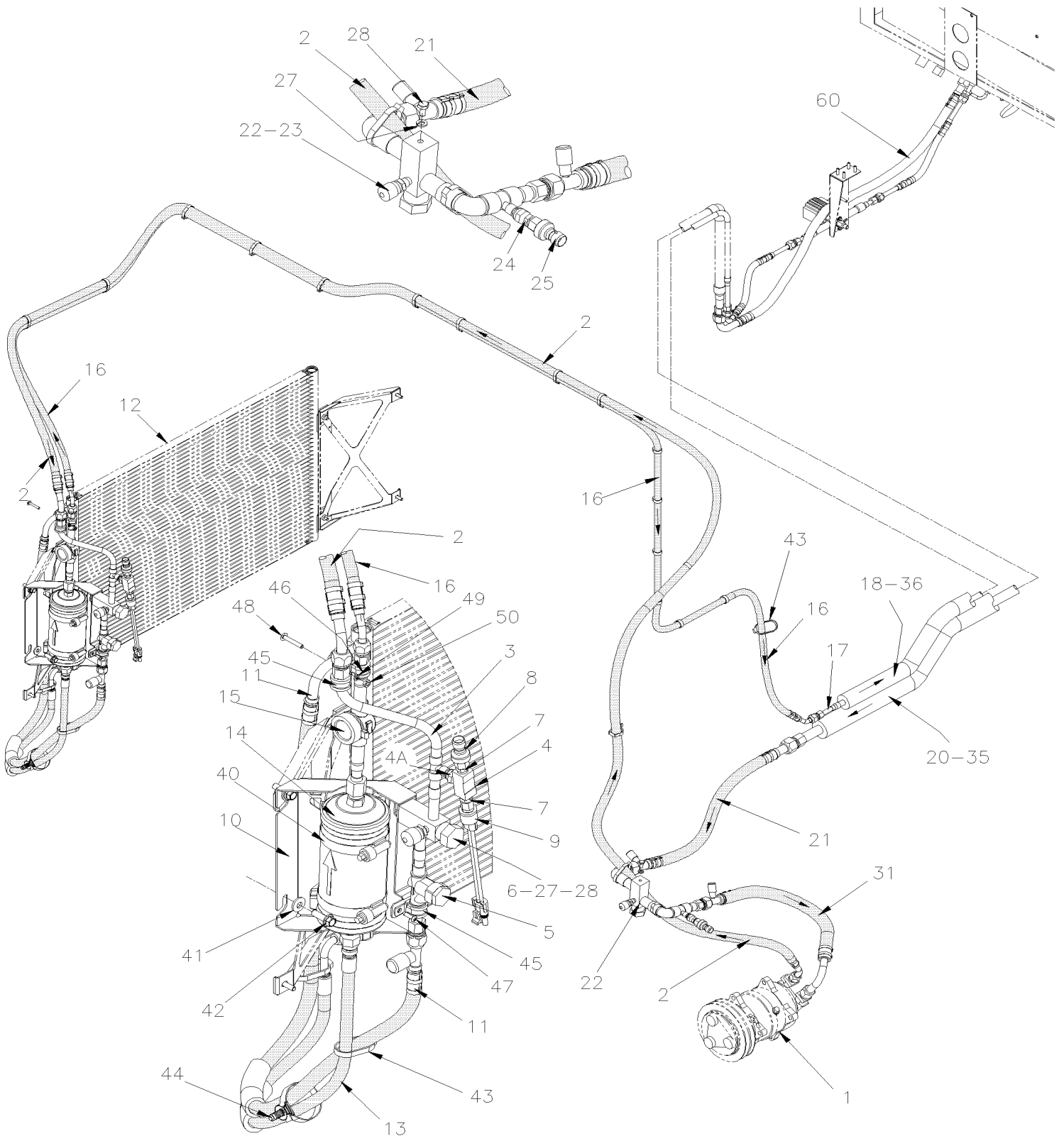


From B-5003 To D-5489

Date:07/2024

PAGE:XV-2222-50

SMALL A/C LINES & HOSES WITH R134A





From B-5003 To D-5489	Date:07/2024	PAGE:XV-2222-50
------------------------------	---------------------	------------------------

SMALL A/C LINES & HOSES WITH R134A

Item#	Part	Description	X 3 V I P	X L I E N T 4 5	N O T E S
1	XV-2245-50	A/C SMALL COMPRESSOR - INSTALLATION			
2	Call order desk	HOSE ASSY / #8 4555MM	1	1	P
. NS	507343	. O-RING / ORS FITTING / #8 NEO	2	2	
3	457485P	VALVE ASSY / HI-SIDE (superseded by 409205)	1	1	
4	501894	. MALE BRANCHE TEE / PIPE FITTING / 1/4NPT-Fx1/4NPT-Fx1/4NPT-M BR	1	1	
4A	507588	. ADAPTER / COPPER @ PIPE / 1/4Fx1/4NPT-F	1	1	
5	950326	. CHECK VALVE	1	1	
6	950376	. VALVE SERVICE HIGH PRESSURE	1	1	
7	950249	SCHRADER VALVE 1/4NPT-M	2	2	
8	563423	TRANSDUSER -6.7 to 420 LBS / 1/8 NPT-F	1	1	
. NS	563159	. CONNECTOR / METRI-PACK 150 / SH 3C / PED 12065287	1	1	
9	453380	PRESSURE SWITCH N.C. 350-245 20PS001MB350K245R	1	1	
10	459204	SUPPORT / HIGHT PRESSURE VALVE	1	1	
11	455356	HOSE ASSY / #8 1140MM	1	1	
. NS	507343	. O-RING / ORS FITTING / #8 NEO	2	2	
12	XV-2255-10	CONDENSOR - INSTALLATION SMALL A/C SYSTEM			
13	455355	HOSE ASSY / #6 760MM	1	1	
. NS	507278	. O-RING / ORS FITTING / #4 NEO	1	1	
14	950370	FILTER DRYER	1	1	
. NS	507085	. O-RING 7/16" I.D X 1/32"	1	1	
15	455336	MOISTURE INDICATOR ASSY	1	1	
. NS	950455	. MOISTURE INDICATOR	1	1	
16	Call order desk	HOSE ASSY / #6 3865MM	1	1	P
. NS	507278	. O-RING / ORS FITTING / #4 NEO	2	2	
17	452437	PIPE ASSY	1	1	
18	453319	PIPE ASSY	1	1	
20	Call order desk	PIPE ASSY	1	1	P
21	455300	HOSE ASSY / #12 847MM	1	1	
. NS	507280	. O-RING / ORS FITTING / #12 NEO	2	2	
. NS	505110	. COIL PROTECTOR / PLASTIC / #12	AR	AR	
22	Call order desk	VALVE ASSY W/SUPPORT / LOW SIDE	1	1	P
23	950950	. VALVE SERVICE LOW PRESSURE	1	1	
. NS	950235	. GAUGE ADAPTOR ASSY / W/BLUE CAP FOR R-134A / SUCTION SIDE (ALUMINUM)	1	1	
24	950249	SCHRADER VALVE 1/4NPT-M	1	1	
25	563423	TRANSDUSER -6.7 to 420 LBS / 1/8 NPT-F	1	1	
. NS	563159	. CONNECTOR / METRI-PACK 150 / SH 3C / PED 12065287	1	1	
27	5001749	WASHER LO SPT 6.5x11.5x1.6 N500	2	2	
28	502772	SCREW CAP HEX 1/4-20x1/2 G5 N500	2	2	
31	Call order desk	HOSE ASSY /	1	1	P
35	506276	PIPE INSULATING / 7/8" I.D. X 1/2" TH. X 72 / APT07812	1	1	
36	506215	PIPE INSULATING / 1/2" I.D. X 1/2" TH. X 72" / APT01212	1	1	
40	504026	HOSE CLAMP / 2"13/16-3"3/4 SS / HS-52	2	2	



From B-5003 To D-5489	Date:07/2024	PAGE:XV-2222-50
-----------------------	--------------	-----------------

SMALL A/C LINES & HOSES WITH R134A

Item#	Part	Description	X 3 V I P	X L I I E N T 4 5	N O T E S
41	500321	WASHER BEL SPR .331x.827x.098 N500	2	2	
42	5001643	SCREW CAP HEXF M8-1.25x25 G8.8 G500	2	2	
43	504016	CABLE TIE / 5/16" X 14"1/2	AR	AR	
44	504750	CABLE TIE / 1/2" x 15" / CHRISTMAS TREE	AR	AR	
45	952629	CLAMP / 5/8" I.D.	3	3	
46	952627	CLAMP / 1/2" I.D.	1	1	
47	500957	SCREW TP BDG PH #10x3/4 N500	2	2	
48	500574	SCREW MA TR PH #10-24x1 1/4 SS	1	1	
49	500914	WASHER LO SPT .193x.334x.047 N500	1	1	
50	502882	NUT HEX #10-24 N500	1	1	
60	XV-2210-20	WATER PUMP & FILTER - W/SMALL A/C	1	1	
		P) CALL ORDER DESK FOR SPECIFIC APPLICATION (V.I.N.)			

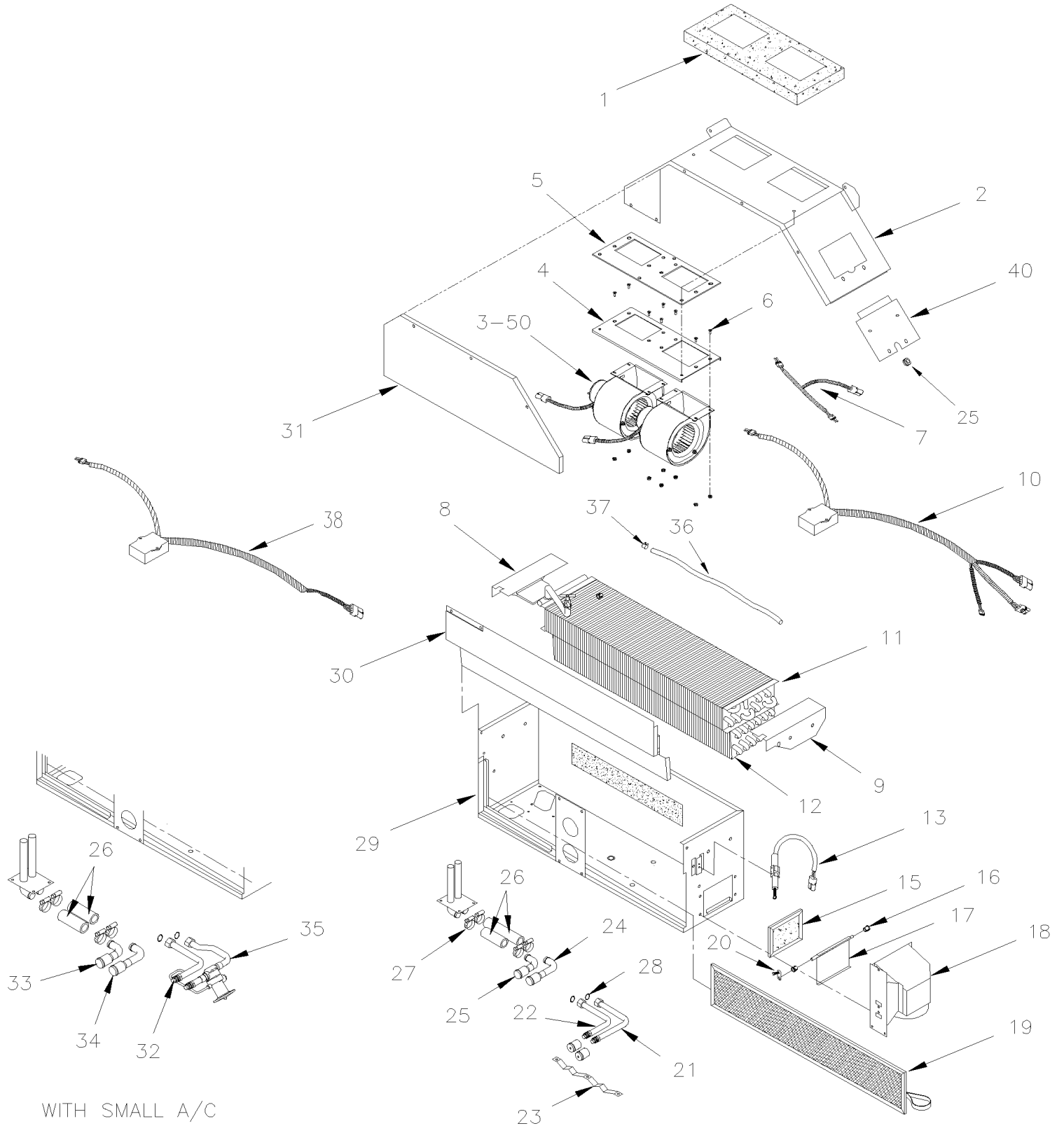


From B-5003 To D-5489

Date:07/2024

PAGE:XV-2225-00

DRIVER'S HEATER & DEFROSTER ASSY





From B-5003 To D-5489 Date:07/2024 PAGE:XV-2225-00

DRIVER'S HEATER & DEFROSTER ASSY

Item#	Part	Description	X 3 V I P	X L I I E N T 4 5	N O T E S
	871415	DEFROSTER & A/C UNIT ASSY	1	1	
	871416	DEFROSTER & A/C UNIT ASSY MUX	1	1	A
1	871129	. SEAL	1	1	
2	871223	. COVER	1	1	
3	871359	. BLOWER ASSY 24V / W/DOUBLE MOTOR MOUNT	2	2	
3	871360	. BLOWER & MOTOR ASSY - "M.C.C." "CCW" / FAN END	2	2	
4	871362	. PLATE MOUNTING	1	1	
5	871363	. SEAL PLATE MOUNTING	1	1	
6	684605	. SCREW CAP HEXS #10-32x1/2	8	8	
NS	500423	. NUT HEX NYRT #10-32 SS	8	8	
7	871364	. CABLE HARNESS	1	1	
8	871137	. BRACKET L.H.	1	1	
9	871138	. BRACKET R.H.	1	1	
10	871353	. MODULE CONTROL FAN SPEED / W/DOUBLE MOTOR	1	1	
11	871140	. HEATER COIL	1	1	
. NS	870127	. DRAIN VALVE ROBINET VIDANGE	1	1	
12	871141	. EVAPORATOR COIL	1	1	
13	871142	. ACTUATOR, THERMAL	1	1	
15	871144	. FILTER / FRESH AIR 1/4" x 3 5/8" x 5 1/4"	1	1	
16	871025	. BUSHING / CABLE PIVOT	2	2	
17	871145	. DAMPER TRAP	1	1	
18	871225	. BOX, FRESH AIR	1	1	
19	871147	. FILTER / RECIRCULATING 1/4" x 6 1/4" x 28"	1	1	
20	871148	. LEVER , F/A DAMPER	1	1	
20	5001410	. SCREW MA CHE PH M4-0.7x16 SS	1	1	
20	502557	. NUT HEX NYRT M4-0.7 SS	1	1	
21	871229	. TUBE, A/C	1	1	
22	871228	. TUBE, A/C	1	1	
23	871226	. TUBE SUPPORT	1	1	
NS	871237	. TUBE SUPPORT	1	1	
24	871231	. TUBE HEATER	1	1	
25	871230	. TUBE HEATER	1	1	
26	503007	. HOSE 2 PLY / RADIATOR HOSE / 5/8" I.D. / S.L. To C-5133	AR	AR	
26	871442	. HOSE SILICONE 4 PLY 5/8 OD x 4" From C-5134	AR	AR	
27	504646	. HOSE CLAMP / 11/16"-1"1/4 / C.T. 9412 To C-5133	4	4	
27	871443	. HOSE CLAMP / From C-5134	4	4	
28	507279	. O-RING / ORS FITTING / #8 NEO	2	2	
28	XV-2208-00	. A/C EXPANSION VALVE			
29	N.P.N.	. CASING	1	1	4
30	871155	. COVER	1	1	
31	871156	. COVER / BLOWER ACCESS	1	1	
NS	5001047	. SCREW TC PAN PH M5-0.8X10 ZP	17	17	



From B-5003 To D-5489	Date:07/2024	PAGE:XV-2225-00
-----------------------	--------------	-----------------

DRIVER'S HEATER & DEFROSTER ASSY

Item#	Part	Description	X 3 V I P	X L I I E N T 4 5	N O T E S
32	871343	. TUBE A/C	1	1	A
33	871230	. TUBE HEATER	1	1	A
34	871231	. TUBE HEATER	1	1	A
35	871344	. VALVE, EXPANSION ASSY / WITH PIPE	1	1	A
36	8860148	. TUBE, NYLON 5/16 O.D. / BLACK S.L.	1	1	
37	N8888160	. SPRING CLIP	1	1	
38	563660	. MODULE CONTROL FAN SPEED / W/DOUBLE MOTOR W/MUX PASSNGER SIDE	1	1	
40	871227	. HARNESS COVER	1	1	
		A) WITH SMALL A/C SYSTEM			
		4) NO PARTS NUMBER			

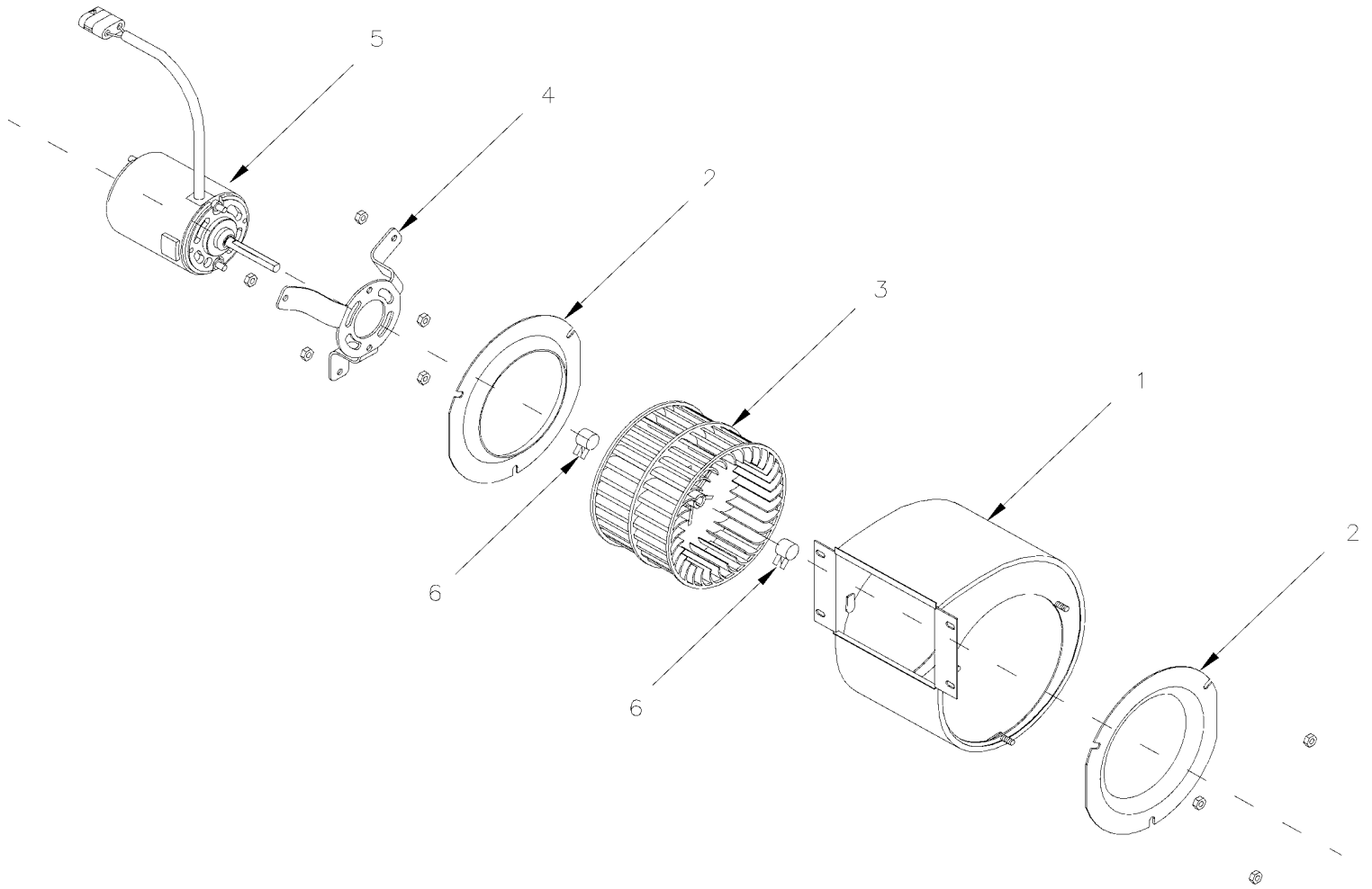


From B-5003 To D-5489

Date:07/2024

PAGE:871360

BLOWER & MOTOR ASSY - "M.C.C." "CCW" / FAN END





From B-5003 To D-5489	Date:07/2024	PAGE:871360
-----------------------	--------------	-------------

BLOWER & MOTOR ASSY - "M.C.C." "CCW" / FAN END

Item#	Part	Description	X 3 V I P	X L I I E N T 4 5	N O T E S
		BLOWER ASSY 24V / CCW	1	1	
1	871365	. BLOWER HOUSING	1	1	
2	N8889479	. VENTURY	2	2	
3	871133	. BLOWER WHEEL / PLASTIC 5 1/8" x 3 1/2" x 5/16" x I.D.	1	1	
4	N8890530	. MOUNTING MOTOR BRACKET	1	1	
5	871366	. MOTOR ASSY 24V / CCW	1	1	
6	N8888160	. SPRING CLIP	2	2	

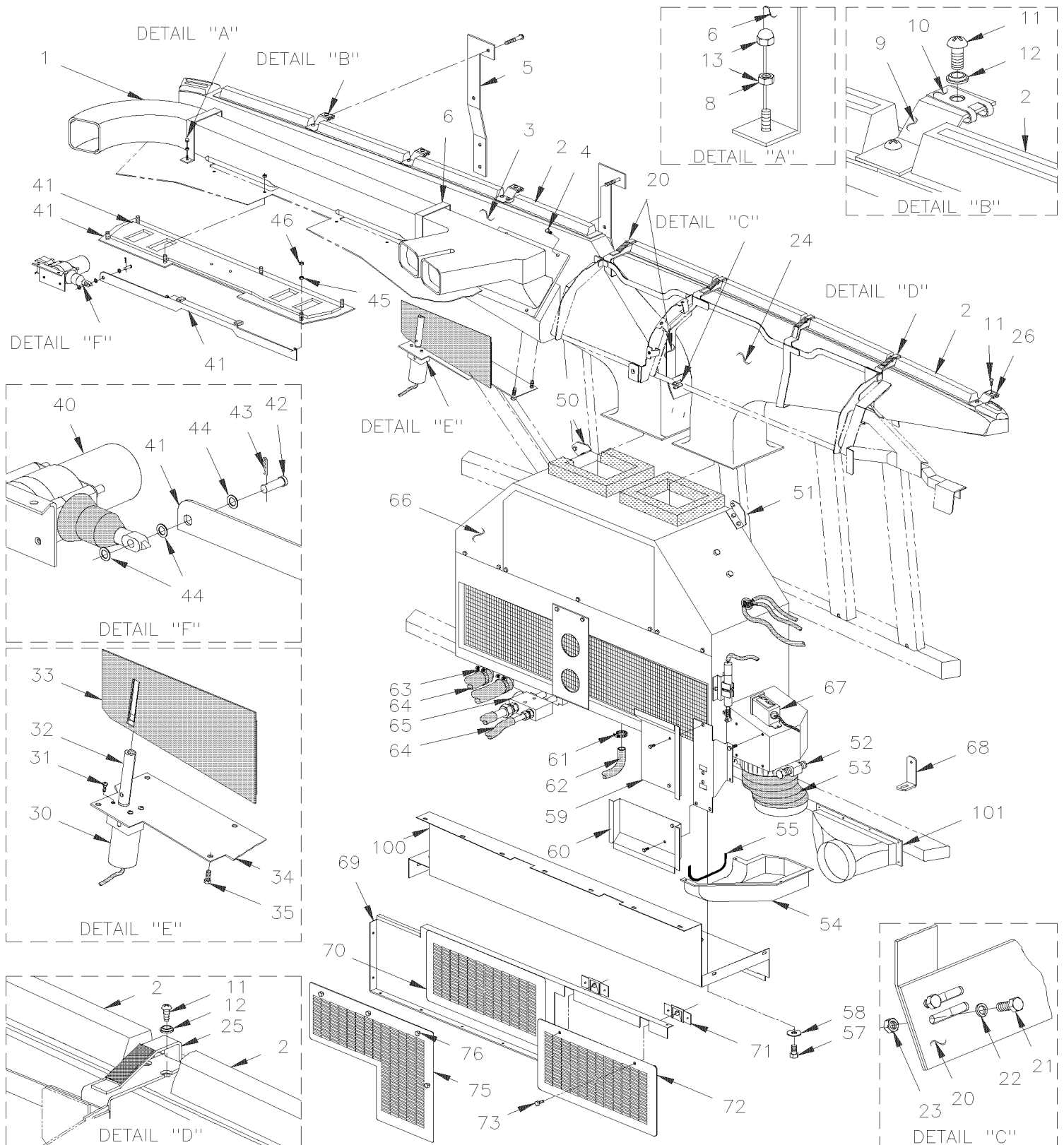


From B-5003 To D-5489

Date:07/2024

PAGE:XV-2230-00

DEFROSTER - INSTALLATION



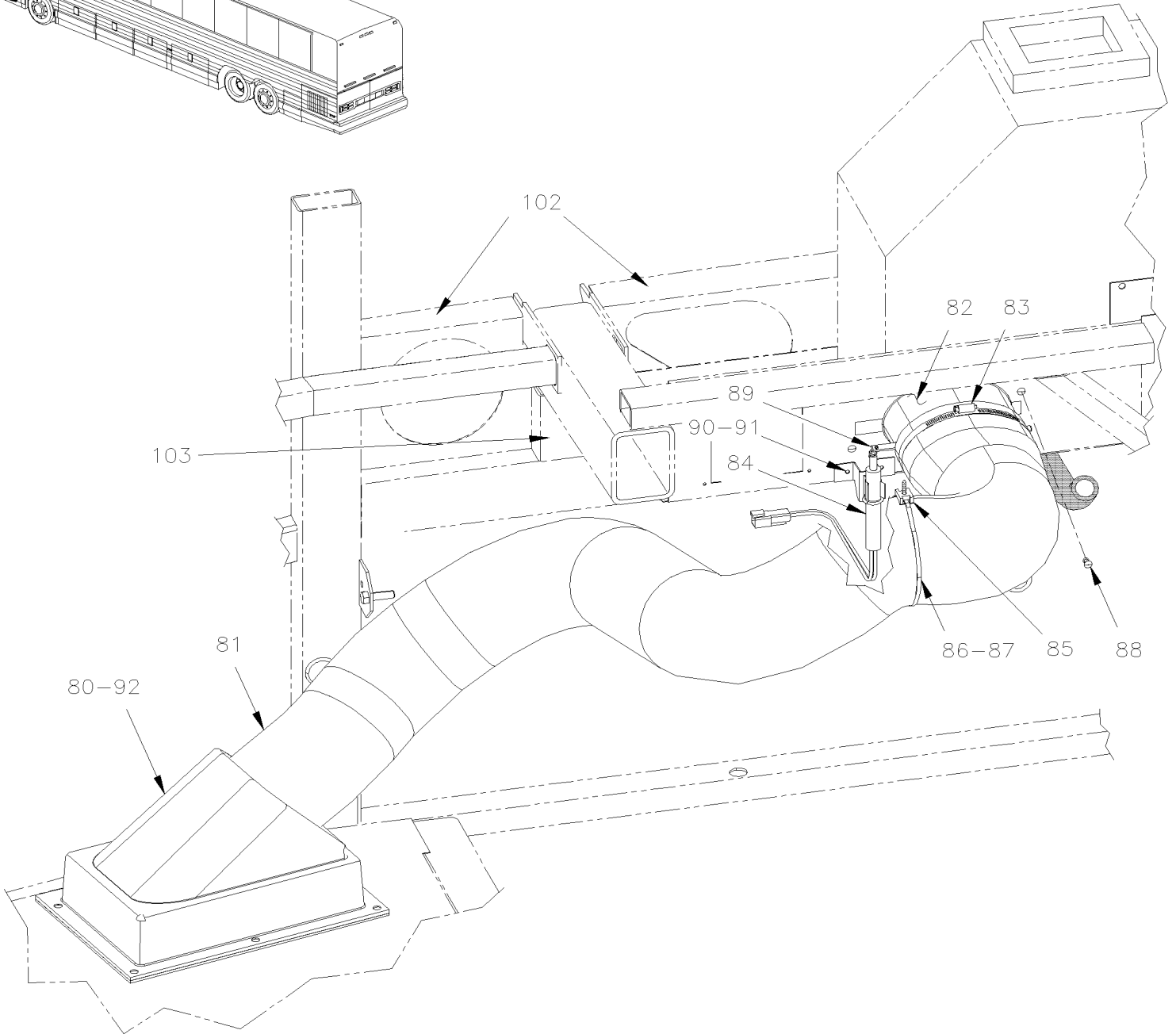
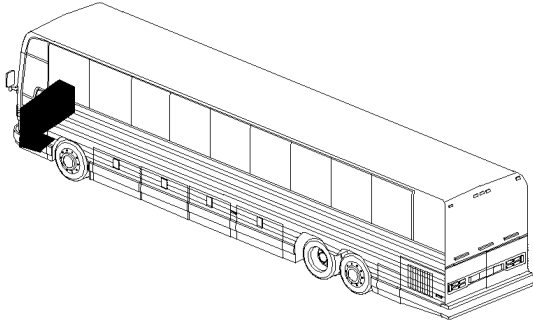


From B-5003 To D-5489

Date:07/2024

PAGE:XV-2230-00

DEFROSTER - INSTALLATION



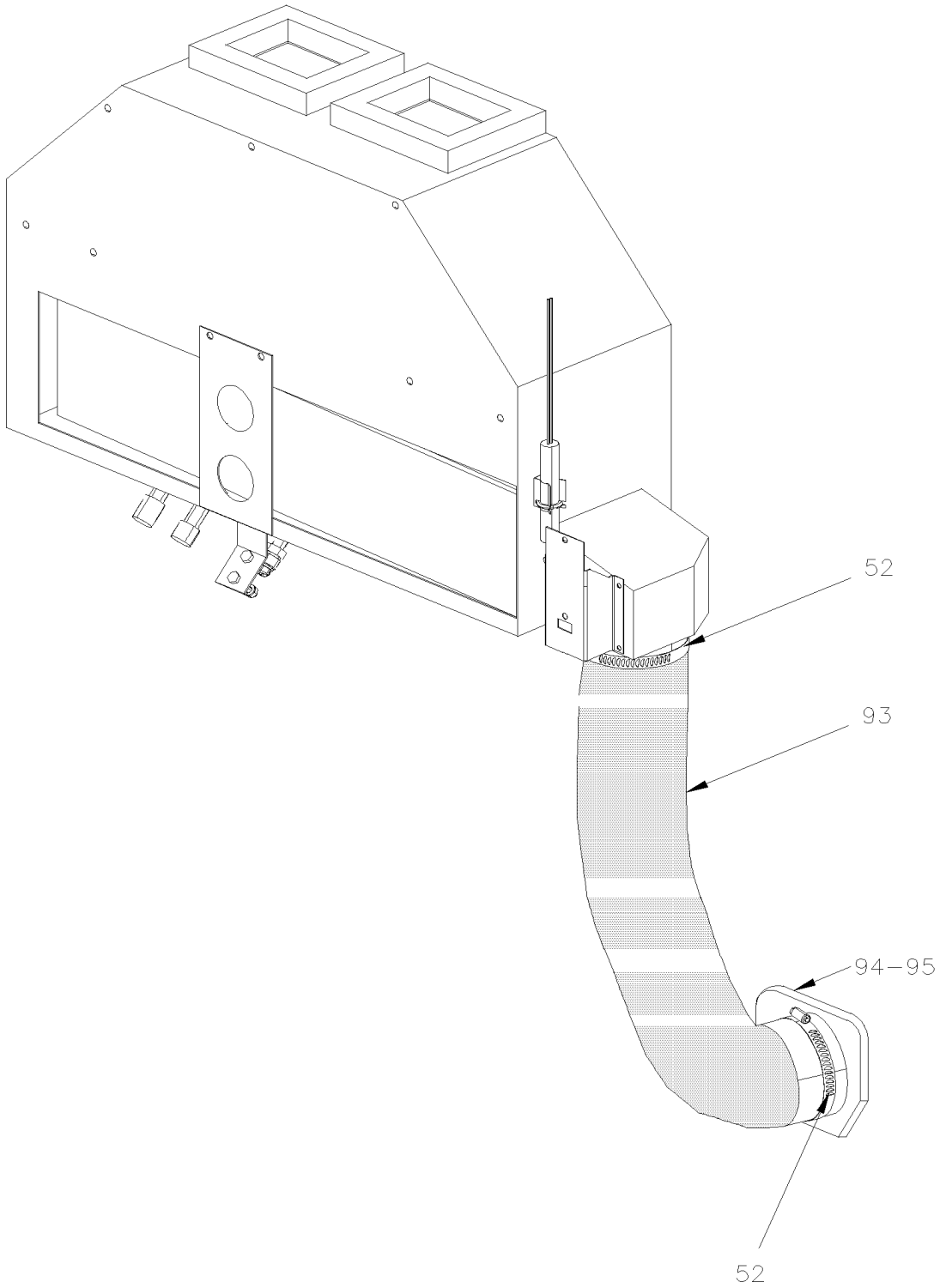


From B-5003 To D-5489

Date:07/2024

PAGE:XV-2230-00

DEFROSTER - INSTALLATION





From B-5003 To D-5489	Date:07/2024	PAGE:XV-2230-00
------------------------------	---------------------	------------------------

DEFROSTER - INSTALLATION

Item#	Part	Description	X 3 V I P	X L I I E N T 4 5	N O T E S
1	392488	DUCT DRIVER CENTER SECTION	1	1	
NS	392479	DUCT DRIVER LH SECTION	1	1	
1	392212	DUCT DRIVER RH SECTION	1	1	G
. NS	391003	. SEAL DUCT	1	1	G
NS	392064	SUPPORT	1	1	
NS	392085	. DEFLECTOR (INSIDE DUCT)	1	1	
2	392045	LOUVER	8	8	
NS	392046	LOUVER CORNER	2	2	
3	392044	DEFROSTER DUCT STREETSIDE	1	1	
NS	392292	GASKET / DRIVER'S DUCT & WINDSHIELD DUCT	1	1	
NS	391979	DEFLECTOR / (INSIDE OF DUCT)	1	1	
NS	392160	SUPPORT / DEFROSTER DUCT	1		
NS	392161	SUPPORT / DEFROSTER DUCT MTH 89"		1	
4	500641	SCREW TP PAN PH #8x3/4 Z050	1	1	
4	500841	SCREW TP PAN PH #14x3/4 Z050			
8	502557	NUT HEX NYRT M4-0.7 SS	4	4	
10	5001405	NUT SPR U M4-0.7 0.8-4.0x9.5	AR	AR	
11	5001411	SCREW MA FL PH M4-0.7x20 BK	AR	AR	
12	500345	WASHER FN CKF .187x.500x.090 BR BK	AR	AR	
13	5001404	NUT HEX CAP M4-0.7 SS	4	4	
20	391996	STRUCTURE / R.H.	1	1	
21	502529	SCREW MA BDG PH M5-0.8x12 BZC	2	2	
22	500440	WASHER FL .250x.562x.065 Z050	2	2	
23	502782	NUT HEX NYRT M5-0.8 Z050	2	2	
24	392049	DEFROSTER DUCT CURBSIDE	1	1	
NS	453585	HOSE ADAPTOR / CURBSIDE DUCT	1	1	C
NS	453584	HOSE ADAPTOR / WINDSHIELD	1	1	C
NS	453588	HOSE 510MM	1	1	C
25	392018	STRAP R.H. / TO FIX DUCT TO STRUCTURE	1	1	
25	392019	STRAP L.H. / TO FIX DUCT TO STRUCTURE	1	1	
26	392017	SUPPORT / R.H. WINDSHIELD	1	1	
30	392282	DAMPER ASSY	1	1	
30	871424	. MOTOR	1	1	
31	N.P.N.	. SCREW	7	7	4
32	N.P.N.	. SHAFT	1	1	4
33	N.P.N.	. TRAP ASSY	1	1	4
34	N.P.N.	. PLATE	1	1	4
35	N.P.N.	SCREW	4	4	4
NS	563429	SWITCH MAGNETIC ASSY	1	1	
. NS	562641	. MAGNET	1	1	
40	890009	LOCK ACTUATOR / 12V	1	1	
. NS	562076	. CONNECTOR / PACK-CON I / FEMALE HOUSING / 2C / PED 8911772	1	1	



From B-5003 To D-5489	Date:07/2024	PAGE:XV-2230-00
-----------------------	--------------	-----------------

DEFROSTER - INSTALLATION

Item#	Part	Description	X 3 V I P	X L I E N T 4 5	N O T E S
41	392484	DAMPER, FOOT ASSY	1	1	
42	502023	. PIN, CLEVIS 1/4 x 51/64	1	1	
43	502180	. PIN HITCH CLIP 3/32 x 1/2 Z050	1	1	
44	500411	. WASHER FL .260x.697x.050 SS	2	2	
NS	563429	. SWITCH MAGNETIC ASSY	1	1	
. NS	562641	. . MAGNET	1	1	
45	N.P.N.	SPACER	6	6	4
46	5001036	SCREW MA PAN PH M4-0.7x10 Z050	6	6	
50	373551	ATTACHMENT L.H.	1	1	
51	373552	ATTACHMENT R.H.	1	1	
NS	500642	SCREW TP PAN PH #10x3/4 Z050	2	2	
NS	504114	RIVET POP DOME OE 3/16x1/4 AL	4	4	
52	504235	HOSE CLAMP / 3"9/16"-4"1/2 SS / HS-64	2	2	
53	373630	HOSE 4" I.D. X 350MM	1	1	
53	503434	. HOSE FLEXIBLE / AIR DUCT 4" I.D. X 12' / RUBBER	AR	AR	
57	500179	SCREW CAP HEX 5/16-18x3/4 G5 Z050	3	3	
58	500462	WASHER FL .343x1.500x.083 SS	3	3	
NS	500476	WASHER LO SPT .317x.586x.078 Z050	3	3	
59	453343	DEFLECTOR, UPPER	1	1	
NS	453345	FOAM 5" X 3" X 1"	1	1	
60	502761	SCREW TP BDG PH #10x3/4 SS BK	5	5	
60	500803	NUT SPR J #10A .035-.050	5	5	
60	506268	TAPE RUB ADH1 URE 3/8" x 1/2" x 25' / GREY 1820	AR	AR	
61	504014	HOSE CLAMP / 1/4"-5/8" SS / HM-4	2	2	
62	373680	HOSE 1/2" I.D. X 1135MM	1	1	
62	503666	HOSE 1/2" I.D. 100' / S.L.	AR	AR	
NS	504356	GROMMET / .625x.875x.062x.312x1.125	1	1	
NS	590286	DRAIN BOOT 1 1/4" I.D. X 4" / FLAT	1	1	
63	504646	HOSE CLAMP / 11/16"-1"1/4 / C.T. 9412 To D-5404	2	2	
63	504781	HOSE CLAMP / 13/16"-1 5/16" SS / C.T. W.S. From D-5405	2	2	
64	XV-2222-10	A/C & HEATING LINE FRONT SECTION			
65	XV-2208-00	A/C EXPANSION VALVE			
66	XV-2225-00	DRIVER'S HEATER & DEFROSTER ASSY			
67	950035	THERMOSTAT	1	1	A
NS	500583	SCREW TP PAN PH #6x1/2 Z050	2	2	A
68	373754	ANGLE SUPPORT / CURBSIDE / 25MM X 35MM X 65MM	1	1	
69	373640	GRILLE ASSY W/SUPPORT	1	1	
69	373633	. SUPPORT	1	1	
70	453338	. GRILL AIR / FRONT STEPWELL / RETURN / 200MM X 408MM	1	1	
71	504605	. RECEPTACLE 6 MM	2	2	
NS	681283	. TAPE RUB ADH2 ACRYLIC .045" x 1/2" x 108' / WHITE 4945	AR	AR	
NS	506268	. TAPE RUB ADH1 URE 3/8" x 1/2" x 25' / GREY 1820	AR	AR	



From B-5003 To D-5489	Date:07/2024	PAGE:XV-2230-00
-----------------------	--------------	-----------------

DEFROSTER - INSTALLATION

Item#	Part	Description	X 3 V I P	X L I I E N T 4 5	N O T E S
72	453341	GRILL AIR / FRONT STEPWELL / RETURN / 197MM X 408MM	1	1	
73	504681	. STUD 6MM (DZUS)	2	2	
NS	504604	. FASTENER	2	2	
93	374010	HOSE 4" I.D. X 650MM	1	1	
94	373930	HOSE ADAPTOR 4" To C-5086	1	1	
94	374580	FRAME AIR INTAKE From C-5087	2	2	
95	373933	GRILLE 111MM X 111MM	1	1	
95	476156	CLOSING PLATE 39MM X 257MM	1	1	
95	476159	CLOSING PLATE 55MM X 257MM	1	1	
100	172316	SUPPORT / DEFROST & A/C UNIT	1	1	
101	XV-1851-00	FRONT CAP - INSTALLATION			
		A) WITH SMALL A/C SYSTEM ONLY			
		C) FEED AIR TO CENTER POST WINDSHIELD			
		G) FOR PRODUCT IMPROVEMENT, USE KIT #871318 AND SEE INSTRUCTION SHEET IS-04902			
		4) NO PARTS NUMBER			

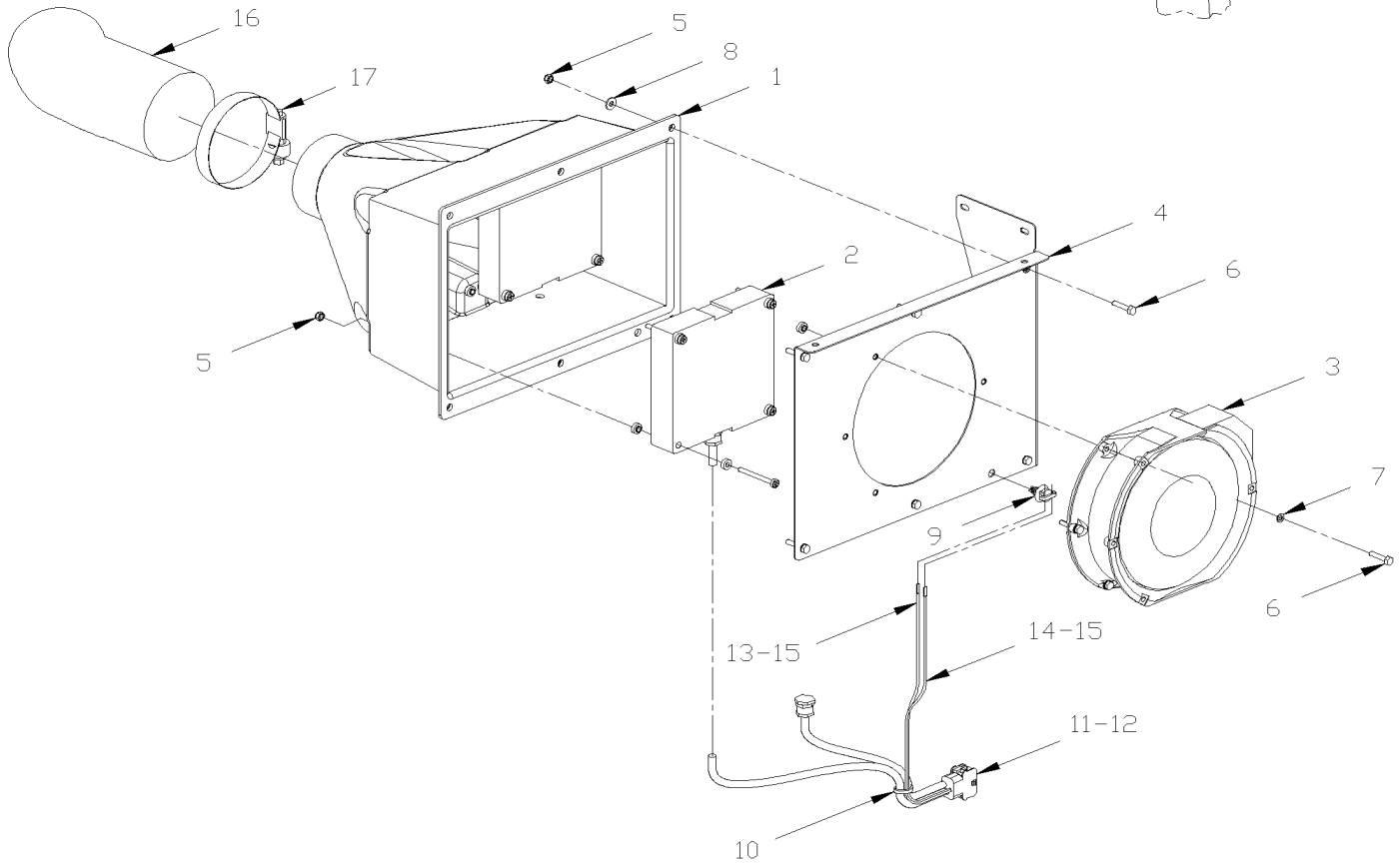
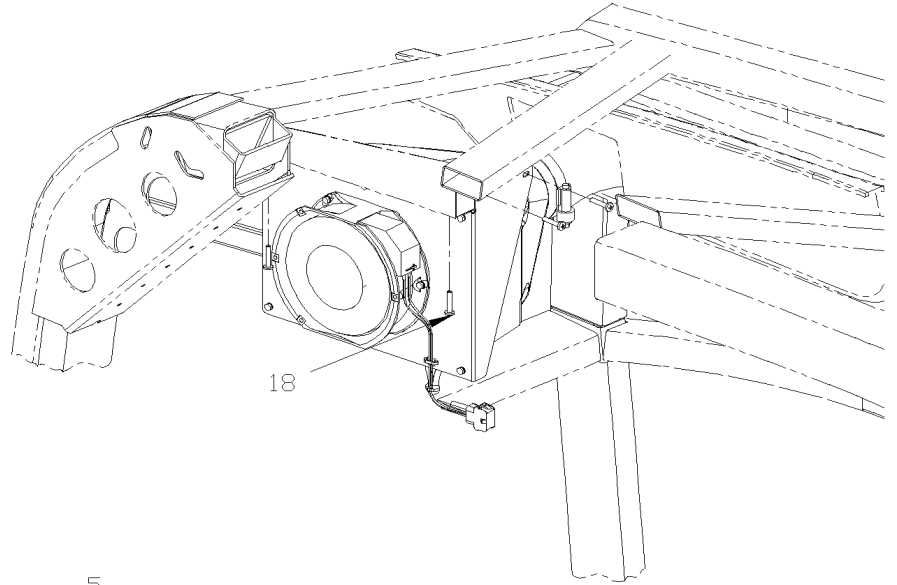
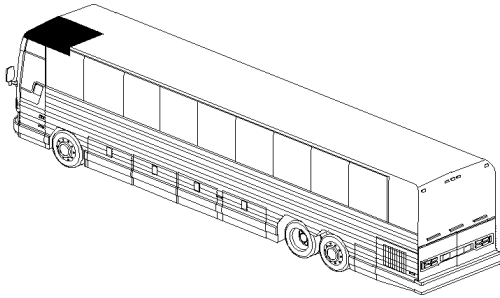


From B-5003 To D-5489

Date:07/2024

PAGE:XV-2240-10

UPPER WINDSHIELD FAN - INSTALLATION





From B-5003 To D-5489	Date:07/2024	PAGE:XV-2240-10
UPPER WINDSHIELD FAN - INSTALLATION		

Item#	Part	Description	X 3 V I P	X L I I E N T 4 5	N O T E S
	373936P	HEATER FAN ASS		1	
1	373938	. SHROUD		1	
NS	506254	. RUBBER EXTRUSION NEO / GLASS FILLER / B / C.T.L.		AR	
2	871324	. HEATER COIL 300W		1	
3	871326	. FAN AXIAL 12/28V 230CFM		1	
4	373939	. SUPPORT, FAN TOP WINDSHIELD		1	
5	500590	. NUT HEX NYRT M4-0.7 Z050		11	
6	500588	. SCREW CAP HEX M4-0.7x20 G8.8 Z050		7	
7	502636	. WASHER LO SPT 4.1x7.6x0.9 Z050		7	
8	500438	. WASHER FL .187x.437x.050 Z050		3	
9	509815	. TIE MOUNT / ATTACHMENT W/TREE MOUNT		1	
10	504637	. CABLE TIE / 3/16" x 13"		2	
11	561552	. CONNECTOR / UNIVERSAL MATE-N-LOK / PH 6C / AMP 1-480705-0		1	
12	561671	. PIN TERMINAL / 24-18 / AMP 350690-1		6	
13	562588	. WIRE CABLE 14 / RED / TXL		AR	
14	562585	. WIRE CABLE 14 / BLACK / TXL		AR	
15	561625	. TAB RECEPTACLE TERMINAL INSUL. NYLON / 16-1 / AMP 3-520125-2		2	
16	373941	. HOSE 200MM X 3" I.D.		1	
17	504026	. HOSE CLAMP / 2"13/16-3"3/4 SS / HS-52		1	
18	500642	SCREW TP PAN PH #10x3/4 Z050		4	

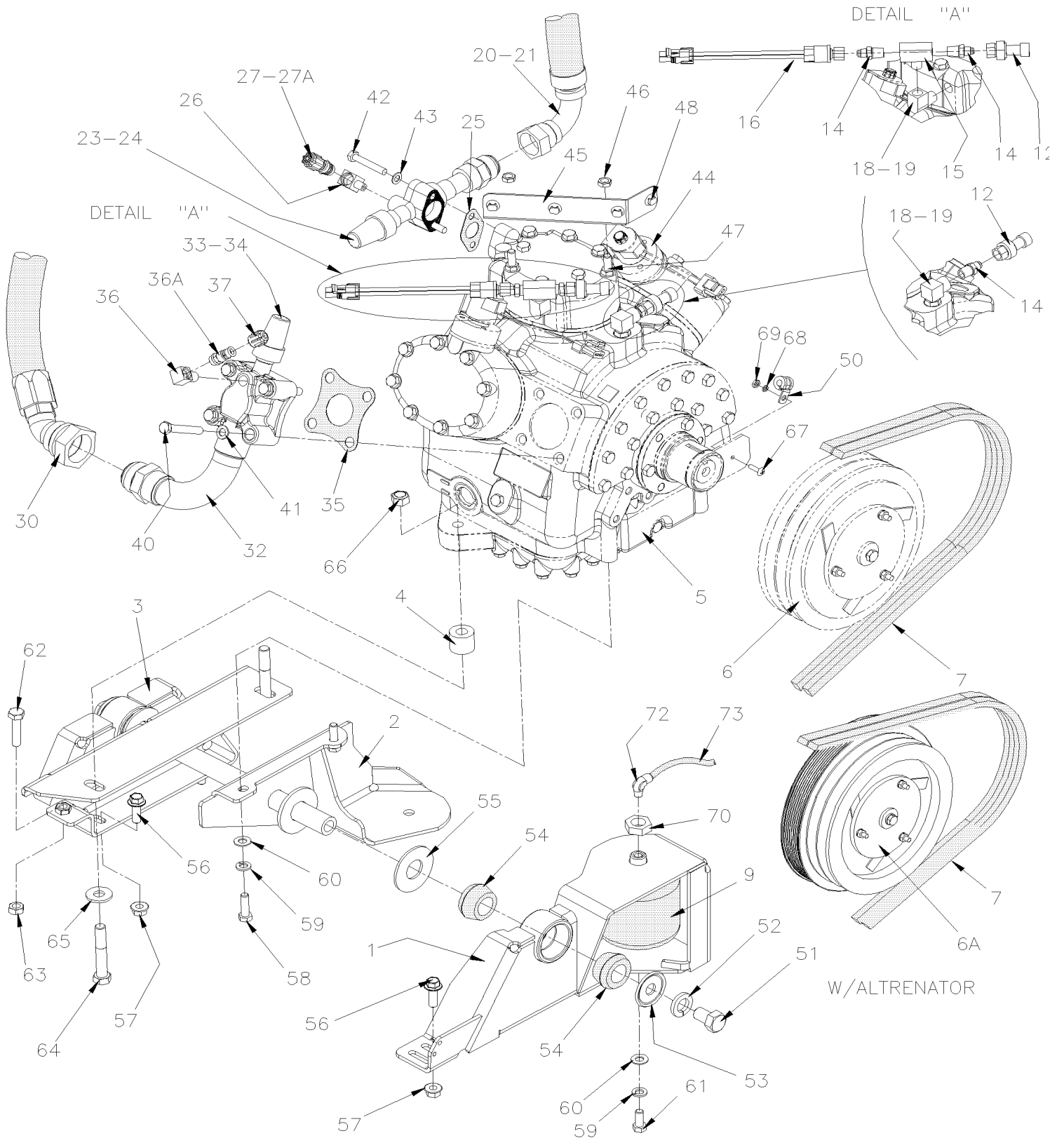


From B-5003 To D-5458

Date:07/2024

PAGE:XV-2245-00

A/C COMPRESSOR 05G - INSTALLATION





From B-5003 To D-5458	Date:07/2024	PAGE:XV-2245-00
A/C COMPRESSOR 05G - INSTALLATION		

Item#	Part	Description	X 3 V I P	X L I I E N T 4 5	N O T E S
1	454190	SUPPORT ASSY	1	1	
2	453651	SUPPORT ASSY	1	1	
3	457450	SUPPORT OPPOSITE PULLEY SIDE	1	1	
4	452268	SLEEVE SPACER	2	2	
5	XV-2250-00	A/C COMPRESSOR ASSY 05G - TWIN PORT			
6	XV-2246-00	A/C CLUTCH 05G - HOUSING MOUNTED			
6A	XV-2246-01	A/C CLUTCH - WITH "BITZER" COMPRESSOR			A
7	5060086	V-BELT / BX-96 / SET OF 2 9013-2096	AR	AR	
7	5060121	SUPER V-BELT / 2B-96	AR	AR	
9	550840	BELLOW ASSY / BELT TENSIONER / 4" O.D.	1	1	
12	563423	TRANSDUSER -6.7 to 420 LBS / 1/8 NPT-F	2	2	
. NS	563159	. CONNECTOR / METRI-PACK 150 / SH 3C / PED 12065287	1	1	
14	950249	SCHRADER VALVE 1/4NPT-M	1	1	
15	501894	MALE BRANCHE TEE / PIPE FITTING / 1/4NPT-Fx1/4NPT-Fx1/4NPT-M BR	1	1	
16	453380	PRESSURE SWITCH N.C. 350-245 20PS001MB350K245R	1	1	
18	501332	STREET ELBOW 90° / PIPE FITTING / 1/4NPT-Mx1/4NPT-F BR	1	1	
19	5011184	FEMALE CONNECTOR / PIPE @ ORB / 1/4NPT-Fx#4ORB-M STL	AR	AR	
20	950461	HOSE ASSY / DISCHARGE W/R-134a / #16 710MM / SS BELLOW	1	1	
21	501802	O-RING / ORS FITTING / #16 NEO	2	2	
22	950463	VALVE ASSY / DISCHARGE / W/R134A	1	1	
23	870751	. GASKET	1	1	
24	870752	. GASKET, CAP SEAL	1	1	
25	870753	GASKET / DISCHARGE VALVE	1	1	
26	5011133	ELBOW 90° 1/8 NPT X M15 / W/R134A	1	1	
27	950287	SCHROUDER CAP / HIGH PRESSURE	1	1	
27A	5011134	GAUGE ADAPTOR ASSY M15 / W/BLACK CAP W/R134A	1	1	
30	454304	HOSE ASSY / SUCTION W/R-134a / #20 1000MM	1	1	
31	501803	O-RING / ORS FITTING / #20 NEO	2	2	
32	950265	VALVE ASSY / SUCTION / W/R134A	1	1	
33	870751	. GASKET	1	1	
34	870752	. GASKET, CAP SEAL	1	1	
35	870754	GASKET / SUCTION VALVE	1	1	
36	5011131	ELBOW 90° 1/4 NPT X M13 / W/R134A	1	1	
36A	5011132	GAUGE ADAPTOR ASSY M13 / W/BLACK CAP W/R134A	1	1	
37	950288	SCHROUDER CAP / LOW PRESSURE	1	1	
40	870755	SCREW CAP HEX 1/2-13x2 1/2 G5 ZP	4	4	
41	870756	GASKET	4	4	
42	870877	SCREW CAP HEX 5/16-18x2 G5 ZP	2	2	
43	870750	GASKET	2	2	
44	XV-2250-15	A/C ELECTRIC UNLOADER - W/05G COMPRESSOR			
45	068370	SUPPORT , A/C COMPRESSOR HARNESS	1	1	
46	500208	NUT HEX STO 3/8-16 N500	2	2	



From B-5003 To D-5458	Date:07/2024	PAGE:XV-2245-00
A/C COMPRESSOR 05G - INSTALLATION		

Item#	Part	Description	X 3 V I P	X L I I E N T 4 5	N O T E S
47	950481	STUD	2	2	
48	509815	TIE MOUNT / ATTACHMENT W/TREE MOUNT	4	4	
50	952624	CLAMP / 1/4" I.D.	1	1	
51	500225	SCREW CAP HEX 5/8-11x1 G5 Z050	2	2	
52	500484	WASHER LO SPT .635x1.079x.156 Z050	2	2	
53	5001151	WASHER CON 16.5x50.0x4.5 ZP	2	2	
54	630002	BUSHING / RUBBER / (TWO PIECES) 1" x 1.005" I.D.	4	4	
54	506678	BUSHING / POLYURETHANE / (TWO PIECES) RED 1" x 1.005" I.D.	4	4	B
55	500997	WASHER FL 1.062x2.500x.125 SS	1	1	
56	5001741	SCREW CAP HEXF M10-1.5x30 G8.8 N500	4	4	
57	5001727	NUT HEXF NYRT M10-1.5 N500	1	1	
58	500192	SCREW CAP HEX 3/8-16x1 1/4 G5 Z050	2	2	
59	5001737	WASHER LO SPT 10.2x18.1x2.2 N500 To C-5216	3	3	
59	5001834	WASHER BEL SPR 10.5X23X2.5 N500 From C-5217	3	3	
60	500832	WASHER FL .406x.812x.065 N500 To C-5216	3	3	
61	502926	SCREW CAP HEX 3/8-16x7/8 G5 N500	1	1	
62	5001316	SCREW CAP HEX M10-1.5x45 SS	1	1	
63	500847	NUT HEX M10-1.5 N500	2	2	
64	500096	SCREW CAP HEX 1/2-20x3 G5 Z050	2	2	
65	500446	WASHER FL .531x1.250x.125 Z050	2	2	
66	500718	NUT HEX STO 1/2-20 Z050	1	1	
67	500606	SCREW MA TR PH #10-24x3/4 SS	1	1	
68	500914	WASHER LO SPT .193x.334x.047 N500	1	1	
69	502882	NUT HEX #10-24 N500	1	1	
70	502917	NUT HEX JAM 3/4-16 G2 N500	1	1	
72	641369	MALE ELBOW 90° NON-SWIVEL / PUSH-IN FITTING / #4x1/8NPT-M BR	1	1	
73	503402	TUBE, NYLON 1/4 O.D. / BLACK S.L.	AR	AR	
		A) WITH ALTERNATOR MOUNTED ON COMPRESSOR			
		B) ONLY USE WITH ALTERNATOR MOUNT ON COMPRESSOR			

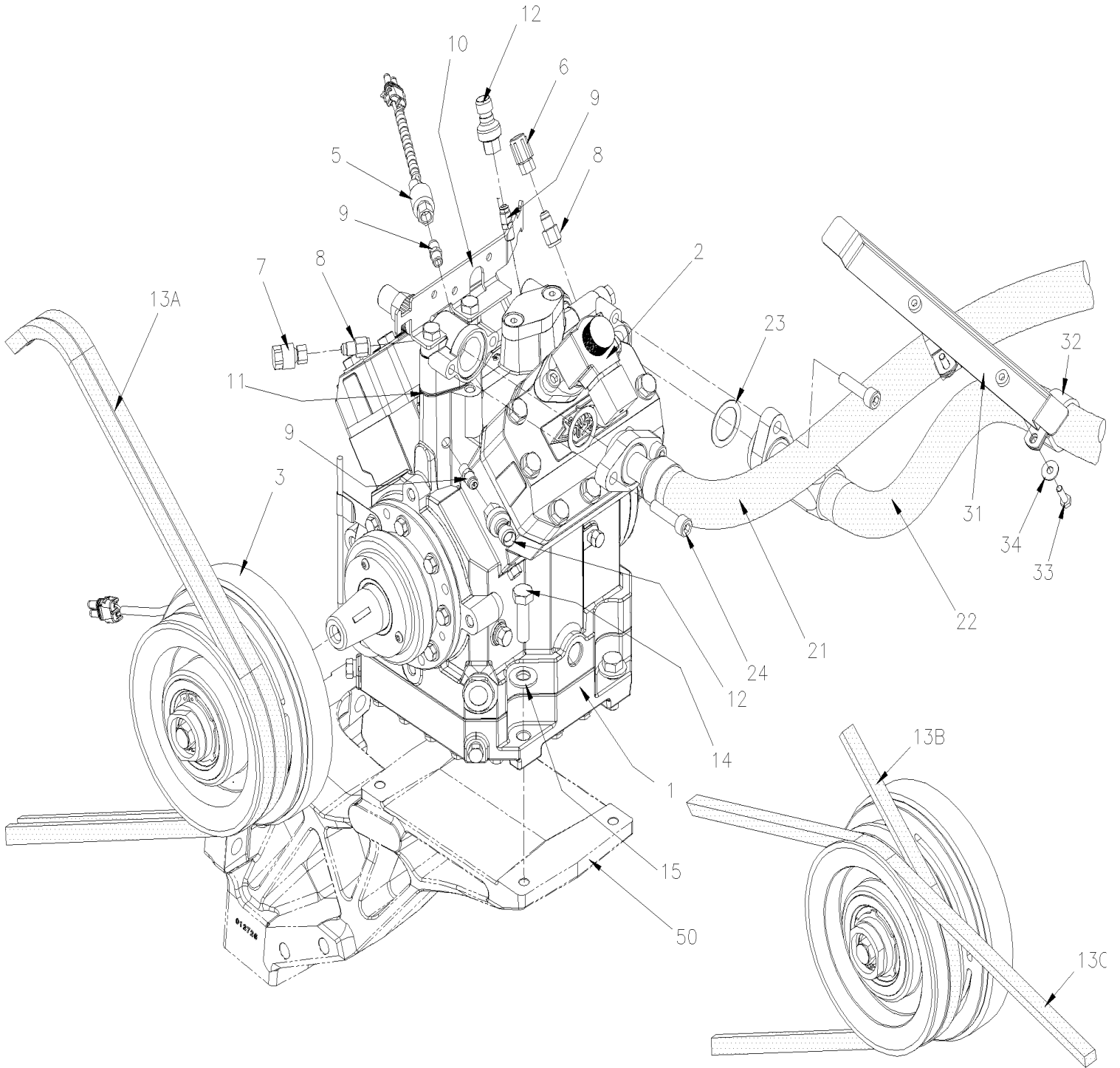


From D-5459 To D-5489

Date:07/2024

PAGE:XV-2245-01

A/C COMPRESSOR "BITZER" - INSTALLATION



WITH 3 ALTERNATORS

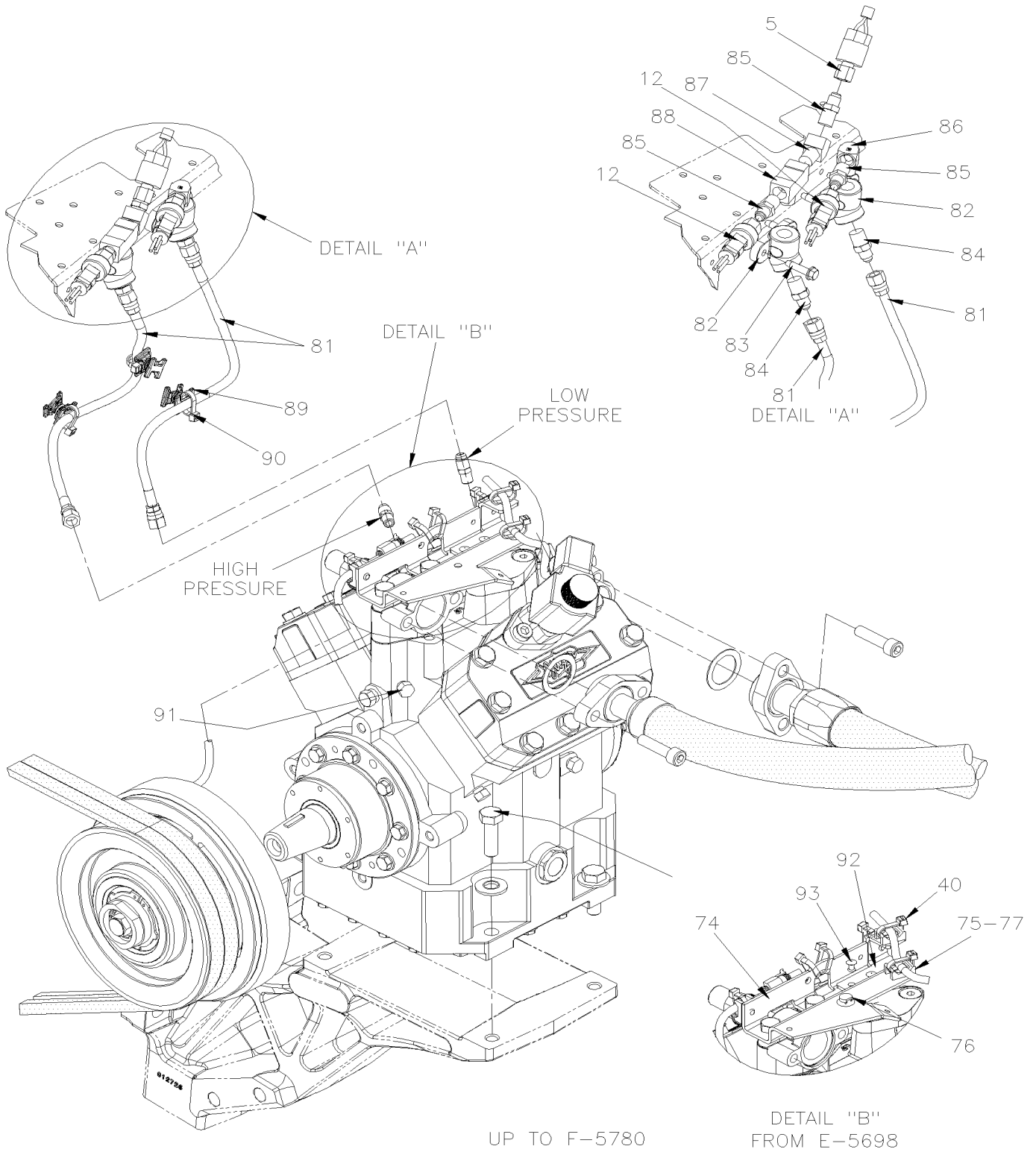


From D-5459 To D-5489

Date:07/2024

PAGE:XV-2245-01

A/C COMPRESSOR "BITZER" - INSTALLATION





From D-5459 To D-5489 Date:07/2024 PAGE:XV-2245-01

A/C COMPRESSOR "BITZER" - INSTALLATION

Item#	Part	Description	X 3 V I P	X L I I E N T 4 5	N O T E S
	950001D	A/C COMPRESSOR ASSY 4 CYLINDERS W/O CLUTCH W/O VALVES - "BITZER" REMAN	1	1	
	950494	A/C COMPRESSOR ASSY 4 CYLINDERS W/O CLUTCH W/O VALVES - "BITZER"	1	1	
. NS	680801	. OIL, BITZER COMPRESSOR, POE 134A 1 GALLON	AR	AR	
1	XV-2250-01	. A/C COMPRESSOR "BITZER" 4NFCY			
2	XV-2250-16	. A/C ELECTRIC UNLOADER - WITH "BITZER" COMPRESSOR			
3	XV-2246-01	. A/C CLUTCH - WITH "BITZER" COMPRESSOR			
5	950498	. PRESSURE SWITCH ASSY	1	1	
. NS	561690	. . CONNECTOR / WEATHER PACK / SH 2C / BLACK / PED 12015792	1	1	
. NS	561567	. . PIN TERMINAL / 20-18 / PED 12089040	2	2	
. NS	561786	. . CABLE SEAL / GRAY / PED 15324980	2	2	
6	950499	. ADAPTOR 7/16-20 x R134 13MM	1	1	
7	950500	. ADAPTOR 7/16-20 x R134 16MM	1	1	
8	950501	. ADAPTOR 7/16-20-F x 7/16-20-M	2	2	
9	950502	. ADAPTOR / SHRADER FITTING / 1/8NPT-M	3	3	
10	068758	. BRACKET WIRIING HARNESS COMPRESSOR	1	1	
11	950503	. MUFFLER 14MM / 56MM C/C	1	1	
12	950504	. TRANSDUCER 0-500 PSIG	2	2	
13A	5060134	V-BELT / BX-71 / SET OF 2	1	1	
13B	5060127	SUPER V-BELT / 5VX810	1	1	A
13C	5060125	SUPER V-BELT / 5VX918	1	1	A
14	5001885	SCREW CAP HEX M12-1.75X40 G10.9 N500	4	4	
15	500967	WASHER BEL SPR .512x1.142x.098 N500	4	4	
21	950485	HOSE ASSY / DISCHARGE / #16 / 1055MM	1	1	
22	950484	HOSE ASSY / SUCTION / #20 / 1155MM	1	1	
23	950957	GASKET	2	2	
24	950488	SCREW CAP HEXS M10-1.5x40 G10.9	4	4	
31	454454	SUPPORT / A/C HOSE	1	1	
32	504785	CLAMP / SS / SILICONE RUBBER / 1 1/2" I.D. x .281 HOLE			
33	5001833	WASHER BEL SPR 6.1x18x1.27 SS	2	2	
34	502830	SCREW CAP HEX M6-1.0x20 G8.8 N500	2	2	
50	XV-0150-00	ENGINE CRADLE - WITH VOLVO D13			
73	WB14-06	BRACKET WIRIING HARNESS COMPRESSOR REPLACEMENT	1	1	
73	069206	. CABLE ASSY / A/C COMPRESSOR W/LARGE SYSTEM	1	1	
74	067349	. BRACKET WIRIING HARNESS COMPRESSOR	1	1	
75	504379	. RIVET POP DOME OE 3/16x1/4 SS	5	5	
76	509815	. TIE MOUNT / ATTACHMENT W/TREE MOUNT	1	1	
77	504013	. TIE MOUNT / 1/4" X 1/4" I.D.	5	5	
78	504637	CABLE TIE / 3/16" x 13"	AR	AR	
80	WB14-06-1	RELOCATION PRESSURE SWITCHES & TRANSDUCER			
81	457743	. HOSE ASSY / #4 / 400MM	2	2	



From D-5459 To D-5489	Date:07/2024	PAGE:XV-2245-01
-----------------------	--------------	-----------------

A/C COMPRESSOR "BITZER" - INSTALLATION

Item#	Part	Description	X 3 V I P	X L I I E N T 4 5	N O T E S
82	640643	. ANCHOR ELBOW / PIPE FITTING / 1/4NPT-Fx1/4NPT-F STL	2	2	
83	500266	. SCREW TC CAP HEX 1/4-20x1 N500	4	4	
84	501027	. MALE CONNECTOR / SAE 45° FITTING / #4FL-Mx1/4NPT-M BR	2	2	
85	950249	. SCHRADER VALVE 1/4NPT-M	3	3	
86	501332	. STREET ELBOW 90° / PIPE FITTING / 1/4NPT-Mx1/4NPT-F BR	1	1	
87	501329	. STREET ELBOW 45° / PIPE FITTING / 1/4NPT-Mx1/4NPT-F BR	1	1	
88	501894	. MALE BRANCHE TEE / PIPE FITTING / 1/4NPT-Fx1/4NPT-Fx1/4NPT-M BR	1	1	
89	504751	. ROTATIF SPACER DOUBLE / SMALL	4	4	
90	504637	. CABLE TIE / 3/16" x 13"	AR	AR	
91	501303	. PLUG SQUARE HEAD / PIPE FITTING / 1/8NPT-M BR	1	1	
92	069099	. SUPPROT WIRIING HARNESS COMPRESSOR	1	1	
93	504379	. RIVET POP DOME OE 3/16x1/4 SS	2	2	
		A) WITH 3 ALTERNATORS INSTALLATION			

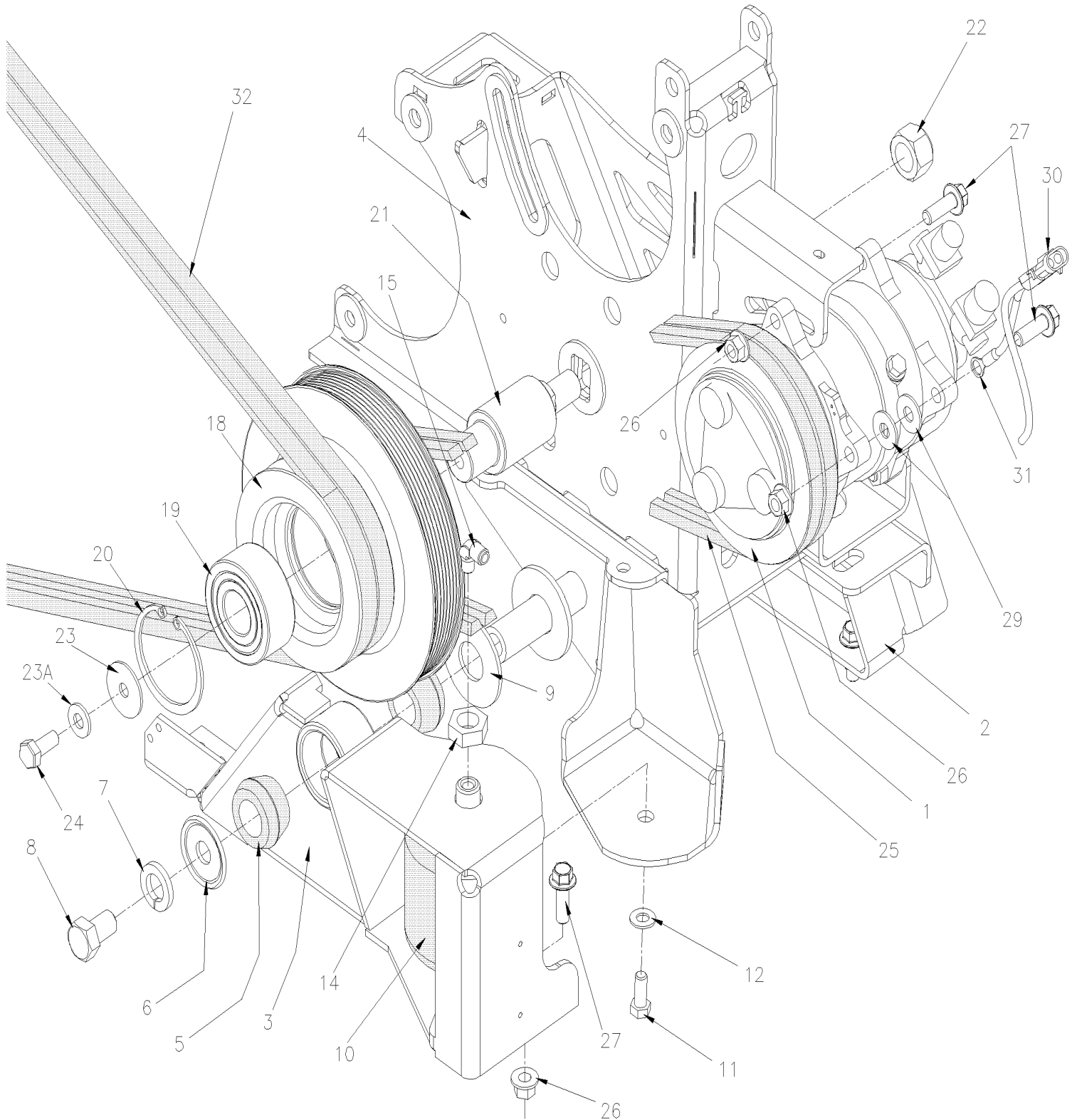


From B-5003 To D-5489

Date:07/2024

PAGE:XV-2245-50

A/C SMALL COMPRESSOR - INSTALLATION





From B-5003 To D-5489 Date:07/2024 PAGE:XV-2245-50

A/C SMALL COMPRESSOR - INSTALLATION

Item#	Part	Description	X 3 V I P	X L I I E N T 4 5	N O T E S
1	950436	A/C COMPRESSOR ASSY "SD7"	1	1	
. NS	950445	. MANIFOLD FITTING 3/4-16 & 7/8-14	1	1	
2	457450	SUPPORT OPPOSITE PULLEY SIDE To D-5458	1	1	
2	457528	SUPPORT OPPOSITE PULLEY SIDE From D-5459	1	1	
3	454190	SUPPORT ASSY To D-5458	1	1	
3	457529	SUPPORT ASSY From D-5459	1	1	
4	457469	SUPPORT ASSY / SMALL A/C COMPRESSOR To D-5458	1	1	
4	457521	SUPPORT ASSY / SMALL A/C COMPRESSOR From D-5459	1	1	
5	630002	BUSHING / RUBBER / (TWO PIECES) 1" x 1.005" I.D.	4	4	
6	5001151	WASHER CON 16.5x50.0x4.5 ZP	2	2	
7	500484	WASHER LO SPT .635x1.079x.156 Z050 To D-5458	2	2	
7	502884	WASHER LO SPT 16.2x27.4x3.5 N500 From D-5459	2	2	
8	500225	SCREW CAP HEX 5/8-11x1 G5 Z050 To D-5458	2	2	
8	500813	SCREW CAP HEX M16-2.0x35 G8.8 ZP From D-5459	2	2	
9	500997	WASHER FL 1.062x2.500x.125 SS	2	2	
10	550840	BELLOW ASSY / BELT TENSIONER / 4" O.D.	1	1	
11	502926	SCREW CAP HEX 3/8-16x7/8 G5 N500	1	1	
12	500832	WASHER FL .406x.812x.065 N500 To C-5216	1	1	
12	5001737	WASHER LO SPT 10.2x18.1x2.2 N500 To C-5216	1	1	
12	5001834	WASHER BEL SPR 10.5X23X2.5 N500 From C-5217	1	1	
14	502917	NUT HEX JAM 3/4-16 G2 N500	1	1	
15	641369	MALE ELBOW 90° NON-SWIVEL / PUSH-IN FITTING / #4x1/8NPT-M BR	1	1	
NS	680098	THREAD SEALANT LOCTITE #567 / WHITE / 250ml	AR	AR	
NS	503402	TUBE, NYLON 1/4 O.D. / BLACK S.L.	AR	AR	
18	457449	PULLEY / W/4 GROOVE & 8 RIB 2/B + 8 RIB + 2/A To D-5296	1	1	
18	457499	PULLEY / W/4 GROOVE & 8 RIB 2/B + 8 RIB + 2/A From D-5297 To D-5458	1	1	
18	457530	PULLEY / W/4 GROOVE & 8 RIB 2/B + 8 RIB + 2/A From D-5459	1	1	
18	950471	CAP, DUST From D-5297	1	1	
19	507675	BALL BEARING	1	1	
20	504736	RING RETAINER / INT 72 x 75 x 2.5MM	1	1	
21	457474	SHAFT PULLEY	1	1	
22	5001252	NUT HEX STO M20-2.5 DP	1	1	
23	500261	WASHER FL .390x1.500x.083 N500	1	1	
23A	5001834	WASHER BEL SPR 10.5X23X2.5 N500	1	1	
24	502804	SCREW CAP HEX M10-1.5x25 G8.8 N500	1	1	
25	5060081	V-BELT / AX-32 / SET OF 2 9012-2032	1	1	
26	5001758	NUT HEX STO M10-1.5 N500	8	8	
27	5001741	SCREW CAP HEXF M10-1.5x30 G8.8 N500	4	4	
29	5001751	WASHER FL 10.5x26.0x2.0 N500	2	2	
30	561566	CONNECTOR / WEATHER PACK / PH 2C / BLACK / PED 12010973	1	1	
30	561565	CABLE SEAL / GREEN / PED 15324982	2	2	
30	561568	PIN TERMINAL / 16-14 / PED 12089305	2	2	



From B-5003 To D-5489	Date:07/2024	PAGE:XV-2245-50
-----------------------	--------------	-----------------

A/C SMALL COMPRESSOR - INSTALLATION

Item#	Part	Description	X 3 V I P	X L I I E N T 4 5	N O T E S
30	560673	WIRE CABLE 16 / BLACK / GXL	1	1	
31	560093	RING TERMINAL .375 / 16-14 / INSULATED / AMP 330896	1	1	
32	5060082	V-BELT / BX-92 / SET OF 2 9013-2092 To D-5458	1	1	
32	5060126	SUPER V-BELT / 5VX950 / SET OF 2 From D-5459	1	1	

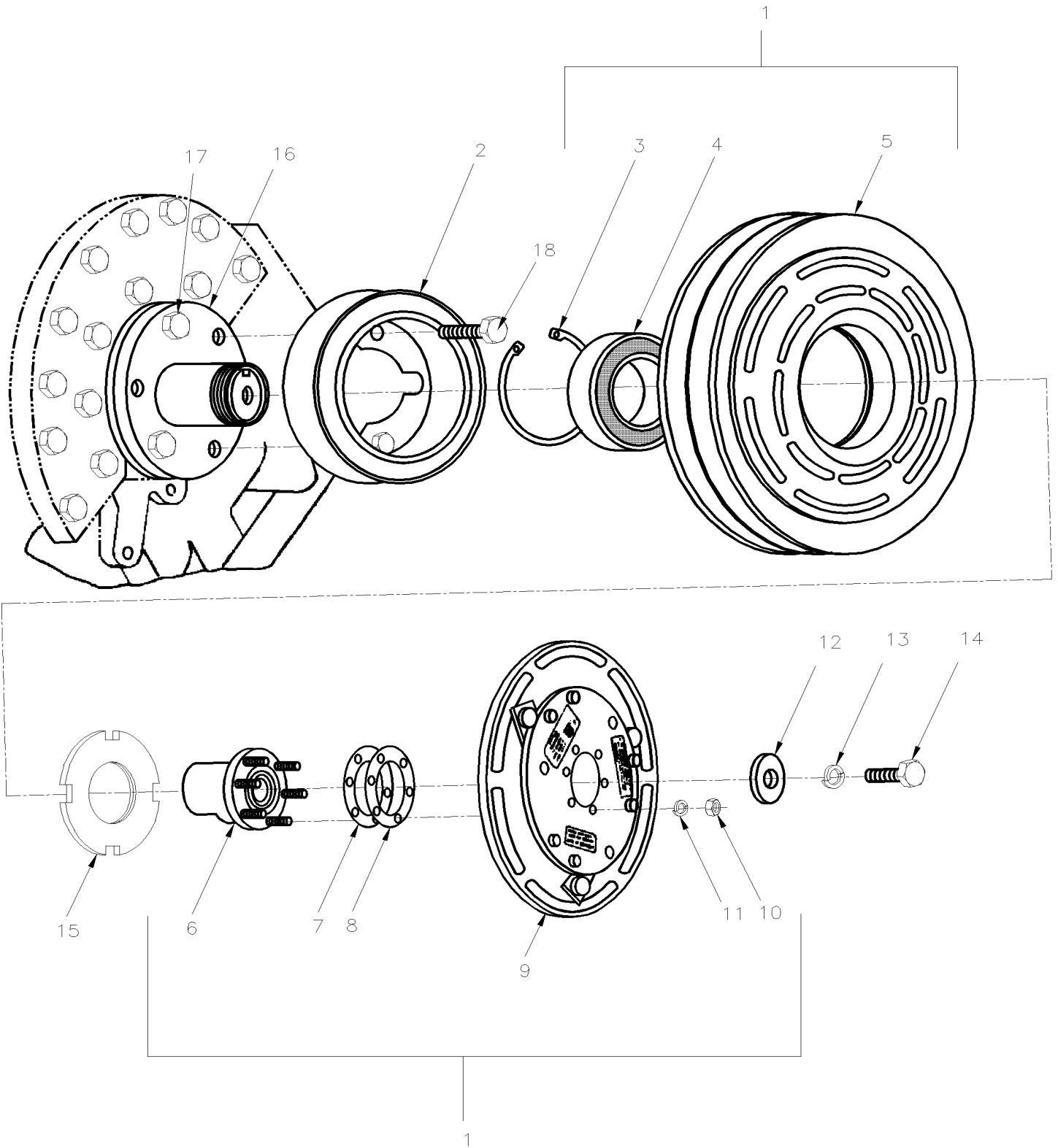


From B-5003 To D-5458

Date:07/2024

PAGE:XV-2246-00

A/C CLUTCH 05G - HOUSING MOUNTED





From B-5003 To D-5458	Date:07/2024	PAGE:XV-2246-00
A/C CLUTCH 05G - HOUSING MOUNTED		

Item#	Part	Description	X 3 V I P	X L I E N T 4 5	N O T E S
1	950204	CLUTCH HOUSING-MOUNTED/24V DC 9" DIA 2B GROVE	1	1	
1	950960	CLUTCH HOUSING-MOUNTED/24V DC 9" DIA 2B GROVE / 8PK	1	1	B
2	950156	COIL 24V	1	1	A
3	950146	. CIRCLIP INTERNAL	1	1	
4	950141	. BEARING	1	1	
5	N.S.S.	. PULLEY	1	1	1
6	N.S.S.	. HUB DRIVE	1	1	1
7	950104	. SHIM 0.010	1	1	
8	950103	. SHIM 0.020	5	5	
9	N.S.S.	. ARMATURE	1	1	1
10	500769	. NUT HEX 1/4-20 Z050	6	6	
11	500473	. WASHER LO SPT .262x.489x.062 Z050	6	6	
NS	561813	CONNECTOR / SURE-SEAL / FEMALE HOUSING 2C / ITT CANNON 120-1804-000	1	1	
NS	561023	PIN TERMINAL / 18-14 / ITT CANNON 030-2196-001	1	1	
NS	561024	SOCKET TERMINAL / 18-14 / ITT CANNON 031-1267-001	1	1	
NS	561815	CLAMP W/ 2 / ITT CANNON 029-0263-000	1	1	
12	870784	WASHER 13/32" I.D. X 1 1/2" O.D. X 3/16" TH	1	1	
13	500478	WASHER LO SPT .380x.683x.094 Z050	1	1	
14	870785	SCREW CAP HEX 3/8-24x7/8 G8 ZP	1	1	
15	950093	NUT / W/HUB MOUNTING ONLY	1	1	
16	950408	HUB HOUSING MOUNT W/GROOVE FOR TWIN PORT	1	1	
. NS	950409	. SEAL, LIP, SHAFT SEAL / W/TWIN PORT ONLY	1	1	
. NS	870795	. GASKET, HUB BEARING	1	1	
17	500192	SCREW CAP HEX 3/8-16x1 1/4 G5 Z050	6	6	
18	186679	SCREW CAP HEX 3/8-16x1 1/4 G8 ZP	1	1	
NS	950105	SOCKET / TOOL FOR INSTALLATION			
NS	950106	PUSHER ROTOR / TOOL			
NS	950107	SPANNER WRENCH / TOOL			
		A) THIS COIL IS NOT INCLUDE WITH #950204			
		B) WITH ALTERNATOR MOUNTED ON COMPRESSOR			
		1) NOT SOLD SEPARATELY			

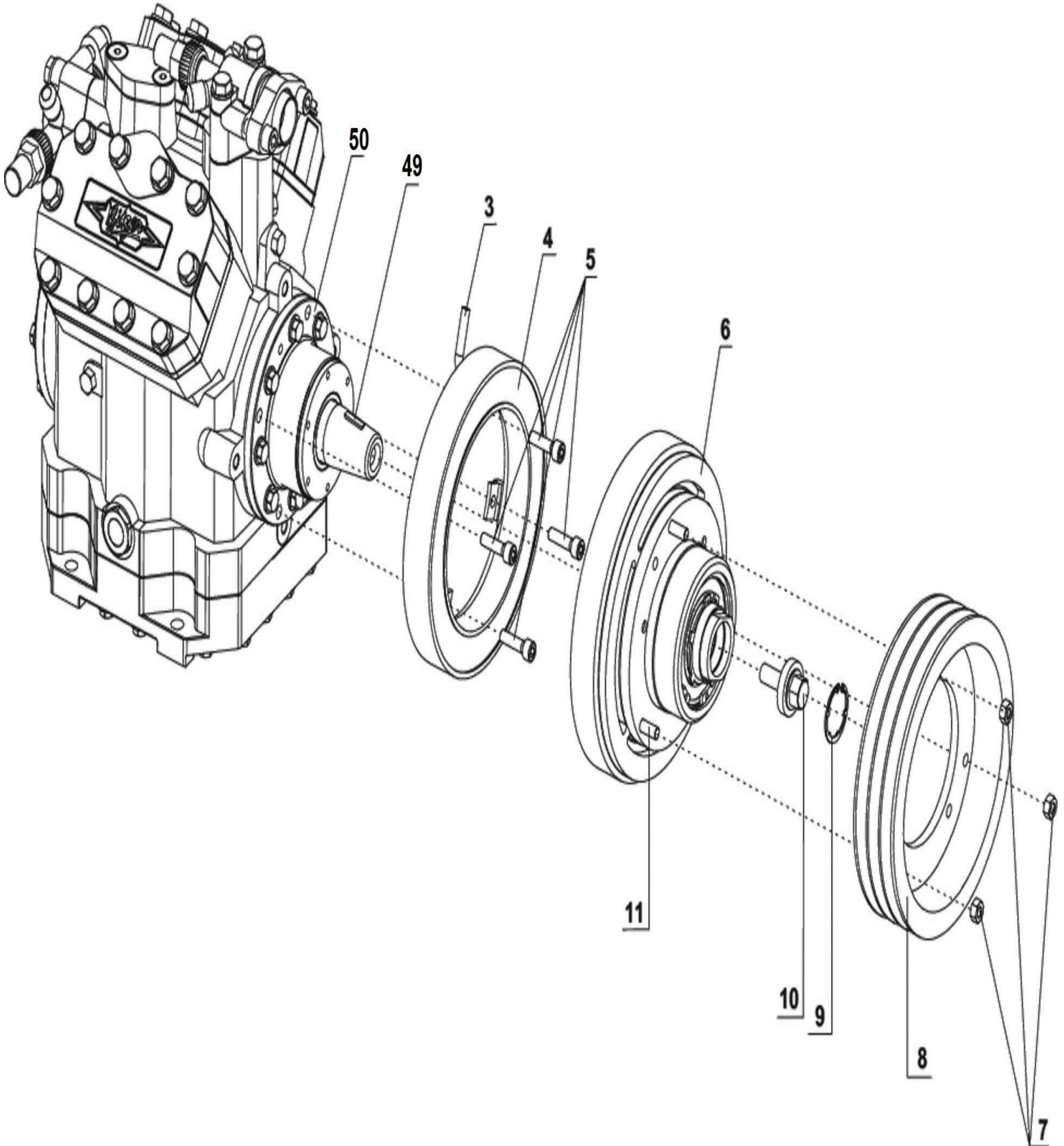


From D-5459 To D-5489

Date:07/2024

PAGE:XV-2246-01

A/C CLUTCH - WITH "BITZER" COMPRESSOR





From D-5459 To D-5489

Date:07/2024

PAGE:XV-2246-01

A/C CLUTCH - WITH "BITZER" COMPRESSOR





From D-5459 To D-5489	Date:07/2024	PAGE:XV-2246-01
------------------------------	---------------------	------------------------

A/C CLUTCH - WITH "BITZER" COMPRESSOR

Item#	Part	Description	X 3 V I P	X L I I E N T 4 5	N O T E S
	950496	CLUTCH ASSY 24V	1	1	
. NS	561690	. CONNECTOR / WEATHER PACK / SH 2C / BLACK / PED 12015792	1	1	
. NS	561567	. PIN TERMINAL / 20-18 / PED 12089040	2	2	
. NS	561786	. CABLE SEAL / GRAY / PED 15324980	2	2	
	459228	CLUTCH ASSY 24V	1	1	S
. NS	950974	. CLUTCH ASSY 24V	1	1	S
. NS	561690	. CONNECTOR / WEATHER PACK / SH 2C / BLACK / PED 12015792	1	1	S
. NS	561567	. PIN TERMINAL / 20-18 / PED 12089040	2	2	S
. NS	561786	. CABLE SEAL / GRAY / PED 15324980	2	2	S
3	N.S.S.	CABLE	1	1	1
4	950972	MAGNET	1	1	
4	950533	MAGNET / WITH CABLE	1	1	S
5	N.S.S.	SCREW CAP HEXS M8-1.25x30	1	1	1
6	N.S.S.	ROTOR	1	1	1
7	N.S.S.	NUT HEX M8-1.25	1	1	1
8	N.S.S.	PULLEY	1	1	1
9	N.S.S.	CIRCLIP	1	1	1
10	N.S.S.	SCREW STRAINING	1	1	1
11	N.S.S.	STUD M8-1.25x20	1	1	1
49	950520	WOODRUFF KEY 5 x 9	1	1	
50	XV-2250-01	A/C COMPRESSOR "BITZER" 4NFCY			
		S) SERVICE			
		1) NOT SOLD SEPARATELY			

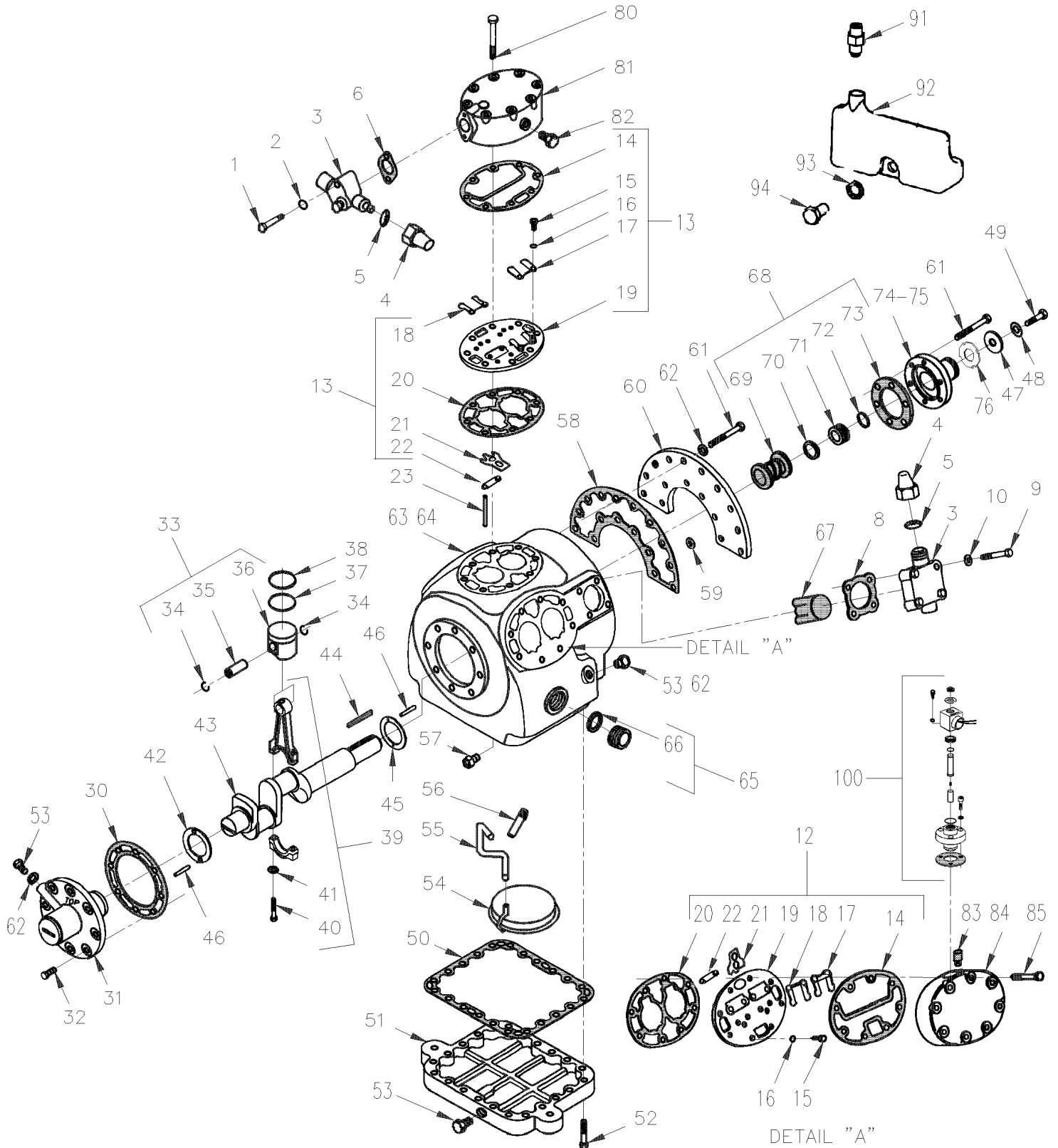


From B-5003 To D-5458

Date:07/2024

PAGE:XV-2250-00

A/C COMPRESSOR ASSY 05G - TWIN PORT





From B-5003 To D-5458	Date:07/2024	PAGE:XV-2250-00
A/C COMPRESSOR ASSY 05G - TWIN PORT		

Item#	Part	Description	X 3 V I P	X L I E N T 4 5	N O T E S
NS	950401	A/C COMPRESSOR ASSY REBUILT / W/41 C.F.M W/O ACCESSORIES TWIN PORT			
1	870877	. SCREW CAP HEX 5/16-18x2 G5 ZP	2	2	
2	870750	. GASKET	2	2	
3	XV-2245-00	. A/C COMPRESSOR 05G - INSTALLATION			
4	870446	. . CAP SEAL	1	1	
5	870752	. . . GASKET, CAP SEAL	1	1	
6	950425	. GASKET / DISCHARGE VALVE / (METAL)	1	1	
8	950423	. GASKET / SUCTION VALVE / (METAL)	1	1	
9	870755	. SCREW CAP HEX 1/2-13x2 1/2 G5 ZP	4	4	
10	870756	. GASKET	4	4	
12	950415	. VALVE PLATE ASSY / SIDE BANK / W/TWIN PORT ONLY	2	2	
NS	870800	. . CHECK VALVE ASSY / UNLOADER	2	2	
13	950414	. VALVE PLATE ASSY / CENTER BANK / W/TWIN PORT ONLY	1	1	
14	950421	. . GASKET, CYLINDER HEAD / W/TWIN PORT ONLY	1	1	
15	870761	. . SCREW CAP HEXS 1/4-28 x 3/8"	4	4	
16	500473	. . WASHER LO SPT .262x.489x.062 Z050	4	4	
17	950416	. . VALVE DISCHARGE / W/TWIN PORT ONLY	2	2	
18	950417	. . BACKER VALVE DISCHARGE / W/TWIN PORT ONLY	2	2	
19	N.S.S.	. . PLATE VALVE	1	1	1
20	950420	. . GASKET, VALVE PLATE / W/TWIN PORT ONLY	1	1	
21	950418	. . VALVE SUCTION / W/TWIN PORT ONLY	2	2	
22	950419	. . SPRING / SUCTION VALVE / W/TWIN PORT ONLY	2	2	
23	870767	. PIN DOWEL VALVE PLATE	4	4	
30	870771	. GASKET / OIL PUMP	1	1	
31	950403	. OIL PUMP ASSY / W/TWIN PORT ONLY	1	1	
32	500192	. SCREW CAP HEX 3/8-16x1 1/4 G5 Z050	8	8	
33	950272	. PISTON & PIN ASSY / STANDARD / W/41 CFM	6	6	
33	950274	. PISTON & PIN ASSY/.020" OVERSIZE / W/41 CFM	6	6	
34	N.S.S.	. . RETAINER	2	2	1
35	N.S.S.	. . PIN	1	1	1
36	N.S.S.	. . PISTON SINGLE RING	1	1	1
37	870774	. RING / W/DOUBLE RING PISTON ONLY	6	6	
38	870775	. RING COMPRESSION / STANDARD	6	6	
38	870815	. RING COMPRESSION / .020" OVERSIZE	6	6	
39	870776	. CONNECTING ROD & CLIP ASSY / STANDARD	6	6	
39	870816	. CONNECTING ROD & CLIP ASSY / .010" OVERSIZE	6	6	
NS	870767	. . PIN DOWEL VALVE PLATE	2	2	
40	870777	. . BOLT	2	2	
41	500440	. . WASHER FL .250x.562x.065 Z050	1	1	
42	870778	. WASHER THRUST / PUMP END	1	1	
43	950406	. CRANKSHAFT ASSY / W/41 CFM / W/TWIN PORT ONLY	1	1	



From B-5003 To D-5458	Date:07/2024	PAGE:XV-2250-00
A/C COMPRESSOR ASSY 05G - TWIN PORT		

Item#	Part	Description	X 3 V I P	X L I E N T 4 5	N O T E S
44	950140	. KEY CRANKSHAFT / W/HOUSING-MOUNTED CLUTCH	1	1	
45	870781	. WASHER THRUST	1	1	
46	870782	. PIN STRAIGHT 1/8" DIA. X 1/2"	2	2	
NS	870783	. PIN STRAIGHT .094" X 5/16"	2	2	
47	870784	. WASHER 13/32" I.D. X 1 1/2" O.D. X 3/16" TH	1	1	
48	500478	. WASHER LO SPT .380x.683x.094 Z050	1	1	
49	870785	. SCREW CAP HEX 3/8-24x7/8 G8 ZP	1	1	
50	950402	. GASKET, BOTTOM PLATE / (METAL)	1	1	
51	950444	. PLATE BOTTOM	1	1	
52	500191	. SCREW CAP HEX 3/8-16x1 G5 Z050	22	22	
53	950303	. PLUG, O-RING / (CURRENT)	2	2	
54	870787	. SCREEN ASSY / OIL FILTER	1	1	
55	870788	. TUBE / OIL SUCTION	1	1	
56	870789	. VALVE / OIL RELIEF	1	1	
57	870790	. CHECK VALVE ASSY / OIL RETURN	2	2	
58	950412	. GASKET, SHAFT END COVER / W/TWIN PORT ONLY	1	1	
59	950139	. WASHER .393x.622x.031	2	2	
60	870792	. FLANGE	1	1	
61	500192	. SCREW CAP HEX 3/8-16x1 1/4 G5 Z050	21	21	
62	950139	. WASHER .393x.622x.031	21	21	
63	N.S.S.	. CRANKCASE	1	1	1
64	950283	. BEARING, MAIN SEAL END	1	1	
65	870768	. SIGHT GLASS ASSY	2	2	
66	870769	. GASKET, SIGHT GLASS	2	2	
67	870770	. STRAINER SUCTION	1	1	
68	950407	. SHAFT SEAL ASSY / W/HOUSING-MOUNTED CLUTCH / W/TWIN PORT ONLY	1	1	
69	N.S.S.	. SEAL / SHAFT	1	1	1
70	870794	. RING CARBON	1	1	
71	N.S.S.	. RING WEAR	1	1	1
72	N.S.S.	. O-RING	1	1	1
73	870795	. GASKET, HUB BEARING	1	1	
74	950408	. HUB HOUSING MOUNT W/GROOVE FOR TWIN PORT	1	1	
NS	950409	. SEAL, LIP, SHAFT SEAL / W/TWIN PORT ONLY	1	1	
NS	870795	. GASKET, HUB BEARING	1	1	
75	950409	. SEAL, LIP, SHAFT SEAL / W/TWIN PORT ONLY	1	1	
76	950093	. NUT / W/HUB MOUNTING ONLY	1	1	
80	G1091280	. SCREW CAP HEX 3/8-16 X 3"1/4	8	8	
81	870757	. HEAD CYLINDER / CENTER BANK	1	1	
82	501303	. PLUG SQUARE HEAD / PIPE FITTING / 1/8NPT-M BR	1	1	
83	870799	. STRAINER	1	1	
84	950426	HEAD CYLINDER / UNLOADER / W/TWIN PORT ONLY	1	1	
85	502694	SCREW CAP HEX 3/8-16x3 1/4 G5 ZP	1	1	



From B-5003 To D-5458	Date:07/2024	PAGE:XV-2250-00
A/C COMPRESSOR ASSY 05G - TWIN PORT		

Item#	Part	Description	X 3 V I P	X L I I E N T 4 5	N O T E S
91	950410	ACCESS VALVE / W/TWIN PORT ONLY	1	1	
92	950411	RESERVOIR / W/TWIN PORT ONLY	1	1	
93	500856	WASHER LO INT .384x.692x.040 ZP	1	1	
94	950967	SCREW CAP HEX 3/8-16 X 3/4 G8			
100	XV-2250-15	A/C ELECTRIC UNLOADER - W/05G COMPRESSOR			
NS	950236	REFRIGERANT OIL POE / USE W/134A (4LITER)	AR	AR	
		1) NOT SOLD SEPARATELY			

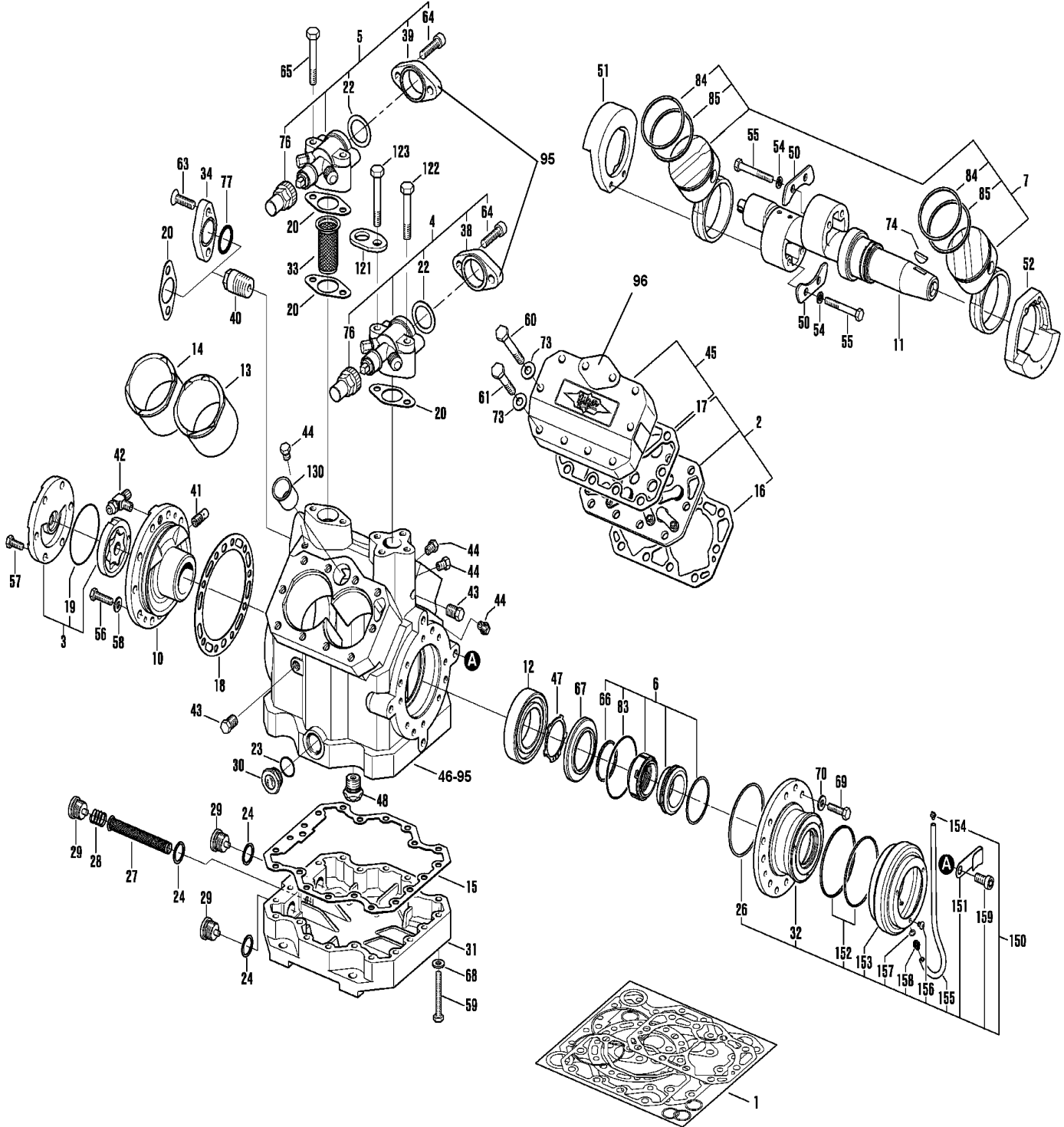


From D-5459 To D-5489

Date:07/2024

PAGE:XV-2250-01

A/C COMPRESSOR "BITZER" 4NFCY





From D-5459 To D-5489 Date:07/2024 PAGE:XV-2250-01

A/C COMPRESSOR "BITZER" 4NFCY

Item#	Part	Description	X 3 V I P	X L I I E N T 4 5	N O T E S
	950494	A/C COMPRESSOR ASSY 4 CYLINDERS W/O CLUTCH W/O VALVES - "BITZER"	1	1	
. NS	680801	. OIL, BITZER COMPRESSOR, POE 134A 1 GALLON	AR	AR	
1	950510	. KIT GASKET	1	1	A
2	950517	. VALVE COMPLET WITH GASKET	3	3	B
3	950518	. OIL PUMP W/ O-RING	1	1	C
4	950956	. DISCHARGE & SUCTION SHUT-OFF VALVE	1	1	D
. NS	950557	. . GASKET KIT FOR VALVE	1	1	D
. . 20	950506	. . . GASKET	3	3	D
. . 22	950957	. . . GASKET	2	2	D
5	950956	. DISCHARGE & SUCTION SHUT-OFF VALVE	1	1	D
. NS	950557	. . GASKET KIT FOR VALVE	1	1	D
. . 20	950506	. . . GASKET	3	3	D
. . 22	950957	. . . GASKET	2	2	D
6	950509	. SHAFT SEAL COMPLETE	1	1	E
7	950627	. CONNECTING ROD W/PISTON COMPLETE	4	4	F
8	N.S.S.	. . PISTON STD	4	4	1
9	N.S.S.	. . CONNECTING ROD	4	4	1
10	950541	. BEARING COVER	1	1	G
11	950628	. ECCENTRIC SHAFT	1	1	H
12	950585	. CYLINDRIC ROLLER BEARING	1	1	
13	Call order desk	. CYLINDER LINER RIGHT	3	3	P
14	Call order desk	. CYLINDER LINER LEFT	3	3	P
15	N.S.S.	. GASKET	1	1	1
16	950516	. GASKET	3	3	
17	950625	. GASKET	2	2	
18	950542	. GASKET	1	1	
19	950519	. O-RING 74 x 2	1	1	
20	950506	. GASKET	3	3	
22	950957	. GASKET	2	2	
23	950515	. O-RING 23.5 x 1.8	2	2	
24	950544	. GASKET RING ALUMINUM	1	1	
26	950626	. O-RING 85 x 3.53 MM	1	1	
27	951082	. OIL FILTER	1	1	
28	950600	. PRESSURE SPRING	1	1	
29	950545	. MAGNETIC SCREW M22-1.5	3	3	
30	950514	. SIGHT GLASS	2	2	
31	Call order desk	. BOTTOM PLATE	1	1	P
32	950605	. SHAFT SEAL COVER	1	1	
33	950973	. SUCTION GAS FILTER	2	2	
34	950644	. BLIND FLANGE 80x44.5x15	1	1	
38	Call order desk	. COMPANION FLANGE 35 (1 3/8")	1	1	P
39	Call order desk	. COMPANION FLANGE 35 (1 3/8")	2	2	P



From D-5459 To D-5489	Date:07/2024	PAGE:XV-2250-01
A/C COMPRESSOR "BITZER" 4NFCY		

Item#	Part	Description	X 3 V I P	X L I E N T 4 5	N O T E S
40	Call order desk	. PRESSURE RELIEF VALVE	2	2	P
41	Call order desk	. OIL PRESSURE RELIEF VALVE	1	1	P
42	950540	. SCHRADER VALVE 7/16 UNF	1	1	
43	Call order desk	. SEALING PLUG	2	2	P
44	Call order desk	. SEALING PLUG	2	2	P
45	Call order desk	. CYLINDER HEAD	2	2	P J
45	950511	. CYLINDER HEAD W/MUFFLER	2	2	J
45	Call order desk	. GASKET CYLINDER HEAD	1	1	P
46	Call order desk	. HOUSING	1	1	P
47	950970	. RETAINING RING W/LUGS	1	1	
48	Call order desk	. GAS EQUALISING VALVE	1	1	P
50	Call order desk	. THRUST SEGMENT	2	2	P
51	Call order desk	. BALANCE WEIGHT	1	1	P
52	Call order desk	. BALANCE WEIGHT	1	1	P
54	Call order desk	. WASHER A 8 DIN 134	4	4	P
55	Call order desk	. SCREW CAP HEX M8-1.25x60 G10.9 ZP	4	4	P
56	Call order desk	. SCREW CAP HEX M8-1.25x30 G10.9 FT	10	10	P
57	Call order desk	. SCREW CAP HEX M8-1.25x20 G10.9 FT	6	6	P
58	Call order desk	. WASHER A 8 DIN 134	16	16	P
59	Call order desk	. SCREW CAP HEX M8-1.25x60 G10.9 FT	20	20	P
60	Call order desk	. SCREW CAP HEX M10-1.5x75 G10.9	18	18	P
61	Call order desk	. SCREW CAP HEX M10-1.5x55 G10.9	8	8	P
63	Call order desk	. SCREW CAP CK HEXS M10-1.5x35 G10.9	1	1	P
64	950488	. SCREW CAP HEXS M10-1.5x40 G10.9	4	4	
65	950641	. SCREW CAP HEX M10-1.5x65 G10.9	2	2	
66	Call order desk	. GASKET	1	1	P
67	950565	. BLANKING PLATE	1	1	
68	Call order desk	. WASHER A 8 DIN 134	20	20	P
69	Call order desk	. SCREW CAP HEX M8-1.25x30 G10.9 FT	8	8	P
70	Call order desk	. WASHER A 8 DIN 134	8	8	P
73	Call order desk	. WASHER A10 DIN 134	20	20	P
74	950520	. WOODRUFF KEY 5 x 9	1	1	
NS	950634	. SPIRAL PIN 3 x 20	1	1	
76	950564	. PROTECTIVE CAP	3	3	
77	950645	. O RING 33x3.5	1	1	
83	950519	. O-RING 74 x 2	1	1	
84	Call order desk	. GROOVE # 1 COMPRESSION RING	4	4	P
85	Call order desk	. GROOVE # 2 COMPRESSION RING	4	4	P
NS	Call order desk	. FLANGE KIT INTERMEDIATE	1	1	P
NS	Call order desk	. CROSS FLANGE KIT	1	1	P
NS	Call order desk	. SEALING SCREW M36 x 1.5	2	2	P
NS	Call order desk	. GASKET RING	2	2	P



From D-5459 To D-5489	Date:07/2024	PAGE:XV-2250-01
A/C COMPRESSOR "BITZER" 4NFCY		

Item#	Part	Description	X 3 V I P	X L I I E N T 4 5	N O T E S
95	XV-2245-01	. A/C COMPRESSOR "BITZER" - INSTALLATION			
95	XV-2246-01	. A/C CLUTCH - WITH "BITZER" COMPRESSOR			
96	XV-2250-16	. A/C ELECTRIC UNLOADER - WITH "BITZER" COMPRESSOR			
121	950505	. LIFTING LUG	1	1	
122	950641	. SCREW CAP HEX M10-1.5x65 G10.9	1	1	
123	950646	. SCREW CAP HEX M10-1.5x70 G10.9	1	1	
130	Call order desk	. BUSHING DRAIN INSERT	1	1	P
150	950968	. RETROFIT KIT OF SEALING COVER	1	1	
151	950532	. . BRACKET OIL TUBING	1	1	
152	950969	. . O RING 85x2	2	2	
153	950713	. . OIL COLLECTION CHAMBER	1	1	
154	950507	. . SEALING PLUG	1	1	
155	950975	. . HOSE	1	1	
156	950555	. . SCREW MA BUT M5x6	1	1	
157	950560	. . GASKET 9.5	1	1	
158	951087	. . CONNECTION PIECE M6	1	1	
159	Call order desk	. . SCREW CAP HEXS M10x16 G10.9	1	1	P
		A) INCLUDE ITEMS # 15 to 26 + 66,77,83,94 & 266			
		B) INCLUDE ITEMS # 16 & 17			
		C) INCLUDE ITEM # 19			
		D) INCLUDE ITEMS # 22, 35, 38, 64 & 76			
		E) INCLUDE ITEMS # 26, 66, 83, 152 & 156			
		F) INCLUDE ITEMS # 8, 9, 84, 85			
		G) INCLUDE ITEM # 105			
		H) INCLUDE ITEM # 75			
		J) INCLUDE ITEM # 17			
		1) NOT SOLD SEPARATELY			
		P) CALL ORDER DESK FOR SPECIFIC APPLICATION (V.I.N.)			

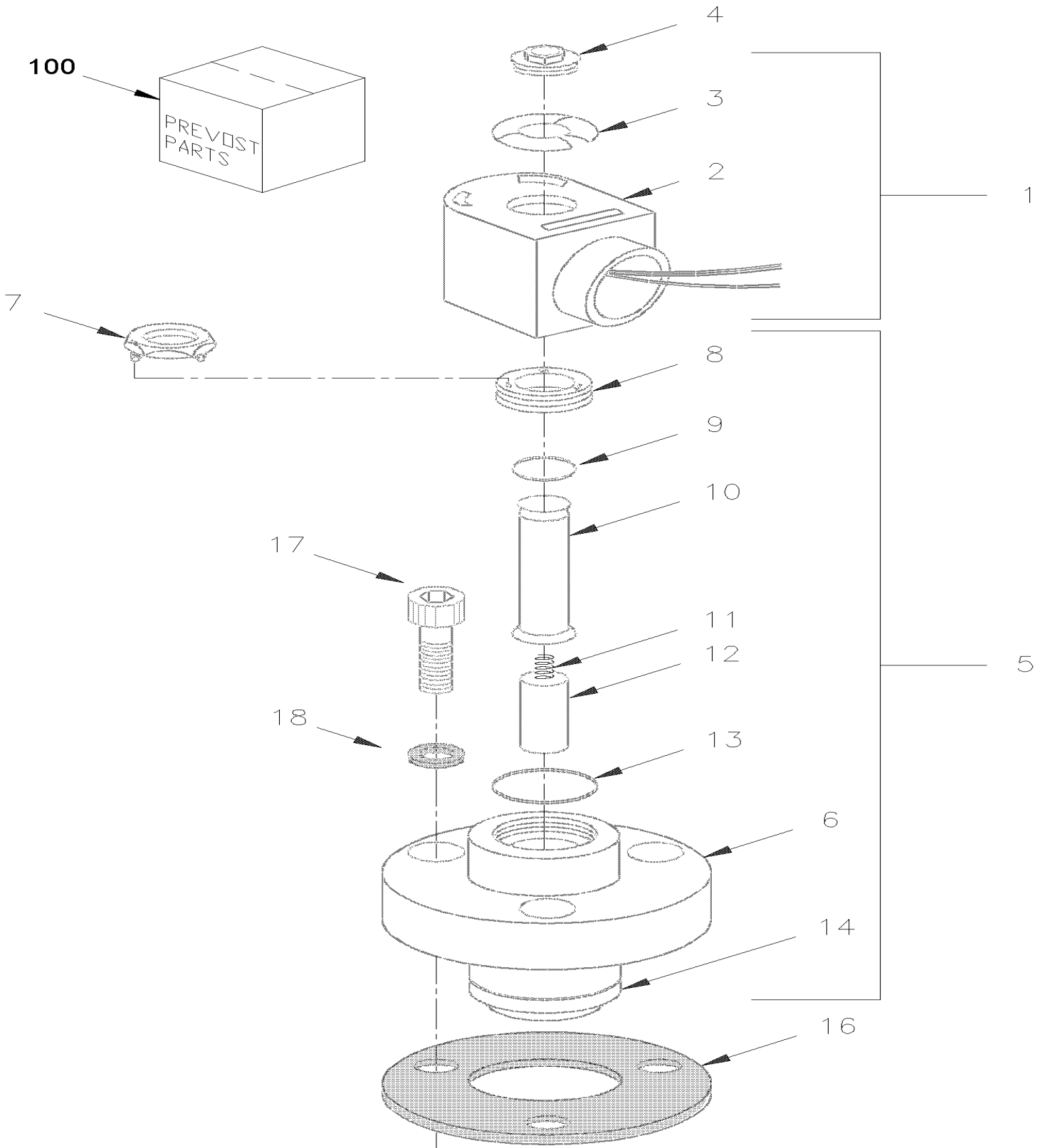


From B-5003 To D-5458

Date:07/2024

PAGE:XV-2250-15

A/C ELECTRIC UNLOADER - W/05G COMPRESSOR





From B-5003 To D-5458	Date:07/2024	PAGE:XV-2250-15
A/C ELECTRIC UNLOADER - W/05G COMPRESSOR		

Item#	Part	Description	X 3 V I P	X L I I E N T 4 5	N O T E S
	063969	COIL ASSY W/CONNECTOR	2	2	
1	950096	. COIL 24V	1	1	
2	N.S.S.	. COIL	1	1	1
3	N.S.S.	. NAMEPLATE / VOLTAGE	1	1	1
4	N.S.S.	. CAP, SNAP	1	1	1
4	N.S.S.	. CAP, SNAP	1	1	1
NS	561566	. CONNECTOR / WEATHER PACK / PH 2C / BLACK / PED 12010973	1	1	
NS	561578	. SOCKET TERMINAL / 16-14 / PED 12010182	2	2	
NS	561786	. CABLE SEAL / GRAY / PED 15324980	2	2	
5	950095	BODY / UNLOADER VALVE	1	1	
6	N.S.S.	. BODY, VALVE	1	1	1
7	N.S.S.	. NUT / FOR REMOVING OR REPLACING TUBE COLLAR	1	1	1
8	N.S.S.	. COLLAR / TUBE	1	1	1
9	N.S.S.	. O-RING	1	1	1
10	N.S.S.	. TUBE	1	1	1
11	N.S.S.	. SPRING, PLUNGER	1	1	1
12	N.S.S.	. PLUNGER	1	1	1
13	N.S.S.	. O-RING	1	1	1
14	870818	. RING, PISTON	1	1	
16	870820	GASKET, UNLOADER	1	1	
17	5001415	SCREW CAP HEXS 1/4-28x3/4	3	3	
18	950305	GASKET / W/ALLEN BOLT	3	3	
100	950413	KIT, STEM REPAIR	1	1	B
		B) INCLUDE ITEMS # 7, 10, 11,12 & 13			
		1) NOT SOLD SEPARATELY			

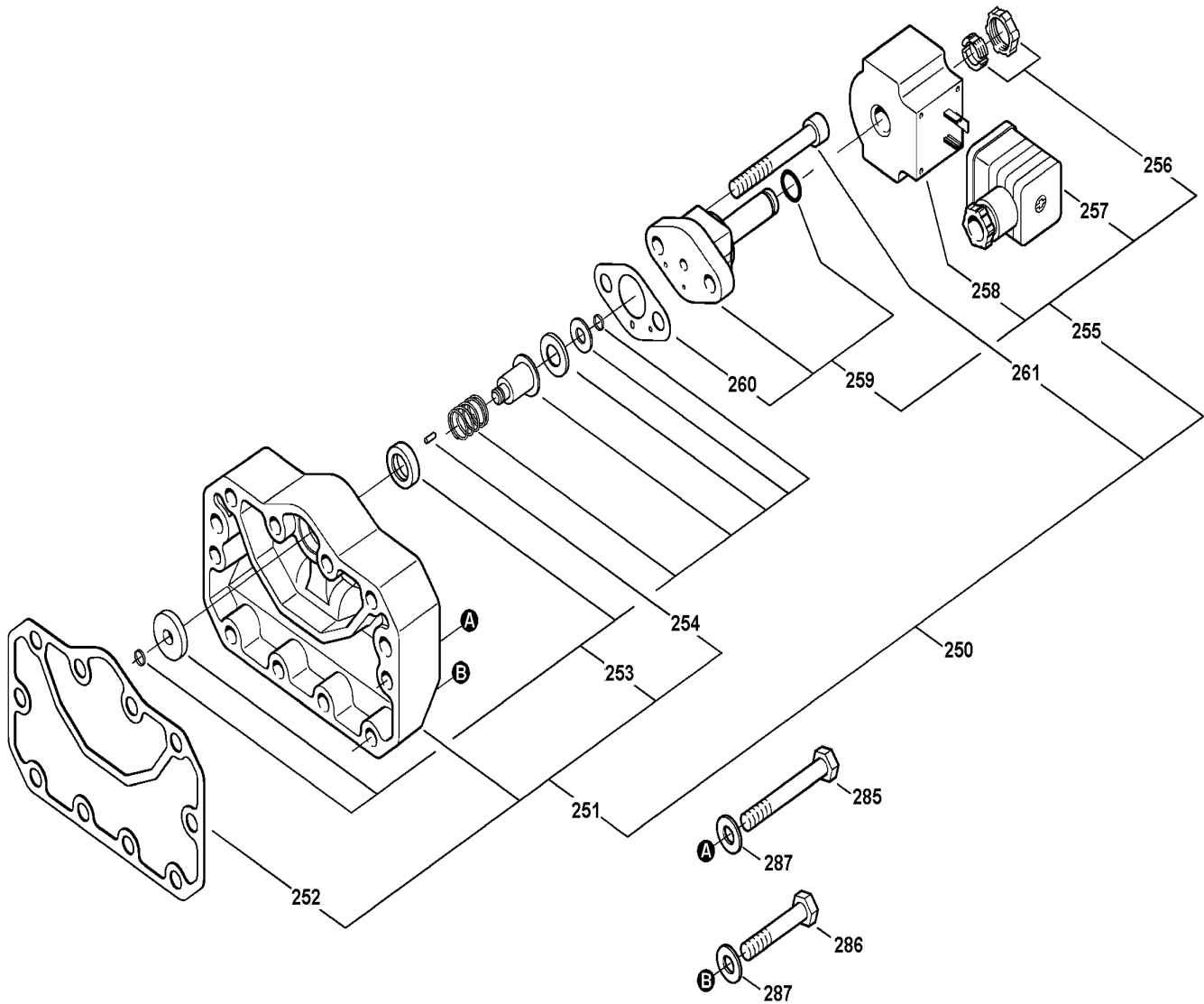


From D-5459 To D-5489

Date:07/2024

PAGE:XV-2250-16

A/C ELECTRIC UNLOADER - WITH "BITZER" COMPRESSOR





From D-5459 To D-5489 Date:07/2024 PAGE:XV-2250-16

A/C ELECTRIC UNLOADER - WITH "BITZER" COMPRESSOR

Item#	Part	Description	X 3 V I P	X L I I E N T 4 5	N O T E S
250	950513	CAPACITY REGULATOR COMPLETE 24 VOLT	1	1	
251	950512	. CYLINDER HEAD W/PISTON "CR"	1	1	
252	950625	. . GASKET	1	1	
253	Call order desk	. . CONTROL PISTON COMPLETE	1	1	P
254	Call order desk	. . HALF LENGHT RESERVE TAPER GROVE DOWEL PIN 3 x 8	1	1	P
255	950521	. SOLONOID VALVE COMPLET 24VOLT	1	1	
256	950563	. . COIL FIXATION	1	1	
257	950971	. . ELECTRICAL CONNECTOR ASSY	1	1	
258	950495	. . COIL 24 VOLT W/CONNECTOR	1	1	
259	950522	. . SOLONOID VALVE W/OUT COIL	1	1	
260	950965	. . . GASKET	1	1	
261	950721	. SCREW CAP HEXS M10 x 80 GR 10.9	1	1	
285	Call order desk	SCREW CAP HEX M10x75 G10.9	4	4	P
286	Call order desk	SCREW CAP HEX M10x55 G10.9	4	4	P
287	Call order desk	WASHER 10	8	8	P
		P) CALL ORDER DESK FOR SPECIFIC APPLICATION (V.I.N.)			

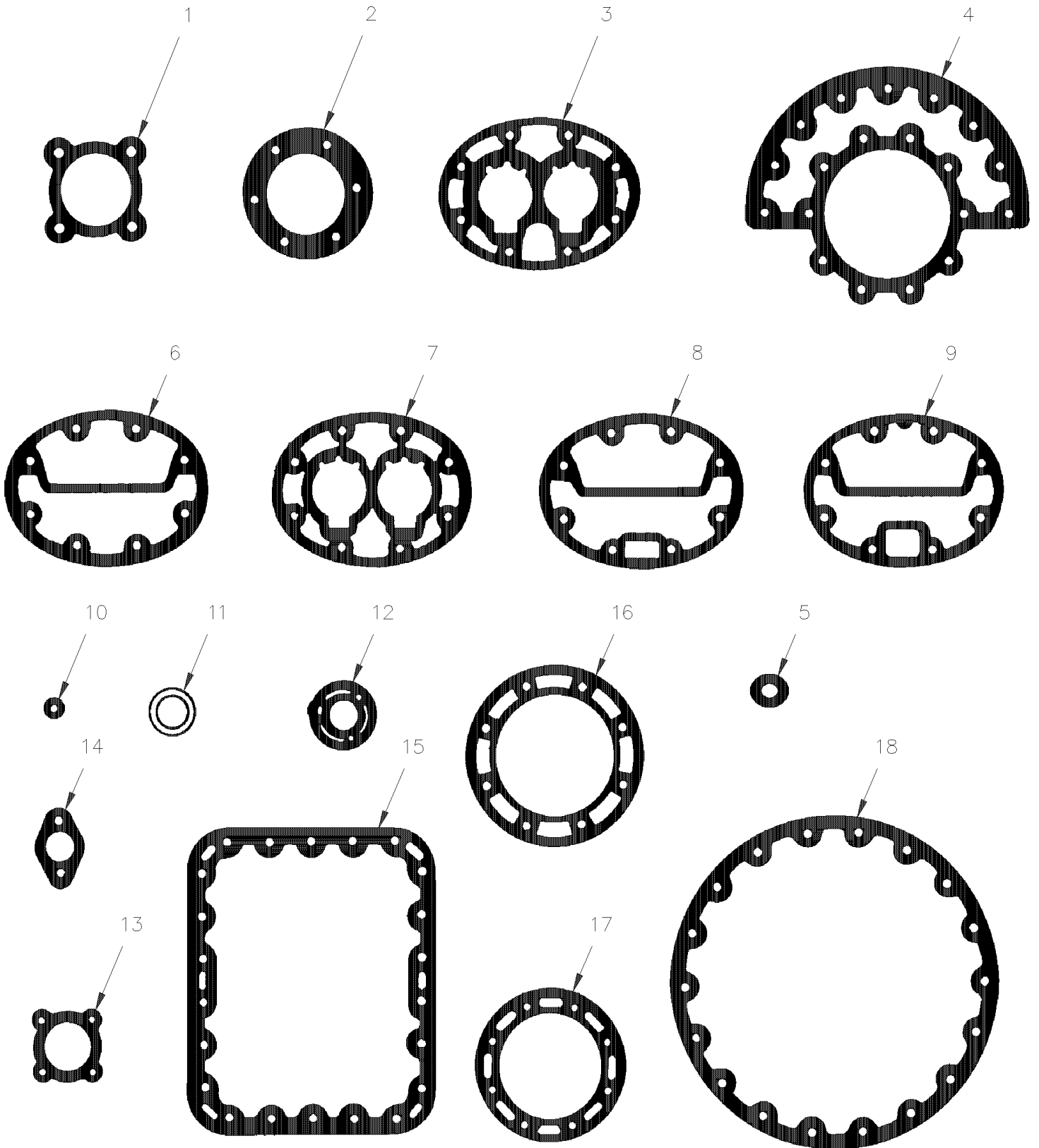


From B-5003 To D-5458

Date:07/2024

PAGE:XV-2251-00

GASKET - 05G A/C COMPRESSOR





From B-5003 To D-5458	Date:07/2024	PAGE:XV-2251-00
GASKET - 05G A/C COMPRESSOR		

Item#	Part	Description	X 3 V I P	X L I I E N T 4 5	N O T E S
	870829	KIT GASKET	1	1	
1	870754	. GASKET / SUCTION VALVE	1	1	
2	870795	. GASKET, HUB BEARING	1	1	
3	870764	. GASKET, VALVE PLATE	3	3	
4	N.S.S.	. GASKET, END FLANGE	1	1	1
5	870791	. GASKET, SHAFT END COVER	2	2	
6	N.S.S.	. GASKET, LEFT & RIGHT CYLINDER HEAD - STANDARDS	2	2	1
7	N.S.S.	. GASKET, VALVE PLATE	3	3	1
8	870760	. GASKET, CENTER CYLINDER HEAD	1	1	
9	870797	. GASKET, L.H & R.H CYLINDER HEAD	2	2	
10	N.S.S.	. GASKET, OIL SUPPLY TUBE	1	1	1
11	870769	. GASKET, SIGHT GLASS	2	2	
12	870820	. GASKET, UNLOADER	2	2	
13	N.S.S.	. GASKET, OIL PUMP COVER	1	1	1
14	870753	. GASKET / DISCHARGE VALVE	2	2	
15	870786	. GASKET, BOTTOM PLATE	1	1	
16	870771	. GASKET / OIL PUMP	1	1	
17	N.S.S.	. GASKET, SHAFT	1	1	1
18	N.S.S.	. GASKET, MOTOR END COVER	1	1	1
NS	870791	. GASKET, SHAFT END COVER	1	1	
		1) NOT SOLD SEPARATELY			

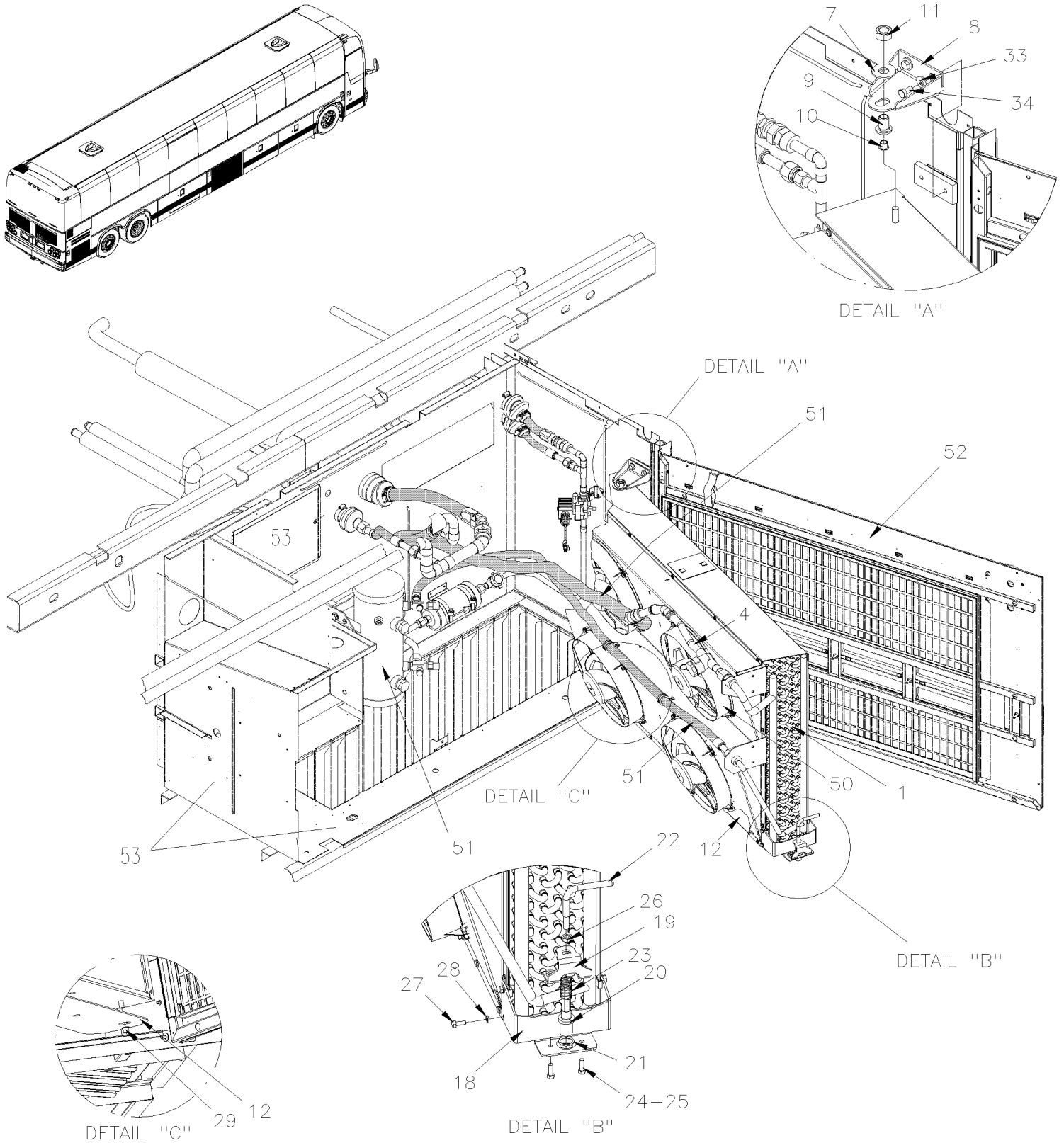


From B-5003 To D-5489

Date:07/2024

PAGE:XV-2255-00

CONDENSOR - INSTALLATION





From B-5003 To D-5489	Date:07/2024	PAGE:XV-2255-00
CONDENSOR - INSTALLATION		

Item#	Part	Description	X 3 V I P	X L I I E N T 4 5	N O T E S
1	950006	CONDENSOR ALUMINUM To B-5089	1	1	
. NS	501802	. O-RING / ORS FITTING / #16 NEO To B-5089	1	1	
. NS	501829	. O-RING / ORS FITTING / #12 NEO To B-5089	1	1	
1	950007	CONDENSOR COPPER To C-5132	1	1	
. NS	501802	. O-RING / ORS FITTING / #16 NEO To C-5132	1	1	
. NS	501829	. O-RING / ORS FITTING / #12 NEO To C-5132	1	1	
1	950008	CONDENSOR COPPER From C-5133 To D-5314	1	1	
. NS	501802	. O-RING / ORS FITTING / #16 NEO From C-5133 To D-5314	1	1	
. NS	501829	. O-RING / ORS FITTING / #12 NEO From C-5133 To D-5314	1	1	
1	950010	CONDENSOR COPPER From D-5315	1	1	
. NS	501802	. O-RING / ORS FITTING / #16 NEO From D-5315	1	1	
. NS	501829	. O-RING / ORS FITTING / #12 NEO From D-5315	1	1	
1	454964	CONDENSER PIVOT REINFORCEMENT PLATE / UPPER	1	1	A
1	454965	CONDENSER PIVOT REINFORCEMENT PLATE / LOWER	1	1	A
4	454712	PIPE ASSY WITH CHECK VALVE	1	1	
. NS	951081	. CHECK VALVE	1	1	
. NS	950537	. GASKET, COPPER	1	1	
. NS	501802	. O-RING / ORS FITTING / #16 NEO	1	1	
7	500449	WASHER FL .625x1.500 SS	1	1	
8	483999	SUPPORT UPPER	1	1	
9	485452	PIVOT UPPER	1	1	
10	507260	BUSHING NYLINER W/SHOULDER .375x.437x.375x.594	2	2	
11	5001646	NUT HEX M16-1.5 G500	1	1	
12	485627	PLATE / SUPPORT GREY PLASTIC 1125MM x 142MM To C-5132	1	1	
12	485672	PLATE / SUPPORT GREY PLASTIC 1105MM x 147MM From C-5133	1	1	
NS	506790	TAPE RUB ADH2 CC POL 1/16" x 1/2" x 200' / BLACK I1C-N-A	AR	AR	
NS	684517	ADHESIVE SIMSON #ISR 70-03 / GREY / 310ml CARTRIDGE	AR	AR	
18	454294	SUPPORT LOCK	1	1	
19	454293	LOCK	1	1	
20	454295	CATCH PIN	1	1	
21	507212	O-RING	1	1	
22	454296	HANDLE CATCH PIN	1	1	
23	502910	SPRING COMPRESSION / .720 O.D. 1.75 x .055	1	1	
24	502622	SCREW CAP HEX M6-1.0x20 SS BK	AR	AR	
25	500356	WASHER LO SERR 6.1x16.0x0.9 N500	AR	AR	
26	502851	NUT HEX M8-1.25 N500	1	1	
27	955271	SCREW CAP HEX M6-1.0x16 G8.8 ZG603	4	4	
28	502570	WASHER LO SPT 6.1x11.8x1.6 SS	AR	AR	
29	504527	BUMPER PLUG / .625ODx.312THx.250HOLEx.125	1	1	
33	500321	WASHER BEL SPR .331x.827x.098 N500	2	2	
34	507637	SCREW CAP HEXF M8-1.25x20 G10.9 PHC	2	2	



From B-5003 To D-5489	Date:07/2024	PAGE:XV-2255-00
------------------------------	---------------------	------------------------

CONDENSOR - INSTALLATION

Item#	Part	Description	X 3 V I P	X L I I E N T 4 5	N O T E S
50	XV-2260-00	CONDENSOR FANS - INSTALLATION			
51	XV-2270-00	RECEIVER TANK & FILTER DRYER			
52	XV-1863-50	CONDENSOR DOOR ASSY			
53	XV-1865-20	EVAPORATOR & CONDENSOR WALL INSTALLATION To C-5096			
53	XV-1865-21	EVAPORATOR & CONDENSOR WALL INSTALLATION From C-5097			
		A) USE ONLY IF THE CONDENSOR PIVOT PIN BROKE			

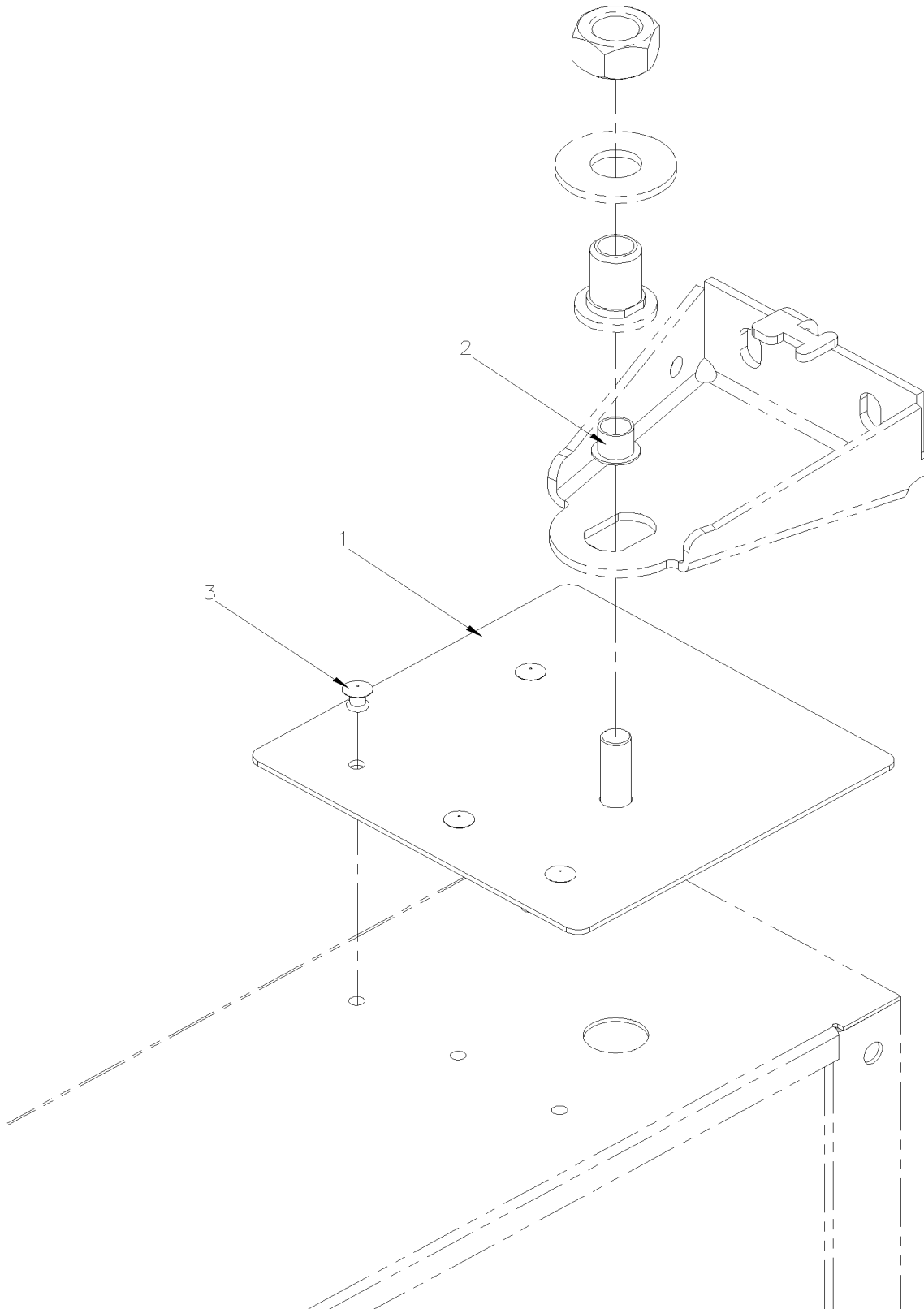


From B-5003 To D-5489

Date:07/2024

PAGE:454964

CONDENSER PIVOT REINFORCEMENT PLATE / UPPER





From B-5003 To D-5489	Date:07/2024	PAGE:454964
-----------------------	--------------	-------------

CONDENSER PIVOT REINFORCEMENT PLATE / UPPER

Item#	Part	Description	X 3 V I P	X L I I E N T 4 5	N O T E S
1	454956	REINFORCEMENT PLATE UPPER	1	1	
2	507260	BUSHING NYLINER W/SHOULDER .375x.437x.375x.594	1	1	
3	504379	RIVET POP DOME OE 3/16x1/4 SS	4	4	
NS	504637	CABLE TIE / 3/16" x 13"	AR	AR	
NS	IS-14904	SEE INSTRUCTION SHEET	1	1	

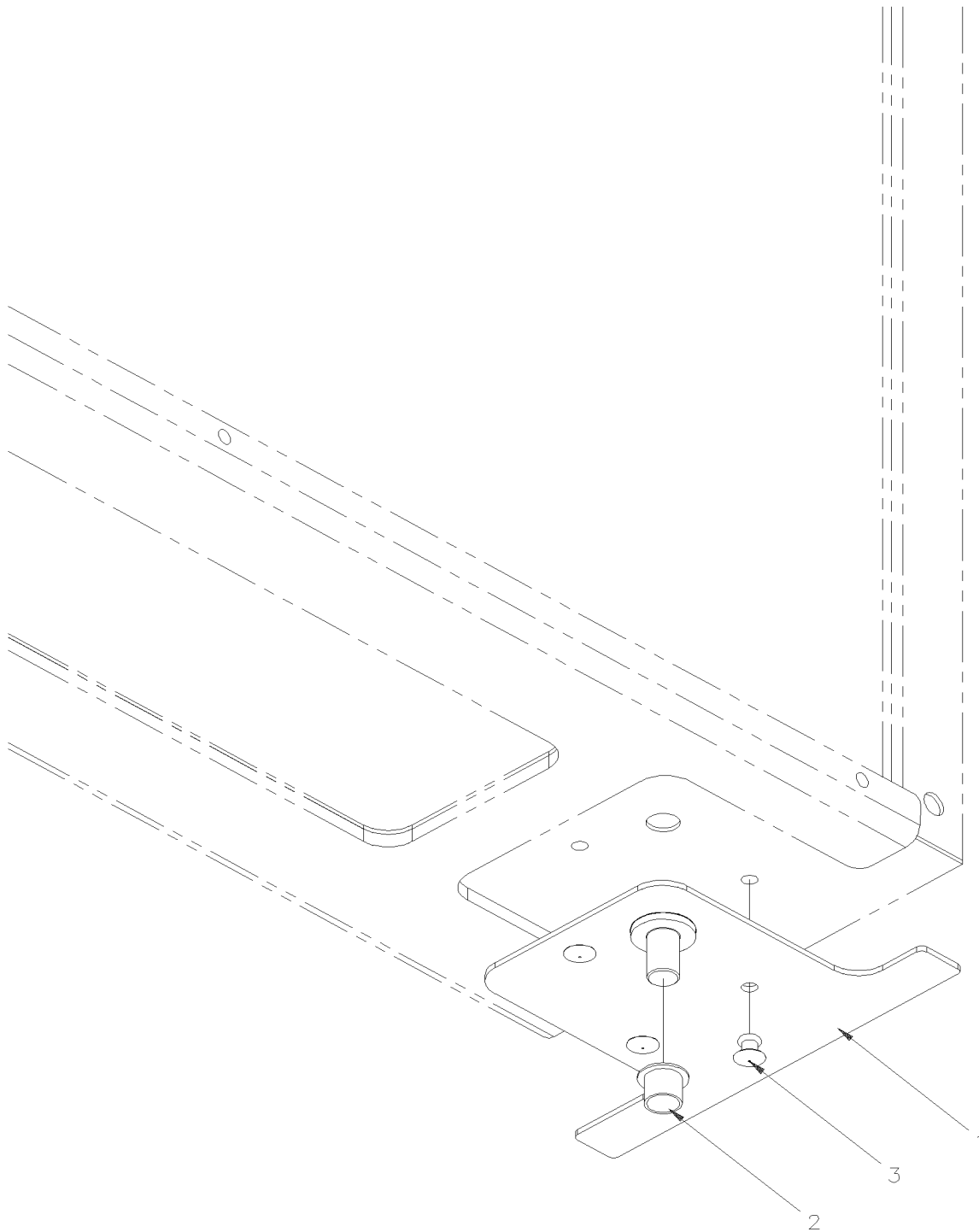


From B-5003 To D-5489

Date:07/2024

PAGE:454965

CONDENSER PIVOT REINFORCEMENT PLATE / LOWER





From B-5003 To D-5489	Date:07/2024	PAGE:454965
-----------------------	--------------	-------------

CONDENSER PIVOT REINFORCEMENT PLATE / LOWER

Item#	Part	Description	X 3 V I P	X L I I E N T 4 5	N O T E S
1	454959	REINFORCEMENT PLATE LOWER	1	1	
2	507260	BUSHING NYLINER W/SHOULDER .375x.437x.375x.594	1	1	
3	504379	RIVET POP DOME OE 3/16x1/4 SS	4	4	

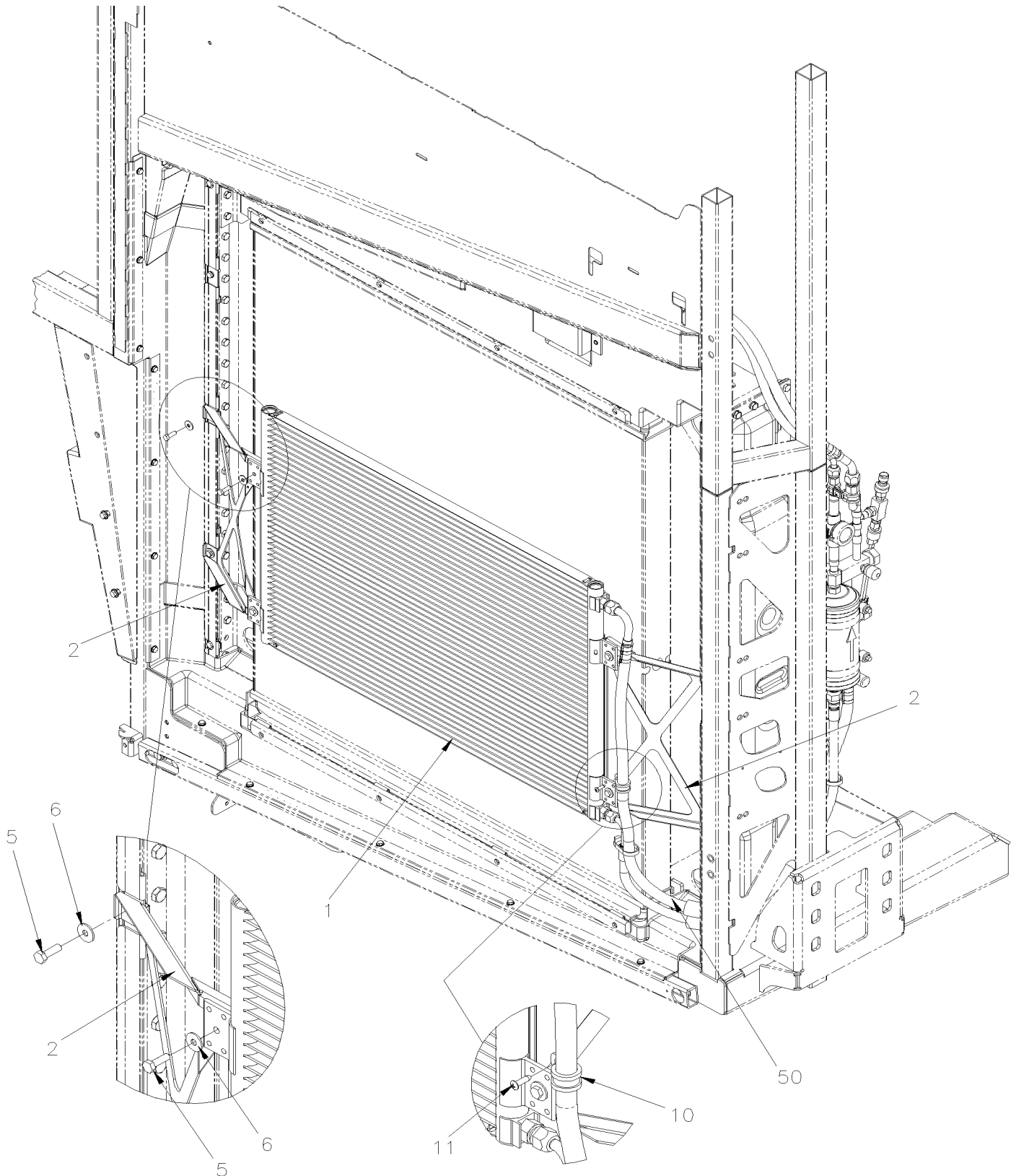


From B-5003 To D-5489

Date:07/2024

PAGE:XV-2255-10

CONDENSOR - INSTALLATION SMALL A/C SYSTEM





From B-5003 To D-5489	Date:07/2024	PAGE:XV-2255-10
-----------------------	--------------	-----------------

CONDENSOR - INSTALLATION SMALL A/C SYSTEM

Item#	Part	Description	X 3 V I P	X L I I E N T 4 5	N O T E S
1	950958	CONDENSOR COIL E-COAT 8.2 To C-5188	1	1	
1	950467	CONDENSOR COIL E-COAT LT-8 From C-5241 To C-5292	1	1	
1	950958	CONDENSOR COIL E-COAT 8.2 From C-5293	1	1	
2	454519	SUPPORT CONDENSOR / EACH SIDE	2	2	
5	502830	SCREW CAP HEX M6-1.0x20 G8.8 N500	8	8	
6	5001833	WASHER BEL SPR 6.1x18x1.27 SS	8	8	
10	952629	CLAMP / 5/8" I.D.	1	1	
11	500957	SCREW TP BDG PH #10x3/4 N500	1	1	
50	XV-2222-50	SMALL A/C LINES & HOSES WITH R134A			

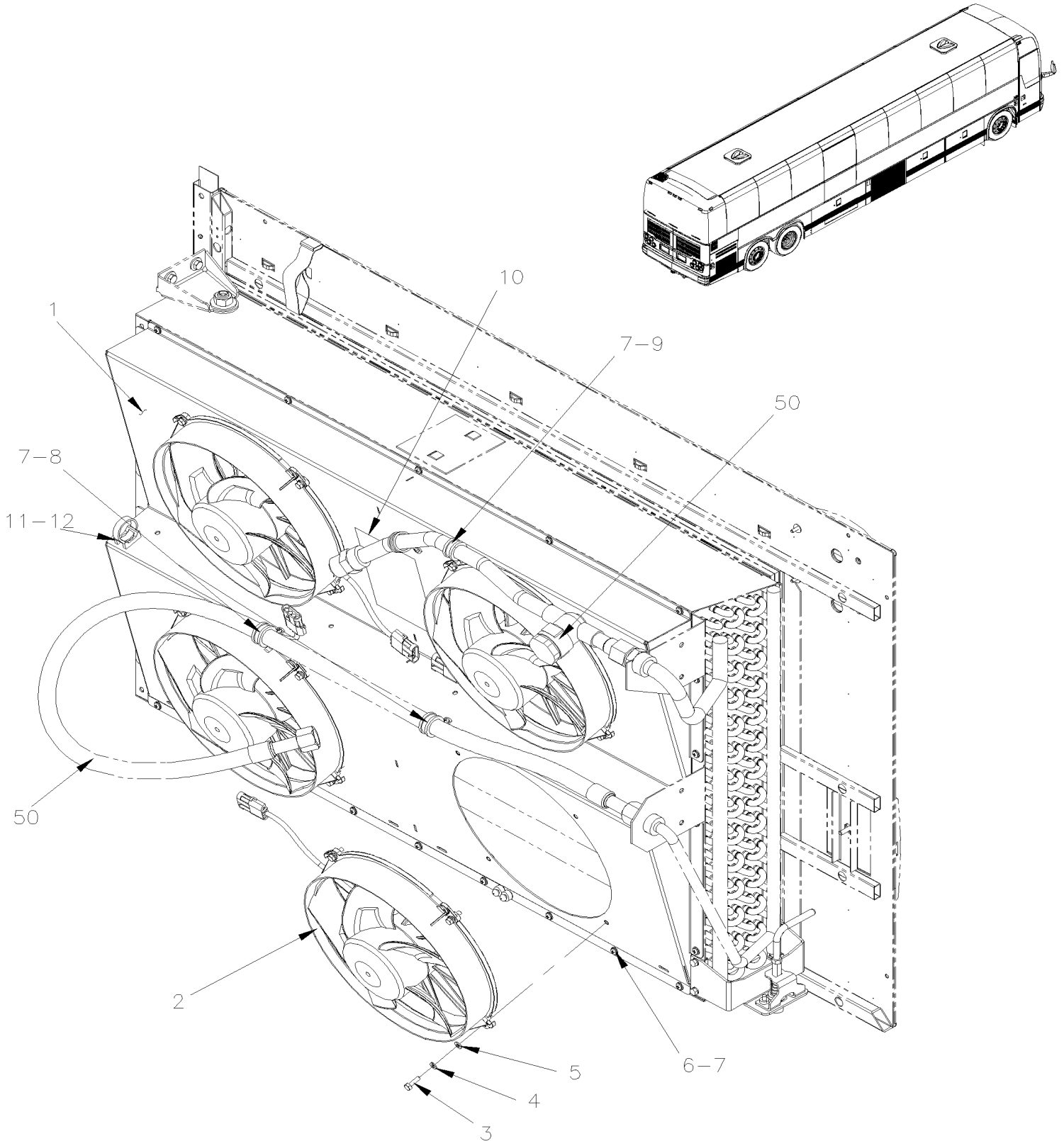


From B-5003 To D-5489

Date:07/2024

PAGE:XV-2260-00

CONDENSOR FANS - INSTALLATION





From B-5003 To D-5489	Date:07/2024	PAGE:XV-2260-00
-----------------------	--------------	-----------------

CONDENSOR FANS - INSTALLATION

Item#	Part	Description	X 3 V I P	X L I I E N T 4 5	N O T E S
1	454264	SHROUD FAN To B-5084	1	1	
1	454697	SHROUD FAN From B-5085	1	1	
2	565881	CONDENSOR FAN ASSY 24V	4	4	
. NS	563691	. CONNECTOR / JUNIOR POWER TIMER / SH 6C / AMP 1-963212-1	1	1	
2	068381	CABLE CONDENSOR FANS To D-5373	1	1	
2	068626	CABLE CONDENSOR FANS From D-5374	1	1	
3	502622	SCREW CAP HEX M6-1.0x20 SS BK	16	16	
4	502570	WASHER LO SPT 6.1x11.8x1.6 SS	16	16	
5	502573	WASHER FL 6.4x12.5x1.6 SS	16	16	
6	500209	SCREW TC BDG PH #10-24x3/8 N500	22	22	
7	500804	WASHER FL .203x.500x.047 N500	26	26	
8	952635	CLAMP / 1" I.D.	2	2	
9	952633	CLAMP / 7/8" I.D.	2	2	
10	402792	DECAL / "DANGER" SHUT DOWN A/C BEFORE SERVI. / ENGLISH & FRANCAIS	1	1	
10	405637	DECAL / "DANGER" SHUT DOWN A/C BEFORE SERVI. / ENGLISH & SPANISH	1	1	
11	504013	TIE MOUNT / 1/4" X 1/4" I.D.	1	1	
12	504016	CABLE TIE / 5/16" X 14"1/2	1	1	
50	XV-2270-00	RECEIVER TANK & FILTER DRYER			



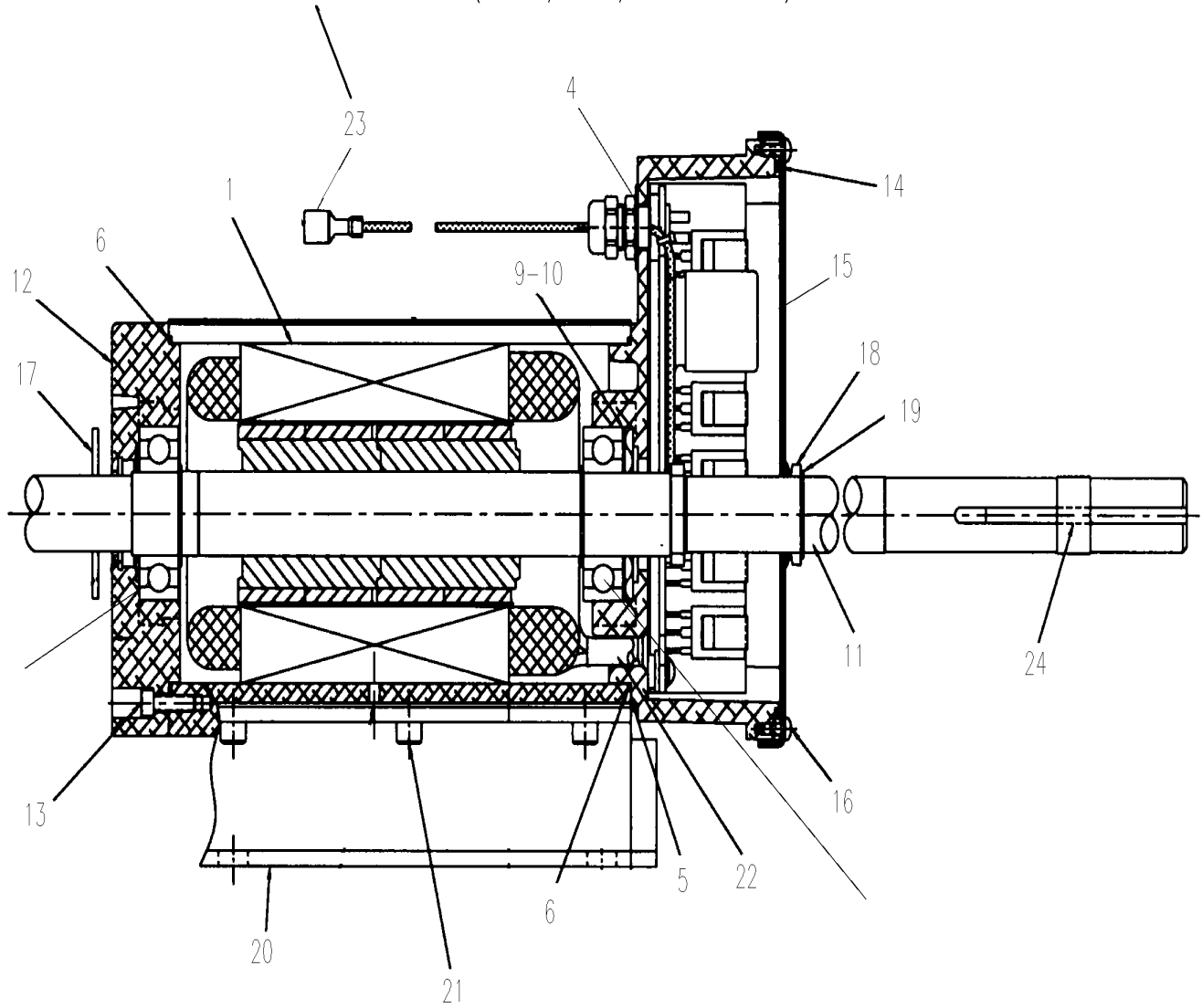
From B-5003 To D-5489

Date:07/2024

PAGE:XV-2265-01

MOTOR - EVAPORATOR BRUSHLESS

NOTE.: IN REPLACEMENT OF FORMER MOTOR MODEL YOU REQUIRE THOSE PARTS
TO MODIFIED ITEM # 23 ONE OF EACH (561577,561578, 561786 & 563623)





From B-5003 To D-5489	Date:07/2024	PAGE:XV-2265-01
MOTOR - EVAPORATOR BRUSHLESS		

Item#	Part	Description	X 3 V I P	X L I I E N T 4 5	N O T E S
	563586	MOTOR EVAPORATOR BRUSHLESS / (E-50348-0A) To B-5088			S
	564216	MOTOR EVAPORATOR BRUSHLESS / 2 SPEEDS From B-5089			
1	Call order desk	. MOTOR ASSY / COMPLETE	1	1	P
4	564621	. CONTROLLER ASSEMBLY	1	1	
5	Call order desk	. GASKET	1	1	P
6	Call order desk	. O-RING 3.989" x .070"	1	1	P
7	Call order desk	. SCREW MA PAN 8-32 x ?	1	1	P
8	Call order desk	. HEAT-SHRINK TUBING	1	1	P
9	Call order desk	. WAVE SPRING	1	1	P
10	Call order desk	. SHIM	1	1	P
11	Call order desk	. SHAFT / ROTOR ASSY W/KEYS	1	1	P
12	Call order desk	. ENDBELL	1	1	P
13	Call order desk	. SCREW MA PAN 8-32 x .875"	1	1	P
14	Call order desk	. O-RING SEAL	1	1	P
15	Call order desk	. COVER	1	1	P
16	Call order desk	. SCREW MA PAN #6-32	1	1	P
17	Call order desk	. SLINGER	1	1	P
18	Call order desk	. V-SEAL	1	1	P
19	Call order desk	. EXTERNAL RETAINING RING	1	1	P
20	Call order desk	. BASE PLATE	1	1	P
21	Call order desk	. SCREW CAP HEXS 1/4-20 x ?	1	1	P
22	Call order desk	. TUBING	1	1	P
23	Call order desk	. TERMINAL (0.032 X 0.25)	1	1	P
24	Call order desk	. KEY SQUARE 3/16" x 3"	1	1	P
30	032937	KIT / SHAFT SHIELD To C-5069	1	1	S
. NS	033188	. SHIELD / SHAFT To C-5069	1	1	S
. NS	500443	. SCREW TP PAN PH #8x1/2 N500 To C-5069	5	5	S
. NS	IS-10125	. SEE INSTRUCTION SHEET To C-5069	1	1	S
		S) USE WITH OLD MOTOR 563586 WITHOUT SEAL ON THE SHAFT			
		P) CALL ORDER DESK FOR SPECIFIC APPLICATION (V.I.N.)			



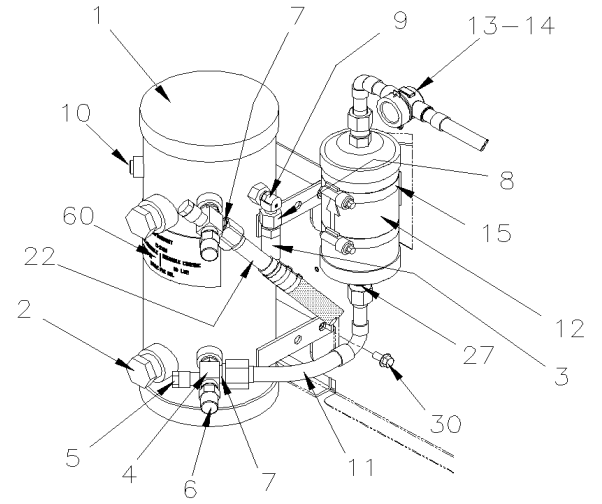
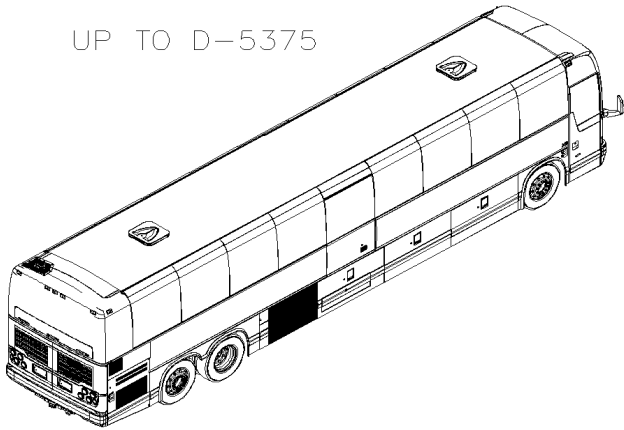
From B-5003 To D-5489

Date:07/2024

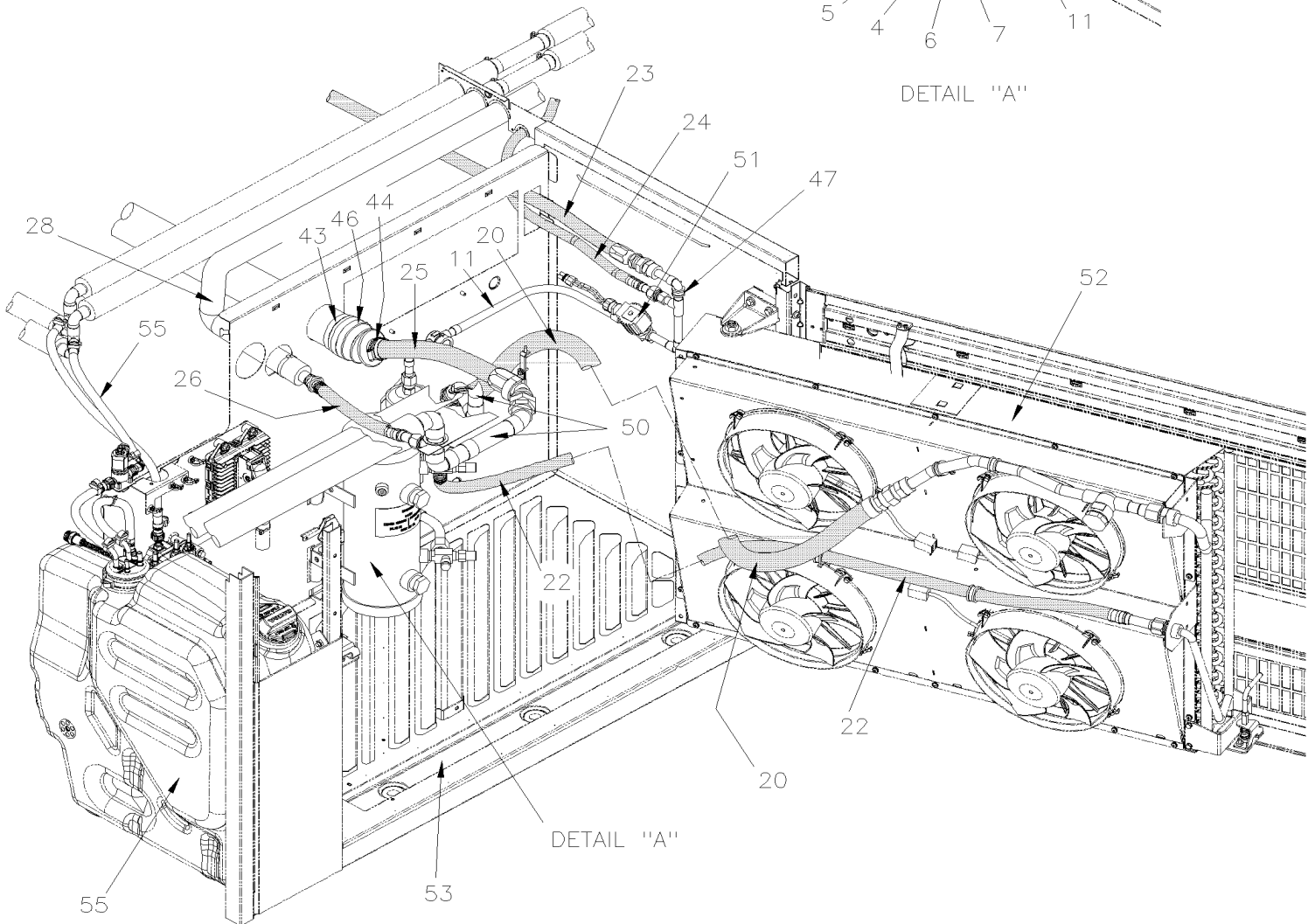
PAGE:XV-2270-00

RECEIVER TANK & FILTER DRYER

UP TO D-5375



DETAIL "A"



DETAIL "A"



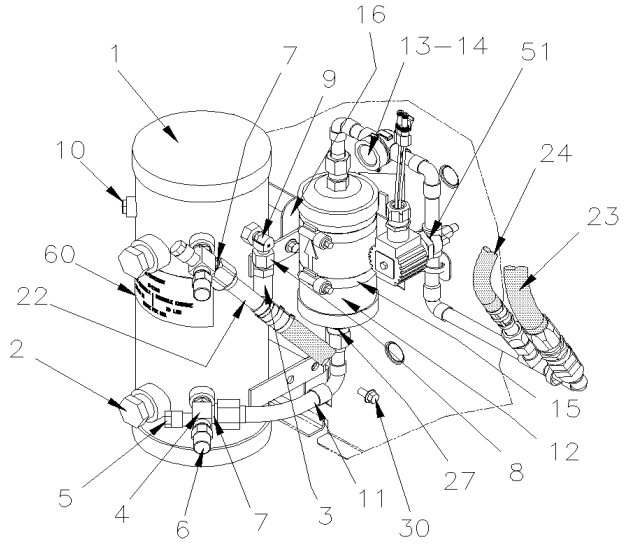
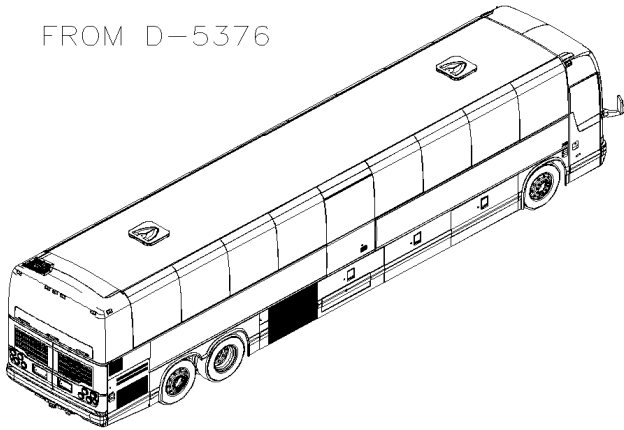
From B-5003 To D-5489

Date:07/2024

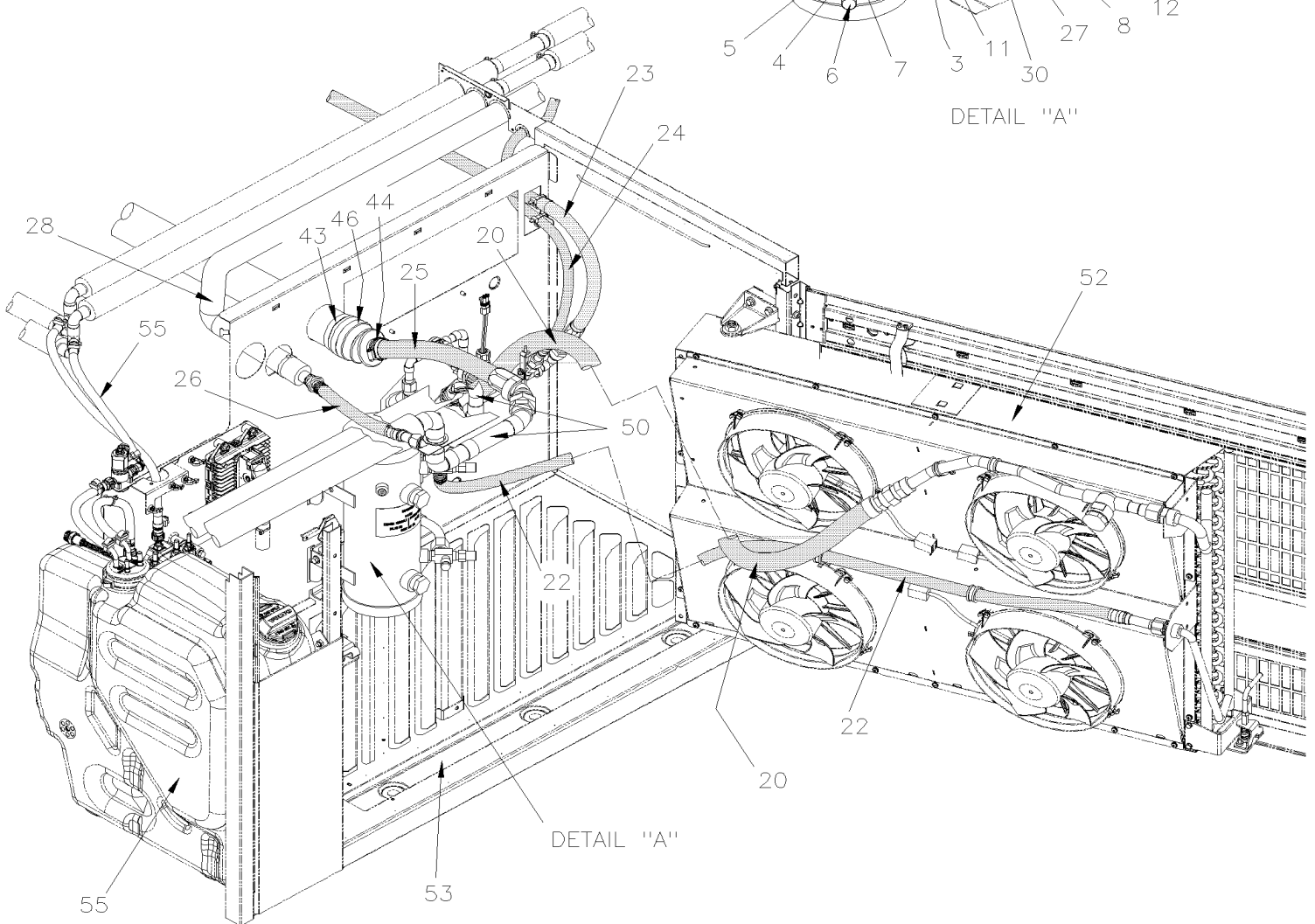
PAGE:XV-2270-00

RECEIVER TANK & FILTER DRYER

FROM D-5376



DETAIL "A"



DETAIL "A"



From B-5003 To D-5489	Date:07/2024	PAGE:XV-2270-00
RECEIVER TANK & FILTER DRYER		

Item#	Part	Description	X 3 V I P	X L I I E N T 4 5	N O T E S
	Call order desk	RECEIVER TANK & FILTER DRYER ASSY From D-5375	1	1	P
	Call order desk	RECEIVER TANK & FILTER DRYER ASSY From D-5375	1	1	P
1	950261	RECEIVER TANK ASSY	1	1	
. NS	950428	. SIGHTGLASS / W/BALL 1NPT-M (FORMER)	1	1	
. NS	951198	. SIGHTGLASS / W/BALL 1 1/4NPT-F (CURRENT)	1	1	
3	870890	VALVE, SAFETY 450 PSI	1	1	
4	950228	VALVE ASSY / SERVICE / INLET & OUTLET	2	2	
. NS	950284	. CAP / PROTECTOR / FOR GAUGE	1	1	
. NS	507169	. O-RING 1/2 I.D.	1	1	
5	950285	. CAP VALVE / PROTECTOR / PLASTIC	1	1	
6	950284	. CAP / PROTECTOR / FOR GAUGE	1	1	
7	507169	O-RING 1/2 I.D.	2	2	
8	501311	ADAPTER / PIPE FITTING / 3/8NPT-Fx1/4NPT-M BR	1	1	
9	501332	STREET ELBOW 90° / PIPE FITTING / 1/4NPT-Mx1/4NPT-F BR	1	1	
10	501449	PLUG HEXS / PIPE FITTING / 3/8NPT-M STL	1	1	
11	455377P	FILTER DRYER ASSY To D-5374	1	1	
. NS	501829	. O-RING / ORS FITTING / #12 NEO To D-5374	1	1	
12	950332	. FILTER DRYER	1	1	
. NS	507370	. . O-RING #10	1	1	U
13	950333	. MOISTURE INDICATOR	1	1	
. NS	950711	. . LENS ASSY KIT MOISTURE INDICATOR	1	1	
. . NS	950712	. . . O-RING MOISTURE INDICATOR	1	1	
14	950029	. . CAP, MOISTURE INDICATOR	1	1	
15	504026	HOSE CLAMP / 2"13/16-3"3/4 SS / HS-52	2	2	
16	455411	SUPPORT / FILTER DRYER From D-5375	1	1	
20	455343	HOSE ASSY / PIPE TO COND / #16 1143MM / SS BELLOW	1	1	
NS	501802	. O-RING / ORS FITTING / #16 NEO	1	1	
NS	507169	. O-RING 1/2 I.D.	1	1	
22	455314	HOSE ASSY / #12 1558MM	1	1	
NS	505110	. COIL PROTECTOR / PLASTIC / #12	AR	AR	
22	501829	O-RING / ORS FITTING / #12 NEO	1	1	
23	454673	HOSE ASSY / #12 1630MM To C-5132	1	1	
. NS	505182	. COIL PROTECTOR / PLASTIC / #16 To C-5132	AR	AR	
23	454701	HOSE ASSY / #12 1845MM From C-5133 To D-5374	1	1	
. NS	505182	. COIL PROTECTOR / PLASTIC / #16 From C-5133 To D-5374	1	1	
23	455412	HOSE ASSY / #12 2150MM From D-5375	1	1	
. NS	505182	. COIL PROTECTOR / PLASTIC / #16 From D-5375	AR	AR	
24	455375	HOSE ASSY / #10 7620MM To D-5374	1	1	
. NS	507344	. O-RING / ORS FITTING / #10 NEO To D-5374	2	2	
24	455413	HOSE ASSY / #10 7790MM From D-5375	1	1	
. NS	507344	. O-RING / ORS FITTING / #10 NEO From D-5375	2	2	
25	454239	HOSE ASSY / #20 2210MM To D-5458	1	1	



From B-5003 To D-5489 Date:07/2024 PAGE:XV-2270-00

RECEIVER TANK & FILTER DRYER

Item#	Part	Description	X 3 V I P	X L I I E N T 4 5	N O T E S
. NS	501803	. O-RING / ORS FITTING / #20 NEO To D-5458	1	1	
25	454705	HOSE ASSY / #20 2335MM From D-5459	1	1	
. NS	501803	. O-RING / ORS FITTING / #20 NEO From D-5459	1	1	
26	455349	HOSE ASSY / #12 330MM To D-5458	1	1	
. NS	501829	. O-RING / ORS FITTING / #12 NEO To D-5458	1	1	
26	454708	HOSE ASSY / #12 415MM From D-5459	1	1	
. NS	501829	. O-RING / ORS FITTING / #12 NEO From D-5459	1	1	
27	507370	O-RING #10	2	2	
28	Call order desk	PIPE ASSY	1	1	P
28	Call order desk	PIPE ASSY	1	1	P
30	5001780	SCREW CAP HEXF M8-1.25x16 G8.8 N500	4	4	
33	216725	SUPPORT RECEIVER TANK / WELDED TO STRUCTURE	1	1	
40	504022	HOSE CLAMP / 3/4"-1"3/4 SS / HS-20	5	5	
41	504026	HOSE CLAMP / 2"13/16-3"3/4 SS / HS-52	3	3	
42	504384	CUFF END BELLOW / 1 1/4" I.D. x 1 3/4" x 4"	4	4	
43	451075	PROTECTOR HOSE SPLIT / 7/8" O.D. x 3"	2	2	
44	504024	HOSE CLAMP / 1"13/16"-2"3/4 SS / HS-36	4	4	
NS	504016	CABLE TIE / 5/16" X 14"1/2	AR	AR	
46	504442	CUFF END BELLOW / 1 1/4" I.D. x 3 1/2" x 4 1/2"	1	1	
47	952629	CLAMP / 5/8" I.D.	1	1	
47	500957	SCREW TP BDG PH #10x3/4 N500	1	1	
50	XV-2222-15	A/C LINE REAR SECTION W/05G To D-5458			
50	XV-2222-16	A/C LINE REAR SECTION W/ "BITZER" From D-5459			
51	XV-2208-10	REFRIGERANT SOLENOID VALVE			
52	XV-2255-00	CONDENSOR - INSTALLATION			
53	XV-1865-20	EVAPORATOR & CONDENSOR WALL INSTALLATION To C-5096			
53	XV-1865-21	EVAPORATOR & CONDENSOR WALL INSTALLATION From C-5097			
55	XV-0410-00	UREA RESERVOIR ASSY			
60	453066	DECAL R134A / NOMINAL CHARGE 24 LBS // ENGLISH & FRANCAIS	1	1	
60	454180	DECAL R134A / NOMINAL CHARGE 24 LBS // ENGLISH & SPANISH	1	1	
		P) CALL ORDER DESK FOR SPECIFIC APPLICATION (V.I.N.)			
		U) UNDER CONSTRUCTION			



	Date:07/2024	XV-23
ACCESSORIES		

Accessories Air System 5

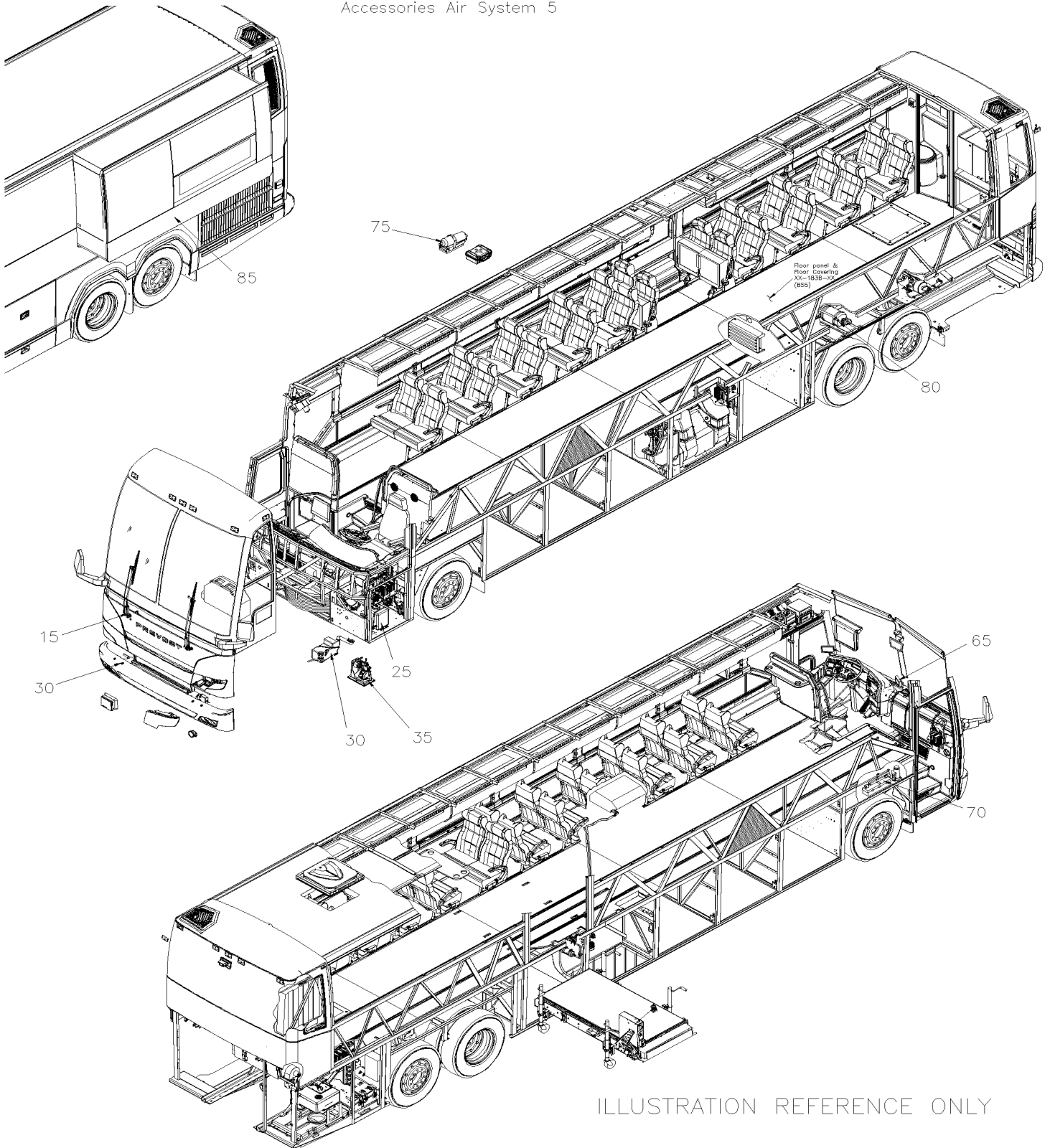


ILLUSTRATION REFERENCE ONLY



		Date:07/2024	XV-23		
ACCESSORIES					
Item#	Part	Description	X 3 V I P	X L I I E N T 4 5	N O T E S
5	XV-2300-50	ACCESSORIES AIR SYSTEM - MTH From B-5003 To D-5489			
10	XV-2300-90	"SLIDE-OUT" AIR SYSTEM From B-5003 To D-5489			
15	XV-2305-00	LOWER WINDSHIELD WIPER From B-5003 To D-5489			
15	XV-2305-05	LOWER WINDSHIELD WIPER - INSTALLATION From B-5003 To D-5489			
25	XV-2305-20	WINDSHIELD WASHER - INSTALLATION From B-5003 To D-5489			
30	XV-2305-25	HEAD LAMP CLEANING WASHER TANK From B-5003 To D-5489			
35	XV-2310-00	HORN - INSTALLATION From B-5003 To D-5489			
65	XV-2319-00	VOLVO LINK ANTENNA - INSTALLATION From B-5003 To D-5489			
70	XV-2320-00	JACK & FLARE KIT - INSTALLATION From B-5003 To D-5489			
75	XV-2320-30	EXTINGUISHER - INSTALLATION From B-5003 To D-5489			
80	XV-2320-50	FIRE PROTECTION SYSTEM From B-5003 To C-5266			
80	XV-2320-51	FIRE PROTECTION SYSTEM / HEATER & EVAPORATOR COMPARTMENT From C-5267 To D-5489			
85	XV-2390-00	"SLIDE-OUT" INFLATED SEAL From B-5003 To D-5489			
85	XV-2390-10	"SLIDE-OUT" AIR CONTROL PANEL - MUX From B-5003 To D-5489			
85	XV-2390-20	"SLIDE-OUT" - FRONT MECHANISM - INSTALLATION From B-5003 To D-5489			
85	XV-2390-30	"SLIDE-OUT" - REAR MECHANISM INSTALLATION From B-5003 To D-5489			
85	XV-2390-40	"SLIDE-OUT" - BED SUPPORT From B-5003 To D-5489			
85	XV-2390-50	"SLIDE-OUT" - INSTALLATION From B-5003 To D-5489			

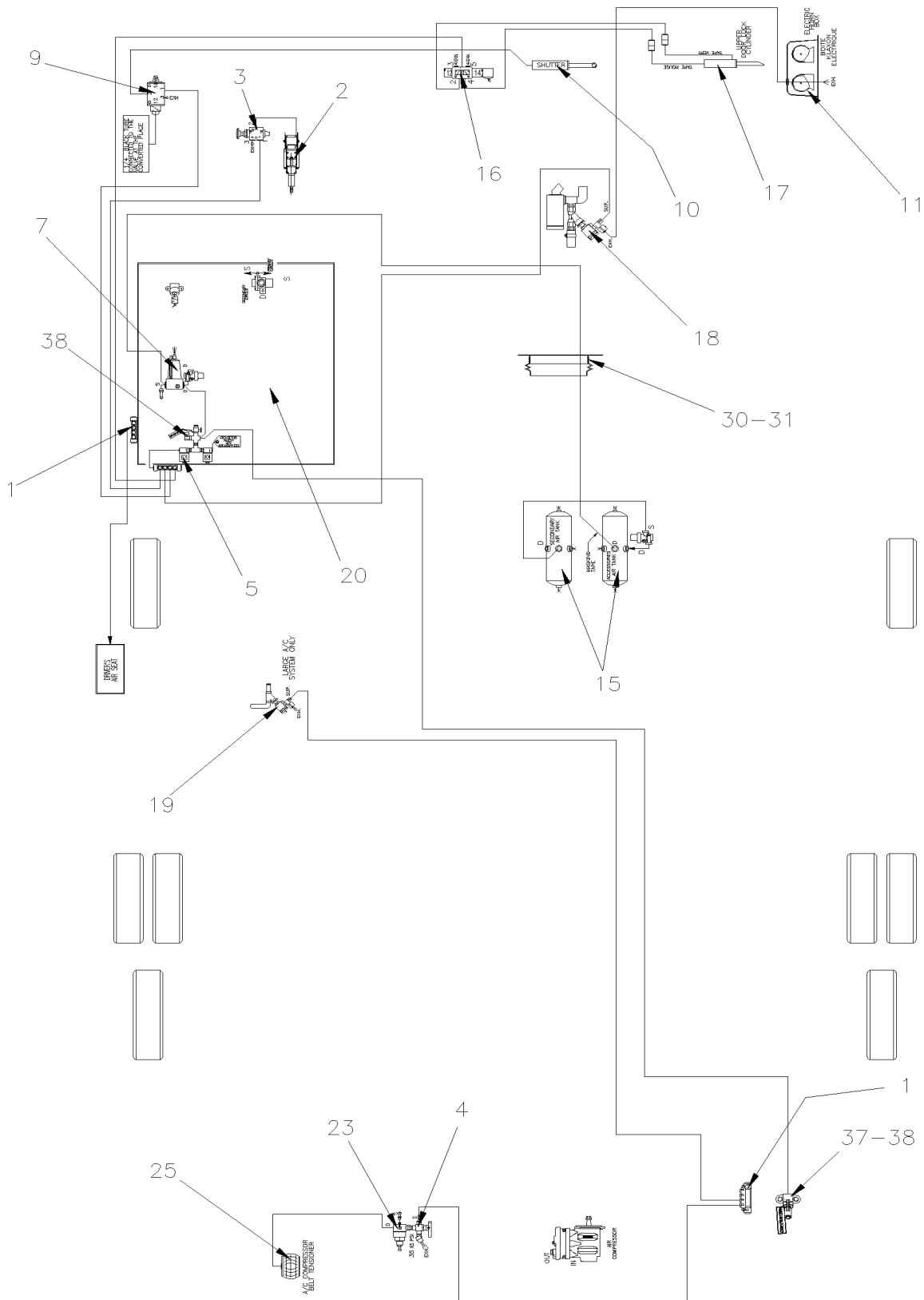


From B-5003 To D-5489

Date:07/2024

PAGE:XV-2300-50

ACCESSORIES AIR SYSTEM - MTH



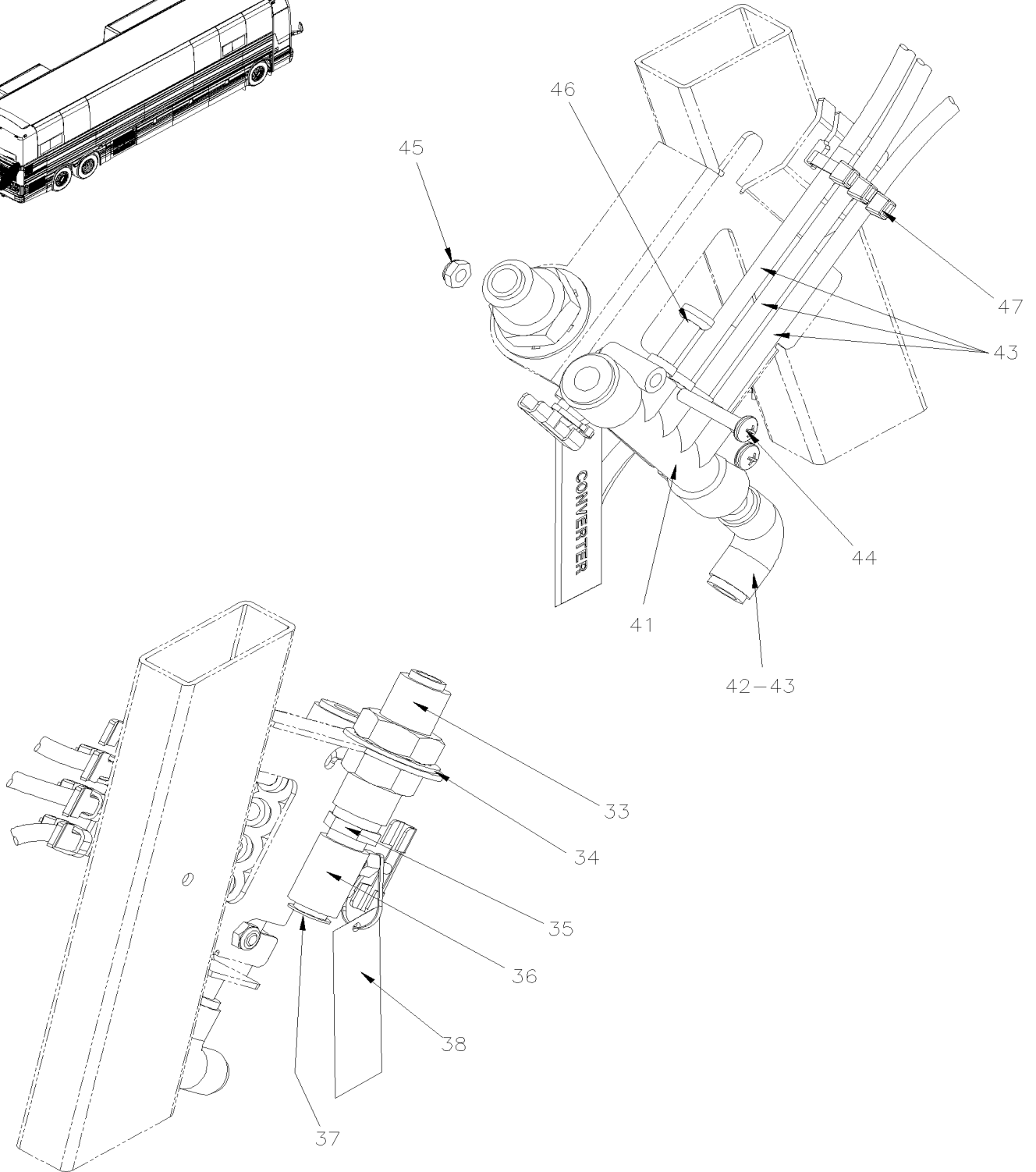
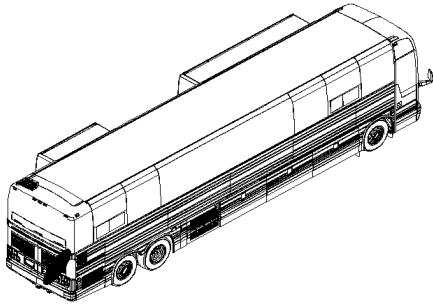


From B-5003 To D-5489

Date:07/2024

PAGE:XV-2300-50

ACCESSORIES AIR SYSTEM - MTH





From B-5003 To D-5489	Date:07/2024	PAGE:XV-2300-50
ACCESSORIES AIR SYSTEM - MTH		

Item#	Part	Description	X 3 V I P	X L I I E N T 4 5	N O T E S
1	641897	MANIFOLD / PUSH-IN FITTING / 2x#6 / 4x#4 PLAS	1	1	
1	20462708	ELBOW 90° STEM / PUSH-IN FITTING / #6x#6STEM PLAS To E-5718	1	1	
1	647894	ELBOW 90° STEM / PUSH-IN FITTING / #6x#6STEM PLAS From E-5719	1	1	
2	XV-1405-00	STEERING WHEEL & COLUMN ASSY WITH CONTROL SWITCHES			
3	641445	VALVE, 3 WAYS, 2 POSITIONS MECHANICAL To D-5458	1	1	
. NS	641992	. KNOB To D-5458	1	1	
3	642173	VALVE, 3 WAYS, 2 POSITIONS MECHANICAL From D-5459	1	1	
4	641417	VALVE, 3 WAYS 1/8NPT-Fx1/8NPT-Fx1/8NPT-F BR To C-5132	1	1	
. NS	642014	. HANDLE / RED To C-5132	1	1	
4	642161	VALVE, 3 WAYS 1/8NPT-Fx1/8NPT-Fx1/8NPT-F BR From C-5133	1	1	
. NS	642014	. HANDLE / RED From C-5133	1	1	
5	562804	VALVE, 2 WAYS N.C.	2	2	
. NS	562848	. CONNECTOR / SOCKET HOUSING ASSY 3C / PNEUMAC 54933-05	1	1	
7	XV-1220-15	AIR FILTER - ACCESSORIES			
8	XV-0645-21	CENTER DASHBOARD PANEL WITH "EPA 2010"			
9	N.P.N.	SUPPLIED BY CONVERTER			4
10	053011	SHUTTER ASSY	1	1	
11	XV-2310-00	HORN - INSTALLATION			
15	141834	AIR TANK / 1303 IN° / 8" O.D. X 27"1/2	2	2	
16	642023	VALVE, 5 WAYS, 2 POSITIONS 24V / MODEL V19	1	1	
. NS	641385	. CONNECTOR / SOCKET HOUSING ASSY 3C / PNEUMAC 54934-01	1	1	
17	287012	UPPER LOCK ASSY	1	1	
18	XV-2207-05	WATER VALVE - HEATER			
19	XV-2207-00	WATER VALVE - HEATER			
20	XV-1640-50	LEVEL-LOW - CONTROL PANEL & VALVES			
23	641472	AIR PRESSURE REGULATOR 1/4" NPT / COPPER	2	2	
25	550840	BELLOW ASSY / BELT TENSIONER / 4" O.D.	3	3	
30	504499	CUFF END BELLOW / 2 7/8" I.D. x 3 5/8" x 4 7/16	1	1	
31	141567	PROTECTOR RUBBER 100MM	1	1	
33	642157	BULKHEAD FEMALE CONNECTOR / PUSH-IN FITTING / #6x3/8NPT-F BR	1	1	
34	500489	WASHER LO INT .894x1.410x.060 Z050	1	1	
35	501314	BUSHING REDUCER / PIPE FITTING / 3/8NTP-Mx1/4NPT-F BR	1	1	
36	5011129	NEEDLE VALVE 1/4 NPT M x 1/4 NPT F	1	1	
36	680098	THREAD SEALANT LOCTITE #567 / WHITE / 250ml	AR	AR	
37	680408	CAP PLUG (ID 0.402, OD 0.471)	1	1	
38	391812	IDENTIFICATION PLATE (CONVERTER)	1	1	
38	504273	CABLE TIE / 1/8" X 3"1/2	1	1	
41	641897	MANIFOLD / PUSH-IN FITTING / 2x#6 / 4x#4 PLAS	1	1	
42	641436	UNION ELBOW 90° / PUSH-IN FITTING / #6x#6 BR	1	1	
43	503402	TUBE, NYLON 1/4 O.D. / BLACK S.L.	AR	AR	
44	5001042	SCREW MA RND PH #10-32x1 1/4 SS	2	2	
45	500423	NUT HEX NYRT #10-32 SS	2	2	



From B-5003 To D-5489	Date:07/2024	PAGE:XV-2300-50
-----------------------	--------------	-----------------

ACCESSORIES AIR SYSTEM - MTH

Item#	Part	Description	X 3 V I P	X L I I E N T 4 5	N O T E S
46	641416	PLUG STEM / PUSH-IN FITTING / #4 PLAS	1	1	
47	504637	CABLE TIE / 3/16" x 13"	3	3	
50	XV-0665-00	ENGINE COMPARTMENT - ELECTRIC COMPONENTS			
		4) NO PARTS NUMBER			

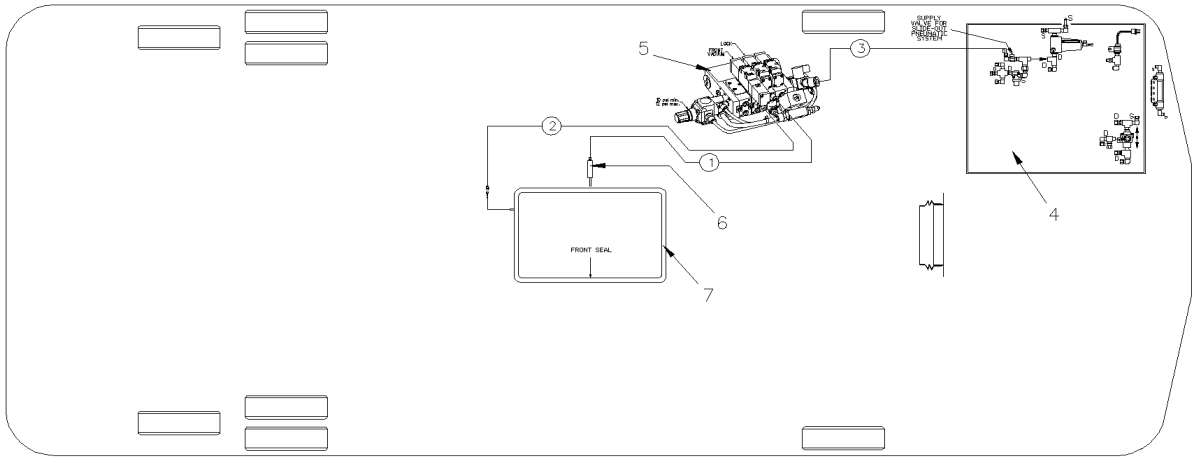


From B-5003 To D-5489

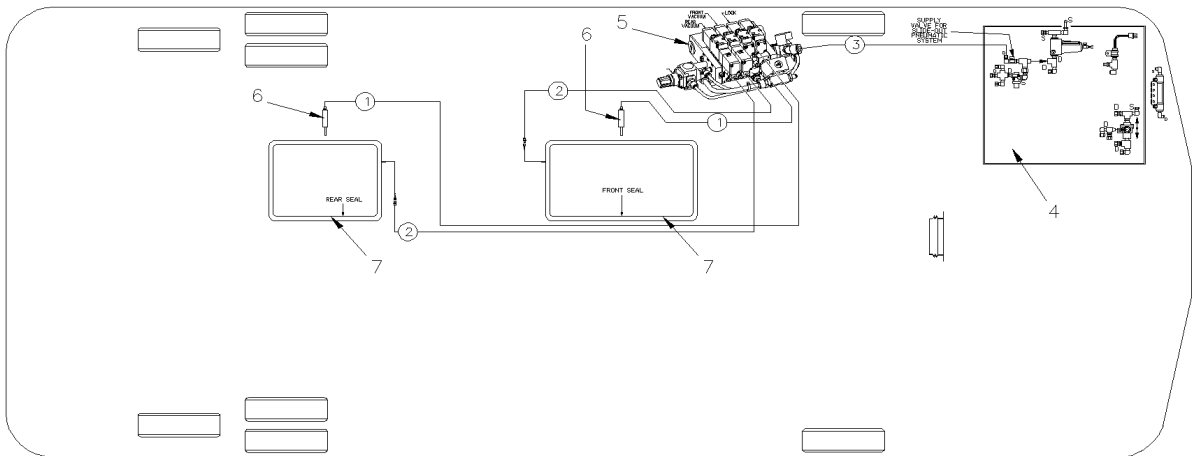
Date:07/2024

PAGE:XV-2300-90

"SLIDE-OUT" AIR SYSTEM



WITH FRONT SINGLE SLIDE-OUT



WITH DOUBLE SLIDE-OUT



From B-5003 To D-5489	Date:07/2024	PAGE:XV-2300-90
"SLIDE-OUT" AIR SYSTEM		

Item#	Part	Description	X 3 V I P	X L I I E N T 4 5	N O T E S
1	503536	TUBE, NYLON 1/8 O.D. / BLACK S.L.	AR	AR	
2	503404	TUBE, NYLON 3/8 O.D. / BLACK S.L.	AR	AR	
3	503488	TUBE, NYLON 1/2 O.D. / BLACK S.L./	AR	AR	
4	XV-1640-50	LEVEL-LOW - CONTROL PANEL & VALVES			
5	XV-2390-10	"SLIDE-OUT" AIR CONTROL PANEL - MUX			
6	XV-2390-20	"SLIDE-OUT" - FRONT MECHANISM - INSTALLATION			
6	XV-2390-30	"SLIDE-OUT" - REAR MECHANISM INSTALLATION			
7	XV-2390-00	"SLIDE-OUT" INFLATED SEAL			
8	642095	UNION "Y" / PUSH-IN FITTING / #2x#2x#2 PLAS	AR	AR	

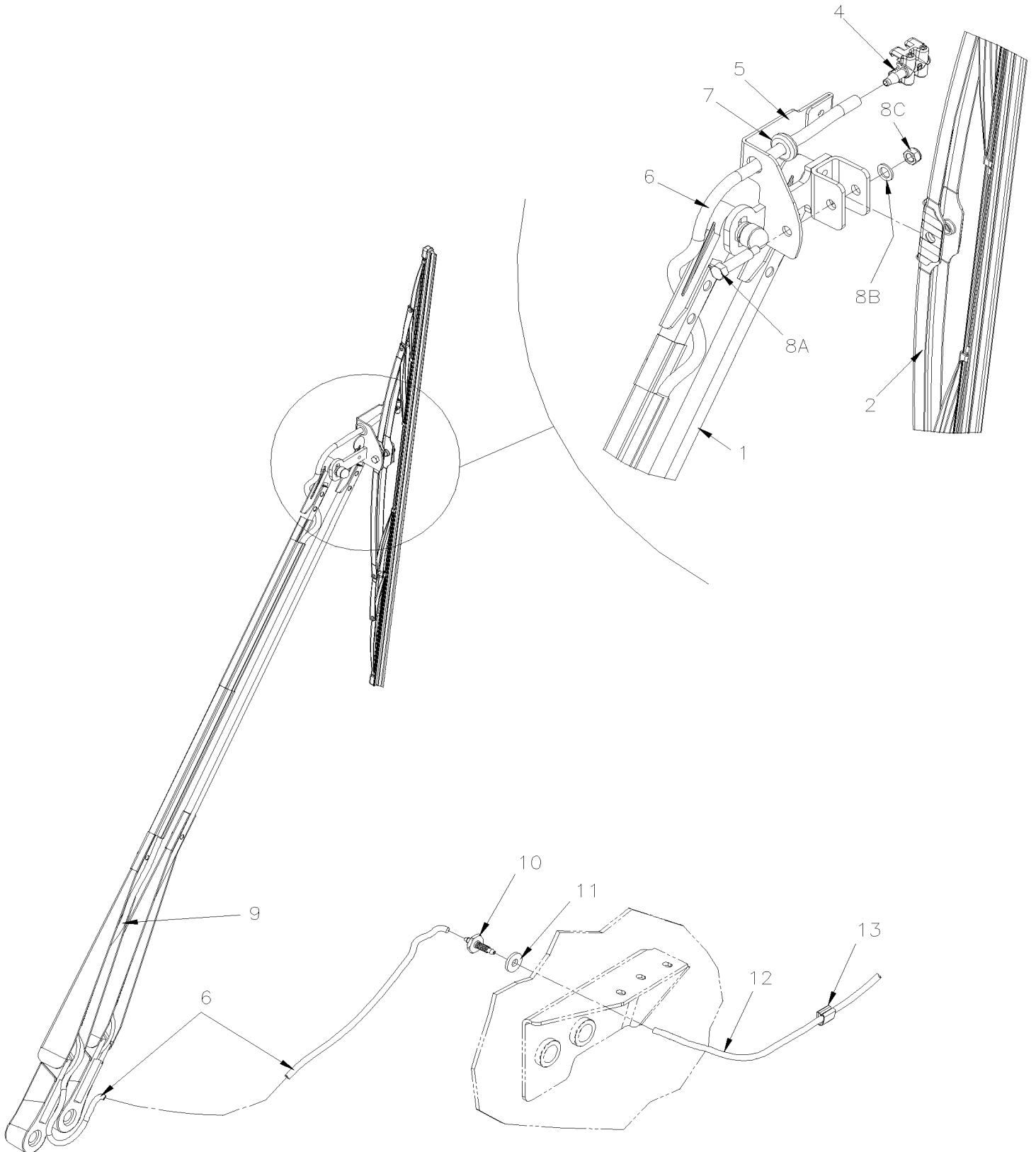


From B-5003 To D-5489

Date:07/2024

PAGE:XV-2305-00

LOWER WINDSHIELD WIPER





From B-5003 To D-5489	Date:07/2024	PAGE:XV-2305-00
LOWER WINDSHIELD WIPER		

Item#	Part	Description	X 3 V I P	X L I I E N T 4 5	N O T E S
1	800359	ARM WIPER ASSY	1	1	
. NS	800362	. CAP CLOSING LOWER MAIN ARM	1	1	
. NS	800363	. CAP CLOSING LOWER IDLER ARM	1	1	
2	800378	WIPER BLADE 700MM	1	1	
4	800361	NOZZLE, WINDSHIELD WASHER "DOGA"	1	1	
5	300552	NOZZLE SUPPORT / DRIVER'S SIDE	1	1	
6	Call order desk	HOSE 1400MM 1/8" I.D	1	1	P
6	503696	. HOSE 1/8" I.D	AR	AR	
7	504529	GROMMET / .250x.375x.062x.281x.625	1	1	
8A	800345	SCREW SHR CAP HEX M6X25 [M4-0.7	1	1	
8A	680038	THREAD LOCKER LOCTITE #243 / BLUE / 50ml	AR	AR	
8C	502557	NUT HEX NYRT M4-0.7 SS	1	1	
9	948702	TIE CABLE BK 85 X 2.5	1	1	
10	300469	ADAPTOR HOSE #3 / WET ARM M8-1.25 x 44MM	1	1	
11	502220	WASHER FL .375x1.000x.125 RUB	1	1	
12	503002	HOSE / EPDM 5/32" I.D. / S.L.	AR	AR	
NS	561681	CONVOLUTED TUBING / SLIT / BLACK & GRAY / .350"	AR	AR	
13	504536	CABLE CLIP 1/2" / ADHESIVE	AR	AR	
NS	504273	CABLE TIE / 1/8" X 3"1/2	AR	AR	
NS	504637	CABLE TIE / 3/16" x 13"	AR	AR	
		P) CALL ORDER DESK FOR SPECIFIC APPLICATION (V.I.N.)			

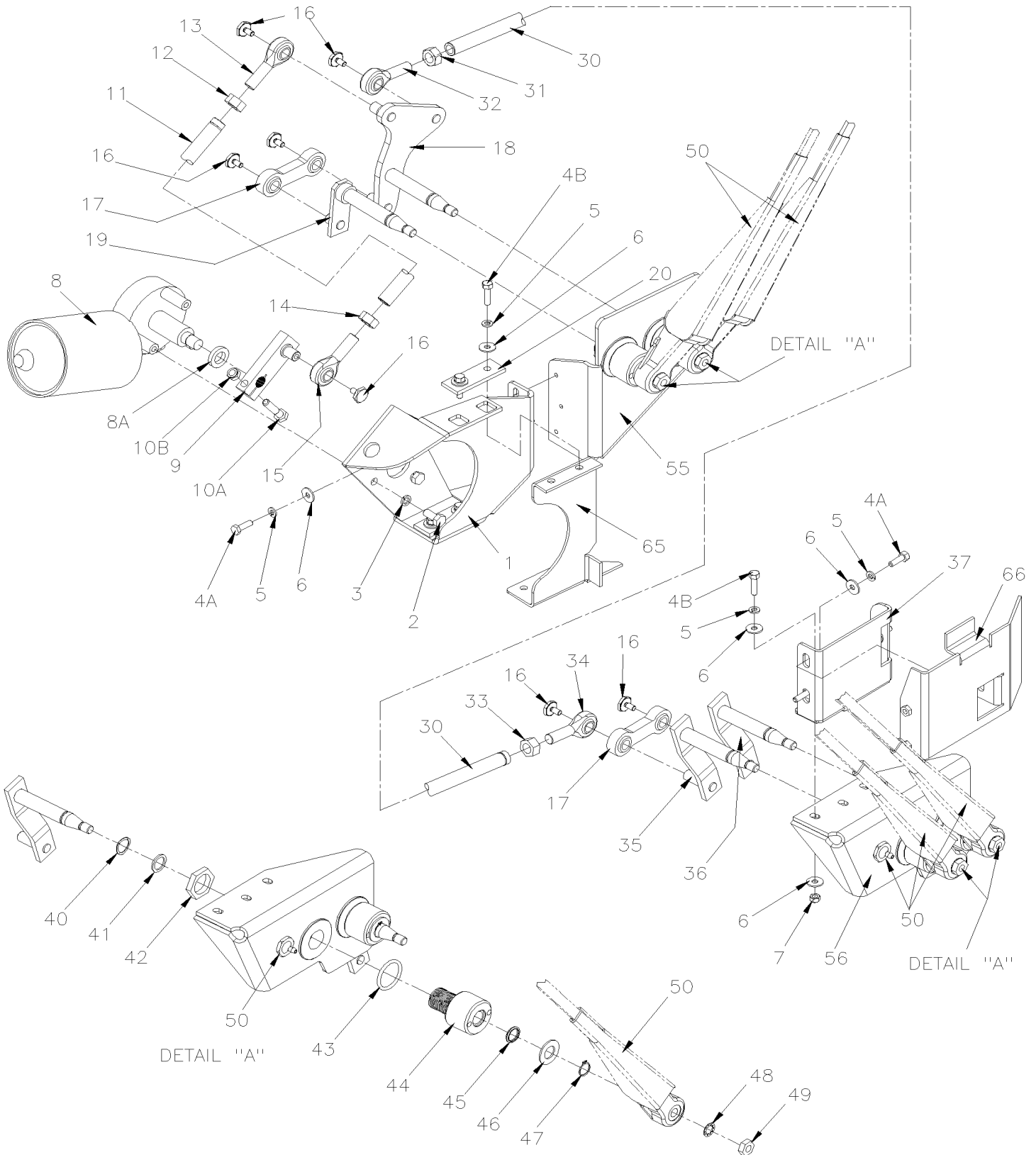


From B-5003 To D-5489

Date:07/2024

PAGE:XV-2305-05

LOWER WINDSHIELD WIPER - INSTALLATION





From B-5003 To D-5489 Date:07/2024 PAGE:XV-2305-05

LOWER WINDSHIELD WIPER - INSTALLATION

Item#	Part	Description	X 3 V I P	X L I I E N T 4 5	N O T E S
1	300415	SUPPORT ELECTRIC MOTOR	1	1	
1	300543	SHIM 20GA	1	1	
1	300544	SHIM 24GA	1	1	
2	5001217	SCREW CAP HEX M8-1.25x20 G10.9	3	3	
3	500942	WASHER LO SPT 8.1x14.8x2.0 N500	3	3	
4A	502830	SCREW CAP HEX M6-1.0x20 G8.8 N500	6	6	
4B	5001209	SCREW CAP HEX M6-1.0x25 G8.8 Z050	7	7	
5	502564	WASHER LO SPT 6.1x11.8x1.6 Z050	13	13	
6	5001462	WASHER FL 6.4x18.0x1.6 Z050	16	16	
7	502681	NUT HEX NYRT M6-1.0 N500 G8	3	3	
8	800328	MOTOR WIPER ASSY / 24V / BOSCH To D-5419	1	1	
8	800380	MOTOR WIPER ASSY / 24V / BOSCH From D-5420	1	1	
8A	300424	WASHER	1	1	
9	300445	CRANK ARM	1	1	
10A	502651	. SCREW CAP HEX M8-1.25x35 G8.8 Z050	1	1	
10B	500868	. NUT HEX NYRT M8-1.25 Z050	1	1	
11	300363	ROD ASSY 254MM C/C	1	1	
11	300344	. ROD 179MM	1	1	
12	5001466	. NUT HEX LH M12-1.75 N500	1	1	
13	502253	. ROD END MALE L.H. M12-1.75-L.HH / 12MM I.D.	1	1	
14	5001757	. NUT HEX M12-1.75 N500	1	1	
15	502252	. ROD END MALE M12-1.75 / 12MM I.D.	1	1	
16	507613	SCREW CAP HEX M6-1.0x12 / W/17MM HEAD ZP	7	7	
17	502256	DOUBLE LINK 60MM	1	1	
18	300515	COUPLING PLATE ASSY	1	1	
19	300519	DRIVE LEVER ASSY EXT	1	1	
20	300426	PLATE 25MMx70MM	2	2	
30	300362	ROD ASSY 1168MM C/C	1	1	
30	300332	. ROD 1093MM	1	1	
31	5001757	. NUT HEX M12-1.75 N500	1	1	
32	502252	. ROD END MALE M12-1.75 / 12MM I.D.	1	1	
33	5001466	. NUT HEX LH M12-1.75 N500	1	1	
34	502253	. ROD END MALE L.H. M12-1.75-L.HH / 12MM I.D.	1	1	
35	300524	DRIVE LEVER ASSY INT.	1	1	
36	300521	DRIVE LEVER ASSY EXT.	1	1	
37	300336	TRANSITION SUPPORT	1	1	
40	5001471	WASHER SPR WAVE .855x.650x.015	4	4	
41	5001459	WASHER SPR WAVE 16.0x22.0x1.5	4	4	
42	5001463	NUT HEX JAM 1-14 Z050	4	4	
43	507366	O-RING	4	4	
44	300333	CAP-HOUSING	4	4	
. NS	5001455	. BUSHING BRASS 16X20X20	2	2	



From B-5003 To D-5489	Date:07/2024	PAGE:XV-2305-05
LOWER WINDSHIELD WIPER - INSTALLATION		

Item#	Part	Description	X 3 V I P	X L I I E N T 4 5	N O T E S
NS	680739	GREASE SYNTHETIC / RED 20KG	AR	AR	
45	507369	O-RING W/BACKING	4	4	
46	5001460	WASHER FL .640x1.188x0.073 SS	4	4	
47	504691	RING RETAINER / EXT .625 x .588 x .035" / SS	4	4	
48	500823	WASHER LO INT 10.5x18.0x0.9 BK	4	4	
49	502567	NUT HEX M10-1.5 SS	4	4	
NS	680038	THREAD LOCKER LOCTITE #243 / BLUE / 50ml	AR	AR	
50	XV-2305-00	LOWER WINDSHIELD WIPER			
55	N.S.S.	SUPPORT R.H.	1	1	1 A
56	N.S.S.	SUPPORT L.H.	1	1	1 A
65	251087	SUPPORT WIPER R.H.	1	1	
66	251086	SUPPORT WIPER L.H.	1	1	
		A) THIS PART IS FIXED IN FRONT FIBERGLASS CAP			
		1) NOT SOLD SEPARATELY			

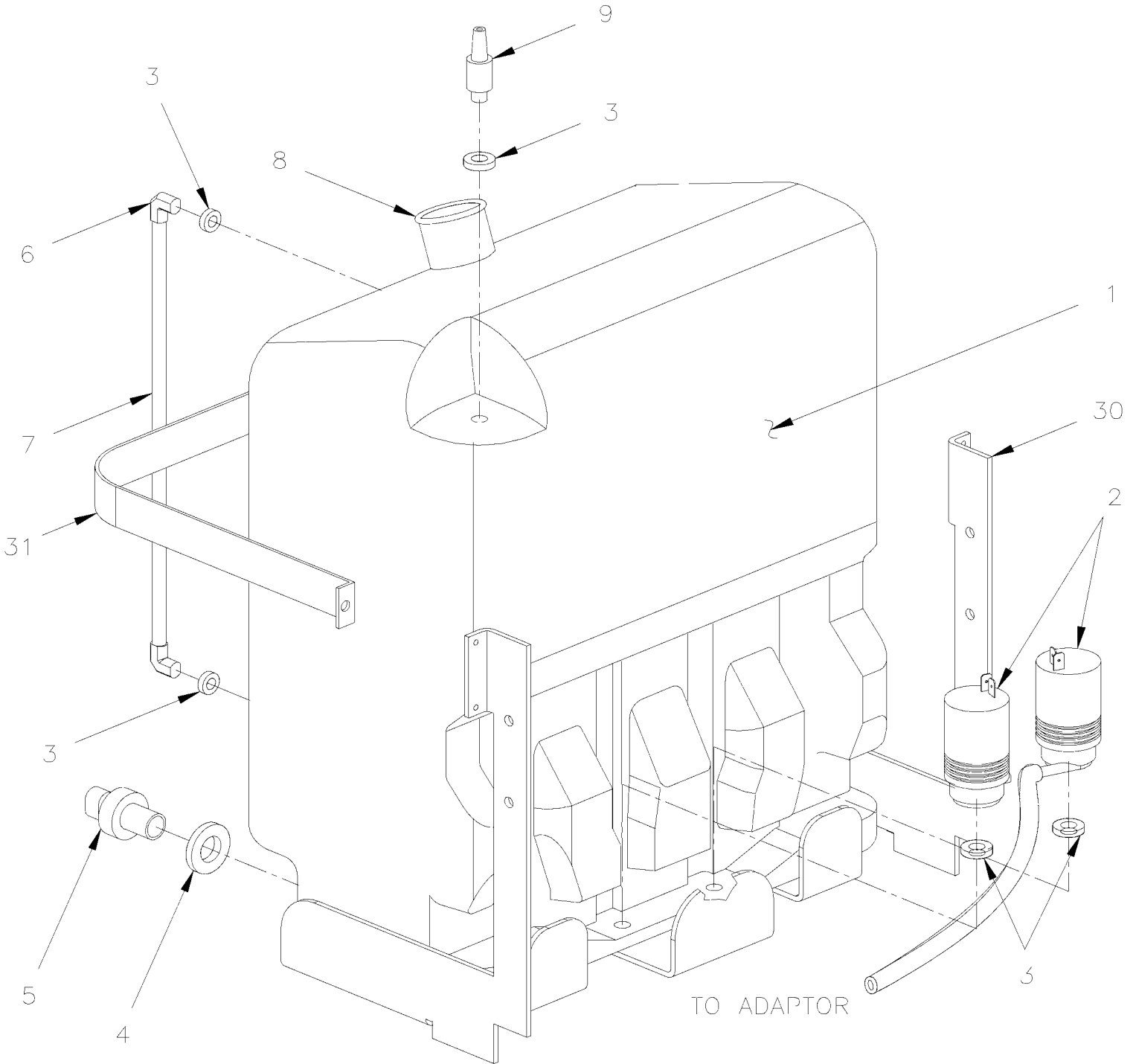


From B-5003 To D-5489

Date:07/2024

PAGE:XV-2305-20

WINDSHIELD WASHER - INSTALLATION





From B-5003 To D-5489	Date:07/2024	PAGE:XV-2305-20
WINDSHIELD WASHER - INSTALLATION		

Item#	Part	Description	X 3 V I P	X L I I E N T 4 5	N O T E S
1	800326	WINDSHIELD WASHER TANK To C-5113	1	1	
1	800379	WINDSHIELD WASHER TANK From C-5114	1	1	
2	800346	. PUMP WINDSHIELD WASHER 24V	2	2	
3	800348	. SEAL RETAINER	5	5	
4	800349	. SEAL RETAINER	1	1	
5	800347	. SENSOR LEVEL-LOW / "BOSCH" To C-5113	1	1	S
. NS	562426	. . CONNECTOR / METRI-PACK 150.2 P2S / SH 2C / PED 12162193 To C-5113	1	1	S
. NS	562857	. . SOCKET TERMINAL / 18-16 / PED 12089340 To C-5113	2	2	S
5	800364	. SENSOR LEVEL-LOW From C-5114	1	1	
. NS	563409	. . CONNECTOR / SUPERSEAL 1.5 SERIES / SH 2C / AMP 282080-1 From C-5114	1	1	
. NS	562607	. . SOCKET TERMINAL / 20-16 / AMP 183025-1 From C-5114	2	2	
5	067948	. CABLE ASSY / ADAPTOR / NEW LEVEL (SERVICE ONLY) To C-5113	1	1	S
6	800352	. ELBOW 90°	2	2	
7	560382	. PLASTIC TUBING / 1/4" / CLEAR	AR	AR	
8	800350	. COVER WASHER RESERVOIR	1	1	
9	800351	. CHECK VALVE	1	1	
20	503002	HOSE / EPDM 5/32" I.D. / S.L.	AR	AR	
30	286422	SUPPORT / WINDSHIELD WASHER TANK / WELDED TO STRUCTURE	1	1	
31	287097	STRAP RETAINING SS / 330MM x 196MM	1	1	
		S) THIS SENSOR LEVEL IT SUPPERSEDED BY # 800364 AND YOU NEED CABLE ADAPTOR # 067948 TO REPLACE			

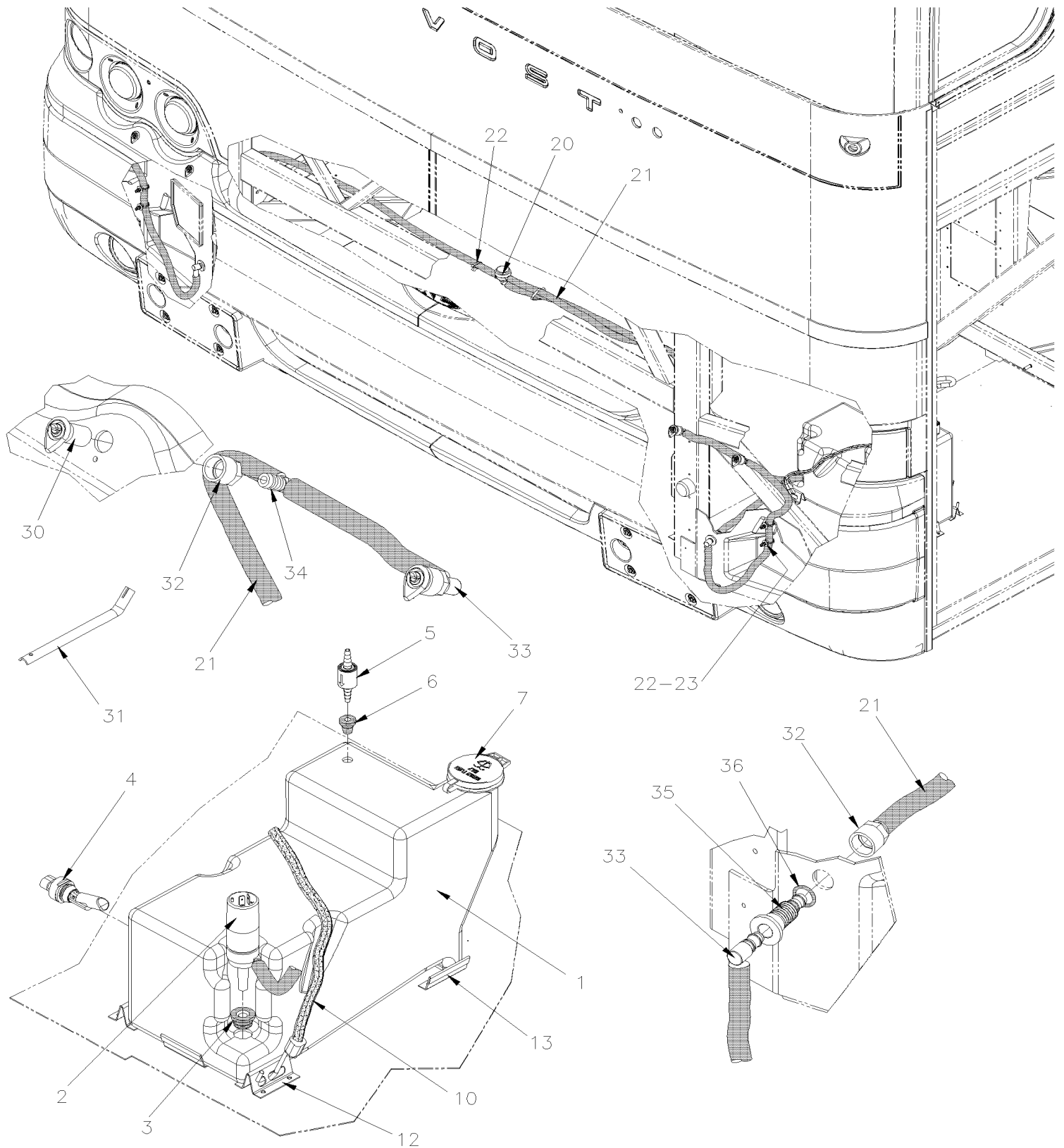


From B-5003 To D-5489

Date:07/2024

PAGE:XV-2305-25

HEAD LAMP CLEANING WASHER TANK





From B-5003 To D-5489	Date:07/2024	PAGE:XV-2305-25
HEAD LAMP CLEANING WASHER TANK		

Item#	Part	Description	X 3 V I P	X L I I E N T 4 5	N O T E S
	300573P	HEADLAMP WASHER TANK ASSY	1	1	
1	300577P	. HEADLAMP WASHER TANK	1	1	
2	800367	. PUMP SEALBEAM WASHER	1	1	
3	800368	. GROMMET PUMP	1	1	
4	800364	. SENSOR LEVEL-LOW	1	1	
. NS	563409	. . CONNECTOR / SUPERSEAL 1.5 SERIES / SH 2C / AMP 282080-1	1	1	
. NS	562607	. . SOCKET TERMINAL / 20-16 / AMP 183025-1	2	2	
5	800351	. CHECK VALVE	1	1	
6	800348	. SEAL RETAINER	1	1	
7	20462640	. COVER WASHER RESERVOIR	1	1	
10	504731	TIE RUBBER BELT, W/HOOK 15"	1	1	
12	300563	RESERVOIR SUPPORT FOR HOOK / HEADLAMP WASH.	4	4	
13	300570	RESERVOIR SUPPORT SIDE	2	2	
20	800371	VALVE CENTRAL	1	1	
21	800376	HOSE HEADLAMP WASHER / 5M	1	1	
22	504637	CABLE TIE / 3/16" x 13"	1	1	
23	509815	TIE MOUNT / ATTACHMENT W/TREE MOUNT	4	4	
30	800372	NOZZLE SEALBEAM WASHER	4	4	
31	800377	TOOL, ALIGNMENT NOZZLE HEADLAMP	AR	AR	
32	800373	NUT NOZZLE ADAPTOR	4	4	
33	800369	ELBOW NOZZLE ADAPTOR	4	4	
34	300561	TEE CONNECTOR (MODIFIED)	2	2	
35	800375	ADAPTOR WALL / FRONT FACE	2	2	
36	507214	O-RING	2	2	

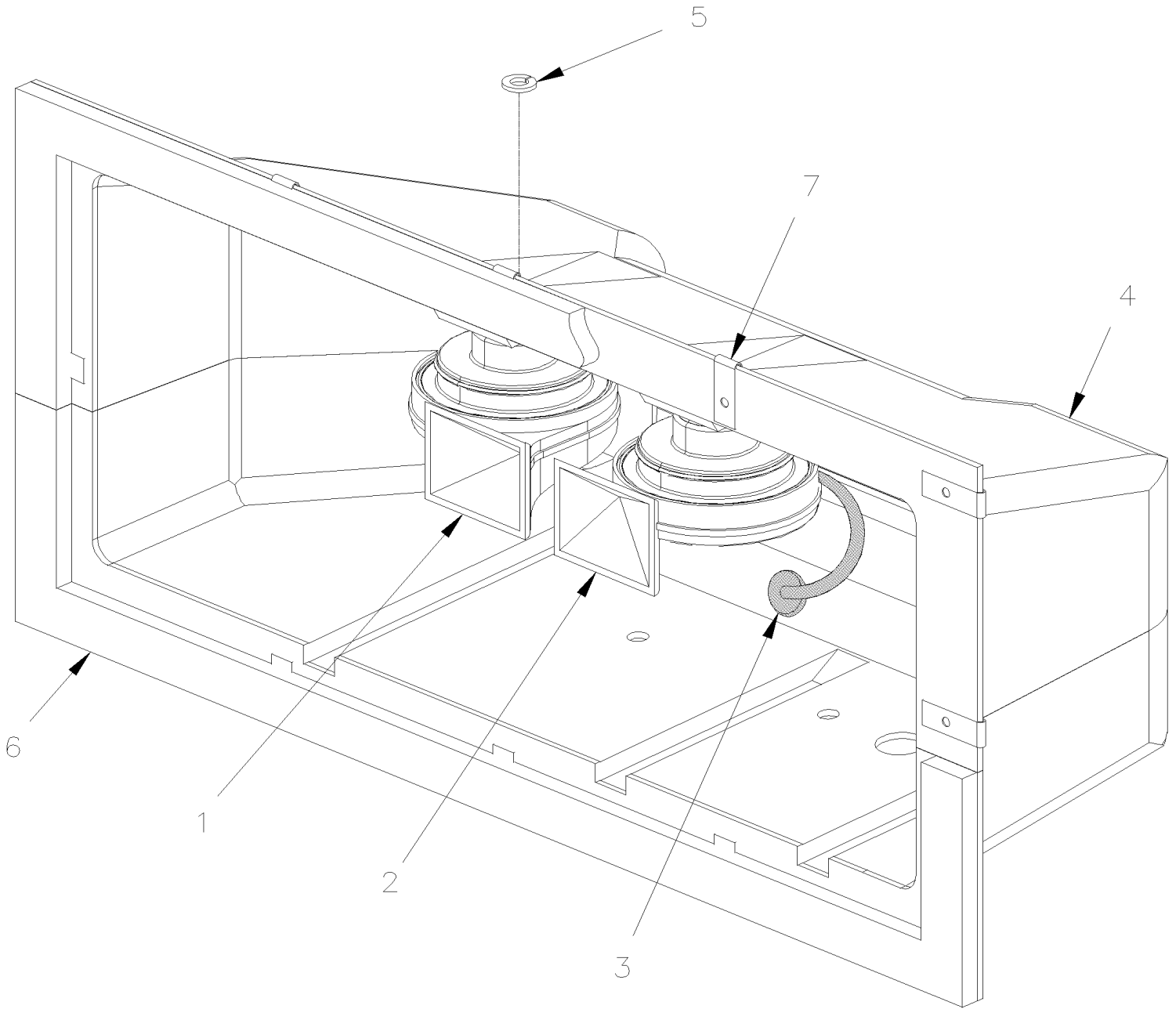


From B-5003 To D-5489

Date:07/2024

PAGE:XV-2310-00

HORN - INSTALLATION





From B-5003 To D-5489	Date:07/2024	PAGE:XV-2310-00
------------------------------	---------------------	------------------------

HORN - INSTALLATION

Item#	Part	Description	X 3 V I P	X L I E N T 4 5	N O T E S
	142502	HORNS BOX ASSY ELECTRIC	1	1	
1	563015	. HORN, ELECTRIC / LOW 405HZ / 12V "FIAM" SERVICE	1	1	
2	563023	. HORN, ELECTRIC / HIGH 485HZ / 12V "FIAM" SERVICE	1	1	
3	504593	. GROMMET / .250x.437x.250x.375x.625	1	1	
NS	065257	. HARNESS / HORN & CONNECTOR	1	1	
4	142501	. BOX, PLASTIC / BLACK / ELECTRIC HORN	1	1	
5	500468	. WASHER FL .281x1.250x.065 Z050	2	2	
NS	500489	. WASHER LO INT .894x1.410x.060 Z050	2	2	
6	506282	. TAPE RUB ADH1 CC POL 3/8" x 1" x 20' / GREY 2520	AR	AR	
7	500252	NUT SPR U #10-24 .156-.187	10	10	
		NEXT FOLLOWING ITEMS ARE RELATED			
		WITH AIR HORN			
21	563015	HORN, ELECTRIC / LOW 405HZ / 12V "FIAM" SERVICE	1	1	
22	142283	SUPPORT	1	1	
23	952635	CLAMP / 1" I.D.	1	1	
24	952639	CLAMP / 1"1/4 I.D.	1	1	
25	641369	MALE ELBOW 90° NON-SWIVEL / PUSH-IN FITTING / #4x1/8NPT-M BR	1	1	
NS	680098	THREAD SEALANT LOCTITE #567 / WHITE / 250ml	AR	AR	
26	563023	HORN, ELECTRIC / HIGH 485HZ / 12V "FIAM" SERVICE	1	1	
27	5001738	SCREW CAP HEX M8-1.25x30 G8.8 N500	1	1	
28	502862	SCREW CAP HEX M8-1.25x20 G8.8 N500	1	1	
29	502830	SCREW CAP HEX M6-1.0x20 G8.8 N500	2	2	
30	142529	PLASTIC BOX, HORN	1	1	
31	142869	INSULATING PAD	2	2	
32	640093	HORN AIR	1	1	
33	500539	NUT HEX NYRT M4-0.7 N500	2	2	
34	5001750	WASHER FL 4.3x14.0x1.0 N500	2	2	
35	502799	SCREW CAP HEX M4-0.7X16 G8.8 N500	2	2	
NS	066540	HARNESS / HORN & CONNECTOR	1	1	
NS	680111	GREASE PROTECTIVE / NYK77 (8 oz)	AR	AR	
39	506339	TAPE RUB ADH1 NIT 1/4" x 1" x 35' / BLACK 1220	AR	AR	
40	141120	SUPPORT / AIR HORN	1	1	
41	065593	ALARM "KNEELING"	1	1	
. NS	563164	. ALARM "KNEELING"	1	1	
42	504625	. GROMMET / .250x.750x.250x.437x1.000	1	1	
42	504076	PLUG BUTTON / .750 O.D. / NICKEL	1	1	
43	504593	GROMMET / .250x.437x.250x.375x.625	1	1	
45	142309	DEFLECTOR	1	1	
46	500623	SCREW TC PAN PH #10-24x3/4 N500	13	13	
47	5001137	WASHER FL .203x.438x.050 SS	13	13	

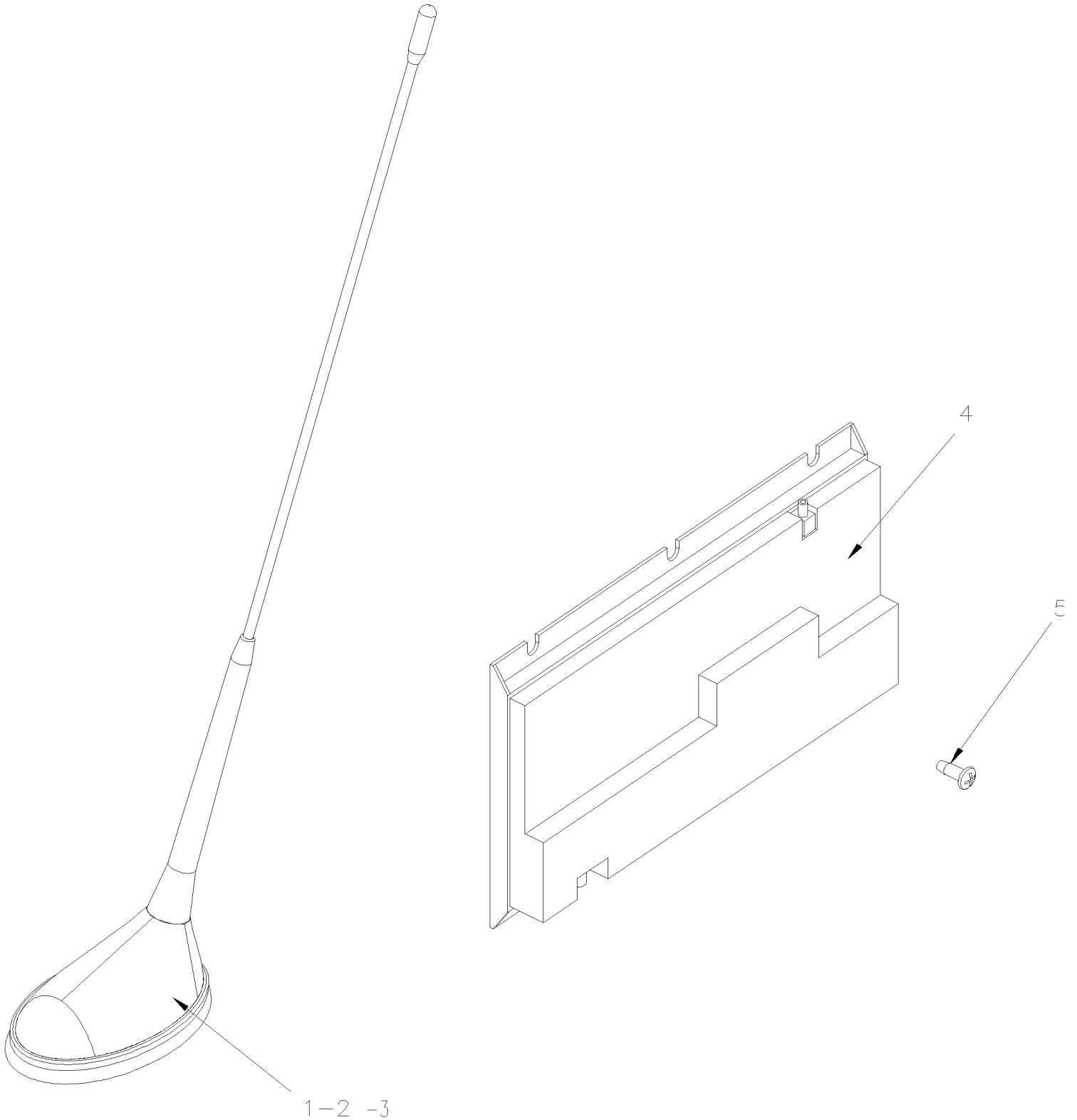


From B-5003 To D-5489

Date:07/2024

PAGE:XV-2319-00

VOLVO LINK ANTENNA - INSTALLATION





From B-5003 To D-5489	Date:07/2024	PAGE:XV-2319-00
VOLVO LINK ANTENNA - INSTALLATION		

Item#	Part	Description	X 3 V I P	X L I I E N T 4 5	N O T E S
1	903228	ANTENNA BASE To C-5276	1	1	
1	21383947	ANTENNA (VOLVO LINK) From C-5277 To D-5456	1	1	
1	21705662	ANTENNA (VOLVO LINK) From D-5457	1	1	
1	880050	WASHER FL 19X24.4X3.2 RUB	1	1	
2	903230	NUT RETAINER ANTENNA	1	1	
3	903229	CABLE ANTENNA (GPS & RF-in VOLVO LINK) To C-5276	1	1	
3	21385255	CABLE ANTENNA (RF-in VOLVO LINK) From C-5277	1	1	
4	20700142	ECU VOLVO LINK MODULE To C-5276	1	1	
4	21284312	ECU VOLVO LINK MODULE From C-5277	1	1	
4	21443469	SIM CARD VOLVO LINK MODULE From C-5277	1	1	
4	067448	RETROFIT KIT / VOLVO LINK MODULE ONLY / WITH EPA 2010 From C-5277	1	1	
. NS	21385255	. CABLE ANTENNA (RF-in VOLVO LINK) From C-5277	1	1	
. NS	21383947	. ANTENNA (VOLVO LINK) From C-5277	1	1	
. NS	23004613	. SIM CARD VOLVO LINK MODULE From C-5277	1	1	
. NS	23163299	. ECU VOLVO LINK MODULE From C-5277	1	1	
. NS	067447	. CABLE / "GATEWAY" From C-5277	1	1	
. NS	562583	. CONNECTOR / DT SERIES / PH 6C / GRAY / DEUTSCH DT04-6P From C-5277	1	1	
. NS	562286	. PIN TERMINAL / 18-16 / DEUTSCH 0460-202-16141 From C-5277	6	6	
. NS	382470	. DIODE SUPPORT PLATE From C-5277	1	1	
. NS	382472	. SUPPORT / RELAY From C-5277	1	1	
. NS	504013	. TIE MOUNT / 1/4" X 1/4" I.D. From C-5277	1	1	
. NS	502868	. SCREW TC TR PH #10-16x1/2 N500 From C-5277	3	3	
. NS	504347	. RIVET POP DOME OE 3/16x1/4 AL From C-5277	1	1	
. NS	880050	. WASHER FL 19X24.4X3.2 RUB From C-5277	1	1	
5	502868	SCREW TC TR PH #10-16x1/2 N500	2	2	
NS	562679	4 WAY ADH. BACKED MOUNTS 1.000 x 1.000 x .160	AR	AR	
NS	504637	CABLE TIE / 3/16" x 13"	AR	AR	
NS	504671	GROMMET / .687x1.000x.125x.437x1.312	1	1	

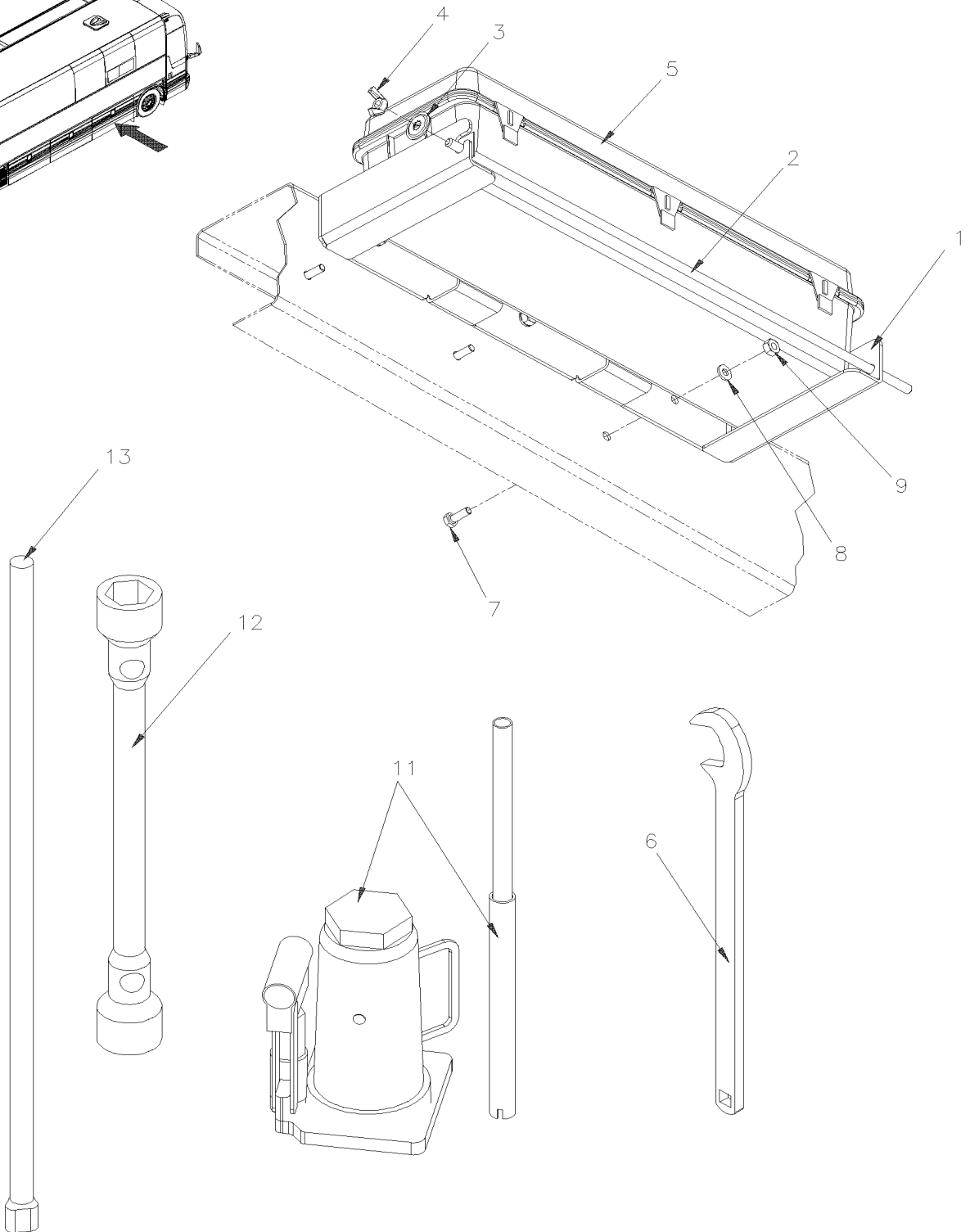
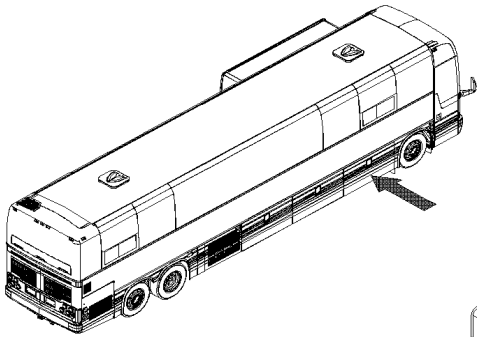


From B-5003 To D-5489

Date:07/2024

PAGE:XV-2320-00

JACK & FLARE KIT - INSTALLATION





From B-5003 To D-5489	Date:07/2024	PAGE:XV-2320-00
JACK & FLARE KIT - INSTALLATION		

Item#	Part	Description	X 3 V I P	X L I I E N T 4 5	N O T E S
1	211220	SUPPORT, FLARE KIT / BOLTED TO STRUCTURE	1	1	
2	210280	ROD, RETAINING / FLARE KIT	1	1	
3	502584	WASHER LO SERR 8.2x26.3x1.8 Z050	1	1	
4	500782	NUT WING 5/16-18 Z050	2	2	
5	930283	FLARE KIT, TRIANGULAR To D-5341	1	1	
5	930442	FLARE KIT, TRIANGULAR From D-5342	1	1	
6	010032	TOOL KEY 1 1/2" / TENSIONER RELEASE	1	1	
7	5001190	SCREW CAP HEX 1/4-20x3/4 SS BK	3	3	
8	500877	WASHER FL .250x.562x.065 N500	3	3	
9	500771	NUT HEX 1/4-20 SS	3	3	
11	505505	JACK, 12TONS	1	1	
12	690005	WRENCH, WHEEL 33 MM	1	1	
13	690002	HANDLE, W/WRENCH WHEEL NUT	1	1	

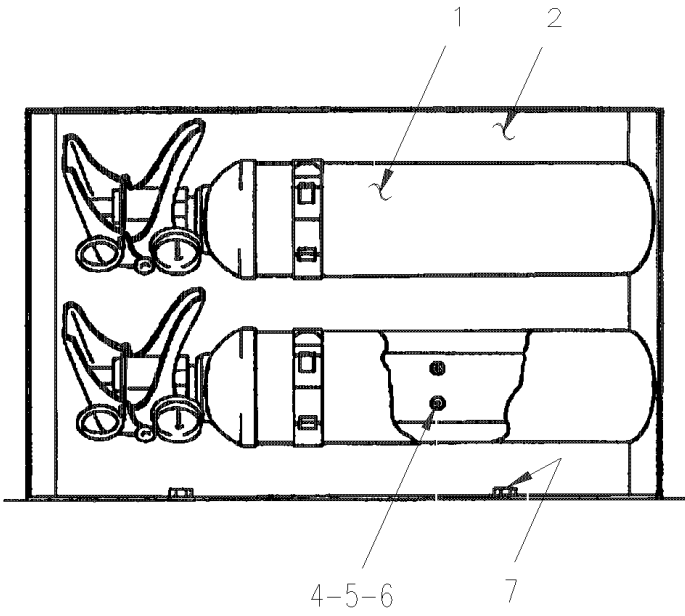


From B-5003 To D-5489

Date:07/2024

PAGE:XV-2320-30

EXTINGUISHER - INSTALLATION





From B-5003 To D-5489	Date:07/2024	PAGE:XV-2320-30
-----------------------	--------------	-----------------

EXTINGUISHER - INSTALLATION

Item#	Part	Description	X 3 V I P	X L I I E N T 4 5	N O T E S
1	901001	EXTINGUISHER 2.5 LBS / W/METAL HANDLE	2	2	
1	901360	EXTINGUISHER 2.5 LBS / W/PLASTIC HANDLE	2	2	
2	324391	SUPPORT ASSY / EXTINGUISHER	1	1	
3	324349	SUPPORT ASSY / EXTINGUISHER	2	2	
NS	470949	SPACER RUBBER 3/4" O.D. / S.Q.	2	2	
4	500572	SCREW MA TR PH #10-24x1/2 SS BK	8	8	
5	500470	WASHER LO SPT .193x.334x.047 Z050	8	8	
6	500786	NUT HEX #10-24 Z050	8	8	
7	500535	SCREW TP CAP HEX #14x3/4 Z050	4	4	

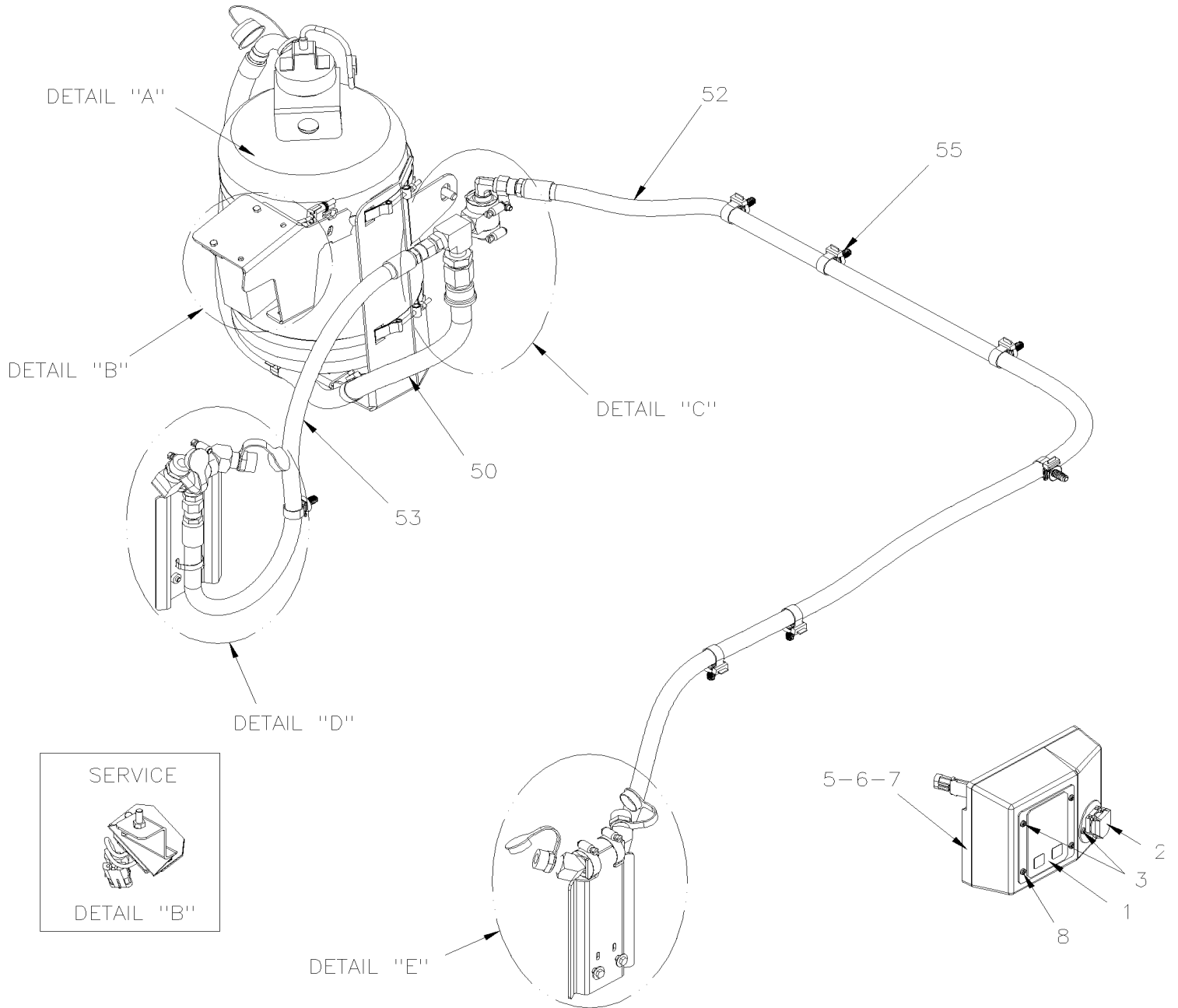


From B-5003 To C-5266

Date:07/2024

PAGE:XV-2320-50

FIRE PROTECTION SYSTEM



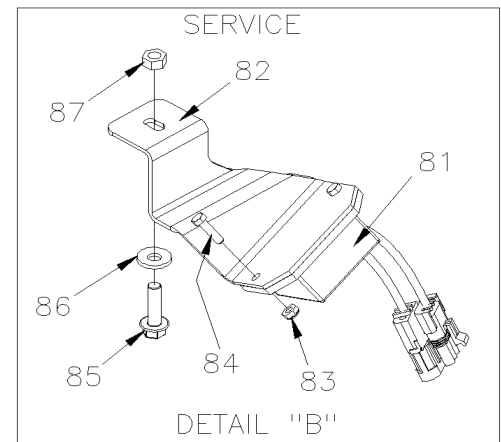
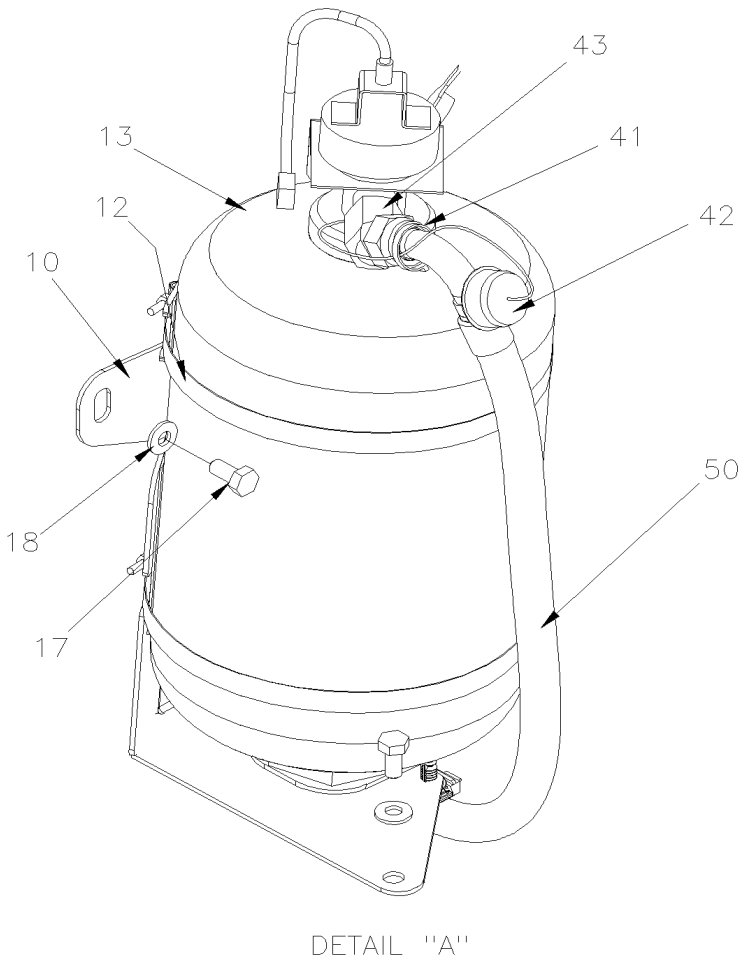
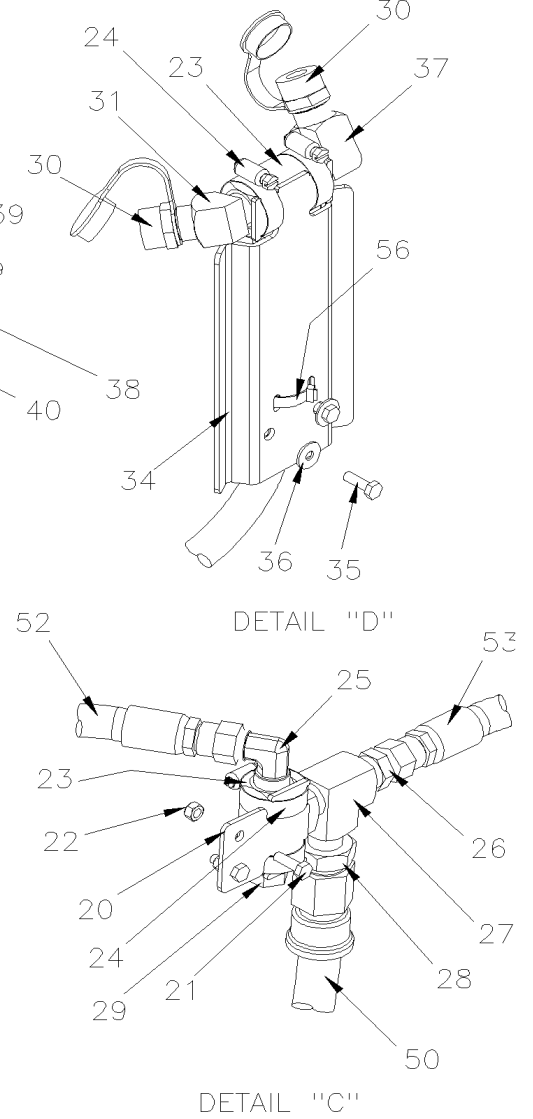
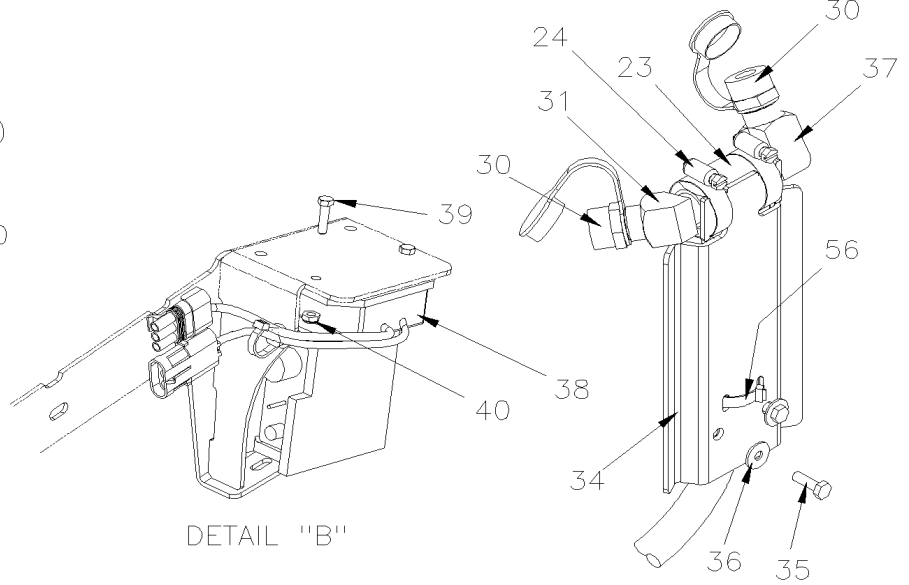
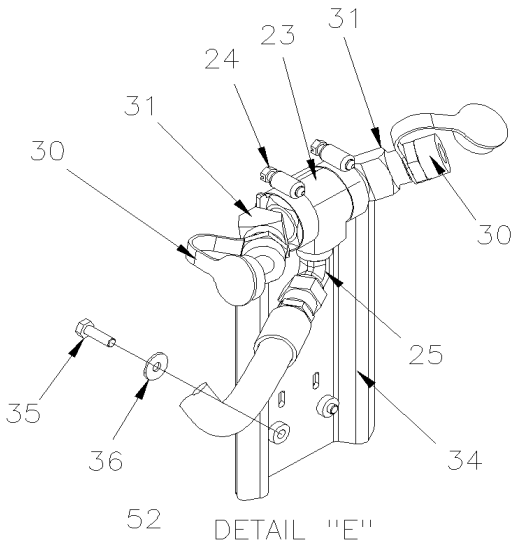


From B-5003 To C-5266

Date:07/2024

PAGE:XV-2320-50

FIRE PROTECTION SYSTEM



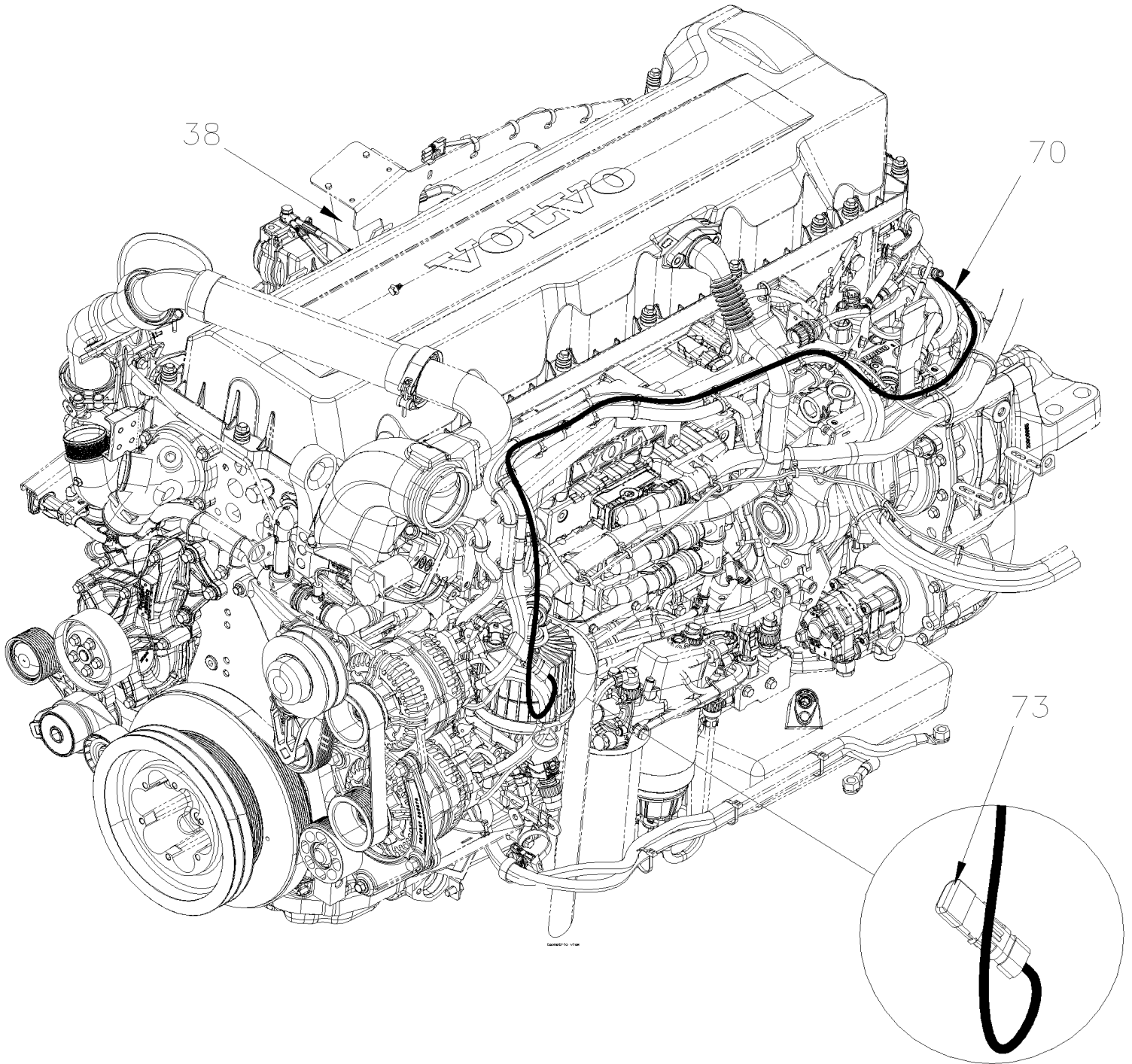


From B-5003 To C-5266

Date:07/2024

PAGE:XV-2320-50

FIRE PROTECTION SYSTEM



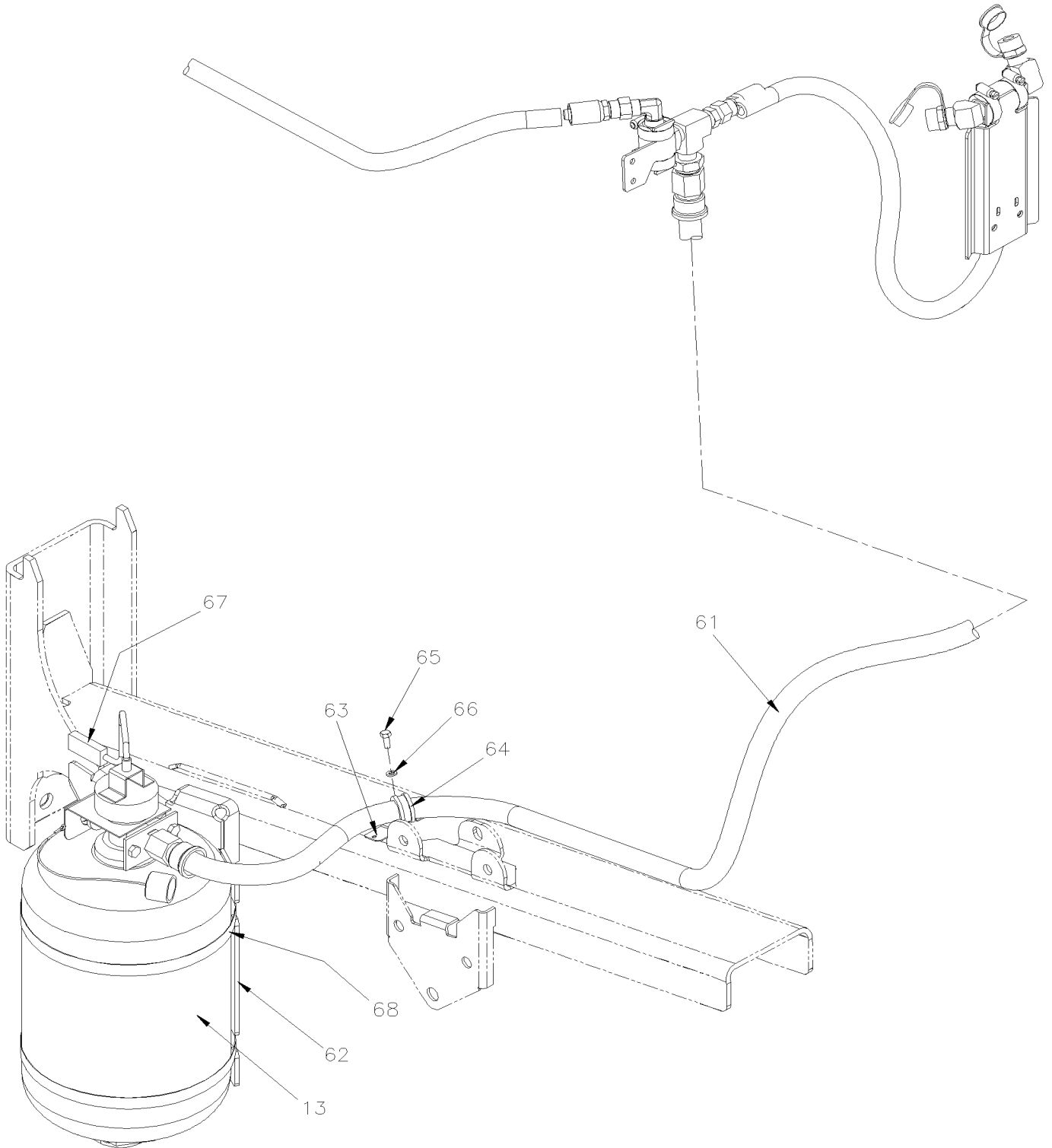


From B-5003 To C-5266

Date:07/2024

PAGE:XV-2320-50

FIRE PROTECTION SYSTEM





From B-5003 To C-5266	Date:07/2024	PAGE:XV-2320-50
------------------------------	---------------------	------------------------

FIRE PROTECTION SYSTEM

Item#	Part	Description	X 3 V I P	X L I E N T 4 5	N O T E S
1	563455	PANEL FIRE PROTECTOR DISPLAY	1	1	
2	563456	BUTTON FIRE / MANUAL OPERATING	1	1	
. NS	563462	. SEAL BUTTON FIRE / MANUAL OPERATING	1	1	
3	5001155	SCREW TP PAN PH #8X3/4 N050	6	6	
NS	405725	DECAL / "IN CASE OF FIRE..." / ENGLISH & FRANCAIS	1	1	
NS	405724	DECAL / "IN CASE OF FIRE..." / ENGLISH	1	1	
5	329655	SUPPORT PANEL FRONT	1	1	
6	329644	COVER PANEL	1	1	
7	8631155	CABLE TIE / 4.6MM x 200 / CHRISTMAS TREE	1	1	
8	509916	SCREW TP PAN PH #8x3 1/2" BK	2	2	
10	406128	SUPPORT EXTINGUISHER 25 LBS To B-5001	1	1	
10	406485	SUPPORT EXTINGUISHER 25 LBS From B-5002	1	1	
12	509915	T-BOLT BAND CLAMP/ 9.19" ID	2	2	
13	901125	EXTINGUISHER 25 LBS	1	1	
. NS	901299	. KIT REPAIR, FIRE EXTINGUISHER SYSTEM	1	1	
17	500359	SCREW CAP HEX M10-1.5x22 G8.8 N500	2	2	
18	5001834	WASHER BEL SPR 10.5X23X2.5 N500	2	2	
20	406404	SUPPORT HOSE To B-5009	1	1	
20	406499	SUPPORT HOSE From B-5010 To C-5133	1	1	
20	491473	SUPPORT HOSE From C-5134	1	1	
21	502830	SCREW CAP HEX M6-1.0x20 G8.8 N500	2	2	
22	502681	NUT HEX NYRT M6-1.0 N500 G8	2	2	
23	501472	FEMALE UNION TEE / PIPE FITTING / 1/2NPT-Fx1/2NPT-Fx1/2NPT-F BR	3	3	
24	504021	HOSE CLAMP / 11/16"-1"1/2 SS / HS-16	6	6	
25	501612	MALE ELBOW 90° / SAE 45° FITTING / #8FL-Mx1/2NPT-M BR	2	2	
26	501616	MALE CONNECTOR / SAE 45° FITTING / #8FL-Mx1/2NPT-M BR	2	2	
27	501473	MALE RUN TEE / PIPE FITTING / 1/2NPT-Mx1/2NPT-Fx1/2NPT-F BR	1	1	
28	501600	MALE CONNECTOR / JIC 37° FITTING / #12JIC-Mx1/2NPT-M STL	1	1	
29	501966	PLUG HEXS / PIPE FITTING / 1/2NPT-M STL	1	1	B
30	901128	NOZZLE DRY CHEMICAL	4	4	
. NS	901184	. CAP PROTECTOR NOZZLE	1	1	
31	501528	STREET ELBOW 45° / PIPE FITTING / 1/2NPT-Mx1/2NPT-F BR	3	3	
33	504021	HOSE CLAMP / 11/16"-1"1/2 SS / HS-16	1	1	
34	406403	SUPPORT NOZZLE	2	2	
35	502830	SCREW CAP HEX M6-1.0x20 G8.8 N500	4	4	
36	5001833	WASHER BEL SPR 6.1x18x1.27 SS	4	4	
37	507557	STREET ELBOW 90° / PIPE FITTING / 1/2NPT-Mx1/2NPT-F BR	1	1	
38	563457	FIRE SENSOR PM-3M	1	1	
NS	500975	WASHER FL .378x.620x.094 NYL	2	2	
39	5001146	SCREW CAP HEX M5-0.8x20 SS BK	2	2	
40	502841	NUT HEX NYRT M5-0.8 N500	2	2	
41	5011305	FEMALE ELBOW 45° / JIC 37° FITTING / #12JIC-Mx3/4NPT-F STL	1	1	



From B-5003 To C-5266	Date:07/2024	PAGE:XV-2320-50
------------------------------	---------------------	------------------------

FIRE PROTECTION SYSTEM

Item#	Part	Description	X 3 V I P	X L I I E N T 4 5	N O T E S
42	680470	CAP PLUG ID 1.364 OD 1.423	1	1	
43	504637	CABLE TIE / 3/16" x 13"	1	1	
50	406433P	HOSE ASSY / #12 955MM	1	1	
52	406421P	HOSE ASSY / #8 1930MM	1	1	
53	406422P	HOSE ASSY / #8 665MM	1	1	
55	504750	CABLE TIE / 1/2" x 15" / CHRISTMAS TREE	AR	AR	
56	504016	CABLE TIE / 5/16" X 14"1/2	1	1	
61	406983	HOSE ASSY / #12 4250MM	1	1	R
62	175249	SUPPORT EXTINGUISHER 25 LBS	1	1	R
62	175281	REINFORCMENT PLATE	1	1	R
63	216108	SUPPORT / CLAMP	1	1	R
64	952635	CLAMP / 1" I.D.	1	1	R
65	5001744	SCREW CAP HEX M6-1.0x16 G8.8 N500	1	1	R
66	502853	WASHER LO SPT 6.1x11.8x1.6 N500	1	1	R
67	069161	HARNESS / TANK RELOCATIION	1	1	R
68	509951	T-BOLT BAND CLAMP/ 9.19" ID	1	1	
70	067405	CABLE THERMO DETECTOR (LINEAR FIRE CABLE) / 4M / 168C/180C // 334F/356F	1	1	E
. NS	563587	. MODULE DETECTOR / END CIRCUIT	1	1	E
72	067267	CABLE ASSY / FIRE DETECTOR FRT JCT BOX	1	1	
73	563587	MODULE DETECTOR / END CIRCUIT	1	1	
75	19500355	TEST KIT EXTINGUISHER 25LBS / W/SIMULATOR & POWER CABLE	1	1	
. NS	685536	. POWER CABLE / USED W 24VOLT	1	1	
. NS	685537	. SOURCE SIMILATOR	1	1	
. NS	901301	. TEST KIT EXTINGUISHER 25LBS	1	1	
. . NS	685128	. . VALVE SIMULATOR / EXTINGUISHER 25LBS	1	1	
. . NS	685129	. . TEST SWITCH W/CABLE 48" / EXTINGUISHER 25LBS	1	1	
. . NS	N.P.N.	. . STORAGE CASE	1	1	4
75	901301	TEST KIT EXTINGUISHER 25LBS	1	1	
. NS	685128	. VALVE SIMULATOR / EXTINGUISHER 25LBS	1	1	
. NS	685129	. TEST SWITCH W/CABLE 48" / EXTINGUISHER 25LBS	1	1	
. NS	N.P.N.	. STORAGE CASE	1	1	4
81	563457	FIRE SENSOR PM-3M	1	1	G
81	069020	CABLE INTERFACE FIRE SENSOR & MAIN HARNESS	1	1	G
81	069041	CABLE THERMO DETECTOR (LINEAR FIRE CABLE) / 1.5M / 168C/180C // 334F/356F	1	1	G
82	406701	SUPPORT / FIRE SENSOR	1	1	G
82	564534	CABLE TIE / WITH EDGE CLIP / T50REC5A 10 MM x 200 MM	1	1	G
83	502841	NUT HEX NYRT M5-0.8 N500	2	2	G



From B-5003 To C-5266	Date:07/2024	PAGE:XV-2320-50
FIRE PROTECTION SYSTEM		

Item#	Part	Description	X 3 V I P	X L I I E N T 4 5	N O T E S
84	5001146	SCREW CAP HEX M5-0.8x20 SS BK	2	2	G
85	5001742	SCREW CAP HEXF M8-1.25x30 G8.8 N500	1	1	G
86	500321	WASHER BEL SPR .331x.827x.098 N500	1	1	G
87	502851	NUT HEX M8-1.25 N500	1	1	G
		B) WITHOUT WATER HEATER			
		E) INSTALL ON ENGINE			
		G) RELOCATION OF FIRE SENSOR			
		R) EXTINGUISHER TANK RELOCATION			
		4) NO PARTS NUMBER			

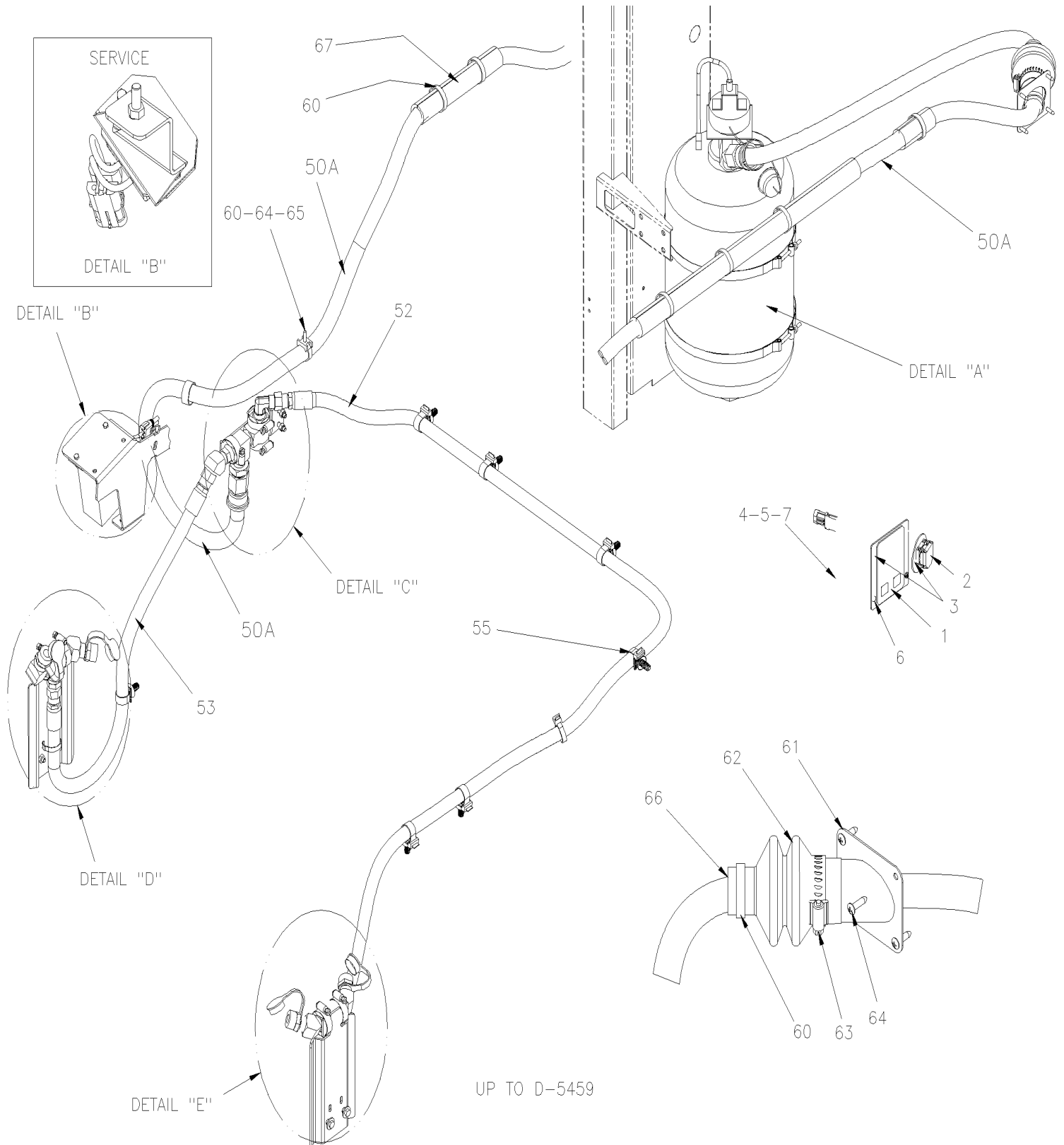


From C-5267 To D-5489

Date:07/2024

PAGE:XV-2320-51

FIRE PROTECTION SYSTEM / HEATER & EVAPORATOR COMPARTMENT



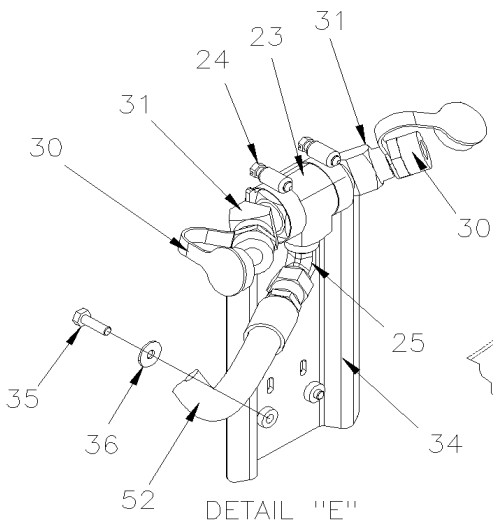


From C-5267 To D-5489

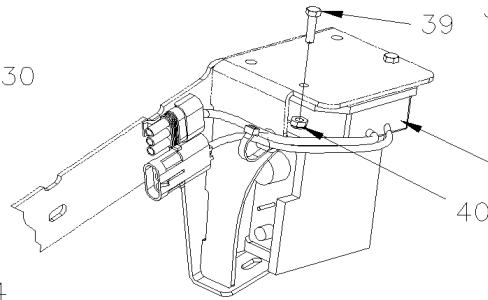
Date:07/2024

PAGE:XV-2320-51

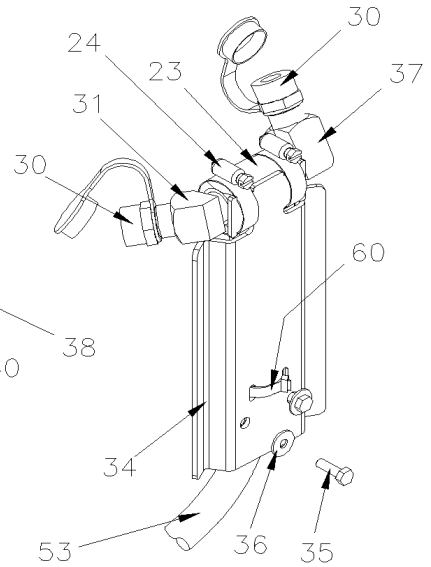
FIRE PROTECTION SYSTEM / HEATER & EVAPORATOR COMPARTMENT



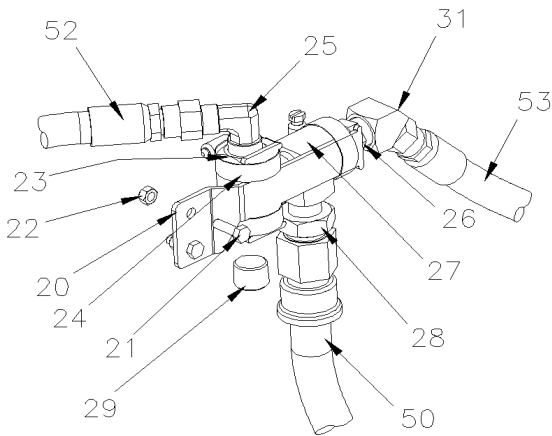
DETAIL "E"



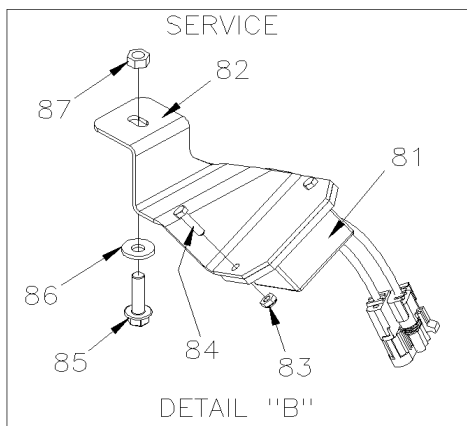
DETAIL "B"



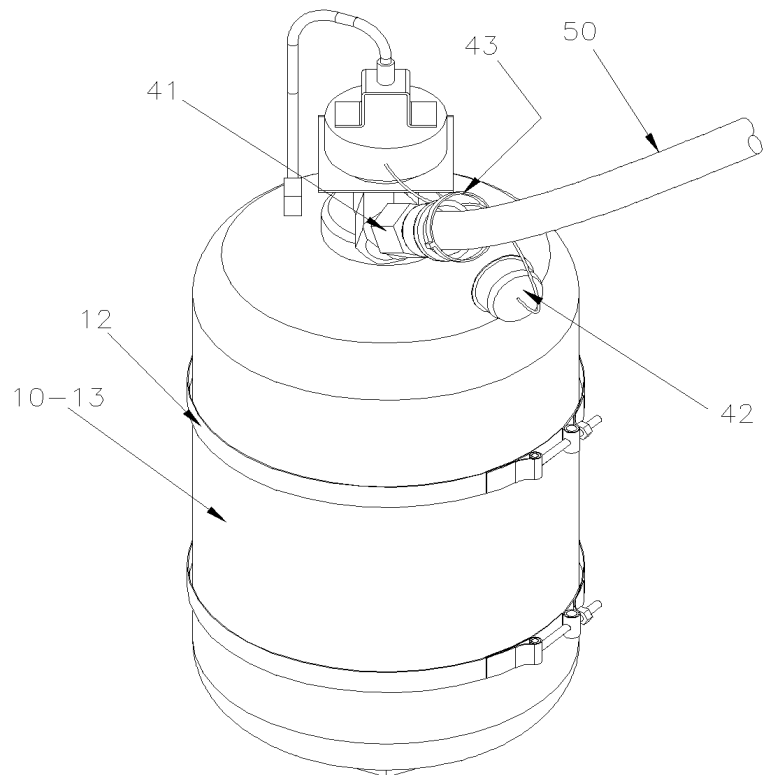
DETAIL "D"



DETAIL "C"



DETAIL "B"



DETAIL "A"

UP TO D-5459

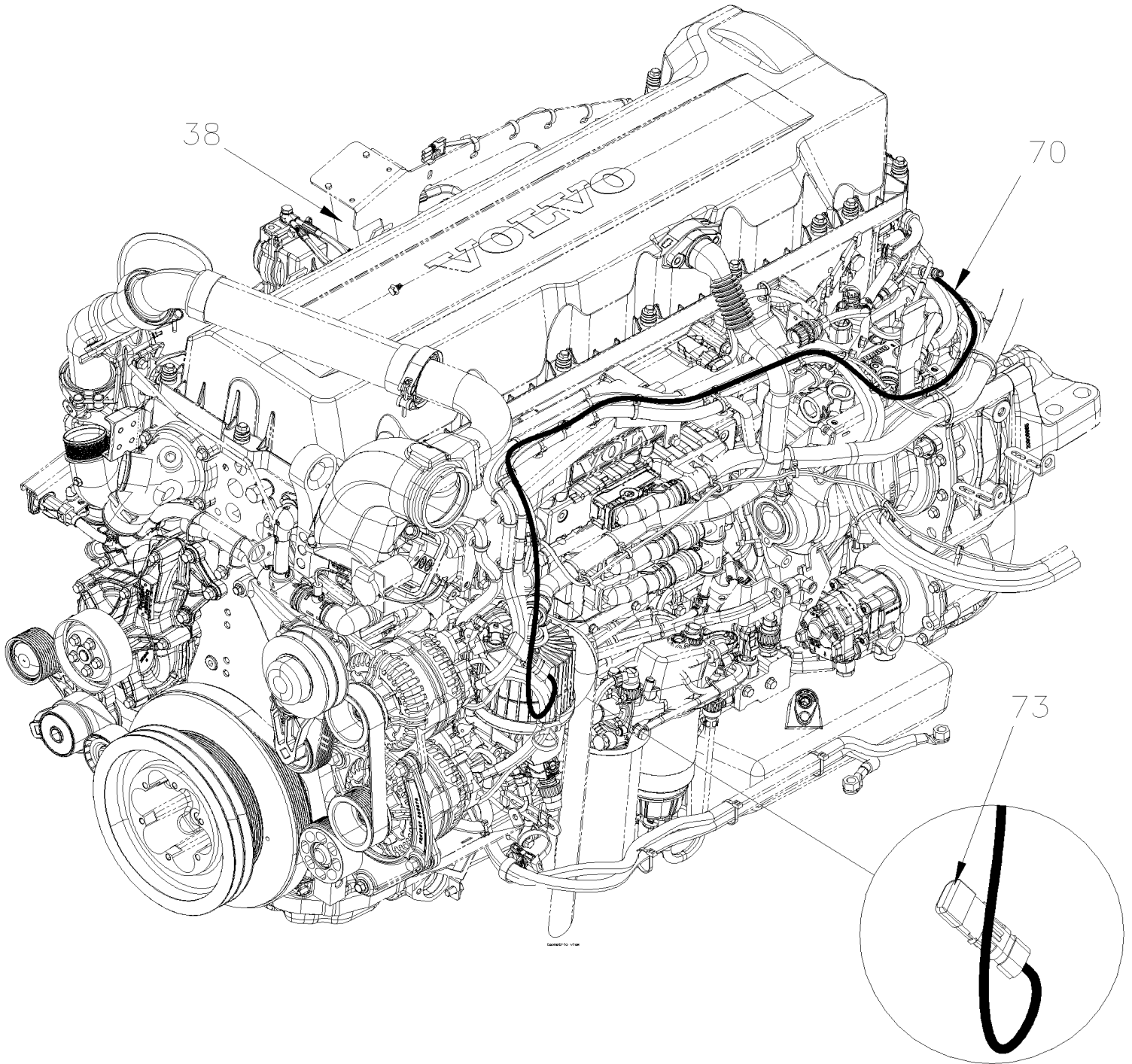


From C-5267 To D-5489

Date:07/2024

PAGE:XV-2320-51

FIRE PROTECTION SYSTEM / HEATER & EVAPORATOR COMPARTMENT



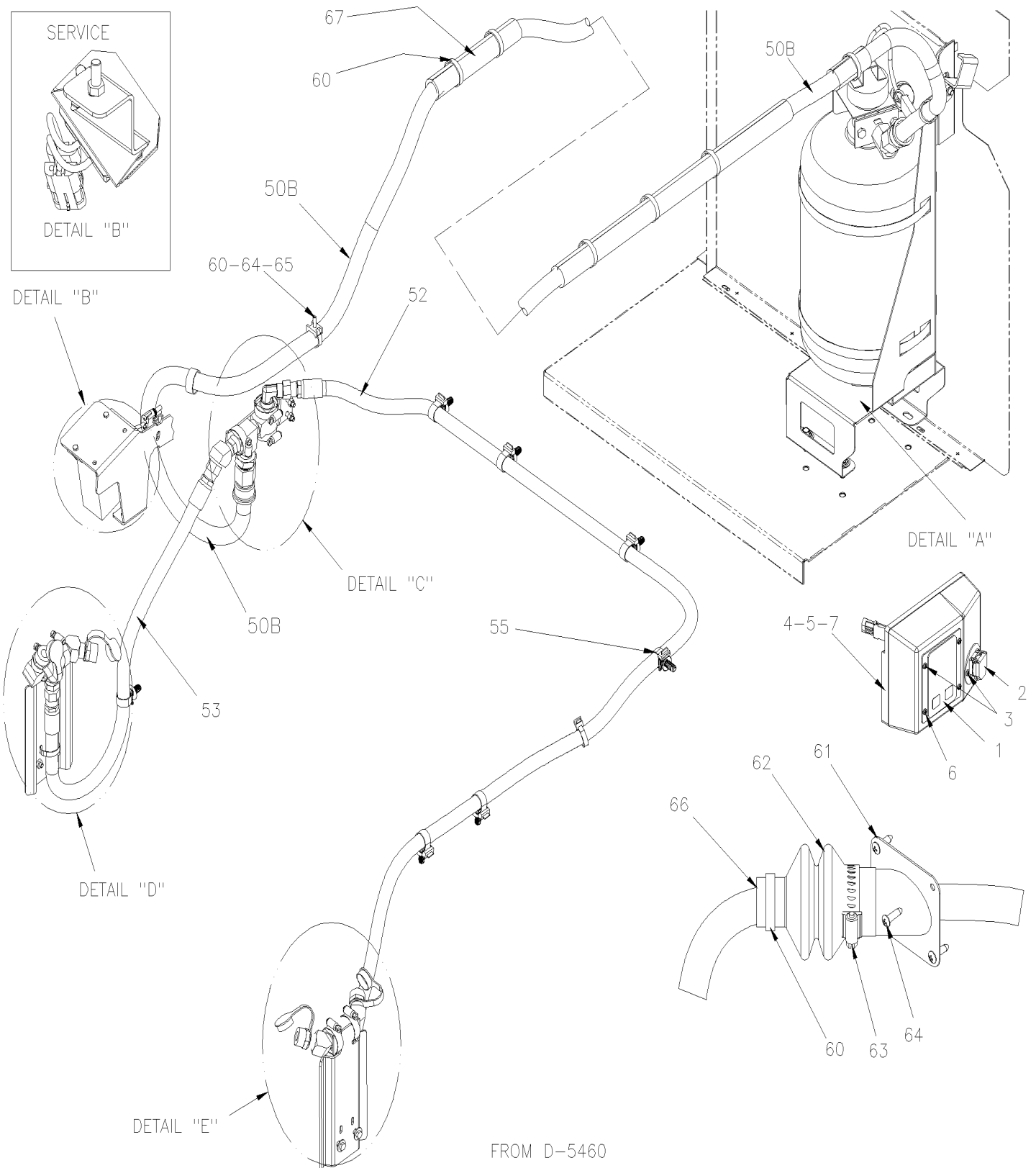


From C-5267 To D-5489

Date:07/2024

PAGE:XV-2320-51

FIRE PROTECTION SYSTEM / HEATER & EVAPORATOR COMPARTMENT



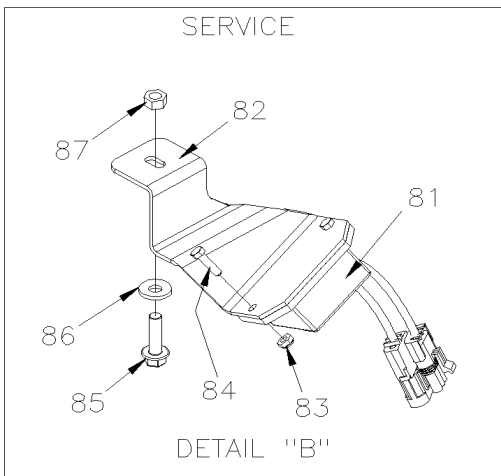
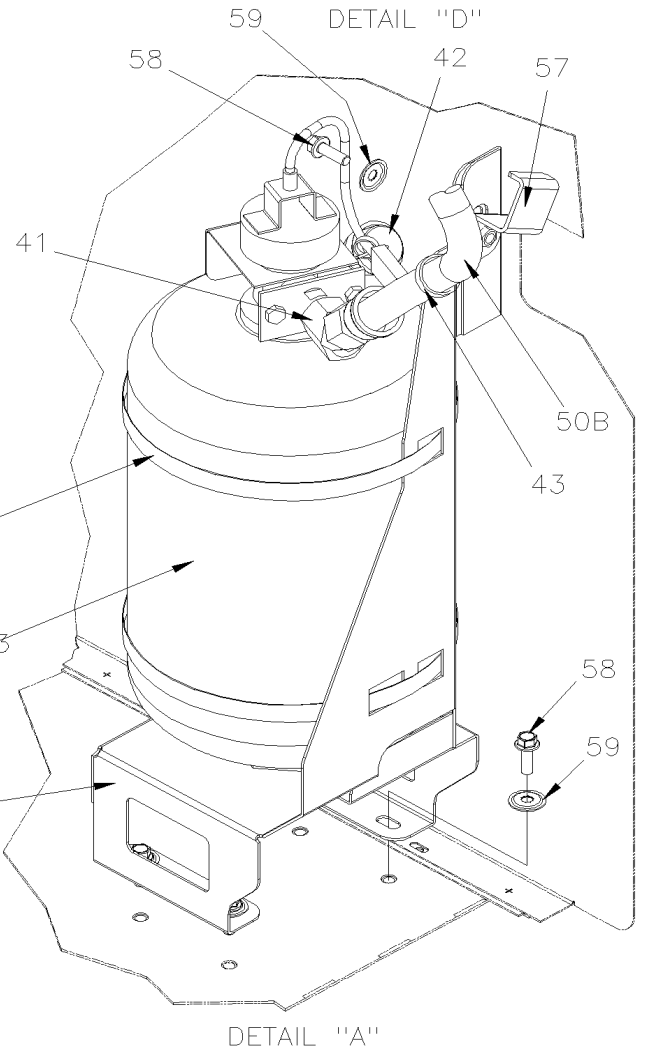
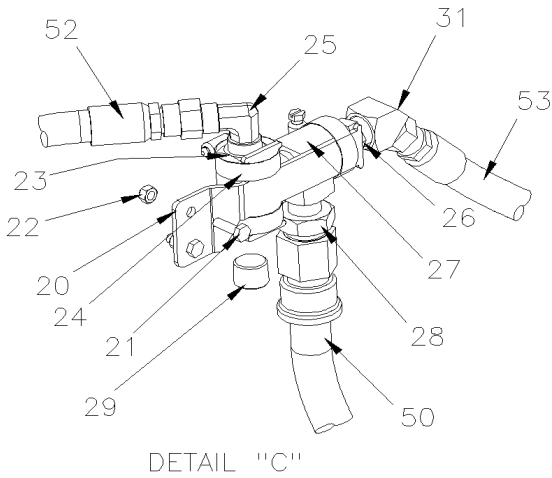
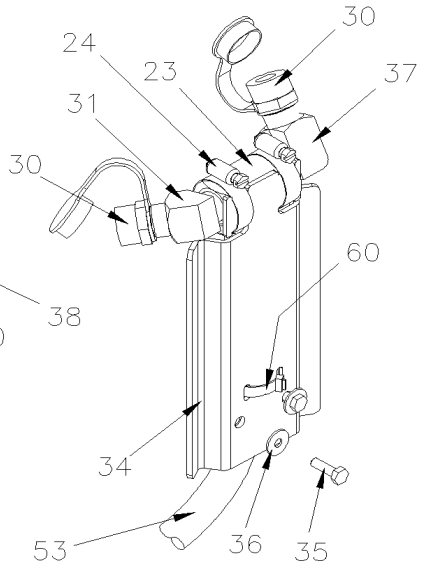
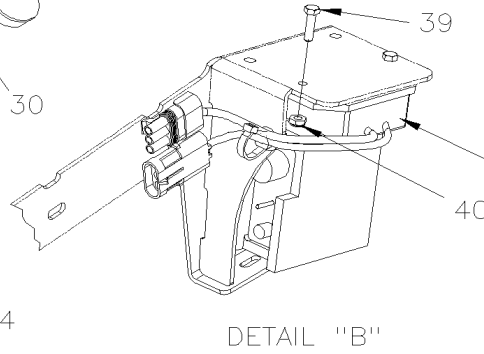
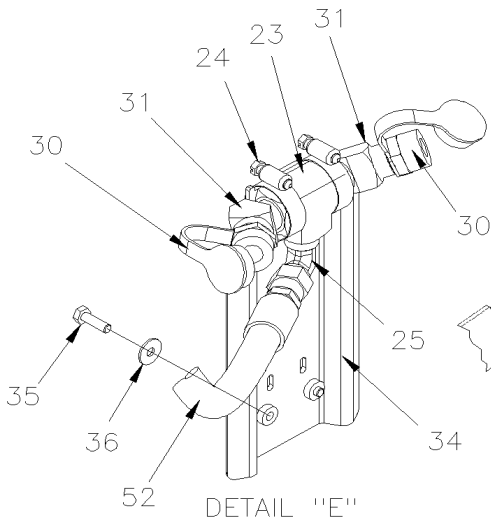


From C-5267 To D-5489

Date:07/2024

PAGE:XV-2320-51

FIRE PROTECTION SYSTEM / HEATER & EVAPORATOR COMPARTMENT



FROM D-5460

DETAIL "A"



From C-5267 To D-5489 Date:07/2024 PAGE:XV-2320-51

FIRE PROTECTION SYSTEM / HEATER & EVAPORATOR COMPARTMENT

Item#	Part	Description	X 3 V I P	X L I I E N T 4 5	N O T E S
1	563455	PANEL FIRE PROTECTOR DISPLAY	1	1	
1	405725	DECAL / "IN CASE OF FIRE..." / ENGLISH & FRANCAIS	1	1	
1	405724	DECAL / "IN CASE OF FIRE..." / ENGLISH	1	1	
2	563456	BUTTON FIRE / MANUAL OPERATING	1	1	
. NS	563462	. SEAL BUTTON FIRE / MANUAL OPERATING	1	1	
3	500814	SCREW TP BDG PH #6x3/4 BK	6	6	
4	329655	SUPPORT PANEL FRONT	1	1	
5	329644	COVER PANEL	1	1	
5	329799	SUPPORT / CONTROL PANEL	1	1	
6	509916	SCREW TP PAN PH #8x3 1/2" BK	2	2	
7	509815	TIE MOUNT / ATTACHMENT W/TREE MOUNT	2	2	
10	217060	SUPPORT EXTINGUISHER 25 LBS	1	1	
12	509915	T-BOLT BAND CLAMP/ 9.19" ID	2	2	
13	901125	EXTINGUISHER 25 LBS	1	1	
. NS	901299	. KIT REPAIR, FIRE EXTINGUISHER SYSTEM	1	1	
20	494173	SUPPORT HOSE	1	1	
21	502830	SCREW CAP HEX M6-1.0x20 G8.8 N500	2	2	
22	502681	NUT HEX NYRT M6-1.0 N500 G8	2	2	
23	501472	FEMALE UNION TEE / PIPE FITTING / 1/2NPT-Fx1/2NPT-Fx1/2NPT-F BR	3	3	
24	504021	HOSE CLAMP / 11/16"-1"1/2 SS / HS-16	6	6	
25	501612	MALE ELBOW 90° / SAE 45° FITTING / #8FL-Mx1/2NPT-M BR	2	2	
26	501616	MALE CONNECTOR / SAE 45° FITTING / #8FL-Mx1/2NPT-M BR	2	2	
27	501473	MALE RUN TEE / PIPE FITTING / 1/2NPT-Mx1/2NPT-Fx1/2NPT-F BR	1	1	
28	501600	MALE CONNECTOR / JIC 37° FITTING / #12JIC-Mx1/2NPT-M STL	1	1	
29	501966	PLUG HEXS / PIPE FITTING / 1/2NPT-M STL	1	1	B
30	901128	NOZZLE DRY CHEMICAL	4	4	
. NS	901184	. CAP PROTECTOR NOZZLE	1	1	
31	501528	STREET ELBOW 45° / PIPE FITTING / 1/2NPT-Mx1/2NPT-F BR	3	3	
33	504021	HOSE CLAMP / 11/16"-1"1/2 SS / HS-16	1	1	
34	406403	SUPPORT NOZZLE	2	2	
35	502830	SCREW CAP HEX M6-1.0x20 G8.8 N500	4	4	
36	5001833	WASHER BEL SPR 6.1x18x1.27 SS	4	4	
37	507557	STREET ELBOW 90° / PIPE FITTING / 1/2NPT-Mx1/2NPT-F BR	1	1	
38	563457	FIRE SENSOR PM-3M	1	1	
NS	500975	WASHER FL .378x.620x.094 NYL	2	2	
39	5001146	SCREW CAP HEX M5-0.8x20 SS BK	2	2	
40	502841	NUT HEX NYRT M5-0.8 N500	2	2	
41	5011305	FEMALE ELBOW 45° / JIC 37° FITTING / #12JIC-Mx3/4NPT-F STL	1	1	
42	680470	CAP PLUG ID 1.364 OD 1.423	1	1	
43	504637	CABLE TIE / 3/16" x 13"	1	1	
50A	Call order desk	HOSE ASSY / #8 4760MM To D-5459	1	1	P



From C-5267 To D-5489 Date:07/2024 PAGE:XV-2320-51

FIRE PROTECTION SYSTEM / HEATER & EVAPORATOR COMPARTMENT

Item#	Part	Description	X 3 V I P	X L I I E N T 4 5	N O T E S
50B	Call order desk	HOSE ASSY / #12 4150MM From D-5460	1	1	P
52	406421P	HOSE ASSY / #8 1930MM	1	1	
53	406422P	HOSE ASSY / #8 665MM	1	1	
54	406608	SUPPORT / TANK	1	1	
55	504750	CABLE TIE / 1/2" x 15" / CHRISTMAS TREE	AR	AR	
57	406609	ATTACH From D-5460	1	1	
58	5001643	SCREW CAP HEXF M8-1.25x25 G8.8 G500 From D-5460	5	5	
59	5001699	WASHER BEL SPR 8.2x22x1.4 N500 From D-5460	5	5	
60	504016	CABLE TIE / 5/16" X 14"1/2	AR	AR	
61	406539	SUPPORT HOSE	1	1	
62	504384	CUFF END BELLOW / 1 1/4" I.D. x 1 3/4" x 4"	1	1	
63	504022	HOSE CLAMP / 3/4"-1"3/4 SS / HS-20	1	1	
64	500957	SCREW TP BDG PH #10x3/4 N500	AR	AR	
65	504013	TIE MOUNT / 1/4" X 1/4" I.D.	AR	AR	
66	374643	PROTECTOR HOSE SPLIT / 7/8" x 200MM	2	2	
67	503684	HOSE SILICONE 1 PLY 7/8" I.D. x 100' / S.L. To D-5381	AR	AR	
67	503803	HOSE SILICONE 1 PLY / NOMEX-ARAMID 7/8" I.D. x 100' / S.L. From D-5382	AR	AR	
70	067736	CABLE THERMO DETECTOR (LINEAR FIRE CABLE) / 7M / 168C/180C // 334F/356F	1	1	E
. NS	563587	. MODULE DETECTOR / END CIRCUIT	1	1	E
70	067405	CABLE THERMO DETECTOR (LINEAR FIRE CABLE) / 4M / 168C/180C // 334F/356F To D-5299	1	1	E
. NS	563587	. MODULE DETECTOR / END CIRCUIT To D-5299	1	1	E
70	068564	CABLE THERMO DETECTOR (LINEAR FIRE CABLE) / 2.26M / 168C/180C // 334F/356F From D-5300	1	1	E
72	067267	CABLE ASSY / FIRE DETECTOR FRT JCT BOX	1	1	F
73	563587	MODULE DETECTOR / END CIRCUIT	1	1	
75	19500355	TEST KIT EXTINGUISHER 25LBS / WSIMULATOR & POWER CABLE	1	1	
. NS	685536	. POWER CABLE / USED W 24VOLT	1	1	
. NS	685537	. SOURCE SIMILATOR	1	1	
. NS	901301	. TEST KIT EXTINGUISHER 25LBS	1	1	
. . NS	685128	. . VALVE SIMULATOR / EXTINGUISHER 25LBS	1	1	
. . NS	685129	. . TEST SWITCH W/CABLE 48" / EXTINGUISHER 25LBS	1	1	
. . NS	N.P.N.	. . STORAGE CASE	1	1	4
75	901301	TEST KIT EXTINGUISHER 25LBS	1	1	
. NS	685128	. VALVE SIMULATOR / EXTINGUISHER 25LBS	1	1	
. NS	685129	. TEST SWITCH W/CABLE 48" / EXTINGUISHER 25LBS	1	1	
. NS	N.P.N.	. STORAGE CASE	1	1	4
81	563457	FIRE SENSOR PM-3M	1	1	G
81	069020	CABLE INTERFACE FIRE SENSOR & MAIN HARNESS	1	1	G
81	069041	CABLE THERMO DETECTOR (LINEAR FIRE CABLE) / 1.5M / 168C/180C // 334F/356F	1	1	G



From C-5267 To D-5489	Date:07/2024	PAGE:XV-2320-51
-----------------------	--------------	-----------------

FIRE PROTECTION SYSTEM / HEATER & EVAPORATOR COMPARTMENT

Item#	Part	Description	X 3 V I P	X L I I E N T 4 5	N O T E S
82	406701	SUPPORT / FIRE SENSOR	1	1	G
83	502841	NUT HEX NYRT M5-0.8 N500	2	2	G
84	5001146	SCREW CAP HEX M5-0.8x20 SS BK	2	2	G
85	5001742	SCREW CAP HEXF M8-1.25x30 G8.8 N500	1	1	G
86	500321	WASHER BEL SPR .331x.827x.098 N500	1	1	G
87	502851	NUT HEX M8-1.25 N500	1	1	G
		B) WITHOUT WATER HEATER			
		E) INSTALL ON THE ENGINE			
		F) LOCATED IN FRONT JCT BOX PANEL			
		G) RELOCATION OF FIRE SENSOR			
		P) CALL ORDER DESK FOR SPECIFIC APPLICATION (V.I.N.)			
		4) NO PARTS NUMBER			

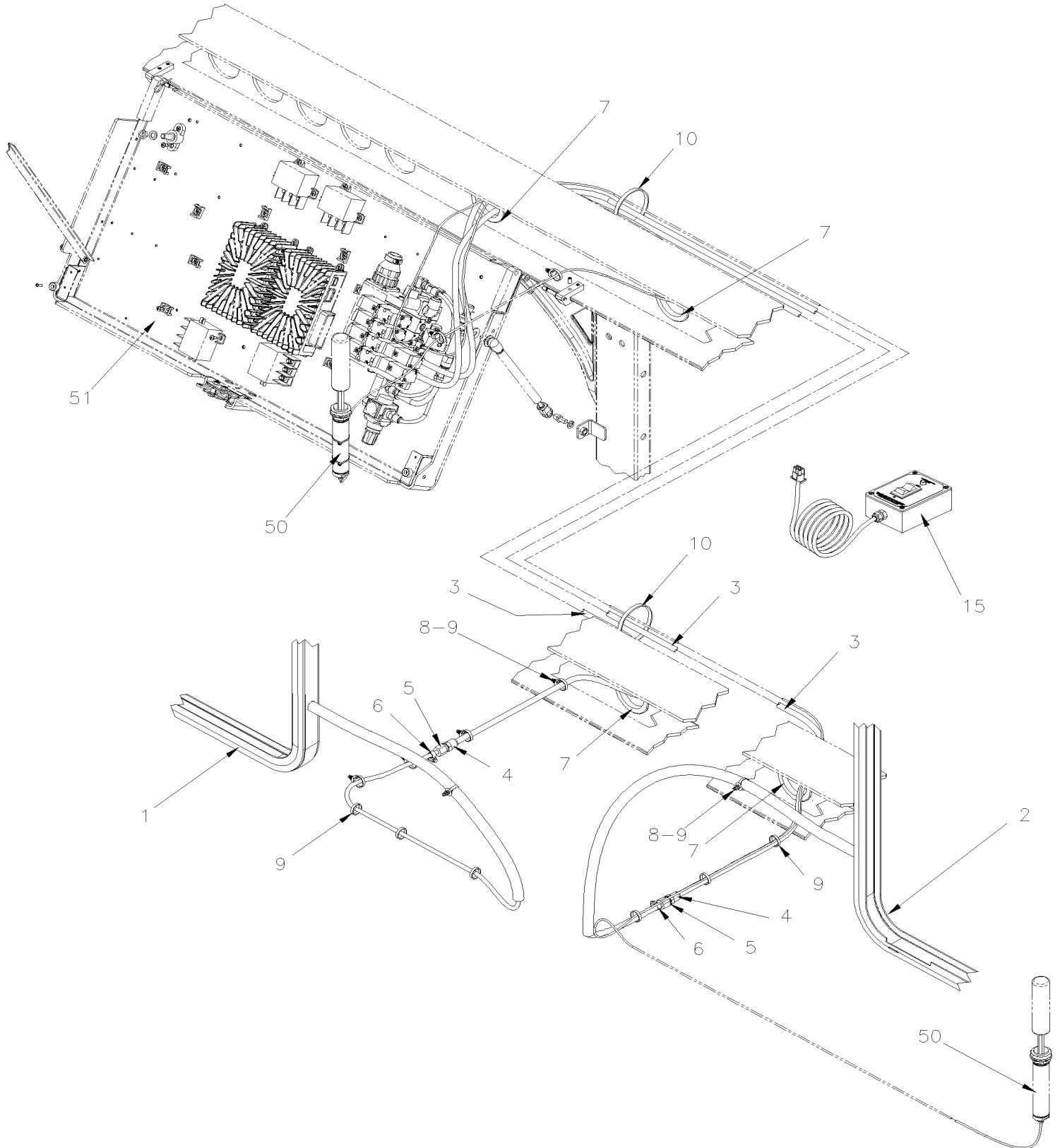


From B-5003 To D-5489

Date:07/2024

PAGE:XV-2390-00

"SLIDE-OUT" INFLATED SEAL





From B-5003 To D-5489 Date:07/2024 PAGE:XV-2390-00

"SLIDE-OUT" INFLATED SEAL

Item#	Part	Description	X 3 V I P	X L I I E N T 4 5	N O T E S
1	478510	SEAL, INFLATABLE FRONT / 4465MM x 2115MM / 175MM	1		
1	479434	SEAL INSTALLATION FRONT / 4465MM x 2115MM	1		
. NS	470660	. SEAL, BASE FRONT / 4465MM x 2115MM	1		
. NS	4705180	. SEAL, INFLATABLE FRONT / 4465MM x 2115MM	1		
. NS	IS-16080	. SEE INSTRUCTION SHEET	1		
. NS	FI-16080	. VOIR FEUILLE D'INSTRUCTION	1		
1	478149	SEAL, INFLATABLE FRONT / 3591MM x 2115MM / 175MM		1	
1	479430	SEAL INSTALLATION FRONT / 3591MM x 2115MM		1	
. NS	470666	. SEAL, BASE FRONT / 3591MM x 2115MM		1	
. NS	4705181	. SEAL, INFLATABLE FRONT / 3591MM x 2115MM		1	
. NS	IS-16080	. SEE INSTRUCTION SHEET		1	
. NS	FI-16080	. VOIR FEUILLE D'INSTRUCTION		1	
2	477328	SEAL, INFLATABLE REAR / 2330MM x 1775MM / 175MM	1		7.5
2	479432	SEAL INSTALLATION REAR / 2330MM x 1775MM	1		7.5
. NS	470656	. SEAL, BASE REAR / 2330MM x 1775MM	1		7.5
. NS	4705178	. SEAL, INFLATABLE REAR / 2330MM x 1775MM	1		7.5
. NS	IS-16080	. SEE INSTRUCTION SHEET	1		7.5
. NS	FI-16080	. VOIR FEUILLE D'INSTRUCTION	1		7.5
2	477320	SEAL, INFLATABLE REAR / 3347MM x 1775MM / 175MM	1		10
2	479431	SEAL INSTALLATION REAR / 3347MM x 1775MM	1		10
. NS	470658	. SEAL, BASE REAR / 3347MM x 1775MM	1		10
. NS	4705179	. SEAL, INFLATABLE REAR / 3347MM x 1775MM	1		10
. NS	IS-16080	. SEE INSTRUCTION SHEET	1		10
. NS	FI-16080	. VOIR FEUILLE D'INSTRUCTION	1		10
3	503541	TUBE, NYLON 3/4" O.D. / BLACK S.L	AR	AR	
4	641331	MALE CONNECTOR / PUSH-IN FITTING / #6x1/4NPT-M BR	2	2	
5	642010	FEMALE CONNECTOR / HOSE BARB FITTING / #4x1/4NPT-F BR	2	2	
6	504715	HOSE CLAMP / 7/32"-5/8" SS	2	2	
7	504720	GROMMET / 2.375x3.000x.250x.437x3.250	4	4	
7	680066	ADHESIVE / ADBOND #5014 / 23.6ML BOTTLE	AR	AR	
8	509815	TIE MOUNT / ATTACHMENT W/TREE MOUNT	AR	AR	
9	504637	CABLE TIE / 3/16" x 13"	AR	AR	
10	504016	CABLE TIE / 5/16" X 14"1/2	AR	AR	
NS	684517	ADHESIVE SIMSON #ISR 70-03 / GREY / 310ml CARTRIDGE	AR	AR	
15	382048	REMOTE CONTROL / SINGLE SLIDE-OUT	1	1	
. NS	563380	. SWITCH / M/ON-OFF-M/ON S P.D.T BLACK	1	1	
. NS	564421	. PILOT LIGHT GREEN / LED 24V	1	1	
. NS	382047	. DECAL "REMOTE CONTROL"	1	1	
50	XV-2390-20	"SLIDE-OUT" - FRONT MECHANISM - INSTALLATION	1	1	
50	XV-2390-30	"SLIDE-OUT" - REAR MECHANISM INSTALLATION	1	1	
51	XV-2390-10	"SLIDE-OUT" AIR CONTROL PANEL - MUX	1	1	



From B-5003 To D-5489	Date:07/2024	PAGE:XV-2390-00
-----------------------	--------------	-----------------

"SLIDE-OUT" INFLATED SEAL

Item#	Part	Description	X 3 V I P	X L I I E N T 4 5	N O T E S
		10) WITH SLIDE OUT 10' WIDE			
		7.5) WITH SLIDE OUT 7.5' WIDE			

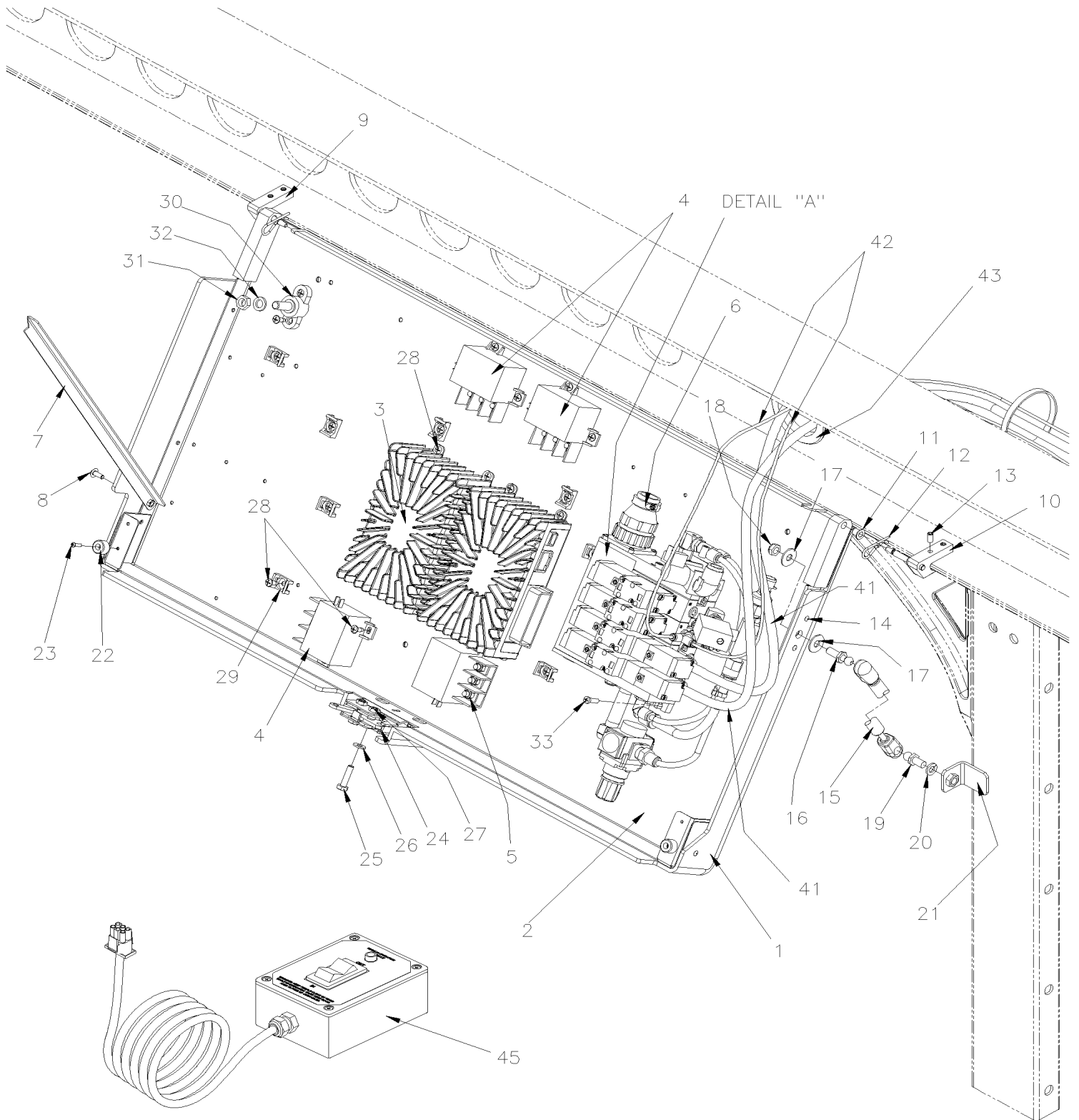


From B-5003 To D-5489

Date:07/2024

PAGE:XV-2390-10

"SLIDE-OUT" AIR CONTROL PANEL - MUX



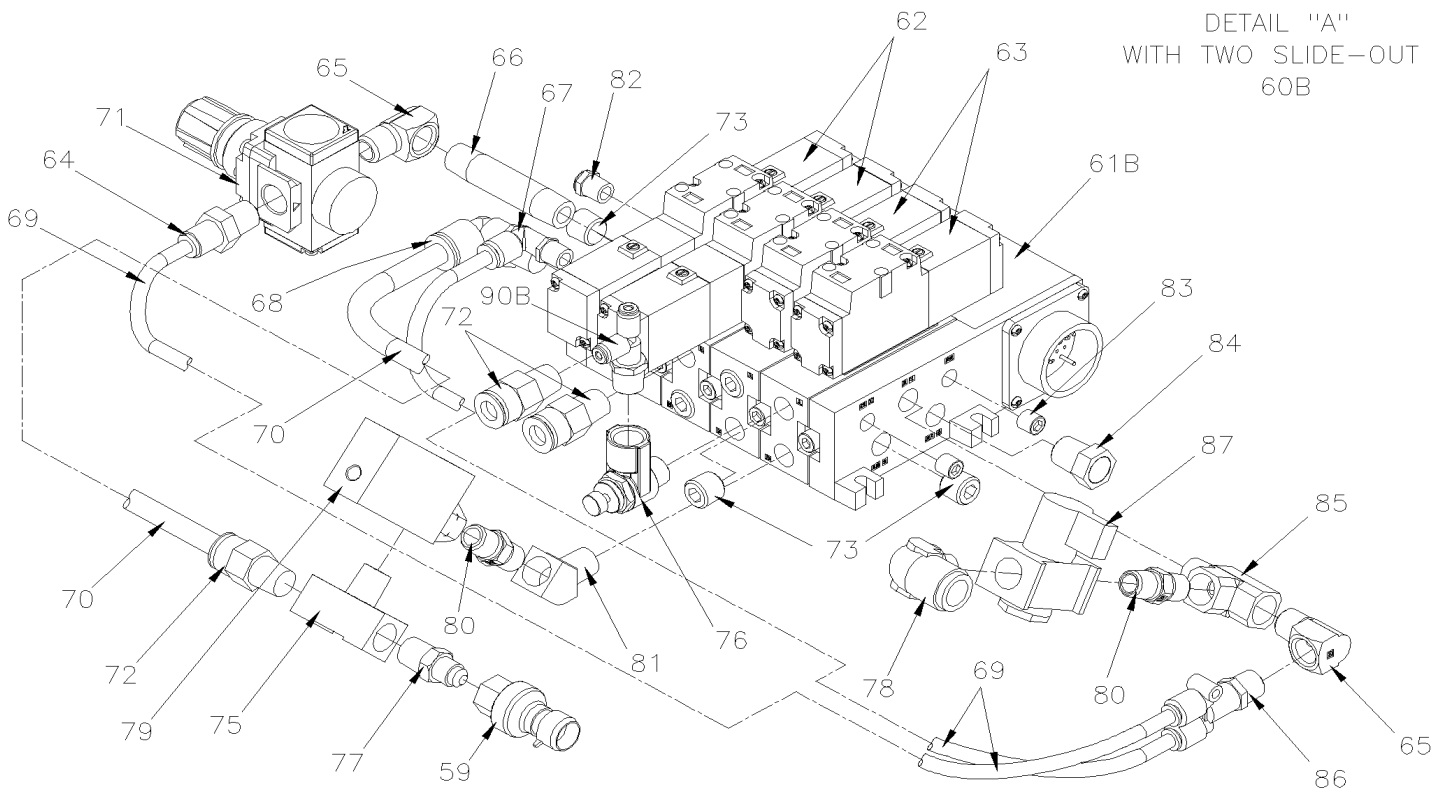
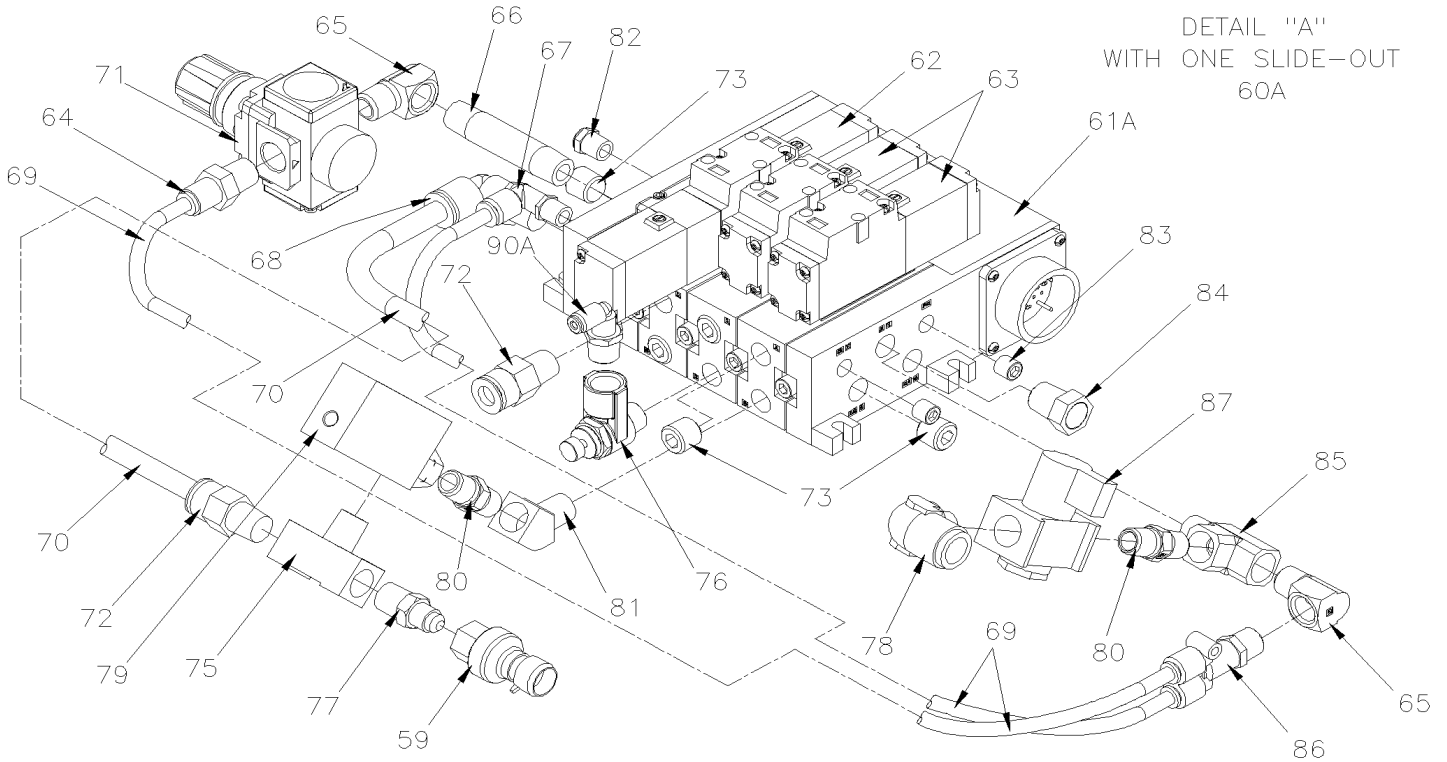


From B-5003 To D-5489

Date:07/2024

PAGE:XV-2390-10

"SLIDE-OUT" AIR CONTROL PANEL - MUX





From B-5003 To D-5489 Date:07/2024 PAGE:XV-2390-10

"SLIDE-OUT" AIR CONTROL PANEL - MUX

Item#	Part	Description	X 3 V I P	X L I I E N T 4 5	N O T E S
1	066380	COVER PLASTIC	1	1	
1	066885	DECAL "JCT BOX SLIDE-OUT "VIP" / W/DOUBLE "SLIDE-OUT"	1	1	
1	068854	DECAL "JCT BOX SLIDE-OUT "VIP" / W/REAR "SLIDE-OUT" ONLY	1		
2	067538	PANEL MOUNTING / W/TRIPLE "SLIDE-OUT"	1	1	
3	564075	I/O B-MODULE VOLVO MULTIPLEX / ALUMINUM To B-5029	AR	AR	
. NS	563132	. CONNECTOR / SH 2C / YAZAKI 7283-6458-40 To B-5029	1	1	
. NS	563133	. CONNECTOR / JUNIOR POWER TIMER / SH 29C / AMP 1-963449-2 To B-5029	1	1	
. NS	562957	. CONNECTOR / SH 5C / GREEN / JAE IL-AG5-5S-S3C1 To B-5029	1	1	
3	564193	I/O B-MODULE VOLVO MULTIPLEX / ALUMINUM From B-5030	AR	AR	
. NS	563132	. CONNECTOR / SH 2C / YAZAKI 7283-6458-40 From B-5030	1	1	
. NS	563133	. CONNECTOR / JUNIOR POWER TIMER / SH 29C / AMP 1-963449-2 From B-5030	1	1	
. NS	562957	. CONNECTOR / SH 5C / GREEN / JAE IL-AG5-5S-S3C1 From B-5030	1	1	
4	563445	RELAY POWER 24V 130 AMPS / S.P.D.T. N.O.	4	4	
5	5001182	NUT HEX NYRT M6-1.0 SS	6	6	
6	068159	WIRING HARNESS SLIDE-OUT FRONT LEFT	1	1	
6	066776	WIRING HARNESS SLIDE-OUT REAR LEFT	1		
7	066928	ANGLE HOLDING SUPPORT (OPEN)	1	1	
8	5001241	SCREW MA TR PH #10-24x1/2 SS	1	1	
8	5001180	NUT HEX NYRT #10-24 SS	1	1	
9	066489	HINGE BLOCK L.H. FIXED TO STRUCTURE	1	1	
10	066490	HINGE BLOCK R.H. FIXED TO STRUCTURE	1	1	
11	507381	BUSHING W/SHOULDER 1/4" I,D,	2	2	
12	502180	PIN HITCH CLIP 3/32 x 1/2 Z050	2	2	
13	5001634	SCREW SET HEXS CUP M6-1.0X12MM Z050	6	6	
14	504105	RIVET POP DOME OE 1/8x3/16 AL	6	6	
15	980029	CYLINDER GAZ / 354/219MM C/C / 46LBS	1	1	
16	980027	BALL STUD / W/10 MM X M8-1.25 / 36.5MM	1	1	
17	500332	WASHER FL .328x.875x.062 N500	2	2	
18	500868	NUT HEX NYRT M8-1.25 Z050	1	1	
19	980015	BALL STUD / W/10 MM X M8-1.25 / 29.18 MM	1	1	
20	5001161	WASHER LO SPT 8.1x14.8x2.0 SS-304	1	1	
21	Call order desk	SUPPORT CYLINDER STUD	1	1	P
22	504334	BUMPER RUBBER / .625 OD x .406 TH x .156 HOLE	2	2	
23	500576	SCREW TC PAN PH #6-32x1/2 Z050	2	2	
24	780778	LOCK L.H.	1	1	
25	500165	SCREW CAP HEX 1/4-20x1 G5 Z050	2	2	
26	500440	WASHER FL .250x.562x.065 Z050	2	2	
27	502819	NUT HEX JAM 1/4-20 Z050	2	2	
28	502868	SCREW TC TR PH #10-16x1/2 N500	AR	AR	
29	504013	TIE MOUNT / 1/4" X 1/4" I.D.	AR	AR	
29	504637	CABLE TIE / 3/16" x 13"	AR	AR	
30	560422	BLOCK, TERMINAL / 1 STUD 3/8-16 / BLACK	1	1	



From B-5003 To D-5489	Date:07/2024	PAGE:XV-2390-10
------------------------------	---------------------	------------------------

"SLIDE-OUT" AIR CONTROL PANEL - MUX

Item#	Part	Description	X 3 V I P	X L I I E N T 4 5	N O T E S
31	500379	NUT HEX 3/8-16 BR	1	1	
32	500478	WASHER LO SPT .380x.683x.094 Z050	1	1	
33	500658	SCREW TC PAN PH #10-24x3/4 Z050	2	2	
41	503404	TUBE, NYLON 3/8 O.D. / BLACK S.L.	AR	AR	
42	503536	TUBE, NYLON 1/8 O.D. / BLACK S.L.	AR	AR	
43	504720	GROMMET / 2.375x3.000x.250x.437x3.250	AR	AR	
43	680066	ADHESIVE / ADBOND #5014 / 23.6ML BOTTLE	AR	AR	
45	382048	REMOTE CONTROL / SINGLE SLIDE-OUT	AR	AR	
. NS	563380	. SWITCH / M/ON-OFF-M/ON S P.D.T BLACK	1	1	
. NS	564421	. PILOT LIGHT GREEN / LED 24V	1	1	
. NS	382047	. DECAL "REMOTE CONTROL"	1	1	
59	563459	TRANSDUSER -14.7 to 100LBS / 1/8 NPT-F	1	1	
. NS	563159	. CONNECTOR / METRI-PACK 150 / SH 3C / PED 12065287	1	1	
60A	144867	CONTROL VALVE ASSY / W/SINGLE "SLIDE-OUT"	1	1	
60B	144866	CONTROL VALVE ASSY / W/DOUBLE "SLIDE-OUT"	1		
61A	642025	. BLOCK VALVE / W/SINGLE "SLIDE-OUT"	1	1	
61B	642024	. BLOCK VALVE / W/DOUBLE "SLIDE-OUT"	1		
62	641995	. . SOLENOID VALVE 5/2 ASSY / W/DOUBLE COIL 2	1		
. NS	642059	. . . GASKET VALVE BODY / RECTANGULAR	1		
63	641997	. . SOLENOID VALVE 5/2 ASSY / W/SIMPLE COIL 2	1	1	
. NS	642059	. . . GASKET VALVE BODY / RECTANGULAR	1	1	
64	641332	. MALE CONNECTOR / PUSH-IN FITTING / #4x1/4NPT-M BR	1	1	
65	501332	. STREET ELBOW 90° / PIPE FITTING / 1/4NPT-Mx1/4NPT-F BR	2	2	
66	Call order desk	. NIPPLE / PIPE FITTING / 1/4NPT-Mx1/4NPT-Mx2 1/2	1	1	P
67	642052	. MALE ELBOW 90° / PUSH-IN FITTING / #2x3/8NPT-M PLAS	1	1	
68	642051	. MALE ELBOW 90° / PUSH-IN FITTING / #6x1/4NPT-M PLAS	1	1	
69	503402	. TUBE, NYLON 1/4 O.D. / BLACK S.L.	AR	AR	
70	503404	. TUBE, NYLON 3/8 O.D. / BLACK S.L.	AR	AR	
71	647891	. PRESSURE REGULATOR	1	1	
72	641331	. MALE CONNECTOR / PUSH-IN FITTING / #6x1/4NPT-M BR	2	2	
73	501800	. PLUG HEXS / PIPE FITTING / 1/4NPT-M STL	7	7	
75	501894	. MALE BRANCHE TEE / PIPE FITTING / 1/4NPT-Fx1/4NPT-Fx1/4NPT-M BR	1	1	
NS	680098	. THREAD SEALANT LOCTITE #567 / WHITE / 250ml	AR	AR	
76	642050	. AIR REGULATOR	1	1	
77	501027	. MALE CONNECTOR / SAE 45° FITTING / #4FL-Mx1/4NPT-M BR	1	1	
78	641373	. MALE ELBOW 90° NON-SWIVEL / PUSH-IN FITTING / #8x1/4NPT-M BR To C-5276	1	1	
78	642165	. MALE ELBOW 90° NON-SWIVEL / PUSH-IN FITTING / #8x1/4NPT-M BR From C-5277	1	1	
79	690424	. VACUUM GENERATORS To C-5276	1	1	
79	642166	. VACUUM GENERATORS From C-5277	1	1	
80	501321	. NIPPLE HEX / PIPE FITTING / 1/4NPT-Mx1/4NPT-Mx1 3/8 BR	2	2	
81	501329	. STREET ELBOW 45° / PIPE FITTING / 1/4NPT-Mx1/4NPT-F BR To C-5276	1	1	
81	642170	. MALE ELBOW 90° / PIPE FITTING / 1/4NPT-Mx1/8NPT-M BR From C-5277	1	1	



From B-5003 To D-5489	Date:07/2024	PAGE:XV-2390-10
"SLIDE-OUT" AIR CONTROL PANEL - MUX		

Item#	Part	Description	X 3 V I P	X L I I E N T 4 5	N O T E S
82	642048	. SILENCER / MUFFLER / 1/8NPT-M	1	1	
83	501072	. PLUG HEXS / PIPE FITTING / 1/8NPT-M STL	1	1	
84	641926	. SILENCER / MUFFLER / 1/4NPT-M	1	1	
85	501338	. MALE RUN TEE / PIPE FITTING / 1/4NPT-Mx1/4NPT-Fx1/4NPT-F BR	1	1	
86	642047	. MALE BRANCH "Y" / PUSH-IN FITTING / #4X#4X1/4NPT-M PLAS	1	1	
87	690351	. PORT RELIEVING SHUT-OFF VALVE	1	1	
88	504637	. CABLE TIE / 3/16" x 13"	1	1	
90A	642053	. MALE ELBOW 90° / PUSH-IN FITTING / #2x1/4NPT-M PLAS	1	1	
90B	641920	. MALE RUN TEE / PUSH-IN FITTING / #2x#2x1/4NPT-M PLAS	1		
		P) CALL ORDER DESK FOR SPECIFIC APPLICATION (V.I.N.)			

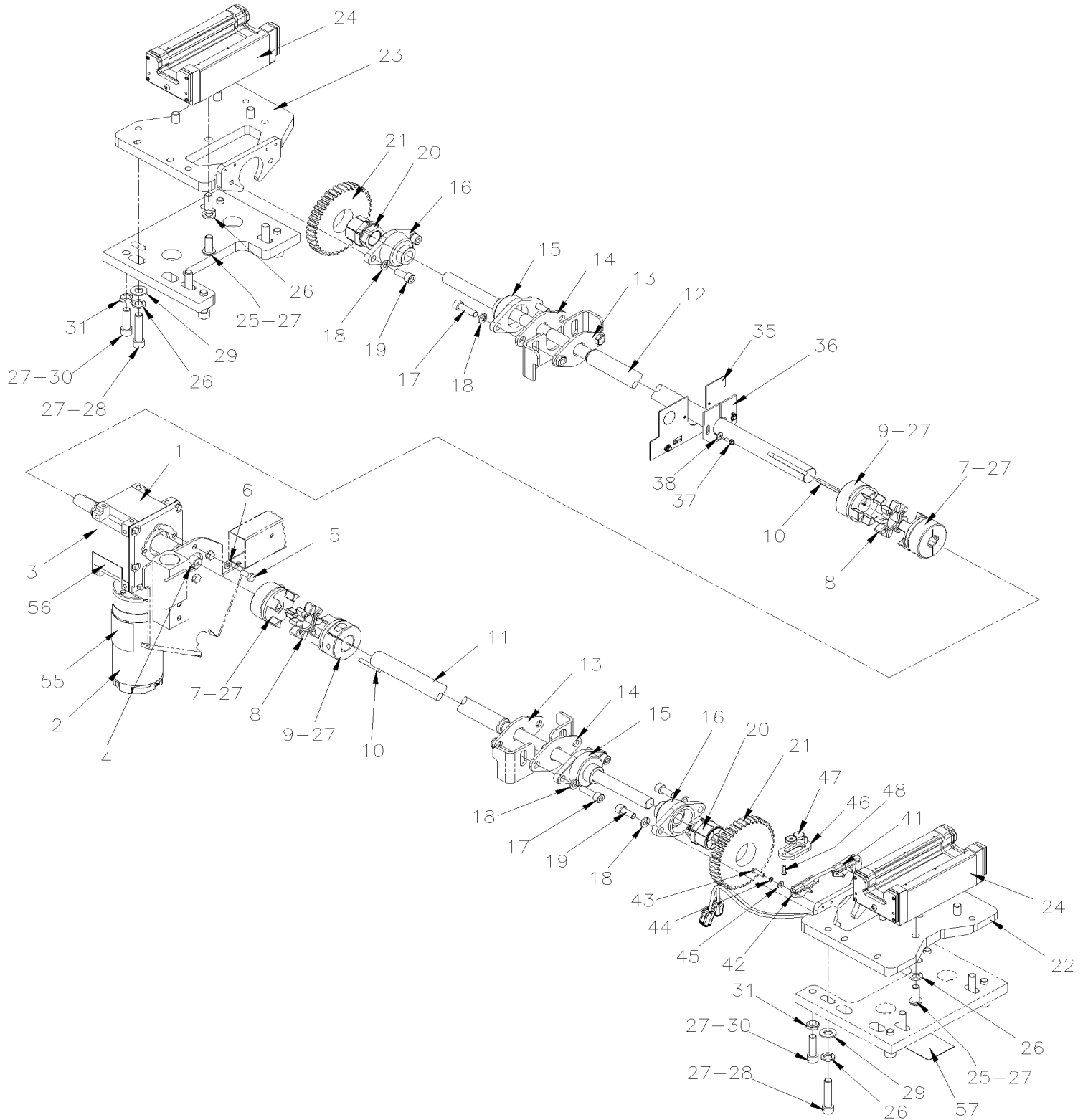


From B-5003 To D-5489

Date:07/2024

PAGE:XV-2390-20

"SLIDE-OUT" - FRONT MECHANISM - INSTALLATION



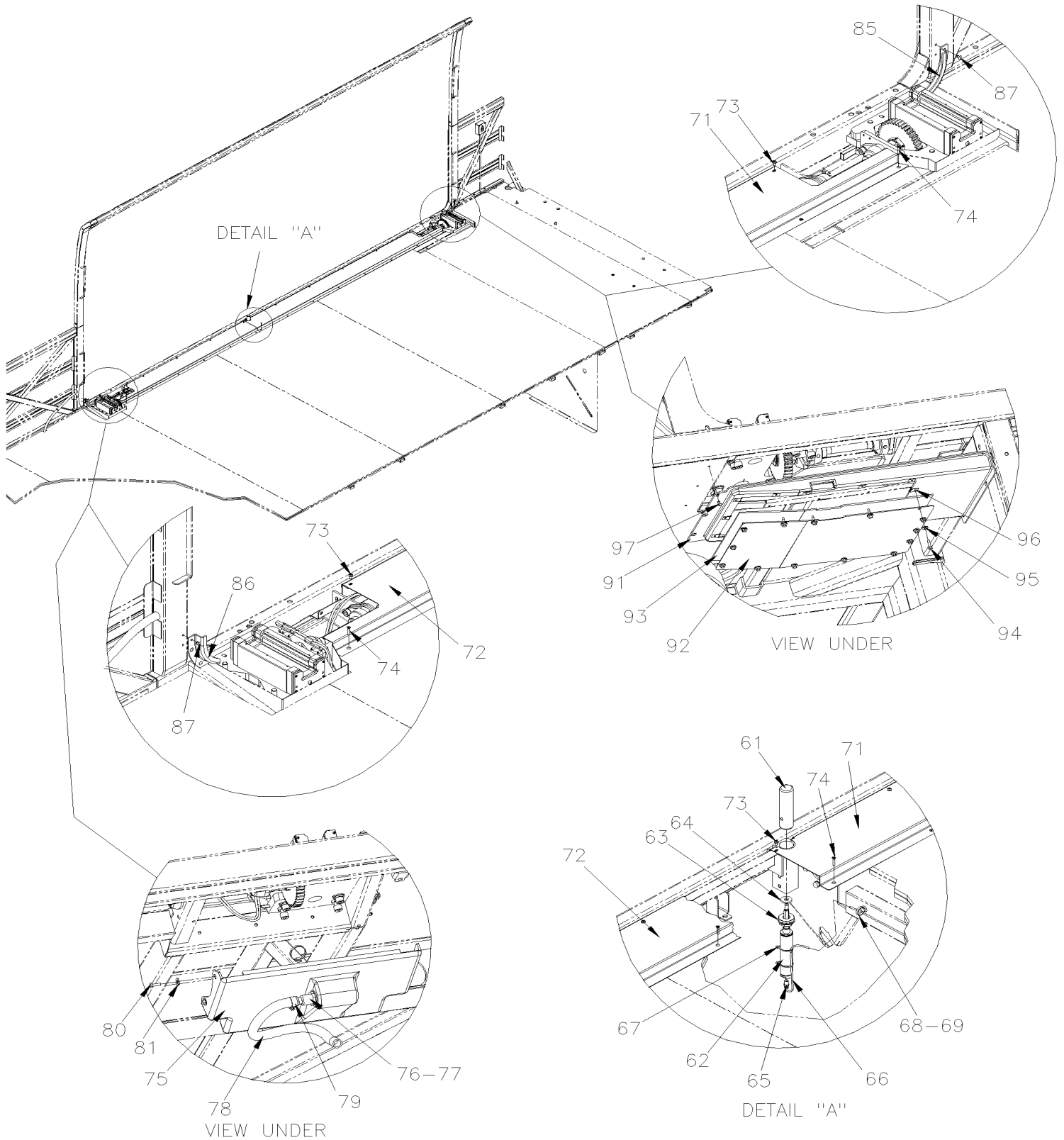


From B-5003 To D-5489

Date:07/2024

PAGE:XV-2390-20

"SLIDE-OUT" - FRONT MECHANISM - INSTALLATION





From B-5003 To D-5489 Date:07/2024 PAGE:XV-2390-20

"SLIDE-OUT" - FRONT MECHANISM - INSTALLATION

Item#	Part	Description	X 3 V I P	X L I I E N T 4 5	N O T E S
1	066651	MOTOR 24V ASSY W/CONNECTOR	1	1	
. NS	563936	. MOTOR 24V ASSY W/GEAR-BOX	1	1	
. . NS	563937	. . MOTOR 24V	1	1	
. . NS	563938	. . GEAR BOX RATIO 738/1	1	1	
. NS	561944	. CONNECTOR / CPC SERIES 3 / PH 3C / AMP 206426-1	1	1	
. NS	564831	. CONNECTOR BACKSHELL AMP CPC #17 - STD	1	1	
. NS	561698	. PIN TERMINAL 16-12 / POWER CONTACT / AMP 66261-4	2	2	
2	563937	. . MOTOR 24V	1	1	
3	563938	. . GEAR BOX RATIO 738/1	1	1	
4	505533	. . KEY 6MM x 6MM x 40MM	2	2	
5	5001450	SCREW CAP HEX M8-1.25x20 G10.9 DP	4	4	
6	500035	WASHER LO SPT .317x.586x.078 SS	4	4	
7	505530	COUPLING SHAFT DRIVE 20MM I.D. / TYPE GS 28	2	2	
8	505529	SPIDER RUBBER / TYPE GS 28	2	2	
9	505528	COUPLING SHAFT DRIVE 1 1/8" I.D. / TYPE GS 28	2	2	
10	505527	KEY SQUARE 1/4" x 1/4" x 1 3/4"	2	2	
11	478514	SHAFT / BACKWARD / 1703.6MM	1		
11	479462	SHAFT / BACKWARD / 830.5MM		1	
12	479461	SHAFT / FORWARD / 2067.2MM	1	1	
13	470129	PLATE TORQUE	2	2	
14	470128	SPACER 3/16"	2	2	
15	507641	PILLOW BEARING ASSY	2	2	
16	470116	PILLOW BEARING ASSY	2	2	
17	5001620	SCREW CAP HEXS M10-1.5X35 G10.9 G500	4	4	
18	502616	WASHER LO SPT 10.2x18.1x2.2 SS	8	8	
19	5001616	SCREW CAP HEXS M10-1.5X25 G10.9 DP	4	4	
20	470118	COUPLING TORQUE	2	2	
21	470119	GEAR 5 1/4" W/40TH	2	2	
22	477753	BASE GUIDE ASSY BACKWARD	1	1	
23	477752	BASE GUIDE ASSY FORWARD	1	1	
24	476761	GUIDE	2	2	E
24	479623	SLIDE-OUT LINEAR BEARING AND GUIDE KIT	2	2	E
25	5001615	SCREW CAP BUT HEXS M12-1.75x30 G10.9 G500	8	8	
26	500944	WASHER LO SPT .506x.873x.125 N500	16	16	
27	684420	SCREW MARKER LOCK 90ml	AR	AR	
28	5001621	SCREW CAP HEXS M12-1.75x55 G10.9 DP	8	8	
29	500958	WASHER FL .531x1.062x.095 SS	8	8	
30	5001622	SCREW CAP HEXS M12-1.75x40 G10.9 DP	8	8	
31	5001623	NUT HEX JAM M12x1.75 SS	8	8	
35	477916	CLOSING PLATE SS 168MM x 94MM	1	1	
36	479436	CLOSING PLATE PLASTIC 74MM x 75MM	1	1	
NS	680532	SEALANT SIKA #221 / GREY / 310ml CARTRIDGE	AR	AR	



From B-5003 To D-5489	Date:07/2024	PAGE:XV-2390-20
------------------------------	---------------------	------------------------

"SLIDE-OUT" - FRONT MECHANISM - INSTALLATION

Item#	Part	Description	X 3 V I P	X L I I E N T 4 5	N O T E S
37	5001017	SCREW TC CAP HEXW #10-24x1/2 Z050	4	4	
38	500964	WASHER FL .203x.500x.047 Z050	4	4	
41	066852	LIMITING REED SWITCH ASSY W/LED S.P.D.T. / W/SLIDE OUT	2	2	
. NS	563426	. HALL EFFECT SENSOR	1	1	
. NS	563452	. LED GREEN / 5VOLTS	1	1	
. NS	562477	. CONNECTOR / DT SERIES / SH 4C / GRAY / DEUTSCH DT06-4S	1	1	
41	504273	CABLE TIE / 1/8" X 3"1/2	2	2	
42	477829	SUPPORT LIMITING READ SWITCH	2	2	
43	5001146	SCREW CAP HEX M5-0.8x20 SS BK	4	4	
44	500914	WASHER LO SPT .193x.334x.047 N500	4	4	
45	500804	WASHER FL .203x.500x.047 N500	4	4	
46	470124	SUPPORT MAGNET / ALUMINUM	2	2	
47	562949	MAGNET ROUND .200x.700 DIA	4	4	
48	5001614	SCREW CAP FL HEXS M4-0.7x16 SS EMN	4	4	
50	XV-2390-50	"SLIDE-OUT" - INSTALLATION			
55	477989	DECAL "SEAL MUST BE DEFLATED..."	1	1	
56	477987	DECAL " ON OVERRIDE MUST BE LOW TORQUE..."	1	1	
57	477990	DECAL "THIS SLIDE-OUT PLATE IS FACTORY.."	2	2	
NS	216451	DECAL PATENT	1	1	
61	470182	SAFETY PIN 1 1/4" O.D. x 116MM	1	1	
62	642027	CYLINDER 1 1/16"	1	1	
63	470183	ADAPTOR CYLINDER 5/8-18 x M36-2	1	1	
64	502220	WASHER FL .375x1.000x.125 RUB	1	1	
65	641126	MALE CONNECTOR / PUSH-IN FITTING / #2x1/8NPT-M BR	1		
65	641126	MALE CONNECTOR / PUSH-IN FITTING / #2x1/8NPT-M BR To D-5459		1	
65	642062	MALE ELBOW 90° / PUSH-IN FITTING / #2x1/8NPT-M PLAS From D-5460		1	
NS	680098	THREAD SEALANT LOCTITE #567 / WHITE / 250ml	AR	AR	
66	503536	TUBE, NYLON 1/8 O.D. / BLACK S.L.	AR	AR	
67	504273	CABLE TIE / 1/8" X 3"1/2	AR	AR	
68	509815	TIE MOUNT / ATTACHMENT W/TREE MOUNT	AR	AR	
69	504637	CABLE TIE / 3/16" x 13"	AR	AR	
71	329153	PROTECTOR PLATE FORWARD To D-5459	1	1	
71	323202	PROTECTOR PLATE FORWARD From D-5460	1	1	
72	326251	PROTECTOR PLATE BACKWARD		1	
72	324228	PROTECTOR PLATE BACKWARD	1		
NS	506227	TAPE RUB ADH1 CC POL 1/16" x 3/4" x 100' / GREY 2520	AR	AR	
NS	506466	TAPE RUB ADH1 CC POL 1/16" x 1 1/2" x 100' / GREY 2520	AR	AR	
73	500799	SCREW TC PAN PH #8-32x3/8 N500	AR	AR	
74	5001349	SCREW WO TR PH #8x7/8	AR	AR	
75	479487	ACCESS PANEL	1	1	
76	409038	GASKET	1	1	
77	900280	THRU HULL, CONNECTOR / PLASTIC	1	1	



From B-5003 To D-5489	Date:07/2024	PAGE:XV-2390-20
-----------------------	--------------	-----------------

"SLIDE-OUT" - FRONT MECHANISM - INSTALLATION

Item#	Part	Description	X 3 V I P	X L I E N T 4 5	N O T E S
78	900220	TUBE PVC / 5/8" I.D. / S.L.	AR	AR	
NS	504637	CABLE TIE / 3/16" x 13"	1	1	
79	504019	HOSE CLAMP / 9/16"-1"1/16 SS / HS-10	1	1	
80	502830	SCREW CAP HEX M6-1.0x20 G8.8 N500	4	4	
81	502638	WASHER FL .312x.734x.065 N500	4	4	
85	477747	GUTTER MOULDING FORWARD	1	1	
86	477748	GUTTER MOULDING BACKWARD	1	1	
NS	680532	SEALANT SIKA #221 / GREY / 310ml CARTRIDGE	AR	AR	
87	504379	RIVET POP DOME OE 3/16x1/4 SS	6	6	
90	477740P	ACCESS PANEL ASSY / FORWARD	1	1	
91	477737	. RECEPTACLE BOX	1	1	
91	684517	. ADHESIVE SIMSON #ISR 70-03 / GREY / 310ml CARTRIDGE	AR	AR	
92	477738	. ACCESS PANEL	1	1	
93	477739	. GASKET	1	1	
94	5001169	. SCREW TP CAP HEXW #12x3/4 SS410	14	14	
95	5001686	. WASHER FL SEAL .218x.625x20GA SS	14	14	
96	481249	. NUT	14	14	
97	504746	RIVET HKL MMS 3/16x1/4 SS	8	8	
		E) WHEN YOU REPLACE THE OLD LINEAR BEARING 476761 YOU NEED 478827 AND 2 SLIDE-OUT RAIL SEE PAGE XV-1854-95			

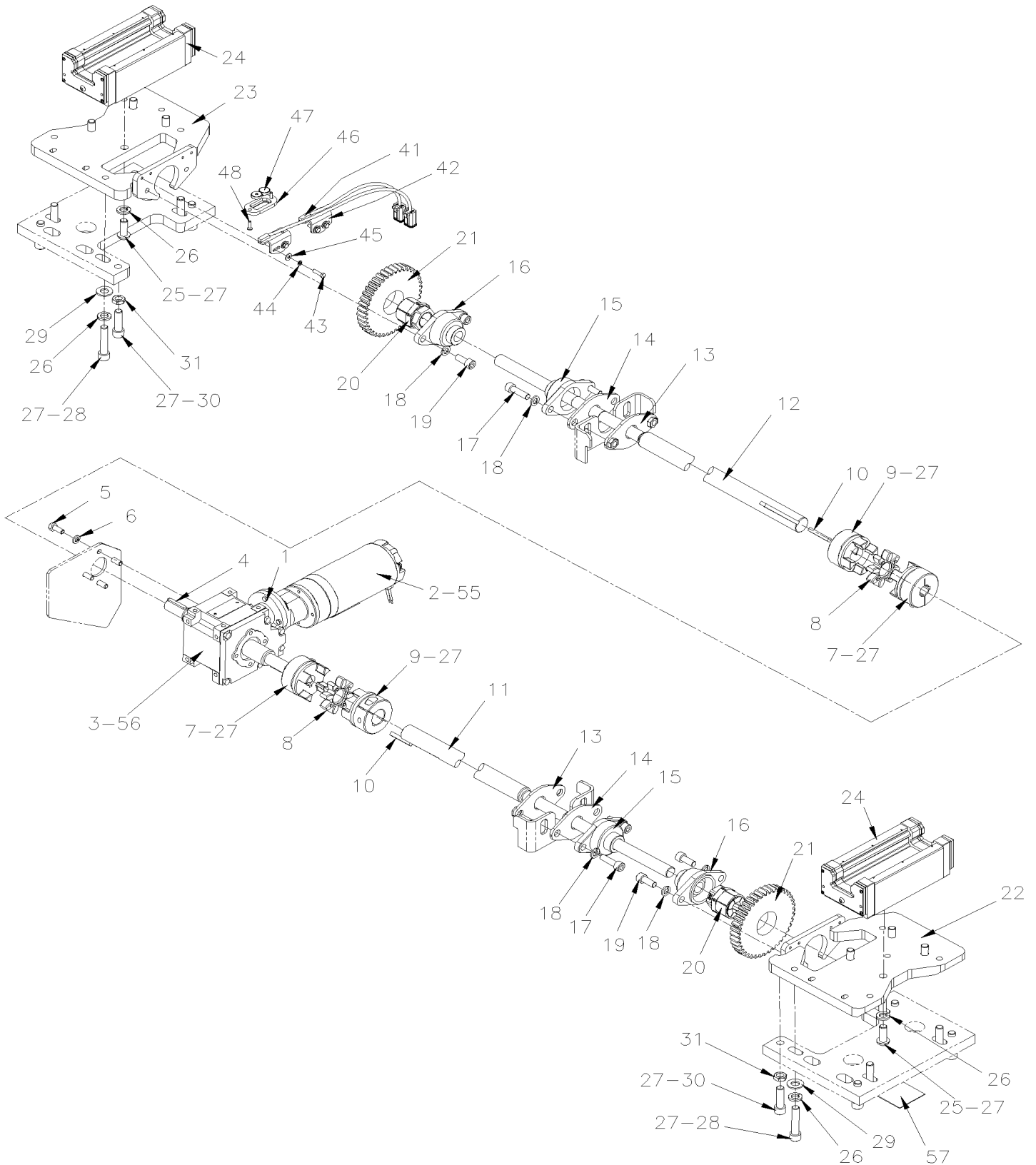


From B-5003 To D-5489

Date:07/2024

PAGE:XV-2390-30

"SLIDE-OUT" - REAR MECHANISM INSTALLATION



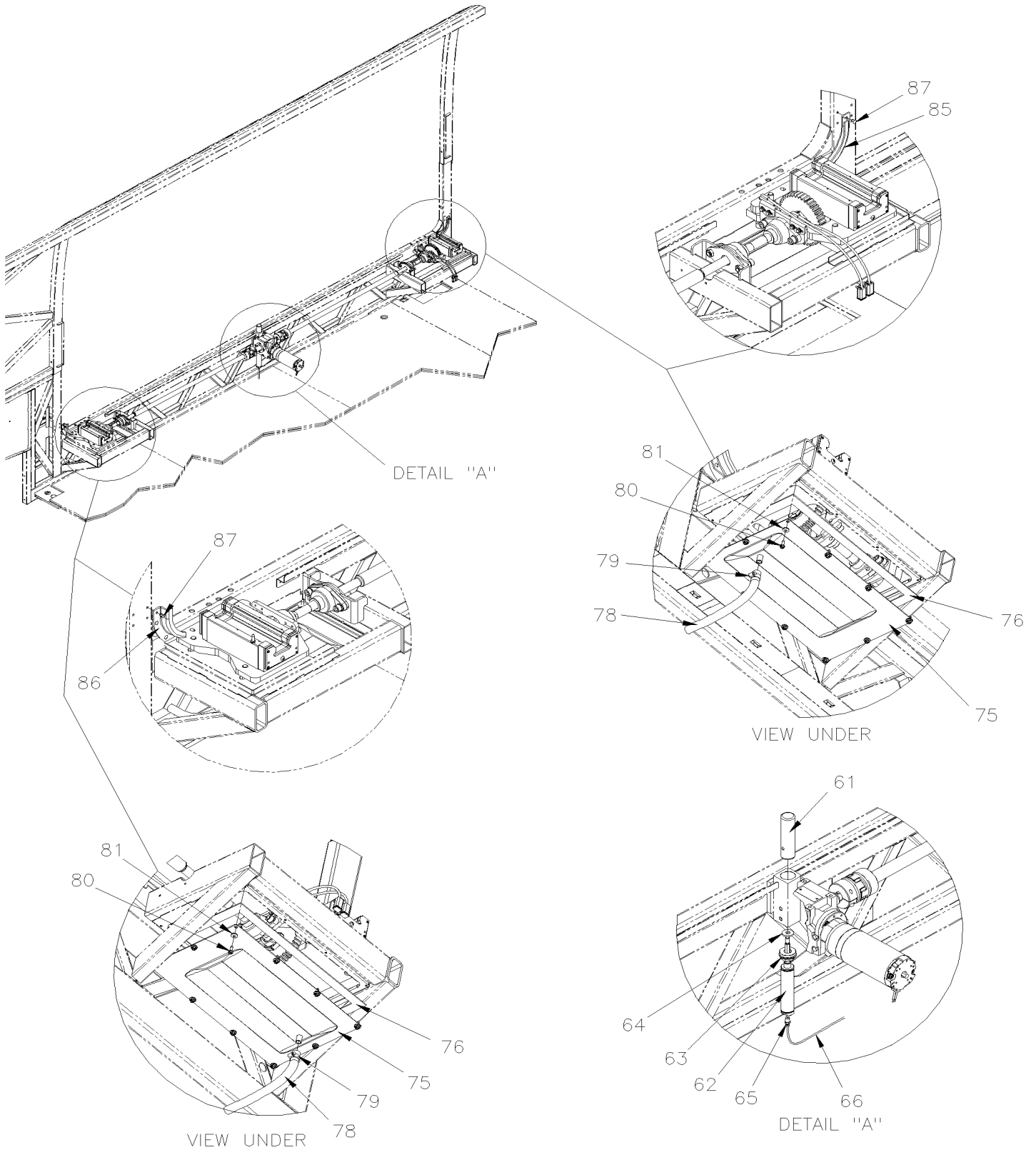


From B-5003 To D-5489

Date:07/2024

PAGE:XV-2390-30

"SLIDE-OUT" - REAR MECHANISM INSTALLATION





From B-5003 To D-5489	Date:07/2024	PAGE:XV-2390-30
-----------------------	--------------	-----------------

"SLIDE-OUT" - REAR MECHANISM INSTALLATION

Item#	Part	Description	X 3 V I P	X L I E N T 4 5	N O T E S
1	067323	MOTOR 24V ASSY W/CONNECTOR	1		
. NS	564091	. MOTOR 24V ASSY W/GEAR-BOX	1		
. . NS	563937	. . MOTOR 24V	1		
. . NS	563938	. . GEAR BOX RATIO 738/1	1		
. . NS	505533	. . KEY 6MM x 6MM x 40MM	2		
. NS	563764	. CONNECTOR / CPC SERIES 3 / PH 3C / PED 15300002	1		
. NS	564831	. CONNECTOR BACKSHELL AMP CPC #17 - STD	1		
. NS	563763	. PIN TERMINAL / 14-12 / PED 12129497	2		
2	563937	. . MOTOR 24V	1		
3	563938	. . GEAR BOX RATIO 738/1	1		
4	505533	. . KEY 6MM x 6MM x 40MM	2		
5	5001450	SCREW CAP HEX M8-1.25x20 G10.9 DP	4		
6	500035	WASHER LO SPT .317x.586x.078 SS	4		
7	505530	COUPLING SHAFT DRIVE 20MM I.D. / TYPE GS 28	2		
8	505529	SPIDER RUBBER / TYPE GS 28	2		
9	505528	COUPLING SHAFT DRIVE 1 1/8" I.D. / TYPE GS 28	2		
10	505527	KEY SQUARE 1/4" x 1/4" x 1 3/4"	2		
11	476544	SHAFT 1326MM	1		10
11	470144	SHAFT 859MM / BACKWARD	1		7.5
12	476544	SHAFT 1326MM	1		10
12	470141	SHAFT 776MM / FORWARD	1		7.5
13	470129	PLATE TORQUE	2		
14	470128	SPACER 3/16"	2		
15	507641	PILLOW BEARING ASSY	2		
16	470116	PILLOW BEARING ASSY	2		
17	5001620	SCREW CAP HEXS M10-1.5X35 G10.9 G500	4		
18	502616	WASHER LO SPT 10.2x18.1x2.2 SS	8		
19	5001616	SCREW CAP HEXS M10-1.5X25 G10.9 DP	4		
20	470118	COUPLING TORQUE	2		
21	470119	GEAR 5 1/4" W/40TH	2		
22	477753	BASE GUIDE ASSY BACKWARD	1		
23	477752	BASE GUIDE ASSY FORWARD	1		
24	476761	GUIDE	2		E
24	479623	SLIDE-OUT LINEAR BEARING AND GUIDE KIT	2		E
25	5001615	SCREW CAP BUT HEXS M12-1.75x30 G10.9 G500	8		
26	500944	WASHER LO SPT .506x.873x.125 N500	16		
27	684420	SCREW MARKER LOCK 90ml	AR		
28	5001621	SCREW CAP HEXS M12-1.75x55 G10.9 DP	8		
29	500958	WASHER FL .531x1.062x.095 SS	8		
30	5001622	SCREW CAP HEXS M12-1.75x40 G10.9 DP	8		
31	5001623	NUT HEX JAM M12x1.75 SS	8		
41	066852	LIMITING REED SWITCH ASSY W/LED S.P.D.T. / W/SLIDE OUT	2		



From B-5003 To D-5489 Date:07/2024 PAGE:XV-2390-30

"SLIDE-OUT" - REAR MECHANISM INSTALLATION

Item#	Part	Description	X 3 V I P	X L I I E N T 4 5	N O T E S
. NS	563426	. HALL EFFECT SENSOR	1		
. NS	563452	. LED GREEN / 5VOLTS	1		
. NS	562477	. CONNECTOR / DT SERIES / SH 4C / GRAY / DEUTSCH DT06-4S	1		
41	504273	CABLE TIE / 1/8" X 3"1/2	2		
42	470120	SUPPORT LIMITING READ SWITCH	2		
43	5001146	SCREW CAP HEX M5-0.8x20 SS BK	4		
44	500914	WASHER LO SPT .193x.334x.047 N500	4		
45	500804	WASHER FL .203x.500x.047 N500	4		
46	470124	SUPPORT MAGNET / ALUMINUM	2		
47	562949	MAGNET ROUND .200x.700 DIA	4		
48	5001614	SCREW CAP FL HEXS M4-0.7x16 SS EMN	4		
50	XV-2390-50	"SLIDE-OUT" - INSTALLATION			
55	477989	DECAL "SEAL MUST BE DEFLATED..."	1		
56	477987	DECAL " ON OVERRIDE MUST BE LOW TORQUE..."	1		
57	477990	DECAL "THIS SLIDE-OUT PLATE IS FACTORY.."	2		
NS	216451	DECAL PATENT	1		
61	470182	SAFETY PIN 1 1/4" O.D. x 116MM	1		
62	642027	CYLINDER 1 1/16"	1		
63	470183	ADAPTOR CYLINDER 5/8-18 x M36-2	1		
64	502220	WASHER FL .375x1.000x.125 RUB	1		
65	641126	MALE CONNECTOR / PUSH-IN FITTING / #2x1/8NPT-M BR	1		
NS	680098	THREAD SEALANT LOCTITE #567 / WHITE / 250ml	AR		
66	503536	TUBE, NYLON 1/8 O.D. / BLACK S.L.	AR		
75	476935	ACCESS PANEL ASSY W/DRAIN	2		
NS	680532	SEALANT SIKA #221 / GREY / 310ml CARTRIDGE	AR		
76	478123	GASKET	2		
78	503707	HOSE / PVC REINFORCED 1/2" I.D. 100' / S.L.	AR		
NS	684517	ADHESIVE SIMSON #ISR 70-03 / GREY / 310ml CARTRIDGE	AR		
79	504230	HOSE CLAMP / 3/8"-7/8" SS / HS-6	2		
80	500526	SCREW TP CAP HEXW #12x3/4 N500	8		
81	5001686	WASHER FL SEAL .218x.625x20GA SS	8		
85	477747	GUTTER MOULDING FORWARD	1		
86	477748	GUTTER MOULDING BACKWARD	1		
NS	680532	SEALANT SIKA #221 / GREY / 310ml CARTRIDGE	AR		
87	504379	RIVET POP DOME OE 3/16x1/4 SS	6		
		10) WITH 10' SLIDE-OUT			
		7.5) WITH 7.5' SLIDE-OUT			
		E) WHEN YOU REPLACE THE OLD LINEAR BEARING 476761 YOU NEED 478827 AND 2 SLIDE-OUT RAIL SEE PAGE XV-1854-95			

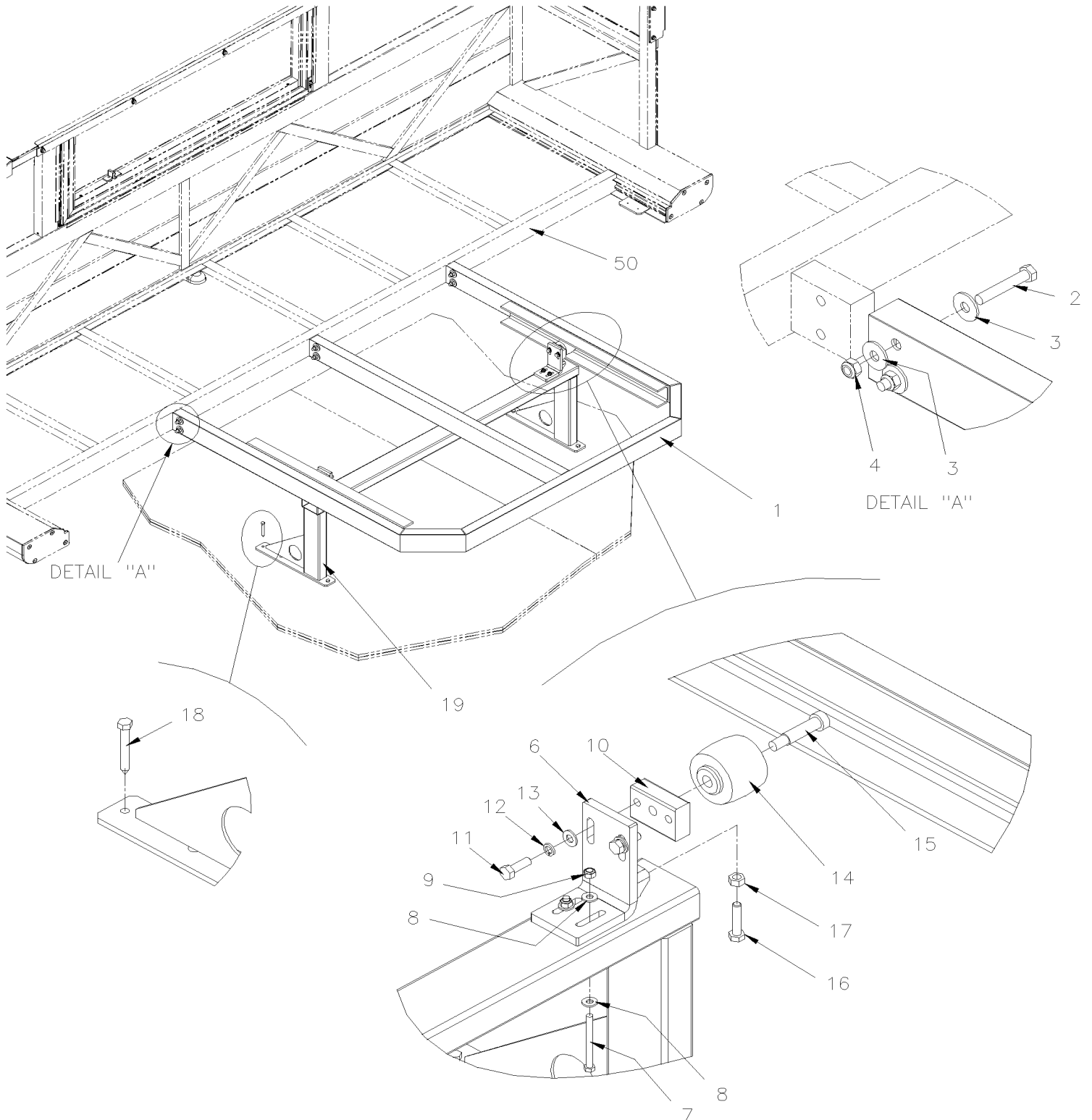


From B-5003 To D-5489

Date:07/2024

PAGE:XV-2390-40

"SLIDE-OUT" - BED SUPPORT





From B-5003 To D-5489	Date:07/2024	PAGE:XV-2390-40
"SLIDE-OUT" - BED SUPPORT		

Item#	Part	Description	X 3 V I P	X L I I E N T 4 5	N O T E S
1	407525	SUPPORT REAR BED	1		
2	5001485	SCREW CAP HEX M10-1.5x60 G8.8 Z050	6		
3	502644	WASHER FL 10.5x30.0x2.5 Z050	12		
4	5001570	NUT HEX NYRT M10-1.5 Z050	6		
6	477815	ANGLE SUPPORT	1		
7	509839	SCREW CAP HEX M6-1.0x60 G8.8 ZP	4		
8	500440	WASHER FL .250x.562x.065 Z050	8		
9	502511	NUT HEX NYRT M6-1.0 Z050	4		
10	476177	PLATE	1		
11	502589	SCREW CAP HEX M8-1.25x25 G8.8 Z050	4		
12	500874	WASHER FL 8.4x17.0x1.6 Z050	4		
13	5001003	WASHER LO SPT 8.1x12.7x2.0 Z050	4		
14	476181	WHEEL	1		
15	5001064	SCREW SHR HEXS 12x40 {M10-1.5	2		
15	680038	THREAD LOCKER LOCTITE #243 / BLUE / 50ml	AR		
16	502651	SCREW CAP HEX M8-1.25x35 G8.8 Z050	2		A
17	502543	NUT HEX M8-1.25 Z050	2		A
18	500918	SCREW TP CAP HEX 5/16-12x2 1/4 Z050	2		
18	5001221	SCREW TP CAP HEX 5/16x1 1/2 Z050	2		
19	478760	SUPPORT REAR BED	1		
50	XV-2390-50	"SLIDE-OUT" - INSTALLATION			
		A) FIXED TO ANGLE TO ADJUST HEIGHT			

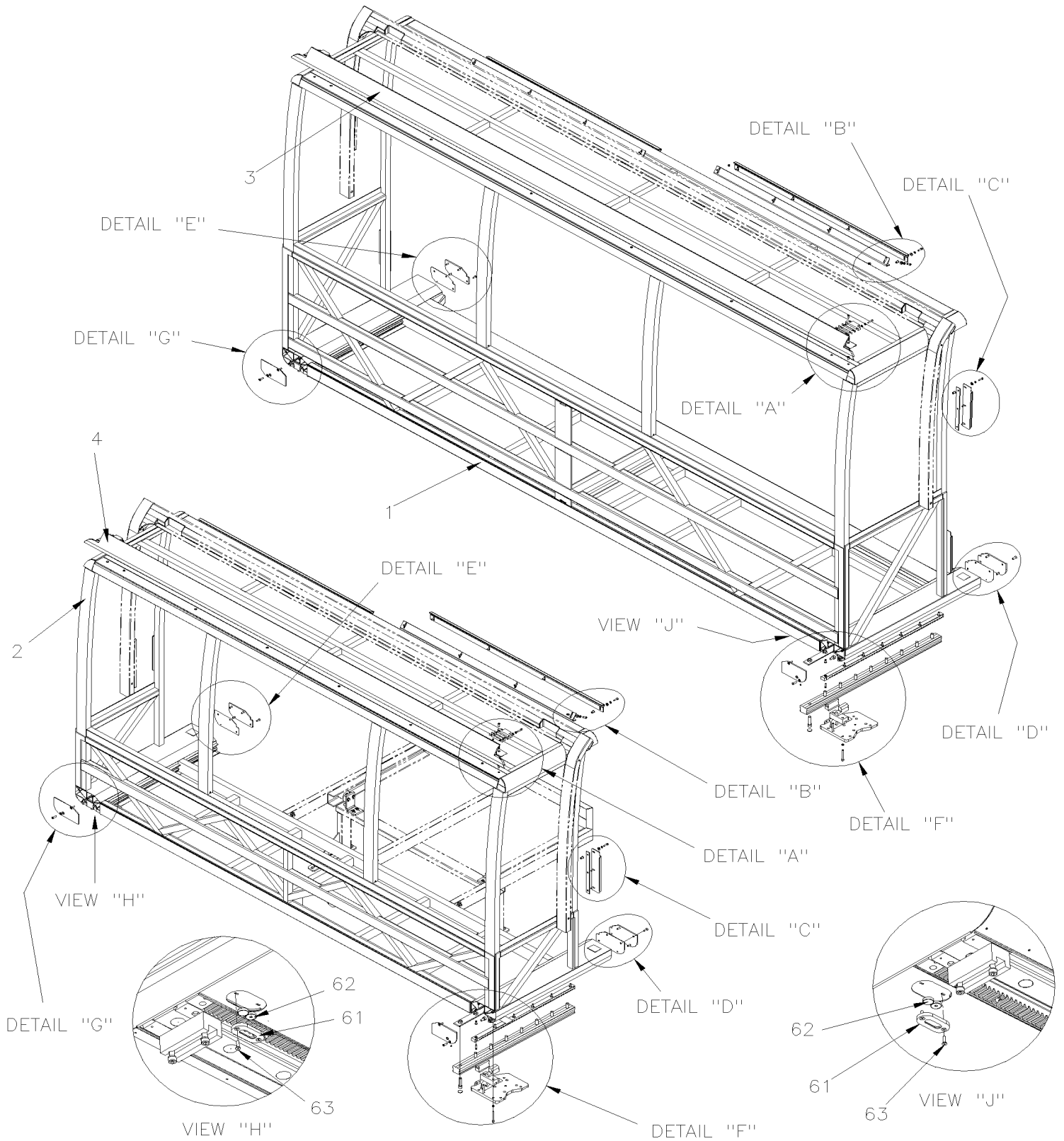


From B-5003 To D-5489

Date:07/2024

PAGE:XV-2390-50

"SLIDE-OUT" - INSTALLATION



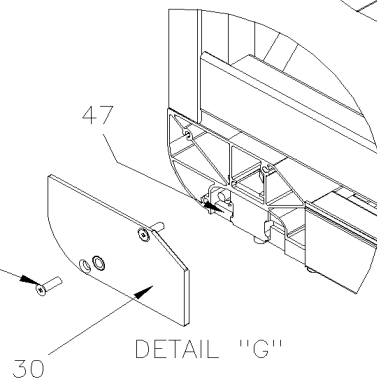
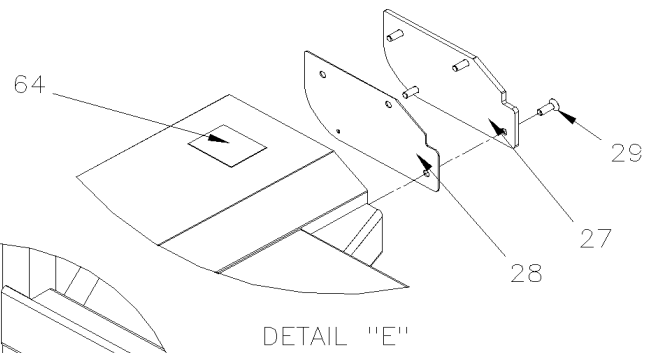
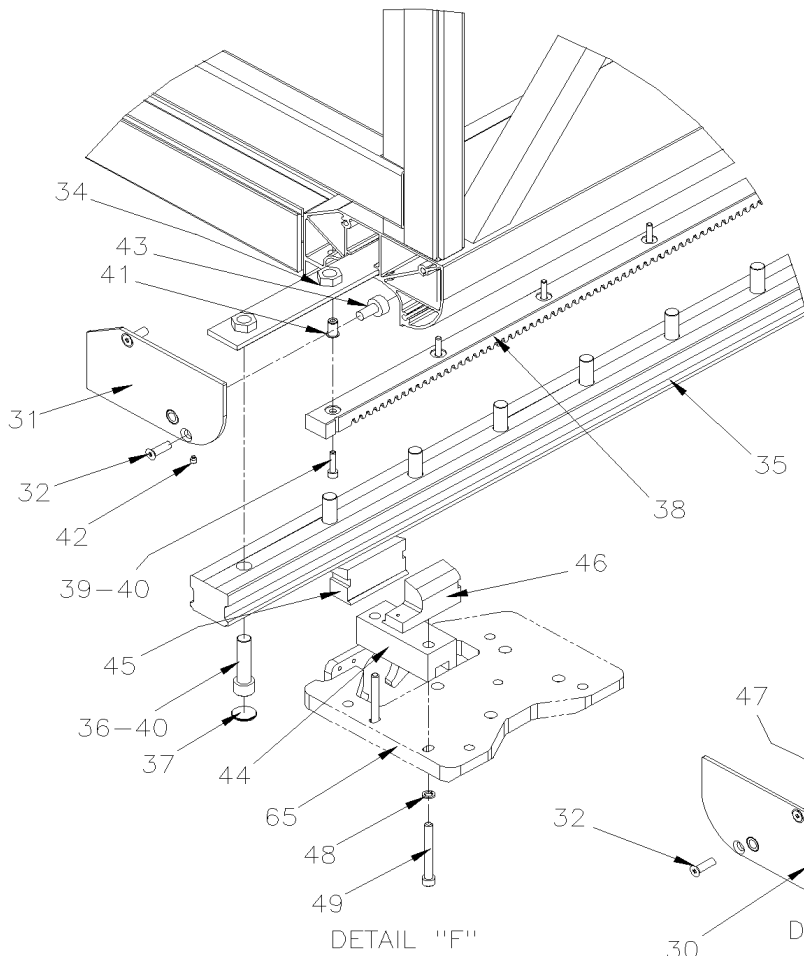
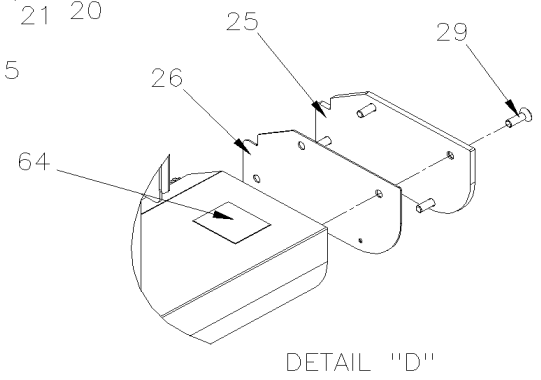
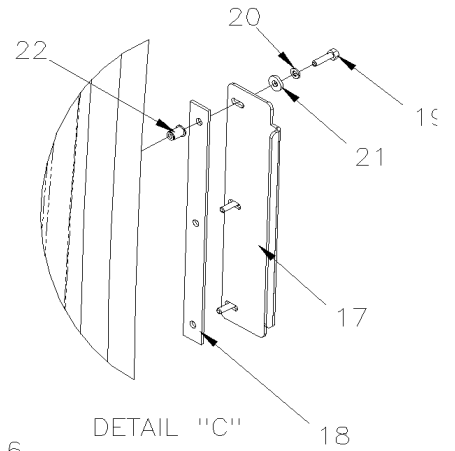
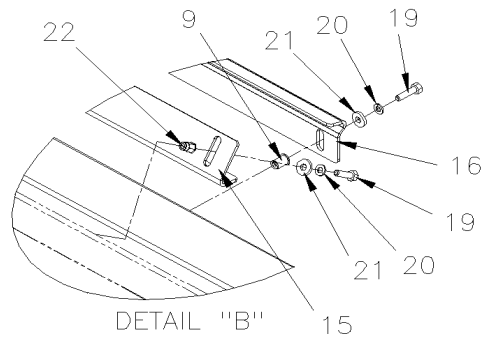
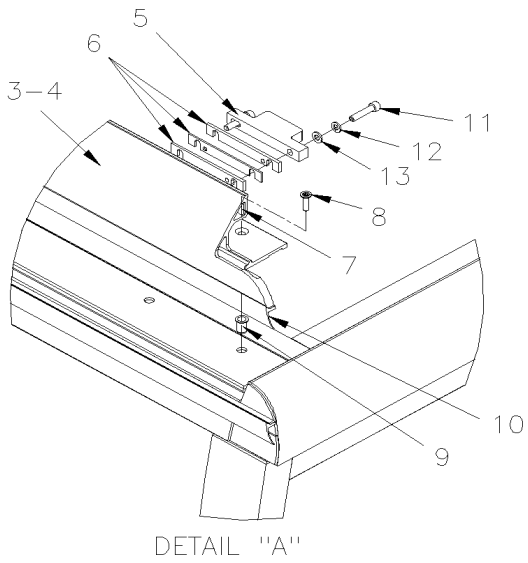


From B-5003 To D-5489

Date:07/2024

PAGE:XV-2390-50

"SLIDE-OUT" - INSTALLATION





From B-5003 To D-5489	Date:07/2024	PAGE:XV-2390-50
-----------------------	--------------	-----------------

"SLIDE-OUT" - INSTALLATION

Item#	Part	Description	X 3 V I P	X L I E N T 4 5	N O T E S
1		FRONT "SLIDE-OUT"	1	1	
2		REAR "SLIDE-OUT"	1	1	
3	477726	EXTRUSION & STOPPER / FRONT SLIDE-OUT	1		
3	477913	EXTRUSION & STOPPER / FRONT SLIDE-OUT		1	
4	477810	EXTRUSION & STOPPER / REAR SLIDE-OUT 7.5'	1		
4	470097	EXTRUSION & STOPPER / REAR SLIDE-OUT 10'	1		
5	477724	BUMPER	2	2	
6	477725	SHIM 12.7MM x 101MM x 11GA	AR	AR	
6	477807	SHIM 12.7MM x 101MM x 16GA	AR	AR	
7	5001612	SCREW CAP FL HEXS M4-0.7x8 SS EMN	2	2	
8	5001768	SCREW MA FL TORX M6-1.0x20 G8.8 Z050	6	6	
8	682176	SEALANT SIKA #221 / BLACK / 310ml CARTRIDGE	AR	AR	
9	502842	NUT INS TYPE "A-L" OE M6-1.0 0.7-4.2 Z050	AR	AR	
10	470095	RUBBER EXTRUSION / RAW MATERIAL	AR	AR	
11	5001611	SCREW CAP HEXS M6-1.0x30 SS BK	4	4	
12	502570	WASHER LO SPT 6.1x11.8x1.6 SS	4	4	
13	502573	WASHER FL 6.4x12.5x1.6 SS	4	4	
15	477915	INTERIOR KEY	2	2	
16	477723	PLATE TOP STOPPER 1354MM	2	2	
17	476176	SIDE KEY STOPPER 300MM	4	4	
18	476180	SPACER	4	4	
19	5001209	SCREW CAP HEX M6-1.0x25 G8.8 Z050	AR	AR	
20	502564	WASHER LO SPT 6.1x11.8x1.6 Z050	AR	AR	
21	5001586	WASHER FL 6.4x17.0x3.0 Z050	AR	AR	
22	5001344	NUT INS FL HEX M6-1.0 0.5-3.0 SS	AR	AR	
25	477681	CLOSING PLATE / BACKWARD	1	1	
26	477790	GASKET CLOSING PLATE / BACKWARD	1	1	
27	477879	CLOSING PLATE / FORWARD	1	1	
28	477744	GASKET CLOSING PLATE / FORWARD	1	1	
29	5001517	SCREW CAP FL HEXS M8-1.25x25 G8.8 Z050	8	8	
30	477676	CLOSING PLATE / FORWARD	1	1	
31	477677	CLOSING PLATE / BACKWARD	1	1	
32	502576	SCREW MA FL PH M8-1.25x25 Z050	4	4	
34	470104	ATTACHMENT STRIP 1020MM	2		F
34	477901	ATTACHMENT STRIP 900MM	2	2	
35	476759	RAIL GUIDE LINEAR BEARING 1058MM	2		F
35	476758	RAIL GUIDE LINEAR BEARING 904MM	2	2	
35	478826	RAIL GUIDE LINEAR BEARING 1058MM	1		E F
35	478825	RAIL GUIDE LINEAR BEARING 904MM	1	1	E
36	5001617	SCREW CAP HEXS M14-2.0x55 G10.9 DP	18	18	
37	504757	FINISHING PLUG / RAIL GUIDE	18	18	
38	470125	BOTTOM RACK 935MM	2		F



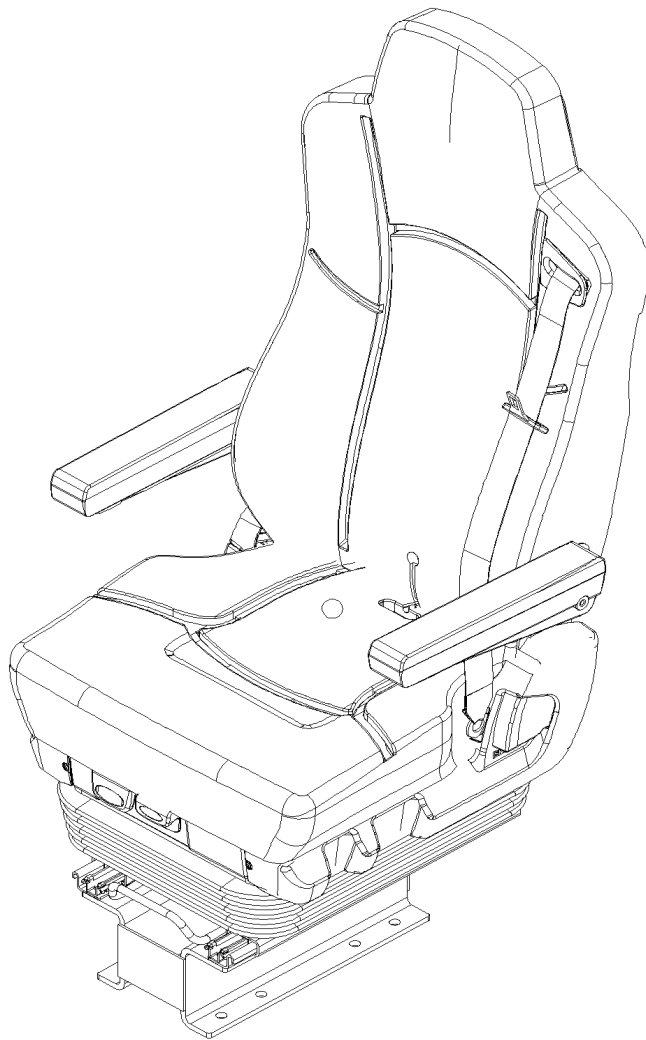
From B-5003 To D-5489	Date:07/2024	PAGE:XV-2390-50
-----------------------	--------------	-----------------

"SLIDE-OUT" - INSTALLATION

Item#	Part	Description	X 3 V I P	X L I I E N T 4 5	N O T E S
38	470127	BOTTOM RACK 785MM	2	2	
39	5001610	SCREW CAP HEXS M6-1.0x25 SS EMN	14	14	
40	680038	THREAD LOCKER LOCTITE #243 / BLUE / 50ml	AR	AR	
41	502839	NUT INS TYPE "A-L" OE M6-1.0 4.2-6.6 Z050	14	14	
42	5001602	SCREW SET HEXS FLAT M6-1.0x6 SS	2	2	
43	5001603	SCREW CAP HEXS M10-1.5x20 SS EMN	2	2	
44	470114	SPACER NYLON 100MM x 41MM x 35MM	2	2	
45	476762	SEALING BLOCK 81MM	2	2	
46	476763	SEALING BLOCK 81MM	1	1	
47	476764	SEALING BLOCK 81MM	1	1	
48	5001604	SCREW CAP HEXS M8-1.25x70 G8.8 G500	4	4	
49	502889	WASHER LO SPT 8.1x12.7x2.0 N500	4	4	
61	470124	SUPPORT MAGNET / ALUMINUM	2	2	
61	476473	GASKET MAGNET SUPPORT	2	2	
61	5061078	. TAPE RUB ADH1 CC POL 1/32" x 20" x 20"	AR	AR	
61	682176	SEALANT SIKA #221 / BLACK / 310ml CARTRIDGE	AR	AR	
62	562949	MAGNET ROUND .200x.700 DIA	4	4	
63	5001614	SCREW CAP FL HEXS M4-0.7x16 SS EMN	4	4	
64	477991	DECAL "CAUTION" DO NOT MAKE ANY MODI.."	4	4	
65	XV-2390-20	"SLIDE-OUT" - FRONT MECHANISM - INSTALLATION			
65	XV-2390-30	"SLIDE-OUT" - REAR MECHANISM INSTALLATION			
		E) WHEN YOU REPLACE THE OLD LINEAR BEARING 476761 YOU NEED 478827 AND 2 SLIDE-OUT RAIL			
		F) FRONT "SLIDE-OUT" WITH "X3-VIP" ONLY			



		Date:07/2024	XV-DRIVER-00
DRIVER'S SEAT			





		Date:07/2024	XV-DRIVER-00		
DRIVER'S SEAT					
Item#	Part	Description	X 3 V I P	X L I I E N T 4 5	N O T E S
1	861373	DRIVER'S SEAT - "ISRI" - MODEL 6800/338 / W/R.H. CONTROL From B-5003 To B-5003			
2	861373	DRIVER'S SEAT - "ISRI" - MODEL 6800/338 / W/R.H. CONTROL From B-5011 To B-5011			
3	861373	DRIVER'S SEAT - "ISRI" - MODEL 6800/338 / W/R.H. CONTROL From B-5017 To B-5017			
4	861373	DRIVER'S SEAT - "ISRI" - MODEL 6800/338 / W/R.H. CONTROL From B-5018 To B-5018			
5	861373	DRIVER'S SEAT - "ISRI" - MODEL 6800/338 / W/R.H. CONTROL From B-5024 To B-5024			
6	N.P.N.	DRIVER'S SEAT - SUPPLY BY CONVERTER From B-5089 To B-5089			4 A
7	861373	DRIVER'S SEAT - "ISRI" - MODEL 6800/338 / W/R.H. CONTROL From B-9971 To B-9971			
8	N.P.N.	DRIVER'S SEAT - SUPPLY BY CONVERTER From C-5070 To C-5070			4 A
9	864374	DRIVER'S SEAT - "ISRI" - MODEL 6832/872 / W/O ACTIVE CLIMATE CONTROL / W/COVERING BLACK / NOIR From C-5133 To C-5133			
10	N.P.N.	DRIVER'S SEAT - SUPPLY BY CONVERTER From C-5135 To C-5135			4 A
11	864374	DRIVER'S SEAT - "ISRI" - MODEL 6832/872 / W/O ACTIVE CLIMATE CONTROL / W/COVERING BLACK / NOIR From C-5136 To C-5136			
12	864374	DRIVER'S SEAT - "ISRI" - MODEL 6832/872 / W/O ACTIVE CLIMATE CONTROL / W/COVERING BLACK / NOIR From C-5138 To C-5138			
13	N.P.N.	DRIVER'S SEAT - SUPPLY BY CONVERTER From C-5139 To C-5139			4 A
14	864374	DRIVER'S SEAT - "ISRI" - MODEL 6832/872 / W/O ACTIVE CLIMATE CONTROL / W/COVERING BLACK / NOIR From C-5141 To C-5141			
15	864374	DRIVER'S SEAT - "ISRI" - MODEL 6832/872 / W/O ACTIVE CLIMATE CONTROL / W/COVERING BLACK / NOIR From C-5142 To C-5142			
16	N.P.N.	DRIVER'S SEAT - SUPPLY BY CONVERTER From C-5143 To C-5143			4 A
17	N.P.N.	DRIVER'S SEAT - SUPPLY BY CONVERTER From C-5233 To C-5233			4 A
18	864374	DRIVER'S SEAT - "ISRI" - MODEL 6832/872 / W/O ACTIVE CLIMATE CONTROL / W/COVERING BLACK / NOIR From C-5234 To C-5234			
19	864374	DRIVER'S SEAT - "ISRI" - MODEL 6832/872 / W/O ACTIVE CLIMATE CONTROL / W/COVERING BLACK / NOIR From C-5235 To C-5235			
20	N.P.N.	DRIVER'S SEAT - SUPPLY BY CONVERTER From C-5236 To C-5236			4 A
21	864374	DRIVER'S SEAT - "ISRI" - MODEL 6832/872 / W/O ACTIVE CLIMATE CONTROL / W/COVERING BLACK / NOIR From C-5237 To C-5237			
22	864374	DRIVER'S SEAT - "ISRI" - MODEL 6832/872 / W/O ACTIVE CLIMATE CONTROL / W/COVERING BLACK / NOIR From C-5238 To C-5238			
23	N.P.N.	DRIVER'S SEAT - SUPPLY BY CONVERTER From C-5239 To C-5239			4 A
24	864374	DRIVER'S SEAT - "ISRI" - MODEL 6832/872 / W/O ACTIVE CLIMATE CONTROL / W/COVERING BLACK / NOIR From C-5240 To C-5240			
25	864374	DRIVER'S SEAT - "ISRI" - MODEL 6832/872 / W/O ACTIVE CLIMATE CONTROL / W/COVERING BLACK / NOIR From C-5248 To C-5248			
26	N.P.N.	DRIVER'S SEAT - SUPPLY BY CONVERTER From C-5262 To C-5262			4 A
27	N.P.N.	DRIVER'S SEAT - SUPPLY BY CONVERTER From C-5263 To C-5263			4 A
28	N.P.N.	DRIVER'S SEAT - SUPPLY BY CONVERTER From C-5265 To C-5265			4 A
29	864374	DRIVER'S SEAT - "ISRI" - MODEL 6832/872 / W/O ACTIVE CLIMATE CONTROL / W/COVERING BLACK / NOIR From C-5267 To C-5267			
30	N.P.N.	DRIVER'S SEAT - SUPPLY BY CONVERTER From C-5277 To C-5277			4 A
31	N.P.N.	DRIVER'S SEAT - SUPPLY BY CONVERTER From C-5278 To C-5278			4 A
32	864374	DRIVER'S SEAT - "ISRI" - MODEL 6832/872 / W/O ACTIVE CLIMATE CONTROL / W/COVERING BLACK / NOIR From C-5279 To C-5279			
33	864374	DRIVER'S SEAT - "ISRI" - MODEL 6832/872 / W/O ACTIVE CLIMATE CONTROL / W/COVERING BLACK / NOIR From C-5280 To C-5280			
34	864374	DRIVER'S SEAT - "ISRI" - MODEL 6832/872 / W/O ACTIVE CLIMATE CONTROL / W/COVERING BLACK / NOIR From C-5281 To C-5281			

35	864374	DRIVER'S SEAT - "ISRI" - MODEL 6832/872 / W/O ACTIVE CLIMATE CONTROL / W/COVERING BLACK / NOIR From C-5282 To C-5282			
36	864374	DRIVER'S SEAT - "ISRI" - MODEL 6832/872 / W/O ACTIVE CLIMATE CONTROL / W/COVERING BLACK / NOIR From C-5283 To C-5283			
37	864374	DRIVER'S SEAT - "ISRI" - MODEL 6832/872 / W/O ACTIVE CLIMATE CONTROL / W/COVERING BLACK / NOIR From C-5284 To C-5284			
38	864374	DRIVER'S SEAT - "ISRI" - MODEL 6832/872 / W/O ACTIVE CLIMATE CONTROL / W/COVERING BLACK / NOIR From C-5285 To C-5285			
39	864374	DRIVER'S SEAT - "ISRI" - MODEL 6832/872 / W/O ACTIVE CLIMATE CONTROL / W/COVERING BLACK / NOIR From C-5286 To C-5286			
40	864374	DRIVER'S SEAT - "ISRI" - MODEL 6832/872 / W/O ACTIVE CLIMATE CONTROL / W/COVERING BLACK / NOIR From C-5287 To C-5287			
41	864374	DRIVER'S SEAT - "ISRI" - MODEL 6832/872 / W/O ACTIVE CLIMATE CONTROL / W/COVERING BLACK / NOIR From D-5296 To D-5296			
42	864374	DRIVER'S SEAT - "ISRI" - MODEL 6832/872 / W/O ACTIVE CLIMATE CONTROL / W/COVERING BLACK / NOIR From D-5297 To D-5297			



	Date:07/2024	XV-DRIVER-00
DRIVER'S SEAT		

Item#	Part	Description	X 3 V I P	X L I I E N T 4 5	N O T E S
43	N.P.N.	DRIVER'S SEAT - SUPPLY BY CONVERTER From D-5298 To D-5298			4 A
44	864374	DRIVER'S SEAT - "ISRI" - MODEL 6832/872 / W/O ACTIVE CLIMATE CONTROL / W/COVERING BLACK / NOIR From D-5299 To D-5299			
45	N.P.N.	DRIVER'S SEAT - SUPPLY BY CONVERTER From D-5311 To D-5311			4 A
46	864374	DRIVER'S SEAT - "ISRI" - MODEL 6832/872 / W/O ACTIVE CLIMATE CONTROL / W/COVERING BLACK / NOIR From D-5314 To D-5314			
47	864374	DRIVER'S SEAT - "ISRI" - MODEL 6832/872 / W/O ACTIVE CLIMATE CONTROL / W/COVERING BLACK / NOIR From D-5324 To D-5324			
48	N.P.N.	DRIVER'S SEAT - SUPPLY BY CONVERTER From D-5334 To D-5334			4 A
49	864374	DRIVER'S SEAT - "ISRI" - MODEL 6832/872 / W/O ACTIVE CLIMATE CONTROL / W/COVERING BLACK / NOIR From D-5349 To D-5349			
50	864374	DRIVER'S SEAT - "ISRI" - MODEL 6832/872 / W/O ACTIVE CLIMATE CONTROL / W/COVERING BLACK / NOIR From D-5372 To D-5372			
51	864374	DRIVER'S SEAT - "ISRI" - MODEL 6832/872 / W/O ACTIVE CLIMATE CONTROL / W/COVERING BLACK / NOIR From D-5373 To D-5373			
52	864374	DRIVER'S SEAT - "ISRI" - MODEL 6832/872 / W/O ACTIVE CLIMATE CONTROL / W/COVERING BLACK / NOIR From D-5374 To D-5374			
53	864374	DRIVER'S SEAT - "ISRI" - MODEL 6832/872 / W/O ACTIVE CLIMATE CONTROL / W/COVERING BLACK / NOIR From D-5377 To D-5377			
54	864374	DRIVER'S SEAT - "ISRI" - MODEL 6832/872 / W/O ACTIVE CLIMATE CONTROL / W/COVERING BLACK / NOIR From D-5378 To D-5378			
55	864374	DRIVER'S SEAT - "ISRI" - MODEL 6832/872 / W/O ACTIVE CLIMATE CONTROL / W/COVERING BLACK / NOIR From D-5379 To D-5379			
56	864374	DRIVER'S SEAT - "ISRI" - MODEL 6832/872 / W/O ACTIVE CLIMATE CONTROL / W/COVERING BLACK / NOIR From D-5380 To D-5380			
57	864374	DRIVER'S SEAT - "ISRI" - MODEL 6832/872 / W/O ACTIVE CLIMATE CONTROL / W/COVERING BLACK / NOIR From D-5381 To D-5381			
58	864374	DRIVER'S SEAT - "ISRI" - MODEL 6832/872 / W/O ACTIVE CLIMATE CONTROL / W/COVERING BLACK / NOIR From D-5384 To D-5384			
59	N.P.N.	DRIVER'S SEAT - SUPPLY BY CONVERTER From D-5385 To D-5385			4 A
60	864374	DRIVER'S SEAT - "ISRI" - MODEL 6832/872 / W/O ACTIVE CLIMATE CONTROL / W/COVERING BLACK / NOIR From D-5389 To D-5389			
61	864374	DRIVER'S SEAT - "ISRI" - MODEL 6832/872 / W/O ACTIVE CLIMATE CONTROL / W/COVERING BLACK / NOIR From D-5395 To D-5395			
62	864374	DRIVER'S SEAT - "ISRI" - MODEL 6832/872 / W/O ACTIVE CLIMATE CONTROL / W/COVERING BLACK / NOIR From D-5396 To D-5396			
63	864374	DRIVER'S SEAT - "ISRI" - MODEL 6832/872 / W/O ACTIVE CLIMATE CONTROL / W/COVERING BLACK / NOIR From D-5397 To D-5397			
64	864374	DRIVER'S SEAT - "ISRI" - MODEL 6832/872 / W/O ACTIVE CLIMATE CONTROL / W/COVERING BLACK / NOIR From D-5398 To D-5398			
65	864374	DRIVER'S SEAT - "ISRI" - MODEL 6832/872 / W/O ACTIVE CLIMATE CONTROL / W/COVERING BLACK / NOIR From D-5399 To D-5399			
66	864374	DRIVER'S SEAT - "ISRI" - MODEL 6832/872 / W/O ACTIVE CLIMATE CONTROL / W/COVERING BLACK / NOIR From D-5400 To D-5400			
67	864374	DRIVER'S SEAT - "ISRI" - MODEL 6832/872 / W/O ACTIVE CLIMATE CONTROL / W/COVERING BLACK / NOIR From D-5401 To D-5401			
68	864374	DRIVER'S SEAT - "ISRI" - MODEL 6832/872 / W/O ACTIVE CLIMATE CONTROL / W/COVERING BLACK / NOIR From D-5402 To D-5402			
69	864374	DRIVER'S SEAT - "ISRI" - MODEL 6832/872 / W/O ACTIVE CLIMATE CONTROL / W/COVERING BLACK / NOIR From D-5403 To D-5403			
70	864374	DRIVER'S SEAT - "ISRI" - MODEL 6832/872 / W/O ACTIVE CLIMATE CONTROL / W/COVERING BLACK / NOIR From D-5404 To D-5404			

		NOIR From D-5404 To D-5404			
71	N.P.N.	DRIVER'S SEAT - SUPPLY BY CONVERTER From D-5416 To D-5416			4 A
72	N.P.N.	DRIVER'S SEAT - SUPPLY BY CONVERTER From D-5417 To D-5417			4 A
73	N.P.N.	DRIVER'S SEAT - SUPPLY BY CONVERTER From D-5432 To D-5432			4 A
74	N.P.N.	DRIVER'S SEAT - SUPPLY BY CONVERTER From D-5434 To D-5434			4 A
75	N.P.N.	DRIVER'S SEAT - SUPPLY BY CONVERTER From D-5435 To D-5435			4 A
76	864374	DRIVER'S SEAT - "ISRI" - MODEL 6832/872 / W/O ACTIVE CLIMATE CONTROL / W/COVERING BLACK / NOIR From D-5436 To D-5436			
77	864374	DRIVER'S SEAT - "ISRI" - MODEL 6832/872 / W/O ACTIVE CLIMATE CONTROL / W/COVERING BLACK / NOIR From D-5439 To D-5439			
78	864374	DRIVER'S SEAT - "ISRI" - MODEL 6832/872 / W/O ACTIVE CLIMATE CONTROL / W/COVERING BLACK / NOIR From D-5440 To D-5440			
79	N.P.N.	DRIVER'S SEAT - SUPPLY BY CONVERTER From D-5441 To D-5441			4 A
80	864374	DRIVER'S SEAT - "ISRI" - MODEL 6832/872 / W/O ACTIVE CLIMATE CONTROL / W/COVERING BLACK / NOIR From D-5442 To D-5442			
81	864374	DRIVER'S SEAT - "ISRI" - MODEL 6832/872 / W/O ACTIVE CLIMATE CONTROL / W/COVERING BLACK / NOIR From D-5443 To D-5443			
82	N.P.N.	DRIVER'S SEAT - SUPPLY BY CONVERTER From D-5445 To D-5445			4 A
83	864374	DRIVER'S SEAT - "ISRI" - MODEL 6832/872 / W/O ACTIVE CLIMATE CONTROL / W/COVERING BLACK / NOIR From D-5446 To D-5446			
84	864374	DRIVER'S SEAT - "ISRI" - MODEL 6832/872 / W/O ACTIVE CLIMATE CONTROL / W/COVERING BLACK / NOIR From D-5447 To D-5447			



		Date:07/2024	XV-DRIVER-00		
DRIVER`S SEAT					
Item#	Part	Description	X 3 V I P	X L I I E N T 4 5	N O T E S
85	864374	DRIVER`S SEAT - "ISRI" - MODEL 6832/872 / W/O ACTIVE CLIMATE CONTROL / W/COVERING BLACK / NOIR From D-5448 To D-5448			
86	864374	DRIVER`S SEAT - "ISRI" - MODEL 6832/872 / W/O ACTIVE CLIMATE CONTROL / W/COVERING BLACK / NOIR From D-5452 To D-5452			
87	864374	DRIVER`S SEAT - "ISRI" - MODEL 6832/872 / W/O ACTIVE CLIMATE CONTROL / W/COVERING BLACK / NOIR From D-5453 To D-5453			
88	N.P.N.	DRIVER`S SEAT - SUPPLY BY CONVERTER From D-5454 To D-5454			4 A
89	864374	DRIVER`S SEAT - "ISRI" - MODEL 6832/872 / W/O ACTIVE CLIMATE CONTROL / W/COVERING BLACK / NOIR From D-5455 To D-5455			
90	864374	DRIVER`S SEAT - "ISRI" - MODEL 6832/872 / W/O ACTIVE CLIMATE CONTROL / W/COVERING BLACK / NOIR From D-5456 To D-5456			
91	N.P.N.	DRIVER`S SEAT - SUPPLY BY CONVERTER From D-5457 To D-5457			4 A
92	864374	DRIVER`S SEAT - "ISRI" - MODEL 6832/872 / W/O ACTIVE CLIMATE CONTROL / W/COVERING BLACK / NOIR From D-5458 To D-5458			
93	864374	DRIVER`S SEAT - "ISRI" - MODEL 6832/872 / W/O ACTIVE CLIMATE CONTROL / W/COVERING BLACK / NOIR From D-5461 To D-5461			
94	N.P.N.	DRIVER`S SEAT - SUPPLY BY CONVERTER From D-5468 To D-5468			4 A
95	N.P.N.	DRIVER`S SEAT - SUPPLY BY CONVERTER From D-5479 To D-5479			4 A
96	864374	DRIVER`S SEAT - "ISRI" - MODEL 6832/872 / W/O ACTIVE CLIMATE CONTROL / W/COVERING BLACK / NOIR From D-5485 To D-5485			
97	N.P.N.	DRIVER`S SEAT - SUPPLY BY CONVERTER From D-5489 To D-5489			4 A
		A) DRIVER`S SEAT SUPPLY BY CONVERTER			
		4) NO PARTS NUMBER			



Date:07/2024

PAGE:ABBREVIATIONS

ABBREVIATIONS

Item#	Part	Description	QTY	Notes
A	ABS	ANTILOCK BRAKING SYSTEM		
A	ADH1	ONE SIDE ADHESIVE		
A	ADH2	TWO SIDE ADHESIVE		
A	AR	AS REQUIRED		
A	ASSY	ASSEMBLY		
B	BDG	BINDING		
B	BEL	BELLEVILLE		
B	BOW	BOWED		
B	BR	BRASS		
B	BRAZ	BRAZIER		
B	BRZ	BRONZE		
B	BUT	BUTTON		
B	BZC	BRIGHT ZINC CHROMATE		
C	C.E.	COMMUTATOR END		
C	C.T.	CONSTANT TORQUE		
C	C/C	CENTER/CENTER		
C	CC	CLOSED CELL		
C	CCW	COUNTERCLOCKWISE		
C	CEB	CUFF END BELLOW		
C	CHE	CHEESE		
C	CHR	CHROME		
C	CHY	CHERRY		
C	CK	COUNTERSUNK		
C	CKD	CLOSED KEYED		
C	CKF	COUNTERSUNK FLUSH		
C	CKS	CLOSED KEYLESS		
C	CLE	CLOSE END		
C	CON	CONCAVE		
C	CONV	CONVOLUTED TUBING		
C	COP	COPPER		
C	CP	CADMIUM PLATED		
C	CPG	COUPLING		
C	CPV	CAPTIVE		
C	CRG	CARRIAGE		
C	CRS	COLD ROLLED STEEL		
C	CSL	CASTLE		
C	CT	CONSTANT TORQUE		
C	CW	CLOCKWISE		
C	CYL.	CYLINDER		
D	D.E.	DRIVE END		
D	D.P.D.T.	DOUBLE POLE DOUBLE THROW		
D	DIA.	DIAMETER		
D	DIFF	DIFFERENTIAL		
D	DOB	DIAMETER OVER BALLS		
D	DR	DRILL		
D	DRV	DRIVE		
D	DW	DOUBLE WAVE		
E	ECU	ELECTRONIC CONTROL UNIT		
E	EFF	EFFECTIVE		
E	EMN	EMRALON		



Date:07/2024

PAGE:ABBREVIATIONS

ABBREVIATIONS

Item#	Part	Description	QTY	Notes
E	ENG.	ENGINE		
E	EXT	EXTERNAL		
F	F	FEMALE		
F	FER	FERRULE		
F	FFB	FLAT FACE BOWED		
F	FH	FITTING HOSE		
F	FIB	FIBER		
F	FIL	FILLISTER		
F	FL	FLAT		
F	FLRET	FLOATING RETAINER		
F	FN	FINISHING		
F	FORM	FORMICA		
F	FRT	FRONT		
F	FT	FULLY THREADED		
G	G500	MAGNI 565 GRAY / 500 HOURS SALT SPRAY		
G	GAL	GALVANISED		
G	GND	GROUND		
H	H.P.	HIGH PRESSURE		
H	HD	HEAVY DUTY		
H	HEX	HEXAGONAL		
H	HEXF	HEXAGONAL FLANGE		
H	HEXH	HEXAGONAL HEAVY		
H	HEXS	HEXAGONAL SOCKET		
H	HEXW	HEXAGONAL WASHER		
H	HI	HIGH		
H	HK	HOOK		
H	HRS	HOT ROLLED STEEL		
H	HVAC	HEATING, VENTILATION & AIR CONDITIONING		
H	HYD	HYDRAULIC		
I	I.D.	INSIDE DIAMETER		
I	INS	INSERT		
I	INT	INTERNAL		
J	JCT	JUNCTION		
L	L.P.	LOW PRESSURE		
L	LED	LIGHT-EMITTING DIODE		
L	LGE	LARGE		
L	LH	LEFT HAND		
L	LO	LOCK		
L	LUGG.	LUGGAGE		
M	M	MALE		
M	M & F	MALE & FEMALE		
M	MA	MACHINE		
M	MAX	MAXIMUM		
M	MGLP	MAGNA-LOK		
M	MIN	MINIMUM		
M	MNB	MONOBOLT		
M	MNL	MONEL		
N	N.C.	NORMALY CLOSE		
N	N.O.	NORMALY OPEN		
N	N.P.N.	NO PARTS NUMBER		



Date:07/2024

PAGE:ABBREVIATIONS

ABBREVIATIONS

Item#	Part	Description	QTY	Notes
N	N.S.P.	NOT SOLD AT PREVOST		
N	N.S.S.	NOT SOLD SEPARATELY		
N	N/A	NOT AVAILABLE		
N	N500	MAGNI 565 BLACK / 500 HOURS SALT SPRAY		
N	NEG.	NEGATIVE		
N	NEO	NEOPRENE		
N	NERB	NEOPRENE & BRASS		
N	NIT	NITRILE		
N	NP	NICKEL PLATED		
N	NPT	NATIONAL PIPE THREAD		
N	NS	NOT SHOWN		
N	NYAL	NYLON & ALUMINIUM		
N	NYL	NYLON		
N	NYRT	NYLON INSERT		
O	O.D.	OUTSIDE DIAMETER		
O	O.S.	OVERSIZE		
O	OE	OPEN END		
O	OKD	OPEN KEYED		
O	OKS	OPEN KEYLESS		
O	OPT.	OPTION		
O	OV	OVAL		
P	PH	PHILIPS		
P	PHB	PHOSPHOR BRONZE		
P	PHC	PHOSPHATE COATING		
P	PLAS	PLASTIC		
P	PLEX	PLEXIGLASS		
P	PO	PUSH-ON		
P	POL	POLYETHYLENE		
P	POLCAR	POLYCARBONATE		
P	POLY	POLYPROPYLENE		
P	POLYA	POLYAMIDE		
P	POLYP	POLYPROPYLENE		
P	POS.	POSITIVE		
P	PRDG	PROTRUDING		
P	PROT	PROTECTIVE		
P	PT	PARTIALLY THREADED		
R	RBP	RUBBER BUMPER		
R	RCT	RECEPTACLE		
R	REC	RECTANGULAR		
R	RES	RECESS		
R	RET	RETANING / RETAINER		
R	RH	RIGHT HAND		
R	RND	ROUND		
R	RR	REAR		
R	RUB	RUBBER		
R	RVT	RIVET		
S	S.C.C.	SPECIFY COLOR CODE		
S	S.D.	SPECIFY DIMENSION		
S	S.L.	SPECIFY LENGHT		
S	S.P.D.T	SINGLE POLE DOUBLE THROW		



Date:07/2024

PAGE:ABBREVIATIONS

ABBREVIATIONS

Item#	Part	Description	QTY	Notes
S	S.P.S.T	SINGLE POLE SINGLE THROW		
S	SB	SATIN BLEND		
S	SCT	SECTION		
S	SERR	SERRATED		
S	SG	SPRING GUARD		
S	SHR	SHOULDER		
S	SLE	SLEEVE		
S	SLO	SELF LOCKING		
S	SLT	SLOTTED		
S	SM	SMALL		
S	SOL	SOLID		
S	SPE	SPECIAL		
S	SPR	SPRING		
S	SPT	SPLIT		
S	SQ	SQUARE		
S	SQS	SQUARE SOCKET		
S	SS	STAINLESS STEEL		
S	STD	STANDARD		
S	STL	STEEL		
S	STO	STOVER		
S	SW	SWIVEL		
S	SWL FITT.	SWIVEL FITT		
T	TC	THREAD CUTTING		
T	TH	THICKNESS		
T	TP	TAPPING		
T	TPG	TAPPING		
T	TR	TRUSS		
T	TRANS.	TRANSMISSION		
T	TWAY	TWO WAY LOCK		
T	TXV	THERMAL EXPANSION VALVE		
U	U.S.	UNDERSIZE		
V	VAC	VEHICLE ACCELERATION CONTROL		
W	W	WITH		
W	W.S.	WAVE SEAL		
W	W/O	WITHOUT		
W	WD	WELDED		
W	WIND.	WINDOW		
W	WO	WOOD		
W	WOC	WITHOUT CERAMIC		
X	XX-XXXX-XX	SEE PAGE		
Y	YZP	YELLOW ZINC PLATED		
Z	Z050	ZINC PLATED		
Z	ZG603	ZINC IRON BLACK		
Z	ZP	ZINC PLATED		
N	N_A	NOT AVAILABLE		
W	W_O	WITHOUT		
C	C_C	CENTER/CENTER		
A	ABBREVIATIC	ABBREVIATIONS		