

PREVOST
COACH MANUFACTURER

PARTS MANUAL

H3-40 & V.I.P. 40

PA1100

07-2024

H3-40 & V.I.P. 40 PARTS MANUAL

General information

A. Vehicle Identification Number (V.I.N.)

Each time spare parts have to be ordered, you must refer to your vehicle identification number serial number. In order to understand the meaning of this number, please refer to the following:

2 P C H 3 3 4 9 5 M 1 0 1 090

H = VEHICLE MODEL
0 = VEHICLE LENGHT
M = MODEL YEAR
090 = SEQUENCE NUMBER

Vehicle Model

This manual covers vehicle model H3-40 coaches and VIP bus shells.

H	H3-40
V	V.I.P. Bus shell

Vehicle Length

0	40 feet
----------	---------

Model Year

YEAR	CODE	YEAR	CODE
1990	L	1993	P
1991	M	1994	R
1992	N		

Sequence Number

This number represents the sequence the vehicle has followed on the assembly line. The sequence number is represented by the last three digits.

B. Effectivity

This manual covers information for ALL vehicles from the first H3-40 and VIP40 model to the last.

The heading of each page in this manual refers to an effectivity serial number and in the parts description, you may find additional information on the effectivity of a specific part to a serial number (refer to EFF:).

In the description, you may also remark the expression PRIOR which means that a component is effective to the vehicles manufactured before the specified serial number (refer to PRIOR:).

WARNING: Those vehicles from the sequence number R-379 to R-399 was built before the R-001 to up. Because, we were changing the letter before the reset of the sequence.

PARTS MANUAL

C. Illustrations

An exploded view is conveniently located at the beginning of each section and is meant to assist the user in identifying parts and components.

The illustrations show the typical construction of the different assemblies and , in all cases, may not reproduced the full detail or exact shape of parts shown, however, they represent parts which have same or similar function.

D. General

The information, illustrations and components/system descriptions contained in this manual are correct at time of publication. Prévost Car Inc., however, maintains a policy of continuous improvement of its product without imposing upon itself any obligation to install them on products previously manufactured.

Prévost Car Inc., reserves the right at any time to discontinue or change specifications, designs, features, models or equipment without incurring obligation.

PARTS MANUAL

E. Parts and Service Center

CANADA

Canadian Parts Customer Service 2955-A Watt Street Québec, Québec Canada, G1X 3W1	Toll free phone: 1 (800) 463-8876 Tel.: (418) 654-0174 Fax: (800) 939-0133 Fax: (418) 658-1723	Service Center British Columbia 11911 No. 5 Road Richmond, British Columbia Canada, V7A 4E9	Tel.: (604) 940-3306 Fax: (604) 940-3384
Service Center 850 Chemin Olivier Saint-Nicolas, Quebec Canada G7A 2N1	Toll free phone: 1 866 870-2046 Tel.: (418) 831-2046 Fax: (418) 831-7432	Service Ontario 8301-A Keele Street Vaughan, Ontario Canada, L4K 1Z6	Tel.: (905) 738-0881 Fax: (905) 738-0891
Service Center Alberta 292 MacDonald Crescent Fort McMurray, Alberta Canada T9H 4B6	Tel.: (780) 792-9526 Fax: (780) 743-0983		

UNITED STATES

US Parts Customer Service 2250 Point Blvd., Suite 410 Elgin, IL USA, 60123	Toll free phone 1 800 799-9938 Main office (847) 844-7680 Parts 1 800 621-5519	Prevost Parts & Service Center 800 South Cartwright Street Goodlettsville, TN USA, 37072	Toll free phone 1 877 299-8881 Main office (615) 299-8881 Fax: (615) 299-8816 After-Hours (615) 519-1372 Parts Emergency
Prevost Parts & Service Center 3384 De Forest Circle Mira Loma, CA USA, 91752	Toll free phone 1 800 421-9958 Main office (951) 360-2550 Fax: (951) 360-2560 After-Hours (951) 314-0226 Parts Emergency	Prevost Parts & Service Center 201 South Avenue South Plainfield, NJ USA, 07080	Toll free phone 1 800 223-0830 Main office (908) 222-7211 Fax: (908) 222-7304 Fax parts (908) 222-7305 After-Hours (201) 315-4064 Parts Emergency
Prevost Parts & Service Center 6821 Central Avenue, Newark, CA USA, 94560	Main office (310) 283-1852 After-Hours: (951) 314-0226 Parts Emergency	Prevost Parts & Service Center 15200 Frye Road Fort Worth, TX USA, 76155-2702	Service/Parts 1 866 773-8678 Main office (817) 685-0250 Fax : (817) 685-0460 After-Hours (817) 271-8653 Parts Emergency
Prevost Parts & Service Center 6931 Business Park Blvd North Jacksonville, FL USA, 32256	Toll free phone 1 800 874-7740 Main office (904) 886-4555 Fax: (904) 886-0092 After-Hours (904) 412-8023 Parts Emergency	Prevost Parts & Service Center 11851 Cutten Road Houston, TX USA, 77066	Service/Parts 1 877 602-0273 Main office (713) 849-8562 Fax: (281) 315-1571 After-Hours (346) 333-5520 Parts Emergency
Prevost Parts & Service Center 1300 Green Forest Court Winter Garden, FL USA, 34787	Toll free phone 1 866 726-6235 Main office (407) 554-0196 After-Hours: (407) 259-5720 Parts Emergency	Prevost Parts & Service Center 3715 N. Carnation St. Franklin Park, IL USA, 60131	Main office (847) 778-7475 Fax: (847) 737-2242 After-Hours 1 800 463-7738 Parts Emergency

PARTS MANUAL

KEY & ABBREVIATIONS

(XXXX-XX)	SEE PAGE	N/A	NOT AVAILABLE
<>	BETWEEN	NEG.	NEGATIVE
°	DEGREE	N.O.	NORMALLY OPEN
#	NUMBER	N.C.	NORMALLY CLOSE
??	INFORMATION NOT AVAILABLE AT TIME OF PUBLICATION	N.P.N.	NO PARTS NUMBER
ABS	ANTILOCK BRAKING SYSTEM	NPT	NATIONAL PIPE THREAD
AR	AS REQUIRED	NS	NOT SHOWN
ASSY	ASSEMBLY	N.S.P.	NOT SOLD AT PREVOST (SEE MANUFACTURING PART NUMBER AT THE END OF DESCRIPTION LINE)
CCW	COUNTERCLOCKWISE	N.S.S.	NOT SOLD SEPARATELY
C.E.	COMMUTATOR END	O.D.	OUTSIDE DIAMETER
CHR	CHROME	OPT.	OPTION
CW	CLOCKWISE	O.S.	OVERSIZE
CYL.	CYLINDER	PH	PHILLIPS
C/C	CENTER/CENTER	POS.	POSITIVE
D.E.	DRIVE END	RR	REAR
DIA.	DIAMETER	S.C.C.	SPECIFY COLOR CODE
DIFF.	DIFFERENTIAL	SCT	SECTION
D.P.D.T.	DOUBLE POLE DOUBLE THROW	S.D.	SPECIFY DIMENSION
ECU	ELECTRONIC CONTROL UNIT	S.L.	SPECIFY LENGHT
EDU	ELECTRONIC DISTRIBUTOR UNIT	SM	SMALL
EFF	EFFECTIVE	S.P.S.T.	SINGLE POLE SINGLE THROW
ENG.	ENGINE	S.P.D.T.	SINGLE POLE DOUBLE THROW
EXT	EXTERNAL	S.Q.	SPECIFY QUANTITY
FR	FRONT	SS	STAINLESS STEEL
GND	GROUND	STD	STANDARD
HD	HEAD	STO	STOVER
HEX	HEXAGONAL	SW	SWIVEL
H.P.	HIGH PRESSURE	SWL FITT.	SWIVEL FITTING
HVAC	HEATING, VENTILATION & AIR CONDITIONING	TPG	TAPING
HYD	HYDRAULIC	TH	THICKNESS
I.D.	INSIDE DIAMETER	TRANS.	TRANSMISSION
INT	INTERNAL	TXV	THERMAL EXPANSION VALVE
JCT	JUNCTION	U.S.	UNDERSIZE
LED	LIGHT-EMITTING DIODE	W	WITH
L.P.	LOW PRESSURE	W/O	WITHOUT
LUGG.	LUGGAGE	WIND.	WINDOW
M & F	MALE & FEMALE	ZP	ZINC PLATED

PARTS MANUAL

MEASUREMENT EQUIVALENTS

Fraction - Inches (dec.) - Millimeter

25.4mm = 1 inch

1mm = .03937 inch

fraction	decimal	mm	fraction	decimal	mm
1/64	0.0156	0.397	33/64	0.5156	13.097
1/32	0.0313	0.794	17/32	0.5313	13.494
-	0.0394	1	35/64	0.5469	13.891
3/64	0.0469	1.191	-	0.5512	14
1/16	0.0625	1.588	9/16	0.5625	14.288
5/64	0.0781	1.984	37/64	0.5781	14.684
-	0.0787	2	-	0.5906	15
3/32	0.0938	2.381	19/32	0.5938	15.081
7/64	0.1093	2.778	39/64	0.6094	15.478
-	0.1181	3	5/8	0.6250	15.875
1/8	0.1250	3.175	-	0.6299	16
9/64	0.1406	3.572	41/64	0.6406	16.272
5/32	0.1563	3.969	21/32	0.6563	16.669
-	0.1575	4	-	0.6693	17
11/64	0.1719	4.366	43/64	0.6719	17.066
3/16	0.1875	4.762	11/16	0.6875	17.462
-	0.1969	5	45/64	0.7031	17.859
13/64	0.2031	5.159	-	0.7087	18
7/32	0.2188	5.556	23/32	0.7188	18.256
15/64	0.2344	5.953	47/64	0.7344	18.653
-	0.2362	6	-	0.7480	19
1/4	0.2500	6.350	3/4	0.7500	19.050
17/64	0.2656	6.747	49/64	0.7656	19.447
-	0.2756	7	25/32	0.7813	19.844
9/32	0.2813	7.144	-	0.7874	20
19/64	0.2969	7.541	51/64	0.7969	20.241
5/16	0.3125	7.938	13/16	0.8125	20.638
-	0.3150	8	-	0.8268	21
21/64	0.3281	8.334	53/64	0.8281	21.034
11/32	0.3438	8.731	27/32	0.8438	21.431
-	0.3543	9	55/64	0.8594	21.828
23/64	0.3594	9.128	-	0.8661	22
3/8	0.3750	9.525	7/8	0.8750	22.225
25/64	0.3906	9.922	57/64	0.8096	22.622
-	0.3937	10	-	0.9055	23
13/32	0.4063	10.319	29/32	0.9063	23.019
27/64	0.4219	10.716	59/64	0.9219	23.416
-	0.4331	11	15/16	0.9375	23.812
7/16	0.4375	11.112	-	0.9449	24
29/64	0.4531	11.509	61/64	0.9531	24.209
15/32	0.4688	11.906	31/32	0.9688	24.606
-	0.4724	12	-	0.9843	25
31/64	0.4844	12.303	63/64	0.9844	25.003
12	0.5000	12.700	1/1	1	25.400
-	0.5118	13	-	-	-

PARTS MANUAL

TABLE OF CONTENTS

GENERAL	00
ENGINE	01
CLUTCH	02
FUEL	03
EXHAUST	04
COOLING	05
ELECTRICAL	06
TRANSMISSION	07
PROPELLER SHAFT	09
FRONT AXLE	10
REAR AXLE	11
BRAKE	12
WHEEL, HUBS & TIRES	13
STEERING	14
SUSPENSION	16
BODY	18
HEATING & AIR CONDITIONING	22
ACCESSORIES	23
WHEEL CHAIR LIFT	25

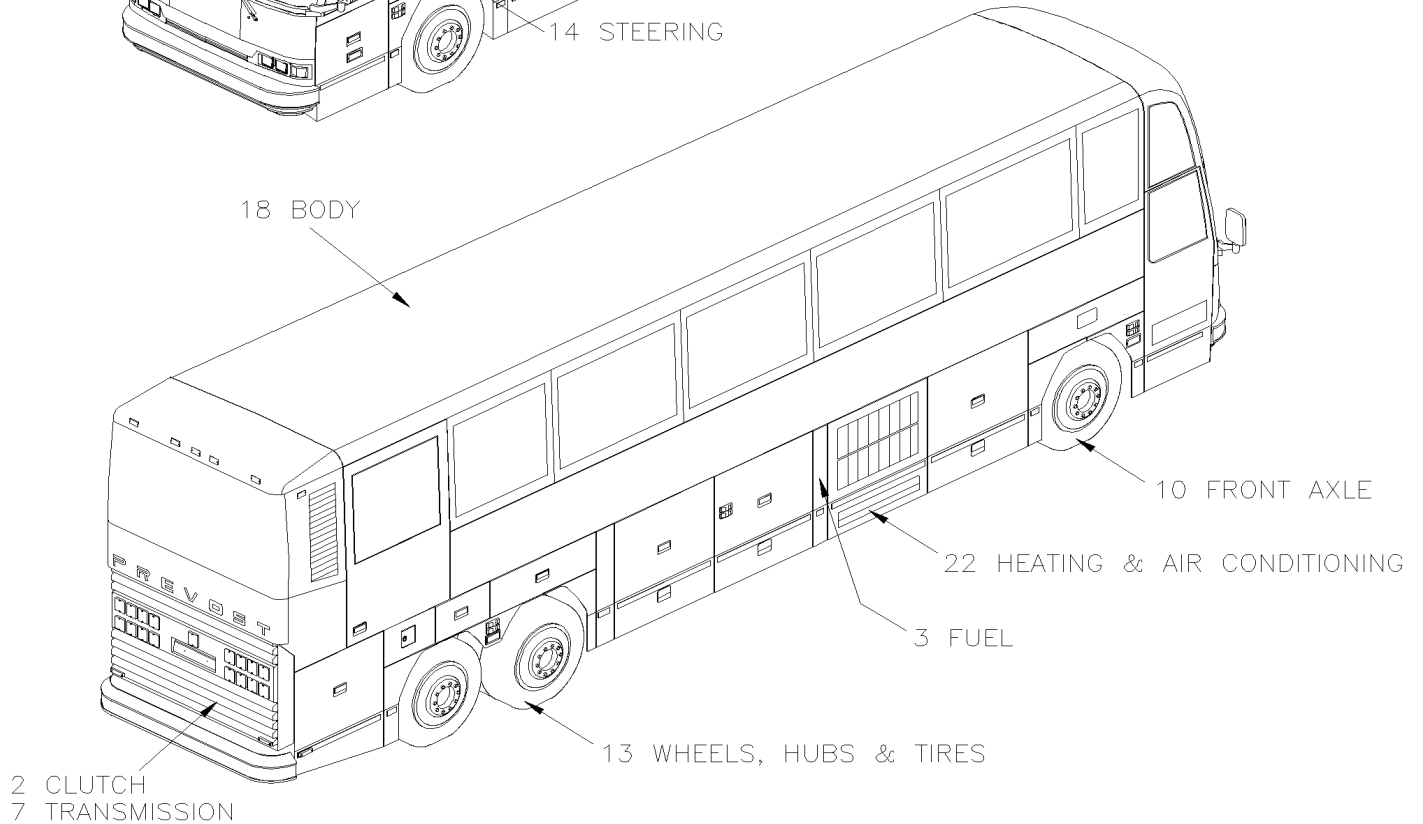
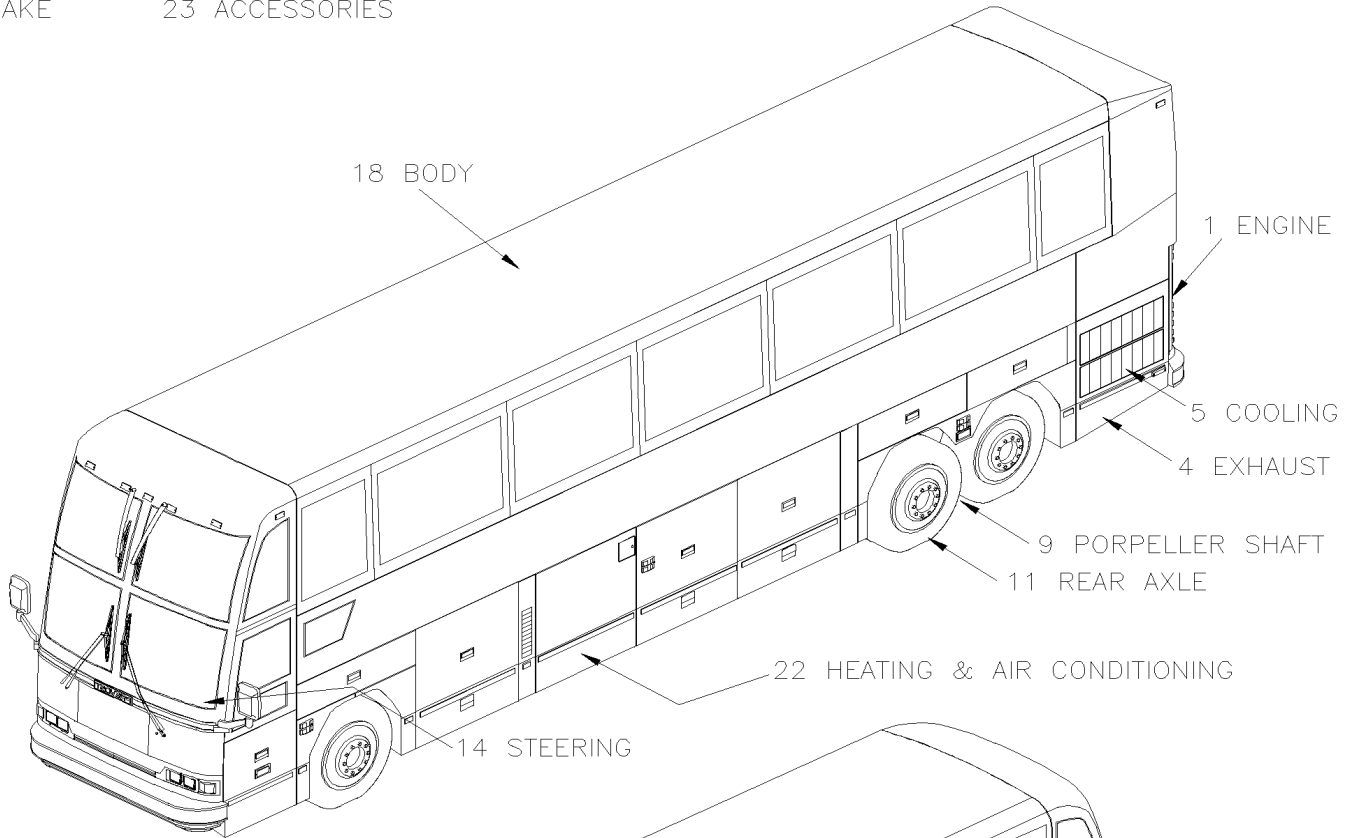
PARTS MANUAL

To have more information about fast moving parts, place an order for the book PA-1105 to your nearest parts order desk.

Thank you!

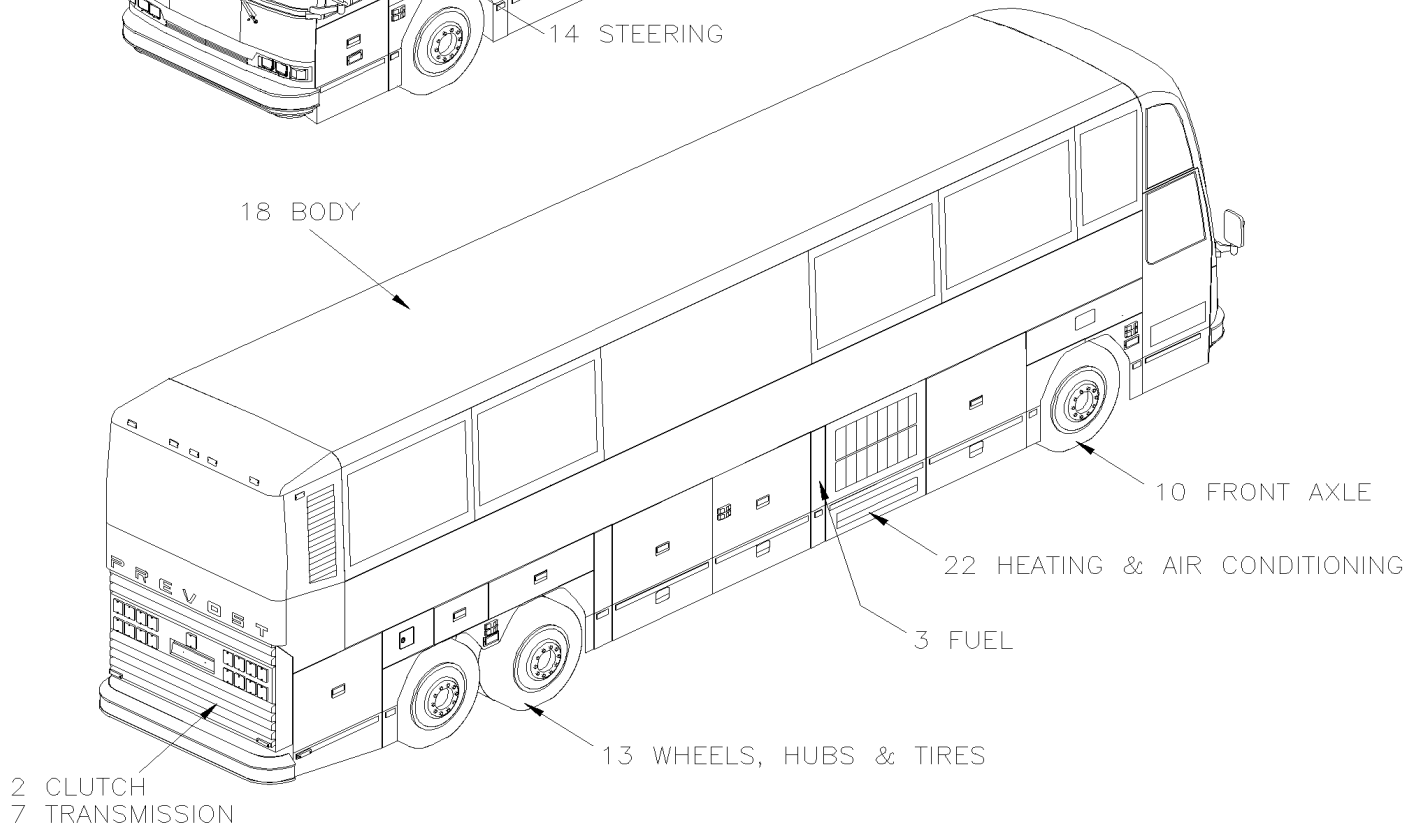
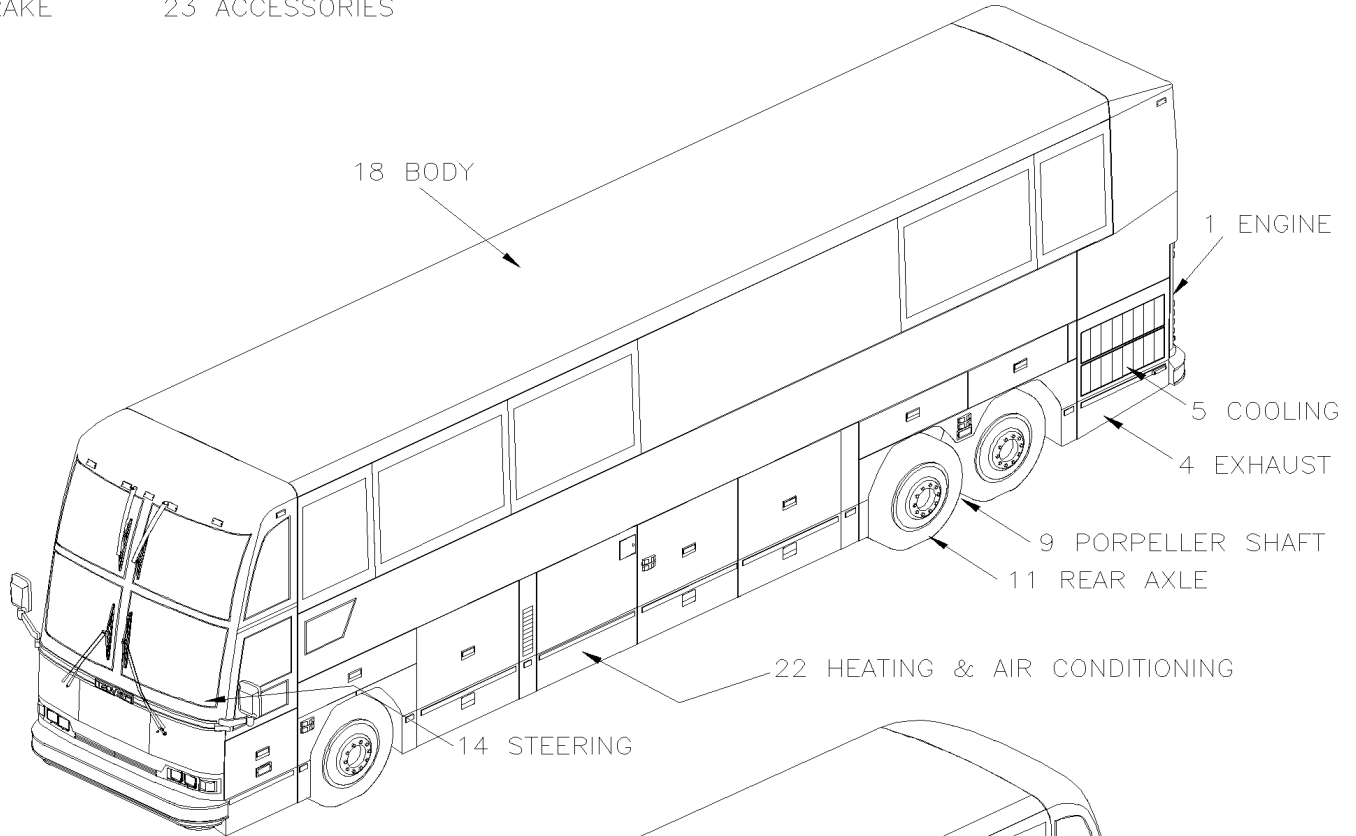
	Date:07/2024	PAGE: H3-1989 @ 1993
H3-40 & VIP-40 / 1989 - 1993 / VIN FROM L-029 TO R-079		

- 6 ELECTRICAL
- 12 BRAKE
- 16 SUSPENSION
- 23 ACCESSORIES



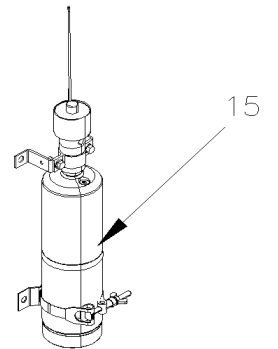
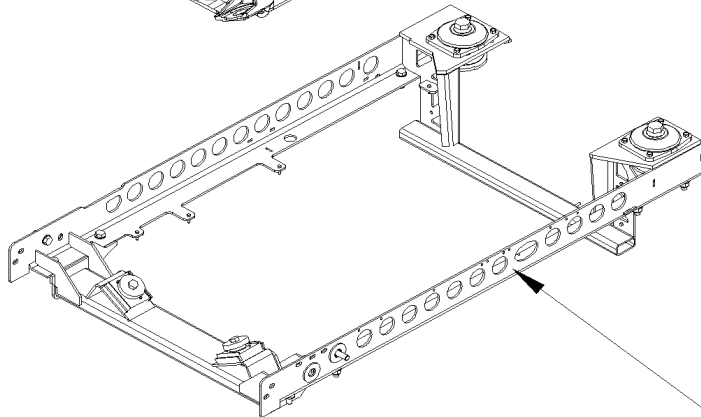
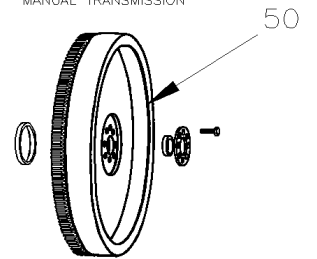
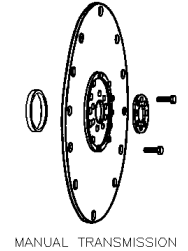
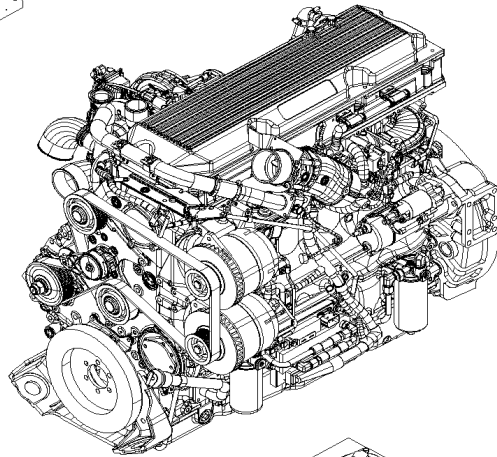
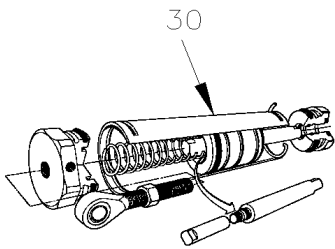
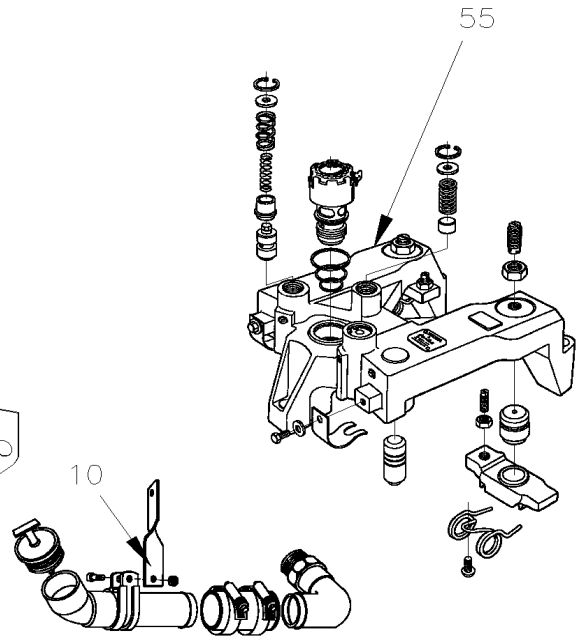
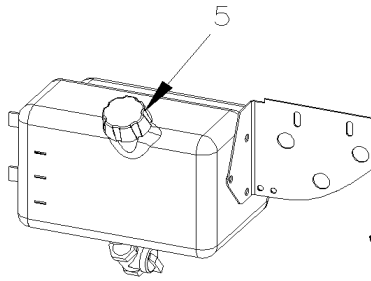
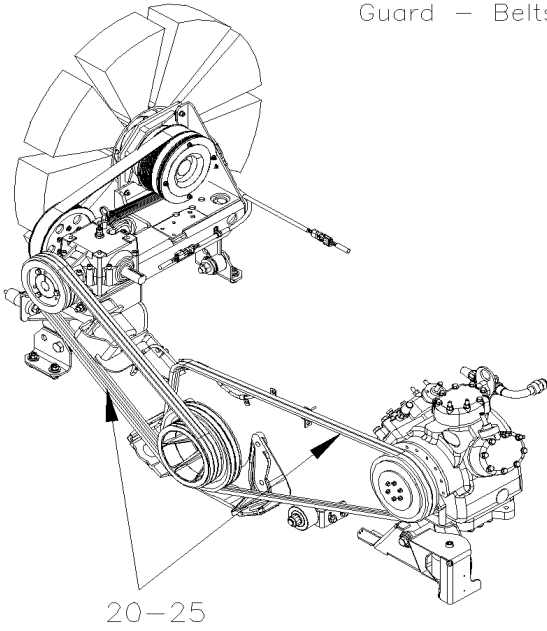
	Date:07/2024	PAGE: H3-1989 @ 1993
H3-40 & VIP-40 / 1989 - 1993 / VIN FROM L-029 TO R-079		

- 6 ELECTRICAL
- 12 BRAKE
- 16 SUSPENSION
- 23 ACCESSORIES



	Date:07/2024	H4-01
ENGINE		

Guard – Belts Tensioners 35



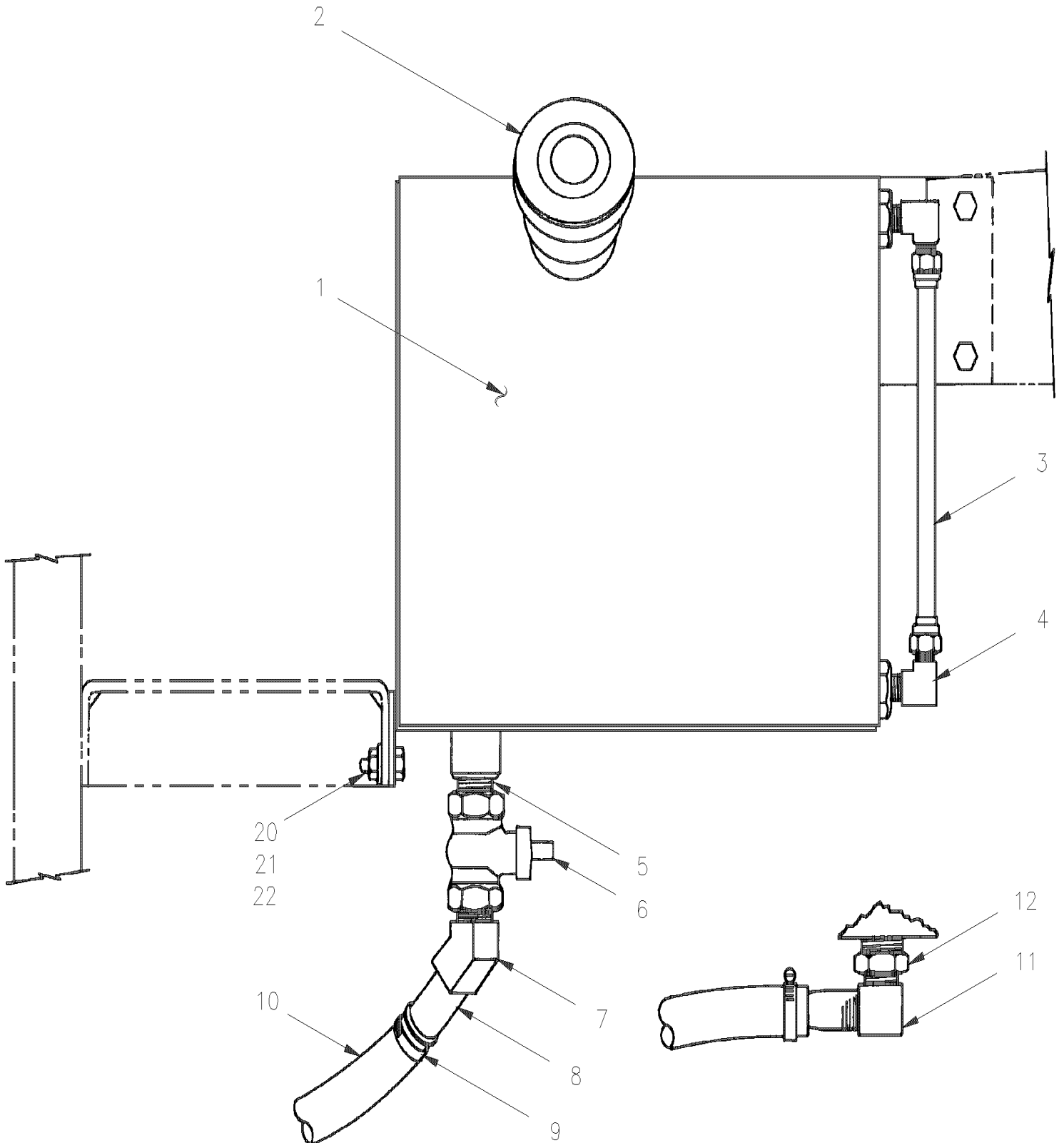
		Date:07/2024	H4-01		
ENGINE					
Item#	Part	Description	H 3 4 0	V I P 4 0	N O T E S
5	H4-0105-00	ENGINE OIL RESERVE TANK - INSTALLATION From L-031 To P-334			
5	H4-0105-01	ENGINE OIL RESERVE TANK - INSTALLATION From P-335 To R-079			
10	H4-0106-00	ENGINE OIL FILLER TUBE - WITH DETROIT S-92 From L-031 To R-032			
15	H4-0116-00	STARTING AID - INSTALLATION From L-031 To R-079			
20	H4-0120-00	DRIVE PULLEY & BELTS - WITH DETROIT S-92 From L-031 To R-032			
20	H4-0120-01	DRIVE PULLEY & BELTS - WITH DETROIT S-60 From P-256 To R-079			
25	H4-0125-00	BELTS TENSIONERS - WITH DETROIT S-92 From L-031 To R-032			
25	H4-0125-01	BELTS TENSIONERS - WITH DETROIT S-60 From P-256 To R-079			
30	H4-0130-00	AIR CYLINDER - BELT TENSIONNER - WITH DETROIT S-92 From L-031 To R-032			
35	H4-0135-00	GUARD - BELTS TENSIONERS From L-031 To R-079			
40	H4-0150-00	ENGINE CRADLE - WITH DETROIT S-92 From L-031 To R-032			
40	H4-0150-01	ENGINE CRADLE - WITH DETROIT S-60 From P-256 To R-079			
45	H4-0155-00	ENGINE PAN From L-031 To R-079			
45	H4-0155-10	ENGINE TRANSMISSION GUARD & AIR SHIELD From L-031 To R-032			
50	H4-0160-00	FLYWHEEL - WITH DETROIT S-92 From L-031 To R-032			
55	H4-0165-00	JACOB'S - ENGINE BRAKE - WITH DETROIT S-92 From L-031 To R-032			
55	H4-0165-01	JACOB'S - ENGINE BRAKE - WITH DETROIT S-60 From P-256 To R-079			

From L-031 To P-334

Date:07/2024

PAGE:H4-0105-00

ENGINE OIL RESERVE TANK - INSTALLATION



From L-031 To P-334	Date:07/2024	PAGE:H4-0105-00
---------------------	--------------	-----------------

ENGINE OIL RESERVE TANK - INSTALLATION

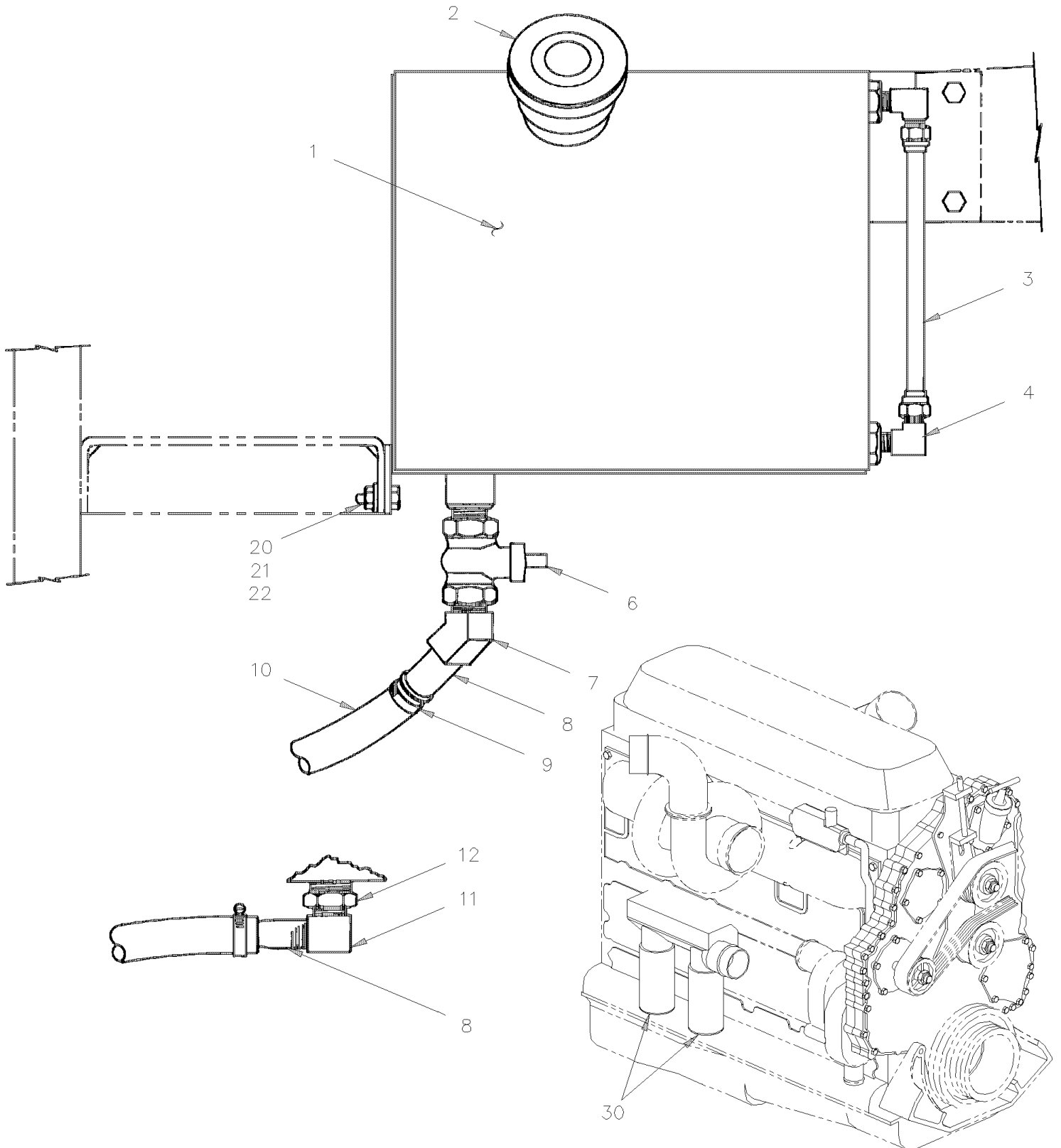
Item#	Part	Description	H 3 4 0	V I P 4 0	N O T E S
1	180143	TANK OIL	1	1	
2	680006	. CAP, VENTED	1	1	
3	503254	CLEAR TUBE PVC 1/4	AR	AR	
4	501135	MALE ELBOW 90° / POLY-TITE FITTING / #6x3/8NPT-M BR	2	2	
4	501064	. SLEEVE / POLY-TITE FITTING / #6 PLAS	1	1	
5	501424	NIPPLE / PIPE FITTING / 1/2NPT-Mx1/2NPT-Mx1 1/8 BR	2	2	
6	530096	BALL VALVE 1/2" NPT 1/2 NPT F x 1/2 NPT F	2	2	
NS	501306	PLUG SQUARE HEAD / PIPE FITTING / 1/2NPT-M BR	1	1	
7	501528	STREET ELBOW 45° / PIPE FITTING / 1/2NPT-Mx1/2NPT-F BR	AR	AR	
8	501373	MALE CONNECTOR / HOSE BARB FITTING / #10x1/2NPT-M GALV	2	2	
9	504019	HOSE CLAMP / 9/16"-1"1/16 SS / HS-10	2	2	
10	503250	HOSE / 2556 / #10 X 100'	AR	AR	
11	507557	STREET ELBOW 90° / PIPE FITTING / 1/2NPT-Mx1/2NPT-F BR	1	1	
12	501605	BUSHING REDUCER / PIPE FITTING / 1NPT-Mx1/2NPT-F STL	1	1	
20	502631	SCREW CAP HEX M6-1.0x20 G8.8 Z050	4	4	
21	500440	WASHER FL .250x.562x.065 Z050	4	4	
22	502621	NUT HEX STO M6-1.0 Z050	4	4	
NS	510373	OIL FILTER, CARTRIDGE / PF-911L / ENGINE / W/SERIES 92	1	1	
22	510446	OIL FILTER P-940 W/SERIES 60	1	1	

From P-335 To R-079

Date:07/2024

PAGE:H4-0105-01

ENGINE OIL RESERVE TANK - INSTALLATION

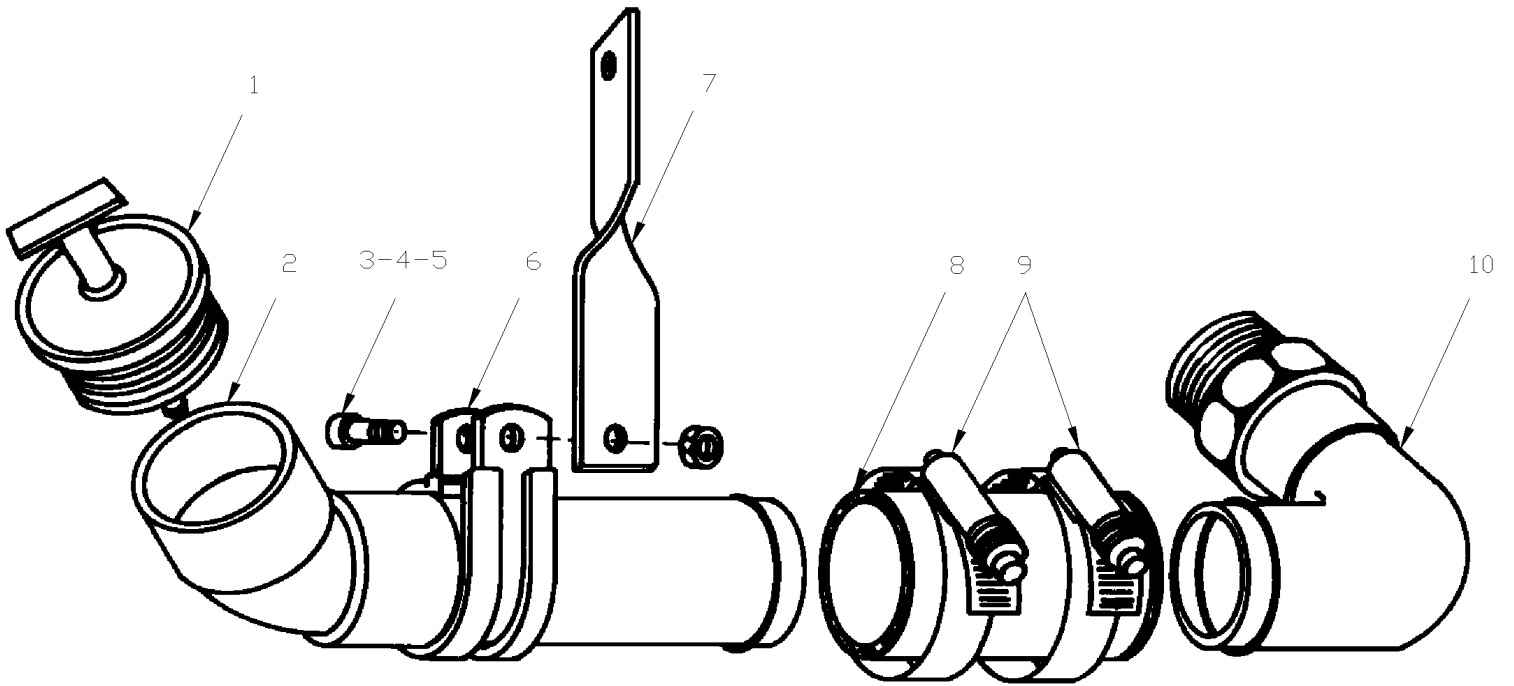


From P-335 To R-079	Date:07/2024	PAGE:H4-0105-01
---------------------	--------------	-----------------

ENGINE OIL RESERVE TANK - INSTALLATION

Item#	Part	Description	H 3 4 0	V I P 4 0	N O T E S
1	180180	TANK ASSY / W/ 3/4" VALVE	1	1	
2	680006	. CAP, VENTED	1	1	
3	503254	CLEAR TUBE PVC 1/4	AR	AR	
4	501135	MALE ELBOW 90° / POLY-TITE FITTING / #6x3/8NPT-M BR	2	2	
NS	501064	. SLEEVE / POLY-TITE FITTING / #6 PLAS	1	1	
6	5011045	VALVE 3/4"	2	2	
NS	5011053	PLUG CAP HEX / PIPE FITTING / 3/4NPT-F	1	1	
7	507339	STREET ELBOW 90° / PIPE FITTING / 3/4NPT-Mx3/4NPT-F BR	2	2	
8	501896	ADAPTER / COPPER @ PIPE / 3/4Fx3/4NPT-M	2	2	
9	504021	HOSE CLAMP / 11/16"-1"1/2 SS / HS-16	2	2	
10	503547	HOSE / RUBBER #12 / S.L.	AR	AR	
11	507339	STREET ELBOW 90° / PIPE FITTING / 3/4NPT-Mx3/4NPT-F BR	1	1	A
20	502631	SCREW CAP HEX M6-1.0x20 G8.8 Z050	4	4	
21	500440	WASHER FL .250x.562x.065 Z050	4	4	
22	502621	NUT HEX STO M6-1.0 Z050	4	4	
22	402447	DECAL / ENGINE OIL	1	1	
NS	403536	DECAL "OIL SPEC" / ENGLISH & FRANCAIS	1	1	
NS	011166	DECAL / V.I.N.	1	1	
NS	010511	DECAL "AIR VALVE POSITION ON-OFF"	1	1	
30	510458	OIL FILTER, CARTRIDGE / PF-2100 / ENGINE / W/SERIES 60	1	1	
		A) ON ENGINE			

From L-031 To R-032	Date:07/2024	PAGE:H4-0106-00
ENGINE OIL FILLER TUBE - WITH DETROIT S-92		



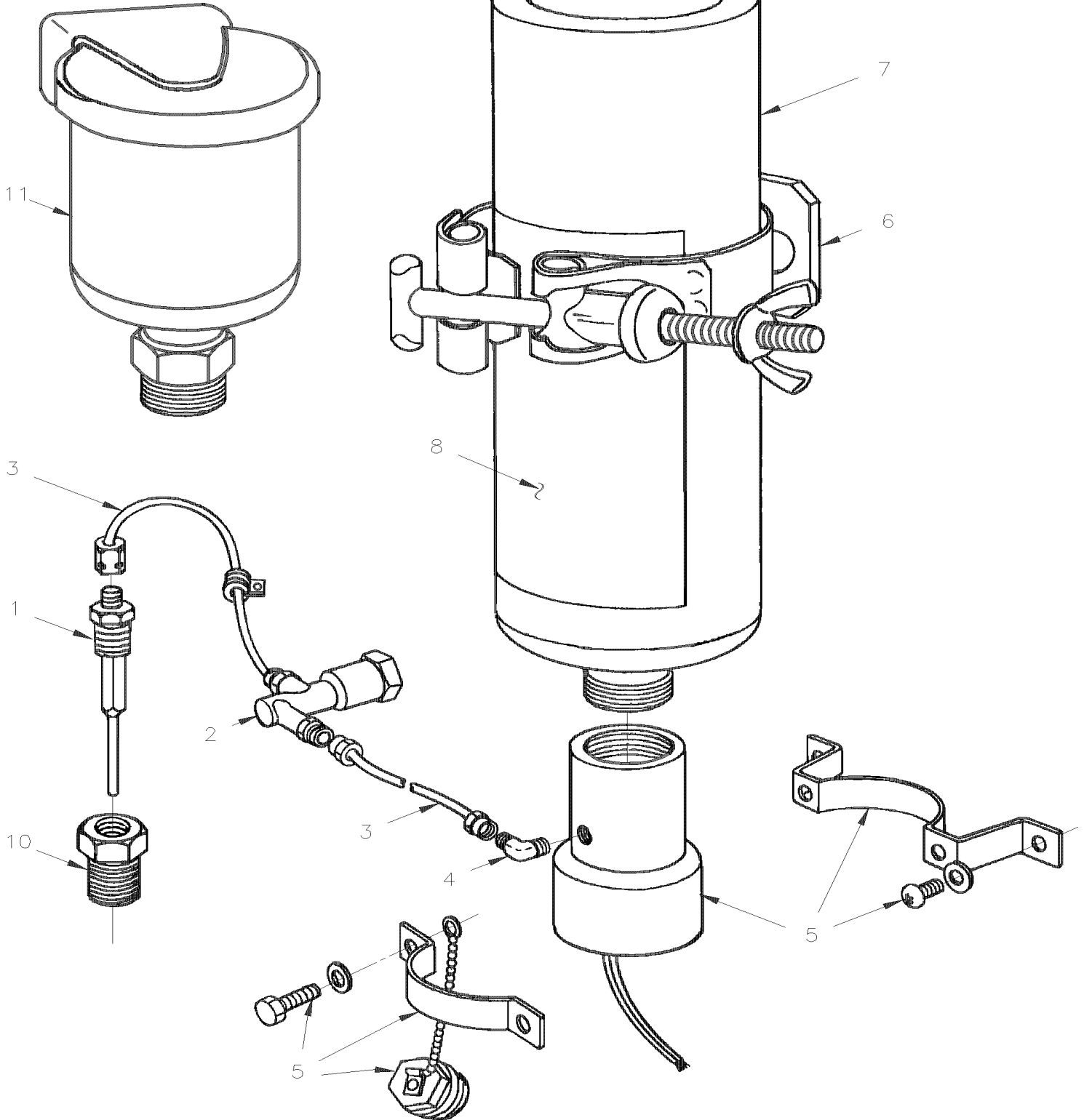
From L-031 To R-032	Date:07/2024	PAGE:H4-0106-00
ENGINE OIL FILLER TUBE - WITH DETROIT S-92		

Item#	Part	Description	H 3 4 0	V I P 4 0	N O T E S
1	510387	CAP OIL FILLER 1"1/4 O.D.	1	1	
2	011506	TUBE ASSY FILLER NECK	1	1	
3	500510	SCREW MA BDG PH #10-32x3/4 SS EMN	1	1	
4	500700	NUT HEX #10-32 Z050	1	1	
5	500470	WASHER LO SPT .193x.334x.047 Z050	1	1	
6	504457	CLAMP / 1 3/8" I.D. / STEEL	1	1	
7	011502	SUPPORT / CLAMP	1	1	
8	503392	HOSE SILICONE 4PLY 1 3/8" I.D. x 4'	AR	AR	
9	504302	HOSE CLAMP / 1"9/16-2"1/2 SS / E.T. 32	2	2	
10	011505	ADAPTOR ASSY	1	1	

From L-031 To R-079	Date:07/2024	PAGE:H4-0116-00
STARTING AID - INSTALLATION		

MANUAL

AUTOMATIC

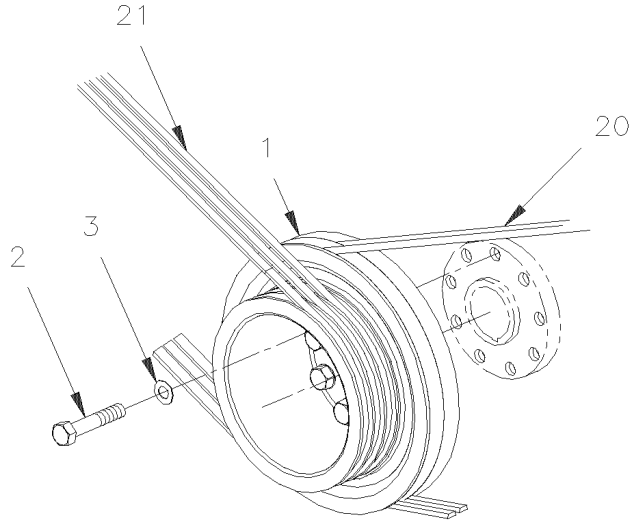


From L-031 To R-079	Date:07/2024	PAGE:H4-0116-00
STARTING AID - INSTALLATION		

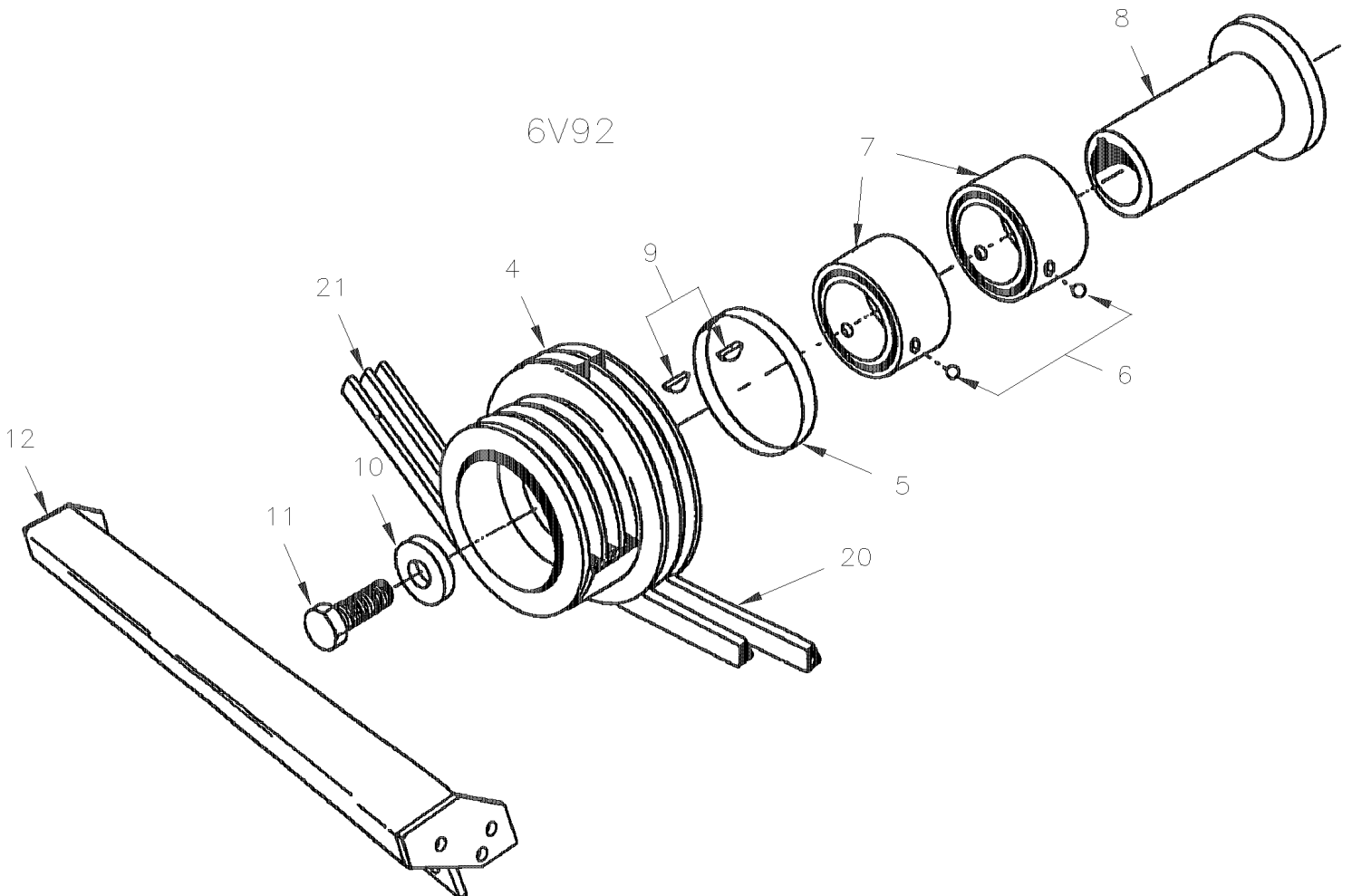
Item#	Part	Description	H 3 4 0	V I P 4 0	N O T E S
1	510170	ATOMIZER	1	1	
2	510169	THERMACLOZ	1	1	
4	510171	ELBOW 90°	1	1	
5	011338	VALVE ASSY W/CONNECTOR	1	1	
5	510167	. VALVE	1	1	
6	510166	CLAMP CYLINDER	1	1	
7	510173	CYLINDER DIESEL STARTING FUEL	1	1	
8	510172	DECAL	1	1	
NS	500165	SCREW CAP HEX 1/4-20x1 G5 Z050	2	2	
10	501534	BUSHING REDUCER / PIPE FITTING / 1/2NPT-Mx3/8NPT-F BR	1	1	
NS	561471	SWITCH / OFF-M/ON W/LOCK S.P.S.T.	1	1	
NS	561123	. BULB / 1 WATT-24VOLTS / SAE# 2741	1	1	
NS	061409	WIRING ASSY / REAR JCT BOX & VALVE	1	1	
NS	062987	INSERT / GREEN / ETHER	1	1	
NS	011064	SUPPORT / WELDED ON FRAME	1	1	
11	510022	CUP ETHER	1	1	

From L-031 To R-032	Date:07/2024	PAGE:H4-0120-00
DRIVE PULLEY & BELTS - WITH DETROIT S-92		

8V92



6V92



From L-031 To R-032	Date:07/2024	PAGE:H4-0120-00
DRIVE PULLEY & BELTS - WITH DETROIT S-92		

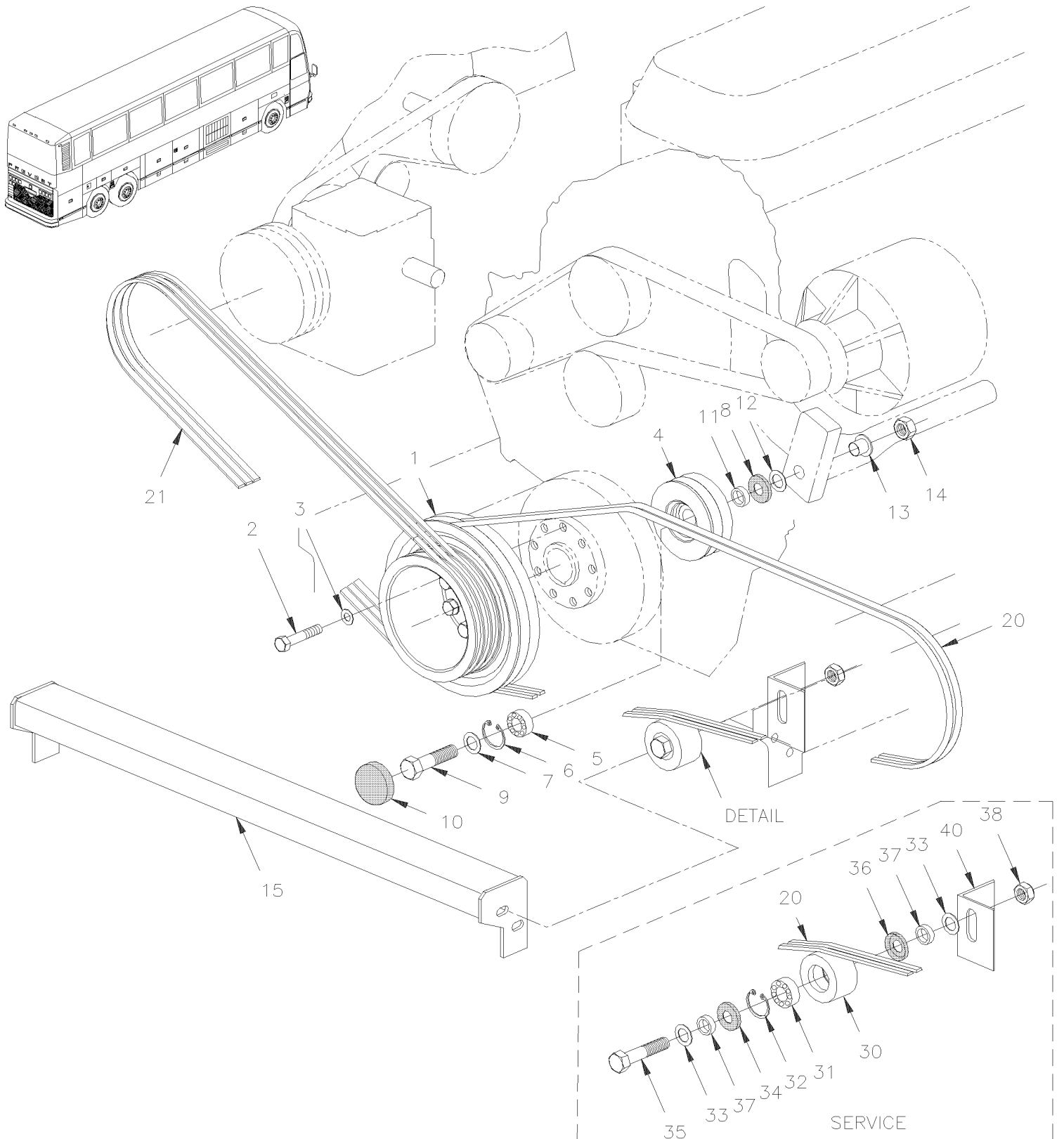
Item#	Part	Description	H 3 4 0	V I P 4 0	N O T E S
1	010739	PULLEY, 8V-92 / BOLTED ON HUB			
2	500761	SCREW CAP HEX 5/16-18x1 1/2 G8 ZP	6	6	
3	500476	WASHER LO SPT .317x.586x.078 Z050	6	6	
NS	510083	SPACER, DRIVE PULLEY 2"	1	1	
NS	510196	SEAL / CRANK SHAFT FRONT	1	1	
4	010916	PULLEY ASSY 7.5" & 9.125"	1	1	
NS	010826	PULLEY / 3VA x 7.5" + 2VC x 9.125"	1	1	
4	010826	PULLEY / 3VA x 7.5" + 2VC x 9.125"	1	1	
5	010915	SPACER	1	1	
6	510263	STEEL BALL 3/8	1	1	
7	510378	INSULATOR	2	2	
8	010096	HUB, DRIVE PULLEY	AR	AR	
NS	510054	SPACER, DRIVE PULLEY 2" 9/16	1	1	
NS	510196	SEAL / CRANK SHAFT FRONT	1	1	
9	505133	KEY, WOODRUFF #E / 3/8" X1 1/4"	2	2	
10	510264	WASHER, DRIVE PULLEY RETAINING	1	1	
11	510265	BOLT CRANKSHAFT 1-14 X 2 1/4"	1	1	
12	011404	PULLEY PROTECTOR / W/O TRAILLER HITCH	1	1	
12	011399	PULLEY PROTECTOR / W/TRAILLER HITCH	1	1	
20	506321	V-BELT / CX-96 9212-0343	2	2	
20	506601	V-BELT / CX-75 9014-20753	1	1	
21	506333	SUPER V-BELT / 3A-92 9092-30923	1	1	
21	506612	SUPER V-BELT / 3A-94 9092-309433/A94	1	1	

From P-256 To R-079

Date:07/2024

PAGE:H4-0120-01

DRIVE PULLEY & BELTS - WITH DETROIT S-60



From P-256 To R-079	Date:07/2024	PAGE:H4-0120-01
DRIVE PULLEY & BELTS - WITH DETROIT S-60		

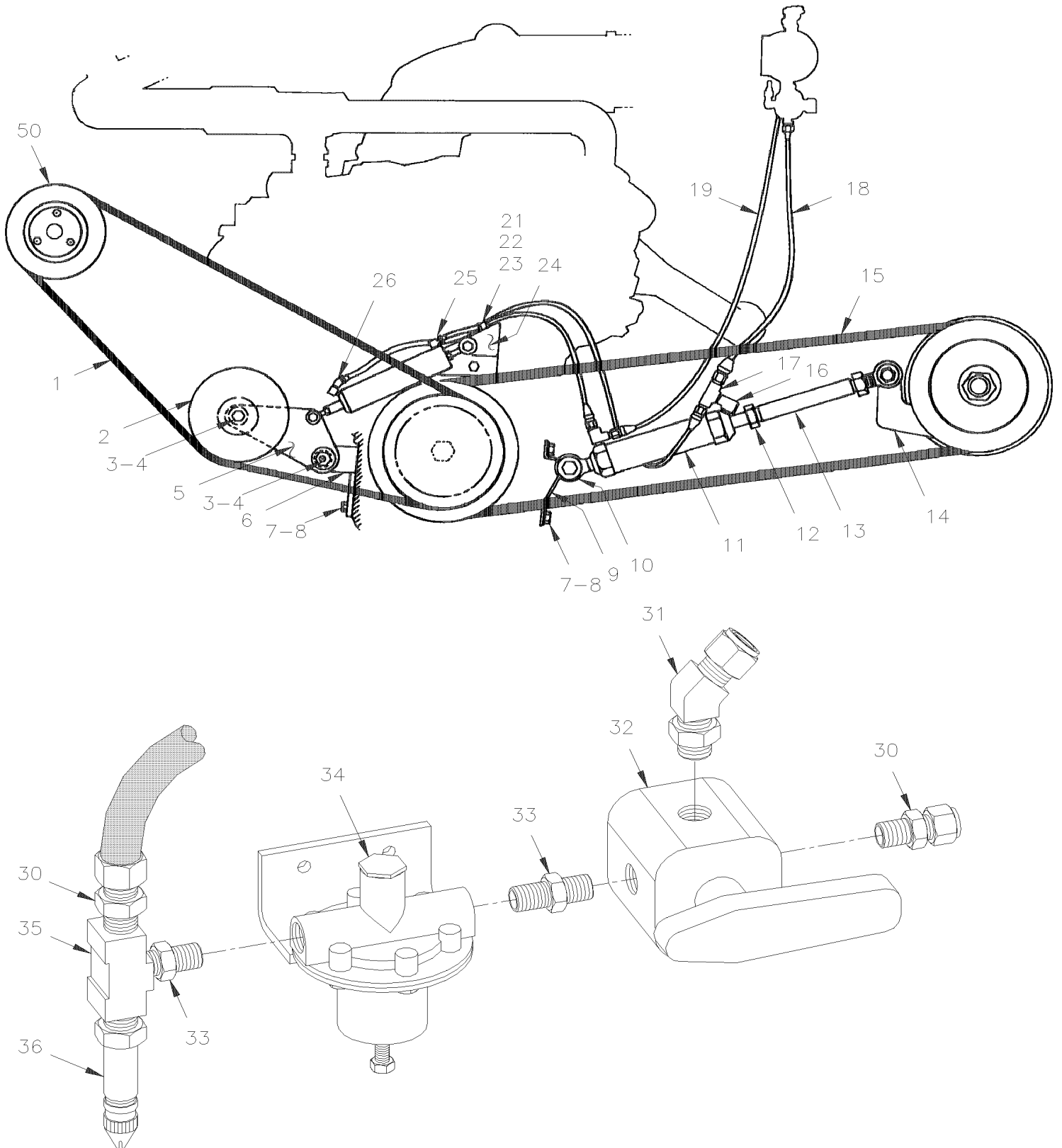
Item#	Part	Description	H 3 4 0	V I P 4 0	N O T E S
1	011584	PULLEY W/60 (2V X 11" O.D. + 3V X 8" O.D. / BOLTED ON HUB	1	1	
2	N.S.P.	BOLT 9/16-18 X 2 1/2" / (8929222)	9	9	2
3	N.S.P.	WASHER SPECIAL 9/16" / (5133981)	9	9	2
4	452250	PULLEY, 5" O.D. DIA.	1	1	A
4	453078	PULLEY ASSY W/BEARING & SEAL / 5" O.D. X 2V	1	1	
4	453075	. PULLEY / 5" O.D. X 2V	1	1	
5	507340	. BALL BEARING 20 ID x 52 OD x 22.2 W	1	1	
6	504095	. RING RETAINER / INT 2.00 x 2.12 x .062	1	1	
7	502558	WASHER FL 21.0x37.0x3.0 G500	1	1	
8	507360	SEAL	1	1	A
8	680500	GREASE MERITOR / 400GR	1	1	
9	5001124	SCREW CAP HEX M20-2.5x80 G8.8 ZP	1	1	
10	453076	CAP, DUST	1	1	A
11	051895	SPACER 20MM I.D. X 9MM TH	1	1	A
11	052205	SPACER 20MM I.D. X 12.5MM TH	1	1	D
12	5001205	WASHER FL .875x1.375x.047	AR	AR	
13	452276	CENTERING BUSHING, FLANGE	1	1	
14	500809	NUT HEX STO M20-2.5 N500	1	1	
15	H4-0150-01	ENGINE CRADLE - WITH DETROIT S-60			
20	506664	V-BELT / BX-97 / SET OF 2 9212-0390	2	2	
21	506691	V-BELT / AX-73 9012-2073	3	3	
30	052010	PULLEY	1	1	A
30	052208	PULLEY ASSY W/BEARING & SEAL / 43MM x 78MM	1	1	
30	052207	. PULLEY BELT TENSIONER / 43MM x 78MM O.D.	1	1	E
31	507340	. BALL BEARING 20 ID x 52 OD x 22.2 W	1	1	
32	504095	. RING RETAINER / INT 2.00 x 2.12 x .062	1	1	
33	5001205	. WASHER FL .875x1.375x.047	AR	AR	
34	507361	. SEAL	1	1	A
35	5001124	SCREW CAP HEX M20-2.5x80 G8.8 ZP	1	1	
36	507360	SEAL	1	1	
37	051895	SPACER 20MM I.D. X 9MM TH	1	1	A
37	052205	SPACER 20MM I.D. X 12.5MM TH	2	2	A
38	500809	NUT HEX STO M20-2.5 N500	1	1	
39	507360	SEAL	1	1	
40	011623	ANGLE SUPPORT / (WELDED TO ENGINE CRADLE)	1	1	E
		A) FOR IMPROVE LIFE BEARING CHANGE PULLEY BY #453078			
		D) FOR IMPROVE BEARING LIFE CHANGES PULLEY FOR #052208			
		E) PRODUCTION			
		2) NOT SOLD BY PREVOST (SEE MANUFACTURING PART NUMBER AT END OF DESCRIPTION LINE)			

From L-031 To R-032

Date:07/2024

PAGE:H4-0125-00

BELTS TENSIONERS - WITH DETROIT S-92



From L-031 To R-032	Date:07/2024	PAGE:H4-0125-00
BELTS TENSIONERS - WITH DETROIT S-92		

Item#	Part	Description	H 3 4 0	V I P 4 0	N O T E S
1	506612	SUPER V-BELT / 3A-94 9092-309433/A94	1	1	
1	506333	SUPER V-BELT / 3A-92 9092-30923	1	1	
2	510338	PULLEY, TENSIONER	1	1	
3	500449	WASHER FL .625x1.500 SS	2	2	
4	500781	NUT HEX STO M16-2.0 DP	2	2	
5	051663	ARM, TENSIONNER	1	1	
NS	507293	BUSHING NYLINED .625x.750x.750	2	2	
6	051667	PIVOT W/8V92	1	1	
6	051720	PIVOT W/6V92	1		
7	500202	SCREW CAP HEX 7/16-14x1 G5 ZP	8	8	
8	500480	WASHER LO SPT .443x.779x.109 Z050	8	8	
9	452037	BRACKET W/8V92	1	1	
9	372763	BRACKET W / 8V92T	1		
9	451876	BRACKET W/VARIO-DRIVE	1		
10	500093	SCREW CAP HEX 1/2-20x2 G5 ZP	1	1	
10	500088	SCREW CAP HEX 1/2-20x1 1/2 G5 ZP	1	1	
11	H4-0130-00	AIR CYLINDER - BELT TENSIONNER - WITH DETROIT S-92			
12	500716	NUT HEX 1/2-20 Z050	2	2	
13	371326	EXTENSION 10"3/4	1	1	
14	371702	BRACKET / BELT TENSIONER CYLINDER From H-371	1	1	
14	451930	BRACKET / BELT TENSIONER CYLINDER W/VARIO	1		
15	506321	V-BELT / CX-96 9212-0343	1	1	
15	506601	V-BELT / CX-75 9014-20753	1		
15	950159	V-BELT / VARIO-DRIVE & A/C COMPRESSOR	AR	AR	
16	501331	STREET ELBOW 90° / PIPE FITTING / 1/8NPT-Mx1/8NPT-F BR	2	2	
17	501024	MALE BRANCH TEE / SAE 45° FITTING / #4FL-Mx#4FL-Mx1/4NPT-M BR	1	1	
18	031147	HOSE ASSY TEFLON #4 522MM	2	2	
18	141108	HOSE ASSY TEFLON #4 427MM	1		B
19	051127	HOSE ASSY TEFLON #4 821MM	2	2	
19	503064	. HOSE TEFLON #4 / S.L.	AR	AR	
19	501892	. FEMALE CONNECTOR SWIVEL / SAE 45° FITTING / TEFLON / #4FL-Fx#4 STL	AR	AR	
20	501049	MALE RUN TEE / SAE 45° FITTING / #4FL-Mx#4FL-Mx1/8NPT-M BR			
21	560481	CLAMP / 5/8" I.D.	AR	AR	
22	500388	SCREW MA RND PH #10-24x1 Z050	AR	AR	
23	500767	NUT HEX #10-24 Z050	AR	AR	
24	051659	BRACKET / W/8V92	1	1	
24	051723	BRACKET / W/6V92	1		
25	501036	MALE ELBOW 90° / SAE 45° FITTING / #4FL-Mx1/8NPT-M BR	1	1	
26	501808	MALE ELBOW 45° / SAE 45° FITTING / #4FL-Mx1/8NPT-M BR	1	1	
30	501026	MALE CONNECTOR / SAE 45° FITTING / #4FL-Mx1/8NPT-M BR	1	1	
31	501108	MALE ELBOW 90° / COMPRESSION FITTING / #4x1/8NPT-M BR	1	1	
32	510222	VALVE, 4 WAYS CONTROL	1	1	

From L-031 To R-032	Date:07/2024	PAGE:H4-0125-00
BELTS TENSIONERS - WITH DETROIT S-92		

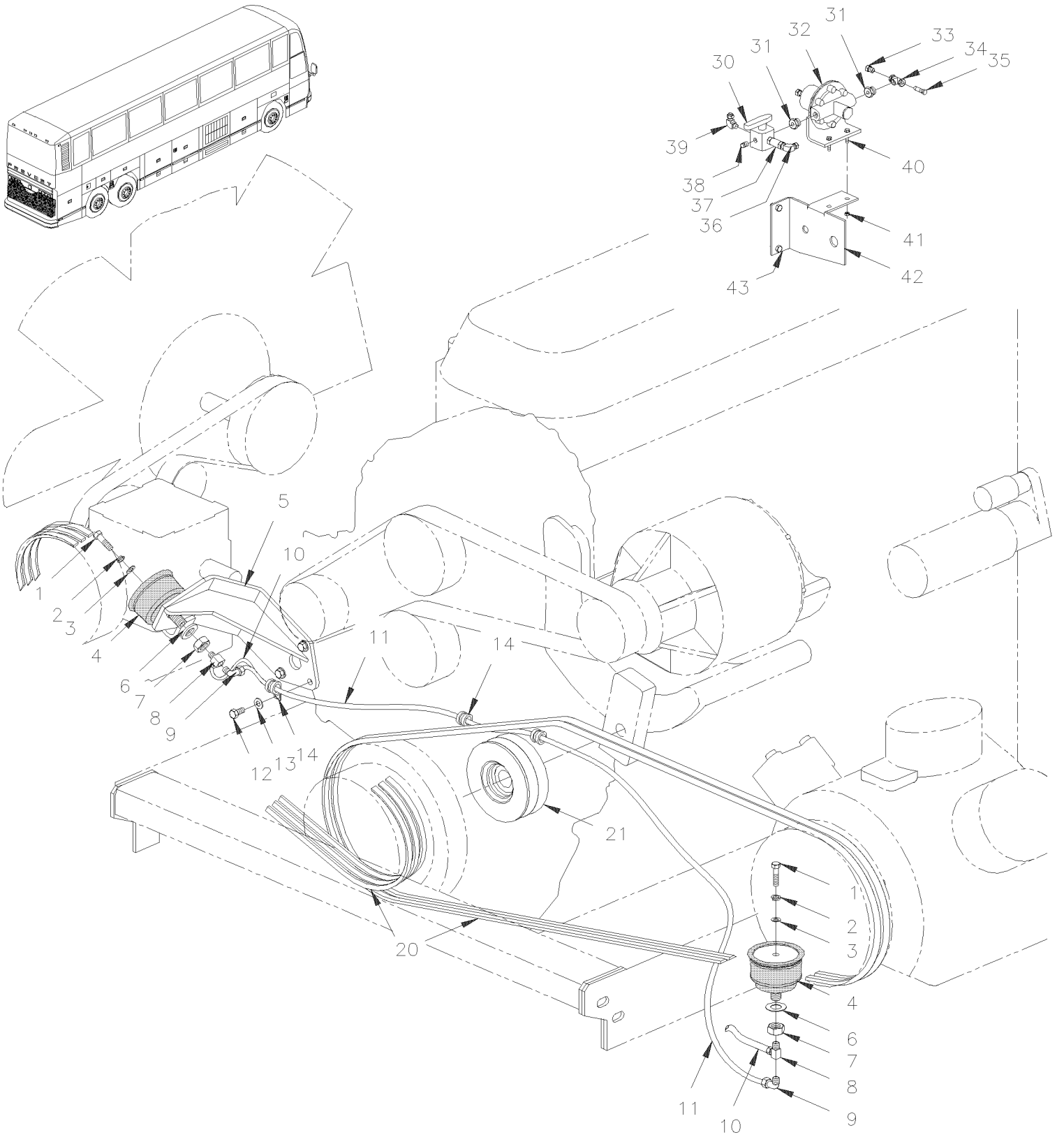
Item#	Part	Description	H 3 4 0	V I P 4 0	N O T E S
33	501650	NIPPLE REDUCER HEX / PIPE FITTING / 1/4NPT-Mx1/8NPT-Mx1 3/16 BR	2	2	
34	640938	AIR PRESSURE REGULATOR	1	1	
34	510231	. REPAIR KIT / REGULATOR	1	1	
35	501336	FEMALE UNION TEE / PIPE FITTING / 1/8NPT-Fx1/8NPT-Fx1/8NPT-F BR	1	1	
36	640488	VALVE, AIR FILL 1/8" NPT	1	1	
. NS	650164	. CAP VALVE / CHROME	1	1	
50	H4-0520-02	FAN DRIVE - INSTALLATION FIXED WITH DETROIT S-92			
		B) W/VARIO DRIVE			

From P-256 To R-079

Date:07/2024

PAGE:H4-0125-01

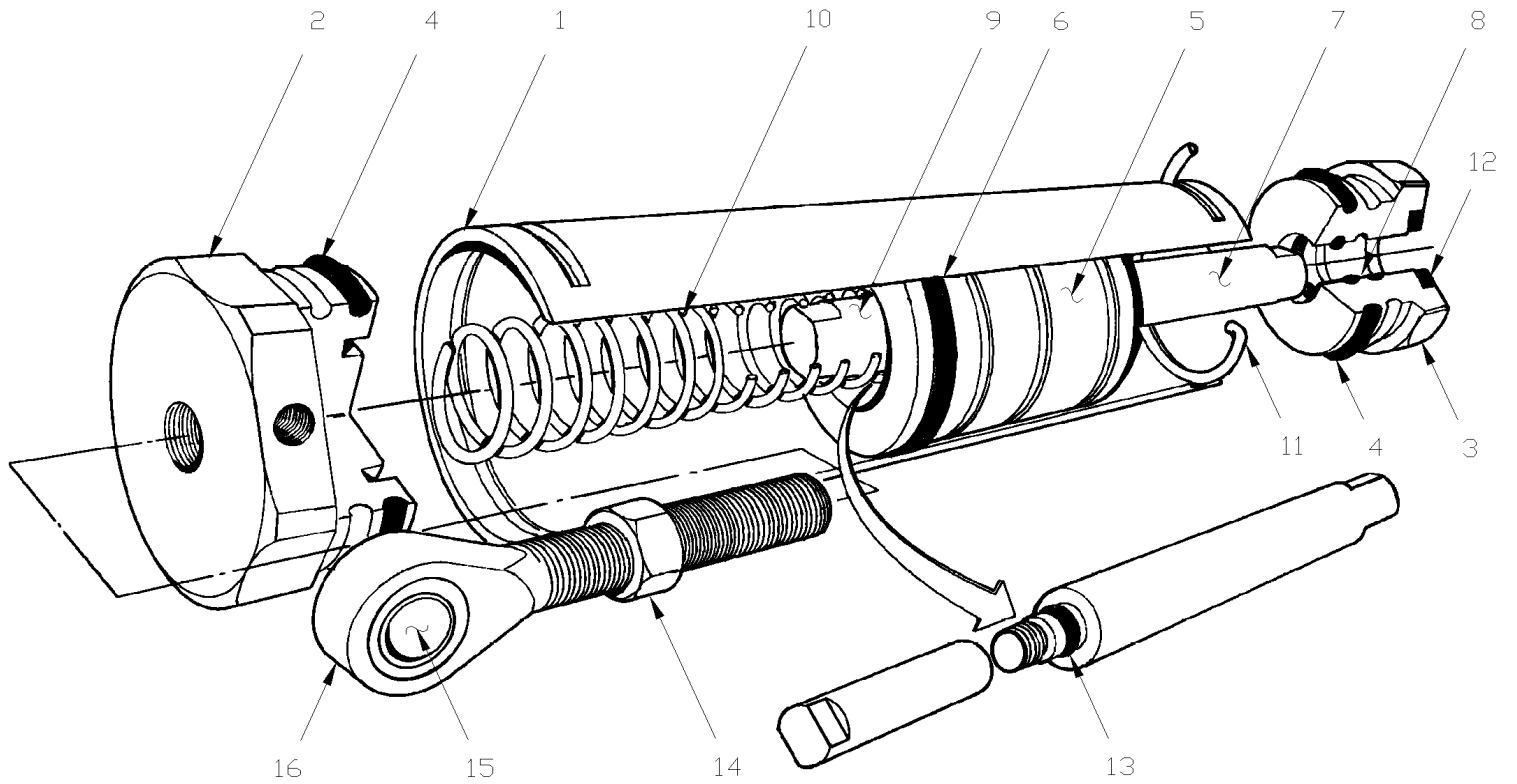
BELTS TENSIONERS - WITH DETROIT S-60



From P-256 To R-079	Date:07/2024	PAGE:H4-0125-01
BELTS TENSIONERS - WITH DETROIT S-60		

Item#	Part	Description	H 3 4 0	V I P 4 0	N O T E S
NS	500179	SCREW CAP HEX 5/16-18x3/4 G5 Z050	2	2	
2	500482	WASHER LO SPT .506x.873x.125 Z050	2	2	
3	500441	WASHER FL .312x.734x.065 Z050	2	2	
4	950208	BELLOW ASSY / BELT TENSIONER / 3" O.D.	1	1	
. NS	504695	. HOSE CLAMP STEPLESS SPRING SS / OETIKER / 2.9-3.3	1	1	
5	052050	SUPPORT BELLOW TENTIONER	1	1	
7	500792	NUT HEX 5/8-11 Z050	1	1	
8	501707	ADAPTER TEE / SAE 45° FITTING / #4FL-Mx1/8NPT-Mx1/8NPT-F BR	1	1	
9	640996	MALE ELBOW 90° / NTA FITTING / #4x1/8NPT-M BR	2	2	
9	641127	MALE ELBOW 45° / NTA FITTING / #4x1/8NPT-M BR	2	2	
10	503402	TUBE, NYLON 1/4 O.D. / BLACK S.L.	AR	AR	
11	052041	HOSE ASSY TEFLON #4 1230MM	AR	AR	
12	500069	SCREW CAP HEX M8-1.25x16 G10.9 DP	3	3	
13	500874	WASHER FL 8.4x17.0x1.6 Z050	3	3	
14	504601	CLAMP / 5/16" I.D. x .375 HOLE	3	3	
20	H4-0120-01	DRIVE PULLEY & BELTS - WITH DETROIT S-60			
21	H4-0120-01	DRIVE PULLEY & BELTS - WITH DETROIT S-60			
30	5011013	VALVE, 4 WAYS CONTROL	1	1	
NS	5011113	. SEAL LOWER	1	1	
NS	5011114	. SEAL UPPER	1	1	
NS	010511	DECAL "AIR VALVE POSITION ON-OFF"	1	1	
31	501650	NIPPLE REDUCER HEX / PIPE FITTING / 1/4NPT-Mx1/8NPT-Mx1 3/16 BR	2	2	
32	640938	AIR PRESSURE REGULATOR	1	1	
33	640987	MALE CONNECTOR / NTA FITTING / #4x1/8NPT-M BR	1	1	
34	501336	FEMALE UNION TEE / PIPE FITTING / 1/8NPT-Fx1/8NPT-Fx1/8NPT-F BR	1	1	
35	640488	VALVE, AIR FILL 1/8" NPT	1	1	
. NS	650164	. CAP VALVE / CHROME	1	1	
36	641074	FEMALE ELBOW 90° / NTA FITTING / #4x1/8NPT-F BR	1	1	
37	530175	VALVE, CHECK 1/8 NPT	1	1	
38	5011013	VALVE, 4 WAYS CONTROL	1	1	
39	501331	STREET ELBOW 90° / PIPE FITTING / 1/8NPT-Mx1/8NPT-F BR	1	1	
40	502631	SCREW CAP HEX M6-1.0x20 G8.8 Z050	2	2	
41	502511	NUT HEX NYRT M6-1.0 Z050	2	2	
42	H4-0665-10	SWITCHES, LIGHTS, AJAR - UNDER FLOOR			
43	502663	SCREW MA BDG PH #10-32x1 SS EMN	1	1	
NS	502564	WASHER LO SPT 6.1x11.8x1.6 Z050	2	2	

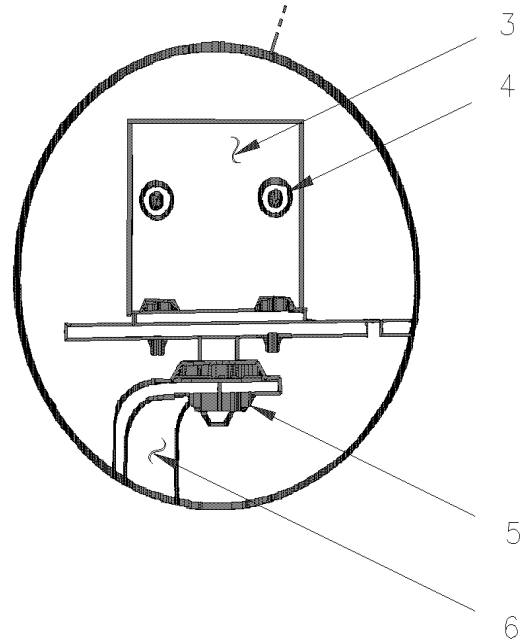
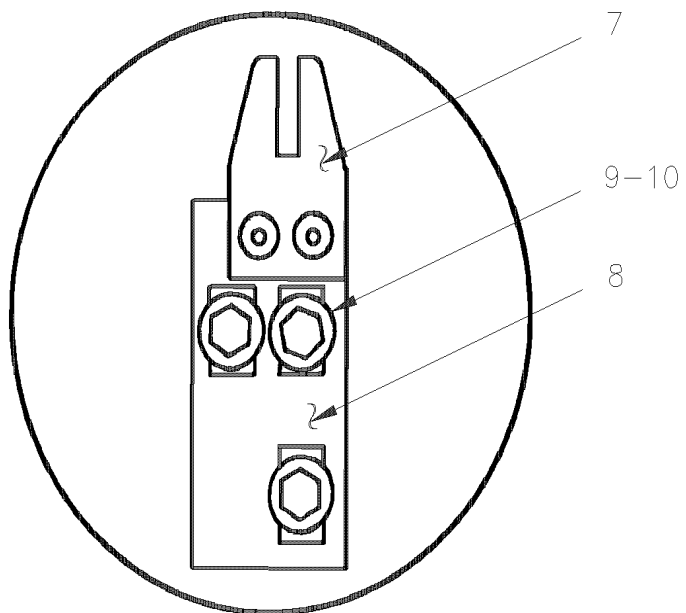
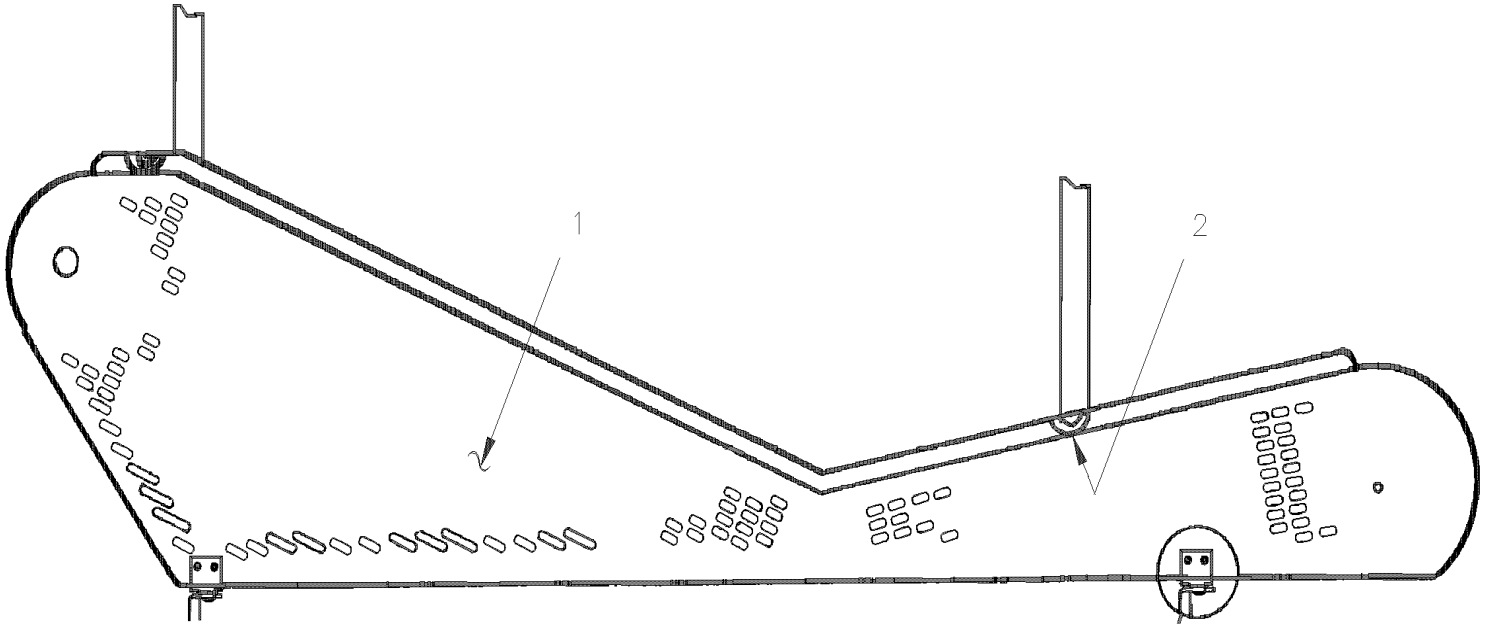
From L-031 To R-032	Date:07/2024	PAGE:H4-0130-00
AIR CYLINDER - BELT TENSIONNER - WITH DETROIT S-92		



From L-031 To R-032	Date:07/2024	PAGE:H4-0130-00
AIR CYLINDER - BELT TENSIONNER - WITH DETROIT S-92		

Item#	Part	Description	H 3 4 0	V I P 4 0	N O T E S
	010211	CYLINDER ASSY / SNAP-RING END MOUNTING TYPE	2	2	
	019203	CYLINDER ASSY / W/SCREW END MOUNTING TYPE	2	2	S
1	010194	. CASING	1	1	A
2	010195	. CAP, CLOSED / TYPE W/SNAP-RING	1	1	A
3	010196	. CAP, OPENED / TYPE W/SNAP-RING	1	1	A
4	507178	. O-RING / CAP	2	2	A
5	010159	. PISTON 1.812 O.D. X 1"3/4	1	1	A
6	507243	. SEAL, U-CUP / PISTON	1	1	A
7	010198	. ROD, 4 1/2" / PISTON STROKE 2"	1	1	A
8	507195	. O-RING / PISTON ROD	1	1	A
9	010199	. ROD, 2 7/8" / PISTON STOP	1	1	A
10	010054	. SPRING COMPRESSION / 1.160 O.D. x 6.25 x .187	1	1	
11	010203	. RING, SNAP	2	2	A
12	507200	. SEAL / OPENED CAP	1	1	A
13	507212	. O-RING	1	1	A
14	500716	NUT HEX 1/2-20 Z050	1	1	
15	502040	ROD END MALE 1/2-20 / 1/2 I.D.	2	2	
16	5011007	. GREASE FITTING / #8-32	1	1	
NS	010213	KIT REPAIR / INCLUDES #4,6,8,11,12,14 / W/SNAP-RING END MOUNTING TYP	1	1	A
NS	019207	KIT REPAIR / INCLUDES O-RING & SEAL / W/SCREW END MOUNTING TYPE	1	1	S
		A) THESE ITEMS ARE USED ONLY WITH AIR CYLINDER #010211			
		S) FOR SERVICE ONLY ON SCREW END TYPE			

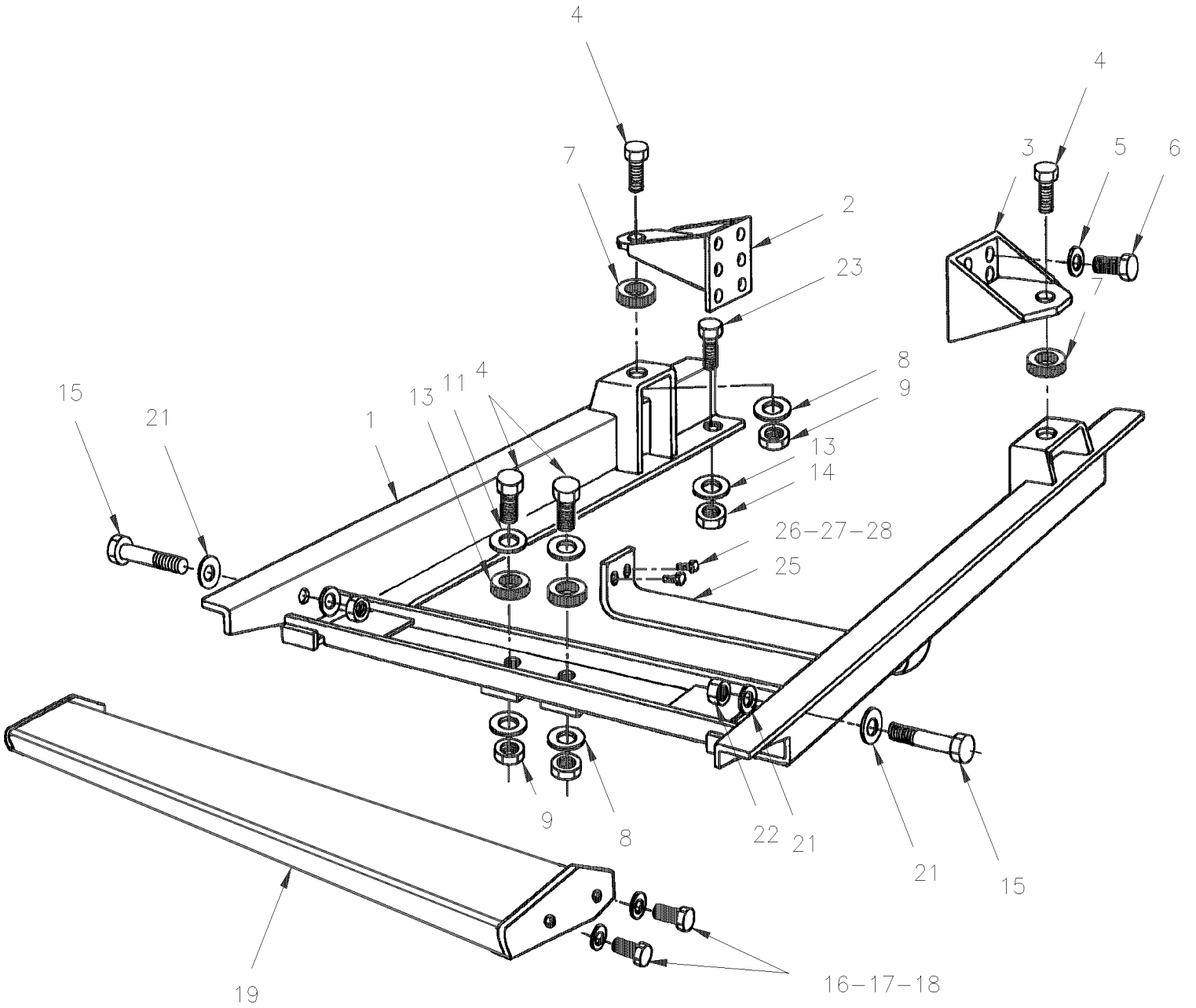
From L-031 To R-079	Date:07/2024	PAGE:H4-0135-00
GUARD - BELTS TENSIONERS		



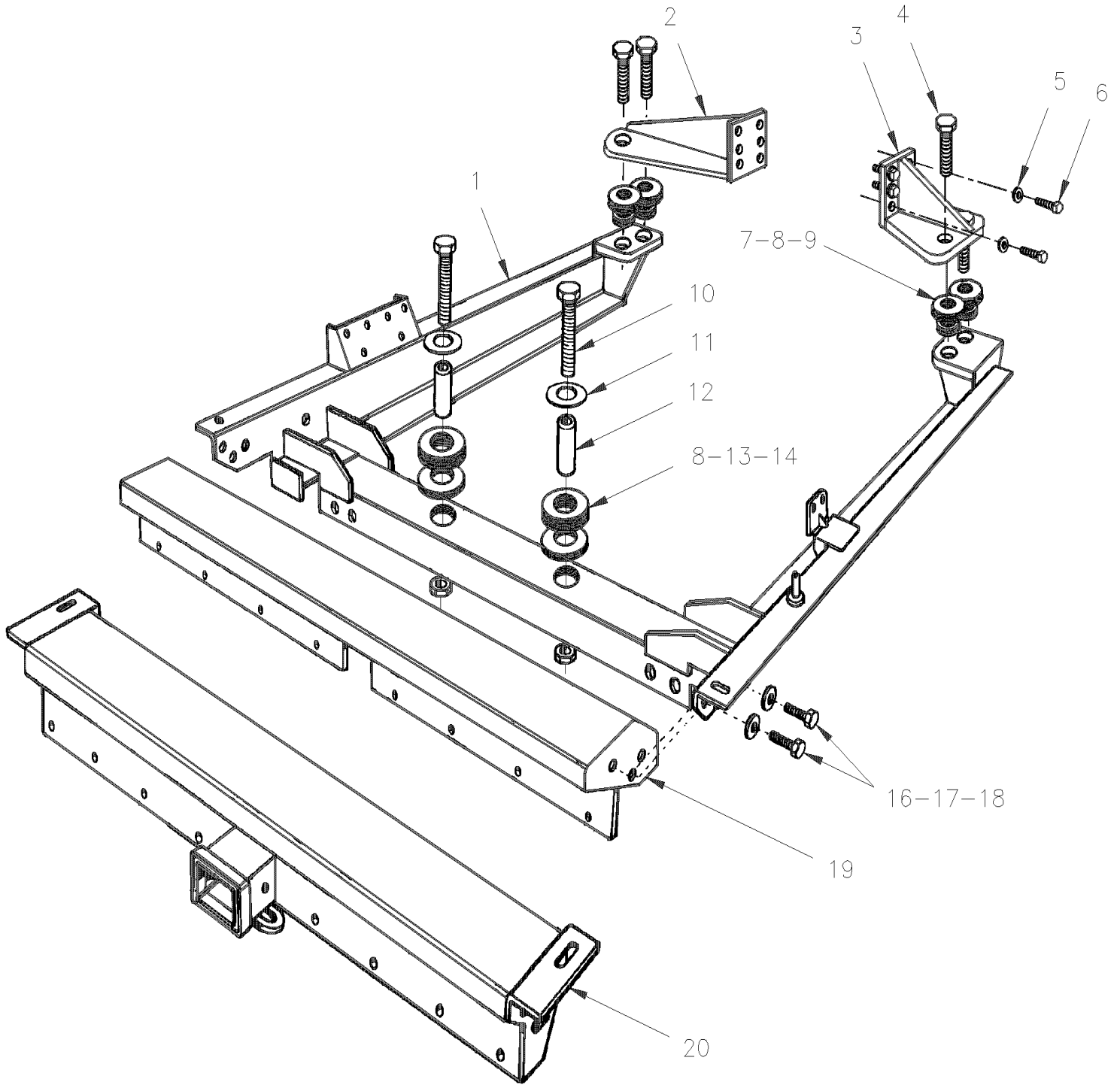
From L-031 To R-079	Date:07/2024	PAGE:H4-0135-00
GUARD - BELTS TENSIONERS		

Item#	Part	Description	H 3 4 0	V I P 4 0	N O T E S
1	011476	GUARD ASSY To N-183	1	1	
1	011512	GUARD ASSY From N-184 To P-315	1	1	
1	011611	GUARD ASSY From P-316	1	1	
2	502813	NUT WING M8x1.25 BR	2	2	
NS	211751	SUPPORT / (WELDED AT POST) To P-323	1	1	
NS	212192	SUPPORT / (WELDED AT POST) From P-324	1	1	
NS	502583	WASHER LO SERR 8.15x22.3x1.0 Z050	2	2	A
NS	502820	WASHER FL .187x1.000x.125 RUB BK	2	2	
3	011479	ANCHOR / LOWER To N-183	2	2	
4	504473	RIVET POP DOME OE 1/8x1/4 SS	8	8	
5	504547	GROMMET / .375x.500x.125x.375x.812 x.625x.125	2	2	
6	011478	SUPPORT / R.H. To N-183	1		
6	011480	SUPPORT / L.H. To N-183	1		
6	011477	SUPPORT / L.H. To N-183		1	
6	011472	SUPPORT / L.H. & R.H. To N-183		2	
7	011515	SUPPORT / L.H. / AS SHOW / 35MM WIDE From N-184	2	2	
7	011517	SUPPORT / L.H. / 46MM WIDE From N-184		1	
7	011511	SUPPORT / R.H. / 70MM WIDE From N-184		1	
8	011516	SUPPORT / R.H. & L.H. From N-184 To P-315	2	2	
8	011604	SUPPORT / R.H. & L.H. From P-316	2	2	
9	502622	SCREW CAP HEX M6-1.0x20 SS BK	4	4	
10	502621	NUT HEX STO M6-1.0 Z050	4	4	
NS	011564	RETROFIT KIT, BELT TENSIONER GUARD / BUS	1		
NS	011563	RETROFIT KIT, BELT TENSIONER GUARD / V.I.P.		1	
		A) W/ITEM 4 & 16			

From L-031 To R-032	Date:07/2024	PAGE:H4-0150-00
ENGINE CRADLE - WITH DETROIT S-92		



From L-031 To R-032	Date:07/2024	PAGE:H4-0150-00
ENGINE CRADLE - WITH DETROIT S-92		



From L-031 To R-032		Date:07/2024	PAGE:H4-0150-00
ENGINE CRADLE - WITH DETROIT S-92			

Item#	Part	Description	H 3 4 0	V I P 4 0	N O T E S
		8V92T W/MANUAL TRANSMISSION			
1	011413P	CRADLE ASSY	1		H
1	011491	CRADLE ASSY	1	1	I
1	011412P	CRADLE ASSY	1		J
1	011414P	CRADLE ASSY	1	1	K
1	011490	CRADLE ASSY W/TRAILER HITCH		1	I
1	011489	CRADLE ASSY W/TRAILER HITCH	1	1	I
2	010978	SUPPORT REAR L.H.	1		H
2	010935	SUPPORT REAR L.H.	1	1	I
2	010861	SUPPORT REAR L.H.	1		J
2	010848	SUPPORT REAR L.H.	1	1	K
3	010974	SUPPORT REAR R.H.	1		H
3	010936	SUPPORT REAR R.H.	1	1	I
3	010862	SUPPORT REAR R.H.	1		J
3	010847	SUPPORT REAR R.H.	1	1	K
4	500145	SCREW CAP HEX 3/4-16x3 1/2 G5 Z050	4	4	
4	500146	SCREW CAP HEX 3/4-16x4 G5 N500	4	4	
5	500484	WASHER LO SPT .635x1.079x.156 Z050	12	12	
6	500817	SCREW CAP HEX 5/8-11x1 3/4 G5 Z050	12	12	
7	510149	INSULATOR, RUBBER MOUNT / REAR SUPPORT W/8V/92	4	4	
NS	510247	INSULATOR, RUBBER MOUNT / REAR SUPPORT W/6V/92 & 8V/71	4	4	
8	010415	WASHER VIBRO / FRONT & REAR ENGINE SUPPORTS	6	6	
9	500735	NUT HEX STO 3/4-16 ZP	6	6	
10	500134	SCREW CAP HEX 5/8-18x3 1/2 G5 ZP	2	2	
11	010668	WSH FLAT / 8V92T FRONT SUPPORT	2	2	
NS	010797	WSH FLAT / 6V92T & 8V71 FRONT SUPPORT	2	2	
12	011056	BUSHING SPACER / TO FIX 8V92T FRONT SUPPORT	2	2	
13	510244	BUSHING RUBBER / FRONT ENGINE SUPPORT	2	2	
14	500725	NUT HEX STO 5/8-18 Z050	2	2	
NS	500735	NUT HEX STO 3/4-16 ZP	4	4	A
15	500776	SCREW CAP HEX M16-2.0x110 G8.8 Z050	2	2	
16	500088	SCREW CAP HEX 1/2-20x1 1/2 G5 ZP	4	4	B
17	500446	WASHER FL .531x1.250x.125 Z050	4	4	B
18	500718	NUT HEX STO 1/2-20 Z050	4	4	
19	011404	PULLEY PROTECTOR / W/O TRAILER HITCH	1	1	
20	011399	PULLEY PROTECTOR / W/TRAILER HITCH	1	1	
21	500846	WASHER FL 17.0x50.0x3.0 Z050	2	2	
22	500781	NUT HEX STO M16-2.0 DP	2	2	D
23	502544	SCREW CAP HEX M16-2.0x40 G8.8 Z050	4	4	D
25	070561	BAR PROTECTOR (HARDENED)	1	1	
26	500229	SCREW CAP HEX 5/8-11x2 G5 ZP	4	4	F

From L-031 To R-032	Date:07/2024	PAGE:H4-0150-00
ENGINE CRADLE - WITH DETROIT S-92		

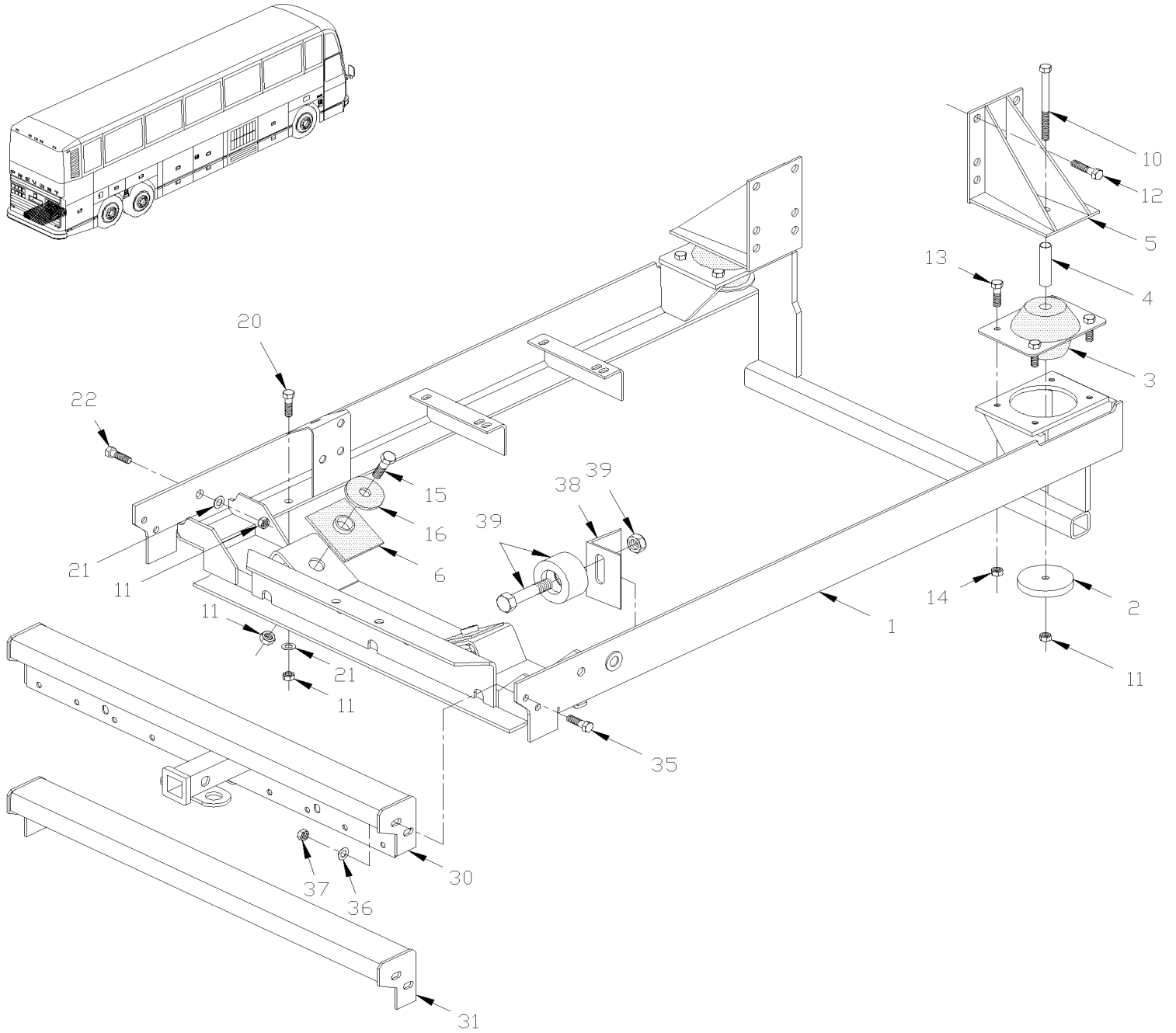
Item#	Part	Description	H 3 4 0	V I P 4 0	N O T E S
27	070624	SPACER / TO FIX TRANSMISSION PROTECTION BAR	4	4	
28	500792	NUT HEX 5/8-11 Z050	4	4	F
NS	500484	WASHER LO SPT .635x1.079x.156 Z050	4	4	F
		A) FRONT & REAR ENGINE SUPPORT			
		B) TO FIX PULLEY PROTECTOR			
		D) TO FIX CRADLE			
		F) TO FIX TRANSMISSION PROTECTION BAR			
		H) 8V92T W/MANUAL TRANSMISSION			
		I) 8V92T W/AUTOMATIC TRANSMISSION			
		J) 6V92T W/MANUAL TRANSMISSION			
		K) 6V92T W/AUTOMATIC TRANSMISSION			

From P-256 To R-079

Date:07/2024

PAGE:H4-0150-01

ENGINE CRADLE - WITH DETROIT S-60



From P-256 To R-079	Date:07/2024	PAGE:H4-0150-01
ENGINE CRADLE - WITH DETROIT S-60		

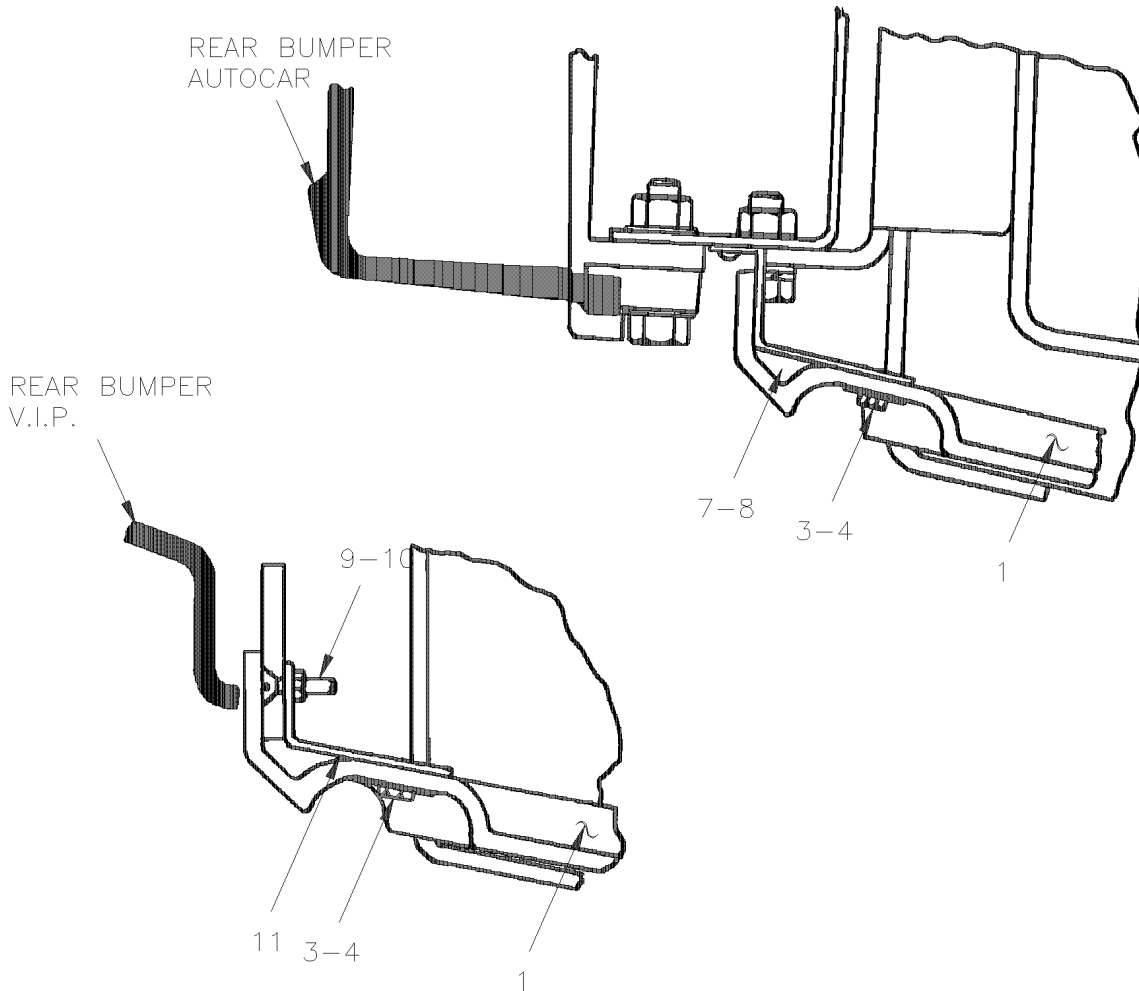
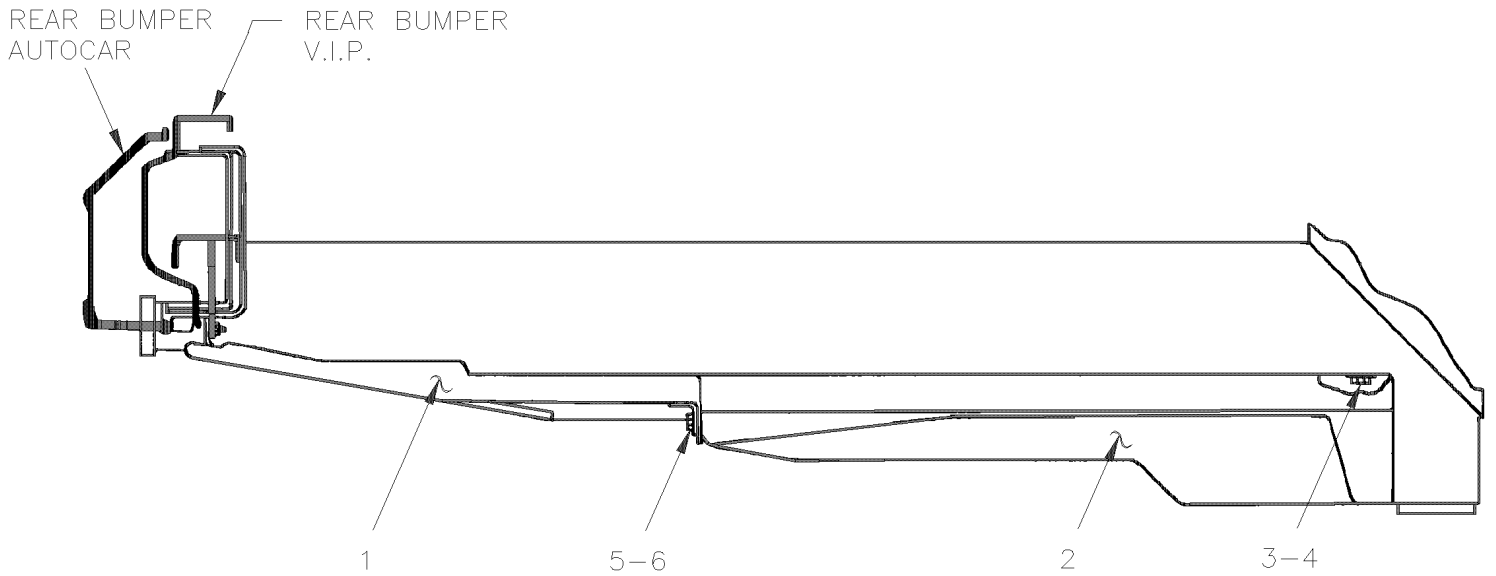
Item#	Part	Description	H 3 4 0	V I P 4 0	N O T E S
1	011717P	CRADLE ASSY	1	1	
2	011662	WASHER, INSULATOR / R.H. & L.H.	2	2	
3	510456	INSULATOR, RUBBER	2	2	
4	011629	SPACER BUSHING	2	2	
5	011586	SUPPORT, R.H. / W/S-60	1	1	
5	011585	SUPPORT, L.H.	1	1	
6	510484	INSULATOR, RUBBER MOUNT SQUARE	2	2	
10	5001051	SCREW CAP HEX M16-2.0x160 G8.8 Z050	2	2	
11	500781	NUT HEX STO M16-2.0 DP	AR	AR	
12	500817	SCREW CAP HEX 5/8-11x1 3/4 G5 Z050	12	12	
13	502549	SCREW CAP HEX M10-1.5x35 G8.8 Z050	8	8	
14	500680	NUT HEX STO M10-1.5 Z050	8	8	
15	502545	SCREW CAP HEX M16-2.0x80 G8.8 Z050	2	2	
16	510428	INSULATOR, RUBBER MOUNT ROUND	2	2	
20	502544	SCREW CAP HEX M16-2.0x40 G8.8 Z050	2	2	
21	500846	WASHER FL 17.0x50.0x3.0 Z050	6	6	
22	500776	SCREW CAP HEX M16-2.0x110 G8.8 Z050	2	2	
30	410576	PROTECTOR ASSY / W/TRAILER HITCH		1	
31	410577	PROTECTOR ASSY / WITHOUT TRAILER HITCH	1	1	
35	502731	SCREW CAP HEX M12-1.75x40 G8.8 Z050	4	4	
36	500446	WASHER FL .531x1.250x.125 Z050	4	4	
37	500811	NUT HEX STO M12-1.75 G500	4	4	
38	011623	ANGLE SUPPORT / (WELDED TO ENGINE CRADLE)	1	1	
39	H4-0120-01	DRIVE PULLEY & BELTS - WITH DETROIT S-60			
		FOR RETROFIT A TRAILER HITCH			
		YOU REQUIRE NEXT FOLLOWING ITEMS			
NS	500446	WASHER FL .531x1.250x.125 Z050	4	4	
NS	500781	NUT HEX STO M16-2.0 DP	4	4	
NS	500811	NUT HEX STO M12-1.75 G500	4	4	
NS	502731	SCREW CAP HEX M12-1.75x40 G8.8 Z050	4	4	
NS	502744	NUT HEX STO M8-1.25 Z050	4	4	
NS	910006	NAME PLATE "CERTIFICATION HITCH PLATE"	1	1	
NS	502627	SCREW DRV RND #2x1/4 ZP	2	2	
NS	211484	SPACER / EACH SIDE OF ENGINE CRADLE	2	2	A
NS	410575	ANGLE / TRAILER HITCH SUPPORT	1	1	A
NS	410626	DECAL "MAXIMUM HITCH CAPACITY"	1	1	
NS	410806	KIT TRAILER HITCH / UPGRADE TO 20000LBS		1	
NS	IS-99092A	SEE INSTRUCTION SHEET		1	

From P-256 To R-079	Date:07/2024	PAGE:H4-0150-01
---------------------	--------------	-----------------

ENGINE CRADLE - WITH DETROIT S-60

Item#	Part	Description	H 3 4 0	V I P 4 0	N O T E S
		A) THOSE ITEMS NEED TO BE WELDED AT THE CRADLE ENGINE			

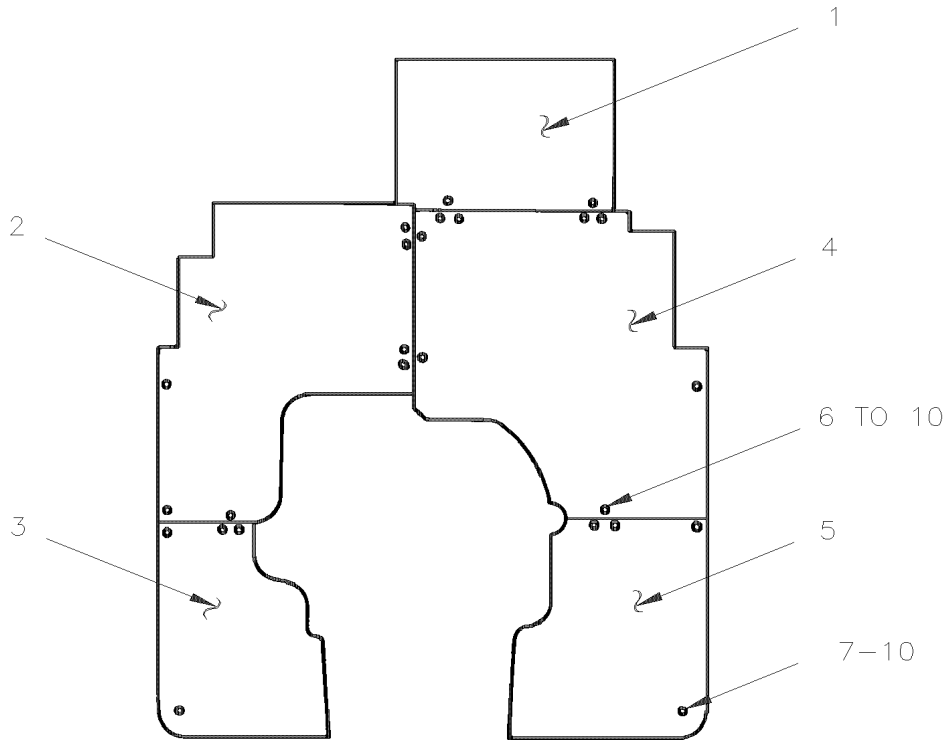
From L-031 To R-079	Date:07/2024	PAGE:H4-0155-00
ENGINE PAN		



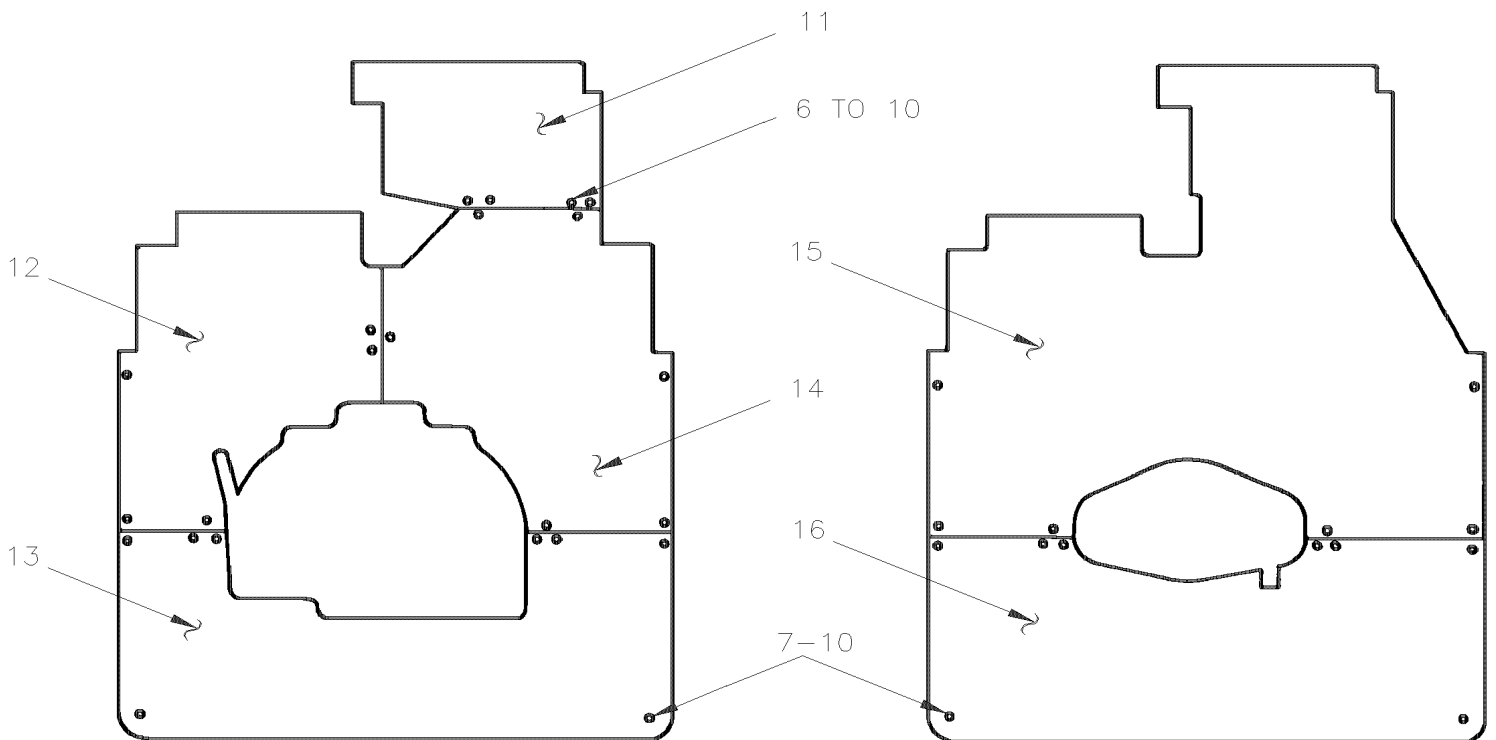
From L-031 To R-079	Date:07/2024	PAGE:H4-0155-00
ENGINE PAN		

Item#	Part	Description	H 3 4 0	V I P 4 0	N O T E S
1	011443	PAN / REAR / UNDER ENGINE To M-111	1	1	
1	011533	PAN / REAR / UNDER ENGINE From M-112 To R-382	1	1	
1	011628	PAN / REAR / UNDER ENGINE / W/SERIES 60 From R-383	1	1	
2	011445	PAN / UNDER ENGINE / AUTOMATIC TRANSMISSION	1	1	A
NS	011444	PAN / UNDER ENGINE / MANUAL TRANSMISSION	1		B
3	502810	SCREW TP CAP HEXW FL M6.3-1.81x30 PHC	12	12	
4	502764	NUT SPR J #14A .035-.046	12	12	C
5	011454	REINFORCEMENT, INTERIOR & EXTERIOR To M-111	2	2	
5	011531	REINFORCEMENT, EXTERIOR From M-112	1	1	
5	011534	REINFORCEMENT, INTERIOR From M-112	1	1	
6	504487	RIVET MGLP PRDG 3/16x7/16 SS	8	8	
7	011457	SUPPORT / REAR To R-382	1		
7	011630	SUPPORT / REAR / W/SERIES 60 From R-383	1		
8	504379	RIVET POP DOME OE 3/16x1/4 SS	7		
9	500485	SCREW MA FL PH #10-32x3/4 SS EMN		8	
10	500423	NUT HEX NYRT #10-32 SS		8	
11	011453	SUPPORT / REAR To R-382		2	
NS	011425	PROTECTOR ASSY		1	
NS	011633	SUPPORT / REAR / W/SERIES 60 From R-383		2	
NS	500347	SCREW CAP HEX 5/16-18x1 1/4 SS		10	
13	011536	KIT PAN REPLACEMENT / W/AUTOMATIC TRANS	1	1	
14	011535	KIT PAN REPLACEMENT / W/MANUAL TRANS	1	1	
		A) UP TO M-111 IF PAN IS REPLACED USE RETROFIT KIT #011536			
		B) UP TO M-111 IF PAN IS REPLACED USE RETROFIT KIT #011535			
		C) TO FIX ITEM #51			

From L-031 To R-032	Date:07/2024	PAGE:H4-0155-10
ENGINE TRANSMISSION GUARD & AIR SHIELD		



8V92 & 6V92 AUTOMATIC TRANSMISSION



8V92 MANUAL TRANSMISSION

6V92 MANUAL TRANSMISSION

From L-031 To R-032	Date:07/2024	PAGE:H4-0155-10
ENGINE TRANSMISSION GUARD & AIR SHIELD		

Item#	Part	Description	H 3 4 0	V I P 4 0	N O T E S
1	011569	PROTECTOR From N-189	1	1	A
2	011381	PROTECTOR, L.H. / UPPER	1	1	
3	011386	PROTECTOR, L.H. / LOWER	1	1	
4	011387	PROTECTOR, R.H. / UPPER To N-188	1	1	A
4	011568	PROTECTOR, R.H. / UPPER From N-189	1	1	
5	011382	PROTECTOR, R.H. / LOWER	1	1	
6	011390	PLATE FIXING	AR	AR	
7	500535	SCREW TP CAP HEX #14x3/4 Z050	AR	AR	
8	502764	NUT SPR J #14A .035-.046	AR	AR	
9	504487	RIVET MGLP PRDG 3/16x7/16 SS	AR	AR	
10	502573	WASHER FL 6.4x12.5x1.6 SS	AR	AR	
11	011488	PROTECTOR	1		
12	011380	PROTECTOR, L.H. / UPPER	1		
13	011379	PROTECTOR, LOWER	1		
14	011384	PROTECTOR, R.H. / UPPER	1		
15	011385	PROTECTOR, UPPER	1		
16	011383	PROTECTOR, LOWER	1		
16	011576	KIT, REPLACEMENT OF ENGINE SPLASH GUARD	AR	AR	
. NS	IS-91106	. SEE INSTRUCTION SHEET	1	1	
16	011577	KIT, REPLACEMENT OF ENGINE SPLASH GUARD	AR	AR	
. NS	IS-91106	. SEE INSTRUCTION SHEET	1	1	
		A) PRIOR N-189 W/AUTOMATIC TRANSMISSION, THIS PROTECTOR WAS MADE OF ONE PIECE, NOW USE KIT 011576			

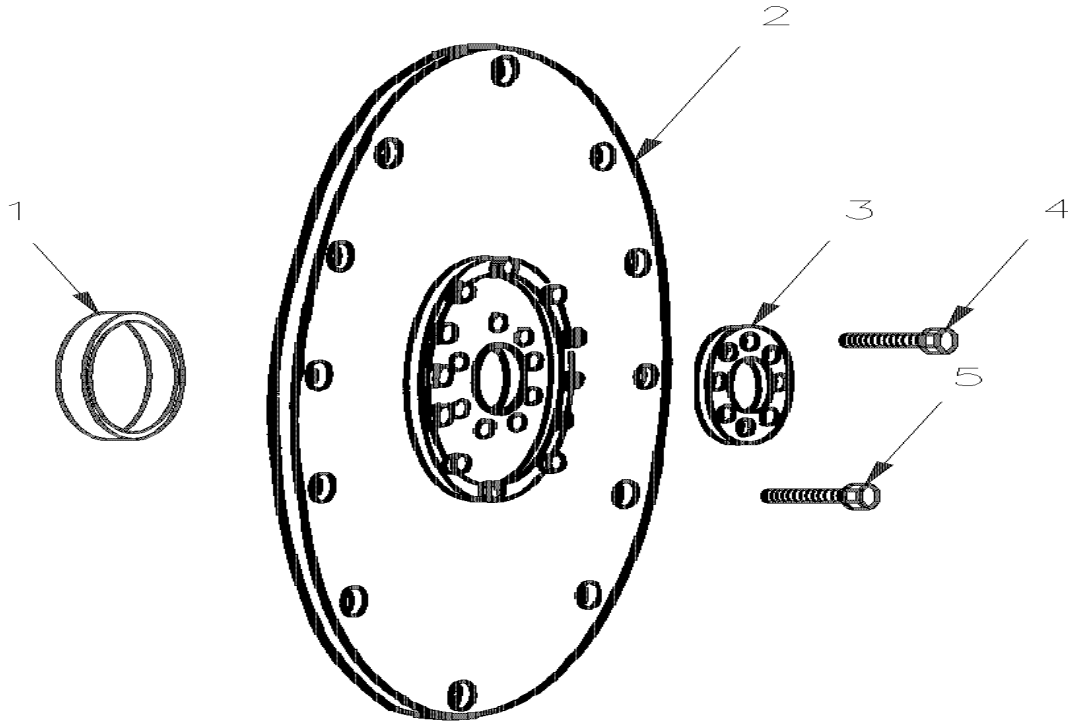
From L-031 To R-032

Date:07/2024

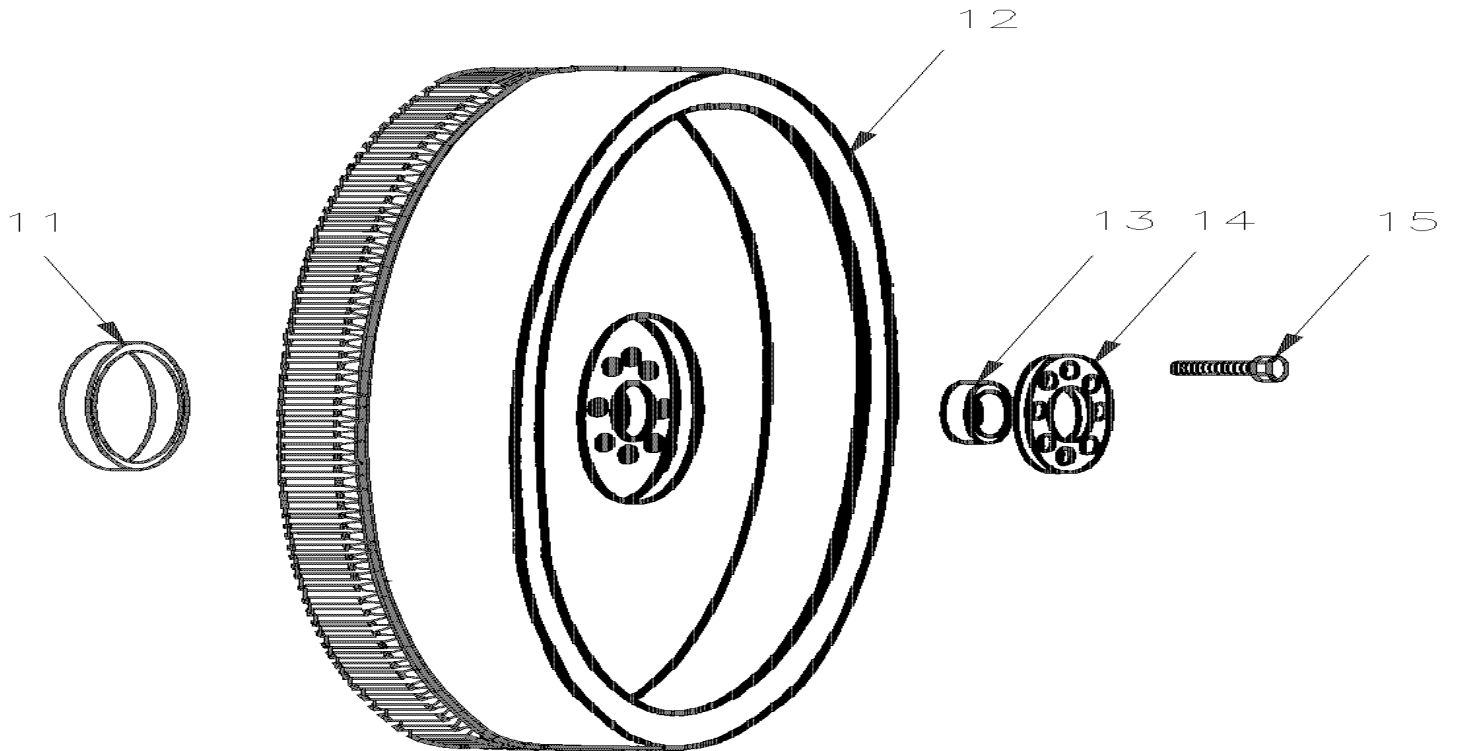
PAGE:H4-0160-00

FLYWHEEL - WITH DETROIT S-92

AUTOMATIC TRANSMISSION



MANUAL TRANSMISSION



From L-031 To R-032	Date:07/2024	PAGE:H4-0160-00
FLYWHEEL - WITH DETROIT S-92		

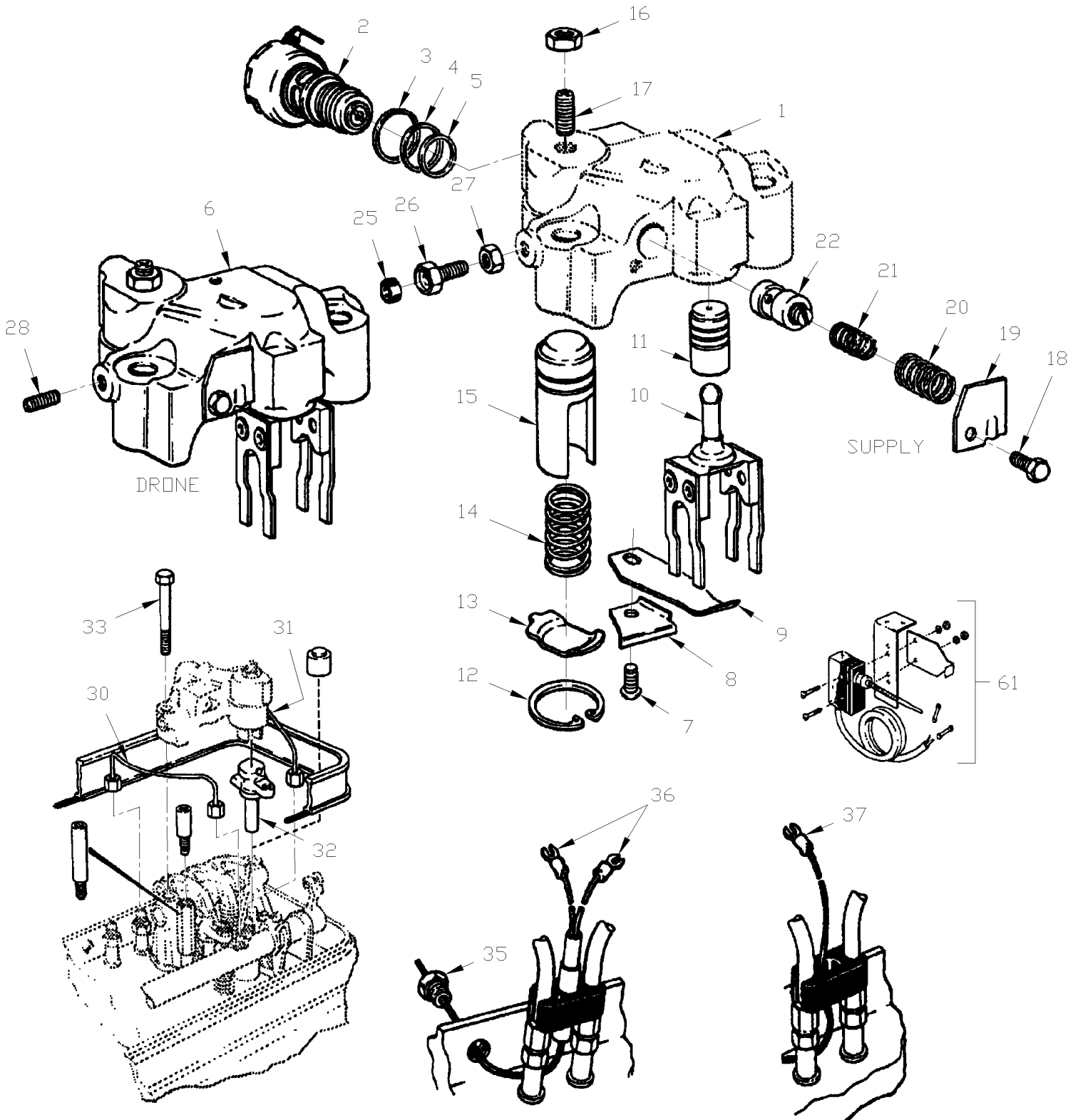
Item#	Part	Description	H 3 4 0	V I P 4 0	N O T E S
		6V92T & 8V92T W/AUTOMATIC TRANSMISSION			
1	510286	SEAL OIL	1	1	
2	571418	PLATE FLEXIBLE	1	1	
3	510225	PLATE SCUFF	1	1	
4	510079	BOLT / TO FIX SCUFF PLATE	12	12	
NS	295131006	RING GEAR ADAPTOR ASSY / W/AUTOMATIC TRANS	1	1	
5	571143	BOLT / FLEXIBLE PLATE	12	12	
		6V92T & 8V92T W/MANUAL TRANSMISSION			
11	510286	SEAL OIL	1	1	
12	510223	FLYWHEEL	1	1	
13	507113	BALL BEARING	1	1	
14	510225	PLATE SCUFF	1	1	
15	510287	BOLT / TO FIX SCUFF PLATE	12	12	

From L-031 To R-032

Date:07/2024

PAGE:H4-0165-00

JACOB'S - ENGINE BRAKE - WITH DETROIT S-92



From L-031 To R-032	Date:07/2024	PAGE:H4-0165-00
JACOB'S - ENGINE BRAKE - WITH DETROIT S-92		

Item#	Part	Description	H 3 4 0	V I P 4 0	N O T E S
	510365	KIT JACOB'S BRAKE / 12 VOLTS / 6V92T DDEC	1	1	B
	510366	KIT JACOB'S BRAKE / 12 VOLTS / 8V92T DDEC	1	1	C
1	N.S.P.	HOUSING / 12 VOLT SUPPLY / DDEC ENGINE (#013592)	1	1	2
2	510409	. VALVE SOLEINOID / 12 VOLTS DDEC ENGINE	1	1	
3	510411	. SEAL RING / UPPER	1	1	
4	510412	. SEAL RING / CENTER	1	1	
5	510413	. SEAL RING / LOWER	1	1	
6	N.S.P.	. HOUSING DRONE	1	1	2
7	N.S.P.	. . SCREW (#001265)	1	1	2
8	N.S.P.	. . RETAINER SPRING (#003669)	1	1	2
9	N.S.P.	. . SPRING / MASTER PISTON (#009505)	1	1	2
10	N.S.P.	. . FORK ASSY / MASTER PISTON (#003337)	1	1	2
11	N.S.P.	. . PISTON MASTER (#003329)	1	1	2
12	N.S.P.	. . RING RETAINING (#001023)	1	1	2
13	N.S.P.	. . RETAINER (#007620)	1	1	2
14	N.S.P.	. . SPRING (#001288)	1	1	2
15	N.S.P.	. . PISTON SLAVE (#009442)	1	1	2
16	N.S.P.	. . NUT (#001026)	1	1	2
17	N.S.P.	. . SCREW (#001031)	1	1	2
18	N.S.P.	. . SCREW (#001492)	1	1	2
19	N.S.P.	. . COVER CONTROL VALVE (#002221)	1	1	2
20	N.S.P.	. . SPRING CONTROL VALVE (#011434)	1	1	2
21	N.S.P.	. . SPRING CONTROL VALVE (#007500)	1	1	2
22	N.S.P.	. . SPOOL ASSY / CONTROL VALVE (#011930)	1	1	2
25	510415	. SEAL RING	4	4	
26	510414	. CONNECTOR OIL	4	4	
27	N.S.P.	. NUT (#001340)	4	4	2
28	N.S.P.	. SCREW (#001341)	4	4	2
30	510419	. PIPE R.H. FUEL	2	2	
31	510420	. PIPE L.H. FUEL	2	2	
32	N.S.P.	. BRIDGE EXHAUST VALVE (#001322)	2	2	2
33	N.S.P.	. BOLT OIL SUPPLY (#001340)	4	4	2
35	510418	. BUSHING SEAL	2	2	
36	510417	. HARNESS	2	2	
37	510416	. HARNESS	2	2	
61	061736	SWITCH ASSY To M-061	1	1	
NS	063147	SWITCH ASSY, / JACOB'S & CRUISE CONTROL From M-062	1	1	A
NS	561520	SWITCH / OFF-ON-ON SERIES S.P.D.T.	1	1	
NS	062991	INSERT / GREEN / "JACOB" BRAKE	1	1	
71	500380	SCREW MA RND SLT #5-40x1 BZC	2	2	
72	502649	WASHER LO EXT .141x.320x.022 Z050	2	2	
73	500766	NUT HEX #5-40 ZP	2	2	

From L-031 To R-032	Date:07/2024	PAGE:H4-0165-00
JACOB'S - ENGINE BRAKE - WITH DETROIT S-92		

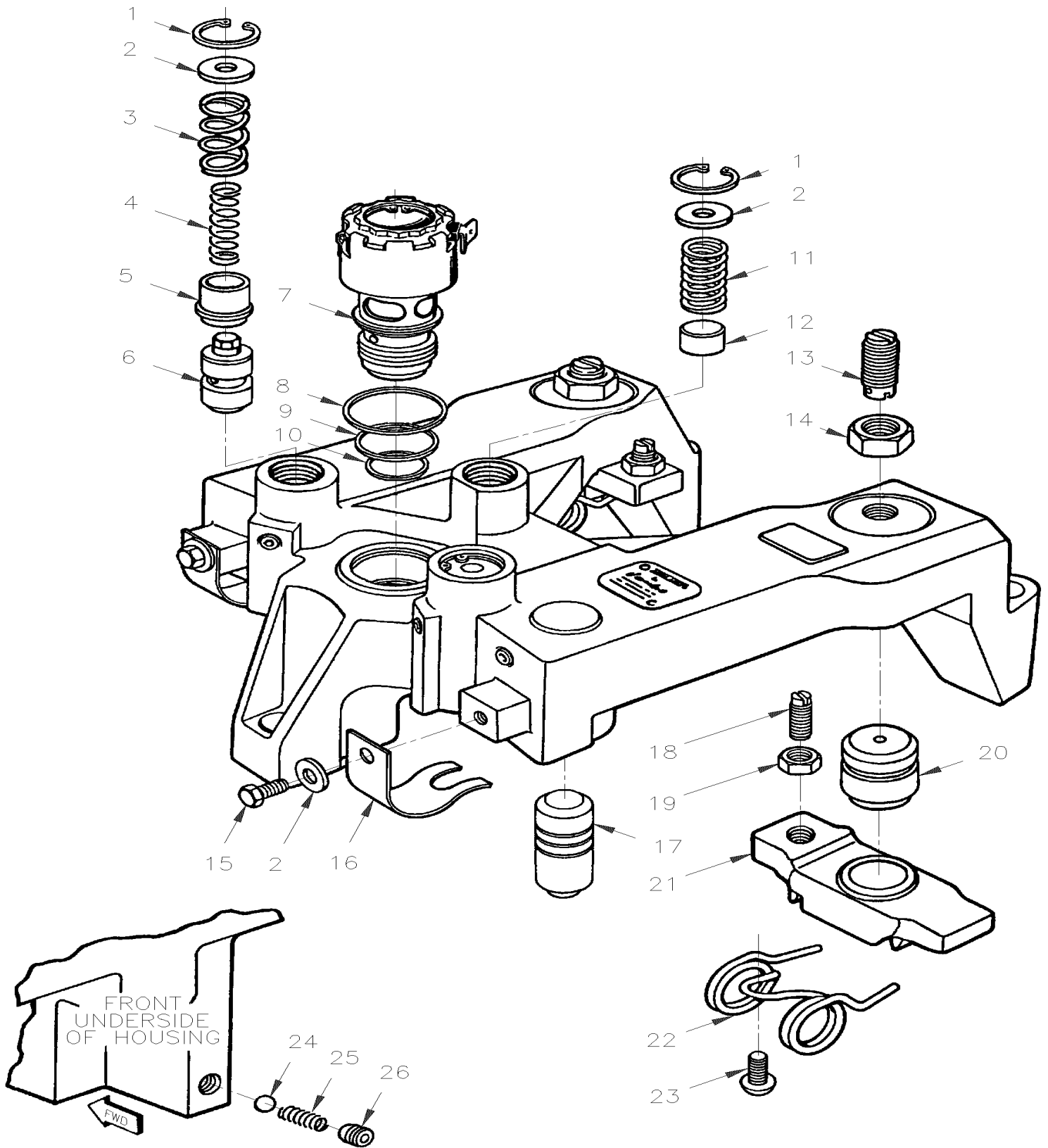
Item#	Part	Description	H 3 4 0	V I P 4 0	N O T E S
		A) CLUTCH			
		B) ENGINE INCLUDES ITEMS #1,6,24,32,33,35 & 37			
		C) ENGINE INCLUDES ITEMS #1,6,24,32,33,35 & 37			
		2) NOT SOLD BY PREVOST (SEE MANUFACTURING PART NUMBER AT END OF DESCRIPTION LINE)			

From P-256 To R-079

Date:07/2024

PAGE:H4-0165-01

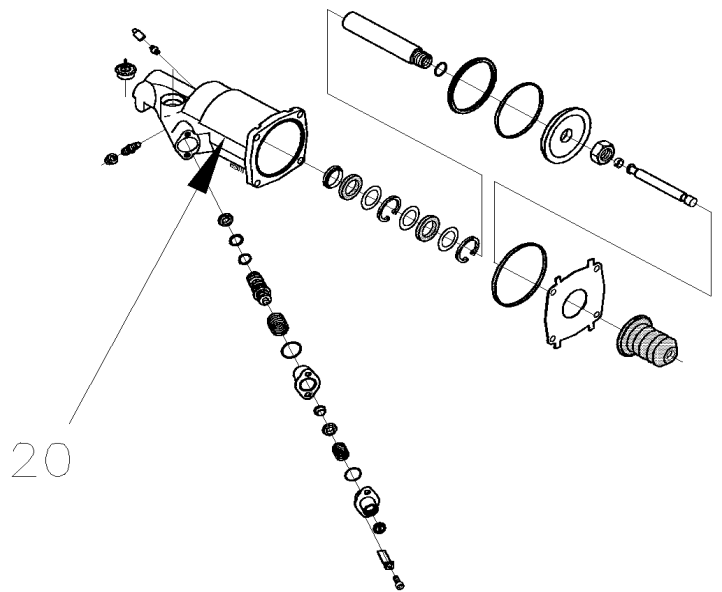
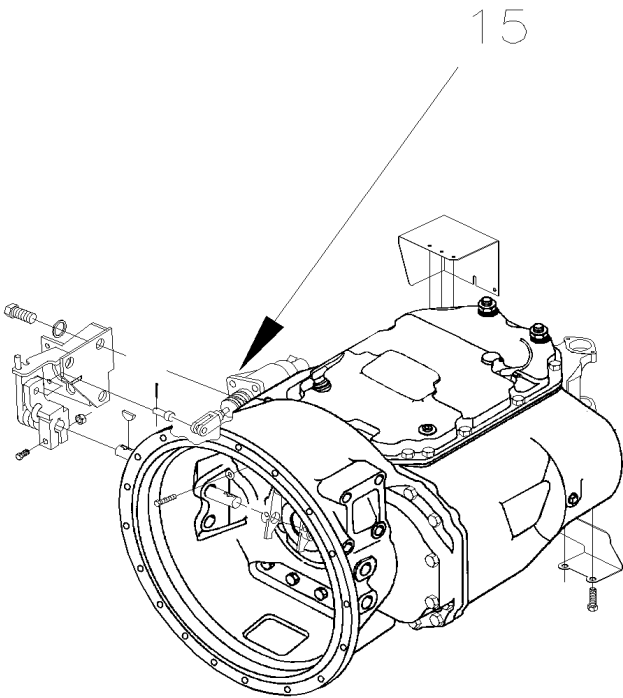
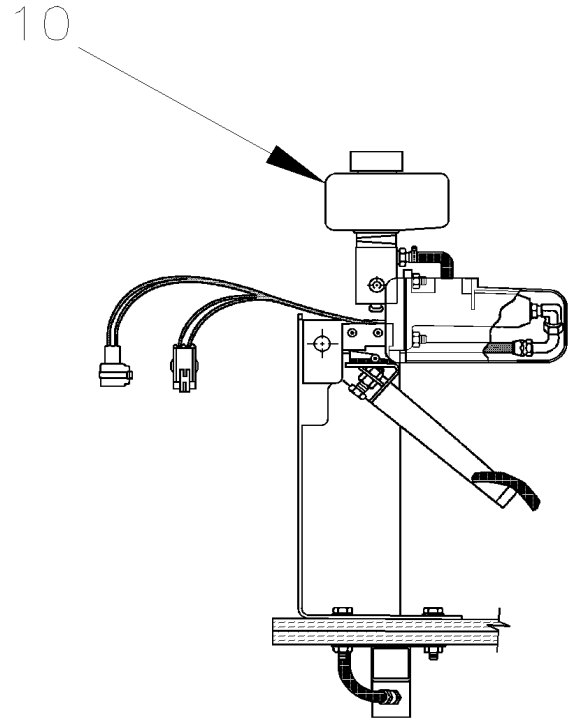
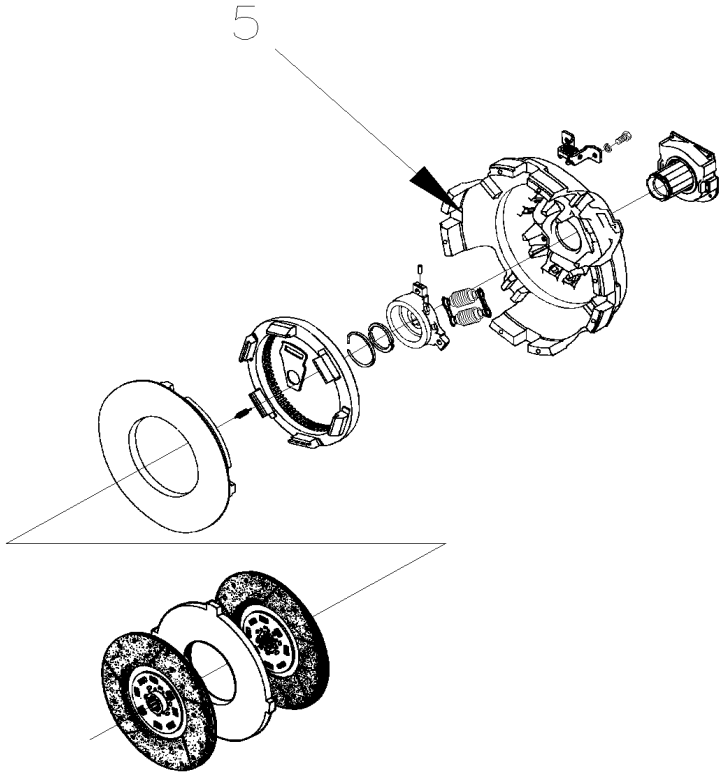
JACOB'S - ENGINE BRAKE - WITH DETROIT S-60



From P-256 To R-079	Date:07/2024	PAGE:H4-0165-01
JACOB'S - ENGINE BRAKE - WITH DETROIT S-60		

Item#	Part	Description	H 3 4 0	V I P 4 0	N O T E S
	N.S.P.	HOUSING ASSY - 12 VOLTS (#017122)	3	3	2
1	N.S.P.	. RETAINING RING (#012991)	3	3	2
2	N.S.P.	. COVER (#016505)	5	5	2
3	N.S.P.	. STOP SPRING (#001519)	2	2	2
4	N.S.P.	. SPRING (GREEN) (#001518)	2	2	2
5	N.S.P.	. COLLAR (#016557)	2	2	2
6	N.S.P.	. CONTROL VALVE (011930)	2	2	2
7	N.S.P.	. SOLENOID VALVE (#016440)	1	1	2
8	510411	. SEAL RING / UPPER	1	1	
9	510412	. SEAL RING / CENTER	1	1	
10	510413	. SEAL RING / LOWER	1	1	
11	N.S.P.	. SPRING (#012990)	1	1	2
12	N.S.P.	. PISTON - ACCUMULATOR (#012983)	1	1	2
13	N.S.P.	. RESET SCREW ASSY (#015931)	2	2	2
14	N.S.P.	. HEX NUT (#011395)	2	2	2
15	N.S.P.	. SCREW (#001492)	2	2	2
16	N.S.P.	. FLAT SPRING (#016535)	2	2	2
17	N.S.P.	. MASTER PISTON (#012981)	2	2	2
18	N.S.P.	. ADJUSTING SCREW (#011426)	2	2	2
19	N.S.P.	. HEX NUT (#001026)	2	2	2
20	N.S.P.	. SLAVE PISTON (#017048)	2	2	2
21	N.S.P.	. BRIDGE (#016771)	2	2	2
22	N.S.P.	. TORSION SPRING (#016812)	2	2	2
23	N.S.P.	. BUTTONHEAD SCREW (#012996)	2	2	2
24	N.S.P.	. BALL (#001021)	2	2	2
25	N.S.P.	. BALL CHECK SPRING (#011720)	1	1	2
26	N.S.P.	. PIPE PLUG (#008888)	1	1	2
26	N.S.P.	SOLOINOID HARNESS EXTERNAL (#017393)	1	1	2
26	N.S.P.	SOLOINOID HARNESS INTERNAL (#017392)	1	1	2
26	N.S.P.	FILLER GAUGE .040 LASH / TO USE W/11.1 LITER (#017277)	AR	AR	2
26	N.S.P.	FILLER GAUGE .020 LASH / TO USE W/12.7 LITER (#017277)	AR	AR	2
		2) NOT SOLD BY PREVOST (SEE MANUFACTURING PART NUMBER AT END OF DESCRIPTION LINE)			

	Date:07/2024	H4-02
CLUTCH		



	Date:07/2024	H4-02
CLUTCH		

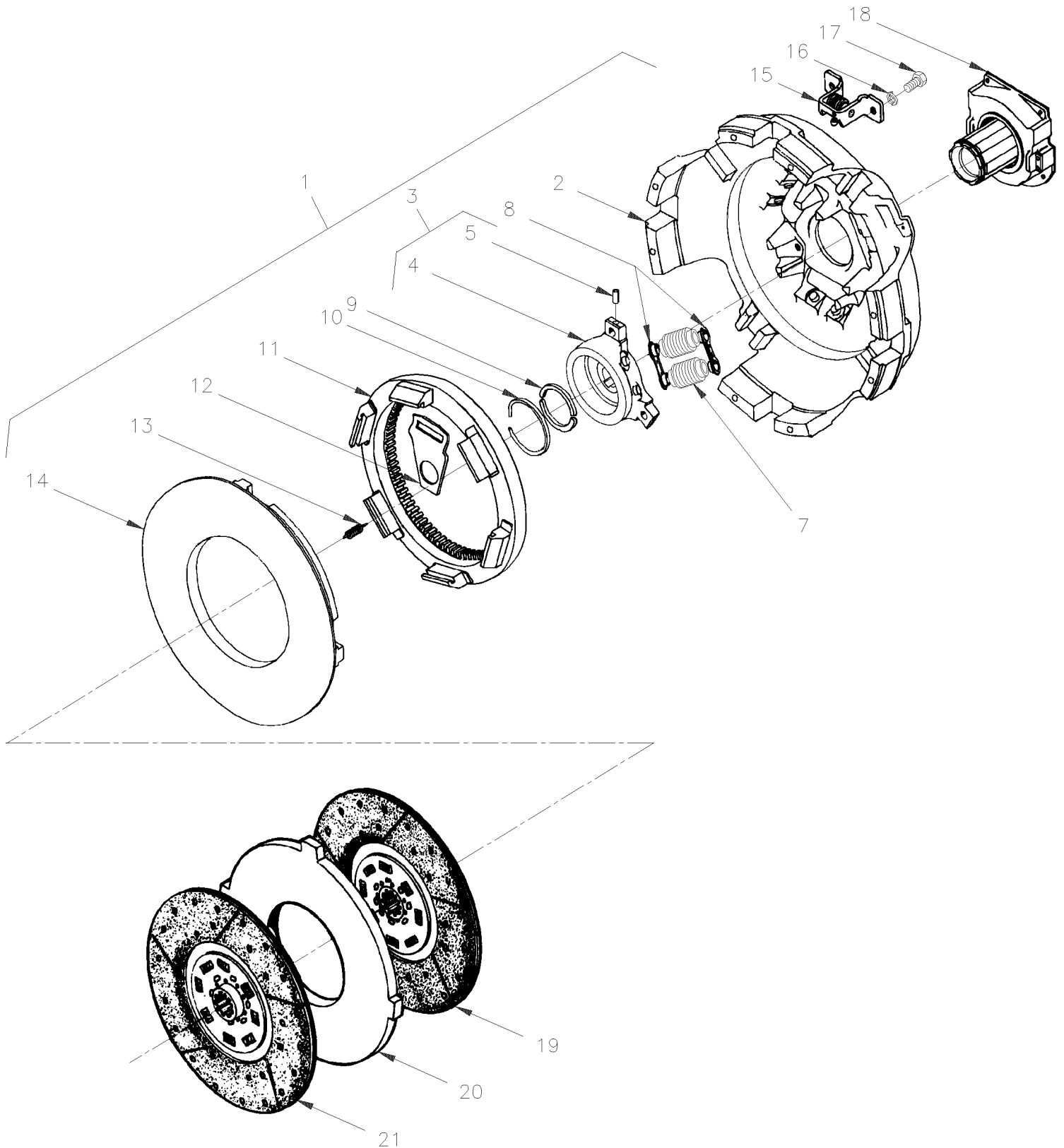
Item#	Part	Description	H 3 4 0	V I P 4 0	N O T E S
5	H4-0205-00	CLUTCH PRESSURE PLATE ASSY - WITH DETROIT S-92 From L-031 To R-032			
5	H4-0205-01	CLUTCH PRESSURE PLATE ASSY - WITH DETROIT S-60 From P-256 To R-079			
10	H4-0210-10	CLUTCH PEDAL - HYDRAULIC From L-031 To R-016			
10	H4-0210-11	CLUTCH PEDAL - "POWER ASSISTED" From R-384 To R-016			
15	H4-0215-10	CLUTCH CONTROL - REAR SECTION - HYDRAULIC From L-031 To R-016			
15	H4-0215-11	CLUTCH CONTROL - REAR SECTION - "POWER" From R-384 To R-016			
20	H4-0220-00	CLUTCH CYLINDER - "POWER ASSISTED" From R-384 To R-016			

From L-031 To R-032

Date:07/2024

PAGE:H4-0205-00

CLUTCH PRESSURE PLATE ASSY - WITH DETROIT S-92



From L-031 To R-032	Date:07/2024	PAGE:H4-0205-00
CLUTCH PRESSURE PLATE ASSY - WITH DETROIT S-92		

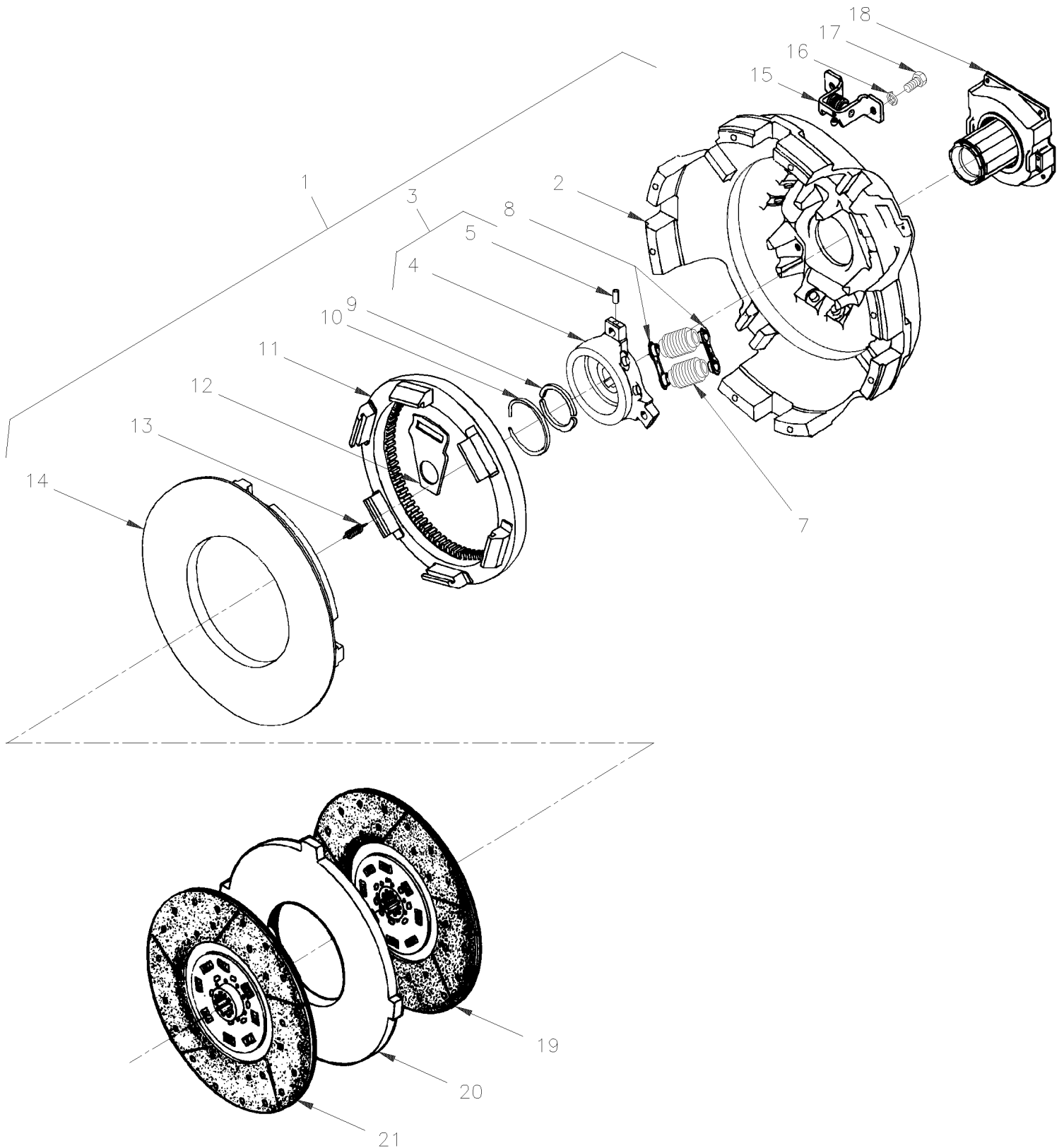
Item#	Part	Description	H 3 4 0	V I P 4 0	N O T E S
	520091	CLUTCH ASSY / W/6V92 To M-144	1		
	520134	CLUTCH ASSY / W/6V92 From M-145	1		
	520116	CLUTCH ASSY / W/8V92 To M-144	1		
	520133	CLUTCH ASSY / W/8V92 From M-145	1		
1	520115	. COVER ASSY / W/6V92 To M-144	1		
1	520135	. COVER ASSY / W/6V92 From M-145	1		
1	520117	. COVER ASSY / W/8V92 To M-144	1		
1	520136	. COVER ASSY / W/8V92 From M-145	1		
2	520111	. . RING FLYWHEEL	1		
3	520119	. . CLUCH ASSY / CERAMIC To M-144	1		
4		. . . RETAINER / RELEASE SLEEVE	1		
5	N.S.S.	. . . SLEEVE SPRING	1		1
7	520096	. . SPRING PRESSURE / RED / W/6V92	6		
8	520095	. . PIVOT SPRING	6		
9	520098	. . RING RELEASE SLEEVE	2		
10	520099	. . RING SNAP	1		
11	520113	. . RING ADJUSTING To M-144	1		
12	520100	. . LEVER	6		
13	520102	. . SPRING EXTENSION / .700 O.D. x 1.625 x .091	4		
14	520103	. . PLATE PRESSURE	1		
15	520137	. . ADJUSTER ASSY To M-144	1		
15	520110	. . ADJUSTER ASSY From M-145	1		
16	520109	. . WASHER LOCK	2		
17	520108	. . BOLT	2		
18	520107	. . RELEASE BEARING & SLEEVE ASSY	1		
19	520106	. DISC ASSY FRONT DRIVEN	1		
20	520105	. PLATE CENTER	1		
21	520104	. DISC ASSY REAR DRIVEN	1		
NS	520090	. CLUTCH BRAKE	1		
NS	520168	CLUTCH BRAKE "QUICK CONNECT"	1		A
		A) EASY TO CHANGE WITHOUT REMOVE TRANSMISSION			
		1) NOT SOLD SEPARATELY			

From P-256 To R-079

Date:07/2024

PAGE:H4-0205-01

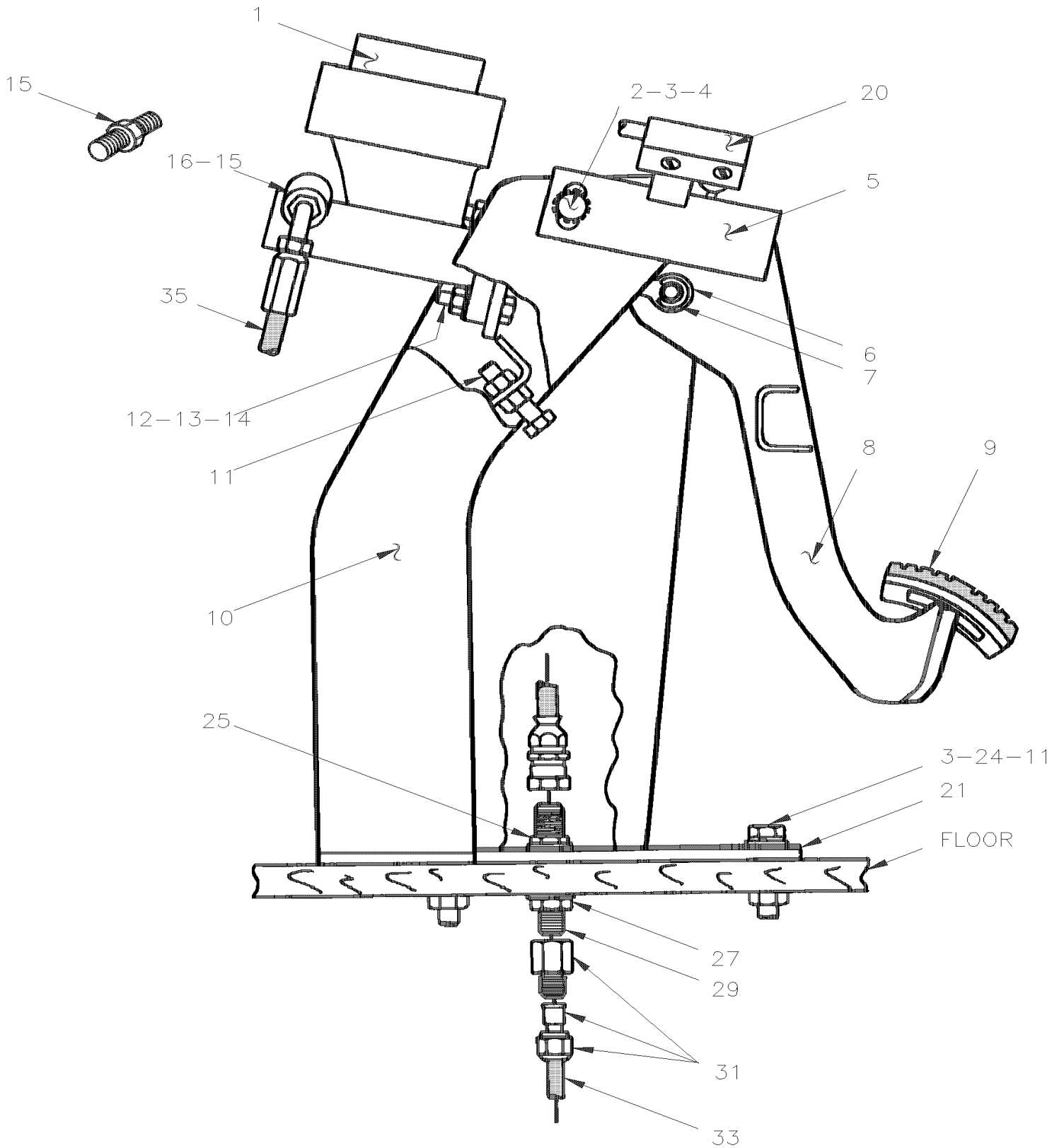
CLUTCH PRESSURE PLATE ASSY - WITH DETROIT S-60



From P-256 To R-079	Date:07/2024	PAGE:H4-0205-01
CLUTCH PRESSURE PLATE ASSY - WITH DETROIT S-60		

Item#	Part	Description	H 3 4 0	V I P 4 0	N O T E S
	520147	CLUTCH ASSY / W/SERIES 60	1		
1	520150	. COVER ASSY / W/60	1		
2	N.S.S.	. . RING FLYWHEEL	1		1
3	N.S.S.	. . RETAINER & SPRING SLEEVE ASSY	1		1
4	N.S.S.	. . . RETAINER / RELEASE SLEEVE	1		1
5	N.S.S.	. . . SLEEVE SPRING	1		1
7	N.S.S.	. . SPRING PRESSURE	6		1
8	N.S.S.	. . PIVOT SPRING	6		1
9	N.S.S.	. . RING RELEASE SLEEVE	2		1
10	N.S.S.	. . RING SNAP	1		1
11	N.S.S.	. . RING ADJUSTING	1		1
12	N.S.S.	. . LEVER	6		1
13	N.S.S.	. . SPRING RETURN	4		1
14	N.S.S.	. . PLATE PRESSURE	1		1
15	520137	. . ADJUSTER ASSY	1		
16	N.S.S.	. . WASHER LOCK	2		1
17	N.S.S.	. . BOLT	2		1
18	520107	. . RELEASE BEARING & SLEEVE ASSY	1		
19	520151	. DISC ASSY FRONT DRIVEN / W/60	1		
20	520153	. PLATE CENTER / W/60	1		
21	520152	. DISC ASSY REAR DRIVEN / W/60	1		
NS	520090	. CLUTCH BRAKE	1		
NS	520168	CLUTCH BRAKE "QUICK CONNECT"	1		A
NS	510476	SCREW CAP HEX / FLEX PLATE / 9/16-18 X 1 3/4"	12		
		A) EASY TO CHANGE WITHOUT REMOVE TRANSMISSION			
		1) NOT SOLD SEPARATELY			

From L-031 To R-016	Date:07/2024	PAGE:H4-0210-10
CLUTCH PEDAL - HYDRAULIC		



From L-031 To R-016		Date:07/2024	PAGE:H4-0210-10
---------------------	--	--------------	-----------------

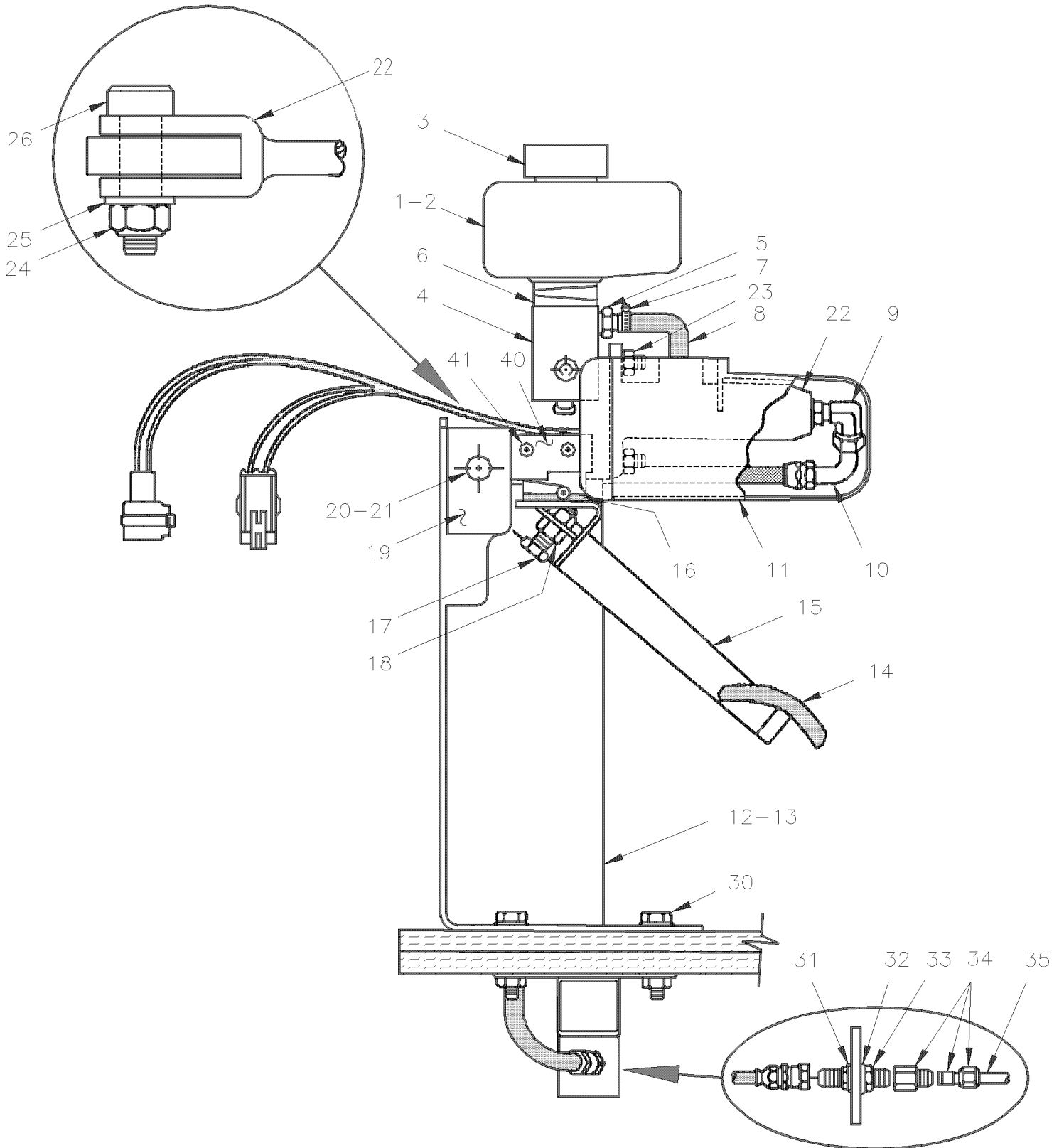
CLUTCH PEDAL - HYDRAULIC

Item#	Part	Description	H 3 4 0	V I P 4 0	N O T E S
	070726P	CLUTCH PEDAL ASSY / LESS MICRO SWITCH To M-147	1		
	070792P	CLUTCH PEDAL ASSY / LESS MICRO SWITCH From M-148	1		
1	520121	. CYLINDER MASTER	1		
NS	020392	. PROTECTOR / ANGLE PLASTIC	1		
2	500191	. SCREW CAP HEX 3/8-16x1 G5 Z050	AR		
2	502559	. SCREW CAP HEX M10-1.5x25 G8.8 Z050	AR		
3	500444	. WASHER FL .406x.812x.065 Z050	AR		
4	500265	. NUT HEX STO 3/8-16 Z050	AR		
4	500680	. NUT HEX STO M10-1.5 Z050	AR		
5	070693	. SUPPORT ASSY / ADJUSTABLE SWITCH To M-147	1		
5	070784	. SUPPORT ASSY / ADJUSTABLE SWITCH From M-148	1		
6	520124	. ROD ASSY / TO FIX PEDAL TO MASTER CYLINDER	1		
7	504535	. RING RETAINER / EXT 9 x 8 x 1.03MM	1		
8	520123	. PEDAL ASSY	1		
8	070769	. PROTECTOR RUBBER / OVER SPRING RETURN	1		
8	520125	. SPRING, TORSION / .950 I.D. X 1.5 x .136	1		
8	502798	. WASHER FL 17.0x30.0x3.0 BR	1		
8	070697	. RUBBER BUMPER	1		
9	520126	. RUBBER PAD	1		
10	070730	. SUPPORT ASSY	1		
11	500072	. SCREW CAP HEX M10-1.5x45 G10.9 Z050	1		
11	500193	. SCREW CAP HEX 3/8-16x1 1/2 G5 Z050	3		
12	500182	. SCREW CAP HEX 5/16-18x1 1/4 G5 PT Z050	2		
12	500544	. SCREW CAP HEX M8-1.25x30 G8.8 Z050	2		
13	500441	. WASHER FL .312x.734x.065 Z050	2		
13	500874	. WASHER FL 8.4x17.0x1.6 Z050	2		
14	500777	. NUT HEX STO 5/16-18 Z050	2		
14	502744	. NUT HEX STO M8-1.25 Z050	2		
15	070762	. ADAPTOR	1		
16	507298	. WASHER FL 12.5x20.0x1.5 COPPER	1		
NS	520127	KIT REPAIR / MASTER CYLINDER	AR		
20	061736	SWITCH ASSY To M-061	1		B
20	510294	. MICRO SWITCH	1		
20	561111	. CONNECTOR / SURE-SEAL / FEMALE HOUSING 3C / ITT CANNON 120-1805-000	1		
20	561023	. PIN TERMINAL / 18-14 / ITT CANNON 030-2196-001	2		
20	561115	. CLAMP W/ 3 & 4 / ITT CANNON 029-0262-000	1		
20	063147	SWITCH ASSY, / JACOB'S & CRUISE CONTROL	1		A
20	063141	. CABLE ASSY	1		
20	562206	. MICRO SWITCH / D.P.S.T.	1		
20	504012	. CABLE TIE / 3/16" X 6"1/2	1		
NS	062883	CABLE ASSY / MICRO SWITCH INTERFACE	1		
21	070735	PLATE MOUNTING / CLUTCH PEDAL To M-147	1		

From L-031 To R-016	Date:07/2024	PAGE:H4-0210-10
CLUTCH PEDAL - HYDRAULIC		

Item#	Part	Description	H 3 4 0	V I P 4 0	N O T E S
21	070755	PLATE MOUNTING / CLUTCH PEDAL From M-148	1		
24	500478	WASHER LO SPT .380x.683x.094 Z050	3		
25	502539	WASHER FL 15.0x28.0x2.5 ZP	1		
27	500520	WASHER LO INT .576x.985x.045 ZP	1		
29	5011005	BULKHEAD MALE CONNECTOR / JIC 37° FITTING / #6JIC-Mx1/4NPT-M STL	2		
31	5011006	FEMALE CONNECTOR / JIC 37° FITTING / #5JIC-Mx1/4NPT-F STL	2		
33	503560	COPPER TUBE .312" O.D. x .032" x 600"	AR		
35	070759	HOSE ASSY TEFLON #6 762MM	1		
NS	070758	HOSE ASSY TEFLON #6 500MM	1		
NS	501595	. FEMALE CONNECTOR SWIVEL / JIC 37° FITTING / TEFLON / #6JIC-Fx#6 STL	2		
NS	501946	. FEMALE ELBOW 90° / JIC 37°/SAE45° FITTING / TEFLON / #6JIC-F/FL-Fx#6 STL	1		
NS	503065	. HOSE TEFLON #6 / S.L.	AR		
NS	504323	GROMMET / .375x.500x.062x.281x.687	AR		
		FOLLOWING KIT NUMBER ARE TO RETROFIT			
		CLUTCH CONTROL WITH			
		POWER ASSISTED CYLINDER THAT YOU			
		SEE AT PAGE H4-0210-00 & H4-0215-10			
35	020426	KIT RETROFIT, CLUTCH CONTROL POWER-ASSISTED "H" WITH 8V-92	AR	AR	
. NS	IS-92108	. SEE INSTRUCTION SHEET	1	1	
35	020427	KIT RETROFIT, CLUTCH CONTROL POWER-ASSISTED "H" WITH 6V-92	AR	AR	
. NS	IS-92108	. SEE INSTRUCTION SHEET	1	1	
35	020430	KIT TO CHANGE CLUTCH "JACOB'S" BRAKE SWITCH	AR	AR	
		A) JACOBS & CRUISE CONTROL			
		B) JACOB			

From R-384 To R-016	Date:07/2024	PAGE:H4-0210-11
CLUTCH PEDAL - "POWER ASSISTED"		



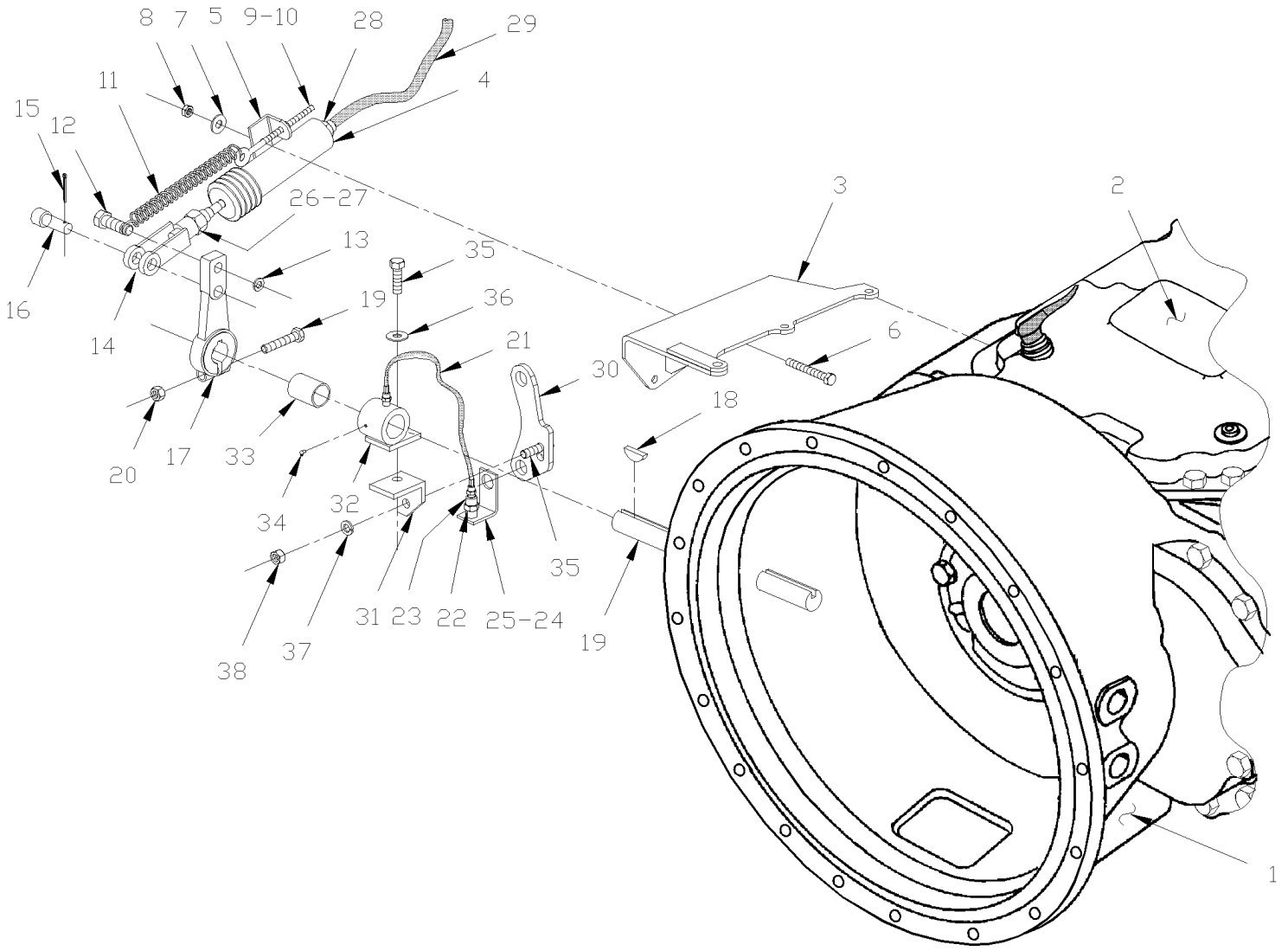
From R-384 To R-016		Date:07/2024	PAGE:H4-0210-11
CLUTCH PEDAL - "POWER ASSISTED"			

Item#	Part	Description	H 3 4 0	V I P 4 0	N O T E S
	020424	PEDAL ASSY	1		
1	020420	. RESERVOIR ASSY	1		
2	520142	. . RESERVOIR	1		
3	520143	. . CAP	1		
NS	520144	. . FILTER	1		
4	020415	. . SUPPORT, RESERVOIR	1		
NS	507320	. . O-RING 1 1/8" I.D. X 1/8"	1		
5	5011048	. . MALE CONNECTOR / HOSE BARB FITTING / #5x1/4NPT-M BR	1		
6	520145	. CLAMP	1		
6	502692	. NUT HEXF STO M8-1.25 Z050	1		
7	504014	. HOSE CLAMP / 1/4"-5/8" SS / HM-4	2		
8	020416	. HOSE #6 250MM	1		
NS	503583	. . HOSE SILICONE 3/8" I.D. x 25' / S.L.	AR		
9	5011046	. MALE ELBOW 90° / JIC 37° FITTING / #6JIC-Mx#5ORB-M STL	1		
10	020423	. HOSE ASSY TEFLON #6 580MM	1		
NS	503065	. . HOSE TEFLON #6 / S.L.	AR		
NS	501595	. . FEMALE CONNECTOR SWIVEL / JIC 37° FITTING / TEFLON / #6JIC-Fx#6 STL	1		
NS	501946	. . FEMALE ELBOW 90° / JIC 37°/SAE45° FITTING / TEFLON / #6JIC-F/FL-Fx#6 STL	1		
NS	560479	. CLAMP / 3/8" I.D.	1		
11	020419	. COVER, PLASTIC	1		
NS	500564	. SCREW MA RND PH #8-32x3/4 Z050	2		
NS	504412	. WASHER RETAINER SNAP CAP #8	2		
NS	504403	. SNAP CAP #8 FINISHING BLACK	2		
12	020393P	. PEDAL SUB-ASSY	1		
13	020394	. SUPPORT	1		
14	520126	. . RUBBER PAD	1		
15	020395	. . PEDAL, LEVER	1		
16	070697	. . RUBBER BUMPER	1		
17	500829	. . SCREW CAP HEX M10-1.5x40 G8.8	1		
18	500256	. . NUT HEX M10-1.5 Z050	1		
19	020400	. . PIVOT ASSY	1		
NS	502790	. . SCREW CAP HEX M8-1.25x20 G8.8 Z050	1		
20	520141	. . BEARING, NYLON	1		
21	520125	. . SPRING, TORSION / .950 I.D. X 1.5 x .136	1		
22	520139	. . CYLINDER	1		
23	502589	. . SCREW CAP HEX M8-1.25x25 G8.8 Z050	2		
NS	502543	. . NUT HEX M8-1.25 Z050	2		
NS	5001003	. . WASHER LO SPT 8.1x12.7x2.0 Z050	2		
24	500868	. . NUT HEX NYRT M8-1.25 Z050	2		
25	500874	. . WASHER FL 8.4x17.0x1.6 Z050	2		
26	5001128	. . SCREW SHR HEXS 10x20 (M8-1.25	1		
30	500072	. SCREW CAP HEX M10-1.5x45 G10.9 Z050	3		

From R-384 To R-016	Date:07/2024	PAGE:H4-0210-11
CLUTCH PEDAL - "POWER ASSISTED"		

Item#	Part	Description	H 3 4 0	V I P 4 0	N O T E S
NS	500444	. WASHER FL .406x.812x.065 Z050	3		
NS	500478	. WASHER LO SPT .380x.683x.094 Z050	3		
31	502539	WASHER FL 15.0x28.0x2.5 ZP	1		
32	500520	WASHER LO INT .576x.985x.045 ZP	2		
33	5011005	BULKHEAD MALE CONNECTOR / JIC 37° FITTING / #6JIC-Mx1/4NPT-M STL	1		
34	5011006	FEMALE CONNECTOR / JIC 37° FITTING / #5JIC-Mx1/4NPT-F STL	1		
35	503560	COPPER TUBE .312" O.D. x .032" x 600"	AR		
40	063147	SWITCH ASSY, / JACOB'S & CRUISE CONTROL	1		A
41	500762	SCREW MA PAN PH #5-40x1 1/4 ZP	2		B
NS	500766	NUT HEX #5-40 ZP	2		B
NS	502649	WASHER LO EXT .141x.320x.022 Z050	2		B
NS	500437	WASHER FL .125x.375x.040 Z050	2		B
50	020426	KIT RETROFIT, CLUTCH CONTROL POWER-ASSISTED "H" WITH 8V-92	1		
. NS	IS-92108	. SEE INSTRUCTION SHEET	1		
50	020427	KIT RETROFIT, CLUTCH CONTROL POWER-ASSISTED "H" WITH 6V-92	1		
. NS	IS-92108	. SEE INSTRUCTION SHEET	1		
		A) JACOBS & CRUISE CONTROL			
		B) TO FIX SWITCH			

From L-031 To R-016	Date:07/2024	PAGE:H4-0215-10
CLUTCH CONTROL - REAR SECTION - HYDRAULIC		



From L-031 To R-016	Date:07/2024	PAGE:H4-0215-10
CLUTCH CONTROL - REAR SECTION - HYDRAULIC		

Item#	Part	Description	H 3 4 0	V I P 4 0	N O T E S
1	571482	TRANSMISSION ASSY 6 SPEEDS / MODEL PS130-6B W/CENTER CONTROL	1		
2	571483	SHIFT LEVER ASSY	1		
3	070770	SUPPORT ASSY / CYLINDER	1		
4	520122	CYLINDER ASSY	1		A
4	520128	KIT REPAIR / SLAVE CYLINDER	AR		
5	020380	SUPPORT / SPRING TENSIONER SCREW	1		
6	502797	SCREW CAP HEX M8-1.25x70 G10.9 G500	3		
7	500874	WASHER FL 8.4x17.0x1.6 Z050	3		
8	502744	NUT HEX STO M8-1.25 Z050	1		
9	5001038	SCREW EYE 1/4-20x4 ZP	1		
10	500769	NUT HEX 1/4-20 Z050	2		
11	502058	SPRING EXTENSION / .562 O.D. X 5.25 x .081	1		
11	502199	SPRING EXTENSION / .750 O.D. x 4.5 x .080	1		
12	070691	SCREW RETAINING / SPRING	1		
13	502507	WASHER LO SPT 8.1x14.8x2.0 Z050	1		
14	640129	YOKE 5/8-18x1 3/8 C/Lx9/16Wx1/2	1		
15	502102	PIN, COTTER 1/8 x 1	1		
16	502036	PIN, CLEVIS 1/2 x 1 5/8 BZC	1		
17	070692	LEVER, CLUTCH SHAFT 71MM C/C To R-383	1		
18	505154	KEY, WOODRUFF #18 / 1/8" X 1 1/8"	1		
19	020377	CLUTCH SHAFT 1"X 9" 11/16"	1		
20	500680	NUT HEX STO M10-1.5 Z050	1		
21	020307	HOSE ASSY / #4 14"	2		
22	500445	WASHER FL .437x1.000x.083 Z050	2		
23	501317	COUPLING / PIPE FITTING / 1/8NPT-Fx1/8NPT-F BR	2		
24	501490	GREASE FITTING / 1/8 NPT	2		
25	020304	SUPPORT / GREASE TUBE	2		
26	500723	NUT HEX 5/8-18 ZP	1		
27	020381	ROD CYLINDER	1		
28	070762	ADAPTOR	1		
28	507298	WASHER FL 12.5x20.0x1.5 COPPER	1		
29	070758	HOSE ASSY TEFLON #6 500MM	1		
30	020382	SUPPORT / TO FIX W/HOUSING TRANSMISSION SCREW	1		
31	020386	ANGLE / TO FIX SUPPORT & BUSHING ASSY	1		
32	020388	BUSHING ASSY	1		
33	570075	BUSHING	1		
34	501495	GREASE FITTING 90° / 1/8 NPT	1		
35	502559	SCREW CAP HEX M10-1.5x25 G8.8 Z050	2		
36	500496	WASHER FL .437x.750x.054 Z050	2		
37	500822	WASHER LO SPT 10.2x18.1x2.2 ZP	2		
38	500256	NUT HEX M10-1.5 Z050	2		

From L-031 To R-016	Date:07/2024	PAGE:H4-0215-10
CLUTCH CONTROL - REAR SECTION - HYDRAULIC		

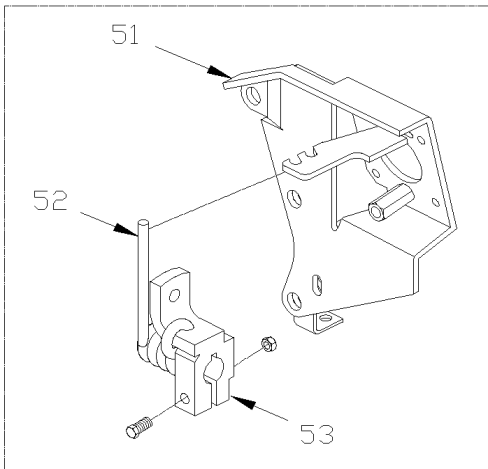
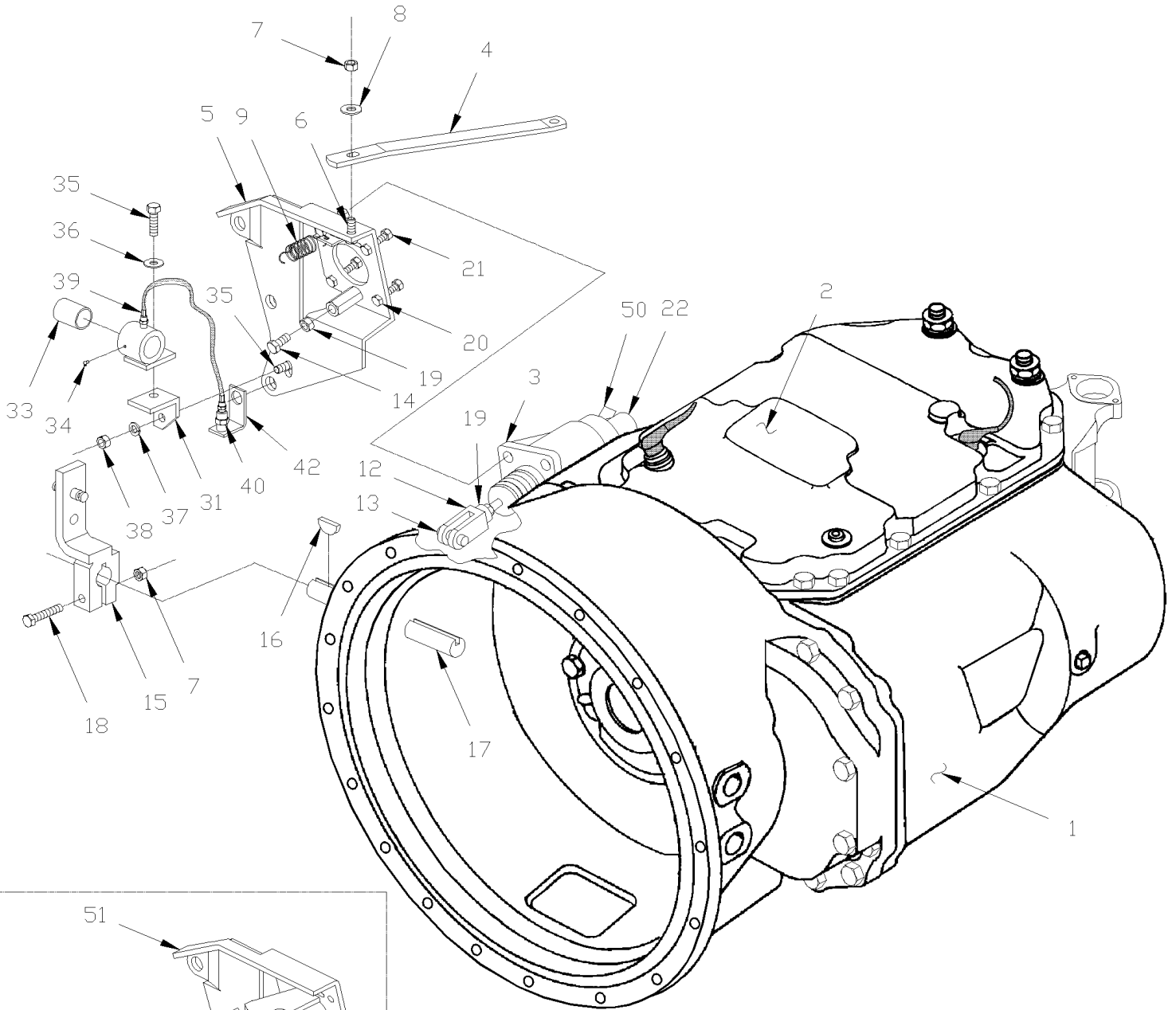
Item#	Part	Description	H 3 4 0	V I P 4 0	N O T E S
		FOLLOWING KIT NUMBER ARE TO RETROFIT			
		CLUTCH CONTROL WITH			
		POWER ASSISTED CYLINDER THAT YOU			
		SEE AT PAGE H4-0210-00 & H4-0215-10			
38	020426	KIT RETROFIT, CLUTCH CONTROL POWER-ASSISTED "H" WITH 8V-92	AR		
. NS	IS-92108	. SEE INSTRUCTION SHEET	1		
38	020427	KIT RETROFIT, CLUTCH CONTROL POWER-ASSISTED "H" WITH 6V-92	AR		
. NS	IS-92108	. SEE INSTRUCTION SHEET	1		
38	020430	KIT TO CHANGE CLUTCH "JACOB'S" BRAKE SWITCH	AR		
		A) WHEN REPLACING CYLINDER ASSY, DISCARD NON ADJUSTABLE CLEVIS YOKE & REPLACE W/ITEMS #14,26 & 27			

From R-384 To R-016

Date:07/2024

PAGE:H4-0215-11

CLUTCH CONTROL - REAR SECTION - "POWER"



PRODUCT IMPROVMENT

From R-384 To R-016 Date:07/2024 PAGE:H4-0215-11

CLUTCH CONTROL - REAR SECTION - "POWER"

Item#	Part	Description	H 3 4 0	V I P 4 0	N O T E S
1	H4-0720-00	TRANSMISSION MANUAL 6 SPEEDS - PS130-6B			
2	571483	SHIFT LEVER ASSY	1		
3	H4-0220-00	CLUTCH CYLINDER - "POWER ASSISTED"			
4	020403	RENFORT, BRACKET / W/6 SPEEDS	1		
5	020402	SUPPORT ASSY / CYLINDER W/6 SPEEDS	1		A
6	502655	SCREW CAP HEX M10-1.5x25 SS BK	1		
NS	502644	WASHER FL 10.5x30.0x2.5 Z050	1		
7	500680	NUT HEX STO M10-1.5 Z050	2		
9	502217	SPRING EXTENSION / .750 O.D. x 3.25 x .085	2		A
12	020405	CLEVIS YOKE M10 X 48 C/L X 14 W X 13 O.D.	1		
13	502036	PIN, CLEVIS 1/2 x 1 5/8 BZC	1		
14	500829	SCREW CAP HEX M10-1.5x40 G8.8	1		
15	020433	LEVER, CLUTCH SHAFT 71MM C/C	1		A
16	505154	KEY, WOODRUFF #18 / 1/8" X 1 1/8"	1		
17	020377	CLUTCH SHAFT 1"X 9" 11/16"	1		
18	502680	SCREW CAP HEX M10-1.5x50 SS	1		
19	500256	NUT HEX M10-1.5 Z050	2		
20	502651	SCREW CAP HEX M8-1.25x35 G8.8 Z050	4		
NS	500874	WASHER FL 8.4x17.0x1.6 Z050	8		
21	500868	NUT HEX NYRT M8-1.25 Z050	6		
22	5011047	MALE CONNECTOR / JIC 37° FITTING / #6JIC-MxM14-1.5-M STL	1		
. NS	N.P.N.	. O-RING	1		4
. NS	N.P.N.	. WASHER RET	1		4
30	020382	SUPPORT / TO FIX W/HOUSING TRANSMISSION SCREW	1		
31	020386	ANGLE / TO FIX SUPPORT & BUSHING ASSY	1		
32	020388	BUSHING ASSY	1		
33	570075	. BUSHING	1		
34	501495	GREASE FITTING 90° / 1/8 NPT	1		
35	502559	SCREW CAP HEX M10-1.5x25 G8.8 Z050	2		
36	500496	WASHER FL .437x.750x.054 Z050	2		
37	500822	WASHER LO SPT 10.2x18.1x2.2 ZP	2		
38	500256	NUT HEX M10-1.5 Z050	2		
39	020307	HOSE ASSY / #4 14"	2		
40	501317	COUPLING / PIPE FITTING / 1/8NPT-Fx1/8NPT-F BR	2		
NS	500445	WASHER FL .437x1.000x.083 Z050	2		
42	020304	SUPPORT / GREASE TUBE	2		
50	5011110	MALE CONNECTOR / JIC 37° FITTING / #6JIC-MxM16-1.5-M STL	1		
. NS	641297	. O-RING 13.1MM I.D. X 2.6 TH	1		
. NS	641298	. WASHER FL 17MM I.D x 22MM O.D. x 1.5MM	1		
50	5011111	MALE ELBOW 90° / JIC 37° FITTING / #6JIC-MxM14-1.5-M STL	1		
. NS	N.P.N.	. O-RING	1		4
. NS	N.P.N.	. WASHER RET	1		4

From R-384 To R-016	Date:07/2024	PAGE:H4-0215-11
---------------------	--------------	-----------------

CLUTCH CONTROL - REAR SECTION - "POWER"

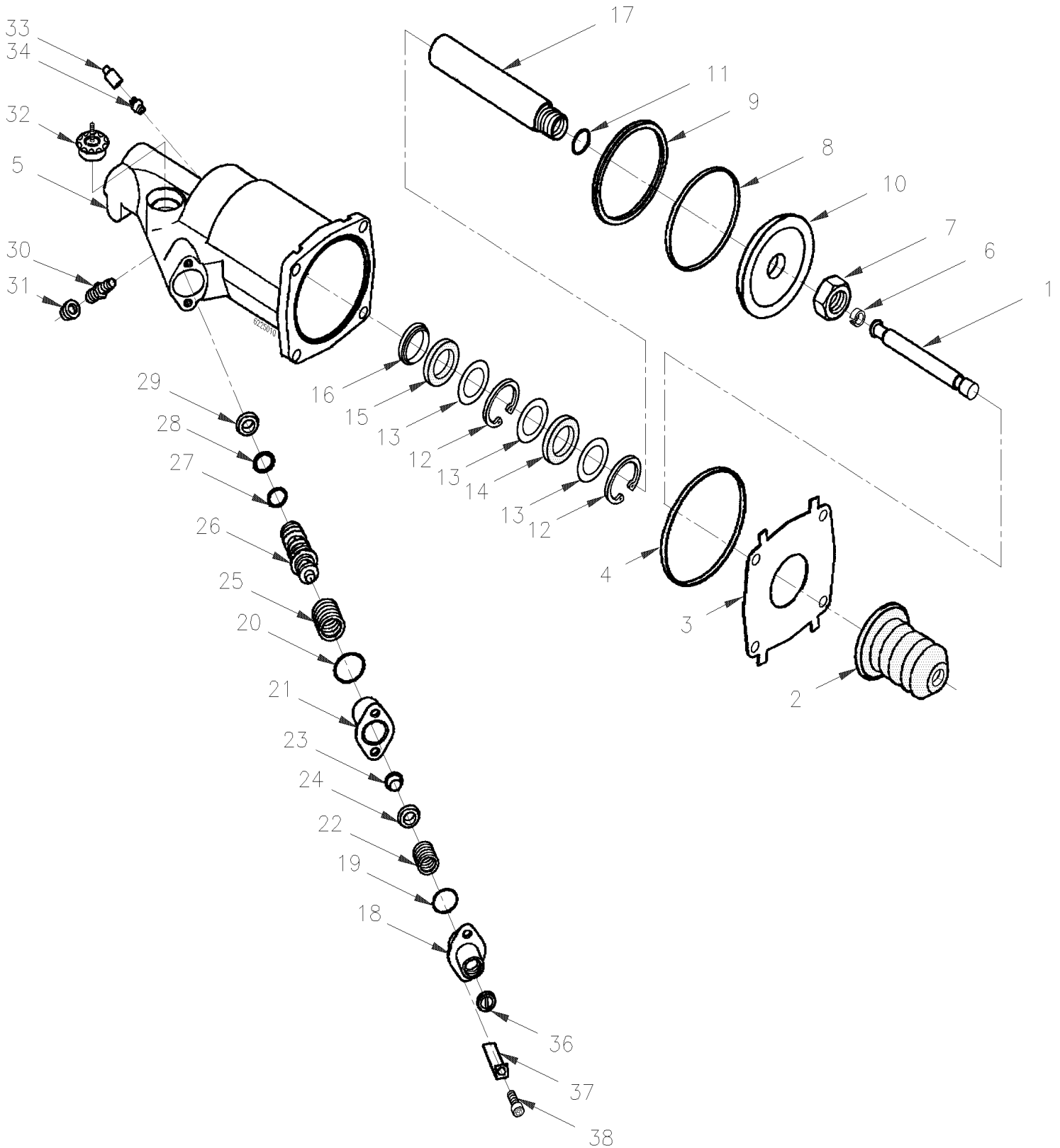
Item#	Part	Description	H 3 4 0	V I P 4 0	N O T E S
NS	010619	HOSE ASSY TEFLON #6 1240MM	1		D
51	020448	SUPPORT ASSY / CYLINDER W/6 SPEEDS	1		
52	020439	SPRING, TORSION / 1.339 I.D. x 2.088 x .281	1		
53	020441	LEVER ASSY	1		
55	020426	KIT RETROFIT, CLUTCH CONTROL POWER-ASSISTED "H" WITH 8V-92	AR		
. NS	IS-92108	. SEE INSTRUCTION SHEET	1		
55	020427	KIT RETROFIT, CLUTCH CONTROL POWER-ASSISTED "H" WITH 6V-92	AR		
. NS	IS-92108	. SEE INSTRUCTION SHEET	1		
		A) FOR PRODUCT IMPROVMENT USE ITEM #51, 52 & 53			
		D) CYLINDER & REGULATOR			
		4) NO PARTS NUMBER			

From R-384 To R-016

Date:07/2024

PAGE:H4-0220-00

CLUTCH CYLINDER - "POWER ASSISTED"



From R-384 To R-016	Date:07/2024	PAGE:H4-0220-00
CLUTCH CYLINDER - "POWER ASSISTED"		

Item#	Part	Description	H 3 4 0	V I P 4 0	N O T E S
	020422	CYLINDER ASSY / BLACK PAINTED	1		
	520138	CYLINDER ASSY	1		
1	520157	PISTON ROD	1		
2	520159	BOOT	1		
3	520160	COVER	1		
4	N.S.S.	O-RING 93 X 2.62MM	1		1
5	N.S.S.	HOUSING	1		1
6	520158	RETAINING RING	1		
8	N.S.S.	GUIDE	1		1
9	N.S.S.	SEAL	1		1
10	N.S.S.	PISTON	1		1
11	N.S.S.	O-RING	1		1
12	N.S.S.	RETAINING RING	1		1
13	N.S.S.	WASHER	1		1
14	N.S.S.	SEAL (AIR SIDE GREEN)	1		1
15	N.S.S.	SEAL (FLUID SIDE BLUE)	1		1
16	N.S.S.	PLASTIC GUIDE	1		1
17	N.S.S.	PISTON ROD	1		1
18	N.S.S.	SLEEVE	1		1
19	N.S.S.	O-RING 19.1 X 1.6MM	1		1
20	N.S.S.	O-RING 23 X 2MM	1		1
21	N.S.S.	SLEEVE	1		1
22	N.S.S.	SPRING	1		1
23	N.S.S.	VALVE PLUNGER	1		1
24	N.S.S.	PLASTIC GUIDE	1		1
25	N.S.S.	SPRING	1		1
26	N.S.S.	REACTION PISTON	1		1
27	N.S.S.	O-RING 14.3 X 2.4MM	1		1
28	N.S.S.	O-RING 13 X 3MM	1		1
29	N.S.S.	SEAL (BLACK)	1		1
30	N.S.S.	BLEEDER	1		1
31	N.S.S.	DRAINAGE	1		1
32	N.S.S.	EXHAUST VALVE	1		1
33	N.S.S.	PROTECTOR CAP	1		1
34	N.S.S.	DRAINAGE	1		1
36	N.S.S.	FILTER	1		1
37	N.S.S.	TAG IDENTIFICATION	1		1
38	N.S.S.	SCREW	2		1
NS	520149	REPAIR KIT	AR		A
40	520146	REPAIR KIT	AR		B
NS	520163	COUPLER / QUICK DISCONNECT "TEMA" / #2x 1/8NPT-F BR	AR		

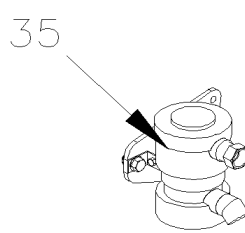
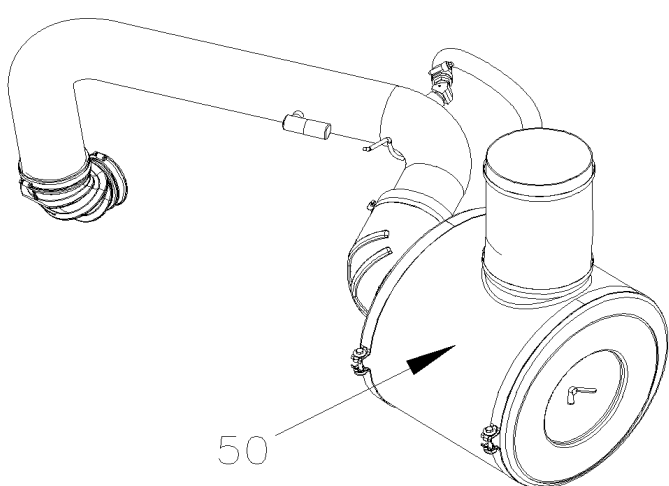
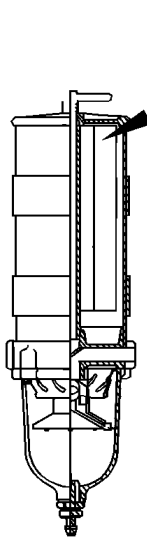
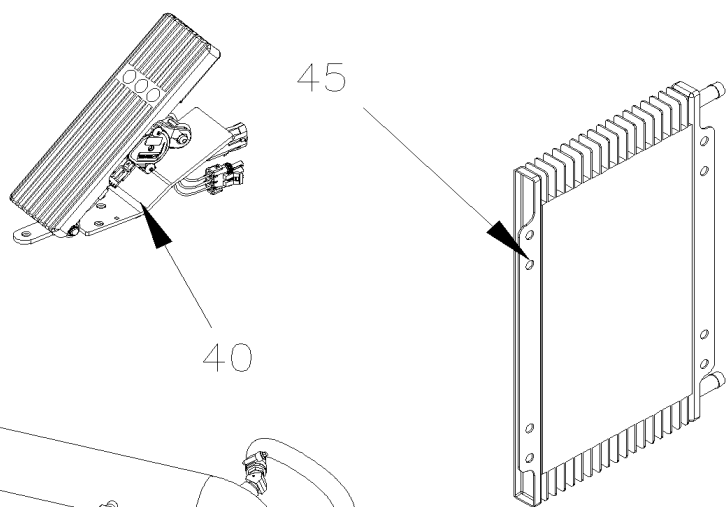
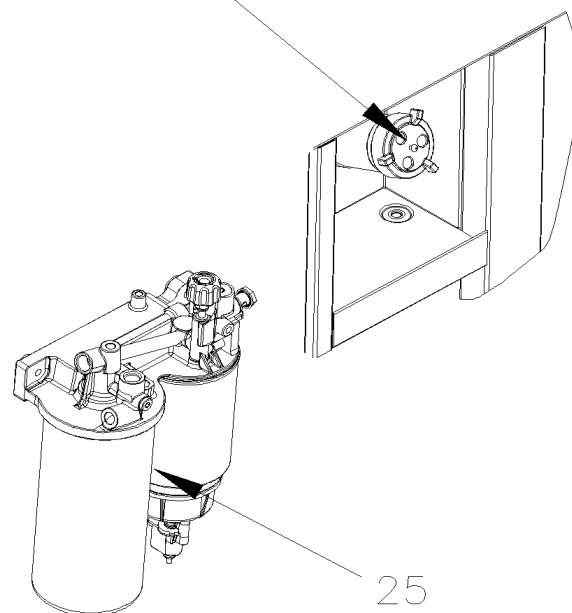
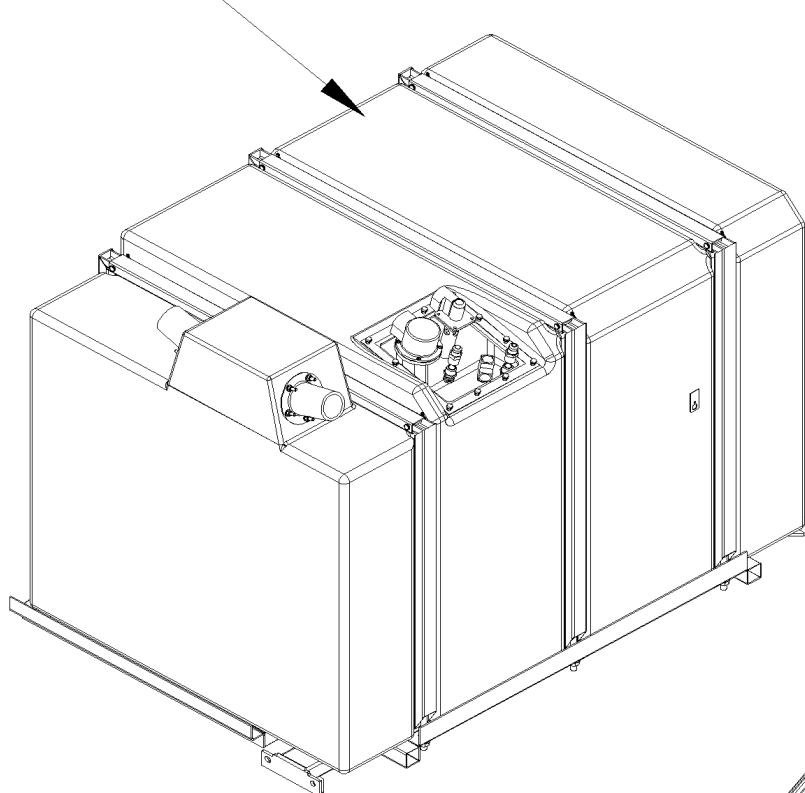
From R-384 To R-016	Date:07/2024	PAGE:H4-0220-00
---------------------	--------------	-----------------

CLUTCH CYLINDER - "POWER ASSISTED"

Item#	Part	Description	H 3 4 0	V I P 4 0	N O T E S
		A) INCLUDE ITEMS 18,19,20,21,22,23,24,25,26,27,28,29 & 36			
		B) INCLUDE ITEMS 2-4-8-9-14-15-19-20-23-24-27-28-29 & 32			
		1) NOT SOLD SEPARATELY			

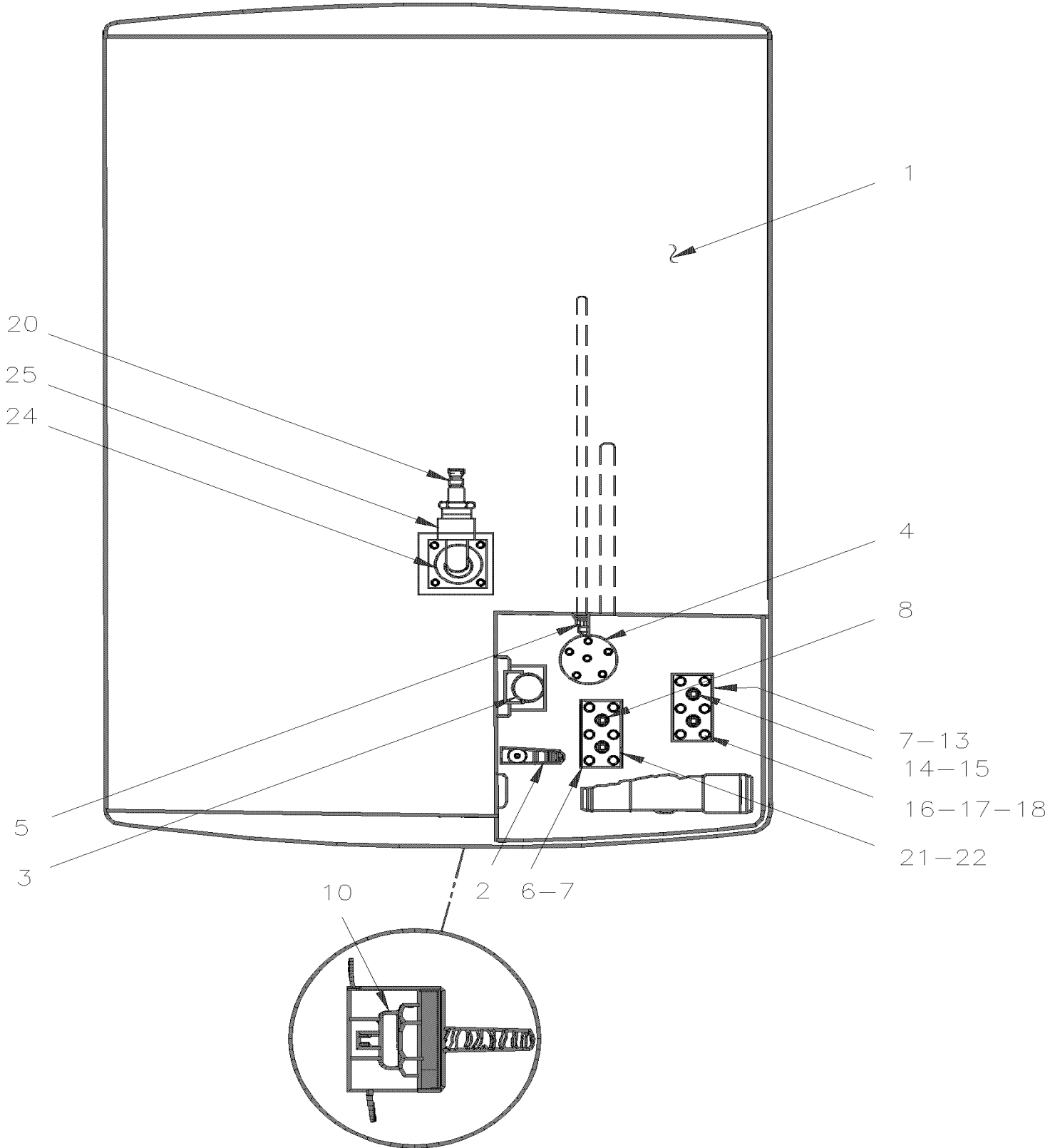
	Date:07/2024	H4-03
FUEL		

5-10 Fuel Hose – Installation 15



		Date:07/2024	H4-03		
FUEL					
Item#	Part	Description	H 3 4 0	V I P 4 0	N O T E S
5	H4-0305-00	FUEL TANK STAINLESS STEEL 235 GALLONS From L-031 To R-079			
5	H4-0305-99	FUEL TANK PLASTIC 230 GALLONS / RETROFIT From L-031 To R-079			
10	H4-0306-00	FUEL TANK - INSTALLATION From L-031 To R-079			
15	H4-0310-00	FUEL HOSE - INSTALLATION - WITH DETROIT S-92 From L-031 To R-032			
15	H4-0310-01	FUEL HOSE - INSTALLATION - WITH DETROIT S-60 From P-256 To R-079			
20	H4-0310-10	FUEL FILLING CAP From L-031 To R-079			
25	H4-0311-00	FUEL FILTER - PRIMARY & SECONDARY From L-031 To R-079			
25	H4-0311-01	FUEL FILTER - PRIMARY & SECONDARY From P-256 To R-079			
30	H4-0311-10	FUEL FILTER / WATER SEPARATOR - "RACOR" From L-031 To R-079			
35	H4-0312-00	FUEL PUMP - AUXILIARY From P-256 To R-079			
40	H4-0315-11	ACCELERATOR PEDAL - ELECTRONIC DDEC II From L-031 To R-079			
45	H4-0316-99	FUEL COOLER - INSTALLATION / RETROFIT From L-031 To R-079			
50	H4-0330-00	AIR FILTER & INTAKE - INSTALLATION From L-031 To R-079			

From L-031 To R-079	Date:07/2024	PAGE:H4-0305-00
FUEL TANK STAINLESS STEEL 235 GALLONS		



From L-031 To R-079	Date:07/2024	PAGE:H4-0305-00
FUEL TANK STAINLESS STEEL 235 GALLONS		

Item#	Part	Description	H 3 4 0	V I P 4 0	N O T E S
	031676	FUEL TANK ASSY SS / 235 GALLONS US	1	1	N
1	Call order desk	. FUEL TANK SS / 235 GALLONS US	1	1	PN
3	530156	. VALVE PRESSURE	1	1	
. NS	531427	. . GASKET / (SMALL)	1	1	
. NS	531428	. . GASKET / (LARGE)	1	1	
3	500273	. SCREW CAP HEXS #10-24x7/8 ZP	22	22	
3	500593	. WASHER FL .200x.437x.036 BR	22	22	
4	530204	. SENSOR, FUEL LEVEL / W/SS STEEL TANK	1	1	
4	030379	. GASKET, FUEL SENSOR WHITE NITRILE	1	1	
5	030995	. TUBE ASSY / 18 1/2" / FUEL RETURN			
5	030861	. GASKET	2	2	
6	031521	. TUBE ASSY / PUMP	1	1	
6	031923	. TUBE ASSY / PUMP From R-033	1	1	A
7	030977	. . PLATE	1	1	
8	Call order desk	. . TUBE, PROTECTOR	1	1	P
8	031061	. . ADAPTOR 1/2 X 3/4"-16	1	1	
8	031881	. . ADAPTOR From R-033	1	1	A
8	504019	. . HOSE CLAMP / 9/16"-1"1/16 SS / HS-10	1	1	
8	Call order desk	. . TUBE	1	1	P
8	501966	. PLUG HEXS / PIPE FITTING / 1/2NPT-M STL	1	1	
10	530159	. SENSOR PROBE "LOW-FUEL"	1	1	
13	031616	. TUBE ASSY / W/AUXILIARY EXIT	1	1	
14	Call order desk	. . TUBE ASSY	1	1	P
15	501316	. . BUSHING REDUCER / PIPE FITTING / 1/2NPT-Mx1/4NPT-F BR	1	1	
15	030977	. . PLATE	1	1	
16	031061	. . ADAPTOR 1/2 X 3/4"-16	1	1	
17	N.S.S.	. . TUBE	1	1	1
17	504019	. . HOSE CLAMP / 9/16"-1"1/16 SS / HS-10	1	1	
18	501053	. . CAP NUT / SAE 45° FITTING / #8FL-F BR	1	1	
20	030827	. NIPPLE	1	1	
21	031125	. TUBE ASSY 3 1/4" / FUEL RETURN / AUXILIARY TANK	1	1	
22	501053	. CAP NUT / SAE 45° FITTING / #8FL-F BR	1	1	
24	531366	VALVE ASSY, LEVEL CONTROL From L-061	1	1	
25	501605	BUSHING REDUCER / PIPE FITTING / 1NPT-Mx1/2NPT-F STL	1	1	
25	500143	. SCREW CAP HEXS #10-24x1/2 N500	4	4	
		THE NEXT KIT ARE USE ONLY WITH SERIES 60			
		WITH SERIES 92 FUEL COOLER KIT YOU DO NOT			
		ENOUGH PLACE TO INSTALL IT WITH FACILITIES			
		OVER SHUTTER ON ENGINE RADIATOR			
NS	032001P	FUEL TANK ASSY / COMPLETE WITH FLOOR ASSY	AR	AR	

From L-031 To R-079	Date:07/2024	PAGE:H4-0305-00
FUEL TANK STAINLESS STEEL 235 GALLONS		

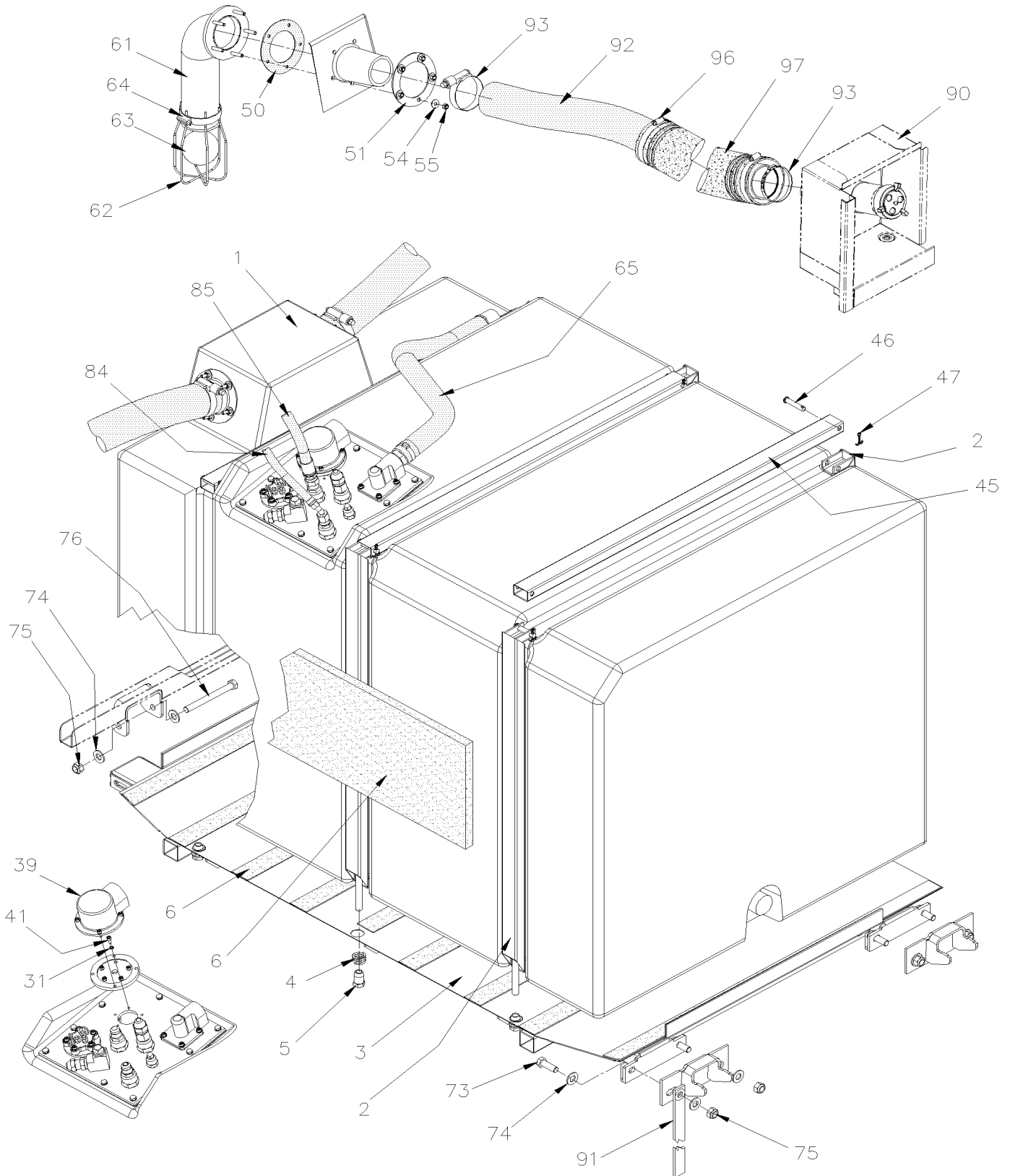
Item#	Part	Description	H 3 4 0	V I P 4 0	N O T E S
NS	032044	FUEL COOLER KIT TO USE WITH PLASTIC TANK	1	1	
NS	IS-95004	SEE INSTRUCTION SHEET	1	1	
NS	505056	ANTISTATIC STRAP / UNDER STRUCTURE	1	1	
		A) FROM R-033 FOR VIP40 ONLY			
		N) FOR REPLACEMENT WITH PLASTIC FUEL TANK YOU REQUIRE 1 # 032001P FUEL TANK ASSY WITH FLOOR AND KIT FOR FUEL COOLER # 032044			
		1) NOT SOLD SEPARATELY			
		P) CALL ORDER DESK FOR SPECIFIC APPLICATION (V.I.N.)			

From L-031 To R-079

Date:07/2024

PAGE:H4-0305-99

FUEL TANK PLASTIC 230 GALLONS / RETROFIT

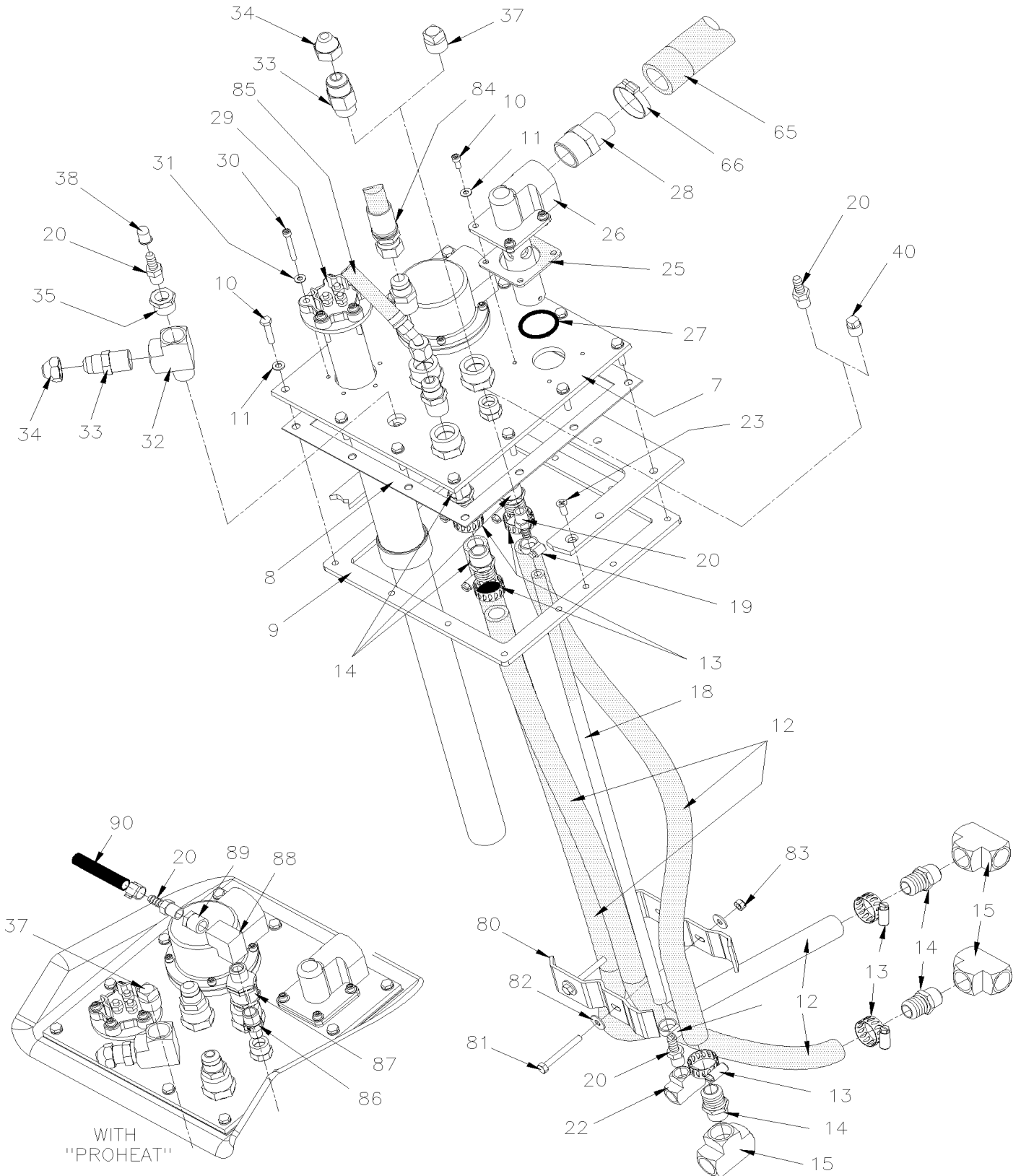


From L-031 To R-079

Date:07/2024

PAGE:H4-0305-99

FUEL TANK PLASTIC 230 GALLONS / RETROFIT



From L-031 To R-079	Date:07/2024	PAGE:H4-0305-99
FUEL TANK PLASTIC 230 GALLONS / RETROFIT		

Item#	Part	Description	H 3 4 0	V I P 4 0	N O T E S
	032001P	FUEL TANK ASSY / COMPLETE WITH FLOOR ASSY	1	1	
	032143	. FUEL TANK ASSY / W/OUT FLOOR & STRAP	1	1	
1	032481	. . FUEL TANK / 230 GALLONS US	1	1	
NS	030009	. . FUEL TANK / SERVICE KIT	1	1	C
. NS	030007	. . . FUEL TANK / 222 GALLONS US	1	1	C
. NS	033959	. . . MAIN PLATE / RECTANGULAR SHAPE	1	1	C
. NS	032956	. . . GASKET / RECTANGULAR SHAPE 250 x 190 MM	1	1	C
. NS	033962	. . . INTERIOR FRAME ASSY / RECTANGULAR SHAPE	1	1	C
. NS	032938	. . . GASKET	2	2	C
. NS	5001392	. . . WASHER FL 6.0x12.0x1.5 COP	10	10	C
. NS	507356	. . . O-RING	1	1	C
. NS	531419	. . . GASKET, FUEL SENSOR	1	1	C
. NS	531427	. . . GASKET / (SMALL)	1	1	C
. NS	531428	. . . GASKET / (LARGE)	1	1	C
. NS	531443	. . . GASKET / VALVE CONTROL LEVEL	1	1	C
. NS	5001941	. . . SCREW CAP HEX M12-1.75x120 G10.9 N500	2	2	C
. NS	500806	. . . SCREW CAP HEX M12-1.75X35 G10.9 G500	4	4	C
. NS	500811	. . . NUT HEX STO M12-1.75 G500	6	6	C
. NS	500958	. . . WASHER FL .531x1.062x.095 SS	12	12	C
. NS	030082	. . . SPACER "U" 3.175MM	4	4	C
. NS	030083	. . . SPACER "U" 0.953MM	4	4	C
. NS	IS-14076	. . . SEE INSTRUCTION SHEET	1	1	C
. NS	FI-14076	. . . VOIR FEUILLE D'INSTRUCTION	1	1	C
2	032188	. STRAP RETAINER / LONG	2	2	A
2	032445	. ATTACHMENT ASSY / 871MM	2	2	
2	032180	. STRAP RETAINER / SHORT	1	1	A
2	032444	. ATTACHMENT ASSY / 817MM	1	1	
3	032631	. REMOVABLE FLOOR	1	1	
3	032066	. REMOVABLE FLOOR	1	1	
NS	682462	. ADHESIVE SIKA #252 / BLACK / 310ml CARTRIDGE	AR	AR	
4	502210	. SPRING COMPRESSION / .975 O.D. x 1.250 x .125	6	6	
5	031930	. NUT HEX SPECIAL M12-1.75 ST	6	6	
6	506758	. TAPE RUB ADH1 NEO 1/16"X 1 1/2"X50'	AR	AR	
7	032770	. . MAIN PLATE	1	1	
8	032014	. . GASKET	1	1	
9	031988	. . INSIDE FRAME	1	1	
10	502686	. . SCREW CAP HEX M6-1.0x30 SS BK	12	12	
11	5001392	. . WASHER FL 6.0x12.0x1.5 COP	12	12	
12	531417	. . HOSE / 2556 / #10 X 48"	2	2	
12	531454	. . HOSE / 2556 / #10 X 25 1/2" AUX	AR	AR	
13	504019	. . HOSE CLAMP / 9/16"-1"1/16 SS / HS-10	4	4	
14	501942	. . MALE CONNECTOR / PUSH-LOK FITTING / 1/2NPT-Mx#10 BR	4	4	

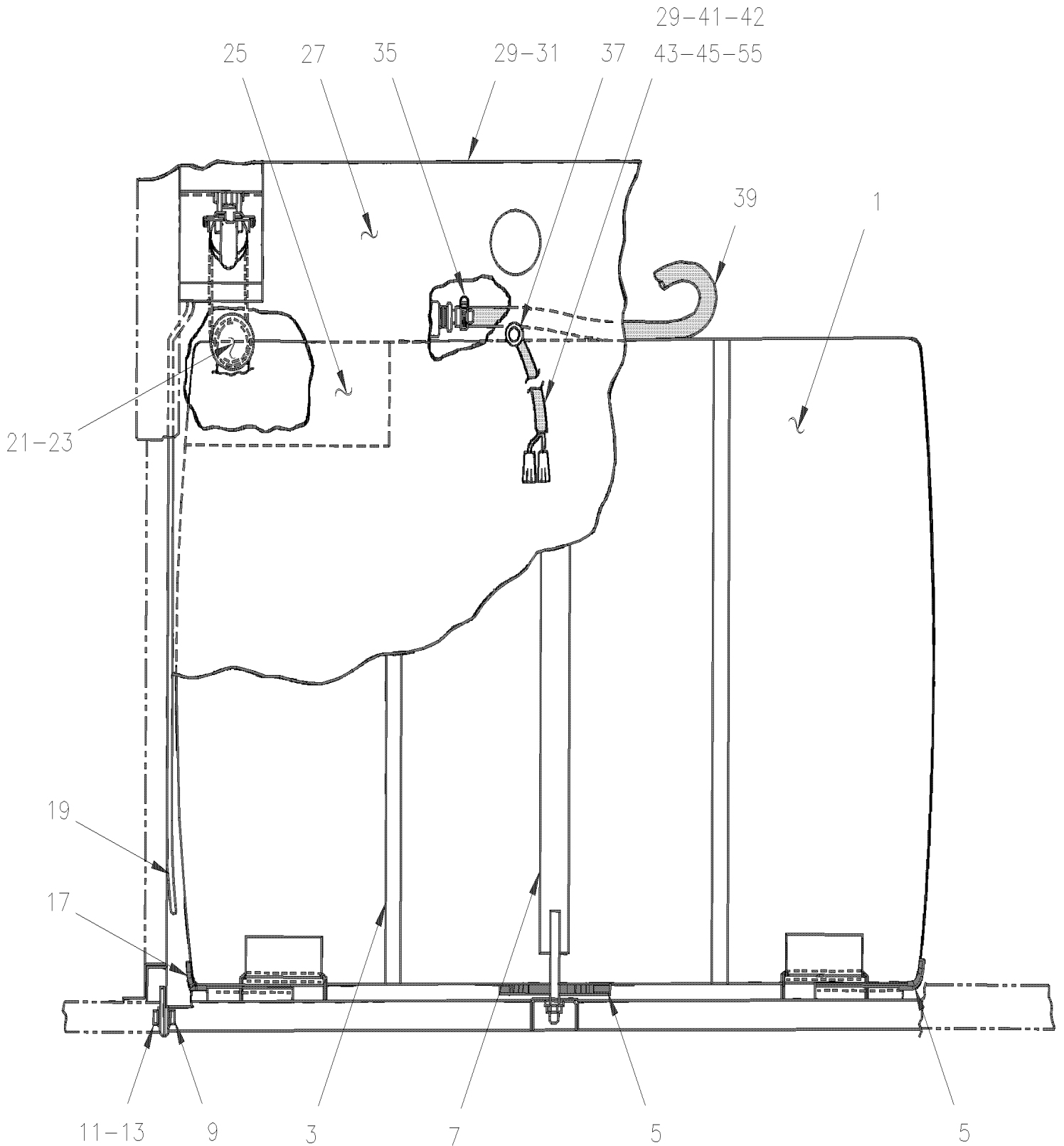
From L-031 To R-079	Date:07/2024	PAGE:H4-0305-99
FUEL TANK PLASTIC 230 GALLONS / RETROFIT		

Item#	Part	Description	H 3 4 0	V I P 4 0	N O T E S
15	501472	. . FEMALE UNION TEE / PIPE FITTING / 1/2NPT-Fx1/2NPT-Fx1/2NPT-F BR	2	2	
18	531453	. . HOSE / 2556 / #4 X 25 1/2"	1	1	
19	504014	. . HOSE CLAMP / 1/4"-5/8" SS / HM-4	2	2	
20	507602	. . MALE CONNECTOR / PUSH-LOK FITTING / 1/4NPT-Mx#4 BR	1	1	
NS	5011064	. . MALE CONNECTOR / HOSE BARB FITTING / #3x1/4NPT-M BR AUX	AR	AR	
22	501618	. . MALE CONNECTOR / SAE 45° FITTING / #6FL-Mx1/2NPT-M BR	1	1	
23	5001198	. . SCREW MA FL PH M6-1.0x16 Z050	2	2	
25	531443	. . GASKET / VALVE CONTROL LEVEL	1	1	
26	504701	. . VALVE, FUEL TANK LEVEL CONTROL	1	1	
26	531459	. . VALVE, FUEL TANK LEVEL CONTROL EMCO	1		B
. NS	530212	. . . GASKET / VALVE CONTROL LEVEL	1		B
27	507356	. . O-RING	1	1	
28	501205	. . ADAPTER / COPPER @ PIPE / 1Mx1NPT-M	1	1	
29	531404	. . SENSOR, FUEL LEVEL / 3 1/4" / W/PLASTIC TAN	1	1	
. NS	531419	. . . GASKET, FUEL SENSOR	1	1	
30	5011135	. . SCREW CAP HEXS #10-24x1 1/2 N500	5	5	
31	500593	. . WASHER FL .200x.437x.036 BR	5	5	
32	501473	. . MALE RUN TEE / PIPE FITTING / 1/2NPT-Mx1/2NPT-Fx1/2NPT-F BR	1	1	
33	501616	. . MALE CONNECTOR / SAE 45° FITTING / #8FL-Mx1/2NPT-M BR	1	1	
34	501337	. . FEMALE UNION TEE / PIPE FITTING / 1/4NPT-Fx1/4NPT-Fx1/4NPT-F BR	1	1	
34	501053	. . CAP NUT / SAE 45° FITTING / #8FL-F BR		1	
35	501316	. . BUSHING REDUCER / PIPE FITTING / 1/2NPT-Mx1/4NPT-F BR	1	1	E
37	501306	. . PLUG SQUARE HEAD / PIPE FITTING / 1/2NPT-M BR	2	2	
38	680733	. . CAP PROTECTOR (NO-THREADED)	AR	AR	
39	530156	. . VALVE PRESSURE	1	1	
. NS	531427	. . . GASKET / (SMALL)	1	1	
. NS	531428	. . . GASKET / (LARGE)	1	1	
40	501304	. . PLUG SQUARE HEAD / PIPE FITTING / 1/4NPT-M BR	1	1	
41	500143	. . SCREW CAP HEXS #10-24x1/2 N500	5	5	
45	032443	. . TRANSVERSAL CROSS BAR / 833.5 MM	3	3	
46	502121	. . PIN, CLEVIS 3/8 x 1.625 BZC	6	6	
47	502102	. . PIN, COTTER 1/8 x 1	6	6	
50	031804	. . GASKET	2	2	
50	032938	. . GASKET	2	2	
51	032436	. . PLATE EXTERIOR	2	2	
54	502511	. . NUT HEX NYRT M6-1.0 Z050	10	10	
55	500411	. . WASHER FL .260x.697x.050 SS	10	10	
61	032437	. . TUBE BALL RETAINER	2	2	
61	032914	. . TUBE BALL RETAINER	2	2	
62	032438	. . BASKET	2	2	
63	032657	. . BALL 70MM O.D.	2	2	
63	032871	. . BALL 77MM O.D.	2	2	S

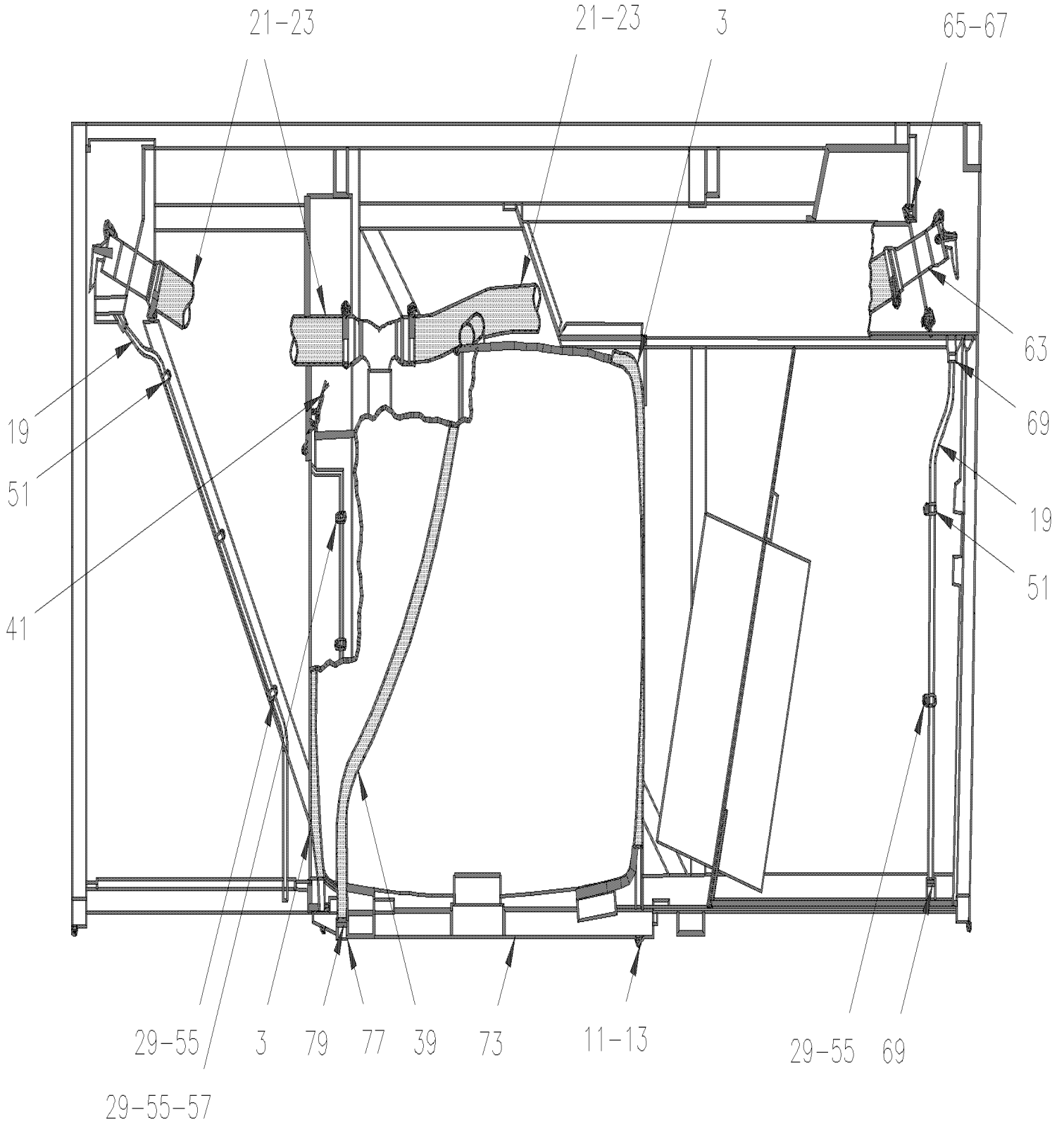
From L-031 To R-079	Date:07/2024	PAGE:H4-0305-99
FUEL TANK PLASTIC 230 GALLONS / RETROFIT		

Item#	Part	Description	H 3 4 0	V I P 4 0	N O T E S
64	504293	. HOSE CLAMP / 2"5/16-3"1/4 SS / E.T. 44	2	2	
65	032415	. HOSE #16 X 28" LG	1	1	
. NS	503579	. . HOSE 1" I.D. X 50' / "GREEN STRIPE"	AR	AR	
NS	504637	. CABLE TIE / 3/16" x 13"	1	1	
66	504021	. HOSE CLAMP / 11/16"-1"1/2 SS / HS-16	1	1	
73	500806	. SCREW CAP HEX M12-1.75X35 G10.9 G500	4	4	
74	500958	. WASHER FL .531x1.062x.095 SS	12	12	
75	5001695	. NUT HEX NYRT M12-1.75 Z050	6	6	
76	500889	. SCREW CAP HEX M12-1.75x120 G8.8 G500	2	2	
80	032779	. HOLDING PLATE / TO HOLD TUBE	2	2	
81	502656	. SCREW CAP HEX M6-1.0x50 SS	2	2	
82	500411	. WASHER FL .260x.697x.050 SS	4	4	
83	5001182	. NUT HEX NYRT M6-1.0 SS	2	2	
86	501749	NIPPLE REDUCER HEX / PIPE FITTING / 3/8NPT-Mx1/4NPT-Mx1 13/32 BR	1		
87	530042	CHECK VALVE 3/8 NPT	1		
88	509863	FEMALE ELBOW 90° / PIPE FITTING / 3/8NPT-Fx3/8NPT-F BR	1		
89	501314	BUSHING REDUCER / PIPE FITTING / 3/8NTP-Mx1/4NPT-F BR	1		
90	H4-1875-00	FUEL TANK FILLING DOOR			
91	505056	ANTISTATIC STRAP / UNDER STRUCTURE	1	1	
92	031852	HOSE 2 1/2" I.D. x 670MM R.H.	1	1	
92	031587	HOSE 2 1/2" I.D. x 5843MM R.H.	1	1	
93	504562	HOSE CLAMP / 2"3/4-3"5/8 / C.T. 350	2	2	
93	504696	HOSE CLAMP EAR / 2.968"-3.090"	2	2	
96	504235	HOSE CLAMP / 3"9/16"-4"1/2 SS / HS-64	2	2	
97	032568	HOSE FLEXIBLE 3 1/2" I.D. X 530MM	1	1	
97	032539	HOSE FLEXIBLE 3 1/2" I.D. X 350MM	1	1	
97	032697	HOSE FLEXIBLE 3 1/2" I.D. X 626MM	1	1	
100	032446	KIT, RETROFIT FUEL TANK STRAP	1	1	
. NS	IS-00038A	. SEE INSTRUCTION SHEET	1	1	
		A) FOR PRODUCT IMPROVEMENT USE KIT # 032446			
		B) WITH "EMCO" WEATON FILLER PIPE			
		C) FUEL TANK 032481 IS NO LONGER AVILABLE ORDER FUEL TANK KIT 030009			
		E) W/100000 BTU WATER HEAT.			
		S) SERVICE			

From L-031 To R-079	Date:07/2024	PAGE:H4-0306-00
FUEL TANK - INSTALLATION		



From L-031 To R-079	Date:07/2024	PAGE:H4-0306-00
FUEL TANK - INSTALLATION		



From L-031 To R-079	Date:07/2024	PAGE:H4-0306-00
FUEL TANK - INSTALLATION		

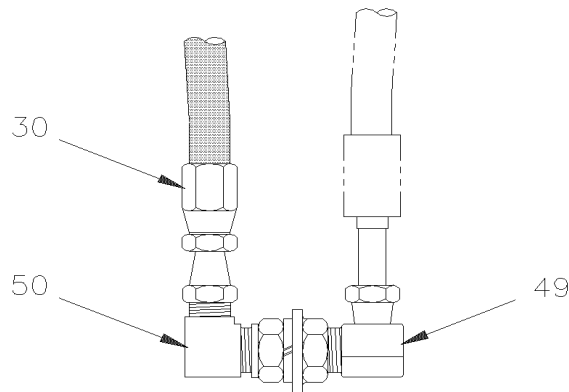
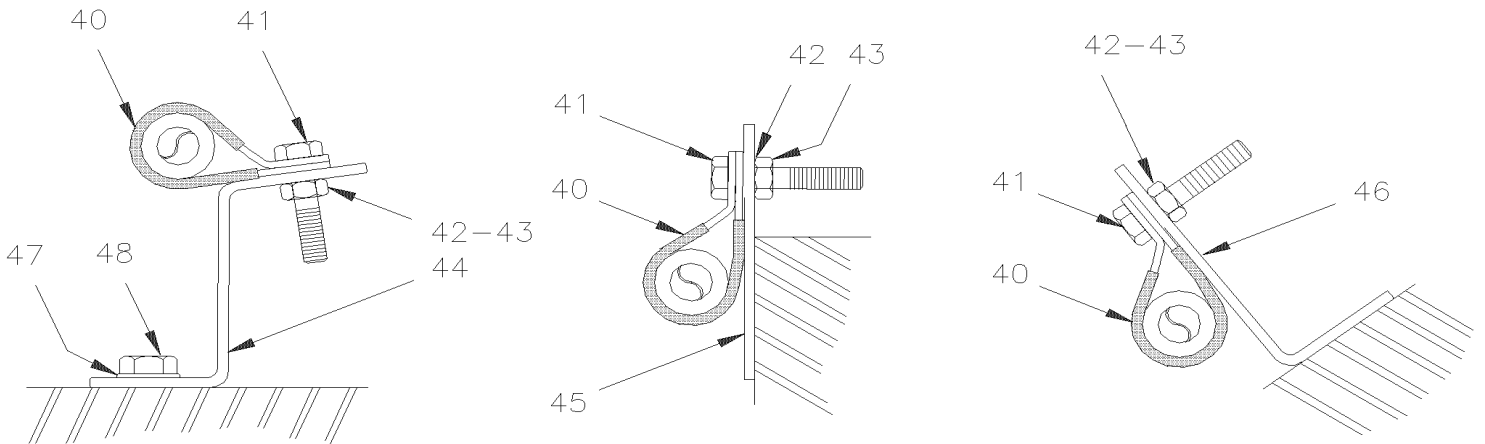
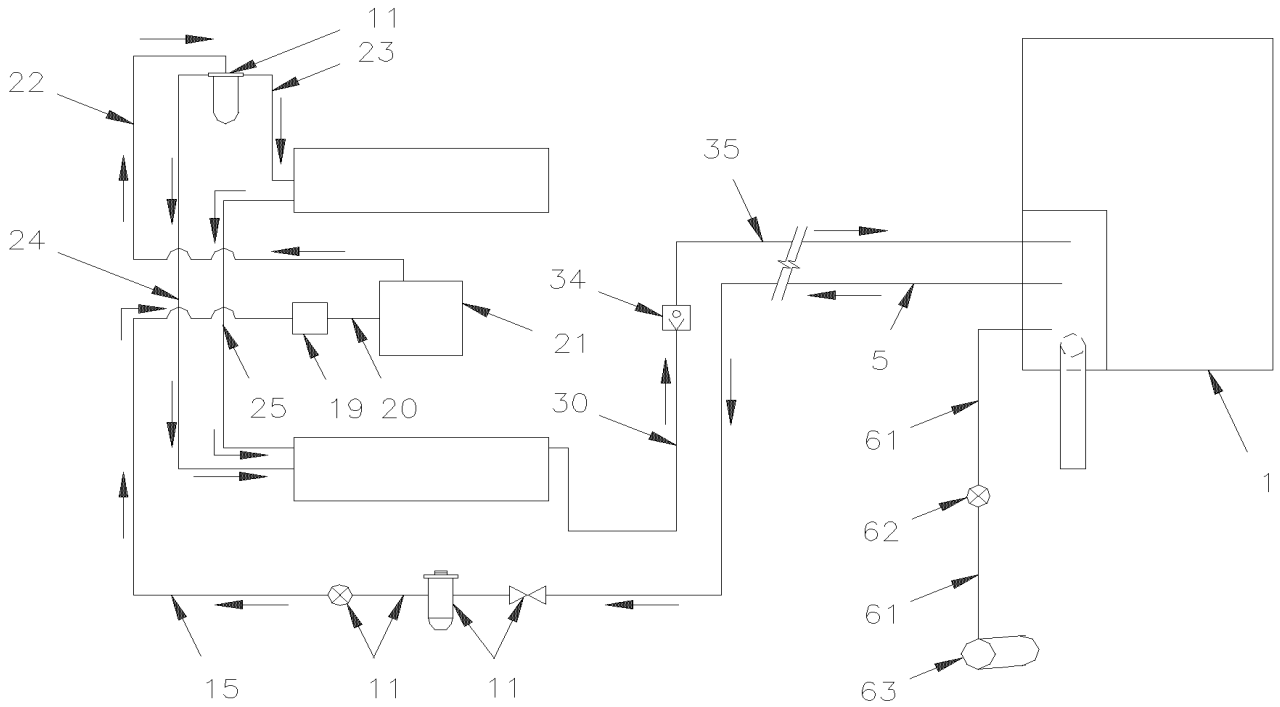
Item#	Part	Description	H 3 4 0	V I P 4 0	N O T E S
1	H4-0305-00	FUEL TANK STAINLESS STEEL 235 GALLONS			N
3	506007	TAPE RUB ADH1 CC NEO 3/4" x 1" x 10' / BLACK 1220	AR	AR	
5	031719	CUSHION, NEOPRENE	6	6	
7	031731	STRAP, MOUNTING	1	1	
9	500806	SCREW CAP HEX M12-1.75X35 G10.9 G500	AR	AR	
11	500958	WASHER FL .531x1.062x.095 SS	AR	AR	
13	500811	NUT HEX STO M12-1.75 G500	AR	AR	
17	031720	CUSHION, NEOPRENE	1	1	
19	503472	TUBE, NYLON 3/8 O.D. / GREY S.L.	AR	AR	
21	504381	HOSE CLAMP / 2"3/4-3"5/8 SS / HT-350	4	4	
23	503475	HOSE / FUEL / 2 1/2" I.D. / S.L.	AR	AR	
25	031725	ACCESS PANEL	1	1	
27	031724	ACCESS PANEL	1	1	
29	502557	NUT HEX NYRT M4-0.7 SS	AR	AR	
31	502556	WASHER FL 4.3x9.0x0.8 SS	AR	AR	
35	504021	HOSE CLAMP / 11/16"-1"1/2 SS / HS-16	AR	AR	
37	504066	GROMMET / .687x1.000x.062x.375x1.312	1	1	
39	503547	HOSE / RUBBER #12 / S.L.	AR	AR	
41	062576	CABLE ASSY / TO FUEL TANK	1	1	
42	560480	CLAMP / 1/2" I.D.	3	3	
43	500771	NUT HEX 1/4-20 SS	1	1	
45	502570	WASHER LO SPT 6.1x11.8x1.6 SS	1	1	
51	560479	CLAMP / 3/8" I.D.	5	5	
55	502587	STUD WD WOC M4-0.7x25 SS	AR	AR	
57	500479	WASHER LO INT .448x.789x.040 Z050	AR	AR	
63	H4-0310-10	FUEL FILLING CAP			
65	502563	SCREW CAP HEX M6-1.0x12 G8.8 Z050	3	3	
67	502582	WASHER LO SERR 6.1x16.2x0.9 Z050	3	3	
69	640989	MALE CONNECTOR / NTA FITTING / #6x1/4NPT-M BR	2	2	
73	031718	FLOOR ASSY, REMOVABLE	1	1	
NS	031810	PROTECTOR PANEL / UNDER FUEL TANK FLOOR BLUE BIRD	1	1	
77	500643	SCREW TP PAN PH #12x3/4 Z050	1	1	
79	560484	CLAMP / 1" I.D.	1	1	
		TO REPLACE STAINLESS STEEL TANK			
		WITH PLASTIC TANK,SEE NOTE ON			
		PAGE H4-0305-00			
		ON PART NUMBER #032001P			
		AND RETROFIT KIT #032044			

From L-031 To R-079		Date:07/2024	PAGE:H4-0306-00
---------------------	--	--------------	-----------------

FUEL TANK - INSTALLATION

Item#	Part	Description	H 3 4 0	V I P 4 0	N O T E S
		N) FOR REPLACEMENT WITH PLASTIC FUEL TANK YOU REQUIRE 1 # 032001P FUEL TANK ASSY WITH FLOOR AND KIT FOR FUEL COOLER # 032044			

From L-031 To R-032	Date:07/2024	PAGE:H4-0310-00
FUEL HOSE - INSTALLATION - WITH DETROIT S-92		



From L-031 To R-032	Date:07/2024	PAGE:H4-0310-00
FUEL HOSE - INSTALLATION - WITH DETROIT S-92		

Item#	Part	Description	H 3 4 0	V I P 4 0	N O T E S
1	H4-0305-00	FUEL TANK STAINLESS STEEL 235 GALLONS			N
5	031605	HOSE ASSY / #8 6450MM To L-061	1	1	
5	031562	HOSE ASSY / #8 7200MM From L-062	1	1	
5	503417	. HOSE #FC-300 HYDRAULIC / #8 S.L.	AR	AR	
5	501597	. FEMALE CONNECTOR SWIVEL / SAE 45° FITTING / #8FL-Fx#8 ZP	2	2	
11	H4-0311-00	FUEL FILTER - PRIMARY & SECONDARY			
11	H4-0311-10	FUEL FILTER / WATER SEPARATOR - "RACOR"	1	1	
15	031607	HOSE ASSY / #8 1520MM To L-061	1	1	
15	160794	HOSE ASSY / #8 890MM From L-062	1	1	
15	031766	HOSE ASSY / #8 1090MM From N-213	1	1	A
15	503417	. HOSE #FC-300 HYDRAULIC / #8 S.L.	AR	AR	
15	501839	. FEMALE ELBOW 45° SHORT DROP/ JIC 37° FITTING/ #8JIC-Fx#8 ZP	2	2	
15	501785	. FEMALE CONNECTOR SWIVEL / JIC 37° FITTING / #8JIC-Fx#8 ZP	1	1	
NS	501043	MALE ELBOW 90° / SAE 45° FITTING / #8FL-Mx3/8NPT-M BR	1	1	
19	N.S.P.	FUEL PUMP / SUPPLY W/MOTOR	1	1	2
20	N.S.P.	HOSE / FUEL PUMP & E.C.U. / (23501154)	1	1	2
21	N.S.P.	E.C.U. / (SUPPLY W/MOTOR)	1	1	2
22	N.S.P.	HOSE / E.C.U. TO SECONDARY FILTER / (8926140)	1	1	2
23	N.S.P.	HOSE ASSY / 2ND FILTER TO CYLINDER HEAD L.H./ (2350168)	1	1	2
24	N.S.P.	HOSE ASSY / 2ND FILTER TO CYLINDER HEAD R.H./ (8926141)	1	1	2
25	N.S.P.	HOSE ASSY RETURN / CYLINDER HEAD LH TO RH / (SUPPLY W/MOTOR)	1	1	2
30	031609	HOSE ASSY / #6 584MM	1	1	
30	051902	HOSE ASSY / #6 865MM	1	1	
30	503582	. HOSE #FC-300 HYDRAULIC / #6 S.L.	AR	AR	
30	501836	. FEMALE CONNECTOR SWIVEL / SAE 45° FITTING / #6FL-Fx#6 STL	2	2	
34	530042	CHECK VALVE 3/8 NPT	1	1	
NS	501042	MALE ELBOW 90° / SAE 45° FITTING / #6FL-Mx3/8NPT-M BR	1	1	
NS	501319	COUPLING / PIPE FITTING / 3/8NPT-Fx3/8NPT-F BR	1	1	
35	031602	HOSE ASSY / #8 6100MM	1	1	
35	503417	. HOSE #FC-300 HYDRAULIC / #8 S.L.	AR	AR	
35	501839	. FEMALE ELBOW 45° SHORT DROP/ JIC 37° FITTING/ #8JIC-Fx#8 ZP	1	1	
35	501597	. FEMALE CONNECTOR SWIVEL / SAE 45° FITTING / #8FL-Fx#8 ZP	1	1	
40	560482	CLAMP / 3/4" I.D. / W/HOLE 3/16"	AR	AR	
41	502557	NUT HEX NYRT M4-0.7 SS	AR	AR	
42	502685	SCREW CAP HEX M4-0.7x20 SS EMN	AR	AR	
43	500470	WASHER LO SPT .193x.334x.047 Z050	AR	AR	
44	010559	BRACKET	1	1	
45	060525	SUPPORT HARNESS	1	1	
46	070368	SUPPORT	1	1	
47	500480	WASHER LO SPT .443x.779x.109 Z050	1	1	
48	500202	SCREW CAP HEX 7/16-14x1 G5 ZP	1	1	
49	501172	MALE CONNECTOR / INVERTED FLARE FITTING / #6IFL-Fx1/4NPT-M BR	1	1	

From L-031 To R-032	Date:07/2024	PAGE:H4-0310-00
FUEL HOSE - INSTALLATION - WITH DETROIT S-92		

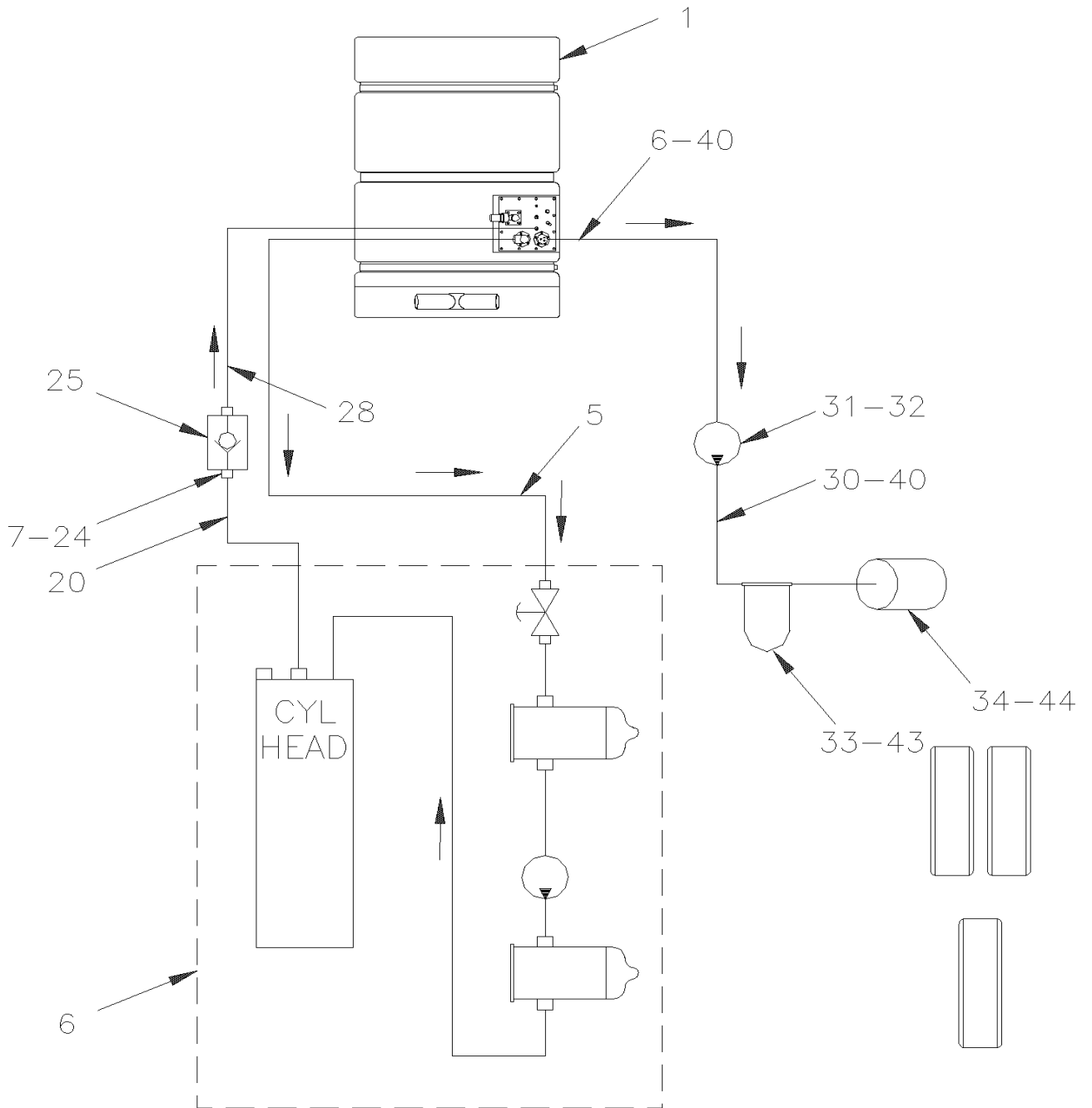
Item#	Part	Description	H 3 4 0	V I P 4 0	N O T E S
50	501040	MALE ELBOW 90° / SAE 45° FITTING / #6FL-Mx1/4NPT-M BR			
		AUXILIARY WATER HEATER			
61	870977	HOSE 3.2MM I.D. 25' / S.L.	AR	AR	
NS	504014	HOSE CLAMP / 1/4"-5/8" SS / HM-4	4	4	
62	870973	PUMP FUEL	1	1	
NS	870971	SUPPORT, PUMP	1	1	
NS	500896	SCREW TC FL PH #8-32x5/8 Z050	2	2	B
63	870969	WATER HEATER - "ESPAR" 40,000 B.T.U.			
		A) UP TO N-212 WE USED SAME HOSE THAN 8V92			
		B) TO FIX SUPPORT FUEL PUMP			
		N) FOR A REPLACEMENT WITH A PLASTIC TANK YOU NEED ASM TANK # 032001P AS WELL AS THE FUEL COOLER ASSEMBLY # 032044			
		2) NOT SOLD BY PREVOST (SEE MANUFACTURING PART NUMBER AT END OF DESCRIPTION LINE)			

From P-256 To R-079

Date:07/2024

PAGE:H4-0310-01

FUEL HOSE - INSTALLATION - WITH DETROIT S-60



From P-256 To R-079	Date:07/2024	PAGE:H4-0310-01
FUEL HOSE - INSTALLATION - WITH DETROIT S-60		

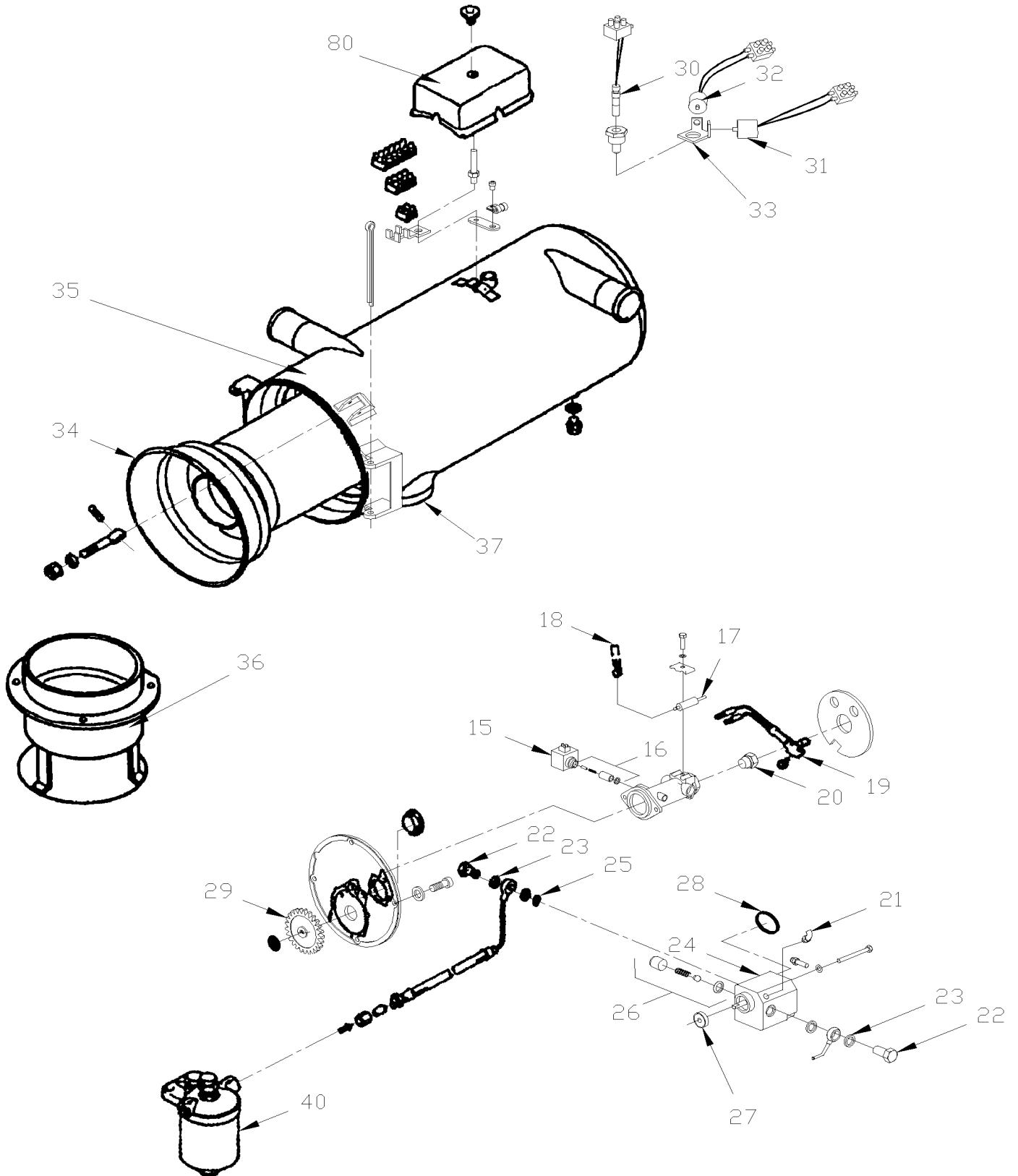
Item#	Part	Description	H 3 4 0	V I P 4 0	N O T E S
1	H4-0305-00	FUEL TANK STAINLESS STEEL 235 GALLONS			N
5	031914	HOSE ASSY / #10 6300MM	1	1	
6	H4-0311-01	FUEL FILTER - PRIMARY & SECONDARY	1	1	
7	501032	MALE CONNECTOR / SAE 45° FITTING / #8FL-Mx3/8NPT-M BR	2	2	
20	160180	HOSE ASSY / #8 508MM	1	1	
NS	503417	. HOSE #FC-300 HYDRAULIC / #8 S.L.	AR	AR	
NS	501594	. FEMALE ELBOW 90° SHORT DROP/ JIC 37° FITTING/ #8JIC-Fx#8 STL	1	1	
NS	501785	. FEMALE CONNECTOR SWIVEL / JIC 37° FITTING / #8JIC-Fx#8 ZP	1	1	
24	501032	MALE CONNECTOR / SAE 45° FITTING / #8FL-Mx3/8NPT-M BR	1	1	
25	530042	CHECK VALVE 3/8 NPT	1	1	
25	031927	SUPPORT, BULKHEAD CONNECTOR	1	1	
NS	640863	BULKHEAD COUPLING / PIPE FITTING / 3/8NPT-Fx3/8NPT-F STL	1	1	
28	031912	HOSE ASSY / #8 5385MM	1	1	
NS	501597	. FEMALE CONNECTOR SWIVEL / SAE 45° FITTING / #8FL-Fx#8 ZP	1	1	
NS	505110	. COIL PROTECTOR / PLASTIC / #12	AR	AR	
		FOLLOWING PART ARE USED WITH			
		WATER HEATER 40,000 BTU "ESPAR"			
30	870977	HOSE 3.2MM I.D. 25' / S.L.	AR	AR	
NS	504014	HOSE CLAMP / 1/4"-5/8" SS / HM-4	4	4	
31	870973	PUMP FUEL	1	1	
32	870971	SUPPORT, PUMP	1	1	
NS	870972	RING, RUBBER	1	1	
NS	500896	SCREW TC FL PH #8-32x5/8 Z050	2	2	A
34	870969	WATER HEATER - "ESPAR" 40,000 B.T.U.			
34	871097	WATER HEATER - "ESPAR" 41,000 B.T.U.			
		FOLLOWING PART ARE USED WITH			
		WATER HEATER 80,000 BTU "WEBASTO"			
40	503411	HOSE / 2556 / #4 X 50'	AR	AR	
NS	504230	HOSE CLAMP / 3/8"-7/8" SS / HS-6	4	4	
43	871037	FILTER, FUEL	1	1	
NS	871038	SUPPORT, FILTER FUEL	1	1	
44	871036	WATER HEATER - "WEBASTO" 80,000 B.T.U.	1	1	
		A) TO FIX SUPPORT FUEL PUMP			
		N) FOR A REPLACEMENT WITH A PLASTIC TANK YOU NEED ASM TANK # 032001P AS WELL AS THE FUEL COOLER ASSEMBLY # 032044			

From P-256 To R-079

Date:07/2024

PAGE:871036

WATER HEATER - "WEBASTO" 80,000 B.T.U.

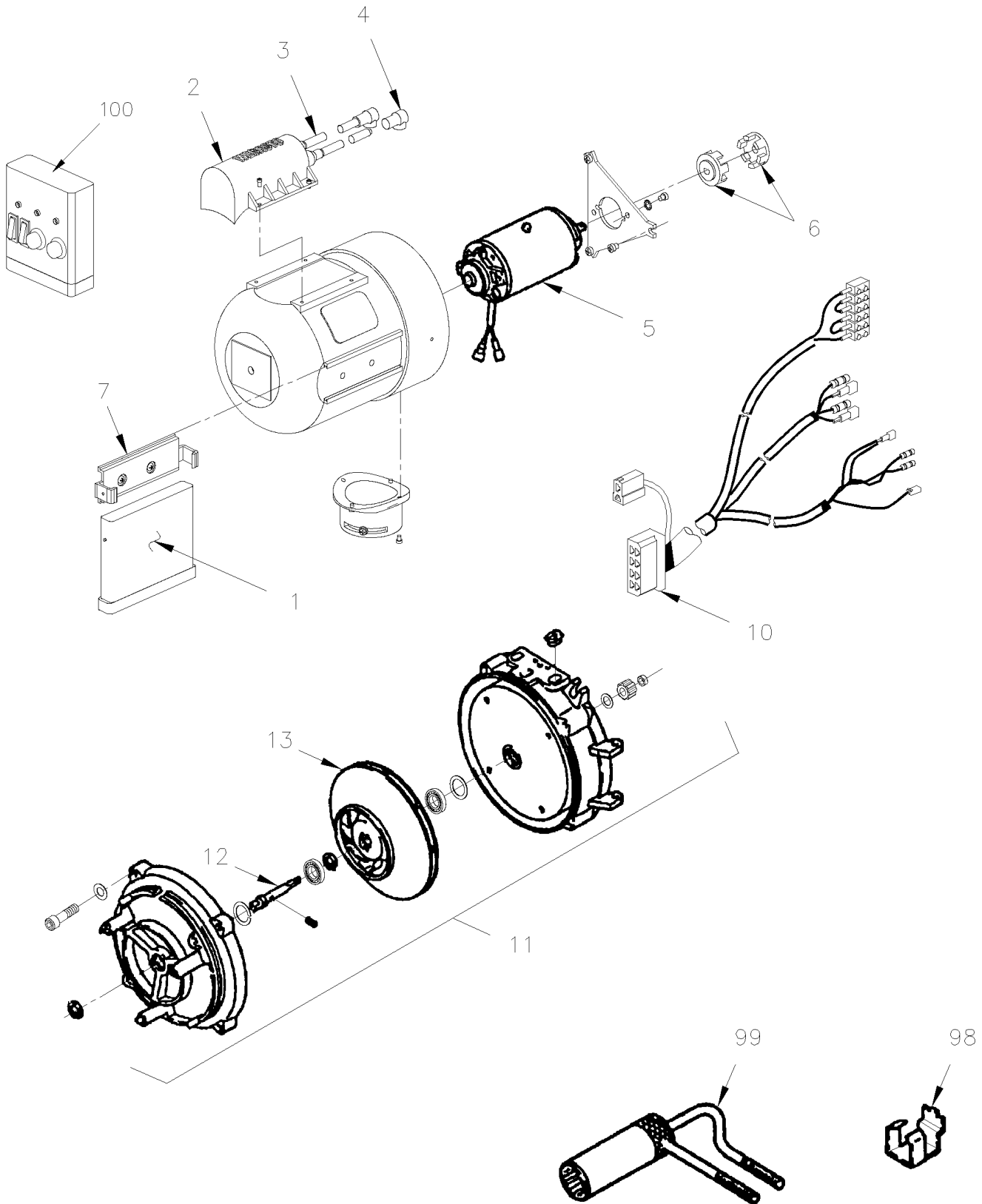


From P-256 To R-079

Date:07/2024

PAGE:871036

WATER HEATER - "WEBASTO" 80,000 B.T.U.



From P-256 To R-079	Date:07/2024	PAGE:871036
WATER HEATER - "WEBASTO" 80,000 B.T.U.		

Item#	Part	Description	H 3 4 0	V I P 4 0	N O T E S
		WATER HEATER - "WEBASTO" 80,000 B.T.U.	1	1	
	N25810	WATER HEATER - "WEBASTO" 80,000 B.T.U.			
NS	871309	BURNER HEAD ASSY 24V / DBW 2020	1	1	
1	870909	. CONTROL UNIT 24V	1	1	A
. NS	561186	. . CONNECTOR / FASTIN-FASTON (.250) / RH 6C / AMP 925276-0	1	1	A
. NS	561597	. . CONNECTOR / 56 SERIES / TAB RH 2C / BROWN / PED 2965981	1	1	A
. NS	562363	. . CONNECTOR / FASTIN-FASTON (.250) / RH 8C / AMP 163007	1	1	A
2	870910	. COIL, IGNITION	1	1	
3	870911	. . SOCKET	2	2	
4	870912	. . CABLE, HIGH TENSION / S.L.	AR	AR	
5	870913	. MOTOR ASSY / 24V	1	1	
6	870939	. CLUTCH	2	2	
7	N8883051	. CLIP CONTROL UNIT	1	1	
10	870914	. WIRING HARNESS / W/TERMINAL BLOCK 6 C	1	1	
11	870915	. KIT, MOUNTING SHAFT	1	1	
12	870916	. SHAFT	1	1	
13	G1017453	. ROTOR TURBINE	1	1	
15	870917	. SOLENOID VALVE / 24V	1	1	
16	870919	. . UNLOADER POWER ASSY	1	1	
17	870920	. ELECTRODE, IGNITION	2	2	
18	870921	. PLUG / ELECTRODE	2	2	
19	870922	. CELL, PHOTOELECTRIC	1	1	
20	870918	. NOZZLE 0.80GPH	1	1	
20	871316	NOZZLE 0.35GPH	AR	AR	
20	871126	NOZZLE 0.40GPH	AR	AR	
20	192271	NOZZLE 0.65GPH / PACK OF 12	AR	AR	
20	G5007384	NOZZLE 0.65GPH	AR	AR	
20	G1017473	NOZZLE 0.65GPH	AR	AR	
20	871291	NOZZLE 0.85GPH	AR	AR	
21	870928	. PIPE, HIGH PRESSURE	1	1	
22	870929	. BANJO BOLT / M10-1.0	2	2	
23	870923	. BANJO WASHER / M10	4	4	
24	870930	. PUMP FUEL	1	1	
25	870924	. . FILTER	1	1	
26	870925	. . VALVE, PRESSURE CONTROL	1	1	
27	870926	. . GASKET	1	1	
28	870927	. . GASKET, RING	1	1	
29	870931	. SPUR GEAR	1	1	
30	870932	. FUSE THERMO 138°C (YELLOW)	1	1	
31	870933	. RELEASE, THERMO 117°C (GREEN)	1	1	
32	870934	. CONTROL THERMOSTAT 75°C GREEN & RED	1	1	
33	870935	. ANGLE BRACKET	1	1	

From P-256 To R-079	Date:07/2024	PAGE:871036
WATER HEATER - "WEBASTO" 80,000 B.T.U.		

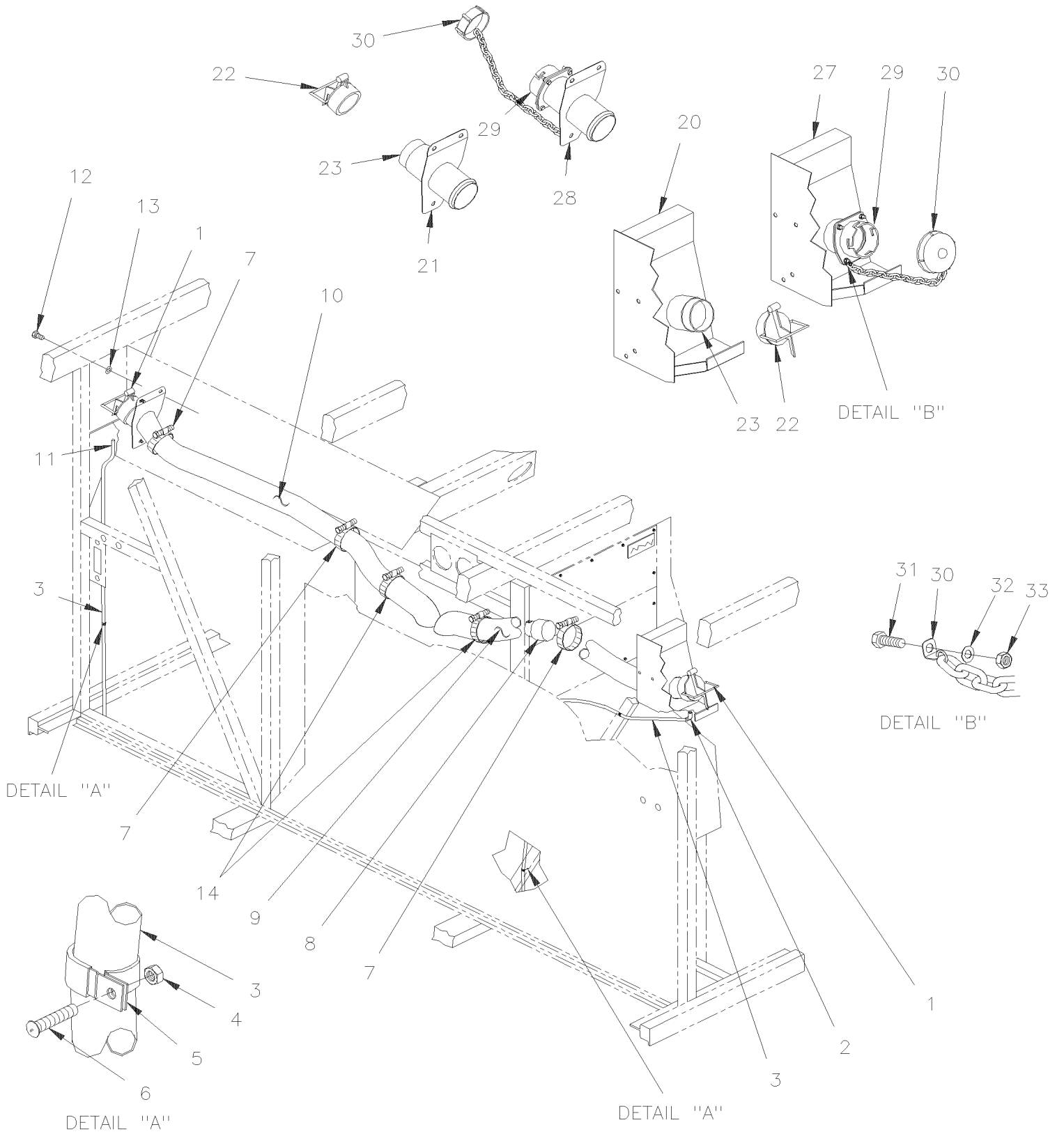
Item#	Part	Description	H 3 4 0	V I P 4 0	N O T E S
34	871057	. CHAMBER, COMBUSTION / W/80,000 BTU	1	1	
35	871251	. HEAT EXCHANGER	1	1	
36	870940	. PIPE, OUTLET	1	1	
37	871039	EXHAUST PIPE SS 70MM O.D. X 1000MM	1	1	
		SEE WATER HEATER - INSTALLATION			
80	N8883102	CAP	1	1	
98	870937	GAUGE / IGNITION ELECTRODE	1	1	
99	870938	BOX WRENCH / HIGH PRESSURE NOZZLE	1	1	
100	871319	TESTING GEAR TOOL	AR	AR	
NS	871246	KIT, RETROFIT W/HEATER CONTROL BOX WATERTIGHT	AR	AR	
NS	192273	KIT NOZZLE W/OVERHEAT FUSE / DBW 2020	AR	AR	B
NS	065744	KIT, RETROFIT BOX W/EXTENSION CABLE AND SUPP.	AR	AR	
NS	192274	KIT, MOTOR 24V W/BEARING, NOZZLE & O.H. FUSE / DBW 2020	AR	AR	
NS	192269	KIT, ELECTRICAL REBUILT COMPONENTS 24V / DBW 2020 & DBW 300	AR	AR	C
		A) FOR PRODUCT IMPROVMENT USE KIT #871246 FOTR EXTEND WIRE CABLE BETWEEN CONTROL BOX AND WATER HEATER OR USE KIT #065744 FOR FIXED UNIT CONTROL BOX IN WATERPROOF BOX			
		B) INCLUDES 2 ITEMS #20 & 30			
		C) INCLUDES ITEMS #1, 2, 3, 4, 10, 17, 19 & MORE			

From L-031 To R-079

Date:07/2024

PAGE:H4-0310-10

FUEL FILLING CAP



From L-031 To R-079	Date:07/2024	PAGE:H4-0310-10
FUEL FILLING CAP		

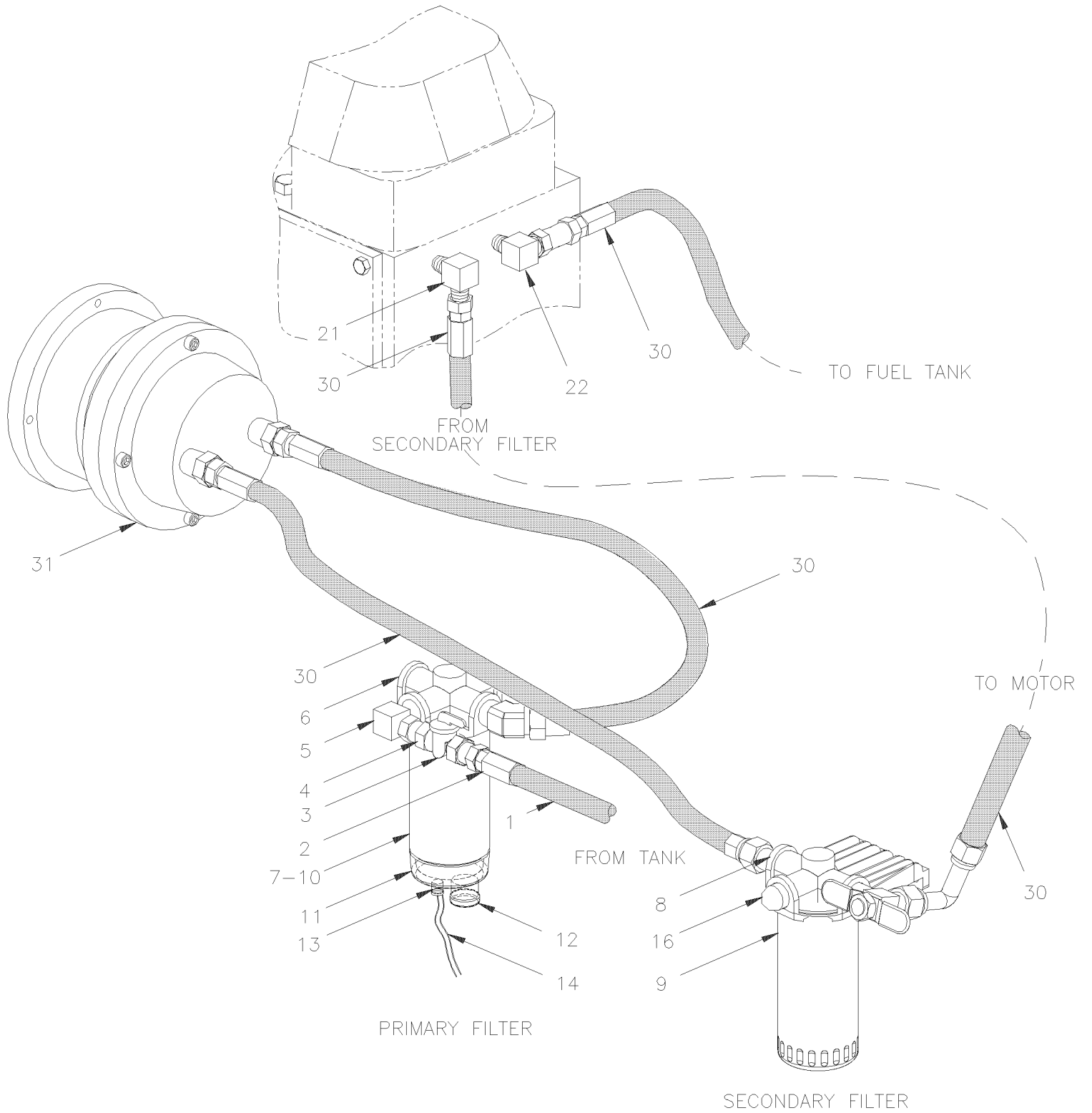
Item#	Part	Description	H 3 4 0	V I P 4 0	N O T E S
		CAP FILLING / SEE DETAIL			
2	641366	MALE ELBOW 45° NON-SWIVEL / PUSH-IN FITTING / #6x1/4NPT-M BR	1	1	
3	503404	TUBE, NYLON 3/8 O.D. / BLACK S.L.	AR	AR	
4	502557	NUT HEX NYRT M4-0.7 SS	5	5	
5	560479	CLAMP / 3/8" I.D.	AR	AR	
6	502587	STUD WD WOC M4-0.7x25 SS	5	5	
7	504381	HOSE CLAMP / 2"3/4-3"5/8 SS / HT-350	4	4	
8	032088	CHECK VALVE	2	2	
NS	032089	. CHECK VALVE, RUBBER	1	1	
NS	031897	. ANGLE	1	1	
NS	504340	. RIVET POP DOME OE 1/8x3/16 SS	1	1	
NS	500432	. SCREW TC PAN PH #8-32x3/4 Z050	1	1	
9	031852	HOSE 2 1/2" I.D. x 670MM	1	1	
9	032042	HOSE 2 1/2" I.D. x 1143MM	1	1	
9	503475	. HOSE / FUEL / 2 1/2" I.D. / S.L.	AR	AR	
10	504562	HOSE CLAMP / 2"3/4-3"5/8 / C.T. 350	2	2	
11	641331	MALE CONNECTOR / PUSH-IN FITTING / #6x1/4NPT-M BR	2	2	
12	502563	SCREW CAP HEX M6-1.0x12 G8.8 Z050	AR	AR	
13	502582	WASHER LO SERR 6.1x16.2x0.9 Z050	AR	AR	
20	031556	FILLING CAP BOX ASSY R.H. / HINGE TYPE CAP To M-061	1	1	
20	031691	FILLING CAP BOX ASSY R.H. / HINGE TYPE CAP From M-062 To M-071	1	1	
20	031722	FILLING CAP BOX ASSY R.H. / HINGE TYPE CAP From M-072	1	1	
21	031581	FILLING CAP ASSY L.H. / HINGE TYPE CAP To M-061	1	1	
21	031694	FILLING CAP ASSY L.H. / HINGE TYPE CAP From M-062 To M-071	1	1	
21	031728	FILLING CAP ASSY L.H. / HINGE TYPE CAP From M-072	1	1	
22	530015	. FUEL FILLING CAP / HINGE TYPE CAP	1	1	
. NS	531408	. . SEAL GASKET	1	1	
. NS	531409	. . RETAINER RING GASKET	1	1	
. NS	680446	. . GLUE ADHESIVE / TO FIX CAP	AR	AR	
NS	531408	. . SEAL GASKET	1	1	
NS	531409	. . RETAINER RING GASKET	1	1	
NS	680446	. GLUE ADHESIVE / TO FIX CAP	AR	AR	
		OPTION FUEL FILLING CAP / "EMCO WHEATON" TYPE			
27	032064	FILLING CAP BOX ASSY R.H. / "EMCO WHEATON" TYPE	1	1	
28	032062	FILLING CAP ASSY L.H. / "EMCO WHEATON" TYPE	1	1	
29	531413	. ADAPTOR	1	1	
30	531412	. FUEL FILLING CAP / "EMCO WHEATON" TYPE	1	1	
31	502737	. SCREW CAP HEX M6-1.0x25 SS BK	AR	AR	
32	502564	. WASHER LO SPT 6.1x11.8x1.6 Z050	AR	AR	
33	500609	. NUT HEX M6-1.0 Z050	AR	AR	

From L-031 To R-079	Date:07/2024	PAGE:H4-0310-10
---------------------	--------------	-----------------

FUEL FILLING CAP

Item#	Part	Description	H 3 4 0	V I P 4 0	N O T E S
35	031750	KIT GUIDE FILLER NECK From L-031 To N-205	1	1	

From L-031 To R-079	Date:07/2024	PAGE:H4-0311-00
FUEL FILTER - PRIMARY & SECONDARY		



TYPICAL ILLUSTRATION ONLY

From L-031 To R-079	Date:07/2024	PAGE:H4-0311-00
FUEL FILTER - PRIMARY & SECONDARY		

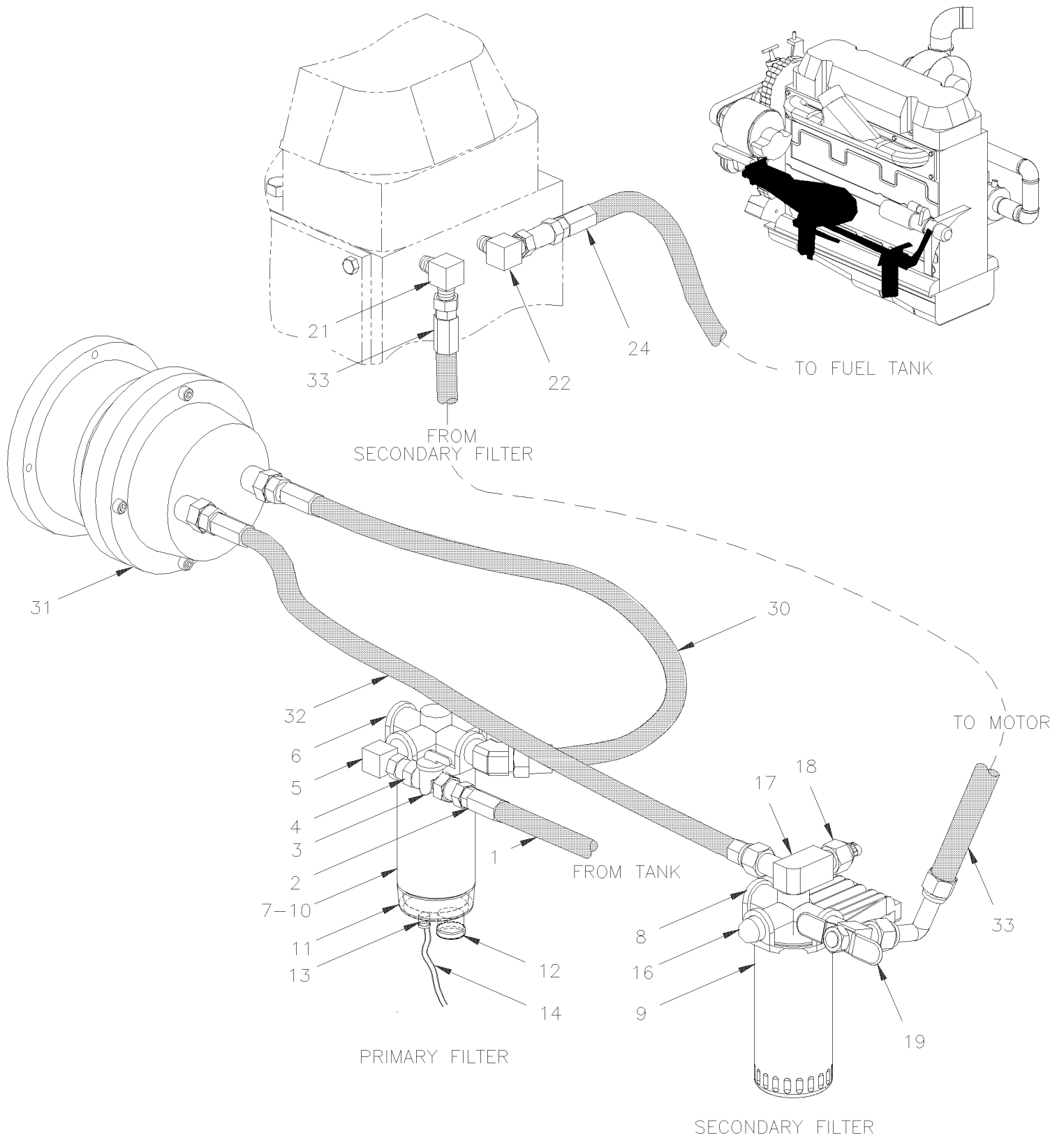
Item#	Part	Description	H 3 4 0	V I P 4 0	N O T E S
1	031605	HOSE ASSY / #8 6450MM To L-061	1	1	
1	031562	HOSE ASSY / #8 7200MM From L-062	1	1	
2	501034	MALE CONNECTOR / SAE 45° FITTING / #10FL-Mx1/2NPT-M BR	1	1	
3	530096	BALL VALVE 1/2" NPT 1/2 NPT F x 1/2 NPT F	1	1	
4	501322	NIPPLE HEX / PIPE FITTING / 3/8NPT-Mx3/8NPT-Mx1 13/32 BR	1	1	
NS	501534	BUSHING REDUCER / PIPE FITTING / 1/2NPT-Mx3/8NPT-F BR	1	1	
5	501333	STREET ELBOW 90° / PIPE FITTING / 3/8NPT-Mx3/8NPT-F BR	1	1	
5	501305	PLUG SQUARE HEAD / PIPE FITTING / 3/8NPT-M BR	AR	AR	
6	530052	FILTER ASSY PRIMARY	1	1	
6	510157	COVER / W/PRIMARY FILTER	1	1	
7	510137	FUEL FILTER, CARTRIDGE / T-915 / PRIMARY	1	1	
8	530051	FILTER ASSY SECONDARY	1	1	
8	510344	COVER / W/SECONDARY FILTER	1	1	
9	510128	FUEL FILTER, CARTRIDGE / TP-916 / SECONDARY	1	1	A
10	531390	CARTRIDGE / W/WATER SEPARATOR FILTER	1	1	B
11	531389	BOWL PLASTIC	1	1	
12	531397	DRAIN VALVE & SEAL	1	1	
NS	531398	O-RING	1	1	
13	531391	SENSOR / WATER LEVEL	1	1	
14	063715	CABLE ASSY / ENGINE ACC. & WATER SEPARATOR	1	1	
NS	561566	CONNECTOR / WEATHER PACK / PH 2C / BLACK / PED 12010973	1	1	
NS	561565	CABLE SEAL / GREEN / PED 15324982	2	2	
NS	561567	PIN TERMINAL / 20-18 / PED 12089040	2	2	
NS	560483	CLAMP / 7/8" I.D.	1	1	
16	950249	SCHRADER VALVE 1/4NPT-M	1	1	
17	N.S.P.	ELBOW ADAPTOR FUEL PRESURE / (23505246-247)	1	1	2
18	N.S.P.	FUEL TEMP SENSOR / (23518092)	1	1	2
19	N.S.P.	ELBOW BALL VALVE	1	1	2
21	N.S.P.	ELBOW / (23513205)	1	1	2
22	N.S.P.	ELBOW / RESTRICTION / (8929725)	1	1	2
24	160180	HOSE ASSY / #8 508MM	1	1	
		A) THIS CARTRIDGE CAN BE REPLACED BY ITEMS 10TO14 TO HAVE A SMALLER INSTAL. THAN ILLUSTRATED H4-0311-10			
		B) FOR FILTER CARTRIDGE WATER SEPARATOR W/O PROBE SENSOR & PLASTIC BOWL USE 531407			
		2) NOT SOLD BY PREVOST (SEE MANUFACTURING PART NUMBER AT END OF DESCRIPTION LINE)			

From P-256 To R-079

Date:07/2024

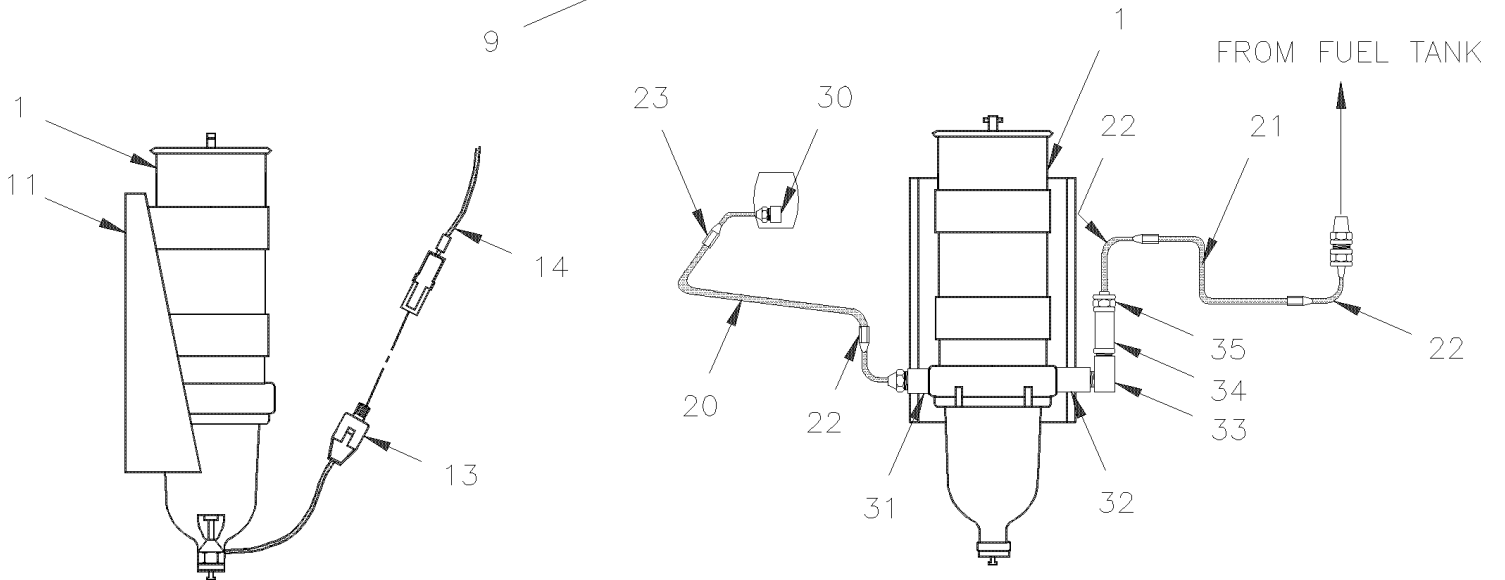
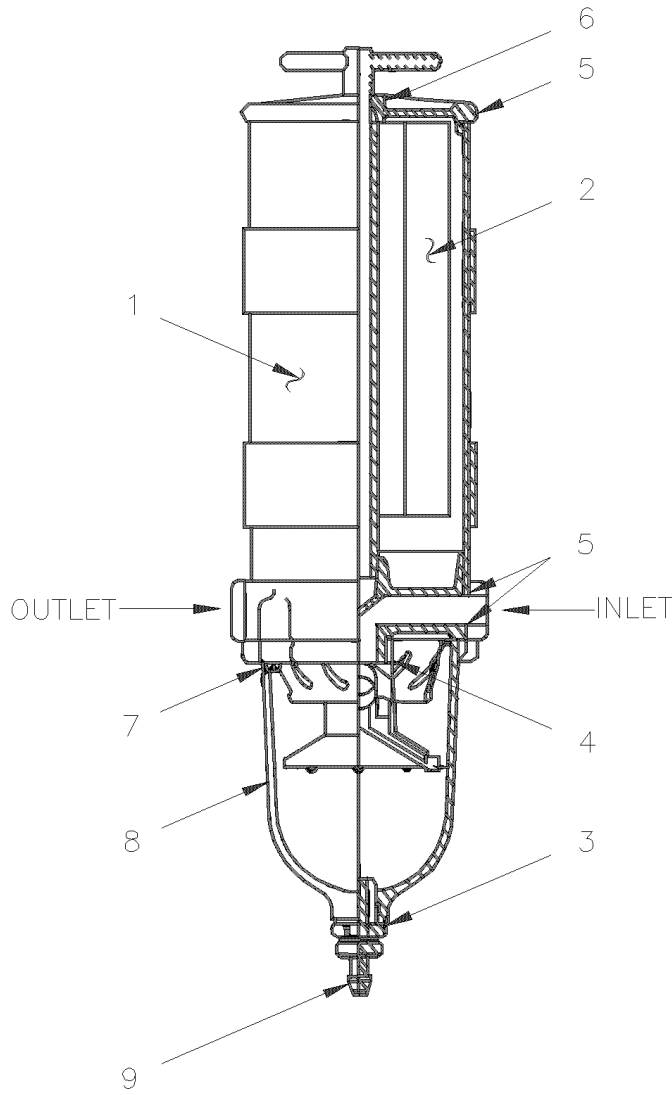
PAGE:H4-0311-01

FUEL FILTER - PRIMARY & SECONDARY



From P-256 To R-079		Date:07/2024	PAGE:H4-0311-01		
FUEL FILTER - PRIMARY & SECONDARY					
Item#	Part	Description	H 3 4 0	V I P 4 0	N O T E S
1	031808	HOSE ASSY / #8 7200MM To R-032	1	1	
1	031924	HOSE ASSY / BULKHEAD AND FILTER / #10 7200MM From R-033	1	1	
2	501034	MALE CONNECTOR / SAE 45° FITTING / #10FL-Mx1/2NPT-M BR	1	1	
3	530096	BALL VALVE 1/2" NPT 1/2 NPT F x 1/2 NPT F	1	1	
4	501322	NIPPLE HEX / PIPE FITTING / 3/8NPT-Mx3/8NPT-Mx1 13/32 BR	1	1	
NS	501534	BUSHING REDUCER / PIPE FITTING / 1/2NPT-Mx3/8NPT-F BR	1	1	
5	501333	STREET ELBOW 90° / PIPE FITTING / 3/8NPT-Mx3/8NPT-F BR	1	1	
5	501305	PLUG SQUARE HEAD / PIPE FITTING / 3/8NPT-M BR	AR	AR	
6	530052	FILTER ASSY PRIMARY	1	1	
6	510157	COVER / W/PRIMARY FILTER	1	1	
7	510137	FUEL FILTER, CARTRIDGE / T-915 / PRIMARY	1	1	
8	530051	FILTER ASSY SECONDARY	1	1	
8	510344	COVER / W/SECONDARY FILTER	1	1	
9	510128	FUEL FILTER, CARTRIDGE / TP-916 / SECONDARY	1	1	
10	531390	CARTRIDGE / W/WATER SEPARATOR FILTER	1	1	A
11	531389	BOWL PLASTIC	1	1	
12	531397	DRAIN VALVE & SEAL	1	1	
NS	531398	O-RING	1	1	
13	531391	SENSOR / WATER LEVEL	1	1	
14	063715	CABLE ASSY / ENGINE ACC. & WATER SEPARATOR	1	1	
NS	561566	CONNECTOR / WEATHER PACK / PH 2C / BLACK / PED 12010973	1	1	
NS	561565	CABLE SEAL / GREEN / PED 15324982	2	2	
NS	561567	PIN TERMINAL / 20-18 / PED 12089040	2	2	
NS	560483	CLAMP / 7/8" I.D.	1	1	
16	950249	SCHRADER VALVE 1/4NPT-M	1	1	
17	N.S.P.	ELBOW ADAPTOR FUEL PRESURE / (23505246-247)	1	1	2
18	N.S.P.	FUEL TEMP SENSOR / (23518092)	1	1	2
19	N.S.P.	ELBOW BALL VALVE	1	1	2
21	N.S.P.	ELBOW / (23513205)	1	1	2
22	N.S.P.	ELBOW / RESTRICTION / (8929725)	1	1	2
24	160180	HOSE ASSY / #8 508MM	1	1	
30	N.S.P.	HOSE ASSY /PRIMARY & FUEL PUMP / (23509154)	1	1	2
31	N.S.P.	FUEL PUMP / SUPPLY W/MOTOR (23517845)	1	1	2
32	N.S.P.	HOSE ASSY/FUEL PUMP & SECONDARY/ (23505202)	1	1	2
33	N.S.P.	HOSE ASSY / SECONDARY & ENGINE / (8929841)	1	1	2
		A) FOR FILTER CARTRIDGE WATER SEPARATOR W/O PROBE SENSOR & PLASTIC BOWL USE 531407			
		2) NOT SOLD BY PREVOST (SEE MANUFACTURING PART NUMBER AT END OF DESCRIPTION LINE)			

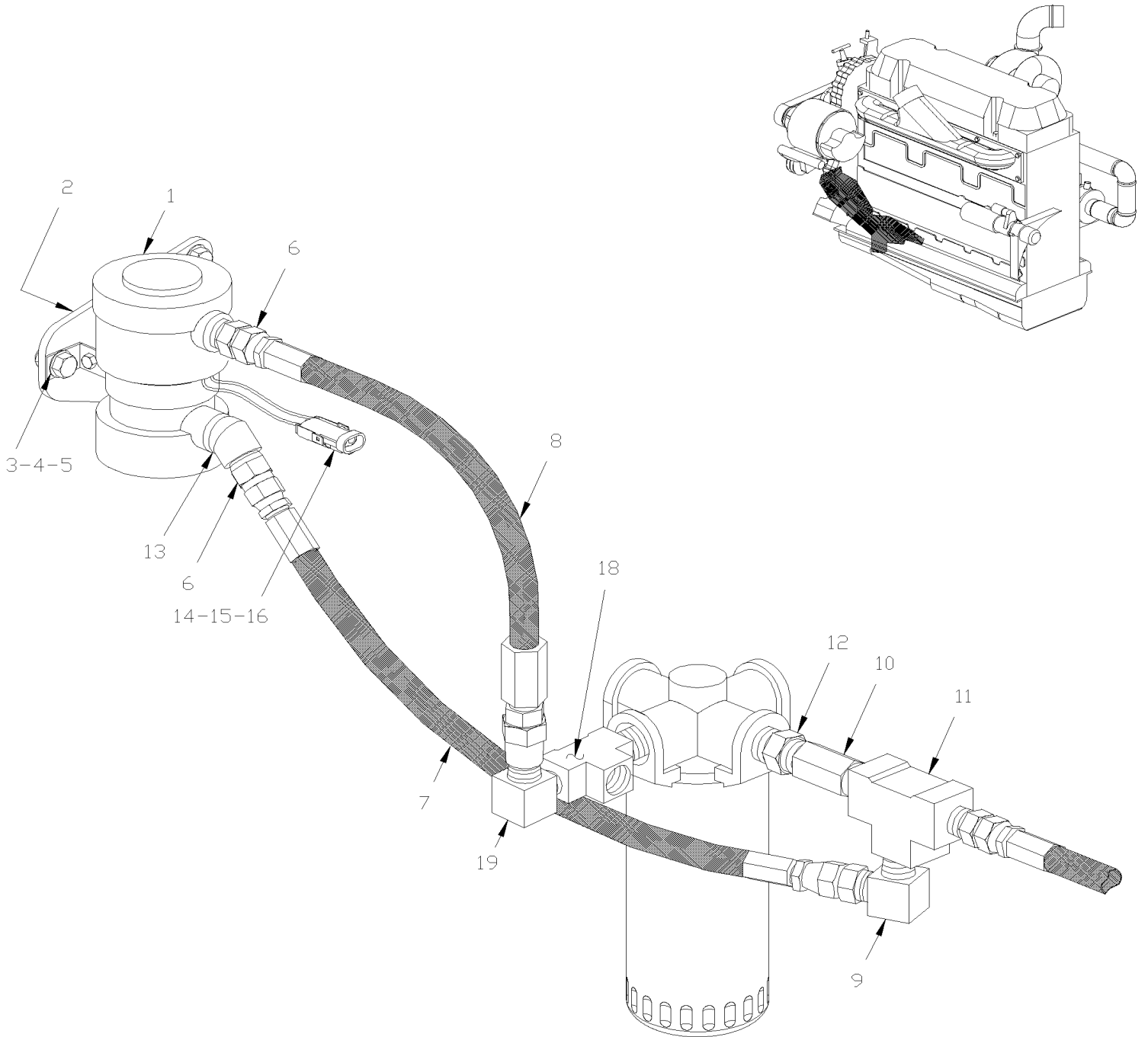
From L-031 To R-079	Date:07/2024	PAGE:H4-0311-10
FUEL FILTER / WATER SEPARATOR - "RACOR"		



From L-031 To R-079	Date:07/2024	PAGE:H4-0311-10
FUEL FILTER / WATER SEPARATOR - "RACOR"		

Item#	Part	Description	H 3 4 0	V I P 4 0	N O T E S
1	530150	FILTER FUEL / WATER SEPARATOR	1	1	
2	531381	ELEMENT FILTER	1	1	
3	N.S.S.	O-RING / DRAIN BOWL	1	1	1
4	N.S.S.	GASKET / CHECK VALVE	1	1	1
5	N.S.S.	GASKET	3	3	1
6	N.S.S.	O-RING / T-HANDLE	1	1	1
7	N.S.S.	SCREW / TO FIX BOWL	1	1	1
8	531376	BOWL ASSY / PROBE	1	1	
9	531377	DRAIN	1	1	
NS	530205	KIT SEAL SERVICE / INCLUDE ITEMS 3-4-5-6-7	AR	AR	
11	502559	SCREW CAP HEX M10-1.5x25 G8.8 Z050	2	2	
NS	500256	NUT HEX M10-1.5 Z050	2	2	
NS	500257	WASHER LO SPT 10.2x18.1x2.2 Z050	2	2	
13	561690	CONNECTOR / WEATHER PACK / SH 2C / BLACK / PED 12015792	1	1	
NS	561578	SOCKET TERMINAL / 16-14 / PED 12010182	2	2	
NS	561786	CABLE SEAL / GRAY / PED 15324980	2	2	
14	062703	CABLE ASSY	1	1	
20	031559	HOSE ASSY / W/COIL / #8 1230MM	1	1	
NS	010667	SUPPORT	1	1	
21	031562	HOSE ASSY / #8 7200MM	1	1	
21	503417	HOSE #FC-300 HYDRAULIC / #8 S.L.	AR	AR	
22	501594	FEMALE ELBOW 90° SHORT DROP/ JIC 37° FITTING/ #8JIC-Fx#8 STL	1	1	
22	501597	FEMALE CONNECTOR SWIVEL / SAE 45° FITTING / #8FL-Fx#8 ZP	1	1	
23	501839	FEMALE ELBOW 45° SHORT DROP/ JIC 37° FITTING/ #8JIC-Fx#8 ZP	1	1	
NS	505110	COIL PROTECTOR / PLASTIC / #12	AR	AR	
30	501043	MALE ELBOW 90° / SAE 45° FITTING / #8FL-Mx3/8NPT-M BR	1	1	
31	501906	MALE CONNECTOR / JIC 37° FITTING / #8JIC-Mx#10ORB-M STL	1	1	
32	501907	FEMALE CONNECTOR / PIPE @ ORB / 1/2NPT-Fx#10ORB-M STL	1	1	
33	501908	MALE ELBOW 90° / PIPE FITTING / 1/2NPT-Mx1/2NPT-M STL	1	1	
34	530096	BALL VALVE 1/2" NPT 1/2 NPT F x 1/2 NPT F	1	1	
35	501739	MALE CONNECTOR / JIC 37° FITTING / #8JIC-Mx1/2NPT-M STL	1	1	
		1) NOT SOLD SEPARATELY			

From P-256 To R-079	Date:07/2024	PAGE:H4-0312-00
FUEL PUMP - AUXILIARY		



From P-256 To R-079	Date:07/2024	PAGE:H4-0312-00
FUEL PUMP - AUXILIARY		

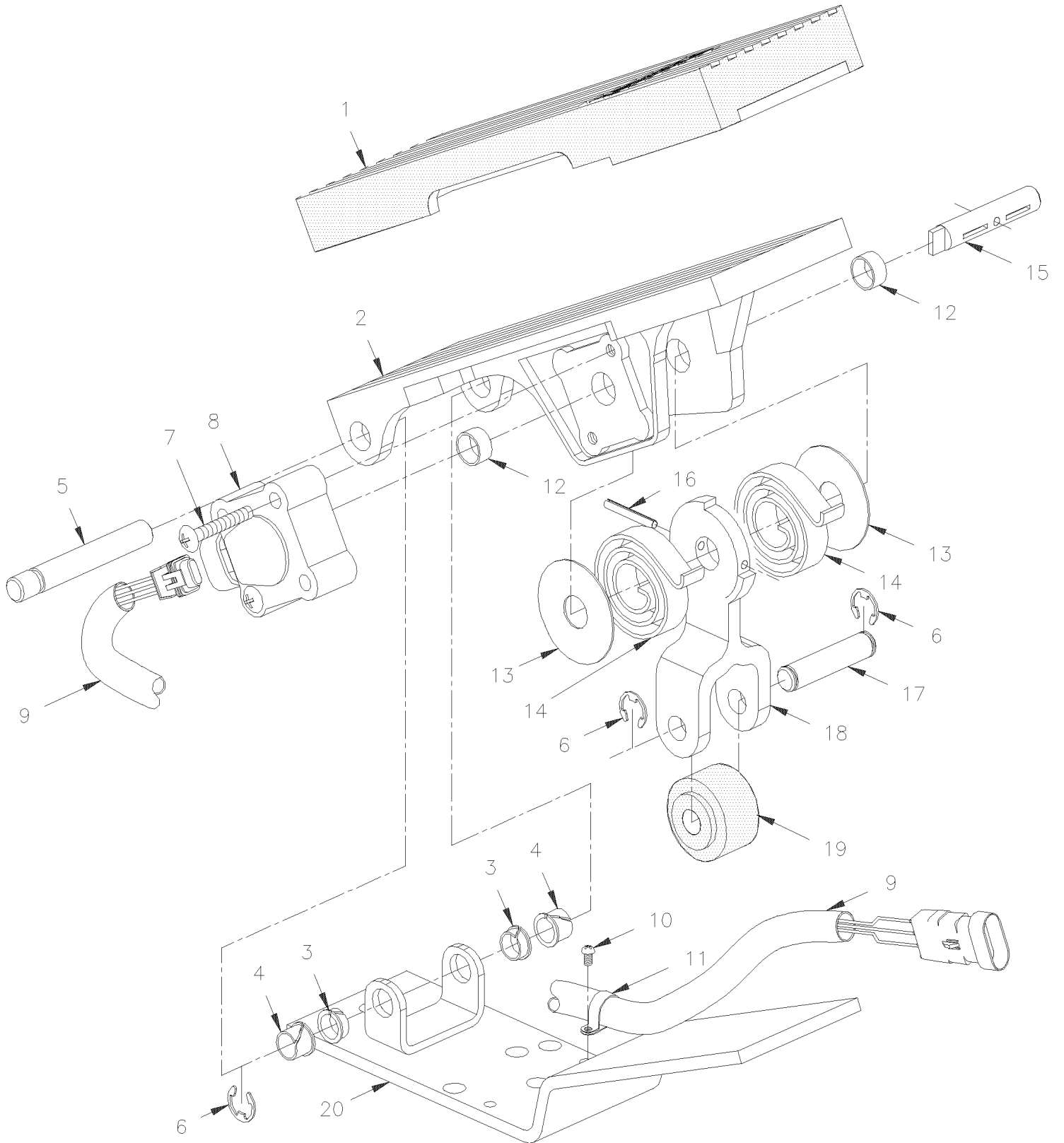
Item#	Part	Description	H 3 4 0	V I P 4 0	N O T E S
1	531388	FUEL PUMP ELECTRICAL	1	1	
2	031908	SUPPORT / W/60 To R-078	1	1	
2	032020	SUPPORT From R-079	1	1	
2	032237	SUPPORT	AR	AR	
3	502790	SCREW CAP HEX M8-1.25x20 G8.8 Z050	2	2	
4	500874	WASHER FL 8.4x17.0x1.6 Z050	4	4	
5	500868	NUT HEX NYRT M8-1.25 Z050	4	4	
6	5011057	MALE CONNECTOR / JIC 37° FITTING / #8JIC-Mx1/4NPT-M STL	2	2	
7	032003	HOSE ASSY / #8 238MM	1	1	
7	031864	HOSE ASSY / #8 1250MM To R-078	1	1	
8	032021	HOSE ASSY / #8 212MM	1	1	
8	031863	HOSE ASSY / #8 1400MM To R-078	1	1	
8	503417	. HOSE #FC-300 HYDRAULIC / #8 S.L.	AR	AR	
8	501785	. FEMALE CONNECTOR SWIVEL / JIC 37° FITTING / #8JIC-Fx#8 ZP	2	2	
9	5011061	MALE ELBOW 90° / JIC 37° FITTING / #8JIC-Mx1/2NPT-M STL	1	1	
10	531405	CHECK VALVE 1/2 NPT	1	1	
11	501472	FEMALE UNION TEE / PIPE FITTING / 1/2NPT-Fx1/2NPT-Fx1/2NPT-F BR	1	1	
12	501810	ADAPTER / PIPE FITTING / 3/8NPT-Mx1/2NPT-F STL	1	1	
13	501329	STREET ELBOW 45° / PIPE FITTING / 1/4NPT-Mx1/4NPT-F BR	1	1	
14	501566	MALE ELBOW 45° / COPPER TUBE / 1Mx1M	1	1	
15	561568	PIN TERMINAL / 16-14 / PED 12089305	2	2	
16	561565	CABLE SEAL / GREEN / PED 15324982	2	2	
18	501699	MALE RUN TEE / PIPE FITTING / 3/8NPT-Mx3/8NPT-Fx3/8NPT-F BR	1	1	
19	501587	MALE ELBOW 90° / JIC 37° FITTING / #8JIC-Mx3/8NPT-M STL	1	1	
NS	032268	KIT INSTALLATION FUEL PUMP	1	1	
. NS	IS-97114	. SEE INSTRUCTION SHEET	1	1	
NS	064824	KIT SWITCH FUEL PUMP INSTALLATION	1	1	
. NS	IS-97114	. SEE INSTRUCTION SHEET	1	1	
22	032833	KIT, RETROFIT AUX FUEL PUMP	1	1	
. NS	IS-08003	. SEE INSTRUCTION SHEET	1	1	
23	032257	KIT INSTALLATION FUEL PUMP	1	1	
. NS	IS-97114	. SEE INSTRUCTION SHEET			

From L-031 To R-079

Date:07/2024

PAGE:H4-0315-11

ACCELERATOR PEDAL - ELECTRONIC DDEC II



From L-031 To R-079	Date:07/2024	PAGE:H4-0315-11
---------------------	--------------	-----------------

ACCELERATOR PEDAL - ELECTRONIC DDEC II

Item#	Part	Description	H 3 4 0	V I P 4 0	N O T E S
	530177	ACCELERATOR PEDAL ASSY	1	1	E
	531400	ACCELERATOR PEDAL ASSY / SERVICE ONLY	1	1	E
1	141212	. THREADLE COVER / W/STEEL BACKING	1	1	E
1	531401	. THREADLE COVER	1	1	E
NS	Call order desk	. SCREW TC TR PH #10-32x1/2	2	2	P
2	N.S.S.	. THREADLE	1	1	1
3	N.S.S.	. BUSHING, INNER	2	2	1
4	507260	. BUSHING NYLINER W/SHOULDER .375x.437x.375x.594	2	2	
5	N.S.S.	. PIN THREADLE	2	2	1
6	N.S.S.	. RING, SNAP 5/16" I.D.	3	3	1
7	500427	. SCREW MA RND PH #10-32x1 1/4 ZP	2	2	
8	531395	. POTENTIOMETER PEDAL SENSOR 0-5V	1	1	B
9	N8887087	WIRE HARNESS	1	1	
10	500883	. SCREW TC PAN PH #8-32x3/8 Z050	2	2	
11	N.S.S.	. CLIP	2	2	1
12	N.S.S.	. BUSHING, GARLOCK	1	1	1
13	N.S.S.	. THRUST, WASHER-OUTER	2	2	1
13	N.S.S.	. THRUST, WASHER-INNER	2	2	1
14	N.S.S.	. SPRING	2	2	1
15	N.S.S.	. SHAFT SENSOR DRIVE	1	1	1
15	N.S.P.	. BEARING (#99-R-6)	1	1	2
16	505208	. SPRING, PIN 1/8 X 7/8	1	1	
17	N.S.S.	. ROLLER PIN	1	1	1
18	N.S.S.	. LEVER, THREADLE	1	1	1
19	N.S.S.	. ROLLER	1	1	1
20	531462	. BASE PLATE / (includes item #5)	1	1	
NS	530209	ACCELERATOR PEDAL ASSY	1	1	A
NS	531393	KIT REPAIR / LOWER THREADLE PIN	1	1	C
26	531394	KIT REPAIR / ROLLER	1	1	D
		A) W/ OUT ITEMS 3-4-5 & 20			
		B) INCLUDES ITEMS 7-9 & 11			
		C) INCLUDES ITEMS 3, 4, 5, 6			
		D) INCLUDES ITEMS 6-17 & 19			
		E) FOR AN EASIEST IDENTIFICATION MODEL 530177 HAS COVERING RUBBER 9" 1/4 AND MODEL 531400 HAS 9"7/8			
		1) NOT SOLD SEPARATELY			
		2) NOT SOLD BY PREVOST (SEE MANUFACTURING PART NUMBER AT END OF DESCRIPTION LINE)			

From L-031 To R-079		Date:07/2024	PAGE:H4-0315-11
---------------------	--	--------------	-----------------

ACCELERATOR PEDAL - ELECTRONIC DDEC II

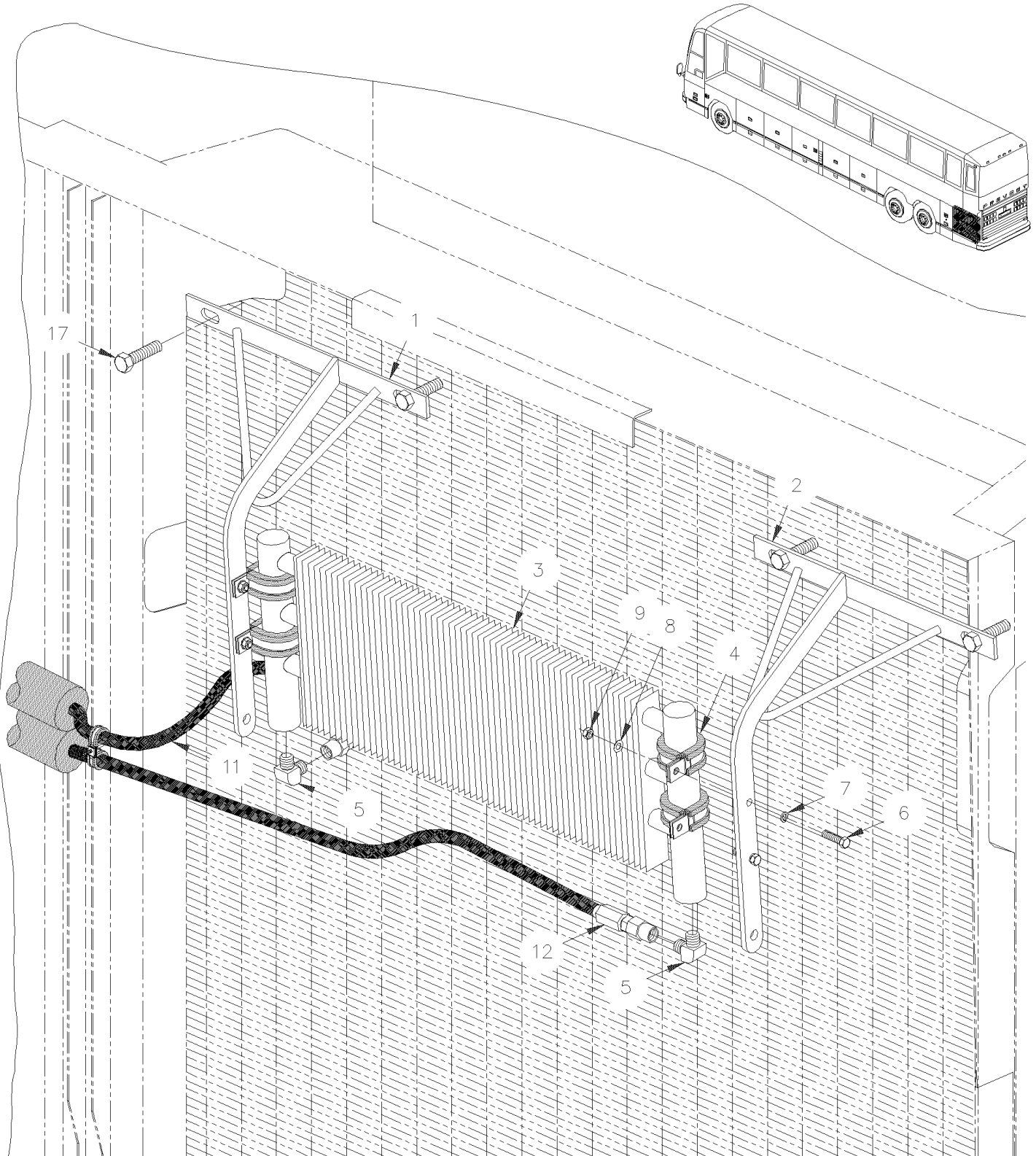
Item#	Part	Description	H 3 4 0	V I P 4 0	N O T E S
		P) CALL ORDER DESK FOR SPECIFIC APPLICATION (V.I.N.)			

From L-031 To R-079

Date:07/2024

PAGE:H4-0316-99

FUEL COOLER - INSTALLATION / RETROFIT



From L-031 To R-079	Date:07/2024	PAGE:H4-0316-99
FUEL COOLER - INSTALLATION / RETROFIT		

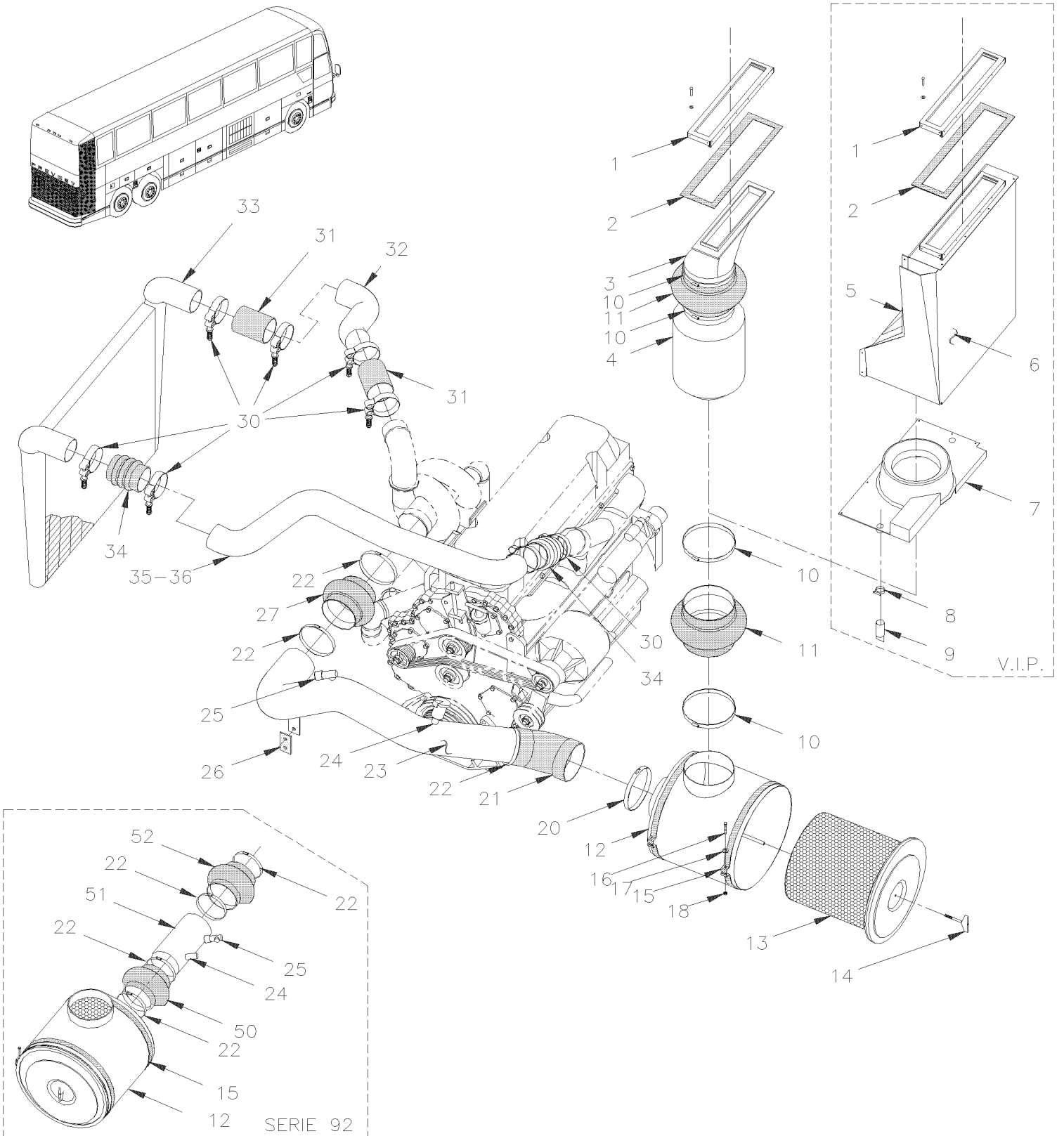
Item#	Part	Description	H 3 4 0	V I P 4 0	N O T E S
	032044	FUEL COOLER KIT TO USE WITH PLASTIC TANK	1	1	
NS	IS-95004	. SEE INSTRUCTION SHEET	1	1	
	051925	COOLER ASSY, FUEL	1	1	
1	051917	. SUPPORT L.H.	1	1	
2	051918	. SUPPORT R.H.	1	1	
3	950109	. COOLER ASSY	1	1	
4	560483	. CLAMP / 7/8" I.D.	4	4	
5	5011056	. MALE ELBOW 90° / JIC 37° FITTING / #6JIC-Mx1/2NPT-M STL	2	2	
6	502746	. SCREW MA PAN PH M5-0.8x20 SS BK	4	4	
7	500240	. WASHER LO EXT .195x.410x.025 Z050	4	4	
8	500964	. WASHER FL .203x.500x.047 Z050	4	4	
9	502561	. NUT HEX M5-0.8 Z050	4	4	
NS	680098	. THREAD SEALANT LOCTITE #567 / WHITE / 250ml	AR	AR	
11	032037	HOSE ASSY / #6 2491MM	1	1	
11	501933	. FEMALE CONNECTOR SWIVEL / JIC 37° FITTING / #6JIC-Fx#6 ZP	1	1	
11	501827	. MALE ELBOW 90° SWIVEL / INVERTED FLARE / #6IFL-Mx#6 ZP	1	1	
11	503582	. HOSE #FC-300 HYDRAULIC / #6 S.L.	AR	AR	
12	032038	HOSE ASSY / #6 2071MM	1	1	
12	501933	. FEMALE CONNECTOR SWIVEL / JIC 37° FITTING / #6JIC-Fx#6 ZP	1	1	
12	501826	. MALE CONNECTOR SWIVEL / INVERTED FLARE / #6IFL-Mx#6 ZP	1	1	
12	503582	. HOSE #FC-300 HYDRAULIC / #6 S.L.	AR	AR	
NS	032043	INSULATING HOSE	AR	AR	
NS	560482	CLAMP / 3/4" I.D. / W/HOLE 3/16"	AR	AR	
NS	500786	NUT HEX #10-24 Z050	AR	AR	
NS	500387	SCREW MA RND PH #10-24x3/4 Z050	AR	AR	
NS	500470	WASHER LO SPT .193x.334x.047 Z050	AR	AR	

From L-031 To R-079

Date:07/2024

PAGE:H4-0330-00

AIR FILTER & INTAKE - INSTALLATION



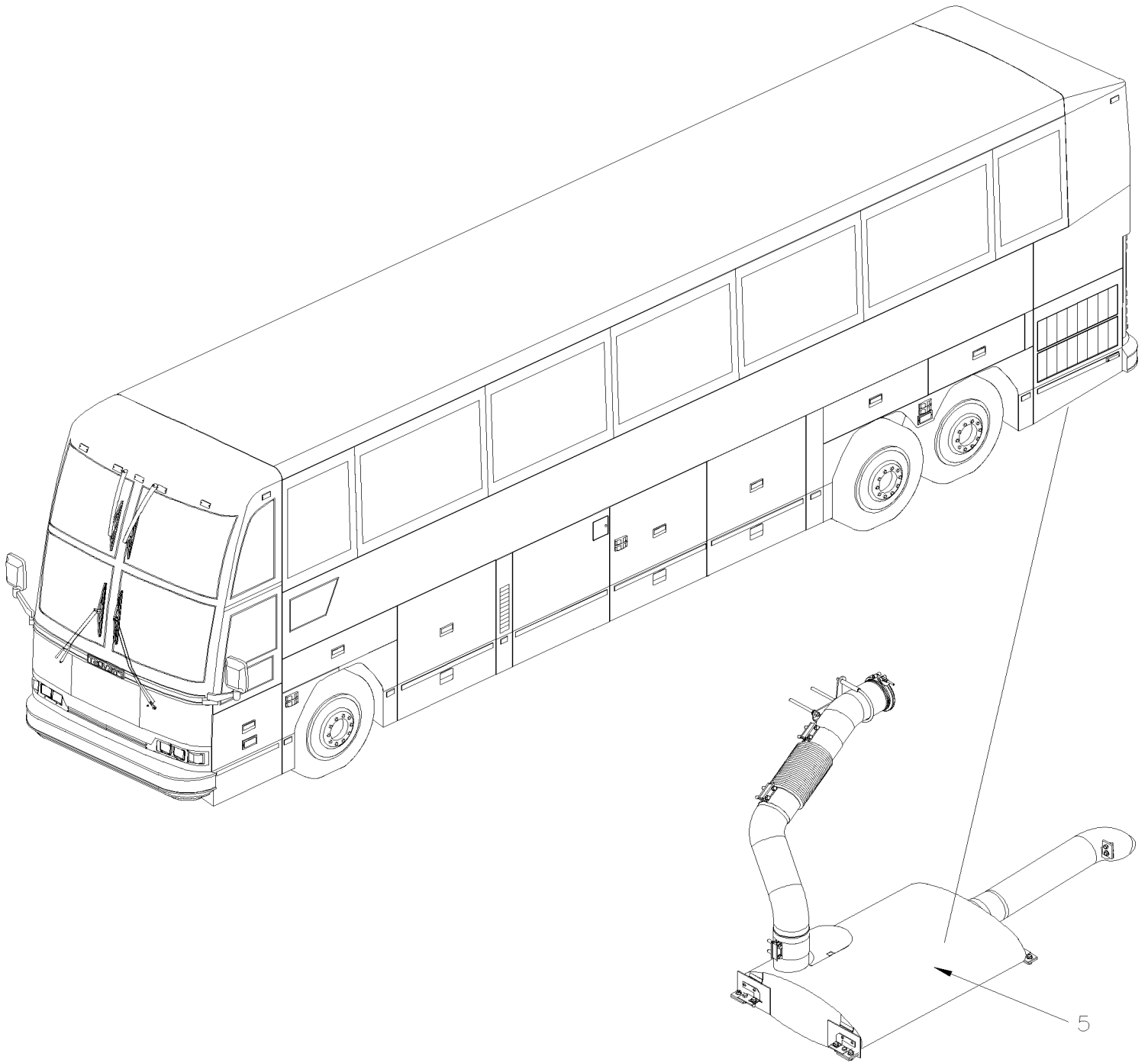
From L-031 To R-079		Date:07/2024	PAGE:H4-0330-00
AIR FILTER & INTAKE - INSTALLATION			

Item#	Part	Description	H 3 4 0	V I P 4 0	N O T E S
1	472247	GASKET / REAR CAR & DUCT	1	1	
2	472246	FRAME CHANNEL SS / TO FIX GASKET	1	1	
NS	500989	WASHER FL .219x.875x.062 Z050	AR	AR	B
NS	504487	RIVET MGLP PRDG 3/16x7/16 SS	AR	AR	B
3	031535	DUCT / AIR INTAKE	1	1	
4	530207	SEPARATOR	1	1	
NS	531484	DRAIN BOOT 3" I.D.	1	1	
5	031649	AIR INTAKE ASSY		1	
NS	031639	ANGLE SUPPORT AIR FILTER / (FIXED AT TUBE)		1	
6	031643	PANEL BACKWARD / AIR INTAKE		1	
NS	680114	SEALANT TAPE BUTYL / BLACK / 1/16"x3/4"x50' / 75211E760		AR	
7	031642	ADAPTOR		1	
NS	500641	SCREW TP PAN PH #8x3/4 Z050		AR	
NS	502701	WASHER FL .172x.750x.031		AR	
8	504021	HOSE CLAMP / 11/16"-1"1/2 SS / HS-16		1	
9	590109	DRAIN BOOT 1" I.D. X 5" / AS SHOWN		1	
10	504415	HOSE CLAMP / 7"1/4-9"1/4 SS / HS-152	4	4	
11	530210	HOSE FLEXIBLE / 8" I.D. x 125MM	2	2	
12	530206	FILTER AIR 18"	1	1	
13	530197	ELEMENT AIR FILTER 18"	1	1	
14	531420	NUT WING 1/2-13 NY	1	1	
15	031465	STRAP MOUNTING / W/18" AIR FILTER	2	2	
16	500183	SCREW CAP HEX 5/16-18x1 1/2 G5 PT Z050	2	2	
17	500441	WASHER FL .312x.734x.065 Z050	2	2	
18	500777	NUT HEX STO 5/16-18 Z050	2	2	
20	504229	HOSE CLAMP / 6"1/2-8"1/2 SS / HS-100	1	1	
21	530169	ELBOW 45° DEGRES / REDUCER 7" X 6"	1	1	
22	504324	HOSE CLAMP / 4"1/2-6"1/2 SS / HS-96	3	3	
23	031826	PIPE 5 1/2" O.D. / AIR FILTER & TURBO	1	1	
24	510022	CUP ETHER	1	1	
25	530161	GAUGE AIR RESTRICTION 20" H2O 1/8" NPT	1	1	
26	040366	MUFFLER CONNECTION	1	1	A
27	530102	REDUCER RUBBER / 5 1/2" X 5" DIA.	1	1	
30	531386	HOSE CLAMP SPRING LOAD / HEAVY DUTY 4"1/8-4"7/16	8	8	
31	531396	HOSE 4" I.D. 6 1/4"	2	2	
32	031828	PIPE 4" O.D. / AIR COOLER & TURBO	1	1	
33	550655	AIR COOLER ASSY	1	1	
33	550741	AIR COOLER ASSY	1	1	
34	531385	HOSE / W/3 RING / 4" I.D. 6"	2	2	
35	031929	PIPE 4" O.D. / AIR COOLER & MANIFOLD	1	1	
36	550635	SWITCH TEMPERATURE AIR SENSOR 150 DEG / 3 WIRES CONNECTORS	1	1	
40	503522	HOSE FLEXIBLE / AIR DUCT 5" I.D. X 12' LINEN RUBBER	AR	AR	

From L-031 To R-079	Date:07/2024	PAGE:H4-0330-00
AIR FILTER & INTAKE - INSTALLATION		

Item#	Part	Description	H 3 4 0	V I P 4 0	N O T E S
41	504324	HOSE CLAMP / 4"1/2-6"1/2 SS / HS-96	2	2	
		FOLLOWING ITEMS ARE RELATED WITH			
		6V92 AND 8V92 PIPE INSTALLATION			
50	530184	ADAPTOR RUBBER 7"	1	1	
51	031574	PIPE To N-232	1	1	
51	031768	PIPE From N-233	1	1	
NS	141480	HOSE ADAPTOR 1"1/4 / TO FIX AIR COMPRESSOR HOSE To N-230	1	1	
NS	5011017	MALE CONNECTOR / COLLAR FITTING / 3/4NPT-Mx#12 STL From N-231	1	1	
NS	503567	HOSE / PIPE & AIR COMP / 1 1/4" I.D. 18 1/2" To N-230	1	1	
NS	141572	HOSE 3/4" I.D. 20 3/4" From N-231	1	1	
52	530142	REDUCER RUBBER 7" X 5"1/2	1	1	
53	032236	KIT, RETROFIT AIR INLET SUPPORT From P-256 To R-079	1	1	
. NS	032235	. BRAKET AIR INLET / USE W/031829 From P-256 To R-079	1	1	
. NS	040535	. MUFFLER CONNECTION From P-256 To R-079	1	1	
. NS	5001361	. SCREW CAP HEX M8-1.25x120 G8.8 ZP From P-256 To R-079	1	1	
. NS	500544	. SCREW CAP HEX M8-1.25x30 G8.8 Z050 From P-256 To R-079	1	1	
. NS	500874	. WASHER FL 8.4x17.0x1.6 Z050 From P-256 To R-079	2	2	
. NS	502744	. NUT HEX STO M8-1.25 Z050 From P-256 To R-079	2	2	
. NS	504031	. HOSE CLAMP / 5"-7" SS / HS-104 From P-256 To R-079	1	1	
		A) FOR SUPPORT PIPE YOU REQUIRE ONE KIT #032236			
		B) DUCT TO BODY			

	Date:07/2024	H4-04
EXHAUST		



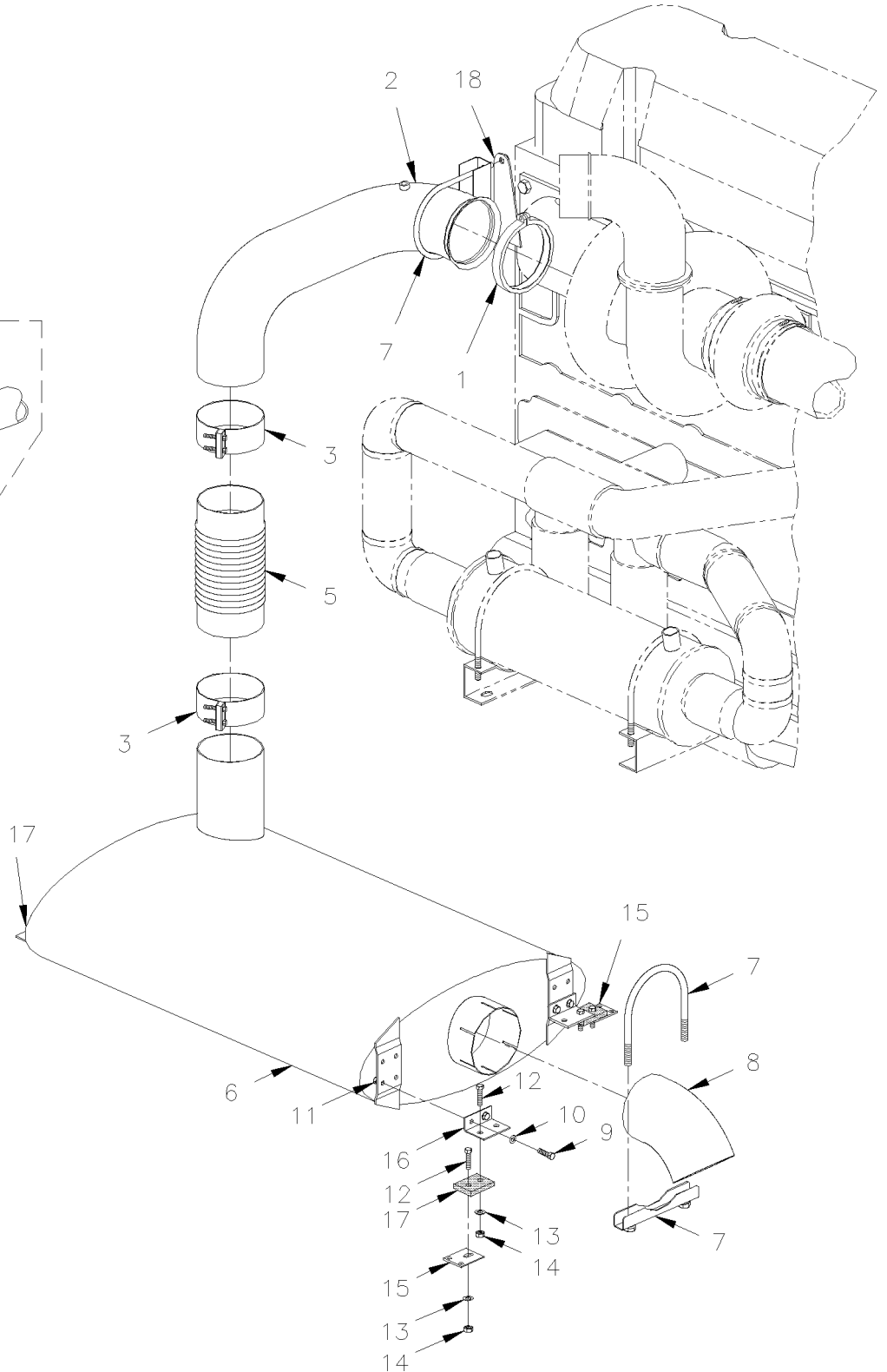
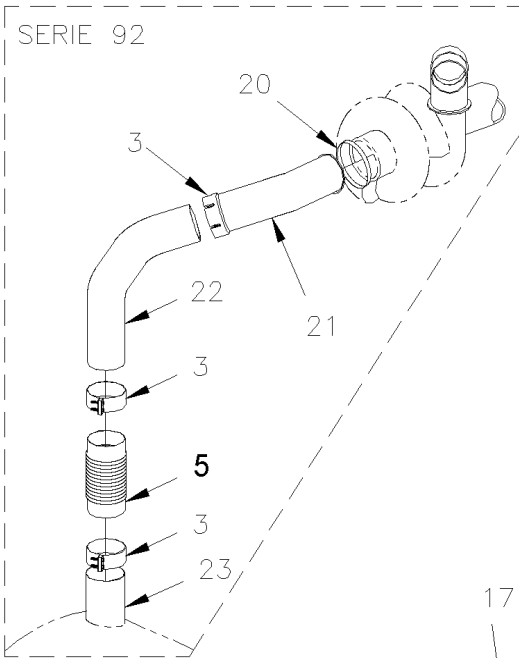
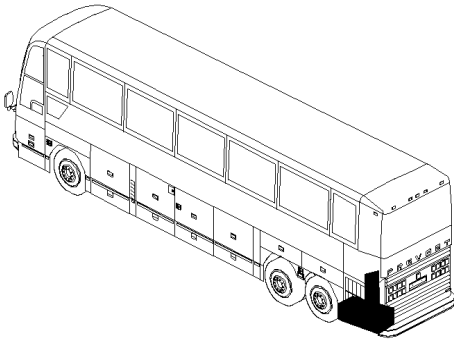
		Date:07/2024	H4-04		
EXHAUST					
Item#	Part	Description	H 3 4 0	V I P 4 0	N O T E S
5	H4-0405-02	MUFFLER - INSTALLATION From L-031 To R-079			

From L-031 To R-079

Date:07/2024

PAGE:H4-0405-02

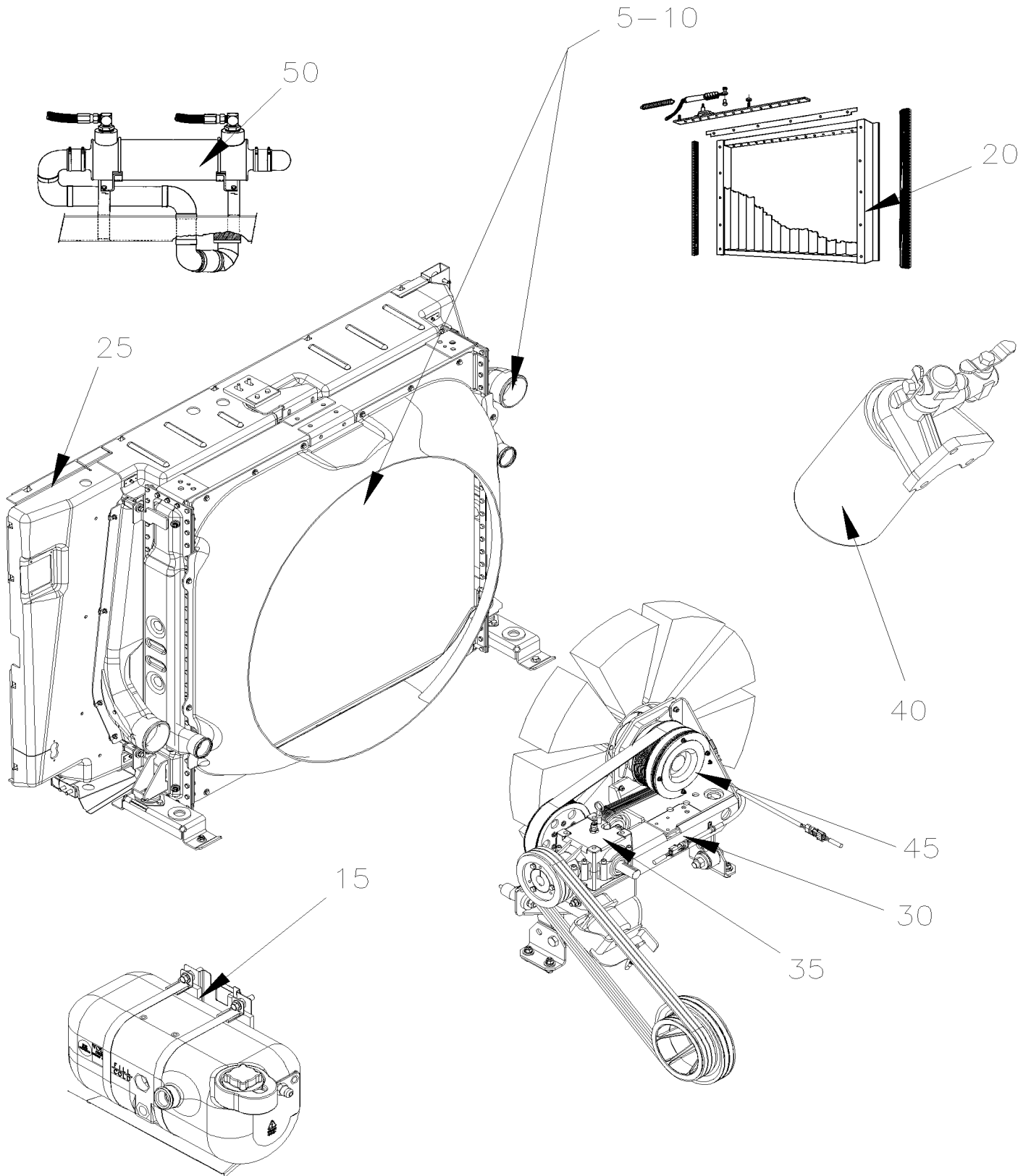
MUFFLER - INSTALLATION



From L-031 To R-079		Date:07/2024	PAGE:H4-0405-02
MUFFLER - INSTALLATION			

Item#	Part	Description	H 3 4 0	V I P 4 0	N O T E S
1	540047	V-CLAMP / 5.588" I.D.	1	1	
2	040483	PIPE, EXHAUST / UPPER / W/SERIES 60 From P-256 To R-079	1	1	
3	540024	CLAMP BAND SEAL / BUTT JOINT / 5" I.D.x3"	3	3	
5	540031	BELLOWS - EXHAUST 5" I.D. x 11.87"	1	1	
6	540045	MUFFLER SERIES 50 & 60	1	1	
. NS	503008	. NUT SPR U M8-1.25 0.6-4.0	16	16	
6	540053	MUFFLER SERIES 50 & 60 / STAINLESS	1	1	
7	540018	U-CLAMP / (GUILLOTINE TYPE) / 5" I.D.	1	1	
8	040467	PIPE, TAIL	1	1	
9	502790	SCREW CAP HEX M8-1.25x20 G8.8 Z050	10	10	
10	502744	NUT HEX STO M8-1.25 Z050	10	10	
11	500874	WASHER FL 8.4x17.0x1.6 Z050	10	10	
12	502549	SCREW CAP HEX M10-1.5x35 G8.8 Z050	8	8	
13	500496	WASHER FL .437x.750x.054 Z050	8	8	
14	500680	NUT HEX STO M10-1.5 Z050	8	8	
15	211565	ATTACHMENT PLATE	2	2	
NS	211569	ANGLE / (WELDED TO STRUCTURE)	2	2	
16	040465	SUPPORT ANGLE 30MM x 54MM x 72MM	4	4	
17	040988	MUFFLER CONNECTION	AR	AR	S
18	040517	SUPPORT, PIPE	1	1	C
		FOLLOWING ITEMS ARE RELATED WITH			
		6V92 AND 8V92 PIPE INSTALLATION			
20	540019	V-CLAMP / 5.280" I.D. To R-032	1	1	
21	040464	PIPE, EXHAUST To R-032	1	1	
22	040463	PIPE, EXHAUST To N-241	1	1	
22	040482	PIPE, EXHAUST From N-242 To R-032	1	1	
23	540044	MUFFLER 6&8V92 To M-179	1	1	
. NS	503008	. NUT SPR U M8-1.25 0.6-4.0 To M-179	8	8	
23	540046	MUFFLER 6 & 8V92 From M-180 To R-032	1	1	
. NS	503008	. NUT SPR U M8-1.25 0.6-4.0 From M-180 To R-032	16	16	
NS	040560	KIT SUPPORT From P-256 To R-079	AR	AR	
. NS	IS-00142	. SEE INSTRUCTION SHEET From P-256 To R-079	1	1	
		A) PRODUCTION			
		B) SERVICE			
		C) FOR PRODUCT IMPROVMENT YOUR REQUIRE KIT#040560			
		S) SERVICE			

	Date:07/2024	H4-05
COOLING		



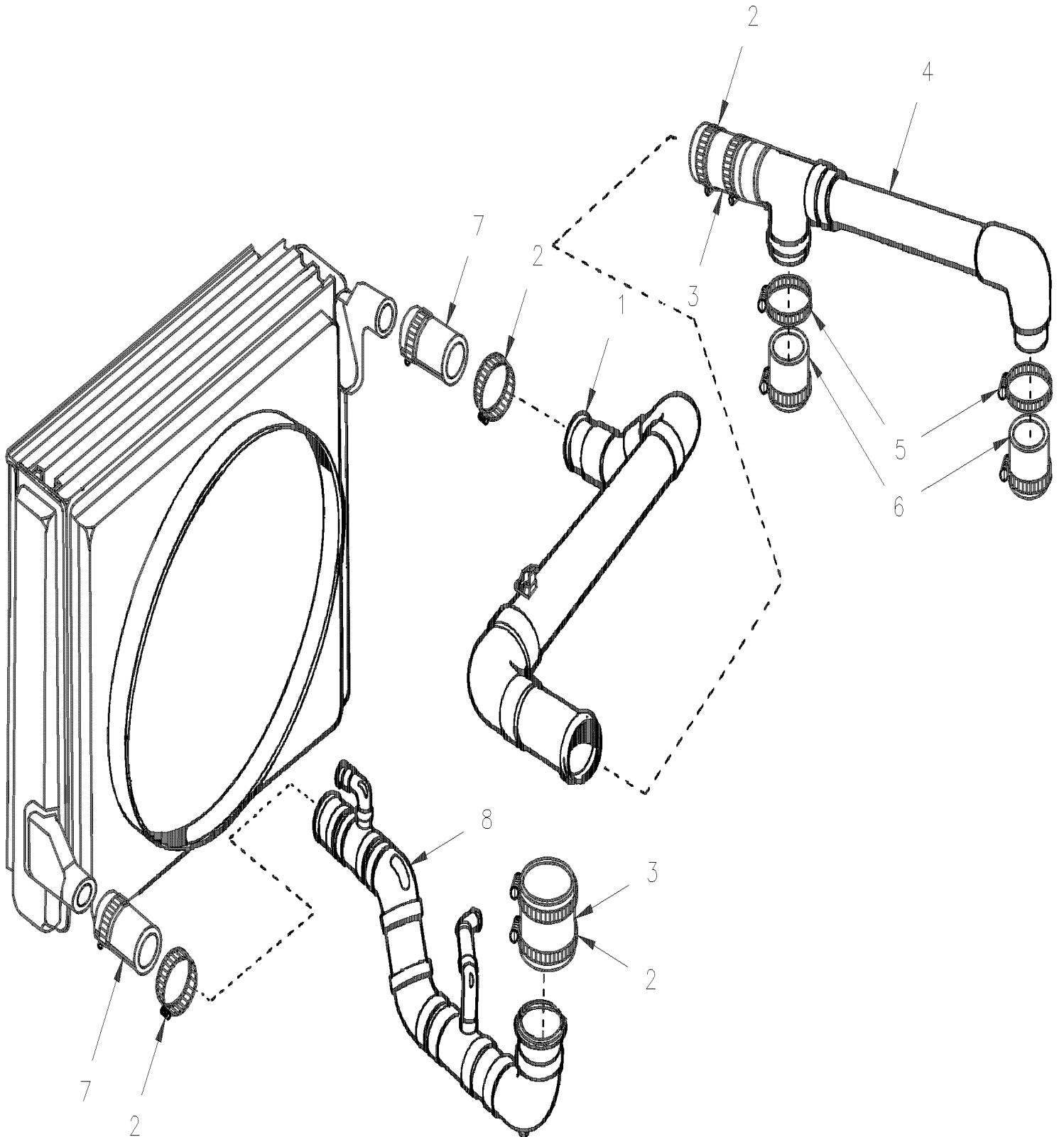
		Date:07/2024	H4-05		
COOLING					
Item#	Part	Description	H 3 4 0	V I P 4 0	N O T E S
5	H4-0500-00	COOLANT PIPING WITH DETROIT S-92 From L-031 To R-032			
5	H4-0500-01	COOLANT PIPING WITH DETROIT S-60 From P-256 To R-079			
10	H4-0505-01	RADIATOR - INSTALLATION 36" - BUS From N-192 To R-032			
10	H4-0505-02	RADIATOR - INSTALLATION 39" From L-031 To R-032			
10	H4-0505-03	RADIATOR ASSY - W/60 DETROIT S-60 From P-256 To R-079			
10	H4-0505-04	RADIATOR ASSY - BUS From R-033 To R-079			
10	H4-0505-05	RADIATOR ASSY - V.I.P. From R-033 To R-079			
15	H4-0510-00	SURGE TANK From L-031 To R-032			
15	H4-0510-01	SURGE TANK From P-256 To R-079			
20	H4-0515-01	SHUTTER - RADIATOR 36" From N-192 To N-196			
20	H4-0515-02	SHUTTER - RADIATOR 39" From L-031 To R-032			
20	H4-0515-05	SHUTTERSTAT ELEMENT & LUBRIFICATOR From L-031 To R-032			
25	H4-0518-01	RADIATOR SEALING FRAME - W/36" RADIATOR From N-192 To N-196			
25	H4-0518-02	RADIATOR SEALING FRAME - W/39" RADIATOR From N-242 To R-032			
25	H4-0518-03	RADIATOR SEALING FRAME From P-256 To R-079			
30	H4-0520-02	FAN DRIVE - INSTALLATION FIXED WITH DETROIT S-92 From L-031 To R-032			
30	H4-0520-03	FAN DRIVE - INSTALLATION From P-256 To R-079			
30	H4-0520-99	FAN DRIVE - INSTALLATION - SHORT / RETROFIT From P-256 To R-079			
35	H4-0525-00	GEARBOX "BOSTON GEAR" - #550027 From L-031 To R-014			
35	H4-0525-01	GEARBOX "SUPERIOR" - #550641 - W/DETROIT S-60 From P-256 To R-079			
35	H4-0525-02	GEARBOX "SUPERIOR" - #051934 - W/DETROIT S-92 From R-015 To R-032			
35	H4-0525-03	GEARBOX "SUPERIOR" - #550688 - W/DETROIT S-60 From P-256 To R-079			
35	H4-0525-99	GEARBOX "SUPERIOR" / RETROFIT From R-012 To R-079			A
40	H4-0530-00	COOLANT FILTER - INSTALLATION - WITH DETROIT S-92 From L-031 To R-032			
40	H4-0530-01	COOLANT FILTER - INSTALLATION - WITH DETROIT S-60 From P-256 To R-079			
45	H4-0540-00	FAN CLUTCH ASSY - #550634 (FORMER) From P-256 To R-079			
45	H4-0540-01	FAN CLUTCH ASSY - #550634 (SERVICE) / SERVICE From P-256 To R-079			A
45	H4-0540-99	FAN CLUTCH ASSY - #550839 / RETROFIT From P-256 To R-079			
50	H4-0560-00	OIL COOLER - TRANSMISSION DETROIT S-92 From L-031 To R-032			
		A) SERVICE			

From L-031 To R-032

Date:07/2024

PAGE:H4-0500-00

COOLANT PIPING WITH DETROIT S-92



From L-031 To R-032	Date:07/2024	PAGE:H4-0500-00
COOLANT PIPING WITH DETROIT S-92		

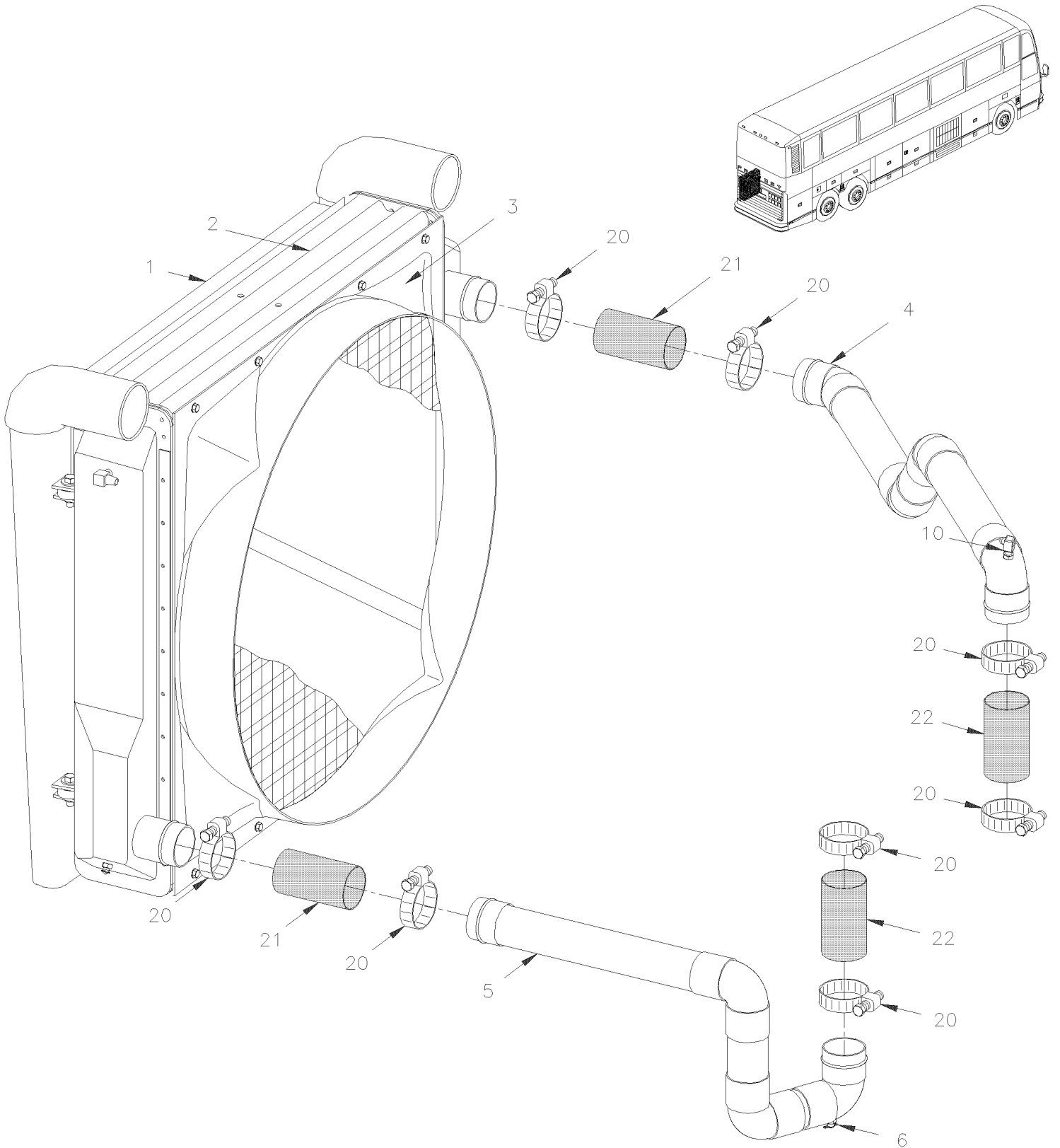
Item#	Part	Description	H 3 4 0	V I P 4 0	N O T E S
1	051621	TUBE ASSY / W/8V92	1	1	
1	051729	TUBE ASSY / W/6V92 W/39" RADIATOR INSTALLATION	1	1	
1	051762	TUBE ASSY / W/6V92 W/36" RADIATOR INSTALLATION	1		
2	504525	HOSE CLAMP / 2"3/4-3"5/8 SS / HTM-350L	AR	AR	
3	503396	HOSE SILICONE 3" I.D. x 3'	AR	AR	
4	050979	PIPE ASSY OUTLET / 6V92, 8V92 & 8V71T	1	1	
5	504293	HOSE CLAMP / 2"5/16-3"1/4 SS / E.T. 44	AR	AR	
6	503394	HOSE SILICONE 2 1/8" I.D. x 3'	AR	AR	
7	503395	HOSE SILICONE 4PLY 2 3/4" I.D. x 3'	AR	AR	
8	051624	PIPE ASSY LOWER / 8V92 W/39" RADIATOR	1	1	
8	051812	TUBE ASSY / W/36" RADIATOR INSTALLATION	1		

From P-256 To R-079

Date:07/2024

PAGE:H4-0500-01

COOLANT PIPING WITH DETROIT S-60



From P-256 To R-079	Date:07/2024	PAGE:H4-0500-01
COOLANT PIPING WITH DETROIT S-60		

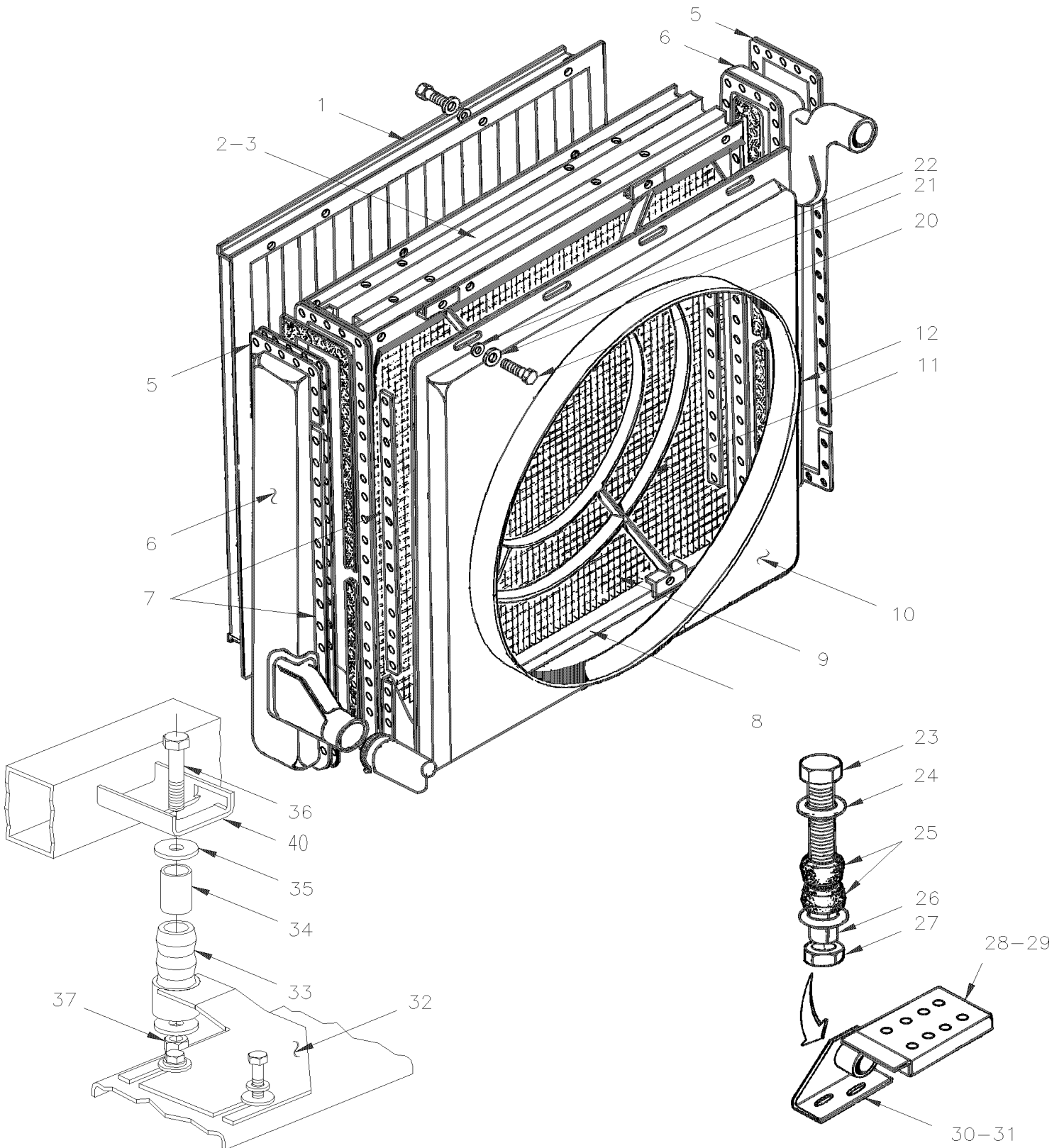
Item#	Part	Description	H 3 4 0	V I P 4 0	N O T E S
1	H4-0330-00	AIR FILTER & INTAKE - INSTALLATION			
2	H4-0505-03	RADIATOR ASSY - W/60 DETROIT S-60			
2	H4-0505-04	RADIATOR ASSY - BUS			
2	H4-0505-05	RADIATOR ASSY - V.I.P.			
3	051837	SHROUD / W/32" FAN BLADE	1	1	
4	051978	PIPE / RADIATOR & THERMOSTAT HOUSING	1	1	
5	051853	PIPE / RADIATOR & ENGINE WATER PUMP	1	1	
6	501129	EXTERNAL SEAL DRAIN 1/4 NPT	1	1	
10	550640	SWITCH, THERMOSTATIC WATER SENSOR 92°C/98°C (198°F/208°F)	AR	AR	A
10	550714	SWITCH, THERMOSTATIC WATER SENSOR 85°C/93°C (185°F/199°F)	1	1	A
NS	562311	RUBBER DUST SHIELD / BEHR 630018-00	1	1	
NS	562310	CONNECTOR / TH 3C / BEHR 630017-00	1	1	
NS	561608	SOCKET TERMINAL / 18-16 / DEUTSCH 0462-201-16141	3	3	
20	504562	HOSE CLAMP / 2"3/4-3"5/8 / C.T. 350	8	8	
21	051604	HOSE 2 3/4" I.D. 130MM	1	1	
. NS	503395	. HOSE SILICONE 4PLY 2 3/4" I.D. x 3'	AR	AR	
22	051873	HOSE 2 5/8" I.D. 100MM	2	2	
23	051604	HOSE 2 3/4" I.D. 130MM	1	1	
. NS	503395	. HOSE SILICONE 4PLY 2 3/4" I.D. x 3'	AR	AR	
NS	503580	. HOSE SILICONE 2 5/8" I.D. x 3'	AR	AR	
NS	503395	. HOSE SILICONE 4PLY 2 3/4" I.D. x 3'	AR	AR	
30	500179	SCREW CAP HEX 5/16-18x3/4 G5 Z050	AR	AR	B
NS	500476	WASHER LO SPT .317x.586x.078 Z050	AR	AR	B
		A) USE W/DDEC II ONL			
		B) TO FIX SHROUD			

From N-192 To R-032

Date:07/2024

PAGE:H4-0505-01

RADIATOR - INSTALLATION 36" - BUS



From N-192 To R-032		Date:07/2024	PAGE:H4-0505-01
RADIATOR - INSTALLATION 36" - BUS			

Item#	Part	Description	H 3 4 0	V I P 4 0	N O T E S
1	550292	SHUTTER ASSY	1		
NS	051734	CLOSING PLATE From N-240	1		B
NS	506001	TAPE RUB ADH1 CC POL 1/8" x 3/4" x 50' / GREY 2520X	AR		
2	550291	RADIATOR 36"	1		
3	051710	SUPPORT ASSY / TOP	1		
4	550562	GASKET, HALF	4		
5	051705	STRIP 6"1/4	8		
6	550564	TANK / RADIATOR FRONT & REAR	2		
7	051704	STRIP / EXTERIOR 7"	4		
8	051709	SUPPORT ASSY / BOTTOM	1		
9	550563	CORE 36"	1		
NS	501304	PLUG SQUARE HEAD / PIPE FITTING / 1/4NPT-M BR	2		
10	050651	SHROUD / W/30" FAN BLADE	1		
10	050981	SHROUD / W/32" FAN BLADE	1		
NS	051283	ADAPTOR ASSY SHROUD / RADIATOR & SHROUD	1		
11	051223	FAN GUARD ASSY / RADIATOR	1		
11	050756	FAN GUARD	1		
11	506025	RUBBER CHANNEL / 1/18" x 5/16" INT "U" SHAPE / SQUARE C.T.L.	AR		
12	051026	ATTACHMENT	2		
20	500179	SCREW CAP HEX 5/16-18x3/4 G5 Z050	16		
21	500476	WASHER LO SPT .317x.586x.078 Z050	16		
22	051359	WASHER / TO FIX SHROUD UPPER & LOWER	8		
22	500441	WASHER FL .312x.734x.065 Z050	16		
23	500145	SCREW CAP HEX 3/4-16x3 1/2 G5 Z050	2		
24	500451	WASHER FL .812x2.000x.148 ZP	4		
25	630002	BUSHING / RUBBER / (TWO PIECES) 1" x 1.005" I.D.	4		
26	130379	SLEEVE 3/4" I.D. X 1" O.D. X 1 11/16" LG	2		
27	500733	NUT HEX 3/4-16 Z050	2		
28	051410	SUPPORT FRONT / RADIATOR	1		
29	051413	SUPPORT REAR / RADIATOR (AS SHOWN)	1		
NS	500191	SCREW CAP HEX 3/8-16x1 G5 Z050	8		
NS	500478	WASHER LO SPT .380x.683x.094 Z050	8		
30	051611	BRACKET FRONT (AS SHOWN)	1		
31	051613	BRACKET REAR	1		
32	051732	SUPPORT UPPER / RADIATOR To N-239	1		A
32	051828	SUPPORT UPPER / RADIATOR From N-240	1		W
33	660253	BUSHING / RUBBER / (ONE PIECE) 1 1/2" x 5/8" I.D.	1		
34	505217	SPACER 7/16" X 1 1/4"	1		
35	500935	WASHER FL .390x1.500x.083	2		
36	500831	SCREW CAP HEX 3/8-16x2 G5 ZP	1		
37	500265	NUT HEX STO 3/8-16 Z050	1		
40	212134	BRACKET UPPER RADIATOR From N-240	1		A W

From N-192 To R-032		Date:07/2024	PAGE:H4-0505-01
RADIATOR - INSTALLATION 36" - BUS			

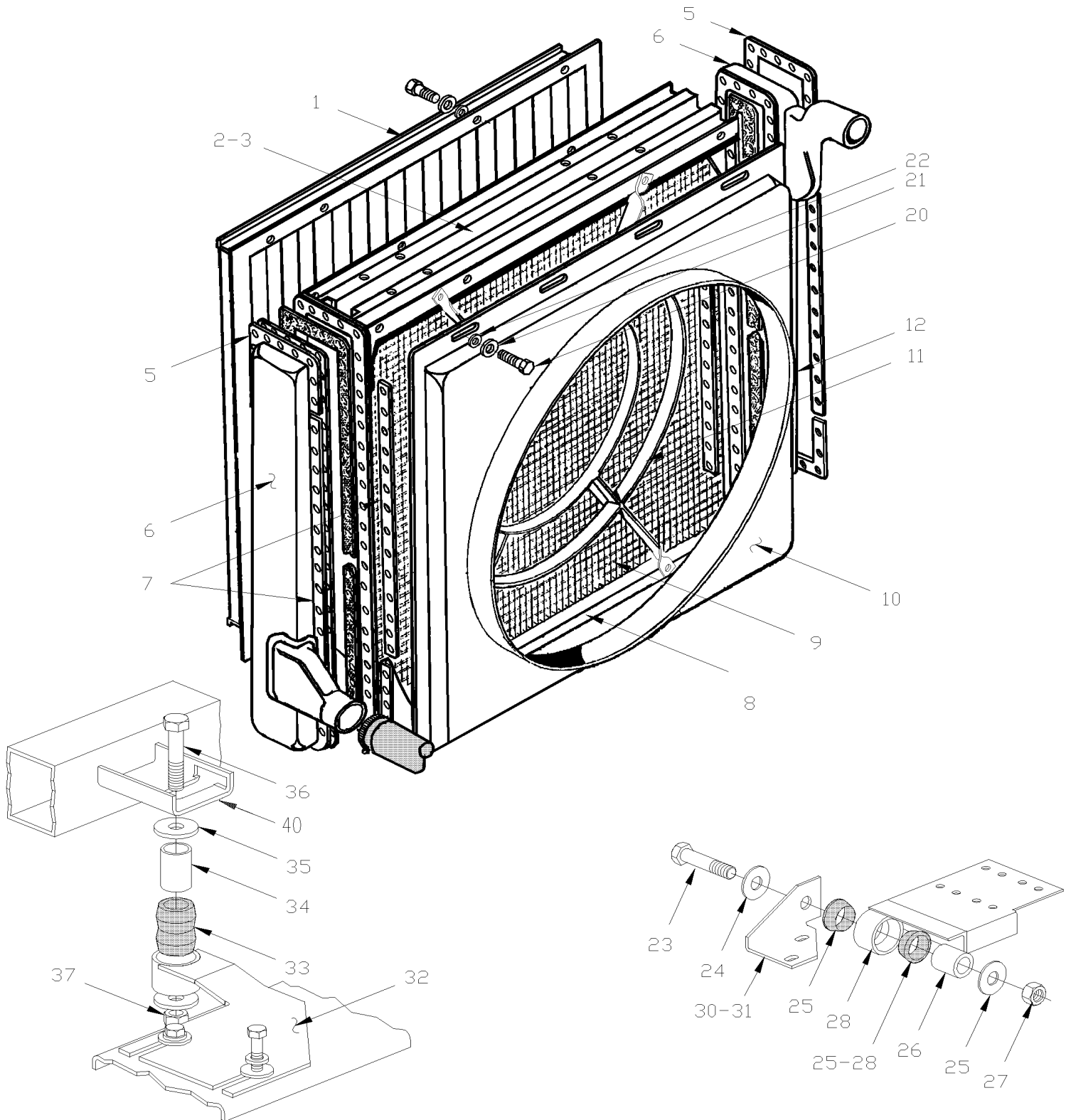
Item#	Part	Description	H 3 4 0	V I P 4 0	N O T E S
		A) SEE WB 93-21			
		B) RADIATOR & SHUTTER 39"			
		W) AS REQUIRE BY WB-92-21			

From L-031 To R-032

Date:07/2024

PAGE:H4-0505-02

RADIATOR - INSTALLATION 39"



From L-031 To R-032	Date:07/2024	PAGE:H4-0505-02
RADIATOR - INSTALLATION 39"		

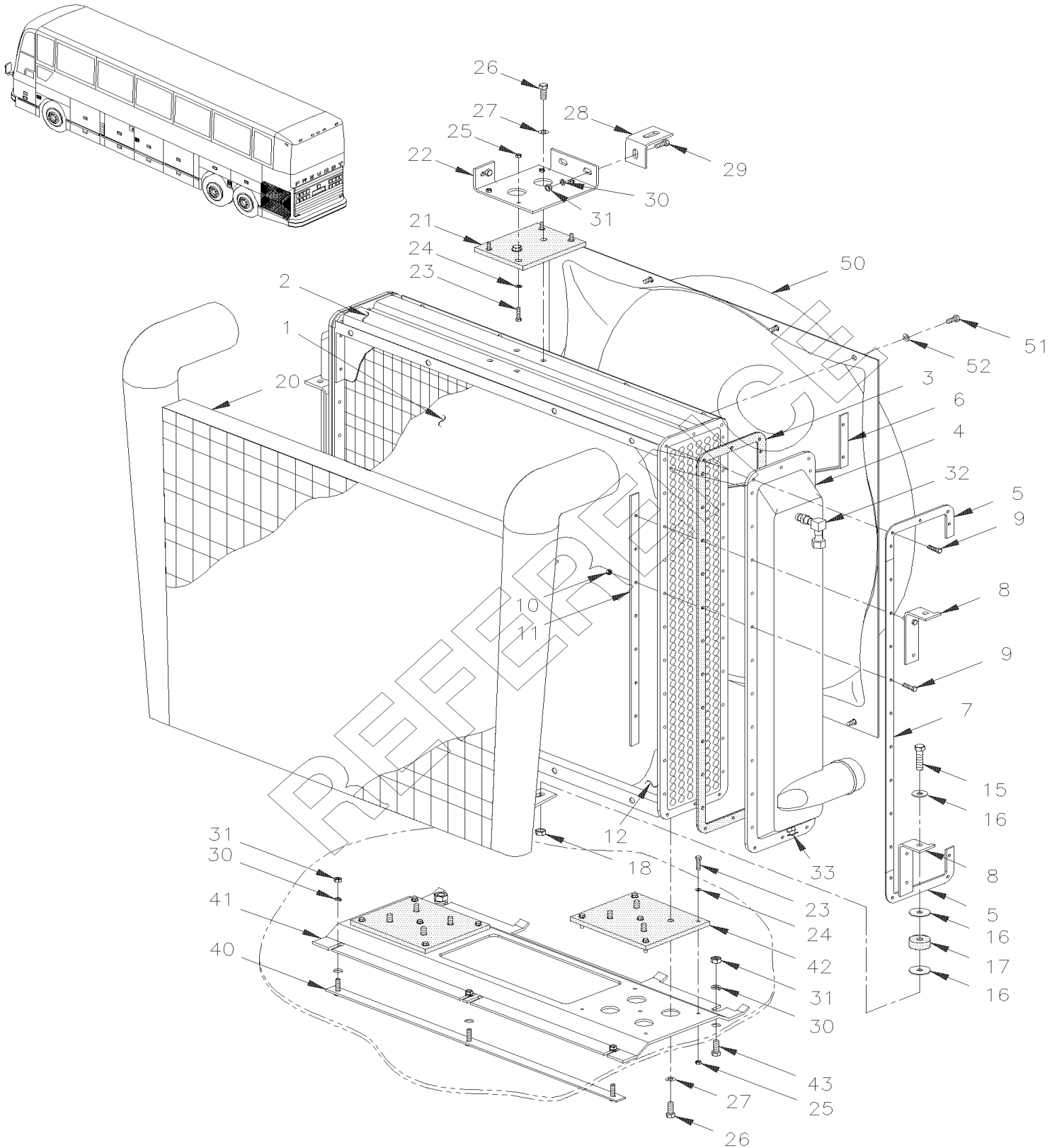
Item#	Part	Description	H 3 4 0	V I P 4 0	N O T E S
1	550619	SHUTTER ASSY 32"1/2H X 38"1/2 W		1	
1	550619	SHUTTER ASSY 32"1/2H X 38"1/2 W To N-191	1		
2	550609	RADIATOR 39"		1	
2	550609	RADIATOR 39" To N-191	1		
3	051712	SUPPORT ASSY TOP	1	1	
4	550562	GASKET, HALF	4	4	
5	051705	STRIP 6"1/4	8	8	
6	550564	TANK / RADIATOR FRONT & REAR	2	2	
7	051704	STRIP / EXTERIOR 7"	4	4	
8	051711	SUPPORT ASSY / BOTTOM	1	1	
9	550610	CORE 39"	1	1	
NS	501304	PLUG SQUARE HEAD / PIPE FITTING / 1/4NPT-M BR	2	2	
10	051512	SHROUD / W/32" FAN BLADE / W/8V92 To N-228	1	1	
10	051725	SHROUD / W/32" FAN BLADE / W/8V92 From N-229	1	1	
10	051735	SHROUD / W/30" FAN BLADE / W/6V92 To N-191	1		
11	051525	FAN GUARD ASSY / RADIATOR	1	1	
NS	051524	FAN GUARD	1	1	
NS	506025	RUBBER CHANNEL / 1/18" x 5/16" INT "U" SHAPE / SQUARE C.T.L.	AR	AR	
12	051026	ATTACHMENT	2	2	
NS	506001	TAPE RUB ADH1 CC POL 1/8" x 3/4" x 50' / GREY 2520X	AR	AR	
20	500179	SCREW CAP HEX 5/16-18x3/4 G5 Z050	16	16	
21	500476	WASHER LO SPT .317x.586x.078 Z050	16	16	
22	500441	WASHER FL .312x.734x.065 Z050	16	16	
23	500145	SCREW CAP HEX 3/4-16x3 1/2 G5 Z050	2	2	
24	500451	WASHER FL .812x2.000x.148 ZP	4	4	
25	630002	BUSHING / RUBBER / (TWO PIECES) 1" x 1.005" I.D.	4	4	
26	130379	SLEEVE 3/4" I.D. X 1" O.D. X 1 11/16" LG	2	2	
27	500733	NUT HEX 3/4-16 Z050	2	2	
28	051410	SUPPORT FRONT / RADIATOR	1	1	
29	051413	SUPPORT REAR / RADIATOR (AS SHOWN)	1	1	
NS	500191	SCREW CAP HEX 3/8-16x1 G5 Z050	8	8	
NS	500478	WASHER LO SPT .380x.683x.094 Z050	8	8	
30	051611	BRACKET FRONT (AS SHOWN)	1	1	
31	051613	BRACKET REAR	1	1	
NS	051617	BRACKET SUPPORT / UPPER RADIATOR To N-239	1	1	A
32	051828	SUPPORT UPPER / RADIATOR From N-240	1	1	W
33	660253	BUSHING / RUBBER / (ONE PIECE) 1 1/2" x 5/8" I.D.	1	1	
34	505217	SPACER 7/16" X 1 1/4"	1	1	
35	500935	WASHER FL .390x1.500x.083	1	1	
36	500831	SCREW CAP HEX 3/8-16x2 G5 ZP	1	1	
37	500265	NUT HEX STO 3/8-16 Z050	1	1	
40	212134	BRACKET UPPER RADIATOR From N-240	1	1	A W

From L-031 To R-032	Date:07/2024	PAGE:H4-0505-02
---------------------	--------------	-----------------

RADIATOR - INSTALLATION 39"

Item#	Part	Description	H 3 4 0	V I P 4 0	N O T E S
		A) SEE WARRANTY BULETIN WB-021!VOIR BULETIN DE GARANTIE WB 93-21W			
		W) AS REQUIRE BY WB-21			

From P-256 To R-079	Date:07/2024	PAGE:H4-0505-03
RADIATOR ASSY - W/60 DETROIT S-60		



From P-256 To R-079		Date:07/2024	PAGE:H4-0505-03
RADIATOR ASSY - W/60 DETROIT S-60			

Item#	Part	Description	H 3 4 0	V I P 4 0	N O T E S
	N.S.A.	RADIATOR ASSY / WATER & AIR COOLER	1	1	3
	550654	. RADIATOR ASSY / WATER	1	1	
1	550684	. . CORE	1	1	
2	550678	. . SUPPORT ASSY TOP & BOTTOM	1	1	
3	550248	. . GASKET, HALF	4	4	
4	550681	. . TANK / RADIATOR FRONT & REAR	2	2	
5	550682	. . U-CLAMP / EXTERIOR 6.25"	4	4	
6	550751	. . REINFORCEMENT STRIP "Z" SHAPE / FRONT	1	1	
6	550752	. . REINFORCEMENT STRIP "Z" SHAPE / REAR	1	1	
7	550680	. . . STRIP / EXTERIOR 25"	4	4	
8	N.P.N.	. . ANGLE / TO FIX AIR COOLER	1	1	4
9	500029	. . SCREW CAP HEX 5/16-24x1 1/2 G5 ZP	AR	AR	
10	500699	. . NUT HEX 5/16-24 Z050	AR	AR	
NS	500826	. . WASHER LO EXT .320x.610x.034 ZP	AR	AR	
11	550679	. . . STRIP / INTERIOR 28.18"	4	4	
12	550683	. . . SUPPORT ASSY TOP & BOTTOM	1	1	
15	500831	SCREW CAP HEX 3/8-16x2 G5 ZP	4	4	
16	500446	WASHER FL .531x1.250x.125 Z050	8	8	
17	550685	BUSHING INSULATOR / RADIATORS	4	4	
18	500265	NUT HEX STO 3/8-16 Z050	4	4	
21	051836	RUBBER PAD / SUPPORT & RADIATOR 242MM x 165MM W/9 HOLES	3	3	
22	051874	PLATE SUPPORT UPPER RADIATOR	1	1	
23	502737	SCREW CAP HEX M6-1.0x25 SS BK	12	12	
24	500468	WASHER FL .281x1.250x.065 Z050	15	15	
25	502621	NUT HEX STO M6-1.0 Z050	15	15	
26	500191	SCREW CAP HEX 3/8-16x1 G5 Z050	15	15	
27	500445	WASHER FL .437x1.000x.083 Z050	12	12	
28	051844	ATTACHMENT, ANGLE / STRUCTURE & RADIATOR SUPPORT	2	2	
29	502597	SCREW CAP HEX M8-1.25x22 G8.8 EMN	4	4	
30	502584	WASHER LO SERR 8.2x26.3x1.8 Z050	4	4	
40	051872	ATTACHMENT STRIP / TO FIX SUPPORT 760MM W/3 STUDS 376/342c/c	1	1	
NS	051838	SUPPORT, FAN CLUTCH	1	1	
NS	500811	NUT HEX STO M12-1.75 G500	2	2	
NS	502543	NUT HEX M8-1.25 Z050	3	3	
NS	502559	SCREW CAP HEX M10-1.5x25 G8.8 Z050	3	3	
NS	502585	WASHER LO SERR 10.2x26.3x1.4 ZP	3	3	
41	051882	PLATE SUPPORT LOWER RADIATOR	1	1	
41	500835	SCREW CAP HEX M12-1.75x70 G8.8 Z050	2	2	
NS	500256	NUT HEX M10-1.5 Z050	3	3	
42	051836	RUBBER PAD / SUPPORT & RADIATOR 242MM x 165MM W/9 HOLES	3	3	
50	051837	SHROUD / W/32" FAN BLADE	1	1	
NS	506001	TAPE RUB ADH1 CC POL 1/8" x 3/4" x 50' / GREY 2520X	AR	AR	

From P-256 To R-079	Date:07/2024	PAGE:H4-0505-03
---------------------	--------------	-----------------

RADIATOR ASSY - W/60 DETROIT S-60

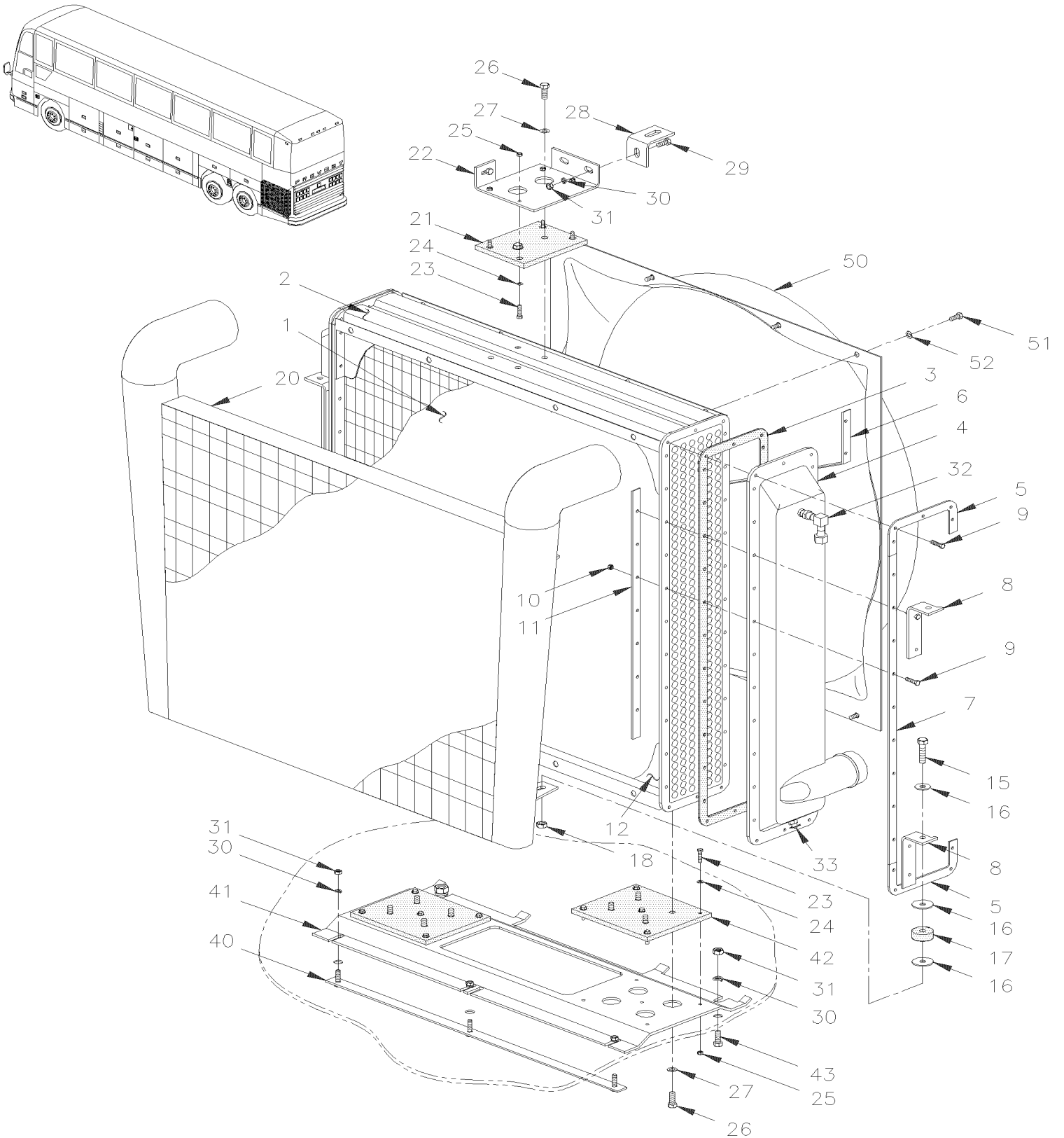
Item#	Part	Description	H 3 4 0	V I P 4 0	N O T E S
51	500179	SCREW CAP HEX 5/16-18x3/4 G5 Z050	8	8	
52	500476	WASHER LO SPT .317x.586x.078 Z050	8	8	
		3) NOT SOLD ASSEMBLY			
		4) NO PARTS NUMBER			

From R-033 To R-079

Date:07/2024

PAGE:H4-0505-04

RADIATOR ASSY - BUS



From R-033 To R-079	Date:07/2024	PAGE:H4-0505-04
RADIATOR ASSY - BUS		

Item#	Part	Description	H 3 4 0	V I P 4 0	N O T E S
	N.S.A.	RADIATOR ASSY / WATER & AIR COOLER	1		3
	550654	. RADIATOR ASSY / WATER	1		
1	550684	. . CORE	1		
2	550678	. . SUPPORT ASSY TOP & BOTTOM	1		
3	550248	. . GASKET, HALF	4		
4	550681	. . TANK / RADIATOR FRONT & REAR	2		
5	550682	. . U-CLAMP / EXTERIOR 6.25"	4		
6	550751	. . REINFORCEMENT STRIP "Z" SHAPE / FRONT	1		
6	550752	. . REINFORCEMENT STRIP "Z" SHAPE / REAR	1		
7	550680	. . STRIP / EXTERIOR 25"	4		
8	N.P.N.	. . ANGLE / TO FIX AIR COOLER	4		4
9	500029	. . SCREW CAP HEX 5/16-24x1 1/2 G5 ZP	AR		
10	500699	. . NUT HEX 5/16-24 Z050	AR		
NS	500826	. . WASHER LO EXT .320x.610x.034 ZP	AR		
11	550679	. . STRIP / INTERIOR 28.18"	4		
12	550683	. . SUPPORT ASSY TOP & BOTTOM	1		
15	500831	SCREW CAP HEX 3/8-16x2 G5 ZP	4		
16	500446	WASHER FL .531x1.250x.125 Z050	8		
17	550685	BUSHING INSULATOR / RADIATORS	4		
18	500265	NUT HEX STO 3/8-16 Z050	4		
20	H4-0330-00	AIR FILTER & INTAKE - INSTALLATION			
21	051836	RUBBER PAD / SUPPORT & RADIATOR 242MM x 165MM W/9 HOLES	1		
22	052014	PLATE SUPPORT UPPER RADIATOR	1		
23	502737	SCREW CAP HEX M6-1.0x25 SS BK	4		
24	500468	WASHER FL .281x1.250x.065 Z050	4		
25	502621	NUT HEX STO M6-1.0 Z050	4		
26	500191	SCREW CAP HEX 3/8-16x1 G5 Z050	2		
27	500445	WASHER FL .437x1.000x.083 Z050	2		
28	052058	ATTACHMENT, ANGLE 55.50MM X 72.50 X 50.80MM	1		
29	502597	SCREW CAP HEX M8-1.25x22 G8.8 EMN	6		
30	502584	WASHER LO SERR 8.2x26.3x1.8 Z050	6		
31	502543	NUT HEX M8-1.25 Z050	6		
32	501332	STREET ELBOW 90° / PIPE FITTING / 1/4NPT-Mx1/4NPT-F BR	1		
NS	501308	ADAPTER / PIPE FITTING / 1/4NPT-Fx1/4NPT-M BR	1		
NS	501027	MALE CONNECTOR / SAE 45° FITTING / #4FL-Mx1/4NPT-M BR	1		
33	501129	EXTERNAL SEAL DRAIN 1/4 NPT	1		
40	051872	ATTACHMENT STRIP / TO FIX SUPPORT 760MM W/3 STUDS 376/342c/c	1		
41	052125	PLATE SUPPORT LOWER RADIATOR	1		
42	051836	RUBBER PAD / SUPPORT & RADIATOR 242MM x 165MM W/9 HOLES	2		
43	502780	SCREW CAP HEX M8-1.25x25 SS BK	2		
50	051837	SHROUD / W/32" FAN BLADE	1		
51	500179	SCREW CAP HEX 5/16-18x3/4 G5 Z050	8		

From R-033 To R-079	Date:07/2024	PAGE:H4-0505-04
---------------------	--------------	-----------------

RADIATOR ASSY - BUS

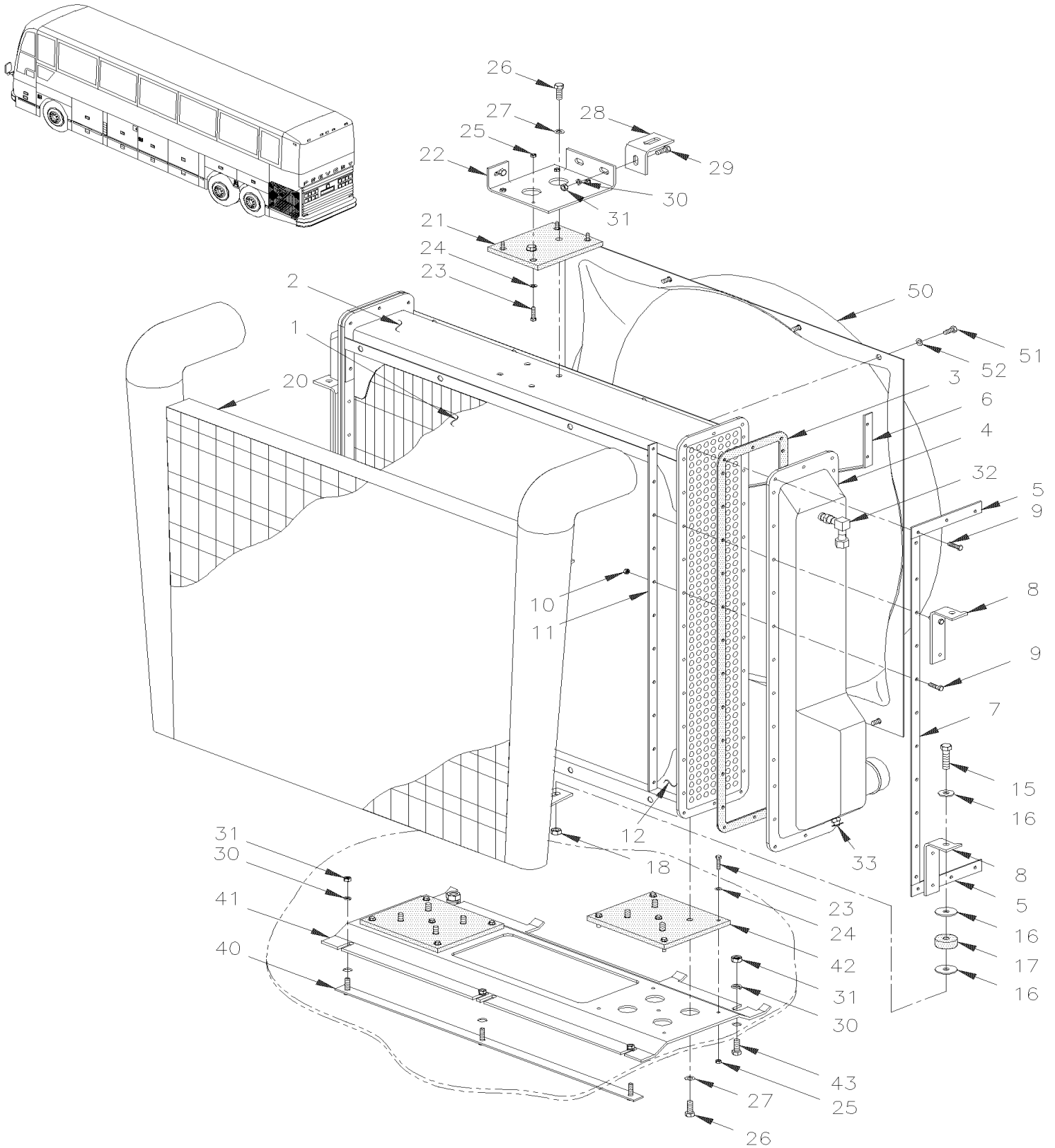
Item#	Part	Description	H 3 4 0	V I P 4 0	N O T E S
52	500476	WASHER LO SPT .317x.586x.078 Z050	8		
NS	506001	TAPE RUB ADH1 CC POL 1/8" x 3/4" x 50' / GREY 2520X	AR		
		3) NOT SOLD ASSEMBLY			
		4) NO PARTS NUMBER			

From R-033 To R-079

Date:07/2024

PAGE:H4-0505-05

RADIATOR ASSY - V.I.P.



From R-033 To R-079	Date:07/2024	PAGE:H4-0505-05
RADIATOR ASSY - V.I.P.		

Item#	Part	Description	H 3 4 0	V I P 4 0	N O T E S
	550700	RADIATOR ASSY / WATER		1	
1	550707	. CORE		1	
2	550701	. SUPPORT ASSY TOP		1	
3	550562	. GASKET, HALF		4	
4	550704	. TANK / RADIATOR FRONT & REAR		2	
5	051704	. STRIP / EXTERIOR 7"		4	
NS	550705	. STRIP / INTERIOR 5.44"		4	
6	550753	. REINFORCEMENT STRIP "Z" SHAPE / FRONT		1	
6	550754	. REINFORCEMENT STRIP "Z" SHAPE / REAR		1	
7	550702	. STRIP / EXTERIOR 35.06"		1	
8	N.P.N.	. ANGLE		4	4
9	500029	. SCREW CAP HEX 5/16-24x1 1/2 G5 ZP		1	
10	500699	. NUT HEX 5/16-24 Z050		AR	
NS	500826	. WASHER LO EXT .320x.610x.034 ZP		AR	
11	550703	. STRIP / INTERIOR 33.44"		AR	
12	550706	. SUPPORT ASSY BOTTOM		4	
15	500831	SCREW CAP HEX 3/8-16x2 G5 ZP		1	
16	500446	WASHER FL .531x1.250x.125 Z050		4	
17	550685	BUSHING INSULATOR / RADIATORS		8	
18	500265	NUT HEX STO 3/8-16 Z050		4	
20	H4-0330-00	AIR FILTER & INTAKE - INSTALLATION			
21	052060	RUBBER PAD / SUPPORT & RADIATOR 165MM x 127MM W/6 HOLES		1	
22	051982	PLATE SUPPORT UPPER RADIATOR		1	
23	502737	SCREW CAP HEX M6-1.0x25 SS BK		1	
24	500468	WASHER FL .281x1.250x.065 Z050		12	
25	502621	NUT HEX STO M6-1.0 Z050		15	
26	500191	SCREW CAP HEX 3/8-16x1 G5 Z050		15	
27	500445	WASHER FL .437x1.000x.083 Z050		12	
28	051844	ATTACHMENT, ANGLE / STRUCTURE & RADIATOR SUPPORT		15	
30	502584	WASHER LO SERR 8.2x26.3x1.8 Z050		2	
31	502543	NUT HEX M8-1.25 Z050		AR	
32	501332	STREET ELBOW 90° / PIPE FITTING / 1/4NPT-Mx1/4NPT-F BR		AR	
NS	501308	ADAPTER / PIPE FITTING / 1/4NPT-Fx1/4NPT-M BR		1	
NS	501027	MALE CONNECTOR / SAE 45° FITTING / #4FL-Mx1/4NPT-M BR		1	
33	501129	EXTERNAL SEAL DRAIN 1/4 NPT		1	
40	051872	ATTACHMENT STRIP / TO FIX SUPPORT 760MM W/3 STUDS 376/342c/c		AR	
41	052015	PLATE SUPPORT LOWER RADIATOR		1	
42	051836	RUBBER PAD / SUPPORT & RADIATOR 242MM x 165MM W/9 HOLES		1	
43	502780	SCREW CAP HEX M8-1.25x25 SS BK		1	
50	051837	SHROUD / W/32" FAN BLADE		2	
51	500179	SCREW CAP HEX 5/16-18x3/4 G5 Z050		1	
52	500476	WASHER LO SPT .317x.586x.078 Z050		8	

From R-033 To R-079	Date:07/2024	PAGE:H4-0505-05
---------------------	--------------	-----------------

RADIATOR ASSY - V.I.P.

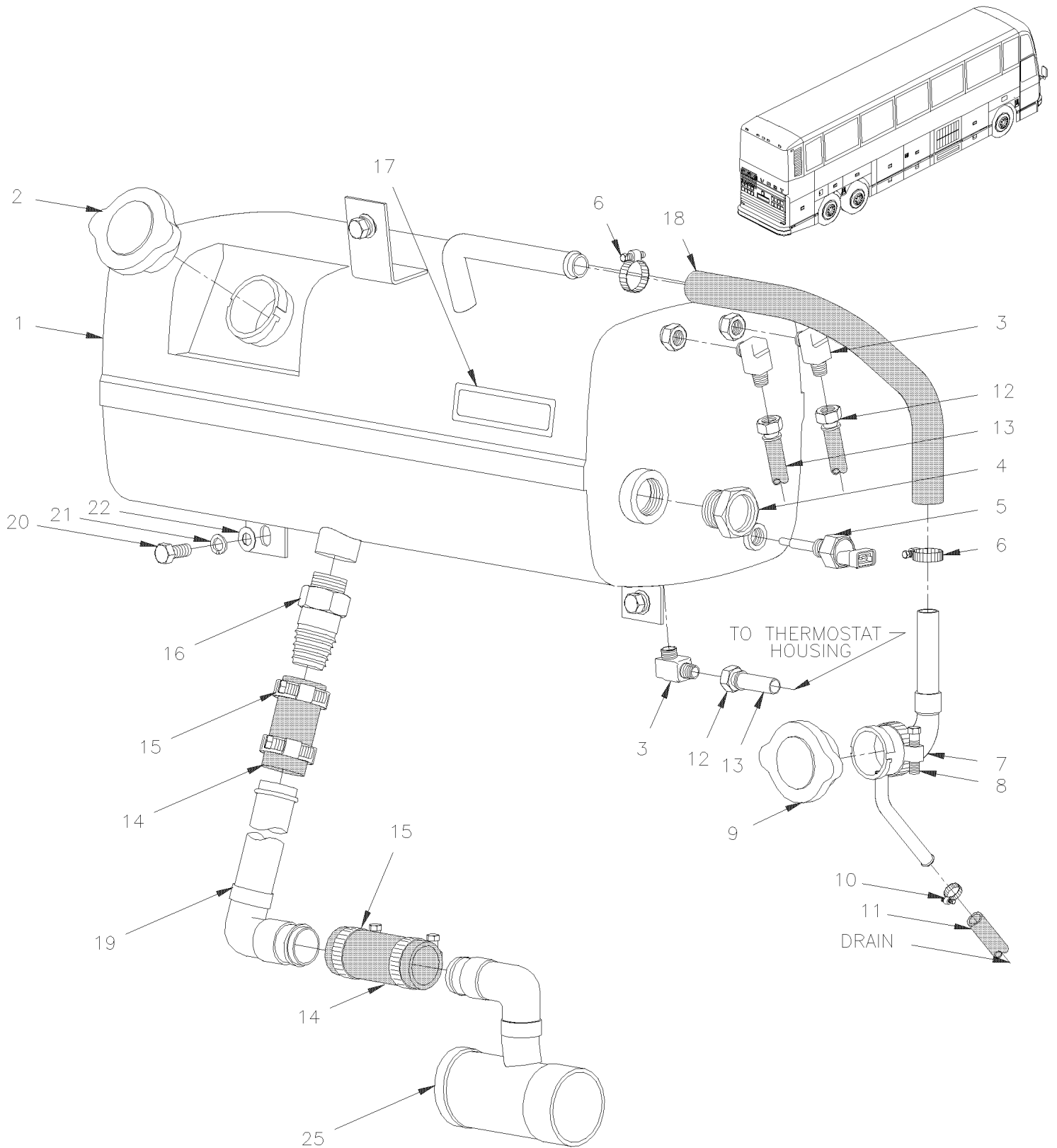
Item#	Part	Description	H 3 4 0	V I P 4 0	N O T E S
NS	506001	TAPE RUB ADH1 CC POL 1/8" x 3/4" x 50' / GREY 2520X		8	
		4) NO PARTS NUMBER			

From L-031 To R-032

Date:07/2024

PAGE:H4-0510-00

SURGE TANK



From L-031 To R-032	Date:07/2024	PAGE:H4-0510-00
SURGE TANK		

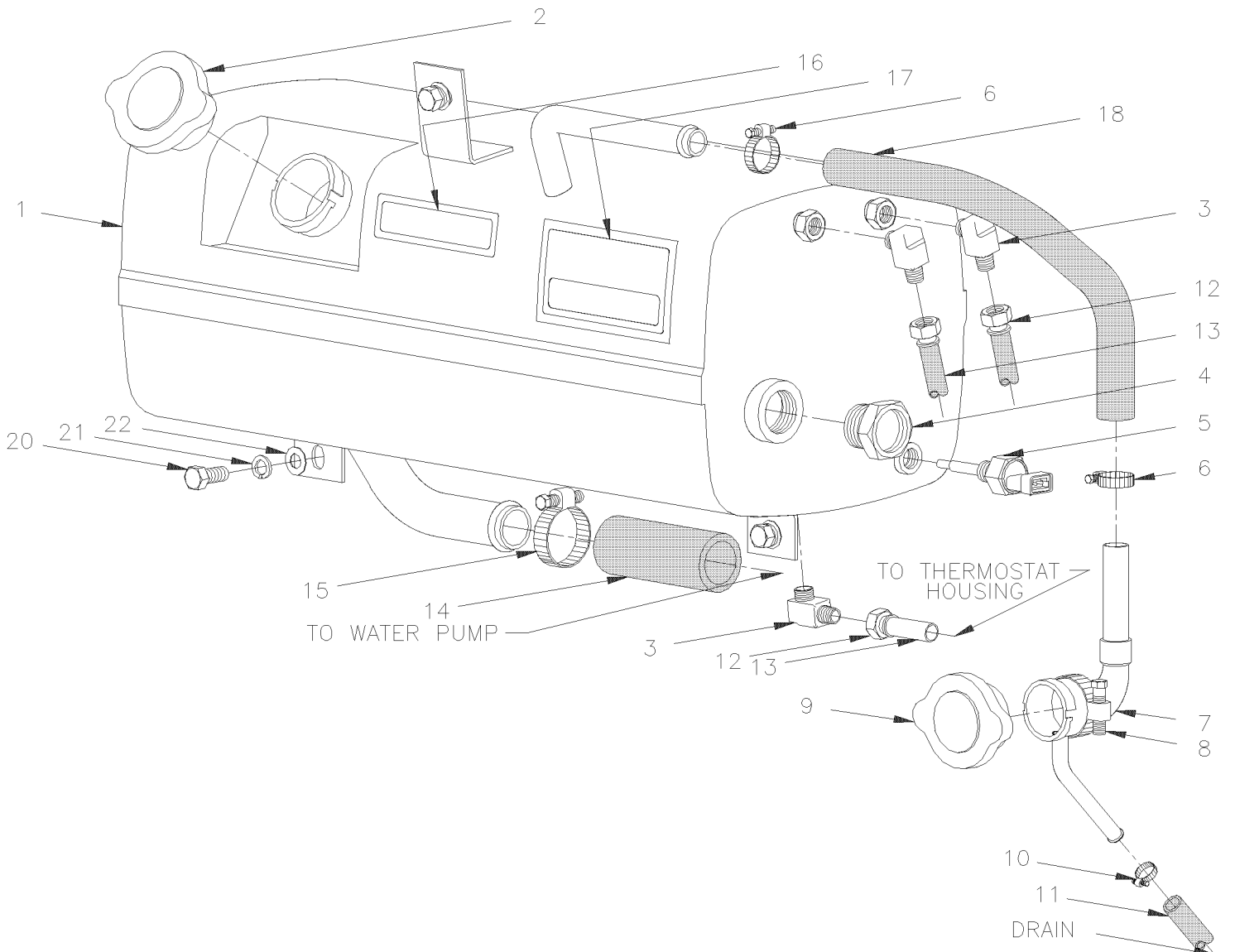
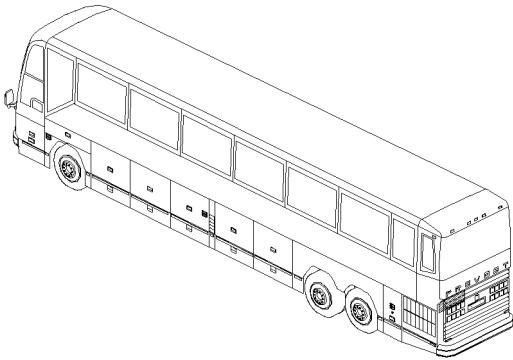
Item#	Part	Description	H 3 4 0	V I P 4 0	N O T E S
1	051594	SURGE TANK ASSY / W/SERIES 92	1	1	
2	530191	. CAP FILLER	1	1	
3	501332	STREET ELBOW 90° / PIPE FITTING / 1/4NPT-Mx1/4NPT-F BR	3	3	
4	550618	SIGHT GLASS 1" NPT	1	1	
4	21331481	SIGHT GLASS 1" NPT	1	1	
5	561887	SENSOR PROBE "LOW LEVEL COOLANT"	1	1	
6	504020	HOSE CLAMP / 9/16"-1"1/4 SS / HS-12	2	2	
7	051495	PIPE ASSY	1	1	
8	504022	HOSE CLAMP / 3/4"-1"3/4 SS / HS-20	1	1	
9	550606	CAP PRESSURE / OVER 14 LBS	1	1	
10	504018	HOSE CLAMP / 7/16"-1" SS / HS-8	1	1	
11	503058	HOSE / AIR BRAKE #6 / S.L.	AR	AR	
12	501996	MALE CONNECTOR SWIVEL / COLLAR FITTING / 1/4NPT-Mx#4 STL	3	3	
13	503411	HOSE / 2556 / #4 X 50'	AR	AR	
14	503579	HOSE 1" I.D. X 50' / "GREEN STRIPE"	AR	AR	
15	504292	HOSE CLAMP / 1"5/16-2"1/4 SS / E.T. 28	4	4	
16	051567	PIPE ASSY	1	1	
17	050682	DECAL / ANTIFREEZE / ENGLISH & FRANCAIS	1	1	
17	052574	DECAL / ANTIFREEZE / ENGLISH & SPANISH	1	1	
18	503007	HOSE 2 PLY / RADIATOR HOSE / 5/8" I.D. / S.L.	AR	AR	
19	051579	PIPE ASSY	1	1	
20	502790	SCREW CAP HEX M8-1.25x20 G8.8 Z050	3	3	
21	502507	WASHER LO SPT 8.1x14.8x2.0 Z050	3	3	
22	500874	WASHER FL 8.4x17.0x1.6 Z050	3	3	
25	H4-0500-00	COOLANT PIPING WITH DETROIT S-92			

From P-256 To R-079

Date:07/2024

PAGE:H4-0510-01

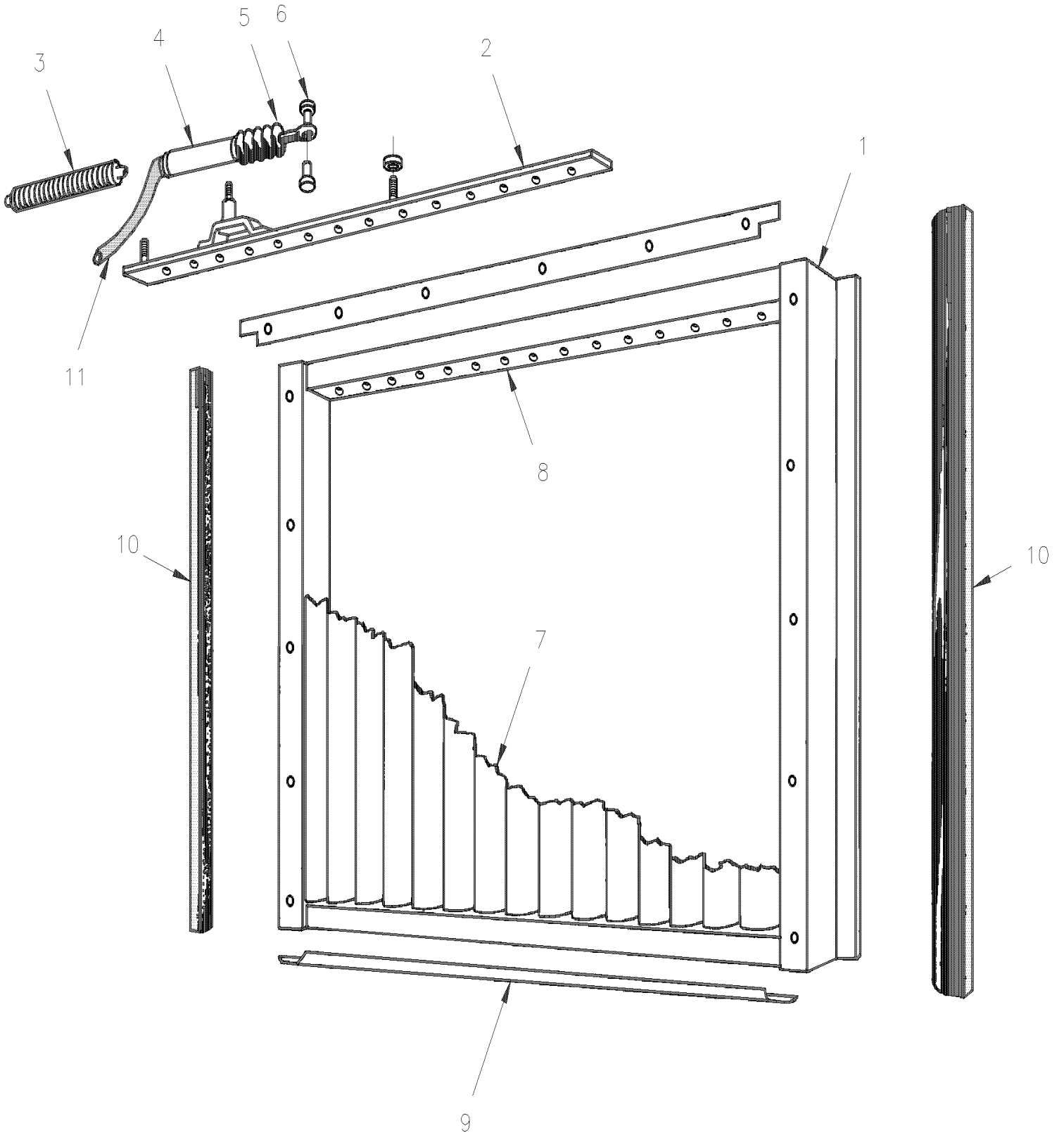
SURGE TANK



From P-256 To R-079	Date:07/2024	PAGE:H4-0510-01
SURGE TANK		

Item#	Part	Description	H 3 4 0	V I P 4 0	N O T E S
1	051864	SURGE TANK ASSY	1	1	
2	530191	. CAP FILLER	1	1	
3	501037	. MALE ELBOW 90° / SAE 45° FITTING / #4FL-Mx1/4NPT-M BR	3	3	
4	550618	. SIGHT GLASS 1" NPT	1	1	
4	21331481	. SIGHT GLASS 1" NPT	1	1	
5	562395	. SENSOR PROBE "LOW LEVEL COOLANT" / 1/4" NPT	1	1	
6	504019	HOSE CLAMP / 9/16"-1"1/16 SS / HS-10	2	2	
7	051495	PIPE ASSY	1	1	
8	504022	HOSE CLAMP / 3/4"-1"3/4 SS / HS-20	1	1	
9	550606	CAP PRESSURE / OVER 14 LBS	1	1	
10	504018	HOSE CLAMP / 7/16"-1" SS / HS-8	1	1	
11	052068	HOSE / LOWER / #6 1551MM	1	1	
11	503058	. HOSE / AIR BRAKE #6 / S.L.	AR	AR	
12	501347	. FEMALE CONNECTOR SWIVEL / PUSH-LOK FITTING #4JIC-Fx#4 BR	2	2	
13	503411	. HOSE / 2556 / #4 X 50'	AR	AR	
14	051859	HOSE 1" I.D. 1420MM	1	1	
14	503579	. HOSE 1" I.D. X 50' / "GREEN STRIPE"	AR	AR	
14	23509196	HOSE ADAPTOR 45 DEG HOSE & ELBOW 90	1	1	
NS	501663	MALE ELBOW 90° / JIC 37° FITTING / #16JIC-Mx3/4NPT-M STL	1	1	
16	050682	DECAL / ANTIFREEZE / ENGLISH & FRANCAIS	1	1	
16	052574	DECAL / ANTIFREEZE / ENGLISH & SPANISH	1	1	
17	050781	DECAL / COOLANT CAPACITY / 91 LITERS / ENGLISH & FRANCAIS	1	1	
18	051568	HOSE / UPPER / 5/8" I.D. 318MM	1	1	
18	503007	. HOSE 2 PLY / RADIATOR HOSE / 5/8" I.D. / S.L.	AR	AR	
20	502790	SCREW CAP HEX M8-1.25x20 G8.8 Z050	3	3	
21	502507	WASHER LO SPT 8.1x14.8x2.0 Z050	3	3	
22	500874	WASHER FL 8.4x17.0x1.6 Z050	3	3	

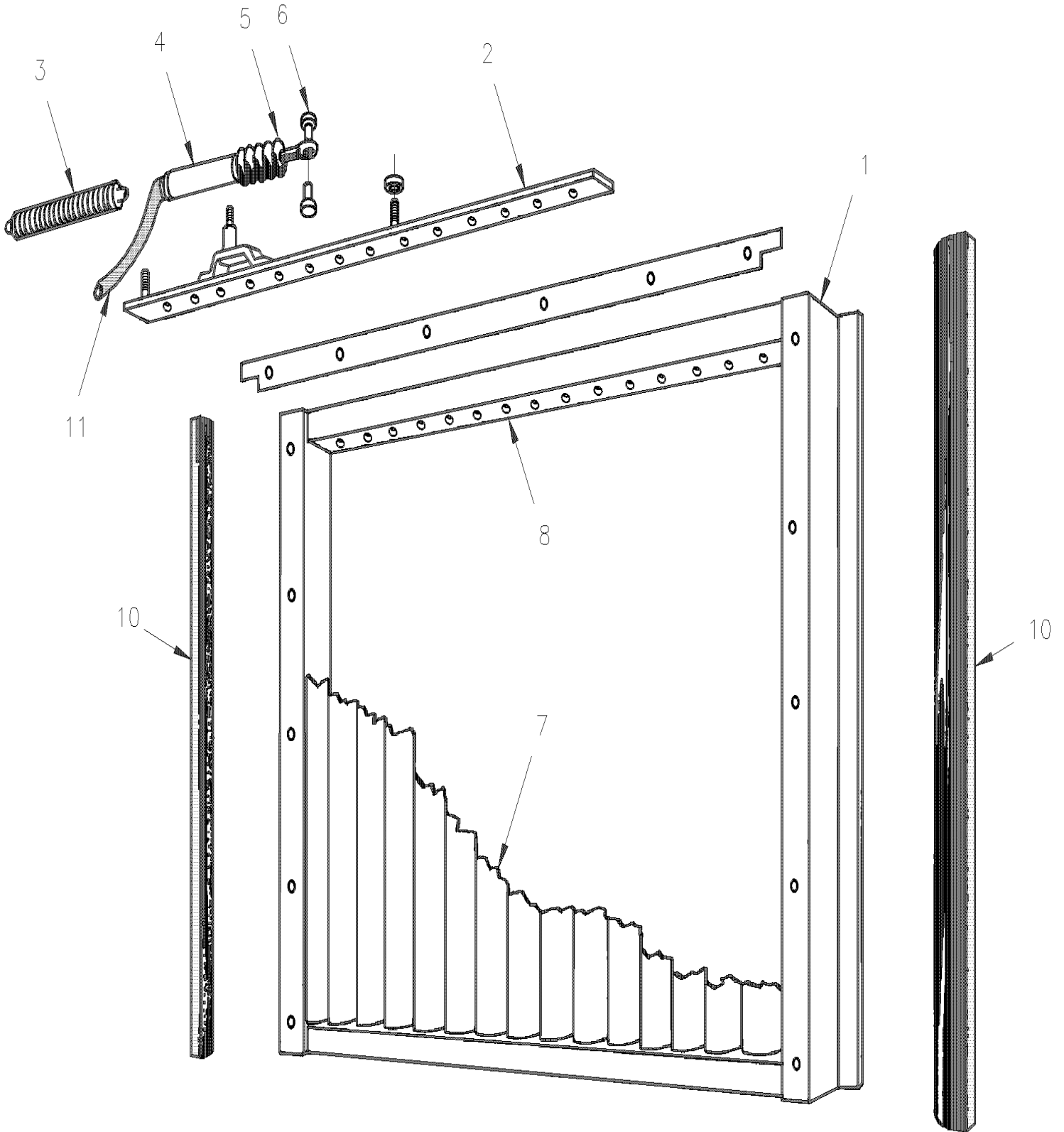
From N-192 To N-196	Date:07/2024	PAGE:H4-0515-01
SHUTTER - RADIATOR 36"		



From N-192 To N-196	Date:07/2024	PAGE:H4-0515-01
SHUTTER - RADIATOR 36"		

Item#	Part	Description	H 3 4 0	V I P 4 0	N O T E S
1	550292	SHUTTER ASSY	1		
2	550583	. BAR CONTROL UPPER	1		
2	550581	. BAR CONTROL LOWER	1		
3	550577	. SPRING EXTENSION / .350 O.D. x 6.875 x .069	2		
4	550568	. CYLINDER AIR / SHUTTER / W/4" MOUNT	1		
5	550569	. . BOOT RUBBER	1		
6	550179	. . BUSHING 5/16" I.D. / NYLON	2		
7	550582	. VANE ASSY 30"3/16	17		
8	550179	. BUSHING 5/16" I.D. / NYLON	34		
9	050773	SUPPORT LOWER / TO FIX RUBBER	1		
NS	050694	SUPPORT SIDE / TO FIX RUBBER	2		
10	506001	TAPE RUB ADH1 CC POL 1/8" x 3/4" x 50' / GREY 2520X	AR		
11	140658	HOSE ASSY TEFLON #4 1456MM	1		
NS	141108	HOSE ASSY TEFLON #4 427MM	1		A
NS	503064	. HOSE TEFLON #4 / S.L.	AR		
NS	501892	. FEMALE CONNECTOR SWIVEL / SAE 45° FITTING / TEFLON / #4FL-Fx#4 STL	2		
		A) SOLENOID & MANIFOLD BLOCK			

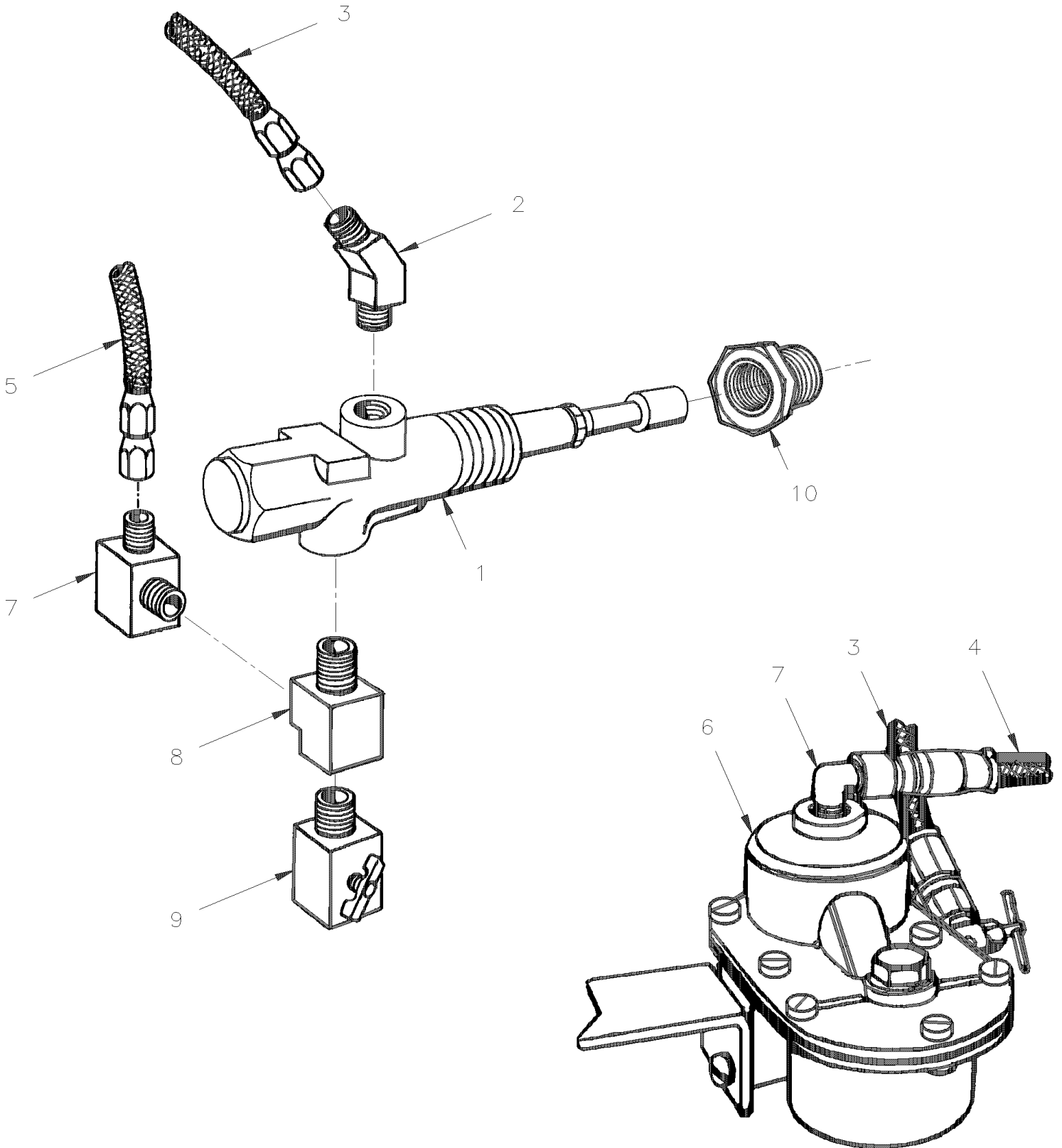
From L-031 To R-032	Date:07/2024	PAGE:H4-0515-02
SHUTTER - RADIATOR 39"		



From L-031 To R-032	Date:07/2024	PAGE:H4-0515-02
SHUTTER - RADIATOR 39"		

Item#	Part	Description	H 3 4 0	V I P 4 0	N O T E S
1	550619	SHUTTER ASSY 32"1/2H X 38"1/2 W		1	
2	N.P.N.	. BAR ASSY CONTROL UPPER	1	1	4
3	550577	. SPRING EXTENSION / .350 O.D. x 6.875 x .069	2	2	
4	550568	. CYLINDER AIR / SHUTTER / W/4" MOUNT	1	1	
5	550569	. . BOOT RUBBER	1	1	
6	550179	. . BUSHING 5/16" I.D. / NYLON	2	2	
7	550582	. VANE ASSY 30"3/16	19	19	
8	550179	. BUSHING 5/16" I.D. / NYLON	38	38	
10	506001	TAPE RUB ADH1 CC POL 1/8" x 3/4" x 50' / GREY 2520X	AR	AR	
10	051734	CLOSING PLATE	2		A
11	140658	HOSE ASSY TEFLON #4 1456MM	1	1	
11	503064	. HOSE TEFLON #4 / S.L.	AR	AR	
11	501892	. FEMALE CONNECTOR SWIVEL / SAE 45° FITTING / TEFLON / #4FL-Fx#4 STL	2	2	
		A) RADIATOR & SHUTTER 39" / N-192 & N-196			
		4) NO PARTS NUMBER			

From L-031 To R-032	Date:07/2024	PAGE:H4-0515-05
SHUTTERSTAT ELEMENT & LUBRIFICATOR		



From L-031 To R-032	Date:07/2024	PAGE:H4-0515-05
SHUTTERSTAT ELEMENT & LUBRIFICATOR		

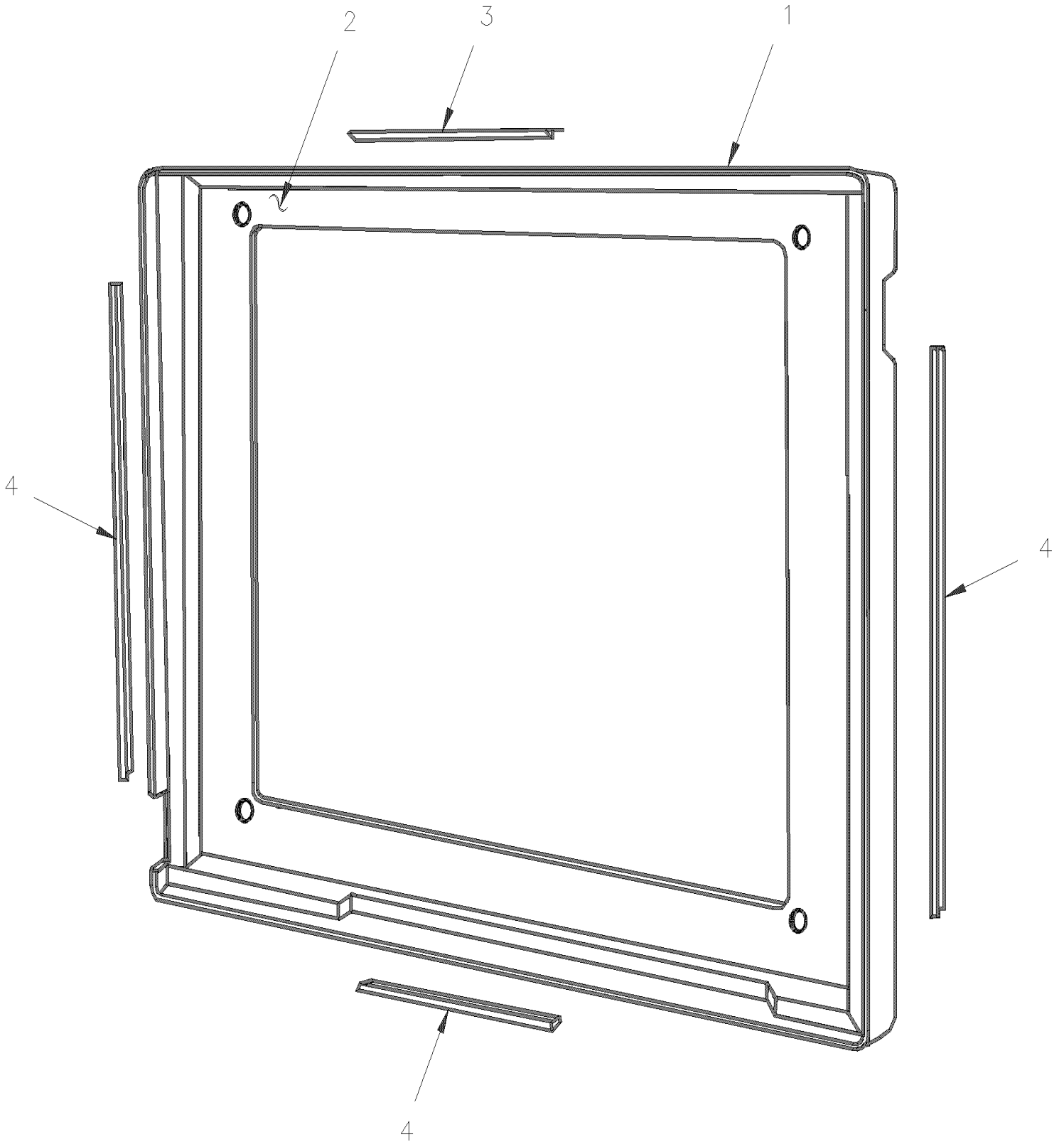
Item#	Part	Description	H 3 4 0	V I P 4 0	N O T E S
1	550023	VALVE, SHUTTERSTAT 180° / 3/8" NPT x 1/8" NPT	1	1	
2	501808	MALE ELBOW 45° / SAE 45° FITTING / #4FL-Mx1/8NPT-M BR	1	1	
3	141108	HOSE ASSY TEFLON #4 427MM	1	1	A
4	051127	HOSE ASSY TEFLON #4 821MM	1		
4	051129	HOSE ASSY TEFLON #4 668MM	1		
5	140658	HOSE ASSY TEFLON #4 1456MM	1	1	
5	503064	. HOSE TEFLON #4 / S.L.	AR	AR	
5	501892	. FEMALE CONNECTOR SWIVEL / SAE 45° FITTING / TEFLON / #4FL-Fx#4 STL	2	2	
6	550588	LUBRICATOR SHUTTERSTAT	1		
NS	550590	KIT MAINTENANCE AIR FILTER	AR		
NS	550589	OIL SHUTTERSTAT FLUID	AR		
7	501036	MALE ELBOW 90° / SAE 45° FITTING / #4FL-Mx1/8NPT-M BR	1	1	
8	501653	MALE RUN TEE / PIPE FITTING / 1/8NPT-Mx1/8NPT-Fx1/8NPT-F BR	1	1	
9	501354	NEEDLE VALVE 1/8 NPT M x 1/8 NPT F	1	1	
10	501605	BUSHING REDUCER / PIPE FITTING / 1NPT-Mx1/2NPT-F STL	1	1	
		A) SOLENOID & MANIFOLD BLOCK			

From N-192 To N-196

Date:07/2024

PAGE:H4-0518-01

RADIATOR SEALING FRAME - W/36" RADIATOR

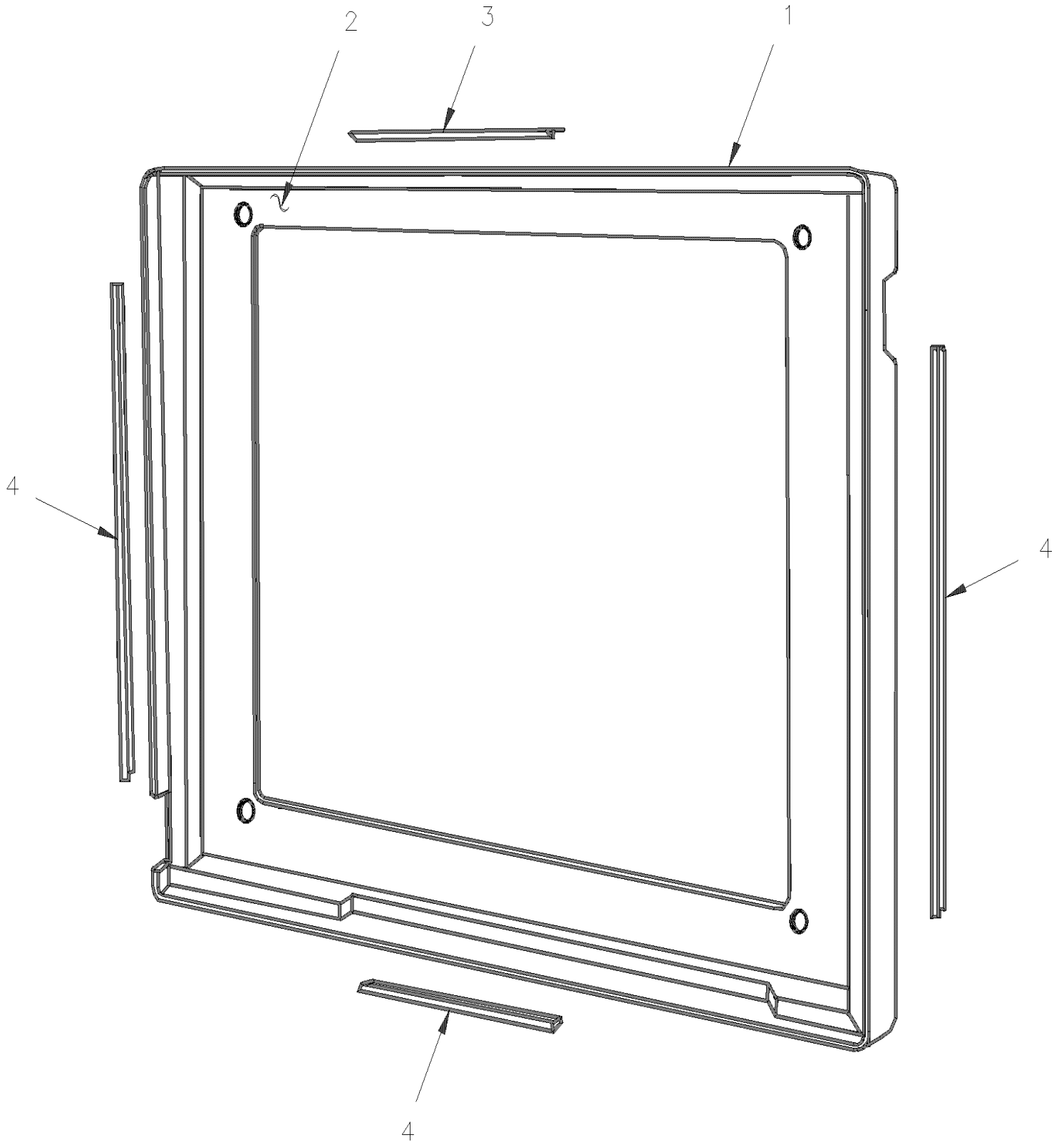


From N-192 To N-196	Date:07/2024	PAGE:H4-0518-01
---------------------	--------------	-----------------

RADIATOR SEALING FRAME - W/36" RADIATOR

Item#	Part	Description	H 3 4 0	V I P 4 0	N O T E S
1	051802	FRAME SEALING	1		
2	500845	SCREW CAP HEX 5/16-18x1/2 G5 Z050	8		
NS	500874	WASHER FL 8.4x17.0x1.6 Z050	8		
3	212056	RETAINER 12" / WELDED TO FRAME	2		
4	212055	RETAINER 32" / WELDED TO FRAME	2		

From N-242 To R-032	Date:07/2024	PAGE:H4-0518-02
RADIATOR SEALING FRAME - W/39" RADIATOR		



From N-242 To R-032	Date:07/2024	PAGE:H4-0518-02
---------------------	--------------	-----------------

RADIATOR SEALING FRAME - W/39" RADIATOR

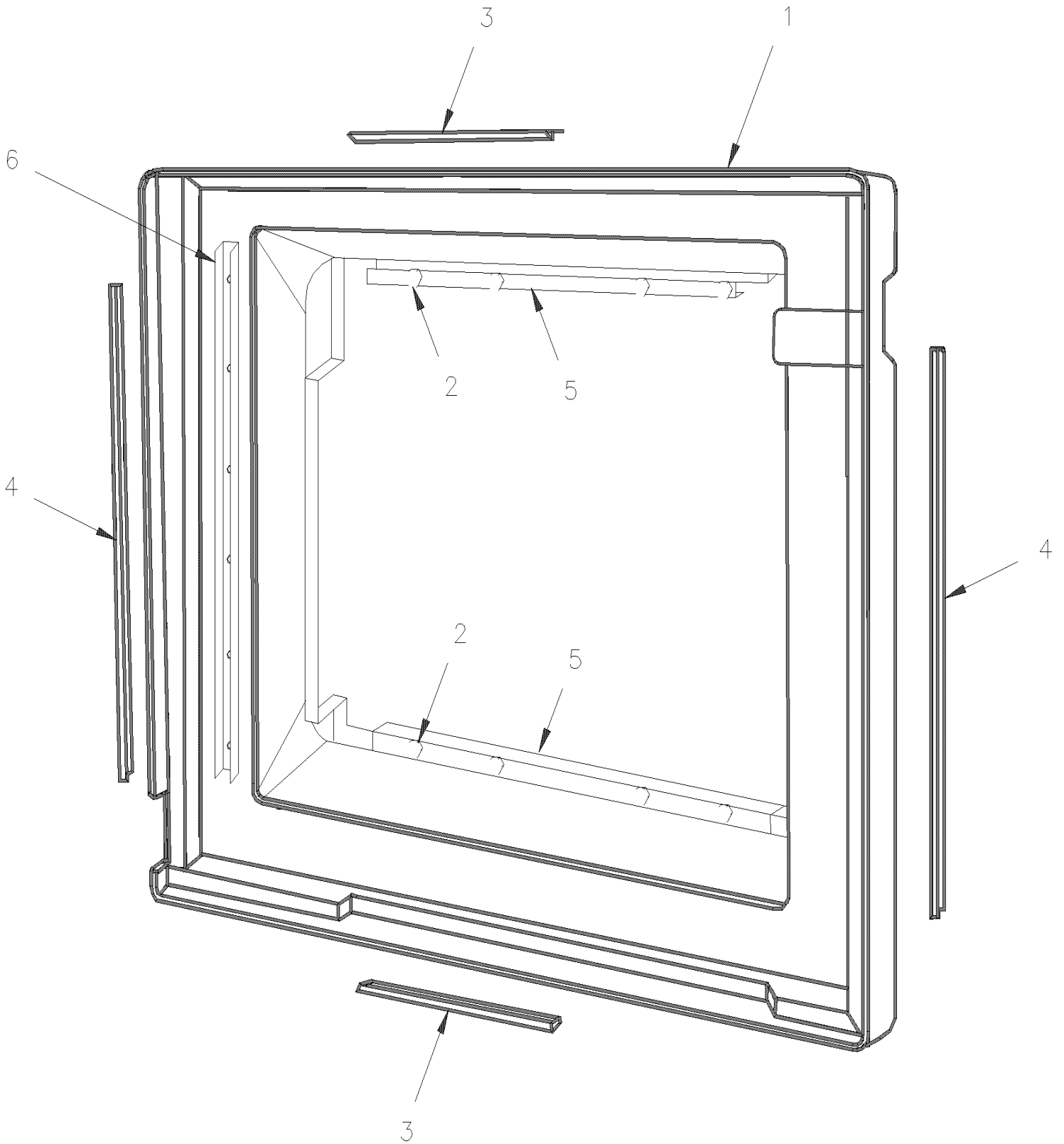
Item#	Part	Description	H 3 4 0	V I P 4 0	N O T E S
1	051788	FRAME, SEALING	1	1	
2	500845	SCREW CAP HEX 5/16-18x1/2 G5 Z050	8	8	
NS	500874	WASHER FL 8.4x17.0x1.6 Z050	8	8	
3	212056	RETAINER 12" / WELDED TO FRAME	2	2	
4	212055	RETAINER 32" / WELDED TO FRAME	2	2	

From P-256 To R-079

Date:07/2024

PAGE:H4-0518-03

RADIATOR SEALING FRAME



From P-256 To R-079	Date:07/2024	PAGE:H4-0518-03
RADIATOR SEALING FRAME		

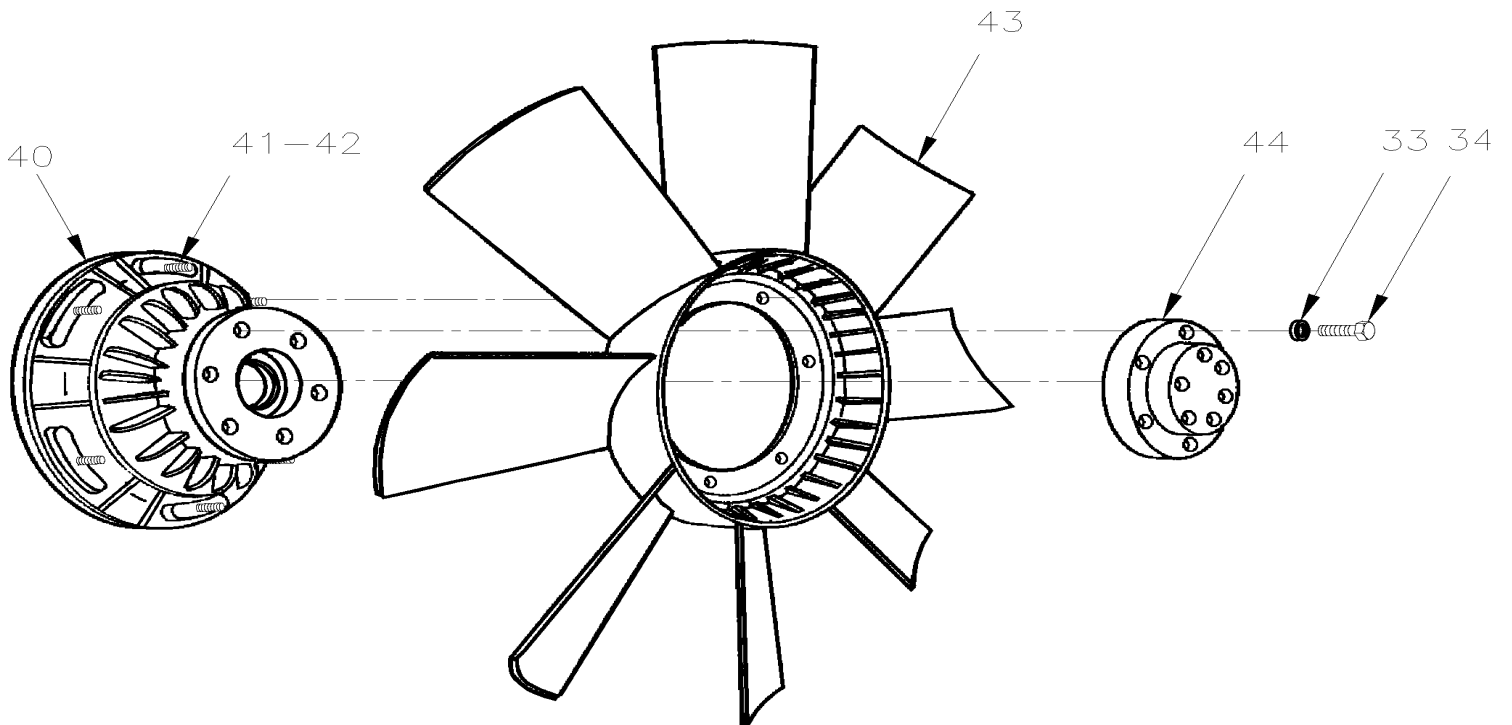
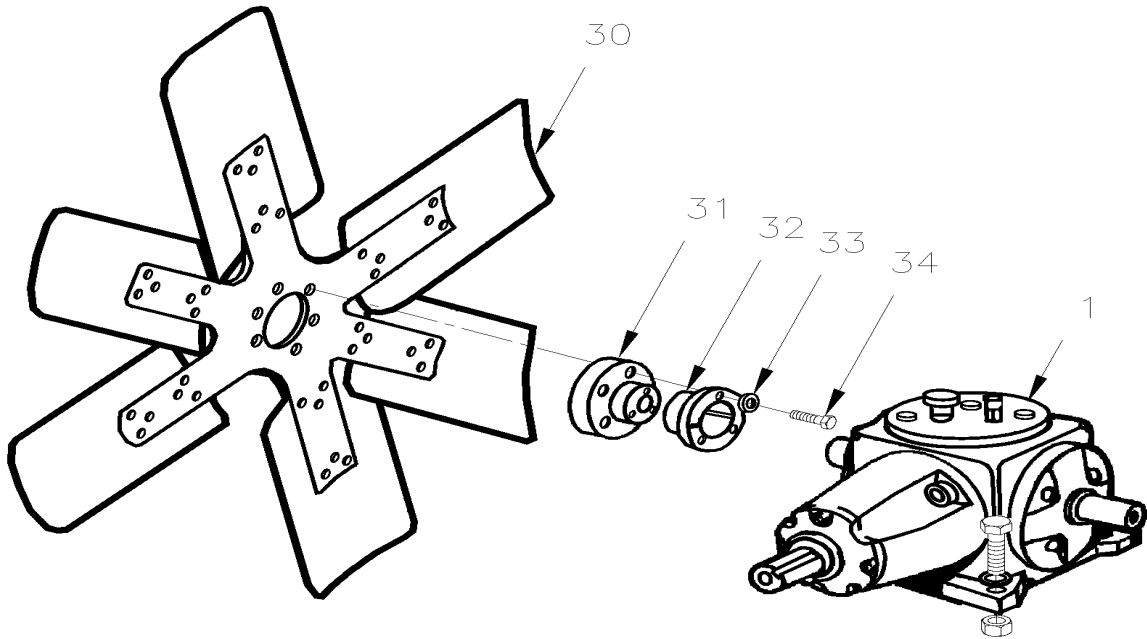
Item#	Part	Description	H 3 4 0	V I P 4 0	N O T E S
1	051852	FRAME, SEALING To R-018	1	1	
1	052007	FRAME, SEALING From R-019	1		
NS	506003	TAPE RUB ADH1 CC POL 3/16" x 3/4" x 40' / GREY 2520X	AR	AR	
NS	506007	TAPE RUB ADH1 CC NEO 3/4" x 1" x 10' / BLACK 1220	AR	AR	
2	051986	U CHANEL RETAINER	1	1	
3	504339	RIVET POP DOME OE 1/8x3/8 SS	7	7	
4	500437	WASHER FL .125x.375x.040 Z050	7	7	
5	500845	SCREW CAP HEX 5/16-18x1/2 G5 Z050	8	8	
6	500874	WASHER FL 8.4x17.0x1.6 Z050	8	8	
7	051985	ANGLE, RETAINER	2	2	
10	212056	RETAINER 12" / WELDED TO FRAME	2	2	
11	212055	RETAINER 32" / WELDED TO FRAME	2	2	

From L-031 To R-032

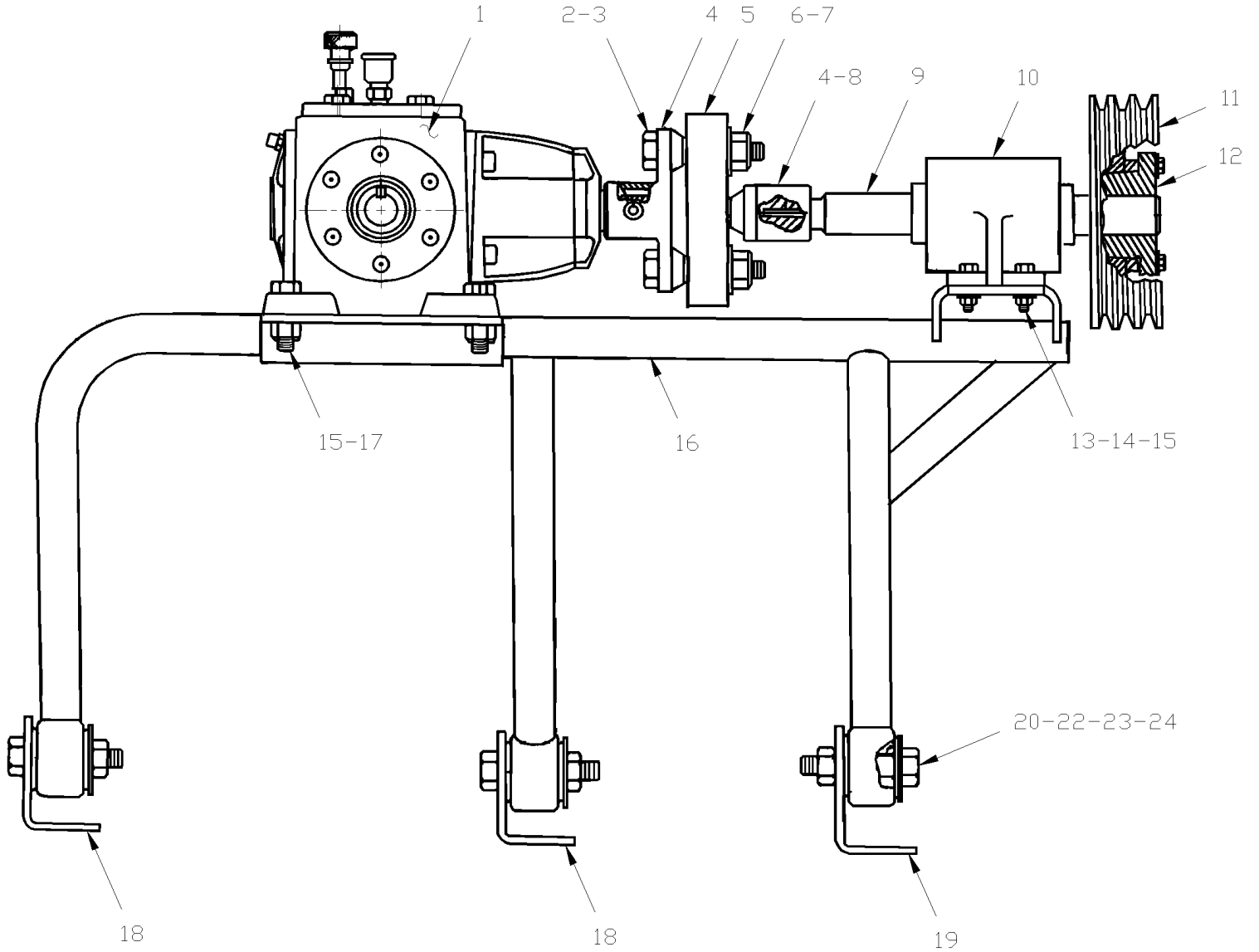
Date:07/2024

PAGE:H4-0520-02

FAN DRIVE - INSTALLATION FIXED WITH DETROIT S-92



From L-031 To R-032	Date:07/2024	PAGE:H4-0520-02
FAN DRIVE - INSTALLATION FIXED WITH DETROIT S-92		



From L-031 To R-032	Date:07/2024	PAGE:H4-0520-02
FAN DRIVE - INSTALLATION FIXED WITH DETROIT S-92		

Item#	Part	Description	H 3 4 0	V I P 4 0	N O T E S
1	H4-0525-00	GEARBOX "BOSTON GEAR" - #550027 To R-014			
1	H4-0525-02	GEARBOX "SUPERIOR" - #051934 - W/DETROIT S-92 From R-015			
1	H4-0525-99	GEARBOX "SUPERIOR" / RETROFIT			
NS	051914	SPACER ADAPTOR	1	1	
2	550186	KEY 1/4" X 1/4" X 1 1/4"	1	1	
3	500912	SCREW SET HEXS CUP 3/8-16x3/8	2	2	
4	051745	FLANGE COUPLING / W/SHAFT 1"O.D.	2	2	
4	052215	FLANGE COUPLING / W/SHAFT 1 1/4 O.D.	1	1	
5	550272	COUPLING	1	1	
6	500096	SCREW CAP HEX 1/2-20x3 G5 Z050	4	4	
7	500718	NUT HEX STO 1/2-20 Z050	4	4	
8	505074	KEY WOODRUFF	1	1	
9	051634	SHAFT	1	1	
10	550601	BLOCK PILLOW	1	1	
10	051693	. BEARING	2	2	
11	051603	PULLEY (3V X 7.40 DIA)	1	1	
12	550602	CONE BUSHING 1 1/4 I.D X 3 O.D. X 4 5/8 O.D.	1	1	
13	500806	SCREW CAP HEX M12-1.75X35 G10.9 G500	4	4	
14	500446	WASHER FL .531x1.250x.125 Z050	8	8	
15	500811	NUT HEX STO M12-1.75 G500	4	4	
16	051635	SUPPORT ASSY	1	1	
17	502731	SCREW CAP HEX M12-1.75x40 G8.8 Z050	4	4	
18	051294	BRACKET FRONT / 3 1/2" HIGH W 2 3/16"	2	2	
19	051772	SUPPORT ANGLE / FRONT	2	2	
NS	051779	ATTACHMENT PLATE ASSY / TO FIX ANGLE TO FLOOR	1	1	
20	630062	BUSHING / RUBBER / (ONE PIECE) 2" x 1.005" I.D.	4	4	
21	130379	SLEEVE 3/4" I.D. X 1" O.D. X 1 11/16" LG	4	4	
22	500145	SCREW CAP HEX 3/4-16x3 1/2 G5 Z050	4	4	
23	500451	WASHER FL .812x2.000x.148 ZP	8	8	
24	500735	NUT HEX STO 3/4-16 ZP	4	4	
NS	502594	SCREW CAP HEX M12-1.75x30 G8.8 Z050	AR	AR	
NS	500333	SCREW TP OV PH #6x3/4 BK	AR	AR	
NS	500811	NUT HEX STO M12-1.75 G500	AR	AR	
30	550627	FAN ASSY / CW 32" / 9 BLADES PLASTIC	1	1	
30	550573	FAN ASSY / CCW 30" / 8 BLADES STEEL	1		
30	550626	FAN ASSY / CCW 30" / 7 BLADES PLASTIC	1		
30	550576	FAN ASSY / CCW 32" / 8 BLADES STEEL	1		
30	550622	FAN ASSY / CCW 32" / 7 BLADES PLASTIC	1		
30	550627	FAN ASSY / CW 32" / 9 BLADES PLASTIC From N-188			1
31	050907	COUPLING FAN / TO FIX PULLEY	1	1	
32	550594	CONE BUSHING 1 I.D X 1 1/2 O.D. X 2 5/8 O.D.	1	1	
33	500478	WASHER LO SPT .380x.683x.094 Z050	6	6	

From L-031 To R-032	Date:07/2024	PAGE:H4-0520-02
FAN DRIVE - INSTALLATION FIXED WITH DETROIT S-92		

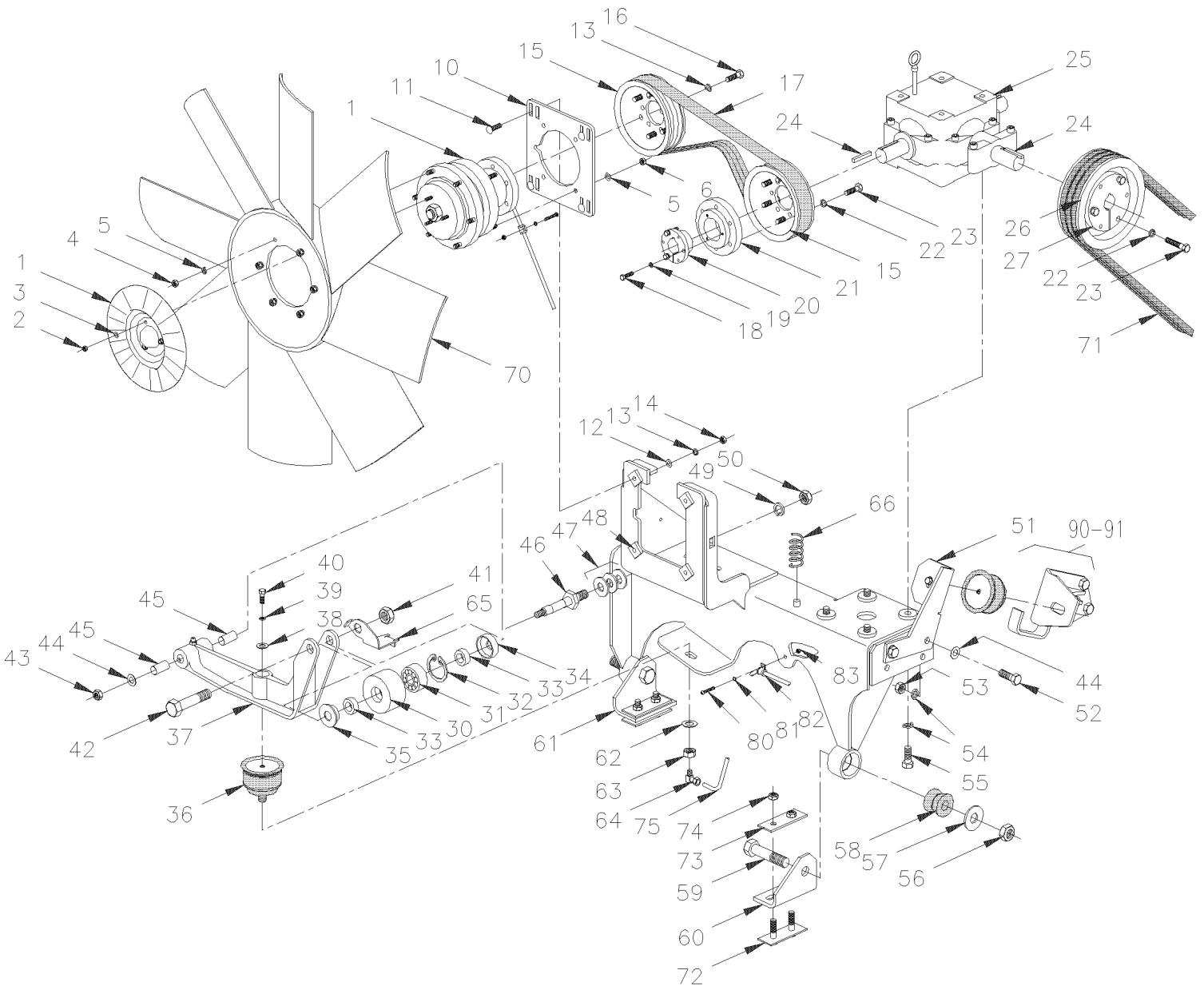
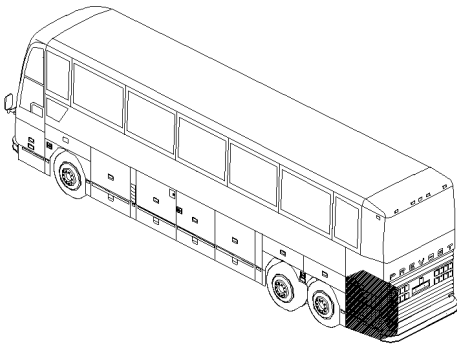
Item#	Part	Description	H 3 4 0	V I P 4 0	N O T E S
34	500048	SCREW CAP HEX 3/8-24x1 1/4 G5 ZP	6	6	
35	500705	NUT HEX 3/8-24 ZP	1	1	
40	500476	WASHER LO SPT .317x.586x.078 Z050	6	6	
40	550570	DRIVE ASSY / W/30" THERMOSTATIC FAN	1		
40	550604	DRIVE ASSY / W/32" THERMOSTATIC FAN	1	1	
41	500778	NUT HEX 5/16-18 N500	6	6	
43	550571	FAN BLADE / PLASTIC CW 30" / THERMOSTATIC	1		
43	550605	FAN BLADE / PLASTIC CW 32" / THERMOSTATIC	1	1	
44	050873	COUPLING / W/THERMOSTATIC FAN	1	1	
NS	500705	NUT HEX 3/8-24 ZP	6	6	

From P-256 To R-079

Date:07/2024

PAGE:H4-0520-03

FAN DRIVE - INSTALLATION



From P-256 To R-079		Date:07/2024	PAGE:H4-0520-03
FAN DRIVE - INSTALLATION			

Item#	Part	Description	H 3 4 0	V I P 4 0	N O T E S
	052006P	FAN DRIVE ASSY	1	1	
1	550634	. FAN CLUTCH ASSY /	1	1	
2	502511	. . NUT HEX NYRT M6-1.0 Z050	3	3	
3	502573	. . WASHER FL 6.4x12.5x1.6 SS	3	3	
4	502543	. . NUT HEX M8-1.25 Z050	6	6	
5	500874	. . WASHER FL 8.4x17.0x1.6 Z050	8	8	
6	502744	. . NUT HEX STO M8-1.25 Z050	4	4	
10	051898	. PLATE TRANSITION / FAN CLUTCH & SUPPORT	1	1	
11	5001208	. SCREW CRG M8-1.25x30 G8.8 Z050	4	4	
12	500874	. WASHER FL 8.4x17.0x1.6 Z050	8	8	
13	5001003	. WASHER LO SPT 8.1x12.7x2.0 Z050	10	10	
14	502543	. NUT HEX M8-1.25 Z050	4	4	
15	051830	. PULLEY / W/10RIB X 6.10" DIA	2	2	
16	502528	. SCREW CAP HEX M8-1.25x20 G8.8 EMN	6	6	
17	506663	. MULTI V-BELT / 10 RIB 50" 5100495	1	1	
18	500177	. SCREW CAP HEX 1/4-20x1 G8 ZP	3	3	
19	500473	. WASHER LO SPT .262x.489x.062 Z050	3	3	
20	550690	. CONE BUSHING 1 1/4 I.D X 1 13/16 O.D. X 2 5	1	1	
21	050907	. COUPLING FAN / TO FIX PULLEY	3	3	
22	500478	. WASHER LO SPT .380x.683x.094 Z050	6	6	
23	500048	. SCREW CAP HEX 3/8-24x1 1/4 G5 ZP	6	6	
24	550186	. KEY 1/4" X 1/4" X 1 1/4"	2	2	
25	H4-0525-03	GEARBOX "SUPERIOR" - #550688 - W/DETROIT S-60			
26	051603	. PULLEY (3V X 7.40 DIA)	1	1	
27	550691	. CONE BUSHING 1 1/4 I.D X 3 O.D. X 4 5/8 O.D	1	1	
30	052010	. PULLEY	1	1	
30	052208	. PULLEY ASSY W/BEARING & SEAL / 43MM x 78MM	1	1	
30	052676	. PULLEY ASSY W/BEARING & SEAL / 54MM x 75MM	1	1	E
30	052207	. . PULLEY BELT TENSIONER / 43MM x 78MM O.D.	1	1	A
30	052677	. . PULLEY / 54MM WIDE x 75MM O.D.	1	1	E
31	507340	. . BALL BEARING 20 ID x 52 OD x 22.2 W	1	1	
31	510618	. . BALL BEARING DBL ROW / 30MM x 62MM x 27 W	1	1	E
32	504095	. . RING RETAINER / INT 2.00 x 2.12 x .062	1	1	
32	504040	. . RING RETAINER / INT 2.440 x 1.860 x 0.078 STL BLK	1	1	E
33	052004	. . SPACER / BEARING & ARM T	2	2	
33	052205	. . SPACER 20MM I.D. X 12.5MM TH	2	2	
33	052627	. . BUSHING TRANSFER FAN	1	1	E
34	507361	. . SEAL	1	1	
34	507371	. . SEAL	1	1	E
35	507360	. . SEAL	1	1	
NS	680500	. . GREASE MERITOR / 400GR	AR	AR	
NS	680752	. . GREASE LITHIUM / BLUE	AR	AR	

From P-256 To R-079	Date:07/2024	PAGE:H4-0520-03
FAN DRIVE - INSTALLATION		

Item#	Part	Description	H 3 4 0	V I P 4 0	N O T E S
35	507371	. SEAL	1	1	E
36	950208	. BELLOW ASSY / BELT TENSIONER / 3" O.D.	2	2	
. NS	504695	. HOSE CLAMP STEPLESS SPRING SS / OETIKER / 2.9-3.3	1	1	
37	051991	. ARM, BELT TENSIONER / IRON USE W 45MM WIDE PULLEY	1	1	D
37	052624	. ARM, BELT TENSIONER / IRON USE W 54MM WIDE PULLEY	1	1	
38	500985	. WASHER FL .343x.875x.125 Z050	1	1	
39	500476	. WASHER LO SPT .317x.586x.078 Z050	1	1	
40	5001132	. SCREW CAP HEX 5/16-18x7/8 G5 Z050	1	1	
41	500735	. NUT HEX STO 3/4-16 ZP	3	3	
41	5001252	. NUT HEX STO M20-2.5 DP	1	1	E
42	500145	. SCREW CAP HEX 3/4-16x3 1/2 G5 Z050	3	3	
42	983296	. SCREW CAP HEX M20-2.5x90 G10.9 ZP	1	1	C E
43	500811	. NUT HEX STO M12-1.75 G500	1	1	
43	5001628	. NUT HEX NYRT M10-1.5 SS	1	1	C
44	500446	. WASHER FL .531x1.250x.125 Z050	1	1	
44	500270	. WASHER FL .406x1.000x.063 SS	1	1	C
45	507293	. BUSHING NYLINED .625x.750x.750	2	2	
46	052003	. PIVOT / TO FIX TENSIONER TO SUPPORT	1	1	
46	052670	. PIVOT / TO FIX TENSIONER TO SUPPORT	1	1	C
46	501497	. GREASE FITTING / 1/4-28	1	1	
47	500449	. WASHER FL .625x1.500 SS	AR	AR	
48	051908	. SUPPORT FAN CLUTCH & GEAR BOX / SHORT	1	1	
48	052209	. SUPPORT FAN CLUTCH & GEAR BOX / SHORT	1	1	B
49	500802	. WASHER LO SPT 16.2x37.4x3.5 Z050	1	1	
50	502588	. NUT HEX M16-2.0 ZP	1	1	
51	052066	. SUPPORT / BELLOW TENSIONNER	1	1	
54	500482	. WASHER LO SPT .506x.873x.125 Z050	6	6	
55	500214	. SCREW CAP HEX 1/2-13x1 1/4 G5 Z050	4	4	
57	500451	. WASHER FL .812x2.000x.148 ZP	2	2	
58	630002	. BUSHING / RUBBER / (TWO PIECES) 1" x 1.005" I.D.	2	2	
NS	507347	. SPACER / BUSHING	2	2	
60	051294	. BRACKET FRONT / 3 1/2" HIGH W 2 3/16"	1	1	
61	052005	. SUPPORT, ANGLE / REAR	1	1	
62	5001150	. WASHER FL 17.0x30.0x3.0 N500	1	1	
63	500792	. NUT HEX 5/8-11 Z050	1	1	
64	640996	. MALE ELBOW 90° / NTA FITTING / #4x1/8NPT-M BR	1	1	
65	052206	. SPRING ATTACHMENT W/45MM WIDE PULLEY	1	1	B
66	502247	. SPRING COMPRESSION / 1.250 O.D. x 2.5 x .125	1	1	B
70	550632	FAN ASSY / CW 32" / 8 BLADES PLASTIC	1	1	
70	550686	FAN ASSY / CW 32" / 9 BLADES PLASTIC	AR	AR	
71	506691	V-BELT / AX-73 9012-2073	3	3	
72	051779	ATTACHMENT PLATE ASSY / TO FIX ANGLE TO FLOOR	2	2	

From P-256 To R-079	Date:07/2024	PAGE:H4-0520-03
FAN DRIVE - INSTALLATION		

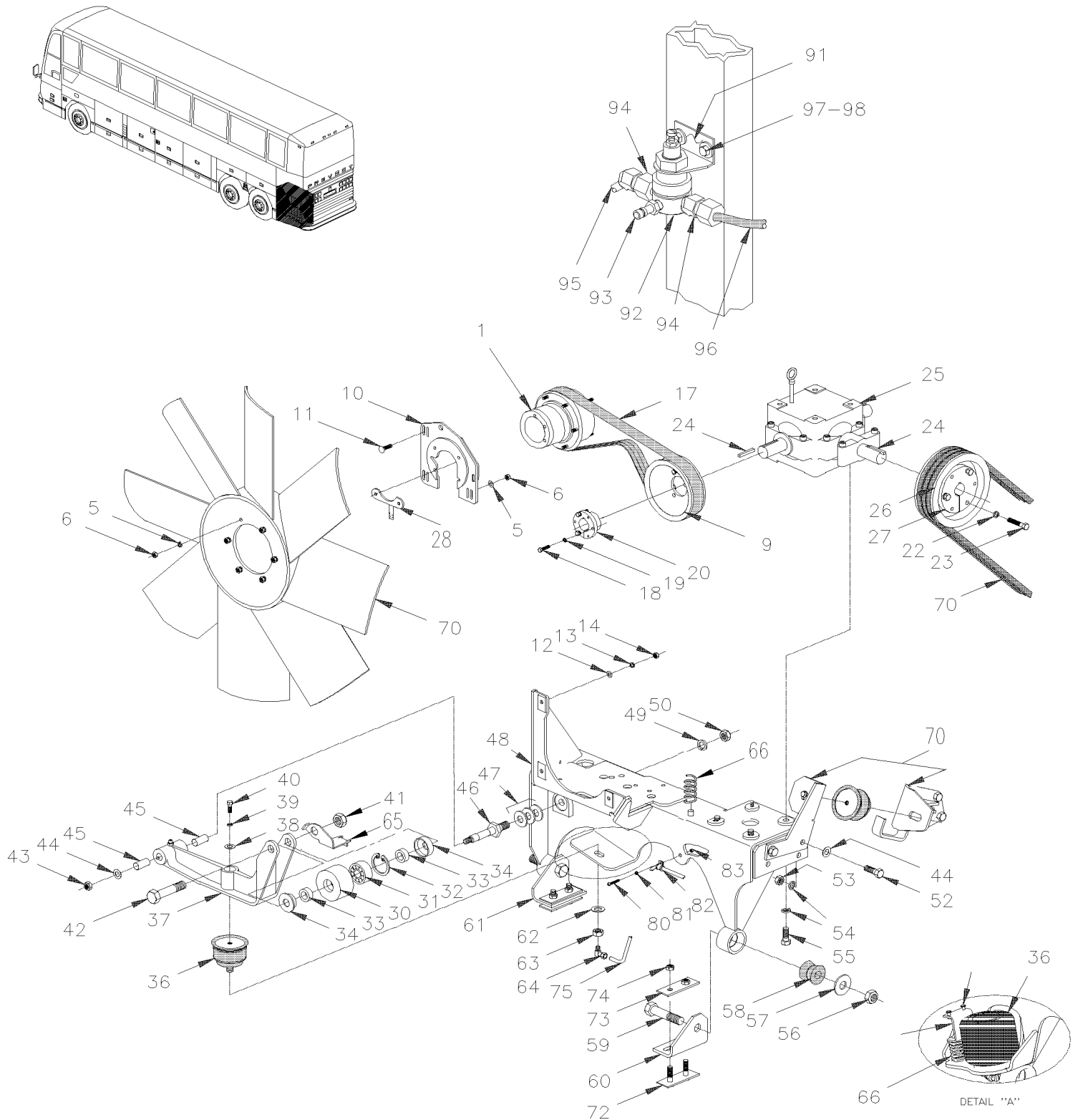
Item#	Part	Description	H 3 4 0	V I P 4 0	N O T E S
73	050706	SPACER 3/8" TH	AR	AR	
73	050705	SPACER 1/4" TH	AR	AR	
74	500714	NUT HEX STO 7/16-20 Z050	4	4	
NS	500666	NUT SPR FL REC 7/16-20 .69x.91	4	4	
80	500574	SCREW MA TR PH #10-24x1 1/4 SS	1	1	
81	500470	WASHER LO SPT .193x.334x.047 Z050	2	2	
82	560503	CLAMP / 1/4" I.D.	1	1	
83	500786	NUT HEX #10-24 Z050	1	1	
90	052050	SUPPORT BELLOW TENTIONER	1	1	
90	059055	SUPPORT BELLOW TENSIONER From SERVICE	1	1	
91	H4-0125-01	BELTS TENSIONERS - WITH DETROIT S-60			
100	052689	KIT, RETROFIT ARM W/54MM PULLEY	1	1	
		A) FOR IMPROVE BEARING LIFE CHANGES PULLEY FOR #052208			
		B) SEE ATTACHED TEXT RELATED TO NOTE B			
		C) SERVICE			
		D) THIS ARM IT SUPPERSEDED BY # 052689 ARM ASSY WITH PULLEY			
		E) THIS PART ARE INCLUDE WITH NEW ARM ASSY #052689			

From P-256 To R-079

Date:07/2024

PAGE:H4-0520-99

FAN DRIVE - INSTALLATION - SHORT / RETROFIT

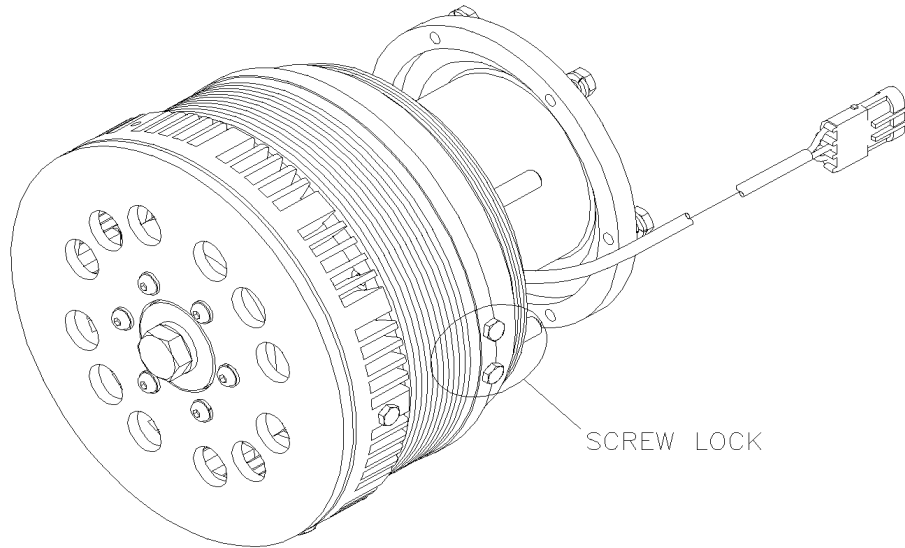


From P-256 To R-079

Date:07/2024

PAGE:H4-0520-99

FAN DRIVE - INSTALLATION - SHORT / RETROFIT



From P-256 To R-079	Date:07/2024	PAGE:H4-0520-99
FAN DRIVE - INSTALLATION - SHORT / RETROFIT		

Item#	Part	Description	H 3 4 0	V I P 4 0	N O T E S
NS	052665	KIT, UPGRADE ONLY / SMALL TO LARGE FAN CLUTCH	1	1	
. NS	IS-04106A	. SEE INSTRUCTION SHEET	1	1	
	052674	FAN DRIVE ASSY W/LARGE FAN CLUTCH 550839	1	1	
1	H4-0540-99	. FAN CLUTCH ASSY - #550839 / RETROFIT			
4	502543	. NUT HEX M8-1.25 Z050	6	6	
5	502644	. WASHER FL 10.5x30.0x2.5 Z050	8	8	
6	5001758	. NUT HEX STO M10-1.5 N500	4	4	
9	052584	. PULLEY / W/12RIB X 8.582" DIA	1	1	
10	052652	. PLATE TRANSITION / FAN CLUTCH & SUPPORT / W/550839 RETROFIT ONLY	1	1	
11	502891	. SCREW CRG M8-1.25x40 G8.8 Z050	3	3	
12	500874	. WASHER FL 8.4x17.0x1.6 Z050	3	3	
13	502889	. WASHER LO SPT 8.1x12.7x2.0 N500	3	3	
13	955920	. WASHER LO SPT 6.5x11.5x1.6 ZP	3	3	
14	502543	. NUT HEX M8-1.25 Z050	3	3	
17	5060071	. MULTI V-BELT / 12 RIB 57.48" (1460MM)	1	1	F
17	506060	. MULTI V-BELT / 12 RIB 58.39" (1483MM)	1	1	C
18	500171	. SCREW CAP HEX 1/4-20x1 G5 N500	3	3	
19	955920	. WASHER LO SPT 6.5x11.5x1.6 ZP	3	3	
20	550879	. CONE BUSHING 1 1/4 I.D X 1 13/16 O.D. X 2 5	1	1	
22	500218	. WASHER LO SPT .380x.683x.098 DP320	3	3	
23	502906	. SCREW CAP HEX 3/8-24x1 1/4 G5 N500	3	3	
24	550186	. KEY 1/4" X 1/4" X 1 1/4"	2	2	
25	H4-0525-99	. GEARBOX "SUPERIOR" / RETROFIT			
26	051603	. PULLEY (3V X 7.40 DIA)	1	1	
27	550878	. CONE BUSHING 1 1/4 I.D X 3 O.D. X 4 5/8 O.D	1	1	
28	052691	. PLATE ASSY / W/RETAINER CABLE	1	1	
30	052676	. PULLEY ASSY W/BEARING & SEAL / 54MM x 75MM	1	1	
30	052677	. PULLEY / 54MM WIDE x 75MM O.D.	1	1	
31	510618	. BALL BEARING DBL ROW / 30MM x 62MM x 27 W	1	1	
32	504040	. RING RETAINER / INT 2.440 x 1.860 x 0.078 STL BLK	1	1	
33	052627	. BUSHING TRANSFER FAN	2	2	
34	507371	. SEAL	2	2	
NS	680752	. GREASE LITHIUM / BLUE	AR	AR	
36	550840	. BELLOW ASSY / BELT TENSIONER / 4" O.D.	1	1	
37	051991	. ARM, BELT TENSIONER / IRON USE W 45MM WIDE PULLEY	1	1	
38	500444	. WASHER FL .406x.812x.065 Z050	1	1	
39	500478	. WASHER LO SPT .380x.683x.094 Z050	1	1	
40	500191	. SCREW CAP HEX 3/8-16x1 G5 Z050	1	1	
41	5001252	. NUT HEX STO M20-2.5 DP	1	1	

From P-256 To R-079	Date:07/2024	PAGE:H4-0520-99
FAN DRIVE - INSTALLATION - SHORT / RETROFIT		

Item#	Part	Description	H 3 4 0	V I P 4 0	N O T E S
NS	502558	. WASHER FL 21.0x37.0x3.0 G500	1	1	
42	983296	. SCREW CAP HEX M20-2.5x90 G10.9 ZP	1	1	
43	5001628	. NUT HEX NYRT M10-1.5 SS	1	1	
44	500446	. WASHER FL .531x1.250x.125 Z050	1	1	
45	507293	. BUSHING NYLINED .625x.750x.750	2	2	
46	052670	. PIVOT / TO FIX TENSIONER TO SUPPORT	1	1	
NS	501497	. GREASE FITTING / 1/4-28	1	1	
47	500449	. WASHER FL .625x1.500 SS	AR	AR	
48	052649	. SUPPORT FAN CLUTCH & GEAR BOX / SHORT / W/550839 RETROFIT ONLY	1	1	
49	500802	. WASHER LO SPT 16.2x37.4x3.5 Z050	1	1	
50	502588	. NUT HEX M16-2.0 ZP	1	1	
52	502875	. SCREW CAP HEX M12-1.75x40 G8.8 N50	2	2	
53	500811	. NUT HEX STO M12-1.75 G500	2	2	
54	500944	. WASHER LO SPT .506x.873x.125 N500	6	6	
NS	500211	. WASHER FL .531x1.250x.125 N500	6	6	
55	500214	. SCREW CAP HEX 1/2-13x1 1/4 G5 Z050	4	4	
56	500735	. NUT HEX STO 3/4-16 ZP	2	2	
57	500451	. WASHER FL .812x2.000x.148 ZP	2	2	
58	630002	. BUSHING / RUBBER / (TWO PIECES) 1" x 1.005" I.D.	2	2	
NS	507347	. SPACER / BUSHING	2	2	
59	500145	. SCREW CAP HEX 3/4-16x3 1/2 G5 Z050	2	2	
60	059053	. SUPPORT, ANGLE / FRONT	1	1	
61	059051	. SUPPORT, ANGLE / REAR	1	1	
62	502901	. WASHER FL .625x1.469x.109 N500	1	1	
63	502917	. NUT HEX JAM 3/4-16 G2 N500	1	1	
64	501036	. MALE ELBOW 90° / SAE 45° FITTING / #4FL-Mx1/8NPT-M BR	1	1	
65	052655	SPRING ATTACHMENT	1	1	
66	502247	SPRING COMPRESSION / 1.250 O.D. x 2.5 x .125	1	1	
67	504487	RIVET MGLP PRDG 3/16x7/16 SS	2	2	
70	H4-0520-03	FAN DRIVE - INSTALLATION			
72	051779	ATTACHMENT PLATE ASSY / TO FIX ANGLE TO FLOOR	2	2	
73	050706	SPACER 3/8" TH	AR	AR	
73	050705	SPACER 1/4" TH	AR	AR	
74	971072	NUT HEX M12-1.75 ZG603	4	4	
NS	5001568	NUT PUSH RND M12 ZP	4	4	
75	031054	HOSE ASSY TEFLON #4 770MM	1	1	
75	052535	HOSE ASSY TEFLON #4 662MM	1	1	
80	500606	SCREW MA TR PH #10-24x3/4 SS	1	1	
81	500914	WASHER LO SPT .193x.334x.047 N500	2	2	
82	952624	CLAMP / 1/4" I.D.	1	1	
83	502882	NUT HEX #10-24 N500	1	1	
90	H4-0125-01	BELTS TENSIONERS - WITH DETROIT S-60			

From P-256 To R-079	Date:07/2024	PAGE:H4-0520-99
FAN DRIVE - INSTALLATION - SHORT / RETROFIT		

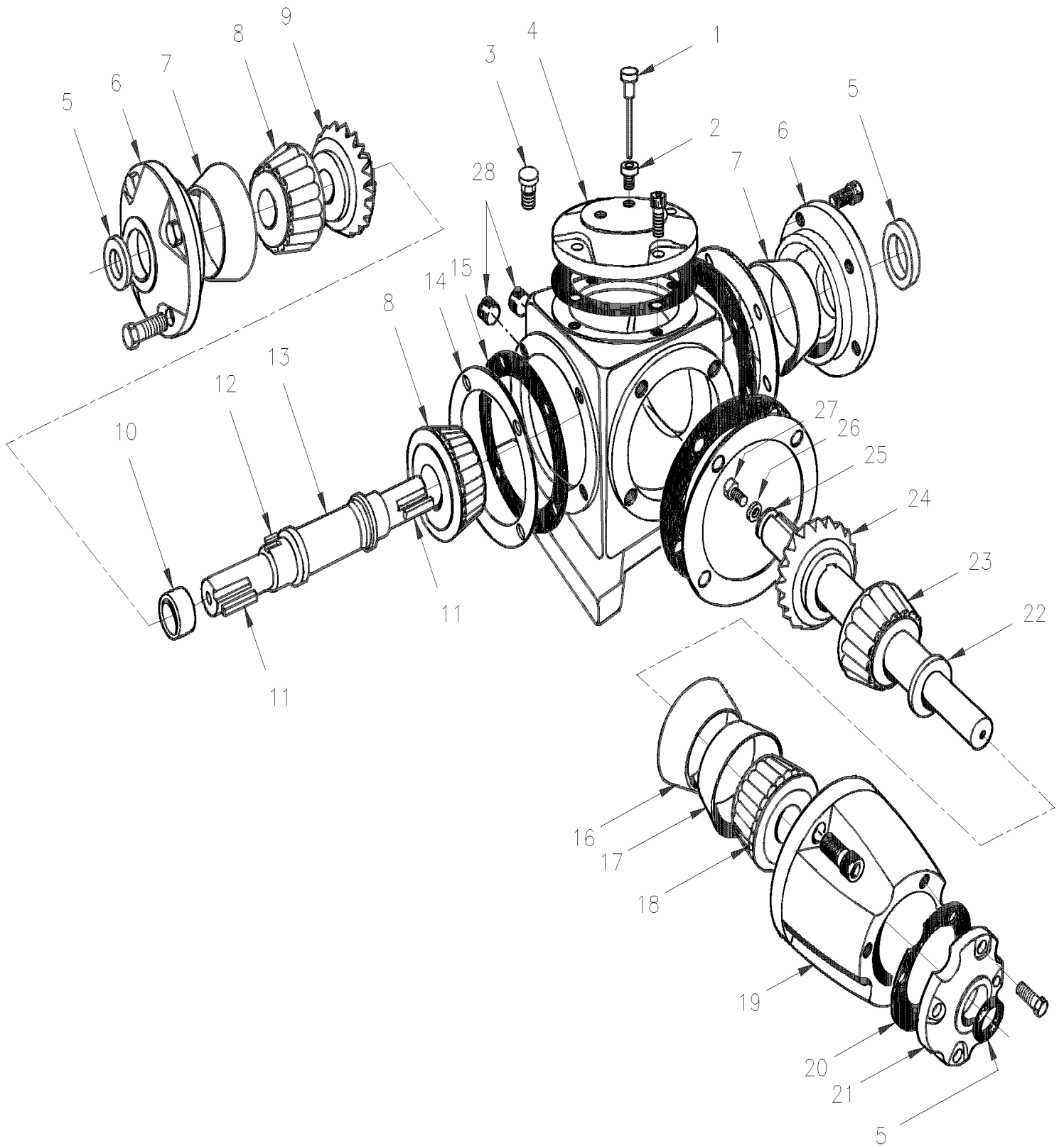
Item#	Part	Description	H 3 4 0	V I P 4 0	N O T E S
91	142013	SUPPORT AIR REGULATOR / ANGLE 90DEG STYLE	1	1	
92	641472	AIR PRESSURE REGULATOR 1/4" NPT / COPPER	1	1	
93	640488	VALVE, AIR FILL 1/8" NPT	1	1	
. NS	650164	. CAP VALVE / CHROME	1	1	
94	501027	MALE CONNECTOR / SAE 45° FITTING / #4FL-Mx1/4NPT-M BR	2	2	
95	052667	HOSE ASSY TEFLON #4 1524MM	1	1	
96	052668	HOSE ASSY TEFLON #4 1524MM	1	1	
NS	509815	TIE MOUNT / ATTACHMENT W/TREE MOUNT	3	3	
		C) USE WITH CURRENT FAN CLUTCH #550966 WITH TAB LOCK SEE IMAGE			
		F) USE WITH FORMER FAN CLUTCH #550966 WITH SCREW LOCK SEE IMAGE			

From L-031 To R-014

Date:07/2024

PAGE:H4-0525-00

GEARBOX "BOSTON GEAR" - #550027



From L-031 To R-014		Date:07/2024	PAGE:H4-0525-00
GEARBOX "BOSTON GEAR" - #550027			

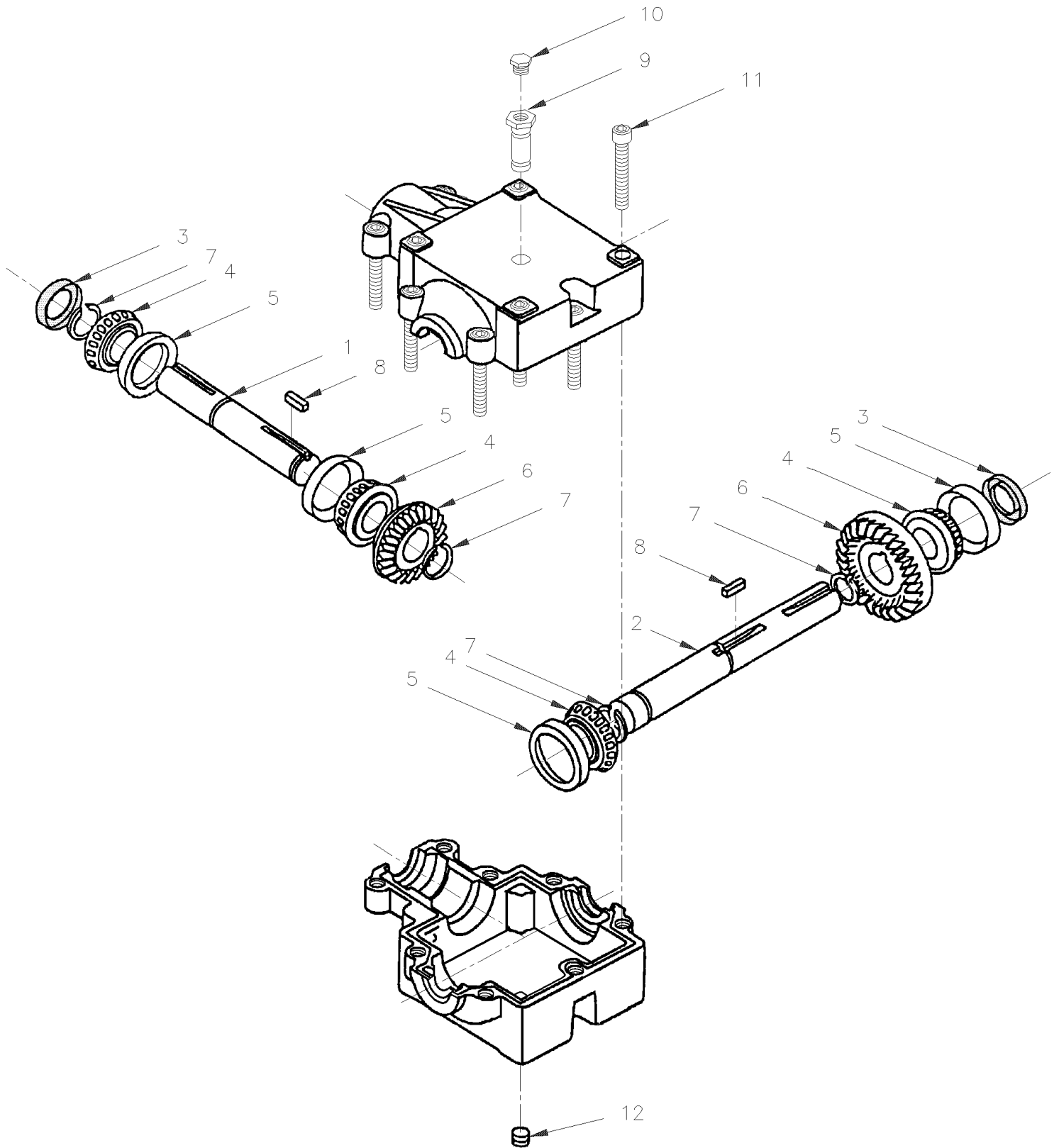
Item#	Part	Description	H 3 4 0	V I P 4 0	N O T E S
	051136	GEARBOX ASSY / CCW OUTPUT SHAFT	1	1	A
	051143	GEARBOX ASSY / CW OUTPUT SHAFT W/THERMOSTATIC	1	1	B
1	051140	. DIPSTICK	1	1	
NS	507166	. O-RING 1/4 I.D. X 3/8 O.D.	1	1	
2	051138	. ADAPTOR / DIPSTICK	1	1	
3	051530	. BREATHER ASSY	1	1	
NS	501309	. ADAPTER / PIPE FITTING / 3/8NPT-Fx3/8NPT-M BR	1	1	
4	051137	. COVER MODIFIED	1	1	
NS	550027	. GEARBOX ASSY / W/O MODIFICATION	1	1	C
5	550202	. . SEAL 1" I.D.	3	3	
6	550286	. . RETAINER BEARING / OUTPUT SHAFT	2	2	
7	550281	. . CUP BEARING / OUTPUT SHAFT	2	2	
8	550282	. . CONE BEARING / OUTPUT SHAFT	2	2	
9	550181	. . GEAR / OUTPUT SHAFT	1	1	
10	550279	. . BUSHING, W/FLANGE	1	1	
10	550280	. . BUSHING	1	1	
11	550186	. . KEY 1/4" X 1/4" X 1 1/4"	3	3	
12	550185	. . KEY SQUARE 5/16" X 29/32"	2	2	
13	550285	. . SHAFT OUTPUT	1	1	
14	550198	. . SHIM	AR	AR	
14	550199	. . SHIM	AR	AR	
15	550200	. . GASKET	4	4	
16	550192	. . CUP BEARING / INNER / INPUT SHAFT	1	1	
17	550194	. . CUP BEARING / OUTER / INPUT SHAFT	1	1	
18	550195	. . CONE BEARING / OUTER / INPUT SHAFT	1	1	
19	550188	. . CARRIER BEARING / INPUT SHAFT	1	1	
20	550201	. . GASKET	1	1	
21	550190	. . RETAINER BEARING / INPUT SHAFT	1	1	
22	550183	. . SHAFT INPUT	1	1	
23	550193	. . CONE BEARING / INNER / INPUT SHAFT	1	1	
24	550182	. . GEAR / INPUT SHAFT	1	1	
25	550623	. . WASHER	1	1	
26	550191	. . WASHER LOCK	1	1	
27	500023	. . SCREW CAP HEX 5/16-24x3/4 G5 ZP	1	1	
28	501305	PLUG SQUARE HEAD / PIPE FITTING / 3/8NPT-M BR	1	1	
		A) THIS GEAR BOX WOULD BE SUPPERSEDED BY KIT #051934 TO USE WITH STANDARD FAN SEE PAGE H5-0525-02			
		B) THIS GEARBOX WOULD BE SUPERSEDED BY KIT #052261 TO USE WITH THERMOSTATIC FAN SEE PAGE H4-0525-99			
		C) READ NOTE A & B FOR APPLICATION			

From P-256 To R-079

Date:07/2024

PAGE:H4-0525-01

GEARBOX "SUPERIOR" - #550641 - W/DETROIT S-60



From P-256 To R-079	Date:07/2024	PAGE:H4-0525-01
GEARBOX "SUPERIOR" - #550641 - W/DETROIT S-60		

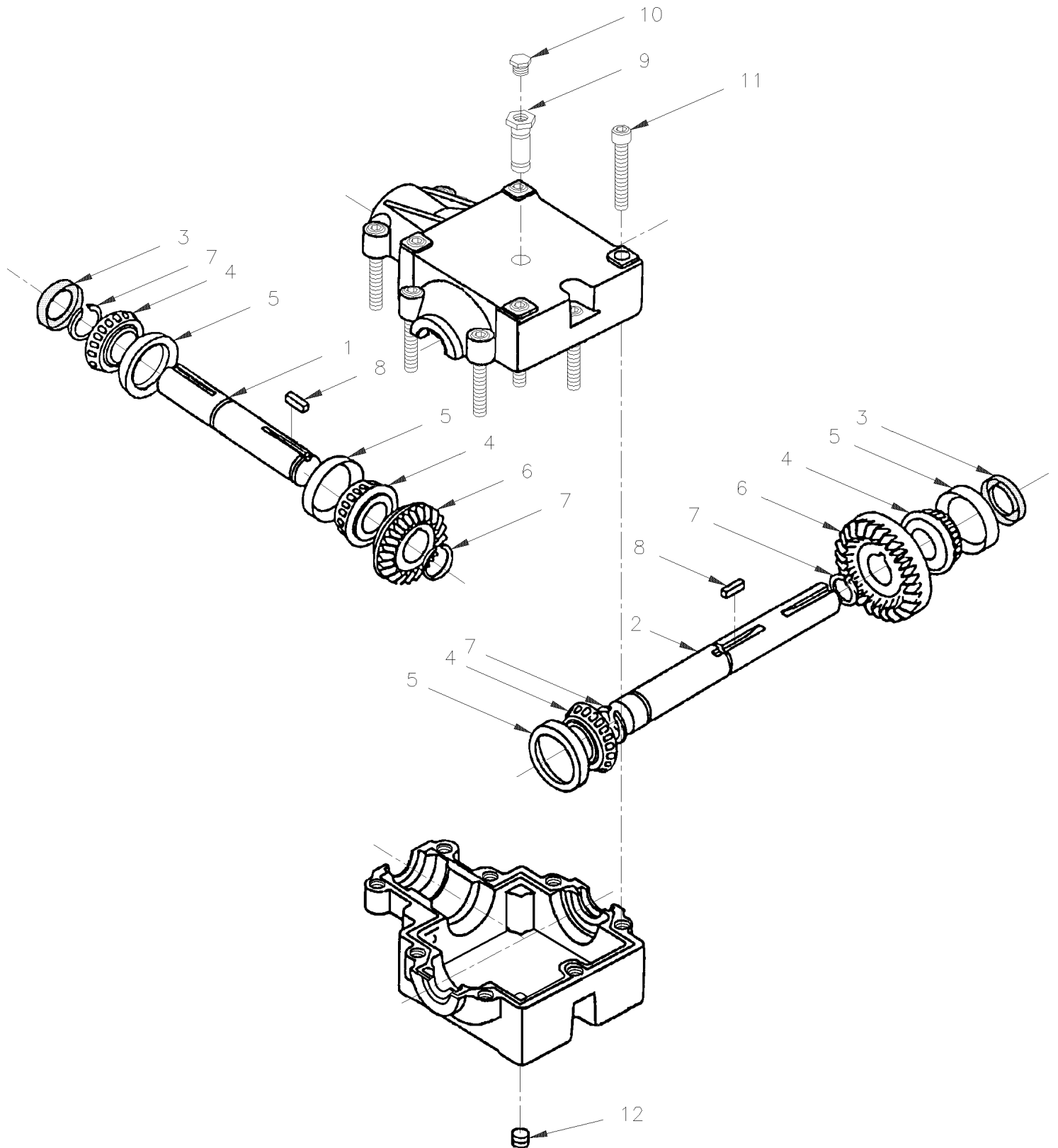
Item#	Part	Description	H 3 4 0	V I P 4 0	N O T E S
	550641	GEARBOX ASSY (CW) / W/1" O.D, SHAFT	1	1	
1	550646	. PINION SHAFT INPUT 1" O.D.	1	1	
2	550647	. CROSS SHAFT ASSY / OUTPUT 1" O.D.	1	1	
3	550648	. SEAL 1" I.D. / (149 X 100 X 25)	3	3	
4	550649	. CONE BEARING	4	4	
5	550650	. CUP BEARING	4	4	
6	550651	. GEAR 19 TEETH	2	2	
7	550652	. RETAINING RING / GEAR	2	2	
8	550653	. KEY	1	1	
9	550805	. TUBE REDUCER ASSY	1	1	
10	610808	. . FITTING, PRESSURE RELIEF / 5 PSI	1	1	
11	500710	. SCREW CAP HEXS 3/8-16x1 3/4 ZP	1	1	
NS	501800	. PLUG HEXS / PIPE FITTING / 1/4NPT-M STL	1	1	
12	504599	MAGNETIC DRAIN PLUG 1/4 NPT	1	1	
NS	180185	OIL SYNTHETIC SCH 634 (1 LITER)	AR	AR	
NS	682268	OIL SYNTHETIC SCH 634 (19 LITERS)	AR	AR	

From R-015 To R-032

Date:07/2024

PAGE:H4-0525-02

GEARBOX "SUPERIOR" - #051934 - W/DETROIT S-92



From R-015 To R-032	Date:07/2024	PAGE:H4-0525-02
GEARBOX "SUPERIOR" - #051934 - W/DETROIT S-92		

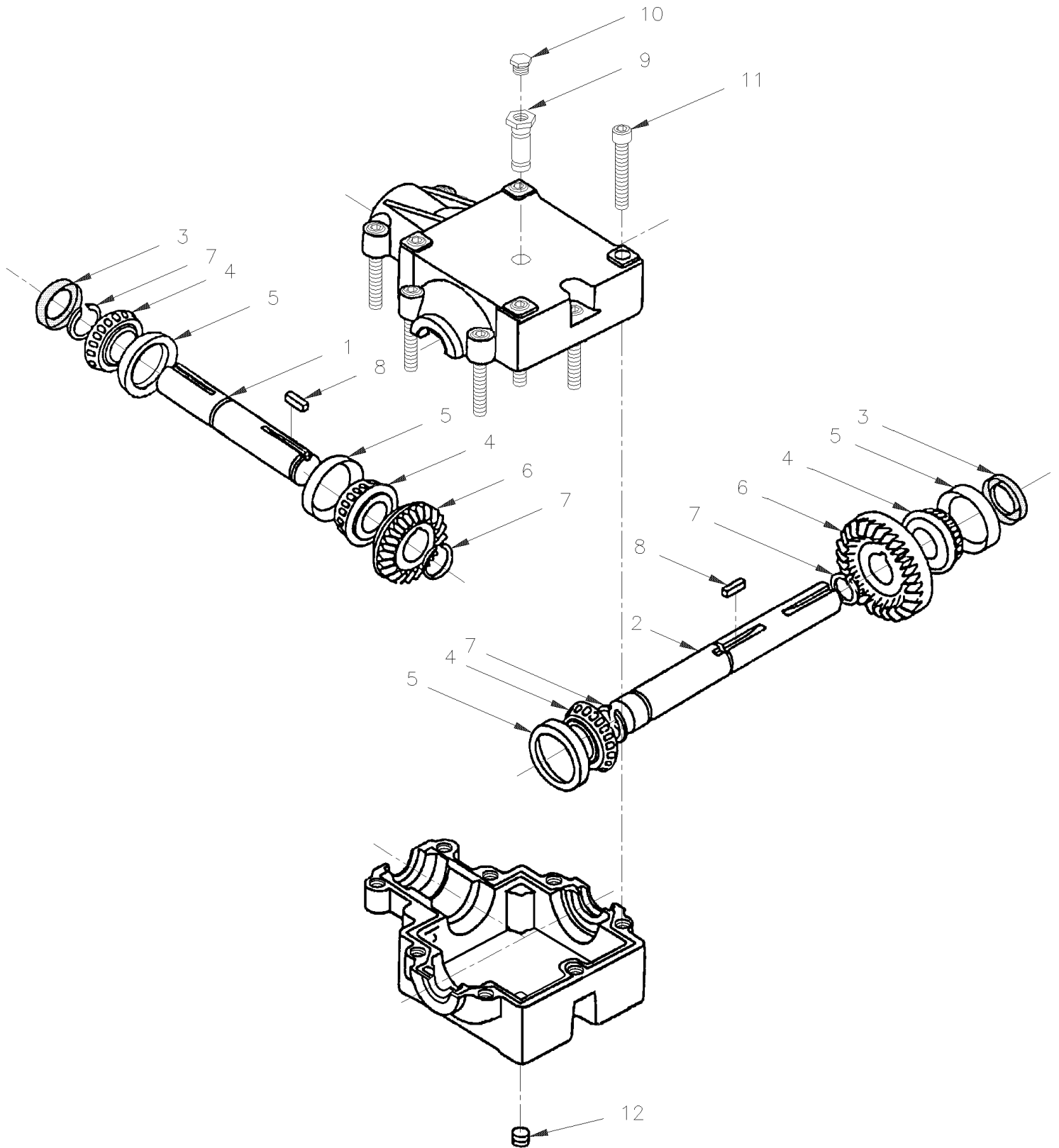
Item#	Part	Description	H 3 4 0	V I P 4 0	N O T E S
	051934	GEARBOX ASSY (CW) / W/1" O.D, SHAFT / 200-9AAF-D0367	1	1	A
	550656	. GEARBOX ASSY (CW) / W/1" O.D, SHAFT	1	1	A
1	550657	. . PINION SHAFT ASSY / INPUT 1" O.D.	1	1	
2	550647	. . CROSS SHAFT ASSY / OUTPUT 1" O.D.	1	1	
3	550648	. . SEAL 1" I.D. / (149 X 100 X 25)	3	3	
4	550649	. . CONE BEARING	4	4	
5	550650	. . CUP BEARING	4	4	
6	550651	. . GEAR 19 TEETH	2	2	
7	550652	. . RETAINING RING / GEAR	2	2	
8	550653	. . KEY	2	2	
9	550805	. . TUBE REDUCER ASSY	1	1	
10	N.S.S.	. . . PRESSURE RELIEF VALVE / 5PSI	1	1	1
11	500710	. . SCREW CAP HEXS 3/8-16x1 3/4 ZP	9	9	
NS	051933	. DECAL	1	1	
12	504599	MAGNETIC DRAIN PLUG 1/4 NPT	1	1	
NS	682268	OIL SYNTHETIC SCH 634 (19 LITERS)	AR	AR	
12	180185	OIL SYNTHETIC SCH 634 (1 LITER)	AR	AR	
		UP TO R-015 FOR RETROFIT THIS GEARBOX			
		YOU REQUIRE THOSE FOLLOWING PARTS			
NS	051914	SPACER ADAPTOR	1	1	
NS	500192	SCREW CAP HEX 3/8-16x1 1/4 G5 Z050	4	4	
NS	500478	WASHER LO SPT .380x.683x.094 Z050	4	4	
NS	500806	SCREW CAP HEX M12-1.75X35 G10.9 G500	4	4	
NS	500811	NUT HEX STO M12-1.75 G500	4	4	
		A) FOR PRODUCT IMPROVMENT SEE GEARBOX AT PAGE H4-0525-99			
		1) NOT SOLD SEPARATELY			

From P-256 To R-079

Date:07/2024

PAGE:H4-0525-03

GEARBOX "SUPERIOR" - #550688 - W/DETROIT S-60



From P-256 To R-079	Date:07/2024	PAGE:H4-0525-03
GEARBOX "SUPERIOR" - #550688 - W/DETROIT S-60		

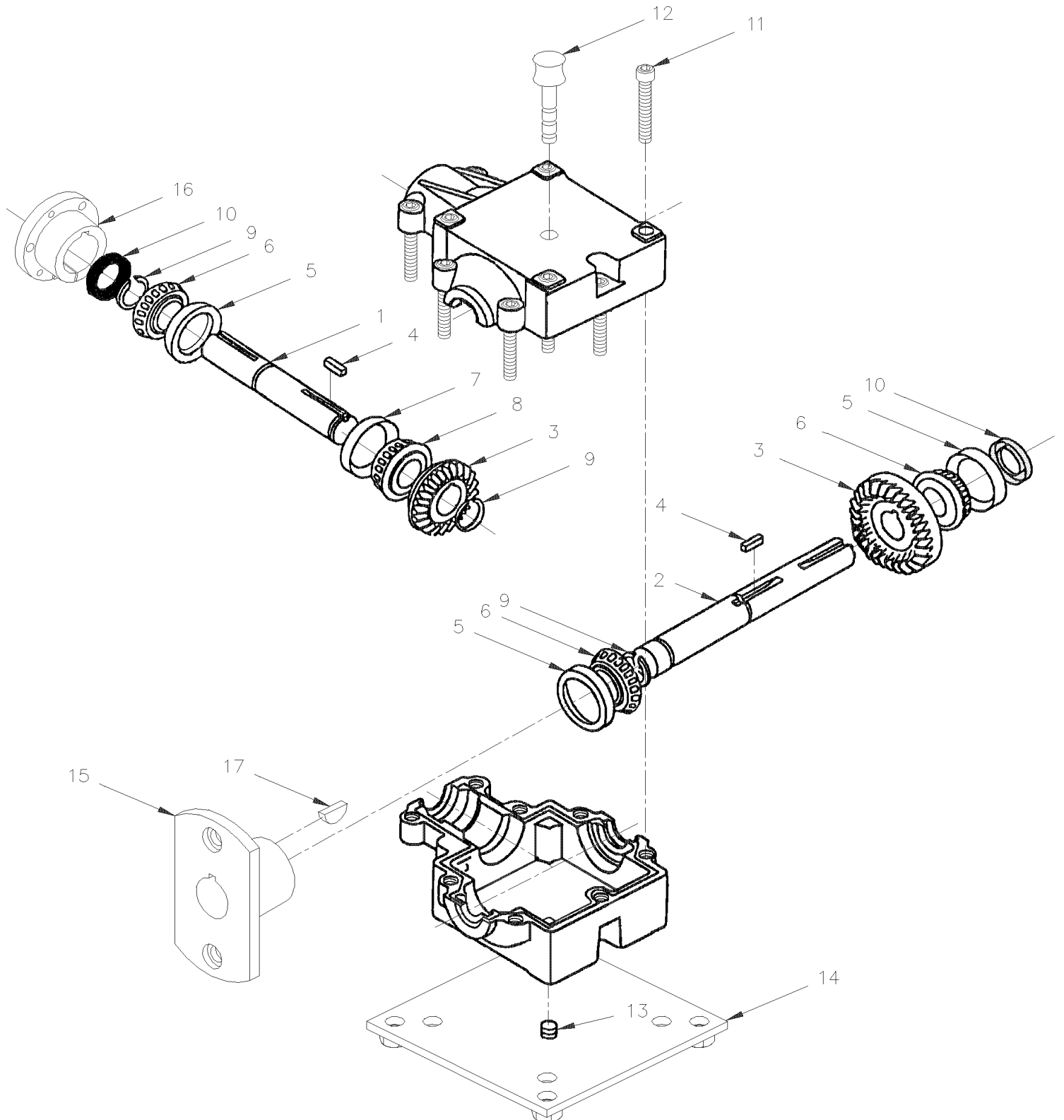
Item#	Part	Description	H 3 4 0	V I P 4 0	N O T E S
	550688	GEARBOX ASSY (CW)	1	1	
1	550693	. PINION SHAFT ASSY / INPUT	1	1	
2	550694	. CROSS SHAFT ASSY / OUTPUT	1	1	
3	550695	. SEAL 1 1/4" I.D. / (200 X 125 X 31)	3	3	
4	550696	. CONE BEARING	4	4	
5	550697	. CUP BEARING	4	4	
6	N.S.S.	. GEAR / (SOLD ASSY W/SHAFT)	2	2	1
7	550698	. RETAINING RING / GEAR	2	2	
8	N.S.S.	. KEY	2	2	1
9	550692	. TUBE REDUCER ASSY W/PRESSURE RELIEF VALVE	1	1	
10	N.S.S.	. . PRESSURE RELIEF VALVE / 5 PSI	1	1	1
11	N.S.P.	. SCREW 3/8-16 X 2 1/4"	9	9	2
NS	051933	. DECAL	1	1	
12	504599	MAGNETIC DRAIN PLUG 1/4 NPT	1	1	
NS	180185	OIL SYNTHETIC SCH 634 (1 LITER)	AR	AR	
NS	682268	OIL SYNTHETIC SCH 634 (19 LITERS)	AR	AR	
		1) NOT SOLD SEPARATELY			
		2) NOT SOLD BY PREVOST (SEE MANUFACTURING PART NUMBER AT END OF DESCRIPTION LINE)			

From R-012 To R-079

Date:07/2024

PAGE:H4-0525-99

GEARBOX "SUPERIOR" / RETROFIT



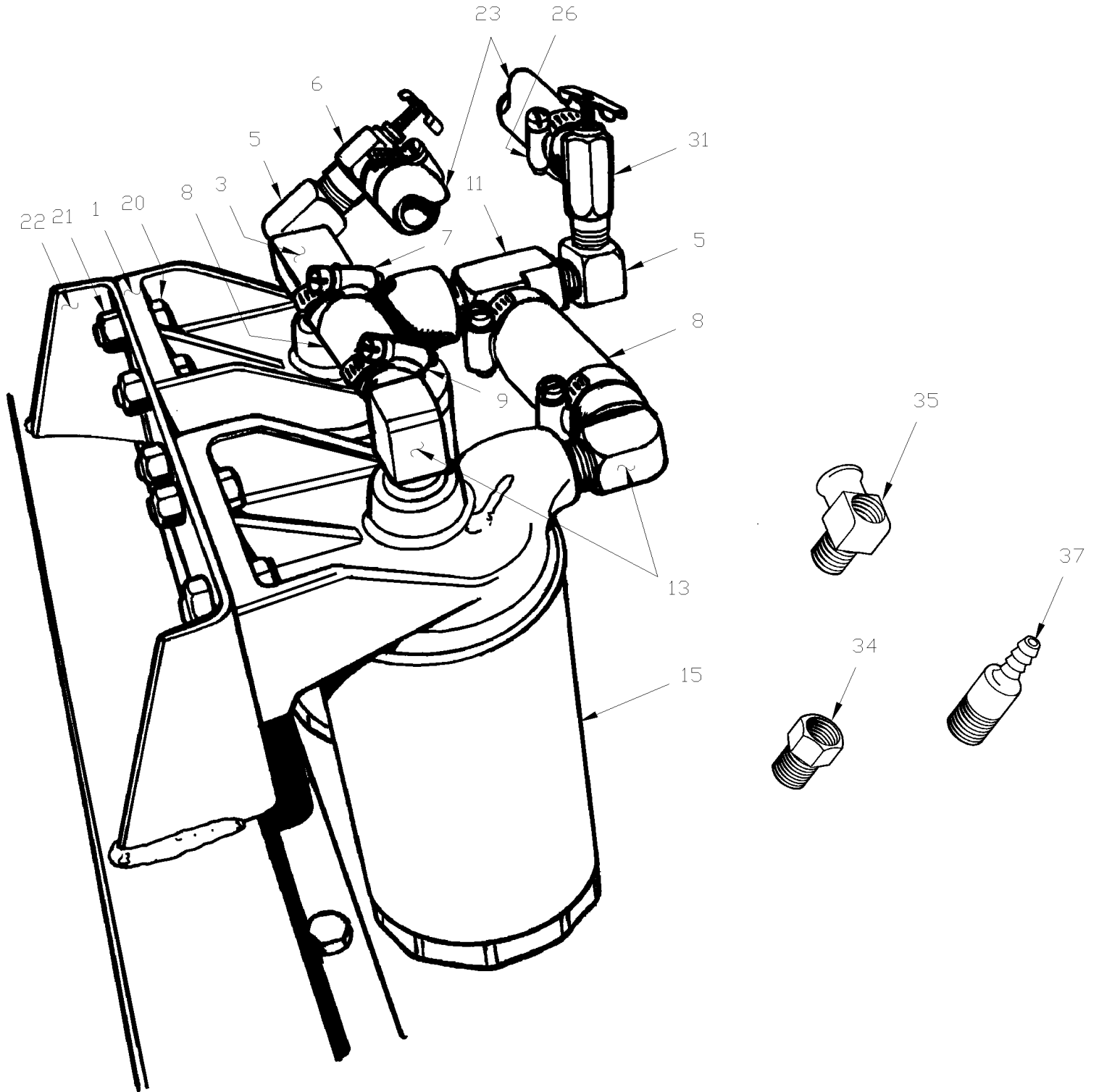
From R-012 To R-079	Date:07/2024	PAGE:H4-0525-99
GEARBOX "SUPERIOR" / RETROFIT		

Item#	Part	Description	H 3 4 0	V I P 4 0	N O T E S
		FOLLOWING COMPONENTS ARE USED ONLY IN			
		REPLACEMENT OF OLD GEARBOX MODEL "BOSTON"			
		ILLUSTRATED AT PAGE H4-0525-00			
	052212	KIT GEARBOX (CCW)	AR	AR	A
. NS	IS-97122	. SEE INSTRUCTION SHEET	1	1	A
	052261	KIT GEARBOX (CW)	AR	AR	B
	550791	. GEARBOX ASSY (CCW)	1	1	A D
	550811	. GEARBOX ASSY (CCW)	1	1	A C
	550789	. GEARBOX ASSY (CW)	1	1	B D
	550810	. GEARBOX ASSY (CW)	1	1	B C
1	550732	. . PINION SHAFT ASSY / INPUT 1 1/4" O.D.	1	1	
2	550733	. . CROSS SHAFT ASSY / OUTPUT 1 1 1/4" O.D.	1	1	
3	N.S.S.	. . GEAR / (SOLD ASSY W/SHAFT)	2	2	1
4	N.S.S.	. . KEY	2	2	1
5	550697	. . CUP BEARING	3	3	
6	550696	. . CONE BEARING	3	3	
7	550735	. . CUP BEARING	1	1	
8	550734	. . CONE BEARING	1	1	
9	550698	. . RETAINING RING / GEAR	2	2	
10	550695	. . SEAL 1 1/4" I.D. / (200 X 125 X 31)	3	3	
11	N.S.P.	. . SCREW 3/8-16 X 2 1/4"	9	9	2
12	550773	. . DIPSTICK	1	1	
13	504599	. . MAGNETIC DRAIN PLUG 1/4 NPT	1	1	
13	180217	OIL SYNTHETIC SCH 630 (1 LITER)	AR	AR	
14	052213	ADAPTOR PLATE	1	1	
15	052215	FLANGE COUPLING / W/SHAFT 1 1/4 O.D.	1	1	
NS	500473	WASHER LO SPT .262x.489x.062 Z050	3	3	
NS	500213	SCREW CAP HEX 1/2-13x1 G5 Z050	8	8	
NS	500177	SCREW CAP HEX 1/4-20x1 G8 ZP	3	3	
NS	5001099	WASHER FL .531x1.062x.109	2	2	
NS	500482	WASHER LO SPT .506x.873x.125 Z050	8	8	
NS	500718	NUT HEX STO 1/2-20 Z050	2	2	
NS	500096	SCREW CAP HEX 1/2-20x3 G5 Z050	2	2	
NS	500446	WASHER FL .531x1.250x.125 Z050	2	2	
NS	550186	KEY 1/4" X 1/4" X 1 1/4"	2	2	
NS	5001167	SCREW SET HEXS CUP 3/8-16x1/2	2	2	
16	550690	CONE BUSHING 1 1/4 I.D X 1 13/16 O.D. X 2 5	1	1	
17	550186	KEY 1/4" X 1/4" X 1 1/4"	2	2	
NS	052387	KIT, FAN GEARBOX BREATHER	AR	AR	
. NS	IS-00049	. SEE INSTRUCTION SHEET			

From R-012 To R-079	Date:07/2024	PAGE:H4-0525-99
GEARBOX "SUPERIOR" / RETROFIT		

Item#	Part	Description	H 3 4 0	V I P 4 0	N O T E S
		A) TO USE WITH STANDARD FAN			
		B) TO USE WITH THERMOSTATIC FAN			
		C) THIS CURRENT GEARBOX REQUIRES "BREATHER" KIT #052387			
		D) FORMER			
		1) NOT SOLD SEPARATELY			
		2) NOT SOLD BY PREVOST (SEE MANUFACTURING PART NUMBER AT END OF DESCRIPTION LINE)			

From L-031 To R-032	Date:07/2024	PAGE:H4-0530-00
COOLANT FILTER - INSTALLATION - WITH DETROIT S-92		



From L-031 To R-032	Date:07/2024	PAGE:H4-0530-00
COOLANT FILTER - INSTALLATION - WITH DETROIT S-92		

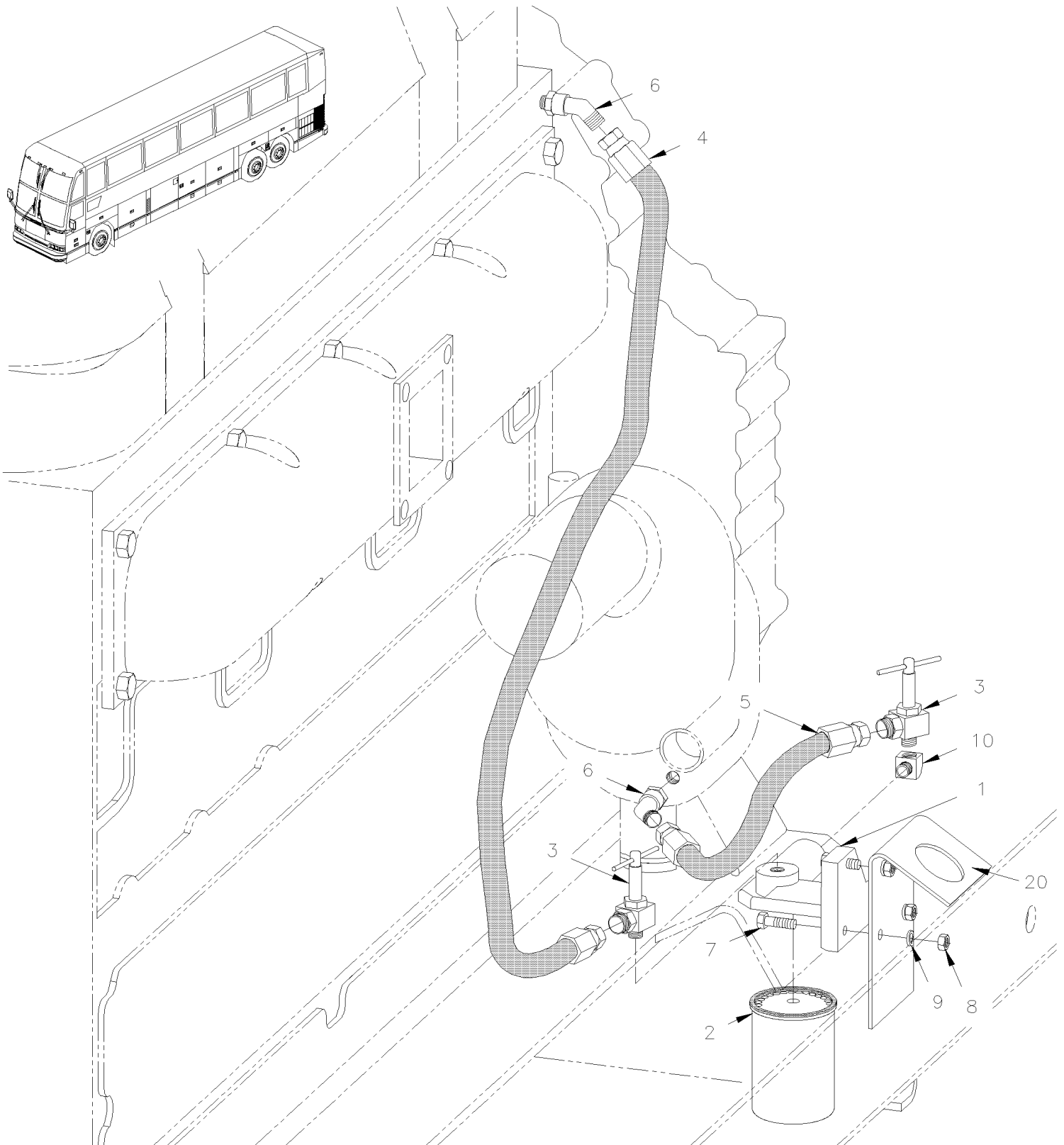
Item#	Part	Description	H 3 4 0	V I P 4 0	N O T E S
	051800	FILTER ASSY COMPLETE	1	1	
1	550002	. FILTER BODY	2	2	
3	501737	. MALE BRANCHE TEE / PIPE FITTING / 3/8NPT-Fx3/8NPT-Fx3/8NPT-M BR	1	1	
5	501948	. STREET ELBOW 90° / PIPE FITTING / 3/8NPT-Mx3/8NPT-F BR	2	2	
6	501532	. TRUCK VALVE 3/8 NPT x 5/8 HOSE	1	1	
7	501124	. MALE CONNECTOR / HOSE BARB FITTING / #10x3/8NPT-M BR	2	2	
8	503250	. HOSE / 2556 / #10 X 100'	AR	AR	
9	504019	. HOSE CLAMP / 9/16"-1"1/16 SS / HS-10	4	4	
11	501699	. MALE RUN TEE / PIPE FITTING / 3/8NPT-Mx3/8NPT-Fx3/8NPT-F BR	1	1	
13	501660	. MALE ELBOW 90° / BEADED HOSE BARB / #10x3/8NPT-M	2	2	
15	550630	. CARTRIGE "MAINTENANCE" "NALCOOL" 3000	2	2	
20	500192	SCREW CAP HEX 3/8-16x1 1/4 G5 Z050	AR	AR	
21	500783	NUT HEX 3/8-16 Z050	AR	AR	
NS	500478	WASHER LO SPT .380x.683x.094 Z050	AR	AR	
22	051300	SUPPORT ASSY	1	1	
23	503007	HOSE 2 PLY / RADIATOR HOSE / 5/8" I.D. / S.L.	AR	AR	
26	504020	HOSE CLAMP / 9/16"-1"1/4 SS / HS-12	4	4	
31	501531	DRAIN VALVE 3/8 NPT M x 5/8 HOSE	1	1	
34	501462	BUSHING REDUCER / PIPE FITTING / 3/4NTP-Mx1/2NPT-F BR	AR	AR	
35	501373	MALE CONNECTOR / HOSE BARB FITTING / #10x1/2NPT-M GALV	AR	AR	
37	501373	MALE CONNECTOR / HOSE BARB FITTING / #10x1/2NPT-M GALV	AR	AR	
NS	550628	CONDITIONER COOLING SYSTEM/ W/O COOLANT FILTER S.Q.	AR	AR	

From P-256 To R-079

Date:07/2024

PAGE:H4-0530-01

COOLANT FILTER - INSTALLATION - WITH DETROIT S-60



From P-256 To R-079	Date:07/2024	PAGE:H4-0530-01
COOLANT FILTER - INSTALLATION - WITH DETROIT S-60		

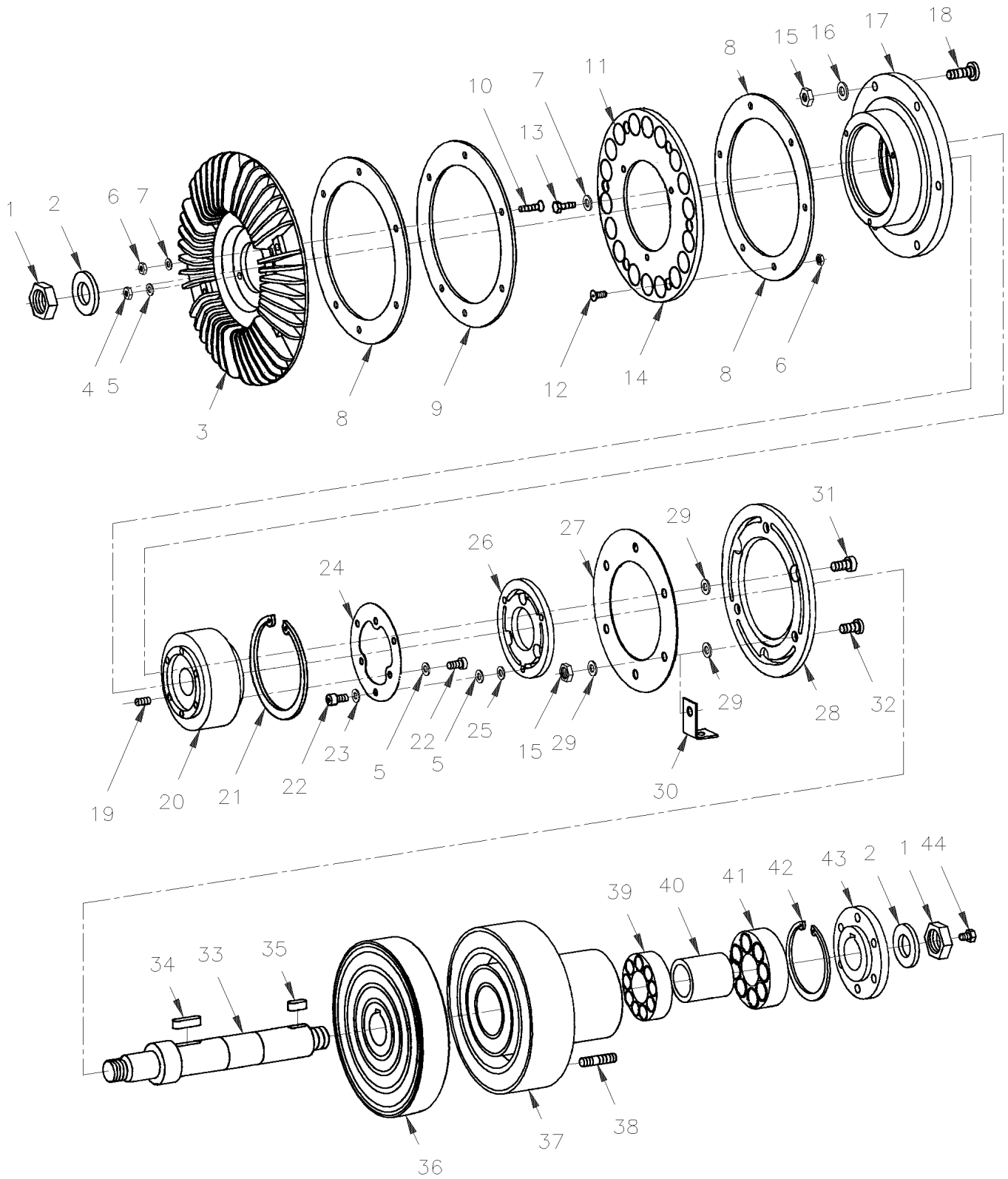
Item#	Part	Description	H 3 4 0	V I P 4 0	N O T E S
1	550645	ADAPTOR HEAD, COOLANT FILTER	1	1	
1	550804	ADAPTOR HEAD, COOLANT FILTER	1	1	
2	550630	CARTRIGE "MAINTENANCE" "NALCOOL" 3000	1	1	
3	N.S.P.	VALVE, SHUTT-OFF 1/4 X 3/8 NPT (#330) W/HEATER HEAD	1	1	2
4	051902	HOSE ASSY / #6 865MM	1	1	
5	051903	HOSE ASSY / #6 300MM	1	1	
NS	503582	. HOSE #FC-300 HYDRAULIC / #6 S.L.	AR	AR	
NS	501836	. FEMALE CONNECTOR SWIVEL / SAE 45° FITTING / #6FL-Fx#6 STL	2	2	
6	5011034	MALE ELBOW 45° / SAE 45° FITTING / #6FL-Mx1/4NPT-M BR	2	2	
7	502589	SCREW CAP HEX M8-1.25x25 G8.8 Z050	3	3	
8	502543	NUT HEX M8-1.25 Z050	3	3	
9	5001003	WASHER LO SPT 8.1x12.7x2.0 Z050	3	3	
10	501333	STREET ELBOW 90° / PIPE FITTING / 3/8NPT-Mx3/8NPT-F BR	1	1	
20	011632	SUPPORT / WELD TO CRADLE	1	1	
		2) NOT SOLD BY PREVOST (SEE MANUFACTURING PART NUMBER AT END OF DESCRIPTION LINE)			

From P-256 To R-079

Date:07/2024

PAGE:H4-0540-00

FAN CLUTCH ASSY - #550634 (FORMER)



PRODUCTION MODEL

From P-256 To R-079	Date:07/2024	PAGE:H4-0540-00
FAN CLUTCH ASSY - #550634 (FORMER)		

Item#	Part	Description	H 3 4 0	V I P 4 0	N O T E S
	550634	FAN CLUTCH ASSY /	1	1	
1	502767	. NUT HEX JAM M20-1.5 ZP	2	2	
2	502558	. WASHER FL 21.0x37.0x3.0 G500	2	2	
3	550658	. COOLING FAN	1	1	
4	502511	. NUT HEX NYRT M6-1.0 Z050	3	3	
5	502573	. WASHER FL 6.4x12.5x1.6 SS	9	9	
6	502782	. NUT HEX NYRT M5-0.8 Z050	12	12	
7	N.P.N.	. WASHER, M5 X 0.3	9	9	4
8	550659	. DISC	2	2	
9	550660	. EDDY CURRENT DISC	1	1	
10	N.P.N.	. SCREW, M5-0.8 X 25MM FLAT HEAD	6	6	4
11	550661	. MAGNET	18	18	
12	502639	. SCREW MA FL PH M5-0.8X12 ZP	6	6	
13	N.P.N.	. SCREW, M5-0.8 X 16MM	3	3	4
14	550711	. MAGNET PLATE SUPPORT	1	1	
15	502543	. NUT HEX M8-1.25 Z050	3	3	A
16	500874	. WASHER FL 8.4x17.0x1.6 Z050	6	6	A
17	550662	. FLANGE DRIVEN	1	1	
18	550663	. STUD M8-1.25 X 26MM	6	6	
19	N.P.N.	. SET SCREW , M6-1.0 X 20MM	3	3	4
20	550664	. BEARING ASSY	1	1	
21	N.P.N.	. RETAINER RING (90 X 3)	1	1	4
22	N.P.N.	. SOCKET HEAD CAP SCREW, M6-1.0 X 8MM (50-01025)	6	6	4
23	N.P.N.	. WASHER	3	3	4
24	550665	. SPRING PLATE	1	1	
25	N.P.N.	. WASHER SHIM .05MM	3	3	4
26	550666	. ARMATURE DISC / 1ST SPEED	1	1	
27	550667	. SPRING PLATE	1	1	
28	550668	. ARMATURE DISC / 2ND SPEED	1	1	
29	N.P.N.	. WASHER	8	8	4
30	550713	. ANGLE	2	2	
31	N.P.N.	. SOCKET HEAD CAP SCREW, M8-1.25 X 16MM (50-2755)	3	3	4
32	550669	. STUD M8-1.25 X 19MM	3	3	
33	550670	. SHAFT	1	1	
34	550671	. KEY (8 X 7 X 28)	1	1	
35	550672	. KEY (8 X 7 X 18)	1	1	
36	550673	. ROTOR	1	1	
37	550674	. MAGNETIC COIL ASSY	1	1	
38	550675	. STUD M8-1.25 X 35MM	4	4	
39	507204	. BALL BEARING	1	1	
40	N.P.N.	. SPACER	1	1	4
41	507113	. BALL BEARING	2	2	

From P-256 To R-079	Date:07/2024	PAGE:H4-0540-00
FAN CLUTCH ASSY - #550634 (FORMER)		

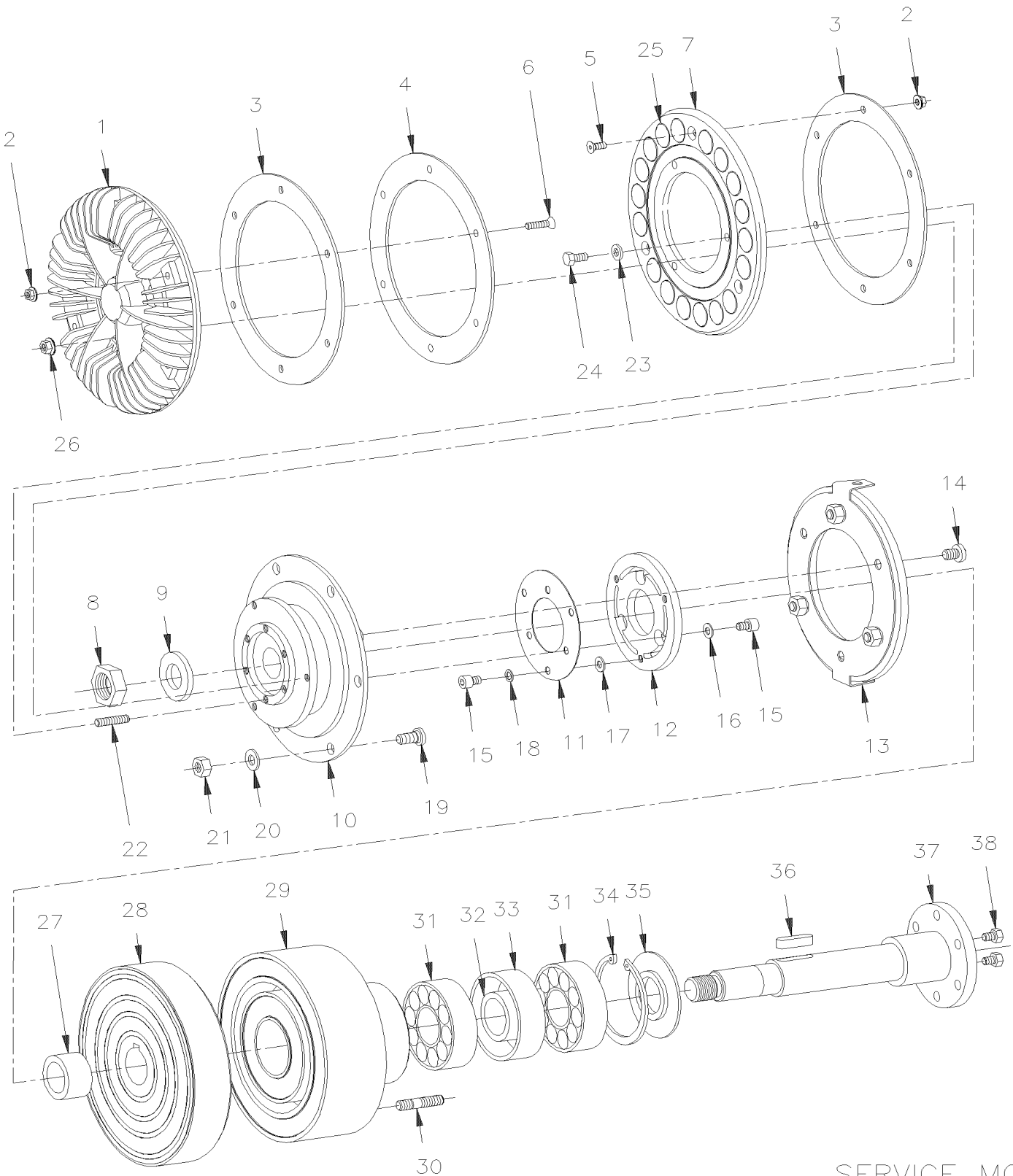
Item#	Part	Description	H 3 4 0	V I P 4 0	N O T E S
42	N.P.N.	. RETAINER RING (72 X 2.5)	1	1	4
43	550676	. FLANGE DRIVE	1	1	
44	5001106	. SCREW CAP HEX M6-1.0x10 G8.8 Z050	2	2	B
NS	561781	CONNECTOR / WEATHER PACK / PH 3C / BLACK / PED 12010717	1	1	
NS	561567	PIN TERMINAL / 20-18 / PED 12089040	3	3	
NS	561565	CABLE SEAL / GREEN / PED 15324982	3	3	
		FOLLOWING ITEMS ARE USED WITH			
		MANUAL OPERATING SWITCH ON L.H. CONSOLE			
NS	561468	SWITCH / OFF-ON S.P.S.T.	1	1	
NS	063021	INSERT / GREEN / WIPER (UPPER)	1	1	
NS	561107	CONNECTOR / TAB HOUSING 8C / SWF 596.289	1	1	
NS	561837	CONNECTOR / TAB HOUSING 2C / SWF 913.328	1	1	
NS	561908	TAB RECEPTACLE TERMINAL / 22-18 / AMP 60295-2	1	1	
NS	560673	WIRE CABLE 16 / BLACK / GXL	6	6	
NS	561258	WIRE CABLE 18 / RED / GXL	1	1	
NS	561700	SPRING SPADE TERMINAL #8 / 16-14 / AMP 52936	2	2	
NS	D060869	WIRING DIAGRAM SPECIAL PAGE 8-SP1	1	1	
		A) TO FIX FAN BLAD			
		B) EMERGENCY USE ONLY			
		4) NO PARTS NUMBER			

From P-256 To R-079

Date:07/2024

PAGE:H4-0540-01

FAN CLUTCH ASSY - #550634 (SERVICE) / SERVICE



SERVICE MODEL

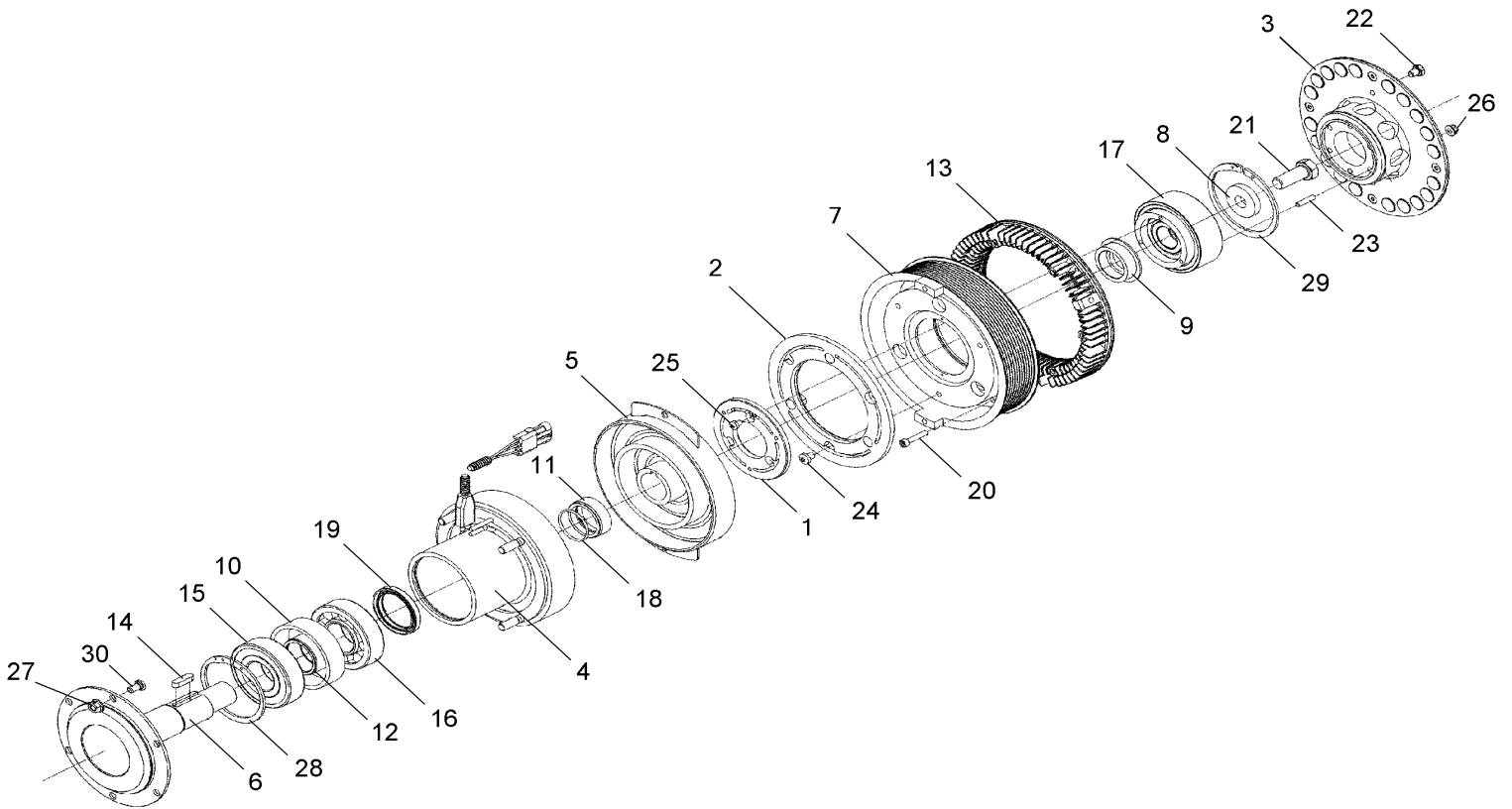
From P-256 To R-079	Date:07/2024	PAGE:H4-0540-01
FAN CLUTCH ASSY - #550634 (SERVICE) / SERVICE		

Item#	Part	Description	H 3 4 0	V I P 4 0	N O T E S
	550634	FAN CLUTCH ASSY /	1	1	
1	550778	. COOLING FAN	1	1	
2	502782	. NUT HEX NYRT M5-0.8 Z050	9	9	
3	550659	. DISC	2	2	
4	N.P.N.	. EDDY CURRENT DISC	1	1	4 C
5	502639	. SCREW MA FL PH M5-0.8X12 ZP	3	3	
6	N.P.N.	. SCREW, M5-0.8 X 25MM FLAT HEAD	6	6	4
7	550779	. MAGNET PLATE SUPPORT	1	1	
8	502767	. NUT HEX JAM M20-1.5 ZP	2	2	
9	502558	. WASHER FL 21.0x37.0x3.0 G500	2	2	
10	550780	. FLANGE DRIVEN ASSY W/BEARING	1	1	
. NS	550664	. . BEARING ASSY	1	1	
11	550781	. SPRING PLATE	1	1	
12	550782	. ARMATURE DISC / 1ST SPEED	1	1	
13	550783	. ARMATURE DISC / 2ND SPEED	1	1	
13	550713	. . ANGLE	2	2	
13	550667	. . SPRING PLATE	1	1	
14	N.P.N.	. SOCKET HEAD CAP SCREW, M8-1.25 X 16MM (50-2755)	3	3	4
15	N.P.N.	. SOCKET HEAD CAP SCREW, M6-1.0 X 8MM (50-01025)	6	6	4
16	N.P.N.	. WASHER SHIM .05MM	3	3	4
17	N.P.N.	. WASHER	3	3	4
18	502564	. WASHER LO SPT 6.1x11.8x1.6 Z050	3	3	
19	550669	. STUD M8-1.25 X 19MM	6	6	A
20	500874	. WASHER FL 8.4x17.0x1.6 Z050	6	6	A
21	502744	. NUT HEX STO M8-1.25 Z050	6	6	
22	N.P.N.	. SET SCREW, M6-1.0 X 20MM	3	3	4
23	N.P.N.	. WASHER	3	3	4
24	5001106	. SCREW CAP HEX M6-1.0x10 G8.8 Z050	3	3	
25	550661	. MAGNET	18	18	
26	502511	. NUT HEX NYRT M6-1.0 Z050	3	3	
27	N.P.N.	. SPACER	1	1	4
28	550784	. ROTOR	1	1	
29	550785	. MAGNETIC COIL ASSY	1	1	
30	550675	. STUD M8-1.25 X 35MM	4	4	
31	507113	. BALL BEARING	2	2	
32	N.P.N.	. SPACER SMALL	1	1	4
33	N.P.N.	. SPACER LARGE	1	1	4
34	N.P.N.	. RETAINER RING (72 X 2.5)	1	1	4
35	N.P.N.	. DEFLECTOR	1	1	4
36	550671	. KEY (8 X 7 X 28)	1	1	
37	550786	. SHAFT	1	1	
38	5001106	. SCREW CAP HEX M6-1.0x10 G8.8 Z050	2	2	B

From P-256 To R-079	Date:07/2024	PAGE:H4-0540-01
FAN CLUTCH ASSY - #550634 (SERVICE) / SERVICE		

Item#	Part	Description	H 3 4 0	V I P 4 0	N O T E S
NS	502744	NUT HEX STO M8-1.25 Z050	4	4	
NS	500874	WASHER FL 8.4x17.0x1.6 Z050	4	4	
NS	561781	CONNECTOR / WEATHER PACK / PH 3C / BLACK / PED 12010717	1	1	
NS	561567	PIN TERMINAL / 20-18 / PED 12089040	3	3	
NS	561565	CABLE SEAL / GREEN / PED 15324982	3	3	
		A) TO FIX FAN BLAD			
		B) EMERGENCY USE ONLY			
		C) (INCLUDE WITH ITEM #1)			
		4) NO PARTS NUMBER			

From P-256 To R-079	Date:07/2024	PAGE:H4-0540-99
FAN CLUTCH ASSY - #550839 / RETROFIT		



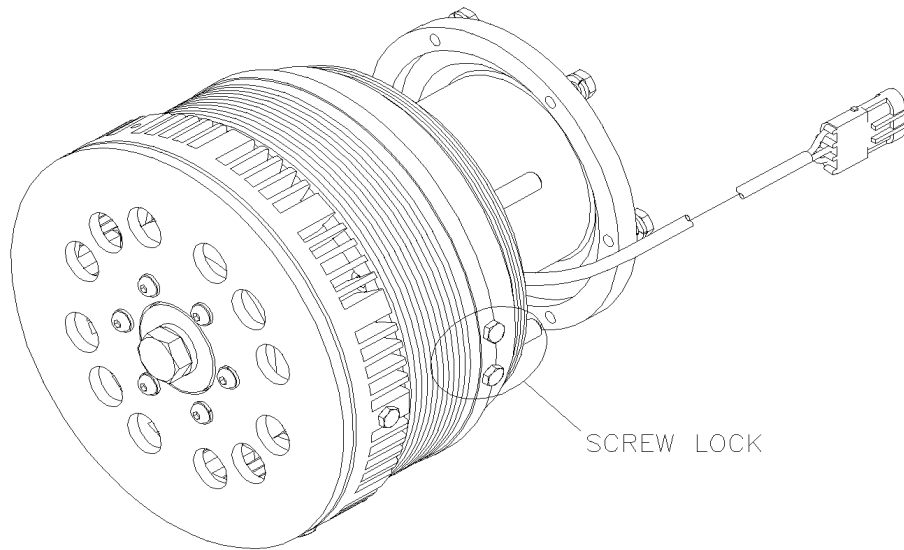
From P-256 To R-079	Date:07/2024	PAGE:H4-0540-99
FAN CLUTCH ASSY - #550839 / RETROFIT		

Item#	Part	Description	H 3 4 0	V I P 4 0	N O T E S
		NOTE: USE ONLY WITH SUPPORT #052649			
	550839	FAN CLUTCH ASSY /	1	1	
. NS	IS-EB0140 A	. SEE INSTRUCTION SHEET	1	1	
1	N.S.S.	. ARMATURE DISC	1	1	1
2	N.S.S.	. ARMATURE DISC	1	1	1
3	550882	. MAGNET RING ASSY	1	1	
4	550883	. MAGNETIC COIL ASSY	1	1	
5	550884	. ROTOR	1	1	
6	550885	. SHAFT	1	1	
7	550890	. PULLEY ASSY WBEARING & DISC	1	1	A
8	550887	. WASHER	1	1	
9	550888	. BUSHING FLANGE	1	1	
10	N.P.N.	. SPACER	1	1	4
11	550893	. BUSHING W/GROOVE	1	1	
12	N.P.N.	. SPACER	1	1	4
13	550889	. COOLING RING	1	1	
14	550671	. KEY (8 X 7 X 28)	1	1	
15	550895	. BALL BEARING	1	1	
16	550894	. ROLLER BEARING	1	1	
17	550886	. BEARING ASSY	1	1	
18	550891	. O-RING 40 X 2.5	1	1	
19	550892	. SEAL 50 X 65 X 8	1	1	
20	N.P.N.	. SCREW CAP HEX S.ZP MG X 30 G8.8	6	6	4
21	N.P.N.	. SCREW CAP HEX M16 X 40 G10.9	1	1	4
22	500069	. SCREW CAP HEX M8-1.25x16 G10.9 DP	2	2	B
23	N.S.S.	. INSERT	3	3	1
24	N.S.S.	. INSERT	3	3	1
25		. SCREW M6 X 8	6	6	
26	500680	. NUT HEX STO M10-1.5 Z050	6	6	
27	N.P.N.	. RETAINER RING (90 X 3)	1	1	4
28	N.P.N.	. RETAINER RING (100 X 3)	1	1	4
29	N.S.S.	. SNAP RING	1	1	1
30	N.P.N.	. INSERT	1	1	4
32	550966	FAN CLUTCH ASSY / ALTERNATIVE PART	1	1	
. NS	550062	. LOCKING TABS	1	1	
32	550057	FAN CLUTCH ASSY / ALTERNATIVE PART / SEE MI16-08	1	1	
. NS	550062	. LOCKING TABS	1	1	
33	IS17908	550057 FAN CLUTCH FIRST INSTALLATION / WITH LONG FAN DRIVE	1	1	
. NS	550057	. FAN CLUTCH ASSY / ALTERNATIVE PART / SEE MI16-08	1	1	
. . NS	550062	. . LOCKING TABS	1	1	

From P-256 To R-079	Date:07/2024	PAGE:H4-0540-99
FAN CLUTCH ASSY - #550839 / RETROFIT		

Item#	Part	Description	H 3 4 0	V I P 4 0	N O T E S
. NS	506064	. MULTI V-BELT / 12 RIB 83 1/2" (2121)	1	1	
. NS	5001758	. NUT HEX STO M10-1.5 N500	4	4	
. NS	500897	. WASHER FL .437x1.000x.083 N500	4	4	
. NS	IS-17908	. SEE INSTRUCTION SHEET	1	1	
34	IS17909	550057 FAN CLUTCH FIRST INSTALLATION / WITH SHORT FAN DRIVE	1	1	
. NS	550057	. FAN CLUTCH ASSY / ALTERNATIVE PART / SEE MI16-08	1	1	
. NS	550062	. LOCKING TABS	1	1	
. NS	5002112	. MULTI V-BELT / 12 RIB 62.40" (1585MM)	2	2	
. NS	502692	. NUT HEXF STO M8-1.25 Z050	3	3	
. NS	502891	. SCREW CRG M8-1.25x40 G8.8 Z050	3	3	
. NS	500874	. WASHER FL 8.4x17.0x1.6 Z050	3	3	
. NS	502644	. WASHER FL 10.5x30.0x2.5 Z050	4	4	
. NS	5001758	. NUT HEX STO M10-1.5 N500	4	4	
. NS	5001654	. WASHER FL 6.4x17.0x3.0 SS	6	6	
. NS	502843	. SCREW CAP HEX M6-1.0x45 G8.8 N500	1	1	
. NS	502621	. NUT HEX STO M6-1.0 Z050	1	1	
. NS	IS-17909	. SEE INSTRUCTION SHEET	1	1	
		A) INCLUDES ITEMS #1, 2, 17, 23, 24, 25 & 29			
		B) USE IN EMERGENCY ONLY			
		1) NOT SOLD SEPARATELY			
		4) NO PARTS NUMBER			

From P-256 To R-079	Date:07/2024	PAGE:550966
FAN CLUTCH ASSY / ALTERNATIVE PART		



From P-256 To R-079	Date:07/2024	PAGE:550966
---------------------	--------------	-------------

FAN CLUTCH ASSY / ALTERNATIVE PART

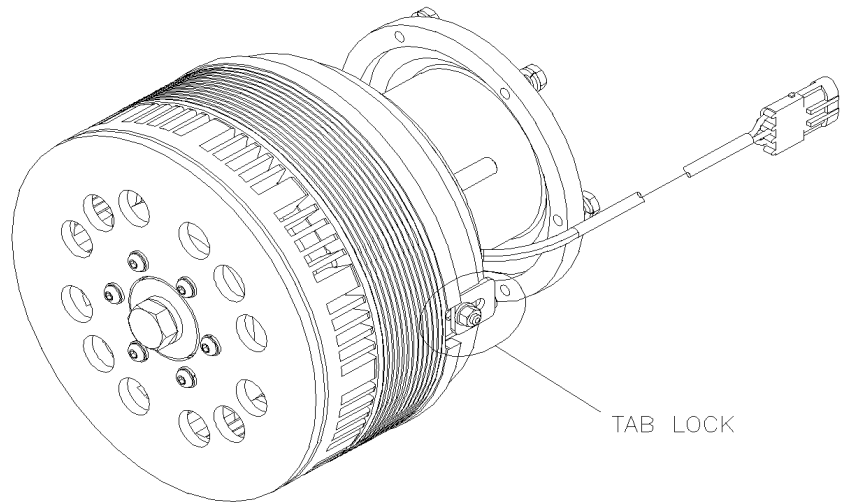
Item#	Part	Description	H 3 4 0	V I P 4 0	N O T E S
1		FORMER WITH SCREW LOCK	1	1	

From P-256 To R-079

Date:07/2024

PAGE:550057

FAN CLUTCH ASSY / ALTERNATIVE PART / SEE MI16-08

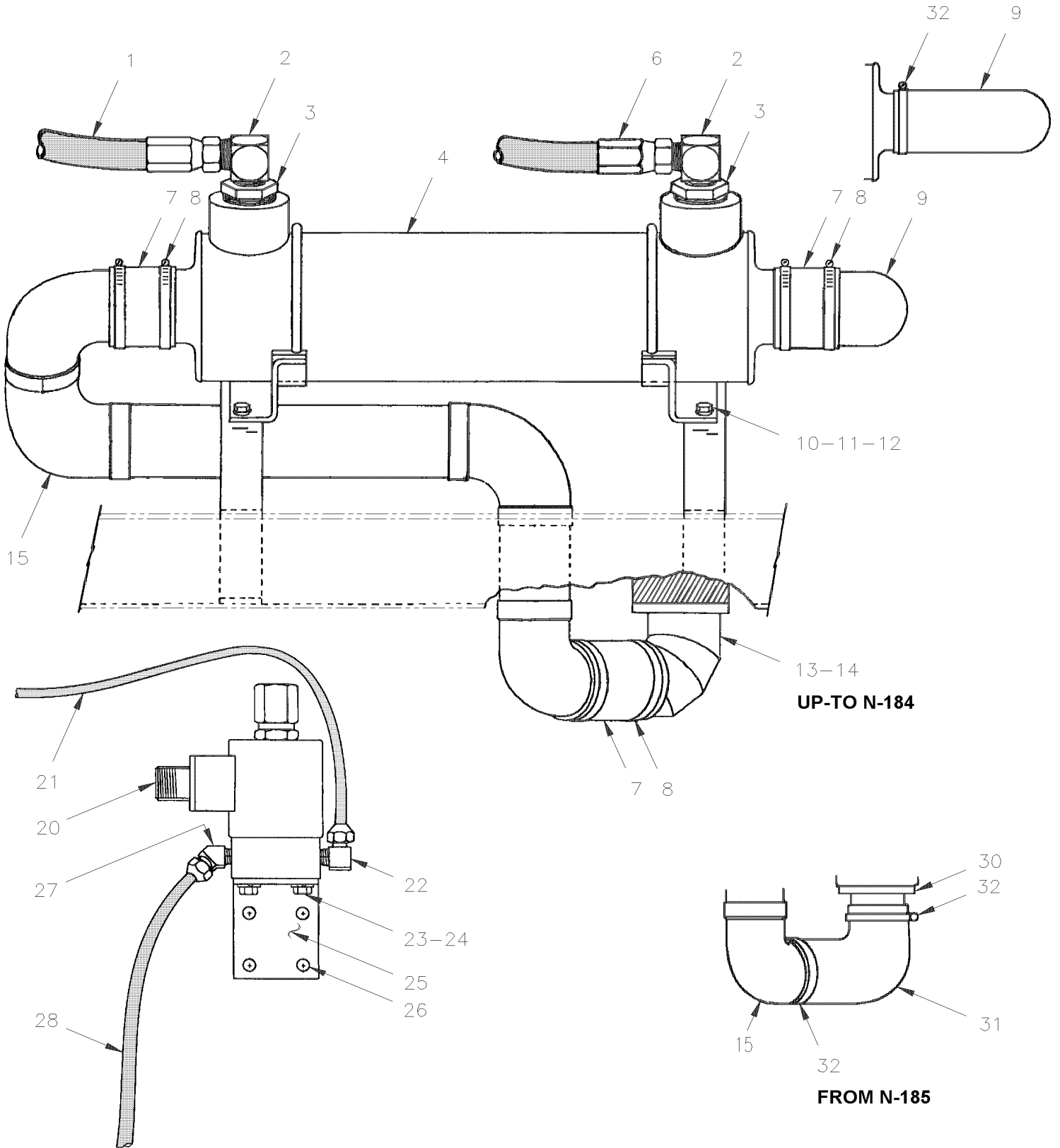


From P-256 To R-079	Date:07/2024	PAGE:550057
---------------------	--------------	-------------

FAN CLUTCH ASSY / ALTERNATIVE PART / SEE MI16-08

Item#	Part	Description	H 3 4 0	V I P 4 0	N O T E S
2		WITH TAB LOCK	1	1	

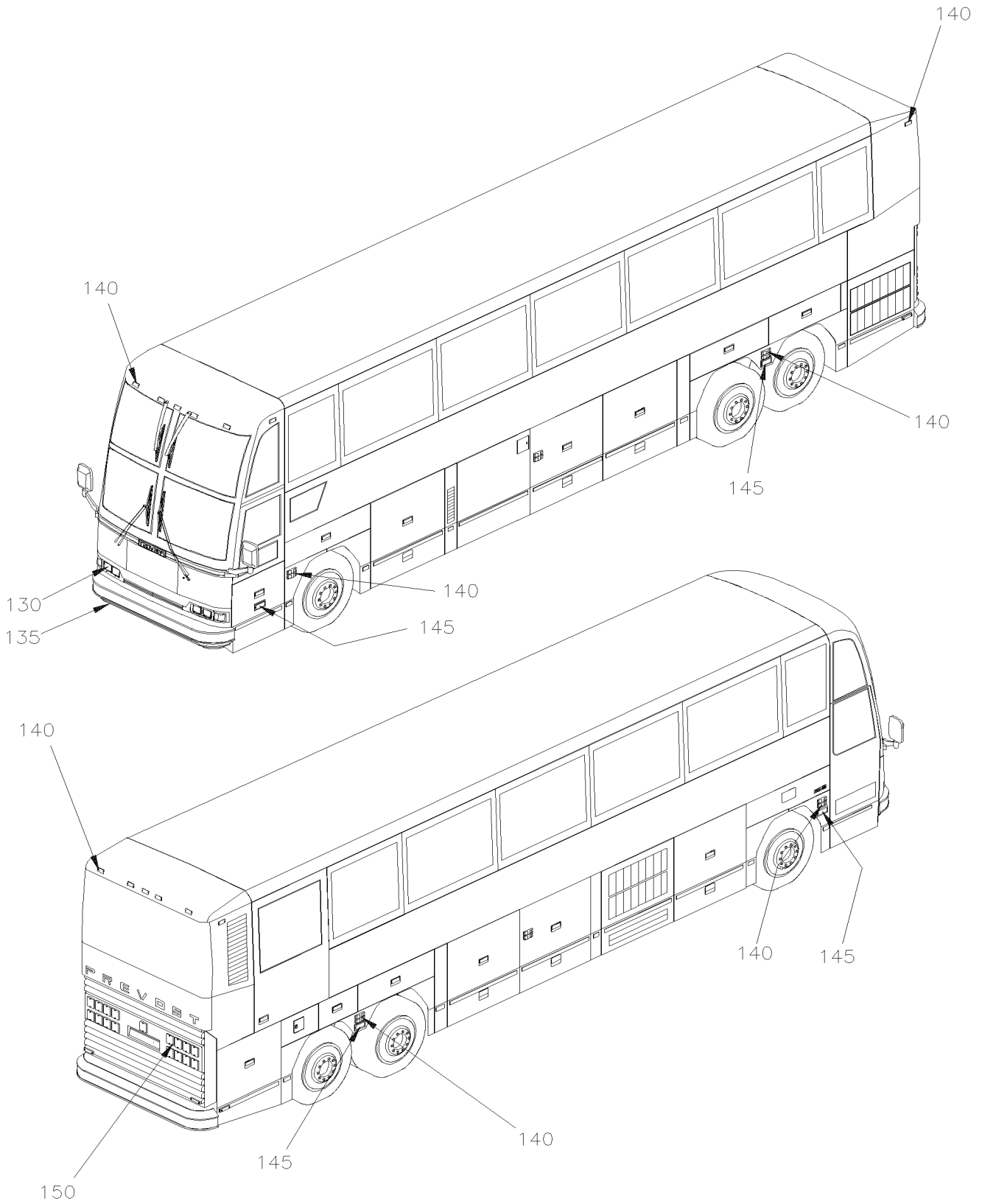
From L-031 To R-032	Date:07/2024	PAGE:H4-0560-00
OIL COOLER - TRANSMISSION DETROIT S-92		



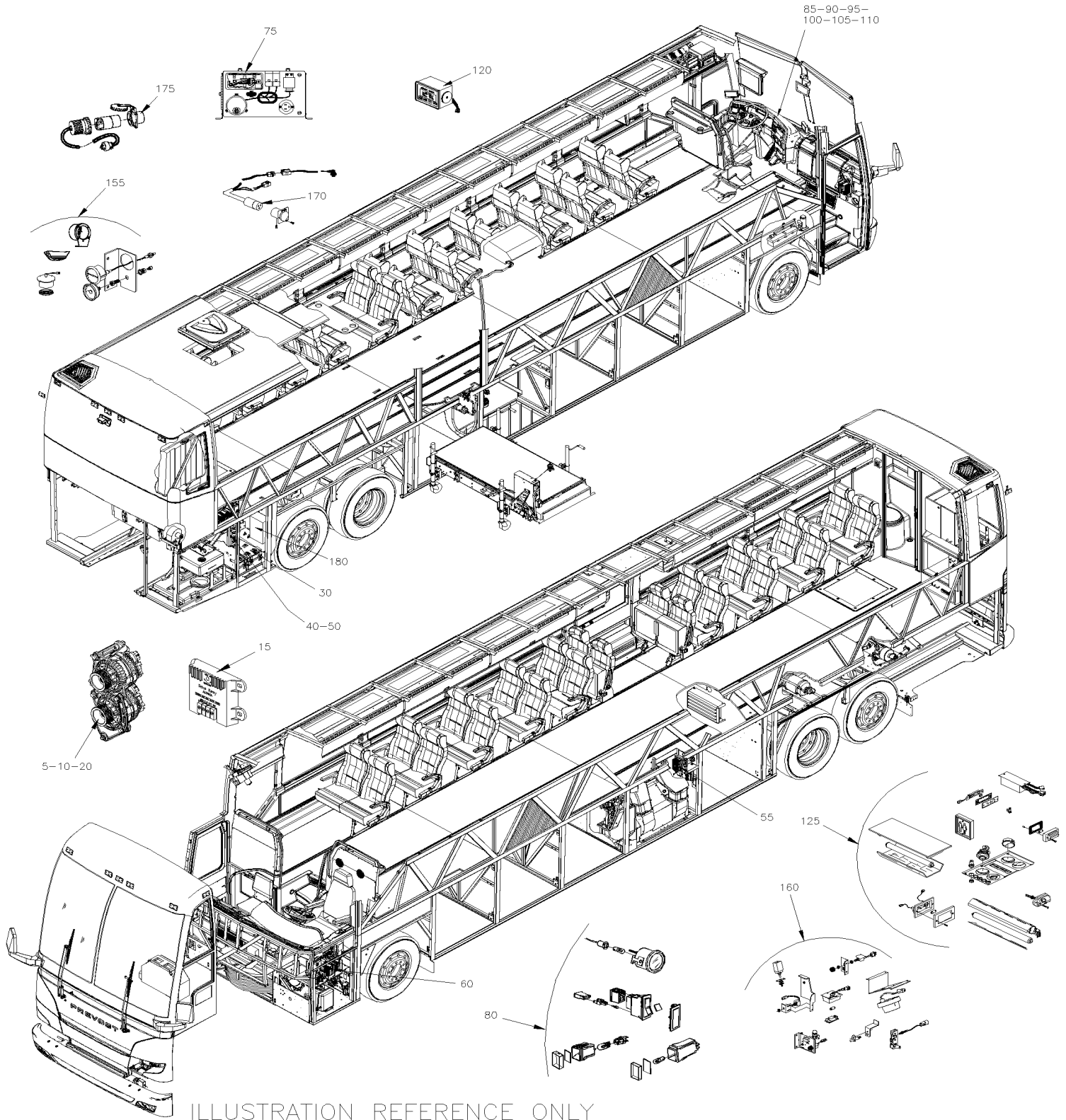
From L-031 To R-032	Date:07/2024	PAGE:H4-0560-00
OIL COOLER - TRANSMISSION DETROIT S-92		

Item#	Part	Description	H 3 4 0	V I P 4 0	N O T E S
1	051692	HOSE ASSY / #20 1120MM	1	1	
1	503516	. HOSE #FC-300 HYDRAULIC / #20 S.L.	AR	AR	
1	501343	. FEMALE CONNECTOR SWIVEL / JIC 37° FITTING / #20JIC-Fx#20 ZP	2	2	
1	501575	. MALE CONNECTOR / JIC 37° FITTING / #20JIC-Mx#20ORB-M STL VITON	2	2	
2	507501	MALE ELBOW 90° / JIC 37° FITTING / #20JIC-Mx1 1/4NPT-M STL	2	2	
3	507502	BUSHING REDUCER / PIPE FITTING / 2NPT-Mx1 1/4NPT-F BR	2	2	
4	550598	COOLER ASSY	2	2	
6	051688	HOSE ASSY / #20 1505MM	1	1	
7	503396	HOSE SILICONE 3" I.D. x 3'	AR	AR	
8	504525	HOSE CLAMP / 2"3/4-3"5/8 SS / HTM-350L	8	8	
9	051675	PIPE ASSY To N-184	1	1	
9	503571	ELBOW 90° X 3" I.D. / SILICONE From N-185	AR	AR	
NS	051683	ADAPTOR / HOSE & MOTOR	1	1	
10	502559	SCREW CAP HEX M10-1.5x25 G8.8 Z050	4	4	
11	500256	NUT HEX M10-1.5 Z050	4	4	
12	500257	WASHER LO SPT 10.2x18.1x2.2 Z050	4	4	
13	051680	ADAPTOR, PIPE To N-184	1	1	
14	510385	GASKET	1	1	
15	051681	PIPE	1	1	
20	560930	VALVE SOLENOID N.C. 24 VOLTS	1	1	
. NS	060851	. CONNECTOR ASSY	1	1	
21	031149	HOSE ASSY TEFLON #4 351MM	1	1	
21	503064	. HOSE TEFLON #4 / S.L.	AR	AR	
21	5011182	. FEMALE CONNECTOR SWIVEL / SAE 45° FITTING / #4FL-Fx#4 STL	2	2	
21	5011183	. SLEEVE / #4 STL	2	2	
22	501036	MALE ELBOW 90° / SAE 45° FITTING / #4FL-Mx1/8NPT-M BR	1	1	
23	502751	SCREW CAP HEX #10-32x3/8 Z050	2	2	
24	500470	WASHER LO SPT .193x.334x.047 Z050	2	2	
25	060721	SUPPORT / SOLENOID VALVE	1	1	
26	500613	SCREW TP PAN PH #10x1/2 Z050	AR	AR	
27	501808	MALE ELBOW 45° / SAE 45° FITTING / #4FL-Mx1/8NPT-M BR	1	1	
28	070613	HOSE ASSY TEFLON #4 2089MM	1	1	
30	051755	. ADAPTOR From N-185	1	1	
31	051757	ELBOW 90° X 3" I.D. / 90MM x 180MM C/C / SILICONE From N-185	1	1	
31	503571	. ELBOW 90° X 3" I.D. / SILICONE From N-185	1	1	
32	504329	HOSE CLAMP / 3"5/16-4"1/4 SS / E.T. 60	AR	AR	

	Date:07/2024	H4-06
ELECTRICAL		



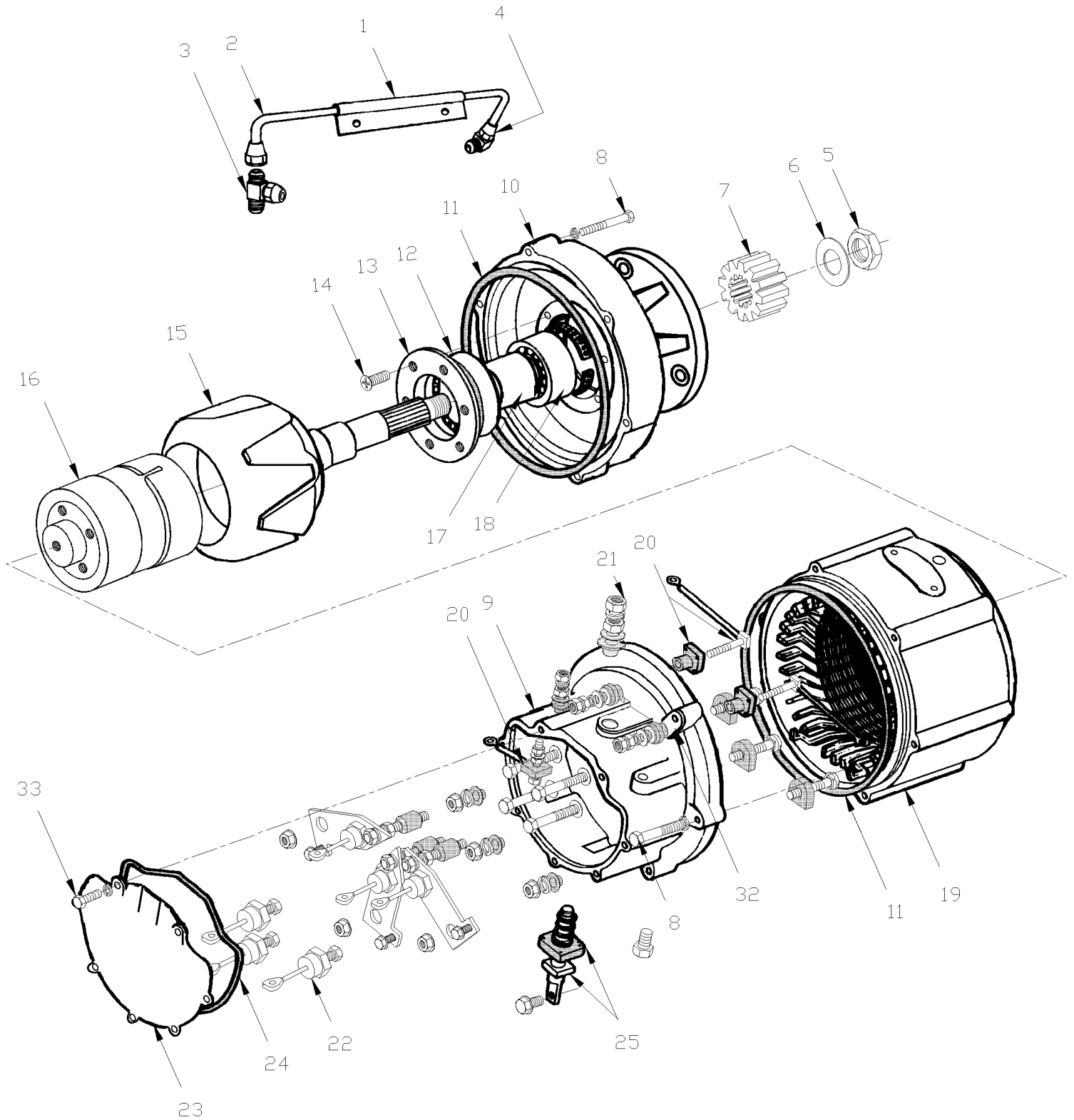
	Date:07/2024	H4-06
ELECTRICAL		



		Date:07/2024	H4-06		
ELECTRICAL					
Item#	Part	Description	H 3 4 0	V I P 4 0	N O T E S
5	H4-0605-02	ALTERNATOR 24V/270 AMPS / "DELCO" #561723 From L-031 To R-032			
5	H4-0605-03	ALTERNATOR 24V/270 AMPS / "DELCO" #562235 From P-256 To R-079			
5	H4-0605-99	ALTERNATOR 24V/140 AMPS / "BOSCH" / RETROFIT From P-256 To R-079			A
10	H4-0610-01	ALTERNATOR MOUNTING / "DELCO" WITH DETROIT S-92 From L-031 To R-032			
10	H4-0610-02	ALTERNATOR MOUNTING / "DELCO" WITH DETROIT S-60 From P-256 To R-079			
10	H4-0610-03	ALTERNATOR MOUNTING / "DELCO" WITH DETROIT S-60 From P-256 To R-079			A
15	H4-0610-10	VOLTAGE REGULATOR - 24 VOLTS W/270 AMPS From L-031 To R-079			
20	H4-0610-52	ALTERNATOR MOUNTING / "DELCO" - 12V/145A / DETROIT S-92 From L-031 To R-032			
20	H4-0610-53	ALTERNATOR MOUNTING / "DELCO" - 12V/145A / GEARBOX INSTAL From P-256 To R-079			
20	H4-0610-54	ALTERNATOR MOUNTING / "BOSCH" - 24V/140A / GEARBOX INSTAL From P-256 To R-079			
20	H4-0610-99	ALTERNATOR MOUNTING / "BOSCH" WITH DETROIT S-60 From P-256 To R-079			A
30	H4-0615-00	BATTERIES INSTALLATION From L-031 To R-079			
40	H4-0616-00	JUNCTION BOX COMPONENTS, RELAY & BREAKER From L-031 To R-079			
50	H4-0620-00	REAR JUNCTION BOX ASSY From L-031 To R-079			
50	H4-0620-50	REAR JUNCTION BOX - INSTALLATION From L-031 To R-079			
55	H4-0621-00	A/C JUNCTION BOX ASSY From L-031 To R-396			
55	H4-0621-01	A/C JUNCTION BOX ASSY From R-397 To R-079			
55	H4-0621-99	A/C CONDENSOR MOTOR RELAY From L-031 To R-079			A
60	H4-0625-00	FRONT JUNCTION BOX ASSY From L-031 To R-079			
75	H4-0626-00	ALARM JUNCTION BOX ASSY From L-031 To P-299			
75	H4-0626-01	ALARM JUNCTION BOX ASSY From P-300 To R-079			
80	H4-0644-00	DASHBOARD COMPONENTS From L-031 To R-079			
85	H4-0645-00	SWITCHES L.H. CONSOLE - BUS From L-031 To R-079			
85	H4-0645-05	SWITCHES L.H. CONSOLE - V.I.P. From L-031 To R-079			
90	H4-0645-10	L.H. DASHBOARD PANEL From L-031 To R-079			
95	H4-0645-20	CENTER DASHBOARD PANEL From L-031 To R-079			
100	H4-0645-30	R.H. DASHBOARD PANEL From L-031 To R-079			
105	H4-0645-40	L.H. & R.H. LOWER CENTRAL PANEL From L-031 To R-079			
110	H4-0645-50	R.H. CONSOLE From L-031 To R-079			
120	H4-0650-00	DATA HUB From L-031 To R-079			
125	H4-0655-00	INTERIOR LIGHTING From L-031 To R-079			
130	H4-0660-00	HEADLAMP & FRONT DIRECTIONAL LAMPS From L-031 To R-079			
135	H4-0661-00	FOG LAMP From L-031 To R-079			
140	H4-0662-00	CLEARANCE & MARKER LIGHT From L-031 To R-079			
145	H4-0663-00	DOCK & CORNERING LIGHT From L-031 To R-079			
150	H4-0664-00	REAR EXTERIOR LIGHTS & PLATE HOLDER From L-031 To R-079			
155	H4-0665-00	ENGINE COMPARTMENT - ELECTRIC COMPONENTS From L-031 To R-079			
160	H4-0665-10	SWITCHES, LIGHTS, AJAR - UNDER FLOOR From L-031 To R-079			
170	H4-0666-00	BLOCK HEATER RECEPTACLE From L-031 To R-079			
175	H4-0670-00	EXTERIOR 110 VOLTS OUTLET From L-031 To R-079			
180	H4-0670-10	BATTERIES CHARGER - INSTALLATION / RETROFIT From L-031 To R-079			B

		Date:07/2024	H4-06		
ELECTRICAL					
Item#	Part	Description	H 3 4 0	V I P 4 0	N O T E S
		A) SERVICE			
		B) RETROFIT			

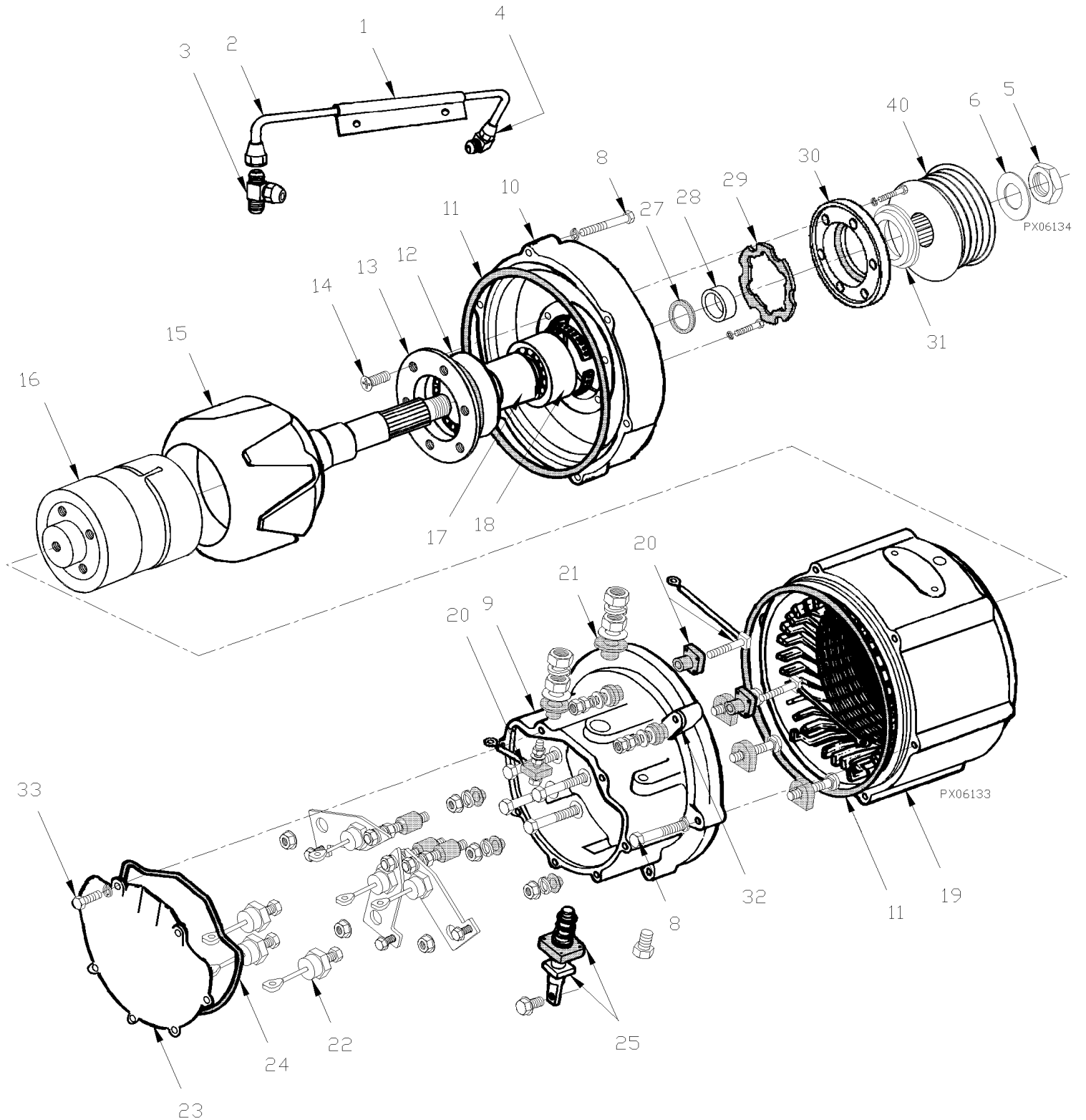
From L-031 To R-032	Date:07/2024	PAGE:H4-0605-02
ALTERNATOR 24V/270 AMPS / "DELCO" #561723		



From L-031 To R-032	Date:07/2024	PAGE:H4-0605-02
ALTERNATOR 24V/270 AMPS / "DELCO" #561723		

Item#	Part	Description	H 3 4 0	V I P 4 0	N O T E S
	561723	ALTERNATOR ASSY 24V/270 AMPS	1	1	
1	561169	. CLAMP / OIL LINE TUBE	1	1	
2	561598	. OIL LINE	1	1	
3	561171	. TEE	1	1	
4	561170	. ELBOW 90°	1	1	
5	560968	. NUT	1	1	
6	560973	. WASHER / PINION	1	1	
7	561702	. GEAR PINION / 18 TEETH	1	1	
8	500170	. SCREW CAP HEX 1/4-20x2 G5 PT Z050	12	12	
NS	500473	. WASHER LO SPT .262x.489x.062 Z050	12	12	
9	N.S.P.	. FRAME RECTIFIER END / (10471611)	1	1	2
10	562194	. FRAME D.E.	1	1	
11	562196	. O-RING	2	2	
12	562186	. BEARING INNER D.E.	1	1	
13	N.S.P.	. RETAINING BEARING	1	1	2
14	500371	. SCREW MA FL PH M4-0.7x8 N500	6	6	
15	562179	. ROTOR	1	1	
16	562182	. FIELD ASSY	1	1	
17	562188	. SPACER / BEARING	1	1	
18	562184	. BEARING OUTER D.E.	1	1	
19	562177	. STATOR ASSY / W/RIGID LEAD	1	1	
19	562693	. STATOR ASSY / W/FLEX LEAD	1	1	
20	560724	. STUD TERMINAL FIELD	2	2	
21	560846	. SLEEVE INSULATOR DC+ STUD	1	1	
22	562193	. DIODE (NEGATIF) / ALTERNATOR 50 DN	6	6	
23	562466	. COVER / RECTIFIER END / ALUMINUM DIE CAST	1	1	
24	562467	. O-RING	1	1	
24	561237	. GASKET / USE W/STEEL COVER / (FORMER)	1	1	
25	562450	. STUD TERMINAL DC +	1	1	
32	562386	. STRAP / FIELD TERMINAL & GROUND	1	1	
33	500163	. SCREW CAP HEX 1/4-20x3/4 G5 Z050	6	6	
		2) NOT SOLD BY PREVOST (SEE MANUFACTURING PART NUMBER AT END OF DESCRIPTION LINE)			

From P-256 To R-079	Date:07/2024	PAGE:H4-0605-03
ALTERNATOR 24V/270 AMPS / "DELCO" #562235		



From P-256 To R-079	Date:07/2024	PAGE:H4-0605-03
ALTERNATOR 24V/270 AMPS / "DELCO" #562235		

Item#	Part	Description	H 3 4 0	V I P 4 0	N O T E S
	562235	ALTERNATOR ASSY 24V/270 AMPS	1	1	
	563437	ALTERNATOR ASSY 24V/270 AMPS	1	1	
1	561169	. CLAMP / OIL LINE TUBE	1	1	
2	562238	. OIL LINE TUBE	1	1	
3	561171	. TEE	1	1	
4	561170	. ELBOW 90°	1	1	
5	562457	. NUT, DRIVE END	1	1	
6	560973	. WASHER / PINION	1	1	
8	500170	. SCREW CAP HEX 1/4-20x2 G5 PT Z050	12	12	
NS	500473	. WASHER LO SPT .262x.489x.062 Z050	12	12	
9	N8885614	. FRAME RECTIFIER END	1	1	
9	563440	. FRAME RECTIFIER END	1	1	A
10	562241	. FRAME D.E.	1	1	
. NS	562509	. OIL SEAL 2.247" O.D.	1	1	
10	10523585	. FRAME D.E.	1	1	
11	562196	. O-RING	2	2	
12	562186	. BEARING INNER D.E.	1	1	
13	N8885671	. RETAINER BEARING (1941060)	1	1	
14	500371	. SCREW MA FL PH M4-0.7x8 N500	6	6	
15	562240	. ROTOR	1	1	
16	562182	. FIELD ASSY	1	1	
18	562184	. BEARING OUTER D.E.	1	1	
19	562239	. STATOR ASSY / W/RIGID LEAD	1	1	
19	562694	. STATOR ASSY / W/FLEX LEAD	1	1	
19	563438	. STATOR ASSY / W/FLEX LEAD & INSULATOR	1	1	A
20	560724	. STUD TERMINAL FIELD	2	2	
21	560846	. SLEEVE INSULATOR DC+ STUD	1	1	
22	562193	. DIODE (NEGATIF) / ALTERNATOR 50 DN	6	6	
23	562466	. COVER / RECTIFIER END / ALUMINUM DIE CAST	1	1	
24	562467	. O-RING	1	1	
25	562450	. STUD TERMINAL DC +	1	1	
27	562242	. O-RING / SPACER COLLAR & BEARING	1	1	
28	562245	. SPACER COLLAR D.E.	1	1	
29	562243	. GASKET PLATE DRIVE END	1	1	
30	562244	. RETAINER BEARING D.E.	1	1	
31	562509	. OIL SEAL 2.247" O.D.	1	1	
31	N8896697	. OIL SEAL W/FLANGE 30375" O.D.	1	1	
. NS	N8885631	. O-RING / SPACER COLLAR & BEARING	1	1	
. NS	N8893250	. SPACER COLLAR D.E.	1	1	
32	562386	. STRAP / FIELD TERMINAL & GROUND	1	1	
33	500163	. SCREW CAP HEX 1/4-20x3/4 G5 Z050	6	6	
40	510439	PULLEY ALTERNATOR 12 RIB	1	1	

From P-256 To R-079	Date:07/2024	PAGE:H4-0605-03
ALTERNATOR 24V/270 AMPS / "DELCO" #562235		

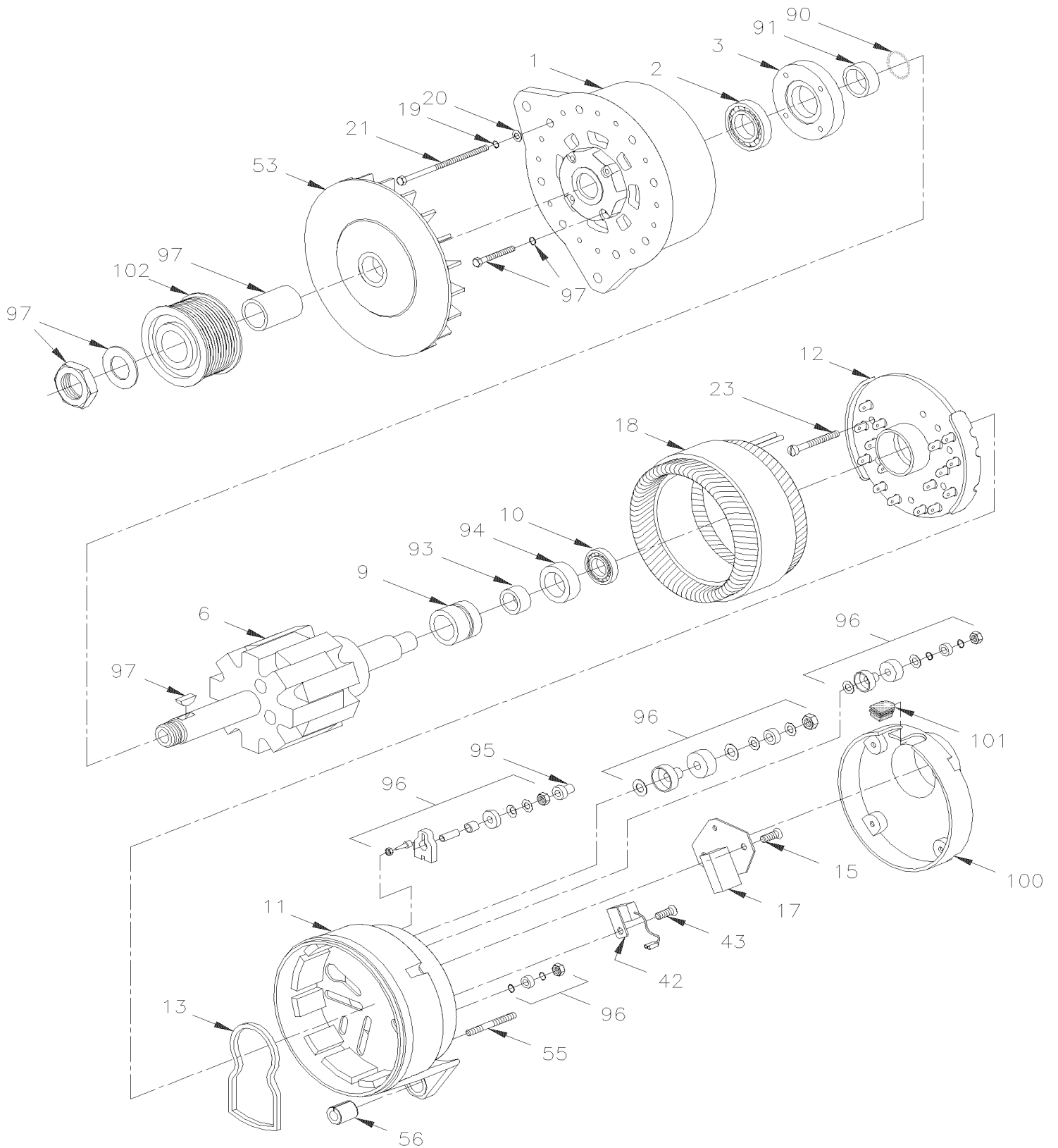
Item#	Part	Description	H 3 4 0	V I P 4 0	N O T E S
		A) USE WITH #563437 ONLY			

From P-256 To R-079

Date:07/2024

PAGE:H4-0605-99

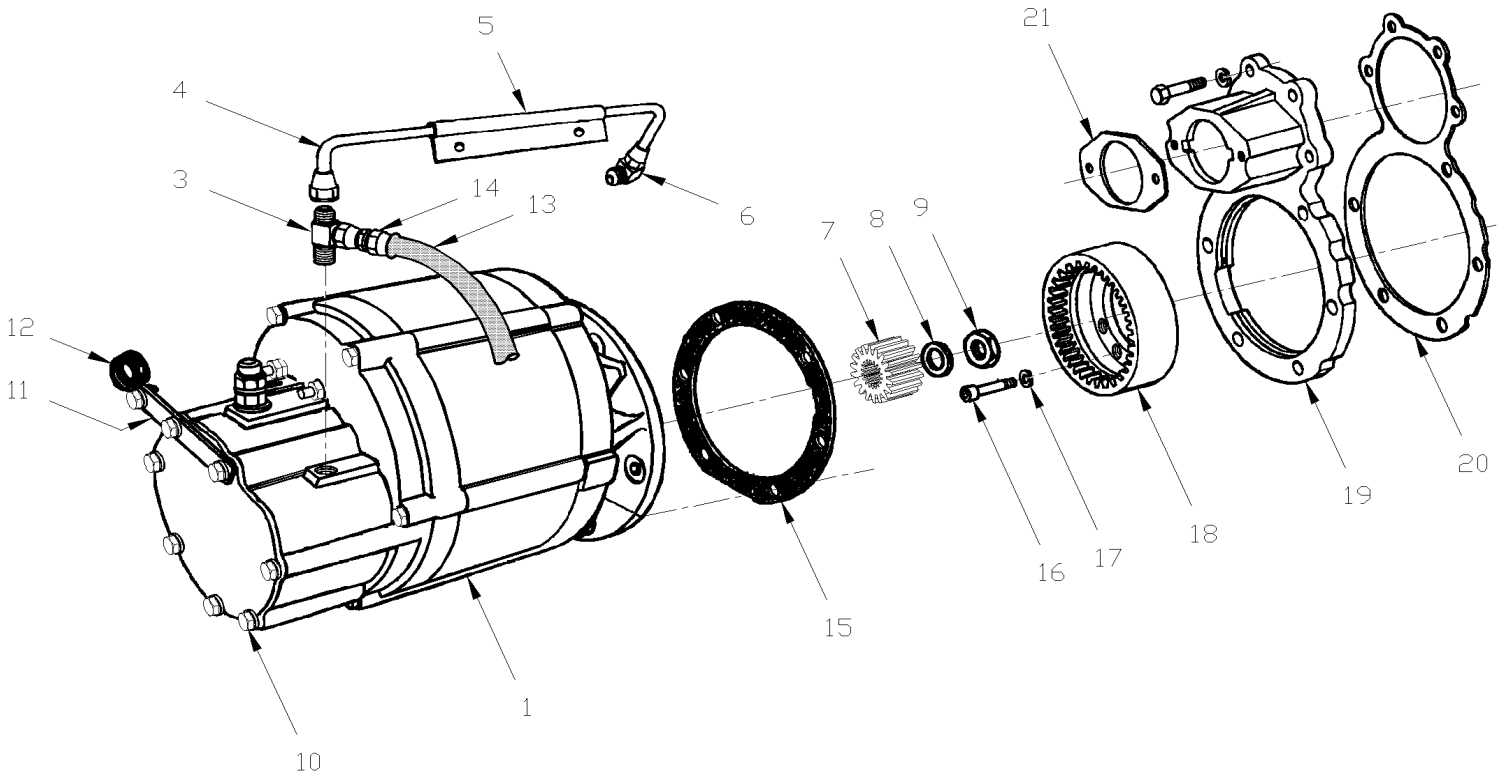
ALTERNATOR 24V/140 AMPS / "BOSCH" / RETROFIT



From P-256 To R-079	Date:07/2024	PAGE:H4-0605-99
ALTERNATOR 24V/140 AMPS / "BOSCH" / RETROFIT		

Item#	Part	Description	H 3 4 0	V I P 4 0	N O T E S
	562752	ALTERNATOR ASSY 24V/140 AMPS	2	2	
1	562971	. DRIVE END SHIELD	1	1	
2	562972	. BALL BEARING	1	1	
3	562973	. COVER PLATE / (1 120 033 009)	1	1	
6	562974	. ROTOR / (1 124 037 004)	1	1	
9	562975	. . COLLECTOR-RING	1	1	
10	562976	. CYLINDER ROLLER BEARING	1	1	
NS	684922	. GREASE "POLYREX" EM / TO USE W/"BOSCH" ALTERNATOR	AR	AR	
11	562977	. COLLECTOR-RING END SHIELD	1	1	
12	562978	. RECTIFIER PLATE ASSY / (1 127 320 973)	1	1	
13	562979	. . SEAL	1	1	
15	562980	. WASHER-AND-SCREW ASSEMBLY	3	3	
17	562981	. TRANSISTOR REGULATOR	1	1	
17	562982	. . COMPRESSION SPRING	2	2	
17	562983	. . BRUSH SET	2	2	
17	562984	. GASKET	1	1	
18	562985	. STATOR ASSY	1	1	
19	562986	. WASHER LOCK SPRING 6MM	4	4	
20	562987	. PLAIN WASHER	4	4	
21	562988	. OVAL-HEAD SCREW	4	4	
23	562989	. WASHER-AND-SCREW ASSEMBLY	3	3	
42	562990	. SUPPRESSION CAPACITOR	1	1	
43	562991	. OVAL-HEAD SCREW M6 X 10-5.8	1	1	
53	562992	. FAN	1	1	
55	562993	. STUD M6 X 35-5.6 / (2 912 212 207)	4	4	
56	562994	. EXPANSION BUSHING / (1 120 300 018)	1	1	
90	562995	. RETAINER DIN 9045-30 / (2916 600 016)	1	1	
91	562996	. SUPPORT RING / (1 120 114 002)	1	1	
93	562997	. SPACER RING	1	1	
94	562998	. RADIAL SEAL	1	1	
95	562999	. PROTECTIVE CAP	1	1	
96	563000	. PARTS SET TERMINAL B+,B-,D+,W /	1	1	
97	563001	. KIT NUT & WASHER M24-1.5 YC	1	1	
100	562851	AIR-INTAKE COVER	1	1	
101	563002	GROMMET / (1 120 312 000)	1	1	
101	504421	GROMMET / .625x.875x.187x.437x1.125	1	1	
102	H4-0610-54	ALTERNATOR MOUNTING / "BOSCH" - 24V/140A / GEARBOX INSTAL			
103	H4-0610-99	ALTERNATOR MOUNTING / "BOSCH" WITH DETROIT S-60			

From L-031 To R-032	Date:07/2024	PAGE:H4-0610-01
ALTERNATOR MOUNTING / "DELCO" WITH DETROIT S-92		



From L-031 To R-032	Date:07/2024	PAGE:H4-0610-01
---------------------	--------------	-----------------

ALTERNATOR MOUNTING / "DELCO" WITH DETROIT S-92

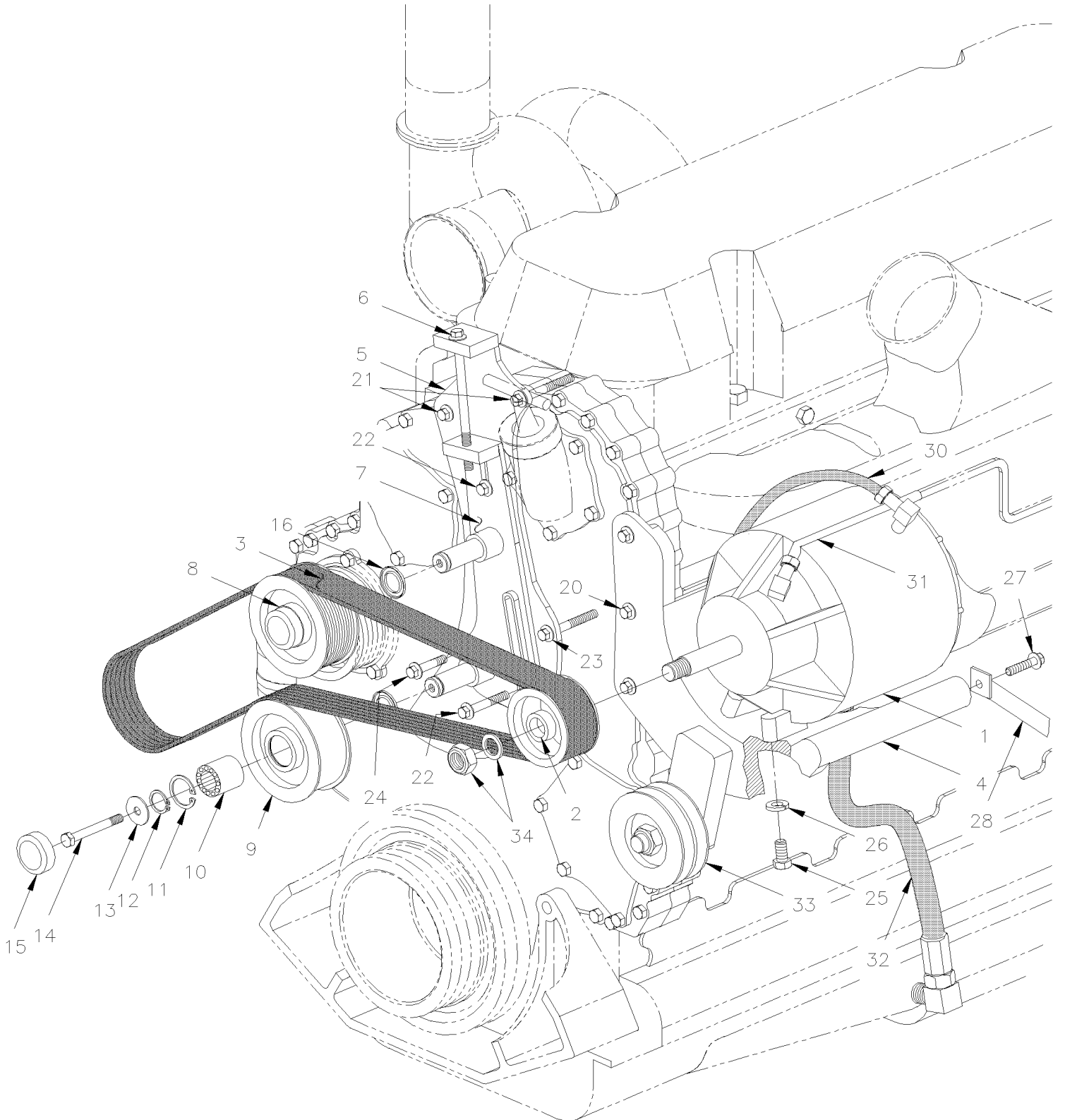
Item#	Part	Description	H 3 4 0	V I P 4 0	N O T E S
1	561723	ALTERNATOR ASSY 24V/270 AMPS	1	1	
3	561171	. TEE	1	1	
4	561598	. OIL LINE	1	1	
5	561169	. CLAMP / OIL LINE TUBE	1	1	
6	561170	. ELBOW 90°	1	1	
7	561702	. GEAR PINION / 18 TEETH	1	1	
8	560973	. WASHER / PINION	1	1	
9	560968	. NUT	1	1	
10	561237	GASKET / USE W/STEEL COVER / (FORMER)	1	1	
11	060834	SUPPORT / HARNESS	1	1	
12	560481	CLAMP / 5/8" I.D.	1	1	
NS	060838	CABLE / DC + & STARTER	1	1	
NS	561859	. BOOT STUD WIRE COVER / RED	1	1	
13	061215	HOSE ASSY TEFLON #5 715MM	1	1	
NS	503492	. HOSE TEFLON #5 / S.L.	AR	AR	
14	501921	. FEMALE CONNECTOR SWIVEL / SAE 45° FITTING / TEFLON / #5FL-Fx#5 STL	2	2	
NS	501039	MALE ELBOW 90° / SAE 45° FITTING / #5FL-Mx1/4NPT-M BR	1	1	
NS	501329	STREET ELBOW 45° / PIPE FITTING / 1/4NPT-Mx1/4NPT-F BR	1	1	
15	510308	GASKET ALTERNATOR	1	1	
16	N.S.P.	SOCKET HEX HEAD (#5185793)	6	6	2
17	N.S.P.	WASHER (#5185794)	6	6	2
18	510347	GEAR INTERNAL / 53 TEETH	1	1	
19	N.S.P.	ADAPTOR (23515921)	1	1	2
19	N.S.P.	STUD 1/2-20 & 3/8-24 (#8928900)	1	1	2
19	N.S.P.	STUD 1/2-20 (#8928901)	5	5	2
20	510340	GASKET / HOUSING & ALTERNATOR ADAPTOR	1	1	
21	510227	GASKET / POWER STEERING PUMP	1	1	
		FOLLOWING PARTS ARE REQUIRED FOR EASIER INSTALLATION OF THE ALTERNATOR			
NS	011451	ALTERNATOR CLAMP	1	1	
NS	011452	SPACER CLAMP	2	2	
NS	502533	SCREW CAP HEX M6-1.0x30 G8.8 Z050	2	2	
NS	502564	WASHER LO SPT 6.1x11.8x1.6 Z050	2	2	
NS	500609	NUT HEX M6-1.0 Z050	2	2	
		2) NOT SOLD BY PREVOST (SEE MANUFACTURING PART NUMBER AT END OF DESCRIPTION LINE)			

From P-256 To R-079

Date:07/2024

PAGE:H4-0610-02

ALTERNATOR MOUNTING / "DELCO" WITH DETROIT S-60



From P-256 To R-079	Date:07/2024	PAGE:H4-0610-02
ALTERNATOR MOUNTING / "DELCO" WITH DETROIT S-60		

Item#	Part	Description	H 3 4 0	V I P 4 0	N O T E S
1	562235	ALTERNATOR ASSY 24V/270 AMPS	1	1	
1	562355	ALTERNATOR ASSY 12V/300 AMPS /	1	1	
2	510439	PULLEY ALTERNATOR 12 RIB	1	1	
3	506669	MULTI V-BELT / 12 RIB 72" (1830) 23521337	1	1	
4	N.S.P.	SUPPORT ALTERNATOR MOUNTING / (23511742)	1	1	2
4	N.S.P.	SUPPORT ALTERNATOR MOUNTING / (23518226)	1	1	2 A
4	N.S.P.	SUPPORT ALTERNATOR MOUNTING / (23521128)	1	1	2
4	N.S.P.	KEY 3/16 X 7/8 WOODRUFF / (120502)	2	2	2
5	N.S.P.	SUPPORT BELT TENSIONER BRACKET (23515696)	1	1	2
6	N.S.P.	BOLT FLG M10-1.5 X 170MM / (23511767)	1	1	2
7	N.S.P.	TENSIONER ASSY / (23515689)	1	1	2
7	N.S.P.	TENSIONER ASSY / (23518304)	1	1	2 A
8	N.S.P.	. PULLEY IDLER 12G / 3 1/4" O.D. / (23511706)	1	1	2
8	N.S.P.	. PULLEY IDLER 12G / 3 1/4" O.D. / (23518221)	1	1	2 A
9	N.S.P.	. PULLEY BELT TENSIONER / 5 1/4 O.D. / (23515693)	1	1	2
9	N.S.P.	. PULLEY BELT TENSIONER / 5 1/4 O.D. / (23511822)	1	1	2 A
10	510457	. BEARING DBL ROW	1	1	
10	510618	. BALL BEARING DBL ROW / 30MM x 62MM x 27 W	1	1	A
11	510441	. RING RETAINER / INT 2 1/16"	1	1	
12	510442	. RING RETAINER / EXT .926 x .984 x .042	1	1	
13	N.S.P.	WASHER	2	2	2 A
14	N.S.P.	BOLT M10-1.5 X 45MM G10.9 / (23505062)	1	1	2 A
14	510627	BOLT M10-1.5 X 45MM LH G10.9	1	1	
15	N.S.P.	PROTECTOR CAP	2	2	2 B
16	N.S.P.	SEAL / (CR 14960)	2	2	2 B
20	N.S.P.	BOLT FLG M10-1.5 X 45MM / (11513960)	3	3	2
20	N.S.P.	NUT M10-1.5 FLG / (11506101)	3	3	2
21	N.S.P.	SCREW CAP HEXF M10-1.5x85 G10.9 PHC	2	2	2
22	N.S.P.	BOLT FLG M10-1.5 X 25MM / (23511786)	3	3	2
23	N.S.P.	SCREW CAP HEXF M14-2.0x80 G10.9 PHC	2	2	2
24	N.S.P.	SCREW CAP HEXF M14-2.0x50 G10.9 PHC	1	1	2
25	N.S.P.	BOLT 1/2-13 X 2.00" / (00455001)	2	2	2
25	N.S.P.	BOLT 1/2-13 X 2.25" / (00186631)	2	2	2
26	N.S.P.	WASHER / (5132715)	4	4	2
27	N.S.P.	BOLT FLG M12-1.75 X 30MM / TO FIX BRACE / (11509528)			2
28	N.S.P.	BRACE ALTERNATOR SUPPORT / (23511743)			2
28	N.S.P.	BRACKET ALTERNATOR SUPPORT / ON BLOCK / (23511744)			2
28	N.S.P.	BOLT FLG M10-1.5 X 30MM / TO FIX SUPPORT / (11505299)			2
30	N.S.P.	HOSE ASSY 21" / #4 ALT VENT TOP OF ALTERNATOR (0513063)	1	1	2
31	N.S.P.	HOSE ASSY 25.25" / #5 TEFLON OIL SUPPLY / (23504343)	1	1	2
32	N.S.P.	HOSE ASSY 23.40" / #16 OIL DRAIN / (23511765)	1	1	2
32	N.S.P.	CONECTOR 1" NPT 1" TUBE/OIL DRAIN/ (09402713)	1	1	2

From P-256 To R-079	Date:07/2024	PAGE:H4-0610-02
ALTERNATOR MOUNTING / "DELCO" WITH DETROIT S-60		

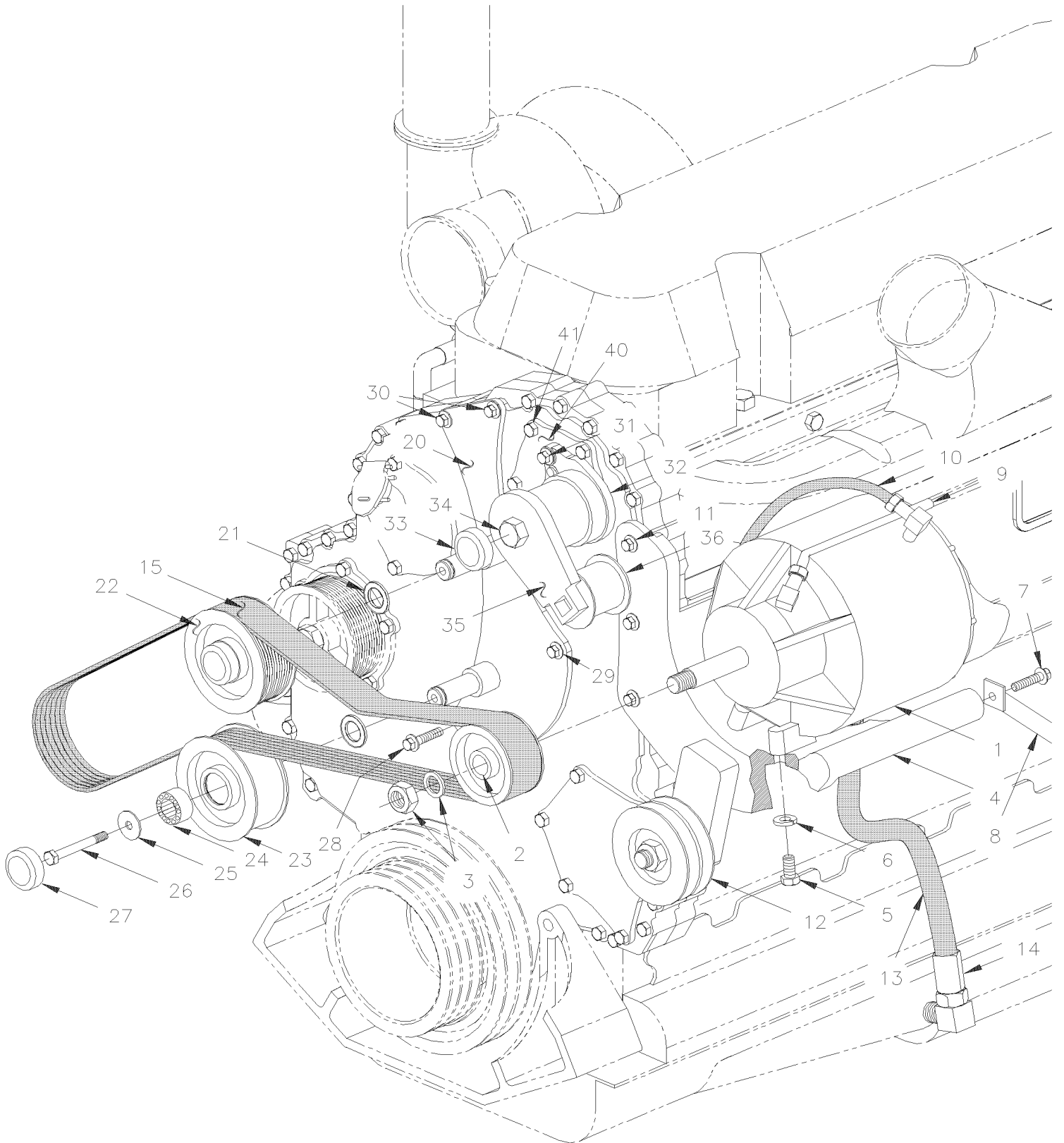
Item#	Part	Description	H 3 4 0	V I P 4 0	N O T E S
32	N.S.P.	ELBOW 90DEG (23517563)	1	1	2
33	H4-0125-01	BELTS TENSIONERS - WITH DETROIT S-60			
34	H4-0605-03	ALTERNATOR 24V/270 AMPS / "DELCO" #562235			
34	N.S.P.	ELBOW 90° 3/4" NPT 1" TUBE / OIL DRAIN / (02492119)			2
NS	682408	BELT TENSIONER GAUGE (FOR V-RIBBED, POLY-V OR	AR	AR	
		A) THIS INSTALLATION ARE EFFECTIVE IN JANUARY 1996			
		B) THIS INSTALLATION ARE EFFECTIVE IN JANUARY 1997			
		2) NOT SOLD BY PREVOST (SEE MANUFACTURING PART NUMBER AT END OF DESCRIPTION LINE)			

From P-256 To R-079

Date:07/2024

PAGE:H4-0610-03

ALTERNATOR MOUNTING / "DELCO" WITH DETROIT S-60



From P-256 To R-079	Date:07/2024	PAGE:H4-0610-03
ALTERNATOR MOUNTING / "DELCO" WITH DETROIT S-60		

Item#	Part	Description	H 3 4 0	V I P 4 0	N O T E S
1	562235	ALTERNATOR ASSY 24V/270 AMPS	1	1	
1	562355	ALTERNATOR ASSY 12V/300 AMPS /		1	
2	510439	PULLEY ALTERNATOR 12 RIB	1	1	
3	H4-0605-03	ALTERNATOR 24V/270 AMPS / "DELCO" #562235			
4	N.S.P.	SUPPORT ALTERNATOR MOUNTING / (23521128)	1	1	2
4	N.S.P.	KEY WOODRUFF 3/16" X 7/8" / (120502)	2	2	2
5	N.S.P.	BOLT 1/2-13 X 2.00" / (00455001)	2	2	2
5	N.S.P.	BOLT 1/2-13 X 2.25" / (00186631)	2	2	2
6	N.S.P.	WASHER / (5132715)	4	4	2
7	N.S.P.	BOLT FLG M12-1.75 X 30MM / TO FIX BRACE / (11509528)	4	4	2
7	N.S.P.	BRACKET ALTERNATOR SUPPORT / ON BLOCK / (23511744)	1	1	2
7	N.S.P.	BOLT FLG M10-1.5 X 30MM / TO FIX SUPPORT ON BLOCK (11505299)	3	3	2
8	N.S.P.	BRACE ALTERNATOR SUPPORT / (23511743)	1	1	2
9	N.S.P.	HOSE ASSY 25.25" / #5 TEFLON OIL SUPPLY / (23504343)	1	1	2
10	N.S.P.	HOSE ASSY 21" / #4 ALT VENT TOP OF ALTERNATOR (0513063)	1	1	2
11	N.S.P.	BOLT FLG 7/16-14 X 5.75 / (23521130)	2	2	2
11	510636	NUT HEXF 7/16-14 ZP	1	1	
11	N.S.P.	NUT FLG 7/16-14 / (23521132)	3	3	2
12	H4-0125-01	BELTS TENSIONERS - WITH DETROIT S-60			
13	N.S.P.	HOSE ASSY 23.40" / #16 OIL DRAIN / (23517561)	1	1	2
13	N.S.P.	CONNECTOR 1" NPT 1" TUBE/OIL DRAIN/ (09402713)	1	1	2
14	N.S.P.	ELBOW 90° 3/4" NPT 1" TUBE/OIL DRAIN/ (02492119)	1	1	2
15	506782	MULTI V-BELT / 12 RIB 73" (1854) 23521000	1	1	
20	N.S.P.	IDLER PULLEY ASSY / (23520959)	1	1	2
21	N.S.P.	. SEAL / (CR 14960) / (23521013)	2	2	2
22	N.S.P.	. PULLEY IDLER 12G / 5 1/4" O.D. / (23520994)	1	1	2
23	N.S.P.	. PULLEY BELT TENSIONER / 5 1/4 O.D. / (23520999)	1	1	2
24	N.S.P.	. BALL BEARING DBL ROW / 30MM x 62MM x 27 W	1	1	2
25	N.S.P.	. WASHER / (23518224)	2	2	2
26	N.S.P.	. BOLT M10-1.5 X 45MM G10.9 / (23518303)	2	2	2
26	510627	. BOLT M10-1.5 X 45MM LH G10.9	1	1	
27	N.S.P.	. PROTECTOR CAP / (05107293)	2	2	2
28	975121	SCREW CAP HEXF M14-2.0x50 G10.9 PHC	1	1	
29	975124	SCREW CAP HEXF M14-2.0x80 G10.9 PHC	2	2	
30	975104	SCREW CAP HEXF M10-1.5x85 G10.9 PHC	3	3	
31	N.S.P.	BOLT FLG M10-1.5 X 30MM / (23511786)	1	1	2
32	012103	AUTOMATIC TENSIONER ASSY	1	1	
32	N.S.P.	. SPRING	2	2	2
33	N.S.P.	. PROTECTOR CAP	1	1	2
34	N.S.P.	. BOLT	1	1	2
35	N.S.P.	. LEVER	1	1	2
36	N.S.P.	. PULLEY	1	1	2

From P-256 To R-079	Date:07/2024	PAGE:H4-0610-03
ALTERNATOR MOUNTING / "DELCO" WITH DETROIT S-60		

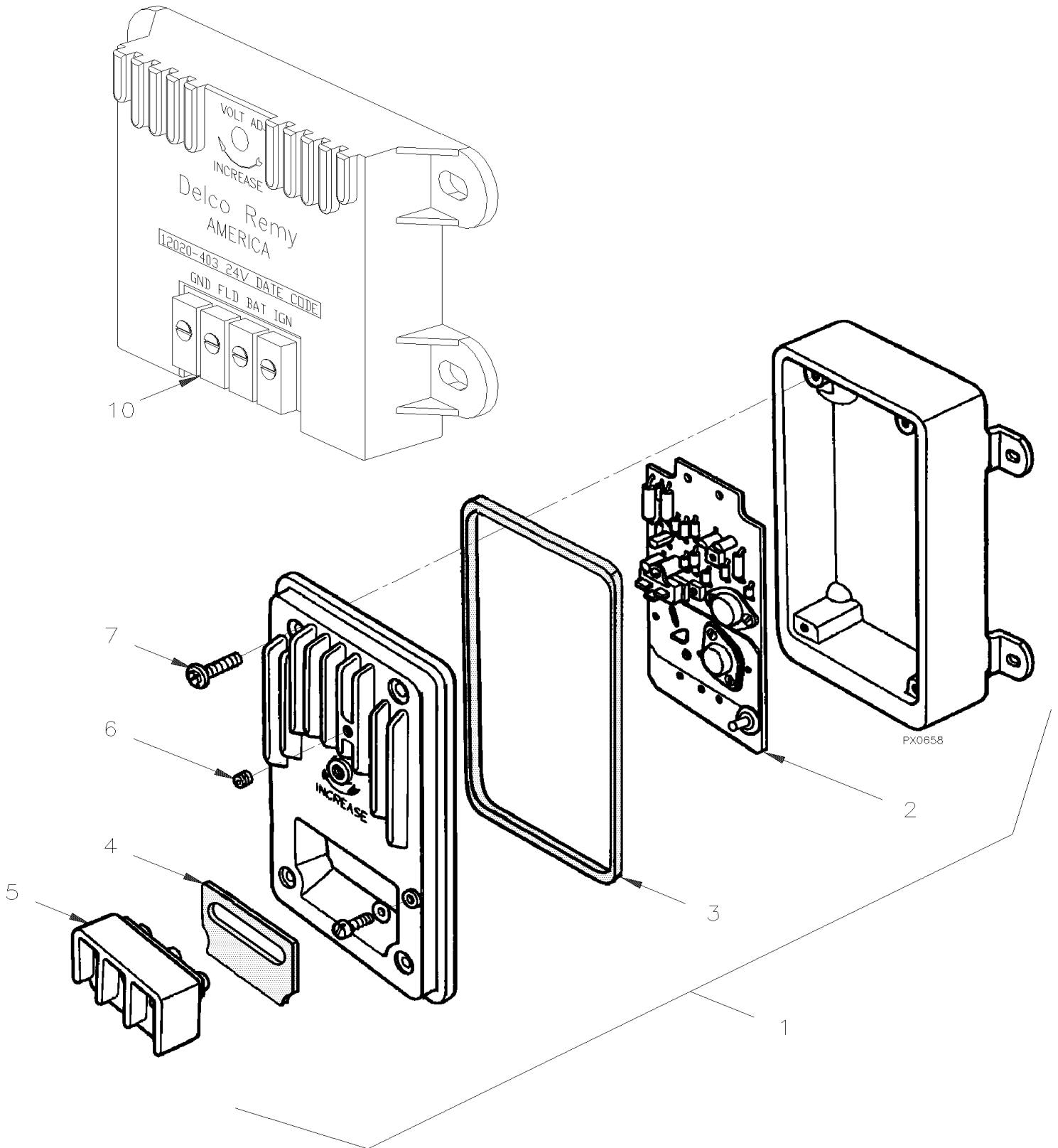
Item#	Part	Description	H 3 4 0	V I P 4 0	N O T E S
36	N.S.P.	. BEARING	1	1	2
36	N.S.P.	PROTECTOR CAP	1	1	2
40	012104	TENSIONER, MOUNTING PLATE	1	1	
40	N.S.P.	O-RING / (8929253)	1	1	2
41	510641	SCREW CAP HEXF M8-1.25x30 G10.9	5	5	
		2) NOT SOLD BY PREVOST (SEE MANUFACTURING PART NUMBER AT END OF DESCRIPTION LINE)			

From L-031 To R-079

Date:07/2024

PAGE:H4-0610-10

VOLTAGE REGULATOR - 24 VOLTS W/270 AMPS



From L-031 To R-079	Date:07/2024	PAGE:H4-0610-10
VOLTAGE REGULATOR - 24 VOLTS W/270 AMPS		

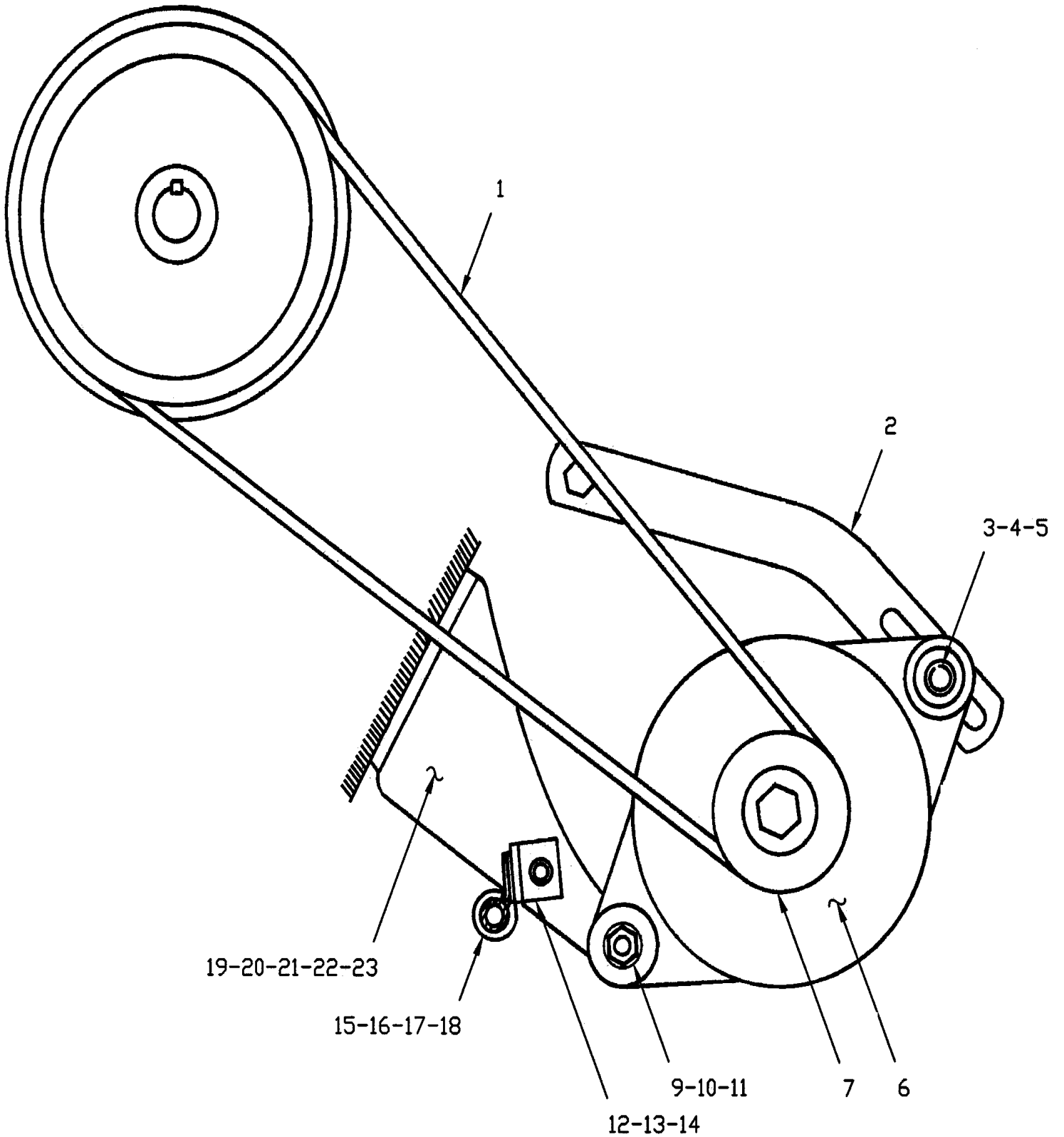
Item#	Part	Description	H 3 4 0	V I P 4 0	N O T E S
1	560030	REGULATOR ASSY 24V / W/3 TERMINALS	1	1	A
2	562269	. BOARD ASSY 24 VOLTS / W/3 SCREWS	1	1	
3	N.S.P.	. COVER GASKET (#1941482)	1	1	2
4	N.S.P.	. BLOCK GASKET (#1942826)	1	1	2
5	N.S.P.	. TERMINAL BLOCK (#1892010)	1	1	2
NS	500653	. SCREW TC PAN PH #8-32x1/4 Z050	3	3	
NS	502649	. WASHER LO EXT .141x.320x.022 Z050	3	3	
6	N.S.P.	. COVER PLUG (#1961573)	1	1	2
7	N.S.P.	. SCREW (#1941484)	4	4	2
NS	561910	BOARD ASSY 24 VOLTS / W/3 SCREWS (REPLACEMENT O.E.M.)	AR	AR	
10	562775	REGULATOR ASSY 24V / W/4 SCREWS	1	1	A
NS	064577	JUMPER, WIRE	1	1	
NS	064717	KIT VOLTAGE REGULATOR	1	1	
. NS	IS-97104B	. SEE INSTRUCTION SHEET	1	1	
		A) THIS PART IS SUPERSEDED BY KIT #064717			
		2) NOT SOLD BY PREVOST (SEE MANUFACTURING PART NUMBER AT END OF DESCRIPTION LINE)			

From L-031 To R-032

Date:07/2024

PAGE:H4-0610-52

ALTERNATOR MOUNTING / "DELCO" - 12V/145A / DETROIT S-92



From L-031 To R-032	Date:07/2024	PAGE:H4-0610-52
ALTERNATOR MOUNTING / "DELCO" - 12V/145A / DETROIT S-92		

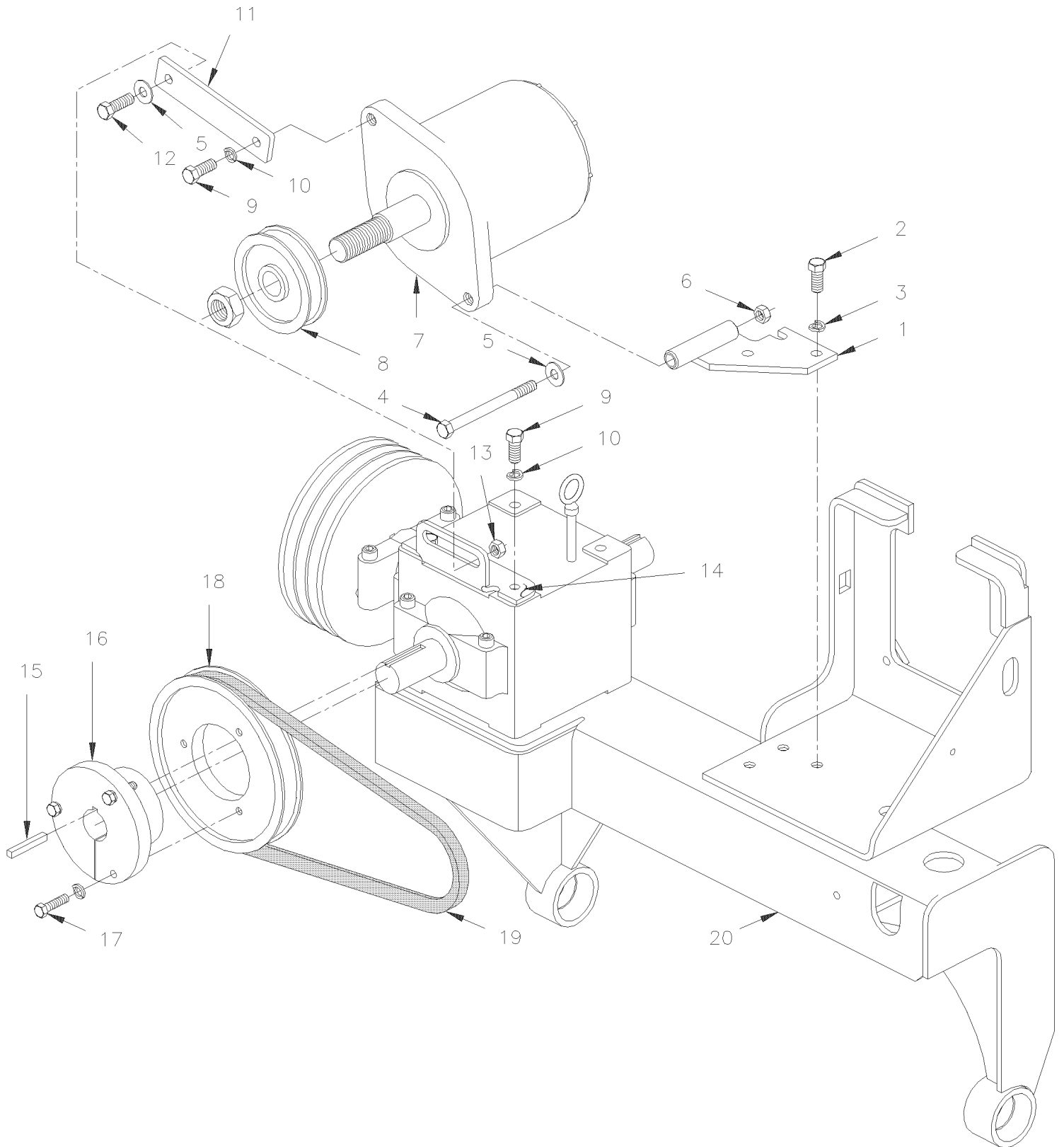
Item#	Part	Description	H 3 4 0	V I P 4 0	N O T E S
1	506317	V-BELT / 3V-450 9332-04503		2	
2	510390	TENSIONER, BELT		1	
3	500214	SCREW CAP HEX 1/2-13x1 1/4 G5 Z050		1	
4	500482	WASHER LO SPT .506x.873x.125 Z050		1	
5	500446	WASHER FL .531x1.250x.125 Z050		1	
6	561265	ALTERNATOR ASSY 12V/145 AMPS / DELCO		1	
7	562134	PULLEY, ALTERNATOR		1	
9	500106	SCREW CAP HEX 1/2-20x6 G5 PT Z050		1	
10	500547	WASHER FL .484x.750x.031 ZP		2	
11	500718	NUT HEX STO 1/2-20 Z050		1	
12	500191	SCREW CAP HEX 3/8-16x1 G5 Z050		1	
13	500783	NUT HEX 3/8-16 Z050		1	
14	500444	WASHER FL .406x.812x.065 Z050		1	
15	560480	CLAMP / 1/2" I.D.		1	
16	061025	SUPPORT		1	
17	500750	SCREW MA TR PH M4-0.7x18 Z050		1	
18	502693	NUT HEX NYRT M4-0.7		1	
19	510388	SUPPORT / ALTERNATOR		1	
20	510389	STUD / TO SUPPORT ALTERNATOR SUPPORT 3/8-24		2	
21	500705	NUT HEX 3/8-24 ZP		2	
22	500192	SCREW CAP HEX 3/8-16x1 1/4 G5 Z050		2	
23	500478	WASHER LO SPT .380x.683x.094 Z050		2	

From P-256 To R-079

Date:07/2024

PAGE:H4-0610-53

ALTERNATOR MOUNTING / "DELCO" - 12V/145A / GEARBOX INSTAL



From P-256 To R-079	Date:07/2024	PAGE:H4-0610-53
ALTERNATOR MOUNTING / "DELCO" - 12V/145A / GEARBOX INSTAL		

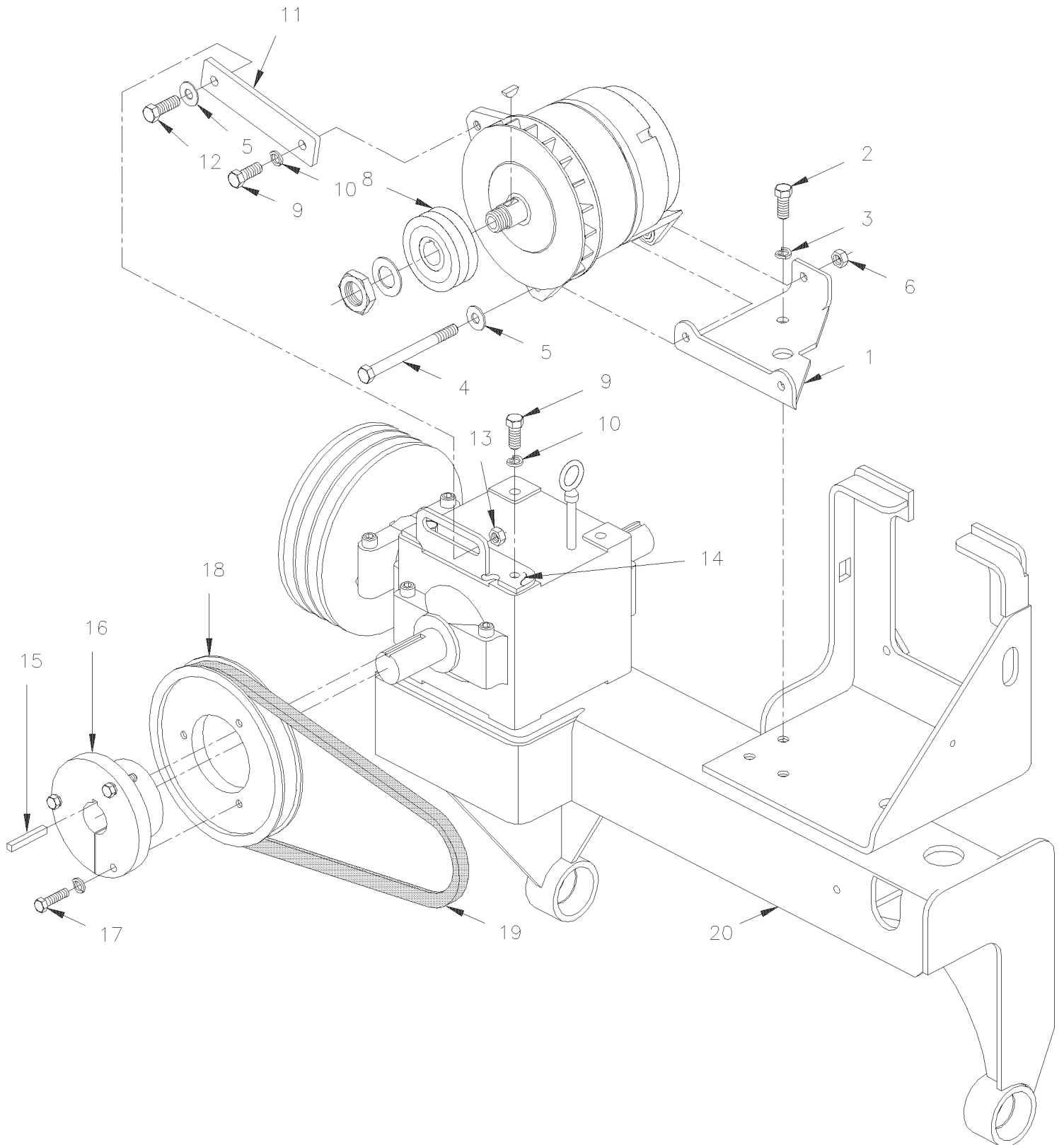
Item#	Part	Description	H 3 4 0	V I P 4 0	N O T E S
1	063777	PIVOT ASSY / SUPPORT		1	
2	502559	SCREW CAP HEX M10-1.5x25 G8.8 Z050		3	
3	500257	WASHER LO SPT 10.2x18.1x2.2 Z050		3	
4	500106	SCREW CAP HEX 1/2-20x6 G5 PT Z050		1	
5	571351	WASHER, 1/2" I.D. FLAT		2	
6	500718	NUT HEX STO 1/2-20 Z050		1	
7	561265	ALTERNATOR ASSY 12V/145 AMPS / DELCO		1	
8	062418	PULLEY ALTERNATOR / W/1V x 3 1/4" O.D.		1	
9	500213	SCREW CAP HEX 1/2-13x1 G5 Z050		3	
10	500482	WASHER LO SPT .506x.873x.125 Z050		3	
11	063779	TENSIONER 154MM C/C		1	
12	500214	SCREW CAP HEX 1/2-13x1 1/4 G5 Z050		1	
13	500968	NUT HEX STO 1/2-13 Z050		3	
14	452443	TENSIONER BRACKET / GEARBOX		1	
15	550186	KEY 1/4" X 1/4" X 1 1/4"		1	
16	950230	CONE BUSHING 1 1/4 I.D X 2 1/8 O.D. X 3 5/16		1	
17	500167	SCREW CAP HEX 1/4-20x1 1/4 G5 PT Z050		3	
NS	500473	WASHER LO SPT .262x.489x.062 Z050		3	
18	950211	PULLEY DRIVE 7.15 O.D. / SINGLE "V"		1	
19	506683	V-BELT / BX-31 9013-2031		1	
20	H4-0520-03	FAN DRIVE - INSTALLATION			

From P-256 To R-079

Date:07/2024

PAGE:H4-0610-54

ALTERNATOR MOUNTING / "BOSCH" - 24V/140A / GEARBOX INSTAL



From P-256 To R-079	Date:07/2024	PAGE:H4-0610-54
---------------------	--------------	-----------------

ALTERNATOR MOUNTING / "BOSCH" - 24V/140A / GEARBOX INSTAL

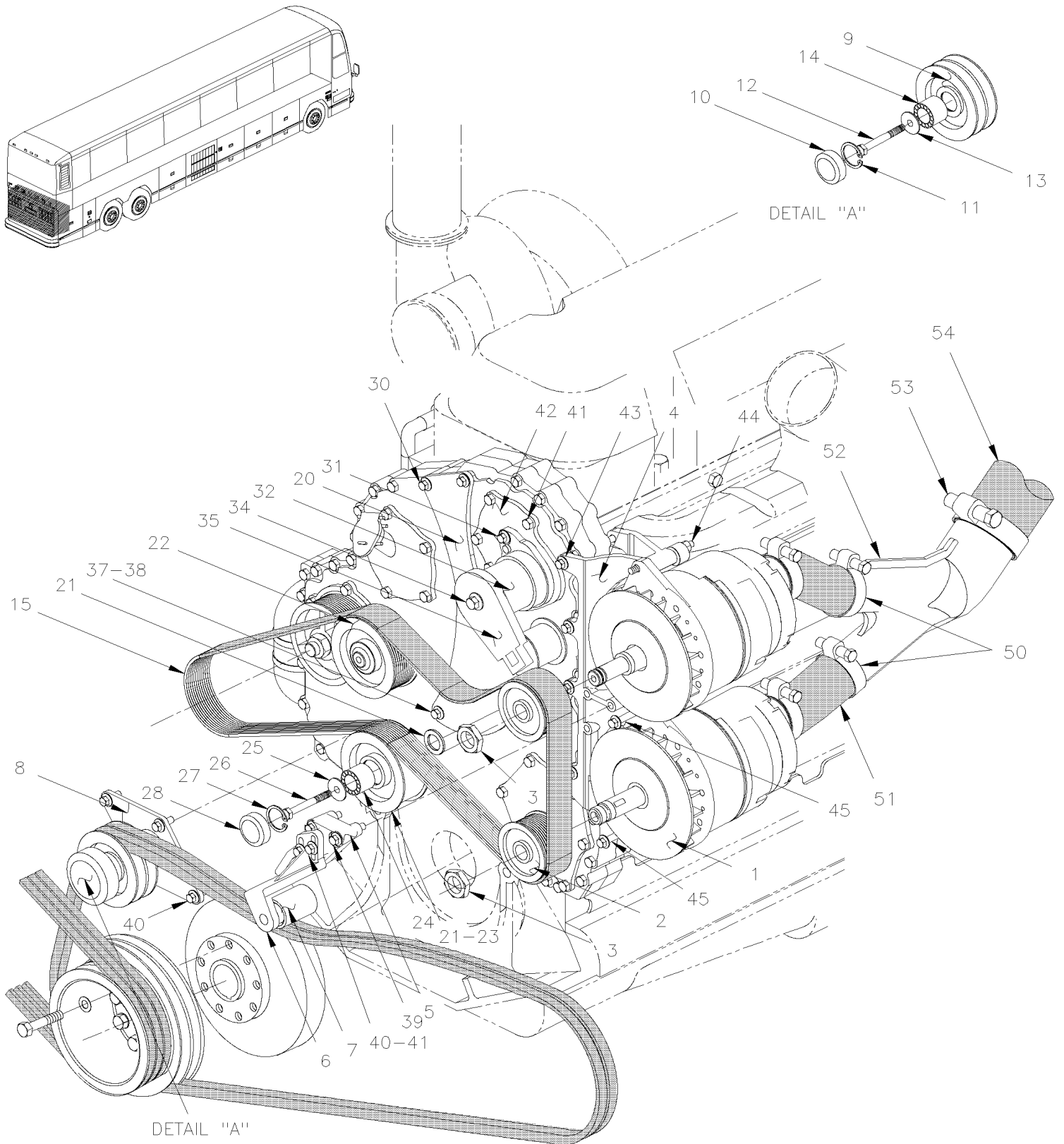
Item#	Part	Description	H 3 4 0	V I P 4 0	N O T E S
1	064537	SUPPORT ALTERNATOR	1		
2	500214	SCREW CAP HEX 1/2-13x1 1/4 G5 Z050	3		
3	500482	WASHER LO SPT .506x.873x.125 Z050	3		
4	502731	SCREW CAP HEX M12-1.75x40 G8.8 Z050	3		
5	500446	WASHER FL .531x1.250x.125 Z050	4		
6	500811	NUT HEX STO M12-1.75 G500	4		
7	5001043	SCREW CAP HEX M12-1.75x50 G8.8 Z050	1		
9	061531	TENSIONNER	1		
10	H4-0610-01	ALTERNATOR MOUNTING / "DELCO" WITH DETROIT S-92			
11	064543	PULLEY ALTERNATOR "BOSCH" / W/ 1Vx 88.9MM O.D.	1		
13	500968	NUT HEX STO 1/2-13 Z050	1		
15	550186	KEY 1/4" X 1/4" X 1 1/4"	1		
16	950230	CONE BUSHING 1 1/4 I.D X 2 1/8 O.D. X 3 5/16	1		
17	500167	SCREW CAP HEX 1/4-20x1 1/4 G5 PT Z050	3		
18	950211	PULLEY DRIVE 7.15 O.D. / SINGLE "V"	1		
19	506776	V-BELT / 5L-350 5L-350	1		
20	562851	AIR-INTAKE COVER	1		
20	504421	GROMMET / .625x.875x.187x.437x1.125	1		
21	064552	ADAPTOR	1		
22	504024	HOSE CLAMP / 1"13/16"-2"3/4 SS / HS-36	1		
23	503674	HOSE FLEXIBLE / AIR DUCT 2 1/2" I.D. X 25'	AR		
24	502570	WASHER LO SPT 6.1x11.8x1.6 SS	4		
25	502565	NUT HEX M6-1.0 SS	4		
30	H4-0520-03	FAN DRIVE - INSTALLATION			
NS	064550	CABLE ASSY	1		
NS	064551	CABLE ASSY #0	1		
NS	064553	CABLE ASSY	1		

From P-256 To R-079

Date:07/2024

PAGE:H4-0610-99

ALTERNATOR MOUNTING / "BOSCH" WITH DETROIT S-60



From P-256 To R-079	Date:07/2024	PAGE:H4-0610-99
ALTERNATOR MOUNTING / "BOSCH" WITH DETROIT S-60		

Item#	Part	Description	H 3 4 0	V I P 4 0	N O T E S
1	562752	ALTERNATOR ASSY 24V/140 AMPS	2		
2	065465	PULLEY ALTERNATOR / "BOSCH" / 12 RIB	2		
3	563001	KIT NUT & WASHER M24-1.5 YC	1		
4	510663	SUPPORT ALTERNATOR MOUNTING	1		
5	012064	ADAPTOR SNUBBER MOUNTING	1		
6	012063	SNUBBER ASSY	1		
6	N.S.P.	. SUPPORT / (23522973)	1		2
7	N.S.P.	. ROLLER / (23512825)	1		2
7	N.S.P.	. BEARING / (907394)	1		2
8	012058	PULLEY ASSY IDLER	1		
8	N.S.P.	. SUPPORT / (23521658)	1		2
9	N.S.P.	. PULLEY / (23519390)	1		2
10	N.S.P.	. PROTECTOR CAP / (05107293)	1		2
10	510798	. PROTECTOR CAP / "PREVOST"	1		B
11	N.S.P.	. SNAP RING / (23518223)	1		2
12	5001308	. SCREW CAP HEXF M10-1.5x40 G10.9 N500	1		
13	N.S.P.	. WASHER / (23518224)	1		2
13	N.S.S.	. SEAL / (23520961)	2		1
14	510618	. BALL BEARING DBL ROW / 30MM x 62MM x 27 W	1		
15	506865	MULTI V-BELT / 12 RIB 81 1/2" 208585	1		
15	506669	MULTI V-BELT / 12 RIB 72" (1830) 23521337	1		A
20	012065	IDLER PULLEY ASSY	1		
21	N.S.P.	. SEAL / (CR 14960) / (23521013)	2		2
22	N.S.P.	. PULLEY IDLER 12G / 5"1/4 O.D. / (23520994)	1		2
23	N.S.P.	. PULLEY BELT TENSIONER / 5 1/4 O.D. / (23520999)	2		2
24	510618	. BALL BEARING DBL ROW / 30MM x 62MM x 27 W	1		
25	N.S.P.	. WASHER / (23518224)	1		2
26	5001308	. SCREW CAP HEXF M10-1.5x40 G10.9 N500	2		
26	510627	. BOLT M10-1.5 X 45MM LH G10.9	1		
27	N.S.P.	. SNAP RING / (23519223)	1		2
28	N.S.P.	. PROTECTOR CAP / 05107293)	2		2
28	510798	. PROTECTOR CAP / "PREVOST"	1		B
30	975104	. SCREW CAP HEXF M10-1.5x85 G10.9 PHC	2		
31	969445	SCREW CAP HEXF M10-1.5x30 G10.9 PHC	1		
32	012103	AUTOMATIC TENSIONER ASSY	1		
32	N.S.S.	. SPRING	2		1
33	N.S.S.	. PROTECTOR CAP	1		1
34	975104	. SCREW CAP HEXF M10-1.5x85 G10.9 PHC	1		
35	N.S.S.	. LEVER	1		1
36	N.S.S.	. PULLEY	1		1
36	N.S.S.	. BEARING	1		1
36	N.S.S.	. PROTECTOR CAP	1		1

From P-256 To R-079	Date:07/2024	PAGE:H4-0610-99
ALTERNATOR MOUNTING / "BOSCH" WITH DETROIT S-60		

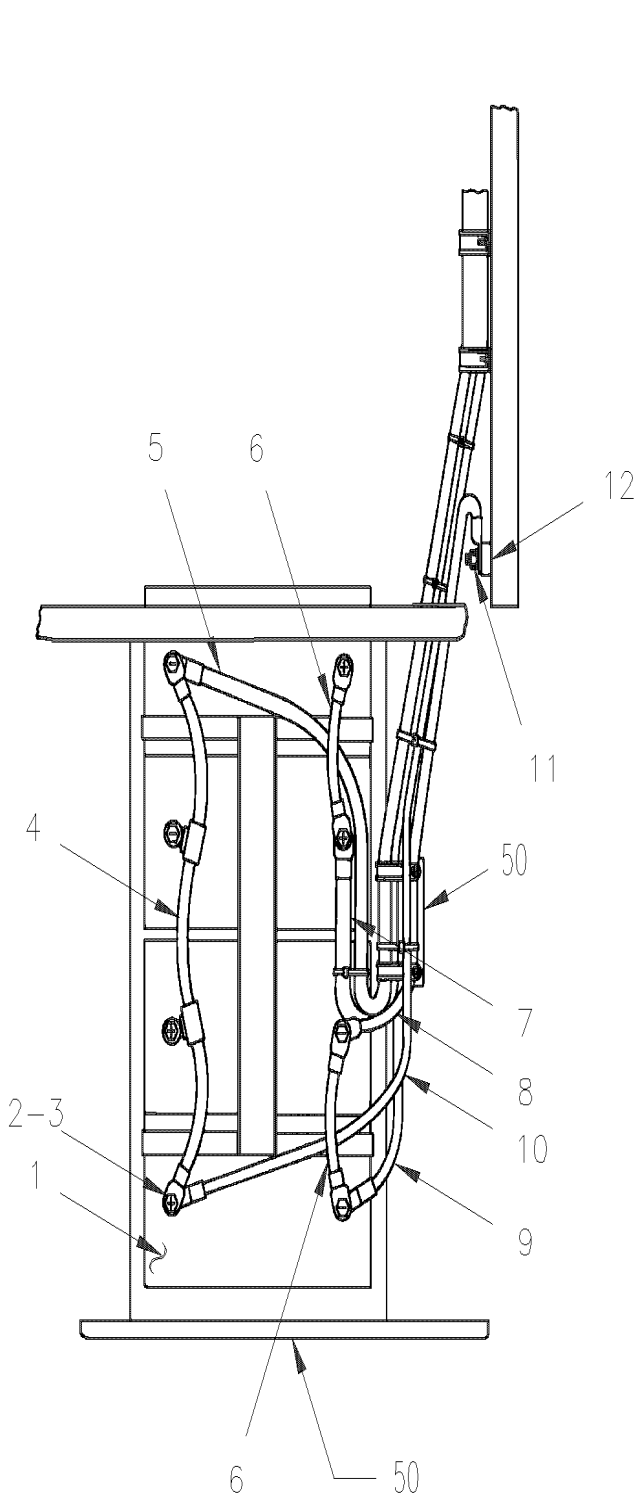
Item#	Part	Description	H 3 4 0	V I P 4 0	N O T E S
37	975121	SCREW CAP HEXF M14-2.0x50 G10.9 PHC	1		
38	975124	SCREW CAP HEXF M14-2.0x80 G10.9 PHC	1		
38	510642	STUD M14-2.0 X 92MM GR 10.9	1		
NS	510643	NUT HEXF M14-2.0 ZP	1		
39	5001595	SCREW CAP HEXF M10-1.5x60 G8.8 G500	3		
40	955297	SCREW CAP HEX M8-1.25x25 G8.8 ZG603	3		
41	510641	SCREW CAP HEXF M8-1.25x30 G10.9	5		
42	012104	TENSIONER, MOUNTING PLATE	1		
42	N.S.P.	O-RING / (8929253)	1		2
43	510635	SCREW CAP HEXF 7/16-14x5.50 ZP	4		
NS	510636	NUT HEXF 7/16-14 ZP	4		
44	510639	BOLT M12-1.5 X 80MM	1		
44	5001584	SCREW CAP HEX M12-1.5x150 G10.9 DP	1		
45	510637	. BOLT M12-1.5 X 50MM	2		
NS	5001585	WASHER FL 13.5x27x2.46-4.5 DP	6		
NS	975111	SCREW CAP HEXF M12-1.75x50MM G10.9 PHC	1		
50	504025	HOSE CLAMP / 2"5/16-3"1/4 SS / HS-44	4		
51	064957	HOSE FLEXIBLE / 2 3/4" I.D. X 200MM	2		
51	503686	. HOSE FLEXIBLE / AIR DUCT 2 3/4" I.D. X 25' / RUBBER	1		
52	064834	ADAPTOR "Y"	1		
NS	065038	ANGLE SUPPORT 76MM x 20MM	1		
53	504235	HOSE CLAMP / 3"9/16"-4"1/2 SS / HS-64	2		
54	064956	HOSE FLEXIBLE / 4" I.D. X 1660MM	1		
54	503688	. HOSE FLEXIBLE / AIR DUCT 4" I.D. X 25' / RUBBER	1		
NS	510616	KIT, FILLER CAP COVER / OIL RELOCATION	AR		
. NS	IS-99053C	. SEE INSTRUCTION SHEET	1		
NS	510666	KIT, TWIN "BOSCH" ALTERNATOR RETROFIT	AR		
. NS	IS-99053C	. SEE INSTRUCTION SHEET	1		
NS	065515	KIT, HARNESS TWIN RETROFIT / "H" UP TO V-1778	AR		
. NS	IS-99053C	. SEE INSTRUCTION SHEET	1		
NS	065245	KIT, AIR INLET TWIN "BOSCH" ALT. RETRO "H"	AR		
. NS	IS-99053C	. SEE INSTRUCTION SHEET	1		
NS	IS-99053C	SEE INSTRUCTION SHEET			
		A) EMERGENCY USE ONLYB FIT ONLY WITH PULLEY SOLD BY "PREVOST"			
		B) FIT ONLY WITH PULLEY SOLD BY "PREVOST"			
		1) NOT SOLD SEPARATELY			
		2) NOT SOLD BY PREVOST (SEE MANUFACTURING PART NUMBER AT END OF DESCRIPTION LINE)			

From L-031 To R-079

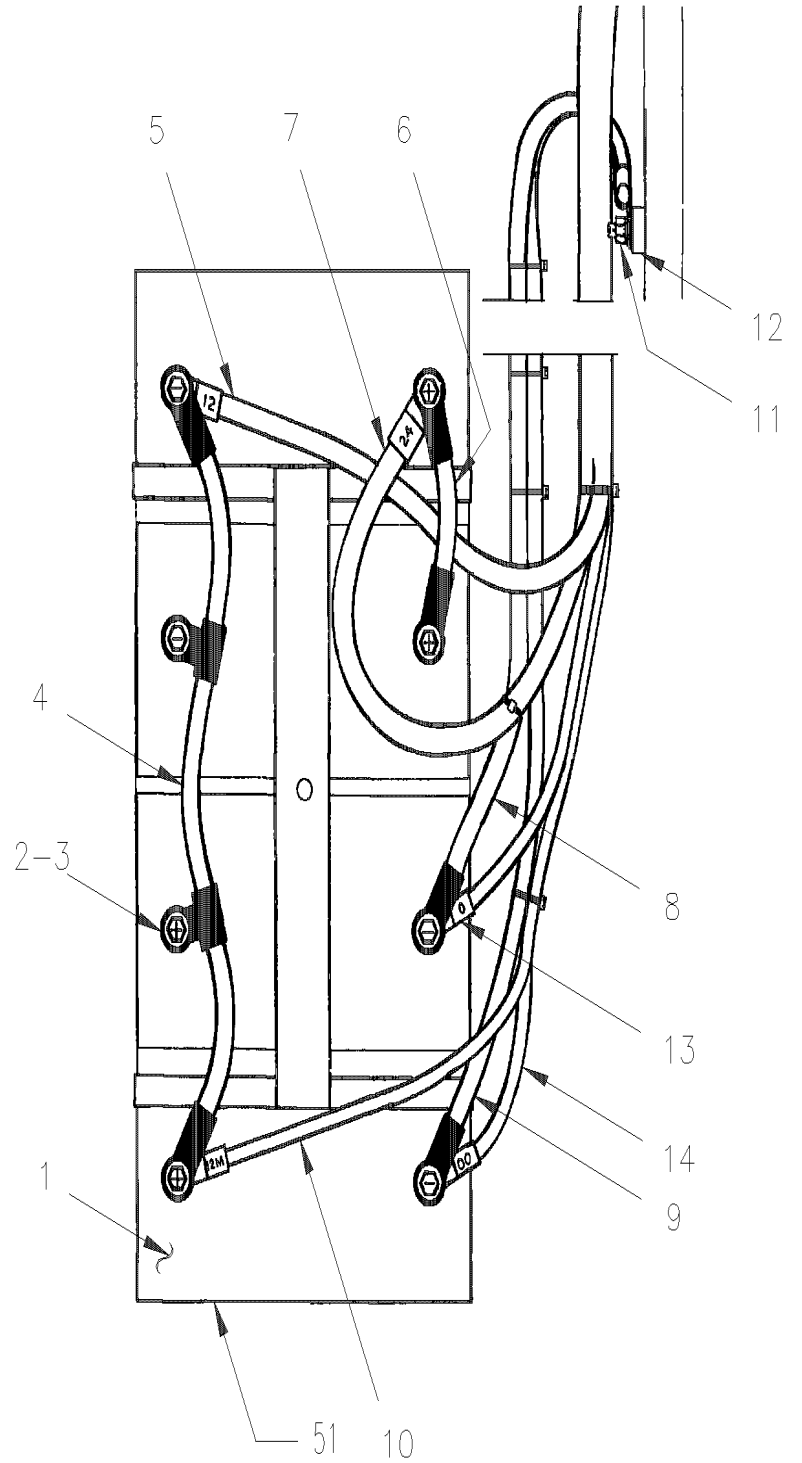
Date:07/2024

PAGE:H4-0615-00

BATTERIES INSTALLATION



EFF-M-144



PRIOR M-144

From L-031 To R-079	Date:07/2024	PAGE:H4-0615-00
BATTERIES INSTALLATION		

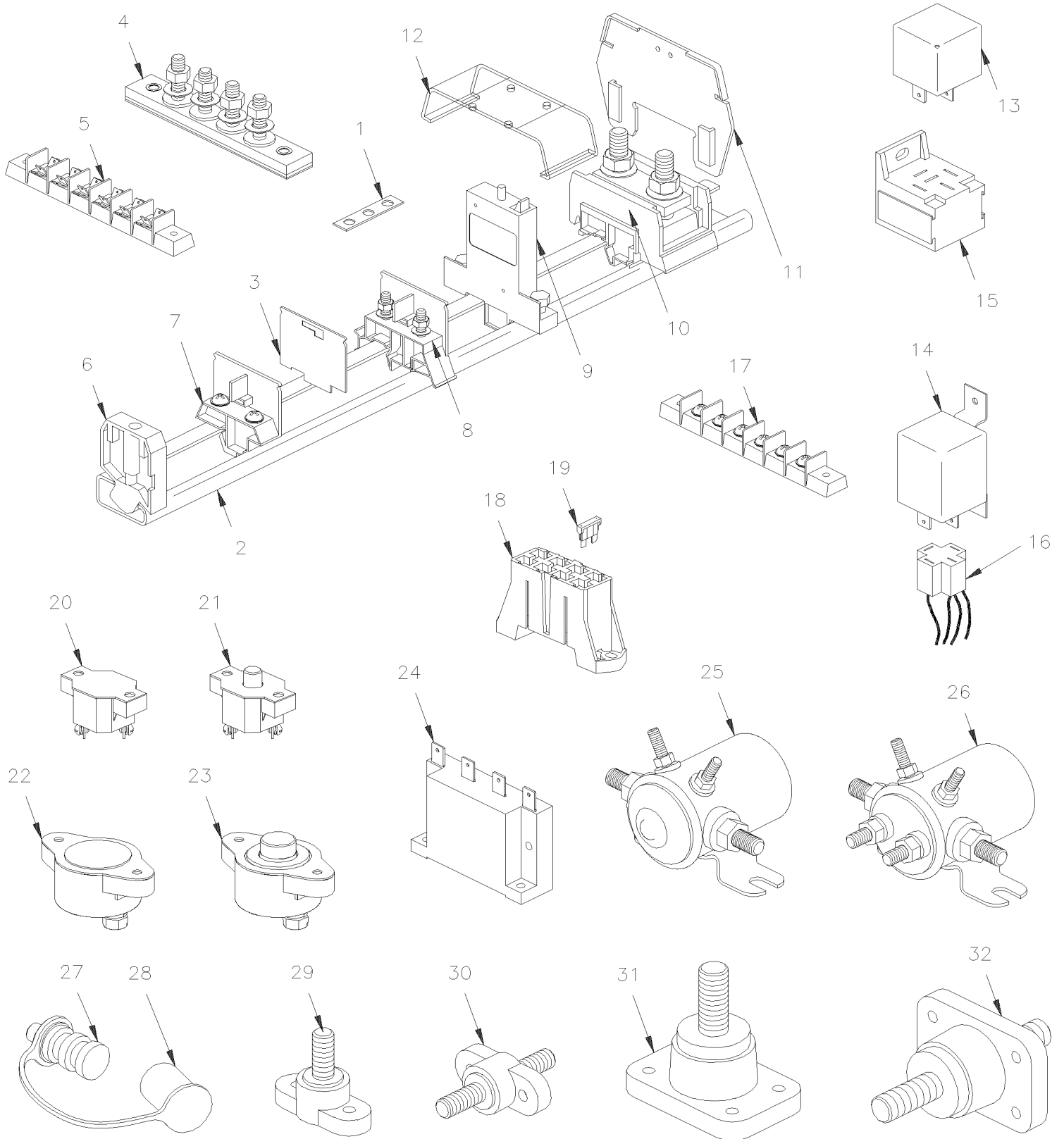
Item#	Part	Description	H 3 4 0	V I P 4 0	N O T E S
1	561232	BATTERY 12V/625 CCA / GR31	4	4	
2	500651	NUT HEX 3/8-24 SS	8	8	
3	502616	WASHER LO SPT 10.2x18.1x2.2 SS	8	8	
4	062370	CABLE, BATTERY	1	1	
5	062517	CABLE / 12 VOLTS BATTERY & 12 VOLTS	1	1	
6	062371	CABLE ASSY / B + TO B +	2	2	
7	062515	CABLE / 24 VOLTS BATTERY & 24 VOLTS	1	1	
8	062355	CABLE ASSY / BATTERY #3 & GROUND	1	1	
9	062141	CABLE / BATTERY #4 & GROUND	1	1	
10	062451	CABLE / BATTERY & EQUALIZER JUNCTION BLOCK	1	1	
11	500789	NUT HEX 1/2-13 Z050	1	1	
12	380360	STUD, GROUND (WELDED TO STRUCTURE) 1/2-13	1	1	
13	062518	CABLE / BATTERY & BOOSTER BLOCK	1	1	
14	062532	CABLE / BATTERY & REAR JUNCTION BOX	1	1	
50	H4-1876-00	SLIDING TRAY FOR BATTERY INSTALLATION			
51	H4-1876-01	SLIDING TRAY FOR BATTERY INSTALLATION			

From L-031 To R-079

Date:07/2024

PAGE:H4-0616-00

JUNCTION BOX COMPONENTS, RELAY & BREAKER



From L-031 To R-079	Date:07/2024	PAGE:H4-0616-00
JUNCTION BOX COMPONENTS, RELAY & BREAKER		

Item#	Part	Description	H 3 4 0	V I P 4 0	N O T E S
1	381813	BUS BAR / W/2 HOLES 25MM	AR	AR	
1	381814	BUS BAR / W/3 HOLES 38MM	AR	AR	
1	381815	BUS BAR / W/4 HOLES 51MM	AR	AR	
1	381816	BUS BAR / W/4 HOLES 64MM	AR	AR	
1	381818	BUS BAR / W/4 HOLES 103MM	AR	AR	
1	381817	BUS BAR / W/6 HOLES 77MM	AR	AR	
1	381819	BUS BAR / W/8 HOLES 103MM	AR	AR	
1	381820	BUS BAR / W/9 HOLES 117MM	AR	AR	
1	880027	BUS BAR / W/10 HOLES 128MM	AR	AR	
2	880026	RAIL SUPPORT / 2 METERS	AR	AR	
2	381300	RAIL SUPPORT / 45MM	AR	AR	
2	380927	RAIL SUPPORT / 72MM	AR	AR	
2	380904	RAIL SUPPORT / 80MM	AR	AR	
2	381203	RAIL SUPPORT / 100MM	AR	AR	
2	380905	RAIL SUPPORT / 150MM	AR	AR	
2	381249	RAIL SUPPORT / 155MM	AR	AR	
2	380964	RAIL SUPPORT / 171MM	AR	AR	
2	380839	RAIL SUPPORT / 180MM	AR	AR	
2	380883	RAIL SUPPORT / 200MM	AR	AR	
2	381638	RAIL SUPPORT / 209MM	AR	AR	
2	380885	RAIL SUPPORT / 225MM	AR	AR	
2	380793	RAIL SUPPORT / 230MM	AR	AR	
2	380751	RAIL SUPPORT / 280MM	AR	AR	
2	380756	RAIL SUPPORT / 290MM	AR	AR	
2	380712	RAIL SUPPORT / 315MM	AR	AR	
2	380838	RAIL SUPPORT / 320MM	AR	AR	
2	380937	RAIL SUPPORT / 324MM	AR	AR	
2	380914	RAIL SUPPORT / 350MM	AR	AR	
2	380884	RAIL SUPPORT / 360MM	AR	AR	
2	381124	RAIL SUPPORT / 460MM	AR	AR	
2	381123	RAIL SUPPORT / 525MM	AR	AR	
2	380713	RAIL SUPPORT / 605MM	AR	AR	
2	380752	RAIL SUPPORT / 1050MM	AR	AR	
3	561728	END CLOSING	AR	AR	
4	560112	JUNCTION BLOCK W/2 STUDS	AR	AR	
4	560113	JUNCTION BLOCK W/4 STUDS	AR	AR	
4	562504	JUNCTION BLOCK W/6 STUDS	AR	AR	
4	560291	JUNCTION BLOCK W/8 STUDS	AR	AR	
4	560116	JUNCTION BLOCK W/10 STUDS	AR	AR	
5	562373	CONNECTOR, MULTIPLE BLADE	AR	AR	
6	561729	STOPPER	AR	AR	
NS	500583	. SCREW TP PAN PH #6x1/2 Z050	1	1	

From L-031 To R-079	Date:07/2024	PAGE:H4-0616-00
JUNCTION BOX COMPONENTS, RELAY & BREAKER		

Item#	Part	Description	H 3 4 0	V I P 4 0	N O T E S
7	381236	DUMMY ASSY W/SCREW	AR	AR	
NS	562198	. BLOCK JUNCTION	1	1	
NS	500583	. SCREW TP PAN PH #6x1/2 Z050	2	2	
NS	500438	. WASHER FL .187x.437x.050 Z050	2	2	
8	561726	BLOCK JUNCTION	AR	AR	
9	561797	BREAKER 3AMPS / 24V /	AR	AR	
9	561790	BREAKER 6AMPS / 24V /	AR	AR	
9	561791	BREAKER 8AMPS / 24V /	AR	AR	
9	561792	BREAKER 10AMPS / 24V /	AR	AR	
9	561793	BREAKER 15AMPS / 24V /	AR	AR	
9	561794	BREAKER 20AMPS / 24V /	AR	AR	
9	561795	BREAKER 25AMPS / 24V /	AR	AR	
NS	502660	. SCREW QUARTER TURN	2	2	
10	561727	JUNCTION BLOCK	AR	AR	
NS	500615	. NUT HEX M8-1.25 BR	2	2	
11	561731	COVER SUPPORT	AR	AR	
12	561730	COVER / PROTECTOR / 1 BLOCK	AR	AR	
12	561732	COVER / PROTECTOR / 2 BLOCKS	AR	AR	
12	562024	COVER / PROTECTOR / 3 BLOCKS	AR	AR	
13	561538	RELAY 12V S.P.D.T. V 415 F11	AR	AR	
13	561706	RELAY 12V S.P.D.T. W/DIODE /	AR	AR	
13	562092	RELAY 12V S.P.D.T. W/DIODE /	AR	AR	
13	561182	RELAY 24V S.P.S.T. N.O. VF4-11H11	AR	AR	
13	561230	RELAY 24V S.P.D.T. VF4-15H	AR	AR	
13	561557	RELAY 24V S.P.D.T. N.O.	AR	AR	
13	561707	RELAY 24V S.P.D.T. W/RESISTOR /	AR	AR	
14	561928	RELAY 12V S.P.D.T. / 50 AMPS N.O. VF7-41F	AR	AR	
14	561991	RELAY 24V S.P.S.T. / 70 AMPS N.O.	AR	AR	
15	561183	RELAY BASE / TAB TERMINAL / BOSCH 3334485008	AR	AR	
16	562367	CONNECTOR / TAB HOUSING 4C / POTTER BRUMFIELD VCF7-1000	AR	AR	
16	561908	TAB RECEPTACLE TERMINAL / 22-18 / AMP 60295-2	AR	AR	
16	561108	TAB RECEPTACLE TERMINAL / 18-14 / AMP 42238-2	AR	AR	
16	561181	TAB RECEPTACLE TERMINAL / 12 / AMP 60508-2	AR	AR	
16	562368	TAB TERMINAL / 12-8 / AMP 280756-4	AR	AR	
17	562173	JUNCTION BLOCK W/10 STUDS	AR	AR	
17	560116	JUNCTION BLOCK W/10 STUDS	AR	AR	
17	560291	JUNCTION BLOCK W/8 STUDS	AR	AR	
17	562504	JUNCTION BLOCK W/6 STUDS	AR	AR	
17	560113	JUNCTION BLOCK W/4 STUDS	AR	AR	
17	560112	JUNCTION BLOCK W/2 STUDS	AR	AR	

From L-031 To R-079	Date:07/2024	PAGE:H4-0616-00
JUNCTION BOX COMPONENTS, RELAY & BREAKER		

Item#	Part	Description	H 3 4 0	V I P 4 0	N O T E S
18	562621	FUSE BLOCK W/4 LEDS & WIRES	AR	AR	
18	381960	PROTECTOR COVER FUSE HOLDER 49MM x 62MM "OPTION SPECIAL"	AR	AR	
19	562597	FUSE / ATO 1AMP BLACK	AR	AR	
19	562598	FUSE / ATO 2 AMPS GREY	AR	AR	
19	562599	FUSE / ATO 3 AMPS VIOLET	AR	AR	
19	562600	FUSE / ATO 4 AMPS PINK	AR	AR	
19	562259	FUSE / ATO 5 AMPS AMBER	AR	AR	
19	562602	FUSE / ATO 7.5 AMPS BROWN	AR	AR	
19	562407	FUSE / ATO 10 AMPS RED	AR	AR	
19	562604	FUSE / ATO 15 AMPS BLUE	AR	AR	
19	562605	FUSE / ATO 20 AMPS YELLOW	AR	AR	
19	562606	FUSE / ATO 25 AMPS NATURAL	AR	AR	
19	562396	FUSE / ATO 30 AMPS GREEN	AR	AR	
19	562608	FUSE / ATO 35 AMPS BLUE-GREEN	AR	AR	
19	562609	FUSE / ATC 40 AMPS ORANGE	AR	AR	
20	560295	BREAKER 6AMPS / 24V /	AR	AR	
20	560296	BREAKER 10AMPS / 24V /	AR	AR	
20	560297	BREAKER 20AMPS / 24V /	AR	AR	
21	870690	BREAKER 30AMPS / 24V /	AR	AR	
21	870093	BREAKER 40AMPS / 24V /	AR	AR	
22	560794	BREAKER 90AMPS / 24V /	AR	AR	
22	560308	BREAKER 150AMPS / 24V /	AR	AR	
23	560703	BREAKER 40AMPS / 24V /	AR	AR	
23	562686	BREAKER 40AMPS / 24V /	AR	AR	
23	561767	BREAKER 70AMPS / 24V /	AR	AR	
23	562687	BREAKER 70AMPS / 24V /	AR	AR	
23	560298	BREAKER 90AMPS / 24V /	AR	AR	
23	562683	BREAKER 90AMPS / 24V /	AR	AR	
23	560465	BREAKER 105AMPS / 24V /	AR	AR	
23	562685	BREAKER 105AMPS / 24V /	AR	AR	
23	562397	BREAKER 120AMPS / 24V /	AR	AR	
23	562688	BREAKER 120AMPS / 24V /	AR	AR	
23	560299	BREAKER 150AMPS / 24V /	AR	AR	
23	562684	BREAKER 150AMPS / 24V /	AR	AR	
24	560772	TIME DELAY RELAY	AR	AR	
25	560407	SWITCH MAGNETIC / 24V S.P.S.T. / 50AMPS N.O.	AR	AR	
25	561005	SWITCH MAGNETIC / 24V S.P.S.T. / 200AMPS N.O.	AR	AR	
26	561014	SWITCH MAGNETIC / 24V D.P.S.T. / 200AMPS N.O.	AR	AR	
27	561856	BOOSTER BLOCK, REMOTE / RED	1	1	
27	561857	BOOSTER BLOCK, REMOTE / BLACK	1	1	
28	562691	PROTECTOR CAP / RED	1	1	
28	562692	PROTECTOR CAP / BLACK	1	1	

From L-031 To R-079	Date:07/2024	PAGE:H4-0616-00
---------------------	--------------	-----------------

JUNCTION BOX COMPONENTS, RELAY & BREAKER

Item#	Part	Description	H 3 4 0	V I P 4 0	N O T E S
NS	381210	SEPARATOR / FIBERGLASS RED	AR	AR	
29	560422	BLOCK, TERMINAL / 1 STUD 3/8-16 / BLACK	AR	AR	
30	561102	BLOCK, JUNCTION / 2 STUD 3/8-16 / BLACK	AR	AR	
31	560177	BLOCK, TERMINAL / 1 STUD 1/2-13 / BLACK	AR	AR	
32	560176	BLOCK, JUNCTION / 2 STUD 1/2-13 / RED	AR	AR	

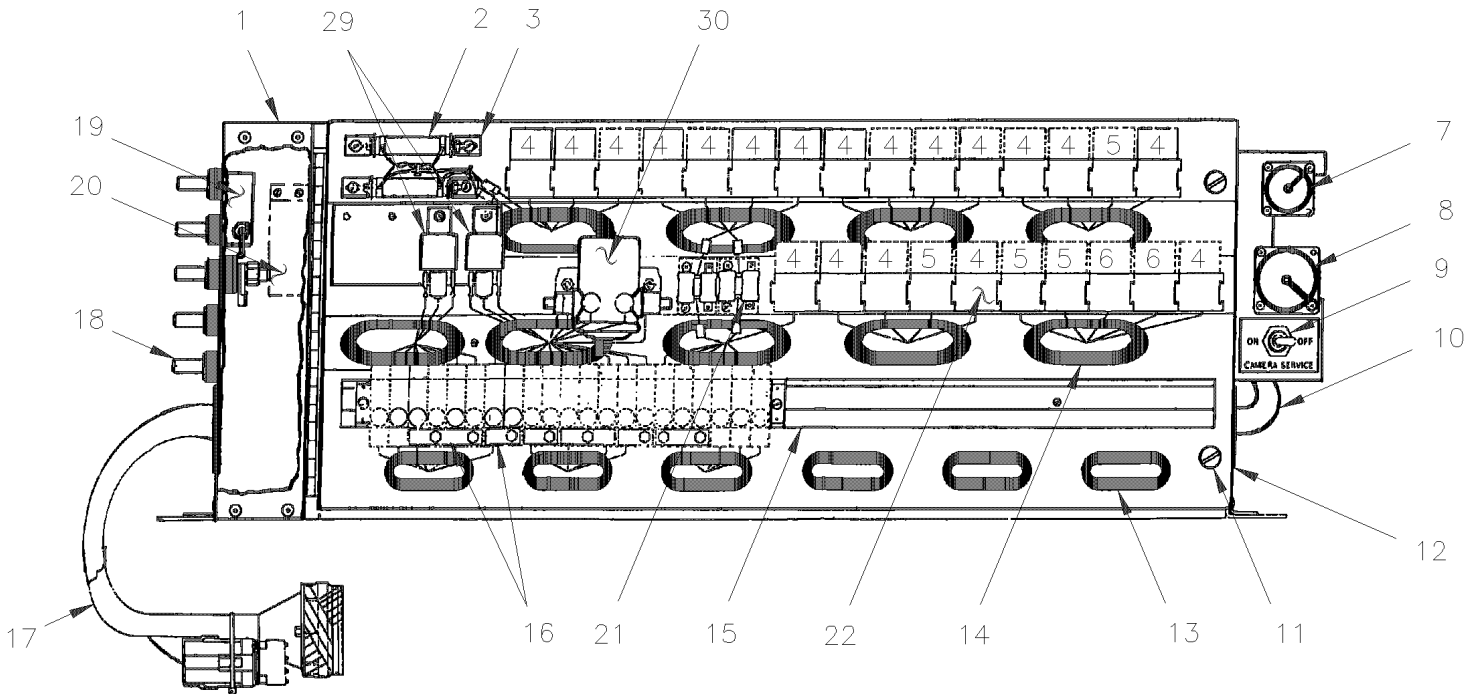
From L-031 To R-079

Date:07/2024

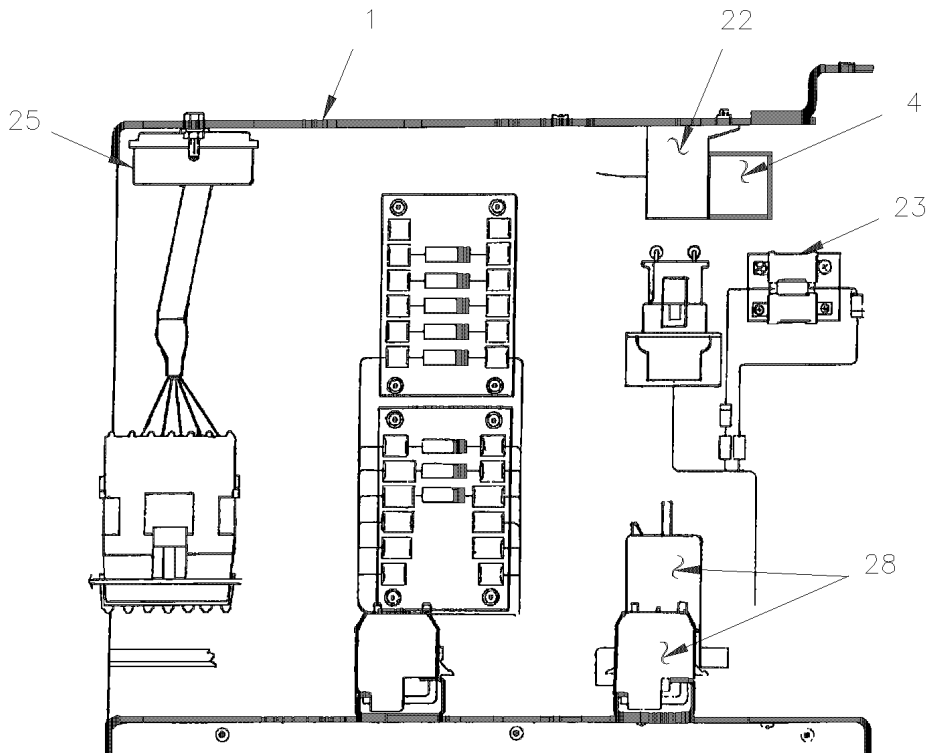
PAGE:H4-0620-00

REAR JUNCTION BOX ASSY

FRONT VIEW



R.H. SIDE VIEW



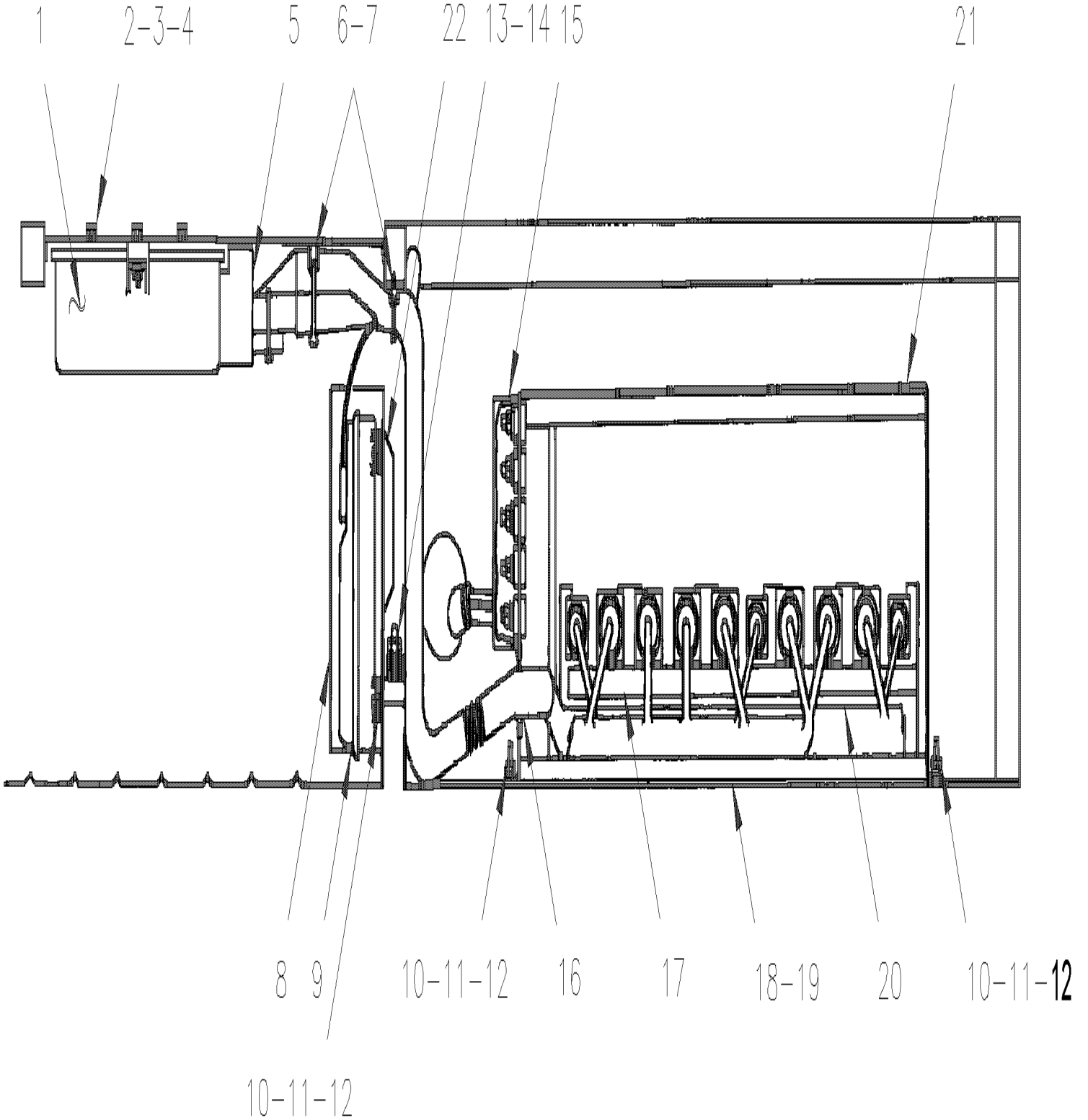
From L-031 To R-079		Date:07/2024	PAGE:H4-0620-00
REAR JUNCTION BOX ASSY			

Item#	Part	Description	H 3 4 0	V I P 4 0	N O T E S
	381333	JUNCTION BOX ASSY To N-169	1		
	381383	JUNCTION BOX ASSY From N-170 To P-315	1		
	381489	JUNCTION BOX ASSY From P-316	1		
	381332	JUNCTION BOX ASSY To N-169		1	
	381384	JUNCTION BOX ASSY From N-170 To P-315		1	
	381490	JUNCTION BOX ASSY From P-316		1	
1	381106	BOX ASSY	1	1	
NS	381112	PANEL ASSY, FRONT / W/HINGE	1	1	
NS	381103	PANEL BOTTOM	1	1	
2	060806	RESISTOR ASSY 0.82 OHM / W/12 VOLT FOG To S-127	1	1	
. NS	560823	. RESISTOR / 0.82 OHM To S-127	2	2	
. . NS	562959	. . SUPPORT, CERAMIC RESISTOR To S-127	1	1	
2	560823	. RESISTOR / 0.82 OHM	2	2	
. NS	562959	. . SUPPORT, CERAMIC RESISTOR	1	1	
3	500560	SCREW MA PAN PH M4-0.7x6 Z050	AR	AR	
NS	500470	WASHER LO SPT .193x.334x.047 Z050	AR	AR	
4	561707	RELAY 24V S.P.D.T. W/RESISTOR /	AR	AR	
5	561706	RELAY 12V S.P.D.T. W/DIODE /	AR	AR	
6	562092	RELAY 12V S.P.D.T. W/DIODE /	AR	AR	
7	562022	SEALING CAP (FOR RECEPTACLE ONLY) / CPC / #17 / AMP 207445-1		1	
8	562023	SEALING CAP (FOR RECEPTACLE ONLY) / CPC / #23 / AMP 207446-1		1	
9	560256	SWITCH / OFF-ON / S.P.S.T.	1	1	
NS	062650	DECAL, TOGGLE SWITCH	1	1	
10	062593	CABLE ASSY	1	1	
NS	062594	CABLE ASSY	1	1	
11	504354	STUD 5/16 O.D. X 3/8 (DZUS)	2	2	
NS	504353	RETAINER, 5/16"DIA. (DZUS) STUD	2	2	
NS	504365	SPRING HOOK / DZUS 5/16	2	2	
NS	380963	SUPPORT	2	2	
NS	502688	SCREW MA PAN PH M3.5-0.6x10 ZP	AR	AR	
12	506338	RUBBER CHANNEL / 1/16" x 1/4" INT "U" SHAPE / ROUND C.T.L.	AR	AR	
13	504059	GROMMET / 1.250x1.500x.094x.375x1.875	6	6	
14	504486	GROMMET / 2.125x2.500x.062x.437x2.875	9	9	
15	H4-0616-00	JUNCTION BOX COMPONENTS, RELAY & BREAKER			
16	H4-0616-00	JUNCTION BOX COMPONENTS, RELAY & BREAKER			
17	062595	CABLE ASSY	1	1	
18	561102	BLOCK, JUNCTION / 2 STUD 3/8-16 / BLACK	5	5	
19	381142	DIODE ASSY / 12AMPS	1	1	
19	560863	. DIODE / 12AMPS / CATHODE STUD	AR	AR	
20	561945	CONTROL, THROTTLE POSITION / ATEC TRANSMISSION	1	1	
NS	561577	CONNECTOR / WEATHER PACK / SH 1C / BLACK / PED 12015791	1	1	
NS	561690	CONNECTOR / WEATHER PACK / SH 2C / BLACK / PED 12015792	1	1	

From L-031 To R-079	Date:07/2024	PAGE:H4-0620-00
REAR JUNCTION BOX ASSY		

Item#	Part	Description	H 3 4 0	V I P 4 0	N O T E S
NS	561946	CONNECTOR / WEATHER PACK / SH 6C / BLACK / PED 12015799	1	1	
21	061976	RESISTOR ASSY 1 OHM 10 W	2	2	
21	561537	. RESISTOR / 1 OHM / 10 W	2	2	
22	H4-0616-00	JUNCTION BOX COMPONENTS, RELAY & BREAKER			
23	062925	RESISTOR ASSY 1 OHM 10 W		1	
23	561537	. RESISTOR / 1 OHM / 10 W		3	
24	062330	CONNECTOR ASSY W/RESISTOR	1	1	
24	561897	. RESISTOR / 4.32K OHMS / 1/4 W	1	1	
24	561898	. RESISTOR / 10K OHMS / 1/4 W	1	1	
24	561514	. SOCKET TERMINAL / 20-14 / AMP 350537-3	4	4	
25	561886	MODULE / COOLANT LEVEL CONTROL	1	1	
26	562161	BOARD TERMINAL	4	4	
27	062120	DIODE ASSY	AR	AR	
NS	381295	PLATE INSULATING	2	2	
28	H4-0616-00	JUNCTION BOX COMPONENTS, RELAY & BREAKER			
29	561991	RELAY 24V S.P.S.T. / 70 AMPS N.O.	2	2	
30	561005	SWITCH MAGNETIC / 24V S.P.S.T. / 200AMPS N.O.	1	1	
30	381443	RETROFIT KIT / SOLEINOID SWITCH RELOCATION			B
30	381444	RETROFIT KIT / HI-POWER RELAY REPLACEMENT To M-134			C
		B) EXCEPT FOR VEHICLE M-134,M-141,M-142,M-143,M-150 TO N-170			
		C) FOR VEHICLE M-134,M-141,M-142,M-143,M-150 TO N-170			

From L-031 To R-079	Date:07/2024	PAGE:H4-0620-50
REAR JUNCTION BOX - INSTALLATION		



From L-031 To R-079		Date:07/2024	PAGE:H4-0620-50
REAR JUNCTION BOX - INSTALLATION			

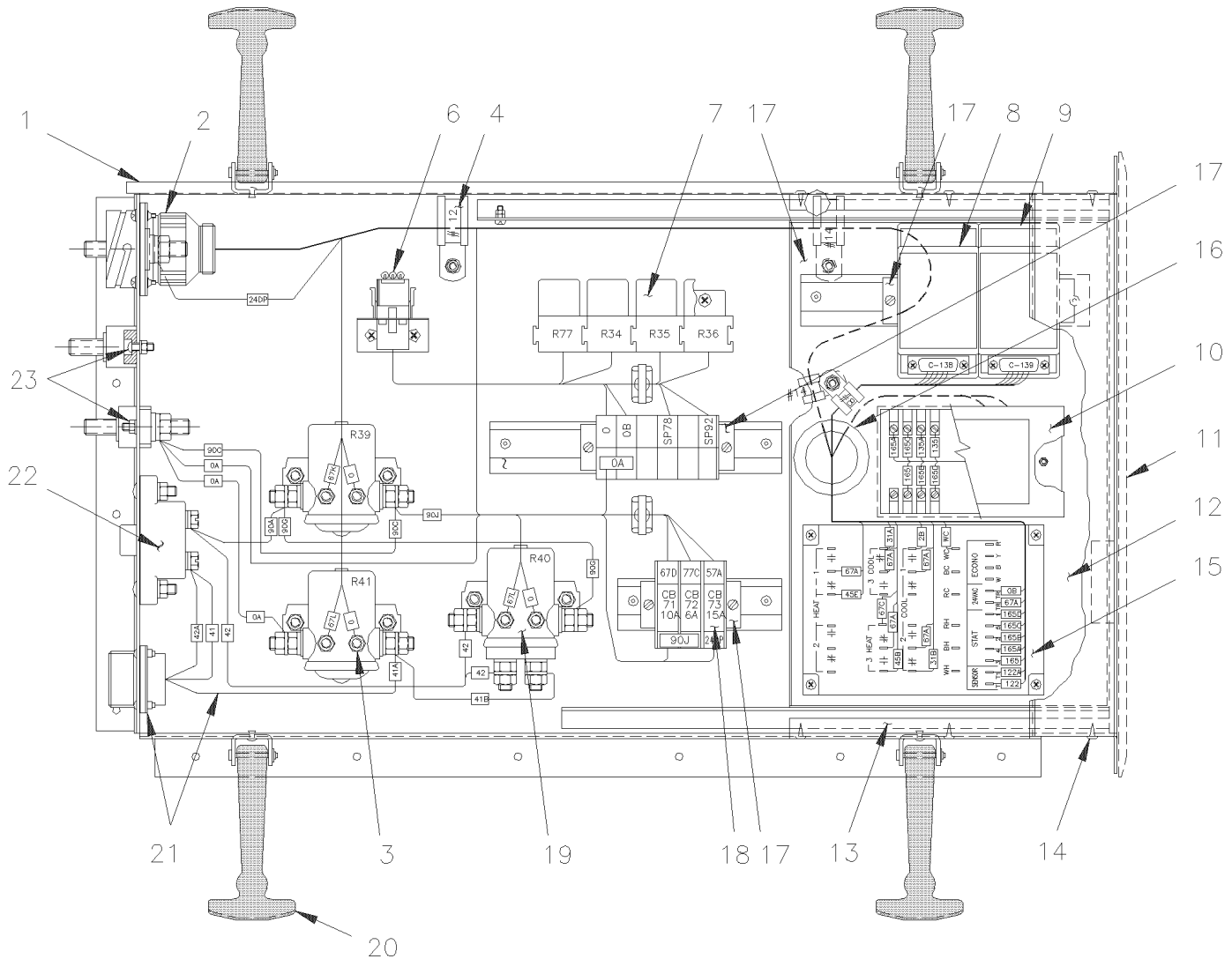
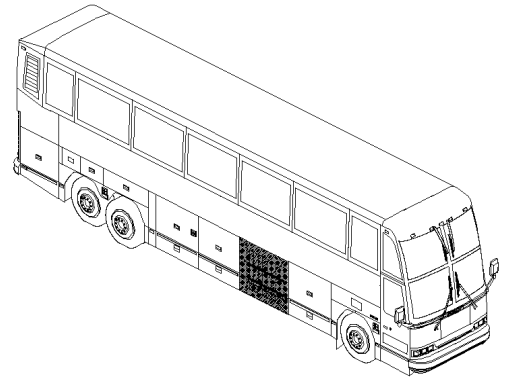
Item#	Part	Description	H 3 4 0	V I P 4 0	N O T E S
1	571494	CONTROL UNIT, ELECTRONIC To M-072	1	1	A
1	571514	CONTROL UNIT, ELECTRONIC From M-073	1	1	B
1	571495	CONTROL UNIT, ELECTRONIC	1	1	C
2	502543	NUT HEX M8-1.25 Z050	AR	AR	
3	500874	WASHER FL 8.4x17.0x1.6 Z050	AR	AR	
4	502507	WASHER LO SPT 8.1x14.8x2.0 Z050	AR	AR	
5	381136	PROTECTOR	1	1	
NS	500583	SCREW TP PAN PH #6x1/2 Z050	AR	AR	
NS	500470	WASHER LO SPT .193x.334x.047 Z050	AR	AR	
6	504012	CABLE TIE / 3/16" X 6"1/2	AR	AR	
7	500638	SCREW TP PAN PH #8x1/2 Z050	AR	AR	
8	381135	PROTECTOR, REGULATOR	1	1	
9	560030	REGULATOR ASSY 24V / W/3 TERMINALS	1	1	D
10	500609	NUT HEX M6-1.0 Z050	AR	AR	
11	502564	WASHER LO SPT 6.1x11.8x1.6 Z050	AR	AR	
12	500440	WASHER FL .250x.562x.065 Z050	AR	AR	
13	500789	NUT HEX 1/2-13 Z050	AR	AR	
14	500482	WASHER LO SPT .506x.873x.125 Z050	AR	AR	
15	561732	COVER / PROTECTOR / 2 BLOCKS	2	2	
16	506318	TAPE DUAL LOCK 1" x 150' / BLACK SJ3541	AR	AR	
17	062654	DECAL / CONNECTOR IDENTIFICATION To N-169	1	1	
17	063114	DECAL / CONNECTOR IDENTIFICATION From N-170	1	1	
18	062648	DECAL / BREAKER & RELAY IDENTIFICATION To N-169	1	1	
18	063108	DECAL / BREAKER & RELAY IDENTIFICATION From N-170	1	1	
19	062649	DECAL / BREAKER IDENTIFICATION To N-169	1	1	
19	063109	DECAL / BREAKER IDENTIFICATION From N-170	1	1	
20	062653	DECAL / CONNECTOR IDENTIFICATION	1	1	
21	H4-0620-00	REAR JUNCTION BOX ASSY			
NS	062689	DECAL / VOLTAGE	1	1	
NS	062650	DECAL, TOGGLE SWITCH	1	1	
22	562058	MONITOR / BATTERY EQUALIZER	1	1	
NS	064717	KIT VOLTAGE REGULATOR	1	1	
NS	IS-97104B	. SEE INSTRUCTION SHEET	1	1	
		A) FOR ATEC AUTOMATIC TRANSMISSION HT-755 CR (1800 RPM) , FOR CALIBRATION AT 1950 RPM USE KIT 571513			
		B) FOR ATEC AUTOMATIC TRANSMISSION HT-755 CR (1950 RPM)			
		C) FOR AUTOMATIC TRANSMISSION HT-748			
		D) THIS PART IS SUPERSEDED BY KIT #064717			

From L-031 To R-396

Date:07/2024

PAGE:H4-0621-00

A/C JUNCTION BOX ASSY



From L-031 To R-396	Date:07/2024	PAGE:H4-0621-00
A/C JUNCTION BOX ASSY		

Item#	Part	Description	H 3 4 0	V I P 4 0	N O T E S
	381100P	A/C ELECTRICAL PANEL ASSY	1	1	
1	381099	BOX ASSY / WELDED	1	1	
NS	381093	COVER ASSY	1	1	
NS	506298	. RUBBER EXTRUSION CC NEO 3/4" X 5/8" / C.T.L.	AR	AR	
NS	062665	. DECAL	1	1	
2	062565	HARNESS ASSY	1	1	
3	561005	SWITCH MAGNETIC / 24V S.P.S.T. / 200AMPS N.O.	3		
3	561005	SWITCH MAGNETIC / 24V S.P.S.T. / 200AMPS N.O.		AR	
4	560482	CLAMP / 3/4" I.D. / W/HOLE 3/16"	1	1	
5	502524	NUT HEX M4-0.7 Z050	AR	AR	
NS	502636	WASHER LO SPT 4.1x7.6x0.9 Z050	AR	AR	
6	062684	DIODE ASSY	1	1	
6	560931	. DIODE / 3AMPS	1	1	
6	561514	. SOCKET TERMINAL / 20-14 / AMP 350537-3	2	2	
6	561515	. CONNECTOR / UNIVERSAL MATE-N-LOK / SH 6C / AMP 1-480704-0	1	1	
7	561707	RELAY 24V S.P.D.T. W/RESISTOR /			
8	452004	A/C CONTROL MODULE	1	1	
8	062720	. CIRCUIT BOARD	1	1	A
8	562080	. BASE, ANCHOR 45MM / TO FIX CIRCUIT	1	1	
8	562078	. MEMBER SIDE 22MM / BOX	2	2	
8	381238	. COVER	1	1	
8	062747	. DECAL	1	1	
8	562120	. FUSE / 2 AMPS / 3AG-2	1	1	
9	452005	A/C LOGIC MODULE	1	1	
9	062738	. PRINTED CIRCUIT BOARD ASSY / PRODUCTION	1	1	
9	063344	. CIRCUIT BOARD	1	1	A
9	562080	. BASE, ANCHOR 45MM / TO FIX CIRCUIT	1	1	
9	562078	. MEMBER SIDE 22MM / BOX	1	1	
9	562079	. MEMBER SIDE 45MM	1	1	
9	381239	. COVER	1	1	
9	062748	. DECAL	1	1	
9	562309	. FUSE / 2 AMPS / 2A	2	2	
10	380877	ELECTRONIC TRANSMITTER	1	1	
11	381205	COVER ASSY / DRAWER	1	1	
12	381138	DRAWER ASSY	1	1	
13	381198	SLIDING CHANNEL	2	2	
14	500582	SCREW TP PAN PH #8x3/8 Z050	6	6	
15	561805	A/C LOGIC PANEL	1	1	
16	504059	GROMMET / 1.250x1.500x.094x.375x1.875	1	1	
17	H4-0616-00	JUNCTION BOX COMPONENTS, RELAY & BREAKER			
18	H4-0616-00	JUNCTION BOX COMPONENTS, RELAY & BREAKER			
19	561014	SWITCH MAGNETIC / 24V D.P.S.T. / 200AMPS N.O.	1	1	

From L-031 To R-396	Date:07/2024	PAGE:H4-0621-00
A/C JUNCTION BOX ASSY		

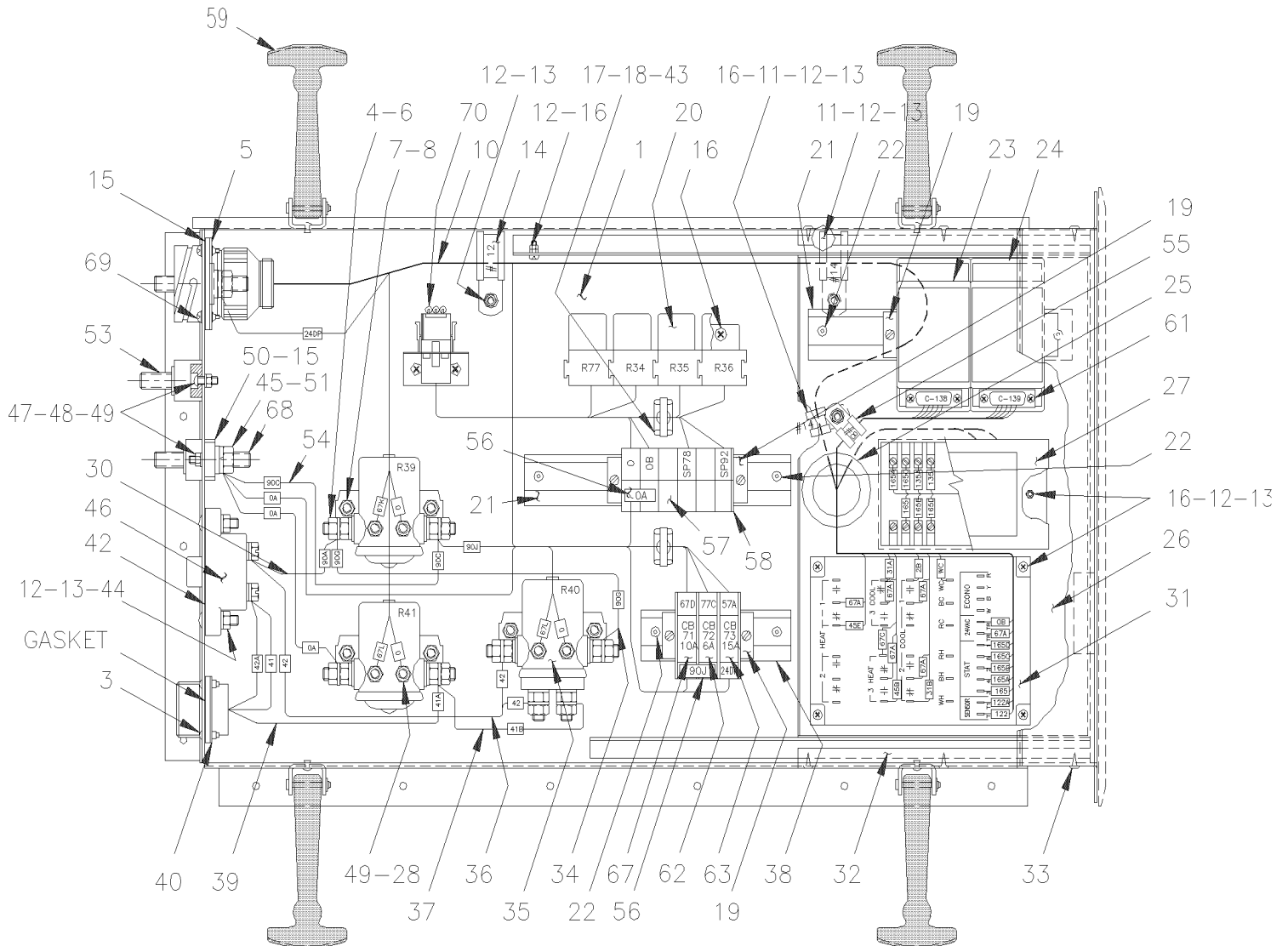
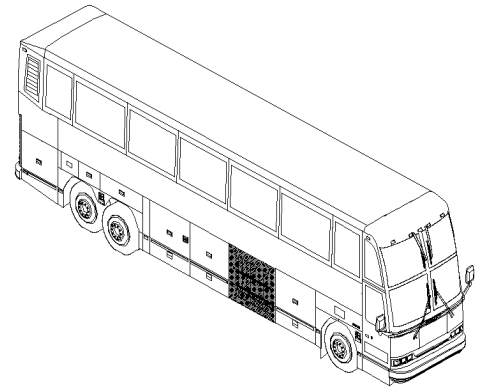
Item#	Part	Description	H 3 4 0	V I P 4 0	N O T E S
20	504532	LATCH ASSY RUBBER	4	4	
21	062554	CABLE ASSY FAN POWER	1	1	
22	560703	BREAKER 40AMPS / 24V /	2	2	
23	561102	BLOCK, JUNCTION / 2 STUD 3/8-16 / BLACK	5	5	
NS	068562	SERVICE KIT TO REPLACE A/C CONTROL MODULE	1	1	A
. NS	562809	. MODULE CONTROL A/C	1	1	A
. . NS	562599	. . FUSE / ATO 3 AMPS VIOLET	1	1	A
. NS	068539	. HARNESS "Y"	1	1	A
. NS	IS-12008	. SEE INSTRUCTION SHEET	1	1	A
		A) USE SERVICE 068562 TO REPLACE A/C MODULE			

From R-397 To R-079

Date:07/2024

PAGE:H4-0621-01

A/C JUNCTION BOX ASSY



From R-397 To R-079	Date:07/2024	PAGE:H4-0621-01
A/C JUNCTION BOX ASSY		

Item#	Part	Description	H 3 4 0	V I P 4 0	N O T E S
	381488P	JUNCTION BOX ASSY	1	1	
1	381487	. JUNCTION BOX (WELDED)	1	1	
2	381093	. COVER ASSY	1	1	
3	500518	. SCREW MA BDG PH #4-40x1/2 Z050	4	4	
4	500476	. WASHER LO SPT .317x.586x.078 Z050	8	8	
5	561822	. NUT, RING #28 / 2" I.D. W/4 6-32	1	1	
6	500699	. NUT HEX 5/16-24 Z050	8	8	
7	502565	. NUT HEX M6-1.0 SS	4	4	
8	502570	. WASHER LO SPT 6.1x11.8x1.6 SS	4	4	
9	561005	. SWITCH MAGNETIC / 24V S.P.S.T. / 200AMPS N.O.	2	2	
10	063309	. WIRING JUNCTION BOX A/C	1	1	
11	560483	. CLAMP / 7/8" I.D.	2	2	
12	502524	. NUT HEX M4-0.7 Z050	15	15	
13	502636	. WASHER LO SPT 4.1x7.6x0.9 Z050	13	13	
14	560482	. CLAMP / 3/4" I.D. / W/HOLE 3/16"	1	1	
15	680025	. CAULKING STRIP 3/16" O.D. X 14'	AR	AR	
16	500344	. SCREW MA RND PH M4-0.7x12 Z050	11	11	
17	504013	. TIE MOUNT / 1/4" X 1/4" I.D.	2	2	
18	504488	. RIVET MGLP PRDG 3/16x17/64 SS	18	18	
19	561729	. STOPPER	6	6	
20	561707	. RELAY 24V S.P.D.T. W/RESISTOR /	4	4	
21	380839	. RAIL SUPPORT / 180MM	2	2	
22	504340	. RIVET POP DOME OE 1/8x3/16 SS	6	6	
23	452004	. A/C CONTROL MODULE	1	1	
23	062720	. . CIRCUIT BOARD	1	1	A
23	562080	. . BASE, ANCHOR 45MM / TO FIX CIRCUIT	1	1	
23	562078	. . MEMBER SIDE 22MM / BOX	1	1	
23	381238	. . COVER	1	1	
23	062747	. . DECAL	1	1	
23	562120	. . FUSE / 2 AMPS / 3AG-2	1	1	
24	452005	. A/C LOGIC MODULE	1	1	
24	062738	. . PRINTED CIRCUIT BOARD ASSY / PRODUCTION	1	1	
24	063344	. . CIRCUIT BOARD	1	1	A
24	562080	. . BASE, ANCHOR 45MM / TO FIX CIRCUIT	1	1	
24	562078	. . MEMBER SIDE 22MM / BOX	1	1	
24	562079	. . MEMBER SIDE 45MM	1	1	
24	381239	. . COVER	1	1	
24	062748	. . DECAL	1	1	
24	562309	. . FUSE / 2 AMPS / 2A	1	1	
25	504059	. GROMMET / 1.250x1.500x.094x.375x1.875	1	1	
26	381138	. DRAWER ASSY	1	1	
27	380877	. ELECTRONIC TRANSMITTER	1	1	

From R-397 To R-079	Date:07/2024	PAGE:H4-0621-01
A/C JUNCTION BOX ASSY		

Item#	Part	Description	H 3 4 0	V I P 4 0	N O T E S
28	500765	. NUT HEX #10-32 BR	6	6	
30	062557	. CABLE ASSY #90A	1	1	
31	561805	. A/C LOGIC PANEL	1	1	
32	381198	. SLIDING CHANNEL	2	2	
33	500582	. SCREW TP PAN PH #8x3/8 Z050	6	6	
34	062560	. CABLE ASSY #90G	1	1	
35	561014	. SWITCH MAGNETIC / 24V D.P.S.T. / 200AMPS N.O.	1	1	
36	062558	. CABLE ASSY #42	1	1	
37	062561	. CABLE ASSY #41B	1	1	
38	381203	. RAIL SUPPORT / 100MM	1	1	
39	062554	. CABLE ASSY FAN POWER	1	1	
40	562003	. NUT, RING #22 / xx I.D. W/4 4-40	1	1	
NS	063919	. DECAL (INSIDE COVER)	1	1	
42	381133	. GASKET / BREAKER & BOX	2	2	
43	504637	. CABLE TIE / 3/16" x 13"	2	2	
44	502677	. SCREW MA RND PH M4-0.7x25 SS	4	4	
45	500478	. WASHER LO SPT .380x.683x.094 Z050	3	3	
46	560703	. BREAKER 40AMPS / 24V /	2	2	
47	500386	. SCREW MA RND PH #10-24x1/2 Z050	8	8	
48	500786	. NUT HEX #10-24 Z050	8	8	
49	500470	. WASHER LO SPT .193x.334x.047 Z050	14	14	
50	561102	. BLOCK, JUNCTION / 2 STUD 3/8-16 / BLACK	3	3	
51	500102	. NUT HEX 3/8-16 SS	3	3	
53	560422	. BLOCK, TERMINAL / 1 STUD 3/8-16 / BLACK	1	1	
54	062559	. CABLE ASSY #90C	1	1	
55	560480	. CLAMP / 1/2" I.D.	1	1	
56	381813	. BUS BAR / W/2 HOLES 25MM	4	4	
57	561726	. BLOCK JUNCTION	6	6	
58	561728	. END CLOSING	1	1	
59	504532	. LATCH ASSY RUBBER	4	4	
61	5001053	. SCREW MA PAN PH #4-40x1/4 ZP	4	4	
62	561790	. BREAKER 6AMPS / 24V /	1	1	
63	561793	. BREAKER 15AMPS / 24V /	1	1	
NS	380911	. CHANNEL (UNDER THE BOX)	1	1	
NS	504365	. SPRING HOOK / DZUS 5/16	1	1	
67	561792	. BREAKER 10AMPS / 24V /	1	1	
68	682460	. RUSTPROOFING PROTECTOR	AR	AR	
69	500148	. SCREW MA RND PH #6-32x1/2 SS	4	4	
70	062588	. DIODE ASSY / W/3 3AMPS	1	1	
NS	068562	SERVICE KIT TO REPLACE A/C CONTROL MODULE	1	1	A
. NS	562809	. MODULE CONTROL A/C	1	1	A
. . NS	562599	. . FUSE / ATO 3 AMPS VIOLET	1	1	A

From R-397 To R-079	Date:07/2024	PAGE:H4-0621-01
A/C JUNCTION BOX ASSY		

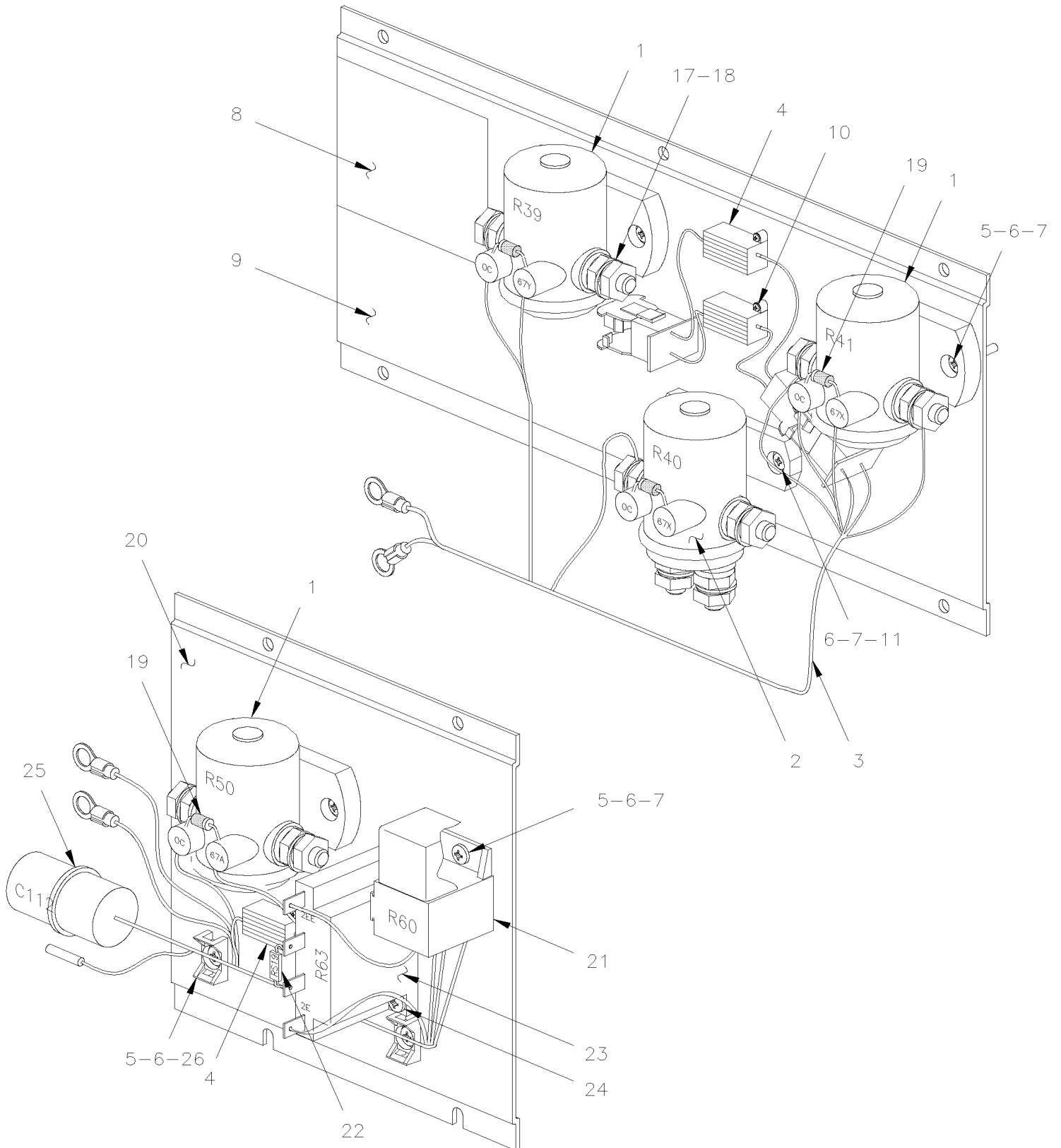
Item#	Part	Description	H 3 4 0	V I P 4 0	N O T E S
. NS	068539	. HARNESS "Y"	1	1	A
. NS	IS-12008	. SEE INSTRUCTION SHEET	1	1	A
		A) USE SERVICE 068562 TO REPLACE A/C MODULE			

From L-031 To R-079

Date:07/2024

PAGE:H4-0621-99

A/C CONDENSOR MOTOR RELAY



From L-031 To R-079	Date:07/2024	PAGE:H4-0621-99
A/C CONDENSOR MOTOR RELAY		

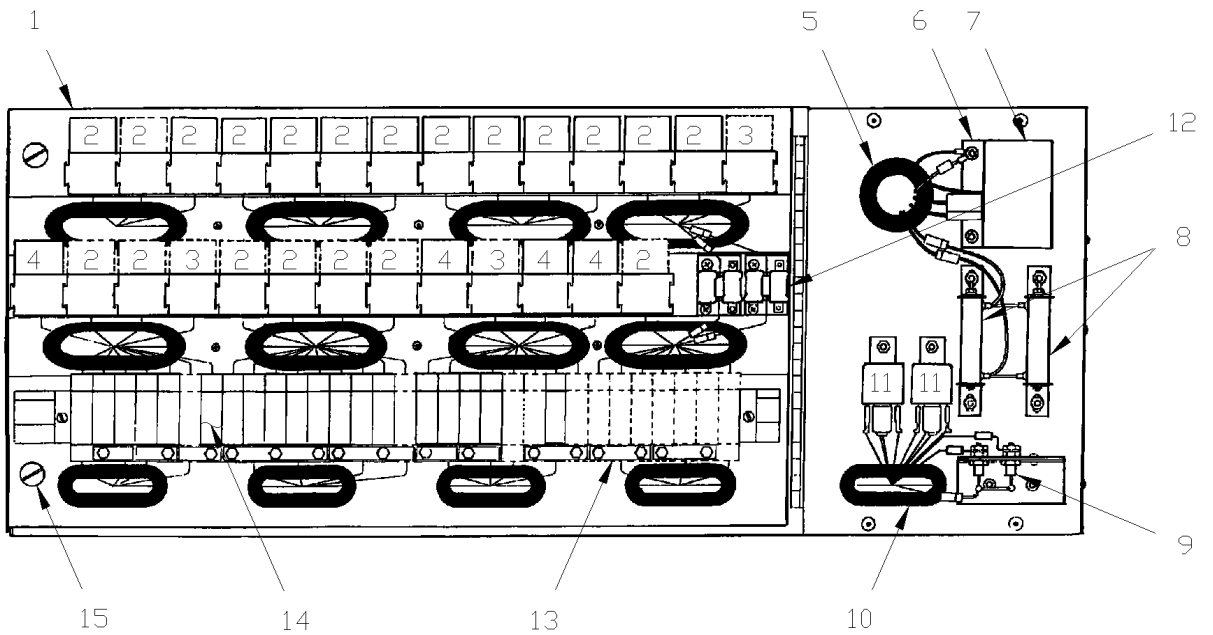
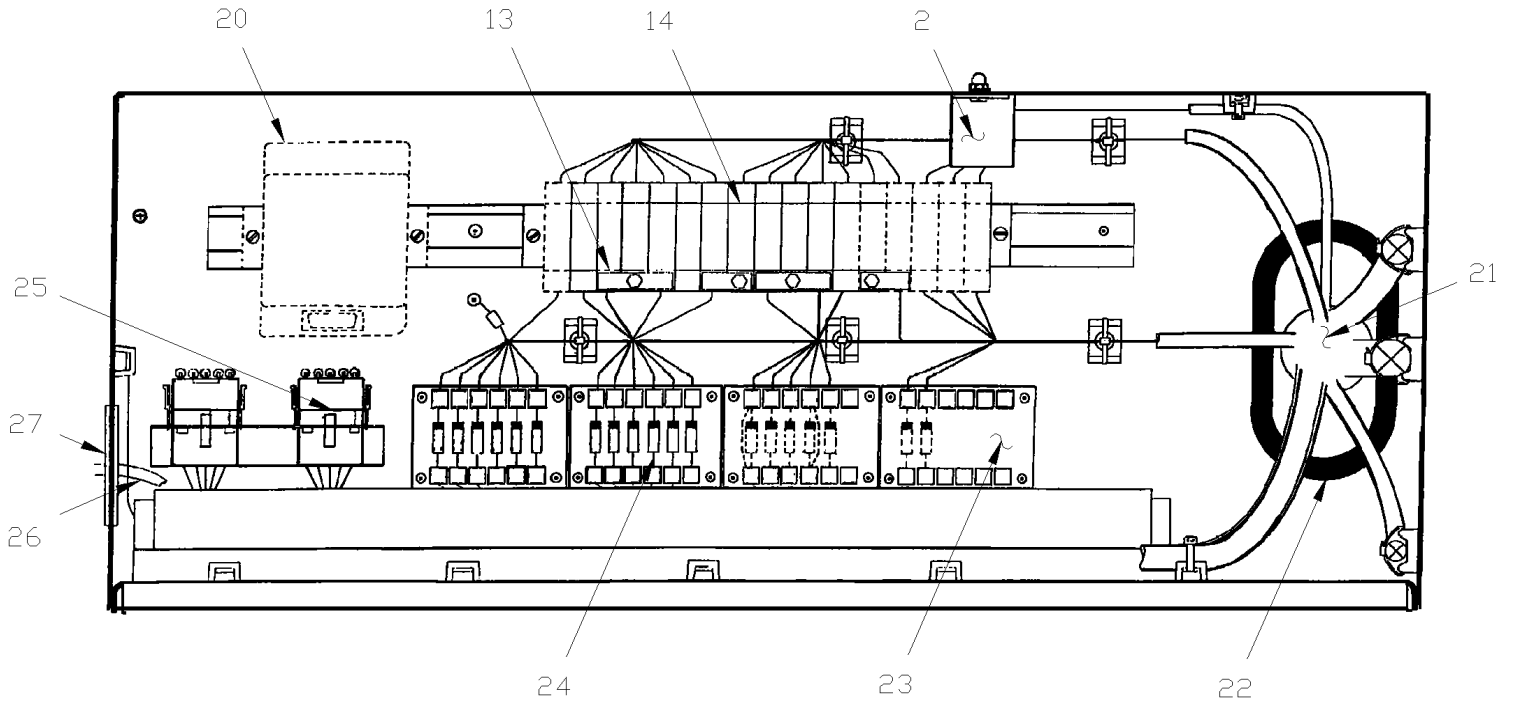
Item#	Part	Description	H 3 4 0	V I P 4 0	N O T E S
	065271	KIT, RETROFIT A/C RELAY RELOCATION	1	1	A
1	561005	SWITCH MAGNETIC / 24V S.P.S.T. / 200AMPS N.O.	2	2	
2	561014	SWITCH MAGNETIC / 24V D.P.S.T. / 200AMPS N.O.	1	1	
3	065263	CABLE ASSY	1	1	
4	064907	RESISTOR ASSY	1	1	
5	500883	SCREW TC PAN PH #8-32x3/8 Z050	4	4	
6	500438	WASHER FL .187x.437x.050 Z050	6	6	
7	500470	WASHER LO SPT .193x.334x.047 Z050	16	16	
8	065270	DECAL	11	11	
9	065266	SUPPORT	11	11	
10	500798	SCREW TP PAN PH #4-3/8 ZP	14	14	
11	500564	SCREW MA RND PH #8-32x3/4 Z050	12	12	
17	500699	NUT HEX 5/16-24 Z050	8	8	
18	500476	WASHER LO SPT .317x.586x.078 Z050	8	8	
19	060798	DIODE ASSY	3	3	
NS	504637	CABLE TIE / 3/16" x 13"	30	30	
NS	562668	RING TERMINAL .3125 / 12-10 / AMP 34966	3	3	
NS	562037	RING TERMINAL .500 / 12-10 / AMP 35135	1	1	
NS	065264	CABLE ASSY	1	1	
NS	500564	SCREW MA RND PH #8-32x3/4 Z050	6	6	
20	382011	CONTROL PANEL ASSY	1	1	B
20	382010	. SUPPORT	1	1	
21	561707	. RELAY 24V S.P.D.T. W/RESISTOR /	1	1	
22	065613	. RESISTOR ASSY 30K OHMS / 1/4 W	1	1	
23	560772	. TIME DELAY RELAY	1	1	
24	500583	. SCREW TP PAN PH #6x1/2 Z050	2	2	
25	065628	. CABLE ASSY / EVAPORATOR RELAY	1	1	
26	504013	. TIE MOUNT / 1/4" X 1/4" I.D.	2	2	
NS	065087	CABLE ASSY #130	1	1	
NS	065360	CABLE ASSY #0	1	1	
NS	065271	KIT, RETROFIT A/C RELAY RELOCATION	1	1	
NS	065548	KIT, EVAPORATOR MOTOR SPEED CONTROL	1	1	C
. NS	IS-00032	. SEE INSTRUCTION SHEET			C
		A) INCLUDE ALSS ITEM 1 TO 19 ON PLATE #9			
		B) THIS PLATE ASSY INCLUDE IN KIT #065548			
		C) SEE INSTRUCTION SHEET IS-0032			

From L-031 To R-079

Date:07/2024

PAGE:H4-0625-00

FRONT JUNCTION BOX ASSY



From L-031 To R-079		Date:07/2024	PAGE:H4-0625-00
FRONT JUNCTION BOX ASSY			

Item#	Part	Description	H 3 4 0	V I P 4 0	N O T E S
	381367	JUNCTION BOX ASSY / W/ABS From N-170 To N-197	1		
	381405	JUNCTION BOX ASSY / W/ABS From N-198 To P-336	1		
	381527	JUNCTION BOX ASSY / W/ABS From P-337	1		
	381414	JUNCTION BOX ASSY / W/O ABS To N-197	1		
	381406	JUNCTION BOX ASSY / W/O ABS From N-198 To P-336	1		
	381528	JUNCTION BOX ASSY / W/O ABS From P-337	1		
	381358	JUNCTION BOX ASSY To N-169		1	
	381370	JUNCTION BOX ASSY From N-170 To N-197		1	
	381404	JUNCTION BOX ASSY From N-198 To P-336		1	
	381526	JUNCTION BOX ASSY From P-337		1	
1	381128	JUNCTION BOX / FRONT	1	1	
2	561707	RELAY 24V S.P.D.T. W/RESISTOR /	AR	AR	
3	561706	RELAY 12V S.P.D.T. W/DIODE /	AR	AR	
4	561538	RELAY 12V S.P.D.T. V 415 F11	AR	AR	
5	504398	GROMMET / 1.000x1.375x.062x.437x1.750	1	1	
6	502524	NUT HEX M4-0.7 Z050	AR	AR	
7	561956	FLASHER UNIT 12V	1	1	
7	064158	FLASHER UNIT 12V ASSY W/CONNECTOR & SUPPORT	1	1	
8	060806	RESISTOR ASSY 0.82 OHM / W/12 VOLT FOG	1	1	
. NS	560823	. RESISTOR / 0.82 OHM	2	2	
. . NS	562959	. . SUPPORT, CERAMIC RESISTOR	1	1	
8	560823	. RESISTOR / 0.82 OHM	2	2	
. NS	562959	. . SUPPORT, CERAMIC RESISTOR	1	1	
9	062717	DIODE ASSY	1	1	
9	560863	. DIODE / 12AMPS / CATHODE STUD	2	2	
10	504059	GROMMET / 1.250x1.500x.094x.375x1.875	5	5	
11	561991	RELAY 24V S.P.S.T. / 70 AMPS N.O.	2	2	
12	061976	RESISTOR ASSY 1 OHM 10 W	2	2	
12	561537	. RESISTOR / 1 OHM / 10 W	2	2	
13	H4-0616-00	JUNCTION BOX COMPONENTS, RELAY & BREAKER			
14	H4-0616-00	JUNCTION BOX COMPONENTS, RELAY & BREAKER			
15	504354	STUD 5/16 O.D. X 3/8 (DZUS)	2	2	
NS	504353	RETAINER, 5/16"DIA. (DZUS) STUD	2	2	
20	381250	SWITCH, PROGRAMMABLE SPEED	1	1	
20	062767	. BOARD CIRCUIT "SPEED SWITCH"	1	1	
NS	063191	CONTROL MODULE / W/HEATING UPPER WINDSHIELD	1	1	A
21	062583	CABLE ASSY	1	1	
22	506336	CHANNEL, RUBBER / S.L.	AR	AR	
23	562161	BOARD TERMINAL	8	8	
24	062120	DIODE ASSY	AR	AR	
24	560931	. DIODE / 3AMPS			
NS	062606	JUMPER	2	2	

From L-031 To R-079	Date:07/2024	PAGE:H4-0625-00
FRONT JUNCTION BOX ASSY		

Item#	Part	Description	H 3 4 0	V I P 4 0	N O T E S
25	381145	DIODE ASSY / W/5 3AMPS	2	2	
25	560931	. DIODE / 3AMPS	5	5	
26	062597	CABLE ASSY	1	1	
27	504060	GROMMET / 1.500x2.000x.094x.375x2.375	1	1	
NS	062612	DECAL / FRONT JUNCTION BOX INTERIOR COMPONENTS	1	1	
NS	062613	DECAL / BREAKER & RELAY IDENTIFICATION	1	1	
NS	062618	DECAL / FRONT JUNCTION BLOCK	1	1	
		A) SEE NOTE "A" AT PAGE H4-0645-10			

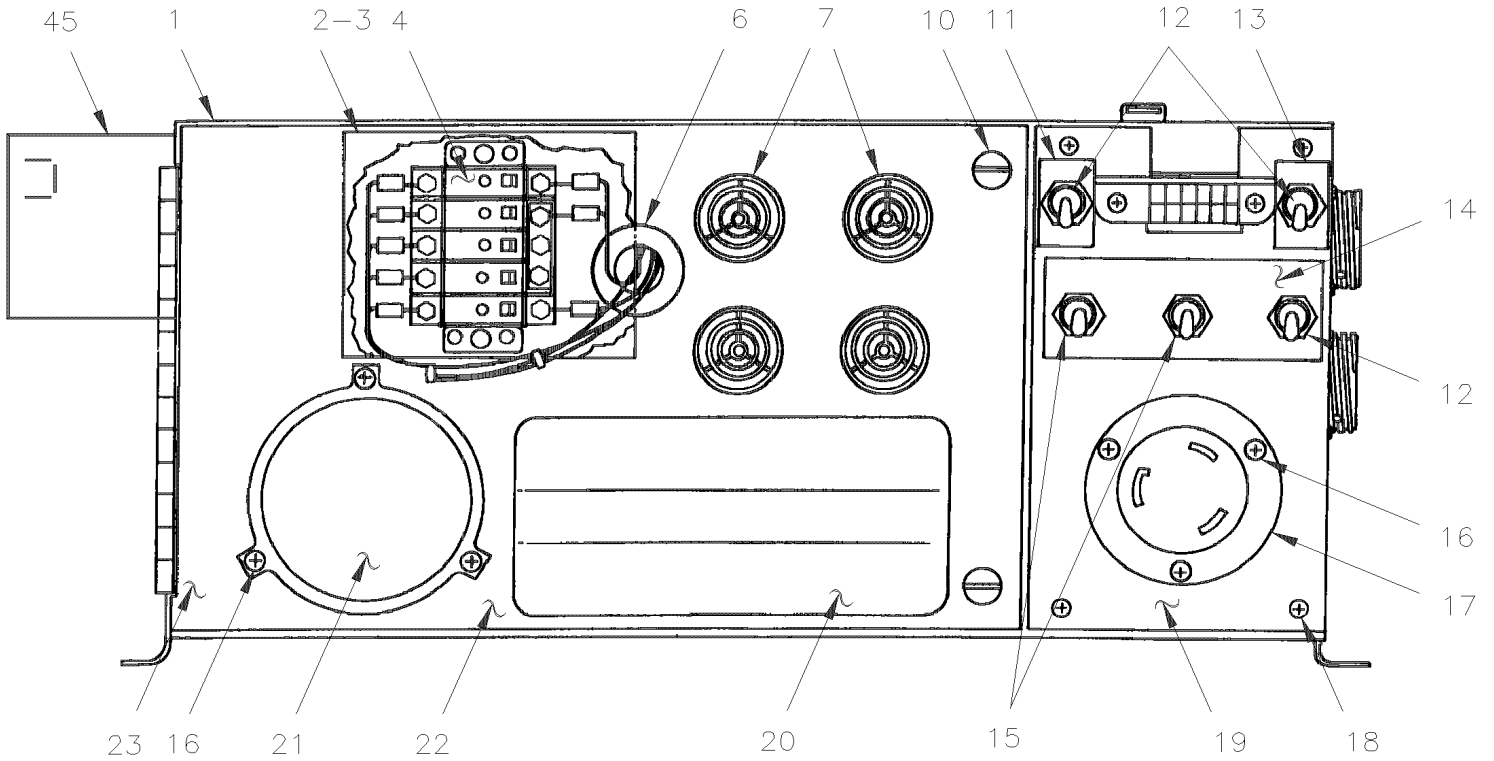
From L-031 To P-299

Date:07/2024

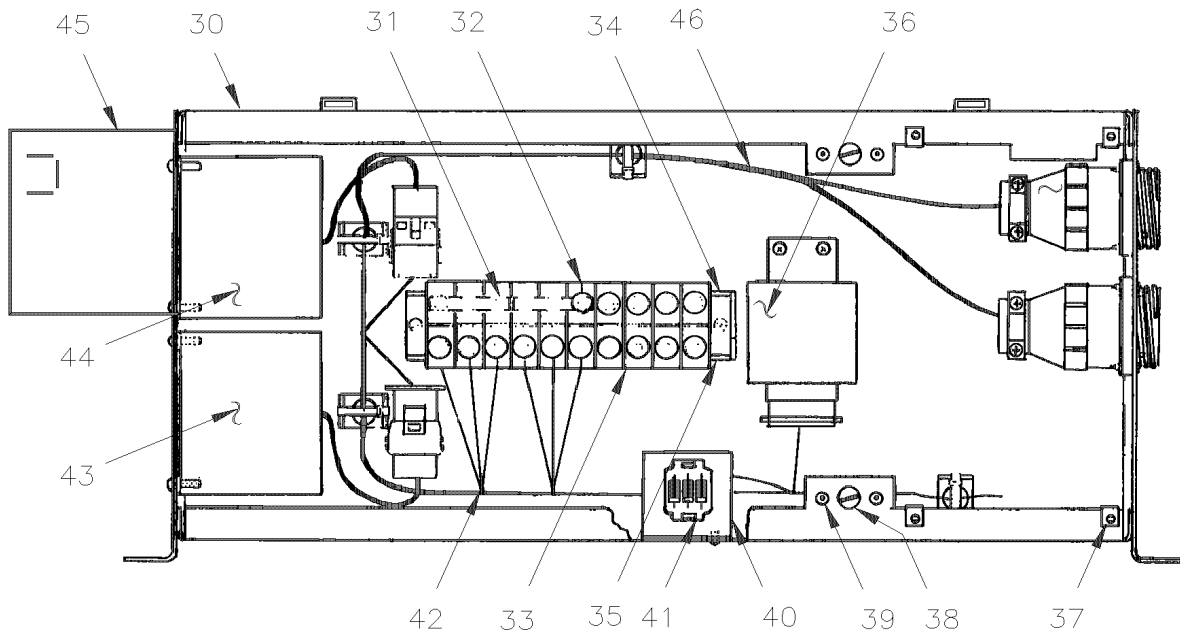
PAGE:H4-0626-00

ALARM JUNCTION BOX ASSY

FRONT SECTION



REAR SECTION



From L-031 To P-299	Date:07/2024	PAGE:H4-0626-00
ALARM JUNCTION BOX ASSY		

Item#	Part	Description	H 3 4 0	V I P 4 0	N O T E S
1	381336	ALARM BOX ASSY	1		
1	381337	ALARM BOX ASSY		1	
2	381027	PROTECTOR ASSY	1	1	
3	506338	. RUBBER CHANNEL / 1/16" x 1/4" INT "U" SHAPE / ROUND C.T.L.	AR	AR	
4	H4-0616-00	JUNCTION BOX COMPONENTS, RELAY & BREAKER			
6	504397	GROMMET / .750x1.062x.062x.375x1.375	1		
7	561013	ALARM	2		
7	561013	ALARM		1	
8	561963	SONALERT	1		
9	561957	BUZZER, LAVATORY / UNDER DASHBOARD	1	1	
10	504354	STUD 5/16 O.D. X 3/8 (DZUS)	2	2	
NS	504353	RETAINER, 5/16"DIA. (DZUS) STUD	2	2	
11	061879	DECAL, "ATEC"	1	1	
12	560256	SWITCH / OFF-ON / S.P.S.T.	3	3	
13	062645	DECAL, "DDEC"	1	1	
14	062197	DECAL, "110 VOLTS"	1	1	
15	560638	SWITCH / OFF-ON / D.P.S.T.	2	2	
16	500344	SCREW MA RND PH M4-0.7x12 Z050	AR	AR	
17	561831	RECEPTACLE / 110 VOLTS 30 AMPS / TWIST LOCK / HUBBELL 2615	1	1	
18	502610	SCREW MA BDG PH #6-32x1/4 ZP	4	4	
19	381201	PANEL, CLOSING	1	1	
20	560367	CHIME BELL 24V / PASSENGER'S SIGNAL	1		
20	561925	. COVER CHIME	1		
NS	504401	SNAP-IN PLUG / .875 O.D. (FLUSH HEAD)		1	
21	560369	BELL ALARM / PRODUCTION	1	1	
22	380899	PANEL, DOOR	1	1	
30	380926	BOX ASSY, ALARM	1	1	
31	H4-0616-00	JUNCTION BOX COMPONENTS, RELAY & BREAKER			
32	H4-0616-00	JUNCTION BOX COMPONENTS, RELAY & BREAKER			
33	H4-0616-00	JUNCTION BOX COMPONENTS, RELAY & BREAKER			
34	H4-0616-00	JUNCTION BOX COMPONENTS, RELAY & BREAKER			
35	H4-0616-00	JUNCTION BOX COMPONENTS, RELAY & BREAKER			
36	800293	GENERATOR, PULSE / FOR WIPER MOTOR	1	1	
37	500664	NUT SPR U #6-32 .050-.062	8	8	
38	504365	SPRING HOOK / DZUS 5/16	2	2	
39	504106	RIVET POP DOME OE 1/8x1/4 AL	4	4	
40	381143	SUPPORT / FOR 6 PINS CONNECTOR	1	1	
41	062588	DIODE ASSY / W/3 3AMPS	1	1	
41	560931	. DIODE / 3AMPS	3	3	
41	561514	. SOCKET TERMINAL / 20-14 / AMP 350537-3	6	6	
42	062446	CABLE ASSY	1	1	
43	561766	MODULE, CONTROL	1	1	

From L-031 To P-299	Date:07/2024	PAGE:H4-0626-00
---------------------	--------------	-----------------

ALARM JUNCTION BOX ASSY

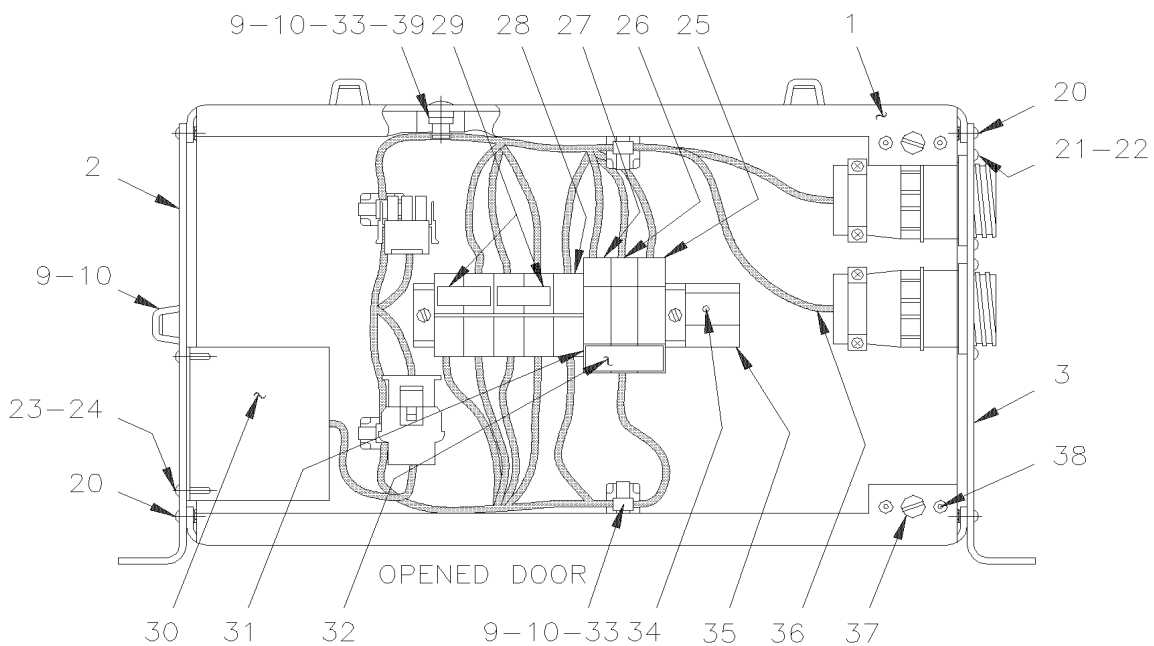
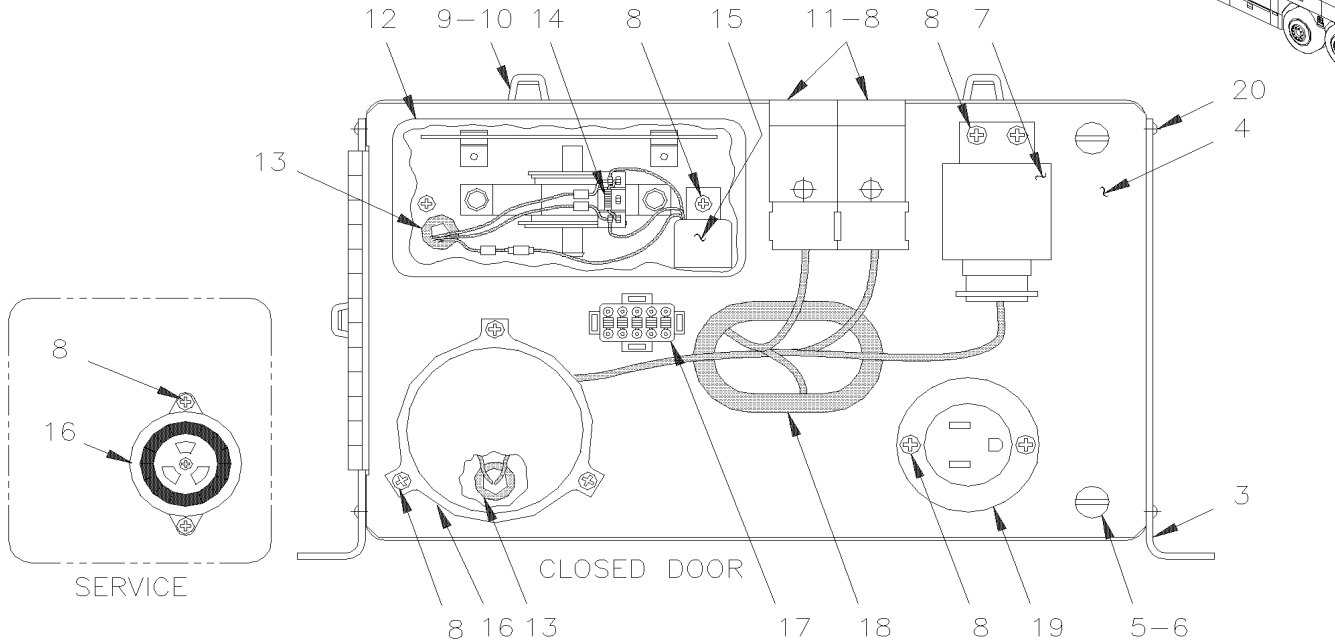
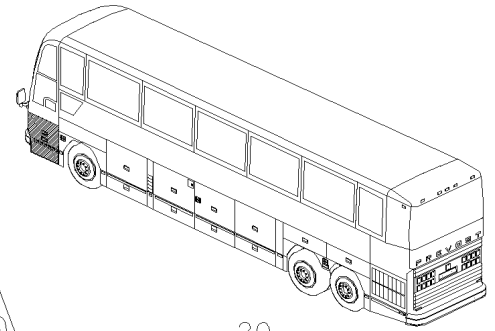
Item#	Part	Description	H 3 4 0	V I P 4 0	N O T E S
44	561798	POWER SUPPLY, 5 VOLTS	1		
45	561956	FLASHER UNIT 12V	1	1	
45	064158	FLASHER UNIT 12V ASSY W/CONNECTOR & SUPPORT	1	1	

From P-300 To R-079

Date:07/2024

PAGE:H4-0626-01

ALARM JUNCTION BOX ASSY



From P-300 To R-079		Date:07/2024	PAGE:H4-0626-01
ALARM JUNCTION BOX ASSY			

Item#	Part	Description	H 3 4 0	V I P 4 0	N O T E S
	381481	JUNCTION BOX ASSY	1		
	381480	JUNCTION BOX ASSY		1	
1	381466	. BOX ASSY	1	1	
2	381467	. PANEL, LEFT	1	1	
3	381468	. PANEL, RIGHT	1	1	
4	381469	. DOOR ASSY	1	1	
5	504353	. RETAINER, 5/16"DIA. (DZUS) STUD	2	2	
6	504354	. STUD 5/16 O.D. X 3/8 (DZUS)	2	2	
7	800293	. GENERATOR, PULSE / FOR WIPER MOTOR	1	1	
8	500344	. SCREW MA RND PH M4-0.7x12 Z050	AR	AR	
9	504013	. TIE MOUNT / 1/4" X 1/4" I.D.	8	8	
10	504114	. RIVET POP DOME OE 3/16x1/4 AL	8	8	
11	562117	. ALARM BUZZER	2	2	
12	560367	. CHIME BELL 24V / PASSENGER'S SIGNAL	1	1	
NS	561925	. COVER CHIME	1	1	
13	504323	. GROMMET / .375x.500x.062x.281x.687	2	2	
14	062121	. DIODE	1	1	
15	063304	. MODULE, PULSE	1	1	
16	560369	. BELL ALARM / PRODUCTION	1	1	
16	064094	. FIRE & KNEELING / ALARM ASSY / SERVICE	1	1	
17	381145	. DIODE ASSY / W/5 3AMPS	1	1	
18	504486	. GROMMET / 2.125x2.500x.062x.437x2.875	1	1	
19	562298	. INLET, FLANGED	AR	AR	
20	504103	. RIVET POP DOME OE 1/8x1/8 AL	15	15	
21	500518	. SCREW MA BDG PH #4-40x1/2 Z050	8	8	
22	561823	. NUT, RING #23 / 1.812" I.D. W/4 4-40	8	8	
23	500664	. NUT SPR U #6-32 .050-.062	4	4	
24	500148	. SCREW MA RND PH #6-32x1/2 SS	4	4	
25	561729	. STOPPER	2	2	
26	381236	. DUMMY ASSY W/SCREW	AR	AR	
27	561790	. BREAKER 6AMPS / 24V /	AR	AR	
28	561726	. BLOCK JUNCTION	5	5	
29	381813	. BUS BAR / W/2 HOLES 25MM	4	4	
30	561766	. MODULE, CONTROL	1	1	A
31	561728	. END CLOSING	1	1	
32	381814	. BUS BAR / W/3 HOLES 38MM	AR	AR	
33	504012	. CABLE TIE / 3/16" X 6"1/2	5	5	
34	504006	. RIVET POP CK OE 1/8x5/16 AL	2	2	
35	380905	. RAIL SUPPORT / 150MM	1	1	
36	063272	. CABLE ASSY	1	1	
37	504365	. SPRING HOOK / DZUS 5/16	2	2	
38	504106	. RIVET POP DOME OE 1/8x1/4 AL	4	4	

From P-300 To R-079	Date:07/2024	PAGE:H4-0626-01
ALARM JUNCTION BOX ASSY		

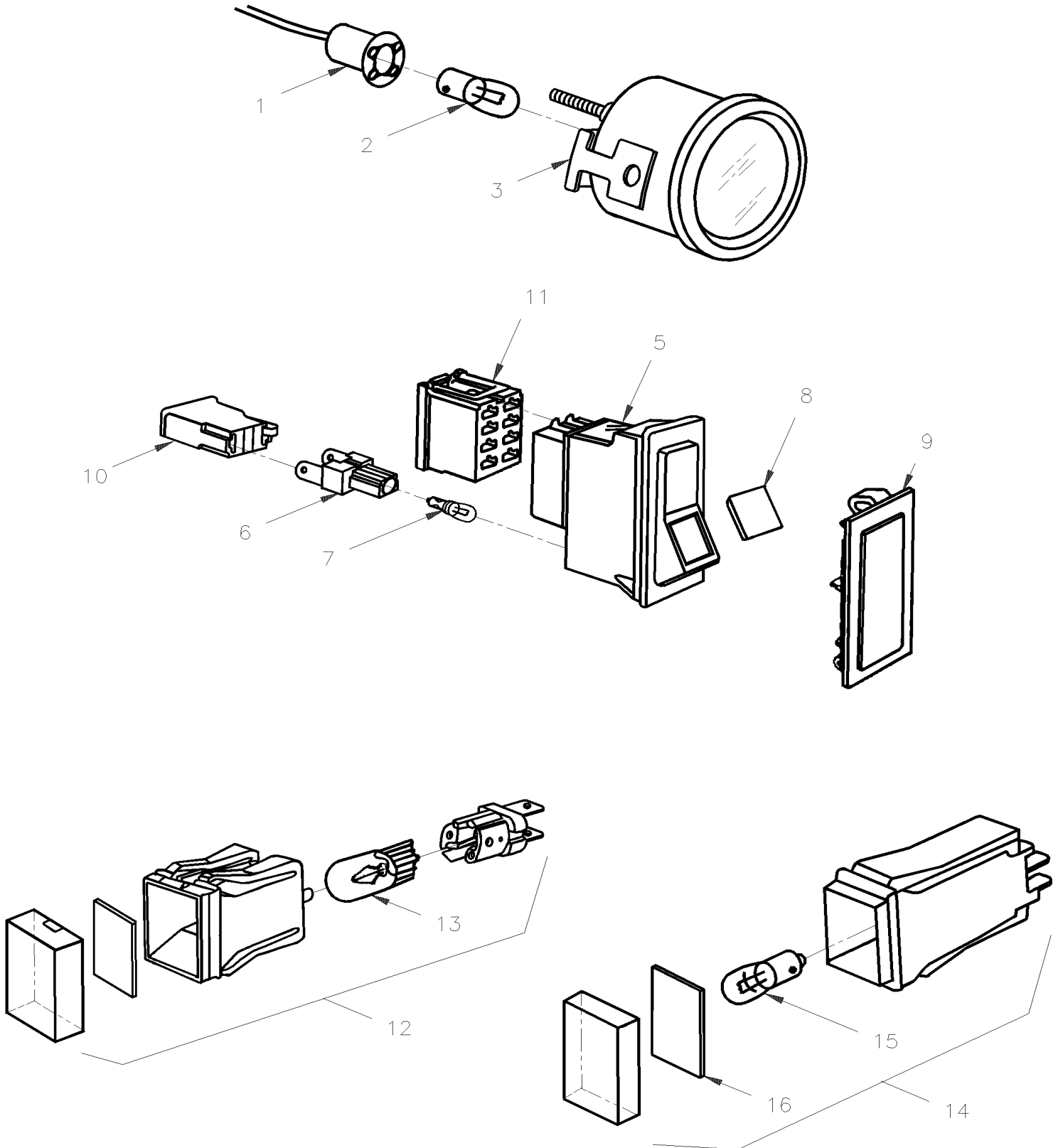
Item#	Part	Description	H 3 4 0	V I P 4 0	N O T E S
39	502630	. WASHER FL .156x.375x.049 Z050	1	1	
NS	560638	. SWITCH / OFF-ON / D.P.S.T.	AR	AR	
NS	062198	. CABLE, JUMP	AR	AR	
NS	062645	DECAL, "DDEC"	1	1	
NS	061879	DECAL, "ATEC"	1	1	
		A) THIS MODULE CONTROL IS SUPERSEDED BY CABLE 064104 & RHEOSTAT 562489			

From L-031 To R-079

Date:07/2024

PAGE:H4-0644-00

DASHBOARD COMPONENTS



From L-031 To R-079		Date:07/2024	PAGE:H4-0644-00
---------------------	--	--------------	-----------------

DASHBOARD COMPONENTS

Item#	Part	Description	H 3 4 0	V I P 4 0	N O T E S
1	062264	SOCKET BULB / PLASTIC WWIRE & CONNECTORS / BA 9s	1	1	
NS	561518	. SOCKET BULB / PLASTIC W/WIRE / BA9s	1	1	
NS	562382	SOCKET ASSY / W/TURBO BOOST "DACTON"	1	1	
NS	562383	SOCKET BULB / METAL W/WIRE / BA9s	1	1	
2	560145	BULB / 1WATT-24VOLTS / SAE# 1829	1	1	
2	561006	BULB / 1WATT-24VOLTS / SAE# 2741MF			
2	561534	. RESISTOR / 1.2K OHMS / 1/4 W	1	1	
2	561167	BULB / 2WATT-24VOLTS / SAE# 3899	1	1	A
2	562276	BULB / 2WATT-24VOLTS / SAE# 657	1	1	
2	560601	BULB / 2WATT-24VOLTS / SAE# 456	1	1	
2	561885	BULB COVER / GREEN W/PYROMETER	1	1	
3	561517	HARDWARE KIT	AR	AR	
NS	500764	. NUT HEX #8-32 Z050	2	2	
5	561468	SWITCH / OFF-ON S.P.S.T.	AR	AR	
5	561470	SWITCH / OFF-M/ON S.P.S.T.	AR	AR	
5	561471	SWITCH / OFF-M/ON W/LOCK S.P.S.T.	AR	AR	
5	561475	SWITCH / M/ON-OFF-M/ON / S.P.D.T. CH-OVER	AR	AR	
5	561472	SWITCH / ON-ON / D.P.D.T. / CH-OVER	AR	AR	
5	561483	SWITCH / ON-OFF-ON D.P.D.T.	AR	AR	
5	561554	SWITCH / ON-ON / D.P.D.T. / SELECTOR	AR	AR	
5	561520	SWITCH / OFF-ON-ON SERIES S.P.D.T.	AR	AR	
6	561892	. SOCKET ASSY W/BULB 24V 596.710.	1	1	
7	561123	. . BULB / 1 WATT-24VOLTS / SAE# 2741	1	1	
7	561184	BULB / 1.2 WATT-12VOLTS / SAE# 2721	AR	AR	
NS	562077	MOUNTING FRAME (FOR 2 SWITCHES) 594.802BH	AR	AR	
8	561087	INSERT / BLACK	AR	AR	
8	561461	INSERT / GREEN	AR	AR	
8	561462	INSERT / RED	AR	AR	
8	561487	INSERT / BLACK	AR	AR	
9	561088	COVER, SWITCH HOLE	AR	AR	
10	561837	CONNECTOR / TAB HOUSING 2C / SWF 913.328	AR	AR	
NS	561108	TAB RECEPTACLE TERMINAL / 18-14 / AMP 42238-2	AR	AR	
11	561107	CONNECTOR / TAB HOUSING 8C / SWF 596.289	AR	AR	
NS	561108	TAB RECEPTACLE TERMINAL / 18-14 / AMP 42238-2	AR	AR	
12	562113	TELLTALE ASSY / 24V SHORT	AR	AR	
12	562114	TELLTALE ASSY / 12V SHORT	AR	AR	
13	562049	. BULB / 2WATT-24VOLTS / SAE# 657	1	1	
13	562048	. BULB / 2WATT-12VOLTS / SAE# 861332	1	1	
14	561089	TELLTALE ASSY / BLANK	AR	AR	
14	561480	TELLTALE ASSY / 24V LONG			
14	561588	TELLTALE ASSY / 12V LONG			
15	561122	. BULB / 2WATT-24VOLTS / SAE# 3797			

From L-031 To R-079	Date:07/2024	PAGE:H4-0644-00
DASHBOARD COMPONENTS		

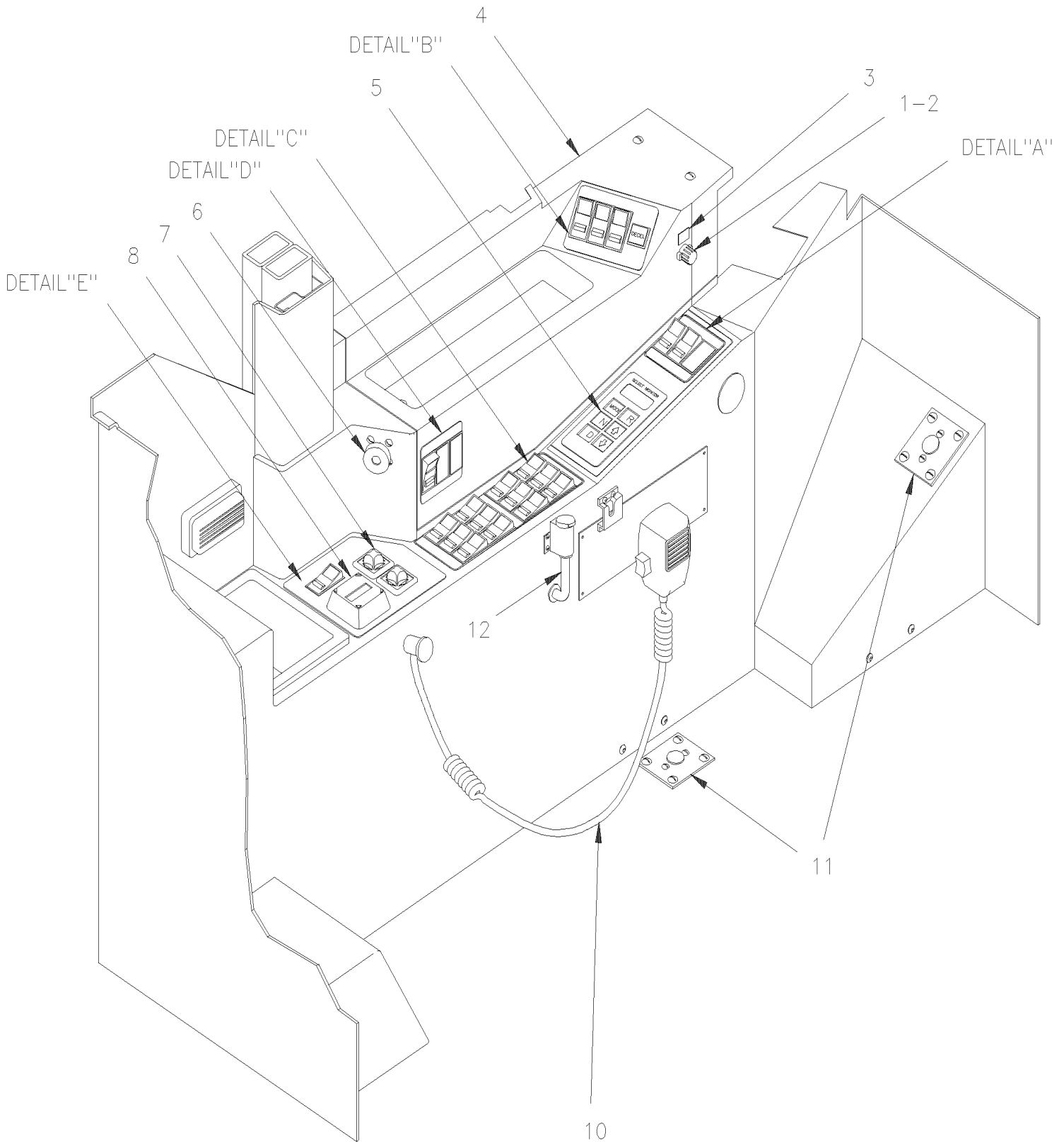
Item#	Part	Description	H 3 4 0	V I P 4 0	N O T E S
15	561586	. BULB / 2WATT-12VOLTS / SAE# 3796			
16	391020	INSERT / BLUE / HIGHT BEAM	AR	AR	
16	561454	INSERT / AMBER PLAIN	AR	AR	
16	561455	INSERT / RED PLAIN	AR	AR	
16	391300	INSERT / GREEN PLAIN	AR	AR	
		OTHER INSERTS SEE RESPECTIVE PAGES.			
		A) TACHO "VDO"			

From L-031 To R-079

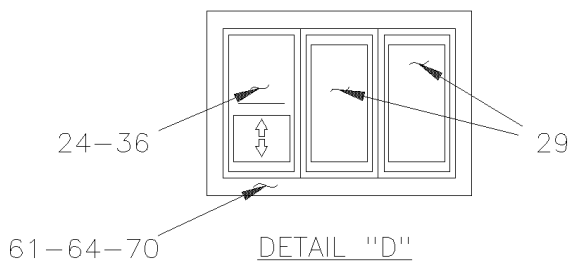
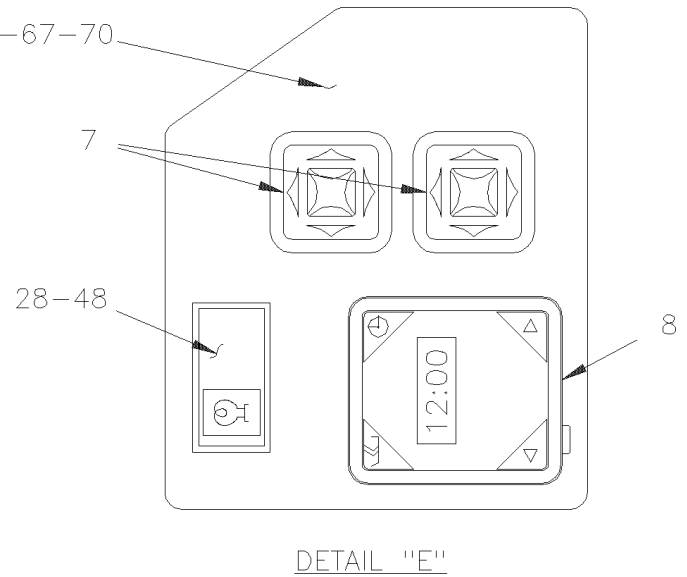
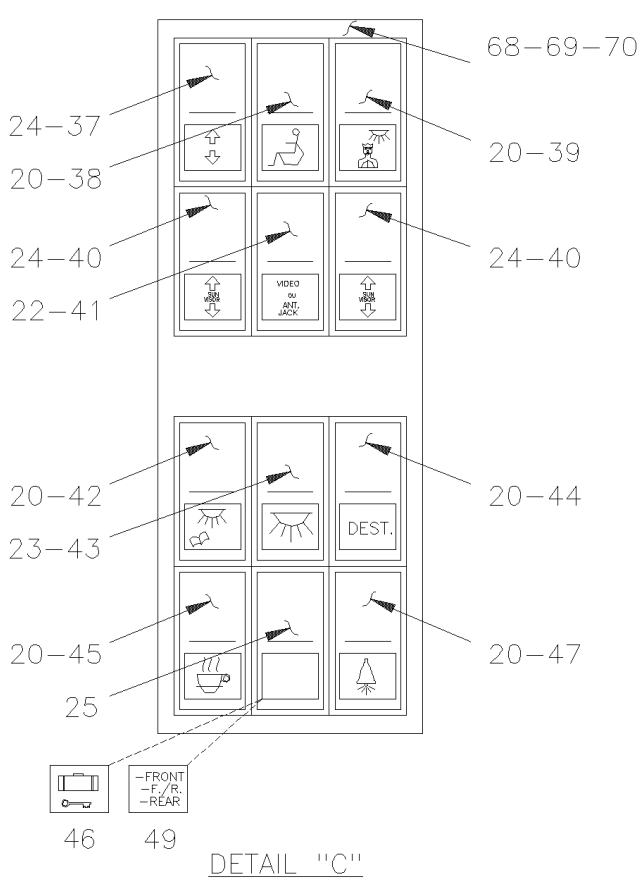
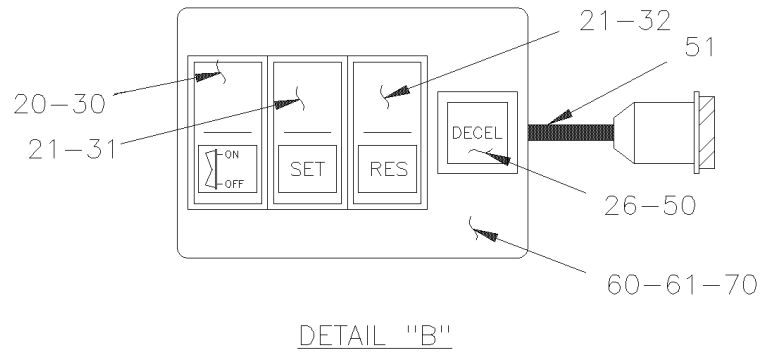
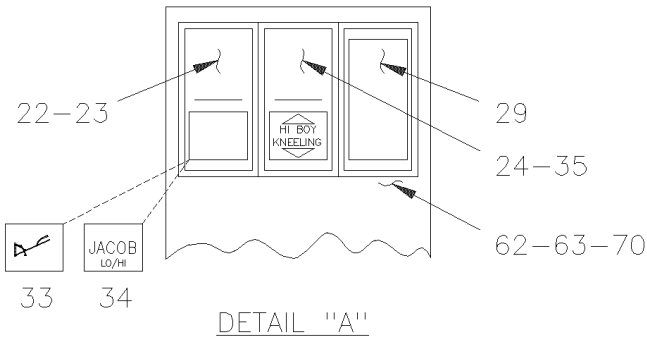
Date:07/2024

PAGE:H4-0645-00

SWITCHES L.H. CONSOLE - BUS



From L-031 To R-079	Date:07/2024	PAGE:H4-0645-00
SWITCHES L.H. CONSOLE - BUS		



From L-031 To R-079	Date:07/2024	PAGE:H4-0645-00
SWITCHES L.H. CONSOLE - BUS		

Item#	Part	Description	H 3 4 0	V I P 4 0	N O T E S
1	505423	KNOB	1		
. NS	502682	. SCREW SET HEXS CUP #8-32x3/16	1		
2	561622	RHEOSTAT	1		B
2	562489	RHEOSTAT ASSY / DASH ILLUMINATION	1		
. NS	IS-95013	. SEE INSTRUCTION SHEET	1		
2	069136	KIT, SERVICE/ DIMMER	1		S
. NS	564592	. DIMMER / CLUSTER	1		S
. NS	IS-14900	. INSTRUCTION SHEET	1		S
3	402786	DECAL / RHEOSTAT	1		
4	H4-1806-10	L.H. CONSOLE - BUS			
5	H4-0755-15	SHIFTER ELECTRONIC - "ATEC" TRANSMISSION			
NS	391633	TRAY / W/MANUAL TRANS ONLY	1		
6	562361	PROTECTIVE CAP / HD10 SERIES / 6C / DEUTSCH HDC16-6-BLACK	1		
NS	562493	CHAIN / C.T.L.	AR		
NS	562492	TYPE A COUPLING	1		
NS	562494	RING / ATTACHMENT END	1		
NS	561821	NUT, RING #17 & 20 / 1.500" I.D W/4 4-40	1		
NS	500518	SCREW MA BDG PH #4-40x1/2 Z050	4		
7	562075	SWITCH, MIRROR / SQUARE / W/24V BULB	2		
NS	562262	. BULB / 0.75WATT-24VOLTS / STS-592.504	1		
NS	562261	. BULB / 0.75WATT-24VOLTS / STS-592.502	1		
NS	561184	BULB / 1.2 WATT-12VOLTS / SAE# 2721	1		
8	562025	TIMER ASSY / W/"ESPAR" PREHEATER	1		
8	562704	TIMER ASSY / W/"ESPAR" PREHEATER / SERVICE	1		
NS	063594	CABLE ASSY W/"ESPAR"	1		
10	H4-2315-00	AUDIO SYSTEM			
10	H4-2315-10	SOUND SYSTEM - INSTALLATION			
11	H4-2310-00	HORN - INSTALLATION			
12	064443	HARNESS 12V	1		
20	561468	SWITCH / OFF-ON S.P.S.T.	1		
21	561470	SWITCH / OFF-M/ON S.P.S.T.	2		
22	561472	SWITCH / ON-ON / D.P.D.T. / CH-OVER	1		
23	561520	SWITCH / OFF-ON-ON SERIES S.P.D.T.	1		
24	561613	SWITCH / M/ON-OFF-M/ON D.P.D.T.	AR		
25	561475	SWITCH / M/ON-OFF-M/ON / S.P.D.T. CH-OVER	1		
26	562257	SWITCH / M/ON / D.P.S.T. / WITH BULB	1		
29	561088	COVER, SWITCH HOLE	AR		
30	063010	INSERT / GREEN / CRUISE (CRUISE CONTROL)	1		
31	063008	INSERT / GREEN / SET (CRUISE CONTROL)	1		
32	063009	INSERT / GREEN / RESUME (CRUISE CONTROL)	1		
33	063028	INSERT / GREEN / RETARDER	1		
34	062991	INSERT / GREEN / "JACOB" BRAKE	1		

From L-031 To R-079	Date:07/2024	PAGE:H4-0645-00
SWITCHES L.H. CONSOLE - BUS		

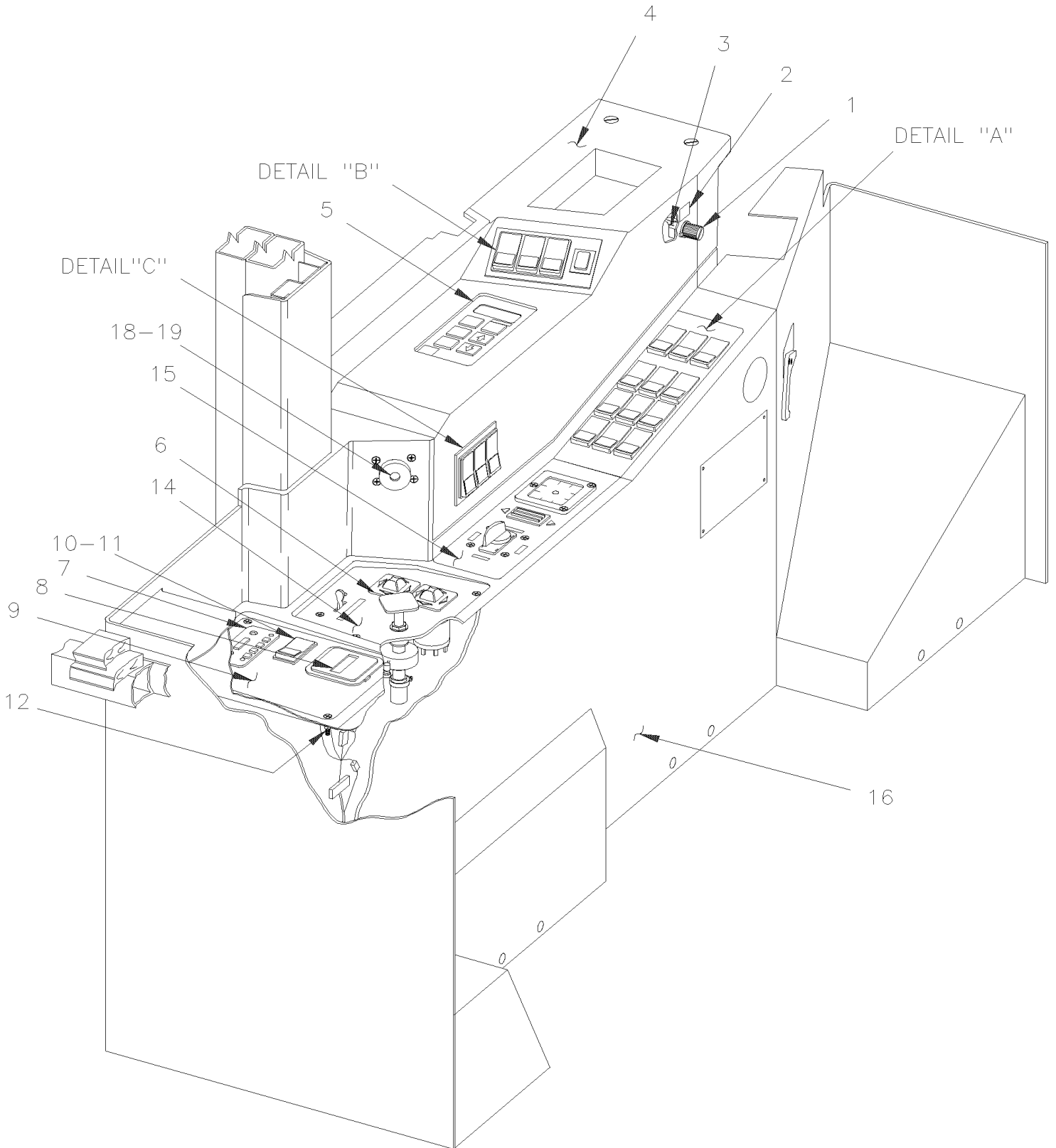
Item#	Part	Description	H 3 4 0	V I P 4 0	N O T E S
35	062551	INSERT / HI-BUOY	1		
36	063026	INSERT / GREEN / DRIVER'S WINDOW (UP-DOWN)	1		
38	390796	INSERT / GREEN / PLATEFORM IN ACTION WCL	1		
39	062995	INSERT / GREEN / DRIVER'S LIGHT	1		A
40	063017	INSERT / GREEN / SUN VISOR	2		
41	063033	INSERT / GREEN / VIDEO	1		
42	063031	INSERT / GREEN / READING LAMP	1		
43	063024	INSERT / GREEN / INTERIOR LAMP	1		
44	063018	INSERT / GREEN / DESTINATION SIGN	2		
45	062992	INSERT / GREEN / GALLEY	1		
46	063003	INSERT / GREEN / LUGGAGE DOOR LOCK	1		
NS	561613	SWITCH / M/ON-OFF-M/ON D.P.D.T.	1		
47	062986	INSERT / GREEN / PASSENGER CHIME	1		A
48	063029	INSERT / GREEN / PREHEATER	1		
49	063011	INSERT / GREEN / FRONT / REAR (SPEAKER)	AR		
50	062082	INSERT / DECEL	1		
51	062334	CABLE ASSY / CRUISE CONTROL	1		
60	391209	SUPPORT / CRUISE CONTROL	1		
61	390971	LEXAN	2		
62	390955	PLATE MOUNTING / W/"ATEC" TRANSMISSION	1		
62	391242	PLATE MOUNTING / W/MANUAL TRANSMISSION	1		
62	391441	PLATE MOUNTING / W/AUTOMATIC TRANSMISSION HYDRAULIC	1		
63	390972	LEXAN	1		
64	391293	SUPPORT ASSY / SWITCH	1		
66	391478	LEXAN	1		
67	391471	PLATE, MOUNTING To P-366	1		
67	391528	PLATE, MOUNTING From P-367	1		
67	391629	PLATE, MOUNTING / "ESPAR" PRE-HEATER	1		
68	390973	LEXAN	1		
69	391152	PLATE MOUNTING SWITCH	1		
70	500590	NUT HEX NYRT M4-0.7 Z050	AR		
70	500591	WASHER FL 4.3x9.0x0.8 Z050	AR		
NS	IS-95013	SEE INSTRUCTION SHEET	1		
		A) SEE ATTACHED TEXT RELATIVE TO NOTE			
		B) THIS RHEOSTAT IS SUPERSEDED BY ITEM #562489 AND CABLE #064104. SEE INSTRUCTION SHEET FOR HELP			
		S) SERVICE			

From L-031 To R-079

Date:07/2024

PAGE:H4-0645-05

SWITCHES L.H. CONSOLE - V.I.P.

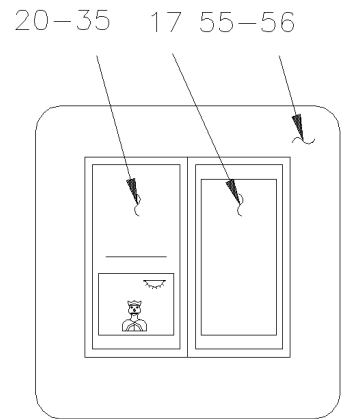
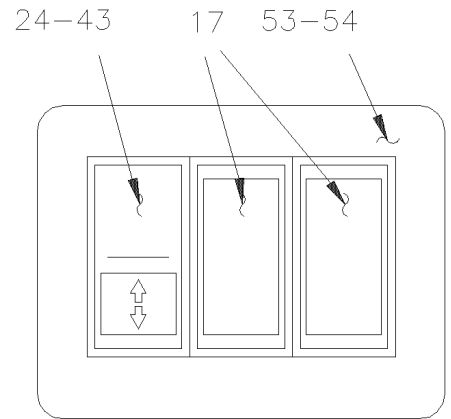
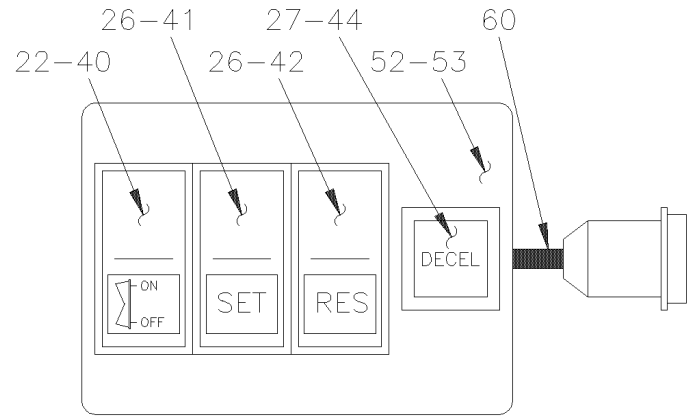
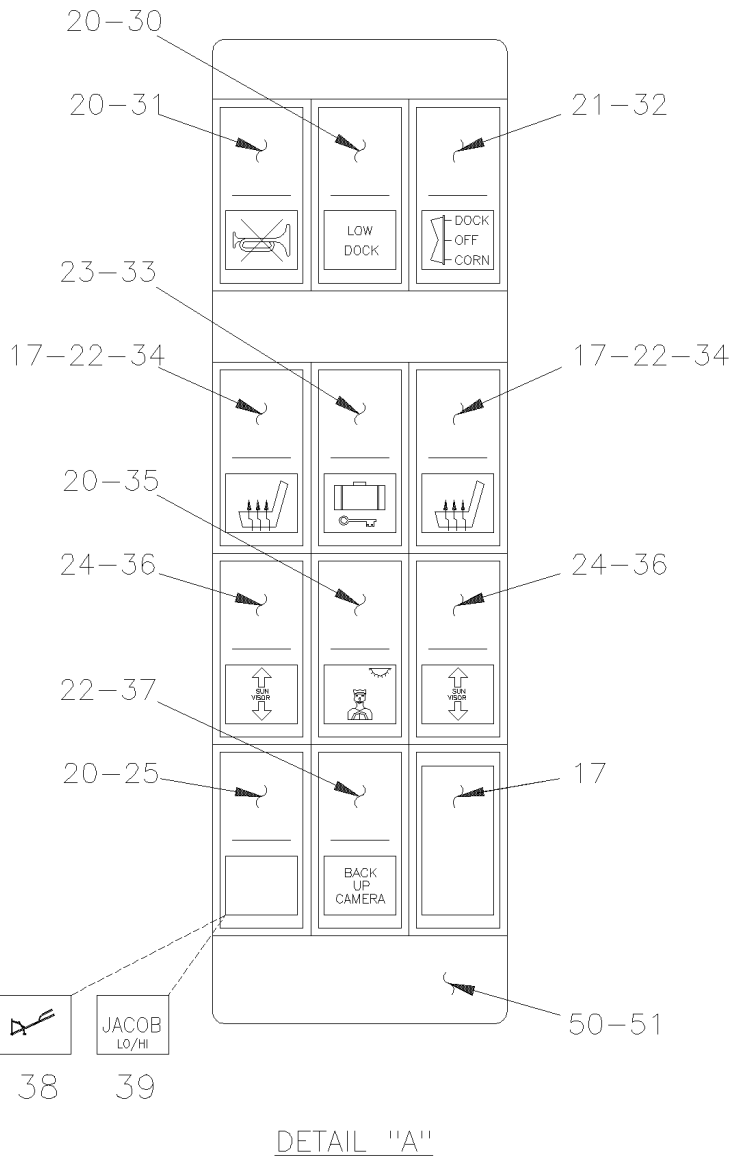


From L-031 To R-079

Date:07/2024

PAGE:H4-0645-05

SWITCHES L.H. CONSOLE - V.I.P.



From L-031 To R-079	Date:07/2024	PAGE:H4-0645-05
SWITCHES L.H. CONSOLE - V.I.P.		

Item#	Part	Description	H 3 4 0	V I P 4 0	N O T E S
1	505423	KNOB		1	
. NS	502682	. SCREW SET HEXS CUP #8-32x3/16		1	
2	402786	DECAL / RHEOSTAT		1	
3	561622	RHEOSTAT		1	A
3	562489	RHEOSTAT ASSY / DASH ILLUMINATION		1	
. NS	IS-95013	. SEE INSTRUCTION SHEET		1	
3	069136	KIT, SERVICE/ DIMMER		1	
. NS	564592	. DIMMER / CLUSTER		1	
. NS	IS-14900	. INSTRUCTION SHEET		1	
4	H4-1806-15	L.H. CONSOLE - V.I.P.			
5	H4-0755-15	SHIFTER ELECTRONIC - "ATEC" TRANSMISSION			
6	562075	SWITCH, MIRROR / SQUARE / W/24V BULB		1	
6	562262	. BULB / 0.75WATT-24VOLTS / STS-592.504		1	
6	562261	. BULB / 0.75WATT-24VOLTS / STS-592.502		1	
6	561184	. BULB / 1.2 WATT-12VOLTS / SAE# 2721		1	
7	871040	TIMER ASSY / W/"WEBASTO" PREHEATER		1	B
8	562025	TIMER ASSY / W/"ESPAR" PREHEATER		1	
9	391481	CLOSING PLATE		1	
NS	391480	LEXAN / LEVEL LOW / (AS SHOWN)		1	
10	561468	SWITCH / OFF-ON S.P.S.T.		1	
11	063029	INSERT / GREEN / PREHEATER		1	
12	500590	NUT HEX NYRT M4-0.7 Z050		19	
NS	500591	WASHER FL 4.3x9.0x0.8 Z050		19	
14	H4-1212-00	TAG AXLE CONTROL PLATE ASSY			
15	H4-1640-10	LEVEL-LOW - LEVEL & SWITCHES			
16	H4-1806-15	L.H. CONSOLE - V.I.P.			
17	561088	COVER, SWITCH HOLE		4	
18	562361	PROTECTIVE CAP / HD10 SERIES / 6C / DEUTSCH HDC16-6-BLACK		1	
NS	562493	CHAIN / C.T.L.		AR	
NS	562492	TYPE A COUPLING		1	
NS	562494	RING / ATTACHMENT END		1	
19	561821	NUT, RING #17 & 20 / 1.500" I.D W/4 4-40		1	C
NS	500518	SCREW MA BDG PH #4-40x1/2 Z050		4	
20	561472	SWITCH / ON-ON / D.P.D.T. / CH-OVER		3	
21	561483	SWITCH / ON-OFF-ON D.P.D.T.		1	
22	561468	SWITCH / OFF-ON S.P.S.T.		4	
24	561613	SWITCH / M/ON-OFF-M/ON D.P.D.T.		2	
25	561520	SWITCH / OFF-ON-ON SERIES S.P.D.T.		1	
26	561470	SWITCH / OFF-M/ON S.P.S.T.		2	
30	063035	INSERT / GREEN / LOW DOCKING		1	
31	063001	INSERT / GREEN / BACK-UP ALARM (CANCEL)		1	
32	063002	INSERT / GREEN / DOCK-OFF-CORN		1	

From L-031 To R-079	Date:07/2024	PAGE:H4-0645-05
SWITCHES L.H. CONSOLE - V.I.P.		

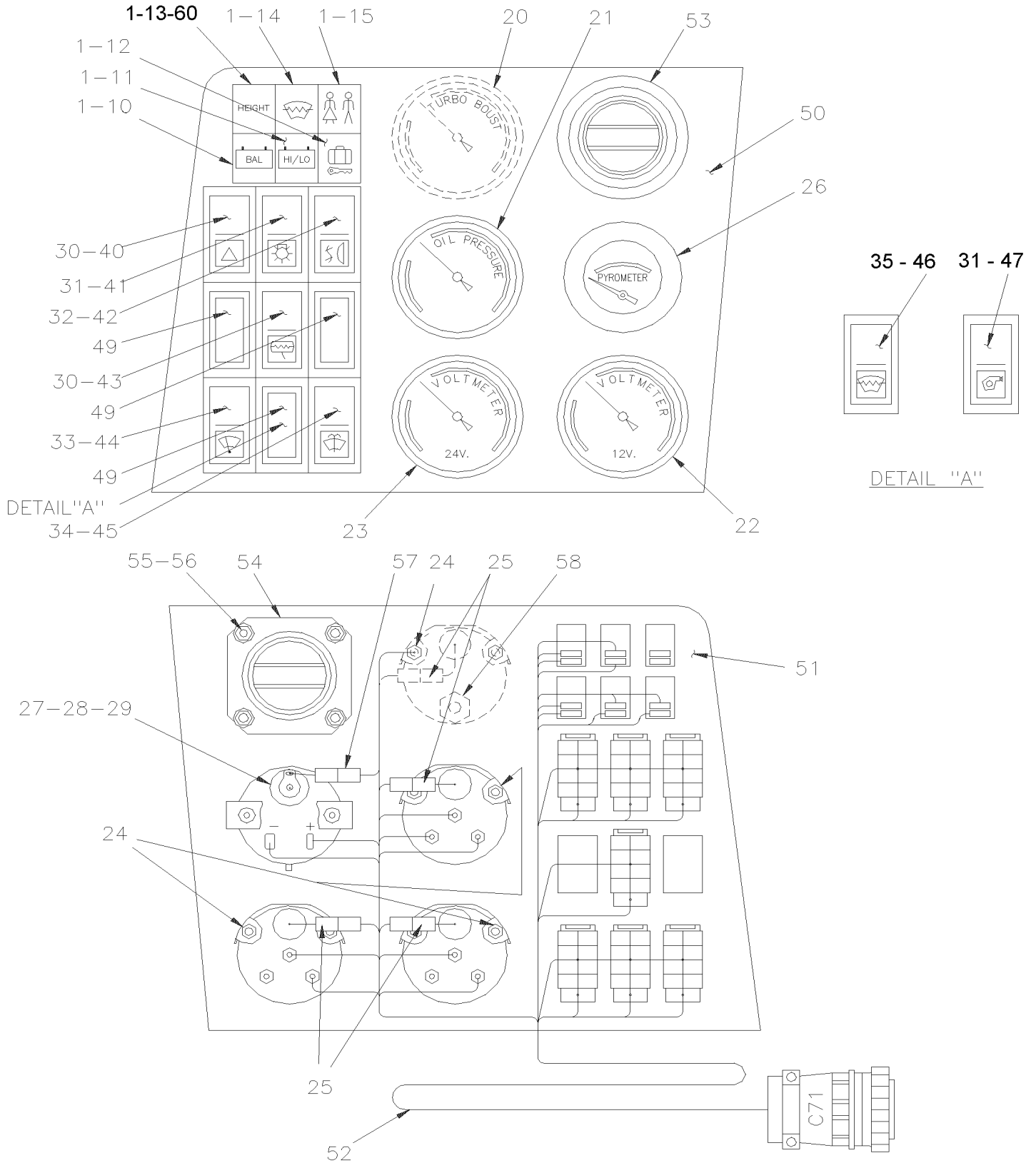
Item#	Part	Description	H 3 4 0	V I P 4 0	N O T E S
33	063003	INSERT / GREEN / LUGGAGE DOOR LOCK		1	
34	062997	INSERT / GREEN / HEATED SEAT		2	
35	062995	INSERT / GREEN / DRIVER'S LIGHT		1	
36	063017	INSERT / GREEN / SUN VISOR		2	
37	063032	INSERT / GREEN / BACK UP CAMERA		1	
38	062991	INSERT / GREEN / "JACOB" BRAKE		1	
39	063028	INSERT / GREEN / RETARDER		1	
40	063010	INSERT / GREEN / CRUISE (CRUISE CONTROL)		1	
41	063008	INSERT / GREEN / SET (CRUISE CONTROL)		1	
42	063009	INSERT / GREEN / RESUME (CRUISE CONTROL)		1	
44	062082	INSERT / DECEL		1	
50	390972	LEXAN		1	
51	391309	SUPPORT / SWITCH		1	
52	391209	SUPPORT / CRUISE CONTROL		1	
53	390971	LEXAN		1	
54	391293	SUPPORT ASSY / SWITCH		1	
55	562077	MOUNTING FRAME (FOR 2 SWITCHES) 594.802BH		1	
56	H4-1806-00	DASHBOARD PANEL			
60	062334	CABLE ASSY / CRUISE CONTROL		1	
NS	065526	KIT, REPLACEMENT WEBASTO TIMER		1	
. NS	IS-97154	. SEE INSTRUCTION SHEET		1	
NS	IS-95013	SEE INSTRUCTION SHEET		1	
		A) THIS RHEOSTAT IS SUPERSEDED BY ITEM #562489 AND CABLE #064104. SEE INSTRUCTION SHEET FOR HELP			
		B) THIS PART IS SUPERSEDED BY KIT #065526			
		C) TO FIX CONNECTOR			

From L-031 To R-079

Date:07/2024

PAGE:H4-0645-10

L.H. DASHBOARD PANEL



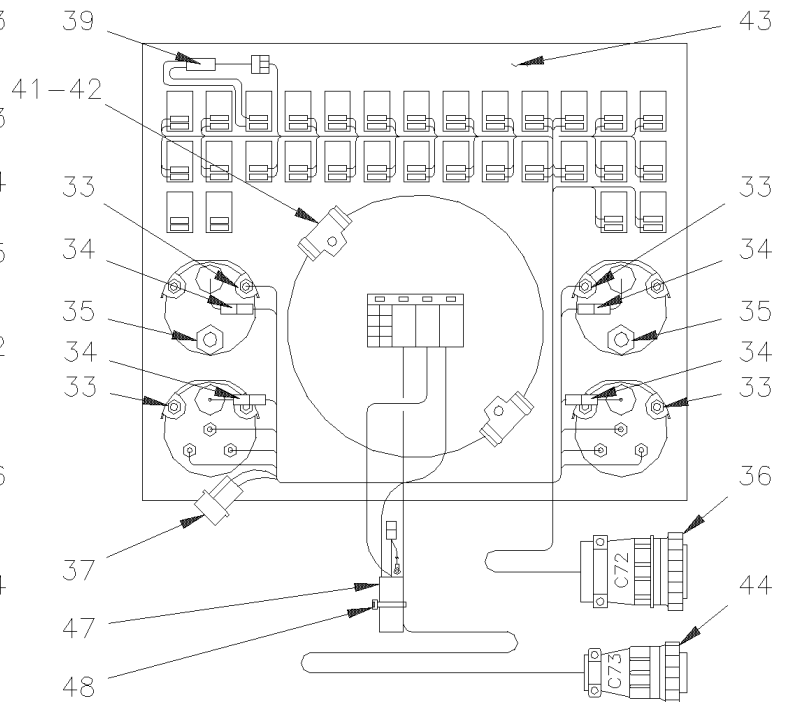
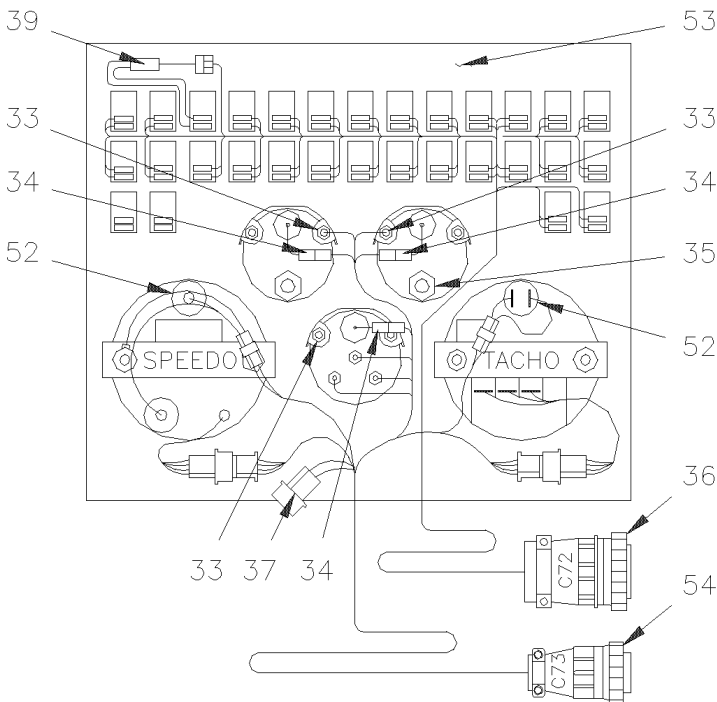
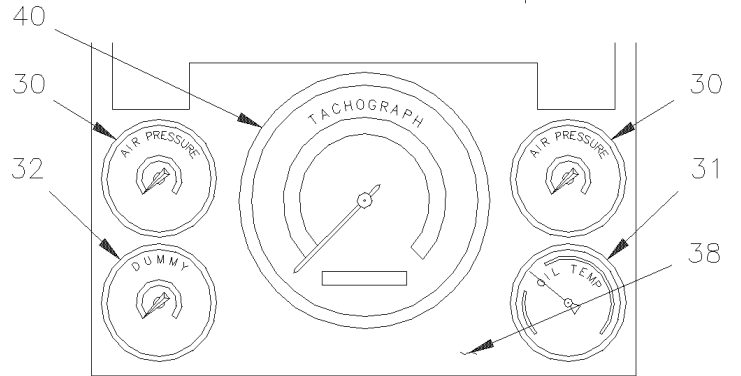
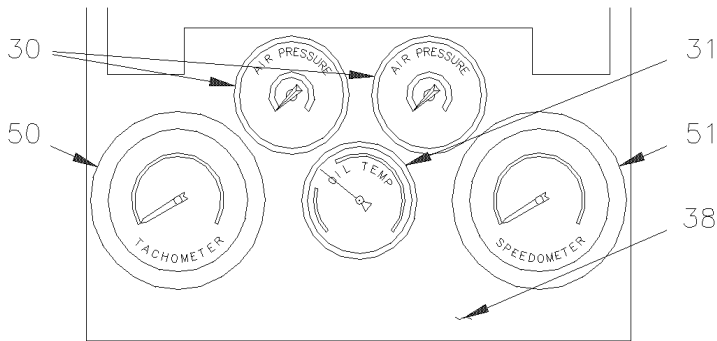
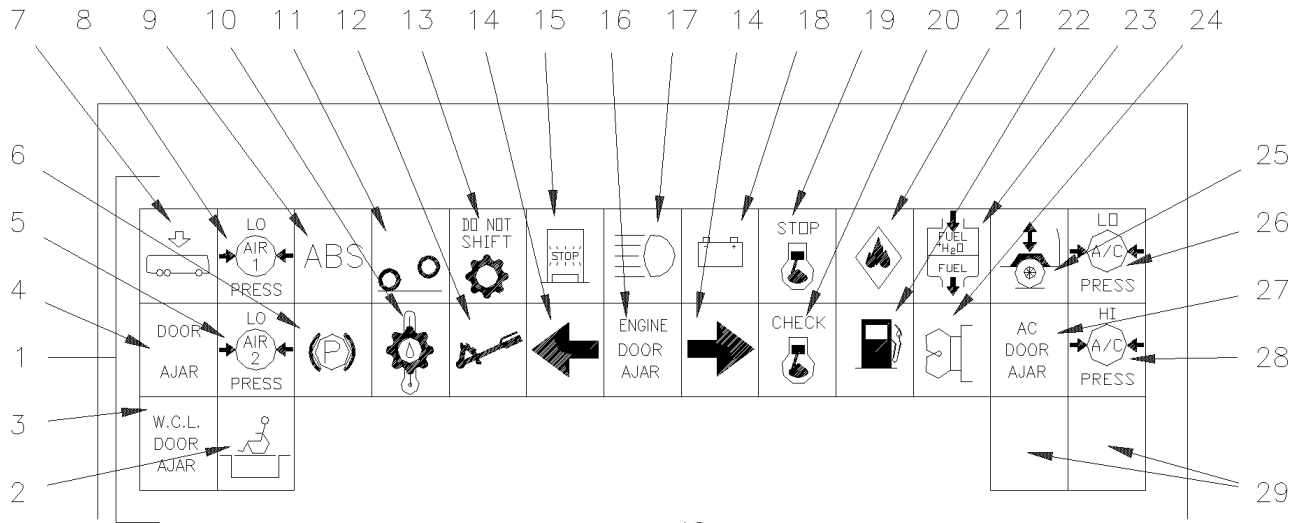
From L-031 To R-079		Date:07/2024	PAGE:H4-0645-10
L.H. DASHBOARD PANEL			

Item#	Part	Description	H 3 4 0	V I P 4 0	N O T E S
1	562113	TELLTALE ASSY / 24V SHORT	6	6	
10	391443	INSERT / YELLOW / BATTERIE BALANCE	1	1	
11	391278	INSERT / RED / BATTERIE HI-LO	1	1	
NS	562412	MONITOR / BATTERY EQUALIZER	1	1	
12	391123	INSERT / GREEN / LUGGAGE DOOR LOCK	1	1	
13	402750	DECAL / "HEIGHT" W/O TV ANTENNA	1		
13	403354	DECAL / VEHICLE HEIGHT 12'10" / BUS W/ TV ANTENNA	1		
NS	562364	RELAY 24V S.P.S.T. / 300 AMPS N.O. // BATTERY DISCONNECT	1	1	
14	391520	INSERT / GREEN / HEATING WINDSHIELD	1	1	A
NS	063191	CONTROL MODULE / W/HEATING UPPER WINDSHIELD	1	1	A
15	391024	INSERT / AMBER / LAVATORY (OCCUPIED)	1	1	
20	561029	GAUGE, TURBO BOOST PRESSURE "VDO" To N-150	1	1	
20	562212	GAUGE, TURBO BOOST PRESSURE "VDO" From N-151 To N-246	1	1	
20	562325	. SOCKET BULB / PLASTIC W/.250 SPADE / BA7s	1	1	
20	562297	GAUGE, TURBO BOOST PRESSURE "DATCON" From N-247	1	1	
. NS	563149	. SOCKET BULB / PLASTIC W/.250 SPADE / BA9s (DATCON) From N-247	1	1	
20	563149	. SOCKET BULB / PLASTIC W/.250 SPADE / BA9s (DATCON)	1	1	
NS	561167	BULB / 2WATT-24VOLTS / SAE# 3899	1	1	
NS	560145	BULB / 1WATT-24VOLTS / SAE# 1829	1	1	
NS	561843	GAUGE, DUMMY		1	
21	562216	GAUGE, OIL PRESSURE To N-225	1	1	B
21	562327	GAUGE, OIL PRESSURE From N-226	1	1	
NS	562409	SENSOR, OIL PRESSURE W/GAUGE 0-100	1	1	
22	561591	GAUGE, VOLTMETER 12VOLT To M-127	1	1	
22	562211	GAUGE, VOLTMETER 12VOLT From M-128	1	1	
23	561590	GAUGE, VOLTMETER 24VOLT To M-127	1	1	
23	562210	GAUGE, VOLTMETER 24VOLT From M-128	1	1	
24	561517	HARDWARE KIT	AR	AR	
25	062264	SOCKET BULB / PLASTIC WWIRE & CONNECTORS / BA 9s	AR	AR	
NS	560145	. BULB / 1WATT-24VOLTS / SAE# 1829	1	1	
26	561156	GAUGE, PYROMETER W/SERIES 92		1	
. NS	562383	. SOCKET BULB / METAL W/WIRE / BA9s		1	
. NS	560121	. BULB / 1WATT-12VOLTS / SAE# 53		1	
. NS	560601	. BULB / 2WATT-24VOLTS / SAE# 456		1	
. NS	561157	. SENSOR, PYROMETER W/ SERIES 92 & 60		2	
26	562289	GAUGE, PYROMETER W/SERIES 60		1	
. NS	562431	. SOCKET BULB / METAL W/WIRE / BA9s		1	
. NS	560601	. BULB / 2WATT-24VOLTS / SAE# 456		1	
. NS	561157	. SENSOR, PYROMETER W/ SERIES 92 & 60		1	
27	562431	. SOCKET BULB / METAL W/WIRE / BA9s	1	1	
28	560601	. BULB / 2WATT-24VOLTS / SAE# 456	1	1	
29	561885	BULB COVER / GREEN W/PYROMETER	1	1	

From L-031 To R-079		Date:07/2024	PAGE:H4-0645-10
L.H. DASHBOARD PANEL			

Item#	Part	Description	H 3 4 0	V I P 4 0	N O T E S
30	561468	SWITCH / OFF-ON S.P.S.T.	2	2	
31	561520	SWITCH / OFF-ON-ON SERIES S.P.D.T.	1	1	
32	561472	SWITCH / ON-ON / D.P.D.T. / CH-OVER	1	1	
33	561614	SWITCH / OFF-ON-ON D.P.D.T / CH-OVER	1	1	
34	561470	SWITCH / OFF-M/ON S.P.S.T.	1	1	
35	561475	SWITCH / M/ON-OFF-M/ON / S.P.D.T. CH-OVER	1	1	
40	062993	INSERT / RED / WARNING LIGHT / HAZARD	1	1	
41	062988	INSERT / GREEN / GENERAL LIGHT	1	1	
42	063023	INSERT / GREEN / FOG LAMP	1	1	
43	063030	INSERT / GREEN / MIRROR HEATER	1	1	
44	063021	INSERT / GREEN / WIPER (UPPER)	1	1	
45	063022	INSERT / GREEN / WINDSHIELD WASHER (UPPER)	1	1	
46	063192	INSERT / GREEN / HEATING WINDSHIELD	1	1	
47	063025	INSERT / GREEN / UPPER DEFROST	1	1	
49	561088	COVER, SWITCH HOLE	AR	AR	
50	390990	LEXAN	1	1	
50	391485	LEXAN 20" X 30 CHARCOALD WITH GRID / CUT TO F		AR	
51	390970	PLATE / LEFT / W/DOUBLE PYROMETER SERIES 92	1	1	
NS	391542	PLATE / LEFT / W/SMALL PYROMETER SERIES 60		1	
52	062199	CABLE ASSY / L.H. DASHBOARD PANEL To N-197	1	1	
52	063185	CABLE ASSY / L.H. DASHBOARD PANEL From N-198 To P-355	1	1	
52	063307	CABLE ASSY / L.H. DASHBOARD PANEL From P-356	1	1	
53	870899	LOUVER, ADJUSTABLE	1	1	
54	372390	ADAPTOR	1	1	
55	500591	WASHER FL 4.3x9.0x0.8 Z050	4	4	
56	500590	NUT HEX NYRT M4-0.7 Z050	4	4	
57	560900	CONNECTOR / COM. MATE-N-LOCK / PH 2C / AMP 1-480319-0	1	1	
57	560901	PIN TERMINAL / 20-14 / AMP 60620-1	2	2	
58	641129	FEMALE CONNECTOR / PUSH-IN FITTING / #2x1/8NPT-F BR	1	1	
NS	503536	TUBE, NYLON 1/8 O.D. / BLACK S.L.	AR	AR	
60	402750	DECAL / "HEIGHT" W/O TV ANTENNA	1	1	
60	403354	DECAL / VEHICLE HEIGHT 12'10" / BUS W/ TV ANTENNA	1	1	
		A) SEE ATTACHED TEXT TO SEE RELATIVE NOTE			
		B) UP TO N-225 IF GAUGE IS REPLACED PLEASE REMOVE DIVIDER 561721 AS SHOWN AT PAGE H4-0644-00			

From L-031 To R-079	Date:07/2024	PAGE:H4-0645-20
CENTER DASHBOARD PANEL		



From L-031 To R-079	Date:07/2024	PAGE:H4-0645-20
CENTER DASHBOARD PANEL		

Item#	Part	Description	H 3 4 0	V I P 4 0	N O T E S
1	562113	TELLTALE ASSY / 24V SHORT	30	30	
2	390792	INSERT / RED / W.C.L. ACTIVITED	1	1	
3	391768	INSERT / RED / "W.C.L. DOOR AJAR"	1	1	
4	390855	INSERT / RED / "DOOR AJAR"	1	1	
5	391026	INSERT / RED / LO AIR #2	1	1	
6	391027	INSERT / AMBER / PARKING BRAKE	1	1	
7	390867	INSERT / AMBER / LOW-BUOY	1	1	
8	391025	INSERT / RED / LO AIR #1	1	1	
9	391672	INSERT / RED / "ABS"	1	1	
10	391670	INSERT / AMBER / OIL TEMPERATURE W/RETARDER	1	1	
11	391235	INSERT / AMBER / TAG AXLE	1	1	
12	391032	INSERT / AMBER / RETARDER OR TELMA	1	1	
13	391607	INSERT / RED / "DO NOT SHIFT"	1	1	
14	391204	INSERT / GREEN / DIRECTIONAL FLASHER	2	2	
15	391033	INSERT / RED / STOP-LIGHT	1	1	
16	391452	INSERT / RED / "ENGINE DOOR AJAR"	1	1	
17	391020	INSERT / BLUE / HIGHT BEAM	1	1	
18	391028	INSERT / RED / GENERATOR	1	1	
19	390889	INSERT / RED / STOP ENGINE	1	1	
20	390888	INSERT / AMBER / CHECK ENGINE	1	1	
21	391015	INSERT / RED / FIRE	1	1	
22	391029	INSERT / RED / FUEL LEVEL	1	1	
23	391030	INSERT / AMBER / WATER IN FUEL	1	1	
24	391023	INSERT / GREEN / AUXILIARY WATER HEATER	1	1	
25	391031	INSERT / AMBER / KNEELING / HI-BUOY	1	1	
NS	391277	INSERT / RED / "LEVEL LOW"			
26	391021	INSERT / RED / A/C LO PRESSURE	1	1	
27	391234	INSERT / RED / "A/C DOOR AJAR"	1	1	
28	391022	INSERT / RED / A/C HI PRESSURE	1	1	
29	561089	TELLTALE ASSY / BLANK	1	1	
30	561595	GAUGE, AIR PRESSURE To M-127	2	2	
30	562215	GAUGE, AIR PRESSURE From M-128	2	2	
31	561593	GAUGE, OIL TEMPERATURE To M-127	1	1	
31	562213	GAUGE, OIL TEMPERATURE From M-128	1	1	
NS	561097	SENSOR, TEMPERATURE / WATER & OIL	1	1	
32	561843	GAUGE, DUMMY	1	1	
33	561517	HARDWARE KIT	AR	AR	
34	062264	SOCKET BULB / PLASTIC WWIRE & CONNECTORS / BA 9s	AR	AR	
NS	560145	. BULB / 1WATT-24VOLTS / SAE# 1829	1	1	
35	641129	FEMALE CONNECTOR / PUSH-IN FITTING / #2x1/8NPT-F BR	2	2	
NS	503536	TUBE, NYLON 1/8 O.D. / BLACK S.L.	AR	AR	
36	062672	CABLE ASSY / WTACHOGRAPH	1	1	

From L-031 To R-079	Date:07/2024	PAGE:H4-0645-20
CENTER DASHBOARD PANEL		

Item#	Part	Description	H 3 4 0	V I P 4 0	N O T E S
37	063152	CABLE ASSY / W/LOW BUOY	1	1	
38	390992	LEXAN	1	1	
38	391485	LEXAN 20" X 30 CHARCOALD WITH GRID / CUT TO F		AR	
39	062253	ALARM ASSY / WATER SEPARATOR	1	1	
40	590258	TACHOGRAPH ASSY / KM/H / W/4 WIRES	1	1	
40	590259	TACHOGRAPH ASSY / MPH / W/4 WIRES	1	1	
NS	590236	. KEY	1	1	
NS	561006	. BULB / 1WATT-24VOLTS / SAE# 2741MF	3	3	
NS	561903	BULB COVERING / GREEN	3	3	
41	590270	BRACKET	2	2	
42	590235	NUT KNURLED	2	2	
NS	590179	CHART KM/H	1	1	
NS	590122	CHART MPH	1	1	
NS	590251	CHART DUMMY PROTECTOR	1	1	
43	391276	PLATE MOUNTING / TACHOGRAPH	1	1	
44	062672	CABLE ASSY / W/TACHOGRAPH	1	1	
47	090195	MODULE ASSY / W/TACHOGRAPH W/4 WIRES	1	1	
48	504637	CABLE TIE / 3/16" x 13"	1	1	
50	090196	TACHOMETER "VDO" To L-043	1	1	
50	090211	TACHOMETER "VDO" / USE W/DDEC II AND REGULAR From P-277	1	1	
51	Call order desk	SPEEDOMETER HEAD / KM/H To L-043	1	1	P
51	090199	SPEEDOMETER HEAD / KMH "VDO" From L-044	1	1	
51	090216	SPEEDOMETER HEAD / KPH "VDO"	1	1	A
51	Call order desk	SPEEDOMETER HEAD / MPH "DIXSON" To L-043	1	1	P
51	090198	SPEEDOMETER HEAD / MPH "VDO" From L-044	1	1	
51	090215	SPEEDOMETER HEAD / MPH "VDO"	1	1	B
52	562325	. SOCKET BULB / PLASTIC W/.250 SPADE / BA7s	1	1	
NS	561167	. BULB / 2WATT-24VOLTS / SAE# 3899	1	1	
NS	19500385	. SOCKET BULB / PLASTIC W/.250 SPADE TYPE E	1	1	
NS	561166	. BULB / 3WATT-24VOLTS / SAE# 464	1	1	
53	391275	PLATE MOUNTING / SMALL GAUGES	1	1	
54	062513	CABLE ASSY To L-043	1	1	
54	062671	CABLE ASSY / W/SMALL GAUGES From L-044	1	1	
54	063070	HARNESS ASSY / ALARM	1	1	
		FOLLOWING ITEM ARE RELATED			
		WITH "SILENT 1000" INSTALLATION			
54	391527	PLATE MOUNTING	1	1	
NS	090218	KIT, RETROFIT SPEEDO "MPH"	AR	AR	
. NS	IS-96014B	. SEE INSTRUCTION SHEET	1	1	
NS	090219	KIT, RETROFIT SPEEDO "KMH"	AR	AR	

From L-031 To R-079	Date:07/2024	PAGE:H4-0645-20
CENTER DASHBOARD PANEL		

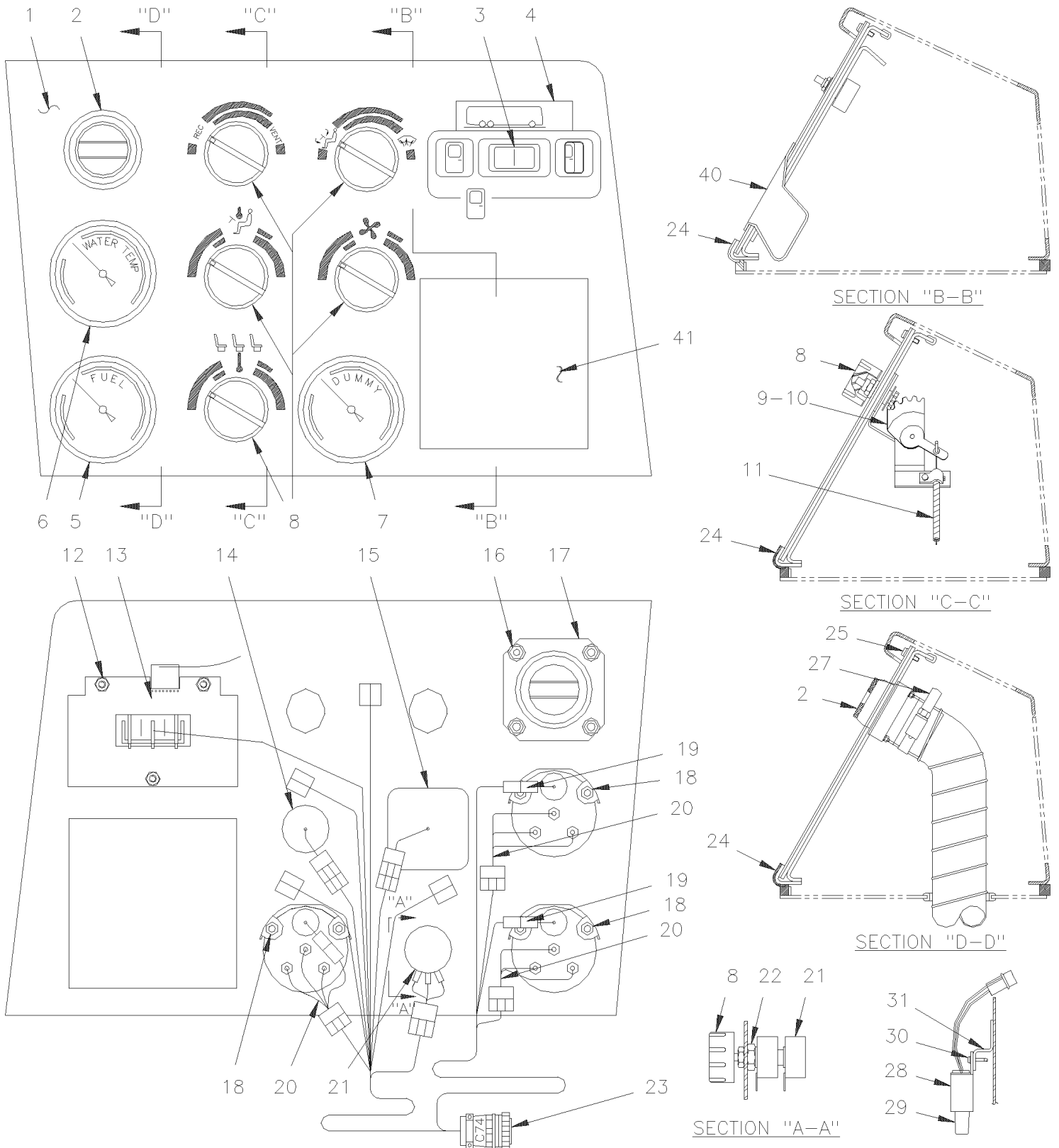
Item#	Part	Description	H 3 4 0	V I P 4 0	N O T E S
. NS	IS-96014B	. SEE INSTRUCTION SHEET	1	1	
57	090212	KIT, RETROFIT TACHOMETER	AR	AR	
. NS	IS-91079	. SEE INSTRUCTION SHEET	1	1	
		A) THIS HEAD IS OBSOLETE IT IS SUPERSEDED BY #090219			
		B) THIS HEAD IS OBSOLETE IT IS SUPERSEDED BY #090218			
		P) CALL ORDER DESK FOR SPECIFIC APPLICATION (V.I.N.)			

From L-031 To R-079

Date:07/2024

PAGE:H4-0645-30

R.H. DASHBOARD PANEL



From L-031 To R-079		Date:07/2024	PAGE:H4-0645-30
R.H. DASHBOARD PANEL			

Item#	Part	Description	H 3 4 0	V I P 4 0	N O T E S
1	390993	LEXAN / W/PLUG TYPE DOOR To N-196	1		
1	391500	LEXAN / W/SEDAN DOOR From N-197	1		
1	391226	LEXAN		1	
1	391485	LEXAN 20" X 30 CHARCOALD WITH GRID / CUT TO F		AR	
2	870899	LOUVER, ADJUSTABLE	1	1	
3	562111	SWITCH / ON-OFF-ON/ S.P.D.T./REVERSE POLARITY	1	1	
. NS	562110	. SWITCH / ON-OFF-ON/ S.P.D.T./REVERSE POLARITY / TORRIX 102256	1	1	
4	403830	DECAL / VEHICLE HEIGHT 12' 10"	1	1	
4	403831	DECAL / VEHICLE HEIGHT 12' 4"	1	1	
5	562217	GAUGE, FUEL LEVEL To M-127	1	1	
5	562209	GAUGE, FUEL LEVEL From M-128 To N-225	1	1	
5	562329	GAUGE, FUEL LEVEL From N-226 To P-366	1	1	
5	562380	GAUGE, FUEL LEVEL From P-367	1	1	
NS	530204	SENSOR, FUEL LEVEL / W/SS STEEL TANK	1	1	
NS	531404	SENSOR, FUEL LEVEL / 31¼" / W/PLASTIC TAN	1	1	
. NS	531419	. GASKET, FUEL SENSOR	1	1	
6	561594	GAUGE, WATER TEMPERATURE To M-127	1	1	A
6	562214	GAUGE, WATER TEMPERATURE From M-128 To N-225	1	1	A
6	562328	GAUGE, WATER TEMPERATURE From N-226	1	1	
7	561843	GAUGE, DUMMY	1	1	
NS	561593	GAUGE, OIL TEMPERATURE To M-127	AR	AR	
NS	562213	GAUGE, OIL TEMPERATURE From M-128	AR	AR	
NS	390627	DECAL, "DIFFERENTIAL OIL TEMPERATURE"	1	1	
NS	390626	DECAL, " ENGINE OIL TEMPERATURE"	1	1	
NS	561097	SENSOR, TEMPERATURE / WATER & OIL	1	1	
8	505422	KNOB	5	5	
. NS	502683	. SCREW SET HEXS CUP #8-32x7/16	1	1	
9	950063	WIRE CONTROL / S.Q.	2	2	
10	5001044	. NUT HEX JAM M12-1.0	1	1	
11	372459	WIRE ASSY / DEFROSTER	1	1	
11	372460	WIRE ASSY / FRESH AIR	1	1	
12	502524	NUT HEX M4-0.7 Z050		1	
13	063183	CIRCUIT MODULE LOGIC	1	1	
14	870896	RHEOSTAT / CONTROL	1	1	
15	870902	DRIVER'S A/C HEATING TEMP. CONTROL	1	1	
. NS	561552	. CONNECTOR / UNIVERSAL MATE-N-LOK / PH 6C / AMP 1-480705-0	1	1	
15	871075	DRIVER'S A/C HEATING TEMP. CONTROL	1	1	
. NS	M185-11	. MAINTENANCE INFORMATION	1	1	
. NS	561552	. CONNECTOR / UNIVERSAL MATE-N-LOK / PH 6C / AMP 1-480705-0	1	1	
NS	870868	SENSOR MAIN HEATER / TEMPERATURE CONTROL	1	1	
NS	561134	. FUSE / 1 AMP / MLD-1 (SLOW BLOW)	1	1	
16	500591	WASHER FL 4.3x9.0x0.8 Z050	4	4	

From L-031 To R-079	Date:07/2024	PAGE:H4-0645-30
R.H. DASHBOARD PANEL		

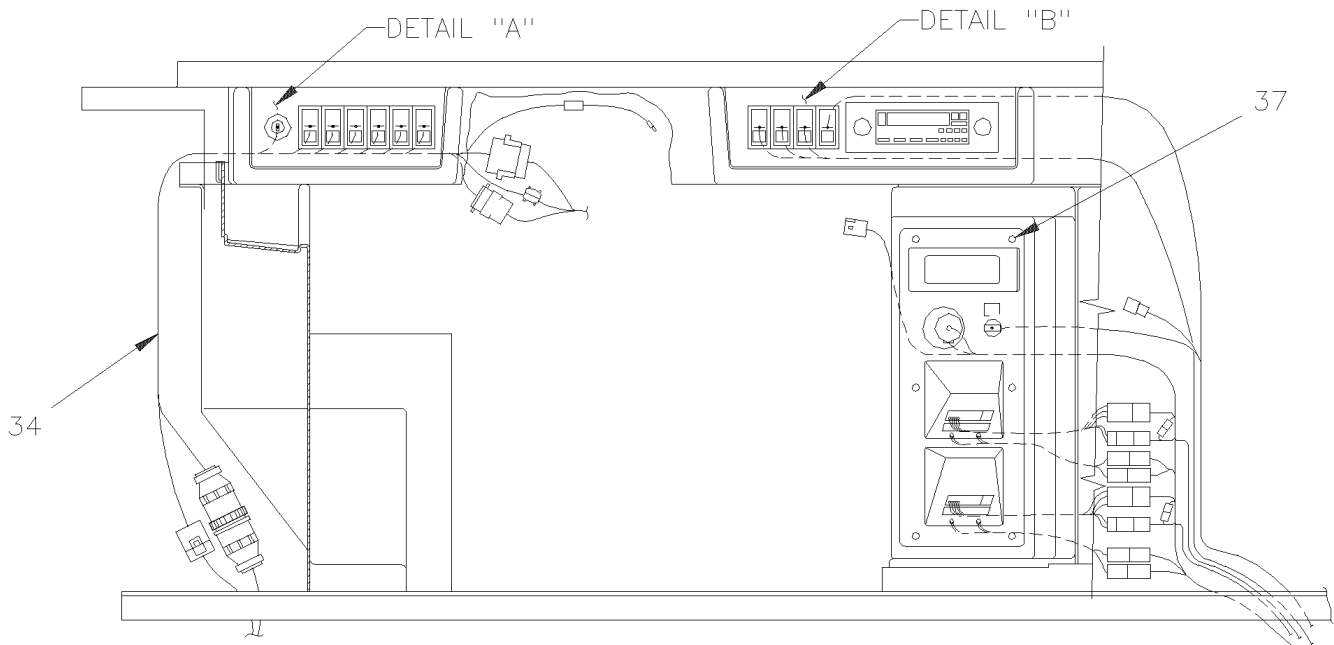
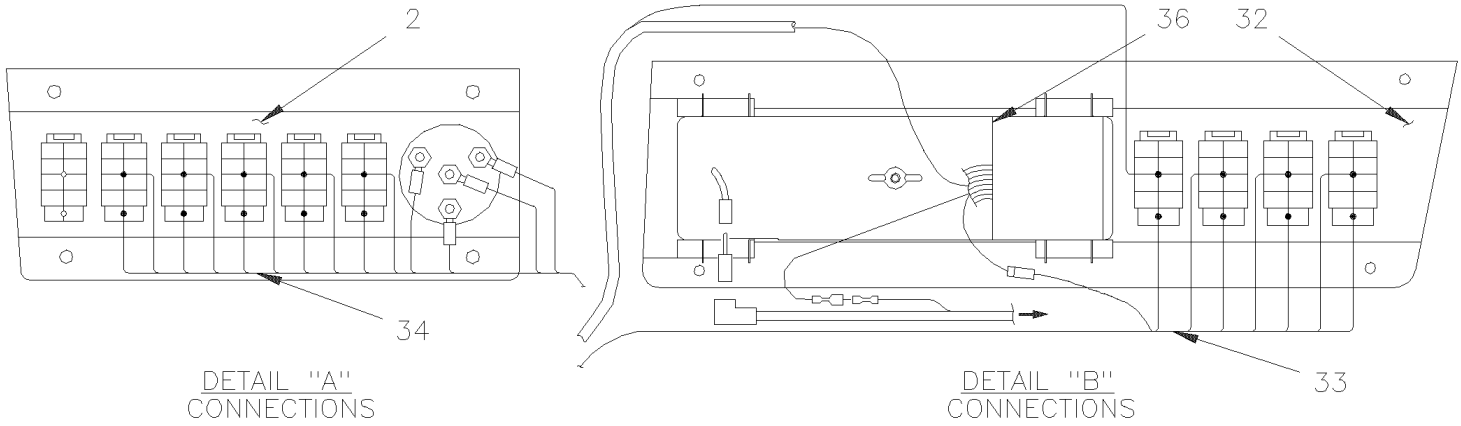
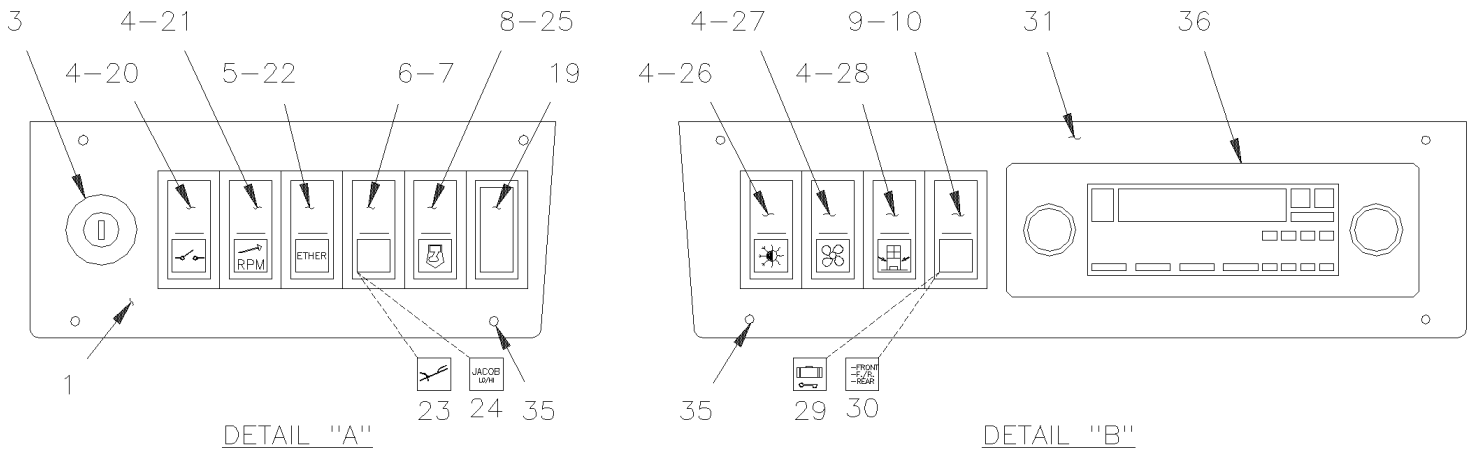
Item#	Part	Description	H 3 4 0	V I P 4 0	N O T E S
NS	500590	NUT HEX NYRT M4-0.7 Z050	4	4	
17	372390	ADAPTOR To T-1645	1	1	
18	561517	HARDWARE KIT	AR	AR	
19	062264	SOCKET BULB / PLASTIC WWIRE & CONNECTORS / BA 9s	1	1	
NS	560145	. BULB / 1WATT-24VOLTS / SAE# 1829	1	1	
20	062271	CABLE ASSY		2	
21	062195	RESISTOR ASSY 20 OHMS 1/2 W	1	1	
NS	372479	SENSOR / TEMPERATURE CONTROL	1	1	
22	500938	NUT HEX THN 3/8-32x3/32	1	1	
23	062814	CABLE ASSY To N-195	1	1	
23	063181	CABLE ASSY / GAUGE RH PANEL From N-196	1	1	
NS	062291	CABLE ASSY / ITEM #19 & 23	AR	AR	
24	680565	TAPE, SEAL 1/2 / BLACK / S.L.	AR	AR	
25	500883	SCREW TC PAN PH #8-32x3/8 Z050	9	9	
27	504023	HOSE CLAMP / 1"5/16"-2"1/4 SS / HS-28	2	2	
27	504024	HOSE CLAMP / 1"13/16"-2"3/4 SS / HS-36	2	2	
28	330217	SOCKET ASSY	5	5	
29	560623	BULB / 3.5WATT-24VOLTS / SAE# 313	5	5	
30	500650	SCREW TC PAN PH #6-32x3/8 ZP	5	5	
31	391143	SUPPORT / BOLTED TO THE PLATE / TO FIX LIGHT	1	1	
40	391228	TRAY, UTILITY	1	1	
41	H4-0650-00	DATA HUB			
42	391223P	PLATE MOUNTING / W/UTILITY TRAY To N-191	1	1	
42	391504	PLATE MOUNTING / W/UTILITY TRAY From N-192	1	1	
42	391223P	PLATE MOUNTING / W/UTILITY TRAY To N-191		1	
42	391709	PLATE MOUNTING / W/PRODRIVER	AR		
		FOLLOWING ITEMS ARE RELATED			
		WITH BACK-UP CAMERA INSTALLATION			
NS	505423	KNOB	2	2	
. NS	502682	. SCREW SET HEXS CUP #8-32x3/16	1	1	
NS	561864	RHEOSTAT	2	2	
NS	490580	MONITOR	1	1	
NS	390981	FRAME / MONITOR	1	1	
NS	490658	DECAL / "DEEP OF FIELD"	1	1	
		A) UP TO N-225 IF GAUGE IS REPLACED PLEASE REMOVE DIVIDER 561721 AS SHOWN AT PAGE H4-0644-00			

From L-031 To R-079

Date:07/2024

PAGE:H4-0645-40

L.H. & R.H. LOWER CENTRAL PANEL



From L-031 To R-079	Date:07/2024	PAGE:H4-0645-40
L.H. & R.H. LOWER CENTRAL PANEL		

Item#	Part	Description	H 3 4 0	V I P 4 0	N O T E S
1	390997	LEXAN	1	1	
2	391395	PLATE, MOUNTING	1	1	
3	562147	SWITCH, IGNITION / CODE 801	1	1	
. NS	780003	. KEY, IGNITION SWITCH CODE 801	1	1	
3	562148	SWITCH, IGNITION / CODE 802	1	1	
. NS	780004	. KEY, IGNITION SWITCH CODE 802	1	1	
3	562151	SWITCH, IGNITION / CODE 803	1	1	
. NS	780006	. KEY, IGNITION SWITCH CODE 803	1	1	
3	562150	SWITCH, IGNITION / CODE 804	1	1	
. NS	780007	. KEY, IGNITION SWITCH CODE 804	1	1	
3	562152	SWITCH, IGNITION / CODE 805	1	1	
. NS	780008	. KEY, IGNITION SWITCH CODE 805	1	1	
3	562149	SWITCH, IGNITION / CODE 806	1	1	
. NS	780009	. KEY, IGNITION SWITCH CODE 806	1	1	
3	562146	SWITCH, IGNITION / KEYLESS (ACC-OFF-IGN-START)	1	1	
NS	562296	KEY / IGNITION BLANCK UNCUT	AR	AR	
NS	681136	KEY CHAIN / "PREVOST"	AR	AR	
4	561468	SWITCH / OFF-ON S.P.S.T.	6	6	
5	561471	SWITCH / OFF-M/ON W/LOCK S.P.S.T.	1	1	
6	561472	SWITCH / ON-ON / D.P.D.T. / CH-OVER	1	1	
7	561520	SWITCH / OFF-ON-ON SERIES S.P.D.T.	1	1	
8	561470	SWITCH / OFF-M/ON S.P.S.T.	1	1	
9	561483	SWITCH / ON-OFF-ON D.P.D.T.	1	1	
10	561554	SWITCH / ON-ON / D.P.D.T. / SELECTOR			
NS	063029	INSERT / GREEN / PREHEATER	1	1	
17	063012	INSERT / RED / ENGINE OVERRIDE	1	1	
19	561088	COVER, SWITCH HOLE	AR	AR	
20	063013	INSERT / GREEN / MASTER SWITCH / CUT OFF	1	1	
21	062994	INSERT / GREEN / FAST IDLE	1	1	
22	062987	INSERT / GREEN / ETHER	1	1	
24	062991	INSERT / GREEN / "JACOB" BRAKE	1	1	
NS	5001035	NUT WING M5-0.8 NP	1	1	
26	063015	INSERT / GREEN / HEAT / A/C	1	1	
27	063027	INSERT / GREEN / FAN	1	1	
28	063016	INSERT / GREEN / FRESH AIR DAMPER	1	1	
29	063011	INSERT / GREEN / FRONT / REAR (SPEAKER)	1	1	
30	062996	INSERT / GREEN / LOCKING DOOR		1	
31	390998	LEXAN	1	1	
32	391120	PLATE MOUNTING / W/RADIO	1	1	
32	391248	PLATE MOUNTING / W/O RADIO	1		
34	062202	CABLE ASSY / SWITCH LH PANEL	1	1	
35	062608	CABLE ASSY / SWITCH RH PANEL / WITH RADIO	1	1	

From L-031 To R-079		Date:07/2024	PAGE:H4-0645-40
---------------------	--	--------------	-----------------

L.H. & R.H. LOWER CENTRAL PANEL

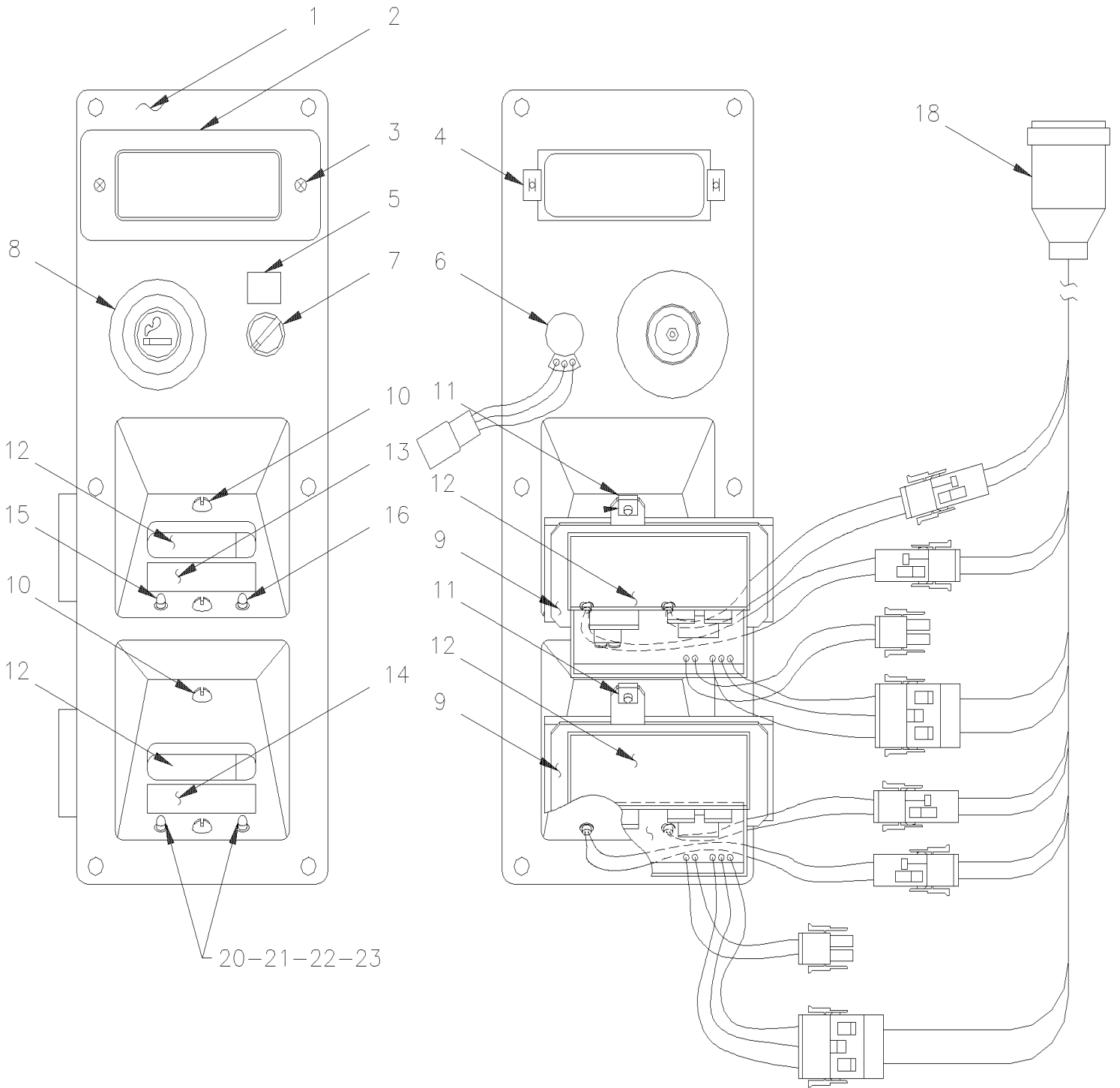
Item#	Part	Description	H 3 4 0	V I P 4 0	N O T E S
35	062204	CABLE ASSY / SWITCH RH PANEL / W/OUT RADIO			
36	H4-2315-10	SOUND SYSTEM - INSTALLATION			

From L-031 To R-079

Date:07/2024

PAGE:H4-0645-50

R.H. CONSOLE



FRONT VIEW

REAR VIEW

From L-031 To R-079	Date:07/2024	PAGE:H4-0645-50
R.H. CONSOLE		

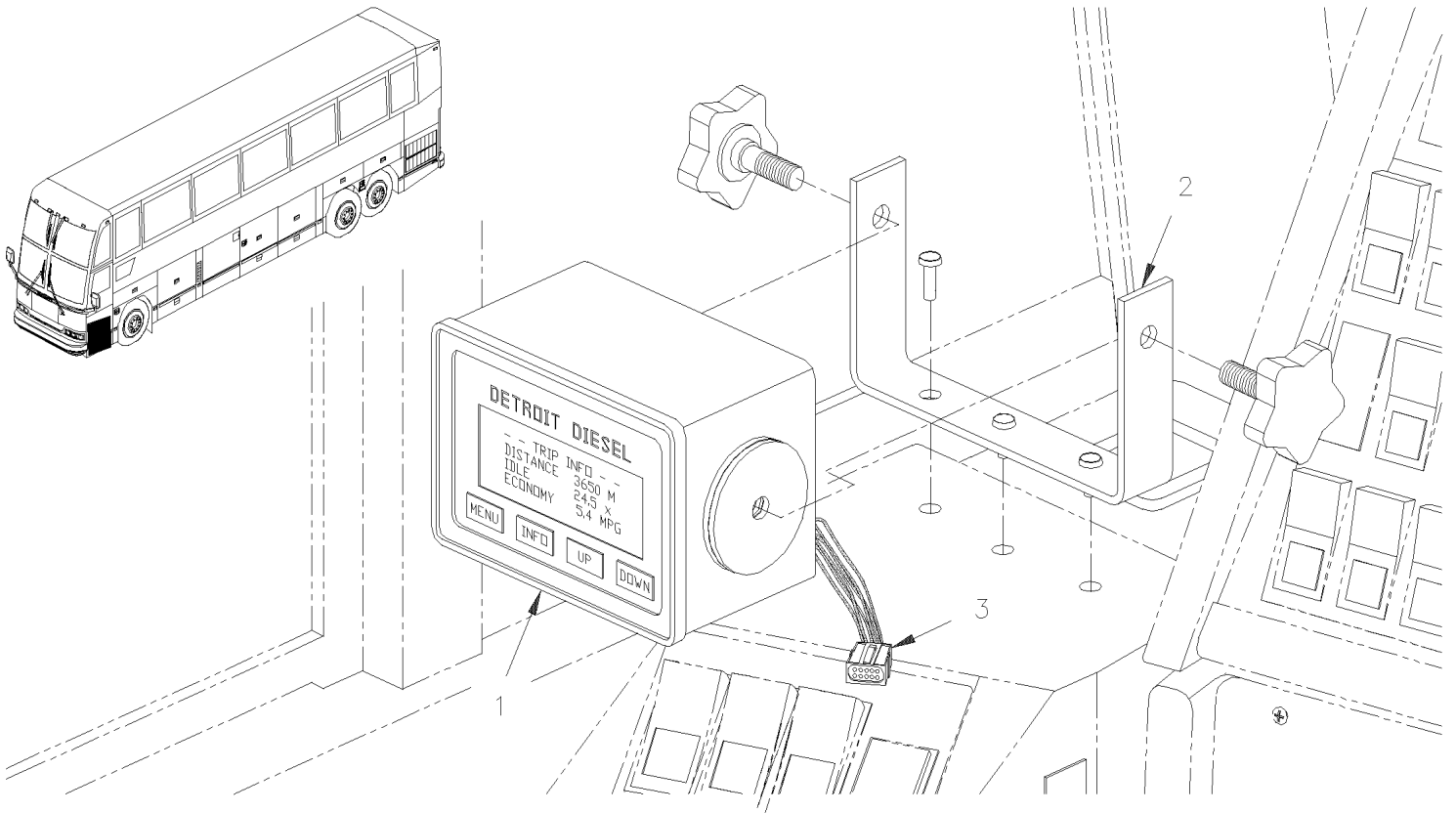
Item#	Part	Description	H 3 4 0	V I P 4 0	N O T E S
	391125P	CONSOLE ASSY / R.H.	1	1	
1	390949	. PANEL, FIBERGLASS	1	1	
2	860434	. ASHTRAY	1	1	
3	500333	. SCREW TP OV PH #6x3/4 BK	2	2	
4	500996	. NUT SPR U #6-32 .135-.150	2	2	
5	402787	. DECAL / P/A VOLUME	1	1	
6	505423	. KNOB	1	1	
. NS	502682	. . SCREW SET HEXS CUP #8-32x3/16	1	1	
7	402373	. CONTROL VOLUME / P/A	1	1	
8	561491	. LIGHTER ASSY / 12V	1	1	
9	372450	. SUPPORT / THERMOMETER	2	2	
10	500814	. SCREW TP BDG PH #6x3/4 BK	4	4	
11	500664	. NUT SPR U #6-32 .050-.062	4	4	
12	372475	. THERMOMETER ASSY	2	2	
12	870904	. . THERMOMETER	1	1	
12	561248	. . . CONNECTOR / UNIVERSAL MATE-N-LOK / PH 2C / AMP 1-480699-0	1	1	
12	561667	. . . CONNECTOR / UNIVERSAL MATE-N-LOK / PH 3C / AMP 1-480701-0	1	1	
12	561516	. . . CONNECTOR / UNIVERSAL MATE-N-LOK / PH 6C / AMP 1-480705-0	5	5	
13	391345	. DECAL, ADHESIVE PLATE / INTERIOR THERMOMETER	1	1	
14	391343	. DECAL, ADHESIVE PLATE / EXTERIOR THERMOMETER	1	1	
15	330237P	. TELLTALE ASSY / GREEN	1	1	
15	830122	. . LED GREEN / 24VOLTS / L-41-1302-5100A	1	1	
16	330238	. TELLTALE ASSY / RED	1	1	
16	830123	. . LED RED / 14 V	1	1	
16	830021	. . L4 LED RED 12V	1	1	
18	062185	. CABLE ASSY / RIGHT CONSOLE & TELLTALE / THERMOMETER	1	1	
20	504403	. SNAP CAP #8 FINISHING BLACK	2	2	
21	504412	. WASHER RETAINER SNAP CAP #8	2	2	
22	504105	. RIVET POP DOME OE 1/8x3/16 AL	2	2	
23	500437	. WASHER FL .125x.375x.040 Z050	1	1	
NS	372479	SENSOR / TEMPERATURE CONTROL	1	1	
NS	372767	SENSOR ASSY INTERIOR TEMP / 1ST LH RETURN	1	1	

From L-031 To R-079

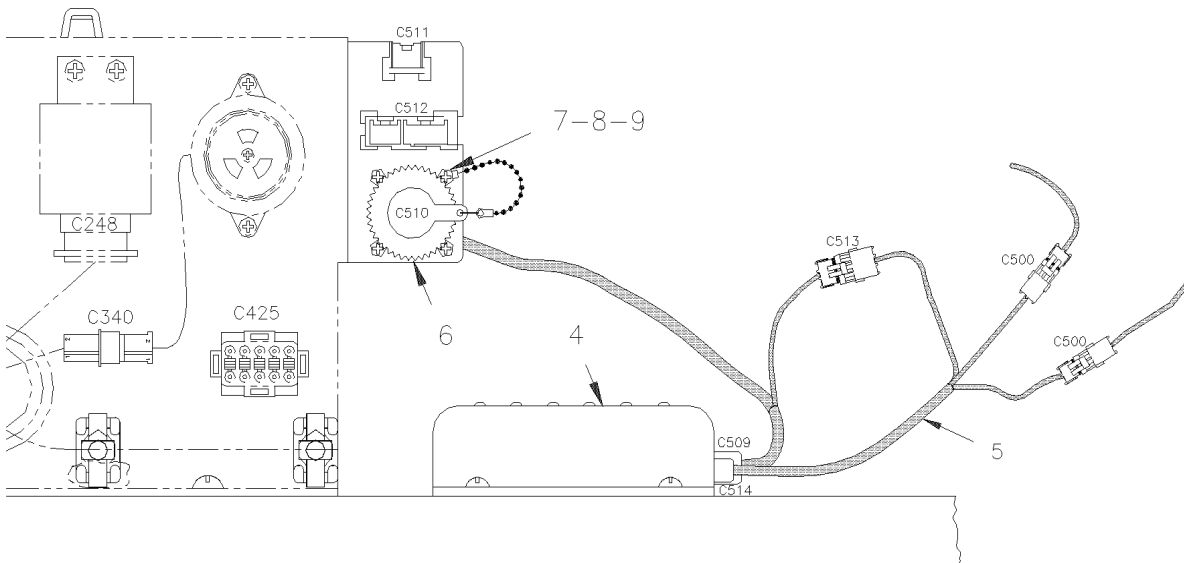
Date:07/2024

PAGE:H4-0650-00

DATA HUB



INSTALLATION OF DATA LOGGER



From L-031 To R-079	Date:07/2024	PAGE:H4-0650-00
DATA HUB		

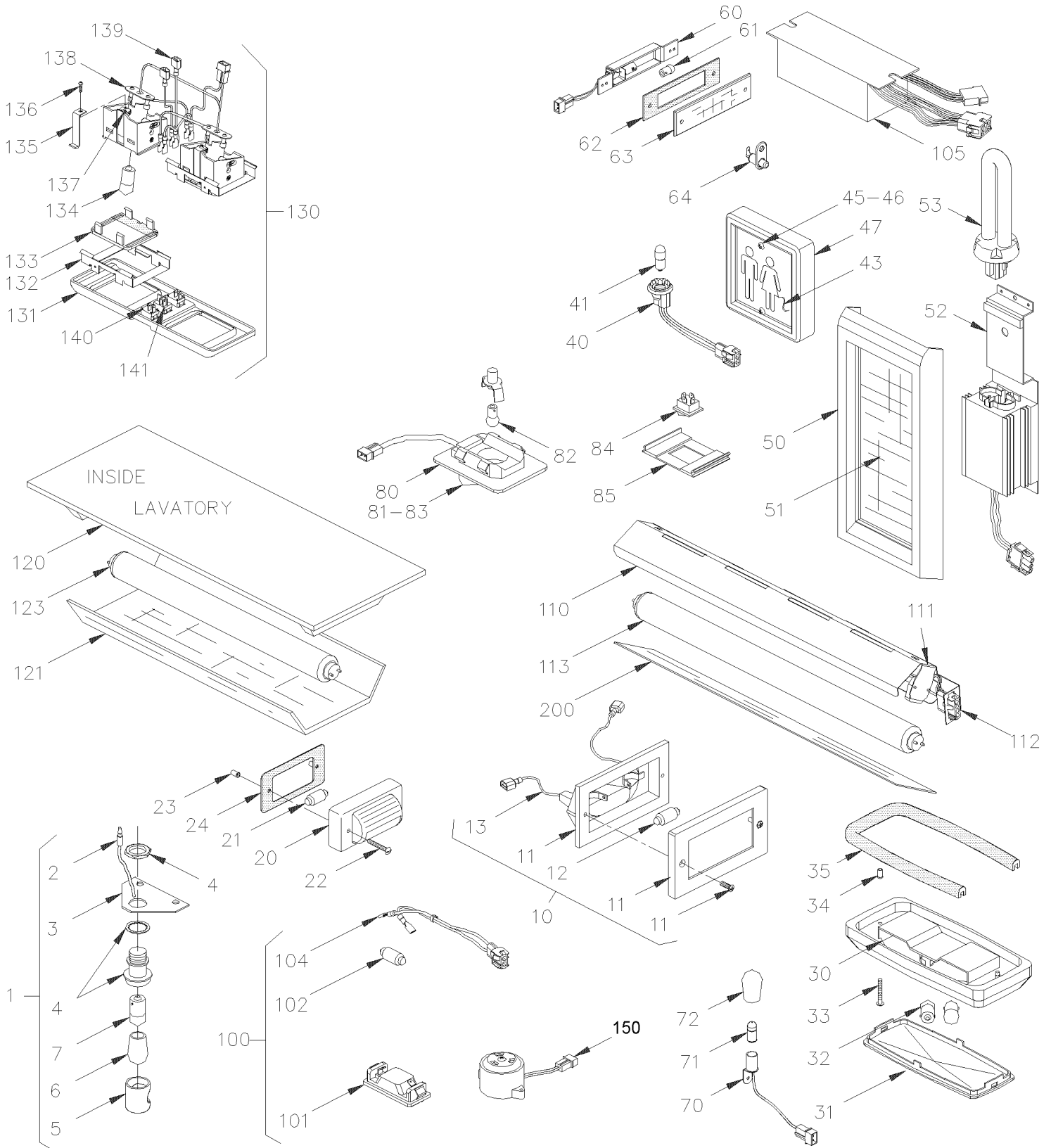
Item#	Part	Description	H 3 4 0	V I P 4 0	N O T E S
1	562415	PRODRIVER DATA HUB / MODEL FOR BRACKET MOUNTED / (AS SHOWN)	1	1	
NS	562413	PRODRIVER DATA HUB / FLUSH MOUNTED			
2	562414	BRACKET KIT	AR	AR	
NS	Call order desk	PANEL MOUNTING / R.H. OF DASHBOARD / W/PRODRIVER DATA HUB			P
3	063893	CABLE ASSY / PRODRIVER POWER	1	1	
NS	562447	INSTRUCTION MANUAL "PRO DRIVER"	1	1	
3	N.S.P.	INSTALLATION MANUAL FROM DETROIT DIESEL / (07SA0712)	1	1	2
NS	562671	INSTRUCTION MANUAL "DATA HUB"	1	1	
		FOR AN INSTALLATION OF DATA LOGER			
		USE NEXT ITEMS			
4	562459	DATA LOGGER BOX	AR	AR	
5	064032	CABLE ASSY / W/DATA LOGGER BOX	1	1	
5	064033	CABLE ASSY / W/O DATA LOGGER BOX	AR	AR	
6	381743	SUPPORT / TO FIX CABLE TO FRONT ALARM BOX	1	1	
7	500437	WASHER FL .125x.375x.040 Z050	4	4	
8	500518	SCREW MA BDG PH #4-40x1/2 Z050	4	4	
9	502520	NUT HEX #4-40 Z050	4	4	
NS	504103	RIVET POP DOME OE 1/8x1/8 AL	3	3	B
		B) TO FIX SUPPORT			
		2) NOT SOLD BY PREVOST (SEE MANUFACTURING PART NUMBER AT END OF DESCRIPTION LINE)			
		P) CALL ORDER DESK FOR SPECIFIC APPLICATION (V.I.N.)			

From L-031 To R-079

Date:07/2024

PAGE:H4-0655-00

INTERIOR LIGHTING

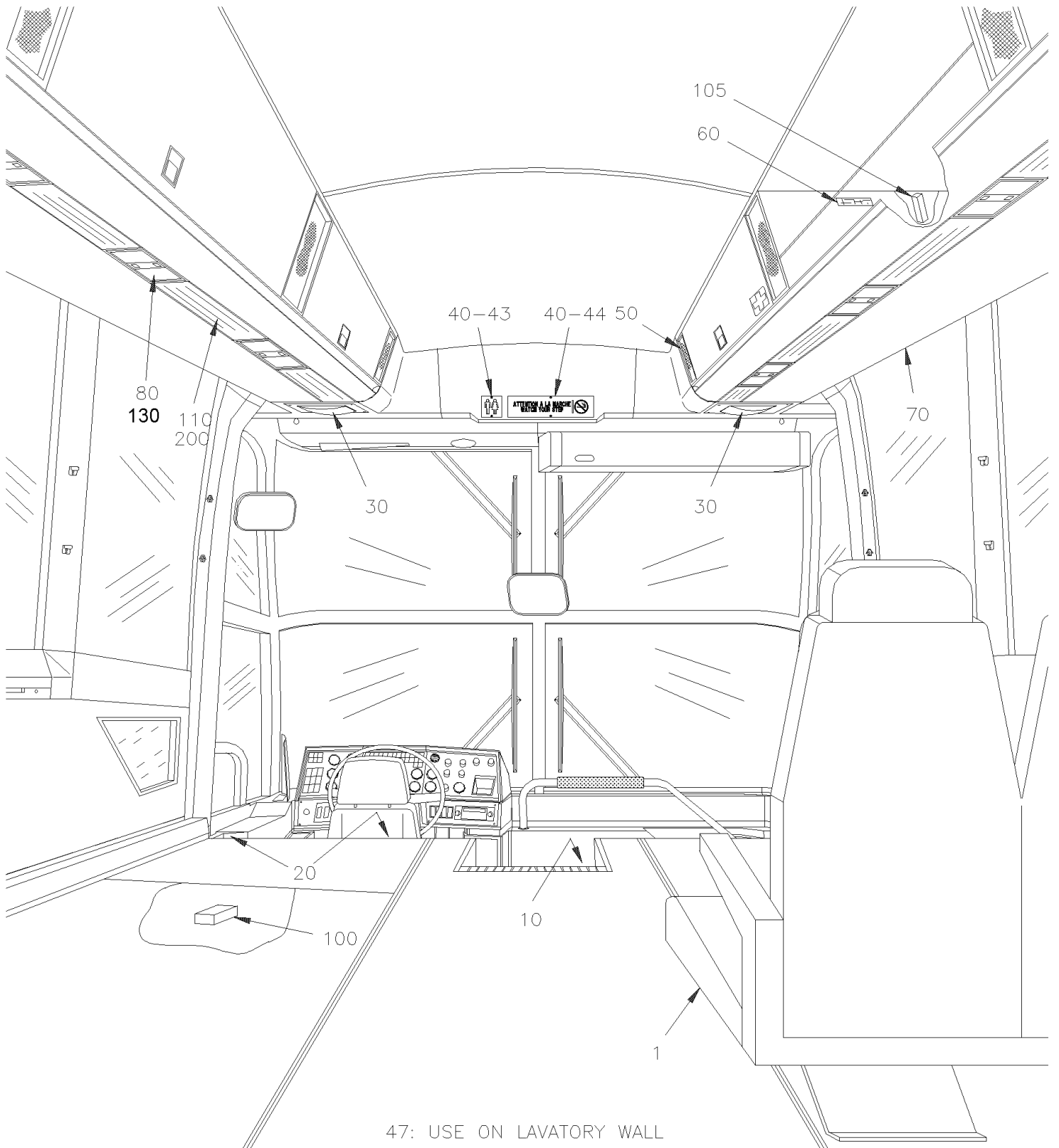


From L-031 To R-079

Date:07/2024

PAGE:H4-0655-00

INTERIOR LIGHTING



47: USE ON LAVATORY WALL

From L-031 To R-079	Date:07/2024	PAGE:H4-0655-00
INTERIOR LIGHTING		

Item#	Part	Description	H 3 4 0	V I P 4 0	N O T E S
		AISLE LAMP - UNDER PASSENGER'S SEAT			
1	330146	LAMP ASSY / UNDER SEAT W/BULB	AR		
1	330367	LAMP ASSY / UNDER SEAT W/LED	AR		
2	560098	. TERMINAL SNAP PLUG / 16-14 / INSULATED / AMP 2-324225-1	1		
3	361343	. SUPPORT	1		
4	830096	. LAMP	1		
5	830113	. . CAP PROTECTOR	1		
6	560141	. BULB / 3WATT-24VOLTS / SAE# 1251	1		
6	563546	. BULB / 7 LEDS BLUE / UNDER SEAT / #B607-2PB-028W	1		
6	564100	. BULB / 7 LEDS BLUE / UNDER SEAT / #270015	1		
7	560940	. BULB COVERING / BLUE	1		
NS	061310	CABLE ASSY / LIGHT & MAIN CABLE	AR		
		STEPWELL LAMP			
10	330279	LAMP ASSY 24V W/BULB	2	2	
. NS	830142	. LAMP	1	1	
. NS	562278	. BULB / 10WATT-24VOLTS / SAE# 6429	1	1	
10	830197	LAMP ASSY 24V LEDS	2	2	
NS	068140	CABLE INTERFACE 330279 TO 830197	AR	AR	
11	830142	. LAMP	1	1	
12	562278	. BULB / 10WATT-24VOLTS / SAE# 6429	1	1	
NS	500148	SCREW MA RND PH #6-32x1/2 SS	AR	AR	
NS	500422	NUT SPR U #6-32 .110-.120 SS	AR	AR	
13	561904	TAB TERMINAL INSULATION NYLON / 22-18 / AMP 2-520103-2	AR	AR	
		GALLEY & WASTE CONTAINER LAMP			
20	830124	LAMP ASSY	1		
21	562278	BULB / 10WATT-24VOLTS / SAE# 6429	1		
NS	562305	BULB / 5WATT-12VOLTS / SAE# 6413	AR		
22	500678	NUT WELL #8-32x.450	2		
23	500580	SCREW MA RND SLT #8-32x1/2 ZP	2		
24	391525	RUBBER PLATE GASKET	1		
		DRIVER'S LAMP			
30	830110	LAMP ASSY	3	3	
31	830125	. LENS	1	1	
32	561553	. BULB / 10WATT-24VOLTS / SAE# 5637	2	2	

From L-031 To R-079	Date:07/2024	PAGE:H4-0655-00
INTERIOR LIGHTING		

Item#	Part	Description	H 3 4 0	V I P 4 0	N O T E S
33	500654	SCREW TC BDG PH #8-32x1/2 Z050	AR	AR	
34	500678	NUT WELL #8-32x.450	AR	AR	
35	506025	RUBBER CHANNEL / 1/18" x 5/16" INT "U" SHAPE / SQUARE C.T.L.	AR	AR	
		LAVATORY LAMP "OCCUPIED"			
40	330231	SOCKET ASSY To N-240	1		
40	330265	SOCKET ASSY W/CONNECTOR / W2.1x9.Dd From N-241	1		
. NS	562295	. SOCKET BULB / PLASTIC W/WIRE / W2.1x9.5d From N-241	1		
. NS	561248	. CONNECTOR / UNIVERSAL MATE-N-LOK / PH 2C / AMP 1-480699-0 From N-241	1		
. NS	562122	. PIN TERMINAL / 20-14 / AMP 350547-1 From N-241	2		
41	560144	BULB / 1.6WATT-24VOLTS / SAE# 1820 To N-240	1		
41	561166	BULB / 3WATT-24VOLTS / SAE# 464 From N-241	1		
43	403137	LENS	1		
44	H4-1832-00	FRONT FINISHING CAP			
45	500504	SCREW TC OV PH #6-32x1/2 BK	2		
46	500422	NUT SPR U #6-32 .110-.120 SS	2		
47	330253	BASE ASSY W/SOCKET & BULB 24V / CHARCOAL	1		
		FRONT PARCEL RACK FLUORESCENT			
50	311461	LENS COVER ASSY / TO USE W/CORD	1		
50	311462	LENS COVER ASSY / TO USE W/DOOR	1		
51	311460	. LENS	1		
52	330220	BALLAST ASSY / 24 VOLTS	AR		
52	330332	BALLAST ASSY / 24 VOLTS	AR		
53	830108	TUBE / 7WATT / PL7	AR		
		PARCEL RACK			
60	430314	LAMP ASSY	AR		
60	430313	. BOX	1		
60	561556	. SOCKET BULB / METAL W/2 WIRES / BA9s / LEECRAFT B22Q2	1		
60	504082	. SNAP BUSHING / .125x.312x.312	1		
60	560853	. PIN TERMINAL / 24-18 / AMP 60618-1	2		
60	560900	. CONNECTOR / COM. MATE-N-LOCK / PH 2C / AMP 1-480319-0	1		
60	504109	. RIVET POP DOME OE 5/32x3/16 AL	2		
61	560144	BULB / 1.6WATT-24VOLTS / SAE# 1820	AR		
62	430316	SEAL	1		
63	430312	LENS	1		
NS	500124	SCREW TP TR PH #8x1/2 SS	2		
64	561563	SWITCH / S.P.S.T. / N.C.	1		

From L-031 To R-079	Date:07/2024	PAGE:H4-0655-00
INTERIOR LIGHTING		

Item#	Part	Description	H 3 4 0	V I P 4 0	N O T E S
NS	061967	CABLE ASSY / LIGHT & SWITCH	1		
		EMERGENCY EXIT LAMP - LOCATED			
		UPPER OF SIDE WINDOW & RH & LH CONSOLE			
70	330217	SOCKET ASSY	AR		
70	330254	BULB SOCKET ASSY W/TERMINAL / USE IN CONSOLE	AR	AR	
71	560601	BULB / 2WATT-24VOLTS / SAE# 456	AR		
71		BULB / USE IN CONSOLE	AR	AR	
72	560942	BULB COVERING / BLUE	AR		
NS	500648	SCREW TC BDG PH #6-32x1/4 ZP	AR		
NS	500438	WASHER FL .187x.437x.050 Z050	AR		
		READING LAMP UNDER PARCEL RACK			
80	330258	LAMP ASSY	AR		S
80	830130	. LAMP	1		S
81	830132	. SWITCH / ON-ON / S.P.S.T. / READING LIGHT	1		
82	562033	. BULB / 8WATT-24VOLTS / SAE# 941-Q940	1		
82	560900	. CONNECTOR / COM. MATE-N-LOCK / PH 2C / AMP 1-480319-0	1		
82	560853	. PIN TERMINAL / 24-18 / AMP 60618-1	2		
83	330266	DECAL / [GREEN] SWITCH LOCALISATION	1		S
NS	330257	STOPPER / ON SOME FRONT READING LIGHT FOR SPECIAL	AR		S
84	561564	SWITCH, HOSTESS & STOP	AR		
85	311082	SWITCH SUPPORT	AR		
		BAGGAGE & SERVICE DOOR			
100	330234	LAMPE ASSY / BAGGAGE COMPT LAMP	AR		
100	930262	. LAMP ASSY	1		
101	930281	. LENS	1		
102	560135	. BULB / 6WATT-24VOLTS / SAE# 623	1		
104	561248	. CONNECTOR / UNIVERSAL MATE-N-LOK / PH 2C / AMP 1-480699-0	1		
104	561261	. WIRE CABLE 18 / BLACK / GXL	1		
104	504069	. GROMMET / .281x.375x.062x.250x.562	1		
104	561258	. WIRE CABLE 18 / RED / GXL	1		
104	560488	. TAB RECEPTACLE TERMINAL / 18-14 / AMP 41274	1		
104	561513	. PIN TERMINAL / 20-14 / AMP 350538-3	1		
		FLUORESCENT UNDER PARCEL RACK			
105	330214	BALLAST ASSY / 24 VOLTS	AR		D

From L-031 To R-079	Date:07/2024	PAGE:H4-0655-00
INTERIOR LIGHTING		

Item#	Part	Description	H 3 4 0	V I P 4 0	N O T E S
105	330330	BALLAST ASSY / 24 VOLTS	AR		
105	330215	BALLAST ASSY / 24 VOLTS	AR		D
105	330331	BALLAST ASSY / 24 VOLTS	AR		
110	330219	LAMP ASSY	AR		
111	830101	SOCKET / BIPIN HOLDER	2		
112	562122	PIN TERMINAL / 20-14 / AMP 350547-1	1		
113	830102	TUBE / 15WATT / F15T8CW - 18" / G13 MED BIPIN	AR		
		LAVATORY LAMP			
120	402663	LAMP ASSY	1		A
120	561708	LAMP	1		
121	830126	LENS	1		
NS	830127	BALLAST	1		
123	830102	TUBE / 15WATT / F15T8CW - 18" / G13 MED BIPIN	1		
NS	560900	CONNECTOR / COM. MATE-N-LOCK / PH 2C / AMP 1-480319-0	1		
NS	560901	PIN TERMINAL / 20-14 / AMP 60620-1	2		
NS	430172	SOCKET ASSY	AR		
NS	560123	BULB / 4WATT-12VOLTS / SAE# 67	AR		
		READING LAMP ARE USED ON "SPECIAL" COACH			
130	330302	LAMP ASSY	AR		
131	330296	SUPPORT / PLASTIC	1		
132	330297	HOLDER / SS / SPRING CLIP	2		
133	N.P.N.	LENS / PAINTED	AR		4
134	561553	BULB / 10WATT-24VOLTS / SAE# 5637	2		
135	330301	BRACKET 45MM X 10MM	2		
136	500583	SCREW TP PAN PH #6x1/2 Z050	2		
137	500996	NUT SPR U #6-32 .135-.150	2		
138	830143	LAMP ASSY	2		
139	064169	CABLE ASSY / READING LAMP	1		
139	064190	CABLE ASSY / HOSTESS LAMP	1		
140	562491	SWITCH / OFF-ON / S.P.S.T. / RED ILLUMINATI	2		
141	562490	SWITCH / OFF-ON / S.P.S.T. / WHITE	1		
150	064094	FIRE & KNEELING / ALARM ASSY / SERVICE	AR	AR	
		SCREEN, FLUORESCENT			
200	310670	SCREEN, FLUORESCENT / 3045MM / 120" C.T.L.	AR		
200	310688	SCREEN, FLUORESCENT / 1 1/4"	AR		

From L-031 To R-079	Date:07/2024	PAGE:H4-0655-00
INTERIOR LIGHTING		

Item#	Part	Description	H 3 4 0	V I P 4 0	N O T E S
200	311800	SCREEN, FLUORESCENT / 2"	AR		
200	311780	SCREEN, FLUORESCENT / 3"	AR		
200	310696	SCREEN, FLUORESCENT / 3 3/8"	AR		
200	311463	SCREEN, FLUORESCENT / 3 7/8"	AR		
200	311300	SCREEN, FLUORESCENT / 4 3/4"	AR		
200	311298	SCREEN, FLUORESCENT / 4 7/8"	AR		
200	310814	SCREEN, FLUORESCENT / 5 1/2"	AR		
200	311442	SCREEN, FLUORESCENT / 6 1/8"	AR		
200	310705	SCREEN, FLUORESCENT / 6 5/8"	AR		
200	310819	SCREEN, FLUORESCENT / 6 3/4"	AR		
200	310695	SCREEN, FLUORESCENT / 7 3/8"	AR		
200	311110	SCREEN, FLUORESCENT / 8"	AR		
200	310697	SCREEN, FLUORESCENT / 8 3/4"	AR		
200	311786	SCREEN, FLUORESCENT / 9 5/8"	AR		
200	311892	SCREEN, FLUORESCENT / 9 1/4"	AR		
200	310684	SCREEN, FLUORESCENT / 10"	AR		
200	310698	SCREEN, FLUORESCENT / 11 3/8"	AR		
200	311307	SCREEN, FLUORESCENT / 11 5/8"	AR		
200	310939	SCREEN, FLUORESCENT / 12"	AR		
200	311292	SCREEN, FLUORESCENT / 12 3/8"	AR		
200	310699	SCREEN, FLUORESCENT / 13"	AR		
200	311306	SCREEN, FLUORESCENT / 13 1/4"	AR		
200	311335	SCREEN, FLUORESCENT / 13 5/8"	AR		
200	310940	SCREEN, FLUORESCENT / 13 7/8"	AR		
200	311469	SCREEN, FLUORESCENT / 14 3/8"	AR		
200	310694	SCREEN, FLUORESCENT / 15"	AR		
200	311312	SCREEN, FLUORESCENT / 15 1/4"	AR		
200	310848	SCREEN, FLUORESCENT / 15 1/2"	AR		
200	311781	SCREEN, FLUORESCENT / 15 3/4"	AR		
200	311308	SCREEN, FLUORESCENT / 16 1/8"	AR		
200	311782	SCREEN, FLUORESCENT / 16 3/8"	AR		
200	311441	SCREEN, FLUORESCENT / 16 3/4"	AR		
200	311040	SCREEN, FLUORESCENT / 17 1/2"	AR		
200	311299	SCREEN, FLUORESCENT / 17 3/4"	AR		
200	310702	SCREEN, FLUORESCENT / 18 1/8"	AR		
200	311423	SCREEN, FLUORESCENT / 18 1/4"	AR		
200	311106	SCREEN, FLUORESCENT / 18 1/2"	AR		
200	311439	SCREEN, FLUORESCENT / 18 3/4"	AR		
200	311354	SCREEN, FLUORESCENT / 18 7/8"	AR		
200	311337	SCREEN, FLUORESCENT / 19"	AR		
200	311168	SCREEN, FLUORESCENT / 19 1/2"	AR		
200	311109	SCREEN, FLUORESCENT / 20 1/8"	AR		

From L-031 To R-079	Date:07/2024	PAGE:H4-0655-00
INTERIOR LIGHTING		

Item#	Part	Description	H 3 4 0	V I P 4 0	N O T E S
200	311448	SCREEN, FLUORESCENT / 20 1/4"	AR		
200	311447	SCREEN, FLUORESCENT / 20 5/8"	AR		
200	311023	SCREEN, FLUORESCENT / 20 3/4"	AR		
200	311446	SCREEN, FLUORESCENT / 20 7/8"	AR		
200	311449	SCREEN, FLUORESCENT / 21 1/8"	AR		
200	311314	SCREEN, FLUORESCENT / 21 1/4"	AR		
200	310700	SCREEN, FLUORESCENT / 21 3/8"	AR		
200	310701	SCREEN, FLUORESCENT / 21 5/8"	AR		
200	310689	SCREEN, FLUORESCENT / 22"	AR		
200	311290	SCREEN, FLUORESCENT / 22 1/2"	AR		
200	310693	SCREEN, FLUORESCENT / 23"	AR		
200	311304	SCREEN, FLUORESCENT / 22 7/8"	AR		
200	310693	SCREEN, FLUORESCENT / 23"	AR		
200	311643	SCREEN, FLUORESCENT / 23 1/4"	AR		
200	311108	SCREEN, FLUORESCENT / 23 1/2"	AR		
200	311440	SCREEN, FLUORESCENT / 23 7/8"	AR		
200	310692	SCREEN, FLUORESCENT / 24"	AR		
200	311783	SCREEN, FLUORESCENT / 24 1/4"	AR		
200	310813	SCREEN, FLUORESCENT / 24 1/2"	AR		
200	311444	SCREEN, FLUORESCENT / 24 5/8"	AR		
200	311338	SCREEN, FLUORESCENT / 24 3/4"	AR		
200	311445	SCREEN, FLUORESCENT / 25 1/8"	AR		
200	311467	SCREEN, FLUORESCENT / 25 1/4"	AR		
200	310685	SCREEN, FLUORESCENT / 25 1/2"	AR		
200	311156	SCREEN, FLUORESCENT / 25 3/4"	AR		
200	310686	SCREEN, FLUORESCENT / 26"	AR		
200	311341	SCREEN, FLUORESCENT / 26 1/8"	AR		
200	311468	SCREEN, FLUORESCENT / 26 3/8"	AR		
200	310787	SCREEN, FLUORESCENT / 26 1/2"	AR		
200	311025	SCREEN, FLUORESCENT / 27"	AR		
200	311309	SCREEN, FLUORESCENT / 27 1/4"	AR		
200	311311	SCREEN, FLUORESCENT / 27 1/2"	AR		
200	311024	SCREEN, FLUORESCENT / 27 3/4"	AR		
200	310704	SCREEN, FLUORESCENT / 27 7/8"	AR		
200	310825	SCREEN, FLUORESCENT / 28 1/8"	AR		
200	311339	SCREEN, FLUORESCENT / 28 1/2"	AR		
200	310788	SCREEN, FLUORESCENT / 28 3/4"	AR		
200	310703	SCREEN, FLUORESCENT / 28 7/8"	AR		
200	310687	SCREEN, FLUORESCENT / 29 1/4"	AR		
200	311443	SCREEN, FLUORESCENT / 29 1/2"	AR		
200	311107	SCREEN, FLUORESCENT / 29 3/4"	AR		
200	310817	SCREEN, FLUORESCENT / 30 1/4"	AR		

From L-031 To R-079	Date:07/2024	PAGE:H4-0655-00
INTERIOR LIGHTING		

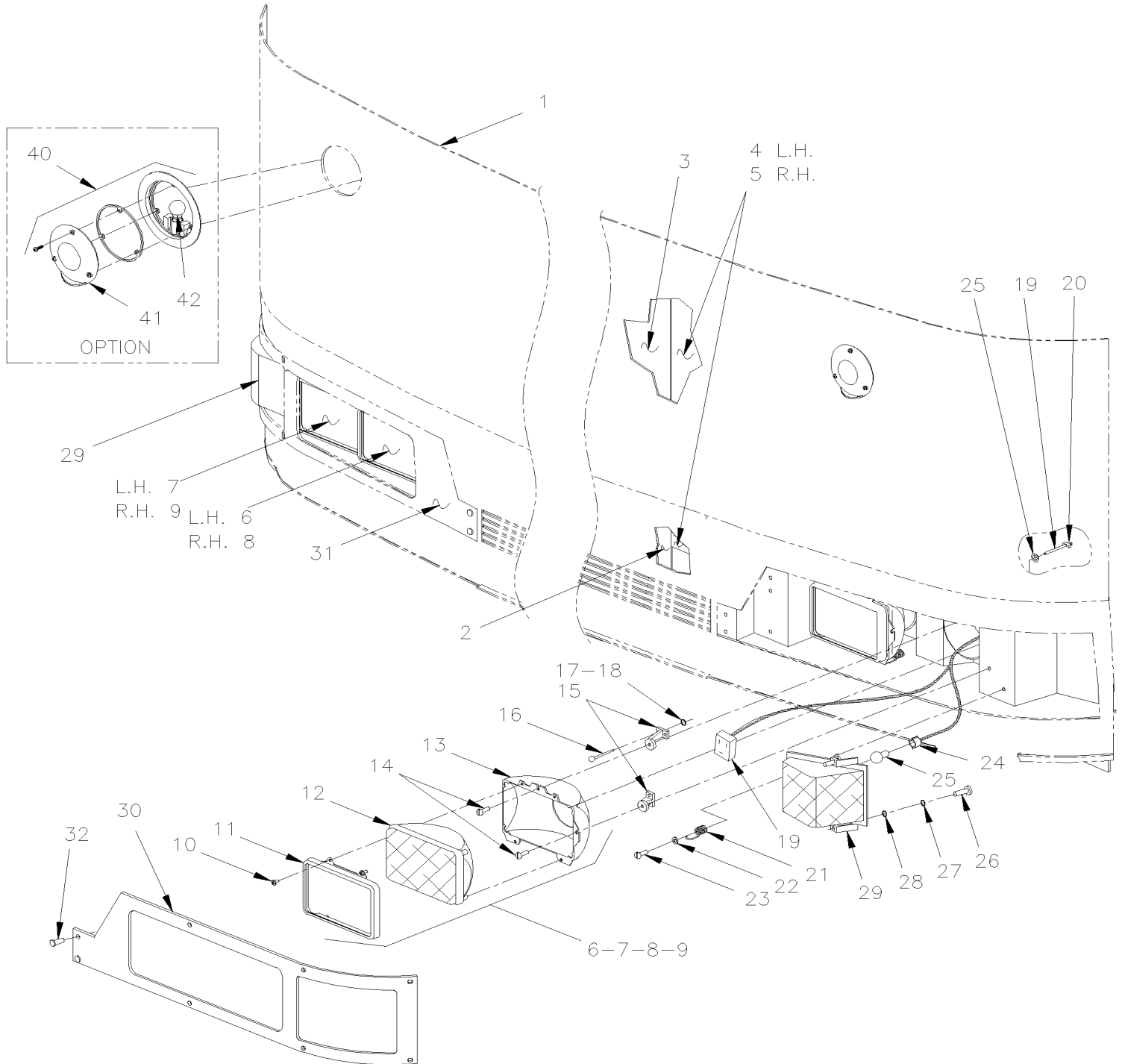
Item#	Part	Description	H 3 4 0	V I P 4 0	N O T E S
200	311328	SCREEN, FLUORESCENT / 30 3/4"	AR		
200	311644	SCREEN, FLUORESCENT / 31"	AR		
200	310818	SCREEN, FLUORESCENT / 31 3/4"	AR		
200	310826	SCREEN, FLUORESCENT / 32 1/4"	AR		
200	310816	SCREEN, FLUORESCENT / 33 1/8"	AR		
200	311989	SCREEN, FLUORESCENT / 35 1/8"	AR		
200	311327	SCREEN, FLUORESCENT / 52"	AR		
200	311498	SCREEN, FLUORESCENT / 59 7/8"	AR		
200	310919	SCREEN, FLUORESCENT / 108 3/4"	AR		
NS	064810	KIT RETRO LAVATORY NIGHT LIGHT	1		
. NS	IS-98034	. SEE INSTRUCTION SHEET	1		
		A) FOR PRODUCT IMPROVMENT FOR NIGHT LIGHT YOU REQUIRE ONE KIT 064810			
		D) PRODUCTION			
		S) FOR SERVICE THIS MODEL IT SUPPERSEDED BY LAMP ASSY # 330302 AS SHOW AT ITEM # 130			
		4) NO PARTS NUMBER			

From L-031 To R-079

Date:07/2024

PAGE:H4-0660-00

HEADLAMP & FRONT DIRECTIONAL LAMPS



From L-031 To R-079	Date:07/2024	PAGE:H4-0660-00
HEADLAMP & FRONT DIRECTIONAL LAMPS		

Item#	Part	Description	H 3 4 0	V I P 4 0	N O T E S
	472150P	PANEL ASSY R.H. / W/LIGHT	1	1	
	472151P	PANEL ASSY L.H. / W/LIGHT	1	1	
1	472559	. PANEL R.H.	1	1	
1	472560	. PANEL L.H.	1	1	
2	350449	. INSULATING PAD	1	1	
3	350448	. INSULATING PAD	1	1	
4	350102	. INSULATING PAD	1	1	
5	350102	. INSULATING PAD	1	1	
NS	680397	. CONTACT GLUE / AEROSOL 17oz	1	1	
6	930231	. HEADLAMP ASSY, L.H. / HIGH BEAM	1	1	
6	930324	. HEADLAMP ASSY, L.H. / HIGH BEAM	1	1	
7	930232	. HEADLAMP ASSY, L.H. / LOW BEAM	1	1	
7	930325	. HEADLAMP ASSY, L.H. / LOW BEAM	1	1	
8	930233	. HEADLAMP ASSY, R.H. / HIGH BEAM	1	1	
8	930326	. HEADLAMP ASSY, R.H. / HIGH BEAM	1	1	
9	930234	. HEADLAMP ASSY, R.H. / LOW BEAM	1	1	
9	930327	. HEADLAMP ASSY, R.H. / LOW BEAM	1	1	
10	N.S.S.	. . SCREW	4	4	1
11	N.S.S.	. . RING MOUNTING	1	1	1
12	561198	. . SEAL BEAM / HI / 50W-12V / SAE# H4651	2	2	
12	562690	. . SEAL BEAM / HI / 50W-12V / SAE# H5051	2	2	
12	561199	. . SEAL BEAM / HI-LO / 35/35W-12V / SAE# H4656	2	2	
12	562689	. . SEAL BEAM / HI-LO / 40/55W-12V / SAE# H5062	2	2	
13	N.S.S.	. . BACK MOUNTING LAMP	1	1	1
14	930218	. SCREW, ADJUSTING	8	8	
14	680343	. GREASE CLEAR SPRAY BOTTLE 283GR	1	1	
15	930217	. BRACKET, MOUNTING / ADJUSTING SCREW	8	8	
16	504339	. RIVET POP DOME OE 1/8x3/8 SS	16	16	
16	504643	. RIVET POP DOME OE 1/8x1/2 SS	16	16	
17	500437	. WASHER FL .125x.375x.040 Z050	16	16	
18	680532	. SEALANT SIKA #221 / GREY / 310ml CARTRIDGE	1	1	
19	061115	. HARNESS ASSY / W/3 TERMINAL	2	2	
19	930220	. . SOCKET ASSY / SEALBEAM	1	1	
20	561031	. MALE BLADE TERMINAL / 16-14 / PED 2971962	3	3	
21	930219	. SPRING EXTENSION / .510 O.D. x 1.261 x .063	4	4	
22	500438	. WASHER FL .187x.437x.050 Z050	4	4	
23	500630	. SCREW TP OV PH #10x1 Z050	4	4	
24	062274	. SOCKET ASSY	2	2	
25	561899	. BULB / AMBRE 32/6WATT-12VOLTS / SAE# 1157NA	2	2	
26	502735	. SCREW MA BDG PH #10-32x1 SS BK	4	4	
27	500470	. WASHER LO SPT .193x.334x.047 Z050	4	4	
28	502712	. WASHER FL .194x.375x.375 NYL	4	4	

From L-031 To R-079	Date:07/2024	PAGE:H4-0660-00
HEADLAMP & FRONT DIRECTIONAL LAMPS		

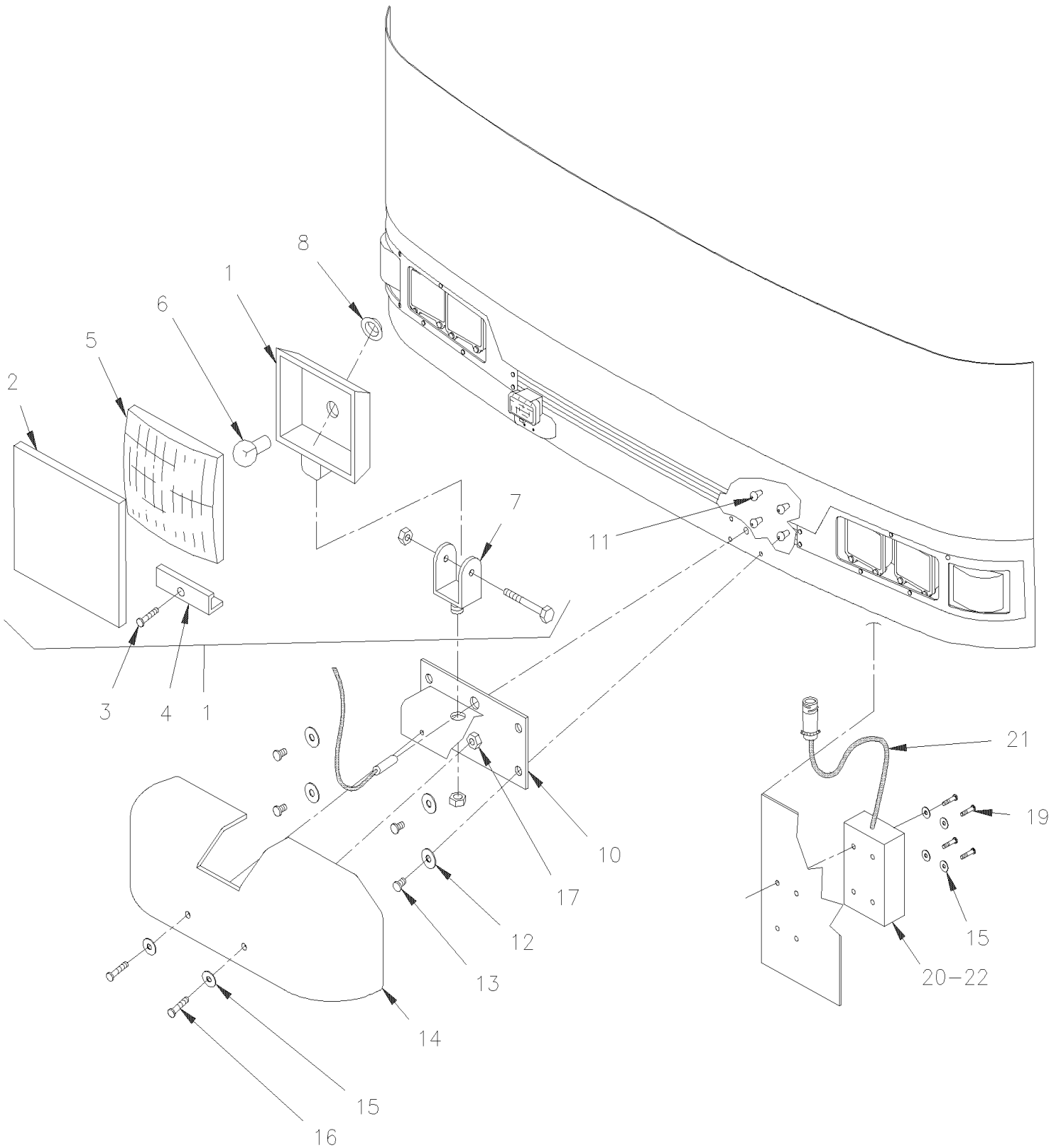
Item#	Part	Description	H 3 4 0	V I P 4 0	N O T E S
29	930260	. LAMP ASSY, L.H.	1	1	
29	0912461	. LAMP ASSY, L.H.	1	1	
29	930261	. LAMP ASSY, R.H.	1	1	
29	0912462	. LAMP ASSY, R.H.	1	1	
30	430339	HEADLAMP BEZEL, L.H.	1	1	
31	430340	HEADLAMP BEZEL, R.H.	1	1	
32	502761	SCREW TP BDG PH #10x3/4 SS BK	20	20	
40	430199	LAMP ASSY FRONT DIRECTIONAL	2		G
40	930198	. LAMP ASSY AMBER 4"	1		G
41	930196	. LENS, AMBER 4"	1		G
42	560589	. BULB / 32WATT-12VOLTS / SAE# 1156	1		G
NS	561111	. CONNECTOR / SURE-SEAL / FEMALE HOUSING 3C / ITT CANNON 120-1805-000	2		G
NS	561024	. SOCKET TERMINAL / 18-14 / ITT CANNON 031-1267-001	2		
		G) "OPTION GREYHOUND"			
		1) NOT SOLD SEPARATELY			

From L-031 To R-079

Date:07/2024

PAGE:H4-0661-00

FOG LAMP



From L-031 To R-079	Date:07/2024	PAGE:H4-0661-00
FOG LAMP		

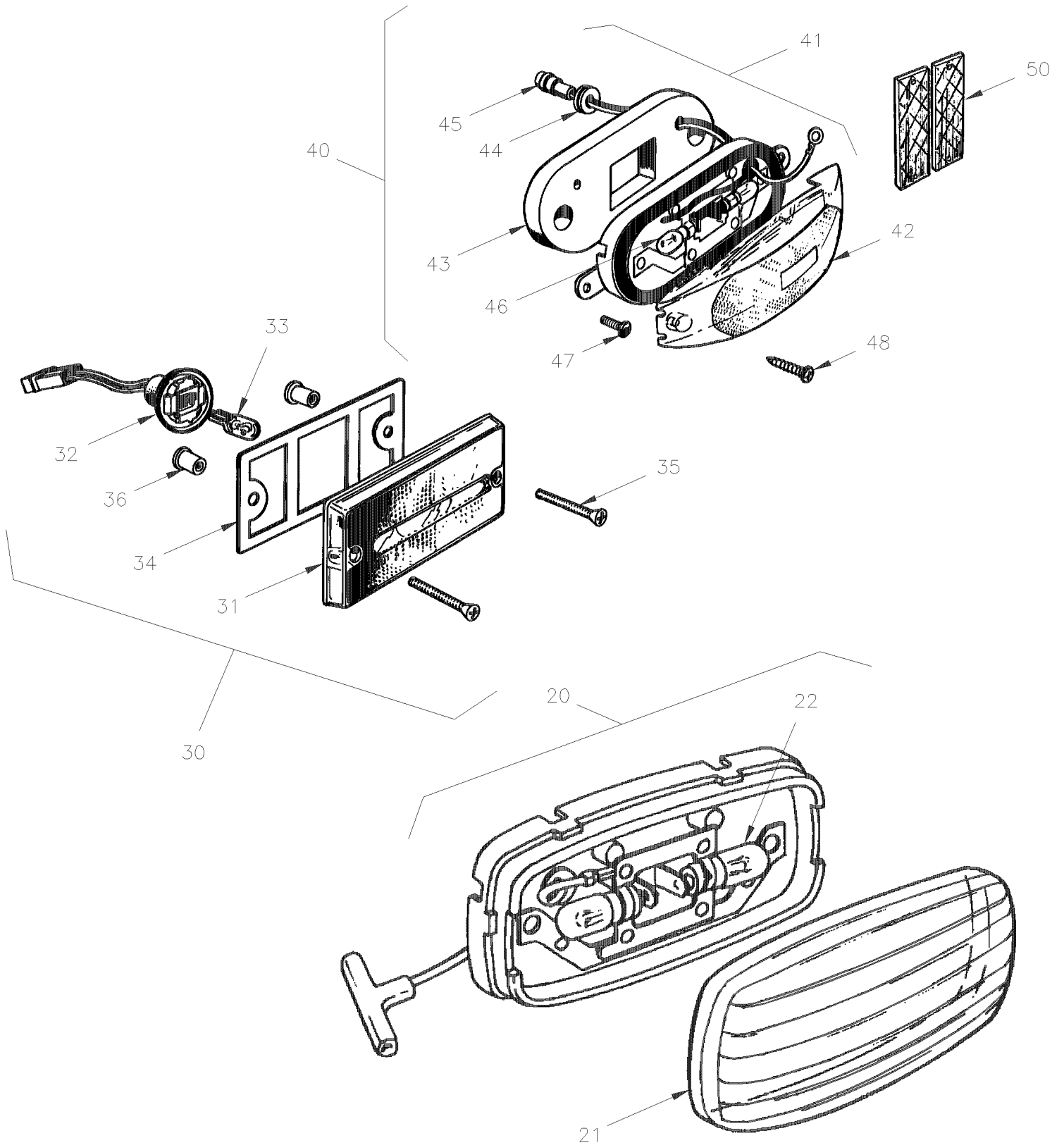
Item#	Part	Description	H 3 4 0	V I P 4 0	N O T E S
1	430369	FOG LAMP 12 V / "BOSCH" TOURING 170 / W/CONNECTOR "ITT"	2	2	
1	430706	. FOG LAMP 12 V / "BOSCH" COMPACT 100 / W/CONNECTOR "DEUTSCH"	1	1	
1	430327	. . FOG LAMP 12 V / "BOSCH" TOURING 170	1	1	
2	930246	. . . COVER FOG / "BOSH" TOURING	1	1	
3	930243	. . . SCREW	1	1	
4	930242	. . . RETAINER	1	1	
5	930241	. . . LAMP UNIT / FOG	1	1	
6	561882	. . . BULB / 55WATT-12VOLTS / SAE# H3 / 64151	1	1	
7	930244	. . . BRACKET KIT	1	1	
8	561814	. GROMMET / ITT CANNON 351-1640-000	1	1	
NS	561812	. CONNECTOR / SURE-SEAL / MALE HOUSING 2C / ITT CANNON 120-1807-000	1	1	
NS	561023	. PIN TERMINAL / 18-14 / ITT CANNON 030-2196-001	1	1	
NS	561024	. . SOCKET TERMINAL / 18-14 / ITT CANNON 031-1267-001	1	1	
10	430337	SUPPORT ASSY	2	2	
10	430364	SUPPORT		2	
11	502702	NUT WELL 1/4-20x.630	8	8	
12	500035	WASHER LO SPT .317x.586x.078 SS	8	8	
13	500558	SCREW MA TR PH 1/4-20x1 SS	8	8	
14	430321	CAP COVER	2	2	
15	500022	WASHER LO INT .168x.340x.023 Z050	8	8	
16	500873	SCREW MA RND PH #8-32x3/4 SS BK	4	4	
17	500678	NUT WELL #8-32x.450	4	4	
19	500657	SCREW TC TR PH #10-24x1/2 Z050	4	4	
20	380921	JUNCTION BOX / FOG LAMP To L-065	1	1	
20	381318	JUNCTION BOX / FOG LAMP From L-066	1	1	
21	062256	CABLE ASSY	1	1	
NS	380931	. SUPPORT	1	1	
NS	061976	. RESISTOR ASSY 1 OHM 10 W	2	2	
NS	380923	. INSULATOR	2	2	
22	680532	SEALANT SIKA #221 / GREY / 310ml CARTRIDGE	1	1	

From L-031 To R-079

Date:07/2024

PAGE:H4-0662-00

CLEARANCE & MARKER LIGHT

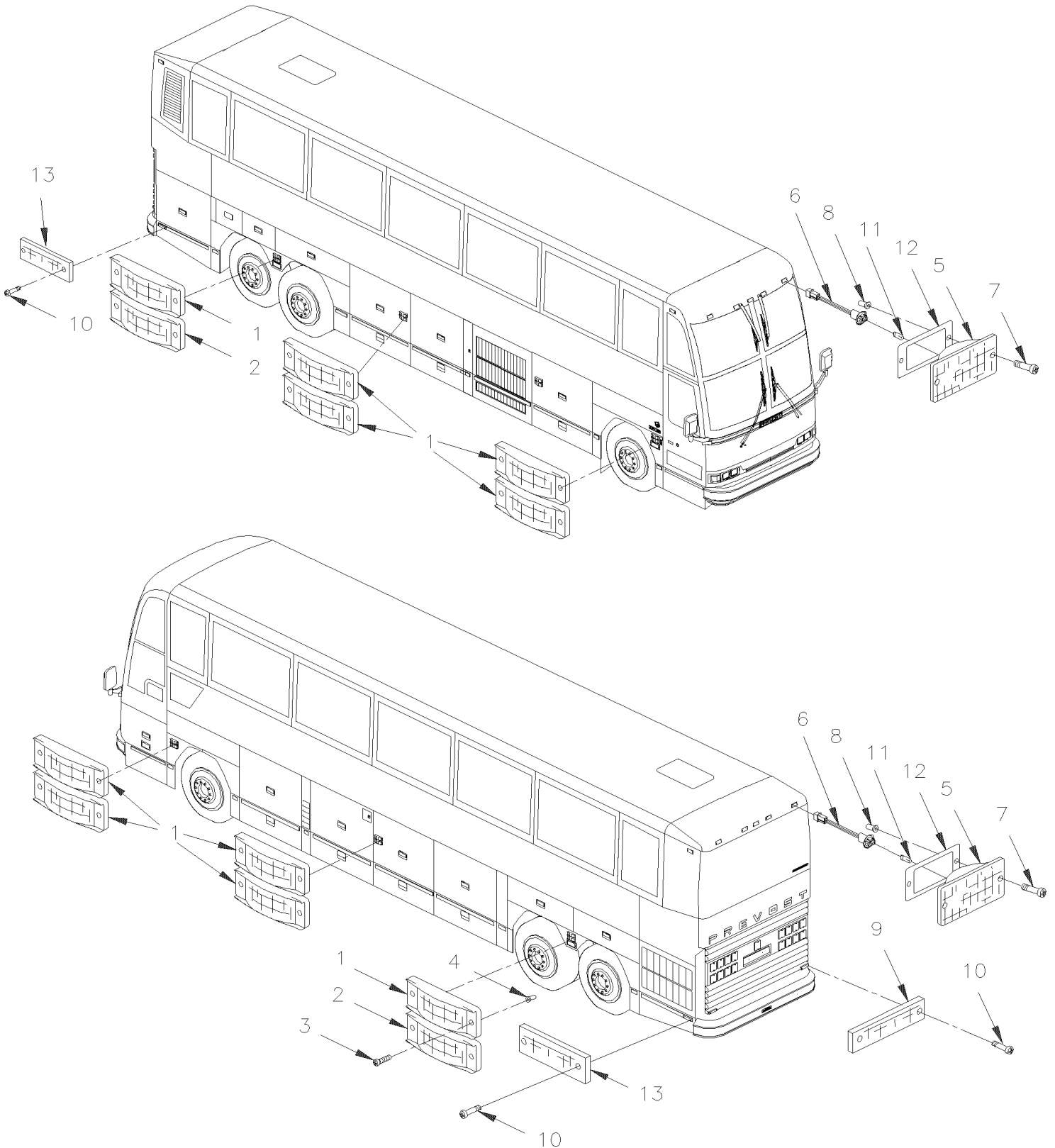


From L-031 To R-079

Date:07/2024

PAGE:H4-0662-00

CLEARANCE & MARKER LIGHT



From L-031 To R-079	Date:07/2024	PAGE:H4-0662-00
CLEARANCE & MARKER LIGHT		

Item#	Part	Description	H 3 4 0	V I P 4 0	N O T E S
1	930301	SIDE MARKER ASSY / AMBER / SEALED From M-068	10	10	
1	930341	SIDE MARKER ASSY / AMBER / W/2 LED	AR	AR	D
2	930304	SIDE MARKER ASSY / RED / SEALED From N-188	2	2	
2	930340	SIDE MARKER ASSY / RED / W/2 LED	AR	AR	D
2	062939	CABLE ASSY / HARNESS & SIDE MARKER To P-306	AR	AR	
NS	562155	CONNECTOR ASSY SEALED 2C / GROTE 6618-G8 From P-307	AR	AR	C
3	5001096	SCREW MA RND PH #10-32x1 1/4 SS BK	24	24	
4	502774	NUT WELL #10-32x.625	24	24	
5	930306	LENS / RED From P-308	7	7	
5	930321	LENS / RED	7	7	
5	930339	LAMP ID & CLEAR -LED RED / 6 LEDS	1	1	D
5	930418	LAMP ID & CLEAR -LED RED / 3 LEDS			D
5	930307	LENS / AMBER From P-308	7	7	
5	930322	LENS / AMBER	7	7	
5	930338	LAMP ID & CLEAR -LED AMBER / 6 LEDS	1	1	D
5	930417	LAMP ID & CLEAR -LED AMBER / 3 LEDS	1	1	D
6	063343	SOCKET ASSY W/CONNECTOR & BULB / W2.1x9.Dd	7	7	
. NS	562295	. SOCKET BULB / PLASTIC W/WIRE / W2.1x9.5d	1	1	
. NS	562059	. BULB / 2WATT-12VOLTS / SAE# 194	1	1	
. NS	560900	. CONNECTOR / COM. MATE-N-LOCK / PH 2C / AMP 1-480319-0	1	1	
. NS	560901	. PIN TERMINAL / 20-14 / AMP 60620-1	1	1	
NS	562295	. SOCKET BULB / PLASTIC W/WIRE / W2.1x9.5d	1	1	
NS	562059	. BULB / 2WATT-12VOLTS / SAE# 194	1	1	
NS	560900	. CONNECTOR / COM. MATE-N-LOCK / PH 2C / AMP 1-480319-0	1	1	
NS	560901	. PIN TERMINAL / 20-14 / AMP 60620-1	2	2	
6	062201	CABLE HARNESS / CLEARANCE LIGHT FRONT From L-031 To N-196	1	1	
6	063184	CABLE ASSY / ROOF From N-197	1	1	
6	062482	CABLE HARNESS / ENGINE ACC. TO ROOF LIGHT	1	1	
7	5001172	SCREW MA OV PH M4-0.7x30 SS	14	14	
8	5001055	NUT WELL M4-0.7x14.5	14	14	
9	930302	REFLECTOR RED 40MM x 180MM	2	2	
10	5001087	SCREW TP BDG PH #10x1/2 SS	8	8	
11	562059	BULB / 2WATT-12VOLTS / SAE# 194	AR	AR	
12	430438	SEAL LAMP GREY 1/4" THICK	14	14	
12	930323	SEAL LAMP BLACK 1/4" THICK	14	14	
13	930302	REFLECTOR RED 40MM x 180MM	2	2	
		CLEARANCE LIGHT To L-043			
20	430319	LAMP ASSY, AMBER To L-043	7	7	
20	430318	LAMP ASSY, RED To L-043	7	7	
21	930258	. LENS, AMBER To L-043	1	1	

From L-031 To R-079	Date:07/2024	PAGE:H4-0662-00
CLEARANCE & MARKER LIGHT		

Item#	Part	Description	H 3 4 0	V I P 4 0	N O T E S
21	930259	. LENS, RED To L-043	1	1	
22	562059	. . BULB / 2WATT-12VOLTS / SAE# 194 To L-043	1	1	
22	472117	GASKET To L-043	1	1	
22	560900	CONNECTOR / COM. MATE-N-LOCK / PH 2C / AMP 1-480319-0 To L-043	1	1	
22	560901	PIN TERMINAL / 20-14 / AMP 60620-1 To L-043	2	2	
22	560815	RING TERMINAL #10 / 22-18 / INSULATED / AMP 42037-2 To L-043	1	1	
		CLEARANCE LIGHT From L-044 To P-307			
30	430362	LAMP ASSY 12 V / AMBER / W/CONNECTOR From L-044 To P-307	7	7	A
30	430359	LAMP ASSY 12 V / RED / W/CONNECTOR From L-044 To P-307	7	7	A
31	930280	. LENS / AMBER From L-044 To P-307	1	1	
31	930279	. LENS/ RED From L-044 To P-307	1	1	
32	063343	. SOCKET ASSY W/CONNECTOR & BULB / W2.1x9.Dd From L-044 To P-307	1	1	
. NS	562295	. . SOCKET BULB / PLASTIC W/WIRE / W2.1x9.5d From L-044 To P-307	1	1	
. NS	562059	. . BULB / 2WATT-12VOLTS / SAE# 194 From L-044 To P-307	1	1	
. NS	560900	. . CONNECTOR / COM. MATE-N-LOCK / PH 2C / AMP 1-480319-0 From L-044 To P-307	1	1	
. NS	560901	. . PIN TERMINAL / 20-14 / AMP 60620-1 From L-044 To P-307	1	1	
33	562059	. . BULB / 2WATT-12VOLTS / SAE# 194 From L-044 To P-307	1	1	
34	430361	GASKET From L-044 To P-307	7	7	
		SIDE MARKER LIGHT From L-031 To M-067			
40	430324	LAMP ASSY, AMBER From L-031 To M-067	6	6	B
41	930257	. LAMP, AMBER From L-031 To M-067	1	1	
42	930277	. LENS, AMBER From L-031 To M-067	1	1	
42	930305	. LENS, RED From L-031 To M-067	AR	AR	
43	472117	. GASKET From L-031 To M-067	1	1	
44	504496	. GROMMET 2 HOLESx.062x.625x.062x.312x.875x.031 x.375 From L-031 To M-067	1	1	
45	561812	. CONNECTOR / SURE-SEAL / MALE HOUSING 2C / ITT CANNON 120-1807-000 From L-031 To M-067	1	1	
NS	561023	. PIN TERMINAL / 18-14 / ITT CANNON 030-2196-001 From L-031 To M-067	1	1	
NS	561024	. SOCKET TERMINAL / 18-14 / ITT CANNON 031-1267-001 From L-031 To M-067	1	1	
46	562059	BULB / 2WATT-12VOLTS / SAE# 194 From L-031 To M-067	2	2	
100	473842	KIT, WATERPROOFING CLEARANCE & MARKER LIGHTS	AR	AR	
. NS	IS-98028	. SEE INSTRUCTION SHEET	1	1	
NS	430538	KIT GASKET REPLACEMENT	1	1	
. NS	IS-99113	. SEE INSTRUCTION SHEET	1	1	
		A) THOSE LIGHT ARE OBSOLETE, TO REPLACE: 430439, 2X 430437, 063343, 930323, 930321, 930322 & 4X 504431			
		B) CABLE ASSY 062939 IS REQUIRE IF YOU WISHED TO INSTALL SEALED SIDE MARKER ASSY			

From L-031 To R-079		Date:07/2024	PAGE:H4-0662-00
CLEARANCE & MARKER LIGHT			

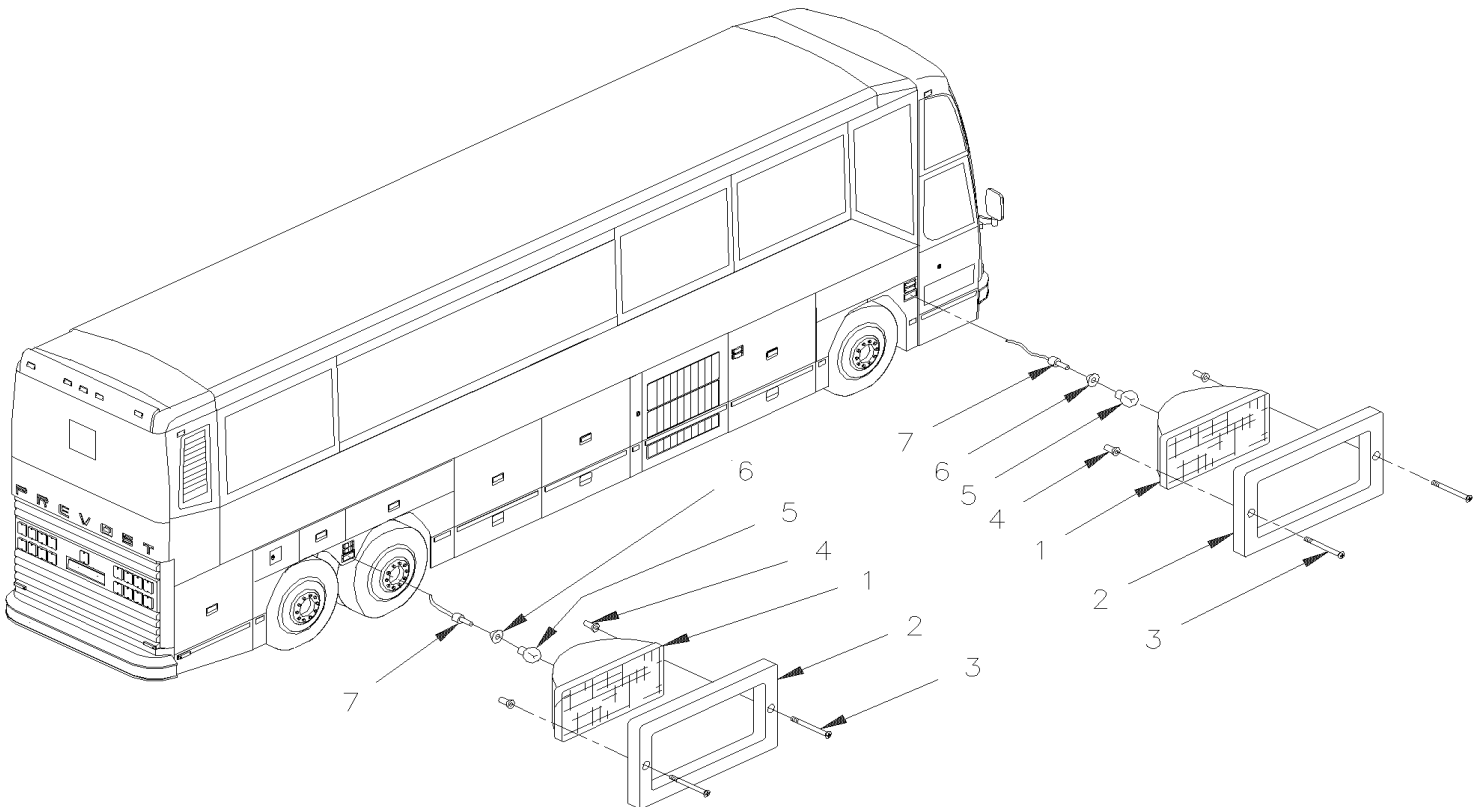
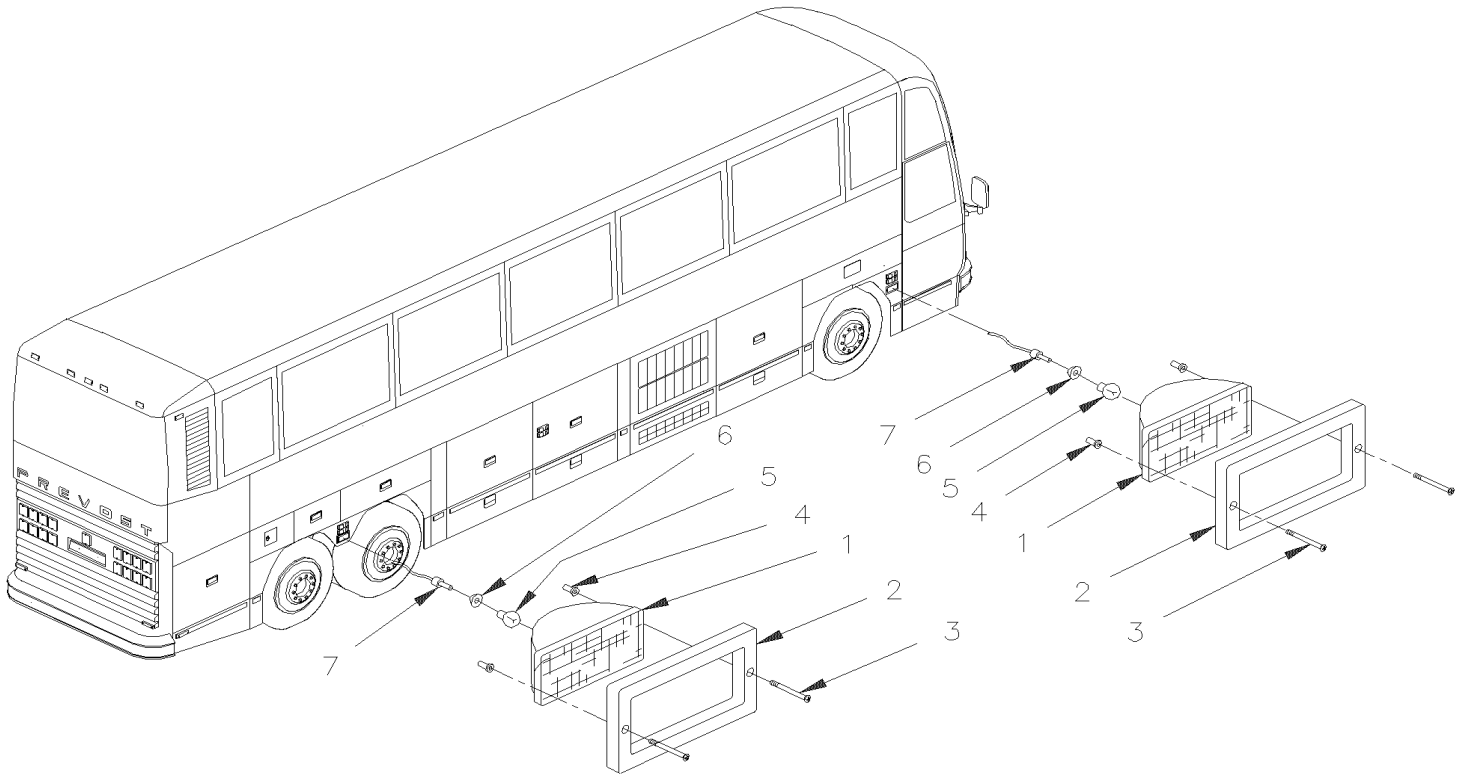
Item#	Part	Description	H 3 4 0	V I P 4 0	N O T E S
		C) PART OF LAMP HARNESS			
		D) SERVICE WITH LEDS AND RESPECT POLARITY			

From L-031 To R-079

Date:07/2024

PAGE:H4-0663-00

DOCK & CORNERING LIGHT



From L-031 To R-079	Date:07/2024	PAGE:H4-0663-00
DOCK & CORNERING LIGHT		

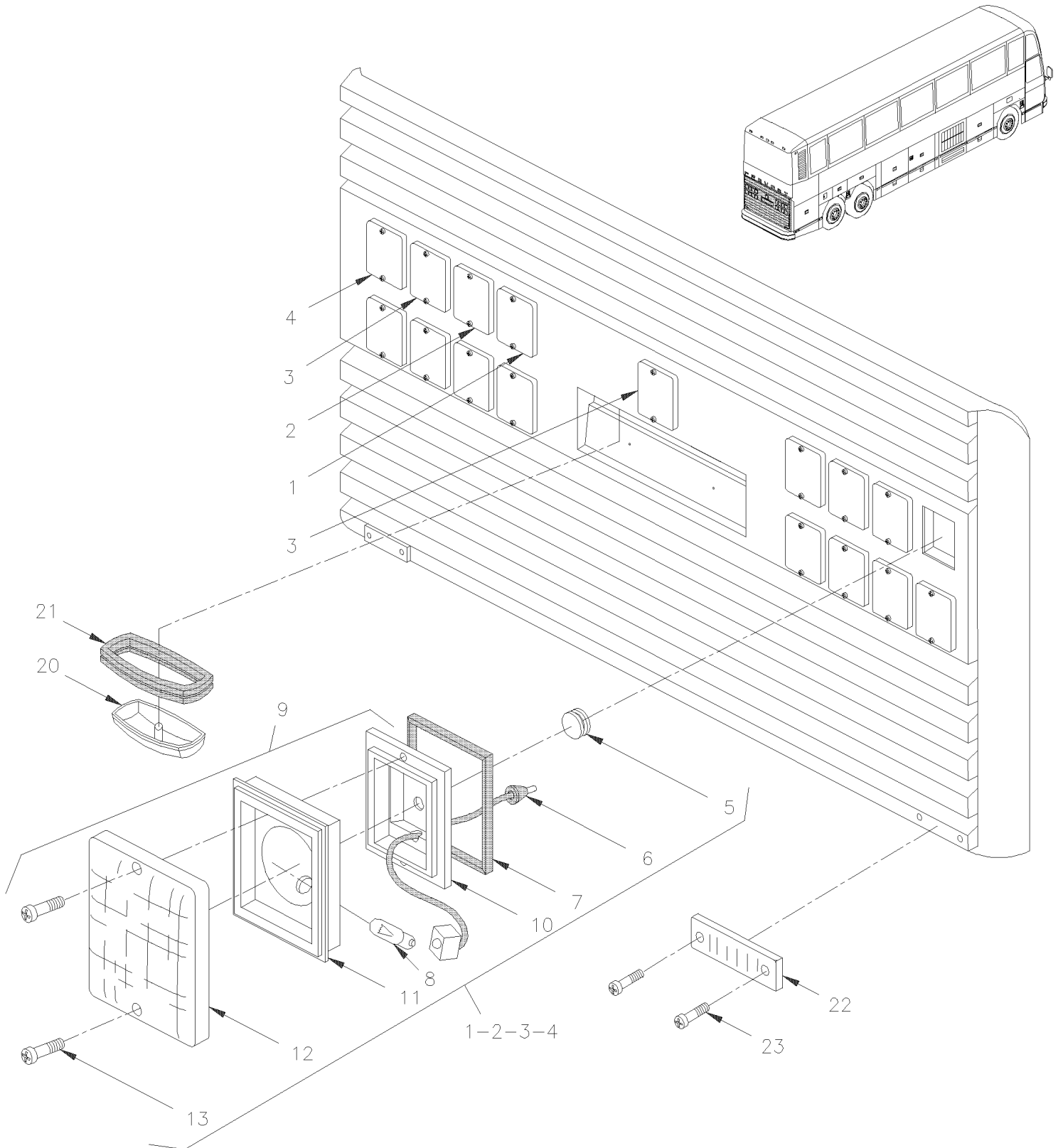
Item#	Part	Description	H 3 4 0	V I P 4 0	N O T E S
1	930235	LAMP ASSY	4	4	
2	490424	BEZEL	4	4	
3	502530	SCREW MA OV PH M4-0.7x40 SS	8	8	
4	500589	NUT WELL M4-0.7x13.5	8	8	
5	561882	BULB / 55WATT-12VOLTS / SAE# H3 / 64151	4	4	
6	504062	GROMMET / .4375x.687x.125x.375x.937	4	4	
NS	506225	TAPE RUB ADH1 CC POL 1/16" x 1/4" x 100' / GREY 2520	AR	AR	

From L-031 To R-079

Date:07/2024

PAGE:H4-0664-00

REAR EXTERIOR LIGHTS & PLATE HOLDER



From L-031 To R-079	Date:07/2024	PAGE:H4-0664-00
REAR EXTERIOR LIGHTS & PLATE HOLDER		

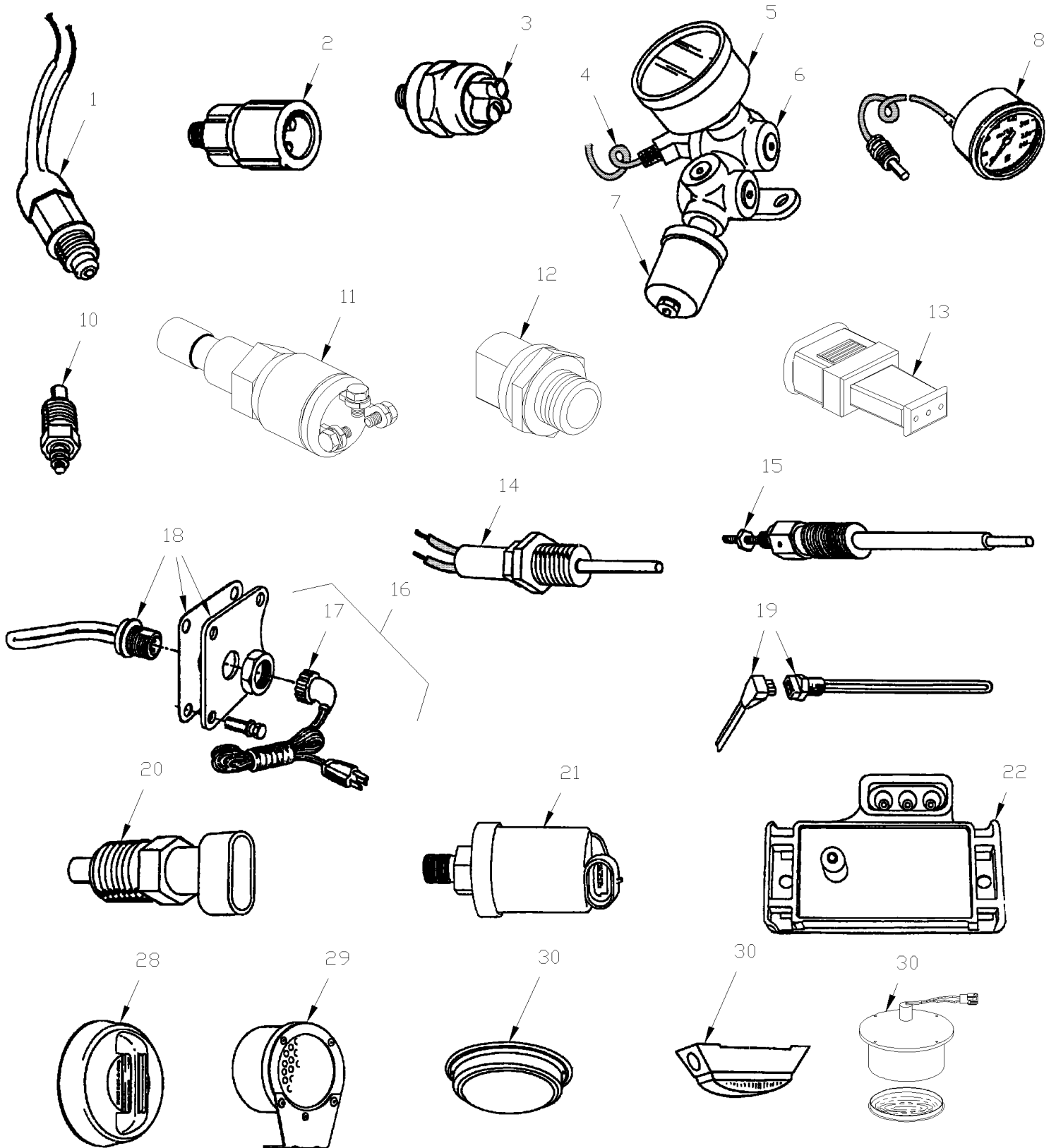
Item#	Part	Description	H 3 4 0	V I P 4 0	N O T E S
1	430353	LAMP ASSY, BACK UP / W/CONNECTOR /CLEAR	4	4	
2	430351	LAMP ASSY, DIRECTIONAL /W/CONNECTOR /AMBER	4	4	A
3	430350	LAMP ASSY, STOP / W/CONNECTOR / RED	5	5	B
4	430352	LAMP ASSY, TAIL / W/CONNECTOR / RED	4	4	B
5	504346	. SNAP-IN PLUG / .500 O.D.	1	1	
6	062602	. CABLE ASSY	1	1	
7	506465	. TAPE RUB ADH1 CC NEO 1/8" x 1/4" x 60' / BLACK 1220	1	1	
8	561880	. BULB / 21WATT-12VOLTS / SAE# 7506	1	1	
8	561881	. BULB / 10WATT-12VOLTS / SAE# 5008	1	1	
9	561546	. LAMP ASSY BACK UP	1	1	
9	561547	. LAMP ASSY STOP	1	1	B
9	561548	. LAMP ASSY TAIL	1	1	
9	930363	. LAMP ASSY RED "LED" / TAIL & STOP 12Volt / 20L	AR	AR	
9	561549	. LAMP ASSY DIRECTIONAL	1	1	A
9	930362	. LAMP ASSY AMBER "LED" / DIRECTIONAL 12Volt / 20L	AR	AR	
10	930248	. . HOUSING, SQUARE LAMP W/STUDS	1	1	
11	930249	. . REFLECTOR / WHITE	1	1	
11	930250	. . REFLECTOR / CHROMED	1	1	
12	930251	. . LENS / AMBER	1	1	
12	930252	. . LENS / CLEAR	1	1	
12	930253	. . LENS, SQUARE RED TAIL LAMP	1	1	
12	930254	. . LENS, SQUARE REAR STOP LAMP	1	1	
13	502664	. . SCREW TP PAN PH #8x1 SS EMN	2	2	
20	930266	SEAL BULB / 2WATT - 12VOLTS / TL-15206	2	2	
NS	930210	CONNECTOR ASSY / TRUCK-LITE 94924	1	1	C
21	930208	GROMMET RUBBER RETAINER / LICENCE LAMP TL 15700	2	2	
21	930408	GROMMET RUBBER RETAINER / LICENCE LAMP TL 150702 SERVICE	2	2	
22	930302	REFLECTOR RED 40MM x 180MM	2	2	
23	5001087	SCREW TP BDG PH #10x1/2 SS	4	4	
NS	930362	LAMP ASSY AMBER "LED" / DIRECTIONAL 12Volt / 20L	4	4	
NS	930358	SEAL LEDS / LEDS - 12VOLTS	4	4	
NS	065528	INTERFACE CABLE ASSY / W/LED FLASHER	4	4	D
NS	065529	INTERFACE CABLE ASSY / W/LED STOP	5	5	D
NS	065530	INTERFACE CABLE ASSY / W/LED TAIL	4	4	D
NS	930363	LAMP ASSY RED "LED" / TAIL & STOP 12Volt / 20L	9	9	D
		A) TO REPLACE BY "LED" MODEL ASK FOR #930362			
		B) TO REPLACE BY "LED" MODEL ASK FOR #930363			
		C) PART OF LAMP HARNESS			
		D) USE WITH VEHICULE WITH LED RETROFIT			

From L-031 To R-079

Date:07/2024

PAGE:H4-0665-00

ENGINE COMPARTMENT - ELECTRIC COMPONENTS



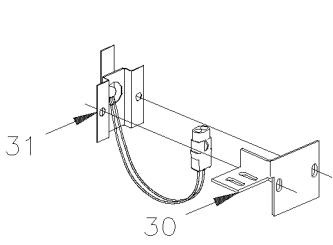
From L-031 To R-079	Date:07/2024	PAGE:H4-0665-00
ENGINE COMPARTMENT - ELECTRIC COMPONENTS		

Item#	Part	Description	H 3 4 0	V I P 4 0	N O T E S
1	560633	SWITCH / NEUTRAL N.C. / W/AUTO TRANS	1	1	
2	560639	SWITCH / BACK-UP N.O. / W/AUTO TRANS	1	1	
NS	561868	CONNECTOR ASSY / TO USE W/#560639	1	1	
3	560632	SWITCH / BACK-UP N.C. / W/MANUAL TRANSMISSION To R-016	1		
3	561019	SWITCH / NEUTRAL N.O. / W/MANUAL TRANSMISSION To R-016	1		
4	011464	HOSE ASSY TEFLON #4 1708MM	1	1	A
4	011617	HOSE ASSY TEFLON #4 2615MM	1	1	A
4	140658	HOSE ASSY TEFLON #4 1456MM	1	1	A
4	503064	. HOSE TEFLON #4 / S.L.	AR	AR	
4	501892	. FEMALE CONNECTOR SWIVEL / SAE 45° FITTING / TEFLON / #4FL-Fx#4 STL	2	2	
5	510182	GAUGE, OIL PRESSURE / MECHANICAL (FORMER) To R-027	1		
5	510481	GAUGE, OIL PRESSURE / MECHANICAL (CURRENT) From R-028	1	1	
6	640055	MANIFOLD / PIPE FITTING / 7 PORTS 1/4NPT-F STL	1	1	
7	562409	SENSOR, OIL PRESSURE W/GAUGE 0-100	1	1	
8	561011	GAUGE WATER TEMPERATURE / MECHANICAL (FORMER)	1	1	
8	562331	GAUGE WATER TEMPERATURE / MECHANICAL (CURRENT)	1	1	
10	561097	SENSOR, TEMPERATURE / WATER & OIL	1	1	
11	550635	SWITCH TEMPERATURE AIR SENSOR 150 DEG / 3 WIRES CONNECTORS From P-256	1	1	
12	550640	SWITCH, THERMOSTATIC WATER SENSOR 92°C/98°C (198°F/208°F) From P-256	1	1	
12	550714	SWITCH, THERMOSTATIC WATER SENSOR 85°C/93°C (185°F/199°F) From P-256	1	1	
13	562311	RUBBER DUST SHIELD / BEHR 630018-00 From P-256	1	1	
NS	562310	CONNECTOR / TH 3C / BEHR 630017-00 From P-256	1	1	
NS	561608	SOCKET TERMINAL / 18-16 / DEUTSCH 0462-201-16141 From P-256	3	3	
14	561157	SENSOR, PYROMETER W/ SERIES 92 & 60	2	2	
15	561887	SENSOR PROBE "LOW LEVEL COOLANT"	1	1	
15	562395	SENSOR PROBE "LOW LEVEL COOLANT" / 1/4" NPT	1	1	
16	560879	BLOCK HEATER ASSY W/CORD W/SERIES 92 To R-032	1	1	
17	560411	. HEATER PLUG ASSY	1	1	
18	561459	. HEATER ELEMENT	1	1	
NS	560410	BLOCK HEATER	1	1	
NS	561572	RECEPTACLE ASSY W/CORD	1	1	
19	561587	HEATER / OIL PAN / W/SERIES 92 To R-032	AR	AR	
20	561990	SENSOR / WATER TEMPERATURE / (DDEC) W/92	1	1	
21	561907	SENSOR / OIL PRESSURE (DDEC) W/92 To R-032	1	1	
22	561941	SENSOR / TURBO BOOST (DDEC) W/92 To R-032	1	1	
28	560069	DETECTOR / FIRE (FORMER)	2	2	
28	562402	DETECTOR / FIRE	2	2	
NS	065323	KIT, FIRE DETECTOR REPLACEMENT	AR	AR	
. NS	IS-99091	. SEE INSTRUCTION SHEET	1	1	
29	380746	BACK-UP ALARM ASSY	1	1	
29	561488	ALARM / "DAP"	1	1	
29	561566	CONNECTOR / WEATHER PACK / PH 2C / BLACK / PED 12010973	1	1	

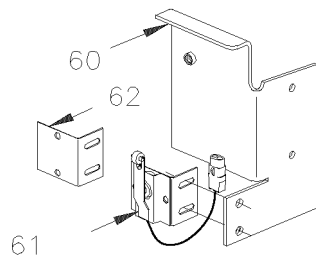
From L-031 To R-079	Date:07/2024	PAGE:H4-0665-00
ENGINE COMPARTMENT - ELECTRIC COMPONENTS		

Item#	Part	Description	H 3 4 0	V I P 4 0	N O T E S
29	561568	PIN TERMINAL / 16-14 / PED 12089305	2	2	
29	561565	CABLE SEAL / GREEN / PED 15324982	2	2	
29	380748	SUPPORT BACK UP ALARM	1	1	
29	065721	KIT, BACK-UP ALARM / SERIE "H"	1	1	
. NS	IS-01155	. SEE INSTRUCTION SHEET	1	1	
30	H4-0665-10	SWITCHES, LIGHTS, AJAR - UNDER FLOOR			
		A) MANIFOLD & MOTOR			

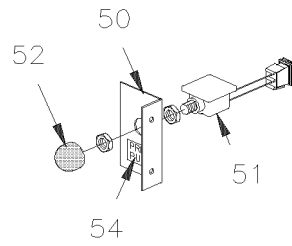
From L-031 To R-079	Date:07/2024	PAGE:H4-0665-10
SWITCHES, LIGHTS, AJAR - UNDER FLOOR		



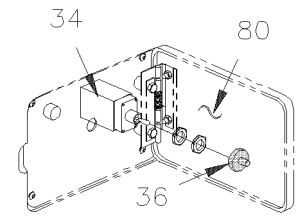
DETAIL "E"



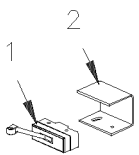
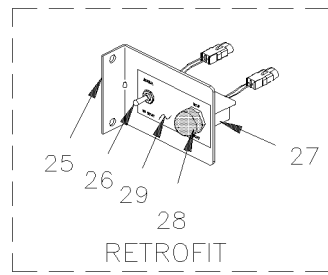
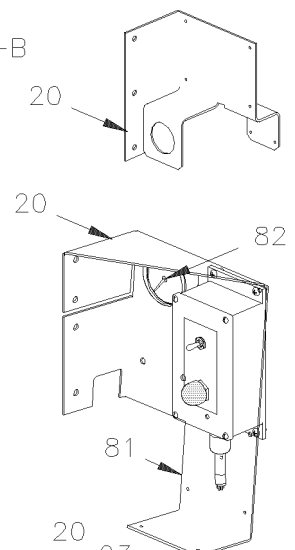
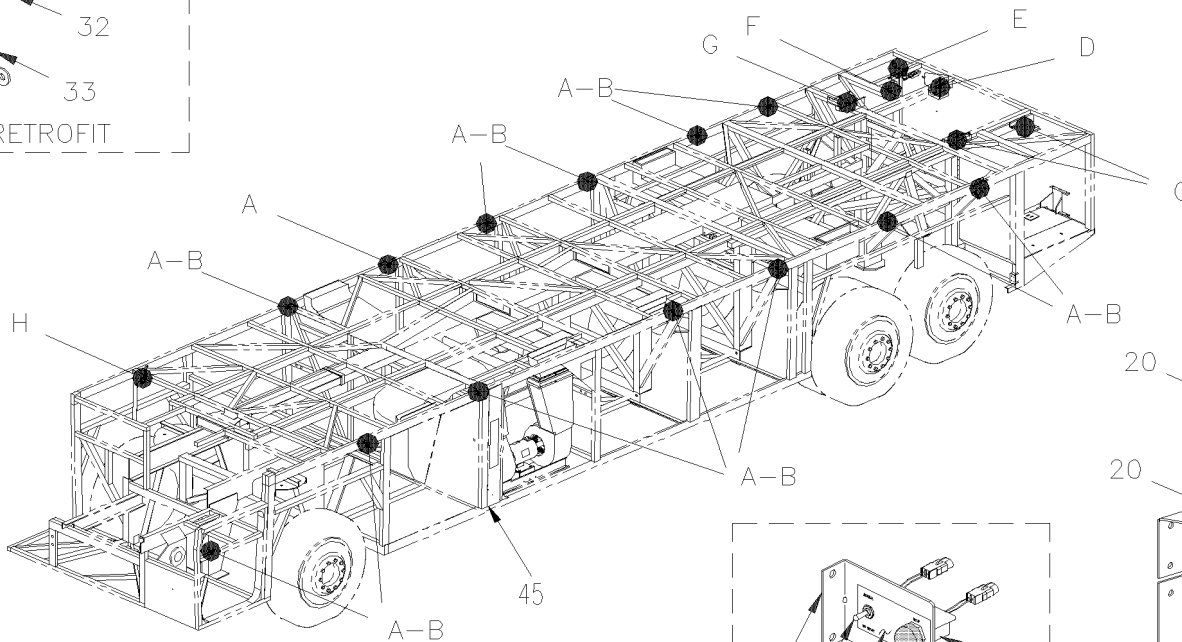
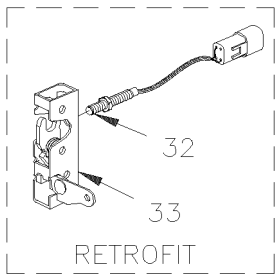
DETAIL "F"



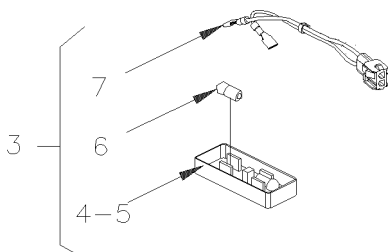
DETAIL "G"



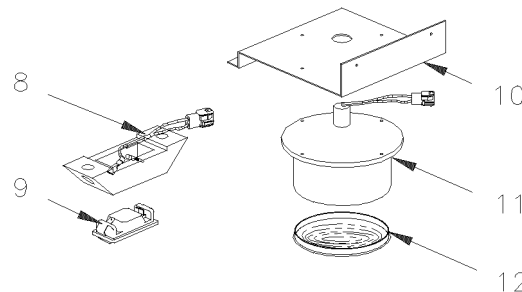
DETAIL "H"



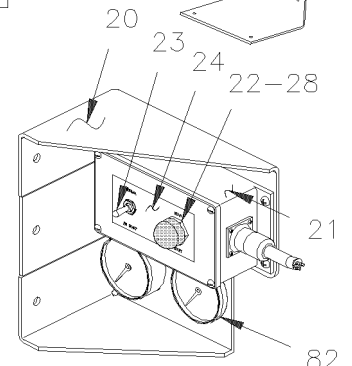
DETAIL "A"



DETAIL "B"



DETAIL "C"



DETAIL "D"

From L-031 To R-079	Date:07/2024	PAGE:H4-0665-10
SWITCHES, LIGHTS, AJAR - UNDER FLOOR		

Item#	Part	Description	H 3 4 0	V I P 4 0	N O T E S
1	561109	MICRO SWITCH	1	1	
NS	5001100	SCREW CAP HEX M3-0.5x30 G8.8 ZP	2	2	
NS	502579	NUT HEX M3-0.5 NP	2	2	
NS	502691	WASHER LO SPT 3.6x6.7x0.8 Z050	2	2	
2	062619	SUPPORT	1	1	
3	330234	LAMPE ASSY / BAGGAGE COMPT LAMP	AR	AR	
4	930262	. LAMP ASSY	1	1	
5	930281	. . LENS	1	1	
6	560135	. BULB / 6WATT-24VOLTS / SAE# 623	1	1	
7	561248	CONNECTOR / UNIVERSAL MATE-N-LOK / PH 2C / AMP 1-480699-0	1	1	
NS	504069	. GROMMET / .281x.375x.062x.250x.562	1	1	
NS	561513	. PIN TERMINAL / 20-14 / AMP 350538-3	2	2	
NS	560488	. TAB RECEPTACLE TERMINAL / 18-14 / AMP 41274	2	2	
8	930278	SUPPORT LAMP	AR	AR	
9	930209	SEAL BULB / 2WATT - 24VOLTS / TL-15209	AR	AR	C
9	N8894686	SEAL BULB / 2WATT - 24VOLTS / TL-15209	AR	AR	
NS	065356	KIT RESISTANCE, LAMP LICENCE PLATE	AR	AR	
. NS	IS-00034	. SEE INSTRUCTION SHEET	1	1	
10	330263	BRACKET / TO FIX LIGHT	AR	AR	
11	330278	LAMP ASSY W/CONNECTOR	AR	AR	
11	830133	. LAMP ASSY	1	1	
12	830134	. . LENS	1	1	
NS	830135	. . SOCKET BULB / METAL / BA15s	1	1	
NS	830136	. . SEAL / LENS & BASE	1	1	
20	381217	SUPPORT / OIL GAUGE W/SERIES 92 To N-234	1	1	
20	381449	SUPPORT / OIL GAUGE W/SERIES 92 From N-235	1	1	
20	061609	SUPPORT	1	1	
21	380928P	BOX ASSY W/SWITCH	1	1	A
21	380929	. BOX ASSY	1	1	
22	560267	. SWITCH, PUSH BUTTON S.P.S.T. / N.O.	1	1	
. NS	561891	. . CAP RUBBER	1	1	
NS	561891	. . CAP RUBBER	1	1	
23	560330	. SWITCH / ON-OFF-ON / D.P.D.T.	1	1	
NS	560241	. . RUBBER PROTECTOR, TOGGLE SWITCH	1	1	
24	062255	. DECAL SWITCH CONTROL	1	1	
NS	062216	. CABLE ASSY / REAR START	1	1	
25	064298	PLATE SWITCH SUPPORT	1	1	
26	064362	SWITCH ASSY / WATERPROOF	1	1	
27	064555	SWITCH ASSY	1	1	
27	562484	. SWITCH S.P.S.T. / N.C.	1	1	
NS	562486	. CONNECTOR / DT SERIES / PH 2C / GRAY / DEUTSCH DT04-2P	1	1	
NS	562286	. PIN TERMINAL / 18-16 / DEUTSCH 0460-202-16141	2	2	

From L-031 To R-079	Date:07/2024	PAGE:H4-0665-10
SWITCHES, LIGHTS, AJAR - UNDER FLOOR		

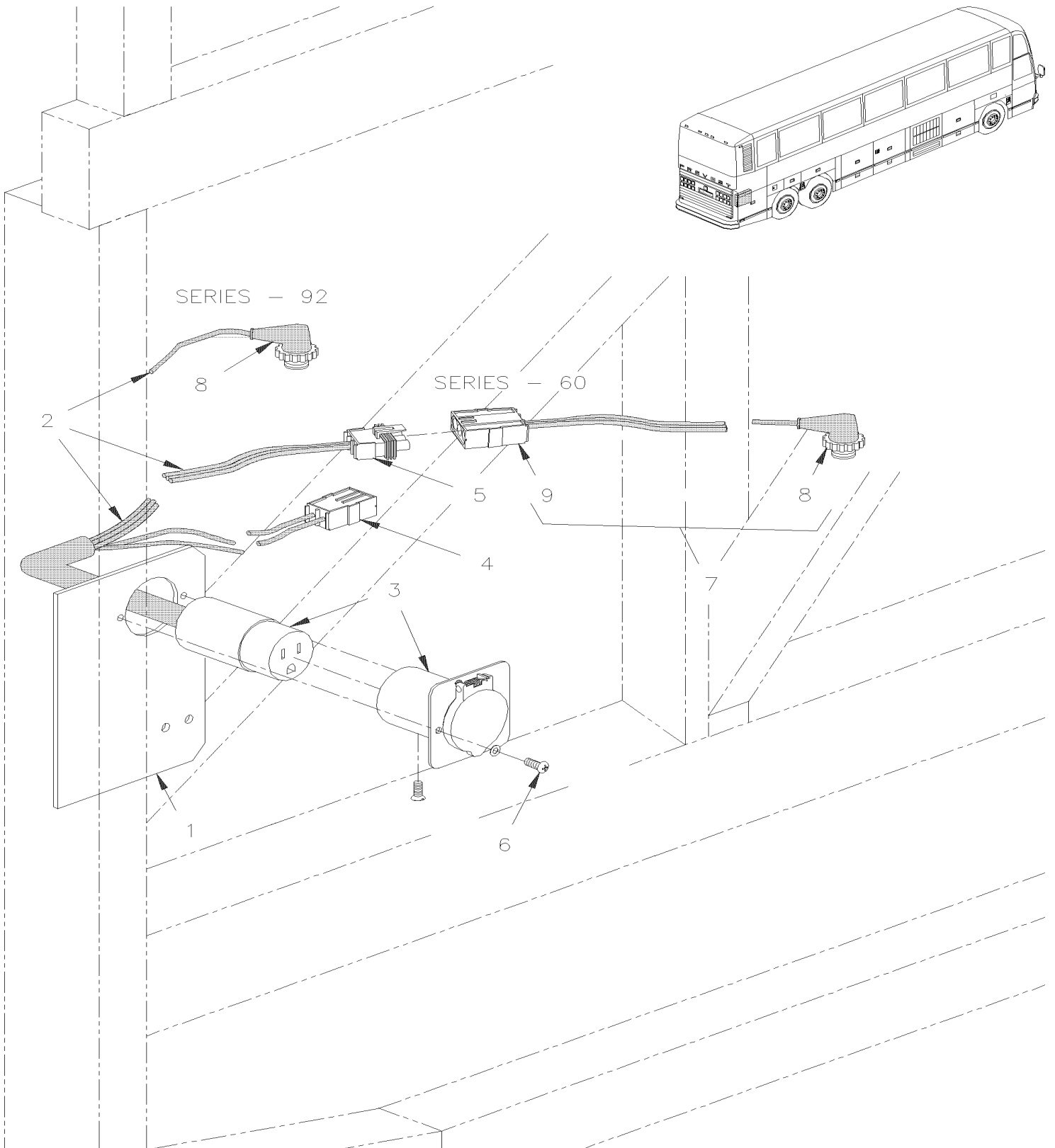
Item#	Part	Description	H 3 4 0	V I P 4 0	N O T E S
NS	562487	. SECONDARY LOCK / DT SERIES / PH 2C / DEUTSCH W2P	1	1	
28	561891	. CAP RUBBER	1	1	B
29	062255	DECAL SWITCH CONTROL	1	1	
31	062924	MICRO SWITCH ASSY	1	1	
32	064060	SWITCH PROXIMITY ASSY	1	1	
34	562253	SWITCH / M/ON-OFF-M/ON / S.P.S.T.	1	1	D
NS	065380	KIT ENTRANCE DOOR SWITCH	1	1	
36	560241	RUBBER PROTECTOR, TOGGLE SWITCH	1	1	
45	505056	ANTISTATIC STRAP / UNDER STRUCTURE	1	1	
50	064097	SUPPORT	1	1	
51	064554	SWITCH ASSY W/CONNECTOR	1	1	
51	562484	. SWITCH S.P.S.T. / N.C.	1	1	
NS	561690	. CONNECTOR / WEATHER PACK / SH 2C / BLACK / PED 12015792	1	1	
NS	561565	. CABLE SEAL / GREEN / PED 15324982	2	2	
NS	561578	. SOCKET TERMINAL / 16-14 / PED 12010182	2	2	
NS	064101	CABLE ASSY / SWITCH & PUMP	1	1	
NS	064128	CABLE ASSY / STUD GRD & CONNECTOR C-220 IN REAR JUNCT.BOX	1	1	
54	064099	DECAL "PRIME PUMP" / ENGLISH	1	1	
54	066049	DECAL "PRIME PUMP" / ENGLISH & SPANISH	1	1	
60	212543	SUPPORT	1	1	
61	063215	MICRO SWITCH ASSY	1	1	
NS	064090	MICRO SWITCH ASSY	1	1	
62	064091	SUPPORT	1	1	
70	212203	SUPPORT BACK UP ALARM	1	1	
71	212276	SUPPORT BACK UP ALARM & 110V OUTLET	AR	AR	
74	500437	WASHER FL .125x.375x.040 Z050	2	2	
80	H4-1872-00	ENTRANCE DOOR OPENING SWITCH			
81	381448	REINFORCEMENT, SUPPORT / FOR USE W/381217			
NS	473454	SUPPORT	1	1	
82	510481	GAUGE, OIL PRESSURE / MECHANICAL (CURRENT)	1	1	
82	562331	GAUGE WATER TEMPERATURE / MECHANICAL (CURRENT)	1	1	
		A) SEE ATTACHED TEXT TO READ THIS NOTE			
		B) PUSH BUTTON			
		C) SUPERSEDED BY KIT #065356			
		D) FOR PRODUCT IMPROVMENT ASK FOR KIT #065380			

From L-031 To R-079

Date:07/2024

PAGE:H4-0666-00

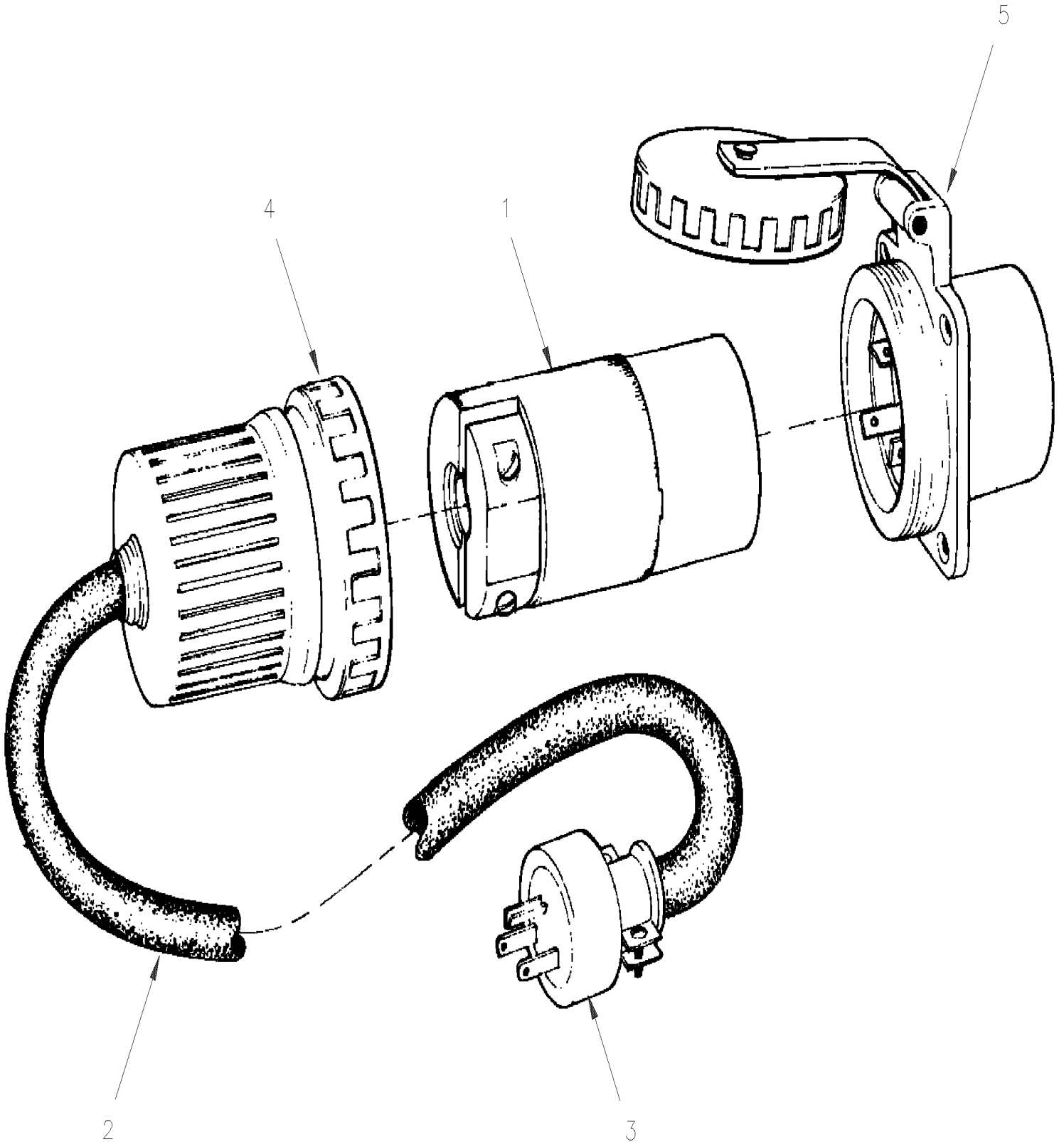
BLOCK HEATER RECEPTACLE



From L-031 To R-079	Date:07/2024	PAGE:H4-0666-00
BLOCK HEATER RECEPTACLE		

Item#	Part	Description	H 3 4 0	V I P 4 0	N O T E S
1	Call order desk	PLATE SUPPORT / RECEPTACLE & DOOR LIGHT SWITCH		1	P
1	Call order desk	DOOR MOULDED / FIBERGLASS REAR / W/HOLE FOR BLOCK HEATER	1	1	P
2	063296	. CABLE ASSY / 110V BLOCK HEATER	1	1	
3	561572	. RECEPTACLE ASSY W/CORD	1	1	
4	561566	. CONNECTOR / WEATHER PACK / PH 2C / BLACK / PED 12010973	1	1	
NS	561786	. CABLE SEAL / GRAY / PED 15324980	2	2	
NS	561568	. PIN TERMINAL / 16-14 / PED 12089305	2	2	
5	561782	. CONNECTOR / WEATHER PACK / SH 3C / BLACK / PED 12015793	1	1	
NS	561578	. SOCKET TERMINAL / 16-14 / PED 12010182	3	3	
NS	561783	. SEAL PLUG CAVITY / GREEN / PED 12010300	2	2	
6	502677	SCREW MA RND PH M4-0.7x25 SS	2	2	
NS	063281	WASHER, RETAINER / INSIDE OF DOOR	1	1	
7	063295	CABLE ASSY / 110V BLOCK HEATER ENGINE SECTION	1	1	
8	560411	. HEATER PLUG ASSY	1	1	
NS	562028	. CONVOLUTED TUBING / UNSLIT / BLACK / .350"	AR	AR	
9	561781	. CONNECTOR / WEATHER PACK / PH 3C / BLACK / PED 12010717	1	1	
NS	561568	. PIN TERMINAL / 16-14 / PED 12089305	3	3	
NS	561786	. CABLE SEAL / GRAY / PED 15324980	3	3	
NS	560410	BLOCK HEATER	1	1	
NS	560879	BLOCK HEATER ASSY W/CORD W/SERIES 92	1	1	
		P) CALL ORDER DESK FOR SPECIFIC APPLICATION (V.I.N.)			

From L-031 To R-079	Date:07/2024	PAGE:H4-0670-00
EXTERIOR 110 VOLTS OUTLET		



From L-031 To R-079	Date:07/2024	PAGE:H4-0670-00
EXTERIOR 110 VOLTS OUTLET		

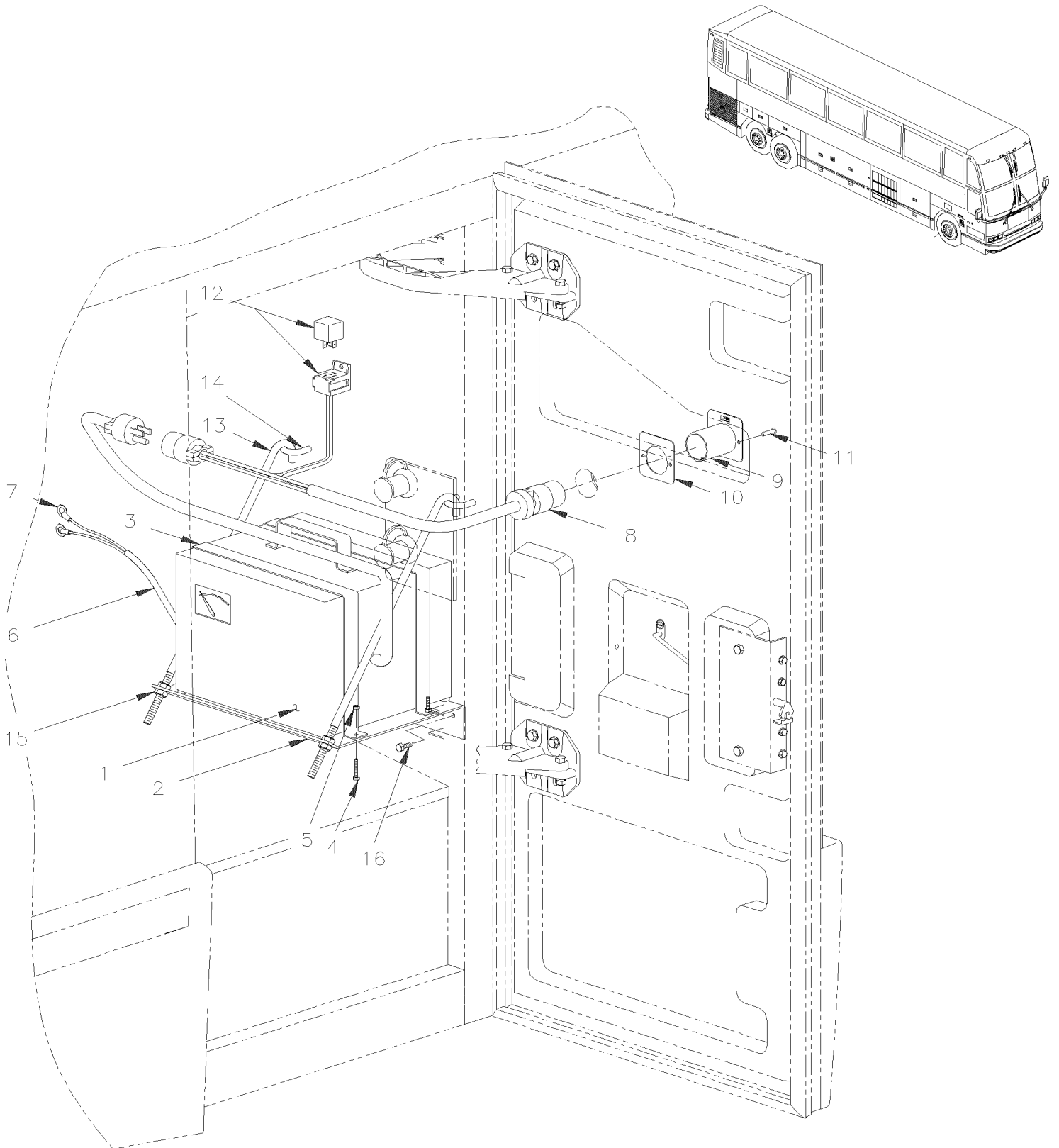
Item#	Part	Description	H 3 4 0	V I P 4 0	N O T E S
	061204	CABLE ASSY / W/30 AMPS / TWIST LOCK	1	1	
1	560690	. CONNECTOR / 30 AMPS / TWIST LOCK	1	1	
2	561137	. SPECIAL WIRE CABLE 14 / 3 / SO-3 BLACK	AR	AR	
3	560933	. CONNECTOR / 15 AMPS / HUBBELL 5266-C	1	1	
4	560689	COVER / W/RETAINING RING	1	1	
5	560691	RECEPTACLE / 110 VOLTS 30 AMPS / TWIST LOCK / HUBBELL 2615	1	1	
5	561831	RECEPTACLE / 110 VOLTS 30 AMPS / TWIST LOCK / HUBBELL 2615	AR	AR	

From L-031 To R-079

Date:07/2024

PAGE:H4-0670-10

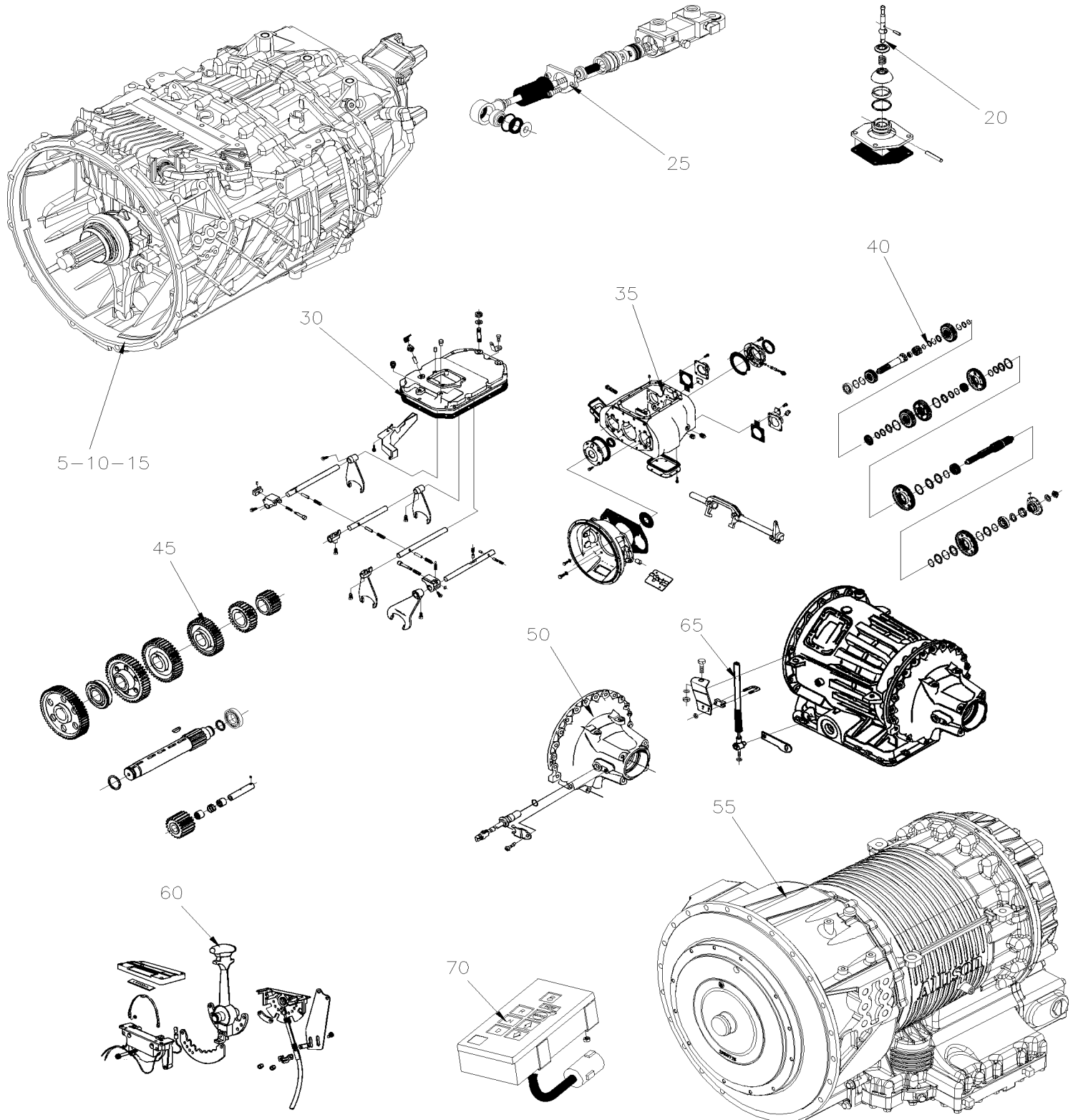
BATTERIES CHARGER - INSTALLATION / RETROFIT



From L-031 To R-079	Date:07/2024	PAGE:H4-0670-10
BATTERIES CHARGER - INSTALLATION / RETROFIT		

Item#	Part	Description	H 3 4 0	V I P 4 0	N O T E S
1	562496	BATTERY CHARGER 24V	1		
2	381682	PLATE	1		
3	381822	SUPPORT	2		
4	500607	SCREW MA TR PH #10-24x1 SS	4		
5	500767	NUT HEX #10-24 Z050	4		
6	561681	CONVOLUTED TUBING / SLIT / BLACK & GRAY / .350"	AR		
7	561246	RING TERMINAL .375 / 12-10 / INSULATED / PED 2962953	2		
8	064496	WIRING ASSY	1		
9	561572	. RECEPTACLE ASSY W/CORD	1		
10	064388	. FIXATION RING	1		
11	502677	. SCREW MA RND PH M4-0.7x25 SS	4		
12	561707	. RELAY 24V S.P.D.T. W/RESISTOR /	1		
13	381681	HOOK	2		
14	171161	LOOP ATTACHEMENT (WELDED ON FRAME)	2		
15	500102	NUT HEX 3/8-16 SS	4		
16	502565	NUT HEX M6-1.0 SS	3		

	Date:07/2024	H4-07
TRANSMISSION		



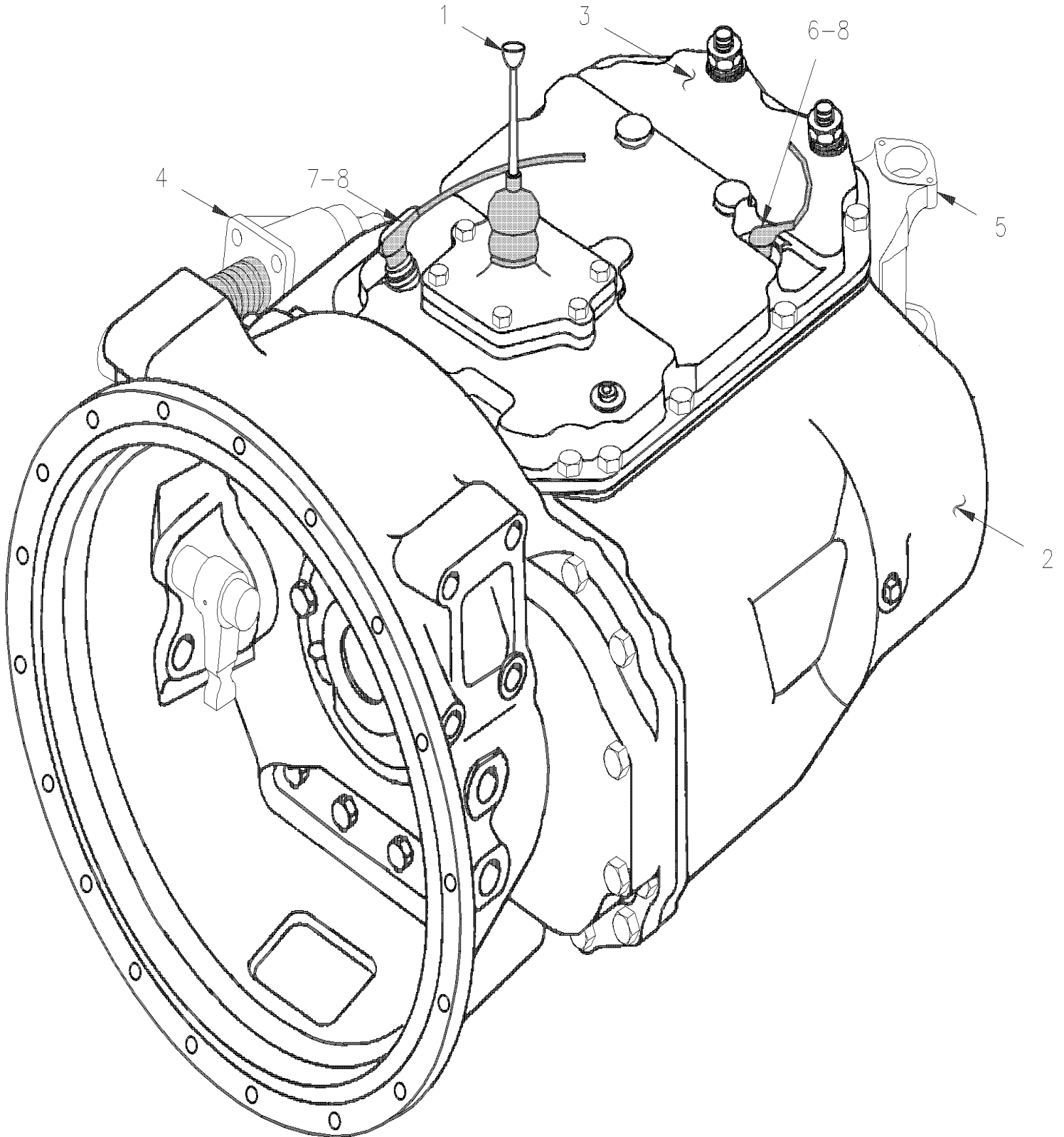
		Date:07/2024	H4-07		
TRANSMISSION					
Item#	Part	Description	H 3 4 0	V I P 4 0	N O T E S
5	H4-0700-00	MANUAL TRANSMISSION - INSTALLATION From L-031 To R-016			
5	H4-0700-99	MANUAL TRANSMISSION - INSTALLATION / RETROFIT From L-031 To R-016			B
10	H4-0705-00	TRANSMISSION CONTROL & RODS From L-031 To R-016			
10	H4-0705-99	TRANSMISSION CONTROL - FRONT / RETROFIT From L-031 To R-016			B
15	H4-0705-10	SHIFTER MECHANISM - REAR From L-031 To R-016			
20	H4-0710-01	SHIFTER LEVER ASSY - REAR - W/CENTER CONTROL From L-031 To R-016			
20	H4-0710-98	SHIFTER HYDRAULIC ASSY - REAR / RETROFIT From L-031 To R-016			B
25	H4-0710-99	GEAR BOX ACTUATOR / RETROFIT From L-031 To R-016			B
30	H4-0715-01	SHIFT COVER 6 SPEEDS - W/PS130-6B From L-031 To R-016			
35	H4-0720-00	TRANSMISSION MANUAL 6 SPEEDS - PS130-6B From L-031 To R-016			
40	H4-0725-00	GEAR & RELATED PARTS W/6 SPEEDS From L-031 To R-016			
45	H4-0730-00	COUNTERSHAFT GROUP W/6 SPEEDS From L-031 To R-016			
50	H4-0740-00	SPEEDOMETER ADAPTOR From L-031 To R-079			
50	H4-0740-05	SPEEDOMETER ADAPTOR W/SMALL GAUGE From L-031 To R-079			
55	H4-0750-00	AUTOMATIC TRANSMISSION - INSTAL - WITH DETROIT S-92 From L-031 To R-032			
55	H4-0750-01	AUTOMATIC TRANSMISSION - "ATEC" - WITH DETROIT S-60 From P-256 To R-079			
60	H4-0755-00	SHIFTER SELECTOR - AUTO TRANS. HYDRAU. From L-031 To R-079			
65	H4-0755-10	SHIFTER MODULATOR - AUTO. TRANS. HYDRAU. From L-031 To R-079			
65	H4-0755-11	SOLENOID AIR VALVE - TRANS W/RETARDER From L-031 To R-079			
70	H4-0755-15	SHIFTER ELECTRONIC - "ATEC" TRANSMISSION From L-031 To R-079			
		B) RETROFIT			

From L-031 To R-016

Date:07/2024

PAGE:H4-0700-00

MANUAL TRANSMISSION - INSTALLATION



From L-031 To R-016	Date:07/2024	PAGE:H4-0700-00
MANUAL TRANSMISSION - INSTALLATION		

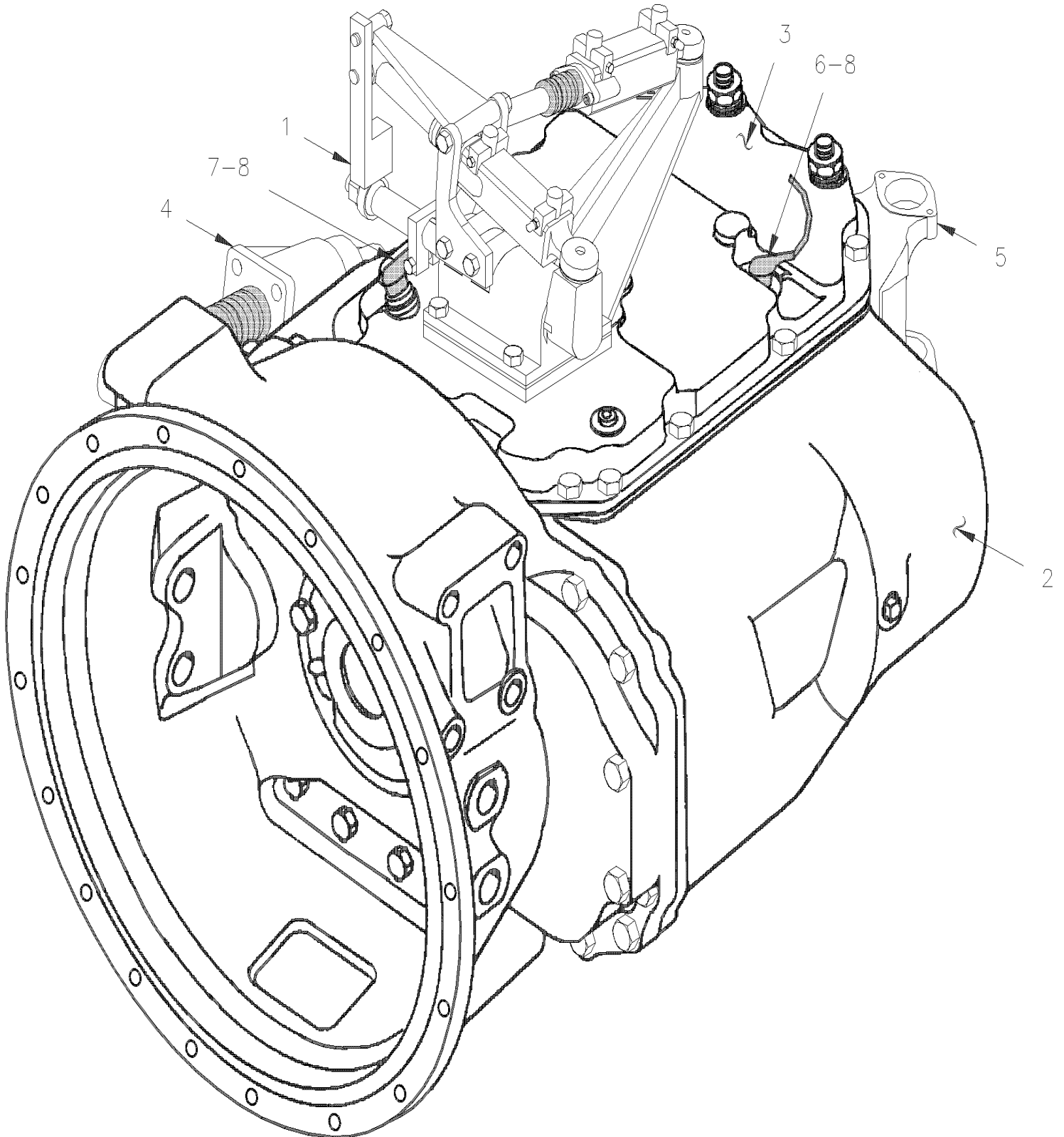
Item#	Part	Description	H 3 4 0	V I P 4 0	N O T E S
1	H4-0710-01	SHIFTER LEVER ASSY - REAR - W/CENTER CONTROL			
2	571482	TRANSMISSION ASSY 6 SPEEDS / MODEL PS130-6B W/CENTER CONTROL	1		
3	571306	SHIFTER COVER HOUSING / 6 SPEEDS / W/CENTER CONTROL	1		
4	H4-0215-10	CLUTCH CONTROL - REAR SECTION - HYDRAULIC			
4	H4-0215-11	CLUTCH CONTROL - REAR SECTION - "POWER"			
5	571419	YOKE (1800) FULL ROUND W/MANUAL TRANS (20 SPL) 6 SPEEDS	1		
NS	621494	. SPEEDY SLEEVE 3.750" I.D. / TO REPAIR OIL LEAK ON YOKE	1		
5	580008	FLANGE YOKE (1700) FULL ROUND W/MAN (20 SPL) 6 SPEEDS	1		
NS	621491	SPEEDY SLEEVE 3.000" I.D. / TO REPAIR OIL LEAK ON YOKE	AR		
6	561019	SWITCH / NEUTRAL N.O. / W/MANUAL TRANSMISSION	1		
7	560632	SWITCH / BACK-UP N.C. / W/MANUAL TRANSMISSION	1		
8	561012	PROTECTOR, TRANS. SWITCH	1		
		FOLLOWING ITEMS ARE RELATED			
		WITH DIPSTICK TUBES			
10	501443	NIPPLE / PIPE FITTING / 3/4NPT-Mx3/4NPT-Mx6 STL	1		
11	501413	FEMALE ELBOW 90° / PIPE FITTING / 3/4NPT-Fx3/4NPT-F CASTIRON	1		
12	501462	BUSHING REDUCER / PIPE FITTING / 3/4NTP-Mx1/2NPT-F BR	1		
13	501152	MALE CONNECTOR / INVERTED FLARE FITTING / #8IFL-Fx1/2NPT-M BR	1		
14	510014	TUBE DIPSTICK	1		
15	560480	CLAMP / 1/2" I.D.	1		
16	070319	TRANS DIPSTICK 39 7/16" / 1001.7MM	1		
17	070252	SUPPORT / OIL GAUGE	1		
NS	560479	CLAMP / 3/8" I.D.	1		
NS	500574	SCREW MA TR PH #10-24x1 1/4 SS	1		
NS	500786	NUT HEX #10-24 Z050	1		

From L-031 To R-016

Date:07/2024

PAGE:H4-0700-99

MANUAL TRANSMISSION - INSTALLATION / RETROFIT



From L-031 To R-016	Date:07/2024	PAGE:H4-0700-99
MANUAL TRANSMISSION - INSTALLATION / RETROFIT		

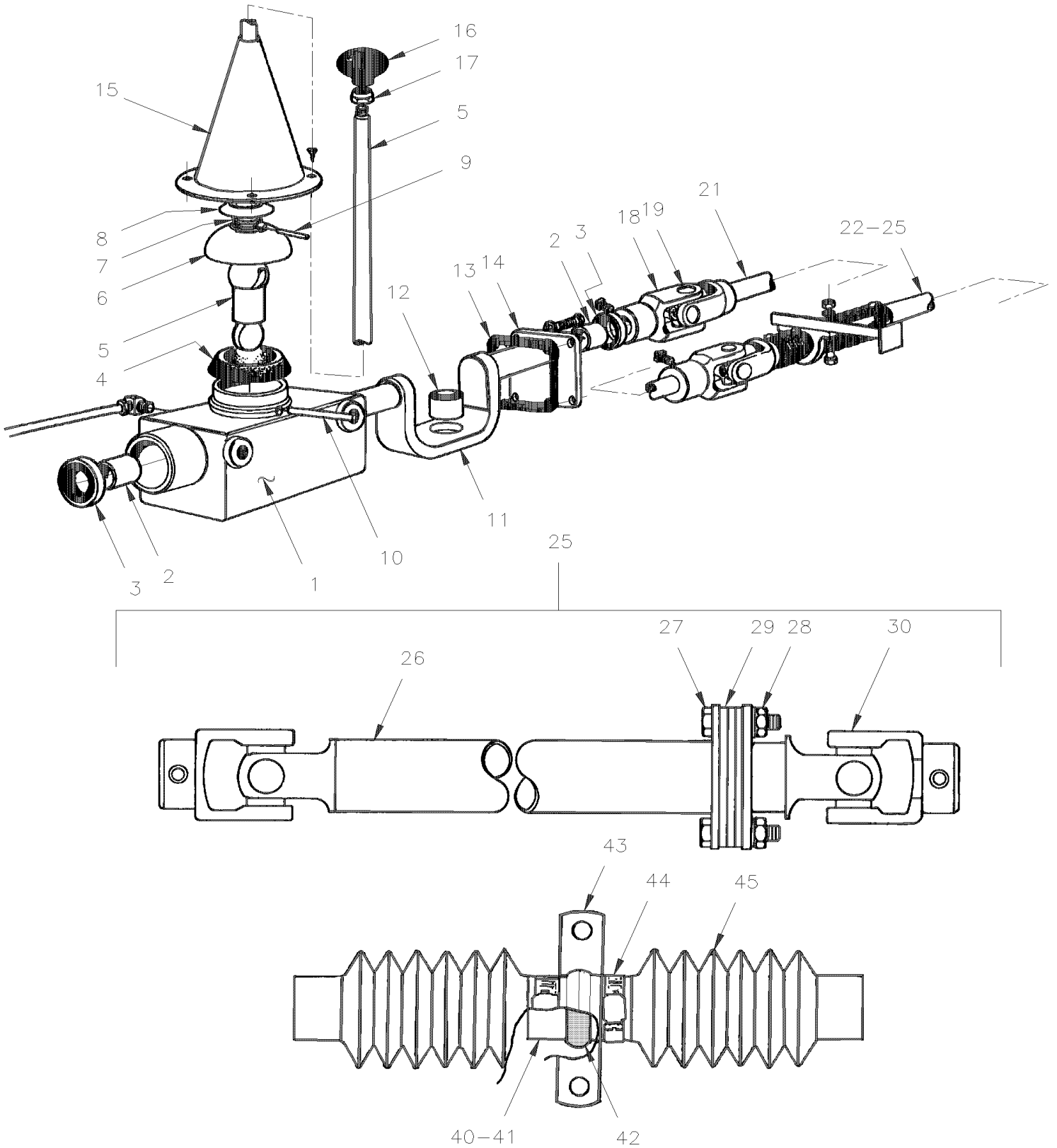
Item#	Part	Description	H 3 4 0	V I P 4 0	N O T E S
1	H4-0710-98	SHIFTER HYDRAULIC ASSY - REAR / RETROFIT	1	1	
2	571482	TRANSMISSION ASSY 6 SPEEDS / MODEL PS130-6B W/CENTER CONTROL	1		
3	571306	SHIFTER COVER HOUSING / 6 SPEEDS / W/CENTER CONTROL	1		
4	H4-0215-11	CLUTCH CONTROL - REAR SECTION - "POWER"	1	1	
5	571419	YOKE (1800) FULL ROUND W/MANUAL TRANS (20 SPL) 6 SPEEDS	1		
. NS	621494	. SPEEDY SLEEVE 3.750" I.D. / TO REPAIR OIL LEAK ON YOKE	1		
5	580008	FLANGE YOKE (1700) FULL ROUND W/MAN (20 SPL) 6 SPEEDS	1		
NS	621491	SPEEDY SLEEVE 3.000" I.D. / TO REPAIR OIL LEAK ON YOKE	AR		
6	561019	SWITCH / NEUTRAL N.O. / W/MANUAL TRANSMISSION	1		
7	560632	SWITCH / BACK-UP N.C. / W/MANUAL TRANSMISSION	1		
8	561012	PROTECTOR, TRANS. SWITCH	1		
NS	071207	RETROFIT KIT "KONGSBERG"	1		A
		A) INCLUDE ALL ITEMS SEE PAGE H4-0710-06 & H4-0705-02			

From L-031 To R-016

Date:07/2024

PAGE:H4-0705-00

TRANSMISSION CONTROL & RODS



From L-031 To R-016		Date:07/2024	PAGE:H4-0705-00
TRANSMISSION CONTROL & RODS			

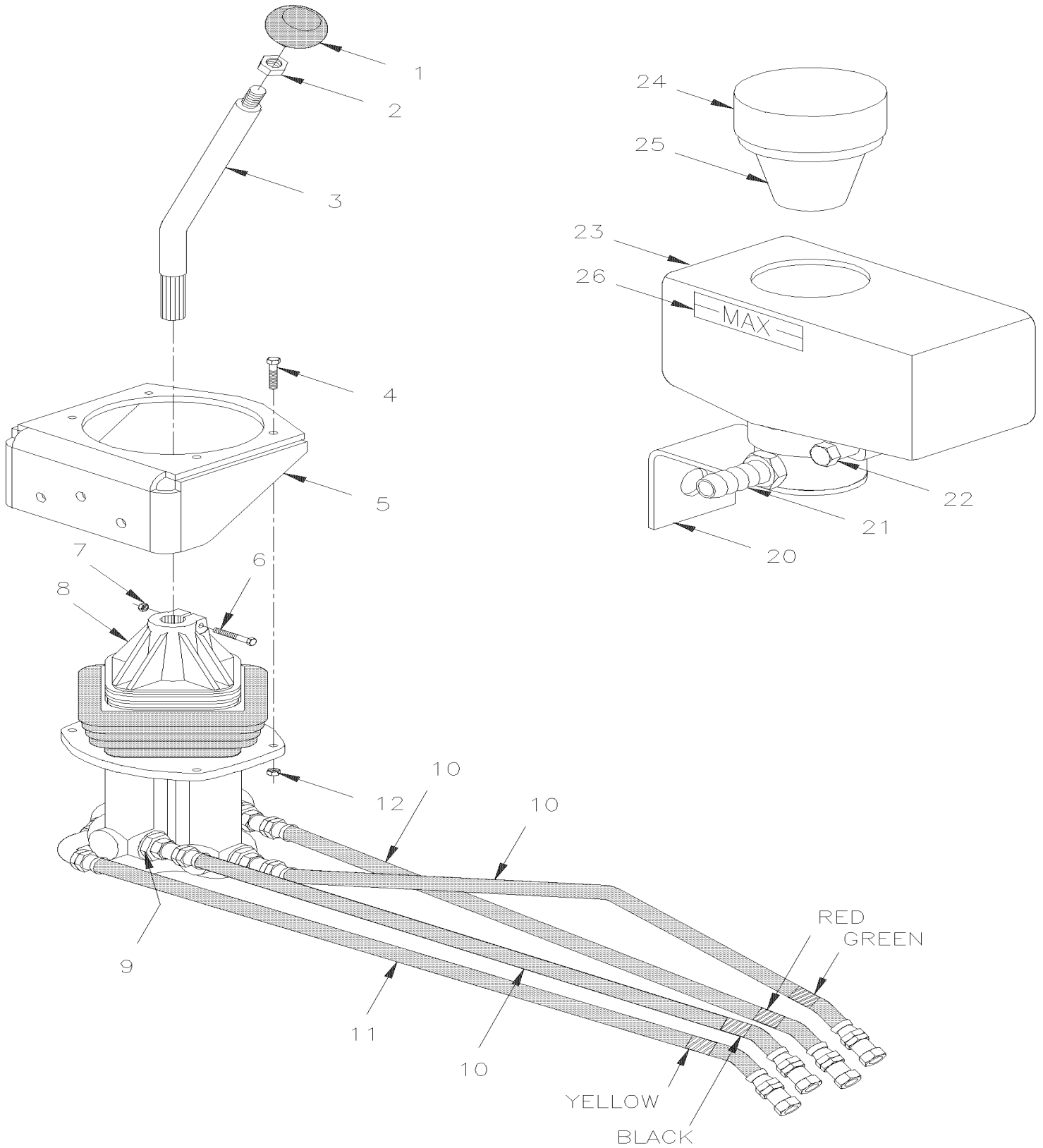
Item#	Part	Description	H 3 4 0	V I P 4 0	N O T E S
1	070721	HOUSING ASSY	1		
2	570117	. BUSHING	2		
3	570036	. SEAL, OIL	2		
4	571469	. WASHER COMPRESSION	1		
5	070685	. LEVER SHIFT	1		
7	571467	. SPRING COMPRESSION / 1.154 O.D. x .634 x .120	1		
8	571466	. COLLAR COMPRESSION	1		
NS	571464	. BOOT RUBBER	1		
9	571465	. PIN COLLAR	1		
10	571471	. PIN	1		
11	571421	. BRACKET ASSY	1		
12	571442	. BUSHING	1		
15	391364	BOOT COVERING / BLACK	1		
16	070124	KNOB / 6 SPEEDS	1		
16	070929	KNOB / 7 SPEEDS	1		
18	570074	U-JOINT ASSY 7/8" O.D.SHAFT	2		
NS	660259	. KIT, CROSS & BEARING 15/16" O.D. X 2 1/4"	AR		
20	570025	SCREW SET SQ 7/16-20X1/2	AR		
21	070628	ROD 1ST SECTION / 565MM	1		
22	070629	ROD 2ND SECTION / 1477MM	1		
23	070632	ROD 3RD SECTION / 3349MM	1		
NS	070634	ROD, COUPLING / 3RD & 4TH SECTION / 26MM	1		
24	070635	ROD 2ND SECTION / 3025MM	1		
25	070805	ROD 5TH SECTION / 832MM			
26	070803	. JOINT ASSY / FRONT	1		
27	502549	. SCREW CAP HEX M10-1.5x35 G8.8 Z050	3		
28	500680	. NUT HEX STO M10-1.5 Z050	3		
29	070804	. SHIM	3		
30	070801	. JOINT ASSY / REAR	1		
40	070341	BALL BUSHING ASSY To N-256	1		
40	070823	BUSHING ASSY From N-257	1		
41	507049	. COLLAR BUSHING RUBBER To N-256	1		
41	070825	. COLLAR BUSHING RUBBER From N-257	1		
42	507119	. BUSHING BALL / (LBAR-25) To N-256	1		
42	507327	. BUSHING TEFLON 1 I.D. X 1 1/8 O.D. X 1 (GLY.PGZ1616-F) From N-257	1		
43	504054	WIRE CLAMP / 1"1/4 I.D.	1		
44	504022	HOSE CLAMP / 3/4"-1"3/4 SS / HS-20	1		
45	590002	BOOT RUBBER	1		

From L-031 To R-016

Date:07/2024

PAGE:H4-0705-99

TRANSMISSION CONTROL - FRONT / RETROFIT



From L-031 To R-016	Date:07/2024	PAGE:H4-0705-99
TRANSMISSION CONTROL - FRONT / RETROFIT		

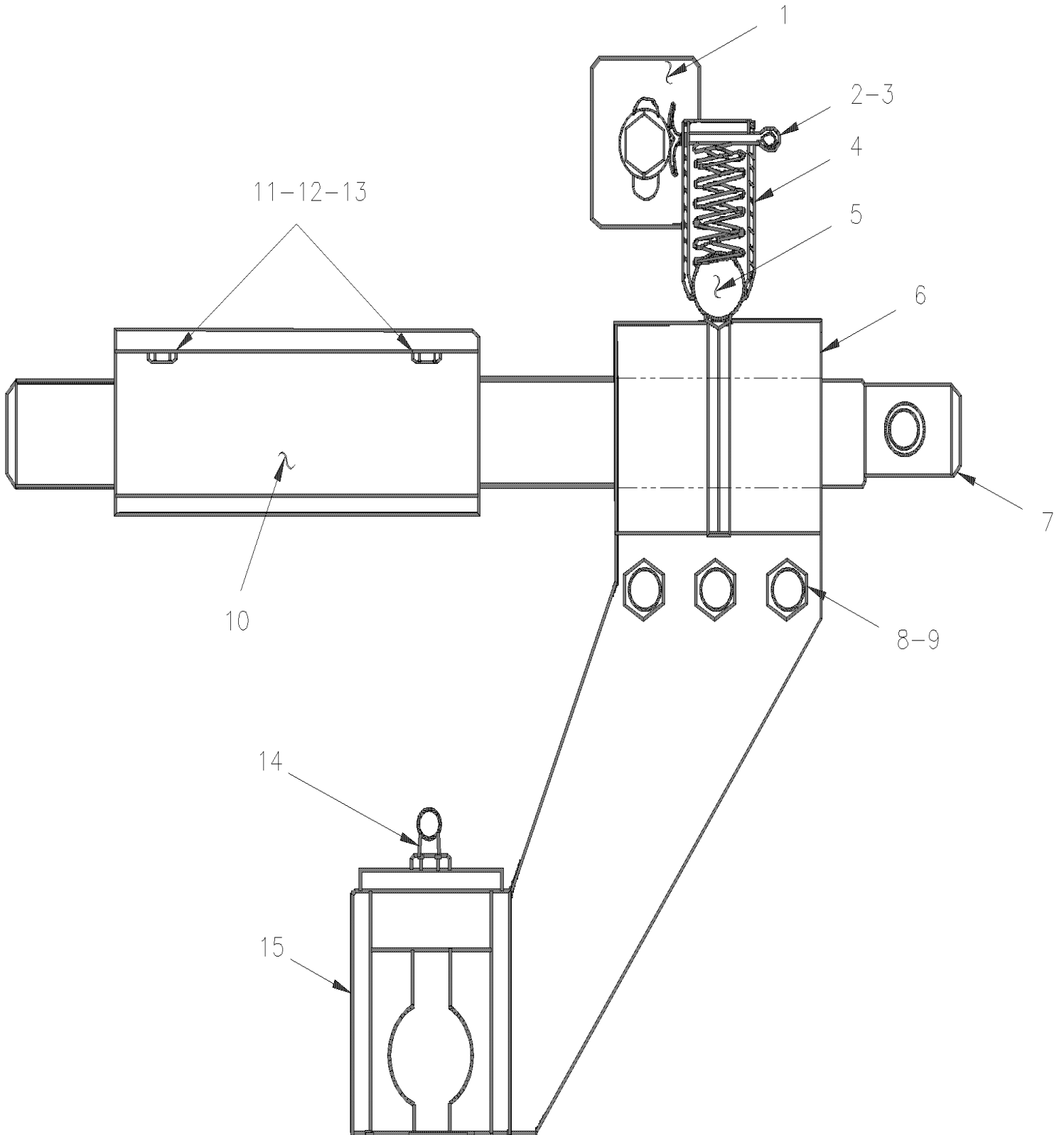
Item#	Part	Description	H 3 4 0	V I P 4 0	N O T E S
1	070124	KNOB / 6 SPEEDS	1		
2	5001111	NUT HEX JAM 1/2-13 Z050	1		
3	071040	SHIFT LEVER	1		
4	500744	SCREW CAP BUT HEXS 7/16-20x1 CP	1		
5	071065	SUPPORT	4		
6	502527	SCREW CAP HEX M8-1.25x50 G8.8 Z050	1		
7	500868	NUT HEX NYRT M8-1.25 Z050	1		
8	571704	LEVER, TRANSMISSION CONTROL	1		
. NS	571777	. KIT, REPAIR SHIFTER SELECTOR	AR		
NS	571777	KIT, REPAIR SHIFTER SELECTOR	1		
9	5011110	MALE CONNECTOR / JIC 37° FITTING / #6JIC-MxM16-1.5-M STL	4		
. NS	641297	. O-RING 13.1MM I.D. X 2.6 TH	1		
. NS	641298	. WASHER FL 17MM I.D x 22MM O.D. x 1.5MM	1		
10	071205	HOSE ASSY TEFLON #6 1880MM	3		A
11	071206	HOSE ASSY TEFLON #6 1980MM	1		A
12	502744	NUT HEX STO M8-1.25 Z050	4		
20	020447P	RESERVOIR ASSY	1		
20	020446	. SUPPORT ASSY	1		
21	5011048	. MALE CONNECTOR / HOSE BARB FITTING / #5x1/4NPT-M BR	1		
22	520145	. CLAMP	1		
22	507320	. O-RING 1 1/8" I.D. X 1/8"	1		
23	520142	. RESERVOIR	1		
24	520143	. CAP	1		
25	520144	. FILTER	1		
26	020437	. DECAL "MAX"	1		
NS	503047	. HOSE / RUBBER #6 / S.L.	1		
NS	504014	. HOSE CLAMP / 1/4"-5/8" SS / HM-4	1		
NS	391920	CONSOLE CAP R.H. / NORYL GRAY	1		
NS	391926	COVER FINISHING / PLASTIC BLACK	1		
		A) INCLUDE WITH KIT #071207			

From L-031 To R-016

Date:07/2024

PAGE:H4-0705-10

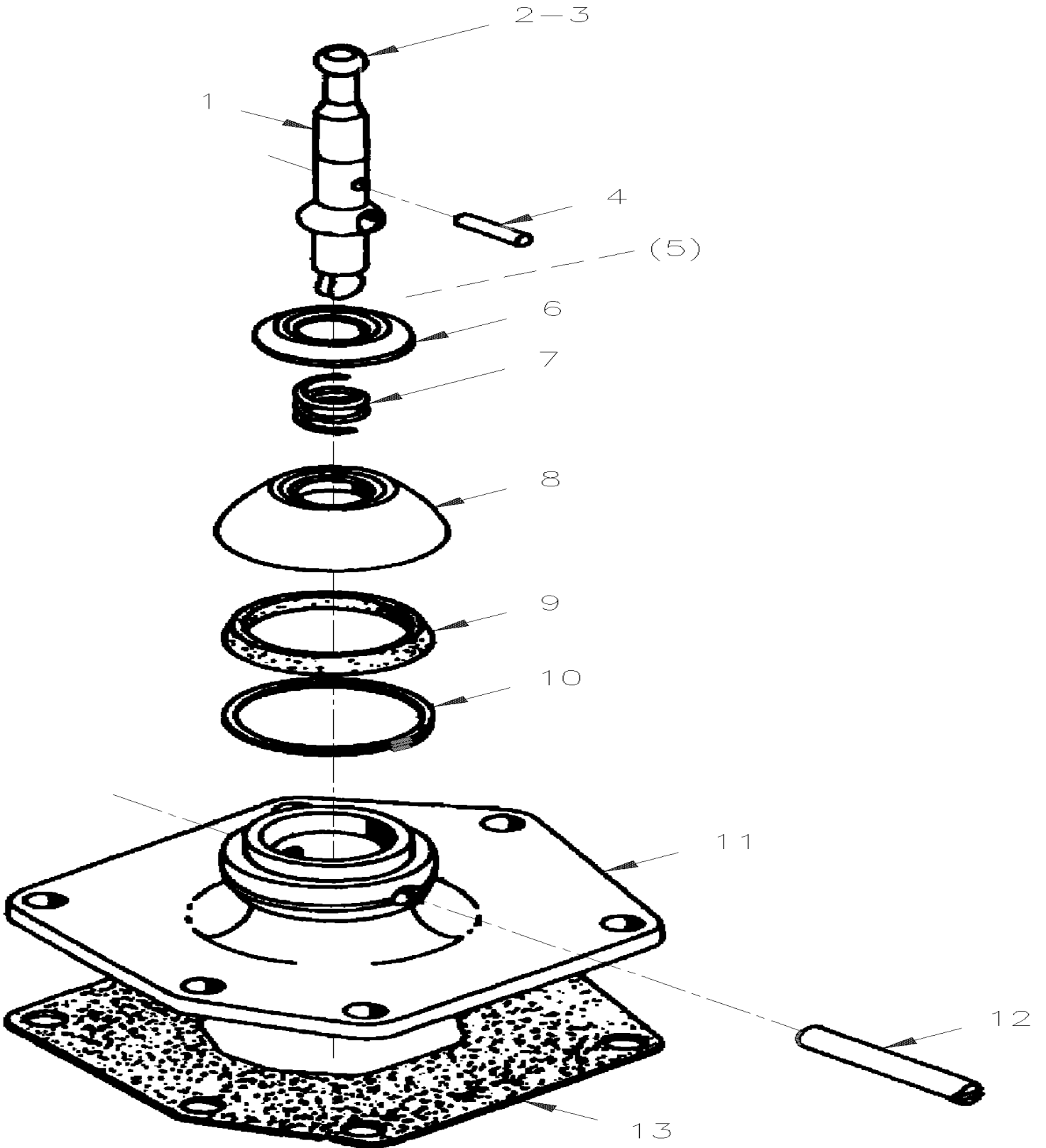
SHIFTER MECHANISM - REAR



From L-031 To R-016	Date:07/2024	PAGE:H4-0705-10
SHIFTER MECHANISM - REAR		

Item#	Part	Description	H 3 4 0	V I P 4 0	N O T E S
1	070651	BALL ASSY To N-230	1		
1	280489	. SUPPORT	1		
2	502098	. PIN, COTTER 3/32 x 1	1		
3	500448	. WASHER FL .625x1.469x.109 ZP	1		
4	281370	. SPRING	1		
5	507133	. STEEL BALL 5/8	1		
6	070644	LEVER	1		
7	070798	ROD	1		
8	502549	SCREW CAP HEX M10-1.5x35 G8.8 Z050	3		
9	500680	NUT HEX STO M10-1.5 Z050	3		
10	507311	BEARING LINEAR To N-256	2		
10	070746	ATTACHMENT PLATE / TO FIX LINEAR BEARING To N-230	2		
10	070828	BUSHING ASSY From N-257	1		
NS	507327	. BUSHING TEFLON 1 I.D. X 1 1/8 O.D. X 1 (GLY.PGZ1616-F)	2		
NS	550202	. SEAL 1" I.D.	2		
11	502560	SCREW CAP HEX M5-0.8x45 G8.8 Z050	4		
11	502651	SCREW CAP HEX M8-1.25x35 G8.8 Z050	4		
12	500964	WASHER FL .203x.500x.047 Z050	4		
12	502507	WASHER LO SPT 8.1x14.8x2.0 Z050	4		
13	502707	NUT HEX STO M5-0.8 Z050	4		
14	507503	GREASE FITTING / M10-1.00	1		
15	490439	CUP BALL	2		
16	H4-0710-01	SHIFTER LEVER ASSY - REAR - W/CENTER CONTROL			

From L-031 To R-016	Date:07/2024	PAGE:H4-0710-01
SHIFTER LEVER ASSY - REAR - W/CENTER CONTROL		



From L-031 To R-016	Date:07/2024	PAGE:H4-0710-01
SHIFTER LEVER ASSY - REAR - W/CENTER CONTROL		

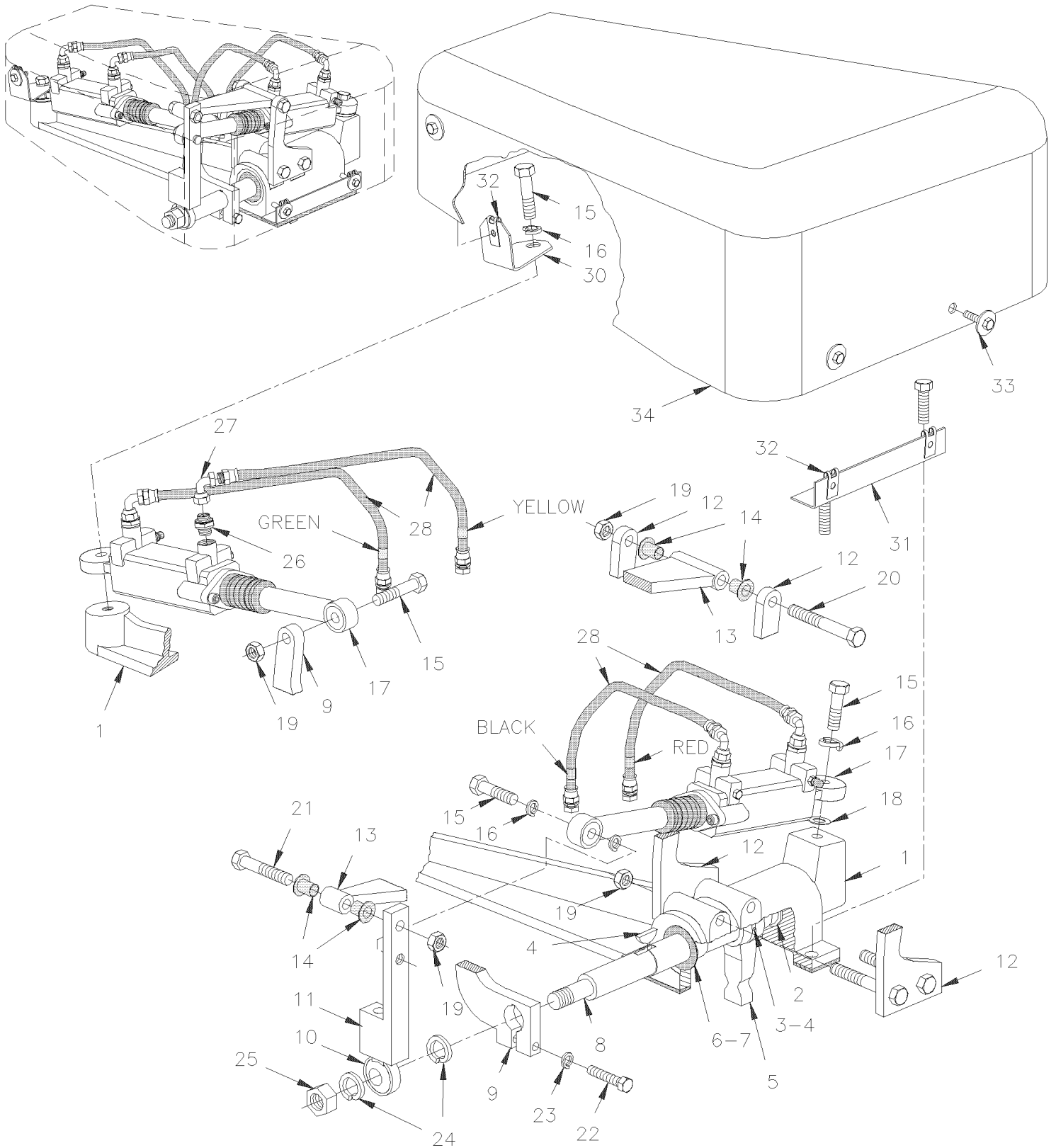
Item#	Part	Description	H 3 4 0	V I P 4 0	N O T E S
	571483	SHIFT LEVER ASSY	1		
1	571654	. LEVER ASSY / W/CENTER CONTROL	1		
2	N.S.S.	. . KNOB BALL	1		1
3	N.S.S.	. . PIN COLLAR / KNOB	1		1
4	571465	. PIN COLLAR	1		
5	571464	. BOOT RUBBER	1		
6	571466	. COLLAR COMPRESSION	1		
7	571467	. SPRING COMPRESSION / 1.154 O.D. x .634 x .120	1		
8	571468	. CUP COMPRESSION	1		
9	571469	. WASHER COMPRESSION	1		
10	571470	. RING SNAP W/FOWARD CONTROL	1		
11	N.S.S.	. BASE	1		1
12	571471	. PIN	1		
13	570893	GASKET / SHIFTER LEVER W/CENTER CONTROL	1		
		1) NOT SOLD SEPARATELY			

From L-031 To R-016

Date:07/2024

PAGE:H4-0710-98

SHIFTER HYDRAULIC ASSY - REAR / RETROFIT



From L-031 To R-016	Date:07/2024	PAGE:H4-0710-98
SHIFTER HYDRAULIC ASSY - REAR / RETROFIT		

Item#	Part	Description	H 3 4 0	V I P 4 0	N O T E S
1	071129P	SHIFTER HYDRAULIC ASSY	1		A
2	780503	. BEARING	1		
3	5001343	. SCREW SET HEXS CUP 7/16-20x3/8	1		
4	570424	. KEY WOODRUFF	2		
5	570062	. FINGER, TRANS. SHIFTING	1		
6	507327	. BUSHING TEFLON 1 I.D. X 1 1/8 O.D. X 1 (GLY.PGZ1616-F)	1		
7	550202	. SEAL 1" I.D.	1		
8	071004	. HYDRAULIC SELECTOR SHAFT	1		
9	071005	. HYDRAULIC SELECTOR GUIDE	1		
10	502240	. ROD END BEARING SS 5/8-18 X 1 5/8	1		
11	071008	. HYDRAULIC SELECTOR GUIDE	1		
12	071055	. HYDRAULIC SHIFTER GUIDE	2		
13	071007	. HYDRAULIC SELECTOR GUIDE	1		
14	502241	. BEARING FRICTION NYL 10.025 ID	4		
15	5001316	. SCREW CAP HEX M10-1.5x45 SS	4		
16	5001004	. WASHER LO SPT 10.2x16.0x2.5 Z050	3		
17	571705	. GEAR BOX ACTUATOR CYLINDER	2		
18	502644	. WASHER FL 10.5x30.0x2.5 Z050	1		
19	502617	. NUT HEX NYRT M10-1.5 Z050	5		
20	5001318	. SCREW CAP HEX M10-1.5x90 SS	3		
21	5001350	. SCREW CAP HEX M10-1.5x60 SS	1		
22	5001319	. SCREW CAP HEX M8-1.25x40 SS	1		
23	500035	. WASHER LO SPT .317x.586x.078 SS	1		
24	500802	. WASHER LO SPT 16.2x37.4x3.5 Z050	1		
25	502588	. NUT HEX M16-2.0 ZP	1		
26	5011110	. MALE CONNECTOR / JIC 37° FITTING / #6JIC-MxM16-1.5-M STL	4		
. NS	641297	. . O-RING 13.1MM I.D. X 2.6 TH	1		
. NS	641298	. . WASHER FL 17MM I.D x 22MM O.D. x 1.5MM	1		
27	501946	. FEMALE ELBOW 90° / JIC 37°/SAE45° FITTING / TEFLON / #6JIC-F/FL-Fx#6 STL	4		
28	071050	HOSE ASSY TEFLON #6 775MM	4		
30	071052	RETAINER ANGLE	1		
31	071053	RETAINER ANGLE	1		
32	504377	NUT SPR U 1 1/64x1/2x.109-.161	3		
33	502810	SCREW TP CAP HEXW FL M6.3-1.81x30 PHC	3		
34	071054	COVER / PROTECTOR	1		
35	570893	GASKET / SHIFTER LEVER W/CENTER CONTROL	1		
NS	5011172	ADAPTER FERULOK @ JIC / #6x#6JIC-M SS	4		
NS	5011173	UNION / FERULOK FITTING / #6x#6 STL	4		
NS	5011174	BULKHEAD UNION / FERULOK FITTING / #6x#6 SS	4		
NS	5011175	UNION ELBOW 90° / FERULOK FITTING / #6x#6 STL	AR		
NS	503633	TUBE ROUND STANLESS 304 3/8" O.D. x .035 x 264"	AR		
NS	504655	CLAMP SIMPLE ASS / 1 1/2 I.D.	AR		

From L-031 To R-016	Date:07/2024	PAGE:H4-0710-98
---------------------	--------------	-----------------

SHIFTER HYDRAULIC ASSY - REAR / RETROFIT

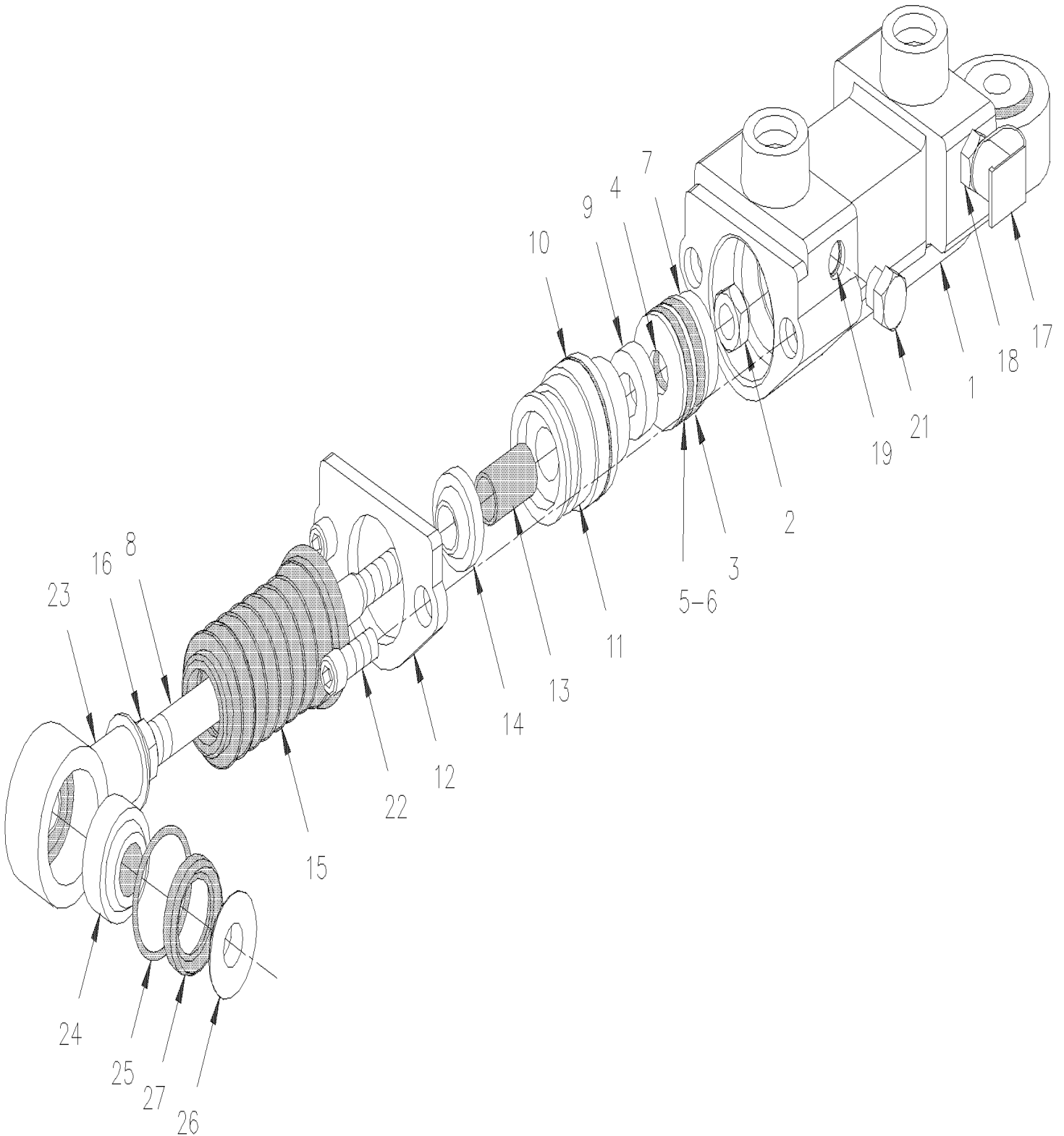
Item#	Part	Description	H 3 4 0	V I P 4 0	N O T E S
NS	683276	GREASE LOW TEMPERATURE 450GR	AR		
		A) FOR COMPLETE RETROFIT KIT ASK #071207			

From L-031 To R-016

Date:07/2024

PAGE:H4-0710-99

GEAR BOX ACTUATOR / RETROFIT



From L-031 To R-016	Date:07/2024	PAGE:H4-0710-99
GEAR BOX ACTUATOR / RETROFIT		

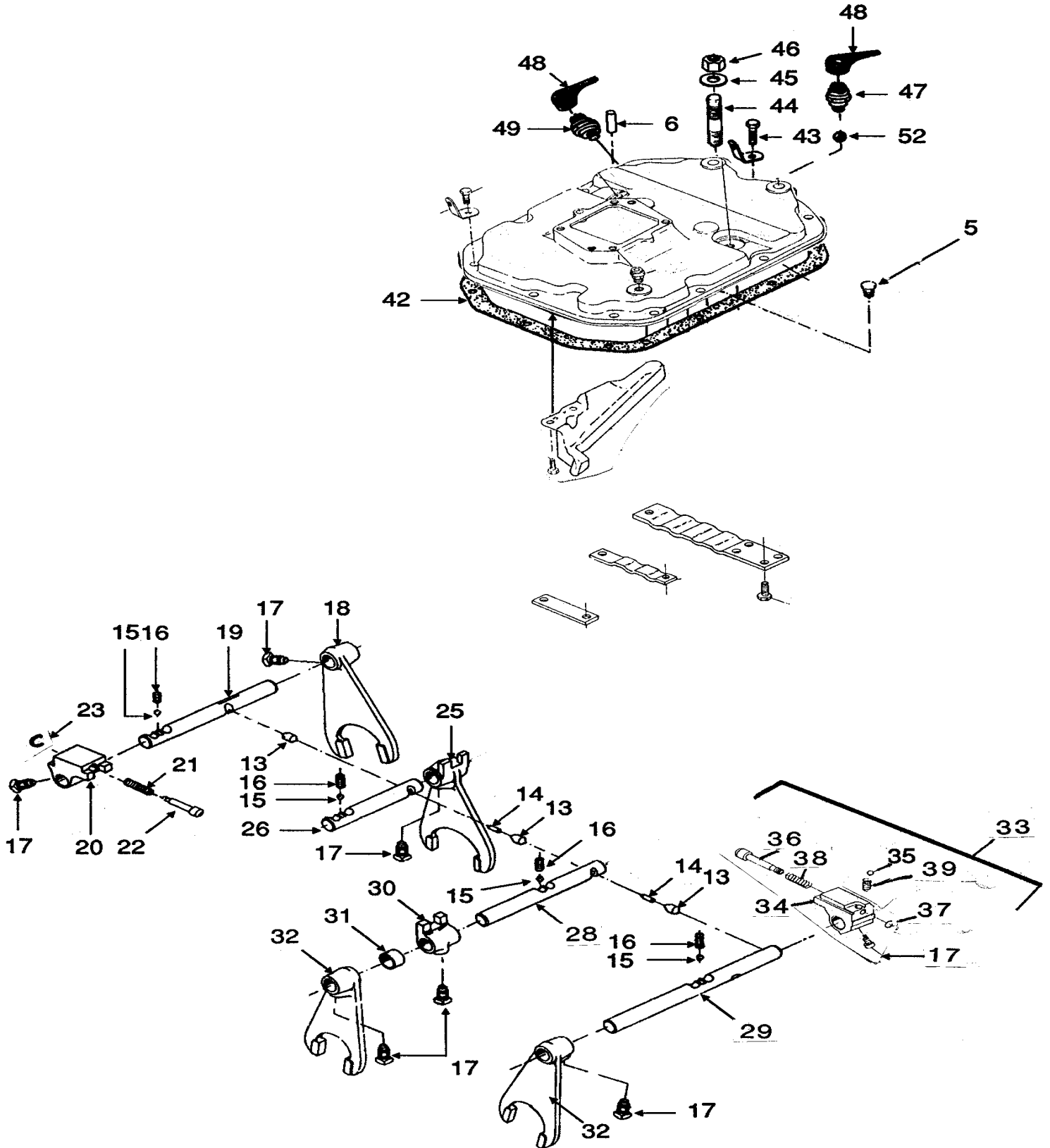
Item#	Part	Description	H 3 4 0	V I P 4 0	N O T E S
	571705	GEAR BOX ACTUATOR CYLINDER	1		
1	N.P.N.	. HOUSING (626181)	1		4
2	N.P.N.	. LOCK NUT, DIN 980 V M8-8 (624315)	1		4
3	N.P.N.	. GUIDE RING, 4 X 1.5 X 77.5 (624316)	1		4
4	N.P.N.	. O-RING 9.53 X 1.78, EPDM (625716)	1		4
5	N.P.N.	. GLYD RING, 026 (624317)	1		4
6	N.P.N.	. O-RING 17.12X2.62, EPDM (624318)	1		4
7	N.P.N.	. PISTON (625456)	1		4
8	N.P.N.	. PUSH ROD (625455)	1		4
9	N.P.N.	. LIP SEAL 10 X 18 X 6 (624947)	1		4
10	N.P.N.	. O-RING 28.3 X 1.78, EPDM (624943)	1		4
11	N.P.N.	. SEAL CASE (624936)	1		4
12	N.P.N.	. FLANGE (624817)	1		4
13	N.P.N.	. BEARING 10 X 12 X 20 (624944)	1		4
14	N.P.N.	. SCRAPER, 10-20-8-5 (624323)	1		4
15	N.P.N.	. BELLOW (623012)	1		4
16	N.P.N.	. CHECK NUT, DIN 6923-M10-8 (625802)	1		4
17	N.P.N.	. PROTECTION CAP (625390)	1		4
18	571741	. ADAPTOR BLEED NIPPLE	1		
19	N.P.N.	. O-RING 7 X 1, EPDM (624520)	2		4
20	N.P.N.	. SPHERE 3.5 (624945)	1		4
21	N.P.N.	. BLEED PLUG (624927)	1		4
22	N.P.N.	. ALLEN SCREW DIN 912-M6X25-8.8 (624946)	2		4
23	N.P.N.	. BALL JOINT HOLDER (M10) (624621)	1		4
24	N.P.N.	. SPHERICAL BEARING (623013)	2		4
25	N.P.N.	. WIRE COIL (623025)	4		4
26	N.P.N.	. WASHER (623031)	4		4
27	N.P.N.	. SEALING RING (623042)	4		4
28	N.P.N.	. MARKING PLATE (626184)	1		4
NS	520163	. COUPLER / QUICK DISCONNECT "TEMA" / #2x 1/8NPT-F BR	AR		
		4) NO PARTS NUMBER			

From L-031 To R-016

Date:07/2024

PAGE:H4-0715-01

SHIFT COVER 6 SPEEDS - W/PS130-6B



From L-031 To R-016		Date:07/2024	PAGE:H4-0715-01
SHIFT COVER 6 SPEEDS - W/PS130-6B			

Item#	Part	Description	H 3 4 0	V I P 4 0	N O T E S
	571306	SHIFTER COVER HOUSING / 6 SPEEDS / W/CENTER CONTROL	1		
1	N.S.A.	SHIFTER HOUSING & OIL THROUGH ASSY	1		3
2	N.S.S.	SHIFTER HOUSING	1		1
NS	571578	RETAINER SHIFT ROD / REAR	1		
NS	571579	RETAINER SHIFT ROD / CENTER	1		
NS	571580	RETAINER SHIFT ROD	1		
3	571597	OIL TROUGH	1		
NS	571581	SCREW CAP HEX 3/8-16 X 1"	2		
4	571601	SCREW CAP HEX 3/8-16 x 3/4"	7		
5	571357	BREATHER	1		
6	571358	PIN LOCK	1		
13	571533	INTERLOCK	3		
14	570007	PIN	3		
15	571532	POPPET / TO USE W/INSIDE SPRING #571600	4		
16	571600	SPRING POPPET	4		
17	571582	SCREW SET 7/16-20x3/4	7		
18	571364	FORK / 1ST & REV	1		
19	571534	ROD / 1ST & REV	1		
20	571366	BRACKET / SHIFT ROD / 1ST & REV	1		
21	571535	SPRING / PLUNGER	1		
22	571583	PLUNGER	1		
23	570355	RING LOCK	1		
25	570156	FORK / 2ND & 3RD	1		
26	571528	ROD / 2ND & 3RD	1		
28	571529	ROD / 4TH	1		
29	571530	ROD / 5TH & 6TH	1		
30	570350	BRACKET SHIFT	1		
32	570157	FORK / 5TH & 6TH	2		
33	571569	SHIFT ROD BRACKET ASSY	1		
34	N.S.S.	BRACKET / SHIFT ROD	1		1
35	570087	BALL	1		
36	571584	PLUNGER	1		
37	571585	SNAP, RING	1		
38	571586	SPRING COMPRESSION / .600 O.D. x 2.205 x .065	1		
39	571587	SPRING COMPRESSION / .353 O.D. x 1. x .057	1		
42	570342	GASKET	1		
NS	570893	GASKET / SHIFTER LEVER W/CENTER CONTROL	1		
43	571347	SCREW CAP HEX 3/8-16x1 1/8	10		
44	571150	STUD 5/8-11 & 5/8-18 X 3 1/2"	2		
NS	571380	STUD 5/8-11 5/8-18x4	2		
45	571381	WASHER FL 5/8	2		
46	570383	NUT 5/8-18	2		

From L-031 To R-016	Date:07/2024	PAGE:H4-0715-01
SHIFT COVER 6 SPEEDS - W/PS130-6B		

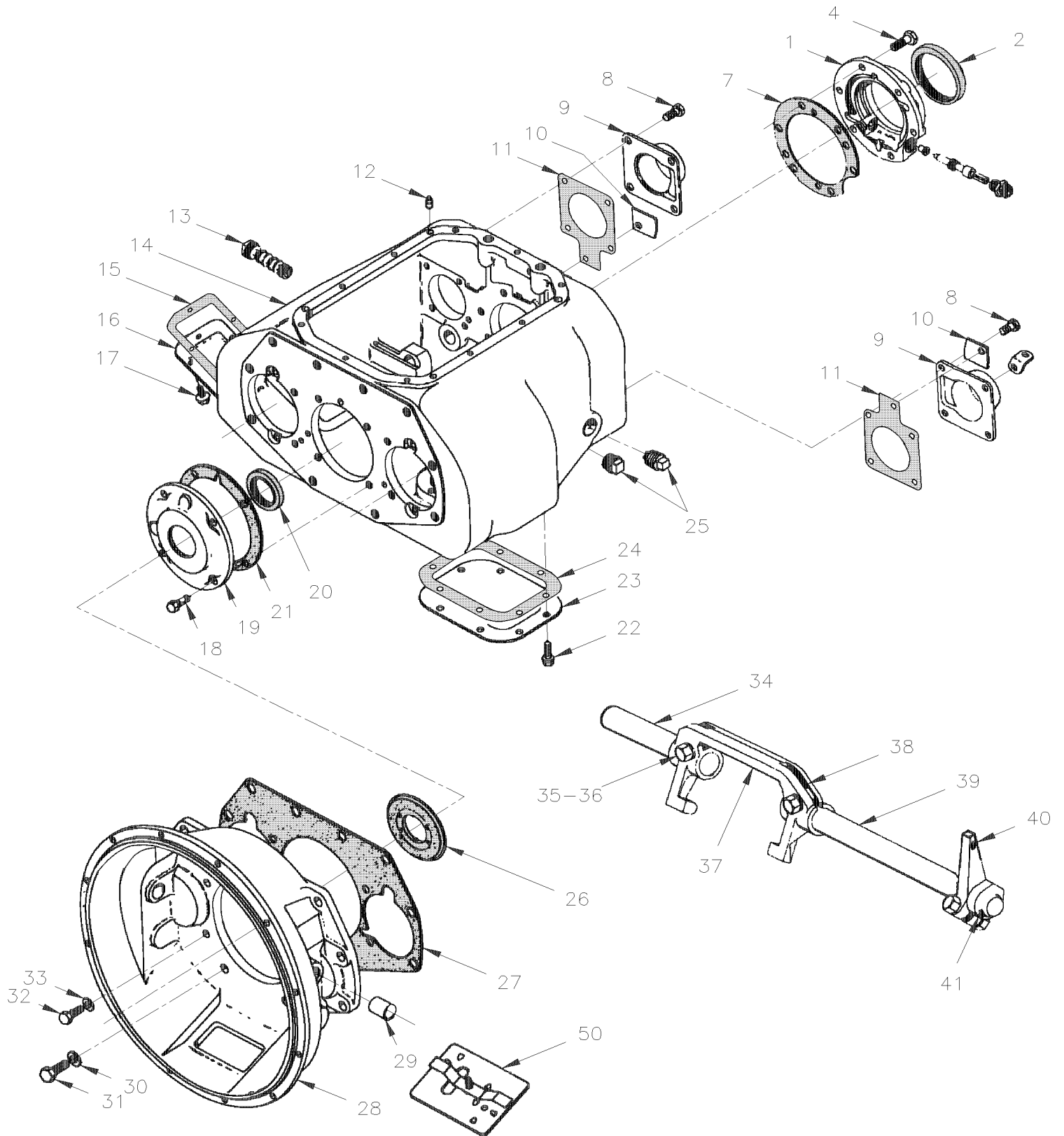
Item#	Part	Description	H 3 4 0	V I P 4 0	N O T E S
47	561019	SWITCH / NEUTRAL N.O. / W/MANUAL TRANSMISSION	1		
NS	571599	SPRING / NEUTRAL SWITCH	1		
NS	571598	PLUNGER / SWITCH & ROD	1		
48	561012	PROTECTOR, TRANS. SWITCH	2		
49	560632	SWITCH / BACK-UP N.C. / W/MANUAL TRANSMISSION	1		
NS	570374	PLUNGER / ROD & BACK-UP LIGHT SWITCH	1		
52	571422	BALL / NEUTRAL SWITCH	1		
		1) NOT SOLD SEPARATELY			
		3) NOT SOLD ASSEMBLY			

From L-031 To R-016

Date:07/2024

PAGE:H4-0720-00

TRANSMISSION MANUAL 6 SPEEDS - PS130-6B



From L-031 To R-016	Date:07/2024	PAGE:H4-0720-00
TRANSMISSION MANUAL 6 SPEEDS - PS130-6B		

Item#	Part	Description	H 3 4 0	V I P 4 0	N O T E S
	571482	TRANSMISSION ASSY 6 SPEEDS / MODEL PS130-6B W/CENTER CONTROL	1		
1	571497	BEARING RETAINER ASSY	1		
2	570364	SEAL	1		
4	571341	SCREW CAP HEX 1/2-13x1 1/2	4		
NS	571611	SCREW CAP HEX 1/2-13x2 1/2	2		
7	570345	GASKET	1		
8	571339	SCREW CAP HEXF 3/8-16 x 15/16"	10		
9	571338	RETAINER BEARING	2		
10	571337	COVER IDLER	2		
11	571336	GASKET	2		
12	570011	PIN DOWEL	2		
13	570153	PLUG MAGNETIC	2		
14	571333	CASE ASSY	1		
15	570218	GASKET / P.T.O. W/6 HOLES	1		
16	570229	COVER P.T.O. W/6 HOLES	1		
17	571334	SCREW CAP HEXF 3/8-16 x 3/4"	6		
18	571347	SCREW CAP HEX 3/8-16x1 1/8	4		
19	571345	BEARING RETAINER ASSY	1		
20	571346	SEAL	1		
21	570344	GASKET	1		
22	571335	SCREW CAP HEX 7/16-14x3/4	8		
23	570296	COVER P.T.O. W/8 HOLES	1		
24	570035	GASKET P.T.O. W/8 HOLES	1		
25	570094	. PLUG DRAIN & FILL	2		
26	H4-0205-00	CLUTCH PRESSURE PLATE ASSY - WITH DETROIT S-92			
27	570348	GASKET	1		
28	570197	CLUTCH HOUSING ASSY	1		
29	570075	. BUSHING	4		
30	571349	WASHER FL 1.125x.625x0.600	10		
31	571348	SCREW CAP HEX 5/8-11 X 1 3/4	10		
32	571350	SCREW CAP HEX 1/2-13 X 1 1/4	4		
33	571351	WASHER, 1/2" I.D. FLAT	4		
34	570369	CLUTCH SHAFT 1" X 5 3/4"	1		
35	570199	SCREW	2		
36	570431	WASHER LOCK	2		
37	570172	YOKE CLUTCH RELEASE	1		
38	570030	KEY WASHER	2		
39	020377	CLUTCH SHAFT 1"X 9" 11/16"	1		
40	070692	LEVER, CLUTCH SHAFT 71MM C/C To R-383	1		
40	020433	LEVER, CLUTCH SHAFT 71MM C/C From R-384	1		
41	505154	KEY, WOODRUFF #18 / 1/8" X 1 1/8"	1		
50	020280	COVER ASSY (MODIFIED)	1		

From L-031 To R-016	Date:07/2024	PAGE:H4-0720-00
TRANSMISSION MANUAL 6 SPEEDS - PS130-6B		

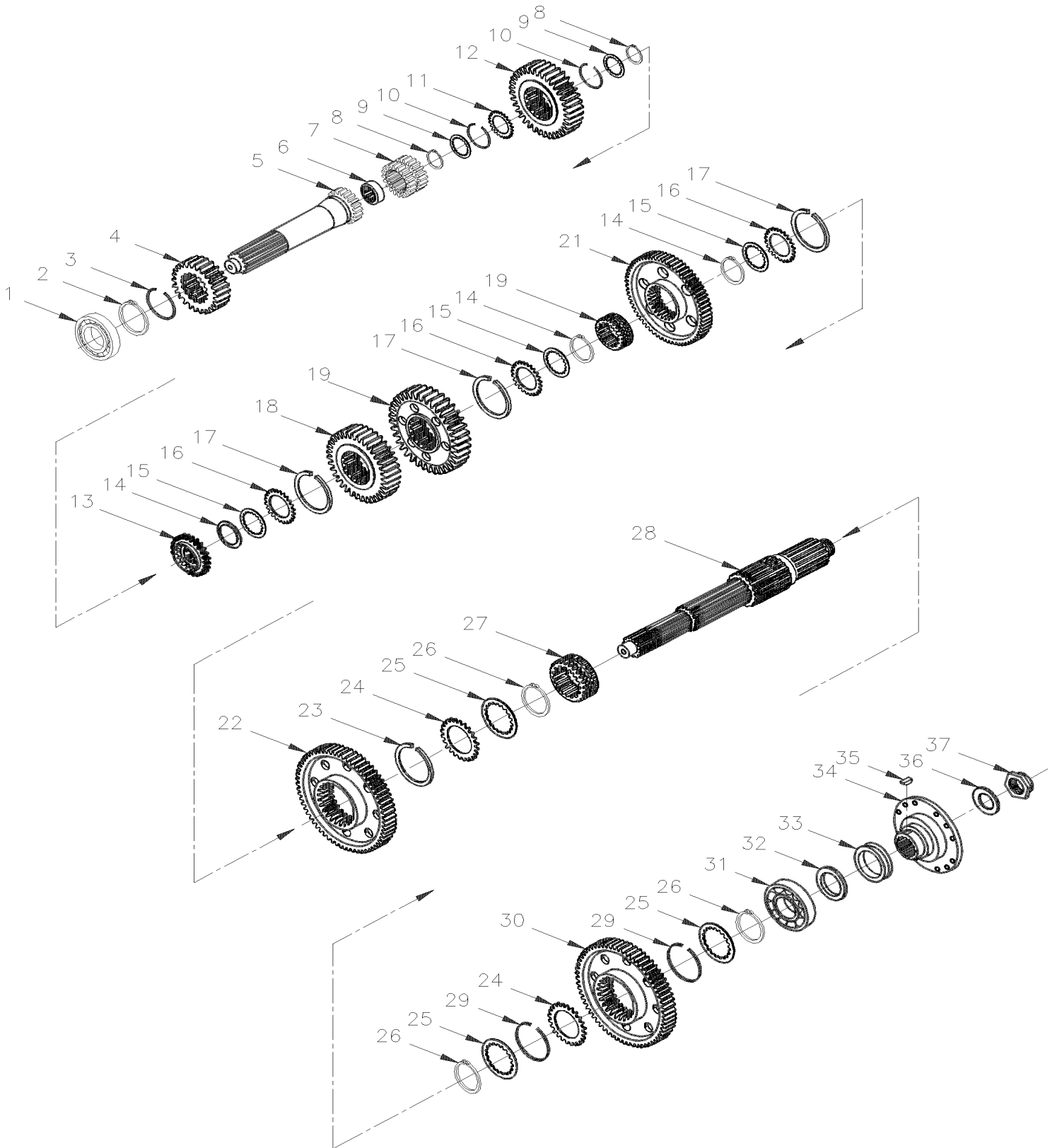
Item#	Part	Description	H 3 4 0	V I P 4 0	N O T E S
50	500536	. SCREW TP HEXW SLT #14x1 ZP	2		
NS	570342	GASKET	1		
NS	570893	GASKET / SHIFTER LEVER W/CENTER CONTROL			
50	571377	KIT GASKET	AR		A
50	571383	KIT BEARING & SEAL	AR		B
		A) INCLUDE ITEMS 7,11,15,21,27 & 50 (GASKET)			
		B) SEE ATTACHED TEXT TO KNOW THE PARTS INCLUDE IN THIS KIT			

From L-031 To R-016

Date:07/2024

PAGE:H4-0725-00

GEAR & RELATED PARTS W/6 SPEEDS



From L-031 To R-016	Date:07/2024	PAGE:H4-0725-00
GEAR & RELATED PARTS W/6 SPEEDS		

Item#	Part	Description	H 3 4 0	V I P 4 0	N O T E S
1	571308	BEARING	1		
2	571309	RING SNAP	1		
3	570354	RING SNAP - INT	1		
4	571310	GEAR INPUT / 26T	1		
5	571312	SHAFT INPUT 2" / 10 SPLINES	1		
6	571313	BEARING POCKET	1		
7	570367	COLLAR 5TH-6TH CLUTCH	1		
8	571314	RING SNAP	2		
9	570212	WASHER THRUST / INT 13T	2		
10	570354	RING SNAP - INT	2		
11	570209	WASHER THRUST / EXT 17T	1		
12	570169	GEAR 5TH / 32T	1		
13	571315	COLLAR 4TH / SPEED CLUTCH	1		
14	570356	RING SNAP	3		
15	570207	WASHER THRUST / INT 15T	3		
16	571273	WASHER THRUST / EXT 20T	3		
17	570353	RING SNAP	3		
18	570168	GEAR 4TH / 38T	1		
19	570167	GEAR 3RD / 56T	1		
20	571254	COLLAR / 2ND-3RD	1		
21	571316	GEAR 2ND / 56T	1		
22	571256	GEAR 1ST / 64T	1		
23	571257	RING SNAP - INT	1		
24	571317	WASHER THRUST / EXT 24T	2		
25	571318	WASHER THRUST / INT 18T	3		
26	571319	RING SNAP	3		
27	571320	COLLAR / 1ST-REV.	1		
28	571321	SHAFT MAIN	1		
29	571322	RING SNAP - INT	2		
30	571323	GEAR REV / 64T	1		
31	571324	BEARING REAR	1		
32	571325	SPACER	2		
33	571304	GEAR DRIVE / SPEEDOMETER / W/ELECTRONIC SENDING UNIT	1		
33	571479	SPEEDOMETER DRIVE TOOTH WHEEL	1		
34	571327	COMPANION FLANGE / W/MANUAL TRANS (20 SPL) 6 SPEEDS	1		
35	570376	KEY WOODRUFF	1		
36	570211	WASHER FLAT	1		
37	571328	NUT SELF-LOCKING 1 3/4-16	1		
37	571379	KIT SNAP RING	AR		A
37	571383	KIT BEARING & SEAL	AR		B

From L-031 To R-016	Date:07/2024	PAGE:H4-0725-00
---------------------	--------------	-----------------

GEAR & RELATED PARTS W/6 SPEEDS

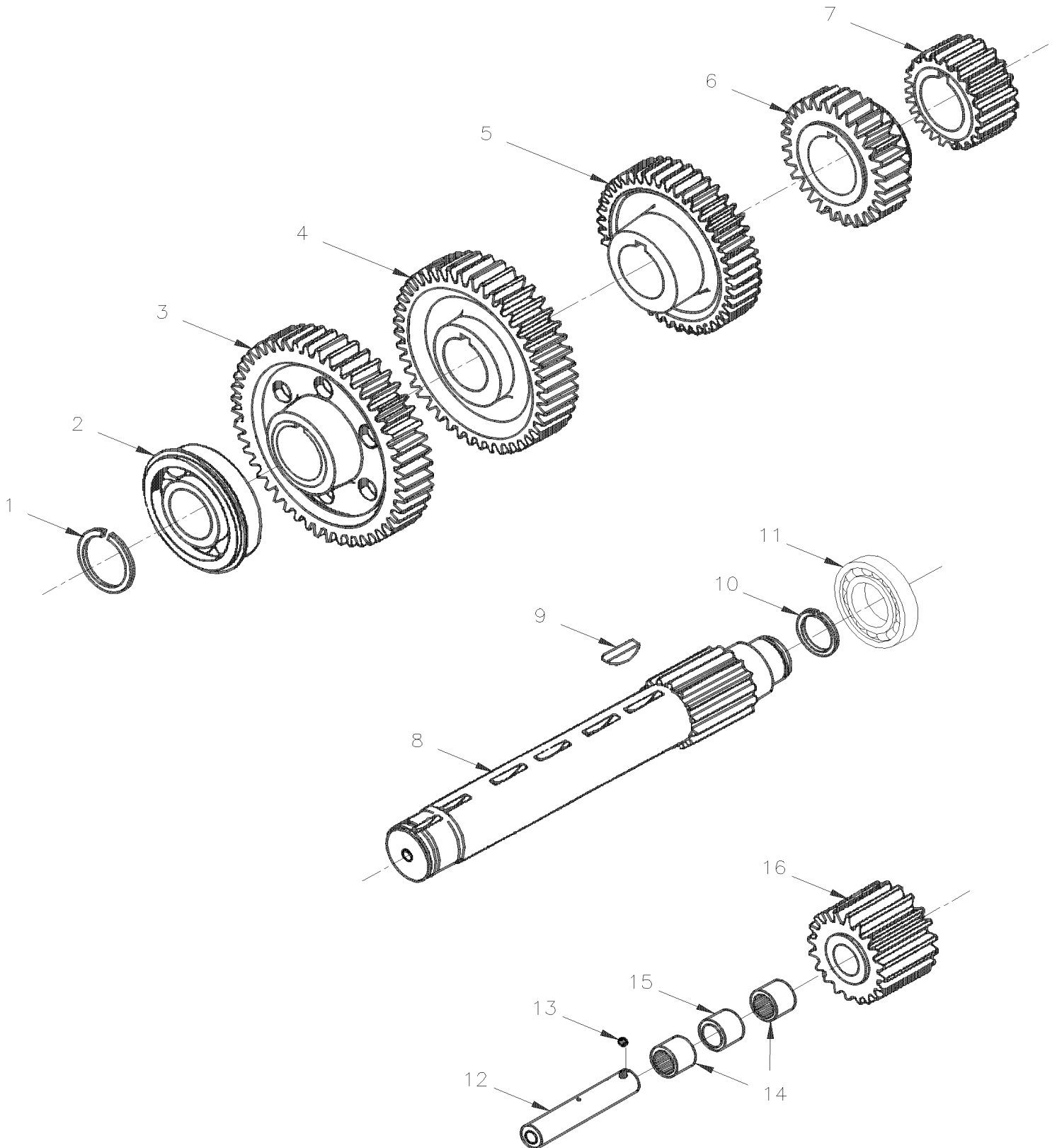
Item#	Part	Description	H 3 4 0	V I P 4 0	N O T E S
37	571352	KIT THRUST WASHER	AR		C
		A) INCLUDE ITEMS 2,3,8,10,14,17,23,26 & 29 AND ITEMS 1 & 10 IN PAGE H4-0730-00			
		B) SEE ATTACHED TEXT TO SEE THE LIST OF THE PARTS IN THIS KIT			
		C) INCLUDE ITEMS 9,11,15,16,24 & 25			

From L-031 To R-016

Date:07/2024

PAGE:H4-0730-00

COUNTERSHAFT GROUP W/6 SPEEDS



From L-031 To R-016	Date:07/2024	PAGE:H4-0730-00
COUNTERSHAFT GROUP W/6 SPEEDS		

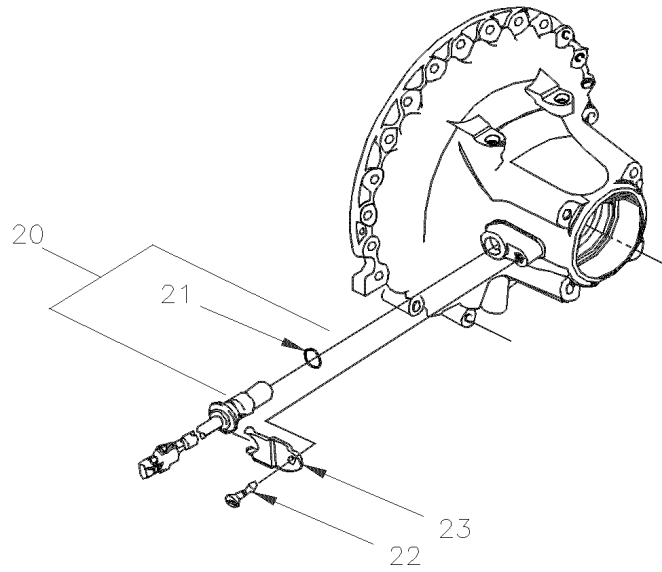
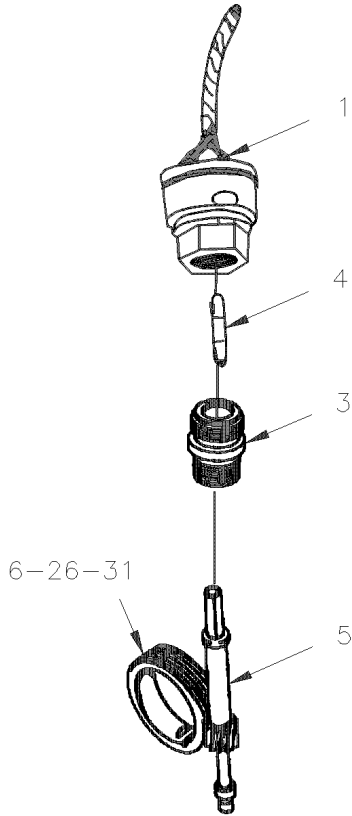
Item#	Part	Description	H 3 4 0	V I P 4 0	N O T E S
1	571269	RING SNAP	2		
2	570232	BEARING FRONT	2		
3	570069	GEAR 6TH / 52T	2		
4	571266	GEAR 5TH / 48T	2		
5	571267	GEAR 4TH / 40T	2		
6	570417	GEAR 3TH / 32T	2		
7	570416	GEAR 2TH / 23T	2		
8	571329	COUNTERSHAFT / 15T RIGHT SIDE-SPLINED FOR P.T.O.	1		
8	571330	COUNTERSHAFT / 15T LEFT SIDE-SPLINED FOR PUMP	1		
9	570377	KEY WOODRUFF	10		
10	571331	RING	2		
11	571332	BEARING / REAR	2		
12	570154	SHAFT	2		
13	570392	BALL LOCK 9/32" DIA.	2		
14	570250	BEARING	4		
15	570152	SPACER	2		
16	570070	GEAR	2		
NS	571379	KIT SNAP RING	AR		A
NS	571383	KIT BEARING & SEAL	AR		B
		A) INCLUDE ITEMS 1 & 10 AND ITEMS 2,3,8,10,14,17,23,26 & 29 ON PAGE H4-0725-00			
		B) SEE ATTACHED TEXT TO SEE THE LIST OF THE PARTS IN THIS KIT			

From L-031 To R-079

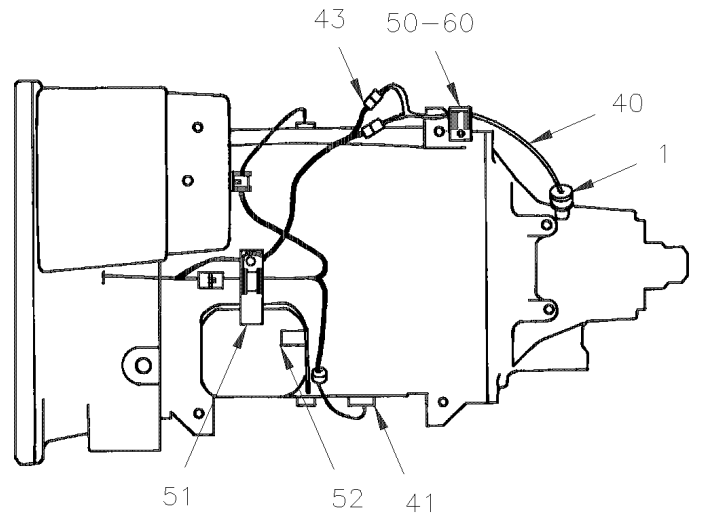
Date:07/2024

PAGE:H4-0740-00

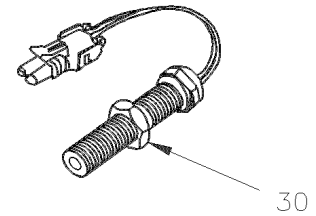
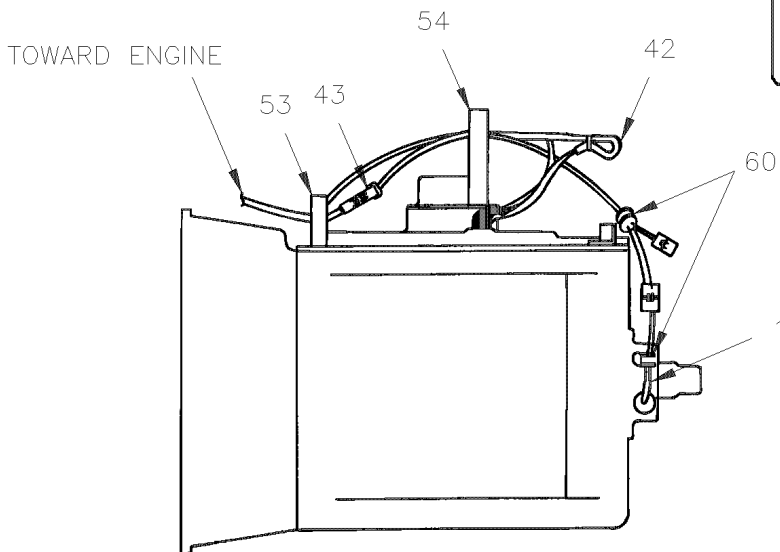
SPEEDOMETER ADAPTOR



AUTOMATIC TRANSMISSION HYDRAULIC ONLY



MANUAL TRANSMISSION



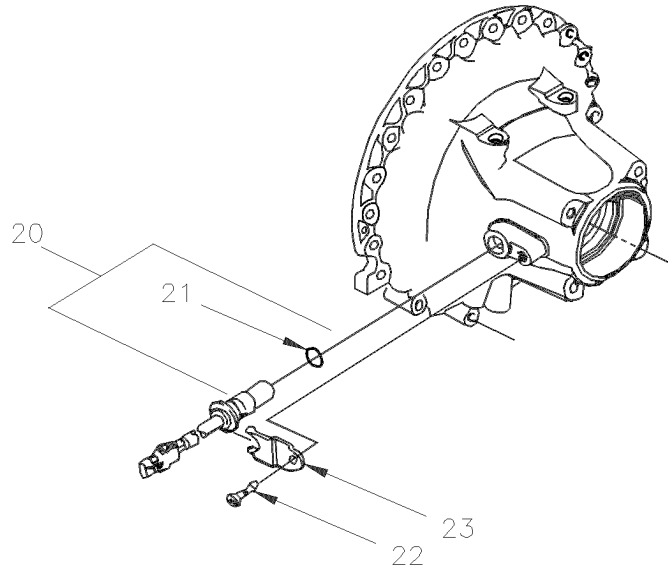
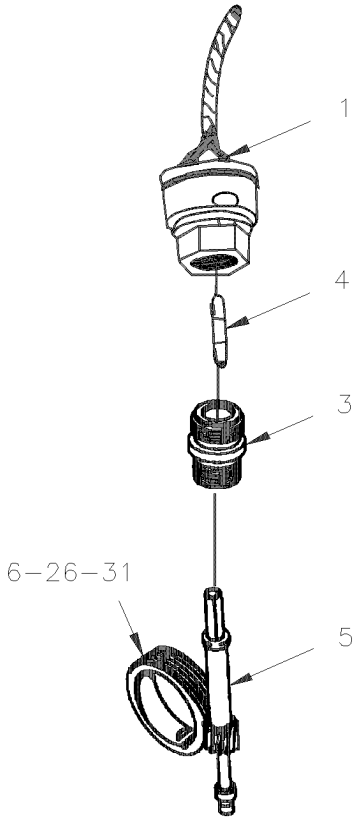
From L-031 To R-079	Date:07/2024	PAGE:H4-0740-00
SPEEDOMETER ADAPTOR		

Item#	Part	Description	H 3 4 0	V I P 4 0	N O T E S
1	590262	SENDING UNIT / (8 PULSES) To M-067	1		
1	590264	SENDING UNIT / (8 PULSES) From M-068 To N-173	1		
1	590272	SENDING UNIT / (30 PULSES) From N-174 To R-005	1		
1	590276	SENDING UNIT / (30 PULSES) From R-006	1		
2	590162	SENSOR	1		A
		TACHOGRAPH - W/HYDRAULIC AUTOMATIC TRANS.			
3	590094	SLEEVE	1		
4	590261	KEY To N-173	1		
4	590271	KEY From N-174	1		
5	590121	GEAR DRIVEN			
6	N.S.P.	GEAR DRIVE/W/HYDRAULIC AUTO. TRANS. (6835455)	1		2
		TACHOGRAPH - WITH AUTOMATIC TRANS. "ATEC"			
20	561926	MAGNETIC SENSOR / W/AUTOMATIC TRANS "ATEC"	1	1	
21	N.S.P.	O-RING / (23017303)	1	1	2
22	N.S.P.	BOLT, PATCH LOCK / (23015458)	1	1	2
23	N.S.P.	RETAINER, SPEED SENSOR / (8627650)	1	1	2
26	N.S.P.	GEAR SENSOR SPEED / "ATEC" / (23013191)	1		2
26	N.S.P.	GEAR SENSOR SPEED / W/RETARDER / "ATEC" / (23045888)		1	2
		TACHOGRAPH - WITH MANUAL TRANSMISSION			
30	590246	MAGNETIC SENSOR / W/MANUAL TRANSMISSION	1		
31	571479	SPEEDOMETER DRIVE TOOTH WHEEL	1		
32	H4-0905-00	PROPELLER SHAFT			
33	H4-0725-00	GEAR & RELATED PARTS W/6 SPEEDS			
34	570211	WASHER FLAT	1		
35	571328	NUT SELF-LOCKING 1 3/4-16	1		
NS	062670	CABLE ASSY W/AUTO TRANS HYDRAULIC To M-067	1		
40	062915	CABLE ASSY W/AUTO TRANS HYDRAULIC From M-068 To N-173	1		
NS	063838	CABLE ASSY / SENSOR & MAIN HARNESS / W/TRANS HYDRAULIC From R-006	1		
41	062375	CABLE ASSY W/AUTO TRANS HYDRAULIC / NEUTRAL SWITCH & REAR	1		
42	062392	CABLE ASSY W/MAN TRANS / NEUTRAL SWITCH & REAR PANEL	1		
43	561115	CLAMP W/ 3 & 4 / ITT CANNON 029-0262-000	AR	AR	
52	062235	SUPPORT HARNESS	AR	AR	
53	010667	SUPPORT	AR		
54	060525	SUPPORT HARNESS	AR		
NS	070368	SUPPORT	2	2	
60	560479	CLAMP / 3/8" I.D.	AR	AR	

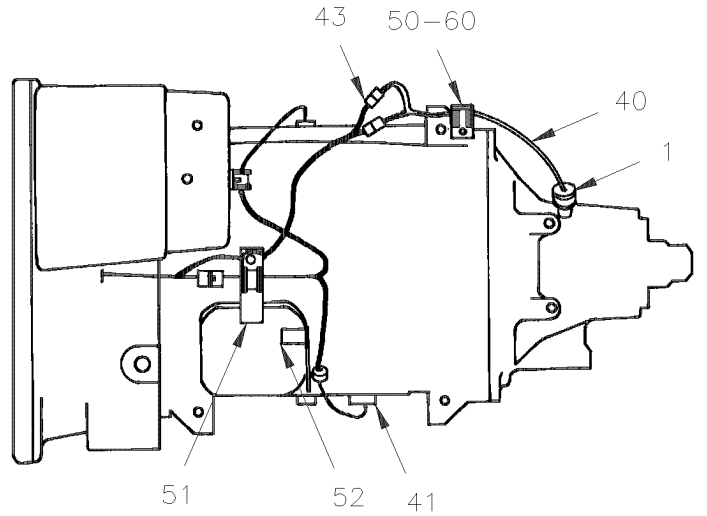
From L-031 To R-079	Date:07/2024	PAGE:H4-0740-00
SPEEDOMETER ADAPTOR		

Item#	Part	Description	H 3 4 0	V I P 4 0	N O T E S
NS	500470	WASHER LO SPT .193x.334x.047 Z050	AR	AR	
NS	500574	SCREW MA TR PH #10-24x1 1/4 SS	AR	AR	
NS	500766	NUT HEX #5-40 ZP	AR	AR	
		A) USE ON SERIAL NUMBER M-154,156,160,161,162,166,173 & 174			
		2) NOT SOLD BY PREVOST (SEE MANUFACTURING PART NUMBER AT END OF DESCRIPTION LINE)			

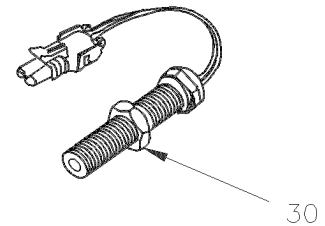
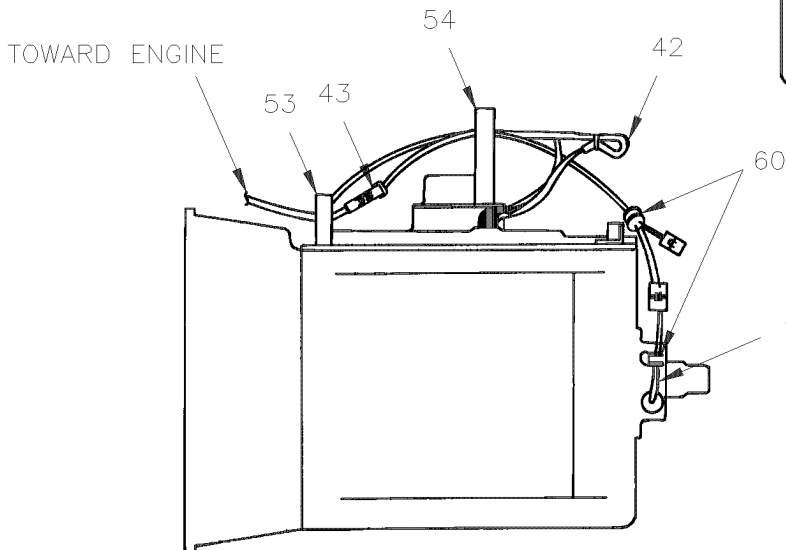
From L-031 To R-079	Date:07/2024	PAGE:H4-0740-05
SPEEDOMETER ADAPTOR W/SMALL GAUGE		



AUTOMATIC TRANSMISSION HYDRAULIC ONLY



MANUAL TRANSMISSION



From L-031 To R-079	Date:07/2024	PAGE:H4-0740-05
SPEEDOMETER ADAPTOR W/SMALL GAUGE		

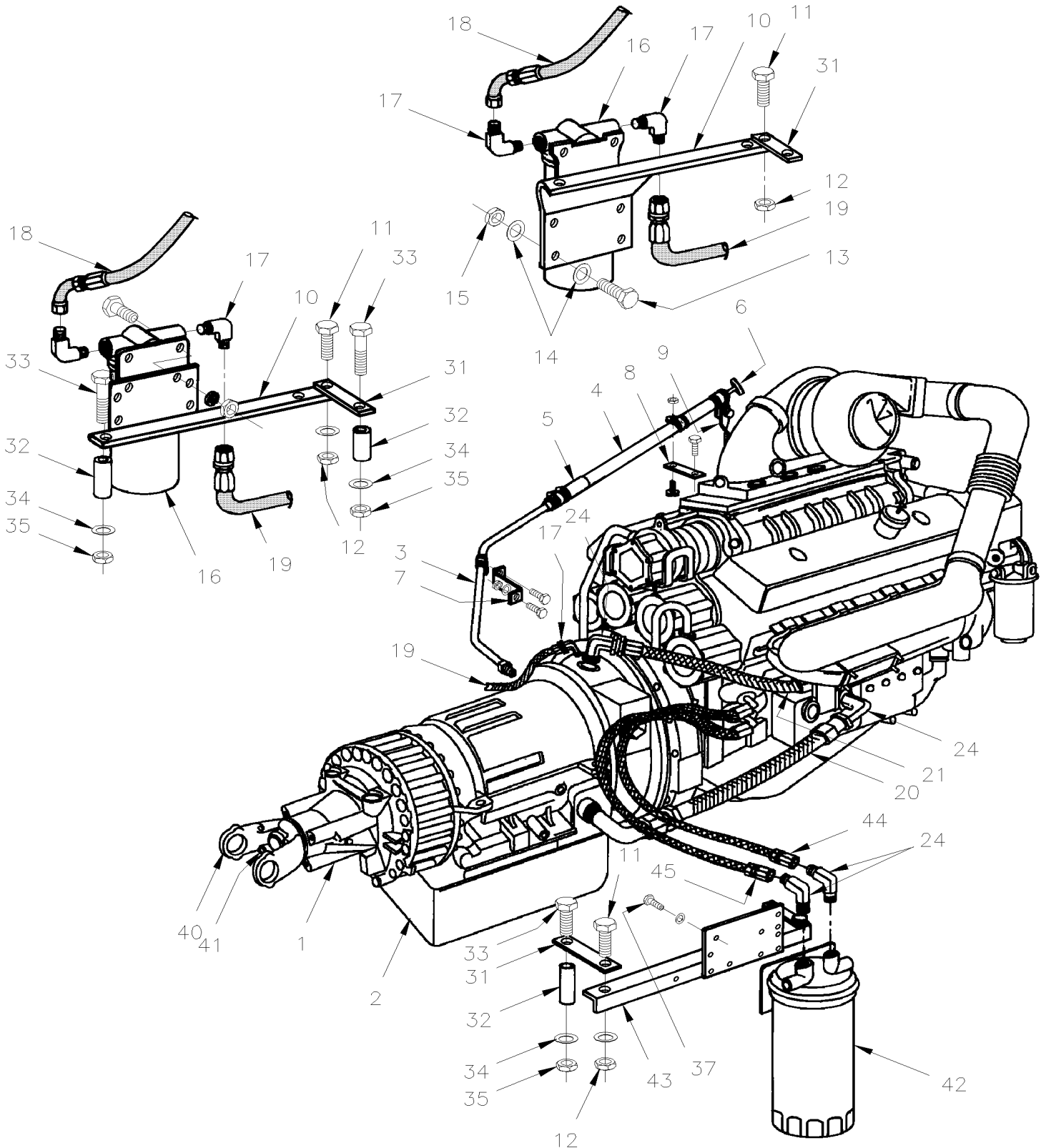
Item#	Part	Description	H 3 4 0	V I P 4 0	N O T E S
1	590262	SENDING UNIT / (8 PULSES) To M-067	1		
1	590264	SENDING UNIT / (8 PULSES) From M-068 To N-173	1		
1	590272	SENDING UNIT / (30 PULSES) From N-174 To R-005	1		
1	590276	SENDING UNIT / (30 PULSES) From R-006	1		
		NEXT ITEMS ARE USED W/HYDRAULIC AUTO. TRANS.			
3	590094	SLEEVE	1		
4	590261	KEY To N-173	1		
4	590271	KEY From N-174	1		
5	590121	GEAR DRIVEN	1		
6	N.S.P.	GEAR DRIVE / W/AUTO TRANS HYDRAULIC (6835455)	1	1	2
20	561926	MAGNETIC SENSOR / W/AUTOMATIC TRANS "ATEC"	1	1	
21	N.S.P.	. O-RING / (23017303)	1	1	2
22	N.S.P.	BOLT, PATCH LOCK / (23015458)	1	1	2
23	N.S.P.	RETAINER, SPEED SENSOR / (8627650)	1	1	2
30	590246	MAGNETIC SENSOR / W/MANUAL TRANSMISSION	1		
31	571479	SPEEDOMETER DRIVE TOOTH WHEEL	1		
40	062670	CABLE ASSY W/AUTO TRANS HYDRAULIC To M-067	1		
NS	062915	CABLE ASSY W/AUTO TRANS HYDRAULIC From M-068 To N-173	1		
40	062375	CABLE ASSY W/AUTO TRANS HYDRAULIC / NEUTRAL SWITCH & REAR	1		
41	063838	CABLE ASSY / SENSOR & MAIN HARNESS / W/TRANS HYDRAULIC From R-006	1		
42	062392	CABLE ASSY W/MAN TRANS / NEUTRAL SWITCH & REAR PANEL			
43	561115	CLAMP W/ 3 & 4 / ITT CANNON 029-0262-000	AR		
52	062235	SUPPORT HARNESS			
53	010667	SUPPORT	AR	AR	
54	060525	SUPPORT HARNESS	AR		
NS	070368	SUPPORT			
60	560479	CLAMP / 3/8" I.D.	AR	AR	
NS	500470	WASHER LO SPT .193x.334x.047 Z050	AR	AR	
NS	500574	SCREW MA TR PH #10-24x1 1/4 SS	AR	AR	
NS	500766	NUT HEX #5-40 ZP	AR	AR	
		2) NOT SOLD BY PREVOST (SEE MANUFACTURING PART NUMBER AT END OF DESCRIPTION LINE)			

From L-031 To R-032

Date:07/2024

PAGE:H4-0750-00

AUTOMATIC TRANSMISSION - INSTAL - WITH DETROIT S-92



6V92 INSTALLATION ONLY

From L-031 To R-032	Date:07/2024	PAGE:H4-0750-00
AUTOMATIC TRANSMISSION - INSTAL - WITH DETROIT S-92		

Item#	Part	Description	H 3 4 0	V I P 4 0	N O T E S
1	571476	TRANSSMISSION HT-748 / W/6V92T To N-167	1		
1	571490	TRANSSMISSION HT-748 / W/6V92T From N-168	1		
1	571510	TRANSSMISSION HT-748 / W/8V92T From N-168	1		
1	571478	TRANSSMISSION HT-755CR / W/6V92T To N-167	1		
1	571491	TRANSSMISSION HT-755CR / W/6V92T From N-168	1		
1	571454	TRANSSMISSION HT-755CR / W/8V92T To N-167	1	1	
1	571489	TRANSSMISSION HT-755CR From N-168	1	1	
NS	571249	SEAL / REAR OUTPUT SHAFT / W/HYDRAULIC	1	1	
1	N.S.P.	SEAL / REAR OUTPUT SHAFT /W/"ATEC"/(23010005)	1	1	2
2	571443	OIL PAN To N-167	1	1	
2	571523	OIL PAN From N-168	1	1	
3	070607	TUBE DIPSTICK (ONE PIECE) To N-167	1	1	A
3	070783	TUBE DIPSTICK / 1ST SECTION From N-168	1	1	
4	070781	TUBE DIPSTICK / 2ND SECTION From N-168	1	1	
5	070779	HOSE 3/4" I.D.	1	1	
5	503424	. HOSE SILICONE 4PLY 3/4" I.D. x 3'	AR	AR	
NS	504319	HOSE CLAMP / 1"-1"1/2 SS / E.T. 16	2	2	
6	070604	TRANS DIPSTICK 34 3/4" / .882.65MM To N-167	1	1	
6	571246	TRANS DIPSTICK 68" / 1727.2MM From N-168	1	1	
8	070349	SUPPORT / 2ND SECTION From N-168	1	1	
9	070777	SUPPORT / 2ND SECTION From N-168	1	1	
NS	560482	CLAMP / 3/4" I.D. / W/HOLE 3/16"	1	1	
NS	560872	CLAMP / 1"1/16 I.D.	2	2	
NS	500606	SCREW MA TR PH #10-24x3/4 SS	3	3	
NS	500470	WASHER LO SPT .193x.334x.047 Z050	3	3	
NS	500786	NUT HEX #10-24 Z050	3	3	
10	070626	SUPPORT / OIL FILTER / W/AUTO TRANS "ATEC"	1	1	
11	500817	SCREW CAP HEX 5/8-11x1 3/4 G5 Z050	1	1	
12	500683	NUT HEX STO 5/8-11 ZP	1	1	
13	500050	SCREW CAP HEX 3/8-24x1 1/2G5 ZP	4	4	
14	500478	WASHER LO SPT .380x.683x.094 Z050	4	4	
15	500705	NUT HEX 3/8-24 ZP	4	4	
16	571453	FILTER TRANSMISSION OIL	1	1	
NS	571457	OIL FILTER, CARTRIDGE / HD-223 / TRANS AUTO / W/TRANS HYDRAULIC	1	1	
17	501523	MALE ELBOW 90° / JIC 37° FITTING / #16JIC-Mx#16ORB-M STL	5	5	
18	010488	HOSE ASSY / #16 508MM	1		
18	070583	HOSE ASSY / #16 635MM	1	1	
19	011167	HOSE ASSY / #16 330MM	1		
19	070581	HOSE ASSY / #16 560MM	1	1	
20	070738	HOSE ASSY / #16 457MM From N-196	1		
20	070346	HOSE ASSY / #16 762MM	1	1	
21	070358	HOSE ASSY / #16 495MM	1	1	

From L-031 To R-032	Date:07/2024	PAGE:H4-0750-00
AUTOMATIC TRANSMISSION - INSTAL - WITH DETROIT S-92		

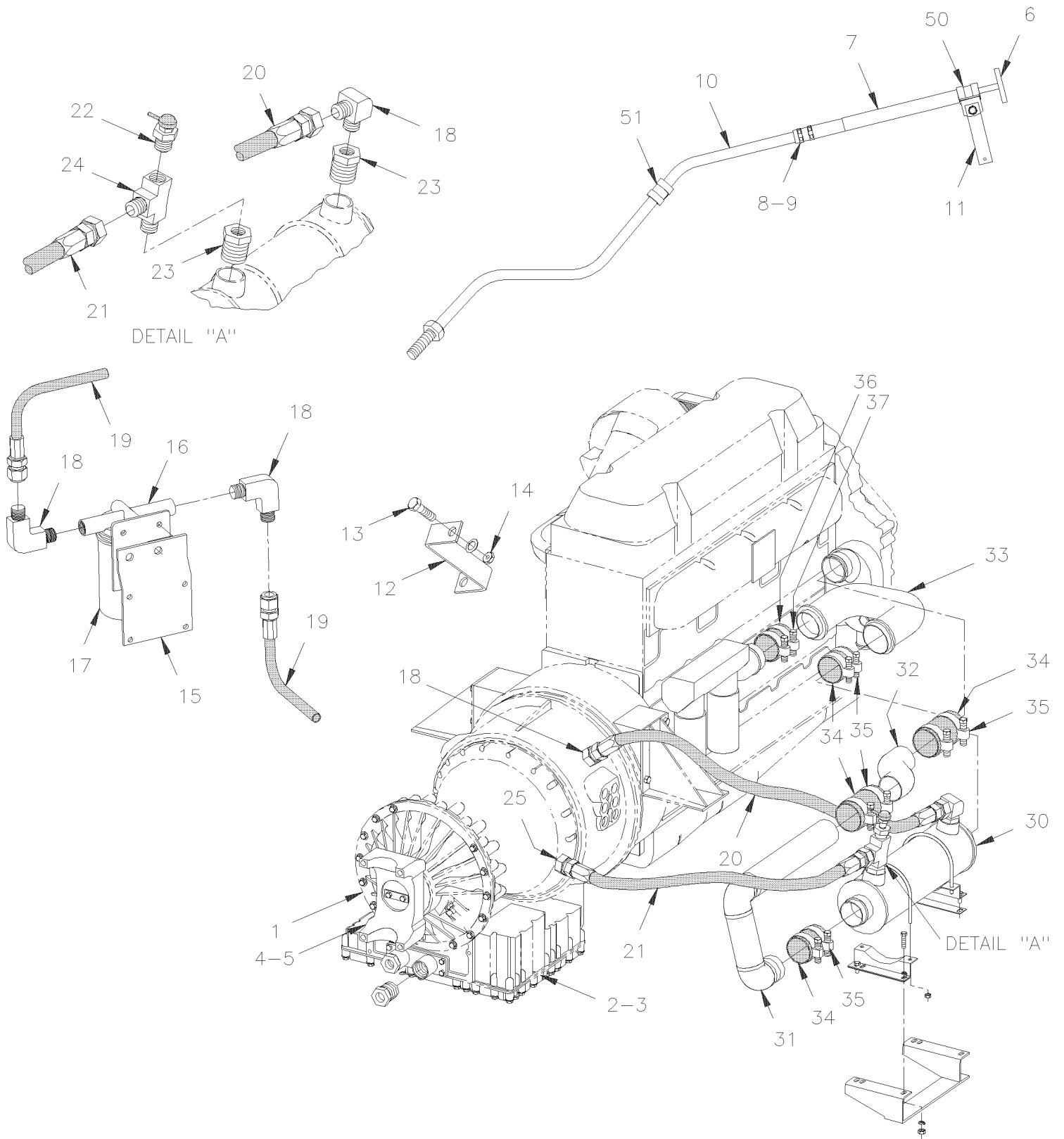
Item#	Part	Description	H 3 4 0	V I P 4 0	N O T E S
21	070740	HOSE ASSY / #16 343MM From N-196	1		
24	501589	MALE ELBOW 90° / JIC 37° FITTING / #16JIC-Mx1NPT-M STL	3	3	
31	011095	PLATE ATTACHMENT / OIL FILTER SUPPORT	AR		
32	070304	TUBE / OIL FILTER SUPPORT	AR		
33	500141	SCREW CAP HEX 5/8-18x5 1/2 G5 ZP	AR		
34	500484	WASHER LO SPT .635x1.079x.156 Z050	AR		
35	500723	NUT HEX 5/8-18 ZP	AR		
NS	500683	NUT HEX STO 5/8-11 ZP	1	1	
37	500191	SCREW CAP HEX 3/8-16x1 G5 Z050	4		
40	571214	YOKE (1700) FULL ROUND (18 SPL)	1		
. NS	621493	. SPEEDY SLEEVE 3 1/2" I.D. / TO REPAIR OIL LEAK ON YOKE	1		
40	571305	YOKE (1800) FULL ROUND (18 SPL)	1	1	
. NS	621493	. SPEEDY SLEEVE 3 1/2" I.D. / TO REPAIR OIL LEAK ON YOKE	1	1	
NS	621493	SPEEDY SLEEVE 3 1/2" I.D. / TO REPAIR OIL LEAK ON YOKE	1	1	C
41	571248	NUT FLANGE	1	1	
42	510373	OIL FILTER, CARTRIDGE / PF-911L / ENGINE / W/SERIES 92	1		B
43	070301	SUPPORT / OIL FILTER / W/AUTO TRANS / (ENGINE W/6V92)	1		B
44	070680	HOSE ASSY / #16 914MM	1		B
45	010603	HOSE ASSY / #16 1126MM	1		B
50	H4-0560-00	OIL COOLER - TRANSMISSION DETROIT S-92			
NS	683904	TESTING FOR GLYCOL CONTAMINATION IN TRANSMISSION OIL			
. NS	IS-99901A	. SEE INSTRUCTION SHEET	1	1	
		A) FOR EASY ACCESSIBILITY & FILLING OIL OF TRANSMISSION YOU REQUIRE ITEM 2,3,4,5,6,8 & 9			
		B) WITH 6V92, ENGINE OIL FILTER FIXED ON TRANSMISSION ON LH SIDE, W/SAME SUPPORT THAN TRANS. OIL FILTER			
		C) FOR REPAIR SLEEVE YOKE			
		2) NOT SOLD BY PREVOST (SEE MANUFACTURING PART NUMBER AT END OF DESCRIPTION LINE)			

From P-256 To R-079

Date:07/2024

PAGE:H4-0750-01

AUTOMATIC TRANSMISSION - "ATEC" - WITH DETROIT S-60



From P-256 To R-079	Date:07/2024	PAGE:H4-0750-01
AUTOMATIC TRANSMISSION - "ATEC" - WITH DETROIT S-60		

Item#	Part	Description	H 3 4 0	V I P 4 0	N O T E S
1	571536	TRANSMISSION ASSY / MODEL HT-746	1	1	
2	571523	. OIL PAN	1	1	
3	571444	. GASKET, OIL PAN	1	1	
4	571550	SEAL OIL / TRANS HT-746	1	1	A
5	571570	YOKE (1810) HALF ROUND / MODIFIED FOR HT-746 (18 SPL)	1	1	
. NS	571537	. YOKE (1810) HALF ROUND / W/AUTOMATIC HT-746 (18 SPL)	1	1	
. . NS	571568	. . SPEEDY SLEEVE 3.750: I.D. / WITH 571570	1	1	
. . NS	571550	. . SEAL OIL / TRANS HT-746	1	1	
. NS	571568	. SPEEDY SLEEVE 3.750: I.D. / WITH 571570	1	1	
6	571538	TRANS DIPSTICK 2134.9MM	1	1	
7	070781	TUBE DIPSTICK / 2ND SECTION	1	1	
8	070779	HOSE 3/4" I.D.	1	1	
8	503424	. HOSE SILICONE 4PLY 3/4" I.D. x 3'	AR	AR	
9	504319	HOSE CLAMP / 1"-1"1/2 SS / E.T. 16	2	2	
10	070836	TUBE, DIPSTICK 1ST SECTION	1	1	
11	070838	SUPPORT 1ST SECTION	1	1	
12	070834	SUPPORT 2ND SECTION	1	1	
13	500060	SCREW CAP HEX 3/8-24x4 1/2 G5 ZP	1	1	
14	500705	NUT HEX 3/8-24 ZP	1	1	
15	070841	SUPPORT OIL FILTER	1	1	
NS	500225	SCREW CAP HEX 5/8-11x1 G5 Z050	2	2	
NS	500484	WASHER LO SPT .635x1.079x.156 Z050	2	2	
16	571453	FILTER TRANSMISSION OIL	1	1	
17	571457	. OIL FILTER, CARTRIDGE / HD-223 / TRANS AUTO / W/TRANS HYDRAULIC	1	1	
NS	500257	WASHER LO SPT 10.2x18.1x2.2 Z050	4	4	
NS	502549	SCREW CAP HEX M10-1.5x35 G8.8 Z050	4	4	
NS	500256	NUT HEX M10-1.5 Z050	4	4	
18	501523	MALE ELBOW 90° / JIC 37° FITTING / #16JIC-Mx#16ORB-M STL	5	5	
19	070845	HOSE ASSY / #16 368MM	2	2	
20	070680	HOSE ASSY / #16 914MM	1	1	
21	070346	HOSE ASSY / #16 762MM	1	1	
22	561097	SENSOR, TEMPERATURE / WATER & OIL	1	1	
23	5011084	BUSHING REDUCER / PIPE FITTING / 2NTP-Mx1NPT-F BR	2	2	
23	501743	BUSHING REDUCER / PIPE FITTING / 1 1/4NPT-Mx1NPT-F STL	2	2	
24	5011074	ADAPTER TEE / SAE 45° FITTING / #20FL-Mx1/2NPT-Fx#20ORB-M TO USED W/TEMP SENDER	1	1	
24	5011083	ADAPTER TEE / SAE 45° FITTING / #16FL-Mx1/2NPT-Fx#16ORB-M TO USED W/TEMP SENDER	1	1	
25	5011035	MALE ELBOW 90° / JIC 37° FITTING / #16JIC-Mx#16ORB-M STL	2	2	
30	550598	COOLER ASSY	1	1	B
30	550709	OIL COOLER W/1 1/4" NPT / (29506669)	1	1	
31	051854	PIPE ASSY	1	1	
32	N.S.P.	PIPE PAINT BLACK / WATER PUMP & COOLER / (230057899)	1	1	2
33	051945	PIPE ASSY	1	1	

From P-256 To R-079	Date:07/2024	PAGE:H4-0750-01
AUTOMATIC TRANSMISSION - "ATEC" - WITH DETROIT S-60		

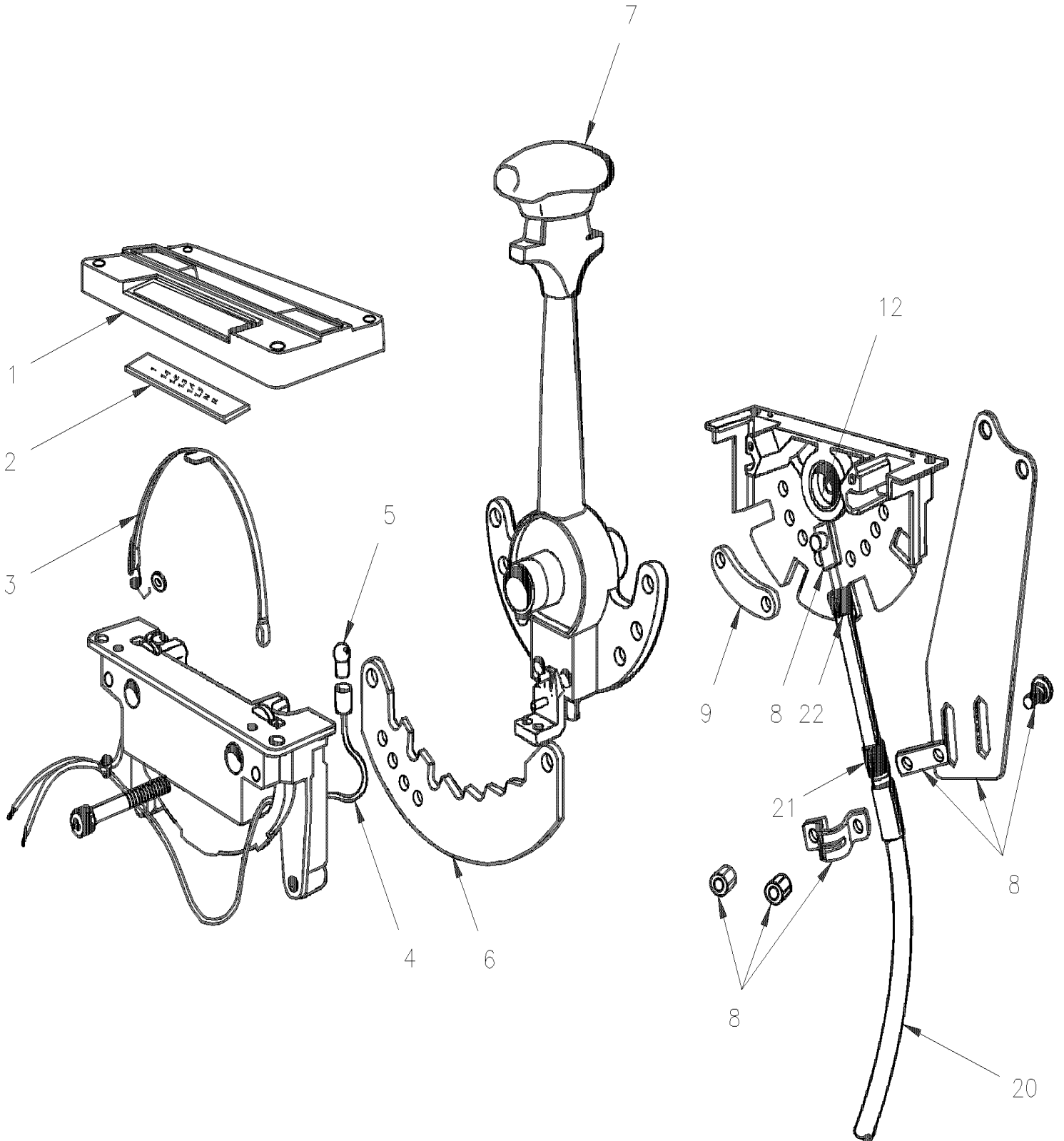
Item#	Part	Description	H 3 4 0	V I P 4 0	N O T E S
34	051093	HOSE 3" I.D. 4"	1	1	
34	503396	. HOSE SILICONE 3" I.D. x 3'	AR	AR	
35	504580	HOSE CLAMP / 3"1/4-4"1/8 / C.T. 400	4	4	
36	051094	HOSE 2 3/4" I.D. 3 1/8"	1	1	
. NS	503395	. HOSE SILICONE 4PLY 2 3/4" I.D. x 3'	AR	AR	
36	503395	. HOSE SILICONE 4PLY 2 3/4" I.D. x 3'	AR	AR	
37	504562	HOSE CLAMP / 2"3/4-3"5/8 / C.T. 350	6	6	
50	560872	CLAMP / 1"1/16 I.D.	2	2	
51	560482	CLAMP / 3/4" I.D. / W/HOLE 3/16"	1	1	
52	560912	CLAMP / 1"1/4 I.D.	2	2	
NS	502698	SCREW MA PAN PH M4-0.7x16 SS BK	AR	AR	
NS	502679	NUT HEX NYRT M4-0.7 ZP	AR	AR	
NS	502690	WASHER FL 4.3x9.0x0.8 Z050	AR	AR	
53	502559	SCREW CAP HEX M10-1.5x25 G8.8 Z050	4	4	
NS	500256	NUT HEX M10-1.5 Z050	4	4	
NS	500257	WASHER LO SPT 10.2x18.1x2.2 Z050	8	8	
60	062470	CABLE ASSY / TRANS "ATEC" To P-315	1	1	
60	063293	CABLE ASSY / TRANS "ATEC" From P-316	1	1	
NS	683904	TESTING FOR GLYCOL CONTAMINATION IN TRANSMISSION OIL	1	1	
. NS	IS-99901A	. SEE INSTRUCTION SHEET	1	1	
		A) W/HT746			
		B) (STP 3-1179B)			
		2) NOT SOLD BY PREVOST (SEE MANUFACTURING PART NUMBER AT END OF DESCRIPTION LINE)			

From L-031 To R-079

Date:07/2024

PAGE:H4-0755-00

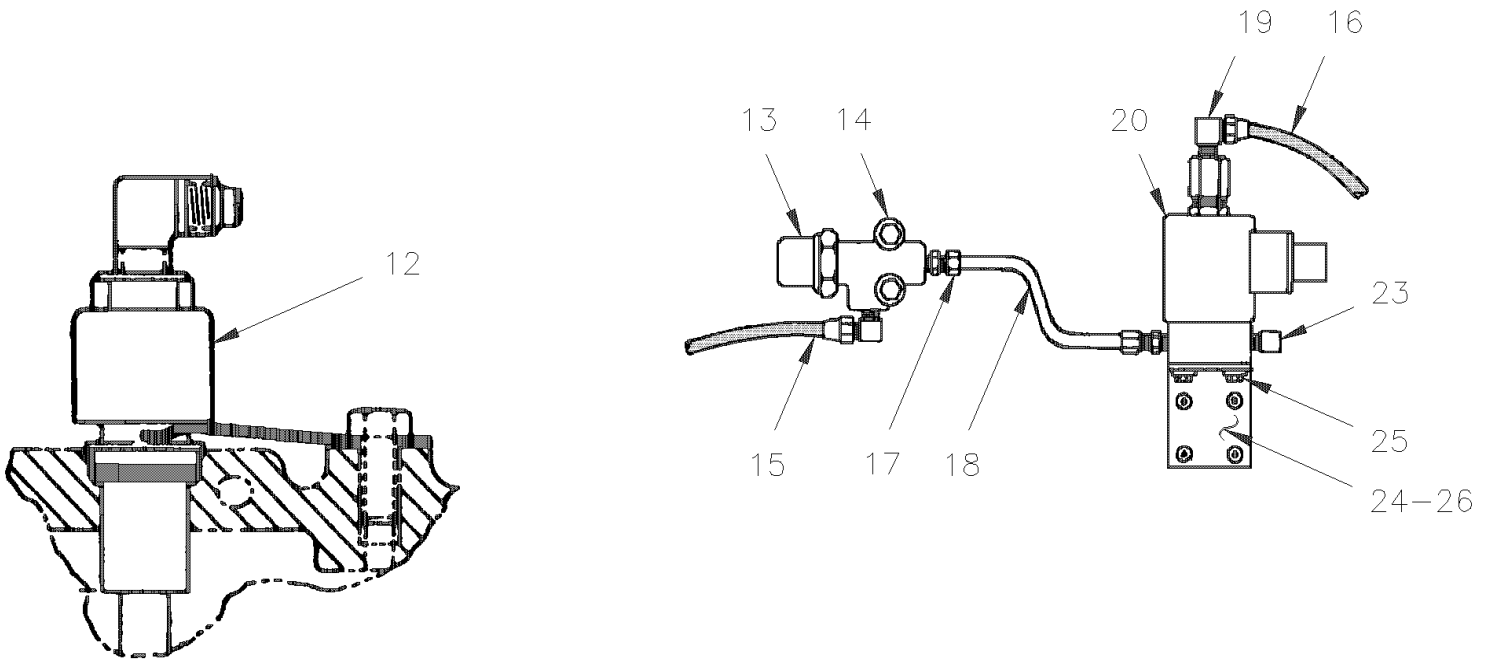
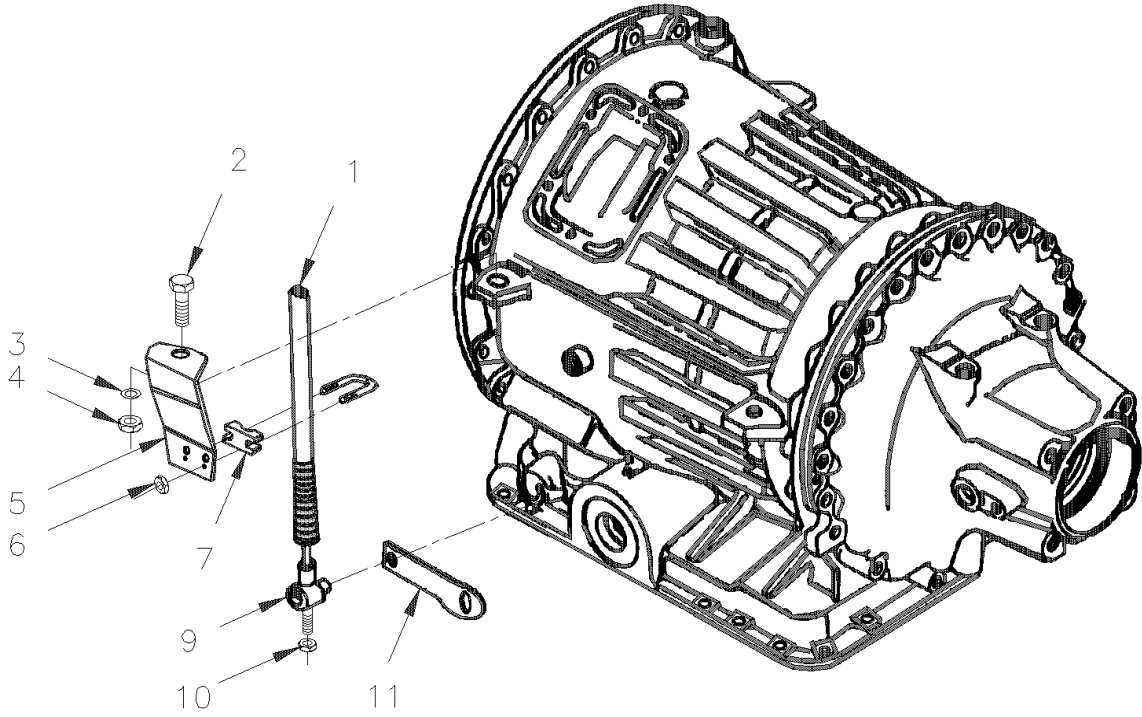
SHIFTER SELECTOR - AUTO TRANS. HYDRAU.



From L-031 To R-079	Date:07/2024	PAGE:H4-0755-00
SHIFTER SELECTOR - AUTO TRANS. HYDRAU.		

Item#	Part	Description	H 3 4 0	V I P 4 0	N O T E S
	571291	SHIFTER CONTROL ASSY / 4SPEEDS / L.H. To N-216	1		A
	571501	SHIFTER CONTROL ASSY / 4SPEEDS / L.H. From N-217	1		
	571289	SHIFTER CONTROL ASSY / 5SPEEDS / L.H. To N-216	1		A
	571504	SHIFTER CONTROL ASSY / 5SPEEDS / L.H. From N-217	1		
1	571342	. COVER	1		
2	571385	. STRIP POSITION / 4 SPEEDS	1		
2	571386	. STRIP POSITION / 5 SPEEDS	1	1	
3	571326	. INDICATOR STRIP SPRING & CLIP	1		
4	571226	. SOCKET & WIRE ASSY	1		
5	560394	. BULB / 2WATT-24VOLTS / SAE# 3797	1		
6	571344	. PLATE QUADRANT / 4 SPEEDS	1		
6	571384	. PLATE QUADRANT / 5 SPEEDS	1		
7	571343	. KNOB	1		
8	571387	. KIT CABLE ATTACHMENT	1		
8	571507	. KIT CABLE ATTACHMENT To N-216	1		
9	571416	. PLATE From N-217	1		
20	571293	CABLE ASSY 504" To N-216	1		A
20	571506	CABLE ASSY 504" From N-217	1		
21	530088	. SEAL / SLEEVE	2		
22	530090	. SEAL / ROD	2		
		A) UP TO N-216 WE USE SERIAL 60 (5/16") TO CHANGE CABLE BY SERIAL 40 (1½") YOU REQUIRE 571509 & 571507			

From L-031 To R-079	Date:07/2024	PAGE:H4-0755-10
SHIFTER MODULATOR - AUTO. TRANS. HYDRAU.		



From L-031 To R-079	Date:07/2024	PAGE:H4-0755-10
SHIFTER MODULATOR - AUTO. TRANS. HYDRAU.		

Item#	Part	Description	H 3 4 0	V I P 4 0	N O T E S
1	571293	CABLE ASSY 504" To N-216	1		B
NS	571506	CABLE ASSY 504" From N-217	1		
NS	571287	KIT, CABLE SUPPORT To N-216	1		B
NS	571505	KIT, CABLE SUPPORT From N-217	1		
2	500121	. SCREW CAP HEX 5/8-18x1 1/2 G5 ZP	1		
3	500484	. WASHER LO SPT .635x1.079x.156 Z050	1		
4	500730	. NUT HEX JAM THN 5/8-18x3/8 ZP	1		
5	N.S.S.	. SUPPORT CABLE	1		1
NS	571509	. KIT U-BOLT (SERIAL 40 ONLY)	1		
6	500690	. . NUT HEX NYRT 1/4-28 Z050	2		
7	N.S.S.	. . SHIM	1		1
8	N.S.S.	. . U-BOLT	1		1
9	571236	. TRUNION 5/16-24 To N-216	1		B
9	571508	. TRUNION 1/4-28 From N-217	1		
10	500265	. NUT HEX STO 3/8-16 Z050	1		
11	571473	. LEVER	1		
12	571296	MODULATOR ASSY / W/HYDRAULIC TRANSMISSION & DDEC ENGINE	1		
13	530134	VALVE, PRESSURE REDUCING / RV-1 60 PSI	1		
14	500550	SCREW TP CAP HEXW #14x2 ZP	2		
15	140658	HOSE ASSY TEFLON #4 1456MM	1		C
NS	503064	. HOSE TEFLON #4 / S.L.	AR		
NS	501892	. FEMALE CONNECTOR SWIVEL / SAE 45° FITTING / TEFLON / #4FL-Fx#4 STL	AR		
15	070613	HOSE ASSY TEFLON #4 2089MM	1		D
16	141108	HOSE ASSY TEFLON #4 427MM	1		A
16	051127	HOSE ASSY TEFLON #4 821MM	1		D
17	501094	MALE CONNECTOR / COMPRESSION FITTING / #4x1/4NPT-M BR	2		
18	503188	COPPER TUBE .250" O.D. x .030" x 600"	AR		
19	501036	MALE ELBOW 90° / SAE 45° FITTING / #4FL-Mx1/8NPT-M BR	1		
20	560324	VALVE SOLENOID N.O. 12 VOLTS	1		
. NS	060851	. CONNECTOR ASSY	1		
22	503188	COPPER TUBE .250" O.D. x .030" x 600"	AR		
23	501331	STREET ELBOW 90° / PIPE FITTING / 1/8NPT-Mx1/8NPT-F BR	1		
24	060721	SUPPORT / SOLENOID VALVE	1		
25	502751	SCREW CAP HEX #10-32x3/8 Z050	2		
NS	500470	WASHER LO SPT .193x.334x.047 Z050	2		
26	504487	RIVET MGLP PRDG 3/16x7/16 SS	4		
		A) SOLENOID & MANIFOLD BLOCK WITH SERIES 92			
		B) UP TO N-216 WE USE SERIAL 60(5/16") TO REPLACE CABLE BY SERIAL 40 (¼") YOU REQUIRE 571509 & 571507			
		C) WITH SERIES 92			

From L-031 To R-079	Date:07/2024	PAGE:H4-0755-10
---------------------	--------------	-----------------

SHIFTER MODULATOR - AUTO. TRANS. HYDRAU.

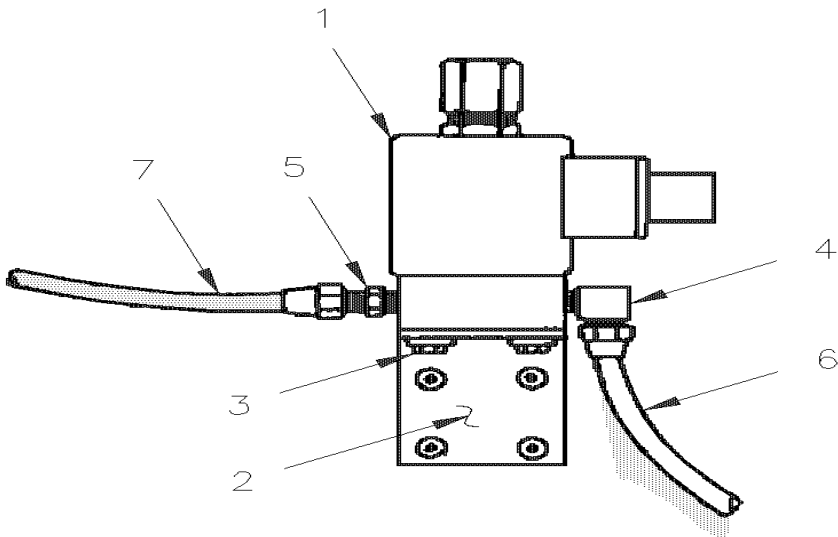
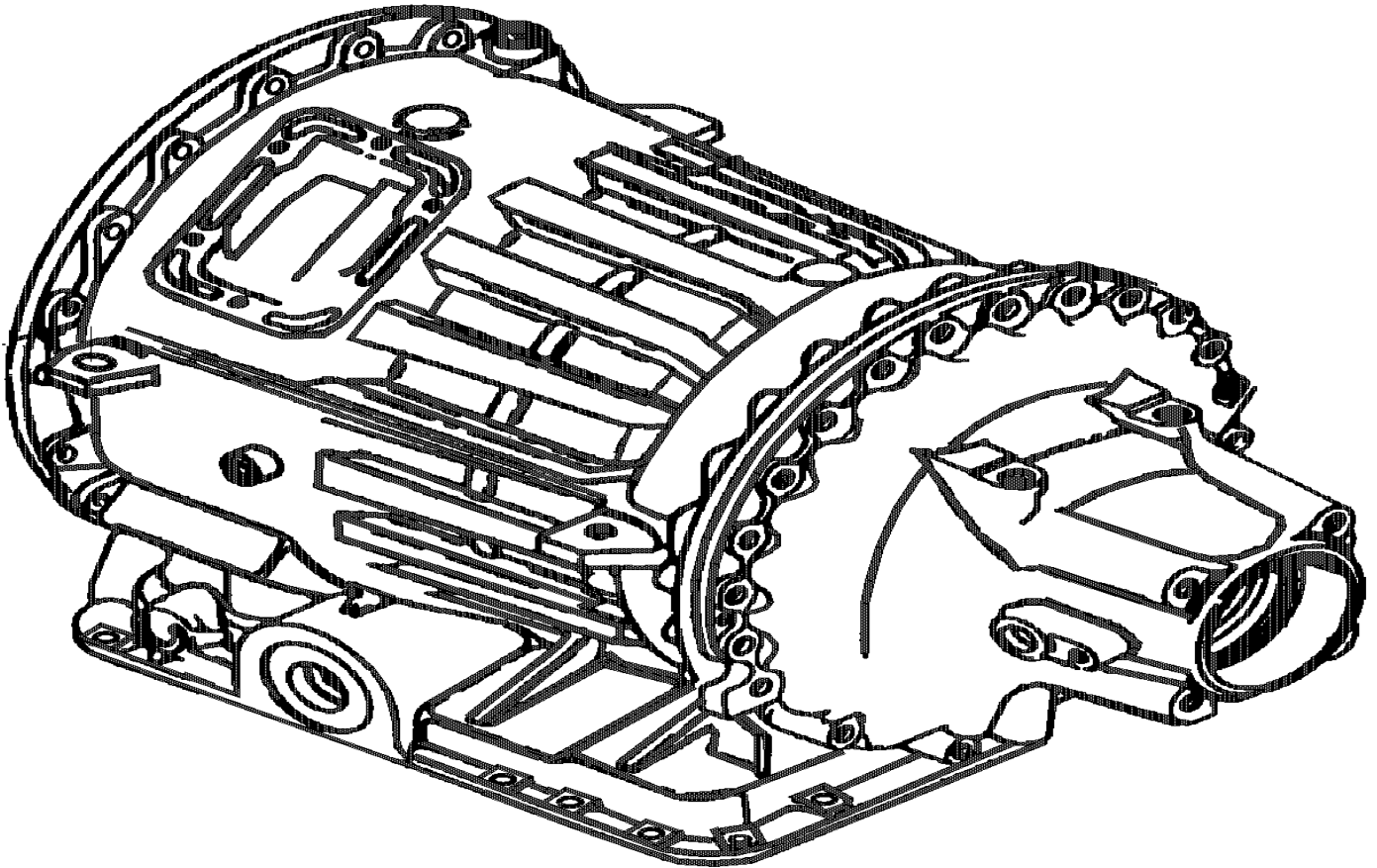
Item#	Part	Description	H 3 4 0	V I P 4 0	N O T E S
		D) WITH SERIES 60			
		1) NOT SOLD SEPARATELY			

From L-031 To R-079

Date:07/2024

PAGE:H4-0755-11

SOLENOID AIR VALVE - TRANS W/RETARDER



From L-031 To R-079	Date:07/2024	PAGE:H4-0755-11
SOLENOID AIR VALVE - TRANS W/RETARDER		

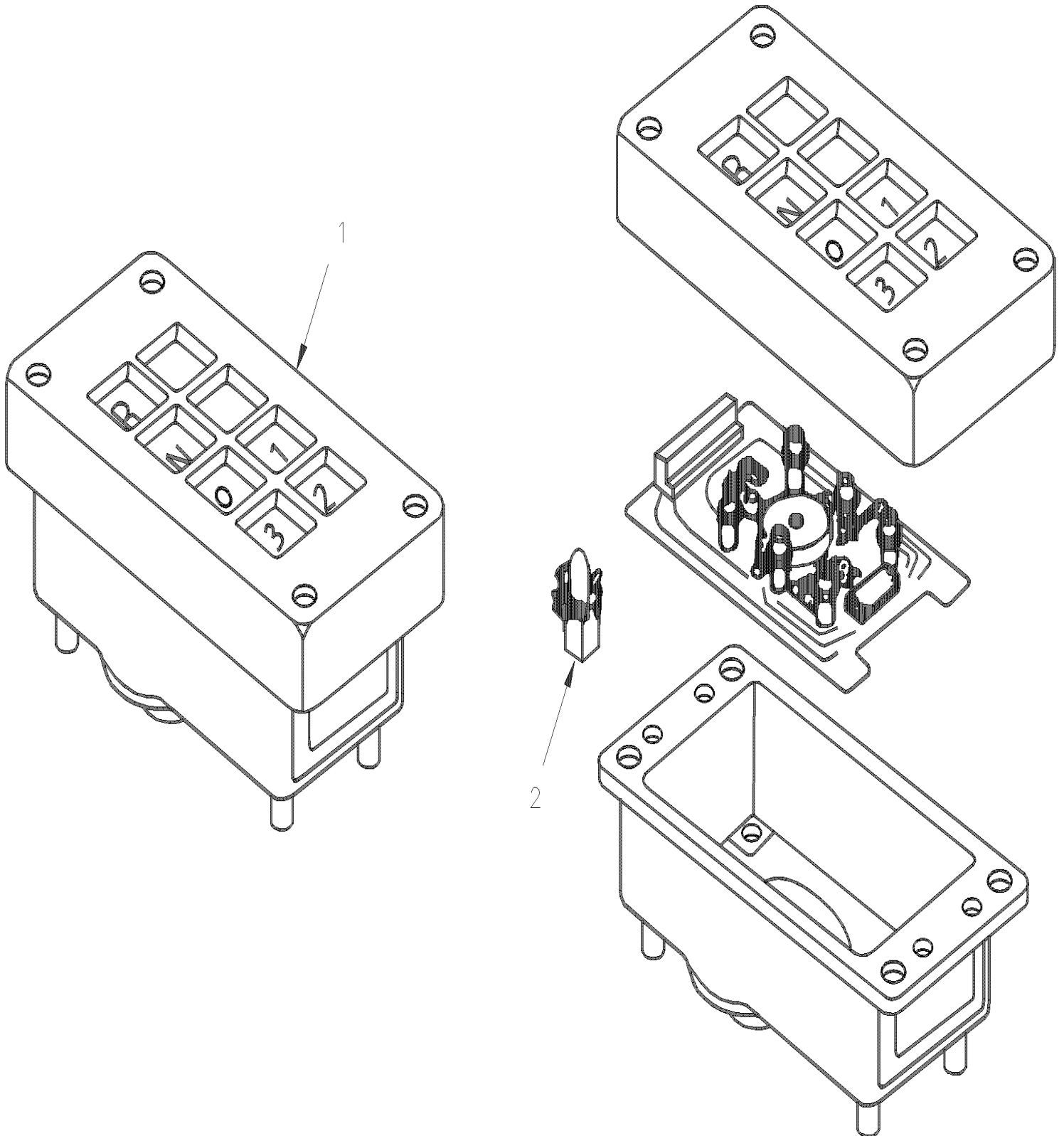
Item#	Part	Description	H 3 4 0	V I P 4 0	N O T E S
1	560930	VALVE SOLENOID N.C. 24 VOLTS	1	1	
. NS	060851	. CONNECTOR ASSY	1	1	
2	060721	SUPPORT / SOLENOID VALVE	1	1	
3	502571	WASHER FL SEAL .281x.625x20GA SS	2	2	
3	500470	WASHER LO SPT .193x.334x.047 Z050	2	2	
4	501036	MALE ELBOW 90° / SAE 45° FITTING / #4FL-Mx1/8NPT-M BR	1	1	
5	501026	MALE CONNECTOR / SAE 45° FITTING / #4FL-Mx1/8NPT-M BR	1	1	
6	031147	HOSE ASSY TEFLON #4 522MM	1	1	A
6	031149	HOSE ASSY TEFLON #4 351MM	1	1	B
7	070613	HOSE ASSY TEFLON #4 2089MM	1	1	
		A) WITH SERIES 9			
		B) WITH SERIES 60			

From L-031 To R-079

Date:07/2024

PAGE:H4-0755-15

SHIFTER ELECTRONIC - "ATEC" TRANSMISSION

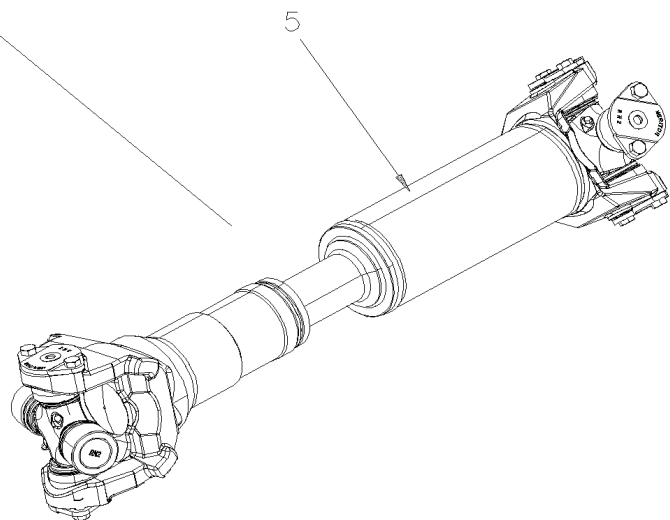
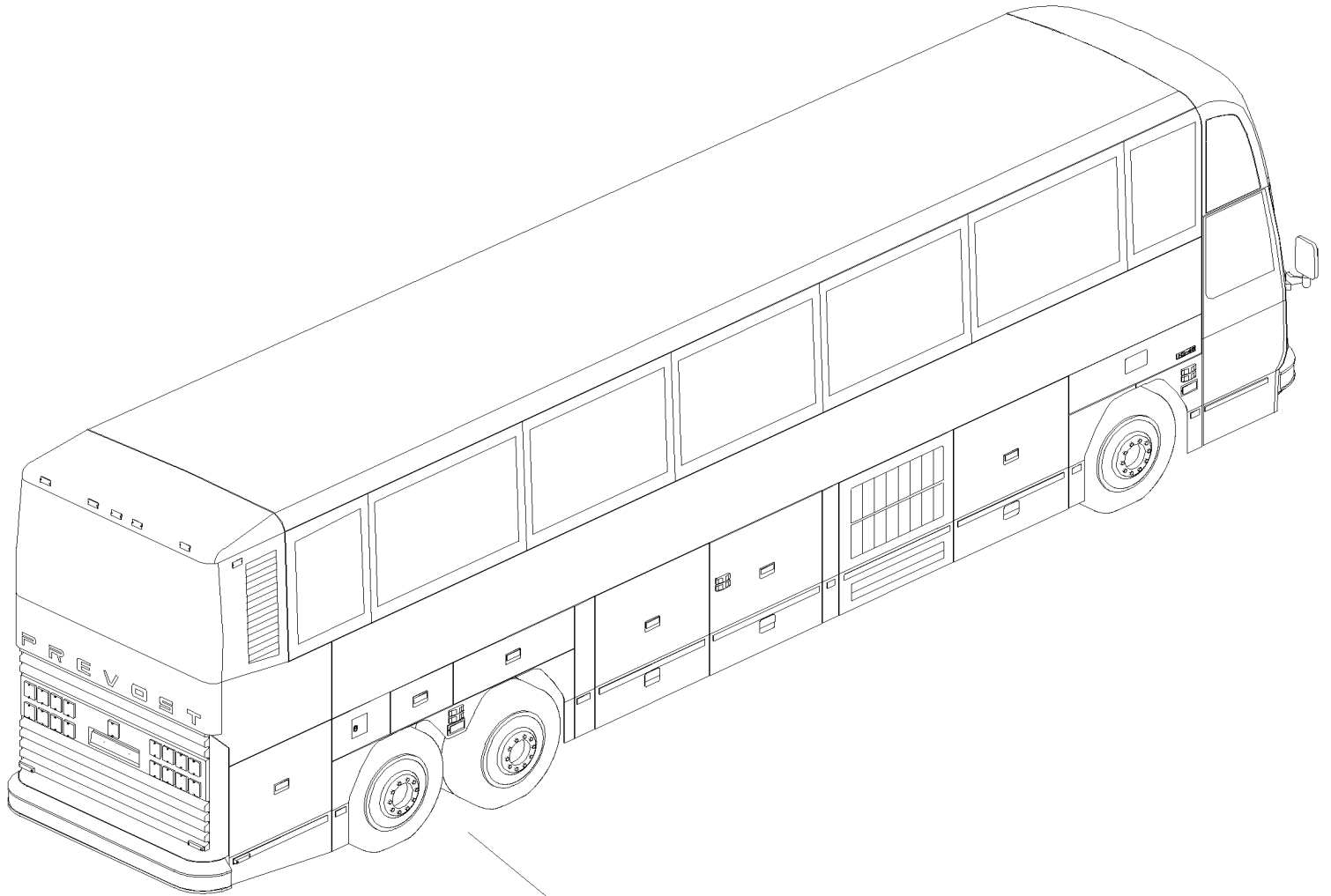


From L-031 To R-079	Date:07/2024	PAGE:H4-0755-15
---------------------	--------------	-----------------

SHIFTER ELECTRONIC - "ATEC" TRANSMISSION

Item#	Part	Description	H 3 4 0	V I P 4 0	N O T E S
1	571446	SELECTOR / W/4 SPEDDS	1	1	
1	571456	SELECTOR / W/5 SPEEDS	1	1	
2	561930	. BULB / 0.3WATT-12VOLTS / SAE# 73	3	3	
2	561184	. . BULB / 1.2 WATT-12VOLTS / SAE# 2721	1	1	

	Date:07/2024	H4-09
PROPELLER SHAFT		



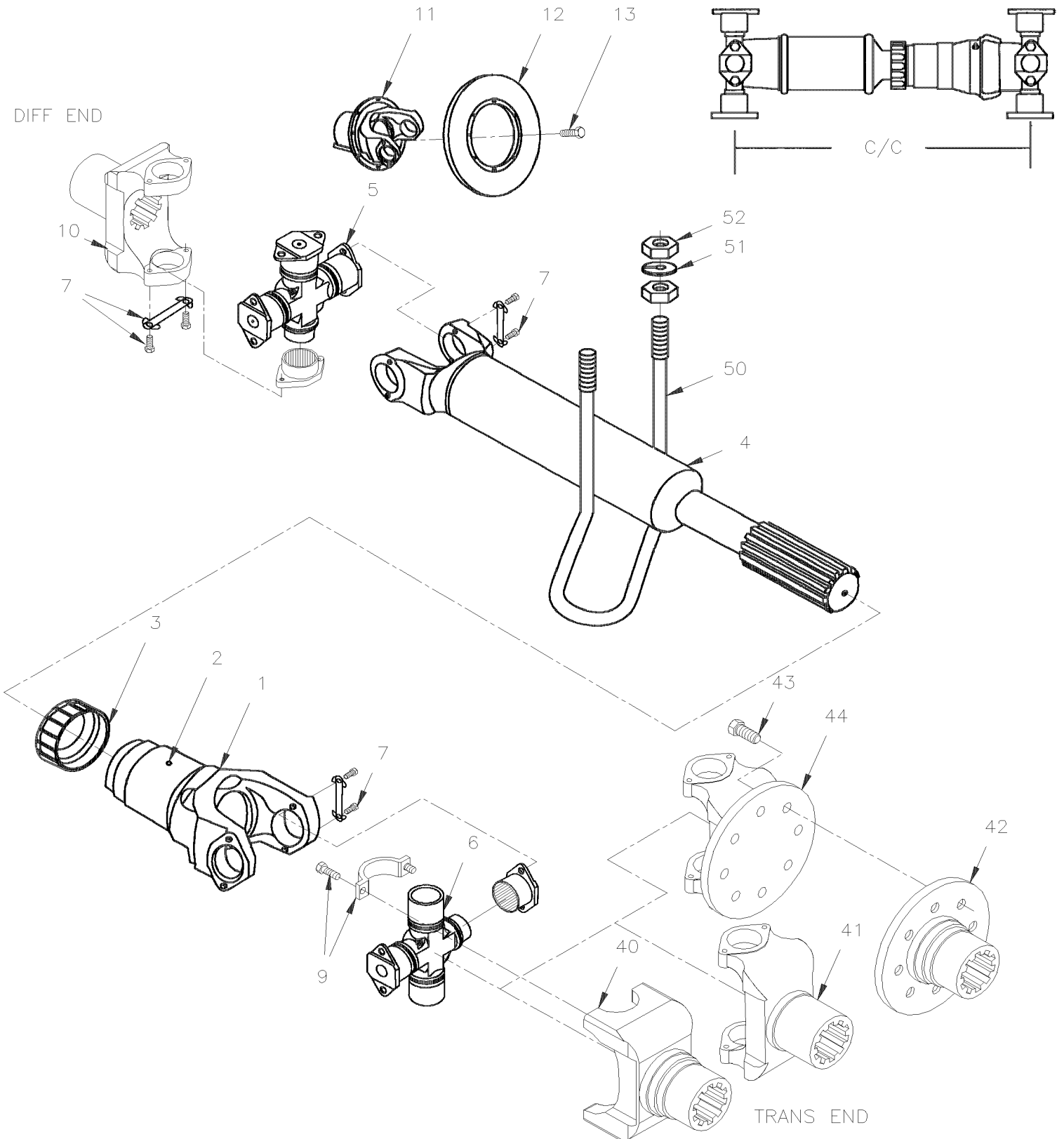
		Date:07/2024	H4-09		
PROPELLER SHAFT					
Item#	Part	Description	H 3 4 0	V I P 4 0	N O T E S
5	H4-0905-00	PROPELLER SHAFT From L-031 To R-079			

From L-031 To R-079

Date:07/2024

PAGE:H4-0905-00

PROPELLER SHAFT



From L-031 To R-079	Date:07/2024	PAGE:H4-0905-00
PROPELLER SHAFT		

Item#	Part	Description	H 3 4 0	V I P 4 0	N O T E S
		PROPELLER SHAFT SERIES 1710 USED WITH SERIES 6V92 ENGINE			
	580032	SHAFT ASSY 35 3/4" C/C	1		
	580033	SHAFT ASSY 24 1/2" C/C	1	1	
	580034	SHAFT ASSY 27 3/4" C/C	1	1	
		PROPELLER SHAFT SERIES 1810 USED WITH SERIES 8V92 ENGINE			
	580041	SHAFT ASSY 27" C/C	1		
	580035	SHAFT ASSY 16 3/16" C/C	1	1	
	580047	SHAFT ASSY 13" C/C		1	
	580059	SHAFT ASSY 14" C/C W/H755 W/RETARDER	1	1	
		PROPELLER SHAFT SERIES 1810 USED WITH SERIES 60 ENGINE			
	580047	SHAFT ASSY 13" C/C	1	1	
1	580065	. SLIP YOKE	1	1	M
. NS	580078	. WELSH PLUG / PLASTIC BLUE 3 1/4" O.D. THIN	1	1	M
1	580064	. SLIP YOKE	1		N
. NS	580079	. WELSH PLUG / WELDED	1		N
1	580066	. SLIP YOKE	1		O
. NS	580084	. WELSH PLUG / PLASTIC BLUE 3 1/4" O.D. DEEP	1		O
1	580054	. SLIP YOKE	1	1	S
2	501491	. GREASE FITTING / 1/8 NPTx3/4"	1	1	
3	580052	. DUST CAP KIT / W/1800 SERIES	1	1	
3	580046	. DUST CAP KIT / W/1700 SERIES	1	1	
4	N.P.N.	. YOKE SHAFT	1	1	4
4	580053	. YOKE SHAFT/ W/580047	1	1	
5	580043	. KIT, CROSS & BEARING / W/1800 FULL ROUND	1	1	
5	580031	. KIT, CROSS & BEARING / W/1700 FULL ROUND	2	2	
6	580062	. KIT, CROSS & BEARING / W/1800 HALF ROUND			
NS	580067	. BEARING END (1810) W/QUICK DISCONNECT	2	2	
7	580071	. SCREW CAP HEX 3/8-24 x 5/8 G8	8	8	
9	580063	KIT STRAP & BOLT	1	1	
. NS	N8893184	. SCREW CB 12POINT (SET OF 4) 1/2-20 x 1" G8	4	4	
		NEXT FOLLOWING YOKE ARE PART OF			

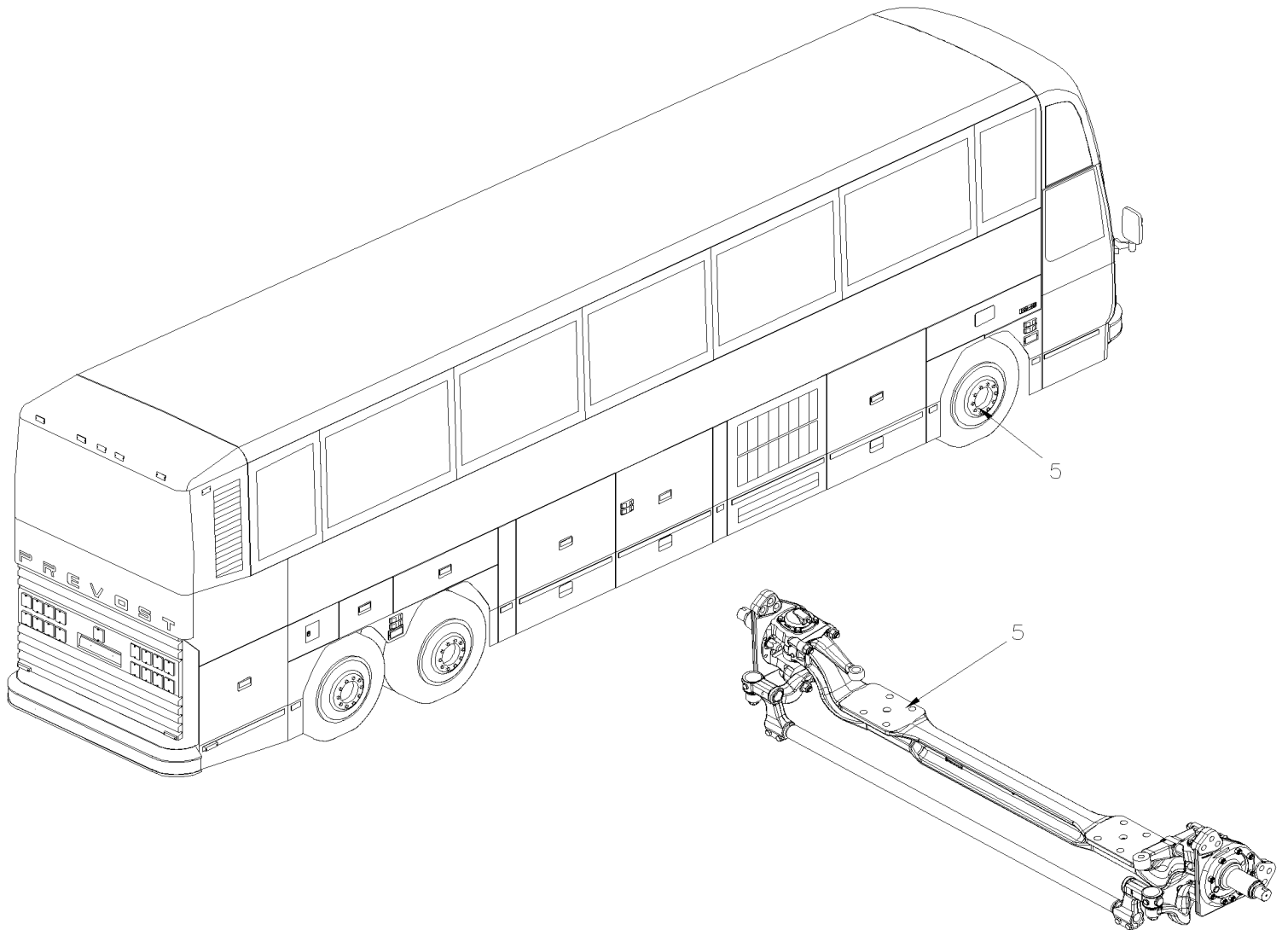
From L-031 To R-079	Date:07/2024	PAGE:H4-0905-00
PROPELLER SHAFT		

Item#	Part	Description	H 3 4 0	V I P 4 0	N O T E S
		REAR AXLE			
10	621402	YOKE (1710) FULL ROUND (46 SPL)	1	1	
. NS	621501	. DEFLECTOR, OIL	1	1	
. NS	621492	. SPEEDY SLEEVE 3.250" I.D. / TO REPAIR OIL LEAK ON YOKE	1	1	
10	621403	YOKE (1810) FULL ROUND (46 SPL)	1	1	
. NS	621501	. DEFLECTOR, OIL	1	1	
. NS	621492	. SPEEDY SLEEVE 3.250" I.D. / TO REPAIR OIL LEAK ON YOKE	1	1	
11	621507	YOKE (1810) FULL ROUND (46 SPL) W/FLYWHEEL ADAPTOR ONE PIECE	1	1	
. NS	621492	. SPEEDY SLEEVE 3.250" I.D. / TO REPAIR OIL LEAK ON YOKE	1	1	
12	121242	FLYWHEEL	1	1	
13	500074	SCREW CAP HEX 7/16-20x2 G5 Z050	8	8	
NS	500714	NUT HEX STO 7/16-20 Z050	8	8	
		NEXT FOLLOWING YOKE ARE PART			
		OF TRANSMISSION			
40	580072	YOKE (1810) HALF ROUND / W/MANUAL TRANS (20 SPL) 6 SPEEDS	1		
. NS	621494	. SPEEDY SLEEVE 3.750" I.D. / TO REPAIR OIL LEAK ON YOKE	1		
40	571570	YOKE (1810) HALF ROUND / MODIFIED FOR HT-746 (18 SPL)	1	1	
. NS	571537	. YOKE (1810) HALF ROUND / W/AUTOMATIC HT-746 (18 SPL)	1	1	
. . NS	571568	. . SPEEDY SLEEVE 3.750: I.D. / WITH 571570	1	1	
. . NS	571550	. . SEAL OIL / TRANS HT-746	1	1	
. NS	571568	. SPEEDY SLEEVE 3.750: I.D. / WITH 571570	1	1	
41	571214	YOKE (1700) FULL ROUND (18 SPL)	1	1	B
. NS	621493	. SPEEDY SLEEVE 3 1/2" I.D. / TO REPAIR OIL LEAK ON YOKE	1	1	B
41	571305	YOKE (1800) FULL ROUND (18 SPL)	1	1	C
. NS	621493	. SPEEDY SLEEVE 3 1/2" I.D. / TO REPAIR OIL LEAK ON YOKE	1	1	C
41	571419	YOKE (1800) FULL ROUND W/MANUAL TRANS (20 SPL) 6 SPEEDS	1		
. NS	621494	. SPEEDY SLEEVE 3.750" I.D. / TO REPAIR OIL LEAK ON YOKE	1		
42	571327	COMPANION FLANGE / W/MANUAL TRANS (20 SPL) 6 SPEEDS	1		F
42	580057	COMPANION FLANGE / W/MANUAL TRANS (20 SPL) 6 SPEEDS	1		G
. NS	621494	. SPEEDY SLEEVE 3.750" I.D. / TO REPAIR OIL LEAK ON YOKE	1		G
42	N.P.N.	FLANGE COMPANION / W/HT755 W/RETARDER	1	1	4
43	570982	SCREW CAP HEX 3/8-24x1 1/4	8		
43	571500	SCREW CAP HEX 7/16-20x1 3/8	12	12	
NS	500704	NUT HEX STO 3/8-24 Z050	8		
44	580058	FLANGE YOKE (1800) FULL ROUND		1	
50	120933	PROTECTOR GUARD PROPELLER SHAFT 500MM x 140MM	1	1	
51	500488	WASHER LO SPT .760x1.271x.188 Z050	2	2	
52	500733	NUT HEX 3/4-16 Z050	2	2	

From L-031 To R-079	Date:07/2024	PAGE:H4-0905-00
PROPELLER SHAFT		

Item#	Part	Description	H 3 4 0	V I P 4 0	N O T E S
		B) FULL ROUND / W/AUTOMATIC TRANSMISSION & 6V92			
		C) FULL ROUND / W/AUTOMATIC TRANSMISSION & 8V92			
		F) WITH 571214 & 571305			
		G) SERIES 1800 W/MANUAL TRANSMISSION (20SPL)			
		M) WITH SHAFT ASSY #580035 & 580041			
		N) WITH SHAFT ASSY #580032, 580033 & 580034			
		O) WITH SHAFT ASSY #580059			
		S) WITH SHAFT ASSY #580047			
		4) NO PARTS NUMBER			

	Date:07/2024	H4-10
FRONT AXLE		



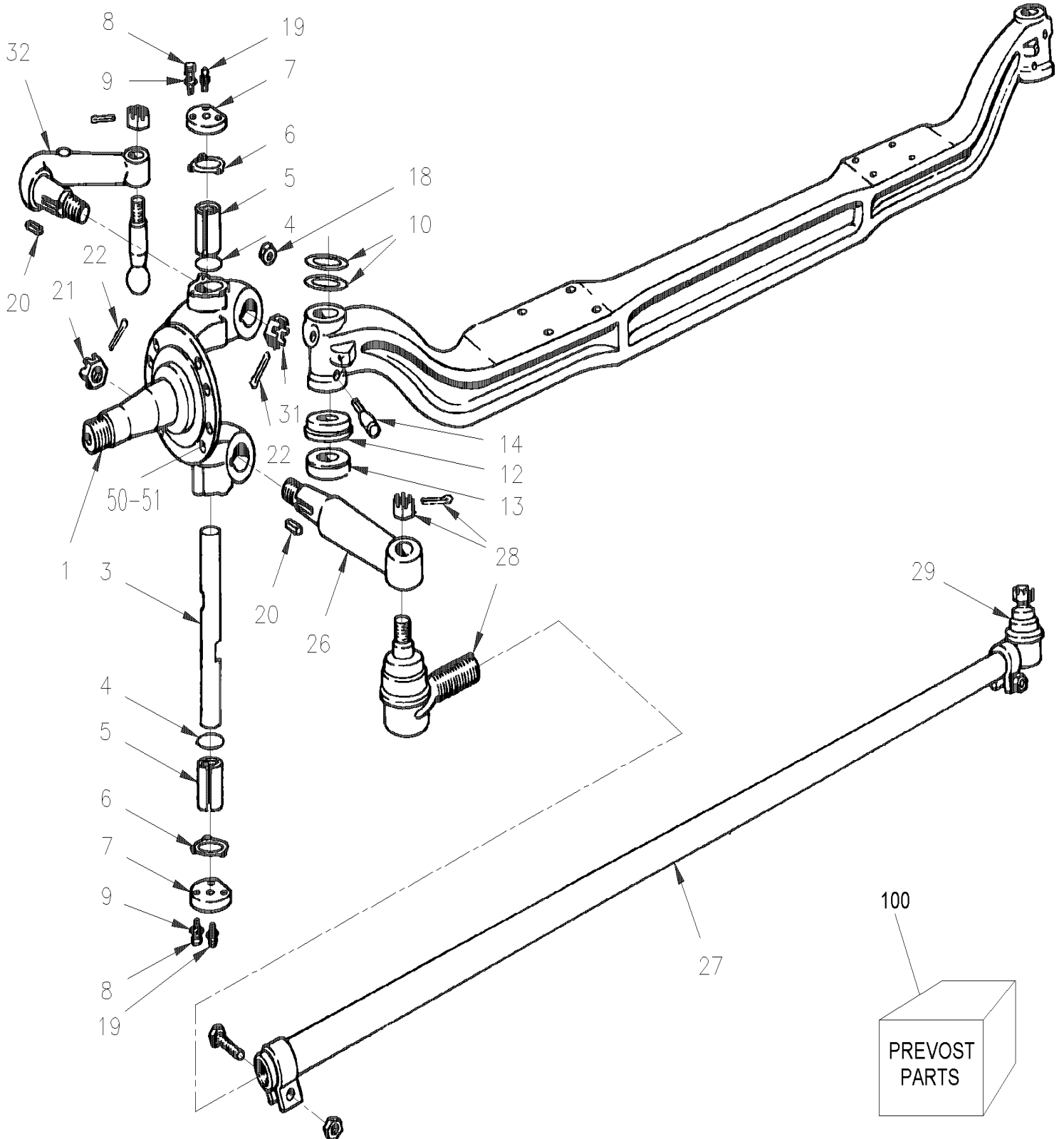
		Date:07/2024	H4-10		
FRONT AXLE					
Item#	Part	Description	H 3 4 0	V I P 4 0	N O T E S
5	H4-1005-02	FRONT AXLE - I BEAM RIGID MODEL "2FG-952-CAX" From L-031 To R-079			

From L-031 To R-079

Date:07/2024

PAGE:H4-1005-02

FRONT AXLE - I BEAM RIGID MODEL "2FG-952-CAX"



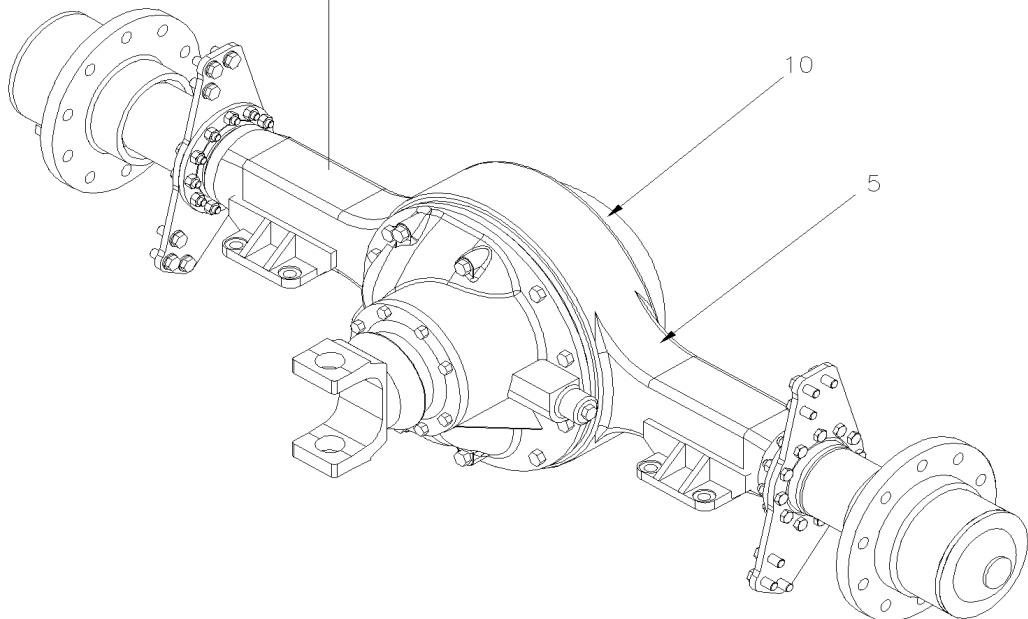
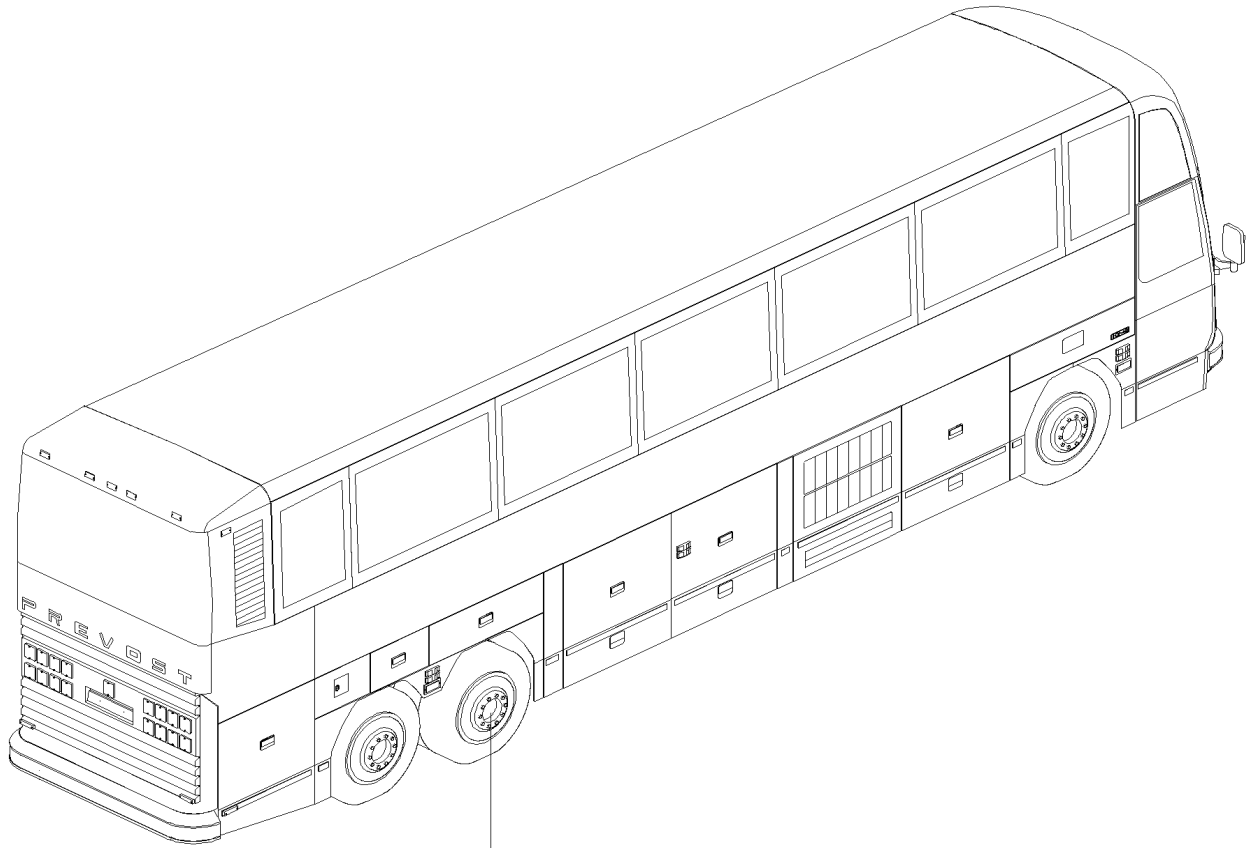
From L-031 To R-079	Date:07/2024	PAGE:H4-1005-02
FRONT AXLE - I BEAM RIGID MODEL "2FG-952-CAX"		

Item#	Part	Description	H 3 4 0	V I P 4 0	N O T E S
	610900	AXLE ASSY STUD MOUNT & 24" BOOSTER To N-174	1	1	
	610903	AXLE ASSY STUD MOUNT & 24" BOOSTER W/ABS To N-174	1	1	A
	610949	AXLE ASSY STUD MOUNT & 24" BOOSTER From N-175 To R-033	1	1	A
	610948	AXLE ASSY STUD MOUNT & 24" BOOSTER W/ABS From N-174 To R-033	1	1	
	610981	AXLE ASSY STUD MOUNT & 24" BOOSTER W/ABS From R-034	1	1	
	610958	AXLE ASSY HUB MOUNT & 24" BOOSTER To R-033	1		
	610957	AXLE ASSY HUB MOUNT & 24" BOOSTER W/ABS To R-033	1		
	610979	AXLE ASSY HUB MOUNT & 24" BOOSTER W/ABS From R-034	1		
	611136	CENTER AXLE	1	1	
	610944	. DOWEL PIN / CENTER AXLE	2	2	
1	610922	. KNUCKLE, STEERING / L.H.	1	1	
1	610844	. KNUCKLE, STEERING / R.H.	1	1	
3	N.S.S.	. PIN / STEERING KNUCKLE	2	2	1
4	N.S.S.	. SEAL / STEERING KNUCKLE PIN	4	4	1
5	N.S.S.	. BUSHING / STEERING KNUCKLE PIN	4	4	1
6	N.S.S.	. GASKET / STEERING KNUCKLE PIN CAP	4	4	1
7	N.S.S.	. CAP / STEERING KNUCKLE PIN	4	4	1
8	N.S.S.	. BOLT / TO FIX STEERING KNUCKLE PIN CAP	12	12	1
9	N.S.S.	. WASHER LOCK / TO FIX STEERING KNUCKLE PIN CAP	12	12	1
10	610854	. SHIM .010 / STEERING KNUCKLE PIN	AR	AR	
10	610855	. SHIM .005 / STEERING KNUCKLE PIN	AR	AR	
12	N.S.S.	. SEAL / THRUST BEARING	2	2	1
13	N.S.S.	. BEARING, THRUST	2	2	1
14	N.S.S.	. KEY, DRAW / UPPER	2	2	1
14	610795	. KEY, DRAW LOWER 4"	2	2	
18	610796	. NUT, KEY DRAW UPPER & LOWER	4	4	
19	501490	. GREASE FITTING / 1/8 NPT	2	2	
20	610861	. KEY / CROSS TUBE ARM	4	4	
21	610054	. NUT 1 1/8-12 SLOTTED PRODUCTION	2	2	
22	610066	. PIN, COTTER / CROSS TUBE ARM	4	4	
26	610946	. ARM KNUCKLE / L.H. To N-174	1	1	A
26	610801	. ARM KNUCKLE / L.H. From N-175	1	1	
26	610947	. ARM KNUCKLE / R.H. To N-174	1	1	A
26	610802	. ARM KNUCKLE / R.H. From N-175	1	1	
27	610780	. ROD ASSY W/END	1	1	
28	610687	. TIE ROD END L.H. THREAD 1 1/4-12	1	1	
29	610686	. TIE ROD END R.H. THREAD 1 1/4-12	1	1	
30	621340	. SCREW, STOP / STEERING KNUCKLE	2	2	
30	621338	. SHIM 0.010	2	2	
30	621339	. NUT JAM STEERING KNUCKLE	2	2	
31	500757	. NUT HEX SLT 1 1/4-12 ZP	1	1	
32	610921	. ARM / STEERING To R-033	1	1	

From L-031 To R-079	Date:07/2024	PAGE:H4-1005-02
FRONT AXLE - I BEAM RIGID MODEL "2FG-952-CAX"		

Item#	Part	Description	H 3 4 0	V I P 4 0	N O T E S
32	610978	. ARM / STEERING From R-034	1	1	
50	H4-1225-02	BRAKE PARTS - FRONT AXLE - W/MODEL 2FG952CAX	1	1	
50	H4-1225-99	BRAKE PARTS - FRONT AXLE - RETROKIT MODEL 16 1/2 I.D. (RETROFIT)	1	1	
51	H4-1300-01	HUB & ROTOR - FRONT AXLE MODEL 2FG-952CAX	1	1	
51	H4-1300-99	HUB & DRUM - FRONT AXLE - RETROFIT MODEL 16 1/2 I.D. (RETROFIT)	1	1	
100	610799	KIT REPAIR / KNUCKLE BUSHING // NYLON	1	1	B
100	611240	KIT REPAIR / KNUCKLE BUSHING // BRASS	1	1	B
		A) SOME VIP UP TO N-174 CHANGE ARM FOR REVERSE LOWER RADIAL BAR PLEASE CHECK BEFORE ORDER ARM			
		B) INCLUDING ITEMS #3,4,5,6,7,8,9,10,12 & 13			
		1) NOT SOLD SEPARATELY			

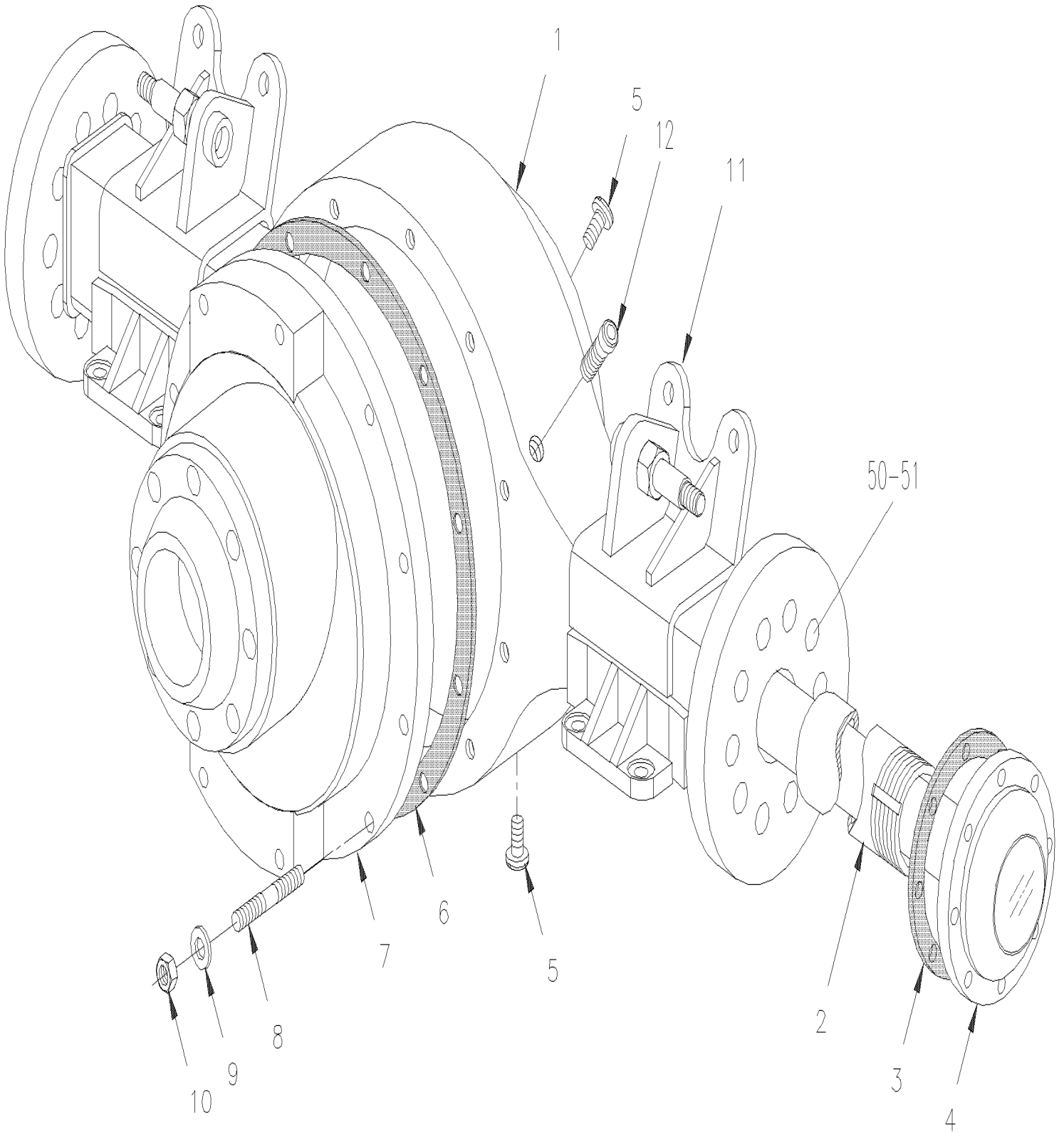
	Date:07/2024	H4-11
REAR AXLE		



		Date:07/2024	H4-11
REAR AXLE			

Item#	Part	Description	H 3 4 0	V I P 4 0	N O T E S
5	H4-1105-01	REAR AXLE - MODEL RS23160 & DRUM BRAKE W/61143 From L-031 To R-079			
10	H4-1110-01	CARRIER ASSY - MODEL #61143 From L-031 To R-079			

From L-031 To R-079	Date:07/2024	PAGE:H4-1105-01
REAR AXLE - MODEL RS23160 & DRUM BRAKE W/61143		



From L-031 To R-079	Date:07/2024	PAGE:H4-1105-01
REAR AXLE - MODEL RS23160 & DRUM BRAKE W/61143		

Item#	Part	Description	H 3 4 0	V I P 4 0	N O T E S
		AXLE ASSY WITH STUD MOUNTED WHEELS			
	621465	REAR AXLE ASSY / 3.07 RATIO / To R-032	1	1	
	621469	REAR AXLE ASSY / 3.21 RATIO To R-032	1	1	
	621496	REAR AXLE ASSY / 3.21 RATIO / W/ABS IN WHEEL To R-032	1	1	
	621498	REAR AXLE ASSY / 3.42 RATIO To R-032	1		
	621470	REAR AXLE ASSY / 3.42 RATIO To R-032	1	1	
	621495	REAR AXLE ASSY / 3.42 RATIO / W/ABS IN WHEEL To R-032	1	1	
	621517	REAR AXLE ASSY / 3.42 RATIO / W/TELMA To R-032		1	
	621388	REAR AXLE ASSY / 3.58 RATIO To R-032	1		
	621395	REAR AXLE ASSY / 3.58 RATIO To R-032	1	1	
	621302	REAR AXLE ASSY / 3.58 RATIO / W/ABS IN WHEEL To R-032	1	1	
	621398	REAR AXLE ASSY / 3.73 RATIO To R-032	1		
	621399	REAR AXLE ASSY / 3.73 RATIO To R-032	1	1	
	621486	REAR AXLE ASSY / 4.10 RATIO From P-256	1	1	
	621542	REAR AXLE ASSY / 4.30 RATIO From P-256	1	1	
	621530	REAR AXLE ASSY / 4.56 RATIO From P-256	1	1	
	621528	REAR AXLE ASSY / 4.56 RATIO / W/ABS IN WHEEL From P-256	1	1	
	621529	REAR AXLE ASSY / 4.88 RATIO From P-256	1	1	
	621527	REAR AXLE ASSY / 4.88 RATIO / W/ABS IN WHEEL From P-256	1	1	
		AXLE ASSY WITH HUB MOUNTED WHEELS			
	621565	REAR AXLE ASSY / 2.93 RATIO To R-032	1		
	621564	REAR AXLE ASSY / 3.07 RATIO / To R-032	1		
	621522	REAR AXLE ASSY / 3.21 RATIO To R-032	1		
	621500	REAR AXLE ASSY / 3.42 RATIO / W/ABS IN WHEEL To R-032	1		
	621389	REAR AXLE ASSY / 3.58 RATIO To R-032	1		
	621387	REAR AXLE ASSY / 3.58 RATIO To R-032	1		
	621459	REAR AXLE ASSY / 3.73 RATIO To R-032	1		
	621532	REAR AXLE ASSY / 4.56 RATIO From P-256	1		
	621531	REAR AXLE ASSY / 4.56 RATIO / W/ABS IN WHEEL From P-256	1		
	621534	REAR AXLE ASSY / 4.88 RATIO From P-256	1		
	621533	REAR AXLE ASSY / 4.88 RATIO / W/ABS IN WHEEL From P-256	1		
1	621471	HOUSING	1	1	
2	621127	. SLEEVE	2	2	
3	620923	. GASKET / AXLE SHAFT W/10 STUDS	2	2	
4	621411	SHAFT, AXLE / R.H. / 43.500"	1	1	
4	621410	SHAFT, AXLE / L.H. / 41.750"	1	1	
5	621142	PLUG FILLER	2	2	
6	680053	SILICONE TUBE RTV103 / BLACK / 3 oz	1	1	
7	H4-1110-01	CARRIER ASSY - MODEL #61143			

From L-031 To R-079	Date:07/2024	PAGE:H4-1105-01
REAR AXLE - MODEL RS23160 & DRUM BRAKE W/61143		

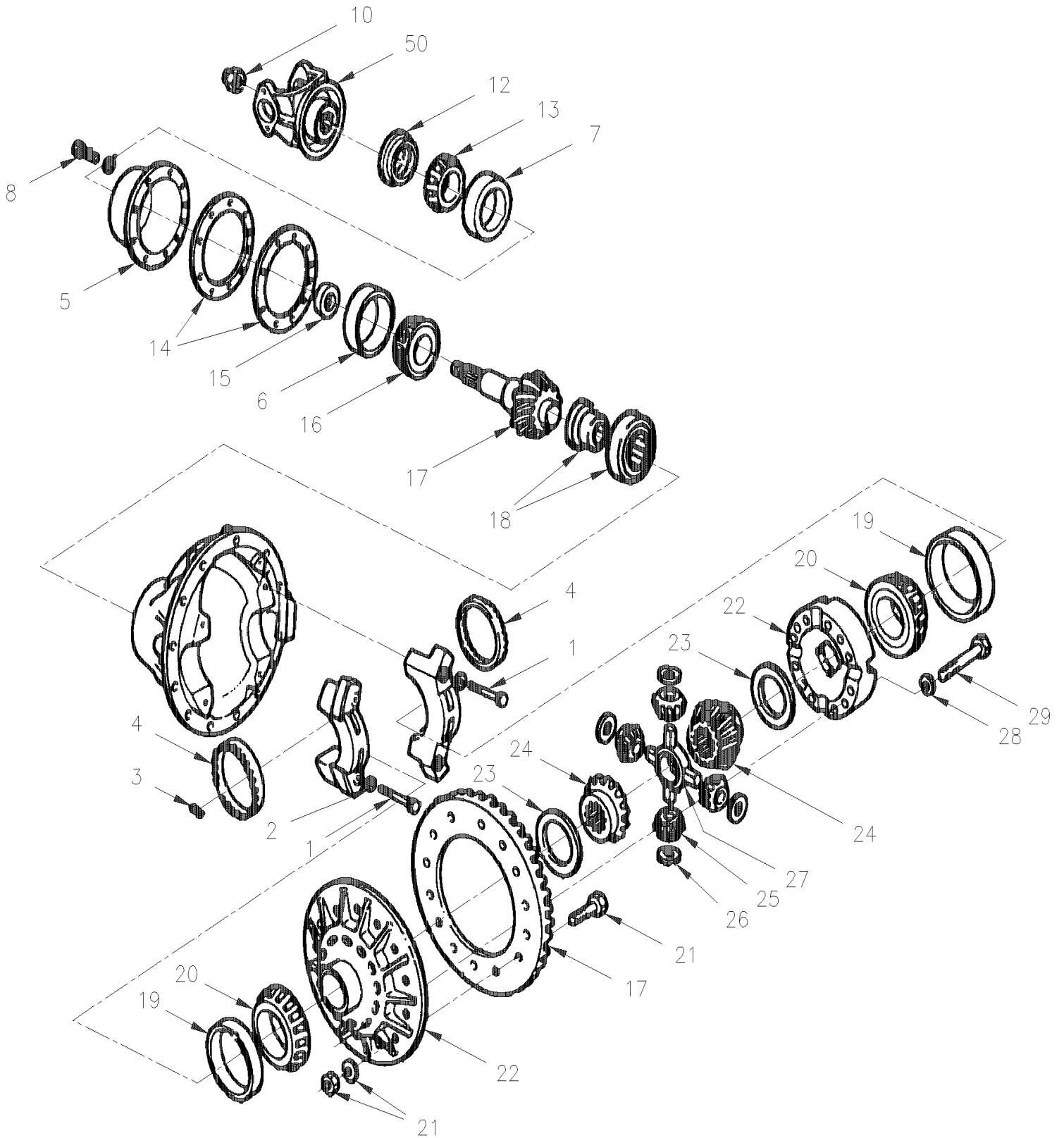
Item#	Part	Description	H 3 4 0	V I P 4 0	N O T E S
8	621183	STUD 5/8-11x 5/8-18 x 3 3/4"	4	4	
8	620042	STUD 5/8-11x 5/8-18 x 2 5/8"	14	14	
9	620474	WASHER HARDENED / 5/8" I.D.	18	18	
10	500742	NUT HEX STO 7/8-14 ZP	18	18	
11	121371	SUPPORT R.H. / BRAKE CHAMBER	1	1	A
11	121372	SUPPORT L.H. / BRAKE CHAMBER	1	1	A
11	121102	SUPPORT L.H. & R.H. / BRAKE CHAMBER	2	2	B
12	620442	BREATHER / (CURRENT 1 PIECE)	1	1	
12	621871	BREATHER AND TUBE	1	1	S
50	H4-1235-01	BRAKE PARTS - DRIVE AXLE "MERITOR" W/DRUMS			
51	H4-1305-00	HUB & DRUM - DRIVE AXLE			
		A) ASSY WITH REAR AXLE SWAY BAR SEE NOTE B			
		B) SEE ATTACHED TEXT TO READ NOTE B			
		S) PRODUCT IMPROVEMENT			

From L-031 To R-079

Date:07/2024

PAGE:H4-1110-01

CARRIER ASSY - MODEL #61143



From L-031 To R-079	Date:07/2024	PAGE:H4-1110-01
CARRIER ASSY - MODEL #61143		

Item#	Part	Description	H 3 4 0	V I P 4 0	N O T E S
	621578	CARRIER ASSY / 2.93 RATIO To R-032	1	1	
	621549	CARRIER ASSY / 3.07 RATIO To R-032	1	1	
	621550	CARRIER ASSY / 3.21 RATIO To R-032	1	1	
	621551	CARRIER ASSY / 3.42 RATIO To R-032	1	1	
	621547	CARRIER ASSY / 3.58 RATIO To R-032	1	1	
	621461	CARRIER ASSY / 3.58 RATIO W/TELMA To R-032		1	
	621548	CARRIER ASSY / 3.73 RATIO To R-032	1	1	
	621552	CARRIER ASSY / 4.10 RATIO From P-256	1	1	
	621555	CARRIER ASSY / 4.30 RATIO From P-256	1	1	
	621553	CARRIER ASSY / 4.56 RATIO From P-256	1	1	
	621554	CARRIER ASSY / 4.89 RATIO From P-256	1	1	
	N.S.S.	. CASE CARRIER	1	1	1
1	621418	. SCREW, CAP	4	4	
2	621417	. WASHER	4	4	
3	505128	. SPRING, PIN 1/4 X 2	2	2	
4	621479	. RING, ADJUSTING / W/MODEL 3200-P-1706	2	2	
4	621454	. RING, ADJUSTING / W/MODEL 3200-T-1658	2		A
5	621419	. CASE & CUP ASSY / PINION BEARING	1	1	
6	621420	. CUP BEARING / INNER BEARING	1	1	
7	621421	. CUP BEARING / OUTER BEARING	1	1	
8	621439	. SCREW, CAP	8	8	
10	621418	. SCREW, CAP	4	4	
10	621445	. NUT / DRIVE PINION	1	1	
12	621424	. SEAL, OIL	1	1	
NS	195671	SEAL INSTALLER TOOL / CARRIER DRIVE PINION (2731T1)	1	1	I
13	621423	. CONE BEARING / OUTER	1	1	
14	621438	. SHIM 0.020	AR	AR	
14	621437	. SHIM 0.008	AR	AR	
14	621436	. SHIM 0.005	AR	AR	
14	621435	. SHIM 0.003	AR	AR	
15	621434	. SPACER .263	AR	AR	
15	621433	. SPACER .262	AR	AR	
15	621432	. SPACER .261	AR	AR	
15	621431	. SPACER .260	AR	AR	
15	621430	. SPACER .256	AR	AR	
15	621429	. SPACER .254	AR	AR	
15	621428	. SPACER .253	AR	AR	
15	621427	. SPACER .252	AR	AR	
15	621426	. SPACER .251	AR	AR	
15	621425	. SPACER .250	AR	AR	
16	621422	. CONE BEARING / INNER	1	1	

From L-031 To R-079	Date:07/2024	PAGE:H4-1110-01
CARRIER ASSY - MODEL #61143		

Item#	Part	Description	H 3 4 0	V I P 4 0	N O T E S
		FOLLOWING 4 SET, GEAR DRIVE & PINION ARE			
		USED ONLY WITH CARRIER MODEL 3200-T-1658			
16	621485	. SET, GEAR DRIVE & PINION / 3.07 RATIO To R-032	1	1	A
16	621442	. SET, GEAR DRIVE & PINION / 3.58 RATIO To R-032	1	1	A
16	621443	. SET, GEAR DRIVE & PINION / 3.73 RATIO To R-032	1	1	A
16	621468	. SET, GEAR DRIVE & PINION / 4.10 RATIO From P-256	1		A
		FOLLOWING 10 SET, GEAR DRIVE & PINION ARE			
		USED ONLY WITH CARRIER MODEL 3200-P-1706			
17	621585	. SET, GEAR DRIVE & PINION / 2.93 RATIO To R-032	1	1	
17	621485	. SET, GEAR DRIVE & PINION / 3.07 RATIO To R-032	1	1	
17	621474	. SET, GEAR DRIVE & PINION / 3.21 RATIO To R-032	1	1	
17	621472	. SET, GEAR DRIVE & PINION / 3.42 RATIO To R-032	1	1	
17	621483	. SET, GEAR DRIVE & PINION / 3.58 RATIO To R-032	1	1	
17	621484	. SET, GEAR DRIVE & PINION / 3.73 RATIO To R-032	1	1	
17	621487	. SET, GEAR DRIVE & PINION / 4.10 RATIO From P-256	1	1	
17	621646	. SET, GEAR DRIVE & PINION / 4.30 RATIO From P-256	1	1	
17	621538	. SET, GEAR DRIVE & PINION / 4.56 RATIO From P-256	1	1	
17	621541	. SET, GEAR DRIVE & PINION / 4.89 RATIO From P-256	1	1	
18	621481	. BEARING SPIGOT / INNER & OUTER / W/3200-P-1706	1	1	C
NS	621441	. BEARING SPIGOT / INNER & OUTER / W/3200-T-1658	1		A
18	621482	. RING, SNAP / TO FIX SPIGOT BEARING			C
19	621210	. CUP BEARING	2	2	C S
19	621456	. CUP BEARING W/CARRIER 3200-T-1658	2		A
20	621209	. CONE BEARING	2	2	C S
20	621455	. CONE BEARING W/CARRIER 3200-T-1658	2		A
21	621444	. BOLT, NUT & WASHER / (KIT OF 12)	1	1	
		FOLLOWING 2 CASES ASSY,			
		INCLUDED ITEMS #23 TO 29			
		FOR CARRIER MODEL 3200-T-1658 ONLY			
21	621446	. CASE ASSY / W/RATIO 3.58, 3.73 To R-032	1		A
21	621473	. CASE ASSY / W/RATIO 4.10 From P-256	1		A
		FOLLOWING 3 CASES ASSY,			
		DO NOT INCLUDE ITEMS #23 TO 27			
		FOR CARRIER MODEL 3200-P-1706			
		WITH ABS SENSOR MOUNTED ON HUB WHEEL.			

From L-031 To R-079	Date:07/2024	PAGE:H4-1110-01
CARRIER ASSY - MODEL #61143		

Item#	Part	Description	H 3 4 0	V I P 4 0	N O T E S
22	621480	. CASE ASSY W/RATIO 3.07, 3.21, 3.42& 3.73 To R-032			
22	621488	. CASE ASSY / W/RATIO 3.91, 4.10, 4.30 & 4.56 From P-259	1	1	
22	621539	. CASE ASSY / W/RATIO 4.89 From P-256	1	1	
23	621449	. WASHER, THRUST / SIDE GEAR	2	2	
24	621450	. GEAR, SIDE	4	4	
25	621452	. GEAR, PINION	4	4	
26	621453	. WASHER, GEAR PINION	4	4	
27	621451	. SPIDER	1	1	
28	621447	. WASHER	12	12	
29	621448	. SCREW, CAP	12	12	
NS	621653	KIT, CUP & CONE	1	1	S
50	621403	YOKE (1810) FULL ROUND (46 SPL)	1	1	
. NS	621501	. DEFLECTOR, OIL	1	1	
. NS	621492	. SPEEDY SLEEVE 3.250" I.D. / TO REPAIR OIL LEAK ON YOKE	1	1	
50	621402	YOKE (1710) FULL ROUND (46 SPL)	1		
. NS	621501	. DEFLECTOR, OIL	1		
. NS	621492	. SPEEDY SLEEVE 3.250" I.D. / TO REPAIR OIL LEAK ON YOKE	1		
50	621501	. DEFLECTOR, OIL	1	1	
50	621507	YOKE (1810) FULL ROUND (46 SPL) W/FLYWHEEL ADAPTOR ONE PIECE	1	1	
. NS	621492	. SPEEDY SLEEVE 3.250" I.D. / TO REPAIR OIL LEAK ON YOKE	1	1	
50	121242	FLYWHEEL	1		
50	121243	ADAPTOR / FOR USE W/FLYWHEEL			B
50	621492	. SPEEDY SLEEVE 3.250" I.D. / TO REPAIR OIL LEAK ON YOKE	1	1	
		A) SEE ATTACHED TEXT ABOUT THIS NOT			
		B) (TO BE WELDED & BALANCED)			
		C) THIS TOOL INSTALLER ARE USE WITH NEW SEAL STAMPED A1205A2731			
		I) THIS TOOL INSTALLER ARE USE WITH NEW SEAL STAMPED A1205A2731			
		S) ALSO SOLD IN KIT #621653			
		1) NOT SOLD SEPARATELY			

	Date:07/2024	H4-12
BRAKE		

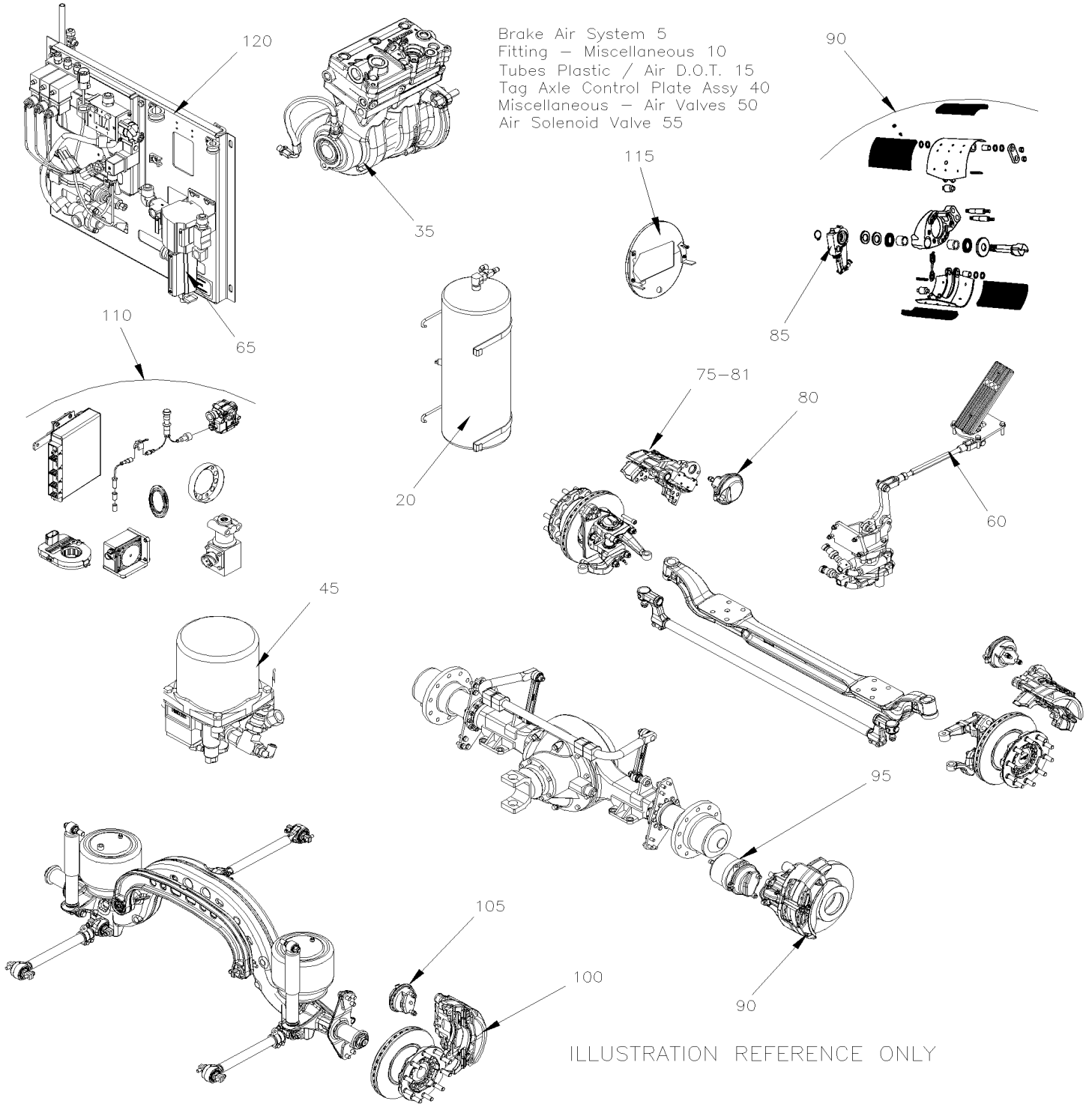
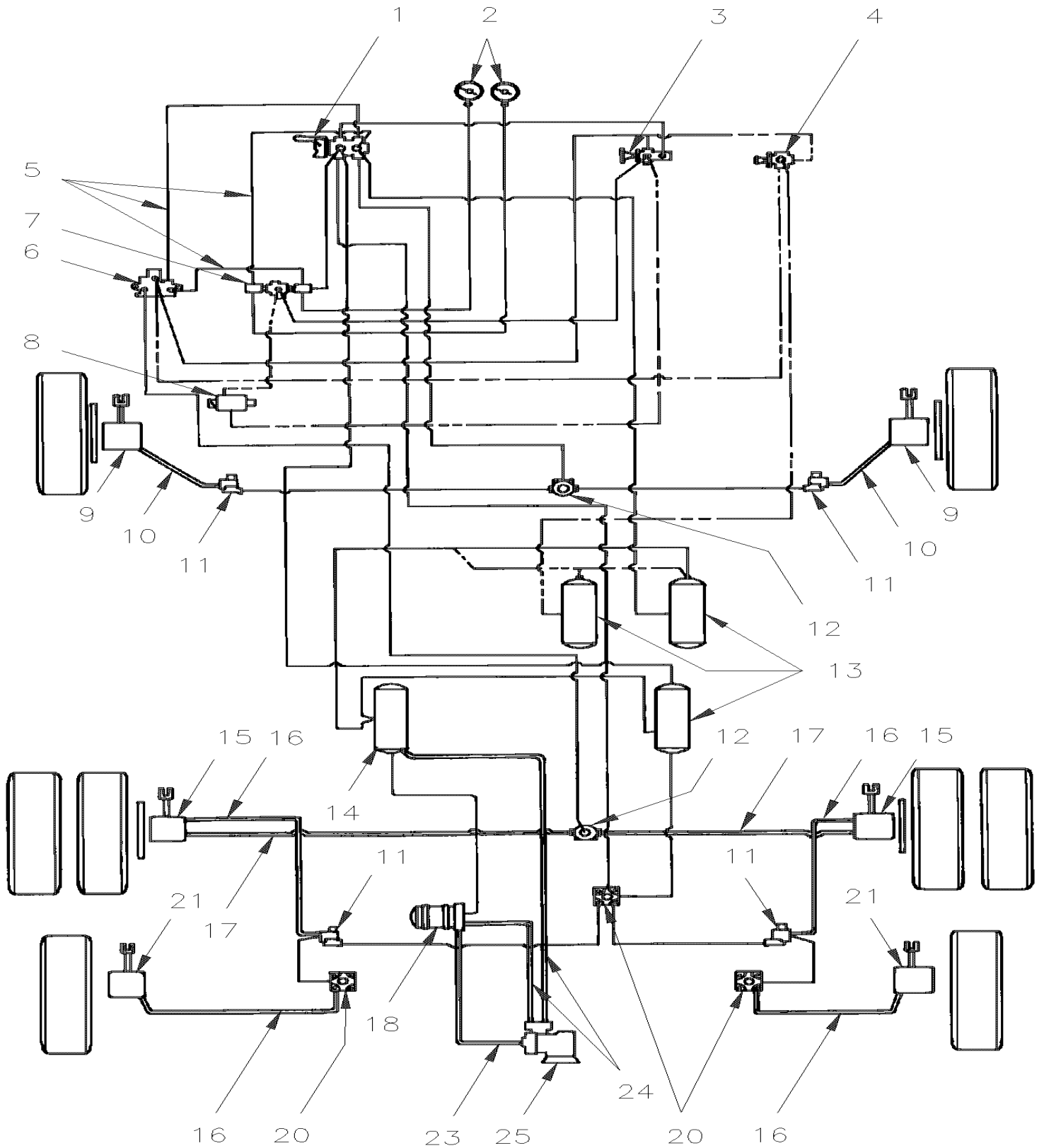


ILLUSTRATION REFERENCE ONLY

		Date:07/2024	H4-12		
BRAKE					
Item#	Part	Description	H 3 4 0	V I P 4 0	N O T E S
5	H4-1200-00	BRAKE AIR SYSTEM From L-031 To R-079			
10		. FITTING - MISCELLANEOUS SEE FAST-MOVING From L-031 To R-079			
15	H4-1202-00	TUBES PLASTIC / AIR D.O.T. From L-031 To R-079			
20	H4-1203-00	AIR TANK - INSTALLATION From L-031 To R-079			
35	H4-1205-11	AIR COMPRESSOR - "TU-FLO 750" - WITH DETROIT S-92 From L-031 To R-032			
35	H4-1205-12	AIR COMPRESSOR - "TU-FLO 750" - WITH DETROIT S-60 From P-256 To R-079			
40	H4-1212-00	TAG AXLE CONTROL PLATE ASSY From L-031 To R-079			
45	H4-1215-01	AIR DRYER - "BENDIX" AD-4 From L-031 To P-315			
45	H4-1215-02	AIR DRYER - "BENDIX" AD-9 From P-316 To R-079			
50	H4-1220-00	MISCELLANEOUS - AIR VALVES From L-031 To R-079			
55	H4-1220-05	AIR SOLENOID VALVE From L-031 To R-079			
60	H4-1220-10	BRAKE PEDAL VALVE - "BENDIX" From L-031 To R-079			
65	H4-1220-15	AIR FILTER - ACCESSORIES From L-031 To R-079			
65	H4-1220-16	AIR FILTER - ACCESSORIES / SERVICE From L-031 To R-079			A
75	H4-1225-02	BRAKE PARTS - FRONT AXLE - W/MODEL 2FG952CAX From L-031 To R-079			
80	H4-1225-10	BRAKE CHAMBER - FRONT AXLE From L-031 To R-079			
81	H4-1225-99	BRAKE PARTS - FRONT AXLE - RETROKIT MODEL 16 1/2 I.D. (RETROFIT) From L-031 To R-079			R
85	H4-1230-00	SLACK ADJUSTER AUTOMATIC - "ROCKWELL" From L-031 To R-079			
85	H4-1230-01	SLACK ADJUSTER AUTOMATIC - "HALDEX" From L-031 To R-079			
90	H4-1235-01	BRAKE PARTS - DRIVE AXLE "MERITOR" W/DRUMS From L-031 To R-079			
95	H4-1235-10	BRAKE CHAMBER - DRIVE AXLE "ANCHOR LOCK" From L-031 To R-079			
95	H4-1235-11	BRAKE CHAMBER - DRIVE AXLE "M.G.M." / SERVICE From L-031 To R-079			A
100	H4-1245-01	BRAKE PARTS - TAG AXLE - W/"MERITOR" ABD 1560 From L-031 To R-079			
105	H4-1245-10	BRAKE CHAMBER - TAG AXLE From L-031 To R-079			
110	H4-1250-00	ANTI-LOCK BRAKING SYSTEM From L-031 To R-079			
115	H4-1255-00	DUST SHIELD - W/BRAKE DRUM From L-031 To R-079			
120	H4-1260-00	VALVE SUPPORT ASSY From L-031 To R-079			
		A) SERVICE			
		R) SERVICER			

From L-031 To R-079	Date:07/2024	PAGE:H4-1200-00
BRAKE AIR SYSTEM		



From L-031 To R-079	Date:07/2024	PAGE:H4-1200-00
BRAKE AIR SYSTEM		

Item#	Part	Description	H 3 4 0	V I P 4 0	N O T E S
1	641122	BRAKE VALVE ASSY W/BACKET / MODEL E-10	1	1	
. NS	2359226	. BOOT PLUNGER	1	1	
. NS	2222120	. MOUNTING BRACKET COUPLING D-1	1	1	
2	561595	GAUGE, AIR PRESSURE To M-127	2	2	
2	562215	GAUGE, AIR PRESSURE From M-128	2	2	
3	641185	VALVE, PARKING BRAKE PP-2	1	1	
. NS	641149	. BUTTON, PARKING BRAKE DIAMOND YELLOW / 1"	1	1	
. NS	641158	. REPAIR KIT / PP-2	1	1	
4	640472	VALVE, CONTROL / RD-3	1	1	
. NS	641154	. REPAIR KIT / PP-1 & RD-3	1	1	
5	H4-1202-00	TUBES PLASTIC / AIR D.O.T.			
6	640870	VALVE / SPRING BRAKE SR-1	1	1	
. NS	640921	. REPAIR KIT / SR-1	1	1	
7	641015	VALVE, DOUBLE CHECK DC-4	1	1	
8	630135	VALVE, 3 WAYS, 2 POSITIONS N.O.	1		
. NS	641169	. SPOOL	1		
. NS	641929	. COIL 24V	1		
8	641057	VALVE, 5 WAYS, 3 POSITIONS		1	
9	640915	BRAKE CHAMBER ASSY / TYPE 24	2	2	
10	641301	HOSE BRAKE #8 841MM (33 1/8)	2	2	
11	641537	VALVE, "ABS" 24VOLT	4	4	
12	641429	VALVE, QUICK RELEASE QR-1 / 3/8NPTx3/8NPTx3/8NPT	1	1	
. NS	640924	. REPAIR KIT / QR-1	1	1	
13	140869	AIR TANK / 1791 IN° / 9 1/2" O.D. X 27"	3	3	
14	140870	AIR TANK / 1228 IN° / 8" O.D. X 26"	1	1	
15	H4-1235-10	BRAKE CHAMBER - DRIVE AXLE "ANCHOR LOCK"			
15	H4-1235-11	BRAKE CHAMBER - DRIVE AXLE "M.G.M." / SERVICE			
16	641305	HOSE BRAKE #8 718MM (28 1/4")	4	4	
17	641306	HOSE BRAKE #8 718MM (28 1/4")	2	2	
18	H4-1215-01	AIR DRYER - "BENDIX" AD-4 To P-315			
18	H4-1215-02	AIR DRYER - "BENDIX" AD-9 From P-316			
20	642067	VALVE, RELAY R-12 HORIZONTAL PORT	3	3	
21	641038	BRAKE CHAMBER ASSY / TYPE 16 / W/4" SHAFT	2	2	
23	141432	HOSE ASSY TEFLON / TO AIR DRYER / #12 2680MM	1	1	
24	141431	HOSE ASSY TEFLON #4 2675MM	2	2	
25	H4-1205-11	AIR COMPRESSOR - "TU-FLO 750" - WITH DETROIT S-92			
25	H4-1205-12	AIR COMPRESSOR - "TU-FLO 750" - WITH DETROIT S-60			

From L-031 To R-079

Date:07/2024

PAGE:H4-1202-00

TUBES PLASTIC / AIR D.O.T.

ILLUSTRATION NOT
AVAILABLE AT TIME OF
PRINTING

From L-031 To R-079	Date:07/2024	PAGE:H4-1202-00
TUBES PLASTIC / AIR D.O.T.		

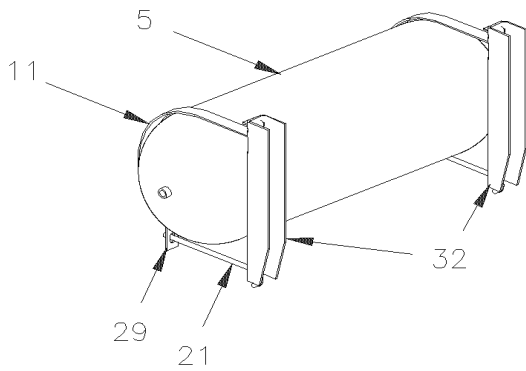
Item#	Part	Description	H 3 4 0	V I P 4 0	N O T E S
	503747	TUBE, NYLON 6MM O.D. / BLACK S.L.			
	503529	TUBE, NYLON 8MM O.D. / BLACK S.L.			
	503563	TUBE, NYLON 6MM O.D. / WHITE S.L.			
	503566	TUBE, NYLON 1/4 O.D. / BLUE S.L.			
	503471	TUBE, NYLON 3/8 O.D. / BLUE S.L.			
	503517	TUBE, NYLON 1/2 O.D. / BLUE S.L.			
	503536	TUBE, NYLON 1/8 O.D. / BLACK S.L.			
	503402	TUBE, NYLON 1/4 O.D. / BLACK S.L.			
	503404	TUBE, NYLON 3/8 O.D. / BLACK S.L.			
	503488	TUBE, NYLON 1/2 O.D. / BLACK S.L./			
	503540	TUBE, NYLON 5/8 O.D. / BLACK S.L.			
	503541	TUBE, NYLON 3/4" O.D. / BLACK S.L			
	503548	TUBE, NYLON 1/4 O.D. / YELLOW S.L.			
	503470	TUBE, NYLON 3/8 O.D. / YELLOW S.L.			
	503533	TUBE, NYLON 1/2 O.D. / YELLOW S.L.			
NS	19514092	. TUBE, NYLON 1/2 O.D. / YELLOW / 100FT ROLL			
	503466	TUBE, NYLON 1/4 O.D. / RED S.L.			
	503467	TUBE, NYLON 3/8 O.D. / RED S.L.			
	503468	TUBE, NYLON 1/2 O.D. / RED S.L.			
	503469	TUBE, NYLON 5/8 O.D. / RED S.L.			
	503464	TUBE, NYLON 1/4 O.D. / GREEN S.L.			
	503463	TUBE, NYLON 3/8 O.D. / GREEN S.L.			
	503406	TUBE, NYLON 1/2 O.D. / GREEN S.L.			
	503408	TUBE, NYLON 5/8 O.D. / GREEN S.L.			
	503465	TUBE, NYLON 3/4 O.D. / GREEN S.L.			
	503472	TUBE, NYLON 3/8 O.D. / GREY S.L.			
	503638	TUBE, NYLON 1/2 O.D. / BROWN S.L.			
NS	683355	TOOL PLASTIC TUBE CUTTER / PLASTIC	1	1	
NS	681625	TOOL PLASTIC TUBE CUTTER / METAL	1	1	

From L-031 To R-079

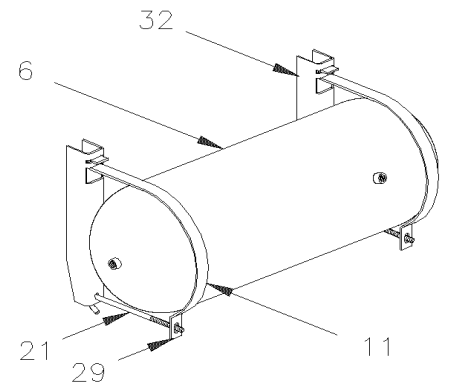
Date:07/2024

PAGE:H4-1203-00

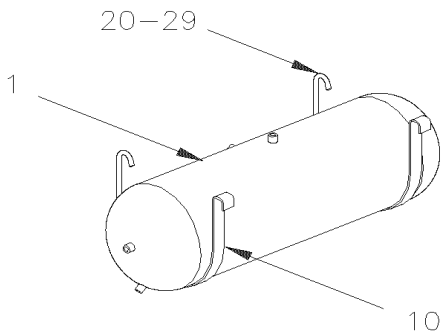
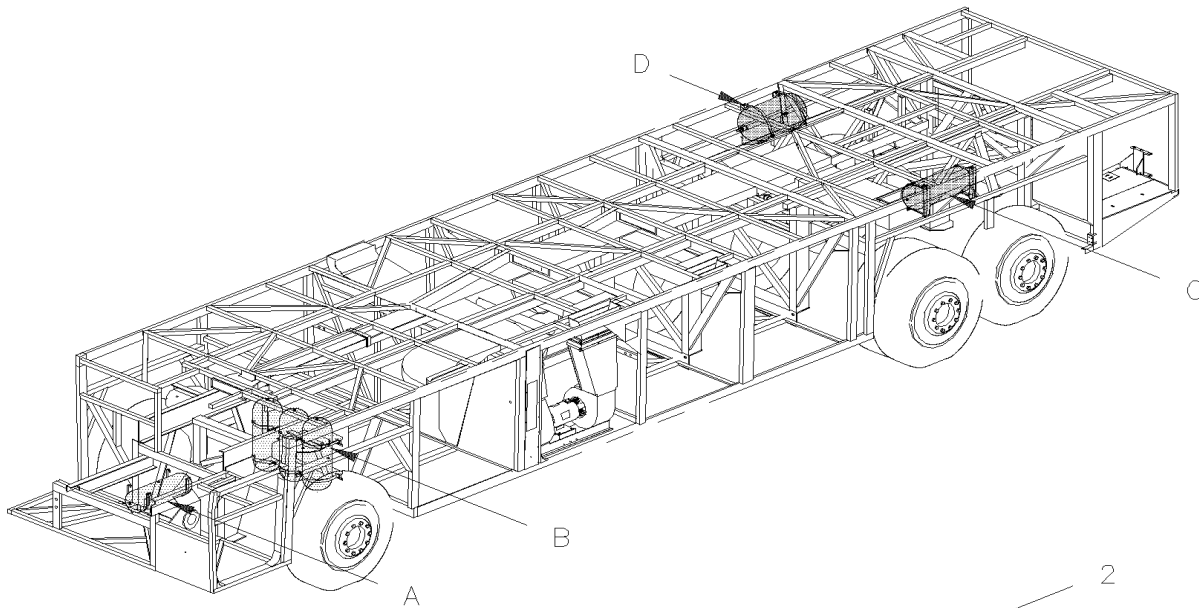
AIR TANK - INSTALLATION



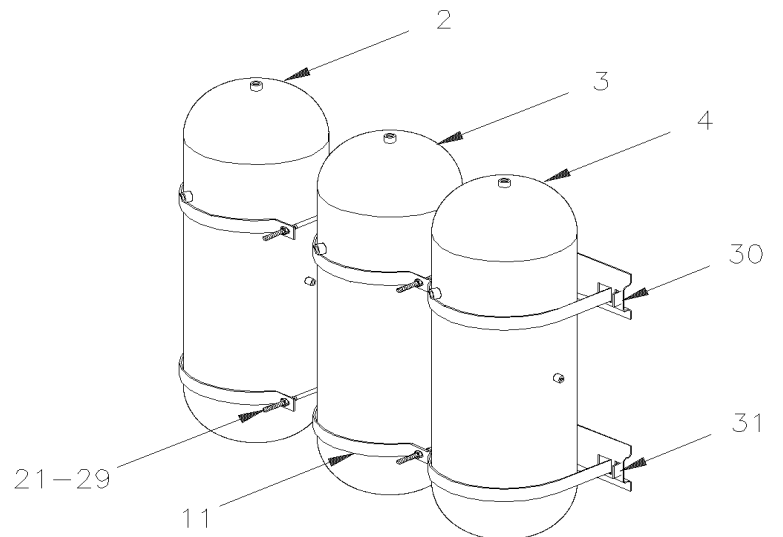
DETAIL "C"



DETAIL "D"



DETAIL "A"



DETAIL "B"

From L-031 To R-079	Date:07/2024	PAGE:H4-1203-00
---------------------	--------------	-----------------

AIR TANK - INSTALLATION

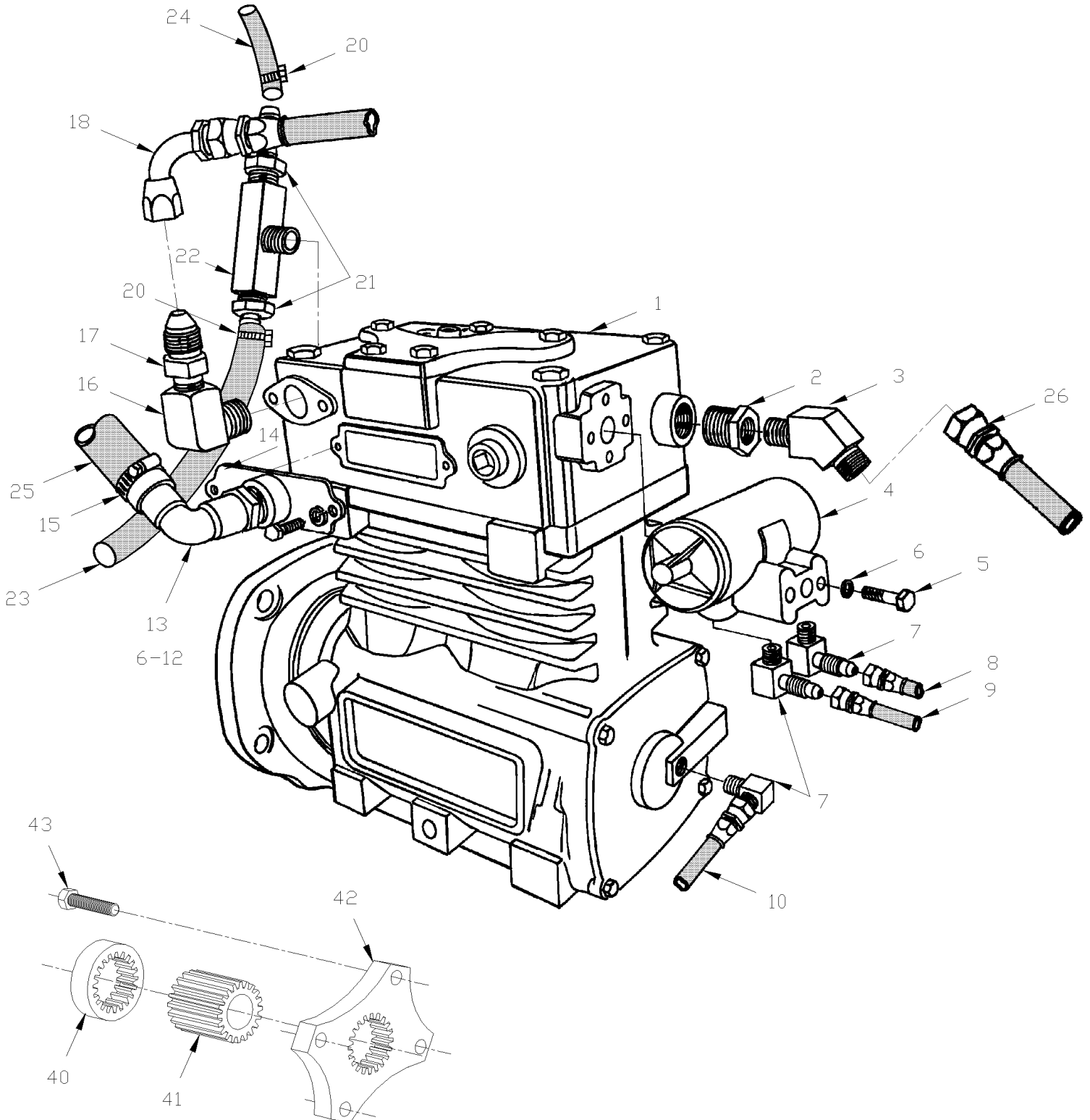
Item#	Part	Description	H 3 4 0	V I P 4 0	N O T E S
		ACCESSORIES AIR TANK			
1	140868	AIR TANK / W/END LOWER DRAIN 1228 IN° / 8" O.D. X 26"	1	1	
1	640439	VALVE, PRESSURE PROTECTION / PR-2 75PSI	1	1	
		KNEELING AIR TANK			
2	140869	AIR TANK / 1791 IN° / 9 1/2" O.D. X 27"	AR	AR	
		SECONDARY AIR TANK			
3	140869	AIR TANK / 1791 IN° / 9 1/2" O.D. X 27"	1	1	
		PARKING "OVER RULE"			
4	140869	AIR TANK / 1791 IN° / 9 1/2" O.D. X 27"	1	1	
		WET TANK			
5	140870	AIR TANK / 1228 IN° / 8" O.D. X 26"	1	1	
		PRIMARY AIR TANK			
6	140869	AIR TANK / 1791 IN° / 9 1/2" O.D. X 27"	1	1	
10	141407	STRAP / TO USE W/8" O.D. TANK / "J" SHAPE	1	1	
11	141408	STRAP / TO USE W/9"1/2 O.D. TANK / "J" SHAPE	1	1	
20	141405	J-HOOK / 168 MM / M8-1.25 SS	1	1	
21	141409	J-HOOK / 220 MM / M8-1.25 SS	1	1	
29	500868	NUT HEX NYRT M8-1.25 Z050	AR	AR	
30	171170	SUPPORT UPPER / (WELDED TO FRAME)	1	1	
31	171171	SUPPORT LOWER / (WELDED TO FRAME)	1	1	
31	141463	PROTECTOR / (LOWER TANK FRONT)	1	1	
32	171255	SUPPORT / (WELDED TO FRAME)	2	2	A
		A) THIS PART IS DIFFERENT FROM ILLUSTRATION			

From L-031 To R-032

Date:07/2024

PAGE:H4-1205-11

AIR COMPRESSOR - "TU-FLO 750" - WITH DETROIT S-92



From L-031 To R-032	Date:07/2024	PAGE:H4-1205-11
AIR COMPRESSOR - "TU-FLO 750" - WITH DETROIT S-92		

Item#	Part	Description	H 3 4 0	V I P 4 0	N O T E S
1	641190	COMPRESSOR AIR ASSY / TU-FLO 750	1	1	
2	501534	BUSHING REDUCER / PIPE FITTING / 1/2NPT-Mx3/8NPT-F BR	1	1	
3	501291	MALE ELBOW 45° / JIC 37° FITTING / #8JIC-Mx3/8NPT-M STL	1	1	
4	640964	GOVERNOR, AIR / D-2 / (105/125PSI)	1	1	
. NS	640965	. REPAIR KIT / GOVERNOR D-2	1	1	
. NS	640638	. GASKET, AIR GOVERNOR	1	1	
. NS	500187	. SCREW CAP HEX 5/16-18x3 G5 Z050	2	2	
. NS	500942	. WASHER LO SPT 8.1x14.8x2.0 N500	2	2	
NS	640965	REPAIR KIT / GOVERNOR D-2	AR	AR	
NS	640638	GASKET, AIR GOVERNOR	1	1	
5	500187	SCREW CAP HEX 5/16-18x3 G5 Z050	2	2	
6	500476	WASHER LO SPT .317x.586x.078 Z050	4	4	
7	501036	MALE ELBOW 90° / SAE 45° FITTING / #4FL-Mx1/8NPT-M BR	3	3	
8	141431	HOSE ASSY TEFLON #4 2675MM	1	1	
9	141431	HOSE ASSY TEFLON #4 2675MM	1	1	
10	141108	HOSE ASSY TEFLON #4 427MM	1	1	A
10	070451	HOSE ASSY TEFLON #4 237MM	1	1	
NS	011464	HOSE ASSY TEFLON #4 1708MM	1	1	
NS	140658	HOSE ASSY TEFLON #4 1456MM	1	1	
NS	503064	. HOSE TEFLON #4 / S.L.	AR	AR	
NS	501892	. FEMALE CONNECTOR SWIVEL / SAE 45° FITTING / TEFLON / #4FL-Fx#4 STL	2	2	
NS	501021	UNION TEE / SAE 45° FITTING / #4FL-Mx#4FL-Mx#4FL-M BR	1	1	
NS	011266	SUPPORT / HOSE / NEAR OIL GALLERY	1	1	
12	500179	SCREW CAP HEX 5/16-18x3/4 G5 Z050	2	2	
13	141481	ADAPTOR ASSY To N-182	1	1	
13	141484	ADAPTOR ASSY From N-183 To N-232	1	1	
13	5011018	MALE ELBOW 90° / COLLAR FITTING / 3/4NPT-Mx#12 STL From N-233	1	1	
NS	507544	SWIVEL NUT ELBOW 90° SHORT / JIC 37° FITTING/ #12JIC-Fx#12JIC-Mx1.82 STL	1	1	
14	640945	ADAPTOR PLATE	1	1	
NS	640256	GASKET, ADAPTOR AIR INLET	1	1	
15	504022	HOSE CLAMP / 3/4"-1"3/4 SS / HS-20	2	2	
16	507557	STREET ELBOW 90° / PIPE FITTING / 1/2NPT-Mx1/2NPT-F BR	1	1	
17	501600	MALE CONNECTOR / JIC 37° FITTING / #12JIC-Mx1/2NPT-M STL	1	1	
18	141432	HOSE ASSY TEFLON / TO AIR DRYER / #12 2680MM	1	1	
NS	503376	. HOSE TEFLON #12 / S.L.	AR	AR	
NS	507582	. FEMALE CONNECTOR SWIVEL / JIC 37° FITTING / TEFLON / #12JIC-Fx#12 STL	2	2	
20	504319	HOSE CLAMP / 1"-1"1/2 SS / E.T. 16	4	4	
21	507605	MALE CONNECTOR / HOSE BARB FITTING / #12x1/2NPT-M BR	AR	AR	
22	507556	MALE BRANCHE TEE / PIPE FITTING / 1/2NPT-Fx1/2NPT-Fx1/2NPT-M BR	1	1	
23	372748	HOSE / TO ENGINE BLOCK / 3/4" I.D. 678MM	1	1	
24	372747	HOSE / TO L.H CYLINDER HEAD / 3/4" I.D.	1	1	
NS	503523	. HOSE SILICONE 1PLY 3/4" I.D. x 100' / S.L.	AR	AR	

From L-031 To R-032	Date:07/2024	PAGE:H4-1205-11
AIR COMPRESSOR - "TU-FLO 750" - WITH DETROIT S-92		

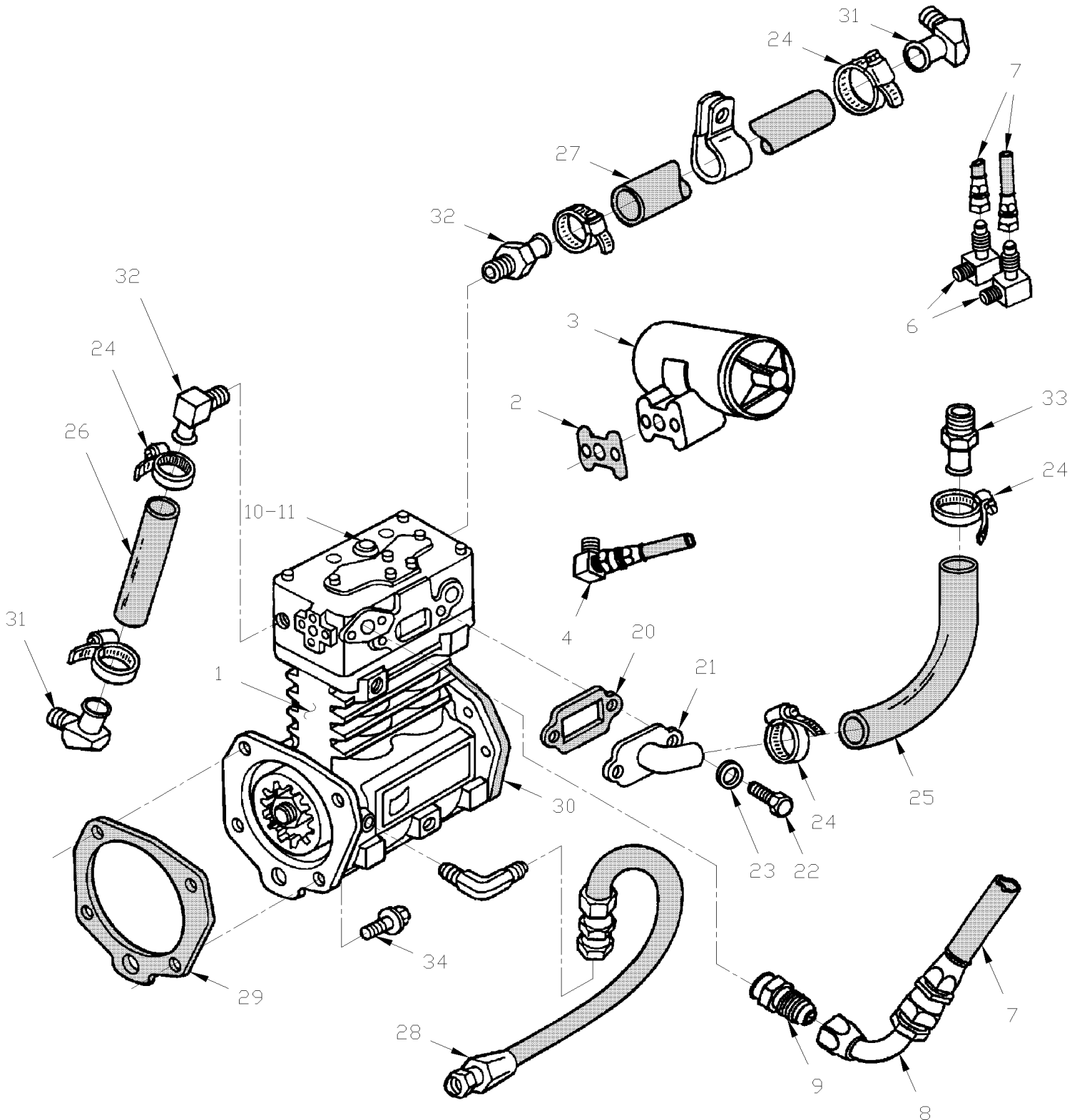
Item#	Part	Description	H 3 4 0	V I P 4 0	N O T E S
NS	061133	SUPPORT / OVER BLOWER TO FIX HOSE WATER COLANT COOLANT	1	1	
25	503562	HOSE / W/8V92 / 1 1/4" I.D. 30" To N-232	1	1	
25	503567	HOSE / PIPE & AIR COMP / 1 1/4" I.D. 18 1/2" To N-232	1	1	
25	141572	HOSE 3/4" I.D. 20 3/4" From N-233	1	1	
25	141573	HOSE / W/6V92 / 3/4" I.D. 30" From N-233	1	1	
NS	503573	. HOSE / SUCTION / 3/4" I.D. / S.L.	AR	AR	
NS	141480	HOSE ADAPTOR 1"¼ / TO FIX AIR COMPRESSOR HOSE To N-232	1	1	
NS	5011017	MALE CONNECTOR / COLLAR FITTING / 3/4NPT-Mx#12 STL From N-233	1	1	
26	051685	HOSE ASSY / #8 1520 MM	1	1	
NS	503417	. HOSE #FC-300 HYDRAULIC / #8 S.L.	AR	AR	
NS	501597	. FEMALE CONNECTOR SWIVEL / SAE 45° FITTING / #8FL-Fx#8 ZP	1	1	
NS	505110	. COIL PROTECTOR / PLASTIC / #12	AR	AR	
40	510061	HUB	1	1	
41	510088	COUPLING	1	1	
42	510087	DISC COUPLING	1	1	
43	510017	BOLT / TO FIX DISC COUPLING / 3/8-24 x 1 9/16"	1	1	
		A) TEE NEAR OIL GALLERY ON ENGINE COMPARTMENT			

From P-256 To R-079

Date:07/2024

PAGE:H4-1205-12

AIR COMPRESSOR - "TU-FLO 750" - WITH DETROIT S-60



From P-256 To R-079	Date:07/2024	PAGE:H4-1205-12
AIR COMPRESSOR - "TU-FLO 750" - WITH DETROIT S-60		

Item#	Part	Description	H 3 4 0	V I P 4 0	N O T E S
1	641256	COMPRESSOR, AIR (SUPPLY W/ENGINE)	1	1	A
NS	641335	KIT REPAIR, UNLOADER	1	1	
2	640638	GASKET, AIR GOVERNOR	1	1	
3	640964	GOVERNOR, AIR / D-2 / (105/125PSI)	1	1	
. NS	640965	. REPAIR KIT / GOVERNOR D-2	1	1	
. NS	640638	. GASKET, AIR GOVERNOR	1	1	
. NS	500187	. SCREW CAP HEX 5/16-18x3 G5 Z050	2	2	
. NS	500942	. WASHER LO SPT 8.1x14.8x2.0 N500	2	2	
NS	640965	REPAIR KIT / GOVERNOR D-2	1	1	
NS	500187	SCREW CAP HEX 5/16-18x3 G5 Z050	2	2	
NS	500476	WASHER LO SPT .317x.586x.078 Z050	2	2	
4	640996	MALE ELBOW 90° / NTA FITTING / #4x1/8NPT-M BR	1	1	
6	501036	MALE ELBOW 90° / SAE 45° FITTING / #4FL-Mx1/8NPT-M BR	2	2	
7	H4-1215-01	AIR DRYER - "BENDIX" AD-4 To P-315			
7	H4-1215-02	AIR DRYER - "BENDIX" AD-9 From P-316			
8	507544	SWIVEL NUT ELBOW 90° SHORT / JIC 37° FITTING/ #12JIC-Fx#12JIC-Mx1.82 STL	1	1	
9	501600	MALE CONNECTOR / JIC 37° FITTING / #12JIC-Mx1/2NPT-M STL	1	1	
10	501316	BUSHING REDUCER / PIPE FITTING / 1/2NPT-Mx1/4NPT-F BR	1	1	
11	501037	MALE ELBOW 90° / SAE 45° FITTING / #4FL-Mx1/4NPT-M BR	1	1	
		FOLLOWING ITEMS SUPPLIER WITH ENGINE ASSY			
		SEE YOUR DETROIT DIESEL DEALER			
20	640256	GASKET, ADAPTOR AIR INLET	1	1	
21	N.S.P.	ADAPTOR AIR INLET / (23506346)	1	1	2
22	500179	SCREW CAP HEX 5/16-18x3/4 G5 Z050	2	2	
23	500476	WASHER LO SPT .317x.586x.078 Z050	2	2	
24	504019	HOSE CLAMP / 9/16"-1"1/16 SS / HS-10	6	6	
25	N.S.P.	HOSE SILICONE 75MM X 18" / (23508340)	1	1	2
26	N.S.P.	HOSE SILICONE 3/4" X 3.1/2" / (8929764)	1	1	2
27	N.S.P.	HOSE SILICONE 3/4" X 28" / (23509550)	1	1	2
NS	503523	HOSE SILICONE 1PLY 3/4" I.D. x 100' / S.L.	AR	AR	
28	N.S.P.	HOSE ASSY 14 7/8" / OIL FEED FROM GALLERY / (23505202)	1	1	2
28	N.S.P.	HOSE ASSY TEFLON / OIL TO ALTERNATOR / (23504343)	1	1	2
29	510212	GASKET COMPRESSOR	1	1	
30	N.S.P.	GASKET / COMPRESSOR & FUEL PUMP / (23505248)	1	1	2
31	N.S.P.	ELBOW 45° 3/4" HOSE / (23505202)	2	2	2
32	N.S.P.	ELBOW 90° 3/4 TUBE 1/2" NPT / (8929749)	2	2	2
33	N.S.P.	CONNECTOR / (23506345)	1	1	2
34	N.S.P.	BOLT M12-1.75 X 47MM FLANGE HEAD	4	4	2

From P-256 To R-079	Date:07/2024	PAGE:H4-1205-12
AIR COMPRESSOR - "TU-FLO 750" - WITH DETROIT S-60		

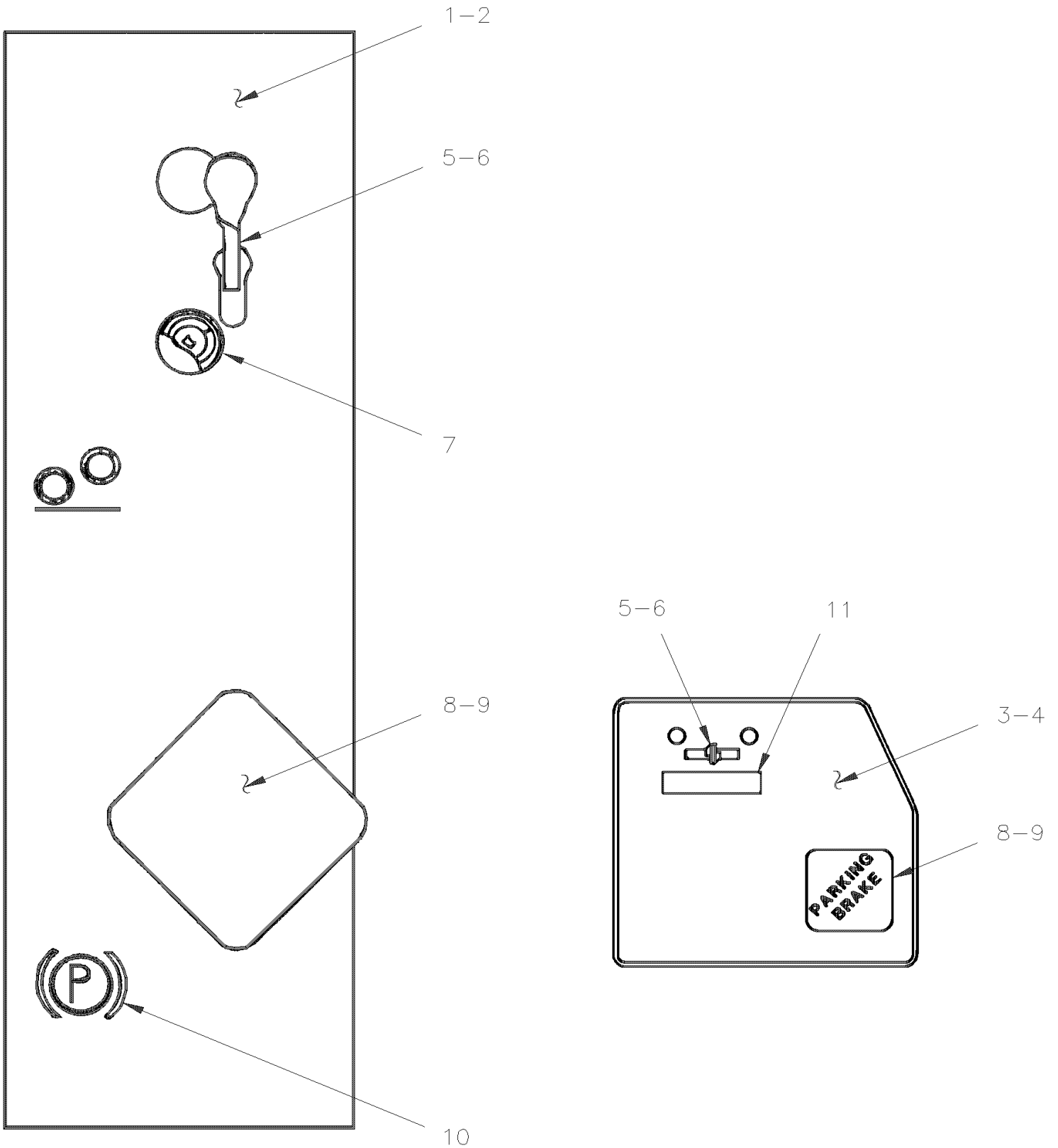
Item#	Part	Description	H 3 4 0	V I P 4 0	N O T E S
		A) (STAMPED "BENDIX" #107051 OR D.D. 23505235)			
		2) NOT SOLD BY PREVOST (SEE MANUFACTURING PART NUMBER AT END OF DESCRIPTION LINE)			

From L-031 To R-079

Date:07/2024

PAGE:H4-1212-00

TAG AXLE CONTROL PLATE ASSY



From L-031 To R-079	Date:07/2024	PAGE:H4-1212-00
TAG AXLE CONTROL PLATE ASSY		

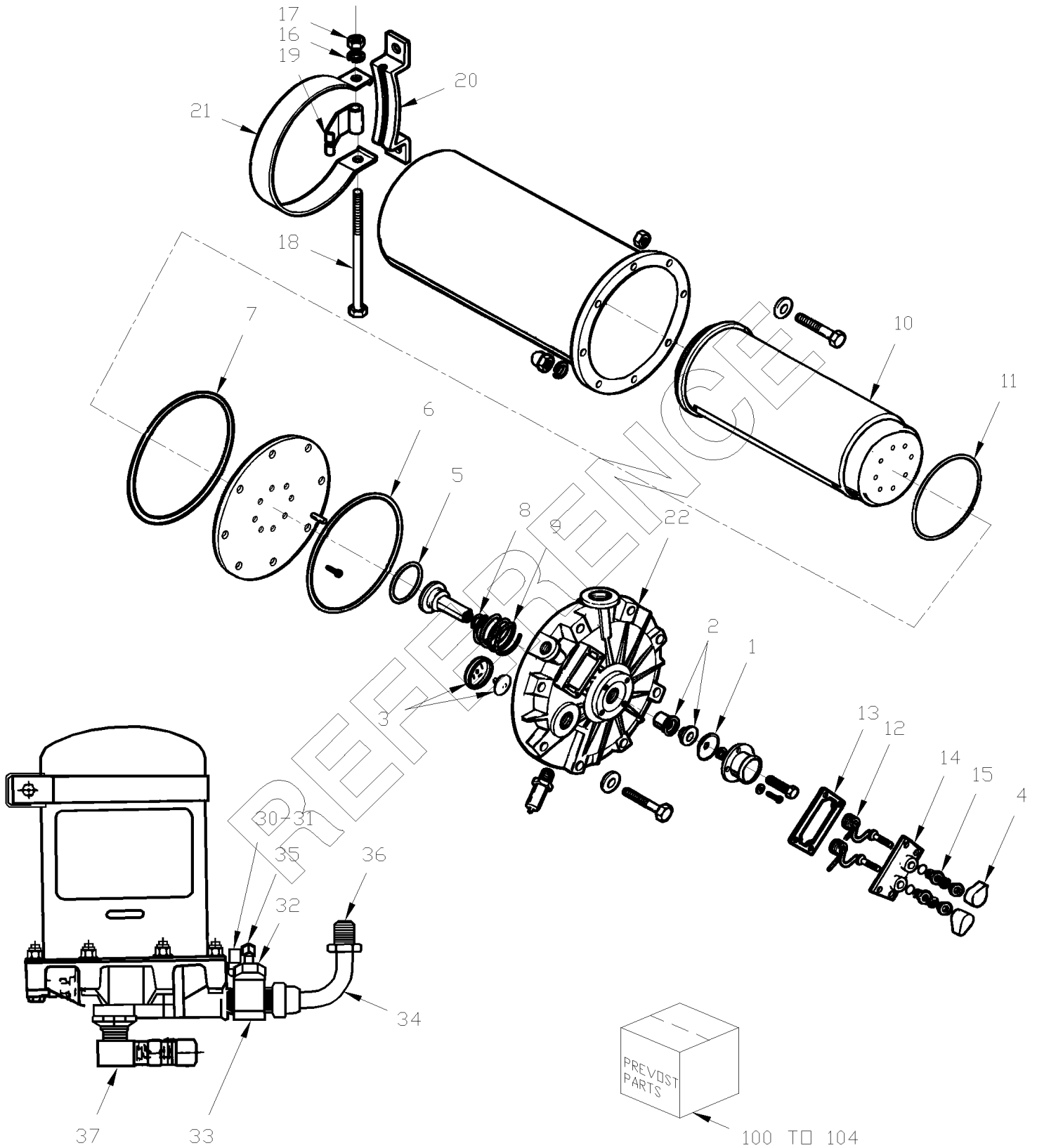
Item#	Part	Description	H 3 4 0	V I P 4 0	N O T E S
1	Call order desk	PLATE ASSY / LEXAN To N-181		1	P
1	391307	. PLATE		1	
1	890005	. FILM		1	
2	391311	. LEXAN To N-181		1	
3	391482	PLATE ASSY From N-182 To P-367		1	
3	391539	PLATE ASSY / W/RAMCO MIRROR To P-366		1	
3	391574	PLATE ASSY / W/RAMCO MIRROR From P-367		1	
4	391478	LEXAN		1	
NS	500590	NUT HEX NYRT M4-0.7 Z050		AR	
NS	500591	WASHER FL 4.3x9.0x0.8 Z050		AR	
5	640136	VALVE, CONTROL TW-1		1	
. NS	641156	. REPAIR KIT / TW-1		1	
6	560816	PRESSURE SWITCH N.C. 3PSI / 1/8NPT W/2 SCREWS		1	
7	504400	SNAP CAP #10 FINISHING BLACK		2	
NS	504399	WASHER RETAINER SNAP CAP #10		2	
NS	500606	SCREW MA TR PH #10-24x3/4 SS		2	
8	641185	VALVE, PARKING BRAKE PP-2		1	
. NS	641149	. BUTTON, PARKING BRAKE DIAMOND YELLOW / 1"		1	
. NS	641158	. REPAIR KIT / PP-2		1	
9	641149	. BUTTON, PARKING BRAKE DIAMOND YELLOW / 1"		1	
10	330254	BULB SOCKET ASSY W/TERMINAL / USE IN CONSOLE		2	
NS	500606	SCREW MA TR PH #10-24x3/4 SS		2	
NS	560623	BULB / 3.5WATT-24VOLTS / SAE# 313		1	
11	391479	DECAL / TAG AXLE		1	
NS	502564	WASHER LO SPT 6.1x11.8x1.6 Z050		2	
NS	500787	NUT HEX #10-24 SS		2	
NS	500440	WASHER FL .250x.562x.065 Z050		2	
		P) CALL ORDER DESK FOR SPECIFIC APPLICATION (V.I.N.)			

From L-031 To P-315

Date:07/2024

PAGE:H4-1215-01

AIR DRYER - "BENDIX" AD-4



From L-031 To P-315	Date:07/2024	PAGE:H4-1215-01
AIR DRYER - "BENDIX" AD-4		

Item#	Part	Description	H 3 4 0	V I P 4 0	N O T E S
	641138	AIR DRYER ASSY AD-4 24 VOLTS	1	1	
1	N.S.S.	. EXHAUST DIAPHRAGM	1	1	1
2	N.S.S.	. PURGE VALVE	1	1	1
3	N.S.S.	. CHECK VALVE ASSEMBLY	1	1	1
4	N.S.S.	. BOOT	1	1	1
5	N.S.S.	. SEALING RING	1	1	1
6	N.S.S.	. SEALING RING	1	1	1
7	N.S.S.	. SEALING RING	1	1	1
8	N.S.S.	. O-RING	1	1	1
9	N.S.S.	. PISTON RING	1	1	1
10	641360	. DESICCANT CARTRIDGE / "BENDIX" AD-4	1	1	
11	N.S.S.	. SEALING RING	1	1	1
12	N.S.S.	. THERMOSTAT	1	1	1
13	N.S.S.	. GASKET	1	1	1
14	500470	. WASHER LO SPT .193x.334x.047 Z050	4	4	
15	N.S.S.	. O-RING	1	1	1
16	500476	. WASHER LO SPT .317x.586x.078 Z050	2	2	
17	500778	. NUT HEX 5/16-18 N500	2	2	
18	N.S.S.	. BOLT 5/16-18 X 4 1/2	2	2	1
19	N.S.S.	. MOUNTING BRACKET HOOK	1	1	1
20	N.S.S.	. MOUNTING BRACKET	2	2	1
21	N.S.S.	. MOUNTING BRACKET STRAP	2	2	1
22	641359	. BASE ASSY	1	1	
30	141294	HOSE ASSY TEFLON #4 4708MM	1	1	
31	141431	HOSE ASSY TEFLON #4 2675MM	1	1	
31	503064	. HOSE TEFLON #4 / S.L.	AR	AR	
31	501892	. FEMALE CONNECTOR SWIVEL / SAE 45° FITTING / TEFLON / #4FL-Fx#4 STL	2	2	
31	501036	MALE ELBOW 90° / SAE 45° FITTING / #4FL-Mx1/8NPT-M BR	1	1	
32	501755	BUSHING REDUCER / PIPE FITTING / 3/4NTP-Mx1/4NPT-F BR	1	1	
33	507585	ADAPTER TEE / JIC 37° FITTING / 3/4NPT-Mx#12JIC-Mx3/4NPT-F STL	1	1	
34	507544	SWIVEL NUT ELBOW 90° SHORT / JIC 37° FITTING/ #12JIC-Fx#12JIC-Mx1.82 STL	1	1	
35	501109	MALE ELBOW 90° / COMPRESSION FITTING / #4x1/4NPT-M BR	1	1	
36	141432	HOSE ASSY TEFLON / TO AIR DRYER / #12 2680MM	1	1	
36	503376	. HOSE TEFLON #12 / S.L.	AR	AR	
36	507582	. FEMALE CONNECTOR SWIVEL / JIC 37° FITTING / TEFLON / #12JIC-Fx#12 STL	2	2	
37	641134	MALE ELBOW 90° / NTA FITTING / #12x1/2NPT-M BR	1	1	
37	501462	BUSHING REDUCER / PIPE FITTING / 3/4NTP-Mx1/2NPT-F BR	1	1	
37	507605	MALE CONNECTOR / HOSE BARB FITTING / #12x1/2NPT-M BR	1	1	
37	501600	MALE CONNECTOR / JIC 37° FITTING / #12JIC-Mx1/2NPT-M STL	1	1	
100	641311	KIT END COVER	1	1	A
101	641140	KIT DRAIN VALVE	1	1	B
102	641139	KIT DESICCANT CARTRIDGE	1	1	C

From L-031 To P-315	Date:07/2024	PAGE:H4-1215-01
AIR DRYER - "BENDIX" AD-4		

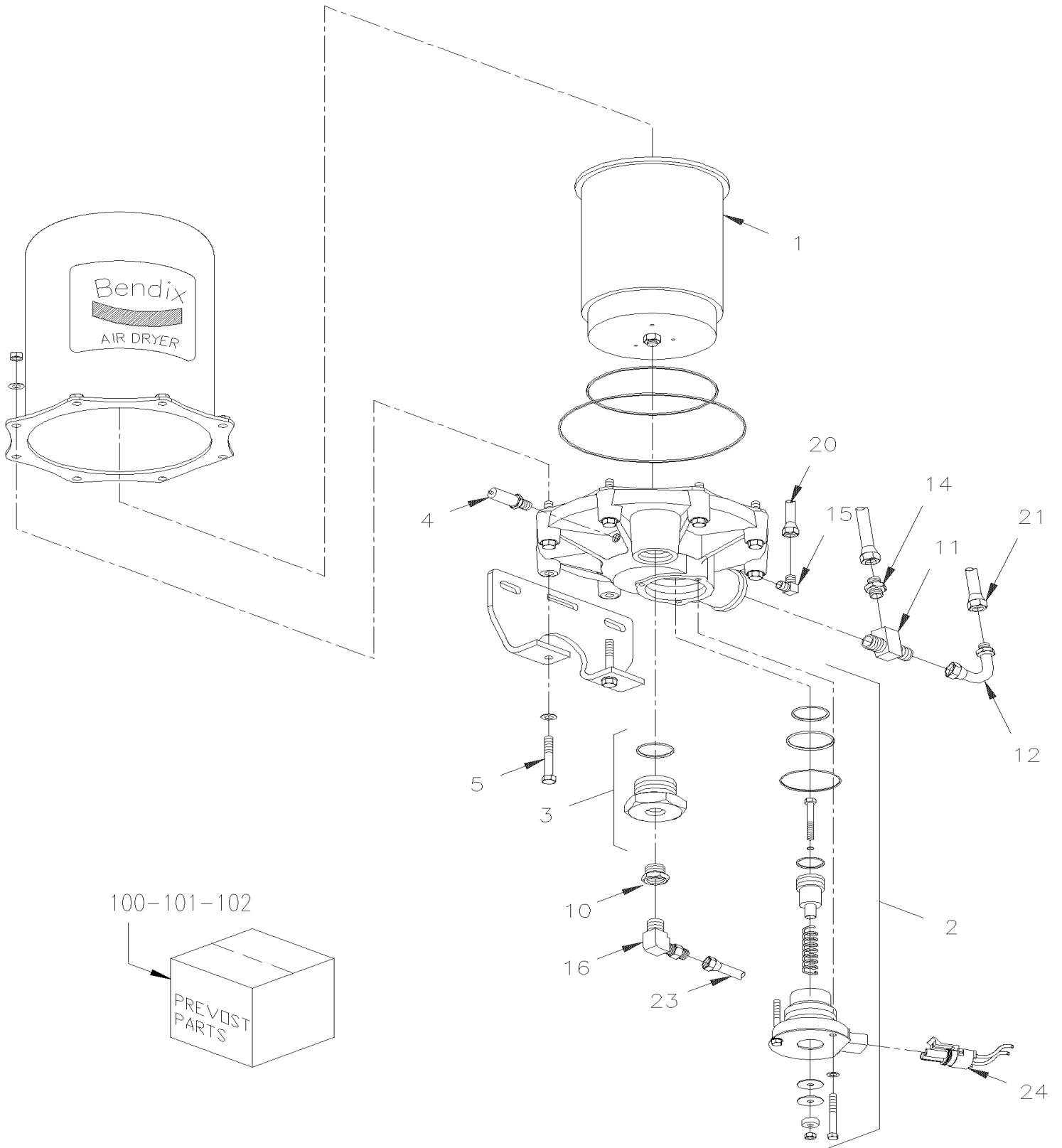
Item#	Part	Description	H 3 4 0	V I P 4 0	N O T E S
. NS	MI04-12	. SEE MAINTENANCE INFORMATION	1	1	C
103	641141	KIT THERMOSTAT	1	1	D
104	N.S.P.	KIT MOUNTING BRACKET / (104027) (104027)	1	1	2 E
		A) INCLUDED ITEM 1 TO 9			
		B) INCLUDED ITEMS 1 & 2			
		C) INCLUDE ITEMS 3 TO 7 & 10,11			
		D) INCLUDED ITEMS 4 & 12 TO 15			
		E) INCLUDED ITEMS 16 TO 21			
		1) NOT SOLD SEPARATELY			
		2) NOT SOLD BY PREVOST (SEE MANUFACTURING PART NUMBER AT END OF DESCRIPTION LINE)			

From P-316 To R-079

Date:07/2024

PAGE:H4-1215-02

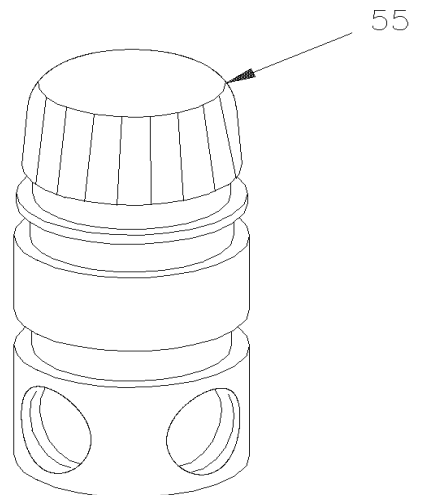
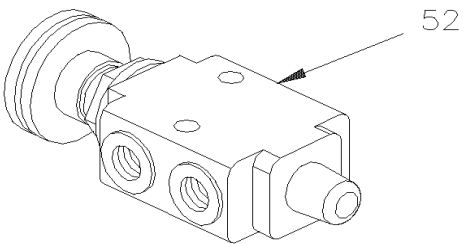
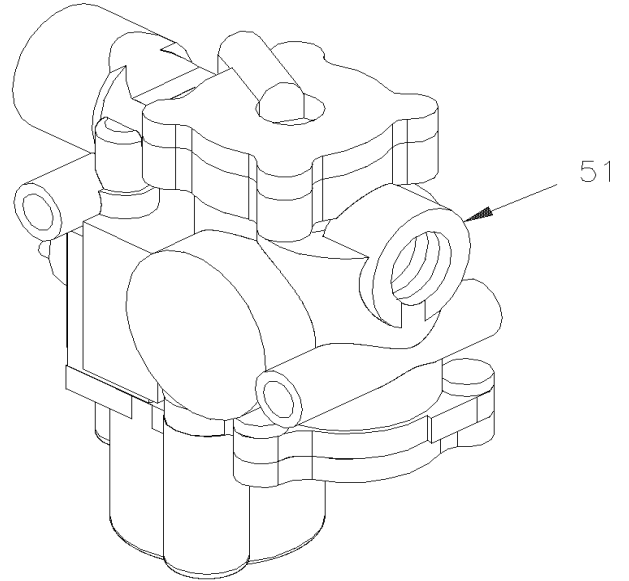
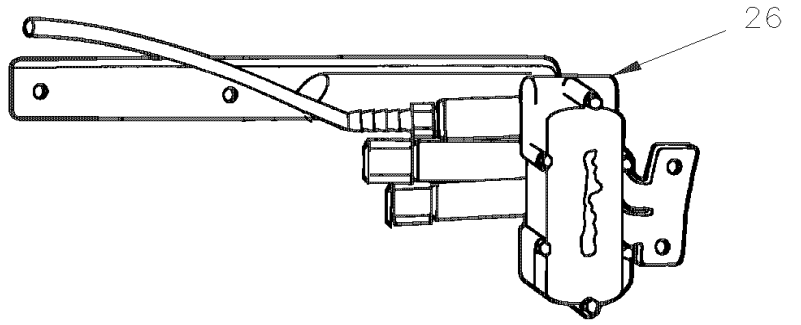
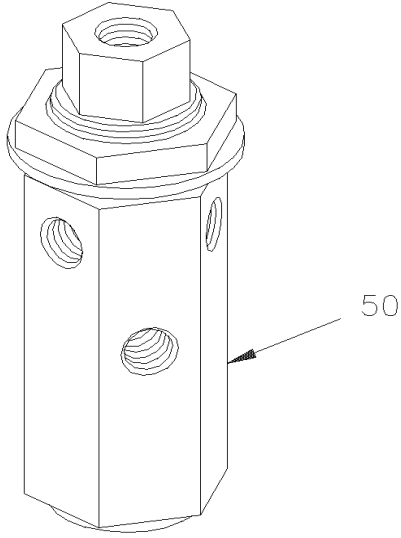
AIR DRYER - "BENDIX" AD-9



From P-316 To R-079	Date:07/2024	PAGE:H4-1215-02
AIR DRYER - "BENDIX" AD-9		

Item#	Part	Description	H 3 4 0	V I P 4 0	N O T E S
	641243	AIR DRYER ASSY AD-9 24 VOLTS	1	1	
1	641244	. DESICANT CARTRIDGE / "BENDIX" AD-9	1	1	
. NS	M104-12	. SEE MAINTENANCE INFORMATION	1	1	
2	641245	. PURGE VALVE ASSY W/HEATER	1	1	
3	641246	. CHECK VALVE MAINTENANCE KIT 3/4 NPT	1	1	
4	N.S.P.	. SAFETY VALVE (285849)	1	1	2
5	5001173	. SCREW CAP HEX 5/16-18x4 1/2 G8 ZP	2	2	
10	501462	BUSHING REDUCER / PIPE FITTING / 3/4NTP-Mx1/2NPT-F BR	2	2	
11	501473	MALE RUN TEE / PIPE FITTING / 1/2NPT-Mx1/2NPT-Fx1/2NPT-F BR	1	1	
12	501316	BUSHING REDUCER / PIPE FITTING / 1/2NPT-Mx1/4NPT-F BR	1	1	
NS	641371	MALE ELBOW 90° NON-SWIVEL / PUSH-IN FITTING / #4x1/4NPT-M BR	1	1	
14	501755	BUSHING REDUCER / PIPE FITTING / 3/4NTP-Mx1/4NPT-F BR	1	1	
14	501094	MALE CONNECTOR / COMPRESSION FITTING / #4x1/4NPT-M BR	1	1	
15	501037	MALE ELBOW 90° / SAE 45° FITTING / #4FL-Mx1/4NPT-M BR	1	1	
16	641134	MALE ELBOW 90° / NTA FITTING / #12x1/2NPT-M BR	1	1	
20	141308	HOSE ASSY TEFLON #4 4128MM	1	1	
NS	141709	HOSE ASSY TEFLON #4 4407MM	1	1	
20	141584	HOSE ASSY TEFLON #4 3478MM	1	1	A
NS	141585	HOSE ASSY TEFLON #4 2533MM	1	1	
20	141588	HOSE ASSY TEFLON #4 2878MM	1	1	
21	503402	TUBE, NYLON 1/4 O.D. / BLACK S.L.	AR	AR	
NS	141589	HOSE ASSY TEFLON #12 4387MM	1	1	A
NS	141586	HOSE ASSY TEFLON /DRYER&COMPRESSOR / #12 3483MM	1	1	
23	503465	TUBE, NYLON 3/4 O.D. / GREEN S.L.	AR	AR	
24	562251	CONNECTOR / METRI-PACK 280 / SH 2C / PED 12020599	1	1	
NS	562287	SECONDARY LOCK / METRI-PACK 280 / 2C / BLACK / PED 12034446	1	1	
NS	562101	SOCKET TERMINAL / 14-12 / PED 12129493	2	2	
NS	562106	SEAL CONNECTOR / METRI-PACK / 3C / BLACK / PED 12048370	2	2	
24	N8880586	WIRING HARNESS WITH 1 CONNECTOR	1	1	S
100	641464	PURGE VALVE ASSY W/HEATER 24V	1	1	
. NS	109579	. HEATER ELEMENT 24V -109579	1	1	
101	109579	HEATER ELEMENT 24V -109579	1	1	
102	641358	KIT REPAIR / PURGE VALVE	1	1	
		A) COMPRESSOR & DRYER			
		S) SERVICE			
		2) NOT SOLD BY PREVOST (SEE MANUFACTURING PART NUMBER AT END OF DESCRIPTION LINE)			

From L-031 To R-079	Date:07/2024	PAGE:H4-1220-00
MISCELLANEOUS - AIR VALVES		

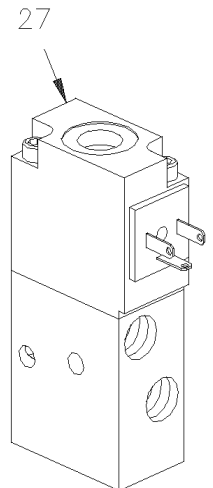
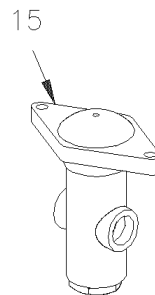
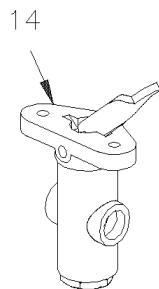
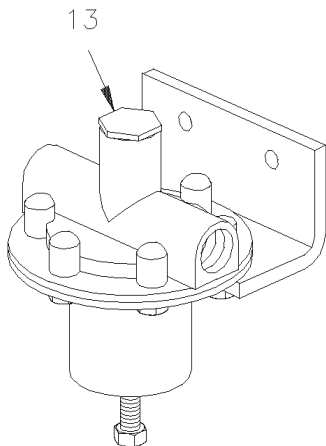
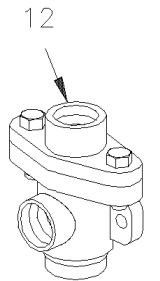
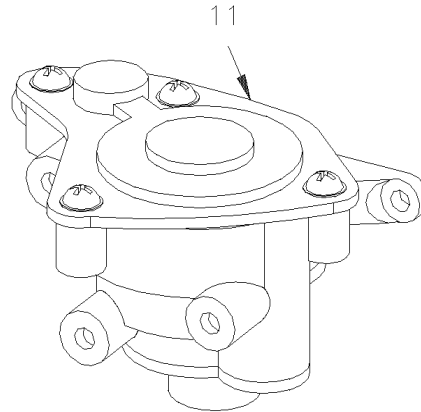
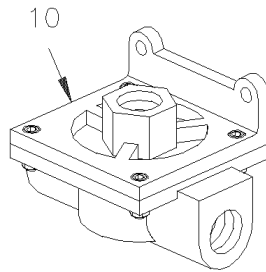
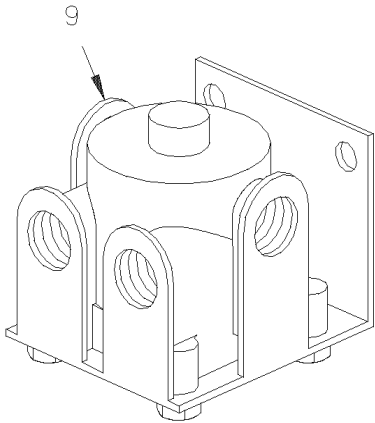
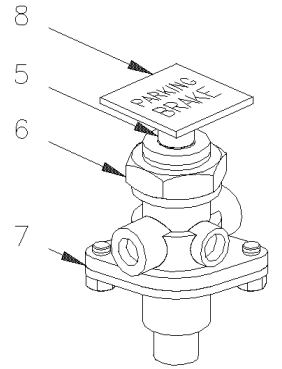
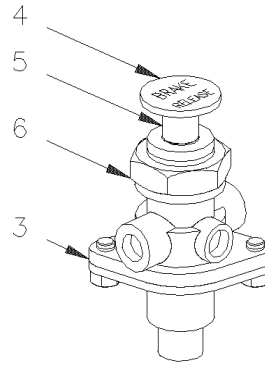
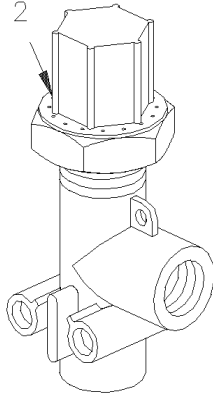
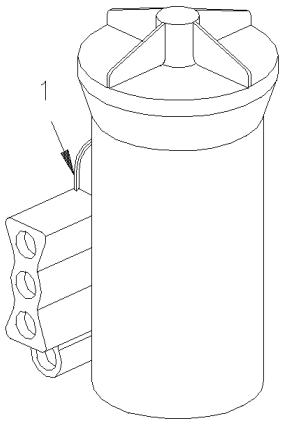


From L-031 To R-079

Date:07/2024

PAGE:H4-1220-00

MISCELLANEOUS - AIR VALVES

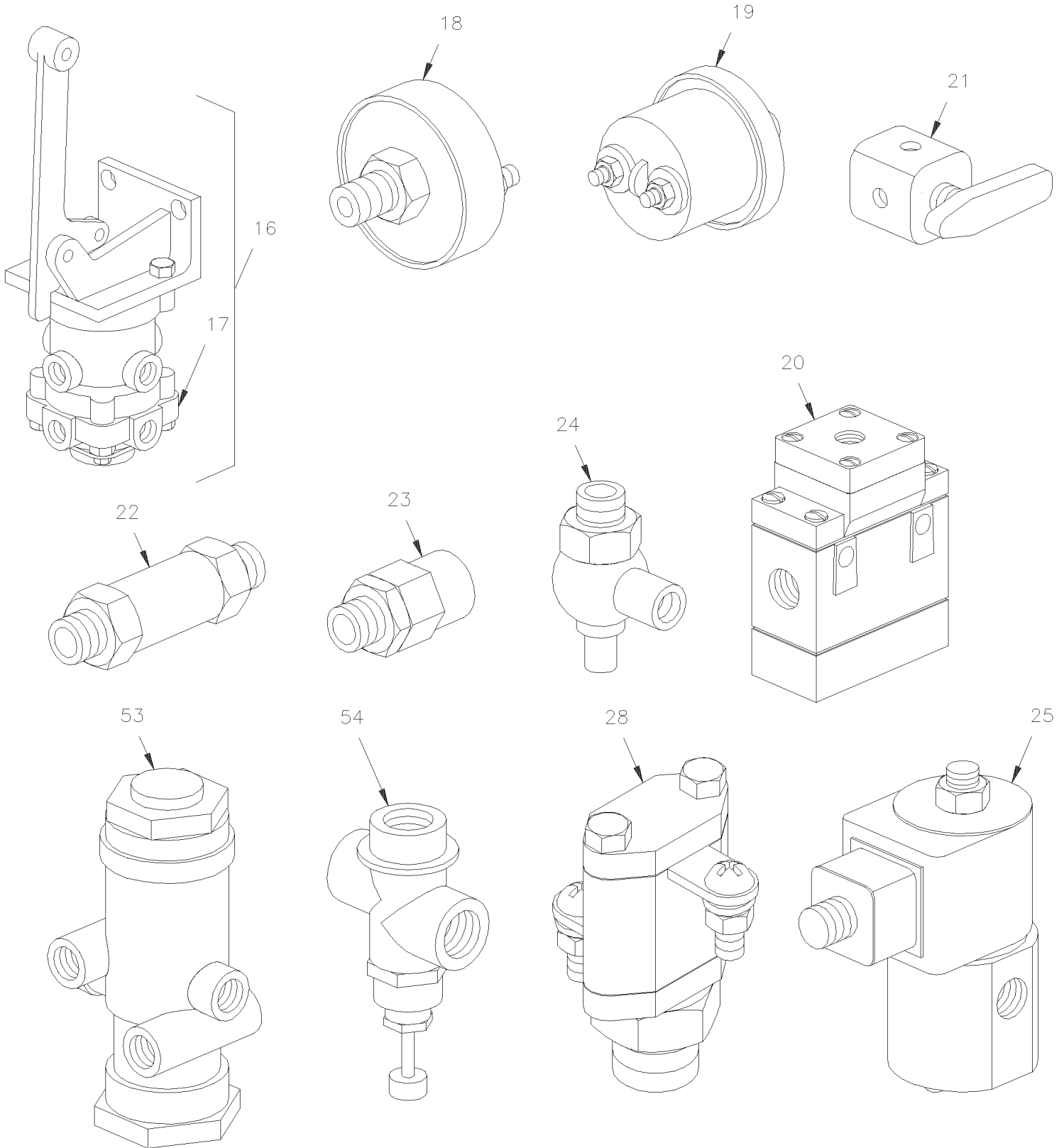


From L-031 To R-079

Date:07/2024

PAGE:H4-1220-00

MISCELLANEOUS - AIR VALVES

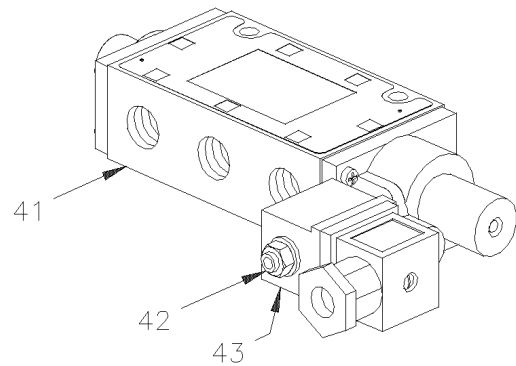
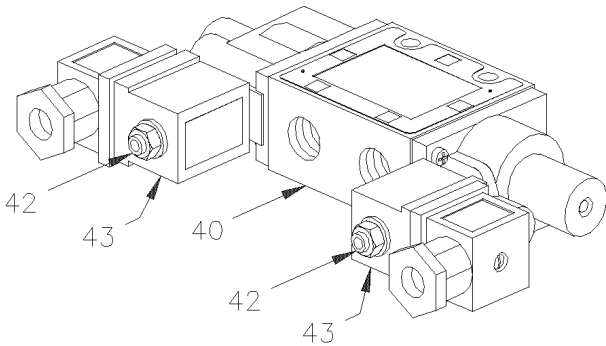
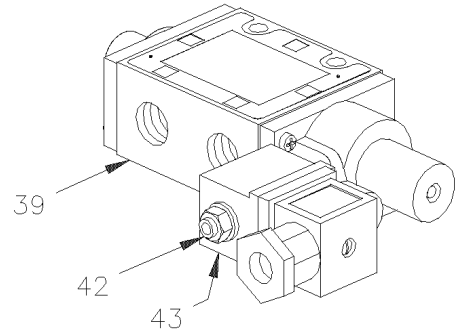
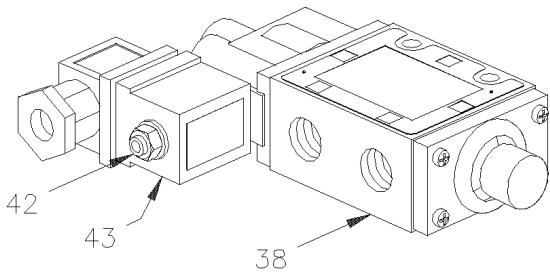
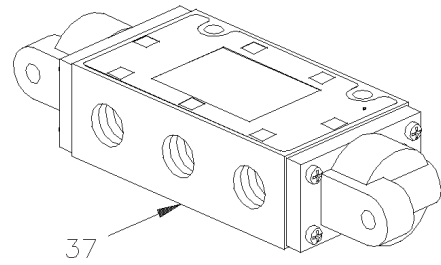
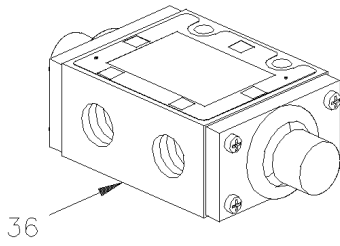
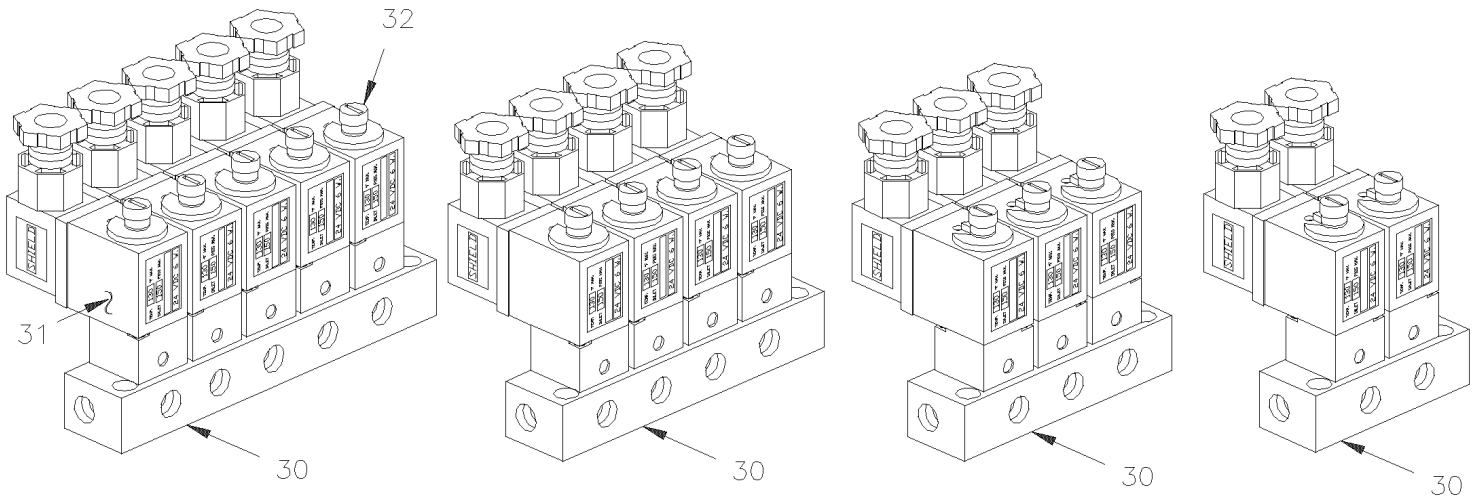


From L-031 To R-079

Date:07/2024

PAGE:H4-1220-00

MISCELLANEOUS - AIR VALVES



From L-031 To R-079	Date:07/2024	PAGE:H4-1220-00
MISCELLANEOUS - AIR VALVES		

Item#	Part	Description	H 3 4 0	V I P 4 0	N O T E S
1	640964	GOVERNOR, AIR / D-2 / (105/125PSI)	AR	AR	
. NS	640965	. REPAIR KIT / GOVERNOR D-2	1	1	
. NS	640638	. GASKET, AIR GOVERNOR	1	1	
. NS	500187	. SCREW CAP HEX 5/16-18x3 G5 Z050	2	2	
. NS	500942	. WASHER LO SPT 8.1x14.8x2.0 N500	2	2	
NS	640965	REPAIR KIT / GOVERNOR D-2	AR	AR	
2	640439	VALVE, PRESSURE PROTECTION / PR-2 75PSI	AR	AR	
2	530134	VALVE, PRESSURE REDUCING / RV-1 60 PSI	AR	AR	
3	640472	VALVE, CONTROL / RD-3	AR	AR	
. NS	641154	. REPAIR KIT / PP-1 & RD-3	1	1	
4	641155	. BUTTON, OVERRULE ROUND BLACK	AR	AR	
5	640286	. PIN ROLLER	1	1	
6	640297	. NUT	1	1	
NS	641154	REPAIR KIT / PP-1 & RD-3	AR	AR	
7	641185	VALVE, PARKING BRAKE PP-2	AR	AR	
. NS	641149	. BUTTON, PARKING BRAKE DIAMOND YELLOW / 1"	1	1	
. NS	641158	. REPAIR KIT / PP-2	1	1	
NS	641158	REPAIR KIT / PP-2	AR	AR	
8	641155	. BUTTON, OVERRULE ROUND BLACK	AR	AR	
9	642067	VALVE, RELAY R-12 HORIZONTAL PORT	AR	AR	
10	641014	VALVE, QUICK RELEASE QR-1 / 3/8NPTx3/8NPTx3/8NPT	AR	AR	
. NS	640924	. REPAIR KIT / QR-1	1	1	
NS	640924	REPAIR KIT / QR-1	AR	AR	
11	640870	VALVE / SPRING BRAKE SR-1	AR	AR	
. NS	640921	. REPAIR KIT / SR-1	1	1	
NS	640921	REPAIR KIT / SR-1	AR	AR	
12	641015	VALVE, DOUBLE CHECK DC-4	AR	AR	
13	640938	AIR PRESSURE REGULATOR	AR	AR	
NS	510231	REPAIR KIT / REGULATOR	AR	AR	
14	640136	VALVE, CONTROL TW-1	AR	AR	
. NS	641156	. REPAIR KIT / TW-1	1	1	
15	640128	VALVE HORN HV-3	AR	AR	
16	641122	BRAKE VALVE ASSY W/BACKET / MODEL E-10	AR	AR	
. NS	2359226	. BOOT PLUNGER	1	1	
. NS	2222120	. MOUNTING BRACKET COUPLING D-1	1	1	
17	641197	. VALVE SUB ASSY / MODEL E-10	1	1	
NS	640949	KIT, REPAIR / BRAKE VALVE E-10	AR	AR	
18	640852	PRESSURE SWITCH N.O. 4PSI / 1/4NPT W/8-32 / SL-5 BRAKE	AR	AR	
18	641462	PRESSURE SWITCH N.O. 4PSI / 1/4NPT W/10-32 / SL-5 BRAKE	1	1	
19	562052	PRESSURE SWITCH N.C. 3PSI / 1/4NPT W/2 SCREWS/ BRAKE	AR	AR	
20	641357	VALVE, 3 WAYS, 2 POSITIONS N.C. / W/SPRING	AR	AR	
20	641356	VALVE, 3 WAYS, 2 POSITIONS N.O. / W/SPRING	AR	AR	

From L-031 To R-079	Date:07/2024	PAGE:H4-1220-00
MISCELLANEOUS - AIR VALVES		

Item#	Part	Description	H 3 4 0	V I P 4 0	N O T E S
21	5011013	VALVE, 4 WAYS CONTROL	AR	AR	
21	641417	VALVE, 3 WAYS 1/8NPT-Fx1/8NPT-Fx1/8NPT-F BR	AR	AR	
. NS	642014	. HANDLE / RED	1	1	
21	642161	VALVE, 3 WAYS 1/8NPT-Fx1/8NPT-Fx1/8NPT-F BR / SERVICE	AR	AR	
. NS	642014	. HANDLE / RED	1	1	
22	530175	VALVE, CHECK 1/8 NPT	AR	AR	
23	640135	VALVE, CHECK 1/4 NPT	AR	AR	
24	780232	VALVE, CONTROL / MJV-2 1/8" NPT	AR	AR	
25	560324	VALVE SOLENOID N.O. 12 VOLTS	AR	AR	
. NS	060851	. CONNECTOR ASSY	1	1	
25	560352	VALVE SOLENOID N.O. 24 VOLTS	AR	AR	A
. NS	060851	. CONNECTOR ASSY	1	1	A
25	560930	VALVE SOLENOID N.C. 24 VOLTS	AR	AR	
. NS	060851	. CONNECTOR ASSY	1	1	
25	561179	VALVE SOLENOID N.C. 24 VOLTS	AR	AR	
. NS	060851	. CONNECTOR ASSY	1	1	
26	630095	VALVE, HEIGHT CONTROL "NEWAY"	AR	AR	
27	641217	VALVE, 3 WAYS, 2 POSITIONS	1	1	
27	641393	VALVE, 4 WAYS, 2 POSITIONS 24V SUPPERSEDED BY 288503	1	1	
27	641394	VALVE, 3 WAYS, 2 POSITIONS 24V	1	1	
28	641174	PRESSURE SWITCH N.C. 30PSI / 1/4NPT LP-2	AR	AR	
NS	640975	PRESSURE SWITCH N.C. 66PSI / 1/4NPT LP-3	AR	AR	
30	641205	MANIFOLD VALVE / W/5 SOLENOID			
. NS	641928	. KIT, MANIFOLD REPAIR / N.C.	5	5	
. NS	641107	. COIL 24V	5	5	
30	641055	MANIFOLD VALVE / W/4 SOLENOID	AR	AR	
. NS	641928	. KIT, MANIFOLD REPAIR / N.C.	4	4	
30	641180	MANIFOLD VALVE / W/3 SOLENOID	AR	AR	
. NS	641928	. KIT, MANIFOLD REPAIR / N.C.	3	3	
. NS	641107	. COIL 24V	1	1	
30	641130	MANIFOLD VALVE / W/2 SOLENOID	AR	AR	
30	641412	MANIFOLD VALVE / W/2 SOLENOID	AR	AR	
. NS	641107	. COIL 24V	2	2	
31	641107	. COIL 24V	AR	AR	
32	641353	PLUNGER REPAIR KIT / MANIFOLD VALVE (1)	AR	AR	
36	641274	VALVE, 3 WAYS, 2 POSITIONS N.C.	AR	AR	
NS	641169	. SPOOL	AR	AR	
37	641057	VALVE, 5 WAYS, 3 POSITIONS			
NS	641186	. SPOOL	AR	AR	
38	641315	VALVE, 3 WAYS, 2 POSITIONS N.C.	AR	AR	
NS	641169	. SPOOL	AR	AR	
39	630135	VALVE, 3 WAYS, 2 POSITIONS N.O.	AR	AR	

From L-031 To R-079	Date:07/2024	PAGE:H4-1220-00
MISCELLANEOUS - AIR VALVES		

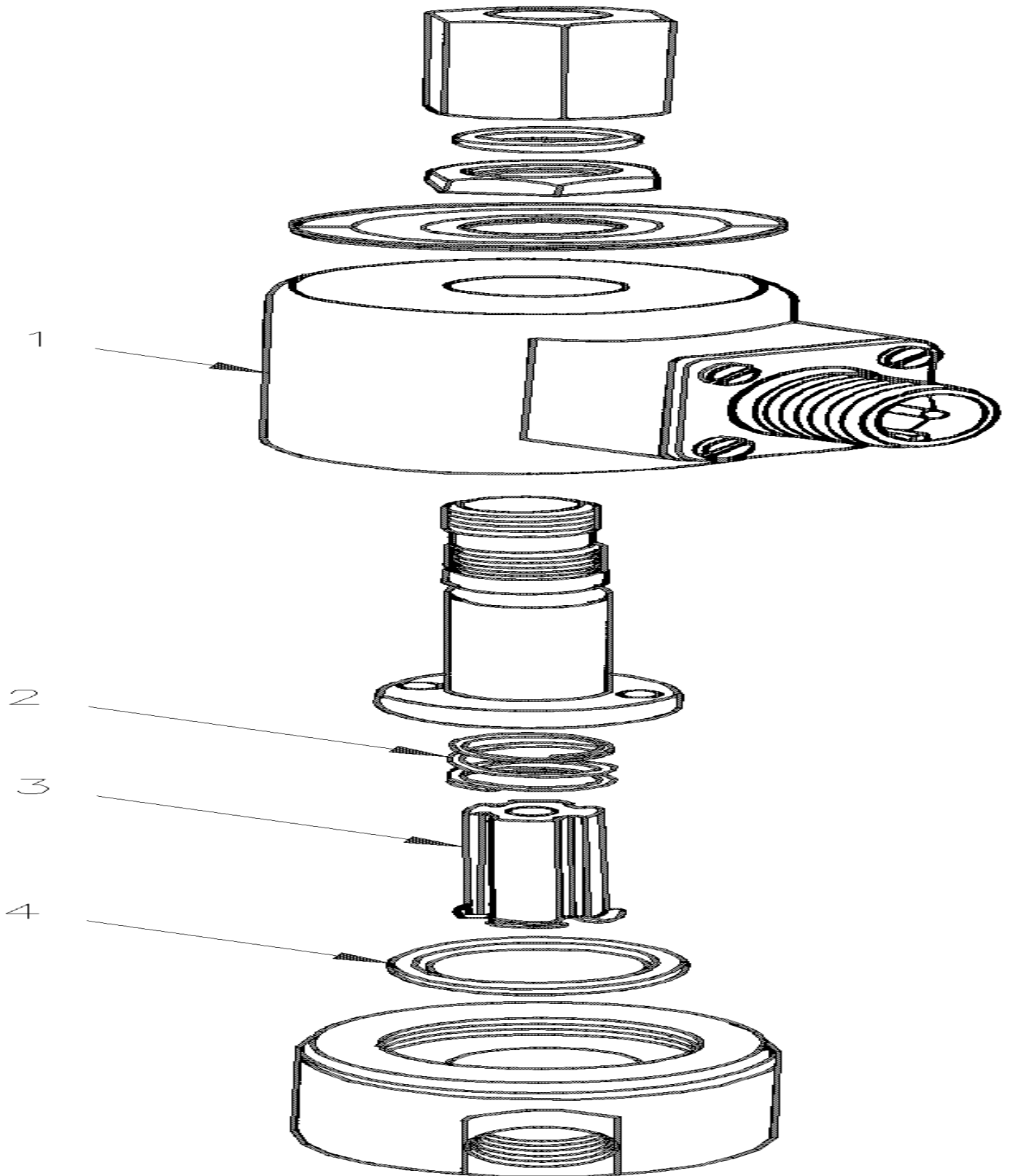
Item#	Part	Description	H 3 4 0	V I P 4 0	N O T E S
. NS	641169	. SPOOL	1	1	
. NS	641929	. COIL 24V	1	1	
NS	641169	. SPOOL	AR	AR	
40	641316	VALVE, 3 WAYS, 2 POSITIONS / 2 SOLOINOID	AR	AR	
NS	641169	. SPOOL	AR	AR	
41	641317	VALVE, 4 WAYS, 2 POSITIONS			
NS	641186	. SPOOL	AR	AR	
42	641145	. KIT REPAIR / COIL To M-111	AR	AR	
NS	641144	. . KIT REPAIR / COIL	AR	AR	
50	640442	VALVE, INVERSION TR-2	AR	AR	
51	641537	VALVE, "ABS" 24VOLT	AR	AR	
52	641445	VALVE, 3 WAYS, 2 POSITIONS MECHANICAL	AR	AR	
. NS	641992	. KNOB	1	1	
53	530136	VALVE, INVERSION TR-3 14-16LBS	AR	AR	
54	550023	VALVE, SHUTTERSTAT 180° / 3/8" NPT x 1/8" NPT	AR	AR	
55	641437	AIR PRESSURE REGULATOR 1/4" NPT / PLASTIC	1	1	
		A) USE IN "OPTION" ON SEDAN DOOR WITH "ACADEMY"			

From L-031 To R-079

Date:07/2024

PAGE:H4-1220-05

AIR SOLENOID VALVE



From L-031 To R-079	Date:07/2024	PAGE:H4-1220-05
---------------------	--------------	-----------------

AIR SOLENOID VALVE

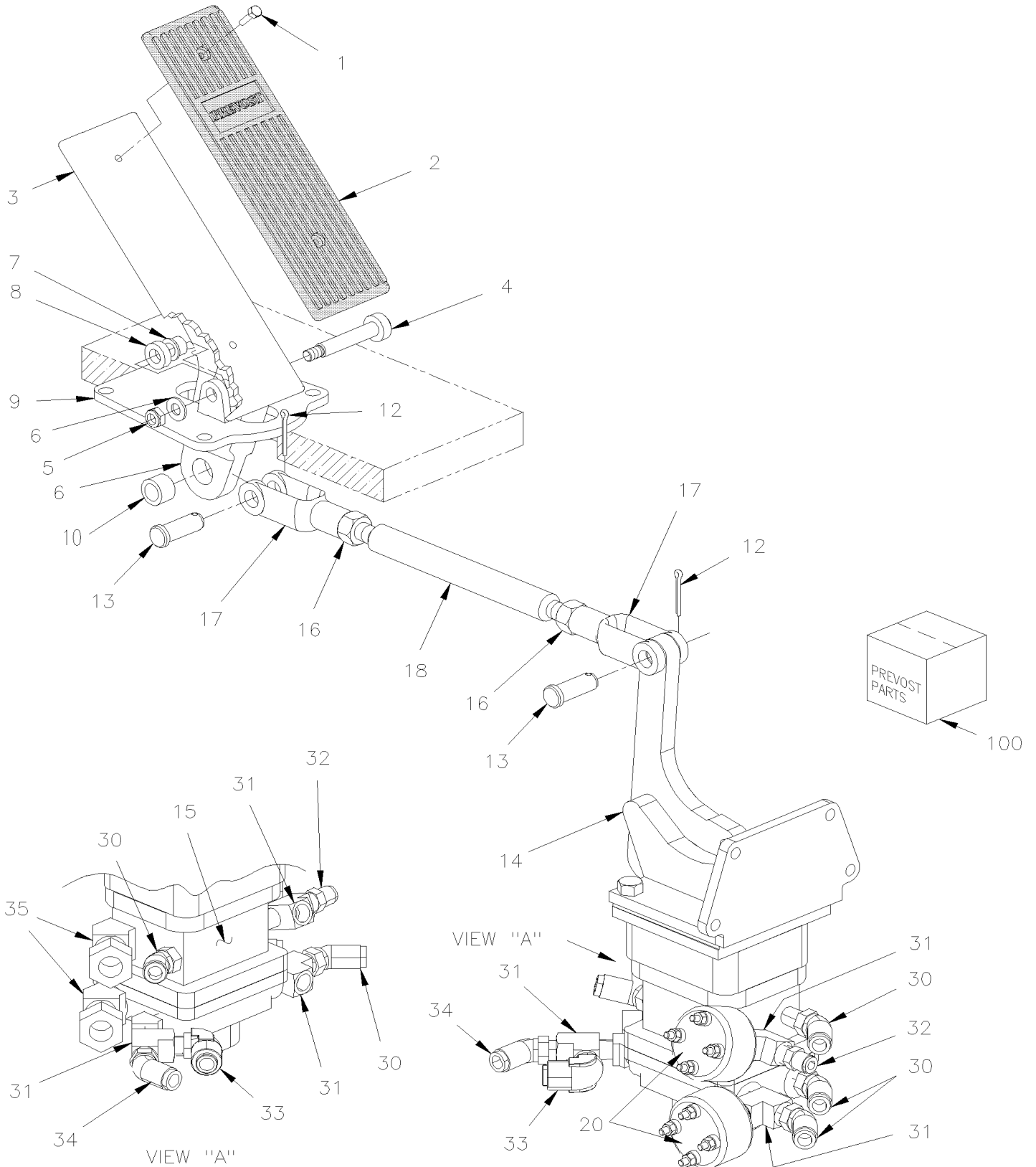
Item#	Part	Description	H 3 4 0	V I P 4 0	N O T E S
	560930	VALVE SOLENOID N.C. 24 VOLTS	1	1	A
. NS	060851	. CONNECTOR ASSY	1	1	A
	560352	VALVE SOLENOID N.O. 24 VOLTS	1		B
. NS	060851	. CONNECTOR ASSY	1		B
	560324	VALVE SOLENOID N.O. 12 VOLTS	1	1	C
. NS	060851	. CONNECTOR ASSY	1	1	C
1	560972	. COIL 24V	1	1	A
1	560836	. COIL 24V	1		B
2	560714	. SPRING COMPRESSION / .548 O.D. x .5 x .029	1	1	A
2	560881	. SPRING COMPRESSION / .540 O.D. x .360 x .029	1		B
3	560969	. PLUNGER	1	1	A
3	560882	. PLUNGER	1		B
4	560715	. SEAL	1	1	A
4	560715	. SEAL	1		B
		A) USE WITH AUTOMATIC TRANSMISSION HT-755 W/RETARDER			
		B) USE IN "OPTION" ON SEDAN DOOR WITH "ACADEMY"			
		C) TO USE WITH HYDRAULIC TRANSMISSION MODULATOR			

From L-031 To R-079

Date:07/2024

PAGE:H4-1220-10

BRAKE PEDAL VALVE - "BENDIX"



From L-031 To R-079	Date:07/2024	PAGE:H4-1220-10
BRAKE PEDAL VALVE - "BENDIX"		

Item#	Part	Description	H 3 4 0	V I P 4 0	N O T E S
	141206	PEDAL ASSY	1	1	
1	500416	. SCREW MA PAN PH #10-32x1/2 BK	2	2	
2	141212	. THREADLE COVER / W/STEEL BACKING	1	1	
3	141207	. PEDAL BRAKE	1	1	
4	502575	. SCREW SHR HEXS 10x50 (M8-1.25	1	1	
5	500868	. NUT HEX NYRT M8-1.25 Z050	1	1	
6	500874	. WASHER FL 8.4x17.0x1.6 Z050	1	1	
7	507297	. FLANGE BUSHING	2	2	
8	141211	. SPACER	1	1	
9	141177	. SUPPORT ASSY / TO FIX BRAKE PEDAL	1	1	
9	141996	. SUPPORT ASSY / TO FIX BRAKE PEDAL	1	1	
10	507307	. BUSHING OIL 1/2 I.D. X 3/4 O.D. X 1/2	1	1	
12	502102	PIN, COTTER 1/8 x 1	1	1	
13	502035	PIN, CLEVIS 1/2 x 1 3/8 Z050	1	1	
14	641257	BRAKE VALVE ASSY W/BRACKET / MODEL E-15	1	1	
. NS	2359226	. BOOT PLUNGER	1	1	
. NS	2222120	. MOUNTING BRACKET COUPLING D-1	1	1	
14	641439	BRAKE VALVE ASSY W/BRACKET / MODEL E-12	1	1	
. NS	2222120	. MOUNTING BRACKET COUPLING D-1	1	1	
14	641856	BRAKE VALVE ASSY W/BRACKET / MODEL E-10P	1	1	
. NS	19507993	. BOOT PLUNGER	1	1	
. NS	19510779	. PLUNGER	1	1	
. NS	2222120	. MOUNTING BRACKET COUPLING D-1	1	1	
15	641925	. VALVE SUB ASSY / MODEL E-10P	1	1	
15	641440	. VALVE SUB ASSY / MODEL E-12	1	1	
15	641403	. VALVE SUB ASSY / MODEL E-15	1	1	
16	500716	NUT HEX 1/2-20 Z050	2	2	
17	020317	YOKE 1/2-20x1 15/16 C/Lx9/16Wx1/2	2	2	
18	141178	SHAFT THREADED W/R.H. THREAD 260MM	1	1	
20	640852	PRESSURE SWITCH N.O. 4PSI / 1/4NPT W/8-32 / SL-5 BRAKE	2	2	
20	641462	PRESSURE SWITCH N.O. 4PSI / 1/4NPT W/10-32 / SL-5 BRAKE	2	2	
30	641367	MALE ELBOW 45° NON-SWIVEL / PUSH-IN FITTING / #6x3/8NPT-M BR	AR	AR	
31	501699	MALE RUN TEE / PIPE FITTING / 3/8NPT-Mx3/8NPT-Fx3/8NPT-F BR	AR	AR	
32	641330	MALE CONNECTOR / PUSH-IN FITTING / #6x3/8NPT-M BR	AR	AR	
33	641375	MALE ELBOW 90° NON-SWIVEL / PUSH-IN FITTING / #6x3/8NPT-M BR	AR	AR	
34	641368	MALE ELBOW 45° NON-SWIVEL / PUSH-IN FITTING / #8x3/8NPT-M BR	AR	AR	
35	641602	MALE CONNECTOR / PUSH-IN FITTING / #10x3/8NPT-M BR	AR	AR	
36	501330	STREET ELBOW 45° / PIPE FITTING / 3/8NPT-Mx3/8NPT-F BR	AR	AR	
100	641404	REPAIR KIT/ MAJOR/ (MINOR, PISTON & DIAPHRAM) VALVE E-15	1	1	
100	641442	REPAIR KIT / MAJOR / (MINOR, PISTON & VALVE E-12 & E-15	1	1	
100	641405	REPAIR KIT / MINOR / (O-RING & SEAL) VALVE E-15	1	1	
100	641441	REPAIR KIT / MINOR / (O-RING & SEAL) / VALVE E-12 & E-15	1	1	

From L-031 To R-079	Date:07/2024	PAGE:H4-1220-10
---------------------	--------------	-----------------

BRAKE PEDAL VALVE - "BENDIX"

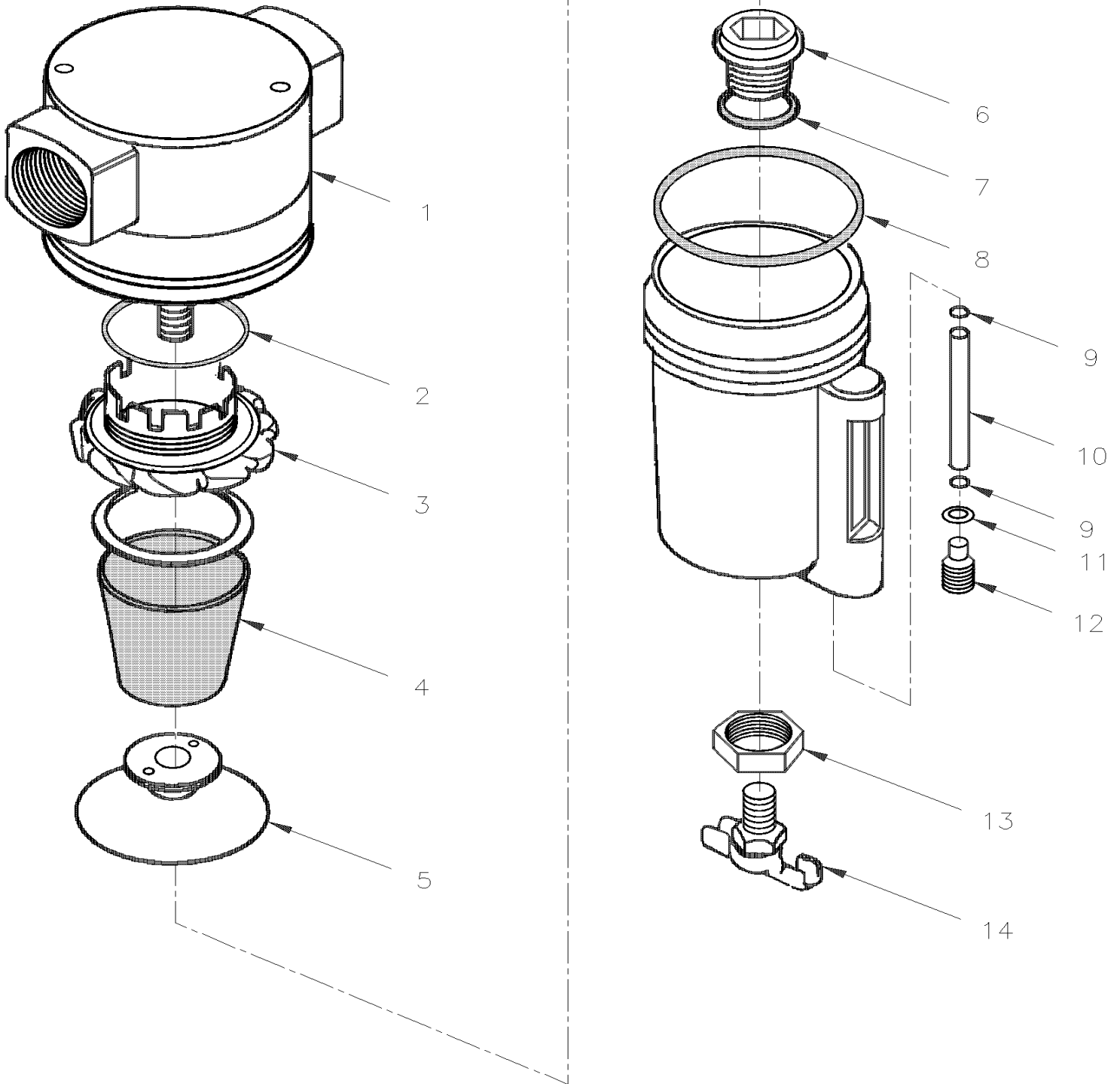
Item#	Part	Description	H 3 4 0	V I P 4 0	N O T E S
100	640949	KIT, REPAIR / BRAKE VALVE E-10	1	1	

From L-031 To R-079

Date:07/2024

PAGE:H4-1220-15

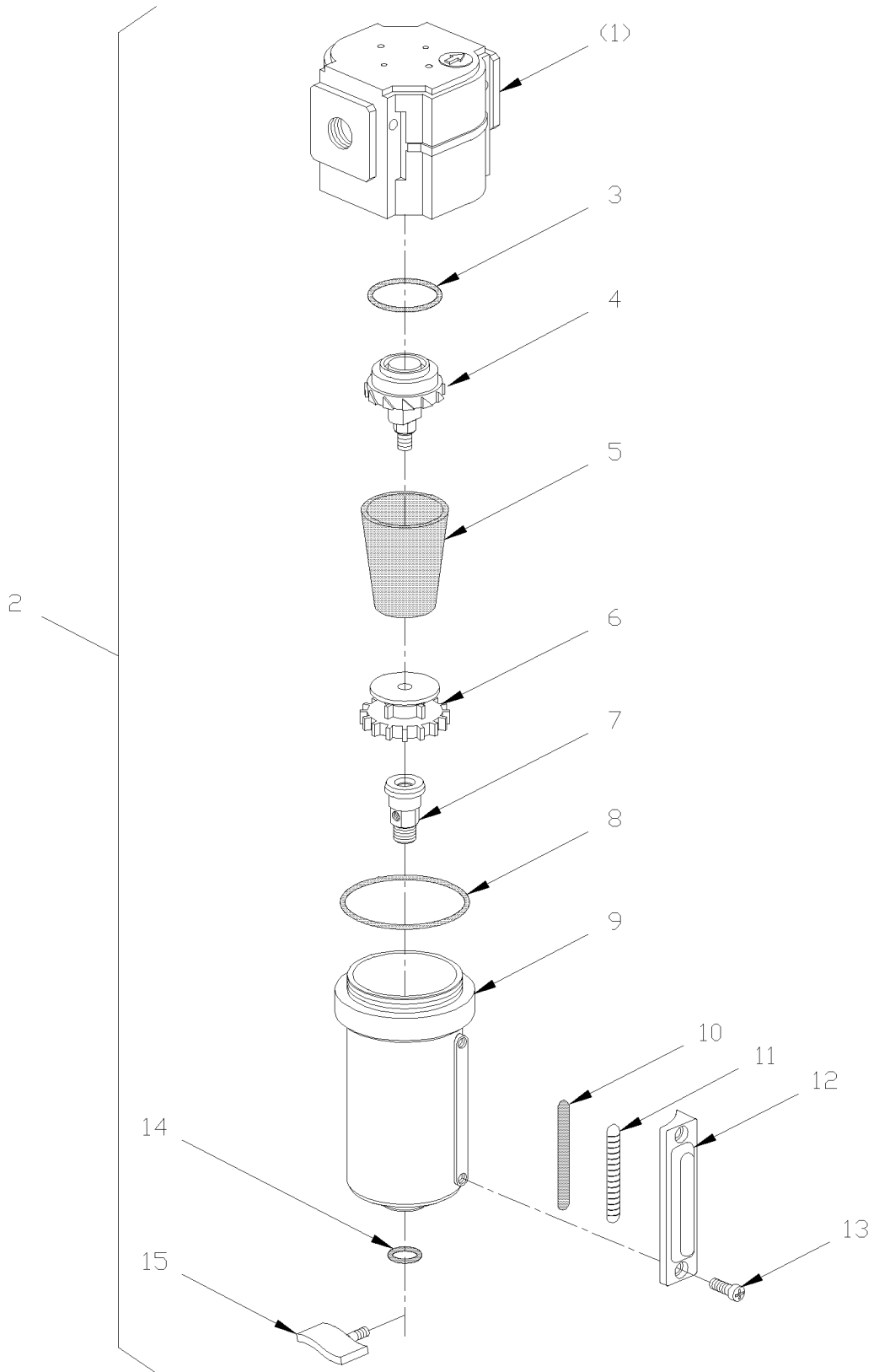
AIR FILTER - ACCESSORIES



From L-031 To R-079	Date:07/2024	PAGE:H4-1220-15
AIR FILTER - ACCESSORIES		

Item#	Part	Description	H 3 4 0	V I P 4 0	N O T E S
1	641251	FILTER ASSY	1	1	
2	N.S.S.	. O-RING	1	1	1
3	N.S.S.	. LOUVER	1	1	1
4	641252	. FILTER, ELEMENT / 5 MICRON	1	1	
5	N.S.S.	. BAFFLE	1	1	1
6	N.S.S.	. INSERT	1	1	1
7	N.S.S.	. GASKET	1	1	1
8	641170	. O-RING	1	1	
8	641200	. KIT, SIGHT GLASS			
9	N.S.S.	. . SEAL	2	2	1
10	N.S.S.	. . GAUGE	1	1	1
11	N.S.S.	. . O-RING	1	1	1
12	N.S.S.	. RETAINER	1	1	1
13	N.S.S.	. NUT	1	1	1
14	N.S.S.	. COCK, DRAIN	1	1	1
NS	641201	KIT, O-RING & GASKET	AR	AR	A
		A) INCLUDE ITEMS #2,7 & 8			
		1) NOT SOLD SEPARATELY			

AIR FILTER - ACCESSORIES / SERVICE



From L-031 To R-079	Date:07/2024	PAGE:H4-1220-16
AIR FILTER - ACCESSORIES / SERVICE		

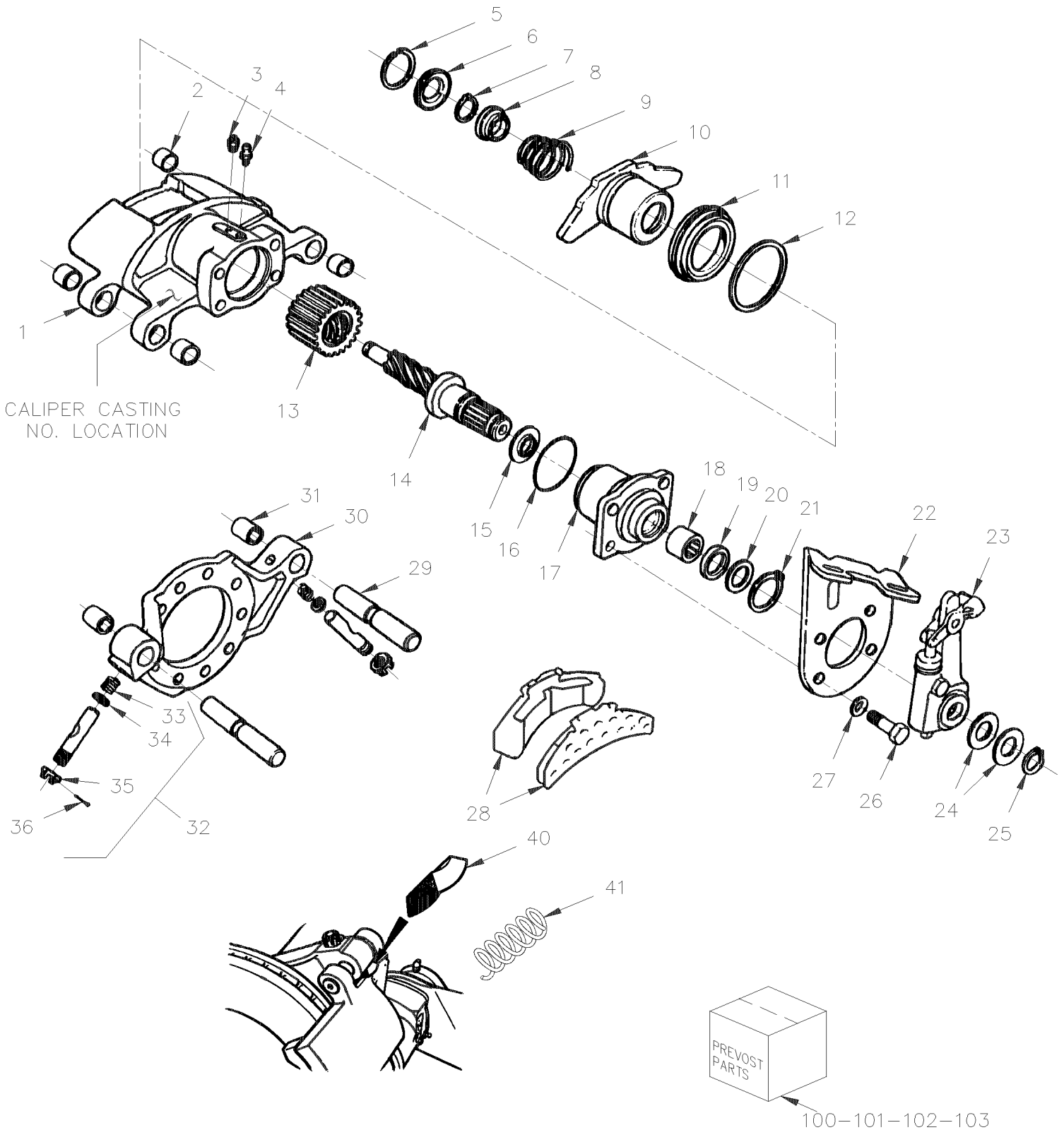
Item#	Part	Description	H 3 4 0	V I P 4 0	N O T E S
1	641339	SUPPORT / AIR FILTER	1	1	
2	641338	AIR FILTER ASSY	1	1	
3	N.S.S.	. O-RING / UPPER CENTER POST	1	1	1
4	641969	. CENTER POST	1	1	
5	641340	. FILTER ELEMENT	1	1	
6	641970	. SCREW BAFFLE	1	1	
7	641971	. DRAIN VALVE BODY	1	1	
8	N.S.S.	. O-RING / UPPER BOWL	1	1	1
9	N.S.S.	. BOWL METAL	1	1	1
10	N.S.S.	. INDICATOR FILTER	1	1	1
11	N.S.S.	. GLASS / INDICATOR	1	1	1
12	N.S.S.	. RETAINER / GLASS	1	1	1
13	N.S.S.	. SCREW / TO FIX RETAINER	2	2	1
14	N.S.S.	. O-RING / LOWER BOWL	1	1	1
15	641972	. DRAIN VALVE	1	1	
16	N.S.S.	. NUT RETAINER / DRAIN VALVE	1	1	1
NS	641354	KIT, O-RING	AR	AR	A
NS	641355	KIT, LEVEL INDICATOR	AR	AR	B
NS	7770058	KIT, DRAIN VALVE	AR	AR	C
		A) INCLUDE ITEMS #3,8 & 14			
		B) INCLUDE ITEMS #8,10,11 & 13			
		C) INCLUDE ITEMS #7, 14 & 15			
		1) NOT SOLD SEPARATELY			

From L-031 To R-079

Date:07/2024

PAGE:H4-1225-02

BRAKE PARTS - FRONT AXLE - W/MODEL 2FG952CAX



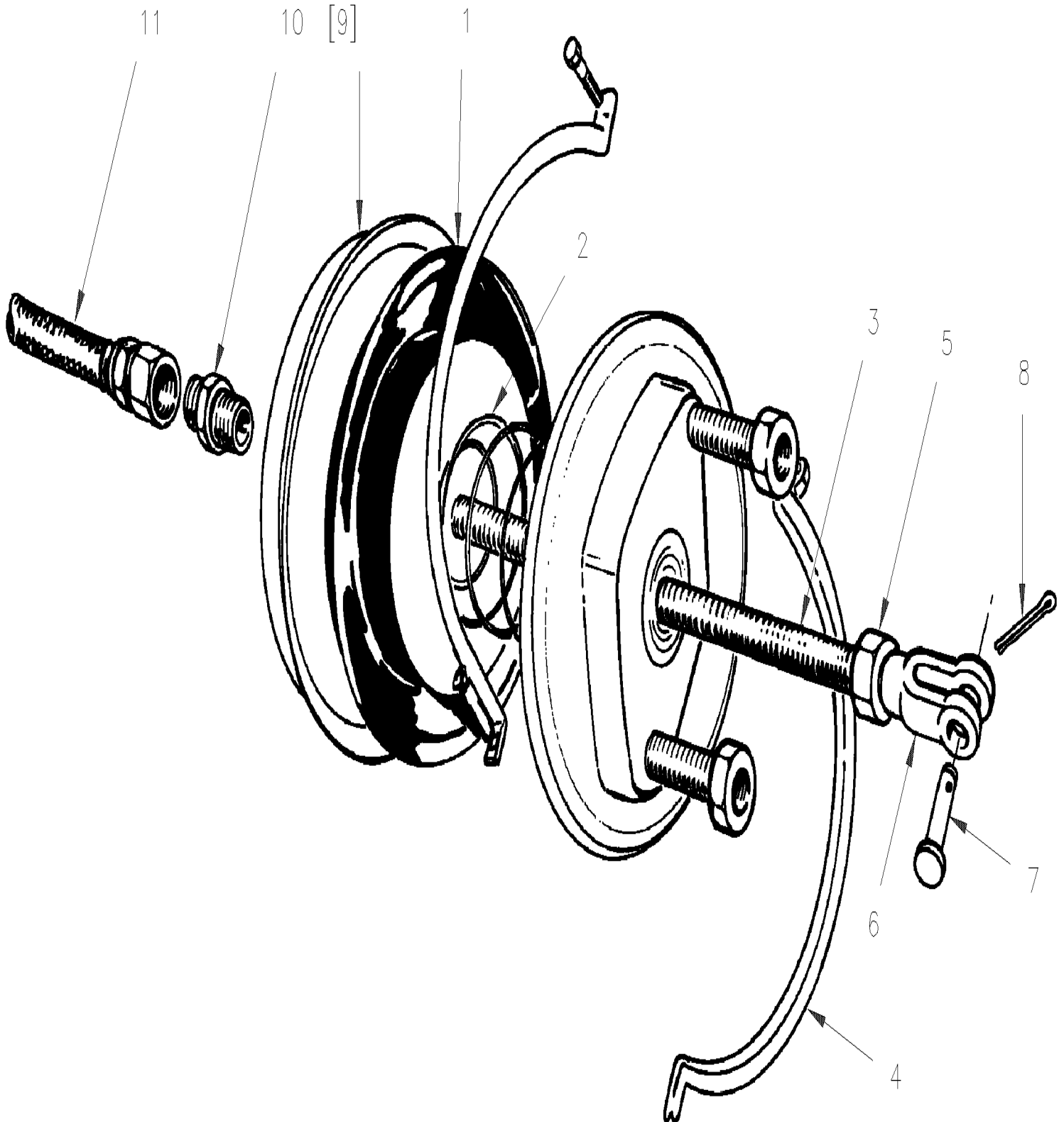
From L-031 To R-079	Date:07/2024	PAGE:H4-1225-02
BRAKE PARTS - FRONT AXLE - W/MODEL 2FG952CAX		

Item#	Part	Description	H 3 4 0	V I P 4 0	N O T E S
	N.P.N.	CALIPER ASSY / L.H. To P-332	1	1	4
	N.P.N.	CALIPER ASSY / R.H. To P-332	1	1	4
	N.P.N.	CALIPER ASSY / L.H. From P-333	1	1	4 A
	N.P.N.	CALIPER ASSY / R.H. From P-333	1	1	4 A
1	621599	CALIPER / W/SLIDING BUSHING ONLY	2	2	
2	610806	BUSHING / (SET OF 4)	4	4	
3	610808	FITTING, PRESSURE RELIEF / 5 PSI	1	1	
4	501493	GREASE FITTING 45° / 1/8 NPT	1	1	
5	621363	RING, SNAP	1	1	
6	610816	SEAL / PISTON END	1	1	
7	610830	RING, RETAINING	1	1	
8	610831	BUSHING, INNER	1	1	
9	610813	SPRING COMPRESSION / 2.470 O.D. x 4.5 x .148	1	1	
10	621351	PISTON	1	1	
11	621352	BOOT	1	1	
12	621353	SEAL	1	1	
13	610817	NUT, ACTUATOR / L.H. THREAD	1	1	
13	610818	NUT, ACTUATOR / R.H. THREAD	1	1	
14	610819	SHAFT, POWER / L.H. THREAD	1	1	
14	610820	SHAFT, POWER / R.H. THREAD	1	1	
NS	680500	GREASE MERITOR / 400GR	AR	AR	
15	610821	WASHER, POWER SHAFT THRUST	1	1	
16	610822	O-RING	1	1	
17	610823	CAP / POWER SHAFT	1	1	
18	N.S.S.	BUSHING	1	1	1
19	621115	SEAL / CAMSHAFT	1	1	
20	610826	WASHER	1	1	
21	610376	RING, SNAP	1	1	
22	610915	BRACKET / R.H. / BRAKE CHAMBER To P-332	1	1	
22	610916	BRACKET / L.H. / BRAKE CHAMBER To P-332	1	1	
22	610976	BRACKET / R.H. / BRAKE CHAMBER From P-333	1	1	A
22	610977	BRACKET / L.H. / BRAKE CHAMBER From P-333	1	1	A
23	H4-1230-00	SLACK ADJUSTER AUTOMATIC - "ROCKWELL"			
23	H4-1230-01	SLACK ADJUSTER AUTOMATIC - "HALDEX"			
24	610832	WASHER	AR	AR	
25	610833	SNAP RING CAM SHAFT & ANCHOR PIN	1	1	
26	610812	SCREW, HEX.	4	4	
27	610811	WASHER	4	4	
28	621371	KIT, LINING	1	1	
28	621855	KIT, LINING (set of 2)	1	1	
28	641363	KIT, LINING	AR	AR	D
29	621367	PIN, SLIDING / W/SMALL GROOVE 1/8" (FORMER)	1	1	

From L-031 To R-079	Date:07/2024	PAGE:H4-1225-02
BRAKE PARTS - FRONT AXLE - W/MODEL 2FG952CAX		

Item#	Part	Description	H 3 4 0	V I P 4 0	N O T E S
NS	507601	. O-RING 13/16" I.D. X 1/8" / TO USE W/ (FORMER)	2	2	
29	621466	. PIN SLIDING / W/GROOVE 3/32"	2	2	
NS	621467	. O-RING / 47/64" I.D.	2	2	
30	610917	PLATE TORQUE / R.H.	1	1	
30	611093	PLATE TORQUE / R.H.	1	1	
30	610918	PLATE TORQUE / L.H.	1	1	
30	611094	PLATE TORQUE / L.H.	1	1	
NS	141568	SPACER RUBBER / NOISELESS / CALIPER & TORQUE PLATE	1	1	
31	610837	BUSHING SLIDING PIN	2	2	
32	610838	KIT, RETAINER PIN / (SET OF 2)	1	1	
33	N.S.S.	. SPRING	2	2	1
34	N.S.S.	. WASHER	2	2	1
35	N.S.S.	. NUT	2	2	1
36	N.S.S.	. PIN, COTTER	2	2	1
40	141568	SPACER RUBBER / NOISELESS / CALIPER & TORQUE PLATE	AR	AR	
41	621546	SPRING, COMP. / 1.275 TO 1.675 O.D. x 1.890 x (SET OF 2)	AR	AR	
100	610924	KIT MINOR REPAIR	AR	AR	B
101	610925	KIT MAJOR REPAIR / L.H.	AR	AR	C
102	610926	KIT MAJOR REPAIR / R.H.	AR	AR	C
103	611100	KIT SLIDING PIN / W/O-RING	AR	AR	E
103	682928	INNER BUSHING DRIVE / W/ROCKWELL	1	1	
103	682929	OUTER BUSHING DRIVER / W/ROCKWELL	1	1	
103	682394	PLUG CALIBRATOR	AR	AR	
. NS	MAINT-ADB1560	. SEE MAINTENANCE MANUAL	1	1	
103	682396	BEARING & NUT ASSEMBLY / W/ROCKWELL	AR	AR	
. NS	MAINT-ADB1560	. SEE MAINTENANCE MANUAL	1	1	
103	682399	SPRING RETAINER ADAPTER / W/ROCKWELL / J-33860	AR	AR	
. NS	MAINT-ADB1560	. SEE MAINTENANCE MANUAL	1	1	
		A) "WARNING" DISCARD THE SLACK ADJUSTER WHO COME WITH THIS ASSY BECAUSE IT USE ON TAG AXLE ONLY			
		B) INCLUDE ITEMS 5,6,7,8,11,12,15,16,19,20,21 & 32			
		C) INCLUDE ITEMS 5,6,7,8,11,12,13,14,15,16,17,19,20,21 & 32			
		D) FOR TRANSIT W/HIGH FRENQUENCY BRAKE APPLICATION / #S2R7017173			
		E) INCLUDE ITEMS 29& 32			
		1) NOT SOLD SEPARATELY			
		4) NO PARTS NUMBER			

From L-031 To R-079	Date:07/2024	PAGE:H4-1225-10
BRAKE CHAMBER - FRONT AXLE		



From L-031 To R-079	Date:07/2024	PAGE:H4-1225-10
BRAKE CHAMBER - FRONT AXLE		

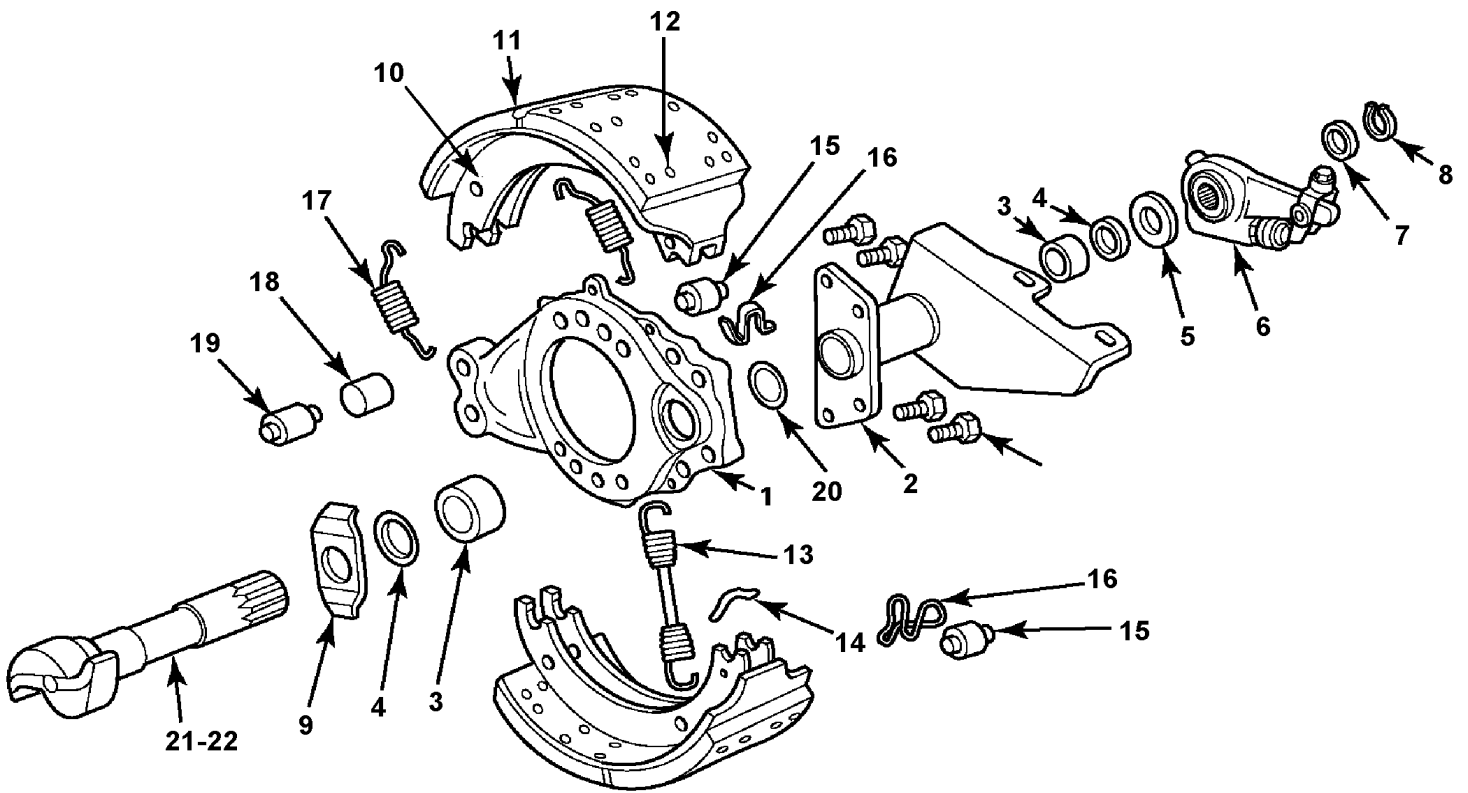
Item#	Part	Description	H 3 4 0	V I P 4 0	N O T E S
	640915	BRAKE CHAMBER ASSY / TYPE 24	2	2	
1	640229	. DIAPHRAGM / TYPE 24	1	1	
2	640231	. SPRING, COMP.	1	1	
3	641255	. PUSH ROD TYPE 24	1	1	
4	N.S.S.	. RING FLYWHEEL	1	1	1
5	500730	NUT HEX JAM THN 5/8-18x3/8 ZP	1	1	
6	H4-1230-00	SLACK ADJUSTER AUTOMATIC - "ROCKWELL"			
7	H4-1230-00	. SLACK ADJUSTER AUTOMATIC - "ROCKWELL"			
8	H4-1230-00	. SLACK ADJUSTER AUTOMATIC - "ROCKWELL"			
9	N.S.S.	RING FLYWHEEL	1	1	1
10	501842	ADAPTER / AIR BRAKE HOSE FITTING / 3/4-20-Mx3/8NPT-M STL	1	1	A
11	141527	HOSE BRAKE #8 781MM	1	1	
11	503435	. HOSE / AIR BRAKE #8 / S.L.	AR	AR	
11	507563	. MALE CONNECTOR / AIR BRAKE HOSE FITTING / #8x1/2NPT-M W/SPRING BR	1	1	
11	501843	. FEMALE CONNECTOR SWIVEL / AIR BRAKE HOSE / #8USFFx#8 STL	1	1	
		A) (HOSE BRAKE)			
		1) NOT SOLD SEPARATELY			

From L-031 To R-079

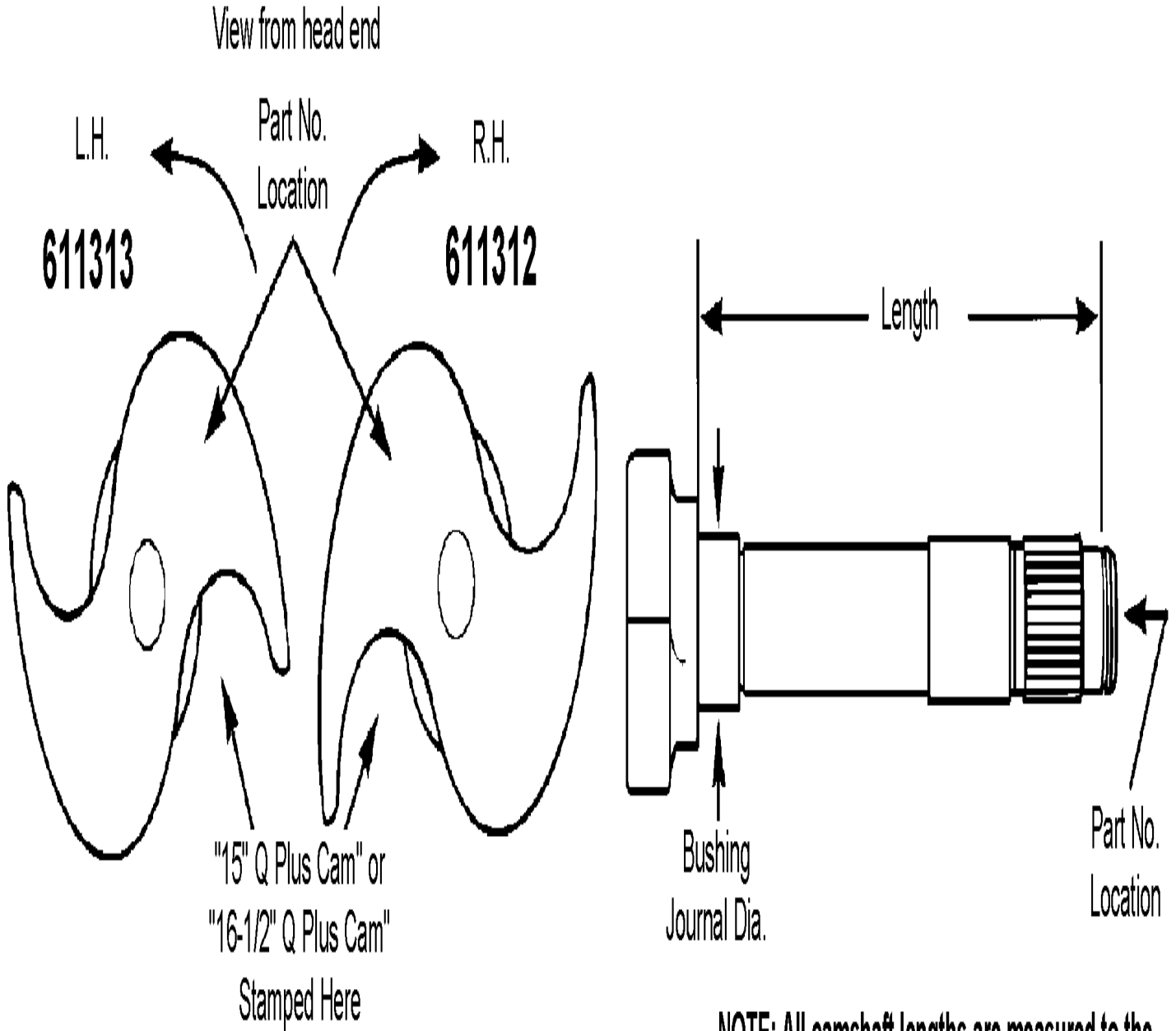
Date:07/2024

PAGE:H4-1225-99

BRAKE PARTS - FRONT AXLE - RETROKIT MODEL 16 1/2 I.D. (RETROFIT)



From L-031 To R-079	Date:07/2024	PAGE:H4-1225-99
BRAKE PARTS - FRONT AXLE - RETROKIT MODEL 16 1/2 I.D. (RETROFIT)		



NOTE: LH and RH indicates only the direction of cam rotation;
NOT which side of the vehicle the cam is used on.
(LH = Counterclockwise) (RH = Clockwise)

NOTE: All camshaft lengths are measured to the
beginning of the snap ring groove.

From L-031 To R-079 Date:07/2024 PAGE:H4-1225-99

BRAKE PARTS - FRONT AXLE - RETROKIT MODEL 16 1/2 I.D. (RETROFIT)

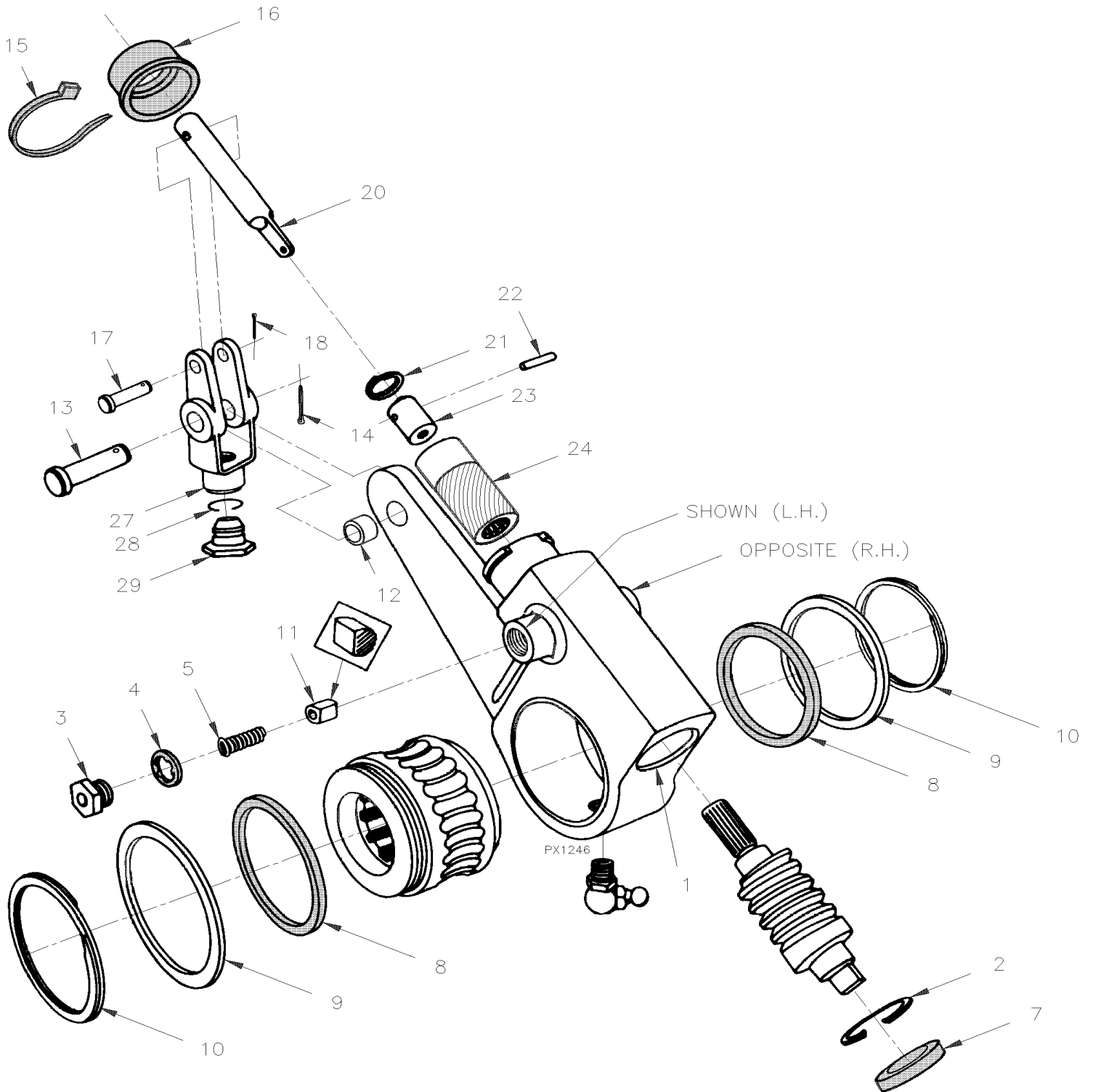
Item#	Part	Description	H 3 4 0	V I P 4 0	N O T E S
		IT IS POSSIBLE TO USED SAME INSTALLATION			
		ON TAG AXLE			
	611336	BRAKE ASSY	1	1	A
. NS	M103-01	. SEE MAINTENANCE INFORMATION	1	1	A
1	N.P.N.	. CAST SPIDER	1	1	4
2	611315	. BRACKET CAMSHAFT & CHAMBER R.H.	1	1	
2	611316	. BRACKET CAMSHAFT & CHAMBER L.H.	1	1	
3	611298	. BUSHING CAM / NYLON	2	2	
4	621115	. SEAL / CAMSHAFT	2	2	
5	621133	. WASHER 1 17/32" I.D. X 2 3/8" O.D. X .032 TH	AR	AR	
6	641271	. SLACK ADJUSTER 5.5 X 1"1/2-28	2	2	
6	641266	SLACK ADJUSTER L.H. & R.H. AXLE, W/DISC BRA	AR	AR	
6	641267	ANCHOR BRACKET L.H. & R.H. / W/DISC BRAKE	AR	AR	
7	611317	. WASHER FL 1.250x1.875x.093	2	2	
8	610833	. SNAP RING CAM SHAFT & ANCHOR PIN	1	1	
9	611318	. WASHER FL 1.250x1.875x.03	2	2	
10	611281	. SHOES 16 1/2" X 6"	2	2	
11	641753	. LINING SET NON ASBESTOS (8 PCES) STD	1	1	
11	641762	. LINING SET NON ASBESTOS (8 PCES) X OVERSIZE	1	1	
11	641756	. LINING SET NON ASBESTOS (8 PCES) XX OVERSIZ	1	1	
12	642065	. SCREW FH SLOT BR 1/4-20X1 W/NUT & LOCK	AR	AR	
13	610298	. SPRING EXTENSION / 1.125 O.D. x 8.000	1	1	
14	610139	. PIN, BRAKE RETURN SPRING	2	2	
15	611286	. ROLLER	2	2	
16	611285	. RETAINER ROLLER	2	2	
17	611282	. SPRING SHORT	2	2	
18	611299	. BUSHING ANCHOR	2	2	
19	611293	. ROLLER ANCHOR PIN	2	2	
20	611314	. O-RING	1	1	
21	611312	. CAMSHAFT R.H.	1	1	
22	611313	. CAMSHAFT L.H.	1	1	
100	611324	KIT, SPRING & ROLLER	AR	AR	B
		A) THIS KIT USE ONLY WITH AXLE 2FG-952 MODIFIED WITH DRUM			
		B) KIT INCLUDE ITEMS #13 To 19			
		4) NO PARTS NUMBER			

From L-031 To R-079

Date:07/2024

PAGE:H4-1230-00

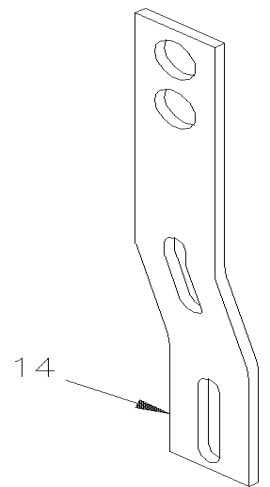
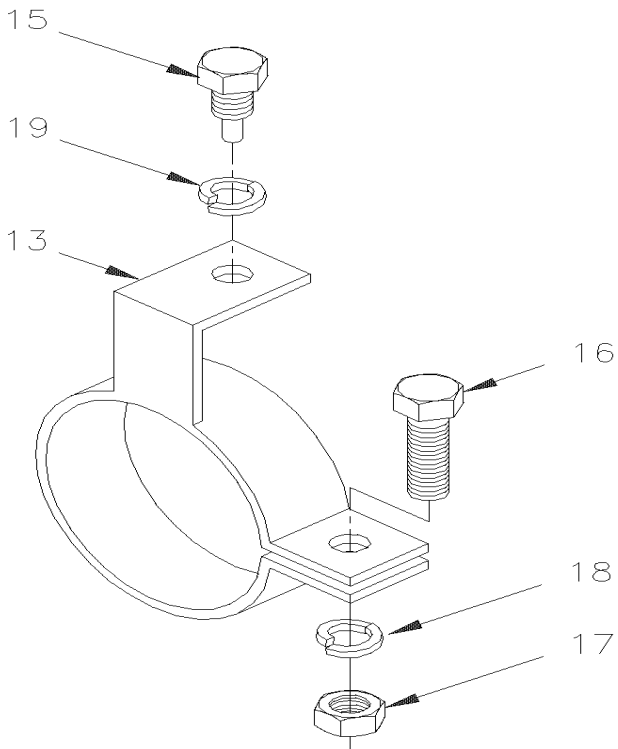
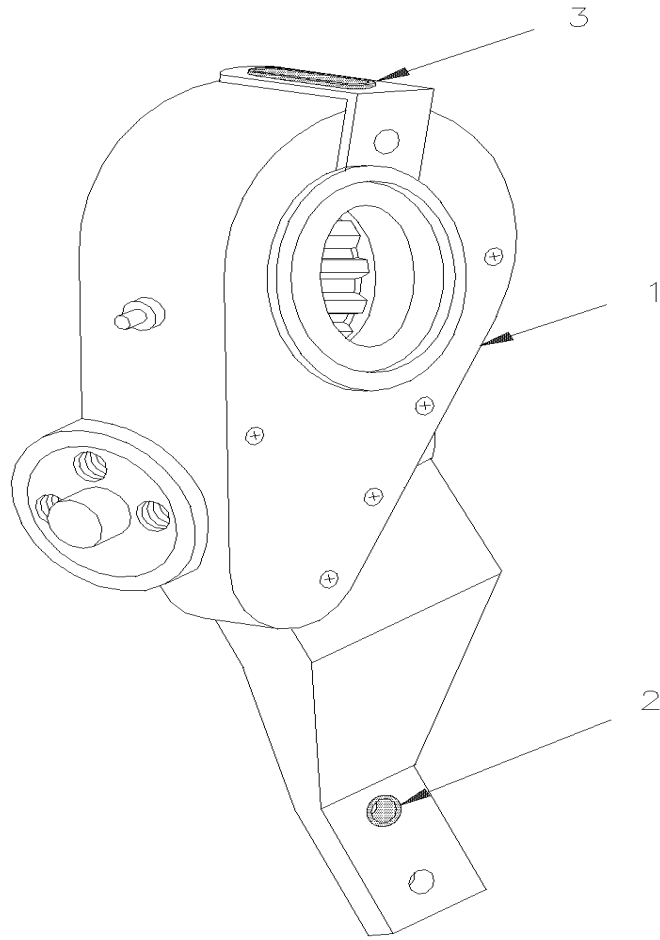
SLACK ADJUSTER AUTOMATIC - "ROCKWELL"



From L-031 To R-079	Date:07/2024	PAGE:H4-1230-00
SLACK ADJUSTER AUTOMATIC - "ROCKWELL"		

Item#	Part	Description	H 3 4 0	V I P 4 0	N O T E S
1	641272	SLACK ADJUSTER LH 7 X 1"1/2-10	1	1	
1	641273	SLACK ADJUSTER RH 7 X 1"1/2-10	1	1	
1	610880	SLACK ADJUSTER R.H. 5.5 X 1"1/2-28	1	1	
1	610881	SLACK ADJUSTER L.H. 5.5 X 1"1/2-28	1	1	
1	641314	SLACK ADJUSTER 5.5 X 1"1/2-28	1	1	
1	641271	SLACK ADJUSTER 5.5 X 1"1/2-28	AR	AR	
2	610879	. RING, RETAINING	1	1	
3	610878	. SCREW, PRESSURE RELIEF	1	1	
4	610877	. GASKET	1	1	
5	610876	. SPRING COMPRESSION / .332 TO .230 O.D. x .740 x .0	1	1	
7	N.S.S.	. SEAL, OIL	1	1	1
8	N.S.S.	. SEAL	2	2	1
9	N.S.S.	. WASHER, THRUST	2	2	1
10	N.S.S.	. RING, RETAINING	2	2	1
11	642054	. PAWL, GUIDE	1	1	
12	641215	. BUSHING 5/8" O.D. X 1/2" I.D.	1	1	
13	610930	. PIN, CLEVIS 1/2 x 1 1/2	1	1	
14	N.S.S.	. PIN, COTTER	1	1	1
15	504273	. CABLE TIE / 1/8" X 3"1/2	1	1	
16	610887	. BOOT	1	1	
17	610929	. PIN, CLEVIS 1/4 x 1.119	1	1	
18	N.S.S.	. PIN, COTTER	1	1	1
20	N.S.S.	. ROD, ACTUATOR	1	1	1
21	N.S.S.	. RING, RETAINING	1	1	1
22	N.S.S.	. ROLLER	1	1	1
23	N.S.S.	. PISTON, ACTUATOR	1	1	1
24	N.S.S.	. ACTUATOR	1	1	1
27	610872	. YOKE, CLEVIS 5/8-18	1	1	
28	N.S.S.	RING RETENING / (2214-Z-260)	1	1	1
29	621521	COLLAR 5/8-18	1	1	
29	N.S.S.	COLLAR 1/2-20 / (2207-L-12)	1	1	1
NS	610874	REPAIR KIT	1	1	A
NS	610873	REPAIR KIT	1	1	B
		A) INCLUDE ITEMS 20,21,22,23 & 24			
		B) INCLUDE ITEM 7,8,9,10,13,15,16,17 & 18			
		1) NOT SOLD SEPARATELY			

From L-031 To R-079	Date:07/2024	PAGE:H4-1230-01
SLACK ADJUSTER AUTOMATIC - "HALDEX"		



From L-031 To R-079	Date:07/2024	PAGE:H4-1230-01
SLACK ADJUSTER AUTOMATIC - "HALDEX"		

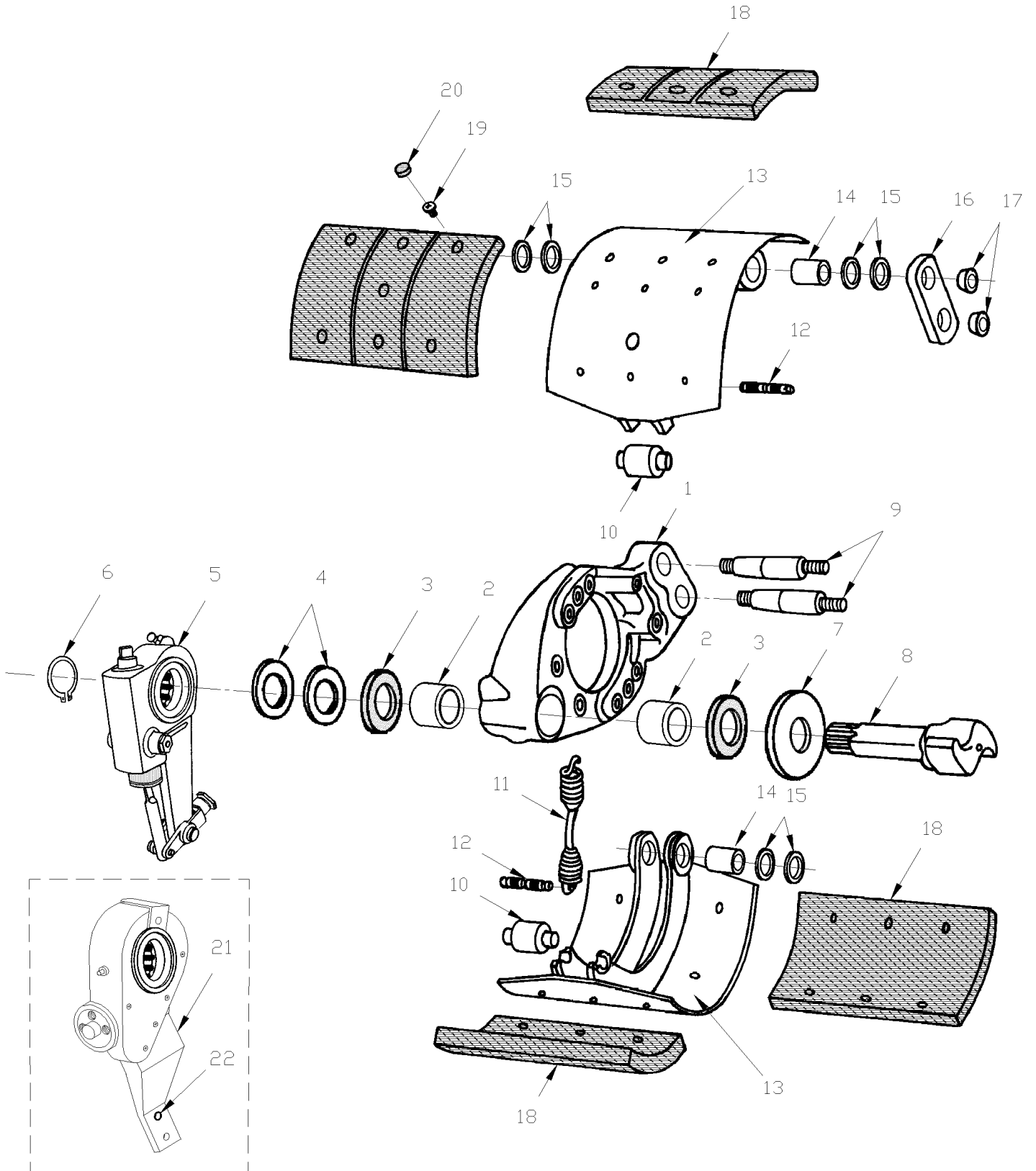
Item#	Part	Description	H 3 4 0	V I P 4 0	N O T E S
1	621523	SLACK ADJUSTER L.H. & R.H. W/REAR AXLE 61143	1	1	A
1	641532	SLACK ADJUSTER L.H. & R.H. W/REAR AXLE 61143 (SERVICE)	1	1	A
1	641266	SLACK ADJUSTER L.H. & R.H. AXLE, W/DISC BRA	1	1	B
2	641215	. BUSHING 5/8" O.D. X 1/2" I.D.	1	1	
3	641334	. RING / BLACK PLASTIC (W/DISC BRAKE MODEL)	1	1	
13	621524	ANCHOR BRACKET R.H. / W/REAR AXLE MODEL 61143	1	1	A
13	621525	ANCHOR BRACKET L.H. / W/REAR AXLE MODEL 61143	1	1	A
14	641267	ANCHOR BRACKET L.H. & R.H. / W/DISC BRAKE	1	1	B
15	640986	SCREW SPECIAL /TO USE WITH ALL SLACK ADJUST	1	1	A
16	500048	SCREW CAP HEX 3/8-24x1 1/4 G5 ZP	1	1	
17	500705	NUT HEX 3/8-24 ZP	1	1	
18	500478	WASHER LO SPT .380x.683x.094 Z050	1	1	
19	500480	WASHER LO SPT .443x.779x.109 Z050	1	1	
		A) WITH DRIVE AXLE			
		B) WITH FRONT & TAG AXLE			

From L-031 To R-079

Date:07/2024

PAGE:H4-1235-01

BRAKE PARTS - DRIVE AXLE "MERITOR" W/DRUMS



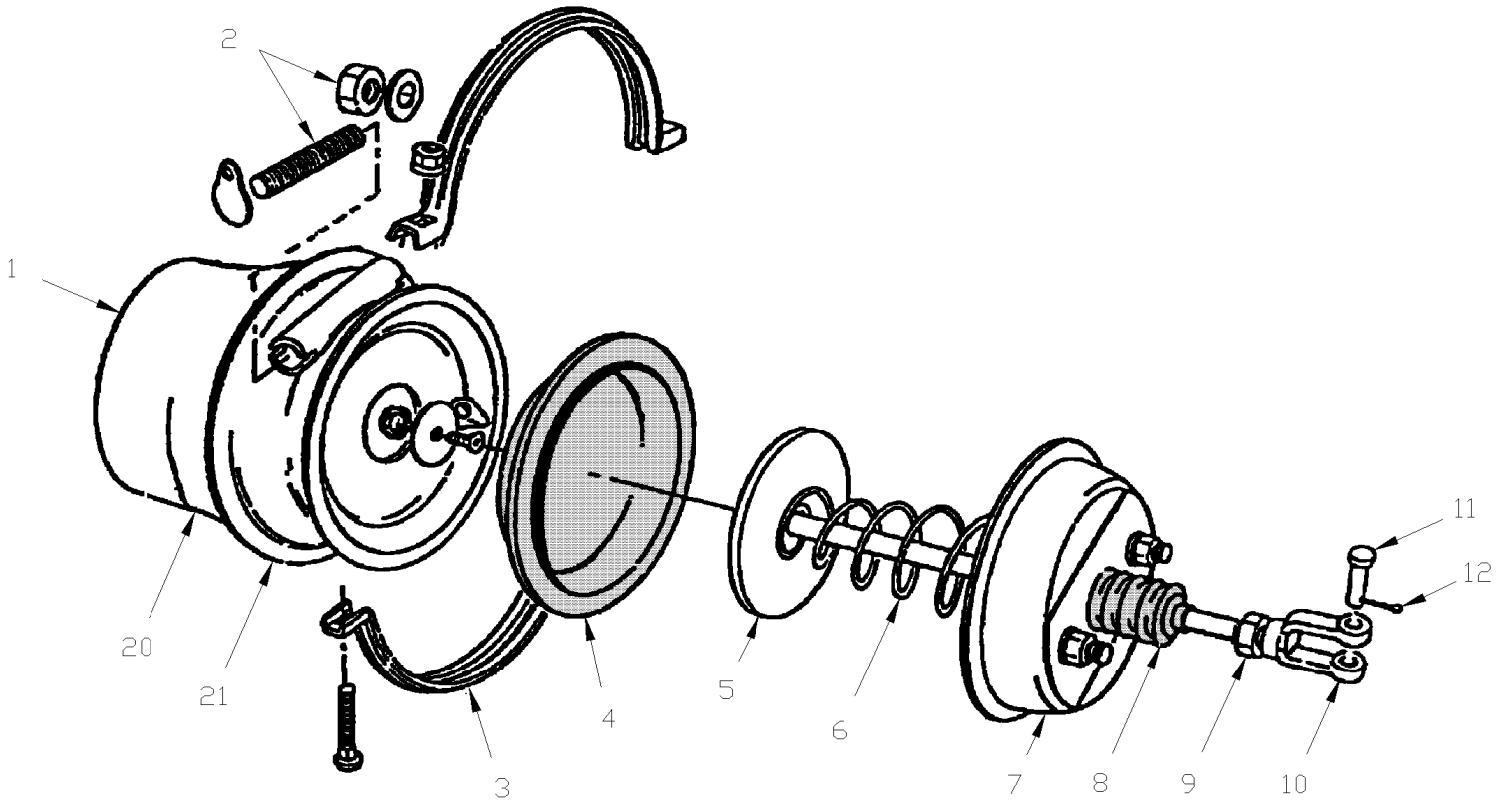
From L-031 To R-079	Date:07/2024	PAGE:H4-1235-01
BRAKE PARTS - DRIVE AXLE "MERITOR" W/DRUMS		

Item#	Part	Description	H 3 4 0	V I P 4 0	N O T E S
1	621412	SPIDER L.H. / W/BUSHING	1	1	
1	621413	SPIDER R.H. / W/BUSHING	1	1	
2	610699	. BUSHING 1 1/2" ID X 1 7/8" OD X 1 1/4"	2	2	
NS	621107	SCREW CAP HEX 5/8-11x2 G8 ZP	8	8	
NS	621057	WASHER / SPIDER TO AXLE	16	16	
NS	621731	WASHER FL .91x1.62x.250	16	16	
NS	500725	NUT HEX STO 5/8-18 Z050	16	16	
3	610179	SEAL / CAMSHAFT	2	2	
4	621133	WASHER 1 17/32" I.D. X 2 3/8" O.D. X .032 TH	2	2	
NS	610778	WASHER 1 15/32" I.D. X 2 1/4" O.D. X 1/16" TH	4	4	
5	H4-1230-00	SLACK ADJUSTER AUTOMATIC - "ROCKWELL"			
NS	621497	SLACK ADJUSTER L.H. & R.H. / MANUAL ROCKWELL	2	2	
NS	621514	YOKE 5/8-18x1 3/8 C/Lx9/16Wx1/2	AR	AR	
NS	621515	PIN, CLEVIS 1/2 x 1.630	AR	AR	
6	610771	RING RETAINER / EXT 1.375 I.D. x .108" th	2	2	
7	621405	WASHER CAMHEAD 1 1/2" I.D.	1	1	
8	621406	CAMSHAFT L.H.	1	1	
8	621407	CAMSHAFT R.H.	1	1	
9	620853	PIN ANCHOR	2	2	
NS	500733	NUT HEX 3/4-16 Z050	2	2	
NS	500737	NUT HEX 7/8-14 ZP	2	2	
10	620903	ROLLER / STD	2	2	
10	621512	ROLLER 1/8" O.S.	AR	AR	
10	621513	ROLLER 1/4" O.S.	AR	AR	
11	620875	SPRING EXTENSION / 1.250 O.D. x 8.500	1	1	
12	620904	PIN, RETURN SPRING 27/64 O.D. x 2-5/32"	1	1	
13	620486	SHOE ASSY 10" WIDE / 14.5" O.D.	2	2	
14	610702	. BUSHING ANCHOR PIN / 1 1/4" I.D. x 1 1/2" O	1	1	
15	620908	WASHER / .063 TH	AR	AR	
15	620909	WASHER / .031 TH	AR	AR	
15	620910	WASHER / .094 TH	AR	AR	
15	620911	WASHER / .125 TH	AR	AR	
15	620912	WASHER	AR	AR	
16	620851	STRAP	1	1	
17	620852	DOWEL 3/4 I.D.	2	2	
18	641086	LINING SET NON ASBESTOS (8 PCES) STD	1	1	
18	641087	LINING SET NON ASBESTOS (8 PCES) X OVERSIZE	AR	AR	
18	641225	LINING SET NON ASBESTOS (8 PCES) XX OVERSIZE	AR	AR	
18	641226	LINING SET NON ASBESTOS (8 PCES) XXX OVERSIZE	AR	AR	
19	641208	SCREW MA FL SLT W/NUT & LOCK (100) 3/8-16x1 BR	AR	AR	
19	9097	SCREW MA FL SLT W/NUT & LOCK (100) 3/8-24x1 BR	AR	AR	
20	640617	PLUG, LINING BOLT HOLE	48	48	

From L-031 To R-079	Date:07/2024	PAGE:H4-1235-01
BRAKE PARTS - DRIVE AXLE "MERITOR" W/DRUMS		

Item#	Part	Description	H 3 4 0	V I P 4 0	N O T E S
21	621523	SLACK ADJUSTER L.H. & R.H. W/REAR AXLE 61143	AR	AR	
21	641532	SLACK ADJUSTER L.H. & R.H. W/REAR AXLE 61143 (SERVICE)	AR	AR	
22	641215	. BUSHING 5/8" O.D. X 1/2" I.D.	1	1	
23	621524	ANCHOR BRACKET R.H. / W/REAR AXLE MODEL 61143	1	1	
23	621525	ANCHOR BRACKET L.H. / W/REAR AXLE MODEL 61143	1	1	
24	500195	. SCREW CAP HEX 3/8-16x2 1/2 G5 Z050	1	1	
25	500496	. WASHER FL .437x.750x.054 Z050	2	2	
26	500783	. NUT HEX 3/8-16 Z050	1	1	
27	640986	. SCREW SPECIAL /TO USE WITH ALL SLACK ADJUST	1	1	

From L-031 To R-079	Date:07/2024	PAGE:H4-1235-10
BRAKE CHAMBER - DRIVE AXLE "ANCHOR LOCK"		



From L-031 To R-079	Date:07/2024	PAGE:H4-1235-10
BRAKE CHAMBER - DRIVE AXLE "ANCHOR LOCK"		

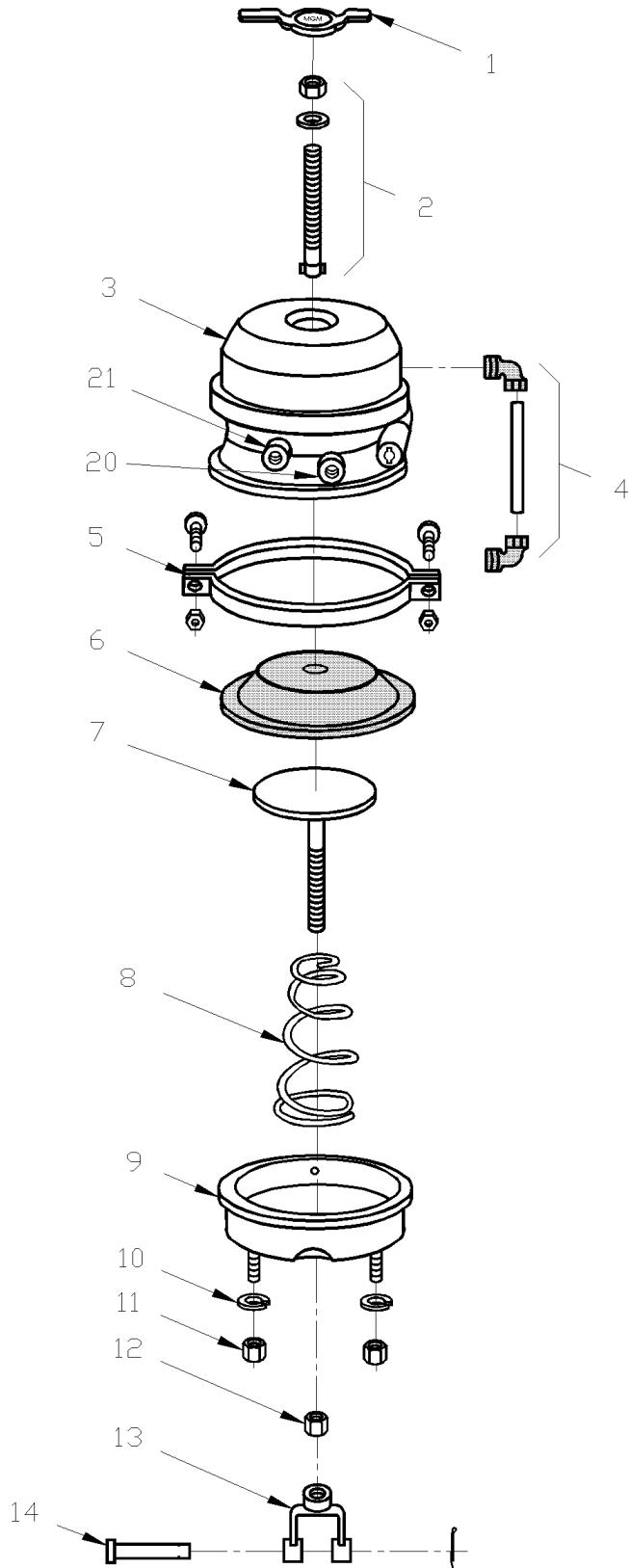
Item#	Part	Description	H 3 4 0	V I P 4 0	N O T E S
	641181	SPRING BRAKE ASSY 30/36 2.5" STROKE	2	2	
1	641290	. PIGKY BACK UNIT / TYPE 30/36 (SEALED)	1	1	
NS	641073	. . PLUG / WEEP HOLE (BLACK)	3	3	
NS	641291	. . PLUG / YELLOW 1 1/4"	1	1	
2	640977	. STUD, RELEASE W/NUTS & WASHERS	1	1	
3	N.S.S.	. CLAMP ASS'Y W/BOLTS & NUT TYPE 30	1	1	1
4	640957	. DIAPHRAGM / TYPE 30	1	1	
5	640956	. ROD, PUSH	1	1	
6	640955	. SPRING, COMP.	1	1	
7	641268	. HOUSING ASSY / TYPE 36	1	1	
8	640954	. DUST BOOT ASSY	1	1	
9	500723	. NUT HEX 5/8-18 ZP	1	1	
10	640129	. YOKE 5/8-18x1 3/8 C/Lx9/16Wx1/2	1	1	
10	621514	. YOKE 5/8-18x1 3/8 C/Lx9/16Wx1/2	1	1	
11	621515	. PIN, CLEVIS 1/2 x 1.630	1	1	
		HOSE SERVICE BRAKE			
20	641303	HOSE BRAKE #8 914MM (36")	2	2	
NS	501842	ADAPTER / AIR BRAKE HOSE FITTING / 3/4-20-Mx3/8NPT-M STL	1	1	A
NS	501330	STREET ELBOW 45° / PIPE FITTING / 3/8NPT-Mx3/8NPT-F BR	1	1	
		HOSE EMERGENCY BRAKE			
21	503488	TUBE, NYLON 1/2 O.D. / BLACK S.L./	AR	AR	B
NS	641010	MALE ELBOW 45° / NTA FITTING / #8x3/8NPT-M BR	1	1	
NS	141804	HOSE BRAKE #8 895MM	1	1	
		A) (HOSE BRAKE)			
		B) BLACK S.L.			
		1) NOT SOLD SEPARATELY			

From L-031 To R-079

Date:07/2024

PAGE:H4-1235-11

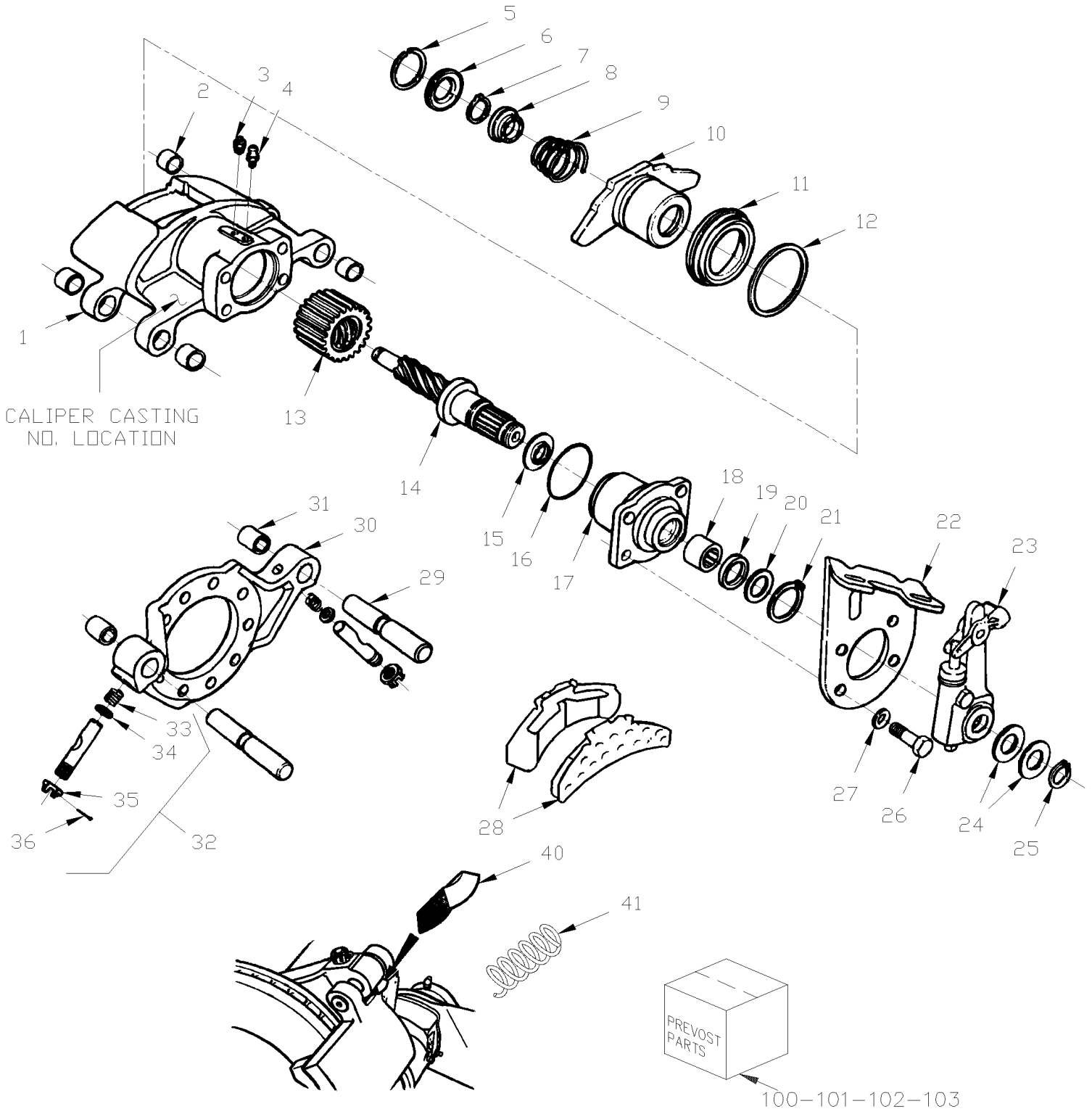
BRAKE CHAMBER - DRIVE AXLE "M.G.M." / SERVICE



From L-031 To R-079	Date:07/2024	PAGE:H4-1235-11
BRAKE CHAMBER - DRIVE AXLE "M.G.M." / SERVICE		

Item#	Part	Description	H 3 4 0	V I P 4 0	N O T E S
	641364	SPRING BRAKE ASSY 30/36 2.50" STROKE	2	2	
1	641408	. WEATHER SEAL PLUG	1	1	
1	641434	. O-RING	1	1	
2	641407	. KIT RELEASE BOLT	1	1	
3	641500	. PIGGY BACK UNIT / TYPE 30/36	1	1	
4	641406	. KIT BREATHER TUBE	1	1	
5	640958	. CLAMP TYPE 30 W/BOLT & NUT	1	1	
6	640957	. DIAPHRAGM / TYPE 30	1	1	
7	641409	. PUSH ROD KIT	1	1	
8	640955	. SPRING, COMP.	1	1	
9	N.S.S.	. NP - CHAMBER ASSY	1	1	1
10	500484	. WASHER LO SPT .635x1.079x.156 Z050	2	2	
11	500723	NUT HEX 5/8-18 ZP	2	2	
12	500730	NUT HEX JAM THN 5/8-18x3/8 ZP	1	1	
12	621514	YOKE 5/8-18x1 3/8 C/Lx9/16Wx1/2	1	1	
12	621515	PIN, CLEVIS 1/2 x 1.630	1	1	
		HOSE SERVICE BRAKE			
20	641303	HOSE BRAKE #8 914MM (36")	2	2	
NS	501842	ADAPTER / AIR BRAKE HOSE FITTING / 3/4-20-Mx3/8NPT-M STL	1	1	
NS	501330	STREET ELBOW 45° / PIPE FITTING / 3/8NPT-Mx3/8NPT-F BR	1	1	
		HOSE EMERGENCY BRAKE			
21	503488	TUBE, NYLON 1/2 O.D. / BLACK S.L./	AR	AR	
NS	141804	HOSE BRAKE #8 895MM	1	1	
NS	641010	MALE ELBOW 45° / NTA FITTING / #8x3/8NPT-M BR	1	1	
		1) NOT SOLD SEPARATELY			

From L-031 To R-079	Date:07/2024	PAGE:H4-1245-01
BRAKE PARTS - TAG AXLE - W/"MERITOR" ABD 1560		



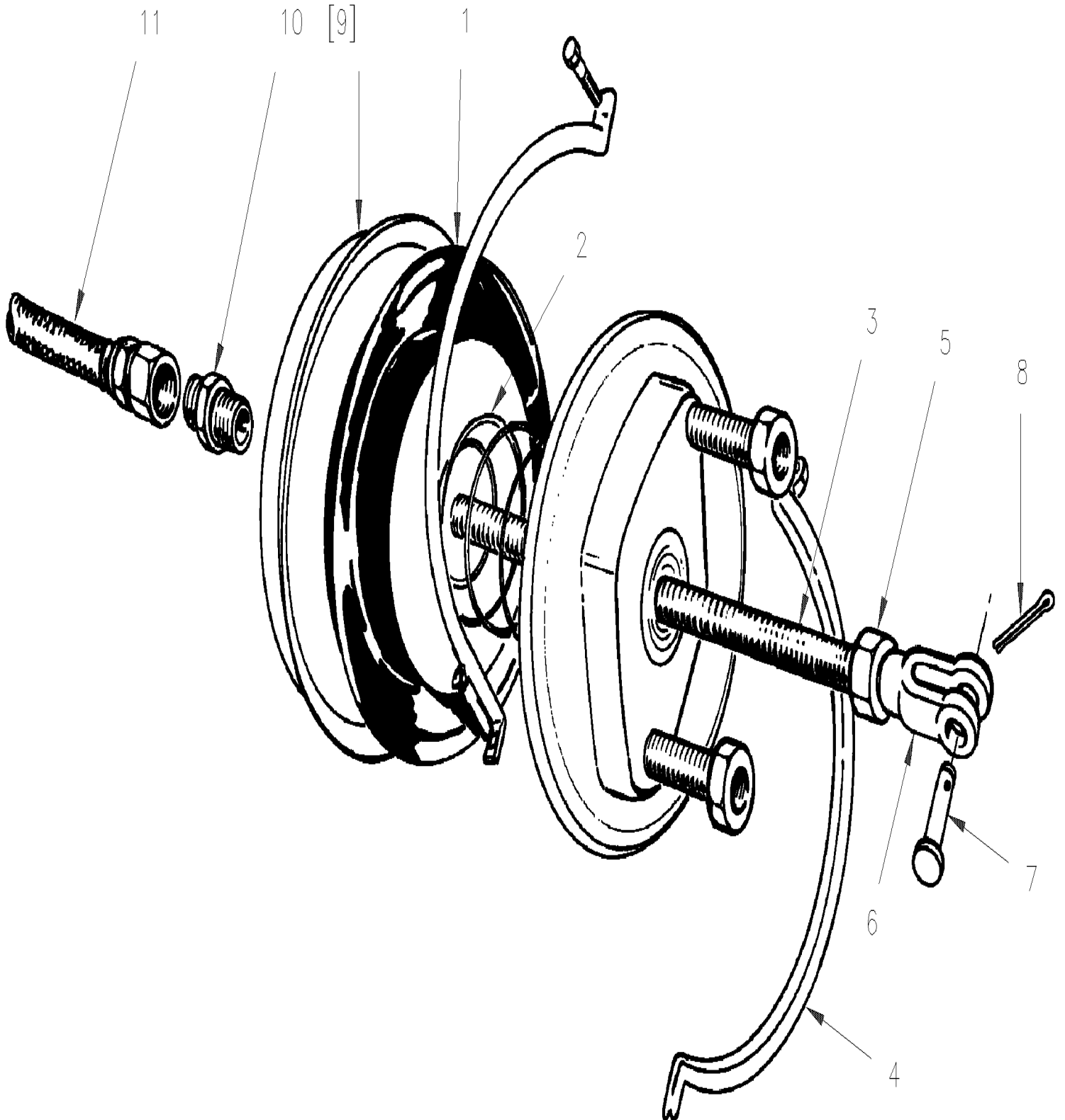
From L-031 To R-079	Date:07/2024	PAGE:H4-1245-01
BRAKE PARTS - TAG AXLE - W/"MERITOR" ABD 1560		

Item#	Part	Description	H 3 4 0	V I P 4 0	N O T E S
	610907	CALIPER ASSY / L.H. To P-332	1	1	
	610974	CALIPER ASSY / L.H. From P-333	1	1	A
	610906	CALIPER ASSY / R.H. To P-332	1	1	
	610975	CALIPER ASSY / R.H. From P-333	1	1	A
1	621599	CALIPER / W/SLIDING BUSHING ONLY	1	1	
2	610806	BUSHING / (SET OF 4)	4	4	
3	610808	FITTING, PRESSURE RELIEF / 5 PSI	1	1	
4	501493	GREASE FITTING 45° / 1/8 NPT	1	1	
5	621363	RING, SNAP	1	1	
6	610816	SEAL / PISTON END	1	1	
7	610830	RING, RETAINING	1	1	
8	610831	BUSHING, INNER	1	1	
9	610813	SPRING COMPRESSION / 2.470 O.D. x 4.5 x .148	1	1	
10	621351	PISTON	1	1	
11	621352	BOOT	1	1	
12	621353	SEAL	1	1	
13	610818	NUT, ACTUATOR / R.H. THREAD	1	1	
14	610819	SHAFT, POWER / L.H. THREAD	1	1	
14	610820	SHAFT, POWER / R.H. THREAD	1	1	
14	680500	GREASE MERITOR / 400GR	1	1	A
15	610821	WASHER, POWER SHAFT THRUST	1	1	
16	610822	O-RING	1	1	A
17	610823	CAP / POWER SHAFT	1	1	
18	N.S.S.	BUSHING	AR	AR	1
19	621115	SEAL / CAMSHAFT	1	1	
20	610826	WASHER	1	1	
21	610376	RING, SNAP	1	1	
22	610828	BRACKET / L.H. / BRAKE CHAMBER To P-332	1	1	
22	610977	BRACKET / L.H. / BRAKE CHAMBER From P-333	1	1	
22	610829	BRACKET / R.H. / BRAKE CHAMBER To P-332	1	1	
22	610976	BRACKET / R.H. / BRAKE CHAMBER From P-333	1	1	
23	H4-1230-00	SLACK ADJUSTER AUTOMATIC - "ROCKWELL"			
23	H4-1230-01	SLACK ADJUSTER AUTOMATIC - "HALDEX"			
24	610832	WASHER	AR	AR	
25	610833	SNAP RING CAM SHAFT & ANCHOR PIN	1	1	
26	610812	SCREW, HEX.	4	4	
27	610811	WASHER	4	4	
28	621371	KIT, LINING	1	1	
28	621855	KIT, LINING (set of 2)	1	1	
28	641363	KIT, LINING	AR	AR	D
29	621466	PIN SLIDING / W/GROOVE 3/32"	2	2	
29	621467	O-RING / 47/64" I.D.	2	2	

From L-031 To R-079	Date:07/2024	PAGE:H4-1245-01
BRAKE PARTS - TAG AXLE - W/"MERITOR" ABD 1560		

Item#	Part	Description	H 3 4 0	V I P 4 0	N O T E S
30	610917	PLATE TORQUE / R.H.	1	1	
30	611093	PLATE TORQUE / R.H.	1	1	
30	610918	PLATE TORQUE / L.H.	1	1	
30	611094	PLATE TORQUE / L.H.	1	1	
31	610837	BUSHING SLIDING PIN	2	2	
32	610838	KIT, RETAINER PIN / (SET OF 2)	1	1	
33	N.S.S.	SPRING	2	2	1
34	N.S.S.	WASHER	2	2	1
35	N.S.S.	NUT	2	2	1
36	N.S.S.	PIN, COTTER	2	2	1
40	141568	SPACER RUBBER / NOISELESS / CALIPER & TORQUE PLATE	AR	AR	
41	621546	SPRING, COMP. / 1.275 TO 1.675 O.D. x 1.890 x (SET OF 2)	AR	AR	
100	610924	KIT MINOR REPAIR	AR	AR	B
101	610925	KIT MAJOR REPAIR / L.H.	AR	AR	C
102	610926	KIT MAJOR REPAIR / R.H.	AR	AR	C
103	611100	KIT SLIDING PIN / W/O-RING	AR	AR	E
103	611169	KIT SLIDING PIN / W/O O-RING	AR	AR	
103	682928	INNER BUSHING DRIVE / W/ROCKWELL	AR	AR	
103	682929	OUTER BUSHING DRIVER / W/ROCKWELL	AR	AR	
103	682394	PLUG CALIBRATOR	AR	AR	
. NS	MAINT-ADB1560	. SEE MAINTENANCE MANUAL	1	1	
103	682396	BEARING & NUT ASSEMBLY / W/ROCKWELL	AR	AR	
. NS	MAINT-ADB1560	. SEE MAINTENANCE MANUAL	1	1	
103	682399	SPRING RETAINER ADAPTER / W/ROCKWELL / J-33860	AR	AR	
. NS	MAINT-ADB1560	. SEE MAINTENANCE MANUAL	1	1	
		A) ONLY ANGLE OF BRACKET BRAKE CHANGE FROM P-333			
		B) INCLUDE ITEMS 5,6,7,8,11,12,15,16,19,20,21 & 32			
		C) INCLUDE ITEMS 5,6,7,8,11,12,13,14,15,16,17,19,20,21 & 32			
		D) FOR TRANSIT W/HIGH FRENQUENCY BRAKE APPLICATION / #S2R7017173			
		E) INCLUDE ITEMS 29 & 32			
		1) NOT SOLD SEPARATELY			

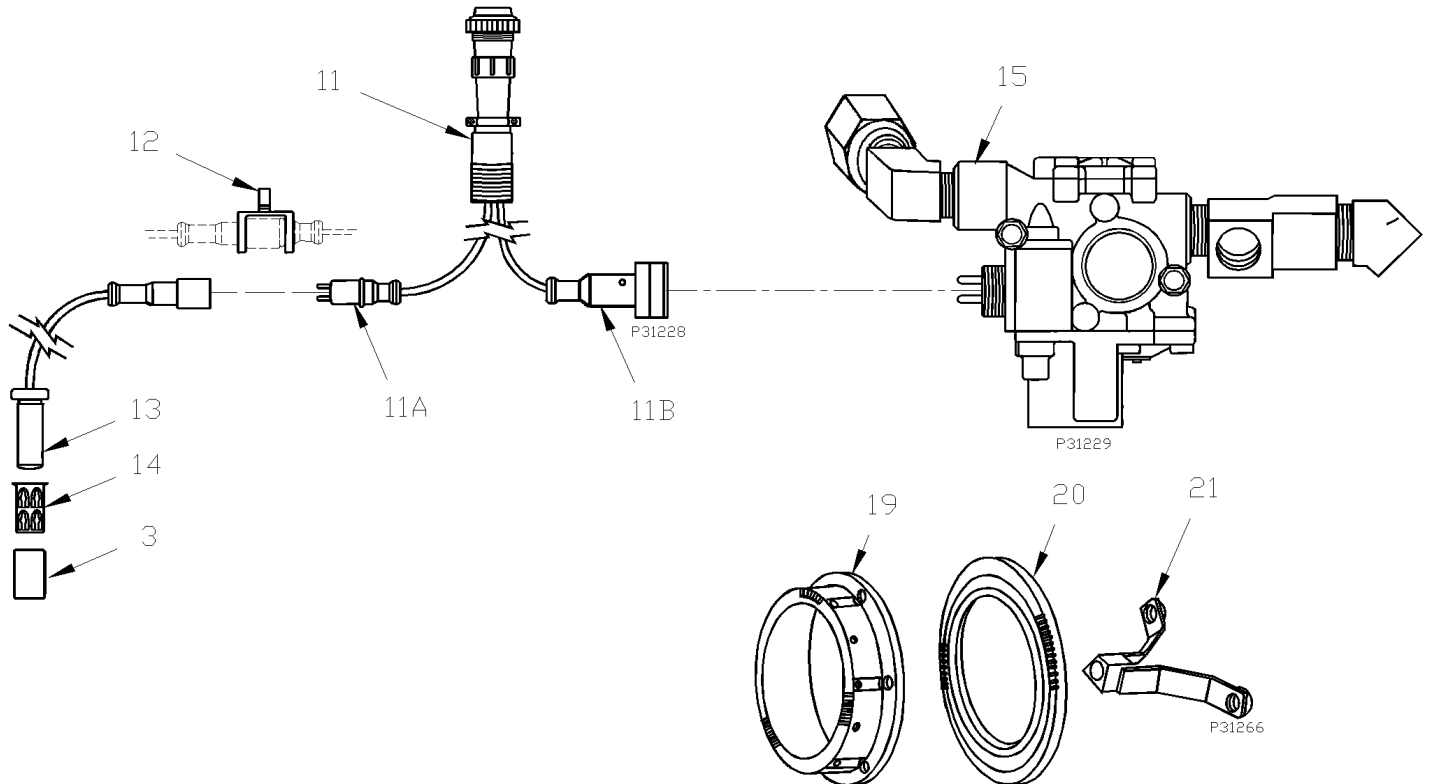
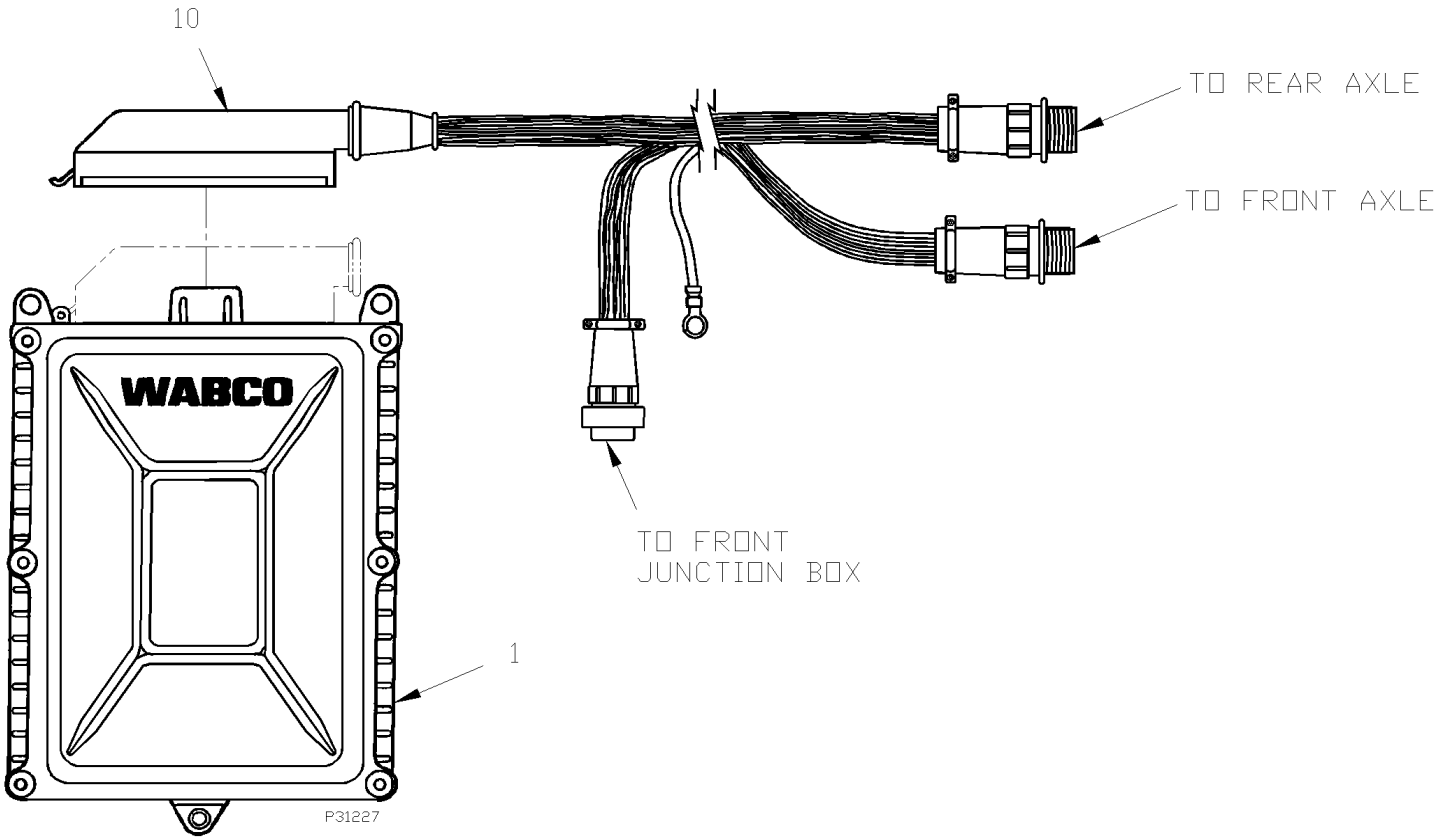
From L-031 To R-079	Date:07/2024	PAGE:H4-1245-10
BRAKE CHAMBER - TAG AXLE		



From L-031 To R-079	Date:07/2024	PAGE:H4-1245-10
BRAKE CHAMBER - TAG AXLE		

Item#	Part	Description	H 3 4 0	V I P 4 0	N O T E S
	641038	BRAKE CHAMBER ASSY / TYPE 16 / W/4" SHAFT To P-332	2	2	
	641193	BRAKE CHAMBER ASSY / TYPE 16 From P-333	2	2	
1	641046	. DIAPHRAGM / TYPE 16	1	1	
2	641047	. SPRING COMPRESSION / 2.170 O.D. x 5.85 x .137	1	1	
3	641044	. PUSH ROD	1	1	
4	641065	. CLAMP W/BOLT & NUT / TYPE 16	1	1	
5	500723	. NUT HEX 5/8-18 ZP	1	1	
6	H4-1230-00	SLACK ADJUSTER AUTOMATIC - "ROCKWELL"			
7	H4-1230-00	SLACK ADJUSTER AUTOMATIC - "ROCKWELL"			
8	H4-1230-00	SLACK ADJUSTER AUTOMATIC - "ROCKWELL"			
9	N.S.S.	COVER / PRESSURE SIDE	1	1	1
10	501842	ADAPTER / AIR BRAKE HOSE FITTING / 3/4-20-Mx3/8NPT-M STL	1	1	A
11	141286	HOSE BRAKE #8 660MM	1	1	
11	501843	. FEMALE CONNECTOR SWIVEL / AIR BRAKE HOSE / #8USFFx#8 STL	1	1	
11	503435	. HOSE / AIR BRAKE #8 / S.L.	AR	AR	
11	507563	. MALE CONNECTOR / AIR BRAKE HOSE FITTING / #8x1/2NPT-M W/SPRING BR	1	1	
		A) (HOSE BRAKE)			
		1) NOT SOLD SEPARATELY			

From L-031 To R-079	Date:07/2024	PAGE:H4-1250-00
ANTI-LOCK BRAKING SYSTEM		



From L-031 To R-079	Date:07/2024	PAGE:H4-1250-00
---------------------	--------------	-----------------

ANTI-LOCK BRAKING SYSTEM

Item#	Part	Description	H 3 4 0	V I P 4 0	N O T E S
1	641194	CONTROL UNIT 24V / ABS 4 CH To R-004	1	1	B
1	641248	CONTROL UNIT 24V / ABS 4 CH From R-005	1	1	
NS	500609	NUT HEX M6-1.0 Z050	3	3	A
NS	502564	WASHER LO SPT 6.1x11.8x1.6 Z050	3	3	A
3	621416	BUSHING, RUBBER / USE WITH REAR SENSOR	1	1	
10	063537	CABLE ASSY "ABS"	1	1	
11	062569	CABLE ASSY / FRONT WHEEL "ABS"	1	1	
11	063739	CABLE ASSY / REAR WHEEL "ABS"	1	1	
11	641132	. CONNECTOR / MALE W2 WIRES x 3 METER / WABCO 8945900102	AR	AR	
11	641098	. CONNECTOR / FEMALE W3 WIRES x 3 METER / WABCO 8946010102	AR	AR	
12	641131	CONNECTOR / CLAMP TO HOLD 2 CONNECTOR / WABCO 8848304544	4	4	
12	561115	CLAMP W/ 3 & 4 / ITT CANNON 029-0262-000	4	4	
13	641095	SENSOR ABS (ON FRONT & DRIVE AXLE)	2	2	
14	641096	CLIP, SPRING / TO FIX SENSOR	2	2	
15	641537	VALVE, "ABS" 24VOLT	4	4	B
NS	501528	STREET ELBOW 45° / PIPE FITTING / 1/2NPT-Mx1/2NPT-F BR	AR	AR	
NS	641089	MALE ELBOW 45° / NTA FITTING / #8x1/2NPT-M BR	AR	AR	
NS	501473	MALE RUN TEE / PIPE FITTING / 1/2NPT-Mx1/2NPT-Fx1/2NPT-F BR	AR	AR	
16	500188	SCREW CAP HEX 5/16-18x3 1/2 G5 ZP	AR	AR	
17	500476	WASHER LO SPT .317x.586x.078 Z050	AR	AR	
18	500778	NUT HEX 5/16-18 N500	AR	AR	
19	621519	RETAINER / W/ "ABS"	2	2	
20	641101	TOOTH WHEEL / FRONT AXLE W/DISC "ROCKWELL"	2	2	
20	142503	TOOTH WHEEL / FRONT AXLE W/DRUM 16 1/2" I.D. From L-031 To RETROFIT	1	1	
21	621518	BRACKET / ABS SENSOR	1	1	
NS	562279	TOOL / BOX CONNECTOR 54 PINS	1	1	
		FOLLOWING ITEMS ARE RELATED WITH INSTALLATION			
		OF SWITCH USED W/641248 CONTROL UNIT			
21	381584	KIT REPLACEMENT ABS CONTROL UNIT	1		
NS	IS-93070	. SEE INSTRUCTION SHEET	1		
21	063890	. DECAL / ANTILOCK BRAKE SYSTEM	1	1	
21	381495	. SUPPORT / TO FIX TELL TALE & SWITCH	1	1	
21	391672	. INSERT / RED / "ABS"	1	1	
21	560330	. SWITCH / ON-OFF-ON / D.P.D.T.	1	1	
21	562113	. TELLTALE ASSY / 24V SHORT	1	1	
22	Call order desk	. WIRE ASSY	1	1	P
		A) TO FIX UNIT			

From L-031 To R-079		Date:07/2024	PAGE:H4-1250-00
---------------------	--	--------------	-----------------

ANTI-LOCK BRAKING SYSTEM

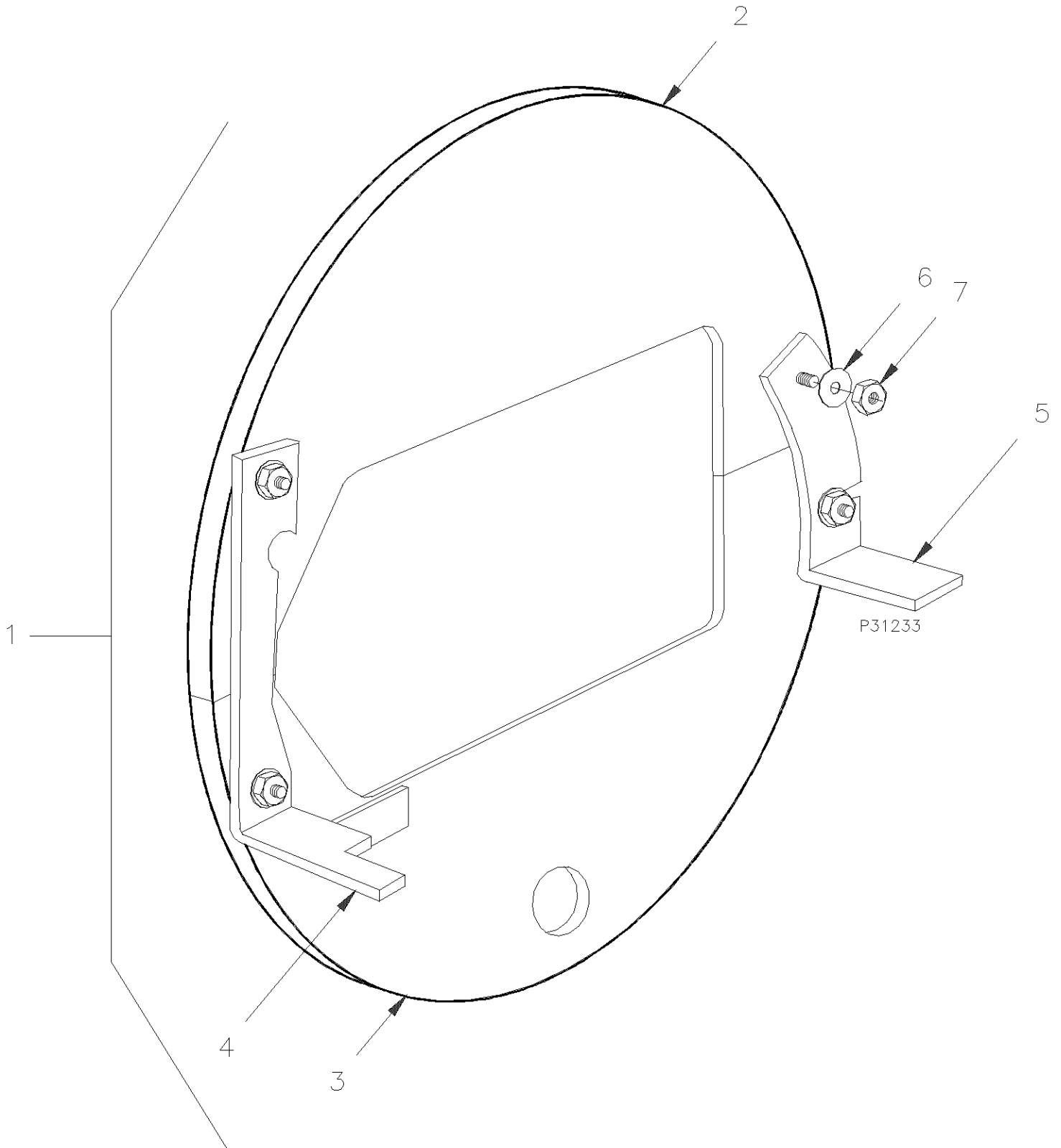
Item#	Part	Description	H 3 4 0	V I P 4 0	N O T E S
		B) THIS UNIT ARE OBSOLETE USE KIT #381584 FOR REPLACEMENT			
		P) CALL ORDER DESK FOR SPECIFIC APPLICATION (V.I.N.)			

From L-031 To R-079

Date:07/2024

PAGE:H4-1255-00

DUST SHIELD - W/BRAKE DRUM



From L-031 To R-079	Date:07/2024	PAGE:H4-1255-00
DUST SHIELD - W/BRAKE DRUM		

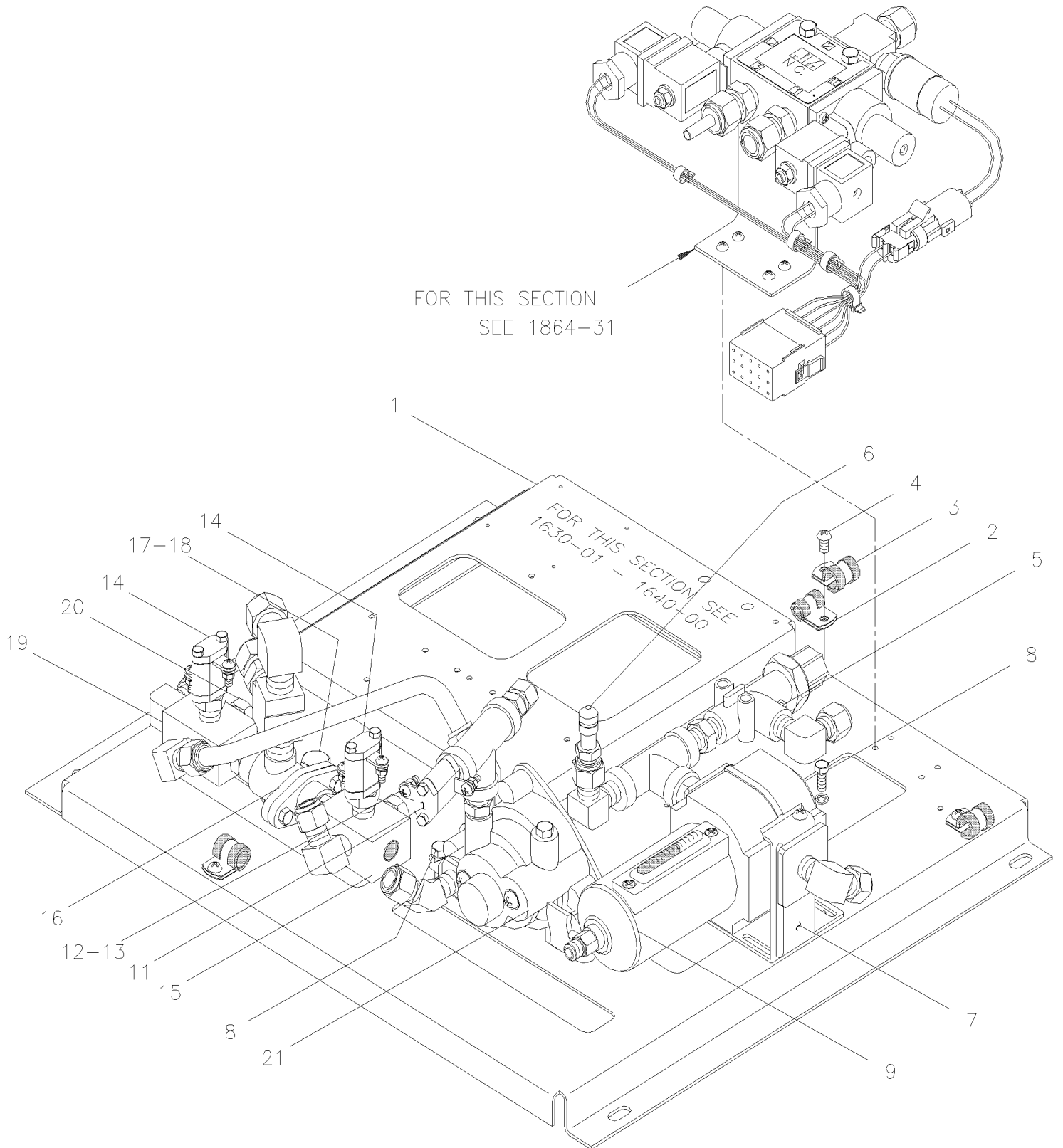
Item#	Part	Description	H 3 4 0	V I P 4 0	N O T E S
1	120606	DUST SHIELD ASSY R.H. / DRIVE AXLE	1	1	
1	120605	DUST SHIELD ASSY L.H. / DRIVE AXLE	1	1	
2	120608	. SECTION UPPER / R.H.	1	1	
2	120607	. SECTION UPPER / L.H.	1	1	
3	120610	. SECTION LOWER / R.H.	1	1	
3	120609	. SECTION LOWER / L.H.	1	1	
4	120618	. ANCHOR REAR / R.H. (WELDED ON BEAM)	1	1	
4	120617	. ANCHOR REAR / L.H. (WELDED ON BEAM)	1	1	
NS	500441	WASHER FL .312x.734x.065 Z050	4	4	A
NS	500777	NUT HEX STO 5/16-18 Z050	4	4	A
5	120620	. ANCHOR FRONT / R.H. (WELDED ON BEAM)	1	1	
5	120619	. ANCHOR FRONT / L.H. (WELDED ON BEAM)	1	1	
		A) TO FIX DUST SHIELD			

From L-031 To R-079

Date:07/2024

PAGE:H4-1260-00

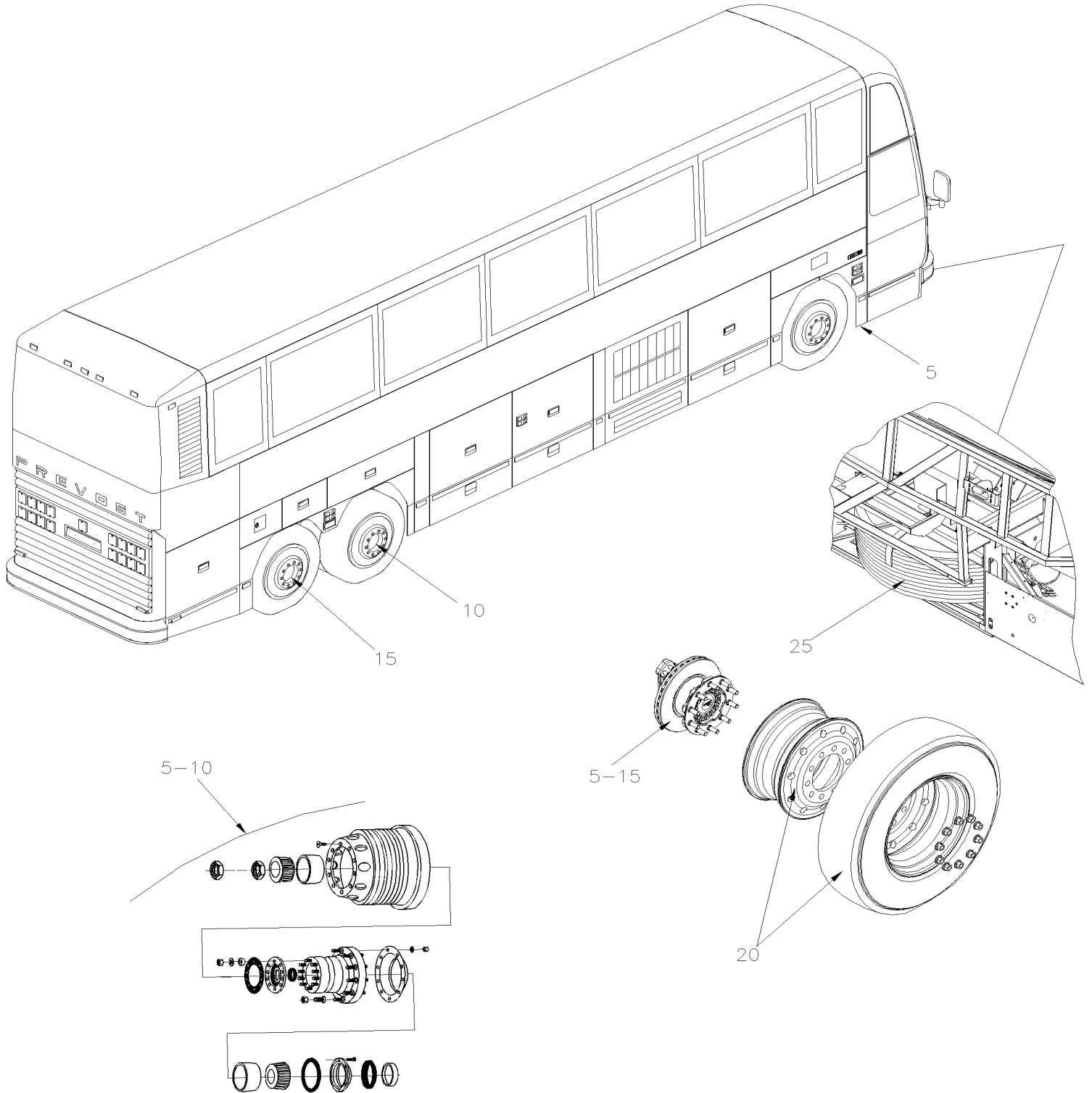
VALVE SUPPORT ASSY



From L-031 To R-079	Date:07/2024	PAGE:H4-1260-00
VALVE SUPPORT ASSY		

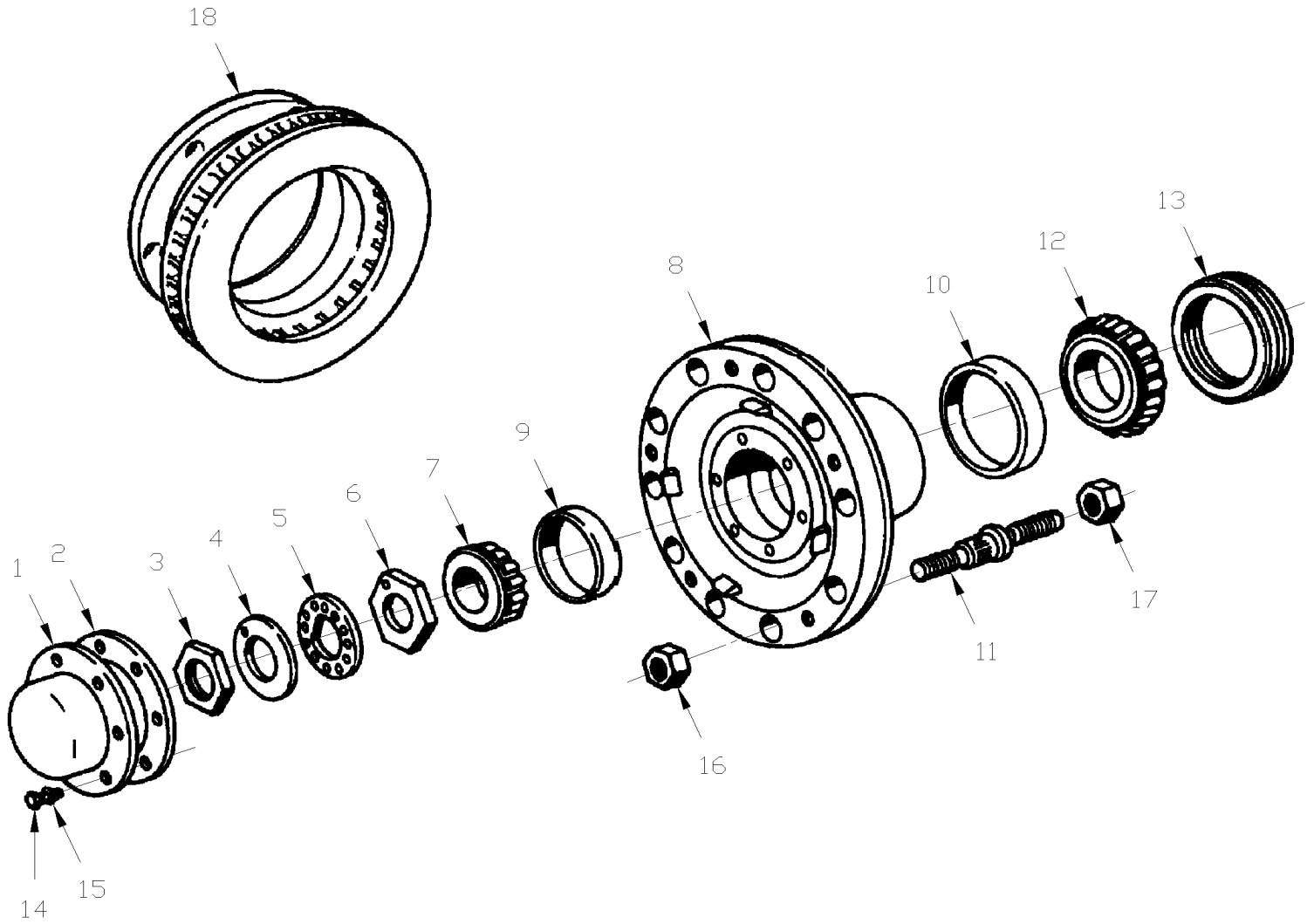
Item#	Part	Description	H 3 4 0	V I P 4 0	N O T E S
	141398	VALVE SUPPORT ASSY	1	1	
1	141401	. SUPPORT	1	1	
2	560503	. CLAMP / 1/4" I.D.	1	1	
3	560479	. CLAMP / 3/8" I.D.	5	5	
4	500657	. SCREW TC TR PH #10-24x1/2 Z050	5	5	
5	640439	. VALVE, PRESSURE PROTECTION / PR-2 75PSI	1	1	
6	640488	. VALVE, AIR FILL 1/8" NPT	1	1	
. NS	650164	. . CAP VALVE / CHROME	1	1	
7	141215	. SUPPORT, FILTER	1	1	
8	502564	. WASHER LO SPT 6.1x11.8x1.6 Z050	4	4	
8	502631	. SCREW CAP HEX M6-1.0x20 G8.8 Z050	4	4	
9	H4-1220-15	AIR FILTER - ACCESSORIES			
9	H4-1220-16	AIR FILTER - ACCESSORIES / SERVICE			
10	140227	. DECAL / ACC AIR FILTER DRAIN / ENGLISH & FRANCAIS	1	1	
10	142368	. DECAL / ACC AIR FILTER DRAIN / ENGLISH & SPANISH	1	1	
11	641174	. PRESSURE SWITCH N.C. 30PSI / 1/4NPT LP-2	1	1	
12	500654	. SCREW TC BDG PH #8-32x1/2 Z050	6	6	
13	500764	. NUT HEX #8-32 Z050	6	6	
14	640975	. PRESSURE SWITCH N.C. 66PSI / 1/4NPT LP-3	2	2	
15	141180	. MANIFOLD	1	1	
16	641015	. VALVE, DOUBLE CHECK DC-4	1	1	
17	502559	. SCREW CAP HEX M10-1.5x25 G8.8 Z050	1	1	
18	500257	. WASHER LO SPT 10.2x18.1x2.2 Z050	1	1	
19	141406	. MANIFOLD	1	1	
20	641126	. MALE CONNECTOR / PUSH-IN FITTING / #2x1/8NPT-M BR	2	2	
21	640870	. VALVE / SPRING BRAKE SR-1	1	1	
. NS	640921	. . REPAIR KIT / SR-1	1	1	
		FOR ALL FITTING SEE PAGE H4-1201-00			

	Date:07/2024	H4-13
WHEELS, HUBS & TIRES		



		Date:07/2024	H4-13		
WHEELS, HUBS & TIRES					
Item#	Part	Description	H 3 4 0	V I P 4 0	N O T E S
5	H4-1300-01	HUB & ROTOR - FRONT AXLE MODEL 2FG-952CAX From L-031 To R-079			
5	H4-1300-99	HUB & DRUM - FRONT AXLE - RETROFIT MODEL 16 1/2 I.D. (RETROFIT) From L-031 To R-079			
10	H4-1305-00	HUB & DRUM - DRIVE AXLE From L-031 To R-079			
15	H4-1310-01	HUB & ROTOR - TAG AXLE WITH DISC BRAKE MODEL 1560 From L-031 To R-079			
20	H4-1318-00	WHEELS & COMPONENTS - BUS MOUNT (STANDARD) From L-031 To R-079			
25	H4-1325-00	SPARE WHEEL - INSTALLATION From L-031 To R-079			

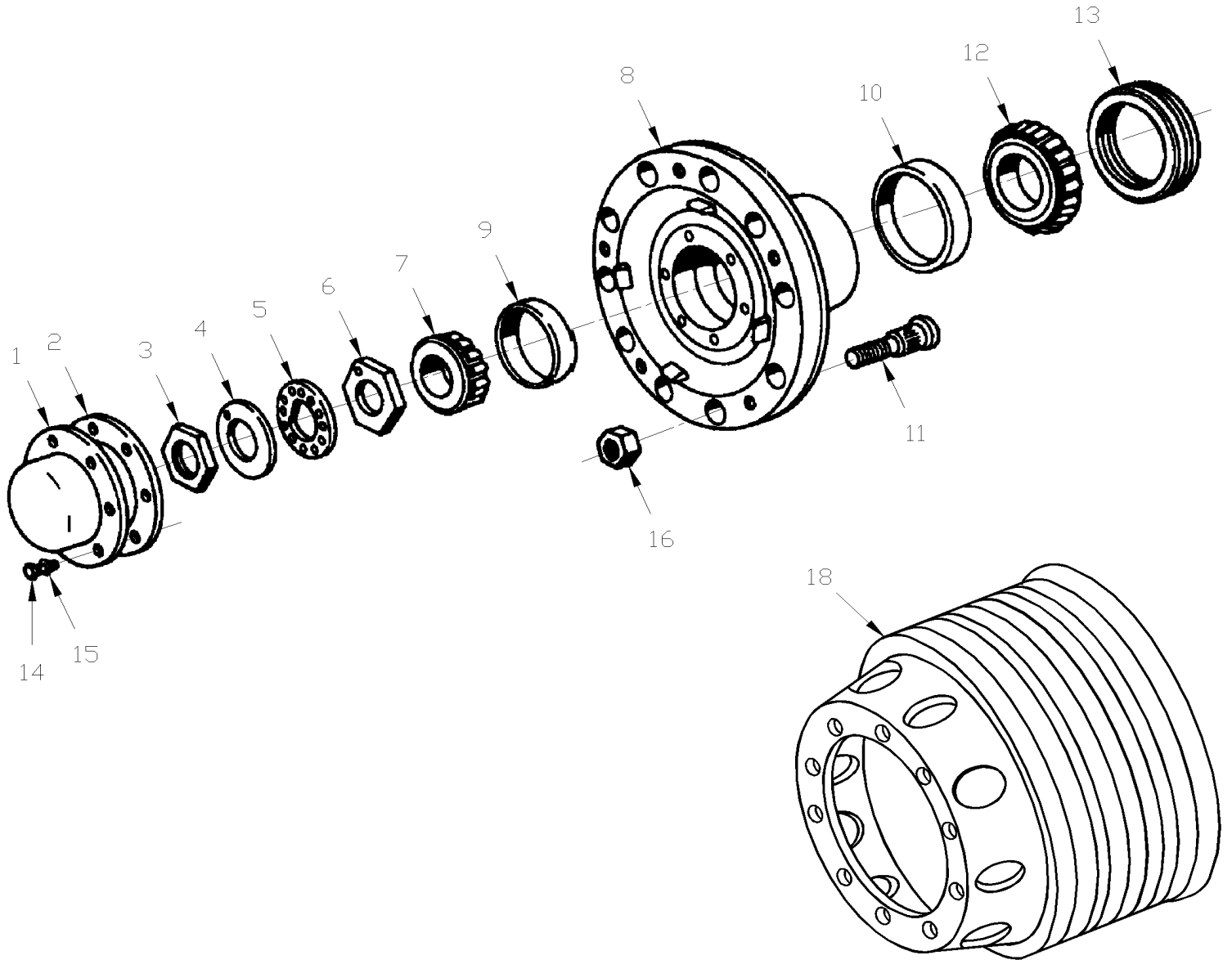
From L-031 To R-079	Date:07/2024	PAGE:H4-1300-01
HUB & ROTOR - FRONT AXLE MODEL 2FG-952CAX		



From L-031 To R-079	Date:07/2024	PAGE:H4-1300-01
HUB & ROTOR - FRONT AXLE MODEL 2FG-952CAX		

Item#	Part	Description	H 3 4 0	V I P 4 0	N O T E S
1	610882	HUB CAP / STEEL / "CR"	1	1	
NS	610973	PLUG VENT / GREEN / USE W/STEEL HUB CAP "	1	1	
1	611214	HUB CAP / PLASTIC "CR"	1	1	A
1	611212	. PLUG VENT / RED / USE W/PLASTIC HUB CAP "CR	1	1	A
1	611213	. GASKET	1	1	A
2	610865	GASKET / HUB CAP	1	1	
3	610205	NUT JAM / OUTER WHEEL BEARING	1	1	
4	610222	LOCK PLATE / JAM NUT	1	1	
5	610223	WASHER LOCK PERFORATED / WHEEL BEARING	1	1	
6	610215	NUT ADJUSTING / INNER WHEEL BEARING / (HEXAGONAL)	1	1	
6	610986	NUT INNER	1	1	
. NS	490840	. TOOL / NUT WHEEL BEARING ADJUSTMENT	1	1	
7	610071	CONE BEARING / OUTER WHEEL BEARING	1	1	
8	610920	HUB WHEEL & CUP ASSY	1	1	
8	611267	HUB WHEEL & CUP ASSY / W/A.B.S. MACHINED	1	1	B
9	610070	. CUP BEARING / OUTER WHEEL BEARING	1	1	
10	610149	. CUP BEARING / INNER WHEEL BEARING	1	1	
11	610867	STUD / L.H. / W/STUD-MOUNT WHEEL	10	10	
11	610868	STUD / R.H. / W/STUD-MOUNT WHEEL	10	10	
11	610954	STUD / R.H. / W/HUB-MOUNT WHEEL 7/8-14	10	10	
12	610869	CONE BEARING / INNER WHEEL BEARING	1	1	
13	610870	SEAL ASSY / WHEEL BEARING	1	1	
14	500179	SCREW CAP HEX 5/16-18x3/4 G5 Z050	6	6	
14	500181	SCREW CAP HEX 5/16-18x1 G5 Z050	6	6	A
15	500476	WASHER LO SPT .317x.586x.078 Z050	6	6	
16	610175	NUT L.H. 1 1/8-16 / STUD MOUNT WHEEL	10	10	
16	610176	NUT R.H. 1 1/8-16 / STUD MOUNT WHEEL	10	10	
16	610773	NUT R.H. / W/HUB-MOUNT WHEEL 7/8-14	10	10	
17	621378	NUT HEXF STO 3/4-16 ZP	10	10	
18	611102	ROTOR VENTED	2	2	
NS	684647	SEAL INSTALLER TOOL / FRT & TAG / ADB1560	1	1	
		A) THIS ITEM IS RELATED WITH PLASTIC HUB CAP			
		B) THIS HUB IT MACHINED ABS TOOTH WHEEL			

From L-031 To R-079	Date:07/2024	PAGE:H4-1300-99
HUB & DRUM - FRONT AXLE - RETROFIT MODEL 16 1/2 I.D. (RETROFIT)		



From L-031 To R-079	Date:07/2024	PAGE:H4-1300-99
HUB & DRUM - FRONT AXLE - RETROFIT MODEL 16 1/2 I.D. (RETROFIT)		

Item#	Part	Description	H 3 4 0	V I P 4 0	N O T E S
		IT IS POSSIBLE TO USED SAME INSTALLATION			
		ON TAG AXLE			
1	610882	HUB CAP / STEEL / "CR"	1	1	
NS	610973	. PLUG VENT / GREEN / USE W/STEEL HUB CAP "	1	1	
2	610865	. GASKET / HUB CAP	1	1	
3	610205	NUT JAM / OUTER WHEEL BEARING	1	1	
4	610222	LOCK PLATE / JAM NUT	1	1	
5	610223	WASHER LOCK PERFORATED / WHEEL BEARING	1	1	
6	610215	NUT ADJUSTING / INNER WHEEL BEARING / (HEXAGONAL)	1	1	
6	610986	NUT INNER	1	1	
. NS	490840	. TOOL / NUT WHEEL BEARING ADJUSTMENT	1	1	
NS	611337	. HUB ASSY L.H. STUD MOUNT / W/DRUMS 16.5 I.D.	1	1	A B
. NS	M103-01	. . SEE MAINTENANCE INFORMATION	1	1	A B
NS	611338	. HUB ASSY R.H. STUD MOUNT / W/DRUMS 16.5 I.D.	1	1	A B
. NS	M103-01	. . SEE MAINTENANCE INFORMATION	1	1	A B
7	610071	. CONE BEARING / OUTER WHEEL BEARING	1	1	
8	611319	. HUB & STUD ASSY R.H. / W/STUD-MOUNTED WHEEL	1	1	
8	611320	. HUB & STUD ASSY L.H. / W/STUD-MOUNTED WHEEL	1	1	
9	610070	. . CUP BEARING / OUTER WHEEL BEARING	1	1	
10	610149	. . CUP BEARING / INNER WHEEL BEARING	1	1	
11	611322	. STUD / R.H. / W/STUD-MOUNT WHEEL	10	10	H
11	611323	. STUD / L.H. / W/STUD-MOUNT WHEEL	10	10	H
12	610869	. CONE BEARING / INNER WHEEL BEARING	1	1	
13	610870	. SEAL ASSY / WHEEL BEARING	1	1	
13	611175	. SEAL ASSY / WHEEL BEARING / "SCOTT-SEAL PLU	1	1	
14	500179	SCREW CAP HEX 5/16-18x3/4 G5 Z050	6	6	
15	500476	WASHER LO SPT .317x.586x.078 Z050	6	6	
16	610175	NUT L.H. 1 1/8-16 / STUD MOUNT WHEEL	10	10	
16	610176	NUT R.H. 1 1/8-16 / STUD MOUNT WHEEL	10	10	
18	641973	. DRUM BRAKE W/6" WIDE SHOES / STD /	1	1	
		FOLLOWING ITEMS ARE RELATED WITH			
		OIL CAP HUB IN PLASTIC			
NS	611214	HUB CAP / PLASTIC "CR"	1	1	
NS	611212	. PLUG VENT / RED / USE W/PLASTIC HUB CAP "CR	1	1	
NS	611213	. GASKET	1	1	
NS	684647	SEAL INSTALLER TOOL / FRT & TAG / ADB1560	1	1	

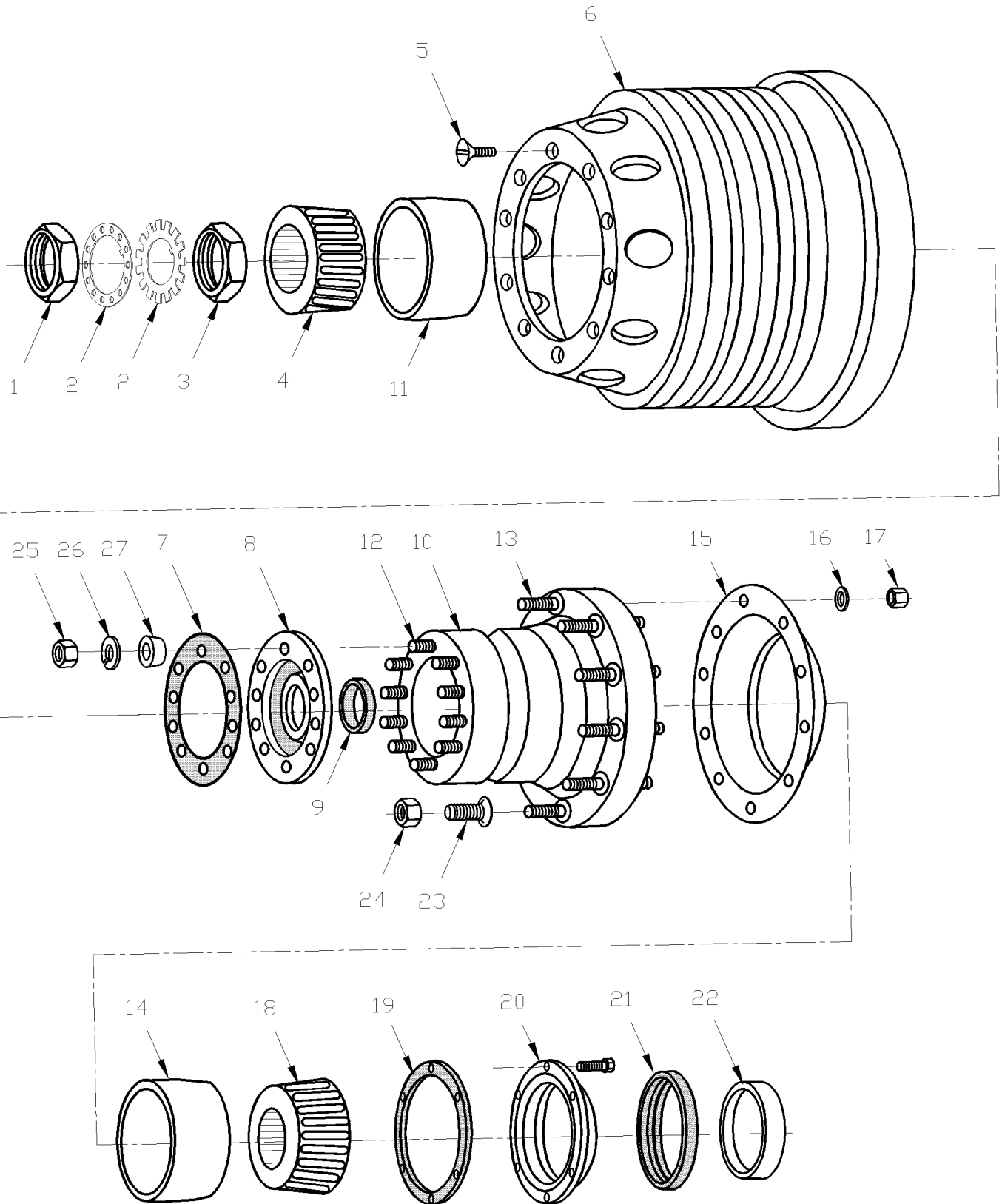
From L-031 To R-079		Date:07/2024	PAGE:H4-1300-99		
HUB & DRUM - FRONT AXLE - RETROFIT MODEL 16 1/2 I.D. (RETROFIT)					
Item#	Part	Description	H 3 4 0	V I P 4 0	N O T E S
		A) THIS KIT USE ONLY WITH AXLE 2FG-952 MODIFIED WITH DRUM			
		B) INCLUDES ITEMS 7 TO 13 AND 18			
		H) FOR CUSTOMER'S WHO HAVE A PREFERENCE WITH HUB MOUNT STUD IT POSSIBE WITH CHANGE ALLS STUDS FOR PART NUMBER # E-8986 "EUCLID" AND PROCURE LOCALY WITH NUT M22-1.5			

From L-031 To R-079

Date:07/2024

PAGE:H4-1305-00

HUB & DRUM - DRIVE AXLE



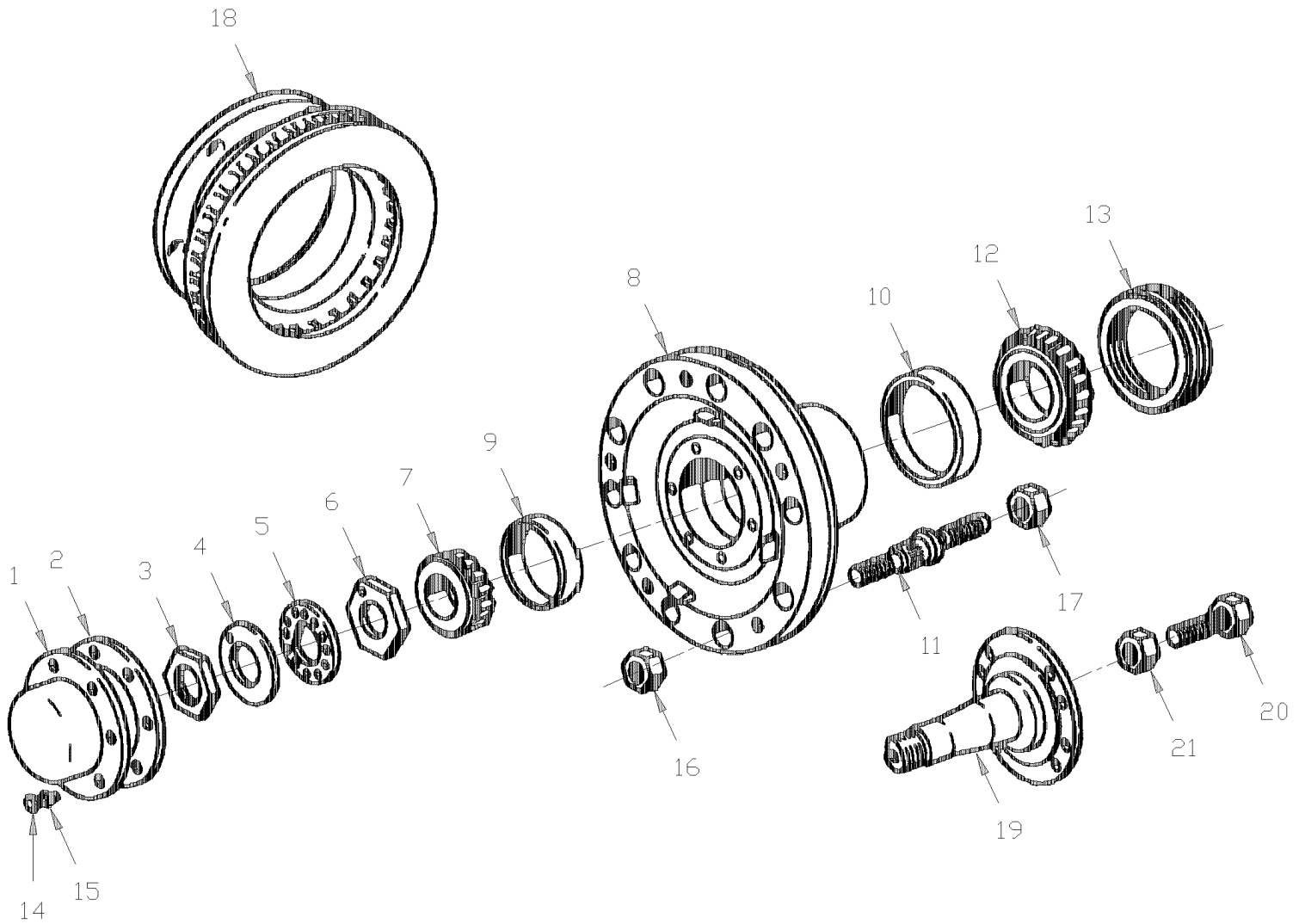
From L-031 To R-079	Date:07/2024	PAGE:H4-1305-00
HUB & DRUM - DRIVE AXLE		

Item#	Part	Description	H 3 4 0	V I P 4 0	N O T E S
1	620275	NUT OUTER / WHEEL BEARING	1	1	
2	620452	WASHER LOCK / (FORMER THICK)	1	1	
3	620279	NUT INNER / WHEEL BEARING	1	1	
4	620037	CONE BEARING / OUTER WHEEL BEARING	1	1	A
5	620040	SCREW MA FL SLT 1/2-13x15/16"	5	5	
6	640939	DRUM BRAKE W/10" WIDE SHOES / STD /	2	2	
6	641450	DRUM BRAKE W/10" WIDE SHOES / STD /	AR	AR	
6	2014318	DRUM BRAKE W/10" WIDE SHOES / STD /	2	2	
6	641228	DRUM BRAKE W/10" WIDE SHOES / UNDER SIZE /	AR	AR	
6	641454	DRUM BRAKE W/10" WIDE SHOES / UNDER SIZE /	AR	AR	
7	620923	GASKET / AXLE SHAFT W/10 STUDS	AR	AR	
8	621070	SEAL ASSY / W/GREACE SEAL ONLY	1	1	
9	620446	WIPER, SEAL OUTER / 2.687 I.D. x 3.109 O.D.	1	1	
10	621170	HUB & STUD ASSY W/HUB-MOUNTED WHEEL	2	2	
10	621160	HUB & STUD ASSY R.H. / W/STUD-MOUNTED WHEEL	1	1	
10	621161	HUB & STUD ASSY L.H. / W/STUD-MOUNTED WHEEL	1	1	
11	620035	. CUP BEARING / OUTER WHEEL BEARING	1	1	
12	621096	. STUD / 9/16-12 x 9/16-18 x 2 1/2"	10	10	
13	621097	. STUD / L.H. / W/STUD-MOUNT WHEEL	10	10	
13	621098	. STUD / R.H. / W/STUD-MOUNT WHEEL	10	10	
13	610776	. STUD / R.H. 7/8-14 / W/HUB-MOUNT WHEEL / W/ 7/8-14	10	10	
13	621545	. STUD / R.H. 7/8-14 / W/HUB MOUNT WHEEL / W/ & STEEL	10	10	
14	620093	. CUP BEARING / INNER WHEEL BEARING	1	1	
15	621463	SLINGER W/ABS RETAINER OIL SEAL	1	1	
15	621099	SLINGER	1	1	
16	620477	WASHER HARD / 7/8" IDX1 7/16" ODX 3/32" TH	10	10	
17	500742	NUT HEX STO 7/8-14 ZP	10	10	
18	621106	CONE BEARING / INNER WHEEL BEARING	1	1	
19	620350	GASKET, INNER DRIVE AXLE	1	1	
20	621518	BRACKET / ABS SENSOR	1	1	
20	621186	RETAINER ASSY W/SEAL OIL TYPE	1	1	
NS	5001102	SCREW CAP HEXS 5/16-18x3/4 PT NYRT	6	6	
21	621069	SEAL OIL	1	1	
21	621101	SEAL GREASE	1	1	
22	621102	WIPER, SEAL INNER / 3.687 I.D. x 4.875 O.D.	1	1	
23	611192	NUT R.H. INNER / W/2 ALUMINUM WHEEL	10	10	
23	611191	NUT L.H. INNER / W/2 ALUMINUM WHEEL	10	10	
23	620250	NUT R.H. INNER / W/2 STEEL WHEEL	10	10	
23	620251	NUT L.H. INNER / W/2 STEEL WHEEL	10	10	
23	610961	NUT R.H. INNER / W/STEEL INSIDE & ALUM. OUTSI	1	1	
23	610962	NUT L.H. INNER / W/STEEL INSIDE & ALUM. OUTSI	1	1	
24	610176	NUT R.H. 1 1/8-16 / STUD MOUNT WHEEL	10	10	

From L-031 To R-079	Date:07/2024	PAGE:H4-1305-00
HUB & DRUM - DRIVE AXLE		

Item#	Part	Description	H 3 4 0	V I P 4 0	N O T E S
24	610175	NUT L.H. 1 1/8-16 / STUD MOUNT WHEEL	10	10	
24	610774	NUT R.H. / W/HUB-MOUNT WHEEL 7/8-14	10	10	
24	610773	NUT R.H. / W/HUB-MOUNT WHEEL 7/8-14	10	10	
25	621105	NUT 9/16-18	10	10	
26	620925	WASHER LO EXT .625x1.070x.055	4	4	
27	620924	DOWEL 9/16 I.D.	4	4	
NS	684648	SEAL INSTALLER TOOL / DRIVE W/DRUM	1	1	
NS	621654	KIT, CUP & CONE	AR	AR	
		A) ALSO SOLD IN SET 621654			

From L-031 To R-079	Date:07/2024	PAGE:H4-1310-01
HUB & ROTOR - TAG AXLE WITH DISC BRAKE MODEL 1560		



From L-031 To R-079	Date:07/2024	PAGE:H4-1310-01
HUB & ROTOR - TAG AXLE WITH DISC BRAKE MODEL 1560		

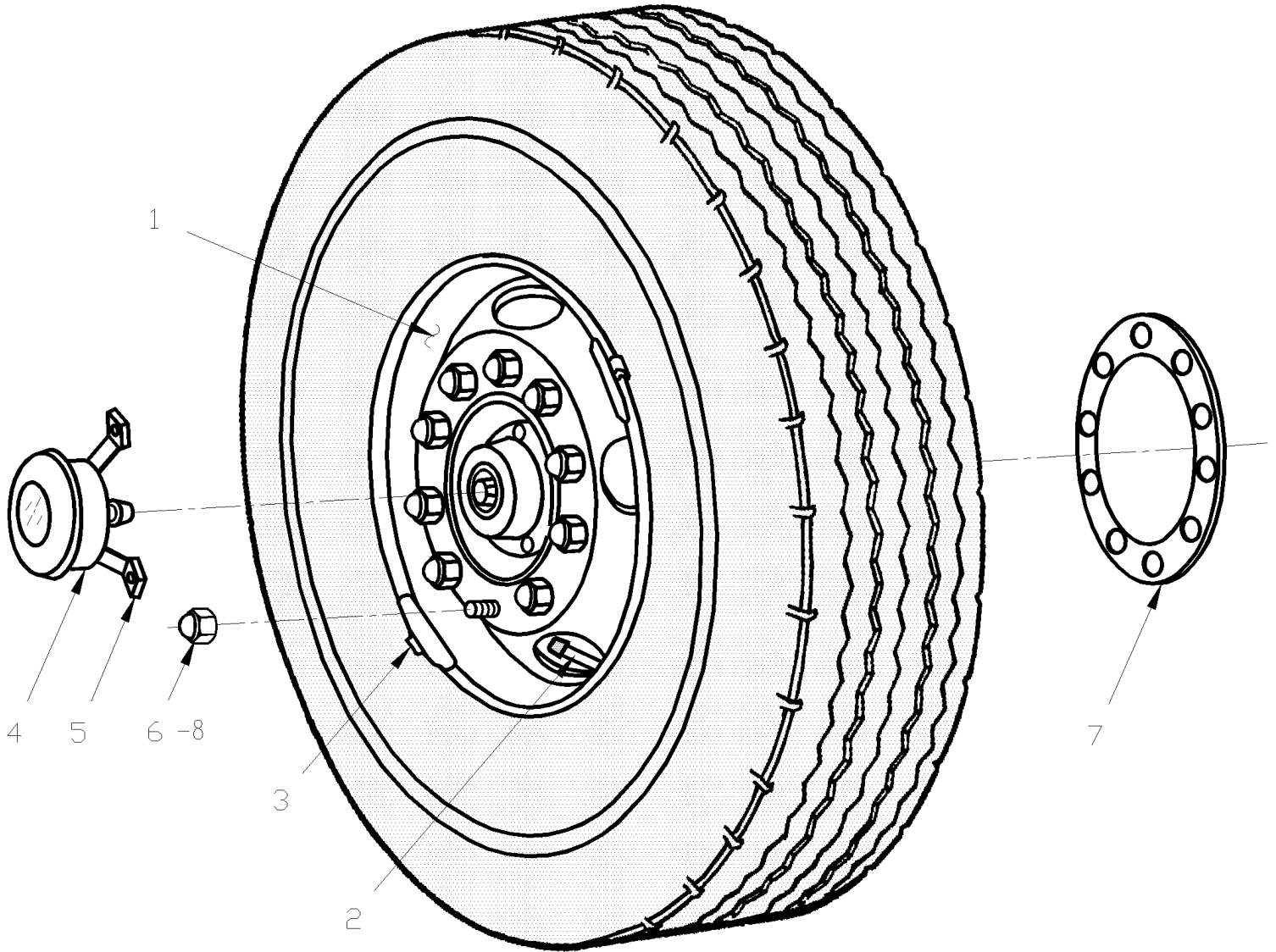
Item#	Part	Description	H 3 4 0	V I P 4 0	N O T E S
1	610882	HUB CAP / STEEL / "CR"	1	1	
NS	610973	. PLUG VENT / GREEN / USE W/STEEL HUB CAP "	1	1	
1	611214	HUB CAP / PLASTIC "CR"	1	1	A
1	611212	. PLUG VENT / RED / USE W/PLASTIC HUB CAP "CR	1	1	A
1	611213	. GASKET	1	1	A
2	610865	GASKET / HUB CAP	1	1	
3	610205	NUT JAM / OUTER WHEEL BEARING	1	1	
4	610222	LOCK PLATE / JAM NUT	1	1	
5	610223	WASHER LOCK PERFORATED / WHEEL BEARING	1	1	
6	610215	NUT ADJUSTING / INNER WHEEL BEARING / (HEXAGONAL)	1	1	
6	610986	NUT INNER	1	1	
. NS	490840	. TOOL / NUT WHEEL BEARING ADJUSTMENT	1	1	
7	610071	CONE BEARING / OUTER WHEEL BEARING	1	1	
8	610920	HUB WHEEL & CUP ASSY	1	1	
9	610070	. CUP BEARING / OUTER WHEEL BEARING	1	1	
10	610149	. CUP BEARING / INNER WHEEL BEARING	1	1	
11	610867	STUD / L.H. / W/STUD-MOUNT WHEEL	10	10	
11	610868	STUD / R.H. / W/STUD-MOUNT WHEEL	10	10	
11	610954	STUD / R.H. / W/HUB-MOUNT WHEEL 7/8-14	10	10	
12	610869	CONE BEARING / INNER WHEEL BEARING	1	1	
13	610870	SEAL ASSY / WHEEL BEARING	1	1	
14	500179	SCREW CAP HEX 5/16-18x3/4 G5 Z050	6	6	
14	500181	SCREW CAP HEX 5/16-18x1 G5 Z050	6	6	A
15	500476	WASHER LO SPT .317x.586x.078 Z050	6	6	
16	610175	NUT L.H. 1 1/8-16 / STUD MOUNT WHEEL	1	1	
16	610176	NUT R.H. 1 1/8-16 / STUD MOUNT WHEEL	10	10	
16	610773	NUT R.H. / W/HUB-MOUNT WHEEL 7/8-14	10	10	
17	621378	NUT HEXF STO 3/4-16 ZP	AR	AR	
18	611102	ROTOR VENTED	2	2	
19	610896	SPINDLE / WITH MODEL 1560 DISC BRAKE	2	2	
20	500768	SCREW CAP HEX M16-2.0x70 G8.8 ZP	12	12	
21	500781	NUT HEX STO M16-2.0 DP	12	12	
NS	684647	SEAL INSTALLER TOOL / FRT & TAG / ADB1560	1	1	
		A) THIS ITEM IS RELATED WITH PLASTIC HUB CAP			

From L-031 To R-079

Date:07/2024

PAGE:H4-1318-00

WHEELS & COMPONENTS - BUS MOUNT (STANDARD)



From L-031 To R-079	Date:07/2024	PAGE:H4-1318-00
WHEELS & COMPONENTS - BUS MOUNT (STANDARD)		

Item#	Part	Description	H 3 4 0	V I P 4 0	N O T E S
		STEEL WHEELS / STUD MOUNTED			
1	650162	WHEEL, STEEL STUD 22.5 X 9.00 / WHITE / 2 HAND HOLE PC	AR	AR	
1	650200	WHEEL, STEEL STUD 22.5 X 9.00 / GREY / 2 HAND HOLE	AR	AR	
		STEEL WHEELS / HUB-MOUNTED			
1	650179	WHEEL, STEEL HUB 22.5 X 9.00 / WHITE	AR	AR	
1	650213	WHEEL, STEEL HUB 22.5 X 9.00 / WHITE / POWDER COAT	AR	AR	
		ALUMINIUM WHEELS / STUD-MOUNTED			
1	650190	WHEEL, ALU. STUD 22.5 X 9.00 / INSIDE POLISH	AR	AR	
1	650191	WHEEL, ALU. STUD 22.5 X 9.00 / OUTSIDE POLISH	AR	AR	
		ALUMINIUM WHEELS / HUB-MOUNTED			
1	650185	WHEEL, ALU. HUB 22.5 X 9.00 / INSIDE POLISH	AR	AR	
1	650186	WHEEL, ALU. HUB 22.5 X 9.00 / OUTSIDE POLISH	AR	AR	
		VALVES - VALVE EXTENTION & HOLDER			
2	650194	VALVE / W/ALUMINUM WHEEL / 1.38" LG W/60 deg	AR	AR	
NS	650164	. CAP VALVE / CHROME	AR	AR	
NS	650151	. CAP VALVE / STD	AR	AR	
NS	650151	. CAP VALVE / STD	AR	AR	
NS	650008	. SPRING VALVE	AR	AR	
NS	650205	. SPRING VALVE 21116	AR	AR	
NS	650201	EXTENSION VALVE 1 3/8" LG	AR	AR	
NS	650188	EXTENSION VALVE / 7" LG	AR	AR	
NS	650178	RUBBER HOLDER / 1.5" O.D. / EXTENSION VALVE	AR	AR	
		WEIGHTS			
3	650062	WEIGHT BALANCING / W/STEEL WHEEL / 2 OZ	AR	AR	
3	650063	WEIGHT BALANCING / W/STEEL WHEEL / 3 OZ	AR	AR	
3	650064	WEIGHT BALANCING / W/STEEL WHEEL / 4 OZ	AR	AR	
3	650065	WEIGHT BALANCING / W/STEEL WHEEL / 6 OZ	AR	AR	
3	650066	WEIGHT BALANCING / W/STEEL WHEEL / 8 OZ	AR	AR	
3	650067	WEIGHT BALANCING / W/STEEL WHEEL / 10 OZ	AR	AR	
3	650068	WEIGHT BALANCING / W/STEEL WHEEL / 12 OZ	AR	AR	
3	650069	WEIGHT BALANCING / W/STEEL WHEEL / 14 OZ	AR	AR	

From L-031 To R-079	Date:07/2024	PAGE:H4-1318-00
WHEELS & COMPONENTS - BUS MOUNT (STANDARD)		

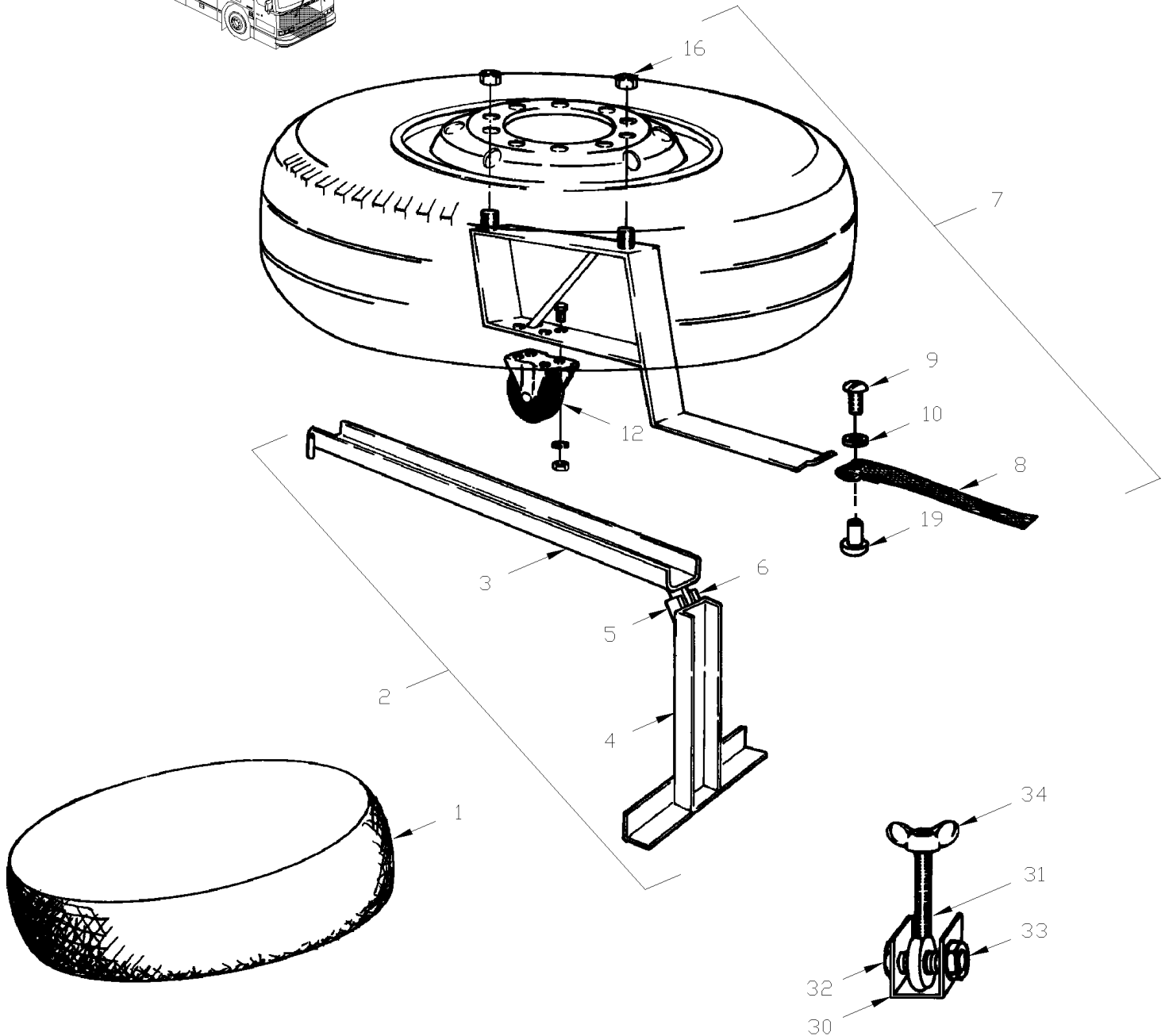
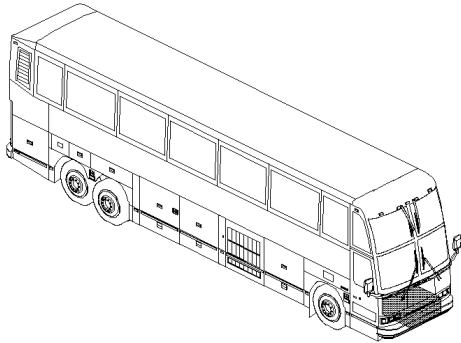
Item#	Part	Description	H 3 4 0	V I P 4 0	N O T E S
3	650070	WEIGHT BALANCING / W/STEEL WHEEL / 16 OZ	AR	AR	
3	650175	WEIGHT BALANCING / W/ALUMINUM WHEEL / INT. & EXT. / 2 OZ	AR	AR	
3	650109	WEIGHT BALANCING / W/ALUMINUM WHEEL / INT. & EXT. / 3 OZ	AR	AR	
3	650110	WEIGHT BALANCING / W/ALUMINUM WHEEL / EXT. ON 4 OZ	AR	AR	
3	650114	WEIGHT BALANCING / W/ALUMINUM WHEEL / INT. ON 4 OZ	AR	AR	
3	650111	WEIGHT BALANCING / W/ALUMINUM WHEEL / EXT. ON 6 OZ	AR	AR	
3	650115	WEIGHT BALANCING / W/ALUMINUM WHEEL / INT. ON 6 OZ	AR	AR	
3	650112	WEIGHT BALANCING / W/ALUMINUM WHEEL / EXT. ON 8 OZ	AR	AR	
3	650116	WEIGHT BALANCING / W/ALUMINUM WHEEL / INT. ON 8 OZ	AR	AR	
3	650192	WEIGHT BALANCING / W/ALUMINUM WHEEL / W/ADHES 6 OZ	AR	AR	
3	650206	WEIGHT BALANCING / POWDER (12 OZ BAG)	AR	AR	C
		HUBODOMETER			
4	650002	HUBODOMETER, COMPLETE 11 X 20 & 12 X 22.5 MPH / STEMCO	AR	AR	
4	650117	HUBODOMETER, COMPLETE 11 X 20 & 12 X 22.5 KM/H / STEMCO	AR	AR	
4	590216	HUBODOMETER, COMPLETE 11 X 20 & 12 X 22.5 KM/H / V.D.O.	AR	AR	
4	650174	HUBODOMETER, COMPLETE / FOR 295/80 KM/H	AR	AR	
5	650106	HUBODOMETER BRACKET / W/10 STUDS AXLE SHAFT	AR	AR	
		OTHERS			
6	502221	CAP, PLASTIC CHROME / WHEEL NUT / HUB MOUNT	AR	AR	A
6	5001301	CAP, PLASTIC CHROME / WHEEL NUT / HUB MOUNT	AR	AR	B
6	502823	CAP, PLASTIC CHROME / WHEEL NUT / STUD MOUNT	AR	AR	
6	502223	CAP, PLASTIC WHITE / WHEEL NUT / STUD MOUNT	AR	AR	
7	650134	WHEEL GUARD MYLAR / WHEEL & HUB	AR	AR	
8	650224	HUB CAP PLASTIC CHROME W/NUT / STUD MOUNT	AR	AR	D
8	650225	HUB CAP PLASTIC CHROME W/NUT / STUD MOUNT	AR	AR	E
8	621683	HUB CAP PLASTIC CHROME W/NUT / HUB MOUNT	AR	AR	E
NS	MI02-17	SEE MAINTENANCE INFORMATION	1	1	
NS	MI03-26A	SEE MAINTENANCE INFORMATION	1	1	
		A) TO USE WITH NUT 3/8" X 1 1/2 THICK (610774) / DRIVE AXLE			
		B) TO USE WITH NUT 29/32" X 1 1/2 THICK (610773) / FRONT & TAG AXLE			
		C) TO USE WITH POWDER BALANCING			
		D) TO USE WITH FRONT & TAG AXLE WHEEL			
		E) TO USE WITH DRIVE AXLE WHEEL			

From L-031 To R-079

Date:07/2024

PAGE:H4-1325-00

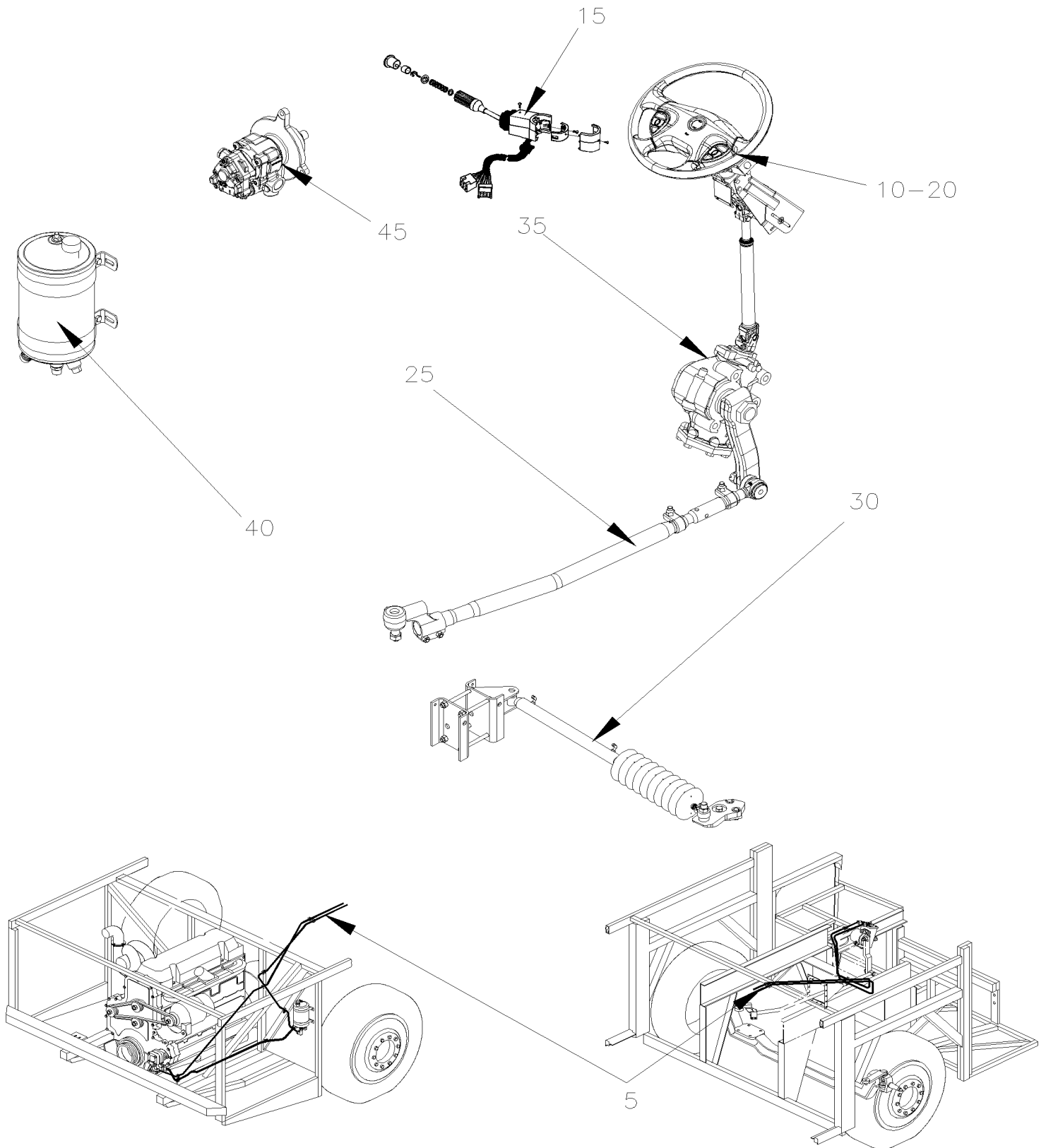
SPARE WHEEL - INSTALLATION



From L-031 To R-079	Date:07/2024	PAGE:H4-1325-00
SPARE WHEEL - INSTALLATION		

Item#	Part	Description	H 3 4 0	V I P 4 0	N O T E S
1	150119	COVER SPARE WHEEL	1	1	
2	150192	RAIL ASSY	1	1	
3	150183	. RAIL	1	1	
4	150182	. RAIL	1	1	
5	502651	. SCREW CAP HEX M8-1.25x35 G8.8 Z050	1	1	
6	502744	. NUT HEX STO M8-1.25 Z050	1	1	
7	150189	SUPPORT ASSY / W/ALUMINUM WHEEL	1	1	
7	150185	SUPPORT ASSY / W/STEEL WHEEL	1	1	
8	150212	. STRAP 27"	1	1	
9	504339	. RIVET POP DOME OE 1/8x3/8 SS	2	2	B
10	5001067	. WASHER FL .128x.312x.032 SS	2	2	
12	650041	WHEEL	1	1	
16	610176	NUT R.H. 1 1/8-16 / STUD MOUNT WHEEL	2	2	
31	5001010	EYE BOLT M10-1.5x90 CJ	1	1	
32	502686	SCREW CAP HEX M6-1.0x30 SS BK	1	1	
33	502621	NUT HEX STO M6-1.0 Z050	1	1	
34	502794	NUT WING M10-1.5 ZP	1	1	
		B) TO FIX STRAP			

	Date:07/2024	H4-14
STEERING		



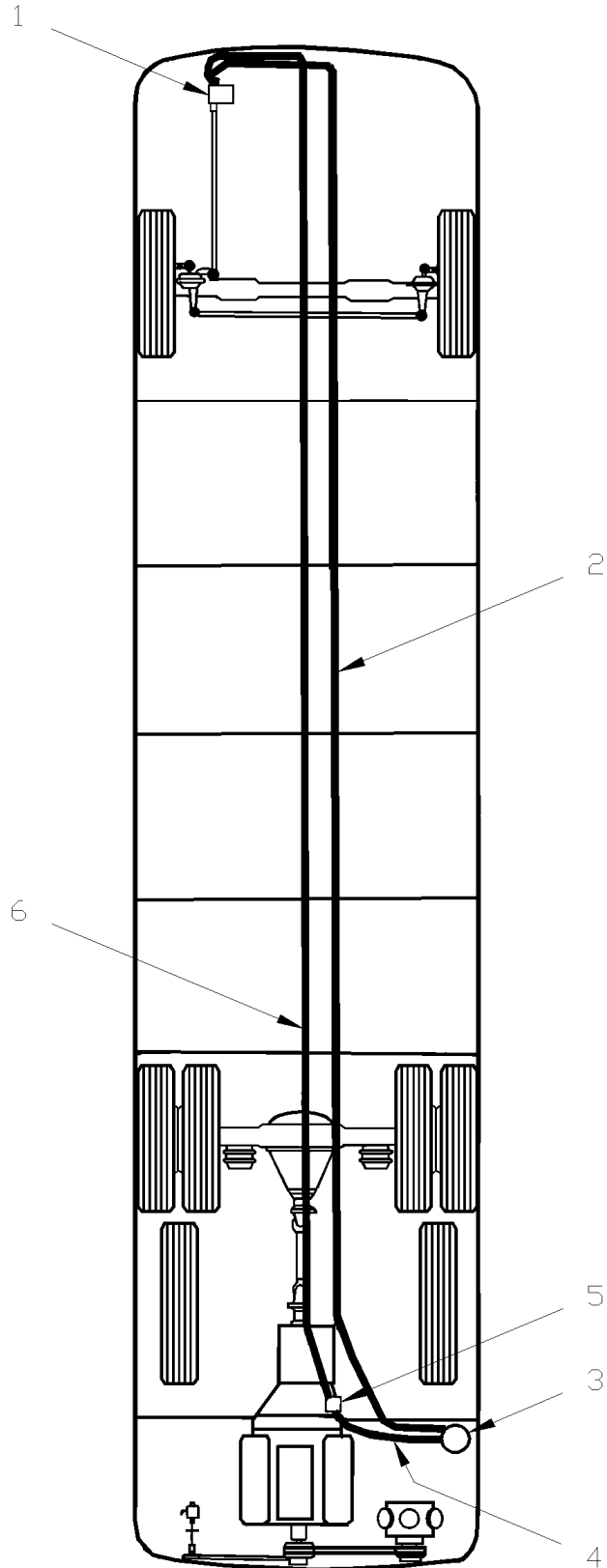
		Date:07/2024	H4-14		
STEERING					
Item#	Part	Description	H 3 4 0	V I P 4 0	N O T E S
5	H4-1400-00	POWER STEERING HOSE - INSTALLATION WITH DETROIT S-92 From L-031 To R-032			
5	H4-1400-01	POWER STEERING HOSE - INSTALLATION WITH DETROIT S-60 From P-256 To R-079			
10	H4-1405-02	STEERING WHEEL & COLUMN ASSY From L-031 To R-079			
15	H4-1406-00	MULTI-FUNCTION LEVER From L-031 To R-079			
20	H4-1407-01	STEERING COLUMN & COVER - INSTALLATION From L-031 To R-079			
25	H4-1410-00	STEERING RODS - INSTALLATION From L-031 To R-079			
30	H4-1412-00	STEERING DAMPER - INSTAL. W/AXLE 2FG-952-CAX From L-031 To R-079			
35	H4-1415-00	STEERING GEARBOX - HFB-70029 From L-031 To R-381			
35	H4-1415-01	STEERING GEARBOX - TAS 85040 From R-382 To R-079			
40	H4-1420-00	POWER STEERING TANK - 1.75 QT U.S. From L-031 To R-079			
45	H4-1427-00	POWER STEERING PUMP - "VICKERS" - WITH DETROIT S-92 From L-031 To R-032			
45	H4-1427-01	POWER STEERING PUMP - "VICKERS" - WITH DETROIT S-60 From P-256 To R-079			
45	H4-1427-02	POWER STEERING PUMP - "VICKERS" - WITH / SERVICE From L-031 To R-079			
45	H4-1427-03	POWER STEERING PUMP - "TRW" / SERVICE From L-031 To R-079			A
		A) SERVICE			

From L-031 To R-032

Date:07/2024

PAGE:H4-1400-00

POWER STEERING HOSE - INSTALLATION WITH DETROIT S-92



From L-031 To R-032	Date:07/2024	PAGE:H4-1400-00
POWER STEERING HOSE - INSTALLATION WITH DETROIT S-92		

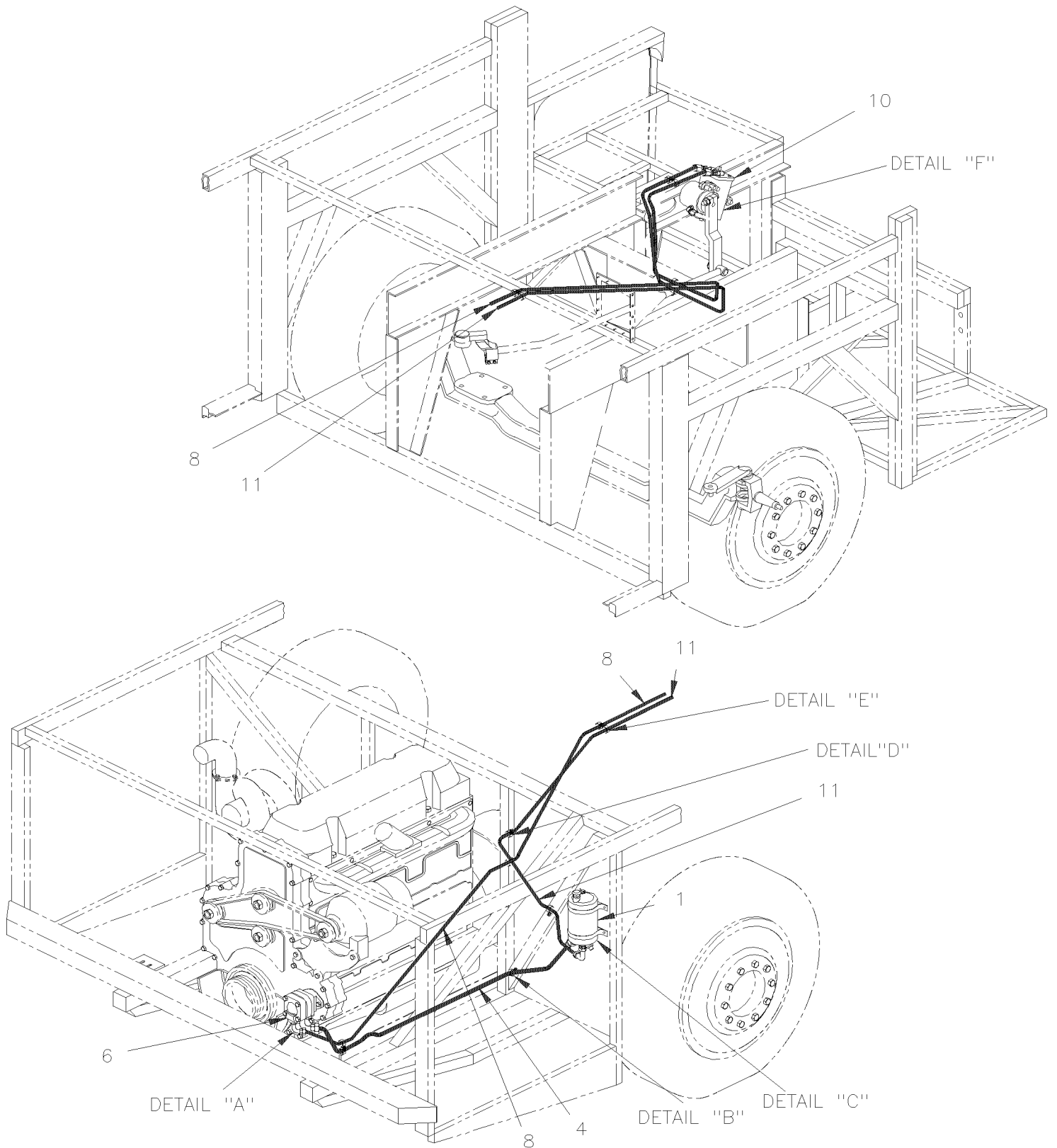
Item#	Part	Description	H 3 4 0	V I P 4 0	N O T E S
1	H4-1415-00	STEERING GEARBOX - HFB-70029 To R-381			
1	H4-1415-01	STEERING GEARBOX - TAS 85040 From R-382			
NS	507578	MALE CONNECTOR / JIC 37° FITTING / #10JIC-Mx#8ORB-M STL	2	2	
2	160828	HOSE ASSY / STEERING GEAR TO TANK / #10 12610MM	1	1	
2	503063	. HOSE #FC-300 HYDRAULIC / #10 S.L.	AR	AR	
2	501677	. FEMALE ELBOW 90° SHORT DROP/ JIC 37° FITTING/ #10JIC-Fx#10 STL	1	1	
2	501536	. FEMALE CONNECTOR SWIVEL / JIC 37° FITTING / #10JIC-Fx#10 ZP	1	1	
3	660525	TANK ASSY			
4	160830	HOSE ASSY / TANK & PUMP / #14 790MM	1	1	
4	503418	. HOSE #FC-300 HYDRAULIC / #12 S.L.	AR	AR	
4	501579	. FEMALE ELBOW 90° SHORT DROP/ JIC 37° FITTING/ #12JIC-Fx#12 STL	1	1	
4	501545	. FEMALE CONNECTOR SWIVEL / JIC 37° FITTING / #12JIC-Fx#12 ZP	1	1	
5	H4-1427-00	POWER STEERING PUMP - "VICKERS" - WITH DETROIT S-92			
6	160826	HOSE ASSY / PUMP & GEARBOX / 8 / #10 12005MM	1	1	
6	160866	HOSE ASSY / PUMP & GEARBOX / 6 / #10 12545MM From N-213	1	1	A
6	503063	. HOSE #FC-300 HYDRAULIC / #10 S.L.	AR	AR	
6	501677	. FEMALE ELBOW 90° SHORT DROP/ JIC 37° FITTING/ #10JIC-Fx#10 STL	1	1	
6	501536	. FEMALE CONNECTOR SWIVEL / JIC 37° FITTING / #10JIC-Fx#10 ZP	1	1	
NS	506267	PIPE INSULATING / 1 1/8" I.D. X 1/2" TH. X / APT11812	AR	AR	
NS	560484	CLAMP / 1" I.D.	AR	AR	
		A) UP TO N-212 WE USED SAME HOSE THAN 8V92			

From P-256 To R-079

Date:07/2024

PAGE:H4-1400-01

POWER STEERING HOSE - INSTALLATION WITH DETROIT S-60

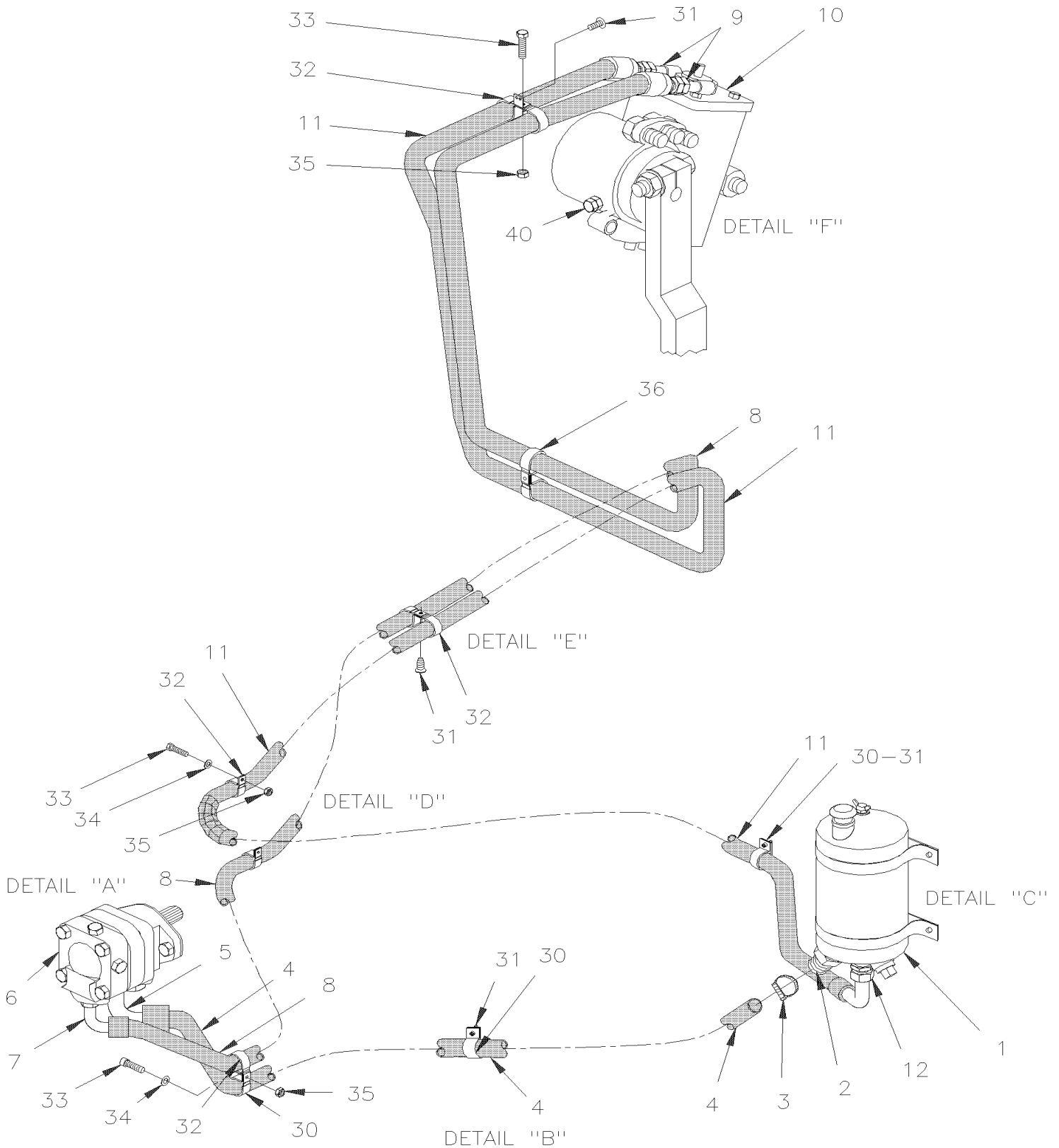


From P-256 To R-079

Date:07/2024

PAGE:H4-1400-01

POWER STEERING HOSE - INSTALLATION WITH DETROIT S-60



From P-256 To R-079	Date:07/2024	PAGE:H4-1400-01
POWER STEERING HOSE - INSTALLATION WITH DETROIT S-60		

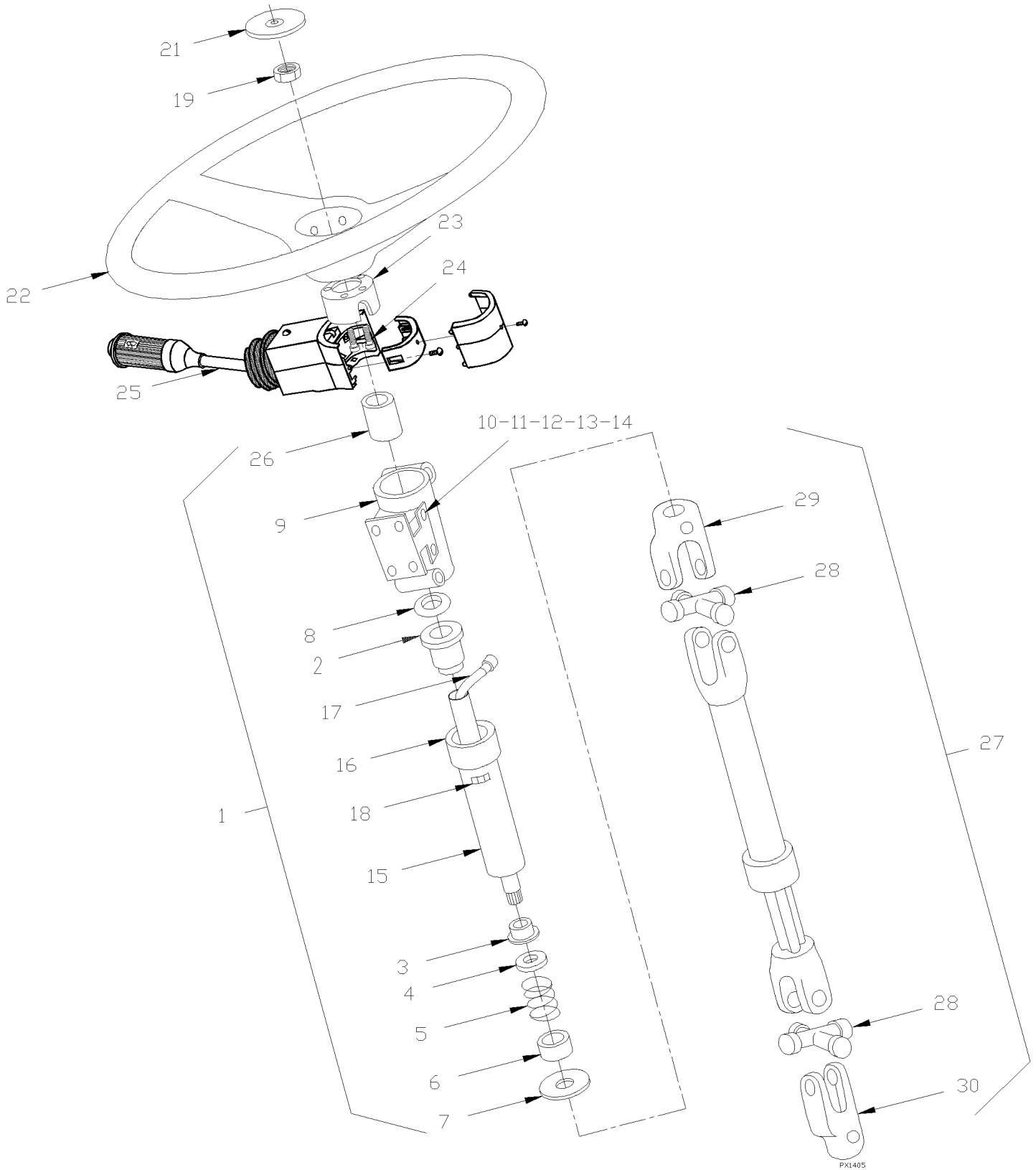
Item#	Part	Description	H 3 4 0	V I P 4 0	N O T E S
1	H4-1420-00	POWER STEERING TANK - 1.75 QT U.S.			
NS	501306	PLUG SQUARE HEAD / PIPE FITTING / 1/2NPT-M BR	1	1	
NS	501592	MALE CONNECTOR / JIC 37° FITTING / #10JIC-Mx1/2NPT-M STL	1	1	
2	5011037	MALE CONNECTOR / PUSH-LOK FITTING / 3/4NPT-Mx#16 STL	1	1	
3	504292	HOSE CLAMP / 1"5/16-2"1/4 SS / E.T. 28	AR	AR	
4	160949	HOSE / FEED LINE TO TANK / #16 1778MM	1	1	
4	503577	. HOSE #16 / S.L.	AR	AR	
5	5011036	MALE ELBOW 90° / COLLAR FITTING / 1NPT-Mx#16 STL	1	1	
6	H4-1427-01	POWER STEERING PUMP - "VICKERS" - WITH DETROIT S-60			
6	H4-1427-02	POWER STEERING PUMP - "VICKERS" - WITH / SERVICE			
7	5011055	MALE ELBOW 90° / JIC 37° FITTING / #10JIC-Mx#8ORB-M STL	1	1	
8	160883	HOSE ASSY / PUMP TO STEERING GEAR / #10 13450MM	1	1	
NS	503063	. HOSE #FC-300 HYDRAULIC / #10 S.L.	AR	AR	
NS	501536	. FEMALE CONNECTOR SWIVEL / JIC 37° FITTING / #10JIC-Fx#10 ZP	2	2	
NS	505110	. COIL PROTECTOR / PLASTIC / #12	AR	AR	A
9	507578	MALE CONNECTOR / JIC 37° FITTING / #10JIC-Mx#8ORB-M STL	2	2	
10	H4-1415-00	STEERING GEARBOX - HFB-70029 To R-381			
10	H4-1415-01	STEERING GEARBOX - TAS 85040 From R-382			
11	160828	HOSE ASSY / STEERING GEAR TO TANK / #10 12610MM	1	1	
NS	503063	. HOSE #FC-300 HYDRAULIC / #10 S.L.	AR	AR	
NS	501536	. FEMALE CONNECTOR SWIVEL / JIC 37° FITTING / #10JIC-Fx#10 ZP	1	1	
NS	501677	. FEMALE ELBOW 90° SHORT DROP/ JIC 37° FITTING/ #10JIC-Fx#10 STL	1	1	
NS	505110	. COIL PROTECTOR / PLASTIC / #12	AR	AR	A
12	501592	MALE CONNECTOR / JIC 37° FITTING / #10JIC-Mx1/2NPT-M STL	1	1	
30	560483	CLAMP / 7/8" I.D.	AR	AR	
30	560871	CLAMP / 15/16" I.D.	AR	AR	
31	500613	SCREW TP PAN PH #10x1/2 Z050	AR	AR	
32	561569	CLAMP / 1 3/8 I.D.	AR	AR	
33	502550	SCREW CAP HEX M4-0.7x16 G8.8 Z050	AR	AR	
34	500590	NUT HEX NYRT M4-0.7 Z050	AR	AR	
35	562036	CLAMP / 7/8" I.D. X 90°	AR	AR	
36	500657	SCREW TC TR PH #10-24x1/2 Z050	AR	AR	
40	661021	PLUG / W/O-RING	2	2	
		A) S.L.			

From L-031 To R-079

Date:07/2024

PAGE:H4-1405-02

STEERING WHEEL & COLUMN ASSY



From L-031 To R-079		Date:07/2024	PAGE:H4-1405-02
STEERING WHEEL & COLUMN ASSY			

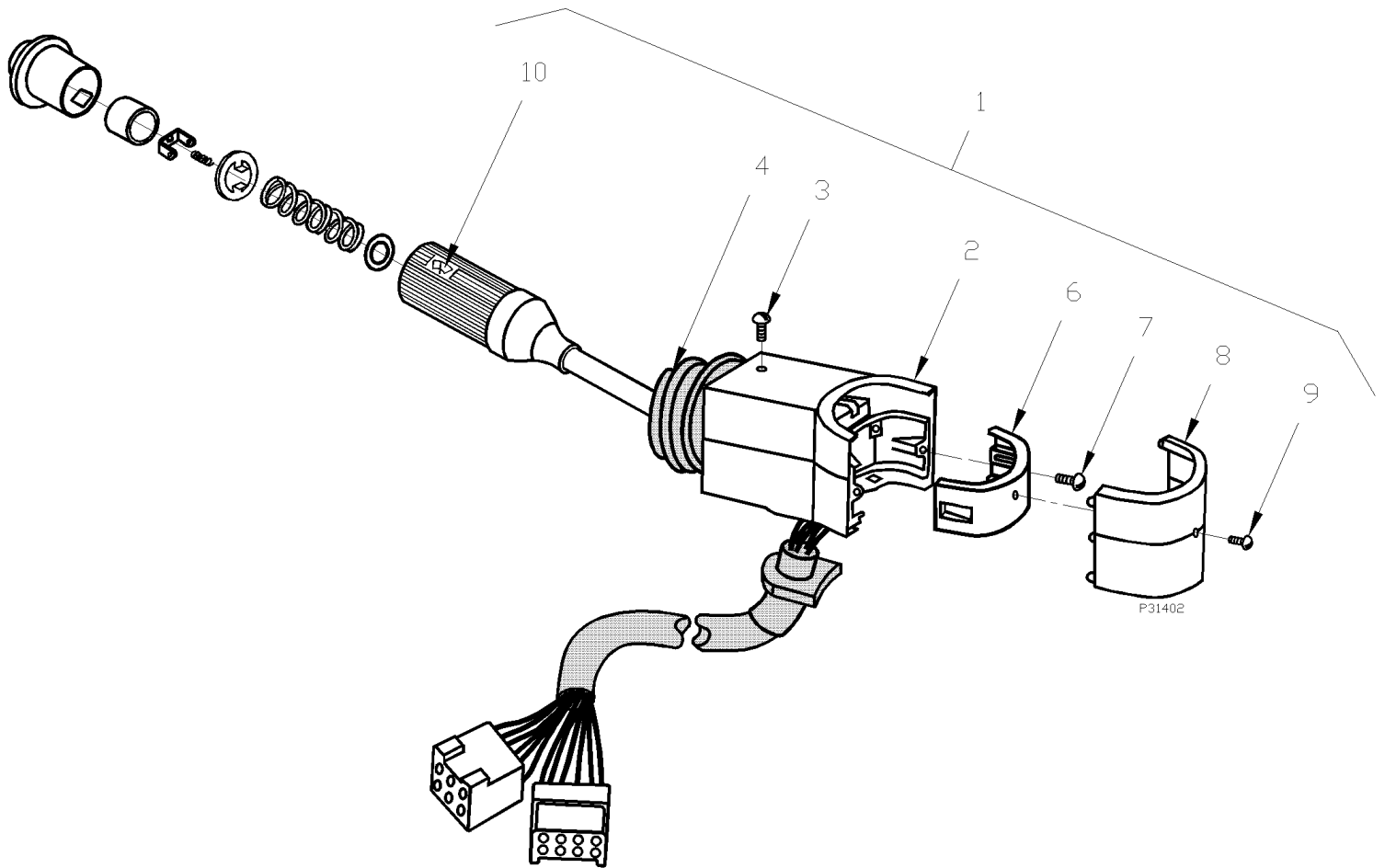
Item#	Part	Description	H 3 4 0	V I P 4 0	N O T E S
1	160731	STEERING COLUMN ASSY 15" / W/BUS & MTH 86"	1	1	
2	660779	. BEARING ASSY	2	2	
3	660780	. SEAT, NYLON	1	1	
4	660758	. WASHER	1	1	
5	660777	. SPRING COMPRESSION / 1.344 O.D. x 1.441 x .130	1	1	
6	660776	. CAP, DUST	1	1	
7	660778	. WASHER	1	1	
8	660760	. SEAT	1	1	
9	160630	. PLATE / TO FIX STEERING COLUMN	1	1	
10	160652	. BRACKET / TO FIX COLUMN COVER	1	1	
11	500438	. WASHER FL .187x.437x.050 Z050	4	4	
NS	160944	. WIRE PROTECTOR / U SHAPE 260MM LG	1	1	
12	500470	. WASHER LO SPT .193x.334x.047 Z050	4	4	
13	502500	. SCREW TC BDG PH #8-32x1/2 CJ	4	4	
14	505406	. SPRING, PIN 1/4 X 1 1/2	1	1	
15	160773	. TUBE, STEERING 10 3/4" / W/MTH 80" & MTH 83"	1	1	
16	160776	. SHAFT 15" / W/BUS & MTH 86"	1	1	
NS	660783	. SLEEVE / CONTACT BRUSH	1	1	
NS	660784	. SCREW #8-32x1/4 NYLON	1	1	
17	061963	. WIRE ASSY / KLAXON	1	1	
NS	560858	. . . TAB RECEPTACLE TERMINAL / 16-14 / AMP 5-160431-2	1	1	
NS	560381	. . . PLASTIC TUBING / 3/16" / CLEAR	AR	AR	
18	160640	. BRUSH CONTACT / HORN	1	1	
NS	064251	CABLE ASSY / CONTACT & CABLE	1	1	
19	660085	NUT WHEEL	1	1	
21	660693	BUTTON UNIT HORN	1	1	
21	160779	. CREST "PREVOST" / HORN BUTTON	1	1	
22	160561	STEERING WHEEL ASSY W/CANCELING RING	1	1	A
23	660757	. RING, TURN SIGNAL CANCEL / BLACK PLASTIC	1	1	
24	500668	. SCREW MA PAN PH M3.5-0.6x20 Z050	1	1	
24	502688	. SCREW MA PAN PH M3.5-0.6x10 ZP	2	2	
24	500650	. SCREW TC PAN PH #6-32x3/8 ZP	3	3	B
25	H4-1406-00	MULTI-FUNCTION LEVER			
26	160569	SPACER 1" I.D. X 1 3/16" O.D. X 1 9/16"	1	1	
26	161141	SPACER / SERVICE ONLY / 1" I.D. X 1 3/16" O.D. X 32MM	AR	AR	S
27	660887	SHAFT ASSY, LOWER SECTION 15.13" C/C x 24.16" C/C	1	1	
28	660683	. KIT JOINT / CROSS W/BEARING	2	2	
29	660686	. YOKE, UPPER / 1" - 36 SPLINES	1	1	
30	660685	. YOKE, LOWER / 1" - 36 SPLINES	1	1	
NS	163247	KIT, STEERING WHEEL REPLACEMENT	1	1	
. NS	IS-01052	. SEE INSTRUCTION SHEET	1	1	

From L-031 To R-079	Date:07/2024	PAGE:H4-1405-02
---------------------	--------------	-----------------

STEERING WHEEL & COLUMN ASSY

Item#	Part	Description	H 3 4 0	V I P 4 0	N O T E S
		A) THIS ITEM IS SUPERSEDED BY KIT #163247. SEE INSTRUCTION SHEET IS-01052			
		B) USE WITH #191696 ONLY			
		S) A FEW COACH RECEIVE THIS SPACER IN SERVICE WITH STEERING "VOLVO"			

From L-031 To R-079	Date:07/2024	PAGE:H4-1406-00
MULTI-FUNCTION LEVER		



From L-031 To R-079	Date:07/2024	PAGE:H4-1406-00
---------------------	--------------	-----------------

MULTI-FUNCTION LEVER

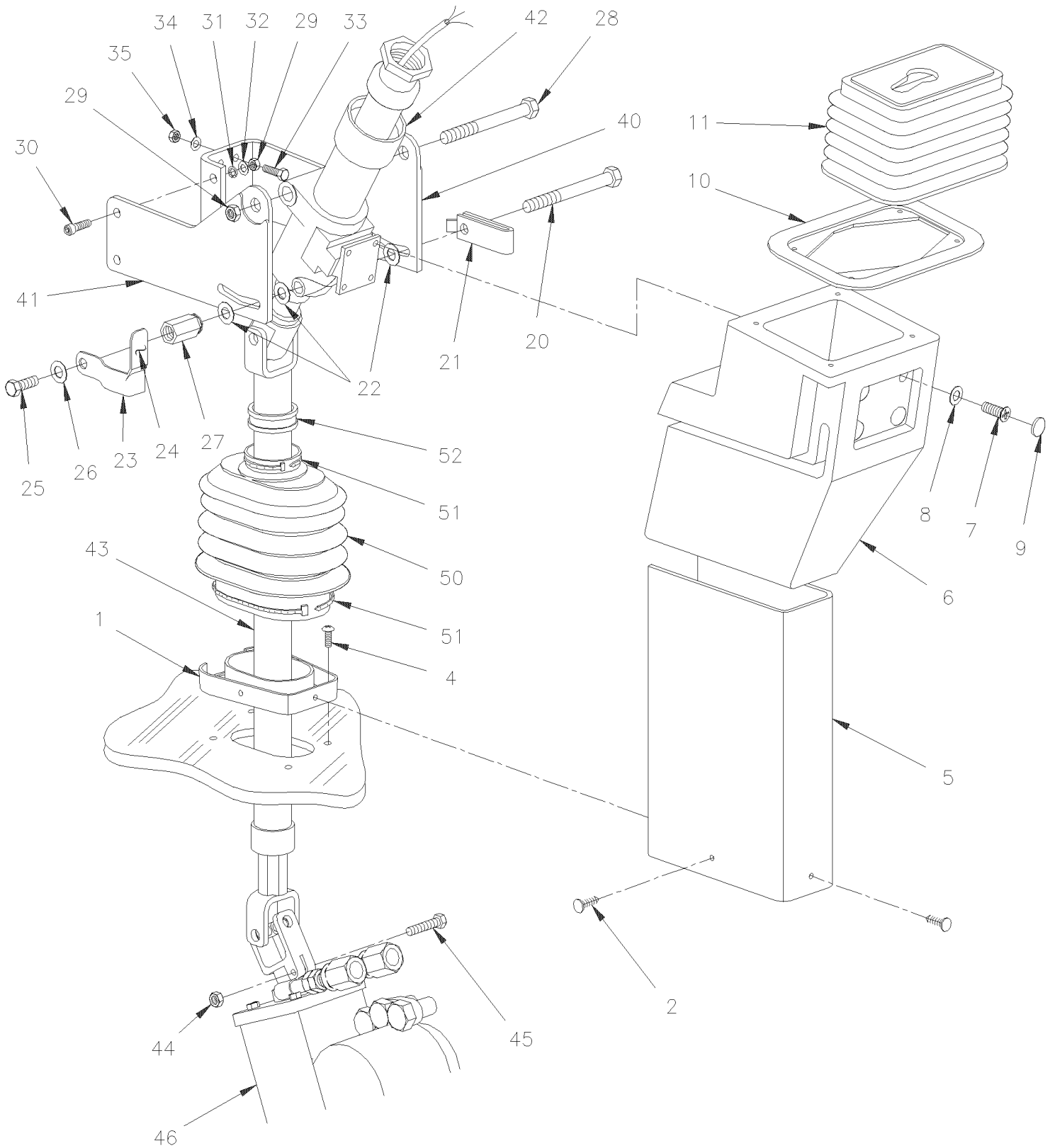
Item#	Part	Description	H 3 4 0	V I P 4 0	N O T E S
1	660694	LEVER ASSY / MULTIFONCTINAL	1	1	
2	660766	. . HOUSING	1	1	
3	660771	. . SCREW / HOUSING	1	1	
4	660781	. . CAP PLEATED RUBBER	1	1	
6	660774	. . CLAMP	2	2	
7	660775	. . SCREW MA PAN TORX M5-0.8x12 ZP	1	1	
8	660772	. . CAP / HOUSING CLAMP	1	1	
9	660773	. . SCREW, TURN SIGNAL SW. HOUSING	1	1	
10	402953	DECAL / "BLINKERS WINDSHIELD WASHER"	1	1	

From L-031 To R-079

Date:07/2024

PAGE:H4-1407-01

STEERING COLUMN & COVER - INSTALLATION



From L-031 To R-079	Date:07/2024	PAGE:H4-1407-01
STEERING COLUMN & COVER - INSTALLATION		

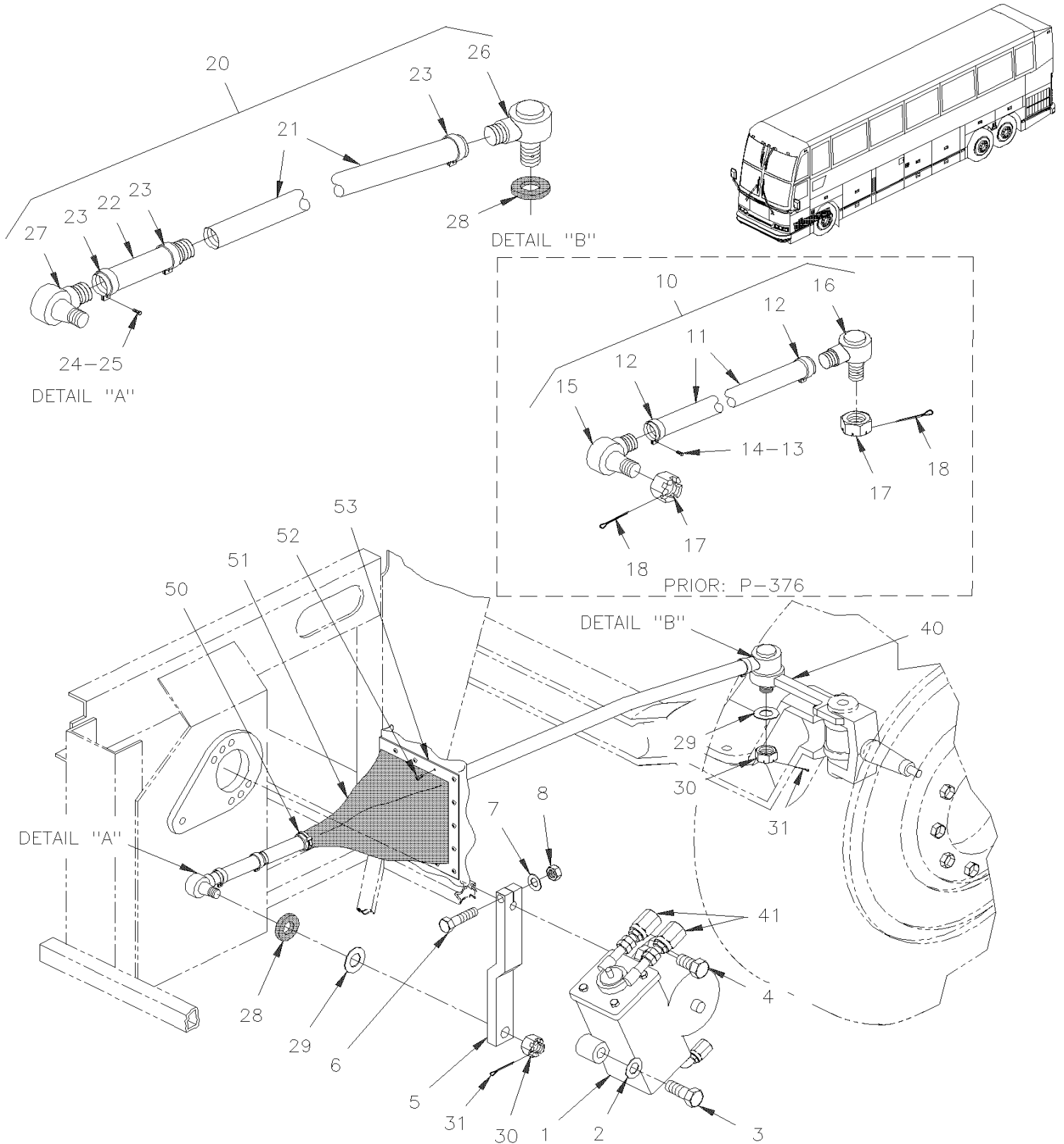
Item#	Part	Description	H 3 4 0	V I P 4 0	N O T E S
1	391745	SUPPORT	1	1	
2	504619	CLIP CHRISTMAS TREE / BLACK 7/32"O.D.x1/2" HOLE 3/16	3	3	
4	500638	SCREW TP PAN PH #8x1/2 Z050	7	7	
5	390940	COVER, LOWER SECTION	1	1	
6	391105	COVER ASSY, CENTRAL SECTION	1	1	
6	390939	. COVER, CENTRAL SECTION	1	1	
6	500437	. WASHER FL .125x.375x.040 Z050	4	4	
6	504003	. FASTENER RIVET BASE	4	4	
6	504107	. RIVET POP DOME OE 1/8x5/16 AL	4	4	
NS	391011	MOULDING, R.H. / CENTRAL COVER	1	1	
NS	391010	MOULDING, L.H. / CENTRAL COVER	1	1	
7	500641	SCREW TP PAN PH #8x3/4 Z050	4	4	
NS	500563	NUT SPR U #8-32 .094-.125	4	4	
8	504412	WASHER RETAINER SNAP CAP #8	4	4	
9	504403	SNAP CAP #8 FINISHING BLACK	4	4	
11	391156	COVER ASSY, RUBBER	1	1	
20	160708	SCREW / W/L.H. THREAD	1	1	
21	160633	RETAINER, LOCK PLATE	1	1	
22	500444	WASHER FL .406x.812x.065 Z050	3	3	
23	160639	LEVER ASSY TIGHTENING	1	1	
24	660786	. HANDLE, PLASTIC	1	1	
25	160709	SCREW CAP HEX 3/8-16x1 1/4"	1	1	
26	500478	WASHER LO SPT .380x.683x.094 Z050	1	1	
27	160636	NUT TIGHTENING / L.H.	1	1	
28	500885	SCREW SHR HEXS 3/8x4 {5/16-18	1	1	
29	500685	NUT HEX NYRT 5/16-18 SS	2	2	
30	500876	SCREW SHR HEXS 3/8x3/4 {5/16-18	2	2	
31	500905	WASHER SPR WAVE .750x.015	2	2	
32	500441	WASHER FL .312x.734x.065 Z050	2	2	
33	502549	SCREW CAP HEX M10-1.5x35 G8.8 Z050	4	4	
34	500445	WASHER FL .437x1.000x.083 Z050	4	4	
35	500680	NUT HEX STO M10-1.5 Z050	4	4	
40	160726	SUPPORT, STEERING COLUMN (FIXED ON STRUTURE)	1	1	
41	160728	SUPPORT, STEERING COLUMN	1	1	
42	H4-1405-02	STEERING WHEEL & COLUMN ASSY			
43	H4-1405-02	STEERING WHEEL & COLUMN ASSY			
44	500567	SCREW CAP HEX 3/8-16x1 3/4 G5 ZP	2	2	
45	500265	NUT HEX STO 3/8-16 Z050	2	2	
46	H4-1415-00	STEERING GEARBOX - HFB-70029			
50	660981	BELLOW	1	1	
51	504637	CABLE TIE / 3/16" x 13"	2	2	
52	391576	SEAL RING	1	1	

From L-031 To R-079

Date:07/2024

PAGE:H4-1410-00

STEERING RODS - INSTALLATION



From L-031 To R-079	Date:07/2024	PAGE:H4-1410-00
STEERING RODS - INSTALLATION		

Item#	Part	Description	H 3 4 0	V I P 4 0	N O T E S
1	H4-1415-00	STEERING GEARBOX - HFB-70029 To R-381			
1	H4-1415-01	STEERING GEARBOX - TAS 85040 From R-382			
2	500490	WASHER LO SPT .887x1.464x.219 ZP	1	1	
3	500154	SCREW CAP HEX 7/8-14x2 G8 ZP	1	1	
4	5001219	SCREW CAP HEX 3/4-16x1 3/4 G8 ZP	6	6	
4	500488	WASHER LO SPT .760x1.271x.188 Z050	6	6	
5	160901	ARM, PITMAN 280MM C/C / PAINTED BLACK	1	1	B
. NS	M105-09	. SEE MAINTENANCE INFORMATION	1	1	B
6	500298	SCREW CAP HEX 3/4-16x4 1/2 G5 ZP	1	1	
7	500488	WASHER LO SPT .760x1.271x.188 Z050	1	1	
8	500733	NUT HEX 3/4-16 Z050	1	1	
10	160811	DRAG LINK ASSY To P-375	1	1	A
11	N.S.S.	. TUBE	1	1	1
12	660978	. COLLAR ASSY / W/BOLT & NUT 1 5/8" I.D.	2	2	
. NS	500231	. . SCREW CAP HEX 5/8-11x3 G5 ZP	1	1	
. NS	500683	. . NUT HEX STO 5/8-11 ZP	1	1	
12	661133	. COLLAR ASSY / W/BOLT & NUT & STOPPER 1 5/8" I.D.	2	2	
. NS	500231	. . SCREW CAP HEX 5/8-11x3 G5 ZP	1	1	
. NS	500683	. . NUT HEX STO 5/8-11 ZP	1	1	
13	500231	. . SCREW CAP HEX 5/8-11x3 G5 ZP	1	1	
14	500683	. . NUT HEX STO 5/8-11 ZP	1	1	
15	661002	. TIE ROD END R.H. THREAD 1 1/4-12	1	1	
15	610988	. TIE ROD END R.H. THREAD 1"1/8-12	1	1	A
16	611089	. TIE ROD END L.H. THREAD 1 1/4-12	1	1	
16	610987	. TIE ROD END L.H. THREAD 1"1/8-12	1	1	A
17	5001345	. NUT HEX CSL THN 7/8-14	1	1	
18	502115	. PIN, COTTER 3/16 x 2 1/2	1	1	
20	160935	DRAG LINK ASSY / 1335MM C/C / W/ONE CURVE From P-376	1	1	
21	160934P	. ROD / W/1 CURVE // W/ONE CURVE 911MM	1	1	
22	160932	. TURNBUCKLE 275MM	1	1	
23	660978	. COLLAR ASSY / W/BOLT & NUT 1 5/8" I.D.	3	3	
. NS	500231	. . SCREW CAP HEX 5/8-11x3 G5 ZP	1	1	
. NS	500683	. . NUT HEX STO 5/8-11 ZP	1	1	
24	500231	. . SCREW CAP HEX 5/8-11x3 G5 ZP	1	1	
25	500683	. . NUT HEX STO 5/8-11 ZP	1	1	
26	611089	. TIE ROD END L.H. THREAD 1 1/4-12	1	1	
27	660936	. TIE ROD END L.H. THREAD 1 1/4-12	1	1	
27	661150	. TIE ROD END L.H. THREAD 1 1/4-12	1	1	
28	660997	. . RUBBER WASHER SEAL	1	1	
28	661135	. . RUBBER WASHER SEAL	1	1	
29	660998	. . WASHER RETAINER STEEL	1	1	
29	161989	. . WASHER FL 34.9x63.5x16GA SS	1	1	

From L-031 To R-079	Date:07/2024	PAGE:H4-1410-00
---------------------	--------------	-----------------

STEERING RODS - INSTALLATION

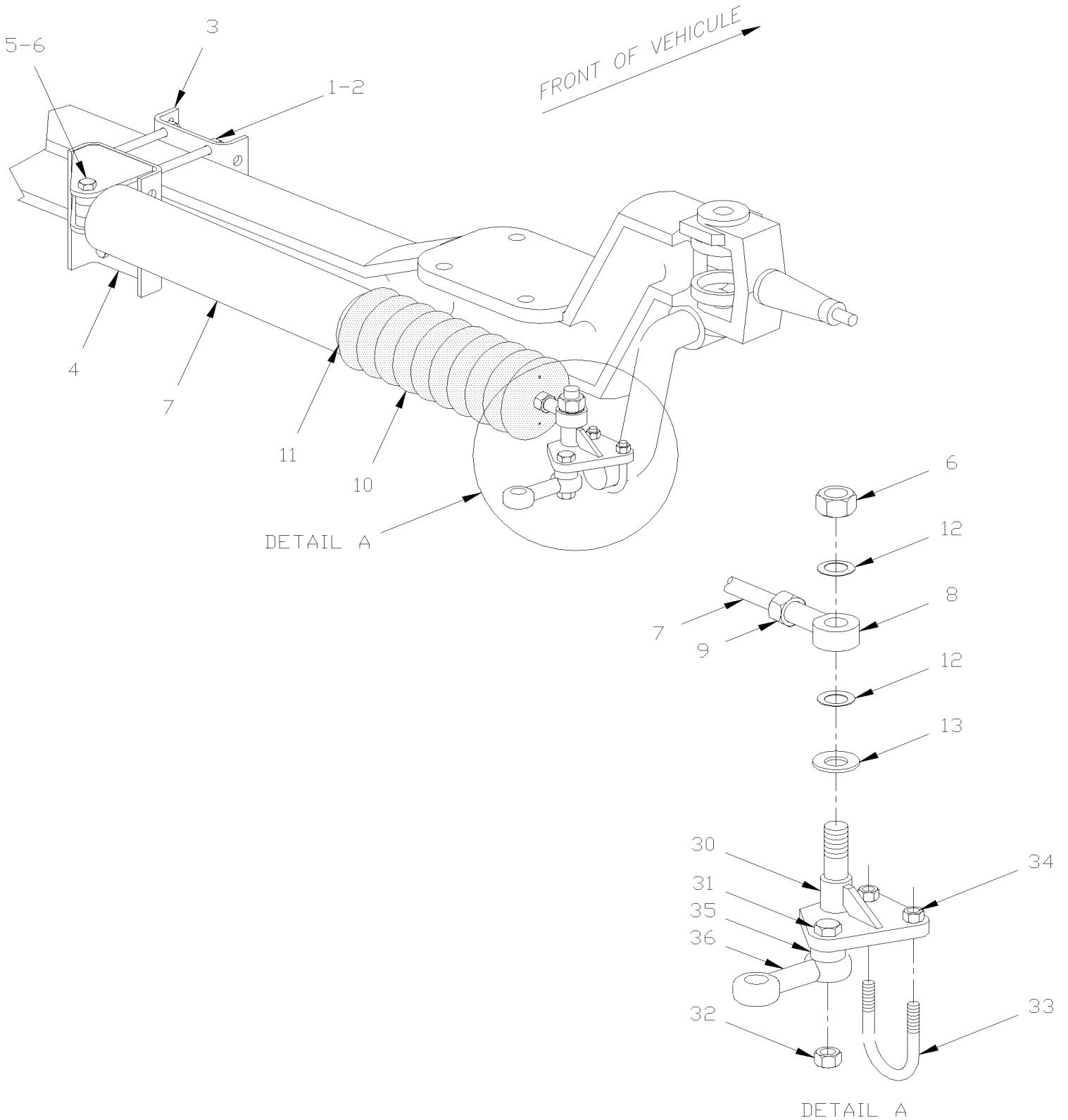
Item#	Part	Description	H 3 4 0	V I P 4 0	N O T E S
30	5001345	. . NUT HEX CSL THN 7/8-14	1	1	
31	502115	. . PIN, COTTER 3/16 x 2 1/2	2	2	
40	H4-1005-02	FRONT AXLE - I BEAM RIGID MODEL "2FG-952-CAX"			
41	H4-1400-00	POWER STEERING HOSE - INSTALLATION WITH DETROIT S-92			
41	H4-1400-01	POWER STEERING HOSE - INSTALLATION WITH DETROIT S-60			
50	504024	HOSE CLAMP / 1"13/16"-2"3/4 SS / HS-36	1	1	
51	160156	SHIELD RUBBER	1	1	
52	160817	FRAME ASSY	1	1	
NS	160807	STRIP METAL / TO FIX RUBBER SHIELD	1	1	
53	500657	SCREW TC TR PH #10-24x1/2 Z050	16	16	
NS	MI05-09	SEE MAINTENANCE INFORMATION	1	1	
		A) SOME DRAG LINK HAVE 1"1/8-12 THREAD ON END ASSY. THIS MODEL IS OBSOLETE AND SUPERSEDED BY ASSY #160935			
		B) SEE MAINTENANCE INFORMATION MI05-09			
		1) NOT SOLD SEPARATELY			

From L-031 To R-079

Date:07/2024

PAGE:H4-1412-00

STEERING DAMPER - INSTAL. W/AXLE 2FG-952-CAX



From L-031 To R-079	Date:07/2024	PAGE:H4-1412-00
STEERING DAMPER - INSTAL. W/AXLE 2FG-952-CAX		

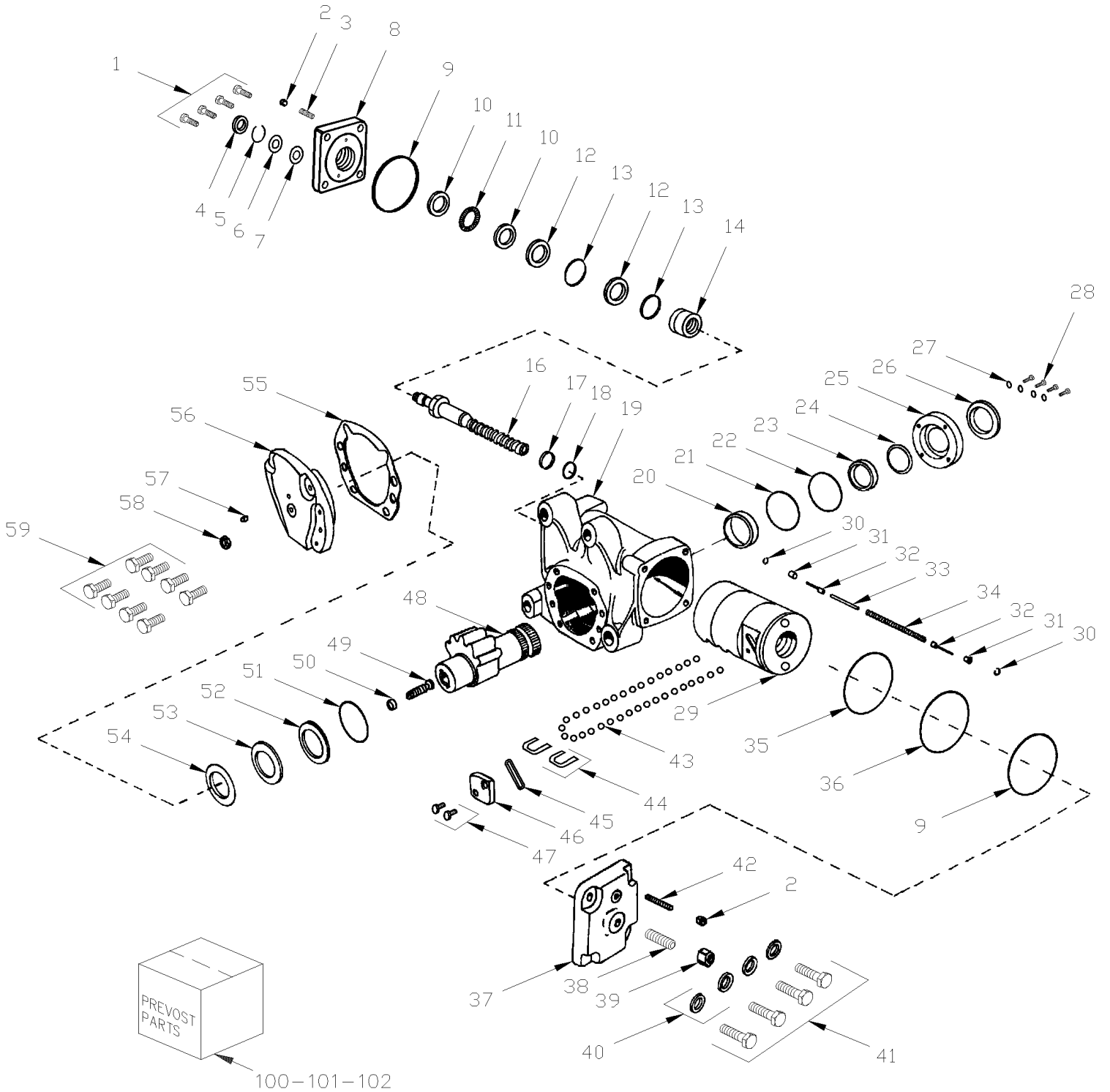
Item#	Part	Description	H 3 4 0	V I P 4 0	N O T E S
1	500687	SCREW CAP HEX 7/16-20x5 G5 Z050	4	4	
2	500714	NUT HEX STO 7/16-20 Z050	4	4	
NS	500446	WASHER FL .531x1.250x.125 Z050	4	4	
3	160618	PLATE ATTACHMENT	1	1	
4	160839	BASE ANCHOR	1	1	
5	500145	SCREW CAP HEX 3/4-16x3 1/2 G5 Z050	1	1	
6	500735	NUT HEX STO 3/4-16 ZP	2	2	
7	160835	DAMPER SHOCK ASS	1	1	
. NS	IS-96052A	. SEE INSTRUCTION SHEET	1	1	
7	660979	. DAMPER SHOCK	1	1	
8	660884	. . ROD END FEMALE 3/4"-16 / 3/4 I.D.	1	1	
NS	501497	. . . GREASE FITTING / 1/4-28	1	1	
9	500734	. . NUT HEX JAM 3/4-16 Z050	1	1	
10	661007	. BOOT PROTECTOR	1	1	
11	504023	. HOSE CLAMP / 1"5/16-2"1/4 SS / HS-28	1	1	
12	660980	. COVER ROD END / RUBBER	2	2	
NS	160837	. DECAL "WARNING"	1	1	
NS	160836	. DECAL "AVERTISSEMENT..."	1	1	
13	502558	WASHER FL 21.0x37.0x3.0 G500	1	1	
14	500451	WASHER FL .812x2.000x.148 ZP	1	1	
30	160813	PLATE, PIVOT To N-174	1	1	A
30	160861	PLATE, PIVOT From N-175	1	1	A
31	500096	SCREW CAP HEX 1/2-20x3 G5 Z050	1	1	
32	500718	NUT HEX STO 1/2-20 Z050			
33	160623	U-BOLT To N-174	1	1	A
34	500704	NUT HEX STO 3/8-24 Z050	2	2	
NS	500445	WASHER FL .437x1.000x.083 Z050	2	2	
35	160862	SPACER WASHER FOR USE ONLY W/PLATE # 160813 To N-174	1	1	A
36	110506	ADAPTOR, TAPER / TO FIX IN STEERING ARM HOLE	1	1	
		A) SOME V.I.P. UP TO N-174 CHANGE FOR REVERSE LOWER RADIAL BAR, PLEASE CHECK BEFORE ORDERB' FOR PRODUCT IMPROVMENT YOU NEED THOSE PARTS: 2X 660980,1X 160836,1X 160837,1X 661007 & 1X 504023			

From L-031 To R-381

Date:07/2024

PAGE:H4-1415-00

STEERING GEARBOX - HFB-70029



From L-031 To R-381	Date:07/2024	PAGE:H4-1415-00
STEERING GEARBOX - HFB-70029		

Item#	Part	Description	H 3 4 0	V I P 4 0	N O T E S
	660785	GEARBOX ASSY	1	1	
1	N.P.N.	. BOLT 9/16-18 X 2 1/8	4	4	4
2	660700	. NUT JAM / POPPET SCREW	2	2	
3	660847	. SCREW ADJUSTING 2"1/4 OR 2"1/2 / POPPET	1	1	
4	660701	. SEAL	1	1	
5	660702	. RING RETAINING	1	1	
6	660703	. WASHER	1	1	
7	660704	. SEAL / INPUT SHAFT (2 PIECES)	1	1	
8	660848	. HOUSING ASSY / VALVE (3 PIECES)	1	1	
9	660706	. O-RING	2	2	
10	660707	. WASHER THRUST	2	2	
11	660708	. BEARING THRUST	1	1	
12	660719	. SEAL	2	2	
12	660710	. RING SEAL	1	1	
13	660720	. O-RING	2	2	
13	N.S.S.	. SEAL RING	1	1	1
13	N.S.S.	. WORM & RING ASSY	1	1	1
13	N.S.S.	. INSERT	1	1	1
NS	660849	. SERVICE VALVE ASSY	1	1	
14	N.S.S.	. SHAFT & VALVE ASSY	1	1	1
17	660721	. O-RING	1	1	
18	660722	. RING SEAL	1	1	
NS	660850	. HOUSING ASSY	1	1	
19	N.S.S.	. HOUSING	1	1	1
19	660735	. ARM, PITMAN 9" / (PAINTED BLACK)	1	1	
20	660733	. BEARING	1	1	
21	660734	. RING RETAINING	1	1	
22	N.S.S.	. O-RING / COVER TRUNION	1	1	1
23	660738	. SEAL & ADAPTOR ASSY (2 PIECES)	1	1	
24	660737	. WASHER BACK-UP	1	1	
NS	660736	. COVER ASSY / TRUNNION	1	1	
25	N.S.S.	. COVER	1	1	1
25	N.S.S.	. PIN	1	1	1
26	660709	. SEAL	1	1	
27	660711	. WASHER	4	4	
28	660712	. SCREW	4	4	
NS	660853	. RACK & BALL SERVICE ASSY	1	1	
29	N.S.S.	. RACK PISTON	1	1	1
30	660728	. RING RETAINING	2	2	
31	660727	. SEAT POPPET	2	2	
32	660726	. POPPETS	2	2	
33	660725	. SPACER ROD	1	1	

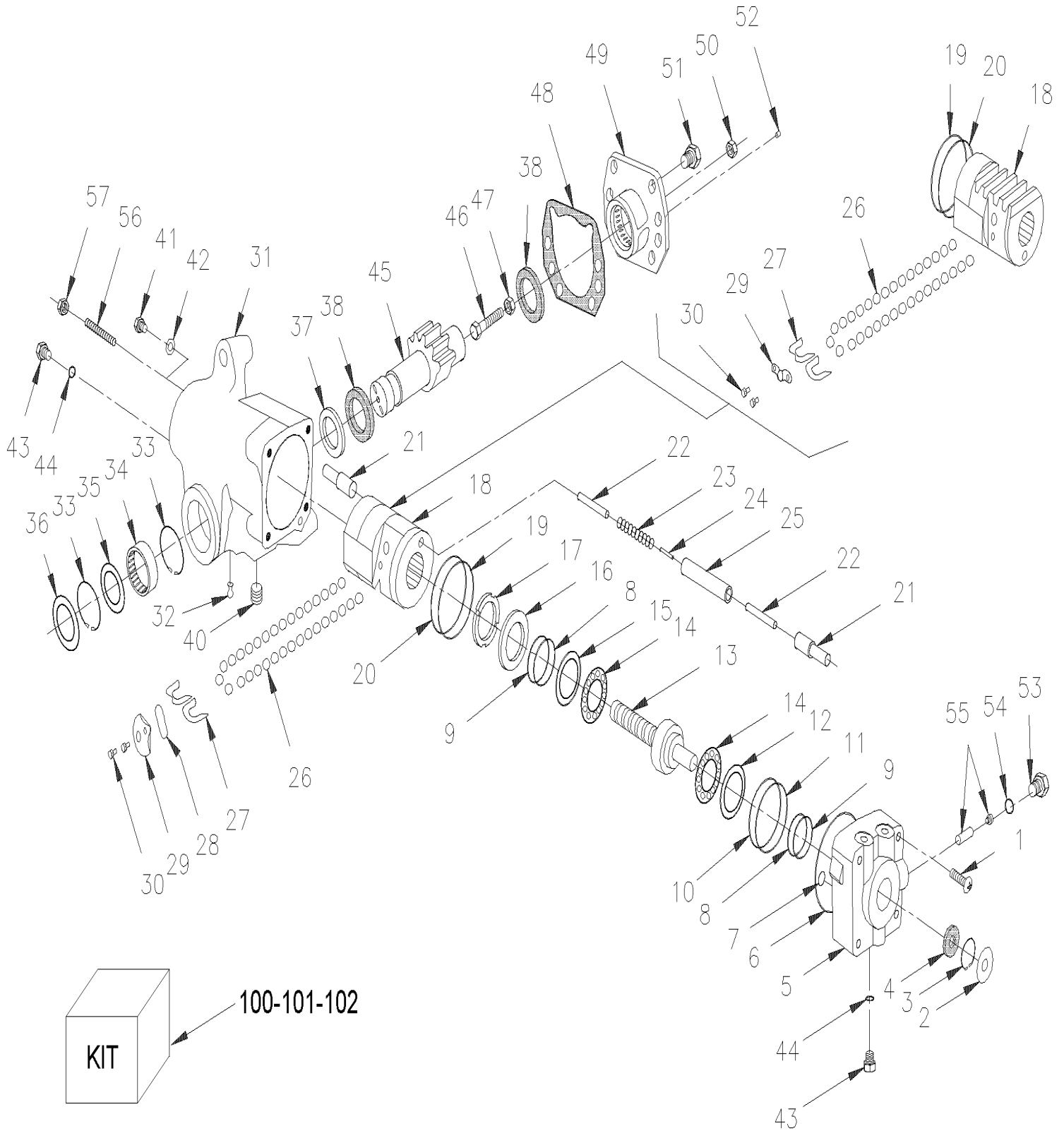
From L-031 To R-381	Date:07/2024	PAGE:H4-1415-00
STEERING GEARBOX - HFB-70029		

Item#	Part	Description	H 3 4 0	V I P 4 0	N O T E S
34	660724	. . SPRING, COMP.	1	1	
35	660729	. . O-RING (BACK UP; RACK PISTON)	1	1	
36	660730	. . TEFLON SEAL RING (RACK PISTON)	1	1	
37	660854	. COVER END	1	1	
38	660714	. SCREW ADJUSTING	1	1	
39	660715	. NUT JAM	1	1	
40	660716	. WASHER	4	4	
41	660717	. SCREW	4	4	
41	660739	. SHAFT & COVER SERVICE ASSY	1	1	
42	660660	. SCREW SET SLT FL 3/8-24x1 1/2 BK	1	1	
42	N.S.S.	. . INSERT THRUST	1	1	1
43	660731	. . BALL (KIT OF 34)	1	1	
43	N.S.S.	. . . BEARING	1	1	1
48	660855	. SHAFT & COVER (48 & 56)	1	1	
49	660741	. . ADJUSTING SCREW (SECTOR SHAFT)	1	1	
50	660742	. . RETAINER (ADJUSTING SCREW)	1	1	
52	660746	. . . SEAL ASSY / SIDE COVER (2 PIECES)	1	1	
52	660747	. . . RING RETAINING	1	1	
53	660744	. . . WASHER	1	1	
54	660745	. . . WASHER BACK UP	1	1	
55	660749	. . GASKET / SIDE COVER	1	1	
NS	660743	. . . SIDE COVER SERVICE ASSY	1	1	
56	N.S.S.	. . COVER SIDE	1	1	1
57	660748	. . VENT PLUG (SIDE COVER)	1	1	
58	660751	. . NUT HEX JAM	1	1	
59	660750	ARM, PITMAN 270MM C/C	8	8	
60	660856	BOOT PROTECTOR / SEAT	1	1	
62	660857	PROTECTOR SEAT	1	1	
100	660752	KIT COMPLETE SEAL	1	1	A
101	661065	KIT POPPET VALVE	AR	AR	
. A	N.S.S.	. O-RING (BACK-UP)	1	1	1
. B	N.S.S.	. POPPET ADJUSTER SEAT & SLEEVE ASSY	2	2	1
. C	N.S.S.	. POPPET	2	2	1
. D	N.S.S.	. POPPET SPRING	1	1	1
. E	N.S.S.	. SPACER ROD	1	1	1
. F	N.S.S.	. PUSH TUBE	1	1	1
102	661066	SEAL KIT / SECTOR OUTPUT SHAFT	AR	AR	
. A	660966	. RETAINER RING	1	1	
. B	N.S.S.	. DIRT SEAL	1	1	1
. C	N.S.S.	. DIRT & WATER SEAL (TRUNION)	1	1	1
. D	660970	. WASHER (SPACER)	1	1	

From L-031 To R-381	Date:07/2024	PAGE:H4-1415-00
STEERING GEARBOX - HFB-70029		

Item#	Part	Description	H 3 4 0	V I P 4 0	N O T E S
. E	660968	. SEAL (OUTPUT) / W/85040	1	1	
. F	N.S.S.	. GASKET (SIDE COVER)	1	1	1
		A) INCLUDE ITEMS 2,4,7,9,12,13,17,18,22,23,24,26,35,36,39,52,53,55 & 57			
		1) NOT SOLD SEPARATELY			
		4) NO PARTS NUMBER			
		1) NOT SOLD SEPARATELY			

From R-382 To R-079	Date:07/2024	PAGE:H4-1415-01
STEERING GEARBOX - TAS 85040		



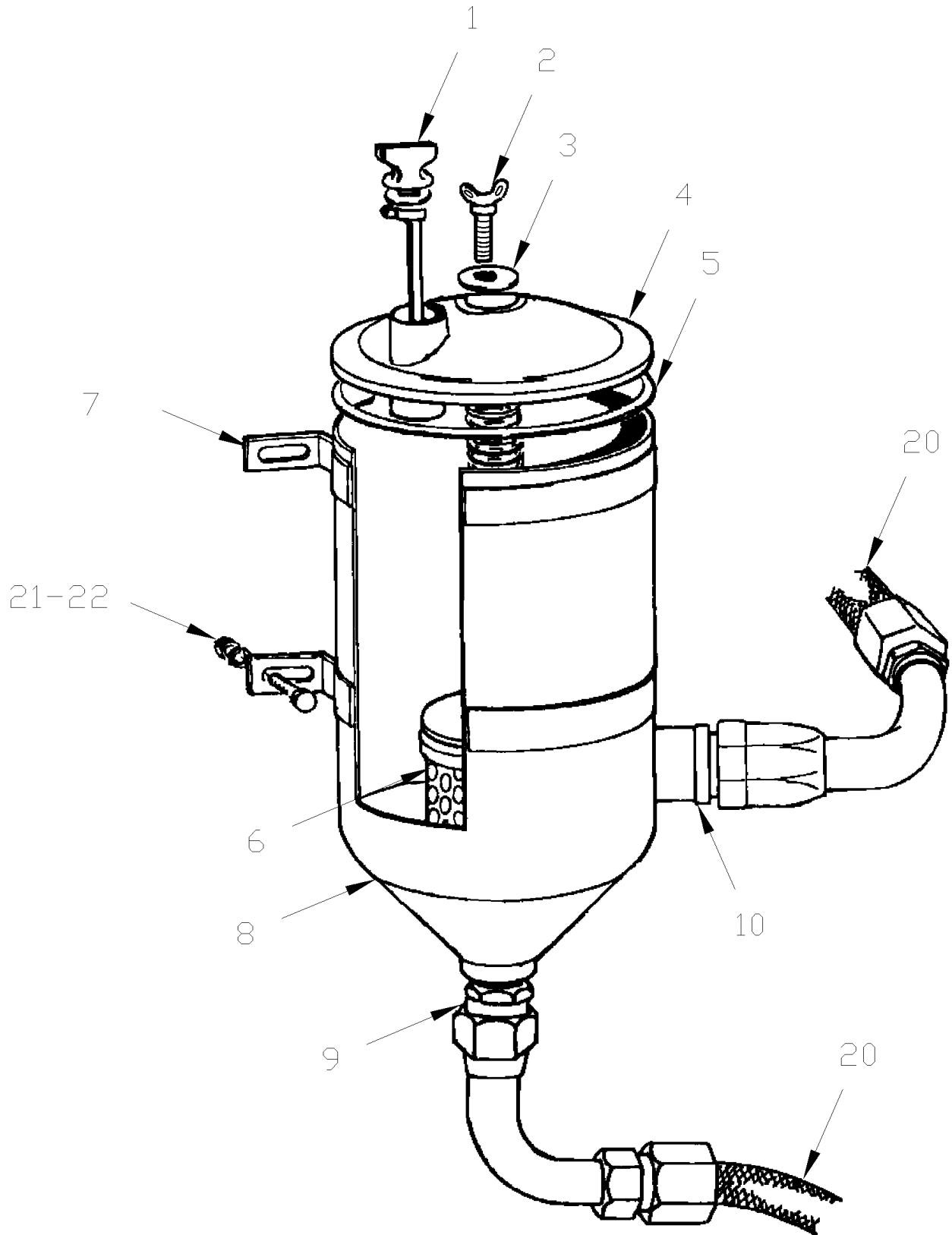
From R-382 To R-079	Date:07/2024	PAGE:H4-1415-01
STEERING GEARBOX - TAS 85040		

Item#	Part	Description	H 3 4 0	V I P 4 0	N O T E S
	660927	GEARBOX STEERING "TRW"	1	1	
1	660946	. SCREW 9/16-18 SPECIAL TORX	4	4	
2	N.S.S.	. DIRT & WATER SEAL	1	1	1
3	N.S.S.	. RETAINING RING	1	1	1
4	N.S.S.	. SEAL (INPUT SHAFT)	1	1	1
5	660949	. VALVE HOUSING / W/85040	1	1	
6	N.S.S.	. SEAL RING (VALVE HOUSING)	1	1	1
7	N.S.S.	. SEAL RING (VALVE HOUSING)	1	1	1
8	N.S.S.	. SEAL RING	2	2	1
9	N.S.S.	. O-RING	2	2	1
10	N.S.S.	. SEAL RING	1	1	1
11	N.S.S.	. O-RING (VALVE HOUSING)	1	1	1
12	660955	. THRUST WASHER (THICK)	1	1	
13	660956	. SHAFT & WORM ASSY/ W/85040	1	1	
14	660957	. THRUST BEARING	2	2	
15	660958	. THRUST WASHER (THIN)	1	1	
16	660959	. BEARING ADJUSTER	1	1	
17	N.S.S.	. ADJUSTER LOCKNUT	1	1	1
18	660961	. RACK PISTON	1	1	
19	N.S.S.	. TEFLON SEAL RING (RACK PISTON)	1	1	1
20	N.S.S.	. O-RING (BACK UP; RACK PISTON)	1	1	1
21	N.S.S.	. POPPET ADJUSTER SEAT & SLEEVE ASSY	2	2	1
22	N.S.S.	. POPPET	2	2	1
23	N.S.S.	. POPPET SPRING	1	1	1
24	660964	. SPACER ROD	1	1	
25	N.S.S.	. PUSH TUBE	1	1	1
26	660731	. BALL (KIT OF 34)	34	34	
27	N.S.S.	. BALL RETURN GUIDE	2	2	1
28	N.S.S.	. SEAL (CAP)	2	2	1
29	N.S.S.	. BALL RETURN GUIDE CAP	1	1	1
29	N.S.S.	. BALL RETURN GUIDE CLIP	1	1	1
30	N.S.S.	. TORX SCREW (2 CAP)	2	2	1
30	N.S.S.	. HEX HEAD BOLT (2 CLIP) 5/16-18 X 3/8"	2	2	1
31	N.S.S.	. HOUSING	1	1	1
32	N.S.S.	. GREASE FITTING	1	1	1
33	660966	. RETAINER RING	2	2	
34	660967	. ROLLER BEARING	1	1	
35	N.S.S.	. SEAL (OUTPUT) / W/85040	1	1	1
36	N.S.S.	. DIRT & WATER SEAL (TRUNION)	1	1	1
37	660970	. WASHER (SPACER)	1	1	
38	660968	. SEAL (OUTPUT) / W/85040	1	1	
43	501970	. MALE CONNECTOR / JIC 37° FITTING / #8JIC-Mx#6ORB-M STL	2	2	

From R-382 To R-079	Date:07/2024	PAGE:H4-1415-01
STEERING GEARBOX - TAS 85040		

Item#	Part	Description	H 3 4 0	V I P 4 0	N O T E S
NS	661021	. PLUG / W/O-RING	2	2	
44	N.S.S.	. O-RING (AUXILIARY PORT PLUG)	2	2	1
45	660975	. SECTOR SHAFT ASSY	1	1	
46	660741	. . ADJUSTING SCREW (SECTOR SHAFT)	1	1	
47	660742	. . RETAINER (ADJUSTING SCREW)	1	1	
48	N.S.S.	. GASKET	1	1	1
49	660973	. COVER ASSY, W/BEARING & SEAL (8 HOLES)	1	1	
50	N.S.S.	. ARM, PITMAN 270MM C/C	1	1	1
51	660974	. BOLT SPECIAL (SIDE COVER)	8	8	
52	N.S.S.	. VENT PLUG (SIDE COVER)	1	1	1
55	N.S.S.	. RELIEF VALVE (2 PARTS)	1	1	1
56	660976	. SERVICE POPPET ADJUSTING SCREW	1	1	
57	N.S.S.	. SERVICE SEALING JAM NUT	1	1	1
100	661020	SEAL KIT / MAJOR OVERHAUL	AR	AR	A
101	661028	SEAL KIT / WORM SHAFT INPUT	1	1	B
. A	N.S.S.	. DIRT & WATER SEAL	1	1	1B
. B	N.S.S.	. RETAINER RING	1	1	1B
. C	N.S.S.	. SEAL (INPUT SHAFT)	1	1	1B
102	661066	SEAL KIT / SECTOR OUTPUT SHAFT	AR	AR	C
. A	660966	. RETAINER RING	1	1	C
. B	N.S.S.	. DIRT SEAL	1	1	1C
. C	N.S.S.	. DIRT & WATER SEAL (TRUNION)	1	1	1C
. D	660970	. WASHER (SPACER)	1	1	C
. E	660968	. SEAL (OUTPUT) / W/85040	1	1	C
. F	N.S.S.	. GASKET (SIDE COVER)	1	1	1C
103	661065	KIT POPPET VALVE	AR	AR	
. A	N.S.S.	. O-RING (BACK-UP)	1	1	1
. B	N.S.S.	. POPPET ADJUSTER SEAT & SLEEVE ASSY	2	2	1
. C	N.S.S.	. POPPET	2	2	1
. D	N.S.S.	. POPPET SPRING	1	1	1
. E	N.S.S.	. SPACER ROD	1	1	1
. F	N.S.S.	. PUSH TUBE	1	1	1
		A) INCLUDE ITEMS 9,10,11,17,19,20,27,28,29(CLIP),30,35,36,38,44,48 & 52			
		B) INCLUDE ITEMS 2,3 & 4C			
		C) INCLUDES ITEMS # 21,22,23,24 & 25			
		1) NOT SOLD SEPARATELY			
		1) NOT SOLD SEPARATELY			

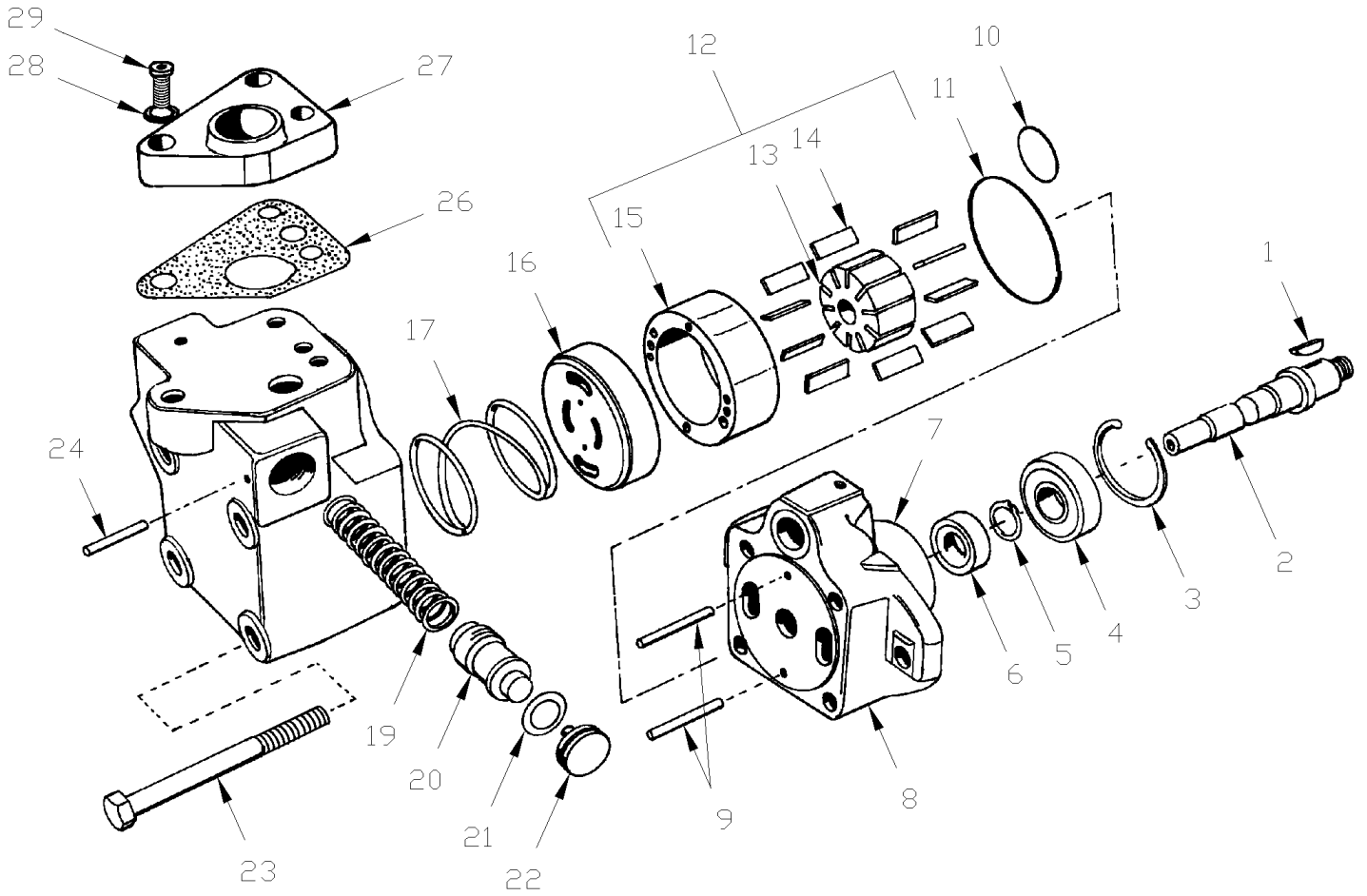
From L-031 To R-079	Date:07/2024	PAGE:H4-1420-00
POWER STEERING TANK - 1.75 QT U.S.		



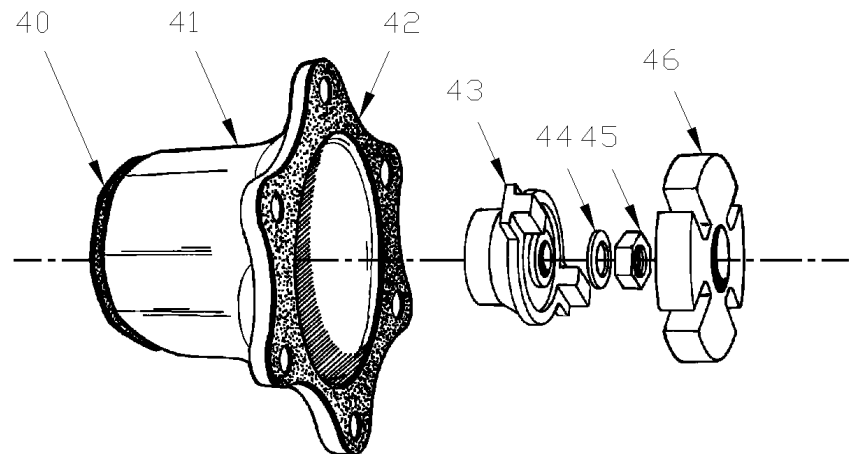
From L-031 To R-079	Date:07/2024	PAGE:H4-1420-00
POWER STEERING TANK - 1.75 QT U.S.		

Item#	Part	Description	H 3 4 0	V I P 4 0	N O T E S
	660525	TANK ASSY	1	1	
1	660765	. DIPSTICK	1	1	
2	660764	. SCREW WI 3/8-16x1 1/2	1	1	
3	660529	. GASKET	1	1	
4	660925	. COVER	1	1	
5	660527	. GASKET	1	1	
6	660528	. ELEMENT FILTER	1	1	
7	660920	. ATTACHMENT SUPPORT	2	2	
8	501306	PLUG SQUARE HEAD / PIPE FITTING / 1/2NPT-M BR	1	1	
10	5011037	MALE CONNECTOR / PUSH-LOK FITTING / 3/4NPT-Mx#16 STL	1	1	
20	H4-1400-00	POWER STEERING HOSE - INSTALLATION WITH DETROIT S-92			
20	H4-1400-01	POWER STEERING HOSE - INSTALLATION WITH DETROIT S-60			
22	500874	WASHER FL 8.4x17.0x1.6 Z050	4	4	
23	502744	NUT HEX STO M8-1.25 Z050	4	4	

From L-031 To R-032	Date:07/2024	PAGE:H4-1427-00
POWER STEERING PUMP - "VICKERS" - WITH DETROIT S-92		



ACCESSORIES DRIVE
(Hydraulic pump)



From L-031 To R-032	Date:07/2024	PAGE:H4-1427-00
POWER STEERING PUMP - "VICKERS" - WITH DETROIT S-92		

Item#	Part	Description	H 3 4 0	V I P 4 0	N O T E S
	660767	PUMP POWER STEERING / 1500 PSI To L-055	1	1	A
	660917	PUMP POWER STEERING / 2000 PSI From L-056	1	1	B
1	660441	. KEY	1	1	
2	660437	. SHAFT	1	1	
3	660442	. RING, RETAINER	1	1	
4	560974	. BALL BEARING	1	1	
5	660860	. RING, RETAINER	1	1	
6	660439	. SEAL, SHAFT	1	1	
7	660436	. BEARING	1	1	
8	N.S.S.	. BODY	1	1	1
9	660453	. PIN To L-055	2	2	
9	660507	. PIN From L-056	2	2	
10	660859	. O-RING	1	1	
11	660457	. O-RING	1	1	
12	660513	. KIT, MAINTENANCE ROTOR	1	1	
13	N.S.S.	. . ROTOR	1	1	1
14	660512	. . VANE	10	10	
15	N.S.S.	. . RING	1	1	1
16	660451	. PLATE PRESSURE	1	1	
17	660504	. SPRING COMPRESSION / 1.725 O.D. x 1.262 x .087	1	1	
19	660447	. SPRING COMPRESSION / .619 O.D. x 2.590 x .048	1	1	
20	660616	. VALVE, CONTROL / 1500 PSI To L-055	1	1	
20	660918	. VALVE, CONTROL / 2000 PSI From L-056	1	1	
21	507169	. O-RING 1/2 I.D.	1	1	
22	660503	. PLUG	1	1	
23	500196	. SCREW CAP HEX 3/8-16x3 G5 ZP	4	4	
24	660446	. PIN	1	1	
26	660481	. GASKET	1	1	
27	660483	. MANIFOLD	1	1	
NS	501304	. PLUG SQUARE HEAD / PIPE FITTING / 1/4NPT-M BR	1	1	
28	660534	. WASHER	3	3	
29	660484	. SCREW	3	3	
NS	660274	KIT REPAIR (INCLUDE #6-10-11-21-26)	AR	AR	
40	510227	GASKET / POWER STEERING PUMP	1	1	
41	510013	ADAPTOR	1	1	
42	510030	GASKET	1	1	
43	510228	HUB DRIVER	1	1	
44	510094	WASHER FLAT	1	1	
45	500951	NUT HEX STO 1/2-20 ZP	1	1	
46	510226	COUPLING	1	1	
NS	501518	STREET ELBOW 90° / PIPE FITTING / 3/4NPT-Mx3/4NPT-F BR	1	1	
NS	501519	MALE CONNECTOR / JIC 37° FITTING / #12JIC-Mx3/4NPT-M STL	1	1	

From L-031 To R-032	Date:07/2024	PAGE:H4-1427-00
POWER STEERING PUMP - "VICKERS" - WITH DETROIT S-92		

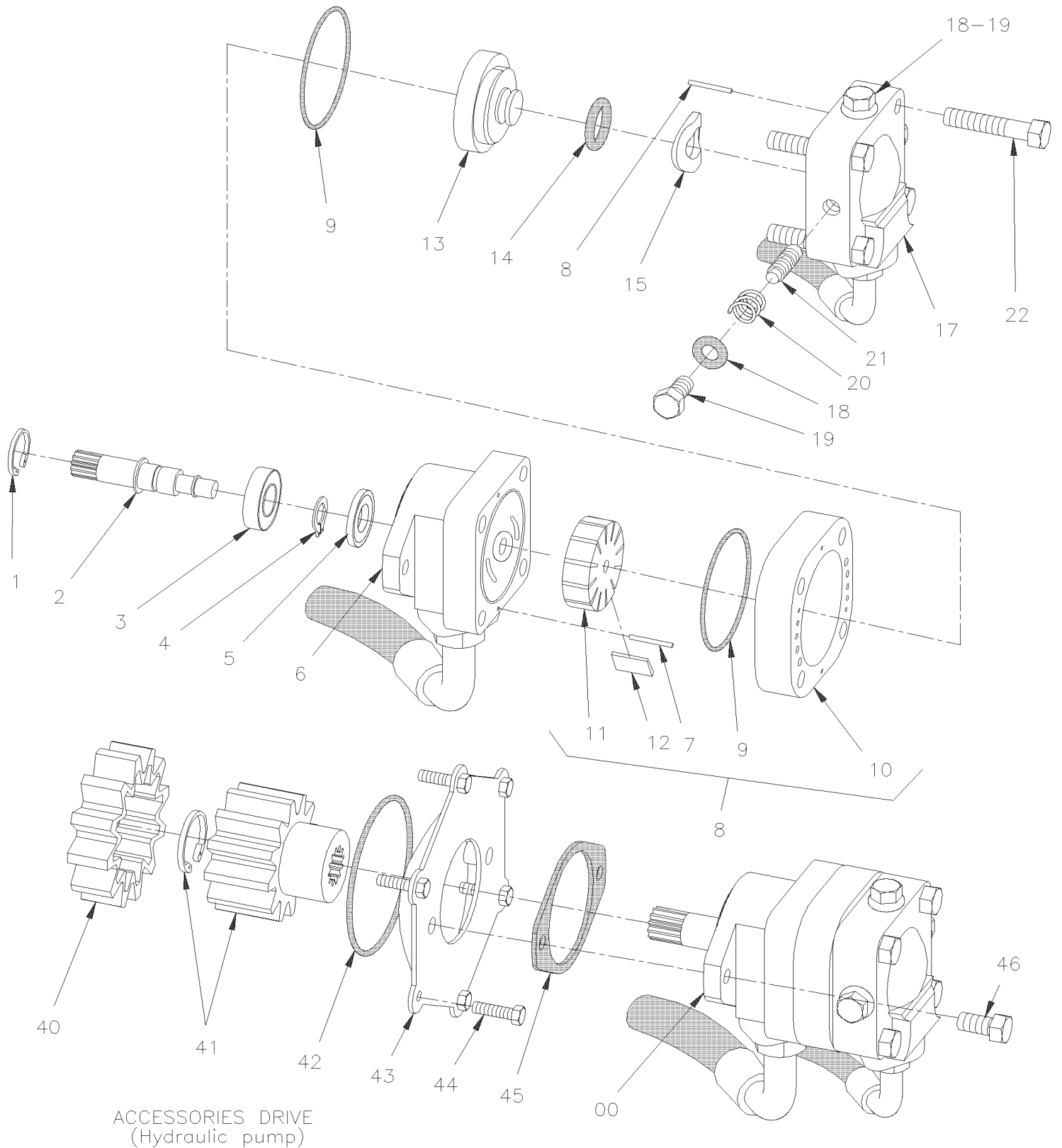
Item#	Part	Description	H 3 4 0	V I P 4 0	N O T E S
NS	501593	MALE CONNECTOR / JIC 37° FITTING / #8JIC-Mx#8ORB-M STL	1	1	
NS	500192	SCREW CAP HEX 3/8-16x1 1/4 G5 Z050	2	2	
NS	500446	WASHER FL .531x1.250x.125 Z050	1	1	
NS	500478	WASHER LO SPT .380x.683x.094 Z050	2	2	
NS	500951	NUT HEX STO 1/2-20 ZP	1	1	
		A) STAMPED VTM42-50-55-15-MER1-1454			
		B) STAMPED VTM42-50-55-20-MER1-1454			
		1) NOT SOLD SEPARATELY			

From P-256 To R-079

Date:07/2024

PAGE:H4-1427-01

POWER STEERING PUMP - "VICKERS" - WITH DETROIT S-60



From P-256 To R-079	Date:07/2024	PAGE:H4-1427-01
POWER STEERING PUMP - "VICKERS" - WITH DETROIT S-60		

Item#	Part	Description	H 3 4 0	V I P 4 0	N O T E S
	660926	PUMP ASSY	1	1	A
1	N.S.P.	. RING RETAINING (87541)	1	1	2
2	N.S.P.	. SHAFT (387481)	1	1	2
3	560974	. BALL BEARING	1	1	
4	950136	. RING RETAINER	1	1	
5	N.S.P.	. SEAL (263585)	1	1	2
6	N.S.P.	. BODY (352699)	1	1	2
7	950127	. PIN	2	2	
8	N.P.N.	. CARTRIDGE KIT	1	1	4
9	N.S.P.	. O-RING (199823)	2	2	2
10	N.S.S.	. RING	1	1	1
11	N.S.S.	. ROTOR	1	1	1
12	N.S.P.	. VANE KIT (357285)	1	1	2
13	N.S.P.	. PRESSURE PLATE (577535)	1	1	2
14	N.S.P.	. O-RING (177441)	1	1	2
15	N.S.P.	. WAVE WASHER (577512)	1	1	2
16	660943	. PIN	1	1	
17	N.S.P.	. COVER (577546-7)	1	1	2
18	N.S.P.	. O-RING (154129)	3	3	2
19	660944	. PLUG	3	3	
20	660592	. SPRING, COMP.	1	1	
21	660918	. VALVE, CONTROL / 2000 PSI	1	1	
22		. SCREW	4	4	
22	N.P.N.	REPAIR KIT, SEAL	1	1	4 B
40	510438	COUPLING DRIVE	1	1	
41	510437	SPROCKET ASSY W/SNAP-RING	1	1	
41	N.S.P.	. SNAP-RING (92757)	1	1	2
42	N.S.P.	O-RING / (08929289)	1	1	2
43	N.S.P.	ADAPTOR, COVER (8929100)	1	1	2
44	N.S.P.	SCREW, M8-1.25 X 30MM (11514329) / 50-0544	5	5	2
44	N.S.P.	SCREW, M8-1.25 X 3MM (11505299)	1	1	2
45	510488	GASKET	1	1	
46	N.S.P.	SCREW, M10-1.5 X 30MM / 50-0065	2	2	2
46	N.S.P.	GASKET, COPPER	2	2	2
50	161034	KIT, PUMP HYDRAULIC	1	1	
. NS	IS-96162A	. SEE INSTRUCTION SHEET	1	1	
		A) YOU COULD BE REPLACE THOSE PUMPS FOR A "TRW" PUMP WITH KIT #161034 SEE INSTRUCTION SHEET IS96162			
		B) INCLUDE ITEMS 5-9-14-18			

From P-256 To R-079	Date:07/2024	PAGE:H4-1427-01
POWER STEERING PUMP - "VICKERS" - WITH DETROIT S-60		

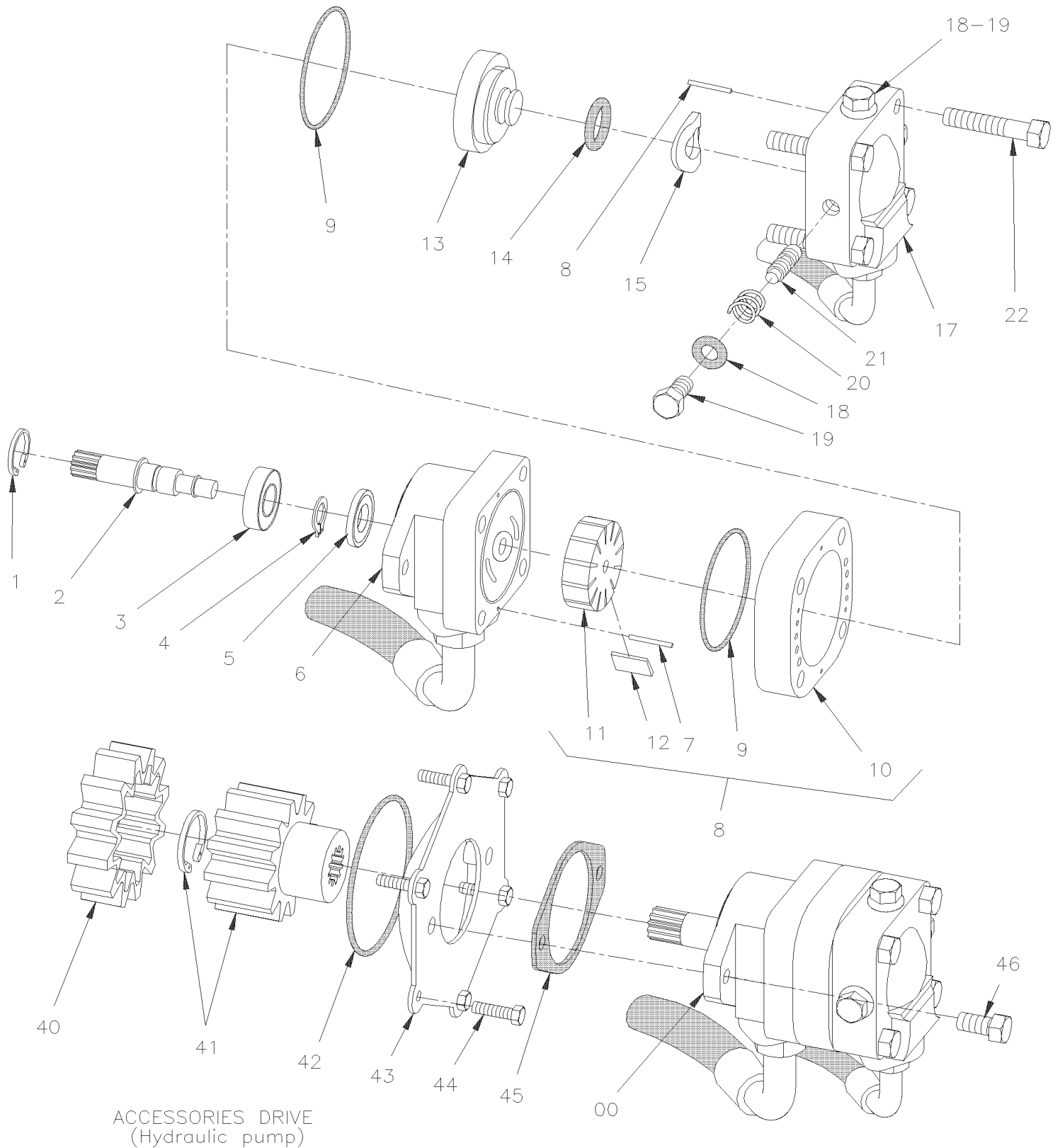
Item#	Part	Description	H 3 4 0	V I P 4 0	N O T E S
		1) NOT SOLD SEPARATELY			
		2) NOT SOLD BY PREVOST (SEE MANUFACTURING PART NUMBER AT END OF DESCRIPTION LINE)			
		4) NO PARTS NUMBER			

From L-031 To R-079

Date:07/2024

PAGE:H4-1427-02

POWER STEERING PUMP - "VICKERS" - WITH / SERVICE



ACCESSORIES DRIVE
(Hydraulic pump)

From L-031 To R-079	Date:07/2024	PAGE:H4-1427-02
POWER STEERING PUMP - "VICKERS" - WITH / SERVICE		

Item#	Part	Description	H 3 4 0	V I P 4 0	N O T E S
	660933	PUMP ASSY 2000 PSI	1	1	A
	661006	PUMP ASSY 2250 PSI	1	1	A
1	660615	. RING RETAINER	1	1	
2	660637	. SHAFT	1	1	
3	507308	. BALL BEARING	1	1	
4	660614	. RING RETAINER	1	1	
5	N.S.P.	. SEAL (279499)	1	1	2
6	N.S.P.	. BODY (280589)	1	1	2
7	660938	. PIN,	2	2	
8	660939	. CARTRIDGE KIT	1	1	
9	N.S.P.	. O-RING (586589)	2	2	2
10	N.S.S.	. RING	1	1	1
11	N.S.S.	. ROTOR	1	1	1
12	660940	. VANE KIT	1	1	
13	660941	. PRESSURE PLATE	1	1	
14	N.S.P.	. O-RING (513408)	1	1	2
15	660942	. WAVE WASHER	1	1	
16	660943	. PIN	1	1	
17	N.S.P.	. COVER (452244)	1	1	2
18	N.S.P.	. O-RING (396098)	3	3	2
19	660944	. PLUG	3	3	
20	660592	. SPRING, COMP.	1	1	
21	660918	. VALVE, CONTROL / 2000 PSI	1	1	
22		. SCREW	4	4	
NS	660945	REPAIR KIT, SEAL	1	1	
40	510438	COUPLING DRIVE	1	1	
41	510437	SPROCKET ASSY W/SNAP-RING	1	1	
41	N.S.P.	. SNAP-RING (92757)	1	1	2
42	N.S.P.	O-RING / (08929289)	1	1	2
43	N.S.P.	ADAPTOR, COVER (8929100)	1	1	2
44	N.S.P.	SCREW, M8-1.25 X 30 MM (11514329) / 50-0544	5	5	2
44	N.S.P.	SCREW, M8-1.25 X 3MM (11505299)	1	1	2
45	510488	GASKET	1	1	
46	N.S.P.	SCREW, M10-1.5 X 30MM /50-0065	2	2	2
46	N.S.P.	GASKET, COPPER	2	2	2
50	161034	KIT, PUMP HYDRAULIC	1	1	
. NS	IS-96162A	. SEE INSTRUCTION SHEET	1	1	
		A) YOU COULD BE REPLACE THOSE PUMPS FOR A "TRW" PUMP WITH KIT #161034 SEE INSTRUCTION SHEET IS96162			

From L-031 To R-079	Date:07/2024	PAGE:H4-1427-02
---------------------	--------------	-----------------

POWER STEERING PUMP - "VICKERS" - WITH / SERVICE

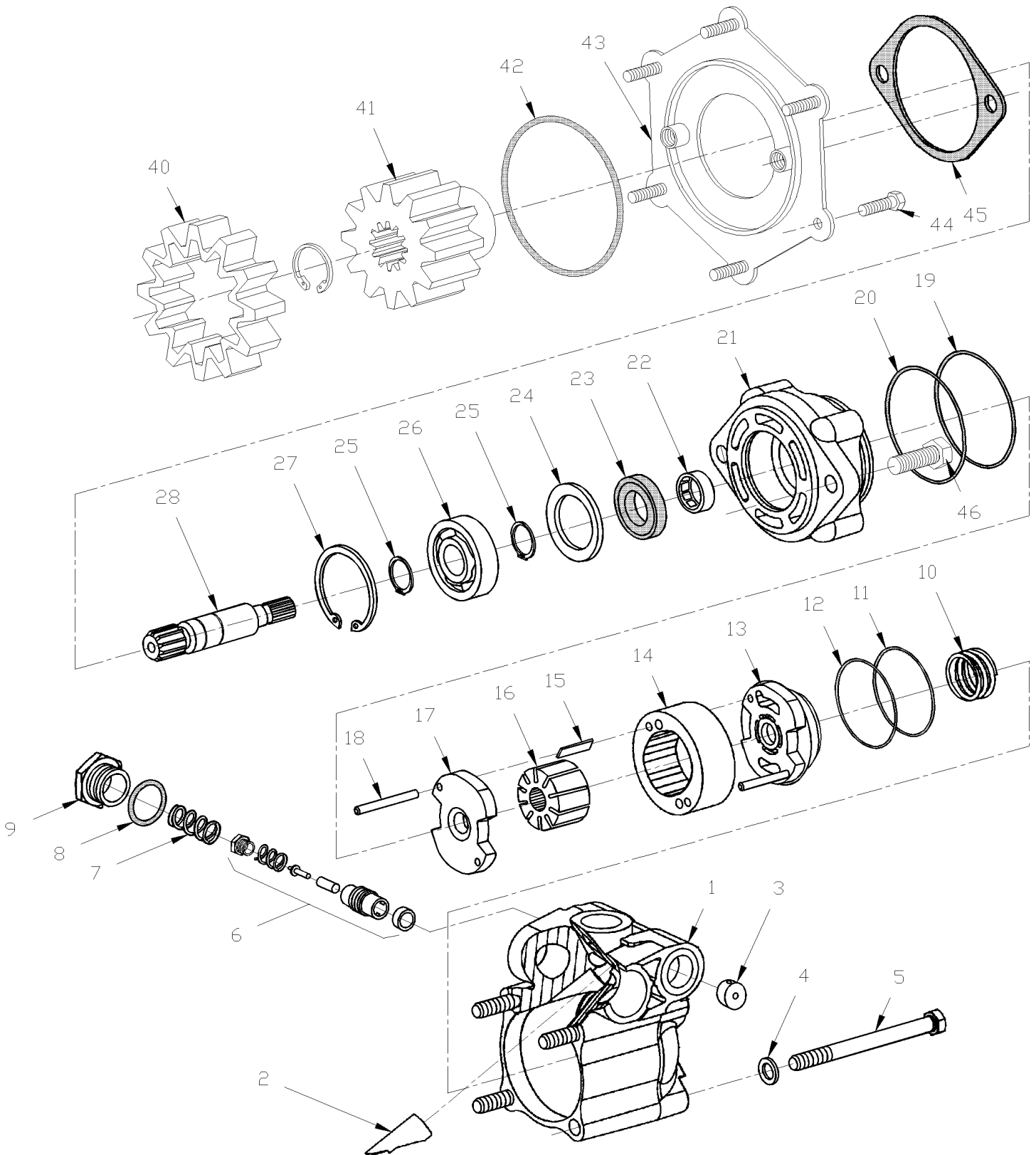
Item#	Part	Description	H 3 4 0	V I P 4 0	N O T E S
		1) NOT SOLD SEPARATELY			
		2) NOT SOLD BY PREVOST (SEE MANUFACTURING PART NUMBER AT END OF DESCRIPTION LINE)			

From L-031 To R-079

Date:07/2024

PAGE:H4-1427-03

POWER STEERING PUMP - "TRW" / SERVICE



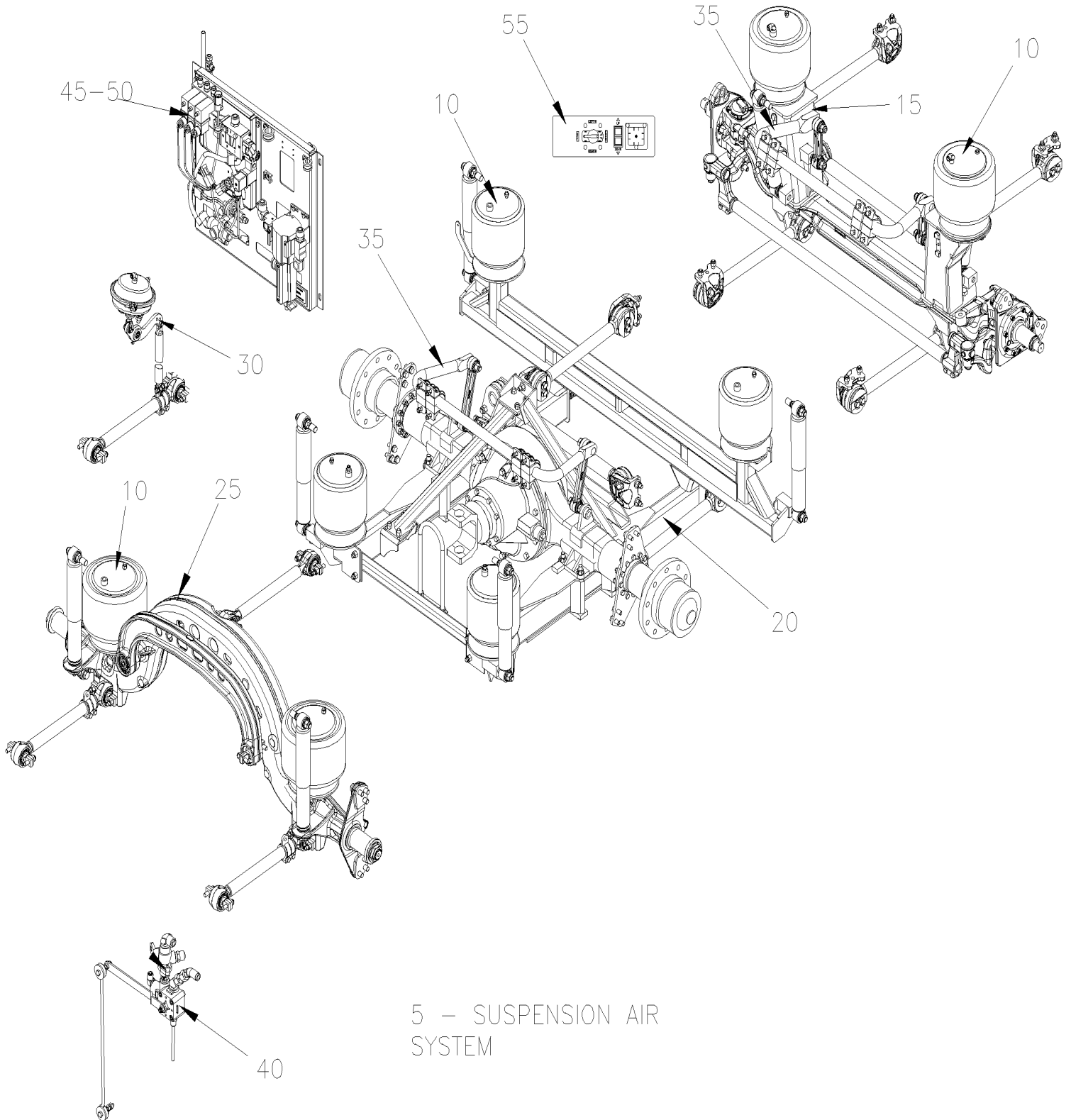
From L-031 To R-079	Date:07/2024	PAGE:H4-1427-03
POWER STEERING PUMP - "TRW" / SERVICE		

Item#	Part	Description	H 3 4 0	V I P 4 0	N O T E S
	161034	KIT, PUMP HYDRAULIC	1	1	
. NS	IS-96162A	. SEE INSTRUCTION SHEET	1	1	
	661009	. PUMP ASSY	1	1	
1	N.S.S.	. . HOUSING	1	1	1
2	N.S.S.	. . BOOST TUBE	1	1	1
3	N.S.S.	. . ORIFICE	1	1	1
4	N.S.S.	. . BOLTS	1	1	1
5	N.P.N.	. . WASHER	1	1	4
6	N.S.S.	. . VALVE SPOOL ASSY	1	1	1
6	N.S.S.	. . SPOOL	1	1	1
6	N.S.S.	. . SPRING	1	1	1
6	N.S.S.	. . POPPET	1	1	1
6	N.S.S.	. . SHIMS	1	1	1
6	N.S.S.	. . RELIEF VALVE SEAT ASSY	1	1	1
7	N.S.S.	. . SPRING	1	1	1
8	N.S.S.	. . O-RING	1	1	1
9	N.S.S.	. . PLUG	1	1	1
10	N.S.S.	. . SPRING	1	1	1
11	N.S.S.	. . O-RING	1	1	1
12	N.S.S.	. . BACKUP RING	1	1	1
13	N.S.S.	. . TOP PLATE	1	1	1
14	N.S.S.	. . CAM RING	1	1	1
15	N.S.S.	. . VANES	1	1	1
16	N.S.S.	. . ROTOR	1	1	1
17	N.S.S.	. . BOTTOM PLATE	1	1	1
18	N.S.S.	. . LOCATING PINS	1	1	1
19	N.S.S.	. . O-RING	1	1	1
20	N.S.S.	. . O-RING	1	1	1
21	N.S.S.	. . COVER	1	1	1
22	N.S.S.	. . NEEDLE BEARING	1	1	1
23	N.S.S.	. . SHAFT SEAL	1	1	1
24	N.S.S.	. . SPACER	1	1	1
25	N.S.S.	. . RETAINING RING	2	2	1
26	N.S.S.	. . BALL BEARING	1	1	1
27	N.S.S.	. . RETAINING RING	1	1	1
28	661011	. . INPUT SHAFT	1	1	
40	510438	COUPLING DRIVE	1	1	
41	510437	SPROCKET ASSY W/SNAP-RING	1	1	
41	N.S.P.	SNAP-RING (92757)	1	1	2
42	N.S.P.	O-RING / (08929289)	1	1	2
43	N.S.P.	ADAPTOR, COVER (8929100)	1	1	2
44	N.S.P.	SCREW, M8-1.25 X 30MM (11514329)	5	5	2

From L-031 To R-079	Date:07/2024	PAGE:H4-1427-03
POWER STEERING PUMP - "TRW" / SERVICE		

Item#	Part	Description	H 3 4 0	V I P 4 0	N O T E S
44	N.S.P.	SCREW, M8-1.25 X 3MM (11505299)	1	1	2
45	510488	GASKET	1	1	
46	N.S.P.	SCREW, M10-1.5 X 30MM	2	2	2
46	N.S.P.	GASKET, COPPER	2	2	2
NS	5011147	. FEMALE CONNECTOR SWIVEL / COLLAR FITTING / #16JIC-Fx#16 STL	1	1	
NS	5011148	. MALE ELBOW 90° / JIC 37° FITTING / #16JIC-Mx#12ORB-M STL	1	1	
NS	5011150	. MALE ELBOW 45° / JIC 37° FITTING / #10JIC-Mx#8ORB-M STL	1	1	
		1) NOT SOLD SEPARATELY			
		2) NOT SOLD BY PREVOST (SEE MANUFACTURING PART NUMBER AT END OF DESCRIPTION LINE)			
		4) NO PARTS NUMBER			

	Date:07/2024	H4-16
SUSPENSION		

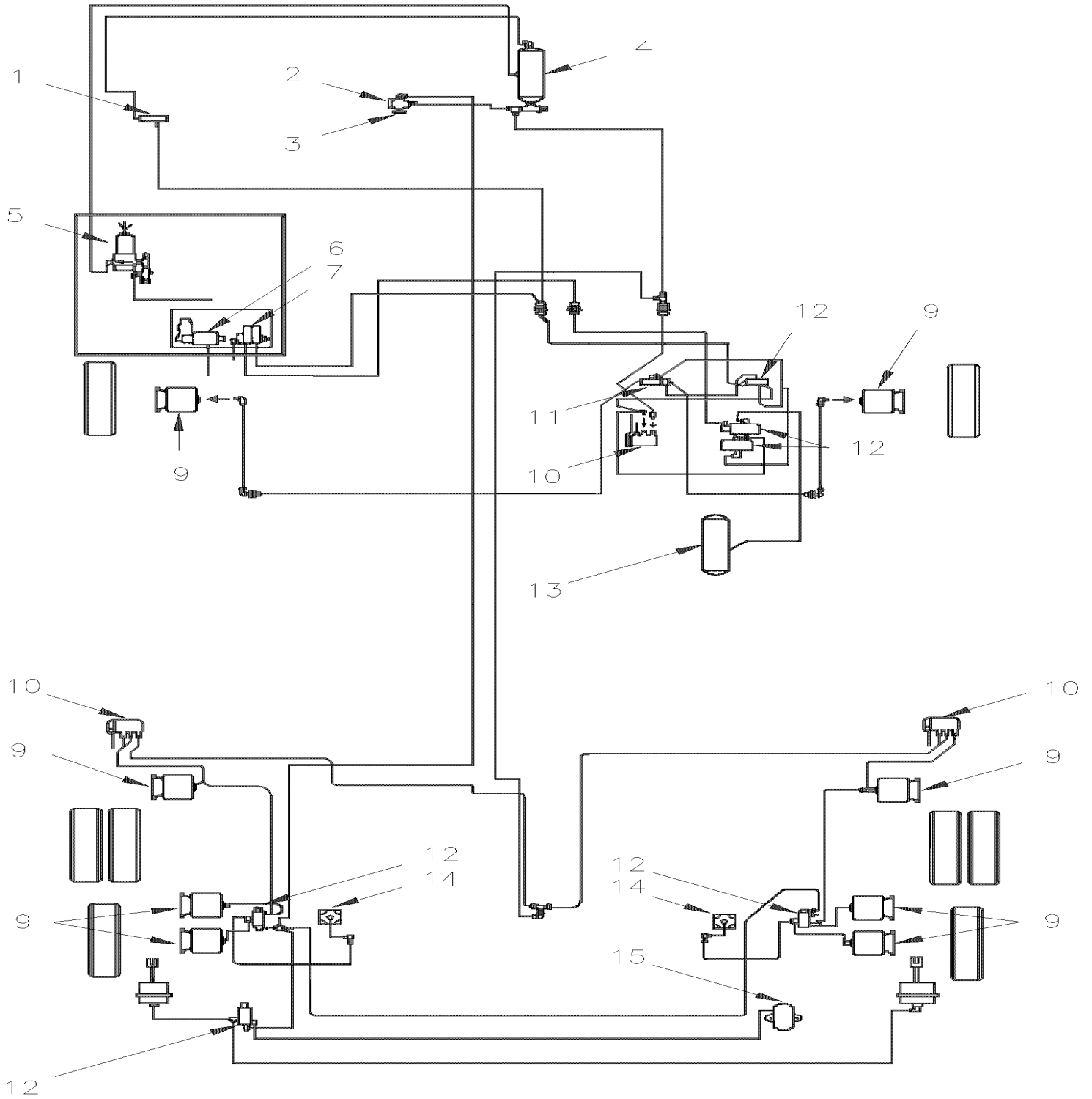


		Date:07/2024	H4-16
SUSPENSION			

Item#	Part	Description	H 3 4 0	V I P 4 0	N O T E S
5	H4-1600-00	SUSPENSION AIR SYSTEM From L-031 To R-079			
10	H4-1601-00	BELLOWS - AIR SUSPENSION From L-031 To N-199			
10	H4-1601-01	BELLOWS - AIR SUSPENSION From N-200 To R-079			
15	H4-1605-00	FRONT AXLE - INSTALL SUSPENSION From L-031 To R-079			
20	H4-1610-00	REAR AXLE - INSTALL SUSPENSION From L-031 To R-079			
25	H4-1615-01	TAG AXLE - INSTALL SUSPENSION From L-031 To R-079			
30	H4-1615-10	TAG AXLE - LIFTING From L-031 To R-079			
35	H4-1616-00	SWAY BAR From L-031 To R-079			
40	H4-1620-00	HEIGHT CONTROL VALVE From L-031 To R-079			
45	H4-1630-00	FRONT KNEELING - CONTROL PANEL From L-031 To R-079			
50	H4-1640-00	LEVEL-LOW - CONTROL PANEL & VALVES From L-031 To R-079			
55	H4-1640-10	LEVEL-LOW - LEVEL & SWITCHES From L-031 To R-079			

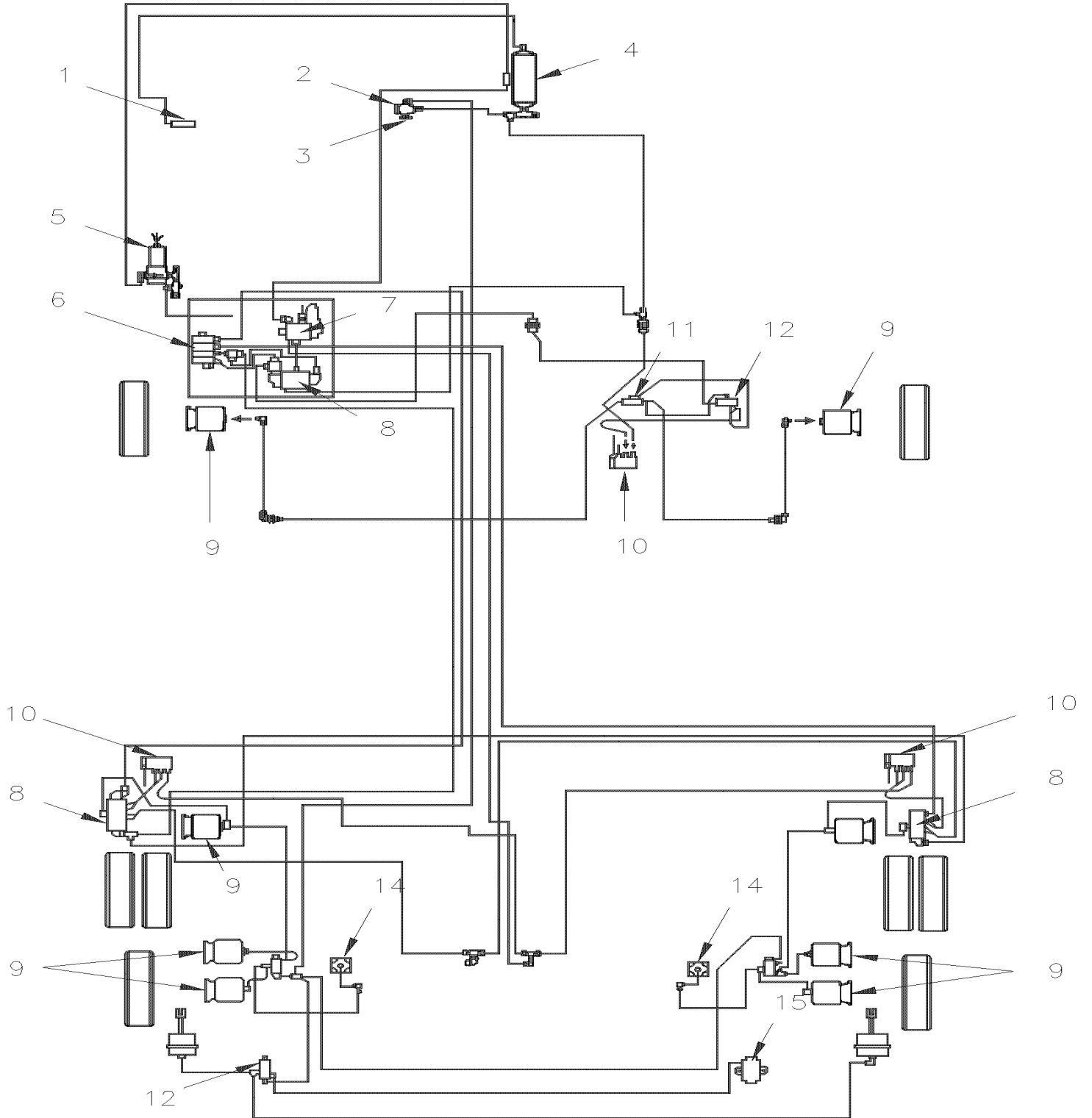
From L-031 To R-079	Date:07/2024	PAGE:H4-1600-00
SUSPENSION AIR SYSTEM		

COACH



From L-031 To R-079	Date:07/2024	PAGE:H4-1600-00
SUSPENSION AIR SYSTEM		

V.I.P.



From L-031 To R-079	Date:07/2024	PAGE:H4-1600-00
SUSPENSION AIR SYSTEM		

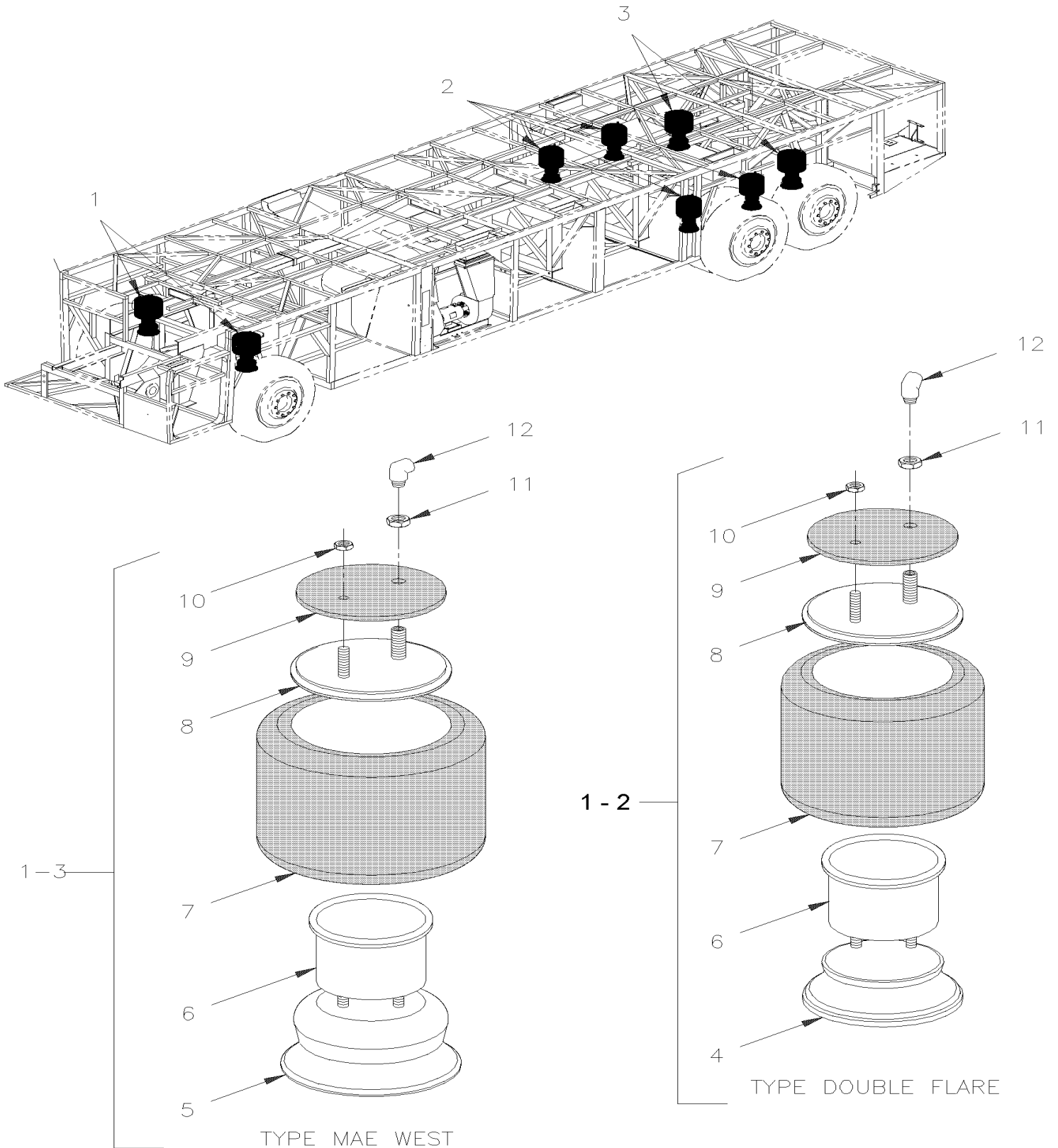
Item#	Part	Description	H 3 4 0	V I P 4 0	N O T E S
1	141190	MANIFOLD, BLOCK / UNDER DRIVER'S FLOOR	1	1	
2	640136	VALVE, CONTROL TW-1	1	1	
. NS	641156	. REPAIR KIT / TW-1	1	1	
3	560816	PRESSURE SWITCH N.C. 3PSI / 1/8NPT W/2 SCREWS	1	1	
4	140868	AIR TANK / W/END LOWER DRAIN 1228 IN° / 8" O.D. X 26"	1	1	
5	641135	FILTER / (FORMER) H4-1220-15	1	1	
6	641055	MANIFOLD VALVE / W/4 SOLENOID To M-111		1	
. NS	641928	. KIT, MANIFOLD REPAIR / N.C. To M-111		4	
6	641205	MANIFOLD VALVE / W/5 SOLENOID From M-112		1	
. NS	641928	. KIT, MANIFOLD REPAIR / N.C. From M-112		5	
. NS	641107	. COIL 24V From M-112		5	
6	640081	VALVE, 3 WAYS, 2 POSITIONS	1		
7	641056	VALVE, 3 WAYS, 2 POSITIONS To M-111		1	
7	641168	VALVE, 3 WAYS, 2 POSITIONS From M-112		1	
. NS	641169	. SPOOL From M-112		1	
7	641130	MANIFOLD VALVE / W/2 SOLENOID	1		
8	641057	VALVE, 5 WAYS, 3 POSITIONS		3	
9	H4-1601-00	BELLOWS - AIR SUSPENSION			
10	630095	VALVE, HEIGHT CONTROL "NEWAY"	3	3	B
NS	530175	VALVE, CHECK 1/8 NPT	3	3	
11	641136	ANCHOR TEE / PIPE FITTING / 3/8NPT-Fx3/8NPT-Fx3/8NPT-F ZP	1	1	
12	641168	VALVE, 3 WAYS, 2 POSITIONS	5		
. NS	641169	. SPOOL	1		
12	641168	VALVE, 3 WAYS, 2 POSITIONS		4	
. NS	641169	. SPOOL		1	
13	140869	AIR TANK / 1791 IN° / 9 1/2" O.D. X 27"	1		A
14	642067	VALVE, RELAY R-12 HORIZONTAL PORT	2	2	
15	640055	MANIFOLD / PIPE FITTING / 7 PORTS 1/4NPT-F STL	1	1	
NS	131454	KIT CONTROL VALVE HEIGHT REAR	AR	AR	
. NS	IS-96192B	. SEE INSTRUCTION SHEET	1	1	
NS	131455	KIT CONTROL VALVE HEIGHT FRONT	AR	AR	
. NS	IS-96192B	. SEE INSTRUCTION SHEET	1	1	
		A) SECONDARY			
		B) FOR PRODUCT IMPROVEMENT, ASK KIT #131455(FRONT) & #131454(REAR)			

From L-031 To N-199

Date:07/2024

PAGE:H4-1601-00

BELLOWS - AIR SUSPENSION



From L-031 To N-199	Date:07/2024	PAGE:H4-1601-00
---------------------	--------------	-----------------

BELLOWS - AIR SUSPENSION

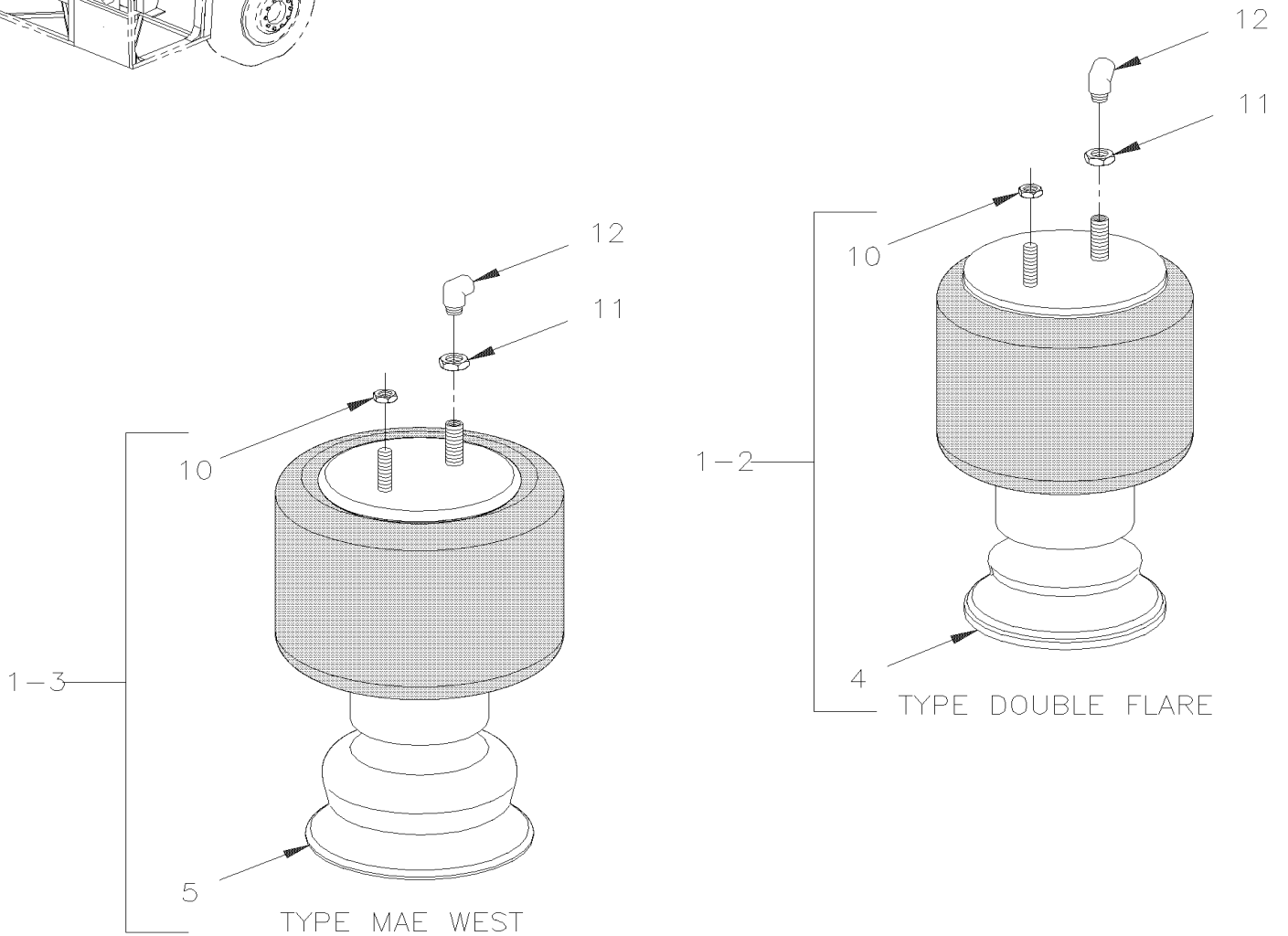
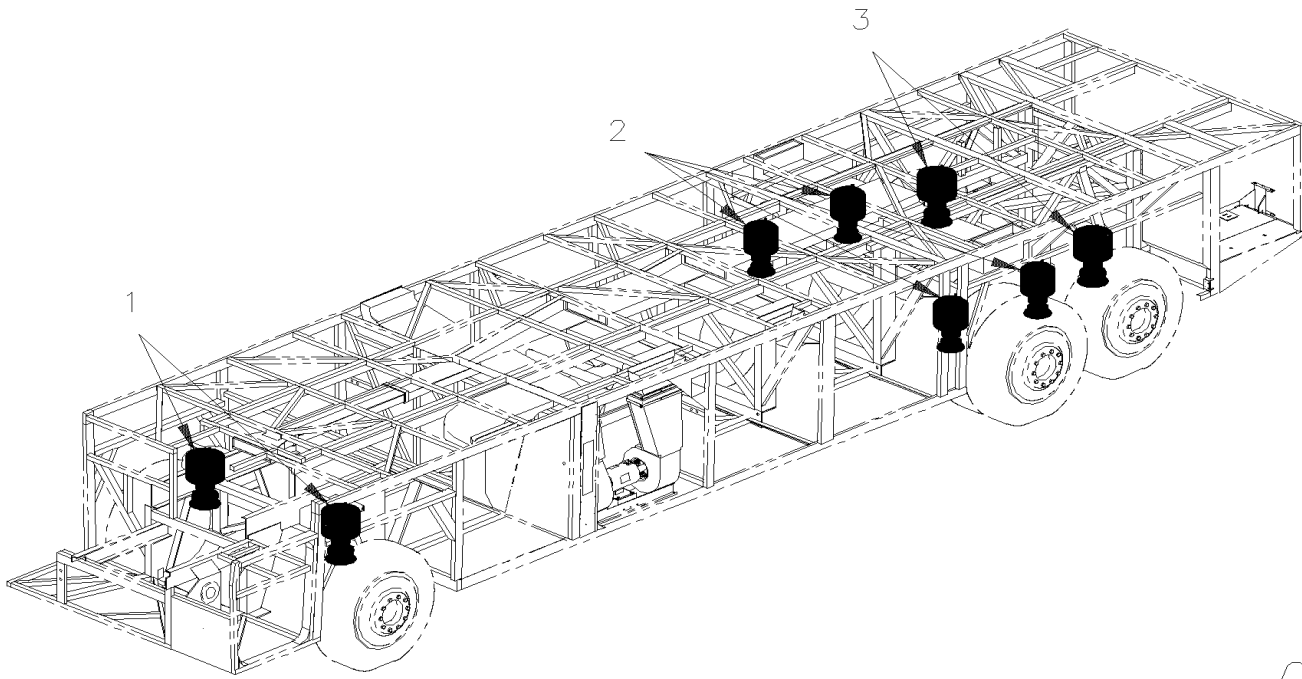
Item#	Part	Description	H 3 4 0	V I P 4 0	N O T E S
1	630079	BELLOW ASSY / MODEL 1100 D.F.		2	
1	630090	BELLOW ASSY / MODEL 1100 M.W.	2		
2	630079	BELLOW ASSY / MODEL 1100 D.F.	4	4	
3	630090	BELLOW ASSY / MODEL 1100 M.W.	2	2	A
4	630071	. PISTON / TYPE DOUBLE FLARE	AR	AR	
5	630036	. PISTON / TYPE MAY WEST	AR	AR	
6	630076	. RETAINER LOWER	AR	AR	
7	630072	. MEMBER, FLEXIBLE / MODEL 1100	AR	AR	
8	630078	. RETAINER / UPPER W/1/2" NPT	AR	AR	
9	130302	PROTECTOR, RUBBER / W/3/8" NPT	AR	AR	
NS	130990	PROTECTOR, RUBBER / W/1/2" NPT	AR	AR	
10	500717	NUT HEX NYRT 1/2-20 Z050	AR	AR	
11	500734	NUT HEX JAM 3/4-16 Z050	AR	AR	
NS	502831	NUT HEX THN 1 1/4-12x1/2	AR	AR	
12		FITTING - MISCELLANEOUS SEE FAST-MOVING			
		A) IF YOU WISH, YOU CAN USED BELLOWS 630126, ALWAYS REPLACE THEN IN PAIR			

From N-200 To R-079

Date:07/2024

PAGE:H4-1601-01

BELLOWS - AIR SUSPENSION



From N-200 To R-079	Date:07/2024	PAGE:H4-1601-01
----------------------------	---------------------	------------------------

BELLOWS - AIR SUSPENSION

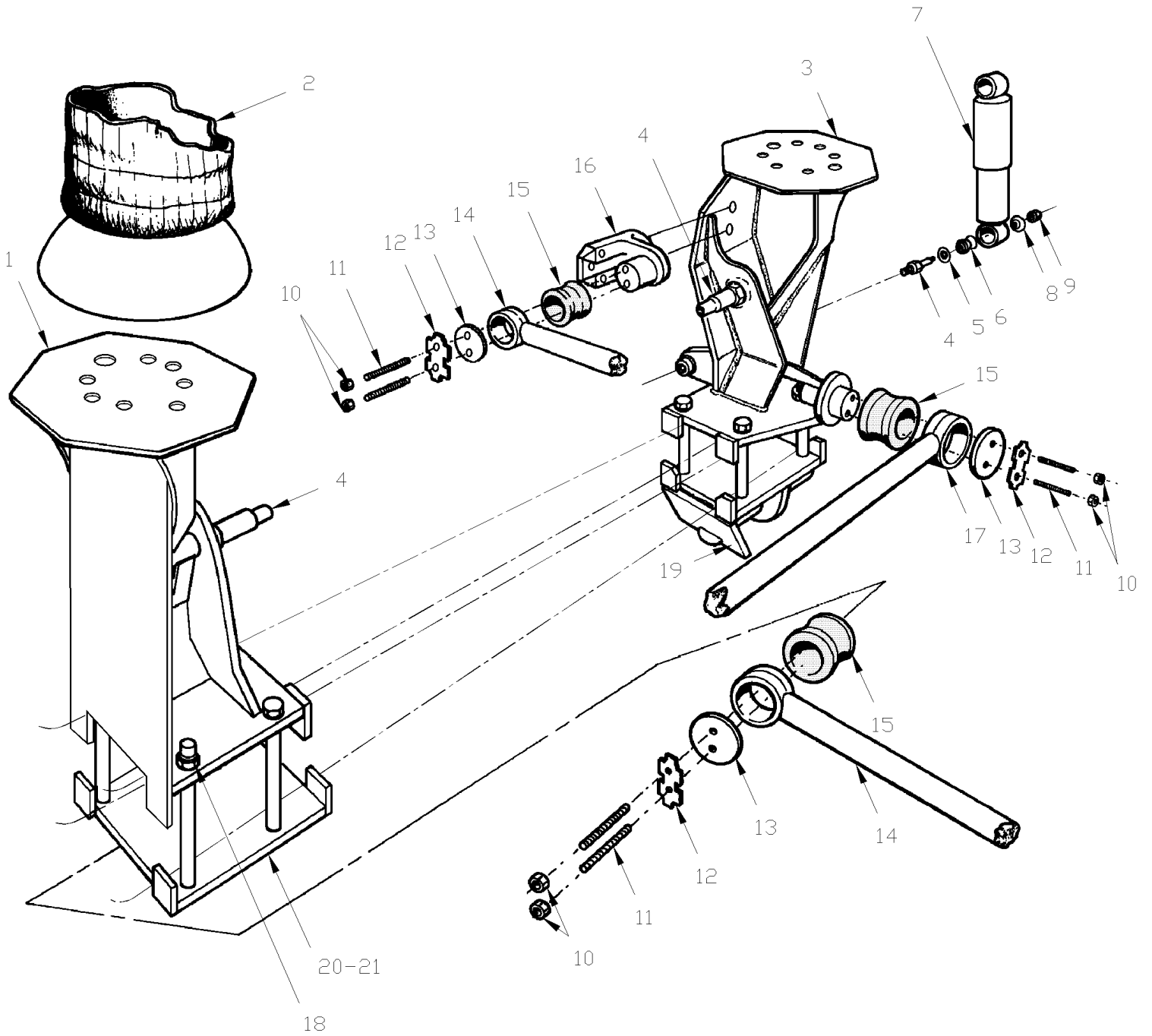
Item#	Part	Description	H 3 4 0	V I P 4 0	N O T E S
1	630093	BELLOW ASSY / MODEL 1100 D.F. To P-312		2	
1	630094	BELLOW ASSY / MODEL 1100 M.W. To P-312	2		
1	630106	. BELLOW ASSY W/O PISTON	1	1	
1	630102	BELLOW ASSY / MODEL 1100 M.W. From P-313	2	2	
1	630110	. BELLOW ASSY W/O PISTON	1	1	
1	630126	BELLOW ASSY / MODEL 1100 M.W. From R-024	2	2	
1	630128	. BELLOW ASSY W/O PISTON	1	1	
2	630093	BELLOW ASSY / MODEL 1100 D.F. To P-312	4	4	
2	630105	BELLOW ASSY / MODEL 1100 D.F. From P-313	4	4	
2	630109	BELLOW ASSY W/O PISTON	1	1	
3	630094	BELLOW ASSY / MODEL 1100 M.W. To P-312	2	2	A
3	630102	BELLOW ASSY / MODEL 1100 M.W. From P-313 To R-024	2	2	A
3	630110	. BELLOW ASSY W/O PISTON	1	1	
3	630126	BELLOW ASSY / MODEL 1100 M.W. From R-024	2	2	GR
3	630128	. BELLOW ASSY W/O PISTON	1	1	
4	630071	. PISTON / TYPE DOUBLE FLARE	1	1	
5	630036	. PISTON / TYPE MAY WEST	1	1	
9	130302	PROTECTOR, RUBBER / W/3/8" NPT	1	1	
9	130990	PROTECTOR, RUBBER / W/1/2" NPT	1	1	
10	500717	NUT HEX NYRT 1/2-20 Z050	1	1	
11	500734	NUT HEX JAM 3/4-16 Z050	1	1	
11	502831	NUT HEX THN 1 1/4-12x1/2	1	1	
12		FITTING - MISCELLANEOUS SEE FAST-MOVING			
		A) IF YOU WISH, YOU CAN USED BELLOWS 630126, ALWAYS REPLACE THEN IN PAIR			

From L-031 To R-079

Date:07/2024

PAGE:H4-1605-00

FRONT AXLE - INSTALL SUSPENSION



From L-031 To R-079		Date:07/2024	PAGE:H4-1605-00
FRONT AXLE - INSTALL SUSPENSION			

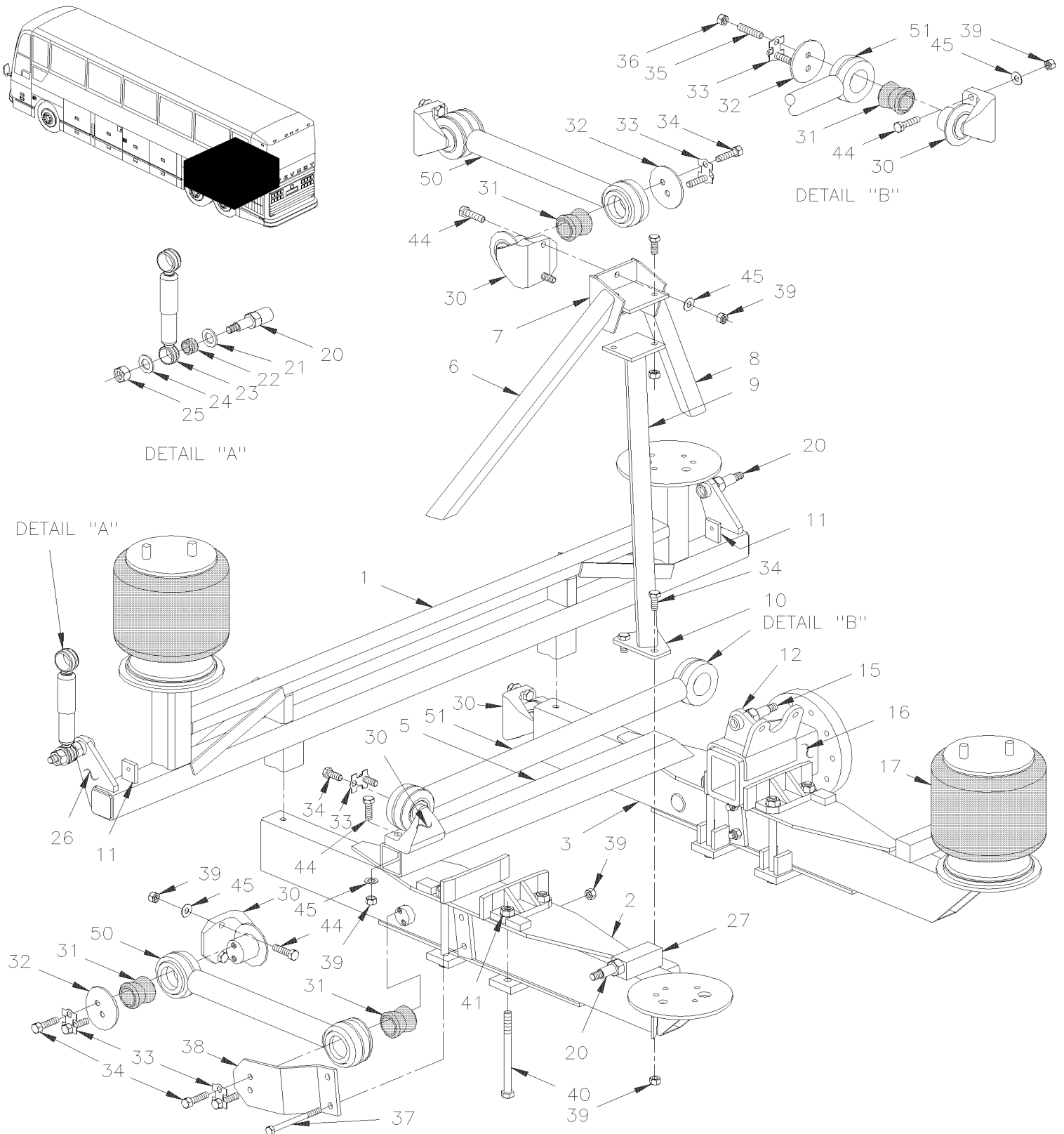
Item#	Part	Description	H 3 4 0	V I P 4 0	N O T E S
1	110481P	SUPPORT, BELLOWS / R.H.	1	1	
2	H4-1601-00	BELLOWS - AIR SUSPENSION To N-199			
2	H4-1601-01	BELLOWS - AIR SUSPENSION From N-200			
3	110480P	SUPPORT, BELLOWS / L.H.	1	1	
4	130956	PIN W/TAPER ATTACHMENT 3/4-16	4	4	A
4	131424	PIN W/TAPER ATTACHMENT M20-2.5	4	4	C
5	500833	WASHER CON 25.5x60.0x2.5 ZP	6	6	
6	630062	BUSHING / RUBBER / (ONE PIECE) 2" x 1.005" I.D.	8	8	
7	630091	SHOCK ABSORBER / HARD / BLACK	2	2	
7	630001	SHOCK ABSORBER / MED / BLUE	2	2	
8	131018	WASHER	8	8	
9	500735	NUT HEX STO 3/4-16 ZP	4	4	B
9	500809	NUT HEX STO M20-2.5 N500	4	4	C
10	502588	NUT HEX M16-2.0 ZP	20	20	
11	130963	STUD M16-2.0x70	20	20	
12	110340	TAB LOCK / W/2 HOLES / W/4 TABS / 18MM I.D. X 38MM C/C	10	10	
13	110320	RETAINER PLATE / STEEL 110MM OD W/16.7 @ 38C/C	10	10	B
13	110681	RETAINER PLATE / IRON 110MM OD W/16.7 @ 38C/C	10	10	C
14	130615	ROD ASSY / 26 1/2" C/C (673MM)	4	4	D
15	630021	RUBBER BUSHING "PREVOST"	10	10	
NS	192380	SHIM WASHER / BUSHING RADIUS ROD 2.795x4.330x.0625 SS	AR	AR	W
16	131126	SUPPORT / RADIUS ROD	7	7	
17	120830	ROD ASSY / 39 3/4" C/C (1010MM)	1	1	
18	110478P	ATTACHMENT / R.H.	1	1	
19	110511P	ATTACHMENT / L.H.	1	1	
20	500819	SCREW CAP HEX M20-2.5x180 G8.8 ZP	8	8	
21	500809	NUT HEX STO M20-2.5 N500	8	8	B
NS	212022	KIT, RETROFIT / REVERSE FRONT RADIUS ROD / ON V.I.P. ONLY.		1	
		A) FOR PRODUCT IMPROVMENT FOR SWAY BAR, SEE NOTE "B" & "C" AT PAGE H4-1616-00			
		B) PRODUCTION			
		C) SERVICE			
		D) FROM N-174 PREVOST REMOVED ONE UPPER CURB SIDE ROD AND REVERSE POSITION OF THEM ONLY IN V.I.P. FOR CUSTOMERS WHO WANT TO DO IT, ASK KIT #212022 (TO REVERSE RODS).			
		W) IF NEED, USE BETWEEN BUSHING ROD SUPPORT			

From L-031 To R-079

Date:07/2024

PAGE:H4-1610-00

REAR AXLE - INSTALL SUSPENSION



From L-031 To R-079	Date:07/2024	PAGE:H4-1610-00
REAR AXLE - INSTALL SUSPENSION		

Item#	Part	Description	H 3 4 0	V I P 4 0	N O T E S
1	120987	FRONT FRAME ASSY To M-125	1	1	A
1	121150	FRONT FRAME ASSY (AS SHOWN) From M-126	1	1	
2	121086	BEAM ASSY / L.H. To M-125	1	1	
2	121165	BEAM ASSY / L.H. From M-126	1	1	
3	121090	BEAM ASSY / R.H. To M-125	1	1	
3	121167	BEAM ASSY / R.H. From M-126	1	1	
4	121061	SUPPORT ASSY / (WELDED)	1	1	
5	121361	TUBE / (WELDED) UNDER	1	1	
6	121098	BRACE / FRONT L.H.	1	1	
7	121095	ATTACHMENT / CENTRAL	1	1	
8	121099	BRACE / FRONT R.H.	1	1	
9	121105	BRACE / REAR	1	1	
10	120842	PLATE SUPPORT	1	1	
11	121125	ACTUATOR SUPPORT / TO FIX LINK / (WELDED) To M-125	2	2	
11	121189	ACTUATOR SUPPORT / TO FIX LINK / (WELDED) From M-126	2	2	
11	121124	PLATE REINFORCEMENT / TO FIX ACTUATOR To M-125	2	2	
12	121102	SUPPORT L.H. & R.H. / BRAKE CHAMBER	2	2	B
15	131522	PIN W/TAPER ATTACHMENT M20-2.5 / SWAY-BAR	AR	AR	
16	H4-1105-01	REAR AXLE - MODEL RS23160 & DRUM BRAKE W/61143			
17	H4-1601-01	BELLOWS - AIR SUSPENSION			
20	130956	PIN W/TAPER ATTACHMENT 3/4-16	4	4	D
20	131424	PIN W/TAPER ATTACHMENT M20-2.5	4	4	E
21	5001153	WASHER CON 25.5x50.0x4.5 ZP	8	8	
22	630062	BUSHING / RUBBER / (ONE PIECE) 2" x 1.005" I.D.	8	8	
23	630127	SHOCK ABSORBER / BLACK W/GAZ	AR	AR	
23	630134	SHOCK ABSORBER / WHITE	AR	AR	
24	5001152	WASHER CON 21.0x50.0x4.5 ZP	8	8	
25	500735	NUT HEX STO 3/4-16 ZP	4	4	D
25	500809	NUT HEX STO M20-2.5 N500	4	4	E
26	171363	RETAINER R.H. / (WELDED) From M-126	1	1	
26	171365	RETAINER L.H. / (WELDED) From M-126	1	1	
26	171032	SUPPORT 1"-14 / SHOCK ABSORBER / 55MM To M-125	2	2	
27	121157	ATTACHMENT PIN 1"-14 / SHOCK ABSORBER / 126MM LONG W/OFFSET CENTER	2	2	
30	131065	SUPPORT / ROD / W/2 M16-2 HOLES / 95MM C/C // 150MM SHORT	AR	AR	
30	121039	SHIM 20GAGE	AR	AR	
30	131068	SHIM 14GAGE	AR	AR	
30	121419	SHIM "U" 14GA SS 133MM x 62MM x 18 i.d.	AR	AR	
30	121418	SHIM "U" 26 GA SS 133MM x 62MM x 18 i.d.	AR	AR	
30	502164	PIN DOWEL M16 X 40MM	AR	AR	
31	630021	RUBBER BUSHING "PREVOST"	8	8	
NS	192380	SHIM WASHER / BUSHING RADIUS ROD 2.795x4.330x.0625 SS	AR	AR	W
32	110681	RETAINER PLATE / IRON 110MM OD W/16.7 @ 38C/C	6	6	

From L-031 To R-079	Date:07/2024	PAGE:H4-1610-00
REAR AXLE - INSTALL SUSPENSION		

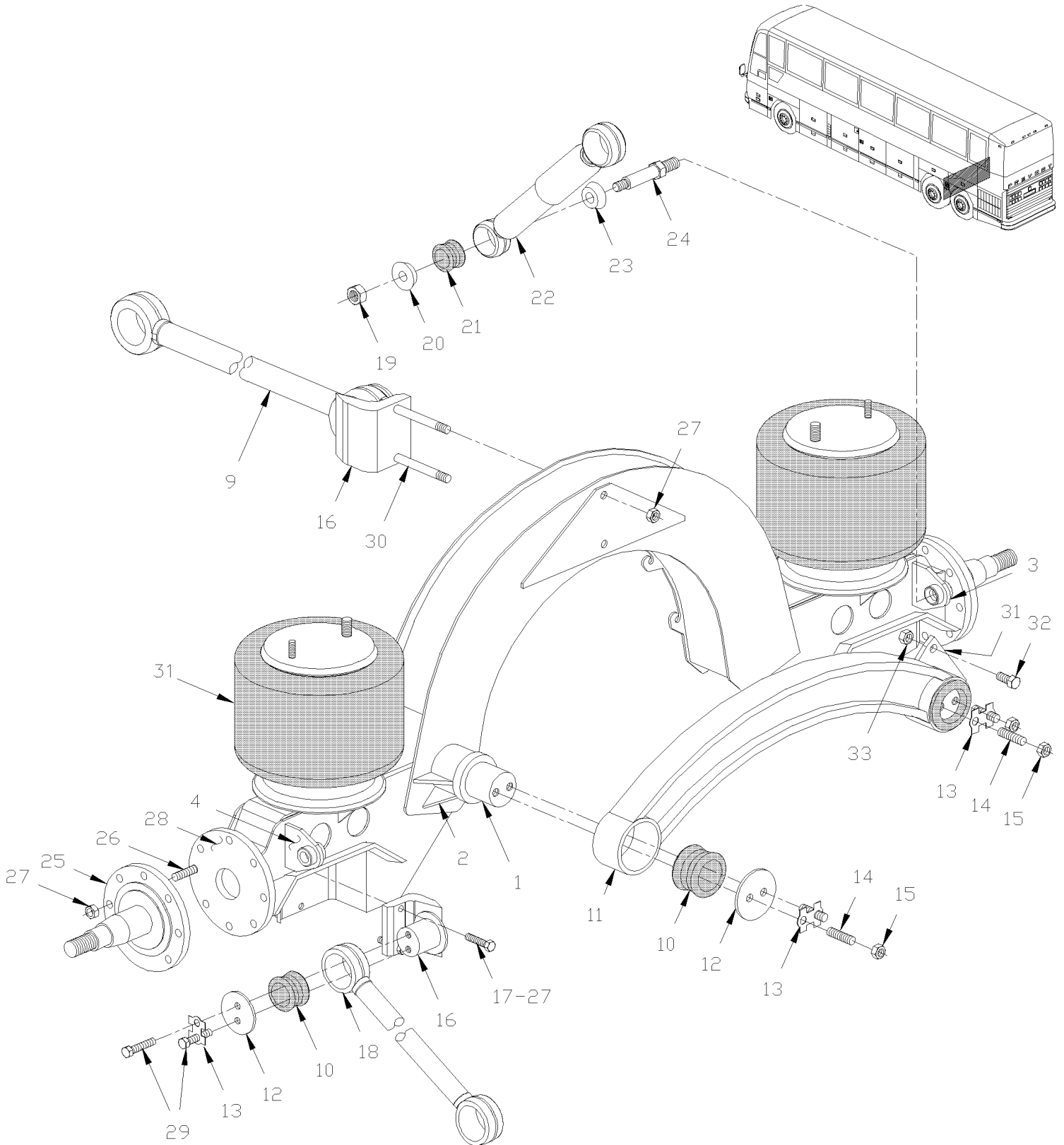
Item#	Part	Description	H 3 4 0	V I P 4 0	N O T E S
33	110340	TAB LOCK / W/2 HOLES / W/4 TABS / 18MM I.D. X 38MM C/C	6	6	
34	5001590	SCREW CAP HEX M16-2.0x40 G10.9 N500	AR	AR	
35	130963	STUD M16-2.0x70	2	2	
36	502588	NUT HEX M16-2.0 ZP	2	2	
37	502766	SCREW CAP HEX M16-2.0x140 G8.8 Z050	4	4	
38	121091	PLATE ATTACHMENT	2	2	
39	500781	NUT HEX STO M16-2.0 DP	AR	AR	F
40	500152	SCREW CAP HEX 3/4-16x10 G5 ZP	8	8	
41	500251	NUT HEX NYRT 3/4-16 Z050	8	8	
42	131420	ATTACHMENT	1	1	
43	500880	SCREW CAP HEX 5/8-18x1 3/4 G5 ZP	2	2	
43	500725	NUT HEX STO 5/8-18 Z050	2	2	
44	5001369	SCREW CAP HEX M16-2.0x70 G10.9 DP	2	2	
45	5001046	WASHER FL .656x1.500x.187	AR	AR	
50	120868	ROD ASSY / 23 3/8" C/C (593MM)	3	3	
51	110648	ROD ASSY / 34 13/16" C/C (885MM)	1	1	
NS	121600	KIT, REINFORCEMENT FRONT FRAME BELLOW SUPPORT DRIVE AXLE	1	1	
. NS	IS-03138	. SEE INSTRUCTION SHEET	1	1	
		A) FOR PRODUCT IMPROVMENT FOR VIP UP TO M-126 YOU REQUIRE 1 KIT 121151 FOR LARGER BELLOW SUPPORT& SHOCK			
		B) SEE ATTACHED TEXT TO READ NOTE B			
		D) PRODUCTION			
		E) SERVICE			
		F) TO FIX SPINDLE			
		W) IF NEED, USE BETWEEN BUSHING ROD SUPPORT			

From L-031 To R-079

Date:07/2024

PAGE:H4-1615-01

TAG AXLE - INSTALL SUSPENSION



From L-031 To R-079	Date:07/2024	PAGE:H4-1615-01
---------------------	--------------	-----------------

TAG AXLE - INSTALL SUSPENSION

Item#	Part	Description	H 3 4 0	V I P 4 0	N O T E S
	121050P	AXLE ASSY To M-125	1	1	
NS	121169P	AXLE ASSY From M-126	1	1	
1	121056	. SHAFT / TO FIX LATERAL ROD / W/AXLE #12-1050P, 12 1169P	1	1	
2	121072	. PLATE REINFORCEMENT (WELDED)	2	2	
3	121110	. ATTACHMENT R.H. / SHOCK ABSORBER PIN To M-125	1	1	
NS	121145	. ATTACHMENT R.H. / SHOCK ABSORBER PIN From M-126	1	1	
NS	121054	. ATTACHMENT R.H. / SWAY BAR PIN	1	1	
4	121052	. ATTACHMENT L.H. / SHOCK ABSORBER PIN To M-125	1	1	
NS	121147	. ATTACHMENT L.H. / SHOCK ABSORBER PIN From M-126	1	1	
NS	121109	. ATTACHMENT L.H. / SWAY BAR PIN	1	1	
9	120868	ROD ASSY / 23 3/8" C/C (593MM)	1	1	E
9	121358	ROD ASSY W/CHAIN HOOK / 23 3/8" C/C (593MM)	1	1	F
10	630021	RUBBER BUSHING "PREVOST"	6	6	
NS	192380	SHIM WASHER / BUSHING RADIUS ROD 2.795x4.330x.0625 SS	AR	AR	W
11	121065	ROD ASSY / 34 5/8" C/C (880MM)	1	1	
12	110681	RETAINER PLATE / IRON 110MM OD W/16.7 @ 38C/C	6	6	
13	110340	TAB LOCK / W/2 HOLES / W/4 TABS / 18MM I.D. X 38MM C/C	6	6	
14	130963	STUD M16-2.0x70	12	12	
15	500781	NUT HEX STO M16-2.0 DP	18	18	
16	131065	SUPPORT / ROD / W/2 M16-2 HOLES / 95MM C/C // 150MM SHORT	6	6	
17	5001369	SCREW CAP HEX M16-2.0x70 G10.9 DP	4	4	
NS	5001046	WASHER FL .656x1.500x.187	8	8	
18	120868	ROD ASSY / 23 3/8" C/C (593MM) To R-032	2	2	
18	121358	ROD ASSY W/CHAIN HOOK / 23 3/8" C/C (593MM) From R-033	2	2	
19	500735	NUT HEX STO 3/4-16 ZP	4	4	E
19	500809	NUT HEX STO M20-2.5 N500	1	1	F
20	5001152	WASHER CON 21.0x50.0x4.5 ZP	4	4	
21	630062	BUSHING / RUBBER / (ONE PIECE) 2" x 1.005" I.D.	4	4	
22	630001	SHOCK ABSORBER / MED / BLUE To R-046	2	2	
NS	630127	SHOCK ABSORBER / BLACK W/GAZ From R-047	2	2	
NS	630134	SHOCK ABSORBER / WHITE	AR	AR	
23	5001153	WASHER CON 25.5x50.0x4.5 ZP	4	4	
24	130956	PIN W/TAPER ATTACHMENT 3/4-16	4	4	E
24	131424	PIN W/TAPER ATTACHMENT M20-2.5	4	4	F
25	610896	SPINDLE / WITH MODEL 1560 DISC BRAKE	2	2	
26	500768	SCREW CAP HEX M16-2.0x70 G8.8 ZP	12	12	
27	500781	NUT HEX STO M16-2.0 DP	12	12	
28	121203	SHIM / CAMBER ADJUSTMENT 0.117 DEGRES / SPINDLE & AXLE	AR	AR	C
NS	121240	SHIM / CAMBER ADJUSTMENT 0.250 DEGRES / SPINDLE & AXLE	AR	AR	C
30	5001370	SCREW CAP HEX M16-2.0x180 G10.9 G500	2	2	
NS	502756	SCREW CAP HEX M16-2.0x200 G8.8 ZP	2	2	
31	H4-1601-00	BELLOWS - AIR SUSPENSION To N-199			

From L-031 To R-079	Date:07/2024	PAGE:H4-1615-01
---------------------	--------------	-----------------

TAG AXLE - INSTALL SUSPENSION

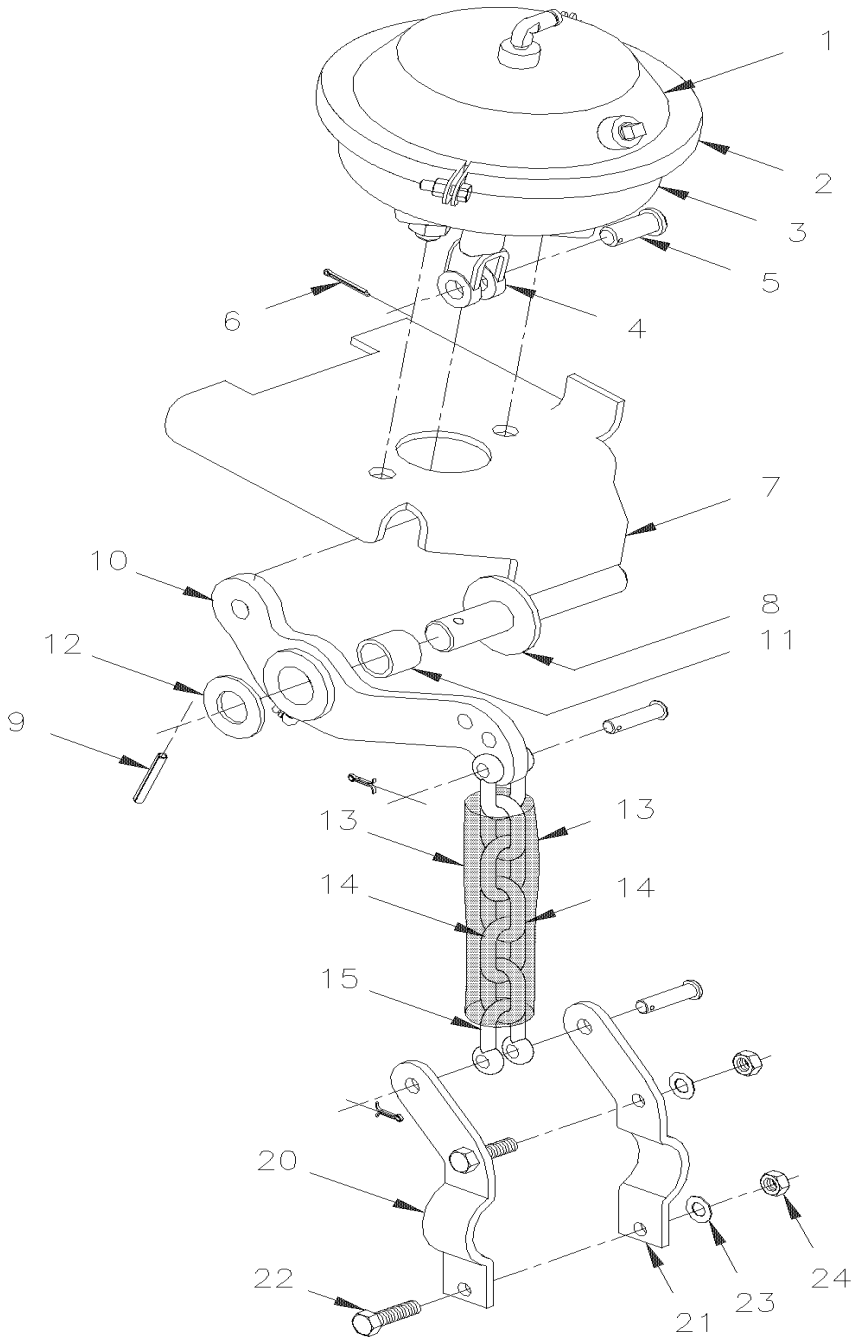
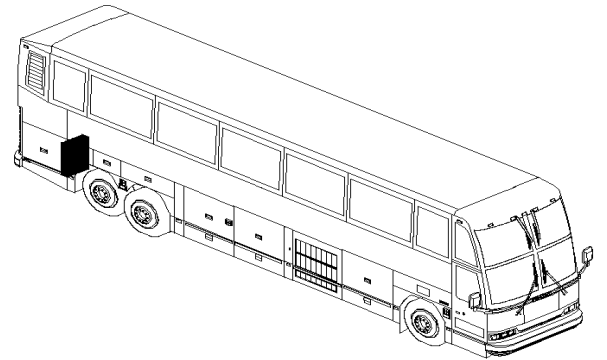
Item#	Part	Description	H 3 4 0	V I P 4 0	N O T E S
31	H4-1601-01	BELLOWS - AIR SUSPENSION From N-200			
50	H4-1245-01	BRAKE PARTS - TAG AXLE - W/"MERITOR" ABD 1560			
50	H4-1225-99	BRAKE PARTS - FRONT AXLE - RETROKIT MODEL 16 1/2 I.D. (RETROFIT)			
51	H4-1310-01	HUB & ROTOR - TAG AXLE WITH DISC BRAKE MODEL 1560			
51	H4-1300-99	HUB & DRUM - FRONT AXLE - RETROFIT MODEL 16 1/2 I.D. (RETROFIT)			
		C) BETWEEN SPINDLE & AXLE			
		E) PRODUCTION			
		F) SERVICE			
		W) IF NEED, USE BETWEEN BUSHING ROD SUPPORT			

From L-031 To R-079

Date:07/2024

PAGE:H4-1615-10

TAG AXLE - LIFTING



From L-031 To R-079	Date:07/2024	PAGE:H4-1615-10
TAG AXLE - LIFTING		

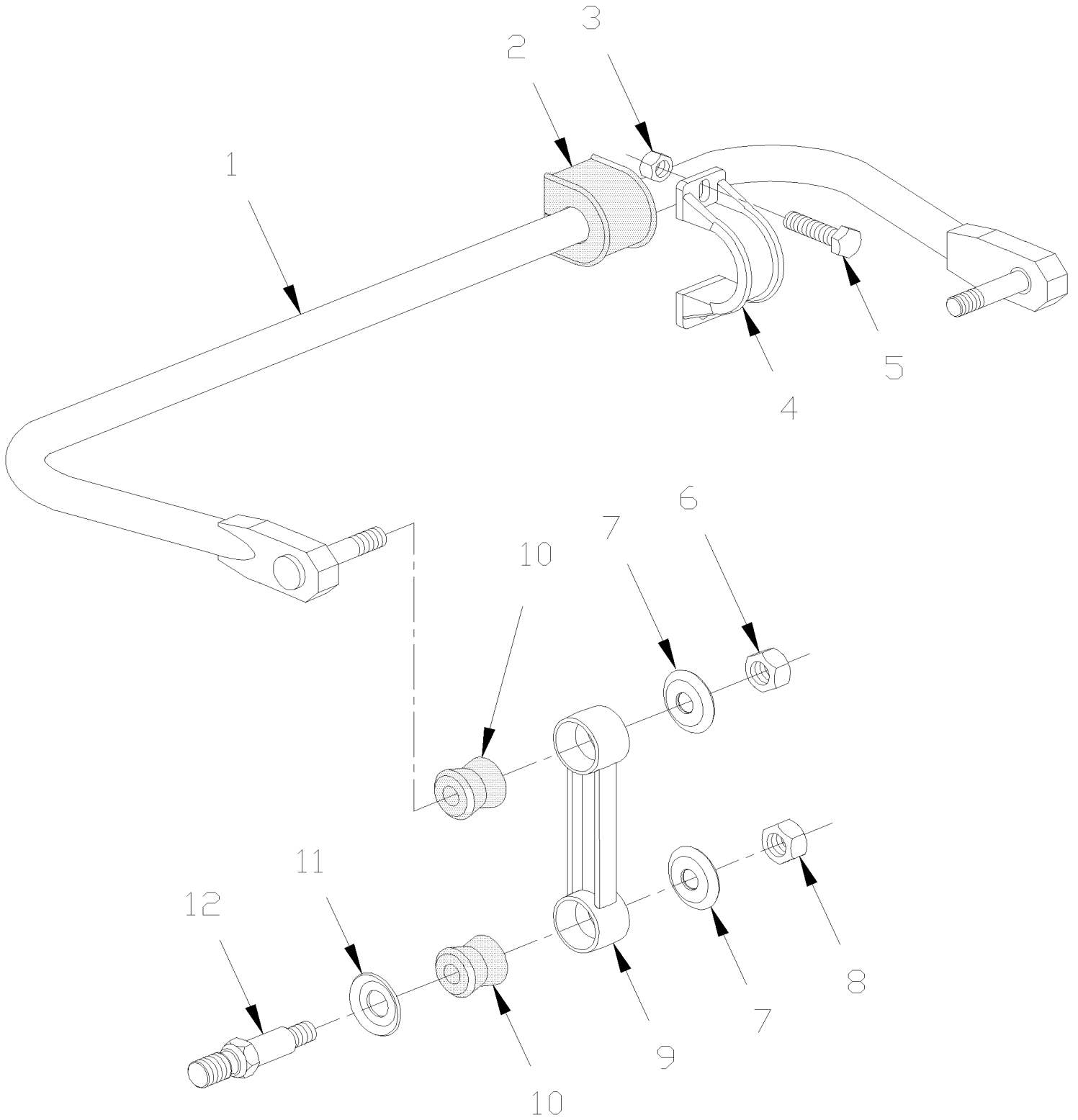
Item#	Part	Description	H 3 4 0	V I P 4 0	N O T E S
1	640729	BRAKE CHAMBER ASSY / TYPE 36	2	2	
2	641067	. CLAMP TYPE 36	1	1	
3	640979	. DIAPHRAGM / TYPE 36	1	1	
3	641066	. BOOT RUBBER	1	1	
NS	641426	. SHIELD, ROD CENTER HOLE	1	1	
4	640130	. YOKE 5/8-18x1 3/8 C/Lx9/16Wx5/8	1	1	
5	502028	. PIN, CLEVIS 5/8 x 3/4	1	1	
6	502102	. PIN, COTTER 1/8 x 1	1	1	
7	171263	BRACKET L.H. To N-250	1	1	
7	171462	BRACKET L.H. From N-251	1	1	
7	171262	BRACKET R.H. To N-250	1	1	
7	171463	BRACKET R.H. From N-251	1	1	
8	120551	. PIN / WELDED	1	1	
9	505128	SPRING, PIN 1/4 X 2	1	1	A
9	502106	PIN, COTTER 1/4 x 2	1	1	B
10	130454	LEVER ASSY	2	2	
11	507055	. BUSHING OIL 1 1/4 O.D. X 1 I.D. X 1 LG	1	1	
12	500456	WASHER FL 1.062x2.000x.134 Z050	1	1	
13	121123	TUBE COVERING CHAIN 290MM	1	1	
. NS	5001503	. TUBE, PVC / CLEAR / 1 1/2" I.D./ S.L.	AR	AR	
14	121122	CHAIN / 340MM To R-032	1	1	
14	121359	CHAIN / 360MM From R-033	1	1	
15	505064	SHACKLE CHAIN 3/8	2	2	
20	120860	RIGHT LEVER CLAMP	2	2	
21	120861	LEFT LEVER CLAMP	2	2	
22	500192	SCREW CAP HEX 3/8-16x1 1/4 G5 Z050	2	2	
23	500478	WASHER LO SPT .380x.683x.094 Z050	2	2	
24	500783	NUT HEX 3/8-16 Z050	2	2	
		A) FORMER			
		B) CURRENT			

From L-031 To R-079

Date:07/2024

PAGE:H4-1616-00

SWAY BAR



From L-031 To R-079	Date:07/2024	PAGE:H4-1616-00
SWAY BAR		

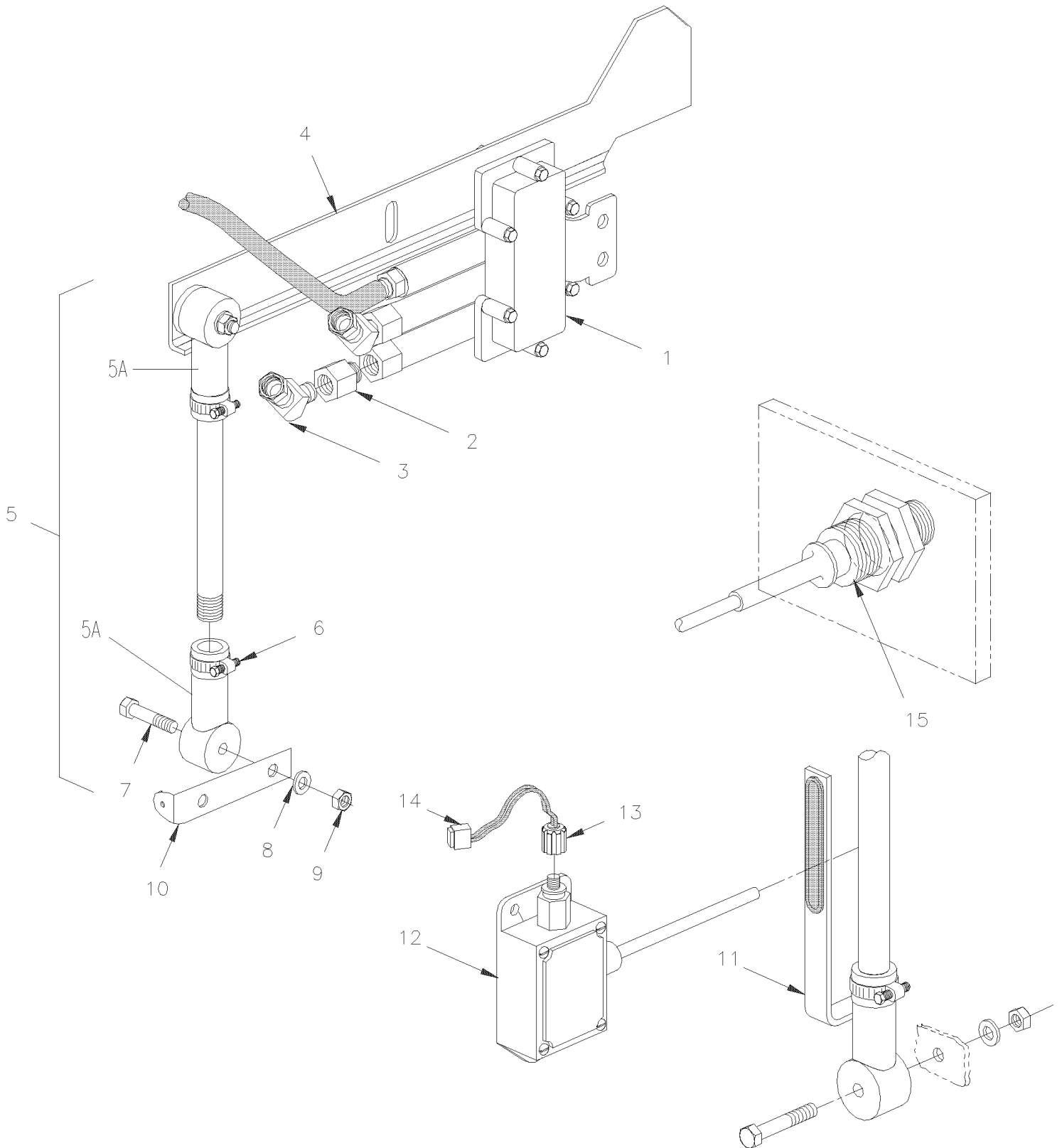
Item#	Part	Description	H 3 4 0	V I P 4 0	N O T E S
1	130961	SWAY BAR ASSY / 1 1/2" O.D. X 996MM	1	1	F
1	131019	SWAY BAR ASSY / 1 1/2" O.D. X 848MM	1	1	CR
. A	131520	. STUD 1 1/4" O.D.	2	2	CR
NS	131061	. STUD	2	2	A
NS	131520	. STUD 1 1/4" O.D.	1	1	B
2	130953	BUSHING / RUBBER / USE WITH SWAY BAR 1 1/2"	4	4	
3	500811	NUT HEX STO M12-1.75 G500	8	8	
NS	500011	WASHER FL / HARDENED 13.0x24.0x3.0 STL	4	4	
4	130184	COLLAR / STEEL PLATE / 2x.472" HOLE 4 5/8 C/C	4	4	A
4	630145	COLLAR / IRON / 2x.472" HOLE 4 5/8 C/C	4	4	B
NS	130077	SERV. KIT SWAYBAR COLLAR 38MM, 1.5" DI	1	1	
. NS	130076	. MACHINED NODULAR COLLAR	4	4	
. NS	130953	. BUSHING / RUBBER / USE WITH SWAY BAR 1 1/2"	4	4	
. NS	5001688	. SCREW CAP HEX M12-1.75x100 G10.9 G500	8	8	
. NS	5001695	. NUT HEX NYRT M12-1.75 Z050	8	8	
. NS	5002008	. WASHER FL 13.0x35.0x5.0 N500	8	8	
. NS	IS-23019	. SEE ENGLISH INSTRUCTION SHEET	1	1	
. NS	FI-23019	. SEE FRENCH INSTRUCTION SHEET	1	1	
5	500806	SCREW CAP HEX M12-1.75X35 G10.9 G500	8	8	
6	500809	NUT HEX STO M20-2.5 N500	2	2	
8	500735	NUT HEX STO 3/4-16 ZP	2	2	
9	130241	LINK ASSY / 7" C/C	2	2	A
9	630146	LINK ASSY / 7" C/C / IRON	2	2	B
9	630148	LINK ASSY / 10 1/2" C/C / IRON	2	2	C
10	630062	BUSHING / RUBBER / (ONE PIECE) 2" x 1.005" I.D.	4	4	
10	506678	BUSHING / POLYURETHANE / (TWO PIECES) RED 1" x 1.005" I.D.	8	8	
11	5001153	WASHER CON 25.5x50.0x4.5 ZP	4	4	
12	130956	PIN W/TAPER ATTACHMENT 3/4-16	2	2	D
12	131424	PIN W/TAPER ATTACHMENT M20-2.5	2	2	D
12	131522	PIN W/TAPER ATTACHMENT M20-2.5 / SWAY-BAR	2	2	E
NS	MI03-12	SEE MAINTENANCE INFORMATION	1	1	
		A) PRODUCTION			
		B) SERVICE			
		C) SEE NOTE "B" AT PAGE 1610-00			
		D) FOR PRODUCT IMPROVMENT YOU REQUIRE 2 STUDS 131520, 2 PINS 131522 & 4 BUSHING 506678			
		E) THIS PIN IS 3MM SHORTER ON BUSHING SIDE AND BLACK PAINTED FOR EASY IDENTIFICATION			
		F) WITH FRONT AXLE			
		R) WITH REAR AXLE			

From L-031 To R-079

Date:07/2024

PAGE:H4-1620-00

HEIGHT CONTROL VALVE



From L-031 To R-079		Date:07/2024	PAGE:H4-1620-00		
HEIGHT CONTROL VALVE					
Item#	Part	Description	H 3 4 0	V I P 4 0	N O T E S
1	630085	VALVE, HEIGHT CONTROL "NEWAY" To M-110	3	3	A F
1	630095	VALVE, HEIGHT CONTROL "NEWAY" From M-111	3	3	A F
2	630087	. CHECK VALVE To M-110	1	1	
2	530175	. VALVE, CHECK 1/8 NPT From M-111	1	1	
3		FITTING - MISCELLANEOUS SEE FAST-MOVING			
4	N.S.S.	LEVER / SUPPLY W/630085 & 630095 VALVE 200MM LG	1	1	1
4	131161	LEVER / W/REAR VALVE 263.2MM LG To M-170	1	1	
4	131105	LEVER 200 MM SS	1	1	
4	131098	LEVER / W/FRONT W/KNEELING 280.5MM To M-170	1		D
NS	131168	LEVER / W/FRONT W/KNEELING 277.7MM From M-171	1		E
5	630086	LINK ASSY / W/ALL AXLES C.T.L. / (AS SHOWN) 18 1/4" ROD	3	3	
. NS	630117	. ROD END / BLACK RUBBER 5/16" I.D.	2	2	
. NS	630137	. SCREW SHR CAP HEX 5/16" I.D. x 1/4-20	2	2	
. NS	504014	. HOSE CLAMP / 1/4"-5/8" SS / HM-4	2	2	
5	630117	. ROD END / BLACK RUBBER 5/16" I.D.	1	1	
5	N.S.S.	. ROD	1	1	1
6	504014	. HOSE CLAMP / 1/4"-5/8" SS / HM-4	2	2	
7	630137	. SCREW SHR CAP HEX 5/16" I.D. x 1/4-20	2	2	
8	500440	. WASHER FL .250x.562x.065 Z050	2	2	
9	502716	. NUT HEX NYRT 1/4-20	2	2	
10	131066	ANGLE, ACTUATOR / TO FIX LINK TO AXLE	1	1	
NS	500415	SCREW CAP HEX 5/8-18x1 1/4 G5 ZP	2	2	B
NS	500484	WASHER LO SPT .635x1.079x.156 Z050	2	2	B
11	131156	SUPPORT / PROXYMITY SWITCH / IN RETROFIT KIT ONLY	1	1	
12	131000	SWITCH ASSY / FRONT KNEELING To M-170	1		C
12	561705	. SWITCH, KNEELING MICRO SWITCH ASSY	1		
13	560434	. CONNECTOR 1/2" PIPE	1		
14	062094	. CABLE ASSY	1		
15	131166	SWITCH PROXIMITY ASSY 700MM From M-171	1		
15	562130	. SWITCH PROXIMITY / S.P.S.T. / N.O. / (3 WIRE	1		
NS	171183	SUPPORT / FRONT HEIGHT CONTROL VALVE (WELDED) To M-170	1	1	
NS	171356	SUPPORT / FRONT HEIGHT CONTROL VALVE (WELDED) From M-171	1	1	
NS	171357	SUPPORT / FRONT KNEELING SWITCH (WELDED) From M-171	1	1	
16	131154	PLATE ACTUATOR	1	1	
NS	131454	KIT CONTROL VALVE HEIGHT REAR	AR	AR	
. NS	IS-96192B	. SEE INSTRUCTION SHEET	1	1	
NS	131455	KIT CONTROL VALVE HEIGHT FRONT	AR	AR	
. NS	IS-96192B	. SEE INSTRUCTION SHEET	1	1	

From L-031 To R-079	Date:07/2024	PAGE:H4-1620-00
HEIGHT CONTROL VALVE		

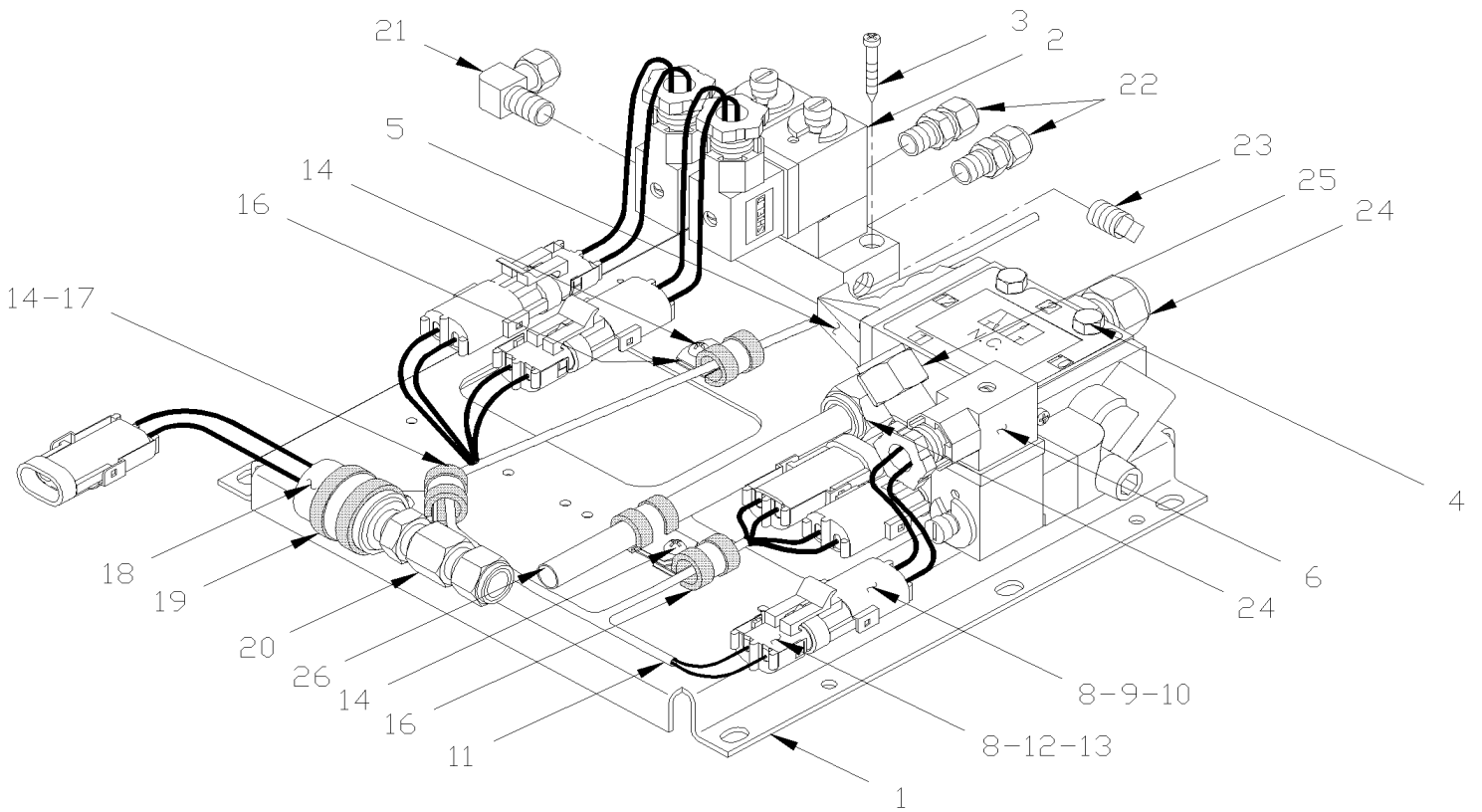
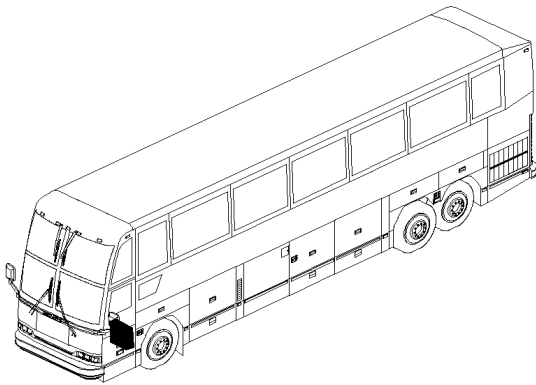
Item#	Part	Description	H 3 4 0	V I P 4 0	N O T E S
		A) TO LENGTHEN REGULAR VALVE ARM UP TO M-171, ORDER KIT 131163			
		B) TO FIX ACTUATOR			
		C) FOR PRODUCT IMPROVMENT USE KIT 131165			
		D) USE WITH ITEM #12			
		E) USE WITH ITEM #15			
		F) FOR PRODUCT IMPROVEMENT, ASK KIT #131455(FRONT) & #131454(REAR)			
		1) NOT SOLD SEPARATELY			

From L-031 To R-079

Date:07/2024

PAGE:H4-1630-00

FRONT KNEELING - CONTROL PANEL



From L-031 To R-079	Date:07/2024	PAGE:H4-1630-00
FRONT KNEELING - CONTROL PANEL		

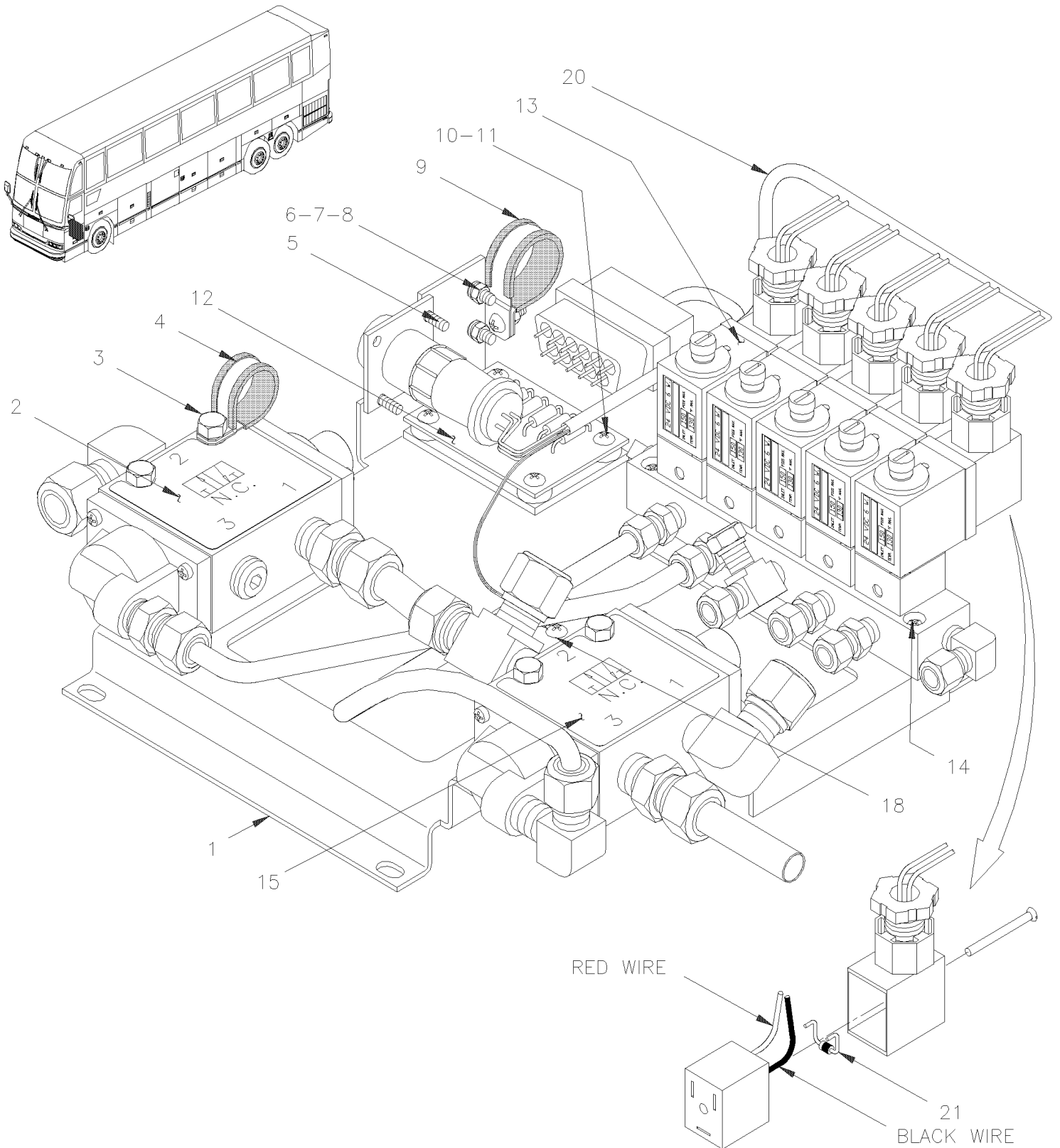
Item#	Part	Description	H 3 4 0	V I P 4 0	N O T E S
	131051	PANEL ASSY To M-170	1		
	131173	PANEL ASSY From M-171	1		
1	131052	. SUPPORT	1		
2	641130	. MANIFOLD VALVE / W/2 SOLENOID	1		
3	500495	. SCREW TP PAN PH #6x1 Z050	2		
4	502793	. SCREW CAP HEX M6-1.0x45 G8.8 Z050	2		
5	630081	. VALVE, 3 WAYS, 2 POSITIONS	1		
. NS	641143	. . SPOOL	1		
. NS	641145	. . KIT REPAIR / COIL	1		
5	641169	. . SPOOL	1		
6	641144	. . KIT REPAIR / COIL	1		
7	062415	. CABLE ASSY	1		
8	561566	. CONNECTOR / WEATHER PACK / PH 2C / BLACK / PED 12010973	1		
9	561568	. PIN TERMINAL / 16-14 / PED 12089305	2		
10	561565	. CABLE SEAL / GREEN / PED 15324982	2		
11	062415	. CABLE ASSY To M-170	1		
11	063093	. CABLE ASSY From M-171	1		
12	561690	. . CONNECTOR / WEATHER PACK / SH 2C / BLACK / PED 12015792	2		
13	561578	. . SOCKET TERMINAL / 16-14 / PED 12010182	2		
14	500582	. SCREW TP PAN PH #8x3/8 Z050	AR		
15	560603	. BULB / 4WATT-12VOLTS / SAE# 68	3		
16	560479	. CLAMP / 3/8" I.D.	1		
17	502550	. SCREW CAP HEX M4-0.7x16 G8.8 Z050	2		
		FOLLOWING ITEMS ARE USED			
		ON VEHICLE EQUIPPED			
		IN RETROFIT WITH ALARM.			
		YOU NEED WIRING DIAGRAM			
		D060812 PAGE 24 SP1 AND PNEUMATIC DIAGRAM			
		D140198.			
18	452082	. PRESSURE SWITCH N.O. 30-15 20SP001AA030C015C	1		
19	560483	. CLAMP / 7/8" I.D.	1		
20	641428	. MALE ELBOW 90° SWIVEL / PUSH-IN FITTING / #8x3/8NPT-M BR	1		
20	064094	. FIRE & KNEELING / ALARM ASSY / SERVICE	1		
20	064164	. WIRING HARNESS, KNEELING ALARM	1		

From L-031 To R-079

Date:07/2024

PAGE:H4-1640-00

LEVEL-LOW - CONTROL PANEL & VALVES

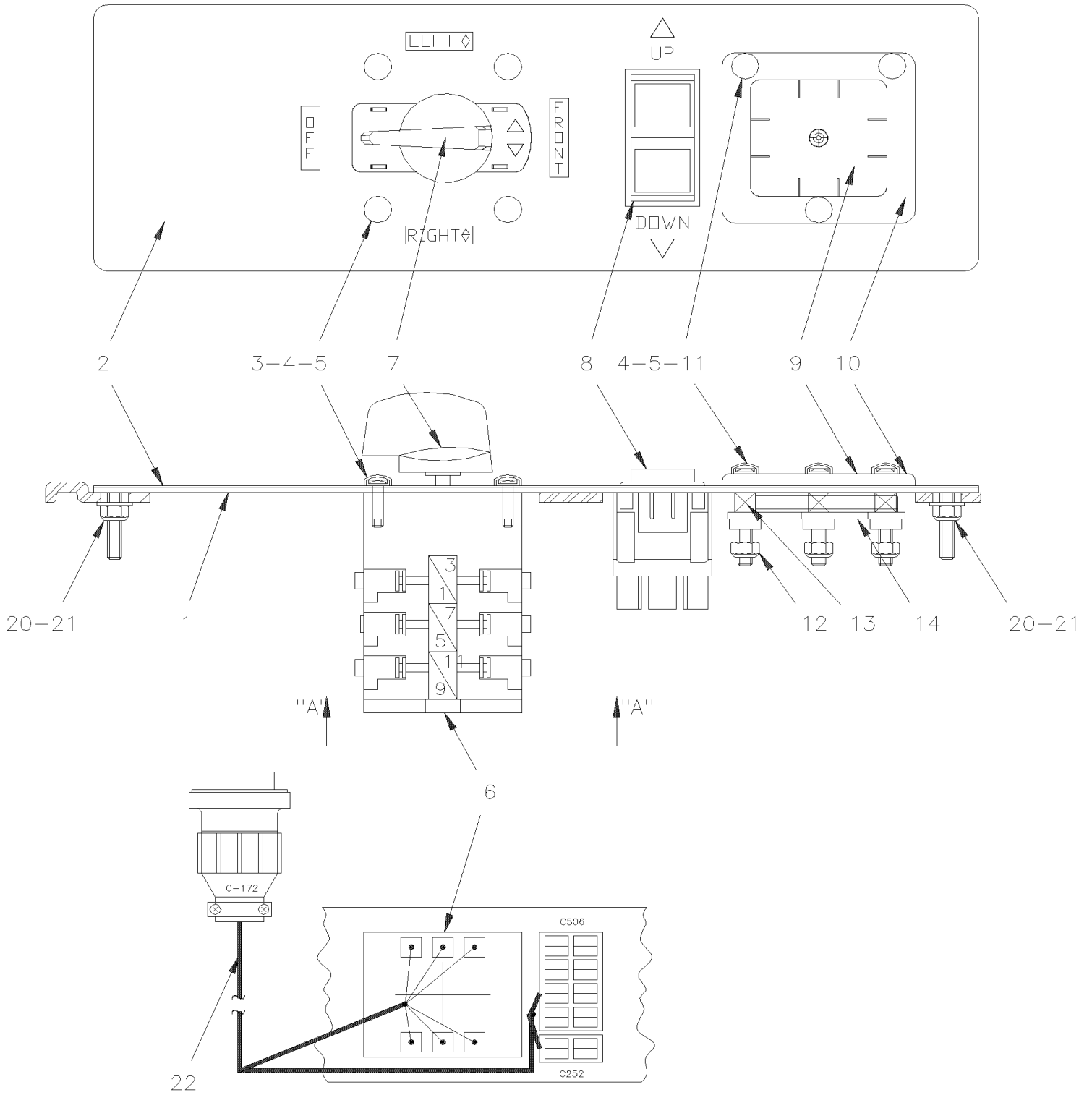


From L-031 To R-079	Date:07/2024	PAGE:H4-1640-00
---------------------	--------------	-----------------

LEVEL-LOW - CONTROL PANEL & VALVES

Item#	Part	Description	H 3 4 0	V I P 4 0	N O T E S
	131088	PANEL ASSY To M-111		1	
	131171	PANEL ASSY From M-112		1	
1	131084	. SUPPORT		1	
2	641057	. VALVE, 5 WAYS, 3 POSITIONS To M-111		1	
2	641274	. VALVE, 3 WAYS, 2 POSITIONS N.C. From M-112		1	
3	502793	. SCREW CAP HEX M6-1.0x45 G8.8 Z050		4	
3	502573	. WASHER FL 6.4x12.5x1.6 SS		4	
3	502511	. NUT HEX NYRT M6-1.0 Z050		4	
4	560482	. CLAMP / 3/4" I.D. / W/HOLE 3/16"		1	
5	500576	. SCREW TC PAN PH #6-32x1/2 Z050		4	
6	500344	. SCREW MA RND PH M4-0.7x12 Z050		3	
7	502636	. WASHER LO SPT 4.1x7.6x0.9 Z050		3	
8	502524	. NUT HEX M4-0.7 Z050		3	
9	562036	. CLAMP / 7/8" I.D. X 90°		1	
10	500641	. SCREW TP PAN PH #8x3/4 Z050		4	
11	504412	. WASHER RETAINER SNAP CAP #8		4	
12	061695	. PRINTED CIRCUIT BOARD ASSY		1	
NS	131104	. INSULATING BOARD		1	
13	641055	. MANIFOLD VALVE / W/4 SOLENOID To M-111		1	
. NS	641928	. . KIT, MANIFOLD REPAIR / N.C. To M-111		4	
13	641205	. MANIFOLD VALVE / W/5 SOLENOID From M-112		1	
. NS	641928	. . KIT, MANIFOLD REPAIR / N.C. From M-112		5	
. NS	641107	. . COIL 24V From M-112		5	
14	500495	. SCREW TP PAN PH #6x1 Z050		2	
15	641056	. VALVE, 3 WAYS, 2 POSITIONS To M-111		1	
15	641274	. VALVE, 3 WAYS, 2 POSITIONS N.C. From M-112		1	
16	641145	. . KIT REPAIR / COIL To M-111		1	
17	641144	. . . KIT REPAIR / COIL		1	
18	500582	. SCREW TP PAN PH #8x3/8 Z050		1	
20	062640	. CABLE ASSY / VALVE "LEVEL-LOW" To M-111		1	
20	063080	. CABLE ASSY / VALVE "LEVEL-LOW" From M-112		1	
21	562353	. DIODE / 1AMP		1	
		TO ORDER FITTINGS REFER TO PAGE H4-1201-00.			

LEVEL-LOW - LEVEL & SWITCHES



VIEW "A-A"

From L-031 To R-079	Date:07/2024	PAGE:H4-1640-10
LEVEL-LOW - LEVEL & SWITCHES		

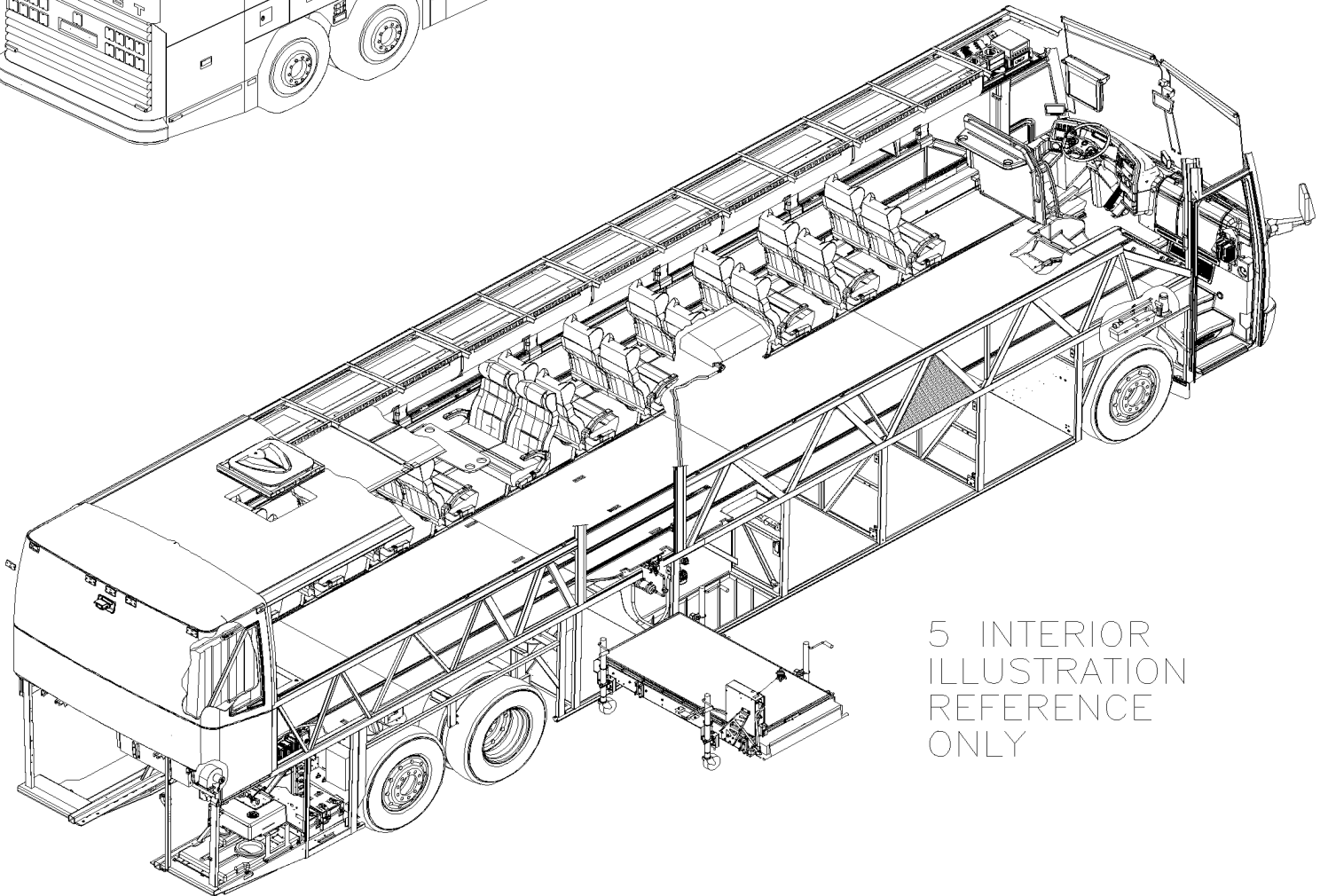
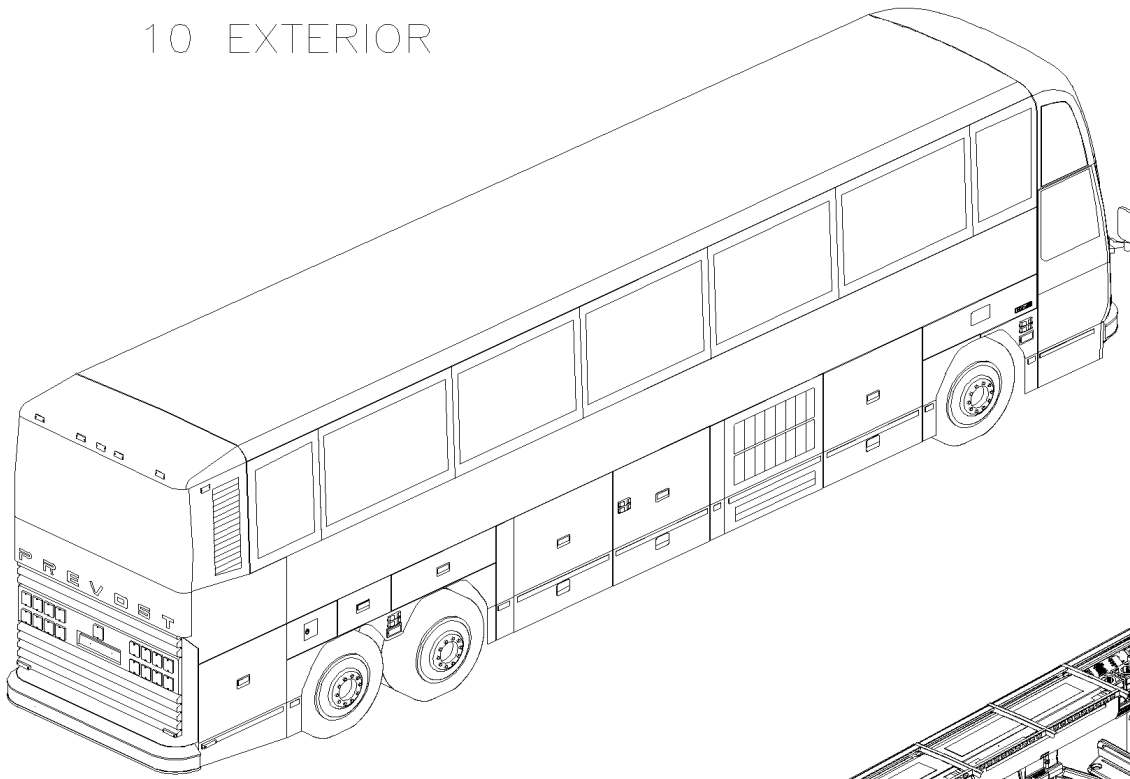
Item#	Part	Description	H 3 4 0	V I P 4 0	N O T E S
1	391399	PLATE, MOUNTING To N-181		1	B
1	391472	PLATE, MOUNTING From N-182 To P-366			
1	391574	PLATE ASSY / W/RAMCO MIRROR From P-367		1	
NS	391481	CLOSING PLATE From N-182		1	
NS	390951	HOLDER MAP From N-182		AR	
2	391404	LEXAN / LEVEL LOW To N-181		1	
2	391477	LEXAN / LEVEL LOW From N-182			
2	391480	LEXAN / LEVEL LOW / (AS SHOWN) From N-182		1	
NS	330254	BULB SOCKET ASSY W/TERMINAL / USE IN CONSOLE		3	
NS	560623	BULB / 3.5WATT-24VOLTS / SAE# 313		3	
NS	500650	SCREW TC PAN PH #6-32x3/8 ZP			A
4	504403	SNAP CAP #8 FINISHING BLACK		3	
5	504412	WASHER RETAINER SNAP CAP #8		3	
6	561259	SWITCH / 10 AMPS 4 POSITIONS 90°		1	C
6	563086	SWITCH / 10 AMPS 4 POSITIONS 90° SERVICE		1	
6	392317	PLATE PLASTIC "LEVEL LOW" SERVICE		1	
7	561855	. KNOB		1	
8	561260	SWITCH / M/ON-OFF-M/ON 3 P.D.T.		1	
9	630075	LEVEL 5 WAYS		1	
10	391470	MOULDING / AROUND LEVEL		1	
11	502643	SCREW MA PAN PH #8-32x1 1/4 Z050		3	
12	500670	NUT HEX NYRT #8-32 Z050		3	
13	502162	SPRING COMPRESSION / .240 O.D. x .312 x .026		3	
14	390747	BRACKET / TO FIX LEVEL		1	
20	500590	NUT HEX NYRT M4-0.7 Z050		AR	
21	500591	WASHER FL 4.3x9.0x0.8 Z050		AR	
22	062690	CABLE ASSY / W/"LEVEL LOW"		1	
NS	562075	SWITCH, MIRROR / SQUARE / W/24V BULB		1	
NS	562262	. BULB / 0.75WATT-24VOLTS / STS-592.504		1	
NS	561184	. BULB / 1.2 WATT-12VOLTS / SAE# 2721		1	
NS	065381	KIT, SWITCH LEVEL LOW SERVICE		AR	
. NS	391994	. DECAL "LEVEL LOW"		1	
. NS	392317	. PLATE PLASTIC "LEVEL LOW"		1	
. NS	561457	. SPRING SPADE TERMINAL #6 / 22-16 / AMP 52929		7	
. NS	563086	. SWITCH / 10 AMPS 4 POSITIONS 90°		1	
. NS	D390096	. DIAGRAM, DASHBOARD, LEFT MODULE, MTH		1	
. NS	D390113	. DIAGRAM, DASHBOARD, LEFT MODULE, VIP MUX		1	
. NS	IS-06020	. INSTRUCTION SHEET		1	
. NS	FI-06020	. FEUILLE D'INSTRUCTION		1	

From L-031 To R-079	Date:07/2024	PAGE:H4-1640-10
LEVEL-LOW - LEVEL & SWITCHES		

Item#	Part	Description	H 3 4 0	V I P 4 0	N O T E S
		A) TO FIX BULB SOCKET			
		B) UP TO N-181 LEVEL LOW ARE INSTALLED BACKWARD POSITION THAN SHOWN & 207MM X 185MM APPROXIMATIVE			
		C) THIS SWITCH IT SUPPERSEDED BY KIT # 065381			

	Date:07/2024	H4-18
BODY		

10 EXTERIOR



5 INTERIOR
ILLUSTRATION
REFERENCE
ONLY

		Date:07/2024	H4-18
BODY			

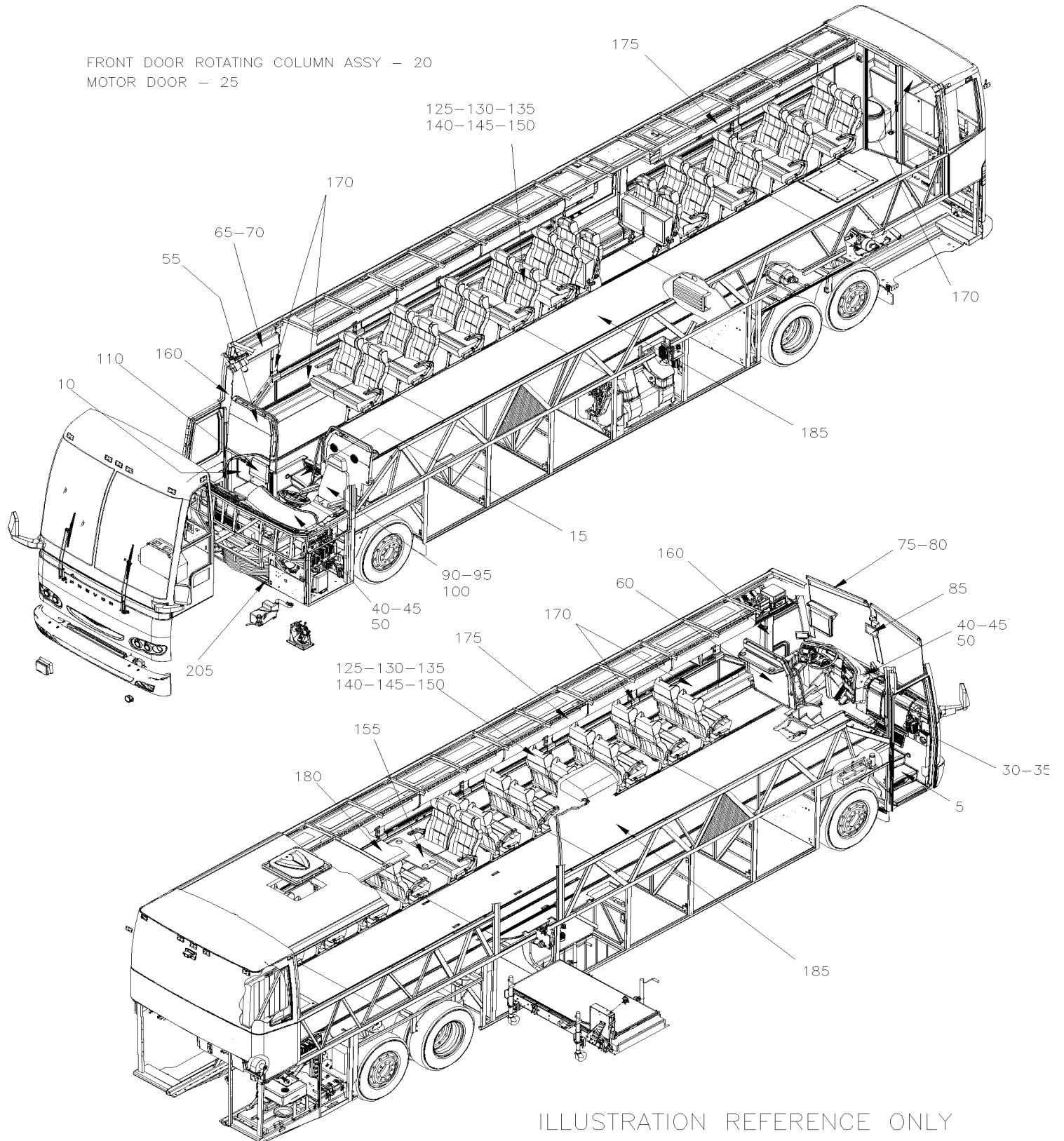
Item#	Part	Description	H 3 4 0	V I P 4 0	N O T E S
5	H4-18-INT	BODY INTERIOR From L-029 To R-079			
10	H4-18-EXT	BODY EXTERIOR From L-029 To R-079			

From L-029 To R-079

Date:07/2024

PAGE:H4-18-INT

BODY INTERIOR



From L-029 To R-079		Date:07/2024	PAGE:H4-18-INT
BODY INTERIOR			

Item#	Part	Description	H 3 4 0	V I P 4 0	N O T E S
5	H4-1800-00	FRONT STEPWELL - INSTALLATION From L-031 To R-079			
10	H4-1800-10	STEPWELL COMPARTMENT From L-031 To R-079			
15	H4-1800-25	FRONT AISLE STEPWELL - INSTALLATION From L-031 To R-079			
20	H4-1801-00	FRONT DOOR ROTATING COLUMN ASSY From L-031 To N-196			
25	H4-1801-10	MOTOR DOOR From L-031 To N-196			
30	H4-1801-15	ENTRANCE DOOR CONTROL From N-197 To R-079			
30	H4-1801-16	ENTRANCE DOOR CONTROL / SERVICE From N-197 To R-079			
35	H4-1801-40	ENTRANCE DOOR AIR VALVE From L-031 To N-196			
40	H4-1806-00	DASHBOARD PANEL From L-031 To R-079			
45	H4-1806-10	L.H. CONSOLE - BUS From L-031 To R-079			
45	H4-1806-15	L.H. CONSOLE - V.I.P. From L-031 To R-079			
50	H4-1806-50	R.H. CONSOLE - W/MANUAL TRANSMISSION From L-031 To R-079			
50	H4-1806-55	R.H. CONSOLE - W/AUTOMATIC TRANSMISSION From L-031 To R-079			
55	H4-1810-00	MODESTY PANEL R.H. From L-031 To R-079			
60	H4-1812-00	MODESTY PANEL L.H. From L-031 To R-079			
65	H4-1814-01	DESTINATION SIGN - ELECTRICAL From L-031 To R-079			
70	H4-1814-05	DESTINATION SIGN - INSTALLATION From L-031 To R-079			
75	H4-1816-00	ROLLER BLIND - DRIVER' S & WINDSHIELD From L-031 To R-079			
80	H4-1816-10	SUN SHADE - PASSENGER'S WINDOW From L-031 To R-079			
85	H4-1820-00	MIRROR - INTERIOR From L-031 To R-079			
90	H4-1822-00	DRIVER'S SEAT ASSY - "ISRI" From L-031 To R-079			
95	H4-1822-10	DRIVER'S SEAT - "ISRI" - 6000/515 & 6500/515 From L-031 To R-079			
100	H4-1822-20	DRIVER'S SEAT - "ISRI" - 6801/517 & 6801/525 From L-031 To R-079			
110	H4-1824-00	HOSTESS SEAT ASSY From L-031 To M-053			
110	H4-1824-01	HOSTESS SEAT ASSY From M-054 To R-079			
125	H4-1827-00	PASSENGER'S SEAT - "SILHOUETTE" ALUMINUM From L-031 To M-089			
125	H4-1827-01	PASSENGER'S SEAT - "SILHOUETTE" CHARCOAL From M-090 To R-079			
125	H4-1827-02	PASSENGER'S SEAT - "ULTRA" From R-033 To R-079			
130	H4-1827-10	PASSENGER'S SEAT - ROTATING From L-031 To R-079			
135	H4-1827-50	ARMREST PASSENGER'S - "ALUMINUM" From L-031 To M-089			
135	H4-1827-51	ARMREST PASSENGER'S - "CHARCOAL" From M-090 To R-079			
135	H4-1827-70	PASSENGER'S SEAT - "TOURISMO II" - FLIP-UP W/W.C.L. From P-343 To P-364			
140	H4-1827-99	ARMREST PASSENGER'S - "RETROFIT" From L-031 To R-079			
145	H4-1828-00	PASSENGER'S SEAT - "TOURISMO I" From L-031 To P-323			
150	H4-1828-01	PASSENGER'S SEAT - "TOURISMO II" From P-324 To R-079			
155	H4-1829-00	ACCESSORIES PASSENGER'S SEAT - "PREVOST" From L-031 To R-079			
160	H4-1832-00	FRONT FINISHING CAP From L-031 To R-079			
170	H4-1833-00	REAR FINISHING CAP & SIDE WALL From L-031 To R-079			
175	H4-1836-00	PARCEL RACKS From L-031 To R-079			
180	H4-1837-00	CEILING PANELS & MOULDING From L-031 To R-079			
185	H4-1838-00	FLOOR & COVERING - BUS From L-031 To R-079			
185	H4-1838-10	FLOOR & REAR WALL - V.I.P. From L-031 To R-079			

From L-029 To R-079	Date:07/2024	PAGE:H4-18-INT
BODY INTERIOR		

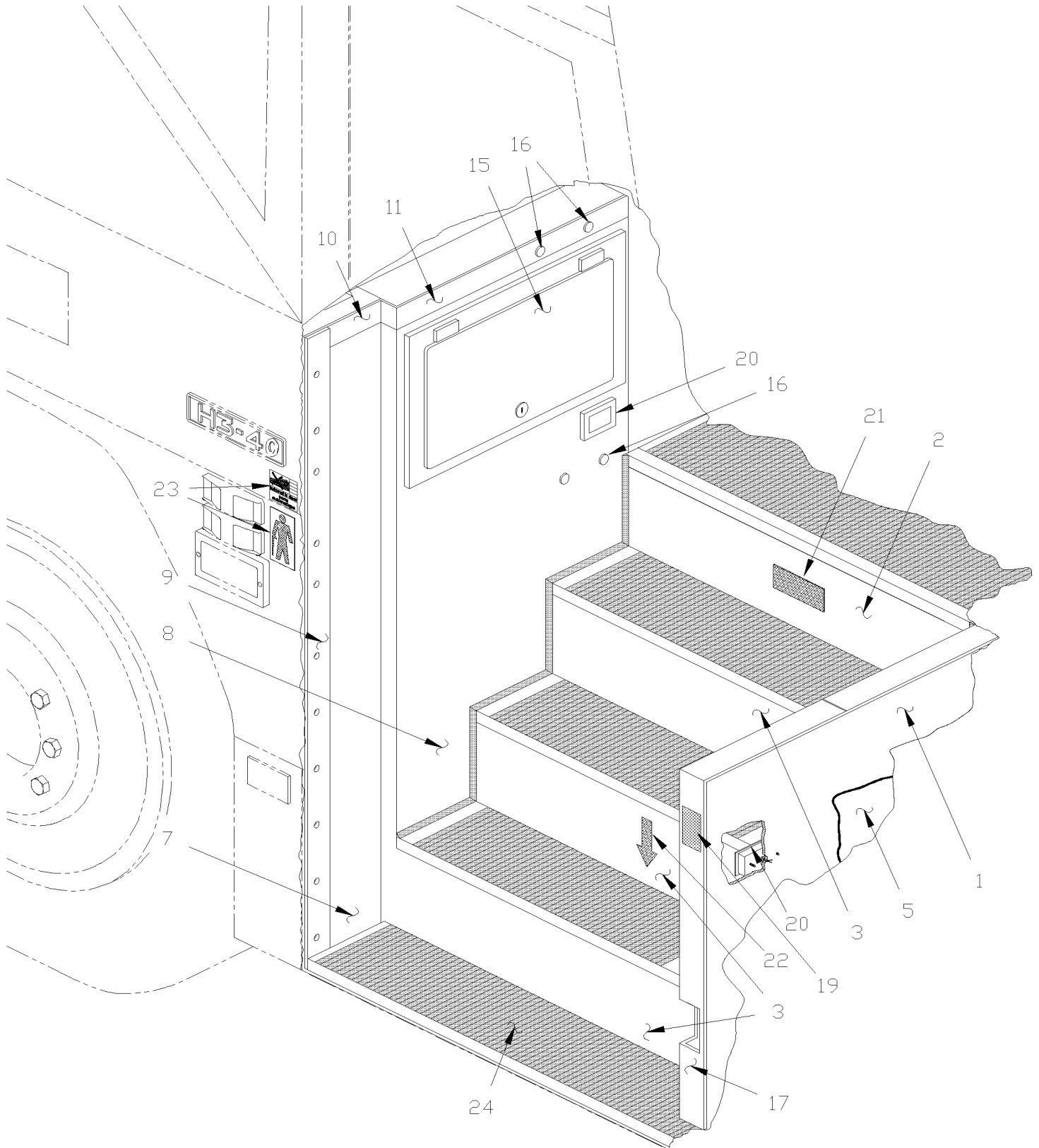
Item#	Part	Description	H 3 4 0	V I P 4 0	N O T E S
205	H4-1840-00	CLOSING PANEL SPARE COMPARTMENT From L-031 To R-079			
		A) SERVICE			
		B) RETROFIT			

From L-031 To R-079

Date:07/2024

PAGE:H4-1800-00

FRONT STEPWELL - INSTALLATION



From L-031 To R-079	Date:07/2024	PAGE:H4-1800-00
FRONT STEPWELL - INSTALLATION		

Item#	Part	Description	H 3 4 0	V I P 4 0	N O T E S
1	322396	STEPWELL / FRONT	1		A
1	323865	STEPWELL / FRONT	1		B
1	323506	STEPWELL / FRONT		1	
1	900515	TAPE ANTISKID ADH / GREY / 1" X 60'		AR	
2	322474	RISER #4	1		
3	322475	RISER #1-2-3	3		
5	322472	PANEL, SS / R.H. SIDE	1		A
5	323866	PANEL, SS / R.H. SIDE	1		B
7	322489	PANEL, SS / L.H. To L-053	1		A
7	323636	PANEL, SS / L.H. From L-054	1		A
7	323867	PANEL, SS / L.H.	1		B
8	322473	PANEL, SS / L.H. SIDE	1		
9	322477	SEAL RETAINER / L.H.	1		A
NS	323868	SEAL RETAINER, REAR UPPER	1		B
NS	500879	SCREW TP PAN PH #10x1 Z050	29		
10	323303	MOULDING / FRONT FINISHING FLOOR / 201MM SS	1		
11	323304	MOULDING / FRONT FINISHING FLOOR / 720MM SS	1		
NS	323508	MOULDING / FRONT FINISHING FLOOR / "Z" SHAPE / 1681MM SS		1	
NS	323507	MOULDING, "Z" SHAPED / SIDE OF STEPWELL		1	
NS	500619	SCREW TP FL PH #10x1 1/4 Z050	AR	AR	
15	H4-1800-10	STEPWELL COMPARTMENT			
16	H4-1824-01	HOSTESS SEAT ASSY			
17	323753	MOULDING, VERTICAL / R.H. /W/PLUG TYPE DOOR	1		
NS	322476	MOULDING, VERTICAL / R.H. /W/PLUG TYPE DOOR To N-207	1	1	C
NS	323925	MOULDING, VERTICAL / R.H. /W/PLUG TYPE DOOR W/LOWER From N-208	1	1	D
NS	284038	MOULDING UPPER 395MM SS	1		B
NS	284037	MOULDING LOWER 138MM SS	1		B
19	330229	KNEELING LIGHT ASSY To N-207	1		E
19	930267	. LAMP AMBER To N-207	1		E
19	561166	. BULB / 3WATT-24VOLTS / SAE# 464 To N-207	1		E
19	500418	. SCREW MA RND SLT #8-32x1 ZP To N-207	2		E
19	830139	LAMP ASSY / W/ONE BULB From N-208	1		
19	562278	BULB / 10WATT-24VOLTS / SAE# 6429 From N-208	1		
20	H4-0655-00	INTERIOR LIGHTING			
21	130621	DECAL "KNEELING BUS"	1	1	
22	130623	DECAL / ARROW SHAPE	1	1	
23	H4-1855-00	EXTERIOR TRIMS & CREST			
24	H4-1838-00	FLOOR & COVERING - BUS			
		A) W/PLUG TYPE DOOR			

From L-031 To R-079		Date:07/2024	PAGE:H4-1800-00
FRONT STEPWELL - INSTALLATION			

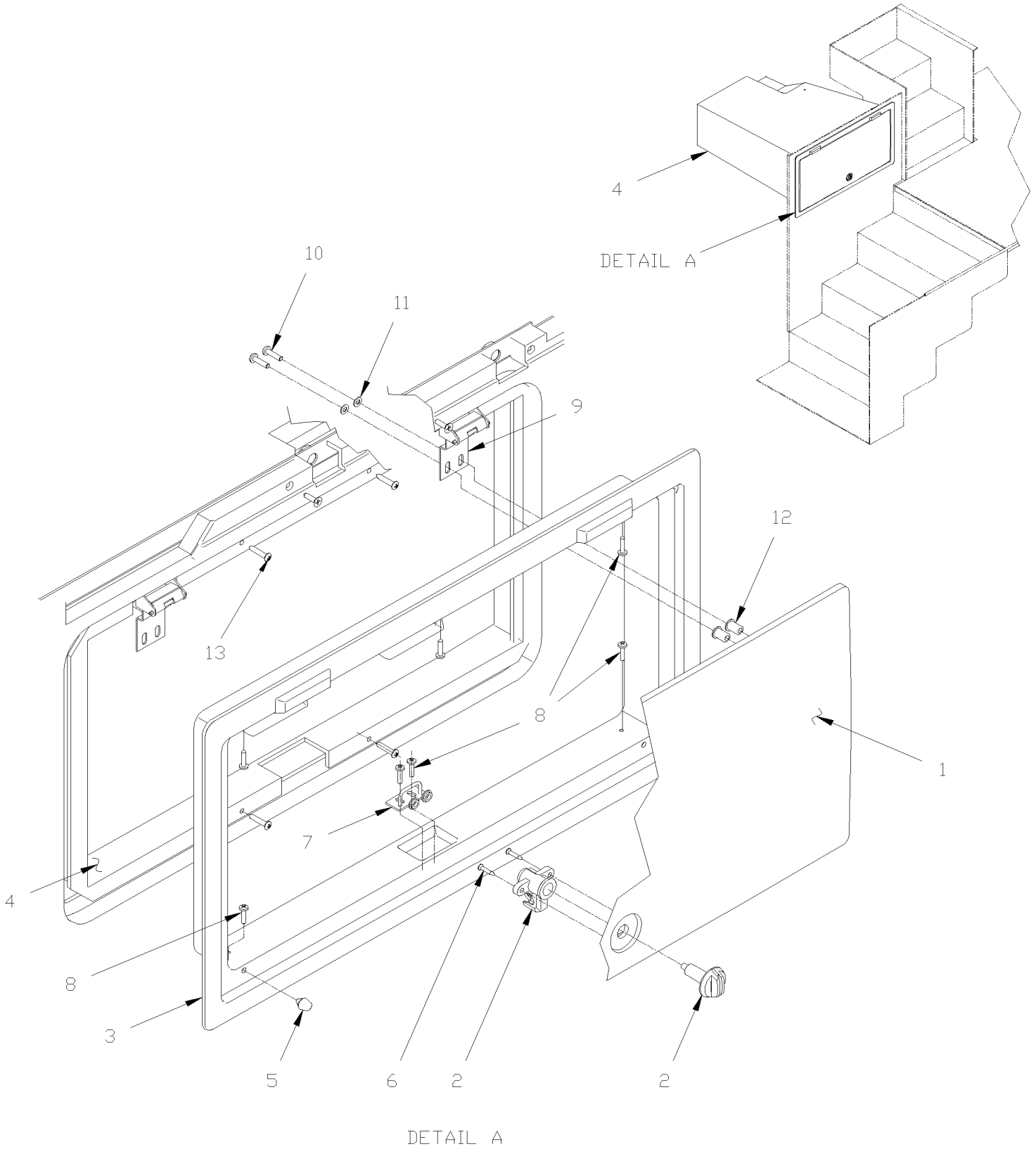
Item#	Part	Description	H 3 4 0	V I P 4 0	N O T E S
		B) W/SEDAN DOOR			
		C) W/FRONT KNEELING			
		D) W/LOWER STEPLIGHT			
		E) R.H.			

From L-031 To R-079

Date:07/2024

PAGE:H4-1800-10

STEPWELL COMPARTMENT



From L-031 To R-079	Date:07/2024	PAGE:H4-1800-10
STEPWELL COMPARTMENT		

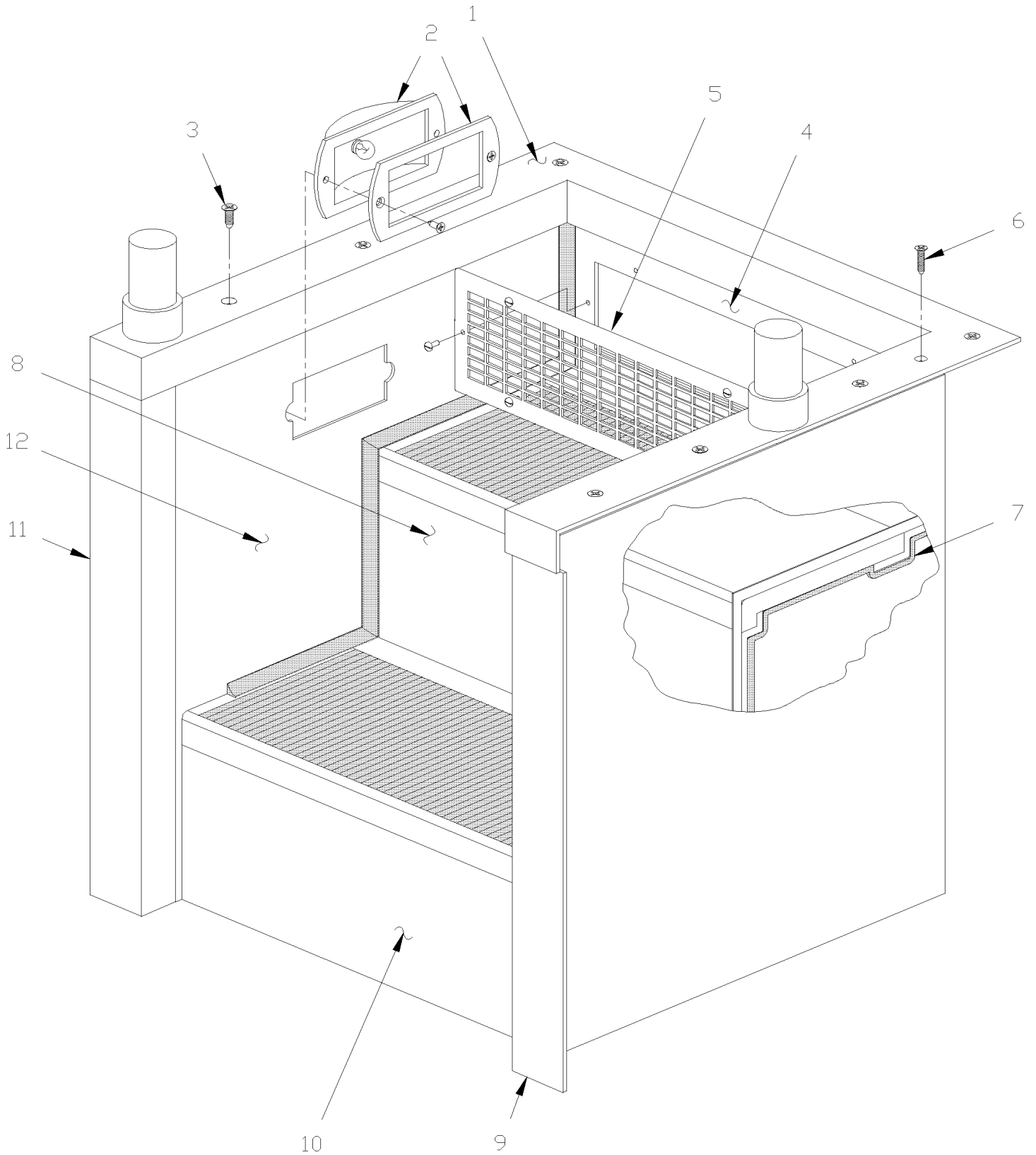
Item#	Part	Description	H 3 4 0	V I P 4 0	N O T E S
1	322464	DOOR	1		
2	504392	LATCH	1		
3	322466	FINISHING FRAME	1		
4	322465	BOX INSIDE	1		
NS	323916	SEPARATOR / FOR LOG BOOK	1		
NS	325745	CARPET FINISHING	1		
NS	504113	RIVET POP DOME CLE 3/16x1/4 AL	AR		
5	506499	BUMPER PLUG / .500ODx.312THx.250HOLEx.093	2		
6	500333	SCREW TP OV PH #6x3/4 BK	2		
7	322490	CATCH	1		
8	5001119	SCREW TP BDG PH #8x3/4 SS	7		
9	322483	HINGE	2		
NS	500879	SCREW TP PAN PH #10x1 Z050	4		
10	5001299	SCREW MA PAN PH #10-32x3/4 SS	4		
11	500240	WASHER LO EXT .195x.410x.025 Z050	4		
12	500519	NUT WELL #10-32x.518	4		
13	500620	SCREW TP FL PH #10x1 1/2 Z050	17		

From L-031 To R-079

Date:07/2024

PAGE:H4-1800-25

FRONT AISLE STEPWELL - INSTALLATION



From L-031 To R-079	Date:07/2024	PAGE:H4-1800-25
FRONT AISLE STEPWELL - INSTALLATION		

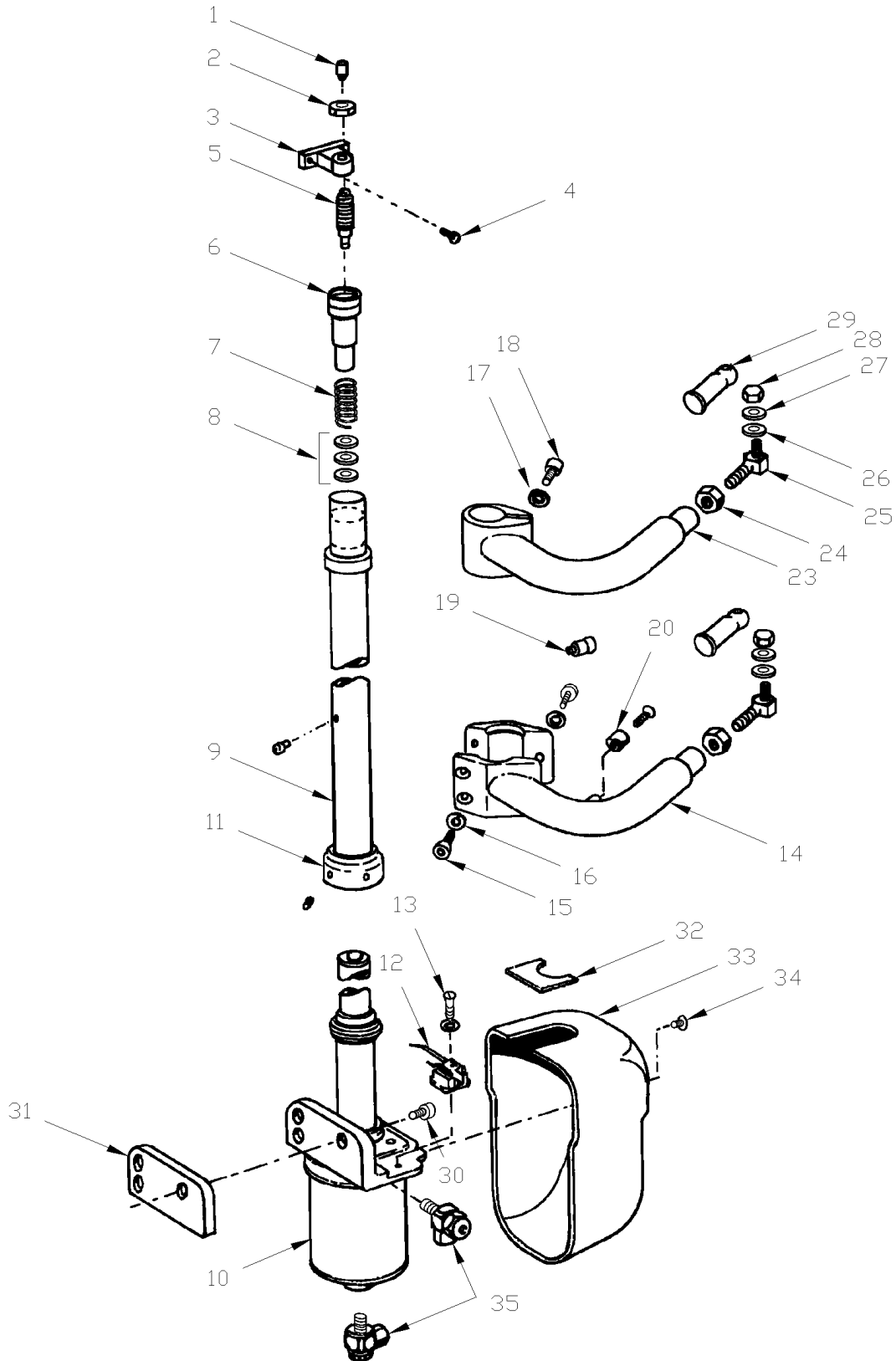
Item#	Part	Description	H 3 4 0	V I P 4 0	N O T E S
1	322634	MOULDING, HORIZONTAL / R.H.	1		
NS	500620	SCREW TP FL PH #10x1 1/2 Z050	8		
2	830117	LAMP ASSY To N-226	1		
NS	560135	BULB / 6WATT-24VOLTS / SAE# 623 To N-226	1		
NS	830140	LAMP ASSY From N-227	1		
NS	562278	BULB / 10WATT-24VOLTS / SAE# 6429 From N-227	1		
NS	500148	SCREW MA RND PH #6-32x1/2 SS	2		A
NS	500422	NUT SPR U #6-32 .110-.120 SS	2		
3	500618	SCREW TP FL PH #10x1 Z050	7		
4	322599	RISER, UPPER	1		
5	322598	GRILL AIR / AISLE STEPWELL / RETURN	1	1	
NS	500148	SCREW MA RND PH #6-32x1/2 SS	6		B
NS	500996	NUT SPR U #6-32 .135-.150	6		B
6	500940	SCREW TP FL PH #10x2 Z050	2		
7	322495	STEPWELL, AISLE	1		
8	322601	RISER, MIDDLE	1		
9	322647	PANEL, SS / L.H.	1		
10	322600	RISER, LOWER	1		
11	322628	MOULDING, VERTICAL / R.H.	1		
12	322625	PANEL, SS / R.H.	1		
		FOR RUBBER COVERING, SEE PAGE H4-1838-00			
		A) LIGHT COVER			
		B) TO FIX GRILLE			

From L-031 To N-196

Date:07/2024

PAGE:H4-1801-00

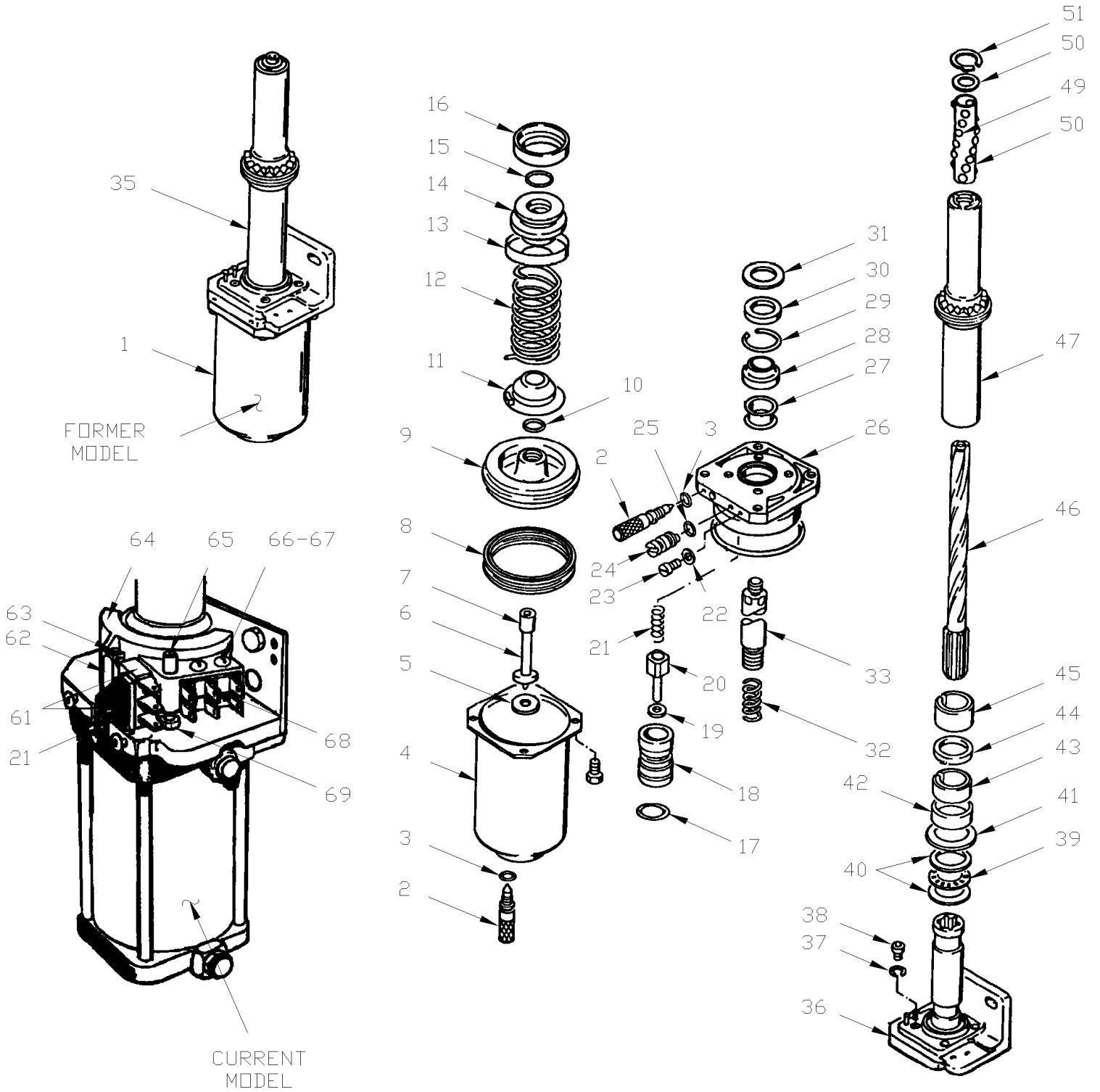
FRONT DOOR ROTATING COLUMN ASSY



From L-031 To N-196	Date:07/2024	PAGE:H4-1801-00
FRONT DOOR ROTATING COLUMN ASSY		

Item#	Part	Description	H 3 4 0	V I P 4 0	N O T E S
1	780291	NUT, CAP	1		
2	502767	NUT HEX JAM M20-1.5 ZP	1		
3	282896	BRACKET, COLUMN / W/SHORT COLUMN FRONT	1		
3	283705	BRACKET, COLUMN / W/LONG COLUMN FRONT	1		
4	502635	SCREW CAP FL HEXS M8-1.25x65 G10.9 ZP	1		
5	780292	BOLT, ADJUSTING	1		
6	780295	BEARING ASSY / UPPER DOOR	1		
7	780294	SPRING COMPRESSION / 1.062 O.D. x 2.375 x .187	1		
8	502644	WASHER FL 10.5x30.0x2.5 Z050	1		
8	282898	ROTATING COLUMN ASSY / W/SHORT COLUMN FRONT	1		
8	283704	ROTATING COLUMN ASSY / W/LONG COLUMN FRONT	1		
10	780453	. SPINDLE DRIVE ASSY, L.H. FRONT	1		
11	780349	. SWITCH, RING To L-055	1		
12	780315	. SWITCH ASSY, L.H. To L-064	1		
12	H4-1801-10	. MOTOR DOOR			
13	502725	. SCREW MA OV PH M4-0.7x10 SS EMN	1		
14	284072	. SUPPORT / LOWER ARM FRONT	1		
15	N.P.N.	. SCREW	2		4
16	N.P.N.	. WASHER	2		4
17	N.P.N.	. WASHER	2		4
18	500338	. SCREW CAP HEXS M10-1.5x20 ZP	2		
19	780290	. STOPPER ASSY / SCREW ON FRAME DOOR	1		
20	780447	. RUBBER STOPPER ASSY / DOOR	1		
23	284073	. SUPPORT / UPPER ARM FRONT	1		
24	502588	. NUT HEX M16-2.0 ZP	2		
25	780339	. ROD END MALE / MALE STUD M16-1.5 / 2.0 x 50MM / M10	2		
26	780437	. WASHER	2		
27	500257	. WASHER LO SPT 10.2x18.1x2.2 Z050	2		
28	500256	. NUT HEX M10-1.5 Z050	2		
29	780436	CAP, PROTECTOR	2		
30	502549	SCREW CAP HEX M10-1.5x35 G8.8 Z050	3		
31	282958	SPACER	1		
32	780311	SEAL, COVER / W/FORMER MODEL OF MOTOR	1		
33	780297	COVER W/FORMER MODEL OF MOTOR FRONT	1		
34	502569	SCREW MA PAN PH M6-1.0x16 BK	2		
35	641104	FITTING, ELBOW	2		
		4) NO PARTS NUMBER			

From L-031 To N-196	Date:07/2024	PAGE:H4-1801-10
MOTOR DOOR		



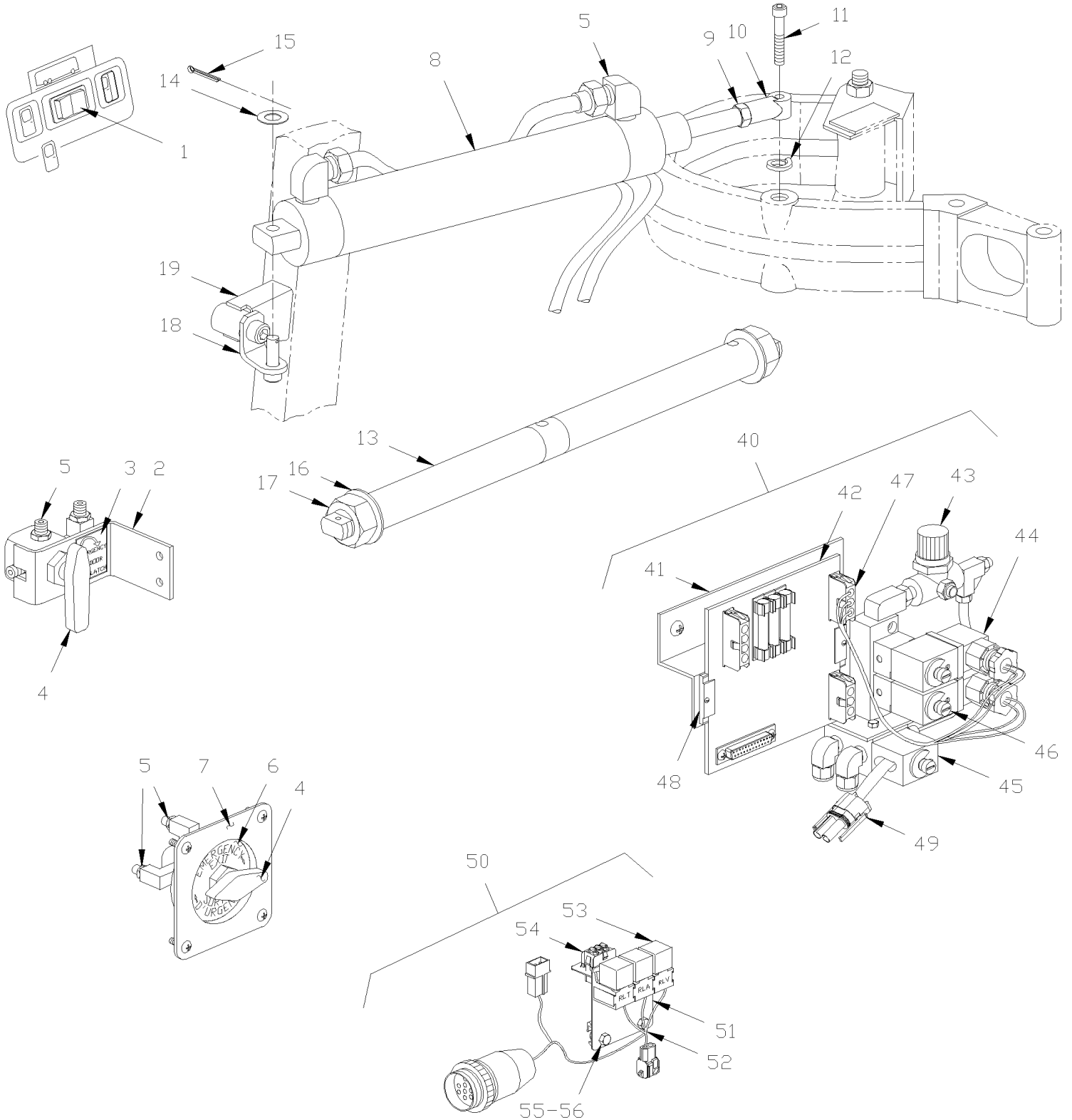
From L-031 To N-196	Date:07/2024	PAGE:H4-1801-10
MOTOR DOOR		

Item#	Part	Description	H 3 4 0	V I P 4 0	N O T E S
	780453	SPINDLE DRIVE ASSY, L.H. FRONT	1		
1	780458	. UNIT, MOTOR	1		
2	N.S.S.	. . SCREW, BLEED	2		1
3	N.S.S.	. . O-RING 4 X 1.5	2		1
4	N.S.S.	. . BODY	1		1
5	N.S.S.	. . GASKET, VENT	1		1
6	N.S.S.	. . ROD, PUSH	1		1
7	N.S.S.	. . GUIDE	1		1
8	N.S.S.	. . GASKET	1		1
9	N.S.S.	. . PISTON	1		1
10	N.S.S.	. . O-RING	1		1
11	N.S.S.	. . GUIDE SPRING	1		1
12	N.S.S.	. . SPRING	1		1
13	N.S.S.	. . RING	1		1
14	N.S.S.	. . GUIDE	1		1
15	N.S.S.	. . O-RING	1		1
16	N.S.S.	. . CUP	1		1
17	N.S.S.	. . O-RING 22.3 X 2.4	1		1
18	N.S.S.	. . BUSHING	1		1
19	N.S.S.	. . RING SEAL	1		1
20	N.S.S.	. . ROD, PUSH	1		1
21	N.S.S.	. . SPRING	1		1
22	N.S.S.	. . GASKET	1		1
23	N.S.S.	. . SCREW M5 X 8	1		1
24	N.S.S.	. . ECCENTRIC	1		1
25	N.S.S.	. . O-RING 5.3 X 2.4	1		1
26	N.S.S.	. . COVER	1		1
27	N.S.S.	. . BUSHING	1		1
28	N.S.S.	. . CAP	1		1
29	N.S.S.	. . RING, SNAP	1		1
30	N.S.S.	. . FELT, RING	1		1
31	N.S.S.	. . RING	1		1
32	N.S.S.	. . SPRING	1		1
33	N.S.S.	. . SHAFT	1		1
35	780457	. SHAFT FRONT	1		
36	N.S.S.	. . BASE	1		1
37	N.S.S.	. . RING, SNAP	4		1
38	N.S.S.	. . SCREW	4		1
39	N.S.S.	. . . BEARING AXK 3040	1		1
40	N.S.S.	. . . RACE, BEARING AS-3047	2		1
41	N.S.S.	. . . RING, SEAL	1		1
42	N.S.S.	. . . WASHER, THRUST	1		1

From L-031 To N-196	Date:07/2024	PAGE:H4-1801-10
MOTOR DOOR		

Item#	Part	Description	H 3 4 0	V I P 4 0	N O T E S
43	N.S.S.	... COLLAR, THRUST	1		1
44	N.S.S.	... RING, FELT	1		1
45	N.S.S.	... COLLAR, THRUST	1		1
46	N.S.S.	.. SPINDLE, DRIVE	1		1
47	N.S.S.	.. CASING, SPINDLE	1		1
48	N.S.S.	.. CAGE BALL	30		1
49	N.S.S.	.. BALL 5/16"	1		1
50	N.S.S.	.. WASHER	1		1
51	N.S.S.	RING, SNAP	1		1
NS	780454	KIT, REPAIR / W/FORMER MODEL ONLY	AR		
NS	780638	KIT, REPAIR / W/CURRENT MODEL ONLY	AR		
60	5001033	SCREW MA FL PH M5-0.8x10 ZP	1		
NS	5001030	WASHER LO EXTC 5.3x9.8x0.3 BK	1		
61	780488	SWITCH ASSY, REVERSE FRONT	1		
62	780486	CAM	1		
63	5001031	SCREW MA CHE SLT M3-0.5x8 ZP			
64	780487	HOLDER SWITCH FRONT	1		
65	780489	GUIDE, BOLT	1		
66	5001032	SCREW MA CHE SLT M3-0.5x30 ZP	2		
67	502579	NUT HEX M3-0.5 NP	2		
NS	5001034	WASHER SPR BOW 3.2x6.0x0.4 CJ	2		
68	780490	SWITCH - L.H. CONSOLE - BUS	2		
69	5001028	NUT HEX JAM M8-1.25 Z050	1		
		1) NOT SOLD SEPARATELY			

From N-197 To R-079	Date:07/2024	PAGE:H4-1801-15
ENTRANCE DOOR CONTROL		



From N-197 To R-079		Date:07/2024	PAGE:H4-1801-15
ENTRANCE DOOR CONTROL			

Item#	Part	Description	H 3 4 0	V I P 4 0	N O T E S
1	562111	SWITCH / ON-OFF-ON/ S.P.D.T./REVERSE POLARITY	1		
NS	562110	SWITCH / ON-OFF-ON/ S.P.D.T./REVERSE POLARITY / TORRIX 102256	1		
2	283982	SUPPORT EMERGENCY VALVE	1		
3	283989	DECAL "EMERGENCY DOOR VALVE" / IN STEERING COMPARTMENT	1		
4	5011013	VALVE, 4 WAYS CONTROL	2		
5		FITTING - MISCELLANEOUS SEE FAST-MOVING			
6	284057	DECAL "EMERGENCY EXIT" / ENGLISH & FRANCAIS	1		
6	284045	SUPPORT ANGLE / TO FIX VALVE To P-302	1		
7	H4-1806-00	DASHBOARD PANEL			
8	780499	CYLINDER 2"	1		A
8	780568	CYLINDER 2" / SERVICE	1		A
9	500716	NUT HEX 1/2-20 Z050	1		
10	502196	ROD END FEMALE 1/2-20 / 1/2 I.D.	1		
11	5001075	SCREW CAP BUT HEXS 1/2-13x2 Z050	1		
12	500482	WASHER LO SPT .506x.873x.125 Z050	1		
13	780498	CYLINDER PUMP	1		B
14	500445	WASHER FL .437x1.000x.083 Z050	1		
15	502102	PIN, COTTER 1/8 x 1	1		
16	141574	WASHER	2		
17	5001068	NUT HEX JAM 1 1/4-12 ZP	1		
18	284006	SUPPORT CYLINDER / W/PIN 7/16" O.D.	1		
18	502585	WASHER LO SERR 10.2x26.3x1.4 ZP	1		
18	500256	NUT HEX M10-1.5 Z050	1		
19	250788	SUPPORT / (WELDED)	1		
NS	285294	SUPPORT LOWER (SERVICE)	AR		C
NS	500923	SCREW TC CAP HEX 1/4-20x3/4 Z050	2		C
NS	500473	WASHER LO SPT .262x.489x.062 Z050	2		C
NS	780559	SHOCK DAMPER "ENEDINE"	1		C
NS	285288	PIVOT STUD 1/2-13 X 49MM LG / (SERVICE) / TO FIX SHOCK	AR		C
NS	500925	NUT SPR PO RND 1/4	2		C
40	284553	ENTRANCE DOOR CONTROL ASSY	1		D
41	284001	SUPPORT / TO FIX CIRCUIT ASSY	1		
42	063663	MODULE CIRCUIT ASSY W/BOX	1		E
42	562080	BASE, ANCHOR 45MM / TO FIX CIRCUIT	1		
42	562081	PLATE, MODULE	2		
42	562082	END, MODULE	2		
42	063659	MODULE CIRCUIT	1		
42	562309	FUSE / 2 AMPS / 2A	2		
43	641219	AIR PRESSURE REGULATOR 1/8" NPT	1		
44	641130	MANIFOLD VALVE / W/2 SOLENOID	1		
NS	640987	MALE CONNECTOR / NTA FITTING / #4x1/8NPT-M BR	2		
NS	500495	SCREW TP PAN PH #6x1 Z050	2		

From N-197 To R-079	Date:07/2024	PAGE:H4-1801-15
ENTRANCE DOOR CONTROL		

Item#	Part	Description	H 3 4 0	V I P 4 0	N O T E S
NS	501303	. PLUG SQUARE HEAD / PIPE FITTING / 1/8NPT-M BR	2		
NS	5001074	. SCREW CAP HEX M4-0.7x30 G8.8 Z050	2		
NS	502636	. WASHER LO SPT 4.1x7.6x0.9 Z050	2		
NS	502524	. NUT HEX M4-0.7 Z050	2		
45	641393	. VALVE, 4 WAYS, 2 POSITIONS 24V SUPPERSEDED BY 288503	1		FL
45	641217	. VALVE, 3 WAYS, 2 POSITIONS	1		H
NS	640996	. MALE ELBOW 90° / NTA FITTING / #4x1/8NPT-M BR	1		
46	641220	. MALE CONNECTOR / HOSE BARB FITTING / #6x#10-32-M NYL	2		
47	561550	. CONNECTOR / UNIVERSAL MATE-N-LOK / SH 3C / AMP 1-480700-0	1		
NS	561514	. SOCKET TERMINAL / 20-14 / AMP 350537-3	1		
48	H4-0616-00	JUNCTION BOX COMPONENTS, RELAY & BREAKER			
49	561247	. CONNECTOR / UNIVERSAL MATE-N-LOK / SH 2C / AMP 1-480698-0	1		
NS	561514	. SOCKET TERMINAL / 20-14 / AMP 350537-3	2		
50	063926	. MODULE ASSY W/4 RELAY	1		
51	063934	. SUPPORT / TO FIX RELAY	1		
52	063927	. CABLE ASSY	1		
53	561707	. RELAY 24V S.P.D.T. W/RESISTOR /	4		
54	062588	. DIODE ASSY / W/3 3AMPS	1		
55	502563	. SCREW CAP HEX M6-1.0x12 G8.8 Z050	2		
56	561992	. NUT, FIXATION	2		
NS	500518	. SCREW MA BDG PH #4-40x1/2 Z050	2		I
NS	562313	. MALE SCREW RETAINER / KIT / AMP 205980-1	2		
NS	500440	WASHER FL .250x.562x.065 Z050	2		
NS	502531	SCREW CAP HEX M6-1.0x16 G8.8 Z050	2		
NS	065311	CABLE HARNESS	1		GR
NS	285218	PRESSURE SWITCH N.C. 30-10 20PS001AB030E010E	1		GR
NS	066262	KIT, RETROFIT CONTROL MODULE SEDAN DOOR	1		
. NS	IS-94091	. SEE INSTRUCTION SHEET	1		
NS	064268	KIT, VALVE DOOR CONT. SOLENOID	1		
. NS	IS-96024	. SEE INSTRUCTION SHEET	1		
NS	288503	KIT, REPLACEMENT AIR VALVE SEDAN VALVE	1		M
. NS	IS-05900	. SEE INSTRUCTION SHEET	1		M
NS	289649	KIT, REPLACEMENT AIR VALVE SEDAN VALVE AND DAMPER CONTROL	1		M
. NS	IS-05900	. SEE INSTRUCTION SHEET	1		M
		A) THOSE CYLINDERS ASSY HAVE 438MM C/C PIVOT			
		B) THIS CYLINDER IS SUPERSEDED BY KIT #285303 & SEE PAGE H4-1801-16 FOR DETAILS			
		C) THOSE PARTS ARE USE IN RETROFIT KIT 285303 FOR VEHICLE FROM N-198 TO R-079			
		D) THIS CONTROL ASSY IT SUPERSEDED BY #285052 CONTROL ASSY, 1X 063511 & 1X 285218			
		E) THIS CIRCUIT IS SUPERSEDED BY KIT #066262			

From N-197 To R-079	Date:07/2024	PAGE:H4-1801-15
ENTRANCE DOOR CONTROL		

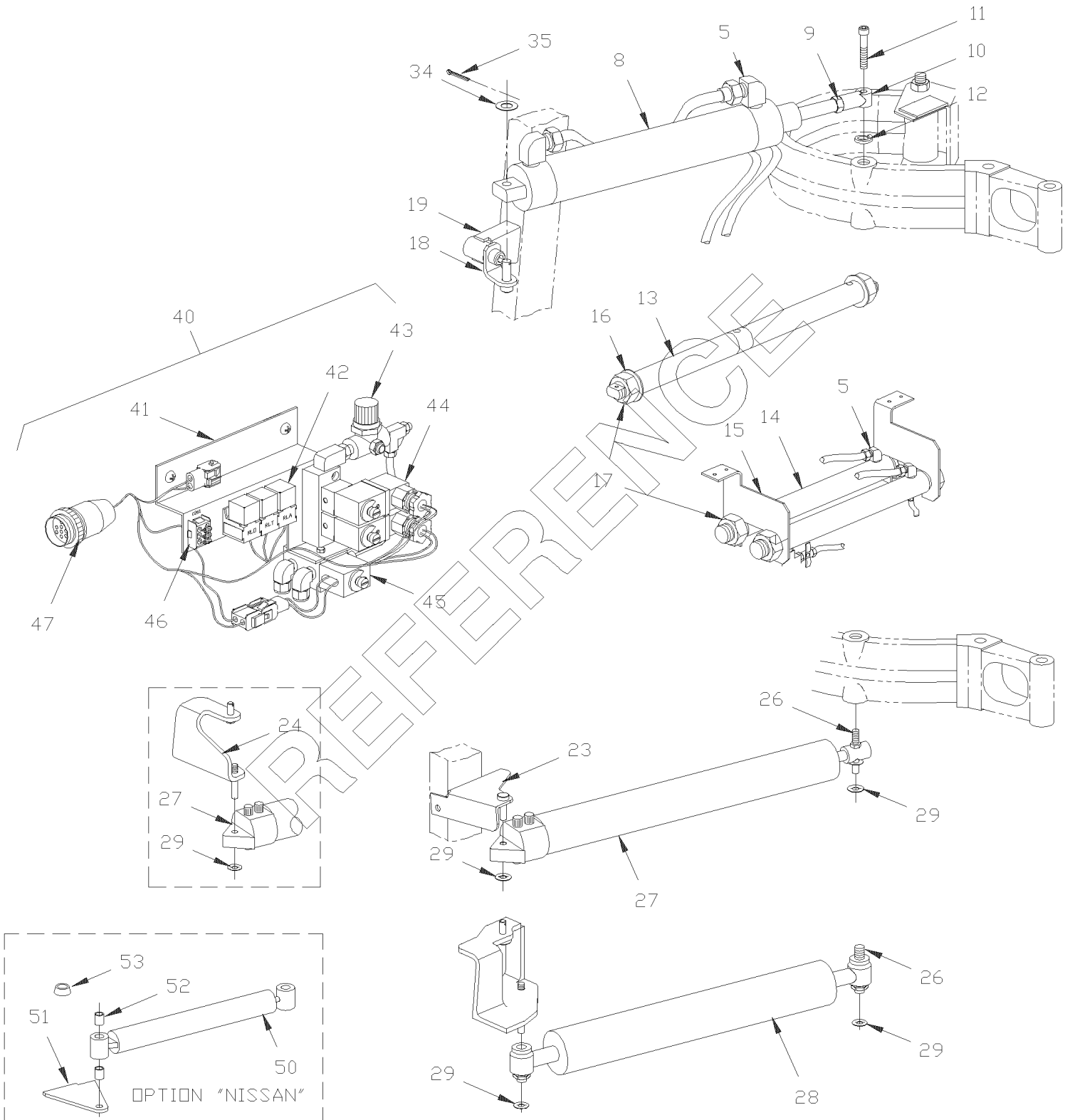
Item#	Part	Description	H 3 4 0	V I P 4 0	N O T E S
		F) THIS VALVE IS USED WITH DOUBLE ACTION CYLINDER UPPER DOOR SEE ITEM #8 AT PAGE H4-1862-10 & IS 96157-A			
		H) THIS ITEM IS SUPERSEDED BY KIT #064268. SEE INSTRUCTION SHEET IS-96024			
		I) TO FIX CONNECTOR			
		L) FOR PRODUCT IMPROVEMENT, ASK FOR KIT #288503 AND SEE INSTRUCTION SHEET IS-05900			
		M) WE STRONGLY RECOMMEND THAT YOU UPGRADE YOUR ENTRANCE DOOR LATCH ASSEMBLY (KIT 285467) PRIOR INSTALLING THE NEW NORGREN VALVE (KIT 288503 OR 289649)			

From N-197 To R-079

Date:07/2024

PAGE:H4-1801-16

ENTRANCE DOOR CONTROL / SERVICE



From N-197 To R-079	Date:07/2024	PAGE:H4-1801-16
---------------------	--------------	-----------------

ENTRANCE DOOR CONTROL / SERVICE

Item#	Part	Description	H 3 4 0	V I P 4 0	N O T E S
		DUE TO THE FACT THAT NUMEROUS MODIFICATION BY PREVOST CAR AND/OR OTHERS, HAVE BEEN INCORPORETED IN THIS SYSTEM, THIS PAGE IS IN REFERENCE ONLY.			
5		FITTING - MISCELLANEOUS SEE FAST-MOVING	1	1	
8	780499	CYLINDER 2"	1		A
8	780568	CYLINDER 2" / SERVICE	1		A
9	500716	NUT HEX 1/2-20 Z050	1		
10	502196	ROD END FEMALE 1/2-20 / 1/2 I.D.	1		
11	5001075	SCREW CAP BUT HEXS 1/2-13x2 Z050	1		
12	500482	WASHER LO SPT .506x.873x.125 Z050	1		
13	780498	CYLINDER PUMP	1		B
14	780546	CYLINDER PUMP	1		B
15	285153	SUPPORT REAR	1		
15	285154	SUPPORT FRONT	1		
16	141574	WASHER	2		
18	284006	SUPPORT CYLINDER / W/PIN 7/16" O.D.	1		
18	502585	WASHER LO SERR 10.2x26.3x1.4 ZP	1		
18	500256	NUT HEX M10-1.5 Z050	1		B
19	250788	SUPPORT / (WELDED)	1		
NS	285294	SUPPORT LOWER (SERVICE)	AR		C
NS	500923	SCREW TC CAP HEX 1/4-20x3/4 Z050	2		C
NS	500473	WASHER LO SPT .262x.489x.062 Z050	2		C
24	213160	SUPPORT / (WELDED)	1		
25	213197	SUPPORT / (WELDED)	1		
26	285288	PIVOT STUD 1/2-13 X 49MM LG / (SERVICE) / TO FIX SHOCK	AR		C
27	780559	SHOCK DAMPER "ENEDINE"	1		C
28	780565	SHOCK DAMPER "KONI"	1		
29	502601	NUT SPR PO RND 7/16	1		
29	500925	NUT SPR PO RND 1/4	2		
40	285052	SEDAN DOOR MODULE ASSY	1		D
41	285041	. SUPPORT	1		
44	641130	. MANIFOLD VALVE / W/2 SOLENOID	1		
45	641217	. VALVE, 3 WAYS, 2 POSITIONS	1		E
45	641394	. VALVE, 3 WAYS, 2 POSITIONS 24V	1		
NS	641393	. VALVE, 4 WAYS, 2 POSITIONS 24V SUPPERSEEDDED BY 288503	1		L
46	062588	. DIODE ASSY / W/3 3AMPS	2		
50	780567	. SHOCK DAMPER "NISSAN"	AR		
51	213317	. SUPPORT / (WELDED)	AR		
52	285482	. SPACER 20MM LG X 1/2" O.D.	1		

From N-197 To R-079	Date:07/2024	PAGE:H4-1801-16
ENTRANCE DOOR CONTROL / SERVICE		

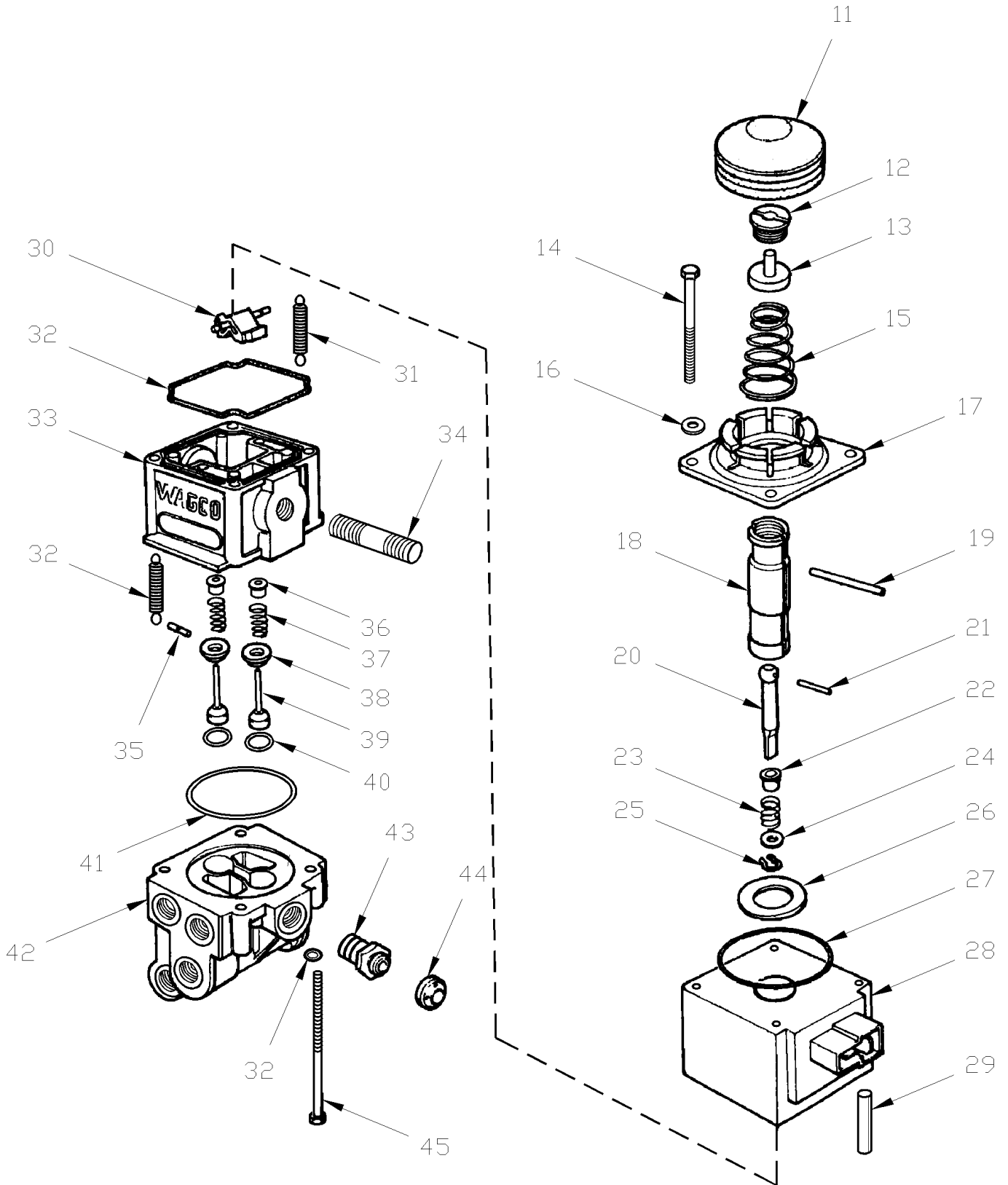
Item#	Part	Description	H 3 4 0	V I P 4 0	N O T E S
53	285483	. DOWEL RING	2		
NS	288503	KIT, REPLACEMENT AIR VALVE SEDAN VALVE	1		M
. NS	IS-05900	. SEE INSTRUCTION SHEET	1		M
NS	289649	KIT, REPLACEMENT AIR VALVE SEDAN VALVE AND DAMPER CONTROL	1		M
. NS	IS-05900	. SEE INSTRUCTION SHEET	1		M
		A) THOSE CYLINDERS ASSY HAVE 438MM C/C PIVOT			
		B) THOSE CYLINDER ARE SUPERSEDED BY KIT #285303			
		C) THOSE PARTS ARE USE IN RETROFIT KIT 285303 FOR VEHICLE FROM N-198 TO R-079			
		D) THIS MODULE COULD BE REPLACE COMPLETELY BY THE MODULE ASSY 284553 AT PAGE H4-1801-15 & SEE NOTE D			
		E) THIS VALVE IS USED WITH DOUBLE ACTION CYLINDER UPPER DOOR SEE ITEM #8 AT PAGE H4-1862-10 & IS 96157-A			
		L) FOR PRODUCT IMPROVEMENT, ASK FOR KIT #288503 AND SEE INSTRUCTION SHEET IS-05900			
		M) WE STRONGLY RECOMMEND THAT YOU UPGRADE YOUR ENTRANCE DOOR LATCH ASSEMBLY (KIT 285467) PRIOR INSTALLING THE NEW NORGREN VALVE (KIT 288503 OR 289649)			

From L-031 To N-196

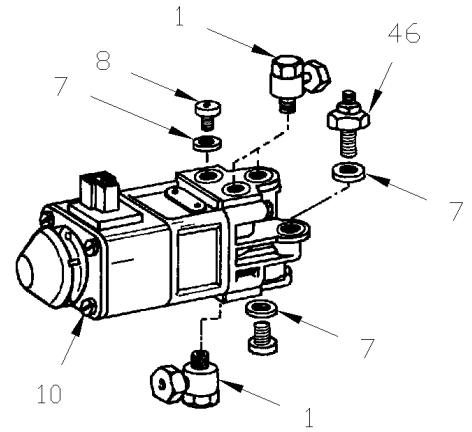
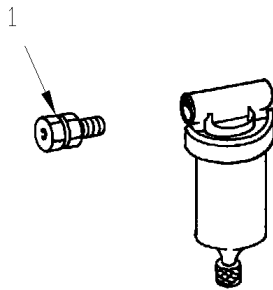
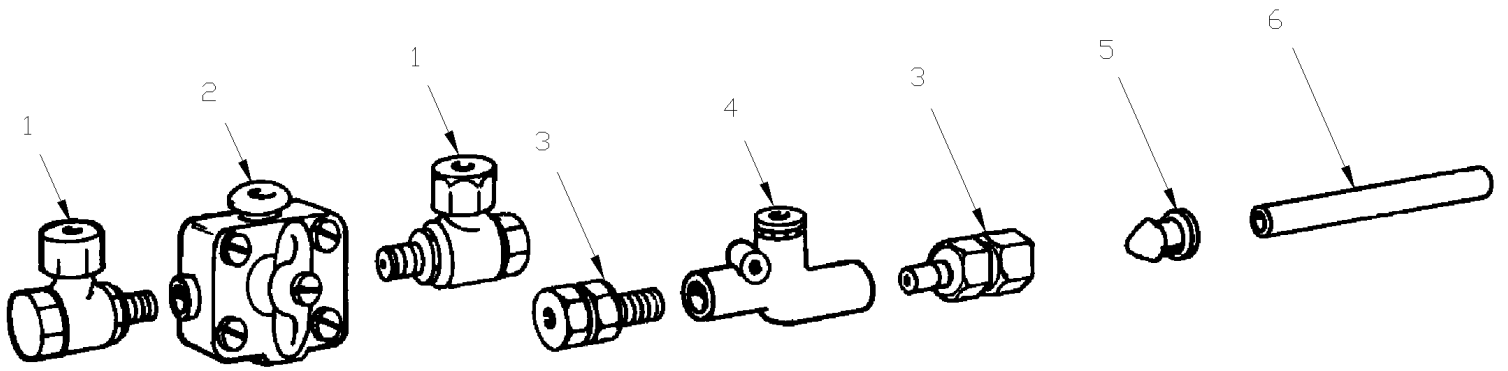
Date:07/2024

PAGE:H4-1801-40

ENTRANCE DOOR AIR VALVE



From L-031 To N-196	Date:07/2024	PAGE:H4-1801-40
ENTRANCE DOOR AIR VALVE		



From L-031 To N-196	Date:07/2024	PAGE:H4-1801-40
ENTRANCE DOOR AIR VALVE		

Item#	Part	Description	H 3 4 0	V I P 4 0	N O T E S
1	641108	FITTING, SWIVEL M8 x M12MW	AR		
2	641112	VALVE	1		A
3	641109	FITTING, STRAIGHT M8 x #4 IM	AR		
4	641116	VALVE, THROTTLE	1		
5	641114	RIVET TUBULAR	AR		
6	503529	TUBE, NYLON 8MM O.D. / BLACK S.L.	AR		
7	641111	GASKET	AR		
8	641110	PLUG M12 X 1.5 / USE WITH REAR VALVE ONLY	AR		
9	641115	MALE CONNECTOR / PUSH-IN FITTING / 8MMx1/4NPT-M	AR		
10	641113	SOLENOID, CONTROL VALVE	1		
11	641184	CAP, RUBBER	1		
13	N.S.S.	SCREW	4		1
16	N.S.S.	WASHER LOCK	8		1
17	N.S.S.	COVER	1		1
19	N.S.S.	PIN	1		1
21	N.S.S.	PIN	1		1
23	N.S.S.	SPRING	1		1
24	N.S.S.	WASHER	1		1
25	N.S.S.	CLIP	1		1
26	N.S.S.	WASHER	1		1
27	N.S.S.	O-RING	1		1
28	N.S.S.	COIL	1		1
29	N.S.S.	DOWEL	1		1
30	N.S.S.	PISTON, LEVER	1		1
31	N.S.S.	SPRING	2		1
32	N.S.S.	GASKET	1		1
33	N.S.S.	BODY	1		1
34	N.S.S.	STUD	1		1
35	N.S.S.	PIN	1		1
36	N.S.S.	SEAL	2		1
37	N.S.S.	SPRING	2		1
38	N.S.S.	SEAL	2		1
39	N.S.S.	PISTON	2		1
40	N.S.S.	O-RING	2		1
41	N.S.S.	GASKET	1		1
42	N.S.S.	BODY, LOWER	1		1
43	N.S.S.	PLUG, PRESSURE RELIEF	1		1
44	N.S.S.	CAP	4		1
45	N.S.S.	SCREW	4		1
46	561724	PRESSURE SWITCH N.C. 30PSI / M12-1.5 W/2 BLADES CON	1		
NS	641157	KIT, REPAIR / INCLUDING ITEMS 11,30,31& 32	AR		

From L-031 To N-196		Date:07/2024	PAGE:H4-1801-40
---------------------	--	--------------	-----------------

ENTRANCE DOOR AIR VALVE

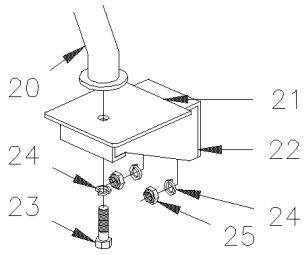
Item#	Part	Description	H 3 4 0	V I P 4 0	N O T E S
		A) EMERGENCY CONTROL			
		1) NOT SOLD SEPARATELY			

From L-031 To R-079

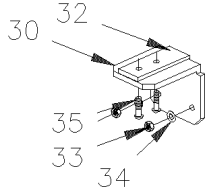
Date:07/2024

PAGE:H4-1806-00

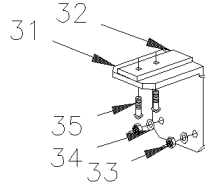
DASHBOARD PANEL



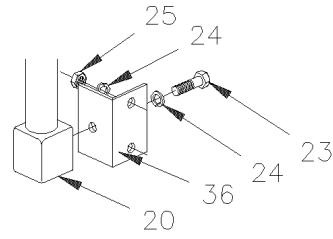
DETAIL "A"



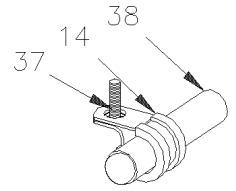
DETAIL "B"



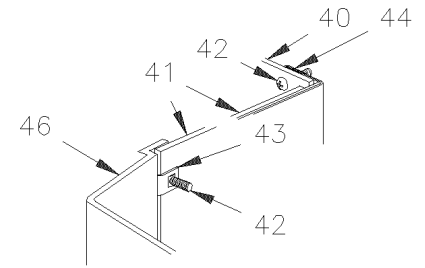
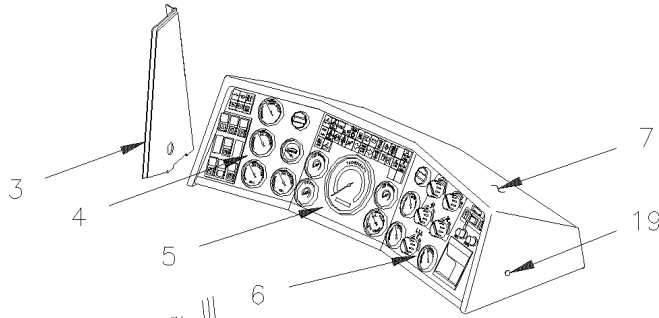
DETAIL "C"



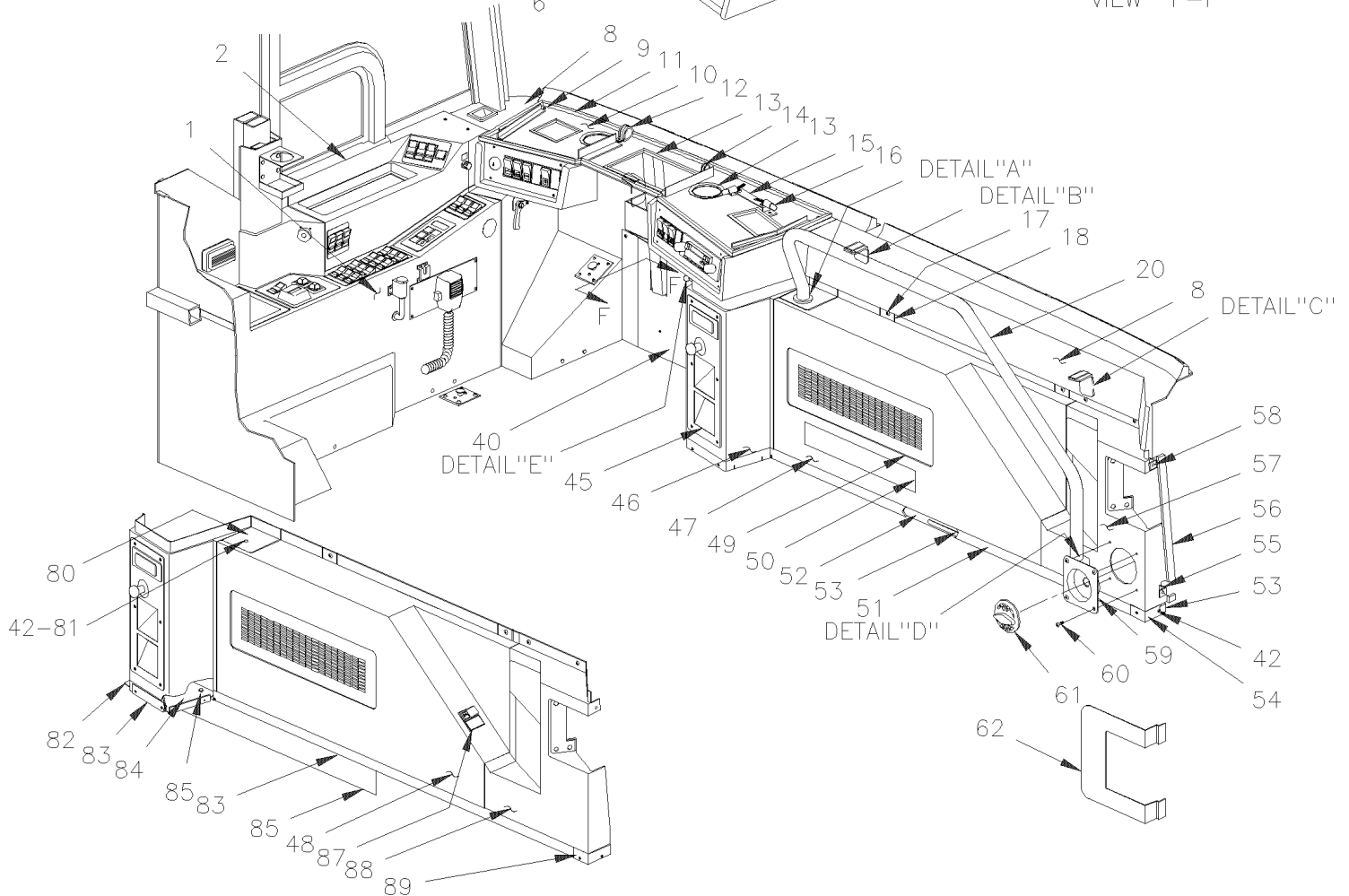
DETAIL "D"



DETAIL "E"



VIEW "F-F"



From L-031 To R-079	Date:07/2024	PAGE:H4-1806-00
DASHBOARD PANEL		

Item#	Part	Description	H 3 4 0	V I P 4 0	N O T E S
1	390969	CONSOLE LOWER L.H.	1		
NS	391340	CONSOLE LOWER L.H. To N-181		1	
1	391475	CONSOLE LOWER L.H. From N-182		1	
2	390968	CONSOLE / REMOVABLE	1		
NS	391272	CONSOLE / REMOVABLE		1	
3	402724	PANEL GREY	1	1	
NS	509558	WEATHERSEAL SNAP-ON 1/8" / SINGLE LIP / WH / C.T.L.	AR	AR	
NS	5001015	SCREW TP BDG PH #6x1/2 SS BK	4	4	
4	H4-0645-10	L.H. DASHBOARD PANEL			
5	H4-0645-20	CENTER DASHBOARD PANEL			
6	H4-0645-30	R.H. DASHBOARD PANEL			
7	390980	DASHBOARD CAP / FIBERGLASS	1	1	
8	H4-2230-00	DEFROSTER - INSTALLATION			
9	500750	SCREW MA TR PH M4-0.7x18 Z050	5	5	
NS	5001055	NUT WELL M4-0.7x14.5	5	5	
NS	390989	SUPPORT / TO FIX DASHBOARD MOUNTING PLATE To N-182	1	1	
10	391507	SUPPORT / TO FIX DASHBOARD MOUNTING PLATE From N-183	1	1	
11	506502	RUBBER EXTRUSION CC NEO 3/8" X 3/8" X 50' / C.T.L.	1	1	
12	560872	CLAMP / 1"1/16 I.D.	1	1	
13	506338	RUBBER CHANNEL / 1/16" x 1/4" INT "U" SHAPE / ROUND C.T.L.	2	2	
14	560481	CLAMP / 5/8" I.D.	1	1	
15	391143	SUPPORT / BOLTED TO THE PLATE / TO FIX LIGHT	1	1	
16	H4-0655-00	INTERIOR LIGHTING			
17	900531	LATCH ASSY To N-197	2	2	
17	504577	SCREW FST PH #12 17.9x28.2 STL From N-198	5	5	
NS	5001076	WASHER FL RET 4.6x15.4x1.37 NYL BK From N-198	5	5	
18	504575	NUT SPR U 31/32x1/2x.213-.265 From N-198	5	5	
18	391130	TAPE BLUE	1	1	
19	504400	SNAP CAP #10 FINISHING BLACK	2	2	
NS	504399	WASHER RETAINER SNAP CAP #10	2	2	
NS	500659	SCREW TC PAN PH #10-32x1 Z050	2	2	
20	390941	RAMP To M-076	1		A
20	391451	RAMP From M-077 To N-197	1		A
20	391469	RAMP From N-198	1		B
21	390950	COVER BRACKET	1		
22	391005	BRACKET / TO FIX RAMP / UPPER & LOWER	2		
23	502549	SCREW CAP HEX M10-1.5x35 G8.8 Z050	2		
24	500823	WASHER LO INT 10.5x18.0x0.9 BK	2		
25	502617	NUT HEX NYRT M10-1.5 Z050	2		
30	391054	BRACKET ANGLE	1	1	
31	391053	BRACKET ANGLE	2	2	
32	506001	TAPE RUB ADH1 CC POL 1/8" x 3/4" x 50' / GREY 2520X	AR	AR	

From L-031 To R-079		Date:07/2024	PAGE:H4-1806-00
DASHBOARD PANEL			

Item#	Part	Description	H 3 4 0	V I P 4 0	N O T E S
33	502556	WASHER FL 4.3x9.0x0.8 SS	AR	AR	
34	500590	NUT HEX NYRT M4-0.7 Z050	AR	AR	
35	500120	SCREW TP BDG PH #6x1/2 SS	AR	AR	
36	250784	ANGLE SUPPORT / TO FIX RAMP	1		
37	500642	SCREW TP PAN PH #10x3/4 Z050	1	1	
NS	500252	NUT SPR U #10-24 .156-.187	1	1	
38	870868	SENSOR MAIN HEATER / TEMPERATURE CONTROL	1	1	
40	391262	SHEET ASSY / METAL	1	1	
40	391260	. SHEET, FINISHING	1	1	
40	810034	. CARPET OZITE / S.L. 12 FT WIDE	AR	AR	B
NS	391066	BRACKET ANGLE / TO FIX ITEM 40 ON THE FLOOR	1	1	
41	391160	SHEET ASSY / METAL	1	1	
41	391158	. SHEET, METAL	1	1	
41	391009	. CLIP RETAINING	1	1	
41	810034	. CARPET OZITE / S.L. 12 FT WIDE	AR	AR	B
42	5001119	SCREW TP BDG PH #8x3/4 SS	AR	AR	
43	500996	NUT SPR U #6-32 .135-.150	AR	AR	
44	500664	NUT SPR U #6-32 .050-.062	AR	AR	
45	H4-0645-50	R.H. CONSOLE			
46	390948	CONSOLE FIXE	1	1	
47	391095	PANEL ASSY REMOVABLE To N-197	1	1	
47	391512	PANEL ASSY REMOVABLE From N-198	1	1	
48	391356	PANEL ASSY REMOVABLE	1	1	
48	390945	. PANEL To N-197	1		
NS	391497	. PANEL From N-198	1		
NS	391350	. PANEL		1	
NS	506339	. TAPE RUB ADH1 NIT 1/4" x 1" x 35' / BLACK 1220	AR	AR	
49	372476	. GRILL	1	1	
NS	500989	. WASHER FL .219x.875x.062 Z050	8	8	
NS	502557	. NUT HEX NYRT M4-0.7 SS	8	8	
50	402987	DECAL FEDERAL LAW / FRENCH	1		
50	402986	DECAL FEDERAL LAW / ENGLISH	1		
50	403652	DECAL FEDERAL LAW / POLYNESIEN	1		
NS	402988	PLATE / TO FIX DECAL	1		
NS	506466	TAPE RUB ADH1 CC POL 1/16" x 1 1/2" x 100' / GREY 2520	AR	AR	
NS	504106	RIVET POP DOME OE 1/8x1/4 AL	4	4	C
NS	391007	BRACKET ANGLE / SS/ ON FLOOR To N-199	1	1	
51	391513	BRACKET ANGLE / SS / ON FLOOR From N-200	1	1	
NS	500120	SCREW TP BDG PH #6x1/2 SS	AR	AR	D
52	506236	TAPE RUB ADH1 CC POL 1/16" x 1/2" x 100' / GREY 2520	AR	AR	
53	506302	RUBBER EXTRUSION TRIM SEAL / GRIP .024 / 7/16" HOLLOW BULB C.T.L.	AR	AR	E
NS	506002	TAPE RUB ADH1 CC POL 3/16" x 1/2" x 40' / GREY 2520	AR	AR	

From L-031 To R-079	Date:07/2024	PAGE:H4-1806-00
---------------------	--------------	-----------------

DASHBOARD PANEL

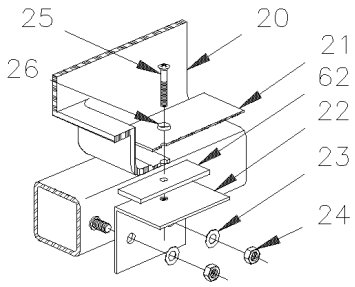
Item#	Part	Description	H 3 4 0	V I P 4 0	N O T E S
54	390947	MOULDING / ANGLE NORYL	1	1	
55	391126	BRACKET ANGLE	2	2	
NS	500814	SCREW TP BDG PH #6x3/4 BK	AR	AR	
56	506005	TAPE RUB ADH1 CC POL 3/8" x 5/8" x 25' / GREY 2520X	AR	AR	
57	391496	PANEL FIXED / RIGHT From N-198	1	1	
58	504104	RIVET POP DOME OE 1/8x1/8 SS	AR	AR	F
59	391495	VALVE COVER To P-310	1		
59	391537	CAP, PROTECTOR From P-311	1		
60	500409	SCREW TP PAN PH #8x1/2 BK	4	4	
61	H4-1801-15	ENTRANCE DOOR CONTROL			
62	323858	RETAINER, BELLOW/ LOWER HINGE W/SEDAN DOOR From N-198 To P-376	1		
62	323586	PANEL FINISHING LOWER / HINGE IN STEPWELL From N-254 To P-375		1	
62	324064	PANEL FINISHING LOWER / HINGE IN STEPWALL From P-376		1	
80	391346	COVER BRACKET	1	1	
81	504403	SNAP CAP #8 FINISHING BLACK	1	1	
NS	504412	WASHER RETAINER SNAP CAP #8	1	1	
NS	500614	SCREW TP FL PH #6x3/4 Z050	1	1	
82	391337	BRACKET ANGLE	1	1	
83	391336	BRACKET ANGLE / PLATE	1	1	
84	502622	SCREW CAP HEX M6-1.0x20 SS BK	2	2	
NS	502573	WASHER FL 6.4x12.5x1.6 SS	2	2	
85	391338	BRACKET ANGLE	1	1	
87	H4-0645-05	SWITCHES L.H. CONSOLE - V.I.P.			
88	391339	PANEL FIXED / RIGHT			
		A) WITH PLUG DOOR			
		B) WITH SEDAN DOOR			
		C) TO FIX PLATE			
		D) TO FIX MOULDING			
		E) LOWER / TO FIX ON BRACKET			
		F) TO FIX BRACKET			

From L-031 To R-079

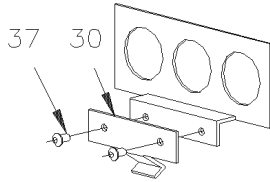
Date:07/2024

PAGE:H4-1806-10

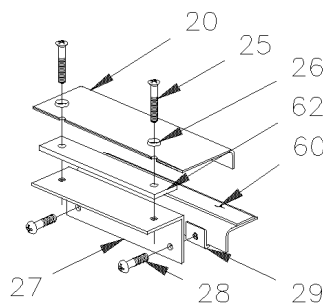
L.H. CONSOLE - BUS



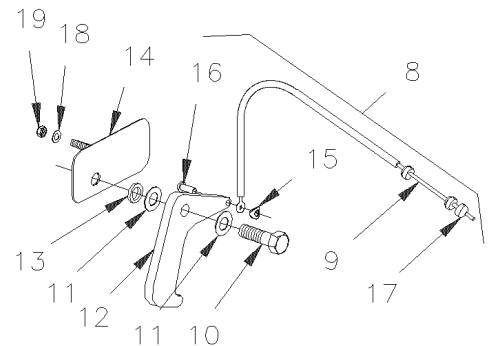
DETAIL "A"



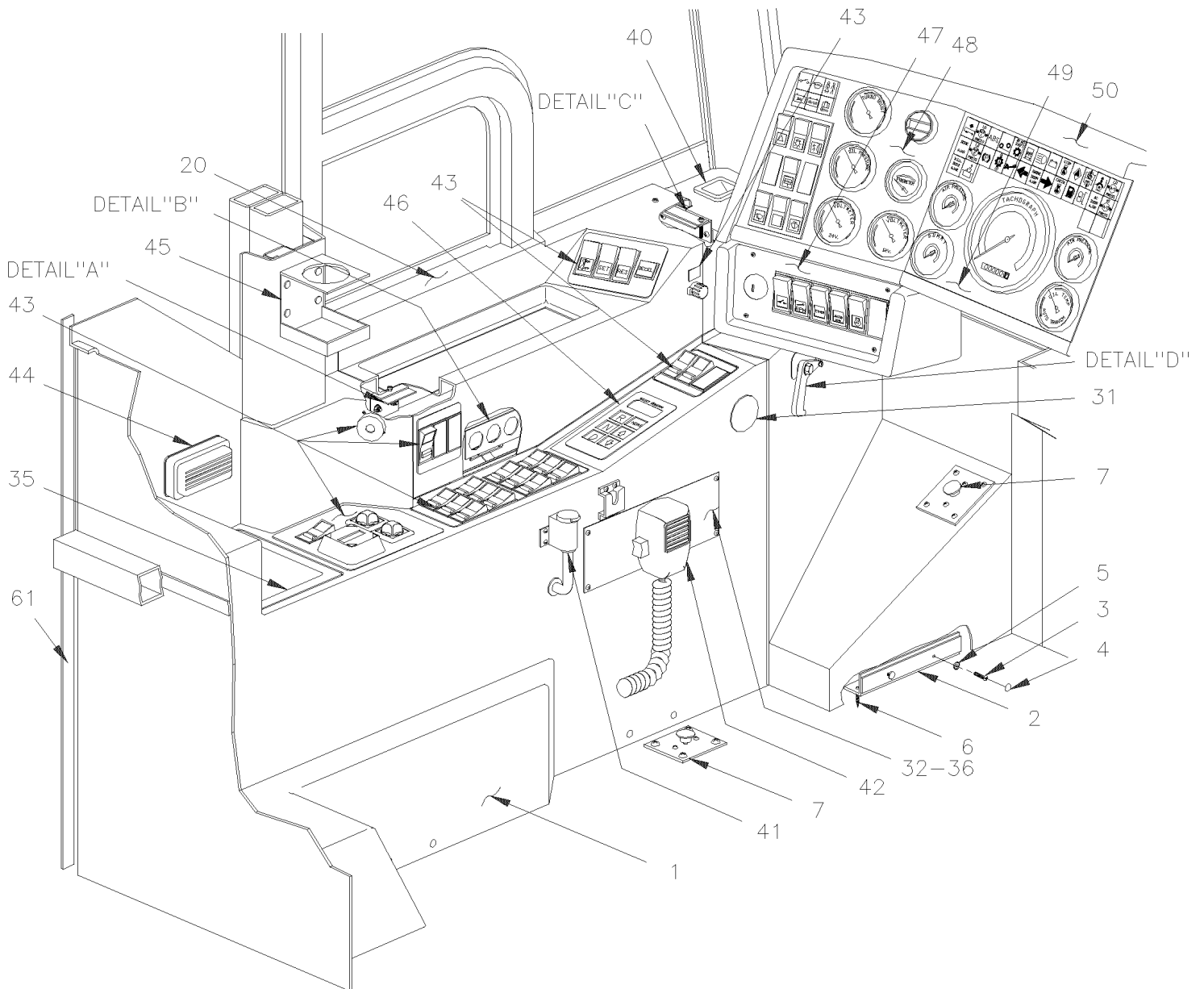
DETAIL "B"



DETAIL "C"



DETAIL "D"



From L-031 To R-079	Date:07/2024	PAGE:H4-1806-10
L.H. CONSOLE - BUS		

Item#	Part	Description	H 3 4 0	V I P 4 0	N O T E S
1	390969	CONSOLE LOWER L.H. To N-181	1		
1	391474	CONSOLE LOWER L.H. From N-182	1		
2	391066	BRACKET ANGLE / TO FIX ITEM 40 ON THE FLOOR	3		
3	500862	SCREW TC PAN PH #6-32x3/4 Z050	AR		
4	504403	SNAP CAP #8 FINISHING BLACK	AR		
5	504412	WASHER RETAINER SNAP CAP #8	AR		
6	500495	SCREW TP PAN PH #6x1 Z050	AR		
7	H4-2310-00	HORN - INSTALLATION			
8	372504	LEVER ASSY	1		
9	372499	. WIRE	1		
10	500181	. SCREW CAP HEX 5/16-18x1 G5 Z050	1		
11	504503	. BUSHING, NYLON 5/16 DIA.	2		
12	372501	. LEVER ASSY	1		
13	500441	. WASHER FL .312x.734x.065 Z050	1		
14	372503	. SUPPORT ASSY	1		
15	500926	. NUT SPR PO RND 3/16	1		
16	504149	. RIVET SOL BRAZ 3/16x1/2 AL	1		
NS	502637	WASHER FL .200x.437x.037 SS	2		
17	505078	STOPPER / W/ AIR DAMPER CONTROL	1		
18	502679	NUT HEX NYRT M4-0.7 ZP	2		A
20	390968	CONSOLE / REMOVABLE	1		
21	391136	PROTECTOR	1		
21	810034	. CARPET OZITE / S.L. 12 FT WIDE	AR		B
22	390974	BRACKET ANGLE	1		
23	502573	WASHER FL 6.4x12.5x1.6 SS	2		
24	500609	NUT HEX M6-1.0 Z050	2		
25	502521	SCREW TC OV PH #8-32x1 BK	3		
26	502620	WASHER FN CK .203x.531 BK	3		
27	390975	BRACKET ANGLE	1		
28	500642	SCREW TP PAN PH #10x3/4 Z050	2		
29	500981	NUT SPR U #10-23/32x5/8	2		
30	391009	CLIP RETAINING	1		
31	400270	DECAL / CMVSS CANADA TRANSPORT	1		
32	403302	PLATE / V.I.N.	1		
32	403692	PLATE / V.I.N. / W/W.C.L.	1		
35	390951	HOLDER MAP To R-020	1		
35	391627	HOLDER MAP From R-021	1		
NS	506071	TAPE RUB ADH1 CC POL 1/8" x 1/2" x 50' / GREY 2520X	AR		
37	504104	RIVET POP DOME OE 1/8x1/8 SS	4		
40	390944	DEFLECTOR / AIR	1		
NS	402724	PANEL GREY	1		C
NS	5001015	SCREW TP BDG PH #6x1/2 SS BK	4		

From L-031 To R-079	Date:07/2024	PAGE:H4-1806-10
L.H. CONSOLE - BUS		

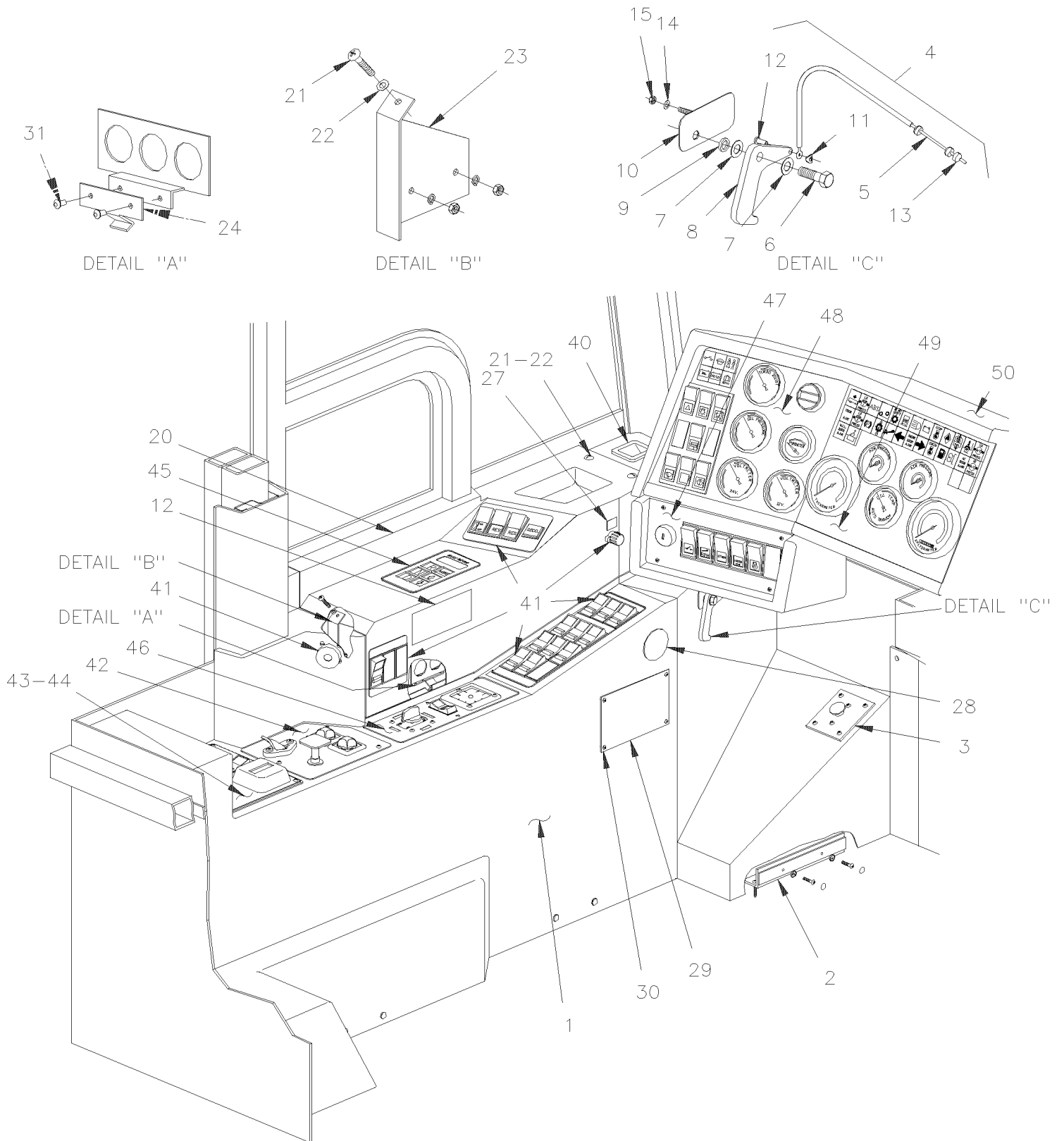
Item#	Part	Description	H 3 4 0	V I P 4 0	N O T E S
NS	509558	WEATHERSEAL SNAP-ON 1/8" / SINGLE LIP / WH / C.T.L.	AR		
NS	506318	TAPE DUAL LOCK 1" x 150' / BLACK SJ3541	AR		D
41	064194	HARNESS 12V	1		
42	H4-2315-00	AUDIO SYSTEM			
43	H4-0645-00	SWITCHES L.H. CONSOLE - BUS			
44	830124	LAMP ASSY	1		
NS	391525	RUBBER PLATE GASKET	1		
NS	562278	BULB / 10WATT-24VOLTS / SAE# 6429	1		
45	900527	GLASS HOLDER	1		
NS	900788	GLASS HOLDER	1		
NS	500862	SCREW TC PAN PH #6-32x3/4 Z050	11		
NS	504403	SNAP CAP #8 FINISHING BLACK	8		
NS	504412	WASHER RETAINER SNAP CAP #8	8		
46	H4-0755-15	SHIFTER ELECTRONIC - "ATEC" TRANSMISSION			
NS	391633	TRAY / W/MANUAL TRANS ONLY	1		
47	H4-0645-40	L.H. & R.H. LOWER CENTRAL PANEL			
48	H4-0645-10	L.H. DASHBOARD PANEL			
49	H4-0645-20	CENTER DASHBOARD PANEL			
50	H4-1806-00	DASHBOARD PANEL			
60	506236	TAPE RUB ADH1 CC POL 1/16" x 1/2" x 100' / GREY 2520	AR		
NS	561821	NUT, RING #17 & 20 / 1.500" I.D W/4 4-40	1		
NS	500518	SCREW MA BDG PH #4-40x1/2 Z050	4		
61	506264	TAPE RUB ADH1 URE 3/4" x 1" x 12.5' / GREY 1820X	AR		
62	506001	TAPE RUB ADH1 CC POL 1/8" x 3/4" x 50' / GREY 2520X	AR		
		A) W/AIR DAMPER CONTROL			
		B) S.L.			
		C) DASH AND WINDOW FOR REFLECTOR			
		D) TO FIX PANEL / C.T.L.			

From L-031 To R-079

Date:07/2024

PAGE:H4-1806-15

L.H. CONSOLE - V.I.P.



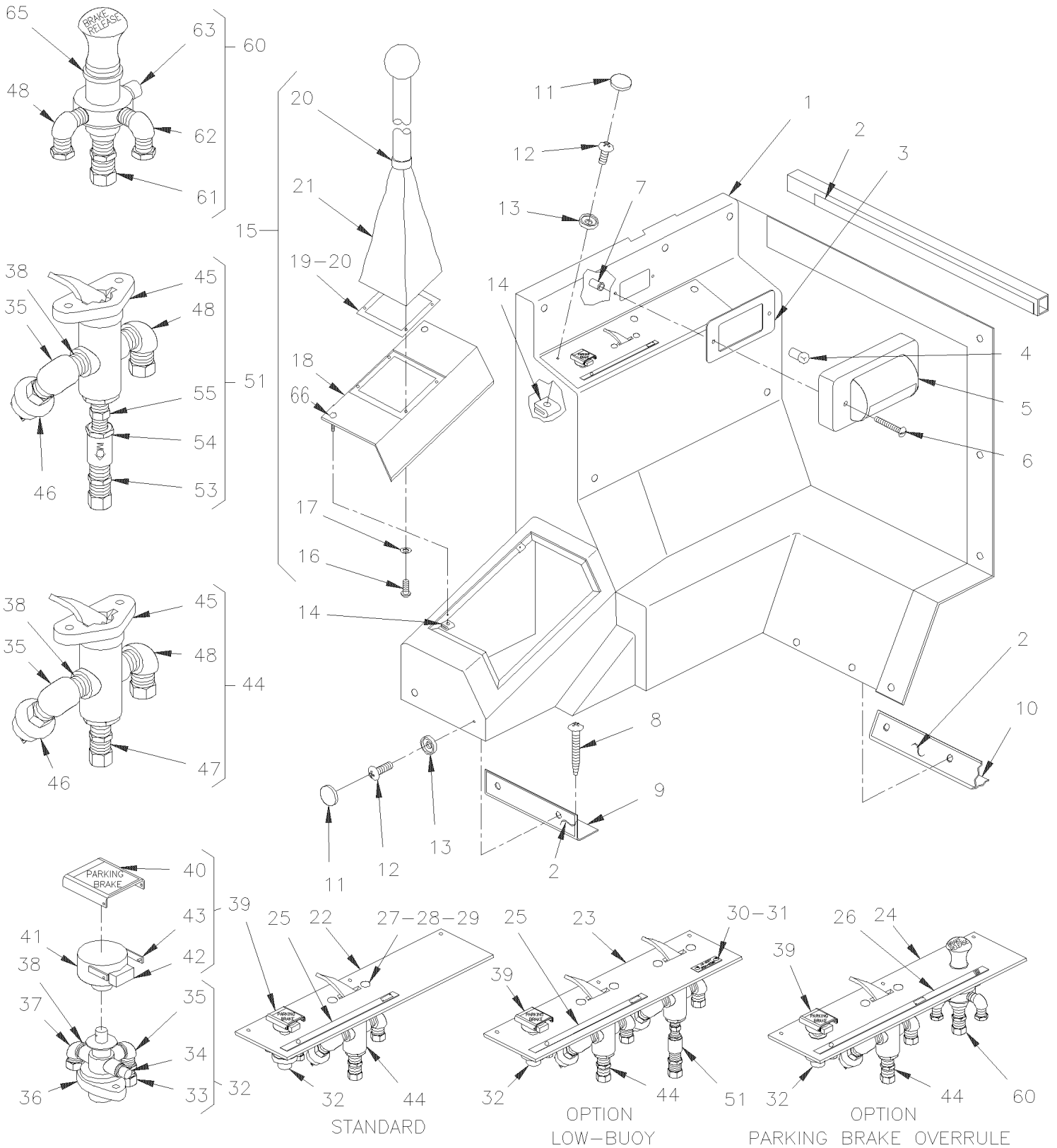
From L-031 To R-079	Date:07/2024	PAGE:H4-1806-15
L.H. CONSOLE - V.I.P.		

Item#	Part	Description	H 3 4 0	V I P 4 0	N O T E S
1	391340	CONSOLE LOWER L.H. To N-181		1	
1	391475	CONSOLE LOWER L.H. From N-182		1	
2	391066	BRACKET ANGLE / TO FIX ITEM 40 ON THE FLOOR		2	
NS	500862	SCREW TC PAN PH #6-32x3/4 Z050		6	
NS	500495	SCREW TP PAN PH #6x1 Z050		9	
3	141454	PLATE / W/O AIR HORN		1	
NS	500764	NUT HEX #8-32 Z050		6	
NS	500470	WASHER LO SPT .193x.334x.047 Z050		4	
NS	500873	SCREW MA RND PH #8-32x3/4 SS BK		4	
4	372504	LEVER ASSY		1	
5	372499	. WIRE		1	
6	500181	. SCREW CAP HEX 5/16-18x1 G5 Z050		1	
7	504503	. BUSHING, NYLON 5/16 DIA.		2	
8	372501	. LEVER ASSY		1	
9	500441	. WASHER FL .312x.734x.065 Z050		1	
10	372503	. SUPPORT ASSY		1	
11	500926	. NUT SPR PO RND 3/16		1	
12	504149	. RIVET SOL BRAZ 3/16x1/2 AL		1	
13	505078	STOPPER / W/ AIR DAMPER CONTROL		3	
14	502637	WASHER FL .200x.437x.037 SS		2	
15	502679	NUT HEX NYRT M4-0.7 ZP		2	
20	391272	CONSOLE / REMOVABLE		1	
21	502521	SCREW TC OV PH #8-32x1 BK		3	
22	502620	WASHER FN CK .203x.531 BK		3	
23	391295	BRACKET / TO FIX CONSOLE		1	
24	391009	CLIP RETAINING		1	
25	810034	CARPET OZITE / S.L. 12 FT WIDE		AR	A
26	391294	BRACKET ANGLE		1	
NS	500981	NUT SPR U #10-23/32x5/8		2	
NS	500642	SCREW TP PAN PH #10x3/4 Z050		2	
27	402786	DECAL / RHEOSTAT		1	
28	400270	DECAL / CMVSS CANADA TRANSPORT		1	
29	403366	PLATE / V.I.N.		1	
40	390944	DEFLECTOR / AIR		1	
41	H4-0645-05	SWITCHES L.H. CONSOLE - V.I.P.			
42	H4-1212-00	TAG AXLE CONTROL PLATE ASSY			
43	391480	LEXAN / LEVEL LOW / (AS SHOWN)		1	
44	391481	CLOSING PLATE		1	
45	H4-0755-15	SHIFTER ELECTRONIC - "ATEC" TRANSMISSION			
46	H4-1640-10	LEVEL-LOW - LEVEL & SWITCHES			
47	H4-0645-40	L.H. & R.H. LOWER CENTRAL PANEL			
48	H4-0645-10	L.H. DASHBOARD PANEL			

From L-031 To R-079	Date:07/2024	PAGE:H4-1806-15
L.H. CONSOLE - V.I.P.		

Item#	Part	Description	H 3 4 0	V I P 4 0	N O T E S
49	H4-0645-20	CENTER DASHBOARD PANEL			
50	H4-1806-00	DASHBOARD PANEL			
		A) S.L.			

From L-029 To R-079	Date:07/2024	PAGE:H4-1806-50
R.H. CONSOLE - W/MANUAL TRANSMISSION		



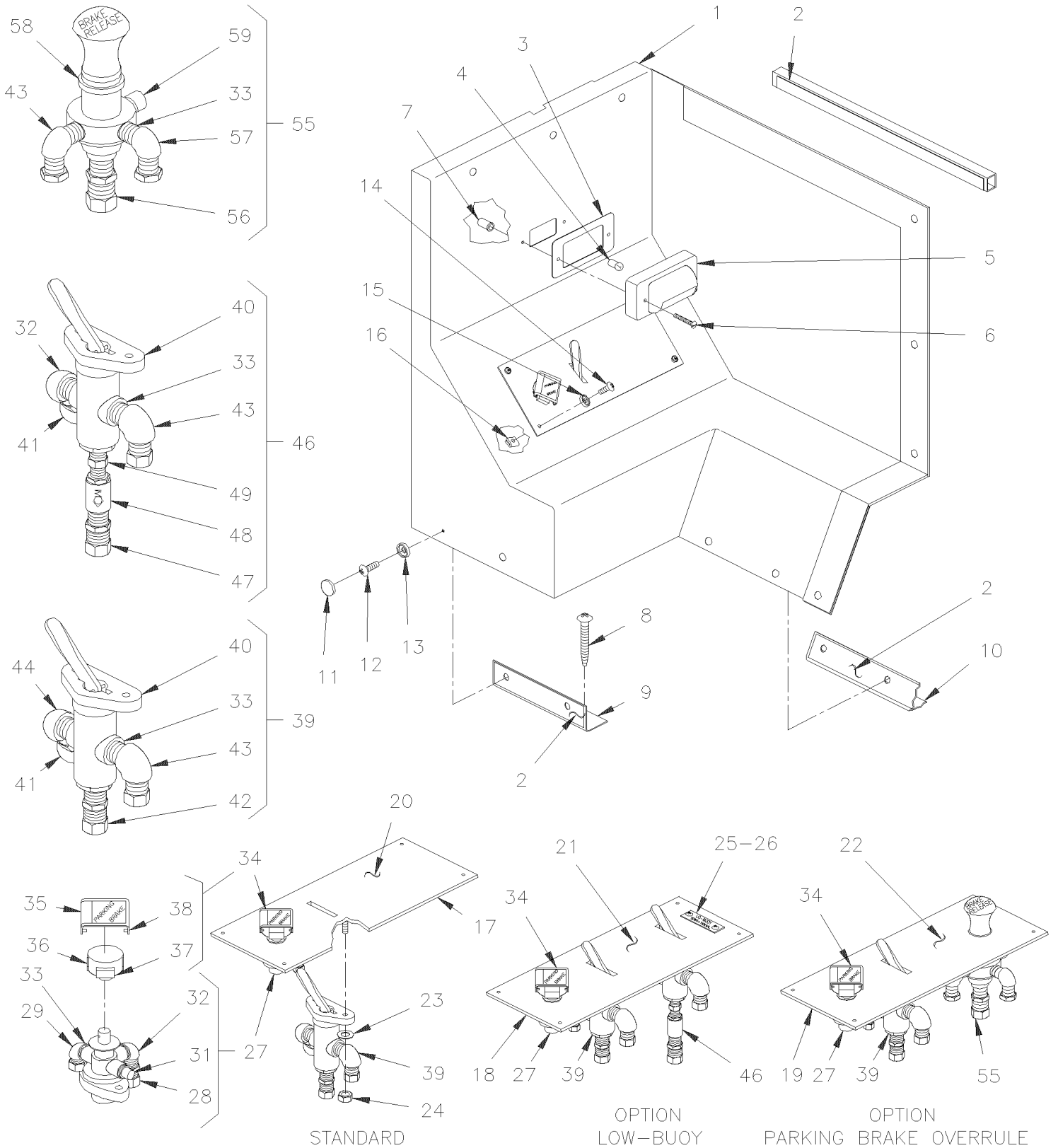
From L-029 To R-079	Date:07/2024	PAGE:H4-1806-50
R.H. CONSOLE - W/MANUAL TRANSMISSION		

Item#	Part	Description	H 3 4 0	V I P 4 0	N O T E S
1	391313	CONSOLE FIBERGLASS / R.H.	1		
2	506001	TAPE RUB ADH1 CC POL 1/8" x 3/4" x 50' / GREY 2520X	AR		
3	391525	RUBBER PLATE GASKET	1		
4	562411	BULB / 5WATT-24VOLTS / SAE # 6424	1		
5	830124	LAMP ASSY	1		
6	500580	SCREW MA RND SLT #8-32x1/2 ZP	AR		
7	500678	NUT WELL #8-32x.450	AR		A
8	500495	SCREW TP PAN PH #6x1 Z050	AR		
9	391141	ANGLE / LOWER FRONT	1		
10	391067	ANGLE / LOWER REAR	1		
11	504403	SNAP CAP #8 FINISHING BLACK	AR		
12	500862	SCREW TC PAN PH #6-32x3/4 Z050	AR		
13	504412	WASHER RETAINER SNAP CAP #8	AR		
14	500996	NUT SPR U #6-32 .135-.150	AR		
15	391462	PANEL ASSY W/BOOT	1		
16	500650	. SCREW TC PAN PH #6-32x3/8 ZP	AR		
17	502649	. WASHER LO EXT .141x.320x.022 Z050	AR		
18	391322	. PANEL FIBERBLASS	1		
NS	391920	. CONSOLE CAP R.H. / NORYL GRAY	1		B
NS	391926	. COVER FINISHING / PLASTIC BLACK	1		B
19	391365	. RETAINER RING	1		
20	680030	. ADHESIVE ADCHEM #EC847 / 1 Liter	AR		
21	391364	. BOOT COVERING / BLACK	1		
22	391318	PANEL, REMOVABLE	1		
23	391492	PANEL, REMOVABLE	1		
24	391318	PANEL, REMOVABLE	1		
25	391378	LEXAN	1		
26	391362	LEXAN	1		
27	504400	SNAP CAP #10 FINISHING BLACK	AR		
28	500572	SCREW MA TR PH #10-24x1/2 SS BK	AR		
29	504399	WASHER RETAINER SNAP CAP #10	AR		
30	390280	NAME PLATE, LOW-BUOY	1		
31	500647	SCREW TC PAN PH #4-40x1/4 ZP	2		
32		PARKING BRAKE VALVE	1		
33	641018	MALE CONNECTOR / NTA FITTING / #6x1/8NPT-M BR	1		
34	501304	PLUG SQUARE HEAD / PIPE FITTING / 1/4NPT-M BR	1		
35	501331	STREET ELBOW 90° / PIPE FITTING / 1/8NPT-Mx1/8NPT-F BR	1		
36	641128	VALVE, CONTROL VALVE PP-1 / 40PSI	1		
. NS	641154	. REPAIR KIT / PP-1 & RD-3	1		
37	641371	MALE ELBOW 90° NON-SWIVEL / PUSH-IN FITTING / #4x1/4NPT-M BR	1		
38	680098	THREAD SEALANT LOCTITE #567 / WHITE / 250ml	AR		
39	391727	PROTECTOR BOX ASSY / OVER PARKING BRAKE VALVE	1		

From L-029 To R-079	Date:07/2024	PAGE:H4-1806-50
R.H. CONSOLE - W/MANUAL TRANSMISSION		

Item#	Part	Description	H 3 4 0	V I P 4 0	N O T E S
40	391726	. COVER / CLEAR PLASTIC	1		
41	391725	. BOX	1		
42	506035	. TAPE RUB ADH1 NEO 1/2" x 1" x 15' / BLACK 1220X	AR		
43	505221	. SPRING, PIN 1/8 X 3/8	2		
44		TAG AXLE CONTROL VALVE	1		
45	640136	VALVE, CONTROL TW-1	1		
. NS	641156	. REPAIR KIT / TW-1	1		
NS	391490	SPACER / VALVE PLATE	1		
46	560816	PRESSURE SWITCH N.C. 3PSI / 1/8NPT W/2 SCREWS	1		
47	641349	MALE CONNECTOR / PUSH-IN FITTING / #6x1/8NPT-M BR	1		
48	641369	MALE ELBOW 90° NON-SWIVEL / PUSH-IN FITTING / #4x1/8NPT-M BR	1		
51		LOW BUOY CONTROL VALVE	1		
53	641331	MALE CONNECTOR / PUSH-IN FITTING / #6x1/4NPT-M BR	1		
54	640135	VALVE, CHECK 1/4 NPT	1		
55	501310	. ADAPTER / PIPE FITTING / 1/4NPT-Fx1/8NPT-M BR	1		
60		PARKING BRAKE OVERRULE CONTROL VALVE	1		
61	641242	MALE CONNECTOR / PUSH-IN FITTING / #4x1/8NPT-M BR	1		
62	641370	MALE ELBOW 90° NON-SWIVEL / PUSH-IN FITTING / #6x1/8NPT-M BR	1		
63	501303	PLUG SQUARE HEAD / PIPE FITTING / 1/8NPT-M BR	1		
65	640472	VALVE, CONTROL / RD-3	1		
. NS	641154	. REPAIR KIT / PP-1 & RD-3	1		
65	330254	BULB SOCKET ASSY W/TERMINAL / USE IN CONSOLE	1		C
65	560623	BULB / 3.5WATT-24VOLTS / SAE# 313	1		C
66	500862	SCREW TC PAN PH #6-32x3/4 Z050	3	3	
		A) TO FIX LAMP			
		B) WITH HYDRAULIC SHIFTER			
		C) RELATED WITH LIGHT INSIDE OF CONSOLE			

From L-029 To R-079	Date:07/2024	PAGE:H4-1806-55
R.H. CONSOLE - W/AUTOMATIC TRANSMISSION		



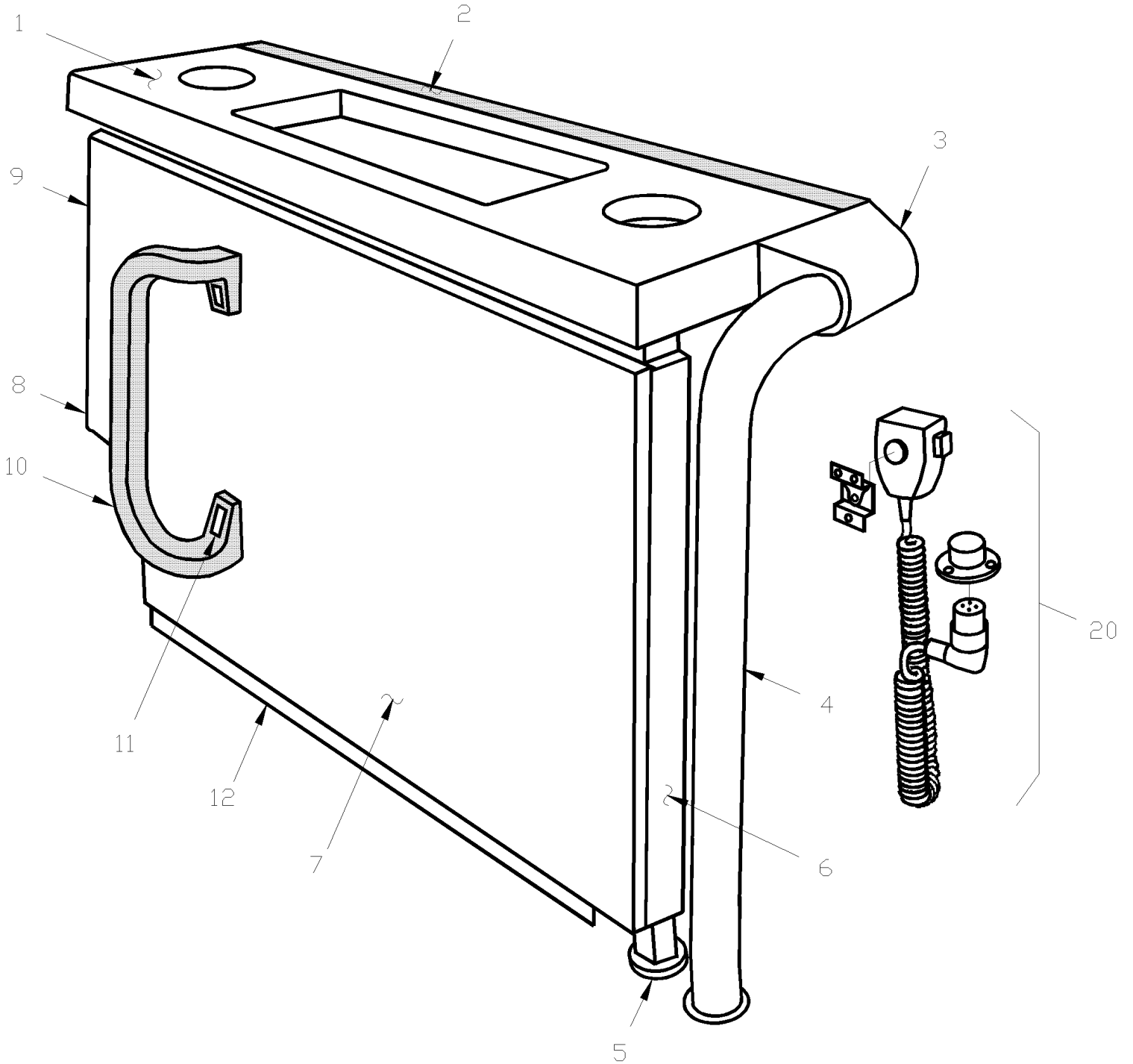
From L-029 To R-079	Date:07/2024	PAGE:H4-1806-55
R.H. CONSOLE - W/AUTOMATIC TRANSMISSION		

Item#	Part	Description	H 3 4 0	V I P 4 0	N O T E S
1	391036	CONSOLE FIBERGLASS	1		
2	506001	TAPE RUB ADH1 CC POL 1/8" x 3/4" x 50' / GREY 2520X	AR		
3	391525	RUBBER PLATE GASKET	1		
4	562411	BULB / 5WATT-24VOLTS / SAE # 6424	1		
5	830124	LAMP ASSY	1		
6	500580	SCREW MA RND SLT #8-32x1/2 ZP	2		
7	500678	NUT WELL #8-32x.450	2		
8	500495	SCREW TP PAN PH #6x1 Z050	AR		
9	391141	ANGLE / LOWER FRONT	1		
10	391064	ANGLE / LOWER REAR	1		
11	504403	SNAP CAP #8 FINISHING BLACK	AR		
12	500862	SCREW TC PAN PH #6-32x3/4 Z050	AR		
13	504412	WASHER RETAINER SNAP CAP #8	AR		
14	500814	SCREW TP BDG PH #6x3/4 BK	AR		
15	500345	WASHER FN CKF .187x.500x.090 BR BK	AR		
16	500996	NUT SPR U #6-32 .135-.150	AR		
17	391324	PLATE / STANDARD	1		
18	391487	PLATE / STANDARD	1		
19	391327	PLATE / W/OVERRULE PARKING BRAKE VALVE	1		
20	391331	LEXAN / W/STD	1		
21	391326	LEXAN / W/STD	1		
22	391330	LEXAN / W/OVERRULE PARKING BRAKE VALVE	1		
23	500591	WASHER FL 4.3x9.0x0.8 Z050	AR		
24	500590	NUT HEX NYRT M4-0.7 Z050	AR		
25	390280	NAME PLATE, LOW-BUOY	1		
26	500647	SCREW TC PAN PH #4-40x1/4 ZP	2		
27		PARKING BRAKE VALVE	1		
28	641018	MALE CONNECTOR / NTA FITTING / #6x1/8NPT-M BR	1		
29	641371	MALE ELBOW 90° NON-SWIVEL / PUSH-IN FITTING / #4x1/4NPT-M BR	1		
30	641128	VALVE, CONTROL VALVE PP-1 / 40PSI	1		
. NS	641154	. REPAIR KIT / PP-1 & RD-3	1		
31	501304	PLUG SQUARE HEAD / PIPE FITTING / 1/4NPT-M BR	1		
32	501331	STREET ELBOW 90° / PIPE FITTING / 1/8NPT-Mx1/8NPT-F BR	1		
33	680098	THREAD SEALANT LOCTITE #567 / WHITE / 250ml	AR		
34	391727	PROTECTOR BOX ASSY / OVER PARKING BRAKE VALVE	1		
35	391726	. COVER / CLEAR PLASTIC	1		
36	391725	. BOX	1		
37	506035	. TAPE RUB ADH1 NEO 1/2" x 1" x 15' / BLACK 1220X	AR		
38	505221	. SPRING, PIN 1/8 X 3/8	1		
39		TAG AXLE CONTROL VALVE	1		
40	640136	VALVE, CONTROL TW-1	1		
. NS	641156	. REPAIR KIT / TW-1	1		

From L-029 To R-079	Date:07/2024	PAGE:H4-1806-55
R.H. CONSOLE - W/AUTOMATIC TRANSMISSION		

Item#	Part	Description	H 3 4 0	V I P 4 0	N O T E S
41	560816	PRESSURE SWITCH N.C. 3PSI / 1/8NPT W/2 SCREWS	1		
42	641349	MALE CONNECTOR / PUSH-IN FITTING / #6x1/8NPT-M BR	1		
43	641369	MALE ELBOW 90° NON-SWIVEL / PUSH-IN FITTING / #4x1/8NPT-M BR	1		
44	501331	STREET ELBOW 90° / PIPE FITTING / 1/8NPT-Mx1/8NPT-F BR	1		
46		LOW-BUOY CONTROL VALVE	1		
47	641331	MALE CONNECTOR / PUSH-IN FITTING / #6x1/4NPT-M BR	1		
48	640135	VALVE, CHECK 1/4 NPT	1		
49	501310	ADAPTER / PIPE FITTING / 1/4NPT-Fx1/8NPT-M BR	1		
55		PARKING BRAKE OVERRULE CONTROL VALVE	1		
56	641242	MALE CONNECTOR / PUSH-IN FITTING / #4x1/8NPT-M BR	1		
57	641370	MALE ELBOW 90° NON-SWIVEL / PUSH-IN FITTING / #6x1/8NPT-M BR	1		
58	640472	VALVE, CONTROL / RD-3	1		
. NS	641154	. REPAIR KIT / PP-1 & RD-3	1		
59	501303	PLUG SQUARE HEAD / PIPE FITTING / 1/8NPT-M BR	1		
NS	330254	BULB SOCKET ASSY W/TERMINAL / USE IN CONSOLE	2		A
NS	560623	BULB / 3.5WATT-24VOLTS / SAE# 313	2		A
		A) THOSE ITEM ARE RELATED WITH LIGHT INSIDE OF CONSOLE			

From L-031 To R-079	Date:07/2024	PAGE:H4-1810-00
MODESTY PANEL R.H.		



From L-031 To R-079	Date:07/2024	PAGE:H4-1810-00
MODESTY PANEL R.H.		

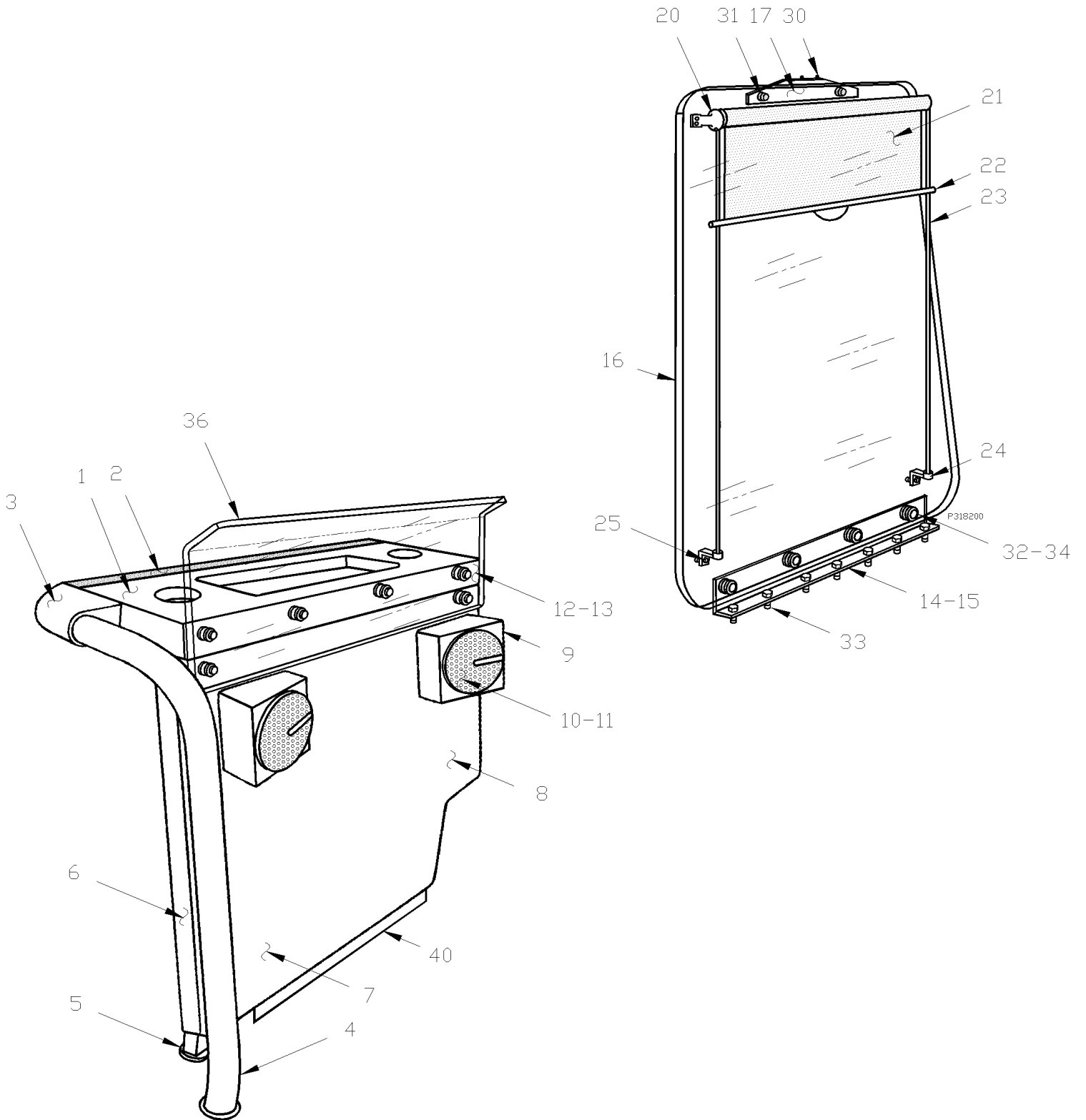
Item#	Part	Description	H 3 4 0	V I P 4 0	N O T E S
1	322461	TOP To L-049	1		
1	323757	TOP From L-050	1		
1	322459	TOP / WASHTRAY To L-049	1		
1	323764	TOP / WASHTRAY From L-050	1		
NS	900518	ASHTRAY	1		
2	322458	MOULDING RUBBER	1		
NS	322574	SPACER	4		
NS	500440	WASHER FL .250x.562x.065 Z050	4		
NS	500536	SCREW TP HEXW SLT #14x1 ZP	4		
3	322729	SUPPORT To S-106	1		
NS	322455	SUPPORT From S-107	1		
NS	500338	SCREW CAP HEXS M10-1.5x20 ZP	4		
4	322578	HANDRAIL ASSY To M-076	1		
4	323742	HANDRAIL ASSY From M-077	1		
NS	502634	SCREW SET HEXS CUP M6-1.0x6	4		
5	322603	STRUCTURE ASSY	1		
NS	5001003	WASHER LO SPT 8.1x12.7x2.0 Z050	6		A
NS	500544	SCREW CAP HEX M8-1.25x30 G8.8 Z050	6		
6	322604	PANEL INSIDE	1		
NS	500642	SCREW TP PAN PH #10x3/4 Z050	6		B
7	322605P	PANEL ASSY / SPECIFY COLOR	1		
NS	502632	NUT TEE M6-1.0	1		
8	323185	RENFORT / TO FIX ITEM 7 TO DUCT	1		
NS	502622	SCREW CAP HEX M6-1.0x20 SS BK	6		
NS	502564	WASHER LO SPT 6.1x11.8x1.6 Z050	AR		
NS	500609	NUT HEX M6-1.0 Z050	AR		
NS	502568	SCREW MA PAN PH M6-1.0x20 EMN	AR		
9	322573	BRACKET ASSY / TO FIX ITEM #5 TO WALL	1		
NS	502569	SCREW MA PAN PH M6-1.0x16 BK	5		
10	900489	HANDLE	1		
11	900490	CAP / W/HANDLE	2		
NS	500865	SCREW TP PAN PH #12x1 1/2 Z050	4		
NS	502689	NUT HEX M3.5-0.6 NP	4		
12	323902	PROTECTOR PANEL SS	1		
NS	506493	TAPE DUAL LOCK 1/2" x 150' / BLACK SJ3541	AR		
13	H4-1812-00	MODESTY PANEL L.H.			
20	H4-2315-00	AUDIO SYSTEM			
		A) TO FIX ITEM 7# TO FLOOR			
		B) TO FIX INSIDE PANEL			

From L-031 To R-079

Date:07/2024

PAGE:H4-1812-00

MODESTY PANEL L.H.



From L-031 To R-079	Date:07/2024	PAGE:H4-1812-00
MODESTY PANEL L.H.		

Item#	Part	Description	H 3 4 0	V I P 4 0	N O T E S
1	322608	TOP To L-049	1		
1	323756	TOP From L-050	1		
1	322460	TOP / WASHTRAY To L-049	1		
1	323765	TOP / WASHTRAY From L-050	1		
NS	900518	ASHTRAY	1		
2	322458	MOULDING RUBBER	1		
NS	500536	SCREW TP HEXW SLT #14x1 ZP	4		
NS	500440	WASHER FL .250x.562x.065 Z050	4		
NS	322574	SPACER	4		
3	322729	SUPPORT	1		
NS	500338	SCREW CAP HEXS M10-1.5x20 ZP	4		
4	322575	HANDRAIL ASSY To M-076	1		
4	323741	HANDRAIL ASSY From M-077	1		
5	322602	STRUCTURE ASSY	1		
6	322607	PANEL / INSIDE	1		
NS	500642	SCREW TP PAN PH #10x3/4 Z050	6		A
7	Call order desk	PANEL ASSY / SPECIFY COLOR	1		P
9	403205	SUPPORT / DRIVER'S SPEAKER	2		
NS	500540	SCREW TP CAP HEX 5/16x1/4 ZP	AR		
NS	500643	SCREW TP PAN PH #12x3/4 Z050	AR		B
10	H4-2315-00	AUDIO SYSTEM			
11	H4-2315-00	AUDIO SYSTEM			
NS	502811	NUT SPR J #8A-B .168-.198	4		
NS	500360	SCREW TP FL PH #8x1 1/4 BK	4		
13	322573	BRACKET ASSY / TO FIX ITEM #5 TO WALL	1		
14	322592	BRACKET ANGLE	1		
15	322652	SPACER / 1 & 5 W/LONG PLEXIGLASS	1		
16	323874	PLEXIGLASS / LARGE / TINTED	1		
16	322591	PLEXIGLASS / LARGE / CLEAR	1		
17	322590	BRACKET ANGLE	1		
20	900478	BEARING HOLDER / R.H. / BLACK CASTING	1		
NS	322654	REINFORCEMENT	2		
NS	502666	SCREW MA FL PH #6-32x3/4 SS BK	4		
NS	500689	NUT HEX #6-32 Z050	4		
21	900596	BLIND ROLLER / CHARCOAL / 600MM	1		
22	900597	. GUIDING PLUG / EACH END OF BLIND	2		
23	401898	ROD, 29"	2		
24	900476	ROD HOLDER 90° / BLACK PLASTIC 30MM C/L	2		
25	502612	SCREW MA RND PH #6-32x1 Z050	2		
NS	500465	WASHER FN CKF .278x.729x.119 SS	4		
30	500416	SCREW MA PAN PH #10-32x1/2 BK	4		
NS	500440	WASHER FL .250x.562x.065 Z050	AR		

From L-031 To R-079	Date:07/2024	PAGE:H4-1812-00
MODESTY PANEL L.H.		

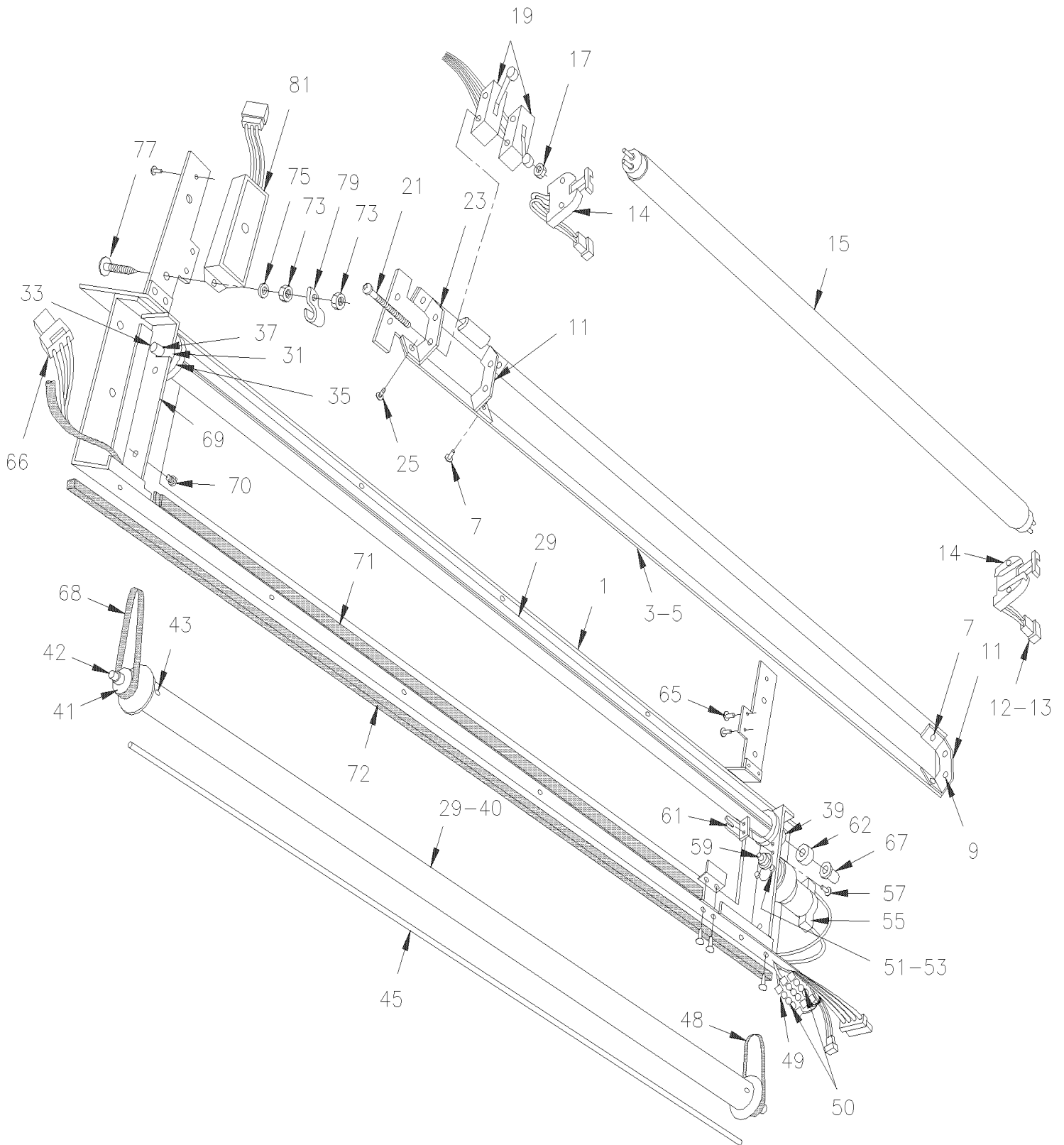
Item#	Part	Description	H 3 4 0	V I P 4 0	N O T E S
31	900251	BUSHING, RUBBER	1		
NS	504412	WASHER RETAINER SNAP CAP #8	AR		
NS	504403	SNAP CAP #8 FINISHING BLACK	AR		
NS	400380	SPACER 5/16 O.D. x 17/32" x 18GA	6		
31	505539	SPACER 5/16 O.D. x 17/32" x 18GA	6		
NS	504399	WASHER RETAINER SNAP CAP #10	AR		
NS	504400	SNAP CAP #10 FINISHING BLACK	6		
NS	500700	NUT HEX #10-32 Z050	AR		
NS	500989	WASHER FL .219x.875x.062 Z050	AR		
NS	502504	SCREW MA BDG PH #10-32x1 SS	AR		
32	502666	SCREW MA FL PH #6-32x3/4 SS BK	4		
33	500414	SCREW TP BDG PH #10x3/4 SS	7		
NS	502759	WASHER FL .218x.875x.062 SS	1		
35	502745	SCREW TP BDG PH #10x1 1/4 ZP	6		
36	323172	PLEXIGLASS / SMALL / CLEAR W/30° ANGLE	1		
36	324555	PLEXIGLASS / SMALL / TINTED W/75° ANGLE	1		
36	325228	PLEXIGLASS / SMALL / TINTED W/30° & 60° ANGLE	1		
40	323902	PROTECTOR PANEL SS	1		
NS	500544	SCREW CAP HEX M8-1.25x30 G8.8 Z050	6		
NS	502634	SCREW SET HEXS CUP M6-1.0x6	AR		
		A) TO FIX INSIDE PANE			
		B) TO FIX ITEM 9 TO 7			
		P) CALL ORDER DESK FOR SPECIFIC APPLICATION (V.I.N.)			

From L-031 To R-079

Date:07/2024

PAGE:H4-1814-01

DESTINATION SIGN - ELECTRICAL



From L-031 To R-079	Date:07/2024	PAGE:H4-1814-01
DESTINATION SIGN - ELECTRICAL		

Item#	Part	Description	H 3 4 0	V I P 4 0	N O T E S
	440241P	DESTINATION SIGN ASSY	1		
1	440244	. FRAME ASSY	1		
3	440237	. SUPPORT ASSY / TO FIX FLUORESCENT TUBE & ACCESSORIES	1		
5	440240	. REFLECTOR	1		
7	504114	. RIVET POP DOME OE 3/16x1/4 AL	4		
9	500518	. SCREW MA BDG PH #4-40x1/2 Z050	4		
11	440227	. BRACKET / TO FIX BIPIN HOLDER	2		
12	560900	. CONNECTOR / COM. MATE-N-LOCK / PH 2C / AMP 1-480319-0	2		
13	560853	. PIN TERMINAL / 24-18 / AMP 60618-1	4		
14	830101	. SOCKET / BIPIN HOLDER	2		
15	830120	. TUBE / 30WATT / F30T8CW4 - 30"/ G13 MED BIPIN	1		
17	502717	. NUT HEX NYRT #6-32 ZP	4		
19	561109	. MICRO SWITCH	2		
21	502718	. SCREW MA PAN PH #6-32x2 ZP	2		
23	440236	. BRACKET / TO FIX MICROSWITCH	1		
25	500148	. SCREW MA RND PH #6-32x1/2 SS	2		
NS	506338	. RUBBER CHANNEL / 1/16" x 1/4" INT "U" SHAPE / ROUND C.T.L.	AR		
NS	440238	. ROLLER ASSY	1		
29	440195	. ROLLER	1		
31	940030	. PULLEY	1		
33	440225	. ROD	1		
NS	440252	. SPRING EXTENSION / .500 O.D. x 10.562 x .054	1		
NS	505407	. SPRING, PIN 1/8 x 1/2 SS	1		
35	440255	. GUIDE ASSY	1		
37	500440	. WASHER FL .250x.562x.065 Z050	1		
39	440254	. GUIDE ASSY	1		
NS	504006	. RIVET POP CK OE 1/8x5/16 AL	2		
NS	440239	. ROLLER ASSY	1		
40	440195	. ROLLER	1		
41	940030	. PULLEY	2		
42	440254	. GUIDE ASSY	2		
43	504006	. RIVET POP CK OE 1/8x5/16 AL	2		
45	440213	. ROD / TO FIX CURTAIN	2		
NS	440250P	. CURTAIN / TO PRINT NAMES / SPECIFIED NAMES	1		A
NS	940023	. CURTAIN WHITE / S.L.	AR		
48	940033	. BELT / 80TH	1		
49	062807	. RESISTOR ASSY 82 OHMS 2 W	1		
49	562108	. RESISTOR / 82 OHMS / 2 W	2		
49	561539	. TAB RECEPTACLE TERMINAL INSUL. NYLON / 16 / AMP 3-520141-2	2		
49	561761	. SHRINK TUBING / .750" - .375" / BLACK / ALPHA FIT-221-3/4-4B	AR		
50	062339	. DIODE ASSY	2		
50	561904	. TAB TERMINAL INSULATION NYLON / 22-18 / AMP 2-520103-2	1		

From L-031 To R-079	Date:07/2024	PAGE:H4-1814-01
DESTINATION SIGN - ELECTRICAL		

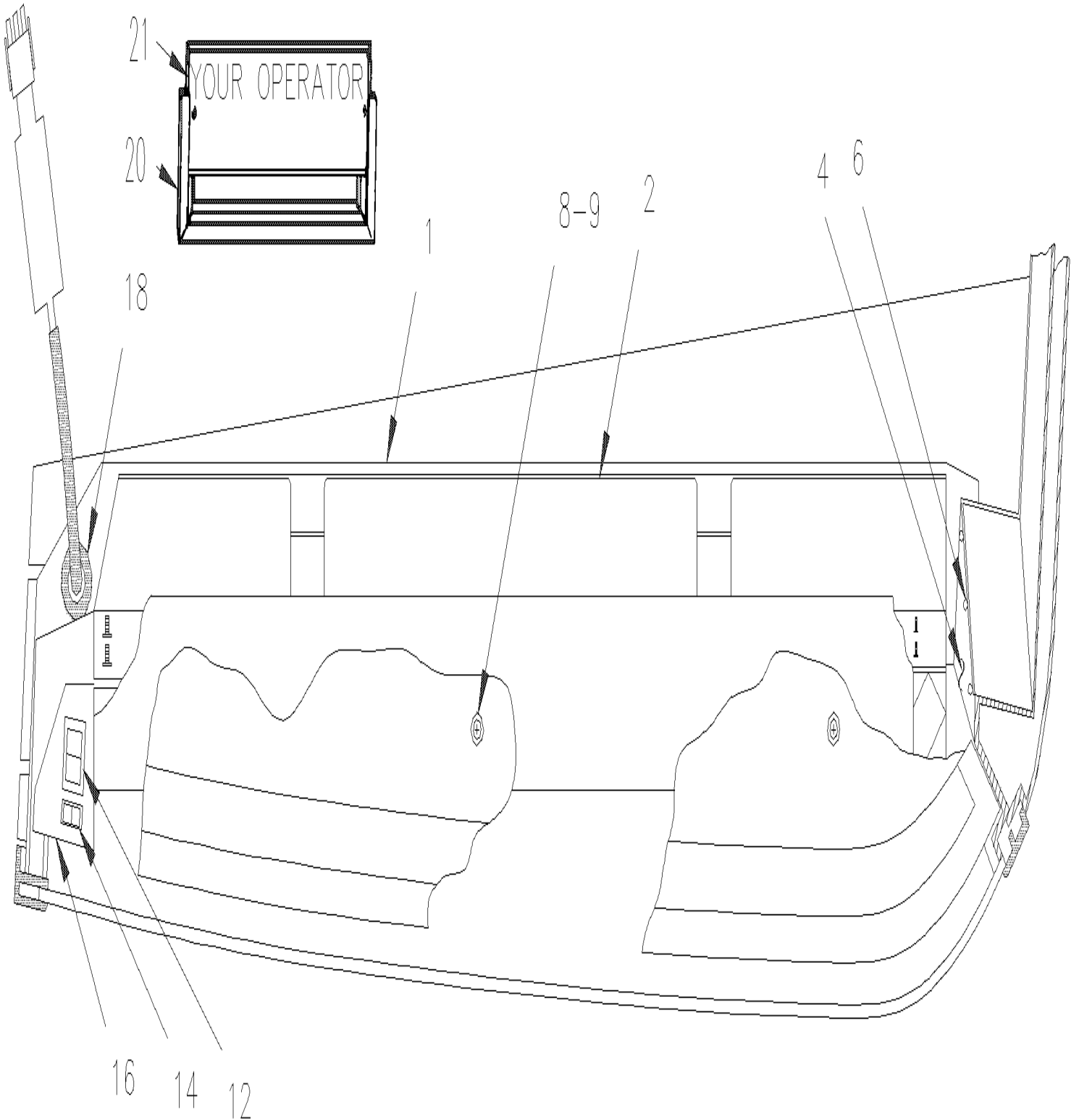
Item#	Part	Description	H 3 4 0	V I P 4 0	N O T E S
50	560931	. DIODE / 3AMPS	1		
50	561626	. TAB RECEPTACLE TERMINAL INSUL. NYLON / 22 / AMP 2-520264-4	1		
50	560785	. SHRINK TUBING / .375" - .187" / BLACK / ALPHA FIT-300-3/8-4B	AR		
51	502724	. SCREW CAP HEX #10-32x1/4 BZC	2		
53	500240	. WASHER LO EXT .195x.410x.025 Z050	2		
55	940031	. MOTOR	1		
57	504103	. RIVET POP DOME OE 1/8x1/8 AL	2		
59	440249	. PULLEY MOTOR	1		
61	440224	. BRACKET	1		
62	440220	. SPACER	1		
65	504114	. RIVET POP DOME OE 3/16x1/4 AL	4		
66	062810	. CABLE / FROM DESTINATION SIGN TO HARNESS	1		
67	507138	. BUSHING, NYLINER W/SHOULDER (4-L-4-F)	4		
68	940032	. BELT / 128TH	1		
69	440222	. PLATE	1		
70	500417	. SCREW TP PAN PH #6x3/8 Z050	2		
71	506071	. TAPE RUB ADH1 CC POL 1/8" x 1/2" x 50' / GREY 2520X	AR		
72	506268	. TAPE RUB ADH1 URE 3/8" x 1/2" x 25' / GREY 1820	AR		
73	500786	. NUT HEX #10-24 Z050	3		
75	500964	. WASHER FL .203x.500x.047 Z050	2		
77	500387	. SCREW MA RND PH #10-24x3/4 Z050	2		
79	560479	. CLAMP / 3/8" I.D.	1		
81	330236	. BALLAST ASSY / 24 VOLTS	1		
81	830121	. BALLAST / 24 VOLTS	1		
81	561667	. CONNECTOR / UNIVERSAL MATE-N-LOK / PH 3C / AMP 1-480701-0	1		
81	561513	. PIN TERMINAL / 20-14 / AMP 350538-3	3		
81	504273	. CABLE TIE / 1/8" X 3"1/2	AR		
		FOLLOWING PARTS ARE RELATED TO			
		ELECTRONIC DESTINATION SIGN INSTALLATION			
NS	940034	DESTINATION SIGN ASSY			
NS	440280	ANGLE RETAINER L.H.			
NS	440281	ANGLE RETAINER R.H.			
NS	440277	SUPPORT / L.H.			
NS	440282	SUPPORT R.H.			
NS	440283	CONTROL BOX (IN PARCEL RACK R.H.)			
NS	940037	CABLE FLAT / CONTROL BOX & SIGN			
NS	940035	. KEYLESS BOARD			

From L-031 To R-079		Date:07/2024	PAGE:H4-1814-01
---------------------	--	--------------	-----------------

DESTINATION SIGN - ELECTRICAL

Item#	Part	Description	H 3 4 0	V I P 4 0	N O T E S
		A) NOT INCLUDE IN ASSY #440241P			

From L-031 To R-079	Date:07/2024	PAGE:H4-1814-05
DESTINATION SIGN - INSTALLATION		



From L-031 To R-079	Date:07/2024	PAGE:H4-1814-05
DESTINATION SIGN - INSTALLATION		

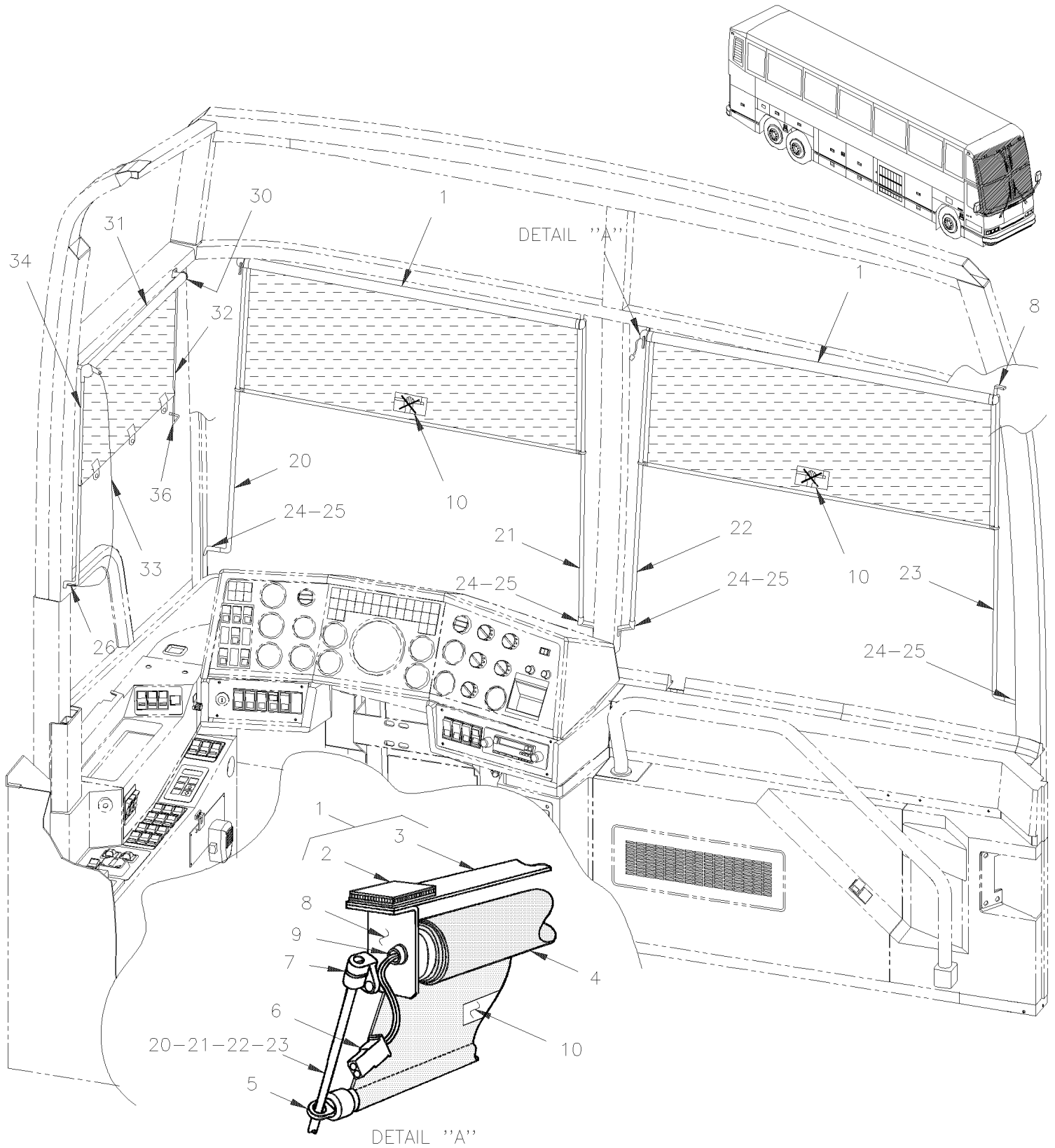
Item#	Part	Description	H 3 4 0	V I P 4 0	N O T E S
1	440247	COVER ASSY / W/ELECTRICAL To L-043	1		
1	440274	COVER ASSY / W/ELECTRICAL From L-044	1		
1	440273	. COVER	1		
1	440248	. WINDOW / LENS GREEN	1		
1	470949	. SPACER RUBBER 3/4" O.D. / S.Q.	3		
2	440241P	DESTINATION SIGN ASSY	1		
4	440233	SUPPORT R.H. / W/ELECTRICAL	1		
6	500879	SCREW TP PAN PH #10x1 Z050	6		A
8	500624	SCREW TP OV PH #6x1/2 Z050	5		
9	500463	WASHER FN CKF .187x.500x.090 BR Z050	5		
12	561613	SWITCH / M/ON-OFF-M/ON D.P.D.T. To L-043	1		
12	561087	INSERT / BLACK From L-044	1		
12	562111	SWITCH / ON-OFF-ON/ S.P.D.T./REVERSE POLARITY From L-044	1		
. NS	562110	. SWITCH / ON-OFF-ON/ S.P.D.T./REVERSE POLARITY / TORRIX 102256 From L-044	1		
14	062809	SWITCH ASSY W/CONNERTOR From L-044	1		
14	561476	. CONNECTOR / (.062) / SH 4C / MOLEX 03-06-1044	1		
14	562109	. SWITCH / ON-ON / S.P.S.T.	1		
14	561748	. CONTACT HOLE PLUG / VEAM 10-101033-13	1		
16	440234	BRACKET / L.H. TO FIX SWITCH To L-043	1		
16	440275	BRACKET / STREET SIDE / TO FIX SWITCH From L-044	1		
18	504264	GROMMET / .750x1.250x.062x.250x1.625	1		
18	502583	WASHER LO SERR 8.15x22.3x1.0 Z050	4		A
18	500769	NUT HEX 1/4-20 Z050	4		
20	400638	MOULDING / 11" / "U" SHAPE DRIVER'S NAME HO	1		
21	400636	PLATE / STAMPED "NOM DU CONDUCTEUR"	1		
21	400637	PLATE / STAMPED "DRIVER'S NAME" / REAR	1		
21	400601	. PLATE (BLANK) / FOR DRIVER'S NAME / SPECIFY NAME	1		
		A) W/ITEM 4 & 16			

From L-031 To R-079

Date:07/2024

PAGE:H4-1816-00

ROLLER BLIND - DRIVER'S & WINDSHIELD



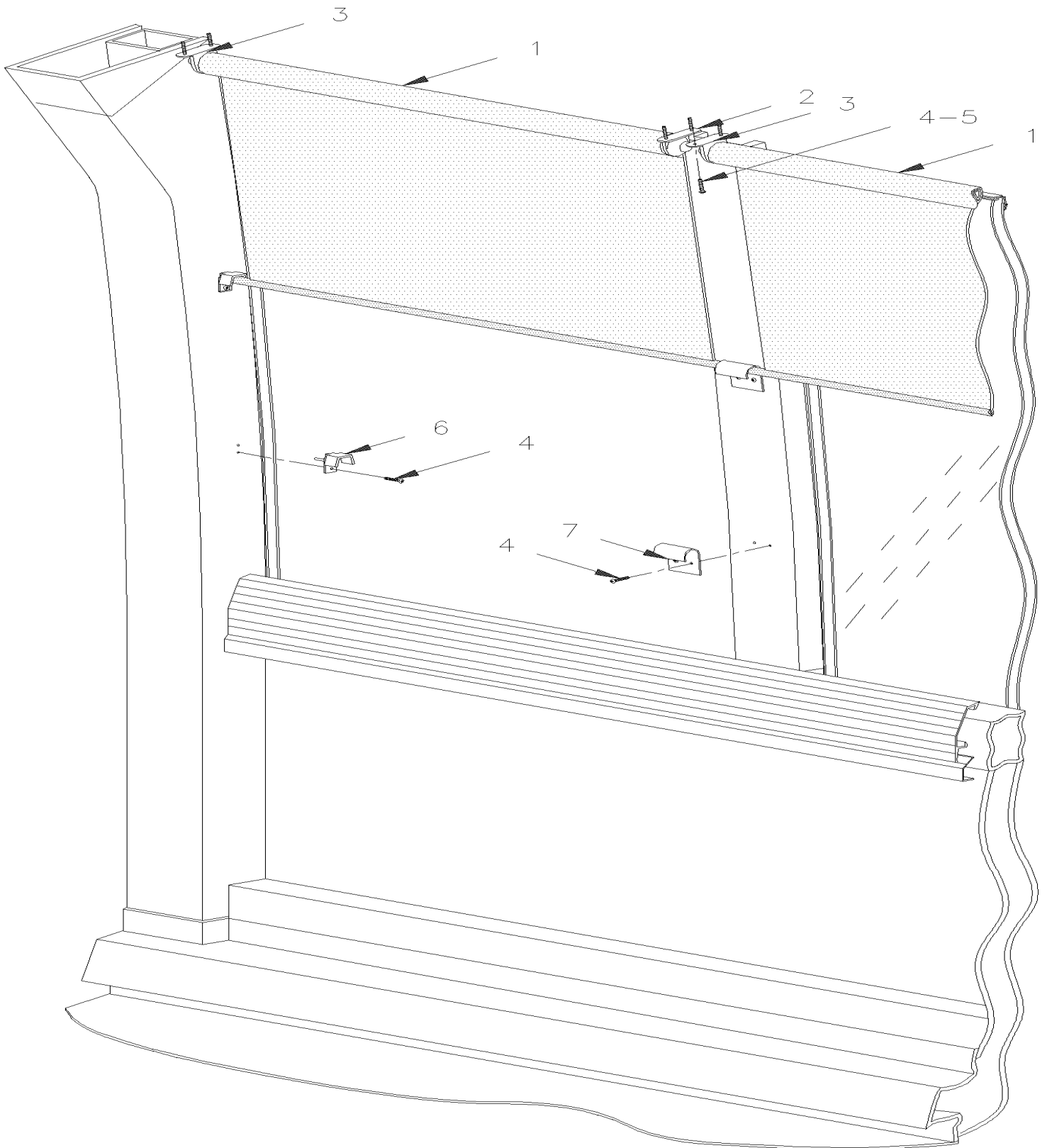
From L-031 To R-079	Date:07/2024	PAGE:H4-1816-00
ROLLER BLIND - DRIVER' S & WINDSHIELD		

Item#	Part	Description	H 3 4 0	V I P 4 0	N O T E S
1	402950	ROLLER BLIND ASSY / ELECTRIC	2	2	
1	901121	ROLLER BLIND ASSY / ELECTRIC SERVICE	AR	AR	
1	408404	ROLLER BLIND / ELECTRIC / PRODUCT IMPROVMENT	1	1	
NS	901532	ROLLER BLIND ASSY / ELECTRIC	2	2	
2	506318	TAPE DUAL LOCK 1" x 150' / BLACK SJ3541	AR	AR	
3	402948	BRACKET	1	1	
4	900590	ROLLER BLIND ELECTRIC	1	1	
5	900597	GUIDING PLUG / EACH END OF BLIND	1	1	
6	500898	SCREW CAP HEX 7/16-14x1 3/4 G5 ZP	1	1	
6	560854	SOCKET TERMINAL / 24-18 / AMP 60617-1	2	2	
7	900594	BRACKET KIT ASSY R.H.	1	1	A
7	900554	BRACKET KIT ASSY L.H.	1	1	A
7	504106	RIVET POP DOME OE 1/8x1/4 AL	2	2	
7	901048	KIT BRACKET L.H. & R.H. SERVICE	1	1	
8	402949	BRACKET / L.H.	1	1	
8	402972	BRACKET / R.H.	1	1	
8	504105	RIVET POP DOME OE 1/8x3/16 AL	4	4	
9	507309	BUSHING NYLINED .312x.375x.078x.500	1	1	
9	500437	WASHER FL .125x.375x.040 Z050	2	2	
9	502564	WASHER LO SPT 6.1x11.8x1.6 Z050	1	1	
10	402952	DECAL	1	1	
NS	562169	DIODE / 1AMP	AR	AR	
20	402927	ROD GUIDE / L.H. To N-191			
20	403568	ROD GUIDE / L.H. From N-192	1	1	
21	402926	ROD GUIDE / CENTER L.H. To N-191	1	1	
21	403569	ROD GUIDE / CENTER L.H. From N-192	1	1	
22	402846	ROD GUIDE / CENTER R.H. To N-191	1	1	
22	403566	ROD GUIDE / CENTER R.H. From N-192	1	1	
22	404442	ROD GUIDE / CENTER R.H. / W/ELECTRONIC DIGITAL	1		
23	402847	ROD GUIDE / R.H. To N-191	1	1	
23	403567	ROD GUIDE / R.H. From N-192	1	1	
24	402848	BRACKET / W/GUIDE ON DRIVER'S WINDOW To N-191	1		
24	403570	ROD HOLDER / BLACK / STEEL "L" SHAPE From N-192	4	4	
24	901263	ROD HOLDER / BLACK / PLASTIC 50MM SERVICE	4	4	
NS	5001091	SCREW TC PAN PH #4-40x1/4 BK	4	4	
25	500409	SCREW TP PAN PH #8x1/2 BK	AR	AR	
26	900478	BEARING HOLDER / R.H. / BLACK CASTING	1	1	
31	900596	BLIND ROLLER / CHARCOAL / 600MM	1	1	
32	900597	GUIDING PLUG / EACH END OF BLIND	1	1	
33	900476	ROD HOLDER 90° / BLACK PLASTIC 30MM C/L	2	2	
34	402689	ROD REAR 625MM	1	1	
35	402671	ROD FRONT 695MMM X 96MM	1	1	

From L-031 To R-079	Date:07/2024	PAGE:H4-1816-00
ROLLER BLIND - DRIVER' S & WINDSHIELD		

Item#	Part	Description	H 3 4 0	V I P 4 0	N O T E S
36	500333	SCREW TP OV PH #6x3/4 BK	1	1	
100	405409	KIT, ELECTRIC ROLLER BLIND	1	1	
. NS	IS-01043	. SEE INSTRUCTION SHEET	1	1	
		A) THOSE PARTS SOLD ONLY ASSY AND DISCARD OTHERS PARTS			

From L-031 To R-079	Date:07/2024	PAGE:H4-1816-10
SUN SHADE - PASSENGER'S WINDOW		



From L-031 To R-079	Date:07/2024	PAGE:H4-1816-10
---------------------	--------------	-----------------

SUN SHADE - PASSENGER'S WINDOW

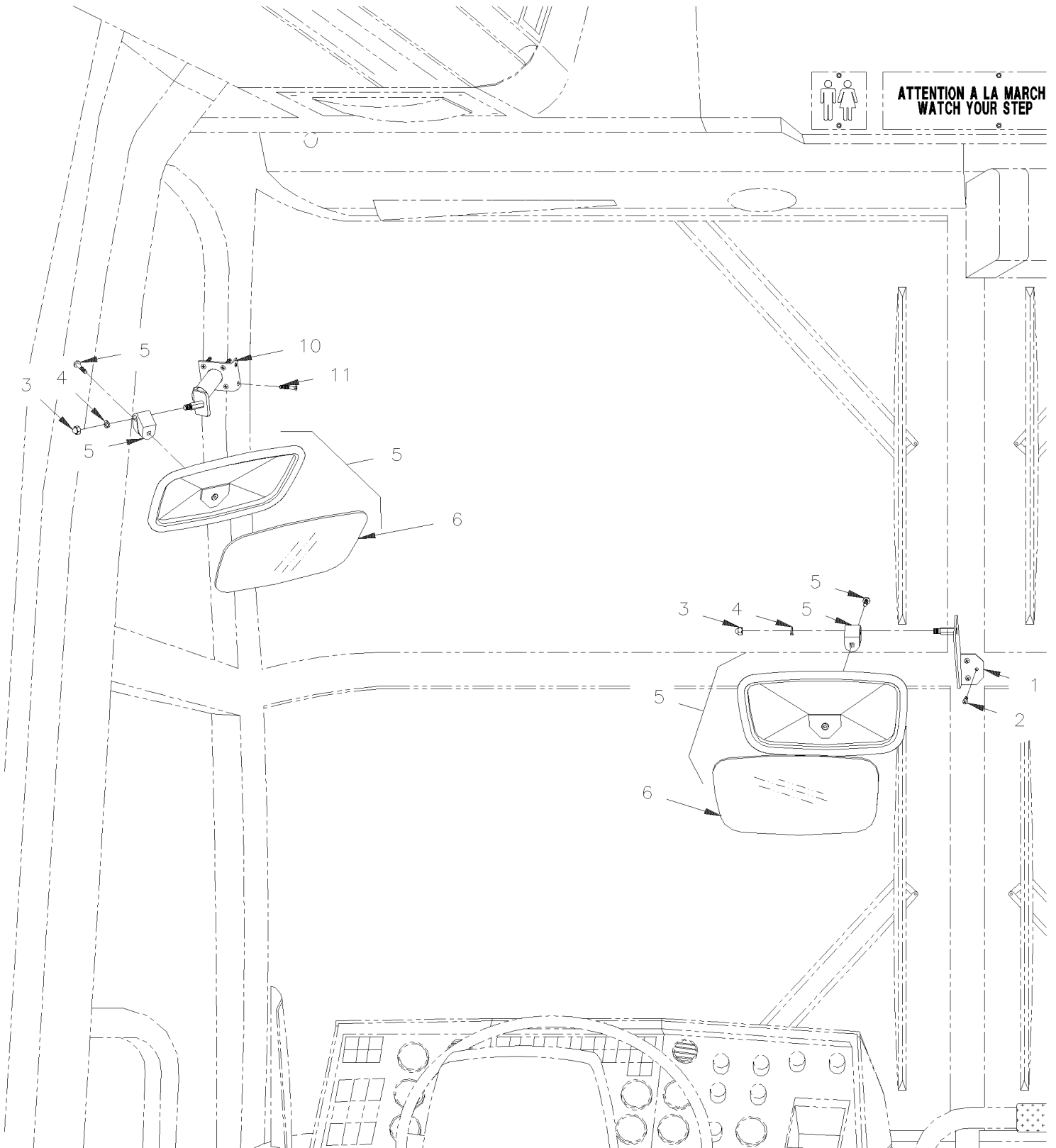
Item#	Part	Description	H 3 4 0	V I P 4 0	N O T E S
1	900692	SUN SHADE / 664MM WIDE	1		
1	900691	SUN SHADE / 706MM WIDE	1		
1	900562	SUN SHADE / 842MM WIDE	2		
1	900733	SUN SHADE / W.C.L. DOOR / W/HINGE / 1028MM WIDE	1		
1	900706	SUN SHADE / 1078MM WIDE	1		
1	900707	SUN SHADE / 1120MM WIDE	1		
1	900564	SUN SHADE / 1587MM WIDE	10		
1	900564	SUN SHADE / 1587MM WIDE		12	
1	900836	SUN SHADE / W.C.L. "ST & ST" 1587MM WIDE	2		
2	900544	BRACKET, MALE / BLACK	14		
2	900544	BRACKET, MALE / BLACK		16	
3	900545	BRACKET, FEMALE / BLACK	14		
3	900545	BRACKET, FEMALE / BLACK		16	
4	5001145	SCREW TP BDG PH #6x1 BK	AR		
4	500814	SCREW TP BDG PH #6x3/4 BK	112		
4	500814	SCREW TP BDG PH #6x3/4 BK		124	
5	403686	SPACER / BRACKET & BRACKET	AR		
6	404055	HOOK SINGLE / FRONT & REAR POST 14MM	8		
NS	404249	CABLE ASSY / 24V POWER / 35'	4		
7	403363	HOOK	24		

From L-031 To R-079

Date:07/2024

PAGE:H4-1820-00

MIRROR - INTERIOR



From L-031 To R-079	Date:07/2024	PAGE:H4-1820-00
MIRROR - INTERIOR		

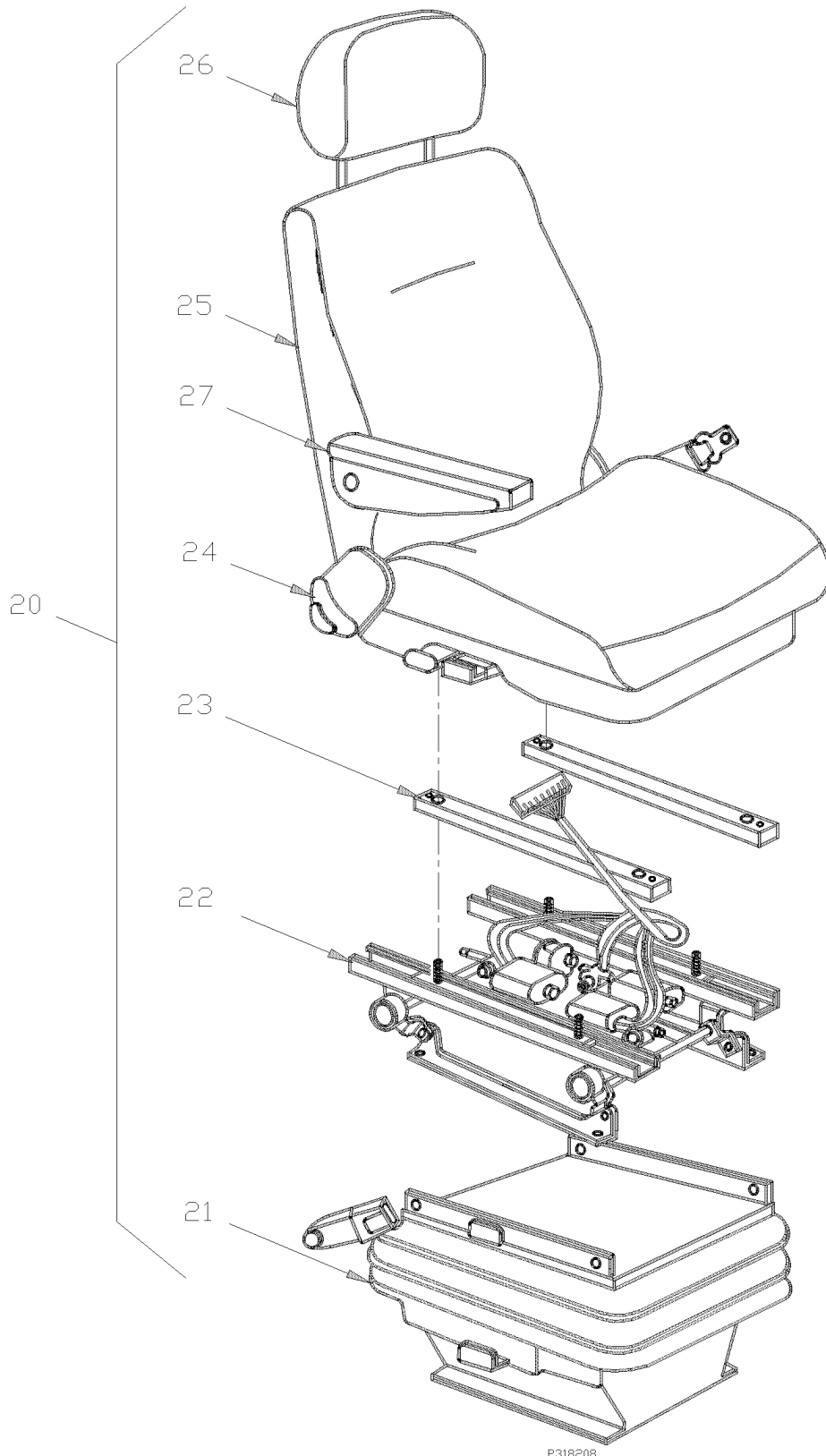
Item#	Part	Description	H 3 4 0	V I P 4 0	N O T E S
1	403218	SUPPORT CENTRAL ASSY, MIRROR	1	1	
2	5001090	SCREW TP PAN PH #10x1 SS BK	3	3	
3	500780	NUT HEX CAP 5/16-18 Z050	1	1	
4	500476	WASHER LO SPT .317x.586x.078 Z050	1	1	
5	900438	MIRROR ASSY SAFETY	2	2	
6	900440	. GLASS / SAFETY	1	1	
10	402634	MIRROR SUPPORT / L.H. DRIVER'S WINDOW To P-332	1	1	
10	403679	MIRROR SUPPORT / L.H. DRIVER'S WINDOW From P-333	6	6	
11	500353	SCREW TP FL PH #8x3/4 BK	6	6	
11	990047	MIRROR CONVEX / CHROME PLATED	1		
11	990112	RETAINER RUBBER / GREY	1		
11	990113	RETAINER RUBBER / BLACK	1		
11	990111	GLASS RECTANGULAR / CONVEX	1		
11	5001189	NUT HEX 5/16-18 SS	1		
11	402853	BUSHING / ALUMINUM BLACK PAINTED To P-332	1		

From L-031 To R-079

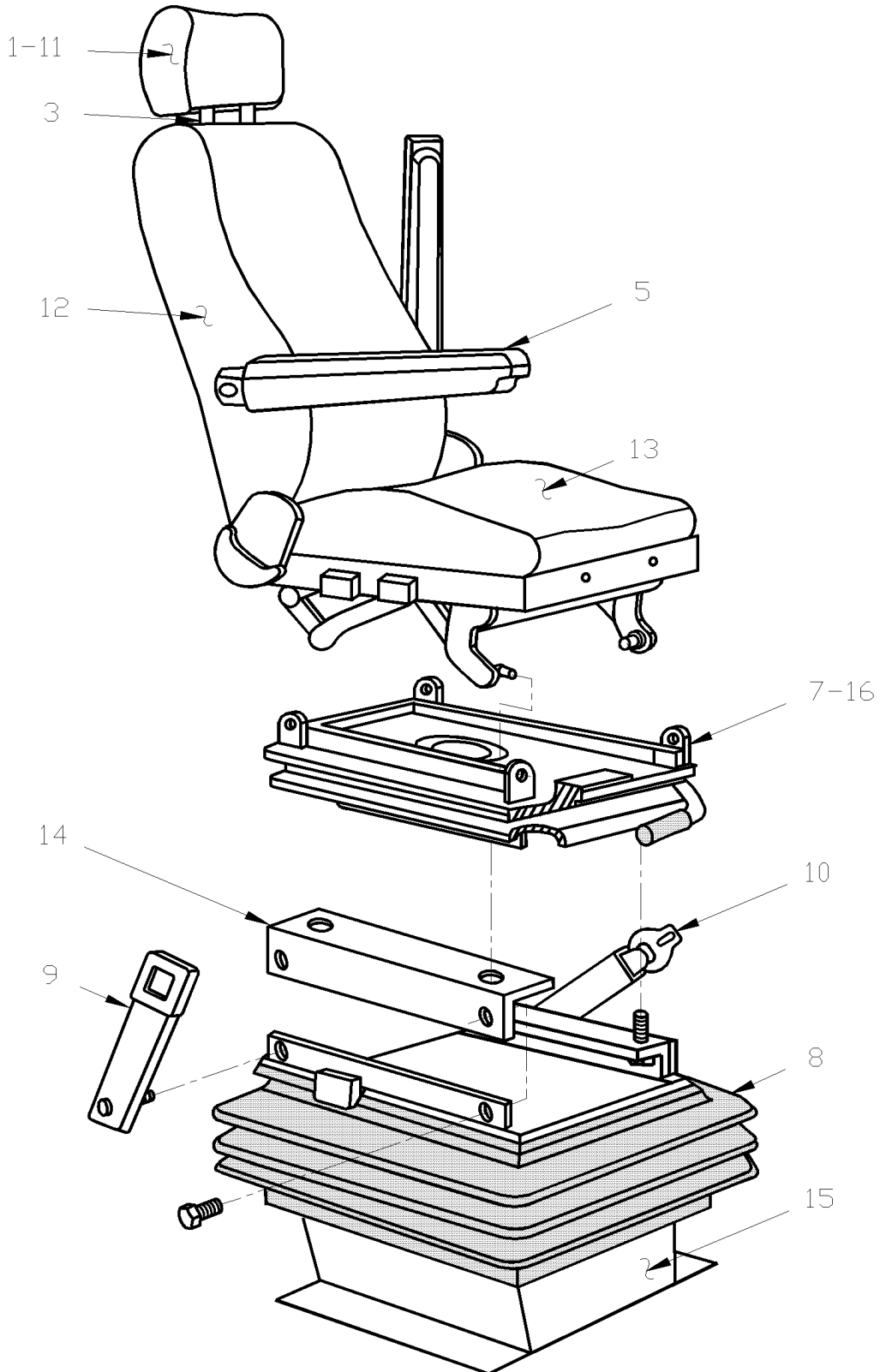
Date:07/2024

PAGE:H4-1822-00

DRIVER'S SEAT ASSY - "ISRI"



From L-031 To R-079	Date:07/2024	PAGE:H4-1822-00
DRIVER'S SEAT ASSY - "ISRI"		



From L-031 To R-079	Date:07/2024	PAGE:H4-1822-00
DRIVER'S SEAT ASSY - "ISRI"		

Item#	Part	Description	H 3 4 0	V I P 4 0	N O T E S
		NEXT 5 FOLLOWING SEATS ARE MODEL 6000/515 SEE PAGE H4-1822-10 FOR SERVICE PARTS			
	362833	SEAT ASSY MECHANIC / R.H. CONTROL W/COVERING	1		A
	860433	. DRIVER'S SEAT - "ISRI" - MODEL 6000/515 / MECHANIC / R.H. CONTROL	1	1	
	362834	SEAT ASSY MECHANIC / R.H. CONTROL & AIR LUMBAR W/COVERING	1	1	A
	860449	. DRIVER'S SEAT - "ISRI" - MODEL 6000/515 / MECHANIC / R.H. CONTROL & AIR LUMBAR	1	1	
		NEXT 2 FOLLOWING SEATS ARE MODEL 6500/515 SEE PAGE H4-1822-10 FOR SERVICE PARTS			
	860432	DRIVER'S SEAT - "ISRI" - MODEL 6000/515 / AIR SUSPENSION / R.H. CONTROL			
	362835	SEAT ASSY AIR SUSPENSION / R.H. CONTROL LUMBAR SUPPORTS W/COVERING			A
	860450	. DRIVER'S SEAT - "ISRI" - MODEL 6000/515 / AIR SUSPENSION / R.H. CONTROL LUMBAR SUPPORTS			
		NEXT 3 FOLLOWING SEATS ARE MODEL 6801/517 SEE PAGE H4-1822-20 FOR SERVICE PARTS			
	860729	DRIVER'S SEAT - "ISRI" - MODEL 6801/517 / W/O UPHOLSTERY	1	1	
		NEXT 2 FOLLOWING SEATS ARE MODEL 6801/525 SEE PAGE 1822-20 FOR SERVICE PARTS			
	860912	DRIVER'S SEAT - "ISRI" - MODEL 6801/525 / W/O UPHOLSTERY	1	1	
1	H4-1822-10	DRIVER'S SEAT - "ISRI" - 6000/515 & 6500/515			
1	H4-1822-20	DRIVER'S SEAT - "ISRI" - 6801/517 & 6801/525			
3	H4-1822-10	DRIVER'S SEAT - "ISRI" - 6000/515 & 6500/515			
3	H4-1822-20	DRIVER'S SEAT - "ISRI" - 6801/517 & 6801/525			
5	H4-1822-10	DRIVER'S SEAT - "ISRI" - 6000/515 & 6500/515			
5	H4-1822-20	DRIVER'S SEAT - "ISRI" - 6801/517 & 6801/525			
7	H4-1822-10	DRIVER'S SEAT - "ISRI" - 6000/515 & 6500/515			
8	H4-1822-10	DRIVER'S SEAT - "ISRI" - 6000/515 & 6500/515			
8	H4-1822-20	DRIVER'S SEAT - "ISRI" - 6801/517 & 6801/525			
NS	362188	. KIT BELT	1	1	
NS	860553	. . BELT TETHER / BODY & SUSPENSION / (SET OF 2)	2	2	
9	860607	. . STIFF BUCKLE IN BOOT	1	1	
NS	861115	. . . SLEEVE COVERING	1	1	
10	860977	. . BELT SEAT	1	1	
10	860136	. . BELT SEAT	1	1	
NS	363368	. BAR ICP / W/SEAT MODEL 6500/ELECTRIC	1	1	

From L-031 To R-079	Date:07/2024	PAGE:H4-1822-00
DRIVER'S SEAT ASSY - "ISRI"		

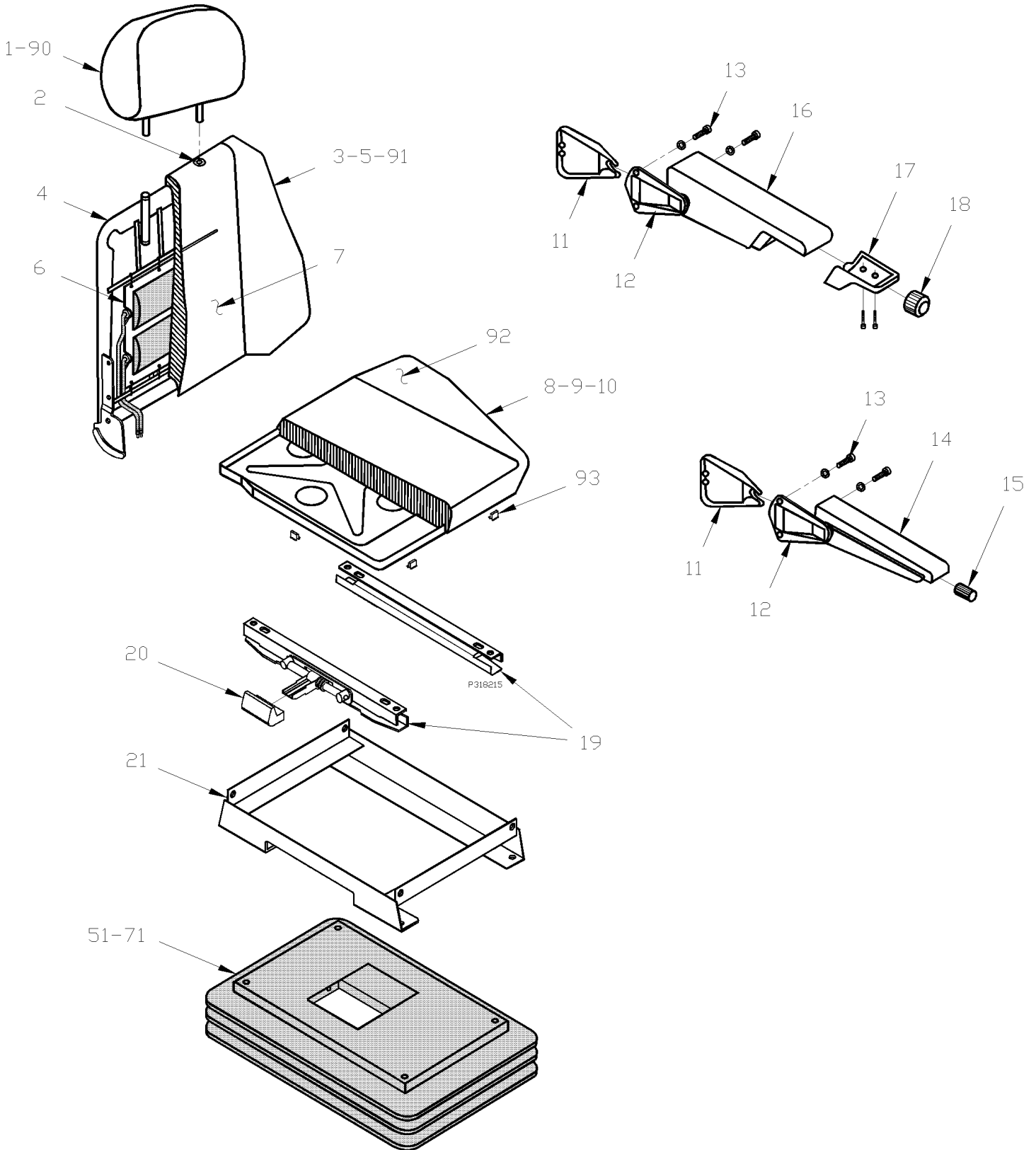
Item#	Part	Description	H 3 4 0	V I P 4 0	N O T E S
NS	363275	. BAR ICP / W/SEAT MODEL 6801 / CURBSIDE			
NS	361677	. JOINT / W/AIR SUSPENSION / W/2 HOLES .344 O / 3 1/8" x W/2" C/C	2	2	
10	364155	. JOINT / W/AIR SUSPENSION / W/2 HOLES .344 O / 4 3/8" x W/3 1/4" C/C SERVICE	1	1	
11	H4-1822-10	DRIVER'S SEAT - "ISRI" - 6000/515 & 6500/515			
11	H4-1822-20	DRIVER'S SEAT - "ISRI" - 6801/517 & 6801/525			
12	H4-1822-10	DRIVER'S SEAT - "ISRI" - 6000/515 & 6500/515			
12	H4-1822-20	DRIVER'S SEAT - "ISRI" - 6801/517 & 6801/525			
13	H4-1822-10	DRIVER'S SEAT - "ISRI" - 6000/515 & 6500/515			
13	H4-1822-20	DRIVER'S SEAT - "ISRI" - 6801/517 & 6801/525			
14	361830	ADAPTOR R.H. / FOR SWIVEL BASE / W/MODEL 6000 & 6500 ONLY		1	
14	361832	ADAPTOR L.H. / FOR SWIVEL BASE / W/MODEL 6000 & 6500 ONLY		1	
15	361800	BASE DRIVER'S SEAT / W "ISRI" / 76.2MM HEIGHT / 3"	1	1	
15	361710	BASE DRIVER'S SEAT / W "ISRI" / 101.6MM HEIGHT / 4"	AR	AR	
15	361617	BASE DRIVER'S SEAT / W "ISRI" / 127MM HEIGHT / 5"	AR	AR	
15	361996	BASE DRIVER'S SEAT / 50.8MM HEIGHT / 2" / 50.8MM HEIGHT / 2"			
15	363125	BASE DRIVER'S SEAT / W "ISRI" MODEL 6801 / 76.2MM HEIGHT / 3"	1	1	
15	362909	BASE DRIVER'S SEAT / W "ISRI" "ELECTRIC / 57.1MM HEIGHT / 2 1/4"		1	
15	363451	BASE 1" / W/ELECTRICAL SEAT ONLY		1	
NS	362056	ANCHOR PLATE ASSY USE W/CURBSIDE SEAT 7/16-14x1" / 32MMx89MM		1	
NS	361633	SPACER 7/8" / STRUCTURE & BASSE	4	4	
NS	362549	SPACER / STRUCTURE & BASE / 27MM	4	4	
NS	362550	SPACER 1 5/32" / STRUCTURE & BASE	4	4	
16	860491	SWIVEL BASE / W/MODEL 6000 & 6500 ONLY		1	
		NEXT FOLLOWING SEAT IS MODEL 6500/515			
		SEE PAGE H4-1822-10 FOR SERVICE PARTS			
20	860656	DRIVER'S SEAT - "ISRI" - MODEL 6000/515 / ELECTRIC W/MEMORY / AIR SUSPENSION / R.H. CONTROL & LUMBAR SUPPOR			
21	H4-1822-10	DRIVER'S SEAT - "ISRI" - 6000/515 & 6500/515			
22	860728	. BASE ELECTRICAL ASSY			
23	860727	. TUBE ADAPTOR			
24	861081	. FRAME ASSY SEAT / W/O MEMORY ELECTRICAL SEAT			
NS	861082	. FRAME ASSY SEAT / W/MEMORY ELECTRICAL SEAT			
25	H4-1822-10	DRIVER'S SEAT - "ISRI" - 6000/515 & 6500/515			
26	H4-1822-10	DRIVER'S SEAT - "ISRI" - 6000/515 & 6500/515			
27	H4-1822-10	DRIVER'S SEAT - "ISRI" - 6000/515 & 6500/515			
NS	062537	CABLE ASSY, HEATED SEAT			
NS	641507	UNION / PUSH-IN FITTING / #4 x 6MM NP	1	1	
NS	641092	UNION TEE / NTA FITTING / #4x#4x#4 BR	1	1	

From L-031 To R-079	Date:07/2024	PAGE:H4-1822-00
---------------------	--------------	-----------------

DRIVER'S SEAT ASSY - "ISRI"

Item#	Part	Description	H 3 4 0	V I P 4 0	N O T E S
		A) THOSE SEATS ARE COMPLETELY ASSY W/COVERING, ARMREST, HEADREST HEATING PAD & SAFETY BELT PLEASE SCC			

From L-031 To R-079	Date:07/2024	PAGE:H4-1822-10
DRIVER'S SEAT - "ISRI" - 6000/515 & 6500/515		

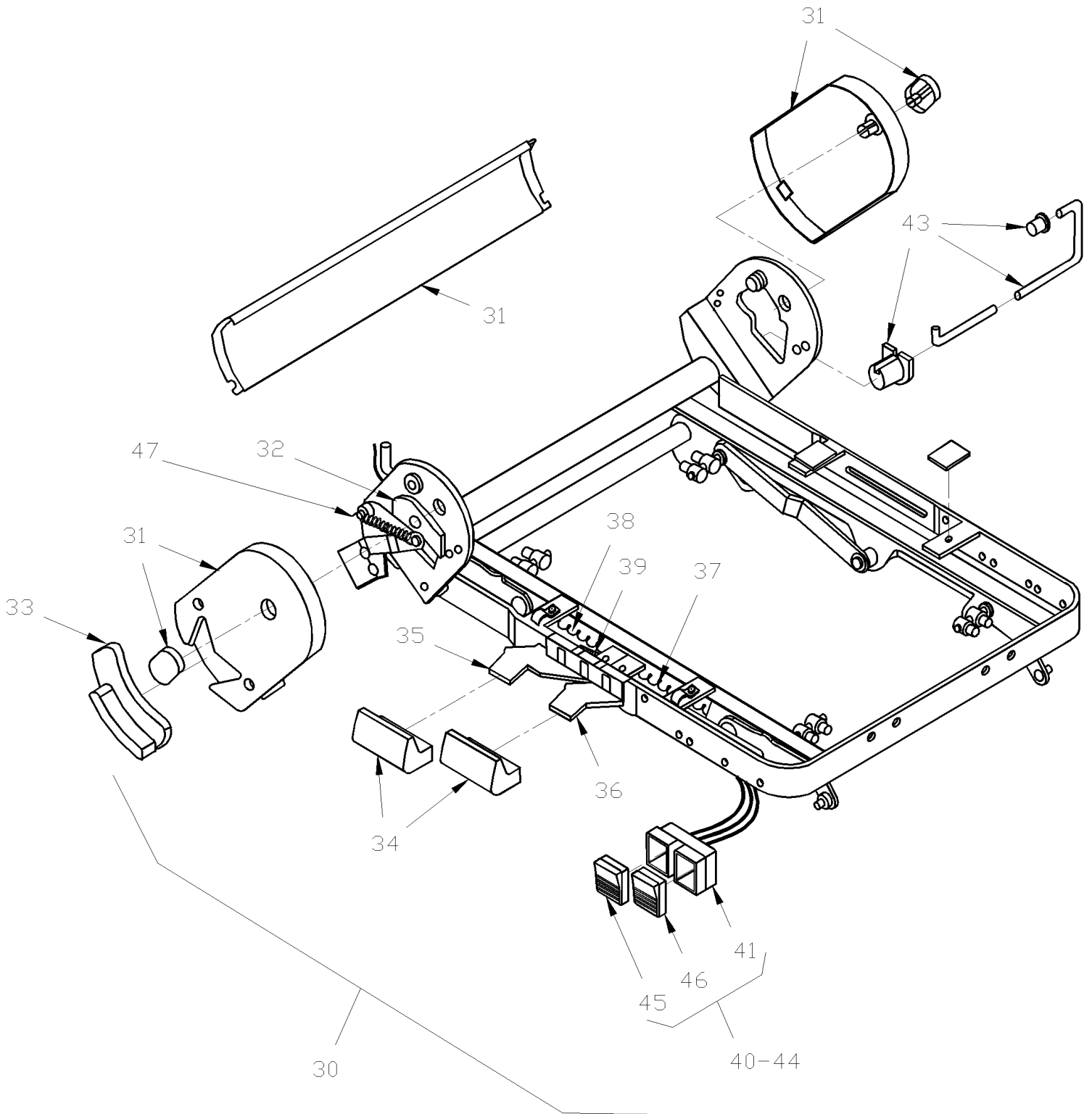


From L-031 To R-079

Date:07/2024

PAGE:H4-1822-10

DRIVER'S SEAT - "ISRI" - 6000/515 & 6500/515

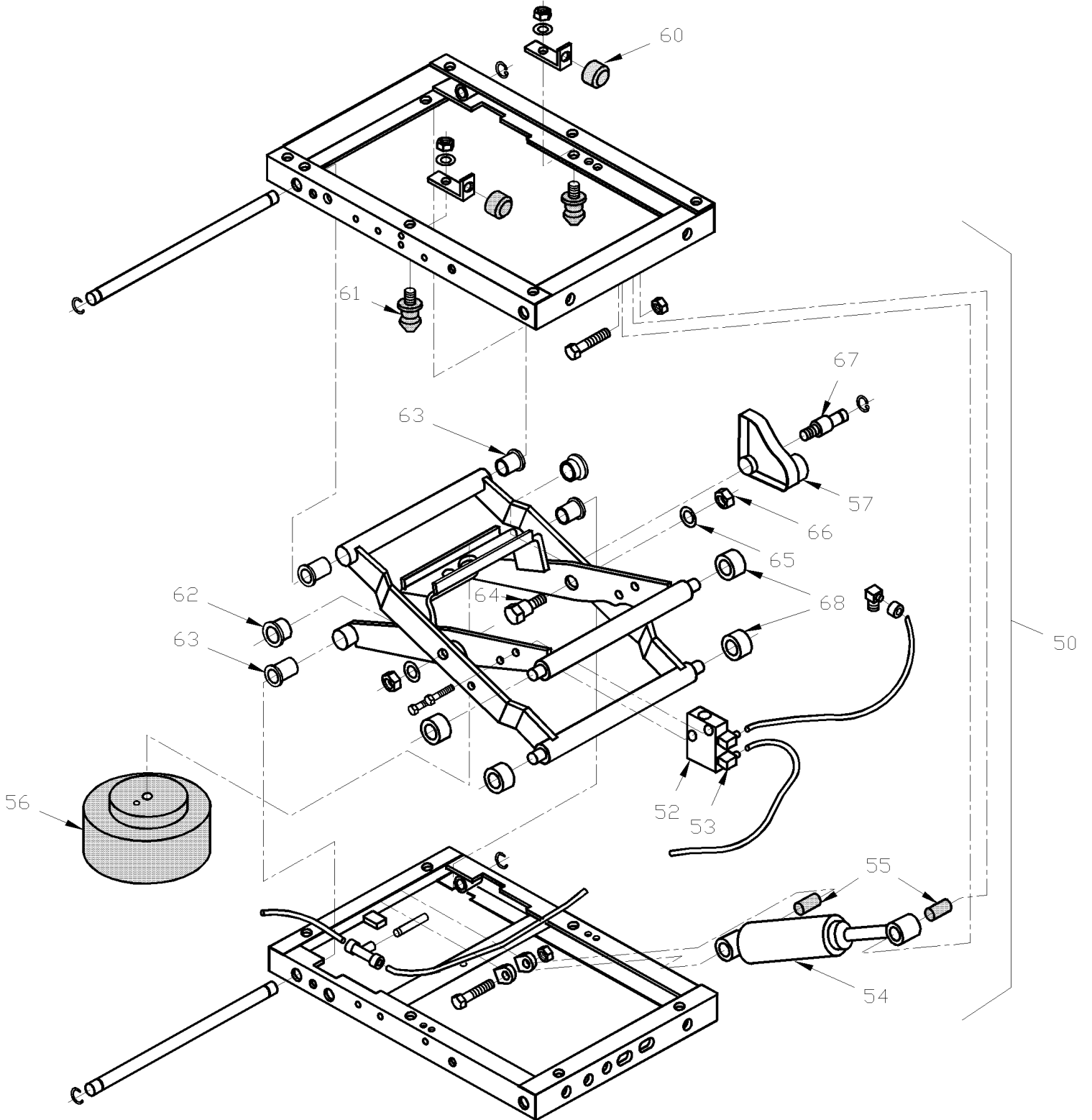


From L-031 To R-079

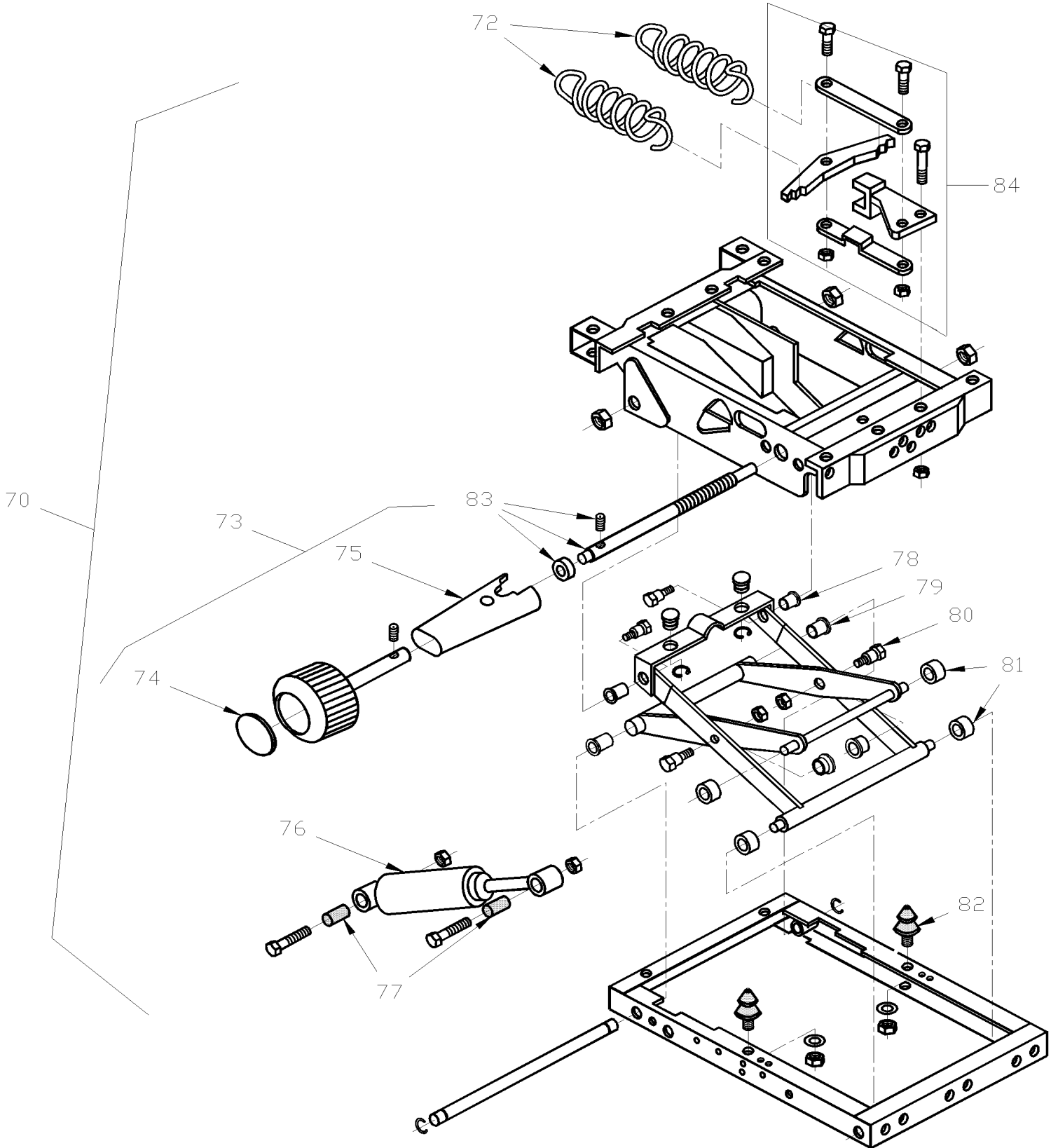
Date:07/2024

PAGE:H4-1822-10

DRIVER'S SEAT - "ISRI" - 6000/515 & 6500/515



From L-031 To R-079	Date:07/2024	PAGE:H4-1822-10
DRIVER'S SEAT - "ISRI" - 6000/515 & 6500/515		



From L-031 To R-079	Date:07/2024	PAGE:H4-1822-10
DRIVER'S SEAT - "ISRI" - 6000/515 & 6500/515		

Item#	Part	Description	H 3 4 0	V I P 4 0	N O T E S
		FOR COMPLETE SEAT ASSY, PART NUMBER SEE PAGE H4-1822-00			
		SOME COACH OPERATOR USED SEAT W/L.H. CONTROL			
1	860441	HEADREST	1	1	
2	860483	GROMMET	2	2	
3	860508	BACKREST ASSY / R.H. CONTROL	1	1	
4	860509	. FRAME / R.H. CONTROL	1	1	
4	860600	. FRAME / L.H. CONTROL			
5	860507	. FOAM	1	1	
6	860494	AIR BAG / LOMBAR	1	1	
7	860548	HEATING PAD / BACK	1	1	
8	860510	PAN SEAT SUBASSY	1	1	
9	860511	. FOAM / SEAT	1	1	
10	860547	HEATING PAD / SEAT	1	1	
11	860532	COVER	2	2	
12	N.S.S.	BRACKET / ARMREST	1	1	1
13	500544	SCREW CAP HEX M8-1.25x30 G8.8 Z050	2	2	
14	860440	ARMREST L.H. ADJUSTABLE	1	1	
14	860442	ARMREST R.H. ADJUSTABLE	1	1	
15	860725	. KNOB	1	1	
16	860721	ARMREST ASSY L.H. / W/O COVERING			
16	860722	ARMREST ASSY R.H. / W/O COVERING			
16	N.S.S.	COVERING			1
17	860723	. COVER KIT ARMREST			
18	860724	. KNOB			
19	860517	SLIDE MASTER / HANDLE & SLAVE / R.H. OR L.H. CONTROL	1	1	
19	861085	SLIDE MASTER / HANDLE & SLAVE / R.H. CONTROL	1	1	A
20	860514	. HANDLE R.H. & L.H.	1	1	
20	861086	. HANDLE R.H.	1	1	A
NS	861084	SLIDE SET "C" STYLE / HANDLE & SLAVE / W/SEAT #860852	1	1	
21	861100	SPACER STATIC /W/FOLLOWING SEAT NUMBER 860432 433,449,450,543,544,545 & 546	1	1	
21	861102	SPACER STATIC	1	1	
21	860516	SPACER STATIC 2"	AR	AR	
21	861103	SPACER STATIC / W/SEAT #860729	1		
30	860539	FRAME ASSY SEAT / R.H. CONTROL (AS SHOWN) To S-187	1	1	
30	861083	FRAME ASSY SEAT / R.H. CONTROL (AS SHOWN) From S-188	1	1	
30	860605	FRAME ASSY SEAT / L.H. CONTROL			
30	861081	FRAME ASSY SEAT / W/O MEMORY ELECTRICAL SEAT			
30	861082	FRAME ASSY SEAT / W/MEMORY ELECTRICAL SEAT			

From L-031 To R-079	Date:07/2024	PAGE:H4-1822-10
DRIVER'S SEAT - "ISRI" - 6000/515 & 6500/515		

Item#	Part	Description	H 3 4 0	V I P 4 0	N O T E S
31	860487	. SIDE PLATE ASSY / KIT FOR R.H. CONTROL (AS SHOWN)	1	1	
31	861090	. SIDE PLATE ASSY / KIT FOR R.H. CONTROL (AS SHOWN)	1	1	A
31	860590	. SIDE PLATE ASSY / KIT FOR L.H. CONTROL	1		
32	861790	. TOOTH LEVER / R.H. SIDE (AS SHOWN)	1	1	
32	861789	. TOOTH LEVER / L.H. SIDE			
33	860493	. HANDLE / R.H. CONTROL (AS SHOWN)	1	1	
33	861089	. HANDLE / R.H. CONTROL (AS SHOWN)	1	1	
33	860589	. HANDLE / L.H. CONTROL			
34	860641	. HANDLE HEIGHT TILT / FRONT & REAR	2	2	
34	861087	. HANDLE HEIGHT TILT / FRONT	1	1	A
34	861088	. HANDLE HEIGHT TILT / REAR	1	1	A
35	860587	. LEVER HEIGHT REAR	1	1	
36	860588	. LEVER HEIGHT FOWARD	1	1	
37	860690	. LEVER ADJUSTMENT KEY / R.H. FRONT & L.H. RE	1	1	
38	860689	. LEVER ADJUSTMENT KEY / R.H. REAR & L.H. FRO	1	1	
39	860513	. KIT SPRING (2 LARGES & 3 SMALL)	1	1	
40	860495	VALVE LUMBAR SUPPORTS	1		
41	860593	. BUTTON YELLOW	2		
43	861091	. TORSION BAR KIT	1	1	
44	860888	KIT VALVE LUMBAR SUPPORTS / W/SEAT W/L.H. CONTROL			A
NS	860887	KIT VALVE LUMBAR SUPPORTS / W/SEAT W/R.H. CONTROL			A
NS	861092	KIT VALVE LOMBAR SUPPORTS			A
45	861093	. . BUTTON AIR LOMBAR UPPER SECTION	1	1	
46	861094	. . BUTTON AIR LOMBAR LOWER SECTION	1	1	
47	862217	. SPRING	1	1	
50	860518	SUSPENSION ASSY AIR	1		
51	860523	. COVER	1		
52	860719	. VALVE AIR	1		
53	860533	. ELBOW PLASTIC BLUE	1		
NS	868501	. NUT BLACK	1	1	
NS	N8882768	TEE AIRLINE	1		
54	860521	. ABSORBER / 99LBS	1		
54	860602	. ABSORBER / 120LBS	1		
55	860586	. . BUSHING / ABSORBER	2		
56	860522	. BELLOW	1		
. NS	866008	. . CONNECTOR AIR W/"O-RING"	1		
57	860515	. CAM	1		
NS	860693	. KIT REPAIR / AIR SUSPENSION	AR		
60	N.S.S.	. . BUMPER RUBBER	2		1
61	N.S.S.	. . BUMPER RUBBER	2		1
62	N.S.S.	. . BUSHING SPLIT FLANGE	2		1
63	N.S.S.	. . BUSHING FLANGE	4		1

From L-031 To R-079	Date:07/2024	PAGE:H4-1822-10
DRIVER'S SEAT - "ISRI" - 6000/515 & 6500/515		

Item#	Part	Description	H 3 4 0	V I P 4 0	N O T E S
64	N.S.S.	. . SCREW	1		1
65	N.S.S.	. . WASHER	2		1
66	N.S.S.	. . NUT	2		1
67	N.S.S.	. . BOLT	1		1
68	N.S.S.	. . ROLLER	4		1
70	860524	SUSPENSION ASSY MECHANICAL / L.H. CONTROL			
70	860685	SUSPENSION ASSY MECHANICAL / R.H. CONTROL	1	1	
71	860526	. COVER	1	1	
72	860525	. SPRING EXTENSION / 1.800 O.D. x 6.75 x .340 FORMER	2	2	
72	862913	. SPRING EXTENSION / KIT OF 2 1.800 O.D. x 6.75 x .340 SERVICE	1	1	
73	860486	. HANDWHEEL / L.H. CONTROL			
73	860658	. HANDWHEEL / R.H. CONTROL (AS SHOWN)	1	1	
74	860549	. . CAP PLASTIC	1	1	
75	860594	. . CAP SHAFT COVER	1	1	
76	860521	. ABSORBER / 99LBS	1	1	
76	860602	. ABSORBER / 120LBS	1	1	
77	860586	. . BUSHING / ABSORBER	2	2	
NS	860692	. KIT REPAIR / MECHANICAL SUSPENSION	AR	AR	
78	N.S.S.	. . BUSHING SPLIT FLANGE	2	2	1
79	N.S.S.	. . BUSHING FLANGE	2	2	1
80	N.S.S.	. . BOLT	2	2	1
81	N.S.S.	. . ROLLER	4	4	1
82	N.S.S.	. . BUMPER	2	2	1
83	860864	SPINDLE KIT	AR	AR	
84	861746	. KIT WEIGHT ADJUSTMENT	1	1	
90	362201P	COVERING HEADREST ASSY / S.C.C. / DRIVER'S "ISRI" 6000 & 6500	1	1	
91	362204P	COVERING BACKREST ASSY / S.C.C. / DRIVER'S "ISRI" 6000 & 6500	1	1	
92	362203P	COVERING SEATREST ASSY / S.C.C. / DRIVER'S "ISRI" 6000 & 6500	1	1	
93	860527	CLIP	8	8	
NS	860484	SEW STRIP NYLON 10MM	AR	AR	
NS	860485	SEW STRIP NYLON 15MM	AR	AR	
NS	864709	TUBE PLASTIC 6MM O.D. CHARCOAL W/RED LINE	AR	AR	
NS	864710	TUBE PLASTIC 6MM O.D. CHARCOAL W/GREY LINE	AR	AR	
NS	864711	TUBE PLASTIC 6MM O.D. CHARCOAL	AR	AR	
NS	641507	UNION / PUSH-IN FITTING / #4 x 6MM NP	1	1	
NS	641092	UNION TEE / NTA FITTING / #4x#4x#4 BR	1	1	
NS	867958	ADAPTOR	1	1	
NS	868125	UNION 4MM/4MM	1	1	
NS	868128	UNION 6MM/4MM	1	1	
NS	868833	AIR PIPE CONNECTOR SML	AR	AR	

From L-031 To R-079	Date:07/2024	PAGE:H4-1822-10
DRIVER'S SEAT - "ISRI" - 6000/515 & 6500/515		

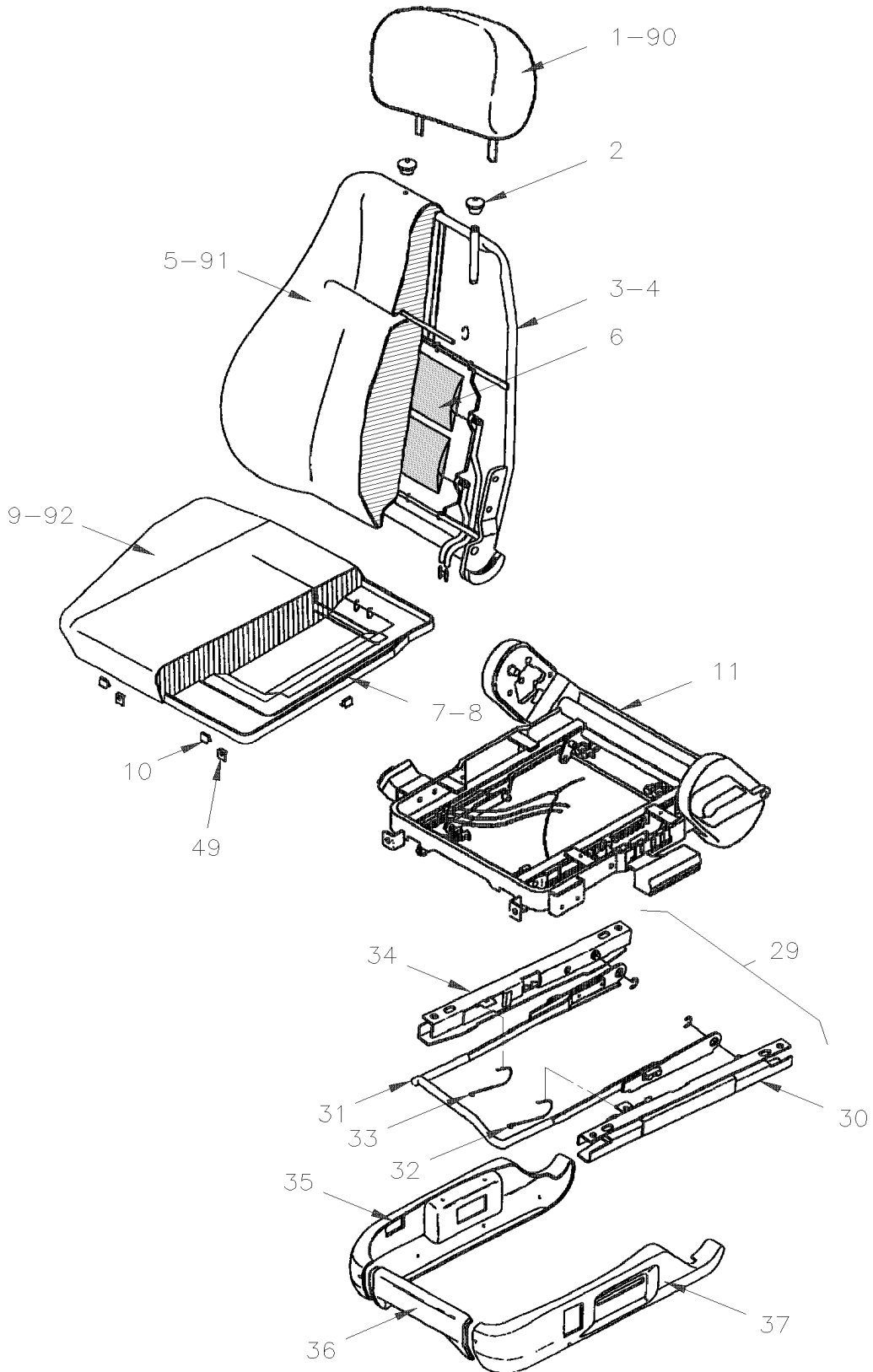
Item#	Part	Description	H 3 4 0	V I P 4 0	N O T E S
		A) FOR EASY IDENTIFICATION PICTOGRAM ARE PRINTED ON BUTTON			
		1) NOT SOLD SEPARATELY			

From L-031 To R-079

Date:07/2024

PAGE:H4-1822-20

DRIVER'S SEAT - "ISRI" - 6801/517 & 6801/525

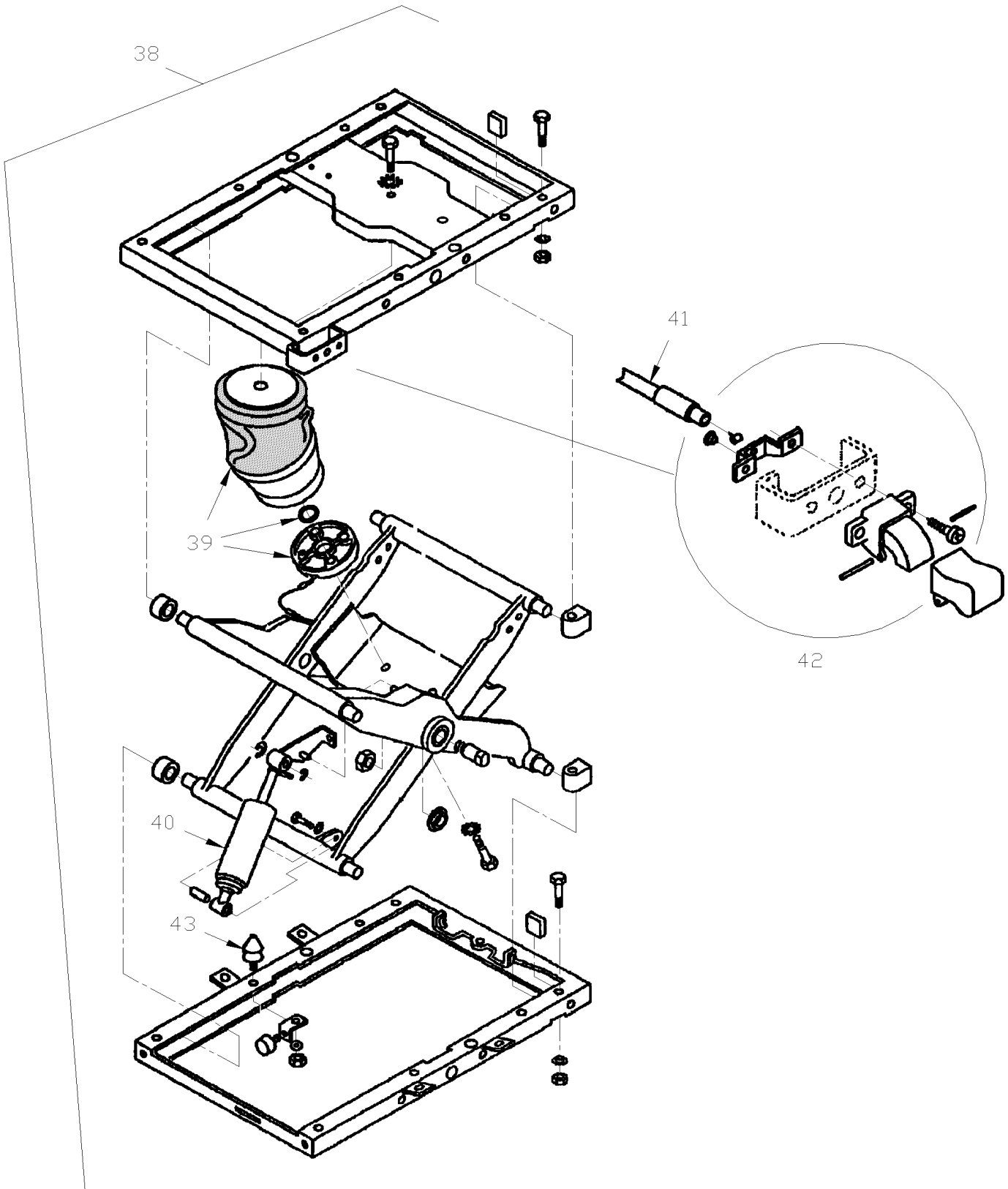


From L-031 To R-079

Date:07/2024

PAGE:H4-1822-20

DRIVER'S SEAT - "ISRI" - 6801/517 & 6801/525

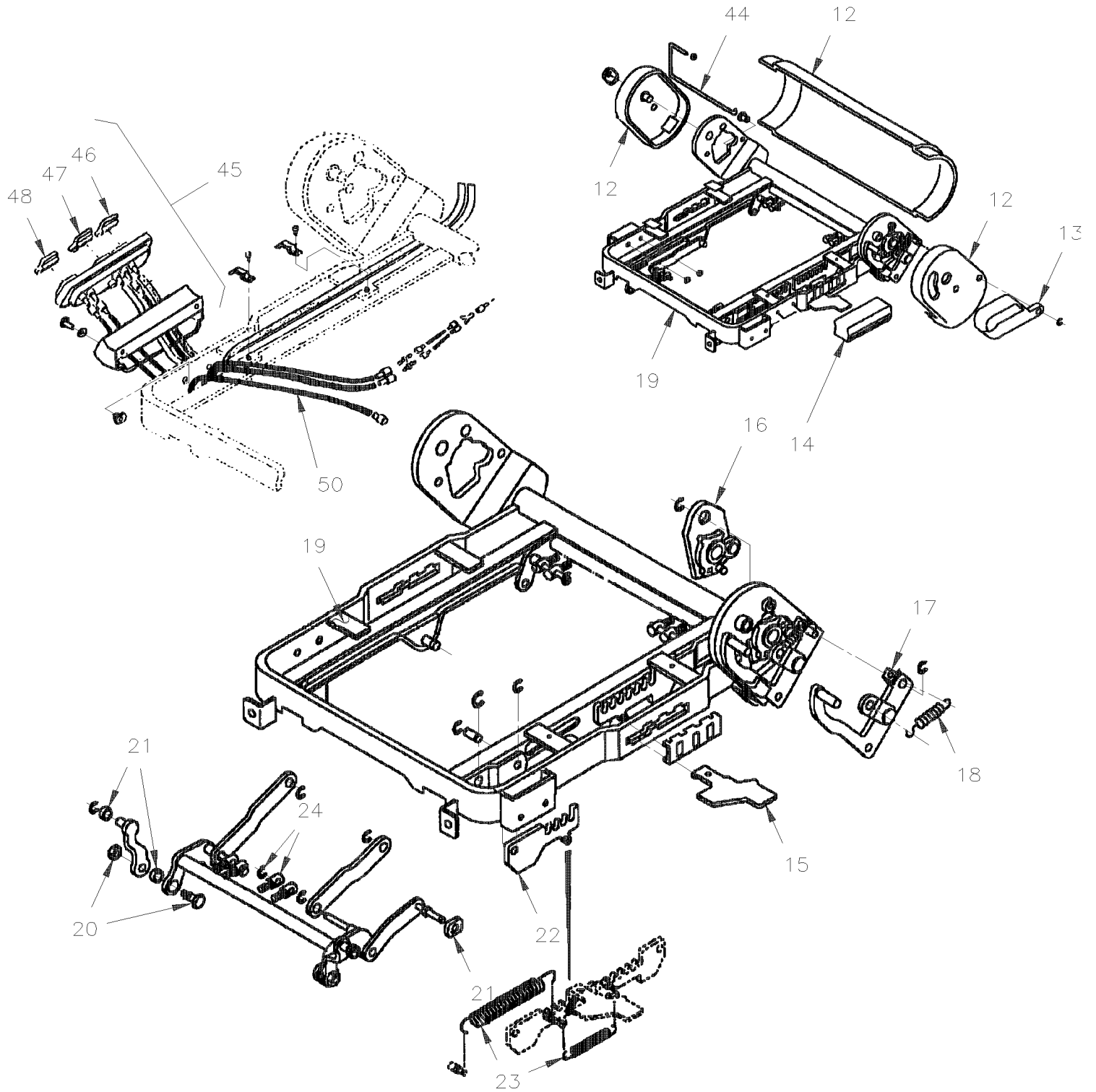


From L-031 To R-079

Date:07/2024

PAGE:H4-1822-20

DRIVER'S SEAT - "ISRI" - 6801/517 & 6801/525



From L-031 To R-079	Date:07/2024	PAGE:H4-1822-20
DRIVER'S SEAT - "ISRI" - 6801/517 & 6801/525		

Item#	Part	Description	H 3 4 0	V I P 4 0	N O T E S
		FOR COMPLETE SEAT ASSY, PART NUMBER SEE PAGE H4-1822-00.			
1	860441	. HEADREST	1	1	
2	860483	. GROMMET	2	2	
3	860739	. BACKREST ASSY	1	1	
4	860740	. . BACKREST FRAME ASSY	1	1	
5	860741	. . BACKREST FOAM	1	1	
5	861105	. . KIT ROD & CLIP / UPHOLSTERY	1	1	
6	860494	AIR BAG / LOMBAR	1	1	
7	860742	. SEAT PAN ASSY	1	1	
8	860743	. . SEAT PAN	1	1	
9	860744	. . SEAT FOAM	1	1	
9	861104	. . KIT ROD & CLIP / UPHOLSTERY	1	1	
10	860527	CLIP	8	8	
11	860745	. SEAT FRAME ASSY / W/860729	1	1	
12	860746	. . SIDE PLATE KIT	1	1	
13	860747	. . . HANDLE BRACKET	1	1	
14	860748	. . . HANDLE SLOPE	1	1	
14	860007	. . . HANDLE SLOPE	1	1	
15	860588	. . LEVER HEIGHT FOWARD	1	1	
16	861789	. . TOOTH LEVER / L.H. SIDE	1	1	
17	860750	. . LEVER BACKREST	1	1	
18	860751	. . SPRING EXTENSION / .275 O.D. x 1.65 x .047	1	1	
19	860752	. . SEAT FRAME	1	1	
20	860754	. . KIT BUSHING, SHOULDER SCREW, NUT & SNAP RING FOR FRAME SEAT	1	1	
21	860753	. . . KIT BUSHING ONLY, FOR FRAME SEAT	1	1	
22	860756	. . PLATE LATCH SLOPE FRONT, FRAME SEAT	1	1	
23	860755	. . SPRING KIT FOR SLOPE	1	1	
24	860757	. . SWIVEL BOLTS & CLIPS KIT	1	1	
25	860774	. . AIR VALVE KIT LUMBAR / (AS SHOWN FORMER)	1	1	
NS	860775	. . . VALVE	1	1	
26	860776	. . . COVER VALVE	2	2	
26	860876	. AIR VALVE KIT LUMBAR	1	1	
27	860777	. . PASSENGER'S SEAT AMERICAN SEATING, KIT 50 PAS / MODEL W6693D	1	1	
28	860778	. . . VALVE	1	1	
29	860758	. SLIDE, SET	1	1	
30	860759	. . SLIDE SLAVE	1	1	
31	860763	. . HANDLE	1	1	
32	860761	. . SPRING, L.H. / HANDLE RETURN	1	1	
33	860762	. . SPRING, R.H. / HANDLE RETURN	1	1	

From L-031 To R-079	Date:07/2024	PAGE:H4-1822-20
DRIVER'S SEAT - "ISRI" - 6801/517 & 6801/525		

Item#	Part	Description	H 3 4 0	V I P 4 0	N O T E S
34	860760	. . SLIDE MASTER	1	1	
NS	861103	. SPACER STATIC / W/SEAT #860729	1		
35	860773	. SHROUD PANEL KIT R.H. / W/860729 ONLY	1	1	
36	860772	. SHROUD PANEL KIT FRONT / W/860729 ONLY	1	1	
37	860771	. SHROUD PANEL KIT L.H. / W/860729 ONLY	1	1	
38	860764	. SUSPENSION ASSY AIR	1	1	
39	860765	. . AIR SPRING ASSY	1	1	
40	860766	. . SHOCK ASSY KIT	1	1	
41	860767	. . SHOCK CABLE KIT	1	1	
42	860768	. . SHOCK HANDLE KIT	1	1	
43	860769	. . SHOCK BUMPER KIT	1	1	
NS	860770	. . REPAIR KIT / SUSPENSION	1		
44	861091	. TORSION BAR KIT	1	1	
45	861095	. AIR VALVE KIT LOMBAR & SUSPENSION W/L.H. CONTROL	1	1	A
NS	861096	. AIR VALVE KIT LOMBAR & SUSPENSION W/R.H. CONTROL	1	1	A
46	861093	. . BUTTON AIR LOMBAR UPPER SECTION	1	1	A
47	861094	. . BUTTON AIR LOMBAR LOWER SECTION	1	1	A
48	861097	. . BUTTON AIR SUSPENSION	1	1	A
49	862435	KIT HARDWARE HOLDING SEAT PAN	AR	AR	
50	864709	TUBE PLASTIC 6MM O.D. CHARCOAL W/RED LINE	AR	AR	
50	864710	TUBE PLASTIC 6MM O.D. CHARCOAL W/GREY LINE	AR	AR	
50	864711	TUBE PLASTIC 6MM O.D. CHARCOAL	AR	AR	
NS	641507	UNION / PUSH-IN FITTING / #4 x 6MM NP	1	1	
NS	641092	UNION TEE / NTA FITTING / #4x#4x#4 BR	1	1	
NS	867958	ADAPTOR	1	1	
NS	868125	UNION 4MM/4MM	1	1	
NS	868128	UNION 6MM/4MM	1	1	
NS	868833	AIR PIPE CONNECTOR SML	AR	AR	
90	362201P	COVERING HEADREST ASSY / S.C.C. / DRIVER'S "ISRI" 6000 & 6500	1	1	
NS	363151	FOAM			
91	363128P	COVERING ASSY, BACKREST / S.C.C.	1	1	
NS	363152	FOAM BACKREST			
NS	363521	FOAM BACKREST UPPER SIDE			
92	363127P	COVERING ASSY, SEATREST / S.C.C.	1	1	
NS	363150	FOAM SEAT			
NS	363149	FOAM SEAT FRONT			
NS	363522	FOAM SEAT TOP FRONT SIDE			
NS	860484	SEW STRIP NYLON 10MM	AR	AR	
NS	860485	SEW STRIP NYLON 15MM	AR	AR	

From L-031 To R-079	Date:07/2024	PAGE:H4-1822-20
---------------------	--------------	-----------------

DRIVER'S SEAT - "ISRI" - 6801/517 & 6801/525

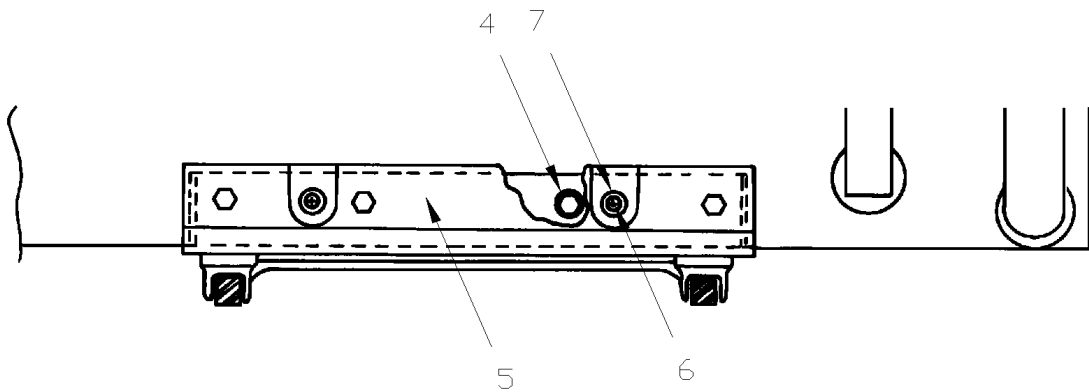
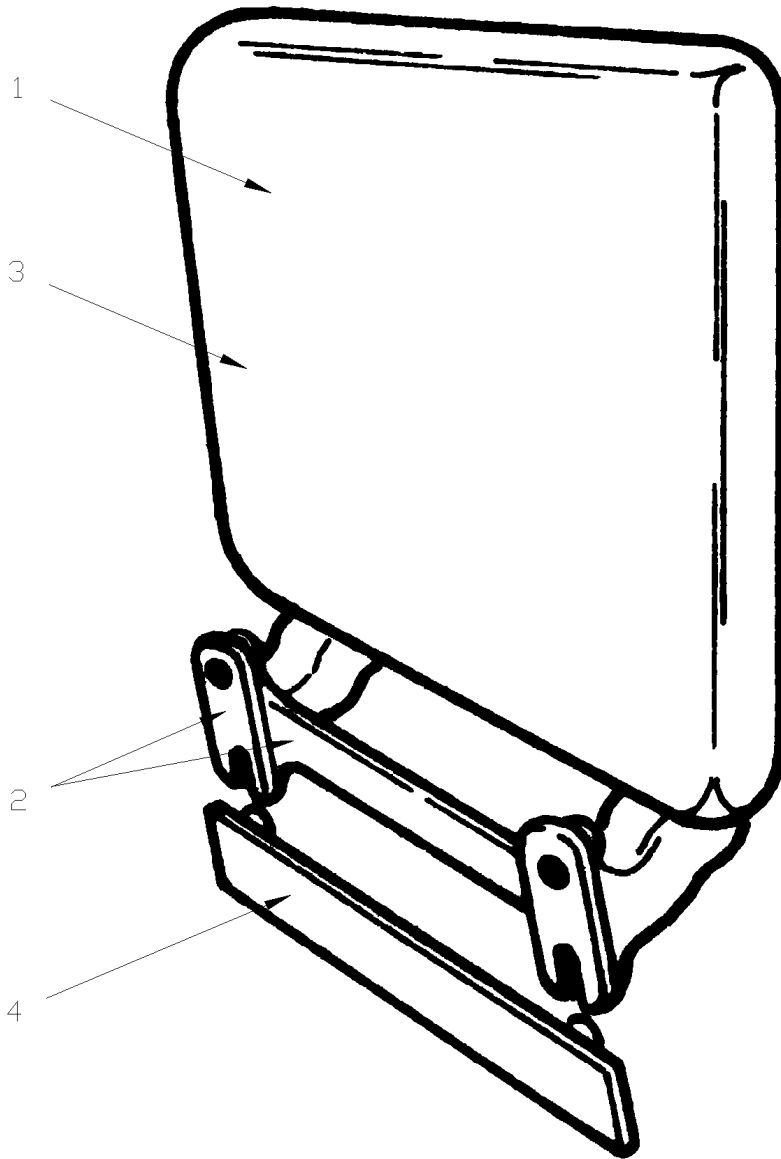
Item#	Part	Description	H 3 4 0	V I P 4 0	N O T E S
		A) FOR EASY IDENTIFICATION PICTOGRAM ARE PRINTED ON BUTTON			

From L-031 To M-053

Date:07/2024

PAGE:H4-1824-00

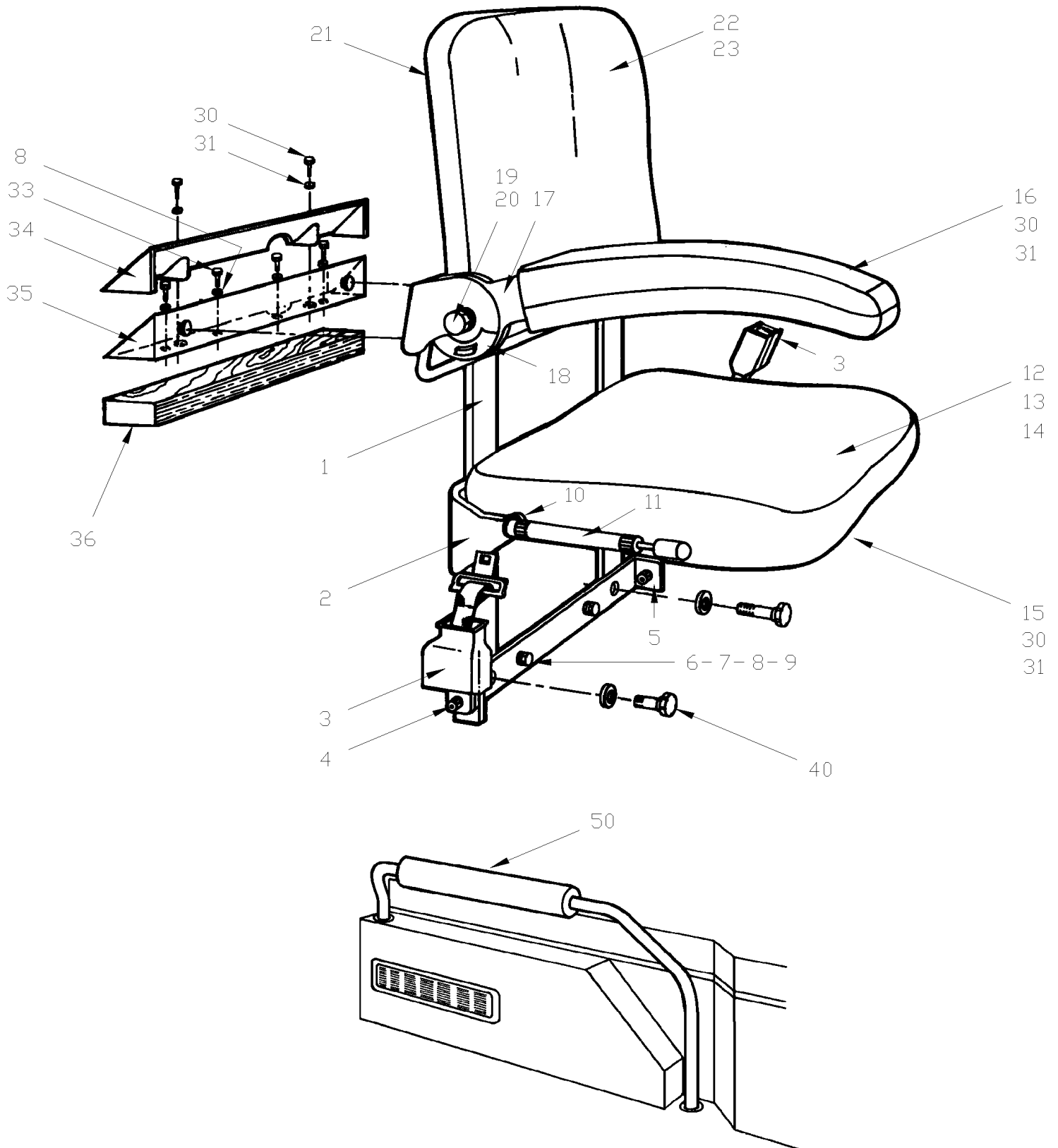
HOSTESS SEAT ASSY



From L-031 To M-053	Date:07/2024	PAGE:H4-1824-00
HOSTESS SEAT ASSY		

Item#	Part	Description	H 3 4 0	V I P 4 0	N O T E S
1	360734P	SEAT ASSY / SPECIFY COLOR	1		
1	361038	. FRAME ASSY	1		
1	362185	. FOAM ASSY	1		
1	360736	. . FRAME VENEER	1		
2	361995	. . FRAME IRON / PAINTED	1		
2	860330	. . . FRAME IRON / UNPAINT	1		
2	361036	. . ATTACHMENT	2		
2	500366	. . SCREW MA FL SLT 1/4-20x1 ZP	2		
2	500368	. . SCREW MA FL SLT 1/4-20x1 1/2 Z050	2		
2	500473	. . WASHER LO SPT .262x.489x.062 Z050	4		
2	500533	. . SCREW MA OV SLT #10-32x1 1/2	6		
2	500700	. . NUT HEX #10-32 Z050	6		
2	500440	. . WASHER FL .250x.562x.065 Z050	6		
3		. LEATHERETTE OR FABRIC / SPECIFY COLOR	AR		
4	362976	BRACKET ASSY	1		
NS	5001024	SCREW TC CAP HEXW SLT 1/4-20x2 ZP	4		A
NS	500441	WASHER FL .312x.734x.065 Z050	4		A
5	362978	PROTECTOR	1		
6	500260	SCREW TC FL PH #8-32x3/4 BK	2		
7	500345	WASHER FN CKF .187x.500x.090 BR BK	2		
		A) TO FIX BRACKET			

From M-054 To R-079	Date:07/2024	PAGE:H4-1824-01
HOSTESS SEAT ASSY		



From M-054 To R-079	Date:07/2024	PAGE:H4-1824-01
HOSTESS SEAT ASSY		

Item#	Part	Description	H 3 4 0	V I P 4 0	N O T E S
	363042P	HOSTESS SEAT ASSY	1		A
1	363043	FRAME ASSY	1		
2	363061	R.H. SUPPORT ASSY	1		A
2	363062	L.H. SUPPORT ASSY	2		A
NS	507260	BUSHING NYLINER W/SHOULDER .375x.437x.375x.594	4		
NS	500565	SCREW MA RND PH 5/16-18x3/4 SS	4		
NS	500476	WASHER LO SPT .317x.586x.078 Z050	4		
NS	500778	NUT HEX 5/16-18 N500	1		
NS	363995	R.H. SUPPORT ASSY	1		
NS	362918	CUSHION / PLASTIC 46MM O.D.	1		
NS	363992	CAP TENSIONER 71MM O.D. / ALUMINUM	1		
NS	520169	SPRING	1		
NS	507260	BUSHING NYLINER W/SHOULDER .375x.437x.375x.594	1		
NS	500069	SCREW CAP HEX M8-1.25x16 G10.9 DP	2		
NS	502744	NUT HEX STO M8-1.25 Z050	2		
3	860695	SEAT BELT / KIT	2		
4	500191	SCREW CAP HEX 3/8-16x1 G5 Z050	8		
NS	500444	WASHER FL .406x.812x.065 Z050	2		
NS	500478	WASHER LO SPT .380x.683x.094 Z050	2		
5	5001060	NUT HEX CAP 3/8-16 NP	2		
7	500440	WASHER FL .250x.562x.065 Z050	8		
8	500473	WASHER LO SPT .262x.489x.062 Z050	1		
10	980015	BALL STUD / W/10 MM X M8-1.25 / 29.18 MM	1		
NS	5001063	RIVET NUT FL OKS M8-1.25 11.0-1.5	1		
11	980020	CYLINDER GAZ / 244/164MM C/C / 35LBS	1		
NS	363045P	SEATREST BASE ASSY W/FOAM & COVERING / S.C.C.	1		
12	363050	. SEAT BASE, ASSY	1		
13	363040	. CUSHION FOAM	1		
14	363025P	COVERING SEAT REST TOP	1		
15	363051P	COVERING ASSY, SEATREST / S.C.C.	1		
16	362316	COVERING ARMREST / LONG	1		
17	362939	ARMREST / LONG	1		
18	362877	SPACER PLASTIC / FRICTION DISK	2		
19	500182	SCREW CAP HEX 5/16-18x1 1/4 G5 PT Z050	1		
20	363067	SPACER	1		
NS	500441	WASHER FL .312x.734x.065 Z050	6		
NS	500777	NUT HEX STO 5/16-18 Z050	1		
21	Call order desk	BACKREST PANEL ASSY W/FOAM & COVERING /S.C.	1		P
21	363053	LOWER BACKREST PANEL	1		
NS	500453	NUT TEE 1/4-20	1		
NS	500554	SCREW MA RND SLT 1/4-20x1/2 SS	6		
22	363026P	COVERING ASSY, BACKREST / S.C.C.	1		

From M-054 To R-079	Date:07/2024	PAGE:H4-1824-01
HOSTESS SEAT ASSY		

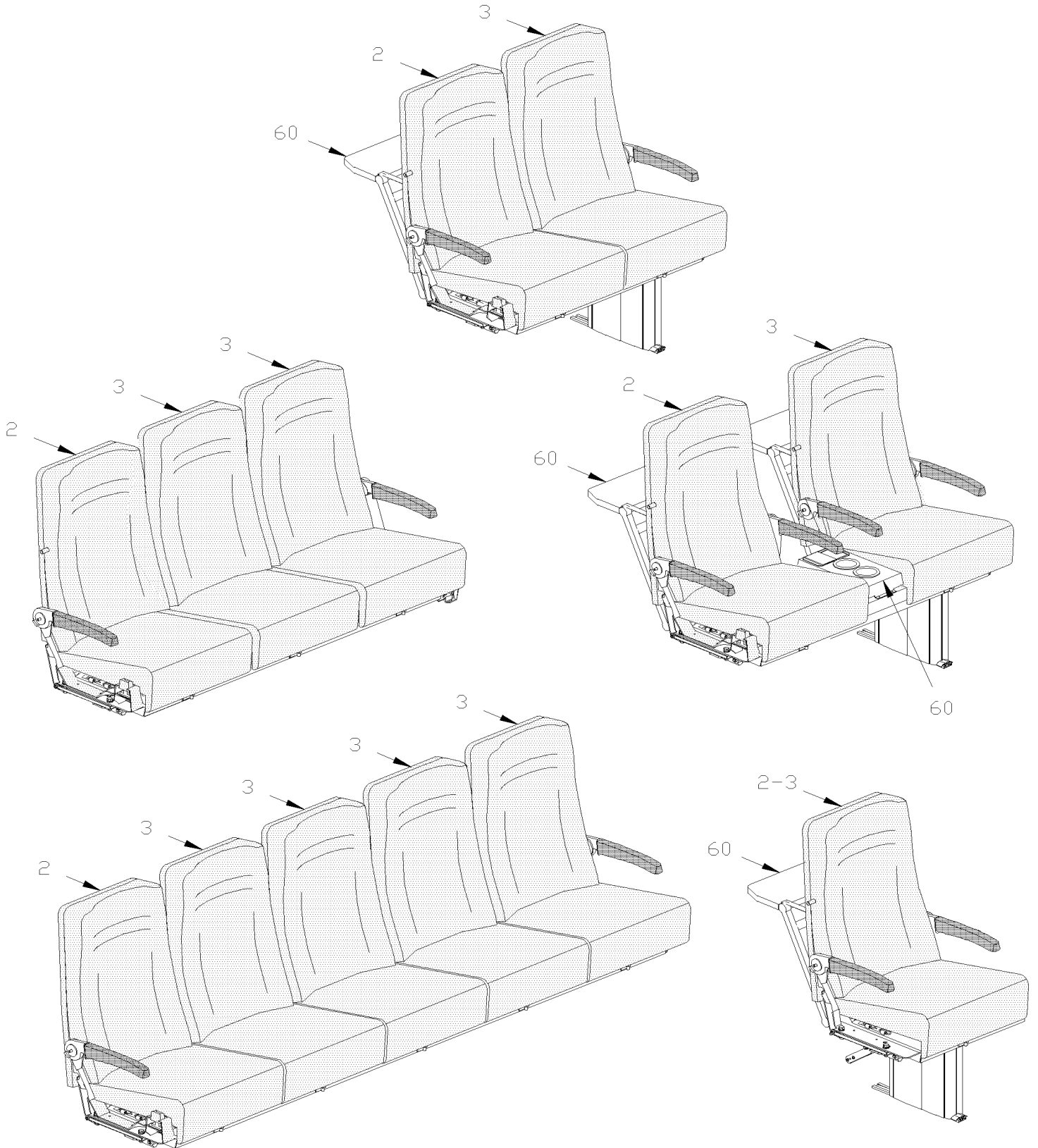
Item#	Part	Description	H 3 4 0	V I P 4 0	N O T E S
NS	363041	BACK REST FOAM	1		
30	500345	WASHER FN CKF .187x.500x.090 BR BK	5		
31	500686	SCREW TP OV PH #6x1/2 BK	5		
33	5001024	SCREW TC CAP HEXW SLT 1/4-20x2 ZP	4		
34	363069	HAND RAIL PROTECTOR ASSY / W/HOSTESS SEAT ONLY	1		
35	363063	BRACKET ASSY	1		
36	363072	SPACER / WOOD 450MM LG	1		
40	363070	SPECIAL BOLT ASSY / TO FIX HOSTESS SEAT / 126MM	2		
NS	500444	WASHER FL .406x.812x.065 Z050	2		
40	504373	PLUG BUTTON / 1.000 O.D. / BARE METAL	2		
40	504078	PLUG BUTTON / 1.000 O.D. / NICKEL & BRASS	2		
40	363071	SPECIAL BOLT ASSY / TO FIX HOSTESS SEAT / 72MM	1		
40	363546	HOOK	1		B
40	504416	RIVET POP DOME OE 3/16x5/8 SS	3		B
40	363547	BELT 485MM	1		B
40	5001168	BUMPER RUBBER / .750 OD x .562 TH x .187 HOLE	2		B
50	363077	HAND RAIL PROTECTOR ASSY / W/HOSTESS SEAT ONLY	1		
50	363076	. FOAM	1		
		A) FOR PRODUCT IMPROVEMENT YOU REQUIRE KIT #363997			
		B) THIS ITEMS IT'S FOR FIXING HOSTESS SEAT IN THE BAGGAGE CASE			
		P) CALL ORDER DESK FOR SPECIFIC APPLICATION (V.I.N.)			

From L-031 To M-089

Date:07/2024

PAGE:H4-1827-00

PASSENGER'S SEAT - "SILHOUETTE" ALUMINUM

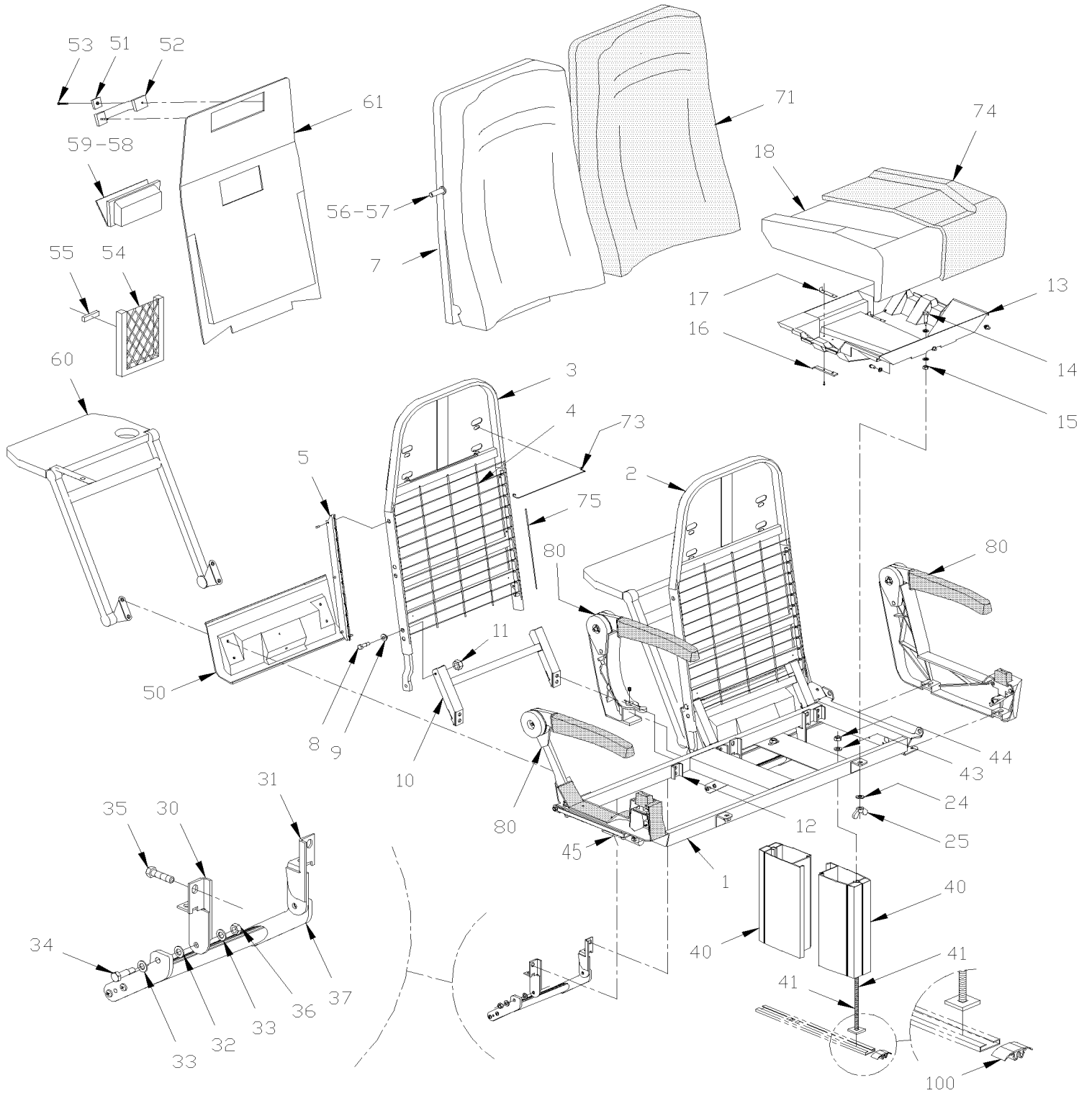


From L-031 To M-089

Date:07/2024

PAGE:H4-1827-00

PASSENGER'S SEAT - "SILHOUETTE" ALUMINUM



From L-031 To M-089	Date:07/2024	PAGE:H4-1827-00
---------------------	--------------	-----------------

PASSENGER'S SEAT - "SILHOUETTE" ALUMINUM

Item#	Part	Description	H 3 4 0	V I P 4 0	N O T E S
	363015	SEAT ASSY PASSENGERS / R.H. V.I.P.	AR		
	363016	SEAT ASSY PASSENGERS / L.H. V.I.P.	AR		
1	362308	. STRUCTURE L.H. / 2 PASSENGERS	1		
1	362309	. STRUCTURE R.H. / 2 PASSENGERS	1		
1	362393	. STRUCTURE REAR / 3 PASSENGERS	1		
1	362530	. STRUCTURE R.H. / 1 PASSENGER	1		
1	362556	. STRUCTURE L.H. / 1 PASSENGER V.I.P.	1		
1	362567	. STRUCTURE R.H. / 2 PASSENGER V.I.P.	1		
1	362629	. STRUCTURE R.H. / 1 PASSENGER V.I.P.	1		
1	362630	. STRUCTURE L.H. / 2 PASSENGERS V.I.P.	1		
2	362451	. BACKREST ASSY / R.H. (INCLUDE ITEM #7)	1		
2	362452	. BACKREST ASSY / L.H. (INCLUDE ITEM #7)	1		
2	362346	. BACKREST STRUCTURE / R.H.	1		
3	362345	. BACKREST STRUCTURE / L.H.	1		
4	362374	. . LATTICE	1		
5	362414	. . FIXING / LATTICE	2		
7	362529P	. FOAM ASSY, BACKREST	2		
7	362526	. . FOAM THICK	1		
7	362525	. . FOAM THIN	1		
NS	361965	. FOAM / REAR OF UPPER BACKREST	1		
8	362493	. . SCREW SHR CAP HEX 5/16x.715{1/4-20	2		
9	362325	. . BUSHING NYLON	2		
10	362788	. . SUPPORT	2		
11	500770	. . NUT HEX STO 1/4-20 Z050	2		
12	362475	. SUPPORT "U" SHAPED	4		
NS	500183	. SCREW CAP HEX 5/16-18x1 1/2 G5 PT Z050	8		
NS	500476	. WASHER LO SPT .317x.586x.078 Z050	8		
13	362464P	. SEATREST ASSY W/HOOK / BOTTOM PLASTIC	2		
14	362353	. . SCREW	1		
15	500982	. . NUT HEX JAM 5/16-18 Z050	2		
16	362779	. . BRACKET RETAINER / 3"	2		
17	322780	. . MOULDING "J" FORM / 423MM (16 5/8") / A/A	2		
18	362528P	. FOAM ASSY, SEATREST / "SILHOUETTE"	2		
18	362527	. . FOAM THICK	1		
18	362524	. . FOAM THIN	1		
24	500441	. WASHER FL .312x.734x.065 Z050	2		
25	500782	. NUT WING 5/16-18 Z050	2		
30	362380	. SUPPORT R.H.	2		
31	362379	. SUPPORT L.H.	2		
32	502723	. WASHER FL .386x.750x.050 NYL	4		
33	502584	. WASHER LO SERR 8.2x26.3x1.8 Z050	4		
34	360754	. SCREW / SOCKET	4		

From L-031 To M-089	Date:07/2024	PAGE:H4-1827-00
---------------------	--------------	-----------------

PASSENGER'S SEAT - "SILHOUETTE" ALUMINUM

Item#	Part	Description	H 3 4 0	V I P 4 0	N O T E S
35	502628	. SCREW CAP BUT HEXS 5/16-18x3/4 CP	4		
NS	502523	. RIVET NUT FL OKS 5/16-18 .059-.119	4		A
36	500777	. NUT HEX STO 5/16-18 Z050	4		
37	362411	. FOOTREST ASSY	2		
40	362288	. PEDESTAL OBLONG / ONE PIECE / 279MM / 10.98"	2		
41	361700	. ROD ASSY 12" / SEAT RETAINER	2		
43	500445	. WASHER FL .437x1.000x.083 Z050	4		
44	500265	. NUT HEX STO 3/8-16 Z050	4		
45	362355	. ATTACHMENT NUT / "J" SHAPE TO FIX SEAT TO WALL TRACK WALL TRACK	2		
45	364132	. ATTACHMENT PLATE / "J" SHAPE TO FIX SEAT TO WALL TRACK WALL TRACK	1		
. NS	500829	. SCREW CAP HEX M10-1.5x40 G8.8	2		
. NS	500257	. WASHER LO SPT 10.2x18.1x2.2 Z050	2		
50	362421	. FINISH LOWER / AISLE	1		
50	362424	. FINISH LOWER / L.H. (WALL SIDE)	1		
50	362425	. FINISH LOWER / R.H. (WALL SIDE)	1		
50	362640	. FINISH LOWER / L.H. (WALL SIDE)	1		
50	362641	. FINISH LOWER / R.H. (WALL SIDE)	1		
NS	362488	. REINFORCEMENT TAPER (NORYL)	AR		
51	860421	. HOOK	1		
52	860422	. HANDLE	1		
53	500360	. SCREW TP FL PH #8x1 1/4 BK	2		
54	361406	. MAGAZINE NET / 13" x 8 5/8"	2		
55	500353	. SCREW TP FL PH #8x3/4 BK	4		
56	362943	. STOPPER LONG / WV.I.P. SEAT	1		
56	362942	. STOPPER SHORT / W/STANDARD SEAT	1		
57	5001019	. SCREW TP OV PH #10x2 EMN	2		
58	361538	. REINFORCEMENT / W/ASHTRAY	1		
59	860423	. ASHTRAY	1		
NS	500353	. SCREW TP FL PH #8x3/4 BK	2		
60	H4-1829-00	. ACCESSORIES PASSENGER'S SEAT - "PREVOST"			
61	362419	. PANEL BACKREST / HIGH RISE W/O ASHTRAY	1		
61	362444	. PANEL BACKREST / HIGH RISE W/ASHTRAY	1		
61	362489	. PANEL BACKREST / LOW RISE W/O ASHTRAY	1		
61	362507	. PANEL BACKREST / LOW RISE W/ASHTRAY	1		
NS	500345	. WASHER FN CKF .187x.500x.090 BR BK	AR		
NS	502665	. SCREW TP OV PH #6x3/4 SS EMN	AR		
71	362460	. COVERING BACKREST ASSY / S.C.C. / "SILHOUETTE"	AR		
73	361915	. SPRING WIRE 9 3/4" X 3/4" / TO FIX COVERI	2		
NS	362716	. ATTACHMENT / ROUND "W" SHAPE TO FIX COVER	4		
74	362462P	. COVERING SEATREST ASSY / S.C.C. / ALL W/NORYL TRAY	AR		
75	362416	. WIRE 9 1/4" / TO FIX COVERING	2		
80	H4-1827-50	. ARMREST PASSENGER'S - "ALUMINUM"			

From L-031 To M-089	Date:07/2024	PAGE:H4-1827-00
PASSENGER'S SEAT - "SILHOUETTE" ALUMINUM		

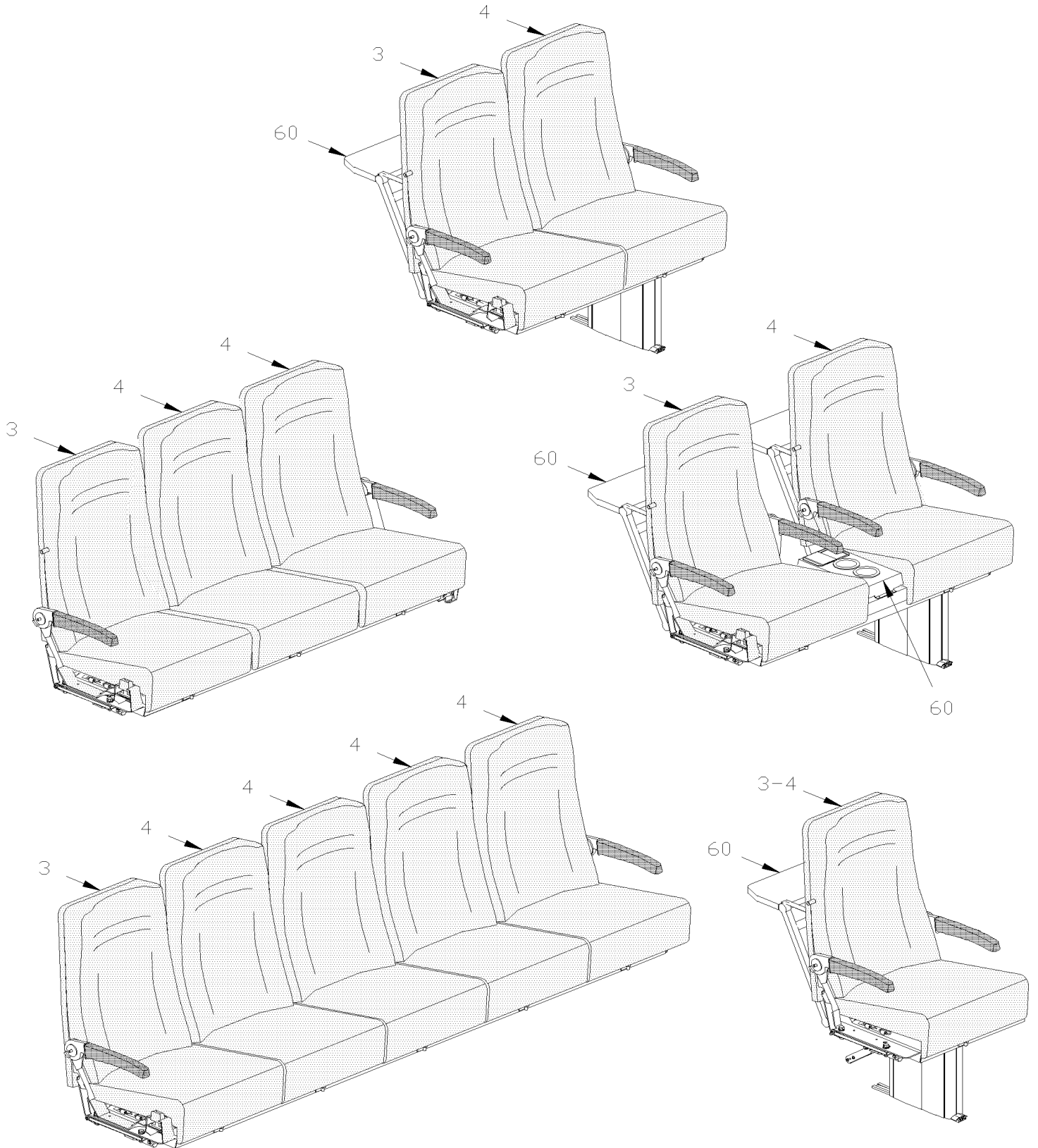
Item#	Part	Description	H 3 4 0	V I P 4 0	N O T E S
100	323654	SEAT TRACK COVER 12' / EACH SEAT / W/COVERING FLOOR	AR		
100	323963	SEAT TRACK COVER 8' / EACH SEAT / W/COVERING FLOOR	AR		
100	361338	SEAT TRACK COVER 12' / EACH SEAT / W/CARPET FLOOR	AR		
100	323655	SEAT TRACK COVER	AR		
		A) FIX ON STRUCTURE			

From M-090 To R-079

Date:07/2024

PAGE:H4-1827-01

PASSENGER'S SEAT - "SILHOUETTE" CHARCOAL

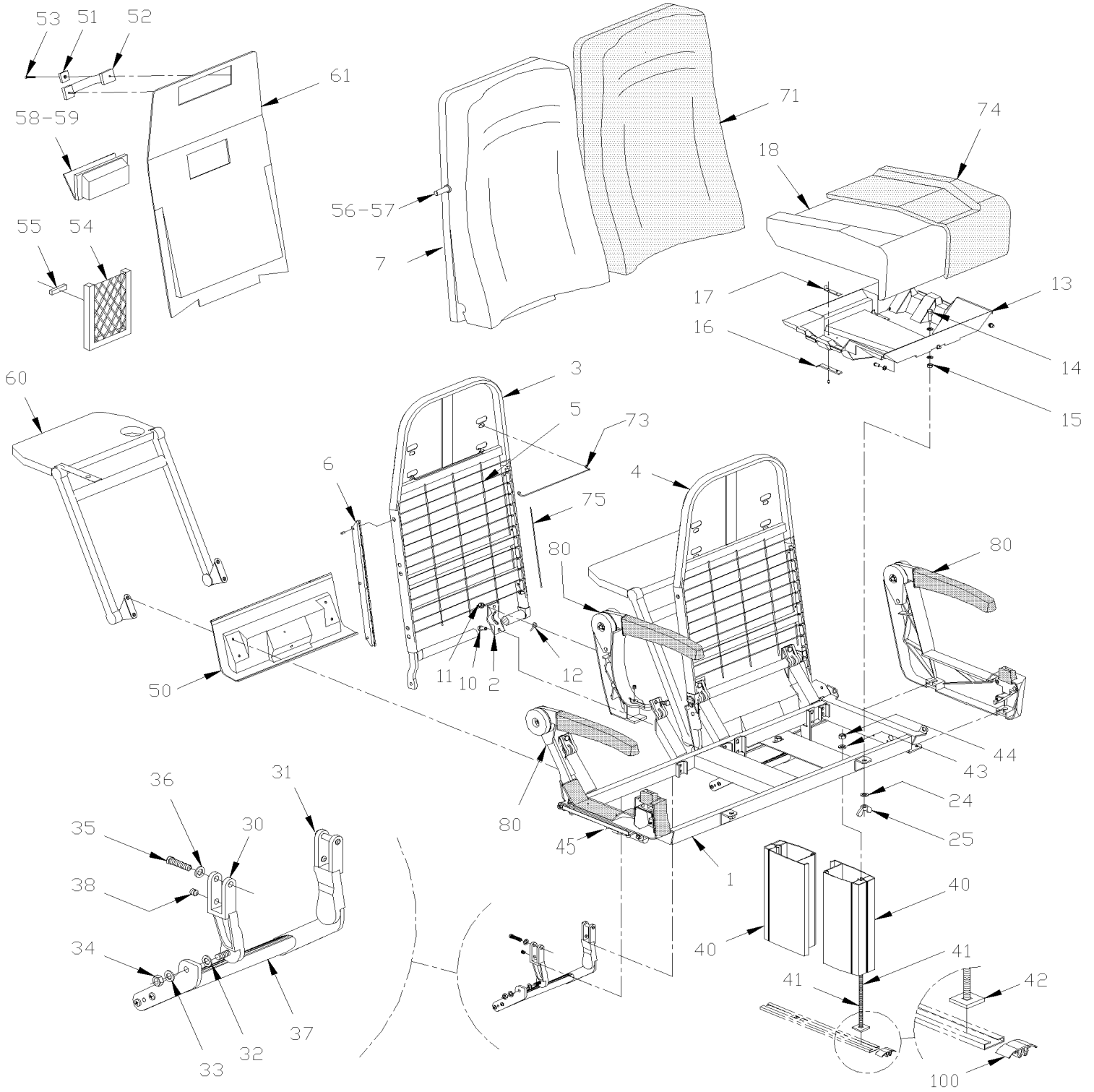


From M-090 To R-079

Date:07/2024

PAGE:H4-1827-01

PASSENGER'S SEAT - "SILHOUETTE" CHARCOAL



From M-090 To R-079	Date:07/2024	PAGE:H4-1827-01
---------------------	--------------	-----------------

PASSENGER'S SEAT - "SILHOUETTE" CHARCOAL

Item#	Part	Description	H 3 4 0	V I P 4 0	N O T E S
	362982	SEAT ASSY L.H. / 2 PASSENGERS	AR		
	362983	SEAT ASSY R.H. / 2 PASSENGERS	AR		
	362984	SEAT ASSY ROTATING / "SILHOUETTE" PAINTED CHARCOAL	AR		
	362985	SEAT ASSY REAR / 1 PASSENGER	AR		
	362988	SEAT ASSY R.H. / 1 PASSENGER V.I.P.	AR		
	362989	SEAT ASSY L.H. / 1 PASSENGER V.I.P.	AR		
	362986	SEAT ASSY R.H. / 2 PASSENGERS V.I.P.	AR		
	362987	SEAT ASSY L.H. / 2 PASSENGERS V.I.P.	AR		
1	362688	. STRUCTURE ASSY L.H. / 2 PASSENGERS To R-032	1		
1	363315	. STRUCTURE ASSY L.H. / 2 PASSENGERS From R-033	1		
1	362687	. STRUCTURE ASSY R.H. / 2 PASSENGERS To R-032	1		
1	363314	. STRUCTURE ASSY R.H. / 2 PASSENGERS From R-033	1		
1	362695	. STRUCTURE ASSY / "ROTATING" SEAT To R-032	1		
1	363316	. STRUCTURE ASSY / "ROTATING" SEAT From R-033	1		
1	362775	. STRUCTURE ASSY REAR / 1 PASSENGER To R-032	1		
1	363318	. STRUCTURE ASSY REAR / 1 PASSENGER From R-033	1		
1	362723	. STRUCTURE ASSY REAR / 3 PASSENGERS From R-033	1		
1	363007	. STRUCTURE ASSY REAR / 5 PASSENGERS To R-032	1		
1	363323	. STRUCTURE ASSY REAR / 5 PASSENGERS From R-033	1		
1	362859	. STRUCTURE ASSY R.H. / 2 PASSENGERS V.I.P. To R-032	1		
1	363320	. STRUCTURE ASSY R.H. / 2 PASSENGERS V.I.P. From R-033	1		
1	362862	. STRUCTURE ASSY R.H. / 2 PASSENGERS V.I.P. To R-032	1		
1	363321	. STRUCTURE ASSY L.H. / 2 PASSENGERS V.I.P. From R-033	1		
1	362855	. STRUCTURE ASSY R.H. / 1 PASSENGER V.I.P. To R-032	1		
1	363319	. STRUCTURE ASSY R.H. / 1 PASSENGER V.I.P. From R-033	1		
1	362868	. STRUCTURE ASSY L.H. / 1 PASSENGER V.I.P. To R-032	1		
1	363322	. STRUCTURE ASSY L.H. / 1 PASSENGER V.I.P. From R-033	1		
2	362661	. COLLAR To R-032	4		
2	363246	. COLLAR From R-033	4		
3	363106	. BACKREST ASSY R.H.	1		
4	363105	. BACKREST ASSY L.H.	1		
5	362853	. . LATTICE	1		
6	362854	. . ATTACHMENT / LATTICE	2		
7	362529P	. FOAM ASSY, BACKREST	1		
7	362526	. . FOAM THICK	1		
7	362525	. . FOAM THIN	1		
10	500179	. SCREW CAP HEX 5/16-18x3/4 G5 Z050	4		
11	5001113	. NUT HEX JAM NYRT 5/16-18	4		
12	363273	. SPRING EYE From R-033	1		
13	362464P	. SEATREST ASSY W/HOOK / BOTTOM PLASTIC	1		
14	362353	. . SCREW	1		
15	500685	. . NUT HEX NYRT 5/16-18 SS	1		

From M-090 To R-079	Date:07/2024	PAGE:H4-1827-01
PASSENGER'S SEAT - "SILHOUETTE" CHARCOAL		

Item#	Part	Description	H 3 4 0	V I P 4 0	N O T E S
16	362779	. BRACKET RETAINER / 3"	2		
17	362781	. BRACKET RETAINER / 2 1/4"	2		
18	362528P	. FOAM ASSY, SEATREST / "SILHOUETTE"	1		
18	362527	. FOAM THICK	1		
18	362524	. FOAM THIN	1		
24	500441	WASHER FL .312x.734x.065 Z050	2		
25	500782	NUT WING 5/16-18 Z050	2		
30	363437	. BRACKET L.H.	1		
31	363436	. BRACKET R.H.	1		
32	502723	. WASHER FL .386x.750x.050 NYL	2		
33	500441	. WASHER FL .312x.734x.065 Z050	2		
34	500777	. NUT HEX STO 5/16-18 Z050	2		
35	500183	. SCREW CAP HEX 5/16-18x1 1/2 G5 PT Z050	2		
36	500476	. WASHER LO SPT .317x.586x.078 Z050	2		
37	362928	. FOOTREST ASSY	1		
38	502781	. SCREW SET HEXS CUP 5/16-18x1/4	2		
40	363517	. PEDESTAL OBLONG / 279MM / 10.98" To V-6156	1		
41	5001600	. SCREW CRG 3/8-16x12 G5 Z050	2		
42	363085	. PLATE ANCHOR / CARRIAGE BOLT INSIDE TRACK / 1 1/4" X 1 1/4"	2		
42	500445	. WASHER FL .437x1.000x.083 Z050	2		
43	500445	. WASHER FL .437x1.000x.083 Z050	2		
44	500265	. NUT HEX STO 3/8-16 Z050	2		
45	362355	. ATTACHMENT NUT / "J" SHAPE TO FIX SEAT TO WALL TRACK WALL TRACK	2		
45	364132	. ATTACHMENT PLATE / "J" SHAPE TO FIX SEAT TO WALL TRACK WALL TRACK	1		
. NS	500829	. SCREW CAP HEX M10-1.5x40 G8.8	2		
. NS	500257	. WASHER LO SPT 10.2x18.1x2.2 Z050	2		
50	362867	. FINISHING LOWER / R.H. / NORYL	1		
50	362866	. FINISHING LOWER / L.H. / NORYL	1		
NS	500982	. NUT HEX JAM 5/16-18 Z050	2		
NS	502777	. SCREW SET HEXS CUP 5/16-18x1	2		
51	860421	. HOOK	1		
52	860422	. HANDLE	1		
53	500360	. SCREW TP FL PH #8x1 1/4 BK	2		
54	362707	. MAGAZINE NET 13" x 6 1/2"	1		
54	860809	. MAGAZINE NET 14" x 7 1/4"	1		
55	500353	. SCREW TP FL PH #8x3/4 BK	4		
56	362943	. STOPPER LONG / WV.I.P. SEAT	1		
56	362942	. STOPPER SHORT / W/STANDARD SEAT	1		
57	5001019	. SCREW TP OV PH #10x2 EMN	2		
58	361538	. REINFORCEMENT / W/WASHTRAY	1		
59	860423	. ASHTRAY	1		
NS	500360	. SCREW TP FL PH #8x1 1/4 BK	2		

From M-090 To R-079	Date:07/2024	PAGE:H4-1827-01
PASSENGER'S SEAT - "SILHOUETTE" CHARCOAL		

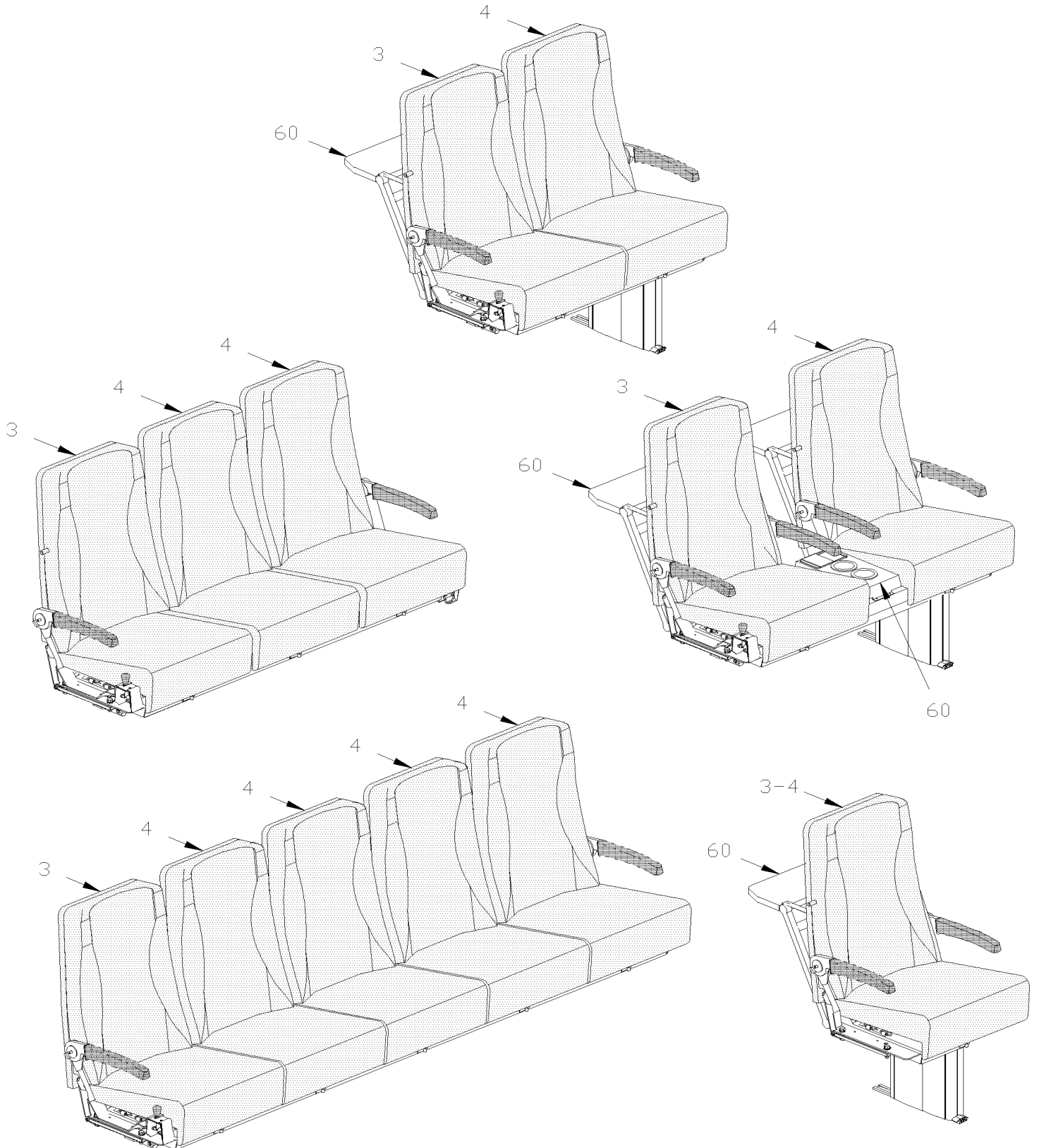
Item#	Part	Description	H 3 4 0	V I P 4 0	N O T E S
NS	504123	. RIVET POP DOME OE 3/32x1/8 AL	1		
60	H4-1829-00	. ACCESSORIES PASSENGER'S SEAT - "PREVOST"			
61	362850	. FINISHING BACKREST / HIGH RISE W/O ASHTRAY NORYL	1		
61	362865	. FINISHING BACKREST / HIGH RISE W/ ASHTRAY / NORYL	1		
61	362849	. FINISHING BACKREST / REGULAR / W/O ASHTRAY NORYL	1		
61	362864	. FINISHING BACKREST / REGULAR / W/ASHTRAY / NORYL	1		
61	500333	. SCREW TP OV PH #6x3/4 BK	AR		
61	500345	. WASHER FN CKF .187x.500x.090 BR BK	AR		
71	362870P	. COVERING ASSY, BACKREST / S.C.C.	1		
73	361915	. SPRING WIRE 9 3/4" X 3/4" / TO FIX COVERI	1		
NS	362716	. ATTACHMENT / ROUND "W" SHAPE TO FIX COVER	4		
NS	504474	. HOG RING	12		
74	362462P	. COVERING SEATREST ASSY / S.C.C. / ALL W/NORYL TRAY	1		
75	362416	. WIRE 9 1/4" / TO FIX COVERING	2		
80	H4-1827-51	. ARMREST PASSENGER'S - "CHARCOAL"			
100	323654	SEAT TRACK COVER 12' / EACH SEAT / W/COVERING FLOOR	AR		
100	323963	SEAT TRACK COVER 8' / EACH SEAT / W/COVERING FLOOR	AR		
100	361338	SEAT TRACK COVER 12' / EACH SEAT / W/CARPET FLOOR	AR		

From R-033 To R-079

Date:07/2024

PAGE:H4-1827-02

PASSENGER'S SEAT - "ULTRA"

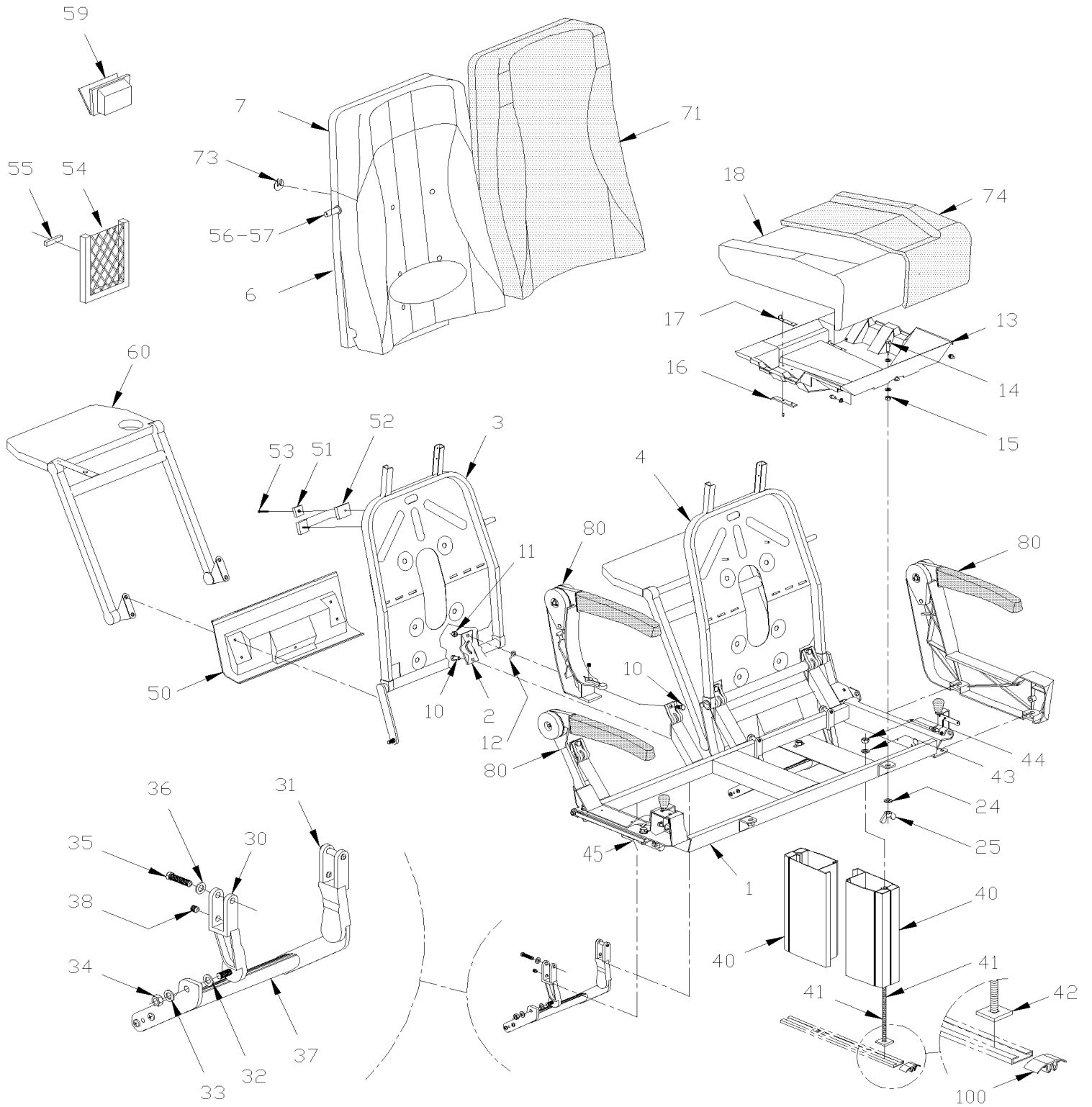


From R-033 To R-079

Date:07/2024

PAGE:H4-1827-02

PASSENGER'S SEAT - "ULTRA"



From R-033 To R-079	Date:07/2024	PAGE:H4-1827-02
PASSENGER'S SEAT - "ULTRA"		

Item#	Part	Description	H 3 4 0	V I P 4 0	N O T E S
	363401	SEAT ASSY L.H. / 2 PASSENGERS / 42" HIGH	AR		
	363404	SEAT ASSY ROTATING / "ULTRA" PAINTED CHARCOAL	AR		
	363448	SEAT ASSY L.H. / 1 PASSENGER V.I.P. / 42" HIGH	AR		
	363449	SEAT ASSY R.H. / 1 PASSENGER V.I.P. / 42" HIGH	AR		
	363446	SEAT ASSY L.H. / 2 PASSENGERS V.I.P. / 42" HIGH	AR		
	363447	SEAT ASSY R.H. / 2 PASSENGERS V.I.P. / 42" HIGH	AR		
1	363315	. STRUCTURE ASSY L.H. / 2 PASSENGERS	1		
1	363314	. STRUCTURE ASSY R.H. / 2 PASSENGERS	1		
1	363316	. STRUCTURE ASSY / "ROTATING" SEAT	1		
1	363317	. STRUCTURE ASSY REAR / 3 PASSENGERS	1		
1	363323	. STRUCTURE ASSY REAR / 5 PASSENGERS	1		
1	363319	. STRUCTURE ASSY R.H. / 1 PASSENGER V.I.P.	1		
1	363322	. STRUCTURE ASSY L.H. / 1 PASSENGER V.I.P.	1		
1	363320	. STRUCTURE ASSY R.H. / 2 PASSENGERS V.I.P.	1		
1	363321	. STRUCTURE ASSY L.H. / 2 PASSENGERS V.I.P.	1		
2	363246	. COLLAR	4		
3	363180	. BACKREST R.H.	1		
4	363181	. BACKREST L.H.	1		B
6	363186	. FOAM BACKREST THICK	1		
6	363252	. FOAM BACKREST THIN W/42"	1		
6	363350	. FOAM BACKREST THIN W/40"	1		
7	363348	. FOAM ASSY, HEADREST 40" HIGHT / "ULTRA"	1		
7	363251	. FOAM ASSY, HEADREST 42" HIGHT / "ULTRA"	1		
NS	500583	. SCREW TP PAN PH #6x1/2 Z050	4		
NS	500240	. WASHER LO EXT .195x.410x.025 Z050	4		
10	5001336	. SCREW CAP HEXF SERR 5/16-18x3/4 Z050	8		
11	5001113	. NUT HEX JAM NYRT 5/16-18	8		
12	363273	. SPRING EYE	4		
13	362464P	. SEATREST ASSY W/HOOK / BOTTOM PLASTIC	1		
14	362353	. SCREW	1		
15	500685	. NUT HEX NYRT 5/16-18 SS	1		
16	362779	. BRACKET RETAINER / 3"	1		
17	362781	. BRACKET RETAINER / 2 1/4"	1		
18	362666	. FOAM ASSY, SEATREST / "TOURISMO & ULTRA"	1		
24	500441	. WASHER FL .312x.734x.065 Z050	2		
25	500782	. NUT WING 5/16-18 Z050	2		
30	363437	. BRACKET L.H.	1		
31	363436	. BRACKET R.H.	1		
32	502723	. WASHER FL .386x.750x.050 NYL	2		
33	500441	. WASHER FL .312x.734x.065 Z050	2		
34	500777	. NUT HEX STO 5/16-18 Z050	2		
35	500183	. SCREW CAP HEX 5/16-18x1 1/2 G5 PT Z050	2		

From R-033 To R-079	Date:07/2024	PAGE:H4-1827-02
PASSENGER'S SEAT - "ULTRA"		

Item#	Part	Description	H 3 4 0	V I P 4 0	N O T E S
36	500476	. WASHER LO SPT .317x.586x.078 Z050	2		
37	362928	. FOOTREST ASSY	1		
38	502781	. SCREW SET HEXS CUP 5/16-18x1/4	2		
40	363577	. PEDESTAL SQ END / 279MM / 10.98" / 2 PIECES	2		
41	5001600	. SCREW CRG 3/8-16x12 G5 Z050	2		
42	363085	. PLATE ANCHOR / CARRIAGE BOLT INSIDE TRACK / 1 1/4" X 1 1/4"	1		
43	500445	. WASHER FL .437x1.000x.083 Z050	2		
44	500265	. NUT HEX STO 3/8-16 Z050	2		
45	362355	. ATTACHMENT NUT / "J" SHAPE TO FIX SEAT TO WALL TRACK WALL TRACK	2		
45	364132	. ATTACHMENT PLATE / "J" SHAPE TO FIX SEAT TO WALL TRACK WALL TRACK	1		
. NS	500829	. SCREW CAP HEX M10-1.5x40 G8.8	2		
. NS	500257	. WASHER LO SPT 10.2x18.1x2.2 Z050	2		
50	362866	. FINISHING LOWER / L.H. / NORYL	1		
50	362867	. FINISHING LOWER / R.H. / NORYL	1		
51	860421	. HOOK	1		
52	860422	. HANDLE	1		
NS	505229	. SPACER 3/8 I.D. X 3/8 LG	2		
53	502521	. SCREW TC OV PH #8-32x1 BK	2		
54	362707	. MAGAZINE NET 13" x 6 1/2"	1		
54	860809	. MAGAZINE NET 14" x 7 1/4"	1		
NS	500353	. SCREW TP FL PH #8x3/4 BK	4		
55	500353	. SCREW TP FL PH #8x3/4 BK	4		
56	362943	. STOPPER LONG / WV.I.P. SEAT	1		
56	362942	. STOPPER SHORT / W/STANDARD SEAT	1		
57	5001019	. SCREW TP OV PH #10x2 EMN	1		
NS	5001116	. NUT SPR U #10A .025-.062	1		
59	860625	. ASHTRAY / METAL	1		
NS	860626	. SUPPORT ASHTRAY / PLASTIC	1		
60	H4-1829-00	. ACCESSORIES PASSENGER'S SEAT - "PREVOST"			
71	Call order desk	. COVERING BACKREST ASSY / S.C.C. W/40" HIGHT / "ULTRA"	1		P
71	363254P	. COVERING ASSY, BACKREST / S.C.C. W/42" HIGHT	1		
73	362716	. ATTACHMENT / ROUND "W" SHAPE TO FIX COVER	8		
NS	682259	. SEALANT TAPE / CLEAR / 1/32"x1 1/2"x65' / 1795	AR		
74	362462P	. COVERING SEATREST ASSY / S.C.C. / ALL W/NORYL TRAY	1		
80	H4-1827-51	. ARMREST PASSENGER'S - "CHARCOAL"			
100	323654	SEAT TRACK COVER 12' / EACH SEAT / W/COVERING FLOOR	AR		
100	361338	SEAT TRACK COVER 12' / EACH SEAT / W/CARPET FLOOR	AR		
100	323963	SEAT TRACK COVER 8' / EACH SEAT / W/COVERING FLOOR	AR		
		B) QTY OF 2 WITH 3 PASSENGERS REAR SEAT AND QTY OF 4 WITH 5 PASSENGERS REAR SEAT			

From R-033 To R-079		Date:07/2024	PAGE:H4-1827-02
---------------------	--	--------------	-----------------

PASSENGER'S SEAT - "ULTRA"

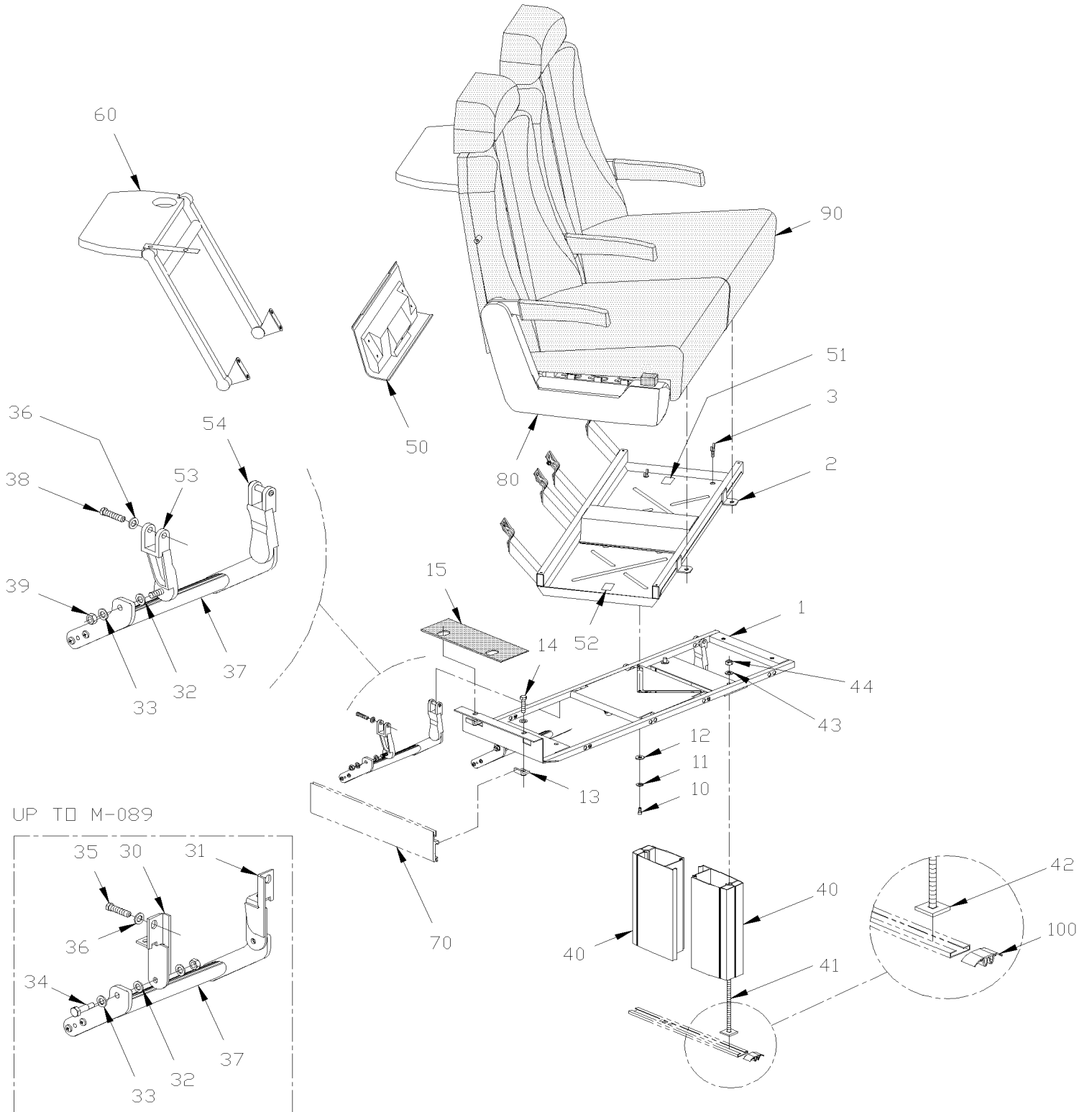
Item#	Part	Description	H 3 4 0	V I P 4 0	N O T E S
		P) CALL ORDER DESK FOR SPECIFIC APPLICATION (V.I.N.)			

From L-031 To R-079

Date:07/2024

PAGE:H4-1827-10

PASSENGER'S SEAT - ROTATING



From L-031 To R-079	Date:07/2024	PAGE:H4-1827-10
PASSENGER'S SEAT - ROTATING		

Item#	Part	Description	H 3 4 0	V I P 4 0	N O T E S
		THIS PAGE SHOWS ONLY PARTS RELATED			
		WITH ROTATING SEAT. ALLS			
		OTHERS PARTS ARE ILLUSTRATED IN PAGES			
	362811	SEAT ASSY ROTATING / "SILHOUETTE" PAINTED ALUMINUM To M-089	AR		
NS	362984	SEAT ASSY ROTATING / "SILHOUETTE" PAINTED CHARCOAL From M-090	AR		
NS	362816	SEAT ASSY ROTATING / "TOURISMO" / 42" PAINTED ALUMINUM To M-089	AR		
	362992	SEAT ASSY ROTATING / "TOURISMO" / 42" PAINTED CHARCOAL From M-090 To P-323	AR		
NS	363198	SEAT ASSY ROTATING / "TOURISMO II" / 42" PAINTED CHARCOAL From P-324	AR		
NS	363404	SEAT ASSY ROTATING / "ULTRA" PAINTED CHARCOAL	AR		
1	362340	MOUNTING BASE ASSY / "ROTATING" SEAT	1		
2	362331	STRUCTURE ASSY / "ROTATING" SEAT To M-089	1		
2	362695	STRUCTURE ASSY / "ROTATING" SEAT From M-090 To R-032	1		
2	363316	STRUCTURE ASSY / "ROTATING" SEAT From R-033	1		
3	361734	SCREW WING	1		
10	500162	SCREW CAP HEX 1/4-20x1/2 G5 Z050	1		
11	500473	WASHER LO SPT .262x.489x.062 Z050	1		
12	500462	WASHER FL .343x1.500x.083 SS	1		
13	362333	ATTACHMENT NUT / "L" SHAPE TO FIX SEAT TO WALL TRACK WALL TRACK	2		
14	500182	SCREW CAP HEX 5/16-18x1 1/4 G5 PT Z050	2		
15	362405	RUBBER PROTECTOR PAD	1		
30	362403	SUPPORT R.H, FOOTREST W/"SILHOUETTE" To M-089	2		
31	362400	SUPPORT L.H, FOOTREST W/"SILHOUETTE" To M-089	2		
32	502723	WASHER FL .386x.750x.050 NYL	4		
33	502584	WASHER LO SERR 8.2x26.3x1.8 Z050	4		
34	360754	SCREW / SOCKET To M-089	2		
35	502628	SCREW CAP BUT HEXS 5/16-18x3/4 CP To M-089	2		
NS	502523	RIVET NUT FL OKS 5/16-18 .059-.119 To M-089	2		
36	500476	WASHER LO SPT .317x.586x.078 Z050	2		
37	362411	FOOTREST ASSY To M-089	1		
37	362928	FOOTREST ASSY From M-090	1		
38	500183	SCREW CAP HEX 5/16-18x1 1/2 G5 PT Z050	2		
39	500777	NUT HEX STO 5/16-18 Z050 From M-090	2		
40	362936	PEDESTAL OBLONG / W/ROTATING SEAT / 224MM / 8 81"	2		
41	362406	ROD ASSY 9 3/4" / SEAT RETAINER To N-223	2		
41	5001078	SCREW CRG 3/8-16x9 3/4 Z050 From N-224	2		
42	363085	PLATE ANCHOR / CARRIAGE BOLT INSIDE TRACK / 1 1/4" X 1 1/4" From N-224	2		
43	500265	NUT HEX STO 3/8-16 Z050	2		
44	362410	WASHER	2		
50	362702	FINISHING LOWER R.H.	1		
50	362701	FINISHING LOWER L.H.	1		

From L-031 To R-079	Date:07/2024	PAGE:H4-1827-10
---------------------	--------------	-----------------

PASSENGER'S SEAT - ROTATING

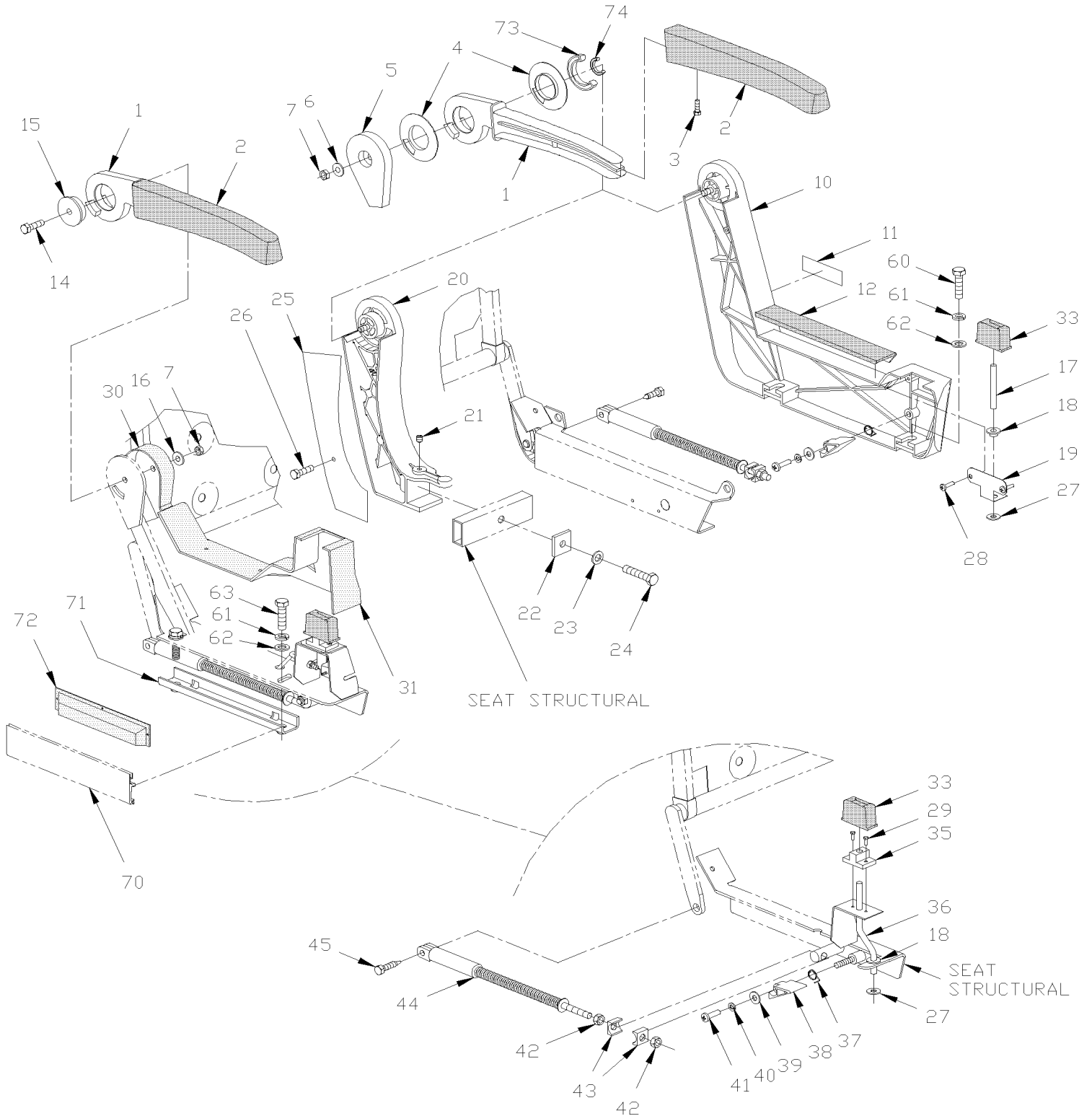
Item#	Part	Description	H 3 4 0	V I P 4 0	N O T E S
51	361752	DECAL "TO OPERATE.." / FIXED AT SEAT STRUCTURE / ENGLISH & FRANCAIS	1		
52	361751	DECAL "TO OPERATE.." / FIXED AT WINDOW	1		
53	363439	BRACKET L.H. From M-090	2		
54	363438	BRACKET R.H. From M-090	2		
60	H4-1829-00	ACCESSORIES PASSENGER'S SEAT - "PREVOST"			
70	H4-2221-10	DUCTING HEATER & A/C			
80	H4-1827-50	ARMREST PASSENGER'S - "ALUMINUM" To M-089			
80	H4-1827-51	ARMREST PASSENGER'S - "CHARCOAL" From M-090			
90	H4-1827-00	PASSENGER'S SEAT - "SILHOUETTE" ALUMINUM To M-089			
90	H4-1827-01	PASSENGER'S SEAT - "SILHOUETTE" CHARCOAL From M-090			
90	H4-1827-02	PASSENGER'S SEAT - "ULTRA"			
90	H4-1828-00	PASSENGER'S SEAT - "TOURISMO I" To P-323			
90	H4-1828-01	PASSENGER'S SEAT - "TOURISMO II" From P-324			
100	323654	SEAT TRACK COVER 12' / EACH SEAT / W/COVERING FLOOR	AR		
100	361338	SEAT TRACK COVER 12' / EACH SEAT / W/CARPET FLOOR	AR		
100	323963	SEAT TRACK COVER 8' / EACH SEAT / W/COVERING FLOOR	AR		

From L-031 To M-089

Date:07/2024

PAGE:H4-1827-50

ARMREST PASSENGER'S - "ALUMINUM"



From L-031 To M-089	Date:07/2024	PAGE:H4-1827-50
ARMREST PASSENGER'S - "ALUMINUM"		

Item#	Part	Description	H 3 4 0	V I P 4 0	N O T E S
1	362545	ARMREST R.H. / V.I.P.	2		
1	362546	ARMREST L.H. / V.I.P.	2		
1	362637	ARMREST / LONG	3		
2	362316	COVERING ARMREST / LONG	1		
2	362541	COVERING ARMREST / V.I.P.	1		
3	500686	SCREW TP OV PH #6x1/2 BK	1		
NS	500345	WASHER FN CKF .187x.500x.090 BR BK	1		
4	362307	. SPACER PLASTIC / FRICTION DISK	2		
5	362636	CLOSING	1		
6	502510	WASHER FL .375x.875x.083	1		
7	500777	NUT HEX STO 5/16-18 Z050	1		
10	362455P	SIDE CASTING ASSY L.H. / PAINTED GREY ALUMINUM	1		
10	362456P	SIDE CASTING ASSY R.H. / PAINTED GREY ALUMINUM	1		
10	362638	. CASTING SIDE / R.H. / GREY ALUMINUM	1		
10	362639	. CASTING SIDE / L.H. / GREY ALUMINUM	1		
11	361918	. DECAL "PREVOST"	1		
12	362417	. COVERING RUBBER / R.H. 240.4MM	1		
12	362485	. COVERING RUBBER / L.H. 240.4MM	1		
14	500182	SCREW CAP HEX 5/16-18x1 1/4 G5 PT Z050	1		
15	362315	WASHER RETAINING W/FLANGED 40.26MM O.D. X 44.5 MM O.D.	1		
16	502510	WASHER FL .375x.875x.083	1		
17	362388	. ROD	1		
18	362325	. BUSHING NYLON	1		
19	362385	. PLATE ANGLE	1		
20	362706	SUPPORT / CENTRAL ARMREST	1		
21	502781	SCREW SET HEXS CUP 5/16-18x1/4	1		
22	362711	PLATE TIGHTENING / SEAT	1		
23	500476	WASHER LO SPT .317x.586x.078 Z050	1		
24	500185	SCREW CAP HEX 5/16-18x2 1/4 G5 Z050	1		
25	362600	PLATE / W/V.I.P. CENTRAL SUPPORT / GREY ALUM. To M-089	1		
26	500654	SCREW TC BDG PH #8-32x1/2 Z050	2		
27	502601	. NUT SPR PO RND 7/16	1		
28	500611	. SCREW TC PAN PH #10-24x1/2 Z050	2		
29	500638	SCREW TP PAN PH #8x1/2 Z050	4		
30	362697	COVER R.H. / NORYL / WINDOW SIDE	1		
30	362712	COVER L.H. / NORYL / WINDOW SIDE	1		
31	362371	GUARD L.H. / MECHANISM	1		
31	362398	GUARD R.H. / MECHANISM	1		
31	362580	GUARD R.H. / MECHANISM / V.I.P.	1		
31	362633	GUARD L.H. / MECHANISM / V.I.P.	1		
33	362318	. BUTTON ORANGE	1		
35	362675	GUIDE	1		

From L-031 To M-089	Date:07/2024	PAGE:H4-1827-50
ARMREST PASSENGER'S - "ALUMINUM"		

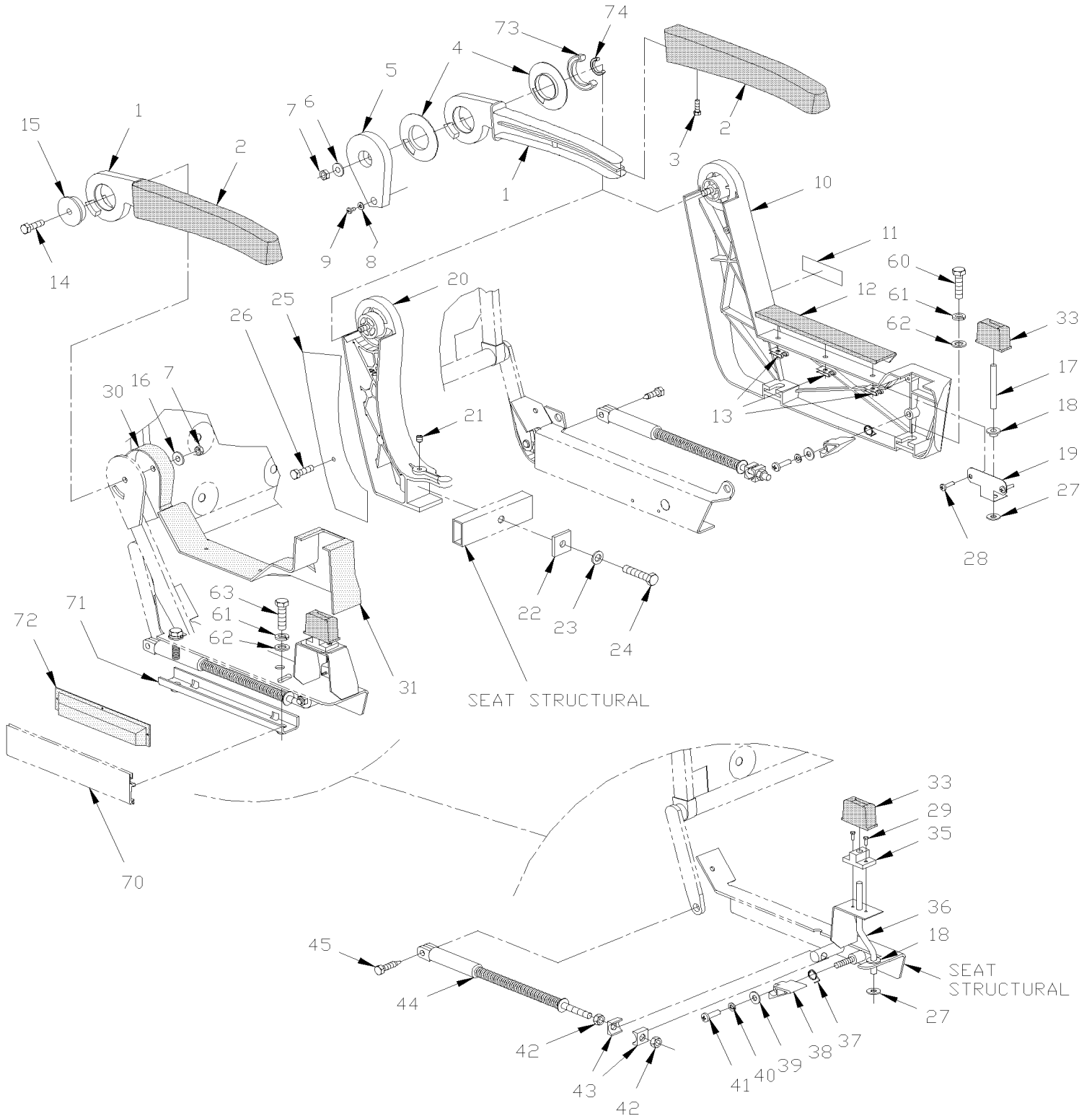
Item#	Part	Description	H 3 4 0	V I P 4 0	N O T E S
36	362395	ROD LONG	1		
37	362357	. SPRING, TORSION / L.H. / .500 I.D. x .230 x	1		
37	362358	. SPRING, TORSION / R.H. / .500 I.D. x .230 x	1		
38	362319	. LEVER	1		
39	500593	. WASHER FL .200x.437x.036 BR	1		
40	500470	. WASHER LO SPT .193x.334x.047 Z050	1		
41	500386	. SCREW MA RND PH #10-24x1/2 Z050	1		
42	500956	NUT HEX JAM 3/8-24 Z050	4		
42	502592	NUT HEX THN 3/8-24x3/32 Z050	2		
43	362659	JOINT BALL	4		
NS	500445	WASHER FL .437x1.000x.083 Z050	2		A
NS	504061	GROMMET / .4375x.687x.062x.312x.937	2		A
NS	362803	COVER BALL JOINT	4		A
44	860592	CYLINDER	1		
45	362354	SCREW "SPECIAL / TO FIX BACKREST	1		
60	500183	SCREW CAP HEX 5/16-18x1 1/2 G5 PT Z050	2		
61	500476	WASHER LO SPT .317x.586x.078 Z050	2		
62	502510	WASHER FL .375x.875x.083	2		
63	500183	SCREW CAP HEX 5/16-18x1 1/2 G5 PT Z050	2		
70	H4-2221-10	DUCTING HEATER & A/C			
71	362355	ATTACHMENT NUT / "J" SHAPE TO FIX SEAT TO WALL TRACK WALL TRACK	2		
71	364132	ATTACHMENT PLATE / "J" SHAPE TO FIX SEAT TO WALL TRACK WALL TRACK	1		
. NS	500829	. SCREW CAP HEX M10-1.5x40 G8.8	2		
. NS	500257	. WASHER LO SPT 10.2x18.1x2.2 Z050	2		
72	362579	CAP FINISHING / WALL / V.I.P.	1		
73	362876	. SLIDE INSERT PLASTIC / LONG 242 DEG	1		
73	362941	. SLIDE INSERT PLASTIC / LONG 150 DEG	1		C
74	362512	. SPRING COMPRESSION / .312 O.D. x 3.75 x .070	1		
		A) ON SILHOUETTE MODEL ONLY WE USE 2 GROMMETS AND 2 WASHERS			
		C) WITH CENTRAL ARMREST ONLY			

From M-090 To R-079

Date:07/2024

PAGE:H4-1827-51

ARMREST PASSENGER'S - "CHARCOAL"



From M-090 To R-079	Date:07/2024	PAGE:H4-1827-51
ARMREST PASSENGER'S - "CHARCOAL"		

Item#	Part	Description	H 3 4 0	V I P 4 0	N O T E S
1	362939	ARMREST / LONG	3		
1	362933	ARMREST L.H. / V.I.P.	2		
1	362934	ARMREST R.H. / V.I.P.	2		
2	362316	COVERING ARMREST / LONG	1		
2	363624	COVERING ARMREST / LONG	1		
2	362541	COVERING ARMREST / V.I.P.	1		
2	363425	FOAM COVERING ARMREST V.I.P.	AR		
NS	363638	ARMREST COVERING "TISSUS" W/STD ARMREST / SPECIFY COLOR			
NS	363637	ARMREST COVERING "TISSUS" W/V.I.P. ARMREST / SPECIFY COLOR			
3	500686	SCREW TP OV PH #6x1/2 BK	1		
NS	500345	WASHER FN CKF .187x.500x.090 BR BK	1		
4	362877	. SPACER PLASTIC / FRICTION DISK	1		
5	362913	CLOSING / GREY CHARCOAL	2		
5	362913	CLOSING / GREY CHARCOAL	2		V
6	502510	WASHER FL .375x.875x.083	1		
7	5001113	NUT HEX JAM NYRT 5/16-18	1		
8	500658	SCREW TC PAN PH #10-24x3/4 Z050	1		
9	500470	WASHER LO SPT .193x.334x.047 Z050	1		
10	363391	SIDE CASTING ASSY L.H. / PAINTED CHARCOAL	1		
10	363392	SIDE CASTING ASSY R.H. / PAINTED CHARCOAL	1		
10	362873	. SIDE L.H. / CASTING PAINTED CHARCOAL	1		
10	363434	. SIDE L.H. / CASTING PAINTED CHARCOAL / W/ROAD SHOW SYSTEM	1		
10	362874	. SIDE R.H. / CASTING PAINTED CHARCOAL	1		
10	363433	. SIDE R.H. / CASTING PAINTED CHARCOAL / W/ROAD SHOW SYSTEM	1		
11	362907	. DECAL / "PREVOST"	1		
12	362871	. COVERING L.H.	1		
12	362971	. COVERING R.H.	1		
13	502776	. NUT PUSH RND ARC 1/8	3		
13	509814	. NUT PUSH RND ARC 3/16	3	3	
14	500182	SCREW CAP HEX 5/16-18x1 1/4 G5 PT Z050	1		
15	362315	WASHER RETAINING W/FLANGED 40.26MM O.D. X 44.5 MM O.D.	1		
16	500441	WASHER FL .312x.734x.065 Z050	1		
17	362388	. ROD	1		
18	362325	. BUSHING NYLON	1		
19	362385	. PLATE ANGLE	1		
20	362904	SUPPORT / CENTRAL ARMREST / PAINTED CHARCOAL	1		
21	502781	SCREW SET HEXS CUP 5/16-18x1/4	1		
22	362711	PLATE TIGHTENING / SEAT	1		
23	500476	WASHER LO SPT .317x.586x.078 Z050	1		
24	500185	SCREW CAP HEX 5/16-18x2 1/4 G5 Z050	1		
25	362927	PLATE / W/V.I.P. CENTRAL SUPPORT / CHARCOAL	1		
26	500654	SCREW TC BDG PH #8-32x1/2 Z050	2		

From M-090 To R-079	Date:07/2024	PAGE:H4-1827-51
ARMREST PASSENGER'S - "CHARCOAL"		

Item#	Part	Description	H 3 4 0	V I P 4 0	N O T E S
27	502601	. NUT SPR PO RND 7/16	1		
28	500611	. SCREW TC PAN PH #10-24x1/2 Z050	2		
29	5001312	SCREW TP TR PH #8x5/8 Z050	1		
30	362697	COVER R.H. / NORYL / WINDOW SIDE	1		
30	362712	COVER L.H. / NORYL / WINDOW SIDE	1		
31	362371	GUARD L.H. / MECHANISM	1		
31	363427	GUARD R.H. / MECHANISM / W/ROAD SHOW SYSTEM	1		
31	362398	GUARD R.H. / MECHANISM	1		
31	363426	GUARD L.H. / MECHANISM / W/ROAD SHOW SYSTEM	1		
31	362580	GUARD R.H. / MECHANISM / V.I.P.	1		
31	363428	GUARD L.H. / MECHANISM / V.I.P. W/ROAD SHOW SYSTEM	1		
31	362633	GUARD L.H. / MECHANISM / V.I.P.	1		
31	363429	GUARD R.H. / MECHANISM / V.I.P. W/ROAD SHOW SYSTEM	1		
33	362318	. BUTTON ORANGE	1		
35	362675	GUIDE	1		
36	362395	ROD LONG	1		
37	362357	. SPRING, TORSION / L.H. / .500 I.D. x .230 x	1		
37	362358	. SPRING, TORSION / R.H. / .500 I.D. x .230 x	1		
38	362319	. LEVER	1		
39	500593	. WASHER FL .200x.437x.036 BR	1		
40	500470	. WASHER LO SPT .193x.334x.047 Z050	1		
41	500386	SCREW MA RND PH #10-24x1/2 Z050	1		
42	500956	NUT HEX JAM 3/8-24 Z050	4		
42	502592	NUT HEX THN 3/8-24x3/32 Z050	2		
43	362659	JOINT BALL	4		
NS	362803	. COVER BALL JOINT	2		
44	860592	CYLINDER	1		
45	362354	SCREW "SPECIAL / TO FIX BACKREST	2		
60	500183	SCREW CAP HEX 5/16-18x1 1/2 G5 PT Z050	2		
61	500476	WASHER LO SPT .317x.586x.078 Z050	2		
62	502510	WASHER FL .375x.875x.083	2		
63	500183	SCREW CAP HEX 5/16-18x1 1/2 G5 PT Z050	2		
70	H4-2221-10	DUCTING HEATER & A/C			
71	362355	ATTACHMENT NUT / "J" SHAPE TO FIX SEAT TO WALL TRACK WALL TRACK	2		
71	364132	ATTACHMENT PLATE / "J" SHAPE TO FIX SEAT TO WALL TRACK WALL TRACK	1		
. NS	500829	. SCREW CAP HEX M10-1.5x40 G8.8	2		
. NS	500257	. WASHER LO SPT 10.2x18.1x2.2 Z050	2		
72	362579	CAP FINISHING / WALL / V.I.P.	1		
73	362941	SLIDE INSERT PLASTIC / LONG 150 DEG	3		
73	363571	SLIDE INSERT PLASTIC / LONG 125 DEG	1		
73	362941	SLIDE INSERT PLASTIC / LONG 150 DEG	1		V
73	362876	. SLIDE INSERT PLASTIC / LONG 242 DEG	1		

From M-090 To R-079	Date:07/2024	PAGE:H4-1827-51
ARMREST PASSENGER'S - "CHARCOAL"		

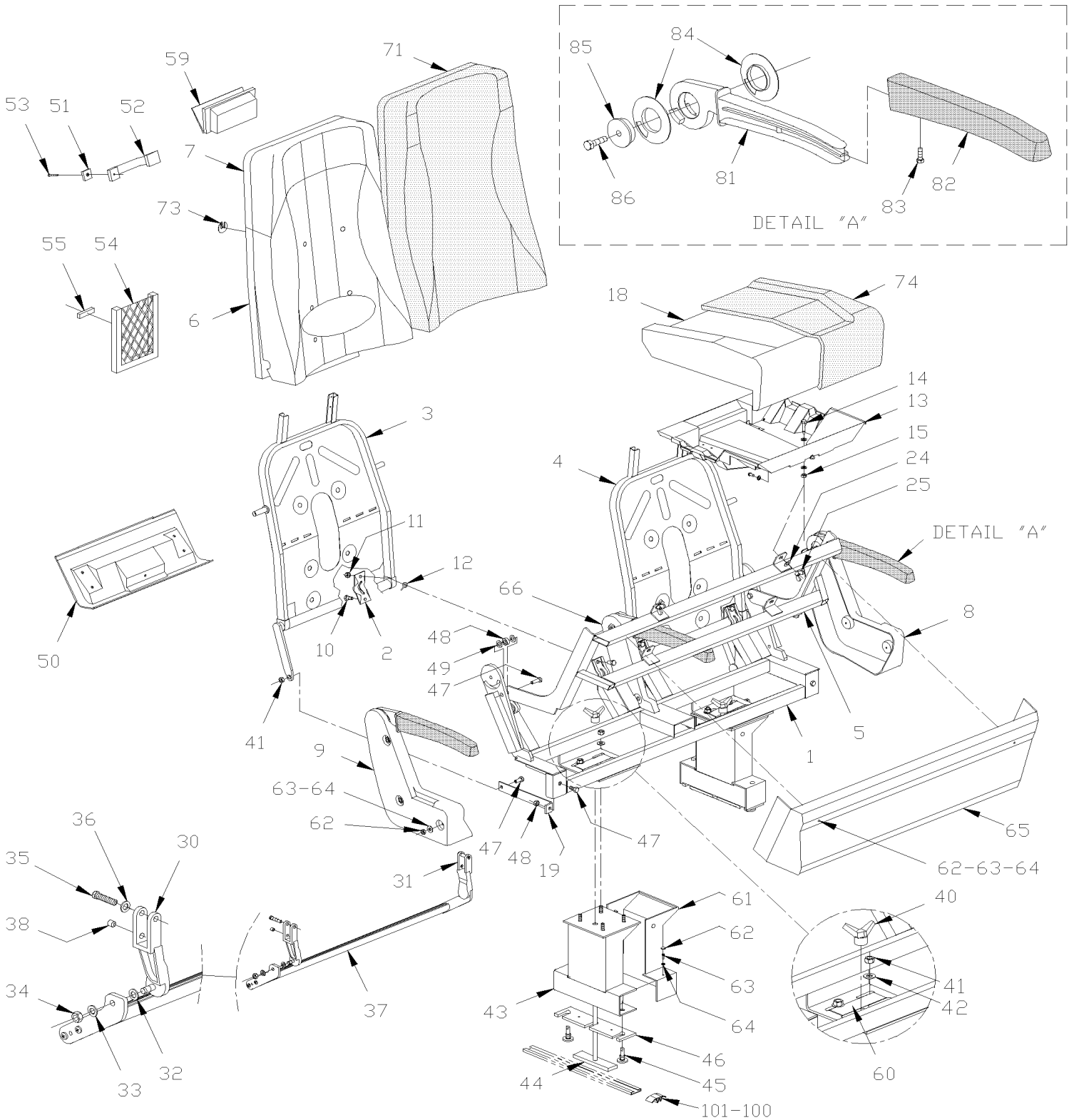
Item#	Part	Description	H 3 4 0	V I P 4 0	N O T E S
NS	363570	. STOPPER SHORT / ALUMINUM	1		A
NS	363569	. STOPPER LONG / ALUMINUM	1		A
74	362512	. SPRING COMPRESSION / .312 O.D. x 3.75 x .070	1		
NS	363573	KIT, REINFORCEMENT ARMREST	AR		
. NS	SB-9617	. SEE SERVICE BULLETIN	1		
		A) THOSE PARTS ARE RELATED W/ SB9617 INCLUDE IN KIT #363573, THIS KIT ARE OEM FROM V-1825 TO V-2018			
		V) WITH V.I.P. SEAT ONLY			

From P-343 To P-364

Date:07/2024

PAGE:H4-1827-70

PASSENGER'S SEAT - "TOURISMO II" - FLIP-UP W/W.C.L.



From P-343 To P-364	Date:07/2024	PAGE:H4-1827-70
PASSENGER'S SEAT - "TOURISMO II" - FLIP-UP W/W.C.L.		

Item#	Part	Description	H 3 4 0	V I P 4 0	N O T E S
	363376P	SEAT ASSY "FLIP-UP" ULTRA	1		
1	363302	. MOUNTING BASE ASSY / "FLIP-UP" SEAT	1		
2	363246	. COLLAR	4		
3	363180	. BACKREST R.H.	1		
4	363181	. BACKREST L.H.	1		
5	363303	. SEAT FRAME ASSY / SEATREST "FLIP-UP" SEAT	1		
NS	363538	. ROD RETAINING SEATREST	1		
6	363178P	. FOAM ASSY, BACKREST / "TOURISMO II "	1		
6	363186	. . FOAM BACKREST THICK	1		
6	363252	. . FOAM BACKREST THIN W/42"	1		
6	363350	. . FOAM BACKREST THIN W/40"	1		
7	363251	. FOAM ASSY, HEADREST 42" HIGHT / "ULTRA"	1		
NS	500583	. SCREW TP PAN PH #6x1/2 Z050	4		
NS	500240	. WASHER LO EXT .195x.410x.025 Z050	4		
8	363226	. COVER R.H. / PLASTIC	1		
9	363227	. COVER L.H. / PLASTIC	1		
10	5001336	. SCREW CAP HEXF SERR 5/16-18x3/4 Z050	8		
11	5001113	. NUT HEX JAM NYRT 5/16-18	8		
12	363273	. SPRING EYE	4		
13	Call order desk	. STRUCTURE ASSY REAR / 5 PASSENGERS	1		P
14	362353	. SCREW	1		
15	500685	. NUT HEX NYRT 5/16-18 SS	1		
18	362666	. FOAM ASSY, SEATREST / "TOURISMO & ULTRA"	1		
19	363279	. FLAT BAR / ANGLE 198MM x 28MM	2		
24	500441	. WASHER FL .312x.734x.065 Z050	2		
25	500782	. NUT WING 5/16-18 Z050	2		
30	363437	. BRACKET L.H.	1		
31	363436	. BRACKET R.H.	1		
32	502723	. WASHER FL .386x.750x.050 NYL	2		
33	500441	. WASHER FL .312x.734x.065 Z050	2		
34	500777	. NUT HEX STO 5/16-18 Z050	2		
35	500183	. SCREW CAP HEX 5/16-18x1 1/2 G5 PT Z050	2		
36	500476	. WASHER LO SPT .317x.586x.078 Z050	2		
37	363304	. FOOTREST ASSY / DOUBLE SEAT W/FLIP-UP SEAT	1		
38	502781	. SCREW SET HEXS CUP 5/16-18x1/4	2		
40	860837	. HANDLE W/DOUBLE EXCENTRIC	2		
NS	5001212	. ROD END 3/8-16 x 4 1/2	2		
NS	5001211	. NUT HEX CPG 3/8-16x1 3/4 Z050	1		
NS	500783	. NUT HEX 3/8-16 Z050	2		
40	860874	. HANDLE NUT 3/8-16 SERVICE	2		
41	500777	. NUT HEX STO 5/16-18 Z050	7		
42	502510	. WASHER FL .375x.875x.083	1		

From P-343 To P-364	Date:07/2024	PAGE:H4-1827-70
PASSENGER'S SEAT - "TOURISMO II" - FLIP-UP W/W.C.L.		

Item#	Part	Description	H 3 4 0	V I P 4 0	N O T E S
43	363292	. PEDESTAL	2		
44	363278	. "T" BOLT RETAINER 3/8-16 X 10 5/8" SERVICE	2		
45	363280	. GUIDE 28MM O.D. / M10 - 1.5	4		
46	363281	. SLIDING TRACK / 60MM x 240MM PLASTIC	2		
47	500179	. SCREW CAP HEX 5/16-18x3/4 G5 Z050	AR		
48	363460	. SPACER 10MM I.D. x 19MM O.D. X 8.5MM	2		
49	502723	. WASHER FL .386x.750x.050 NYL	4		
50	363311	. FINISHING LOWER R.H.	1		
50	363310	. FINISHING LOWER L.H.	1		
51	860421	. HOOK	1		
52	860422	. HANDLE	1		
NS	505229	. SPACER 3/8 I.D. X 3/8 LG	2		
52	363424	. HANDLE REINFORCEMENT SUPPORT	1		
53	502521	. SCREW TC OV PH #8-32x1 BK	2		
54	860809	. MAGAZINE NET 14" x 7 1/4"	1		
55	500353	. SCREW TP FL PH #8x3/4 BK	4		
59	861277	. ASHTRAY / PLASTIC	1		
60	404094	. DECAL "DOIT ÊTRE VERROUIL...."	2		
60	404093	. DECAL "MUST BE LOCKED..." / ENGLISH	2		
60	405646	. DECAL "MUST BE LOCKED..." / ENGLISH & SPANISH	2		
61	363296	. COVER PEDESTAL / PLASTIC	2		
62	500686	. SCREW TP OV PH #6x1/2 BK	AR		
63	504412	. WASHER RETAINER SNAP CAP #8	AR		
64	504403	. SNAP CAP #8 FINISHING BLACK	AR		
65	323228	. CAP, INTERIOR REAR	1		
66	363229	. COVER CENTER ARMREST / PLASTIC	1		
71	363385P	. COVERING ASSY, BACKREST / S.C.C. W/42" HIGHT	1		
73	362716	. ATTACHMENT / ROUND "W" SHAPE TO FIX COVER	8		
NS	682259	. SEALANT TAPE / CLEAR / 1/32"x1 1/2"x65' / 1795	AR		
74	362736P	. COVERING SEATREST ASSY / S.C.C. / "SILHOUETTE"	1		
81	362939	. ARMREST / LONG	3		
82	363624	. COVERING ARMREST / LONG	3		
83	500686	. SCREW TP OV PH #6x1/2 BK	3		
84	363575	. SPACER PLASTIC / FRICTION DISK	6		
85	363282	. GUIDE ARMREST	1		
86	500182	. SCREW CAP HEX 5/16-18x1 1/4 G5 PT Z050	3		
100	323654	SEAT TRACK COVER 12' / EACH SEAT / W/COVERING FLOOR	AR		
100	361338	SEAT TRACK COVER 12' / EACH SEAT / W/CARPET FLOOR	AR		
100	323963	SEAT TRACK COVER 8' / EACH SEAT / W/COVERING FLOOR	AR		
101	820027	HANDLE	1		B
101	5001119	SCREW TP BDG PH #8x3/4 SS	1		B
101	502630	WASHER FL .156x.375x.049 Z050	1		B

From P-343 To P-364	Date:07/2024	PAGE:H4-1827-70
PASSENGER'S SEAT - "TOURISMO II" - FLIP-UP W/W.C.L.		

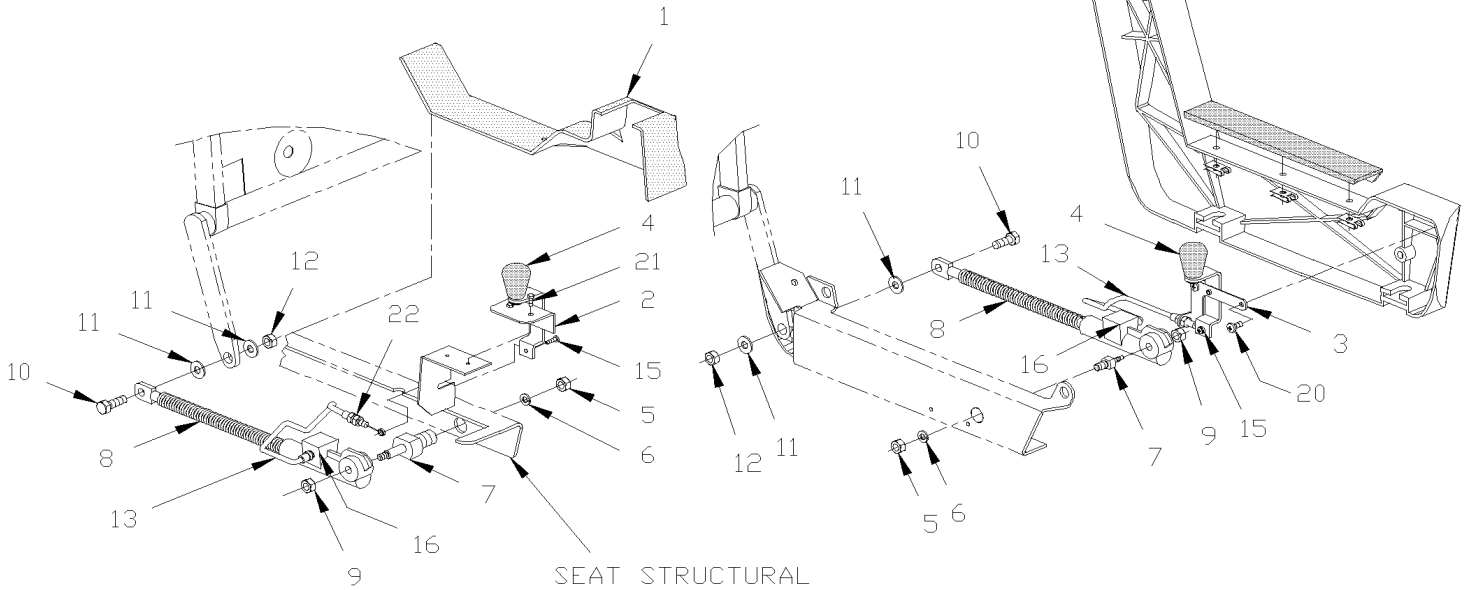
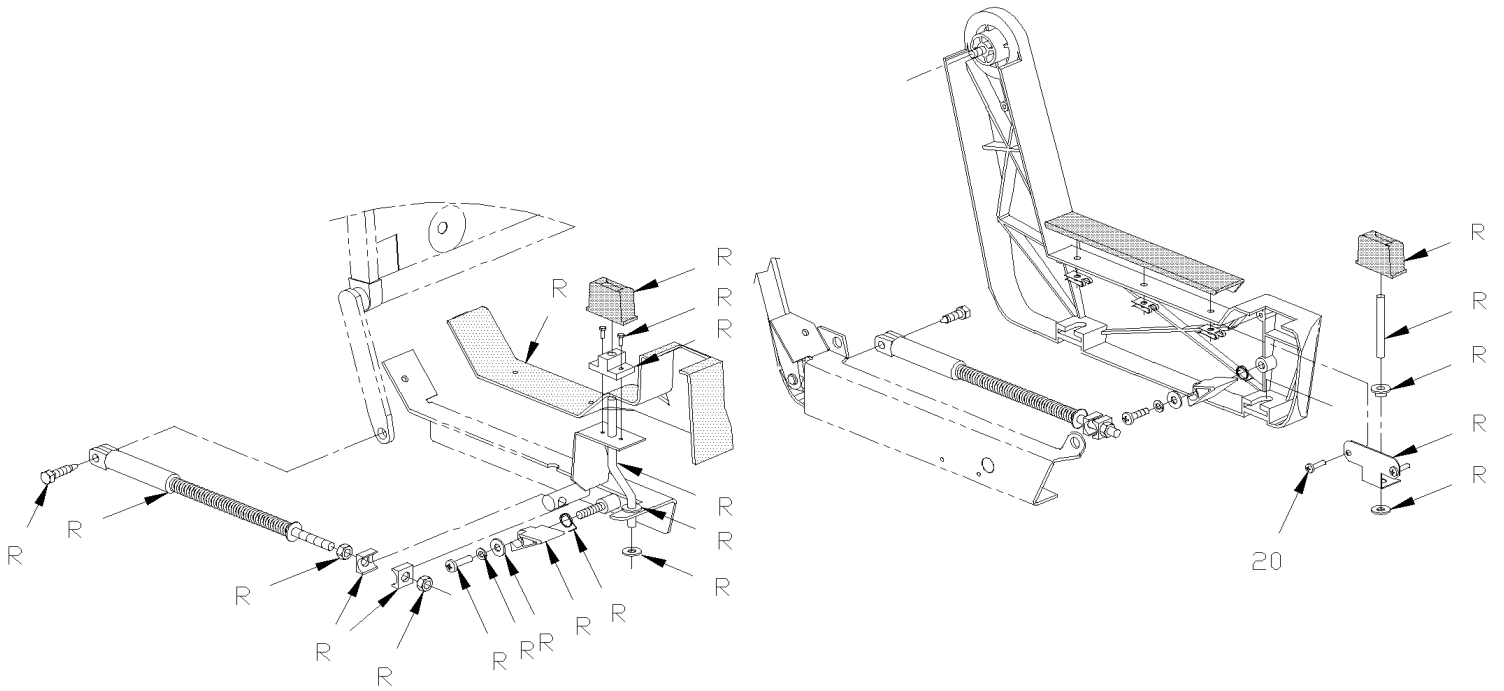
Item#	Part	Description	H 3 4 0	V I P 4 0	N O T E S
		B) FIXED ON SEAT TRACK FOR EASIER REMOVABLE			
		P) CALL ORDER DESK FOR SPECIFIC APPLICATION (V.I.N.)			

From L-031 To R-079

Date:07/2024

PAGE:H4-1827-99

ARMREST PASSENGER'S - "RETROFIT"



From L-031 To R-079	Date:07/2024	PAGE:H4-1827-99
ARMREST PASSENGER'S - "RETROFIT"		

Item#	Part	Description	H 3 4 0	V I P 4 0	N O T E S
1	363779	GUARD R.H. / MECHANISM	1		
1	363780	GUARD L.H. / MECHANISM	1		
2	363829	LEVER R.H. / WINDOW SIDE	1		
2	363830	LEVER L.H. / WINDOW SIDE	1		
3	363773	LEVER R.H. / CASTING / RETROFIT ONLY	1		
3	363772	LEVER L.H. / CASTING / RETROFIT ONLY	1		
4	861442	. KNOB	1		
NS	500394	. SCREW MA TR SLT 1/4-20x1/2 Z050	1		
5	500721	NUT HEX 9/16-18 ZP	1		
6	500483	WASHER LO SPT .570x.971x.141 ZP	1		
7	363778	CYLINDER PIVOT	1		
8	861926	CYLINDER L.H.	1		
8	861927	CYLINDER R.H.	1		
9	500690	NUT HEX NYRT 1/4-28 Z050	1		
10	500181	SCREW CAP HEX 5/16-18x1 G5 Z050	1		
11	500476	WASHER LO SPT .317x.586x.078 Z050	1		
12	500778	NUT HEX 5/16-18 N500	1		
13	861444	CABLE ASSY	1		
14	500692	NUT HEX 1/4-28 Z050	1		
15	500557	SCREW MA PAN PH #8-32x3/8 SS	1		
16	861486	CLIP / WIRE RETAINER	2		
20	500611	SCREW TC PAN PH #10-24x1/2 Z050	2		
21	5001312	SCREW TP TR PH #8x5/8 Z050	1		
22	500692	NUT HEX 1/4-28 Z050	1		
NS	363781	RETROFIT KIT RH SEAT	1		
. NS	IS-98107	. SEE INSTRUCTION SHEET	1		
NS	363784	RETROFIT KIT LH SEAT	1		
. NS	IS-98107	. SEE INSTRUCTION SHEET	1		
NS	363786	RETROFIT KIT ROTATING SEAT	1		
. NS	IS-98107	. SEE INSTRUCTION SHEET	1		
NS	363785	RETROFIT KIT LOUNGE SEAT	1		
. NS	IS-98107	. SEE INSTRUCTION SHEET	1		
NS	363909	RETROFIT KIT RH SEAT VIP	1		
. NS	IS-98107	. SEE INSTRUCTION SHEET	1		
NS	363910	RETROFIT KIT LH SEAT VIP	1		
. NS	IS-98107	. SEE INSTRUCTION SHEET	1		
NS	363911	RETROFIT KIT RH SEAT VIP SINGLE	1		
. NS	IS-98107	. SEE INSTRUCTION SHEET	1		
NS	363912	RETROFIT KIT LH SEAT VIP SINGLE	1		
. NS	IS-98107	. SEE INSTRUCTION SHEET	1		

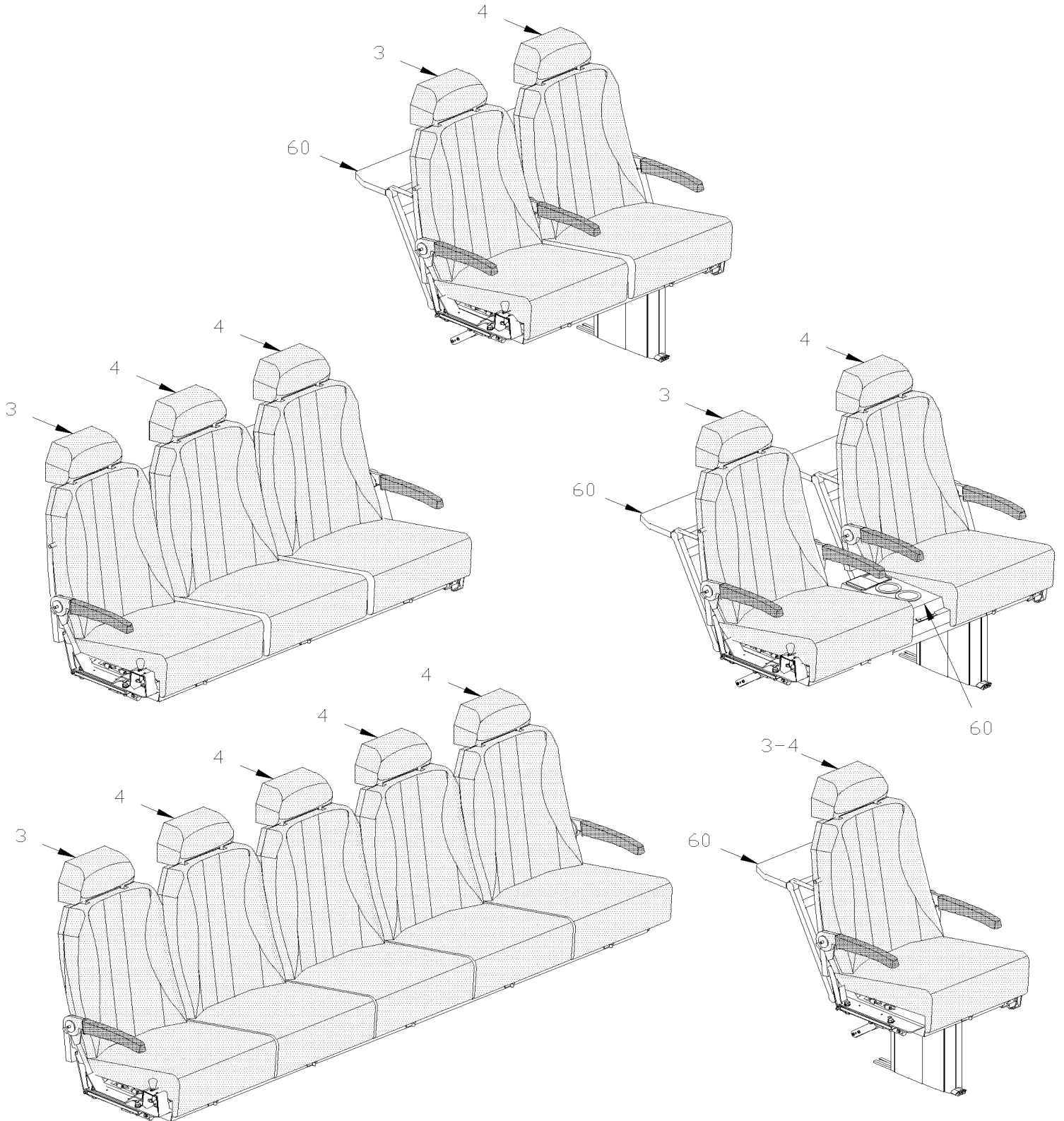
From L-031 To R-079			Date:07/2024	PAGE:H4-1827-99		
ARMREST PASSENGER'S - "RETROFIT"						
Item#	Part	Description	H 3 4 0	V I P 4 0	N O T E S	
		ALLS PARTS TO BE REMOVED				

From L-031 To P-323

Date:07/2024

PAGE:H4-1828-00

PASSENGER'S SEAT - "TOURISMO I"

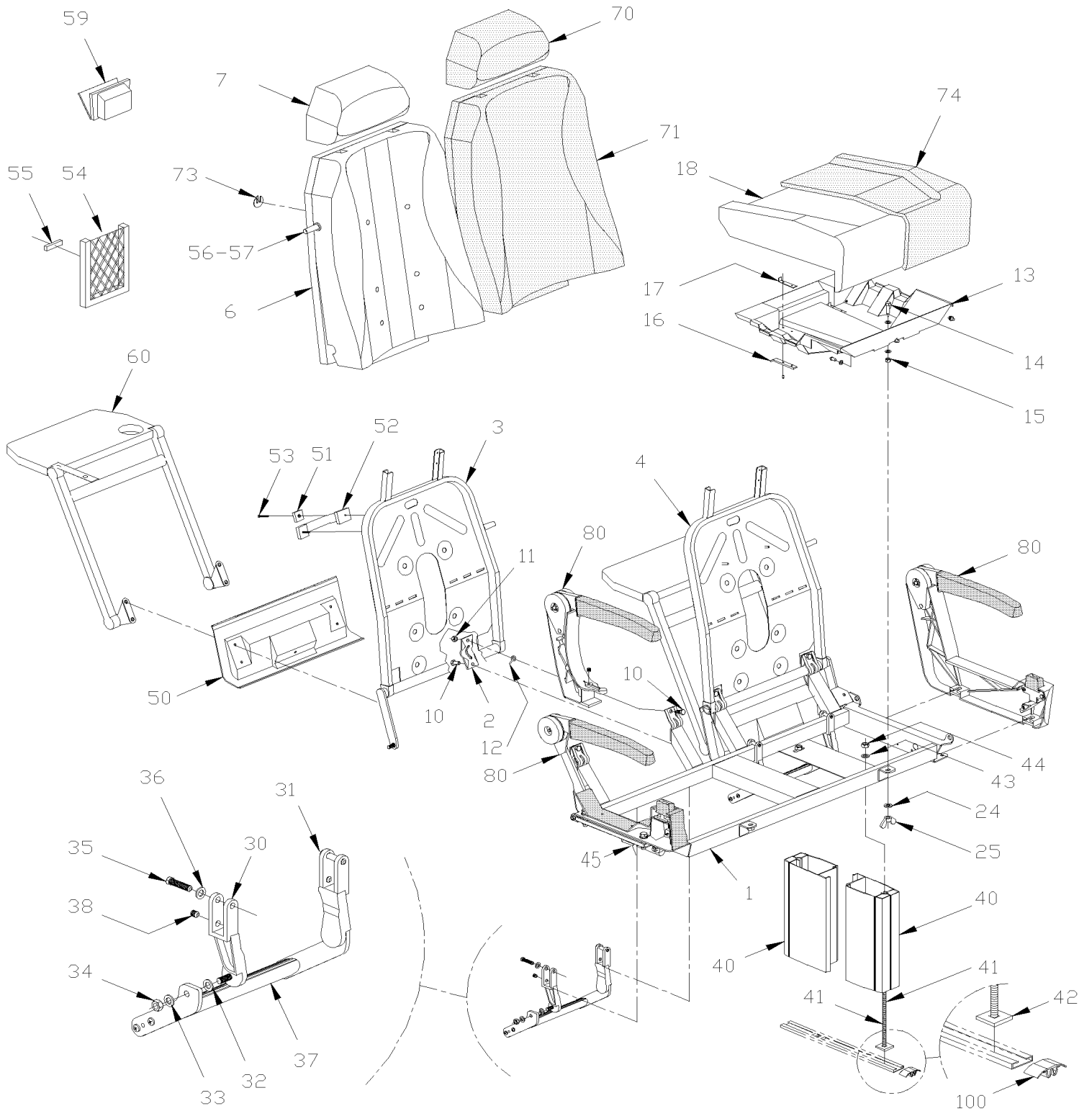


From L-031 To P-323

Date:07/2024

PAGE:H4-1828-00

PASSENGER'S SEAT - "TOURISMO I"



From L-031 To P-323	Date:07/2024	PAGE:H4-1828-00
PASSENGER'S SEAT - "TOURISMO I"		

Item#	Part	Description	H 3 4 0	V I P 4 0	N O T E S
	362818P	SEAT ASSY R.H. / 2 PASSENGERS / 42" HIGH To M-089	AR		A
	362817P	SEAT ASSY L.H. / 2 PASSENGERS / 42" HIGH To M-089	AR		A
	362819	SEAT ASSY REAR / 1 PASSENGER / 42" HIGH To M-089	AR		A
	362816	SEAT ASSY ROTATING / "TOURISMO" / 42" PAINTED ALUMINUM To M-089	AR		A
	362990	SEAT ASSY R.H. / 2 PASSENGERS / 42" HIGH From M-090	AR		B
	362991	SEAT ASSY L.H. / 2 PASSENGERS / 42" HIGH From M-090	AR		B
	362992	SEAT ASSY ROTATING / "TOURISMO" / 42" PAINTED CHARCOAL From M-090	AR		B
	362993	SEAT ASSY REAR / 1 PASSENGER / 42" HIGH From M-090	AR		B
1	362687	. STRUCTURE ASSY R.H. / 2 PASSENGERS	1		
1	362688	. STRUCTURE ASSY L.H. / 2 PASSENGERS	1		
1	362695	. STRUCTURE ASSY / "ROTATING" SEAT	1		
1	362723	. STRUCTURE ASSY REAR / 3 PASSENGERS	1		
1	362775	. STRUCTURE ASSY REAR / 1 PASSENGER	1		
1	363007	. STRUCTURE ASSY REAR / 5 PASSENGERS	1		
2	362661	. COLLAR	4		
3	362692	. BACKREST R.H.	1		
4	362693	. BACKREST L.H.	1		
6	362662	. FOAM ASSY, BACKREST / "TOURISMO I "	1		
7	362663	. FOAM ASSY, HEADREST 42" HIGHT / "TOURISMO"	1		
7	362753	. FOAM ASSY, HEADREST 40" HIGHT / "TOURISMO"	1		
NS	500240	. WASHER LO EXT .195x.410x.025 Z050	4		
NS	500583	. SCREW TP PAN PH #6x1/2 Z050	4		
10	500179	. SCREW CAP HEX 5/16-18x3/4 G5 Z050	8		
11	5001113	. NUT HEX JAM NYRT 5/16-18	8		
12	363273	. SPRING EYE	8		
13	362464P	. SEATREST ASSY W/HOOK / BOTTOM PLASTIC	1		
14	362353	. SCREW	1		
15	500685	. NUT HEX NYRT 5/16-18 SS	1		
16	362779	. BRACKET RETAINER / 3"	2		
17	362781	. BRACKET RETAINER / 2 1/4"	2		
18	362666	. FOAM ASSY, SEATREST / "TOURISMO & ULTRA"	1		
24	500441	. WASHER FL .312x.734x.065 Z050	2		
25	500782	. NUT WING 5/16-18 Z050	2		
30	362784	. SUPPORT L.H. To M-089	1		
30	362932	. SUPPORT L.H. From M-090	1		
31	362786	. SUPPORT R.H. To M-089	1		
31	362930	. SUPPORT R.H. From M-090	1		
32	502723	. WASHER FL .386x.750x.050 NYL	2		
33	500441	. WASHER FL .312x.734x.065 Z050	2		
34	500777	. NUT HEX STO 5/16-18 Z050	2		
35	500183	. SCREW CAP HEX 5/16-18x1 1/2 G5 PT Z050	2		
36	500476	. WASHER LO SPT .317x.586x.078 Z050	2		

From L-031 To P-323		Date:07/2024	PAGE:H4-1828-00
PASSENGER'S SEAT - "TOURISMO I"			

Item#	Part	Description	H 3 4 0	V I P 4 0	N O T E S
37	362411	. FOOTREST ASSY To M-089	1		
37	362928	. FOOTREST ASSY From M-090	1		
38	502781	. SCREW SET HEXS CUP 5/16-18x1/4	2		
40	362288	. PEDESTAL OBLONG / ONE PIECE / 279MM / 10.98" To M-089	2		
40	362935	. PEDESTAL OBLONG / 279MM / 10.98" From M-090	2		
41	361700	. ROD ASSY 12" / SEAT RETAINER To M-089	2		
41	5001600	. SCREW CRG 3/8-16x12 G5 Z050 From M-090	2		
42	363085	. PLATE ANCHOR / CARRIAGE BOLT INSIDE TRACK / 1 1/4" X 1 1/4" From M-090	1		
43	500445	. WASHER FL .437x1.000x.083 Z050	2		
44	500265	. NUT HEX STO 3/8-16 Z050 From M-090	2		
45	362355	. ATTACHMENT NUT / "J" SHAPE TO FIX SEAT TO WALL TRACK WALL TRACK	2		
45	364132	. ATTACHMENT PLATE / "J" SHAPE TO FIX SEAT TO WALL TRACK WALL TRACK	1		
. NS	500829	. SCREW CAP HEX M10-1.5x40 G8.8	2		
. NS	500257	. WASHER LO SPT 10.2x18.1x2.2 Z050	2		
50	362866	. FINISHING LOWER / L.H. / NORYL	1		
50	362867	. FINISHING LOWER / R.H. / NORYL	1		
51	860421	. HOOK	1		
52	860422	. HANDLE	1		
53	502521	. SCREW TC OV PH #8-32x1 BK	2		
54	362707	. MAGAZINE NET 13" x 6 1/2"	1		
54	860251	. MAGAZINE NET 14" x 8 5/8"	1		
54	860809	. MAGAZINE NET 14" x 7 1/4"	1		
55	500353	. SCREW TP FL PH #8x3/4 BK	4		
56	5001019	. SCREW TP OV PH #10x2 EMN	1		
57	362943	. STOPPER LONG / WV.I.P. SEAT	1		
59	860625	. ASHTRAY / METAL	1		
59	502778	. SCREW TP FL PH #6x2 BK	2		
59	860626	. SUPPORT ASHTRAY / PLASTIC	1		
60	H4-1829-00	ACCESSORIES PASSENGER'S SEAT - "PREVOST"			
70	362746P	. COVERING HEADREST / 42" HIGH / SPECIFY COLO	1		
70	362755P	. COVERING HEADREST / 40" HIGH / SPECIFY COLO	1		
71	362735P	. COVERING ASSY, BACKREST / S.C.C.	1		
73	362716	. ATTACHMENT / ROUND "W" SHAPE TO FIX COVER	8		
74	362737P	. COVERING SEATREST ASSY / S.C.C. ALL OLD W/ PLASTIC FORM	1		
80	H4-1827-50	ARMREST PASSENGER'S - "ALUMINUM" To M-089			
80	H4-1827-51	ARMREST PASSENGER'S - "CHARCOAL" From M-090			
100	325655	SEAT TRACK COVER 6' / EACH SEAT / W/RUBBER FLOOR	AR		
100	323654	SEAT TRACK COVER 12' / EACH SEAT / W/COVERING FLOOR	AR		
100	323963	SEAT TRACK COVER 8' / EACH SEAT / W/COVERING FLOOR	AR		
100	361338	SEAT TRACK COVER 12' / EACH SEAT / W/CARPET FLOOR	AR		

From L-031 To P-323	Date:07/2024	PAGE:H4-1828-00
---------------------	--------------	-----------------

PASSENGER'S SEAT - "TOURISMO I"

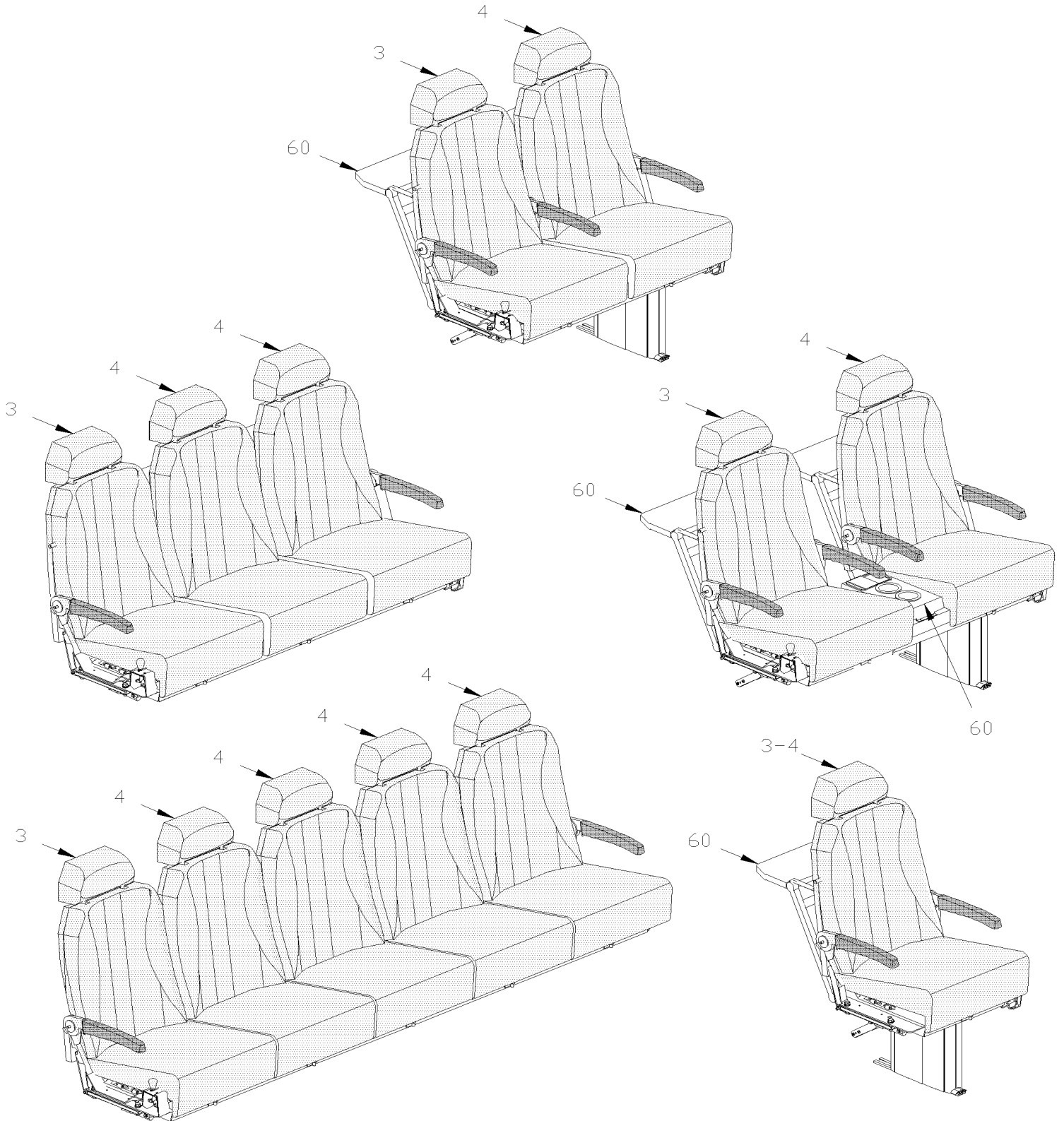
Item#	Part	Description	H 3 4 0	V I P 4 0	N O T E S
		A) SEATS ARE ASSY WITH SIDE CASTING ARMREST SEAT ONLY PAINTED GREY ALUM			
		B) SEATS ARE ASSY WITH SIDE CASTING ARMREST SEAT ONLY PAINTED CHARCOAL			

From P-324 To R-079

Date:07/2024

PAGE:H4-1828-01

PASSENGER'S SEAT - "TOURISMO II"

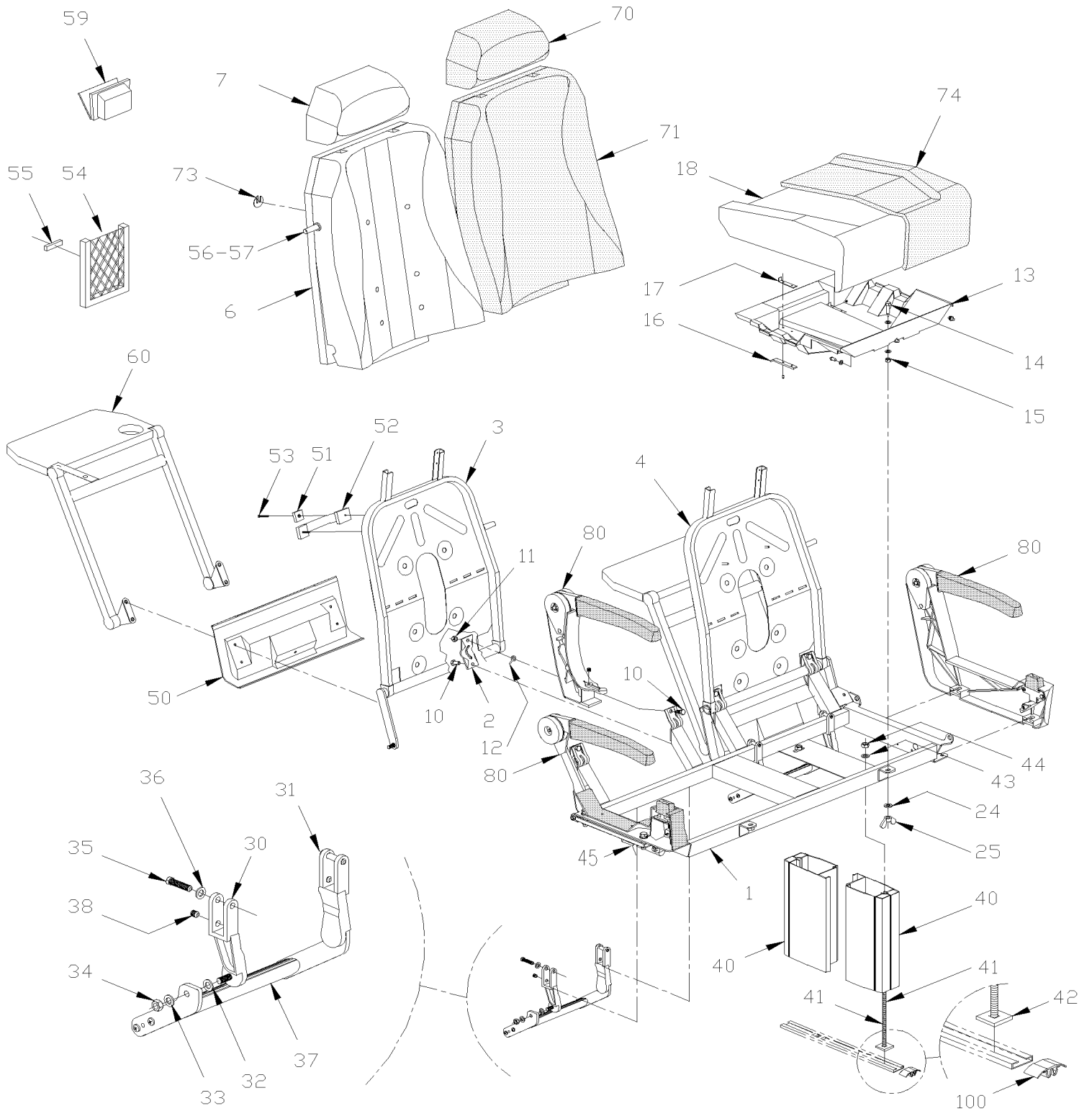


From P-324 To R-079

Date:07/2024

PAGE:H4-1828-01

PASSENGER'S SEAT - "TOURISMO II"



From P-324 To R-079		Date:07/2024	PAGE:H4-1828-01
PASSENGER'S SEAT - "TOURISMO II"			

Item#	Part	Description	H 3 4 0	V I P 4 0	N O T E S
	363196	SEAT ASSY R.H. / 2 PASSENGERS / 42" HIGH	AR		
	363197	SEAT ASSY L.H. / 2 PASSENGERS / 42" HIGH	AR		
	363201	SEAT ASSY REAR / 2 PASSENGERS / 42" HIGH	AR		
	363202	SEAT ASSY REAR / 3 PASSENGERS / 42" HIGH	AR		
	363203	SEAT ASSY REAR / 5 PASSENGERS / 42" HIGH	AR		
1	362687	. STRUCTURE ASSY R.H. / 2 PASSENGERS To R-032	1		
1	363314	. STRUCTURE ASSY R.H. / 2 PASSENGERS From R-033	1		
1	362688	. STRUCTURE ASSY L.H. / 2 PASSENGERS To R-032	1		
1	363315	. STRUCTURE ASSY L.H. / 2 PASSENGERS From R-033	1		
1	363417	. STRUCTURE ASSY REAR / 3 PASSENGERS	1		
1	363323	. STRUCTURE ASSY REAR / 5 PASSENGERS	1		
2	362661	. COLLAR To R-032	1		
2	363246	. COLLAR From R-033	1		
3	363180	. BACKREST R.H.	1		
4	363181	. BACKREST L.H.	1		C
6	363178P	. FOAM ASSY, BACKREST / "TOURISMO II "	1		
6	363186	. . FOAM BACKREST THICK	1		
6	363177	. . FOAM BACKREST THIN	1		
6	363174	. . FOAM THIN, OBLONG 4" X 13" APPROX	1		
7	363156	. FOAM ASSY, HEADREST 42" HIGHT / "TOURISMO II "	1		
7	362753	. FOAM ASSY, HEADREST 40" HIGHT / "TOURISMO"	1		
NS	5001312	. SCREW TP TR PH #8x5/8 Z050	4		
10	5001336	. SCREW CAP HEXF SERR 5/16-18x3/4 Z050	4		
11	5001113	. NUT HEX JAM NYRT 5/16-18	4		
12	363273	. SPRING EYE From R-033	4		
13	362464P	. SEATREST ASSY W/HOOK / BOTTOM PLASTIC	1		
14	362353	. . SCREW	1		
15	500685	. . NUT HEX NYRT 5/16-18 SS	1		
16	362779	. . BRACKET RETAINER / 3"	2		
17	362780	. . WASHER FL .137x.250 GA 24 SS	2		
18	362666	. FOAM ASSY, SEATREST / "TOURISMO & ULTRA"	1		
24	500826	. WASHER LO EXT .320x.610x.034 ZP	1		
25	500782	. NUT WING 5/16-18 Z050	2		
30	363437	. BRACKET L.H.	1		
31	363436	. BRACKET R.H.	1		
32	502723	. WASHER FL .386x.750x.050 NYL	2		
33	500441	. WASHER FL .312x.734x.065 Z050	2		
34	500777	. NUT HEX STO 5/16-18 Z050	2		
35	5001375	. SCREW CAP HEX M10-1.5x18 SS	2		
36	500476	. WASHER LO SPT .317x.586x.078 Z050	2		
37	362928	. FOOTREST ASSY	1		
38	502781	. SCREW SET HEXS CUP 5/16-18x1/4	2		

From P-324 To R-079		Date:07/2024	PAGE:H4-1828-01
---------------------	--	--------------	-----------------

PASSENGER'S SEAT - "TOURISMO II"

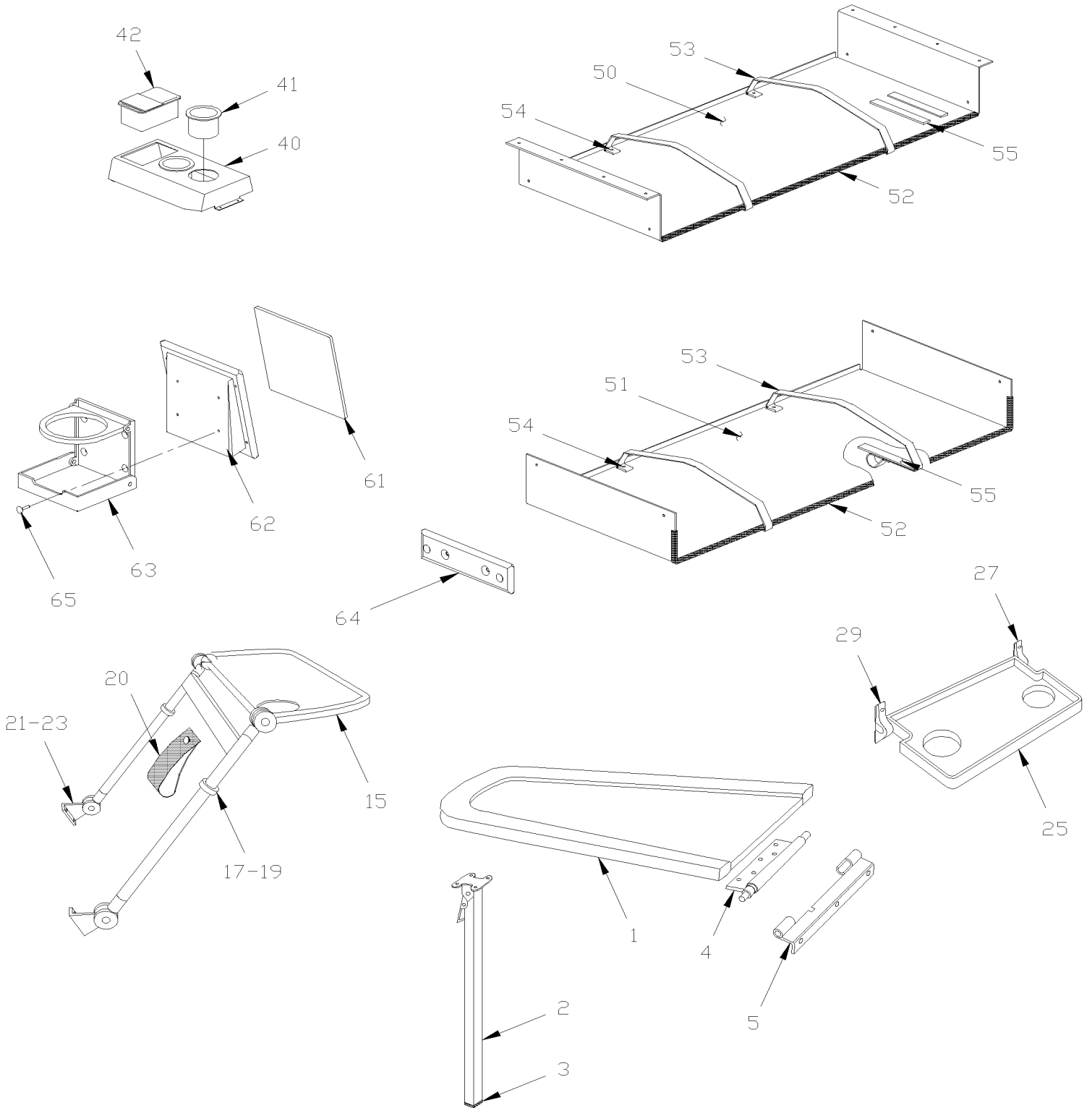
Item#	Part	Description	H 3 4 0	V I P 4 0	N O T E S
40	362935	. PEDESTAL OBLONG / 279MM / 10.98"	2		
41	5001600	. SCREW CRG 3/8-16x12 G5 Z050	2		
42	363085	. PLATE ANCHOR / CARRIAGE BOLT INSIDE TRACK / 1 1/4" X 1 1/4"	1		
43	500445	. WASHER FL .437x1.000x.083 Z050	2		
44	500265	. NUT HEX STO 3/8-16 Z050	2		
45	362355	. ATTACHMENT NUT / "J" SHAPE TO FIX SEAT TO WALL TRACK WALL TRACK	2		
45	364132	. ATTACHMENT PLATE / "J" SHAPE TO FIX SEAT TO WALL TRACK WALL TRACK	1		
. NS	500829	. SCREW CAP HEX M10-1.5x40 G8.8	2		
. NS	500257	. WASHER LO SPT 10.2x18.1x2.2 Z050	2		
50	362867	. FINISHING LOWER / R.H. / NORYL	1		
50	362866	. FINISHING LOWER / L.H. / NORYL	1		
51	860421	. HOOK	1		
52	860422	. HANDLE	1		
53	500871	. SCREW TP OV PH #8x1 BK	2		
54	860809	. MAGAZINE NET 14" x 7 1/4"	1		
55	500353	. SCREW TP FL PH #8x3/4 BK	4		
56	5001019	. SCREW TP OV PH #10x2 EMN	1		
56	5001016	. SCREW CAP HEX M10-1.5x90 G8.8 Z050	1		
57	362942	. STOPPER SHORT / W/STANDARD SEAT	1		
57	362943	. STOPPER LONG / WV.I.P. SEAT	1		
59	861277	. ASHTRAY / PLASTIC	1		
NS	502778	. SCREW TP FL PH #6x2 BK	2		
NS	860626	. SUPPORT ASHTRAY / PLASTIC	1		
60	H4-1829-00	ACCESSORIES PASSENGER'S SEAT - "PREVOST"			
70	363162P	. COVERING HEADREST 40" ASSY / S.C.C. / "TOURISMO II "	1		
70	363167P	. COVERING HEADREST 42" ASSY / S.C.C. / "TOURISMO II "	1		
71	363172P	. COVERING BACKREST ASSY / S.C.C. / "TOURISMO II "	1		
73	362716	. ATTACHMENT / ROUND "W" SHAPE TO FIX COVER	8		
74	362462P	. COVERING SEATREST ASSY / S.C.C. / ALL W/NORYL TRAY	1		
80	H4-1827-51	ARMREST PASSENGER'S - "CHARCOAL"			
100	361338	SEAT TRACK COVER 12' / EACH SEAT / W/CARPET FLOOR	AR		
100	323654	SEAT TRACK COVER 12' / EACH SEAT / W/COVERING FLOOR	AR		
100	323963	SEAT TRACK COVER 8' / EACH SEAT / W/COVERING FLOOR	AR		
		C) QTY OF 2 WITH 3 PASSENGERS REAR SEAT AND QTY OF 4 WITH 5 PASSENGERS REAR SEAT			

From L-031 To R-079

Date:07/2024

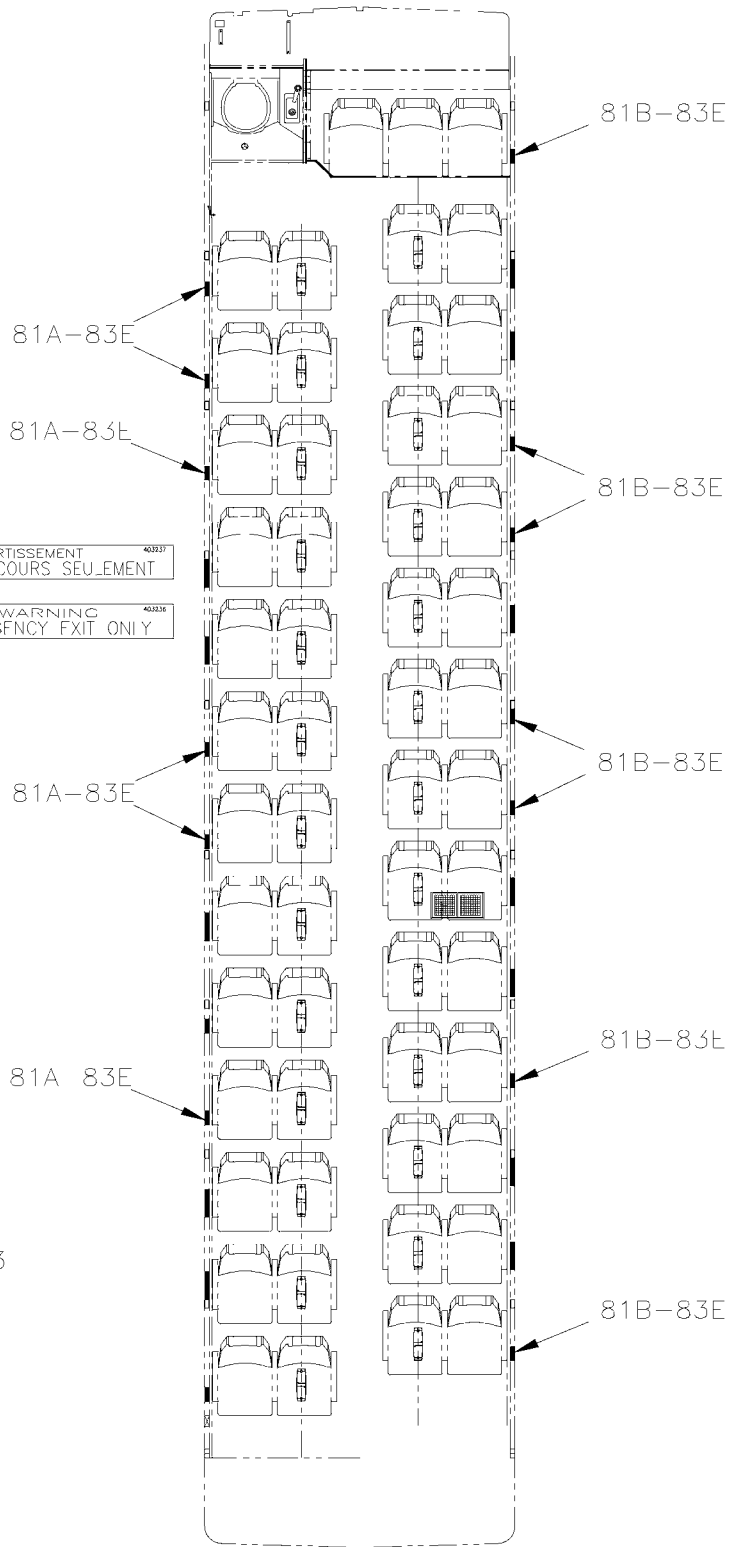
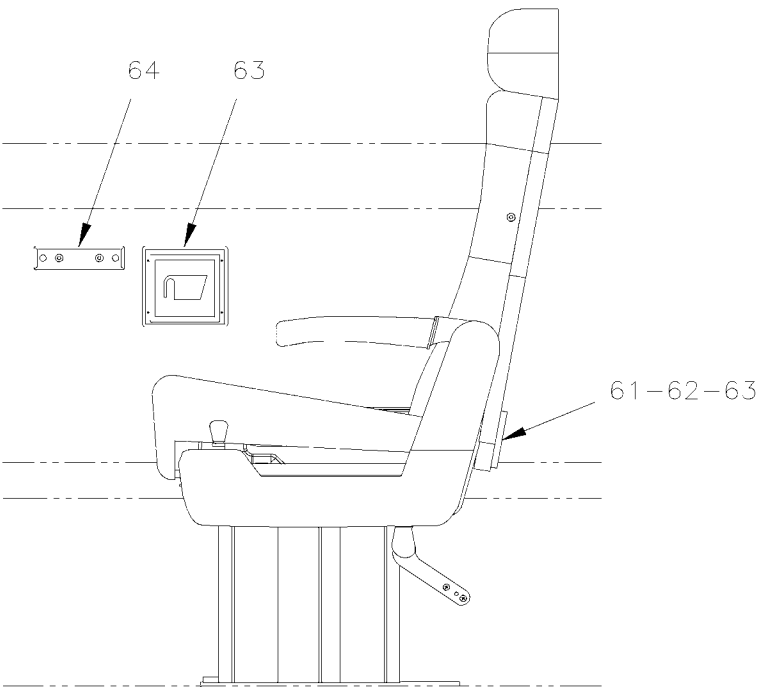
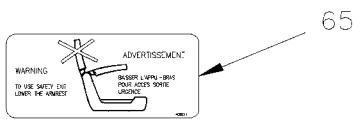
PAGE:H4-1829-00

ACCESSORIES PASSENGER'S SEAT - "PREVOST"



From L-031 To R-079	Date:07/2024	PAGE:H4-1829-00
ACCESSORIES PASSENGER'S SEAT - "PREVOST"		

- 81 {
 - A-
 - B-
- 82 {
 - C-
 - D-
- 83 → F-
- 84 → F-
- 85 → G-
- 86 → H-



From L-031 To R-079	Date:07/2024	PAGE:H4-1829-00
ACCESSORIES PASSENGER'S SEAT - "PREVOST"		

Item#	Part	Description	H 3 4 0	V I P 4 0	N O T E S
1	362215P	TABLE ASSY / "FORMICA" & LEATHERETTE SPECIFY COLOR	1		
1	Call order desk	TABLE ASSY / "FORMICA" & LEATHERETTE V.I.P. 2 PASSENGER	1		P
1	Call order desk	TABLE ASSY / "FORMICA" & LEATHERETTE V.I.P. 1 PASSENGER	1		P
1	363207	TABLE ASSY / GREY PLASTIC COVERING W/2 GLASS HOLDER	1		
1	363185	. COVERING W/2 GLASS HOLDER / GREY	1		
2	361432	. LEG (MODIFIED)	1		
2	860333	. . LEG 25 1/8" / 639.8MM	1		
3	860718	. . . GLIDE SQUARE END 1 X 1 X TUBE 13 GA / P	1		
4	360255	. HINGE / TABLE SECTION	1		
. A	360620	. . ROD LOCK	1		
. B	363604	. . SPRING COMPRESSION / .500 O.D. x 6.25 x .062	1		
. C	505221	. . SPRING, PIN 1/8 X 3/8	1		
NS	500841	. SCREW TP PAN PH #14x3/4 Z050	9		
NS	506006	. TAPE RUB ADH1 CC POL 3/8" x 1 1/4" x 20' / GREY 2520	AR		
NS	360325	. DECAL "INSTALLATION OF CARD TABLE...." "BILINGUAL"	1		
5	361658	HINGE / WALL SECTION 1 1/8"x1 5/16" ANGLE	1		
NS	360622	ENVELOPE ASSY TABLE	1		
NS	500136	SCREW MA OV PH 1/4-20x1 1/2 SS EMN	3		
		UTILITY TABLE			
15	363035	TABLE / W/SILHOUETTE SEAT ONLY To M-089	AR		
NS	362925	SPACER ADAPTOR / TRAIANGLE SHAPE To M-089	2		
15	362924	TABLE / W/"TOURISMO II" & "ULTRA" From M-090	1		
15	363423	STRAP / 145MM	1		
15	363464	WASHER RETAINER	1		
15	500583	SCREW TP PAN PH #6x1/2 Z050	1		
17	363036	SPACER	4		
NS	860859	NYLON BUSHING / LOWER HINGE	2		
19	500552	SCREW TP OV PH #6x3/4 Z050	4		
20	363423	STRAP / 145MM	1		
20	363464	WASHER RETAINER	1		
20	500583	SCREW TP PAN PH #6x1/2 Z050	1		
21	502526	SCREW TC BDG PH #12-24x3/4 Z050	4		
23	502646	WASHER LO INT .129x.280x.021 ZP	4		
		UTILITY SHELF / W/"TOURISMO II" & "ULTRA"			
25	860657	SHELF	1		
27	860659	ATTACHMENT	2		
NS	860892	PIVOT ASSY	2		
29	500871	SCREW TP OV PH #8x1 BK	4		

From L-031 To R-079	Date:07/2024	PAGE:H4-1829-00
ACCESSORIES PASSENGER'S SEAT - "PREVOST"		

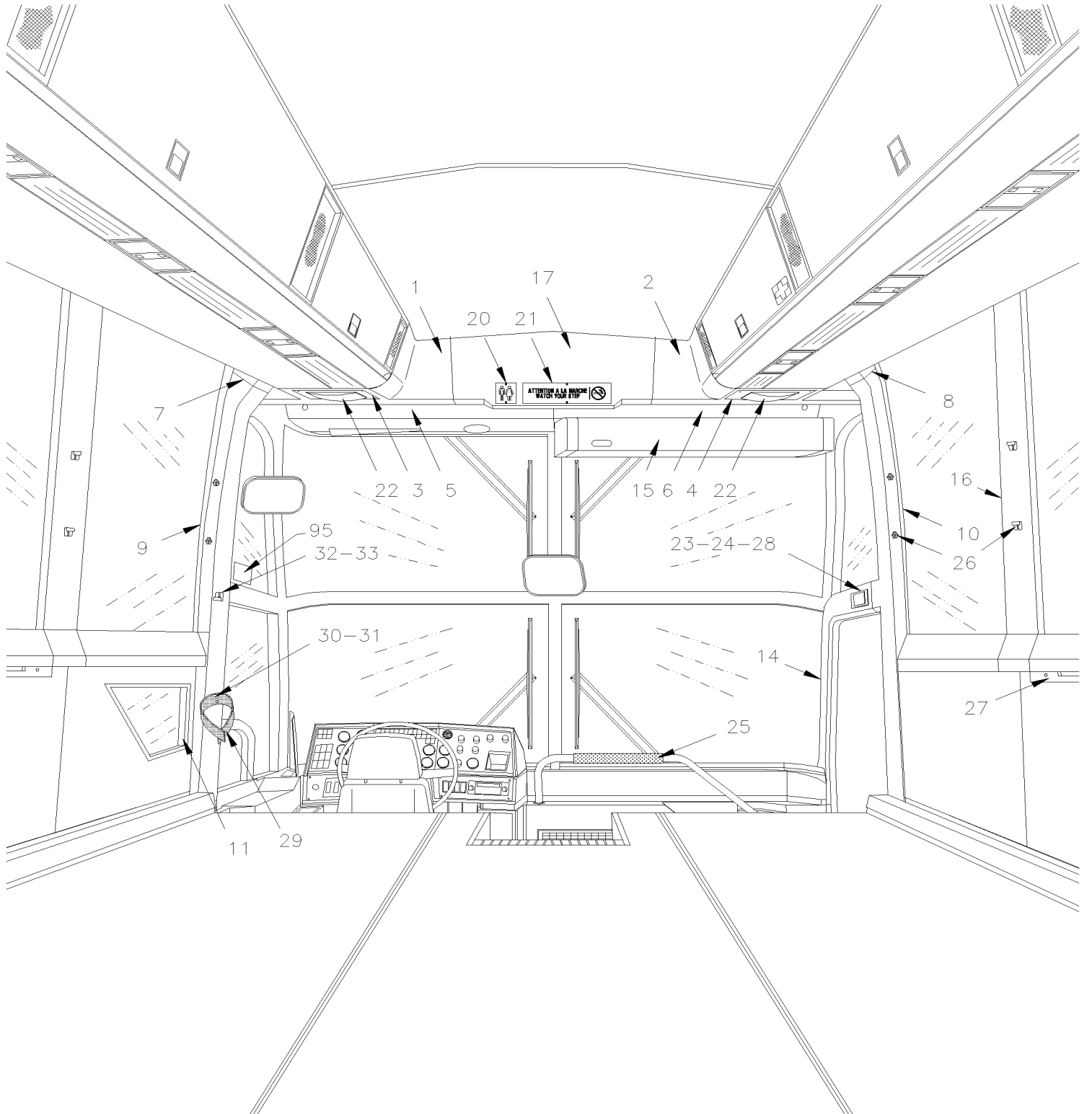
Item#	Part	Description	H 3 4 0	V I P 4 0	N O T E S
		V.I.P PASSENGER'S SEAT CENTER CONSOLE			
40	363519	CENTER CONSOLE V.I.P./ PLAIN	1		
40	363235	CENTER CONSOLE V.I.P. W/GLASS HOLDER	1		
40	362576	CENTER CONSOLE V.I.P./ W/2 GLASS HOLDER & ASHTRAY	1		
41	900675	GLASS HOLDER, PLASTIC BLACK	1		
42	900518	ASHTRAY	1		
NS	363083	KIT FOR RETROFIT TABLE / SPACER WALL AND STRUCTURE	AR		
. NS	IS-91077	. SEE INSTRUCTION SHEET	1		
50	364021	SUPPORT ASSY CARD TABLE UPPER 900MM	1		
. NS	364020	. SUPPORT UPPER	1		
51	364024	SUPPORT ASSY CARD TABLE LOWER 900MM	1		
. NS	364023	. SUPPORT LOWER	1		
52	506025	. RUBBER CHANNEL / 1/18" x 5/16" INT "U" SHAPE / SQUARE C.T.L.	AR		
53	364022	. STRAP RETAINER	2		
54	504113	. RIVET POP DOME CLE 3/16x1/4 AL	2		
55	506756	. VELCRO / LOOP ADHESIF 1" x 75'	AR		
61	363897	PLATE	AR		
62	363518	SUPPORT	AR		
63	900527	GLASS HOLDER	AR		
63	900788	GLASS HOLDER	AR		
NS	860642	GLASS HOLDER / W/"AMAYA" / W/2 HOLES FOR SCREW	1		
64	860875	TRASH BAG, SUPPORT / BLACK FIXED TO WALL	AR		
64	863976	TRASH BAG, SUPPORT / GREY FIXED TO WALL	AR		
NS	861107	TRASH BAG / BOX OF 5000	AR		
65	502664	SCREW TP PAN PH #8x1 SS EMN	4		
81	402776	DECAL,	AR		
82	402777	DECAL /	AR		
83	402759	DECAL SEAT EVEN-NUMBERED ON AISLE / 1-52	AR		
83	402933	DECAL SEAT ODD-NUMBERED ON AISLE / 1-52	AR		
84	403544	DECAL SEAT ODD-NUMBERED ON AISLE / 1-52	AR		
84	403546	DECAL SEAT EVEN-NUMBERED ON AISLE / 1-52	AR		
85	403237	DECAL, "EMERGENCY EXIT" / INSTRUCTION / ENGLISH & FRANCAIS	AR		
86	403236	DECAL, "EMERGENCY EXIT" / INSTRUCTION / ENGLISH	AR		
		P) CALL ORDER DESK FOR SPECIFIC APPLICATION (V.I.N.)			

From L-031 To R-079

Date:07/2024

PAGE:H4-1832-00

FRONT FINISHING CAP



From L-031 To R-079	Date:07/2024	PAGE:H4-1832-00
FRONT FINISHING CAP		

Item#	Part	Description	H 3 4 0	V I P 4 0	N O T E S
1	340717	PANEL, L.H. / FRONT CAP CEILING	1		
2	340749	PANEL, R.H. / FRONT CAP CEILING	1		
3	340718	COVER, L.H. / FRONT CAP CEILING	1		
4	340748	COVER, R.H. / FRONT CAP CEILING	1		
NS	500563	NUT SPR U #8-32 .094-.125	AR		
NS	504412	WASHER RETAINER SNAP CAP #8	AR		
NS	504403	SNAP CAP #8 FINISHING BLACK	AR		
5	340716	PANEL, UPPER WINDSHIELD L.H.	1		
6	340715	PANEL, UPPER WINDSHIELD R.H.	1		
NS	340767	BRACKET, L.H./ TO FIX ITEM 5 / 1150MM	1		
NS	340766	BRACKET, R.H. / TO FIX ITEM 6 / 1150MM	1		
NS	340754	ANGLE ASSY / W/WELD NUT 1/4-20 / TO FIX ITEMS 5-6	2		
NS	340753	ANGLE ASSY / W/2 WELD NUT 1/4-20 / TO FIX ITEMS 5-6	4		
NS	506025	RUBBER CHANNEL / 1/18" x 5/16" INT "U" SHAPE / SQUARE C.T.L.	AR		
7	324052	EXTENSION CLOSING, POST CAP / UPPER	1		
8	324053	EXTENSION CLOSING, POST CAP / UPPER	1		
9	329051	FINISHING POST CAP To L-059	1		
9	323842	FINISHING POST CAP From L-060	1		
10	329052	CAP FINISHING POST / W/PLUG TYPE DOOR To M-155	1		D
10	323598	CAP FINISHING POST / W/PLUG TYPE DOOR From M-156	1		E
10	323860	CAP FINISHING POST / W/SEDAN DOOR	1		
11	323602	MOULDING FINISHING L.H. WINDOW	1		
NS	323521	ANGLE / TO FIX MOULDING	1		
14	329050	CAP FINISHING / W/SHORT COLUMN	1		
14	323599	CAP FINISHING / W/LONG COLUMN	1		
14	323859	CAP FINISHING	1		
16	322646	CAP FINISHING / POST / RUBBER #2 TO 7 L.H. & R.H.	12		
NS	680093	SEALANT TAPE BUTYL / GREY / 1/16"x1 1/2"x50' /71079B11760	AR		
NS	680532	SEALANT SIKA #221 / GREY / 310ml CARTRIDGE	AR		
NS	500641	SCREW TP PAN PH #8x3/4 Z050	1		
NS	504403	SNAP CAP #8 FINISHING BLACK	1		
17	340751	PANEL, FRONT CENTRAL To N-210	1		
17	340848	PANEL, FRONT CENTRAL From N-211	1		
17	340837	PANEL, FRONT CENTRAL / W/VIDEO	1		
17	340926	PANEL, FRONT CENTRAL	1		F
20	322967	LENS / "RESTROOM OCCUPIED"	1		
21	323206	LENS / "WATCH YOUR STEP"	1		
21	322970	LENS / "WATCH YOUR STEP" / "ATTENTION A LA MARCHE" /	AR		
21	325440	LENS / "WATCH ..." ATTENTION..." & "NO- SMOKING" / ENGLISH & FRANCAIS	AR		C
21	325441	LENS/"WATCH YOUR STEP" & "NO-SMOKING" / ENGLISH	AR		
NS	330231	SOCKET ASSY To N-240	3		
NS	330265	SOCKET ASSY W/CONNECTOR / W2.1x9.Dd From N-241	3		

From L-031 To R-079	Date:07/2024	PAGE:H4-1832-00
FRONT FINISHING CAP		

Item#	Part	Description	H 3 4 0	V I P 4 0	N O T E S
. NS	562295	. SOCKET BULB / PLASTIC W/WIRE / W2.1x9.5d From N-241	1		
. NS	561248	. CONNECTOR / UNIVERSAL MATE-N-LOK / PH 2C / AMP 1-480699-0 From N-241	1		
. NS	562122	. PIN TERMINAL / 20-14 / AMP 350547-1 From N-241	2		
NS	560144	BULB / 1.6WATT-24VOLTS / SAE# 1820 To N-240	3		
NS	561166	BULB / 3WATT-24VOLTS / SAE# 464 From N-241	3		
NS	500504	SCREW TC OV PH #6-32x1/2 BK	4		
NS	500422	NUT SPR U #6-32 .110-.120 SS	4		
22	830110	LAMP ASSY	2		
23	400638	MOULDING / 11" / "U" SHAPE DRIVER'S NAME HO	1		
24	402352	PLATE FRONT / STAMPED "NAME OF DRIVER & BUS NUMBER" /	1	1	
NS	400601	PLATE (BLANK) / FOR DRIVER'S NAME / SPECIFY NAME	1		
NS	400637	PLATE / STAMPED "DRIVER'S NAME" / REAR	1		
NS	400636	PLATE / STAMPED "NOM DU CONDUCTEUR"	1		
25	363077	HAND RAIL PROTECTOR ASSY / W/HOSTESS SEAT ONLY	1		A
26	H4-1816-10	SUN SHADE - PASSENGER'S WINDOW			
27	H4-1884-00	SIDE WINDOW - BUS			
28	323510	PROTECTOR DOOR MECHANISM To L-059	1		
28	323751	PROTECTOR DOOR MECHANISM From L-060	1		
NS	391436	LEXAN / EMERGENCY	1		
NS	324945	CAP FINISHING / POST / FRONT OF REAR DOOR	1		B
NS	324746	CAP FINISHING / POST/ REAR OF REAR DOOR	1		B
NS	324767	CAP FINISHING / POST/ TOP OF REAR DOOR	1		B
29	409112	JACKET BAND	1		
30	5001429	SCREW MA FL PH M4-0.7x25 BK	2		
31	500345	WASHER FN CKF .187x.500x.090 BR BK	2		
32	900297	HOOK / COAT	1		
33	500333	SCREW TP OV PH #6x3/4 BK	2		
NS	IS19921	BELT CUTTER INSTALLATION IN THE DRIVER AREA	1		
. NS	860584	. BELT CUTTER	1		
. NS	7770495	. 3M DUAL LOCK VELCRO	1		
. NS	IS-19921	. SEE INSTRUCTION SHEET	1		
. NS	FI-19921	. VOIR FEUILLE D'INSTRUCTION	1		
NS	340930	KIT, CEILING REPLACEMENT	1		
. NS	IS-96120	. SEE INSTRUCTION SHEET	1		
95	0691001	DECAL EMISSION WARNING CALIFORNIA ENGLISH			G
		A) W/HOSTESS SEAT ONLY			
		B) THIS PART IS RELATED WITH W.C.L. DOOR			
		C) W/ "ATTENTION A LA MARCHE & "NON-SMOKING PICTOGRAM			
		D) WITH SHORT MOTOR			

From L-031 To R-079	Date:07/2024	PAGE:H4-1832-00
FRONT FINISHING CAP		

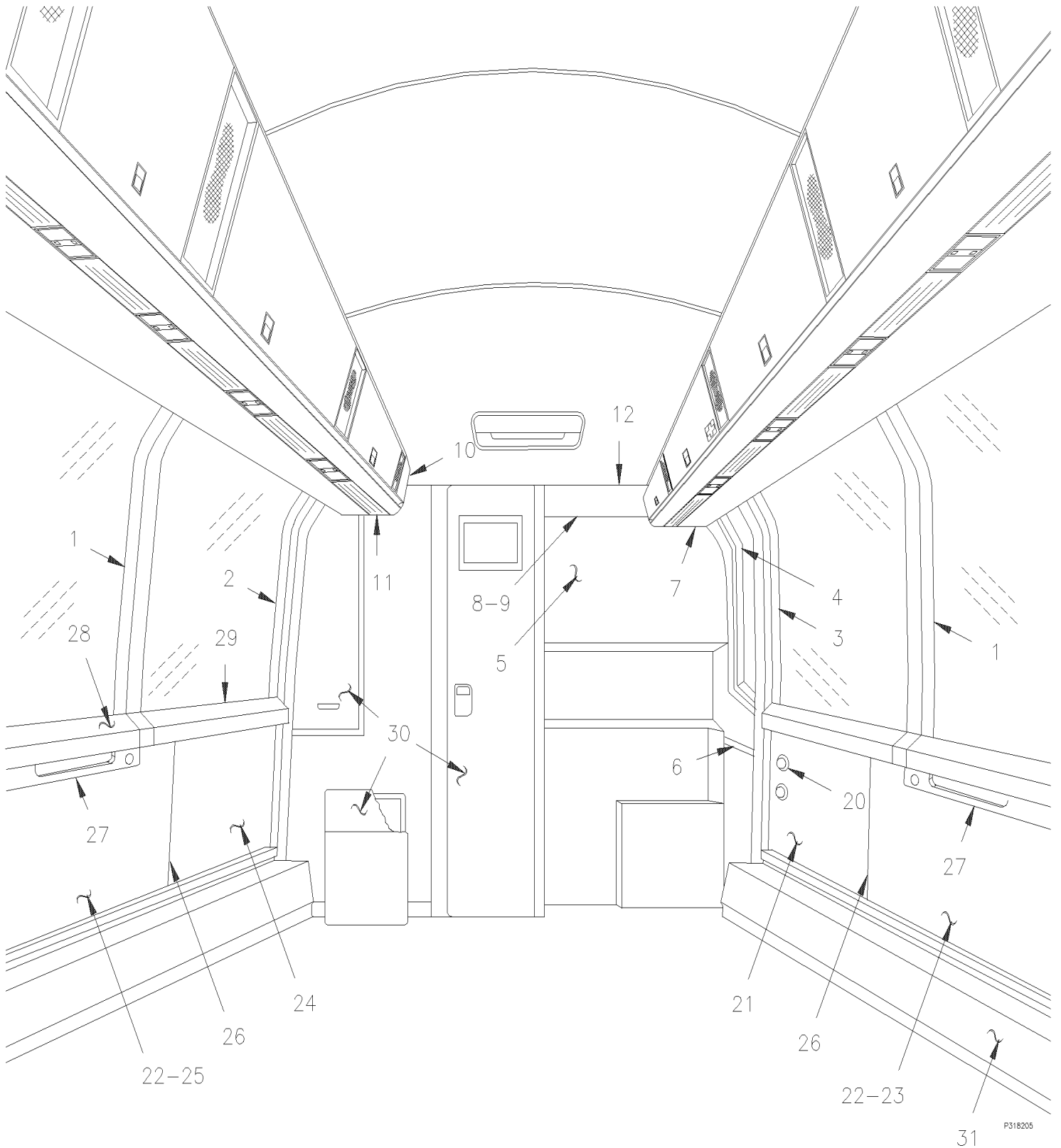
Item#	Part	Description	H 3 4 0	V I P 4 0	N O T E S
		E) WITH LONG MOTOR			
		F) THIS PART IS SUPERSEDED BY #340930			
		G) REGULATIONS OF CALIFORNIA			

From L-031 To R-079

Date:07/2024

PAGE:H4-1833-00

REAR FINISHING CAP & SIDE WALL



From L-031 To R-079	Date:07/2024	PAGE:H4-1833-00
REAR FINISHING CAP & SIDE WALL		

Item#	Part	Description	H 3 4 0	V I P 4 0	N O T E S
1	322646	CAP FINISHING / POST / RUBBER #2 TO 7 L.H. & R.H.	12		
NS	680093	SEALANT TAPE BUTYL / GREY / 1/16"x1 1/2"x50' /71079B11760	AR		
NS	680532	SEALANT SIKA #221 / GREY / 310ml CARTRIDGE	AR		
2	323423	CAP FINISHING / POST #8 R.H.	1		
NS	324746	CAP FINISHING / POST/ REAR OF REAR DOOR	1		A
NS	324766	CAP FINISHING / POST / FRONT OF REAR DOOR	1		A
NS	324767	CAP FINISHING / POST/ TOP OF REAR DOOR	1		A
3	323248	CAP FINISHING / POST #8 L.H.	1		
4	323229	COVER, CENTER ARMREST / PLASTIC	1		
5	Call order desk	CAP REAR / CARPET / SPECIFY COLOR	1		P
5	323435P	CAP REAR / FABRIC / SPECIFY COLOR	1		
NS	324060	. CAP REAR / FIBERGLASS To S-127	1		
NS	504106	RIVET POP DOME OE 1/8x1/4 AL	AR		B
6	340836	MOULDING CAP / GREY PLATINE 1676MM / 66"	1		
NS	340851	MOULDING RETAINER / 1956MM (77")	1		
NS	500641	SCREW TP PAN PH #8x3/4 Z050	AR		C
7	Call order desk	FINISHING PANEL ASSY/UNDER PARCEL RACK TISSUS/SPECIFY COLOR To P-252	1		P
7	Call order desk	FINISHING PANEL ASSY / UNDER PARCEL RACK LEATHERETTE/SPEC. COL. To P-252	1		P
7	311380	. PANEL / (ALUMINUM) To P-252	1		
NS	311560P	CLOSING PANEL ASSY From P-253	1		
NS	Call order desk	CLOSING PANEL ASSY From P-253	1		P
NS	311550	. PANEL / (ALUMINUM) From P-253	1		
11	Call order desk	FINISHING PANEL ASSY / UNDER PARCEL RACK L.H. TISSUS / SPECIFY COLOR	1		P
NS	Call order desk	FINISHING PANEL ASSY / UNDER PARCEL RACK L.H. LEATHERETTE / SPECIFY COL	1		P
NS	311404	. PANEL ALUMINUM 54MM	1		
12	340841	MOULDING CAP / GREY PLATINE 955MM / 37 5/8"	1		
NS	402542	MOULDING RETAINER / 908MM (35 3/4")	1		
20	870898	OUTLET AIR ADJUSTABLE	2		
NS	502664	SCREW TP PAN PH #8x1 SS EMN	8		E
		WARNING BEFORE ORDER FOLLOWING SPECIFY			
		COLOR CODE & SERIAL COACH NUMBER			
21	Call order desk	PANEL ASSY / CARPET / #9 L.H.	1		P
21	Call order desk	PANEL ASSY / FABRIC / #9 L.H.	1		P
NS	Call order desk	PANEL ASSY / FORMICA / #9 L.H.	1		P
22	322921P	PANEL ASSY / CARPET / L.H. & R.H.	14		
NS	322939P	PANEL ASSY / FABRIC / L.H. & R.H.	14		
NS	Call order desk	PANEL ASSY / FORMICA / L.H. & R.H.	14		P
23	Call order desk	PANEL ASSY / CARPET / #1 L.H.	1		P
NS	Call order desk	PANEL ASSY / FABRIC / #1 L.H.	1		P
NS	Call order desk	PANEL ASSY / FORMICA / #1 L.H.	1		P

From L-031 To R-079	Date:07/2024	PAGE:H4-1833-00
REAR FINISHING CAP & SIDE WALL		

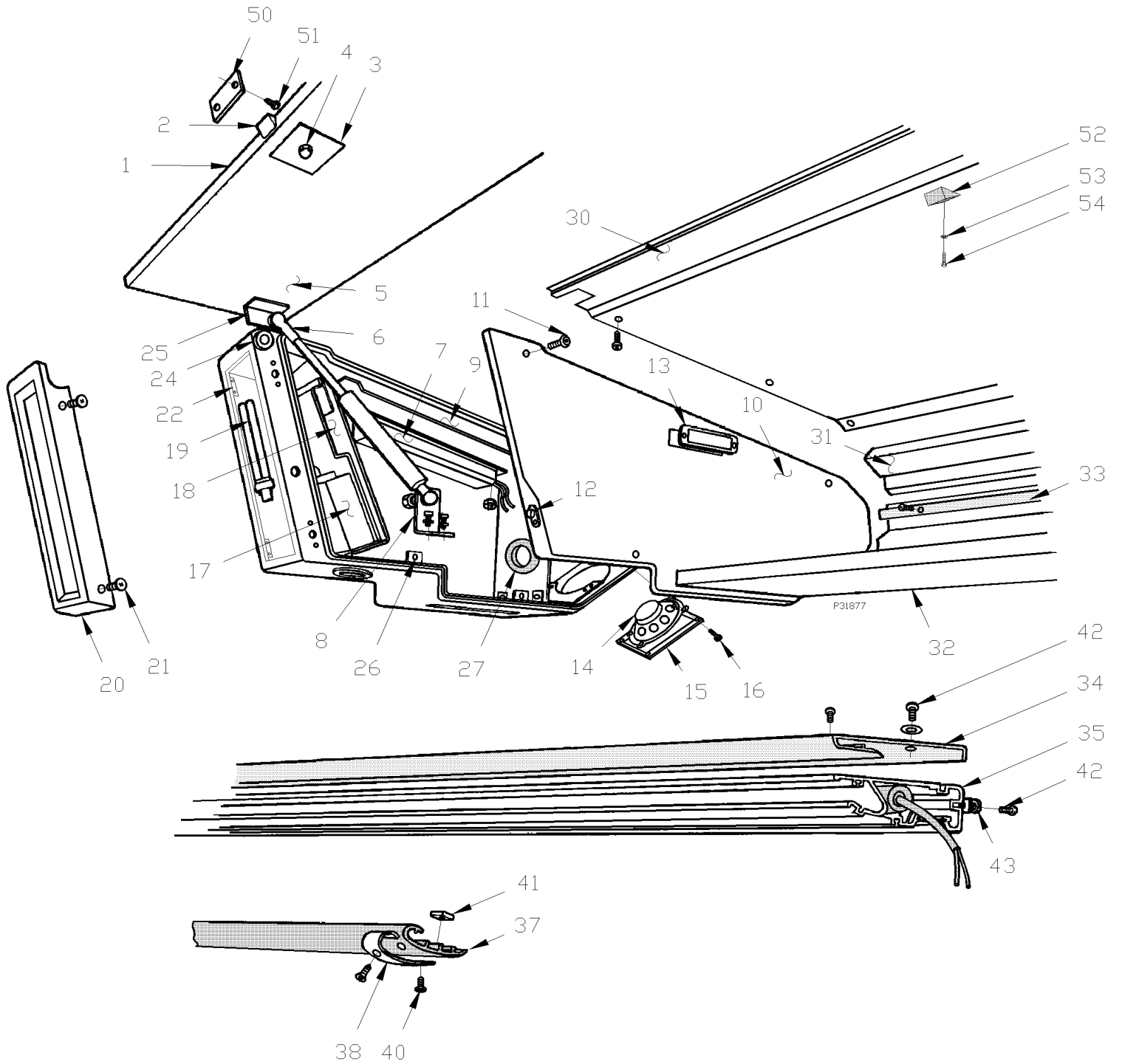
Item#	Part	Description	H 3 4 0	V I P 4 0	N O T E S
24	Call order desk	PANEL ASSY / CARPET / #9 R.H. To S-145	1		P
NS	Call order desk	PANEL ASSY / FABRIC / #9 R.H. To S-145	1		P
NS	Call order desk	PANEL ASSY / FORMICA / #9 R.H. To S-145	1		P
25	Call order desk	PANEL ASSY / CARPET / #1 R.H.	1		P
NS	Call order desk	PANEL ASSY / FABRIC / #1 R.H.	1		P
NS	323444P	PANEL ASSY / FORMICA / #1 R.H.	1		
NS	324428	CLOSING PANEL	1		
26	322870	MOULDING CAP / SS 409MM (16 1/8")	17		
26	322869	MOULDING RETAINER / 400MM (15 3/4")	17		
NS	509043	. MOULDING CAP / SS 3658MM (144")	AR		
NS	509650	. MOULDING RETAINER / 3658MM (144")	AR		
NS	5001085	SCREW TP PAN PH #6x1 1/4 Z050	AR		
NS	322871	WOOD SPACER 1/2" X 32MM X 32MM	AR		
27	292010	BAR PLASTIC PROTECTION	6		
27	292010	BAR PLASTIC PROTECTION	8		
28	H4-1884-00	SIDE WINDOW - BUS			
29	322835	GRILLE SPACER 1660MM	10	10	
29	322836	GRILLE SPACER 904MM	4	4	
29	323485	GRILLE SPACER 860MM	1	1	
29	324066	GRILLE SPACER / W/W.C.L. "ST & ST" / 1174MM	1	1	
30	H4-2328-00	LAVATORY WALL - INSTALLATION			
31	H4-2221-10	DUCTING HEATER & A/C			
		A) WITH W.C.L. DOOR			
		B) TO FIX REAR CAP			
		C) TO FIX MOULDING			
		E) TO FIX OUTLET			
		P) CALL ORDER DESK FOR SPECIFIC APPLICATION (V.I.N.)			

From L-031 To R-079

Date:07/2024

PAGE:H4-1836-00

PARCEL RACKS



From L-031 To R-079	Date:07/2024	PAGE:H4-1836-00
PARCEL RACKS		

Item#	Part	Description	H 3 4 0	V I P 4 0	N O T E S
1	311347	DOOR ASSY / 1534MM	AR		
1	311349	DOOR, PARCEL RACK / 670MM	AR		P
1	311350	DOOR, PARCEL RACK / 400MM	AR		P
1	311528	DOOR, PARCEL RACK / W/LARGE LOCK / 670MM	AR		P
1	311529	DOOR ASSY / W/LARGE LOCK / 1534MM	AR		P
1	311539	DOOR ASSY / L.H. REAR / 646MM From P-253	1		P
1	504527	. BUMPER PLUG / .625ODx.312THx.250HOLEx.125	2		
2	810082	. HANDLE / W/LOCK / LARGE MODEL	AR		N
2	810085	. HANDLE / W/LOCK / SMALL MODEL	AR		D
2	810075	. HANDLE / W/O KEY	AR		
2	810084	. . KEY / (CH751)	AR		N
NS	810091	. . KEY / (H257)	AR		D
3	311072	. PLATE, ATTACHMENT	1		
4	500772	. NUT HEX CAP 1/4-20 NP	1		B
4	500995	. NUT HEX CAP #10-32 Z050	1		
4	500470	. WASHER LO SPT .193x.334x.047 Z050	1		
5	311062	. PIVOT / DOOR	2		
5	500374	. WASHER FL .375x.625x.062 RUB	2		
5	311079	. SPRING	2		
6	980020	CYLINDER GAZ / 244/164MM C/C / 35LBS	AR		C
6	980021	CYLINDER GAZ / 244/164MM C/C / 20LBS	AR		
NS	980016	NUT, CYLINDER RETAINER	AR		
6	502838	NUT HEX TWAY M8-1.25 N500	AR		
NS	500874	WASHER FL 8.4x17.0x1.6 Z050	AR		
NS	502509	WASHER LO INT 8.4x15.0x0.8 Z050	AR		
6	502638	WASHER FL .312x.734x.065 N500	AR		
NS	980015	BALL STUD / W/10 MM X M8-1.25 / 29.18 MM	AR		
6	980027	BALL STUD / W/10 MM X M8-1.25 / 36.5MM	AR		
7	330215	BALLAST ASSY / 24 VOLTS	AR		
7	330214	BALLAST ASSY / 24 VOLTS	AR		
NS	311070	SUPPORT "V" SHAPE / UPPER 2 BALLAST	8		
NS	500441	WASHER FL .312x.734x.065 Z050	AR		E
NS	500770	NUT HEX STO 1/4-20 Z050	2		E
8	311118	BRACKET / LOWER	AR		G
NS	500611	SCREW TC PAN PH #10-24x1/2 Z050	AR		
NS	500470	WASHER LO SPT .193x.334x.047 Z050	AR		
9	311055	BOX FIBERGLASS / #2 TO #8 L.H. & #8 R.H.	8		
9	311037	BOX FIBERGLASS / #2 TO #7 R.H. / (AS SHOWN)	6		
9	311162	BOX FIBERGLASS / #1 R.H.	1		
9	310988	BOX FIBERGLASS / #1 L.H.	1		
NS	504118	RIVET POP DOME OE 3/16x3/8 AL	AR		
NS	500147	WASHER FL SQ .187x.625x.063	AR		

From L-031 To R-079	Date:07/2024	PAGE:H4-1836-00
PARCEL RACKS		

Item#	Part	Description	H 3 4 0	V I P 4 0	N O T E S
10	310994	COVER, R.H. / W/DOOR	1		F
10	311103	COVER, R.H.	1		A
10	310998	COVER, L.H. / W/DOOR	1		
10	311102	COVER, L.H.	1		A
11	500816	SCREW TP OV PH #8x1/2 SS410	AR		
NS	500464	WASHER FN CKF .210x.540 SS	AR		
12	561563	SWITCH / S.P.S.T. / N.C.	1		
13	430314	LAMP ASSY	AR		
14	H4-2315-00	AUDIO SYSTEM			
NS	311438	ATTACHMENT PLATE / TO FIX SPEAKER	1		
15	H4-2315-00	AUDIO SYSTEM			
16	500617	SCREW TP PAN PH #8x1 Z050	AR		
17	330220	BALLAST ASSY / 24 VOLTS	AR		
18	311005	SUPPORT REAR BALLAST	1		
NS	311003	SUPPORT LOWER / USE ON L.H. SIDE	8		
19	830108	TUBE / 7WATT / PL7	AR		
20	311461	LENS COVER ASSY / TO USE W/CORD	AR		A
20	311462	LENS COVER ASSY / TO USE W/DOOR	AR		
20	311460	. LENS	1		
21	500124	SCREW TP TR PH #8x1/2 SS	AR		
22	311076	ATTACHMENT LOWER / TO FIX ITEM #20 TO 9	AR		
24	502514	WASHER SHR .440 ID NYL	AR		
NS	502623	WASHER FL .443x.750x.125 NYL	2		
NS	311352	SPACER / TO USE W/PLATE CATCH IF REQUIRE	AR		
25	311093	BRACKET / UPPER	AR		
NS	500470	WASHER LO SPT .193x.334x.047 Z050	AR		
NS	502529	SCREW MA BDG PH M5-0.8x12 BZC	AR		
26	311075	ATTACHMENT / TO FIX COVER	AR		
30	311222	TOP / #1 R.H. / 848MM	2		
30	311223	TOP / #1 L.H. / 848MM	2		
30	310990	TOP / 1650MM #2 TO 6 L.H. & R.H.	10		
31	311216	RAIL SUPPORT / #1 R.H. / 2520MM	1		
31	311085	HOOK / RIVETED TO PARCEL RACK	4		
31	311379	RAIL SUPPORT 795MM	1		G
31	311086	RAIL SUPPORT / #3 R.H. / 2520MM	1		
31	311582	RAIL SUPPORT / #4 R.H. / W/W.C.L. / 2981MM	1		
32	311434	PANEL / #1 R.H. To M-132	1		
32	311514	PANEL / #1 R.H. From M-133	1		
32	311435	PANEL / #1 L.H. To M-132	1		
32	311508	PANEL / #1 L.H. From M-133	1		
32	311357	PANEL / #6 R.H. To M-132	1		
32	311516	PANEL / #6 R.H. From M-133	1		H

From L-031 To R-079	Date:07/2024	PAGE:H4-1836-00
PARCEL RACKS		

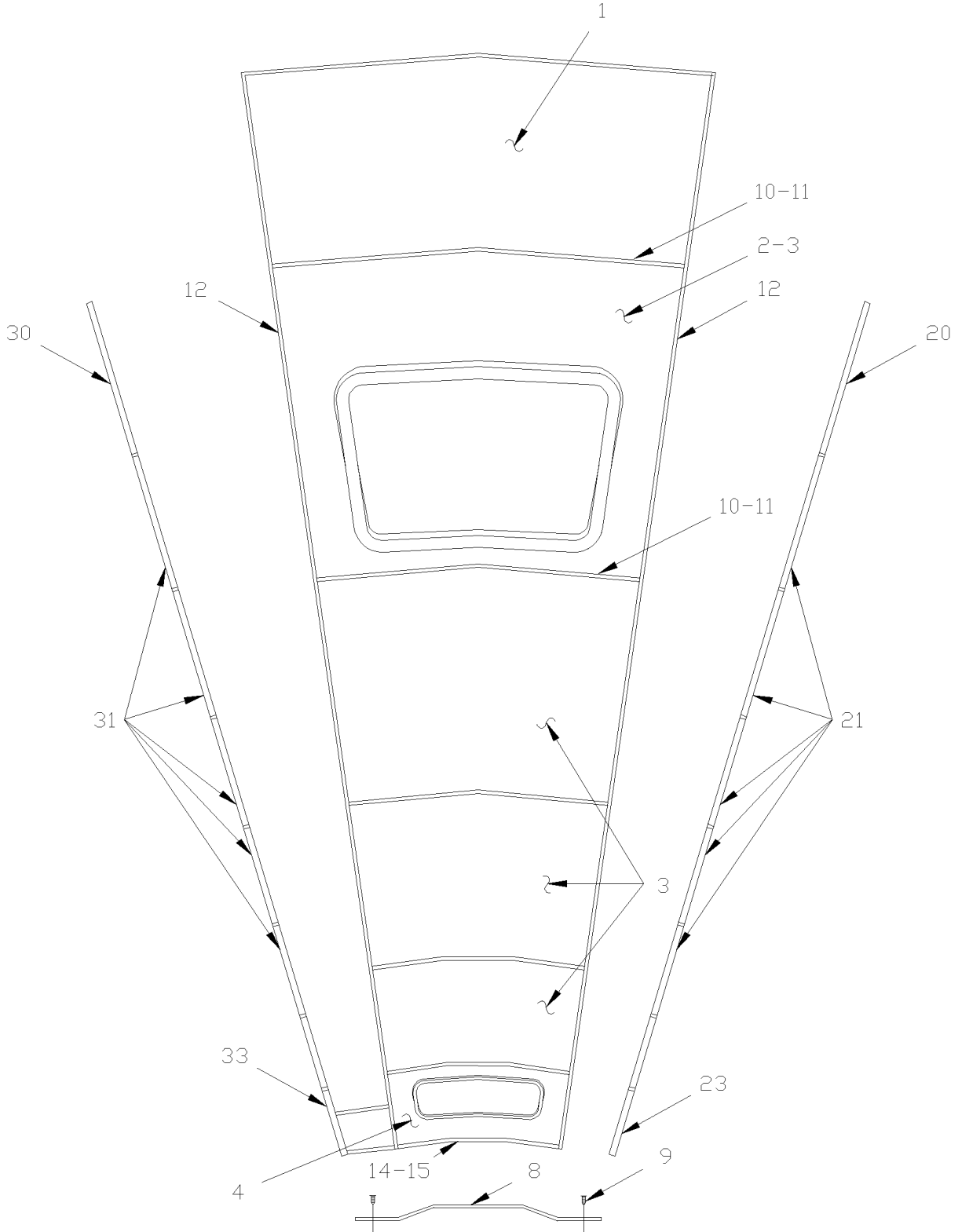
Item#	Part	Description	H 3 4 0	V I P 4 0	N O T E S
32	311383	PANEL / #6 L.H. To M-132	1		
32	311510	PANEL / #6 L.H. From M-133	1		
32	311425	PANEL / #2 TO 5 L.H. & R.H.	4		
NS	810034	CARPET OZITE / S.L. 12 FT WIDE	AR		
33	502526	SCREW TC BDG PH #12-24x3/4 Z050	AR		K
34	310996	EXTRUSION PLASTIC / 364" APROX	AR		
35	311236	RAIL / #1 R.H. & L.H.	2		
35	311470	RAIL / #2 R.H. & L.H.	2		
35	311374	RAIL / #3 R.H. / 585MM	1		
35	311375	RAIL / #3 L.H. / 1206MM	1		
35	311122	COVER ASSY, R.H. / W/LIGHT & DOOR (AS SHOWN)	AR		
NS	311389	END CLOSED AT REAR END	1		
36	500909	WASHER FL .805x1.780x.112 SS	AR		
37	311416	EXTRUSION, RUBBER	AR		
38	311095	SUPPORT / RAIL / S.L.	AR		
40	500654	SCREW TC BDG PH #8-32x1/2 Z050	AR		
41	311082	SWITCH SUPPORT	AR		
50	311530	PLATE, CATCH / TO USE W/DOOR, W/LOCK	1		
50	311068	PLATE, CATCH / TO USE W/DOOR, W/O LOCK	1		
NS	311352	SPACER / TO USE W/PLATE CATCH IF REQUIRE	AR		
51	500650	SCREW TC PAN PH #6-32x3/8 ZP	AR		
52	292322	SILENT BLOCK	AR		
53	311559	CONICAL WASHER / TO FIX BLOCK	2		
54	502664	SCREW TP PAN PH #8x1 SS EMN	2		L
54	472583	PLATE ASSY / TO FIX SILENT BLOCK IN RETROFIT SEE To N-239	AR		
		TO COMPLETE L.H. PARCEL RACK REAR END,			
		USE FOLLOWING PARTS			
NS	311410	COVER, L.H. GREY / W/O DOOR	1		
NS	311382	COVER, L.H. GREY / W/DOOR	1		
NS	311381	SUPPORT, FRONT / TO FIX COVER	1		
NS	311378	ANGLE, REAR / TO FIX COVER TO REAR CAP	1		
NS	311377	ANGLE / "Z" SHAPE / TO FIX PARCEL RACK TO REAR CAP	1		
NS	311376	ANGLE / TO FIX PARCEL RACK ON ANGLE ABOVE	1		
NS	Call order desk	FINISHING PANEL ASSY/UNDER PARCEL RACK TISSUS/SPECIFY COLOR	1		P
NS	Call order desk	FINISHING PANEL ASSY / UNDER PARCEL RACK LEATHERETTE/SPEC. COL.	1		P
NS	311380	. PANEL / (ALUMINUM)	1		M
NS	311398	FRONT COVER R.H. / NORYL GREY RACK & LAVATORY WALL	1		
NS	311399	ANGLE / TO FIX FRONT COVER	1		
NS	Call order desk	FINISHING PANEL ASSY / UNDER PARCEL RACK L.H. TISSUS / SPECIFY COLOR	1		P
NS	Call order desk	FINISHING PANEL ASSY / UNDER PARCEL RACK L.H. LEATHERETTE / SPECIFY COL	1		P

From L-031 To R-079	Date:07/2024	PAGE:H4-1836-00
PARCEL RACKS		

Item#	Part	Description	H 3 4 0	V I P 4 0	N O T E S
NS	311404	. PANEL ALUMINUM 54MM	1		M
NS	506066	CORD, RUBBER EXTRUSION NEO 7/16" O.D. / C.T.L.	AR		A
NS	311421	. CORD, RUBBER 15"	1		A
NS	311155	. CORD, RUBBER 26"	1		A
. NS	506066	. . CORD, RUBBER EXTRUSION NEO 7/16" O.D. / C.T.L.	AR		A
NS	311154	. CORD, RUBBER 59"	10		A
. NS	506066	. . CORD, RUBBER EXTRUSION NEO 7/16" O.D. / C.T.L.	AR		A
NS	504452	CLAMP "E-Z CLIP" / "TUBE-O" / 7/16" / HC9-7	AR		A
NS	502525	WASHER FL .484x.750x.031 Z050	AR		A
		A) WITH INSTALLATION WITH CORDB□W/HANDLE□WITH LOCK			
		B) W/HANDLE WITH LOCK			
		C) TO USE W/1534MM DOORS			
		D) WITH SMALL MODEL DOOR LOCK			
		E) TO FIX BALLAST			
		F) AS SHOWN			
		G) #3 L.H.			
		H) #6 R.H.			
		K) TO FIX RIGID RAIL			
		L) TO FIX BLOCK			
		M) UNFINISHING			
		N) WITH LARGE MODEL DOOR LOCK			
		P) FOR DOOR REPALCEMENT USE 1 EACH: 980027 (BALL STUD) ,502638 (FL WASHER) & 520838 (NUT)			
		P) CALL ORDER DESK FOR SPECIFIC APPLICATION (V.I.N.)			

CEILING PANELS & MOULDING

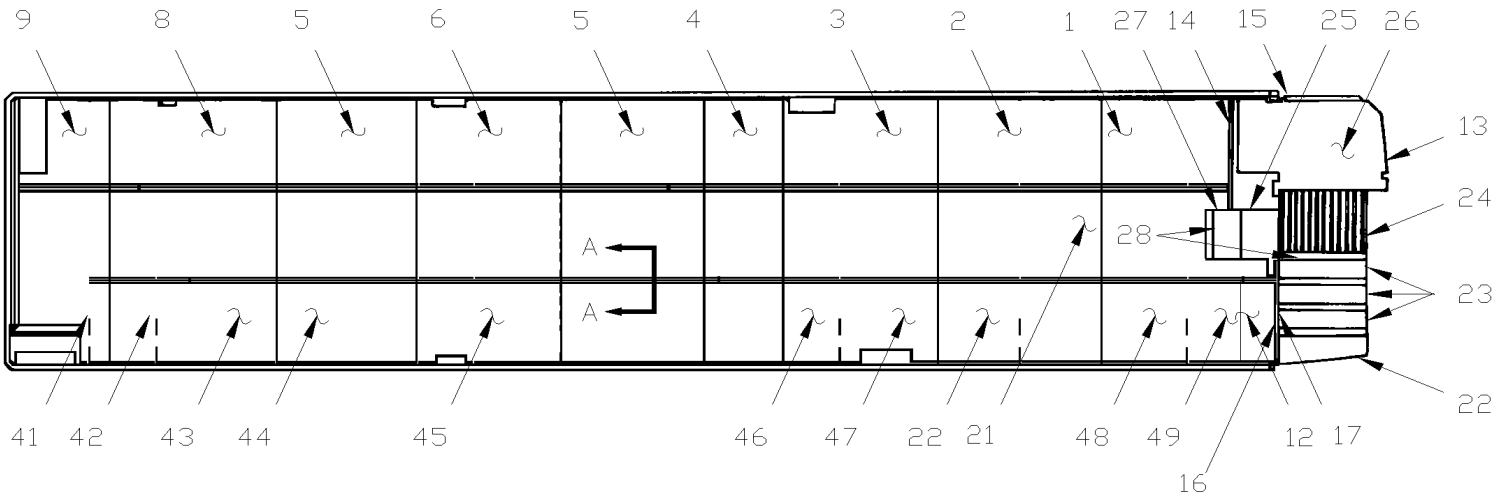
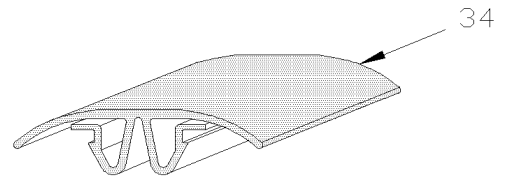
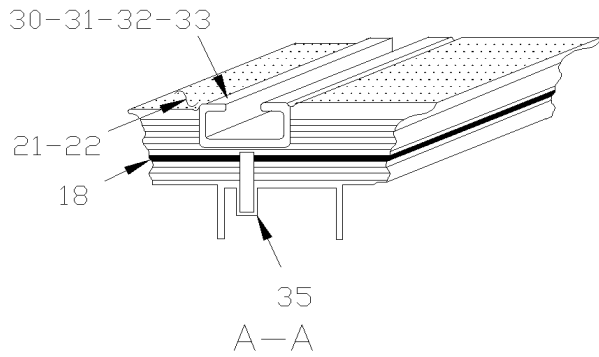
FRONT



From L-031 To R-079	Date:07/2024	PAGE:H4-1837-00
CEILING PANELS & MOULDING		

Item#	Part	Description	H 3 4 0	V I P 4 0	N O T E S
1	340720	PANEL #1 FIBERGLASS CEILING	1		
1	Call order desk	PANEL #1 CEILING FABRIC / SPECIFY COLOR	1		P
1	340796	. PANEL UNFINISHING	1		
2	340721	PANEL #2 FIBERGLASS / W/EMERGENCY EXIT	AR		A
2	Call order desk	PANEL #2 FABRIC / W/EMERGENCY EXIT / SPECIFY COLOR	AR		PA
2	340788	. PANEL UNFINISHING	1		
3	340719	PANEL #2-3-4-5-6 FIBERGLASS CEILING	4		
3	340797P	PANEL # 2-3-4-5-6 FABRIC / SPECIFY COLOR	4		
3	340795	. PANEL INFINISHING	1		
4	340826	PANEL #7 FIBERGLASS	1		
4	Call order desk	PANEL #7 FABRIC / SPECIFY COLOR	1		P
4	340831	. PANEL, UNFINISHING	1		
8	340827	BRACKET, SS	1		
9	504124	RIVET POP DOME OE 1/8x.280 MNL	2		
10	340760	MOULDING CAP / GREY PLATINE 920MM / 36 1/4"	7		
11	402542	MOULDING RETAINER / 908MM (35 3/4")	7		
NS	500576	SCREW TC PAN PH #6-32x1/2 Z050	AR		B
12	311077	MOULDING / ALUMINIUM 2019MM (79 1/2")	10		
NS	500552	SCREW TP OV PH #6x3/4 Z050	AR		B
20	311213	MOULDING L.H. / #1 921MM LG	1		
21	311219	MOULDING L.H. / #2-3-4-5-6-7 1710MM	5		
23	311368	MOULDING L.H. / #7 96MM LG	1		
30	311214	MOULDING R.H. / #1 921MM LG	1		
31	311215	MOULDING R.H. / #2-3-4-5-6 1710MM			
33	311369	MOULDING R.H. / #7 926MM	1		
		A) WE USE SAME PART W/REAR EMERGENCY EXIT			
		B) TO FIX MOULDING			
		P) CALL ORDER DESK FOR SPECIFIC APPLICATION (V.I.N.)			

From L-031 To R-079	Date:07/2024	PAGE:H4-1838-00
FLOOR & COVERING - BUS		



From L-031 To R-079	Date:07/2024	PAGE:H4-1838-00
FLOOR & COVERING - BUS		

Item#	Part	Description	H 3 4 0	V I P 4 0	N O T E S
1	Call order desk	FLOOR / W/V.I.P. SEAT To N-220	1		P
1	Call order desk	FLOOR / W/V.I.P. SEAT From N-221	1		P
NS	Call order desk	FLOOR / W/STD SEAT To N-220	1		P
1	Call order desk	FLOOR / W/STD SEAT From N-221	1		P
2	Call order desk	FLOOR / W/V.I.P. SEAT To N-220	1		P
2	Call order desk	FLOOR / W/V.I.P. SEAT From N-221	1		P
NS	Call order desk	FLOOR / W/STD SEAT To N-220	1		P
2	Call order desk	FLOOR / W/STD SEAT From N-221	1		P
3	Call order desk	FLOOR / W/STD SEAT To N-220	1		P
NS	Call order desk	FLOOR / W/STD SEAT From N-221	1		P
NS	Call order desk	FLOOR / W/V.I.P. SEAT To N-220	1		P
NS	Call order desk	FLOOR / W/V.I.P. SEAT From N-221	1		P
4	Call order desk	FLOOR / W/V.I.P. SEAT To N-220	1		P
4	Call order desk	FLOOR / W/V.I.P. SEAT From N-221	1		P
NS	Call order desk	FLOOR / W/STD SEAT To N-220	1		P
4	Call order desk	FLOOR / W/STD SEAT From N-221	1		P
5	Call order desk	FLOOR / W/V.I.P. SEAT To N-220	1		P
5	Call order desk	FLOOR / W/1 V.I.P. PASSENGER STREETSIDE From N-221	1		P
NS	Call order desk	FLOOR / W/STD SEAT To N-220	1		P
5	Call order desk	FLOOR / W/STD SEAT From N-221	2		P
6	323273	FLOOR / W/V.I.P. SEAT To N-220	1		
6	323895P	FLOOR / W/V.I.P. SEAT From N-221	1		
NS	323625	FLOOR / W/STD SEAT To N-220	1		
6	323687	FLOOR / W/STD SEAT From N-221	1		
8	Call order desk	FLOOR / W/V.I.P. SEAT To N-220	1		P
8	Call order desk	FLOOR / DRIVER'S W/AUTO TRANS From N-221	1		P
NS	Call order desk	FLOOR / W/STD SEAT To N-220	1		P
8	Call order desk	FLOOR / W/STD SEAT From N-221	1		P
NS	Call order desk	FLOOR / W/V.I.P. SEAT To N-220	1		P
9	Call order desk	FLOOR / W/V.I.P. SEAT From N-221	1		P
NS	Call order desk	FLOOR / W/STD SEAT To N-220	1		P
9	Call order desk	FLOOR / W/STD SEAT From N-221	1		P
12	Call order desk	FLOOR / W/V.I.P. SEAT To N-220	1		P
12	Call order desk	FLOOR / W/V.I.P. SEAT From N-221	1		P
NS	Call order desk	FLOOR / W/STD SEAT To N-220	1		P
12	Call order desk	FLOOR / W/V.I.P. SEAT From N-221	1		P
13	Call order desk	FLOOR / DRIVER'S W/AUTO TRANS To V-1778	1		P
13	Call order desk	FLOOR / DRIVER'S W/MAN TRANS. To R-391	1		P
13	324007	FLOOR / DRIVER'S W/MAN TRANS From R-392	1		
NS	508068	. VENEER PLYWOOD / 1/2" THICK 4' X 8'	AR		
NS	5001143	SCREW DR WF TORX #12x2 CP	AR		
14	323791	MOULDING SS / TO USE W/CARPET COVERING	1		

From L-031 To R-079	Date:07/2024	PAGE:H4-1838-00
FLOOR & COVERING - BUS		

Item#	Part	Description	H 3 4 0	V I P 4 0	N O T E S
NS	323015	MOULDING SS / FRONT FINISHING FLOOR	1		
NS	5001120	SCREW TP FL PH #10x1 1/4 SS410	4		
15	323175	MOULDING SS / TO FIX CONSOLE	1		
16	323304	MOULDING / FRONT FINISHING FLOOR / 720MM SS	1		
17	323303	MOULDING / FRONT FINISHING FLOOR / 201MM SS	1		
18	850027	INSULATING PAD NOISE ADH2 1/16" x 39" x 48"	AR		
NS	506617	COVERING / CODE "E" = 766	1		
21	506619	COVERING / CODE "A" = 702	1		
21	506650	COVERING / CODE "E" = 766	1		
21	506676	COVERING / CODE "L" = 975	1		
NS	Call order desk	CARPET FLOOR COVERING / CENTRAL / SPECIFY	1		P
22	506671	STEP TREAD COVERING / CODE "L" = 975	1		
22	506545	STEP TREAD COVERING / CODE "D" = 747	1		
22	506544	STEP TREAD COVERING / CODE "C" = 653	1		
22	506543	STEP TREAD COVERING / CODE "B" = 777	1		
22	506546	STEP TREAD COVERING / CODE "E" = 766	1		
22	506542	STEP TREAD COVERING / CODE "A" = 702	1		
NS	506618	COVERING / CODE "E" = 766	2		
NS	506620	COVERING / CODE "A" = 702	2		
NS	506651	COVERING / CODE "Q" = 788	2		
NS	506675	COVERING / CODE "L" = 975	2		
23	506672	STEP TREAD COVERING / CODE "L" = 975	3		
23	506550	STEP TREAD COVERING / CODE "D" = 747	3		
23	506549	STEP TREAD COVERING / CODE "C" = 653	3		
23	506548	STEP TREAD COVERING / CODE "B" = 777	3		
23	506551	STEP TREAD COVERING / CODE "E" = 766	3		
23	506547	STEP TREAD COVERING / CODE "A" = 702	3		
24	506670	RIB COVERING / CODE "L" = 975	1		
24	506568	RIB COVERING / CODE "D" = 747	1		
24	506570	RIB COVERING / CODE "C" = 653	1		
24	506569	RIB COVERING / CODE "B" = 777	1		
24	506567	RIB COVERING / CODE "E" = 766	1		
24	506571	RIB COVERING / CODE "A" = 702	1		
25	506673	STEP TREAD COVERING / CODE "L" = 975	1		
25	506535	STEP TREAD COVERING / CODE "D" = 747	1		
25	506534	STEP TREAD COVERING / CODE "C" = 653	1		
25	506533	STEP TREAD COVERING / CODE "B" = 777	1		
25	506536	STEP TREAD COVERING / CODE "E" = 766	1		
25	506532	STEP TREAD COVERING / CODE "A" = 702	1		
26	506585	COVERING / CODE "L" = 975	1		
26	506439	COVERING / CODE "D" = 747	1		
26	506438	COVERING / CODE "C" = 653	1		

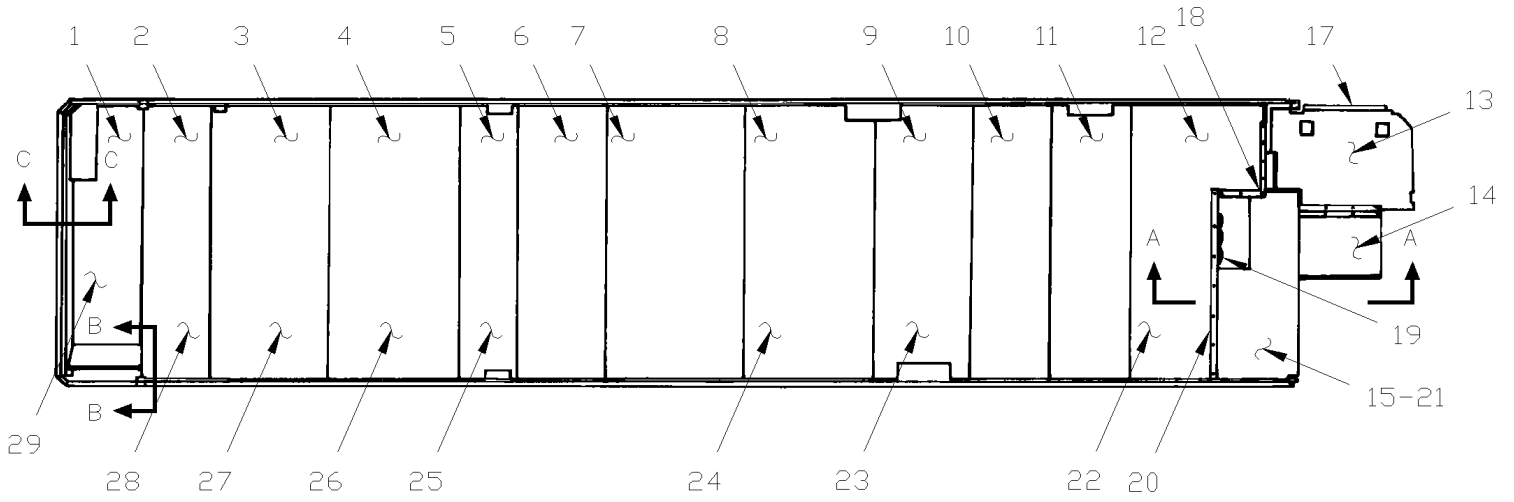
From L-031 To R-079	Date:07/2024	PAGE:H4-1838-00
FLOOR & COVERING - BUS		

Item#	Part	Description	H 3 4 0	V I P 4 0	N O T E S
26	506437	COVERING / CODE "B" = 777	1		
26	506440	COVERING / CODE "E" = 766	1		
26	506436	COVERING / CODE "A" = 702	1		
27	506674	STEP TREAD COVERING / CODE "L" = 975	1		
27	506530	STEP TREAD COVERING / CODE "D" = 747	1		
27	506529	STEP TREAD COVERING / CODE "C" = 653	1		
27	506528	STEP TREAD COVERING / CODE "B" = 777	1		
27	506531	STEP TREAD COVERING / CODE "E" = 766	1		
27	506527	STEP TREAD COVERING / CODE "A" = 702	1		
28	506442	STEP NOZING 3" X 27" / WHITE	1		
28	506441	STEP NOZING 3" X 19" / WHITE	1		
28	506073	STEP NOZING 3" X 48" / WHITE	1		
NS	680028	GLUE / 15LITERS	AR		W
NS	684654	GLUE CONTACT "SCOTCH-GRIP" / 3M #1357-NEUTRAL 18.9 LITERS	AR		F
NS	684655	GLUE CONTACT "SCOTCH-GRIP" / 3M #1357-NEUTRAL 3.8 LITERS	AR		F
30	321416	SEAT TRACK 234.9MM	2		
31	321369	SEAT TRACK 4572MM	4		
31	323635	SEAT TRACK 980MM	1		
32	323279	SEAT TRACK 1170MM	1		
33	323278	SEAT TRACK 813MM	1		
34	323654	SEAT TRACK COVER 12' / EACH SEAT / WCOVERING FLOOR	AR		
34	323963	SEAT TRACK COVER 8' / EACH SEAT / WCOVERING FLOOR	AR		
34	361338	SEAT TRACK COVER 12' / EACH SEAT / WCARPET FLOOR	AR		
NS	324791	MOULDING CARPET PROTECTOR / W/CARPET ON FLOOR / 29MM X 2438MM SS	AR		
35	500310	SCREW TC FL PH #10-24x1 1/4 SS410	AR		
36	481667	PANEL / FRONT & TOP SURGE TANK	1		
37	481668	PANEL INSIDE /	1		
38	481670	PANEL OUTSIDE /	1		
39	482156	PANEL INSIDE	1		
40	481665	PANEL FRONT OF AIR INTAKE	1		
41	323287	STEEL NOISELESS PANEL	1		
42	323358	STEEL NOISELESS PANEL	1		
43	323359	STEEL NOISELESS PANEL	1		
44	323360	STEEL NOISELESS PANEL	1		
45	323367	MOULDING	1		
46	323285	STEEL NOISE PANEL	1		
47	323320	STEEL NOISE PANEL	1		
48	323365	STEEL NOISE PANEL	1		
49	323286	STEEL NOISELESS PANEL	1		
50	323285	STEEL NOISE PANEL	1		
54	324232	STEEL NOISE PANEL	1		
NS	323384P	REAR PANEL ASSY / (2090MM X 762MM)	1		

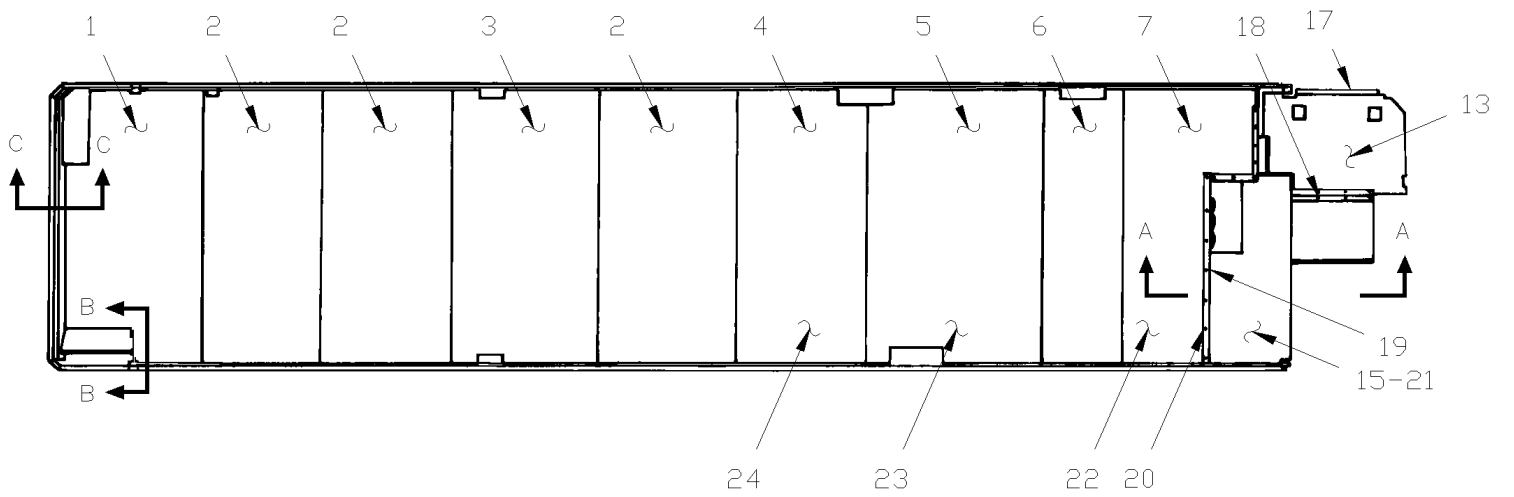
From L-031 To R-079	Date:07/2024	PAGE:H4-1838-00
FLOOR & COVERING - BUS		

Item#	Part	Description	H 3 4 0	V I P 4 0	N O T E S
NS	323289	REAR CONER ASSY / (515MM X 125MM)	1		
NS	Call order desk	REAR UPPER AIR INLET ASSY	1		P
NS	Call order desk	REAR LOWER AIR INLET ASSY	1		P
NS	323275	PANEL ASSY	1		
NS	323277	PANEL ASSY	1		
NS	323276	PANEL ASSY	1		
		SPECIFY COLOR WHEN ORDERING RUBBER COVERING			
		SEE CODE ON FINAL VEHICLE RECORD.			
54	CODE A	#702 R.C.A. LIGHT BLUE			
54	CODE D	#747 R.C.A. LIGHT BROWN			
54	CODE C	#653 R.C.A. LIGHT GREEN			
54	CODE B	#777 R.C.A. LIGHT CREAM			
54	CODE E	#766 R.C.A. DARK GREY			
54	CODE L	#975 R.C.A. RED			
54	CODE Q	#788 R.C.A. LIGHT GREY			
		F) TO FIX COVERING ON FIBERGLASS			
		W) TO FIX COVERING ON WOOD			
		P) CALL ORDER DESK FOR SPECIFIC APPLICATION (V.I.N.)			

From L-031 To R-079	Date:07/2024	PAGE:H4-1838-10
FLOOR & REAR WALL - V.I.P.		

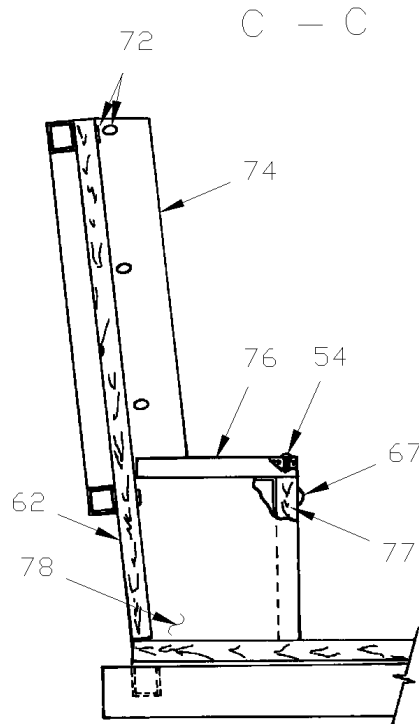
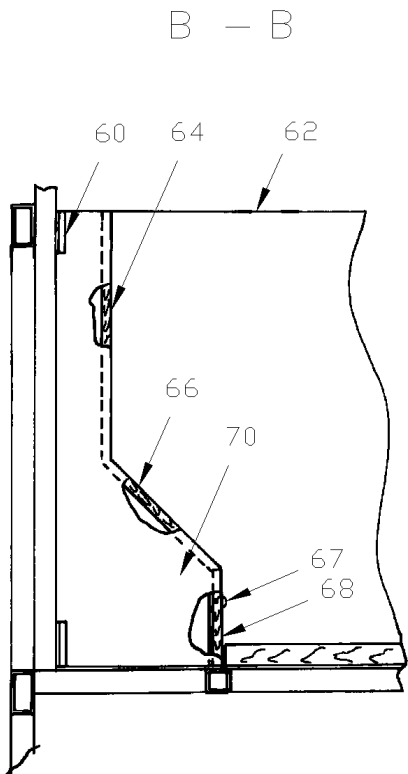
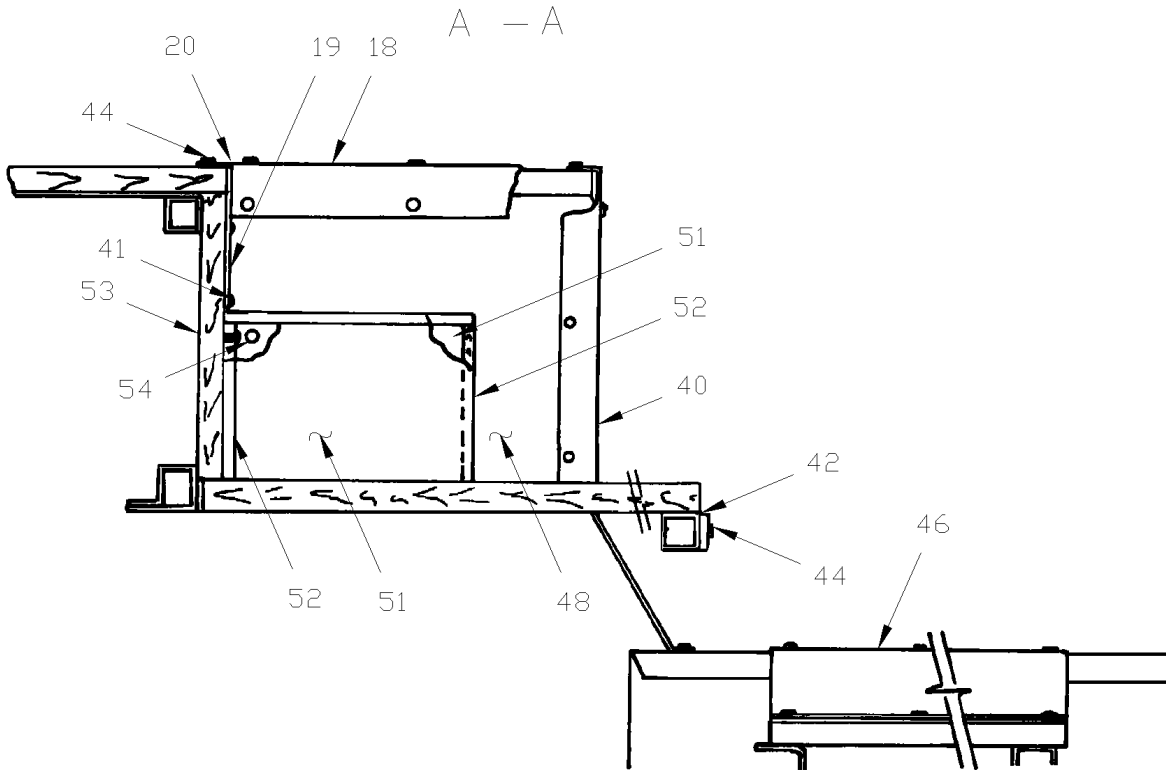


PRIOR N-221



EFF.. N-221

From L-031 To R-079	Date:07/2024	PAGE:H4-1838-10
FLOOR & REAR WALL - V.I.P.		



From L-031 To R-079	Date:07/2024	PAGE:H4-1838-10
FLOOR & REAR WALL - V.I.P.		

Item#	Part	Description	H 3 4 0	V I P 4 0	N O T E S
1	Call order desk	FLOOR ASSY To N-220		1	P
1	Call order desk	FLOOR ASSY From N-221		1	P
2	Call order desk	FLOOR ASSY To N-220		1	P
2	323904	FLOOR ASSY From N-221		1	
3	Call order desk	FLOOR ASSY To N-220		1	P
3	Call order desk	FLOOR ASSY From N-221		1	P
4	Call order desk	FLOOR ASSY To N-220		1	P
4	Call order desk	FLOOR ASSY From N-221		1	P
5	Call order desk	FLOOR ASSY To N-220		1	P
5	Call order desk	FLOOR ASSY From N-221		1	P
6	Call order desk	FLOOR ASSY To N-220		1	P
6	Call order desk	FLOOR ASSY From N-221		1	P
7	323374	FLOOR ASSY To N-220		1	
7	Call order desk	FLOOR ASSY From N-221		1	P
10	Call order desk	FLOOR ASSY To N-220		1	P
12	Call order desk	FLOOR ASSY To N-220		1	P
13	Call order desk	FLOOR ASSY		1	P
14	Call order desk	FLOOR ASSY		1	P
15	Call order desk	FLOOR ASSY		1	P
NS	508068	. VENEER PLYWOOD / 1/2" THICK 4' X 8'		AR	
NS	850027	INSULATING PAD NOISE ADH2 1/16" x 39" x 48"		AR	
NS	5001143	SCREW DR WF TORX #12x2 CP		AR	
17	323175	MOULDING SS / TO FIX CONSOLE		1	
NS	500638	SCREW TP PAN PH #8x1/2 Z050		AR	A
18	323371	MOULDING / FRONT L.H. FLOOR		1	
NS	324537	MOULDING / SIDE L.H. FLOOR		1	
19	322598	GRILL AIR / AISLE STEPWELL / RETURN		1	
20	323370	MOULDING / STEPS		1	
21	323363	STEEL NOISELESS PANEL		1	
22	323362	STEEL NOISELESS PANEL		1	
23	323525	STEEL NOISELESS PANEL		1	
24	323524	STEEL NOISELESS PANEL		1	
25	323361	STEEL NOISELESS PANEL		1	
26	323360	STEEL NOISELESS PANEL		1	
27	323615	STEEL NOISELESS PANEL		1	
28	323358	STEEL NOISELESS PANEL		1	
29	323357	STEEL NOISELESS PANEL		1	
40	324558	MOULDING / SIDE FLOOR		1	
41	500583	SCREW TP PAN PH #6x1/2 Z050		1	
42	323526	SPACER		1	
44	500434	SCREW TP FL PH #8x3/4 Z050		1	
46	323367	MOULDING		1	

From L-031 To R-079	Date:07/2024	PAGE:H4-1838-10
FLOOR & REAR WALL - V.I.P.		

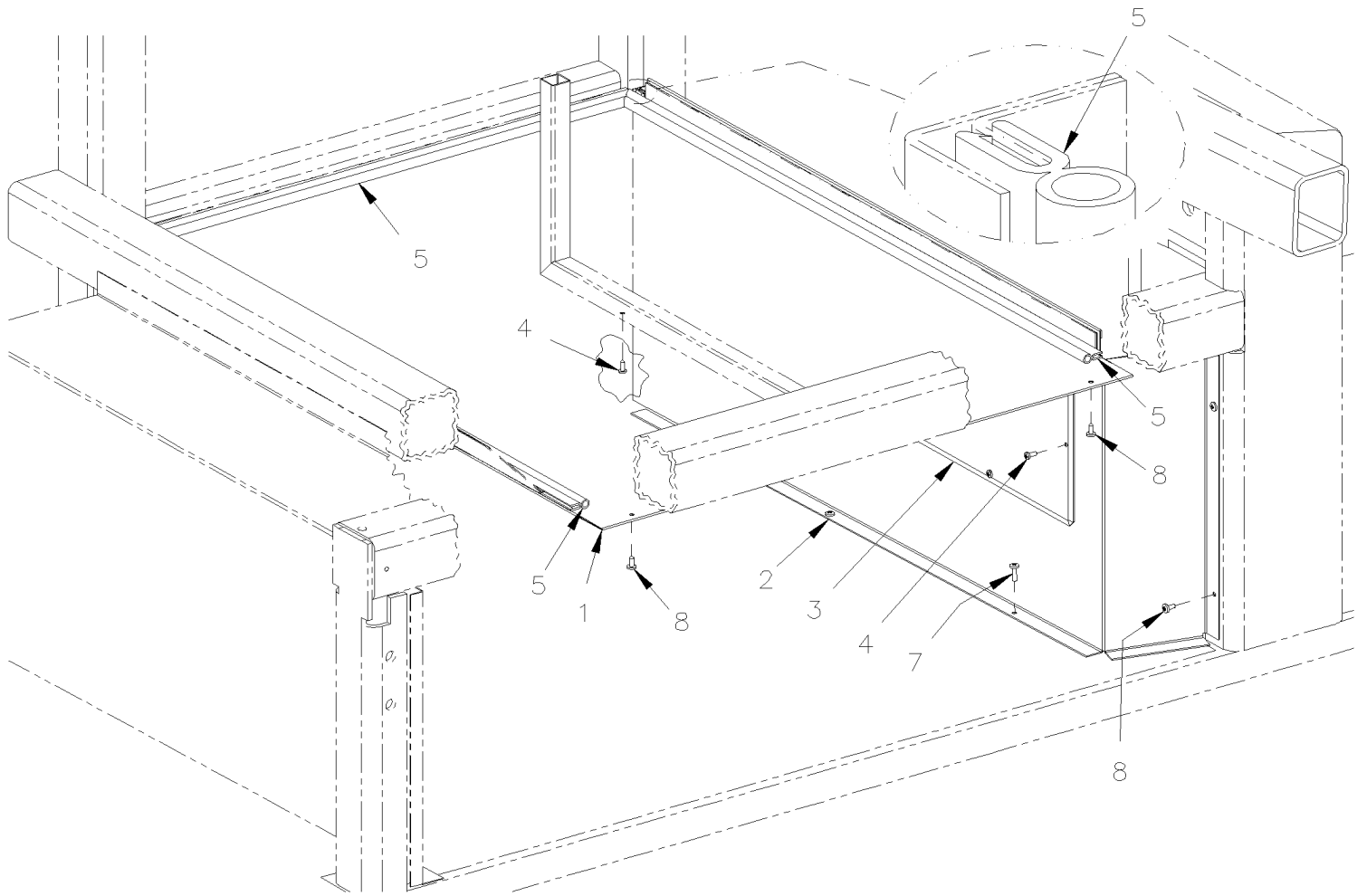
Item#	Part	Description	H 3 4 0	V I P 4 0	N O T E S
48	323355	PANEL / SIDE FLOOR		1	
50	323353	PANEL / STEPS FLOOR		1	
51	323352	STEPS SIDE / SPLIT LEVEL		2	
52	323351	PANEL / FRONT & REAR		2	
53	Call order desk	PANEL ASSY / FRONT FLOOR		1	P
54	500637	SCREW TP PAN PH #8x1 1/2 Z050		6	
62	Call order desk	PANEL ASSY / BACK WALL		1	P
NS	500508	SCREW TC PAN PH #10-32x1 1/2 Z050		AR	
63	325270	PANEL / BACK WALL		1	
64	323350	PANEL / AIR OUTLET		1	
66	323349	PANEL / AIR OUTLET		1	
67	500632	SCREW TP OV PH #8x1 1/2 Z050		AR	
68	323474	PANEL / AIR OUTLET		1	
NS	323588	BRACKET / TO FIX ITEM 68		3	
70	323473	PANEL / AIR OUTLET		1	
74	323289	REAR CONER ASSY / (515MM X 125MM)		1	
76	323275	PANEL ASSY		1	
77	323276	PANEL ASSY		1	
78	323277	PANEL ASSY		1	
NS	970260	STEEL NOISELESS PANEL / 3' X 8' / S.Q.		AR	
NS	850042	STEEL NOISELESS PANEL / 4' X 8' / S.Q.		AR	
		A) TO FIX CONSOLE			
		P) CALL ORDER DESK FOR SPECIFIC APPLICATION (V.I.N.)			

From L-031 To R-079

Date:07/2024

PAGE:H4-1840-00

CLOSING PANEL SPARE COMPARTMENT



From L-031 To R-079	Date:07/2024	PAGE:H4-1840-00
CLOSING PANEL SPARE COMPARTMENT		

Item#	Part	Description	H 3 4 0	V I P 4 0	N O T E S
1	350227	PANEL CLOSING / W/I BEAM SUSPENTION / 1010MM X 797MM From L-031		1	
2	350229	PANEL ASSY SIDE / W/I BEAM SUSPENTION From L-031		1	
3	350225	PANEL ACCESS / STEERING BOX From L-031		1	
4	500638	SCREW TP PAN PH #8x1/2 Z050 From L-031		5	
5	506302	RUBBER EXTRUSION TRIM SEAL / GRIP .024 / 7/16" HOLLOW BULB C.T.L. From L-031		AR	
7	500642	SCREW TP PAN PH #10x3/4 Z050 From L-031		2	
8	500657	SCREW TC TR PH #10-24x1/2 Z050 From L-031		5	
NS	350233	SLIDE ASSY WALL RETAINER From L-031		1	
NS	350236	SLIDE ASSY UPPER PANEL RETAINER From L-031		1	
NS	504272	RIVET CHY Q BRAZ 3/16x1/8 SS From L-031		9	

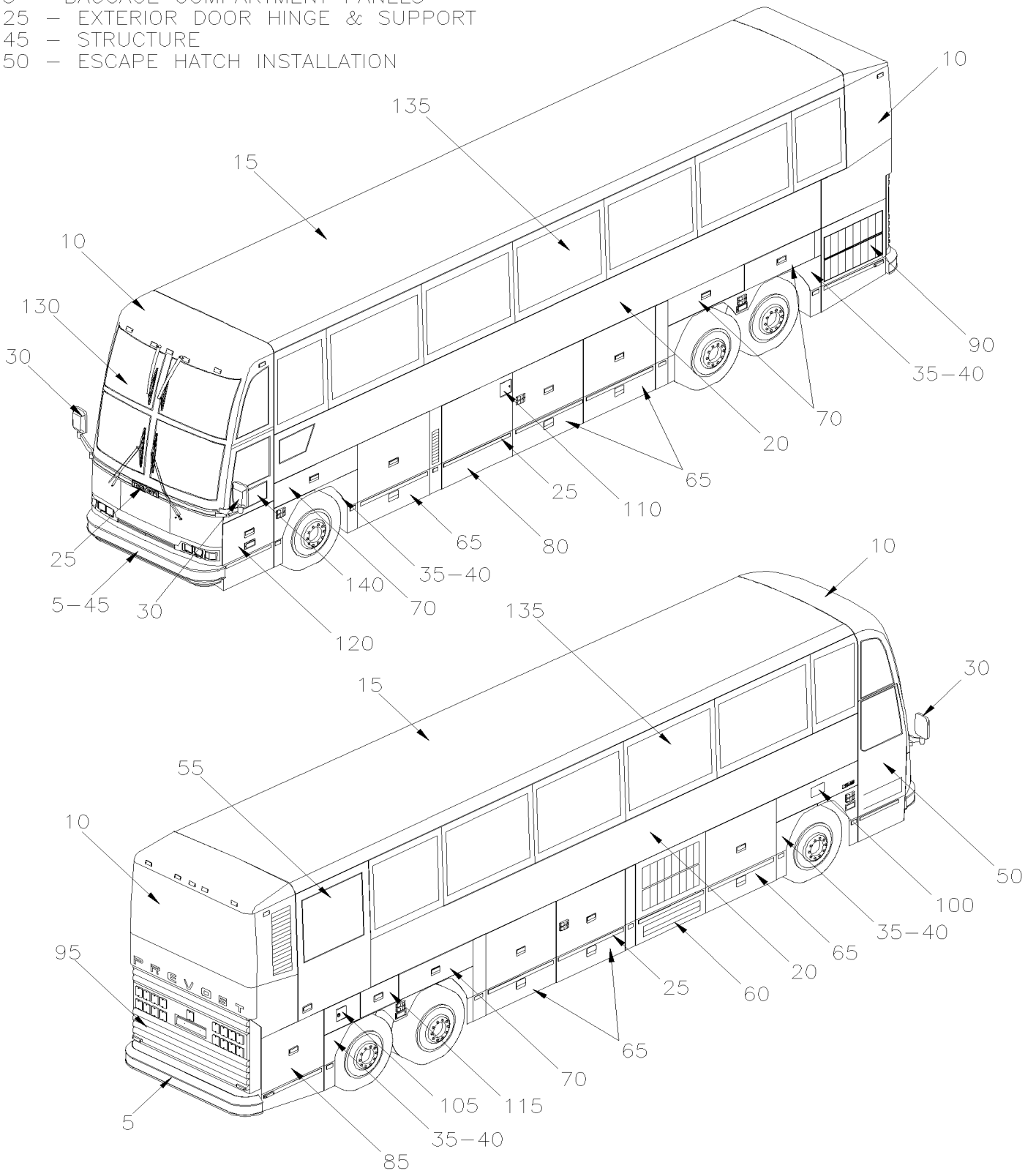
From L-029 To R-079

Date:07/2024

PAGE:H4-18-EXT

BODY EXTERIOR

- 75 – BAGGAGE COMPARTMENT PANELS
- 125 – EXTERIOR DOOR HINGE & SUPPORT
- 145 – STRUCTURE
- 150 – ESCAPE HATCH INSTALLATION



From L-029 To R-079	Date:07/2024	PAGE:H4-18-EXT
BODY EXTERIOR		

Item#	Part	Description	H 3 4 0	V I P 4 0	N O T E S
5	H4-1850-00	BUMPER FRONT - BUS From L-031 To R-079			
5	H4-1850-10	BUMPER REAR - BUS From L-031 To R-079			
5	H4-1850-15	BUMPER FRONT - V.I.P. From L-031 To R-079			
5	H4-1850-20	BUMPER REAR - V.I.P. From L-031 To R-079			
10	H4-1851-00	CAP - FRONT & REAR - INSTALLATION From L-031 To R-079			
10	H4-1851-10	FRONT PANEL - INSTALLATION From L-031 To R-079			
15	H4-1852-00	ROOF PANELS From L-031 To R-079			
20	H4-1854-00	SIDE PANELS - BUS From L-031 To R-079			
20	H4-1854-50	SIDE PANELS - V.I.P. From L-031 To R-079			
25	H4-1855-00	EXTERIOR TRIMS & CREST From L-031 To R-079			
30	H4-1856-00	MIRROR - EXTERIOR - INSTALLATION From L-031 To R-079			
30	H4-1856-10	MIRROR "SPARTAN" MANUAL From L-031 To R-079			
30	H4-1856-15	MIRROR "SPARTAN" ELECTRICAL From L-031 To R-079			
30	H4-1856-20	MIRROR "RAMCO" FLAT GLASS / SILVER PAINTED From P-375 To R-079			
30	H4-1856-22	MIRROR "RAMCO" FLAT GLASS / BLACK PAINTED From P-375 To R-079			
30	H4-1856-23	MIRROR "RAMCO" FLAT GLASS / CHROME From P-375 To R-079			
30	H4-1856-30	MIRROR "RAMCO" 2 GLASSES / SILVER PAINTED From P-375 To R-079			
30	H4-1856-31	MIRROR "RAMCO" 2 GLASSES / BRIGHT POLISH From P-375 To R-079			
30	H4-1856-32	MIRROR "RAMCO" 2 GLASSES / BLACK PAINTED From P-375 To R-079			
30	H4-1856-33	MIRROR "RAMCO" 2 GLASSES / CHROME From P-375 To R-079			
35	H4-1857-00	FENDERS From L-031 To R-079			
40	H4-1859-00	SPLASH GUARD - FRONT & REAR From L-031 To R-079			
45	H4-1860-10	SPARE WHEEL DOOR MECHANISM FRONT BUMPER From L-031 To R-079			
45	H4-1860-50	BUMPER DOOR FRONT - V.I.P. From L-031 To R-079			
50	H4-1862-00	ENTRANCE DOOR ASSY - PLUG TYPE From L-031 To N-196			
50	H4-1862-10	ENTRANCE DOOR ASSY - "SEDAN" From N-197 To R-079			
50	H4-1862-50	ENTRANCE DOOR ASSY - V.I.P. From L-031 To R-079			
50	H4-1862-60	ENTRANCE DOOR FRAME - INSTALLATION From L-031 To R-079			
55	H4-1862-70	ENTRANCE DOOR ASSY - W.C.L. From L-031 To R-079			
60	H4-1863-00	CONDENSOR DOOR ASSY From L-031 To R-079			
60	H4-1863-40	CONDENSOR DOOR ASSY (SMALL) From L-031 To R-079			
65	H4-1864-00	BAGGAGE COMPARTMENT DOOR From L-031 To R-079			
65	H4-1864-20	AIR GRILL - BAGGAGE DOOR V.I.P. From L-031 To R-079			
65	H4-1864-30	HANDLE LOCK & KEYS - TYPE "PS" From L-031 To R-079			
65	H4-1864-31	PNEUMATIC DOOR LOCK CONTROL VALVE From L-031 To R-079			
65	H4-1864-35	BAGGAGE COMPARTMENT ELECTRICAL LOCK - V.I.P. From L-031 To R-079			
65	H4-1864-36	BAGGAGE COMPARTMENT ELECTRICAL LOCK - V.I.P. / SERVICE From L-031 To R-079			
70	H4-1864-40	SMALL BAGGAGE COMPARTMENT ELEC. LOCK - V.I.P. From L-031 To R-079			
70	H4-1864-50	SMALL BAGGAGE COMPARTMENT DOOR From L-031 To R-079			
70	H4-1864-99	HANDLE LOCK & KEYS - TYPE "NS" / SERVICE From L-031 To R-079			
75	H4-1865-00	BAGGAGE COMPARTMENT PANELS From L-031 To R-079			
76	H4-1865-20	EVAPORATOR & CONDENSOR WALL INSTALLATION From L-031 To R-079			

From L-029 To R-079	Date:07/2024	PAGE:H4-18-EXT
BODY EXTERIOR		

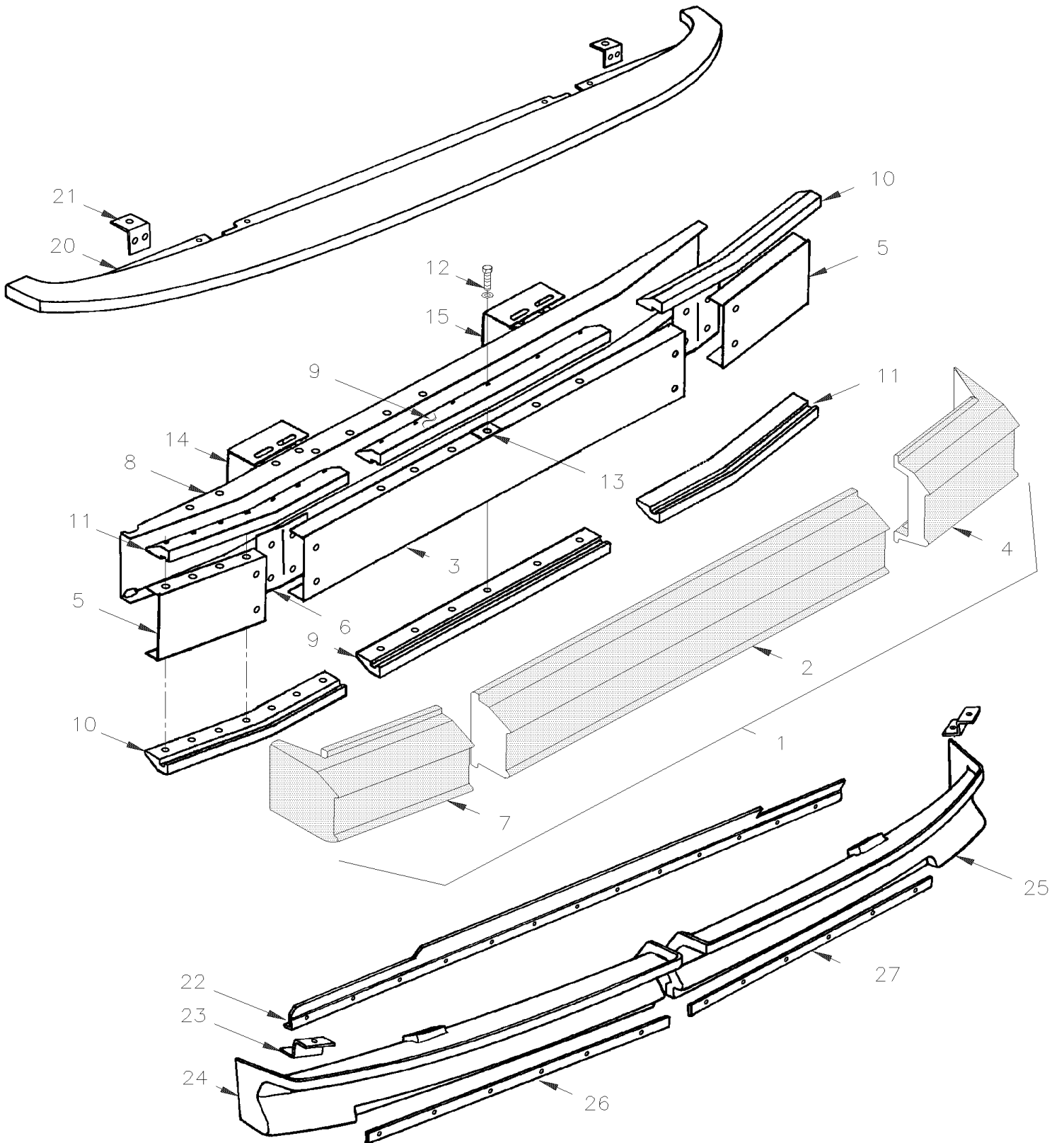
Item#	Part	Description	H 3 4 0	V I P 4 0	N O T E S
80	H4-1866-00	EVAPORATOR DOOR ASSY From L-031 To R-079			
85	H4-1868-00	A/C COMPRESSOR DOOR ASSY From L-031 To R-079			
90	H4-1869-00	RADIATOR DOOR ASSY - GRILL From L-031 To N-200			
90	H4-1869-01	RADIATOR DOOR ASSY - GRILL From N-201 To R-079			
95	H4-1870-00	ENGINE DOOR ASSY From L-031 To R-079			
95	H4-1870-10	REAR ENGINE DOOR - INSTALLATION From L-031 To R-079			
100	H4-1872-00	ENTRANCE DOOR OPENING SWITCH From L-031 To R-079			
105	H4-1874-00	SLIDING TRAY JUNCTION BOX From L-031 To R-079			
105	H4-1874-10	SMALL ACCESS DOOR From L-031 To R-079			
110	H4-1875-00	FUEL TANK FILLING DOOR From L-031 To R-079			
115	H4-1876-00	SLIDING TRAY FOR BATTERY INSTALLATION From L-031 To M-143			
115	H4-1876-01	SLIDING TRAY FOR BATTERY INSTALLATION From M-144 To R-079			
120	H4-1879-00	FRONT SERVICE DOOR ASSY From L-031 To R-079			
120	H4-1879-10	FRONT SERVICE DOOR - INSTALLATION From L-031 To R-079			
125	H4-1879-90	EXTERIOR DOOR HINGE AND SUPPORT From L-031 To R-079			
130	H4-1880-00	WINDSHIELD & CHANNEL From L-031 To R-079			
135	H4-1884-00	SIDE WINDOW - BUS From L-031 To R-079			
135	H4-1884-50	SIDE WINDOW ASSY - V.I.P. From L-031 To R-079			
135	H4-1884-60	SIDE WINDOW ASSY (AWNING) From L-031 To R-079			
135	H4-1884-65	SIDE WINDOW ASSY (SLIDING) "PENINSULA" From L-031 To R-079			
135	H4-1884-70	SIDE WINDOW ASSY (SLIDING) "PREVOST" From L-031 To R-079			
140	H4-1886-00	POWER WINDOW - ELECTRICAL INSTALLATION From L-031 To R-079			
140	H4-1886-01	POWER WINDOW - ELECTRICAL INSTALLATION / SERVICE From L-031 To R-079			
145	H4-1895-00	FRONT STRUCTURE From L-031 To R-079			
145	H4-1895-10	FRONT LOWER FLOOR STRUCTURE From L-031 To R-079			
145	H4-1895-20	ENTRANCE DOOR STRUCTURE From L-031 To R-079			
145	H4-1895-30	FRONT END STRUCTURE From L-031 To R-079			
150	H4-1898-00	ESCAPE HATCH - INSTALLATION From L-031 To R-079			
151	H4-1898-99	ESCAPE HATCH - INSTALLATION / SERVICE From L-031 To R-079			

From L-031 To R-079

Date:07/2024

PAGE:H4-1850-00

BUMPER FRONT - BUS



From L-031 To R-079	Date:07/2024	PAGE:H4-1850-00
BUMPER FRONT - BUS		

Item#	Part	Description	H 3 4 0	V I P 4 0	N O T E S
	410454P	BUMPER ASSY / W/COMPLETE DOOR MECHANISM			A
1	410431	. BUMPER ASSY To R-005	1		
1	410587	. BUMPER ASSY From R-006	1		
2	910010	. . MODULE CENTER	1		
3	910013	. . PLATE BACK / CENTER	1		
4	910011	. . MODULE END / L.H. To R-005	1		
4	410590	. . MODULE END / L.H. / (STAMPED 0075) From R-006	1		
5	910016	. . PLATE BACK / L.H. & R.H.	2		
6	N.S.S.	. . SPACER	2		1
7	910012	. . MODULE END / R.H. To R-005	1		
7	410589	. . MODULE END / R.H. / (STAMPED 0076) From R-006	1		
8	910007	. . STRUCTURE BACK-UP	1		
9	910014	. . CLAMP CENTER	2		
10	910008	. . CLAMP END / L.H. TOP& R.H. BOTTOM	2		
11	910009	. . CLAMP END / R.H. TOP& L.H. BOTTOM	2		
12	910023	. . SCREW CAP HEXF 1/2-13x2 1/4 BKC	38		
NS	910025	. . NUT HEXF 1/2-13 BK / 2 EACH CORNER	4		
13	910024	. . NUT RETAINER SPRING	42		
14	410375	. BRACKET ASSY / R.H.	1		
15	410383	. BRACKET ASSY / L.H.	1		
NS	500483	. WASHER LO SPT .570x.971x.141 ZP	12		
NS	500547	. WASHER FL .484x.750x.031 ZP	42		
20	410449	. CAP FINISHING / TOP FIBERGLASS To R-005	1		
20	410602	. CAP FINISHING / TOP FIBERGLASS From R-006	1		
21	410405	. ANGLE REAR SUPPORT MOULDING	2		
NS	500948	. SCREW TC CAP HEX 1/4-20x1 Z050	4		
NS	502686	. SCREW CAP HEX M6-1.0x30 SS BK	12		B
NS	410435	. RETAINER FRONT CAP	3		
22	410400	. SUPPORT SPOILER / LOWER	1		
23	410433	. SUPPORT SPOILER / UPPER	2		
NS	502728	. SCREW TP BDG PH #14x1 SS EMN	2		
24	410404	. SPOILER R.H.	1		
25	410403	. SPOILER L.H.	1		
26	410567	. CRAMP L.H. & R.H. 370MM / TO FIX SPOILER TO BUMPER	2		
27	410568	. CRAMP CENTER 1520MM / TO FIX SPOILER	2		
NS	500411	. WASHER FL .260x.697x.050 SS	AR		
NS	502573	. WASHER FL 6.4x12.5x1.6 SS	AR		C
NS	502581	. NUT HEX M6-1.0 Z050	AR		
NS	502726	. SCREW CAP HEX M6-1.0x30 SS EMN	AR		
NS	410401	. CRAMP 930MM / TO FIX SPOILER TO HINGE	2		
NS	502714	. SCREW TP OV PH #14x1 SS EMN	AR		

From L-031 To R-079	Date:07/2024	PAGE:H4-1850-00
BUMPER FRONT - BUS		

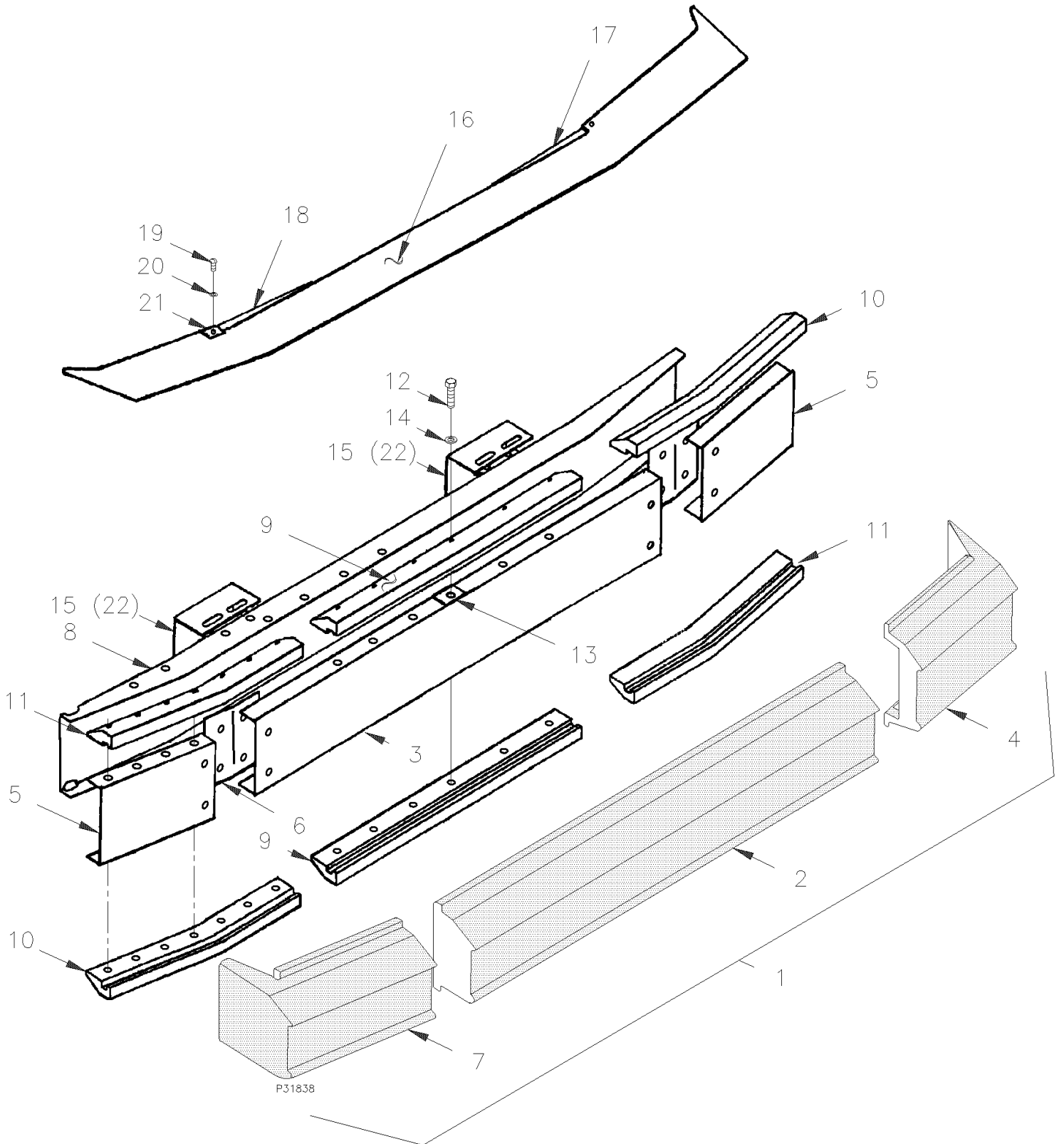
Item#	Part	Description	H 3 4 0	V I P 4 0	N O T E S
		A) INCLUDE ALLS PARTS OF PAGE H4-1860-10			
		B) TO FIX CAP TO ANGLE			
		C) TO FIX FINISHING CAP & SPOILER			
		1) NOT SOLD SEPARATELY			

From L-031 To R-079

Date:07/2024

PAGE:H4-1850-10

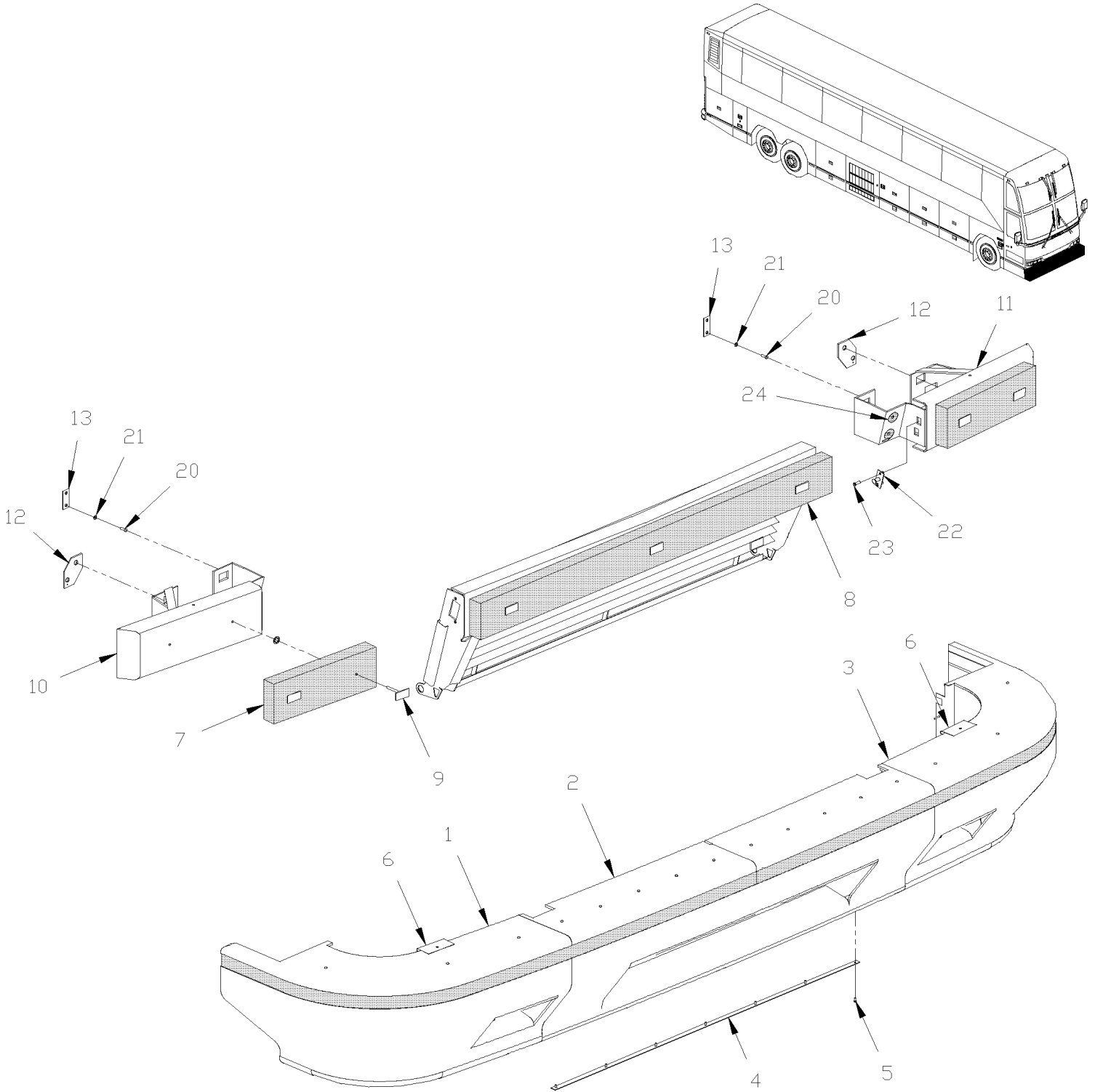
BUMPER REAR - BUS



From L-031 To R-079	Date:07/2024	PAGE:H4-1850-10
BUMPER REAR - BUS		

Item#	Part	Description	H 3 4 0	V I P 4 0	N O T E S
1	410471	BUMPER ASSY To R-005	1		
1	410588	BUMPER ASSY From R-006	1		
1	410624	BUMPER ASSY SERVICE	1		
2	910010	. MODULE CENTER	1		
3	910013	. PLATE BACK / CENTER	1		
4	910026	. MODULE END / R.H. To R-005	1		
4	410592	. MODULE END / R.H. From R-006	1		
5	910016	. PLATE BACK / L.H. & R.H.	2		
6	910015	. SPACER PLASTIC	1		
7	910027	. MODULE END / L.H. To R-005	1		
7	410591	. MODULE END / L.H. From R-006	1		
8	910007	. STRUCTURE BACK-UP	1		
9	910014	. CLAMP CENTER	2		
10	910029	. CLAMP END / L.H. TOP & R.H. BOTTOM	2		
11	910028	. CLAMP END / R.H. TOP & L.H. BOTTOM	2		
12	910023	. SCREW CAP HEXF 1/2-13x2 1/4 BKC	38		
13	910024	. NUT RETAINER SPRING	34		
13	910025	. NUT HEXF 1/2-13 BK / 2 EACH CORNER	4		
14	500547	. WASHER FL .484x.750x.031 ZP	42		
15	910031	. SUPPORT W/3 BOLTS	2		B
16	410523	PANEL / BLACK PAINTED	1		
16	410475	. PANEL / UNPAINT	1		
17	410473	ATTACHMENT R.H. MOUNTING / REAR BUMPER	1		
18	410472	ATTACHMENT L.H. MOUNTING / REAR BUMPER	1		
19	502531	SCREW CAP HEX M6-1.0x16 G8.8 Z050	4		
20	502573	WASHER FL 6.4x12.5x1.6 SS	4		
21	502738	NUT SPR U M6-1.0 0.6-4.0	4		
22	212411	BRACKET BUMPER L.H. & R.H. / (WELDED AT STRUCTURE)	2		
NS	502696	SCREW CAP HEX 1/2-13x1 1/4 G5 ZP	12		A
NS	500446	WASHER FL .531x1.250x.125 Z050	12		A
NS	500482	WASHER LO SPT .506x.873x.125 Z050	12		A
		A) BUMPER TO FRAME			
		B) REMOVE THOSE PARTS FOR INSTALL TO STRUCTURE			

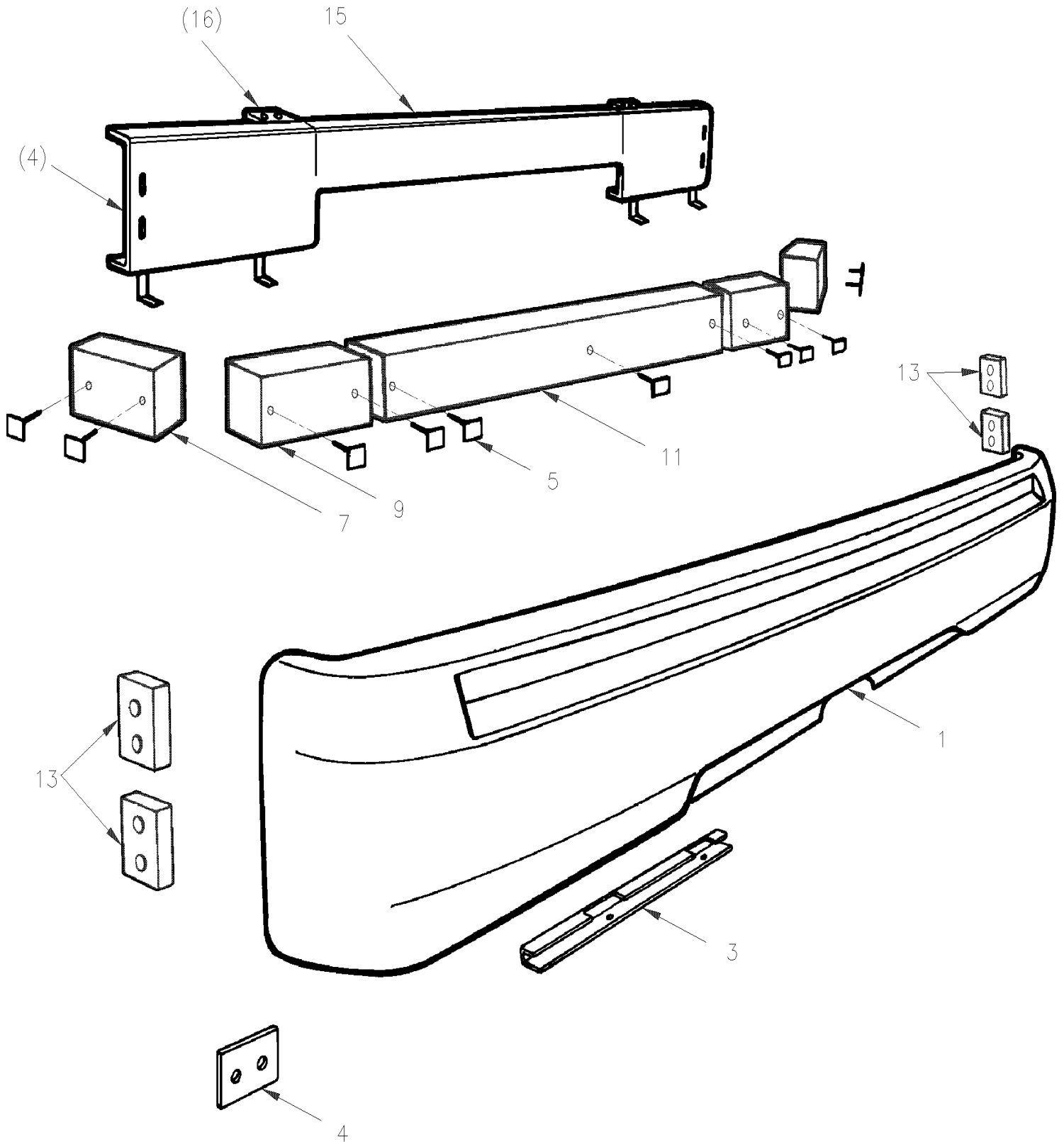
From L-031 To R-079	Date:07/2024	PAGE:H4-1850-15
BUMPER FRONT - V.I.P.		



From L-031 To R-079	Date:07/2024	PAGE:H4-1850-15
BUMPER FRONT - V.I.P.		

Item#	Part	Description	H 3 4 0	V I P 4 0	N O T E S
1	410513	BUMPER / R.H.		1	
NS	410540	ANGLE 25MM X 40MM X 150MM		1	A
2	410514	BUMPER / CENTER		1	
3	410512	BUMPER / L.H.		1	
4	410528	REINFORCEMENT / LOWER / 15MM X 1246MM SS		1	
5	504249	RIVET CHY Q PRDG 3/16x3/8 SS		19	
6	410533	RETAINER U-SHAPED / TO FIX UPPER SIDE BUMPER		2	
NS	502570	WASHER LO SPT 6.1x11.8x1.6 SS		1	
NS	502737	SCREW CAP HEX M6-1.0x25 SS BK		2	
7	410531	CUSHION / L.H. & R.H.		2	
8	410529	CUSHION / CENTER		1	
9	505319	ANCHOR SELF-STICK 2 1/2" GAL		8	
NS	500748	WASHER INSU G.10x1.125x1.250 Z050		8	
10	410519	BRACKET / R.H.		1	
11	410522	BRACKET / L.H.		1	
12	410521	PLATE REINFORCEMENT		2	
13	410521	PLATE REINFORCEMENT		2	
20	500806	SCREW CAP HEX M12-1.75X35 G10.9 G500		4	
21	500810	WASHER LO SPT 12.2x21.1x2.5 Z050		4	
22	780278	PIN, STRIKER STUD		2	
23	502773	SCREW MA OV PH 1/4-20x1 SS EMN		4	
NS	500440	WASHER FL .250x.562x.065 Z050		4	
NS	502716	NUT HEX NYRT 1/4-20		4	
24	504553	BUMPER PLUG / 7/8 X 7/16 / R.H. & L.H.		4	
		A) TO FIX ON HINGE COVER			

From L-031 To R-079	Date:07/2024	PAGE:H4-1850-20
BUMPER REAR - V.I.P.		



From L-031 To R-079	Date:07/2024	PAGE:H4-1850-20
BUMPER REAR - V.I.P.		

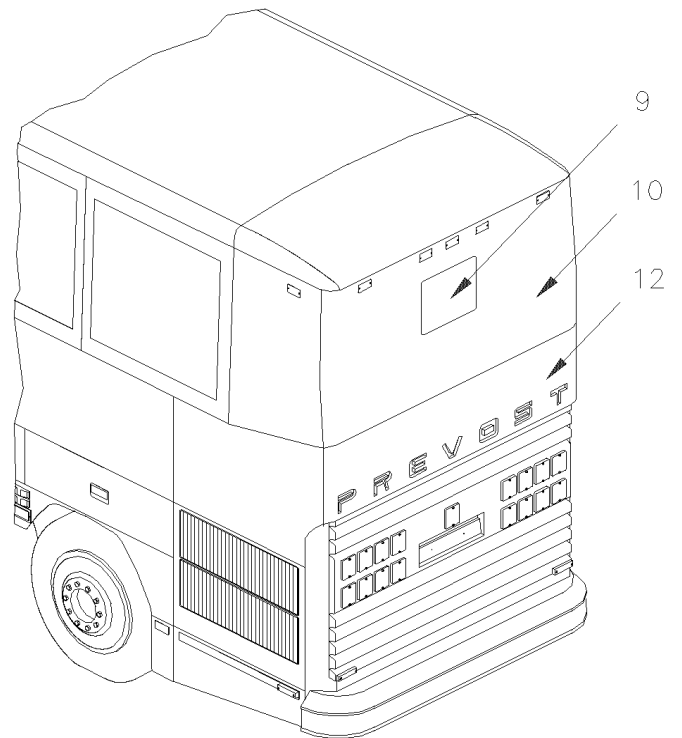
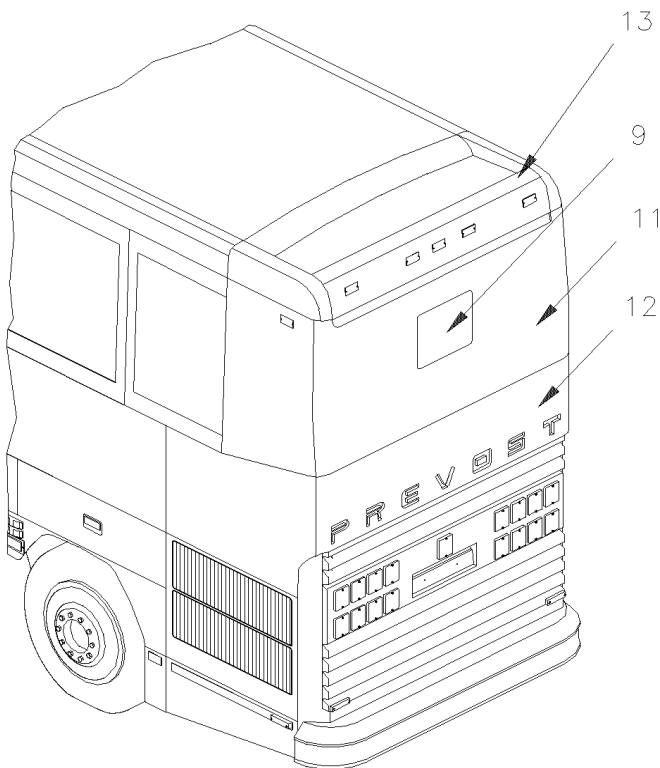
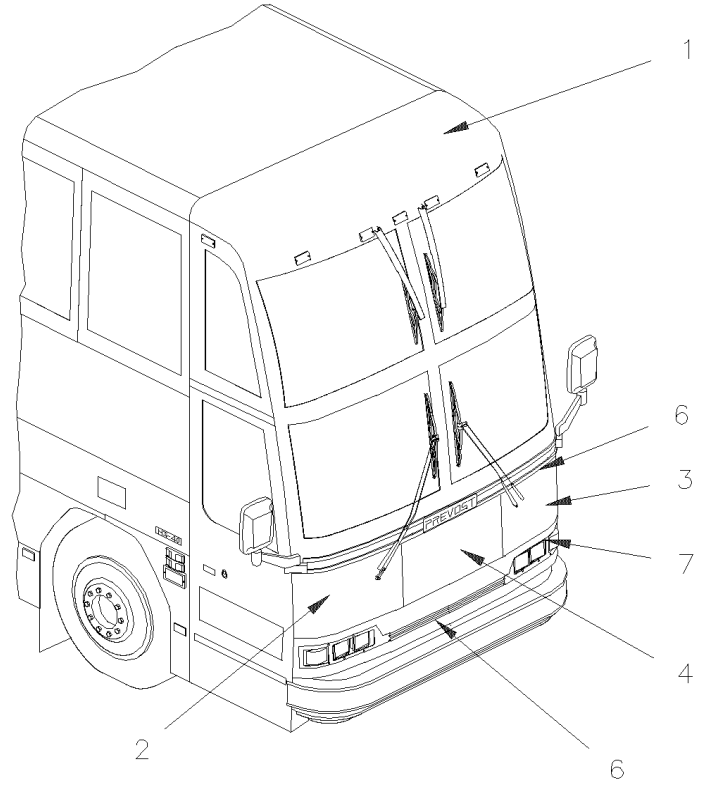
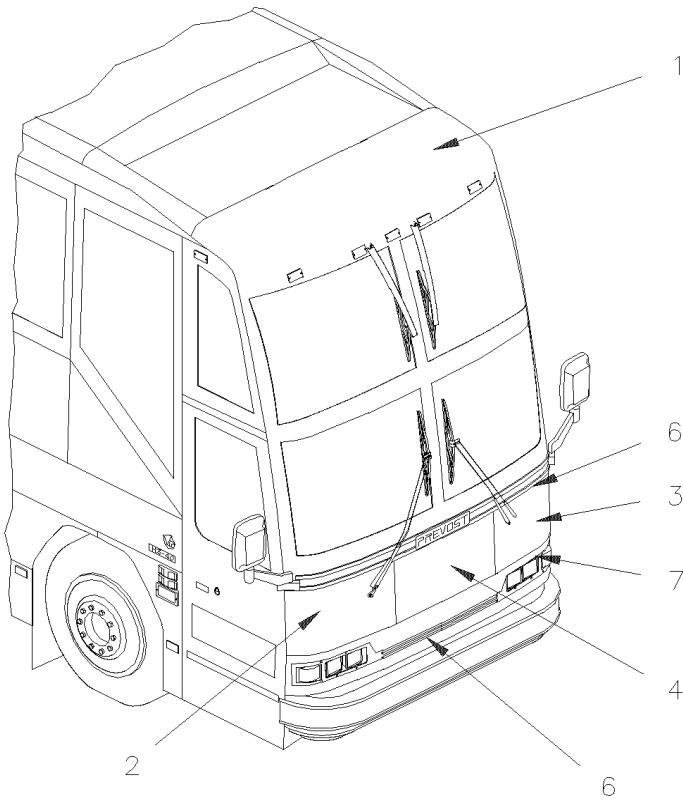
Item#	Part	Description	H 3 4 0	V I P 4 0	N O T E S
	410482P	REAR BUMPER ASSY V.I.P.	1	1	
1	410466	BUMPER		1	
NS	502511	NUT HEX NYRT M6-1.0 Z050		2	
NS	500468	WASHER FL .281x1.250x.065 Z050		2	
3	410510	BRACKET R.H.		1	
3	410547	BRACKET L.H.		1	
NS	500432	SCREW TC PAN PH #8-32x3/4 Z050		13	
4	410555	ATTACHMENT PLATE WASHER		2	
5	505319	ANCHOR SELF-STICK 2 1/2" GAL		11	
NS	500748	WASHER INSU G.10x1.125x1.250 Z050		11	A
7	410507	ABSORBER L.H. & R.H.		2	
NS	211603	BRACKET L.H. & R.H. / (WELDED AT STRUCTURE)			
NS	212660	BRACKET BUMPER R.H. / (WELDED AT STRUCTURE)		1	
NS	212662	BRACKET BUMPER L.H. / (WELDED AT STRUCTURE)		1	
9	410506	ABSORBER L.H. & R.H.		2	
11	410553	ABSORBER CENTRAL		1	
13	506250	RUBBER BUMPER		4	
15	410551	BEAM BUMPER		1	
16	211602	BRACKET L.H & R.H. BUMPER (WELDED AT STRUCTURE) To M-111		1	
16	211897	BRACKET L.H & R.H. BUMPER (WELDED AT STRUCTURE) From M-112		1	
NS	502591	NUT HEX NYRT M12-1.75 CP		8	
NS	500806	SCREW CAP HEX M12-1.75X35 G10.9 G500		12	
NS	500948	SCREW TC CAP HEX 1/4-20x1 Z050		4	
NS	500958	WASHER FL .531x1.062x.095 SS		16	
NS	500411	WASHER FL .260x.697x.050 SS		5	
NS	500810	WASHER LO SPT 12.2x21.1x2.5 Z050		4	
		A) INSULATING RETAINER			

From L-031 To R-079

Date:07/2024

PAGE:H4-1851-00

CAP - FRONT & REAR - INSTALLATION

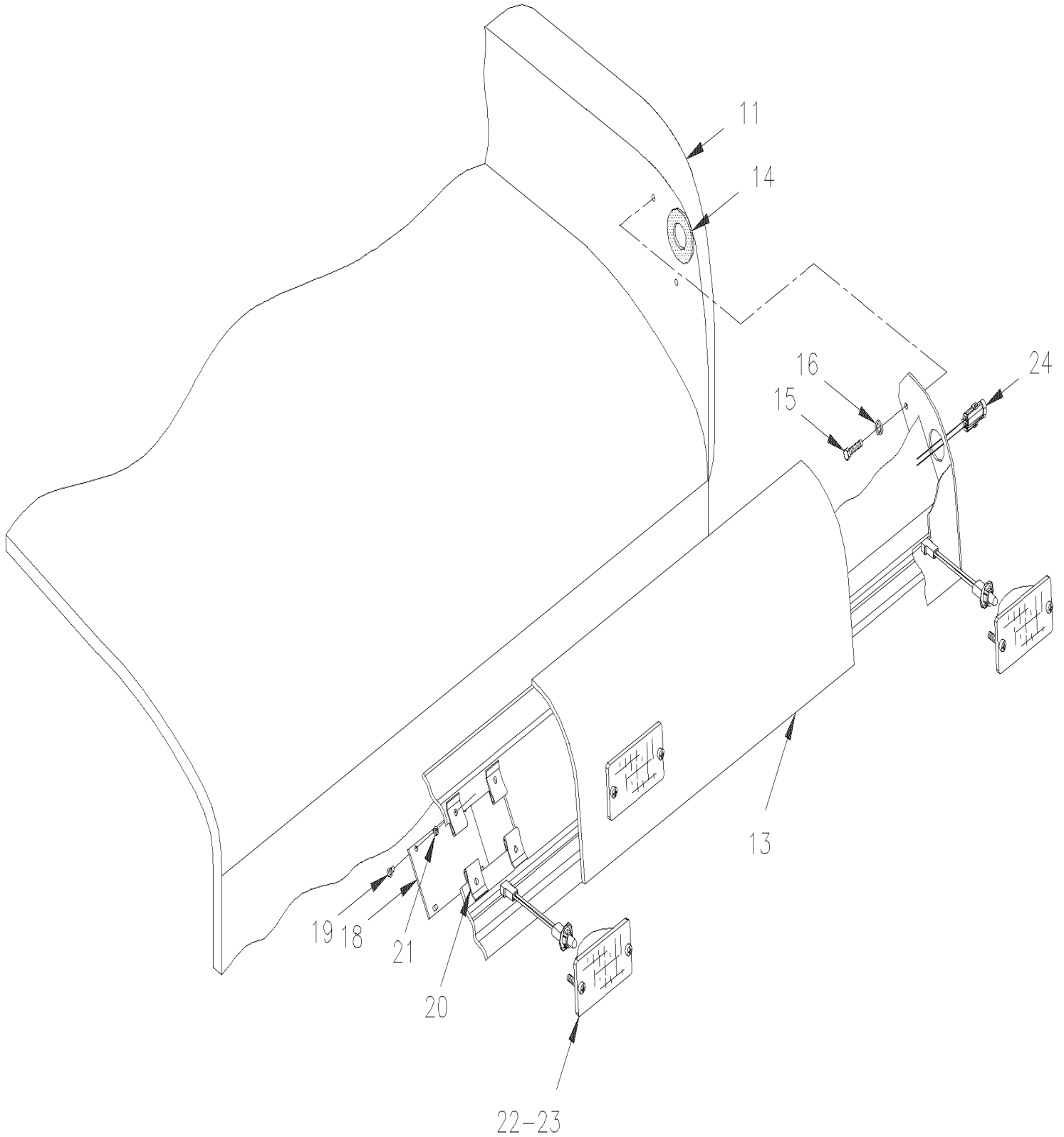


From L-031 To R-079

Date:07/2024

PAGE:H4-1851-00

CAP - FRONT & REAR - INSTALLATION



From L-031 To R-079	Date:07/2024	PAGE:H4-1851-00
CAP - FRONT & REAR - INSTALLATION		

Item#	Part	Description	H 3 4 0	V I P 4 0	N O T E S
		THOSE CAPS ARE USED W/UPPER MIRROR ARM			
1	472118P	CAP, FRONT ASSY	1	1	
1	473040	CAP, FRONT ASSY	1	1	
1	472401P	. CAP, FRONT / PAINTED CHARCOAL	1	1	
1	472681	. . CAP, FRONT / UNPAINT	1	1	
		THOSE CAP ARE USED W/LOWER MIRROR "RAMCO"			
1	472746P	CAP, FRONT ASSY	1	1	
1	473039	CAP, FRONT ASSY	1	1	
1	472744P	. CAP, FRONT / PAINTED CHARCOAL	1	1	
1	472744	. . CAP, FRONT / UNPAINT	1	1	
2	472150P	PANEL ASSY R.H. / W/LIGHT	1	1	C
2	472559	. PANEL R.H.	1	1	
NS	350102	. INSULATING PAD	1	1	
NS	350267	. INSULATING PAD	1	1	
NS	5001040	SCREW TC PAN PH #6-32x3/4 SS	22	22	D
3	472151P	PANEL ASSY L.H. / W/LIGHT	1	1	C
3	472560	. PANEL L.H.	1	1	
NS	350102	. INSULATING PAD	1	1	
NS	5001040	SCREW TC PAN PH #6-32x3/4 SS	22	22	D
4	472558	PANEL CENTER / LOWER WINDSHIELD	1	1	
		FOLLOWING ITEMS MAY BE USED			
		WITH VEHICLE INSTEAD OF ITEMS #2,3 & 4			
		WITH FRONT LOWER IN ONE PIECE			
5	473179P	PANEL ASSY LOWER FACE / W/LIGHT	1	1	C
5	473139	. PANEL LOWER FACE / FIBERGLASS	1	1	
NS	5001040	SCREW TC PAN PH #6-32x3/4 SS	22	22	D
6	H4-1851-10	FRONT PANEL - INSTALLATION			
7	H4-0660-00	HEADLAMP & FRONT DIRECTIONAL LAMPS			
9	H4-2355-00	BACK-UP CAMERA - INSTALLATION			
10	472181	CAP REAR To P-299	1		
10	472682	CAP REAR From P-300	1		
10	472182	CAP REAR W/CAMERA To M-083	1		
10	472490	CAP REAR W/CAMERA From M-084 To P-299	1		
10	472704	CAP REAR W/CAMERA From P-300	1		

From L-031 To R-079		Date:07/2024	PAGE:H4-1851-00
---------------------	--	--------------	-----------------

CAP - FRONT & REAR - INSTALLATION

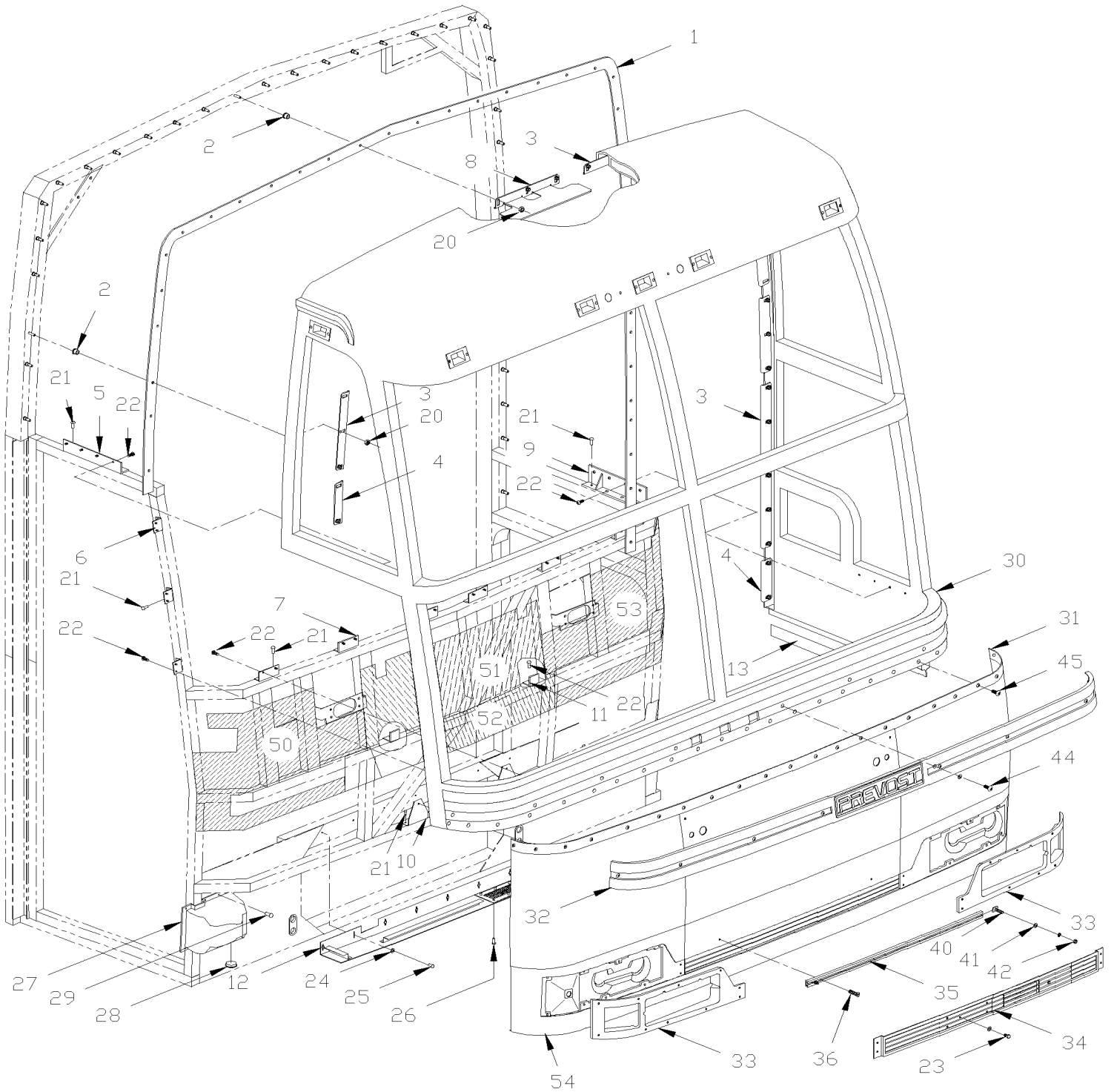
Item#	Part	Description	H 3 4 0	V I P 4 0	N O T E S
11	472250	CAP REAR W/CAMERA To M-069		1	
11	472489	CAP REAR W/CAMERA From M-070 To P-364		1	
11	472692	CAP REAR W/CAMERA From P-365		1	
NS	472561	ANGLE RETAINER CENTER / 170MM X 35MM X 45MM	1	1	
NS	472562	ANGLE REATAINER EACH SIDE / 35MM X 35MM X 45MM	2	2	
NS	472220	MOULDING RETAINER / PLATE CENTER PANEL	4	4	
NS	472221	BRACKET ANGLE / TO FIX PANEL TO STRUCTURE	1	1	
NS	472226	BRACKET ANGLE / TO FIX PANEL TO STRUCTURE	1	1	
NS	472398	RULE END / TO FIX CENTER PANEL 874MM	2	2	
NS	472397	RULE CORNER / TO FIX CENTER PANEL 177MM	2	2	
NS	504248	RIVET CHY Q PRDG 3/16x1/4 SS	AR	AR	
NS	500414	SCREW TP BDG PH #10x3/4 SS	AR	AR	
NS	680257	TAPE ALUMINUM ADH1 .005" x 2" x 300' TRM425-2	AR	AR	
NS	680307	SEALER TREMTHANE / UPPER & CENTER PANELS	AR	AR	
NS	680096	SEALANT BUTYL ALUM / GREY / 310ml CARTRIDGE	AR	AR	
NS	680532	SEALANT SIKA #221 / GREY / 310ml CARTRIDGE	AR	AR	
NS	680067	SEALANT TAPE BUTYL / BLACK / 1/8"x3/4"x25' / 75211E760	5	5	
12	472189	PANEL LOWER REAR	1	1	
12	472768	PANEL LOWER REAR / W/W.C.L. "ST & ST"	1		
12	472399	SUPPORT LOWER / TO FIX PANEL TO STRUCTURE	1	1	
12	472258	SPACER / SIDE PANELS & REAR CAP	2	2	
13	472293	SPOILER To P-364		1	
13	472693	SPOILER From P-365		1	
14	472535	GASKET		2	
15	502780	SCREW CAP HEX M8-1.25x25 SS BK		AR	
16	500035	WASHER LO SPT .317x.586x.078 SS		AR	
17	502584	WASHER LO SERR 8.2x26.3x1.8 Z050		AR	
18	472385	PLATE		2	
NS	472386	PLATE / CENTER / 86MM X 730 MM To M-111		1	
19	500148	SCREW MA RND PH #6-32x1/2 SS		AR	
20	500996	NUT SPR U #6-32 .135-.150		AR	
21	506648	TAPE RUB ADH1 CC POL 1/8" x 1/2"x 50' / GREY 2542		AR	
22	H4-0662-00	CLEARANCE & MARKER LIGHT			
23	H4-0662-00	CLEARANCE & MARKER LIGHT			
24	062692	CABLE HARNESS, CLEAR. LIGHT REAR IN DEFLECTOR		1	
		C) THOSE ASSY INCLUDE ALL ITEMS #1 TO 29 ON PAGE H4-0660-00			
		D) TO FIX PANEL			

From L-031 To R-079

Date:07/2024

PAGE:H4-1851-10

FRONT PANEL - INSTALLATION



From L-031 To R-079	Date:07/2024	PAGE:H4-1851-10
FRONT PANEL - INSTALLATION		

Item#	Part	Description	H 3 4 0	V I P 4 0	N O T E S
1	472113	RUBBER GASKET ASSY	1	1	
1	506501	. RUB NEO 1/2" x 1 7/16" x 18.5'	AR	AR	
1	472767	. BUSHING SPACER	12	12	
3	472108	ANGLE RETAINER / REAR / W/3 HOLES	11	11	
4	472109	ANGLE RETAINER / REAR / W/2 HOLES	2	2	
5	472141	ANGLE RETAINER / ABOVE FRONT DOOR	1	1	
6	283917	ANGLE RETAINER & SUPPORT	3	3	
7	472142	ANGLE RETAINER / BOTTOM OF LOWER WINDSHIELD	6	6	
8	472578	ANGLE RETAINER & SUPPORT	1	1	
9	472143	ANGLE RETAINER / BOTTOM OF DRIVER'S WINDOW	6	6	
10	472208	BRACKET / EACH SIDE AT LOWER / TO FIX ITEM 31	2	2	
11	472578	ANGLE RETAINER & SUPPORT	2	2	C
NS	500310	SCREW TC FL PH #10-24x1 1/4 SS410	4	4	
NS	502582	WASHER LO SERR 6.1x16.2x0.9 Z050	4	4	
NS	506644	TAPE RUB ADH1 CC NEO 1/8" x 21" x 25" / BLACK 1220SC	AR	AR	
12	473151	PANEL AIR INTAKE	1	1	
13	282711	SUPPORT / (WELDED)	1	1	
20	502744	NUT HEX STO M8-1.25 Z050	40	40	D
20	5001083	NUT HEXF NYRT 5/16-18 Z050	40	40	
21	504488	RIVET MGLP PRDG 3/16x17/64 SS	28	28	
22	500638	SCREW TP PAN PH #8x1/2 Z050	20	20	
23	502533	SCREW CAP HEX M6-1.0x30 G8.8 Z050	2	2	
NS	502571	WASHER FL SEAL .281x.625x20GA SS	2	2	
24	502637	WASHER FL .200x.437x.037 SS	18	18	
25	504416	RIVET POP DOME OE 3/16x5/8 SS	3	3	
26	504379	RIVET POP DOME OE 3/16x1/4 SS	6	6	
NS	680067	SEALANT TAPE BUTYL / BLACK / 1/8"x3/4"x25' / 75211E760	8	8	
NS	683084	SEALANT SIKA #221 / GREY / 600 ml SAUSAGE	3	3	
27	410515	COVER LOWER HINGE / REAR OF BUMPER To N-196		1	
27	410566	COVER LOWER HINGE / REAR OF BUMPER From N-197	1	1	
28	504443	SNAP-IN PLUG / 1.500 O.D.	1	1	
29	504473	RIVET POP DOME OE 1/8x1/4 SS	10	10	E
29	504464	RIVET POP CK OE 1/8x3/8 SS	4	4	
NS	5001067	WASHER FL .128x.312x.032 SS	4	4	
30	H4-1851-00	CAP - FRONT & REAR - INSTALLATION			
31	H4-1851-00	CAP - FRONT & REAR - INSTALLATION			
32	439005	MOULDING FRONT / LOWER WINDSHIELD / W/UPPER ARM MIRROR MOUNT	1	1	
32	430442	MOULDING FRONT / LOWER WINDSHIELD / W/2 RAMCO MIRROR MOUNTED	1	1	
32	430434	MOULDING FRONT / LOWER WINDSHIELD W/1 RAMCO MIRROR MOUNTED	1	1	A
32	430435	MOULDING FRONT / LOWER WINDSHIELD W/2 RAMCO MIRROR MOUNTED	1	1	B
34	430342	MOULDING CENTER / BEZEL	1	1	
35	472261	TRACK / LICENCE PLATE HOLDER 1028MM	1	1	

From L-031 To R-079	Date:07/2024	PAGE:H4-1851-10
FRONT PANEL - INSTALLATION		

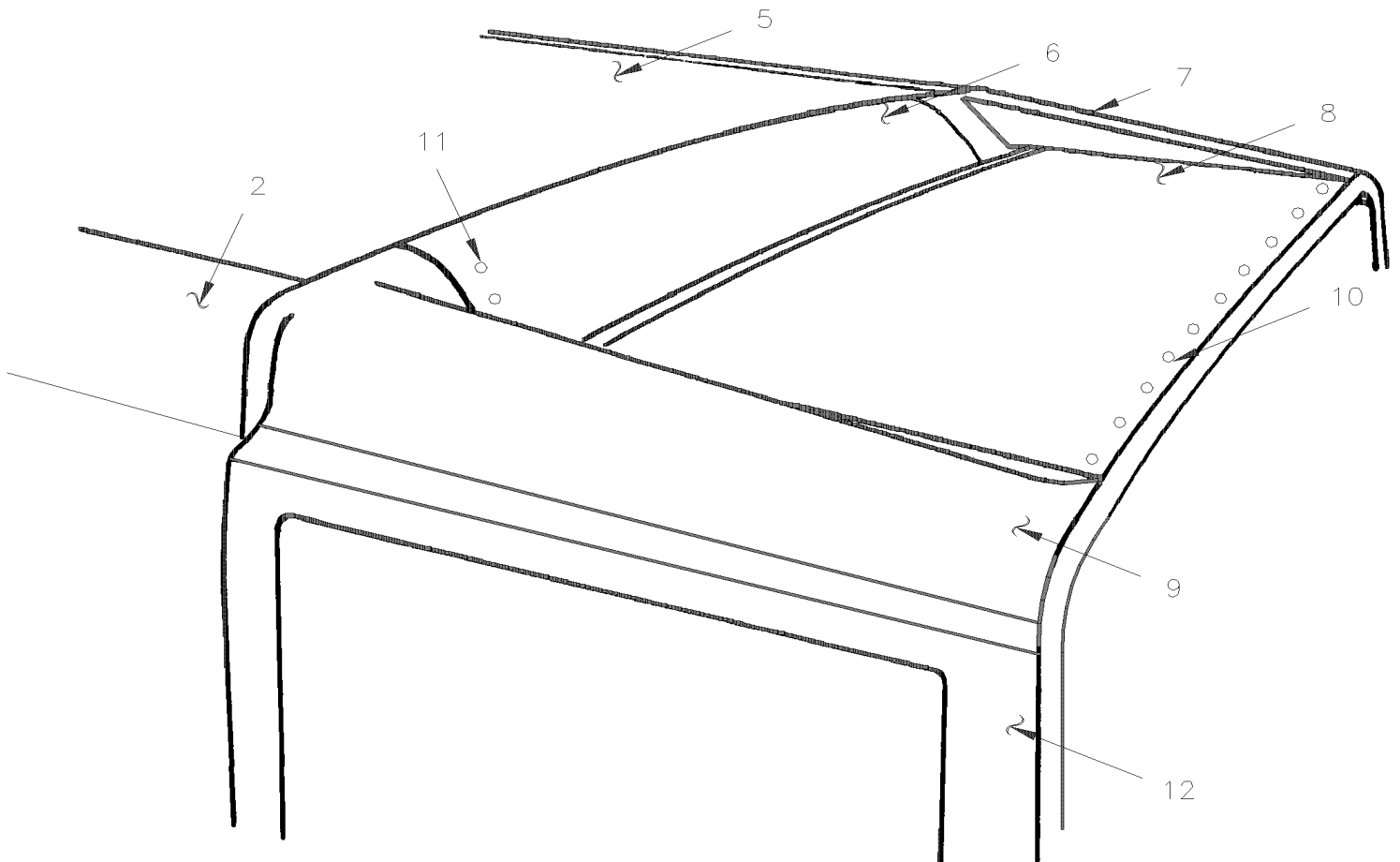
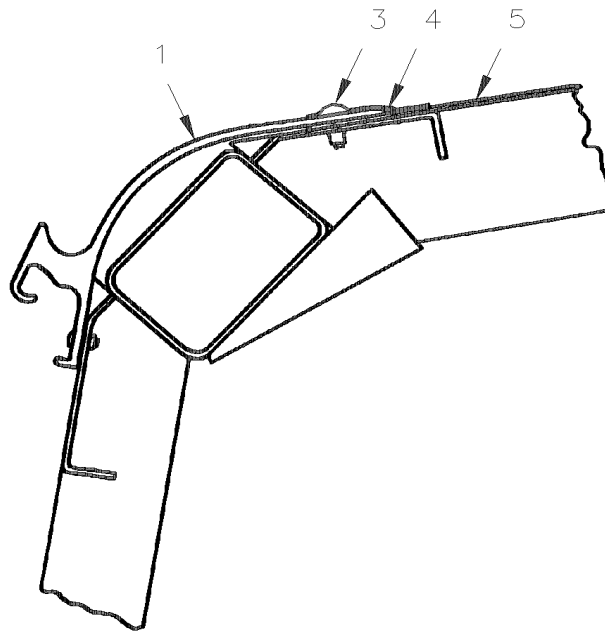
Item#	Part	Description	H 3 4 0	V I P 4 0	N O T E S
36	500873	SCREW MA RND PH #8-32x3/4 SS BK	2	2	F
36	502666	SCREW MA FL PH #6-32x3/4 SS BK	7	7	G
NS	500286	NUT WELL #6-32	7	7	
NS	500678	NUT WELL #8-32x.450	2	2	
40	504286	T SCREW 10-24 X 3/4" / SS / PLATE HOLDER	AR	AR	
41	502637	WASHER FL .200x.437x.037 SS	AR	AR	
41	502570	WASHER LO SPT 6.1x11.8x1.6 SS	AR	AR	
42	500787	NUT HEX #10-24 SS	AR	AR	
44	500414	SCREW TP BDG PH #10x3/4 SS	AR	AR	
44	500310	SCREW TC FL PH #10-24x1 1/4 SS410	4	4	
45	500524	SCREW TP PAN PH #12x5/8 SS	8	8	
NS	502573	WASHER FL 6.4x12.5x1.6 SS	8	8	
50	350102	INSULATING PAD	1	1	
50	350267	INSULATING PAD	1	1	
51	350448	INSULATING PAD	1	1	
52	350101	INSULATING PAD	1	1	
53	350102	INSULATING PAD	1	1	
54	H4-1851-00	CAP - FRONT & REAR - INSTALLATION			
		A) THIS MOULDING IT USE WITH "ACADEMY" ON SERIAL NUMBER N-183,N-186,N-187,N-189,N-190 & N-191			
		B) THIS MOULDING IT USE WITH "PROTRAV" ON SERIAL NUMBER N-213,N-216,N-217,N-218 & N-219			
		C) MIDDLE CENTER PANEL			
		D) FORMER			
		E) TO FIX HINGE COVER			
		F) EACH END			
		G) CENTER			

From L-031 To R-079

Date:07/2024

PAGE:H4-1852-00

ROOF PANELS



From L-031 To R-079	Date:07/2024	PAGE:H4-1852-00
ROOF PANELS		

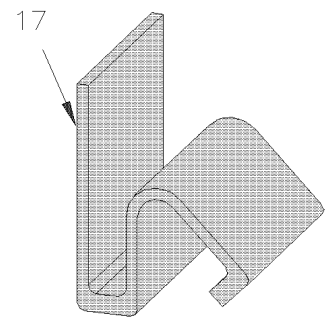
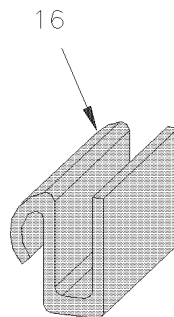
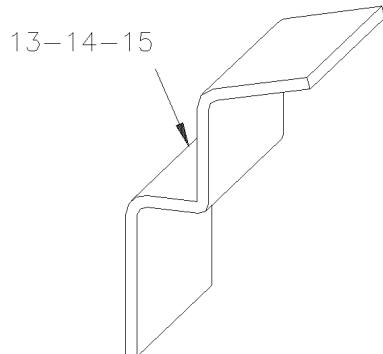
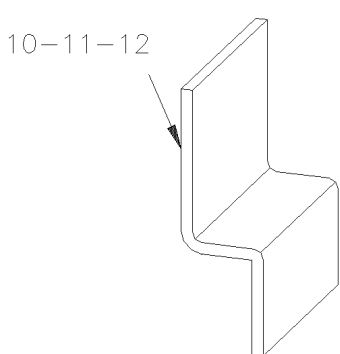
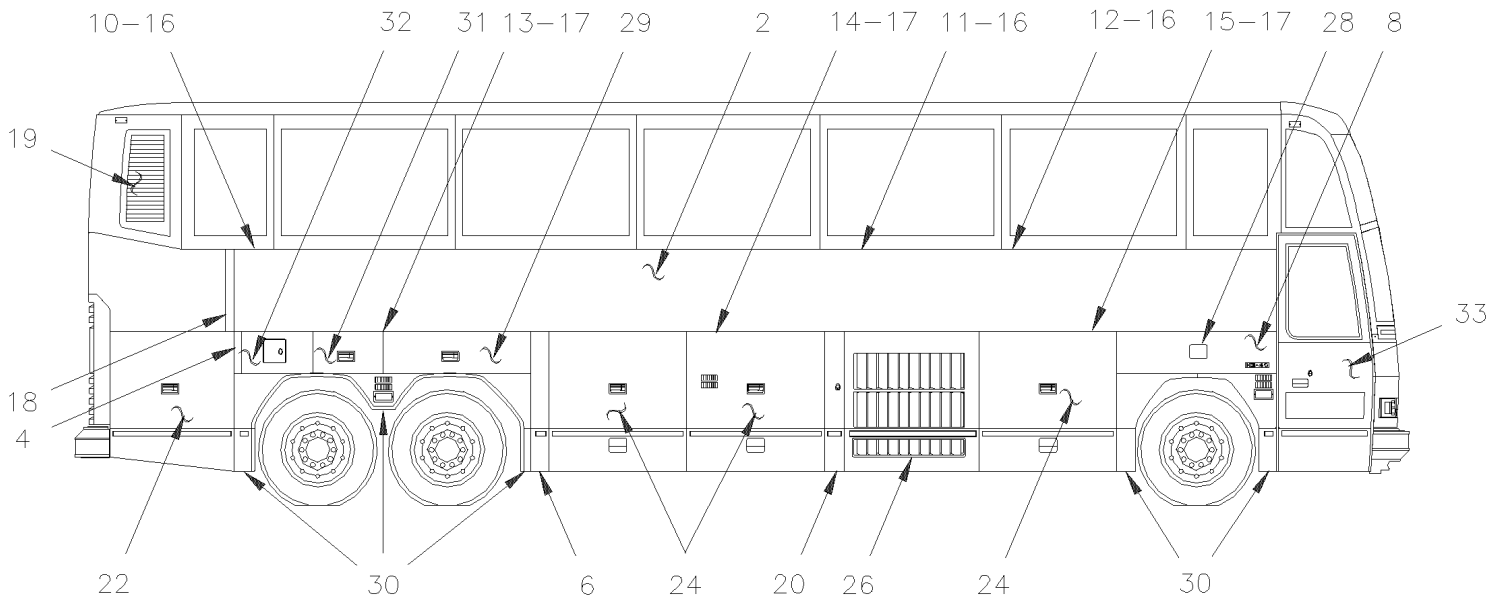
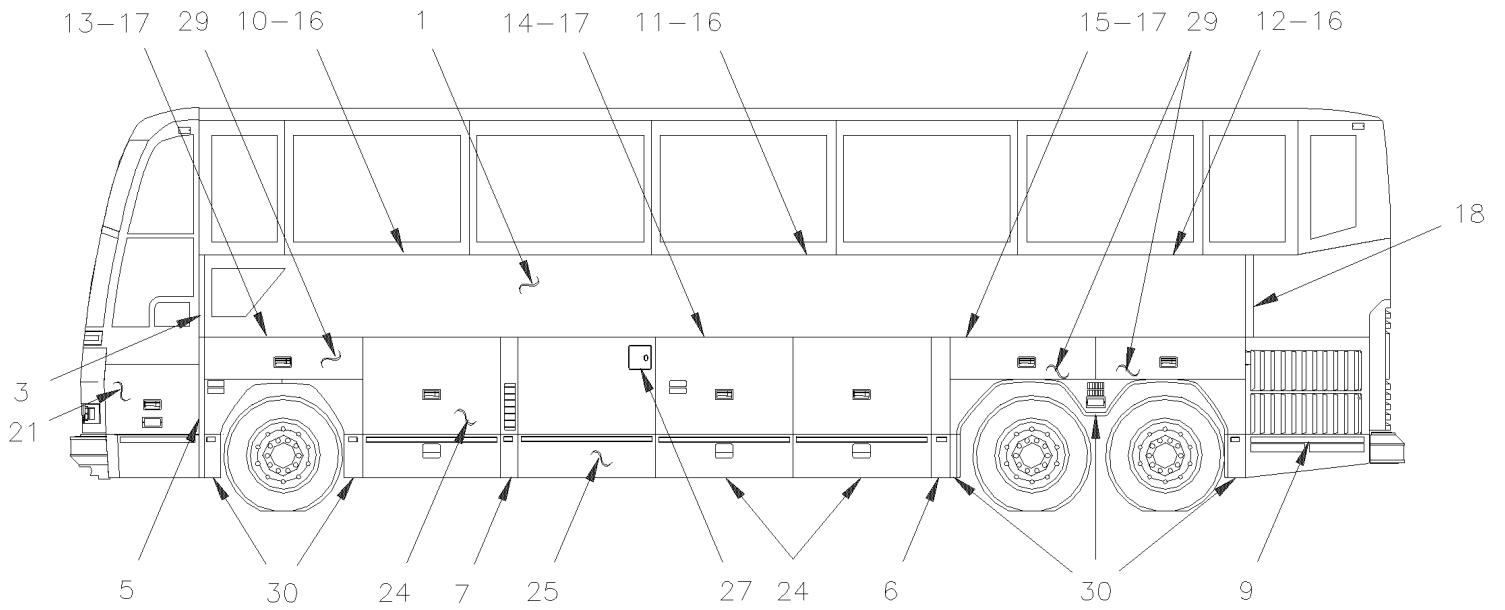
Item#	Part	Description	H 3 4 0	V I P 4 0	N O T E S
1	472242	EXTRUSION ALUMINUM 10262MM	2		
2	292231	EXTRUSION ALUMINUM 9278MM		2	
3	504545	RIVET CHY MONOLOK PRDG 1/4x3/8 ZP	AR	AR	
3	504546	RIVET CHY MONOLOK PRDG 1/4x5/8 ZP	AR	AR	
4	683083	ADHESIVE SIKA #252 / BLACK / 600 ml SAUSAGE	AR	AR	
5	472937P	SHEET, ALUMINUM / ROOF	1	1	
NS	472940P	SHEET, ALUMINUM / ROOF		1	
6	472287	ROOF TRANSITION / FIBERGLASS To M-157		1	
6	472554	ROOF TRANSITION / FIBERGLASS From M-158		1	A
7	472285	FRAME WINDOW L.H. To M-157		1	
7	472573	FRAME WINDOW L.H. From M-158		1	
9	472286	FRAME WINDOW R.H. To M-157		1	
9	472574	FRAME WINDOW R.H. From M-158		1	
10	504459	RIVET MGLP PRDG 1/4x3/8 SS		AR	
11	500414	SCREW TP BDG PH #10x3/4 SS		4	
12	H4-1884-00	SIDE WINDOW - BUS			
12	H4-1884-50	SIDE WINDOW ASSY - V.I.P.			
		A) THIS ROOF ASSY INCLUDE 7,8 & 9 IN ONE PIECES UPPER SECTION			

From L-031 To R-079

Date:07/2024

PAGE:H4-1854-00

SIDE PANELS - BUS



From L-031 To R-079	Date:07/2024	PAGE:H4-1854-00
SIDE PANELS - BUS		

Item#	Part	Description	H 3 4 0	V I P 4 0	N O T E S
1	472294	PANEL L.H. To P-329	1		
1	472697	PANEL L.H. From P-330	1		
2	472206	PANEL R.H. To P-329	1		
2	472695	PANEL R.H. From P-330	1		
2	472270	RAIL ASSY / 24 29/32" / FORWARD CENTRAL DOOR	1		
3	472310	MOULDING TRANSITION / UPPER To M-160	1		
3	472576	MOULDING TRANSITION / UPPER From M-161	1		
4	283099	PANEL TRANSITION To P-329	1		
4	284449	PANEL TRANSITION From P-330	1		
5	472311	MOULDING TRANSITION / LOWER To M-160	1		
5	472577	MOULDING TRANSITION / LOWER From M-161	1		
6	282998	PANEL TRANSITION To P-329	2		
6	284267	PANEL TRANSITION From P-330	2		
. NS	284206	. SUPPORT UPPER From P-330	1		
. NS	284294	. SUPPORT LOWER From P-330	1		
6	211451	SUPPORT LOWER / WELDED	2		
6	211308	SUPPORT UPPER / WELDED To P-329	1		
6	212138	SUPPORT UPPER / WELDED From P-330	1		
7	282963	PANEL AIR INTAKE EVAPORATOR	1		
NS	502764	NUT SPR J #14A .035-.046	AR		A
NS	500535	SCREW TP CAP HEX #14x3/4 Z050	AR		A
NS	500468	WASHER FL .281x1.250x.065 Z050	AR		A
8	472244	PANEL	1		
NS	472050	PLATE SUPPORT 60MM x 31MM W/25° BEND	3		B
NS	504459	RIVET MGLP PRDG 1/4x3/8 SS	6		
NS	472050	PLATE SUPPORT 60MM x 31MM W/25° BEND	AR		
9	H4-1869-00	RADIATOR DOOR ASSY - GRILL To N-200			
9	H4-1869-01	RADIATOR DOOR ASSY - GRILL From N-201			
10	472060	MOULDING SUPPORT / UPPER L.H. 2438 MM	2		
11	472055	MOULDING SUPPORT 2438 MM	1		
11	472328	MOULDING SUPPORT 2423 MM	2		
12	472061	MOULDING SUPPORT / UPPER R.H. 2438 MM	2		
13	472469	SUPPORT ASSY LOWER / REAR R.H. & FRONT L.H.	2		
14	472472	SUPPORT LOWER CENTER PART / 2423MM	2		
14	472464	SUPPORT LOWER CENTER PART / 2438MM	2		
15	472471	SUPPORT ASSY LOWER / REAR L.H. & FRONT R.H.	2		
NS	504249	RIVET CHY Q PRDG 3/16x3/8 SS	AR		C
NS	504250	RIVET CHY Q PRDG 3/16x1/2 SS	AR		C
NS	504487	RIVET MGLP PRDG 3/16x7/16 SS	AR		D
NS	504610	RIVET MGLP PRDG 1/4x5/8 SS	AR		
15	504249	RIVET CHY Q PRDG 3/16x3/8 SS	1		
15	504250	RIVET CHY Q PRDG 3/16x1/2 SS	1		

From L-031 To R-079	Date:07/2024	PAGE:H4-1854-00
SIDE PANELS - BUS		

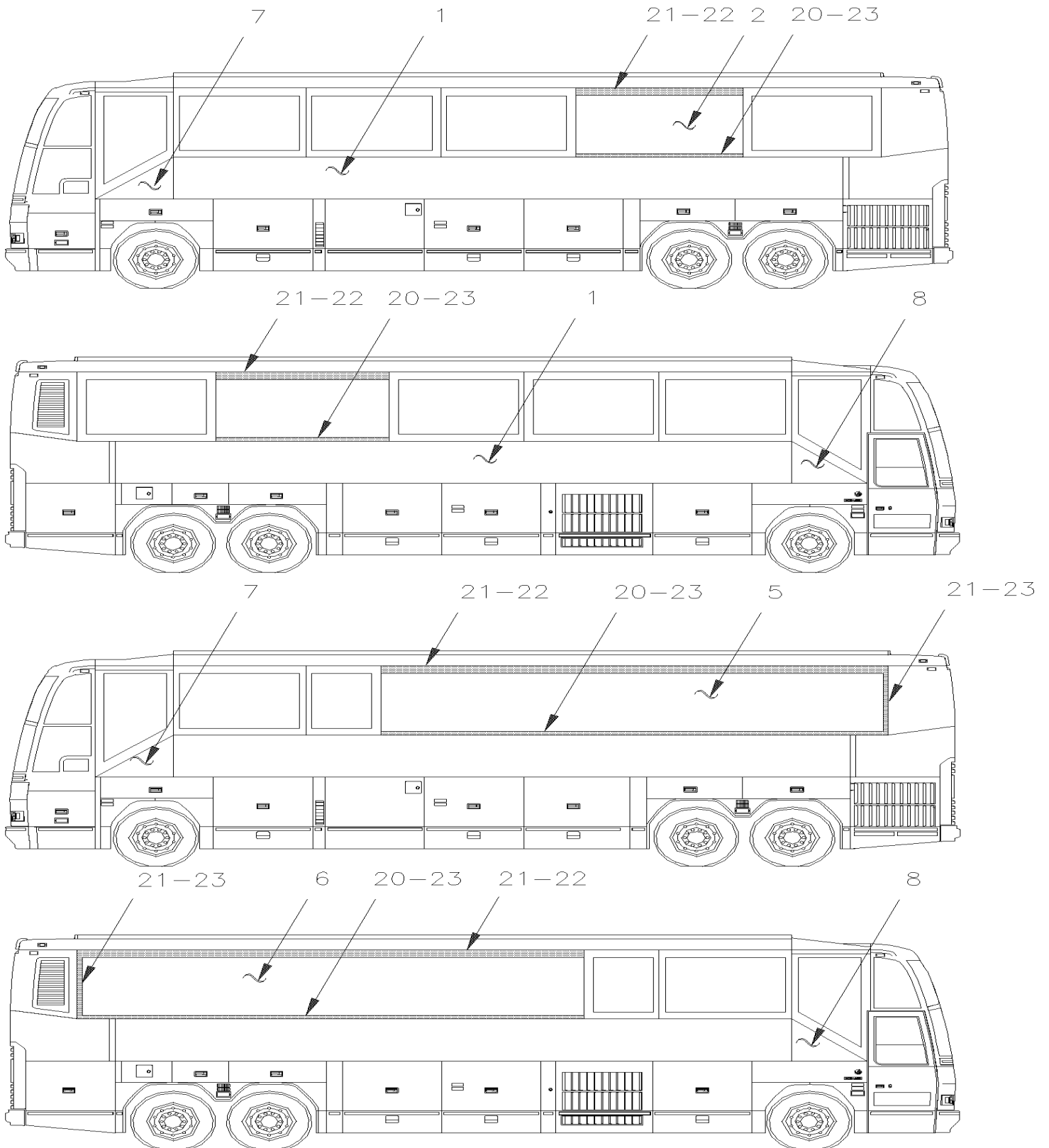
Item#	Part	Description	H 3 4 0	V I P 4 0	N O T E S
15	504487	RIVET MGLP PRDG 3/16x7/16 SS	1		
15	504610	RIVET MGLP PRDG 1/4x5/8 SS	1		
16	472035	SEAL RUBBER 250' LG S.L.	AR		
16	472580	SEAL, RUBBER 40' LG	2		
16	472035	SEAL RUBBER 250' LG S.L.	1		
17	472453	RUBBER GASKET 250' LG S.L.	AR		
17	472496	RUBBER GASKET 40' LG	2		
17	470059	RUBBER GASKET 333' LG S.L.	AR		
18	420197	MOULDING CAP / BLACK PLASTIC 30MM x 820MM	1		
18	420198	MOULDING RETAINER / 26MM x 820MM	2		
NS	472258	SPACER / SIDE PANELS & REAR CAP	AR		
19	472228	GRILLE / AIR INLET	1		
. NS	506769	. TAPE RUB ADH2 CC POL 1/8" x 1/4" x 60' / BLACK H1CC-N-#14	ar		
20	H4-1863-40	CONDENSOR DOOR ASSY (SMALL)			
21	H4-1879-00	FRONT SERVICE DOOR ASSY			
22	H4-1868-00	A/C COMPRESSOR DOOR ASSY			
24	H4-1864-00	BAGGAGE COMPARTMENT DOOR			
25	H4-1866-00	EVAPORATOR DOOR ASSY			
26	H4-1863-00	CONDENSOR DOOR ASSY			
27	H4-1875-00	FUEL TANK FILLING DOOR			
28	H4-1872-00	ENTRANCE DOOR OPENING SWITCH			
29	H4-1864-50	SMALL BAGGAGE COMPARTMENT DOOR			
30	H4-1857-00	FENDERS			
31	H4-1876-00	SLIDING TRAY FOR BATTERY INSTALLATION To M-143			
31	H4-1876-01	SLIDING TRAY FOR BATTERY INSTALLATION From M-144			
32	H4-1874-00	SLIDING TRAY JUNCTION BOX			
32	H4-1874-10	SMALL ACCESS DOOR			
33	H4-1862-00	ENTRANCE DOOR ASSY - PLUG TYPE To N-196			
33	H4-1862-10	ENTRANCE DOOR ASSY - "SEDAN" From N-197			
		A) TO FIX ITEM 6 & 7			
		B) TO FIX PANEL			
		C) TO FIX MOULDINGS & PANELS			
		D) TO FIX MOULDINGS & PANELS			

From L-031 To R-079

Date:07/2024

PAGE:H4-1854-50

SIDE PANELS - V.I.P.

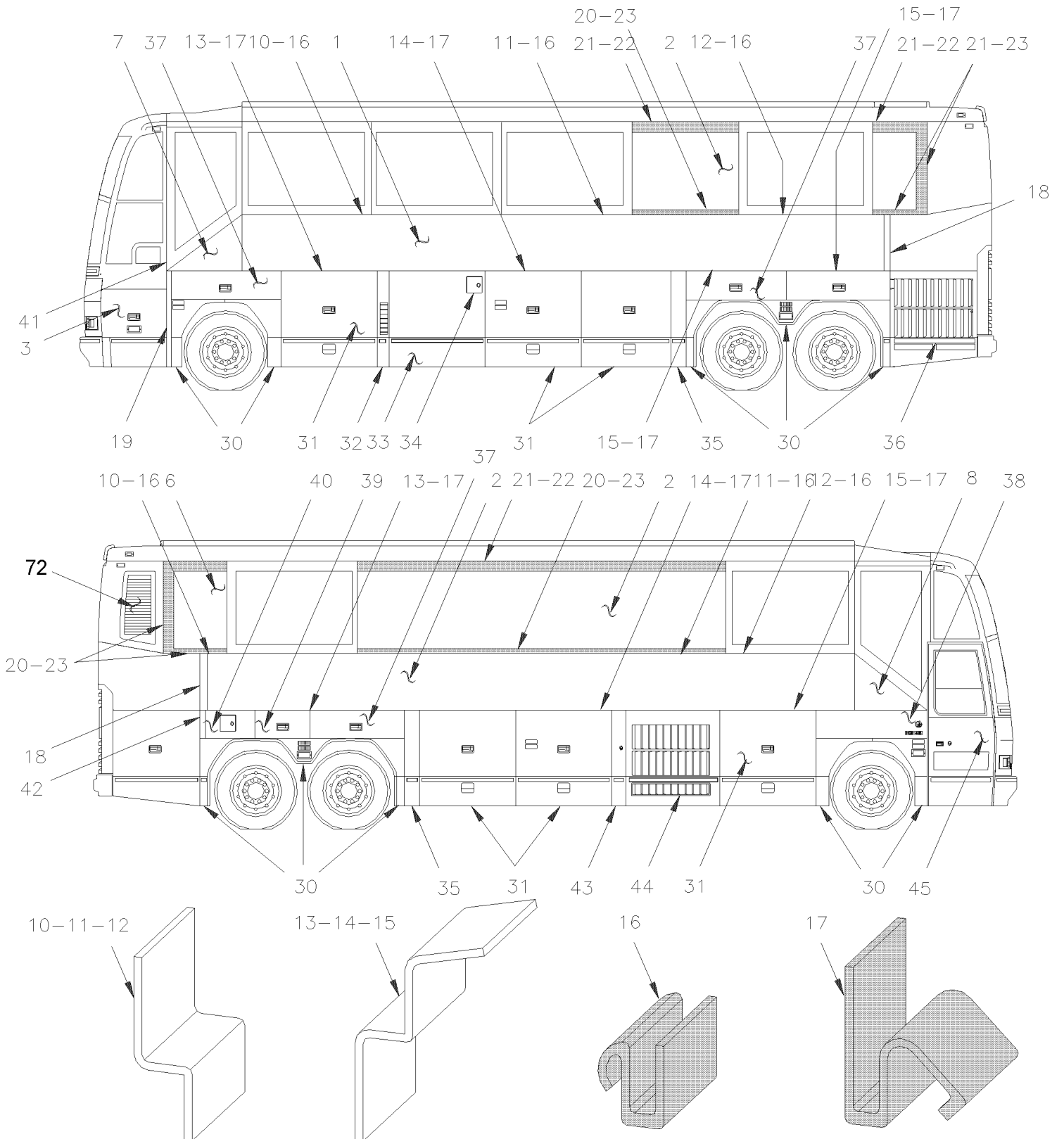


From L-031 To R-079

Date:07/2024

PAGE:H4-1854-50

SIDE PANELS - V.I.P.

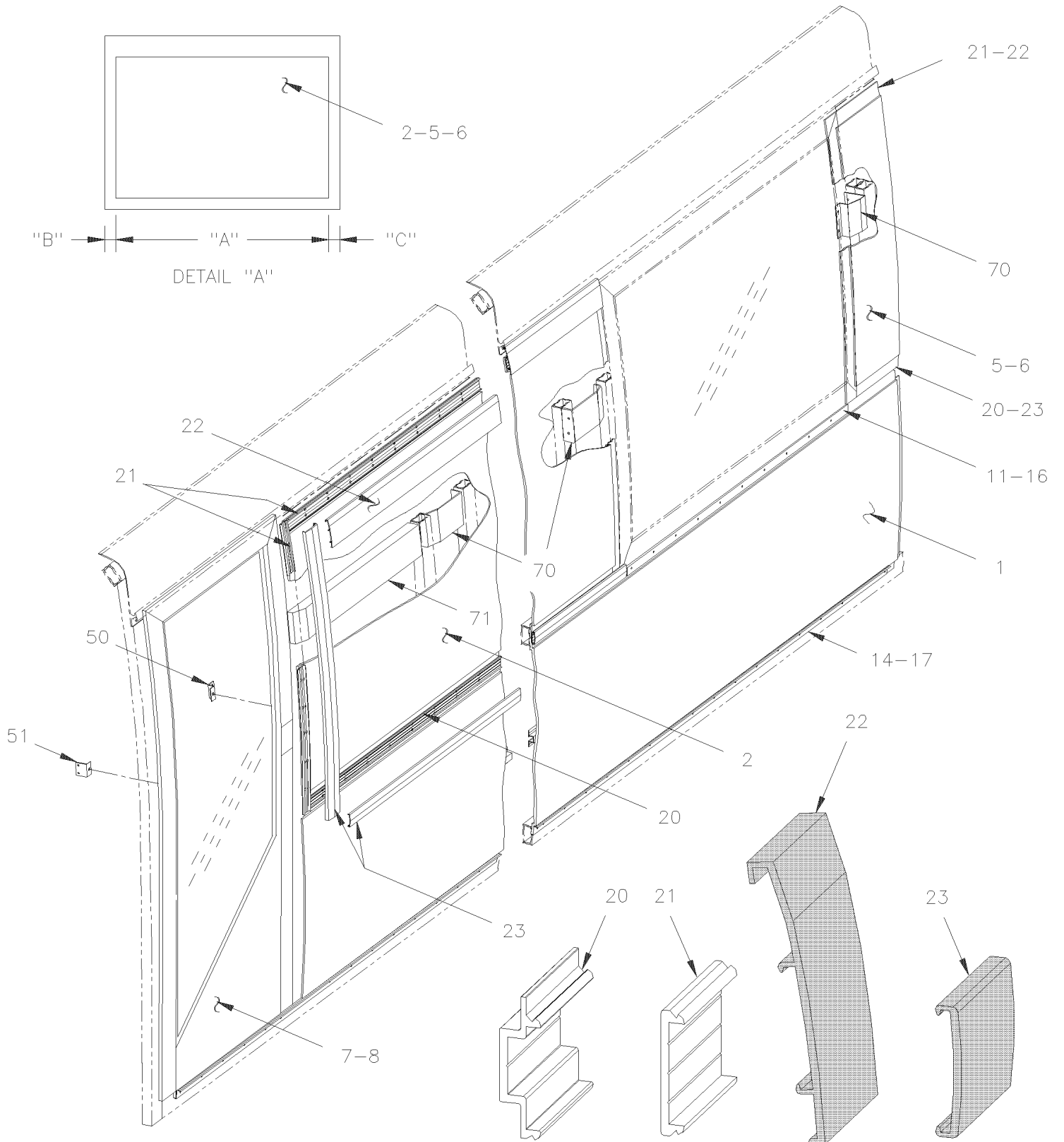


From L-031 To R-079

Date:07/2024

PAGE:H4-1854-50

SIDE PANELS - V.I.P.



From L-031 To R-079	Date:07/2024	PAGE:H4-1854-50
SIDE PANELS - V.I.P.		

Item#	Part	Description	H 3 4 0	V I P 4 0	N O T E S
1	472288	PANEL To P-328		2	
1	472696	PANEL From P-329		2	
		FOLLOWING PANELS DIMENSIONS			
		ARE GIVEN AS PER DETAIL			
		FIRE			
2	472530	PANEL UPPER / 2211MM, 53MM, 53MM		1	
2	472498	PANEL UPPER / 2929MM, 53MM, 53MM		1	
2	472377	PANEL UPPER / 3229MM, 53MM, 53MM		1	
2	472514	PANEL UPPER / 3535MM, 53MM, 53MM		1	
2	472433	PANEL UPPER / 3871MM, 53MM, 53MM		1	
2	472513	PANEL UPPER / 4171MM, 53MM, 53MM		1	
3	H4-1879-00	FRONT SERVICE DOOR ASSY			
5	472436	PANEL UPPER / 231MM, 53MM, 30MM		1	
5	472658	PANEL UPPER / 874MM, 53MM, 30MM		1	
5	472341	PANEL UPPER / 2534MM, 53MM, 30MM		1	
5	472541	PANEL UPPER / 4194MM, 53MM, 30MM		1	
5	472500	PANEL UPPER / 5854MM, 53MM, 30MM		1	
5	472281	PANEL UPPER / 7514MM, 53MM, 30MM		1	
5	472279	PANEL UPPER / 9162MM, 53MM, 30MM		1	
6	472438	PANEL UPPER / 231MM, 30MM, 53MM		1	
6	472660	PANEL UPPER / 874MM, 30MM, 53MM		1	
6	472540	PANEL UPPER / 4194MM, 30MM, 53MM		1	
6	472499	PANEL UPPER / 5854MM, 30MM, 53MM		1	
6	472280	PANEL UPPER / 7514MM, 30MM, 53MM		1	
6	472278	PANEL UPPER / 9162MM, 30MM, 53MM		1	
7	472285	FRAME WINDOW L.H. To M-160		1	
7	472573	FRAME WINDOW L.H. From M-161		1	
8	472286	FRAME WINDOW R.H. To M-160		1	
8	472574	FRAME WINDOW R.H. From M-161		1	
NS	472050	PLATE SUPPORT 60MM x 31MM W/25° BEND		AR	
10	472060	MOULDING SUPPORT / UPPER L.H. 2438 MM		2	
11	472328	MOULDING SUPPORT 2423 MM		2	
11	472055	MOULDING SUPPORT 2438 MM		2	
12	472061	MOULDING SUPPORT / UPPER R.H. 2438 MM		2	
13	472469	SUPPORT ASSY LOWER / REAR R.H. & FRONT L.H.		2	
14	472464	SUPPORT LOWER CENTER PART / 2438MM		6	
14	472472	SUPPORT LOWER CENTER PART / 2423MM		2	
15	472471	SUPPORT ASSY LOWER / REAR L.H. & FRONT R.H.		2	
NS	504249	RIVET CHY Q PRDG 3/16x3/8 SS		AR	
NS	504250	RIVET CHY Q PRDG 3/16x1/2 SS		AR	

From L-031 To R-079	Date:07/2024	PAGE:H4-1854-50
SIDE PANELS - V.I.P.		

Item#	Part	Description	H 3 4 0	V I P 4 0	N O T E S
NS	504487	RIVET MGLP PRDG 3/16x7/16 SS			
NS	504610	RIVET MGLP PRDG 1/4x5/8 SS			
NS	472258	SPACER / SIDE PANELS & REAR CAP		AR	
16	472035	SEAL RUBBER 250' LG S.L.		AR	
16	472580	SEAL, RUBBER 40' LG		2	
17	472453	RUBBER GASKET 250' LG S.L.		AR	
17	472496	RUBBER GASKET 40' LG		2	
17	470059	RUBBER GASKET 333' LG S.L.		AR	
18	420197	MOULDING CAP / BLACK PLASTIC 30MM x 820MM		2	
18	420198	MOULDING RETAINER / 26MM x 820MM		2	
NS	472258	SPACER / SIDE PANELS & REAR CAP		AR	
NS	504249	RIVET CHY Q PRDG 3/16x3/8 SS		AR	E
NS	504250	RIVET CHY Q PRDG 3/16x1/2 SS		AR	E
NS	504487	RIVET MGLP PRDG 3/16x7/16 SS		AR	F
NS	504610	RIVET MGLP PRDG 1/4x5/8 SS		AR	
19	472311	MOULDING TRANSITION / LOWER To M-160		1	
19	472577	MOULDING TRANSITION / LOWER From M-161		1	
20	420200	MOULDING RETAINER / 54MM x 9270MM (43MM Grip)		AR	G
21	420202	MOULDING RETAINER / 48MM x 9270MM (43MM Grip)		AR	G
22	420203	MOULDING CAP / BLACK 107MM X 9270		AR	G
23	420201	MOULDING CAP / BLACK PLASTIC 50MM X 9270MM		AR	G
30	H4-1857-00	FENDERS			
31	H4-1864-00	BAGGAGE COMPARTMENT DOOR			
32	282963	PANEL AIR INTAKE EVAPORATOR		1	
NS	502764	NUT SPR J #14A .035-.046		AR	
NS	500535	SCREW TP CAP HEX #14x3/4 Z050		AR	A
NS	500468	WASHER FL .281x1.250x.065 Z050		AR	A
33	H4-1866-00	EVAPORATOR DOOR ASSY			
34	H4-1875-00	FUEL TANK FILLING DOOR			
35	282998	PANEL TRANSITION To P-270		2	
35	284267	PANEL TRANSITION From P-271		2	
. NS	284206	. SUPPORT UPPER From P-271		1	
. NS	284294	. SUPPORT LOWER From P-271		1	
35	211451	SUPPORT LOWER / WELDED		2	
35	211308	SUPPORT UPPER / WELDED To P-270		1	
35	212138	SUPPORT UPPER / WELDED From P-271		1	
36	H4-1869-00	RADIATOR DOOR ASSY - GRILL To N-200			
36	H4-1869-01	RADIATOR DOOR ASSY - GRILL From N-201			
37	H4-1864-50	SMALL BAGGAGE COMPARTMENT DOOR			
38	472333	PANEL L.H.		1	
NS	472050	PLATE SUPPORT 60MM x 31MM W/25° BEND		3	
39	H4-1876-00	SLIDING TRAY FOR BATTERY INSTALLATION To M-143			

From L-031 To R-079	Date:07/2024	PAGE:H4-1854-50
SIDE PANELS - V.I.P.		

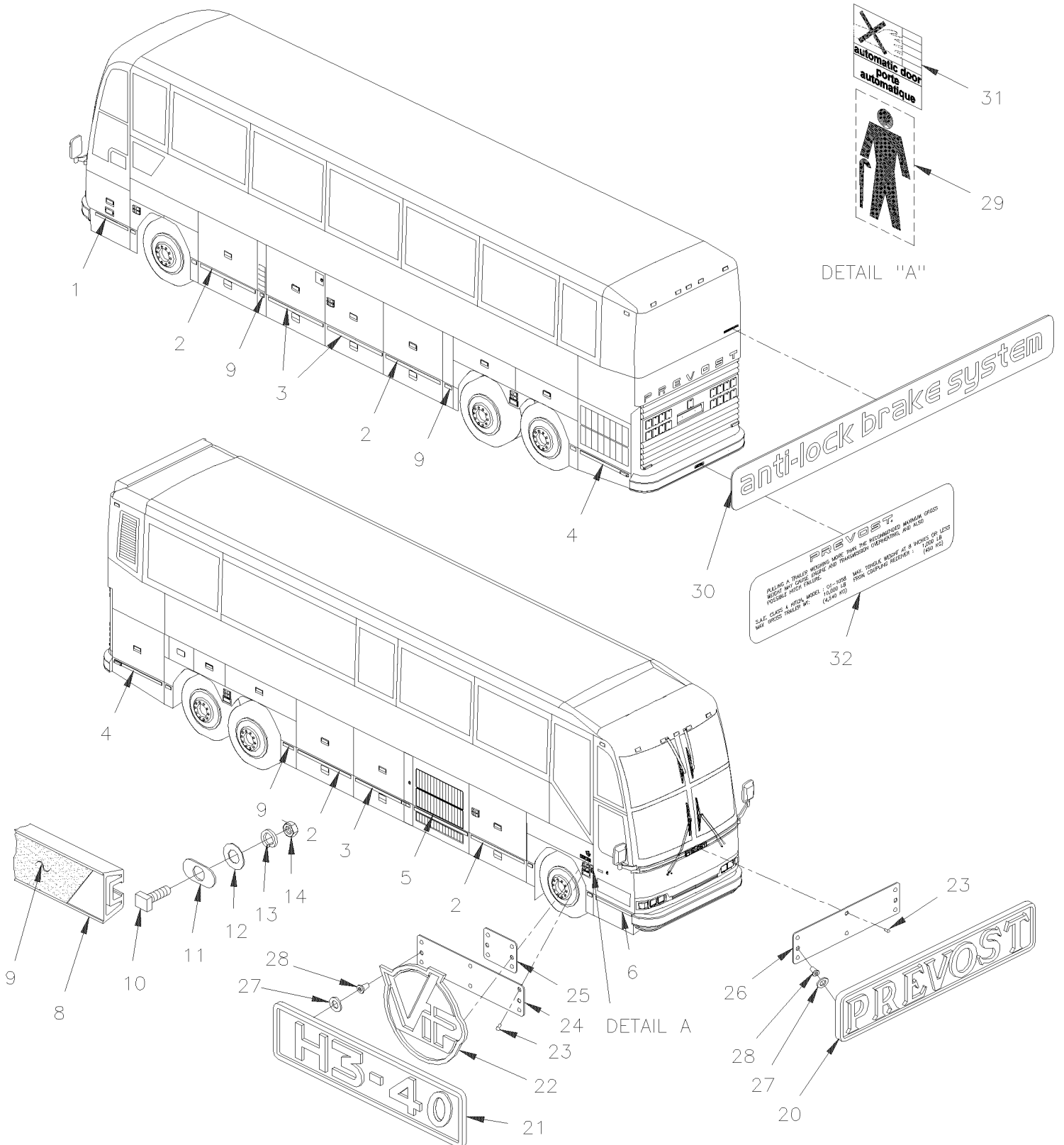
Item#	Part	Description	H 3 4 0	V I P 4 0	N O T E S
39	H4-1876-01	SLIDING TRAY FOR BATTERY INSTALLATION From M-144			
40	H4-1874-00	SLIDING TRAY JUNCTION BOX			
41	472310	MOULDING TRANSITION / UPPER To M-159		1	
41	472576	MOULDING TRANSITION / UPPER From M-160		1	
42	283099	PANEL TRANSITION To P-325		1	
42	284449	PANEL TRANSITION From P-326		1	
43	H4-1863-40	CONDENSOR DOOR ASSY (SMALL)			
NS	682462	ADHESIVE SIKA #252 / BLACK / 310ml CARTRIDGE		AR	
44	H4-1863-00	CONDENSOR DOOR ASSY			
45	H4-1862-50	ENTRANCE DOOR ASSY - V.I.P.			
50	472349	RETAINER ANGLE / FRONT		6	
NS	504488	RIVET MGLP PRDG 3/16x17/64 SS		AR	D
51	472350	RETAINER "Z" SHAPED / REAR		6	
NS	5001202	SCREW CAP HEX 7/16-20x1 3/4 G5 Z050		16	
NS	502789	SCREW MA PAN PH M6-1.0x20 Z050		16	
NS	502570	WASHER LO SPT 6.1x11.8x1.6 SS		16	
NS	500411	WASHER FL .260x.697x.050 SS		16	
NS	502573	WASHER FL 6.4x12.5x1.6 SS		16	
NS	505193	SHIM 1/8" THICK		AR	
NS	505216	SHIM 1/16" THICK		AR	
70	473485	REINFORCEMENT / TO FIX AWNING 95MM			
NS	472585	REINFORCEMENT / TO FIX AWNING 235MM			
NS	473484	REINFORCEMENT / TO FIX AWNING 235MM			
NS	473486	REINFORCEMENT / TO FIX AWNING 273MM			
NS	473519	REINFORCEMENT / TO FIX AWNING 283MM			
NS	473487	REINFORCEMENT / TO FIX AWNING 315MM			
71	472600	REINFORCEMENT / TO FIX AWNING 864MM			
72	472228	GRILLE / AIR INLET		1	
NS	506769	TAPE RUB ADH2 CC POL 1/8" x 1/4" x 60' / BLACK H1CC-N-#14		ar	
		A) TO FIX ITEM #32			
		D) TO FIX ITEM #50			
		E) TO FIX MOULDINGS & PANELS			
		F) DUCT TO BODY			
		G) C.T.L.			

From L-031 To R-079

Date:07/2024

PAGE:H4-1855-00

EXTERIOR TRIMS & CREST



From L-031 To R-079		Date:07/2024	PAGE:H4-1855-00
EXTERIOR TRIMS & CREST			

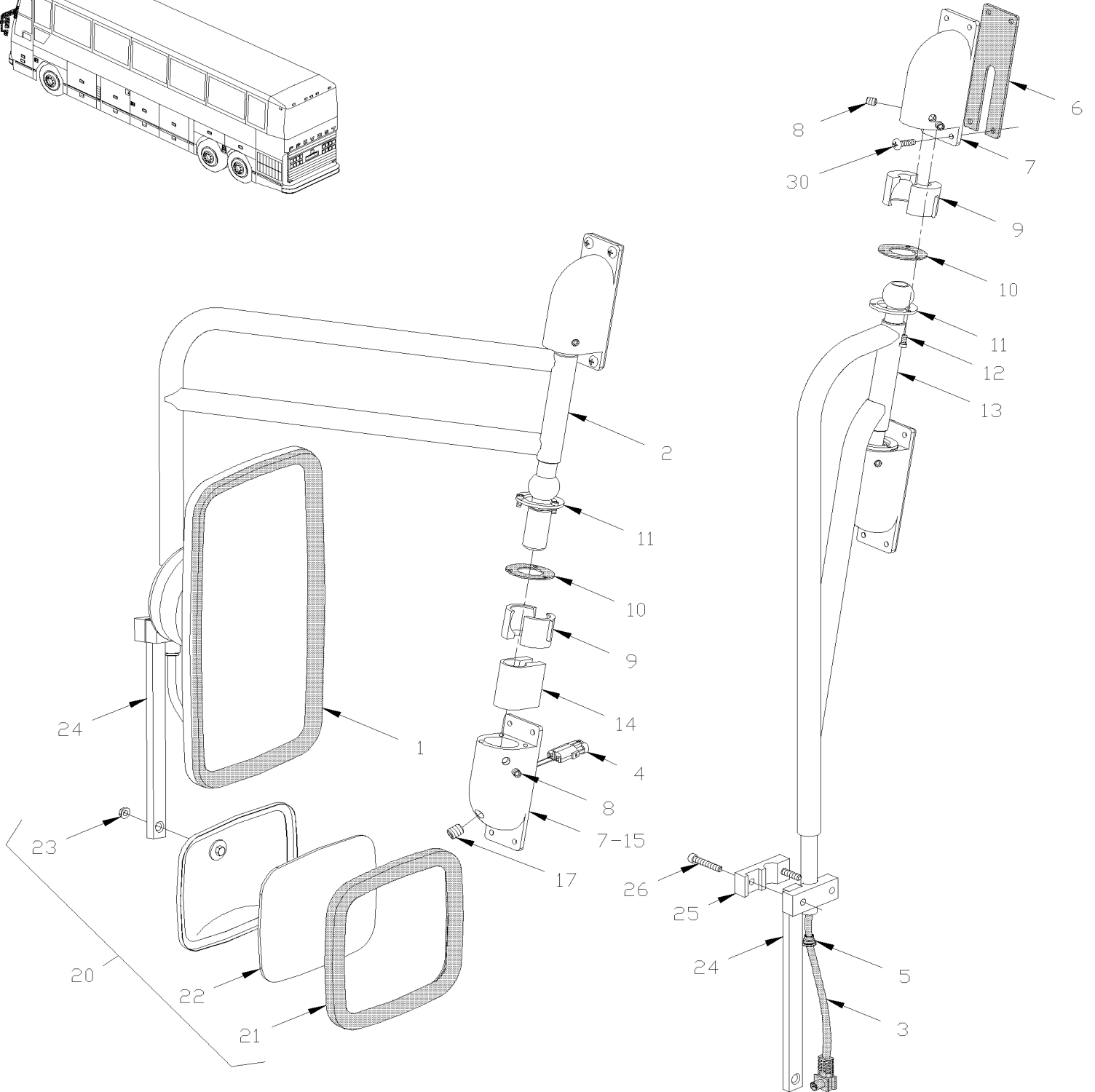
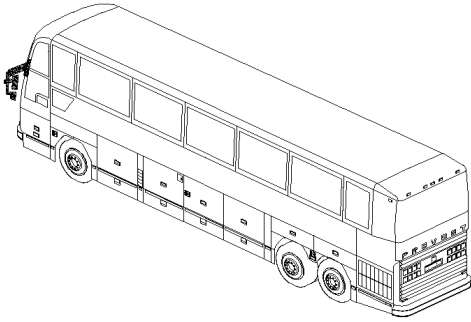
Item#	Part	Description	H 3 4 0	V I P 4 0	N O T E S
1	282559	EXTRUSION PROFILE 678MM / THICK EXTRUSION 20MM	1	1	
2	282567	EXTRUSION PROFILE 1340MM	4	4	
3	282569	EXTRUSION PROFILE 1182MM	3	3	
4	283081	EXTRUSION PROFILE 1072MM	2	2	
5	282640	EXTRUSION PROFILE 1152MM	1	1	
6	282750	EXTRUSION PROFILE MODIFIED 663MM	1		
6	283376	EXTRUSION PROFILE 773MM	1	1	
8	282434	EXTRUSION PROFILE 6096MM (RAW MATERIAL)	AR	AR	
9	283100	STRIPE, REFLECTIVE WHITE / 38MM X 15' ROLL	AR	AR	
. NS	780277	. STRIPE, REFLECTIVE WHITE / 38MM X 150' ROLL	AR	AR	
NS	283100	. STRIPE, REFLECTIVE WHITE / 38MM X 15' ROLL	AR	AR	
. NS	780277	. . STRIPE, REFLECTIVE WHITE / 38MM X 150' ROLL	AR	AR	
10	502534	SCREW CAP SQ 5/16-18x1 G2 Z050	AR	AR	
11	283219	WASHER ,REINFORCEMENT	AR	AR	
12	500374	WASHER FL .375x.625x.062 RUB	AR	AR	
13	502583	WASHER LO SERR 8.15x22.3x1.0 Z050	AR	AR	
14	500701	NUT HEX 5/16-18 ZP	AR	AR	
20	490550	CREST "PREVOST"	1	1	
21	490551	CREST "H3-40"	1		
22	490553	CREST "V.I.P."		1	
23	500952	SCREW TP BDG PH #8x1/2 SS	AR	AR	B
24	490593	PLATE MOUNTING	1	1	
25	490594	PLATE MOUNTING		1	
26	490592	PLATE, MOUNTING	1	1	
27	490601	GASKET	AR	AR	
28	502814	NUT SPR PO TUB .184-.190	AR	AR	
29	130622	DECAL "FRONT KNEELING" / BLACK ON CLEAR	1		
29	131406	DECAL "FRONT KNEELING" / BLACK ON WHITE	1		
29	131490	DECAL "FRONT KNEELING" / BLACK ON ALUMINIUM	1		
30	141531	DECAL "ANTI-LOCK SYSTEM" / ON REAR CAP	1	1	
31	284452	DECAL "AUTOMATIC DOOR" / HAND OFF / WHITE	1		
31	284451	DECAL "AUTOMATIC DOOR" / HAND OFF / BLACK	1		
31	285813	DECAL / "AUTOMATIC DOOR" / HAND OFF / ALU / ENGLISH & FRANCAIS	1		
31	282473	DECAL / "AUTOMATIC DOOR" / HAND OFF / CLEAR / ENGLISH & FRANCAIS	1		
32	410626	DECAL "MAXIMUM HITCH CAPACITY"		1	
		B) TO FIX MOUNTING PLATE			

From L-031 To R-079

Date:07/2024

PAGE:H4-1856-00

MIRROR - EXTERIOR - INSTALLATION



From L-031 To R-079	Date:07/2024	PAGE:H4-1856-00
MIRROR - EXTERIOR - INSTALLATION		

Item#	Part	Description	H 3 4 0	V I P 4 0	N O T E S
1	H4-1856-15	MIRROR "SPARTAN" ELECTRICAL			
1	H4-1856-10	MIRROR "SPARTAN" MANUAL			
2	490565	ARM ASSY / W/ELECTRICAL ADJUSTMENT	2		C
2	490791	ARM ASSY / W/ELECTRICAL ADJUSTMENT	1		B
2	490607	ARM ASSY / W/MANUAL ADJUSTMENT	2		C
2	490792	ARM ASSY / W/MANUAL ADJUSTMENT	1		B
2	490566	. ARM	1		C
2	490790	. ARM	1		B
3	990158	. HARNESS / W/ELECTRICAL ADJUSTMENT	1		
3	561866	. HARNESS / W/MANUAL ADJUSTMENT	1		
4	562069	. CONNECTOR / (.062) / SH 6C / MOLEX 03-06-1062	1		
NS	561478	. SOCKET TERMINAL / 24-18 / MOLEX 02-06-1103	5		
5	490576	. CAP / CLOSING TUBE	1		
NS	062711	CABLE ASSY / MIRROR INSIDE SIDE WINDSHIELD POST INSIDE SIDE WINDSHIELD POST	2		
6	490476	GASKET	2		
7	490480	SUPPORT	2		C
7	490480	SUPPORT	1		B
8	502812	SCREW SET HEXS CUP 3/8-16X3/8 SS	2		
9	490439	CUP BALL	2		
10	490440	GASKET	1		
11	490441	RING RETAINING	1		
12	502698	SCREW MA PAN PH M4-0.7x16 SS BK	3		
14	490789	COLLAR LOWER	1		B
15	490788	SUPPORT LOWER	1		B
17	500341	SCREW SET HEXS CUP M12-1.75x20	1		B
20	490485	CONVEX MIRROR SQUARE / BLACK PAINTED	1		
20	990292	CONVEX MIRROR LH / TRIANGULAR SHAPE	1		A
20	990293	CONVEX MIRROR RH / TRIANGULAR SHAPE	1		A
20	990047	. MIRROR CONVEX / CHROME PLATED	1		
21	990112	. . RETAINER RUBBER / GREY	1		
21	990113	. . RETAINER RUBBER / BLACK	1		
22	990111	. . GLASS RECTANGULAR / CONVEX	1		
23	5001189	. NUT HEX 5/16-18 SS	1		
24	490822	ARM	1		
25	490820	BRACKET	2		
26	502770	SCREW MA RND PH 1/4-20x1 3/4 SS EMN	2		
NS	5001251	NUT HEX NYRT 1/4-20 SS	2		
30	502703	SCREW TP FL PH #12x1 SS EMN	8		
NS	502684	RIVET NUT FL OKS 1/4-20 .119-.179	8	8	
		FOLLOWING ITEMS ARE RELATED WITH			
		CONVEX MIRROR INSTALLATION PRIOR MAY-1995			

From L-031 To R-079	Date:07/2024	PAGE:H4-1856-00
MIRROR - EXTERIOR - INSTALLATION		

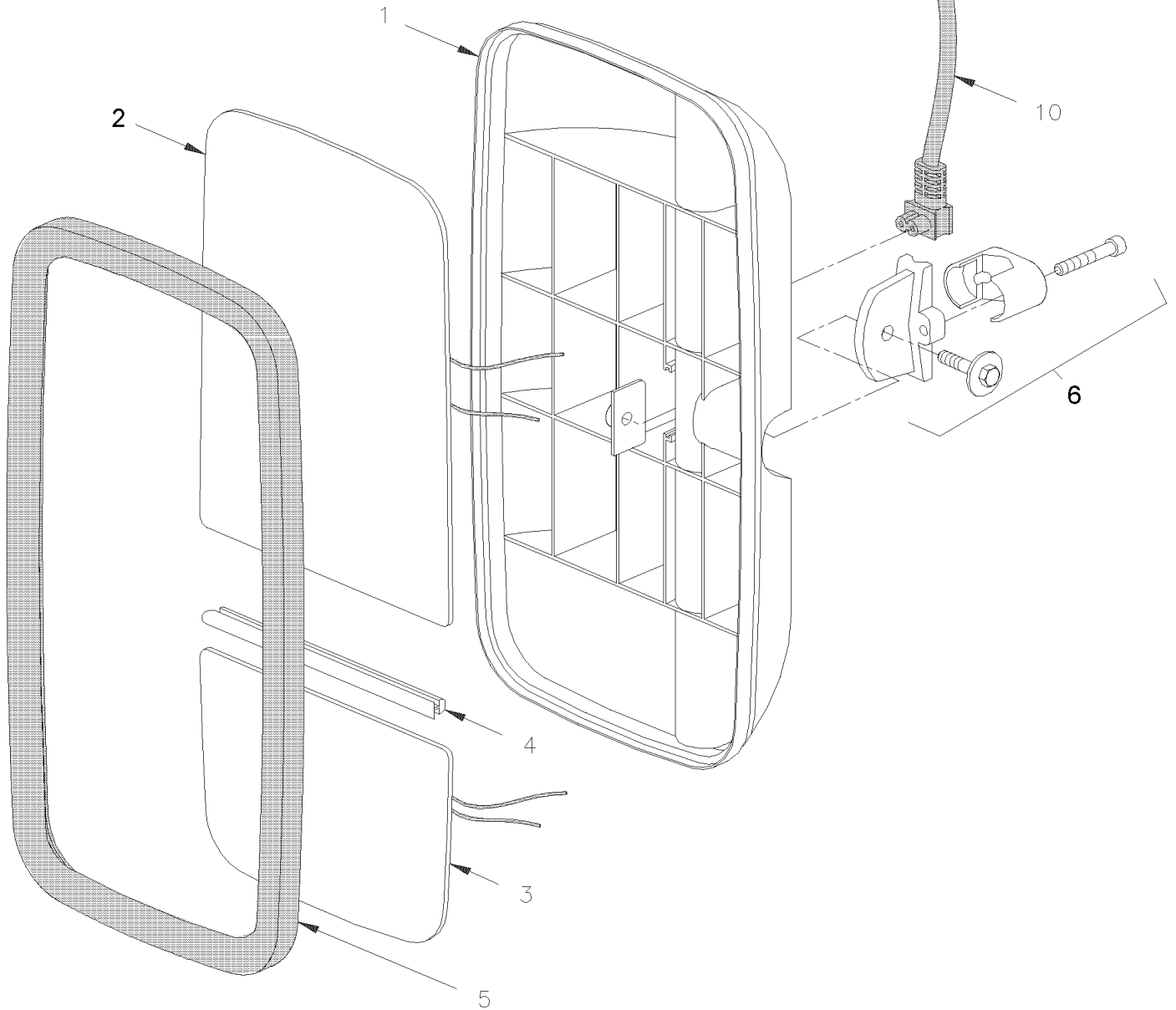
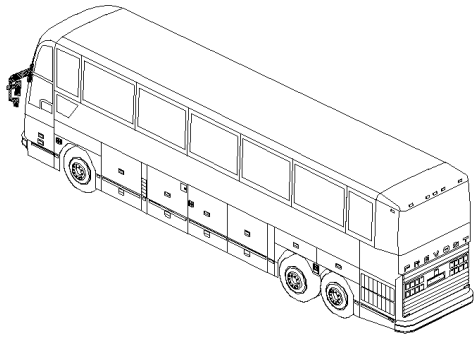
Item#	Part	Description	H 3 4 0	V I P 4 0	N O T E S
NS	500411	WASHER FL .260x.697x.050 SS	2		
NS	490484	CLAMP / TO FIX EXTENSION ARM TO MIRROR.	1		
NS	990258	EXTENSION ARM / FOR LOWER CONVEX	1		
NS	402853	BUSHING / ALUMINUM BLACK PAINTED	1		
NS	500347	SCREW CAP HEX 5/16-18x1 1/4 SS	1		
NS	500035	WASHER LO SPT .317x.586x.078 SS	1		
NS	5001189	NUT HEX 5/16-18 SS	1		
NS	507306	BUSHING / NYLON ARM & CLAMP	1		
		A) TO FIX CLAMP & EXTEN. ARM			
		B) SERVICE			
		C) PRODUCTION			

From L-031 To R-079

Date:07/2024

PAGE:H4-1856-10

MIRROR "SPARTAN" MANUAL



From L-031 To R-079	Date:07/2024	PAGE:H4-1856-10
---------------------	--------------	-----------------

MIRROR "SPARTAN" MANUAL

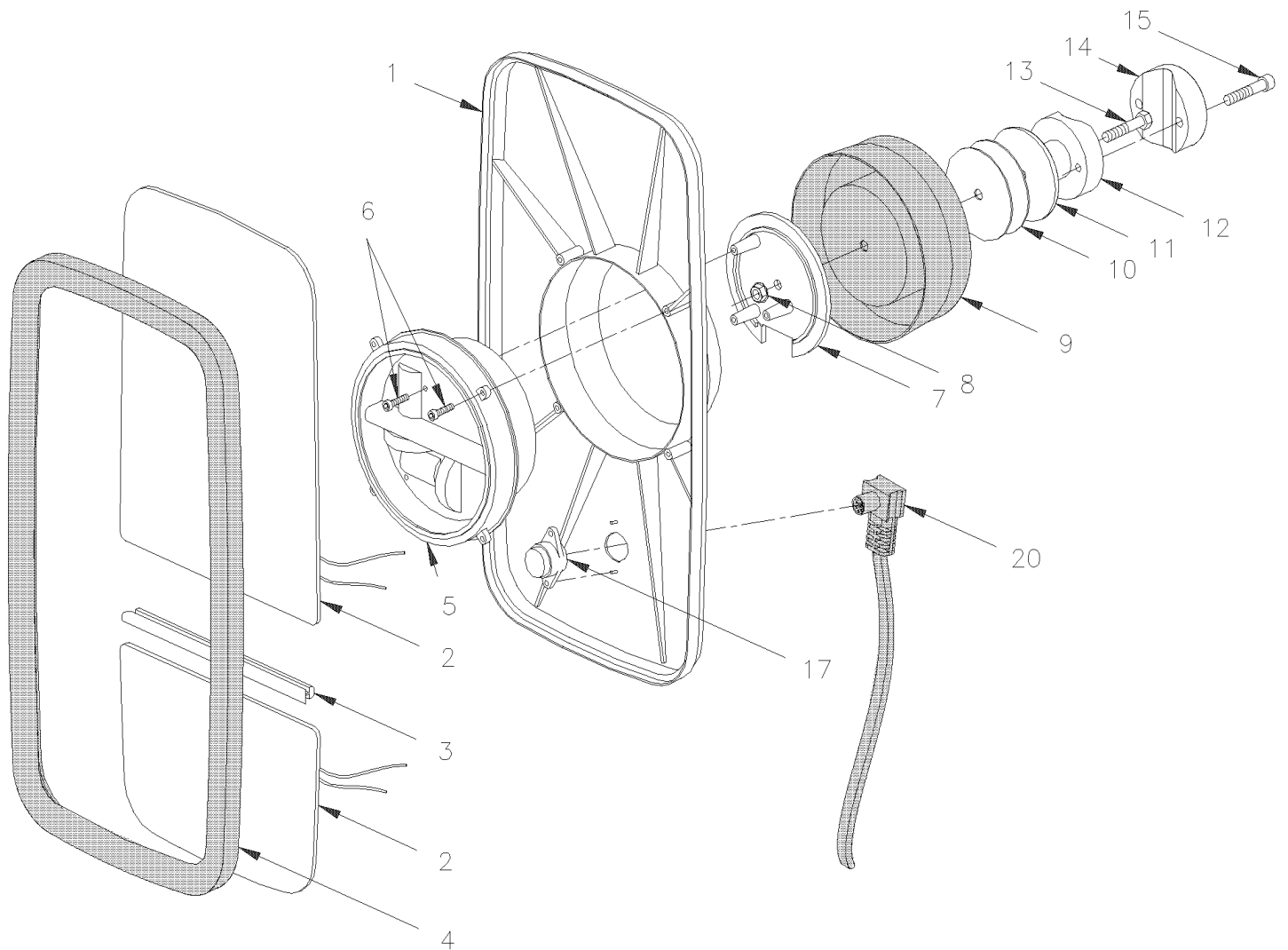
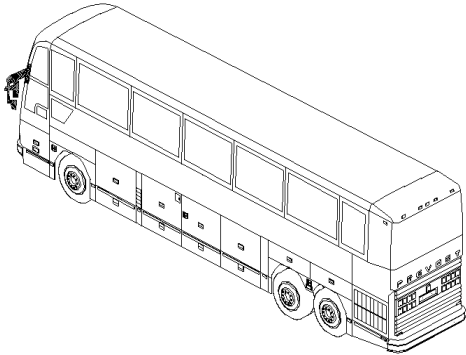
Item#	Part	Description	H 3 4 0	V I P 4 0	N O T E S
	990166	HEAD ASSY / R.H.	1	1	
	990167	HEAD ASSY / L.H.	1	1	
1	990172	. HOUSING / L.H. & R.H.	1	1	
2	990168	. FLAT GLASS ASSY / HEATED 24V	1	1	
3	990169	. CONVEX GLASS ASSY W/HEATER 24V	1	1	
4	990170	. BAR, SPACER / BETWEEN GLASS	1	1	
5	990171	. SEAL RUBBER	1	1	
6	990173	. BRACKET ASSY	1	1	
10	561866	HARNESS / W/MANUAL ADJUSTMENT	1	1	

From L-031 To R-079

Date:07/2024

PAGE:H4-1856-15

MIRROR "SPARTAN" ELECTRICAL



From L-031 To R-079	Date:07/2024	PAGE:H4-1856-15
---------------------	--------------	-----------------

MIRROR "SPARTAN" ELECTRICAL

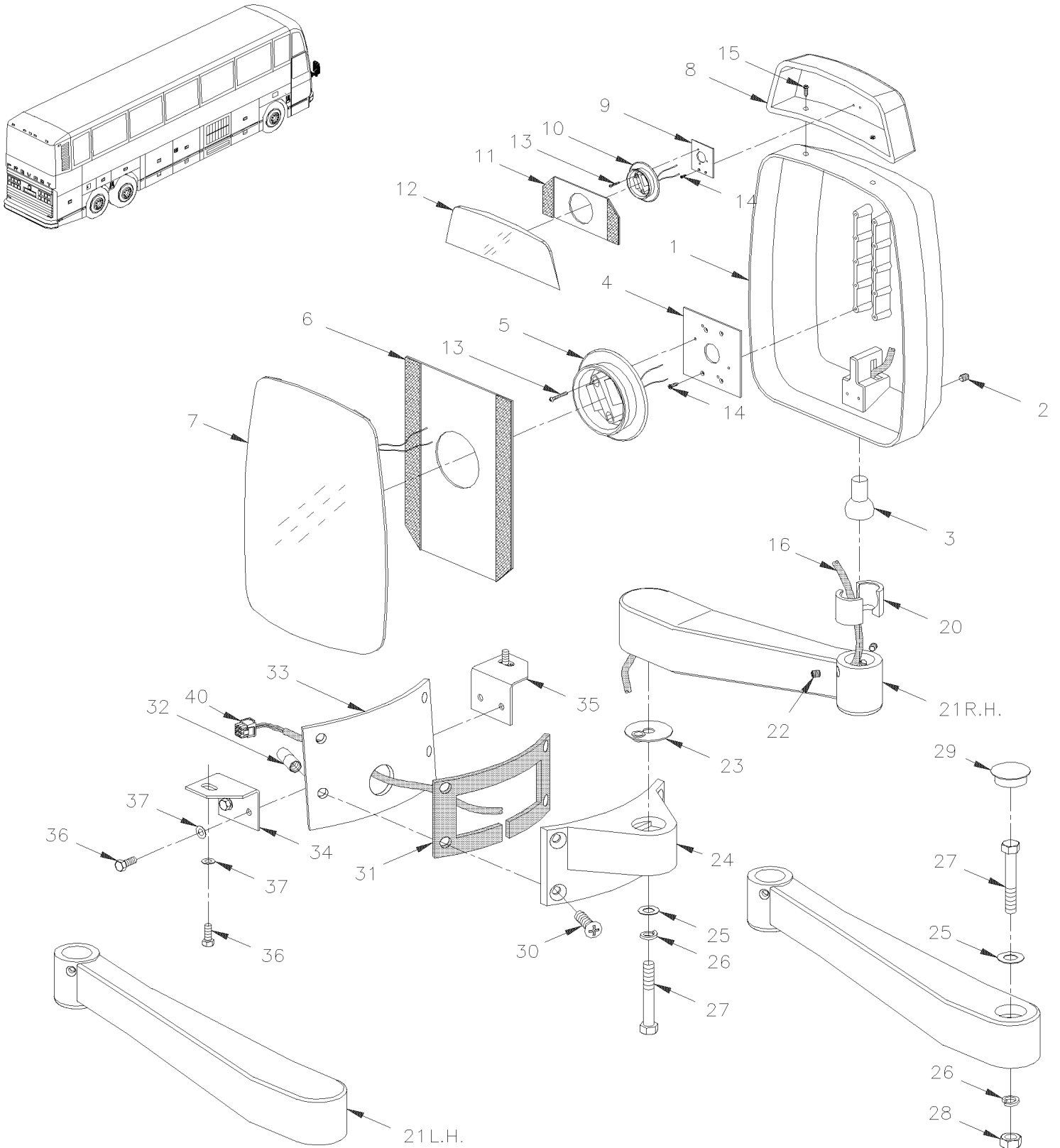
Item#	Part	Description	H 3 4 0	V I P 4 0	N O T E S
	990196	HEAD MIRROR ASSY / W/FLAT GLASS	2	2	
	990159	HEAD MIRROR ASSY / W/FLAT & CONVEX GLASSES	2	2	
1	990179	. HOUSING	1	1	
2	990181	. FLAT & CONVEX GLASS ASSY / HEATED 24V	1	1	
NS	990197	. FLAT GLASS ASSY / HEATED 24V	1	1	
3	990170	. BAR, SPACER / BETWEEN GLASS	1	1	
4	990174	. SEAL, RUBBER	1	1	
4	990177	. MOTOR & GEAR ASSY 24V	1	1	
. NS	564494	. . TAB TERMINAL / 20-16 / AMP 63138-1	4	4	
5	990178	. . MOTOR ASSY / 24V	1	1	
. NS	564494	. . . TAB TERMINAL / 20-16 / AMP 63138-1	4	4	
6	N.P.N.	. . . SCREW	2	2	4
7	N.P.N.	. . . MOUNTING PLATE MOTOR	1	1	4
8	5001082	. . . NUT HEXF M8-1.25 G500	1	1	
9	N.P.N.	. . . SEALING BOOT	1	1	4
10	N.P.N.	. . . WASHER SHIM	2	2	4
11	N.P.N.	. . . WASHER	1	1	4
11	990180	. . KIT, CLAMPING RING	1	1	
12	N.P.N.	. . . MOUNTING BRACKET	1	1	4
13	N.P.N.	. . . SCREW MA CRG M8 X 50 ZP	1	1	4
14	N.P.N.	. . . MOUNTING BRACKET	1	1	4
15	N.P.N.	. . . SCREW CAP HEXS M6 X 30	2	2	4
17	N.P.N.	. CONNECTOR	1	1	4
20	990158	HARNESS / W/ELECTRICAL ADJUSTMENT	1	1	
		FOR MANUAL CONVEX MIRROR LOWER			
		SEE PAGE H4-1856-00			
		4) NO PARTS NUMBER			

From P-375 To R-079

Date:07/2024

PAGE:H4-1856-20

MIRROR "RAMCO" FLAT GLASS / SILVER PAINTED



From P-375 To R-079	Date:07/2024	PAGE:H4-1856-20
---------------------	--------------	-----------------

MIRROR "RAMCO" FLAT GLASS / SILVER PAINTED

Item#	Part	Description	H 3 4 0	V I P 4 0	N O T E S
	990198	MIRROR ASSY, L.H. & R.H. / MANUAL / W/CONVEX MANUAL OVER	1		A
	990286	MIRROR ASSY, L.H. / MANUAL / W/CONVEX MANUAL OVER	1		
	990285	MIRROR ASSY, R.H. / MANUAL / W/CONVEX MANUAL OVER	1		
	990290	MIRROR ASSY, L.H. / ELECTRIC / W/CONVEX ELEC. OVER	1		
	990289	MIRROR ASSY, R.H. / ELECTRIC / W/CONVEX ELEC. OVER	1		
1	990200	. HEAD ASSY / MANUAL	1		
2	502812	. . SCREW SET HEXS CUP 3/8-16X3/8 SS	1		
3	990186	. . STUD, BALL	1		
4	990272	. . NOTCHED BACK MOUNTING PLATE (2" X 3")	1		
5	990274	. . MECHANISM MANUAL ASSY, LARGE / 133MM / 5 1/4" O.D.	1		
5	990220	. . MOTOR 12V / LARGE / BLACK & WHITE / 133MM / 5 1/4" O.D.	1	1	E
. NS	564494	. . . TAB TERMINAL / 20-16 / AMP 63138-1	4	4	E
. NS	G5009096	. . . MOTOR 12V / LARGE / BLACK & WHITE / 133MM / 5 1/4" O.D.	1	1	E
5	990349	. . MOTOR 12V / MEDIUM / BLACK / 108MM / 4 1/4" O.D.	1		G
. NS	564494	. . . TAB TERMINAL / 20-16 / AMP 63138-1	4		G
6	990266	. . VELCRO PLATE / 6" X 7"	1		
7	990199	. . GLASS ASSY W/HEATER 12V	1		
8	990203	. MIRROR ASSY / CONVEX MANUAL	1		
8	990271	. MIRROR ASSY / CONVEX ELECTRIC	1		
10	990275	. . MECHANISM MANUAL ASSY, SMALL / 75MM / 3" O.D.	1		
10	990402	. . MECHANISM MANUAL ASSY, SMALL / 85MM / 3 5/16" O.D. / W/SNAP	1		H
10	990219	. . MOTOR 12V / SMALL / BLACK / 85MM / 3 5/16" O.D.	1		
. NS	564494	. . . TAB TERMINAL / 20-16 / AMP 63138-1	4		
11	990269	. . . VELCRO PLATE / 3" X 4"	1		
12	990270	. . GLASS CONVEX ASSY	1		
12	990339	. GLASS CONVEX ASSY W/HEATER 12V	1		H
13	N.P.N.	. . SCREW TC PAN PH ZP 6-32 X 1"1/8	3		4
14	500660	. . SCREW TC FL PH #6-32x3/8 Z050	3		
15	990530	. SCREW CAP HEX #10-24x1" SS	2		
NS	500787	. NUT HEX #10-24 SS	2		
16	990282	. CABLE ASSY W/2 WIRES HEATER ELEMENT	1		
20	990187	. CUP, BALL	2		
21	990241	. ARM, L.H. / 15"	1		B
21	990277	. ARM, L.H. / W/PLUG / 15"	1		
21	990240	. ARM, R.H. / 13" X 7"	1		
21	990276	. ARM, R.H. / W/PLUG / 13" X 7"	1		
22	502812	. SCREW SET HEXS CUP 3/8-16X3/8 SS	1		
23	990265	. WASHER ALUMINUM / 2 " O.D.	1		
NS	504082	. . SNAP BUSHING / .125x.312x.312	1		
24	990193	. BRACKET, MOUNTING	1		B
24	990242	. BRACKET, MOUNTING	1		
25	500958	. WASHER FL .531x1.062x.095 SS	1		

From P-375 To R-079	Date:07/2024	PAGE:H4-1856-20
MIRROR "RAMCO" FLAT GLASS / SILVER PAINTED		

Item#	Part	Description	H 3 4 0	V I P 4 0	N O T E S
26	N.P.N.	. WASHER, LOCK 1/2" SS	1		4
27	990500	. SCREW 1/2-13x2 HHCS SS	1		
29	N.P.N.	. PLUG	1		4
30	500976	SCREW MA FL PH 5/16-18x1 1/2 SS	4		
NS	5001095	SCREW MA FL PH 5/16-18x2 1/2 SS	4		A
31	490727	GASKET ADH / FOAM GREY	2		
31	490694	GASKET ADH / SPACER & BRACKET	1		A
31	490695	GASKET ADH / SPACER & BODY L.H.	1		A
NS	490702	GASKET ADH / SPACER & BODY R.H.	1		A
NS	490691	SPACER L.H.	1		A
NS	490701	SPACER R.H.	1		A
NS	490699	MIRROR SUPPORT R.H. / (WELDED TO STRUCTURE)	1		A
NS	490710	MIRROR SUPPORT L.H. / (WELDED TO STRUCTURE)	1		A
32	500924	NUT AN JK 5/16-18	4		
33	490814	SUPPORT R.H. / BOLTED & ADJUSTABLE W/STRUCTURE	1		C
NS	490725	SUPPORT R.H. / BOLTED FIX TO STRUCTURE	1		D
NS	490726	SUPPORT L.H. / BOLTED FIX TO STRUCTURE	1		D
NS	490815	SUPPORT L.H. / BOLTED & ADJUSTABLE W/STRUCTURE	1		C
34	490817	ANGLE	2		C
35	490816	ANGLE ASSY W/NUT	2		C
36	502589	SCREW CAP HEX M8-1.25x25 G8.8 Z050	4		D
37	502584	WASHER LO SERR 8.2x26.3x1.8 Z050	4		C
40	561669	CONNECTOR / UNIVERSAL MATE-N-LOK / SH 9C / AMP 1-480706-0	1		F
NS	562131	SOCKET TERMINAL / 20-14 / AMP 350550-1	9		
NS	062783	HARNESS, WIRE / TO L.H. MIRROR	1		F
NS	062784	HARNESS, WIRE / TO R.H. MIRROR	1		F
NS	561670	CONNECTOR / UNIVERSAL MATE-N-LOK / PH 9C / AMP 1-480707-0	1		
NS	561671	PIN TERMINAL / 24-18 / AMP 350690-1	9		
NS	062781	HARNESS, WIRE / TO FRONT JUNCTION BOX	1		
NS	062782	HARNESS, WIRE / TO SWITCH	1		
NS	064904	KIT SEAL 6 HOLES PIN CONNECTOR	AR		
NS	IS-98103	. SEE INSTRUCTION SHEET	1		
NS	064905	KIT SEAL 9 HOLES PIN CONNECTOR	AR		
NS	IS-98103	. SEE INSTRUCTION SHEET	1		
NS	MI16-28	DRIP EDGE ADDITION ON FRONT MIRRORS / PRODUCT IMPROVMENT	1		
		A) THOSE PARTS ARE USE ON VEHICLE "ACADEMY" W/SERIAL NUMBER N-183,N-186,N-187,N-189,N-190 & N-191			
		B) THIS ARM & BRACKET USE ON BOTH SIDE WITH 990198 ON ACADEMY COACH LISTED ON NOTE A			
		C) FOR BEST ADJUSTEMENT OR RETROFIT "RAMCO" MIRROR USE THOSE COMPONENTS			
		D) PRODUCTION			

From P-375 To R-079	Date:07/2024	PAGE:H4-1856-20
MIRROR "RAMCO" FLAT GLASS / SILVER PAINTED		

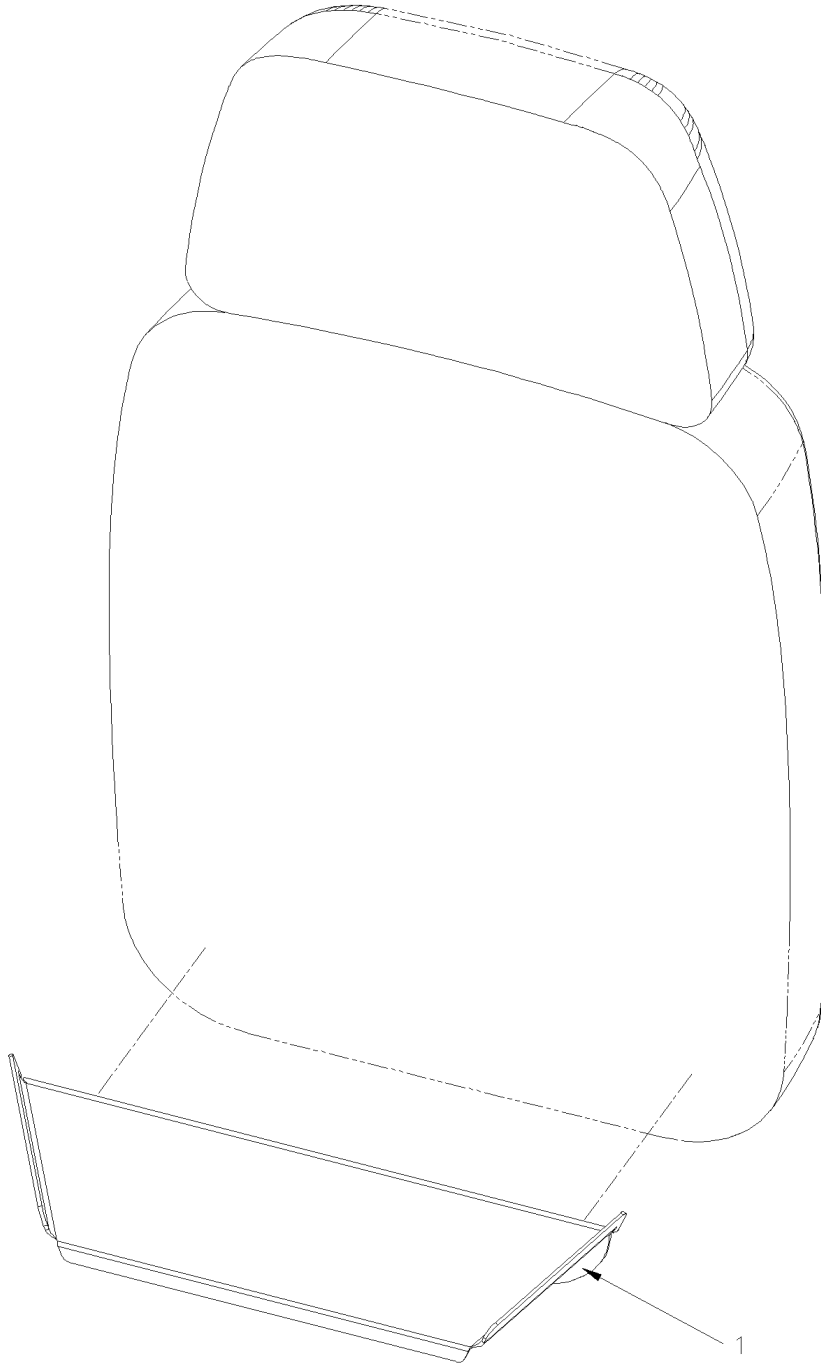
Item#	Part	Description	H 3 4 0	V I P 4 0	N O T E S
		E) USE WITH SERIE 5000 HEAD			
		F) FOR PRODUCT IMPROVMENT USE KIT #064904 OR 064905			
		G) USE WITH SERIE 6000 HEAD			
		H) USE WITH "SNAP-IN" ON MOTOR			
		4) NO PARTS NUMBER			

From P-375 To R-079

Date:07/2024

PAGE:MI16-28

DRIP EDGE ADDITION ON FRONT MIRRORS / PRODUCT IMPROVMENT



From P-375 To R-079	Date:07/2024	PAGE:MI16-28
---------------------	--------------	--------------

DRIP EDGE ADDITION ON FRONT MIRRORS / PRODUCT IMPROVMENT

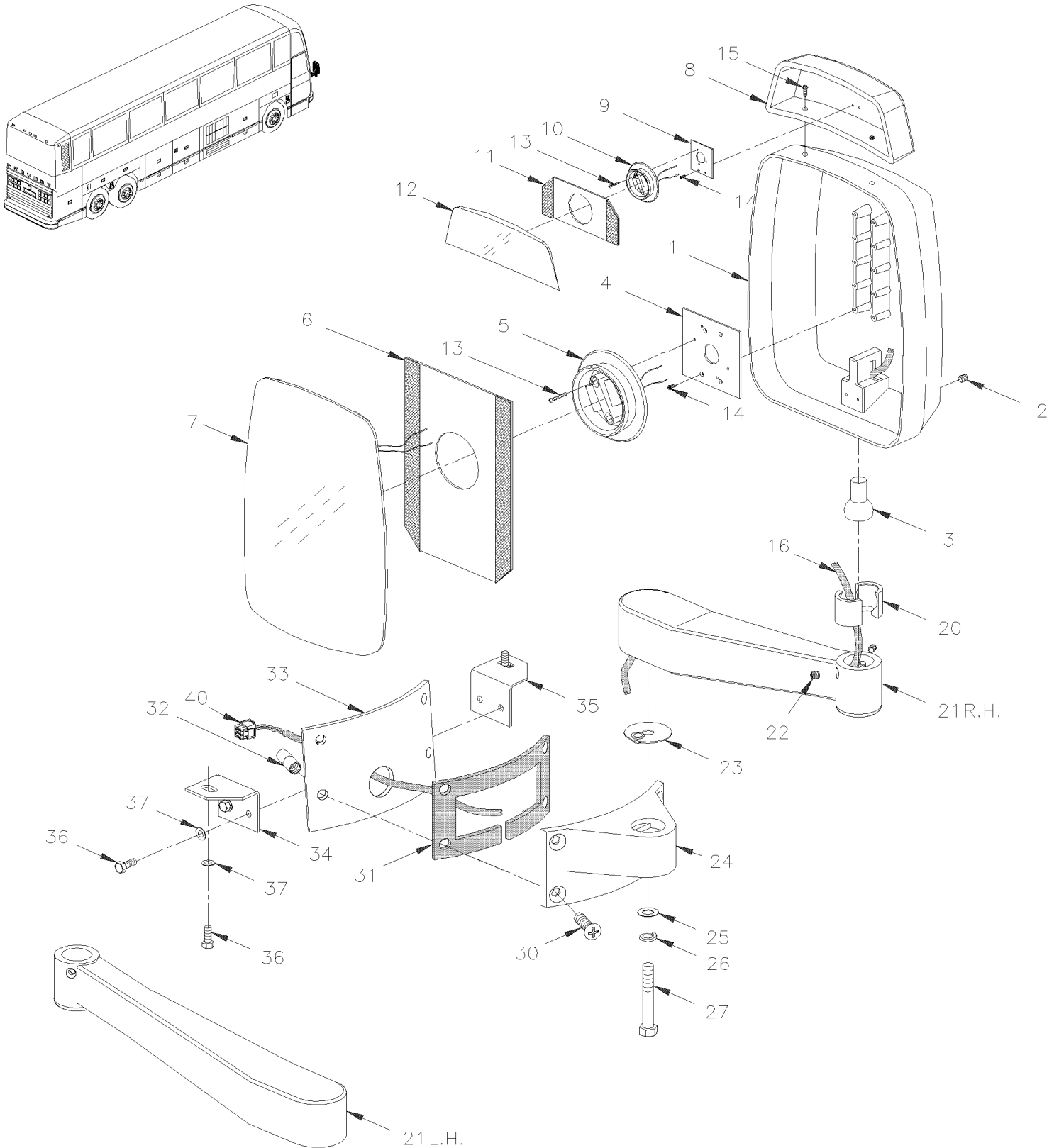
Item#	Part	Description	H 3 4 0	V I P 4 0	N O T E S
1	491507	MIRROR EXT. DRIP MOLDING ASSY	2	2	
2		MAINTENANCE INFORMATION	1	1	

From P-375 To R-079

Date:07/2024

PAGE:H4-1856-22

MIRROR "RAMCO" FLAT GLASS / BLACK PAINTED



From P-375 To R-079 Date:07/2024 PAGE:H4-1856-22

MIRROR "RAMCO" FLAT GLASS / BLACK PAINTED

Item#	Part	Description	H 3 4 0	V I P 4 0	N O T E S
	990204	MIRROR ASSY, L.H. & R.H. ELECTRIC / W/CONVEX MANUAL OVER	1		A
	990221	MIRROR ASSY, R.H. / ELECTRIC / W/CONVEX MANUAL OVER	1		
	990222	MIRROR ASSY, L.H. / ELECTRIC / W/CONVEX MANUAL OVER	1		
	990283	MIRROR ASSY, R.H. / ELECTRIC / W/CONVEX ELEC. OVER	1		
	990284	MIRROR ASSY, L.H. / ELECTRIC / W/CONVEX ELEC. OVER	1		
	990255	MIRROR ASSY, R.H. / MANUAL / W/CONVEX MANUAL OVER	1		
	990256	MIRROR ASSY, L.H. / MANUAL / W/CONVEX MANUAL OVER	1		
1	990298	. HEAD ASSY / ELECTRIC / W/CONVEX MANUAL OVER	1		
1	990419	. HEAD ASSY / ELECTRIC / W/CONVEX ELEC. OVER	1		
1	990299	. HEAD ASSY / MANUAL	1		
2	502812	. . SCREW SET HEXS CUP 3/8-16X3/8 SS	1		
3	990186	. . STUD, BALL	1		
4	990272	. . NOTCHED BACK MOUNTING PLATE (2" X 3")	1		
5	990220	. . MOTOR 12V / LARGE / BLACK & WHITE / 133MM / 5 1/4" O.D.	1		E
. NS	564494	. . . TAB TERMINAL / 20-16 / AMP 63138-1	4		E
. NS	G5009096	. . . MOTOR 12V / LARGE / BLACK & WHITE / 133MM / 5 1/4" O.D.	1		E
5	990349	. . MOTOR 12V / MEDIUM / BLACK / 108MM / 4 1/4" O.D.	1		G
. NS	564494	. . . TAB TERMINAL / 20-16 / AMP 63138-1	4		G
5	990274	. . MECHANISM MANUAL ASSY, LARGE / 133MM / 5 1/4" O.D.	1		
6	990268	. . . VELCRO PLATE / 8" X 8"	1		
7	990199	. . GLASS ASSY W/HEATER 12V	1		
8	990296	. MIRROR ASSY / CONVEX MANUAL	1		
8	990297	. MIRROR ASSY / CONVEX ELECTRIC	1		
9	990295	. . PLATE, TOP MOTOR MOUNTING	1		
10	990275	. . MECHANISM MANUAL ASSY, SMALL / 75MM / 3" O.D.	1		
10	990219	. . MOTOR 12V / SMALL / BLACK / 85MM / 3 5/16" O.D.	1		
. NS	564494	. . . TAB TERMINAL / 20-16 / AMP 63138-1	4		
10	990402	. . MECHANISM MANUAL ASSY, SMALL / 85MM / 3 5/16" O.D. / W/SNAP	1		H
11	990269	. . . VELCRO PLATE / 3" X 4"	1		
12	990270	. . GLASS CONVEX ASSY	1		
12	990339	. GLASS CONVEX ASSY W/HEATER 12V	1		H
13	N.P.N.	. . SCREW TC PAN PH ZP 6-32 X 1 1/8"	3		4
14	500660	. . SCREW TC FL PH #6-32x3/8 Z050	3		
15	990530	. SCREW CAP HEX #10-24x1" SS	2		
NS	500787	. NUT HEX #10-24 SS	2		
16	990282	. CABLE ASSY W/2 WIRES HEATER ELEMENT	1		
20	990187	. CUP, BALL	2		
21	990212	. ARM, L.H. / 15"	1		
21	990211	. ARM, R.H. / 13" X 7"	1		
21	990279	. ARM, R.H. / 15" X 5"	1		A
22	502812	. SCREW SET HEXS CUP 3/8-16X3/8 SS	2		
23	990265	. WASHER ALUMINUM / 2 " O.D.	1		

From P-375 To R-079	Date:07/2024	PAGE:H4-1856-22
MIRROR "RAMCO" FLAT GLASS / BLACK PAINTED		

Item#	Part	Description	H 3 4 0	V I P 4 0	N O T E S
NS	504082	. SNAP BUSHING / .125x.312x.312	1		
24	990213	. BRACKET, MOUNTING	1		
24	990278	. BRACKET, MOUNTING	1		A
25	500958	. WASHER FL .531x1.062x.095 SS	1		
26	N.P.N.	. WASHER, LOCK 1/2 SS	1		4
27	990500	. SCREW 1/2-13x2 HHCS SS	1		
30	500976	SCREW MA FL PH 5/16-18x1 1/2 SS	4		
30	5001095	SCREW MA FL PH 5/16-18x2 1/2 SS	8		A
31	490727	GASKET ADH / FOAM GREY	2		
31	490702	GASKET ADH / SPACER & BODY R.H.	2		A
31	490694	GASKET ADH / SPACER & BRACKET	2		A
NS	490701	SPACER R.H.	1		A
NS	490705	SPACER R.H. MIRROR	1		A
32	500924	NUT AN JK 5/16-18	4		
33	490725	SUPPORT R.H. / BOLTED FIX TO STRUCTURE	1		C
33	490726	SUPPORT L.H. / BOLTED FIX TO STRUCTURE	1		C
33	490814	SUPPORT R.H. / BOLTED & ADJUSTABLE W/STRUCTURE	1		B
33	490815	SUPPORT L.H. / BOLTED & ADJUSTABLE W/STRUCTURE	1		B
33	490699	MIRROR SUPPORT R.H. / (WELDED TO STRUCTURE)	1		A
33	490708	GLASS	1		A
34	490817	ANGLE	2		B
35	490816	ANGLE ASSY W/NUT	2		B
36	502589	SCREW CAP HEX M8-1.25x25 G8.8 Z050	4		B
37	502584	WASHER LO SERR 8.2x26.3x1.8 Z050	4		B
40	561669	CONNECTOR / UNIVERSAL MATE-N-LOK / SH 9C / AMP 1-480706-0	1		F
NS	562131	SOCKET TERMINAL / 20-14 / AMP 350550-1	9		
NS	062783	HARNESS, WIRE / TO L.H. MIRROR	2		F
NS	062784	HARNESS, WIRE / TO R.H. MIRROR	1		F
NS	561670	CONNECTOR / UNIVERSAL MATE-N-LOK / PH 9C / AMP 1-480707-0	1		
NS	561671	PIN TERMINAL / 24-18 / AMP 350690-1	9		
NS	062781	HARNESS, WIRE / TO FRONT JUNCTION BOX	1		
NS	062782	HARNESS, WIRE / TO SWITCH	1		
NS	064904	KIT SEAL 6 HOLES PIN CONNECTOR	AR		
. NS	IS-98103	. SEE INSTRUCTION SHEET	1		
NS	064905	KIT SEAL 9 HOLES PIN CONNECTOR	AR		
. NS	IS-98103	. SEE INSTRUCTION SHEET	1		
NS	M116-28	DRIP EDGE ADDITION ON FRONT MIRRORS / PRODUCT IMPROVMENT	1		
		A) THIS PART IS USE ON VEHICLE "PROTRAV" WITH SERIAL NUMBER N-213,N-216,N-217,N-218 & N-219			
		B) FOR BEST ADJUSTMENT OR RETROFIT "RAMCO" MIRROR USE THOSE COMPONENTS			

From P-375 To R-079	Date:07/2024	PAGE:H4-1856-22
MIRROR "RAMCO" FLAT GLASS / BLACK PAINTED		

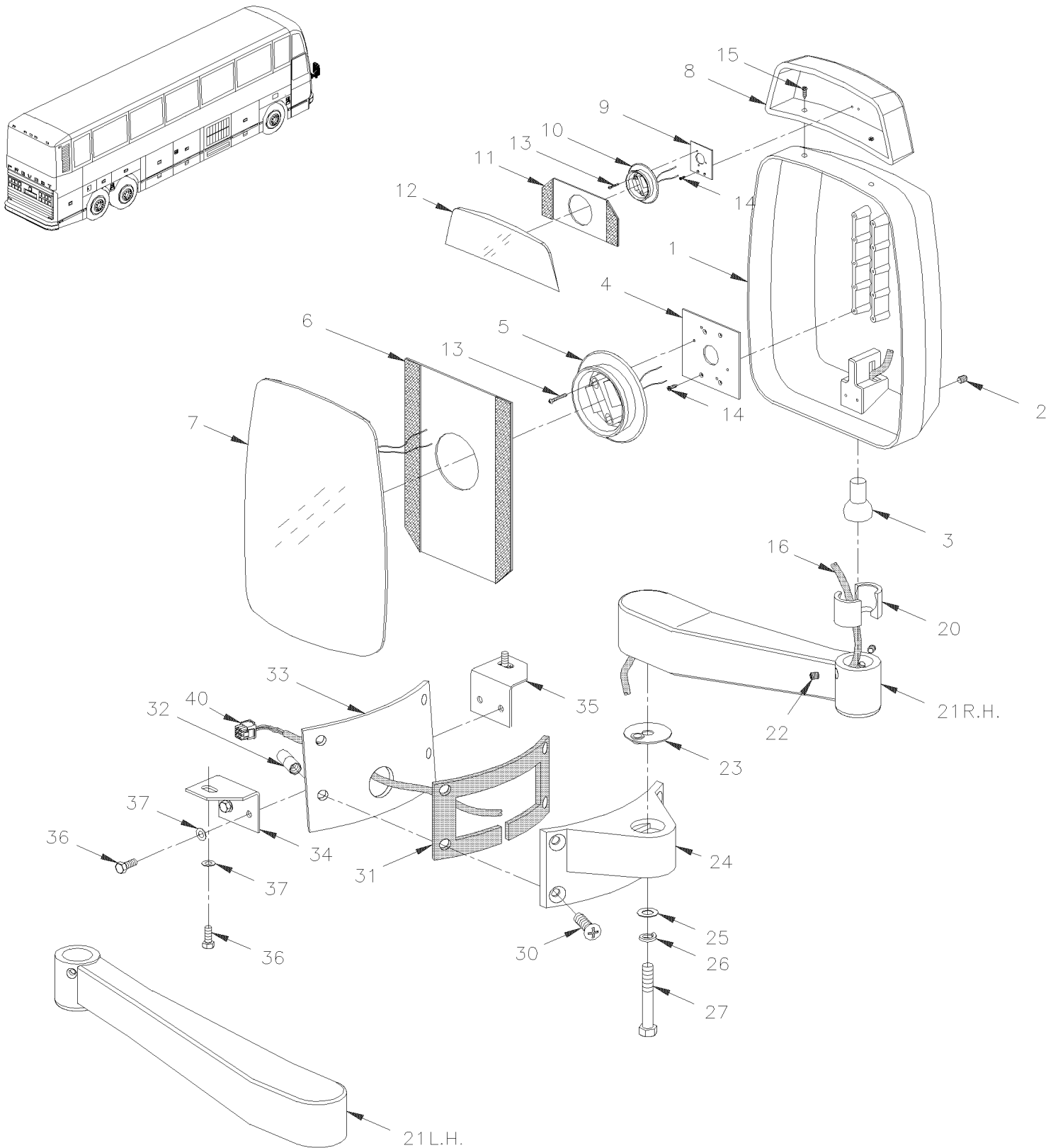
Item#	Part	Description	H 3 4 0	V I P 4 0	N O T E S
		C) PRODUCTION			
		E) USE WITH SERIE 5000 HEAD			
		F) FOR PRODUCT IMPROVMENT USE KIT #064904 OR #064905			
		G) USE WITH SERIE 6000 HEAD			
		H) USE WITH "SNAP-IN" ON MOTOR			
		4) NO PARTS NUMBER			

From P-375 To R-079

Date:07/2024

PAGE:H4-1856-23

MIRROR "RAMCO" FLAT GLASS / CHROME



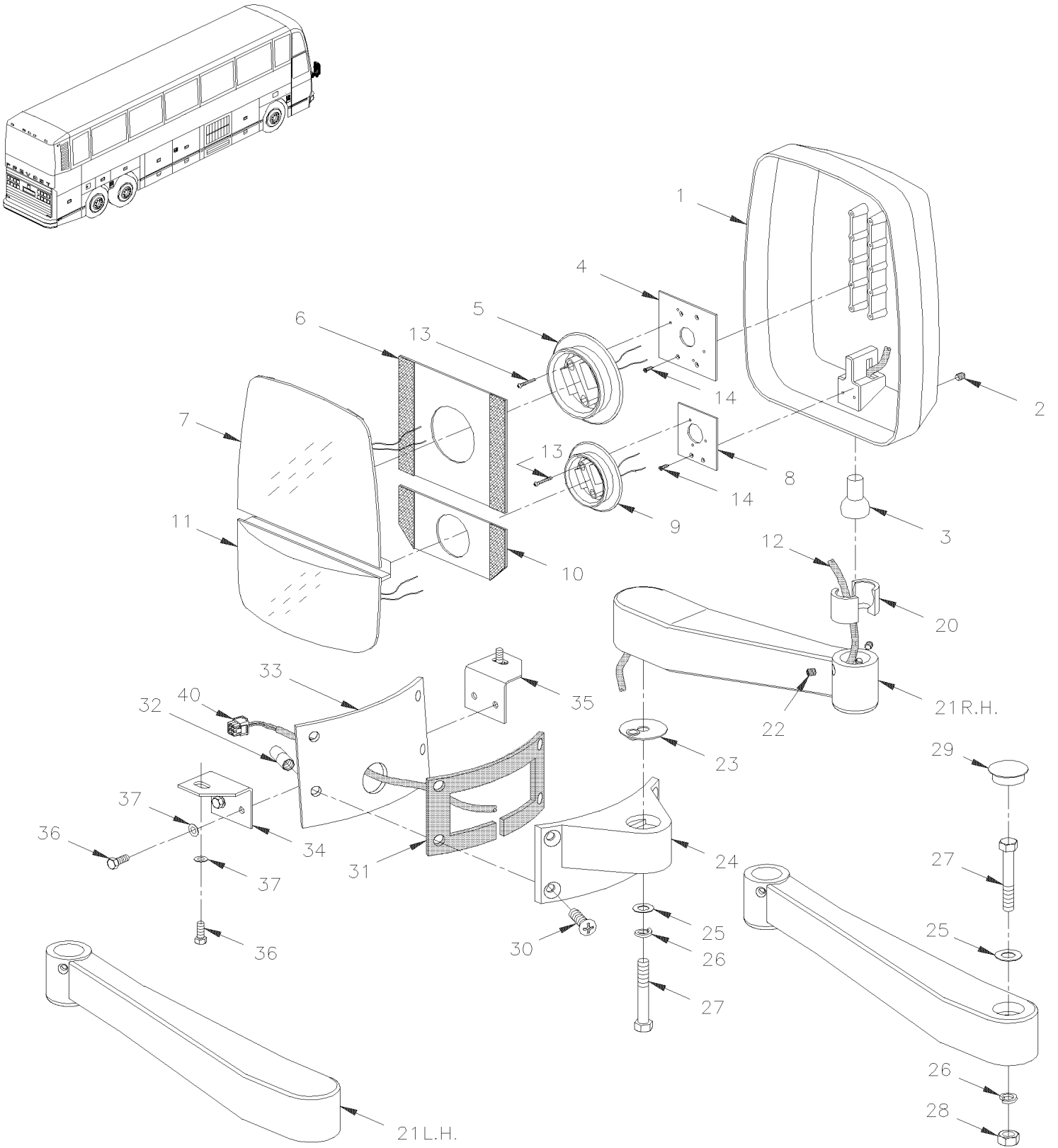
From P-375 To R-079	Date:07/2024	PAGE:H4-1856-23
MIRROR "RAMCO" FLAT GLASS / CHROME		

Item#	Part	Description	H 3 4 0	V I P 4 0	N O T E S
	990261	MIRROR ASSY, R.H. / ELECTRIC / W/CONVEX / CHROME		1	
	7771798	MIRROR ASSY, R.H. / ELECTRIC / W/CONVEX ALUMINUM POLISHED		1	
	990262	MIRROR ASSY, L.H. / ELECTRIC / W/CONVEX / CHROME		1	
	7771799	MIRROR ASSY, L.H. / ELECTRIC / W/CONVEX / ALUMINUM POLISHED		1	
1	990301	. HEAD ASSY / ELECTRIC		1	
2	502812	. . SCREW SET HEXS CUP 3/8-16X3/8 SS		1	
3	990186	. . STUD, BALL		1	
4	990272	. . NOTCHED BACK MOUNTING PLATE (2" X 3")		1	
5	990220	. . MOTOR 12V / LARGE / BLACK & WHITE / 133MM / 5 1/4" O.D.		1	
. NS	564494	. . . TAB TERMINAL / 20-16 / AMP 63138-1		4	
. NS	G5009096	. . . MOTOR 12V / LARGE / BLACK & WHITE / 133MM / 5 1/4" O.D.		1	
6	990268	. . . VELCRO PLATE / 8" X 8"		1	
7	990199	. . GLASS ASSY W/HEATER 12V		1	
8	990302	. MIRROR ASSY / CONVEX ELECTRIC		1	
9	990295	. . PLATE, TOP MOTOR MOUNTING		1	
10	990300	. . MOTOR 12V / SMALL / BLACK / 85MM / 3 5/16" O.D.		1	
. NS	564494	. . . TAB TERMINAL / 20-16 / AMP 63138-1		4	
11	990269	. . . VELCRO PLATE / 3" X 4"		1	
12	990270	. . GLASS CONVEX ASSY		1	
12	990339	. . GLASS CONVEX ASSY W/HEATER 12V		1	H
13	N.P.N.	. . SCREW TC PAN PH ZP 6-32 X 1 1/8"		3	4
14	500660	. . SCREW TC FL PH #6-32x3/8 Z050		3	
15	990530	. SCREW CAP HEX #10-24x1" SS		2	
NS	500787	. NUT HEX #10-24 SS		2	
16	990282	. CABLE ASSY W/2 WIRES HEATER ELEMENT		1	
20	990187	. CUP, BALL		2	
21	990232	. ARM, L.H. / 13" X 7"		1	
21	990231	. ARM, R.H. / 15"		1	
22	502812	. SCREW SET HEXS CUP 3/8-16X3/8 SS		2	
23	990265	. WASHER ALUMINUM / 2 " O.D.		1	
NS	504082	. . SNAP BUSHING / .125x.312x.312		1	
24	990233	. BRACKET, MOUNTING		1	
25	500958	. WASHER FL .531x1.062x.095 SS		1	
26	N.P.N.	. WASHER, LOCK 1/2 SS		1	4
27	990500	. SCREW 1/2-13x2 HHCS SS		1	
30	500976	SCREW MA FL PH 5/16-18x1 1/2 SS		4	
31	490727	GASKET ADH / FOAM GREY		2	
32	500924	NUT AN JK 5/16-18		4	
33	490725	SUPPORT R.H. / BOLTED FIX TO STRUCTURE		1	B
33	490726	SUPPORT L.H. / BOLTED FIX TO STRUCTURE		1	B
33	490814	SUPPORT R.H. / BOLTED & ADJUSTABLE W/STRUCTURE		1	A
33	490815	SUPPORT L.H. / BOLTED & ADJUSTABLE W/STRUCTURE		1	A

From P-375 To R-079	Date:07/2024	PAGE:H4-1856-23
MIRROR "RAMCO" FLAT GLASS / CHROME		

Item#	Part	Description	H 3 4 0	V I P 4 0	N O T E S
34	490817	ANGLE		2	A
35	490816	ANGLE ASSY W/NUT		2	A
36	502589	SCREW CAP HEX M8-1.25x25 G8.8 Z050		1	A
37	502584	WASHER LO SERR 8.2x26.3x1.8 Z050			A
40	561669	CONNECTOR / UNIVERSAL MATE-N-LOK / SH 9C / AMP 1-480706-0		1	F
NS	562131	SOCKET TERMINAL / 20-14 / AMP 350550-1		9	
NS	062783	HARNESS, WIRE / TO L.H. MIRROR		1	F
NS	062784	HARNESS, WIRE / TO R.H. MIRROR		1	F
NS	561670	CONNECTOR / UNIVERSAL MATE-N-LOK / PH 9C / AMP 1-480707-0		1	
NS	561671	PIN TERMINAL / 24-18 / AMP 350690-1		9	
NS	062781	HARNESS, WIRE / TO FRONT JUNCTION BOX		1	
NS	062782	HARNESS, WIRE / TO SWITCH		1	
NS	064904	KIT SEAL 6 HOLES PIN CONNECTOR		AR	
. NS	IS-98103	. SEE INSTRUCTION SHEET		1	
NS	064905	KIT SEAL 9 HOLES PIN CONNECTOR		AR	
. NS	IS-98103	. SEE INSTRUCTION SHEET		1	
NS	MI16-28	DRIP EDGE ADDITION ON FRONT MIRRORS / PRODUCT IMPROVMENT		1	
		A) FOR BEST ADJUSTMENT OR RETROFIT "RAMCO" MIRROR USE THOSE COMPONENTS			
		B) PRODUCTION			
		F) FOR PRODUCT IMPROVMENT USE KIT #064904 OR #064905			
		H) USE WITH "SNAP-IN" ON MOTOR			
		4) NO PARTS NUMBER			

From P-375 To R-079	Date:07/2024	PAGE:H4-1856-30
MIRROR "RAMCO" 2 GLASSES / SILVER PAINTED		



From P-375 To R-079	Date:07/2024	PAGE:H4-1856-30
MIRROR "RAMCO" 2 GLASSES / SILVER PAINTED		

Item#	Part	Description	H 3 4 0	V I P 4 0	N O T E S
	990165	MIRROR ASSY, L.H. / ELECTRIC	2		A
	990217	MIRROR ASSY, L.H. & R.H. / MANUAL	2		A
	990238	MIRROR ASSY, R.H. / MANUAL	1		
	990239	MIRROR ASSY, L.H. / MANUAL	1		
	990263	MIRROR ASSY, R.H. / MANUAL	1		
	990264	MIRROR ASSY, L.H. / MANUAL / SERVICE	1		
1	990185	. HEAD ASSY / ELECTRIC	1		
1	990246	. HEAD ASSY / MANUAL	1		
2	502812	. . SCREW SET HEXS CUP 3/8-16X3/8 SS	2		
3	990186	. . STUD, BALL	1		
4	990272	. . NOTCHED BACK MOUNTING PLATE (2" X 3")	1		
5	990220	. . MOTOR 12V / LARGE / BLACK & WHITE / 133MM / 5 1/4" O.D.	1		G
. NS	564494	. . . TAB TERMINAL / 20-16 / AMP 63138-1	4		G
. NS	G5009096	. . . MOTOR 12V / LARGE / BLACK & WHITE / 133MM / 5 1/4" O.D.	1		G
5	990349	. . MOTOR 12V / MEDIUM / BLACK / 108MM / 4 1/4" O.D.	1		H
. NS	564494	. . . TAB TERMINAL / 20-16 / AMP 63138-1	4		H
5	990274	. . MECHANISM MANUAL ASSY, LARGE / 133MM / 5 1/4" O.D.	1		
6	990266	. . . VELCRO PLATE / 6" X 7"	1		
7	990182	. . FLAT GLASS ASSY W/HEATER 12V	1		
8	990273	. . POWER CONVEX MOTOR BASE PLATE	1		
9	990219	. . MOTOR 12V / SMALL / BLACK / 85MM / 3 5/16" O.D.	1		
. NS	564494	. . . TAB TERMINAL / 20-16 / AMP 63138-1	4		
9	990275	. . MECHANISM MANUAL ASSY, SMALL / 75MM / 3" O.D.	1		
9	990402	. . MECHANISM MANUAL ASSY, SMALL / 85MM / 3 5/16" O.D. / W/SNAP	1		J
10	990267	. . . VELCRO PLATE / 3" X 7"	1		
11	990183	. . CONVEX GLASS ASSY W/HEATER 12V	1		
11	990338	. . CONVEX GLASS ASSY W/HEATER 12V	1		J
12	990282	. . CABLE ASSY W/2 WIRES HEATER ELEMENT	1		
13	N.P.N.	. . SCREW TC PAN PH ZP 6-32 X 3/8	3		4
14	500660	. . SCREW TC FL PH #6-32x3/8 Z050	2		
20	990187	. CUP, BALL	2		
21	990191	. ARM, R.H. / 15" X 5"	1		A
21	990241	. ARM, L.H. / 15"	1		
21	990240	. ARM, R.H. / 13" X 7"	1		
21	990276	. ARM, R.H. / W/PLUG / 13" X 7"	1		
21	990277	. ARM, L.H. / W/PLUG / 15"	1		
22	502812	. SCREW SET HEXS CUP 3/8-16X3/8 SS	2		
23	990265	. WASHER ALUMINUM / 2 " O.D.	1		
NS	504082	. . SNAP BUSHING / .125x.312x.312	1		
24	990193	. BRACKET, MOUNTING	1		A
24	990242	. BRACKET, MOUNTING	1		
25	N.P.N.	. WASHER, LOCK 1/2" SS	1		4

From P-375 To R-079	Date:07/2024	PAGE:H4-1856-30
MIRROR "RAMCO" 2 GLASSES / SILVER PAINTED		

Item#	Part	Description	H 3 4 0	V I P 4 0	N O T E S
26	500958	. WASHER FL .531x1.062x.095 SS	1		
27	990500	. SCREW 1/2-13x2 HHCS SS	1		
28	502595	. NUT HEX NYRT 1/2-13 Z050	1		
29	N.P.N.	. PLUG	1		4
30	500976	SCREW MA FL PH 5/16-18x1 1/2 SS	4		
NS	5001095	SCREW MA FL PH 5/16-18x2 1/2 SS	4		A
31	490727	GASKET ADH / FOAM GREY	2		
NS	490702	GASKET ADH / SPACER & BODY R.H.	1		A
NS	490695	GASKET ADH / SPACER & BODY L.H.	1		A
NS	490694	GASKET ADH / SPACER & BRACKET	1		A
NS	490691	SPACER L.H.	1		A
NS	490701	SPACER R.H.	1		A
32	500924	NUT AN JK 5/16-18	4		
33	490725	SUPPORT R.H. / BOLTED FIX TO STRUCTURE	1		C
33	490726	SUPPORT L.H. / BOLTED FIX TO STRUCTURE	1		C
33	490814	SUPPORT R.H. / BOLTED & ADJUSTABLE W/STRUCTURE	1		B
33	490815	SUPPORT L.H. / BOLTED & ADJUSTABLE W/STRUCTURE	1		B
33	490710	MIRROR SUPPORT L.H. / (WELDED TO STRUCTURE)	1		A
33	490699	MIRROR SUPPORT R.H. / (WELDED TO STRUCTURE)	1		A
34	490817	ANGLE	2		B
35	490816	ANGLE ASSY W/NUT	2		B
36	502589	SCREW CAP HEX M8-1.25x25 G8.8 Z050	4		B
37	502584	WASHER LO SERR 8.2x26.3x1.8 Z050	4		B
40	561669	CONNECTOR / UNIVERSAL MATE-N-LOK / SH 9C / AMP 1-480706-0	1		
NS	562131	SOCKET TERMINAL / 20-14 / AMP 350550-1	9		
NS	062783	HARNESS, WIRE / TO L.H. MIRROR	1		F
NS	062784	HARNESS, WIRE / TO R.H. MIRROR	1		F
NS	561670	CONNECTOR / UNIVERSAL MATE-N-LOK / PH 9C / AMP 1-480707-0	1		
NS	561671	PIN TERMINAL / 24-18 / AMP 350690-1	9		
NS	062781	HARNESS, WIRE / TO FRONT JUNCTION BOX	1		
NS	062782	HARNESS, WIRE / TO SWITCH	1		
NS	064904	KIT SEAL 6 HOLES PIN CONNECTOR	AR		
. NS	IS-98103	. SEE INSTRUCTION SHEET	1		
NS	064905	KIT SEAL 9 HOLES PIN CONNECTOR	AR		
. NS	IS-98103	. SEE INSTRUCTION SHEET	1		
		A) THIS PART IS USE ON ACADEMY ON SERIAL # N-224,229,230,P-261,262,281,282,283,284,285,286,321,322,323			
		B) FOR A BETTER ADJUSTMENT OR RETROFIT "RAMCO" MIRROR USE THOSE COMPONENTS			
		C) PRODUCTION			
		F) FOR PRODUCT IMPROVMENT USE KIT #064904 OR #064905			

From P-375 To R-079	Date:07/2024	PAGE:H4-1856-30
MIRROR "RAMCO" 2 GLASSES / SILVER PAINTED		

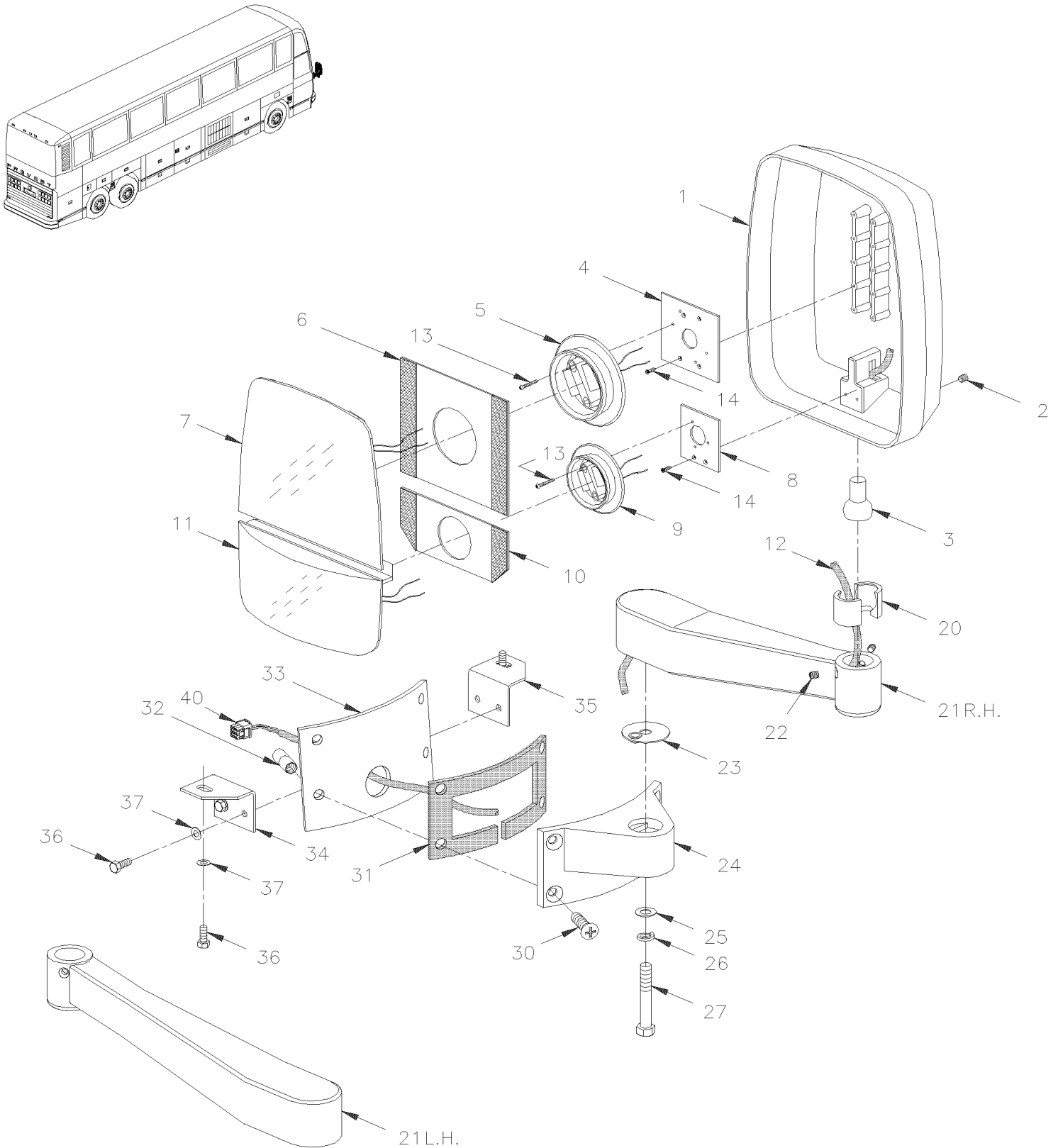
Item#	Part	Description	H 3 4 0	V I P 4 0	N O T E S
		G) USE WITH HEAD SERIE 5000			
		H) USE WITH HEAD SERIE 6000			
		J) USE WITH "SNAP-IN" ON MOTOR			
		4) NO PARTS NUMBER			

From P-375 To R-079

Date:07/2024

PAGE:H4-1856-31

MIRROR "RAMCO" 2 GLASSES / BRIGHT POLISH



From P-375 To R-079	Date:07/2024	PAGE:H4-1856-31
MIRROR "RAMCO" 2 GLASSES / BRIGHT POLISH		

Item#	Part	Description	H 3 4 0	V I P 4 0	N O T E S
	990208	MIRROR ASSY, L.H. / ELECTRIC	1		
	990207	MIRROR ASSY, R.H. / ELECTRIC	1		
1	990184	. HEAD ASSY / ELECTRIC	1		
2	502812	. . SCREW SET HEXS CUP 3/8-16X3/8 SS	1		
NS	990266	. . VELCRO PLATE / 6" X 7"	1		
3	990186	. . STUD, BALL	1		
NS	990272	. . NOTCHED BACK MOUNTING PLATE (2" X 3")	1		
3	N.P.N.	. . SCR TC PAN PH ZP 6-32X1 3/8	AR		4
4	990272	. . NOTCHED BACK MOUNTING PLATE (2" X 3")	1		
5	990220	. . MOTOR 12V / LARGE / BLACK & WHITE / 133MM / 5 1/4" O.D.	1		G
. NS	564494	. . . TAB TERMINAL / 20-16 / AMP 63138-1	4		G
. NS	G5009096	. . . MOTOR 12V / LARGE / BLACK & WHITE / 133MM / 5 1/4" O.D.	1		G
5	990349	. . MOTOR 12V / MEDIUM / BLACK / 108MM / 4 1/4" O.D.	1		H
. NS	564494	. . . TAB TERMINAL / 20-16 / AMP 63138-1	4		H
6	990266	. . . VELCRO PLATE / 6" X 7"	1		
7	990182	. . FLAT GLASS ASSY W/HEATER 12V	1		
8	990273	. . POWER CONVEX MOTOR BASE PLATE	1		
9	990219	. . MOTOR 12V / SMALL / BLACK / 85MM / 3 5/16" O.D.	1		
. NS	564494	. . . TAB TERMINAL / 20-16 / AMP 63138-1	4		
10	990267	. . . VELCRO PLATE / 3" X 7"	1		
11	990183	. . CONVEX GLASS ASSY W/HEATER 12V	1		
11	990338	. . CONVEX GLASS ASSY W/HEATER 12V	1		J
12	990282	. . CABLE ASSY W/2 WIRES HEATER ELEMENT	1		
13	N.P.N.	. . SCREW TC PAN PH 6-32 X 1"1/8	AR		4
14	500660	. . SCREW TC FL PH #6-32x3/8 Z050	AR		
20	990187	. CUP, BALL	1		
21	990210	. ARM, L.H. / 15"	1		
21	990209	. ARM, R.H. / 13" X 7"	1		
22	502812	. SCREW SET HEXS CUP 3/8-16X3/8 SS	AR		
23	990265	. WASHER ALUMINUM / 2 " O.D.	1		
23	504082	. . SNAP BUSHING / .125x.312x.312	1		
24	990214	. BRACKET, MOUNTING	1		
25	N.P.N.	. WASHER, LOCK 1/2" SS	1		4
26	500958	. WASHER FL .531x1.062x.095 SS	1		
27	990500	. SCREW 1/2-13x2 HHCS SS	1		
31	490727	GASKET ADH / FOAM GREY	1		
32	500924	NUT AN JK 5/16-18	4		
33	490725	SUPPORT R.H. / BOLTED FIX TO STRUCTURE	1		B
33	490726	SUPPORT L.H. / BOLTED FIX TO STRUCTURE	1		C
33	490814	SUPPORT R.H. / BOLTED & ADJUSTABLE W/STRUCTURE	1		A
33	490815	SUPPORT L.H. / BOLTED & ADJUSTABLE W/STRUCTURE	1		A
34	490817	ANGLE	2		A

From P-375 To R-079	Date:07/2024	PAGE:H4-1856-31
MIRROR "RAMCO" 2 GLASSES / BRIGHT POLISH		

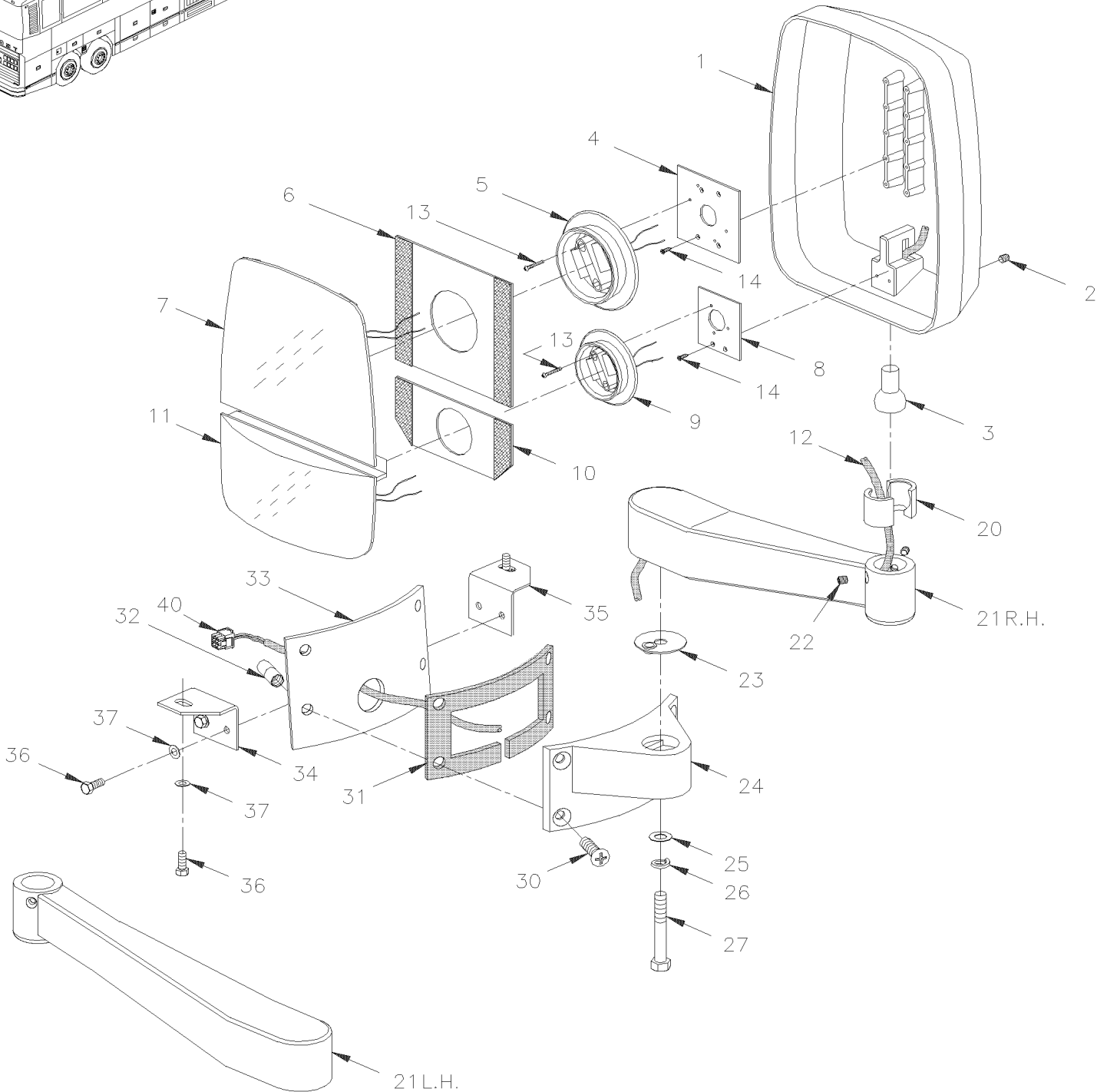
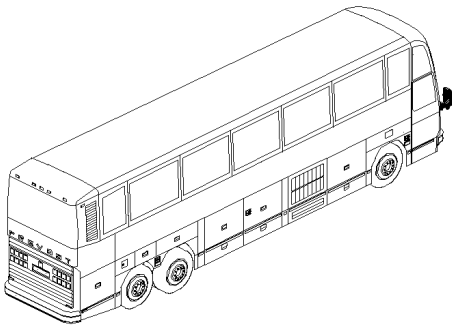
Item#	Part	Description	H 3 4 0	V I P 4 0	N O T E S
35	490816	ANGLE ASSY W/NUT	2		A
36	502589	SCREW CAP HEX M8-1.25x25 G8.8 Z050	4		A
37	502584	WASHER LO SERR 8.2x26.3x1.8 Z050	4		A
40	561669	CONNECTOR / UNIVERSAL MATE-N-LOK / SH 9C / AMP 1-480706-0	1		
NS	562131	SOCKET TERMINAL / 20-14 / AMP 350550-1	9		
NS	062783	HARNESS, WIRE / TO L.H. MIRROR	1		F
NS	062784	HARNESS, WIRE / TO R.H. MIRROR	1		F
NS	561670	CONNECTOR / UNIVERSAL MATE-N-LOK / PH 9C / AMP 1-480707-0	1		
NS	561671	PIN TERMINAL / 24-18 / AMP 350690-1	9		
NS	062781	HARNESS, WIRE / TO FRONT JUNCTION BOX	1		
NS	062782	HARNESS, WIRE / TO SWITCH	1		
NS	064904	KIT SEAL 6 HOLES PIN CONNECTOR	AR		
. NS	IS-98103	. SEE INSTRUCTION SHEET	1		
NS	064905	KIT SEAL 9 HOLES PIN CONNECTOR	AR		
. NS	IS-98103	. SEE INSTRUCTION SHEET	1		
		A) FOR A BETTER ADJUSTMENT OR RETROFIT "RAMCO" MIRROR USE THOSE COMPONENTS			
		B) PRODUCTION			
		C) SERVICE			
		F) FOR PRODUCT IMPROVMENT USE KIT #064904 OR 064905			
		G) USE WITH HEAD SERIE 5000			
		H) USE WITH HEAD SERIE 6000			
		J) USE WITH "SNAP-IN" ON MOTOR			
		4) NO PARTS NUMBER			

From P-375 To R-079

Date:07/2024

PAGE:H4-1856-32

MIRROR "RAMCO" 2 GLASSES / BLACK PAINTED



From P-375 To R-079	Date:07/2024	PAGE:H4-1856-32
MIRROR "RAMCO" 2 GLASSES / BLACK PAINTED		

Item#	Part	Description	H 3 4 0	V I P 4 0	N O T E S
	990216	MIRROR ASSY, R.H. / ELECTRIC	2		A
	990205	MIRROR ASSY, R.H. / ELECTRIC	1	1	
	990206	MIRROR ASSY, L.H. / ELECTRIC	1	1	
	990243	MIRROR ASSY, R.H. / MANUAL	1	1	
	990244	MIRROR ASSY, L.H. / MANUAL	1	1	
1	990218	. HEAD ASSY / ELECTRIC	1	1	
1	990245	. HEAD ASSY / MANUAL	1	1	
2	502812	. . SCREW SET HEXS CUP 3/8-16X3/8 SS	1	1	
3	990186	. . STUD, BALL	1	1	
4	990272	. . NOTCHED BACK MOUNTING PLATE (2" X 3")	1	1	
5	990220	. . MOTOR 12V / LARGE / BLACK & WHITE / 133MM / 5 1/4" O.D.	1	1	G
. NS	564494	. . . TAB TERMINAL / 20-16 / AMP 63138-1	4	4	G
. NS	G5009096	. . . MOTOR 12V / LARGE / BLACK & WHITE / 133MM / 5 1/4" O.D.	1	1	G
5	990349	. . MOTOR 12V / MEDIUM / BLACK / 108MM / 4 1/4" O.D.	1	1	H
. NS	564494	. . . TAB TERMINAL / 20-16 / AMP 63138-1	4	4	H
5	990274	. . MECHANISM MANUAL ASSY, LARGE / 133MM / 5 1/4" O.D.	1	1	
6	990266	. . . VELCRO PLATE / 6" X 7"	1	1	
7	990182	. . FLAT GLASS ASSY W/HEATER 12V	1	1	
8	990273	. . POWER CONVEX MOTOR BASE PLATE	1	1	
9	990219	. . MOTOR 12V / SMALL / BLACK / 85MM / 3 5/16" O.D.	1	1	
. NS	564494	. . . TAB TERMINAL / 20-16 / AMP 63138-1	4	4	
9	990275	. . MECHANISM MANUAL ASSY, SMALL / 75MM / 3" O.D.	1	1	
9	990402	. . MECHANISM MANUAL ASSY, SMALL / 85MM / 3 5/16" O.D. / W/SNAP	1	1	J
10	990267	. . . VELCRO PLATE / 3" X 7"	1	1	
11	990183	. . CONVEX GLASS ASSY W/HEATER 12V	1	1	
11	990338	. . CONVEX GLASS ASSY W/HEATER 12V	1	1	J
12	990282	. . CABLE ASSY W/2 WIRES HEATER ELEMENT	1	1	
13	N.P.N.	. . SCREW TC PAN PH ZP 6-32 X 1 1/8"	7	7	4
14	500660	. . SCREW TC FL PH #6-32x3/8 Z050	2	2	
20	990187	. CUP, BALL	2	2	
21	990212	. ARM, L.H. / 15"	1	1	
21	990211	. ARM, R.H. / 13" X 7"	1	1	
21	990279	. ARM, R.H. / 15" X 5"	1		A
22	502812	. SCREW SET HEXS CUP 3/8-16X3/8 SS	2	2	
23	990265	. WASHER ALUMINUM / 2 " O.D.	1	1	
NS	504082	. . SNAP BUSHING / .125x.312x.312	1	1	
24	990213	. BRACKET, MOUNTING	1	1	
24	990278	. BRACKET, MOUNTING	1		A
25	N.P.N.	. WASHER, LOCK 1/2" SS	1	1	4
26	500958	. WASHER FL .531x1.062x.095 SS	1	1	
27	990500	. SCREW 1/2-13x2 HHCS SS	1	1	
30	500976	. SCREW MA FL PH 5/16-18x1 1/2 SS	4	4	

From P-375 To R-079	Date:07/2024	PAGE:H4-1856-32
MIRROR "RAMCO" 2 GLASSES / BLACK PAINTED		

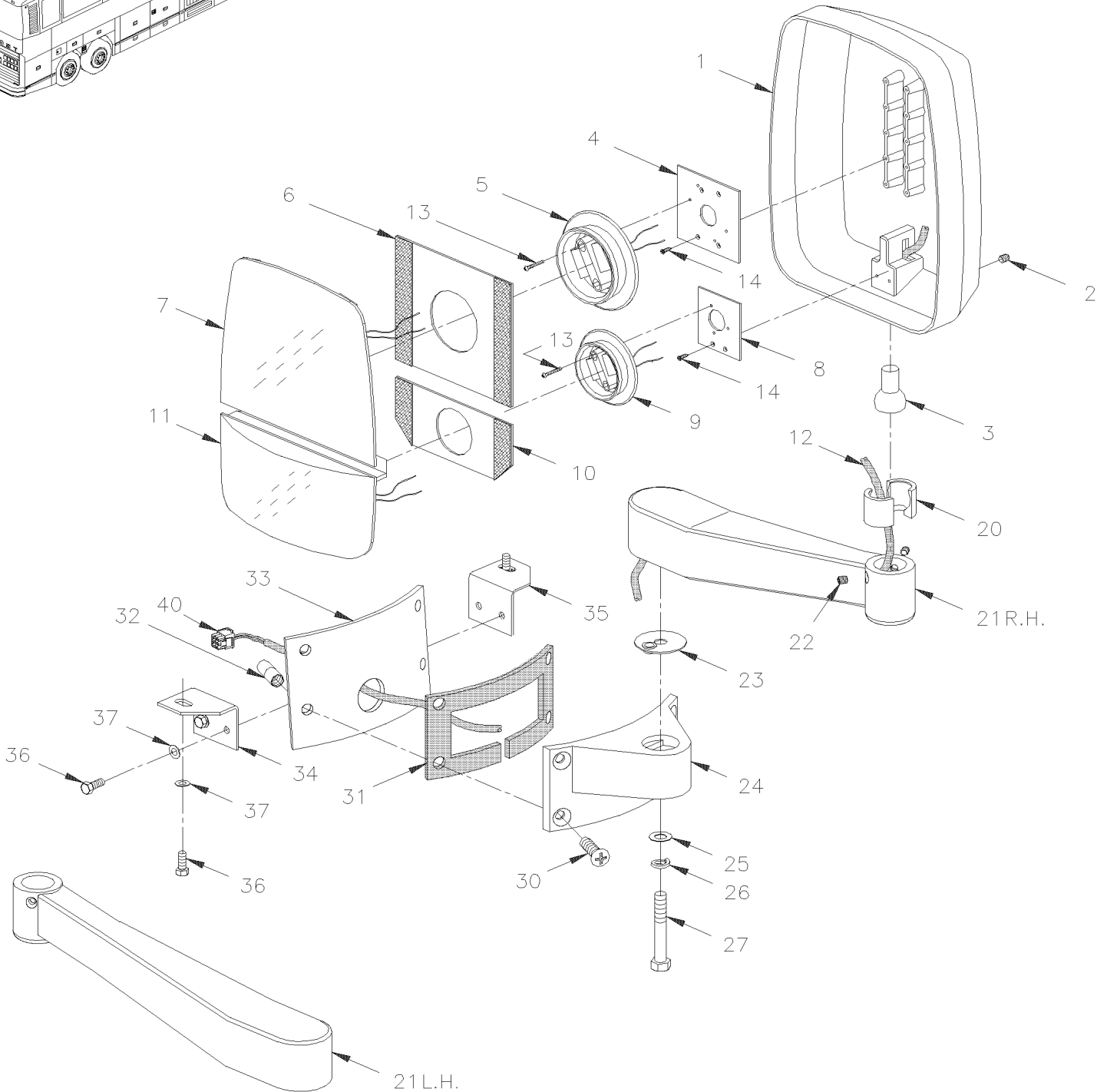
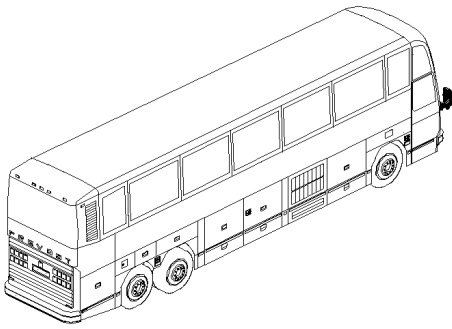
Item#	Part	Description	H 3 4 0	V I P 4 0	N O T E S
NS	5001095	SCREW MA FL PH 5/16-18x2 1/2 SS	8		
31	490727	GASKET ADH / FOAM GREY	2	2	
NS	490694	GASKET ADH / SPACER & BRACKET	1		
NS	490691	SPACER L.H.	1		
NS	490695	GASKET ADH / SPACER & BODY L.H.	1		
NS	490694	GASKET ADH / SPACER & BRACKET	1		
NS	490701	SPACER R.H.	1		
32	500924	NUT AN JK 5/16-18	4	4	
33	490725	SUPPORT R.H. / BOLTED FIX TO STRUCTURE	1	1	C
33	490710	MIRROR SUPPORT L.H. / (WELDED TO STRUCTURE)	1		
33	490726	SUPPORT L.H. / BOLTED FIX TO STRUCTURE	1	1	C
33	490699	MIRROR SUPPORT R.H. / (WELDED TO STRUCTURE)	1		
33	490814	SUPPORT R.H. / BOLTED & ADJUSTABLE W/STRUCTURE	1	1	B
33	490815	SUPPORT L.H. / BOLTED & ADJUSTABLE W/STRUCTURE	1	1	B
34	490817	ANGLE	2	2	B
35	490816	ANGLE ASSY W/NUT	2	2	B
36	502589	SCREW CAP HEX M8-1.25x25 G8.8 Z050	4	4	B
37	502584	WASHER LO SERR 8.2x26.3x1.8 Z050	4	4	B
40	561669	CONNECTOR / UNIVERSAL MATE-N-LOK / SH 9C / AMP 1-480706-0	1	1	
NS	562131	SOCKET TERMINAL / 20-14 / AMP 350550-1	9	9	
NS	062783	HARNESS, WIRE / TO L.H. MIRROR	2	2	F
NS	062784	HARNESS, WIRE / TO R.H. MIRROR	1	1	F
NS	561670	CONNECTOR / UNIVERSAL MATE-N-LOK / PH 9C / AMP 1-480707-0	1	1	
NS	561671	PIN TERMINAL / 24-18 / AMP 350690-1	9	9	
NS	062781	HARNESS, WIRE / TO FRONT JUNCTION BOX	1	1	
NS	062782	HARNESS, WIRE / TO SWITCH	1	1	
NS	064904	KIT SEAL 6 HOLES PIN CONNECTOR	AR	AR	
. NS	IS-98103	. SEE INSTRUCTION SHEET	1	1	
NS	064905	KIT SEAL 9 HOLES PIN CONNECTOR	AR	AR	
. NS	IS-98103	. SEE INSTRUCTION SHEET	1	1	
		A) THIS PARTS IS USE ON BLUE BIRD ON SERIAL # P-300,301,302,303,304,306,307,308,309 & 311			
		B) FOR A BETTER ADJUSTMENT OR RETROFIT "RAMCO" MIRROR USE THOSE COMPONENTS			
		C) PRODUCTION			
		F) FOR PRODUCT IMPROVMENT USE KIT #064904 OR #064905			
		G) USE WITH HEAD SERIE 5000			
		H) USE WITH HEAD SERIE 6000			
		J) USE WITH "SNAP-IN" ON MOTOR			
		4) NO PARTS NUMBER			

From P-375 To R-079

Date:07/2024

PAGE:H4-1856-33

MIRROR "RAMCO" 2 GLASSES / CHROME



From P-375 To R-079	Date:07/2024	PAGE:H4-1856-33
---------------------	--------------	-----------------

MIRROR "RAMCO" 2 GLASSES / CHROME

Item#	Part	Description	H 3 4 0	V I P 4 0	N O T E S
	990229	MIRROR ASSY, R.H. / ELECTRIC		1	
	990230	MIRROR ASSY, L.H. / ELECTRIC		1	
1	990237	HEAD ASSY / ELECTRIC		1	
2	502812	SCREW SET HEXS CUP 3/8-16X3/8 SS		1	
3	990186	STUD, BALL		1	
4	990272	NOTCHED BACK MOUNTING PLATE (2" X 3")		1	
5	990220	MOTOR 12V / LARGE / BLACK & WHITE / 133MM / 5 1/4" O.D.		1	G
. NS	564494	TAB TERMINAL / 20-16 / AMP 63138-1		4	G
. NS	G5009096	MOTOR 12V / LARGE / BLACK & WHITE / 133MM / 5 1/4" O.D.		1	G
5	990349	MOTOR 12V / MEDIUM / BLACK / 108MM / 4 1/4" O.D.	1	1	H
. NS	564494	TAB TERMINAL / 20-16 / AMP 63138-1	4	4	H
6	990266	VELCRO PLATE / 6" X 7"		1	
7	990182	FLAT GLASS ASSY W/HEATER 12V		1	
8	990273	POWER CONVEX MOTOR BASE PLATE		1	
9	990219	MOTOR 12V / SMALL / BLACK / 85MM / 3 5/16" O.D.		1	
. NS	564494	TAB TERMINAL / 20-16 / AMP 63138-1		4	
10	990267	VELCRO PLATE / 3" X 7"		1	
11	990183	CONVEX GLASS ASSY W/HEATER 12V		1	
11	990338	CONVEX GLASS ASSY W/HEATER 12V	1	1	J
12	990282	CABLE ASSY W/2 WIRES HEATER ELEMENT		1	
13	N.S.S.	SCREW TC PAN PH ZP 6-32 X 1 1/8"		3	1
14	500660	SCREW TC FL PH #6-32x3/8 Z050		2	
20	990187	CUP, BALL		2	
21	990232	ARM, L.H. / 13" X 7"		1	
21	990231	ARM, R.H. / 15"		1	
22	502812	SCREW SET HEXS CUP 3/8-16X3/8 SS		2	
23	990265	WASHER ALUMINUM / 2 " O.D.		1	
NS	504082	SNAP BUSHING / .125x.312x.312		1	
24	990233	BRACKET, MOUNTING		1	
25	N.P.N.	WASHER, LOCK 1/2" SS		1	4
26	500958	WASHER FL .531x1.062x.095 SS		1	
27	990500	SCREW 1/2-13x2 HHCS SS		1	
30	500976	SCREW MA FL PH 5/16-18x1 1/2 SS		4	
31	490727	GASKET ADH / FOAM GREY		1	
32	500924	NUT AN JK 5/16-18		4	
33	490725	SUPPORT R.H. / BOLTED FIX TO STRUCTURE		1	B
33	490726	SUPPORT L.H. / BOLTED FIX TO STRUCTURE		1	B
33	490814	SUPPORT R.H. / BOLTED & ADJUSTABLE W/STRUCTURE		1	A
33	490815	SUPPORT L.H. / BOLTED & ADJUSTABLE W/STRUCTURE		1	A
34	490817	ANGLE		2	A
35	490816	ANGLE ASSY W/NUT		2	A
36	502589	SCREW CAP HEX M8-1.25x25 G8.8 Z050		4	A

From P-375 To R-079	Date:07/2024	PAGE:H4-1856-33
---------------------	--------------	-----------------

MIRROR "RAMCO" 2 GLASSES / CHROME

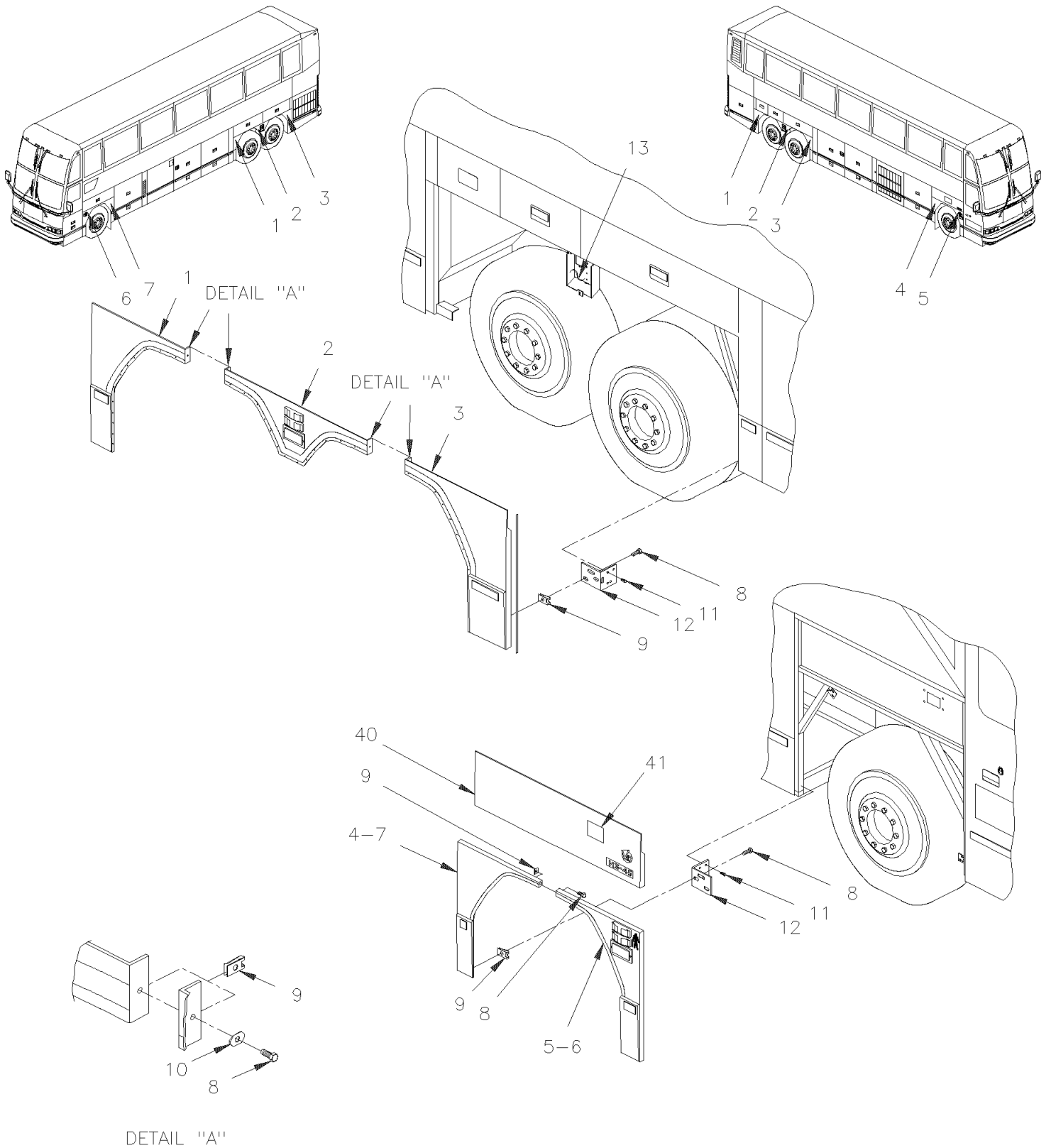
Item#	Part	Description	H 3 4 0	V I P 4 0	N O T E S
37	502584	WASHER LO SERR 8.2x26.3x1.8 Z050		4	A
40	561669	CONNECTOR / UNIVERSAL MATE-N-LOK / SH 9C / AMP 1-480706-0		1	
NS	562131	SOCKET TERMINAL / 20-14 / AMP 350550-1		9	
NS	062783	HARNESS, WIRE / TO L.H. MIRROR		1	F
NS	062784	HARNESS, WIRE / TO R.H. MIRROR		1	F
NS	561670	CONNECTOR / UNIVERSAL MATE-N-LOK / PH 9C / AMP 1-480707-0		1	
NS	561671	PIN TERMINAL / 24-18 / AMP 350690-1		9	
NS	062781	HARNESS, WIRE / TO FRONT JUNCTION BOX		1	
NS	062782	HARNESS, WIRE / TO SWITCH		1	
NS	064904	KIT SEAL 6 HOLES PIN CONNECTOR		1	
. NS	IS-98103	. SEE INSTRUCTION SHEET		1	
NS	064905	KIT SEAL 9 HOLES PIN CONNECTOR		1	
. NS	IS-98103	. SEE INSTRUCTION SHEET		1	
		A) FOR A BETTER ADJUSTMENT OR RETROFIT "RAMCO" MIRROR USE THOSE COMPONENTS			
		B) PRODUCTION			
		F) FOR PRODUCT IMPROVMENT USE KIT #064904 OR 064905			
		G) USE WITH HEAD SERIE 5000			
		H) USE WITH HEAD SERIE 6000			
		J) USE WITH "SNAP-IN" ON MOTOR			
		1) NOT SOLD SEPARATELY			
		4) NO PARTS NUMBER			

From L-031 To R-079

Date:07/2024

PAGE:H4-1857-00

FENDERS



From L-031 To R-079	Date:07/2024	PAGE:H4-1857-00
FENDERS		

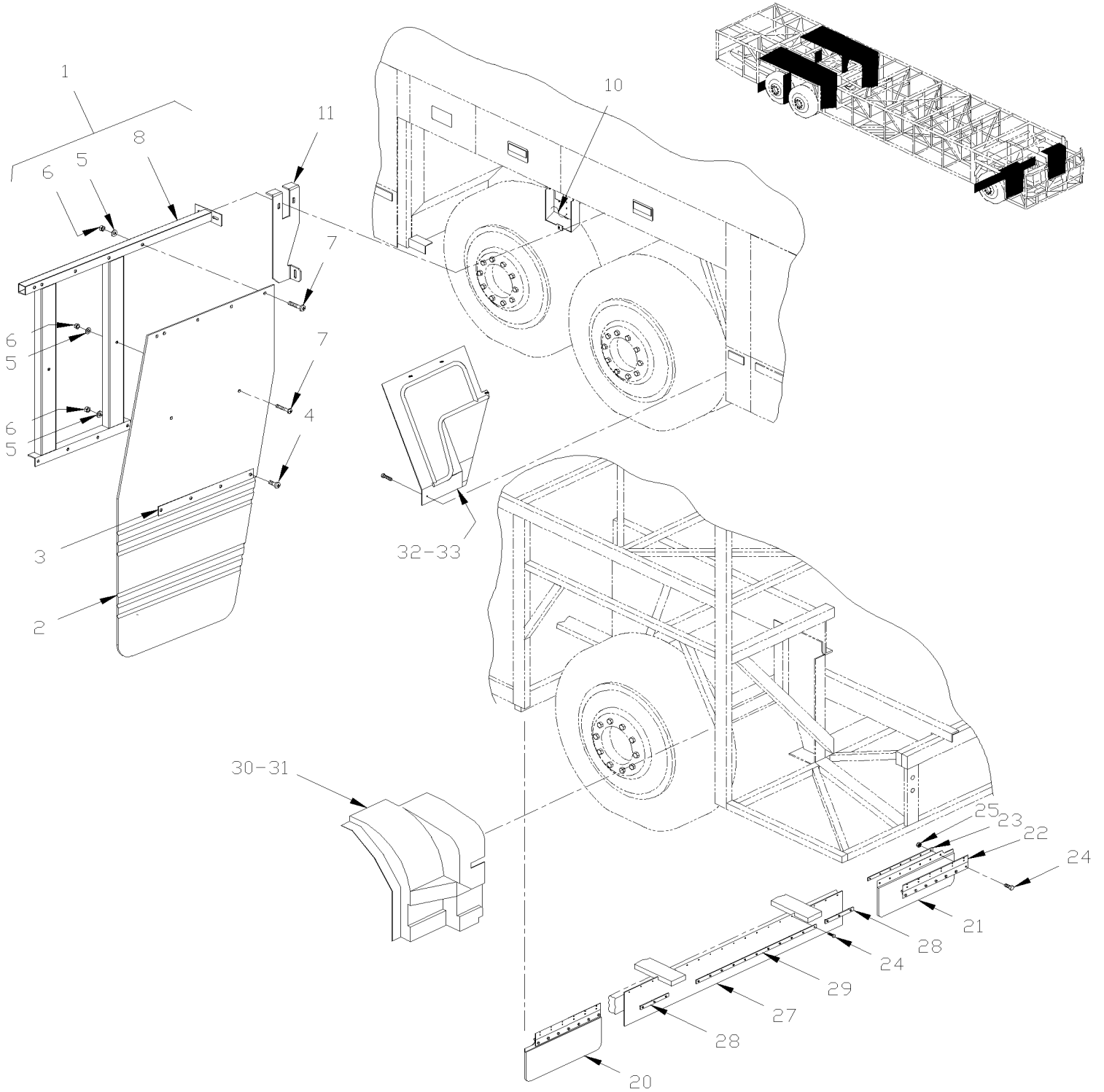
Item#	Part	Description	H 3 4 0	V I P 4 0	N O T E S
1	472213	FENDER L.H. / FIBERGLASS To M-132	2	2	A
1	472579	FENDER L.H. / FIBERGLASS From M-133 To P-329	2	2	B
1	472701	FENDER L.H. / FIBERGLASS From P-330	1	1	
2	472216	FENDER / CENTRAL SECTION To P-329	2	2	
2	472218	FENDER / CENTRAL SECTION / W/LIGHT To P-329	2	2	
2	472703	FENDER / CENTRAL SECTION / W/LIGHT From P-330	2	2	
2	472710	FENDER / CENTRAL SECTION From P-330	2	2	
2	506025	RUBBER CHANNEL / 1/18" x 5/16" INT "U" SHAPE / SQUARE C.T.L.	AR	AR	
3	472230	FENDER R.H. / FIBERGLASS To M-132	2	2	A
3	472586	FENDER R.H. / FIBERGLASS From M-133 To P-329	2	2	B
3	472702	FENDER R.H. / FIBERGLASS From P-330	2	2	
4	472217	FENDER FIBERGLASS / REAR, FRONT R.H. WHEEL	1	1	
5	472214	FENDER FIBERGLASS / FRONT, FRONT R.H. WHEEL / W/LIGHT	1	1	
NS	160622	DECAL "FRONT KNEELING" (MAN W/CANE)	1		
6	472215	FENDER FIBERGLASS / FRONT, FRONT L.H. WHEEL / W/LIGHT	1	1	
7	472212	FENDER FIBERGLASS / REAR, FRONT L.H. WHEEL	1	1	
8	500535	SCREW TP CAP HEX #14x3/4 Z050	AR	AR	
8	500468	WASHER FL .281x1.250x.065 Z050	AR	AR	
9	502764	NUT SPR J #14A .035-.046	AR	AR	
10	472231	PLATE MOUNTING	4	4	
11	504248	RIVET CHY Q PRDG 3/16x1/4 SS	AR	AR	
12	472379	ANGLE SUPPORT / TO FIX FENDER TO FRAME	22	22	
12	472601	SUPPORT / TO FIX REAR END FENDER From M-168	2	2	
13	472237	SUPPORT & PROTECTOR ASSY / L.H. CENTRAL SECTION FENDER	1	1	
13	472239	SUPPORT & PROTECTOR ASSY / R.H. CENTRAL SECTION FENDER	1	1	
NS	502621	NUT HEX STO M6-1.0 Z050	AR	AR	C
NS	502656	SCREW CAP HEX M6-1.0x50 SS	AR	AR	
NS	500535	SCREW TP CAP HEX #14x3/4 Z050	AR	AR	D
NS	502764	NUT SPR J #14A .035-.046	AR	AR	D
		A) WARNING FOR A BETTER ADJUSTMENT OF FENDERS IN SERVICE UP TO N-210 USED 472675 FOR LH & 472676 FOR RH			
		B) WARNING FOR A BETTER ADJUSTMENT OF FENDERS IN SERVICE FROM N-210 TO P-330 USE 472701 LH & 472702 RH			
		C) TO FIX REINFORCMENT TO FRAME			
		D) TO FIX FENDER TO REINFORCEMENT			

From L-031 To R-079

Date:07/2024

PAGE:H4-1859-00

SPLASH GUARD - FRONT & REAR



From L-031 To R-079	Date:07/2024	PAGE:H4-1859-00
SPLASH GUARD - FRONT & REAR		

Item#	Part	Description	H 3 4 0	V I P 4 0	N O T E S
	460285	SPLASH GUARD / R.H. / DRIVE & TAG / SMALL	1	1	
	460310	SPLASH GUARD / R.H. / DRIVE & TAG / LARGE	1		
	460280	SPLASH GUARD / L.H. / DRIVE & TAG / SMALL	1	1	
	460311	SPLASH GUARD / L.H. / DRIVE & TAG / LARGE	1		
1	460289	. SUPPORT R.H. / SMALL	1	1	
NS	460309	. SUPPORT R.H. / LARGE	1		
NS	460276	. SUPPORT L.H. / SMALL	1	1	
NS	460307	. SUPPORT L.H. / LARGE	1		
2	460283	. PANEL R.H. / SMALL	1	1	
2	460304	. PANEL R.H. / LARGE	1		
2	460282	. PANEL L.H. / SMALL	1	1	
2	460302	. PANEL L.H. / LARGE	1		
3	460279	. PLATE REINFORCEMENT	1	1	
4	500556	. SCREW MA TR PH 1/4-20x3/4 SS	4	4	
5	500411	. WASHER FL .260x.697x.050 SS	10	10	
6	500770	. NUT HEX STO 1/4-20 Z050	10	10	
7	500610	. SCREW MA RND PH 1/4x1 3/4 SS	AR	AR	
8	460286	. SUPPORT L.H. & R.H.	2	2	
9	500095	. SCREW CAP HEX 1/4-20x3/4 SS	4	4	
10	472237	SUPPORT & PROTECTOR ASSY / L.H. CENTRAL SECTION FENDER	1	1	
10	472239	SUPPORT & PROTECTOR ASSY / R.H. CENTRAL SECTION FENDER	1	1	
NS	502621	NUT HEX STO M6-1.0 Z050	AR	AR	
NS	502656	SCREW CAP HEX M6-1.0x50 SS	AR	AR	
11	212053	SUPPORT R.H.	1		A
11	212011	SUPPORT L.H.	1		A
20	460293	SPLASH GUARD ASSY / R.H. FRONT & R.H. TAG	2	2	
21	460291	SPLASH GUARD ASSY / L.H. FRONT	1	1	
NS	460295	SPLASH GUARD ASSY / L.H. TAG	1	1	
NS	460292	. SPLASH GUARD / L.H.	1	1	
NS	460294	. SPLASH GUARD / R.H.	1	1	
22	460290	. HINGE	1	1	
23	460274	. PLATE REINFORCEMENT 434MM	1	1	
24	502622	. SCREW CAP HEX M6-1.0x20 SS BK	7	7	
25	502621	. NUT HEX STO M6-1.0 Z050	7	7	
27	460312	SPLASH GUARD / CENTER FRONT SPLASH / 1466MM X 247MM			
28	460313	STRAP / TO FIX CENTER SPLASH GUARD / 220MM X 20MM	2	2	
29	460314	STRAP / TO FIX CENTER SPLASH GUARD / 806MM X 20MM	1	1	
30	460229	SPLASH GUARD / R.H. FRONT	1	1	
31	460270	SPLASH GUARD / L.H. FRONT	1	1	
NS	460248	SUPPORT ANGLE LOWER / FRONT	6	6	
NS	504487	RIVET MGLP PRDG 3/16x7/16 SS	18	18	B
32	460272	SPLASH GUARD / R.H. DRIVE	1	1	

From L-031 To R-079	Date:07/2024	PAGE:H4-1859-00
SPLASH GUARD - FRONT & REAR		

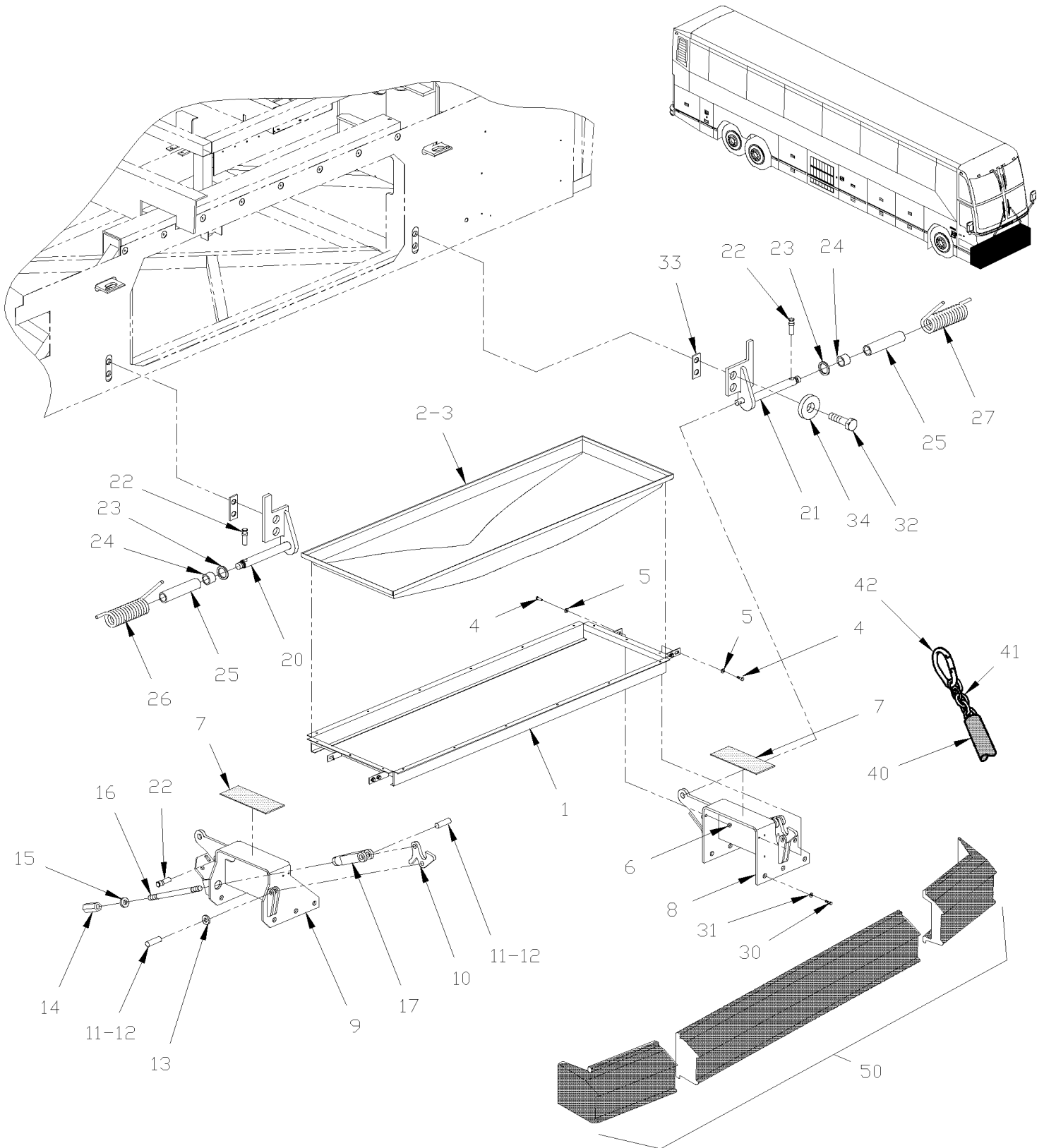
Item#	Part	Description	H 3 4 0	V I P 4 0	N O T E S
33	460273	SPLASH GUARD / L.H. DRIVE	1	1	
NS	500535	SCREW TP CAP HEX #14x3/4 Z050	1	1	C
NS	500468	WASHER FL .281x1.250x.065 Z050	1	1	C
		FOR RETROFIT LARGER MODEL YOU NEED			
		2 TUBES #460306 ONE SUPPORT #212011			
		ONE SUPPORT #212053 AND DIAGRAM D460017			
		A) WITH LARGE SPLAH GUARD ONL			
		B) TO FIX FRONT			
		C) TO FIX REAR			

From L-031 To R-079

Date:07/2024

PAGE:H4-1860-10

SPARE WHEEL DOOR MECHANISM FRONT BUMPER



From L-031 To R-079	Date:07/2024	PAGE:H4-1860-10
SPARE WHEEL DOOR MECHANISM FRONT BUMPER		

Item#	Part	Description	H 3 4 0	V I P 4 0	N O T E S
	410454P	BUMPER ASSY / W/COMPLETE DOOR MECHANISM	1		
1	410455	. FRAME ASSY	1		
2	410453	. PANEL CLOSING / SPARE COMPARTMENT / PLASTIC	1		
NS	504488	. RIVET MGLP PRDG 3/16x17/64 SS	AR		
3	410605	. RUBBER EXTRUSION SEAL / GRIP .062 X 3140MM	1		A
4	502622	. SCREW CAP HEX M6-1.0x20 SS BK	8		
5	500411	. WASHER FL .260x.697x.050 SS	6		
5	502582	. WASHER LO SERR 6.1x16.2x0.9 Z050	6		
6	500609	. NUT HEX M6-1.0 Z050	6		
7	410429	. SPACER RUBBER	2		
8	410383	. BRACKET ASSY / L.H.	1		
9	410375	. BRACKET ASSY / R.H.	1		
10	410569	HOOK	2		
11	502027	. PIN, CLEVIS 1/2 x 1 1/4 BZC	1		
12	502111	. PIN, COTTER 1/8 x 1 1/2 SS	2		
13	500958	. WASHER FL .531x1.062x.095 SS	2		
14	410399	. NUT HEX CPG 5/8-11 X 2 1/8	2		
15	500449	. WASHER FL .625x1.500 SS	2		
16	410397	. THREADED ROD 229MM	2		
17	640129	. YOKE 5/8-18x1 3/8 C/Lx9/16Wx1/2	2		
NS	500730	. NUT HEX JAM THN 5/8-18x3/8 ZP	2		
20	410372	. BRACKET ASSY / R.H.	1		
21	410365	. BRACKET ASSY / L.H.	1		
22	505406	SPRING, PIN 1/4 X 1 1/2	2		
26	410389	. SPRING, TORSION / R.H.	1		E
27	410361	. SPRING, TORSION / L.H.	1		E
30	502696	. SCREW CAP HEX 1/2-13x1 1/4 G5 ZP	12		
31	500482	. WASHER LO SPT .506x.873x.125 Z050	12		
32	502544	. SCREW CAP HEX M16-2.0x40 G8.8 Z050	4		
33	410460	. PLATE 76MM X 30MM	2		
40	560388	. PLASTIC TUBING / 3/4" / CLEAR	AR		
41	650152	. CHAIN / S.L.	AR		
42	504522	. HOOK	3		
NS	502548	. EYE BOLT M10-1.5x50 CJ	2		
NS	500256	. NUT HEX M10-1.5 Z050	4		
NS	410464	HOSE 3/4" I.D. 420MM	1		
NS	410671	KIT TOOL BUMPER SPRING INSTALLATION	1		
. NS	IS-97064	. SEE INSTRUCTION SHEET	1		
50	H4-1850-00	BUMPER FRONT - BUS			

From L-031 To R-079	Date:07/2024	PAGE:H4-1860-10
SPARE WHEEL DOOR MECHANISM FRONT BUMPER		

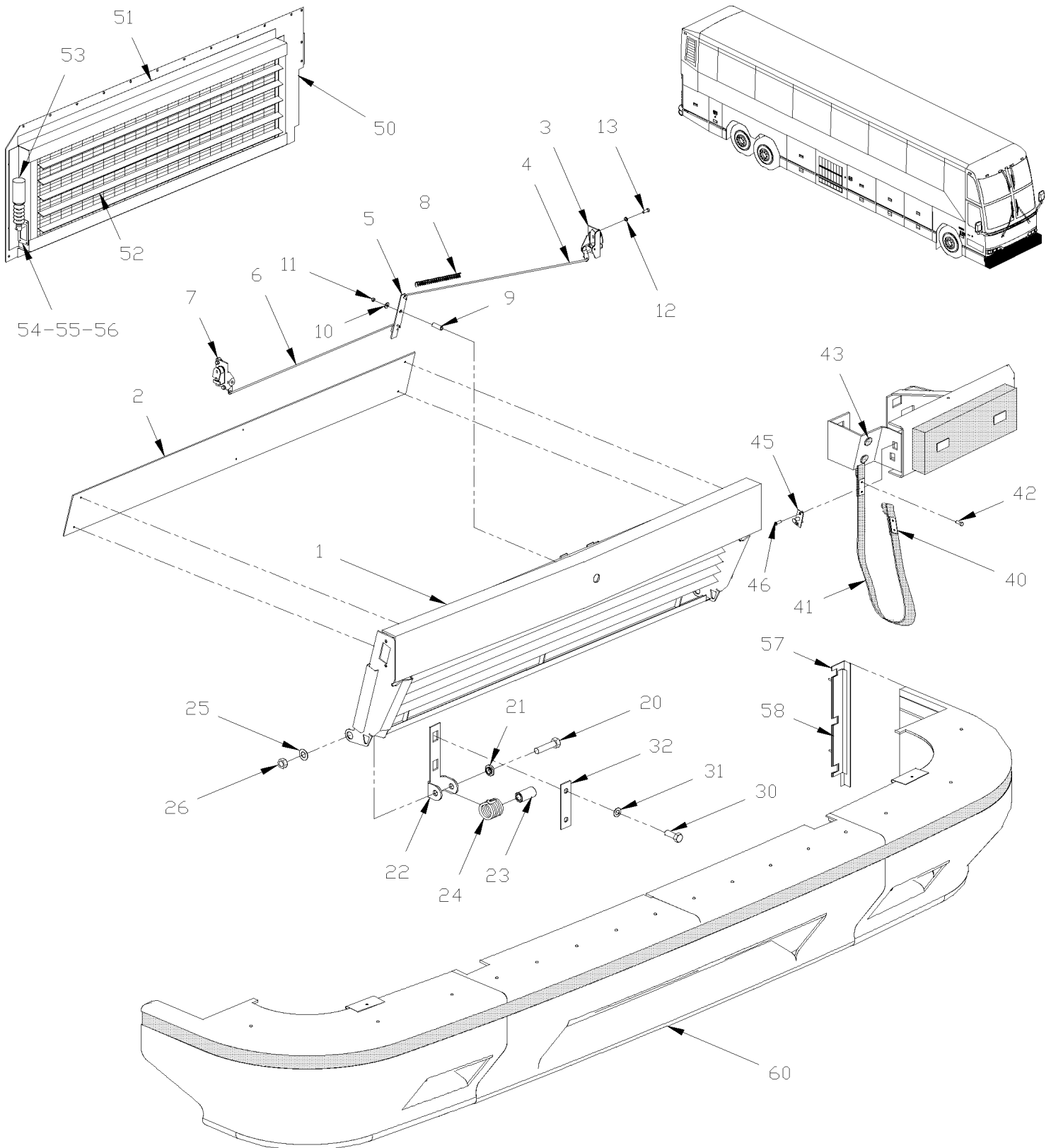
Item#	Part	Description	H 3 4 0	V I P 4 0	N O T E S
		A) ALSO SOLD IN 20' ON PART #482051 OR 100' ON PART #506410			
		E) TO INSTALL THOSE SPRING YOU NEED TOOL KIT #410671. SEE INSTRUCTION SHEET IS-97064 FOR HELP			

From L-031 To R-079

Date:07/2024

PAGE:H4-1860-50

BUMPER DOOR FRONT - V.I.P.



From L-031 To R-079	Date:07/2024	PAGE:H4-1860-50
BUMPER DOOR FRONT - V.I.P.		

Item#	Part	Description	H 3 4 0	V I P 4 0	N O T E S
1	410530	BUMPER / CENTER		1	
2	410546	PLATE ANTISKID 145MM X 1340MM AL		1	
NS	410453	PANEL CLOSING / SPARE COMPARTMENT / PLASTIC		AR	A
3	780282	LOCK SPAGNOLET L.H.		1	
4	410504	ROD / L.H.		1	
5	410490	HANDLE		1	
6	410502	ROD / R.H.		1	
7	780283	LOCK SPAGNOLET R.H.		1	
. NS	780340	. CLIP, RETAINER ROD		1	
8	502155	SPRING EXTENSION / .250 O.D. x 2.5 x .024		1	
9	481012	BUSHING LEVER		1	
10	500411	WASHER FL .260x.697x.050 SS		2	
11	502716	NUT HEX NYRT 1/4-20		1	
12	502570	WASHER LO SPT 6.1x11.8x1.6 SS		2	
13	5001181	SCREW CAP HEX M6-1.0x12 SS		4	
20	5001002	SCREW SHR HEXS 16x90 {M12-1.75		2	
21	410485	SHOULDER WASHER		4	
22	211664	HINGE		2	B
23	410520	SPRING SPACER NYLON		2	
24	410564	SPRING, TORSION / 1.25 I.D. x 2.027 x .250		2	
25	500449	WASHER FL .625x1.500 SS		2	
26	502591	NUT HEX NYRT M12-1.75 CP		2	
40	410526	PLATE STRAP / HOLD DOWN		4	
41	410541	STRAP / HOLD DOWN / 635MM		2	
41	505507	. STRAP NYLON 1" WIDE / S.L.		AR	
42	504379	RIVET POP DOME OE 3/16x1/4 SS		4	
43	504553	BUMPER PLUG / 7/8 X 7/16 / R.H. & L.H.		2	
45	780278	PIN, STRIKER STUD		2	
NS	410532	SHIM 11GA 25MM X 60MM		2	
46	502773	SCREW MA OV PH 1/4-20x1 SS EMN		4	
NS	500440	WASHER FL .250x.562x.065 Z050		4	
NS	502716	NUT HEX NYRT 1/4-20		4	
50	410525	PANEL / W/HOLES		1	
51	410501	ANGLE / TO FIX SHUTTER UPPER		1	
NS	502761	SCREW TP BDG PH #10x3/4 SS BK		13	
NS	502573	WASHER FL 6.4x12.5x1.6 SS		13	
52	051570	SHUTTER ASSY		1	
. NS	550568	. CYLINDER AIR / SHUTTER / W/4" MOUNT		1	
. NS	550569	. BOOT RUBBER		1	
. NS	550577	. SPRING EXTENSION / .350 O.D. x 6.875 x .069		1	
. NS	550179	. BUSHING 5/16" I.D. / NYLON		AR	
52	550577	. SPRING EXTENSION / .350 O.D. x 6.875 x .069		1	

From L-031 To R-079	Date:07/2024	PAGE:H4-1860-50
BUMPER DOOR FRONT - V.I.P.		

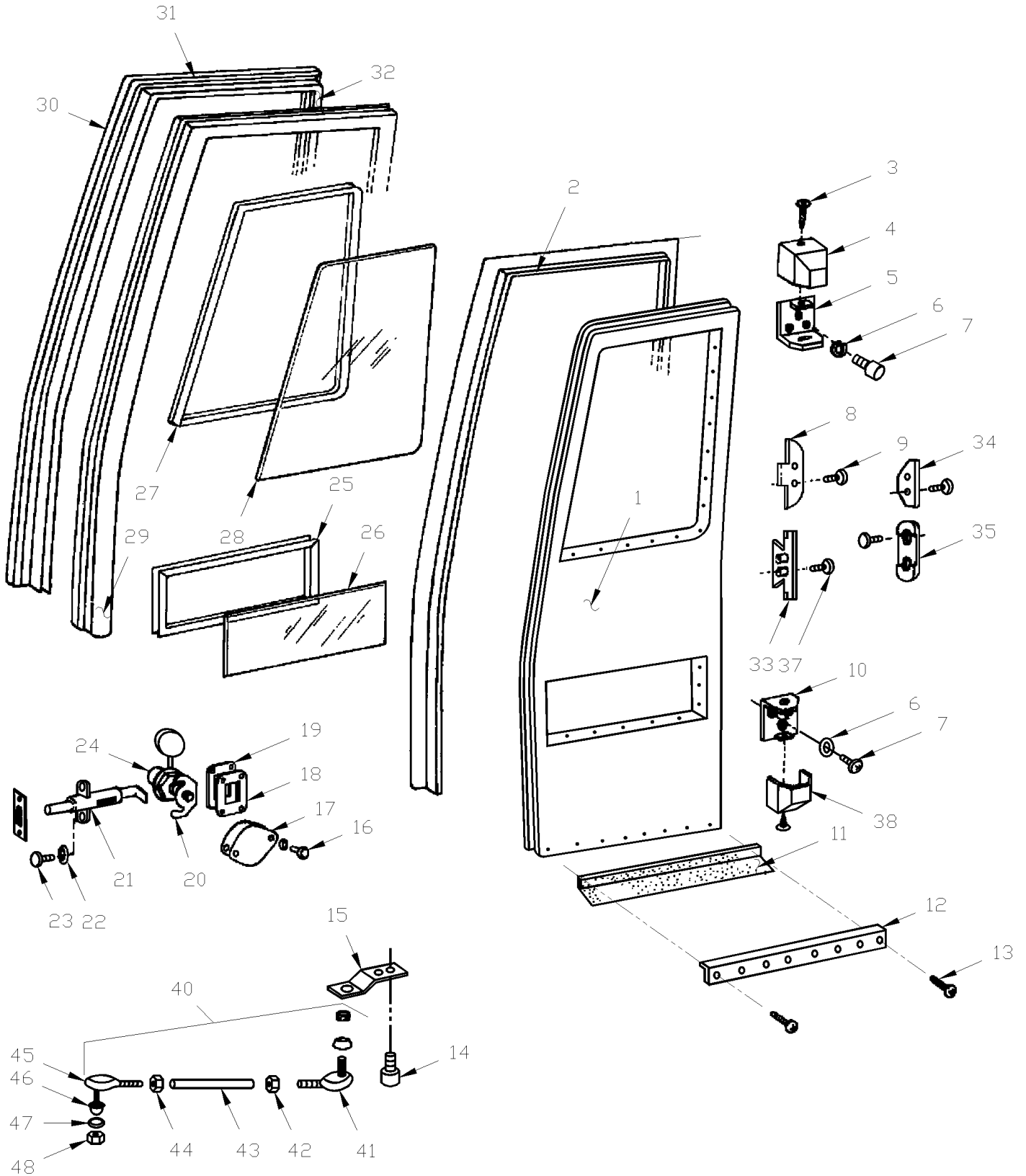
Item#	Part	Description	H 3 4 0	V I P 4 0	N O T E S
52	550568	. CYLINDER AIR / SHUTTER / W/4" MOUNT		1	
52	550569	. . BOOT RUBBER		1	
52	550179	. BUSHING 5/16" I.D. / NYLON		AR	
53	506227	TAPE RUB ADH1 CC POL 1/16" x 3/4" x 100' / GREY 2520		AR	
54	282954	GASKET		1	
55	282953	PLATE, CLOSING		1	
56	504340	RIVET POP DOME OE 1/8x3/16 SS		4	
57	410538	ATTACHMENT / SIDE OF SERVICE DOOR 390MM		1	
58	502557	. NUT HEX NYRT M4-0.7 SS		2	
NS	502556	WASHER FL 4.3x9.0x0.8 SS		2	
60	H4-1850-15	BUMPER FRONT - V.I.P.			
		A) USED ONLY W/BUS WITH V.I.P. FRONT BUMPER			
		B) WELDED TO STRUCTURE			

From L-031 To N-196

Date:07/2024

PAGE:H4-1862-00

ENTRANCE DOOR ASSY - PLUG TYPE



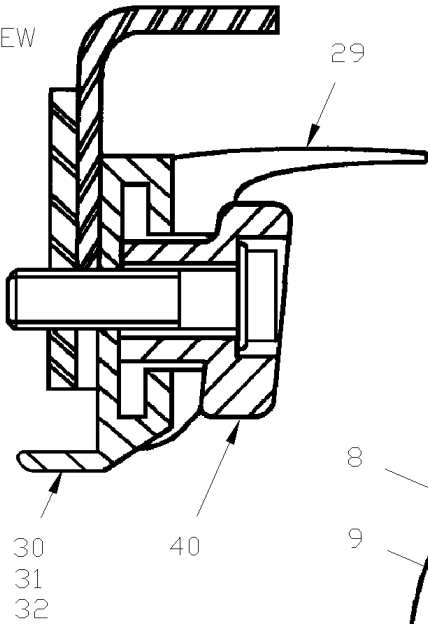
From L-031 To N-196

Date:07/2024

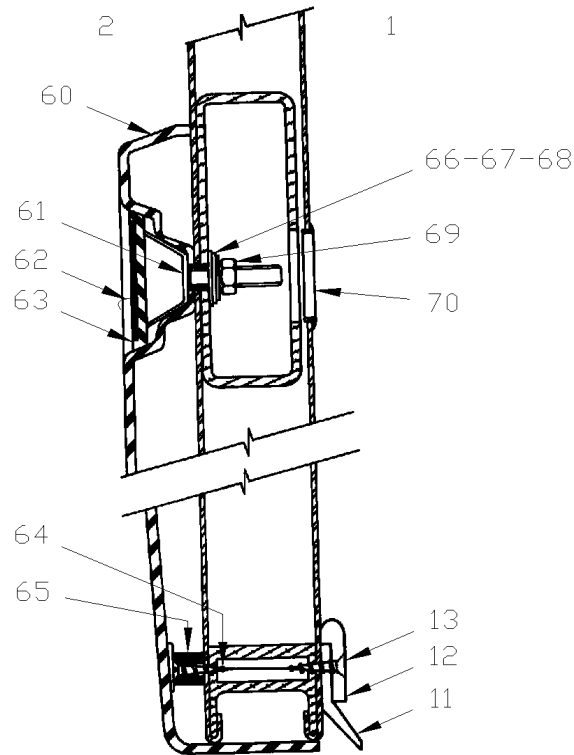
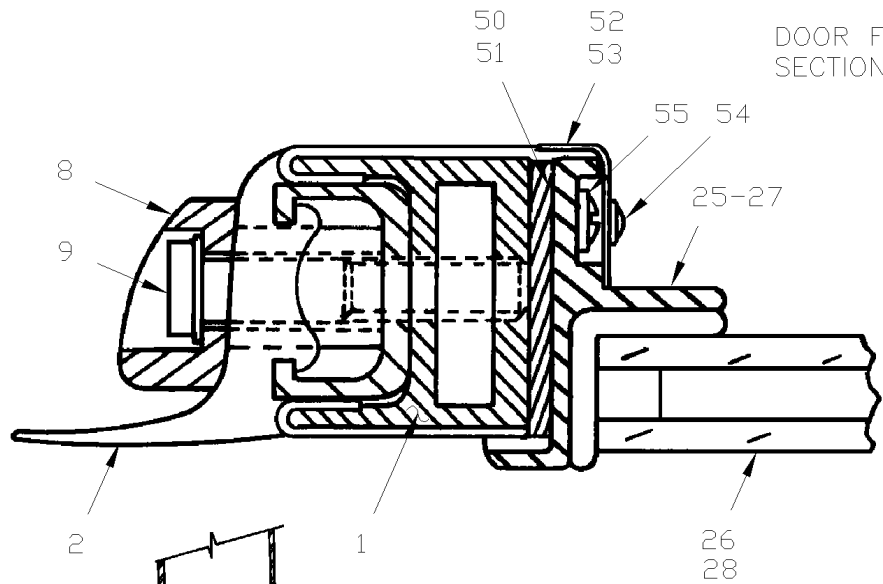
PAGE:H4-1862-00

ENTRANCE DOOR ASSY - PLUG TYPE

BODY FRAME
SECTIONAL VIEW



DOOR FRAME
SECTIONAL VIEW



DOOR LOWER SECTION

From L-031 To N-196		Date:07/2024	PAGE:H4-1862-00
---------------------	--	--------------	-----------------

ENTRANCE DOOR ASSY - PLUG TYPE

Item#	Part	Description	H 3 4 0	V I P 4 0	N O T E S
	282821	ENTRANCE DOOR ASSY / W/SHORT COLUMN	1		
	283701	ENTRANCE DOOR ASSY / W/LONG COLUMN	1		
1	780438	. PROFILE DOOR SEAL RETAINER	1		
2	282890	. SEAL, RUBBER / DOOR SECTION	1		
3	502639	. SCREW MA FL PH M5-0.8X12 ZP	2		
4	780289	. COVER / UPPER BRACKET	1		
5	780446	. BRACKET, UPPER	1		
6	500874	. WASHER FL 8.4x17.0x1.6 Z050	4		
7	500544	. SCREW CAP HEX M8-1.25x30 G8.8 Z050	4		
8	780314	. LOCK, CAM / SIDE DOOR	3		
9	502743	. SCREW CAP HEXS M8-1.25x40 G8.8	8		
9	502641	. WASHER SPR WAVE 8.4x15.0x0.8 CJ	8		
10	780445	. BRACKET	1		
11	780313	. SEAL, LOWER	1		
12	N.P.N.	. MOULDING, RETAINING / TO FIX RUBBER SEAL	1		4
13	502639	. SCREW MA FL PH M5-0.8X12 ZP	AR		
14	502640	. SCREW CAP HEXS M8-1.25x30 G8.8	AR		
15	780444	. BRACKET, TIE ROD	1		
16	502725	. SCREW MA OV PH M4-0.7x10 SS EMN	2		
17	N.P.N.	. COVER	2		4
18	N.P.N.	. GASKET / W/HANDLE	2		4
19	N.P.N.	. HANDLE	2		4
20	780346	. CAM, LOCKING	2		
21	502111	. PIN, COTTER 1/8 x 1 1/2 SS	2		
22	502562	. WASHER LO EXTC 5.3x10x0.3 ZP	2		
23	502639	. SCREW MA FL PH M5-0.8X12 ZP	2		
24	780318	. CAP PROTECTOR CLOSED / BLACK SERIES PS	2		
25	291757	FRAME / LOWER WINDOW	1		
26	299057	GLASS, THERMOS	1		
27	291768	FRAME / UPPER WINDOW	1		
28	299055	GLASS, THERMOS	1		
29	282825	SEAL, RUBBER / BODY SECTION	1		
30	282834	MOULDING, RETAINER SEAL / FRONT DOOR	1		
31	282835	MOULDING, RETAINER SEAL / UPPER DOOR	1		
32	282836	MOULDING RETAINER SEAL / REAR DOOR	1		
NS	504379	RIVET POP DOME OE 3/16x1/4 SS	AR		
33	780286	LOCK, WEDGE / FIXED ON FRAME	3		
34	780434	LOCK, CAM / FIXED ON FRAME	1		
35	780435	LOCK, CAM / FIXED ON DOOR	1		
37	502640	SCREW CAP HEXS M8-1.25x30 G8.8	8		
38	780288	COVER / LOWER BRACKET	1		
40	780293	TIE ROD ASSY / W/SHORT COLUMN FRONT DOOR / 30MM LG	1		

From L-031 To N-196		Date:07/2024	PAGE:H4-1862-00
ENTRANCE DOOR ASSY - PLUG TYPE			

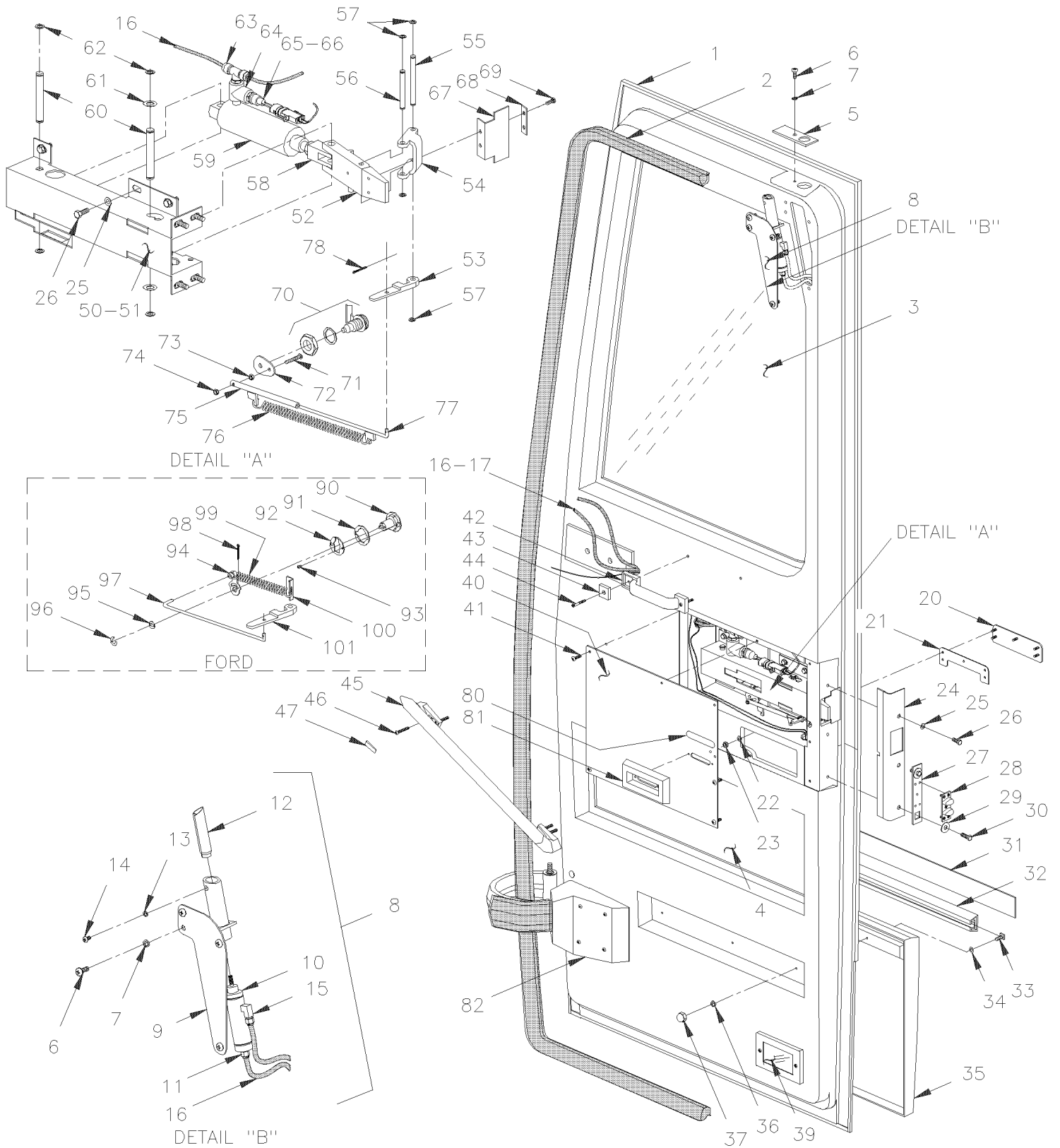
Item#	Part	Description	H 3 4 0	V I P 4 0	N O T E S
40	780433	TIE ROD ASSY / W/LONG COLUMN FRONT DOOR / 38.5MM LG	1		
41	780342	. ROD END MALE / MALE STUD M10-1.0 x 65MM / M10-1.5	1		
42	5001006	. NUT HEX JAM M10-1.0 ZP	1		
43	N.P.N.	. ROD, THREADED / W/SHORT COLUMN	1		4
43	N.P.N.	. ROD, THREADED / W/LONG COLUMN	1		4
44	5001005	. NUT HEX JAM LH M10-1.0 ZP	1		
45	780343	. ROD END MALE / MALE STUD M10-1.0-L.H. x 65MM / M10-1.5	1		
46	780443	. CAP, PROTECTOR / TIE ROD	2		
47	500257	. WASHER LO SPT 10.2x18.1x2.2 Z050	2		
48	500256	. NUT HEX M10-1.5 Z050	2		
49	780287	PLATE, STRIKER	2		
NS	500592	SCREW TP FL PH #8x1 ZP	4		
50	291528	SPACER / STRUCTURE & WINDOW / FORMICA 29 X 1 3/8" X .100	2		
51	291529	SPACER / STRUCTURE & WINDOW / FORMICA 29 X 1 3/8" X .042	2		
52	291769	FRAME, FINISHING / UPPER WINDOW	1		
53	291773	FRAME, FINISHING / LOWER WINDOW	1		
54	500814	SCREW TP BDG PH #6x3/4 BK	19		A
55	500641	SCREW TP PAN PH #8x3/4 Z050	30		B
60	282748	PROTECTOR PANEL / DP	1		
61	282784	PLATE, RETAINING / PROTECTOR LOWER PANEL	1		
62	282750	EXTRUSION PROFILE MODIFIED 663MM	1		
63	283100	STRIPE, REFLECTIVE WHITE / 38MM X 15' ROLL	AR		C
. NS	780277	. STRIPE, REFLECTIVE WHITE / 38MM X 150' ROLL	AR		C
64	500434	SCREW TP FL PH #8x3/4 Z050	4		
65	282747	SPACER	2		
66	502570	WASHER LO SPT 6.1x11.8x1.6 SS	3		
67	502565	NUT HEX M6-1.0 SS	3		
67	502573	WASHER FL 6.4x12.5x1.6 SS	3		
68	500374	WASHER FL .375x.625x.062 RUB	3		
70	507295	HOLE PLUG BUTTON / 1.375 O.D. BLACK	3		
NS	780290	STOPPER ASSY / SCREW ON FRAME DOOR	1		
		A) TO FIX FINISHING FRAMES			
		B) TO FIX UPPER & LOWER FRAMES			
		C) 150' ROLL			
		4) NO PARTS NUMBER			

From N-197 To R-079

Date:07/2024

PAGE:H4-1862-10

ENTRANCE DOOR ASSY - "SEDAN"



From N-197 To R-079	Date:07/2024	PAGE:H4-1862-10
ENTRANCE DOOR ASSY - "SEDAN"		

Item#	Part	Description	H 3 4 0	V I P 4 0	N O T E S
	283943P	ENTRANCE DOOR ASSY / SEDAN To P-329	1		
	284614P	ENTRANCE DOOR ASSY / SEDAN From P-330	1		A
	285059	ENTRANCE DOOR ASSY / SEDAN	1		B
	285691	ENTRANCE DOOR ASSY / SEDAN	1		C
	285682	ENTRANCE DOOR ASSY / SEDAN	1		C
1	285003	. DOOR MOULDED / FIBERGLASS	1		
1	289691	. DOOR MOULDED / FIBERGLASS W/O WIRE HOLE FOR DOCKING LAMP	1		
1	285223	. DOOR MOULDED / FIBERGLASS / W/"FORD" KEY	1		
1	289692	. DOOR MOULDED / FIBERGLASS / W/"FORD" KEY W/O WIRE HOLE FOR DOCKING LAMP	1		
2	285464	. RUBBER SEAL EXTRUSION 5800MM	AR		
2	280136	. RUBBER SEAL EXTRUSION 5800MM	1		
2	2800115	. RUBBER SEAL EXTRUSION 5800MM	1		
3	299055	. GLASS, THERMOS	1		
4	299057	. GLASS, THERMOS	1		
NS	681089	. SEALANT TAPE BUTYL / BLACK / 1/8"x5/16"x15' / 753152760	AR		
NS	681091	. PRIMER SIKA #206 / BLACK / 250ml	AR		
NS	681092	. ADHESIVE SIKA #255FC / BLACK / 310ml CARTRIDGE	AR		
5	284048	. PLATE FINISHING To P-277	1		
5	284450	. PLATE FINISHING From P-278	1		
5	283931	SWITCH PROXIMITY ASSY 150MM	1		
6	502569	. SCREW MA PAN PH M6-1.0x16 BK	1		
7	500472	. WASHER LO INT .256x.478x.028 Z050	1		
8	285030	. LOCK ASSY, UPPER	1		D
8	285599	. LOCK ASSY, UPPER	1		
9	283972	. . PLATE, LOCK To R-032	1		
9	284629	. . PLATE, LOCK From R-033	1		
9	285269	. . PLATE, LOCK	1		
10	641259	. . CYLINDER, AIR 7/8" SINGLE ACTION	1		D
10	641392	. . CYLINDER 7/8" X 1" STROKE / DOUBLE ACTION	1		
11	641242	. . MALE CONNECTOR / PUSH-IN FITTING / #4x1/8NPT-M BR	1		
12	284819	. . CATCH To S-187	1		
12	285271	. . CATCH From S-188	1		
12	282383	. . CATCH	1		
12	683276	. . GREASE LOW TEMPERATURE 450GR	AR		
13	502636	. . WASHER LO SPT 4.1x7.6x0.9 Z050	1		
14	500560	. SCREW MA PAN PH M4-0.7x6 Z050	1		
15	641369	. MALE ELBOW 90° NON-SWIVEL / PUSH-IN FITTING / #4x1/8NPT-M BR	1		
		. THE 8 FOLLOWING PARTS ARE LOCATED INSIDE			
		. THE DOOR			
16	503402	. TUBE, NYLON 1/4 O.D. / BLACK S.L.	AR		

From N-197 To R-079	Date:07/2024	PAGE:H4-1862-10
ENTRANCE DOOR ASSY - "SEDAN"		

Item#	Part	Description	H 3 4 0	V I P 4 0	N O T E S
NS	504421	. GROMMET / .625x.875x.187x.437x1.125	3		
NS	500510	. SCREW MA BDG PH #10-32x3/4 SS EMN	1		
NS	500519	. NUT WELL #10-32x.518	1		
NS	560503	. CLAMP / 1/4" I.D.	1		
17	063468	. CABLE ASSY / PRESSURE SWITCH & LIGHT	1		
NS	560503	. CLAMP / 1/4" I.D.	1		
20	283956	. HANDLE ASSY / W/5 STUDS	1		
21	283954	. GASKET / HANDLE & BODY	1		
22	502556	. WASHER FL 4.3x9.0x0.8 SS	5		
23	502557	. NUT HEX NYRT M4-0.7 SS	5		
24	284053	. PLATE, FINISHING	1		
24	288944	. PLATE, FINISHING	1		
25	502582	. WASHER LO SERR 6.1x16.2x0.9 Z050	11		
26	502531	. SCREW CAP HEX M6-1.0x16 G8.8 Z050	11		
27	283929	. PLATE / TO FIX DOVETAIL	1		
NS	5001058	. SCREW MA FL PH M4-0.7x8 Z050	3		
28	780496	. DOVETAIL, MALE	1		
29	502622	. SCREW CAP HEX M6-1.0x20 SS BK	2		
30	502583	. WASHER LO SERR 8.15x22.3x1.0 Z050	4		
31	283100	. STRIPE, REFLECTIVE WHITE / 38MM X 15' ROLL	AR		
NS	780277	. STRIPE, REFLECTIVE WHITE / 38MM X 150' ROLL	AR		
32	283376	. EXTRUSION PROFILE 773MM	1		
NS	680025	. CAULKING STRIP 3/16" O.D. X 14'	AR		
33	502534	. SCREW CAP SQ 5/16-18x1 G2 Z050	4		
34	283219	. WASHER ,REINFORCEMENT	4		
35	283375	. PROTECTOR PANEL / DP			
35	284794	. PROTECTOR PANEL / WITH GRAVEL GUARD / DP	1		F
NS	681348	. TAPE RUB ADH2 ACRYLIC .045" x 1" x 108' / VHB4952	AR		
37	5001189	. NUT HEX 5/16-18 SS	4		
NS	504573	. CAP, FINISHING / PLASTIC	4		
39	H4-0655-00	INTERIOR LIGHTING			
39	500862	. SCREW TC PAN PH #6-32x3/4 Z050	2		
39	500422	. NUT SPR U #6-32 .110-.120 SS	2		
40	283977	. PLATE, CLOSING	1		
41	502761	. SCREW TP BDG PH #10x3/4 SS BK	7		
42	860422	. HANDLE	1		
43	284049	. PLUG / SQUARE / BLACK	1		
44	500360	. SCREW TP FL PH #8x1 1/4 BK	2		
45	900489	HANDLE	1		
46	500619	SCREW TP FL PH #10x1 1/4 Z050	4		
47	900490	CAP / W/HANDLE	2	2	
50	285065	. CATCH ASSY	1		

From N-197 To R-079	Date:07/2024	PAGE:H4-1862-10
ENTRANCE DOOR ASSY - "SEDAN"		

Item#	Part	Description	H 3 4 0	V I P 4 0	N O T E S
51	283974	. . BASE	1		
52	283975	. . CATCH	1		
53	283968	. . HOOK	1		
54	283945	. . LEVER	1		
55	283947	. . AXE LONG / 69.9MM	1		
56	283946	. . AXE SHORT / 54.4MM	1		
57	504402	. . RING RETAINER / EXT .250 x .210 x .025"	6		
58	641216	. . YOKE	1		
. NS	642225	. . . CLIP	2		
59	641209	. . CYLINDER 1 3/4" X 3/4" STROKE	1		
60	283948	. . AXE	2		
60	500444	. . WASHER FL .406x.812x.065 Z050	2		
62	504477	. . RING RETAINER / EXT 14.0 X 13.4 X 1.0MM	2		
63	641006	. . MALE BRANCH TEE / NTA FITTING / #4x#4x1/4NPT-M BR	1		
64	501338	. . MALE RUN TEE / PIPE FITTING / 1/4NPT-Mx1/4NPT-Fx1/4NPT-F BR	1		
65	452043	. . PRESSURE SWITCH N.O. 60-35 20SP001AA060E035E To P-329	1	1	
65	452081	. . PRESSURE SWITCH N.O. 30-5 20SP001AA030C005C From P-330	1	1	
65	950245	. . PRESSURE SWITCH N.C. 20-30 LO-UNLOAD W/WIRE BLACK	1		
65	285218	. . PRESSURE SWITCH N.C. 30-10 20PS001AB030E010E	1		
65	452831	. . PRESSURE SWITCH N.O. 30-5 20SP001MA030C005C	1		E
66	950249	. . SCHRADER VALVE 1/4NPT-M	1		
67	284051	. . RUBBER, CLOSING	1		
67	680066	. . ADHESIVE / ADBOND #5014 / 23.6ML BOTTLE	AR		
68	284052	. . PLATE / TO FIX CLOSING RUBBER	1		
69	500650	. . SCREW TC PAN PH #6-32x3/8 ZP	1		
70	H4-1864-30	HANDLE LOCK & KEYS - TYPE "PS"			
71	500418	. . SCREW MA RND SLT #8-32x1 ZP	1		
72	780279	. . LEVER, LOCK / CYLINDER / PLASTIC BLACK / 7MM SQ HOLE	1		
72	288324	. . LEVER, LOCK / CYLINDER / PLASTIC BLACK / 8MM SQ HOLE	1		J
73	500764	. . NUT HEX #8-32 Z050	1		
74	500670	. . NUT HEX NYRT #8-32 Z050	1		
75	283962	. . ROD / LOCK CYLINDER SIDE / 136 MM	1		
76	502147	. . SPRING EXTENSION / .500 O.D. 3.5 x .054	1		
77	283960	. . ROD "L" SHAPE 173MM	1		
80	284055	. . DECAL / CLOSE - OPEN / ENGLISH	1		
81	284056	CAP, FINISHING	1		
81	500686	SCREW TP OV PH #6x1/2 BK	2		
81	500345	WASHER FN CKF .187x.500x.090 BR BK	2		
82	H4-1862-60	ENTRANCE DOOR FRAME - INSTALLATION			
		FOLLOWING PARTS ARE RELATED TO "FORD"			
		ENTRANCE DOOR CYLINDER LOCK OPTION			

From N-197 To R-079		Date:07/2024	PAGE:H4-1862-10
ENTRANCE DOOR ASSY - "SEDAN"			

Item#	Part	Description	H 3 4 0	V I P 4 0	N O T E S
90	284561	CYLINDER LOCK MODIFIED / CODE A	1		
90	284841	CYLINDER LOCK MODIFIED / CODE FA 0368	1		
90	285264	CYLINDER LOCK / CODE AB / FA 0443	1		
90	285577	CYLINDER LOCK MODIFIED / CODE FA 0528	1		
90	285545	CYLINDER LOCK / CODE AG / FA 0625	1		
90	284373	CYLINDER LOCK / CODE AH / FA 0648	1		
90	285276	CYLINDER LOCK / CODE AI / FA 0668	1		
90	284935	CYLINDER LOCK / CODE AO / FA 1116	1		
90	285572	CYLINDER LOCK / CODE AQ / FA 1316	1		
90	285066	CYLINDER LOCK / CODE AT / FA 1486	1		
NS	780217	KEY CODE / FA 0000	1		
NS	780238	KEY BLANK UNCUT	1		
NS	780582	KEY CODE / FA 0368	1		
NS	780552	KEY CODE / FA 0443	1		
NS	780579	KEY CODE / FA 0528	1		
NS	780575	KEY CODE / FA 0625	1		
NS	780534	KEY CODE / FA 0648	1		
NS	780554	KEY CODE / FA 0668	1		
NS	780541	KEY CODE / FA 1116	1		
NS	780577	KEY CODE / FA 1316	1		
NS	780545	KEY CODE / FA 1486	1		
91	780237	SEAL RUBBER 1/32" TH	1		
91	2800032	SEAL RUBBER 1/16" TH	1		
92	284361	WASHER / CYLINDER LOCK RETAINER	1		
93	500518	SCREW MA BDG PH #4-40x1/2 Z050	2		
94	284358	LEVER ASSY	1		
NS	500438	WASHER FL .187x.437x.050 Z050	2		
95	283853	SPACER / WASHER 9/16" O.D. X 1/4" I.D.	1		
96	504402	RING RETAINER / EXT .250 x .210 x .025"	1		
97	284363	ROD / 178MM	1		
98	502094	PIN, COTTER 1/16 x 1/2 SS	1		
99	502184	SPRING EXTENSION / .360 O.D. x 1.25 x .031	1		
100	284362	SUPPORT / "T" SHAPE	1		
100	284940	SUPPORT	1		
101	284852	HOOK	1		
NS	285467	KIT, LATCH SUPPORT SEDAN DOOR	AR		
NS	IS-96157A	SEE INSTRUCTION SHEET	1		
		A) DOOR ASSY WITH SINGLE ACTION UPPER LOCK, INCLUDING PRESSURE SWITCH AND CABLE #063468			

From N-197 To R-079		Date:07/2024	PAGE:H4-1862-10
ENTRANCE DOOR ASSY - "SEDAN"			

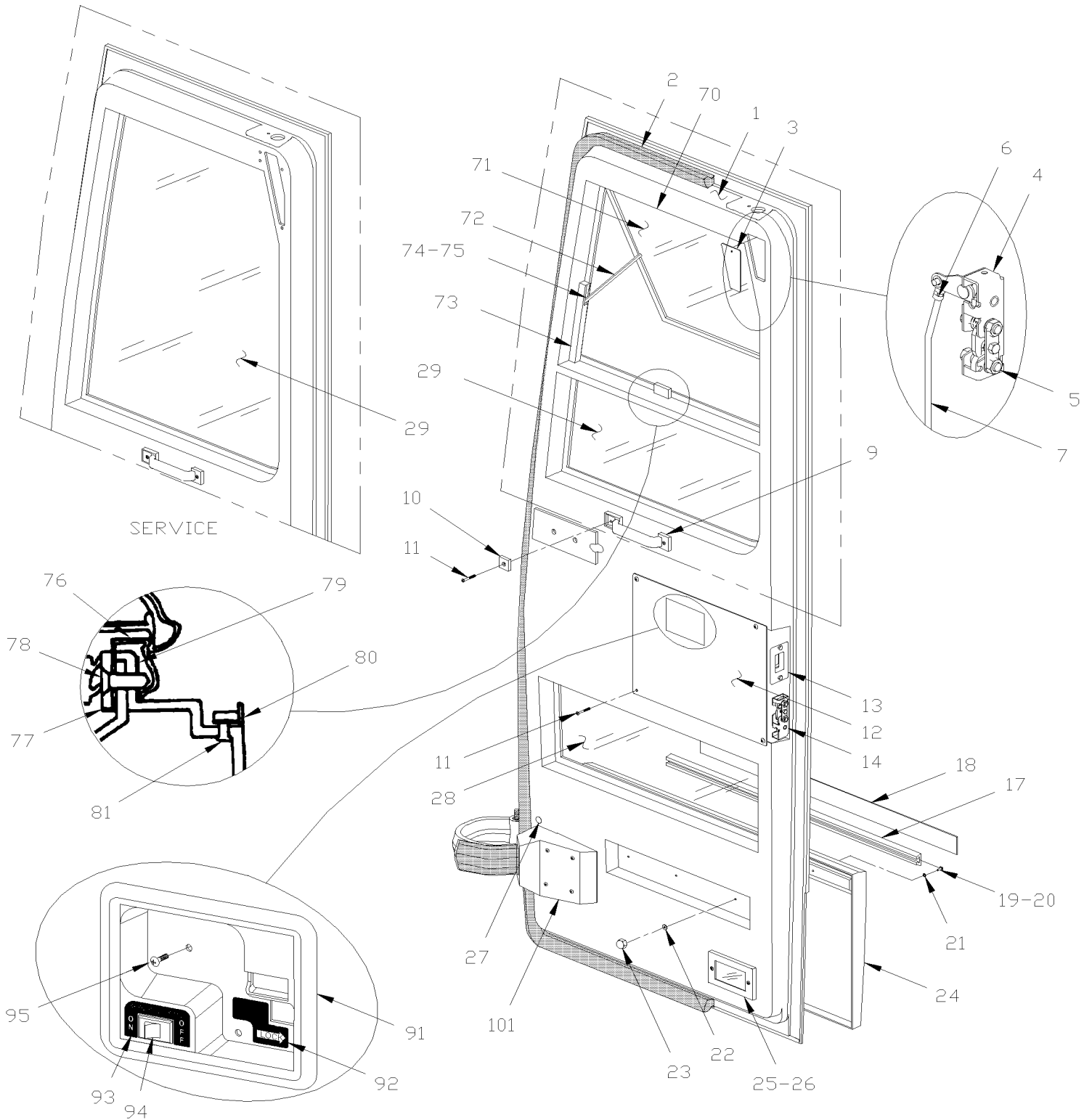
Item#	Part	Description	H 3 4 0	V I P 4 0	N O T E S
		B) DOOR ASSY WITH SINGLE ACTION UPPER LOCK, INCLUDING CABLE 063951 & WITHOUT PRESSURE SWITCH			
		C) DOOR ASSY WITH DOUBLE ACTION UPPER LOCK INCLUDING CABLE 063951 & WITHOUT PRESSURE SWITCH			
		D) TO CHANGE TO DOUBLE ACTION CYLINDER ASK FOR KIT #285467			
		E) THIS SWITCH SUPERSEED THE OLD ONE 452081 AND REQUIRE 950249 "SHREADER" VALVE			
		F) THIS PROTECTOR IS COATED WITH GRAVEL GUARD AND IS BLACK PAINTED READY TO INSTALL			
		J) SEE KIT AT END OF PAGE H3-1864-99			

From L-031 To R-079

Date:07/2024

PAGE:H4-1862-50

ENTRANCE DOOR ASSY - V.I.P.

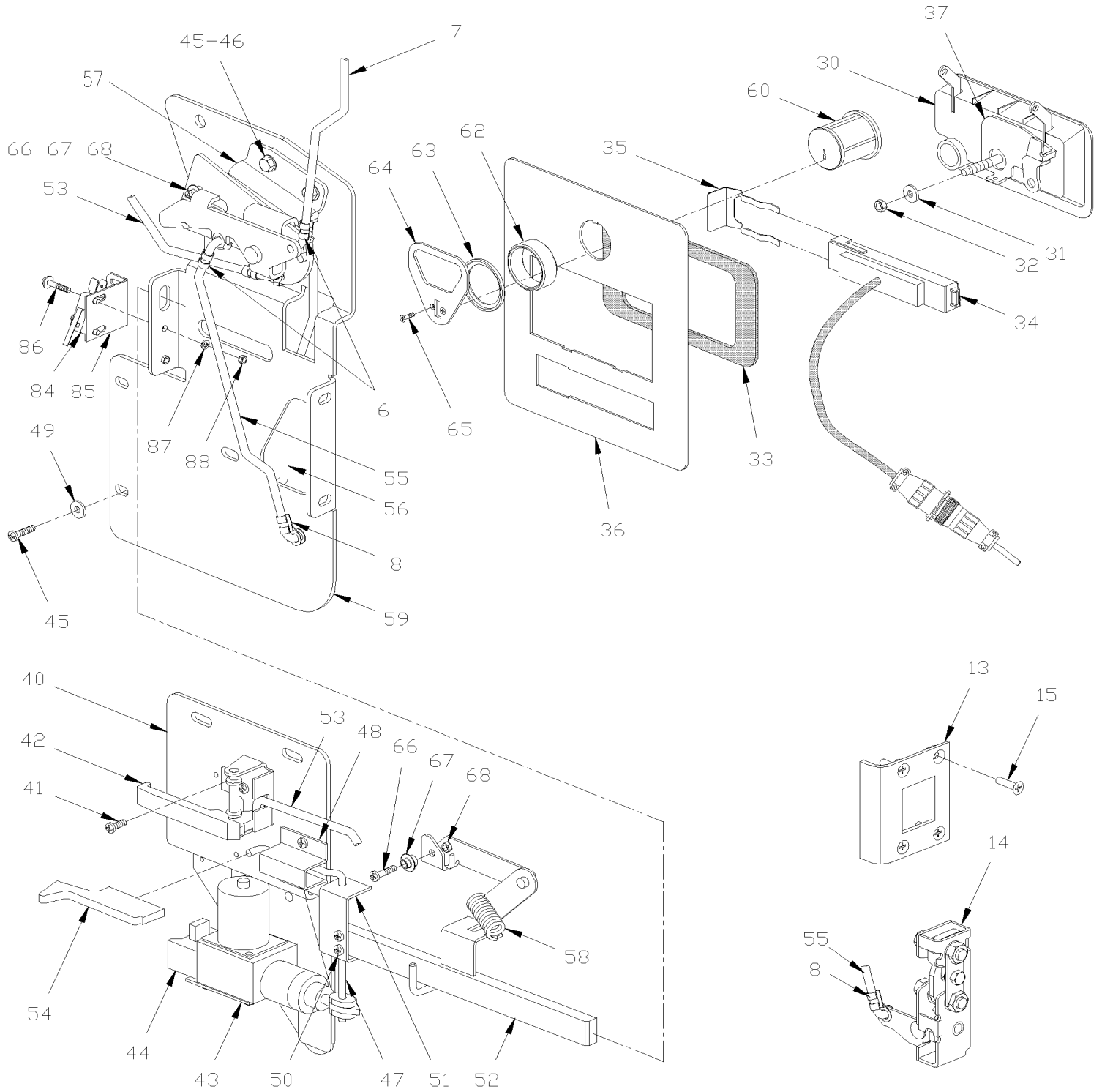


From L-031 To R-079

Date:07/2024

PAGE:H4-1862-50

ENTRANCE DOOR ASSY - V.I.P.



From L-031 To R-079	Date:07/2024	PAGE:H4-1862-50
ENTRANCE DOOR ASSY - V.I.P.		

Item#	Part	Description	H 3 4 0	V I P 4 0	N O T E S
	283641P	ENTRANCE DOOR ASSY / V.I.P.		1	A
	286108	ENTRANCE DOOR ASSY / V.I.P.		1	B
1	283437	. DOOR MOULDED / FIBERGLASS		1	A
1	286430	. DOOR MOULDED / FIBERGLASS		1	B
1	289690	. DOOR MOULDED / FIBERGLASS		1	B
2	283336	. RUBBER SEAL EXTRUSION / ADHESIVE / 120METER / RAW MATERIAL		1	A C
2	285464	. RUBBER SEAL EXTRUSION 5800MM		1	B
2	280136	RUBBER SEAL EXTRUSION 5800MM		1	B
2	2800115	RUBBER SEAL EXTRUSION 5800MM		1	B
3	283372	. PLATE, CLOSING UPPER LOCK		1	
NS	500996	. NUT SPR U #6-32 .135-.150		1	
4	283492	. LATCH / R.H.		1	
5	502818	. SCREW CAP HEX M6-1.0x35 G8.8 Z050		6	
NS	502564	. WASHER LO SPT 6.1x11.8x1.6 Z050		6	
6	504541	. CLIP ROD 1/4" R.H.		6	
7	283392	. ROD 7/32" O.D.		1	
NS	500950	. WASHER FL .187x.625x.094 RUB		3	
8	504243	. CLIP ROD 1/4" L.H.		1	
9	860422	. HANDLE		1	
10	294049	. HOOK		1	
11	502761	. SCREW TP BDG PH #10x3/4 SS BK		4	F
12	283366	. PLATE, CLOSING		1	
NS	506225	. TAPE RUB ADH1 CC POL 1/16" x 1/4" x 100' / GREY 2520		AR	
13	283397	. GUIDE ASSY		1	
14	283491	. LATCH / L.H.		1	
15	500654	. SCREW TC BDG PH #8-32x1/2 Z050		4	
17	283376	. EXTRUSION PROFILE 773MM		1	
18	283100	. STRIPE, REFLECTIVE WHITE / 38MM X 15' ROLL		AR	
NS	780277	. STRIPE, REFLECTIVE WHITE / 38MM X 150' ROLL		AR	
19	502534	. SCREW CAP SQ 5/16-18x1 G2 Z050		4	
20	283219	. WASHER ,REINFORCEMENT		4	E
21	500374	. WASHER FL .375x.625x.062 RUB		4	
22	502583	. WASHER LO SERR 8.15x22.3x1.0 Z050		4	
23	500701	. NUT HEX 5/16-18 ZP		4	
24	283375	. PROTECTOR PANEL / DP		1	
NS	681348	. TAPE RUB ADH2 ACRYLIC .045" x 1" x 108' / VHB4952		AR	
25	H4-0655-00	. INTERIOR LIGHTING			
26	500862	. SCREW TC PAN PH #6-32x3/4 Z050		3	
NS	500422	. NUT SPR U #6-32 .110-.120 SS		3	G
27	504433	. SNAP-IN PLUG / 1.090 O.D.		1	
28	299057	. GLASS, THERMOS		1	
29	292106	. GLASS, THERMOS		1	

From L-031 To R-079	Date:07/2024	PAGE:H4-1862-50
ENTRANCE DOOR ASSY - V.I.P.		

Item#	Part	Description	H 3 4 0	V I P 4 0	N O T E S
29	293204	. GLASS, THERMOS		1	B
30	IS18903	. ENTRANCE DOOR HANDLE		1	
. NS	780432	. . HANDLE ASSY		1	
. NS	284058	. . LEVER		1	
. NS	IS-18903	. . SEE INSTRUCTION SHEET		1	
31	500441	. WASHER FL .312x.734x.065 Z050		1	
32	502819	. NUT HEX JAM 1/4-20 Z050		1	
33	680307	. SEALER TREMTHANE / UPPER & CENTER PANELS		AR	
34	062709	. KEYBOARD ASSY		1	
34	065303	. KEYBOARD ASSY		1	
34	065422	. GASKET ADHESIVE TO FIX 065303 IN SERVICE		1	
NS	504465	. GROMMET / .375x.500x.250x.500x.750		1	
35	780429	. CLIP RETAINER		1	
36	283363	. PLATE / HANDLE		1	
37	284058	. LEVER		1	
40	283394	. PLATE, MOUNTING		1	
41	500654	. SCREW TC BDG PH #8-32x1/2 Z050		AR	
42	780484	. LEVER, RELEASE		1	
43	283385	. SUPPORT ACTUATOR To R-040		1	J
43	284834	. SUPPORT ACTUATOR From R-041		1	
44	780428	. LOCK ACTUATOR / 12V		1	
. NS	562076	. . CONNECTOR / PACK-CON I / FEMALE HOUSING / 2C / PED 8911772		1	
44	2810382	. ACTUATOR SERVICE KIT		1	
45	502531	. SCREW CAP HEX M6-1.0x16 G8.8 Z050		15	
46	500472	. WASHER LO INT .256x.478x.028 Z050		12	
47	283369	. ROD To R-040		1	J
47	284836	. ROD From R-041		1	
48	780483	. CLAMP		1	
49	502582	. WASHER LO SERR 6.1x16.2x0.9 Z050		9	
NS	500472	. WASHER LO INT .256x.478x.028 Z050		12	
50	500393	. SCREW TC PAN PH #10-24x3/8 Z050		2	
51	283364	. TIE		1	
52	283351	. BAR ASSY, RIVETED To P-309		1	
52	284079	. ROD 259MM C/C From P-310		1	
53	283387	. ROD		1	
54	284127	. BUTTON		1	
55	283370	. ROD 245MM C/C To P-309		1	
55	284076	. ROD 259MM C/C From P-310		1	
56	283371	. ROD 171MM C/C		1	
57	283381	. SHUTTER, RELEASE To P-309		1	
57	284078	. SHUTTER, RELEASE ASSY From P-310		1	
58	502156	. SPRING EXTENSION / .437 O.D. x 2 x .041		1	

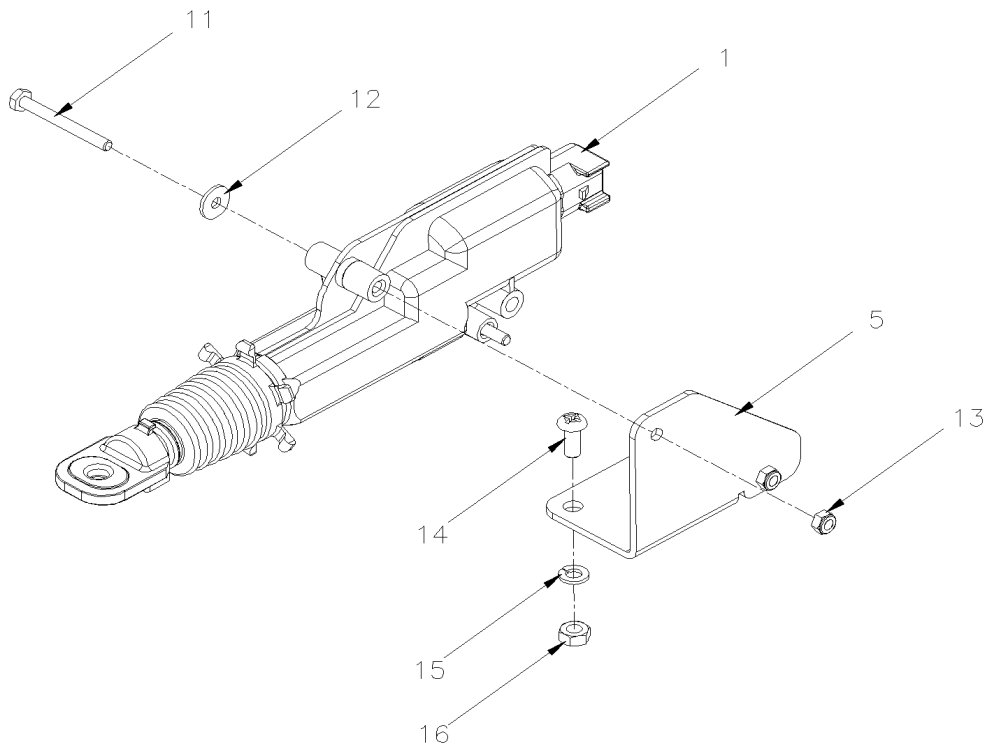
From L-031 To R-079	Date:07/2024	PAGE:H4-1862-50
ENTRANCE DOOR ASSY - V.I.P.		

Item#	Part	Description	H 3 4 0	V I P 4 0	N O T E S
59	283393	. PLATE, MOUNTING		1	
60	780430	. CYLINDER LOCK ASSY W/2 KEYS / "CORBIN"		1	S
. NS	780562	. KEY / "CORBIN" BLANK		2	S
60	780803	. CYLINDER LOCK ASSY W/2 KEYS / "SCHLAGE" SERVICE		1	
. NS	780902	. KEY / "SCHLAGE" BLANK		1	
61	780562	. KEY / "CORBIN" BLANK		AR	
62	283380	. SPACER / LOCK & NUT		1	
63	780427	. NUT		1	
64	283382	. LEVER, TRIANGULAR SHAPE To P-309		1	
64	284074	. LEVER, TRIANGULAR SHAPE / W/"CORBIN" From P-310		1	
64	289030	. LEVER, TRIANGULAR SHAPE / W/"SCHLAGE" SERVICE		1	
65	N.S.S.	. SCREW		2	1
66	502532	. SCREW MA PAN PH M5-0.8x25 SS EMN To P-309		1	
66	502746	. SCREW MA PAN PH M5-0.8x20 SS BK From P-310		1	
67	283379	. STOPPER To P-309		1	
67	284077	. STOPPER From P-310		1	
68	502782	. NUT HEX NYRT M5-0.8 Z050		2	
70	292244	. HINGE, THERMOS GLASS		1	
70	504344	. RIVET POP DOME OE 5/32x3/8 SS		5	
71	292117	. WINDOW ASSY / GLASS		1	A D
71	293207	WINDOW ASSY / GLASS		1	TS
71	790450	. SEAL, RUBBER		1	A
72	292118	. LEVER 247.7 MM LG		1	A
73	292119	. RAIL 62MM		1	A
73	292114	. STOPPER / INSIDE OF RAIL		2	A
NS	500952	. SCREW TP BDG PH #8x1/2 SS		2	A H
NS	504412	. WASHER RETAINER SNAP CAP #8		2	A
NS	504403	. SNAP CAP #8 FINISHING BLACK		2	A
74	292243	. SLIDER BLOCK / PLASTIC		1	A
NS	502574	. SCREW SET HEXS CUP M4-0.7x12 SS		3	A E
75	292121	. STOPPER, SCREW		1	A
. NS	504556	. RING RETAINER / EXT 6.00 x 5.00 x 0.72MM		1	A
76	790374	. LATCH		1	A
77	292115	. STOPPER, WINDOW / RUBBER 16MM X 65MM LG		1	A
78	500896	. SCREW TC FL PH #8-32x5/8 Z050		2	A
79	292116	. PLATE 12MM X 65MM LG		1	A
80	292123	. SCREEN RETAINING ANGLE / LOWER		1	A
80	292124	. SCREEN RETAINING ANGLE / UPPER		1	A
80	292122	. SCREEN		1	A
81	504106	. RIVET POP DOME OE 1/8x1/4 AL		10	A
81	403466	. DECAL / REMOVE SCREEN		1	A
82	506645	. TAPE RUB ADH1 CC POL 1/8" x 1/2"x 50' / GREY 2542		AR	A

From L-031 To R-079	Date:07/2024	PAGE:H4-1862-50
ENTRANCE DOOR ASSY - V.I.P.		

Item#	Part	Description	H 3 4 0	V I P 4 0	N O T E S
84	561677	. MICRO SWITCH		1	
85	064763	. SUPPORT		1	
86	502577	. SCREW MA PAN PH M3-0.5x16 ZP		2	
87	500467	. WASHER LO INT .138x.275x.019 Z050		2	
88	502579	. NUT HEX M3-0.5 NP		2	
91	283777	. BEZEL HANDLE ASSY		1	
91	283778	. . BEZEL		1	
92	283769	. DECAL / "LOCK"		1	
93	283768	. DECAL / "KEYBOARD BYPASS"		1	
94	062809	. . SWITCH ASSY W/CONNERTOR		1	
94	562109	. . . SWITCH / ON-ON / S.P.S.T.		1	
95	500409	. SCREW TP PAN PH #8x1/2 BK		2	
101	292917	KIT, WINDOW DOOR VIP SERVICE		AR	
. NS	IS-97096	. SEE INSTRUCTION SHEET		1	
		A) PRODUCTION LINE DOOR			
		B) AFTER MARKET SERVICE DOOR			
		C) SOLD IN 20' LONG ON #283875			
		D) FOR PRODUCT IMPROVMENT SEE INSTRUCTION SHEET IS-97096			
		E) TO FIX LEVER TO SLIDER			
		F) TO FIX PLATEG TO FIX LAMP			
		G) TO FIX LAMP			
		H) TO FIX ANGLE			
		J) PRODUCT IMPROVEMENT USE BRACKET #284834 & ROD #284836 FOR REVERSE UP SIDE DOWN LOCK ACTUATORS			
		S) THIS MODEL IT OBSOLETED REPLACE BY 780803 WITH NEW LEVER # 289030			
		TS) TEMPORALY THIS GLASS DO NOT INCLUDE ALUMINUM FRAME PLEASE BE CAREFULL WEN YOU REQUIRE TO CHANGE THERMOS GLASS.			
		1) NOT SOLD SEPARATELY			

From L-031 To R-079		Date:07/2024	PAGE:2810382
ACTUATOR SERVICE KIT			



From L-031 To R-079	Date:07/2024	PAGE:2810382
---------------------	--------------	--------------

ACTUATOR SERVICE KIT

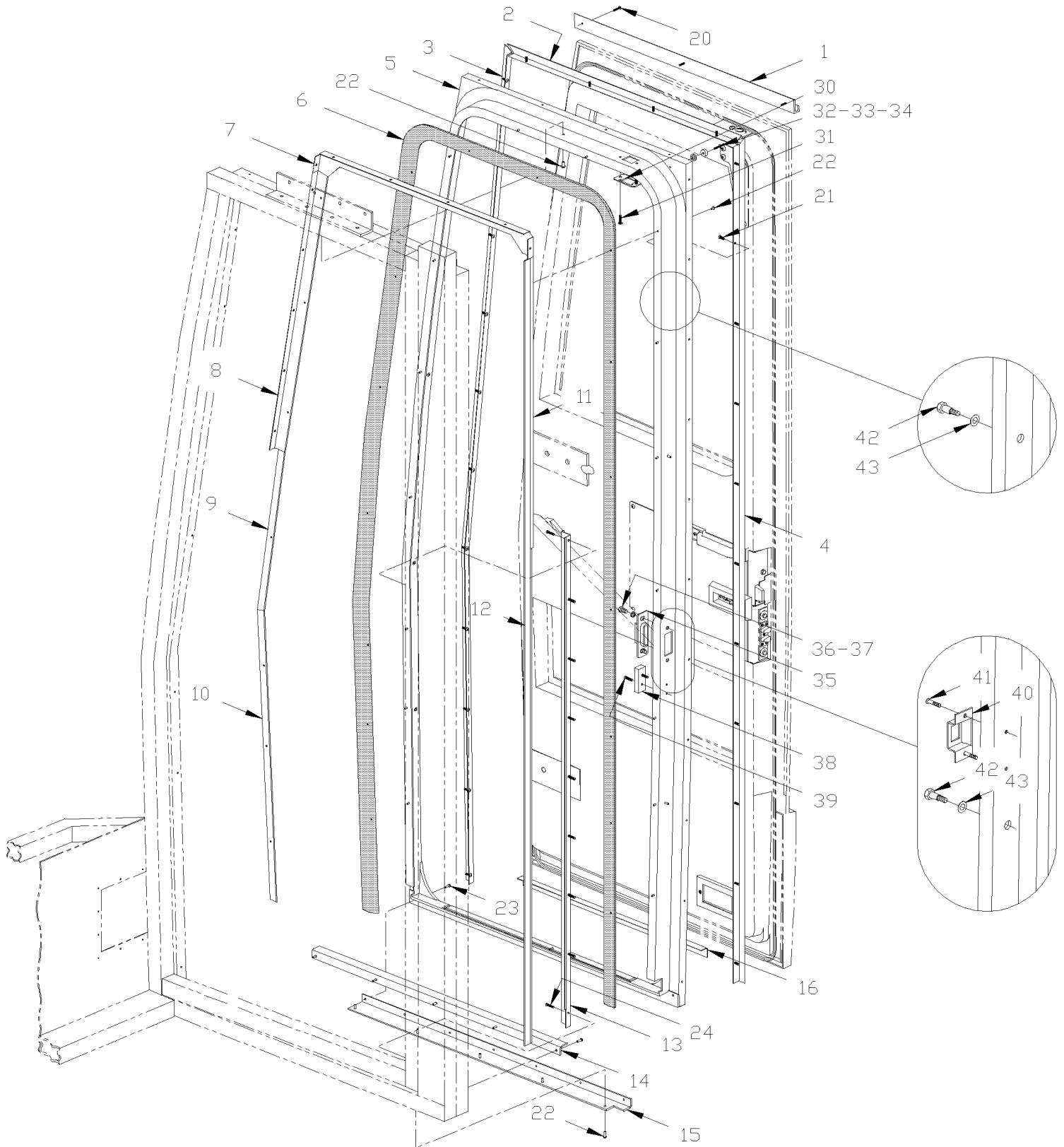
Item#	Part	Description	H 3 4 0	V I P 4 0	N O T E S
1	2800049	LOCK ACTUATOR / 12V	1	1	
1	068011	CABLE INTERFACE DOOR LOCK ACTUATOR (780428 vs 2800049)	1	1	
5	2810380	SUPPORT	1	1	
11	5001100	SCREW CAP HEX M3-0.5x30 G8.8 ZP	2	2	
12	500437	WASHER FL .125x.375x.040 Z050	2	2	
13	5001408	NUT HEX STO M3-0.5 ZP	2	2	
14	5001036	SCREW MA PAN PH M4-0.7x10 Z050	2	2	
15	502524	NUT HEX M4-0.7 Z050	2	2	
16	502636	WASHER LO SPT 4.1x7.6x0.9 Z050	2	2	
NS	IS-19092	SEE INSTRUCTION SHEET	1	1	
NS	FI-19092	VOIR FEUILLE D'INSTRUCTION	1	1	

From L-031 To R-079

Date:07/2024

PAGE:H4-1862-60

ENTRANCE DOOR FRAME - INSTALLATION

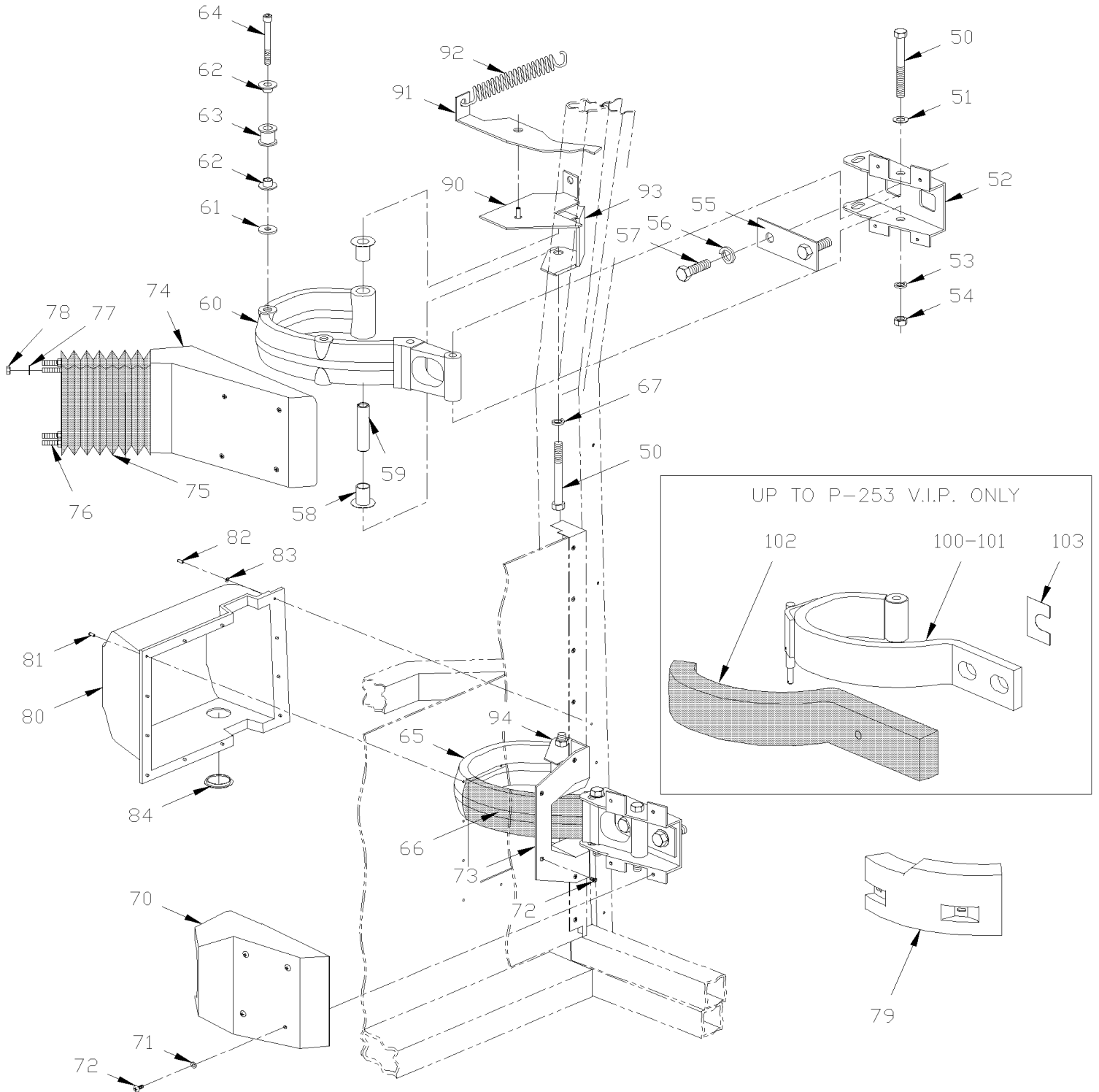


From L-031 To R-079

Date:07/2024

PAGE:H4-1862-60

ENTRANCE DOOR FRAME - INSTALLATION



From L-031 To R-079	Date:07/2024	PAGE:H4-1862-60
ENTRANCE DOOR FRAME - INSTALLATION		

Item#	Part	Description	H 3 4 0	V I P 4 0	N O T E S
1	472251	DRIP MOULDING	1	1	A
1	285785	DRIP MOULDING	1	1	
2	283430	FINISHING MOULDING TOP	1	1	A
3	283431	FINISHING MOULDING FRONT	1	1	
NS	5001040	SCREW TC PAN PH #6-32x3/4 SS	AR	AR	
4	283432	FINISHING MOULDING REAR	1	1	
NS	504583	RIVET POP DOME OE 3/16x3/8 AL BK	16	16	
5	283928	FRAME, MOULDED To P-375	1	1	
5	284590	FRAME, MOULDED From P-376	1	1	
5	283441	FRAME, MOULDED To P-375		1	
5	284591	FRAME, MOULDED From P-376		1	
5	285660	FRAME, MOULDED		1	C
6	283229	SEAL, INTERIOR	1	1	
6	280151	SEAL, INTERIOR	1	1	
7	283507	SEAL RETAINER / TOP / 662MM	1	1	
8	283510	SEAL RETAINER / FRONT UPPER / 758MM	1	1	
9	283779	SEAL RETAINER / FRONT CENTER / 439MM	1	1	
10	284047	SEAL RETAINER / FRONT LOWER / 495MM	1	1	
10	283781	SEAL RETAINER / FRONT LOWER / 808MM			
11	323868	SEAL RETAINER, REAR UPPER	1	1	
12	283509	SEAL RETAINER / REAR / 1993MM			
13	284112	SEAL RETAINER / REAR LOWER / 1993MM	1	1	
14	283494	ANGLE SUPPORT / LOWER INTERIOR / 763MM	1	1	
15	283493	ANGLE SUPPORT / LOWER EXTERIOR / 825MM	1	1	
16	285666	ANGLE S/S	1	1	C
20	502611	SCREW TP FL PH #6x1/2 Z050	3	3	
NS	5001040	SCREW TC PAN PH #6-32x3/4 SS	26	26	
21	504582	RIVET POP DOME OE 3/16x1/4 SS BK	20	20	
23	504581	RIVET MGLP PRDG 3/16x7/16 SS BK	6	6	
24	5001119	SCREW TP BDG PH #8x3/4 SS	AR	AR	
24	504339	RIVET POP DOME OE 1/8x3/8 SS	AR	AR	
30	284341	FINITION PLATE			
30	284340	FINITION PLATE			
30	284808	FINITION PLATE	1	1	
31	500658	SCREW TC PAN PH #10-24x3/4 Z050	1	1	
32	504334	BUMPER RUBBER / .625 OD x .406 TH x .156 HOLE	1	1	
33	500950	WASHER FL .187x.625x.094 RUB	AR	AR	
34	500814	SCREW TP BDG PH #6x3/4 BK	1	1	
35	283969	STRIKING PLATE	1	1	
36	502528	SCREW CAP HEX M8-1.25x20 G8.8 EMN	2	2	
37	502584	WASHER LO SERR 8.2x26.3x1.8 Z050	2	2	
38	780497	DOVETAIL, FEMALE / FIXED ON STRUCTURE	1	1	

From L-031 To R-079	Date:07/2024	PAGE:H4-1862-60
ENTRANCE DOOR FRAME - INSTALLATION		

Item#	Part	Description	H 3 4 0	V I P 4 0	N O T E S
39	500260	SCREW TC FL PH #8-32x3/4 BK	2	2	
39	500896	SCREW TC FL PH #8-32x5/8 Z050	2	2	
40	283368	STRIKING PLATE			
41	500642	SCREW TP PAN PH #10x3/4 Z050			
42	780415	BOLT STRIKER			
43	283355	SPACER			
50	5001016	SCREW CAP HEX M10-1.5x90 G8.8 Z050	2	2	
50	502536	SCREW CAP HEX M10-1.5x100 G8.8 Z050		2	B
51	500445	WASHER FL .437x1.000x.083 Z050	2	2	
52	284040	ATTACHMENT	2	2	
53	502585	WASHER LO SERR 10.2x26.3x1.4 ZP	4	4	
54	500256	NUT HEX M10-1.5 Z050	4	4	
55	283402	SUPPORT PLATE	2	2	
56	500810	WASHER LO SPT 12.2x21.1x2.5 Z050	4	4	
57	502731	SCREW CAP HEX M12-1.75x40 G8.8 Z050	4	4	
58	507315	BEARING FLANGE To P-253	2	2	
58	507326	BEARING FLANGE From P-254	2	2	
59	283350	SPACER / BEARING FLANGE To P-253	2	2	
59	284285	SPACER / BEARING FLANGE From P-254	2	2	
60	284287	HINGE UPPER From P-254		1	
60	284036	HINGE ASSY UPPER To P-253	1		
60	284284	HINGE UPPER & LOWER From P-254	1		
61	282956	WASHER		1	
62	507301	BUSHING NYLINER		2	
63	283356	ROLLER To P-253		1	
63	284214	ROLLER SS 9.5MM I.D.x14.5 O.D. 19Flx17Th From P-254		1	
65	284284	HINGE UPPER & LOWER From P-254 To P-375	1	1	
NS	284569	HINGE, LOWER From P-376	1	1	
66	324063	COVER HINGE LOWER / PLASTIC From P-254	1	1	
67	500257	WASHER LO SPT 10.2x18.1x2.2 Z050	2	2	
70	391499	CAP COVER LOWER To P-375	1	1	
70	324065	CAP COVER LOWER From P-376	1	1	
71	500950	WASHER FL .187x.625x.094 RUB	8	8	
72	500409	SCREW TP PAN PH #8x1/2 BK	8	8	
73	323858	RETAINER, BELLOW/ LOWER HINGE W/SEDAN DOOR To P-375	1	1	
73	324064	PANEL FINISHING LOWER / HINGE IN STEPWALL From P-376	1	1	
74	391498	CAP COVER UPPER	1		
75	283998	BELLOWS / RUBBER	2	2	
76	284039	PLATE BELLOW RETAINER	2	2	
77	500964	WASHER FL .203x.500x.047 Z050	8	8	
78	502782	NUT HEX NYRT M5-0.8 Z050	8	8	
79	472605	BELLOW GUIDE To P-375	1	1	

From L-031 To R-079	Date:07/2024	PAGE:H4-1862-60
---------------------	--------------	-----------------

ENTRANCE DOOR FRAME - INSTALLATION

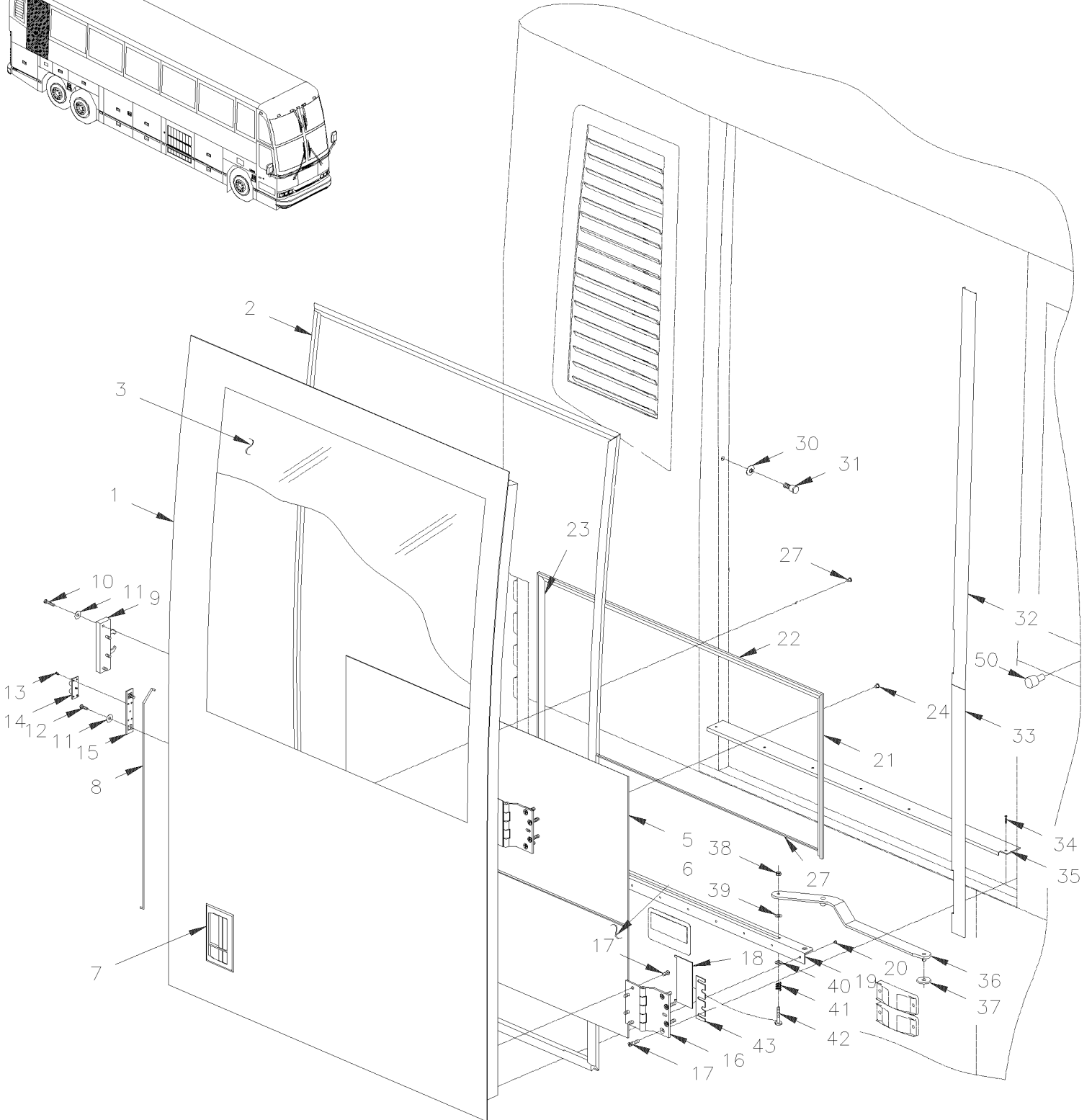
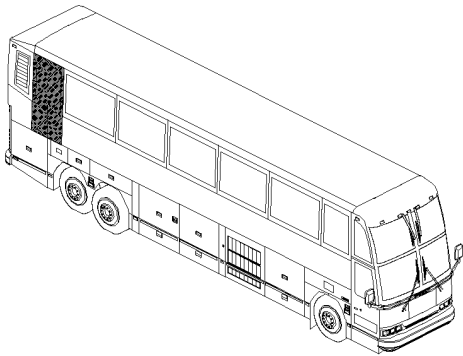
Item#	Part	Description	H 3 4 0	V I P 4 0	N O T E S
NS	500395	SCREW MA RND SLT 1/4-20x1/2 ZP	1	1	
NS	500964	WASHER FL .203x.500x.047 Z050	1	1	
80	410515	COVER LOWER HINGE / REAR OF BUMPER To N-196		1	
80	410566	COVER LOWER HINGE / REAR OF BUMPER From N-197	1	1	
81	504473	RIVET POP DOME OE 1/8x1/4 SS	10	10	
82	504464	RIVET POP CK OE 1/8x3/8 SS	4	4	
84	504443	SNAP-IN PLUG / 1.500 O.D.	1	1	
90	211734	LEVER AND SUPPORT ASSY (WELDED TO FRAME) To P-253		1	
90	212096	LEVER AND SUPPORT ASSY (WELDED TO FRAME) From P-254		1	
NS	504543	RIVET SHR FL 3/8x3/16 STL		1	
91	212098	DOOR STOPPER		1	
92	502191	SPRING EXTENSION / .814 O.D. x 3.975 x .148		1	
93	211984	HINGE SUPPORT / (WELDED TO STRUCTURE)	1	1	
NS	283373	BRACKET / "HAT" SHAPE TO FIX HINGE TO FRAME		2	
NS	211717	GUSSET To P-253		1	
NS	211728	GUSSET REINFORCEMENT To P-253		1	
NS	211988	PLATE	1		
94	211983	HINGE SUPPORT / (WELDED TO STRUCTURE)	1	1	
NS	211756	SUPPORT / (WELDED AT FRAME) To P-253		1	
NS	211987	PLATE / "V" SHAPE 48MM X 57MM 45°	1		
NS	211992	PLATE	4		
100	283354	HINGE ASSY LOWER To P-253		1	
101	283400	HINGE ASSY UPPER To P-253		1	
102	323579	COVER HINGE LOWER To P-253		1	
103	283439	SPACER / HINGE & DOOR 62MM X 45MM 26G	AR	AR	B
103	283784	SPACER / HINGE & DOOR 62MM X 72MM 26G	AR	AR	B
103	283785	SPACER / HINGE & DOOR 62MM X 124MM 18G	AR	AR	B
		A) HOSE MOULDING ARE SUPERSEDED BY 285785 MOULDING IN 1 PIECE B6 USE W/STEEL WELDED HINGE MODEL UP TO P-254 ON VIP ONLY C) TO BE USE WITH 285660 FOR A BETTER PROTECTION			
		B) USE W/STEEL WELDED HINGE MODEL UP TO P-254 ON VIP ONLY			
		C) TO BE USE WITH 285660 FOR A BETTER PROTECTION			

From L-031 To R-079

Date:07/2024

PAGE:H4-1862-70

ENTRANCE DOOR ASSY - W.C.L.



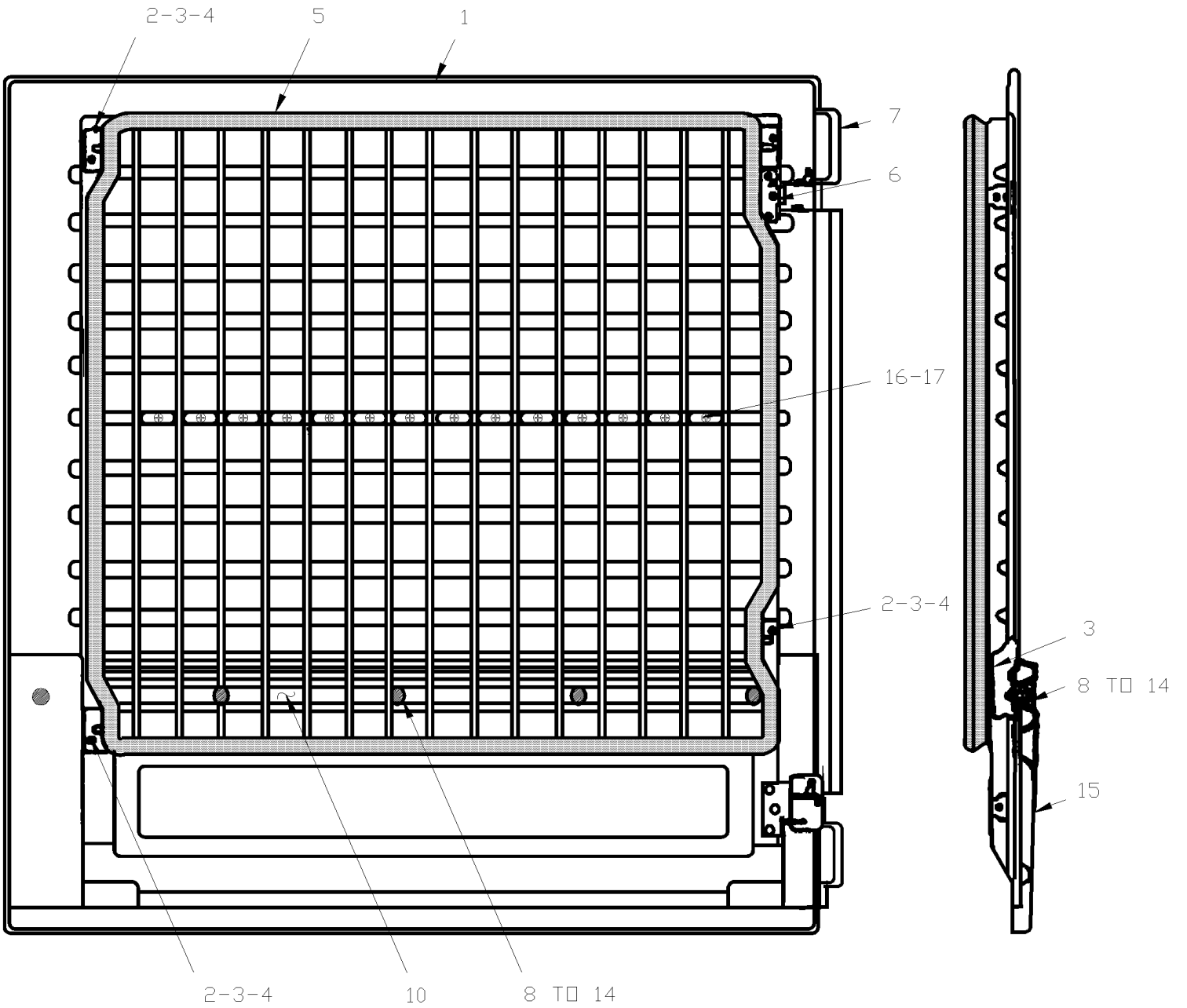
From L-031 To R-079	Date:07/2024	PAGE:H4-1862-70
ENTRANCE DOOR ASSY - W.C.L.		

Item#	Part	Description	H 3 4 0	V I P 4 0	N O T E S
	284572P	ENTRANCE DOOR ASSY / W.C.L.	1		
1	Call order desk	. DOOR (WELDED)	1		P
2	282430	. SEAL, EXTERIOR	1		
3	292427	. GLASS, THERMOS 28% / 1129MM	1		
5	284592	. PANEL ASSY / FABRIC / SPECIFY COLOR	1		
6	284693	. PANEL, LOWER 1215 X 798MM SS	1		
7	H4-1864-30	. HANDLE LOCK & KEYS - TYPE "PS"	1	1	
7	H4-1864-99	. HANDLE LOCK & KEYS - TYPE "NS" / SERVICE	1	1	
NS	502563	. SCREW CAP HEX M6-1.0x12 G8.8 Z050	4		
8	284611	. ROD, HANDLE & LATCH	1		
8	N.P.N.	ROD NEW MODEL NOT AVAILABLE AT PRINTING TIME	1		4 S
9	780187	. LATCH	1		
10	502793	. SCREW CAP HEX M6-1.0x45 G8.8 Z050	4		
11	502582	. WASHER LO SERR 6.1x16.2x0.9 Z050	AR		
NS	502581	. NUT HEX M6-1.0 Z050	AR		
12	500170	. SCREW CAP HEX 1/4-20x2 G5 PT Z050	AR		
NS	500771	. NUT HEX 1/4-20 SS	AR		
13	5001058	. SCREW MA FL PH M4-0.7x8 Z050	AR		
14	780496	. DOVETAIL, MALE	1		
15	283929	. PLATE / TO FIX DOVETAIL	1		
NS	780497	. DOVETAIL, FEMALE / FIXED ON STRUCTURE	1		
16	780535	. HINGE 4 1/2" X 4 1/2" SS	2		
NS	282863	. ANCHOR PLATE / HINGE DOOR 16GA	1		
NS	282864	. ANCHOR PLATE / HINGE DOOR 11GA	1		
NS	500376	. WASHER FL .203x.334x.031 NYL	AR		
17	5001037	. SCREW MA FL PH #12-24x5/8 SS EMN	1		
18	285019	. COVER, HINGE / OUTSIDE	2		
19	284703	. ANGLE, STOPPER ARM	1		
20	500952	. SCREW TP BDG PH #8x1/2 SS	1		
21	284690	. MOULDING "J" FORM / 457MM (18") / F/A	1		
22	284688	. MOULDING "J" FORM / 1215MM (47 13/16") / A/A	1		
23	284689	. MOULDING "J" FORM / 457MM (18") / A/F	1		
24	500504	. SCREW TC OV PH #6-32x1/2 BK	AR		
NS	500345	. WASHER FN CKF .187x.500x.090 BR BK	AR		
26	284692	. MOULDING CAP / SS 1205MM (47 7/16")	1		
26	284691	. MOULDING RETAINER / 1210MM (47 1/4")	1		
27	5001015	. SCREW TP BDG PH #6x1/2 SS BK	AR		
31	780189	STRIKER & SHIM	1		
36	Call order desk	ARM ASSY	1		P
NS	500100	SCREW CAP HEX 3/8-16x1 1/2 SS EMN	1		
37	504061	GROMMET / .4375x.687x.062x.312x.937	1		
38	500265	NUT HEX STO 3/8-16 Z050	1		

From L-031 To R-079	Date:07/2024	PAGE:H4-1862-70
ENTRANCE DOOR ASSY - W.C.L.		

Item#	Part	Description	H 3 4 0	V I P 4 0	N O T E S
40	500445	WASHER FL .437x1.000x.083 Z050	1		
41	502150	SPRING COMPRESSION / .600 O.D. x 1 x .055	1		
NS	403696	DECAL / BRAILLE / EMERGENCY EXIT ONLY / ENGLISH & FRANCAIS			
NS	403695	DECAL / BRAILLE / EMERGENCY EXIT TO YOUR LEFT			
NS	403694	DECAL / BRAILLE / EMERGENCY EXIT TO YOUR RIGHT			
NS	403707	DECAL / BRAILLE / TIRER LA BARRE POUSSER LA FENETRE / FRENCH			
NS	403693	DECAL / BRAILLE / PULL UP BAR PUSH OUT WINDOW / ENGLISH			
		S) THOSE RODS ARE REQUIRE ONLY IF YOU CHANGE FORMER HANDLE MODEL FOR NEW MODEL # 780794 OR 780795			
		4) NO PARTS NUMBER			
		P) CALL ORDER DESK FOR SPECIFIC APPLICATION (V.I.N.)			

From L-031 To R-079	Date:07/2024	PAGE:H4-1863-00
CONDENSOR DOOR ASSY		



From L-031 To R-079	Date:07/2024	PAGE:H4-1863-00
CONDENSOR DOOR ASSY		

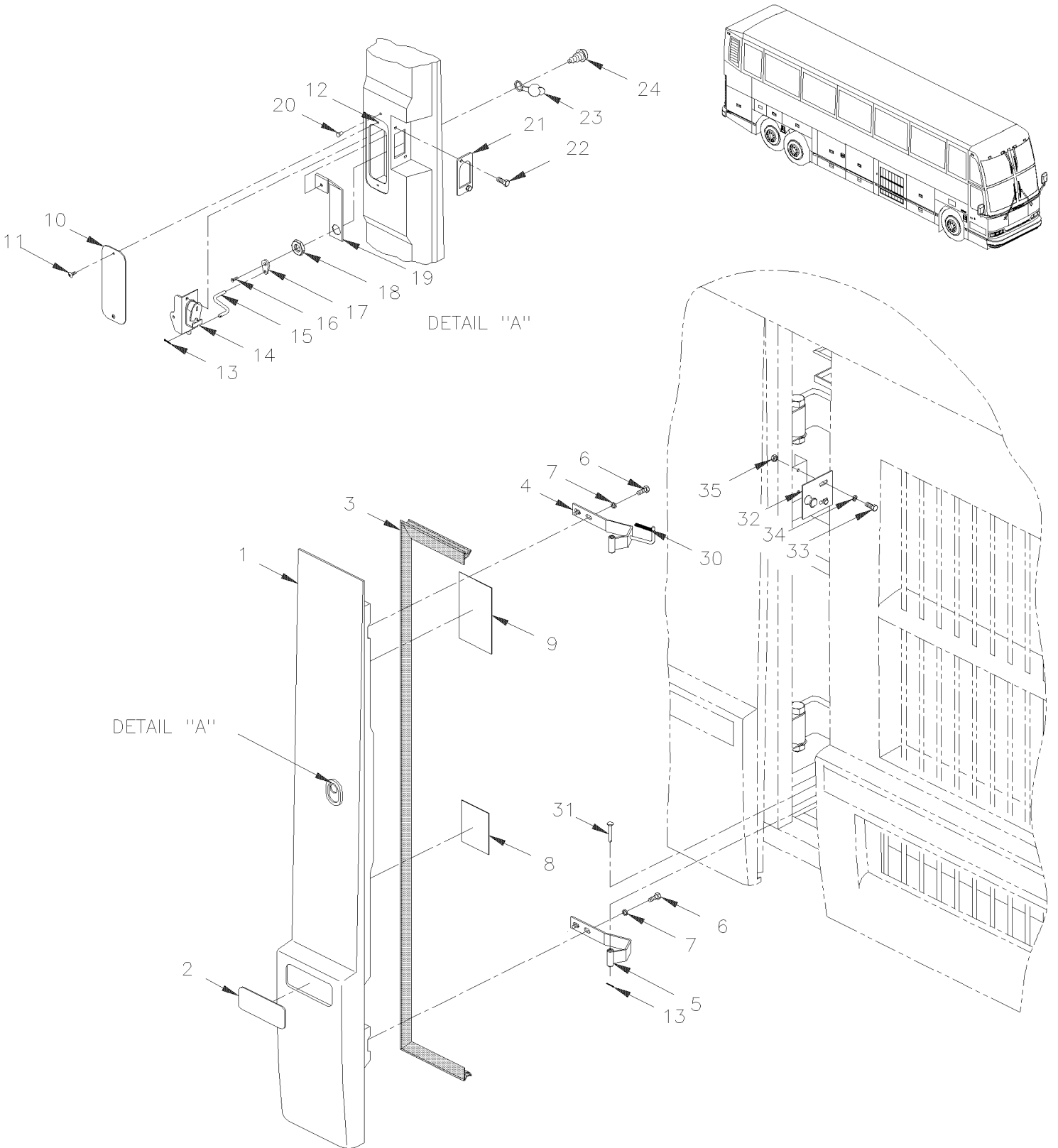
Item#	Part	Description	H 3 4 0	V I P 4 0	N O T E S
	283091P	CONDENSOR DOOR ASSY	1	1	
1	282951	. DOOR MOULDED / FIBERGLASS	1	1	
2	282549	. PLATE REINFORCEMENT 60MM x 37MM & SLOTTED	4	4	
3	289158	. PLATE REINFORCEMENT 40MM x 34MM & SLOTTED	4	4	
4	504464	. RIVET POP CK OE 1/8x3/8 SS	8	8	
5	506410	. RUBBER EXTRUSION SEAL / GRIP .062 X 100' / RAW MATERIAL	AR	AR	
6	282966	. HINGE SUPPORT/SMALL CONDENSER DOOR H3-1863-40	2	2	
NS	504250	. RIVET CHY Q PRDG 3/16x1/2 SS	10	10	
7	506339	. TAPE RUB ADH1 NIT 1/4" x 1" x 35' / BLACK 1220	AR	AR	
8	282640	. EXTRUSION PROFILE 1152MM	1	1	
NS	680025	. CAULKING STRIP 3/16" O.D. X 14'	AR	AR	
9	283100	. STRIPE, REFLECTIVE WHITE / 38MM X 15' ROLL	AR	AR	
. NS	780277	. STRIPE, REFLECTIVE WHITE / 38MM X 150' ROLL	AR	AR	
10	282645	. CHANEL REINFORCEMENT	1	1	
11	502534	. SCREW CAP SQ 5/16-18x1 G2 Z050	5	5	
NS	283219	. WASHER ,REINFORCEMENT	5	5	
12	5001189	. NUT HEX 5/16-18 SS	5	5	
13	502583	. WASHER LO SERR 8.15x22.3x1.0 Z050	5	5	
14	500374	. WASHER FL .375x.625x.062 RUB	5	5	
15	283010	. PROTECTOR PANEL / DP	1	1	
15	284792	. PROTECTOR PANEL / WITH GRAVEL GUARD / DP	1	1	A
NS	681348	. TAPE RUB ADH2 ACRYLIC .045" x 1" x 108' / VHB4952	AR	AR	
NS	680532	. SEALANT SIKA #221 / GREY / 310ml CARTRIDGE	AR	AR	
16	282641	. RETAINER / GRILL	1	1	
17	500650	. SCREW TC PAN PH #6-32x3/8 ZP	14	14	
		FOLLOWING PARTS ARE RELATED			
		WITH DOOR SWITCH			
NS	561109	MICRO SWITCH	1	1	
NS	062619	SUPPORT	1	1	
NS	063982	CABLE HARNESS	1	1	
		A) THIS PROTECTOR IS COATED WITH GRAVEL GUARD AND IS BLACK PAINTED READY TO INSTALL			

From L-031 To R-079

Date:07/2024

PAGE:H4-1863-40

CONDENSOR DOOR ASSY (SMALL)



From L-031 To R-079	Date:07/2024	PAGE:H4-1863-40
CONDENSOR DOOR ASSY (SMALL)		

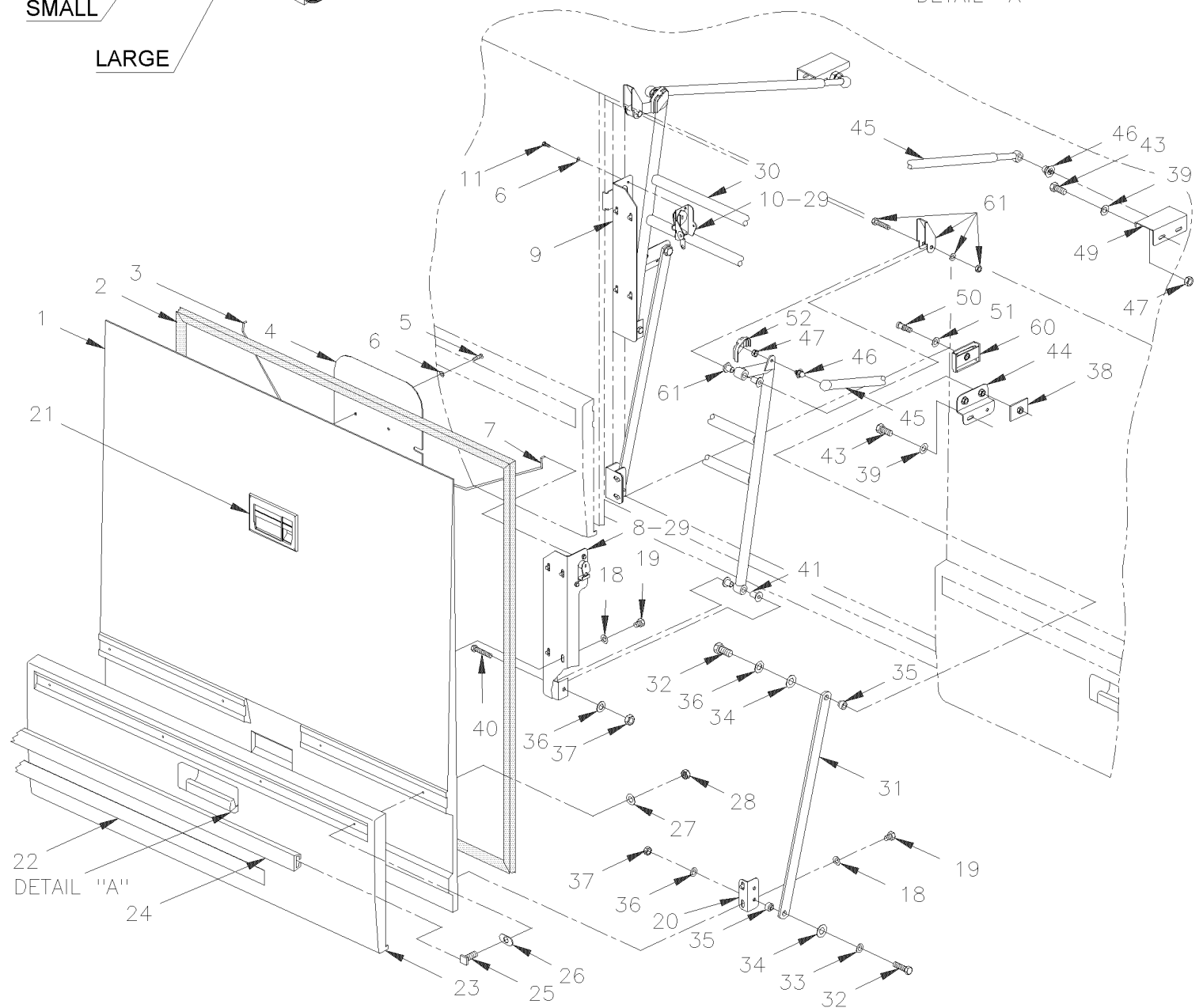
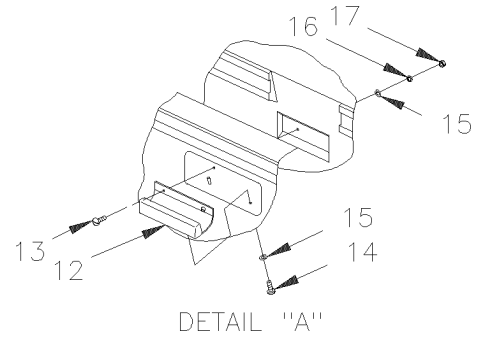
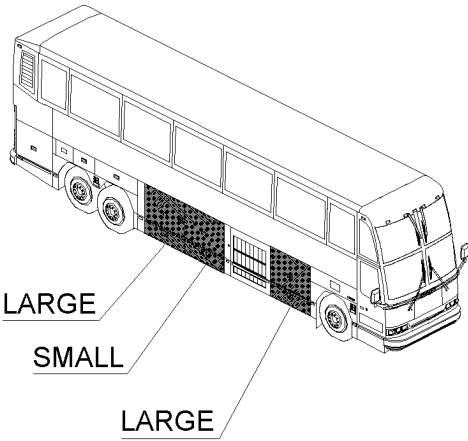
Item#	Part	Description	H 3 4 0	V I P 4 0	N O T E S
	283083P	CONDENSOR DOOR ASSY / SMALL	1	1	
	285026P	CONDENSOR DOOR ASSY / SMALL	1	1	
1	282959	. DOOR MOULDED / FIBERGLASS	1	1	
1	285005	. DOOR MOULDED / FIBERGLASS	1	1	
2	283100	. STRIPE, REFLECTIVE WHITE / 38MM X 15' ROLL	AR	AR	
. NS	780277	. . STRIPE, REFLECTIVE WHITE / 38MM X 150' ROLL	AR	AR	
3	480154	. WEATHERSTRIP RUBBER / ADH / RAW MATERIAL	AR	AR	
3	292418	. RUBBER SEAL EXTRUSION / ADHESIVE / RAW MATERIAL	AR	AR	
4	283170	. HINGE ASSY / UPPER	1	1	
5	283222	. HINGE / LOWER	1	1	
6	502533	. SCREW CAP HEX M6-1.0x30 G8.8 Z050	4	4	
7	502582	. WASHER LO SERR 6.1x16.2x0.9 Z050	4	4	
8	283090	. DECAL / TO OPEN PULL 1+ 3	1	1	
9	283089	. DECAL / CAUTION 1-2-3	1	1	
10	283085	. CLOSING PLATE 154MM x 60MM	1	1	
11	500510	. SCREW MA BDG PH #10-32x3/4 SS EMN	2	2	
12	500519	. NUT WELL #10-32x.518	2	2	
13	502094	. PIN, COTTER 1/16 x 1/2 SS	AR	AR	B
14	780283	. LOCK SPAGNOLET R.H.	1	1	
. NS	780340	. . CLIP, RETAINER ROD	1	1	
15	283084	. ROD LEVER	1	1	
16	500560	. SCREW MA PAN PH M4-0.7x6 Z050	1	1	
17	780279	. LEVER, LOCK / CYLINDER / PLASTIC BLACK / 7MM SQ HOLE	1	1	
17	288324	. LEVER, LOCK / CYLINDER / PLASTIC BLACK / 8MM SQ HOLE	1	1	J
18	500022	. WASHER LO INT .168x.340x.023 Z050	1	1	
19	283080	. FIXATION / LOCK	1	1	
20	504340	. RIVET POP DOME OE 1/8x3/16 SS	2	2	
21	282649	. PLATE SUPPORT / W/SPAGNOLET LOCK	1	1	
22	502531	. SCREW CAP HEX M6-1.0x16 G8.8 Z050	2	2	
23	780318	. CAP PROTECTOR CLOSED / BLACK SERIES PS	1	1	
24	H4-1864-30	HANDLE LOCK & KEYS - TYPE "PS"			
30	282627	SPRING EXTENSION / .360 O.D x 3. X .058	1	1	
31	282636	AXLE HINGE	2	2	
32	282634	SUPPORT STUD LOCK / TO FIX FRAME	1	1	
33	502790	SCREW CAP HEX M8-1.25x20 G8.8 Z050	2	2	
34	502584	WASHER LO SERR 8.2x26.3x1.8 Z050	2	2	
35	502543	NUT HEX M8-1.25 Z050	2	2	
		B) TO FIX HINGE AXLE!SEE KIT AT END OF PAGE H4-1864-99			
		J) SEE KIT AT END OF PAGE H4-1864-99			

From L-031 To R-079

Date:07/2024

PAGE:H4-1864-00

BAGGAGE COMPARTMENT DOOR



From L-031 To R-079	Date:07/2024	PAGE:H4-1864-00
BAGGAGE COMPARTMENT DOOR		

Item#	Part	Description	H 3 4 0	V I P 4 0	N O T E S
	283263P	BAGGAGE DOOR ASSY 54" To R-379	4		
	284477P	BAGGAGE DOOR ASSY 54" From R-380	4		
	283540P	BAGGAGE DOOR ASSY 54" W/ELEC To R-379		4	
	284483P	BAGGAGE DOOR ASSY 54" W/ELEC From R-380		4	
	283264P	BAGGAGE DOOR ASSY 48" To R-379	2		
	284479P	BAGGAGE DOOR ASSY 48" From R-380	2		
	283541P	BAGGAGE DOOR ASSY 48" W/ELEC To R-379		2	
	284484P	BAGGAGE DOOR ASSY 48" W/ELEC From R-380		2	
1	283227	. DOOR MOULDED / FIBERGLASS / 54"	1		
1	283428	. DOOR MOULDED / FIBERGLASS / 54"		1	
1	283228	. DOOR MOULDED / FIBERGLASS / 48" To R-379	1		
1	283787	. DOOR MOULDED / FIBERGLASS / 48" From R-380	1		
1	283427	. DOOR MOULDED / FIBERGLASS / 48"		1	
2	283336	. RUBBER SEAL EXTRUSION / ADHESIVE / 120METER / RAW MATERIAL	AR	AR	B
2	285627	. RUBBER SEAL EXTRUSION / 1352MM X 1115MM	1	1	D
2	287508	. RUBBER SEAL EXTRUSION / 1352MM X 1115MM	1	1	D
2	288913	. RUBBER SEAL EXTRUSION / 1352MM X 1115MM	1	1	D
2	2800161	. RUBBER SEAL EXTRUSION / 1352MM X 1115MM	1	1	D
2	285500	. RUBBER SEAL EXTRUSION / 1152MM X 1121MM	1	1	E
2	287490	. RUBBER SEAL EXTRUSION / 1152MM X 1121MM	1	1	E
2	288902	. RUBBER SEAL EXTRUSION / 1152MM X 1121MM	1	1	E
2	2800122	. RUBBER SEAL EXTRUSION / 1152MM X 1121MM	1	1	E
3	283246	. ROD L.H. / W/SMALL DOOR / 576MM To R-379	1		
3	289361	. ROD L.H. / W/SMALL DOOR / 586MM From SERVICE To R-379	1		S
3	284456	. ROD L.H. / W/SMALL DOOR / 576MM From R-380	1		
3	289386	. ROD L.H. / W/SMALL DOOR / 578MM From R-380 To SERVICE	1		S
3	283520	. ROD L.H. / W/SMALL DOOR / 576MM To R-379		1	
3	289388	. ROD L.H. / W/SMALL DOOR / 582MM From SERVICE To R-379		1	S
3	284457	. ROD L.H. / W/SMALL DOOR / 576MM From R-380		1	
3	289360	. ROD L.H. / W/SMALL DOOR / 582MM From R-380 To SERVICE		1	S
3	283247	. ROD L.H. / W/SMALL DOOR / 498MM To R-379	1		
3	289384	. ROD L.H. / W/SMALL DOOR / 504MM From SERVICE To R-379	1		S
3	284462	. ROD L.H. / W/SMALL DOOR / W/SMALL DOOR548MM From R-380	1		
3	289363	. ROD L.H. / W/SMALL DOOR / 536.6MM From R-380 To SERVICE	1		S
3	283521	. ROD L.H. / W/SMALL DOOR / 498MM To R-379		1	
3	289362	. ROD L.H. / W/SMALL DOOR / 508MM From SERVICE To R-379		1	S
3	284468	. ROD L.H. / W/SMALL DOOR / 498MM From R-380		1	
3	289358	. ROD L.H. / W/SMALL DOOR / 504MM From R-380 To SERVICE		1	S
4	283250	. PLATE CLOSING	1		
4	283518	. PLATE CLOSING / 293MM X 318MM		1	
NS	504069	. GROMMET / .281x.375x.062x.250x.562	1	1	
NS	506236	. TAPE RUB ADH1 CC POL 1/16" x 1/2" x 100' / GREY 2520	AR	AR	

From L-031 To R-079	Date:07/2024	PAGE:H4-1864-00
BAGGAGE COMPARTMENT DOOR		

Item#	Part	Description	H 3 4 0	V I P 4 0	N O T E S
5	502563	. SCREW CAP HEX M6-1.0x12 G8.8 Z050	4	4	
6	502582	. WASHER LO SERR 6.1x16.2x0.9 Z050	12	12	
7	283249	. ROD R.H. / W/LARGE DOOR / 626MM To R-379	1		
7	289355	. ROD R.H. / W/LARGE DOOR / 618.6MM / SERVICE To R-379	1		S
7	284101	. ROD R.H. / W/LARGE DOOR / 626MM From R-380	1		
7	289387	. ROD R.H. 614.6MM From R-380	1		S
7	283522	. ROD R.H. / W/LARGE DOOR / 626MM To R-379		1	
7	289389	. ROD R.H. 618.6MM / SERVICE To R-379		1	S
7	284455	. ROD R.H. / W/LARGE DOOR / 626MM From R-380		1	
7	289365	. ROD R.H. / W/LARGE DOOR / 614.6MM From R-380		1	S
7	283248	. ROD R.H. / W/SMALL DOOR / 548MM To R-379	1		
7	289385	. ROD R.H. 696.6MM / SERVICE To R-379	1		S
7	284466	. ROD R.H. / W/SMALL DOOR / 498MM From R-380	1		
7	289359	. ROD R.H. 504MM From R-380	1		S
7	283523	. ROD R.H. / W/SMALL DOOR / 548MM To R-379		1	
7	289352	. ROD R.H. / W/SMALL DOOR / 540.6MM / SERVICE To R-379		1	S
7	284464	. ROD R.H. / W/SMALL DOOR / 548MM From R-380		1	
7	289364	. ROD R.H. / W/SMALL DOOR / 536.6MM / SERVICE From R-380		1	S
8	283244	. FIXTURE R.H. To R-379	1	1	
8	284473	. FIXTURE R.H. From R-380	1	1	
9	283245	. FIXTURE L.H. To R-379	1	1	
9	284475	. FIXTURE L.H. From R-380	1	1	
10	282517	. LOCK / DOOR To R-379	1	1	
10	780282	. LOCK SPAGNOLET L.H. From R-380	1	1	
10	282517	. LOCK / DOOR To R-379	1	1	
10	780283	. LOCK SPAGNOLET R.H. From R-380	1	1	
. NS	780340	. . CLIP, RETAINER ROD From R-380	1	1	
NS	504456	. CLIP / RETAINER ROD / WHITE OR RED	2	2	C
11	502531	. SCREW CAP HEX M6-1.0x16 G8.8 Z050	4	4	
12	282562	. HANDLE / DOOR	1	1	
13	502532	. SCREW MA PAN PH M5-0.8x25 SS EMN	2	2	
14	500641	. SCREW TP PAN PH #8x3/4 Z050	2	2	
15	500438	. WASHER FL .187x.437x.050 Z050	8	8	
16	500470	. WASHER LO SPT .193x.334x.047 Z050	2	2	
17	502580	. NUT HEX CAP M5-0.8 ZP	2	2	
18	502584	. WASHER LO SERR 8.2x26.3x1.8 Z050	12	12	
19	502589	. SCREW CAP HEX M8-1.25x25 G8.8 Z050	12	12	
19	502790	. SCREW CAP HEX M8-1.25x20 G8.8 Z050	AR	AR	
20	283238	. ATTACHMENT / LOWER L.H. & R.H.	2	2	
21	H4-1864-30	HANDLE LOCK & KEYS - TYPE "PS"			
21	H4-1864-99	HANDLE LOCK & KEYS - TYPE "NS" / SERVICE			
21	H4-1864-35	BAGGAGE COMPARTMENT ELECTRICAL LOCK - V.I.P.			

From L-031 To R-079	Date:07/2024	PAGE:H4-1864-00
---------------------	--------------	-----------------

BAGGAGE COMPARTMENT DOOR

Item#	Part	Description	H 3 4 0	V I P 4 0	N O T E S
21	H4-1864-36	BAGGAGE COMPARTMENT ELECTRICAL LOCK - V.I.P / SERVICE			
22	283100	. STRIPE, REFLECTIVE WHITE / 38MM X 15' ROLL	AR	AR	
. NS	780277	. STRIPE, REFLECTIVE WHITE / 38MM X 150' ROLL	AR	AR	
23	282506	. PROTECTOR PANEL / DP / W/LARGE DOOR	1	1	
23	284790	. PROTECTOR PANEL / WITH GRAVEL GUARD / DP / W/LARGE DOOR	1	1	A
23	282507	. PROTECTOR PANEL / DP / W/SMALL DOOR	1	1	
23	284791	. PROTECTOR PANEL / WITH GRAVEL GUARD / DP / W/SMALL DOOR	1	1	A
24	282567	. EXTRUSION PROFILE 1340MM	1	1	
24	282569	. EXTRUSION PROFILE 1182MM	1	1	
NS	680025	. CAULKING STRIP 3/16" O.D. X 14'	AR	AR	
25	502534	. SCREW CAP SQ 5/16-18x1 G2 Z050	5	5	
26	283219	. WASHER ,REINFORCEMENT	AR	AR	
27	502583	. WASHER LO SERR 8.15x22.3x1.0 Z050	5	5	
28	5001189	. NUT HEX 5/16-18 SS	5	5	
NS	507295	. HOLE PLUG BUTTON / 1.375 O.D. BLACK	4	4	
29	504454	. BUMPER RUBBER BOLT / 20MM ODx20MM TH X M6X15MM STUD	2	2	
30	282457	ARM PANTOGRAPH / W/LARGE DOOR	4	4	
30	282460	ARM PANTOGRAPH	1	1	
31	283236	ARM AUXILIARY 638MM C/C	2	2	
32	500544	SCREW CAP HEX M8-1.25x30 G8.8 Z050	4	4	
33	5001164	WASHER FL 8.4x25.0x2.0 Z050	4	4	
34	507289	BUSHING NYLINER / AUXILIARY ARM & ATTACHMENT	4	4	
35	282540	SPACER BUSHING FLANGE / AUX. ARM & SUPPORT	4	4	
36	502583	WASHER LO SERR 8.15x22.3x1.0 Z050	8	8	
37	502543	NUT HEX M8-1.25 Z050	6	6	
38	282520	PLATE ASSY W/NUT M8-1.25 36MM x 50MM	2	2	
39	502584	WASHER LO SERR 8.2x26.3x1.8 Z050	8	8	
40	502527	SCREW CAP HEX M8-1.25x50 G8.8 Z050	4	4	
41	507142	BUSHING, NYLINER W/SHOULDER (8-L-8-F)	8	8	
NS	282541	SPACER TUBE 31MM x 12.7MM x 8.5MM	AR	AR	
43	502790	SCREW CAP HEX M8-1.25x20 G8.8 Z050	8	8	
44	283241	SUPPORT / 24MM OFFSET	6		
44	283241	SUPPORT / 24MM OFFSET		8	
44	283239	SUPPORT / 43MM OFFSET	2	2	
44	283235	SUPPORT / 62MM OFFSET	4		
44	283235	SUPPORT / 62MM OFFSET		6	
NS	283839	PLATE ADAPTOR / SUPPORT & AUXILIARY ARM		12	
45	980014	CYLINDER GAZ / 669/409MM C/C / 190LBS	2	2	C
45	980024	CYLINDER GAZ / 669/409MM C/C / 200LBS	2	2	
45	192226	CYLINDER GAZ / 669/409MM C/C / 200LBS HD		AR	
. NS	980017	. CLIP BALL STUD 10MM RETAINER		2	
46	980015	BALL STUD / W/10 MM X M8-1.25 / 29.18 MM	AR	AR	

From L-031 To R-079	Date:07/2024	PAGE:H4-1864-00
BAGGAGE COMPARTMENT DOOR		

Item#	Part	Description	H 3 4 0	V I P 4 0	N O T E S
47	502760	NUT HEX TWAY M8-1.25 Z050	AR	AR	
48	502790	SCREW CAP HEX M8-1.25x20 G8.8 Z050	8	8	
49	282532	ATTACHMENT CYLINDER L.H. To M-048	AR	AR	
49	283841	ATTACHMENT CYLINDER L.H. From M-049 To R-030	AR	AR	
49	284829	ATTACHMENT CYLINDER From R-031	AR	AR	
49	282533	ATTACHMENT CYLINDER R.H. To M-048	AR	AR	
49	283840	ATTACHMENT CYLINDER L.H. From M-049 To R-030	AR	AR	
49	284828	ATTACHMENT CYLINDER From R-031	AR	AR	
50	780189	STRIKER & SHIM To R-379	2	2	
50	284438	PIN STRIKER From R-380	2	2	
50	680025	CAULKING STRIP 3/16" O.D. X 14'	AR	AR	
51	284447	WASHERS BELLEVILLE From R-380	2	2	
52	282848	PROTECTOR L.H. & R.H.	2	2	
52	285040	PROTECTOR L.H.	1	1	
52	285207	PROTECTOR R.H.	1	1	
NS	282849	PROTECTOR COVER	2	2	
NS	282916	SPACER / ITEMS #30 & 52	2	2	
NS	500883	SCREW TC PAN PH #8-32x3/8 Z050	2	2	F
60	282522	FLOATING NUT To R-379	AR	AR	
60	282869	FLOATING NUT ASSY WITH CASE From R-380	AR	AR	
61	H4-1879-90	EXTERIOR DOOR HINGE AND SUPPORT			
		FOLLOWING PARTS ARE RELATED WITH			
		SAFETY CATCH DOOR "OPTION"			
NS	283921	KIT SAFETY CATCH	AR	AR	
NS	283918	BUTTON / NYLON	1	1	
NS	283920	SUPPORT / (TRIANGULAR SHAPE)	1	1	
NS	283919	SUPPORT "L" 105MM X 125MM	1	1	
NS	500120	SCREW TP BDG PH #6x1/2 SS	3	3	
NS	500875	NUT HEX M12-1.75 SS	4	4	
NS	500678	NUT WELL #8-32x.450	4	4	
NS	D280141	INSTALLATION DIAGRAM	1	1	
		A) THIS PROTECTOR IS COATED WITH GRAVEL GUARD ANS IS BLACK PAINTED READY TO INSTALL			
		B) SOLD IN 20' LONG ON PART #283875			
		C) THIS PART IS SUPERSEDED BY 980024. SEE INSTRUCTION SHEET IS-95064 TO COMPLETE THE NEW INSTALLATION			
		D) THIS SEAL IT FOR SERVICE WITH SMALL DOOR			
		E) THIS SEAL IT FOR SERVICE WITH LARGE DOOR			
		F) TO FIX PROTECTOR			

From L-031 To R-079	Date:07/2024	PAGE:H4-1864-00
BAGGAGE COMPARTMENT DOOR		

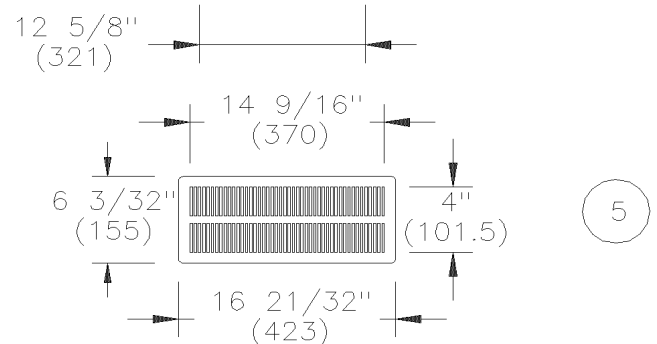
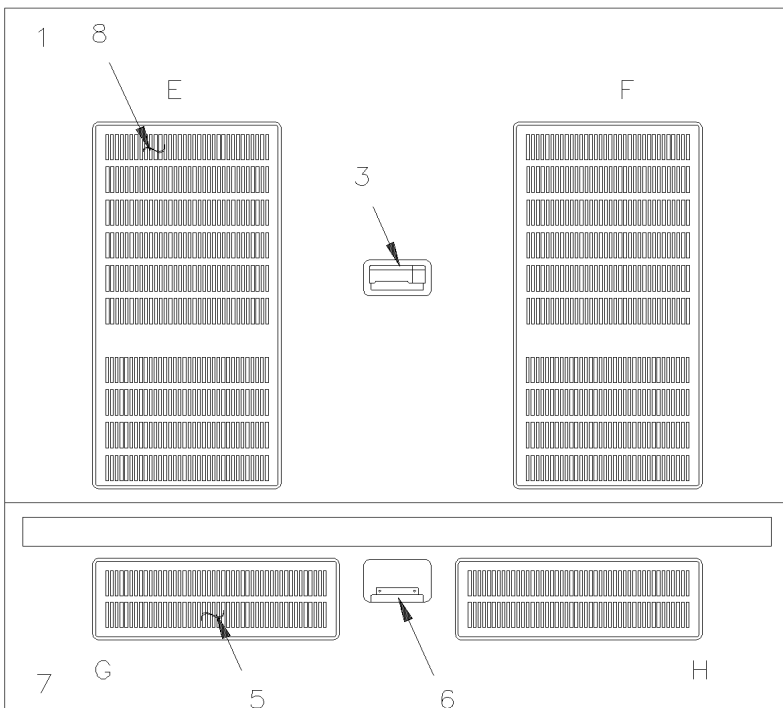
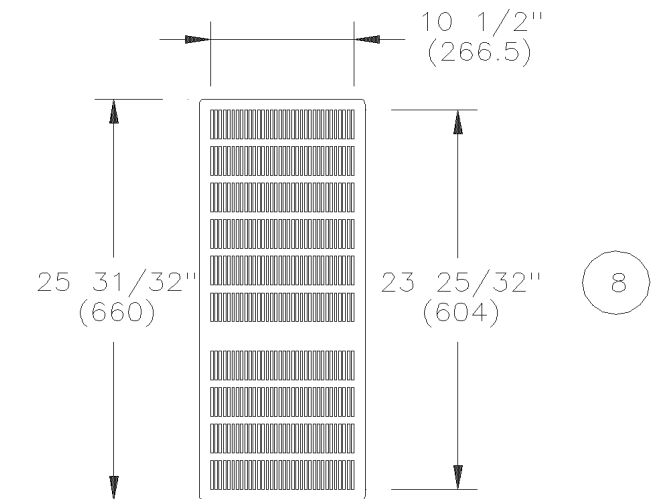
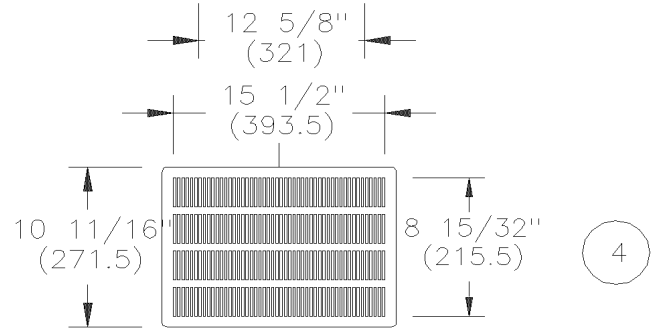
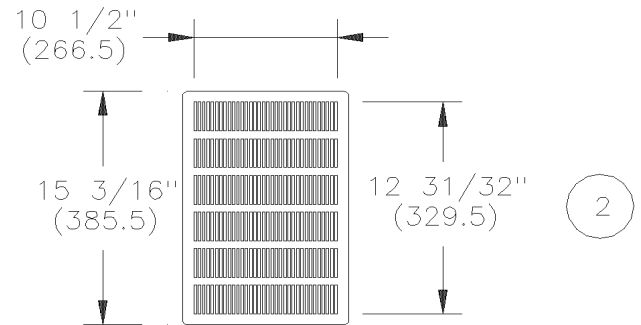
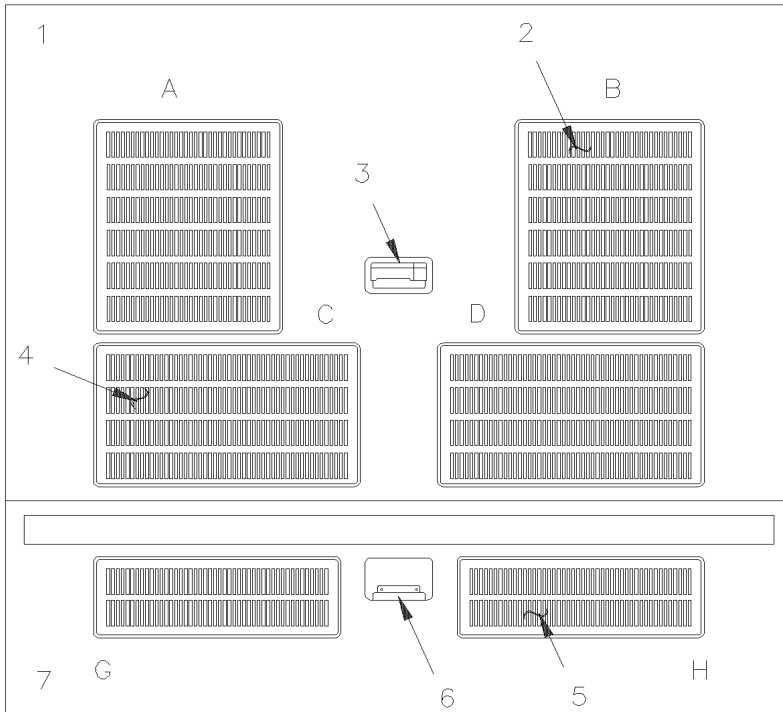
Item#	Part	Description	H 3 4 0	V I P 4 0	N O T E S
		S) THOSE RODS ARE REQUIRE ONLY IF YOU CHANGE FORMER HANDLE MODEL FOR NEW MODEL # 780794 OR 780795			

From L-031 To R-079

Date:07/2024

PAGE:H4-1864-20

AIR GRILL - BAGGAGE DOOR V.I.P.



From L-031 To R-079		Date:07/2024	PAGE:H4-1864-20
AIR GRILL - BAGGAGE DOOR V.I.P.			

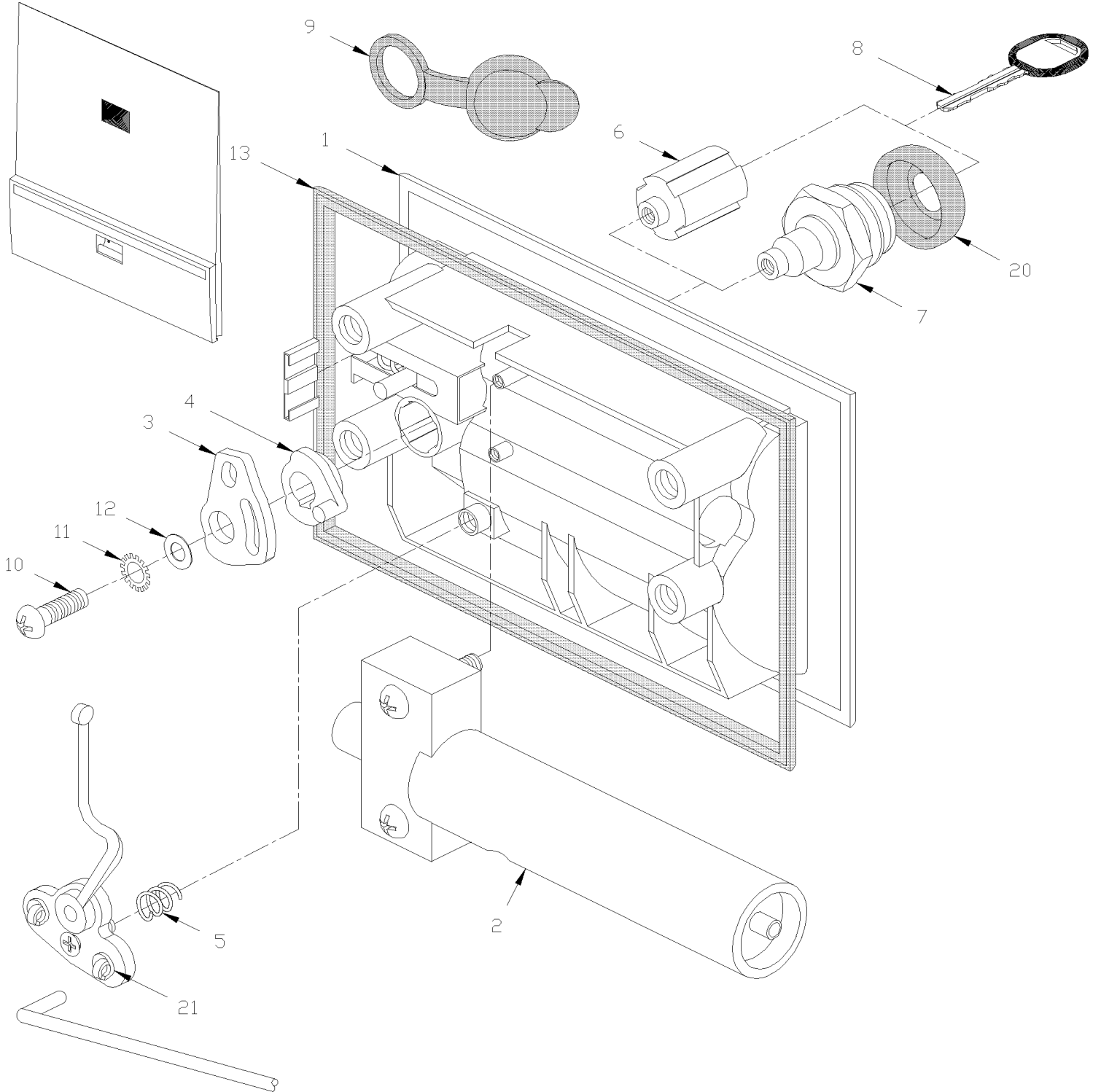
Item#	Part	Description	H 3 4 0	V I P 4 0	N O T E S
1	283427	DOOR MOULDED / FIBERGLASS / 48"		AR	
1	283428	DOOR MOULDED / FIBERGLASS / 54"		AR	
1	284499	DOOR 48" W/1.62 SQF PERFORATED AREA		AR	
1	284500	DOOR 48" W/0.32 SQF PERFORATED AREA		AR	
1	284501	DOOR 48" W/1.04 SQF PERFORATED AREA		AR	
1	284502	DOOR 48" W/0.98 SQF PERFORATED AREA		AR	
1	284503	DOOR 48" W/1.33 SQF PERFORATED AREA		AR	
1	284515	DOOR 54" W/0.42 SQF PERFORATED AREA		AR	
1	284516	DOOR 54" W/1.32 SQF PERFORATED AREA		AR	
1	284517	DOOR 54" W/1.34 SQF PERFORATED AREA		AR	
1	284518	DOOR 54" W/1.96 SQF PERFORATED AREA		AR	
1	284519	DOOR 54" W/2.24 SQF PERFORATED AREA		AR	
2	283809	GRILLE / W/OPEN AREA 0.46 SQF		AR	
2	283810	GRILLE / W/OPEN AREA 0.33 SQF		AR	
NS	283485	INSULATING PANEL / W/LARGE DOOR		2	
NS	283488	INSULATING PANEL / W/SMALL DOOR		2	
4	283807	GRILLE / W/OPEN AREA 0.36 SQF		AR	
4	283808	GRILLE / W/OPEN AREA 0.45 SQF		AR	
NS	283486	INSULATING PANEL / W/LARGE DOOR		2	
NS	283487	INSULATING PANEL / W/SMALL DOOR		2	
5	283543	GRILLE / W/OPEN AREA 0.16 SQF		AR	
5	283545	GRILLE / W/OPEN AREA 0.21 SQF		AR	
NS	283483	INSULATING PANEL / W/SMALL DOOR		2	
NS	283484	INSULATING PANEL / W/LARGE DOOR		2	
6	282562	HANDLE / DOOR		1	
7	283524	PROTECTOR W/0.32 SQF PERFORATED AREA		1	
7	283525	PROTECTOR W/0.42 SQF PERFORATED AREA		1	
8	283811	GRILLE / W/OPEN AREA 0.55 SQF		AR	
8	283812	GRILLE / W/OPEN AREA 0.77 SQF		AR	
NS	502556	WASHER FL 4.3x9.0x0.8 SS		AR	A
NS	502557	NUT HEX NYRT M4-0.7 SS		AR	A
9	283515	CLOSING PANEL REAR / W/LARGE DOOR		1	
9	283519	CLOSING PANEL REAR / W/SMALL DOOR		1	
NS	5001055	NUT WELL M4-0.7x14.5		AR	B
NS	502698	SCREW MA PAN PH M4-0.7x16 SS BK		AR	B
		A) TO FIX GRILL			
		B) TO FIX REAR CLOSING PANEL			

From L-031 To R-079

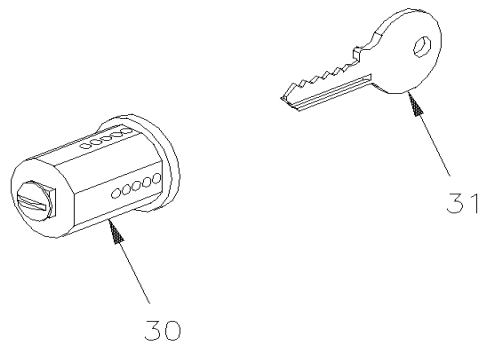
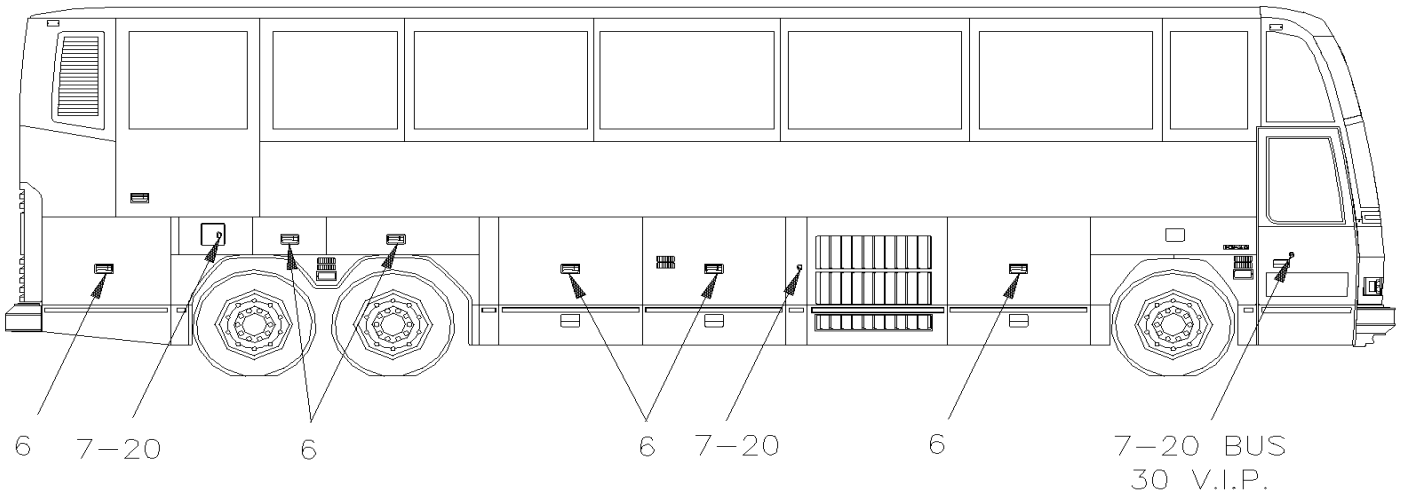
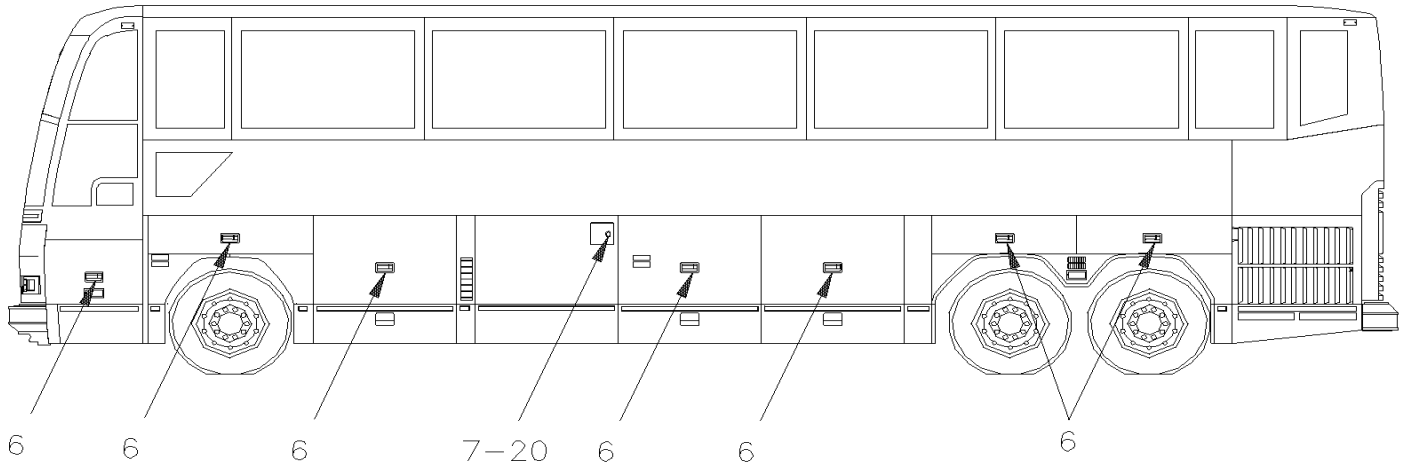
Date:07/2024

PAGE:H4-1864-30

HANDLE LOCK & KEYS - TYPE "PS"



From L-031 To R-079	Date:07/2024	PAGE:H4-1864-30
HANDLE LOCK & KEYS - TYPE "PS"		



From L-031 To R-079	Date:07/2024	PAGE:H4-1864-30
HANDLE LOCK & KEYS - TYPE "PS"		

Item#	Part	Description	H 3 4 0	V I P 4 0	N O T E S
1	780350	HANDLE ASSY / MANUAL TYPE "PS"	AR	AR	
1	780351	HANDLE ASSY / W/AIR CYLINDER TYPE "PS"	AR	AR	
2	N.S.S.	. AIR CYLINDER	AR	AR	1
3	780353	LEVER / W/AIR CYLINDER	AR	AR	
3	780354	LEVER / W/MANUAL OPERATION & ELECTRIC	AR	AR	
4	780352	LEVER	AR	AR	
5	780305	. SPRING COMPRESSION / .700 O.D. x .515 x .055	1	1	
6	780394	CYLINDER LOCK / PS175	AR	AR	
6	780393	CYLINDER LOCK / PS174	AR	AR	
6	780392	CYLINDER LOCK / PS173	AR	AR	
6	780391	CYLINDER LOCK / PS172	AR	AR	
6	780390	CYLINDER LOCK / PS171	AR	AR	
6	780389	CYLINDER LOCK / PS170	AR	AR	
6	780388	CYLINDER LOCK / PS169	AR	AR	
6	780387	CYLINDER LOCK / PS168	AR	AR	
6	780386	CYLINDER LOCK / PS167	AR	AR	
6	780385	CYLINDER LOCK / PS166	AR	AR	
6	780384	CYLINDER LOCK / PS165	AR	AR	
6	780383	CYLINDER LOCK / PS164	AR	AR	
6	780382	CYLINDER LOCK / PS163	AR	AR	
6	780381	CYLINDER LOCK / PS162	AR	AR	
6	780380	CYLINDER LOCK / PS161	AR	AR	
6	780379	CYLINDER LOCK / PS160	AR	AR	
6	780378	CYLINDER LOCK / PS159	AR	AR	
6	780377	CYLINDER LOCK / PS158	AR	AR	
6	780376	CYLINDER LOCK / PS157	AR	AR	
6	780375	CYLINDER LOCK / PS156	AR	AR	
6	780374	CYLINDER LOCK / PS20	AR	AR	
6	780373	CYLINDER LOCK / PS19	AR	AR	
6	780372	CYLINDER LOCK / PS18	AR	AR	
6	780371	CYLINDER LOCK / PS17	AR	AR	
6	780370	CYLINDER LOCK / PS16	AR	AR	
6	780369	CYLINDER LOCK / PS15	AR	AR	
6	780368	CYLINDER LOCK / PS14	AR	AR	
6	780367	CYLINDER LOCK / PS13	AR	AR	
6	780366	CYLINDER LOCK / PS12	AR	AR	
6	780365	CYLINDER LOCK / PS11	AR	AR	
6	780364	CYLINDER LOCK / PS10	AR	AR	
6	780363	CYLINDER LOCK / PS9	AR	AR	
6	780362	CYLINDER LOCK / PS8	AR	AR	
6	780361	CYLINDER LOCK / PS7	AR	AR	
6	780360	CYLINDER LOCK / PS6	AR	AR	

From L-031 To R-079	Date:07/2024	PAGE:H4-1864-30
HANDLE LOCK & KEYS - TYPE "PS"		

Item#	Part	Description	H 3 4 0	V I P 4 0	N O T E S
6	780359	CYLINDER LOCK / PS5	AR	AR	
6	780358	CYLINDER LOCK / PS4	AR	AR	
6	780357	CYLINDER LOCK / PS3	AR	AR	
6	780356	CYLINDER LOCK / PS2	AR	AR	
6	780355	CYLINDER LOCK / PS1	AR	AR	
7	780414	CYLINDER LOCK / PS175	AR	AR	
7	780413	CYLINDER LOCK / PS174	AR	AR	
7	780412	CYLINDER LOCK / PS173	AR	AR	
7	780411	CYLINDER LOCK / PS172	AR	AR	
7	780410	CYLINDER LOCK / PS171	AR	AR	
7	780409	CYLINDER LOCK / PS170	AR	AR	
7	780408	CYLINDER LOCK / PS169	AR	AR	
7	780407	CYLINDER LOCK / PS168	AR	AR	
7	780406	CYLINDER LOCK / PS167	AR	AR	
7	780405	CYLINDER LOCK / PS166	AR	AR	
7	780404	CYLINDER LOCK / PS165	AR	AR	
7	780403	CYLINDER LOCK / PS164	AR	AR	
7	780402	CYLINDER LOCK / PS163	AR	AR	
7	780401	CYLINDER LOCK / PS162	AR	AR	
7	780400	CYLINDER LOCK / PS161	AR	AR	
7	780399	CYLINDER LOCK / PS160	AR	AR	
7	780398	CYLINDER LOCK / PS159	AR	AR	
7	780397	CYLINDER LOCK / PS158	AR	AR	
7	780396	CYLINDER LOCK / PS157	AR	AR	
7	780395	CYLINDER LOCK / PS156	AR	AR	
7	780274	CYLINDER LOCK / PS20	AR	AR	
7	780273	CYLINDER LOCK / PS19	AR	AR	
7	780267	CYLINDER LOCK / PS18	AR	AR	
7	780266	CYLINDER LOCK / PS17	AR	AR	
7	780265	CYLINDER LOCK / PS16	AR	AR	
7	780264	CYLINDER LOCK / PS15	AR	AR	
7	780263	CYLINDER LOCK / PS14	AR	AR	
7	780262	CYLINDER LOCK / PS13	AR	AR	
7	780261	CYLINDER LOCK / PS12	AR	AR	
7	780260	CYLINDER LOCK / PS11	AR	AR	
7	780259	CYLINDER LOCK / PS10	AR	AR	
7	780258	CYLINDER LOCK / PS9	AR	AR	
7	780257	CYLINDER LOCK / PS8	AR	AR	
7	780256	CYLINDER LOCK / PS7	AR	AR	
7	780255	CYLINDER LOCK / PS6	AR	AR	
7	780272	CYLINDER LOCK / PS5	AR	AR	
7	780271	CYLINDER LOCK / PS4	AR	AR	

From L-031 To R-079	Date:07/2024	PAGE:H4-1864-30
HANDLE LOCK & KEYS - TYPE "PS"		

Item#	Part	Description	H 3 4 0	V I P 4 0	N O T E S
7	780270	CYLINDER LOCK / PS3	AR	AR	
7	780269	CYLINDER LOCK / PS2	AR	AR	
7	780268	CYLINDER LOCK / PS1	AR	AR	
NS	681136	KEY CHAIN / "PREVOST"	AR	AR	
8	780528	KEY, UNCUT / PS SERIE	AR	AR	
8	780480	KEY / PS175	AR	AR	
8	780479	KEY / PS174	AR	AR	
8	780478	KEY / PS173	AR	AR	
8	780477	KEY / PS172	AR	AR	
8	780476	KEY / PS171	AR	AR	
8	780475	KEY / PS170	AR	AR	
8	780474	KEY / PS169	AR	AR	
8	780473	KEY / PS168	AR	AR	
8	780472	KEY / PS167	AR	AR	
8	780471	KEY / PS166	AR	AR	
8	780470	KEY / PS165	AR	AR	
8	780469	KEY / PS164	AR	AR	
8	780468	KEY / PS163	AR	AR	
8	780467	KEY / PS162	AR	AR	
8	780466	KEY / PS161	AR	AR	
8	780465	KEY / PS160	AR	AR	
8	780464	KEY / PS159	AR	AR	
8	780463	KEY / PS158	AR	AR	
8	780462	KEY / PS157	AR	AR	
8	780461	KEY / PS156	AR	AR	
8	780338	KEY / PS20	AR	AR	
8	780337	KEY / PS19	AR	AR	
8	780331	KEY / PS18	AR	AR	
8	780330	KEY / PS17	AR	AR	
8	780329	KEY / PS16	AR	AR	
8	780328	KEY / PS15	AR	AR	
8	780327	KEY / PS14	AR	AR	
8	780326	KEY / PS13	AR	AR	
8	780325	KEY / PS12	AR	AR	
8	780324	KEY / PS11	AR	AR	
8	780323	KEY / PS10	AR	AR	
8	780322	KEY / PS9	AR	AR	
8	780321	KEY / PS8	AR	AR	
8	780320	KEY / PS7	AR	AR	
8	780319	KEY / PS6	AR	AR	
8	780336	KEY / PS5	AR	AR	
8	780335	KEY / PS4	AR	AR	

From L-031 To R-079	Date:07/2024	PAGE:H4-1864-30
HANDLE LOCK & KEYS - TYPE "PS"		

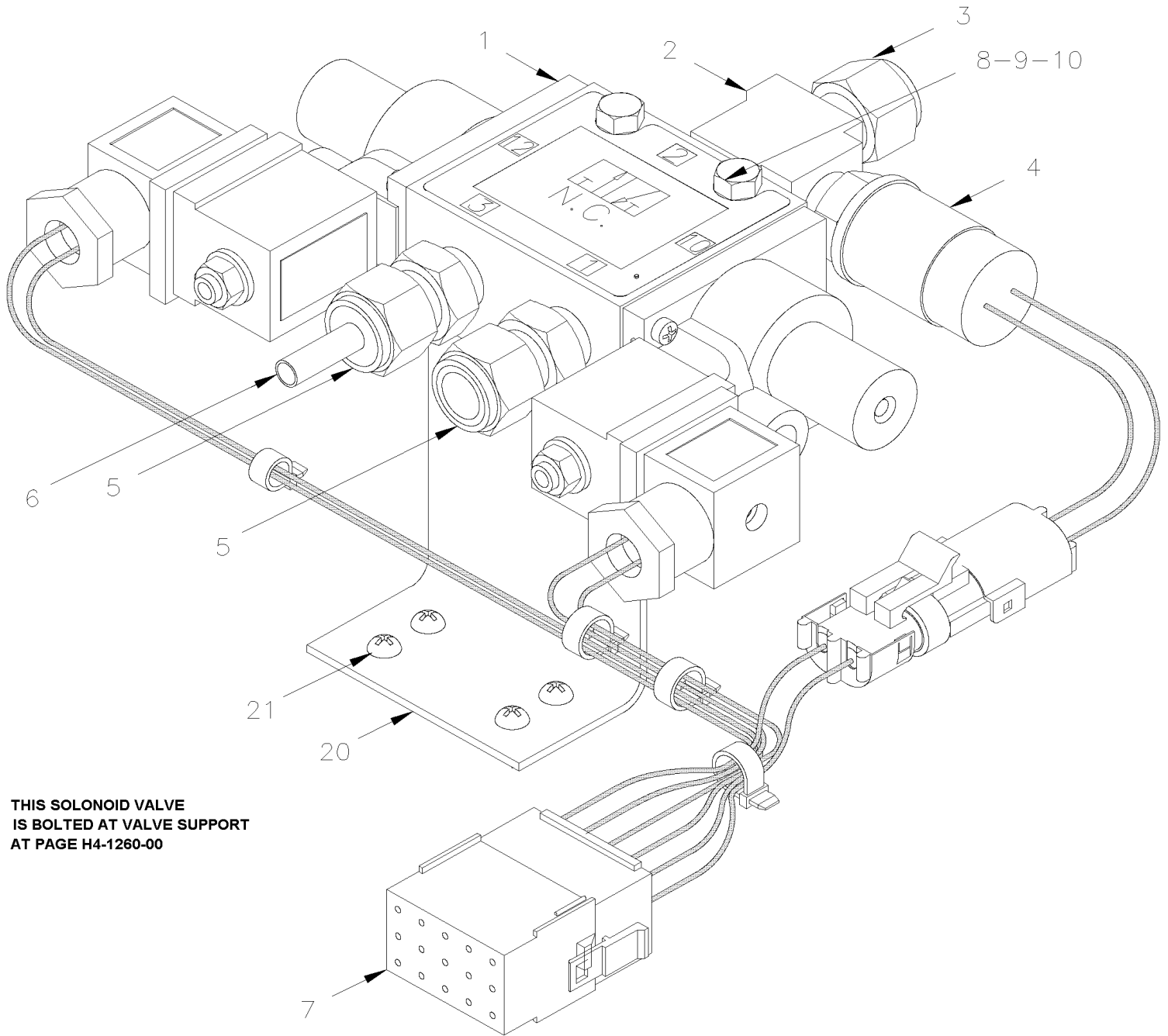
Item#	Part	Description	H 3 4 0	V I P 4 0	N O T E S
8	780334	KEY / PS3	AR	AR	
8	780333	KEY / PS2	AR	AR	
8	780332	KEY / PS1	AR	AR	
9	780318	CAP PROTECTOR CLOSED / BLACK SERIES PS	AR	AR	
10	500560	SCREW MA PAN PH M4-0.7x6 Z050	1	1	A
11	500022	WASHER LO INT .168x.340x.023 Z050	1	1	
12	500591	WASHER FL 4.3x9.0x0.8 Z050	1	1	
13	780303	GASKET	1	1	
20	283971	CAP PROTECTOR OPEN / BLACK	1	1	
21	780340	CLIP, RETAINER ROD	1	1	
21	504456	CLIP / RETAINER ROD / WHITE OR RED	1	1	
30	780430	CYLINDER LOCK ASSY W/2 KEYS / "CORBIN"		1	SS
. NS	780562	. KEY / "CORBIN" BLANK		2	SS
30	780803	CYLINDER LOCK ASSY W/2 KEYS / "SCHLAGE" SERVICE		1	
. NS	780902	. KEY / "SCHLAGE" BLANK		1	
31	780562	KEY / "CORBIN" BLANK		1	
		A) TO FIX LEVER ITEM #3			
		SS) THIS MODEL IT OBSOLETED REPLACE BY 780803 WITH NEW LEVER # 289030			
		1) NOT SOLD SEPARATELY			

From L-031 To R-079

Date:07/2024

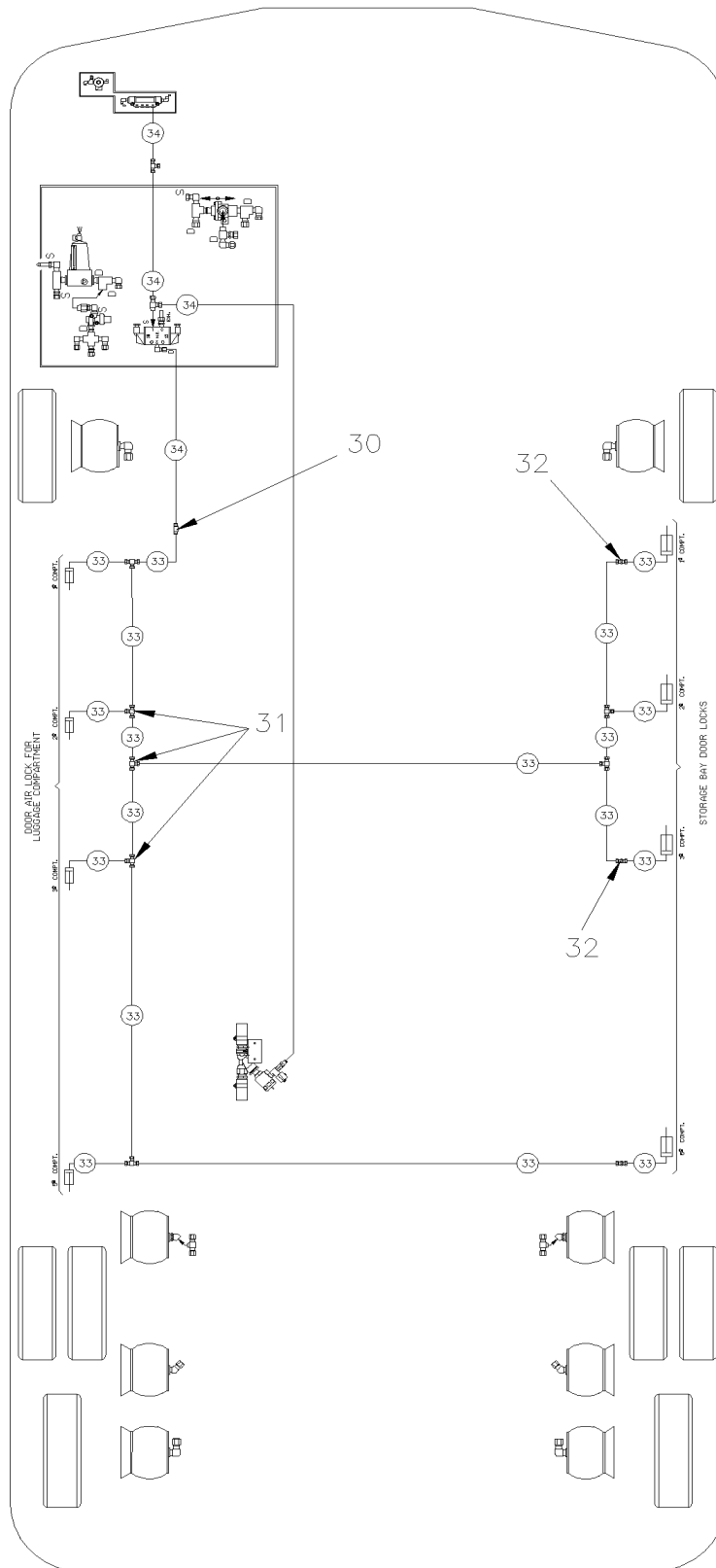
PAGE:H4-1864-31

PNEUMATIC DOOR LOCK CONTROL VALVE



**THIS SOLONOID VALVE
IS BOLTED AT VALVE SUPPORT
AT PAGE H4-1260-00**

PNEUMATIC DOOR LOCK CONTROL VALVE



From L-031 To R-079	Date:07/2024	PAGE:H4-1864-31
PNEUMATIC DOOR LOCK CONTROL VALVE		

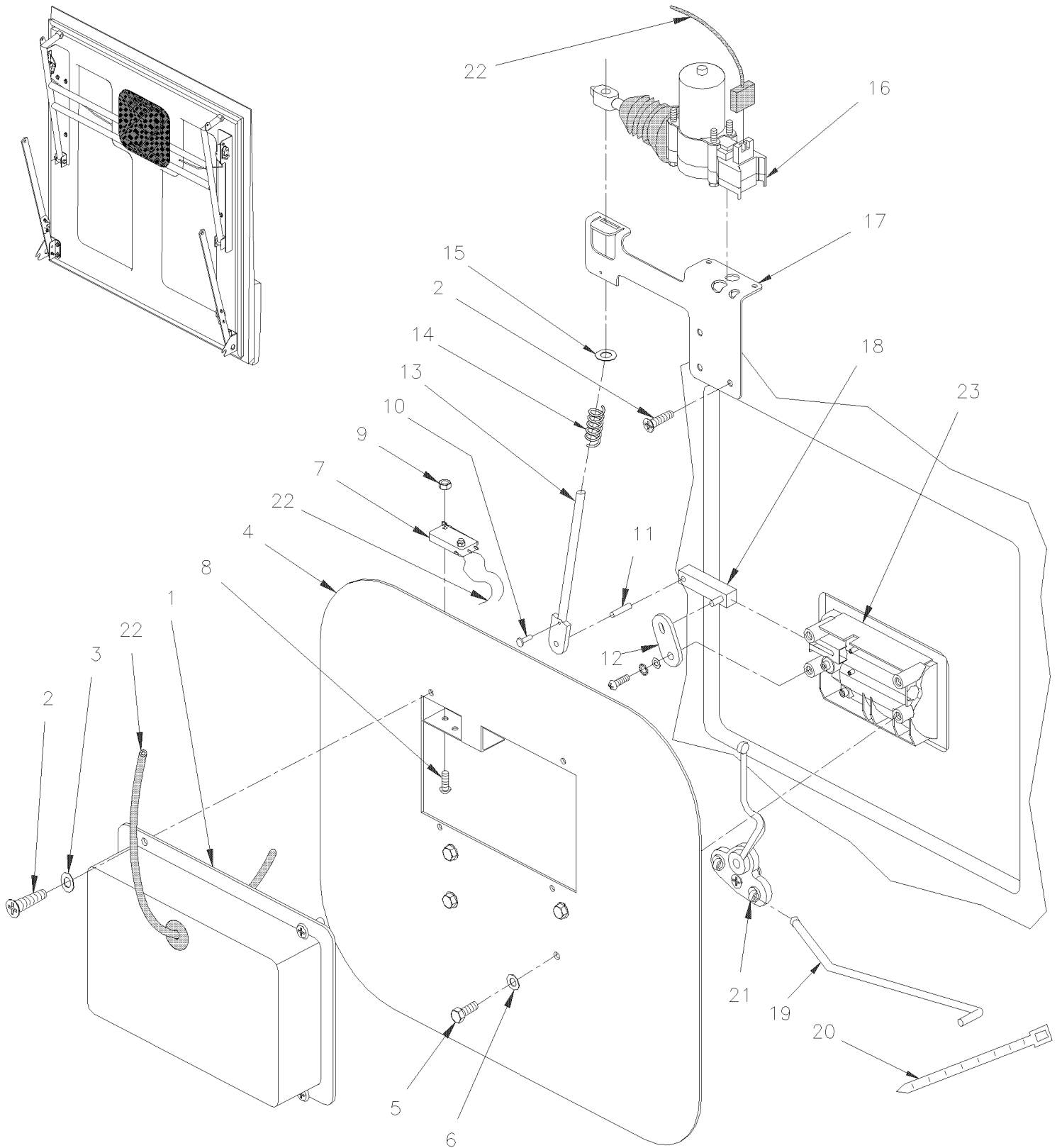
Item#	Part	Description	H 3 4 0	V I P 4 0	N O T E S
	285573	VALVE DOOR LOCK ASSY W/FITTING & CABLE	1		
1	641316	. VALVE, 3 WAYS, 2 POSITIONS / 2 SOLOINOID	1		
1	562353	. DIODE / 1AMP	1		
2	501338	. MALE RUN TEE / PIPE FITTING / 1/4NPT-Mx1/4NPT-Fx1/4NPT-F BR	1		
3	640997	. MALE ELBOW 90° / NTA FITTING / #4x1/4NPT-M BR	1		
4	452043	. PRESSURE SWITCH N.O. 60-35 20SP001AA060E035E	1		
5	641332	. MALE CONNECTOR / PUSH-IN FITTING / #4x1/4NPT-M BR	2		
6	503402	. TUBE, NYLON 1/4 O.D. / BLACK S.L.	AR		
7	062416	. CABLE ASSY	1		
8	502793	SCREW CAP HEX M6-1.0x45 G8.8 Z050	2		
9	502511	NUT HEX NYRT M6-1.0 Z050	2		
10	502573	WASHER FL 6.4x12.5x1.6 SS	2		
20	283505	SUPPORT "Z" SHAPE / TO FIX CONTROL VALVE	1		
21	500952	SCREW TP BDG PH #8x1/2 SS	4		A
NS	504062	GROMMET / .4375x.687x.125x.375x.937	1		
30	641507	UNION / PUSH-IN FITTING / #4 x 6MM NP	AR		
31	641188	UNION TEE / PUSH-IN FITTING / 6MM x 6MM x 6MM PLAS	7		
32	641203	UNION / PUSH-IN FITTING / 6MM x 6MM PLAS	AR		
33	503747	TUBE, NYLON 6MM O.D. / BLACK S.L.	AR		
34	503402	TUBE, NYLON 1/4 O.D. / BLACK S.L.	AR		
40	H4-1260-00	VALVE SUPPORT ASSY			
		A) TO FIX Z SHAPPED SUPPORT			

From L-031 To R-079

Date:07/2024

PAGE:H4-1864-35

BAGGAGE COMPARTMENT ELECTRICAL LOCK - V.I.P.



From L-031 To R-079	Date:07/2024	PAGE:H4-1864-35
BAGGAGE COMPARTMENT ELECTRICAL LOCK - V.I.P.		

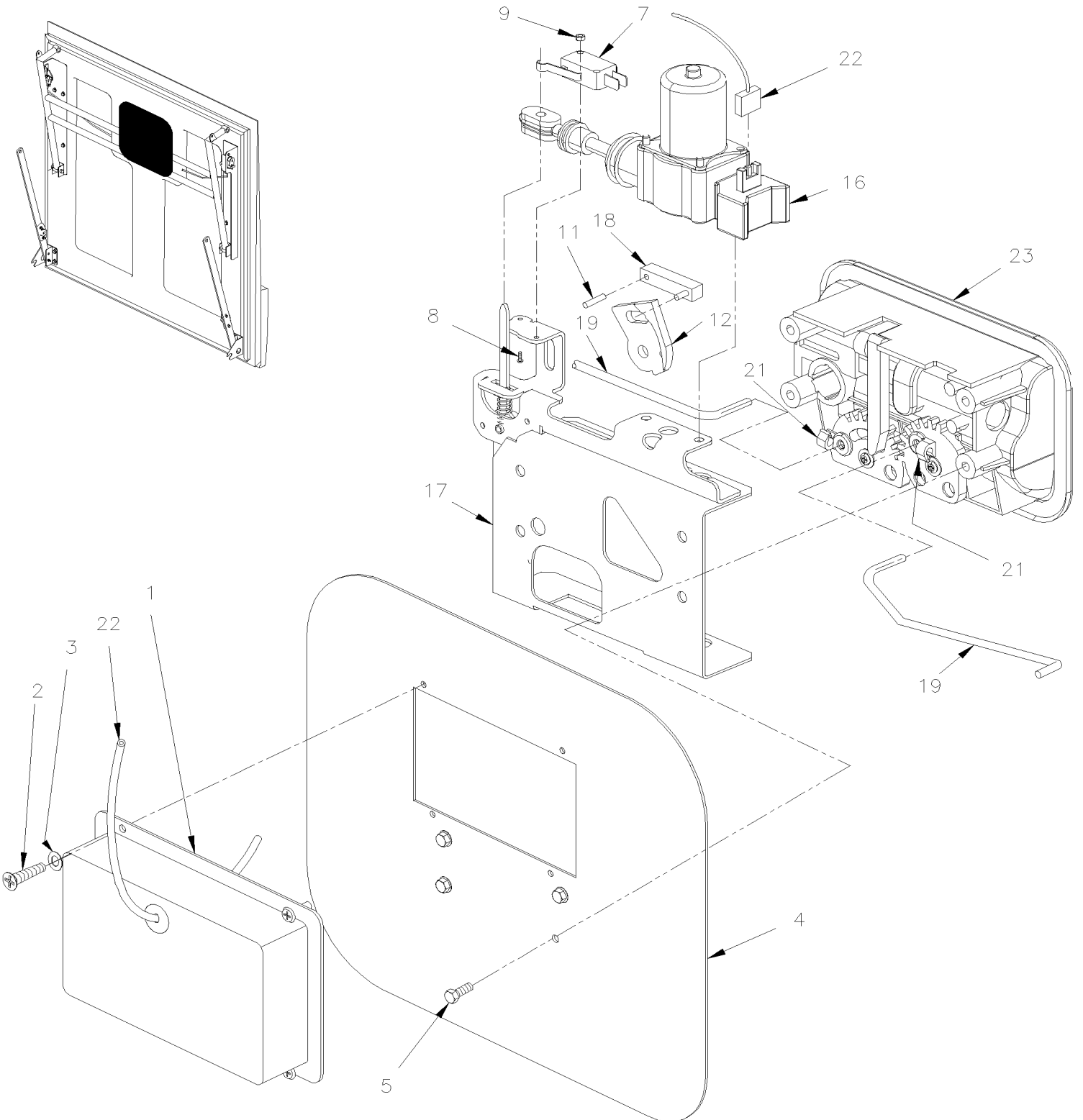
Item#	Part	Description	H 3 4 0	V I P 4 0	N O T E S
1	283516	COVER		1	
2	500263	SCREW TP PAN PH #8x3/8 BK		7	
3	500438	WASHER FL .187x.437x.050 Z050		4	
4	283823	PLATE CLOSING / 293MM X 318MM		1	
5	502563	SCREW CAP HEX M6-1.0x12 G8.8 Z050		10	
6	502582	WASHER LO SERR 6.1x16.2x0.9 Z050		10	
7	562096	MICRO SWITCH		1	
8	502577	SCREW MA PAN PH M3-0.5x16 ZP		2	
9	502579	NUT HEX M3-0.5 NP		2	
10	504542	RIVET SHR FL 9/32x3/32 STL		1	A
11	505420	SPRING, PIN M4.5 x 20		2	
12	283511	LEVER To N-235		1	B
12	284413	LEVER / W/MANUAL OPERATION & ELECTRIC / 7MM SQ HOLE From N-236		1	
13	283514	LEVER		1	
14	502151	SPRING COMPRESSION / .300 O.D. x 1 x .032		1	
15	500440	WASHER FL .250x.562x.065 Z050		1	
16	780428	LOCK ACTUATOR / 12V		1	
. NS	562076	. CONNECTOR / PACK-CON I / FEMALE HOUSING / 2C / PED 8911772		1	
16	2810382	ACTUATOR SERVICE KIT		1	
17	283517	SUPPORT ACTUATOR		1	
18	283513	GUIDE		1	
19	H4-1864-00	BAGGAGE COMPARTMENT DOOR			
19	H4-1864-99	HANDLE LOCK & KEYS - TYPE "NS" / SERVICE			
20	504273	CABLE TIE / 1/8" X 3"1/2		1	
21	780340	CLIP, RETAINER ROD		2	
22	062768	CABLE HARNESS ASSY		1	
23	H4-1864-30	HANDLE LOCK & KEYS - TYPE "PS"			
23	H4-1864-99	HANDLE LOCK & KEYS - TYPE "NS" / SERVICE			
		A) FLAT 9/32" X 3/32"			
		B) IF YOU REPLACE HANDLE ASSY YOU REQUIRE A NEW LEVER 284413 AND 1 SCREW 5001036 FOR VEHICLE UP TO N-235			

From L-031 To R-079

Date:07/2024

PAGE:H4-1864-36

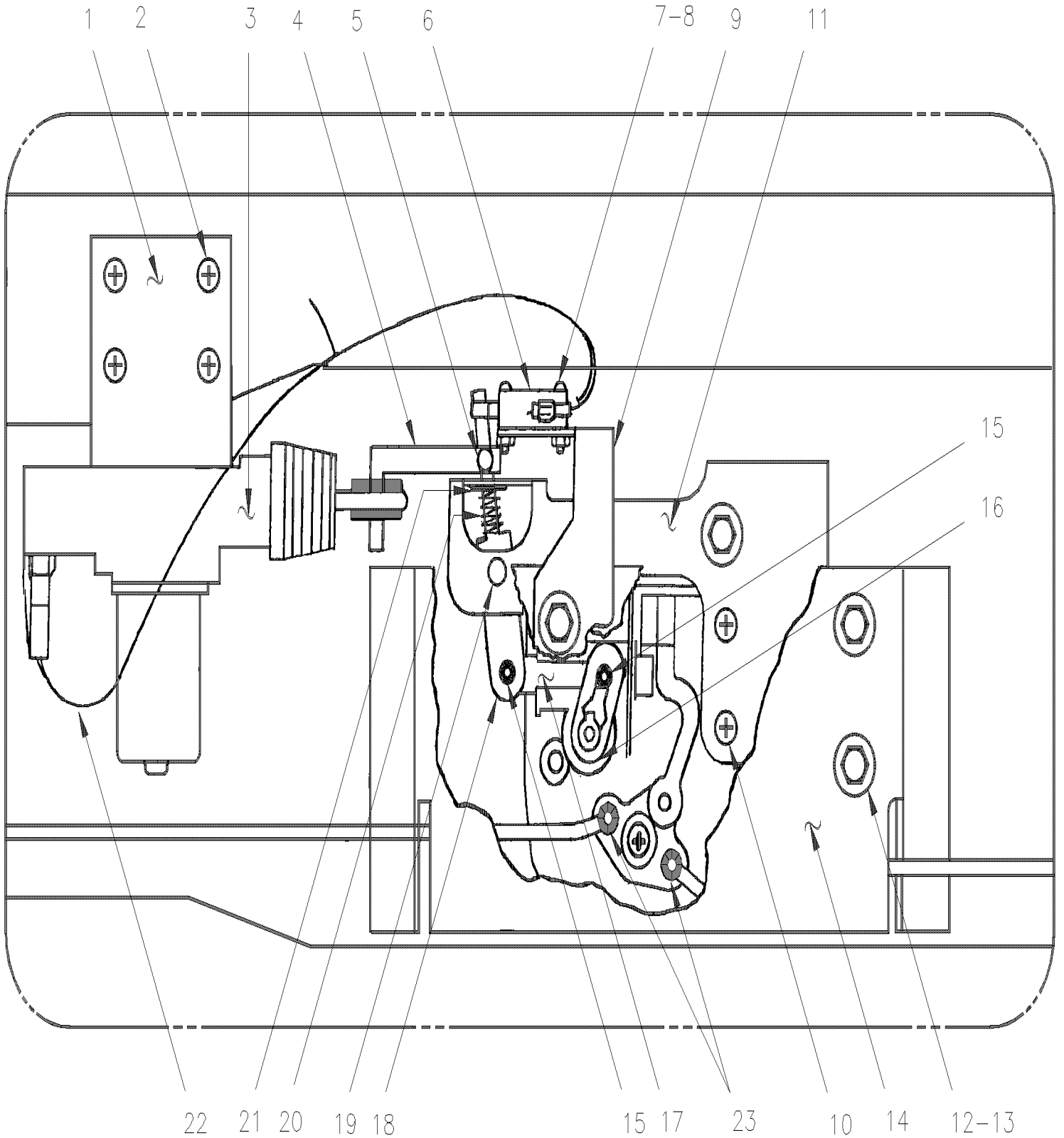
BAGGAGE COMPARTMENT ELECTRICAL LOCK - V.I.P / SERVICE



From L-031 To R-079	Date:07/2024	PAGE:H4-1864-36
BAGGAGE COMPARTMENT ELECTRICAL LOCK - V.I.P / SERVICE		

Item#	Part	Description	H 3 4 0	V I P 4 0	N O T E S
1	283516	COVER		1	
2	500883	SCREW TC PAN PH #8-32x3/8 Z050		4	
3	500438	WASHER FL .187x.437x.050 Z050		4	
4	289341	PLATE CLOSING / 289MM X 314MM		1	
4	506071	TAPE RUB ADH1 CC POL 1/8" x 1/2" x 50' / GREY 2520X		AR	
5	5001630	SCREW TP BUTF TORX M6x20 SS		4	
7	562096	MICRO SWITCH		1	
8	502577	SCREW MA PAN PH M3-0.5x16 ZP		2	
9	502579	NUT HEX M3-0.5 NP		2	
11	505420	SPRING, PIN M4.5 x 20		2	
12	288539	LEVER / W/MANUAL OPERATION & ELECTRIC		1	
16	780428	LOCK ACTUATOR / 12V		1	
. NS	562076	. CONNECTOR / PACK-CON I / FEMALE HOUSING / 2C / PED 8911772		1	
16	2810382	ACTUATOR SERVICE KIT		1	
17	289339	SUPPORT HANDLE ASSY W/LEVER / W/ELECTRICAL LOCK		1	
18	283513	GUIDE		1	
19		FOR RODS SEE RESPECTIVE PAGES FOR APPLICATION		1	
21	780340	CLIP, RETAINER ROD		1	
22	062768	CABLE HARNESS ASSY		1	
23	H4-1864-99	HANDLE LOCK & KEYS - TYPE "NS" / SERVICE			

From L-031 To R-079	Date:07/2024	PAGE:H4-1864-40
SMALL BAGGAGE COMPARTMENT ELEC. LOCK - V.I.P.		



From L-031 To R-079	Date:07/2024	PAGE:H4-1864-40
SMALL BAGGAGE COMPARTMENT ELEC. LOCK - V.I.P.		

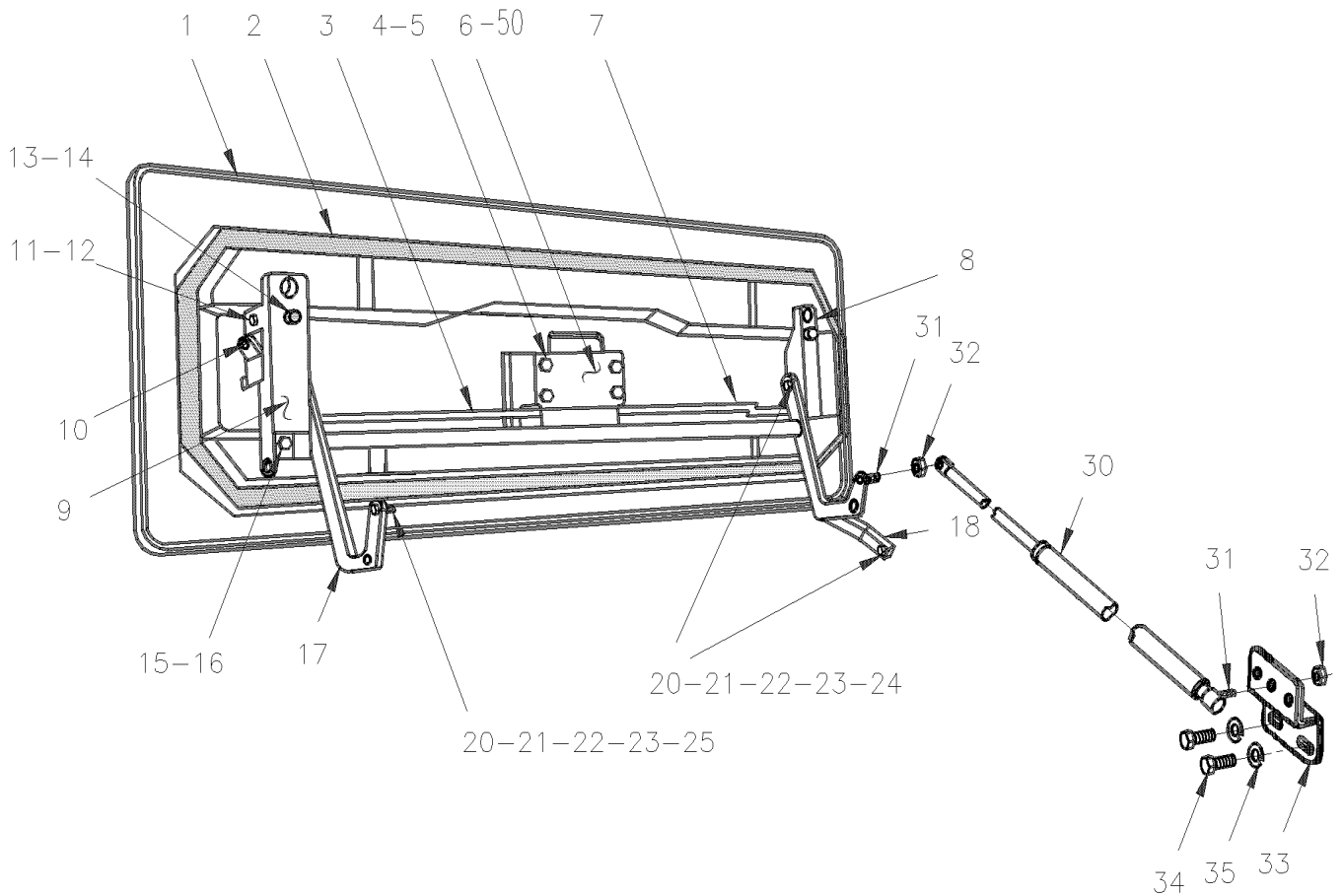
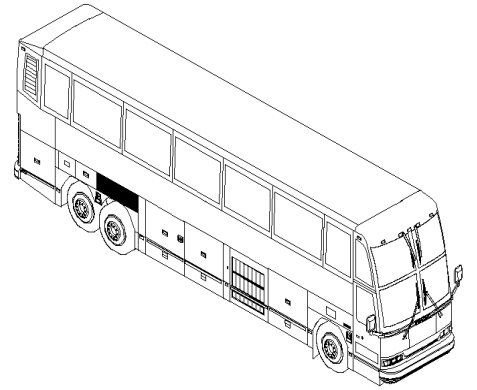
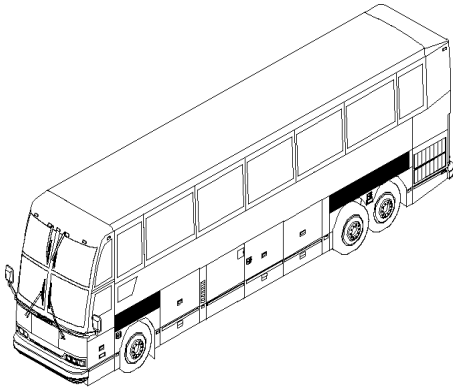
Item#	Part	Description	H 3 4 0	V I P 4 0	N O T E S
1	283646	SUPPORT ACTUATOR		1	
2	500414	SCREW TP BDG PH #10x3/4 SS		4	
3	780428	LOCK ACTUATOR / 12V		1	
. NS	562076	. CONNECTOR / PACK-CON I / FEMALE HOUSING / 2C / PED 8911772		1	
3	2810382	ACTUATOR SERVICE KIT		1	
4	283644	TRANSFERT		1	
5	504549	RIVET SHR FL 5/32x.142 STL		1	
6	562096	MICRO SWITCH		1	
7	502577	SCREW MA PAN PH M3-0.5x16 ZP		2	
8	502579	NUT HEX M3-0.5 NP		2	
9	283643	SUPPORT		1	
10	500263	SCREW TP PAN PH #8x3/8 BK		3	
11	283517	SUPPORT ACTUATOR		1	
12	502563	SCREW CAP HEX M6-1.0x12 G8.8 Z050		4	
13	502582	WASHER LO SERR 6.1x16.2x0.9 Z050		8	
14	283647	SUPPORT / ELECTRIC LOCK		1	
15	505420	SPRING, PIN M4.5 x 20		2	
16	283511	LEVER To N-235		1	
16	284413	LEVER / W/MANUAL OPERATION & ELECTRIC / 7MM SQ HOLE From N-236		1	
17	283513	GUIDE		1	
NS	283512	SPACER / GUIDE & CYLINDER LOCK To N-235		1	
18	283645	LEVER		1	
19	504542	RIVET SHR FL 9/32x3/32 STL		1	A
20	502151	SPRING COMPRESSION / .300 O.D. x 1 x .032		1	
21	500440	WASHER FL .250x.562x.065 Z050		1	
22	062779	CABLE HARNESS ASSY		1	
23	780340	CLIP, RETAINER ROD		2	
		A) IF YOU REPLACE THIS HANDLE FROM L-031 TO N-235 YOU REQUIRE A NEW LEVER #284413 & ONE 5001036			

From L-031 To R-079

Date:07/2024

PAGE:H4-1864-50

SMALL BAGGAGE COMPARTMENT DOOR



From L-031 To R-079	Date:07/2024	PAGE:H4-1864-50
SMALL BAGGAGE COMPARTMENT DOOR		

Item#	Part	Description	H 3 4 0	V I P 4 0	N O T E S
	283140P	FRONT JUNCTION DOOR ASSY 1432MM	1	1	
	283141P	BAGGAGE DOOR ASSY 1432MM	1	1	
	283148P	BAGGAGE DOOR ASSY 1194MM	1	1	
	283649P	BAGGAGE DOOR ASSY W/ELEC LOCK 1432MM		1	
1	282974	. DOOR MOULDED / FIBERGLASS / 1432MM	1	1	
1	283303	. DOOR MOULDED / FIBERGLASS / 1194MM	1	1	
2	283336	. RUBBER SEAL EXTRUSION / ADHESIVE / 120METER / RAW MATERIAL	AR	AR	A
3	283301	. ROD L.H. 530.5MM	1	1	
3	289366	. ROD L.H. 540MM / SERVICE	1	1	S
3	283302	. ROD L.H. / W/SMALL DOOR / 411.5MM	1	1	
3	289371	. ROD L.H. / W/SMALL DOOR / 421.5MM / SERVICE	1	1	S
4	502563	. SCREW CAP HEX M6-1.0x12 G8.8 Z050	4	4	
5	502582	. WASHER LO SERR 6.1x16.2x0.9 Z050	4	4	
6	283297	. SUPPORT HANDLE	1		
6	283647	. SUPPORT / ELECTRIC LOCK		1	
7	283298	. ROD R.H. / W/JCT DOOR / W/JCT DOOR397.5MM	1	1	
7	289351	. ROD R.H. / W/JCT DOOR / W/JCT DOOR390MM / SERVICE	1	1	S
7	283299	. ROD R.H. / W/SMALL DOOR / W/SMALL DOOR461.5MM	1	1	
7	289354	. ROD R.H. / W/SMALL DOOR / W/SMALL DOOR 454.1MM / SERVICE	1	1	S
7	283300	. ROD R.H. / W/LARGE DOOR / 580.5MM	1	1	
7	289353	. ROD R.H. / W/LARGE DOOR / 573.1MM / SERVICE	1	1	S
8	283321	. ATTACHMENT / R.H. To N-220	1	1	B
9	283320	. ATTACHMENT / L.H. To N-220	1	1	B
9	284089	. ATTACHMENT ASSY / 1130MM CENTER LINE / W/SMALL REAR DOOR / From N-221	1	1	
NS	284091	. ATTACHMENT ASSY / 892MM CENTER LINE / W/LARGE FRONT DOOR / From N-221	1	1	
9	284093	. ATTACHMENT ASSY / 947MM CENTER LINE / W/FRONT JCT DOOR W/FRONT JCT DOOR From N-221	1	1	
10	780282	. LOCK SPAGNOLET L.H.	1	1	
NS	780283	. LOCK SPAGNOLET R.H.	1	1	
. NS	780340	. CLIP, RETAINER ROD	1	1	
11	502531	. SCREW CAP HEX M6-1.0x16 G8.8 Z050	4	4	
12	502582	. WASHER LO SERR 6.1x16.2x0.9 Z050	8	8	
13	504334	. BUMPER RUBBER / .625 OD x .406 TH x .156 HOLE	2	2	
14	504339	. RIVET POP DOME OE 1/8x3/8 SS	2	2	
15	502755	. SCREW CAP HEXS M8-1.25x20 PT Z050	4	4	
16	502583	. WASHER LO SERR 8.15x22.3x1.0 Z050	4	4	
17	284010	ARM PANTOGRAPH / W/SMALL REAR DOOR / 836MM	1	1	
17	284012	ARM PANTOGRAPH / W/LARGE REAR DOOR / 1074MM	1	1	
17	284014	ARM PANTOGRAPH / 891MM	1	1	
18	282753	ARM AUXILIARY	1	1	
20	502625	SCREW SHR HEXS 5/16x3/8 {1/4-20	6	6	
21	507301	BUSHING NYLINER	6	6	
22	502582	WASHER LO SERR 6.1x16.2x0.9 Z050	10	10	

From L-031 To R-079	Date:07/2024	PAGE:H4-1864-50
SMALL BAGGAGE COMPARTMENT DOOR		

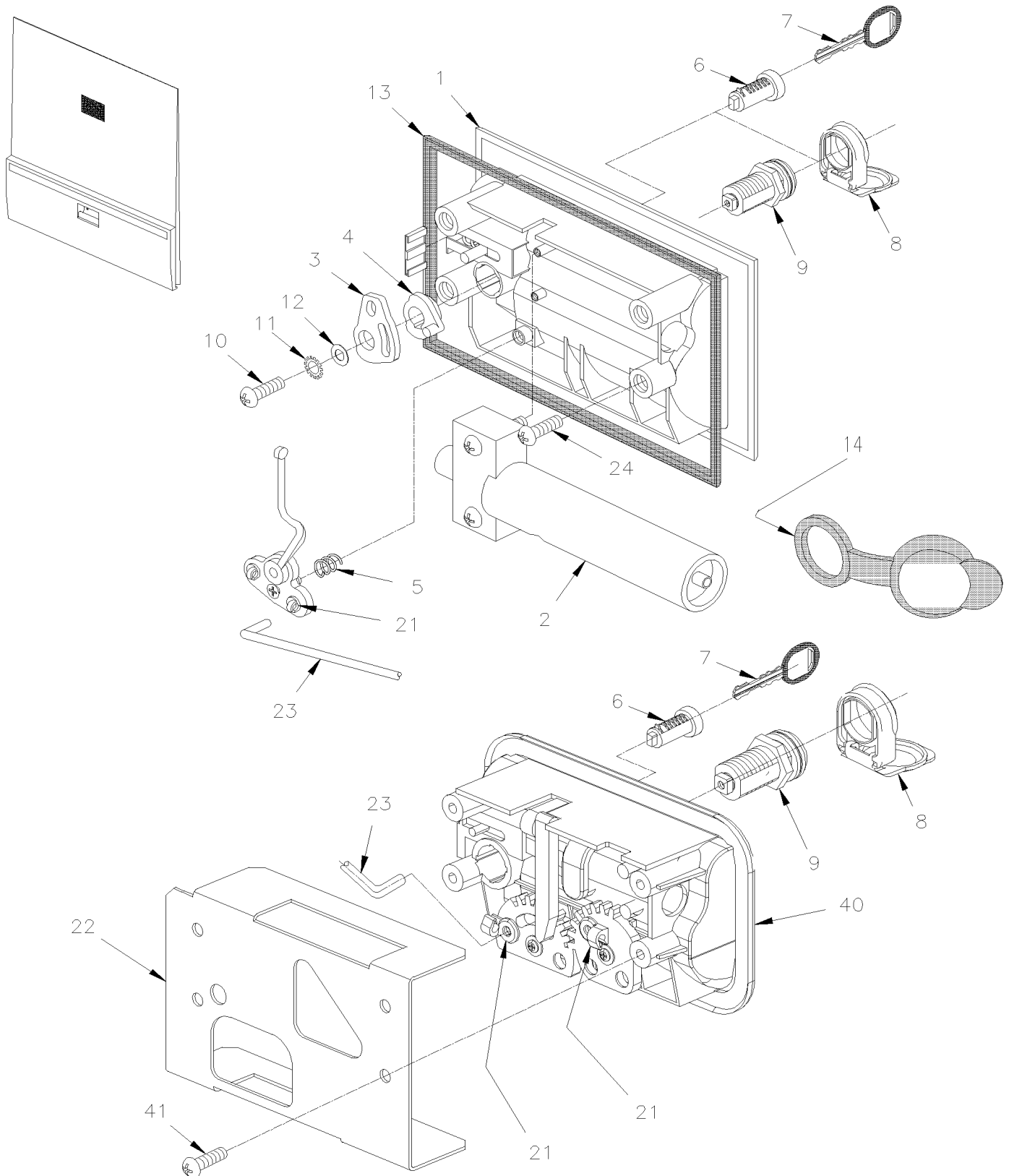
Item#	Part	Description	H 3 4 0	V I P 4 0	N O T E S
23	500769	NUT HEX 1/4-20 Z050	6	6	
24	282956	WASHER	4	4	
25	500440	WASHER FL .250x.562x.065 Z050	2	2	
30	980014	CYLINDER GAZ / 669/409MM C/C / 190LBS	1	1	C
31	980015	BALL STUD / W/10 MM X M8-1.25 / 29.18 MM	2	2	
32	502760	NUT HEX TWAY M8-1.25 Z050	2	2	
33	282755	BRACKET / CYLINDER	1	1	
34	500069	SCREW CAP HEX M8-1.25x16 G10.9 DP	2	2	
35	502584	WASHER LO SERR 8.2x26.3x1.8 Z050	2	2	
		FOLLOWING PARTS ARE RELATED TO			
		DOOR LIGHT SWITCH INSTALLATION			
NS	500762	SCREW MA PAN PH #5-40x1 1/4 ZP	2	2	
NS	500766	NUT HEX #5-40 ZP	2	2	
NS	502646	WASHER LO INT .129x.280x.021 ZP	2	2	
NS	561109	MICRO SWITCH	1	1	
35		BLOCK SPACER / W/SWITCH LEVER	1		
NS	560261	SWITCH / S.P.S.T. / N.C.	1		
50	H4-1864-30	HANDLE LOCK & KEYS - TYPE "PS"			
50	H4-1864-99	HANDLE LOCK & KEYS - TYPE "NS" / SERVICE			
60	IS-95064	SEE INSTRUCTION SHEET	1	1	
		A) SOLD IN 20' LG ON PART NUMBER 283875			
		B) TO CHANGE TO ASSEMBLY MEASURE DISTANCE BETWEEN ATTACHEMENT ON OLDER MODEL			
		C) FOR SERVICE, ORDER PART 980024 AND SEE INSTRUCTION SHEET IS-95064 TO COMPLETE THE NEW INSTALLATIONS			
		S) THOSE RODS ARE REQUIRES ONLY IF YOU CHANGE FORMER HANDLE WITH NEW 780794 OR 780795			

From L-031 To R-079

Date:07/2024

PAGE:H4-1864-99

HANDLE LOCK & KEYS - TYPE "NS" / SERVICE

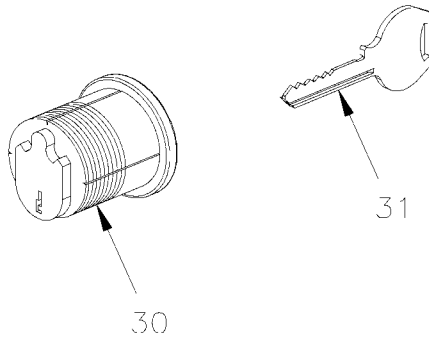
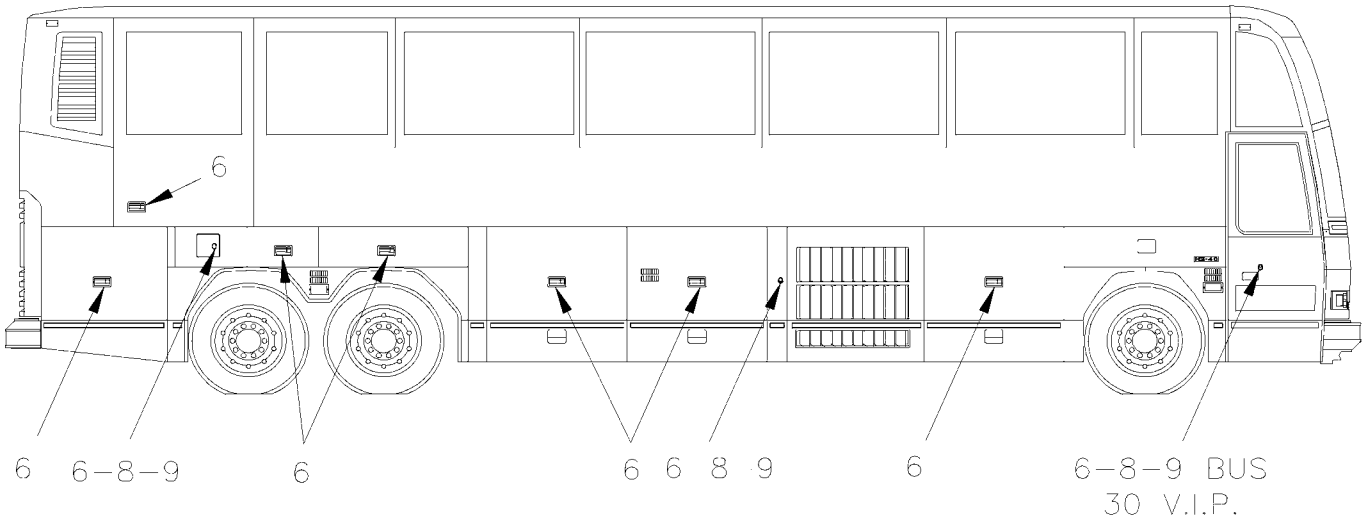
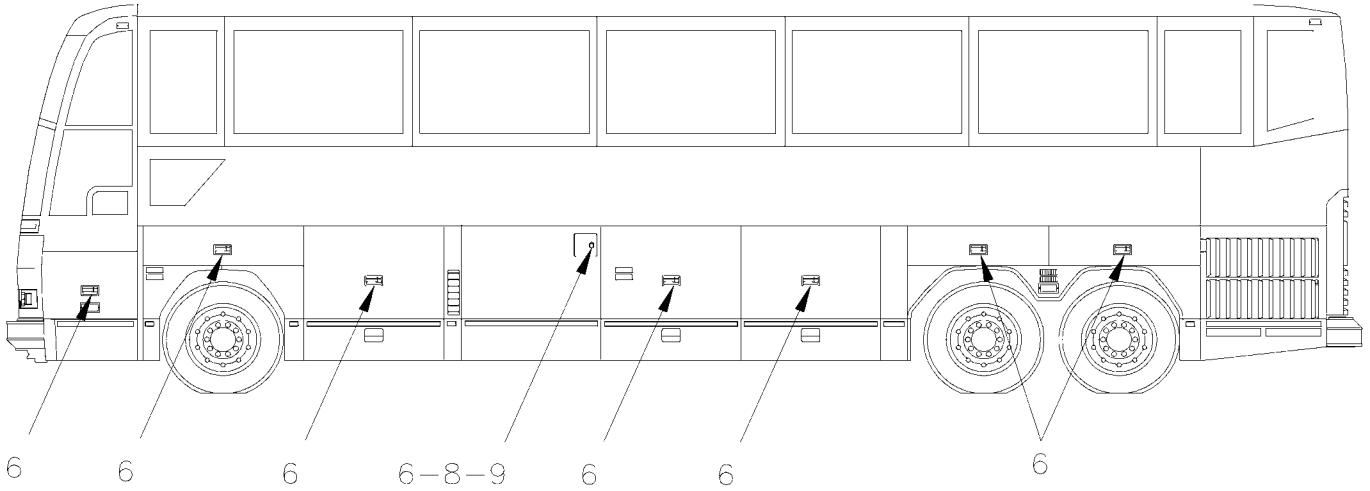


From L-031 To R-079

Date:07/2024

PAGE:H4-1864-99

HANDLE LOCK & KEYS - TYPE "NS" / SERVICE



From L-031 To R-079	Date:07/2024	PAGE:H4-1864-99
HANDLE LOCK & KEYS - TYPE "NS" / SERVICE		

Item#	Part	Description	H 3 4 0	V I P 4 0	N O T E S
		"WARNING" - "WARNING" -"WARNING" - "WARNING"			
		IF YOU INSTALL NEW HANDLE			
		#780794 OR 780795			
		IN REPLACEMENT OF FORMER ONE			
		YOU REQUIRE NEW RODS BETWEEN HANDLE & LOCK			
		FOR PROPER USE INSTALLATION			
		SEE RESPECTIVES PAGE FOR			
		PARTS NUMBERS OF RODS			
1	780711	HANDLE ASSY / MANUAL TYPE "NS"	AR	AR	A
. NS	780340	. CLIP, RETAINER ROD	2	2	A
1	780712	HANDLE ASSY / W/AIR CYLINDER TYPE "NS"	AR		
. NS	780340	. CLIP, RETAINER ROD	2		
2	N.S.S.	. AIR CYLINDER	AR	AR	1
3	780353	LEVER / W/AIR CYLINDER	AR	AR	D
3	780354	LEVER / W/MANUAL OPERATION & ELECTRIC		AR	
3	288539	LEVER / W/MANUAL OPERATION & ELECTRIC / SERVICE		AR	S
4	780352	LEVER	AR	AR	D
5	780305	. SPRING COMPRESSION / .700 O.D. x .515 x .055	1	1	D
6	780691	CYLINDER LOCK / NS 8888	AR	AR	
. NS	780660	. KEY / NS 8888	1	1	
6	780692	CYLINDER LOCK / NS 8701	AR	AR	
. NS	780661	. KEY / NS 8701	1	1	
6	780693	CYLINDER LOCK / NS 8702	AR	AR	
. NS	780662	. KEY / NS 8702	1	1	
6	780694	CYLINDER LOCK / NS 8703	AR	AR	
. NS	780663	. KEY / NS 8703	1	1	
6	780695	CYLINDER LOCK / NS 8704	AR	AR	
. NS	780664	. KEY / NS 8704	1	1	
6	780696	CYLINDER LOCK / NS 8705	AR	AR	
. NS	780665	. KEY / NS 8705	1	1	
6	780697	CYLINDER LOCK / NS 8707	AR	AR	
. NS	780667	. KEY / NS 8707	1	1	
6	780698	CYLINDER LOCK / NS 8708	AR	AR	
. NS	780668	. KEY / NS 8708	1	1	
6	780699	CYLINDER LOCK / NS 8709	AR	AR	
. NS	780669	. KEY / NS 8709	1	1	
6	780700	CYLINDER LOCK / NS 8710	AR	AR	
. NS	780670	. KEY / NS 8710	1	1	
6	780701	CYLINDER LOCK / NS 8711	AR	AR	
. NS	780671	. KEY / NS 8711	1	1	

From L-031 To R-079	Date:07/2024	PAGE:H4-1864-99
HANDLE LOCK & KEYS - TYPE "NS" / SERVICE		

Item#	Part	Description	H 3 4 0	V I P 4 0	N O T E S
6	780702	CYLINDER LOCK / NS 8712	AR	AR	
. NS	780672	. KEY / NS 8712	1	1	
6	780703	CYLINDER LOCK / NS 8713	AR	AR	
. NS	780673	. KEY / NS 8713	1	1	
6	780704	CYLINDER LOCK / NS 8714	AR	AR	
. NS	780674	. KEY / NS 8714	1	1	
6	780705	CYLINDER LOCK / NS 8715	AR	AR	
. NS	780675	. KEY / NS 8715	1	1	
6	780706	CYLINDER LOCK / NS 8716	AR	AR	
. NS	780676	. KEY / NS 8716	1	1	
6	780707	CYLINDER LOCK / NS 8717	AR	AR	
. NS	780677	. KEY / NS 8717	1	1	
6	780708	CYLINDER LOCK / NS 8718	AR	AR	
. NS	780678	. KEY / NS 8718	1	1	
6	780709	CYLINDER LOCK / NS 8719	AR	AR	
. NS	780679	. KEY / NS 8719	1	1	
6	780710	CYLINDER LOCK / NS 8720	AR	AR	
. NS	780680	. KEY / NS 8720	1	1	
6	780666	CYLINDER LOCK / NS 8721	AR	AR	
. NS	780681	. KEY / NS 8721	1	1	
6	780726	CYLINDER LOCK / NS 8722	AR	AR	
. NS	780682	. KEY / NS 8722	1	1	
6	780727	CYLINDER LOCK / NS 8723	AR	AR	
. NS	780683	. KEY / NS 8723	1	1	
6	780728	CYLINDER LOCK / NS 8724	AR	AR	
. NS	780684	. KEY / NS 8724	1	1	
6	780729	CYLINDER LOCK / NS 8725	AR	AR	
. NS	780685	. KEY / NS 8725	1	1	
6	780730	CYLINDER LOCK / NS 8726	AR	AR	
. NS	780686	. KEY / NS 8726	1	1	
6	780731	CYLINDER LOCK / NS 8727	AR	AR	
. NS	780687	. KEY / NS 8727	1	1	
6	780732	CYLINDER LOCK / NS 8728	AR	AR	
. NS	780688	. KEY / NS 8728	1	1	
6	780733	CYLINDER LOCK / NS 8729	AR	AR	
. NS	780689	. KEY / NS 8729	1	1	
6	780734	CYLINDER LOCK / NS 8730	AR	AR	
. NS	780690	. KEY / NS 8730	1	1	
6	780735	CYLINDER LOCK / NS 8731	AR	AR	
. NS	780716	. KEY / NS 8731	1	1	
6	780736	CYLINDER LOCK / NS 8732	AR	AR	
. NS	780717	. KEY / NS 8732	1	1	

From L-031 To R-079	Date:07/2024	PAGE:H4-1864-99
HANDLE LOCK & KEYS - TYPE "NS" / SERVICE		

Item#	Part	Description	H 3 4 0	V I P 4 0	N O T E S
6	780737	CYLINDER LOCK / NS 8733	AR	AR	
. NS	780718	. KEY / NS 8733	1	1	
6	780738	CYLINDER LOCK / NS 8734	AR	AR	
. NS	780719	. KEY / NS 8734	1	1	
6	780739	CYLINDER LOCK / NS 8735	AR	AR	
. NS	780720	. KEY / NS 8735	1	1	
6	780740	CYLINDER LOCK / NS 8736	AR	AR	
. NS	780721	. KEY / NS 8736	1	1	
6	780741	CYLINDER LOCK / NS 8737	AR	AR	
. NS	780722	. KEY / NS 8737	1	1	
6	780742	CYLINDER LOCK / NS 8738	AR	AR	
. NS	780723	. KEY / NS 8738	1	1	
6	780743	CYLINDER LOCK / NS 8739	AR	AR	
. NS	780724	. KEY / NS 8739	1	1	
6	780744	CYLINDER LOCK / NS 8740	AR	AR	
. NS	780725	. KEY / NS 8740	1	1	
7	780780	KEY, UNCUT / NS SERIE NS SERIES	AR	AR	
7	780660	KEY / NS 8888	AR	AR	
7	780661	KEY / NS 8701	AR	AR	
7	780662	KEY / NS 8702	AR	AR	
7	780663	KEY / NS 8703	AR	AR	
7	780664	KEY / NS 8704	AR	AR	
7	780665	KEY / NS 8705	AR	AR	
7	780667	KEY / NS 8707	AR	AR	
7	780668	KEY / NS 8708	AR	AR	
7	780669	KEY / NS 8709	AR	AR	
7	780670	KEY / NS 8710	AR	AR	
7	780671	KEY / NS 8711	AR	AR	
7	780672	KEY / NS 8712	AR	AR	
7	780673	KEY / NS 8713	AR	AR	
7	780674	KEY / NS 8714	AR	AR	
7	780675	KEY / NS 8715	AR	AR	
7	780676	KEY / NS 8716	AR	AR	
7	780677	KEY / NS 8717	AR	AR	
7	780678	KEY / NS 8718	AR	AR	
7	780679	KEY / NS 8719	AR	AR	
7	780680	KEY / NS 8720	AR	AR	
7	780681	KEY / NS 8721	AR	AR	
7	780682	KEY / NS 8722	AR	AR	
7	780683	KEY / NS 8723	AR	AR	
7	780684	KEY / NS 8724	AR	AR	
7	780685	KEY / NS 8725	AR	AR	

From L-031 To R-079	Date:07/2024	PAGE:H4-1864-99
HANDLE LOCK & KEYS - TYPE "NS" / SERVICE		

Item#	Part	Description	H 3 4 0	V I P 4 0	N O T E S
7	780686	KEY / NS 8726	AR	AR	
7	780687	KEY / NS 8727	AR	AR	
7	780688	KEY / NS 8728	AR	AR	
7	780689	KEY / NS 8729	AR	AR	
7	780690	KEY / NS 8730	AR	AR	
7	780716	KEY / NS 8731	AR	AR	
7	780717	KEY / NS 8732	AR	AR	
7	780718	KEY / NS 8733	AR	AR	
7	780719	KEY / NS 8734	AR	AR	
7	780720	KEY / NS 8735	AR	AR	
7	780721	KEY / NS 8736	AR	AR	
7	780722	KEY / NS 8737	AR	AR	
7	780723	KEY / NS 8738	AR	AR	
7	780724	KEY / NS 8739	AR	AR	
7	780725	KEY / NS 8740	AR	AR	
8	288543	CAP PROTECTOR	1	1	
9	780745	CYLINDER LOCK BODY	AR	AR	
10	500560	SCREW MA PAN PH M4-0.7x6 Z050	1	1	C
11	500022	WASHER LO INT .168x.340x.023 Z050	1	1	
12	500591	WASHER FL 4.3x9.0x0.8 Z050	1	1	
13	780303	GASKET	1	1	
14	780802	CAP PROTECTOR CLOSED / BLACK SERIES NS	AR	AR	
21	780340	CLIP, RETAINER ROD	1	1	
21	504456	CLIP / RETAINER ROD / WHITE OR RED	1	1	
22	286110	SUPPORT, HANDLE	AR	AR	D
22	289340	SUPPORT, HANDLE	AR	AR	B
23		SEE RESPECTIVES PAGES FOR APPLICATION	1	1	
24	502563	SCREW CAP HEX M6-1.0x12 G8.8 Z050	4	4	D
30	780430	CYLINDER LOCK ASSY W/2 KEYS / "CORBIN"		1	SS
. NS	780562	. KEY / "CORBIN" BLANK		2	SS
30	780803	CYLINDER LOCK ASSY W/2 KEYS / "SCHLAGE" SERVICE		1	
. NS	780902	. KEY / "SCHLAGE" BLANK		1	
31	780562	KEY / "CORBIN" BLANK		1	
40	780795	HANDLE ASSY / W/AIR CYLINDER TYPE "NS"	AR		
. NS	780800	. CYLINDER AIR	1		
. NS	780340	. CLIP, RETAINER ROD	2		
40	780794	HANDLE ASSY / MANUAL TYPE "NS"	AR	AR	A
. NS	780340	. CLIP, RETAINER ROD	2	2	A
NS	780303	. GASKET	1	1	
41	5001630	SCREW TP BUTF TORX M6x20 SS	4	4	B
NS	288545	KIT, ADAPTOR ENTRANCE DOOR / MODIFICATION "NS" CYLINDER K	1		
. NS	IS-03064A	. SEE INSTRUCTION SHEET	1		

From L-031 To R-079	Date:07/2024	PAGE:H4-1864-99
HANDLE LOCK & KEYS - TYPE "NS" / SERVICE		

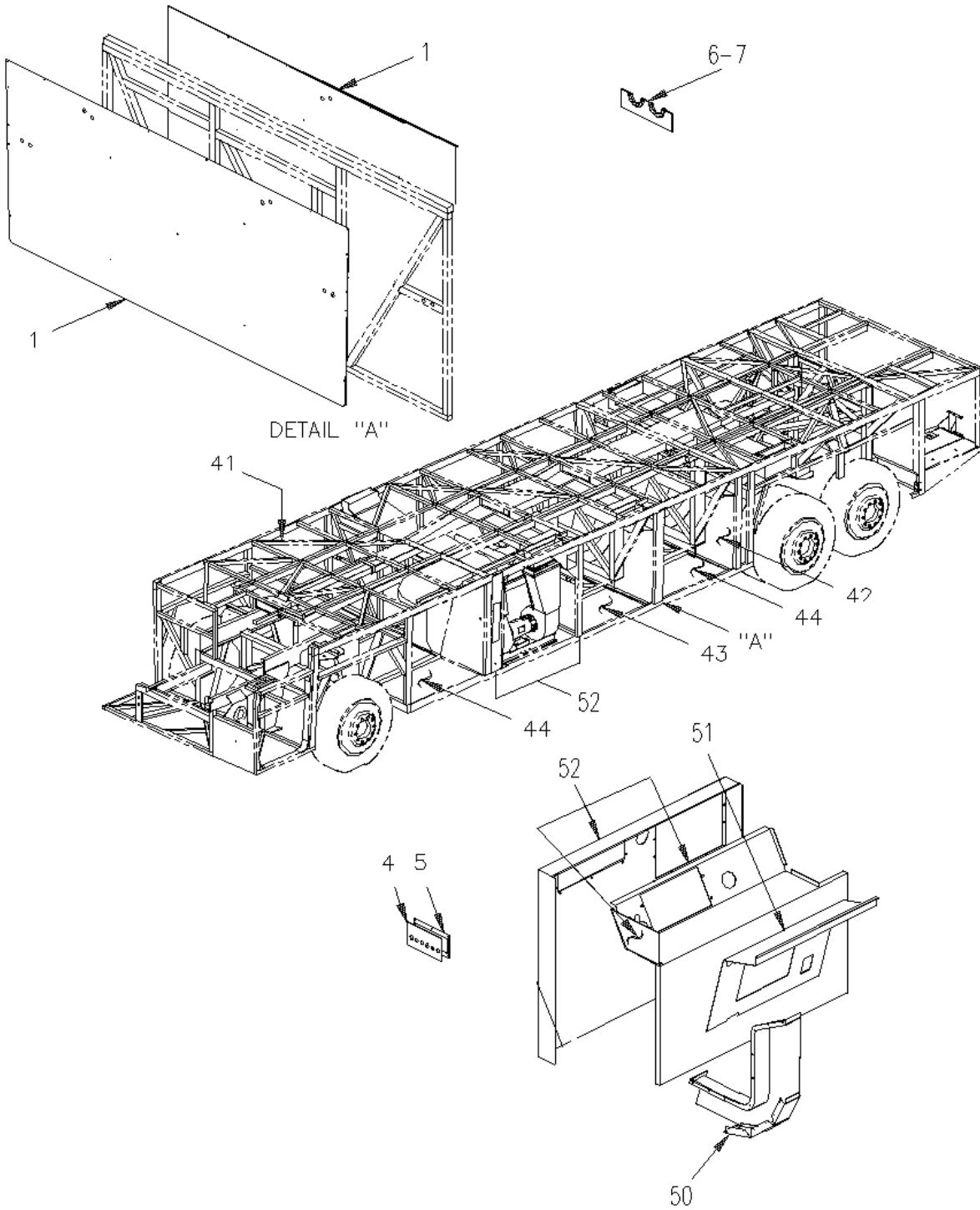
Item#	Part	Description	H 3 4 0	V I P 4 0	N O T E S
NS	288546	KIT, ADAPTOR ELECTRIC BAGGAGE DOOR / MODIFICATION "NS" CYLINDER K		10	
. NS	IS-03064A	. SEE INSTRUCTION SHEET		1	
NS	288547	KIT, ADAPTOR MAN & AIR BAGGAGE DOOR / MODIFICATION "NS" CYLINDER K	10		
. NS	IS-03064A	. SEE INSTRUCTION SHEET	1		
50	288548	KIT, ADAPTOR SMALL LH FUEL DOOR / MODIFICATION "NS" CYLINDER K	2	2	
. NS	IS-03064A	. SEE INSTRUCTION SHEET	1	1	
		A) MANUAL OR ELECTRIC			
		B) USE WITH HANDLE # 780794 & 780795 ONLY			
		C) TO FIX LEVER ITEM #3			
		D) USE WITH HANDLE # 780711 & 780712 ONLY			
		S) USE ONLY IN SERVICE WITH "RETROFIT HANDLE KIT"			
		SS) THIS MODEL IT OBSOLETED REPLACE BY 780803 WITH NEW LEVER # 289030			
		1) NOT SOLD SEPARATELY			

From L-031 To R-079

Date:07/2024

PAGE:H4-1865-00

BAGGAGE COMPARTMENT PANELS



From L-031 To R-079	Date:07/2024	PAGE:H4-1865-00
---------------------	--------------	-----------------

BAGGAGE COMPARTMENT PANELS

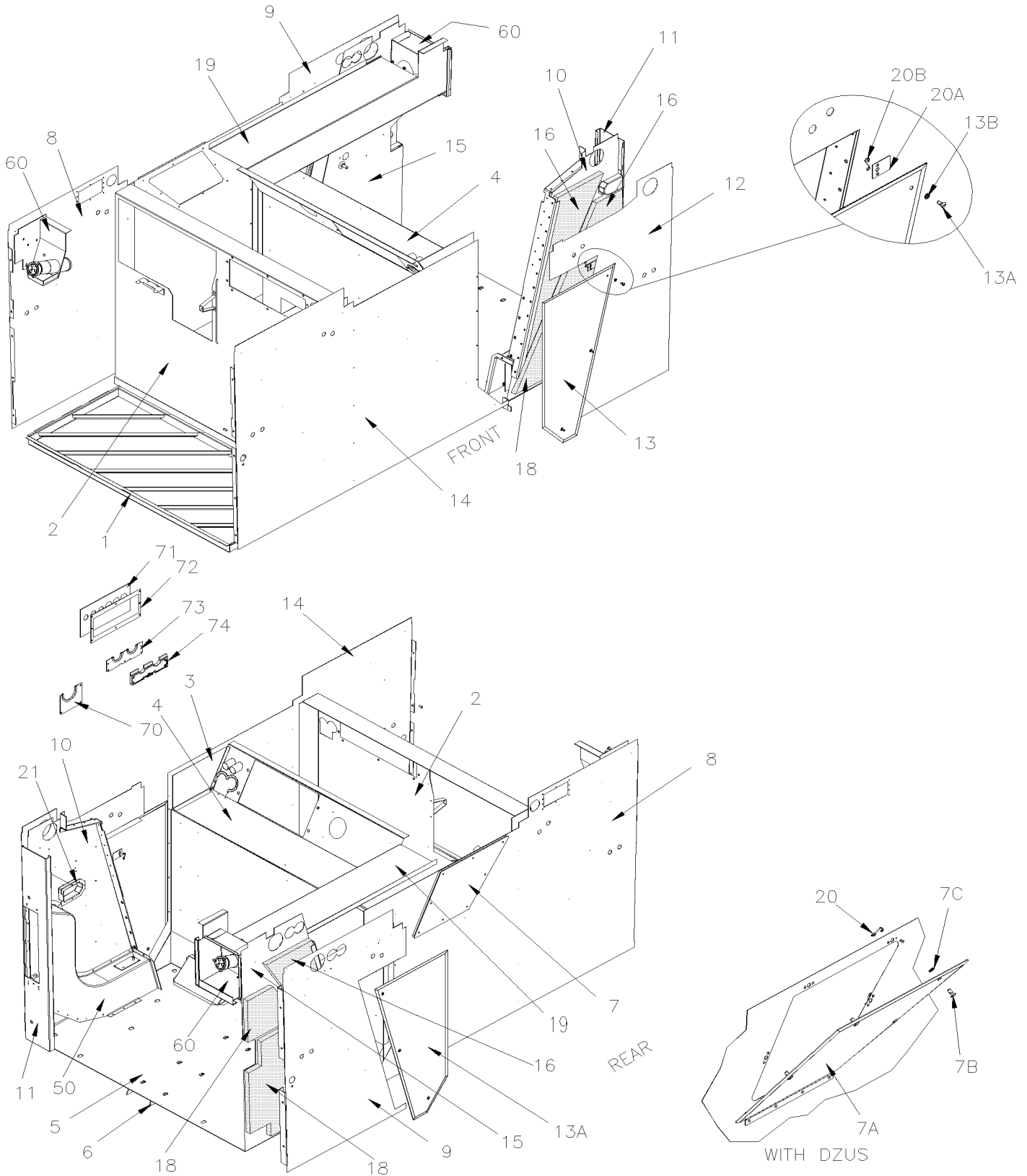
Item#	Part	Description	H 3 4 0	V I P 4 0	N O T E S
1	482054	PANEL / REAR OF WALL 2463MM x 1075MM	AR	AR	AS
1	481558	PANEL / FRONT OF WALL 2454MM x 1178MM	AR	AR	
4	481714	RUBBER CLOSING AROUND 6 TUBES 130MM x 250MM	1	1	
5	481764	PLATE HOLDING RUBBER 130MM x 250MM	1	1	
6	373155	CLOSING / PIPE TUNNEL SS 51MM x 181MM	1	1	
7	506337	RUBBER CHANNEL / 3/32" x 11/32" INT "U" SHAPE / ROUND C.T.L.	AR	AR	
7	506338	RUBBER CHANNEL / 1/16" x 1/4" INT "U" SHAPE / ROUND C.T.L.	AR	AR	
		THE NEXT 4 ALUMINIUM PANELS ARE USED FOR			
		BAGGAGE FINISHING WALLS			
		FOR ANY POSITIONS			
41	211230	PANEL / FRONT BAGGAGE COMPARTMENT	1	1	
42	211341	PANEL / REAR BAGGAGE COMPARTMENT	1	1	
43	481500	PANEL / FLOOR 1181MM WIDE	1	1	
43	482533	PANEL / FLOOR 1181MM WIDE / FIBERGLASS	1	1	
. NS	IS-96037	. SEE INSTRUCTION SHEET	1	1	
44	481476	PANEL / FLOOR 1356MM WIDE	2	2	
44	482540	PANEL / FLOOR 1356MM WIDE / FIBERGLASS	2	2	
. NS	IS-96037	. SEE INSTRUCTION SHEET	1	1	
NS	504461	PIN HUCKBOLT 6.55 SS	AR	AR	
NS	504479	RIVET COLLAR HUCK 6.5DIA SS	AR	AR	
NS	850027	INSULATING PAD NOISE ADH2 1/16" x 39" x 48"	AR	AR	
NS	810034	CARPET OZITE / S.L. 12 FT WIDE	AR	AR	D
NS	481776	MOULDING "J" FORM / 2510MM (98 13/16") / A/A	2	2	
NS	481777	MOULDING "J" FORM / 823MM (32 3/8") / A/A	4	4	
50	H4-2215-00	EVAPORATOR & DAMPER CONTROL COMPONENTS			
51	H4-2220-00	UNDER FLOOR AIR DUCTING			
52	H4-1865-20	EVAPORATOR & CONDENSOR WALL INSTALLATION			
		AS) AS SHOWN			
		D) S.Q.			

From L-031 To R-079

Date:07/2024

PAGE:H4-1865-20

EVAPORATOR & CONDENSOR WALL INSTALLATION



From L-031 To R-079	Date:07/2024	PAGE:H4-1865-20
EVAPORATOR & CONDENSOR WALL INSTALLATION		

Item#	Part	Description	H 3 4 0	V I P 4 0	N O T E S
1	211191P	DEFLECTOR FLOOR LOUVER ASSY / WELDED 1341MM x 607MM	1	1	
2	451914	WALL PANEL / COND & FUEL COMPARTMENT	1	1	
2	452572	WALL PANEL / COND & FUEL COMPARTMENT	1	1	
3	451884	CLOSING PANEL / FRONT SIDE	1	1	
4	451893	WALL PANEL / EVAP, & FUEL COMPARTMENT	1	1	
4	452563	WALL PANEL / EVAP, & FUEL COMPARTMENT	1	1	
5	451889	FLOOR PANEL / EVAPORATOR	1	1	
6	211240	ANGLE SUPPORT 708MM	1	1	
6	211239	ANGLE SUPPORT 708MM	1	1	
7	482355	ACCESS PANEL	1	1	
7A	484271	ACCESS PANEL / W/"DZUS" FASTENER	AR	AR	
. A	483663	. ACCESS PANEL / W/"DZUS" FASTENER	1	1	
. B	504363	. STUD 5/16 O.D. X 7/16 (DZUS)	4	4	
. C	504353	. RETAINER, 5/16"DIA. (DZUS) STUD	4	4	
. NS	506268	. TAPE RUB ADH1 URE 3/8" x 1/2" x 25' / GREY 1820	AR	AR	
8	481722	PANEL / FUEL & COND BACKWARD	1	1	
8	482199	PANEL / FUEL & COND BACKWARD	1	1	
8	214789	PANEL / FUEL & COND BACKWARD / W/"DZUS" FASTENER	AR	AR	
9	481705	PANEL / EVAPORATOR BACKWARD	1	1	
10	451892	PANEL / INTERIOR / FRONT EVAPORATOR	1	1	
11	451887	EXTERIOR PANEL ASSY / W/SCREEN	1	1	
. NS	451883	. SCREEN	1	1	
12	481672	PANEL / EVAPORATOR FORWARD	1	1	
13	481719	DOOR ASSY FORWARD	1	1	
. A	504363	. STUD 5/16 O.D. X 7/16 (DZUS)	3	3	
. B	504353	. RETAINER, 5/16"DIA. (DZUS) STUD	3	3	
13	482646	DOOR ASSY FORWARD	1	1	
. A	504363	. STUD 5/16 O.D. X 7/16 (DZUS)	3	3	
. B	504353	. RETAINER, 5/16"DIA. (DZUS) STUD	3	3	
13A	481656	DOOR ASSY BACKWARD	1	1	
. A	504363	. STUD 5/16 O.D. X 7/16 (DZUS)	3	3	
. B	504353	. RETAINER, 5/16"DIA. (DZUS) STUD	3	3	
13A	482645	DOOR ASSY BACKWARD	1	1	
. A	504363	. STUD 5/16 O.D. X 7/16 (DZUS)	3	3	
. B	504353	. RETAINER, 5/16"DIA. (DZUS) STUD	3	3	
14	481673	PANEL / FUEL & COND FORWARD	1	1	
15	451890	PANEL / INTERIOR / REAR EVAPORATOR	1	1	
16	452030	INSULATING / UPPER SECTION	2	2	
18	452029	INSULATING / LOWER SECTION	2	2	
19	451976	DUCT ASSY / FOR FUEL HOSE	1	1	
20	481717	PLATE ASSY / TO CLOSE DOOR W/"DZUS"	1	1	

From L-031 To R-079	Date:07/2024	PAGE:H4-1865-20
EVAPORATOR & CONDENSOR WALL INSTALLATION		

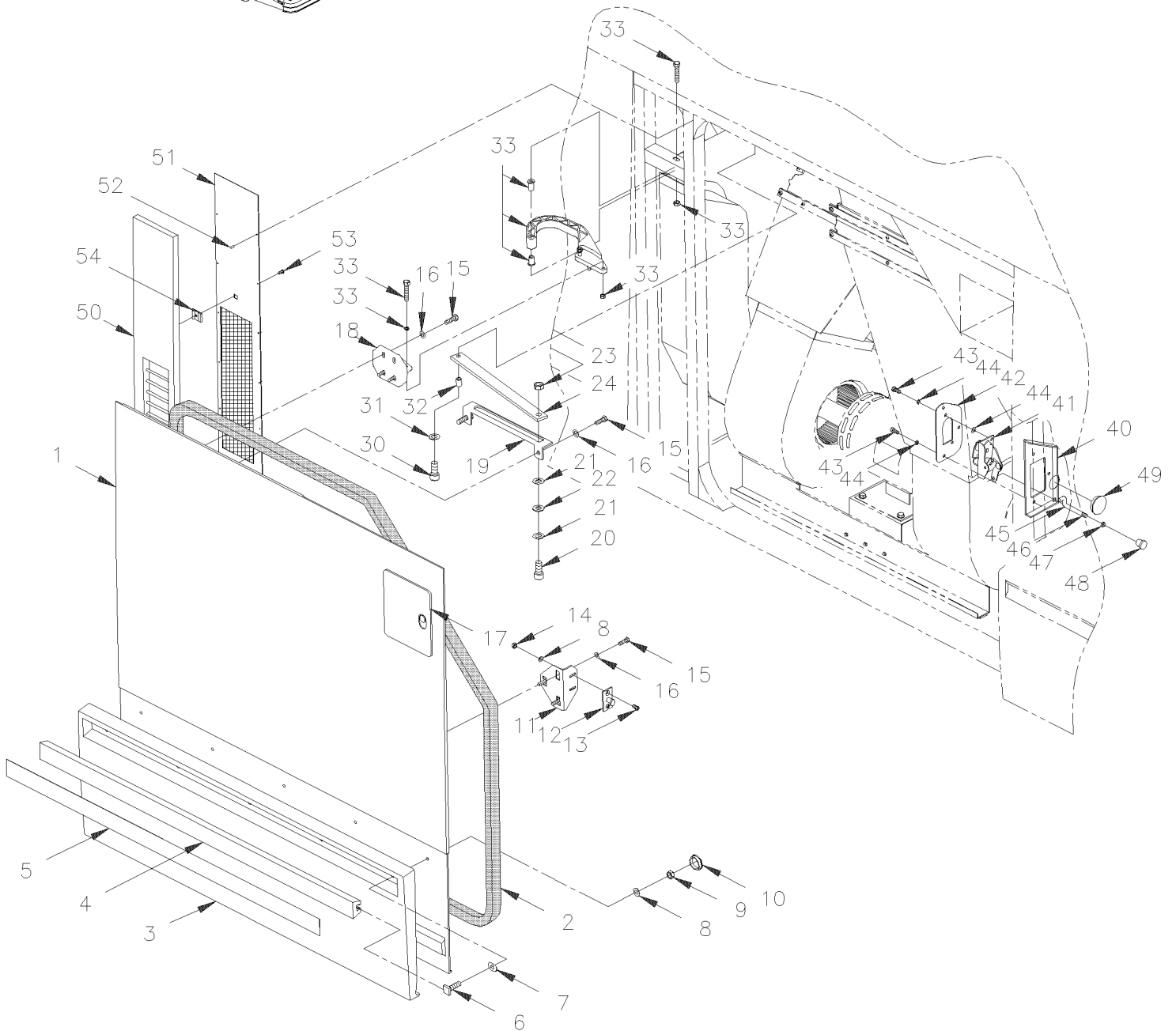
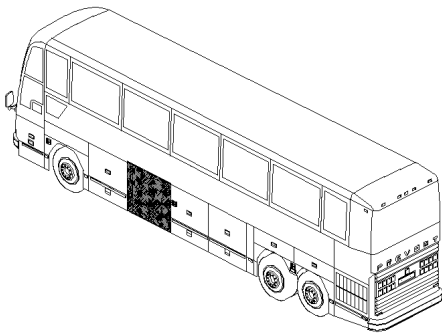
Item#	Part	Description	H 3 4 0	V I P 4 0	N O T E S
. A	481718	. PLATE	1	1	
. B	504365	. SPRING HOOK / DZUS 5/16	1	1	
21	452041	BOX PLASTIC / HINGE CLEARANCE	2	2	
50	H4-2215-00	EVAPORATOR & DAMPER CONTROL COMPONENTS			
60	H4-0310-10	FUEL FILLING CAP			
71	481714	RUBBER CLOSING AROUND 6 TUBES 130MM x 250MM	1	1	
72	481764	PLATE HOLDING RUBBER 130MM x 250MM	1	1	
73	373155	CLOSING / PIPE TUNNEL SS 51MM x 181MM	2	2	
73	453145	CLOSING / PIPE TUNNEL SS 55.0MM x 181MM	1	1	
74	454248	CLOSING / PIPE TUNNEL PLASTIC / RH 57.2MM x 181MM	1	1	
74	457424	CLOSING / PIPE TUNNEL PLASTIC / RH 57.2MM x 181MM	1	1	
74	454249	CLOSING / PIPE TUNNEL PLASTIC / LH 57.2MM x 181MM	1	1	
74	457425	CLOSING / PIPE TUNNEL PLASTIC / LH 57.2MM x 181MM	1	1	
75	590284	DRAIN BOOT 1" I.D. X 5" / FLAT	3	3	
NS	504021	HOSE CLAMP / 11/16"-1"1/2 SS / HS-16	3	3	

From L-031 To R-079

Date:07/2024

PAGE:H4-1866-00

EVAPORATOR DOOR ASSY



From L-031 To R-079	Date:07/2024	PAGE:H4-1866-00
EVAPORATOR DOOR ASSY		

Item#	Part	Description	H 3 4 0	V I P 4 0	N O T E S
	283050P	EVAPORATOR DOOR ASSY	1	1	
1	283216	. DOOR MOULDED / FIBERGLASS	1	1	
2	283336	. RUBBER SEAL EXTRUSION / ADHESIVE / 120METER / RAW MATERIAL	AR	AR	A
2	285539	. RUBBER SEAL EXTRUSION / EVAPORATOR DOOR / 4390MM	1	1	
NS	680066	. ADHESIVE / ADBOND #5014 / 23.6ML BOTTLE	AR	AR	
3	283215	. PROTECTOR PANEL / DP	1	1	
3	284796	. PROTECTOR PANEL / WITH GRAVEL GUARD / DP	1	1	B
NS	681348	. TAPE RUB ADH2 ACRYLIC .045" x 1" x 108' / VHB4952	AR	AR	
NS	682462	. ADHESIVE SIKA #252 / BLACK / 310ml CARTRIDGE	AR	AR	
4	282569	. EXTRUSION PROFILE 1182MM	1	1	
4	680025	. CAULKING STRIP 3/16" O.D. X 14'	AR	AR	
5	283100	. STRIPE, REFLECTIVE WHITE / 38MM X 15' ROLL	AR	AR	
NS	780277	. STRIPE, REFLECTIVE WHITE / 38MM X 150' ROLL	AR	AR	
6	502534	. SCREW CAP SQ 5/16-18x1 G2 Z050	5	5	
7	283219	. WASHER ,REINFORCEMENT	5	5	
8	502583	. WASHER LO SERR 8.15x22.3x1.0 Z050	AR	AR	
9	500698	. NUT HEX 5/16-18 BR	5	5	
10	507295	. HOLE PLUG BUTTON / 1.375 O.D. BLACK	2	2	
11	282990	. ANGLE / STRIKER PIN SUPPORT	1	1	
12	780278	. PIN, STRIKER STUD	1	1	
13	500316	. SCREW MA FL PH 1/4-28x3/4 SS	2	2	
14	500692	. NUT HEX 1/4-28 Z050	2	2	
15	502790	. SCREW CAP HEX M8-1.25x20 G8.8 Z050	AR	AR	
16	502584	. WASHER LO SERR 8.2x26.3x1.8 Z050	AR	AR	
19	283776	. GUIDE RETAINING ARM	1	1	
20	502625	. SCREW SHR HEXS 5/16x3/8 {1/4-20	1	1	
21	500270	. WASHER FL .406x1.000x.063 SS	2	2	
22	502768	. WASHER FL RUB .312x.625x.125 NEO	1	1	
23	502819	. NUT HEX JAM 1/4-20 Z050	1	1	
24	283774	. ARM RETAINING	1	1	
30	500347	SCREW CAP HEX 5/16-18x1 1/4 SS To P-339	1	1	
30	502780	SCREW CAP HEX M8-1.25x25 SS BK From P-340	1	1	
NS	502523	RIVET NUT FL OKS 5/16-18 .059-.119	1	1	
31	502583	WASHER LO SERR 8.15x22.3x1.0 Z050	1	1	
32	283770	SPACER / TO FIX RETAINING ARM	1	1	
33	H4-1879-90	EXTERIOR DOOR HINGE AND SUPPORT			
40	282988	PLATE HOLDER / WELDED TO STRUCTURE	1	1	
41	780282	LOCK SPAGNOLET L.H.	1	1	F
41	780587	LOCK SPAGNOLET L.H. / W/G-FITTING	1	1	
NS	507607	. GREASE FITTING / M6-1.00	1	1	
42	282989	PLATE ADAPTOR	1	1	
NS	285765	PLATE ADAPTOR	1	1	

From L-031 To R-079	Date:07/2024	PAGE:H4-1866-00
EVAPORATOR DOOR ASSY		

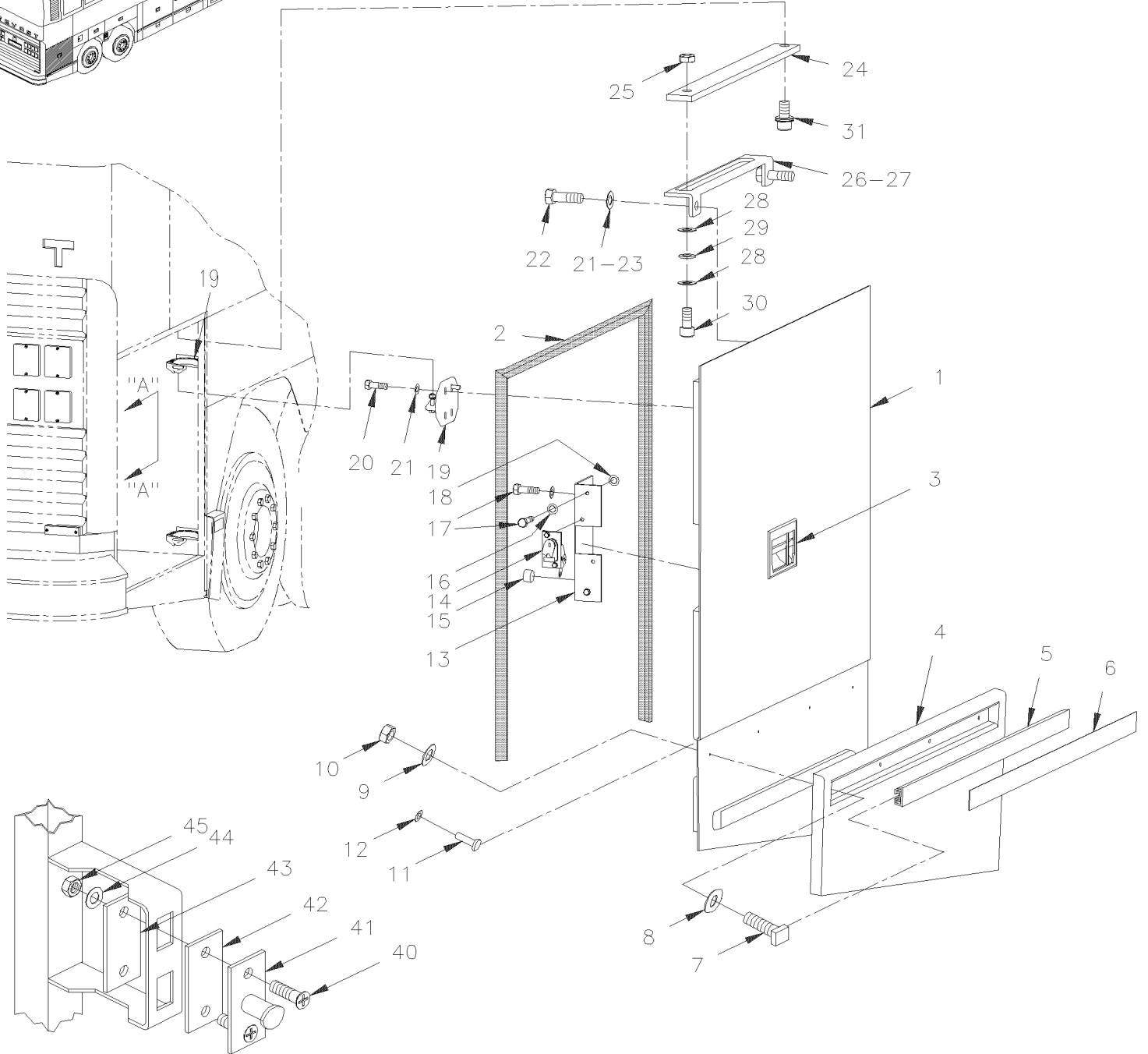
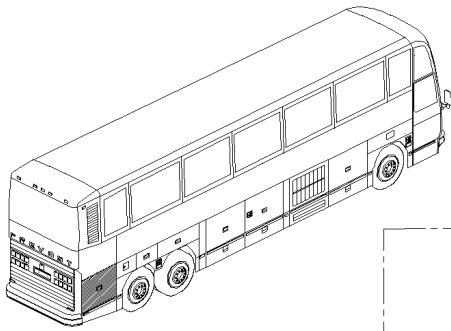
Item#	Part	Description	H 3 4 0	V I P 4 0	N O T E S
43	502563	SCREW CAP HEX M6-1.0x12 G8.8 Z050	5	5	
44	502564	WASHER LO SPT 6.1x11.8x1.6 Z050	5	5	
45	282984	ROD OPENING 52MM	1	1	
46	504083	SNAP BUSHING / .250x.468.406	1	1	
47	500764	NUT HEX #8-32 Z050	1	1	
48	505504	KNOB, PULL / 8-32	1	1	
50	282963	PANEL AIR INTAKE EVAPORATOR	1	1	
51	451887	EXTERIOR PANEL ASSY / W/SCREEN	1	1	
. NS	451883	. SCREEN	1	1	
52	504248	RIVET CHY Q PRDG 3/16x1/4 SS	AR	AR	
53	500535	SCREW TP CAP HEX #14x3/4 Z050	AR	AR	
54	502764	NUT SPR J #14A .035-.046	AR	AR	
NS	285833	KIT SERVICE DOOR LOCK	1	1	
. NS	IS-97037	. SEE INSTRUCTION SHEET	1	1	
		A) SOLD IN 20' LONG ON PART NUMBER 283875			
		B) THIS PROTECTOR IS COATED WITH GRAVEL GUARD ANS IS BLACK PAINTED READY TO INSTALL			
		F) PRODUCT IMPROVMENT, ASK KIT #285833			

From L-031 To R-079

Date:07/2024

PAGE:H4-1868-00

A/C COMPRESSOR DOOR ASSY



VIEW "A-A"

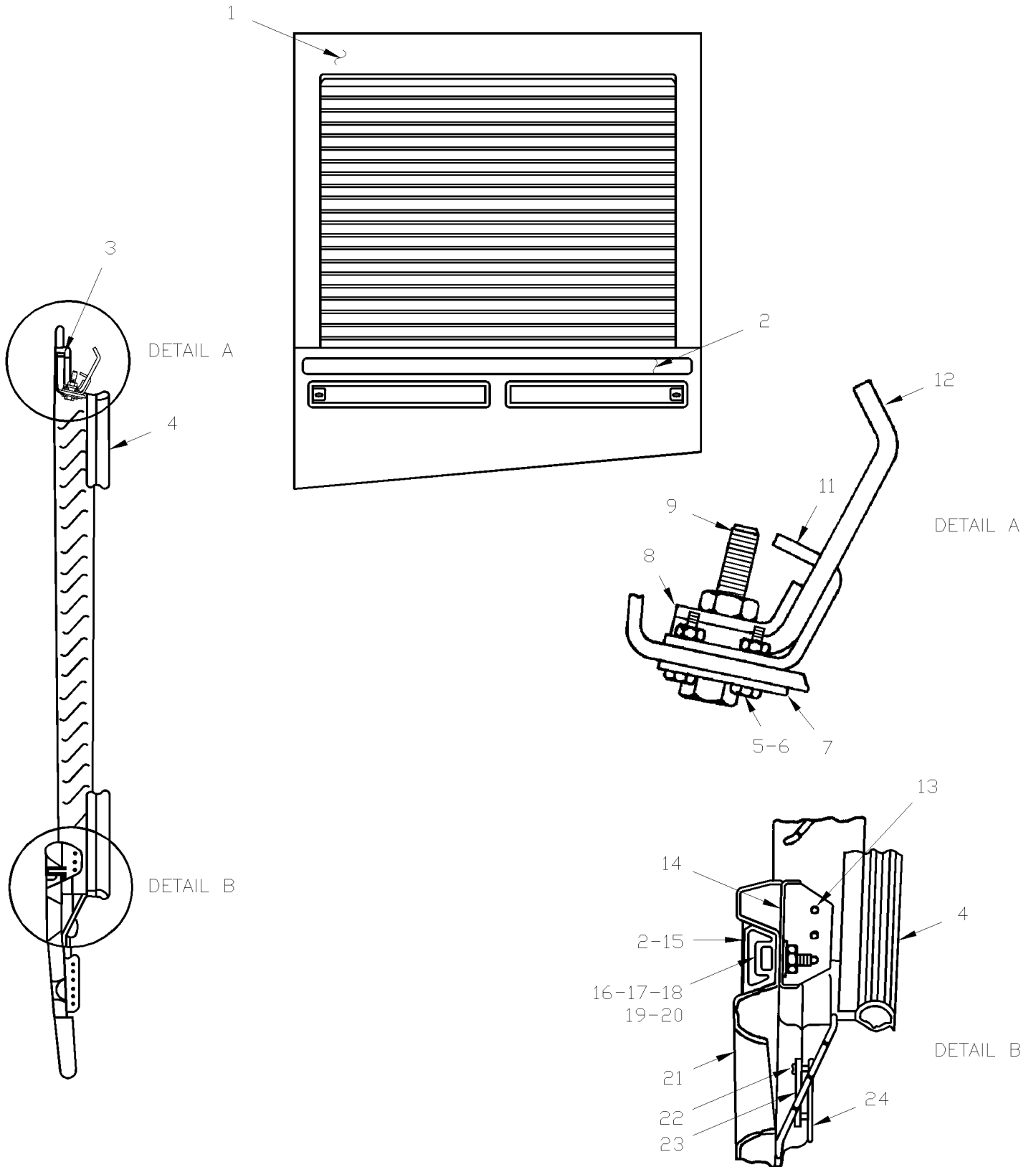
From L-031 To R-079	Date:07/2024	PAGE:H4-1868-00
A/C COMPRESSOR DOOR ASSY		

Item#	Part	Description	H 3 4 0	V I P 4 0	N O T E S
	283821P	COMPRESSOR DOOR ASSY / W/LOCK		1	
	283076P	COMPRESSOR DOOR ASSY	1		
1	282943	. DOOR MOULDED / FIBERGLASS To M-170	1	1	
1	283822	. COMPRESSOR DOOR / FIBERGLASS NEW From M-171	1	1	
2	283336	. RUBBER SEAL EXTRUSION / ADHESIVE / 120METER / RAW MATERIAL	1	1	A
2	287240	. RUBBER SEAL EXTRUSION 1035MM X 840MM / SERVICE	1	1	
3	H4-1864-30	. HANDLE LOCK & KEYS - TYPE "PS"			
3	H4-1864-99	. HANDLE LOCK & KEYS - TYPE "NS" / SERVICE			
NS	282692	. PLATE CLOSING / 232MM X 332MM To M-170	1	1	
NS	283518	. PLATE CLOSING / 293MM X 318MM From M-171		1	
NS	283823	. PLATE CLOSING / 293MM X 318MM From M-171	1		
4	283009	. PROTECTOR PANEL / DP	1	1	
4	284789	. PROTECTOR PANEL / WITH GRAVEL GUARD / DP	1	1	
5	283081	. EXTRUSION PROFILE 1072MM	1	1	
6	283100	. STRIPE, REFLECTIVE WHITE / 38MM X 15' ROLL	AR	AR	
. NS	780277	. . STRIPE, REFLECTIVE WHITE / 38MM X 150' ROLL	AR	AR	
7	502534	. SCREW CAP SQ 5/16-18x1 G2 Z050	4	4	
8	283219	. WASHER ,REINFORCEMENT	4	4	
9	502583	. WASHER LO SERR 8.15x22.3x1.0 Z050	4	4	E
10	500698	. NUT HEX 5/16-18 BR	4	4	
11	504108	. RIVET POP DOME OE 1/8x1/2 AL	AR	AR	F
12	500437	. WASHER FL .125x.375x.040 Z050	AR	AR	F
13	282666	. SUPPORT LOCK	1	1	
NS	285764	. SUPPORT LOCK / UPPER	1	1	
14	780283	. LOCK SPAGNOLET R.H.	1	1	
. NS	780340	. . CLIP, RETAINER ROD	1	1	
NS	780588	. LOCK SPAGNOLET R.H. / W/G-FITTING	1	1	
. NS	780340	. . CLIP, RETAINER ROD	1	1	
. NS	507607	. . GREASE FITTING / M6-1.00	1	1	
NS	283277	. ROD / HANDLE & LATCH / 465MM	1	1	
14	289369	. ROD / HANDLE & LATCH / 454.6MM	1	1	S
16	502582	. WASHER LO SERR 6.1x16.2x0.9 Z050	10	10	
17	502563	. SCREW CAP HEX M6-1.0x12 G8.8 Z050	10	10	
19	H4-1879-90	EXTERIOR DOOR HINGE AND SUPPORT			
20	502790	. SCREW CAP HEX M8-1.25x20 G8.8 Z050	4	4	
21	502584	. WASHER LO SERR 8.2x26.3x1.8 Z050	4	4	
22	502780	. SCREW CAP HEX M8-1.25x25 SS BK	4	4	
24	283772	ARM RETAINING	1	1	
25	502819	NUT HEX JAM 1/4-20 Z050	1	1	
26	283771	GUIDE RETAINING ARM	1	1	
27	284640	STRAP-HOLDER / W/W.C.L.	1		
NS	284439	PLATE, STRAP RETAINING / OBLONG 16.5MM x 25.4MM W/2 HOLES	1		

From L-031 To R-079	Date:07/2024	PAGE:H4-1868-00
A/C COMPRESSOR DOOR ASSY		

Item#	Part	Description	H 3 4 0	V I P 4 0	N O T E S
NS	5001161	WASHER LO SPT 8.1x14.8x2.0 SS-304	1	1	G
NS	504379	RIVET POP DOME OE 3/16x1/4 SS	2	2	H
NS	505507	STRAP NYLON 1" WIDE / S.L.	1	1	
28	500441	WASHER FL .312x.734x.065 Z050	1	1	
30	502625	SCREW SHR HEXS 5/16x3/8 (1/4-20	1	1	
31	500347	SCREW CAP HEX 5/16-18x1 1/4 SS	1	1	I
NS	283770	SPACER / TO FIX RETAINING ARM	1	1	
NS	502523	RIVET NUT FL OKS 5/16-18 .059-.119	1	1	
NS	502583	WASHER LO SERR 8.15x22.3x1.0 Z050	1	1	
40	500316	SCREW MA FL PH 1/4-28x3/4 SS	2	2	J
41	780278	PIN, STRIKER STUD	1	1	
42	283046	STRIKER SHIM / W/SLOT / 60MM X 25MM	AR	AR	
43	283326	STRIKER PLATE, MOUNTING / 60MM X 25MM	1	1	
44	502582	WASHER LO SERR 6.1x16.2x0.9 Z050	2	2	
45	500692	NUT HEX 1/4-28 Z050	2	2	
		A) SOLD IN 20' LONG ON PART #283875			
		E) TO FIX RETAINING ARM			
		F) TO FIX RUBBER SEAL			
		G) WITH W.C.L			
		H) TO FIX RETAINER STRAP			
		I) TO FIX CLAMP & EXTEN. ARM			
		J) TO FIX STRIKER PIN			
		S) THIS ROD ARE REQUIRE ONLY IF YOU CHANGE FORMER HANDLE 780350 FOR NEW MODEL 780794			

From L-031 To N-200	Date:07/2024	PAGE:H4-1869-00
RADIATOR DOOR ASSY - GRILL		



From L-031 To N-200	Date:07/2024	PAGE:H4-1869-00
RADIATOR DOOR ASSY - GRILL		

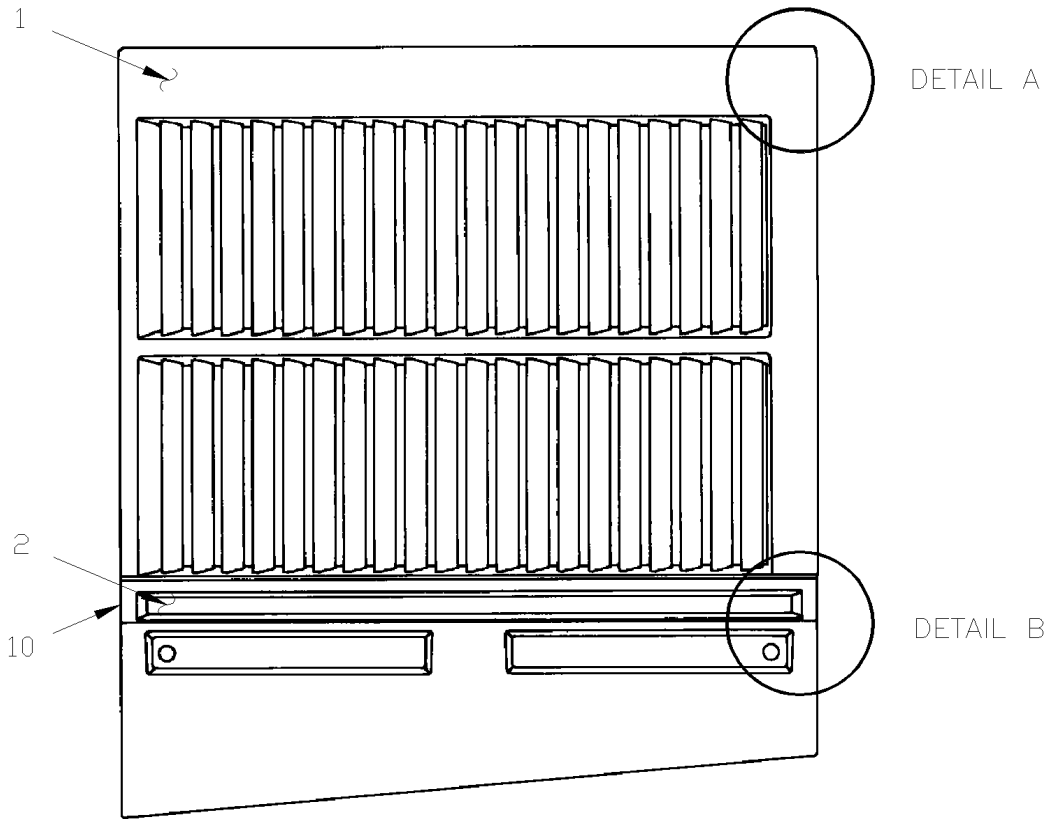
Item#	Part	Description	H 3 4 0	V I P 4 0	N O T E S
	283151P	RADIATOR DOOR ASSY	1	1	
1	282939	. DOOR MOULDED / FIBERGLASS	1	1	
. NS	288096	. . LOUVER ROD 37 1/4"	1	1	
2	283100	. STRIPE, REFLECTIVE WHITE / 38MM X 15' ROLL	AR	AR	
. NS	780277	. . STRIPE, REFLECTIVE WHITE / 38MM X 150' ROLL	AR	AR	
3	480154	. WEATHERSTRIP RUBBER / ADH / RAW MATERIAL	AR	AR	
4	506410	. RUBBER EXTRUSION SEAL / GRIP .062 X 100' / RAW MATERIAL	AR	AR	A
5	502698	. SCREW MA PAN PH M4-0.7x16 SS BK	8	8	
6	502557	. NUT HEX NYRT M4-0.7 SS	8	8	
7	283391	. PLATE SUPPORT	2	2	
8	283410	. PLATE TIGHTENING	2	2	
9	500544	. SCREW CAP HEX M8-1.25x30 G8.8 Z050	2	2	
11	283495	. PLATE CONTACT	2	2	
12	283497	. ATTACHMENT MOVABLE	2	2	
13	504488	. RIVET MGLP PRDG 3/16x17/64 SS	6	6	
14	283160	. BEAM	1	1	
15	283081	. EXTRUSION PROFILE 1072MM			
16	502534	. SCREW CAP SQ 5/16-18x1 G2 Z050	4	4	
17	500701	. NUT HEX 5/16-18 ZP	4	4	
18	500374	. WASHER FL .375x.625x.062 RUB	4	4	
19	502583	. WASHER LO SERR 8.15x22.3x1.0 Z050	4	4	
20	283219	. WASHER ,REINFORCEMENT	4	4	
21	283156	. PROTECTOR PANEL / DP	1	1	
21	284797	. PROTECTOR PANEL / WITH GRAVEL GUARD / DP	1	1	B
22	504464	. RIVET POP CK OE 1/8x3/8 SS	4	4	
23	282549	. PLATE REINFORCEMENT 60MM x 37MM & SLOTTED	2	2	
24	289158	. PLATE REINFORCEMENT 40MM x 34MM & SLOTTED	2	2	
NS	283166	BRACKET MOUNTING / LOWER / DOOR & FRAME	2	2	
NS	283168	ANGLE / BRACKET & FRAME	2	2	
NS	502528	SCREW CAP HEX M8-1.25x20 G8.8 EMN	4	4	
NS	502583	WASHER LO SERR 8.15x22.3x1.0 Z050	6	6	
NS	502780	SCREW CAP HEX M8-1.25x25 SS BK	4	4	
		A) RUBBER SEAL SOLD IN 20' LONG ON PART NUMBER 482051			
		B) THIS PROTECTOR IS COATED WITH GRAVEL GUARD ANS IS BLACK PAINTED READY TO INSTALL			

From N-201 To R-079

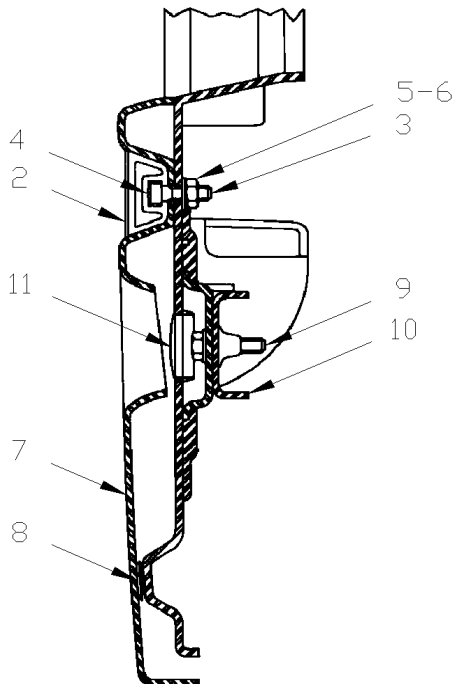
Date:07/2024

PAGE:H4-1869-01

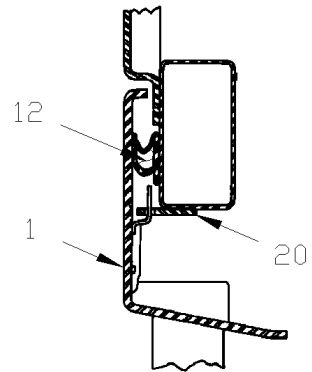
RADIATOR DOOR ASSY - GRILL



DETAIL B



DETAIL A



From N-201 To R-079	Date:07/2024	PAGE:H4-1869-01
RADIATOR DOOR ASSY - GRILL		

Item#	Part	Description	H 3 4 0	V I P 4 0	N O T E S
	284110P	RADIATOR DOOR ASSY	1	1	
1	284107	. DOOR MOULDED / FIBERGLASS	1	1	
. NS	288096	. . LOUVER ROD 37 1/4"	AR	AR	
2	283081	. EXTRUSION PROFILE 1072MM	1	1	
2	283100	. STRIPE, REFLECTIVE WHITE / 38MM X 15' ROLL	AR	AR	
. NS	780277	. . STRIPE, REFLECTIVE WHITE / 38MM X 150' ROLL	AR	AR	
3	502534	. SCREW CAP SQ 5/16-18x1 G2 Z050	4	4	
4	283219	. WASHER ,REINFORCEMENT	4	4	
5	500374	. WASHER FL .375x.625x.062 RUB	4	4	
6	500701	. NUT HEX 5/16-18 ZP	4	4	
7	283156	. PROTECTOR PANEL / DP	1	1	
7	284797	. PROTECTOR PANEL / WITH GRAVEL GUARD / DP	1	1	A
8	681348	. TAPE RUB ADH2 ACRYLIC .045" x 1" x 108' / VHB4952	AR	AR	B
9	502780	. SCREW CAP HEX M8-1.25x25 SS BK	2	2	
10	283166	. BRACKET MOUNTING / LOWER / DOOR & FRAME	2	2	
10	502528	. SCREW CAP HEX M8-1.25x20 G8.8 EMN	2	2	
10	502583	. WASHER LO SERR 8.15x22.3x1.0 Z050	4	4	C
11	507295	. HOLE PLUG BUTTON / 1.375 O.D. BLACK	2	2	
12	284113	. SEAL	1	1	
20	212052	EYELET	2	2	D
NS	212055	RETAINER 32" / WELDED TO FRAME	2	2	
NS	212056	RETAINER 12" / WELDED TO FRAME	2	2	
		A) THIS PROTECTOR IS COATED WITH GRAVEL GUARD AND IS BLACK PAINTED READY TO INSTALL			
		B) DOOR & PROTECTOR PANEL S.Q.			
		C) W/ITEM 4 & 16			
		D) WELDED AT UPPER STRUCTURE			

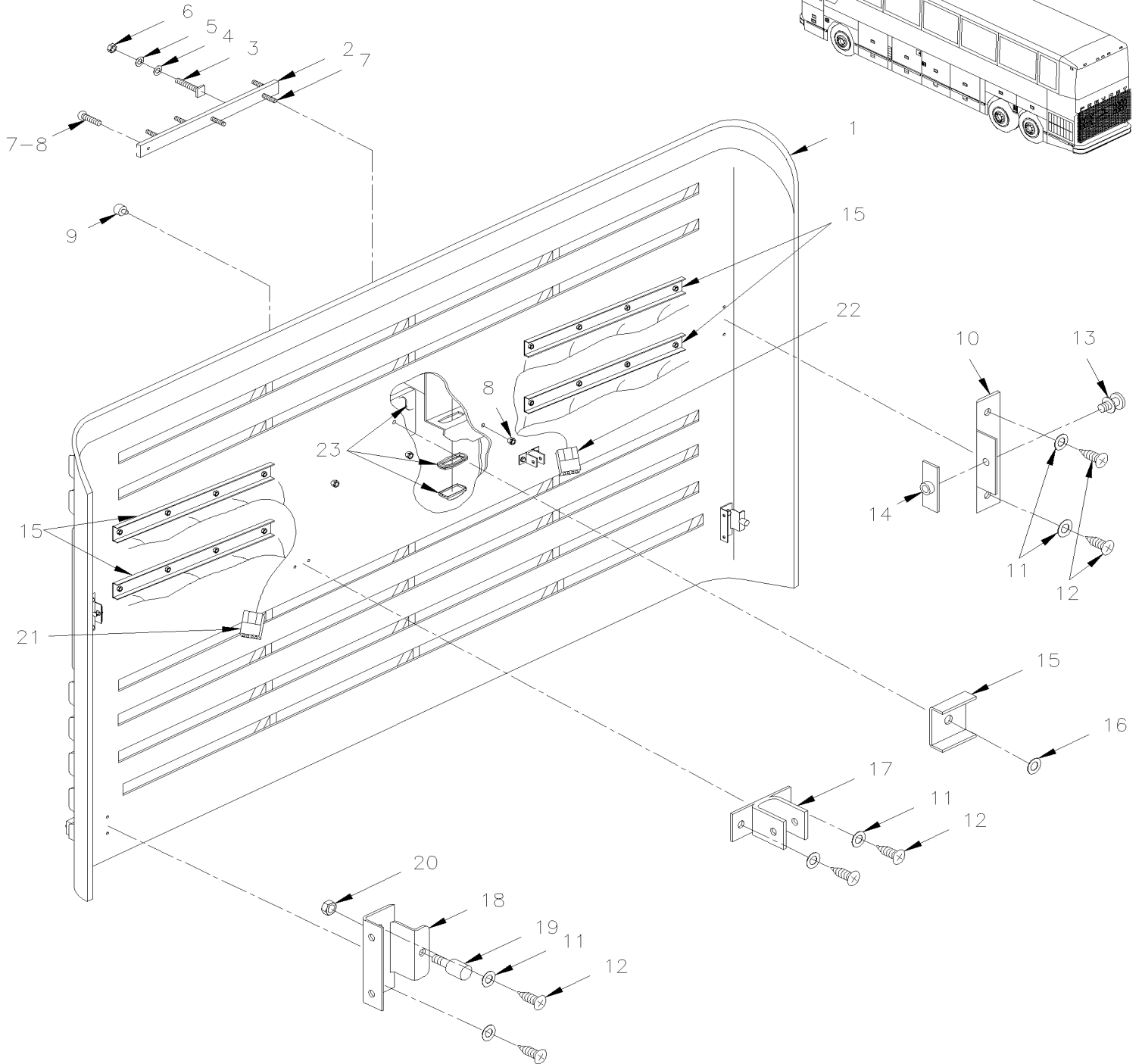
From L-031 To R-079

Date:07/2024

PAGE:H4-1870-00

ENGINE DOOR ASSY

BACK VIEW



From L-031 To R-079	Date:07/2024	PAGE:H4-1870-00
ENGINE DOOR ASSY		

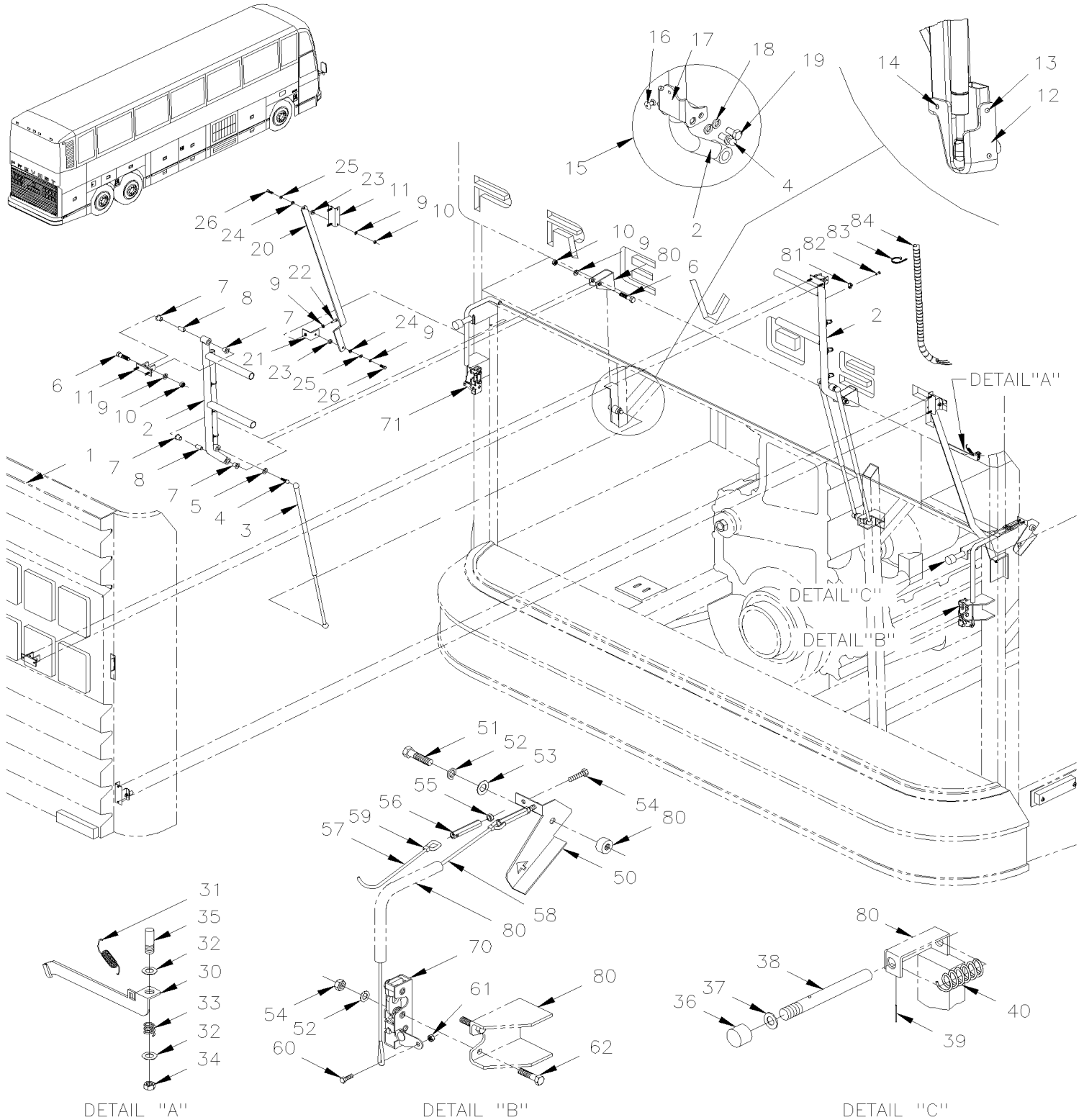
Item#	Part	Description	H 3 4 0	V I P 4 0	N O T E S
	283071P	ENGINE DOOR ASSY	1	1	
1	282967	. DOOR MOULDED / FIBERGLASS	1		A
1	284423	. DOOR MOULDED / FIBERGLASS	1	1	
2	283030	. TRACK / LICENCE PLATE HOLDER 680MM	1	1	
2	281343	TRACK / LICENCE PLATE HOLDER 680 MM	1	1	
3	504286	. T SCREW 10-24 X 3/4" / SS / PLATE HOLDER	4	4	
4	502637	. WASHER FL .200x.437x.037 SS	4	4	
5	502570	. WASHER LO SPT 6.1x11.8x1.6 SS	4	4	
6	500787	. NUT HEX #10-24 SS	4	4	
7	502666	. SCREW MA FL PH #6-32x3/4 SS BK	3	3	
8	500286	. NUT WELL #6-32	3	3	
9	504498	. BUMPER PLUG / .406ODx.218THx.250HOLEx.125	2	2	
10	283029	. BRACKET ASSY	2	2	
11	502584	. WASHER LO SERR 8.2x26.3x1.8 Z050	12	12	
12	502790	. SCREW CAP HEX M8-1.25x20 G8.8 Z050	12	12	
13	780415	. BOLT STRIKER	2	2	
14	283330	. NUT SPECIAL / TO FIX STRIKER	2	2	
15	283329	. PLATE To T-1680	4	4	
16	502582	. WASHER LO SERR 6.1x16.2x0.9 Z050	34	34	
17	283024	. BRACKET / TO FIX PANTHOGRAPH	2	2	
18	283032	. BRACKET / STOPPER To T-1611	2	2	
18	285274	. BRACKET / STOPPER From T-1612	2	2	
19	504454	. BUMPER RUBBER BOLT / 20MM ODx20MM TH X M6X15MM STUD	2	2	
20	502565	. NUT HEX M6-1.0 SS	2	2	
21	062592	. CABLE ASSY To N-211	1	1	
21	063209	. CABLE ASSY R.H. LAMP / REAR ENGINE DOOR From N-212	1	1	
22	062599	. CABLE ASSY To N-211	1	1	
22	063210	. CABLE ASSY L.H. LAMP / REAR ENGINE DOOR From N-212	1	1	
NS	506277	. TAPE RUB ADH1 CC POL 1/2" x 3/4" x 15' / GREY 2520X	AR	AR	
NS	680415	. TAPE ADHESIVE 3" WIDE BLUE	AR	AR	
NS	065528	INTERFACE CABLE ASSY / W/LED FLASHER	4	4	B
NS	065529	INTERFACE CABLE ASSY / W/LED STOP	5	5	B
NS	065530	INTERFACE CABLE ASSY / W/LED TAIL	4	4	B
23	H4-0664-00	. REAR EXTERIOR LIGHTS & PLATE HOLDER			
		A) THOSE DOORS HAVE HOLE FOR BLOCK HEATER CONNECTOR H4-0660-00			
		B) USE WITH VEHICULE WITH LED RETROFIT			

From L-031 To R-079

Date:07/2024

PAGE:H4-1870-10

REAR ENGINE DOOR - INSTALLATION



From L-031 To R-079	Date:07/2024	PAGE:H4-1870-10
REAR ENGINE DOOR - INSTALLATION		

Item#	Part	Description	H 3 4 0	V I P 4 0	N O T E S
1	H4-1870-00	ENGINE DOOR ASSY			
2	283035	PANTOGRAPH LEVER	1	1	
3	980024	CYLINDER GAZ / 669/409MM C/C / 200LBS	3	3	
3	192226	CYLINDER GAZ / 669/409MM C/C / 200LBS HD		AR	
. NS	980017	. CLIP BALL STUD 10MM RETAINER		2	
NS	283023	CYLINDER MOUNTING PLATE	3	3	
4	980015	BALL STUD / W/10 MM X M8-1.25 / 29.18 MM	6	6	
5	980016	NUT, CYLINDER RETAINER	2	2	
NS	502760	NUT HEX TWAY M8-1.25 Z050	2	2	
6	502527	SCREW CAP HEX M8-1.25x50 G8.8 Z050	4	4	
7	507142	BUSHING, NYLINER W/SHOULDER (8-L-8-F)	8	8	
8	282541	SPACER TUBE 31MM x 12.7MM x 8.5MM	4	4	
9	502583	WASHER LO SERR 8.15x22.3x1.0 Z050	AR	AR	
10	502543	NUT HEX M8-1.25 Z050	AR	AR	
11	H4-1870-00	ENGINE DOOR ASSY			
12	491130	CYLINDER PROTECTOR / PLASTIC	1	1	
13	504717	RIVET POP DOME OE 1/8x1/4 SS	1	1	
14	504339	RIVET POP DOME OE 1/8x3/8 SS	1	1	
15	289949	KIT RETROFIT ENGINE DOOR CYLINDER PRESSURE INCREASE ADAPTOR	AR	AR	KS
16	504747	. RIVET HKL MMS 3/16x3/8 SS	1	1	
17	289951	. CYLINDER ADAPTOR ENGINE DOOR SERIE "H" / "U" SHAPE	1	1	
18	5001161	. WASHER LO SPT 8.1x14.8x2.0 SS-304	2	2	
19	5001527	. SCREW CAP HEX M8-1.25x16 SS BK	2	2	
20	283033	ARM STABILIZER / 30MM OFFSET	2	2	
21	283346	ANGLE SUPPORT / ARM STABILISATOR ON L.H. POST	1	1	
22	502790	SCREW CAP HEX M8-1.25x20 G8.8 Z050	2	2	A
23	282540	SPACER BUSHING FLANGE / AUX. ARM & SUPPORT	4	4	B
24	507289	BUSHING NYLINER / AUXILIARY ARM & ATTACHMENT	4	4	
25	500444	WASHER FL .406x.812x.065 Z050	4	4	
26	502651	SCREW CAP HEX M8-1.25x35 G8.8 Z050	4	4	
30	283328	HOOK SAFETY LOCK	1	1	
31	502184	SPRING EXTENSION / .360 O.D. x 1.25 x .031	1	1	
32	500441	WASHER FL .312x.734x.065 Z050	2	2	C
33	480705	SPRING COMPRESSION / .600 O.D. x 1 x .055 CROMAT	1	1	
34	5001189	NUT HEX 5/16-18 SS	1	1	
35	481287	SPACER	1	1	
36	504454	BUMPER RUBBER BOLT / 20MM ODx20MM TH X M6X15MM STUD	2	2	
37	500411	WASHER FL .260x.697x.050 SS	4	4	
38	283014	STOPPER 120MM	2	2	
39	505513	SPRING, PIN M3 x 24 SS	2	2	
40	502181	SPRING COMPRESSION / .720 O.D. x 3 x .067	2	2	
50	283037	LEVER	1	1	

From L-031 To R-079	Date:07/2024	PAGE:H4-1870-10
REAR ENGINE DOOR - INSTALLATION		

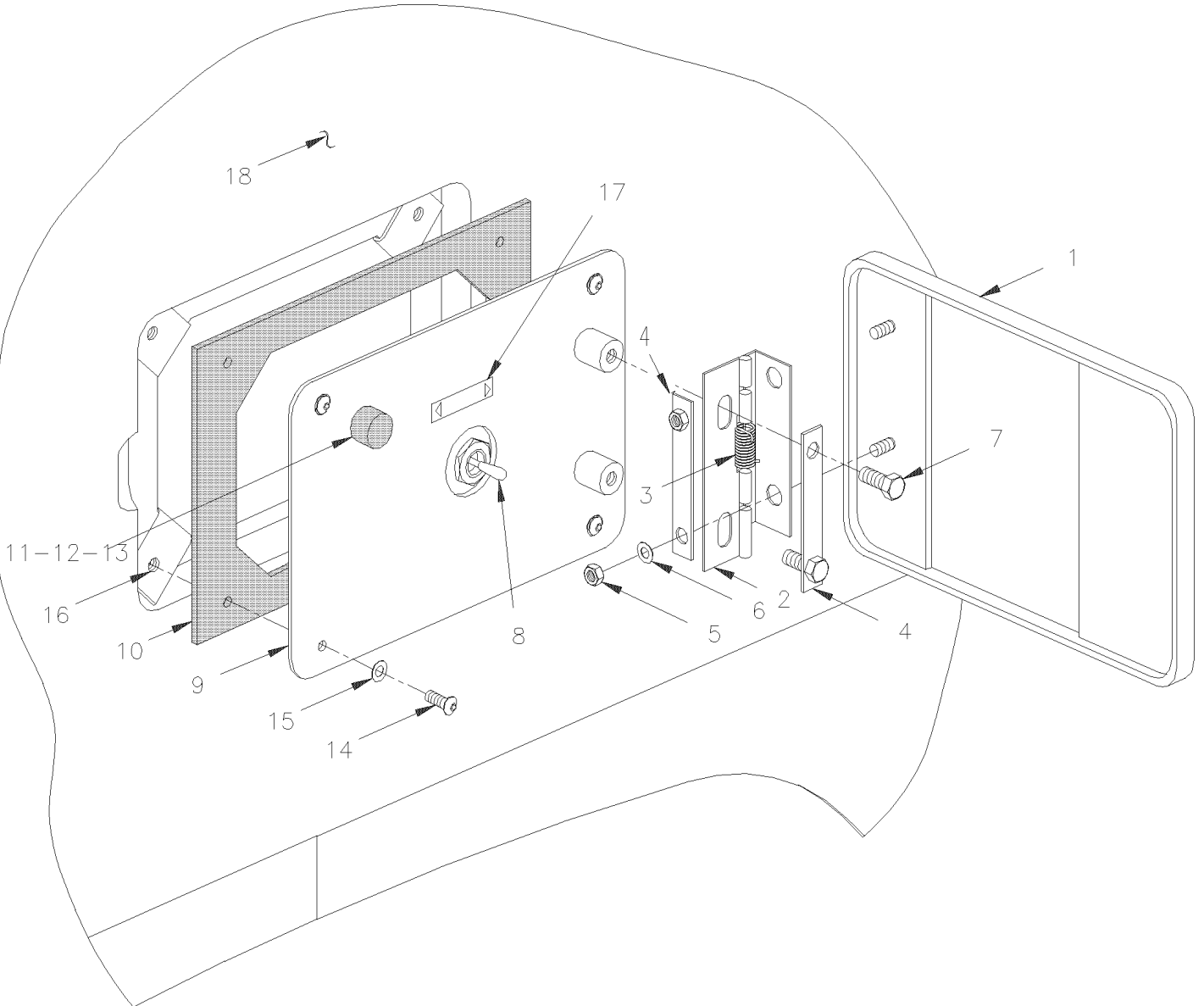
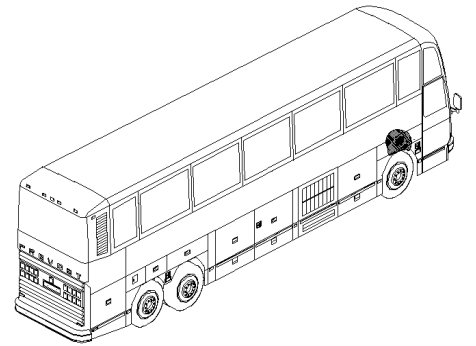
Item#	Part	Description	H 3 4 0	V I P 4 0	N O T E S
51	502563	SCREW CAP HEX M6-1.0x12 G8.8 Z050	1	1	
52	502582	WASHER LO SERR 6.1x16.2x0.9 Z050	AR	AR	D
53	500468	WASHER FL .281x1.250x.065 Z050	1	1	
54	502686	SCREW CAP HEX M6-1.0x30 SS BK	2	2	
55	502581	NUT HEX M6-1.0 Z050	2	2	
56	283015	TENSIONER	2	2	
57	283045	CABLE 1/16 DIA / 2970MM	1	1	
58	283069	CABLE 1/16 DIA. / 565MM LG	1	1	
59	780341	SLEEVE / TO HOLDING CABLE 1/16OD SS	2	2	
60	502550	SCREW CAP HEX M4-0.7x16 G8.8 Z050	2	2	E
61	502557	NUT HEX NYRT M4-0.7 SS	2	2	
62	502533	SCREW CAP HEX M6-1.0x30 G8.8 Z050	2	2	
63	502581	NUT HEX M6-1.0 Z050	2	2	
70	283492	LATCH / R.H.	1	1	
70	285202	LATCH / R.H.	1	1	
71	283491	LATCH / L.H.	1	1	
		PART OF REAR STRUCTURE /			
81	504531	TIE MOUNT / 3/16" #10 SCREW / TA1S8-C	50433	50433	
82	504106	RIVET POP DOME OE 1/8x1/4 AL	AR	AR	
83	504637	CABLE TIE / 3/16" x 13"	AR	AR	
		A) TO FIX ANGLE SUPPORT TO POST			
		B) BUSHING FLANGEC W/ITEM #30			
		C) W/ITEM #30			
		D) TO FIX LATCH			
		E) TO FIX CABLE TO LATCH			
		KS) THIS KIT IT USE TO MOVE CYLINDER FOR INCREASE THE POWER AT DOOR CYLINDER FOR DOOR WHO HAVE MORE WEIGHT WITH ADD ACCESSORIES BY CONVERTERS			

From L-031 To R-079

Date:07/2024

PAGE:H4-1872-00

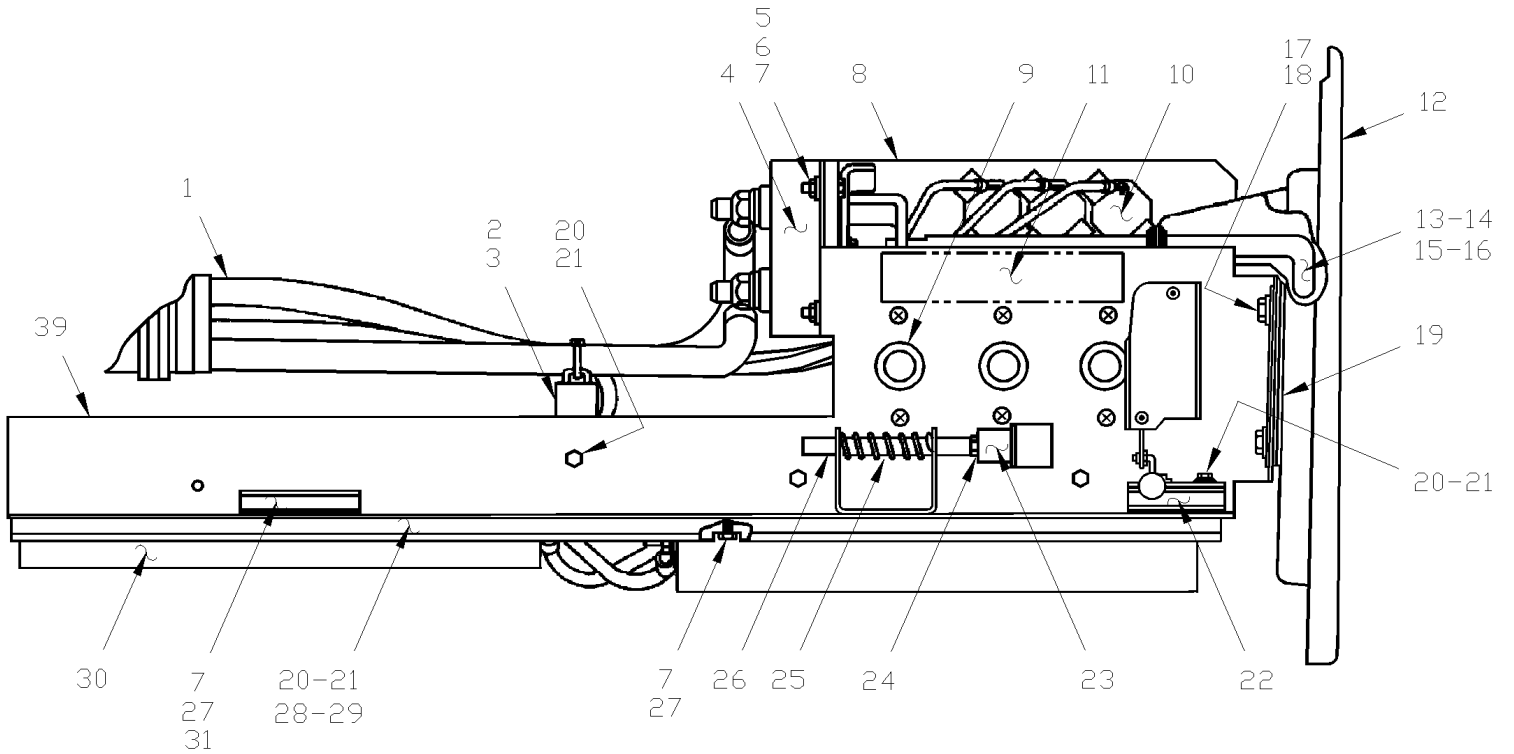
ENTRANCE DOOR OPENING SWITCH



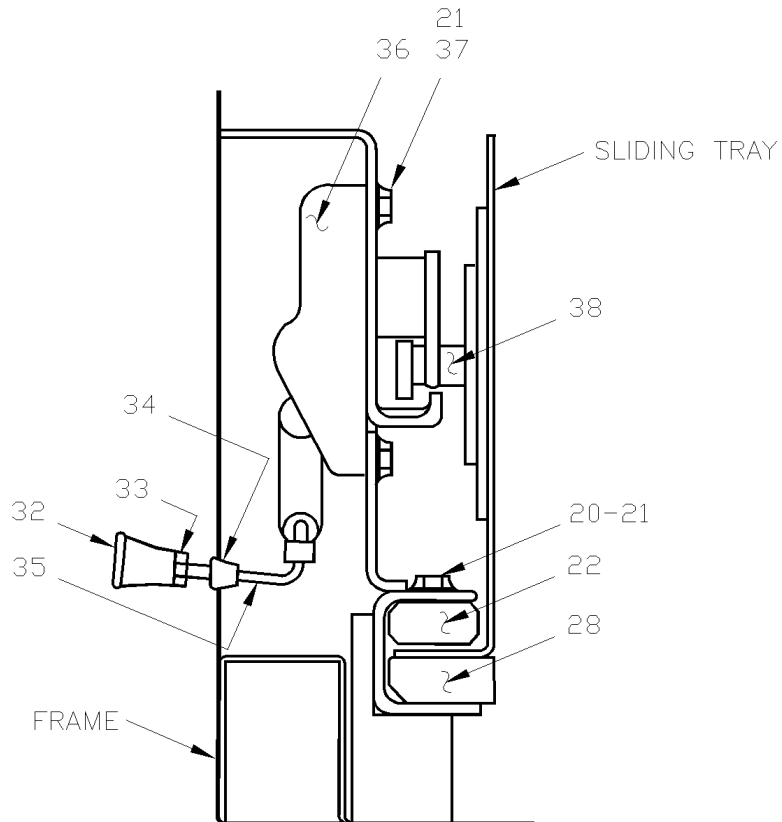
From L-031 To R-079	Date:07/2024	PAGE:H4-1872-00
ENTRANCE DOOR OPENING SWITCH		

Item#	Part	Description	H 3 4 0	V I P 4 0	N O T E S
1	282563	PANEL DOOR	1		
2	283460	HINGE ASSY	1		
3	283465	. SPRING, TORSION / .185 I.D. x .744 x .048	1		
4	283461	ATTACHMENT / FOR SPRING	2		
5	502707	NUT HEX STO M5-0.8 Z050	2		
6	500964	WASHER FL .203x.500x.047 Z050	2		
7	5001106	SCREW CAP HEX M6-1.0x10 G8.8 Z050	2		
8	562253	SWITCH / M/ON-OFF-M/ON / S.P.S.T.	1		B
NS	065380	KIT ENTRANCE DOOR SWITCH	1		
9	284035	PLATE ASSY	1		
9	283926	PLATE ASSY / W/PLUG TYPE DOOR	1		A
NS	641113	SOLENOID, CONTROL VALVE	1		A
10	283925	GASKET / PLATE & DOOR	1		
11	504454	BUMPER RUBBER BOLT / 20MM ODx20MM TH X M6X15MM STUD	1		
12	507166	O-RING 1/4 I.D. X 3/8 O.D.	1		
13	502565	NUT HEX M6-1.0 SS	1		
NS	502570	WASHER LO SPT 6.1x11.8x1.6 SS	1		
14	502706	SCREW TP PAN PH #14x1 SS	4		
15	502571	WASHER FL SEAL .281x.625x20GA SS	4		
16	502764	NUT SPR J #14A .035-.046	4		
NS	284081	PLATE RETAINING	1		
17	284050	DECAL / W/2 RED ARROWS	1		
18	H4-1854-00	SIDE PANELS - BUS			
NS	641113	SOLENOID, CONTROL VALVE	1		
NS	284060	GASKET / W/PLUG TYPE DOOR / VALVE & PLATE	1		A
		A) THIS ITEM IS RELATED WITH "PLUGTYPE" DOOR INSTALLATION UP TO N-197			
		B) FOR PRODUCT IMPROVMENT ASK FOT KIT #065380			

From L-029 To R-079	Date:07/2024	PAGE:H4-1874-00
SLIDING TRAY JUNCTION BOX		



LOCK MECHANISM



From L-029 To R-079	Date:07/2024	PAGE:H4-1874-00
SLIDING TRAY JUNCTION BOX		

Item#	Part	Description	H 3 4 0	V I P 4 0	N O T E S
1	062149	CABLE ASSY #0	1	1	
2	504013	TIE MOUNT / 1/4" X 1/4" I.D.	6	6	
3	504272	RIVET CHY Q BRAZ 3/16x1/8 SS	6	6	
4	381066	SWITCH ASSY	1	1	
4	560270	. SWITCH, DISCONNECT 24VOLTS	1	1	
4	380516	. PLATE, SUPPORT	1	1	
5	500095	SCREW CAP HEX 1/4-20x3/4 SS	4	4	
6	500770	NUT HEX STO 1/4-20 Z050	4	4	B
7	502573	WASHER FL 6.4x12.5x1.6 SS	AR	AR	B
7	561541	SWITCH, 12 V. POWER DISCONNECT	1	1	
8	381045	TRAY WELDED	1	1	
9	561767	BREAKER 70AMPS / 24V /	AR	AR	
NS	560299	BREAKER 150AMPS / 24V /	AR	AR	
NS	560298	BREAKER 90AMPS / 24V /	AR	AR	
NS	500388	SCREW MA RND PH #10-24x1 Z050	12	12	C
NS	500786	NUT HEX #10-24 Z050	12	12	C
NS	500470	WASHER LO SPT .193x.334x.047 Z050	12	12	C
10	870690	BREAKER 30AMPS / 24V /	3	3	
NS	500588	SCREW CAP HEX M4-0.7x20 G8.8 Z050	6	6	
NS	502636	WASHER LO SPT 4.1x7.6x0.9 Z050	6	6	D
NS	502556	WASHER FL 4.3x9.0x0.8 SS	6	6	D
NS	502524	NUT HEX M4-0.7 Z050	6	6	D
11	062657	DECAL	1	1	
11	062658	DECAL	1	1	
12	282996	PANEL / JUNCTION BOX	1	1	
13	381041	HANDLE, SWITCH DISCONNECT 24 VOLTS	1	1	
14	504062	GROMMET / .4375x.687x.125x.375x.937	2	2	
15	500958	WASHER FL .531x1.062x.095 SS	1	1	
16	502110	PIN, COTTER 1/8 x 1 1/4	1	1	
17	502528	SCREW CAP HEX M8-1.25x20 G8.8 EMN	4	4	
18	500035	WASHER LO SPT .317x.586x.078 SS	4	4	
19	381150	PLATE, SHIM	AR	AR	
20	502622	SCREW CAP HEX M6-1.0x20 SS BK	AR	AR	
21	502570	WASHER LO SPT 6.1x11.8x1.6 SS	AR	AR	
22	381046	BLOCK, STOPPER	2	2	
23	504454	BUMPER RUBBER BOLT / 20MM ODx20MM TH X M6X15MM STUD	1	1	
24	500609	NUT HEX M6-1.0 Z050	1	1	
25	570162	SPRING COMPRESSION / .607 O.D. x 2. x .091	1	1	
NS	505421	SPRING, PIN M3 x 18	1	1	
26	381188	ROD, STOPPER	1	1	
27	502621	NUT HEX STO M6-1.0 Z050	AR	AR	
28	381050	SLIDE, TRAY	2	2	

From L-029 To R-079	Date:07/2024	PAGE:H4-1874-00
SLIDING TRAY JUNCTION BOX		

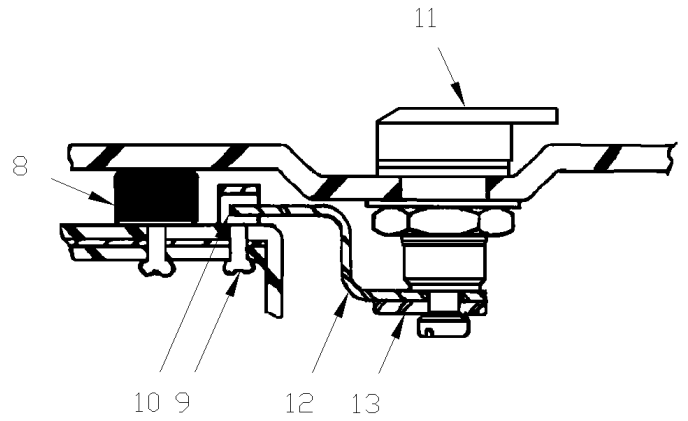
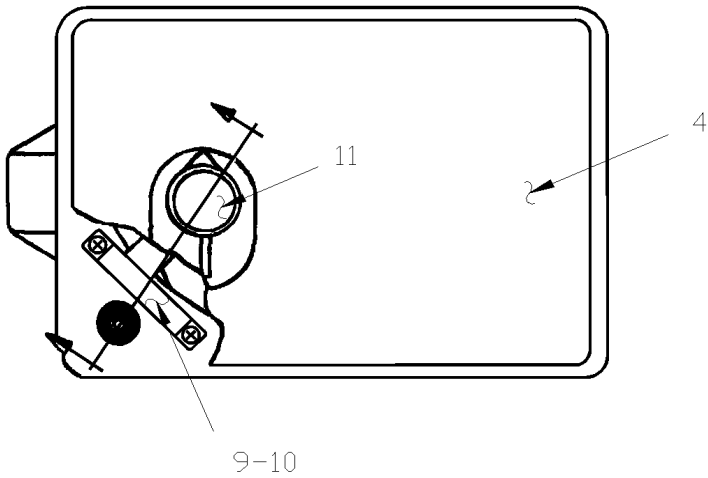
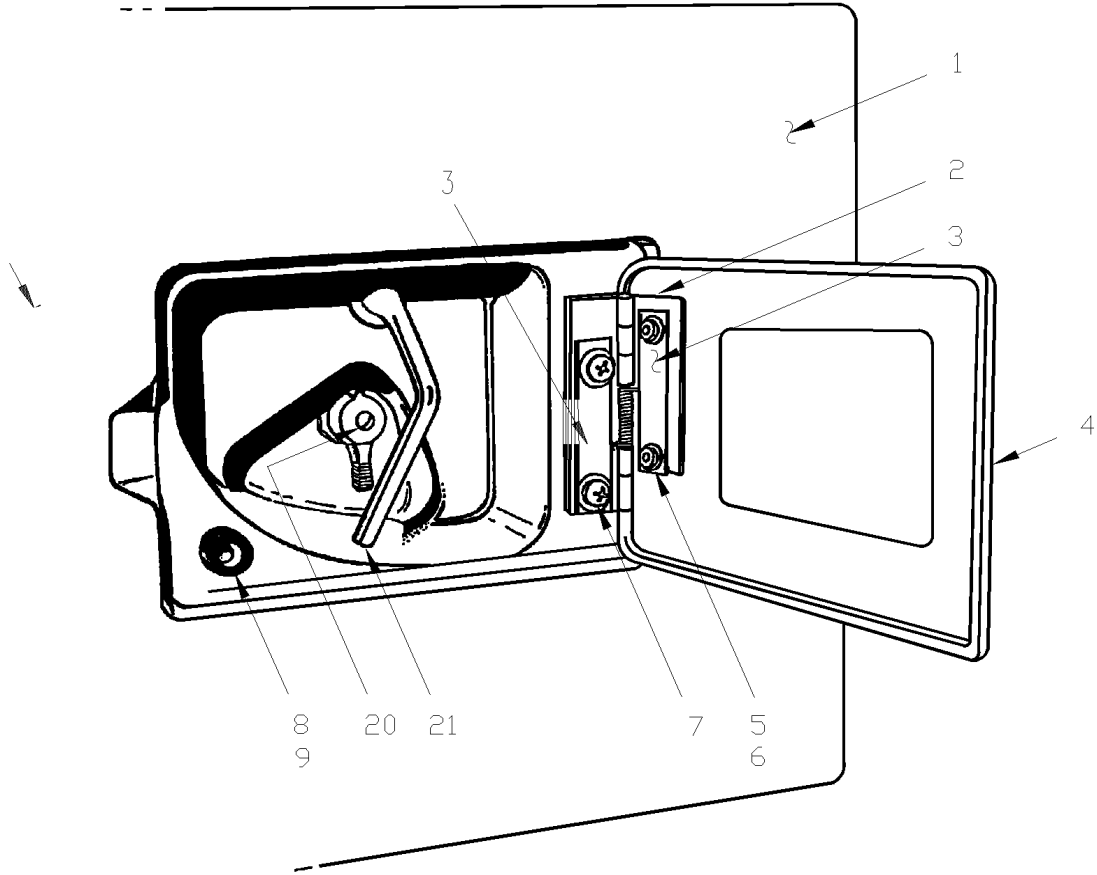
Item#	Part	Description	H 3 4 0	V I P 4 0	N O T E S
29	381437	SUPPORT ASSY / BATTERY EQUALIZER	2	2	
30	561016	EQUALIZER "VANNER" 50 AMPS	2	2	E
31	380847	BLOCK, STOPPER	2	2	
32	505504	KNOB, PULL / 8-32	1	1	
33	500764	NUT HEX #8-32 Z050	1	1	
34	504083	SNAP BUSHING / .250x.468.406	1	1	
35	282984	ROD OPENING 52MM	1	1	
36	780283	LOCK SPAGNOLET R.H.	1	1	
. NS	780340	. CLIP, RETAINER ROD	1	1	
37	502563	SCREW CAP HEX M6-1.0x12 G8.8 Z050	2	2	
38	780278	PIN, STRIKER STUD	1	1	
NS	381060	PLATE, SHIM / TO FIX STRIKER PIN	1	1	
NS	500316	SCREW MA FL PH 1/4-28x3/4 SS	2	2	
NS	500692	NUT HEX 1/4-28 Z050	2	2	
NS	502570	WASHER LO SPT 6.1x11.8x1.6 SS	2	2	
39	381476	DOOR ASSY	1	1	A
40	780340	CLIP, RETAINER ROD	1	1	
NS	065121	KIT EQUALIZER 60AMPS	1	1	
. NS	IS-99016C	. SEE INSTRUCTION SHEET	1	1	
		A) PRIOR N-170 USE KIT 381439			
		B) TO FIX SWITCH			
		C) TO FIX BREAKER 9#			
		D) TO FIX BREAKER #10			
		E) THIS PART IS SUPERSEDED BY KIT #065121. SEE INSTRUCTION SHEET IS-99016C FOR HELP			

From L-031 To R-079

Date:07/2024

PAGE:H4-1874-10

SMALL ACCESS DOOR



From L-031 To R-079	Date:07/2024	PAGE:H4-1874-10
SMALL ACCESS DOOR		

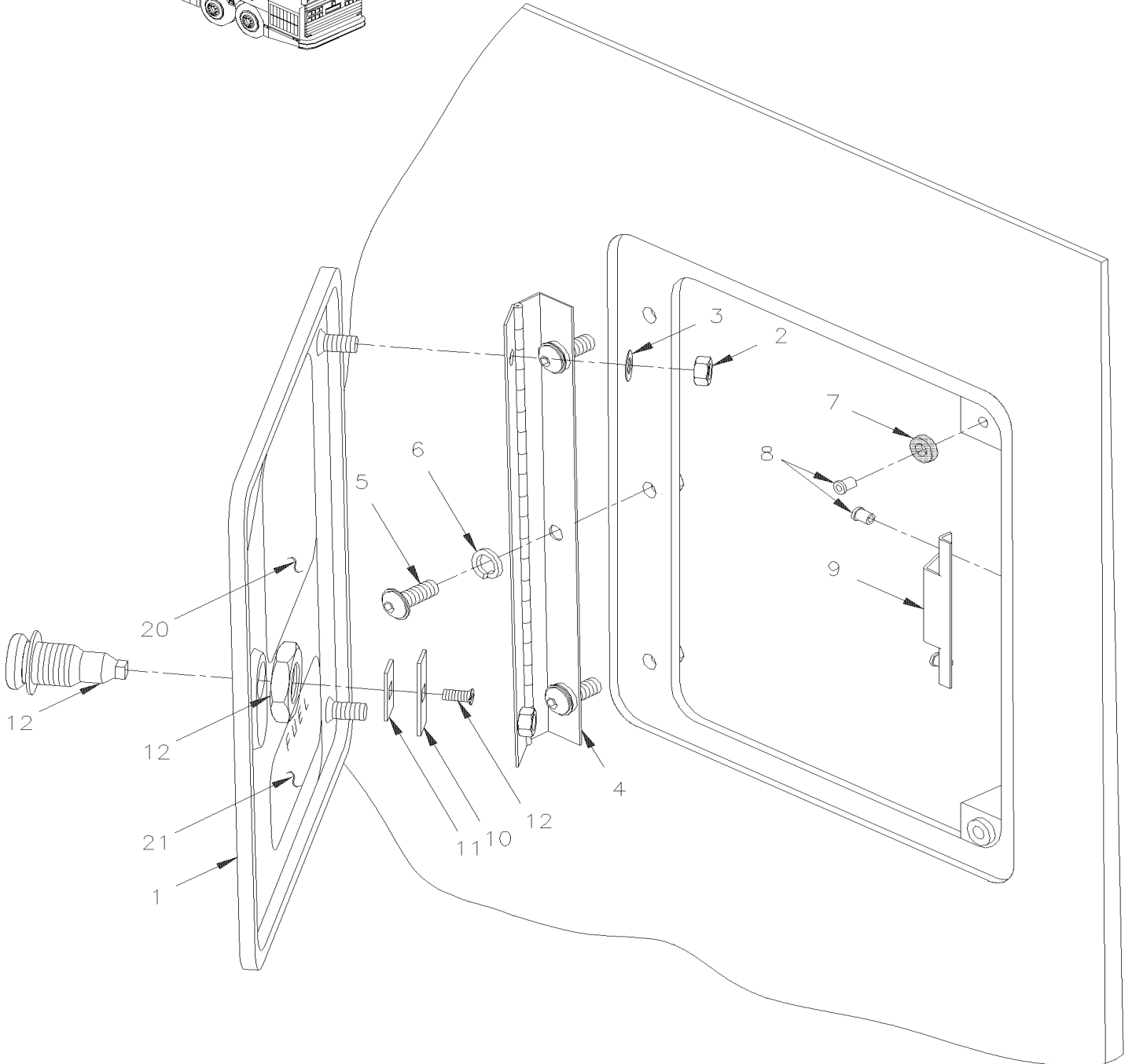
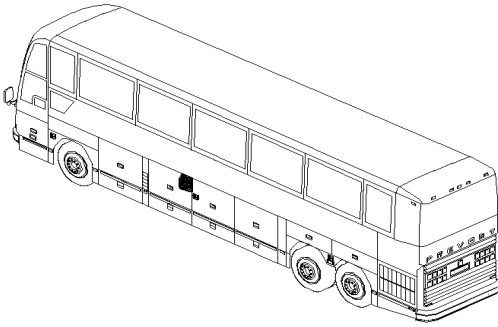
Item#	Part	Description	H 3 4 0	V I P 4 0	N O T E S
1	282993	PANEL / JUNCTION DRAWER	1	1	
2	283460	HINGE ASSY	1	1	
2	283465	. SPRING, TORSION / .185 I.D. x .744 x .048	1	1	
3	283461	ATTACHMENT / FOR SPRING	2	2	
4	282563	PANEL DOOR	1		
4	283440	PANEL DOOR / W/LOCK		1	
5	502707	NUT HEX STO M5-0.8 Z050	2	2	
6	500964	WASHER FL .203x.500x.047 Z050	2	2	
7	502569	SCREW MA PAN PH M6-1.0x16 BK	2	2	
8	504334	BUMPER RUBBER / .625 OD x .406 TH x .156 HOLE	1	1	
9	504473	RIVET POP DOME OE 1/8x1/4 SS	1	1	
NS	500157	WASHER FL .125x.375x.032 SS	1	1	
10	283464	LOCK, STOP / W/LOCK	1	1	
11	H4-1864-30	HANDLE LOCK & KEYS - TYPE "PS"			
12	283462	ARM, LOCK	1	1	
13	283463	SPACER	1	1	
NS	062729	DECAL / SWITCH 12VOLTS & 24 VOLTS		1	
NS	062656	DECAL / SWITCH 12VOLTS & 24 VOLTS	1		
20	561541	SWITCH, 12 V. POWER DISCONNECT	1	1	
21	381041	HANDLE, SWITCH DISCONNECT 24 VOLTS	1	1	
NS	560270	SWITCH, DISCONNECT 24VOLTS	1	1	
NS	504062	GROMMET / .4375x.687x.125x.375x.937	1	1	

From L-031 To R-079

Date:07/2024

PAGE:H4-1875-00

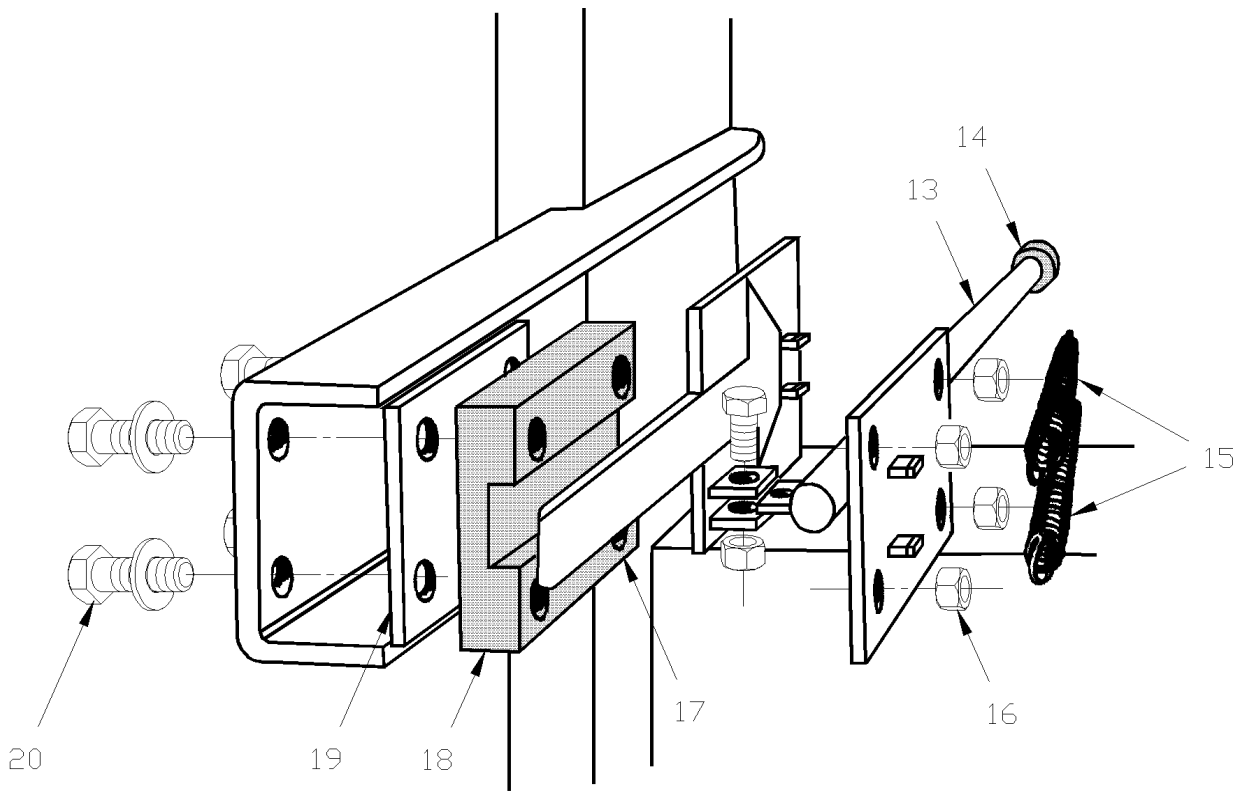
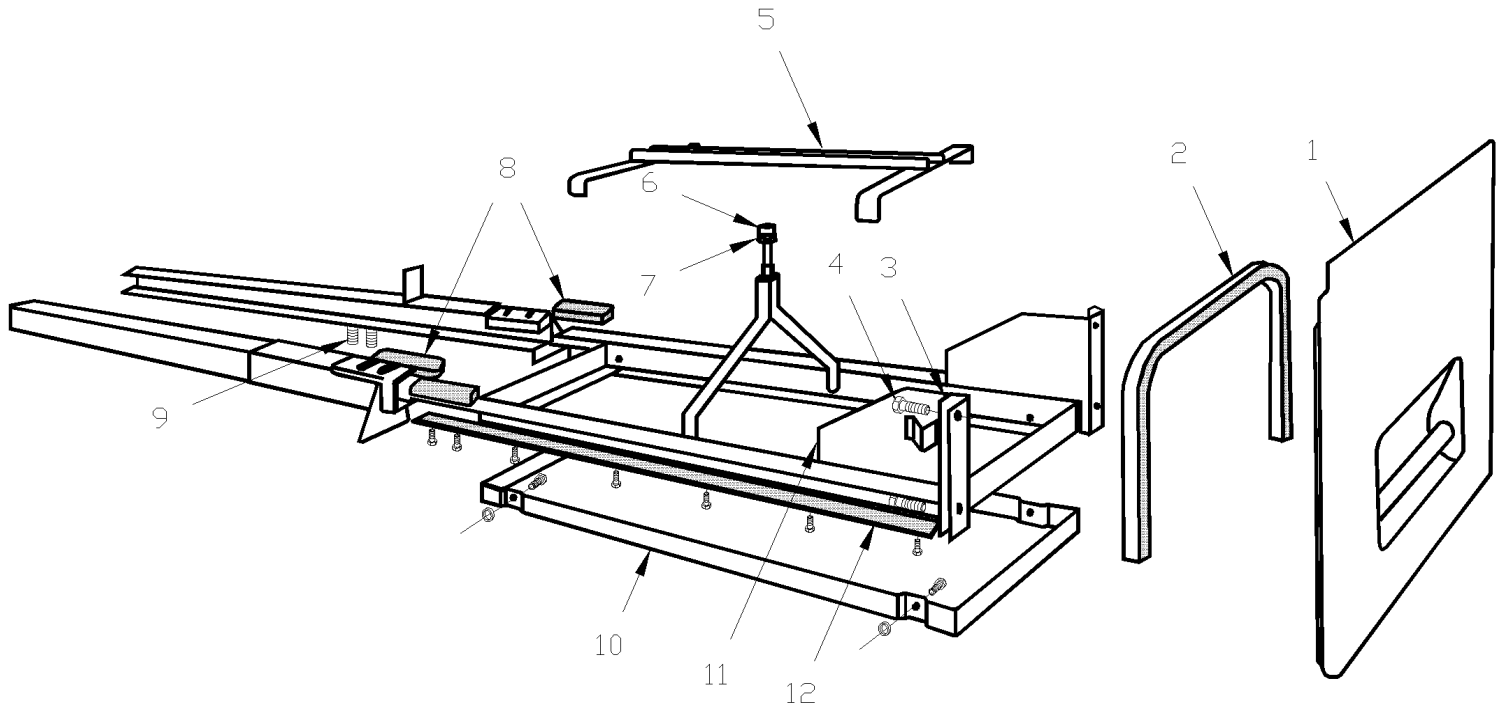
FUEL TANK FILLING DOOR



From L-031 To R-079	Date:07/2024	PAGE:H4-1875-00
FUEL TANK FILLING DOOR		

Item#	Part	Description	H 3 4 0	V I P 4 0	N O T E S
1	283214	FUEL DOOR / LH FIXED AT EVAPORATOR DOOR	1	1	
2	502707	NUT HEX STO M5-0.8 Z050	2	2	
3	500964	WASHER FL .203x.500x.047 Z050	2	2	
4	282610	HINGE / FUEL DOOR	1	1	
5	502569	SCREW MA PAN PH M6-1.0x16 BK	3	3	
6	502582	WASHER LO SERR 6.1x16.2x0.9 Z050	3	3	
7	504334	BUMPER RUBBER / .625 OD x .406 TH x .156 HOLE	2	2	
8	504339	RIVET POP DOME OE 1/8x3/8 SS	4	4	
9	790279	SPRING, CATCH	1	1	
10	282613	PLATE, LOCK / 7MM SQ HOLE	1	1	
11	282612	SPACER / 7MM SQ X 17MM O.D X 16GA	1	1	
11	288806	SPACER / 8MM SQ X 17MM O.D X 16GA / SERVICE	1	1	
12	H4-1864-30	HANDLE LOCK & KEYS - TYPE "PS"			
12	H4-1864-99	HANDLE LOCK & KEYS - TYPE "NS" / SERVICE			
20	403315	DECAL / "TANK CAPACITY" ENGLISH 235 U.S. GALLONS	AR	AR	
21	402789	DECAL / "CARBURANT" DIESEL #1	AR	AR	
NS	402788	DECAL / FUEL RECOMMENDED # 1 OR # 2 AC.. / ENGLISH & FRANCAIS	AR	AR	
21	405636	DECAL / FUEL RECOMMENDED # 1 OR # 2 AC.. / ENGLISH & SPANISH	AR	AR	

From L-031 To M-143	Date:07/2024	PAGE:H4-1876-00
SLIDING TRAY FOR BATTERY INSTALLATION		

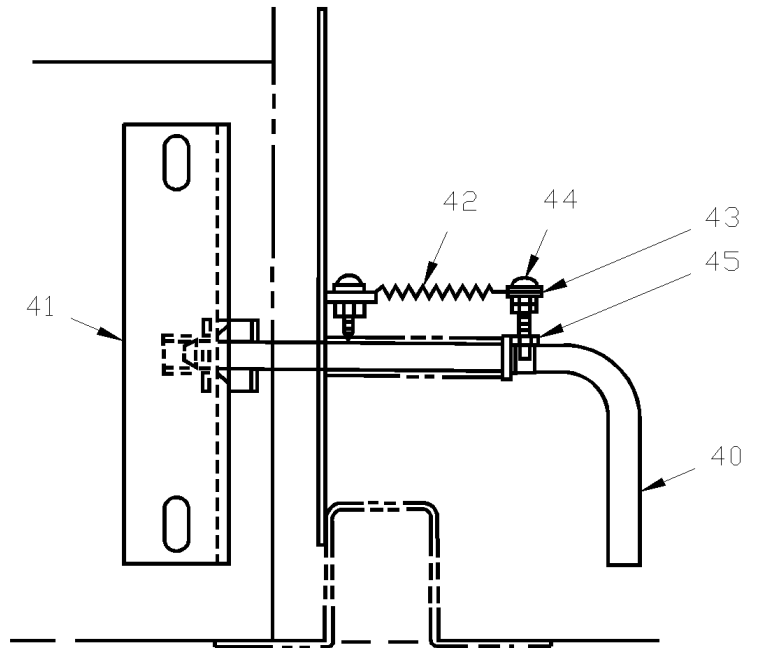
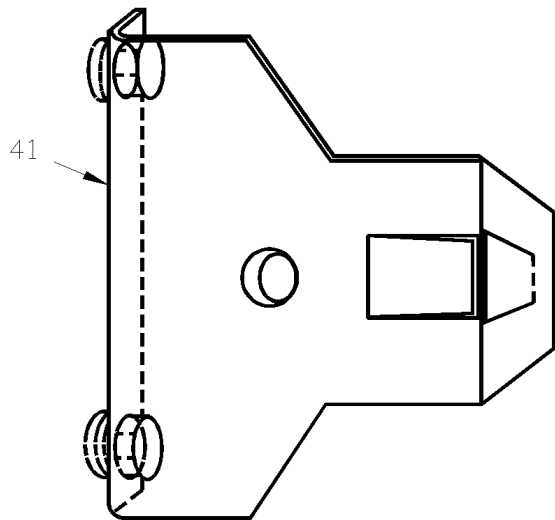
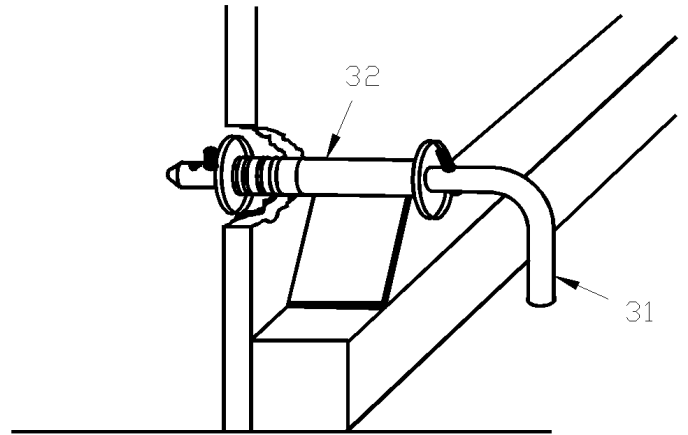
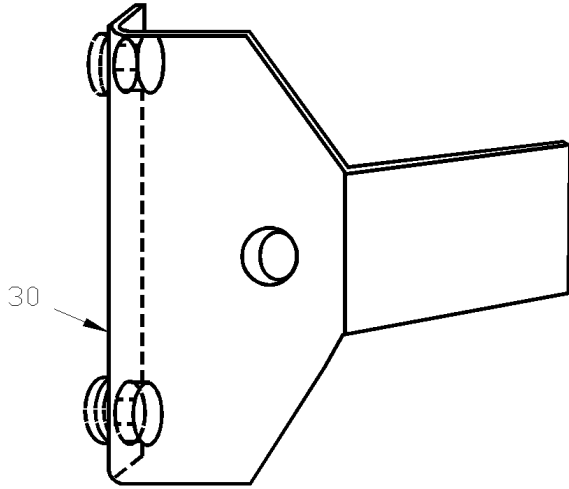


From L-031 To M-143

Date:07/2024

PAGE:H4-1876-00

SLIDING TRAY FOR BATTERY INSTALLATION



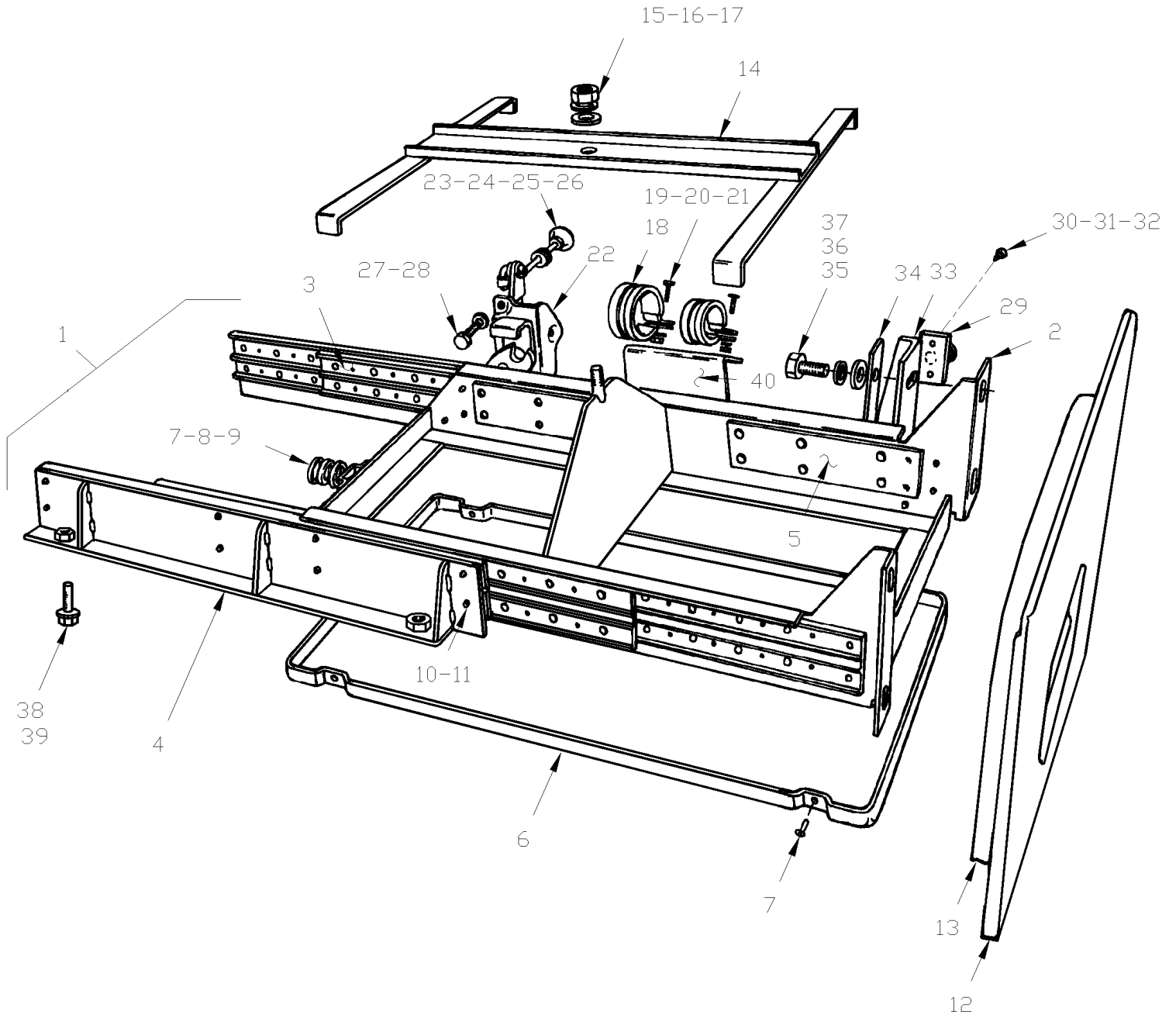
From L-031 To M-143	Date:07/2024	PAGE:H4-1876-00
SLIDING TRAY FOR BATTERY INSTALLATION		

Item#	Part	Description	H 3 4 0	V I P 4 0	N O T E S
1	282740	DOOR MOULDED / FIBERGLASS / BATTERY COMPARTMENT	1	1	
2	282430	SEAL, EXTERIOR	AR	AR	
3	380816	REINFORCEMENT / DOOR	2	2	
4	502790	SCREW CAP HEX M8-1.25x20 G8.8 Z050	4	4	
NS	502507	WASHER LO SPT 8.1x14.8x2.0 Z050	4	4	
5	380812	SUPPORT, UPPER / BATTERY	1	1	
6	500875	NUT HEX M12-1.75 SS	1	1	
7	500482	WASHER LO SPT .506x.873x.125 Z050	1	1	
NS	500958	WASHER FL .531x1.062x.095 SS	1	1	
8	380847	BLOCK, STOPPER	4	4	
9	380820	BOLT, STOPPER	2	2	
10	380852	PAN, DRIP	1	1	
11	381036	BASE ASSY / SLIDING TRAY	1	1	
12	380823	SLIDE	2	2	
NS	502621	NUT HEX STO M6-1.0 Z050	16	16	
NS	502573	WASHER FL 6.4x12.5x1.6 SS	16	16	
13	380830	ROD, HANDLE	1	1	
14	504061	GROMMET / .4375x.687x.062x.312x.937	1	1	
15	502159	SPRING EXTENSION / .312 O.D. x 1.375 x .031	2	2	
NS	502567	NUT HEX M10-1.5 SS	2	2	
NS	502680	SCREW CAP HEX M10-1.5x50 SS	1	1	
16	500868	NUT HEX NYRT M8-1.25 Z050	4	4	
17	380835	PLATE	1	1	
18	380815	SLIDE, NYLON	2	2	
19	380817	SPACER	2	2	
20	500544	SCREW CAP HEX M8-1.25x30 G8.8 Z050	4	4	
NS	503528	HOSE, DRAIN / #4 x 50' / S.L.	1	1	
NS	504230	HOSE CLAMP / 3/8"-7/8" SS / HS-6	1	1	
NS	560480	CLAMP / 1/2" I.D.	1	1	
NS	502557	NUT HEX NYRT M4-0.7 SS	1	1	
NS	502556	WASHER FL 4.3x9.0x0.8 SS	1	1	
		FOLLOWING PARTS ARE USED ONLY			
		ON THE V.I.N.: L-030, L-031, L-044 AND			
		M-049 TO M-067			
30	381286	CATCH ASSY / (TRIANGULAR FORM)	1	1	
31	381290	HANDLE	1	1	
32	502190	SPRING COMPRESSION / .687 O.D. x .843 x .054	1	1	
		VEHICLE UP TO M-144 ON WHICH CATCH RETROFIT			
		KIT HAVE BEEN INSTALLED REQUIRE			

From L-031 To M-143	Date:07/2024	PAGE:H4-1876-00
SLIDING TRAY FOR BATTERY INSTALLATION		

Item#	Part	Description	H 3 4 0	V I P 4 0	N O T E S
		THE FOLLOWING PARTS			
32	381431	KIT RETROFIT SAFETY CATCH	1	1	
40	381428	. HANDLE	1	1	
41	381429	. CATCH ASSY / TO FIX ON DOOR PANEL	1	1	
42	502156	. SPRING EXTENSION / .437 O.D. x 2 x .041	1	1	
43	500022	. WASHER LO INT .168x.340x.023 Z050	1	1	
44	500418	. SCREW MA RND SLT #8-32x1 ZP	2	2	
45	500444	. WASHER FL .406x.812x.065 Z050	4	4	
45	502701	. WASHER FL .172x.750x.031	1	1	

From M-144 To R-079	Date:07/2024	PAGE:H4-1876-01
SLIDING TRAY FOR BATTERY INSTALLATION		



From M-144 To R-079	Date:07/2024	PAGE:H4-1876-01
SLIDING TRAY FOR BATTERY INSTALLATION		

Item#	Part	Description	H 3 4 0	V I P 4 0	N O T E S
1	381304	SLIDING TRAY ASSY To N-194	1	1	
1	381446	SLIDING TRAY ASSY From N-195	1	1	
2	381303	. FRAME, WELDED To N-194	1	1	
2	381447	. FRAME, WELDED From N-195	1	1	
3	880034	. SLIDE, TRAY	2	2	
4	381329	. SUPPORT ASSY / L.H. SLIDE	1	1	
4	381310	. SUPPORT ASSY / R.H. SLIDE	1	1	
5	381399	. PLATE, PROTECTOR	4	4	
5	504473	. RIVET POP DOME OE 1/8x1/4 SS	AR	AR	
6	381305	. PAN, DRIP	1	1	
7	504379	. RIVET POP DOME OE 3/16x1/4 SS	AR	AR	
8	660396	. SPRING, STOPPER To N-194	1	1	
8	502194	. SPRING COMPRESSION / .937 O.D. x 1.250 x .0109 From N-195	1	1	
9	381314	. RETAINING PLATE	1	1	
10	5001036	. SCREW MA PAN PH M4-0.7x10 Z050	AR	AR	
11	502679	. NUT HEX NYRT M4-0.7 ZP	AR	AR	
12	282740	DOOR MOULDED / FIBERGLASS / BATTERY COMPARTEMENT	1	1	
13	283875	RUBBER SEAL EXTRUSION / ADHESIVE / 20' / RAW MATERIAL SERVICE	AR	AR	
13	504473	RIVET POP DOME OE 1/8x1/4 SS	2	2	
14	380812	SUPPORT, UPPER / BATTERY	1	1	
15	500875	NUT HEX M12-1.75 SS	1	1	
16	500482	WASHER LO SPT .506x.873x.125 Z050	1	1	
17	500958	WASHER FL .531x1.062x.095 SS	1	1	
18	504468	HOSE CLAMP / 6"1/4-7"1/8 / C.T. 700	2	2	
19	502698	SCREW MA PAN PH M4-0.7x16 SS BK	2	2	
20	502557	NUT HEX NYRT M4-0.7 SS	2	2	
21	502556	WASHER FL 4.3x9.0x0.8 SS	2	2	
22	780283	LOCK SPAGNOLET R.H.	1	1	
. NS	780340	. CLIP, RETAINER ROD	1	1	
22	780340	. CLIP, RETAINER ROD	1	1	
23	381316	ROD, LOCK	1	1	
24	505504	KNOB, PULL / 8-32	1	1	
25	500764	NUT HEX #8-32 Z050	1	1	
26	504083	SNAP BUSHING / .250x.468.406	1	1	
27	502563	SCREW CAP HEX M6-1.0x12 G8.8 Z050	2	2	
28	502570	WASHER LO SPT 6.1x11.8x1.6 SS	2	2	
29	780278	PIN, STRIKER STUD	1	1	
29	283326	STRIKER PLATE, MOUNTING / 60MM X 25MM	1	1	
29	283046	STRIKER SHIM / W/SLOT / 60MM X 25MM	AR	AR	
30	500316	SCREW MA FL PH 1/4-28x3/4 SS	2	2	
31	500692	NUT HEX 1/4-28 Z050	2	2	
32	502582	WASHER LO SERR 6.1x16.2x0.9 Z050	2	2	

From M-144 To R-079	Date:07/2024	PAGE:H4-1876-01
SLIDING TRAY FOR BATTERY INSTALLATION		

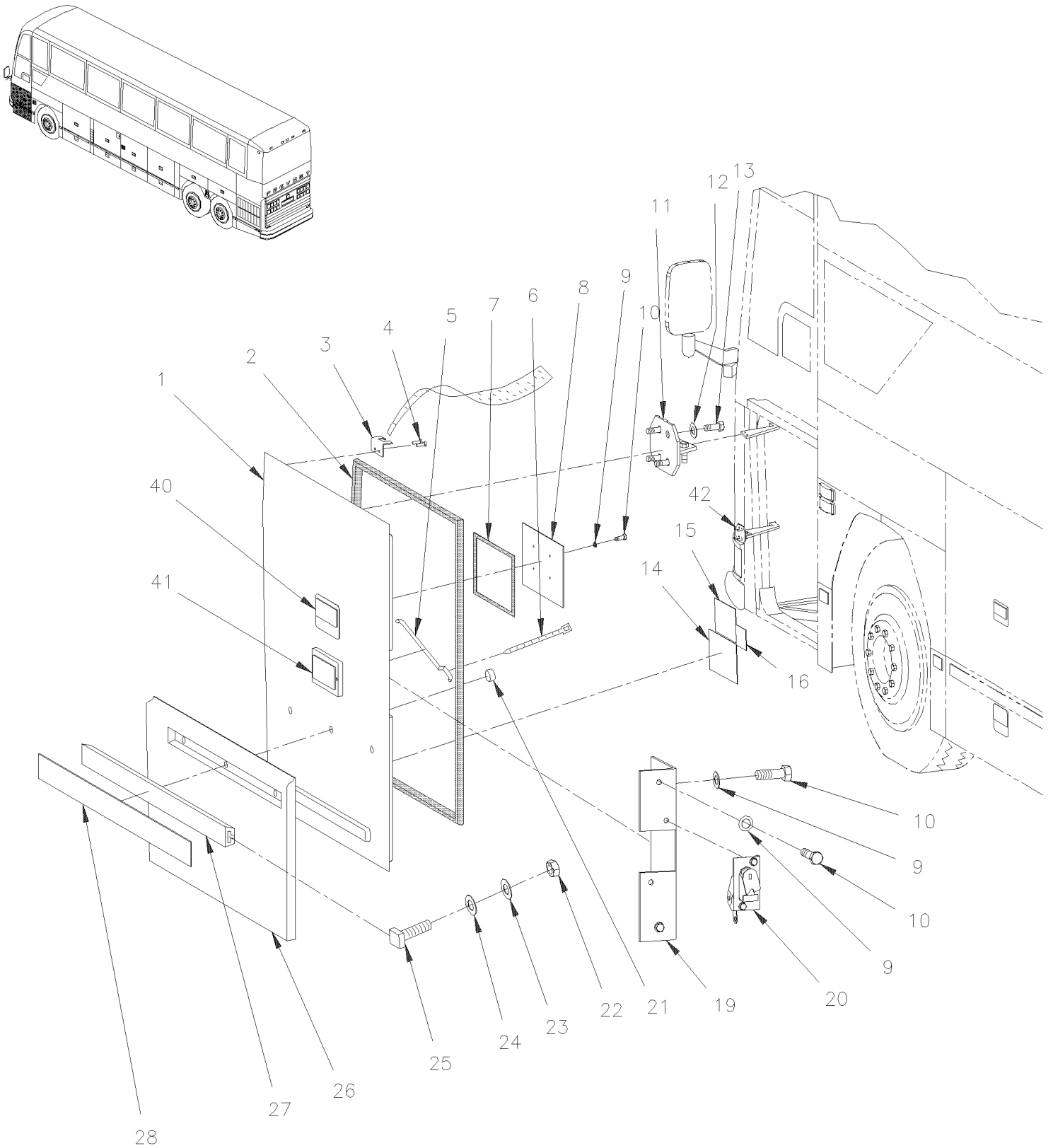
Item#	Part	Description	H 3 4 0	V I P 4 0	N O T E S
33	381315	SUPPORT / STRIKE PIN	1	1	
34	380816	REINFORCEMENT / DOOR	AR	AR	
35	502790	SCREW CAP HEX M8-1.25x20 G8.8 Z050	4	4	
36	502507	WASHER LO SPT 8.1x14.8x2.0 Z050	4	4	
37	500874	WASHER FL 8.4x17.0x1.6 Z050	4	4	
38	502719	SCREW CAP HEX M10-1.5x20 SS EMN	4	4	
39	502585	WASHER LO SERR 10.2x26.3x1.4 ZP	4	4	
NS	503528	HOSE, DRAIN / #4 x 50' / S.L.	AR	AR	
NS	560480	CLAMP / 1/2" I.D.	AR	AR	
		FOLLOWING PARTS ARE REQUIRED			
		TO PROTECT WIRE			
NS	381454	KIT RETROFIT PROTECTION WIRE To N-194	1	1	
NS	381442	. SUPPORT	1	1	
NS	212013	. PROTECTOR	1	1	
NS	381452	. SUPPORT WIRE	1	1	
NS	381460	. WEATHERSEAL SNAP-ON 1/8" / 4"	1	1	

From L-031 To R-079

Date:07/2024

PAGE:H4-1879-00

FRONT SERVICE DOOR ASSY



From L-031 To R-079	Date:07/2024	PAGE:H4-1879-00
FRONT SERVICE DOOR ASSY		

Item#	Part	Description	H 3 4 0	V I P 4 0	N O T E S
	283816P	FRONT SERVICE DOOR ASSY	1	1	
1	283813	. DOOR MOULDED / FIBERGLASS	1	1	
2	283336	. RUBBER SEAL EXTRUSION / ADHESIVE / 120METER / RAW MATERIAL	1	1	B
3	284440	. SUPPORT	1	1	
4	504249	. RIVET CHY Q PRDG 3/16x3/8 SS	2	2	
5	283261	. ROD / HANDLE & LATCH / 294MM	1	1	
5	289331	. ROD / HANDLE & LATCH / 296.8MM	1	1	S
6	504273	. CABLE TIE / 1/8" X 3"1/2	1	1	
7	506236	. TAPE RUB ADH1 CC POL 1/16" x 1/2" x 100' / GREY 2520	1	1	
8	283823	. PLATE CLOSING / 293MM X 318MM	1	1	
9	502582	. WASHER LO SERR 6.1x16.2x0.9 Z050	1	1	
10	502531	. SCREW CAP HEX M6-1.0x16 G8.8 Z050	10	10	
11	284097	. PLATE ASSY / TO FIX DOOR	2	2	
12	502584	. WASHER LO SERR 8.2x26.3x1.8 Z050	8	8	
13	502790	. SCREW CAP HEX M8-1.25x20 G8.8 Z050	8	8	
14	160295	. DECAL / "IT FORBIDDEN TO STOCK ANYTING IN TH. / ENGLISH & FRANCAIS	1	1	
14	161191	. DECAL / "IT FORBIDDEN TO STOCK ANYTING IN TH. / ENGLISH & SPANISH	1	1	
15	063711	. DECAL / "WELDING..." / W/SERIES 60 & "WORLD TRANSMISSION / ENGLISH	1	1	
16	141064	. DECAL / COLOR CODE / PNEUMATIC SYSTEM / ENGLISH & FRANCAIS	1	1	
16	142370	. DECAL / COLOR CODE / PNEUMATIC SYSTEM / ENGLISH & SPANISH	1	1	
NS	062279	. DECAL POWER JUNCTION BOX	1	1	
NS	562334	. DECAL DIAGNOSTIC CODES FOR "DDEC" II ONLY	1	1	
19	282666	. SUPPORT LOCK	1	1	
20	780283	. LOCK SPAGNOLET R.H.	1	1	F
. NS	780340	. CLIP, RETAINER ROD	1	1	F
21	507295	. HOLE PLUG BUTTON / 1.375 O.D. BLACK	3	3	
22	500698	. NUT HEX 5/16-18 BR	3	3	
23	502583	. WASHER LO SERR 8.15x22.3x1.0 Z050	3	3	
24	283219	. WASHER ,REINFORCEMENT	3	3	
25	502534	. SCREW CAP SQ 5/16-18x1 G2 Z050	3	3	
26	282664	. PROTECTOR PANEL / DP	1	1	
26	284795	. PROTECTOR PANEL / WITH GRAVEL GUARD / DP	1	1	A
NS	681348	. TAPE RUB ADH2 ACRYLIC .045" x 1" x 108' / VHB4952	AR	AR	C
27	282559	. EXTRUSION PROFILE 678MM / THICK EXTRUSION 20MM	1	1	
28	283100	. STRIPE, REFLECTIVE WHITE / 38MM X 15' ROLL	AR	AR	
. NS	780277	. . STRIPE, REFLECTIVE WHITE / 38MM X 150' ROLL	AR	AR	
40	H4-1864-30	HANDLE LOCK & KEYS - TYPE "PS"			
40	H4-1864-99	HANDLE LOCK & KEYS - TYPE "NS" / SERVICE			
41	H4-0663-00	DOCK & CORNERING LIGHT			
42	H4-1879-90	EXTERIOR DOOR HINGE AND SUPPORT			
NS	285832	KIT SERVICE DOOR LOCK	1	1	
. NS	IS-97037	. SEE INSTRUCTION SHEET	1	1	

From L-031 To R-079	Date:07/2024	PAGE:H4-1879-00
---------------------	--------------	-----------------

FRONT SERVICE DOOR ASSY

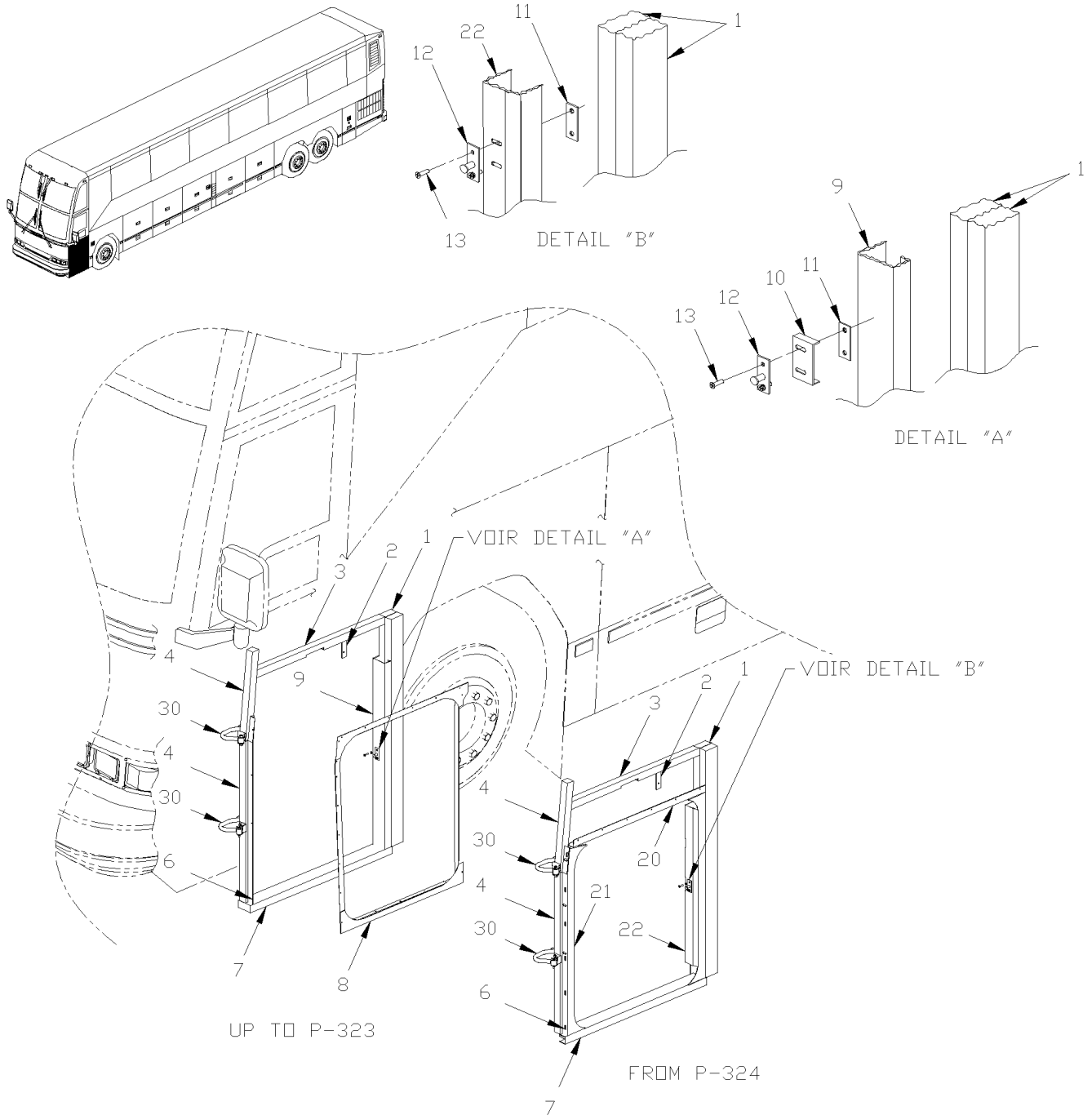
Item#	Part	Description	H 3 4 0	V I P 4 0	N O T E S
		A) THIS PROTECTOR IS COATED WITH GRAVEL GUARD AND IS BLACK PAINTED READY TO INSTALL			
		B) SOLD IN 20' LONG ON PART #283875			
		C) DOOR & PROTECTOR PANEL S.Q.			
		F) PRODUCT IMPROVMENT, ASK KIT #285832			
		S) THIS ROD ARE REQUIRE ONLY IF YOU CHANGE FORMER HANDLE 780350 FOR NEW MODEL 780794			

From L-031 To R-079

Date:07/2024

PAGE:H4-1879-10

FRONT SERVICE DOOR - INSTALLATION



From L-031 To R-079	Date:07/2024	PAGE:H4-1879-10
FRONT SERVICE DOOR - INSTALLATION		

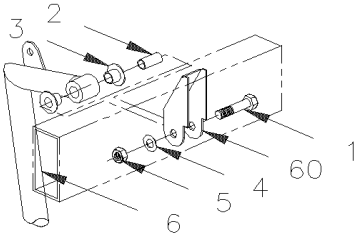
Item#	Part	Description	H 3 4 0	V I P 4 0	N O T E S
1	210936	TUBE 1156MM	2	2	
2	211976	ANGLE / TO FIX DRIVER'S WINDOW MOTOR	1	1	
3	211977	TUBE	1	1	
4	250723	TUBE FRONT SERVICE DOOR	1	1	
6	282877	ANGLE / FRAME & FRONT POST To M-090	1	1	A
6	212208	ANGLE SUPPORT From P-324	1	1	B
NS	504104	RIVET POP DOME OE 1/8x1/8 SS To P-323	AR	AR	
7	210930	TUBE 900MM	1	1	
8	282702	FRAME ASSY / DOOR To M-090	1	1	A
8	283820	FRAME ASSY / DOOR From M-091 To P-323	1	1	B
9	210940	ANGLE POST REAR To P-323	1	1	
10	283226	SUPPORT	1	1	
11	283638	PLATE TIE To P-323	1	1	
11	284217	PLATE TIE From P-324	1	1	
12	780278	PIN, STRIKER STUD	1	1	
13	500541	SCREW MA FL PH 1/4-20x1/2 SS BK	2	2	
20	212207	ANGLE "J" FORM TOP From P-324	1	1	B
21	212204	ANGLE POST FRONT From P-324	1	1	B
22	212205	ANGLE POST REAR From P-324	1	1	B
30	H4-1879-00	FRONT SERVICE DOOR ASSY			
NS	506264	TAPE RUB ADH1 URE 3/4" x 1" x 12.5' / GREY 1820X	AR	AR	
		A) RIVETED TO STRUCTURE			
		B) WELDED TO STRUCTURE			

From L-031 To R-079

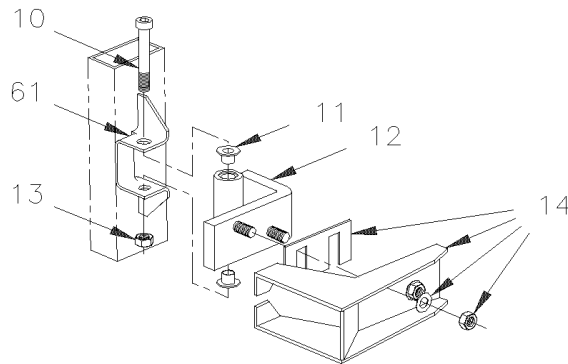
Date:07/2024

PAGE:H4-1879-90

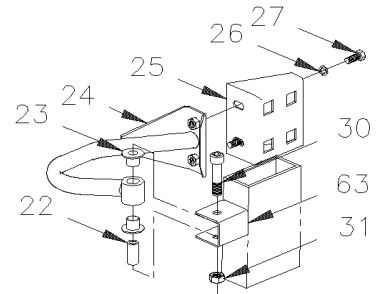
EXTERIOR DOOR HINGE AND SUPPORT



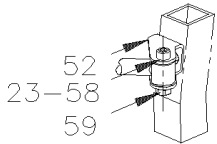
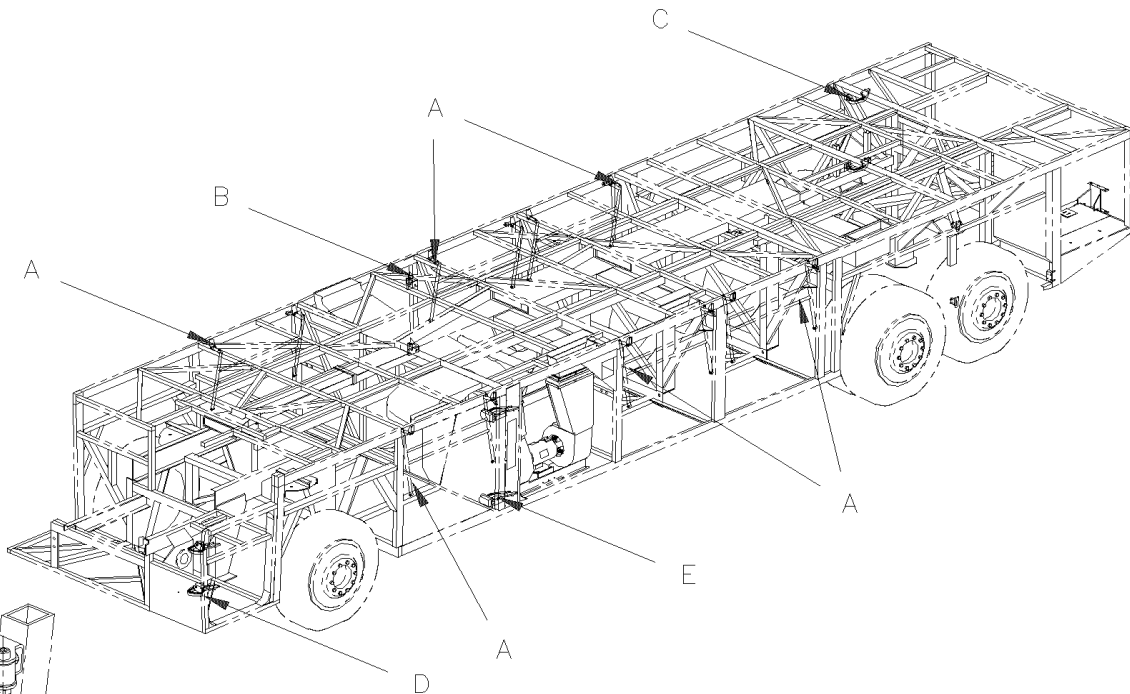
DETAIL "A"



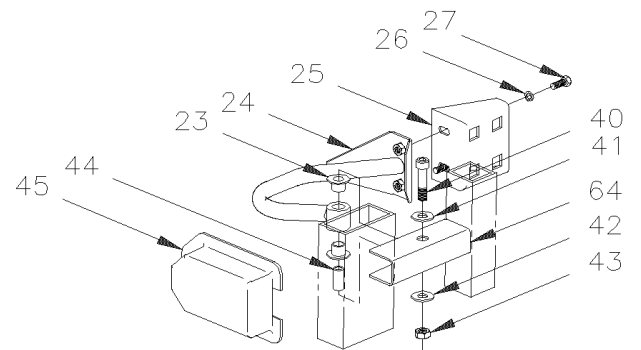
DETAIL "B"



DETAIL "C"



DETAIL "D"



DETAIL "E"

From L-031 To R-079	Date:07/2024	PAGE:H4-1879-90
EXTERIOR DOOR HINGE AND SUPPORT		

Item#	Part	Description	H 3 4 0	V I P 4 0	N O T E S
1	502527	SCREW CAP HEX M8-1.25x50 G8.8 Z050	1	1	
2	282541	SPACER TUBE 31MM x 12.7MM x 8.5MM	1	1	
3	507142	BUSHING, NYLINER W/SHOULDER (8-L-8-F)	2	2	A
4	502583	WASHER LO SERR 8.15x22.3x1.0 Z050	1	1	
5	502543	NUT HEX M8-1.25 Z050	1	1	
6	282460	ARM PANTOGRAPH	6		
6	282460	ARM PANTOGRAPH		8	
10	502596	SCREW SHR HEXS 5/8x2 1/4 {1/2-13 Z050	1	1	
11	507299	BUSHING NYLINER	2	2	
12	283001	HINGE / CONDENSER DOOR	2	2	
13	502595	NUT HEX NYRT 1/2-13 Z050	1	1	
20	500829	SCREW CAP HEX M10-1.5x40 G8.8	2	2	
21	502543	NUT HEX M8-1.25 Z050	2	2	
22	212101	SPACER / HINGE & SCREW / STEEL	2	2	
23	507142	BUSHING, NYLINER W/SHOULDER (8-L-8-F)	AR	AR	
24	282670	HINGE / UPPER & LOWER To P-339	1	1	
24	284098	HINGE / UPPER & LOWER From P-340	1	1	
25	282714	PLATE HINGE SUPPORT To P-339	1	1	
25	284097	PLATE ASSY / TO FIX DOOR From P-340	AR	AR	
26	502584	WASHER LO SERR 8.2x26.3x1.8 Z050	AR	AR	
27	502790	SCREW CAP HEX M8-1.25x20 G8.8 Z050	AR	AR	
28	284932	PLATE	2	2	
NS	504307	RIVET POP DOME OE 1/8x1/4 STL	8	8	
29	284933	RUBBER SEAL	2	2	
NS	680042	GLUE LOCTITE 430 BOTTLE 1OZ	AR	AR	
30	500072	SCREW CAP HEX M10-1.5x45 G10.9 Z050	4	4	
31	502617	NUT HEX NYRT M10-1.5 Z050	AR	AR	
40	500094	SCREW CAP HEX 1/2-20x2 1/2 G5 ZP	2	2	
NS	502527	SCREW CAP HEX M8-1.25x50 G8.8 Z050	1	1	C
41	5001164	WASHER FL 8.4x25.0x2.0 Z050	1	1	C
42	502583	WASHER LO SERR 8.15x22.3x1.0 Z050	1	1	C
43	500718	NUT HEX STO 1/2-20 Z050	1	1	
NS	502543	NUT HEX M8-1.25 Z050	1	1	C
44	212101	SPACER / HINGE & SCREW / STEEL	2	2	
NS	285315	SPACER / BUSHING / 28MM / SS	2	2	
45	452041	BOX PLASTIC / HINGE CLEARANCE	2	2	
48	502782	NUT HEX NYRT M5-0.8 Z050	1	1	
50	502560	SCREW CAP HEX M5-0.8x45 G8.8 Z050	1	1	
51	500989	WASHER FL .219x.875x.062 Z050	1	1	
52	282674	BRACKET / UPPER HINGE	1	1	
53	282970	BRACKET / LOWER HINGE	1	1	
54	500964	WASHER FL .203x.500x.047 Z050	1	1	

From L-031 To R-079	Date:07/2024	PAGE:H4-1879-90
EXTERIOR DOOR HINGE AND SUPPORT		

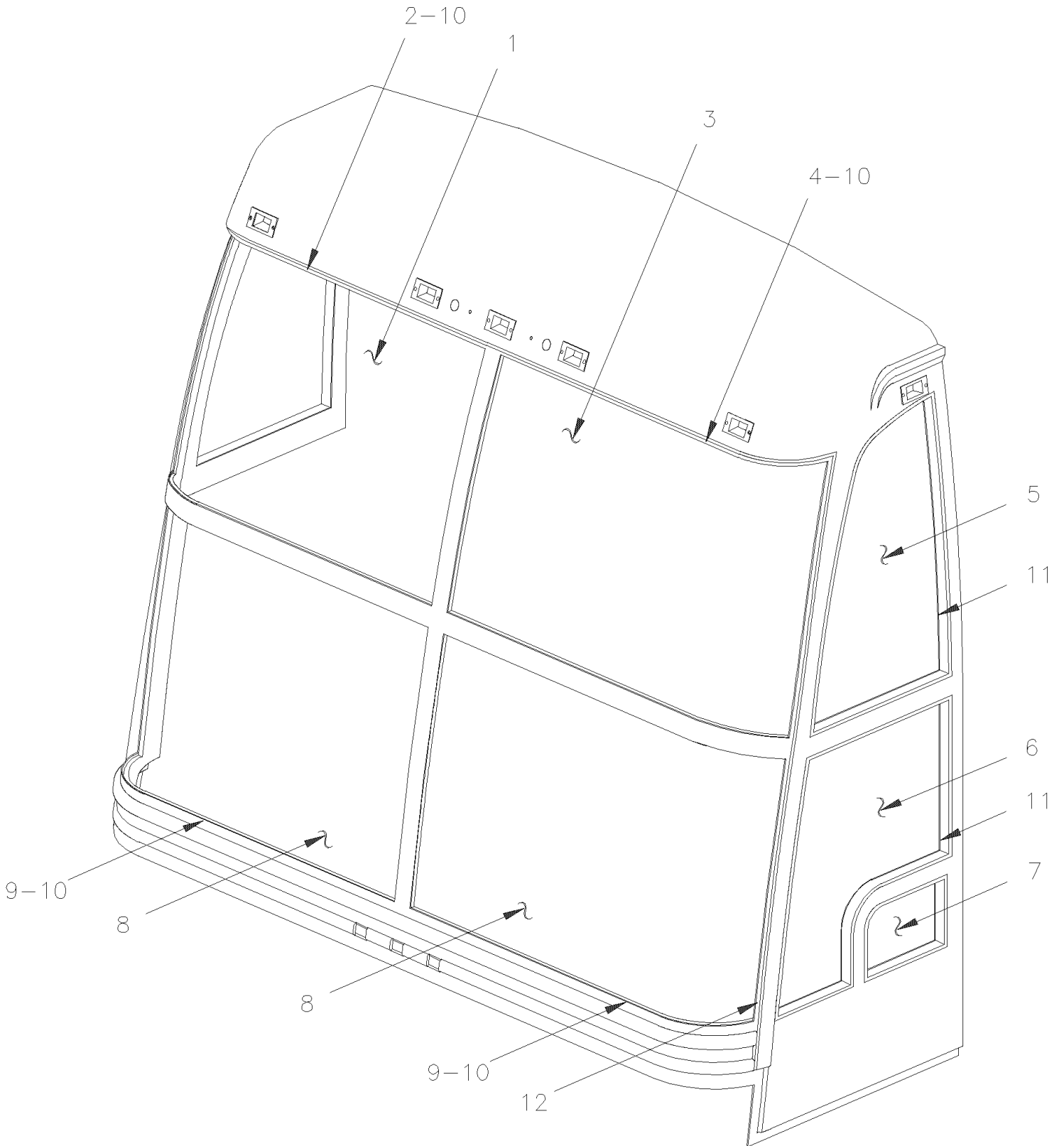
Item#	Part	Description	H 3 4 0	V I P 4 0	N O T E S
55	502782	NUT HEX NYRT M5-0.8 Z050	1	1	
56	502509	WASHER LO INT 8.4x15.0x0.8 Z050	4	4	
57	502527	SCREW CAP HEX M8-1.25x50 G8.8 Z050	4	4	
58	283345	SCREW, SHOULDER 3/8-16	1	1	
NS	502585	WASHER LO SERR 10.2x26.3x1.4 ZP	1	1	
59	500783	NUT HEX 3/8-16 Z050	1	1	
60	282432	SUPPORT / (WELDED)	14		
60	282432	SUPPORT / (WELDED)		16	
61	282491	SUPPORT (WELDED)	2	2	
62	212461	SUPPORT / (WELDED)	2	2	
63	212435	SUPPORT / (WELDED)	4	4	
64	282991	SUPPORT / (WELDED)	2	2	
		A) TO FIX PANTOGRAPH ARM			
		C) SERVICE			

From L-031 To R-079

Date:07/2024

PAGE:H4-1880-00

WINDSHIELD & CHANNEL



From L-031 To R-079	Date:07/2024	PAGE:H4-1880-00
WINDSHIELD & CHANNEL		

Item#	Part	Description	H 3 4 0	V I P 4 0	N O T E S
1	300272	WINDSHIELD UPPER R.H. / HEATING	1	1	
. NS	309013	. CHANNEL LOCKING / S.L. ROLL 400'	14FT	14FT	
1	309011	WINDSHIELD UPPER R.H.	1	1	
. NS	309013	. CHANNEL LOCKING / S.L. ROLL 400'	14	14	
2	309024	CHANNEL UPPER R.H.	1	1	
. NS	309013	. CHANNEL LOCKING / S.L. ROLL 400'	14	14	
3	300273	WINDSHIELD UPPER L.H. / HEATING	1	1	
. NS	309013	. CHANNEL LOCKING / S.L. ROLL 400'	14FT	14FT	
3	309012	WINDSHIELD UPPER L.H.	1	1	
. NS	309013	. CHANNEL LOCKING / S.L. ROLL 400'	14	14	
4	309025	CHANNEL UPPER FRONT L.H.	1	1	
. NS	309013	. CHANNEL LOCKING / S.L. ROLL 400'	14	14	
5	291829	GLASS UPPER R.H.	1	1	A
5	292804	GLASS UPPER R.H.	1	1	B
5	293093	GLASS UPPER R.H. THERMOS	1	1	B
5	291830	GLASS UPPER L.H.	1	1	A
5	292805	GLASS UPPER L.H.	1	1	B
5	293092	GLASS UPPER L.H. THERMOS	1	1	B
5	292828	LEXAN UPPER L.H.	1	1	
5	292829	LEXAN UPPER R.H.	1	1	
NS	506962	RUB POL 1/4 X 7/16 X 1 LG	AR	AR	
6	299063	GLASS DRIVER'S WINDOW	1	1	
NS	5060013	TAPE RUB ADH2 CC POL 1/8" x 1/8" x 100' / BLACK I1C-N-A	AR	AR	
7	299045	GLASS / DRIVER'S WINDOW	1	1	
8	309010	WINDSHIELD LOWER	2	2	
. NS	309013	. CHANNEL LOCKING / S.L. ROLL 400'	15	15	
9	309023	CHANNEL LOWER L.H. & R.H.	2	2	
. NS	309013	. CHANNEL LOCKING / S.L. ROLL 400'	15	15	
10	309013	CHANNEL LOCKING / S.L. ROLL 400'	AR	AR	
10	300267	. CHANNEL ROLL 50'	AR	AR	
10	300270	. CHANNEL ROLL 15'	AR	AR	
NS	680565	TAPE, SEAL 1/2 / BLACK / S.L.	AR	AR	
11	681092	ADHESIVE SIKA #255FC / BLACK / 310ml CARTRIDGE	AR	AR	
NS	681091	PRIMER SIKA #206 / BLACK / 250ml	AR	AR	
12	420230	AIR DEFLECTOR / RUBBER CHANNEL & CAP			
		FOLLOWING PARTS ARE RELATED WITH			
		SPECIAL TOOL FOR			
		WINDSHIELD CHANNEL INSTALLATION.			
NS	292285	HANDLE ASSY (TO FIX FRONT GLASS CHANNEL)	1	1	
NS	292286	. HANDLE	1	1	

From L-031 To R-079	Date:07/2024	PAGE:H4-1880-00
WINDSHIELD & CHANNEL		

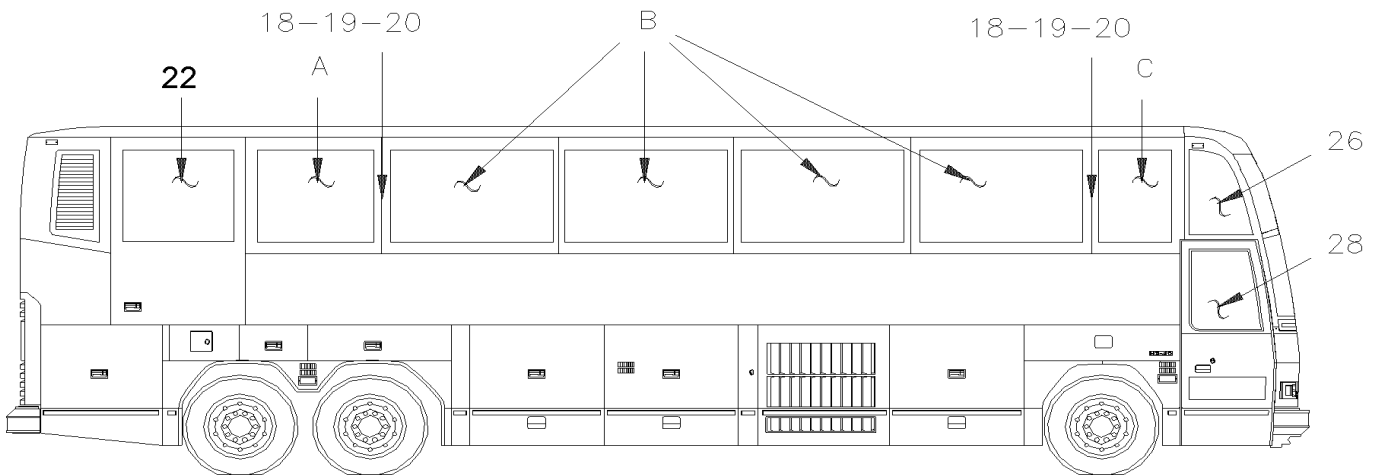
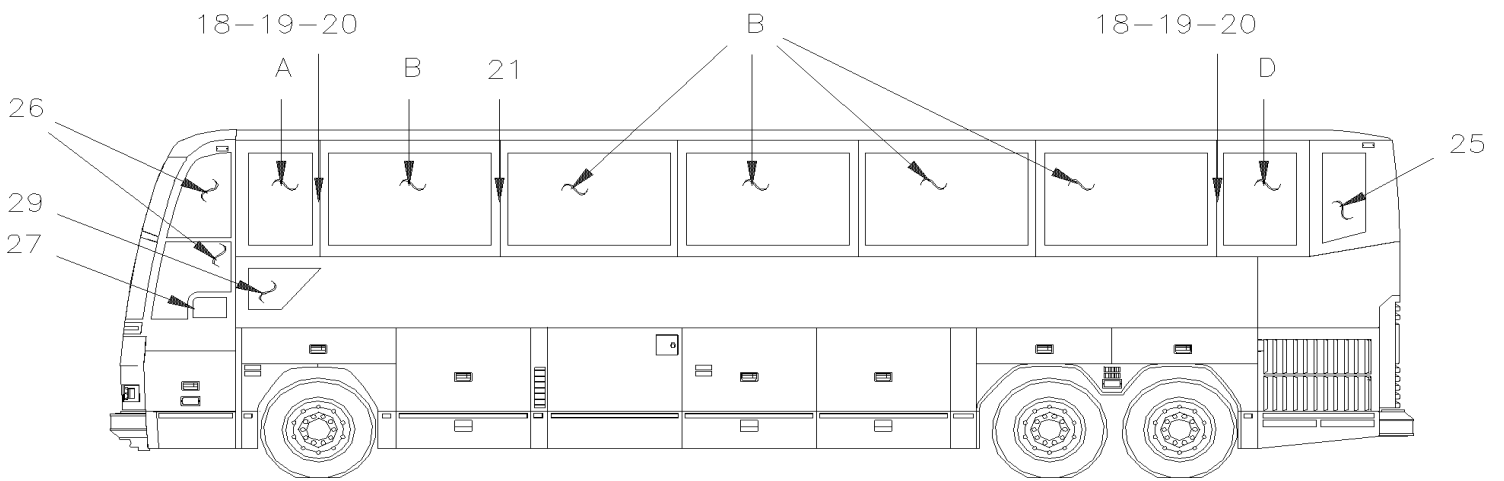
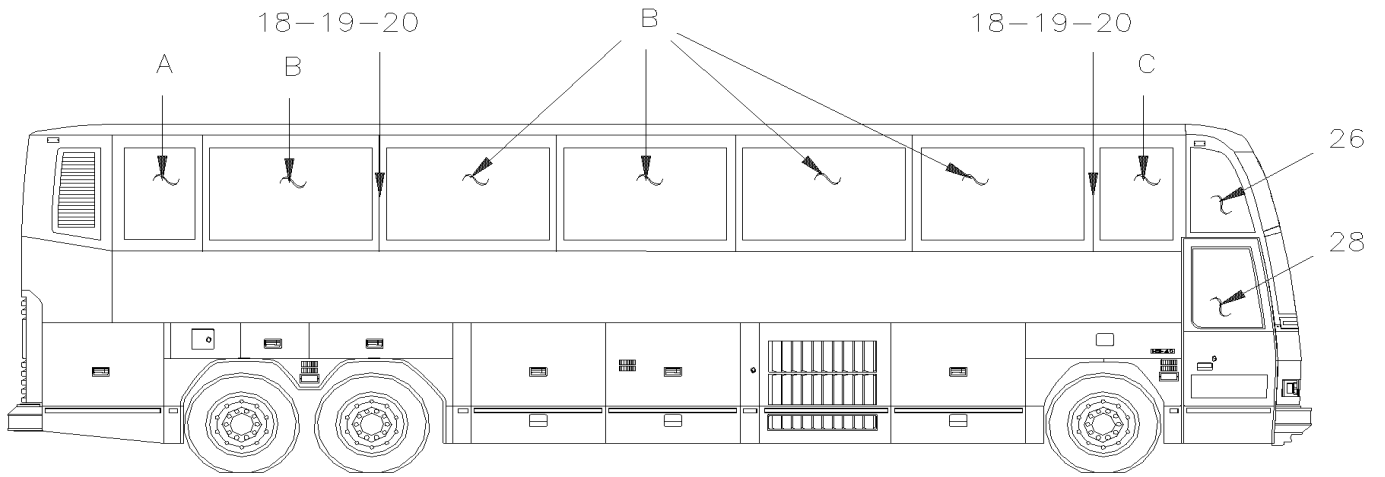
Item#	Part	Description	H 3 4 0	V I P 4 0	N O T E S
NS	292287	. GUIDE ROD	1	1	
NS	292111	. END TIP	1	1	
NS	500303	. SCREW SET HEXS CUP #10-24x3/16	1	1	
		A) PRODUCTION			
		B) SERVICE			

From L-031 To R-079

Date:07/2024

PAGE:H4-1884-00

SIDE WINDOW - BUS



H3-40 WITH W.C.L. ST & ST

From L-031 To R-079	Date:07/2024	PAGE:H4-1884-00
SIDE WINDOW - BUS		

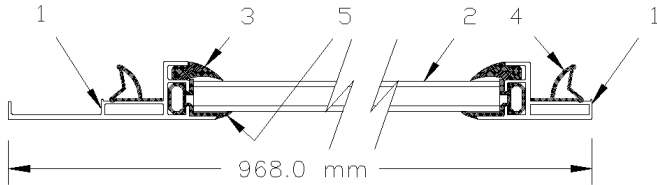
Item#	Part	Description	H 3 4 0	V I P 4 0	N O T E S
18	291823	RETAINER 1120 MM	12		
18	292351	RETAINER / W/CB ANTENNA / 440 MM	1		
18	292354	RETAINER / W/CB ANTENNA / 580 MM	1		
19	291928	STRIP RUBBER 1205MM	12		
19	292352	STRIP RUBBER / W/CB ANTENNA / 647 MM	1		
19	292353	STRIP RUBBER / W/CB ANTENNA / 513MM	1		
NS	291828	HOOK / LOWER RETAINER RUBBER	AR		
NS	504107	RIVET POP DOME OE 1/8x5/16 AL	AR		
20	292411	MOULDING 1182MM X 26MM	12		B
20	292624	MOULDING 1182MM X 18MM	12		A
21	292413	MOULDING / W/CB ANTENNA 500MM X 26MM	1		B
21	292412	MOULDING / W/CB ANTENNA 640MM X 26MM	1		B
21	292618	MOULDING / W/CB ANTENNA 500MM X 18MM	1		A
21	292621	MOULDING / W/CB ANTENNA 640MM X 18MM	1		A
21	681348	TAPE RUB ADH2 ACRYLIC .045" x 1" x 108' / VHB4952	AR		
22	H4-1862-70	ENTRANCE DOOR ASSY - W.C.L.			
25	291947	GLASS, THERMOS 28%	1		
26	H4-1880-00	WINDSHIELD & CHANNEL			
27	H4-1886-00	POWER WINDOW - ELECTRICAL INSTALLATION			
28	H4-1862-10	ENTRANCE DOOR ASSY - "SEDAN" From N-197			
29	291955	GLASS, THERMOS 28%	1		
A	H4-1884-00A	POSITION "A" From L-031			
B	H4-1884-00B	POSITION "B" From L-031			
C	H4-1884-00C	POSITION "C" From L-031			
D	H4-1884-00D	POSITION "D" From L-031			
		A) SERVICE			
		B) PRODUCTION			

From L-031 To R-079

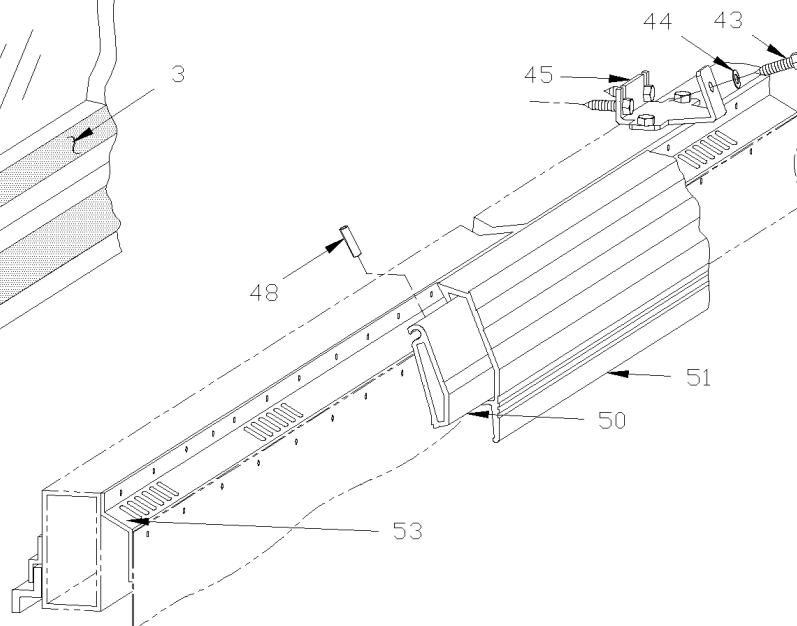
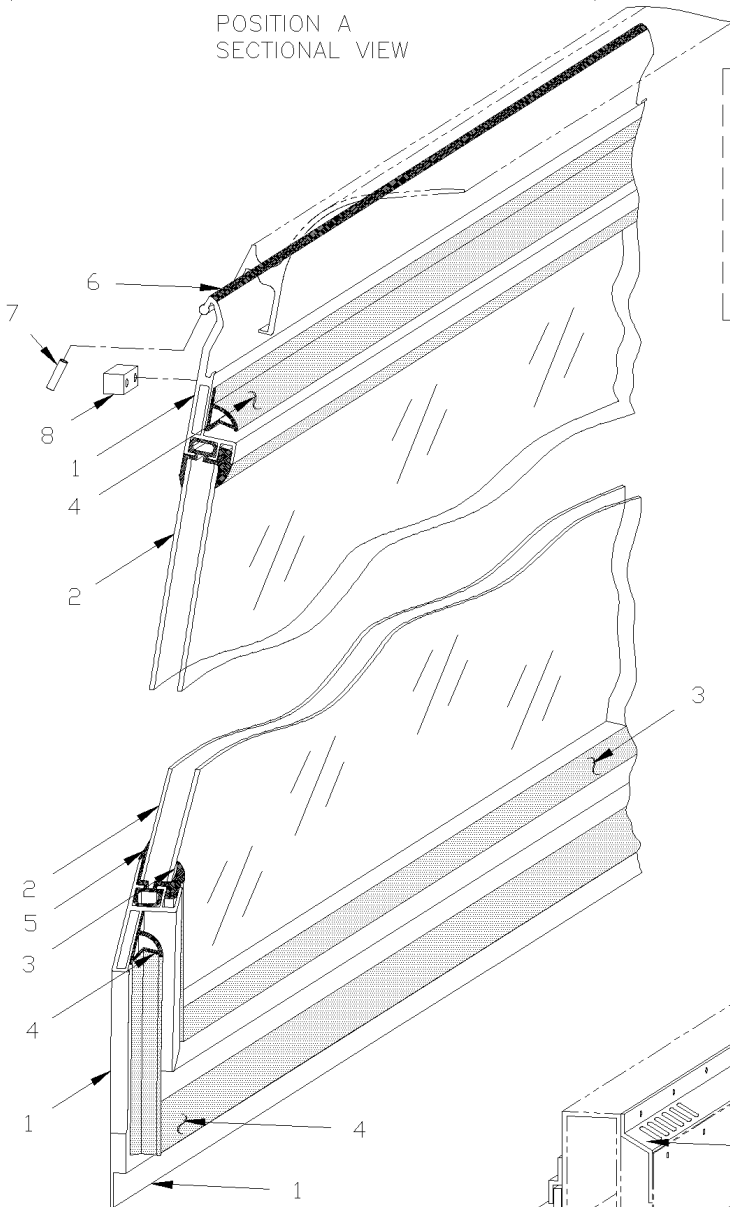
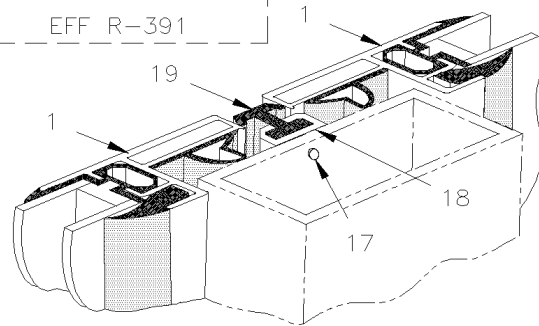
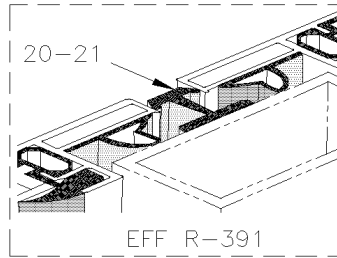
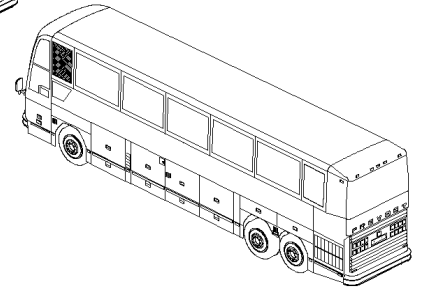
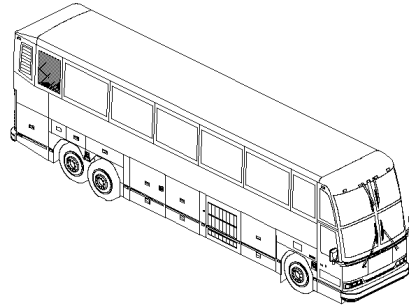
Date:07/2024

PAGE:H4-1884-00A

POSITION "A"



POSITION A
SECTIONAL VIEW



From L-031 To R-079	Date:07/2024	PAGE:H4-1884-00A
POSITION "A"		

Item#	Part	Description	H 3 4 0	V I P 4 0	N O T E S
	292034P	WINDOW ASSY, SINGLE 28% / 814MM	2		
	291801P	WINDOW ASSY, THERMOS 28% / 814MM	2		
1	291810	. FRAME / 968 MM	1		
2	299042	. GLASS, THERMOS 28% / 814MM	1		
2	292041	. GLASS, SINGLE 28% / 814MM	1		
3	292264	. LOCKING STRIP 1005MM X 854MM / W/THERMOS	1		
3	292263	. RUBBER INTERIOR / W/SINGLE	1		
4	292288	. WINDOW SEAL / 1091MM X 904MM	1		
5	292339	. EXTERIOR GLASS SEAL 997MM / VERTICAL	2		
5	292338	. EXTERIOR GLASS SEAL 829MM / HORIZONTAL	2		
6	682481	LOW FRICTION TAPE (HOCKEY)	AR		
7	505421	SPRING, PIN M3 x 18	AR		
8	291777	STOPPER BLOCK WINDOW	2		
8	292344	STOPPER BLOCK WINDOW	2		
17	500896	SCREW TC FL PH #8-32x5/8 Z050	4		
18	291823	RETAINER 1120 MM	12		
19	291928	STRIP RUBBER 1205MM	12		
19	291828	HOOK / LOWER RETAINER RUBBER	AR		
19	504107	RIVET POP DOME OE 1/8x5/16 AL	AR		
20	292411	MOULDING 1182MM X 26MM	12		A
20	292624	MOULDING 1182MM X 18MM	12		B
21	681348	TAPE RUB ADH2 ACRYLIC .045" x 1" x 108' / VHB4952	AR		
43	500923	SCREW TC CAP HEX 1/4-20x3/4 Z050	AR		
44	500473	WASHER LO SPT .262x.489x.062 Z050	AR		
45	292052	SUPPORT "U" SHAPE	2		
45	292350	SUPPORT "U" SHAPE / TO FIX HANDLE & WINDOW TO STRUCTURE	2		
48	505421	SPRING, PIN M3 x 18	AR		
50	291889	SUPPORT HANDLE / 812MM	4		
NS	504572	BUMPER RUBBER BOLT / .625 ODx.296TH x 8-32X.25 STUD			
NS	5011016	WASHER FL .177x.500x.109 AL GAL	2		
51	292420	HANDLE / 833MM	AR		
53	H4-1833-00	REAR FINISHING CAP & SIDE WALL			
NS	402759	DECAL SEAT EVEN-NUMBERED ON AISLE / 1-52	AR		
NS	402933	DECAL SEAT ODD-NUMBERED ON AISLE / 1-52	AR		
NS	403544	DECAL SEAT ODD-NUMBERED ON AISLE / 1-52	AR		
NS	403357	DECAL, "NO SMOKING" / S.Q.	AR		
NS	403546	DECAL SEAT EVEN-NUMBERED ON AISLE / 1-52	AR		
NS	402776	DECAL,	AR		
NS	402777	DECAL /	AR		
NS	403236	DECAL, "EMERGENCY EXIT" / INSTRUCTION / ENGLISH	AR		
NS	403237	DECAL, "EMERGENCY EXIT" / INSTRUCTION / ENGLISH & FRANCAIS	AR		

From L-031 To R-079	Date:07/2024	PAGE:H4-1884-00A
POSITION "A"		

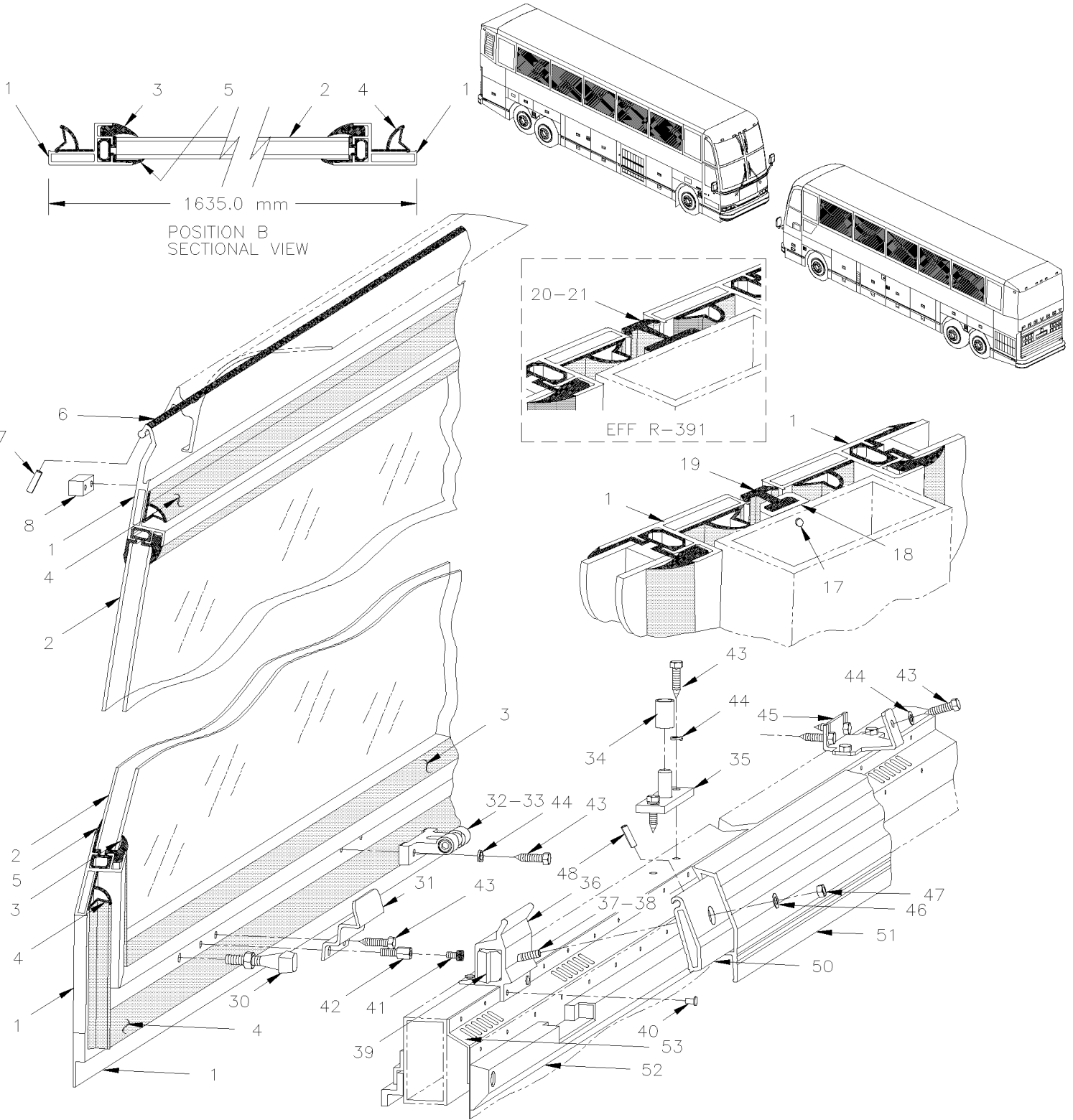
Item#	Part	Description	H 3 4 0	V I P 4 0	N O T E S
NS	403239	DECAL, "GRAPHIC" INSTRUCTION CLOSING WINDOW / S.Q.	AR		
		A) PRODUCTION			
		B) SERVICE			

From L-031 To R-079

Date:07/2024

PAGE:H4-1884-00B

POSITION "B"



From L-031 To R-079	Date:07/2024	PAGE:H4-1884-00B
POSITION "B"		

Item#	Part	Description	H 3 4 0	V I P 4 0	N O T E S
	291778P	WINDOW ASSY, THERMOS 28%	10		
	292029P	WINDOW ASSY, SINGLE 28%	10		
1	291805	. FRAME	1		
1	292801	. FRAME	1		B
2	299041	. GLASS, THERMOS 28% / 1531MM	1		
2	292040	. GLASS, SINGLE 28% / 1531MM	1		
3	292262	. LOCKING STRIP 1005MM X 1551MM / W/THERMOS	1		
3	292261	. LOCKING STRIP 1005MM X 1551MM / W/SINGLE	1		
4	292279	. WINDOW SEAL / 1091MM X 1622MM	1		
5	292339	. EXTERIOR GLASS SEAL 997MM / VERTICAL	2		
5	292340	. EXTERIOR GLASS SEAL 1553MM / HORIZONTAL	2		
6	682481	LOW FRICTION TAPE (HOCKEY)	AR		
7	505421	SPRING, PIN M3 x 18	AR		
8	291777	STOPPER BLOCK WINDOW	2		
8	292344	STOPPER BLOCK WINDOW	2		
17	500896	SCREW TC FL PH #8-32x5/8 Z050	4		
18	291823	RETAINER 1120 MM	12		
18	292351	RETAINER / W/CB ANTENNA / 440 MM	1		
18	292354	RETAINER / W/CB ANTENNA / 580 MM	1		
19	291928	STRIP RUBBER 1205MM	12		
19	292352	STRIP RUBBER / W/CB ANTENNA / 647 MM	1		
19	292353	STRIP RUBBER / W/CB ANTENNA / 513MM	1		
19	291828	HOOK / LOWER RETAINER RUBBER	AR		
19	504107	RIVET POP DOME OE 1/8x5/16 AL	AR		
20	292411	MOULDING 1182MM X 26MM	12		A
20	292624	MOULDING 1182MM X 18MM	12		B
21	292413	MOULDING / W/CB ANTENNA 500MM X 26MM	1		A
21	292412	MOULDING / W/CB ANTENNA 640MM X 26MM	1		A
21	292618	MOULDING / W/CB ANTENNA 500MM X 18MM	1		B
21	292621	MOULDING / W/CB ANTENNA 640MM X 18MM	1		B
21	681348	TAPE RUB ADH2 ACRYLIC .045" x 1" x 108' / VHB4952	AR		
30	291781	BOLT LOCKING	2		
30	502710	NUT HEX THN M8-1.5x4.5 ZP	2		
31	292012	HANDLE WINDOW	2		
32	292047	BRACKET ASSY CENTERING	1		
32	292021	BRACKET CENTERING	1		
33	507314	PLUNGER BALL M12 X 1.75	1		
34	504586	WASHER FL SPACER .450x.625x.875 NYL	1		
35	292048	PIN, CENTERING	1		
35	292410	PIN, CENTERING	1		
36	291838	LATCH ASSY / L.H. ASSY SHOWN	1		
36	291837	LATCH ASSY / R.H. ASSY	1		

From L-031 To R-079	Date:07/2024	PAGE:H4-1884-00B
POSITION "B"		

Item#	Part	Description	H 3 4 0	V I P 4 0	N O T E S
36	291782	. SUPPORT / R.H.	1		
36	291789	. SUPPORT / L.H.	1		
37	291797	. ROD LOCKING	1		
38	505415	. SPRING, PIN M2.5 X 36	1		
39	291795	. LATCH / L.H.	1		
39	291796	. LATCH / R.H.	1		
39	291940	. SPRING COMPRESSION / .511 O.D. x 30 MM x .040	1		
40	504256	RIVET POP CK OE 3/16x1/4 AL	AR		
41	504498	BUMPER PLUG / .406ODx.218THx.250HOLEx.125 To N-210	2		
41	504572	BUMPER RUBBER BOLT / .625 ODx.296TH x 8-32X.25 STUD From N-211	2		
42	292324	SUPPORT / TO FIX RUBBER BUMPER To N-210	2		
42	292349	ADAPTOR STUD 1/4-20 Male x 8-32 Female From N-211	2		
43	500923	SCREW TC CAP HEX 1/4-20x3/4 Z050	AR		
44	500473	WASHER LO SPT .262x.489x.062 Z050	AR		
45	292052	SUPPORT "U" SHAPE	2		
45	292350	SUPPORT "U" SHAPE / TO FIX HANDLE & WINDOW TO STRUCTURE	2		
46	5001114	WASHER FL .260x.687x.060 NYL	2		
47	502511	NUT HEX NYRT M6-1.0 Z050	2		
48	505421	SPRING, PIN M3 x 18	AR		
50	291887	SUPPORT HANDLE / 1531MM	10		
NS	504572	BUMPER RUBBER BOLT / .625 ODx.296TH x 8-32X.25 STUD			
NS	5011016	WASHER FL .177x.500x.109 AL GAL	2		
51	292356	HANDLE / 1550MM	10		
52	292010	BAR PLASTIC PROTECTION	6		
NS	500345	WASHER FN CKF .187x.500x.090 BR BK	8		
NS	500686	SCREW TP OV PH #6x1/2 BK	8		
53	H4-1833-00	REAR FINISHING CAP & SIDE WALL			
NS	402759	DECAL SEAT EVEN-NUMBERED ON AISLE / 1-52	AR		
NS	402933	DECAL SEAT ODD-NUMBERED ON AISLE / 1-52	AR		
NS	403544	DECAL SEAT ODD-NUMBERED ON AISLE / 1-52	AR		
NS	403357	DECAL, "NO SMOKING" / S.Q.	AR		
NS	403546	DECAL SEAT EVEN-NUMBERED ON AISLE / 1-52	AR		
NS	402776	DECAL,	AR		
NS	402777	DECAL /	AR		
NS	403236	DECAL, "EMERGENCY EXIT" / INSTRUCTION / ENGLISH	AR		
NS	403237	DECAL, "EMERGENCY EXIT" / INSTRUCTION / ENGLISH & FRANCAIS	AR		
NS	403239	DECAL, "GRAPHIC" INSTRUCTION CLOSING WINDOW / S.Q.	AR		
		A) PRODUCTION			

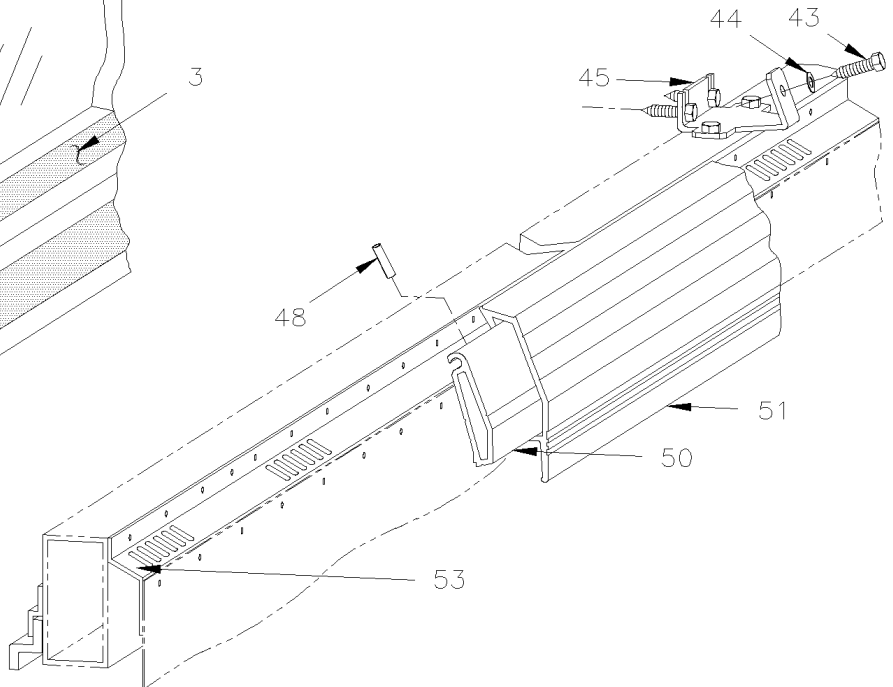
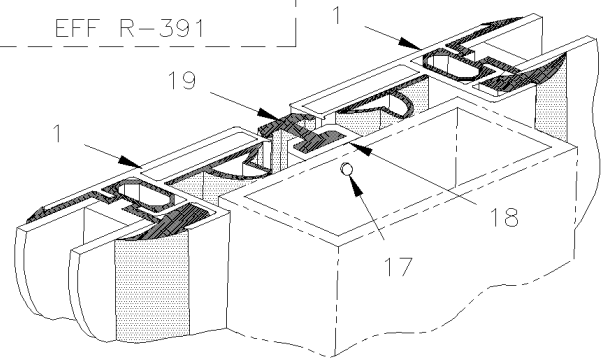
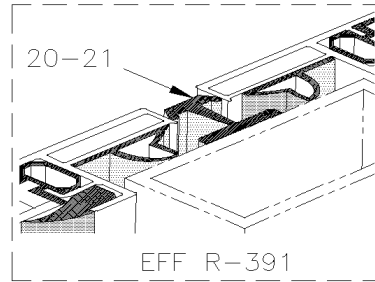
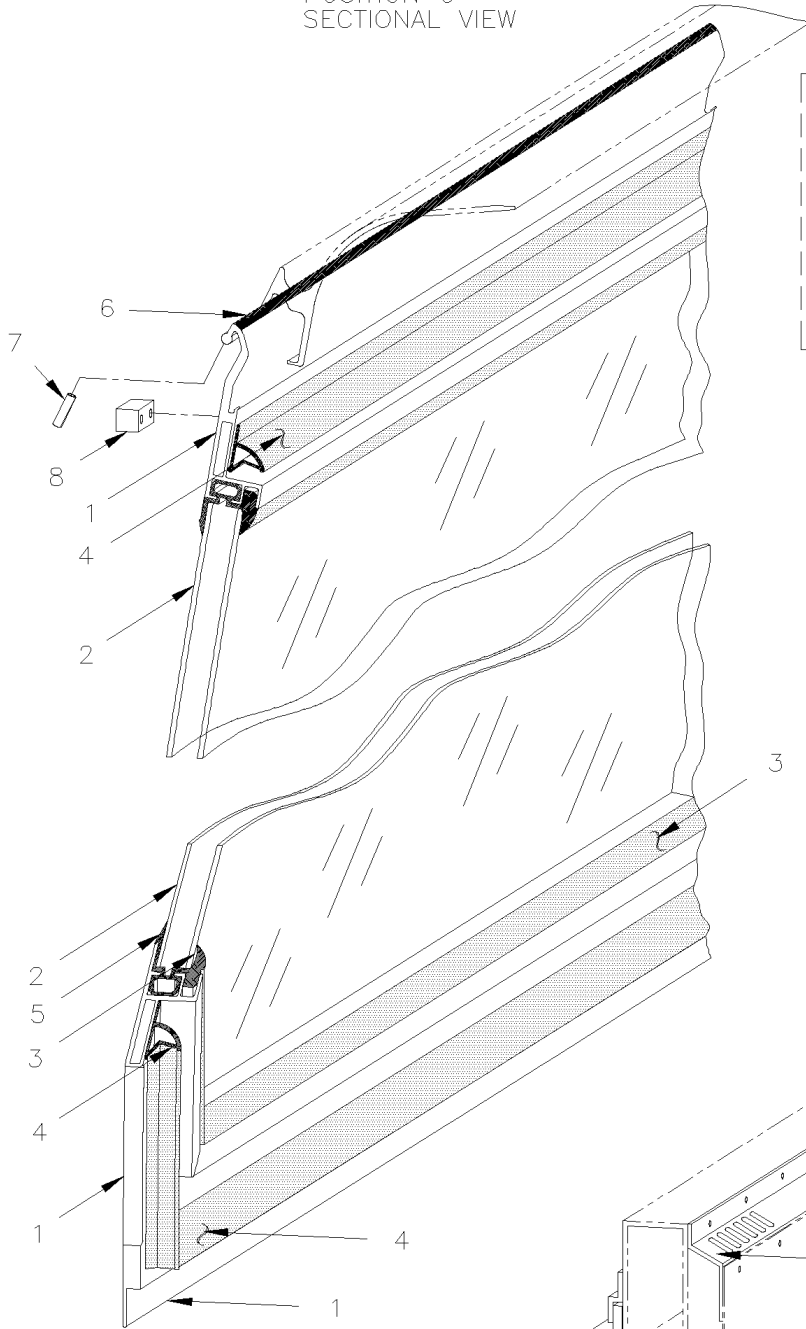
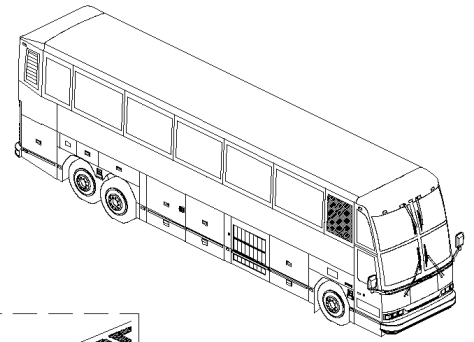
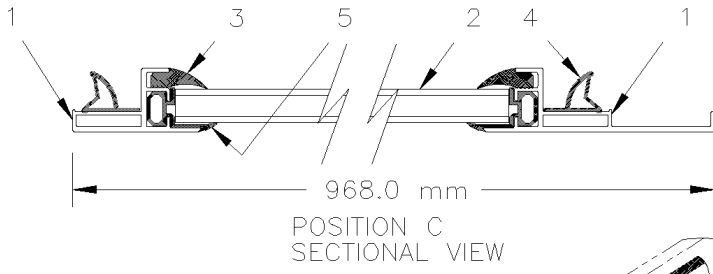
From L-031 To R-079		Date:07/2024	PAGE:H4-1884-00B		
POSITION "B"					
Item#	Part	Description	H 3 4 0	V I P 4 0	N O T E S
		B) SERVICE			

From L-031 To R-079

Date:07/2024

PAGE:H4-1884-00C

POSITION "C"



From L-031 To R-079	Date:07/2024	PAGE:H4-1884-00C
POSITION "C"		

Item#	Part	Description	H 3 4 0	V I P 4 0	N O T E S
	291800P	WINDOW ASSY, THERMOS 28% / 814MM	1		
	292033P	WINDOW ASSY, SINGLE 28% / 814MM	1		
1	291809	. FRAME	1		
2	299042	. GLASS, THERMOS 28% / 814MM	1		
2	292041	. GLASS, SINGLE 28% / 814MM	1		
3	292264	. LOCKING STRIP 1005MM X 854MM / W/THERMOS	1		
3	292263	. RUBBER INTERIOR / W/SINGLE	1		
4	292288	. WINDOW SEAL / 1091MM X 904MM	1		
5	292339	. EXTERIOR GLASS SEAL 997MM / VERTICAL	2		
5	292338	. EXTERIOR GLASS SEAL 829MM / HORIZONTAL	2		
6	682481	LOW FRICTION TAPE (HOCKEY)	AR		
7	505421	SPRING, PIN M3 x 18	AR		
8	291777	STOPPER BLOCK WINDOW	2		
8	292344	STOPPER BLOCK WINDOW	2		
17	500896	SCREW TC FL PH #8-32x5/8 Z050	4		
18	291823	RETAINER 1120 MM	12		
19	291928	STRIP RUBBER 1205MM	12		
19	291828	HOOK / LOWER RETAINER RUBBER	AR		
19	504107	RIVET POP DOME OE 1/8x5/16 AL	AR		
20	292411	MOULDING 1182MM X 26MM	12		A
20	292624	MOULDING 1182MM X 18MM	12		B
21	681348	TAPE RUB ADH2 ACRYLIC .045" x 1" x 108' / VHB4952	AR		
43	500923	SCREW TC CAP HEX 1/4-20x3/4 Z050	AR		
44	500473	WASHER LO SPT .262x.489x.062 Z050	AR		
45	292052	SUPPORT "U" SHAPE	2		
45	292350	SUPPORT "U" SHAPE / TO FIX HANDLE & WINDOW TO STRUCTURE	2		
48	505421	SPRING, PIN M3 x 18	AR		
50	291889	SUPPORT HANDLE / 812MM	4		
NS	504572	BUMPER RUBBER BOLT / .625 ODx.296TH x 8-32X.25 STUD			
NS	5011016	WASHER FL .177x.500x.109 AL GAL	2		
51	292420	HANDLE / 833MM	AR		
53	H4-1833-00	REAR FINISHING CAP & SIDE WALL			
NS	402759	DECAL SEAT EVEN-NUMBERED ON AISLE / 1-52	AR		
NS	402933	DECAL SEAT ODD-NUMBERED ON AISLE / 1-52	AR		
NS	403544	DECAL SEAT ODD-NUMBERED ON AISLE / 1-52	AR		
NS	403357	DECAL, "NO SMOKING" / S.Q.	AR		
NS	403546	DECAL SEAT EVEN-NUMBERED ON AISLE / 1-52	AR		
NS	402776	DECAL,	AR		
NS	402777	DECAL /	AR		
NS	403236	DECAL, "EMERGENCY EXIT" / INSTRUCTION / ENGLISH	AR		
NS	403237	DECAL, "EMERGENCY EXIT" / INSTRUCTION / ENGLISH & FRANCAIS	AR		

From L-031 To R-079	Date:07/2024	PAGE:H4-1884-00C
---------------------	--------------	------------------

POSITION "C"

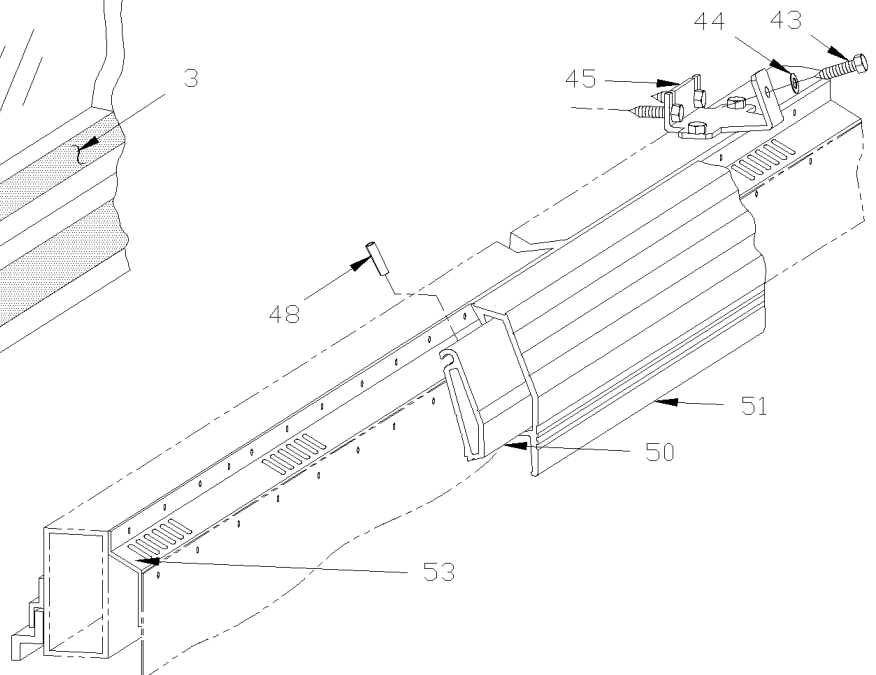
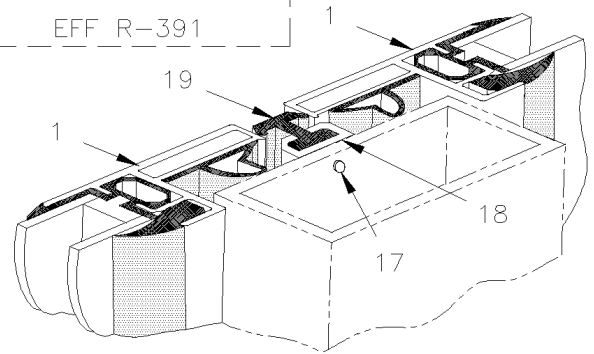
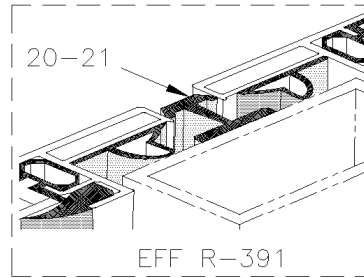
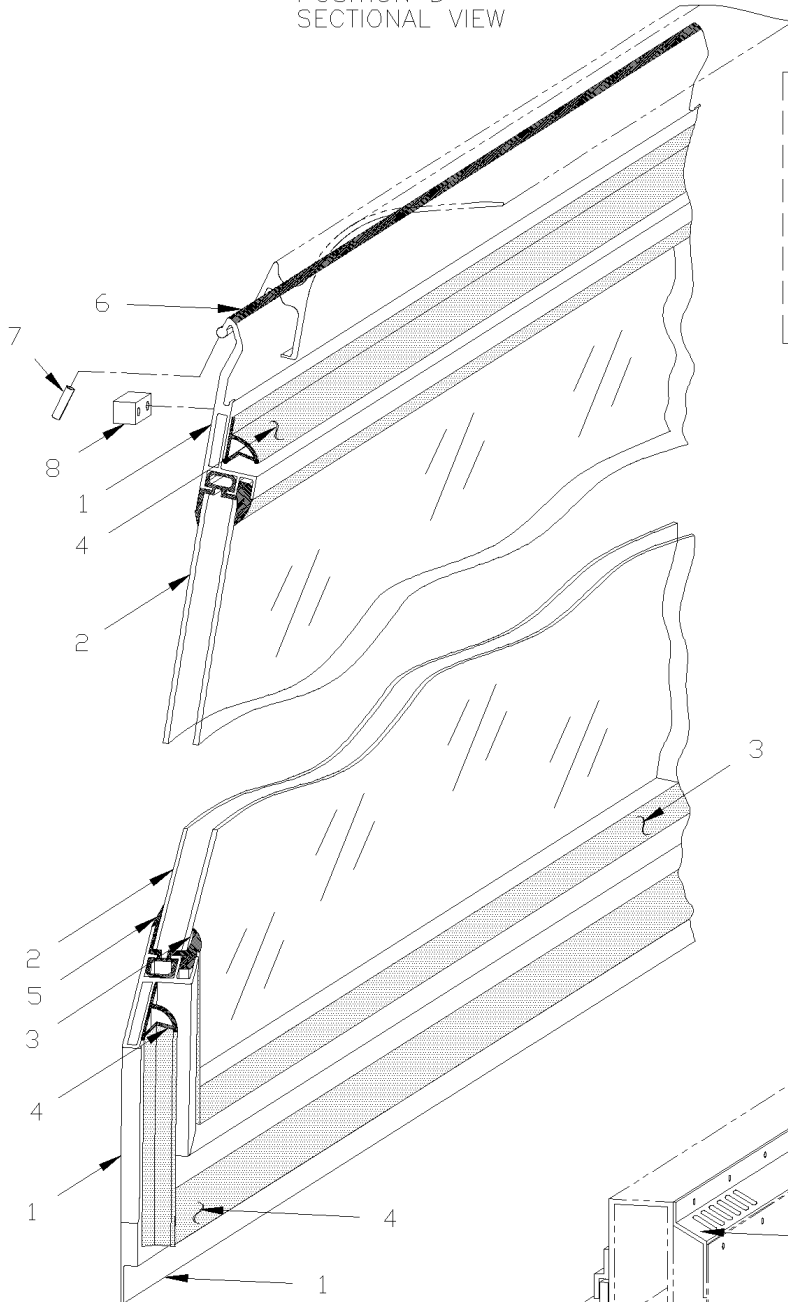
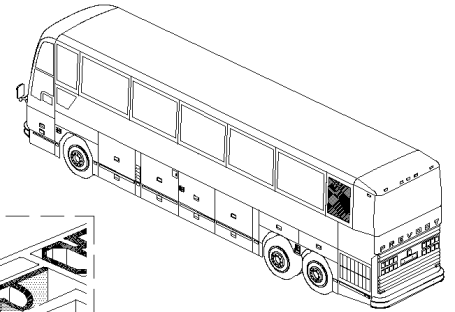
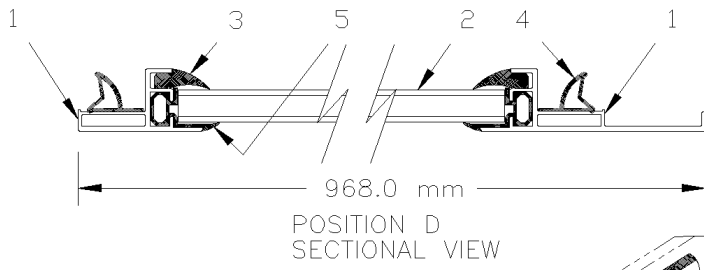
Item#	Part	Description	H 3 4 0	V I P 4 0	N O T E S
NS	403239	DECAL, "GRAPHIC" INSTRUCTION CLOSING WINDOW / S.Q.	AR		
		A) PRODUCTION			
		B) SERVICE			

From L-031 To R-079

Date:07/2024

PAGE:H4-1884-00D

POSITION "D"



From L-031 To R-079	Date:07/2024	PAGE:H4-1884-00D
POSITION "D"		

Item#	Part	Description	H 3 4 0	V I P 4 0	N O T E S
	292015P	WINDOW ASSY, THERMOS 28% W/GLASS / 814MM	1		
	292038P	WINDOW ASSY, SINGLE 28% / 814MM	1		
1	292014	. FRAME / 968 MM	1		
2	299042	. GLASS, THERMOS 28% / 814MM	1		
2	292041	. GLASS, SINGLE 28% / 814MM	1		
3	292264	. LOCKING STRIP 1005MM X 854MM / W/THERMOS	1		
3	292263	. RUBBER INTERIOR / W/SINGLE	1		
4	292288	. WINDOW SEAL / 1091MM X 904MM	1		
5	292339	. EXTERIOR GLASS SEAL 997MM / VERTICAL	2		
5	292338	. EXTERIOR GLASS SEAL 829MM / HORIZONTAL	2		
6	682481	LOW FRICTION TAPE (HOCKEY)	AR		
7	505421	SPRING, PIN M3 x 18	AR		
8	291777	STOPPER BLOCK WINDOW	2		
8	292344	STOPPER BLOCK WINDOW	2		
17	500896	SCREW TC FL PH #8-32x5/8 Z050	4		
18	291823	RETAINER 1120 MM	12		
19	291928	STRIP RUBBER 1205MM	12		
19	291828	HOOK / LOWER RETAINER RUBBER	AR		
19	504107	RIVET POP DOME OE 1/8x5/16 AL	AR		
20	292411	MOULDING 1182MM X 26MM	12		A
20	292624	MOULDING 1182MM X 18MM	12		B
21	681348	TAPE RUB ADH2 ACRYLIC .045" x 1" x 108' / VHB4952	AR		
43	500923	SCREW TC CAP HEX 1/4-20x3/4 Z050	AR		
44	500473	WASHER LO SPT .262x.489x.062 Z050	AR		
45	292052	SUPPORT "U" SHAPE	2		
45	292350	SUPPORT "U" SHAPE / TO FIX HANDLE & WINDOW TO STRUCTURE	2		
50	291889	SUPPORT HANDLE / 812MM	4		
NS	504572	BUMPER RUBBER BOLT / .625 ODx.296TH x 8-32X.25 STUD			
NS	5011016	WASHER FL .177x.500x.109 AL GAL	2		
51	292420	HANDLE / 833MM	AR		
53	H4-1833-00	REAR FINISHING CAP & SIDE WALL			
NS	402759	DECAL SEAT EVEN-NUMBERED ON AISLE / 1-52	AR		
NS	402933	DECAL SEAT ODD-NUMBERED ON AISLE / 1-52	AR		
NS	403544	DECAL SEAT ODD-NUMBERED ON AISLE / 1-52	AR		
NS	403357	DECAL, "NO SMOKING" / S.Q.	AR		
NS	403546	DECAL SEAT EVEN-NUMBERED ON AISLE / 1-52	AR		
NS	402776	DECAL,	AR		
NS	402777	DECAL /	AR		
NS	403236	DECAL, "EMERGENCY EXIT" / INSTRUCTION / ENGLISH	AR		
NS	403237	DECAL, "EMERGENCY EXIT" / INSTRUCTION / ENGLISH & FRANCAIS	AR		
NS	403239	DECAL, "GRAPHIC" INSTRUCTION CLOSING WINDOW / S.Q.	AR		

From L-031 To R-079	Date:07/2024	PAGE:H4-1884-00D
POSITION "D"		

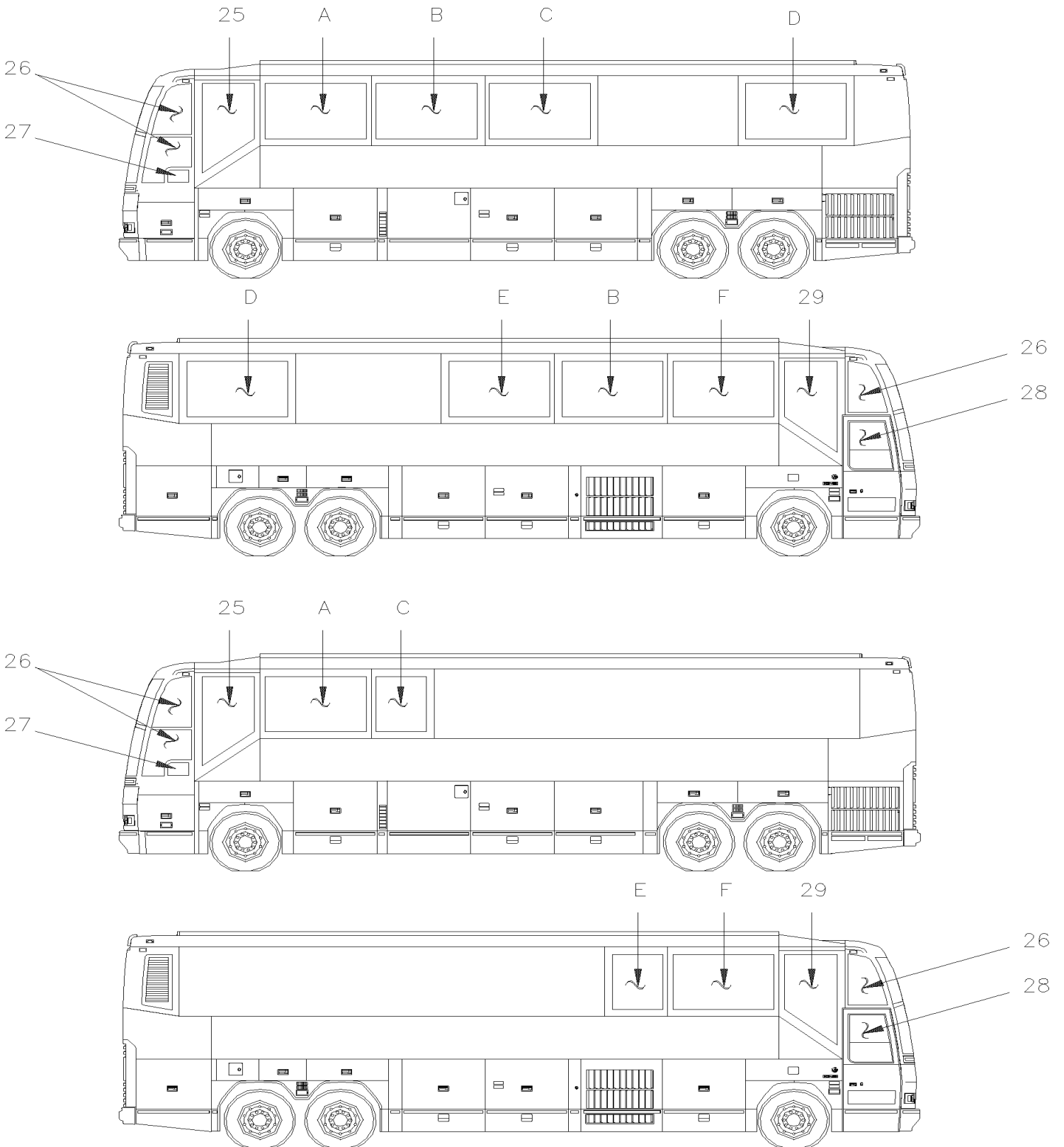
Item#	Part	Description	H 3 4 0	V I P 4 0	N O T E S
		A) PRODUCTION			
		B) SERVICE			

From L-031 To R-079

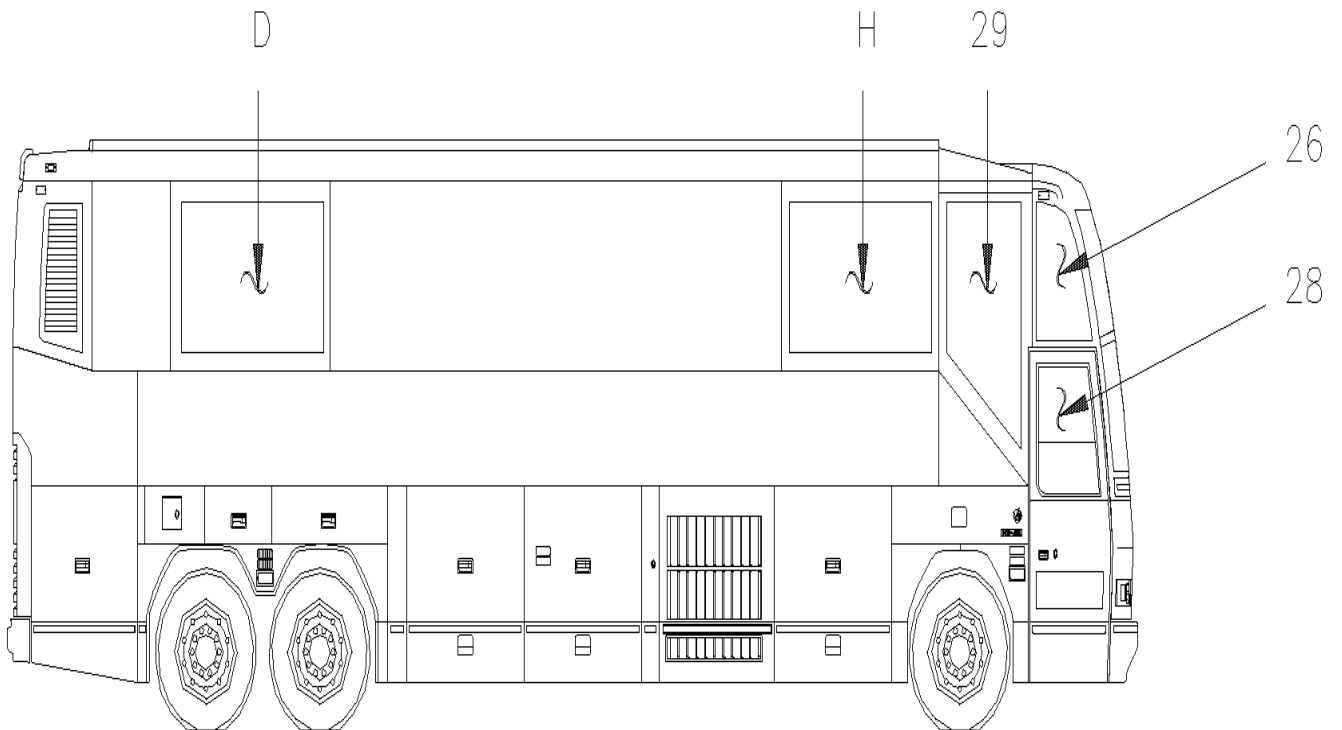
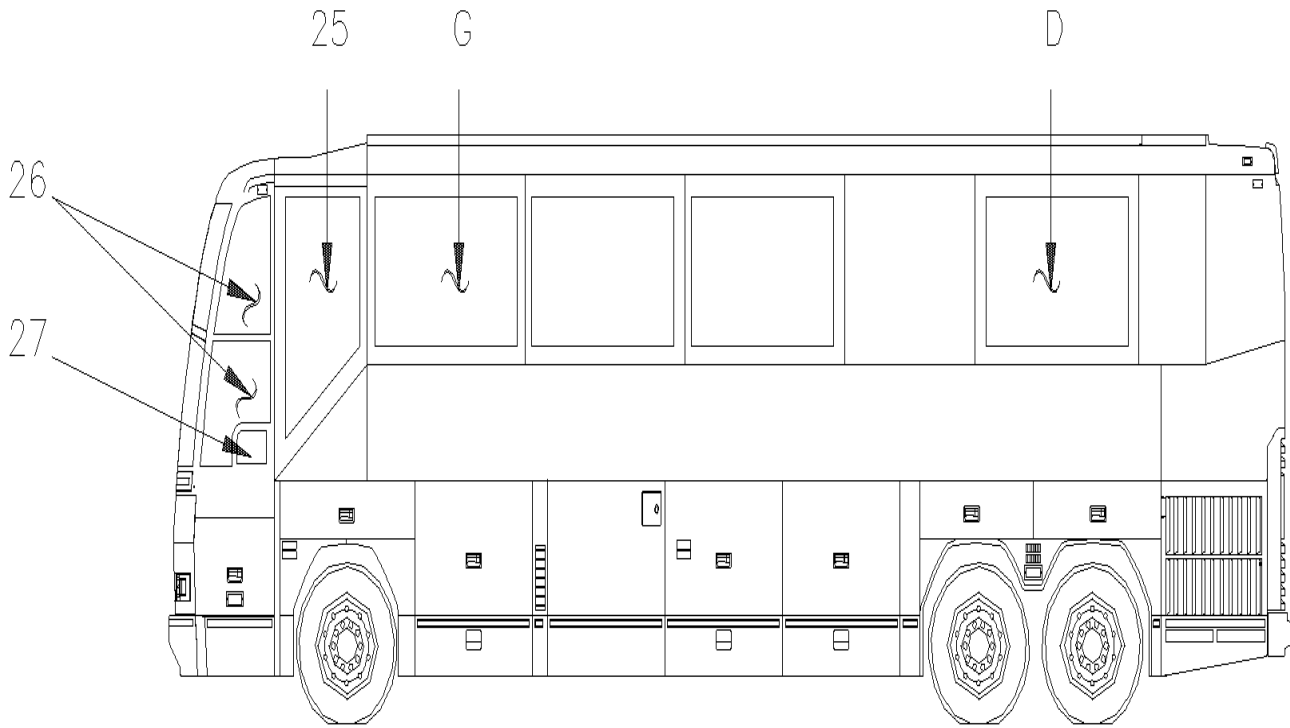
Date:07/2024

PAGE:H4-1884-50

SIDE WINDOW ASSY - V.I.P.



From L-031 To R-079	Date:07/2024	PAGE:H4-1884-50
SIDE WINDOW ASSY - V.I.P.		



From L-031 To R-079	Date:07/2024	PAGE:H4-1884-50
SIDE WINDOW ASSY - V.I.P.		

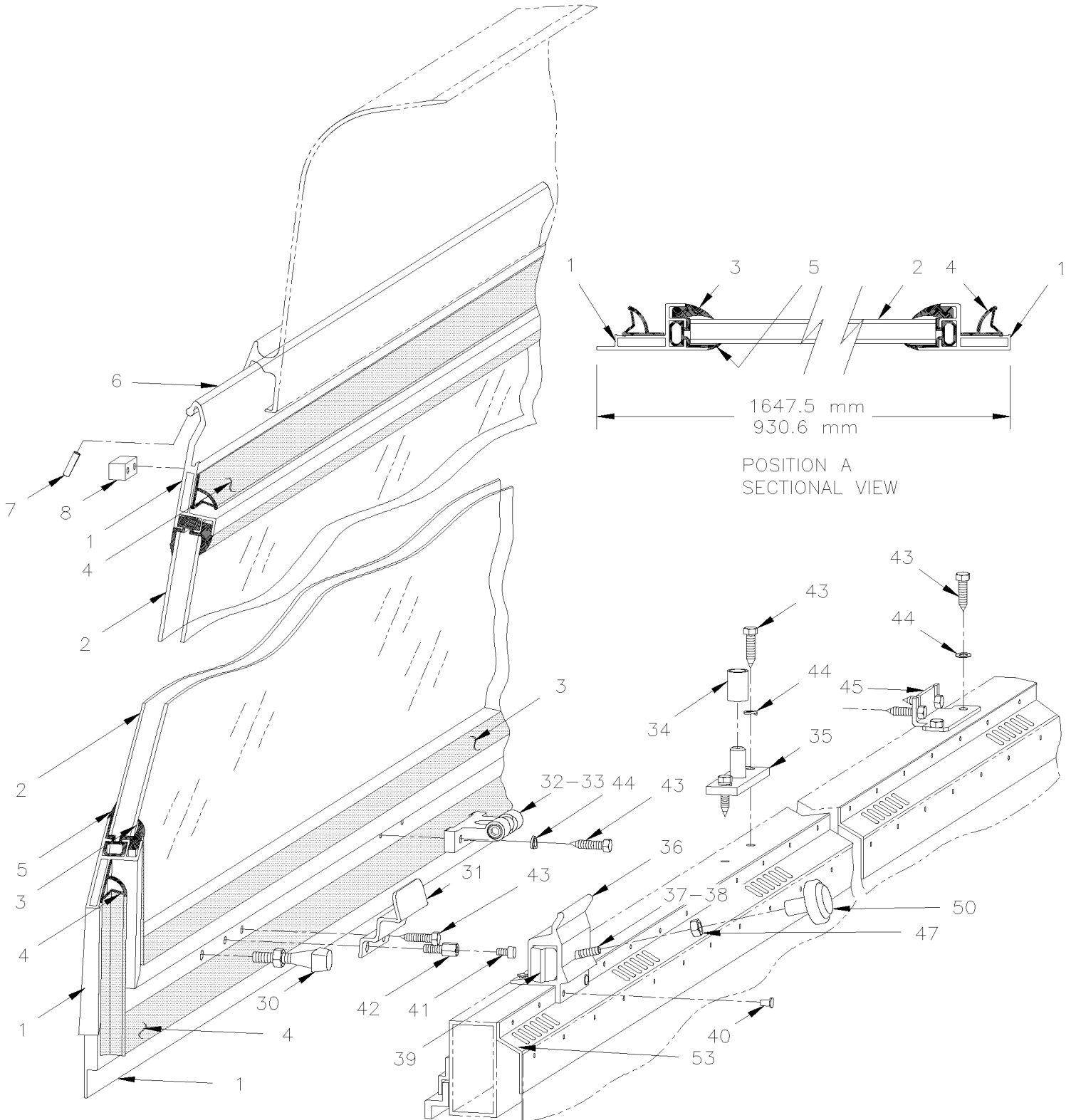
Item#	Part	Description	H 3 4 0	V I P 4 0	N O T E S
25	291977	GLASS THERMOS L.H.		1	
26	H4-1880-00	WINDSHIELD & CHANNEL			
27	H4-1886-00	POWER WINDOW - ELECTRICAL INSTALLATION			
28	H4-1862-50	ENTRANCE DOOR ASSY - V.I.P.			
29	291976	GLASS THERMOS R.H.		1	
30	292624	MOULDING 1182MM X 18MM		1	A
A	H4-1884-50A	POSITION "A" From L-031			
B	H4-1884-50B	POSITION "B" From L-031			
C	H4-1884-50C	POSITION "C" From L-031			
D	H4-1884-50D	POSITION "D" From L-031			
E	H4-1884-50E	POSITION "E" From L-031			
F	H4-1884-50F	POSITION "F" From L-031			
G	H4-1884-50G	POSITION "G" From L-031			
H	H4-1884-50H	POSITION "H" From L-031			
		A) BETWEEN WINDOWS			

From L-031 To R-079

Date:07/2024

PAGE:H4-1884-50A

POSITION "A"



From L-031 To R-079	Date:07/2024	PAGE:H4-1884-50A
POSITION "A"		

Item#	Part	Description	H 3 4 0	V I P 4 0	N O T E S
	291779P	WINDOW ASSY, THERMOS / W/GLASS 1531MM		AR	
	292084P	WINDOW ASSY THERMOS / W/GLASS 814MM		AR	
1	291806	. FRAME / 1647.5 MM		1	
1	292069	. FRAME / 930.6 MM		1	
2	299041	. GLASS, THERMOS 28% / 1531MM		1	
2	299042	. GLASS, THERMOS 28% / 814MM		1	
3	292262	. LOCKING STRIP 1005MM X 1551MM / W/THERMOS		1	
3	292264	. LOCKING STRIP 1005MM X 854MM / W/THERMOS		1	
4	292279	. WINDOW SEAL / 1091MM X 1622MM		1	
4	292288	. WINDOW SEAL / 1091MM X 904MM		1	
5	292339	. EXTERIOR GLASS SEAL 997MM / VERTICAL		2	
5	292340	. EXTERIOR GLASS SEAL 1553MM / HORIZONTAL		2	
5	292338	. EXTERIOR GLASS SEAL 829MM / HORIZONTAL		2	
6	682481	LOW FRICTION TAPE (HOCKEY)		AR	
7	505421	SPRING, PIN M3 x 18		AR	
8	291777	STOPPER BLOCK WINDOW To N-205		2	
8	292344	STOPPER BLOCK WINDOW From N-206		2	
NS	500260	SCREW TC FL PH #8-32x3/4 BK		4	
30	291781	BOLT LOCKING		2	
30	502710	NUT HEX THN M8-1.5x4.5 ZP		2	
31	292012	HANDLE WINDOW		2	
32	292047	BRACKET ASSY CENTERING		1	
32	292021	BRACKET CENTERING		1	
33	507314	PLUNGER BALL M12 X 1.75		1	
34	504586	WASHER FL SPACER .450x.625x.875 NYL		1	
35	292048	PIN, CENTERING To P-310		1	
35	292410	PIN, CENTERING From P-311		1	
36	291838	LATCH ASSY / L.H. ASSY SHOWN		1	
36	291837	LATCH ASSY / R.H. ASSY		1	
36	291782	. SUPPORT / R.H.		1	
36	291789	. SUPPORT / L.H.		1	
37	291797	. ROD LOCKING		1	
38	505415	. SPRING, PIN M2.5 X 36		1	
39	291795	. LATCH / L.H.		1	
39	291796	. LATCH / R.H.		1	
39	291940	. SPRING COMPRESSION / .511 O.D. x 30 MM x .040		1	
40	504256	RIVET POP CK OE 3/16x1/4 AL		AR	
41	504498	BUMPER PLUG / .406ODx.218THx.250HOLEx.125 To N-210		2	
41	504572	BUMPER RUBBER BOLT / .625 ODx.296TH x 8-32X.25 STUD From N-211		2	
42	292324	SUPPORT / TO FIX RUBBER BUMPER To N-210		2	
42	292349	ADAPTOR STUD 1/4-20 Male x 8-32 Female From N-211		2	
43	500923	SCREW TC CAP HEX 1/4-20x3/4 Z050		AR	

From L-031 To R-079	Date:07/2024	PAGE:H4-1884-50A
POSITION "A"		

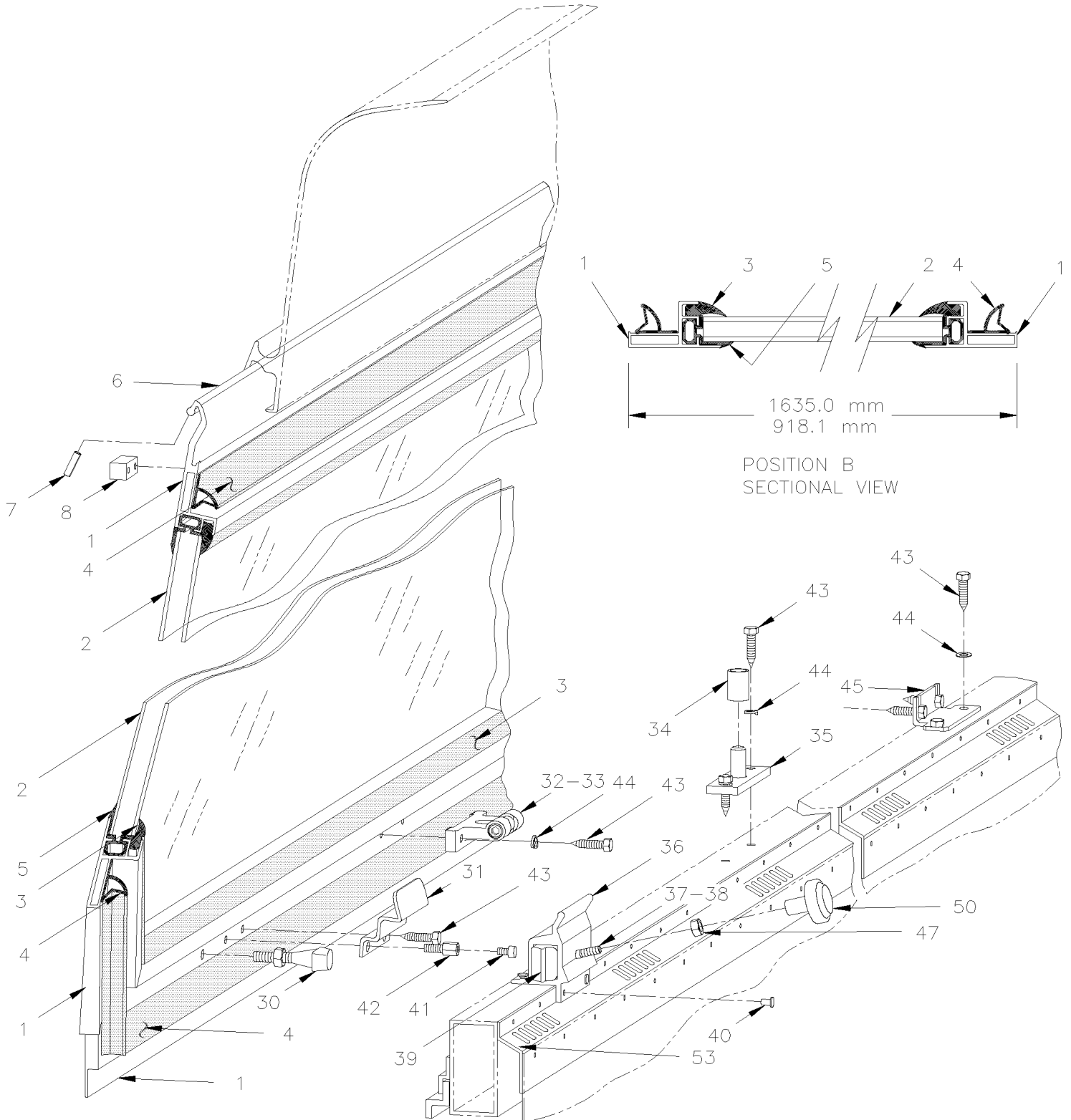
Item#	Part	Description	H 3 4 0	V I P 4 0	N O T E S
44	500473	WASHER LO SPT .262x.489x.062 Z050		AR	
45	292053	SUPPORT / TO FIX WINDOW TO STRUCTURE		2	
47	502511	NUT HEX NYRT M6-1.0 Z050		2	
50	292054	BUTTON, RELEASE / BLACK		AR	
50	292046	BUTTON, RELEASE / RED		AR	
53	322835	GRILLE SPACER 1660MM		10	

From L-031 To R-079

Date:07/2024

PAGE:H4-1884-50B

POSITION "B"



From L-031 To R-079	Date:07/2024	PAGE:H4-1884-50B
POSITION "B"		

Item#	Part	Description	H 3 4 0	V I P 4 0	N O T E S
	291778P	WINDOW ASSY, THERMOS 28%		AR	
	292082P	WINDOW ASSY, THERMOS 28% W/GLASS / 814MM		1	
1	291805	. FRAME		1	
1	292068	. FRAME		1	
2	299041	. GLASS, THERMOS 28% / 1531MM		1	
2	299042	. GLASS, THERMOS 28% / 814MM		1	
3	292262	. LOCKING STRIP 1005MM X 1551MM / W/THERMOS		1	
3	292264	. LOCKING STRIP 1005MM X 854MM / W/THERMOS		1	
4	292279	. WINDOW SEAL / 1091MM X 1622MM		1	
4	292288	. WINDOW SEAL / 1091MM X 904MM		1	
5	292339	. EXTERIOR GLASS SEAL 997MM / VERTICAL		2	
5	292340	. EXTERIOR GLASS SEAL 1553MM / HORIZONTAL		2	
5	292338	. EXTERIOR GLASS SEAL 829MM / HORIZONTAL		2	
6	682481	LOW FRICTION TAPE (HOCKEY)		AR	
7	505421	SPRING, PIN M3 x 18		AR	
8	291777	STOPPER BLOCK WINDOW To N-205		2	
8	292344	STOPPER BLOCK WINDOW From N-206		2	
NS	500260	SCREW TC FL PH #8-32x3/4 BK		4	
30	291781	BOLT LOCKING		2	
30	502710	NUT HEX THN M8-1.5x4.5 ZP		2	
31	292012	HANDLE WINDOW		2	
32	292047	BRACKET ASSY CENTERING		1	
32	292021	BRACKET CENTERING		1	
33	507314	PLUNGER BALL M12 X 1.75		1	
34	504586	WASHER FL SPACER .450x.625x.875 NYL		1	
35	292048	PIN, CENTERING To P-310		1	
35	292410	PIN, CENTERING From P-311		1	
36	291838	LATCH ASSY / L.H. ASSY SHOWN		1	
36	291837	LATCH ASSY / R.H. ASSY		1	
36	291782	. SUPPORT / R.H.		1	
36	291789	. SUPPORT / L.H.		1	
37	291797	. ROD LOCKING		1	
38	505415	. SPRING, PIN M2.5 X 36		1	
39	291795	. LATCH / L.H.		1	
39	291796	. LATCH / R.H.		1	
39	291940	. SPRING COMPRESSION / .511 O.D. x 30 MM x .040		1	
40	504256	RIVET POP CK OE 3/16x1/4 AL		AR	
41	504498	BUMPER PLUG / .406ODx.218THx.250HOLEx.125 To N-210		2	
41	504572	BUMPER RUBBER BOLT / .625 ODx.296TH x 8-32X.25 STUD From N-211		2	
42	292324	SUPPORT / TO FIX RUBBER BUMPER To N-210		2	
42	292349	ADAPTOR STUD 1/4-20 Male x 8-32 Female From N-211		2	
43	500923	SCREW TC CAP HEX 1/4-20x3/4 Z050		AR	

From L-031 To R-079	Date:07/2024	PAGE:H4-1884-50B
---------------------	--------------	------------------

POSITION "B"

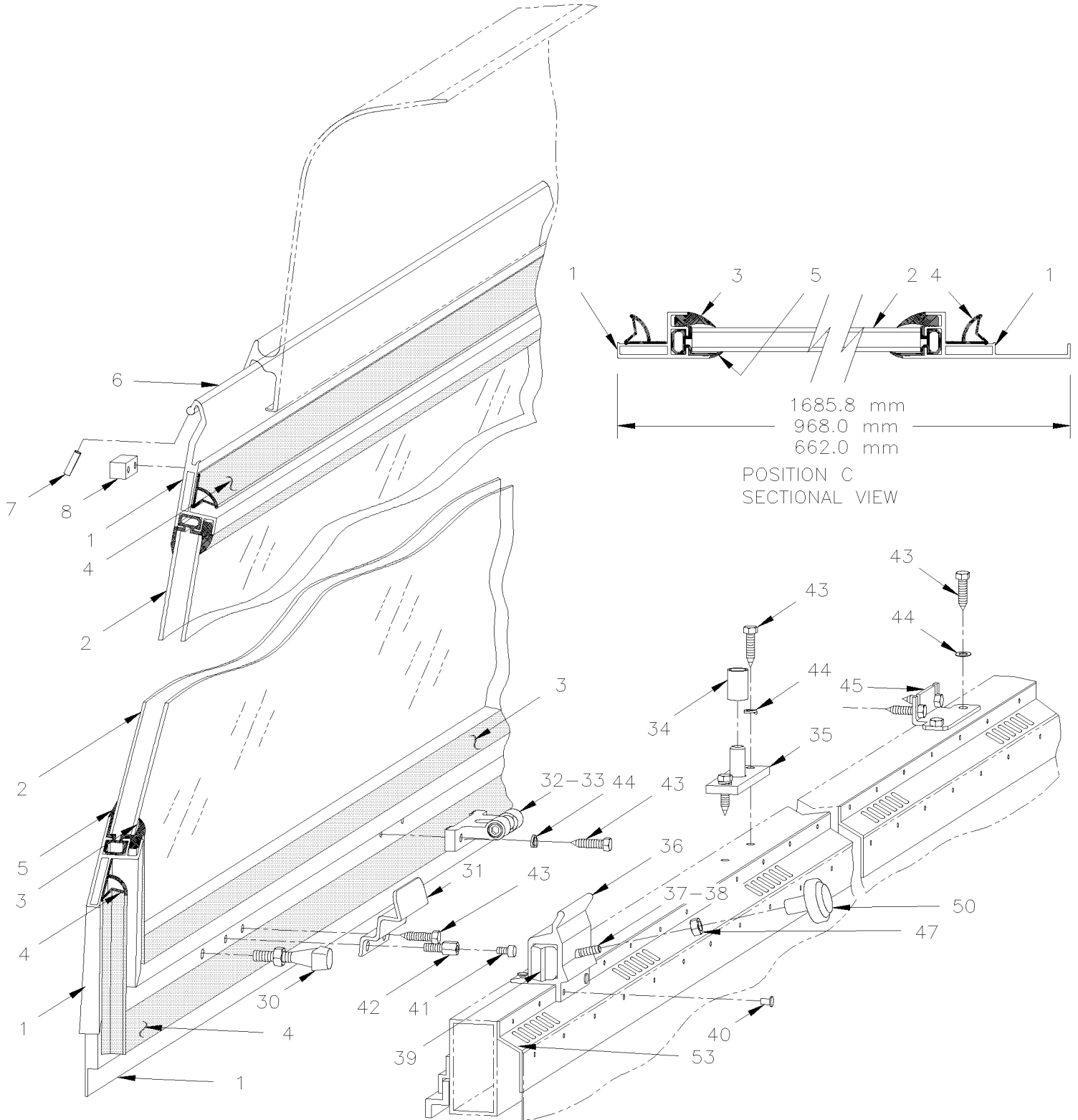
Item#	Part	Description	H 3 4 0	V I P 4 0	N O T E S
44	500473	WASHER LO SPT .262x.489x.062 Z050		AR	
45	292053	SUPPORT / TO FIX WINDOW TO STRUCTURE		2	
47	502511	NUT HEX NYRT M6-1.0 Z050		2	
50	292054	BUTTON, RELEASE / BLACK		AR	
50	292046	BUTTON, RELEASE / RED		AR	
53	322835	GRILLE SPACER 1660MM		10	

From L-031 To R-079

Date:07/2024

PAGE:H4-1884-50C

POSITION "C"



From L-031 To R-079	Date:07/2024	PAGE:H4-1884-50C
POSITION "C"		

Item#	Part	Description	H 3 4 0	V I P 4 0	N O T E S
	291999P	WINDOW ASSY, THERMOS 28% W/GLASS / 1531MM		AR	
	292015P	WINDOW ASSY, THERMOS 28% W/GLASS / 814MM		AR	
	291780P	WINDOW ASSY, THERMOS 28% W/GLASS / 508MM		AR	
1	291995	. FRAME / 1685.8 MM		1	
1	292014	. FRAME / 968 MM		1	
1	291808	. FRAME / 662 MM		1	
2	299041	. GLASS, THERMOS 28% / 1531MM		1	
2	299042	. GLASS, THERMOS 28% / 814MM		1	
2	299043	. GLASS, THERMOS 28% / 508MM		1	
3	292262	. LOCKING STRIP 1005MM X 1551MM / W/THERMOS		1	
3	292264	. LOCKING STRIP 1005MM X 854MM / W/THERMOS		1	
3	292265	. LOCKING STRIP 1005MM X 703MM / W/THERMOS		1	
4	292279	. WINDOW SEAL / 1091MM X 1622MM		1	
4	292288	. WINDOW SEAL / 1091MM X 904MM		1	
4	292289	. WINDOW SEAL / 1091MM X 598MM		1	
5	292339	. EXTERIOR GLASS SEAL 997MM / VERTICAL		2	
5	292340	. EXTERIOR GLASS SEAL 1553MM / HORIZONTAL		2	
5	292338	. EXTERIOR GLASS SEAL 829MM / HORIZONTAL		1	
5	292337	. EXTERIOR GLASS SEAL 520MM / HORIZONTAL		1	
6	682481	LOW FRICTION TAPE (HOCKEY)		AR	
7	505421	SPRING, PIN M3 x 18		AR	
8	291777	STOPPER BLOCK WINDOW To N-205		2	
8	292344	STOPPER BLOCK WINDOW From N-206		2	
NS	500260	SCREW TC FL PH #8-32x3/4 BK		4	
30	291781	BOLT LOCKING		2	
30	502710	NUT HEX THN M8-1.5x4.5 ZP		2	
31	292012	HANDLE WINDOW		2	
32	292047	BRACKET ASSY CENTERING		1	
32	292021	BRACKET CENTERING		1	
33	507314	PLUNGER BALL M12 X 1.75		1	
34	504586	WASHER FL SPACER .450x.625x.875 NYL From P-311		1	
35	292048	PIN, CENTERING To P-310		1	
35	292410	PIN, CENTERING From P-311		1	
36	291838	LATCH ASSY / L.H. ASSY SHOWN		1	
36	291837	LATCH ASSY / R.H. ASSY		1	
36	291782	. SUPPORT / R.H.		1	
36	291789	. SUPPORT / L.H.		1	
37	291797	. ROD LOCKING		1	
38	505415	. SPRING, PIN M2.5 X 36		1	
39	291795	. LATCH / L.H.		1	
39	291796	. LATCH / R.H.		1	
39	291940	. SPRING COMPRESSION / .511 O.D. x 30 MM x .040		1	

From L-031 To R-079	Date:07/2024	PAGE:H4-1884-50C
POSITION "C"		

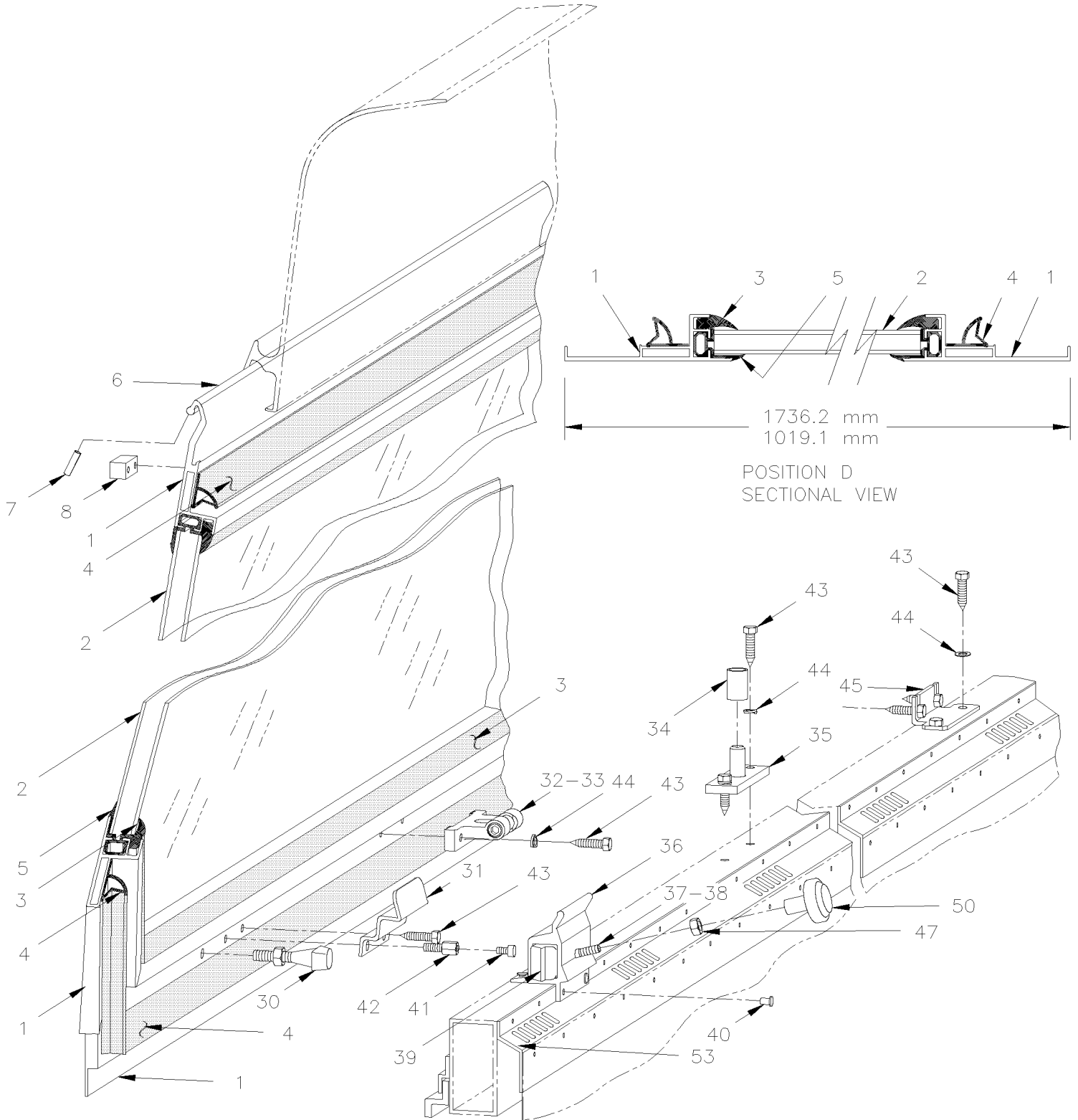
Item#	Part	Description	H 3 4 0	V I P 4 0	N O T E S
40	504256	RIVET POP CK OE 3/16x1/4 AL		AR	
41	504498	BUMPER PLUG / .406ODx.218THx.250HOLEx.125 To N-210		2	
41	504572	BUMPER RUBBER BOLT / .625 ODx.296TH x 8-32X.25 STUD From N-211		2	
42	292324	SUPPORT / TO FIX RUBBER BUMPER To N-210		2	
42	292349	ADAPTOR STUD 1/4-20 Male x 8-32 Female From N-211		2	
43	500923	SCREW TC CAP HEX 1/4-20x3/4 Z050		AR	
44	500473	WASHER LO SPT .262x.489x.062 Z050		AR	
45	292053	SUPPORT / TO FIX WINDOW TO STRUCTURE		2	
47	502511	NUT HEX NYRT M6-1.0 Z050		2	
50	292054	BUTTON, RELEASE / BLACK		AR	
50	292046	BUTTON, RELEASE / RED		AR	
53	322835	GRILLE SPACER 1660MM		10	

From L-031 To R-079

Date:07/2024

PAGE:H4-1884-50D

POSITION "D"



From L-031 To R-079	Date:07/2024	PAGE:H4-1884-50D
POSITION "D"		

Item#	Part	Description	H 3 4 0	V I P 4 0	N O T E S
	292018P	WINDOW ASSY THERMOS / W/GLASS 1531MM		AR	
	292073P	WINDOW ASSY THERMOS / W/GLASS 814MM		AR	
1	292016	. FRAME / 662 MM		1	
1	292071	. FRAME / 1019.1 MM		1	
2	299041	. GLASS, THERMOS 28% / 1531MM		1	
2	299042	. GLASS, THERMOS 28% / 814MM		1	
3	292262	. LOCKING STRIP 1005MM X 1551MM / W/THERMOS		1	
3	292264	. LOCKING STRIP 1005MM X 854MM / W/THERMOS		1	
4	292279	. WINDOW SEAL / 1091MM X 1622MM		1	
4	292288	. WINDOW SEAL / 1091MM X 904MM		1	
5	292339	. EXTERIOR GLASS SEAL 997MM / VERTICAL		2	
5	292340	. EXTERIOR GLASS SEAL 1553MM / HORIZONTAL		2	
5	292338	. EXTERIOR GLASS SEAL 829MM / HORIZONTAL		1	
6	682481	LOW FRICTION TAPE (HOCKEY)		AR	
7	505421	SPRING, PIN M3 x 18		AR	
8	291777	STOPPER BLOCK WINDOW To N-205		2	
8	292344	STOPPER BLOCK WINDOW From N-206		2	
NS	500260	SCREW TC FL PH #8-32x3/4 BK		4	
30	291781	BOLT LOCKING		2	
30	502710	NUT HEX THN M8-1.5x4.5 ZP		2	
31	292012	HANDLE WINDOW		2	
32	292047	BRACKET ASSY CENTERING		1	
32	292021	BRACKET CENTERING		1	
33	507314	PLUNGER BALL M12 X 1.75		1	
34	504586	WASHER FL SPACER .450x.625x.875 NYL From P-311		1	
35	292410	PIN, CENTERING To P-310		1	
35	292048	PIN, CENTERING From P-311		1	
36	291838	LATCH ASSY / L.H. ASSY SHOWN		1	
36	291837	LATCH ASSY / R.H. ASSY		1	
36	291782	. SUPPORT / R.H.		1	
36	291789	. SUPPORT / L.H.		1	
37	291797	. ROD LOCKING		1	
38	505415	. SPRING, PIN M2.5 X 36		1	
39	291795	. LATCH / L.H.		1	
39	291796	. LATCH / R.H.		1	
39	291940	. SPRING COMPRESSION / .511 O.D. x 30 MM x .040		1	
40	504256	RIVET POP CK OE 3/16x1/4 AL		AR	
41	504498	BUMPER PLUG / .406ODx.218THx.250HOLEx.125 To N-210		2	
41	504572	BUMPER RUBBER BOLT / .625 ODx.296TH x 8-32X.25 STUD From N-211		2	
42	292324	SUPPORT / TO FIX RUBBER BUMPER To N-210		2	
42	292349	ADAPTOR STUD 1/4-20 Male x 8-32 Female From N-211		2	
43	500923	SCREW TC CAP HEX 1/4-20x3/4 Z050		AR	

From L-031 To R-079	Date:07/2024	PAGE:H4-1884-50D
---------------------	--------------	------------------

POSITION "D"

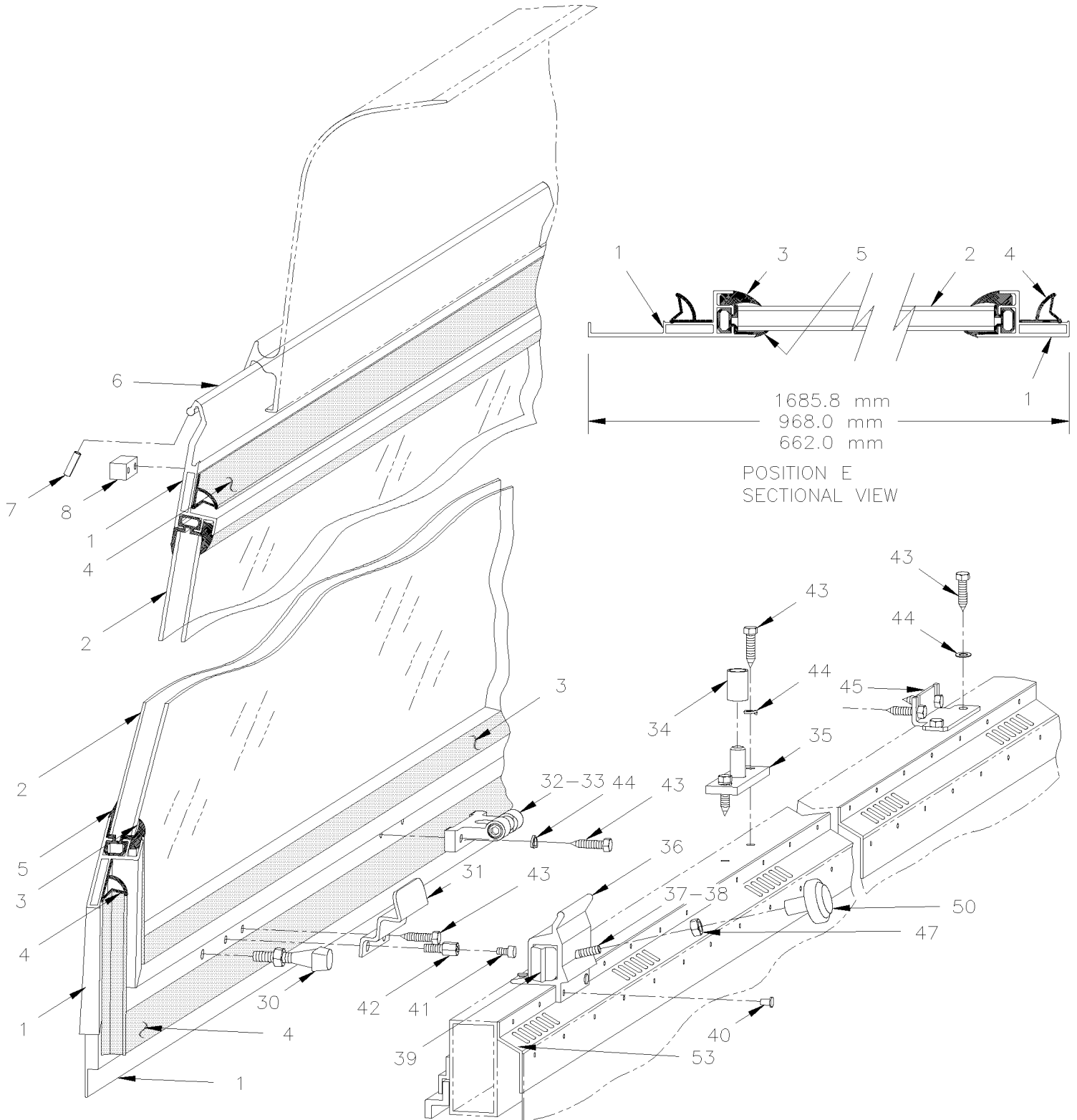
Item#	Part	Description	H 3 4 0	V I P 4 0	N O T E S
44	500473	WASHER LO SPT .262x.489x.062 Z050		AR	
45	292053	SUPPORT / TO FIX WINDOW TO STRUCTURE		2	
47	502511	NUT HEX NYRT M6-1.0 Z050		2	
50	292054	BUTTON, RELEASE / BLACK		AR	
50	292046	BUTTON, RELEASE / RED		AR	
53	322835	GRILLE SPACER 1660MM		10	

From L-031 To R-079

Date:07/2024

PAGE:H4-1884-50E

POSITION "E"



From L-031 To R-079	Date:07/2024	PAGE:H4-1884-50E
POSITION "E"		

Item#	Part	Description	H 3 4 0	V I P 4 0	N O T E S
	291996P	WINDOW ASSY, THERMOS 28% W/GLASS / 1531MM		AR	
	291801P	WINDOW ASSY, THERMOS 28% / 814MM		AR	
	292258P	WINDOW ASSY, THERMOS 28% / 508MM		AR	
1	291994	. FRAME / 1685.8 MM		1	
1	291810	. FRAME / 968 MM		1	
1	292259	. FRAME / 662 MM		1	
2	299041	. GLASS, THERMOS 28% / 1531MM		1	
2	299042	. GLASS, THERMOS 28% / 814MM		1	
2	299043	. GLASS, THERMOS 28% / 508MM		1	
3	292262	. LOCKING STRIP 1005MM X 1551MM / W/THERMOS		1	
3	292264	. LOCKING STRIP 1005MM X 854MM / W/THERMOS		1	
3	292265	. LOCKING STRIP 1005MM X 703MM / W/THERMOS		1	
4	292279	. WINDOW SEAL / 1091MM X 1622MM		1	
4	292288	. WINDOW SEAL / 1091MM X 904MM		1	
4	292289	. WINDOW SEAL / 1091MM X 598MM		1	
5	292339	. EXTERIOR GLASS SEAL 997MM / VERTICAL		2	
5	292340	. EXTERIOR GLASS SEAL 1553MM / HORIZONTAL		2	
5	292338	. EXTERIOR GLASS SEAL 829MM / HORIZONTAL		1	
5	292337	. EXTERIOR GLASS SEAL 520MM / HORIZONTAL		1	
6	682481	LOW FRICTION TAPE (HOCKEY)		AR	
7	505421	SPRING, PIN M3 x 18		AR	
8	291777	STOPPER BLOCK WINDOW To N-205		2	
8	292344	STOPPER BLOCK WINDOW From N-206		2	
NS	500260	SCREW TC FL PH #8-32x3/4 BK		4	
30	291781	BOLT LOCKING		2	
30	502710	NUT HEX THN M8-1.5x4.5 ZP		2	
31	292012	HANDLE WINDOW		2	
32	292047	BRACKET ASSY CENTERING		1	
32	292021	BRACKET CENTERING		1	
33	507314	PLUNGER BALL M12 X 1.75		1	
34	504586	WASHER FL SPACER .450x.625x.875 NYL From P-311		1	
35	292048	PIN, CENTERING To P-310		1	
35	292410	PIN, CENTERING From P-311		1	
36	291838	LATCH ASSY / L.H. ASSY SHOWN		1	
36	291837	LATCH ASSY / R.H. ASSY		1	
36	291782	. SUPPORT / R.H.		1	
36	291789	. SUPPORT / L.H.		1	
37	291797	. ROD LOCKING		1	
38	505415	. SPRING, PIN M2.5 X 36		1	
39	291795	. LATCH / L.H.		1	
39	291796	. LATCH / R.H.		1	
39	291940	. SPRING COMPRESSION / .511 O.D. x 30 MM x .040		1	

From L-031 To R-079	Date:07/2024	PAGE:H4-1884-50E
POSITION "E"		

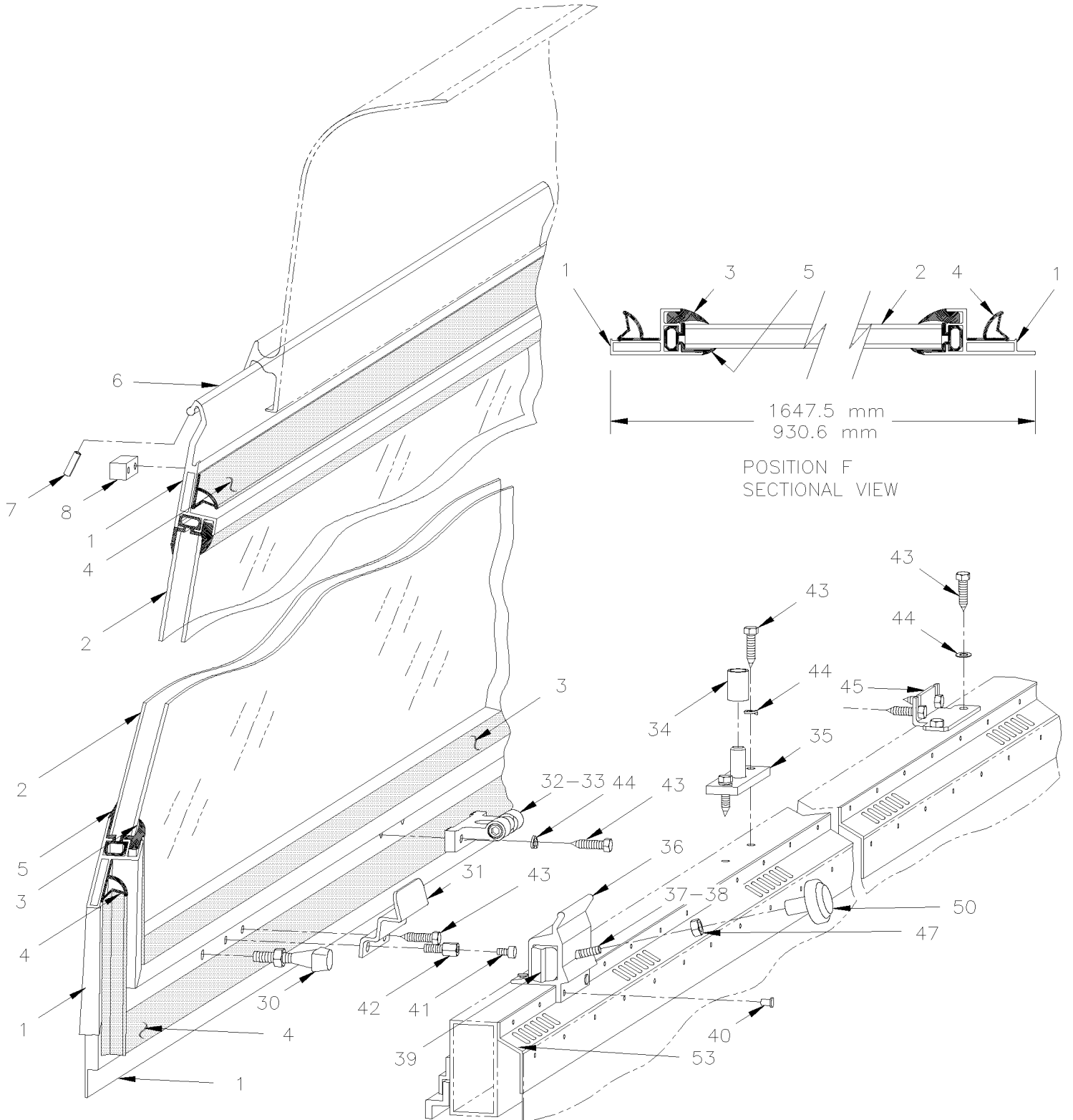
Item#	Part	Description	H 3 4 0	V I P 4 0	N O T E S
40	504256	RIVET POP CK OE 3/16x1/4 AL		AR	
41	504498	BUMPER PLUG / .406ODx.218THx.250HOLEx.125 To N-210		2	
41	504572	BUMPER RUBBER BOLT / .625 ODx.296TH x 8-32X.25 STUD From N-211		2	
42	292324	SUPPORT / TO FIX RUBBER BUMPER To N-210		2	
42	292349	ADAPTOR STUD 1/4-20 Male x 8-32 Female From N-211		2	
43	500923	SCREW TC CAP HEX 1/4-20x3/4 Z050		AR	
44	500473	WASHER LO SPT .262x.489x.062 Z050		AR	
45	292053	SUPPORT / TO FIX WINDOW TO STRUCTURE		2	
47	502511	NUT HEX NYRT M6-1.0 Z050		2	
50	292054	BUTTON, RELEASE / BLACK		AR	
50	292046	BUTTON, RELEASE / RED		AR	
53	322835	GRILLE SPACER 1660MM		10	

From L-031 To R-079

Date:07/2024

PAGE:H4-1884-50F

POSITION "F"



From L-031 To R-079	Date:07/2024	PAGE:H4-1884-50F
POSITION "F"		

Item#	Part	Description	H 3 4 0	V I P 4 0	N O T E S
	291812P	WINDOW ASSY, THERMOS / W/GLASS 1531MM		AR	
	292086P	WINDOW ASSY, THERMOS / W/GLASS 814MM		AR	
1	291811	. FRAME / 1647.5 MM		1	
1	292070	. FRAME / 930 MM		1	
2	299041	. GLASS, THERMOS 28% / 1531MM		1	
2	299042	. GLASS, THERMOS 28% / 814MM		1	
3	292262	. LOCKING STRIP 1005MM X 1551MM / W/THERMOS		1	
3	292264	. LOCKING STRIP 1005MM X 854MM / W/THERMOS		1	
4	292279	. WINDOW SEAL / 1091MM X 1622MM		1	
4	292288	. WINDOW SEAL / 1091MM X 904MM		1	
5	292339	. EXTERIOR GLASS SEAL 997MM / VERTICAL		2	
5	292340	. EXTERIOR GLASS SEAL 1553MM / HORIZONTAL		2	
5	292338	. EXTERIOR GLASS SEAL 829MM / HORIZONTAL		2	
6	682481	LOW FRICTION TAPE (HOCKEY)		AR	
7	505421	SPRING, PIN M3 x 18		AR	
8	291777	STOPPER BLOCK WINDOW To N-205		2	
8	292344	STOPPER BLOCK WINDOW From N-206		2	
NS	500260	SCREW TC FL PH #8-32x3/4 BK		4	
30	291781	BOLT LOCKING		2	
30	502710	NUT HEX THN M8-1.5x4.5 ZP		2	
31	292012	HANDLE WINDOW		2	
32	292047	BRACKET ASSY CENTERING		1	
32	292021	BRACKET CENTERING		1	
33	507314	PLUNGER BALL M12 X 1.75		1	
34	504586	WASHER FL SPACER .450x.625x.875 NYL From P-311		1	
35	292048	PIN, CENTERING To P-310		1	
35	292410	PIN, CENTERING From P-311		1	
36	291838	LATCH ASSY / L.H. ASSY SHOWN		1	
36	291837	LATCH ASSY / R.H. ASSY		1	
36	291782	. SUPPORT / R.H.		1	
36	291789	. SUPPORT / L.H.		1	
37	291797	. ROD LOCKING		1	
38	505415	. SPRING, PIN M2.5 X 36		1	
39	291795	. LATCH / L.H.		1	
39	291796	. LATCH / R.H.		1	
39	291940	. SPRING COMPRESSION / .511 O.D. x 30 MM x .040		1	
40	504256	RIVET POP CK OE 3/16x1/4 AL		AR	
41	504498	BUMPER PLUG / .406ODx.218THx.250HOLEx.125 To N-210		2	
41	504572	BUMPER RUBBER BOLT / .625 ODx.296TH x 8-32X.25 STUD From N-211		2	
42	292324	SUPPORT / TO FIX RUBBER BUMPER To N-210		2	
42	292349	ADAPTOR STUD 1/4-20 Male x 8-32 Female From N-211		2	
43	500923	SCREW TC CAP HEX 1/4-20x3/4 Z050		AR	

From L-031 To R-079	Date:07/2024	PAGE:H4-1884-50F
---------------------	--------------	------------------

POSITION "F"

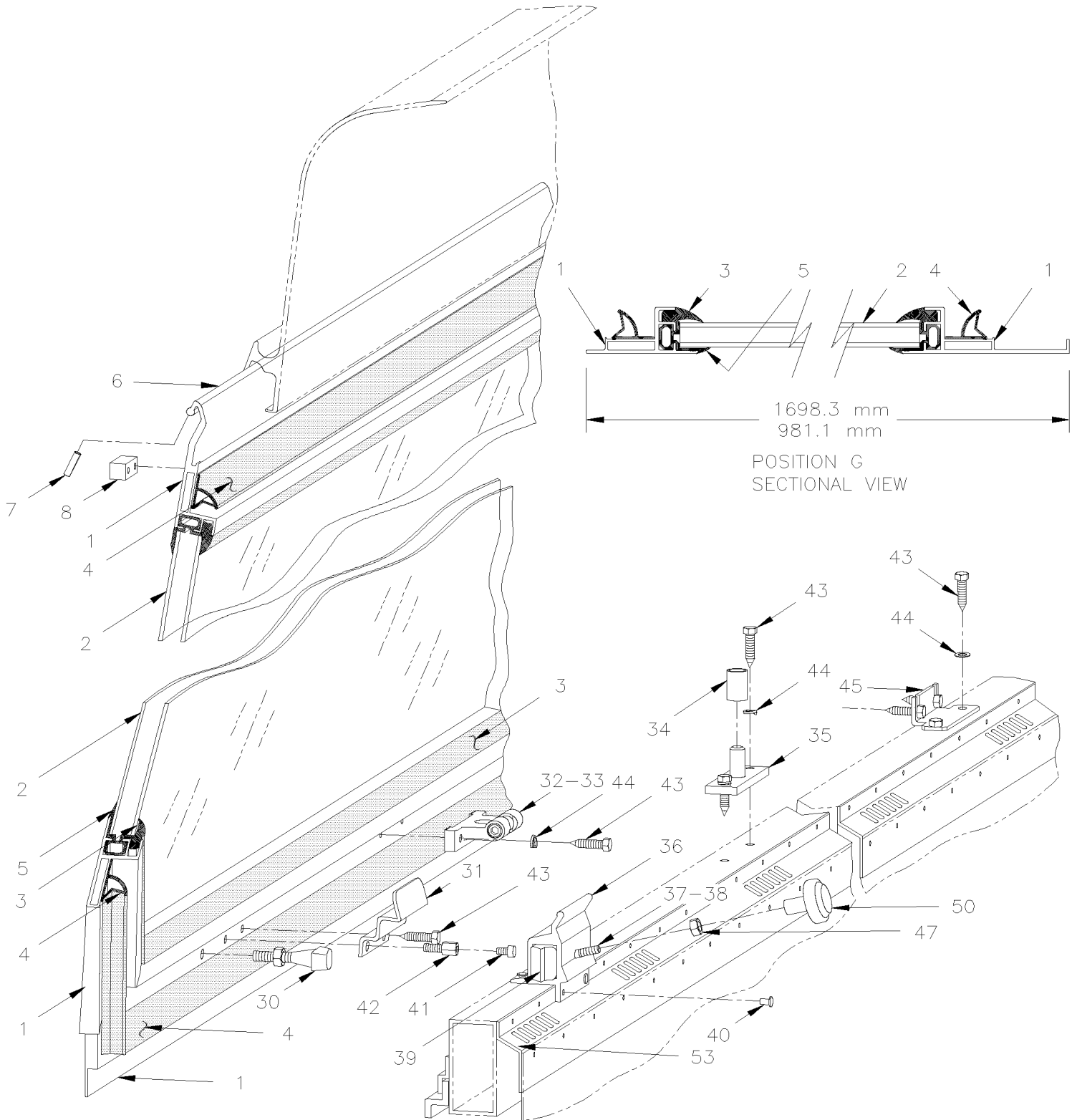
Item#	Part	Description	H 3 4 0	V I P 4 0	N O T E S
44	500473	WASHER LO SPT .262x.489x.062 Z050		AR	
45	292053	SUPPORT / TO FIX WINDOW TO STRUCTURE		2	
47	502511	NUT HEX NYRT M6-1.0 Z050		2	
50	292054	BUTTON, RELEASE / BLACK		AR	
50	292046	BUTTON, RELEASE / RED		AR	
53	322835	GRILLE SPACER 1660MM		10	

From L-031 To R-079

Date:07/2024

PAGE:H4-1884-50G

POSITION "G"



From L-031 To R-079	Date:07/2024	PAGE:H4-1884-50G
POSITION "G"		

Item#	Part	Description	H 3 4 0	V I P 4 0	N O T E S
	292076P	WINDOW ASSY, THERMOS / W/GLASS 1531MM		AR	
	292081P	WINDOW ASSY, THERMOS / W/GLASS 814MM		AR	
1	292064	. FRAME / 930.6MM		1	
1	292067	. FRAME / 930.6MM		1	
2	299041	. GLASS, THERMOS 28% / 1531MM		1	
2	299042	. GLASS, THERMOS 28% / 814MM		1	
3	292262	. LOCKING STRIP 1005MM X 1551MM / W/THERMOS		1	
3	292264	. LOCKING STRIP 1005MM X 854MM / W/THERMOS		1	
4	292279	. WINDOW SEAL / 1091MM X 1622MM		1	
4	292288	. WINDOW SEAL / 1091MM X 904MM		1	
5	292339	. EXTERIOR GLASS SEAL 997MM / VERTICAL		2	
5	292340	. EXTERIOR GLASS SEAL 1553MM / HORIZONTAL		2	
5	292338	. EXTERIOR GLASS SEAL 829MM / HORIZONTAL		1	
6	682481	LOW FRICTION TAPE (HOCKEY)		AR	
7	505421	SPRING, PIN M3 x 18		AR	
8	291777	STOPPER BLOCK WINDOW To N-205		2	
8	292344	STOPPER BLOCK WINDOW From N-206		2	
NS	500260	SCREW TC FL PH #8-32x3/4 BK		2	
30	291781	BOLT LOCKING		2	
30	502710	NUT HEX THN M8-1.5x4.5 ZP		2	
31	292012	HANDLE WINDOW		2	
32	292047	BRACKET ASSY CENTERING		1	
32	292021	BRACKET CENTERING		1	
33	507314	PLUNGER BALL M12 X 1.75		1	
34	504586	WASHER FL SPACER .450x.625x.875 NYL		1	
35	292048	PIN, CENTERING To P-310		1	
35	292410	PIN, CENTERING From P-311		1	
36	291838	LATCH ASSY / L.H. ASSY SHOWN		1	
36	291837	LATCH ASSY / R.H. ASSY		1	
36	291782	. SUPPORT / R.H.		1	
36	291789	. SUPPORT / L.H.		1	
37	291797	. ROD LOCKING		1	
38	505415	. SPRING, PIN M2.5 X 36		1	
39	291795	. LATCH / L.H.		1	
39	291796	. LATCH / R.H.		1	
39	291940	. SPRING COMPRESSION / .511 O.D. x 30 MM x .040		1	
40	504256	RIVET POP CK OE 3/16x1/4 AL		AR	
41	504498	BUMPER PLUG / .406ODx.218THx.250HOLEx.125 To N-210		2	
41	504572	BUMPER RUBBER BOLT / .625 ODx.296TH x 8-32X.25 STUD From N-211		2	
42	292324	SUPPORT / TO FIX RUBBER BUMPER To N-210		2	
42	292349	ADAPTOR STUD 1/4-20 Male x 8-32 Female From N-211		2	
43	500923	SCREW TC CAP HEX 1/4-20x3/4 Z050		AR	

From L-031 To R-079	Date:07/2024	PAGE:H4-1884-50G
POSITION "G"		

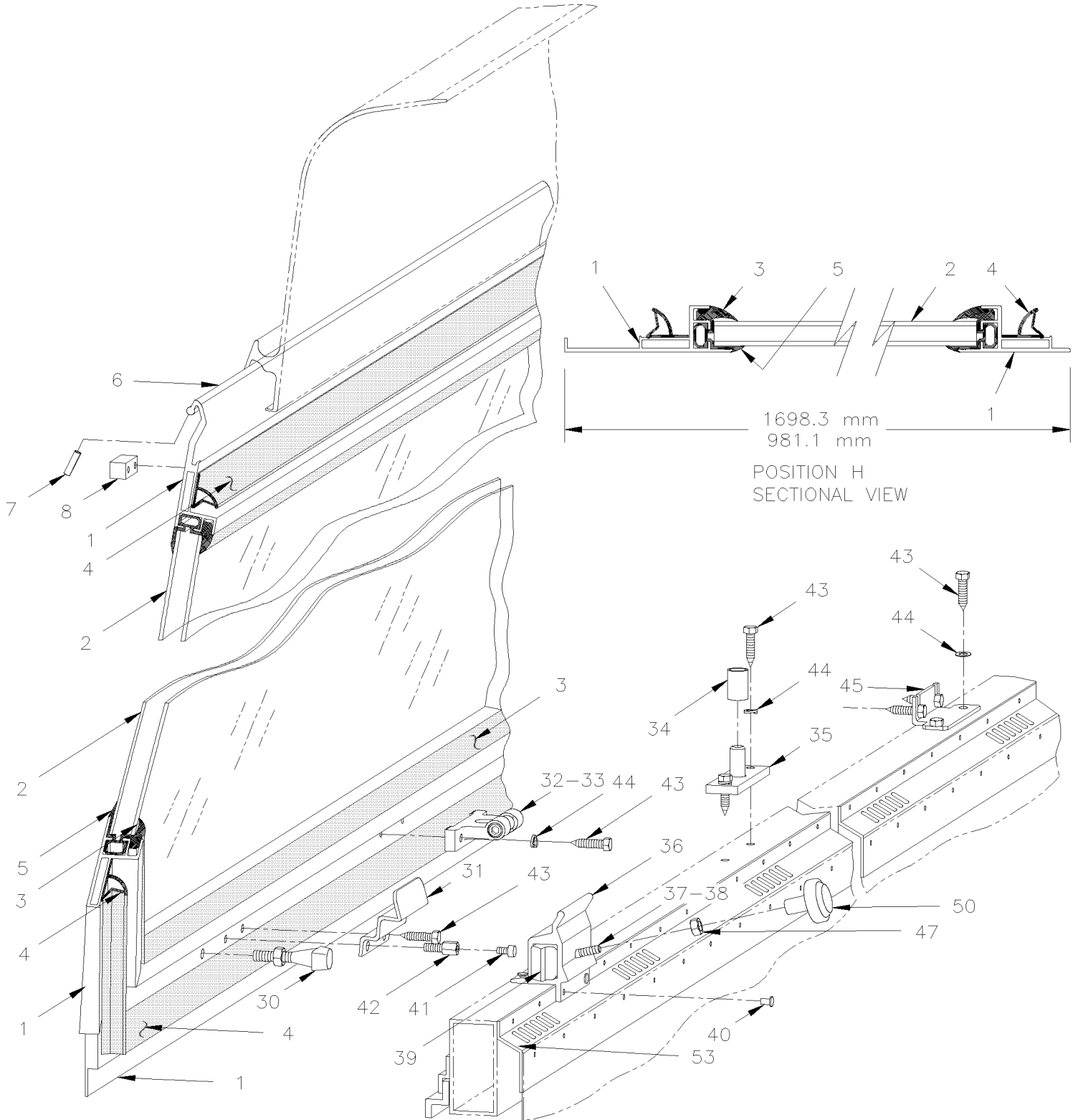
Item#	Part	Description	H 3 4 0	V I P 4 0	N O T E S
44	500473	WASHER LO SPT .262x.489x.062 Z050		AR	
45	292053	SUPPORT / TO FIX WINDOW TO STRUCTURE		2	
47	502511	NUT HEX NYRT M6-1.0 Z050		2	
50	292054	BUTTON, RELEASE / BLACK		AR	
50	292046	BUTTON, RELEASE / RED		AR	
53	322835	GRILLE SPACER 1660MM		10	

From L-031 To R-079

Date:07/2024

PAGE:H4-1884-50H

POSITION "H"



POSITION H
SECTIONAL VIEW

From L-031 To R-079	Date:07/2024	PAGE:H4-1884-50H
POSITION "H"		

Item#	Part	Description	H 3 4 0	V I P 4 0	N O T E S
	292077P	WINDOW ASSY, THERMOS / W/GLASS / 1531MM		AR	
	292079P	WINDOW ASSY, THERMOS / W/GLASS / 814MM		AR	
1	292065	. FRAME / 1698.3 MM		1	
1	292066	. FRAME / 930.6MM		1	
2	299041	. GLASS, THERMOS 28% / 1531MM		1	
2	299042	. GLASS, THERMOS 28% / 814MM		1	
3	292262	. LOCKING STRIP 1005MM X 1551MM / W/THERMOS		1	
3	292264	. LOCKING STRIP 1005MM X 854MM / W/THERMOS		1	
4	292279	. WINDOW SEAL / 1091MM X 1622MM		1	
4	292288	. WINDOW SEAL / 1091MM X 904MM		1	
5	292339	. EXTERIOR GLASS SEAL 997MM / VERTICAL		2	
5	292340	. EXTERIOR GLASS SEAL 1553MM / HORIZONTAL		2	
5	292338	. EXTERIOR GLASS SEAL 829MM / HORIZONTAL		1	
6	682481	LOW FRICTION TAPE (HOCKEY)		AR	
7	505421	SPRING, PIN M3 x 18		AR	
8	291777	STOPPER BLOCK WINDOW To N-205		2	
8	292344	STOPPER BLOCK WINDOW From N-206		2	
NS	500260	SCREW TC FL PH #8-32x3/4 BK		2	
30	291781	BOLT LOCKING		2	
30	502710	NUT HEX THN M8-1.5x4.5 ZP		2	
31	292012	HANDLE WINDOW		2	
32	292047	BRACKET ASSY CENTERING		1	
32	292021	BRACKET CENTERING		1	
33	507314	PLUNGER BALL M12 X 1.75		1	
34	504586	WASHER FL SPACER .450x.625x.875 NYL From P-311		1	
35	292048	PIN, CENTERING To P-310		1	
35	292410	PIN, CENTERING From P-311		1	
36	291838	LATCH ASSY / L.H. ASSY SHOWN		1	
36	291837	LATCH ASSY / R.H. ASSY		1	
36	291782	SUPPORT / R.H.		1	
36	291789	SUPPORT / L.H.		1	
37	291797	ROD LOCKING		1	
38	505415	SPRING, PIN M2.5 X 36		1	
39	291795	LATCH / L.H.		1	
39	291796	LATCH / R.H.		1	
39	291940	SPRING COMPRESSION / .511 O.D. x 30 MM x .040		1	
40	504256	RIVET POP CK OE 3/16x1/4 AL		AR	
41	504498	BUMPER PLUG / .406ODx.218THx.250HOLEx.125 To N-210		2	
41	504572	BUMPER RUBBER BOLT / .625 ODx.296TH x 8-32X.25 STUD From N-211		2	
42	292324	SUPPORT / TO FIX RUBBER BUMPER To N-210		2	
42	292349	ADAPTOR STUD 1/4-20 Male x 8-32 Female From N-211		2	
43	500923	SCREW TC CAP HEX 1/4-20x3/4 Z050		AR	

From L-031 To R-079	Date:07/2024	PAGE:H4-1884-50H
---------------------	--------------	------------------

POSITION "H"

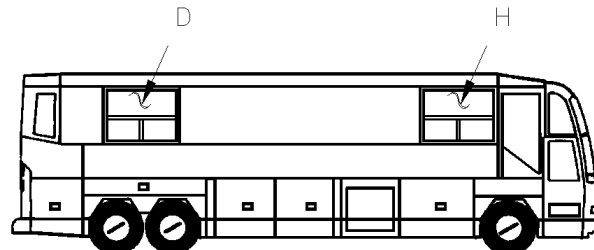
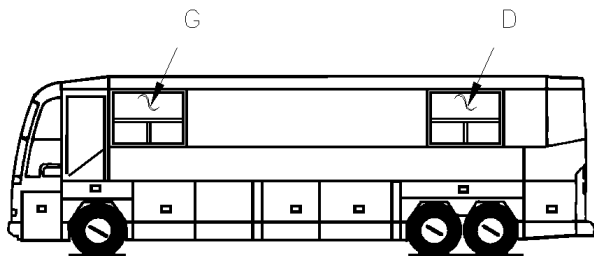
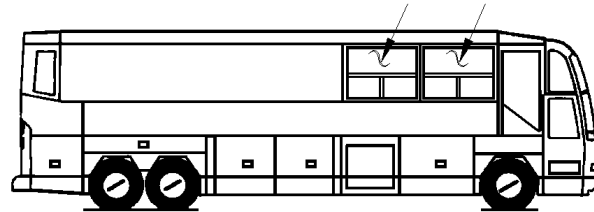
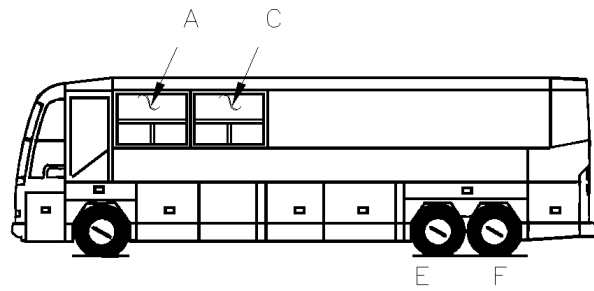
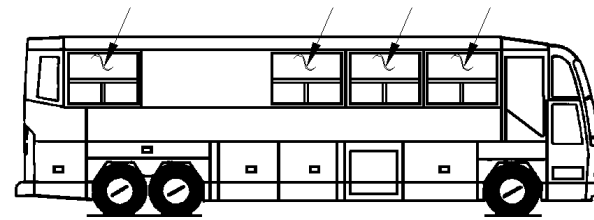
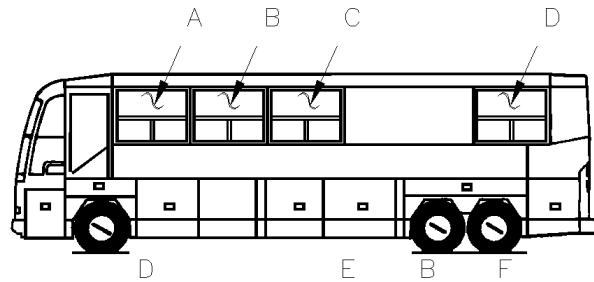
Item#	Part	Description	H 3 4 0	V I P 4 0	N O T E S
44	500473	WASHER LO SPT .262x.489x.062 Z050		AR	
45	292053	SUPPORT / TO FIX WINDOW TO STRUCTURE		2	
47	502511	NUT HEX NYRT M6-1.0 Z050		2	
50	292054	BUTTON, RELEASE / BLACK		AR	
50	292046	BUTTON, RELEASE / RED		AR	
53	322835	GRILLE SPACER 1660MM		10	

From L-031 To R-079

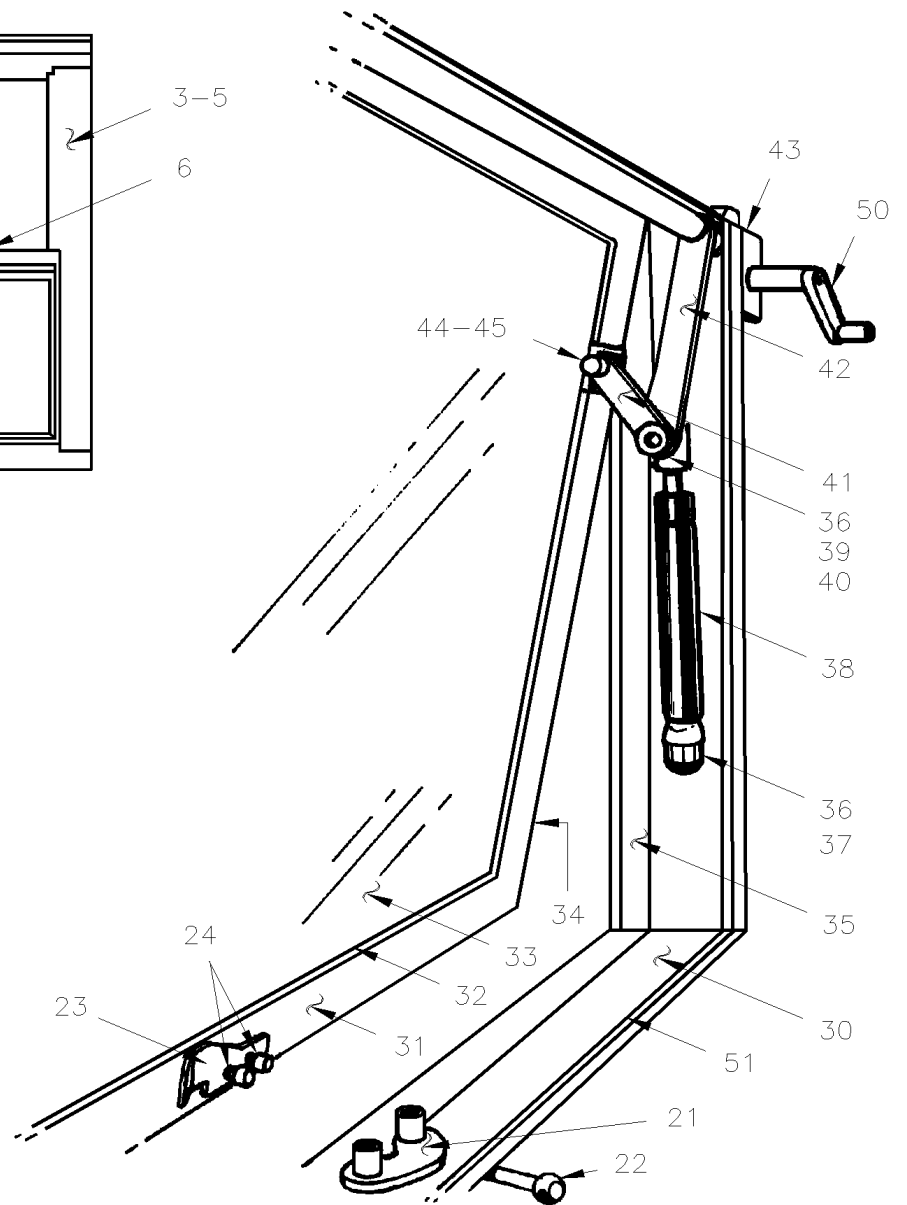
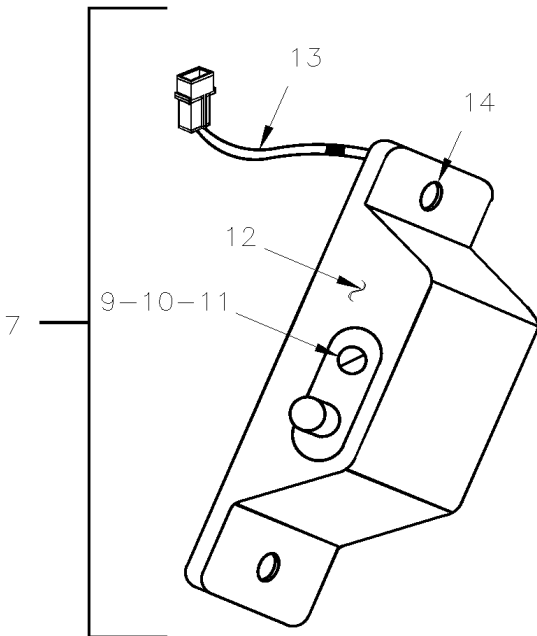
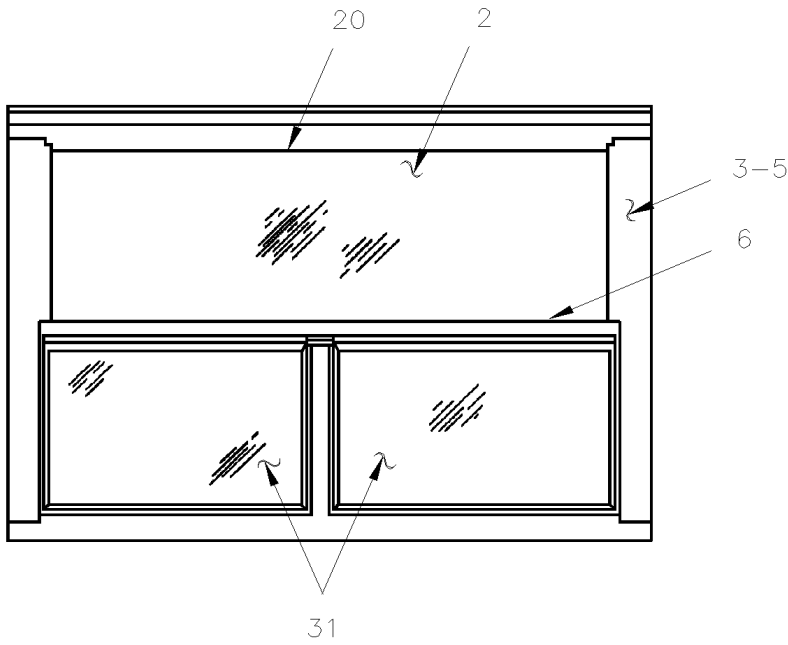
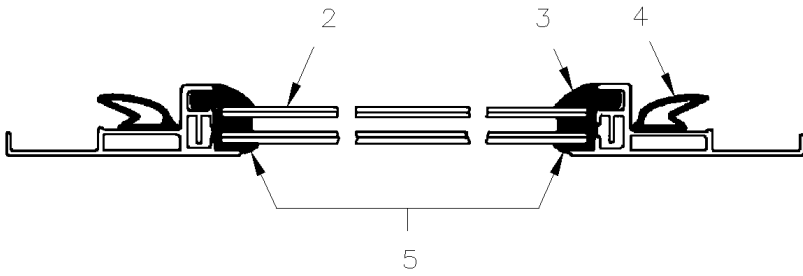
Date:07/2024

PAGE:H4-1884-60

SIDE WINDOW ASSY (AWNING)



From L-031 To R-079	Date:07/2024	PAGE:H4-1884-60
SIDE WINDOW ASSY (AWNING)		



From L-031 To R-079	Date:07/2024	PAGE:H4-1884-60
SIDE WINDOW ASSY (AWNING)		

Item#	Part	Description	H 3 4 0	V I P 4 0	N O T E S
		SIDE WINDOW ASSY (AWNING)			A
2	292126	. GLASS, THERMOS UPPER		1	
3	292266	. SEAL, INTERIOR		1	
4	292279	. WINDOW SEAL / 1091MM X 1622MM		1	
5	292336	. EXTERIOR GLASS SEAL 493MM / VERTICAL		1	
6	292340	. EXTERIOR GLASS SEAL 1553MM / HORIZONTAL		2	
6	680065	. TAPE COMPOUND / BLACK / 1/32" X 1" X 33' / L163-2400		AR	
7	292180	. SWITCH ASSY		1	
8	561563	. SWITCH / S.P.S.T. / N.C.		1	
9	502519	. SCREW MA FL SLT #4-40x5/8 Z050		1	
10	502520	. NUT HEX #4-40 Z050		2	
11	500467	. WASHER LO INT .138x.275x.019 Z050		2	
12	282144	. CYLINDER LOCK / CODE 65		1	
13	062935	. CABLE ASSY		1	
14	500357	. SCREW MA FL SLT #10-24x1 1/4 ZP		2	
14	502620	. WASHER FN CK .203x.531 BK		2	
		. AWNING WINDOW SUBASSY			
21	292156	. LOCK BRACKET		1	
21	507142	. BUSHING, NYLINER W/SHOULDER (8-L-8-F)		1	
22	292242	. HANDLE, BLACK / LOCK		AR	
22	292241	. HANDLE, RED / LOCK		AR	
22	292248	. PLASTIC SPACER		2	
23	292154	. HOOK / LOCK		1	
23	292159	. PLATE, SHIM / LOCK HOOK		1	
24	5001025	. SCREW CAP HEXS M6-1.0x12 G8.8		2	
30	292142	. FRAME ASSY, INTERIOR / R.H. OPENING WINDO		1	
30	292143	. FRAME ASSY, INTERIOR / L.H. OPENING WINDO		1	
31	292141	. OPENING WINDOW ASSY / W/FRAME R.H. & L.H.		2	
32	N.S.S.	. . . FRAME		1	1
33	292131	. . . GLASS		1	
34	292132	. STRIP, WEATHER / TO FRAME		2	
35	292135	. RUBBER / FRAME		1	
36	980015	. BALL STUD / W/10 MM X M8-1.25 / 29.18 MM		2	
37	980016	. NUT, CYLINDER RETAINER		1	
37	502507	. WASHER LO SPT 8.1x14.8x2.0 Z050		1	
38	980021	. CYLINDER GAZ / 244/164MM C/C / 20LBS		1	
39	292150	. NUT, SPECIAL		2	
40	500587	. SCREW SET HEXS CUP M4-0.7x6		2	
41	292148	. ARM, LOWER		2	
42	292151	. ARM ASSY, OPENING / R.H.		1	
42	282152	. CYLINDER LOCK / CODE 73		1	
42	507317	. NYLINER / OPENING ARM ASSY		2	

From L-031 To R-079	Date:07/2024	PAGE:H4-1884-60
SIDE WINDOW ASSY (AWNING)		

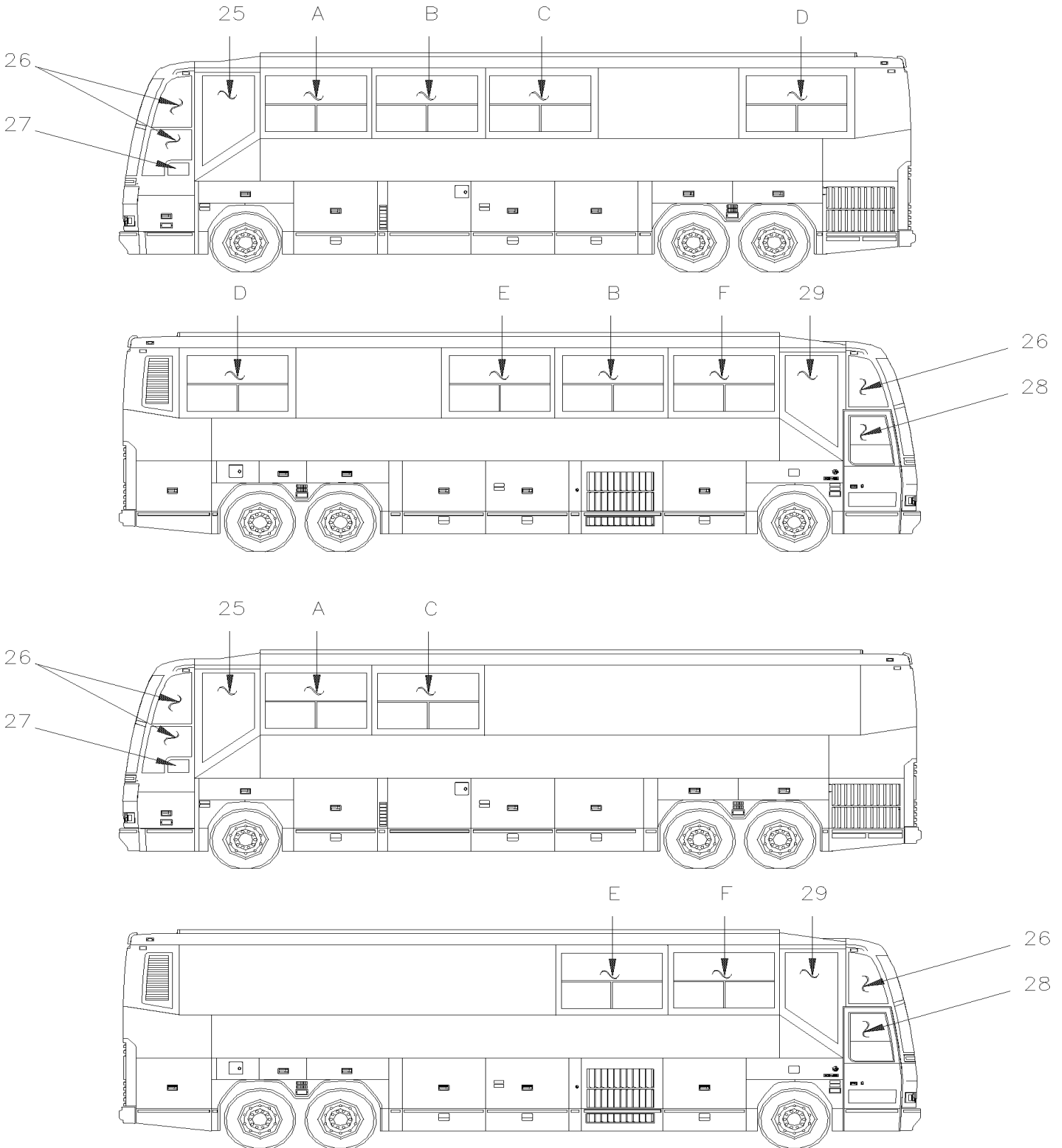
Item#	Part	Description	H 3 4 0	V I P 4 0	N O T E S
43	790377	. . MECHANISM, OPERATING / R.H.		AR	
43	790376	. . MECHANISM, OPERATING / L.H.		AR	
43	504566	. . RIVET CHY CK 3/16 AL		AR	
44	292149	. . PIN RETAINING		2	
44	500069	. . SCREW CAP HEX M8-1.25x16 G10.9 DP		1	
45	504402	. . RING RETAINER / EXT .250 x .210 x .025"		2	
50	790384	. . HANDLE / BLACK To M-113		1	
50	790385	. . HANDLE / RED To M-113		1	
50	790390	. . HANDLE / BLACK ROUND From M-114		1	
50	790391	. . HANDLE / RED ROUND From M-114		1	
50	292147	. SCREEN ASSY / R.H. & L.H.		2	
NS	292053	SUPPORT / TO FIX WINDOW TO STRUCTURE		2	B
NS	500923	SCREW TC CAP HEX 1/4-20x3/4 Z050		4	B
NS	500441	WASHER FL .312x.734x.065 Z050		4	B
A	292189P	AWNING WINDOW ASSY		AR	
A	292166	. AWNING WINDOW SUB ASSY		1	
A	292173	. FRAME 64 7/8" WIDE		1	
B	292182P	AWNING WINDOW ASSY		AR	
B	292160	. AWNING WINDOW SUB ASSY		1	
B	292170	FRAME 64 3/8" WIDE		1	
C	292191P	AWNING WINDOW ASSY		AR	
C	292167	. AWNING WINDOW SUB ASSY		1	
C	292174	. FRAME 66 3/8" WIDE		1	
D	292187P	AWNING WINDOW ASSY		AR	
D	292168	. AWNING WINDOW SUB ASSY		1	
D	292172	. FRAME 68 3/8" WIDE		1	
E	292185P	AWNING WINDOW ASSY		AR	
E	292164	. AWNING WINDOW SUB ASSY		1	
E	292171	. FRAME 66 3/8" WIDE		1	
F	292179P	AWNING WINDOW ASSY		AR	
F	292099	. AWNING WINDOW SUB ASSY		1	
F	292145	. FRAME 64 7/8" WIDE		1	
G	292195P	AWNING WINDOW ASSY		AR	
G	292169	. AWNING WINDOW SUB ASSY		1	
G	292176	. FRAME 66 7/8" WIDE		1	
H	292193P	AWNING WINDOW ASSY		AR	
H	292168	. AWNING WINDOW SUB ASSY		1	
H	292175	. FRAME 66 7/8" WIDE		1	
		A) SEE AT THE END OF PART LIST FOR WINDOWS ASSY (REFERNCE DESIGNED BY LETTERS)			

From L-031 To R-079		Date:07/2024	PAGE:H4-1884-60
---------------------	--	--------------	-----------------

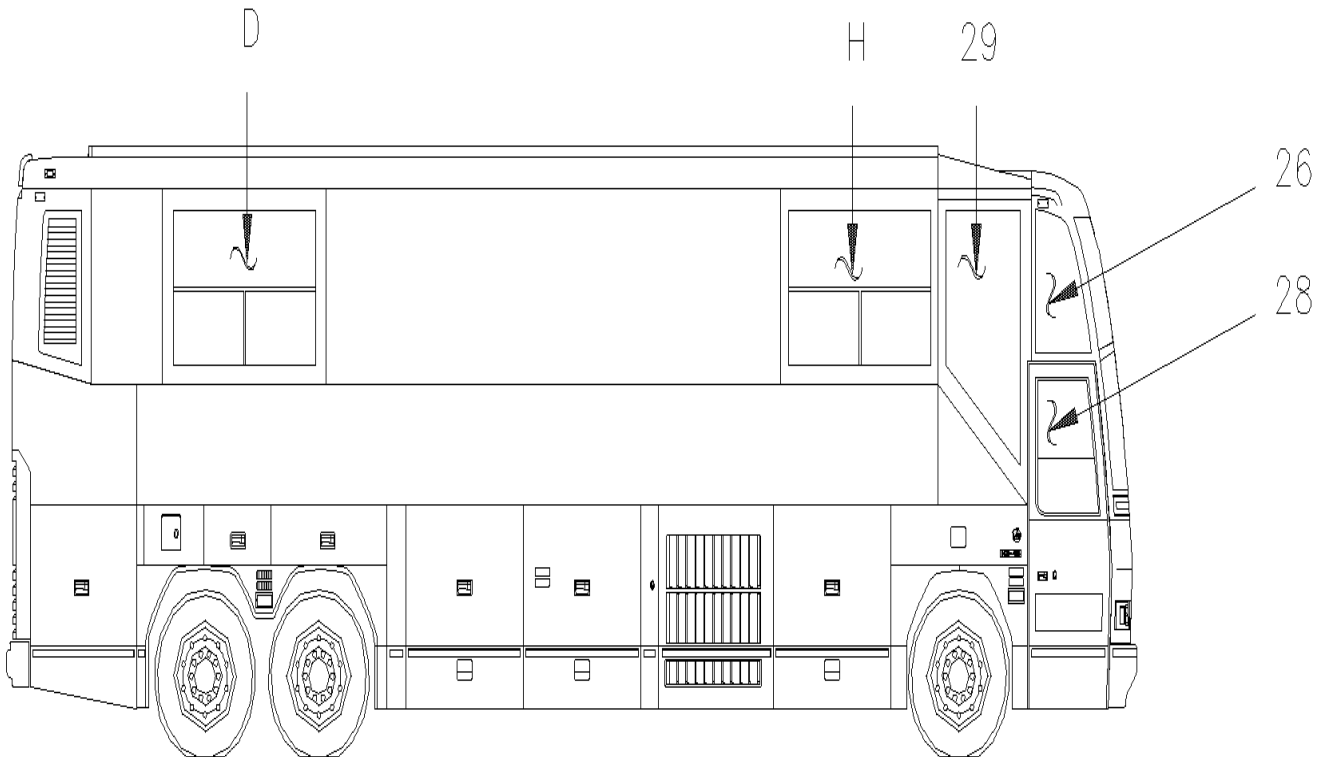
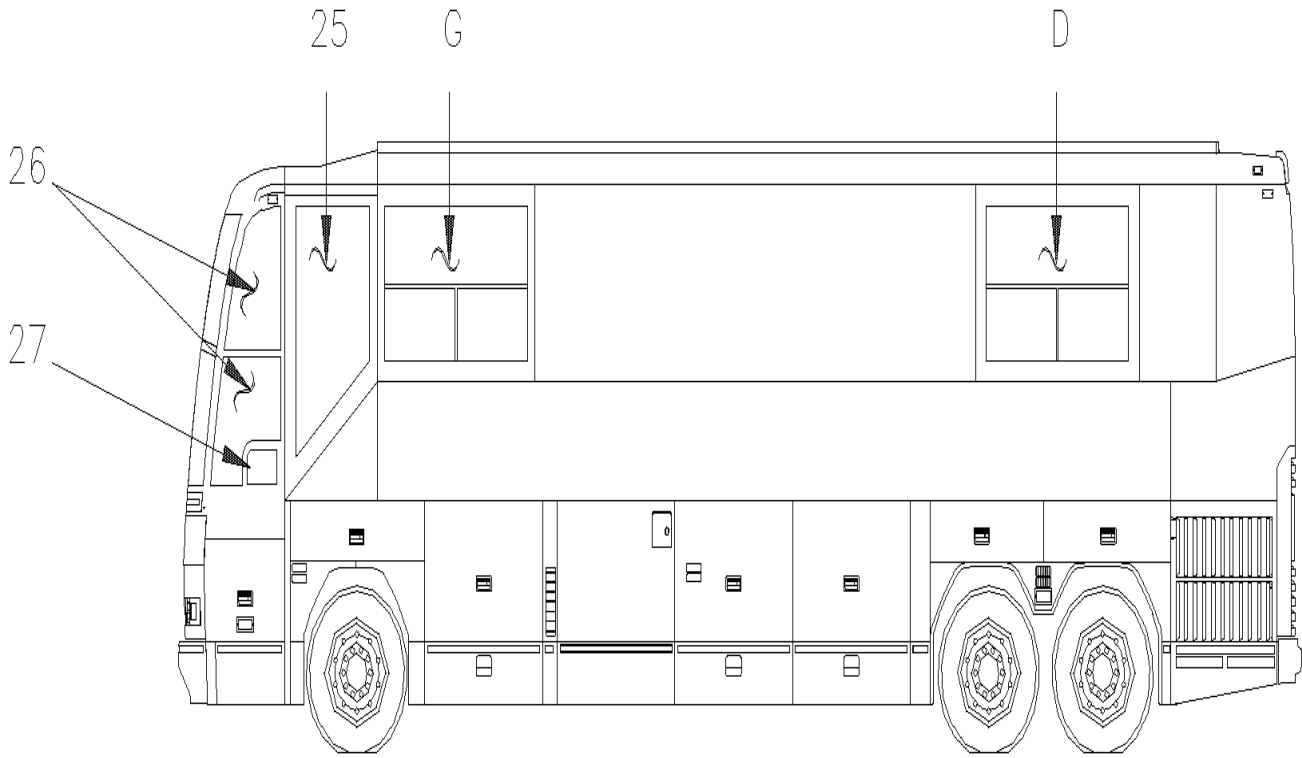
SIDE WINDOW ASSY (AWNING)

Item#	Part	Description	H 3 4 0	V I P 4 0	N O T E S
		B) RELATED TO WINDOW INSTALLATION			
		1) NOT SOLD SEPARATELY			

From L-031 To R-079	Date:07/2024	PAGE:H4-1884-65
SIDE WINDOW ASSY (SLIDING) "PENINSULA"		



From L-031 To R-079	Date:07/2024	PAGE:H4-1884-65
SIDE WINDOW ASSY (SLIDING) "PENINSULA"		



From L-031 To R-079	Date:07/2024	PAGE:H4-1884-65
SIDE WINDOW ASSY (SLIDING) "PENINSULA"		

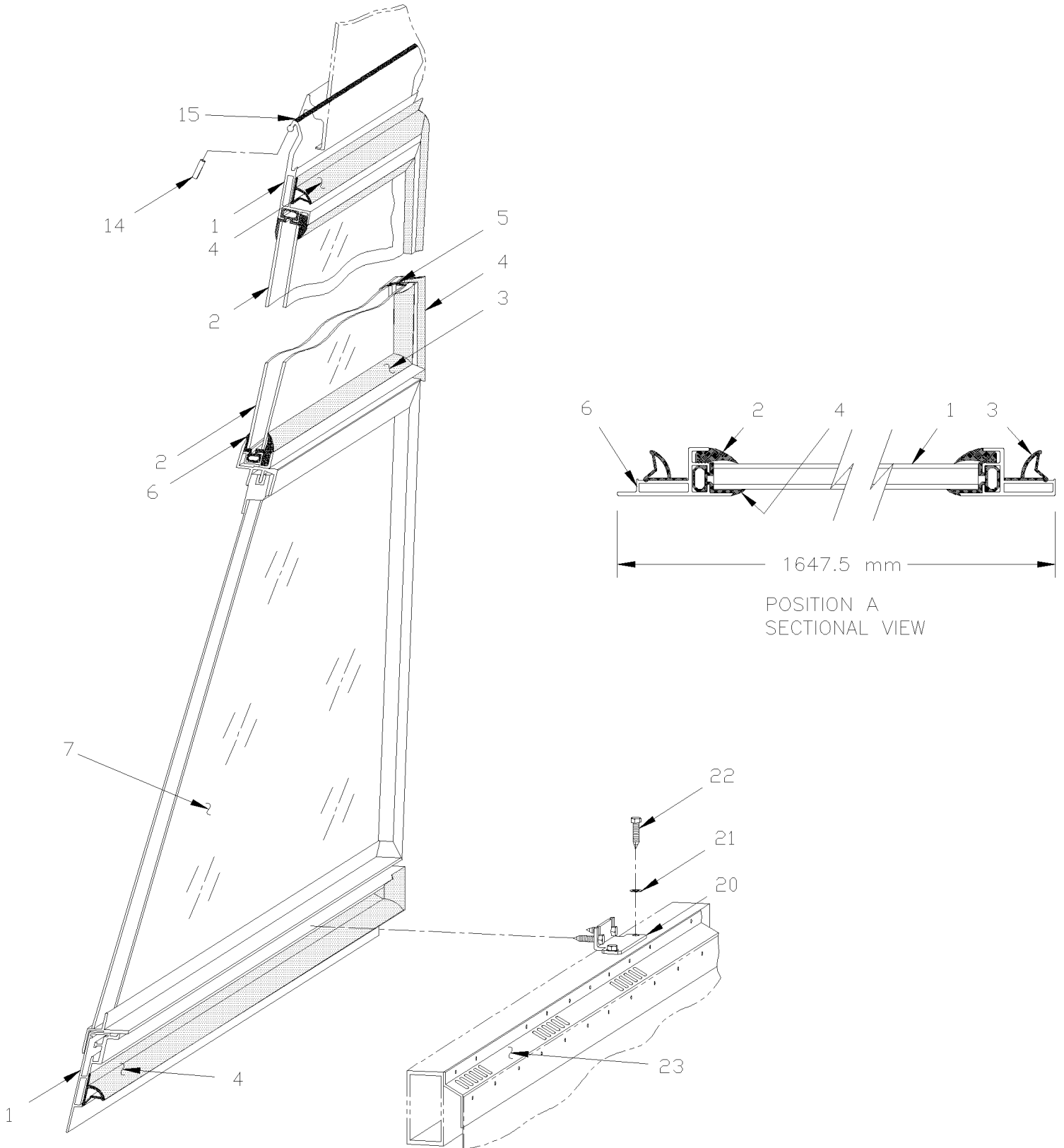
Item#	Part	Description	H 3 4 0	V I P 4 0	N O T E S
25	291977	GLASS THERMOS L.H.		1	
26	H4-1880-00	WINDSHIELD & CHANNEL			
27	H4-1886-00	POWER WINDOW - ELECTRICAL INSTALLATION			
28	H4-1862-50	ENTRANCE DOOR ASSY - V.I.P.			
29	291976	GLASS THERMOS R.H.		1	
A	H4-1884-65A	POSITION "A" From L-031			
B	H4-1884-65B	POSITION "B" From L-031			
C	H4-1884-65C	POSITION "C" From L-031			
D	H4-1884-65D	POSITION "D" From L-031			
E	H4-1884-65E	POSITION "E" From L-031			
F	H4-1884-65F	POSITION "F" From L-031			
G	H4-1884-65G	POSITION "G" From L-031			
H	H4-1884-65H	POSITION "H" From L-031			

From L-031 To R-079

Date:07/2024

PAGE:H4-1884-65A

POSITION "A"



From L-031 To R-079	Date:07/2024	PAGE:H4-1884-65A
POSITION "A"		

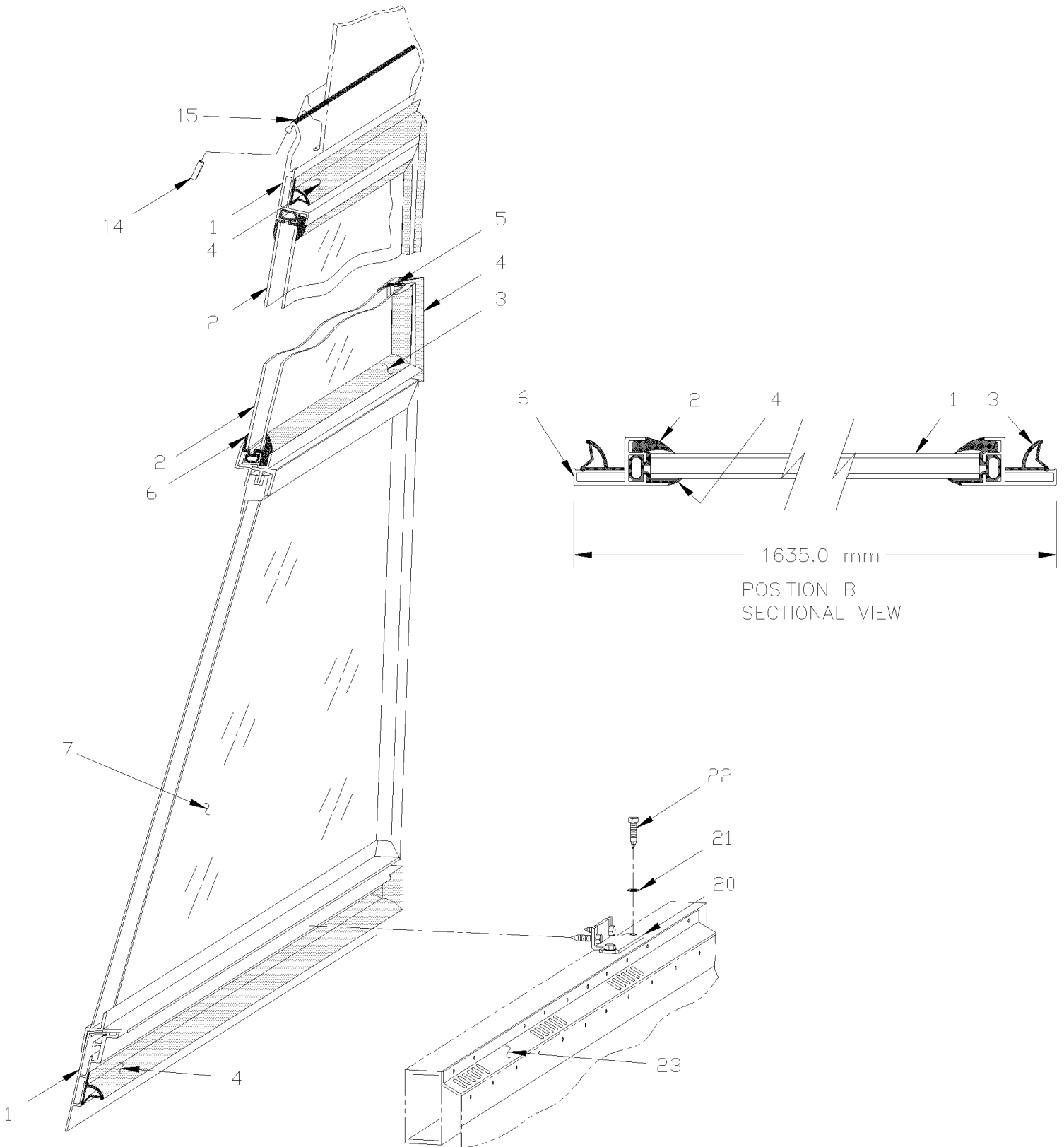
Item#	Part	Description	H 3 4 0	V I P 4 0	N O T E S
	292331	WINDOW ASSY		AR	
1	292298	. FRAME		1	
2	292126	. GLASS, THERMOS UPPER		1	
2	680115	. SEALANT TAPE BUTYL / BLACK / 1/16"x1/2"x50' / 71010W1760		AR	
3	292266	. SEAL, INTERIOR		1	
4	292279	. WINDOW SEAL / 1091MM X 1622MM		1	
5	292336	. EXTERIOR GLASS SEAL 493MM / VERTICAL		2	
6	292340	. EXTERIOR GLASS SEAL 1553MM / HORIZONTAL		2	
7	N.P.N.	WINDOWS PENINSULA - SEE YOUR CONVERTER DEALER			4
NS	292320	PANEL, LOWER		1	A
NS	500638	SCREW TP PAN PH #8x1/2 Z050		14	A
20	292053	SUPPORT / TO FIX WINDOW TO STRUCTURE		2	
21	500923	SCREW TC CAP HEX 1/4-20x3/4 Z050		4	
22	500441	WASHER FL .312x.734x.065 Z050		4	
23	322835	GRILLE SPACER 1660MM		10	
		A) THOSE PARTS ARE FIXED ON WINDOW FOR FACTORY DELIVERED PURPOSE ONLY.			
		4) NO PARTS NUMBER			

From L-031 To R-079

Date:07/2024

PAGE:H4-1884-65B

POSITION "B"



From L-031 To R-079	Date:07/2024	PAGE:H4-1884-65B
POSITION "B"		

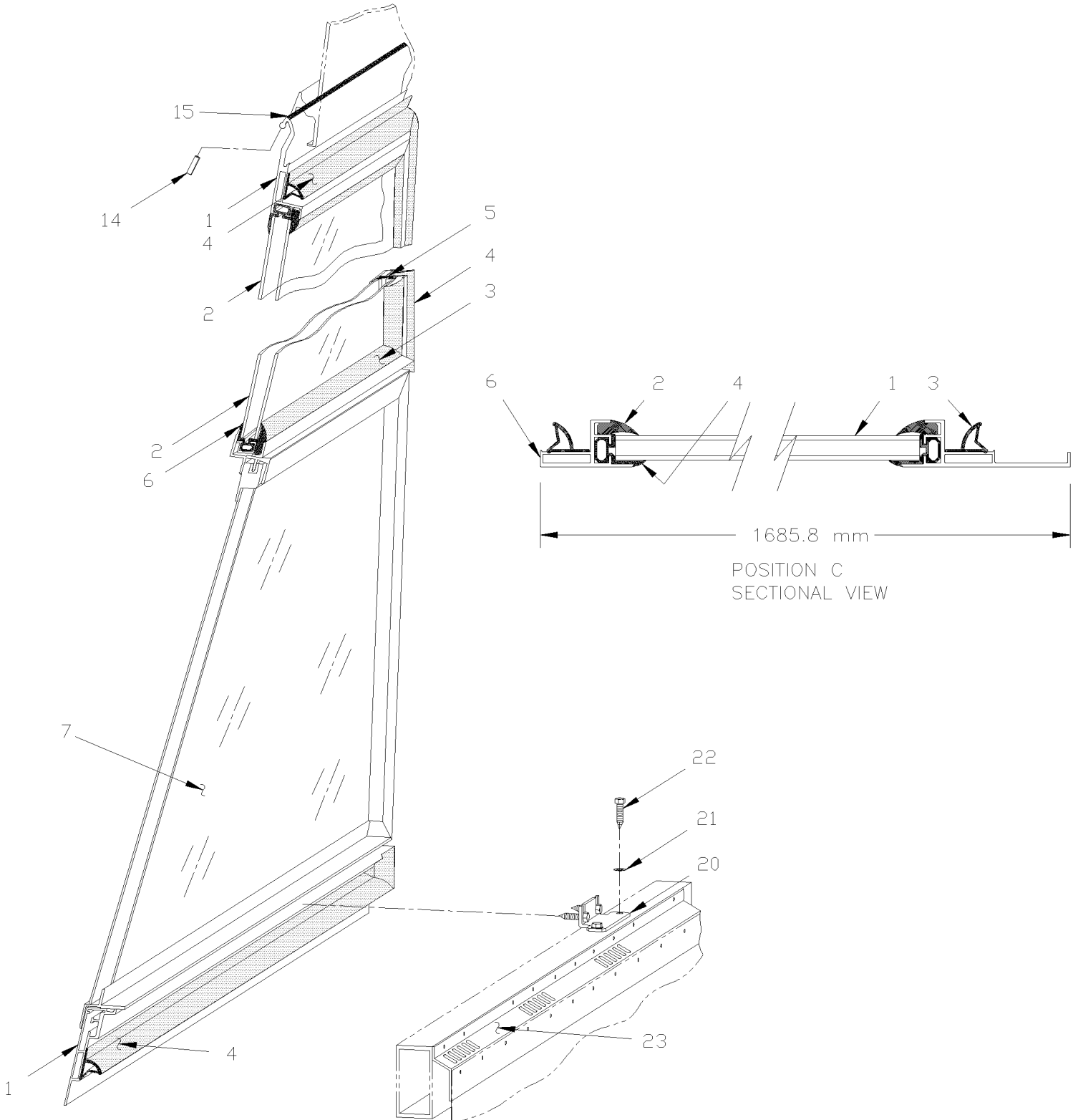
Item#	Part	Description	H 3 4 0	V I P 4 0	N O T E S
	292328	WINDOW ASSY		AR	
1	292295	. FRAME		1	
2	292126	. GLASS, THERMOS UPPER		1	
2	680115	. SEALANT TAPE BUTYL / BLACK / 1/16"x1/2"x50' / 71010W1760		AR	
3	292266	. SEAL, INTERIOR		1	
4	292279	. WINDOW SEAL / 1091MM X 1622MM		1	
5	292336	. EXTERIOR GLASS SEAL 493MM / VERTICAL		2	
6	292340	. EXTERIOR GLASS SEAL 1553MM / HORIZONTAL		2	
7	N.P.N.	WINDOWS PENINSULA - SEE YOUR CONVERTER DEALER			4
NS	292320	PANEL, LOWER		1	A
NS	500638	SCREW TP PAN PH #8x1/2 Z050		14	A
20	292053	SUPPORT / TO FIX WINDOW TO STRUCTURE		2	
21	500923	SCREW TC CAP HEX 1/4-20x3/4 Z050		4	
22	500441	WASHER FL .312x.734x.065 Z050		4	
23	322835	GRILLE SPACER 1660MM		10	
		A) THOSE PARTS ARE FIXED ON WINDOW FOR FACTORY DELIVERED PURPOSE ONLY.			
		4) NO PARTS NUMBER			

From L-031 To R-079

Date:07/2024

PAGE:H4-1884-65C

POSITION "C"



From L-031 To R-079	Date:07/2024	PAGE:H4-1884-65C
POSITION "C"		

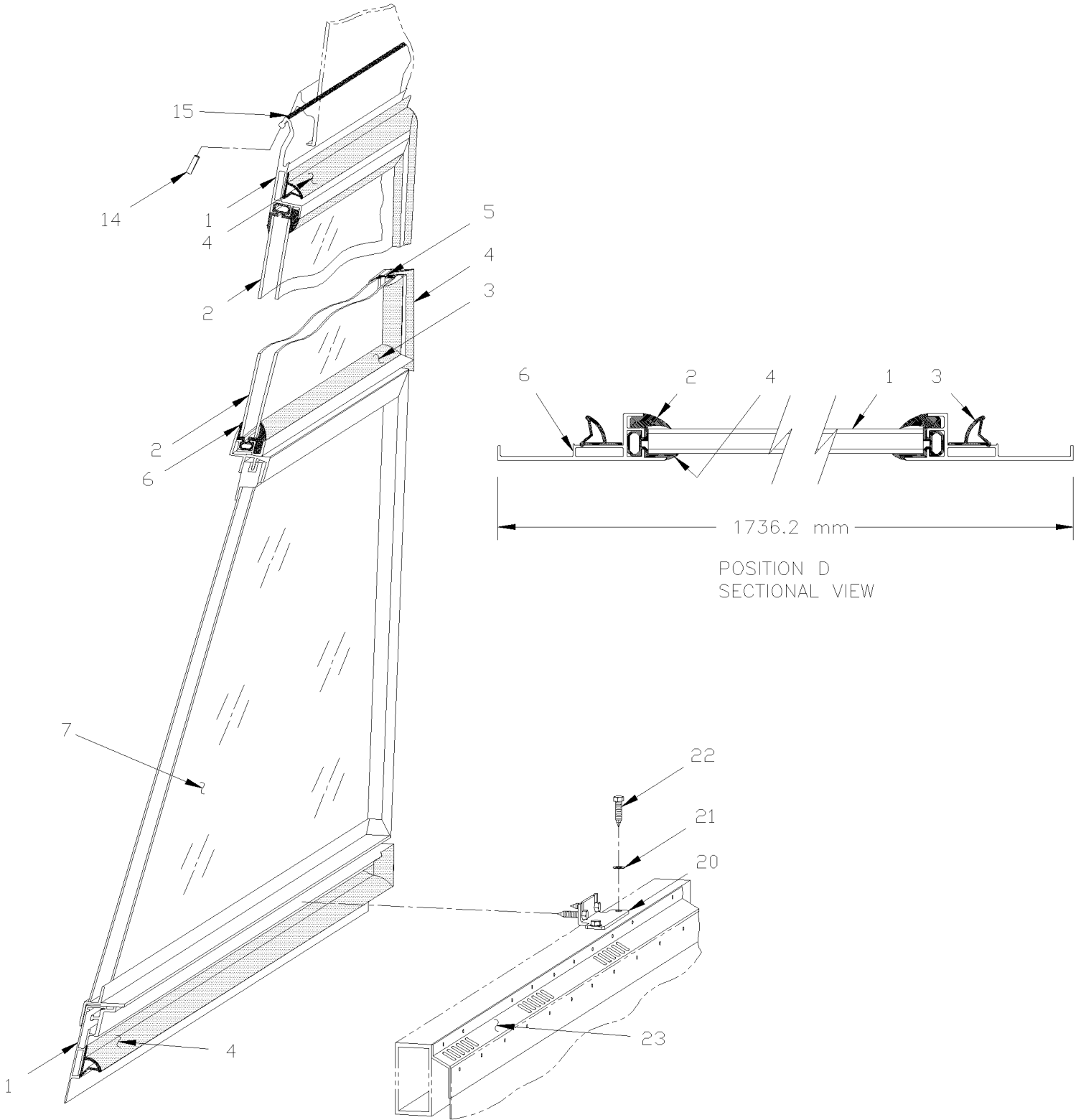
Item#	Part	Description	H 3 4 0	V I P 4 0	N O T E S
	292332	WINDOW ASSY		AR	
1	292321	. FRAME		1	
2	292126	. GLASS, THERMOS UPPER		1	
2	680115	. SEALANT TAPE BUTYL / BLACK / 1/16"x1/2"x50' / 71010W1760		AR	
3	292266	. SEAL, INTERIOR		1	
4	292279	. WINDOW SEAL / 1091MM X 1622MM		1	
5	292336	. EXTERIOR GLASS SEAL 493MM / VERTICAL		2	
6	292340	. EXTERIOR GLASS SEAL 1553MM / HORIZONTAL		2	
7	N.P.N.	WINDOWS PENINSULA - SEE YOUR CONVERTER DEALER			4
NS	292320	PANEL, LOWER		1	A
NS	500638	SCREW TP PAN PH #8x1/2 Z050		14	A
20	292053	SUPPORT / TO FIX WINDOW TO STRUCTURE		2	
21	500923	SCREW TC CAP HEX 1/4-20x3/4 Z050		4	
22	500441	WASHER FL .312x.734x.065 Z050		4	
23	322835	GRILLE SPACER 1660MM		10	
		A) THOSE PARTS ARE FIXED ON WINDOW FOR FACTORY DELIVERED PURPOSE ONLY.			
		4) NO PARTS NUMBER			

From L-031 To R-079

Date:07/2024

PAGE:H4-1884-65D

POSITION "D"



From L-031 To R-079	Date:07/2024	PAGE:H4-1884-65D
POSITION "D"		

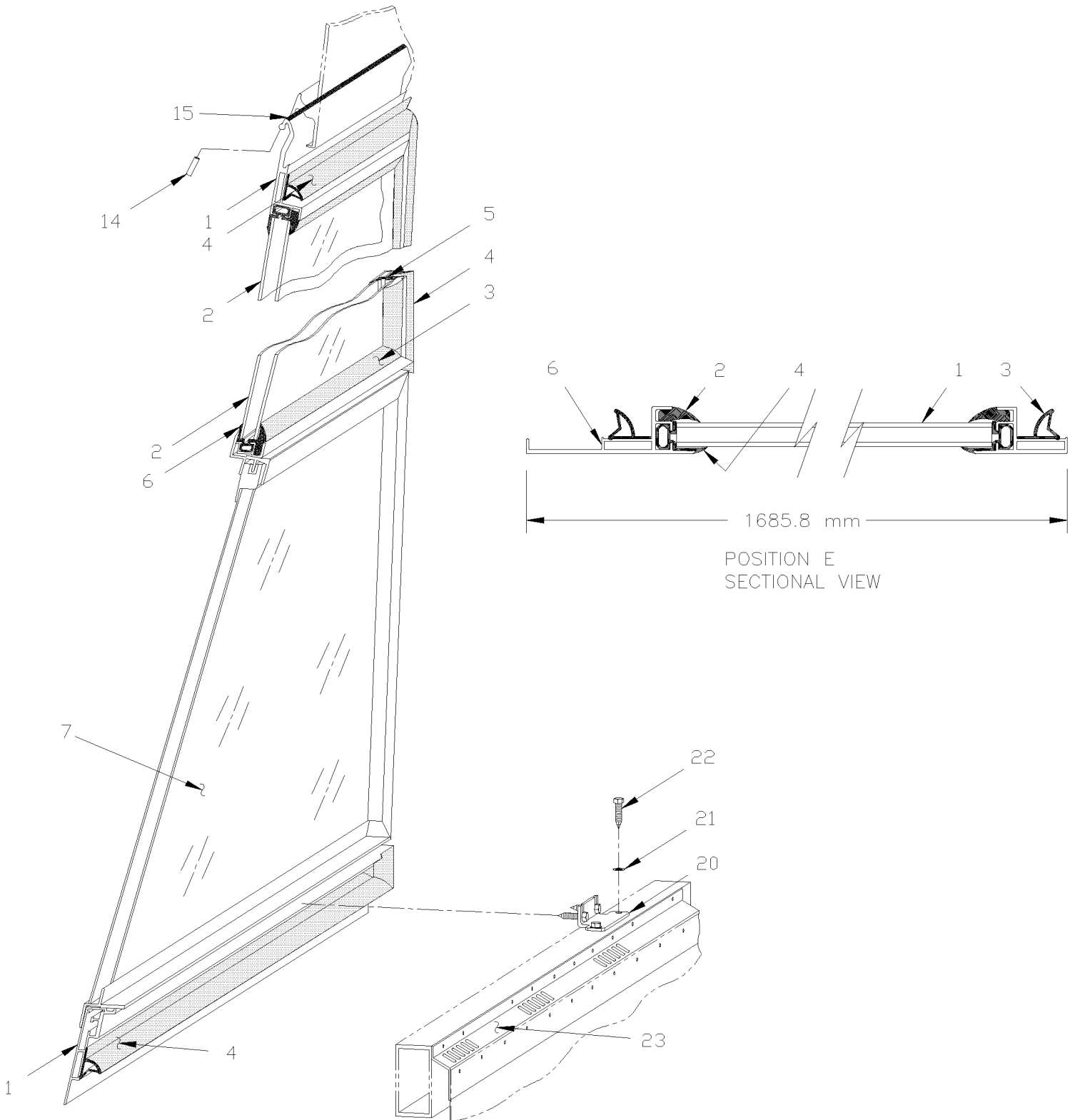
Item#	Part	Description	H 3 4 0	V I P 4 0	N O T E S
	292330	WINDOW ASSY		AR	
1	292297	. FRAME		1	
2	292126	. GLASS, THERMOS UPPER		1	
2	680115	. SEALANT TAPE BUTYL / BLACK / 1/16"x1/2"x50' / 71010W1760		AR	
3	292266	. SEAL, INTERIOR		1	
4	292279	. WINDOW SEAL / 1091MM X 1622MM		1	
5	292336	. EXTERIOR GLASS SEAL 493MM / VERTICAL		2	
6	292340	. EXTERIOR GLASS SEAL 1553MM / HORIZONTAL		2	
7	N.P.N.	WINDOWS PENINSULA - SEE YOUR CONVERTER DEALER			4
NS	292320	PANEL, LOWER		1	A
NS	500638	SCREW TP PAN PH #8x1/2 Z050		14	A
20	292053	SUPPORT / TO FIX WINDOW TO STRUCTURE		2	
21	500923	SCREW TC CAP HEX 1/4-20x3/4 Z050		4	
22	500441	WASHER FL .312x.734x.065 Z050		4	
23	322835	GRILLE SPACER 1660MM		10	
		A) THOSE PARTS ARE FIXED ON WINDOW FOR FACTORY DELIVERED PURPOSE ONLY.			
		4) NO PARTS NUMBER			

From L-031 To R-079

Date:07/2024

PAGE:H4-1884-65E

POSITION "E"



From L-031 To R-079	Date:07/2024	PAGE:H4-1884-65E
POSITION "E"		

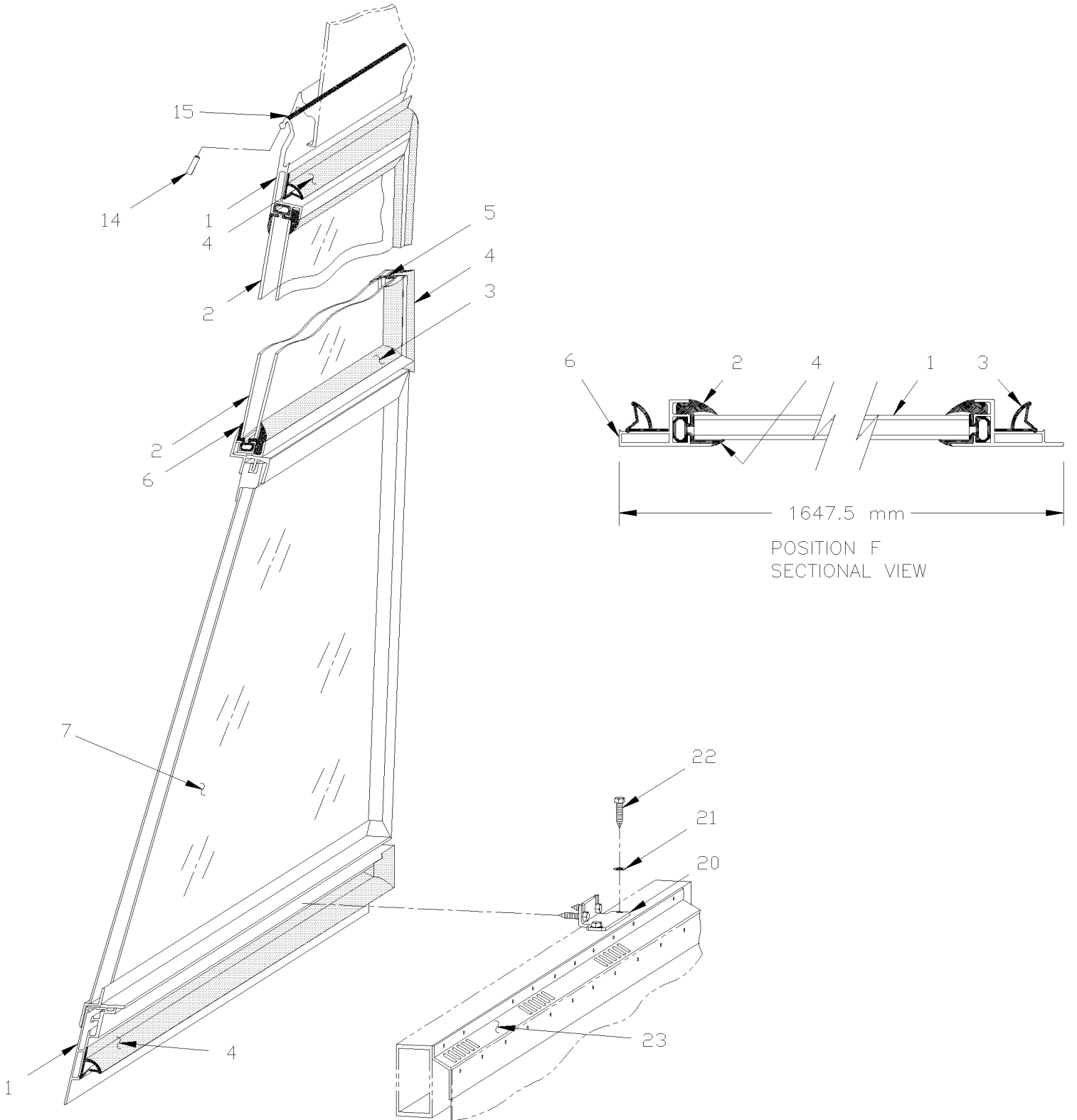
Item#	Part	Description	H 3 4 0	V I P 4 0	N O T E S
	292329	WINDOW ASSY		AR	
1	292296	. FRAME		1	
2	292126	. GLASS, THERMOS UPPER		1	
2	680115	. SEALANT TAPE BUTYL / BLACK / 1/16"x1/2"x50' / 71010W1760		AR	
3	292266	. SEAL, INTERIOR		1	
4	292279	. WINDOW SEAL / 1091MM X 1622MM		1	
5	292336	. EXTERIOR GLASS SEAL 493MM / VERTICAL		2	
6	292340	. EXTERIOR GLASS SEAL 1553MM / HORIZONTAL		2	
7	N.P.N.	WINDOWS PENINSULA - SEE YOUR CONVERTER DEALER			4
NS	292320	PANEL, LOWER		1	A
NS	500638	SCREW TP PAN PH #8x1/2 Z050		14	A
20	292053	SUPPORT / TO FIX WINDOW TO STRUCTURE		2	
21	500923	SCREW TC CAP HEX 1/4-20x3/4 Z050		4	
22	500441	WASHER FL .312x.734x.065 Z050		4	
23	322835	GRILLE SPACER 1660MM		10	
		A) THOSE PARTS ARE FIXED ON WINDOW FOR FACTORY DELIVERED PURPOSE ONLY.			
		4) NO PARTS NUMBER			

From L-031 To R-079

Date:07/2024

PAGE:H4-1884-65F

POSITION "F"



From L-031 To R-079	Date:07/2024	PAGE:H4-1884-65F
POSITION "F"		

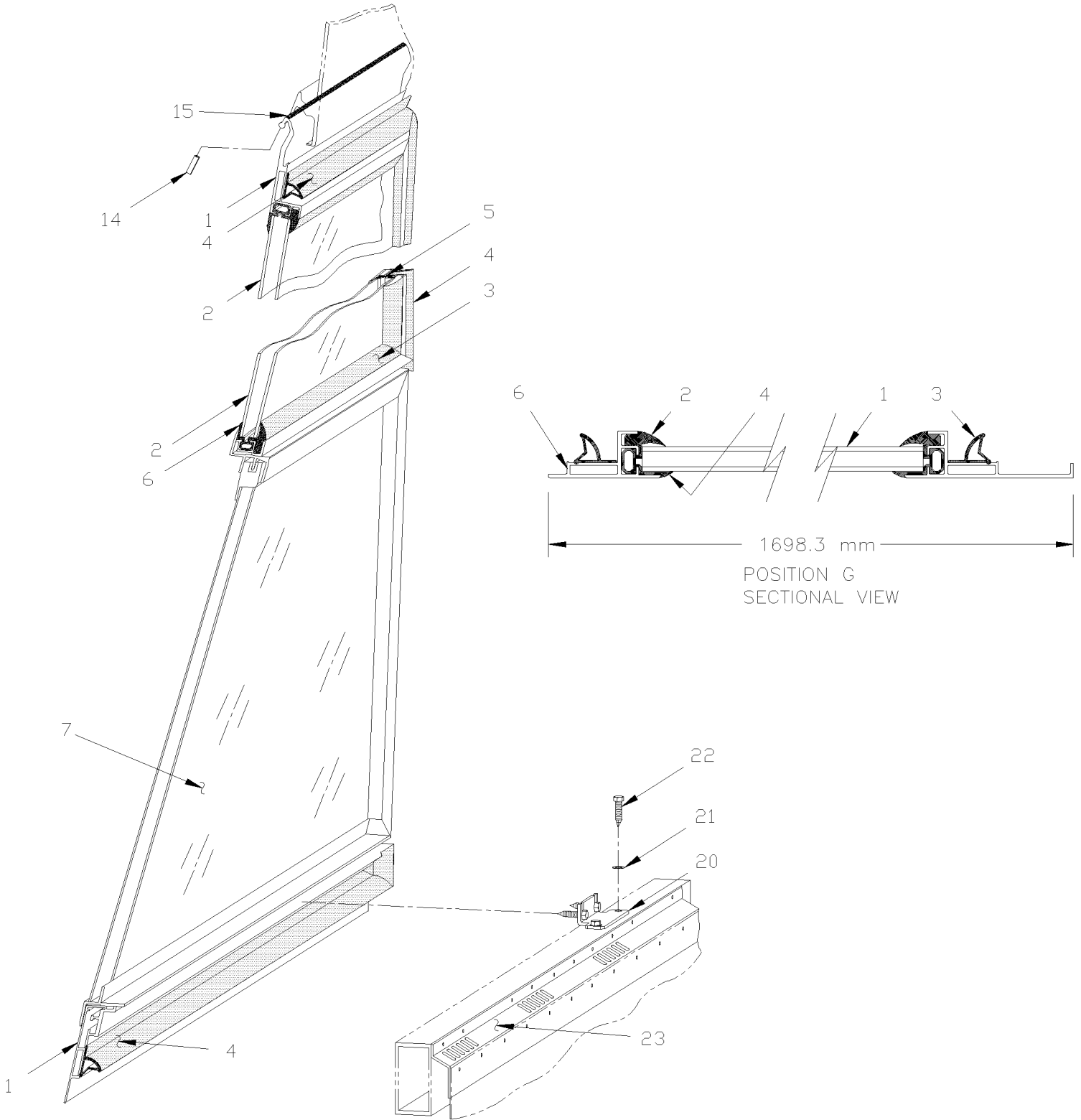
Item#	Part	Description	H 3 4 0	V I P 4 0	N O T E S
	292327	WINDOW ASSY		AR	
1	292294	. FRAME		1	
2	292126	. GLASS, THERMOS UPPER		1	
2	680115	. SEALANT TAPE BUTYL / BLACK / 1/16"x1/2"x50' / 71010W1760		AR	
3	292266	. SEAL, INTERIOR		1	
4	292279	. WINDOW SEAL / 1091MM X 1622MM		1	
5	292336	. EXTERIOR GLASS SEAL 493MM / VERTICAL		2	
6	292340	. EXTERIOR GLASS SEAL 1553MM / HORIZONTAL		2	
7	N.P.N.	WINDOWS PENINSULA - SEE YOUR CONVERTER DEALER			4
NS	292320	PANEL, LOWER		1	A
NS	500638	SCREW TP PAN PH #8x1/2 Z050		14	A
20	292053	SUPPORT / TO FIX WINDOW TO STRUCTURE		2	
21	500923	SCREW TC CAP HEX 1/4-20x3/4 Z050		4	
22	500441	WASHER FL .312x.734x.065 Z050		4	
23	322835	GRILLE SPACER 1660MM		10	
		A) THOSE PARTS ARE FIXED ON WINDOW FOR FACTORY DELIVERED PURPOSE ONLY.			
		4) NO PARTS NUMBER			

From L-031 To R-079

Date:07/2024

PAGE:H4-1884-65G

POSITION "G"



From L-031 To R-079	Date:07/2024	PAGE:H4-1884-65G
POSITION "G"		

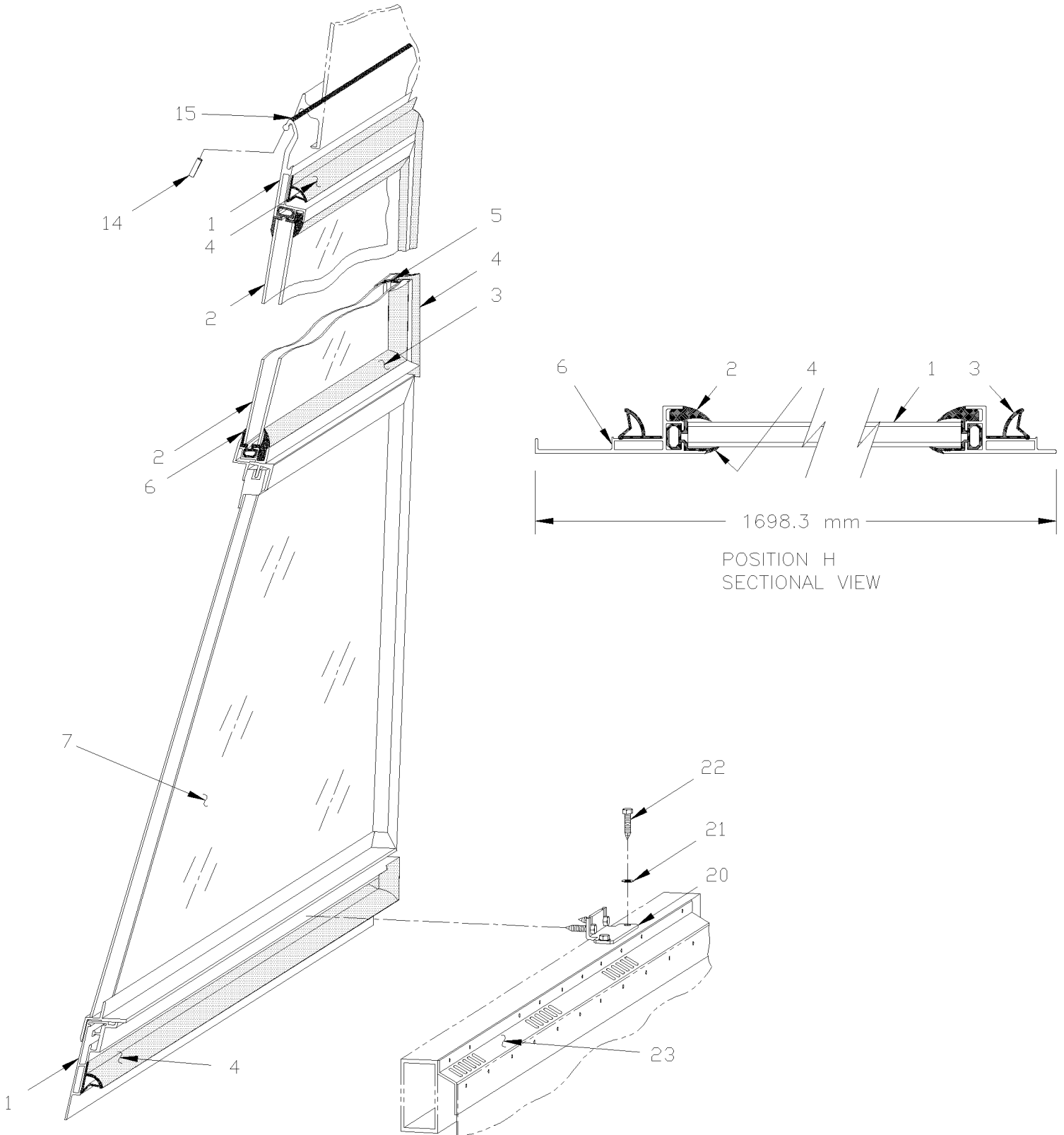
Item#	Part	Description	H 3 4 0	V I P 4 0	N O T E S
	292334	WINDOW ASSY		AR	
1	292301	. FRAME		1	
2	292126	. GLASS, THERMOS UPPER		1	
2	680115	. SEALANT TAPE BUTYL / BLACK / 1/16"x1/2"x50' / 71010W1760		AR	
3	292266	. SEAL, INTERIOR		1	
4	292279	. WINDOW SEAL / 1091MM X 1622MM		1	
5	292336	. EXTERIOR GLASS SEAL 493MM / VERTICAL		2	
6	292340	. EXTERIOR GLASS SEAL 1553MM / HORIZONTAL		2	
7	N.P.N.	WINDOWS PENINSULA - SEE YOUR CONVERTER DEALER			4
NS	292320	PANEL, LOWER		1	A
NS	500638	SCREW TP PAN PH #8x1/2 Z050		14	A
20	292053	SUPPORT / TO FIX WINDOW TO STRUCTURE		2	
21	500923	SCREW TC CAP HEX 1/4-20x3/4 Z050		4	
22	500441	WASHER FL .312x.734x.065 Z050		4	
23	322835	GRILLE SPACER 1660MM		10	
		A) THOSE PARTS ARE FIXED ON WINDOW FOR FACTORY DELIVERED PURPOSE ONLY.			
		4) NO PARTS NUMBER			

From L-031 To R-079

Date:07/2024

PAGE:H4-1884-65H

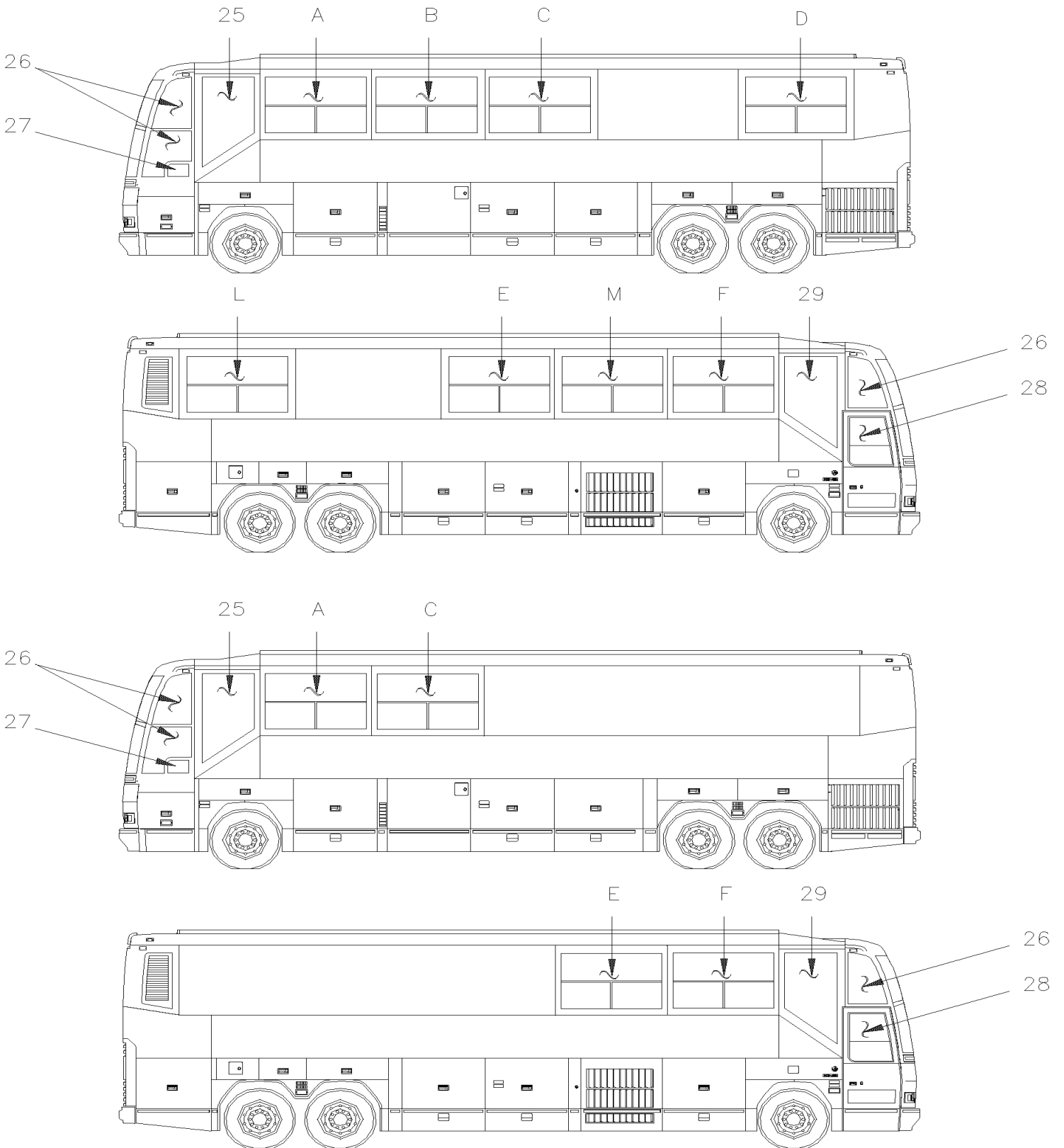
POSITION "H"



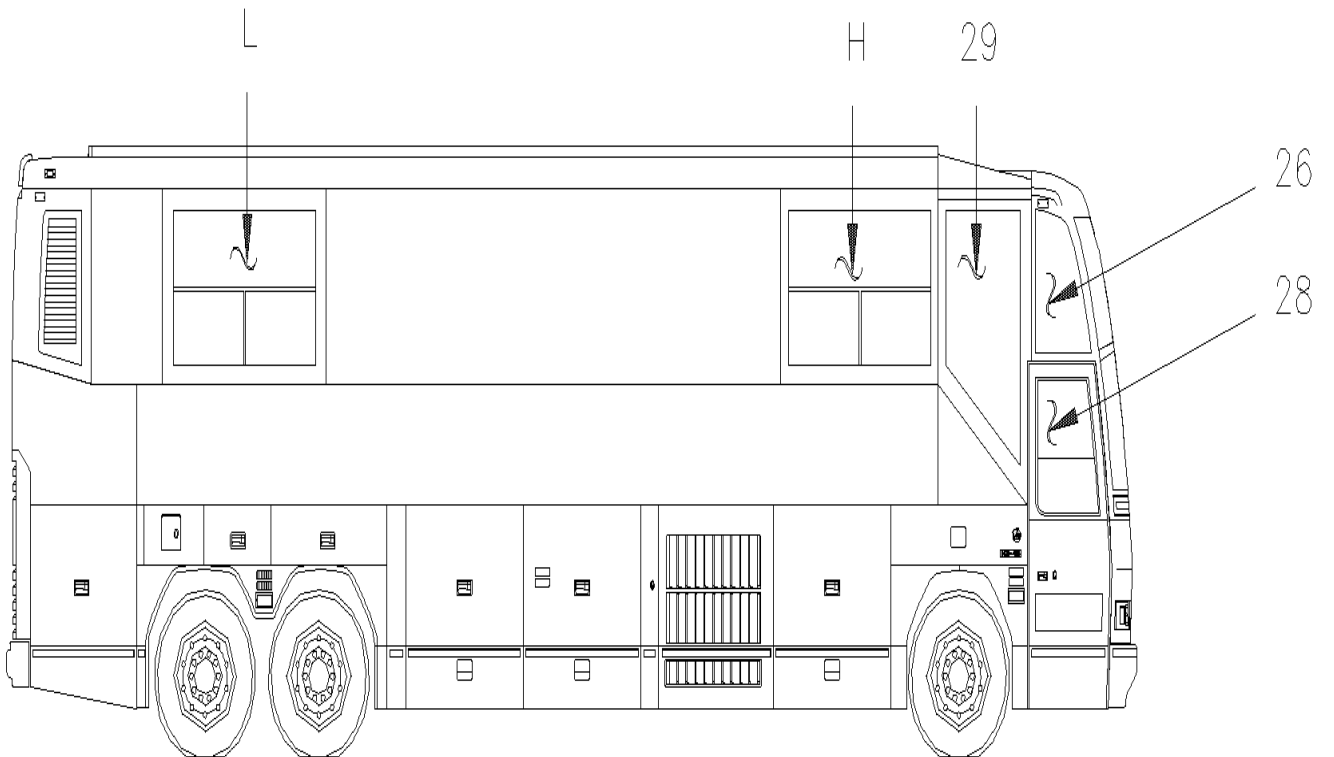
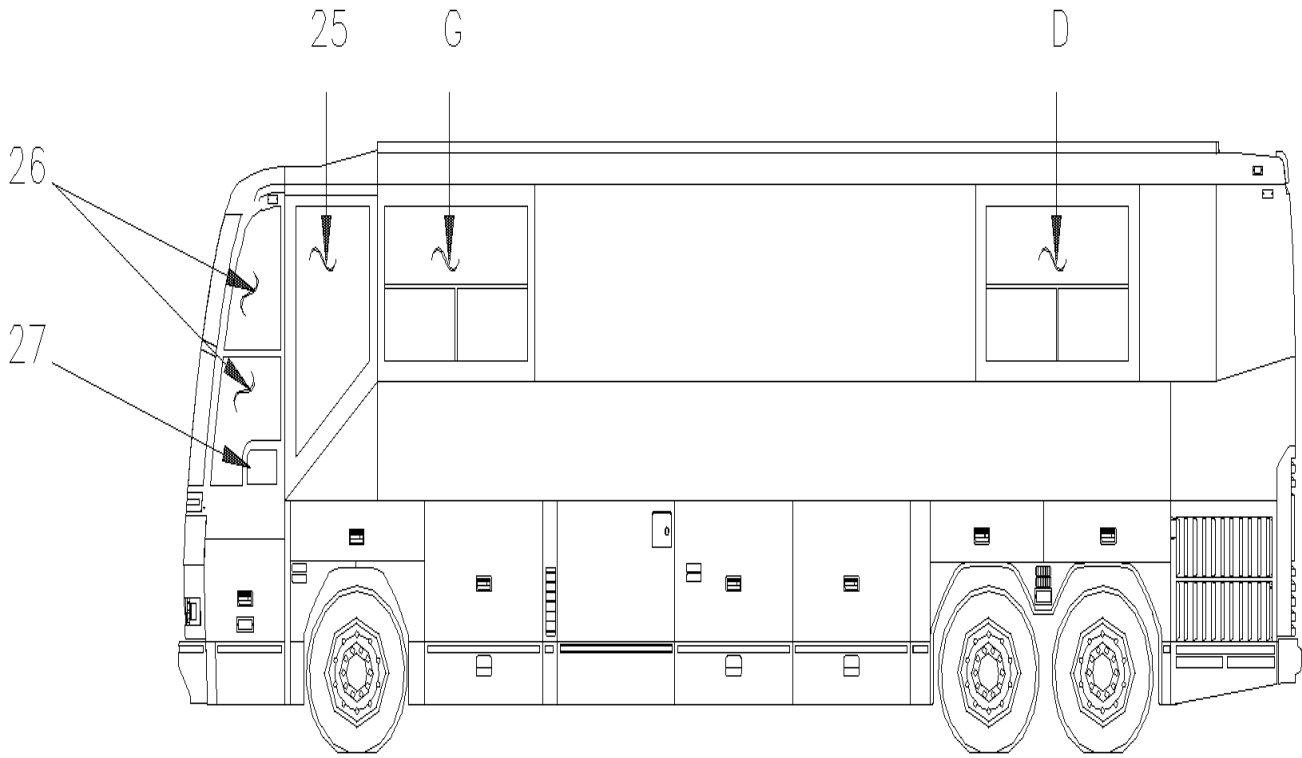
From L-031 To R-079	Date:07/2024	PAGE:H4-1884-65H
POSITION "H"		

Item#	Part	Description	H 3 4 0	V I P 4 0	N O T E S
	292333	WINDOW ASSY		AR	
1	292300	. FRAME		1	
2	292126	. GLASS, THERMOS UPPER		1	
2	680115	. SEALANT TAPE BUTYL / BLACK / 1/16"x1/2"x50' / 71010W1760		AR	
3	292266	. SEAL, INTERIOR		1	
4	292279	. WINDOW SEAL / 1091MM X 1622MM		1	
5	292336	. EXTERIOR GLASS SEAL 493MM / VERTICAL		2	
6	292340	. EXTERIOR GLASS SEAL 1553MM / HORIZONTAL		2	
7	N.P.N.	WINDOWS PENINSULA - SEE YOUR CONVERTER DEALER			4
NS	292320	PANEL, LOWER		1	A
NS	500638	SCREW TP PAN PH #8x1/2 Z050		14	A
20	292053	SUPPORT / TO FIX WINDOW TO STRUCTURE		2	
21	500923	SCREW TC CAP HEX 1/4-20x3/4 Z050		4	
22	500441	WASHER FL .312x.734x.065 Z050		4	
23	322835	GRILLE SPACER 1660MM		10	
		A) THOSE PARTS ARE FIXED ON WINDOW FOR FACTORY DELIVERED PURPOSE ONLY.			
		4) NO PARTS NUMBER			

From L-031 To R-079	Date:07/2024	PAGE:H4-1884-70
SIDE WINDOW ASSY (SLIDING) "PREVOST"		



From L-031 To R-079	Date:07/2024	PAGE:H4-1884-70
SIDE WINDOW ASSY (SLIDING) "PREVOST"		



From L-031 To R-079	Date:07/2024	PAGE:H4-1884-70
SIDE WINDOW ASSY (SLIDING) "PREVOST"		

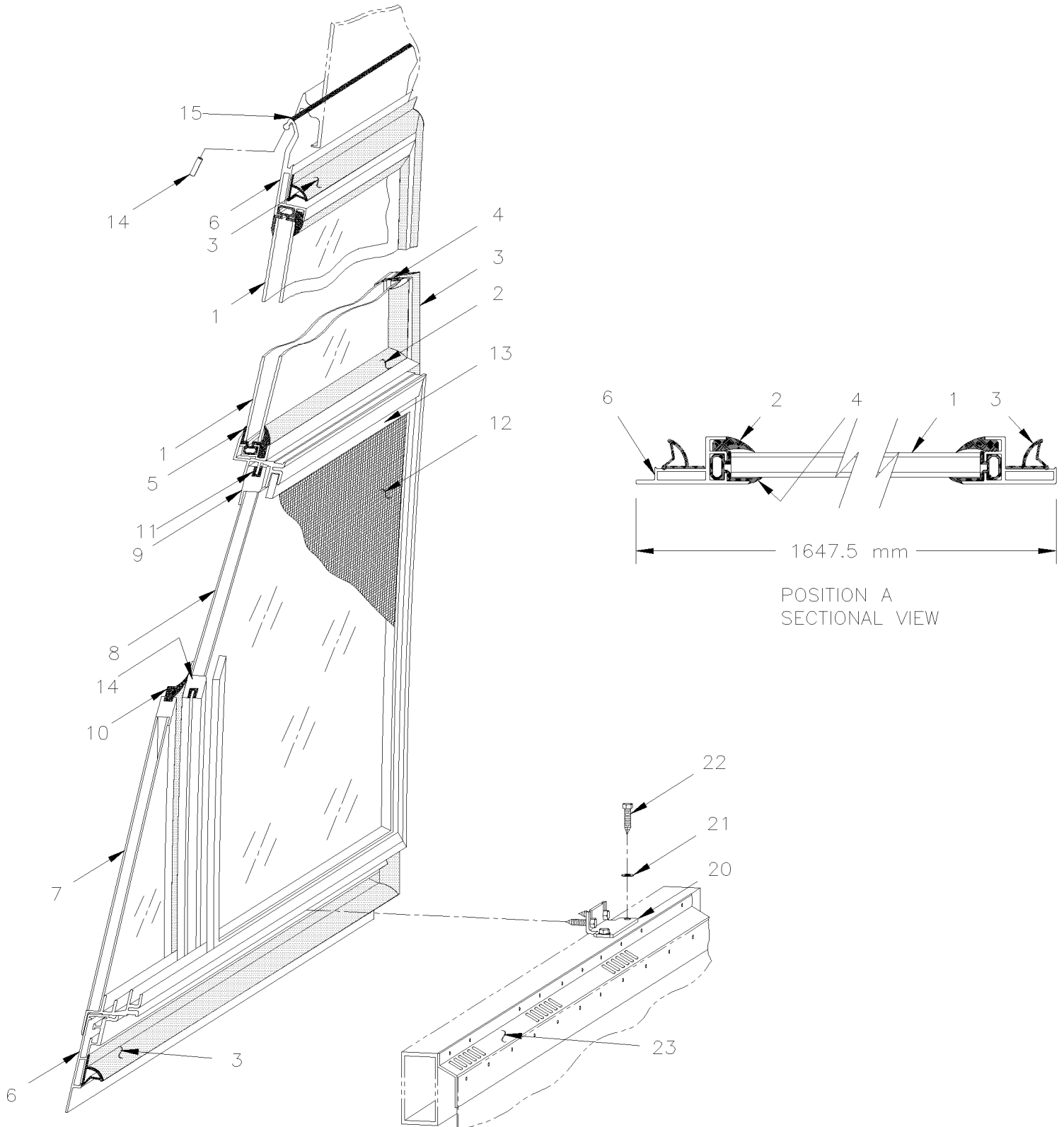
Item#	Part	Description	H 3 4 0	V I P 4 0	N O T E S
25	291977	GLASS THERMOS L.H.		1	
26	H4-1880-00	WINDSHIELD & CHANNEL			
27	H4-1886-00	POWER WINDOW - ELECTRICAL INSTALLATION			
28	H4-1862-50	ENTRANCE DOOR ASSY - V.I.P.			
29	291976	GLASS THERMOS R.H.		1	
30	292624	MOULDING 1182MM X 18MM		AR	A
A	H4-1884-70A	POSITION "A" From L-031			
B	H4-1884-70B	POSITION "B" From L-031			
C	H4-1884-70C	POSITION "C" From L-031			
D	H4-1884-70D	POSITION "D" From L-031			
E	H4-1884-70E	POSITION "E" From L-031			
F	H4-1884-70F	POSITION "F" From L-031			
G	H4-1884-70G	POSITION "G" From L-031			
H	H4-1884-70H	POSITION "H" From L-031			
L	H4-1884-70L	POSITION "L" From L-031			
M	H4-1884-70M	POSITION "M" From L-031			
		A) BETWEEN WINDOWS			

From L-031 To R-079

Date:07/2024

PAGE:H4-1884-70A

POSITION "A"



From L-031 To R-079	Date:07/2024	PAGE:H4-1884-70A
POSITION "A"		

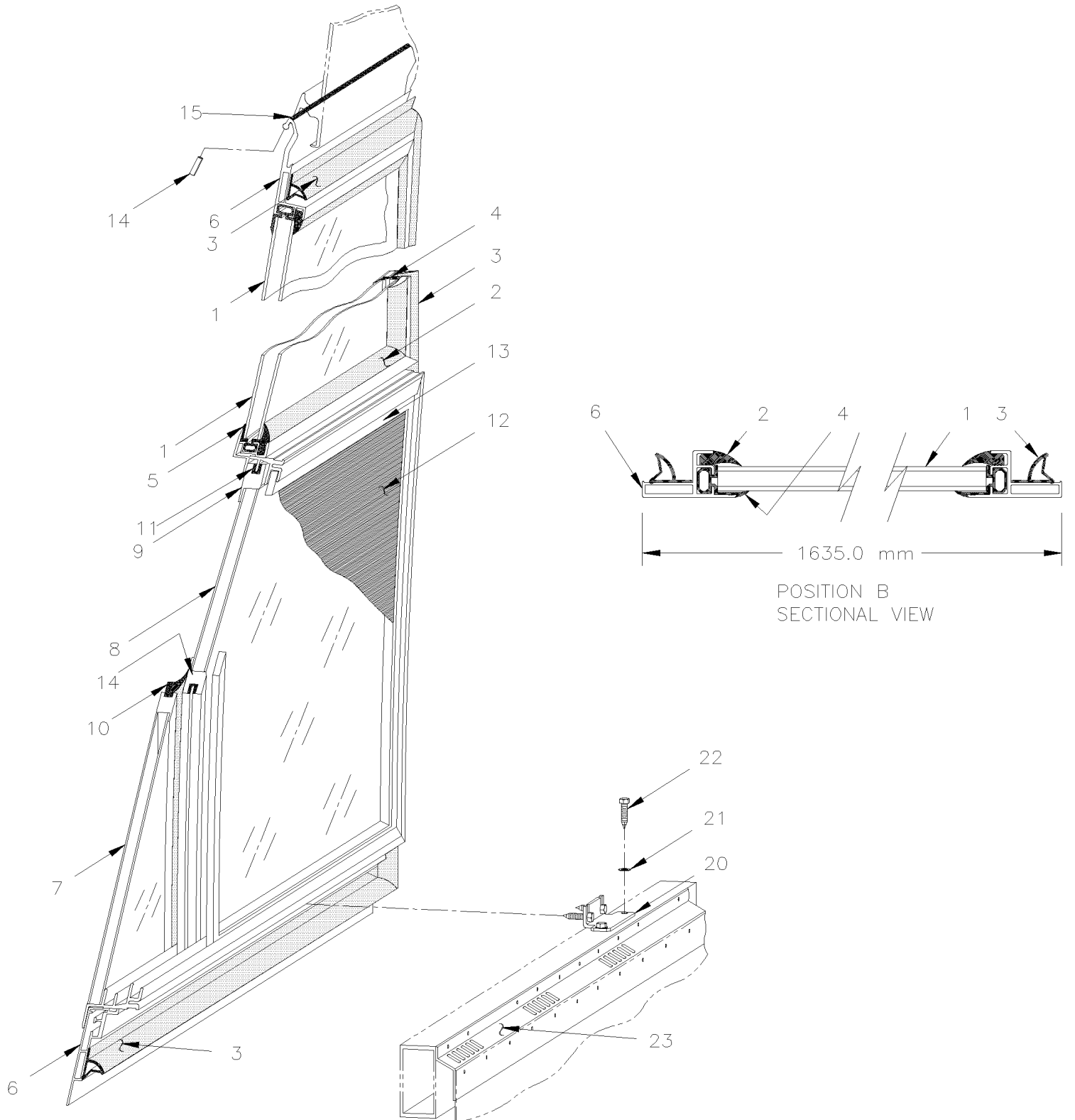
Item#	Part	Description	H 3 4 0	V I P 4 0	N O T E S
	292374P	WINDOW ASSY		1	
1	292126	. GLASS, THERMOS UPPER		1	
1	680115	. SEALANT TAPE BUTYL / BLACK / 1/16"x1/2"x50' / 71010W1760		AR	
2	292266	. SEAL, INTERIOR		1	
3	292279	. WINDOW SEAL / 1091MM X 1622MM		1	
4	292336	. EXTERIOR GLASS SEAL 493MM / VERTICAL		2	
5	292340	. EXTERIOR GLASS SEAL 1553MM / HORIZONTAL		2	
6	292369	. WINDOW SUBASSY		1	
7	790410	. . GLASS FIXED		1	
8	790409	. . GLASS, SLIDING		1	
. NS	790464	. . . KNOB		1	
9	681092	. . ADHESIVE SIKA #255FC / BLACK / 310ml CARTRIDGE		AR	
10	790329	. . RUBBER FLAP SEAL		1	
11	790365	. . SEAT, SLIDING		1	
12	790411	. . SCREEN		1	
13	790321	. . . CLIP, RETAINER / PLASTIC		2	
14	790424	. . SEAL, SCHLEGEL VERTICAL		AR	
15	506071	. TAPE RUB ADH1 CC POL 1/8" x 1/2" x 50' / GREY 2520X		AR	
20	292053	SUPPORT / TO FIX WINDOW TO STRUCTURE		2	
21	500923	SCREW TC CAP HEX 1/4-20x3/4 Z050		4	
22	500441	WASHER FL .312x.734x.065 Z050		1	
23	322835	GRILLE SPACER 1660MM		10	

From L-031 To R-079

Date:07/2024

PAGE:H4-1884-70B

POSITION "B"



From L-031 To R-079	Date:07/2024	PAGE:H4-1884-70B
POSITION "B"		

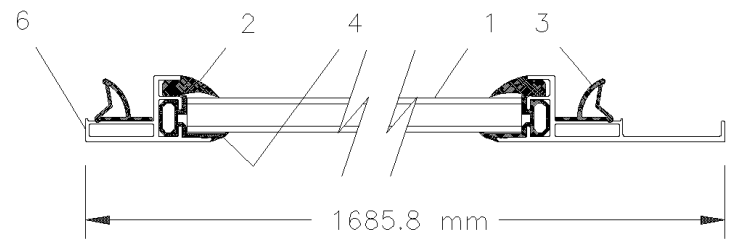
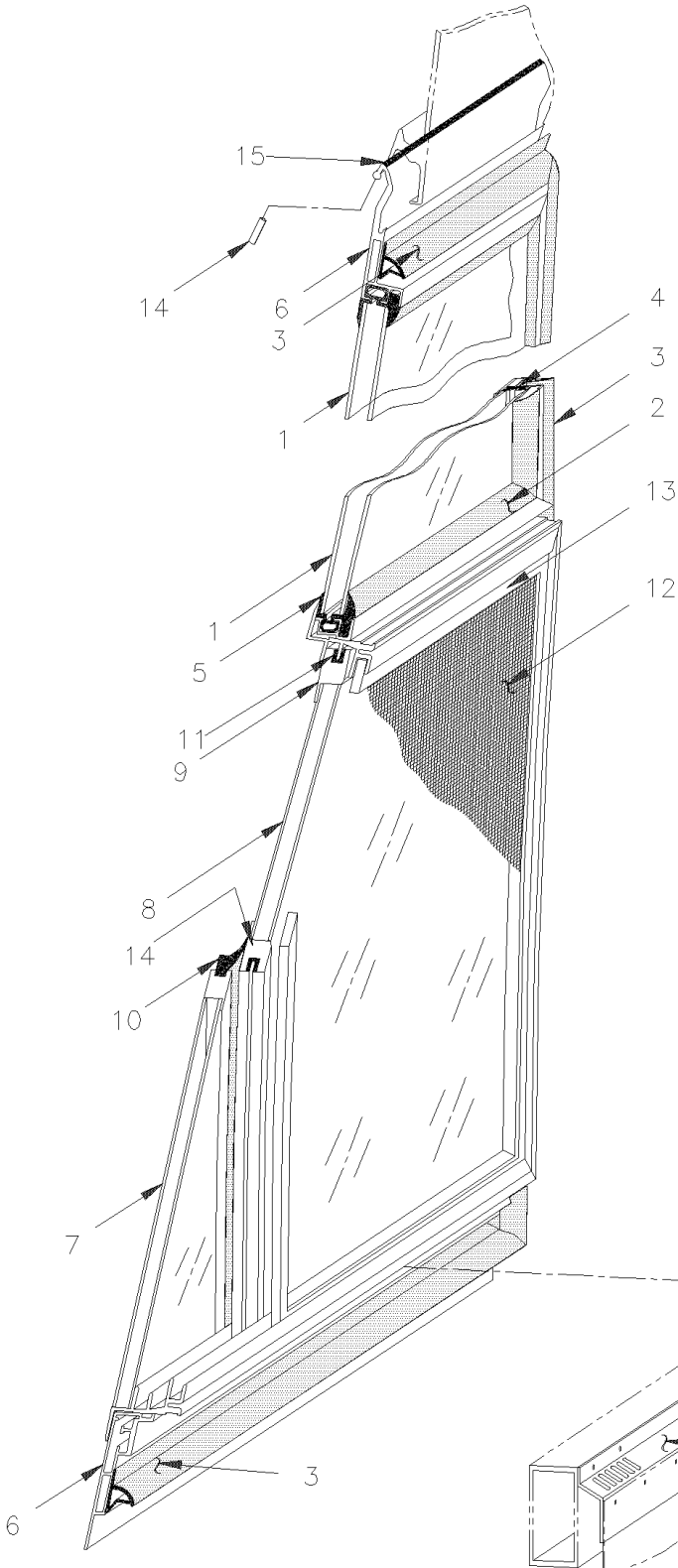
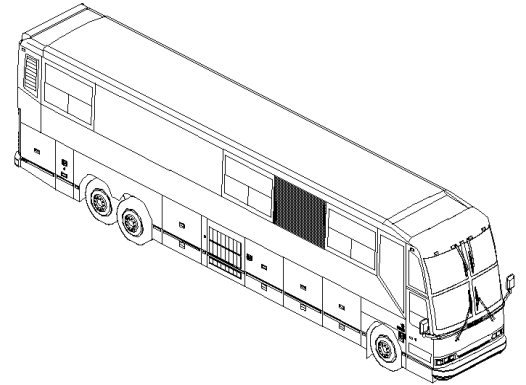
Item#	Part	Description	H 3 4 0	V I P 4 0	N O T E S
	292377P	WINDOW ASSY		1	
1	292126	. GLASS, THERMOS UPPER		1	
1	680115	. SEALANT TAPE BUTYL / BLACK / 1/16"x1/2"x50' / 71010W1760		AR	
2	292266	. SEAL, INTERIOR		1	
3	292279	. WINDOW SEAL / 1091MM X 1622MM		1	
4	292336	. EXTERIOR GLASS SEAL 493MM / VERTICAL		2	
5	292340	. EXTERIOR GLASS SEAL 1553MM / HORIZONTAL		2	
6	292372	. WINDOW SUBASSY		1	
7	790410	. . GLASS FIXED		1	
8	790409	. . GLASS, SLIDING		1	
. NS	790464	. . . KNOB		1	
9	681092	. . ADHESIVE SIKA #255FC / BLACK / 310ml CARTRIDGE		AR	
10	790329	. . RUBBER FLAP SEAL		1	
11	790365	. . SEAT, SLIDING		1	
12	790411	. . SCREEN		1	
13	790321	. . . CLIP, RETAINER / PLASTIC		2	
14	790424	. . SEAL, SCHLEGEL VERTICAL		AR	
15	506071	. TAPE RUB ADH1 CC POL 1/8" x 1/2" x 50' / GREY 2520X		AR	
20	292053	SUPPORT / TO FIX WINDOW TO STRUCTURE		2	
21	500923	SCREW TC CAP HEX 1/4-20x3/4 Z050		4	
22	500441	WASHER FL .312x.734x.065 Z050		1	
23	322835	GRILLE SPACER 1660MM		10	

From L-031 To R-079

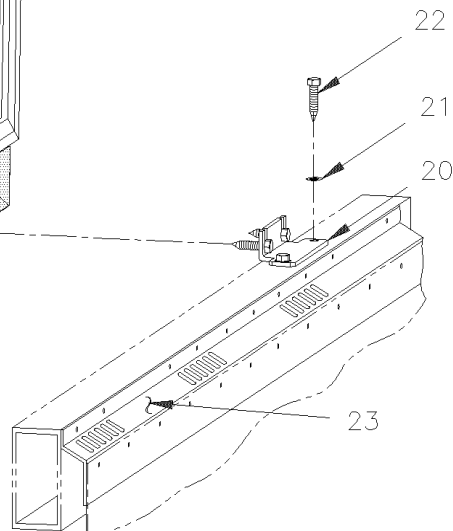
Date:07/2024

PAGE:H4-1884-70C

POSITION "C"



POSITION C
SECTIONAL VIEW



From L-031 To R-079	Date:07/2024	PAGE:H4-1884-70C
POSITION "C"		

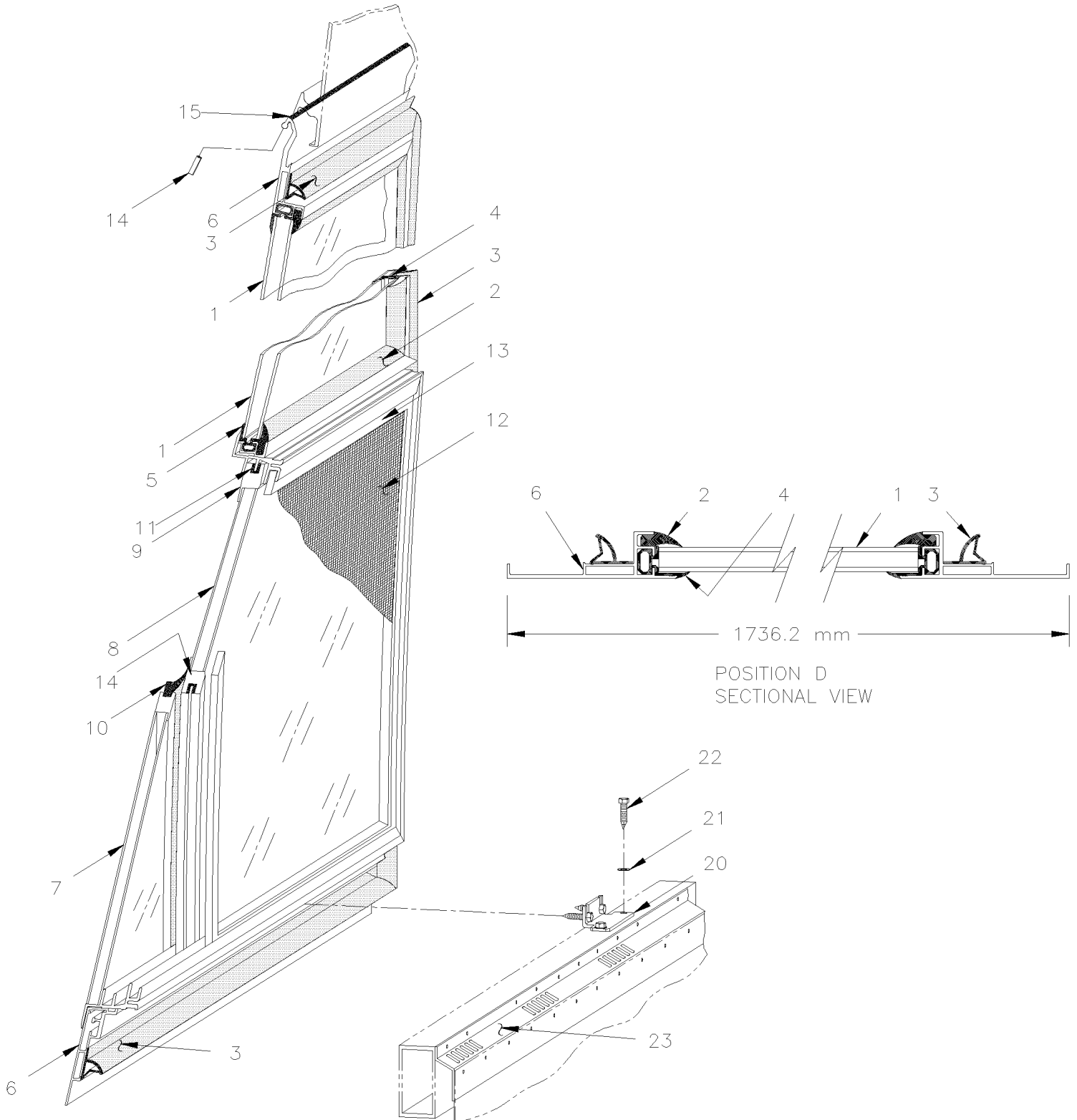
Item#	Part	Description	H 3 4 0	V I P 4 0	N O T E S
	292375P	WINDOW ASSY		1	
1	292126	. GLASS, THERMOS UPPER		1	
1	680115	. SEALANT TAPE BUTYL / BLACK / 1/16"x1/2"x50' / 71010W1760		AR	
2	292266	. SEAL, INTERIOR		1	
3	292279	. WINDOW SEAL / 1091MM X 1622MM		1	
4	292336	. EXTERIOR GLASS SEAL 493MM / VERTICAL		2	
5	292340	. EXTERIOR GLASS SEAL 1553MM / HORIZONTAL		2	
6	292370	. WINDOW SUBASSY		1	
7	790410	. . GLASS FIXED		1	
8	790409	. . GLASS, SLIDING		1	
. NS	790464	. . . KNOB		1	
9	681092	. . ADHESIVE SIKA #255FC / BLACK / 310ml CARTRIDGE		AR	
10	790329	. . RUBBER FLAP SEAL		1	
11	790365	. . SEAT, SLIDING		1	
12	790411	. . SCREEN		1	
13	790321	. . . CLIP, RETAINER / PLASTIC		2	
14	790424	. . SEAL, SCHLEGEL VERTICAL		AR	
15	506071	. TAPE RUB ADH1 CC POL 1/8" x 1/2" x 50' / GREY 2520X		AR	
20	292053	SUPPORT / TO FIX WINDOW TO STRUCTURE		2	
21	500923	SCREW TC CAP HEX 1/4-20x3/4 Z050		4	
22	500441	WASHER FL .312x.734x.065 Z050		1	
23	322835	GRILLE SPACER 1660MM		10	

From L-031 To R-079

Date:07/2024

PAGE:H4-1884-70D

POSITION "D"



From L-031 To R-079	Date:07/2024	PAGE:H4-1884-70D
POSITION "D"		

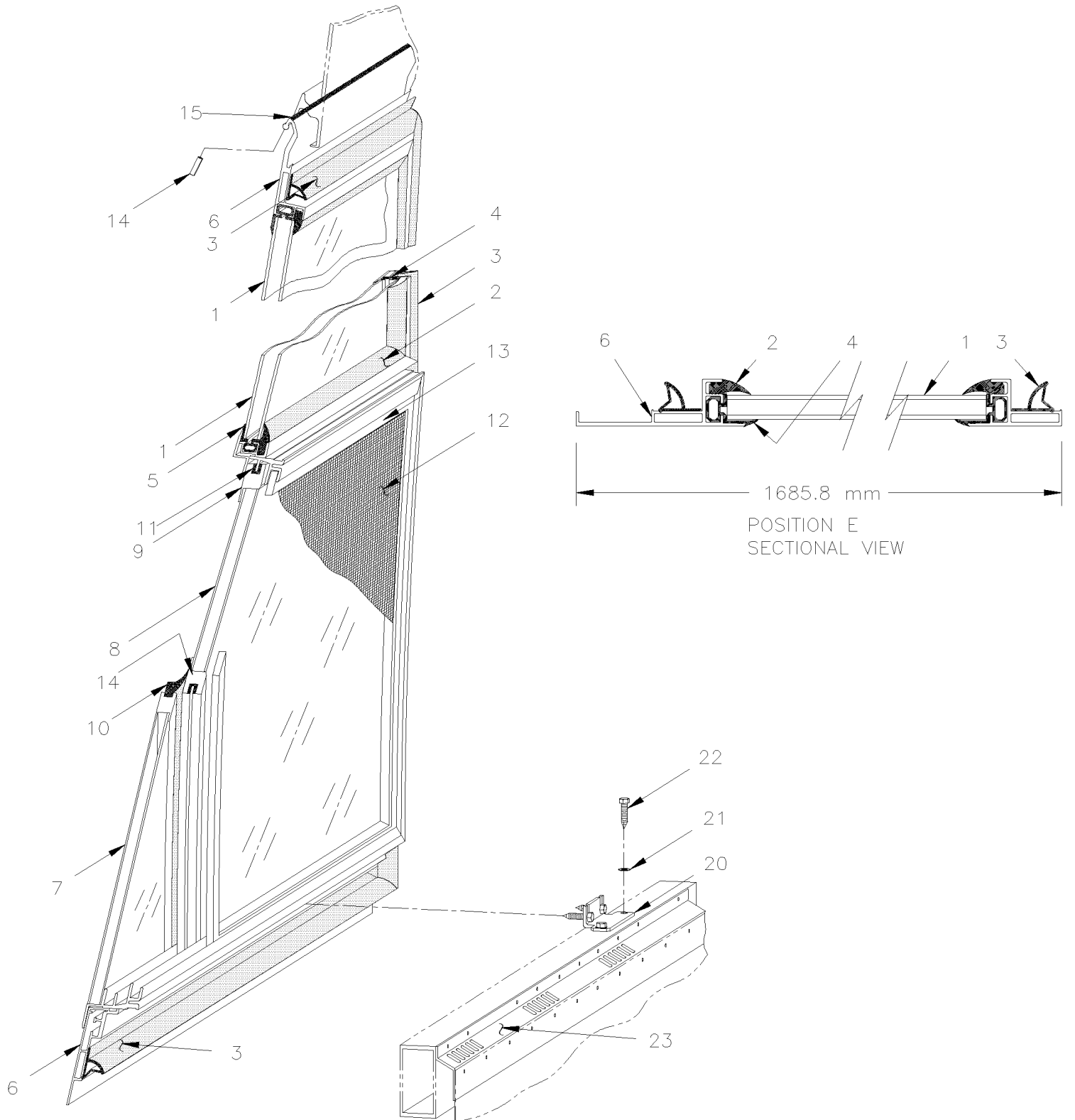
Item#	Part	Description	H 3 4 0	V I P 4 0	N O T E S
	292378P	WINDOW ASSY		1	
1	292126	. GLASS, THERMOS UPPER		1	
1	680115	. SEALANT TAPE BUTYL / BLACK / 1/16"x1/2"x50' / 71010W1760		AR	
2	292266	. SEAL, INTERIOR		1	
3	292279	. WINDOW SEAL / 1091MM X 1622MM		1	
4	292336	. EXTERIOR GLASS SEAL 493MM / VERTICAL		2	
5	292340	. EXTERIOR GLASS SEAL 1553MM / HORIZONTAL		2	
6	292373	. WINDOW SUBASSY		1	
7	790410	. . GLASS FIXED		1	
8	790409	. . GLASS, SLIDING		1	
. NS	790464	. . . KNOB		1	
9	681092	. . ADHESIVE SIKA #255FC / BLACK / 310ml CARTRIDGE		AR	
10	790329	. . RUBBER FLAP SEAL		1	
11	790365	. . SEAT, SLIDING		1	
12	790411	. . SCREEN		1	
13	790321	. . . CLIP, RETAINER / PLASTIC		2	
14	790424	. . SEAL, SCHLEGEL VERTICAL		AR	
15	506071	. TAPE RUB ADH1 CC POL 1/8" x 1/2" x 50' / GREY 2520X		AR	
20	292053	SUPPORT / TO FIX WINDOW TO STRUCTURE		2	
21	500923	SCREW TC CAP HEX 1/4-20x3/4 Z050		4	
22	500441	WASHER FL .312x.734x.065 Z050		1	
23	322835	GRILLE SPACER 1660MM		10	

From L-031 To R-079

Date:07/2024

PAGE:H4-1884-70E

POSITION "E"



From L-031 To R-079	Date:07/2024	PAGE:H4-1884-70E
POSITION "E"		

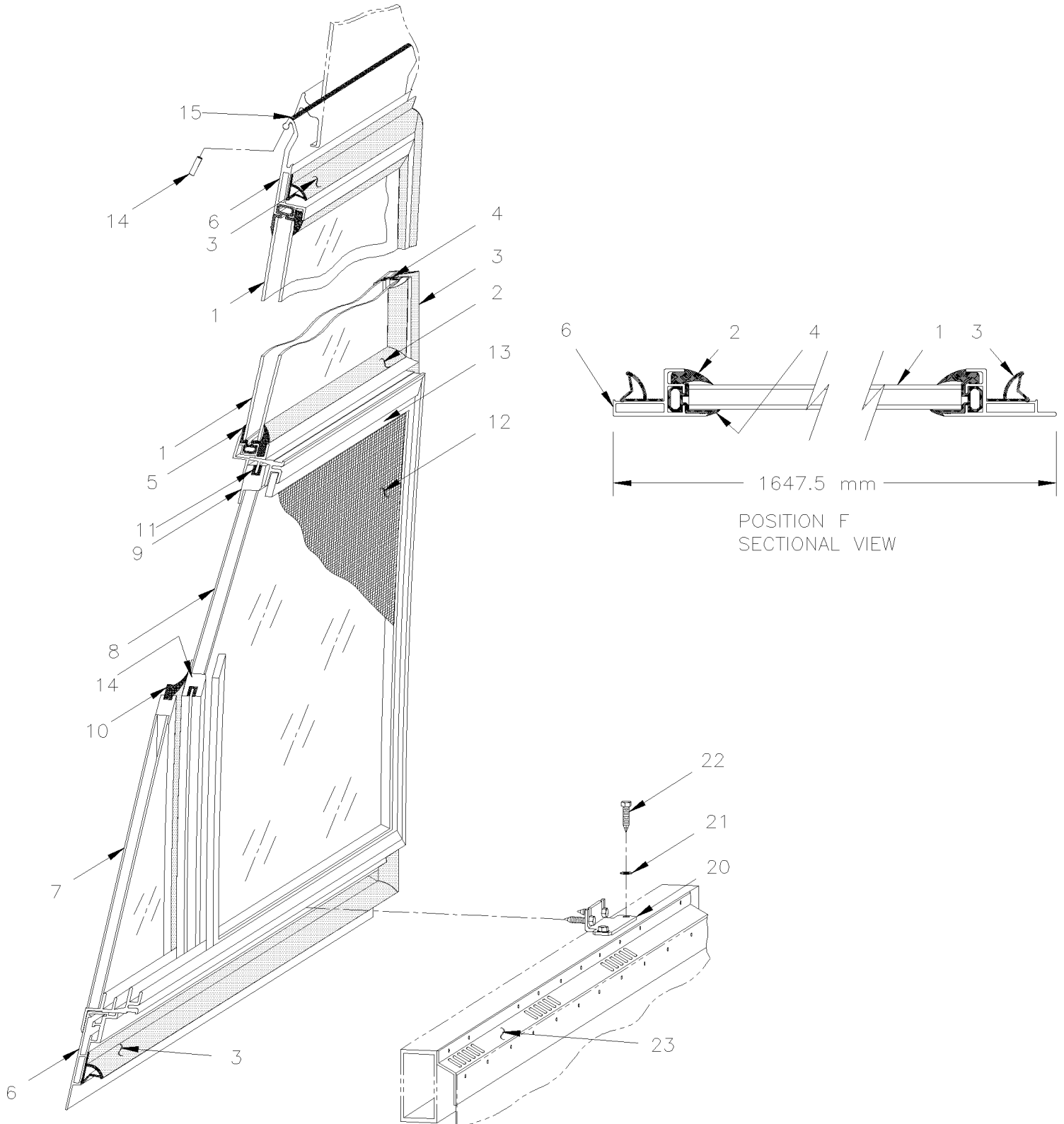
Item#	Part	Description	H 3 4 0	V I P 4 0	N O T E S
	292381P	WINDOW ASSY		1	
1	292126	. GLASS, THERMOS UPPER		1	
1	680115	. SEALANT TAPE BUTYL / BLACK / 1/16"x1/2"x50' / 71010W1760		AR	
2	292266	. SEAL, INTERIOR		1	
3	292279	. WINDOW SEAL / 1091MM X 1622MM		1	
4	292336	. EXTERIOR GLASS SEAL 493MM / VERTICAL		2	
5	292340	. EXTERIOR GLASS SEAL 1553MM / HORIZONTAL		2	
6	292366	. WINDOW SUBASSY		1	
7	790410	. . GLASS FIXED		1	
8	790409	. . GLASS, SLIDING		1	
. NS	790464	. . . KNOB		1	
9	681092	. . ADHESIVE SIKA #255FC / BLACK / 310ml CARTRIDGE		AR	
10	790329	. . RUBBER FLAP SEAL		1	
11	790365	. . SEAT, SLIDING		1	
12	790411	. . SCREEN		1	
13	790321	. . . CLIP, RETAINER / PLASTIC		2	
14	790424	. . SEAL, SCHLEGEL VERTICAL		AR	
15	506071	. TAPE RUB ADH1 CC POL 1/8" x 1/2" x 50' / GREY 2520X		AR	
20	292053	SUPPORT / TO FIX WINDOW TO STRUCTURE		2	
21	500923	SCREW TC CAP HEX 1/4-20x3/4 Z050		4	
22	500441	WASHER FL .312x.734x.065 Z050		1	
23	322835	GRILLE SPACER 1660MM		10	

From L-031 To R-079

Date:07/2024

PAGE:H4-1884-70F

POSITION "F"



From L-031 To R-079	Date:07/2024	PAGE:H4-1884-70F
POSITION "F"		

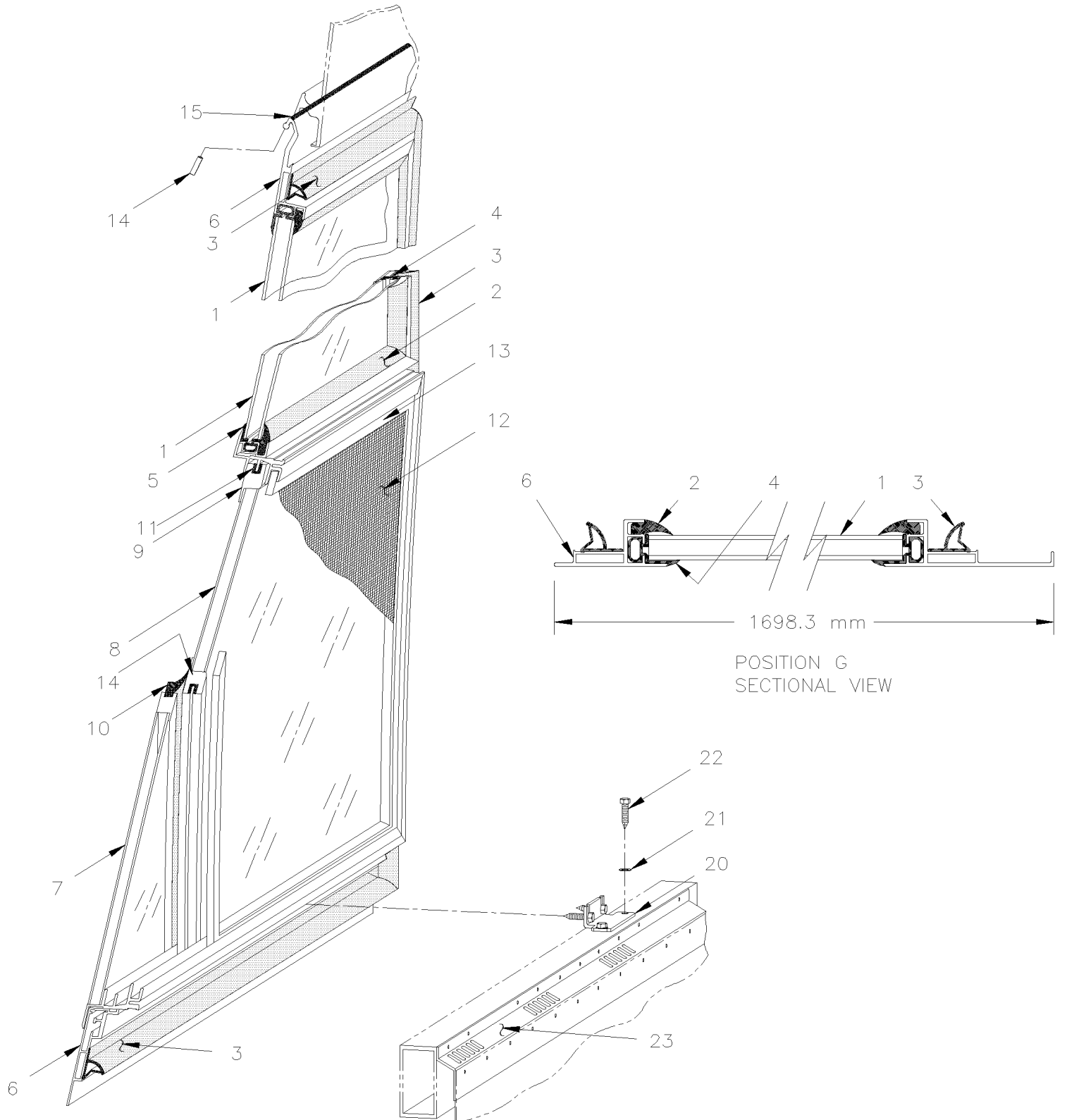
Item#	Part	Description	H 3 4 0	V I P 4 0	N O T E S
	292379P	WINDOW ASSY		1	
1	292126	. GLASS, THERMOS UPPER		1	
1	680115	. SEALANT TAPE BUTYL / BLACK / 1/16"x1/2"x50' / 71010W1760		AR	
2	292266	. SEAL, INTERIOR		1	
3	292279	. WINDOW SEAL / 1091MM X 1622MM		1	
4	292336	. EXTERIOR GLASS SEAL 493MM / VERTICAL		2	
5	292340	. EXTERIOR GLASS SEAL 1553MM / HORIZONTAL		2	
6	292364	. WINDOW SUBASSY		1	
7	790410	. . GLASS FIXED		1	
8	790409	. . GLASS, SLIDING		1	
. NS	790464	. . . KNOB		1	
9	681092	. . ADHESIVE SIKA #255FC / BLACK / 310ml CARTRIDGE		AR	
10	790329	. . RUBBER FLAP SEAL		1	
11	790365	. . SEAT, SLIDING		1	
12	790411	. . SCREEN		1	
13	790321	. . . CLIP, RETAINER / PLASTIC		2	
14	790424	. . SEAL, SCHLEGEL VERTICAL		AR	
15	506071	. TAPE RUB ADH1 CC POL 1/8" x 1/2" x 50' / GREY 2520X		AR	
20	292053	SUPPORT / TO FIX WINDOW TO STRUCTURE		2	
21	500923	SCREW TC CAP HEX 1/4-20x3/4 Z050		4	
22	500441	WASHER FL .312x.734x.065 Z050		1	
23	322835	GRILLE SPACER 1660MM		10	

From L-031 To R-079

Date:07/2024

PAGE:H4-1884-70G

POSITION "G"



From L-031 To R-079	Date:07/2024	PAGE:H4-1884-70G
POSITION "G"		

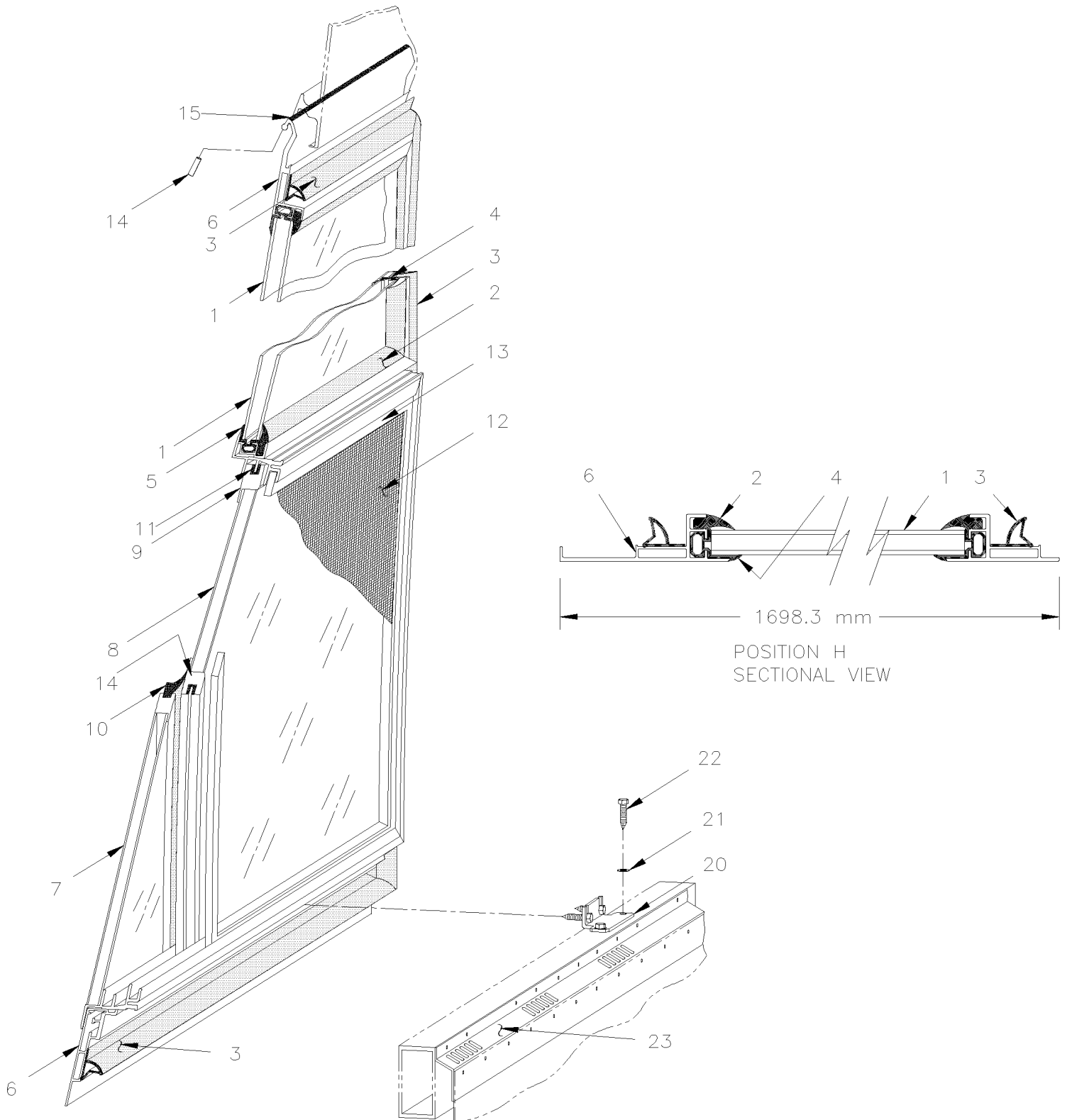
Item#	Part	Description	H 3 4 0	V I P 4 0	N O T E S
	292376P	WINDOW ASSY		1	
1	292126	. GLASS, THERMOS UPPER		1	
1	680115	. SEALANT TAPE BUTYL / BLACK / 1/16"x1/2"x50' / 71010W1760		AR	
2	292266	. SEAL, INTERIOR		1	
3	292279	. WINDOW SEAL / 1091MM X 1622MM		1	
4	292336	. EXTERIOR GLASS SEAL 493MM / VERTICAL		2	
5	292340	. EXTERIOR GLASS SEAL 1553MM / HORIZONTAL		2	
6	292371	. WINDOW SUBASSY		1	
7	790410	. . GLASS FIXED		1	
8	790409	. . GLASS, SLIDING		1	
. NS	790464	. . . KNOB		1	
9	681092	. . ADHESIVE SIKA #255FC / BLACK / 310ml CARTRIDGE		AR	
10	790329	. . RUBBER FLAP SEAL		1	
11	790365	. . SEAT, SLIDING		1	
12	790411	. . SCREEN		1	
13	790321	. . . CLIP, RETAINER / PLASTIC		2	
14	790424	. . SEAL, SCHLEGEL VERTICAL		AR	
15	506071	. TAPE RUB ADH1 CC POL 1/8" x 1/2" x 50' / GREY 2520X		AR	
20	292053	SUPPORT / TO FIX WINDOW TO STRUCTURE		2	
21	500923	SCREW TC CAP HEX 1/4-20x3/4 Z050		4	
22	500441	WASHER FL .312x.734x.065 Z050		1	
23	322835	GRILLE SPACER 1660MM		10	

From L-031 To R-079

Date:07/2024

PAGE:H4-1884-70H

POSITION "H"



From L-031 To R-079	Date:07/2024	PAGE:H4-1884-70H
POSITION "H"		

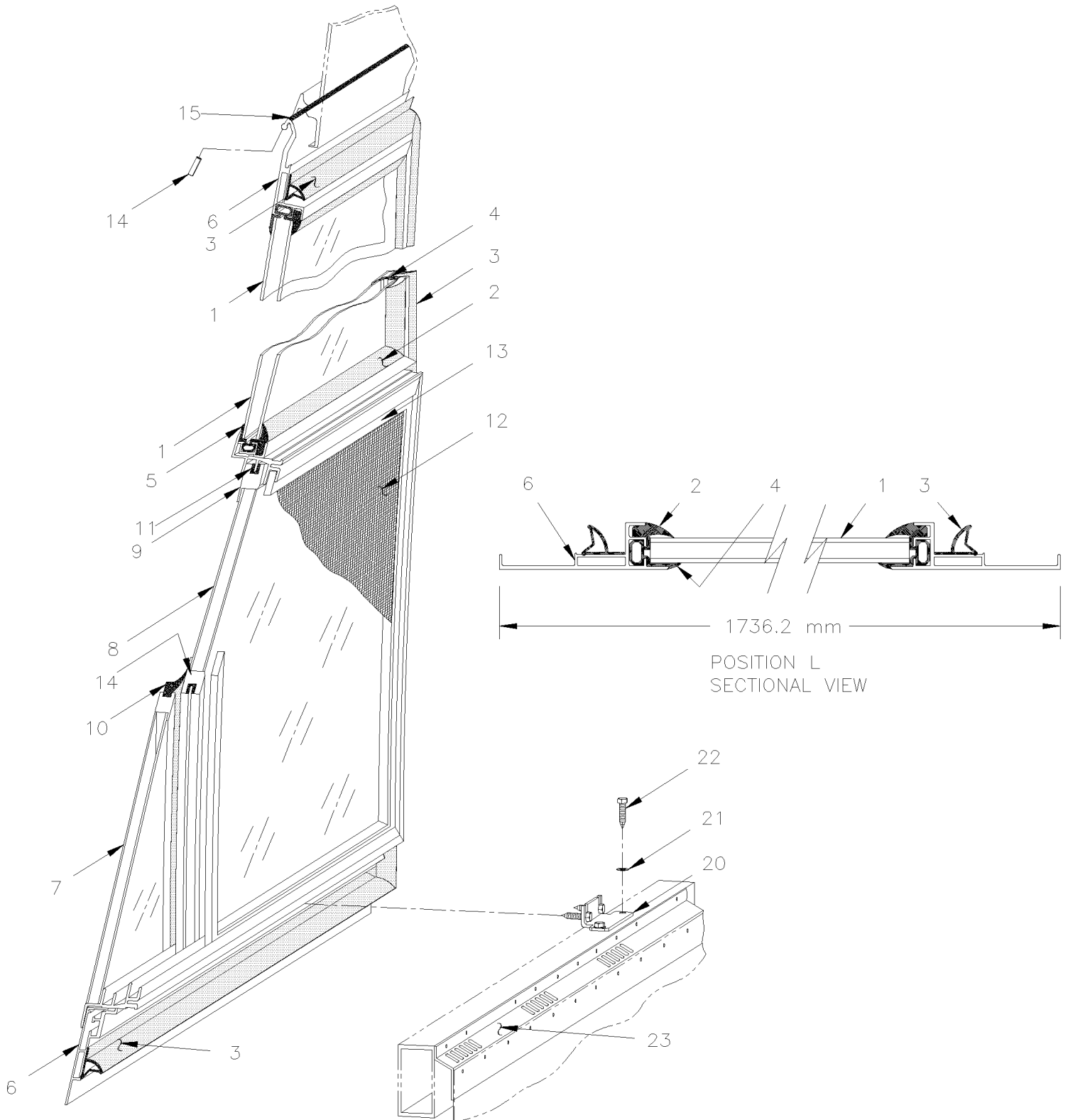
Item#	Part	Description	H 3 4 0	V I P 4 0	N O T E S
	292383P	WINDOW ASSY		1	
1	292126	. GLASS, THERMOS UPPER		1	
1	680115	. SEALANT TAPE BUTYL / BLACK / 1/16"x1/2"x50' / 71010W1760		AR	
2	292266	. SEAL, INTERIOR		1	
3	292279	. WINDOW SEAL / 1091MM X 1622MM		1	
4	292336	. EXTERIOR GLASS SEAL 493MM / VERTICAL		2	
5	292340	. EXTERIOR GLASS SEAL 1553MM / HORIZONTAL		2	
6	292368	. WINDOW SUBASSY		1	
7	790410	. . GLASS FIXED		1	
8	790409	. . GLASS, SLIDING		1	
. NS	790464	. . . KNOB		1	
9	681092	. . ADHESIVE SIKA #255FC / BLACK / 310ml CARTRIDGE		AR	
10	790329	. . RUBBER FLAP SEAL		1	
11	790365	. . SEAT, SLIDING		1	
12	790411	. . SCREEN		1	
13	790321	. . . CLIP, RETAINER / PLASTIC		2	
14	790424	. . SEAL, SCHLEGEL VERTICAL		AR	
15	506071	. TAPE RUB ADH1 CC POL 1/8" x 1/2" x 50' / GREY 2520X		AR	
20	292053	SUPPORT / TO FIX WINDOW TO STRUCTURE		2	
21	500923	SCREW TC CAP HEX 1/4-20x3/4 Z050		4	
22	500441	WASHER FL .312x.734x.065 Z050		1	
23	322835	GRILLE SPACER 1660MM		10	

From L-031 To R-079

Date:07/2024

PAGE:H4-1884-70L

POSITION "L"



From L-031 To R-079	Date:07/2024	PAGE:H4-1884-70L
POSITION "L"		

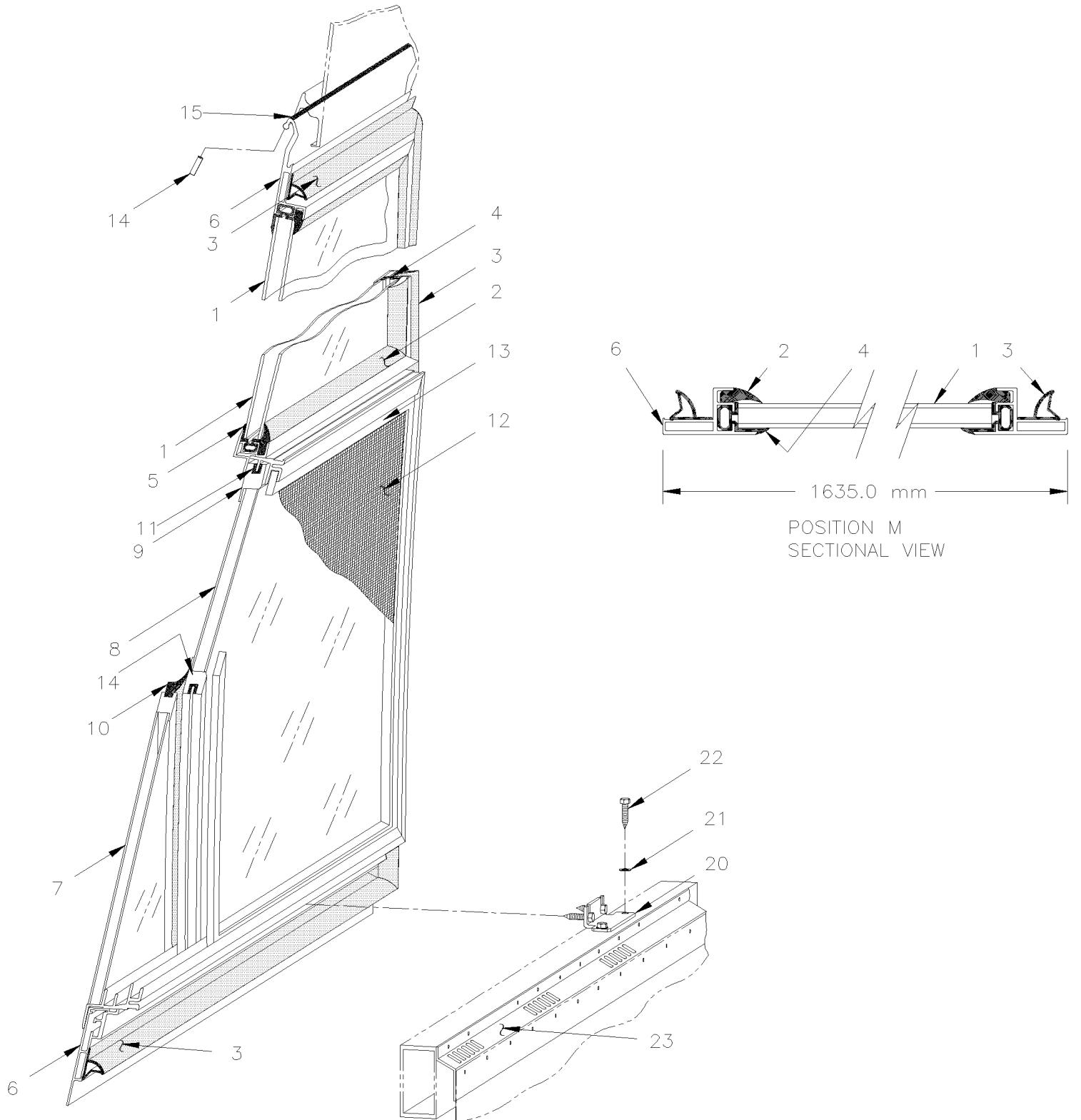
Item#	Part	Description	H 3 4 0	V I P 4 0	N O T E S
	292382P	WINDOW ASSY		1	
1	292126	. GLASS, THERMOS UPPER		1	
1	680115	. SEALANT TAPE BUTYL / BLACK / 1/16"x1/2"x50' / 71010W1760		AR	
2	292266	. SEAL, INTERIOR		1	
3	292279	. WINDOW SEAL / 1091MM X 1622MM		1	
4	292336	. EXTERIOR GLASS SEAL 493MM / VERTICAL		2	
5	292340	. EXTERIOR GLASS SEAL 1553MM / HORIZONTAL		2	
6	292367	. WINDOW SUBASSY		1	
7	790410	. . GLASS FIXED		1	
8	790409	. . GLASS, SLIDING		1	
. NS	790464	. . . KNOB		1	
9	681092	. . ADHESIVE SIKA #255FC / BLACK / 310ml CARTRIDGE		AR	
10	790329	. . RUBBER FLAP SEAL		1	
11	790365	. . SEAT, SLIDING		1	
12	790411	. . SCREEN		1	
13	790321	. . . CLIP, RETAINER / PLASTIC		2	
14	790424	. . SEAL, SCHLEGEL VERTICAL		AR	
15	506071	. TAPE RUB ADH1 CC POL 1/8" x 1/2" x 50' / GREY 2520X		AR	
20	292053	SUPPORT / TO FIX WINDOW TO STRUCTURE		2	
21	500923	SCREW TC CAP HEX 1/4-20x3/4 Z050		4	
22	500441	WASHER FL .312x.734x.065 Z050		1	
23	322835	GRILLE SPACER 1660MM		10	

From L-031 To R-079

Date:07/2024

PAGE:H4-1884-70M

POSITION "M"



From L-031 To R-079	Date:07/2024	PAGE:H4-1884-70M
POSITION "M"		

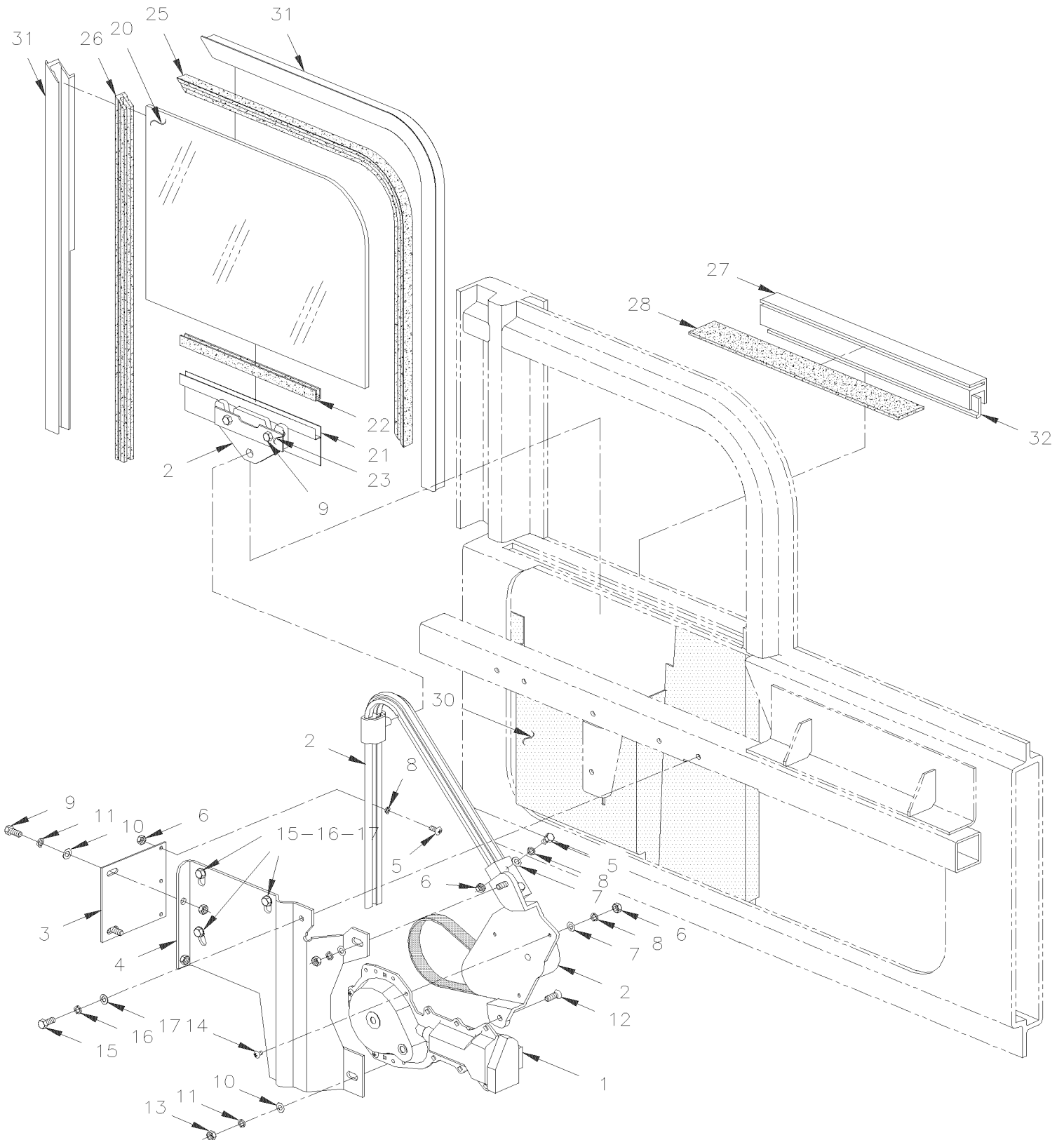
Item#	Part	Description	H 3 4 0	V I P 4 0	N O T E S
	292380P	WINDOW ASSY		1	
1	292126	. GLASS, THERMOS UPPER		1	
1	680115	. SEALANT TAPE BUTYL / BLACK / 1/16"x1/2"x50' / 71010W1760		AR	
2	292266	. SEAL, INTERIOR		1	
3	292279	. WINDOW SEAL / 1091MM X 1622MM		1	
4	292336	. EXTERIOR GLASS SEAL 493MM / VERTICAL		2	
5	292340	. EXTERIOR GLASS SEAL 1553MM / HORIZONTAL		2	
6	292365	. WINDOW SUBASSY		1	
7	790410	. . GLASS FIXED		1	
8	790409	. . GLASS, SLIDING		1	
. NS	790464	. . . KNOB		1	
9	681092	. . ADHESIVE SIKA #255FC / BLACK / 310ml CARTRIDGE		AR	
10	790329	. . RUBBER FLAP SEAL		1	
11	790365	. . SEAT, SLIDING		1	
12	790411	. . SCREEN		1	
13	790321	. . . CLIP, RETAINER / PLASTIC		2	
14	790424	. . SEAL, SCHLEGEL VERTICAL		AR	
15	506071	. TAPE RUB ADH1 CC POL 1/8" x 1/2" x 50' / GREY 2520X		AR	
20	292053	SUPPORT / TO FIX WINDOW TO STRUCTURE		2	
21	500923	SCREW TC CAP HEX 1/4-20x3/4 Z050		4	
22	500441	WASHER FL .312x.734x.065 Z050		1	
23	322835	GRILLE SPACER 1660MM		10	

From L-031 To R-079

Date:07/2024

PAGE:H4-1886-00

POWER WINDOW - ELECTRICAL INSTALLATION



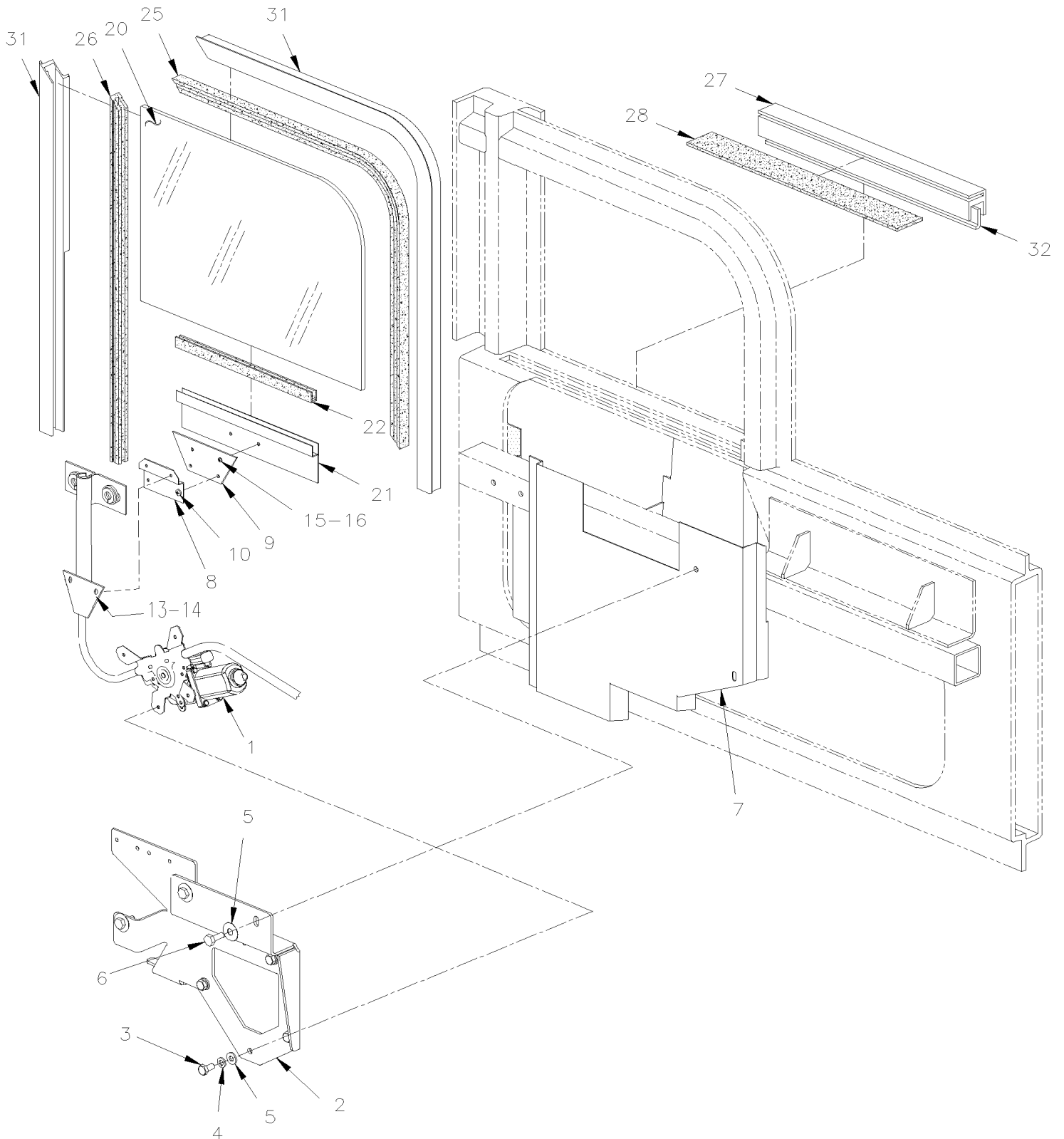
From L-031 To R-079	Date:07/2024	PAGE:H4-1886-00
POWER WINDOW - ELECTRICAL INSTALLATION		

Item#	Part	Description	H 3 4 0	V I P 4 0	N O T E S
	291949	REGULATOR & MOTOR ASSY / MODIFIED	1	1	B
1	790336	. MOTOR ASSY / 12V / WINDOW R	1	1	B
1	197925	. MOTOR ASSY / 12V / WINDOW R	1	1	
2	291745	. REGULATOR ASSY / MODIFIED	1	1	B
2	790337	. . REGULATOR ASSY / NON MODIFIED	1	1	BA
3	291744	. SUPPORT	1	1	
NS	680025	. CAULKING STRIP 3/16" O.D. X 14'	AR	AR	
4	292276	. SUPPORT	1	1	
5	502688	SCREW MA PAN PH M3.5-0.6x10 ZP	5	5	
6	502689	NUT HEX M3.5-0.6 NP	5	5	
7	502690	WASHER FL 4.3x9.0x0.8 Z050	5	5	
8	502691	WASHER LO SPT 3.6x6.7x0.8 Z050	5	5	
9	502531	SCREW CAP HEX M6-1.0x16 G8.8 Z050	5	5	
10	500440	WASHER FL .250x.562x.065 Z050	8	8	
11	502582	WASHER LO SERR 6.1x16.2x0.9 Z050	8	8	
12	500442	SCREW MA OV PH 1/4-20x3/4 ZP	2	2	
13	500769	NUT HEX 1/4-20 Z050	2	2	
14	500668	SCREW MA PAN PH M3.5-0.6x20 Z050	3	3	
15	500923	SCREW TC CAP HEX 1/4-20x3/4 Z050	3	3	
16	502583	WASHER LO SERR 8.15x22.3x1.0 Z050	3	3	
17	500473	WASHER LO SPT .262x.489x.062 Z050	3	3	
20	299045	GLASS / DRIVER'S WINDOW	1	1	
21	299049	SUPPORT ASSY	1	1	
22	681092	ADHESIVE SIKA #255FC / BLACK / 310ml CARTRIDGE	AR	AR	
22	681091	PRIMER SIKA #206 / BLACK / 250ml	AR	AR	
23	299048	PLATE, ANCHOR	1	1	
24	500609	NUT HEX M6-1.0 Z050	4	4	
25	291854	FELT SLIDING 610MM	1	1	
26	291855	FELT SLIDING 375MM	1	1	
NS	680044	SEALANT TAPE BUTYL / GREY / 1/8"x1/2"x25' / 71017F1760	AR	AR	
27	299050	ALUMINIUM EXTRUSION, DRIVER WINDOW / TO FIX FELT LOWER SEAL	AR	AR	
28	292277	FLAP SEAL / W/FLOCKING 25MM x 312MM	1	1	
30	292326	PROTECTOR, WATER / WHITE PLASTIC	1	1	
NS	506322	TAPE RUB ADH2 POL .045" x 1" x 223' / WHITE 4085	AR	AR	
31	292798	ALUMINIUM EXTRUSION / TO FIX SIDE & TOP FELT	1	1	
NS	681092	ADHESIVE SIKA #255FC / BLACK / 310ml CARTRIDGE	AR	AR	
NS	681091	PRIMER SIKA #206 / BLACK / 250ml	AR	AR	
32	H4-1851-00	CAP - FRONT & REAR - INSTALLATION			
50	293872	KIT, RETROFIT ELECTRICAL DRIVER'S WINDOW / SERIES "H"	1	1	
. NS	IS-05010	. SEE INSTRUCTION SHEET	1	1	

From L-031 To R-079		Date:07/2024	PAGE:H4-1886-00
POWER WINDOW - ELECTRICAL INSTALLATION			

Item#	Part	Description	H 3 4 0	V I P 4 0	N O T E S
		A) ONLY SOLD ASSY WITH MOTOR			
		B) THIS COMPONENT ARE SUPPERSEDED BY # 293872			

From L-031 To R-079	Date:07/2024	PAGE:H4-1886-01
POWER WINDOW - ELECTRICAL INSTALLATION / SERVICE		

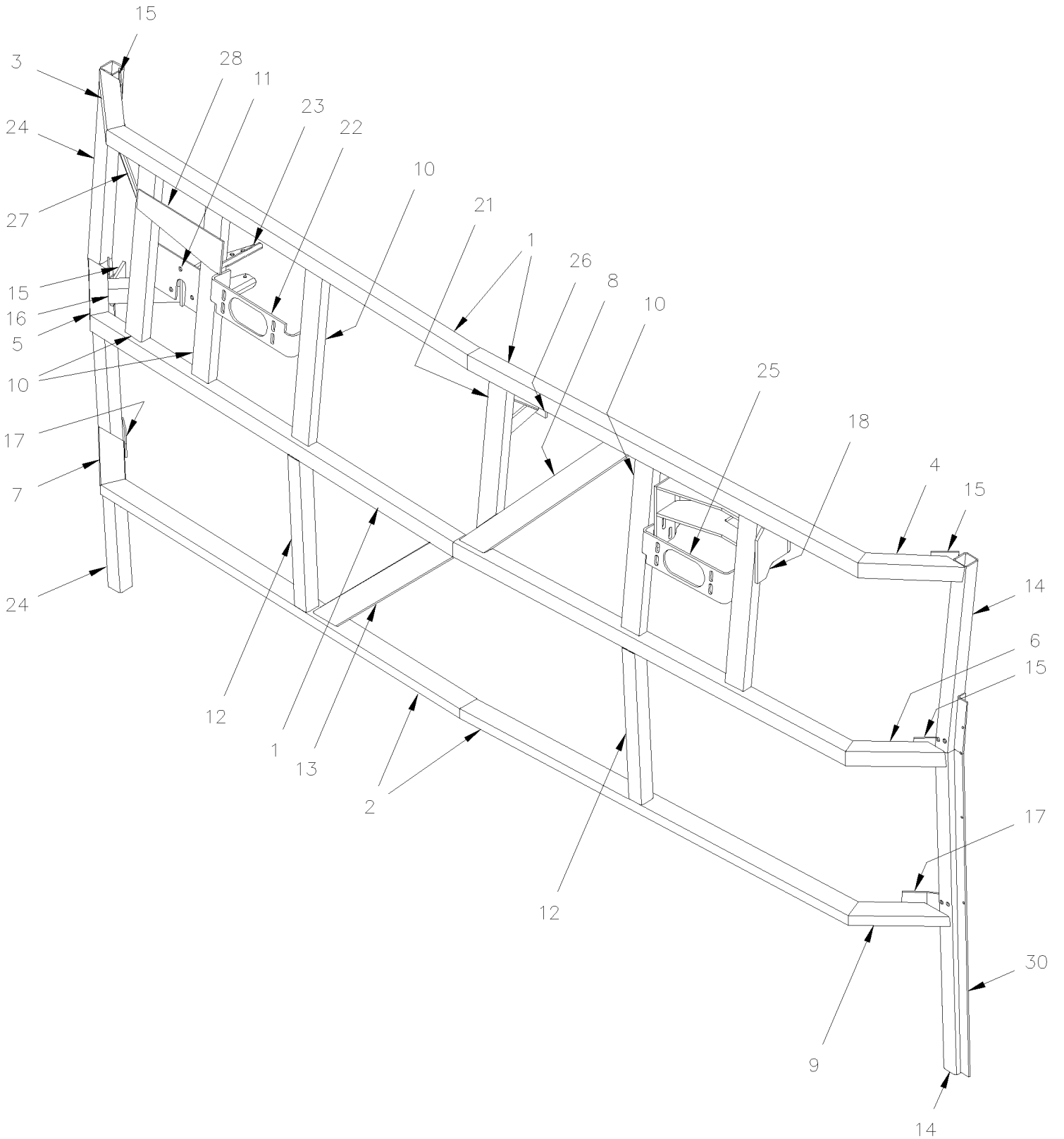


From L-031 To R-079	Date:07/2024	PAGE:H4-1886-01
---------------------	--------------	-----------------

POWER WINDOW - ELECTRICAL INSTALLATION / SERVICE

Item#	Part	Description	H 3 4 0	V I P 4 0	N O T E S
		"WARNING" "WARNING" "WARNING"			
		BEFORE INSTALL THIS MOTOR ASSY 293855P			
		FOR THE FIRST TIME YOU REQUIRE COMPLETE KIT			
		# 293872 TO SUPPERSEEEDED OLD MODEL			
	293855P	MOTOR ASSY W/SUPPORT	1	1	
1	790501	. MOTOR & REGULATOR ASSY / SERIES "H"	1	1	
2	293846	. SUPPORT ASSY	1	1	
3	502772	. SCREW CAP HEX 1/4-20x1/2 G5 N500	4	4	
4	500440	. WASHER FL .250x.562x.065 Z050	5	5	
5	500270	. WASHER FL .406x1.000x.063 SS	4	4	
6	502557	. NUT HEX NYRT M4-0.7 SS	3	3	
7	293867	. PROTECTOR, WATER / WHITE PLASTIC	1	1	
NS	293902	ADAPTOR TRANSITION ASSY	1	1	
8	293899	. SUPPORT "Z" SHAPE	1	1	
9	293898	. SUPPORT TRANSITION PLASTIC BLACK	1	1	
10	5001198	SCREW MA FL PH M6-1.0x16 Z050	2	2	
NS	5001182	NUT HEX NYRT M6-1.0 SS	2	2	
13	502772	SCREW CAP HEX 1/4-20x1/2 G5 N500	2	2	
14	502570	WASHER LO SPT 6.1x11.8x1.6 SS	2	2	
NS	500440	WASHER FL .250x.562x.065 Z050	2	2	
15	5001633	SCREW MA FL PH M6-1.0x12 Z050	2	2	
16	680066	ADHESIVE / ADBOND #5014 / 23.6ML BOTTLE	AR	AR	
20	291948	GLASS ASSY	1	1	
20	299045	. GLASS / DRIVER'S WINDOW	1	1	
21	299049	. SUPPORT ASSY	1	1	
22	681092	. ADHESIVE SIKA #255FC / BLACK / 310ml CARTRIDGE	AR	AR	
22	681091	. PRIMER SIKA #206 / BLACK / 250ml	AR	AR	
25	291854	FELT SLIDING 610MM	1	1	
26	291855	FELT SLIDING 375MM	1	1	
26	680044	SEALANT TAPE BUTYL / GREY / 1/8"x1/2"x25' / 71017F1760	AR	AR	
27	299050	ALUMINIUM EXTRUSION, DRIVER WINDOW / TO FIX FELT LOWER SEAL	1	1	
28	292277	FLAP SEAL / W/FLOCKING 25MM x 312MM	1	1	
30	293867	PROTECTOR, WATER / WHITE PLASTIC	1	1	
30	680088	SEALANT BUTYL 692 12X203 / BLACK / 310ml CARTRIDGE	AR	AR	
31	292798	ALUMINIUM EXTRUSION / TO FIX SIDE & TOP FELT	1	1	
31	506769	TAPE RUB ADH2 CC POL 1/8" x 1/4" x 60' / BLACK H1CC-N-#14	AR	AR	
32	H4-1851-00	CAP - FRONT & REAR - INSTALLATION			
33	293872	KIT, RETROFIT ELECTRICAL DRIVER'S WINDOW / SERIES "H"	1	1	
. NS	IS-05010	. SEE INSTRUCTION SHEET	1	1	

From L-031 To R-079	Date:07/2024	PAGE:H4-1895-00
FRONT STRUCTURE		



From L-031 To R-079	Date:07/2024	PAGE:H4-1895-00
FRONT STRUCTURE		

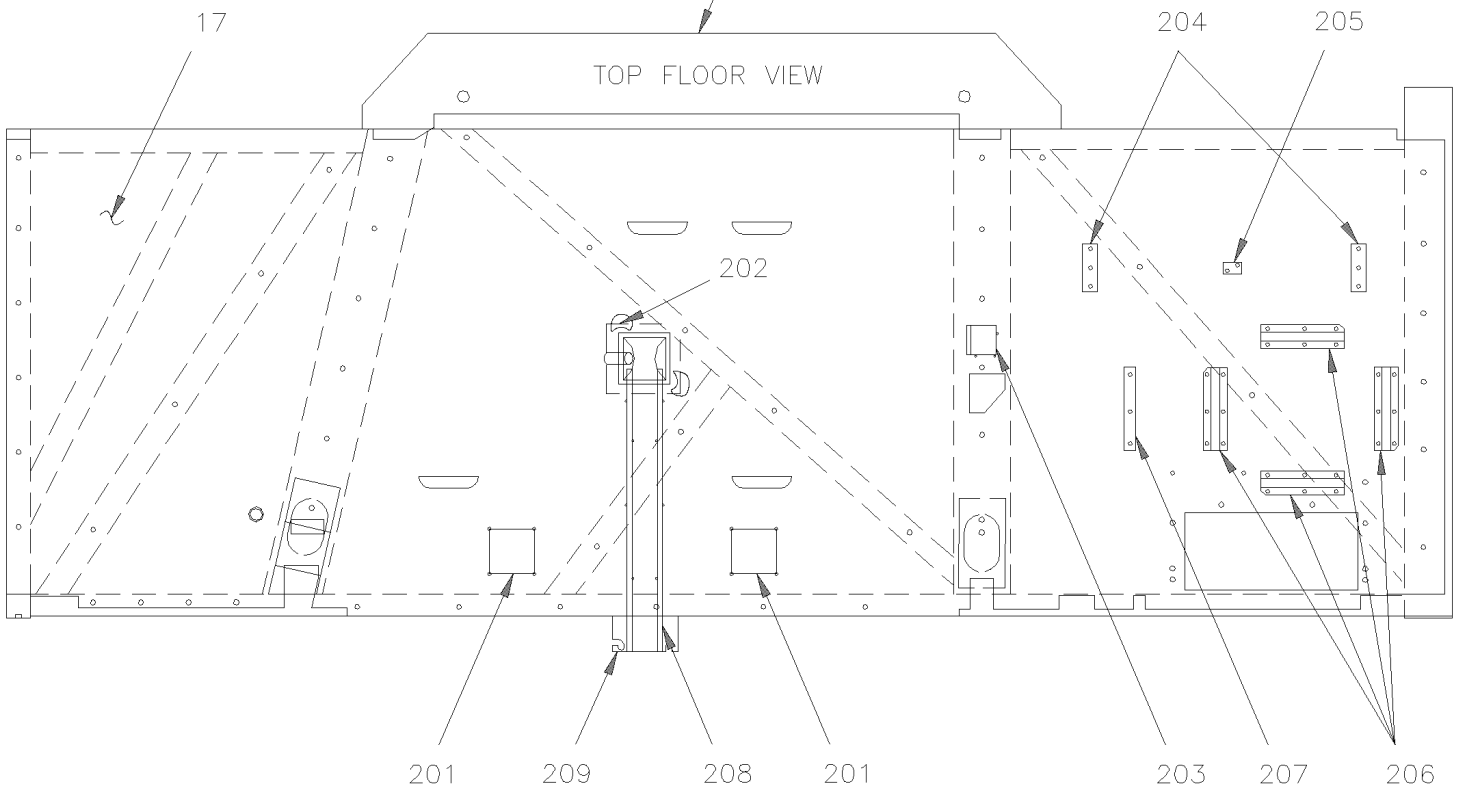
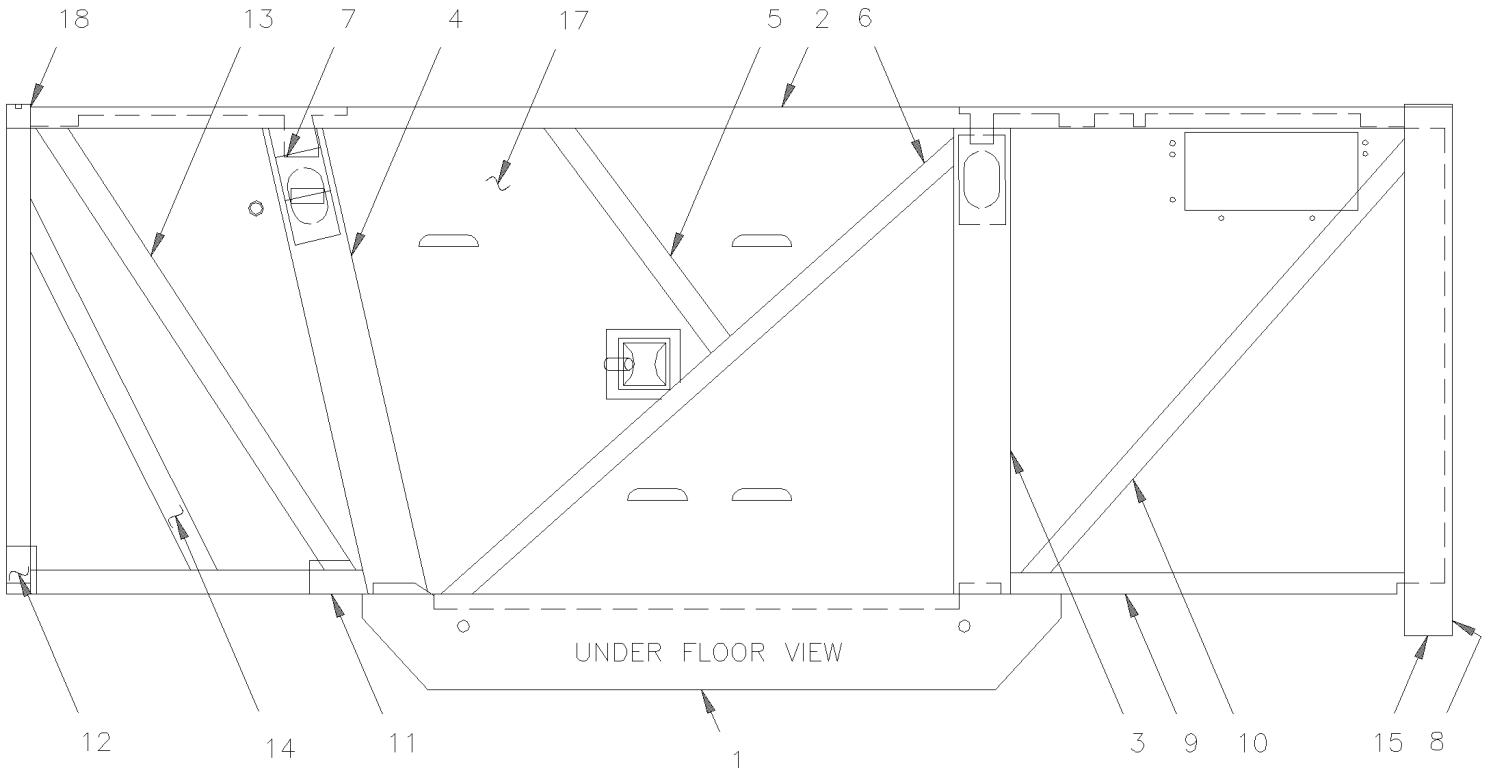
Item#	Part	Description	H 3 4 0	V I P 4 0	N O T E S
	250877	FRONT STRUCTURE ASSY	1		
	250878	FRONT STRUCTURE ASSY		1	
1	250653	. TUBE	2	2	
2	250654	. TUBE	2	2	
3	250655	. TUBE To P-366	1	1	
3	250796	. TUBE From P-367	1	1	
4	250656	. TUBE	1	1	
5	250657	. TUBE	1	1	
6	250658	. TUBE	1	1	
7	250719	. TUBE	1	1	
8	250660	. TUBE	1	1	
9	250848	. TUBE	1	1	
9	250718	. TUBE	2	2	
10	250698	. TUBE	5	5	
11	285322	. SUPPORT	1	1	
12	250664	. TUBE	4	4	
13	250665	. TUBE	1	1	
14	250723	. TUBE FRONT SERVICE DOOR	1	1	
15	250697	. RENFORCMENT	4	4	
16	250773	. DASH SUPPORT To N-196	1		A
16	250781	. SUPPORT ASSY, HANDRAIL / UPPER From N-197	1		A
17	250720	. REINFORCEMENT	2	2	
18	160732	. STEERING COLUMN SUPPORT	1	1	
NS	502737	. SCREW CAP HEX M6-1.0x25 SS BK	4	4	
20	250773	. DASH SUPPORT	1	1	
21	250856	. SUPPORT ASSY	1	1	
22	250741	. SUPPORT, WIPER PIVOT R.H. / (WELDED AT STRUCTURE)	1	1	
23	250788	. SUPPORT / (WELDED)	1	1	
23	H4-1801-15	. ENTRANCE DOOR CONTROL			
23	H4-1801-16	. ENTRANCE DOOR CONTROL / SERVICE			
24	250739	. TUBE FRONT ENTRANCE DOOR	1	1	
25	250742	. SUPPORT, WIPER PIVOT L.H. / (WELDED AT STRUCTURE)	1	1	
26	250780	. SUPPORT ASSY, HANDRAIL / LOWER	1	1	A
27	211729	. TUBE	1	1	
28	250791	. REINFORCEMENT	1	1	
30	H4-1879-10	FRONT SERVICE DOOR - INSTALLATION			
		A) TO FIX HANDRAIL			

From L-031 To R-079

Date:07/2024

PAGE:H4-1895-10

FRONT LOWER FLOOR STRUCTURE



From L-031 To R-079	Date:07/2024	PAGE:H4-1895-10
FRONT LOWER FLOOR STRUCTURE		

Item#	Part	Description	H 3 4 0	V I P 4 0	N O T E S
	172498	STRUCTURE FLOOR W/PANEL	1		D
	172499	STRUCTURE FLOOR W/PANEL		1	D
	172497	STRUCTURE FLOOR W/O PANEL	1	1	A
1	171529	REINFORCEMENT INFERIOR	1	1	
2	170911	TUBE	1	1	
3	171418	REINFORCEMENT	1	1	
4	171415	REINFORCEMENT	1	1	
5	171109	TUBE	1	1	
6	171108	TUBE	1	1	
7	171419	HOOK, TOWING	1	1	
8	171767	TUBE 900MM	1	1	
9	210766	REINFORCEMENT	1	1	
10	210764	REINFORCEMENT	1	1	
11	210767	REINFORCEMENT	1	1	
12	171637	TUBE	1	1	D
12	210768	TUBE	1	1	E
13	210769	REINFORCEMENT	1	1	
14	210842	TUBE	1	1	
15	230695	PLATE, CLOSING	1	1	D
15	150122	PLATE / SPARE CHAIN HOOK RETAINER	1	1	
16	230695	PLATE, CLOSING	1	1	E
17	211264	POST SIDE WINDOW / 1167.6MM (45.96") REF	1		B
17	211612	BOTTOM PANEL ASSY / STREET SIDE		1	B
17	Call order desk	POST SIDE WINDOW / 1320MM (51.96") REF	1		P
17	Call order desk	BOTTOM PANEL / STREET-SIDE		1	P
17	211262	BOTTOM PANEL / CENTER	1	1	
17	210881	BOTTOM PANEL / CURBSIDE	1	1	
17	213341	BOTTOM PANEL	1	1	C
18	260120	PLATE, CLOSING / TUBE 33MM x 33MM	1	1	
201	150187	SPACER	2		
202	240023	DRAIN ASSY	1		
203	150188	STOP, SAFETY	1		
204	211637	PLATE, SUPPORT	2		
205	211641	BRACE	1		
206	309048	RESERVOIR SUPPORT FOR HOOK / WINDSHIELD WASH.	1	1	
207	300160	SUPPORT, PUMP	1	1	D
208	211638	ROD	2		
209	212927	PLATE, SPARE TIRE	1		
		A) DO NOT INCLUDE ITEM #17 , 200 TO 209			

From L-031 To R-079		Date:07/2024	PAGE:H4-1895-10
FRONT LOWER FLOOR STRUCTURE			

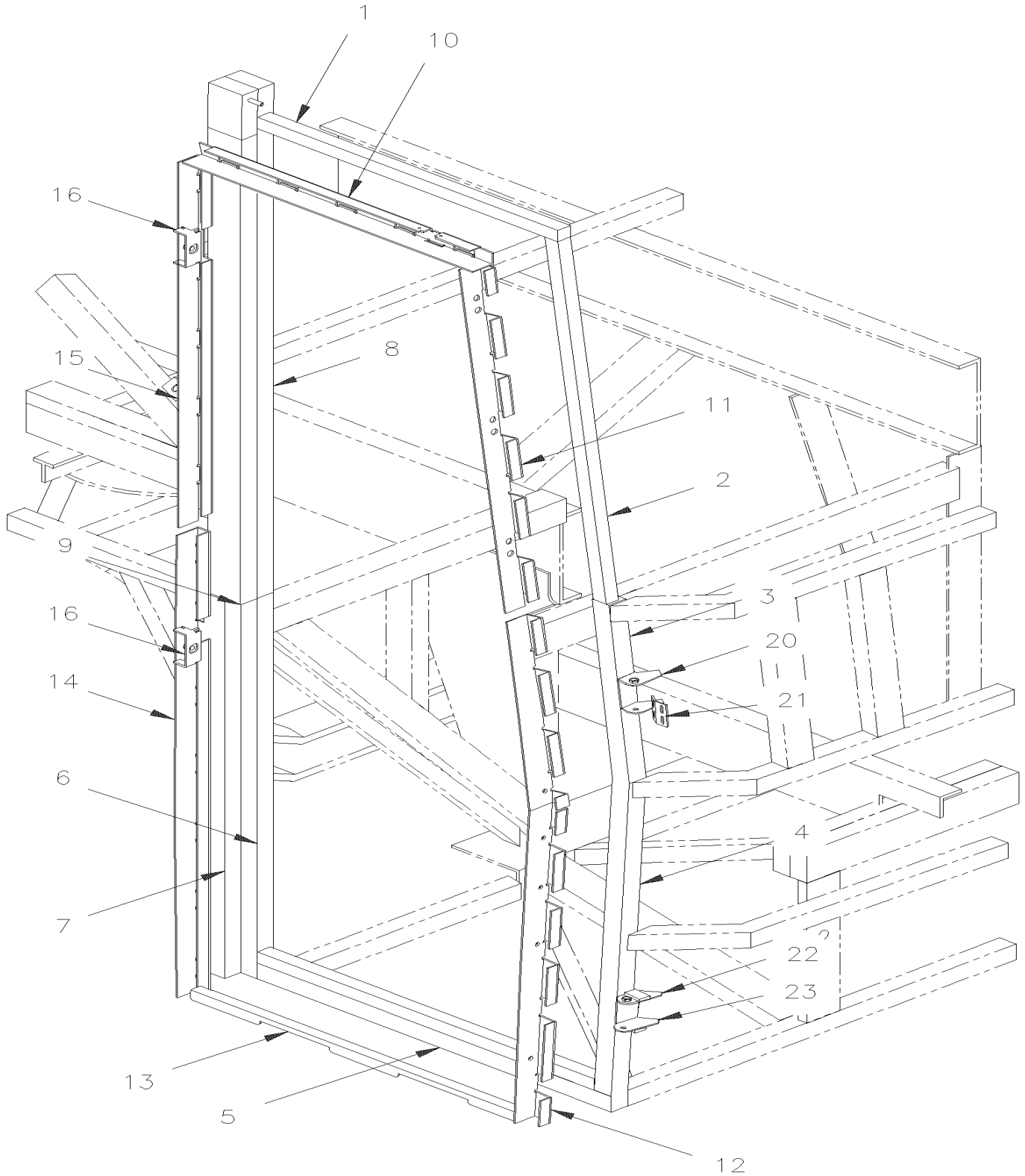
Item#	Part	Description	H 3 4 0	V I P 4 0	N O T E S
		B) INCLUDE ITEMS #203 TO 207			
		C) ONE PIECE PANEL			
		D) USE ONLY IN SERVICE WITH STRUCTURE FLOOR W/PANELE PRODUCTION			
		E) PRODUCTION			
		P) CALL ORDER DESK FOR SPECIFIC APPLICATION (V.I.N.)			

From L-031 To R-079

Date:07/2024

PAGE:H4-1895-20

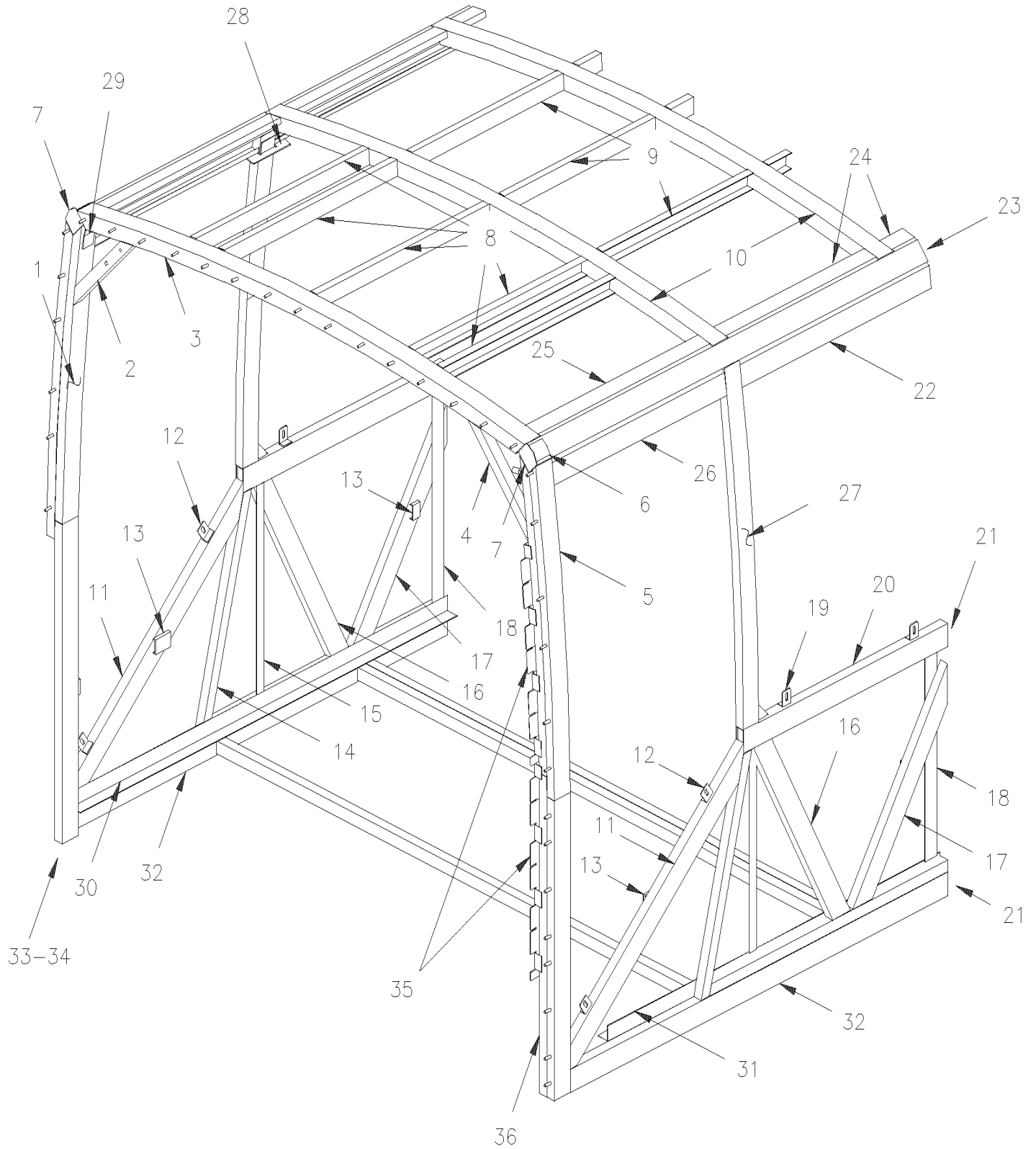
ENTRANCE DOOR STRUCTURE



From L-031 To R-079	Date:07/2024	PAGE:H4-1895-20
ENTRANCE DOOR STRUCTURE		

Item#	Part	Description	H 3 4 0	V I P 4 0	N O T E S
1	250763	TUBE 649MM	1	1	
1	250669	TUBE 653MM To N-196	1		A
NS	211771	PLATE / TO FIX ROTATING COLUMB 80MM x 38MM To N-196	1		A
2	250762	TUBE 860MM	1	1	
3	250874	TUBE	1	1	
4	250875	TUBE	1	1	
5	210768	TUBE	1	1	
6	210835	TUBE	1	1	
7	210832	TUBE	1	1	
8	270595P	FRONT POST ASSY R.H.	1	1	
9	231465	JOINT BUTT 33MM X 33MM / (WELDED)	1	1	
9	231466	JOINT BUTT 33MM X 68MM / (WELDED)	1	1	
10	282576	FRAME SUPPORT To N-196	1		A
10	211970	FRAME SUPPORT From N-197	1		
10	211723	FRAME SUPPORT		1	
11	282575	FRAME SUPPORT To N-196	1		A
11	211724	FRAME SUPPORT To M-140	1	1	
11	211964	FRAME SUPPORT From M-141	1	1	
12	211725	FRAME SUPPORT	1	1	
13	210708	TUBE	1	1	
14	282571	FRAME SUPPORT To N-196	1		A
14	211971	FRAME SUPPORT From N-197	1		
14	211726	FRAME SUPPORT		1	
NS	211485	SPACER 19MM x 25MM To N-196	10		A
15	211722	FRAME SUPPORT	1	1	
16	211757	CATCH SUPPORT		2	
20	211984	HINGE SUPPORT / (WELDED TO STRUCTURE)	1	1	
NS	211734	LEVER AND SUPPORT ASSY (WELDED TO FRAME) To P-253		1	
NS	212096	LEVER AND SUPPORT ASSY (WELDED TO FRAME) From P-254		1	
21	211988	PLATE	1	1	
22	211992	PLATE	4	4	
23	211983	HINGE SUPPORT / (WELDED TO STRUCTURE)	1	1	
		A) WITH PLUG TYPE DOOR			

From L-031 To R-079	Date:07/2024	PAGE:H4-1895-30
FRONT END STRUCTURE		

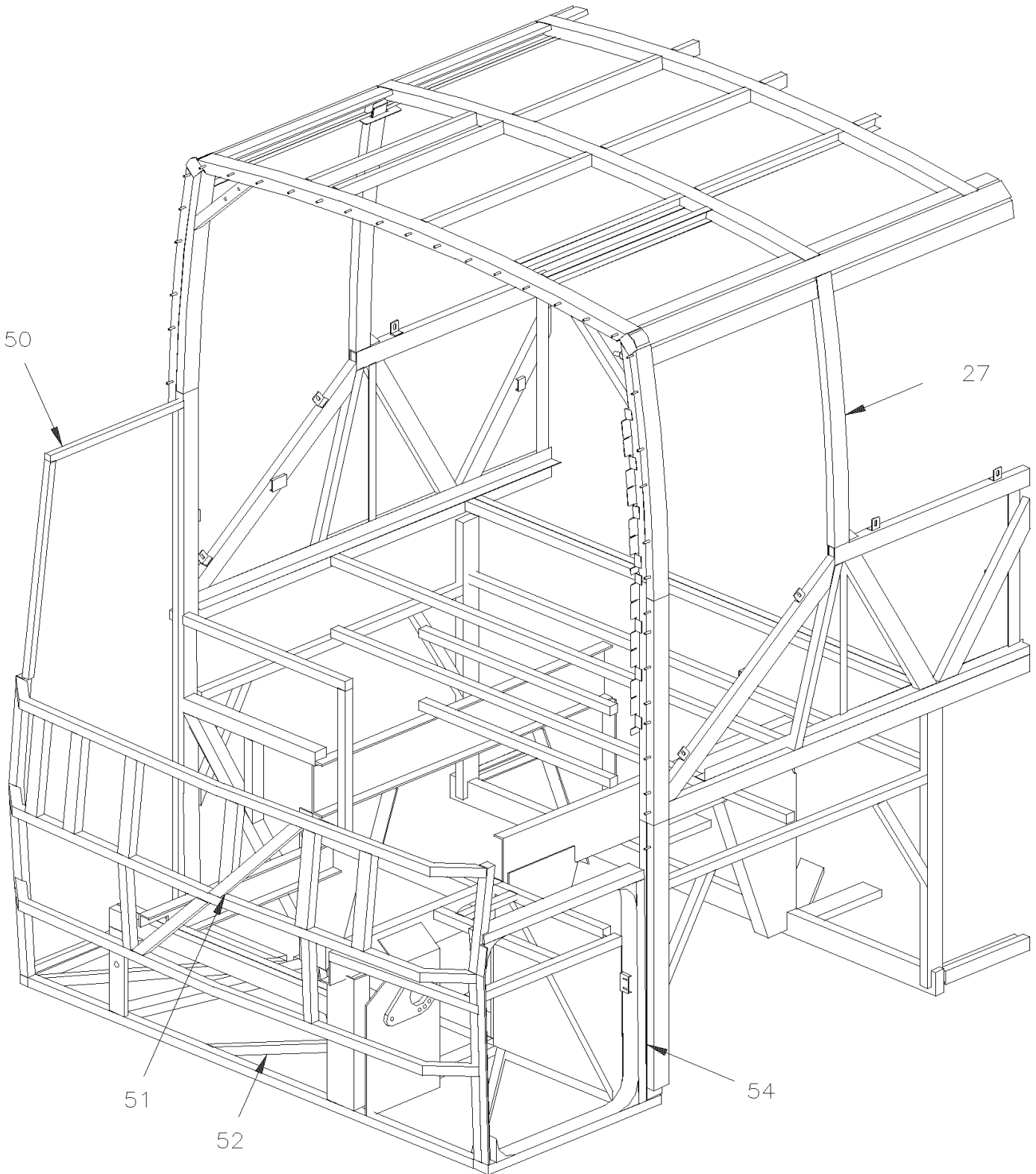


From L-031 To R-079

Date:07/2024

PAGE:H4-1895-30

FRONT END STRUCTURE



From L-031 To R-079	Date:07/2024	PAGE:H4-1895-30
FRONT END STRUCTURE		

Item#	Part	Description	H 3 4 0	V I P 4 0	N O T E S
1	270595P	FRONT POST ASSY R.H.	1	1	
1	5001300	STUD WD WOC 5/16-18x1 1/4 SS	AR	AR	
2	160799	REINFORCEMENT	2	2	
3	270566P	ROOF ARCH ASSY	1	1	
3	5001300	STUD WD WOC 5/16-18x1 1/4 SS	AR	AR	
4	160760	REINFORCEMENT			
NS	270659	SUPPORT AMPLIFICATOR	1		
NS	270657	SUPPORT AMPLIFICATOR	1		
5	270596P	FRONT POST ASSY L.H.	1	1	
5	5001300	STUD WD WOC 5/16-18x1 1/4 SS	AR	AR	
6	271104	PLATE (CURVED)	6	6	
7	270541	CLOSING PLATE	2	2	
NS	270922	CORNER FORM	2		
8	270521	FORM / BETWEN ARCH	6		
NS	270583	REINFORCEMENT L.H.	1		
NS	270584	REINFORCEMENT R.H.	1		
9	270520	FORM / BETWEN ARCH	AR	AR	
10	270564	ARCH	AR	AR	
11	230753	TUBE	1	1	
12	293062	ANGLE / (WELDED)	1	1	
13	231469	SUPPORT SINGLE	1	1	
14	230640	TUBE	1	1	
15	230648	SUPPORT	1	1	
16	230723	TUBE	1	1	
17	230722	TUBE	1	1	
18	230730	TUBE	1	1	
19	292931	ANGLE / (WELDED)	1	1	
20	231015	TUBE	1	1	
20	230882	TUBE	1	1	
21	231019	JOINT BUTT 15MM X 68MM / (WELDED)	1	1	
22	270582	CORNER FORM	10		
23	270919	TUBE	1		
23	270921	TUBE		1	
24	270558	CORNER PANEL	1	1	
25	270559	CORNER FORM	2		
25	270621	CORNER PANEL		2	
26	270547	PLATE	2		
26	270629	SUPPORT		2	
27	270556	POST / BETWEN WINDOW / 1129MM	AR	AR	
28	270525	SUPPORT PARCEL RACK	AR		
NS	270516	CORNER REINFORCEMENT	AR	AR	
29	270591	REINFORCEMENT	2	2	

From L-031 To R-079	Date:07/2024	PAGE:H4-1895-30
FRONT END STRUCTURE		

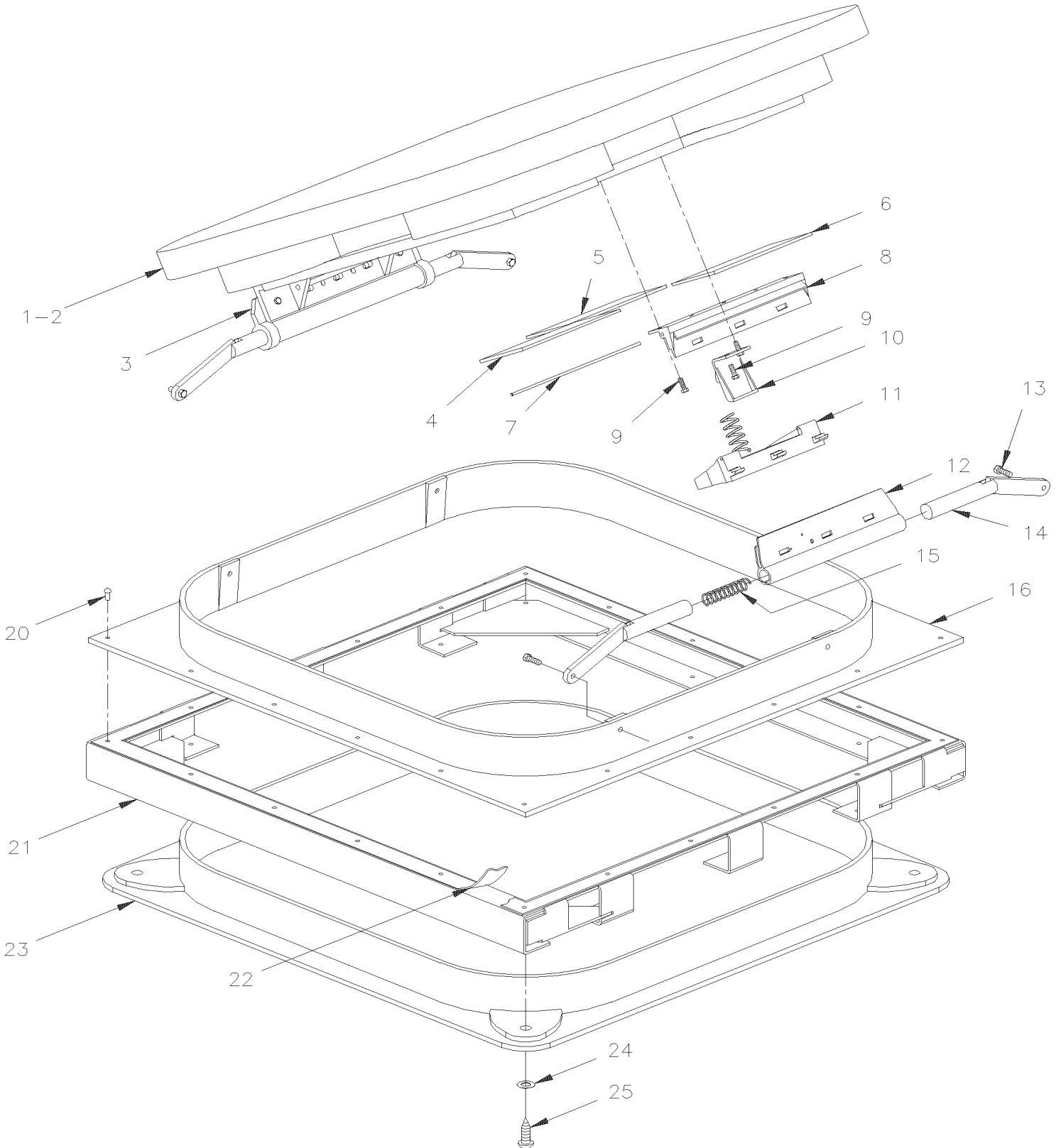
Item#	Part	Description	H 3 4 0	V I P 4 0	N O T E S
29	270526	SUPPORT	2	2	
30	211272	ANGLE	1		
31	211275	ANGLE	1		
32	231163	TUBE	1	1	
33	231465	JOINT BUTT 33MM X 33MM / (WELDED)	1	1	
34	231466	JOINT BUTT 33MM X 68MM / (WELDED)	1	1	
35	270828	SUPPORT	2	2	
36	270837	ANGLE	1	1	
50	H4-1895-20	ENTRANCE DOOR STRUCTURE			
51	H4-1895-00	FRONT STRUCTURE			
52	H4-1895-10	FRONT LOWER FLOOR STRUCTURE			
54	H4-1879-10	FRONT SERVICE DOOR - INSTALLATION			

From L-031 To R-079

Date:07/2024

PAGE:H4-1898-00

ESCAPE HATCH - INSTALLATION



From L-031 To R-079	Date:07/2024	PAGE:H4-1898-00
ESCAPE HATCH - INSTALLATION		

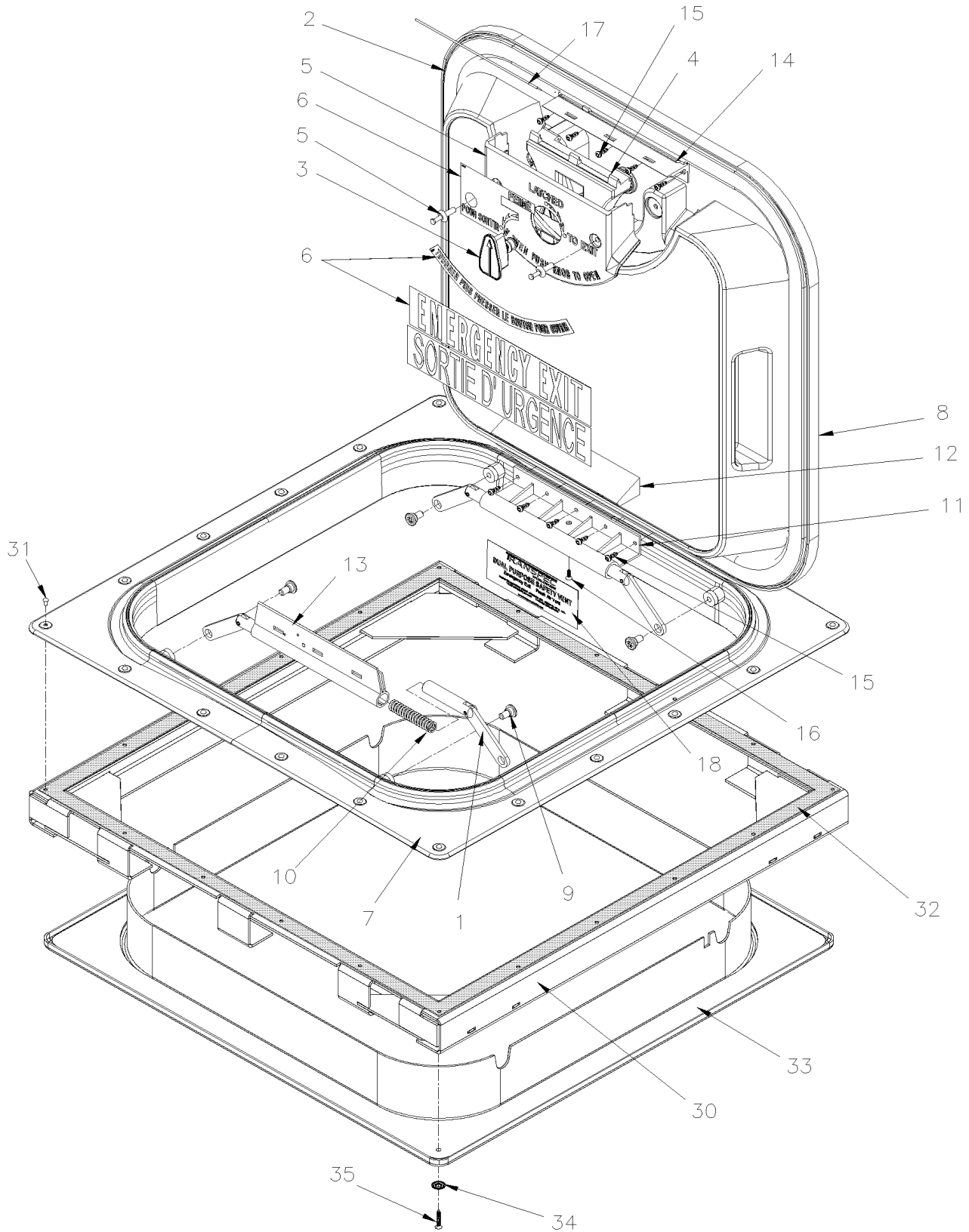
Item#	Part	Description	H 3 4 0	V I P 4 0	N O T E S
1	950209	HATCH ASSY / 23" X 23" GREY	1	1	
1	950291	HATCH ASSY / 23" X 23" GREY	1	1	
2	950069	. SEAL, GASKET KIT	1	1	
3	N.S.S.	. HINGE	1	1	1
4	291263	. DECAL / "EMERGENCY..." / ENGLISH & FRANCAIS	1	1	
5	403696	. DECAL / BRAILLE / EMERGENCY EXIT ONLY / ENGLISH & FRANCAIS	1	1	
5	403651	. DECAL, "EMEREGENCY... JAPAN"	1	1	
5	291265	. DECAL, "INSTRUCTION... FRENCH..."	1	1	
6	291264	. DECAL, "SORTIE D'URGENCE..."	1	1	
7	950046	. DECAL "EMERGENCY..."	1	1	
8	790373	. BASE, RELEASE / GREY	1	1	
9	N.S.P.	. SCREW	AR	AR	2
10	790236	. TAB, BLACK	1	1	
11	790371	. HANDLE, RELEASE W/SPRING / GREY	1	1	
12	790375	. HINGE, RELEASE / GREY	1	1	
13	790372	. SCREW SHR HEXS 7/16x3/16 {5/16-18	4	4	
14	790436	. LINK & LEVER ASSY	4	4	
15	790435	. SPRING COMPRESSION / .549 O.D. x 2.590	4	4	
15	790449	. SPRING COMPRESSION / .549 O.D. x 2.590 x .078	4	4	
16	950205	. FRAME ASSY, EXTERIOR FIBERGLASS / 23" X 23" GREY	1	1	
NS	680532	SEALANT SIKA #221 / GREY / 310ml CARTRIDGE	1	1	
20	504546	RIVET CHY MONOLOK PRDG 1/4x5/8 ZP	AR	AR	
21	292398	FRAME ASSY, MOUNTING 23" X 23"	1	1	
22	680093	SEALANT TAPE BUTYL / GREY / 1/16"x1 1/2"x50' /71079B11760	AR	AR	
23	291720	MOULDING, INTERIOR 23" X 23" GREY	1	1	
24	504399	WASHER RETAINER SNAP CAP #10	4	4	
25	500641	SCREW TP PAN PH #8x3/4 Z050	4	4	
NS	504400	SNAP CAP #10 FINISHING BLACK	4	4	
		1) NOT SOLD SEPARATELY			
		2) NOT SOLD BY PREVOST (SEE MANUFACTURING PART NUMBER AT END OF DESCRIPTION LINE)			

From L-031 To R-079

Date:07/2024

PAGE:H4-1898-99

ESCAPE HATCH - INSTALLATION / SERVICE



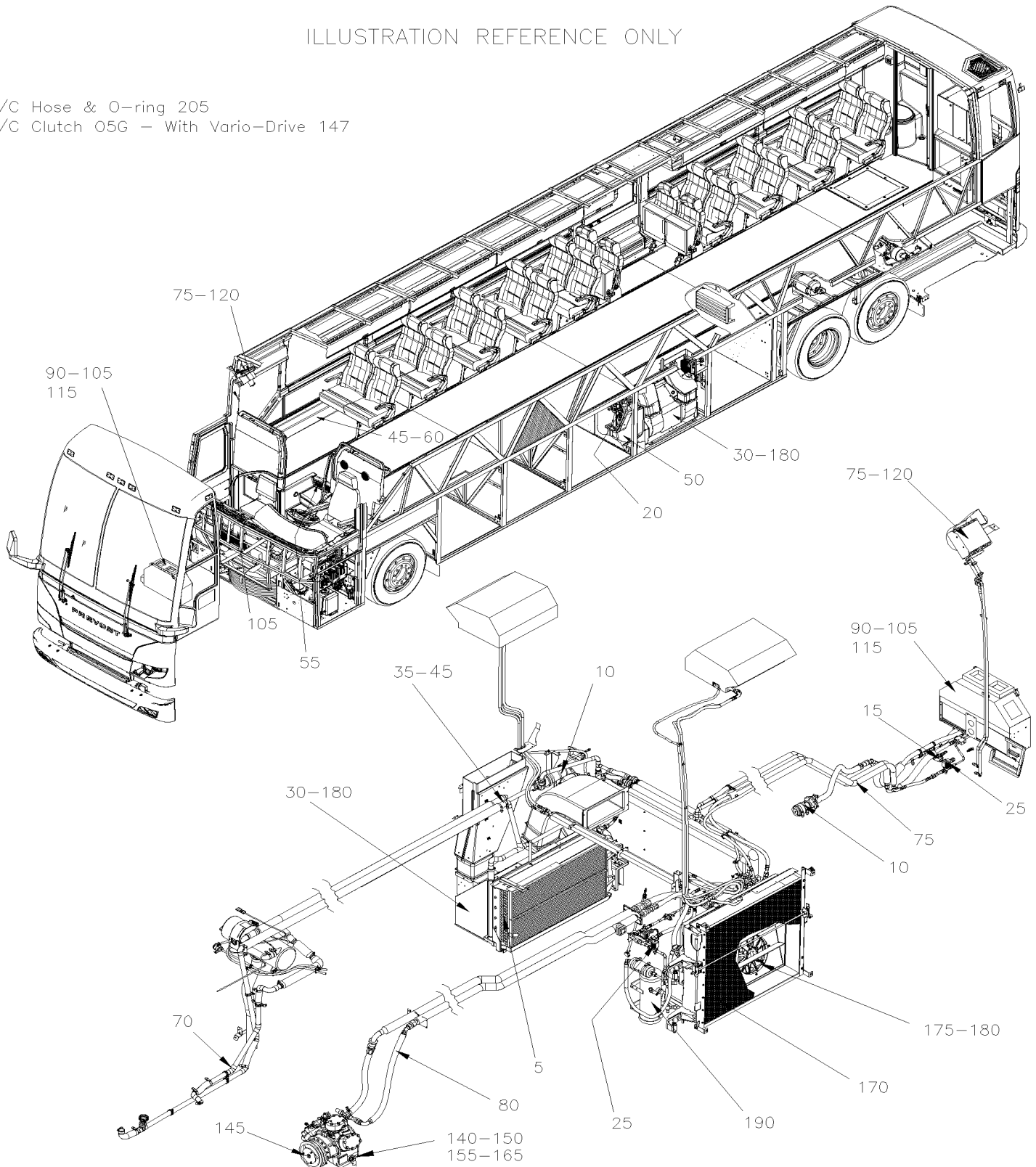
From L-031 To R-079	Date:07/2024	PAGE:H4-1898-99
ESCAPE HATCH - INSTALLATION / SERVICE		

Item#	Part	Description	H 3 4 0	V I P 4 0	N O T E S
	950396	HATCH ASSY / 23" X 23" GREY / LOW PROFILE GREY / ENG & FRENCH	1	1	
1	790436	. LINK & LEVER ASSY	4	4	
2	950069	. SEAL, GASKET KIT	1	1	
3	790663	. RELEASE KNOB W/SCREW / RED	1	1	
4	790664	. RELEASE HANDLE ASSY GREY	1	1	
4	790371	. HANDLE, RELEASE W/SPRING / GREY	1	1	
5	790662	. RELEASE HINGE SHIELD ASSY GREY	1	1	
6	950690	. DECAL KIT INSTRUCTION / ENGLISH & FRANCAIS	1	1	
NS	950229	. DECAL KIT INSTRUCTION / ENGLISH & FRANCAIS	1	1	
NS	403651	. DECAL, "EMERGEGENCY... JAPAN"	AR	AR	
NS	405775	. DECAL / BRAILLE / EMERGENCY EXIT ONLY / ENGLISH & FRANCAIS	AR	AR	
7	950205	. FRAME ASSY, EXTERIOR FIBERGLASS / 23" X 23" GREY	1	1	
8	950464	. COVER ASSY / LOW PROFILE / GREY ENGLISH & FRENCH	1	1	A
9	790372	. SCREW SHR HEXS 7/16x3/16 {5/16-18	4	4	
9	950449	. SCREW CAP BUT TORX 5/16-18x3/4 BK G8	4	4	
9	950450	. SPACER BUSHING 5/16I.D.x 7/16O.D.x 3/16TH	4	4	
10	790449	. SPRING COMPRESSION / .549 O.D. x 2.590 x .078	4	4	
11		. HINGE COVER SECTION	1	1	
12	N8891498	. HINGE COVER GREY	1	1	
13	790375	. HINGE, RELEASE / GREY	1	1	
14	6982866	. HANDLE BASE	1	1	
15	N8880007	. SPECIAL TORX SCREW #10 x 1/2 SS	10	10	
16	7775130	. SCREW FL PH #8 x 1/2 SS	1	1	
17	950693	. HINGE PIN SS	1	1	
18	N8891500	DECAL PURPOSE SAFETY VENT	1	1	
30	292398	FRAME ASSY, MOUNTING 23" X 23"	1	1	
NS	680532	SEALANT SIKA #221 / GREY / 310ml CARTRIDGE	1	1	
31	504546	RIVET CHY MONOLOK PRDG 1/4x5/8 ZP	20	20	
32	680093	SEALANT TAPE BUTYL / GREY / 1/16"x1 1/2"x50' /71079B11760	AR	AR	
33	291720	MOULDING, INTERIOR 23" X 23" GREY	1	1	
34	500464	WASHER FN CKF .210x.540 SS	4	4	
35	500629	SCREW TP OV PH #8x1 Z050	4	4	
		A) INCLUDED ITEMS 2-3-4-5-6-8-11-12-15-16-17			

	Date:07/2024	H4-22
HEATING & AIR CONDITIONING		

ILLUSTRATION REFERENCE ONLY

A/C Hose & O-ring 205
A/C Clutch 05G - With Vario-Drive 147



	Date:07/2024	H4-22
HEATING & AIR CONDITIONING		

Item#	Part	Description	H 3 4 0	V I P 4 0	N O T E S
5	H4-2205-00	HEATER & EVAPORATOR COIL & FILTER ASSY From L-031 To R-079			
10	H4-2206-00	WATER PUMP #870871 From L-031 To R-012			
10	H4-2206-02	WATER PUMP #871052 & #871204 From R-013 To R-079			
10	H4-2206-99	WATER PUMP #871342 SEALLESS / RETROFIT From L-031 To R-079			
15	H4-2207-00	WATER VALVE - W/MAIN HEATER & A/C From L-031 To R-396			
15	H4-2207-01	WATER VALVE "VERSADRIVE" From R-397 To R-079			
15	H4-2207-02	WATER VALVE "VERSADRIVE" / SERVICE From L-031 To R-079			
15	H4-2207-10	WATER VALVE - DRIVER'S From L-031 To M-109			
15	H4-2207-11	WATER VALVE - DRIVER'S From M-110 To R-079			
15	H4-2207-20	WATER VALVE - BYPASS WWATER HEATER From R-397 To R-079			
20	H4-2208-00	A/C EXPANSION VALVE From L-031 To R-079			
25	H4-2208-10	REFRIGERANT SOLENOID VALVE From L-031 To R-079			
30	H4-2210-00	HEATER & EVAPORATOR BLOWER - INSTALLATION From L-031 To R-079			
35	H4-2210-10	WATER HEATER PUMP & FILTER - INSTALLATION From L-031 To R-079			
45	H4-2210-50	AIR MAIN SENSOR From L-031 To R-079			
50	H4-2215-00	EVAPORATOR & DAMPER CONTROL COMPONENTS From L-031 To R-079			
55	H4-2220-00	UNDER FLOOR AIR DUCTING From L-031 To R-079			
60	H4-2221-10	DUCTING HEATER & A/C From L-031 To R-079			
70	H4-2222-00	HEATER LINE REAR SECTION - WITH DETROIT S-92 From L-031 To R-032			
70	H4-2222-01	HEATER LINE REAR SECTION - WITH DETROIT S-60 From P-256 To R-079			
75	H4-2222-10	A/C & HEATING LINE FRONT SECTION From L-031 To R-079			
80	H4-2222-15	A/C LINE REAR SECTION W/05G From L-031 To R-079			
90	H4-2225-02	DRIVER'S HEATER & DEFROSTER ASSY From L-031 To M-140			
90	H4-2225-03	DRIVER'S HEATER & DEFROSTER ASSY From M-141 To R-079			
105	H4-2230-00	DEFROSTER - INSTALLATION From L-031 To R-079			
115	H4-2240-00	BLOWER & MOTOR ASSY - "AURORA" From L-031 To R-079			
115	870844	BLOWER & MOTOR ASSY - "M.C.C." "CW" / FAN END From M-141 To R-079			
120	H4-2240-10	UPPER WINDSHIELD FAN - INSTALLATION From L-031 To R-079			
140	H4-2245-00	A/C COMPRESSOR 05G - INSTALLATION - WITH DETROIT S-92 From L-031 To R-032			
140	H4-2245-01	A/C COMPRESSOR 05G - INSTALLATION - WITH DETROIT S-60 From P-256 To R-079			
140	H4-2245-12	A/C COMPRESSOR "SPECIAL" From L-031 To R-079			
145	H4-2246-01	A/C CLUTCH 05G - HOUSING MOUNTED From L-031 To R-079			
147	H4-2247-00	A/C CLUTCH 05G - W/VARIO-DRIVE From L-031 To R-079			
150	H4-2250-00	A/C COMPRESSOR ASSY 05G - THREE PORT From L-031 To R-079			
150	H4-2250-01	A/C COMPRESSOR ASSY 05G - TWIN PORT / SERVICE From L-031 To R-079			
155	H4-2250-15	A/C ELECTRIC UNLOADER - W/05G COMPRESSOR From L-031 To R-079			
165	H4-2251-00	GASKET - 05G A/C COMPRESSOR From L-031 To R-079			
170	H4-2255-00	CONDENSOR - INSTALLATION From L-031 To R-079			
175	H4-2260-00	CONDENSOR FAN - INSTALLATION From L-031 To R-079			
180	H4-2265-01	MOTOR - EVAPORATOR - "PREVOST" - T-19 From L-031 To R-079			
180	H4-2265-47	MOTOR - EVAPORATOR BRUSHLESS From L-031 To R-079			A
180	H4-2265-48	MOTOR - EVAPORATOR - "PREVOST" - T-17 - 2 SPEEDS / SERVICE From L-031 To R-079			A

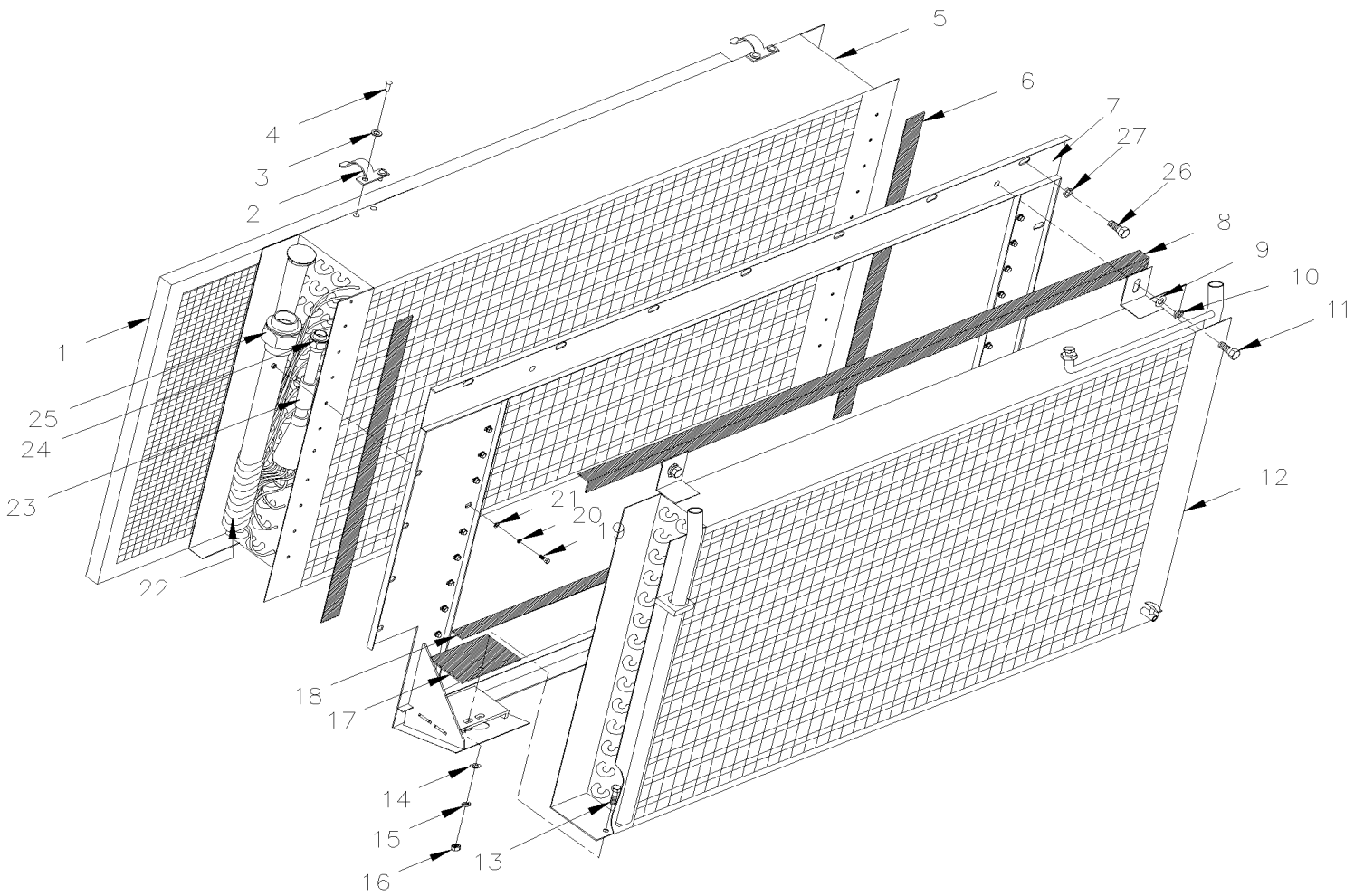
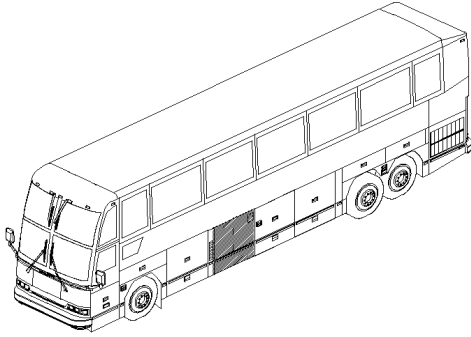
		Date:07/2024	H4-22		
HEATING & AIR CONDITIONING					
Item#	Part	Description	H 3 4 0	V I P 4 0	N O T E S
180	H4-2265-49	MOTOR - EVAPORATOR - "PREVOST" - T-17 / SERVICE From L-031 To R-079			A
180	H4-2265-50	MOTOR - CONDENSOR - "PREVOST" - TAP-12 From L-031 To R-079			
180	H4-2265-98	MOTOR - CONDENSOR - "PREVOST" - T114 / SERVICE From L-031 To R-079			A
180	H4-2265-99	MOTOR - CONDENSOR - "PREVOST" - T11G / SERVICE From L-031 To R-079			A
190	H4-2270-00	RECEIVER TANK & FILTER DRYER From L-031 To R-079			
205	H4-2299-00	A/C HOSE & O-RING - W/ R-12 / R-22 & R-134A From L-031 To R-079			
		A) SERVICE			

From L-031 To R-079

Date:07/2024

PAGE:H4-2205-00

HEATER & EVAPORATOR COIL & FILTER ASSY



From L-031 To R-079	Date:07/2024	PAGE:H4-2205-00
HEATER & EVAPORATOR COIL & FILTER ASSY		

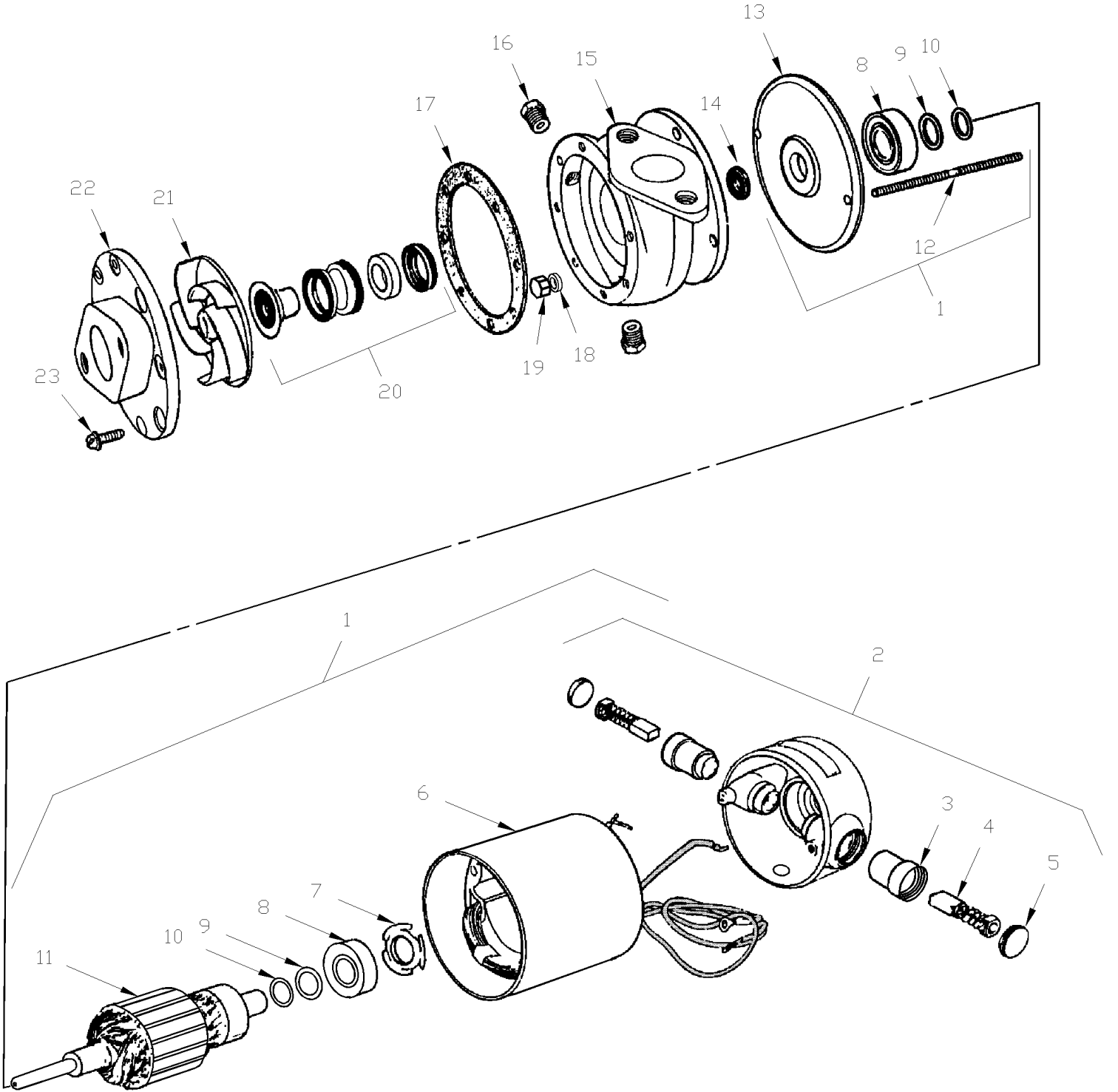
Item#	Part	Description	H 3 4 0	V I P 4 0	N O T E S
1	870961	FILTER 1" x 20 3/8" x 43 1/2"	1	1	
2	391009	CLIP RETAINING	2	2	
3	500437	WASHER FL .125x.375x.040 Z050	4	4	
4	504104	RIVET POP DOME OE 1/8x1/8 SS	4	4	
5	950145	COIL EVAPORATOR	1	1	
6	506277	TAPE RUB ADH1 CC POL 1/2" x 3/4" x 15' / GREY 2520X	AR	AR	
7	451757	SUPPORT ASSY	1	1	
8	506337	RUBBER CHANNEL / 3/32" x 11/32" INT "U" SHAPE / ROUND C.T.L.	AR	AR	
9	500444	WASHER FL .406x.812x.065 Z050	2	2	
10	500478	WASHER LO SPT .380x.683x.094 Z050	2	2	
11	500044	SCREW CAP HEX 3/8-24x3/4 G5 Z050	2	2	
12	870943	HEATER COIL ASSY	1	1	
NS	370355	DECAL "DRAIN..." / ENGLISH & FRANCAIS	1	1	
NS	374062	DECAL "DRAIN..." / ENGLISH & SPANISH	1	1	
13	500181	SCREW CAP HEX 5/16-18x1 G5 Z050	2	2	
14	500441	WASHER FL .312x.734x.065 Z050	2	2	
15	500476	WASHER LO SPT .317x.586x.078 Z050	2	2	
16	500778	NUT HEX 5/16-18 N500	2	2	
17	371735	RUBBER 4 3/4" X 2 7/8" X 3/16" THICK	2	2	
18	372543	SEAL RUBBER 19MM X 1065MM	1	1	
19	500386	SCREW MA RND PH #10-24x1/2 Z050	20	20	B
20	500470	WASHER LO SPT .193x.334x.047 Z050	20	20	
21	500964	WASHER FL .203x.500x.047 Z050	20	20	
22	680091	TAPE INSULATING / 1/8" x 2" x 30' / BLACK PT-1	AR	AR	
24	372630	HOSE ASSY / W/R-12 / #10 645MM	1	1	C
24	452458	HOSE ASSY TEFLON / W/R-22 / #10 654MM	1		C
24	373276	HOSE ASSY / W/R-134a / #10 645MM	1	1	A
25	372628	HOSE ASSY / W/R-12 / #20 650MM	1	1	D
25	950224	HOSE ASSY / W/R-22 / #20 758MM / SS BELLOW	1		D
25	373270	HOSE ASSY / W/R-134a / #20 650MM	1	1	A
NS	507169	O-RING 1/2 I.D.	1	1	
NS	507280	O-RING / ORS FITTING / #12 NEO	1	1	
NS	507346	O-RING / ORS FITTING / #24 NEO	1	1	
26	502513	SCREW TP CAP HEX 5/16x1 Z050	15	15	
26	500837	NUT SPR U 1/4-20 .064-.125	15	15	
27	502583	WASHER LO SERR 8.15x22.3x1.0 Z050	15	15	
		A) WE DID NOT PRODUCED H3-40 WITH R-134A PARTS ARE USED ONLY WITH RETROFIT KIT, CALL PARTS FOR INFO.			
		B) TO FIX EVAPORATOR			
		C) EXPENSION VALVE & TUBE			

From L-031 To R-079		Date:07/2024	PAGE:H4-2205-00
---------------------	--	--------------	-----------------

HEATER & EVAPORATOR COIL & FILTER ASSY

Item#	Part	Description	H 3 4 0	V I P 4 0	N O T E S
		D) SUCTION & EVAPORATOR			

From L-031 To R-012	Date:07/2024	PAGE:H4-2206-00
WATER PUMP #870871		



From L-031 To R-012	Date:07/2024	PAGE:H4-2206-00
WATER PUMP #870871		

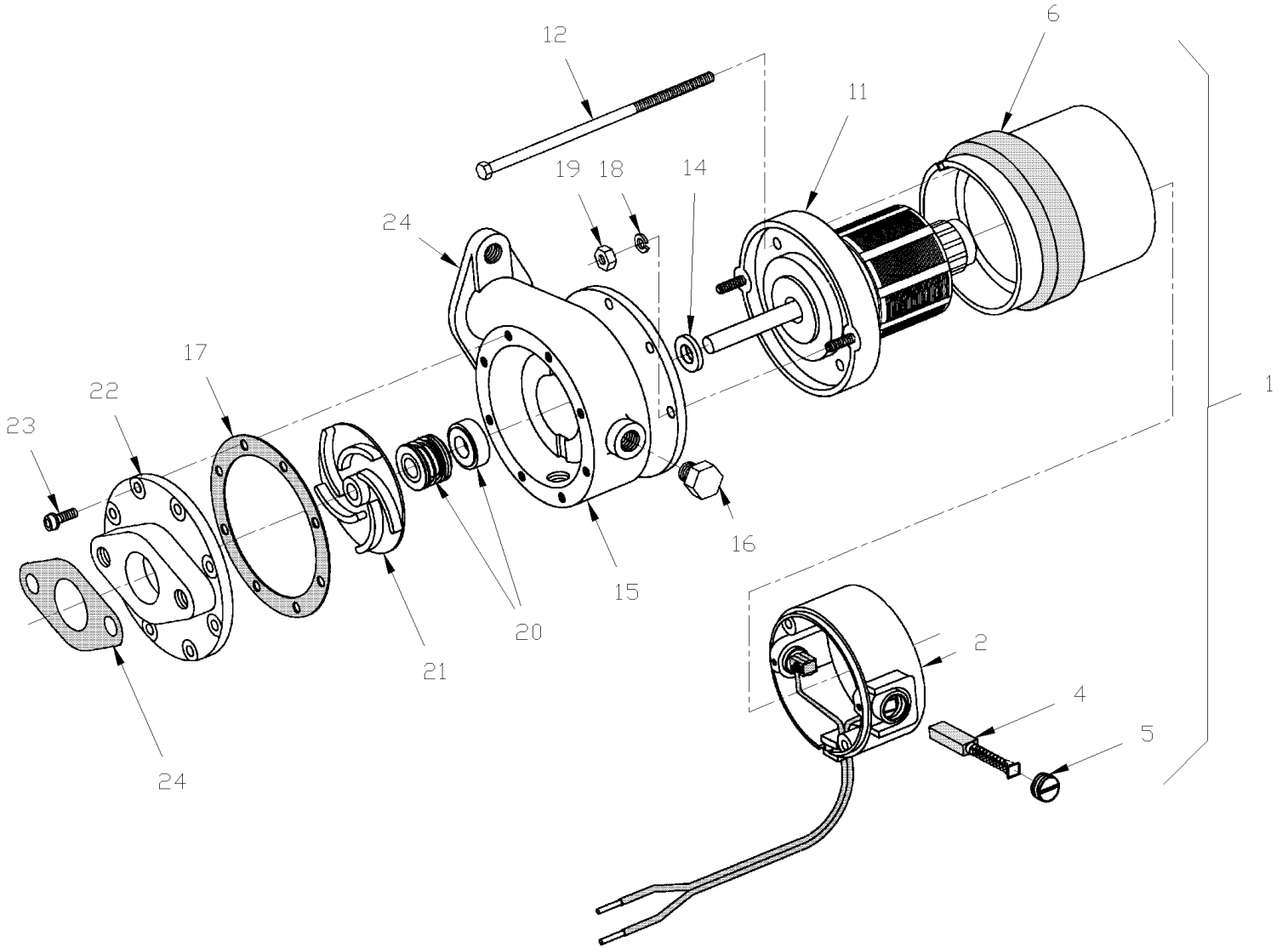
Item#	Part	Description	H 3 4 0	V I P 4 0	N O T E S
	870871	WATER PUMP ASSY / 24V / (22023)	1	1	R
1	870467	. MOTOR ASSY / 24V	1	1	
2	N.S.P.	. . HEAD ASSY (#22948)	1	1	2
3	N.S.P.	. . . BRUSH HOLDER (#2909)	2	2	2
4	870438	. . . BRUSH	2	2	
5	870889	. . . CAP BRUSH 3/4" (CURRENT)	2	2	
6	N.S.P.	. . STATER ASSY (#25888)	1	1	2
7	560732	. . WASHER THRUST	1	1	
8	560731	. . BEARING	2	2	
9	560733	. . SPACER	2	2	
10	N.S.S.	. . RING SNAP	2	2	1
11	N.S.P.	. . ARMATURE ASSY (#26036)	1	1	2
12	N.S.P.	. . STUD CASE #10-32 (#21608)	2	2	2
13	N.S.P.	. . COVER (#21607)	1	1	2
14	870440	. SLINGER	1	1	
15	N.S.P.	. CARRIER / PUMP (#21586)	1	1	2
16	501303	. PLUG SQUARE HEAD / PIPE FITTING / 1/8NPT-M BR	2	2	
17	870439	. GASKET / CARRIER	1	1	
18	500470	. WASHER LO SPT .193x.334x.047 Z050	2	2	
19	500700	. NUT HEX #10-32 Z050	2	2	
20	870437	. KIT SEAL	1	1	
21	870436	. IMPELLER	1	1	
22	N.S.P.	. FLANGE ADAPTOR (#21634)	1	1	2
23	N.S.P.	. SCREW #8-32 X 1/2 / BRASS	8	8	2
NS	561566	CONNECTOR / WEATHER PACK / PH 2C / BLACK / PED 12010973	1	1	
NS	561568	PIN TERMINAL / 16-14 / PED 12089305	2	2	
NS	561786	CABLE SEAL / GRAY / PED 15324980	2	2	
NS	870441	GASKET PUMP INLET & OUTLET	2	2	
		R) THOSE PUMP MAY BE SUPPERSEEDDED BY KIT #374027 WITH "SEALLESS PUMP" SEE PAGE H4-2206-99			
		1) NOT SOLD SEPARATELY			
		2) NOT SOLD BY PREVOST (SEE MANUFACTURING PART NUMBER AT END OF DESCRIPTION LINE)			

From R-013 To R-079

Date:07/2024

PAGE:H4-2206-02

WATER PUMP #871052 & #871204



From R-013 To R-079	Date:07/2024	PAGE:H4-2206-02
WATER PUMP #871052 & #871204		

Item#	Part	Description	H 3 4 0	V I P 4 0	N O T E S
	871052	WATER PUMP ASSY / 24V / (28689)	1	1	AR
	871204	WATER PUMP ASSY / 24V / (31726)	1	1	BR
1	N.S.P.	. MOTOR ASSY (28538)	1	1	2
2	N.S.P.	. . HEAD ASSY (28884)	1	1	2
2	N.S.S.	. . . BRUSH HOLDER	2	2	1
4	871062	. . BRUSH	2	2	
5	871063	. . CAP BRUSH	2	2	
6	N.S.P.	. . STATOR ASSY (28883)	1	1	2
11	N.S.P.	. . ARMATURE ADAPTOR ASSY (28882)	1	1	2
11	N.S.S.	. . BEARING	2	2	1
12	N.S.S.	. . STUD CASE #10-32 X 5"	2	2	1
14	870440	. SLINGER	1	1	
15	N.S.P.	. CARRIER / PUMP (21586)	1	1	2
16	501303	. PLUG SQUARE HEAD / PIPE FITTING / 1/8NPT-M BR	2	2	
17	870439	. GASKET / CARRIER	1	1	C
17	871205	. GASKET / CARRIER	AR	AR	D
18	500470	. WASHER LO SPT .193x.334x.047 Z050	2	2	
19	500700	. NUT HEX #10-32 Z050	2	2	
20	870437	. KIT SEAL	1	1	C
20	871310	. KIT SEAL	AR	AR	D
21	870436	. IMPELLER	1	1	
22	N.S.P.	. FLANGE ADAPTOR (21634)	1	1	2
23	N.S.P.	. SCREW #8-32 X 1/2 / BRASS	8	8	2
24	870441	GASKET PUMP INLET & OUTLET	2	2	
24	871207	QUAD RING	AR	AR	D
		A) PRODUCTION			
		B) SEVICE			
		C) USE ONLY WITH PUMP #871052			
		D) USE ONLY WITH PUMP #871204			
		R) THOSE PUMP MAY BE SUPPERSEDED BY KIT #374027 WITH "SEALLESS PUMP" SEE PAGE H4-2206-99			
		1) NOT SOLD SEPARATELY			
		2) NOT SOLD BY PREVOST (SEE MANUFACTURING PART NUMBER AT END OF DESCRIPTION LINE)			

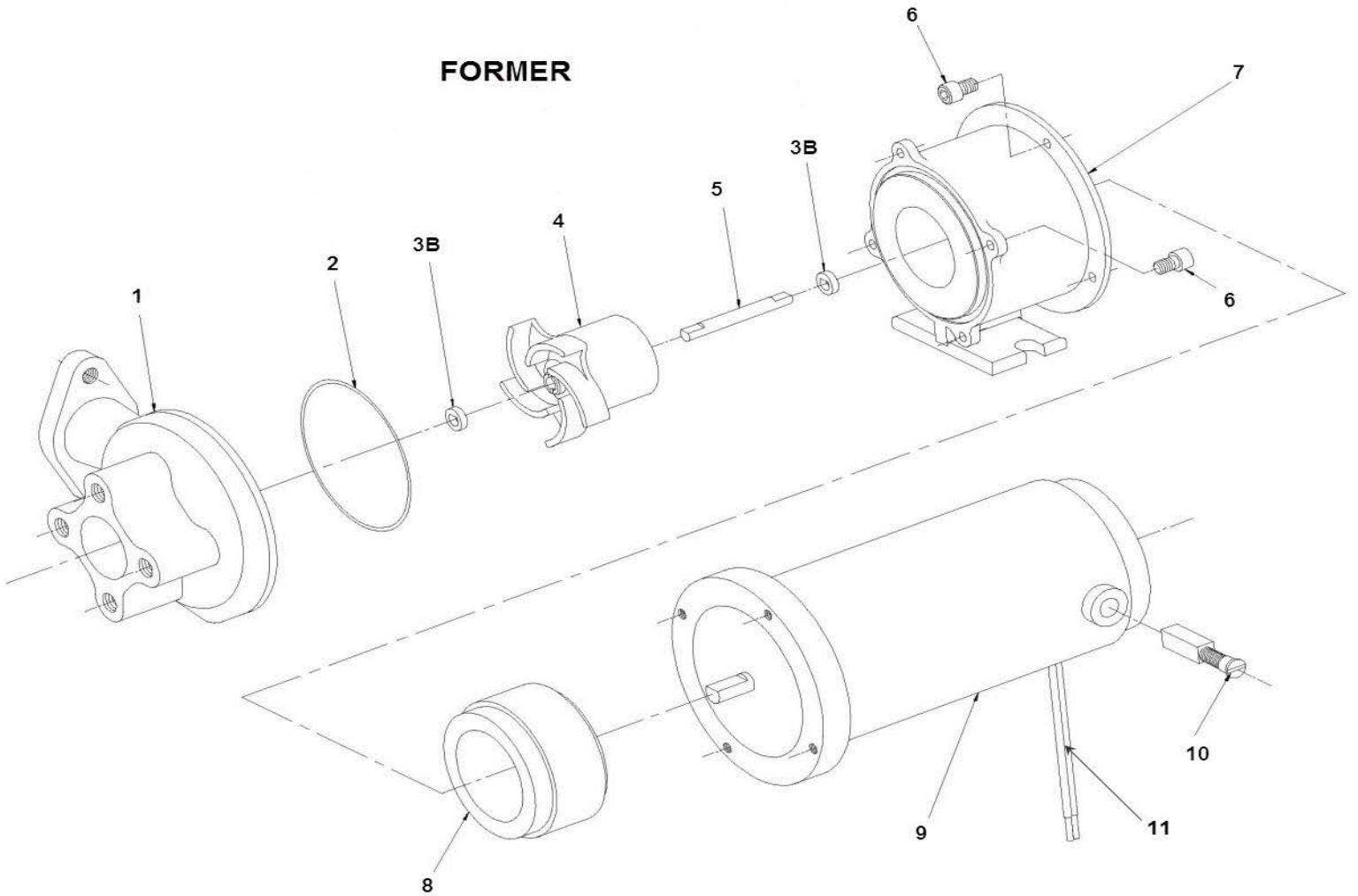
From L-031 To R-079

Date:07/2024

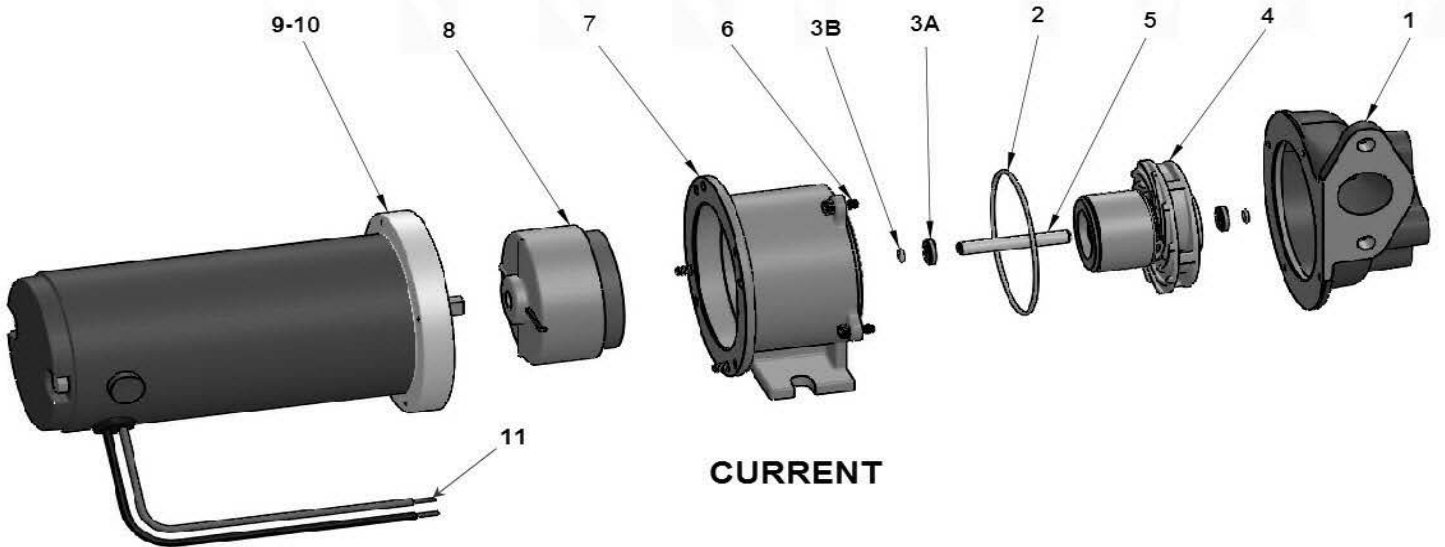
PAGE:H4-2206-99

WATER PUMP #871342 SEALLESS / RETROFIT

FORMER



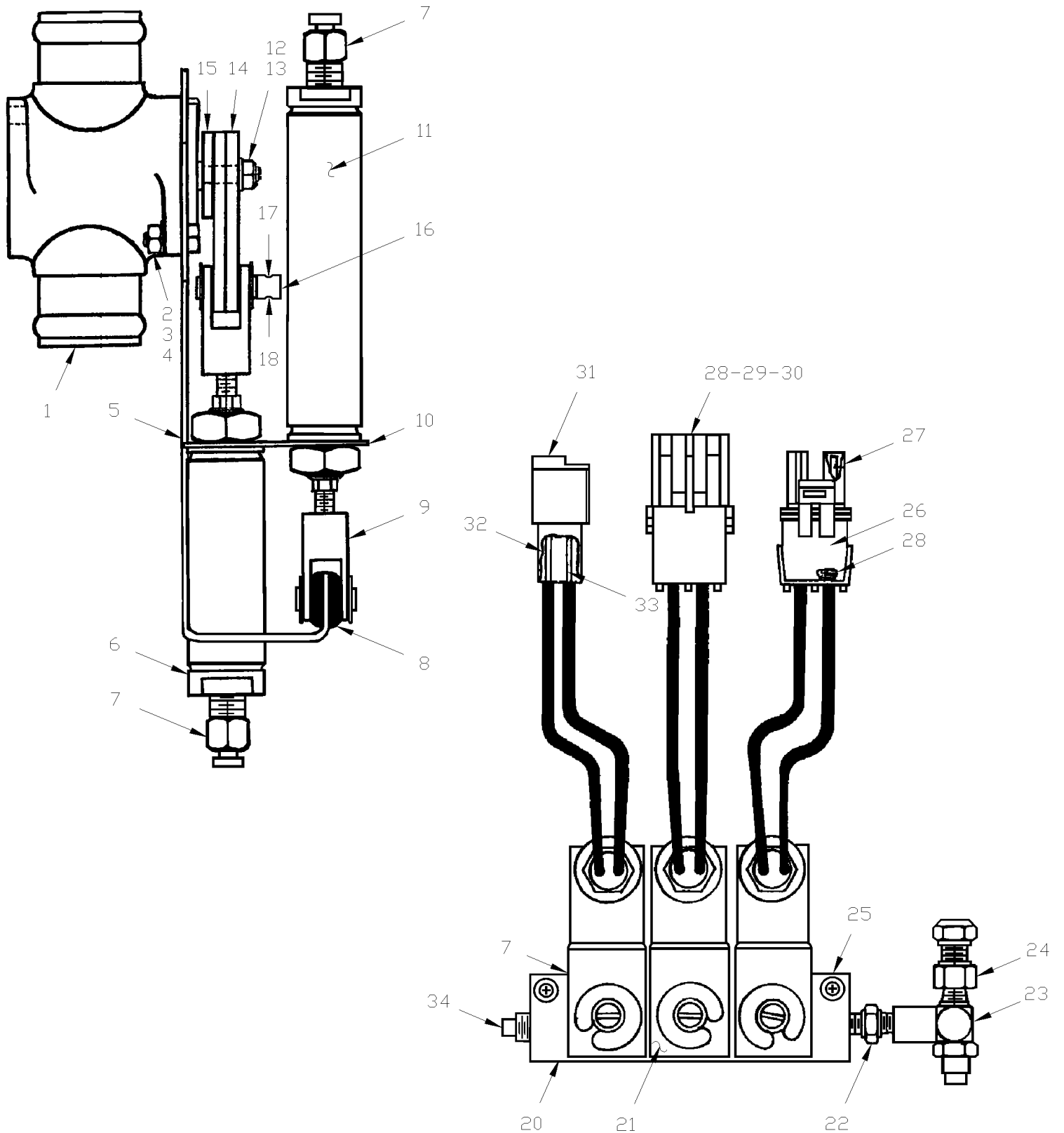
CURRENT



From L-031 To R-079	Date:07/2024	PAGE:H4-2206-99
WATER PUMP #871342 SEALLESS / RETROFIT		

Item#	Part	Description	H 3 4 0	V I P 4 0	N O T E S
	374032	PUMP WATER ASSY WITH CONNECTOR / SEALLESS MODEL	1	1	
	871414	. WATER PUMP ASSY / 24V / SEALLESS / "MP PUMPS"	1	1	A
	871342	. WATER PUMP ASSY / 24V / SEALLESS / "MP PUMPS"	1	1	
1	N.S.S.	. HOUSING	1	1	1
2	871236	. O-RING	1	1	
3A	870138	. O-RING	2	2	C
3B	871239	. WASHER SS	2	2	F
3B	Call order desk	. WASHER THRUST	2	2	PC
4	871240	. ROTOR ASSY	1	1	F
4	870117	. ROTOR ASSY	1	1	C
5	871241	. SHAFT SS	1	1	F
5	Call order desk	. SHAFT SS	1	1	PC
6	G1094056	. SCREW CAP HEXS 8-32x3/8	8	8	
7	G1094057	. ADAPTOR	1	1	
8	871242	. DRIVE MAGNET	1	1	
9	871322	. MOTOR ASSY 24V	1	1	
10	871323	. BRUSH	2	2	
11	561566	. CONNECTOR / WEATHER PACK / PH 2C / BLACK / PED 12010973	1	1	
NS	561568	. PIN TERMINAL / 16-14 / PED 12089305	2	2	
NS	561786	. CABLE SEAL / GRAY / PED 15324980	2	2	
NS	374027	KIT, RETROFIT SEALLESS WATER PUMP	1	1	
		A) THIS PUMP IS PACKAGING INDIVIDUALLY WITHOUT ELECTRICAL CONNECTORS			
		C) CURRENT			
		F) FORMER			
		1) NOT SOLD SEPARATELY			
		P) CALL ORDER DESK FOR SPECIFIC APPLICATION (V.I.N.)			

From L-031 To R-396	Date:07/2024	PAGE:H4-2207-00
WATER VALVE - W/MAIN HEATER & A/C		



From L-031 To R-396		Date:07/2024	PAGE:H4-2207-00
WATER VALVE - W/MAIN HEATER & A/C			

Item#	Part	Description	H 3 4 0	V I P 4 0	N O T E S
	372587	WATER VALVE ASSY	1	1	B
1	870964	. VALVE	1	1	B
1	871055	. O-RING 30.3MM I.D. / LARGE	1	1	
1	871056	. O-RING / SMALL 15.44MM O.D. X 10.2MM I.D.	1	1	
2	500160	. SCREW CAP HEX #10-24x1/2 Z050	2	2	
3	500786	. NUT HEX #10-24 Z050	2	2	
4	500470	. WASHER LO SPT .193x.334x.047 Z050	2	2	
5	372579	. SUPPORT To N-233	1	1	
5	372933	. SUPPORT From N-234	1	1	A
6	641178	. CYLINDER	1	1	
7	641126	. MALE CONNECTOR / PUSH-IN FITTING / #2x1/8NPT-M BR	5	5	
8	504529	. GROMMET / .250x.375x.062x.281x.625	1	1	
9	641176	. YOKE (INCLUDING PIN & SNAP RING)	2	2	
10	372578	. SUPPORT	1	1	
11	641177	. CYLINDER	1	1	
12	502782	. NUT HEX NYRT M5-0.8 Z050	1	1	
13	502637	. WASHER FL .200x.437x.037 SS	1	1	
14	372724	. LEVER	2	2	
15	372725	. SPACER	1	1	
16	372934	. PIN, CLEVIS	1	1	A
17	372935	. SPRING EXTENSION / .500 O.D. x 1.875 x .054	1	1	A
18	372936	. SPRING EXTENSION / .500 O.D. x 2.25 x .054	1	1	A
NS	372669	SOLENOID VALVE ASSY	1	1	
20	641180	MANIFOLD VALVE / W/3 SOLENOID	1	1	
. NS	641928	. KIT, MANIFOLD REPAIR / N.C.	3	3	
. NS	641107	. COIL 24V	1	1	
21	641107	. COIL 24V	3	3	
22	501312	BUSHING REDUCER / PIPE FITTING / 1/4NTP-Mx1/8NPT-F BR	1	1	
23	780233	VALVE, CONTROL / FCP2	1	1	
24	641013	FEMALE CONNECTOR / NTA FITTING / #4x1/8NPT-F BR	1	1	
25	500495	SCREW TP PAN PH #6x1 Z050	2	2	
26	561690	CONNECTOR / WEATHER PACK / SH 2C / BLACK / PED 12015792	2	2	
27	561578	SOCKET TERMINAL / 16-14 / PED 12010182	2	2	
28	561565	CABLE SEAL / GREEN / PED 15324982	4	4	
29	561566	CONNECTOR / WEATHER PACK / PH 2C / BLACK / PED 12010973	1	1	
30	561568	PIN TERMINAL / 16-14 / PED 12089305	2	2	
31	561813	CONNECTOR / SURE-SEAL / FEMALE HOUSING 2C / ITT CANNON 120-1804-000	1	1	
32	561024	SOCKET TERMINAL / 18-14 / ITT CANNON 031-1267-001	1	1	
33	561023	PIN TERMINAL / 18-14 / ITT CANNON 030-2196-001	1	1	
34	501303	PLUG SQUARE HEAD / PIPE FITTING / 1/8NPT-M BR	1	1	
NS	373849	KIT, REPLACEMENT FOR HONEYWELL VALVE To R-396			W
. NS	IS-00063A	. SEE INSTRUCTION SHEET To R-396			W

From L-031 To R-396	Date:07/2024	PAGE:H4-2207-00
WATER VALVE - W/MAIN HEATER & A/C		

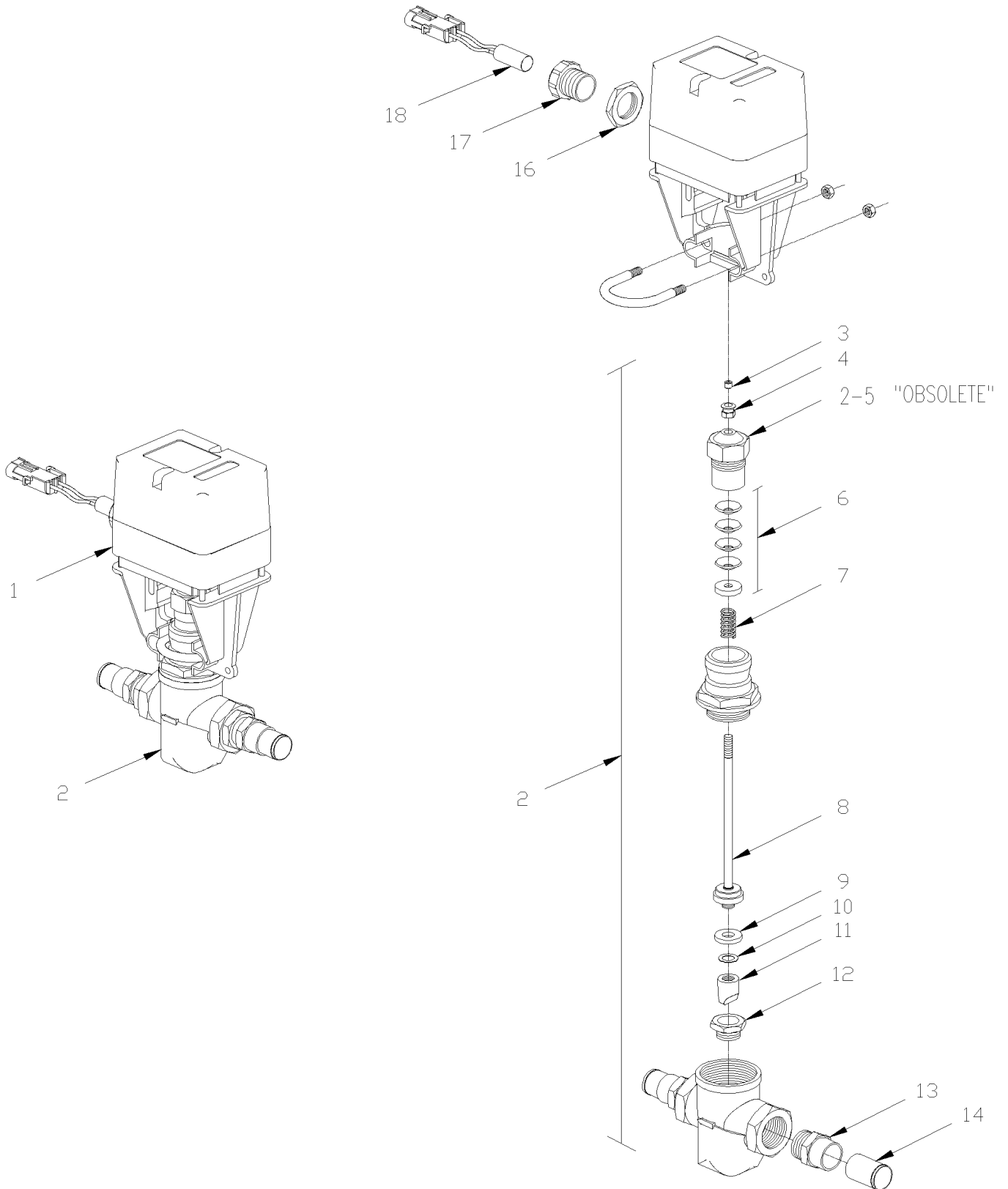
Item#	Part	Description	H 3 4 0	V I P 4 0	N O T E S
		A) USED THOSE PARTS TO IMPROVE VALVE OPERATION			
		B) FOR PRODUCT IMPROVEMENT THIS VALVE ARE SUPPERSEDED BY KIT #373849			
		W) "WARNING BEFORE INSTALL SEE CABLE DRAWING # 065552 WITH REVISION #CD51808"			

From R-397 To R-079

Date:07/2024

PAGE:H4-2207-01

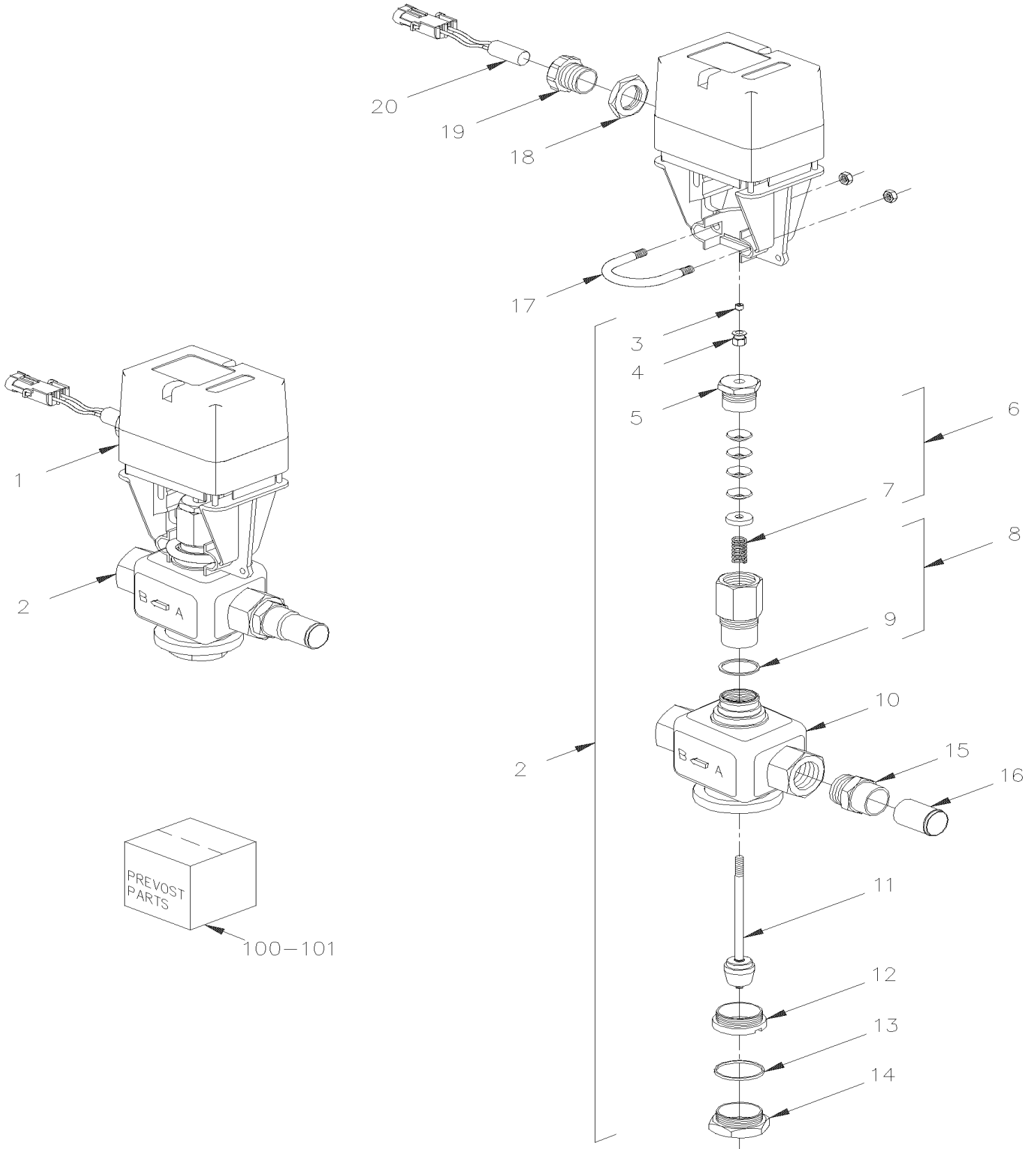
WATER VALVE "VERSADRIVE"



From R-397 To R-079	Date:07/2024	PAGE:H4-2207-01
WATER VALVE "VERSADRIVE"		

Item#	Part	Description	H 3 4 0	V I P 4 0	N O T E S
	372937	VALVE ASSY W/FITTING	1	1	
1	641238	. VALVE ACTUATOR 0-10 VOLTS	1	1	
2	641239	. VALVE BODY ASSY 3/4" NPT	1	1	
3	500870	. . SCREW SET HEXS CUP 1/4-28x3/16	1	1	
4	N.S.P.	. . BUTTON (14004623-001)	1	1	2
5	641260	. . PACKING NUT	1	1	
6	641348	. . KIT PACKING NUT	1	1	
7	N.S.P.	. . . SPRING	1	1	2
8	N.S.P.	. . STERN & DISC HOLDER ASSY (311094A)	1	1	2
9	641263	. . WASHER SPR WAVE .375x.594	1	1	
10	641262	. . DISC SPRING	1	1	
11	641264	. . PLUG	1	1	
12	641265	. . SEAT	1	1	
13	501794	. ADAPTER / COPPER @ PIPE / 1Mx3/4NPT-M	2	2	
14	372544	. PIPE OUTLET	2	2	
15	372939	. SUPPORT WATER VALVE "Z" SHAPE	1	1	
16	560433	. NUT LOCK 1/2" PIPE	1	1	
17	560434	. CONNECTOR 1/2" PIPE	1	1	
18	063332	. CABLE ASSY	1	1	
18	641261	. . KIT MASTER REPAIR PACKING	1	1	
		2) NOT SOLD BY PREVOST (SEE MANUFACTURING PART NUMBER AT END OF DESCRIPTION LINE)			

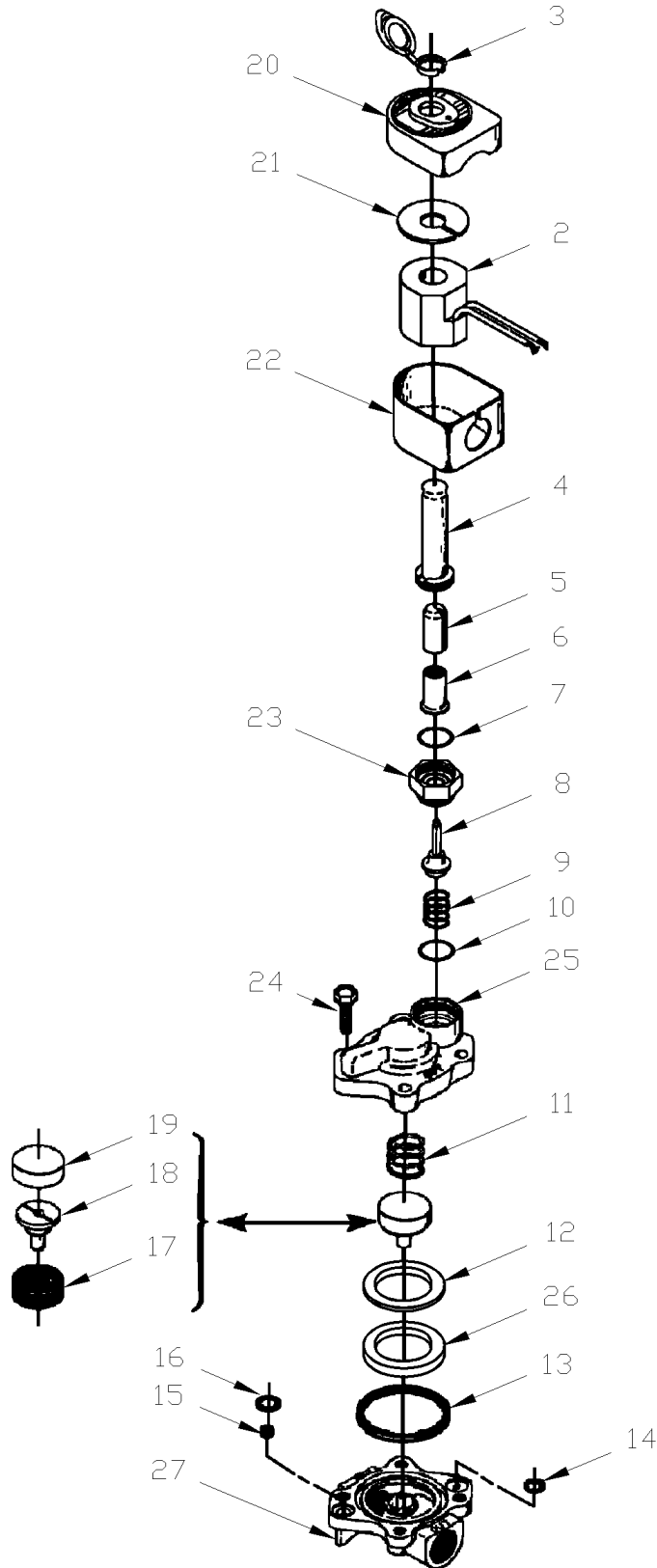
From L-031 To R-079	Date:07/2024	PAGE:H4-2207-02
WATER VALVE "VERSADRIVE" / SERVICE		



From L-031 To R-079	Date:07/2024	PAGE:H4-2207-02
WATER VALVE "VERSADRIVE" / SERVICE		

Item#	Part	Description	H 3 4 0	V I P 4 0	N O T E S
	373729	VALVE ASSY W/FITTING	1	1	
1	871184	. VALVE ACTUATOR 0-10 VOLTS	1	1	
2	871183	. VALVE BODY ASSY 3/4" NPT	1	1	
3	500870	. . SCREW SET HEXS CUP 1/4-28x3/16	1	1	
4	N.P.N.	. . BUTTON	1	1	4
5	N.P.N.	. . PACKING NUT	1	1	4
6	N.P.N.	. . SEAL	1	1	4
7	N.P.N.	. . . SPRING	1	1	4
8	N.P.N.	. . PACKING CARTRIDGE	1	1	4
9	N.P.N.	. . . RING SEAL	1	1	4
10	N.P.N.	. . BODY	1	1	4
11	N.P.N.	. . PLUG SEAL	1	1	4
12	N.P.N.	. . SEAT RING	1	1	4
13	N.P.N.	. . RING NUT	1	1	4
14	N.P.N.	. . BOTTOM NUT	1	1	4
15	501794	. ADAPTER / COPPER @ PIPE / 1Mx3/4NPT-M	2	2	
16	372544	. PIPE OUTLET	2	2	
17	N.P.N.	. U-BOLT	1	1	4
NS	372939	. SUPPORT WATER VALVE "Z" SHAPE	1	1	
18	560433	. NUT LOCK 1/2" PIPE	1	1	
19	560434	. CONNECTOR 1/2" PIPE	1	1	
20	063332	. CABLE ASSY	1	1	
100	871187	. . PACKING NUT INCLUDE ITEM 6 + 7	1	1	
101	871188	. . KIT MASTER REPAIR PACKING ITEM 8 + 9	1	1	
102	374835	REPLACEMENT OF THE HOT WATER VALVE EQUIPPED WITH ACTUATOR #871184	1	1	
. NS	373898	. WATER VALVE ASSY / 24V	1	1	
. NS	503402	. TUBE, NYLON 1/4 O.D. / BLACK S.L.	25FT	25FT	
. NS	563204	. CONNECTOR / SOCKET HOUSING ASSY 4C / BURKET 303148	1	1	
. NS	IS-14905	. SEE INSTRUCTION SHEET	1	1	
		4) NO PARTS NUMBER			

From L-031 To M-109	Date:07/2024	PAGE:H4-2207-10
WATER VALVE - DRIVER'S		



From L-031 To M-109	Date:07/2024	PAGE:H4-2207-10
WATER VALVE - DRIVER'S		

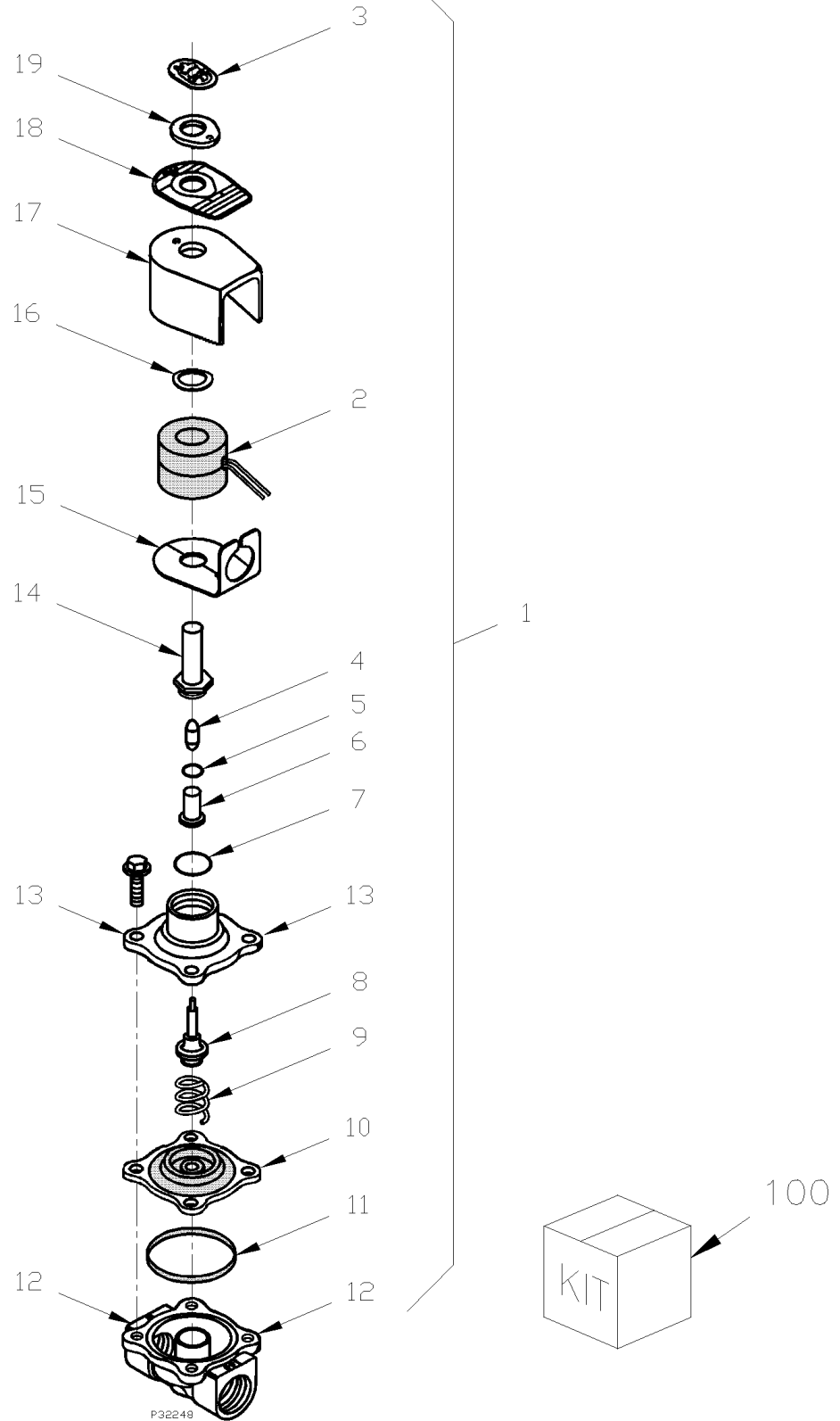
Item#	Part	Description	H 3 4 0	V I P 4 0	N O T E S
1	870982	VALVE WATER / 24 V UNDER DRIVER'S FLOOR			
2	871013	. COIL 24V			
2	871014	. KIT REPAIR			
3	N.S.S.	. . RETAINING CAP			1
4	N.S.S.	. . SOLENOID BASE			1
5	N.S.S.	. . CORE			1
6	N.S.S.	. . PLUGNUT ASSY			1
7	N.S.S.	. . GASKET			1
8	N.S.S.	. . DISC HOLDER ASSY			1
9	N.S.S.	. . SPRING			1
10	N.S.S.	. . GASKET			1
11	N.S.S.	. . SPRING			1
12	N.S.S.	. . LIP SEAL			1
13	N.S.S.	. . GASKET			1
14	N.S.S.	. . GASKET			1
15	N.S.S.	. . FLOW CONTROL			1
16	N.S.S.	. . GASKET			1
17	N.S.S.	. . DISC			1
18	N.S.S.	. . SNUBBER			1
19	N.S.S.	. . PISTON			1
20	N.S.S.	. COVER			1
21	N.S.S.	. FLUX WASHER			1
22	N.S.S.	. HOUSING			1
23	N.S.S.	. ADAPTER			1
24	N.S.S.	. SCREW			1
25	N.S.S.	. VALVE BONNET			1
26	N.S.S.	. SUPPORT			1
27	N.S.S.	. VALVE BODY			1
		1) NOT SOLD SEPARATELY			

From M-110 To R-079

Date:07/2024

PAGE:H4-2207-11

WATER VALVE - DRIVER'S



P32249

From M-110 To R-079	Date:07/2024	PAGE:H4-2207-11
WATER VALVE - DRIVER'S		

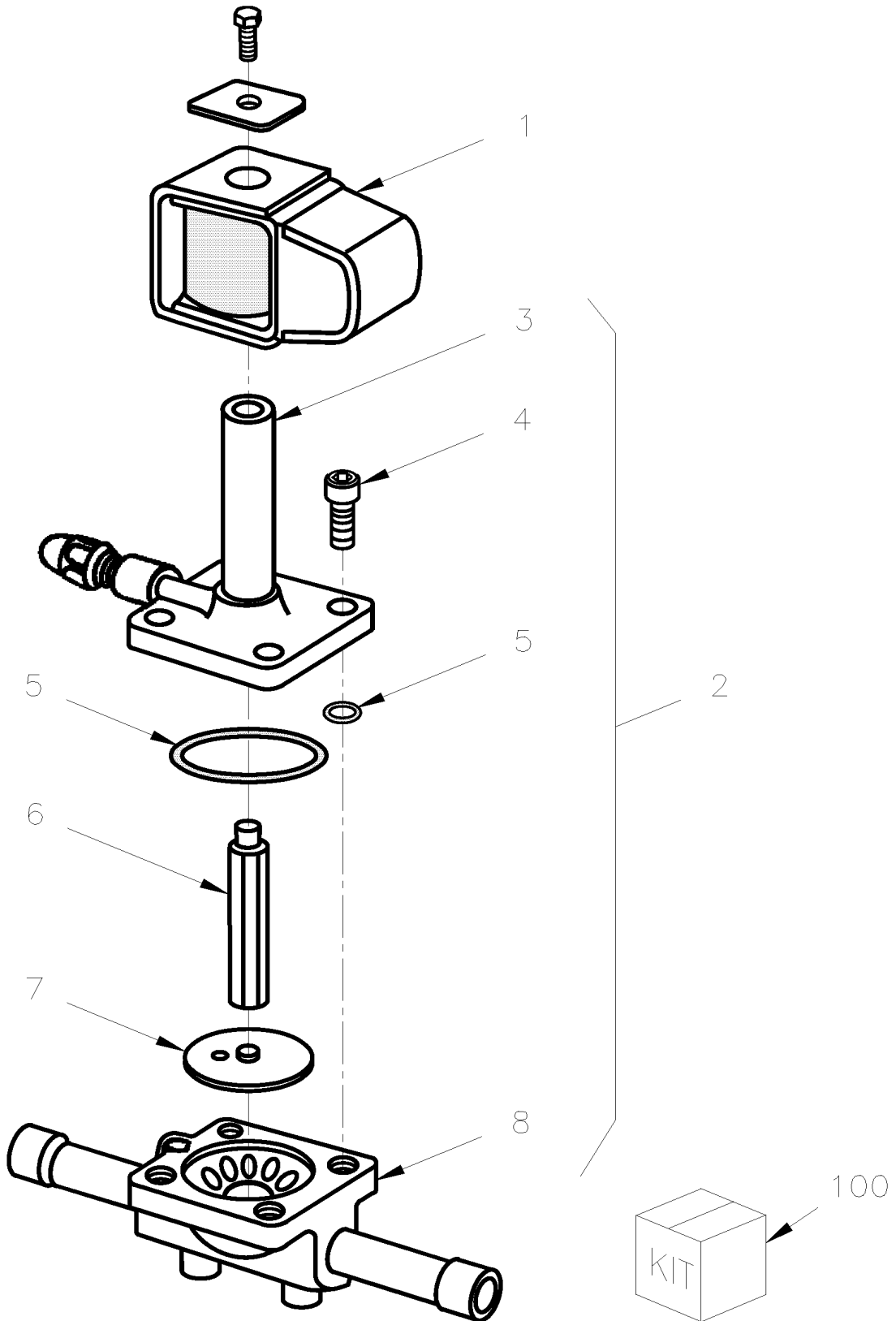
Item#	Part	Description	H 3 4 0	V I P 4 0	N O T E S
1	870812	VALVE WATER ASSY / 24 V	1	1	
2	870960	. COIL 24V	1	1	
3	N.S.S.	. . RETAINING CLIP	1	1	1
4	N.S.S.	. . CORE	1	1	1
5	N.S.S.	. . PLUGNUT GASKET	1	1	1
6	N.S.S.	. . PLUGNUT ASSY	1	1	1
7	N.S.S.	. . GASKET	1	1	1
8	N.S.S.	. . DISC HOLDER	1	1	1
9	N.S.S.	. . SPRING	1	1	1
10	N.S.S.	. . DIAPHRAGM	1	1	1
11	N.S.S.	. . GASKET	1	1	1
12	N.S.S.	. BODY	1	1	1
13	N.S.S.	. VALVE BONNET	1	1	1
14	N.S.S.	. SOLENOID BASE	1	1	1
15	N.S.S.	. HOUSING	1	1	1
16	N.S.S.	. SPRING WASHER	1	1	1
17	N.S.S.	. COVER	1	1	1
18	N.S.S.	. NAMEPLATE	1	1	1
19	N.S.S.	. SPACER	1	1	1
100	870872	. KIT REPAIR	AR	AR	
		1) NOT SOLD SEPARATELY			

From R-397 To R-079

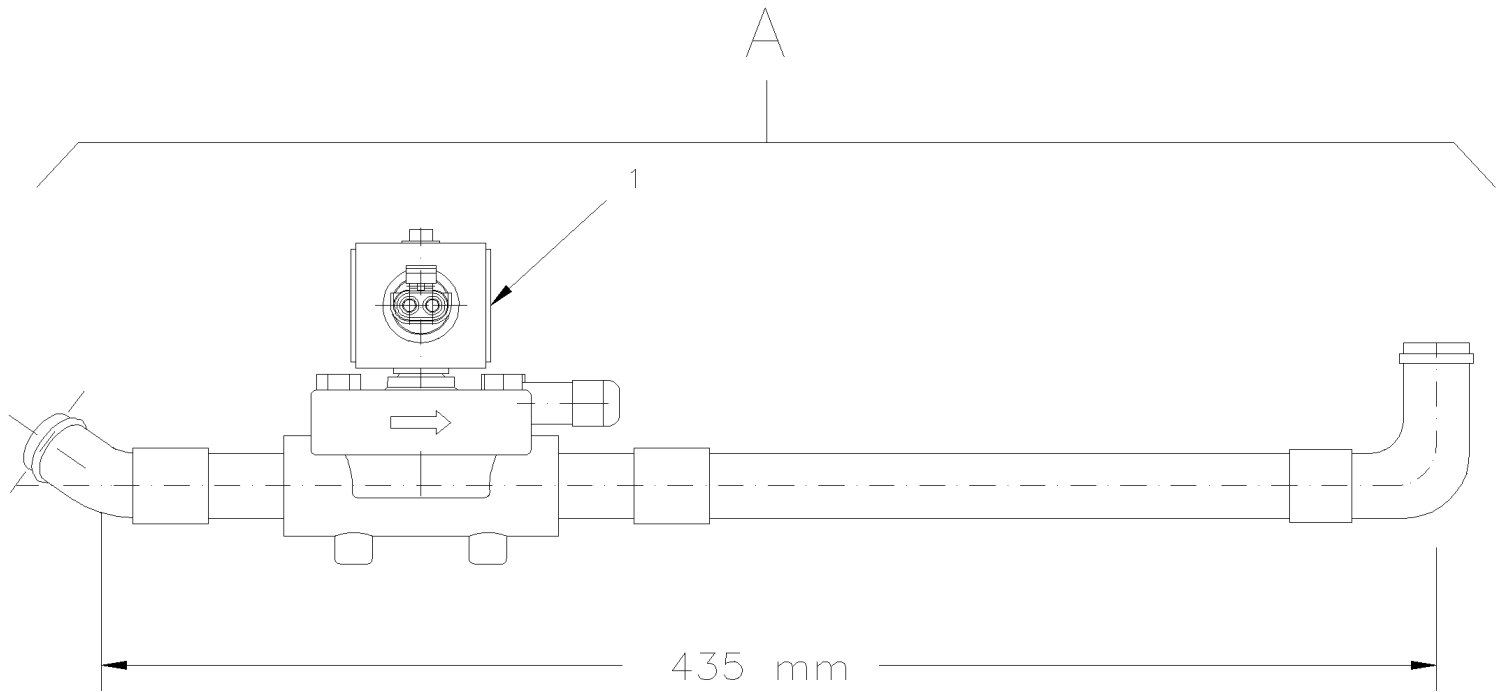
Date:07/2024

PAGE:H4-2207-20

WATER VALVE - BYPASS W/WATER HEATER



From R-397 To R-079	Date:07/2024	PAGE:H4-2207-20
WATER VALVE - BYPASS W/WATER HEATER		



From R-397 To R-079	Date:07/2024	PAGE:H4-2207-20
WATER VALVE - BYPASS W/WATER HEATER		

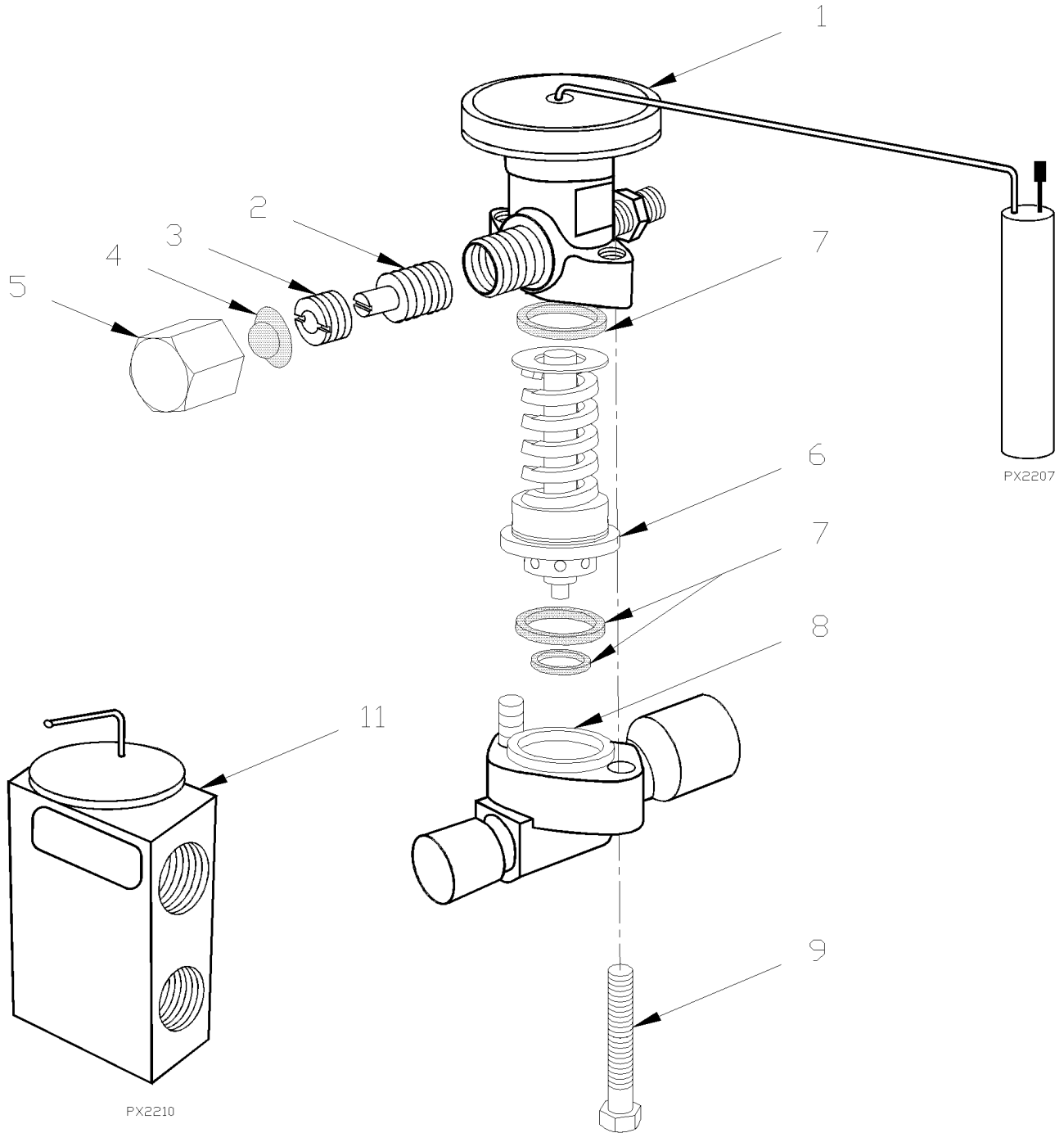
Item#	Part	Description	H 3 4 0	V I P 4 0	N O T E S
1	950055	. COIL 24V	1	1	F
1	950953	. COIL 24V / SERVICE	1	1	C
NS	561690	. CONNECTOR / WEATHER PACK / SH 2C / BLACK / PED 12015792	1	1	
NS	561689	. SOCKET TERMINAL / 20-18 / PED 12089188	2	2	
NS	561565	. CABLE SEAL / GREEN / PED 15324982	2	2	
2	870886	. VALVE WATER BYPASS	1	1	S
2	950952	. VALVE WATER BYPASS / SERVICE	1	1	
3	N.S.S.	. . BONNET & ENCLOSING TUBE ASSY	1	1	1
4	500238	. . SCREW CAP HEXS 1/4-20x3/4 ZP	4	4	
5	N.S.S.	. . O-RING	1	1	1
6	N.S.S.	. . PLUNGER ASSY	1	1	1
7	N.S.S.	. . DIAPHRAGM ASSY	1	1	1
8	N.S.S.	. . BODY	1	1	1
NS	503198	. COPPER TUBE .875" O.D. x .045" x 240"	AR	AR	
NS	372813	. ELBOW	1	1	
NS	373301	. ELBOW	1	1	
100	870980	KIT REPAIR	AR	AR	F A
A	372961	WATER BY-PASS VALVE ASSY / W/TUBE & CONNECTOR	1	1	
		A) INCLUDE ITEMS #5, 6 & 7			
		C) USE OMLY WITH SERVICE VALVE # 950952			
		F) USED ONLY WITH FORMER VALVE 870886			
		S) THIS VALVE IT SUPPERSEDED BY # 950952 WITH COIL 950953			
		1) NOT SOLD SEPARATELY			

From L-031 To R-079

Date:07/2024

PAGE:H4-2208-00

A/C EXPANSION VALVE



From L-031 To R-079	Date:07/2024	PAGE:H4-2208-00
A/C EXPANSION VALVE		

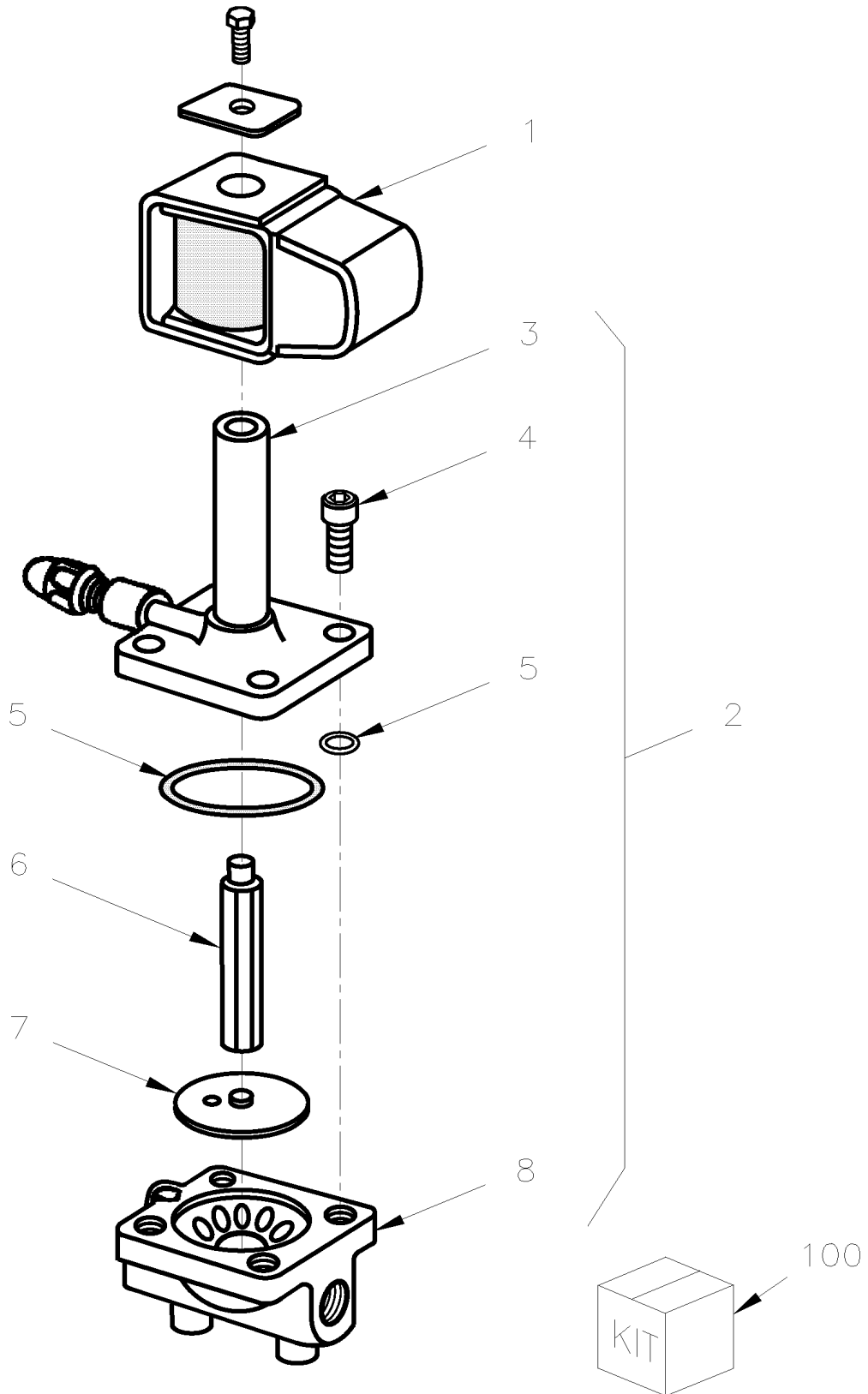
Item#	Part	Description	H 3 4 0	V I P 4 0	N O T E S
	870881	VALVE, EXPANSION 7 1/2 TON / R-12	1	1	A
	950292	VALVE, EXPANSION 10 TONS	1	1	B
	950074	VALVE, EXPANSION 2 TON	1	1	D
	950237	VALVE, EXPANSION 7 1/2 TON / R-134A			C
1	870587	. ELEMENT POWER R-12	1	1	A
1	950222	. ELEMENT POWER R-22	1	1	B
1	950241	. ELEMENT POWER R134A			C
2	870622	. ADJUSTING STEM & PACKING ASSY	1	1	
3	870621	. NUT PACKING	1	1	
4	N.S.S.	. SEAL	1	1	1
5	870619	. NUT CAP	1	1	
6	870883	. CAGE ASSY & SPRING / B8B	1	1	A
NS	950242	. CAGE ASSY & SPRING / B7B	1	1	B
NS	950258	. CAGE ASSY & SPRING / B3B	1	1	D
NS	950242	. CAGE ASSY & SPRING / B7B			C
7	870709	. SET GASKET	1	1	
NS	870809	. SET GASKET			C
8	870687	. FLANGE BODY	1	1	B
9	500054	. SCREW CAP HEX 3/8-24x2 1/2 G5 ZP	2	2	
11	950058	VALVE, EXPANSION / DRIVER'S W/R-12	1	1	A
NS	950221	VALVE, EXPANSION / DRIVER'S W/R134A	1	1	C
NS	507279	O-RING / ORS FITTING / #8 NEO	2	2	
		WE DID NOT PRODUCED H3-40 WITH R-134A.			
		PARTS ARE USED WITH RETROFIT KIT,			
		FOR MORE INFORMATION CALL SERVICE PARTS.			
		A) FOR MAIN EVAPORATOR WITH FREON R-12			
		B) FOR MAIN EVAPORATOR WITH FREON R-22			
		C) FOR MAIN EVAPORATOR WITH FREON R-134			
		D) FOR DRIVER'S EVAPORATOR WITH FREON R-22			
		1) NOT SOLD SEPARATELY			

From L-031 To R-079

Date:07/2024

PAGE:H4-2208-10

REFRIGERANT SOLENOID VALVE



From L-031 To R-079	Date:07/2024	PAGE:H4-2208-10
REFRIGERANT SOLENOID VALVE		

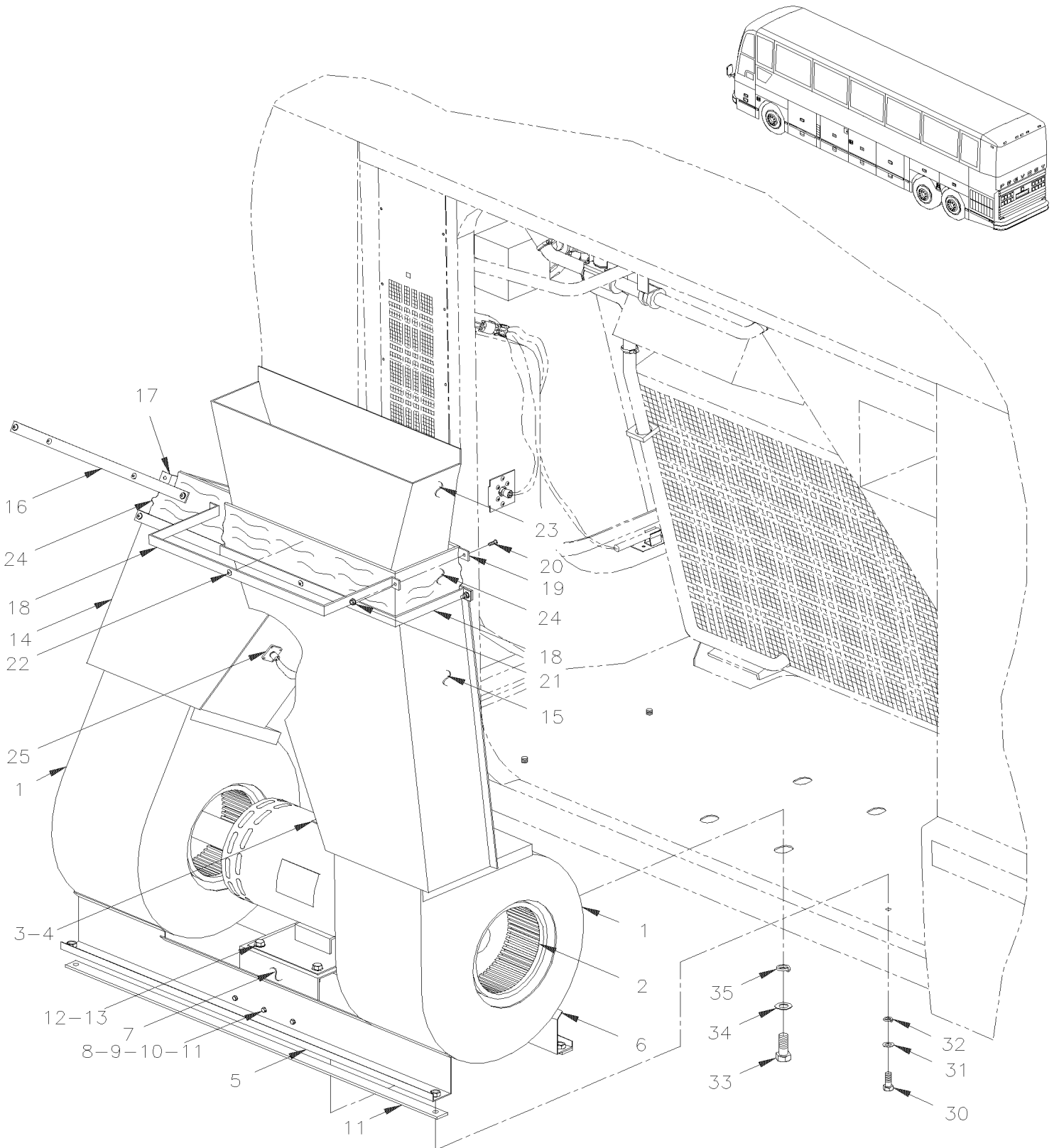
Item#	Part	Description	H 3 4 0	V I P 4 0	N O T E S
	372679	VALVE ASSY / REFRIGERANT SOLENOID	1	1	
NS	560434	. CONNECTOR 1/2" PIPE	1	1	
NS	561030	. CONNECTOR / 56 SERIES / MALE BLADE HOUS 2C / BLACK / PED 2977763	1	1	
NS	561031	. MALE BLADE TERMINAL / 16-14 / PED 2971962	1	1	
NS	500160	. SCREW CAP HEX #10-24x1/2 Z050	2	2	
1	950055	. COIL 24V / PRODUCTION	1	1	F
1	950953	. COIL 24V / SERVICE OCT 2006	1	1	G
2	950054	. VALVE REFRIGERANT SOLENOID / 3/8" NPT	1	1	S
2	958212	. VALVE REFRIGERANT SOLENOID / 1/2" NPT	1	1	
2	501534	. BUSHING REDUCER / PIPE FITTING / 1/2NPT-Mx3/8NPT-F BR	2	2	
3	N.S.S.	. . BONNET & ENCLOSING TUBE ASSY	1	1	1
4	500238	. . SCREW CAP HEXS 1/4-20x3/4 ZP	4	4	
5	N.S.S.	. . O-RING	1	1	1
6	N.S.S.	. . PLUNGER ASSY	1	1	1
7	N.S.S.	. . DIAPRAGM ASSY	1	1	1
8	N.S.S.	. . BODY	1	1	1
100	950056	KIT REPAIR / PRODUCTION	AR	AR	F
		F) USED ONLY WITH FORMER VALVE 950054			
		G) USED ONLY WITH VALVE 958212			
		S) THIS VALVE IS NO LONGER AVAILABLE USE 958212 WITH 950953 & 2X501534			
		1) NOT SOLD SEPARATELY			

From L-031 To R-079

Date:07/2024

PAGE:H4-2210-00

HEATER & EVAPORATOR BLOWER - INSTALLATION



From L-031 To R-079	Date:07/2024	PAGE:H4-2210-00
HEATER & EVAPORATOR BLOWER - INSTALLATION		

Item#	Part	Description	H 3 4 0	V I P 4 0	N O T E S
	451820P	MOTOR & BLOWER ASSY	1	1	
1	870955	. HOUSING ASSY	1	1	
1	871306	. HOUSING ASSY W/BLOWER WHEEL	1	1	
1	871308	. HOUSING ASSY, GALVANISED	1	1	
2	870956	. BLOWER WHEEL	1	1	
NS	500524	. SCREW TP PAN PH #12x5/8 SS	12	12	B
3	452085	. KEY 3/16 X 82 MM	2	2	
4	H4-2265-01	MOTOR - EVAPORATOR - "PREVOST" - T-19			
4	H4-2265-49	MOTOR - EVAPORATOR - "PREVOST" - T-17 / SERVICE			
4	H4-2265-48	MOTOR - EVAPORATOR - "PREVOST" - T-17 - 2 SPEEDS / SERVICE			
5	452208	. SUPPORT FRONT	1	1	
6	452209	. SUPPORT REAR	1	1	
7	452207	. BASE SUB ASSY	1	1	A
7	452894	. BASE SUB ASSY	1	1	
NS	500296	. NUT WD FLRET 3/8-24	4	4	
NS	500297	. NUT WD FLRET 5/16-24	AR	AR	
8	500977	. SCREW CAP HEX #10-24x5/8 ZP	6	6	
9	500767	. NUT HEX #10-24 Z050	6	6	
10	500438	. WASHER FL .187x.437x.050 Z050	6	6	
11	506071	. TAPE RUB ADH1 CC POL 1/8" x 1/2" x 50' / GREY 2520X	AR	AR	C
NS	506227	. TAPE RUB ADH1 CC POL 1/16" x 3/4" x 100' / GREY 2520	AR	AR	
12	500046	. SCREW CAP HEX 3/8-24x1 G5 Z050	4	4	
12	500025	. SCREW CAP HEX 5/16-24x1 G5 ZP	4	4	A
13	500478	. WASHER LO SPT .380x.683x.094 Z050	4	4	D
NS	5001184	. SCREW TP PAN PH #12x1/2 SS	20	20	
NS	451124	. SHIM 3/8" TH.	AR	AR	
NS	451172	. SHIM .074" TH.	AR	AR	
NS	451173	. SHIM 1/8" TH.	AR	AR	
14	451742	. DUCT ASSY L.H. To P-315	1	1	
14	452506	. DUCT ASSY L.H. From P-316	1	1	
15	451749	. DUCT ASSY R.H. To P-315	1	1	
15	452247	. DUCT ASSY R.H. From P-316	1	1	
16	452053	RETAINER STRAP / 320MM X 12MM SS To P-315	1	1	
16	452594	RETAINER STRAP / W/SLIDE-OUT / 380MM X 25MM SS From P-316	2	2	
17	452059	RETAINER ASSY / "Z" SHAPE / REAR / 320MM SS To P-315	1	1	
17	452060	RETAINER ASSY / "Z" SHAPE / SIDE / 160MM SS To P-315	2	2	
17	452593	RETAINER STRAP / "U" SHAPE / W/SLIDE-OUT / 343MM X 192MM SS From P-316	2	2	
18	452058	RETAINER ASSY / "Z" SHAPE / SIDE / 145MM SS To P-315	2	2	
18	452061	RETAINER ASSY / "Z" SHAPE / REAR / 348MM SS To P-315	2	2	
18	452728P	RETAINER STRAP / "U" SHAPE 388MM X 139MM SS From P-316	2	2	
19	452052	RETAINER STRAP / 348MM X 12MM SS To P-315	1	1	
19	452729P	RETAINER STRAP / 425MM X 25MM SS From P-316	2	2	

From L-031 To R-079	Date:07/2024	PAGE:H4-2210-00
HEATER & EVAPORATOR BLOWER - INSTALLATION		

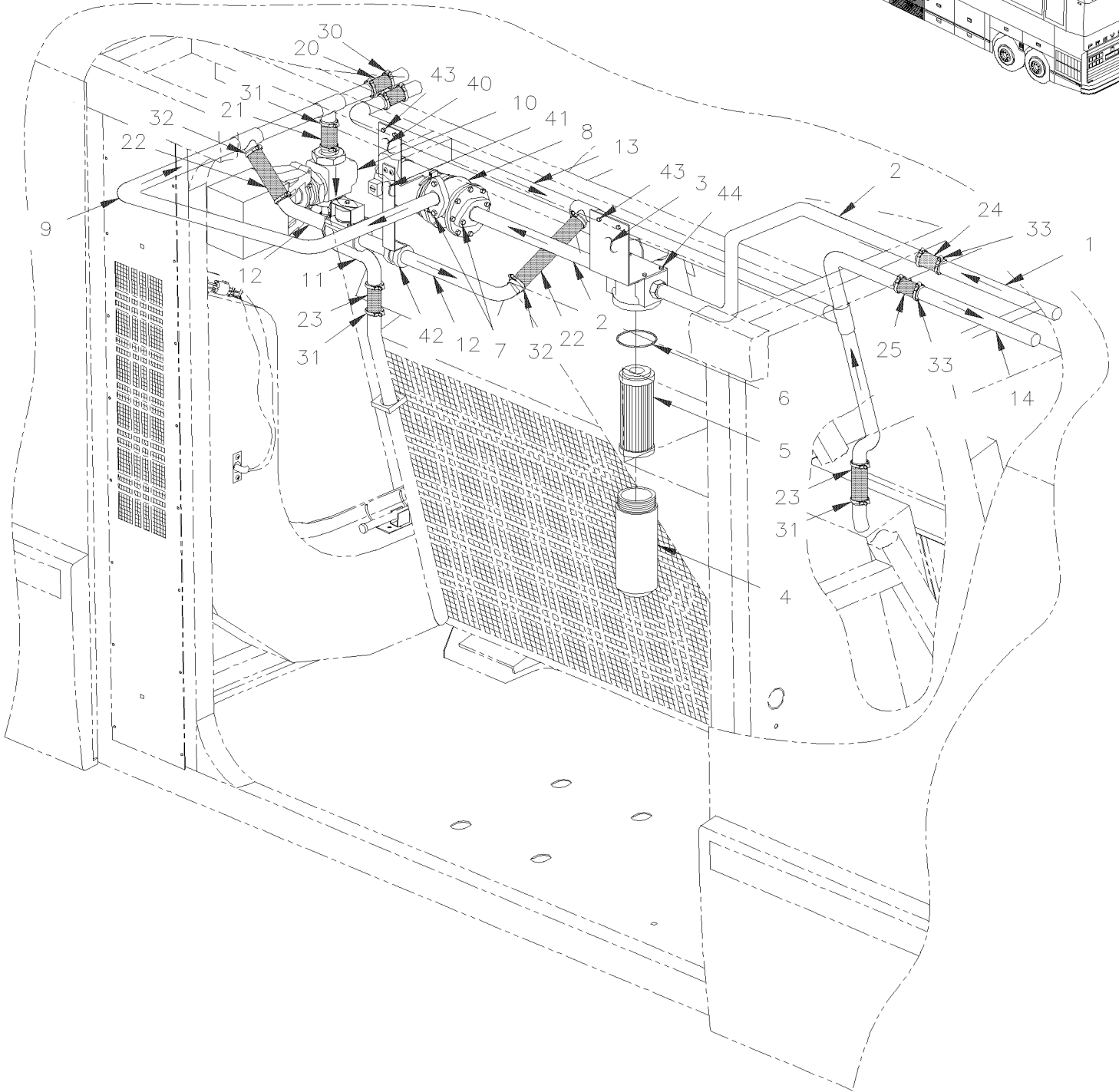
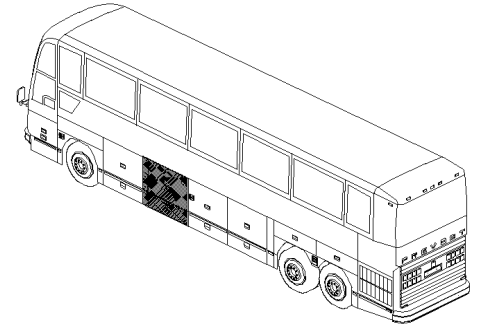
Item#	Part	Description	H 3 4 0	V I P 4 0	N O T E S
20	502708	SCREW CAP HEX M5-0.8x35 SS	6	6	
21	502782	NUT HEX NYRT M5-0.8 Z050	6	6	
22	502526	SCREW TC BDG PH #12-24x3/4 Z050	18	18	
NS	500964	WASHER FL .203x.500x.047 Z050	18	18	
23	372949	DUCT, AIR INLET L.H.			
23	453002	DUCT, AIR INLET L.H.	1	1	
NS	372711	ANGLE SUPPORT	2	2	
24	452056	DUCT LEATHERETTE 140MM X 1100MM To P-315	2	2	
24	452248	DUCT LEATHERETTE 127MM X 1100MM From P-316	2	2	
25	H4-2210-50	AIR MAIN SENSOR			
30	500025	SCREW CAP HEX 5/16-24x1 G5 ZP	4	4	
32	500985	WASHER FL .343x.875x.125 Z050	4	4	
33	500046	SCREW CAP HEX 3/8-24x1 G5 Z050	4	4	
35	500445	WASHER FL .437x1.000x.083 Z050	4	4	
NS	453088	KIT INSULATION EVAP. MOTOR			
. NS	IS-96010	. SEE INSTRUCTION SHEET			
		A) FOR PRODUCT IMPROVMENT FOR BEARING LIFE ORDER KIT #453088			
		B) TO FIX HOUSING TO SUPPORT			
		C) BASE & SUPPORT / C.T.L.			
		D) PRODUCTION			

From L-031 To R-079

Date:07/2024

PAGE:H4-2210-10

WATER HEATER PUMP & FILTER - INSTALLATION



From L-031 To R-079	Date:07/2024	PAGE:H4-2210-10
WATER HEATER PUMP & FILTER - INSTALLATION		

Item#	Part	Description	H 3 4 0	V I P 4 0	N O T E S
1	372648	PIPE ASSY / WATER FILTER & BALL VALVE	1	1	
2	372870	FILTER ASSY W/TUBE From M-137	1	1	
NS	372666	FILTER ASSY W/TUBE To M-136	1	1	A
3	372863	. SUPPORT / WATER FILTER	1	1	
NS	871028	. FILTER "PARKER" ASSY	1	1	
NS	372659	. SUPPORT / WATER FILTER To M-136	1	1	A
NS	870834	. FILTER "PUROLATOR" To M-136	1	1	A
4	871043	. . BOWL	1	1	
5	871029	. . CARTRIDGE	1	1	
NS	870835	. . CARTRIDGE To M-136	1	1	A
6	871044	. . SEAL BOWL	1	1	
NS	870841	. . GASKET To M-136	1	1	A
7	870441	GASKET PUMP INLET & OUTLET	2	2	
NS	680527	SEALANT 473ml	AR	AR	
NS	500305	SCREW CAP HEX 3/8-16x7/8 G5 Z050	4	4	
NS	500478	WASHER LO SPT .380x.683x.094 Z050	4	4	
8	H4-2206-00	WATER PUMP #870871 To R-012			
8	H4-2206-02	WATER PUMP #871052 & #871204 From R-013			
9	372667	PIPE ASSY / WATER PUMP & WATER VALVE W/92	1	1	
NS	372942	PIPE ASSY / WATER PUMP & WATER VALVE	1	1	
10	H4-2207-00	WATER VALVE - W/MAIN HEATER & A/C To R-396			
10	H4-2207-01	WATER VALVE "VERSADRIVE" From R-397			
11	372676	PIPE ASSY / WATER VALVE & HEATER CORE /	1	1	
NS	372941	PIPE ASSY / WATER VALVE & HEATER CORE /	1	1	
12	H4-2207-20	WATER VALVE - BYPASS W/WATER HEATER			
13	372668	PIPE ASSY / RETURN LINE	1	1	
13	373228	PIPE ASSY / RETURN LINE / W/O BYPASS VALVE		1	
14	372651	PIPE ASSY / RETURN LINE TO ENGINE	1	1	
14	372959	PIPE ASSY / RETURN LINE TO ENGINE	1	1	
20	372632	HOSE 7/8" I.D. X 1848MM	2	2	
21	050937	HOSE / W/O BYPASS VALVE / 1 1/8" I.D. X 3"	2	2	
21	402376	HOSE / W/BYPASS VALVE / 1 3/8" I.D. X 2 1/4"	2	2	
22	373307	PIPE ASSY / WATER PUMP OUTLET	2	2	
23	371217	HOSE 1 1/8" I.D. X 4"	2	2	
24	051386	HOSE 5 3/8" X 1 3/8" I.D. 5 3/8" X 1 3/8" I.D.	1	1	
25	371535	HOSE 1 3/8" I.D. X 127MM	1	1	
30	504646	HOSE CLAMP / 11/16"-1"1/4 / C.T. 9412	4	4	
31	504291	HOSE CLAMP / 1"1/8-1"3/4 SS / E.T. 20	8	8	
32	504020	HOSE CLAMP / 9/16"-1"1/4 SS / HS-12	4	4	
33	504657	HOSE CLAMP / 1"1/16-2" C.T. 9424	4	4	
40	372658	SUPPORT WATER PUMP	1	1	
NS	504235	HOSE CLAMP / 3"9/16"-4"1/2 SS / HS-64	2	2	

From L-031 To R-079	Date:07/2024	PAGE:H4-2210-10
WATER HEATER PUMP & FILTER - INSTALLATION		

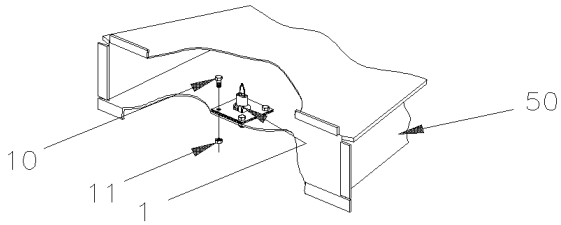
Item#	Part	Description	H 3 4 0	V I P 4 0	N O T E S
41	452727	SUPPORT / BY-PASS VALVE	1		
42	560483	CLAMP / 7/8" I.D.	1	1	
NS	500657	SCREW TC TR PH #10-24x1/2 Z050	3	3	
43	500365	SCREW TP CAP HEX #12x1 Z050	4	4	
44	500162	SCREW CAP HEX 1/4-20x1/2 G5 Z050	4	4	
NS	500473	WASHER LO SPT .262x.489x.062 Z050	4	4	
		A) THIS PART IS RELATED WITH WATER FILTER UP TO M-136, NOW THIS FILTER IS SUPERSEDED BY ASSY 372870			

From L-031 To R-079

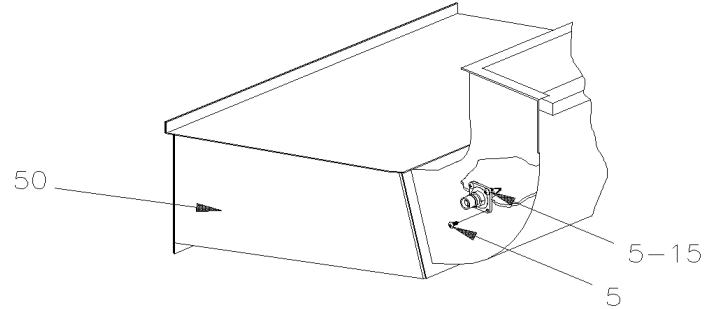
Date:07/2024

PAGE:H4-2210-50

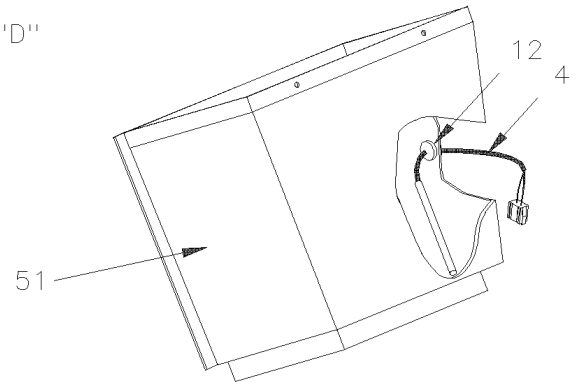
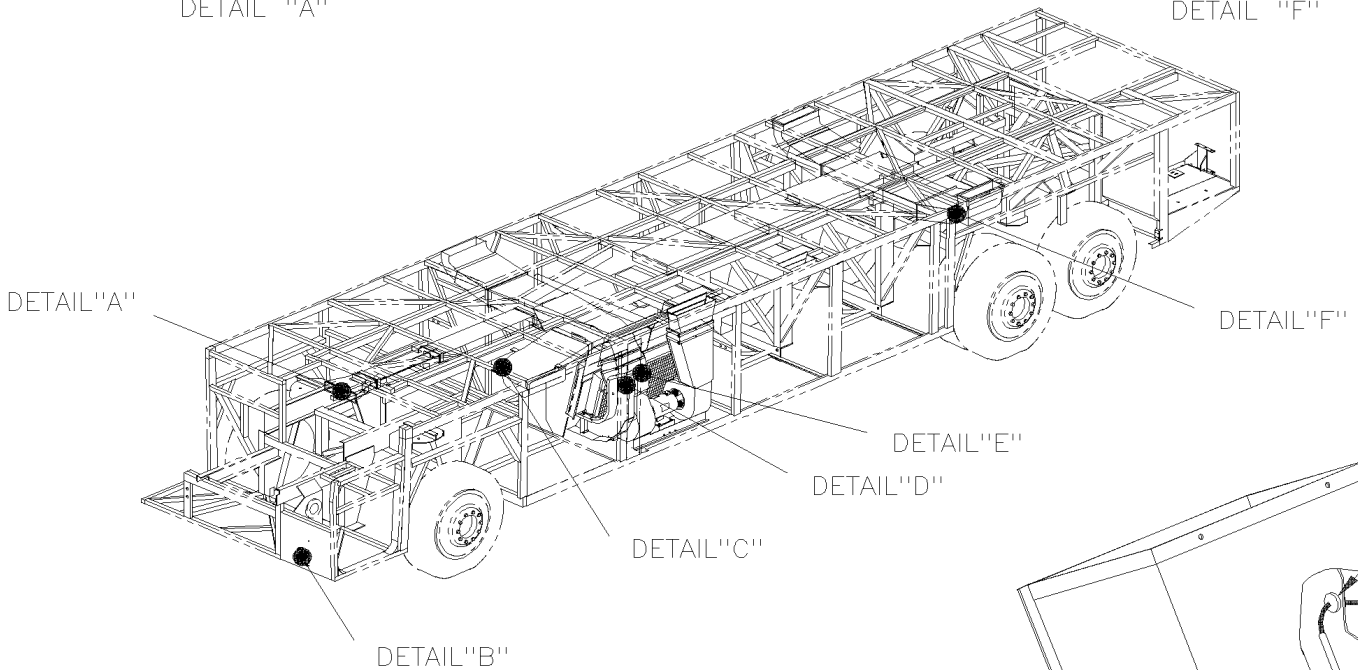
AIR MAIN SENSOR



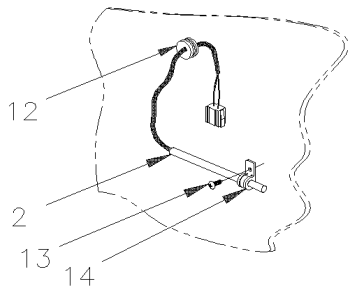
DETAIL "A"



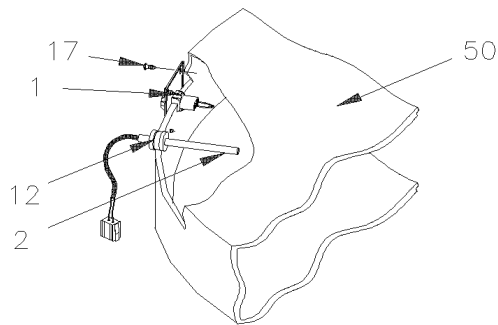
DETAIL "F"



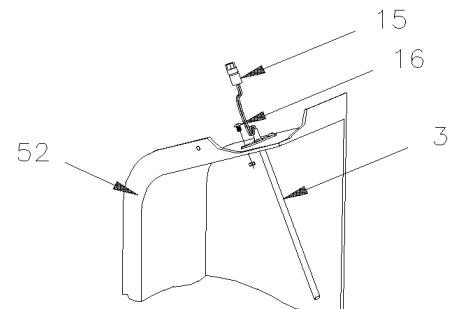
DETAIL "E"



DETAIL "B"



DETAIL "C"



DETAIL "D"

From L-031 To R-079	Date:07/2024	PAGE:H4-2210-50
AIR MAIN SENSOR		

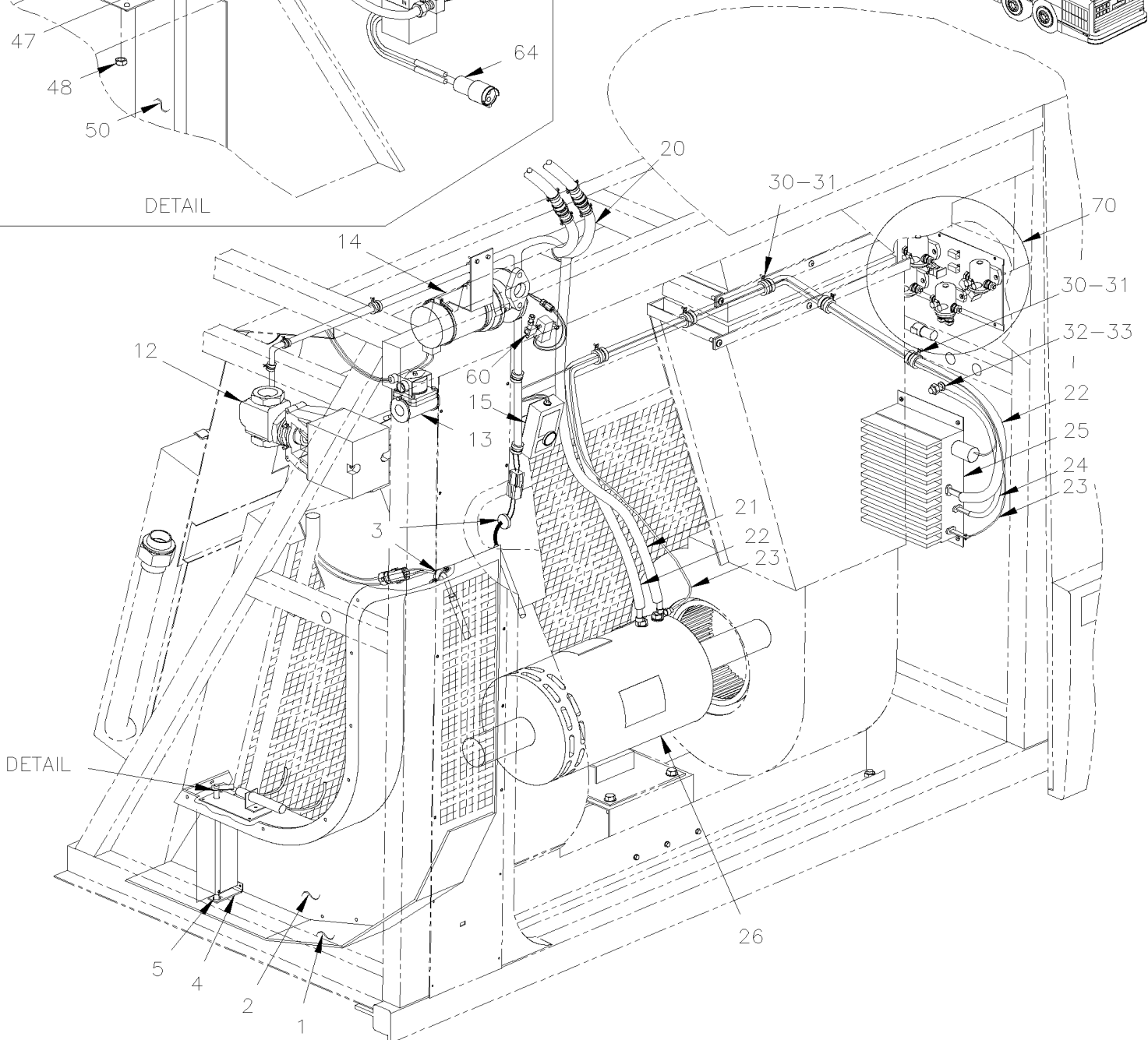
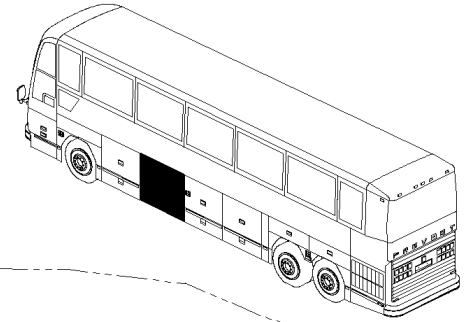
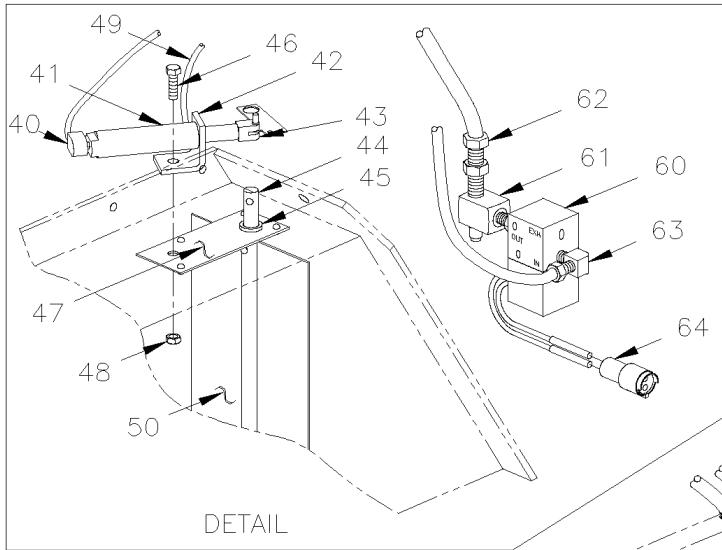
Item#	Part	Description	H 3 4 0	V I P 4 0	N O T E S
1	061961	THERMISTOR ASSY W/CONNECTOR	7	7	
NS	680091	TAPE INSULATING / 1/8" x 2" x 30' / BLACK PT-1	AR	AR	
2	372479	SENSOR / TEMPERATURE CONTROL	2	2	A
3	451699	SENSOR ASSY / FRESH AIR	1	1	C
4	451640	THERMISTOR ASSY	1	1	
5	063740	SENSOR ASSY	1	1	
NS	562144	MOUNTING PLATE / ITT CANNON 066-8516-000	1	1	
10	5001297	SCREW CAP HEX M4-0.7x20 SS	4	4	
11	500589	NUT WELL M4-0.7x13.5	4	4	
12	504323	GROMMET / .375x.500x.062x.281x.687	2	2	
13	500952	SCREW TP BDG PH #8x1/2 SS	1	1	
14	560479	CLAMP / 3/8" I.D.	1	1	
15	561815	CLAMP W/ 2 / ITT CANNON 029-0263-000	1	1	
16	504248	RIVET CHY Q PRDG 3/16x1/4 SS	2	2	
NS	500438	WASHER FL .187x.437x.050 Z050	2	2	
17	500657	SCREW TC TR PH #10-24x1/2 Z050	4	4	
50	H4-2220-00	UNDER FLOOR AIR DUCTING			
51	H4-2210-00	HEATER & EVAPORATOR BLOWER - INSTALLATION			
52	H4-2215-00	EVAPORATOR & DAMPER CONTROL COMPONENTS			
NS	064321	RESISTOR ASSY 3.32K OHMS / 1/4 W	1	1	
. NS	IS-96070	. SEE INSTRUCTION SHEET	1	1	
		A) USE WITH CONSOLE THERMOMETER AT PAGE H4-0645-50			
		C) SEE KIT #064321 (IS-96070)			

From L-031 To R-079

Date:07/2024

PAGE:H4-2215-00

EVAPORATOR & DAMPER CONTROL COMPONENTS



From L-031 To R-079	Date:07/2024	PAGE:H4-2215-00
EVAPORATOR & DAMPER CONTROL COMPONENTS		

Item#	Part	Description	H 3 4 0	V I P 4 0	N O T E S
1	451895	PANEL / BOTTOM / INTAKE DUCT	1	1	
2	372571	FIBERGLASS DUCT	1	1	
3	H4-2210-50	AIR MAIN SENSOR			
4	452027	SUPPORT / LOWER SHAFT & BEARING	1	1	
5	504449	HOLE PLUG BUTTON / .500 O.D. BLACK	1	1	
7	452967	DAMPER	1	1	
12	H4-2207-01	WATER VALVE "VERSADRIVE"			
13	H4-2207-20	WATER VALVE - BYPASS WWATER HEATER			
14	H4-2206-00	WATER PUMP #870871			
15	561803	HUMIDISTAT	1	1	
15	562620	HUMIDISTAT	1	1	
NS	452941	SUPPORT ADAPTOR FOR NEW HUMIDISTAT TO VEHICLE			
NS	560952	SPRING, TORSION / .896 O.D. x .248 x .020	4	4	
20	062575	CABLE HARNESS / A/C JCT BOX & EVAP COMP	1	1	
21	062578	CABLE / SPEED CONTROL & MOTOR #0A	1	1	
22	062577	CABLE / MOTOR & A/C JUNCTION BOX #90H	1	1	
23	062580	CABLE / SPEED CONTROL & MOTOR #166B	1	1	
24	062706	CABLE / GROUND & SPEED CONTROL #0	1	1	
25	870967	CONTROL SPEED	1	1	A
25	871086	CONTROL SPEED	1	1	
26	H4-2265-01	MOTOR - EVAPORATOR - "PREVOST" - T-19			
30	500638	SCREW TP PAN PH #8x1/2 Z050	AR	AR	B
31	560479	CLAMP / 3/8" I.D.	AR	AR	
31	560480	CLAMP / 1/2" I.D.	AR	AR	
31	561569	CLAMP / 1 3/8 I.D.	AR	AR	
32	500998	NUT HEX 1/2-13 BR	1	1	
NS	500857	WASHER LO INT .512x.900x.045 Z050	1	1	
33	380360	STUD, GROUND (WELDED TO STRUCTURE) 1/2-13	1	1	
NS	451952	DAMPER ASSY / FRESH AIR	1	1	
40	642167	. MALE ELBOW 90° SWIVEL / PUSH-IN FITTING / #2x10-32 BR	2	2	
41	950080	. CYLINDER, AIR 5/16" SINGLE ACTION	1	1	
41	950200	. CYLINDER DOUBLE-ACTION From M-088	1	1	
42	451340	. SUPPORT / CYLINDER To M-087	1	1	
42	452203	. SUPPORT / CYLINDER From M-088			
43	950081	. YOKE To M-087	1	1	
43	950202	. YOKE From M-088	1	1	
NS	507166	. O-RING 1/4 I.D. X 3/8 O.D.	1	1	
44	451965	. SHAFT To M-087	1	1	
44	452202	. SHAFT From M-088	1	1	
45	507309	. BUSHING NYLINED .312x.375x.078x.500	1	1	
46	500977	. SCREW CAP HEX #10-24x5/8 ZP	1	1	
NS	507135	. BUSHING, NYLINER	1	1	

From L-031 To R-079	Date:07/2024	PAGE:H4-2215-00
EVAPORATOR & DAMPER CONTROL COMPONENTS		

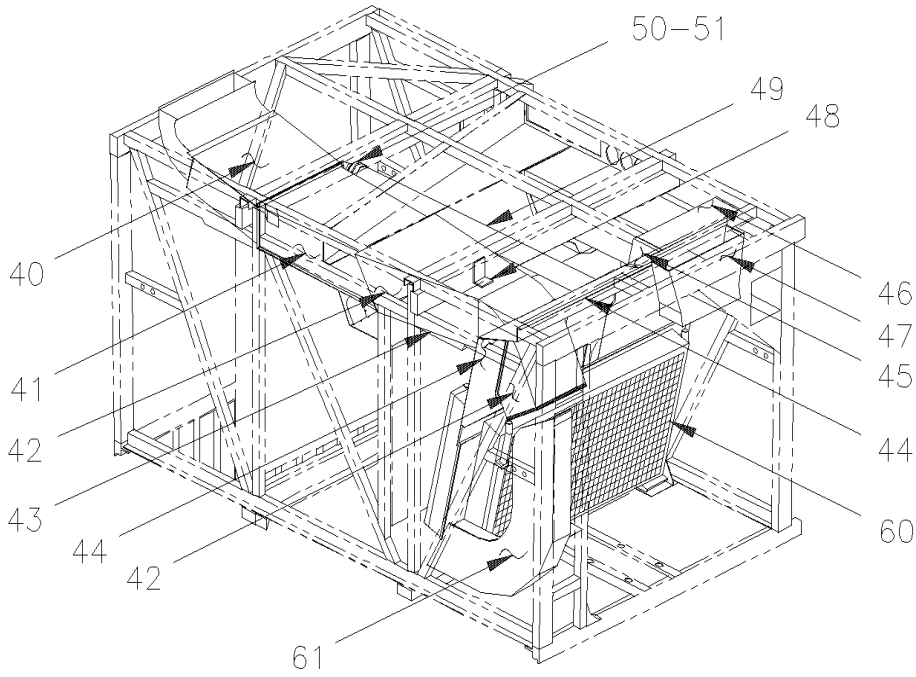
Item#	Part	Description	H 3 4 0	V I P 4 0	N O T E S
47	451886	. PLATE FIXTURE	AR	AR	
48	500767	. NUT HEX #10-24 Z050	1	1	
NS	502189	SPRING EXTENSION / .375 O.D. x 2.5 x .031	1	1	
49	503536	TUBE, NYLON 1/8 O.D. / BLACK S.L.	AR	AR	
50	451917	DAMPER	1	1	
60	641217	VALVE, 3 WAYS, 2 POSITIONS	1	1	S
60	641394	VALVE, 3 WAYS, 2 POSITIONS 24V	1	1	S
61	780233	VALVE, CONTROL / FCP2	1	1	
NS	501320	NIPPLE HEX / PIPE FITTING / 1/8NPT-Mx1/8NPT-Mx31/32 BR	1	1	
62	641129	FEMALE CONNECTOR / PUSH-IN FITTING / #2x1/8NPT-F BR	1	1	
63	640996	MALE ELBOW 90° / NTA FITTING / #4x1/8NPT-M BR	1	1	
64	561813	CONNECTOR / SURE-SEAL / FEMALE HOUSING 2C / ITT CANNON 120-1804-000	1	1	
NS	561023	PIN TERMINAL / 18-14 / ITT CANNON 030-2196-001	1	1	
NS	561024	SOCKET TERMINAL / 18-14 / ITT CANNON 031-1267-001	1	1	
NS	501815	BULKHEAD UNION / JIC 37° FITTING / #8JIC-Mx#8JIC-M STL	1	1	
70	H4-0621-99	A/C CONDENSOR MOTOR RELAY			
100	064370P	KIT, SPEED CONTROL	AR	AR	
. NS	IS-96101	. SEE INSTRUCTION SHEET	1	1	
101	289649	KIT, REPLACEMENT AIR VALVE SEDAN VALVE AND DAMPER CONTROL	AR	AR	
. NS	IS-05900	. SEE INSTRUCTION SHEET	1	1	
		A) FOR SERVICE YOU REQUIRE ONE #064370P KIT SPEED CONTROL			
		B) TO FIX CLAMP			
		S) SERVICE SEE KIT # 289649 FOR SERVICE WITH INSTRUCTION SHEET IS-05900			

From L-031 To R-079

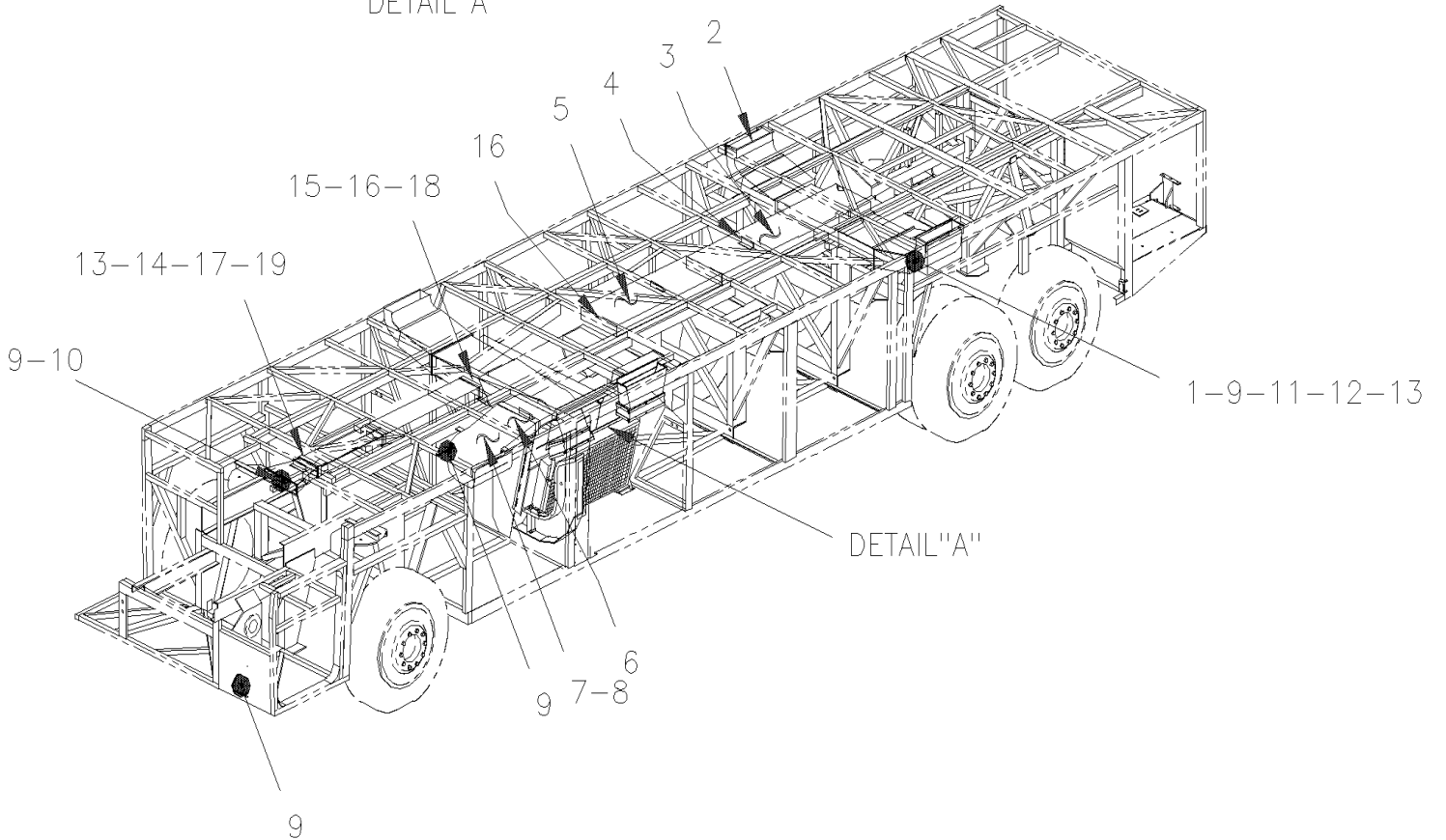
Date:07/2024

PAGE:H4-2220-00

UNDER FLOOR AIR DUCTING



DETAIL "A"



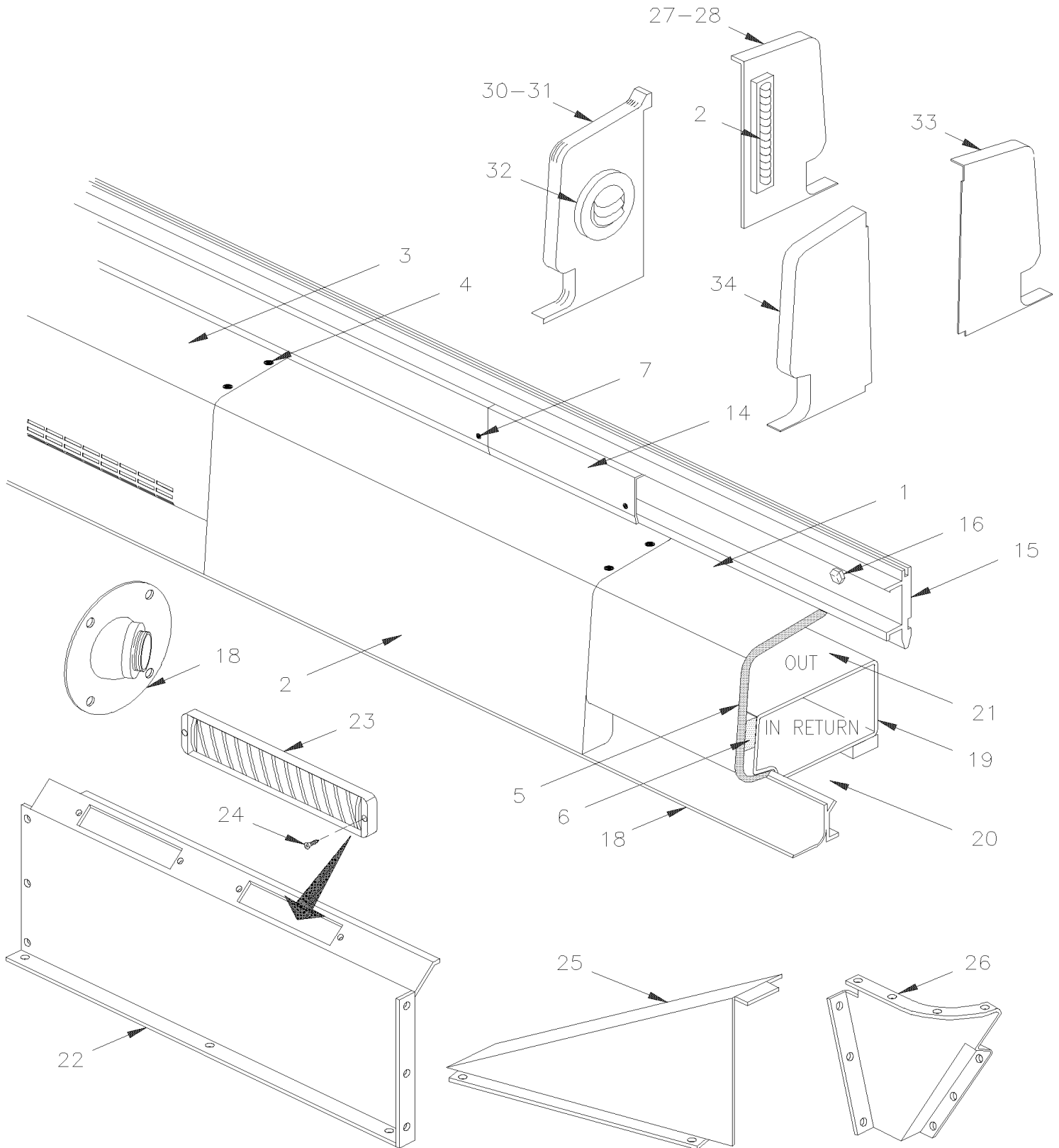
From L-031 To R-079	Date:07/2024	PAGE:H4-2220-00
UNDER FLOOR AIR DUCTING		

Item#	Part	Description	H 3 4 0	V I P 4 0	N O T E S
1	451916	DUCT LEFT	1	1	
2	451908	DUCT RIGHT	1	1	
3	451794	DUCT	1	1	
4	451832	ANGULAR BRACKET	3	3	
5	451798	CENTER REAR DUCT ASSY	1	1	
6	451791	DUCT ASSY	1	1	
7	451319	FRONT DUCT ASSY	1	1	
8	451834	BRACKET / TO FIX DUCT To M-102	1	1	
8	451837	BRACKET / TO FIX DUCT From M-103	1	1	
8	452223	SPACER / TO FIX DUCT From M-103	1	1	
9	H4-2210-50	AIR MAIN SENSOR			
10	451783	FRONT OUTFLOW DUCT	1	1	
11	500657	SCREW TC TR PH #10-24x1/2 Z050	AR	AR	
12	680096	SEALANT BUTYL ALUM / GREY / 310ml CARTRIDGE	AR	AR	
13	504114	RIVET POP DOME OE 3/16x1/4 AL	AR	AR	
14	506227	TAPE RUB ADH1 CC POL 1/16" x 3/4" x 100' / GREY 2520	AR	AR	
15	451835	ANGULAR BRACKET	2	2	
16	506002	TAPE RUB ADH1 CC POL 3/16" x 1/2" x 40' / GREY 2520	AR	AR	
17	506236	TAPE RUB ADH1 CC POL 1/16" x 1/2" x 100' / GREY 2520	AR	AR	
18	451801	DUCT SUPPORT	1	1	
NS	500659	SCREW TC PAN PH #10-32x1 Z050	4	4	
19	452010	SUPPORT	1		
19	452010	SUPPORT		2	
40	451948	AIR DUCT COMPT CONDENSOR ASSY	1		
40	451995	AIR DUCT COMPT CONDENSOR ASSY		1	
41	451950	AIR DUCT CENTRAL ASSY	1	1	
42	451951	AIR DUCT LEFT ASSY	1	1	
43	451934	FRONT INSULATING	1	1	
43	451762	CENTER INSULATING	1	1	
43	452899	REAR INSULATING	1	1	
44	452063	EVAPORATOR PANEL	1	1	
45	451937	PLATE CLOSING / UPPER / ITEM 44 & 46	1	1	
46	452064	EVAPORATOR PANEL	1	1	
46	506236	TAPE RUB ADH1 CC POL 1/16" x 1/2" x 100' / GREY 2520	AR	AR	
46	500165	SCREW CAP HEX 1/4-20x1 G5 Z050	4	4	
46	506001	TAPE RUB ADH1 CC POL 1/8" x 3/4" x 50' / GREY 2520X	AR	AR	
46	506338	RUBBER CHANNEL / 1/16" x 1/4" INT "U" SHAPE / ROUND C.T.L.	AR	AR	
47	372949	DUCT, AIR INLET L.H.		1	
47	453002	DUCT, AIR INLET L.H.	1		
47	372711	ANGLE SUPPORT		2	
48	451932	SUPPORT	1	1	
48	500613	SCREW TP PAN PH #10x1/2 Z050	AR	AR	

From L-031 To R-079	Date:07/2024	PAGE:H4-2220-00
UNDER FLOOR AIR DUCTING		

Item#	Part	Description	H 3 4 0	V I P 4 0	N O T E S
49	451954	TUBE PVC / 3" X 1440MM	1	1	
50	504441	CUFF END BELLOW / 3 1/2" I.D. x 3 1/2" x 5 5/8"	1	1	
51	504026	HOSE CLAMP / 2"13/16-3"3/4 SS / HS-52	1	1	
60	H4-2205-00	HEATER & EVAPORATOR COIL & FILTER ASSY			
61	H4-2215-00	EVAPORATOR & DAMPER CONTROL COMPONENTS			

From L-031 To R-079	Date:07/2024	PAGE:H4-2221-10
DUCTING HEATER & A/C		



From L-031 To R-079	Date:07/2024	PAGE:H4-2221-10
DUCTING HEATER & A/C		

Item#	Part	Description	H 3 4 0	V I P 4 0	N O T E S
1	372857	DUCT, AIR #1 / L.H. (690 MM) From M-116		1	
1	323422	DUCT, AIR #2 / L.H. (1359 MM)	1		
1	372608	DUCT, AIR 2438 MM		3	
1	322694	DUCT, AIR #4 / L.H. (1100 MM)	1		
1	372610	DUCT, AIR W/HOLE 2438MM		2	
1	323421	DUCT, AIR #5 / L.H. (1545 MM)	1		
1	372609	DUCT, AIR 1923 MM		2	
1	323411	DUCT, AIR 1717MM	1		
1	322696	DUCT, AIR 1520MM	1		
1	323413	DUCT, AIR #2 / R.H. (1546MM)	1		
1	322700	DUCT / #4 L.H. 1750MM	1		
1	323415	DUCT, AIR 1379 MM	1		
1	323414	DUCT, AIR W/HOLE 1809MM	1		
2	329045	DUCT, AIR 548 MM / TRANSITION	2		
3	323410	DUCT, AIR #1 / L.H. W/HOLE (1892 MM)	1		
3	372611	DUCT, AIR W/HOLE 2438MM		1	
3	322698	DUCT, AIR W/HOLE 1800MM	1		
3	322699	DUCT, AIR W/HOLE 1800MM	1		
NS	451966	DEFLECTOR / OUTPUT EVAPORATOR DUCT L.H.	1		
NS	451968	DEFLECTOR / OUTPUT EVAPORATOR DUCT R.H.	1		
NS	372729	DEFLECTOR / OUTPUT EVAPORATOR DUCT L.H.		1	
NS	372696	DEFLECTOR / OUTPUT EVAPORATOR DUCT R.H.		1	
4	500583	SCREW TP PAN PH #6x1/2 Z050	AR		A
4	323416	SUPPORT / "Y" SHAPED	6		
NS	323416	SUPPORT / "Y" SHAPED		14	
5	506025	RUBBER CHANNEL / 1/18" x 5/16" INT "U" SHAPE / SQUARE C.T.L.	AR		
6	506268	TAPE RUB ADH1 URE 3/8" x 1/2" x 25' / GREY 1820	AR	AR	
7	500417	SCREW TP PAN PH #6x3/8 Z050	AR		B
14	323390	PROTECTOR, CABLE W/1 HOLE AT 770MM RH / 2438	1		
14	323391	PROTECTOR, CABLE W/2 HOLES AT 356MM LH & 162MM RH / 2438	1		
14	323393	PROTECTOR, CABLE W/1 HOLE AT 344MM RH / 2438	1		
14	323392	PROTECTOR, CABLE W/2 HOLES AT 432MM LH & 306MM RH / 2438	1		
14	323646	PROTECTOR, CABLE 327MM	1		
14	323394	PROTECTOR, CABLE / R.H. / #5 / (345 MM)	2		
14	322956	PROTECTOR, CABLE 2438 MM	4		
15	323187	RAIL, #1 / L.H. & R.H. To N-223	2		
15	323944	RAIL, #1 / L.H. & R.H. From N-224	2		
15	323188	RAIL, #2 / L.H. & R.H. To N-223	2		
15	323945	RAIL, #2 / L.H. & R.H. From N-224	2		
15	323189	RAIL, #3 / L.H. & R.H. To N-223	2		
15	323946	RAIL, #3 / L.H. & R.H. From N-224	2		
15	323190	RAIL, #4 / L.H. & R.H. To N-223	2		

From L-031 To R-079	Date:07/2024	PAGE:H4-2221-10
DUCTING HEATER & A/C		

Item#	Part	Description	H 3 4 0	V I P 4 0	N O T E S
15	323947	RAIL, W/W.C.L. "RICON" From N-224	2		
15	323191	RAIL, #5 / L.H. & R.H. To N-223	2		
15	323948	RAIL, #5 / L.H. & R.H. From N-224	2		
15	323186	RAIL, #6 / L.H. & R.H. To N-223	1		
15	323943	RAIL, #6 / L.H. & R.H. From N-224	1		
15	323644	RAIL, #5 To N-223	2		
15	323949	RAIL, #5 From N-224	2		
NS	372600	"T" SUPPORT, AIR DUCT 2204MM		2	
NS	372583	"T" SUPPORT, AIR DUCT 70 7/8"		2	
NS	372602	"T" SUPPORT, AIR DUCT 3849MM		2	
NS	372601	"T" SUPPORT, AIR DUCT 1308MM		2	
16	500517	SCREW TC CAP HEXW 5/16-18x3/4 Z050	AR		C
16	500642	SCREW TP PAN PH #10x3/4 Z050		30	D
17	323417	RAIL, LOWER #1 / L.H. (1867MM)	1		
17	322733	RAIL, LOWER #2 / L.H. (1363MM)	1		
17	322703	RAIL, LOWER #3 / L.H. (2596MM)	1		
17	322704	RAIL, LOWER #4 / L.H. (3504MM)	1		
17	322701	RAIL, LOWER #1 / R.H. (1663MM)	1		
17	323419	RAIL, LOWER #2 / R.H. (1383MM)	1		
17	323420	RAIL, LOWER #3 / R.H. (3082MM)	1		
17	323418	RAIL, LOWER #4 / R.H. (3590MM)	1		
18	870899	LOUVER, ADJUSTABLE	2		
NS	502664	SCREW TP PAN PH #8x1 SS EMN	4		E
19	451474	DUCT, AIR RETURN (1143 MM)	3		
NS	372689	DUCT, AIR RETURN (1143 MM)		3	
NS	459165	ANGLE / TO FIX RETURN DUCT TO FLOOR	6	6	
NS	500642	SCREW TP PAN PH #10x3/4 Z050	AR	AR	F
20	323426	PANEL, PROTECTOR / FLOOR (120 X 58MM)	1		
20	323427	PANEL, PROTECTOR / FLOOR (120 X 634MM)	1		
20	323428	PANEL, PROTECTOR / FLOOR (120 X 307MM)	2		
20	323429	PANEL, PROTECTOR / FLOOR (120 X 641MM)	2		
20	372686	PANEL, PROTECTOR / FLOOR (114 X 471MM)		2	
20	372717	PANEL, PROTECTOR / FLOOR / R.H. (114 X 408)		1	
20	372718	PANEL, PROTECTOR / FLOOR / R.H. (114 X 534)		1	
NS	500505	SCREW WO PAN PH #10x1 Z050	AR	AR	
21	372684	DEFLECTOR / R.H. & L.H. TOP (115 X 2438 MM)		2	
NS	451475	DEFLECTOR / L.H. /END OF RETURN DUCT)	1		
NS	451476	DEFLECTOR / R.H. /END OF RETURN DUCT)	2		
NS	323412	DEFLECTOR, ANGLE / REAR L.H. SIDE / TOP OF RETURN	1		
NS	323424	DEFLECTOR, ANGLE / REAR R.H. SIDE / TOP OF RETURN	1		
NS	372719	DEFLECTOR / END OF RETURN DUCT (113 X 192 MM)		1	
NS	372685	DEFLECTOR / END OF RETURN DUCT (113 X 126 MM)		1	

From L-031 To R-079	Date:07/2024	PAGE:H4-2221-10
DUCTING HEATER & A/C		

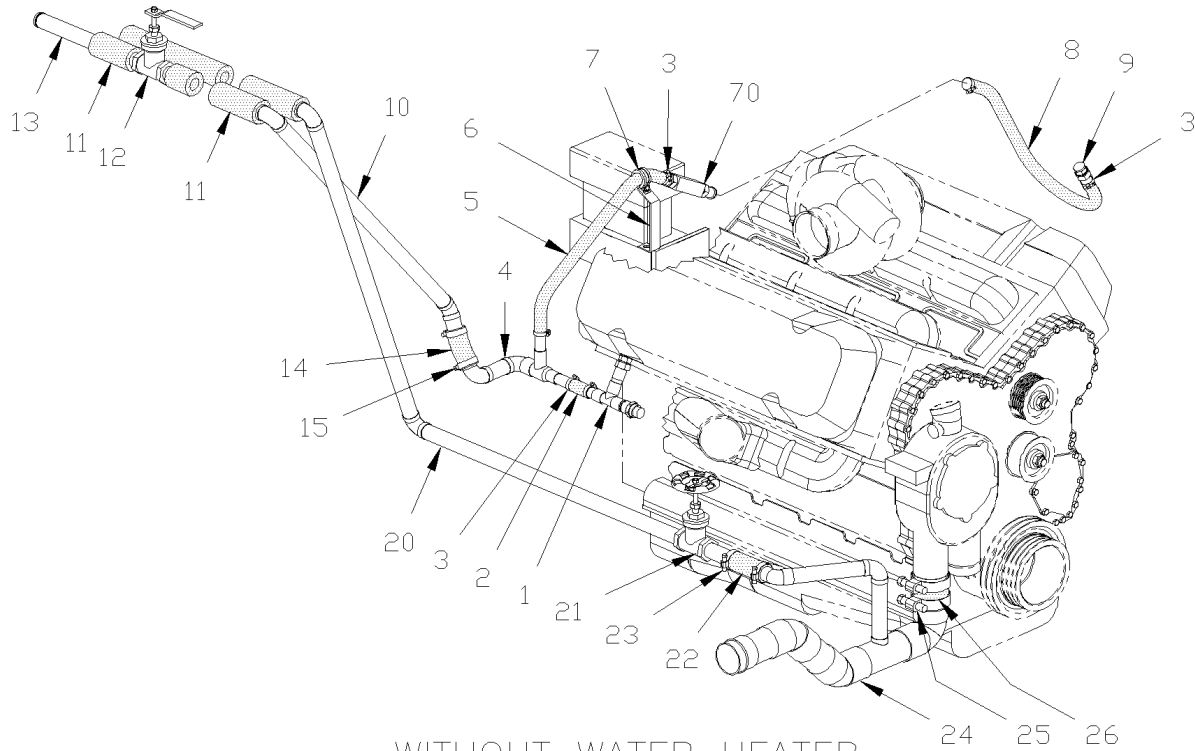
Item#	Part	Description	H 3 4 0	V I P 4 0	N O T E S
22	372842	DUCT, AIR / R.H. FRONT LOWER From M-116		1	
23	871027	DIFFUSOR From M-116		2	
24	502611	SCREW TP FL PH #6x1/2 Z050 From M-116		1	
25	372858	CAP CLOSING DEFLECTOR From M-116		1	
26	372821	DEFLECTOR / UNDER FLOOR		1	
27	451972	CAP CLOSING ASSY / R.H. FRONT			
28	372591	. CAP CLOSING / R.H. FRONT	1		
29	870887	. DEFLECTOR, AIR	1		
NS	500260	SCREW TC FL PH #8-32x3/4 BK	2		
30	459172	CAP CLOSING ASSY / L.H. FRONT	1		
31	379082	. CAP CLOSING / L.H. FRONT DUCT	1		
32	870901	. LOUVER, ADJUSTABLE / ROUND 3" O.D.	1		
33	372569	CAP CLOSING / L.H. REAR	1		
NS	372603	CAP CLOSING ALUMINIUM / L.H. FRONT		1	
NS	372604	CAP CLOSING ALUMINIUM / R.H. FRONT To M-115		1	
NS	371715	CAP R.H. / FRONT		1	
NS	371716	CAP L.H. / FRONT		1	
34	324754	CAP CLOSING / REAR W/W.C.L. / (HINGE SIDE OF DOOR)	1		
		A) TO FIX DUCT			
		B) TO FIX PROTECTOR			
		C) TO FIX PROTECTOR			
		D) TO FIX SUPPORT			
		E) TO FIX DIFFUSOR			
		F) TO FIX ANGLE TO FLOOR			

From L-031 To R-032

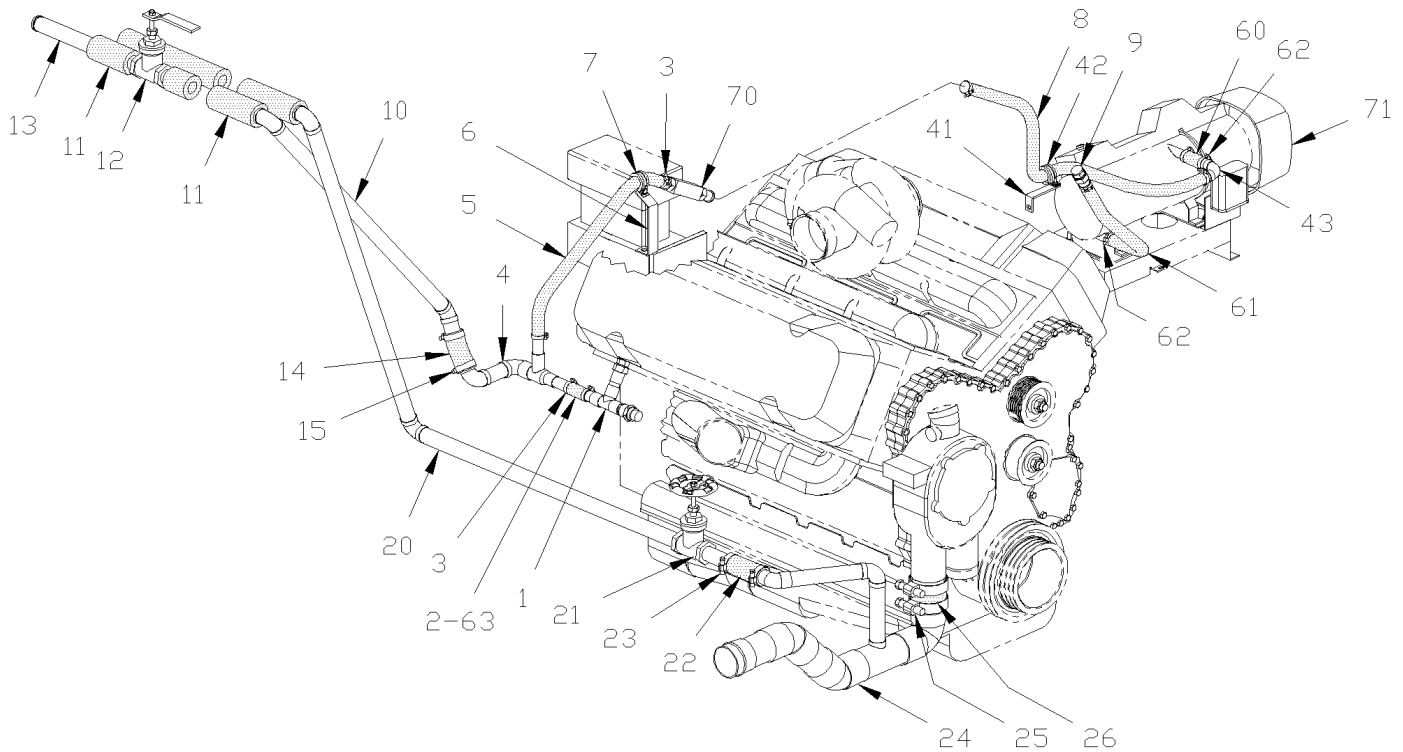
Date:07/2024

PAGE:H4-2222-00

HEATER LINE REAR SECTION - WITH DETROIT S-92



WITHOUT WATER HEATER



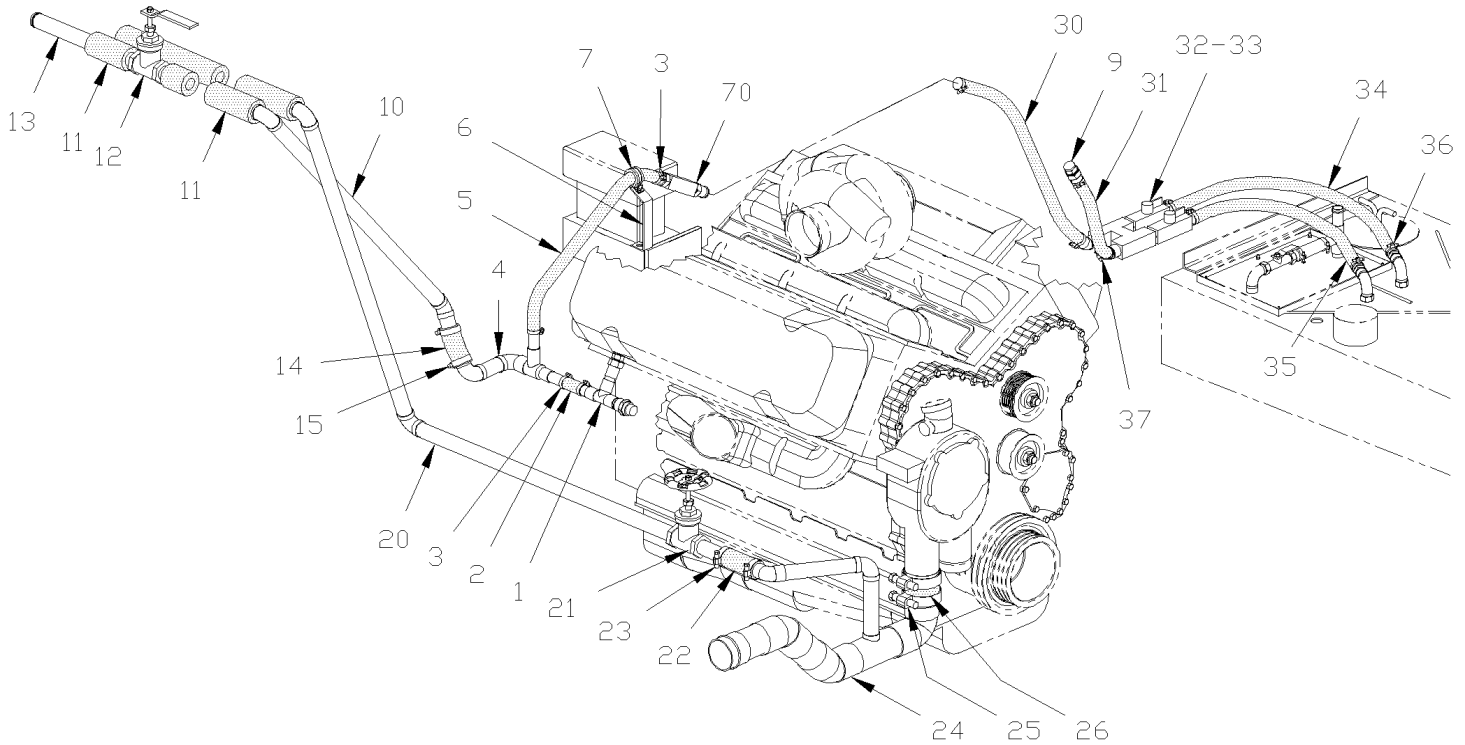
WITH WATER HEATER

From L-031 To R-032

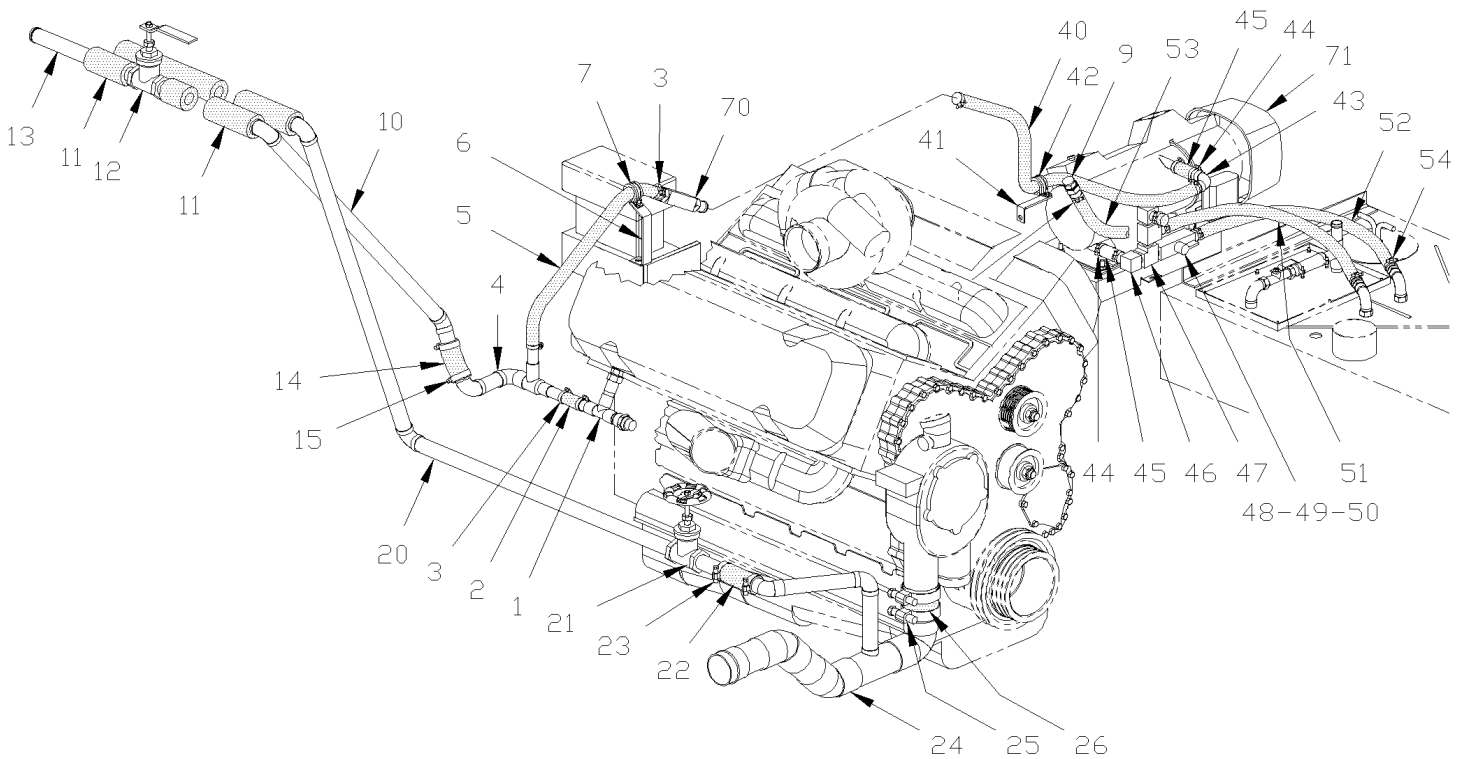
Date:07/2024

PAGE:H4-2222-00

HEATER LINE REAR SECTION - WITH DETROIT S-92



WITH WASTE TANK HEATER



WITH WATER & WASTE TANK HEATER

From L-031 To R-032	Date:07/2024	PAGE:H4-2222-00
HEATER LINE REAR SECTION - WITH DETROIT S-92		

Item#	Part	Description	H 3 4 0	V I P 4 0	N O T E S
1	372189	PIPE ASSY / 6V92 & 8V92	1	1	
NS	501517	. PLUG SQUARE HEAD / PIPE FITTING / 3/4NPT-M BR	1	1	
2	371554	HOSE 7/8" I.D. X 7.5"	1	1	
3	504020	HOSE CLAMP / 9/16"-1"1/4 SS / HS-12	AR	AR	
4	372746	PIPE ASSY HOT WATER "T" SHAPE	1	1	
NS	061027	SUPPORT 2"1/2 LG	1	1	
5	372747	HOSE / TO L.H CYLINDER HEAD / 3/4" I.D.	1	1	
6	061027	SUPPORT 2"1/2 LG	1	1	
7	061133	SUPPORT / OVER BLOWER TO FIX HOSE WATER COLANT COOLANT	1	1	
8	372748	HOSE / TO ENGINE BLOCK / 3/4" I.D. 678MM	1	1	
9	507605	MALE CONNECTOR / HOSE BARB FITTING / #12x1/2NPT-M BR	1	1	
10	372654	PIPE ASSY / BALL VALVE & ENGINE W/92	1	1	
11	506242	PIPE INSULATING / 1 3/8" I.D. X 1/2" TH. X 72 / APT13812	AR	AR	
12	870966	BALL VALVE 1" NPT-F	1	1	A
12	871419	BALL VALVE 1" NPT-F / SERVICE	1	1	
13	372648	PIPE ASSY / WATER FILTER & BALL VALVE	1	1	
14	371858	HOSE 1 3/8" I.D. 7"	1	1	
15	504560	HOSE CLAMP / 1"1/4-2"1/8 / C.T. 200	2	2	
20	372651	PIPE ASSY / RETURN LINE TO ENGINE	1	1	
21	501861	. GATE VALVE 1 1/4" (WELDED)	1	1	
22	051386	HOSE 5 3/8" X 1 3/8" I.D. 5 3/8" X 1 3/8" I.D.	1	1	
23	504560	HOSE CLAMP / 1"1/4-2"1/8 / C.T. 200	2	2	
24	H4-0500-00	COOLANT PIPING WITH DETROIT S-92			
25	050668	HOSE 2 3/4" I.D. 3 1/8"	1	1	
26	504525	HOSE CLAMP / 2"3/4-3"5/8 SS / HTM-350L	2	2	
30	372750	HOSE 3/4" I.D.	1		
31	372751	HOSE 3/4" I.D.	1		
32	403617	CONNECTOR FITTING ASSY	1		
33	530096	. BALL VALVE 1/2" NPT 1/2 NPT F x 1/2 NPT F	1		
NS	403634	ANGLE SUPPORT 152MM	1		
NS	500607	SCREW MA TR PH #10-24x1 SS	3		
NS	500787	NUT HEX #10-24 SS	3		
NS	500972	WASHER FL .200x.437x.037 SS	3		
NS	560483	CLAMP / 7/8" I.D.	2		
34	403636	HOSE 5/8" I.D. 550MM	1		
35	403190	HOSE 5/8" I.D. 500MM	1		
36	504020	HOSE CLAMP / 9/16"-1"1/4 SS / HS-12	4		
37	504319	HOSE CLAMP / 1"-1"1/2 SS / E.T. 16	4		
40	372759	HOSE 3/4" I.D.	1		
41	070368	SUPPORT	1		
42	560483	CLAMP / 7/8" I.D.	1		
NS	502530	SCREW MA OV PH M4-0.7x40 SS	1		

From L-031 To R-032	Date:07/2024	PAGE:H4-2222-00
HEATER LINE REAR SECTION - WITH DETROIT S-92		

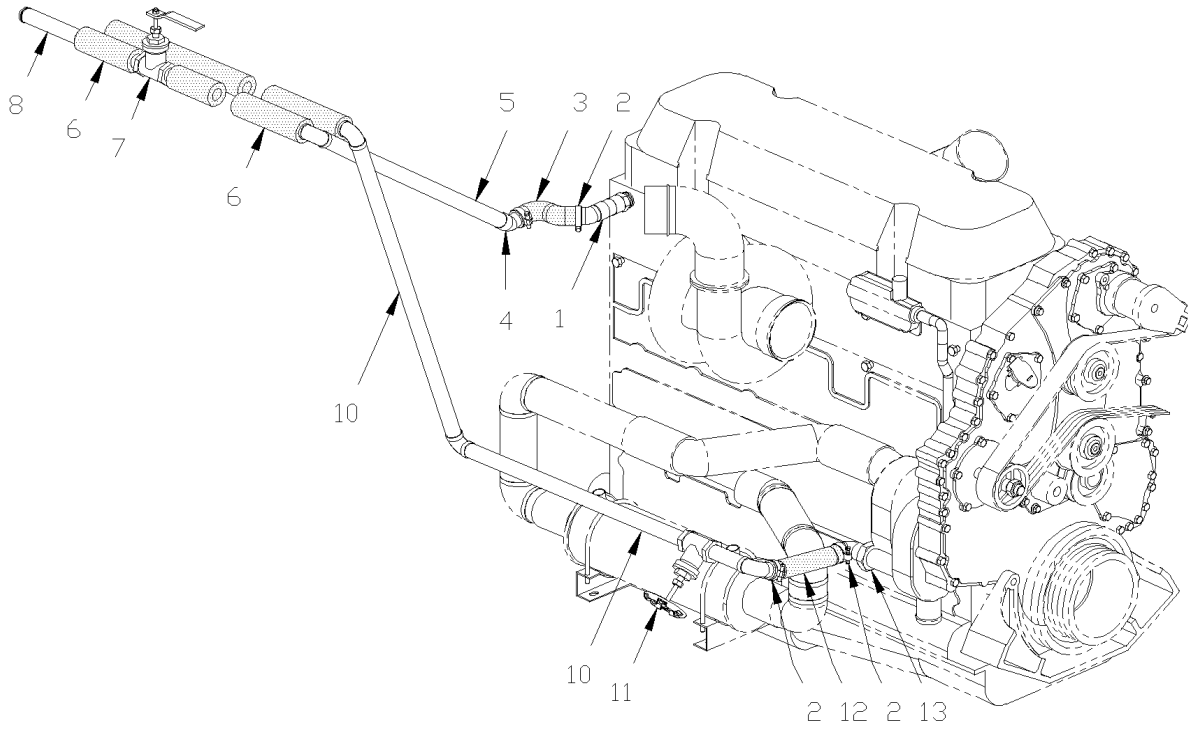
Item#	Part	Description	H 3 4 0	V I P 4 0	N O T E S
NS	502636	WASHER LO SPT 4.1x7.6x0.9 Z050	1		
NS	502524	NUT HEX M4-0.7 Z050	1		
43	372856	PIPE ELBOW	1		
44	504319	HOSE CLAMP / 1"-1"1/2 SS / E.T. 16	4		
45	403641	HOSE 3/4" I.D. 53MM	2		
46	5011038	MALE ELBOW 90° / BEADED HOSE BARB / #12x1/2NPT-M	2		
47	501473	MALE RUN TEE / PIPE FITTING / 1/2NPT-Mx1/2NPT-Fx1/2NPT-F BR	2		
48	530096	BALL VALVE 1/2" NPT 1/2 NPT F x 1/2 NPT F	1		
49	501373	MALE CONNECTOR / HOSE BARB FITTING / #10x1/2NPT-M GALV	2		
50	403635	ANGLE SUPPORT 36MM X 75MM	1		
NS	500163	SCREW CAP HEX 1/4-20x3/4 G5 Z050	1		
NS	500441	WASHER FL .312x.734x.065 Z050	1		
NS	500473	WASHER LO SPT .262x.489x.062 Z050	1		
NS	502716	NUT HEX NYRT 1/4-20	1		
51	403642	HOSE 5/8" I.D. 390MM	1		
52	403643	HOSE 5/8" I.D. 750MM	1		
53	372700	HOSE 3/4" I.D. 460MM	1		
54	504020	HOSE CLAMP / 9/16"-1"1/4 SS / HS-12	8		
60	372683	HOSE 3/4" I.D. 4"	1		
61	372758	HOSE 3/4" I.D. 19"	1		
62	504020	HOSE CLAMP / 9/16"-1"1/4 SS / HS-12	4		
63	452026	RESTRICTION / ALU. WASHER 6MM x 22MM O.D. W/10MM HOLE	1		
70	H4-1205-11	AIR COMPRESSOR - "TU-FLO 750" - WITH DETROIT S-92			
71	870969	WATER HEATER - "ESPAR" 40,000 B.T.U.			
		A) LOCATED IN BAGGAGE COMPARTEMENT, OVER REAR WHEELHOUSE			

From P-256 To R-079

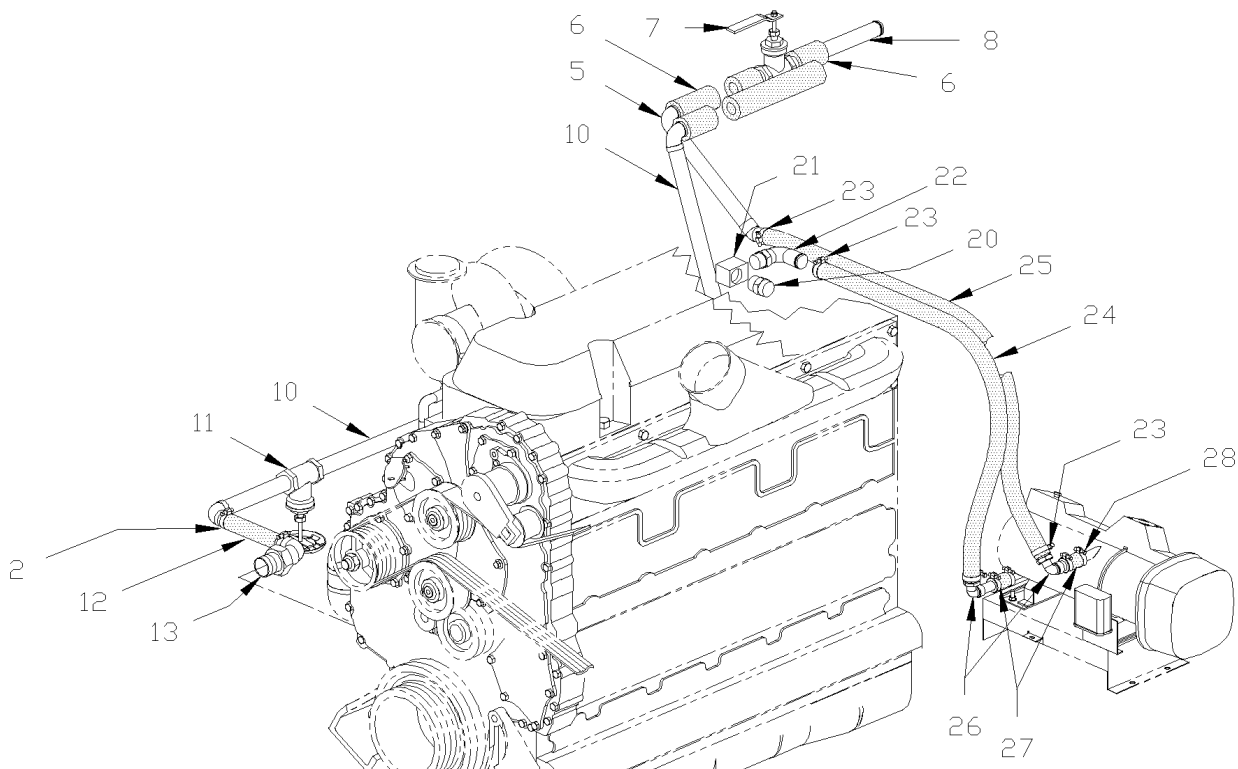
Date:07/2024

PAGE:H4-2222-01

HEATER LINE REAR SECTION - WITH DETROIT S-60



WITHOUT WATER HEATER



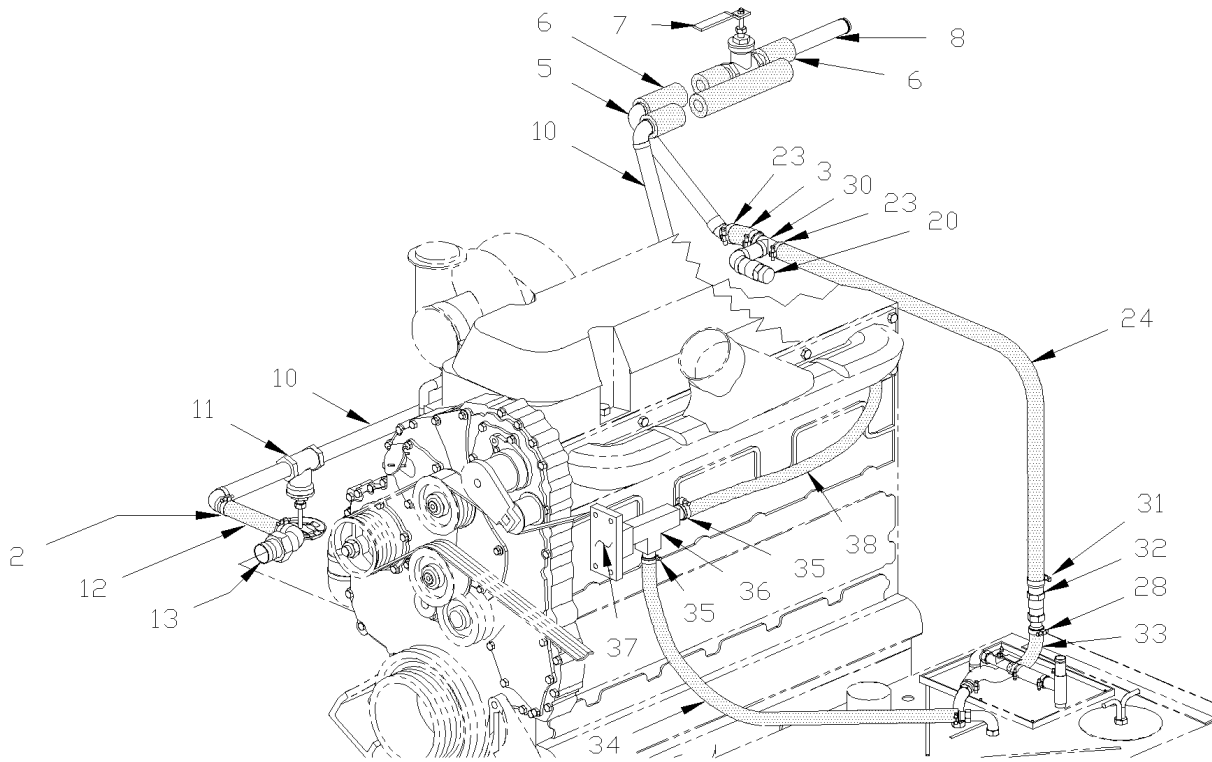
WITH WATER HEATER

From P-256 To R-079

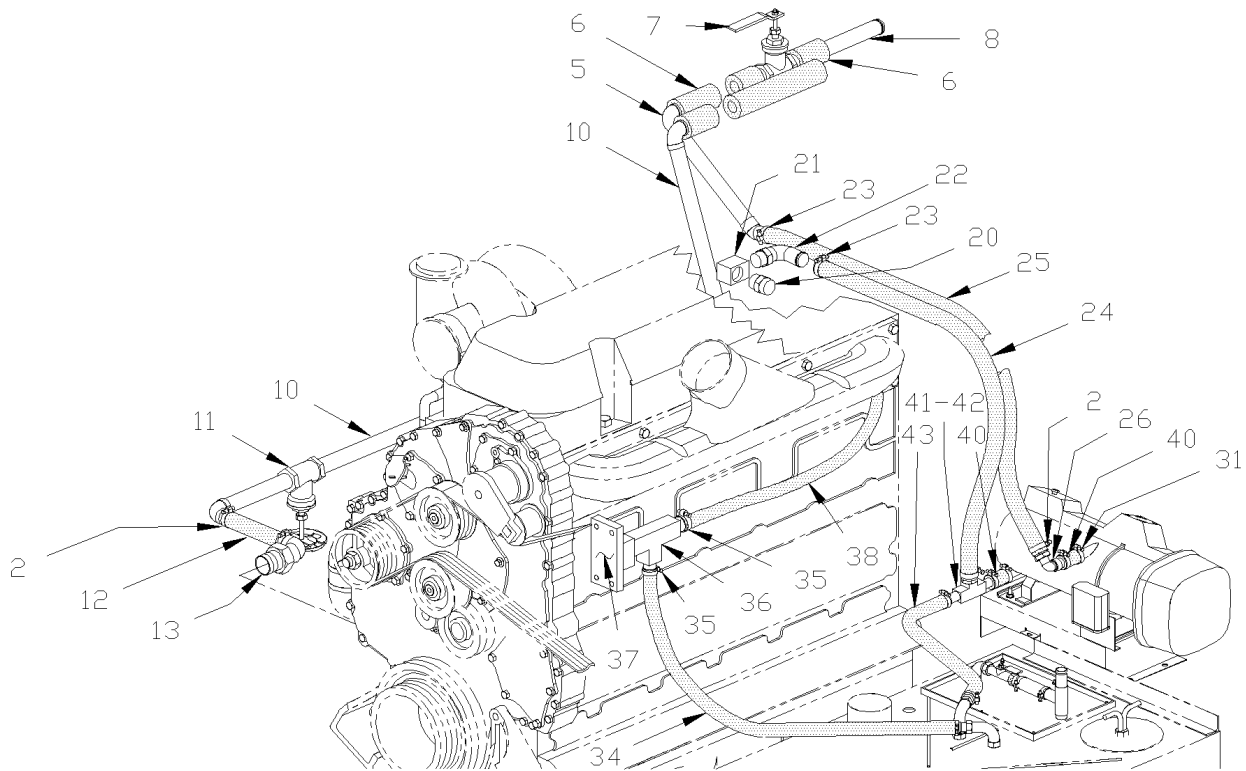
Date:07/2024

PAGE:H4-2222-01

HEATER LINE REAR SECTION - WITH DETROIT S-60



WITH WASTE TANK HEATER



WITH WATER & WASTE TANK HEATER

HEATER LINE REAR SECTION - WITH DETROIT S-60

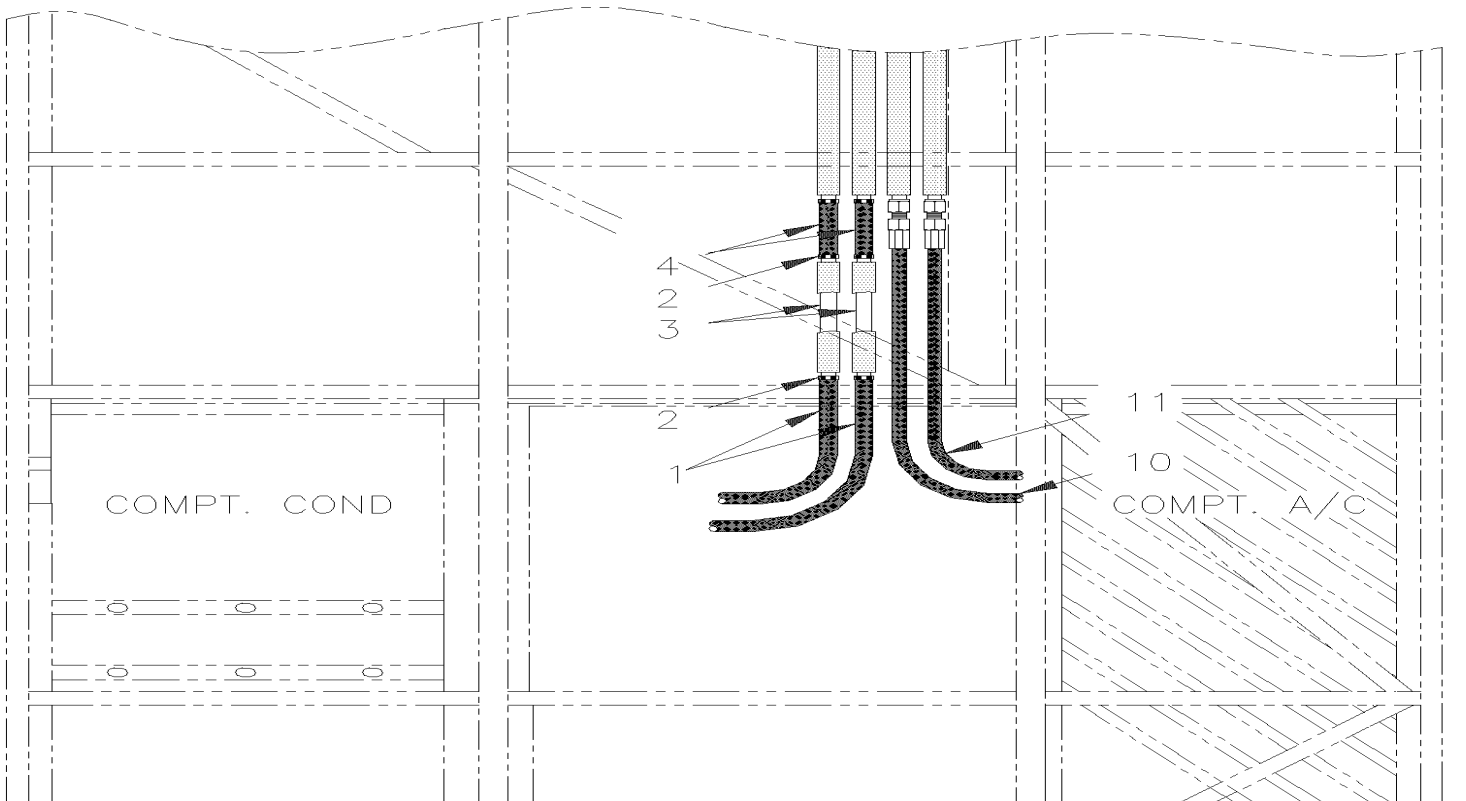
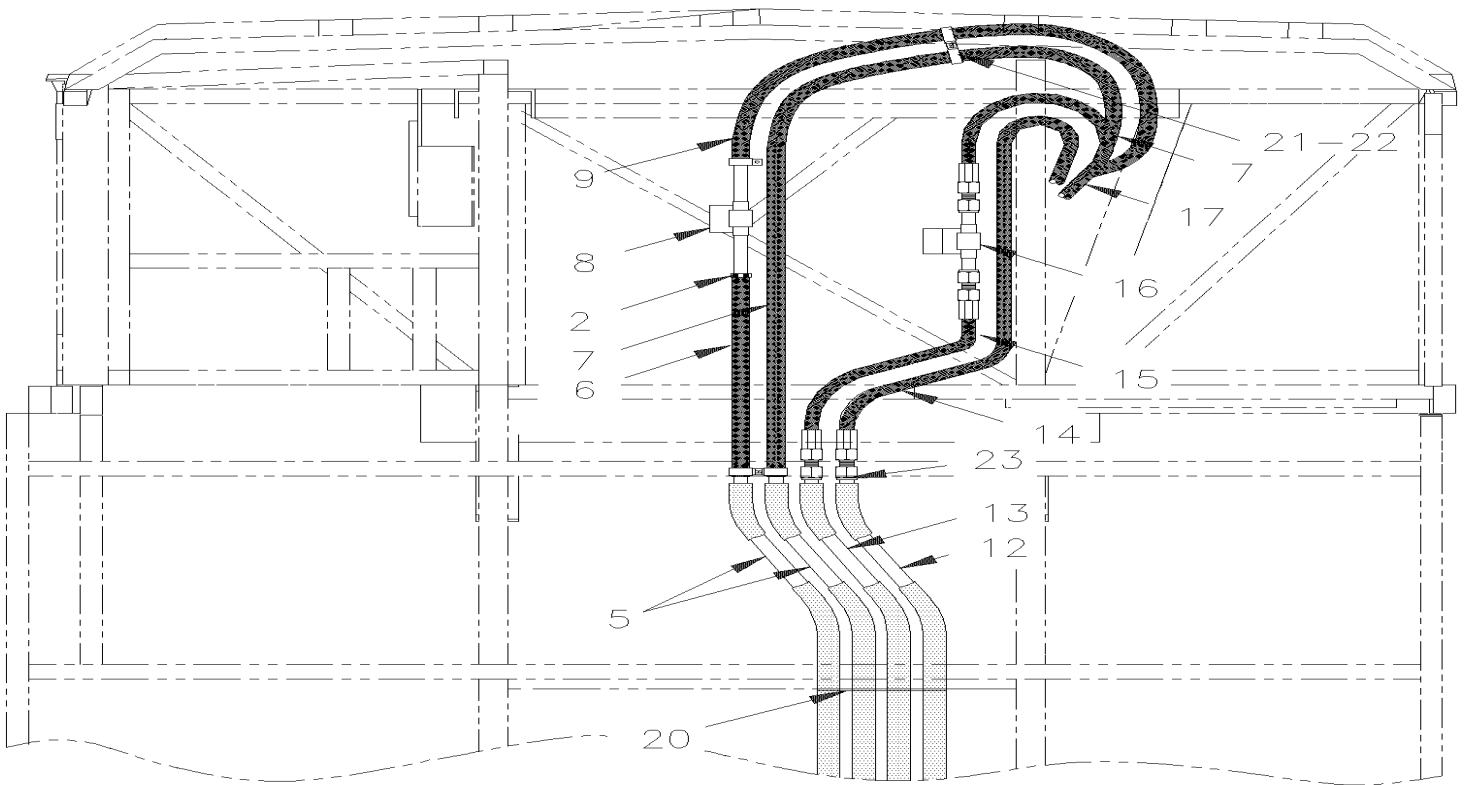
Item#	Part	Description	H 3 4 0	V I P 4 0	N O T E S
1	373040	ADAPTOR ELBOW 45°/ CYLINDER HEAD EXIT	1	1	
2	504657	HOSE CLAMP / 1"1/16-2" C.T. 9424	AR	AR	
3	372700	HOSE 3/4" I.D. 460MM	1	1	
4	051595	ELBOW 45° (WELDED)	1	1	
5	372964	PIPE ASSY / BALL VALVE & ENGINE W/60	1	1	
6	506242	PIPE INSULATING / 1 3/8" I.D. X 1/2" TH. X 72 / APT13812	AR	AR	
7	870966	BALL VALVE 1" NPT-F	1	1	A
7	871419	BALL VALVE 1" NPT-F / SERVICE	1	1	
8	372648	PIPE ASSY / WATER FILTER & BALL VALVE	1	1	
10	372959	PIPE ASSY / RETURN LINE TO ENGINE	1	1	
11	501861	GATE VALVE 1 1/4" (WELDED)	1	1	
12	373226	PIPE	1	1	
13	372958	ADAPTOR ELBOW 90° / WATER PUMP INLET	1	1	
20	501564	ADAPTER / PIPE FITTING / 3/4NPT-Fx1NPT-M BR	1		
21	507339	STREET ELBOW 90° / PIPE FITTING / 3/4NPT-Mx3/4NPT-F BR	1		
22	372957	ADAPTOR ELBOW 90° / CYLINDER HEAD EXIT	1		
23	504560	HOSE CLAMP / 1"1/4-2"1/8 / C.T. 200	AR		
24	372980	HOSE 1 3/8" I.D. 651MM	1		
25	372979	HOSE 1 3/8" I.D. 1205MM	1		
26	373030	PIPE ELBOW 90° ASSY	2		
27	372683	HOSE 3/4" I.D. 4"	2		
28	504020	HOSE CLAMP / 9/16"-1"1/4 SS / HS-12	AR		
30	373049	PIPE "T" SHAPE	1		
31	504319	HOSE CLAMP / 1"-1"1/2 SS / E.T. 16	1		
32	507605	MALE CONNECTOR / HOSE BARB FITTING / #12x1/2NPT-M BR	1		
32	501519	MALE CONNECTOR / JIC 37° FITTING / #12JIC-Mx3/4NPT-M STL	1		
33	403636	HOSE 5/8" I.D. 550MM	1		
34	373050	HOSE 5/8" I.D. 660MM	1		
35	504020	HOSE CLAMP / 9/16"-1"1/4 SS / HS-12	2		
36	501373	MALE CONNECTOR / HOSE BARB FITTING / #10x1/2NPT-M GALV	1		
37	H4-1205-12	AIR COMPRESSOR - "TU-FLO 750" - WITH DETROIT S-60			
38	503523	HOSE SILICONE 1PLY 3/4" I.D. x 100' / S.L.	AR	AR	
40	403641	HOSE 3/4" I.D. 53MM	2		
41	501473	MALE RUN TEE / PIPE FITTING / 1/2NPT-Mx1/2NPT-Fx1/2NPT-F BR	1		
42	507605	MALE CONNECTOR / HOSE BARB FITTING / #12x1/2NPT-M BR	1		
43	373048	HOSE #10 332MM	1		
		A) LOCATED IN BAGGAGE COMPARTEMENT, OVER REAR WHEELHOUSE			

From L-031 To R-079

Date:07/2024

PAGE:H4-2222-10

A/C & HEATING LINE FRONT SECTION



From L-031 To R-079	Date:07/2024	PAGE:H4-2222-10
A/C & HEATING LINE FRONT SECTION		

Item#	Part	Description	H 3 4 0	V I P 4 0	N O T E S
1	372632	HOSE 7/8" I.D. X 1848MM	2	2	
1	503684	. HOSE SILICONE 1 PLY 7/8" I.D. x 100' / S.L.	AR	AR	
2	504646	HOSE CLAMP / 11/16"-1"1/4 / C.T. 9412	AR	AR	
3	373250	PIPE ASSY	2		
3	373223	PIPE ASSY		2	
3	506276	. PIPE INSULATING / 7/8" I.D. X 1/2" TH. X 72 / APT07812	AR	AR	
4	373134	HOSE /WATER VALVE & HEATER / 7/8" I.D. 229MM	2	2	
4	503523	. HOSE SILICONE 1PLY 3/4" I.D. x 100' / S.L.	AR	AR	
5	372661	PIPE ASSY	2	2	
6	372738	HOSE 3/4" I.D. 815 MM	1	1	
7	372633	HOSE / PIPE & HEATER / 3/4" I.D. 7' 3"	1	1	
7	503523	. HOSE SILICONE 1PLY 3/4" I.D. x 100' / S.L.	AR	AR	
NS	506267	. PIPE INSULATING / 1 1/8" I.D. X 1/2" TH. X / APT11812	AR	AR	
8	H4-2207-11	WATER VALVE - DRIVER'S			
NS	372742	SUPPORT / TO FIX WATER VALVE	1	1	
NS	500642	SCREW TP PAN PH #10x3/4 Z050	2	2	A
9	372634	HOSE /WATER VALVE & HEATER / 3/4" I.D. 4' 75"	1	1	
NS	503523	HOSE SILICONE 1PLY 3/4" I.D. x 100' / S.L.	AR	AR	
10	372617	HOSE ASSY / W/R-12 / #10 3075MM	1	1	
10	452457	HOSE ASSY TEFLON / W/R-22 / #10 3087MM	1		
10	373275	HOSE ASSY / W/R-134a / #10 3075MM	1	1	
NS	507344	. O-RING / ORS FITTING / #10 NEO	2	2	
11	372620	HOSE ASSY / W/R-12 / #12 1803MM	1	1	
NS	452454	HOSE ASSY TEFLON / W/R-22 / #12 1809MM	1		
NS	373274	HOSE ASSY / W/R-134a / #12 1803MM	1	1	
NS	507280	. O-RING / ORS FITTING / #12 NEO	2	2	
12	372663	PIPE ASSY RETURN A/C		1	
13	372656	PIPE ASSY RETURN A/C	1	1	
14	372619	HOSE ASSY / W/R-12 / #10 86"	1	1	
14	452459	HOSE ASSY TEFLON / W/R-22 / #10 2189MM	1		
14	373277	HOSE ASSY / W/R-134a / #10 2185MM	1	1	
15	372616	HOSE ASSY / W/R-12 / #10 503MM	1	1	
15	452461	HOSE ASSY TEFLON #6 602MM	1	1	
15	373278	HOSE ASSY / W/R-134a / #6 508MM	1	1	
NS	506216	. PIPE INSULATING / 5/8" I.D. X 1/2" TH. X 72 / APT05812	AR	AR	
NS	507344	. O-RING / ORS FITTING / #10 NEO	2	2	
16	H4-2208-10	REFRIGERANT SOLENOID VALVE			
17	452460	HOSE ASSY TEFLON #6 1410MM	1		
17	372614	HOSE ASSY / W/R-12 / #6 1400MM	1	1	
17	373279	HOSE ASSY / W/R-134a / #6 1400MM	1	1	
NS	507278	. O-RING / ORS FITTING / #4 NEO	2	2	
20	372653	PIPE SUPPORT / OVER / FIRST BAGGAGE	1	1	

From L-031 To R-079	Date:07/2024	PAGE:H4-2222-10
A/C & HEATING LINE FRONT SECTION		

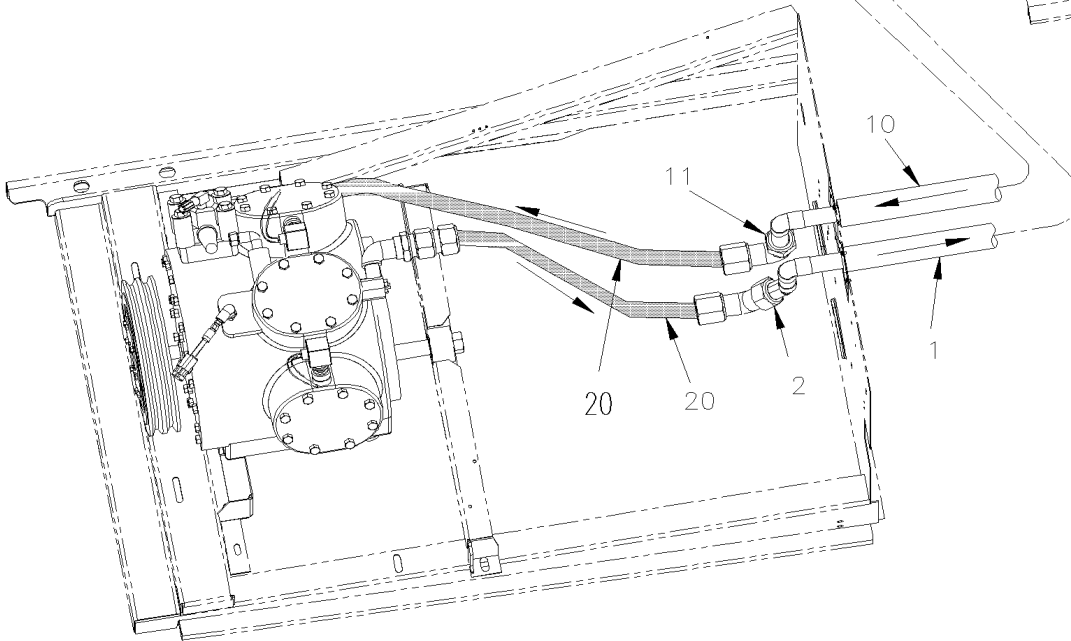
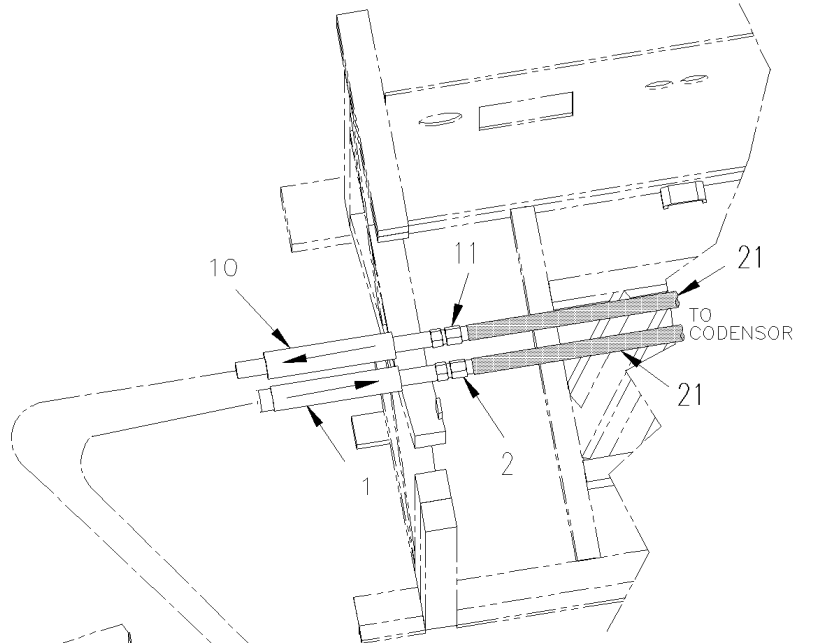
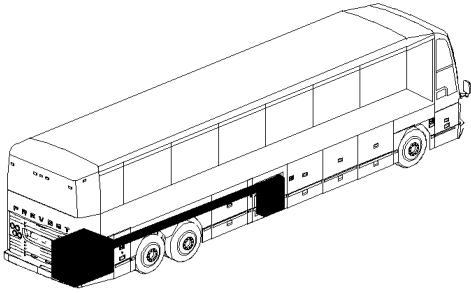
Item#	Part	Description	H 3 4 0	V I P 4 0	N O T E S
20	500481	WASHER LO INT .437x.760x.040 ZP	AR	AR	
20	500483	WASHER LO SPT .570x.971x.141 ZP	AR	AR	
21	504016	CABLE TIE / 5/16" X 14"1/2	AR	AR	
22	504586	WASHER FL SPACER .450x.625x.875 NYL	AR	AR	
23	372652	PIPE STRAP / UNDER AISLE STEPWELL	1	1	
23	372722	PIPE SUPPORT / UNDER AISLE STEPWELL	1	1	
		WE DID NOT PRODUCED H3-40 WITH R-134A.			
		ARE USED ONLY WITH RETROFIT KIT. CALL			
		SERVICE PARTS FOR MORE INFORMATION			
		A) TO FIX WATER VALVE			

From L-031 To R-079

Date:07/2024

PAGE:H4-2222-15

A/C LINE REAR SECTION W/05G



From L-031 To R-079	Date:07/2024	PAGE:H4-2222-15
A/C LINE REAR SECTION W/05G		

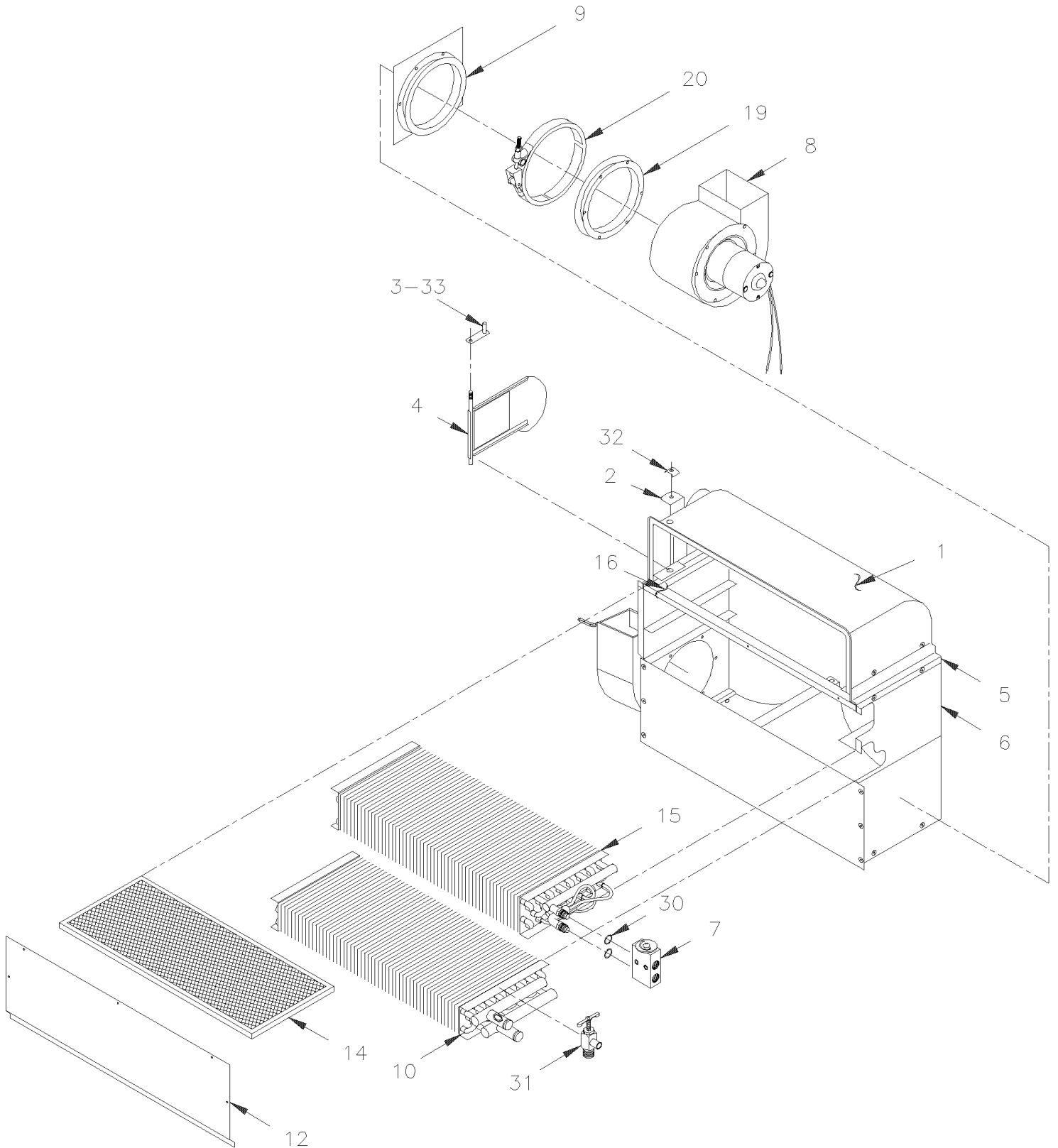
Item#	Part	Description	H 3 4 0	V I P 4 0	N O T E S
1	373123P	TUBE ASSY, PRESSURE / A/C COMPRESSOR	1	1	
1	372649	TUBE ASSY, PRESSURE / A/C COMPRESSOR / W/R-12 & R-22	1	1	
2	501718	ADAPTER JIC @ BRAZE W/O-RING // #16JIC-Mx#18BRAZE-F BR	2	2	
. NS	501802	. O-RING / ORS FITTING / #16 NEO	1	1	
10	373124P	TUBE ASSY, VACUUM / A/C COMPRESSOR	1	1	
10	372650	TUBE ASSY, VACUUM / A/C COMPRESSOR / W/R-12 & R-22	1	1	
11	501717	ADAPTER JIC @ BRAZE W/O-RING // #20JIC-Mx#22BRAZE-F BR	2	2	
. NS	501803	. O-RING / ORS FITTING / #20 NEO	1	1	
20	H4-2245-00	A/C COMPRESSOR 05G - INSTALLATION - WITH DETROIT S-92			
20	H4-2245-01	A/C COMPRESSOR 05G - INSTALLATION - WITH DETROIT S-60	1	1	
21	H4-2270-00	RECEIVER TANK & FILTER DRYER			

From L-031 To M-140

Date:07/2024

PAGE:H4-2225-02

DRIVER'S HEATER & DEFROSTER ASSY



From L-031 To M-140	Date:07/2024	PAGE:H4-2225-02
DRIVER'S HEATER & DEFROSTER ASSY		

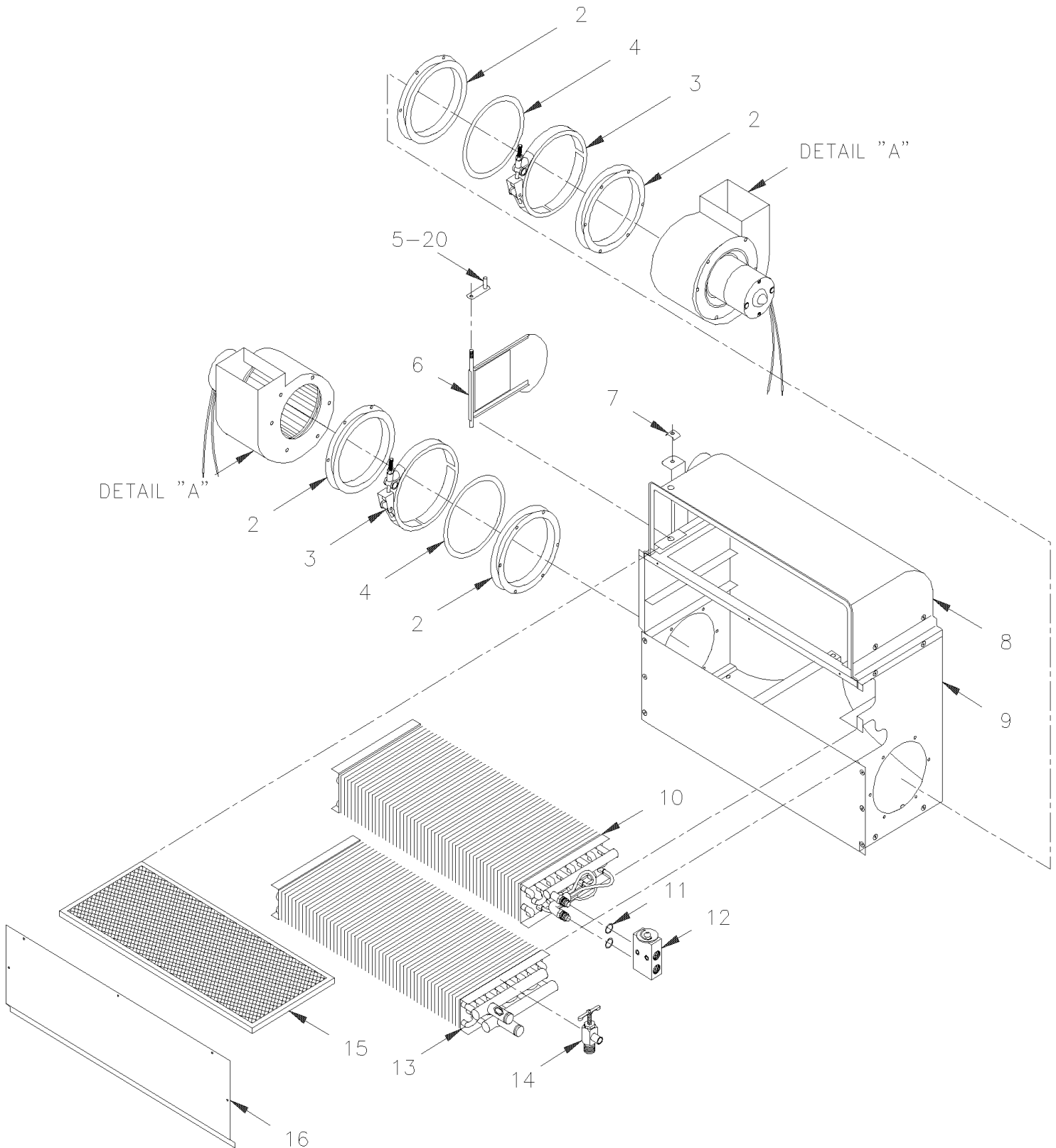
Item#	Part	Description	H 3 4 0	V I P 4 0	N O T E S
	372681	DEFROSTER & A/C UNIT ASSY / W/R12	1	1	
1	371967	. DUCT / AIR INTAKE ASSY / DAMPER	1	1	
1	371943	. . DUCT / AIR INTAKE	1	1	
2	372042	. . SUPPORT / TO FIX SENSOR TO UNIT	1	1	
NS	504083	. . SNAP BUSHING / .250x.468.406	1	1	
3	371972	. . PIVOT	1	1	
4	371969	. . TRAP ASSY	1	1	
5	372323	. BOX / AIR DISTRIBUTOR	1	1	
6	372324	. BOX / COIL	1	1	
NS	372321	. PLATE CLOSING	1	1	
NS	504347	. RIVET POP DOME OE 3/16x1/4 AL	19	19	
8	H4-2240-00	BLOWER & MOTOR ASSY - "AURORA"			
9	372111	. TRANSITION	2	2	
10	870839	. COIL HEATER	1	1	
11	500277	. RIVET NUT FL KNURLED OKS 5/16-18 .150-.312	3	3	
12	372322	. PLATE CLOSING	1	1	
14	870840	. FILTER 7//16" x 8" x 18 7/8" (former)	1	1	
NS	871049	. FILTER 1/4" x 8" x 18 3/4"	1	1	
15	950057	. COIL EVAPORATOR	1	1	
16	371968	. SUPPORT	1	1	
NS	504339	. RIVET POP DOME OE 1/8x3/8 SS	2	2	A
19	372126	. ADAPTOR / FOR EASY REMOVAL MOTOR	2	2	
20	504432	. V-CLAMP / 6" I.D.	2	2	
30	507279	. O-RING / ORS FITTING / #8 NEO	2	2	
33	500925	. . NUT SPR PO RND 1/4	1	1	
NS	372460	WIRE ASSY / FRESH AIR	1	1	
		A) TO FIX STRAP			

From M-141 To R-079

Date:07/2024

PAGE:H4-2225-03

DRIVER'S HEATER & DEFROSTER ASSY

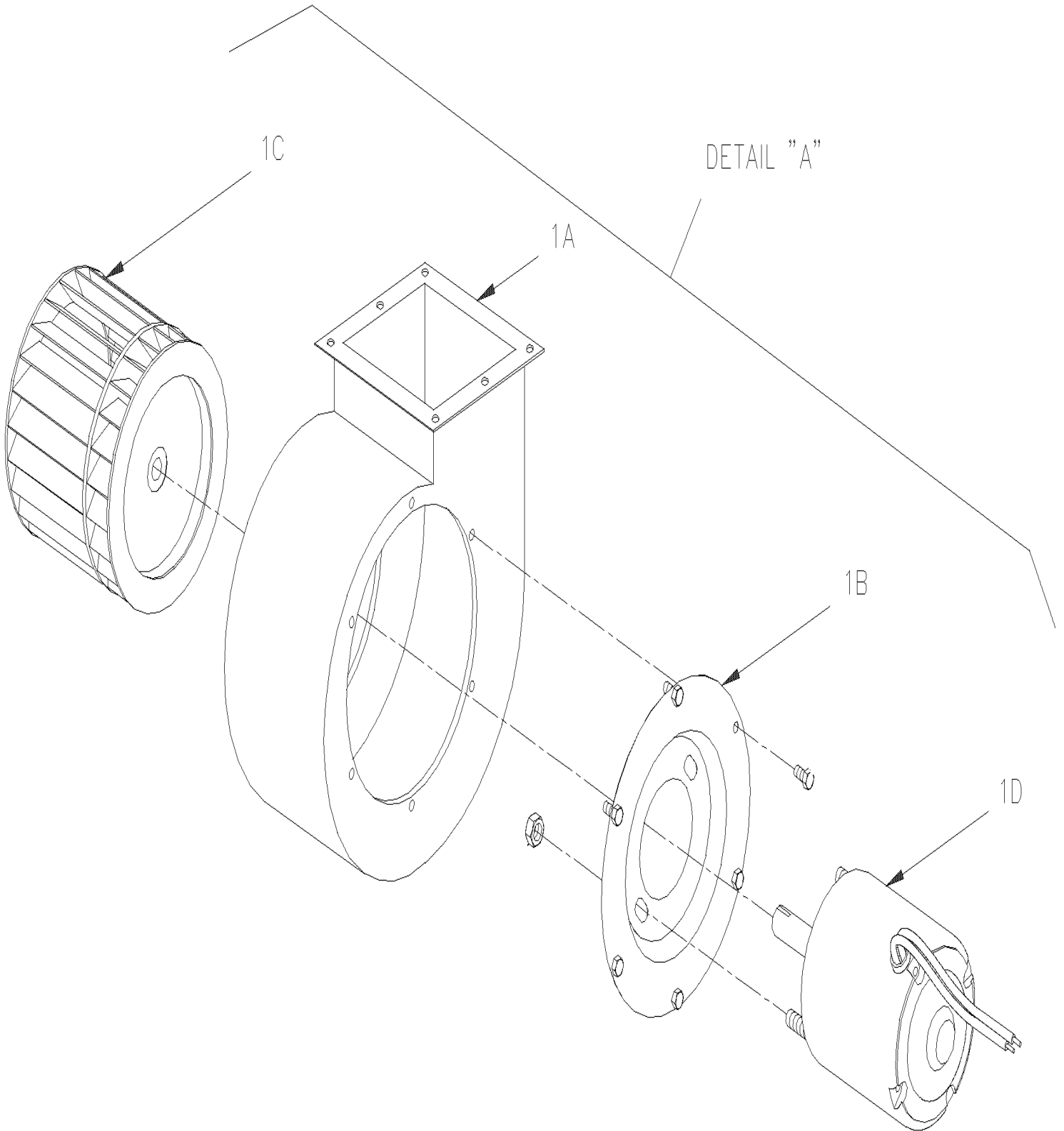


From M-141 To R-079

Date:07/2024

PAGE:H4-2225-03

DRIVER'S HEATER & DEFROSTER ASSY



From M-141 To R-079	Date:07/2024	PAGE:H4-2225-03
DRIVER'S HEATER & DEFROSTER ASSY		

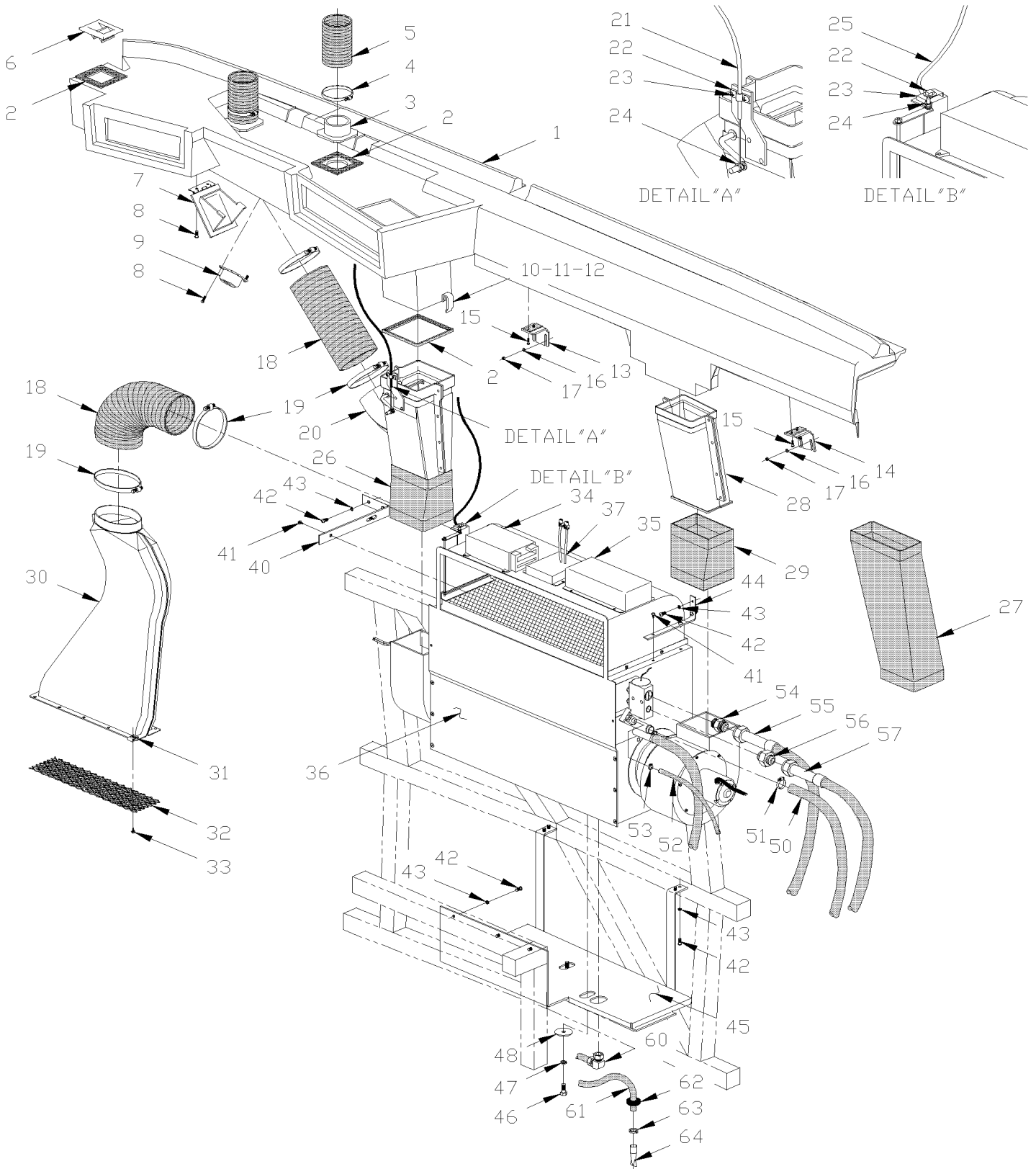
Item#	Part	Description	H 3 4 0	V I P 4 0	N O T E S
	372768	DEFROSTER & A/C UNIT ASSY / W/R22	AR	AR	
NS	871007	DEFROSTER & A/C UNIT ASSY / W/R12	1	1	
1A	871018	. HOUSING BLOWER	1	1	
1B	871020	. PLATE MOUNTING / MOTOR	1	1	
1C	871017	. BLOWER WHEEL / STEEL	1	1	
1D	562167	. MOTOR ASSY / 24V	1	1	
2	871021	. RING MOUNTING / FAN	4	4	
3	504432	. V-CLAMP / 6" I.D.	2	2	
4	N.P.N.	. SPACER-RING	2	2	4
5	871023	. PIVOT CABLE / FRESH AIR DAMPER	1	1	
6	871022	. DAMPER FRESH AIR	1	1	
NS	871025	. BUSHING / CABLE PIVOT	1	1	
7	871024	. CLAMP CABLE	1	1	
8	871016	. PLENUM PLASTIC	1	1	
9	871015	. CASING ASSY / COMPOSITE MATERIAL	1	1	
10	372355	. COIL EVAPORATOR / W/R-22	1	1	
NS	950057	. COIL EVAPORATOR	1	1	A
11	507279	. O-RING / ORS FITTING / #8 NEO	2	2	
12	H4-2208-00	A/C EXPANSION VALVE			
13	870839	. COIL HEATER	1	1	
13	871094	. COIL HEATER	1	1	
14	501023	. DRAIN VALVE 1/4NPTM 3/8TUBE	1	1	
15	871049	. FILTER 1/4" x 8" x 18 3/4"	1	1	
16	871026	. COVER	1	1	
20	372460	WIRE ASSY / FRESH AIR	1	1	
NS	500925	NUT SPR PO RND 1/4	1	1	
		A) W/R12			
		4) NO PARTS NUMBER			

From L-031 To R-079

Date:07/2024

PAGE:H4-2230-00

DEFROSTER - INSTALLATION



From L-031 To R-079		Date:07/2024	PAGE:H4-2230-00
DEFROSTER - INSTALLATION			

Item#	Part	Description	H 3 4 0	V I P 4 0	N O T E S
1	390967P	BOARD ASSY	1	1	
2	506191	TAPE RUB ADH1 CC POL 1/8" x 1/4" x 50' / GREY 2520X	AR	AR	
3	372448	HOSE ADAPTOR	2	2	
4	504023	HOSE CLAMP / 1"5/16-2"1/4 SS / HS-28	2	2	
5	390943	HOSE #28 250MM	2	2	
6	390944	DEFLECTOR / AIR	1	1	
7	372470	TRAP ASSY	1	1	
8	500409	SCREW TP PAN PH #8x1/2 BK	AR	AR	
9	870898	OUTLET AIR ADJUSTABLE	2	2	
10	504484	CLIPS	2	2	
11	502828	WASHER FL .094x.218x.020 ZP	4	4	
12	504485	RIVET POP DOME OE 3/32x1/4 STL	4	4	
13	391054	BRACKET ANGLE	1	1	
14	391052	BRACKET ANGLE / R.H.	1	1	
15	500120	SCREW TP BDG PH #6x1/2 SS	AR	AR	
16	502556	WASHER FL 4.3x9.0x0.8 SS	AR	AR	
17	500590	NUT HEX NYRT M4-0.7 Z050	AR	AR	
NS	506001	TAPE RUB ADH1 CC POL 1/8" x 3/4" x 50' / GREY 2520X	AR	AR	
18	503434	HOSE FLEXIBLE / AIR DUCT 4" I.D. X 12' / RUBBER	1	1	
19	504235	HOSE CLAMP / 3"9/16"-4"1/2 SS / HS-64	4	4	
20	372465	DUCT "Y" ASSY	1	1	
21	372459	WIRE ASSY / DEFROSTER	1	1	
22	504351	WIRE CLAMP / 5/32" I.D. / 750-F3	1	1	
23	500582	SCREW TP PAN PH #8x3/8 Z050	2	2	
24	500925	NUT SPR PO RND 1/4	4	4	
25	372460	WIRE ASSY / FRESH AIR	1	1	
26	372471	FLEXIBLE DUCT L.H. / W/FLANGE 145MM HEIGHT To M-140	1	1	
26	372776	FLEXIBLE DUCT L.H. 145MM HEIGHT From M-141	1	1	
27	372771	FLEXIBLE DUCT R.H. 385MM HEIGHT From M-141	1	1	
28	372455	DUCT PLASTIC To M-140	1	1	
29	372532	FLEXIBLE DUCT / W/FLANGE 145MM HEIGHT From M-141	1	1	
30	372440	DUCT, AIR INTAKE	1	1	
31	500981	NUT SPR U #10-23/32x5/8	10	10	
32	372446	GRILL	1	1	
33	500414	SCREW TP BDG PH #10x3/4 SS	10	10	
34	562064	KEY PAD CONTROL		1	
35	871030	CONTROL SPEED / DEFROSTER MOTOR	1	1	
35	871059	CONTROL SPEED / DEFROSTER MOTOR	1	1	
36	H4-2225-03	DRIVER'S HEATER & DEFROSTER ASSY			
40	372540	ANGLE	1	1	
41	500641	SCREW TP PAN PH #8x3/4 Z050	AR	AR	
42	500642	SCREW TP PAN PH #10x3/4 Z050	AR	AR	

From L-031 To R-079	Date:07/2024	PAGE:H4-2230-00
DEFROSTER - INSTALLATION		

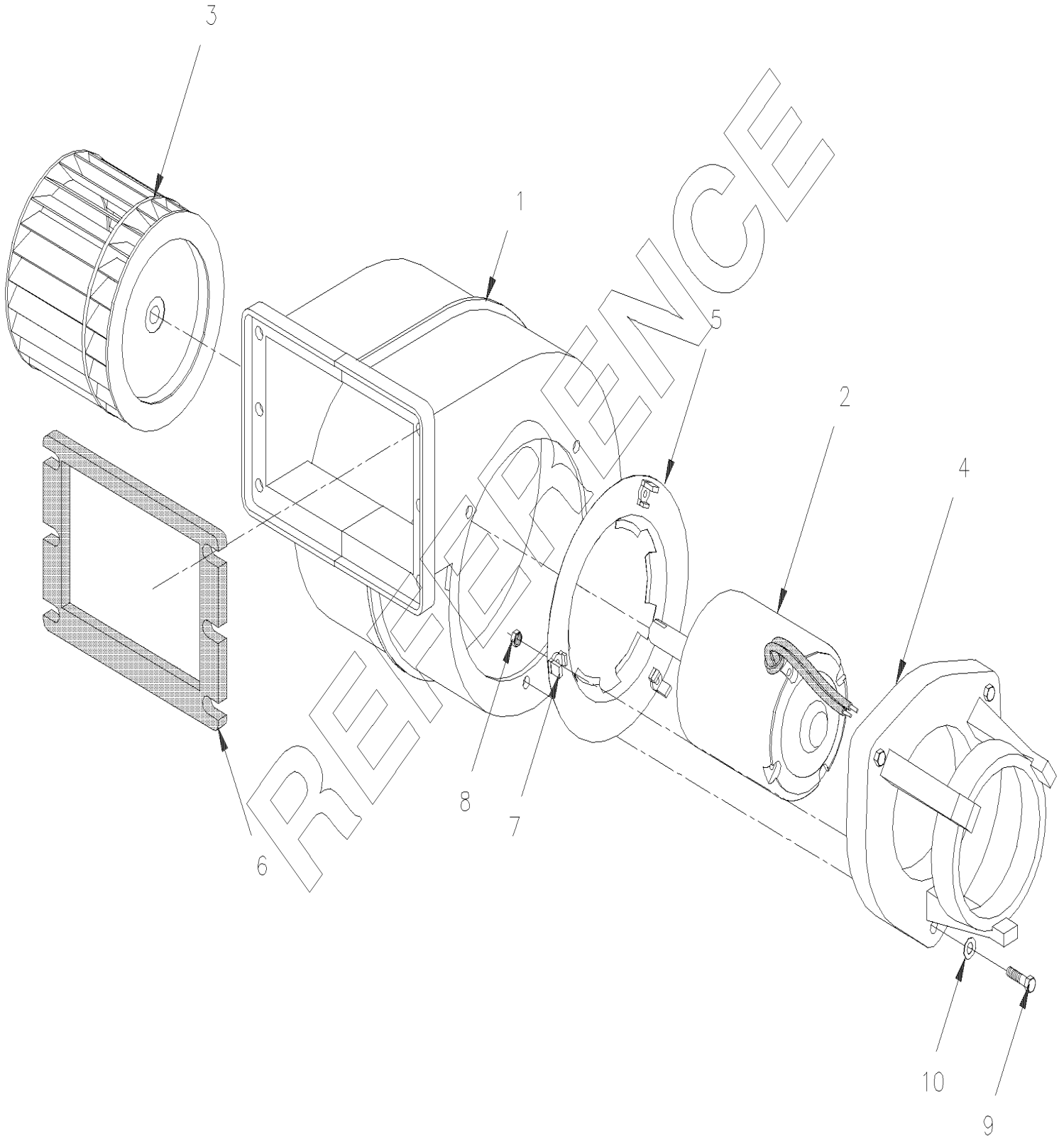
Item#	Part	Description	H 3 4 0	V I P 4 0	N O T E S
43	500473	WASHER LO SPT .262x.489x.062 Z050	AR	AR	
44	372588	ANGLE	1	1	
45	372732	SUPPORT, DEFROSTER		1	
45	372487	SUPPORT, DEFROSTER	1		
46	500179	SCREW CAP HEX 5/16-18x3/4 G5 Z050	3	3	
47	500476	WASHER LO SPT .317x.586x.078 Z050	3	3	
48	500462	WASHER FL .343x1.500x.083 SS	3	3	
50	503523	HOSE SILICONE 1PLY 3/4" I.D. x 100' / S.L.	AR	AR	
51	504646	HOSE CLAMP / 11/16"-1"1/4 / C.T. 9412	2	2	
52	560384	PLASTIC TUBING / 3/8" / CLEAR	AR	AR	
53	504014	HOSE CLAMP / 1/4"-5/8" SS / HM-4	1	1	
54	507278	O-RING / ORS FITTING / #4 NEO	1	1	
55	372614	HOSE ASSY / W/R-12 / #6 1400MM	1	1	
55	452460	HOSE ASSY TEFLON #6 1410MM	1		
NS	452452	ADAPTOR W/R-22	1	1	
56	507344	O-RING / ORS FITTING / #10 NEO	1	1	
57	372619	HOSE ASSY / W/R-12 / #10 86"	1	1	
57	373277	HOSE ASSY / W/R-134a / #10 2185MM	1	1	
58	507279	O-RING / ORS FITTING / #8 NEO	1	1	
60	641418	ELBOW UNION 90° / COMPRESSION FITTING / #10x#10 PLAS WHITE	1	1	
61	503666	HOSE 1/2" I.D. 100' / S.L.	AR	AR	
62	504356	GROMMET / .625x.875x.062x.312x1.125	1	1	
63	504637	CABLE TIE / 3/16" x 13"	1	1	
64	590284	DRAIN BOOT 1" I.D. X 5" / FLAT	1	1	
64	590286	DRAIN BOOT 1 1/4" I.D. X 4" / FLAT	1	1	

From L-031 To R-079

Date:07/2024

PAGE:H4-2240-00

BLOWER & MOTOR ASSY - "AURORA"



From L-031 To R-079	Date:07/2024	PAGE:H4-2240-00
BLOWER & MOTOR ASSY - "AURORA"		

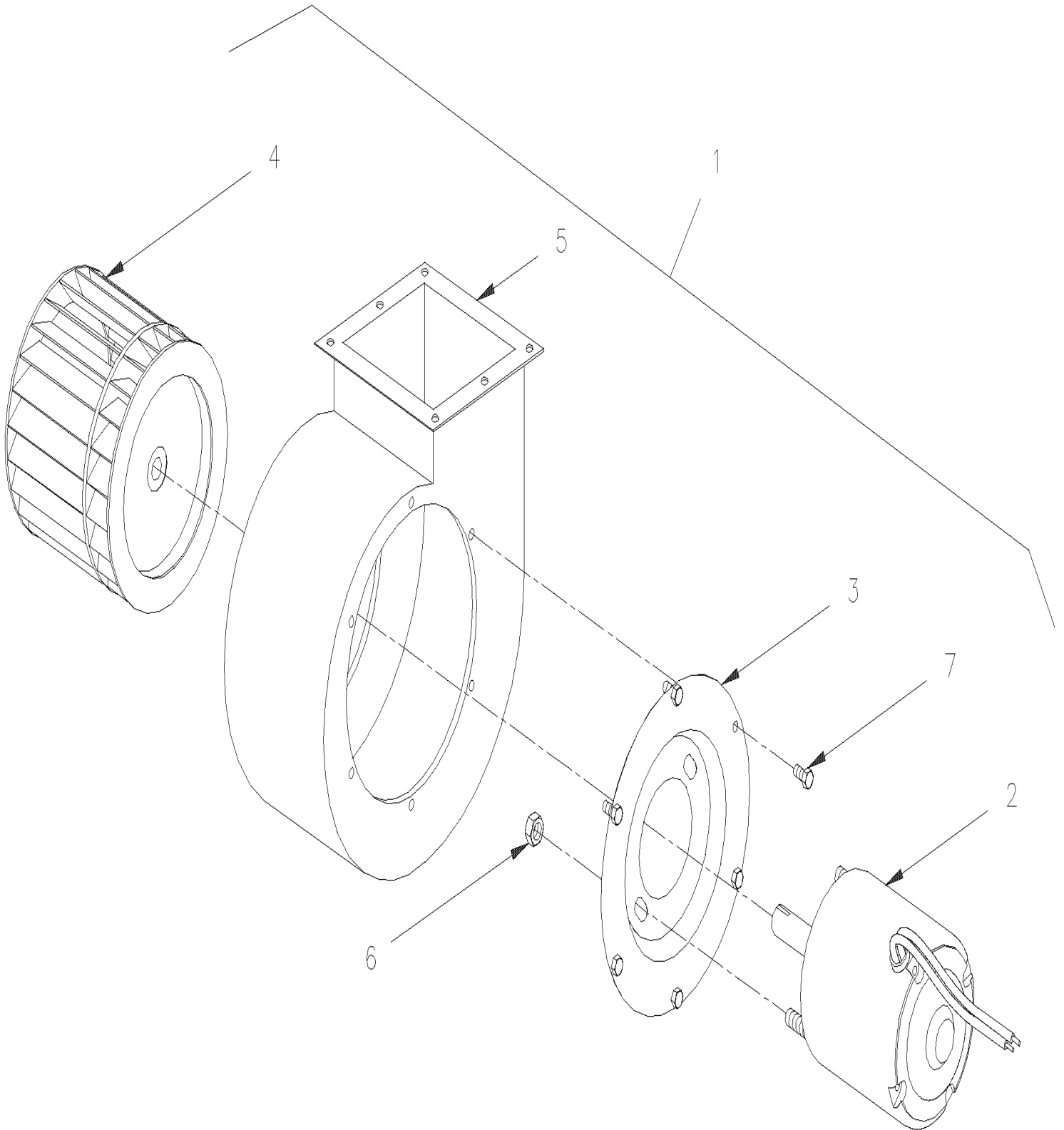
Item#	Part	Description	H 3 4 0	V I P 4 0	N O T E S
1	870845	. HOUSING	1	1	
2	561194	. MOTOR ASSY / 24V	1	1	
3	870850	. BLOWER WHEEL	1	1	
4	561195	. BRACKET, MOTOR	1	1	
5	561193	. FIXTURE	2	2	
6	870849	. GASKET	1	1	
7	561196	. RING	1	1	
8	870848	. NUT	3	3	
9	870847	. SCREW CAP HEX M4-0.7x35 G8.8 ZP	3	3	
10	870846	. WASHER FL .174x.461x.040 ZP	3	3	
		A) MODEL "AURORA"			

From M-141 To R-079

Date:07/2024

PAGE:870844

BLOWER & MOTOR ASSY - "M.C.C." "CW" / FAN END



From M-141 To R-079	Date:07/2024	PAGE:870844
---------------------	--------------	-------------

BLOWER & MOTOR ASSY - "M.C.C." "CW" / FAN END

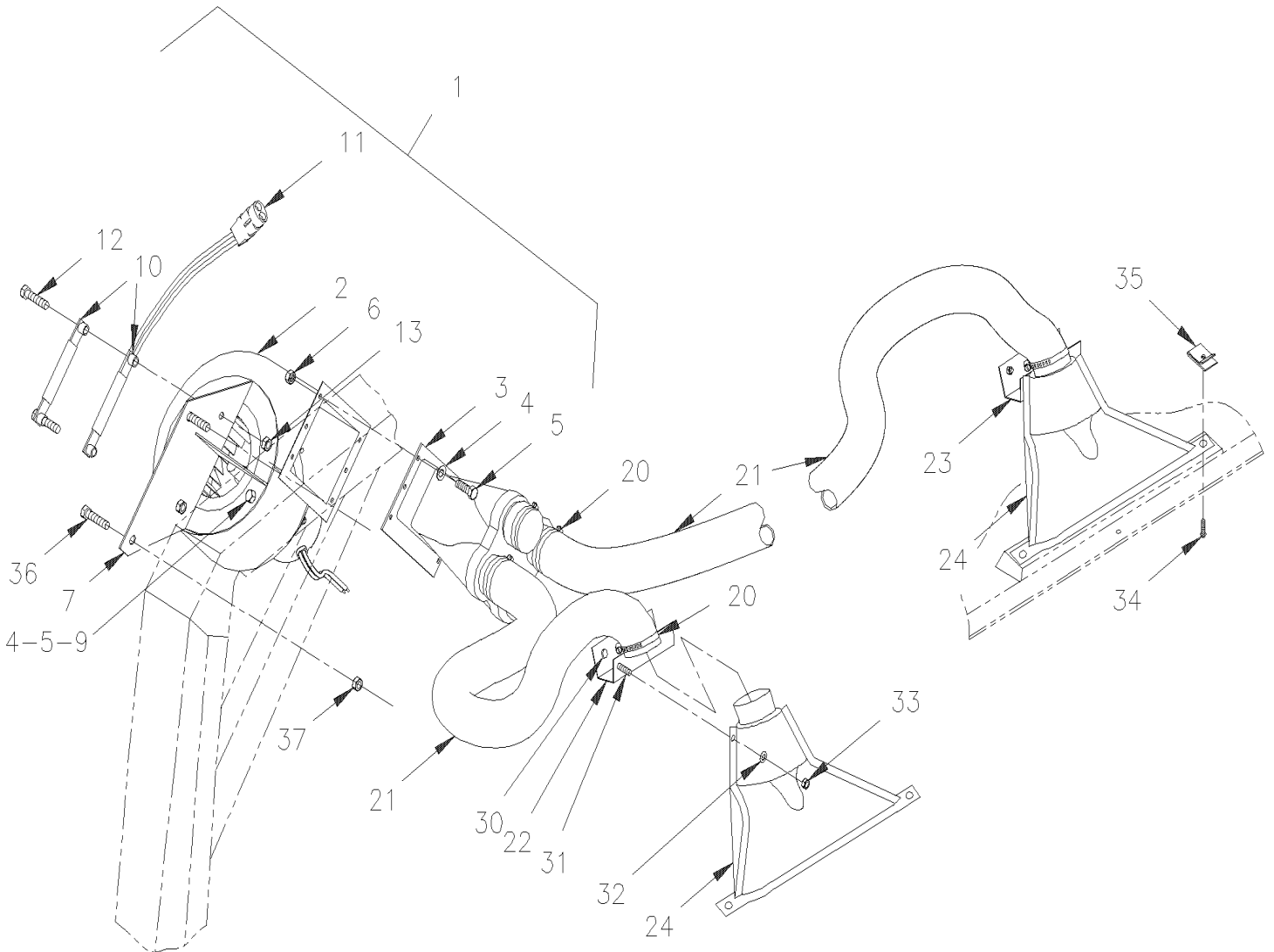
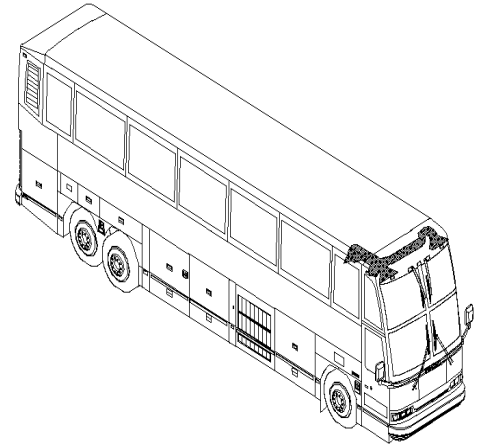
Item#	Part	Description	H 3 4 0	V I P 4 0	N O T E S
1		BLOWER ASSY 24V / CW	1	1	
2	562167	. MOTOR ASSY / 24V	1	1	
3	871020	. PLATE MOUNTING / MOTOR	1	1	
4	871017	. BLOWER WHEEL / STEEL	1	1	
5	871440	. HOUSING BLOWER	1	1	
6	500786	. NUT HEX #10-24 Z050	2	2	
7	500978	. SCREW CAP HEX #10-24x3/4 Z050	6	6	

From L-031 To R-079

Date:07/2024

PAGE:H4-2240-10

UPPER WINDSHIELD FAN - INSTALLATION



From L-031 To R-079	Date:07/2024	PAGE:H4-2240-10
UPPER WINDSHIELD FAN - INSTALLATION		

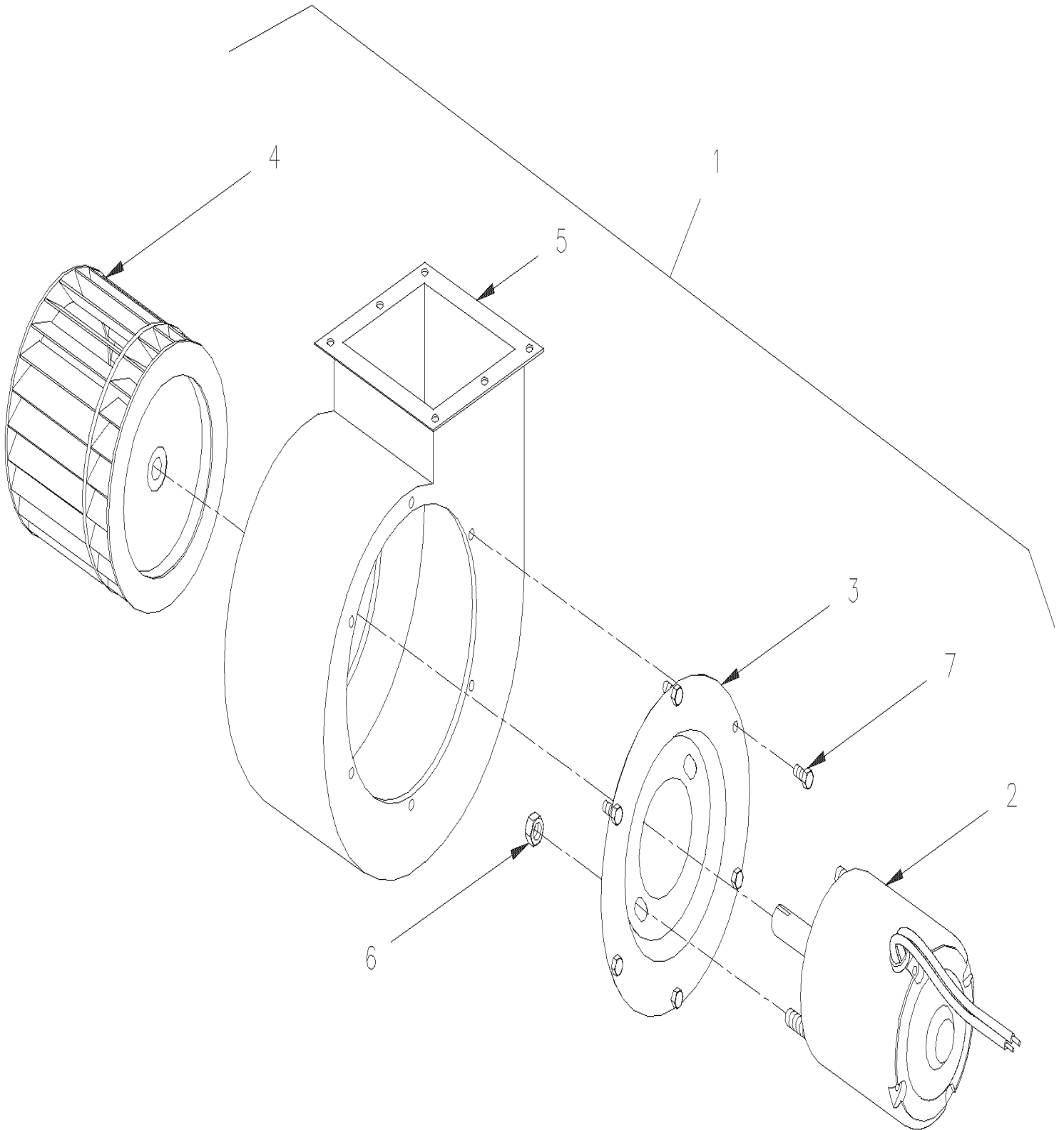
Item#	Part	Description	H 3 4 0	V I P 4 0	N O T E S
1	N.P.N.	BLOWER ASSY / UPPER WINDSHIELD			4
2	371974	BLOWER ASSY W/CONNECTOR	1	1	
2	870844	BLOWER & MOTOR ASSY - "M.C.C." "CW" / FAN END	2	2	
NS	560997	CONNECTOR / 56 SERIES / TAB RH 2C / BLACK / PED 2973872	2	2	
NS	560998	TAB RECEPTACLE TERMINAL / 16-14 / PED 2965142	2	2	
3	372524	DUCT AIR OUTLET / BLOWER	1	1	
4	500591	WASHER FL 4.3x9.0x0.8 Z050	7	7	
5	500588	SCREW CAP HEX M4-0.7x20 G8.8 Z050	7	7	
6	500590	NUT HEX NYRT M4-0.7 Z050	4	4	
7	372515	SUPPORT / BLOWER	1	1	
9	500589	NUT WELL M4-0.7x13.5	3	3	
10	561191	RESISTOR / 12 OHMS / 40 W	2	2	
11	062275	HARNES ASSY	1	1	
12	502708	SCREW CAP HEX M5-0.8x35 SS	2	2	
13	502707	NUT HEX STO M5-0.8 Z050	2	2	
20	504024	HOSE CLAMP / 1"13/16"-2"3/4 SS / HS-36	4	4	
21	503031	HOSE FLEXIBLE / AIR DUCT 2 1/2" I.D. X 12' / RUBBER	AR	AR	
22	372522	SUPPORT AIR NOZZLE / R.H.	1	1	
23	372517	SUPPORT AIR NOZZLE / L.H.	1	1	
24	870900	NOZZLE AIR	2	2	
30	504473	RIVET POP DOME OE 1/8x1/4 SS	6	6	
31	502531	SCREW CAP HEX M6-1.0x16 G8.8 Z050	4	4	
32	500440	WASHER FL .250x.562x.065 Z050	4	4	
33	502511	NUT HEX NYRT M6-1.0 Z050	4	4	
34	500432	SCREW TC PAN PH #8-32x3/4 Z050	4	4	
35	500563	NUT SPR U #8-32 .094-.125	4	4	
36	500179	SCREW CAP HEX 5/16-18x3/4 G5 Z050	2	2	
37	502523	RIVET NUT FL OKS 5/16-18 .059-.119	2	2	
		4) NO PARTS NUMBER			

From L-031 To R-079

Date:07/2024

PAGE:870844

BLOWER & MOTOR ASSY - "M.C.C." "CW" / FAN END



From L-031 To R-079	Date:07/2024	PAGE:870844
---------------------	--------------	-------------

BLOWER & MOTOR ASSY - "M.C.C." "CW" / FAN END

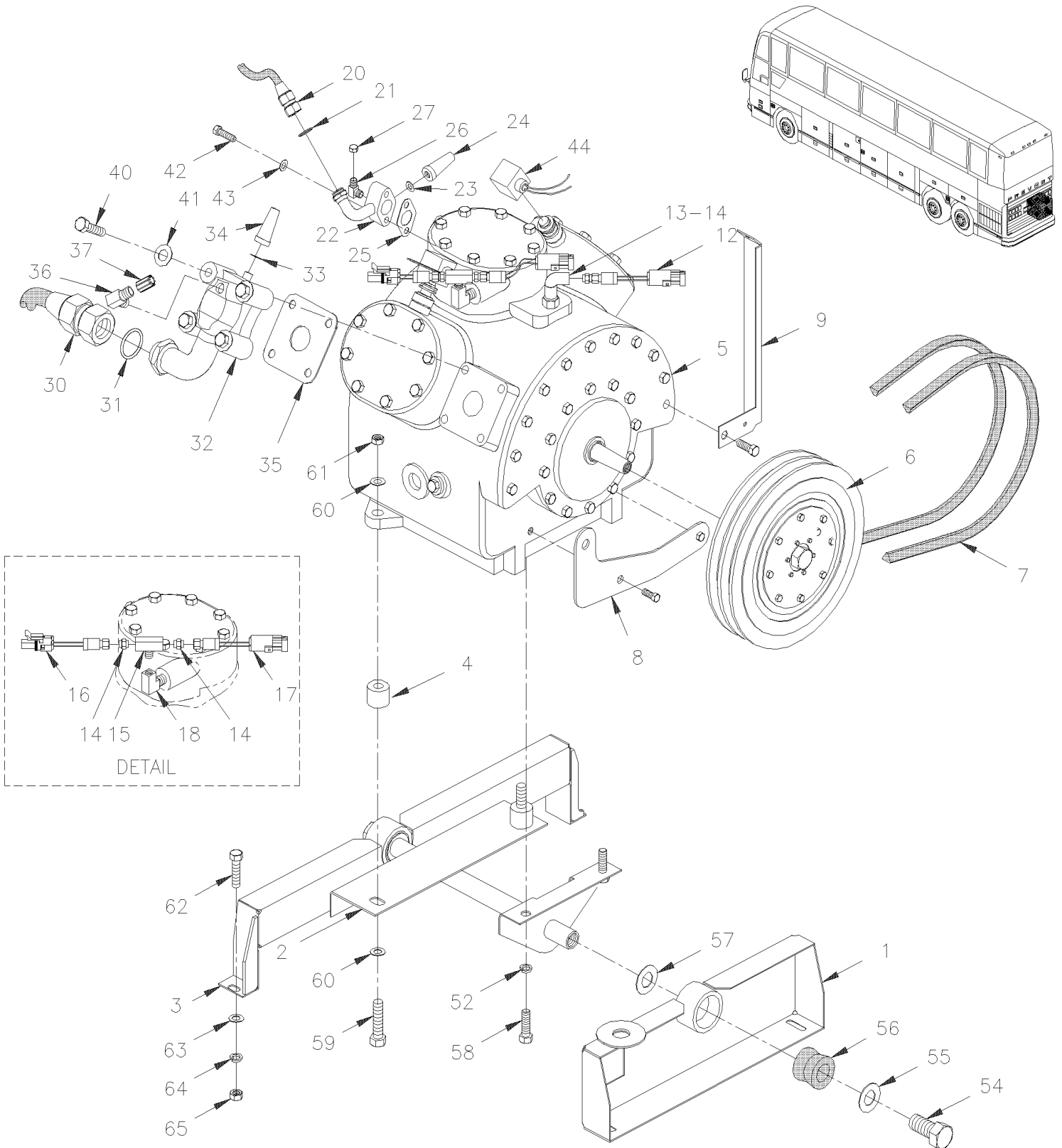
Item#	Part	Description	H 3 4 0	V I P 4 0	N O T E S
1		BLOWER ASSY 24V / CW	1	1	
2	562167	. MOTOR ASSY / 24V	1	1	
3	871020	. PLATE MOUNTING / MOTOR	1	1	
4	871017	. BLOWER WHEEL / STEEL	1	1	
5	871440	. HOUSING BLOWER	1	1	
6	500786	. NUT HEX #10-24 Z050	2	2	
7	500978	. SCREW CAP HEX #10-24x3/4 Z050	6	6	

From L-031 To R-032

Date:07/2024

PAGE:H4-2245-00

A/C COMPRESSOR 05G - INSTALLATION - WITH DETROIT S-92



From L-031 To R-032	Date:07/2024	PAGE:H4-2245-00
A/C COMPRESSOR 05G - INSTALLATION - WITH DETROIT S-92		

Item#	Part	Description	H 3 4 0	V I P 4 0	N O T E S
1	451987	SUPPORT PULLEY SIDE / PRODUCTION	1	1	
1	452333	SUPPORT PULLEY SIDE / SERVICE	1	1	
1	452000	SUPPORT PULLEY SIDE / W/VARIO DRIVE	1		
2	451857	SUPPORT	1	1	
2	452733	SUPPORT ASSY	1	1	
2	452079	SHIM / SUPPORT & FRAME W/VARIO DRIVE	4		
3	451990	SUPPORT OPPOSITE TO PULLEY SIDE	1	1	B
3	452335	SUPPORT OPPOSITE TO PULLEY SIDE	1	1	A
4	371695	SLEEVE SPACER	2	2	
5	H4-2250-00	A/C COMPRESSOR ASSY 05G - THREE PORT	1	1	
5	H4-2250-01	A/C COMPRESSOR ASSY 05G - TWIN PORT / SERVICE	1	1	
6	H4-2246-01	A/C CLUTCH 05G - HOUSING MOUNTED			
7	506321	V-BELT / CX-96 9212-0343	2	2	
7	506601	V-BELT / CX-75 9014-20753	2		
8	371702	BRACKET / BELT TENSIONER CYLINDER	1	1	
12	450591	PRESSURE SWITCH N.O. 30-15 / YELLOW 20SP001AA030C015C	1	1	
12	452082	PRESSURE SWITCH N.O. 30-15 20SP001AA030C015C	1	1	
12	452406	PRESSURE SWITCH N.O. 30-15 20SP001MA030C015C	1	1	
12	452449	PRESSURE SWITCH N.O. 60-35 20SP001AA060E035E	1	1	
13	501332	STREET ELBOW 90° / PIPE FITTING / 1/4NPT-Mx1/4NPT-F BR	1	1	
NS	5011184	FEMALE CONNECTOR / PIPE @ ORB / 1/4NPT-Fx#4ORB-M STL	1	1	
14	950249	SCHRADER VALVE 1/4NPT-M	1	1	
15	501894	MALE BRANCHE TEE / PIPE FITTING / 1/4NPT-Fx1/4NPT-Fx1/4NPT-M BR	AR	AR	
16	450593	PRESSURE SWITCH N.C. 275-225/ YELLOW 20SP001EB275K225K	1	1	
16	452080	PRESSURE SWITCH N.C. 275-225 20SP001EB275K225K	1	1	
16	452405	PRESSURE SWITCH N.C. 320-245 20SP001MB320K245R	1	1	
16	452448	PRESSURE SWITCH N.C. 418-320 20SP001EB418G320R	1		
17	452421	PRESSURE SWITCH N.O. 280-220 20SP001MA280K220R	1	1	
17	452450	PRESSURE SWITCH N.O. 390-310 20SP001EA390R310G	1		
18	501037	MALE ELBOW 90° / SAE 45° FITTING / #4FL-Mx1/4NPT-M BR	1	1	
18	501332	STREET ELBOW 90° / PIPE FITTING / 1/4NPT-Mx1/4NPT-F BR	1	1	
20	372626	HOSE ASSY / DISCHARGE W/R-12 / #16 610MM	1	1	
20	452229	HOSE ASSY / DISCHARGE W/R-12 & VARIO / #16 505MM	1		
20	950226	HOSE ASSY / DISCHARGE W/R-22 / #16 715MM / SS BELLOW	1		
20	373272	HOSE ASSY / DISCHARGE W/R-134a / #16 610MM	1	1	
20	505182	. COIL PROTECTOR / PLASTIC / #16	AR	AR	
21	501802	O-RING / ORS FITTING / #16 NEO	2	2	
22	450763	VALVE ASSY / DISCHARGE W/R12, R22 & R134A	1	1	
. NS	501037	. MALE ELBOW 90° / SAE 45° FITTING / #4FL-Mx1/4NPT-M BR	1	1	
. NS	501700	. CAP NUT / SAE 45° FITTING / #4FL-F BR	1	1	
23	870751	. GASKET	1	1	
24	870752	. GASKET, CAP SEAL	1	1	

From L-031 To R-032		Date:07/2024	PAGE:H4-2245-00
A/C COMPRESSOR 05G - INSTALLATION - WITH DETROIT S-92			

Item#	Part	Description	H 3 4 0	V I P 4 0	N O T E S
25	870753	GASKET / DISCHARGE VALVE	1	1	
26	501036	MALE ELBOW 90° / SAE 45° FITTING / #4FL-Mx1/8NPT-M BR	1	1	
26	5011133	ELBOW 90° 1/8 NPT X M15 / W/R134A	1	1	
NS	5011134	GAUGE ADAPTOR ASSY M15 / W/BLACK CAP W/R134A	1	1	
27	501700	CAP NUT / SAE 45° FITTING / #4FL-F BR	1	1	
27	950287	SCHROUDER CAP / HIGH PRESSURE	1	1	
30	372624	HOSE ASSY / SUCTION W/R-12 / #20 440MM	1	1	
30	452227	HOSE ASSY / SUCTION W/R-12 & VARIO / #20 835MM	1		
30	950223	HOSE ASSY / SUCTION W/R-22 / #20 1063MM / SS BELLOW	1		
30	373269	HOSE ASSY / SUCTION W/R-134a / #20 940MM	1	1	
NS	505182	. COIL PROTECTOR / PLASTIC / #16	AR	AR	
31	501803	O-RING / ORS FITTING / #20 NEO	2	2	
32	450764	VALVE ASSY / SUCTION / W/R12, R22 & R-134A	1	1	
. NS	501037	. MALE ELBOW 90° / SAE 45° FITTING / #4FL-Mx1/4NPT-M BR	1	1	
. NS	501700	. CAP NUT / SAE 45° FITTING / #4FL-F BR	1	1	
33	870751	. GASKET	1	1	
34	870752	. GASKET, CAP SEAL	1	1	
35	870754	GASKET / SUCTION VALVE	1	1	
36	501036	MALE ELBOW 90° / SAE 45° FITTING / #4FL-Mx1/8NPT-M BR	1	1	
36	5011131	ELBOW 90° 1/4 NPT X M13 / W/R134A	1	1	
36	5011132	GAUGE ADAPTOR ASSY M13 / W/BLACK CAP W/R134A	1	1	
37	501700	CAP NUT / SAE 45° FITTING / #4FL-F BR	1	1	
37	950288	SCHROUDER CAP / LOW PRESSURE	1	1	
40	870755	SCREW CAP HEX 1/2-13x2 1/2 G5 ZP	4	4	
41	870756	GASKET	4	4	
42	870877	SCREW CAP HEX 5/16-18x2 G5 ZP	2	2	
43	870750	GASKET	2	2	
44	H4-2250-15	A/C ELECTRIC UNLOADER - W/05G COMPRESSOR			
52	500478	WASHER LO SPT .380x.683x.094 Z050	2	2	
54	500225	SCREW CAP HEX 5/8-11x1 G5 Z050	2	2	
55	5001151	WASHER CON 16.5x50.0x4.5 ZP	2	2	
56	630062	BUSHING / RUBBER / (ONE PIECE) 2" x 1.005" I.D.	2	2	
57	500997	WASHER FL 1.062x2.500x.125 SS	2	2	
58	500192	SCREW CAP HEX 3/8-16x1 1/4 G5 Z050	2	2	
59	500096	SCREW CAP HEX 1/2-20x3 G5 Z050	2	2	
60	500446	WASHER FL .531x1.250x.125 Z050	4	4	
61	500718	NUT HEX STO 1/2-20 Z050	2	2	
62	502549	SCREW CAP HEX M10-1.5x35 G8.8 Z050	5	5	
64	502616	WASHER LO SPT 10.2x18.1x2.2 SS	5	5	
65	500680	NUT HEX STO M10-1.5 Z050	5	5	
		WE DID NOT PRODUCED H3-40 WITH R-134A.			

From L-031 To R-032	Date:07/2024	PAGE:H4-2245-00
A/C COMPRESSOR 05G - INSTALLATION - WITH DETROIT S-92		

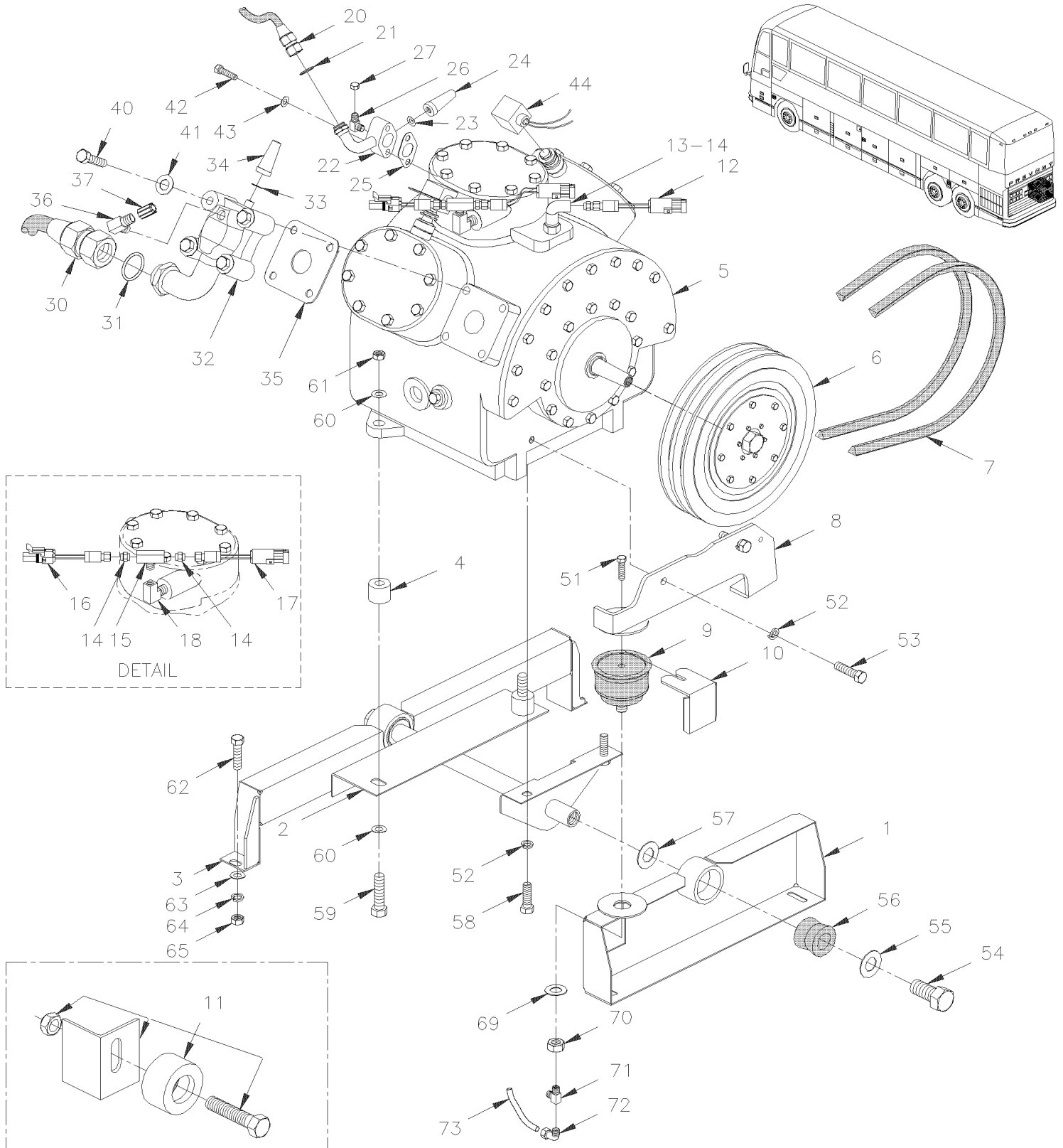
Item#	Part	Description	H 3 4 0	V I P 4 0	N O T E S
		PARTS ARE USED WITH RETROFIT KIT, FOR MORE INFORMATION CALL SERVICE PARTS.			
		A) SERVICE			
		B) PRODUCTION			

From P-256 To R-079

Date:07/2024

PAGE:H4-2245-01

A/C COMPRESSOR 05G - INSTALLATION - WITH DETROIT S-60



From P-256 To R-079	Date:07/2024	PAGE:H4-2245-01
A/C COMPRESSOR 05G - INSTALLATION - WITH DETROIT S-60		

Item#	Part	Description	H 3 4 0	V I P 4 0	N O T E S
1	452259	SUPPORT ASSY / PULLEY SIDE	1	1	B
1	452731	SUPPORT ASSY	1	1	C
2	451857	SUPPORT	1	1	B
2	452733	SUPPORT ASSY	1	1	C
3	452415	SUPPORT OPPOSITE PULLEY SIDE	1	1	B
3	452734	SUPPORT OPPOSITE PULLEY SIDE	1	1	C
4	452268	SLEEVE SPACER	2	2	
5	H4-2250-00	A/C COMPRESSOR ASSY 05G - THREE PORT	1	1	
5	H4-2250-01	A/C COMPRESSOR ASSY 05G - TWIN PORT / SERVICE	1	1	
6	H4-2246-01	A/C CLUTCH 05G - HOUSING MOUNTED			
7	506664	V-BELT / BX-97 / SET OF 2 9212-0390	1	1	
8	452258	TENSIONER FOR BELLOW	1	1	
9	950208	BELLOW ASSY / BELT TENSIONER / 3" O.D.	1	1	
. NS	504695	. HOSE CLAMP STEPLESS SPRING SS / OETIKER / 2.9-3.3	1	1	
10	453059	BELLOW PROTECTOR	1	1	
11	H4-0120-01	DRIVE PULLEY & BELTS - WITH DETROIT S-60			
12	452082	PRESSURE SWITCH N.O. 30-15 20SP001AA030C015C	1	1	
12	452449	PRESSURE SWITCH N.O. 60-35 20SP001AA060E035E	1	1	
12	452406	PRESSURE SWITCH N.O. 30-15 20SP001MA030C015C	1	1	
13	501332	STREET ELBOW 90° / PIPE FITTING / 1/4NPT-Mx1/4NPT-F BR	1	1	
NS	501184	ADAPTOR W/O-RING / CURRENT INSTALLATION	1	1	
14	950249	SCHRADER VALVE 1/4NPT-M	1	1	
15	501894	MALE BRANCHE TEE / PIPE FITTING / 1/4NPT-Fx1/4NPT-Fx1/4NPT-M BR	1	1	
16	452080	PRESSURE SWITCH N.C. 275-225 20SP001EB275K225K	1	1	
16	452448	PRESSURE SWITCH N.C. 418-320 20SP001EB418G320R	1	1	A
16	452405	PRESSURE SWITCH N.C. 320-245 20SP001MB320K245R	1	1	
17	452421	PRESSURE SWITCH N.O. 280-220 20SP001MA280K220R	1	1	A
17	452450	PRESSURE SWITCH N.O. 390-310 20SP001EA390R310G	1	1	
18	501332	STREET ELBOW 90° / PIPE FITTING / 1/4NPT-Mx1/4NPT-F BR	AR	AR	
18	501037	MALE ELBOW 90° / SAE 45° FITTING / #4FL-Mx1/4NPT-M BR	1	1	
20	372626	HOSE ASSY / DISCHARGE W/R-12 / #16 610MM	1	1	
20	950226	HOSE ASSY / DISCHARGE W/R-22 / #16 715MM / SS BELLOW	1	1	
20	373272	HOSE ASSY / DISCHARGE W/R-134a / #16 610MM	1	1	
NS	505182	. COIL PROTECTOR / PLASTIC / #16	AR	AR	
21	501802	O-RING / ORS FITTING / #16 NEO	2	2	
22	450763	VALVE ASSY / DISCHARGE W/R12, R22 & R134A	1	1	
. NS	501037	. MALE ELBOW 90° / SAE 45° FITTING / #4FL-Mx1/4NPT-M BR	1	1	
. NS	501700	. CAP NUT / SAE 45° FITTING / #4FL-F BR	1	1	
23	870751	. GASKET	1	1	
24	870752	. GASKET, CAP SEAL	1	1	
25	870753	GASKET / DISCHARGE VALVE	1	1	
26	501036	MALE ELBOW 90° / SAE 45° FITTING / #4FL-Mx1/8NPT-M BR	1	1	

From P-256 To R-079	Date:07/2024	PAGE:H4-2245-01
A/C COMPRESSOR 05G - INSTALLATION - WITH DETROIT S-60		

Item#	Part	Description	H 3 4 0	V I P 4 0	N O T E S
26	5011133	ELBOW 90° 1/8 NPT X M15 / W/R134A	1	1	
NS	5011134	GAUGE ADAPTOR ASSY M15 / W/BLACK CAP W/R134A	1	1	
27	501700	CAP NUT / SAE 45° FITTING / #4FL-F BR	1	1	
27	950287	SCHROUDER CAP / HIGH PRESSURE	1	1	
30	372624	HOSE ASSY / SUCTION W/R-12 / #20 440MM	1	1	
30	950223	HOSE ASSY / SUCTION W/R-22 / #20 1063MM / SS BELLOW	1	1	
30	373269	HOSE ASSY / SUCTION W/R-134a / #20 940MM	1	1	
NS	505182	. COIL PROTECTOR / PLASTIC / #16	AR	AR	
31	501803	O-RING / ORS FITTING / #20 NEO	2	2	
32	450764	VALVE ASSY / SUCTION / W/R12, R22 & R-134A	1	1	
. NS	501037	. MALE ELBOW 90° / SAE 45° FITTING / #4FL-Mx1/4NPT-M BR	1	1	
. NS	501700	. CAP NUT / SAE 45° FITTING / #4FL-F BR	1	1	
33	870751	. GASKET	1	1	
34	870752	. GASKET, CAP SEAL	1	1	
35	870754	GASKET / SUCTION VALVE	1	1	
36	501036	MALE ELBOW 90° / SAE 45° FITTING / #4FL-Mx1/8NPT-M BR	1	1	
36	5011131	ELBOW 90° 1/4 NPT X M13 / W/R134A	1	1	
NS	5011132	GAUGE ADAPTOR ASSY M13 / W/BLACK CAP W/R134A	1	1	
37	501700	CAP NUT / SAE 45° FITTING / #4FL-F BR	1	1	
37	950288	SCHROUDER CAP / LOW PRESSURE	1	1	
40	870755	SCREW CAP HEX 1/2-13x2 1/2 G5 ZP	4	4	
41	870756	GASKET	4	4	
42	870877	SCREW CAP HEX 5/16-18x2 G5 ZP	2	2	
43	870750	GASKET	2	2	
44	H4-2250-15	A/C ELECTRIC UNLOADER - W/05G COMPRESSOR			
51	500845	SCREW CAP HEX 5/16-18x1/2 G5 Z050	1	1	
52	500478	WASHER LO SPT .380x.683x.094 Z050	2	2	
53	500191	SCREW CAP HEX 3/8-16x1 G5 Z050	2	2	E
54	500225	SCREW CAP HEX 5/8-11x1 G5 Z050	2	2	
55	5001151	WASHER CON 16.5x50.0x4.5 ZP	2	2	
56	630062	BUSHING / RUBBER / (ONE PIECE) 2" x 1.005" I.D.	2	2	
57	500997	WASHER FL 1.062x2.500x.125 SS	2	2	
58	500192	SCREW CAP HEX 3/8-16x1 1/4 G5 Z050	2	2	
59	500096	SCREW CAP HEX 1/2-20x3 G5 Z050	2	2	
60	500446	WASHER FL .531x1.250x.125 Z050	4	4	
61	500718	NUT HEX STO 1/2-20 Z050	2	2	
62	502549	SCREW CAP HEX M10-1.5x35 G8.8 Z050	5	5	
63	500445	WASHER FL .437x1.000x.083 Z050	5	5	
64	502616	WASHER LO SPT 10.2x18.1x2.2 SS	5	5	
65	500680	NUT HEX STO M10-1.5 Z050	5	5	
69	5001150	WASHER FL 17.0x30.0x3.0 N500	1	1	
70	500792	NUT HEX 5/8-11 Z050	1	1	

From P-256 To R-079	Date:07/2024	PAGE:H4-2245-01
A/C COMPRESSOR 05G - INSTALLATION - WITH DETROIT S-60		

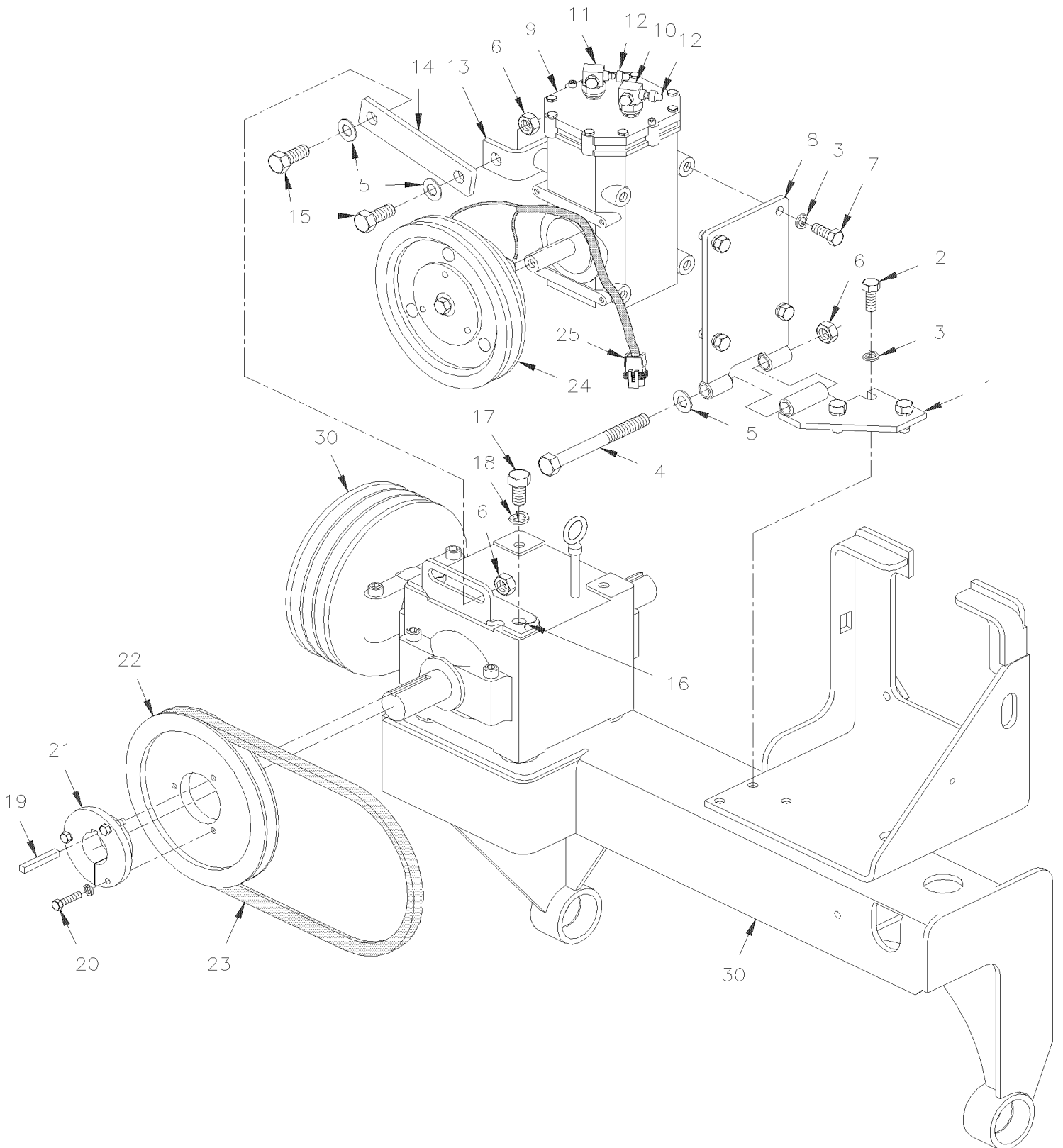
Item#	Part	Description	H 3 4 0	V I P 4 0	N O T E S
71	501707	ADAPTER TEE / SAE 45° FITTING / #4FL-Mx1/8NPT-Mx1/8NPT-F BR	1	1	
72	641369	MALE ELBOW 90° NON-SWIVEL / PUSH-IN FITTING / #4x1/8NPT-M BR	1	1	
73	503402	TUBE, NYLON 1/4 O.D. / BLACK S.L.	AR	AR	
		WE DID NOT PRODUCED H3-40 WITH R-134A.			
		PARTS ARE USED ONLY WITH RETROFIT KIT,			
		FOR MORE INFORMATION CALL SERVICE PARTS.			
		A) W/ R22B PRODUCTION			
		B) PRODUCTION			
		C) SERVICE			
		E) TO FIX TENSIONER			

From L-031 To R-079

Date:07/2024

PAGE:H4-2245-12

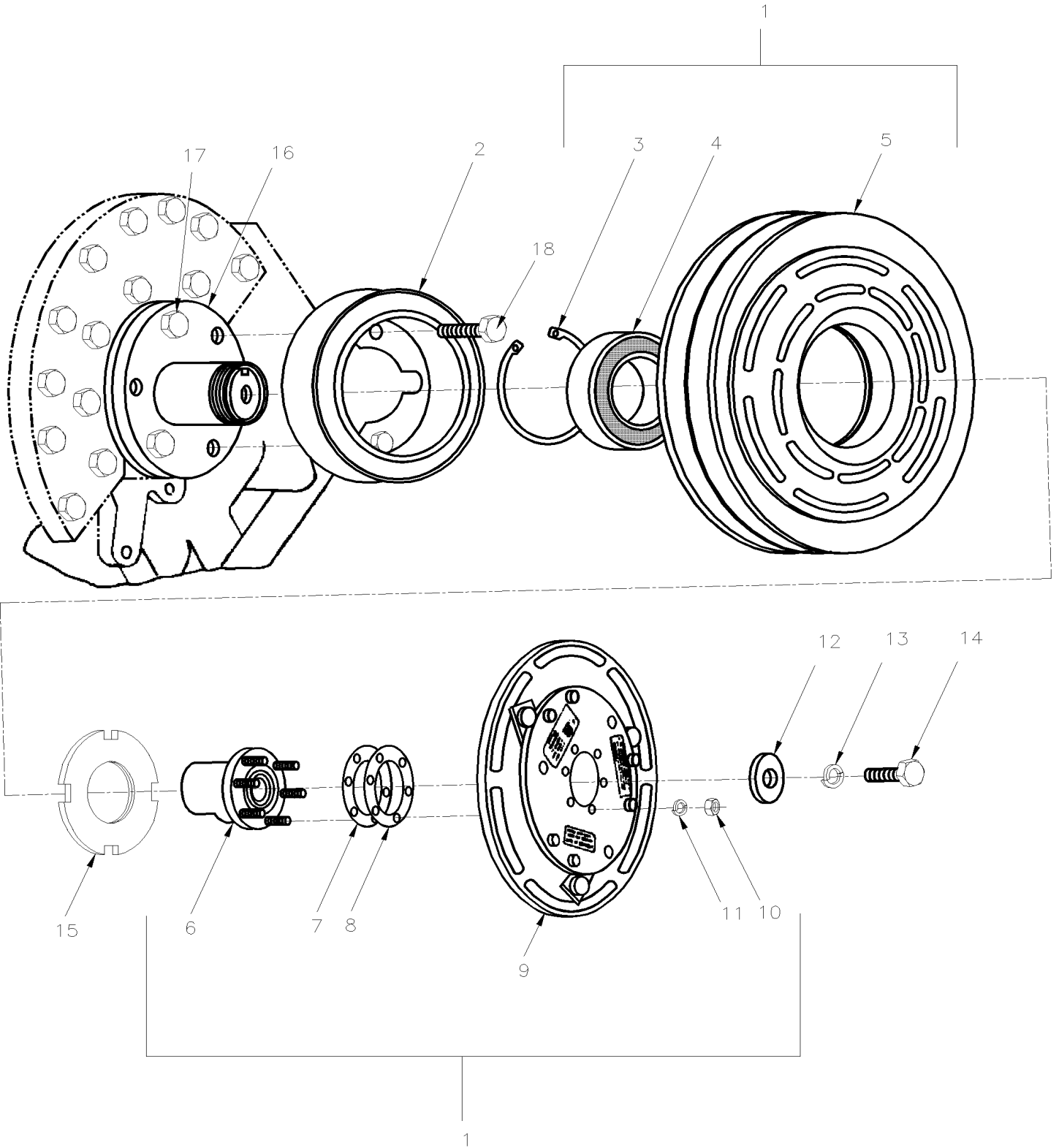
A/C COMPRESSOR "SPECIAL"



From L-031 To R-079	Date:07/2024	PAGE:H4-2245-12
A/C COMPRESSOR "SPECIAL"		

Item#	Part	Description	H 3 4 0	V I P 4 0	N O T E S
1	452444	PIVOT ASSY / SUPPORT	1	1	
2	502559	SCREW CAP HEX M10-1.5x25 G8.8 Z050	3	3	
3	500257	WASHER LO SPT 10.2x18.1x2.2 Z050	9	9	
4	500105	SCREW CAP HEX 1/2-20x5 1/2 G5 ZP	1	1	
5	571351	WASHER, 1/2" I.D. FLAT	3	3	
6	500718	NUT HEX STO 1/2-20 Z050	3	3	
7	500191	SCREW CAP HEX 3/8-16x1 G5 Z050	6	6	
8	452471	PIVOT ASSY / COMPRESSOR	1	1	
9	950219	A/C COMPRESSOR ASSY "TECUMSEH" / R-134A	1	1	
9	950393	A/C COMPRESSOR ASSY "CCI" / R-134A	1	1	S
10	950076	VALVE ASSY / DISCHARGE / W/O-RING 1/2" / W/"TECUMSEH" COMPRESSOR	1	1	
10	950235	GAUGE ADAPTOR ASSY / W/BLUE CAP FOR R-134A / SUCTION SIDE (ALUMINUM)	1	1	
NS	950368	ADAPTOR FITTING / O-RING PORT TO ROTOLOCK	2	2	A
NS	950369	SEAL TEFLON / O-RING PORT TO ROTOLOCK	2	2	A
NS	950383	SEAL TEFLON / O-RING PORT TO ROTOLOCK	2	2	A
11	950077	VALVE ASSY / SUCTION / W/O-RING 5/8" / W/"TECUMSEH" COMPRESSOR	1	1	
11	950234	GAUGE ADAPTOR ASSY / W/RED CAP FOR R-134A / DISCHARGE SIDE (ALUMINUM)	1	1	
12	950157	. CAP VALVE / PROTECTOR / STEEL	1	1	
13	453122	TENSIONNER SUPPORT	1	1	
14	452442	TENSIONNER	2	2	
15	500086	SCREW CAP HEX 1/2-20x1 1/4 G5 Z050	2	2	
16	452443	TENSIONER BRACKET / GEARBOX	2	2	
17	500213	SCREW CAP HEX 1/2-13x1 G5 Z050	2	2	
18	500482	WASHER LO SPT .506x.873x.125 Z050	2	2	
19	550186	KEY 1/4" X 1/4" X 1 1/4"	1	1	
20	500167	SCREW CAP HEX 1/4-20x1 1/4 G5 PT Z050	3	3	
NS	500473	WASHER LO SPT .262x.489x.062 Z050	3	3	
21	950230	CONE BUSHING 1 1/4 I.D X 2 1/8 O.D. X 3 5/16	1	1	
22	950211	PULLEY DRIVE 7.15 O.D. / SINGLE "V"	1	1	
23	506685	V-BELT / A-35 9002-2035	1	1	
24	950079	PULLEY ASSY W/COIL 24V	1	1	
25	561566	CONNECTOR / WEATHER PACK / PH 2C / BLACK / PED 12010973	1	1	
NS	561568	PIN TERMINAL / 16-14 / PED 12089305	2	2	
NS	561565	CABLE SEAL / GREEN / PED 15324982	2	2	
30	H4-0520-03	FAN DRIVE - INSTALLATION			
NS	451144	OIL DIPSTICK / (REQUIRED TO CHANGE)	1	1	
		A) SOME COMPRESSOR MODEL REQUIRES ALL THOSE ITEMS TO INSTALL SERVICING VALVE INLET AND OUTLET			
		S) SERVICE AFTERMARKET			

From L-031 To R-079	Date:07/2024	PAGE:H4-2246-01
A/C CLUTCH 05G - HOUSING MOUNTED		



From L-031 To R-079	Date:07/2024	PAGE:H4-2246-01
A/C CLUTCH 05G - HOUSING MOUNTED		

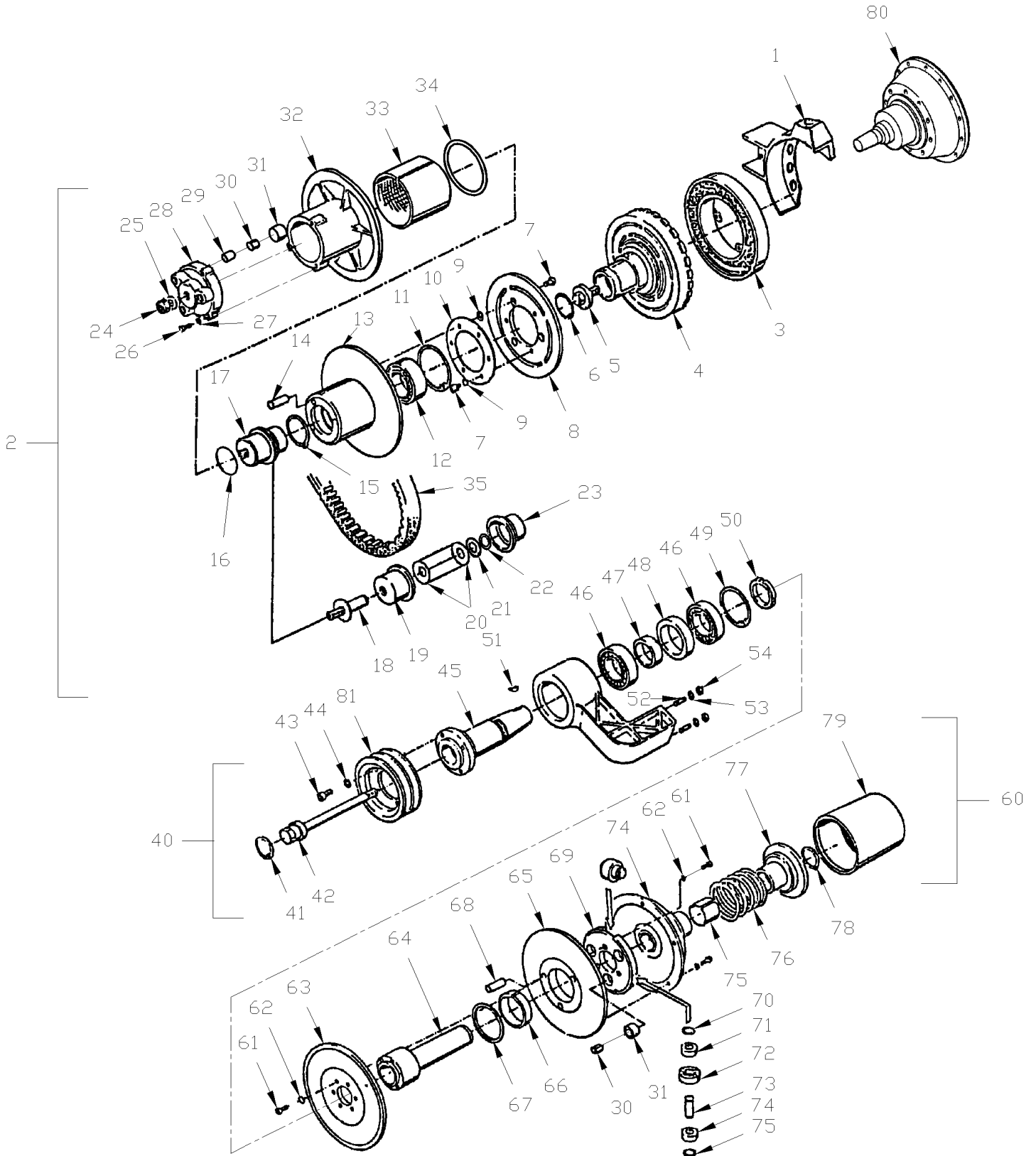
Item#	Part	Description	H 3 4 0	V I P 4 0	N O T E S
1	950094	CLUTCH HOUSING-MOUNTED/24V DC 9" DIA 2C GROOVE	1	1	B
1	950204	CLUTCH HOUSING-MOUNTED/24V DC 9" DIA 2B GROVE	1	1	C
2	950156	COIL 24V	1	1	A
3	950146	. CIRCLIP INTERNAL	1	1	
4	950141	. BEARING	1	1	
5	N.S.S.	. PULLEY	1	1	1
6	N.S.S.	. HUB DRIVE	1	1	1
7	950104	. SHIM 0.010	1	1	
8	950103	. SHIM 0.020	5	5	
9	N.S.S.	. ARMATURE	1	1	1
10	500769	. NUT HEX 1/4-20 Z050	6	6	
11	500473	. WASHER LO SPT .262x.489x.062 Z050	6	6	
12	870784	WASHER 13/32" I.D. X 1 1/2" O.D. X 3/16" TH	1	1	
13	500478	WASHER LO SPT .380x.683x.094 Z050	1	1	
14	870785	SCREW CAP HEX 3/8-24x7/8 G8 ZP	1	1	
15	950093	NUT / W/HUB MOUNTING ONLY	1	1	
16	950092	HUB HOUSING MOUNT	1	1	
16	950408	HUB HOUSING MOUNT W/GROOVE FOR TWIN PORT	1	1	
. NS	950409	. SEAL, LIP, SHAFT SEAL / W/TWIN PORT ONLY	1	1	
. NS	870795	. GASKET, HUB BEARING	1	1	
17	500192	SCREW CAP HEX 3/8-16x1 1/4 G5 Z050	6	6	
18	186679	SCREW CAP HEX 3/8-16x1 1/4 G8 ZP	1	1	
NS	950105	SOCKET / TOOL FOR INSTALLATION			
NS	950106	PUSHER ROTOR / TOOL			
NS	950107	SPANNER WRENCH / TOOL			
		A) THIS COIL IS NOT INCLUDE WITH #950204			
		B) W/SERIES 92			
		C) W/SERIES 60			
		1) NOT SOLD SEPARATELY			

From L-031 To R-079

Date:07/2024

PAGE:H4-2247-00

A/C CLUTCH 05G - W/VARIO-DRIVE



From L-031 To R-079	Date:07/2024	PAGE:H4-2247-00
A/C CLUTCH 05G - W/VARIO-DRIVE		

Item#	Part	Description	H 3 4 0	V I P 4 0	N O T E S
	950167	DRIVE ASSY	1		
1	950168	. BRACKET, TIGHTEN	1		
2	950169	. OUTPUT DRIVE ASSY	1		
3	950170	. . COIL, MAGNET	1		
4	950171	. . ROTOR	1		
5	950172	. . SCREW	1		
6	N.P.N.	. . CIRCLIP, EXTERNAL	1		4
7	N.P.N.	. . SCREW	6		4
8	950173	. . PLATE, CLUTCH	1		
9	N.P.N.	. . WASHER	6		4
10	950174	. . PLATE RETAINER			
11	N.P.N.	. . CIRCLIP,EXTERNAL	1		4
12	950175	. . BEARING	1		
13	950176	. . DISC, INTERIOR / OUTPUT DRIVE	1		
14	N.P.N.	. . PIN,DOWEL	3		4
15	N.P.N.	. . CIRCLIP, INTERNAL	1		4
16	N.P.N.	. . CIRCLIP, EXTERNAL	1		4
17	950177	. . AXLE ADAPTOR ASSY	1		
18	N.S.S.	. . . SHAFT / AXLE	1		1
19	N.S.S.	. . . CAP, EXTERIOR	1		1
20	N.S.S.	. . . WASHER, FEEDER	23		1
21	N.S.S.	. . . WASHER, RETAINER	1		1
22	N.S.S.	. . . CIRCLIP, EXTERNAL	1		1
23	N.S.S.	. . . CAP, INTERIOR	1		1
24		. . . NUT, ELASTIC STOP	1		
25		. . . WASHER	1		
26		. . SCREW	3		
27		. . WASHER	3		
28	950178	. . CAP, RETAINER	1		
29	950179	. . BUSHING	3		
30	N.P.N.	. . RING, SMALL	6		4
31	N.P.N.	. . RING, LARGE	6		4
32	950180	. . EXTERIOR DISC ASSY	1		
33	N.S.S.	. . . BEARING	1		1
34	N.S.S.	. . . SEAL	1		1
35	950159	. V-BELT / VARIO-DRIVE & A/C COMPRESSOR	1		
40	950181	. HOLDING ARM ASSY	1		
41	N.S.S.	. . CIRCLIP, EXTERNAL	1		1
42	950182	. . BOLT	1		
43	502655	. . SCREW CAP HEX M10-1.5x25 SS BK	5		
44	500257	. . WASHER LO SPT 10.2x18.1x2.2 Z050	5		
45	950183	. . SHAFT / OUTPUT DRIVE	1		

From L-031 To R-079	Date:07/2024	PAGE:H4-2247-00
A/C CLUTCH 05G - W/VARIO-DRIVE		

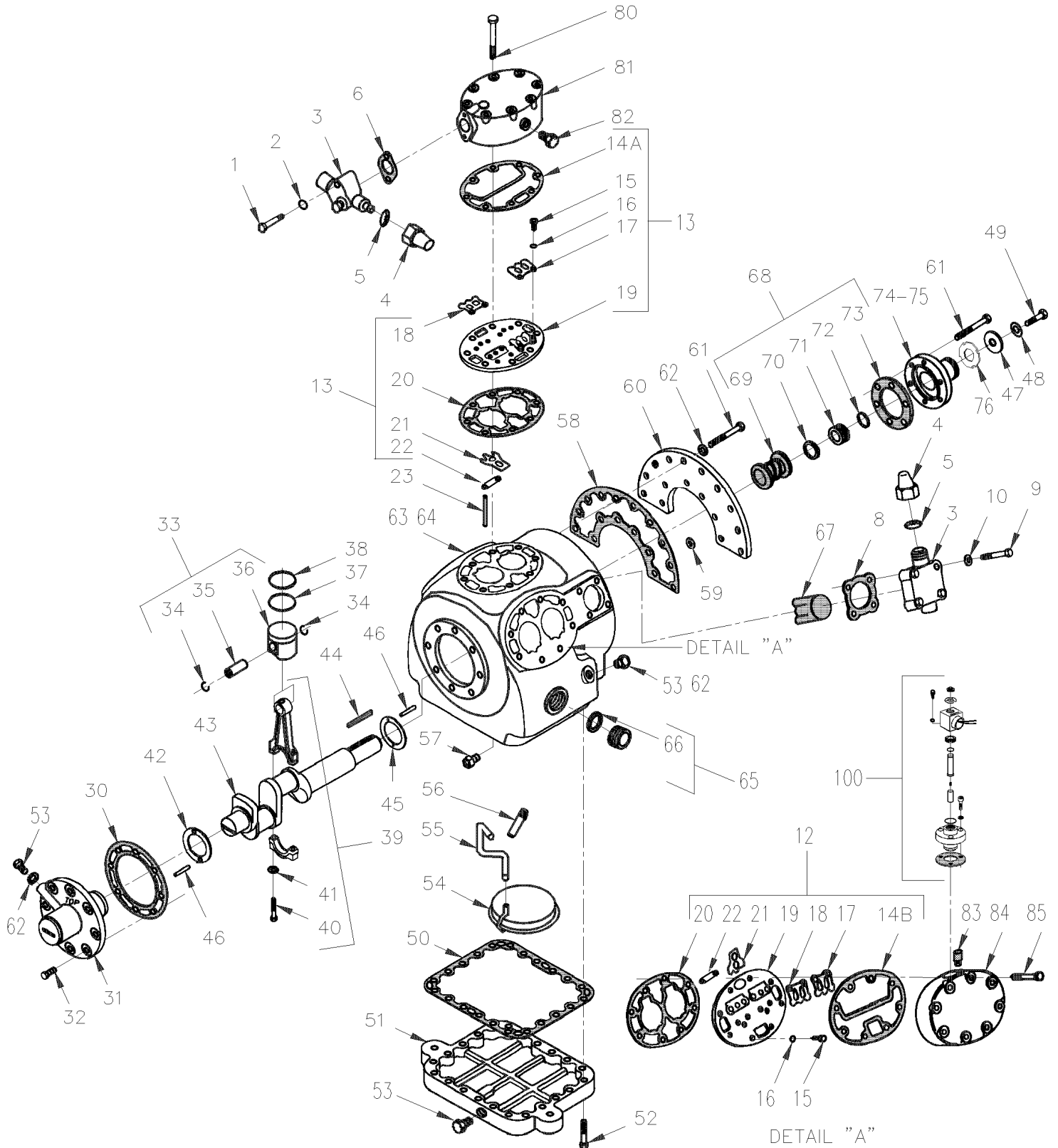
Item#	Part	Description	H 3 4 0	V I P 4 0	N O T E S
46	950184	. . BEARING	2		
47	950185	. . SPACER	1		
48	950186	. . SPACER	1		
49	N.P.N.	. . CIRCLIP, EXTERNAL	1		4
50	N.P.N.	. . CIRCLIP, INTERNAL	1		4
51	N.P.N.	. . KEY	1		4
52	N.P.N.	. . STUD	2		4
53	N.P.N.	. . WASHER, FLAT	2		4
54	N.P.N.	. . NUT, STOVER	2		4
60	950187	. INPUT DISC ASSY	1		
61	N.S.S.	. . SCREW	12		1
62	N.S.S.	. . WASHER	17		1
63	950188	. . DISC, EXTERIOR	1		
64	950189	. . SHAFT	1		
65	950190	. . INTERIOR DISC ASSY	1		
66	N.S.S.	. . . BUSHING	1		1
67	N.S.S.	. . . SEAL	1		1
68	N.S.S.	. . . PIN, DOWEL	3		1
69	950191	. . CLUTCH COUNTERWEIGHT ASSY	1		
70	N.S.S.	. . . CIRCLIP, INTERNAL	6		1
71	950192	. . . WEIGHTS	6		
72	N.S.S.	. . . WEIGHTS	3		1
73	950193	. . . PIN	3		
74	950194	. . PRESSURE PLATE ASSY	1		
75	N.S.S.	. . . BUSHING	1		1
75	950195	. . CAP, PROTECTOR	1		
76	N.P.N.	. . SPRING RETURN	1		4
77	N.P.N.	. . RETAINER	1		4
78	N.P.N.	. . CIRCLIP, INTERNAL	1		4
80	950196	. ADAPTOR / BELL	1		
80	950197	. GEAR / NYLON	1		
80	950201	. GEAR / STEEL	1		
81	451841	PULLEY / INPUT DRIVE / W/2V x 180.3MM O.D.	1		
		1) NOT SOLD SEPARATELY			
		4) NO PARTS NUMBER			

From L-031 To R-079

Date:07/2024

PAGE:H4-2250-00

A/C COMPRESSOR ASSY 05G - THREE PORT



From L-031 To R-079	Date:07/2024	PAGE:H4-2250-00
A/C COMPRESSOR ASSY 05G - THREE PORT		

Item#	Part	Description	H 3 4 0	V I P 4 0	N O T E S
	950138	A/C COMPRESSOR ASSY / W/37 C.F.M. / W/O OIL & ACCESSORIES	1	1	
	952643	A/C COMPRESSOR ASSY / W/37 C.F.M. / REMAN / W/O OIL & ACCESSORIES	1	1	
	950263	A/C COMPRESSOR ASSY / W/41 C.F.M. / W/O OIL & ACCESSORIES	1	1	
NS	950298D	A/C COMPRESSOR ASSY / W/41 C.F.M. / REMAN / W/O OIL & ACCESSORIES			
1	870877	. SCREW CAP HEX 5/16-18x2 G5 ZP	2	2	
2	870750	. GASKET	2	2	
3	H4-2245-00	A/C COMPRESSOR 05G - INSTALLATION - WITH DETROIT S-92			
3	H4-2250-01	A/C COMPRESSOR ASSY 05G - TWIN PORT / SERVICE			
4	870446	. . CAP SEAL	1	1	
5	870752	. . . GASKET, CAP SEAL	1	1	
6	870753	. GASKET / DISCHARGE VALVE	1	1	
8	870754	. GASKET / SUCTION VALVE	1	1	
9	870755	. SCREW CAP HEX 1/2-13x2 1/2 G5 ZP	4	4	
10	870756	. GASKET	4	4	
12	950325	. VALVE PLATE ASSY / SIDE BANK	4	4	
12	870800	. . CHECK VALVE ASSY / UNLOADER	2	2	
13	950324	. VALVE PLATE ASSY / CENTER BANK	1	1	
14A	870760	. . GASKET, CENTER CYLINDER HEAD	1	1	
14B	870797	. . GASKET, L.H & R.H CYLINDER HEAD	1	1	
15	870761	. . SCREW CAP HEXS 1/4-28 x 3/8"	4	4	
16	500473	. . WASHER LO SPT .262x.489x.062 Z050	4	4	
17	870762	. . VALVE STOP DISCHARGE	2	2	
18	870763	. . VALVE DISCHARGE	2	2	
19	N.S.S.	. . PLATE VALVE	1	1	1
20	870764	. . GASKET, VALVE PLATE	1	1	
21	950276	. . VALVE SUCTION	2	2	
22	870766	. . SPRING / SUCTION VALVE	2	2	
23	870767	. PIN DOWEL VALVE PLATE	4	4	
30	870771	. GASKET / OIL PUMP	1	1	
31	870772	. OIL PUMP ASSY / LOW SPEED	1	1	
31	950286	. OIL PUMP ASSY / (LOW PROFIL)	1	1	
32	500192	. SCREW CAP HEX 3/8-16x1 1/4 G5 Z050	8	8	
33	870773	. PISTON & PIN ASSY / STANDARD / W/37 CFM	1	1	
33	950272	. PISTON & PIN ASSY / STANDARD / W/41 CFM	6	6	
33	870814	. PISTON & PIN ASSY/.020" OVERSIZE / W/37 CFM	1	1	
33	950274	. PISTON & PIN ASSY/.020" OVERSIZE / W/41 CFM	6	6	
34	N.S.S.	. . RETAINER	2	2	1
35	N.S.S.	. . PIN	1	1	1

From L-031 To R-079	Date:07/2024	PAGE:H4-2250-00
A/C COMPRESSOR ASSY 05G - THREE PORT		

Item#	Part	Description	H 3 4 0	V I P 4 0	N O T E S
36	N.S.S.	. PISTON SINGLE RING	1	1	1
37	870774	. RING / W/DOUBLE RING PISTON ONLY	6	6	
38	870775	. RING COMPRESSION / STANDARD	6	6	
38	870815	. RING COMPRESSION / .020" OVERSIZE	6	6	
39	870776	. CONNECTING ROD & CLIP ASSY / STANDARD	6	6	
39	870816	. CONNECTING ROD & CLIP ASSY / .010" OVERSIZE	6	6	
NS	870767	. PIN DOWEL VALVE PLATE	2	2	
40	870777	. BOLT	2	2	
41	500440	. WASHER FL .250x.562x.065 Z050	1	1	
42	870778	. WASHER THRUST / PUMP END	1	1	
43	870779	. CRANKSHAFT ASSY / W/37 CFM	1	1	
43	950273	. CRANKSHAFT ASSY / W/41 CFM	1	1	
44	950140	. KEY CRANKSHAFT / W/HOUSING-MOUNTED CLUTCH	1	1	
45	870781	. WASHER THRUST	1	1	
46	870782	. PIN STRAIGHT 1/8" DIA. X 1/2"	2	2	
NS	870783	. PIN STRAIGHT .094" X 5/16"	2	2	
47	870784	. WASHER 13/32" I.D. X 1 1/2" O.D. X 3/16" TH	1	1	
48	500478	. WASHER LO SPT .380x.683x.094 Z050	1	1	
49	870785	. SCREW CAP HEX 3/8-24x7/8 G8 ZP	1	1	
50	870786	. GASKET, BOTTOM PLATE	1	1	
51	950444	. PLATE BOTTOM	1	1	
52	500191	. SCREW CAP HEX 3/8-16x1 G5 Z050	22	22	
53	950303	. PLUG, O-RING / (CURRENT)	2	2	
54	870787	. SCREEN ASSY / OIL FILTER	1	1	
55	870788	. TUBE / OIL SUCTION	1	1	
56	870789	. VALVE / OIL RELIEF	1	1	
57	870790	. CHECK VALVE ASSY / OIL RETURN	2	2	
58	870791	. GASKET, SHAFT END COVER	1	1	
59	950139	. WASHER .393x.622x.031	2	2	
60	870792	. FLANGE	1	1	
61	500192	. SCREW CAP HEX 3/8-16x1 1/4 G5 Z050	21	21	
62	950139	. WASHER .393x.622x.031	21	21	
63	N.S.S.	. CRANKCASE	1	1	1
64	950283	. BEARING, MAIN SEAL END	1	1	
65	870768	. SIGHT GLASS ASSY	2	2	
66	870769	. GASKET, SIGHT GLASS	2	2	
67	870770	. STRAINER SUCTION	1	1	
68	950327	. SHAFT SEAL ASSY / W/HOUSING-MOUNTED CLUTCH	1	1	
69	N.S.S.	. SEAL / SHAFT	1	1	1
70	870794	. RING CARBON	1	1	
71	N.S.S.	. RING WEAR	1	1	1
72	N.S.S.	. O-RING	1	1	1

From L-031 To R-079	Date:07/2024	PAGE:H4-2250-00
A/C COMPRESSOR ASSY 05G - THREE PORT		

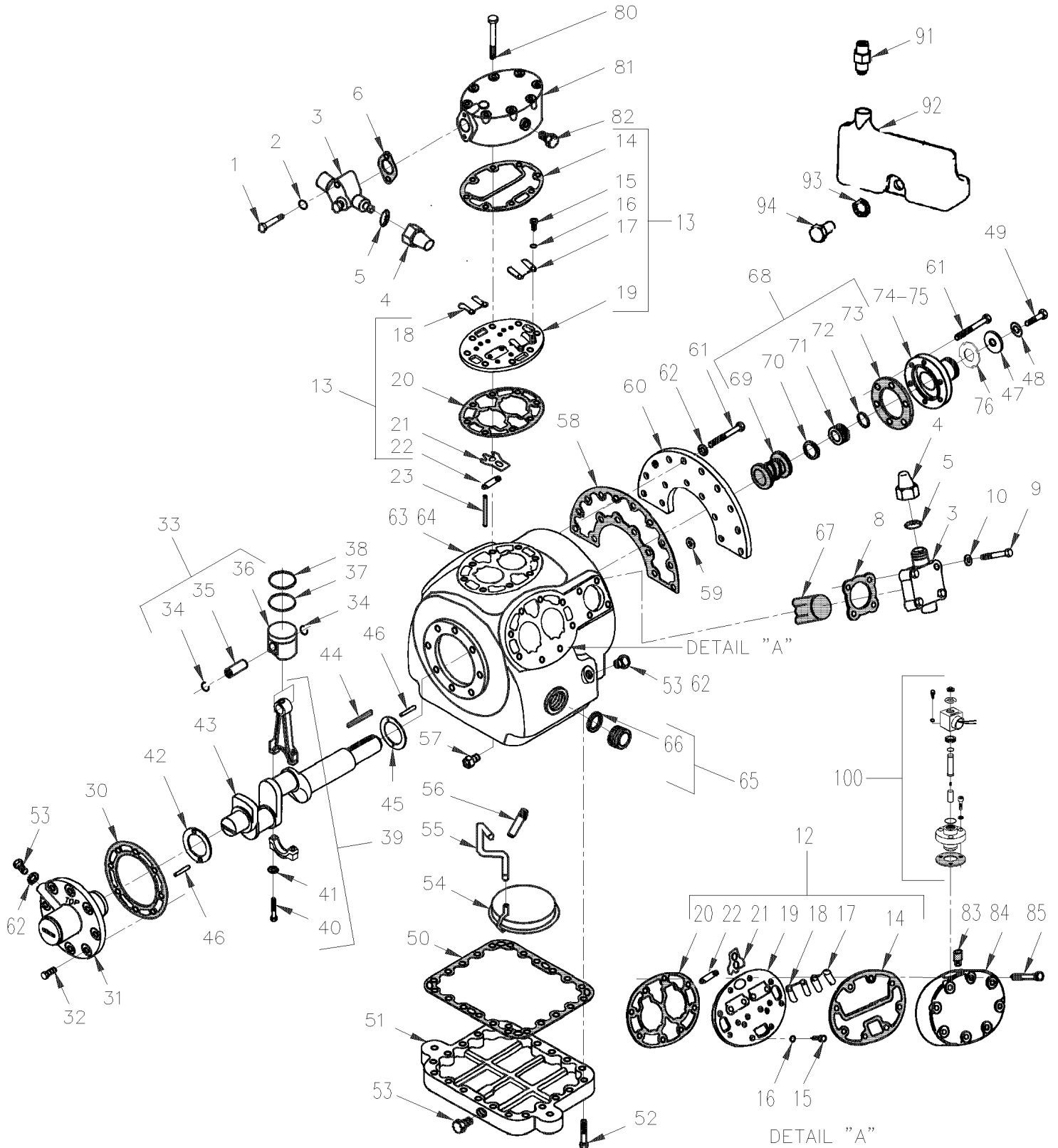
Item#	Part	Description	H 3 4 0	V I P 4 0	N O T E S
73	870795	. GASKET, HUB BEARING	1	1	
74	950092	. HUB HOUSING MOUNT	1	1	
75	N.S.S.	. RING FELT & RETAINING	1	1	1
76	950093	. NUT / W/HUB MOUNTING ONLY	1	1	
80	G1091280	. SCREW CAP HEX 3/8-16 X 3"1/4	8	8	
81	870757	. HEAD CYLINDER / CENTER BANK	1	1	
82	501303	. PLUG SQUARE HEAD / PIPE FITTING / 1/8NPT-M BR	1	1	
83	870799	. STRAINER	1	1	
84	870798	HEAD CYLINDER / UNLOADER	1	1	
85	502694	SCREW CAP HEX 3/8-16x3 1/4 G5 ZP	1	1	
100	H4-2250-15	A/C ELECTRIC UNLOADER - W/05G COMPRESSOR	1	1	
NS	950236	REFRIGERANT OIL POE / USE W/134A (4LITER)	AR	AR	
		1) NOT SOLD SEPARATELY			

From L-031 To R-079

Date:07/2024

PAGE:H4-2250-01

A/C COMPRESSOR ASSY 05G - TWIN PORT / SERVICE



From L-031 To R-079	Date:07/2024	PAGE:H4-2250-01
A/C COMPRESSOR ASSY 05G - TWIN PORT / SERVICE		

Item#	Part	Description	H 3 4 0	V I P 4 0	N O T E S
	950401	A/C COMPRESSOR ASSY REBUILT / W/41 C.F.M W/O ACCESSORIES TWIN PORT			
1	870877	. SCREW CAP HEX 5/16-18x2 G5 ZP	2	2	
2	870750	. GASKET	2	2	
3	H4-2245-01	. A/C COMPRESSOR 05G - INSTALLATION - WITH DETROIT S-60			
4	870446	. . CAP SEAL	1	1	
5	870752	. . . GASKET, CAP SEAL	1	1	
6	950425	. GASKET / DISCHARGE VALVE / (METAL)	1	1	
8	950423	. GASKET / SUCTION VALVE / (METAL)	1	1	
9	870755	. SCREW CAP HEX 1/2-13x2 1/2 G5 ZP	4	4	
10	870756	. GASKET	4	4	
12	950415	. VALVE PLATE ASSY / SIDE BANK / W/TWIN PORT ONLY	2	2	
NS	870800	. . CHECK VALVE ASSY / UNLOADER	2	2	
13	950414	. VALVE PLATE ASSY / CENTER BANK / W/TWIN PORT ONLY	1	1	
14	950421	. . GASKET, CYLINDER HEAD / W/TWIN PORT ONLY	1	1	
15	870761	. . SCREW CAP HEXS 1/4-28 x 3/8"	4	4	
16	500473	. . WASHER LO SPT .262x.489x.062 Z050	4	4	
17	950416	. . VALVE DISCHARGE / W/TWIN PORT ONLY	2	2	
18	950417	. . BACKER VALVE DISCHARGE / W/TWIN PORT ONLY	2	2	
19	N.S.S.	. . PLATE VALVE	1	1	1
20	950420	. . GASKET, VALVE PLATE / W/TWIN PORT ONLY	1	1	
21	950418	. . VALVE SUCTION / W/TWIN PORT ONLY	2	2	
22	950419	. . SPRING / SUCTION VALVE / W/TWIN PORT ONLY	2	2	
23	870767	. PIN DOWEL VALVE PLATE	4	4	
30	870771	. GASKET / OIL PUMP	1	1	
31	950403	. OIL PUMP ASSY / W/TWIN PORT ONLY	1	1	
32	500192	. SCREW CAP HEX 3/8-16x1 1/4 G5 Z050	8	8	
33	950272	. PISTON & PIN ASSY / STANDARD / W/41 CFM	6	6	
33	950274	. PISTON & PIN ASSY/.020" OVERSIZE / W/41 CFM	6	6	
34	N.S.S.	. . RETAINER	2	2	1
35	N.S.S.	. . PIN	1	1	1
36	N.S.S.	. . PISTON SINGLE RING	1	1	1
37	870774	. RING / W/DOUBLE RING PISTON ONLY	6	6	
38	870775	. RING COMPRESSION / STANDARD	6	6	
38	870815	. RING COMPRESSION / .020" OVERSIZE	6	6	
39	870776	. CONNECTING ROD & CLIP ASSY / STANDARD	6	6	
39	870816	. CONNECTING ROD & CLIP ASSY / .010" OVERSIZE	6	6	
NS	870767	. . PIN DOWEL VALVE PLATE	2	2	
40	870777	. . BOLT	2	2	
41	500440	. . WASHER FL .250x.562x.065 Z050	1	1	
42	870778	. WASHER THRUST / PUMP END	1	1	
43	950406	. CRANKSHAFT ASSY / W/41 CFM / W/TWIN PORT ONLY	1	1	

From L-031 To R-079	Date:07/2024	PAGE:H4-2250-01
A/C COMPRESSOR ASSY 05G - TWIN PORT / SERVICE		

Item#	Part	Description	H 3 4 0	V I P 4 0	N O T E S
44	950140	. KEY CRANKSHAFT / W/HOUSING-MOUNTED CLUTCH	1	1	
45	870781	. WASHER THRUST	1	1	
46	870782	. PIN STRAIGHT 1/8" DIA. X 1/2"	2	2	
NS	870783	. PIN STRAIGHT .094" X 5/16"	2	2	
47	870784	. WASHER 13/32" I.D. X 1 1/2" O.D. X 3/16" TH	1	1	
48	500478	. WASHER LO SPT .380x.683x.094 Z050	1	1	
49	870785	. SCREW CAP HEX 3/8-24x7/8 G8 ZP	1	1	
50	950402	. GASKET, BOTTOM PLATE / (METAL)	1	1	
51	950444	. PLATE BOTTOM	1	1	
52	500191	. SCREW CAP HEX 3/8-16x1 G5 Z050	22	22	
53	950303	. PLUG, O-RING / (CURRENT)	2	2	
54	870787	. SCREEN ASSY / OIL FILTER	1	1	
55	870788	. TUBE / OIL SUCTION	1	1	
56	870789	. VALVE / OIL RELIEF	1	1	
57	870790	. CHECK VALVE ASSY / OIL RETURN	2	2	
58	950412	. GASKET, SHAFT END COVER / W/TWIN PORT ONLY	1	1	
59	950139	. WASHER .393x.622x.031	2	2	
60	870792	. FLANGE	1	1	
61	500192	. SCREW CAP HEX 3/8-16x1 1/4 G5 Z050	21	21	
62	950139	. WASHER .393x.622x.031	21	21	
63	N.S.S.	. CRANKCASE	1	1	1
64	950283	. BEARING, MAIN SEAL END	1	1	
65	870768	. SIGHT GLASS ASSY	2	2	
66	870769	. GASKET, SIGHT GLASS	2	2	
67	870770	. STRAINER SUCTION	1	1	
68	950407	. SHAFT SEAL ASSY / W/HOUSING-MOUNTED CLUTCH / W/TWIN PORT ONLY	1	1	
69	N.S.S.	. SEAL / SHAFT	1	1	1
70	870794	. RING CARBON	1	1	
71	N.S.S.	. RING WEAR	1	1	1
72	N.S.S.	. O-RING	1	1	1
73	870795	. GASKET, HUB BEARING	1	1	
74	950408	. HUB HOUSING MOUNT W/GROOVE FOR TWIN PORT	1	1	
NS	950409	. SEAL, LIP, SHAFT SEAL / W/TWIN PORT ONLY	1	1	
NS	870795	. GASKET, HUB BEARING	1	1	
75	950409	. SEAL, LIP, SHAFT SEAL / W/TWIN PORT ONLY	1	1	
76	950093	. NUT / W/HUB MOUNTING ONLY	1	1	
80	G1091280	. SCREW CAP HEX 3/8-16 X 3"1/4	8	8	
81	870757	. HEAD CYLINDER / CENTER BANK	1	1	
82	501303	. PLUG SQUARE HEAD / PIPE FITTING / 1/8NPT-M BR	1	1	
83	870799	. STRAINER	1	1	
84	950426	. HEAD CYLINDER / UNLOADER / W/TWIN PORT ONLY	1	1	
85	502694	. SCREW CAP HEX 3/8-16x3 1/4 G5 ZP	1	1	

From L-031 To R-079	Date:07/2024	PAGE:H4-2250-01
A/C COMPRESSOR ASSY 05G - TWIN PORT / SERVICE		

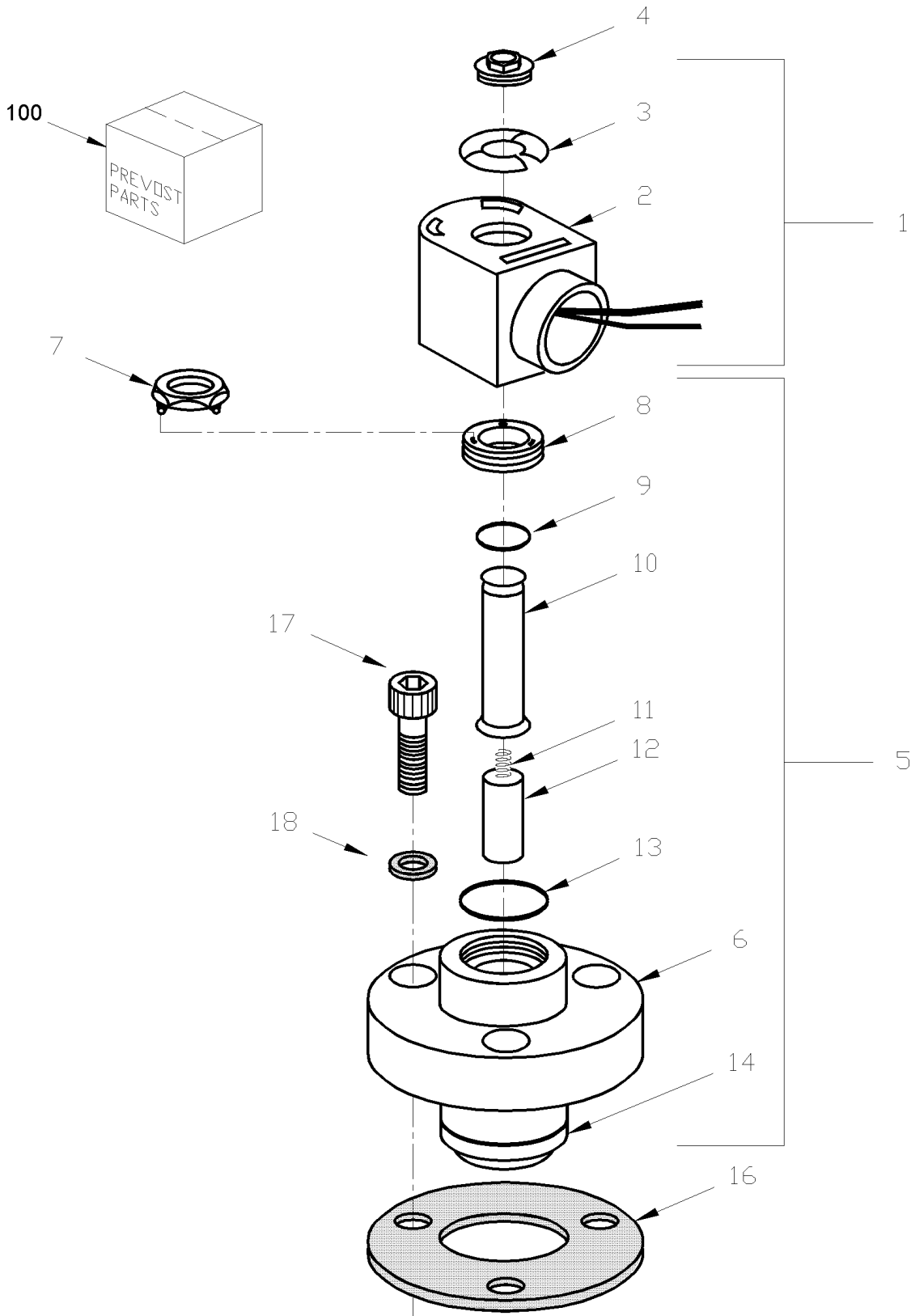
Item#	Part	Description	H 3 4 0	V I P 4 0	N O T E S
91	950410	. ACCESS VALVE / W/TWIN PORT ONLY	1	1	
92	950411	. RESERVOIR / W/TWIN PORT ONLY	1	1	
93	500856	. WASHER LO INT .384x.692x.040 ZP	1	1	
94	950967	. SCREW CAP HEX 3/8-16 X 3/4 G8	1	1	
100	H4-2250-15	A/C ELECTRIC UNLOADER - W/05G COMPRESSOR	1	1	
NS	950236	REFRIGERANT OIL POE / USE W/134A (4LITER)	AR	AR	
		1) NOT SOLD SEPARATELY			

From L-031 To R-079

Date:07/2024

PAGE:H4-2250-15

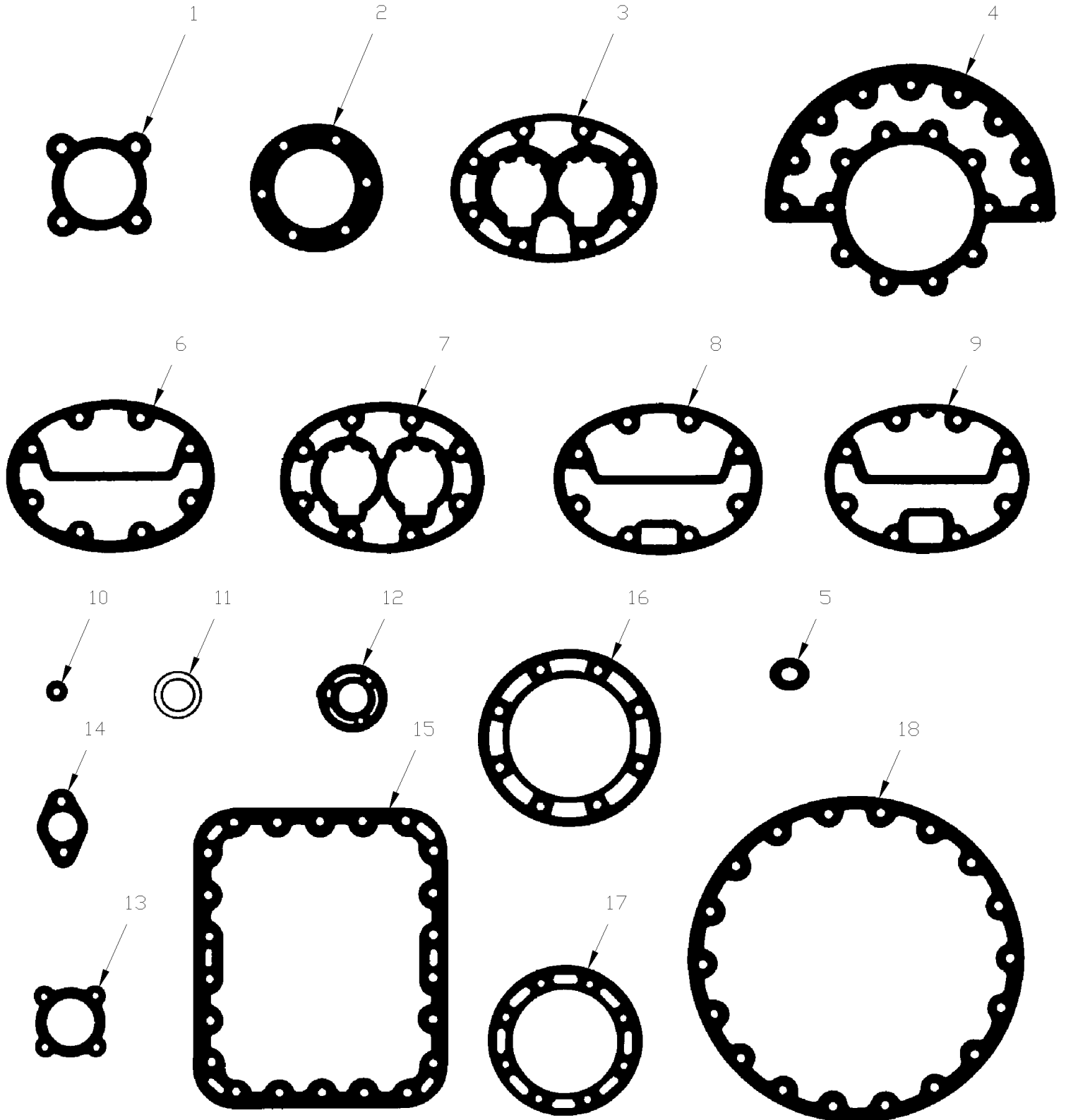
A/C ELECTRIC UNLOADER - W/05G COMPRESSOR



From L-031 To R-079	Date:07/2024	PAGE:H4-2250-15
A/C ELECTRIC UNLOADER - W/05G COMPRESSOR		

Item#	Part	Description	H 3 4 0	V I P 4 0	N O T E S
	063969	COIL ASSY W/CONNECTOR	2	2	
1	950096	. COIL 24V	1	1	
3	N.S.S.	. . NAMEPLATE / VOLTAGE	1	1	1
4	N.S.S.	. . CAP, SNAP	1	1	1
4	N.S.S.	. . CAP, SNAP	1	1	1
NS	561812	. . CONNECTOR / SURE-SEAL / MALE HOUSING 2C / ITT CANNON 120-1807-000	1	1	
NS	561023	. . PIN TERMINAL / 18-14 / ITT CANNON 030-2196-001	1	1	
NS	561024	. . SOCKET TERMINAL / 18-14 / ITT CANNON 031-1267-001	1	1	
NS	561815	CLAMP W/ 2 / ITT CANNON 029-0263-000	AR	AR	A
5	950095	BODY / UNLOADER VALVE	1	1	
6	N.S.S.	. BODY, VALVE	1	1	1
7	N.S.S.	. NUT / FOR REMOVING OR REPLACING TUBE COLLAR	1	1	1
8	N.S.S.	. COLLAR / TUBE	1	1	1
9	N.S.S.	. O-RING	1	1	1
10	N.S.S.	. TUBE	1	1	1
11	N.S.S.	. SPRING, PLUNGER	1	1	1
12	N.S.S.	. PLUNGER	1	1	1
13	N.S.S.	. O-RING	1	1	1
14	870818	. RING, PISTON	1	1	
16	870820	GASKET, UNLOADER	1	1	
17	N.S.P.	SCREW CAP HEXS 1/4-28x3/4	3	3	2
18	N.S.P.	GASKET / W/ALLEN BOLT	3	3	2
100	950413	KIT, STEM REPAIR	1	1	B
		A) USE SERVICE 068562 TO REPLACE A/C MODULE			
		B) INCLUDE ITEMS # 7,10,11,12 & 13			
		1) NOT SOLD SEPARATELY			
		2) NOT SOLD BY PREVOST (SEE MANUFACTURING PART NUMBER AT END OF DESCRIPTION LINE)			

From L-031 To R-079	Date:07/2024	PAGE:H4-2251-00
GASKET - 05G A/C COMPRESSOR		



From L-031 To R-079	Date:07/2024	PAGE:H4-2251-00
GASKET - 05G A/C COMPRESSOR		

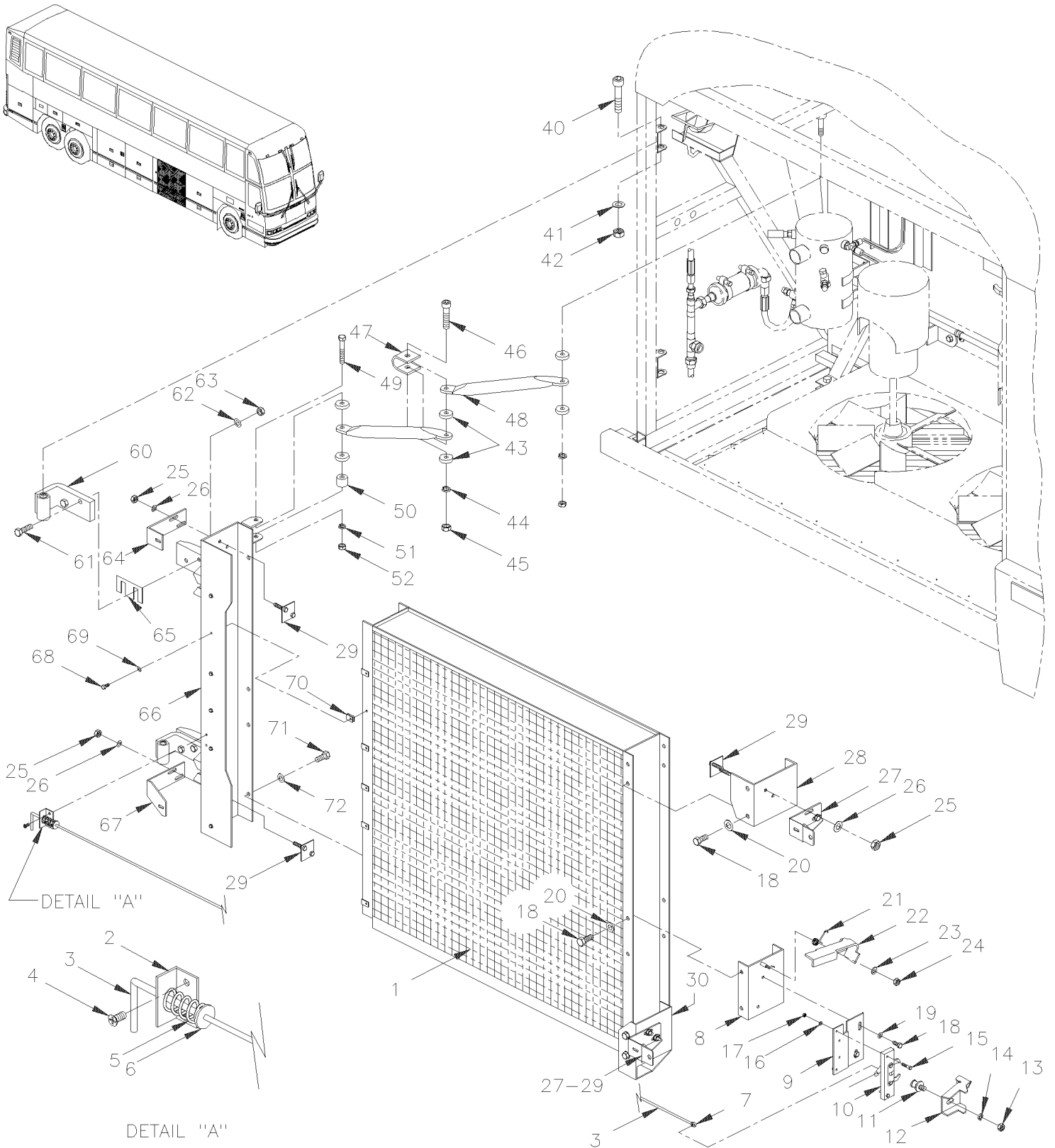
Item#	Part	Description	H 3 4 0	V I P 4 0	N O T E S
	870829	KIT GASKET	1	1	
1	870754	. GASKET / SUCTION VALVE	1	1	
2	870795	. GASKET, HUB BEARING	1	1	
3	870764	. GASKET, VALVE PLATE	3	3	
4	N.S.S.	. GASKET / END FLANGE	1	1	1
5	870791	. GASKET, SHAFT END COVER	2	2	
6	N.S.S.	. GASKET / LEFT & RIGHT CYLINDER HEAD - STANDARDS	2	2	1
7	N.S.S.	. GASKET / VALVE PLATE	3	3	1
8	870760	. GASKET, CENTER CYLINDER HEAD	1	1	
9	870797	. GASKET, L.H & R.H CYLINDER HEAD	2	2	
10	N.S.S.	. GASKET / OIL SUPPLY TUBE	1	1	1
11	870769	. GASKET, SIGHT GLASS	2	2	
12	870820	. GASKET, UNLOADER	2	2	
13	N.S.S.	. GASKET / OIL PUMP COVER	1	1	1
14	870753	. GASKET / DISCHARGE VALVE	2	2	
15	870786	. GASKET, BOTTOM PLATE	1	1	
16	870771	. GASKET / OIL PUMP	1	1	
17	N.S.S.	. SEAL / SHAFT	1	1	1
18	N.S.S.	. GASKET / MOTOR END COVER	1	1	1
NS	870791	. GASKET, SHAFT END COVER	1	1	
		1) NOT SOLD SEPARATELY			

From L-031 To R-079

Date:07/2024

PAGE:H4-2255-00

CONDENSOR - INSTALLATION



From L-031 To R-079		Date:07/2024	PAGE:H4-2255-00
CONDENSOR - INSTALLATION			

Item#	Part	Description	H 3 4 0	V I P 4 0	N O T E S
1	451465	CONDENSOR COPPER	1	1	B
1	459042	CONDENSOR ALUMINUM	1	1	B
NS	451967	"U" PIPE ASSY / CONNECTOR SUB-COOL	1	1	
2	289148	SUPPORT / ROD	1	1	
NS	504462	SNAP BUSHING / .187x.375x.312	1	1	
3	289147	ROD LOCK	1	1	
4	504379	RIVET POP DOME OE 3/16x1/4 SS	2	2	
5	502169	SPRING COMPRESSION / .240 O.D. x 1.5 x .032	1	1	
6	500438	WASHER FL .187x.437x.050 Z050	1	1	
7	504456	CLIP / RETAINER ROD / WHITE OR RED	1	1	
8	283188	PLATE / LOCK RETAINER	1	1	
9	289010	SUPPORT LOCK	1	1	
10	282517	LOCK / DOOR	1	1	
11	780189	STRIKER & SHIM	1	1	
12		SUPPORT / WELDED TO STRUCTURE	1	1	
13	500788	NUT HEX 7/16-14 Z050	1	1	
14	500445	WASHER FL .437x1.000x.083 Z050	1	1	A
15	502818	SCREW CAP HEX M6-1.0x35 G8.8 Z050	4	4	
16	502573	WASHER FL 6.4x12.5x1.6 SS	4	4	
17	502511	NUT HEX NYRT M6-1.0 Z050	4	4	
18	502528	SCREW CAP HEX M8-1.25x20 G8.8 EMN	14	14	
19	500868	NUT HEX NYRT M8-1.25 Z050	14	14	
20	500874	WASHER FL 8.4x17.0x1.6 Z050	30	30	
21	283194	SPRING, TORSION / .750 I.D. x .078	1	1	
22	283190	LOCK SAFETY	1	1	
23	500496	WASHER FL .437x.750x.054 Z050	1	1	
24	500265	NUT HEX STO 3/8-16 Z050	1	1	
25	5001188	NUT HEX M8-1.25 SS	8	8	
26	500035	WASHER LO SPT .317x.586x.078 SS	8	8	
27	282621	ATTACHMENT / R.H. DOOR PANEL	1	1	
NS	504446	BUMPER PLUG / .718ODx.375THX.500HOLEx.125	2	2	
28	289140	PLATE END / UPPER R.H.	1	1	
29	285032	RETAINING PLATE	4	4	
30	283178	PLATE END / LOWER R.H.	1	1	
40	502596	SCREW SHR HEXS 5/8x2 1/4 {1/2-13 Z050	2	2	
41	507299	BUSHING NYLINER	4	4	
42	502595	NUT HEX NYRT 1/2-13 Z050	2	2	
43	500920	WASHER FL .540x1.125x.125 NYL	5	5	
44	500547	WASHER FL .484x.750x.031 ZP	2	2	
46	502796	SCREW SHR HEXS 1/2x3/4 {3/8-16	1	1	
47	283205	RETAINER ROD	1	1	
48	283181	ROD / DOOR RETAINING ARM	2	2	

From L-031 To R-079	Date:07/2024	PAGE:H4-2255-00
CONDENSOR - INSTALLATION		

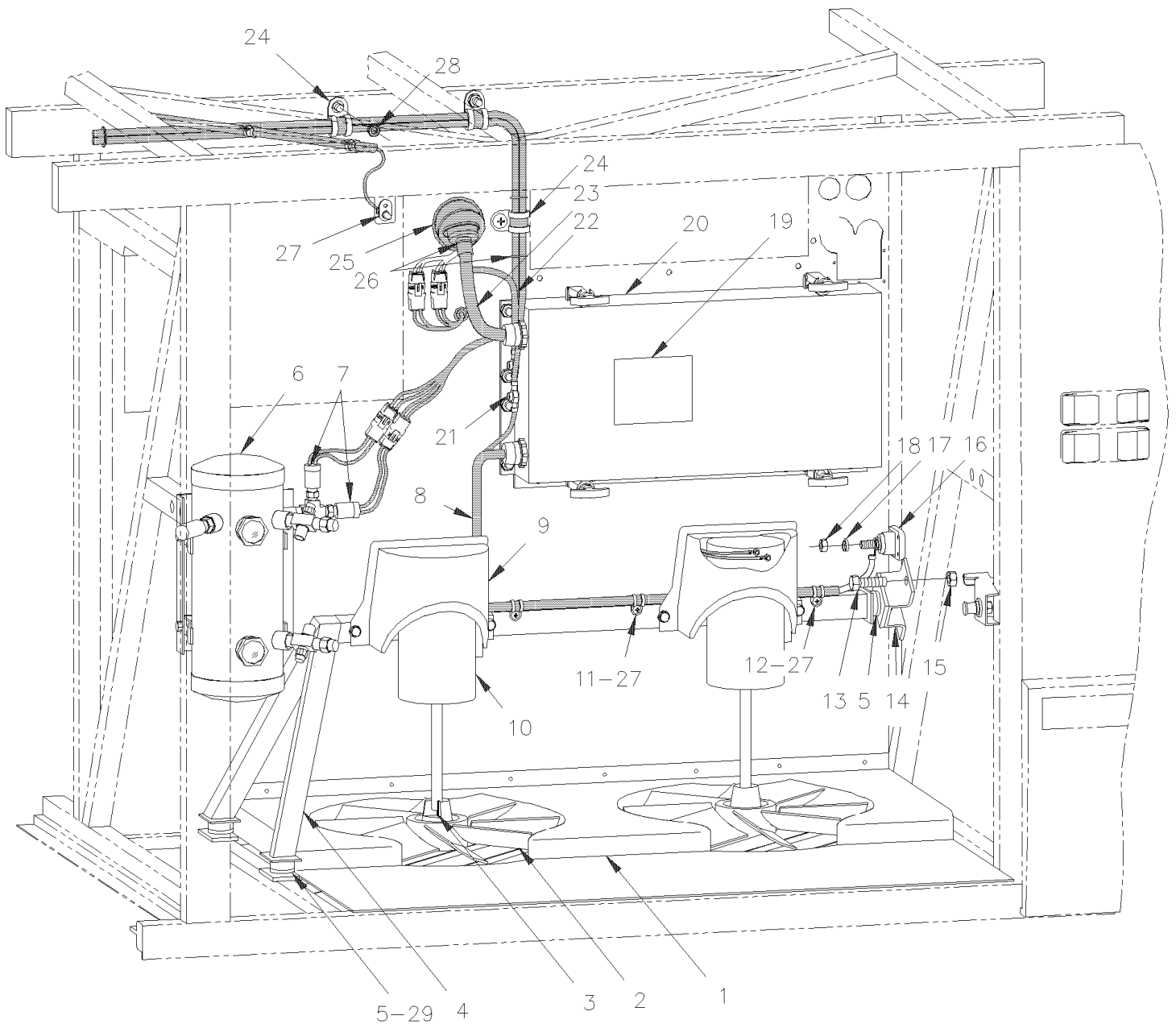
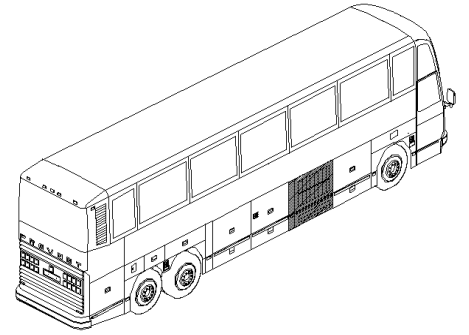
Item#	Part	Description	H 3 4 0	V I P 4 0	N O T E S
NS	450872	SPACER SMALL I.D.	1	1	
49	502527	SCREW CAP HEX M8-1.25x50 G8.8 Z050	1	1	
50	283182	SPACER LARGE I.D.	1	1	
51	500476	WASHER LO SPT .317x.586x.078 Z050	1	1	
52	502543	NUT HEX M8-1.25 Z050	1	1	
60	283001	HINGE / CONDENSER DOOR	2	2	
61	5001338	SCREW CAP HEX M12-1.75x45 G10.9 N500	4	4	
62	500446	WASHER FL .531x1.250x.125 Z050	12	12	
63	502591	NUT HEX NYRT M12-1.75 CP	8	8	
64	282626	ATTACHMENT / UPPER L.H. DOOR PANEL	1	1	
65	285598	SPACER SHIM	1	1	
66	282937	ATTACHMENT / HINGE	1	1	
67	283175	ATTACHMENT / LOWER L.H. DOOR PANEL	1	1	
NS	500524	SCREW TP PAN PH #12x5/8 SS	AR	AR	
68	502622	SCREW CAP HEX M6-1.0x20 SS BK	8	8	
69	502570	WASHER LO SPT 6.1x11.8x1.6 SS	8	8	
70	502738	NUT SPR U M6-1.0 0.6-4.0	8	8	
71	5001314	SCREW CAP HEX M12-1.75x19 G8.8 ZP	8	8	
72	500958	WASHER FL .531x1.062x.095 SS	8	8	
		A) W/STRIKER			
		B) FOR COMPLETE CONDENSOR YOU NEED # 451967			

From L-031 To R-079

Date:07/2024

PAGE:H4-2260-00

CONDENSOR FAN - INSTALLATION



From L-031 To R-079	Date:07/2024	PAGE:H4-2260-00
CONDENSOR FAN - INSTALLATION		

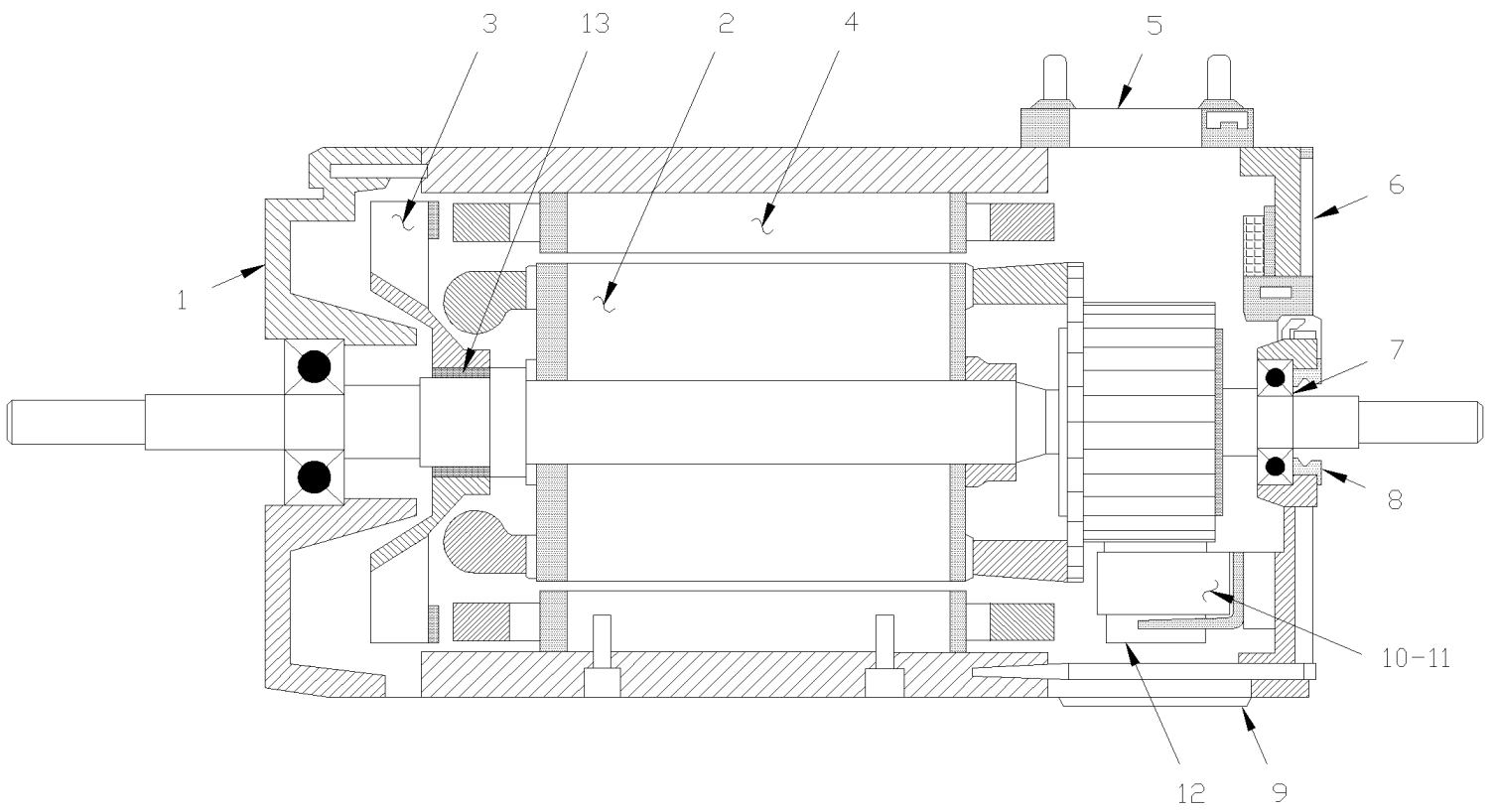
Item#	Part	Description	H 3 4 0	V I P 4 0	N O T E S
	451962	FLOOR VENTURY ASSY	1	1	
1	451821	. FLOOR VENTURI	1	1	
NS	451963	. ADAPTOR HOSE DRAIN	2	2	
NS	590109	. DRAIN BOOT 1" I.D. X 5" / AS SHOWN	2	2	
NS	590284	. DRAIN BOOT 1" I.D. X 5" / FLAT	2	2	
1	504319	HOSE CLAMP / 1"-1"1/2 SS / E.T. 16	2	2	
2	372612	FAN BLADE AXIAL 8 BLADES / 16"	2	2	
3	452069	KEY	2	2	
4	451825	FAN MOTOR SUPPORT	1	1	
5	510342	INSULATOR, RUBBER MOUNT	3	3	
6	H4-2270-00	RECEIVER TANK & FILTER DRYER			
7	H4-2270-00	RECEIVER TANK & FILTER DRYER			
8	062555	CABLE ASSY / A/C JUNCTION BOX & MOTORS	1	1	
9	452011	PROTECTOR MOTOR COVER PLASTIC	2	2	
10	H4-2265-50	MOTOR - CONDENSOR - "PREVOST" - TAP-12	2	2	
10	H4-2265-99	MOTOR - CONDENSOR - "PREVOST" - T11G / SERVICE	2	2	
10	H4-2265-98	MOTOR - CONDENSOR - "PREVOST" - T114 / SERVICE	2	2	
NS	283482	SHIM 138MM X 45MM X 24GA SS	AR	AR	
NS	502528	SCREW CAP HEX M8-1.25x20 G8.8 EMN	8	8	
NS	500441	WASHER FL .312x.734x.065 Z050	8	8	
NS	502744	NUT HEX STO M8-1.25 Z050	8	8	
11	560481	CLAMP / 5/8" I.D.	2	2	
12	560479	CLAMP / 3/8" I.D.	6	6	
13	502719	SCREW CAP HEX M10-1.5x20 SS EMN	2	2	
14	452044	REAR SUPPORT	1	1	
15	500680	NUT HEX STO M10-1.5 Z050	AR	AR	
16	380360	STUD, GROUND (WELDED TO STRUCTURE) 1/2-13	1	1	
17	500857	WASHER LO INT .512x.900x.045 Z050	1	1	
18	500998	NUT HEX 1/2-13 BR	1	1	
19	402792	DECAL / "DANGER" SHUT DOWN A/C BEFORE SERVI. / ENGLISH & FRANCAIS	1	1	
19	405637	DECAL / "DANGER" SHUT DOWN A/C BEFORE SERVI. / ENGLISH & SPANISH	1	1	
20	H4-0621-00	A/C JUNCTION BOX ASSY To R-396			
20	H4-0621-01	A/C JUNCTION BOX ASSY From R-397			
21	500379	NUT HEX 3/8-16 BR	5	5	
NS	500478	WASHER LO SPT .380x.683x.094 Z050	5	5	
22	062577	CABLE / MOTOR & A/C JUNCTION BOX #90H	1	1	
23	062575	CABLE HARNESS / A/C JCT BOX & EVAP COMP To R-396	1	1	
23	063308	CABLE HARNESS From R-397	1	1	
24	560483	CLAMP / 7/8" I.D.	3	3	
25	504441	CUFF END BELLOW / 3 1/2" I.D. x 3 1/2" x 5 5/8"	1	1	
26	504637	CABLE TIE / 3/16" x 13"	AR	AR	
27	561109	MICRO SWITCH	1	1	

From L-031 To R-079	Date:07/2024	PAGE:H4-2260-00
---------------------	--------------	-----------------

CONDENSOR FAN - INSTALLATION

Item#	Part	Description	H 3 4 0	V I P 4 0	N O T E S
NS	502524	NUT HEX M4-0.7 Z050	AR	AR	
NS	502636	WASHER LO SPT 4.1x7.6x0.9 Z050	AR	AR	
28	502617	NUT HEX NYRT M10-1.5 Z050	2	2	
NS	500446	WASHER FL .531x1.250x.125 Z050	2	2	
29	502568	SCREW MA PAN PH M6-1.0x20 EMN	4	4	
NS	500468	WASHER FL .281x1.250x.065 Z050	4	4	

From L-031 To R-079	Date:07/2024	PAGE:H4-2265-01
MOTOR - EVAPORATOR - "PREVOST" - T-19		



From L-031 To R-079	Date:07/2024	PAGE:H4-2265-01
MOTOR - EVAPORATOR - "PREVOST" - T-19		

Item#	Part	Description	H 3 4 0	V I P 4 0	N O T E S
	561939	MOTOR "PREVOST" / 2 HP / 1750 RPM / (STAMPED T-19)	1	1	
1	562128	. COVER / FAN END	1	1	
2	562225	. ARMATURE MOTOR	1	1	
3	562126	. . FAN	1	1	
4	561203	. STATOR WOUND / COMPLETE	1	1	
5	561209	. BLOCK TERMINAL	1	1	
. NS	502543	. . NUT HEX M8-1.25 Z050	2	2	
. NS	500874	. . WASHER FL 8.4x17.0x1.6 Z050	2	2	
. NS	500588	. . SCREW CAP HEX M4-0.7x20 G8.8 Z050	2	2	
. NS	500438	. . WASHER FL .187x.437x.050 Z050	2	2	
6	562127	. COVER / COMMUTATOR END	1	1	
7	561210	. BALL BEARING	2	2	
8	561211	. WASHER SPRING	1	1	
9	561204	. GRILLE PROTECTOR / PRODUCTION	1	1	
9	064230	. GRILL PROTECTOR / SERVICE	1	1	
10	561208	. BRUSH HOLDER ASSY / W/SPRING	1	1	
11	562546	. . SPRING, TORSION / .750 O.D. x .322 x .020	4	4	
12	561202	. BRUSH	4	4	
13	563166	. STAR RING	1	1	

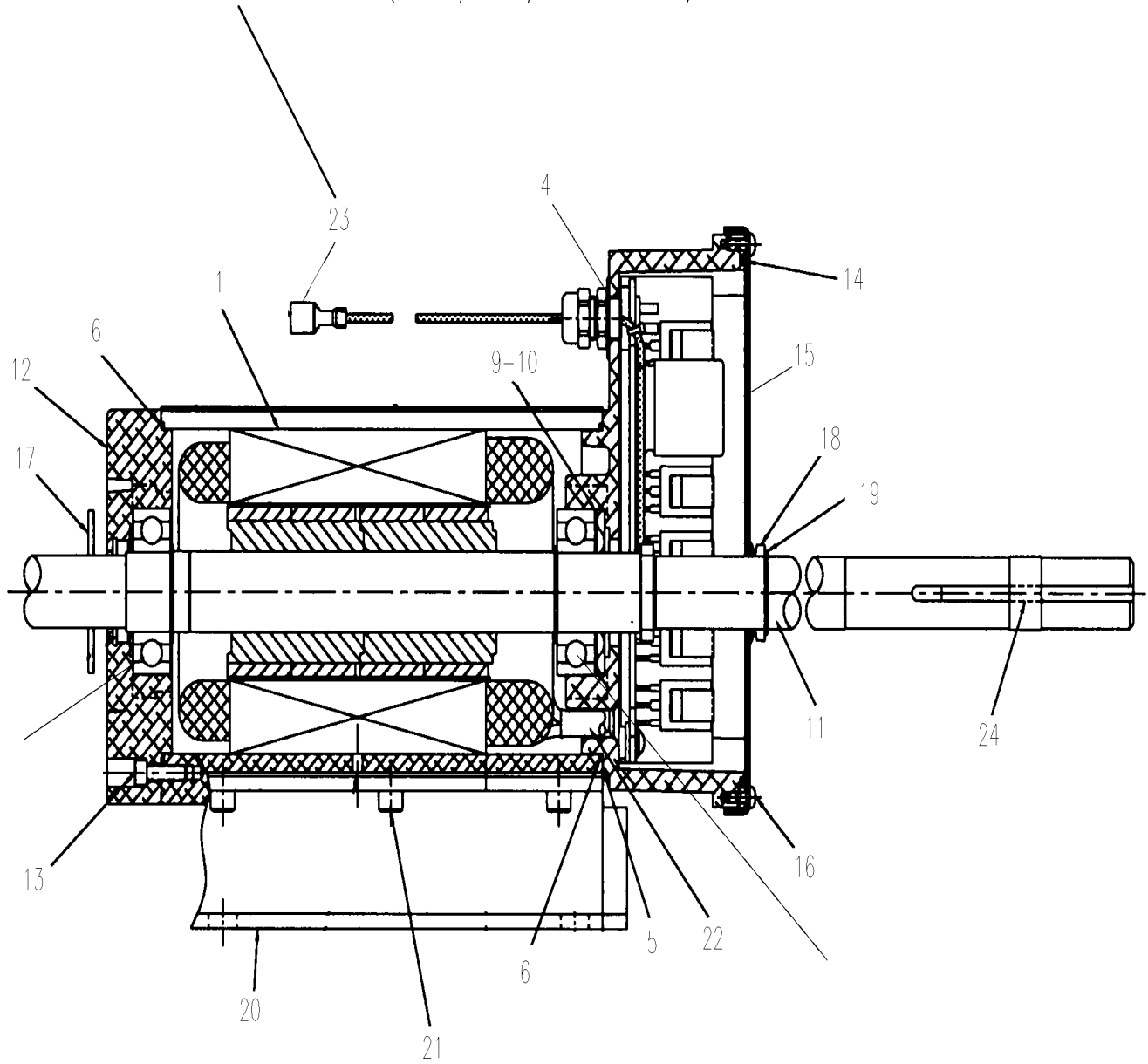
From L-031 To R-079

Date:07/2024

PAGE:H4-2265-47

MOTOR - EVAPORATOR BRUSHLESS

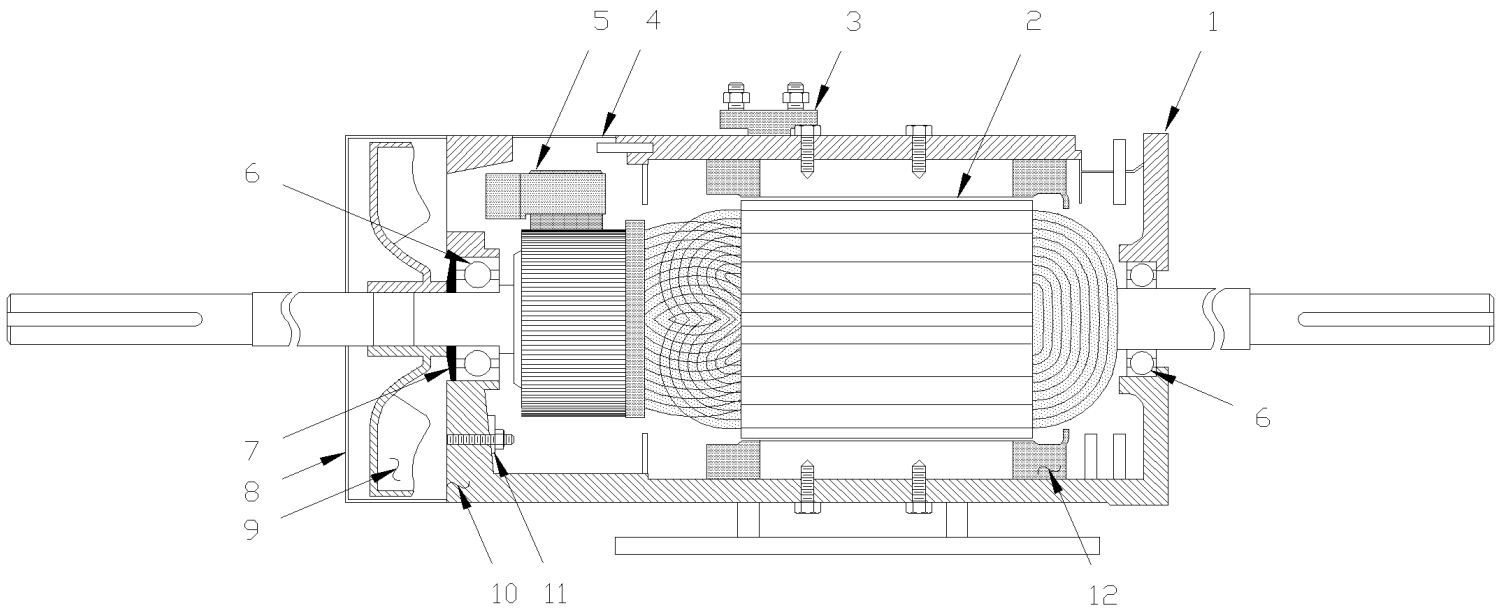
NOTE.: IN REPLACEMENT OF FORMER MOTOR MODEL YOU REQUIRE THOSE PARTS TO MODIFIED ITEM # 23 ONE OF EACH (561577,561578, 561786 & 563623)



From L-031 To R-079	Date:07/2024	PAGE:H4-2265-47
MOTOR - EVAPORATOR BRUSHLESS		

Item#	Part	Description	H 3 4 0	V I P 4 0	N O T E S
	563586	MOTOR EVAPORATOR BRUSHLESS / (E-50348-0A)	1	1	S
	564216	MOTOR EVAPORATOR BRUSHLESS / 2 SPEEDS	1	1	
		"WARNING" - "WARNING" -"WARNING" - "WARNING"			
		THE FOLLOWING PARTS NUMBER ARE NOT			
		"PREVOST" NUMBER AND IT NOT IN S.A.P. SYSTEM			
		THEY ARE O.E.M. MFG NUMBER			
1	Call order desk	. MOTOR ASSY / COMPLETE	1	1	P
4	564621	. CONTROLLER ASSEMBLY	1	1	
5	Call order desk	. GASKET	1	1	P
6	Call order desk	. O-RING 3.989" x .070"	1	1	P
7	Call order desk	. SCREW MA PAN 8-32 x ?	1	1	P
8	Call order desk	. HEAT-SHRINK TUBING	1	1	P
9	Call order desk	. WAVE SPRING	1	1	P
10	Call order desk	. SHIM	1	1	P
11	Call order desk	. SHAFT / ROTOR ASSY W/KEYS	1	1	P
12	Call order desk	. ENDBELL	1	1	P
13	Call order desk	. SCREW MA PAN 8-32 x .875"	1	1	P
14	Call order desk	. O-RING SEAL	1	1	P
15	Call order desk	. COVER	1	1	P
16	Call order desk	. SCREW MA PAN #6-32	1	1	P
17	Call order desk	. SLINGER	1	1	P
18	Call order desk	. V-SEAL	1	1	P
19	Call order desk	. EXTERNAL RETAINING RING	1	1	P
20	Call order desk	. BASE PLATE	1	1	P
21	Call order desk	. SCREW CAP HEXS 1/4-20 x ?	1	1	P
22	Call order desk	. TUBING	1	1	P
23	Call order desk	. TERMINAL (0.032 X 0.25)	1	1	P
24	Call order desk	. KEY SQUARE 3/16" x 3"	1	1	P
30	032937	KIT / SHAFT SHIELD	1	1	S
. NS	033188	. SHIELD / SHAFT	1	1	S
. NS	500443	. SCREW TP PAN PH #8x1/2 N500	5	5	S
. NS	IS-10125	. SEE INSTRUCTION SHEET	1	1	S
		S) USE WITH OLD MOTOR 563586 WITHOUT SEAL ON THE SHAFT			
		P) CALL ORDER DESK FOR SPECIFIC APPLICATION (V.I.N.)			

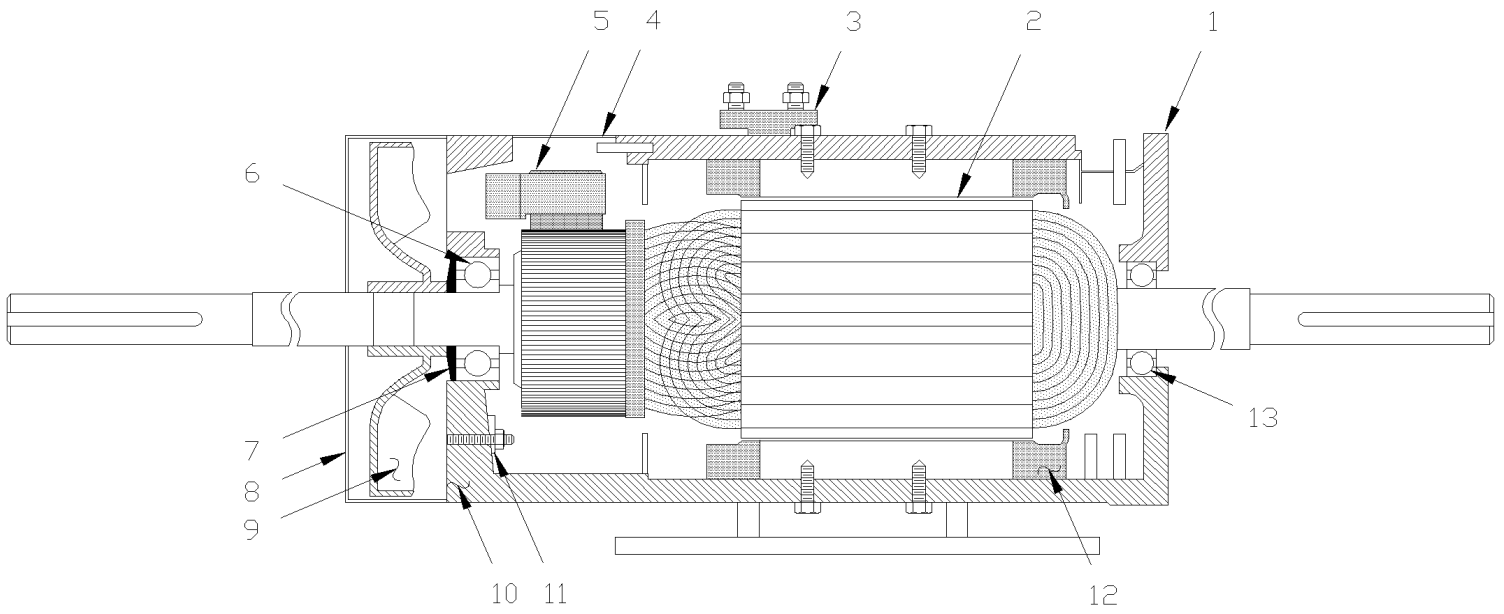
From L-031 To R-079	Date:07/2024	PAGE:H4-2265-48
MOTOR - EVAPORATOR - "PREVOST" - T-17 - 2 SPEEDS / SERVICE		



From L-031 To R-079	Date:07/2024	PAGE:H4-2265-48
MOTOR - EVAPORATOR - "PREVOST" - T-17 - 2 SPEEDS / SERVICE		

Item#	Part	Description	H 3 4 0	V I P 4 0	N O T E S
	563008	MOTOR "PREVOST" / 2.1 HP / 1400 & 1880 RPM / (STAMPED T-17)	1	1	A
1	563079	. COVER	1	1	
2	563077	. ARMATURE MOTOR	1	1	
3	563122	. BLOCK, RECEPTACLE	1	1	
4	562527	. GRILLE PROTECTOR	1	1	
5	562951	. BRUSH	4	4	
6	561210	. BALL BEARING	2	2	
7	561211	. WASHER SPRING	1	1	
8	562521	. COVER / FAN END	1	1	
9	562526	. FAN	1	1	
10	563078	. COVER / COMMUTATOR END	1	1	
11	563081	. BRUSH HOLDER ASSY / W/SPRING	1	1	
11	562546	. . SPRING, TORSION / .750 O.D. x .322 x .020	4	4	
12	563080	. STATOR WOUND / COMPLETE	1	1	
NS	065548	KIT, EVAPORATOR MOTOR SPEED CONTROL To R-396	1	1	
. NS	IS-00032	. SEE INSTRUCTION SHEET To R-396			
NS	453830	KIT, SERVICE, REPLACEMENT BRUSH MOTOR	1	1	
. NS	IS-05903	. SEE INSTRUCTION SHEET	1	1	
. NS	562951	. BRUSH	4	4	
. NS	680309	. HONING / STONE (FOR CLEAN COMMUTATOR)	2	2	
		A) USE WITH KIT #065548 SEE PAGE H4-2215-49			

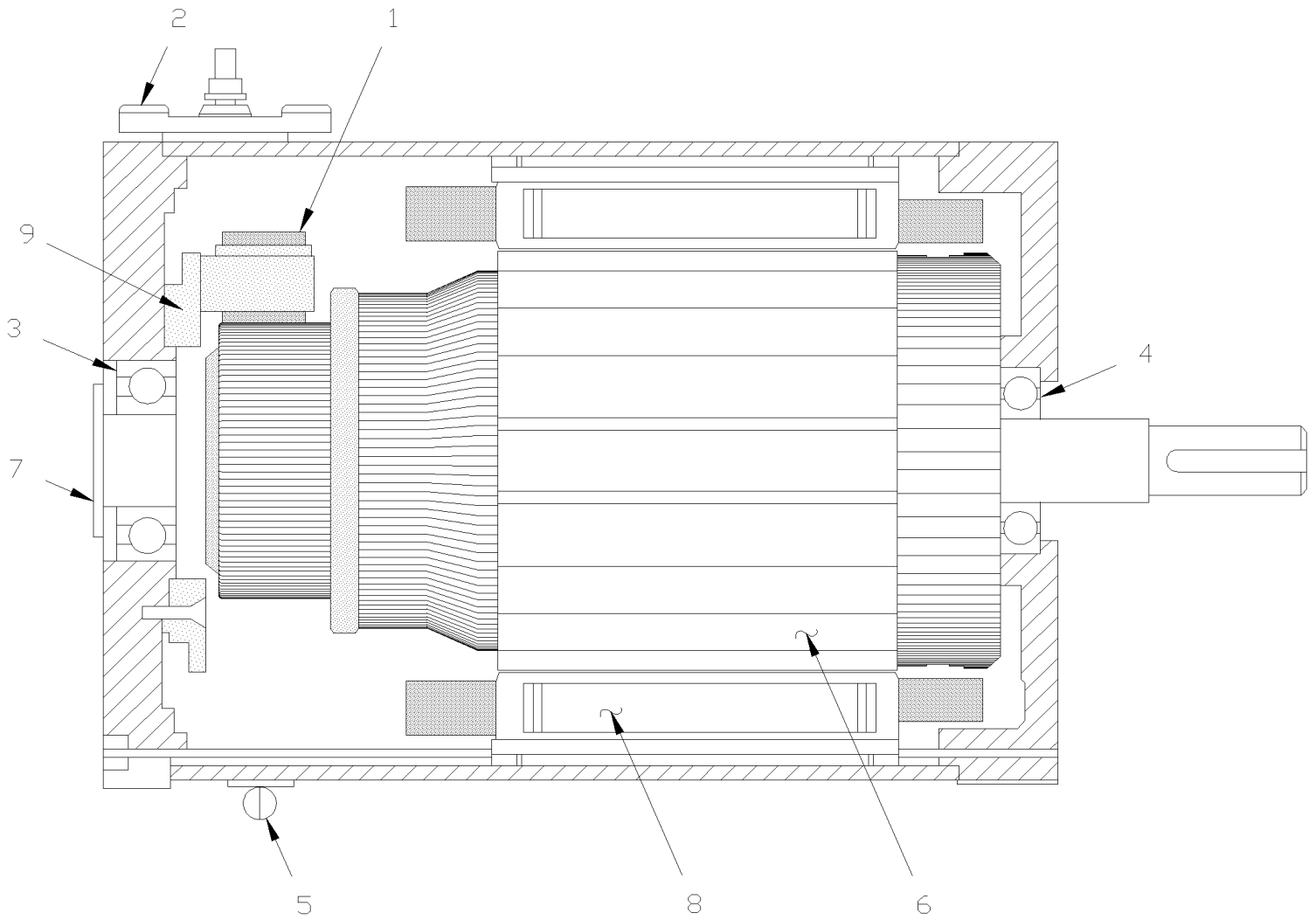
From L-031 To R-079	Date:07/2024	PAGE:H4-2265-49
MOTOR - EVAPORATOR - "PREVOST" - T-17 / SERVICE		



From L-031 To R-079	Date:07/2024	PAGE:H4-2265-49
MOTOR - EVAPORATOR - "PREVOST" - T-17 / SERVICE		

Item#	Part	Description	H 3 4 0	V I P 4 0	N O T E S
	562375	MOTOR "PREVOST" / 2.1 HP / 1880 RPM / (STAMPED T-17)	1	1	A
1	562523	. COVER	1	1	
2	562525	. ARMATURE MOTOR	1	1	
3	561209	. BLOCK TERMINAL	1	1	
. NS	502543	. . NUT HEX M8-1.25 Z050	2	2	
. NS	500874	. . WASHER FL 8.4x17.0x1.6 Z050	2	2	
. NS	500588	. . SCREW CAP HEX M4-0.7x20 G8.8 Z050	2	2	
. NS	500438	. . WASHER FL .187x.437x.050 Z050	2	2	
4	562527	. GRILLE PROTECTOR	1	1	
5	562951	. BRUSH	4	4	
6	562520	. BALL BEARING	1	1	
7	561211	. WASHER SPRING	1	1	
8	562521	. COVER / FAN END	1	1	
9	562526	. FAN	1	1	
10	562522	. COVER / COMMUTATOR END	1	1	
11	561208	. BRUSH HOLDER ASSY / W/SPRING	1	1	
11	562546	. . SPRING, TORSION / .750 O.D. x .322 x .020	4	4	
12	562528	. STATOR WOUND / COMPLETE	1	1	
13	561210	. BALL BEARING	1	1	
NS	453830	KIT, SERVICE, REPLACEMENT BRUSH MOTOR	1	1	
. NS	IS-05903	. SEE INSTRUCTION SHEET	1	1	
. NS	562951	. BRUSH	4	4	
. NS	680309	. HONING / STONE (FOR CLEAN COMMUTATOR)	2	2	
		A) THIS MOTOR IT SUPERSED BY KIT #065548			

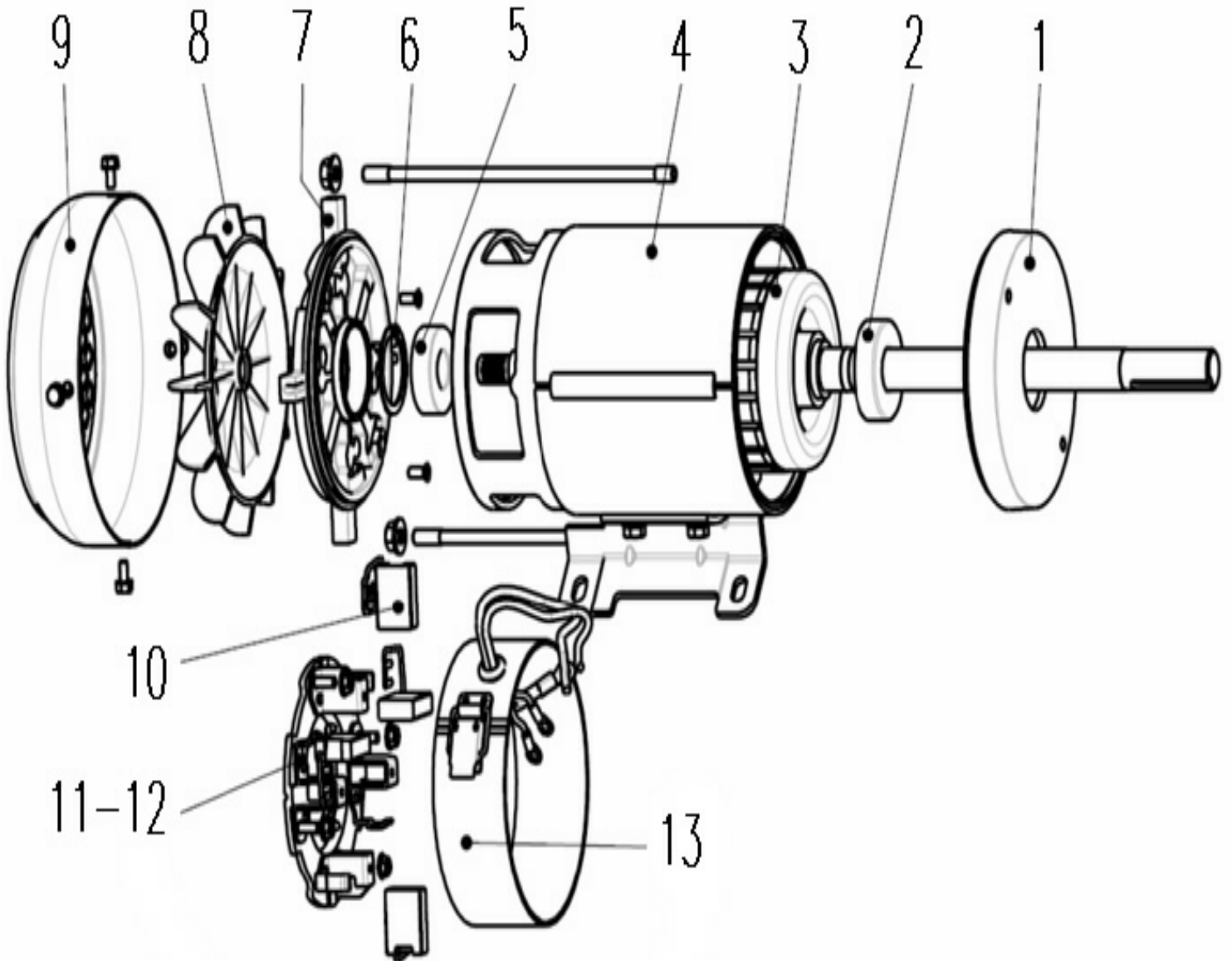
From L-031 To R-079	Date:07/2024	PAGE:H4-2265-50
MOTOR - CONDENSOR - "PREVOST" - TAP-12		



From L-031 To R-079	Date:07/2024	PAGE:H4-2265-50
MOTOR - CONDENSOR - "PREVOST" - TAP-12		

Item#	Part	Description	H 3 4 0	V I P 4 0	N O T E S
	561558	MOTOR / .57 HP / 1950 RPM / MODEL TAP-12 / W/8" SHAFT	2	2	E
	562753	MOTOR / .57 HP / 1950 RPM / MODEL TF-12 // W/8" SHAFT / (SERVICE)	AR	AR	E B
1	561914	. BRUSH	4	4	
2	561913	. BOARD, TERMINAL	1	1	
3	507226	. BALL BEARING	1	1	
4	507308	. BALL BEARING	1	1	
5	562097	. STRAP ASSY W/HOOK	1	1	
6	N.S.S.	. ARMATURE	1	1	1 C
6	563120	. ARMATURE / TF12 / W/8" SHAFT	1	1	D
7	562653	. CAP PROTECTOR	AR	AR	A
8	N.S.S.	. PERMANENT MAGNET / W/MODEL TAP-12	1	1	1 C
8	563121	. FIELD COIL ASSY	1	1	D
9	563072	. COVER ASSY / WITH BRUSH HOLDER	1	1	
NS	562545	. . SPRING, TORSION / .875 O.D. x .317 x .0	4	4	
49	H4-2265-99	MOTOR - CONDENSOR - "PREVOST" - T11G / SERVICE			
49	H4-2265-98	MOTOR - CONDENSOR - "PREVOST" - T114 / SERVICE			
50	453624	KIT RETROFIT MOTOR / W/8" SHAFT (SERIE "H" / UP TO V-1960)	1	1	
. NS	IS-00051	. SEE INSTRUCTION SHEET	1	1	
51	066655	KIT RETROFIT MOTOR T114 W/CONNECTORS / W/8" SHAFT	1	1	
NS	563595	PIN TERMINAL / 12-10 / PED 12052139	2	2	
NS	563596	SOCKET TERMINAL / 12 / PED 12065197	2	2	
NS	563597	CABLE SEAL / PURPLE / PED 15324990	4	4	
NS	563599	CAP LOCK CONNECTOR / GRAY / PED 12020833	1	1	
NS	563600	CONNECTOR / METRI-PACK 480 / 2C PH / PED 12052613	1	1	
NS	563601	CONNECTOR / METRI-PACK 480 / 2C SH / PED 12065863	1	1	
NS	563602	SECONDARY LOCK / METRI-PACK 480 / 2C / BLACK / PED 12059897	2	2	
		A) USE THIS CAP FOR PRODUCT IMPROVMENT BEARING LIFE ON MOTOR 561558			
		B) SERVICE ONLY			
		C) NOT SOLD SEPARTELY FOR MOTOR MODEL TAP-12 #561558			
		D) USE ONLY WITH MOTOR / MODEL TF-12 #562753			
		E) THIS MOTORS IT SUPPERSEDED BY KIT # 066655			
		1) NOT SOLD SEPARATELY			

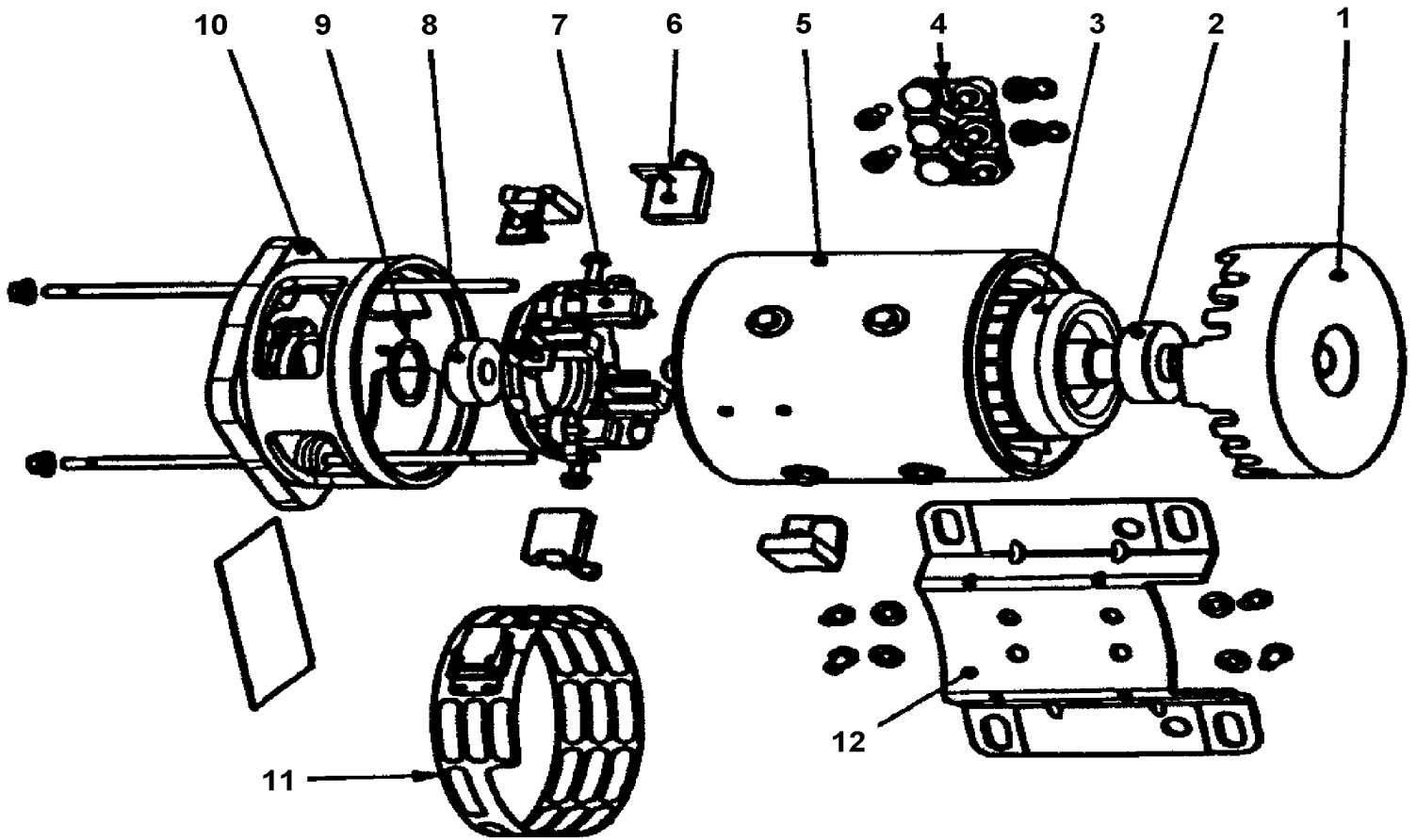
From L-031 To R-079	Date:07/2024	PAGE:H4-2265-98
MOTOR - CONDENSOR - "PREVOST" - T114 / SERVICE		



From L-031 To R-079	Date:07/2024	PAGE:H4-2265-98
MOTOR - CONDENSOR - "PREVOST" - T114 / SERVICE		

Item#	Part	Description	H 3 4 0	V I P 4 0	N O T E S
	563943	MOTOR / .57 HP / 1950 RPM / MODEL T114 / W/8" SHAFT (SERVICE)	1	1	
1	563729	. COVER			
2	560974	. BALL BEARING	1	1	
3	563733	. ARMATURE / T114 / W/8" SHAFT	1	1	
4	563727	. PERMANENT MAGNET / ASSY W/CASE			
5	0907240	. BALL BEARING	1	1	
6	N.P.N.	. PRELOAD WASHER	1	1	4
7	563728	. COVER COMMUTATOR END			
8	563730	. FAN			
9	563732	. COVER FAN PROTECTOR			
10	561914	. BRUSH	4	4	
11	563111	. BRUSH HOLDER ASSY	1	1	
12	562545	. SPRING, TORSION / .875 O.D. x .317 x .0	4	4	
13	563731	. PROTECTOR GRILL			
51	453624	KIT RETROFIT MOTOR / W/8" SHAFT (SERIE "H" / UP TO V-1960)	1	1	
. NS	IS-00051	. SEE INSTRUCTION SHEET	1	1	
NS	563595	. PIN TERMINAL / 12-10 / PED 12052139	2	2	
NS	563596	. SOCKET TERMINAL / 12 / PED 12065197	2	2	
NS	563597	. CABLE SEAL / PURPLE / PED 15324990	4	4	
NS	563599	. CAP LOCK CONNECTOR / GRAY / PED 12020833	1	1	
NS	563600	. CONNECTOR / METRI-PACK 480 / 2C PH / PED 12052613	1	1	
NS	563601	. CONNECTOR / METRI-PACK 480 / 2C SH / PED 12065863	1	1	
NS	563602	. SECONDARY LOCK / METRI-PACK 480 / 2C / BLACK / PED 12059897	2	2	
67	454478	KIT,MOTOR COND. 563943 REPLACEMENT	1	1	
. NS	560424	. MOTOR / .57 HP / 1950 RPM // W/2" SHAFT / SCOTT DC	1	1	
. NS	505037	. 5/8 ID SET SCREW SHAFT COUPLING	1	1	
. NS	505038	. 5/8 OD KEYED ROTARY SHAFT 6"LG	1	1	
. NS	505040	. SHAFT KEY 3/16X3/16X1	2	2	
		4) NO PARTS NUMBER			

From L-031 To R-079	Date:07/2024	PAGE:H4-2265-99
MOTOR - CONDENSOR - "PREVOST" - T11G / SERVICE		



From L-031 To R-079	Date:07/2024	PAGE:H4-2265-99
MOTOR - CONDENSOR - "PREVOST" - T11G / SERVICE		

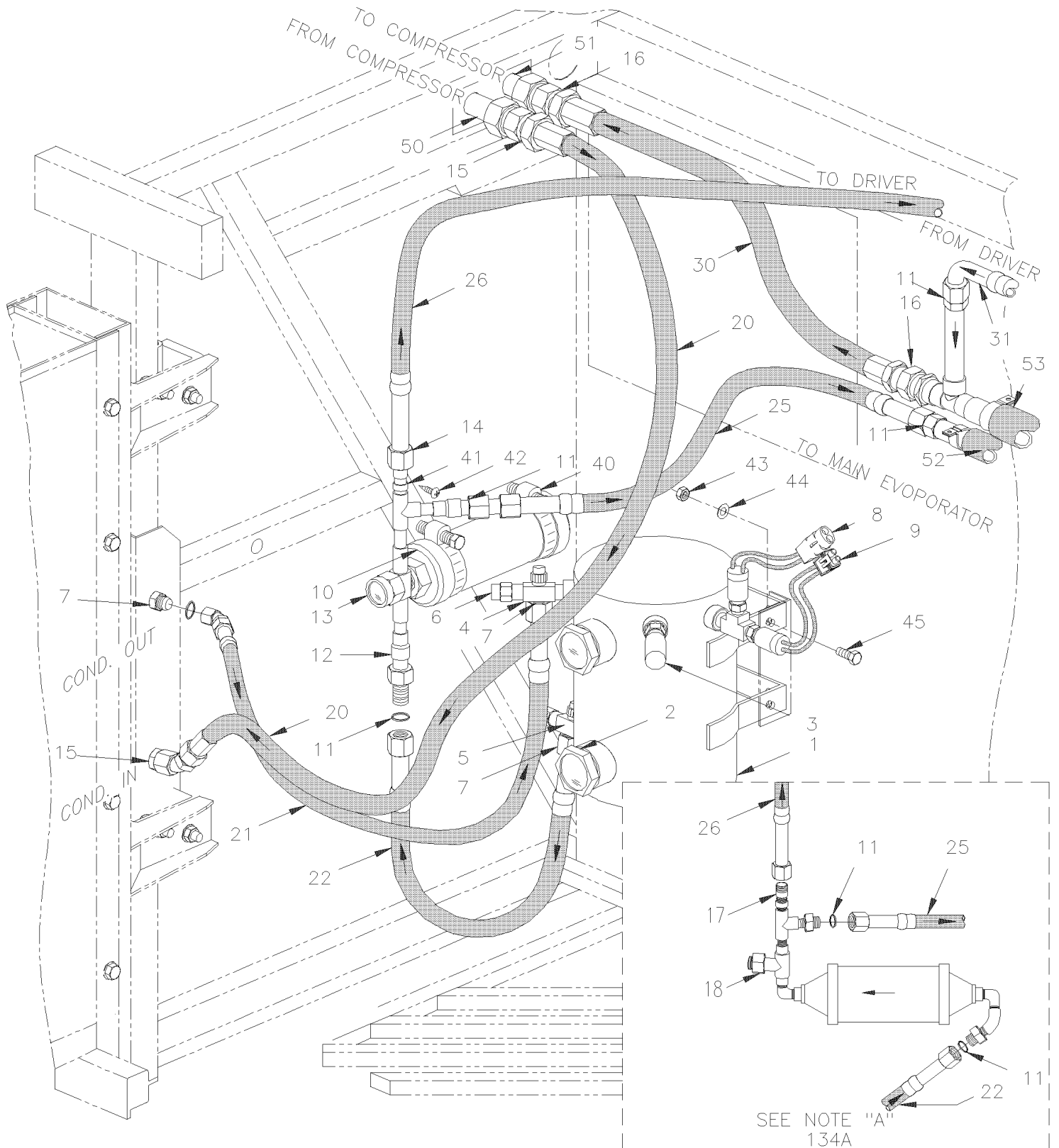
Item#	Part	Description	H 3 4 0	V I P 4 0	N O T E S
	563062	MOTOR / .57 HP / 1950 RPM / MODEL TF-11G / W/8" SHAFT / (SERVICE C.C.W.)	2	2	A B
1	563114	. COVER	1	1	
2	507226	. BALL BEARING	1	1	
3	563118	. ARMATURE / T11G / W/8" SHAFT	1	1	
4	563117	. BLOCK TERMINAL	1	1	
5	563110	. FIELD COIL ASSY	1	1	
6	561914	. BRUSH	4	4	
7	563111	. BRUSH HOLDER ASSY	1	1	
7	562545	. . SPRING, TORSION / .875 O.D. x .317 x .0	4	4	
8	560974	. BALL BEARING	1	1	
9	561211	. WASHER SPRING	1	1	
10	563113	. COVER COMUTATOR END	1	1	
11	563116	. GRILL PROTECTOR	1	1	
12	563115	. REMOVABLE SOCKET	1	1	
NS	453624	KIT RETROFIT MOTOR / W/8" SHAFT (SERIE "H" / UP TO V-1960)	1	1	
. NS	IS-00051	. SEE INSTRUCTION SHEET	1	1	
50	066655	KIT RETROFIT MOTOR T114 W/CONNECTORS / W/8" SHAFT			
NS	563595	PIN TERMINAL / 12-10 / PED 12052139	2	2	
NS	563596	SOCKET TERMINAL / 12 / PED 12065197	2	2	
NS	563597	CABLE SEAL / PURPLE / PED 15324990	4	4	
NS	563599	CAP LOCK CONNECTOR / GRAY / PED 12020833	1	1	
NS	563600	CONNECTOR / METRI-PACK 480 / 2C PH / PED 12052613	1	1	
NS	563601	CONNECTOR / METRI-PACK 480 / 2C SH / PED 12065863	1	1	
NS	563602	SECONDARY LOCK / METRI-PACK 480 / 2C / BLACK / PED 12059897	2	2	
		A) THIS MOTOR IS INCLUDE IN KIT #453624			
		B) THIS MOTORS IT SUPPERSEDED BY KIT # 066655			

From L-031 To R-079

Date:07/2024

PAGE:H4-2270-00

RECEIVER TANK & FILTER DRYER



From L-031 To R-079	Date:07/2024	PAGE:H4-2270-00
RECEIVER TANK & FILTER DRYER		

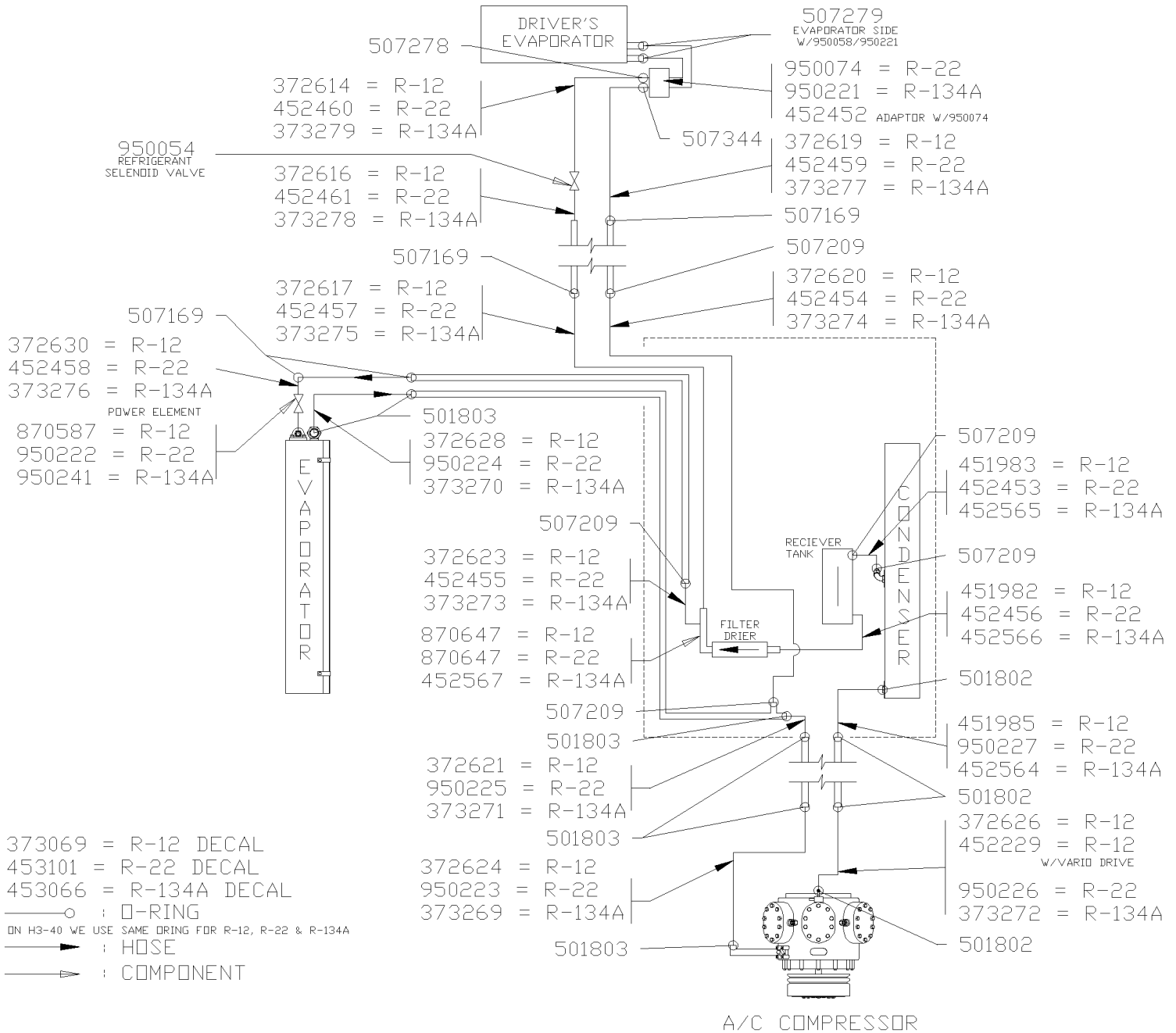
Item#	Part	Description	H 3 4 0	V I P 4 0	N O T E S
1	871045	RECEIVER TANK ASSY	1	1	
. NS	871001	. SIGHT GLASS ASSY 1 NPT	2	2	
2	871001	. SIGHT GLASS ASSY 1 NPT	2	2	
3	870581	VALVE, SAFETY 340 PSI	1	1	
3	870890	VALVE, SAFETY 450 PSI	1	1	B
4	950024	VALVE ASSY / SERVICE / INLET	2	2	
5	950023	VALVE ASSY / SERVICE / OUTLET	1	1	
6	950158	. MOUNTING PLATE FOR MOTOR	1	1	
7	507169	O-RING 1/2 I.D.	AR	AR	
8	062644	PRESSURE SWITCH N.O. 120-90 20SP001AA120G090E	1	1	
8	063745	PRESSURE SWITCH N.O. 150-100 20SP001AA150K100K	1	1	
9	062643	PRESSURE SWITCH N.O. 170-130 20SP001AA170J130J	1	1	
9	063746	PRESSURE SWITCH N.O. 60-35 20SP001AA060E035E	1	1	
NS	501338	MALE RUN TEE / PIPE FITTING / 1/4NPT-Mx1/4NPT-Fx1/4NPT-F BR	1	1	
NS	950249	SCHRADER VALVE 1/4NPT-M	1	1	B
10	870647	FILTER DRYER ASSY / W/R12 & R22	1	1	
. NS	951196	. O-RING TEFLON 1 3/8" I.D. x 1 5/8" O.D.	1	1	
11	507280	O-RING / ORS FITTING / #12 NEO	AR	AR	
12	451842	MOISTURE INDICATOR ASSY	1	1	
13	950029	. CAP, MOISTURE INDICATOR	1	1	
14	501801	O-RING / ORS FITTING / #8 NEO	AR	AR	
15	501802	O-RING / ORS FITTING / #16 NEO	AR	AR	
16	501803	O-RING / ORS FITTING / #20 NEO	AR	AR	
17	452567	FILTER DRYER ASSY WELDED / W/134A	1	1	
. NS	950231	. FILTER DRYER	1	1	
18	950232	MOISTURE INDICATOR	1	1	
20	451985	HOSE ASSY / W/R-12 / #16 978MM	1	1	
20	950227	HOSE ASSY / W/R-22 / #16 1100MM / SS BELLOW	1		
20	452564	HOSE ASSY / W/R-134a / #16 978MM	1	1	
21	451983	HOSE ASSY / W/R-12 / #12 1000MM	1	1	
21	452453	HOSE ASSY TEFLON / W/R-22 / #12 1006MM	1		
21	452565	HOSE ASSY / W/R-134a / #12 1000MM	1	1	
22	451982	HOSE ASSY / W/R-12 / #10 660MM	1	1	
22	452456	HOSE ASSY TEFLON / W/R-22 / #10 669MM	1		
22	452566	HOSE ASSY / W/R-134a / #10 1000MM	1	1	
25	372623	HOSE ASSY / W/R-12 / #12 679MM	1	1	
25	452455	HOSE ASSY TEFLON / W/R-22 / #12 660MM	1		
25	373273	HOSE ASSY / W/R-134a / #12 654MM	1	1	
26	372617	HOSE ASSY / W/R-12 / #10 3075MM	1	1	
26	452457	HOSE ASSY TEFLON / W/R-22 / #10 3087MM	1	1	
26	373275	HOSE ASSY / W/R-134a / #10 3075MM	1	1	
26	505110	. COIL PROTECTOR / PLASTIC / #12	AR	AR	

From L-031 To R-079	Date:07/2024	PAGE:H4-2270-00
RECEIVER TANK & FILTER DRYER		

Item#	Part	Description	H 3 4 0	V I P 4 0	N O T E S
30	372621	HOSE ASSY / W/R-12 / #20 495MM	1	1	
30	950225	HOSE ASSY / W/R-22 / #20 616MM / SS BELLOW	1		
30	373271	HOSE ASSY / W/R-134a / #20 495MM	1	1	
31	372620	HOSE ASSY / W/R-12 / #12 1803MM	1	1	
31	452454	HOSE ASSY TEFLON / W/R-22 / #12 1809MM	1		
31	373274	HOSE ASSY / W/R-134a / #12 1803MM	1	1	
NS	505110	. COIL PROTECTOR / PLASTIC / #12	AR	AR	
40	370718	STRAP / TO FIX DRYER	1	1	
NS	450344	RUBBER / AROUND DRYER	1	1	
NS	450347	RUBBER / FIXED TO WALL	1	1	
41	560872	CLAMP / 1"1/16 I.D.	2	2	
42	500948	SCREW TC CAP HEX 1/4-20x1 Z050	2	2	
43	500256	NUT HEX M10-1.5 Z050	4	4	
44	500257	WASHER LO SPT 10.2x18.1x2.2 Z050	4	4	
45	502559	SCREW CAP HEX M10-1.5x25 G8.8 Z050	4	4	
50	372649	TUBE ASSY, PRESSURE / A/C COMPRESSOR / W/R-12 & R-22	1	1	
51	372650	TUBE ASSY, VACUUM / A/C COMPRESSOR / W/R-12 & R-22	1	1	
52	372660	PIPE ASSY / W/R-12 & R-22	1	1	
53	372664	PIPE ASSY / W/R-12 & R-22	1	1	
		WE DID NOT PRODUCED H3-40 WITH R-134A.			
		ARE USED ONLY WITH RETROFIT KIT. TO RETROFIT			
		YOUR VEHICLE, ORDER KIT #452631, 452632 AND			
		452633 AND SEE INSTRUCTION SHEET IS-94090			
		TO COMPLETE THE CORRECT INSTALLATION			
NS	452631	KIT, PRESSURES SWITCHES	1	1	
. NS	IS-94090	. SEE INSTRUCTION SHEET	1	1	
NS	452632	KIT, EXPANTION VALVE & FILTER DRIER	1	1	
. NS	IS-94090	. SEE INSTRUCTION SHEET	1	1	
NS	452633	KIT, A/C HOSES AND O-RING	1	1	
. NS	IS-94090	. SEE INSTRUCTION SHEET	1	1	
NS	950239	A/C COMPRESSOR ASSY 05G / W41 .C.F.M. W/ALLS ACCESSORIES	1	1	
NS	950240	A/C COMPRESSOR ASSY 05G / W41 .C.F.M. W/ALLS ACCESSORIES	1	1	
		B) W/R134A			

From L-031 To R-079	Date:07/2024	PAGE:H4-2299-00
A/C HOSE & O-RING - W/ R-12 / R-22 & R-134A		

H3-40 & V.I.P. 40 ONLY



NOTE :

- WE DID NOT PRODUCED H3-40 WITH R-134A, R-134A PARTS ARE USED ONLY WITH RETROFIT KIT.
- TO CHANGE FROM R-12 TO R-134A THE NEXT 3 KITS ARE REQUIRED.
 - 452633 KIT, HOSE & O-RING WITH INSTRUCTION SHEET IS 94090,
 - 452632 KIT, EXPANSION VALVE & DRYER,
 - 452631 KIT, PRESSURE SWITCH FOR COMPRESSOR.
- IF EXISTING COMPRESSOR NEED TO BE REPLACED, THE KIT 452631 IS NOT REQUIRED. IF IT IS REPLACED BY 950240 COMPRESSOR ASSY (WITH VEHICULE 6V92 & 8V92) OR BY 950239 COMPRESSOR ASSY (WITH VEHICULE SERIES 60).

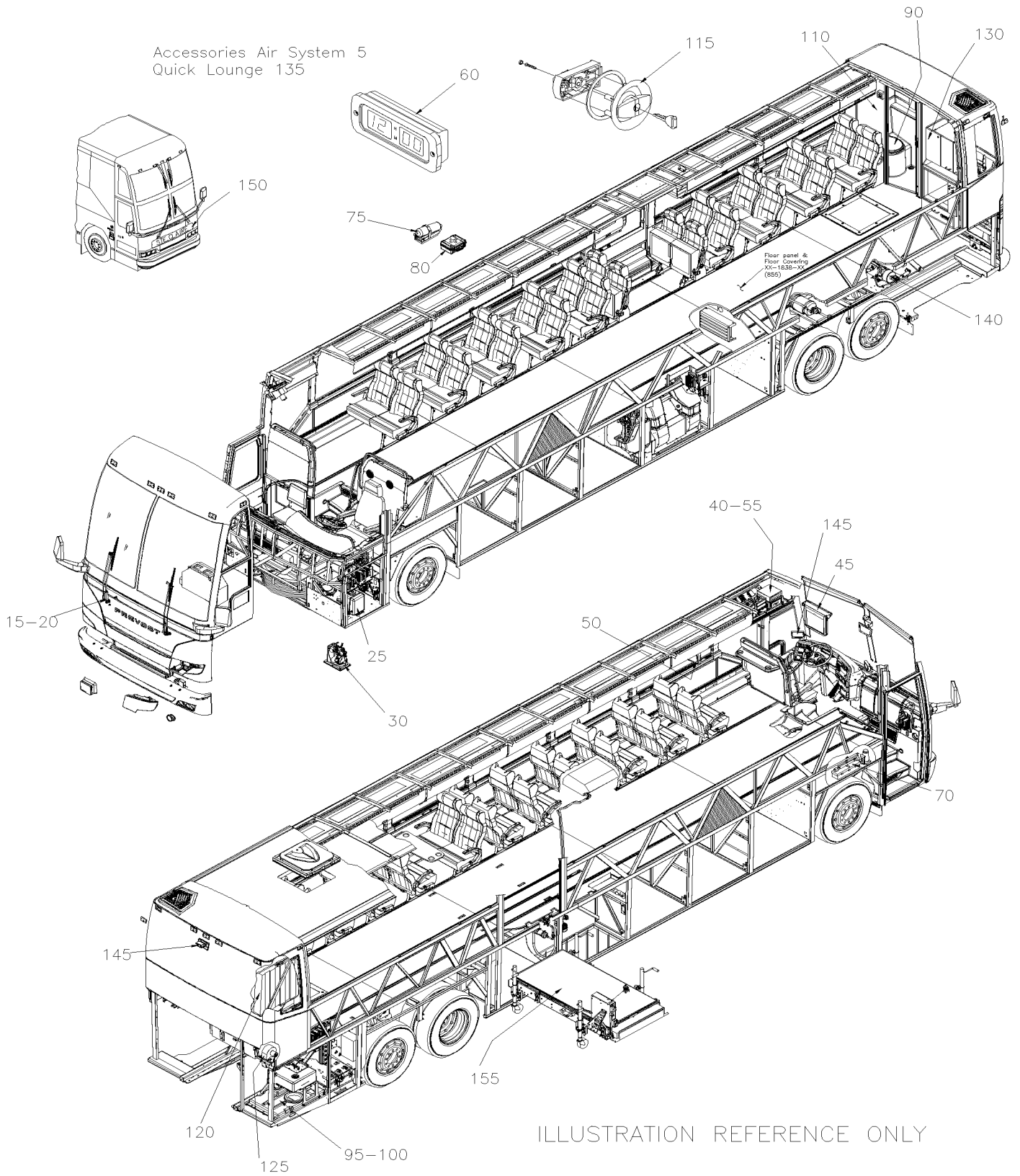
From L-031 To R-079	Date:07/2024	PAGE:H4-2299-00
A/C HOSE & O-RING - W/ R-12 / R-22 & R-134A		

Item#	Part	Description	H 3 4 0	V I P 4 0	N O T E S
1	372614	HOSE ASSY / W/R-12 / #6 1400MM	AR	AR	
2	372616	HOSE ASSY / W/R-12 / #10 503MM	AR	AR	
3	372617	HOSE ASSY / W/R-12 / #10 3075MM	AR	AR	
4	372619	HOSE ASSY / W/R-12 / #10 86"	AR	AR	
5	372620	HOSE ASSY / W/R-12 / #12 1803MM	AR	AR	
6	372621	HOSE ASSY / W/R-12 / #20 495MM	AR	AR	
7	372623	HOSE ASSY / W/R-12 / #12 679MM	AR	AR	
8	372624	HOSE ASSY / SUCTION W/R-12 / #20 440MM	AR	AR	
9	372626	HOSE ASSY / DISCHARGE W/R-12 / #16 610MM	AR	AR	
10	372628	HOSE ASSY / W/R-12 / #20 650MM	AR	AR	
11	372630	HOSE ASSY / W/R-12 / #10 645MM	AR	AR	
12	373069	DECAL FREON R-12	AR	AR	
13	373269	HOSE ASSY / SUCTION W/R-134a / #20 940MM	AR	AR	
14	373270	HOSE ASSY / W/R-134a / #20 650MM	AR	AR	
15	373271	HOSE ASSY / W/R-134a / #20 495MM	AR	AR	
16	373272	HOSE ASSY / DISCHARGE W/R-134a / #16 610MM	AR	AR	
17	373273	HOSE ASSY / W/R-134a / #12 654MM	AR	AR	
18	373274	HOSE ASSY / W/R-134a / #12 1803MM	AR	AR	
19	373275	HOSE ASSY / W/R-134a / #10 3075MM	AR	AR	
20	373276	HOSE ASSY / W/R-134a / #10 645MM	AR	AR	
21	373277	HOSE ASSY / W/R-134a / #10 2185MM	AR	AR	
22	373278	HOSE ASSY / W/R-134a / #6 508MM	AR	AR	
23	373279	HOSE ASSY / W/R-134a / #6 1400MM	AR	AR	
24	451982	HOSE ASSY / W/R-12 / #10 660MM	AR	AR	
25	451983	HOSE ASSY / W/R-12 / #12 1000MM	AR	AR	
26	451985	HOSE ASSY / W/R-12 / #16 978MM	AR	AR	
27	452229	HOSE ASSY / DISCHARGE W/R-12 & VARIO / #16 505MM	AR	AR	
28	452452	ADAPTOR W/R-22	AR	AR	
29	452453	HOSE ASSY TEFLON / W/R-22 / #12 1006MM	AR	AR	
30	452454	HOSE ASSY TEFLON / W/R-22 / #12 1809MM	AR	AR	
31	452455	HOSE ASSY TEFLON / W/R-22 / #12 660MM	AR	AR	
32	452456	HOSE ASSY TEFLON / W/R-22 / #10 669MM	AR	AR	
33	452457	HOSE ASSY TEFLON / W/R-22 / #10 3087MM	AR	AR	
34	452458	HOSE ASSY TEFLON / W/R-22 / #10 654MM	AR	AR	
35	452459	HOSE ASSY TEFLON / W/R-22 / #10 2189MM	AR	AR	
36	452460	HOSE ASSY TEFLON #6 1410MM	AR	AR	
37	452461	HOSE ASSY TEFLON #6 602MM	AR	AR	
38	452564	HOSE ASSY / W/R-134a / #16 978MM	AR	AR	
39	452565	HOSE ASSY / W/R-134a / #12 1000MM	AR	AR	
40	452566	HOSE ASSY / W/R-134a / #10 1000MM	AR	AR	
41	452567	FILTER DRYER ASSY WELDED / W/134A	AR	AR	
. NS	950231	. FILTER DRYER	1	1	

From L-031 To R-079	Date:07/2024	PAGE:H4-2299-00
A/C HOSE & O-RING - W/ R-12 / R-22 & R-134A		

Item#	Part	Description	H 3 4 0	V I P 4 0	N O T E S
42	452631	KIT, PRESSURES SWITCHES	AR	AR	
. NS	IS-94090	. SEE INSTRUCTION SHEET	1	1	
43	452632	KIT, EXPANTION VALVE & FILTER DRIER	AR	AR	
. NS	IS-94090	. SEE INSTRUCTION SHEET	1	1	
44	452633	KIT, A/C HOSES AND O-RING	AR	AR	
. NS	IS-94090	. SEE INSTRUCTION SHEET	1	1	
45	453066	DECAL R134A / NOMINAL CHARGE 24 LBS // ENGLISH & FRANCAIS	AR	AR	
46	453101	DECAL R22 / 24LBS	AR	AR	
47	501802	O-RING / ORS FITTING / #16 NEO	AR	AR	
48	501803	O-RING / ORS FITTING / #20 NEO	AR	AR	
49	507169	O-RING 1/2 I.D.	AR	AR	
50	507209	O-RING .424 ID	AR	AR	
51	507279	O-RING / ORS FITTING / #8 NEO	AR	AR	
52	870587	ELEMENT POWER R-12	AR	AR	
53	870647	FILTER DRYER ASSY / W/R12 & R22	AR	AR	
. NS	951196	. O-RING TEFLON 1 3/8" I.D. x 1 5/8" O.D.	1	1	
54	950054	VALVE REFRIGERANT SOLENOID / 3/8" NPT	AR	AR	S
54	958212	VALVE REFRIGERANT SOLENOID / 1/2" NPT	AR	AR	
54	501534	BUSHING REDUCER / PIPE FITTING / 1/2NPT-Mx3/8NPT-F BR	2	2	
55	950058	VALVE, EXPANSION / DRIVER'S W/R-12	AR	AR	
56	950074	VALVE, EXPANSION 2 TON	AR	AR	
57	950221	VALVE, EXPANSION / DRIVER'S W/R134A	AR	AR	
58	950222	ELEMENT POWER R-22	AR	AR	
59	950223	HOSE ASSY / SUCTION W/R-22 / #20 1063MM / SS BELLOW	AR	AR	
60	950224	HOSE ASSY / W/R-22 / #20 758MM / SS BELLOW	AR	AR	
61	950225	HOSE ASSY / W/R-22 / #20 616MM / SS BELLOW	AR	AR	
62	950226	HOSE ASSY / DISCHARGE W/R-22 / #16 715MM / SS BELLOW	AR	AR	
63	950227	HOSE ASSY / W/R-22 / #16 1100MM / SS BELLOW	AR	AR	
64	950239	A/C COMPRESSOR ASSY 05G / W41 .C.F.M. W/ALLS ACCESSORIES	AR	AR	
65	950240	A/C COMPRESSOR ASSY 05G / W41 .C.F.M. W/ALLS ACCESSORIES	AR	AR	
66	950241	ELEMENT POWER R134A	AR	AR	
67	507278	O-RING / ORS FITTING / #4 NEO	AR	AR	
68	507344	O-RING / ORS FITTING / #10 NEO	AR	AR	
		S) THIS VALVE IS NO LONGER AVAILABLE USE 958212 WITH 950953 & 2X501534			

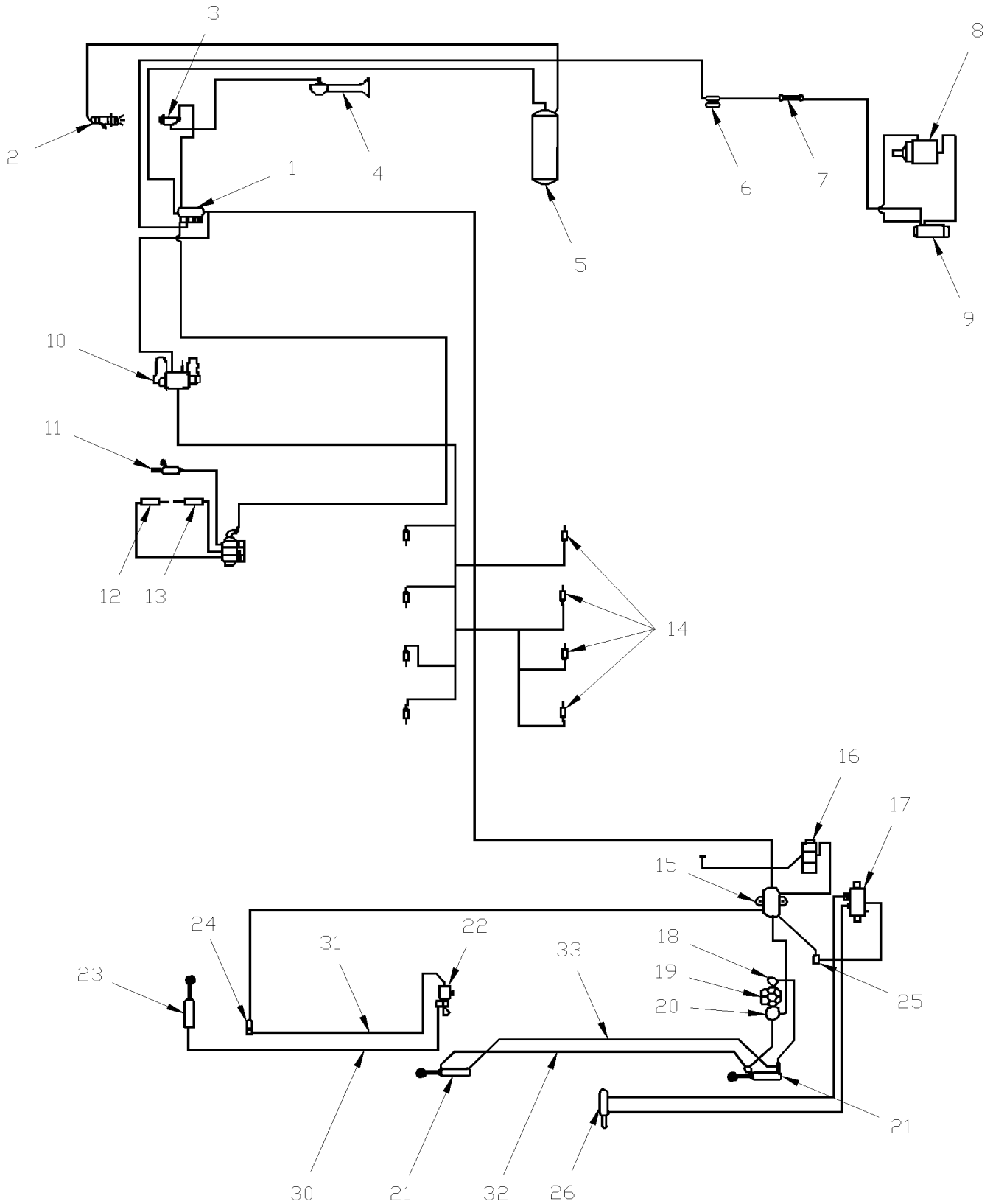
	Date:07/2024	H4-23
ACCESSORIES		



		Date:07/2024	H4-23		
ACCESSORIES					
Item#	Part	Description	H 3 4 0	V I P 4 0	N O T E S
5	H4-2300-00	ACCESSORIES AIR SYSTEM From L-031 To R-079			
15	H4-2305-00	LOWER WINDSHIELD WIPER From L-031 To R-079			
15	H4-2305-05	LOWER WINDSHIELD WIPER - INSTALLATION From L-031 To R-079			
20	H4-2305-10	UPPER WINDSHIELD WIPER From L-031 To R-079			
20	H4-2305-15	UPPER WINDSHIELD WIPER - INSTALLATION From L-031 To R-079			
25	H4-2305-20	WINDSHIELD WASHER - INSTALLATION From L-031 To R-079			
30	H4-2310-00	HORN - INSTALLATION From L-031 To R-079			
40	H4-2315-00	AUDIO SYSTEM From L-031 To R-079			
40	H4-2315-10	SOUND SYSTEM - INSTALLATION From L-031 To R-079			
40	H4-2315-50	POWERVERTER - 12/110 VOLTS / VIDEO & GALLEY From L-031 To R-079			
40	H4-2315-51	POWERVERTER - 12&24/110 VOLTS/VIDEO&GALLEY / SERVICE From L-031 To R-079			A
40	H4-2315-60	ROOF ANTENNA & VIDEO WIRING DIAGRAM From L-031 To R-079			
45	H4-2317-00	FRONT MONITOR - VIDEO From L-031 To R-079			
50	H4-2317-10	SIDE MONITOR - VIDEO From L-031 To N-172			
50	H4-2317-11	SIDE MONITOR - VIDEO From N-173 To R-079			
55	H4-2317-20	VIDEO VHS PLAYER - INSTALLATION From L-031 To R-079			
60	H4-2318-00	CLOCK (DIGITAL) From L-031 To R-079			
70	H4-2320-00	JACK & FLARE KIT - INSTALLATION From L-031 To R-079			
75	H4-2320-30	EXTINGUISHER - INSTALLATION From L-031 To R-079			
80	H4-2320-40	FIRST AID KIT & AXE - INSTALLATION From L-031 To R-079			
90	H4-2325-00	LAVATORY - ACCESSORIES From L-031 To R-079			
95	H4-2326-00	TOILET PUMP ASSY From L-031 To R-079			
100	H4-2327-00	SUMP TANK - S/S From L-031 To R-079			
100	H4-2327-01	SUMP TANK - PLASTIC / SERVICE From L-031 To R-079			A
110	H4-2328-00	LAVATORY WALL - INSTALLATION From L-031 To R-079			
115	H4-2329-00	LAVATORY DOOR LOCK & SWITCH From L-031 To R-079			
120	H4-2330-00	WATER & SUMP TANK - INSTALLATION From L-031 To R-079			
125	H4-2337-00	LAVATORY FAN - INSTALLATION From L-031 To R-079			
130	H4-2345-00	GALLEY ASSY From L-031 To R-079			
130	H4-2345-10	GALLEY ACCESSORIES From L-031 To R-079			
135	H4-2345-20	QUICK LOUNGE From L-031 To R-079			
136	H4-2345-99	110 VOLT - OUTLET / "RETROFIT" From L-031 To R-079			
140	870969	WATER HEATER - "ESPAR" 40,000 B.T.U. From L-031 To R-079			
140	871036	WATER HEATER - "WEBASTO" 80,000 B.T.U. From P-256 To R-079			
140	871097	WATER HEATER - "ESPAR" 41,000 B.T.U. From P-256 To R-079			A
145	H4-2355-00	BACK-UP CAMERA - INSTALLATION From L-031 To M-083			
145	H4-2355-01	BACK-UP CAMERA - INSTALLATION From M-084 To R-079			
150	H4-2360-00	MONOGRAM ASSY & LETTERS From L-031 To R-079			
155	H4-2370-00	W.C.L. "ST & ST" - PUMP INSTALLATION From P-343 To P-364			
155	H4-2370-05	W.C.L. "ST & ST" - MODEL SSPL 380 L From P-343 To P-364			
155	H4-2370-10	W.C.L. - DECAL From P-343 To P-364			
155	H4-2370-20	W.C.L. SEAT BELTS From P-343 To P-364			

		Date:07/2024	H4-23		
ACCESSORIES					
Item#	Part	Description	H 3 4 0	V I P 4 0	N O T E S
		A) SERVICE			

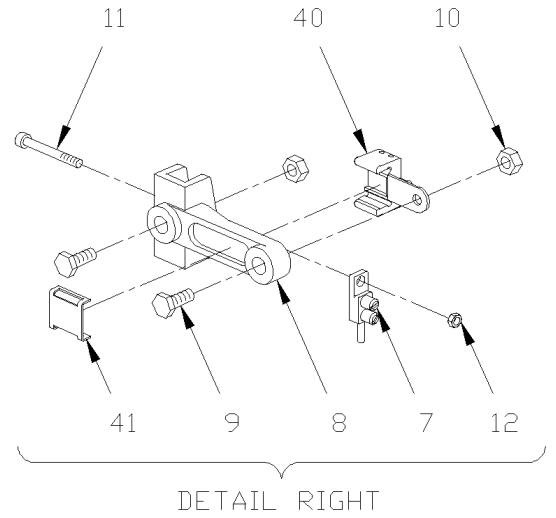
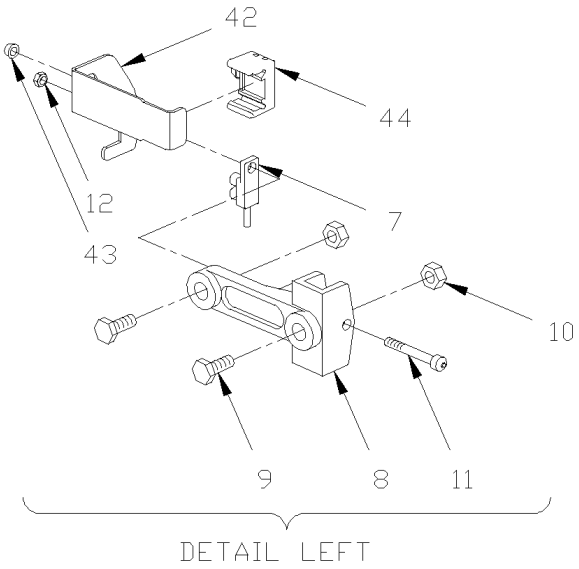
From L-031 To R-079	Date:07/2024	PAGE:H4-2300-00
ACCESSORIES AIR SYSTEM		



From L-031 To R-079	Date:07/2024	PAGE:H4-2300-00
ACCESSORIES AIR SYSTEM		

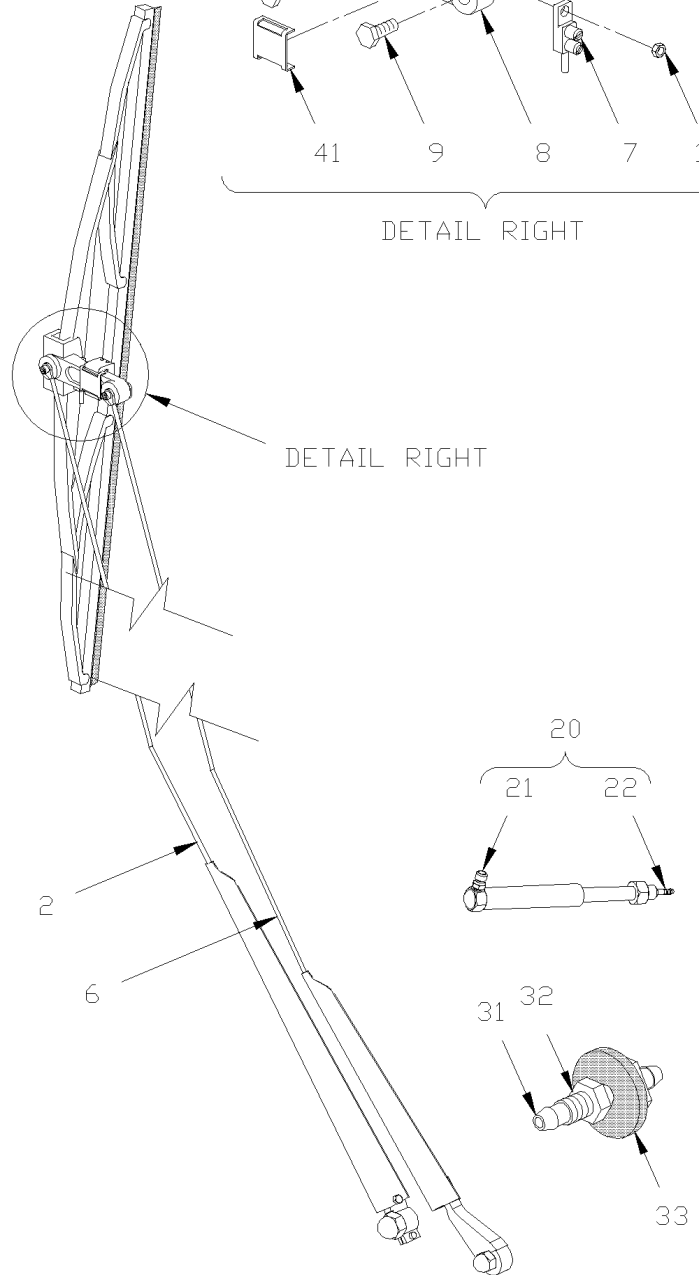
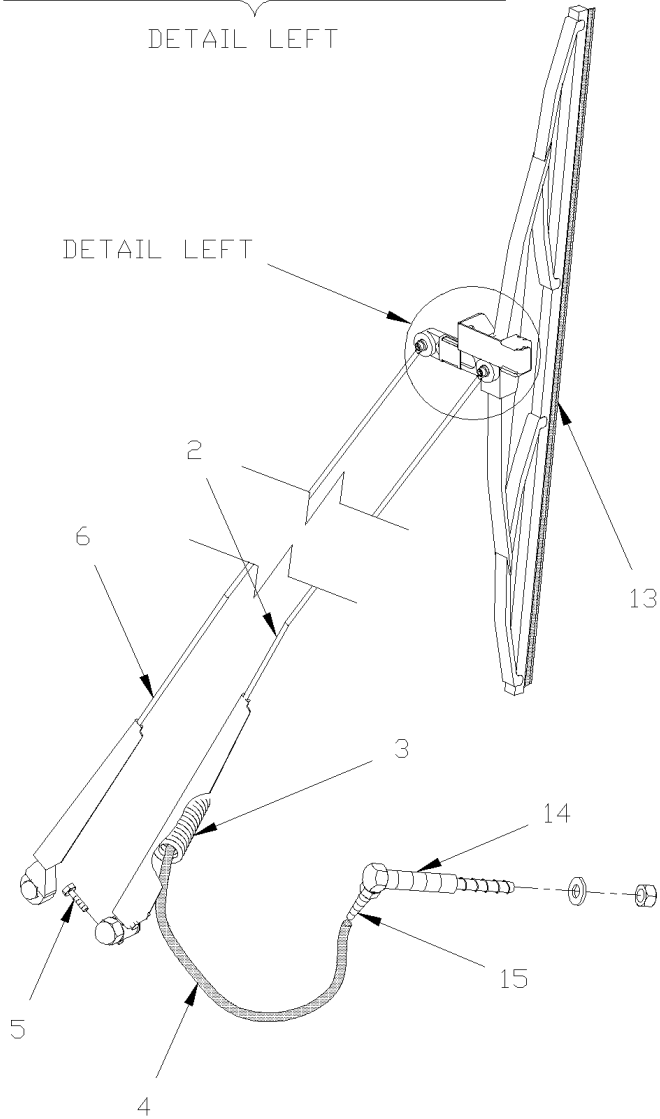
Item#	Part	Description	H 3 4 0	V I P 4 0	N O T E S
1	141190	MANIFOLD, BLOCK / UNDER DRIVER'S FLOOR	1	1	
2	501354	NEEDLE VALVE 1/8 NPT M x 1/8 NPT F	1	1	
3	640128	VALVE HORN HV-3	1		
4	640093	HORN AIR	1		
5	140868	AIR TANK / W/END LOWER DRAIN 1228 IN° / 8" O.D. X 26"	1	1	
6	641112	VALVE To N-197	1		A
7	641116	VALVE, THROTTLE To N-197	1		
8	780458	UNIT, MOTOR To N-197	1		
9	641113	SOLENOID, CONTROL VALVE	1		
10	641189	VALVE, 3 WAYS, 2 POSITIONS	1		
. NS	641169	. SPOOL	1		
11	950080	CYLINDER, AIR 5/16" SINGLE ACTION To M-087	1	1	
11	950200	CYLINDER DOUBLE-ACTION From M-088	1	1	
12	641177	CYLINDER	1	1	
13	641178	CYLINDER	1	1	
14	780351	HANDLE ASSY / W/AIR CYLINDER TYPE "PS"	8		
15	640055	MANIFOLD / PIPE FITTING / 7 PORTS 1/4NPT-F STL	1	1	
16	560930	VALVE SOLENOID N.C. 24 VOLTS	1		
. NS	060851	. CONNECTOR ASSY	1		
17	641204	VALVE, 4 WAYS, 2 POSITIONS	1	1	
. NS	641144	. KIT REPAIR / COIL	1	1	
. NS	641186	. SPOOL	1	1	
18	640488	VALVE, AIR FILL 1/8" NPT	1	1	
. NS	650164	. CAP VALVE / CHROME	1	1	
19	640938	AIR PRESSURE REGULATOR	1	1	
20	5011013	VALVE, 4 WAYS CONTROL	1	1	B
21	H4-0130-00	AIR CYLINDER - BELT TENSIONNER - WITH DETROIT S-92			
22	550023	VALVE, SHUTTERSTAT 180° / 3/8" NPT x 1/8" NPT	1	1	
23	550568	CYLINDER AIR / SHUTTER / W/4" MOUNT	1	1	
24	501880	NEEDLE VALVE 1/4 TUBE 1/8 NPT	1	1	
25	780233	VALVE, CONTROL / FCP2	1	1	
26	990141	CYLINDER, AIR 9/16" DOUBLE ACTION	1	1	
30	140658	HOSE ASSY TEFLON #4 1456MM	1	1	
31	141108	HOSE ASSY TEFLON #4 427MM	1	1	
32	051559	HOSE ASSY TEFLON #4 973MM	1	1	
33	031147	HOSE ASSY TEFLON #4 522MM	2	2	
34	051127	HOSE ASSY TEFLON #4 821MM	1	1	
		A) EMERGENCY DOOR			
		B) ON/OFF			

From L-031 To R-079	Date:07/2024	PAGE:H4-2305-00
LOWER WINDSHIELD WIPER		



DETAIL LEFT

DETAIL RIGHT



From L-031 To R-079	Date:07/2024	PAGE:H4-2305-00
LOWER WINDSHIELD WIPER		

Item#	Part	Description	H 3 4 0	V I P 4 0	N O T E S
	800283	WIPER ARM ASSY 33" C/C / W/PLASTIC LINK ("H" MODEL)	2	2	
2	800310	WIPER ARM / MAIN 33" C/C	1	1	
3	800312	SPRING EXTENSION / .528 O.D. x 5.41 x .118	1	1	
4	300292	HOSE #2 54"	AR	AR	
4	300106	HOSE #2 30"	1	1	
4	300250	HOSE #2 33"	1	1	
4	300107	HOSE #2 42"	1	1	
4	300269	HOSE #2 50"	1	1	
4	800227	HOSE WINDSHIELD WASHER WIPER ARM 100 FT	1	1	
4	503696	HOSE 1/8" I.D	1	1	A
5	10539188	SCREW CAP HEX 1/4-28x1 G8 BK	1	1	
6	800313	WIPER ARM / IDLER 33" C/C	1	1	
7	800318	NOZZLE, WINDSHIELD WASHER	1	1	
8	800308	LINK ASSY	1	1	
9	800243	SCREW SHR CAP HEX 1/4x33/64{10-32	2	2	
10	500423	NUT HEX NYRT #10-32 SS	2	2	
11	800309	SCREW #10-32x.390 SS	1	1	
12	500423	NUT HEX NYRT #10-32 SS	1	1	
13	800284	WIPER BLADE ASSY 22"	1	1	
. NS	800383	RUBBER BLADE REFILL / (ONLY) WIPER REFILL 22"	1	1	
NS	191104	WIPER BLADE ASSY 22" ALTERNATIVE PART	1	1	
. NS	800316	RUBBER BLADE REFILL / (ONLY) WIPER REFILL 22"	1	1	
. NS	800180	CLIP / RETAINER END	2	2	
14	800266	ADAPTOR ASSY 90 DEG / #2 TO #2 WET ARM	2	2	B
14	800321	ADAPTOR ASSY 90 DEG / #3 TO #2 WET ARM	2	2	
15	800317	ADAPTOR HOSE #2 (ALUMINUM)	1	1	
20	800319	NOZZLE, WINDSHIELD WASHER ASSY / FIX ON BODY	2	2	
21	800323	JET	1	1	
22	500699	NUT HEX 5/16-24 Z050	1	1	
31	300469	ADAPTOR HOSE #3 / WET ARM M8-1.25 x 44MM	2	2	A
32	5001188	NUT HEX M8-1.25 SS	2	2	A
33	502820	WASHER FL .187x1.000x.125 RUB BK	2	2	
40	800330	NOZZLE, WINDSHIELD WASHER / "BOSCH"	1	1	A
NS	300474	NOZZLE, WINDSHIELD WASHER / "BOSCH" / MODIFIED	1	1	A
41	300473	CLIP RETAINER / NOZZLE W/W "BOSCH"	1	1	A
42	300487	SUPPORT NOZZLE ASSY	1	1	A
43	504529	GROMMET / .250x.375x.062x.281x.625	1	1	A
44	800330	NOZZLE, WINDSHIELD WASHER / "BOSCH"	1	1	
NS	300474	NOZZLE, WINDSHIELD WASHER / "BOSCH" / MODIFIED	1	1	

From L-031 To R-079		Date:07/2024	PAGE:H4-2305-00
---------------------	--	--------------	-----------------

LOWER WINDSHIELD WIPER

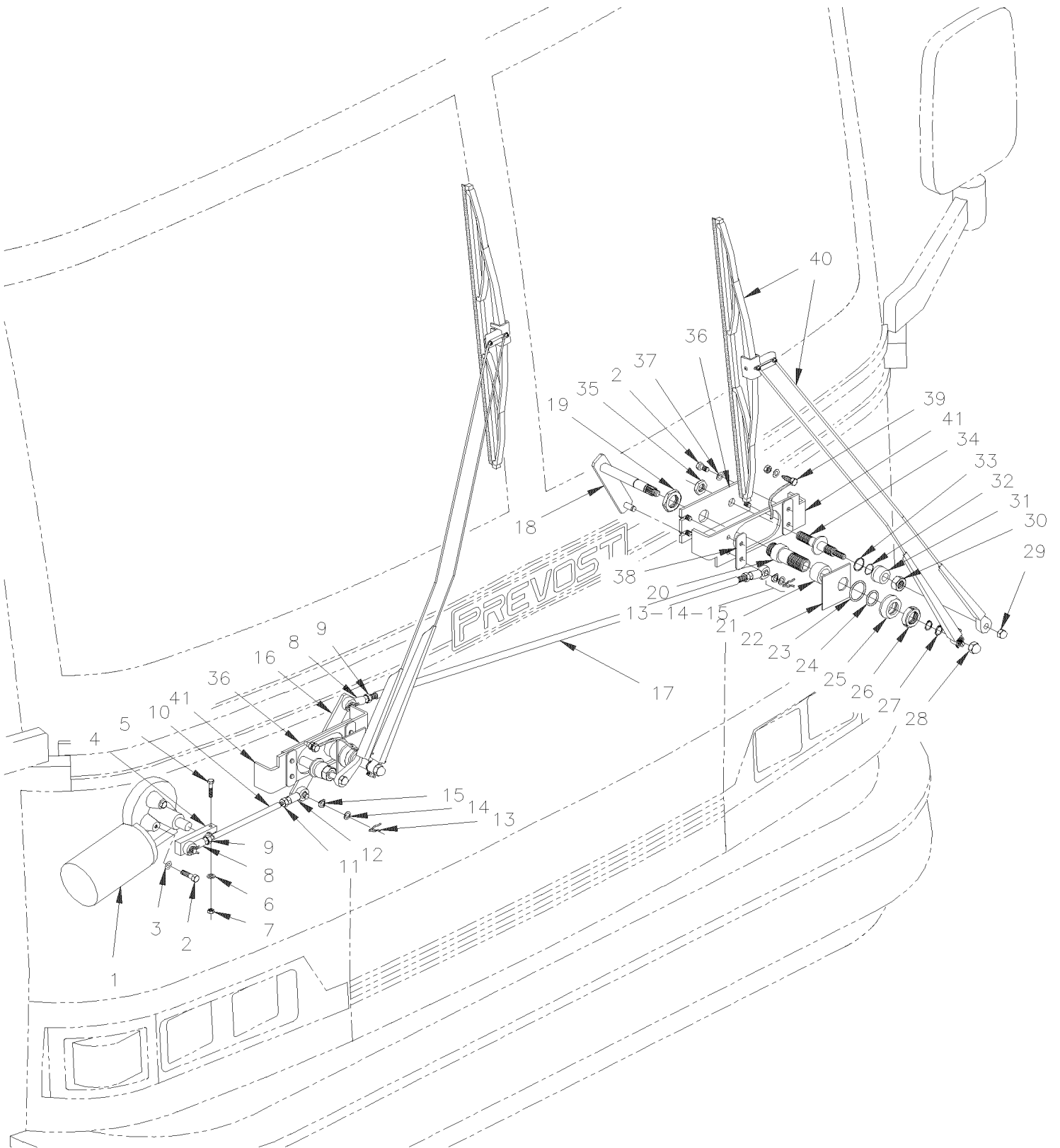
Item#	Part	Description	H 3 4 0	V I P 4 0	N O T E S
		A) THIS COMPONENTS ARE REQUIRE FOR USE "BOSCH" NOZZLE			
		B) FOR PRODUCT IMPROVMENT, YOU REQUIRE ONE KIT # 300316			

From L-031 To R-079

Date:07/2024

PAGE:H4-2305-05

LOWER WINDSHIELD WIPER - INSTALLATION



From L-031 To R-079	Date:07/2024	PAGE:H4-2305-05
LOWER WINDSHIELD WIPER - INSTALLATION		

Item#	Part	Description	H 3 4 0	V I P 4 0	N O T E S
1	800287	MOTOR WIPER ASSY / 24V To L-043	1	1	
1	800304	MOTOR WIPER ASSY / 24V / NIDEC From L-044	1	1	C
2	500544	SCREW CAP HEX M8-1.25x30 G8.8 Z050	3	3	
3	502507	WASHER LO SPT 8.1x14.8x2.0 Z050	3	3	
4	300109	LEVER / MOTOR To L-043	1	1	
4	300184	LEVER / MOTOR From L-044	1	1	
5	502533	SCREW CAP HEX M6-1.0x30 G8.8 Z050	1	1	
6	502564	WASHER LO SPT 6.1x11.8x1.6 Z050	1	1	
7	502565	NUT HEX M6-1.0 SS	1	1	
8	502174	ROD END MALE 3/8-24 / 3/8 I.D.	3	3	
9	500956	NUT HEX JAM 3/8-24 Z050	3	3	
10	309056	ARM ASSY W/BEARING To L-043	1	1	A
10	300204	ROD W/RH THREAD From L-044 To M-111	1	1	
10	300253	ROD, W/R.H. & L.H. THREAD From M-112	1	1	
11	5001039	NUT HEX JAM LH 3/8-24 Z050	1	1	
12	502186	ROD END MALE L.H. 3/8-24-L.H./ 3/8 I.D.	1	1	
13	504477	RING RETAINER / EXT 14.0 X 13.4 X 1.0MM To L-043	1	1	A
13	502185	PIN HAIR CUTTER .062 X 9/32 From L-044	4	4	
14	500905	WASHER SPR WAVE .750x.015	4	4	
15	5001011	WASHER FL .406x.625x.040 Z050	4	4	
16	300156	LEVER RIGHT PIVOT To L-043	1	1	
16	300186	LEVER RIGHT PIVOT From L-044	1	1	
17	309026	ROD, L.H. / L.H. WIPER	1	1	
18	300155	LEVER LEFT PIVOT To L-043	1	1	
18	300192	LEVER LEFT PIVOT From L-044	1	1	
NS	680739	GREASE SYNTHETIC / RED 20KG	AR	AR	
19	502821	NUT HEX JAM 1 1/8-18 Z050	1	1	
20	300198	TUBE ASSY From L-044	2	2	
20	300197	. MAIN WIPER ARM THREADED TUBE From L-044	1	1	
NS	800125	. BUSHING 5/8" I.D. X 7/8" O.D. X 5/8" L From L-044	2	2	
NS	800276	. V-RING From L-044	1	1	
21	300302	SPACER 38MM O.D.x 30MM I.D. x 12.5MM	2	2	
22	300199	PLATE	2	2	
23	507321	O-RING 1 5/8" I.D. X 1/8" From M-154	2	2	
24	507320	O-RING 1 1/8" I.D. X 1/8" From M-154	2	2	
25	300062	SPACER To M-153	1	1	
25	300271	SPACER From M-154	2	2	
26	800064	NUT SPANNER 1 1/8-18 / PLASTIC	2	2	
27	504512	RING RETAINER / EXT .625 x .588 x .037" / SS	2	2	
28	800062	NUT HEX CAP 3/8-24 BK	2	2	
29	800078	NUT HEX CAP 1/4-28 BK	2	2	
30	800079	NUT HEX 5/8-18 BK	2	2	

From L-031 To R-079	Date:07/2024	PAGE:H4-2305-05
LOWER WINDSHIELD WIPER - INSTALLATION		

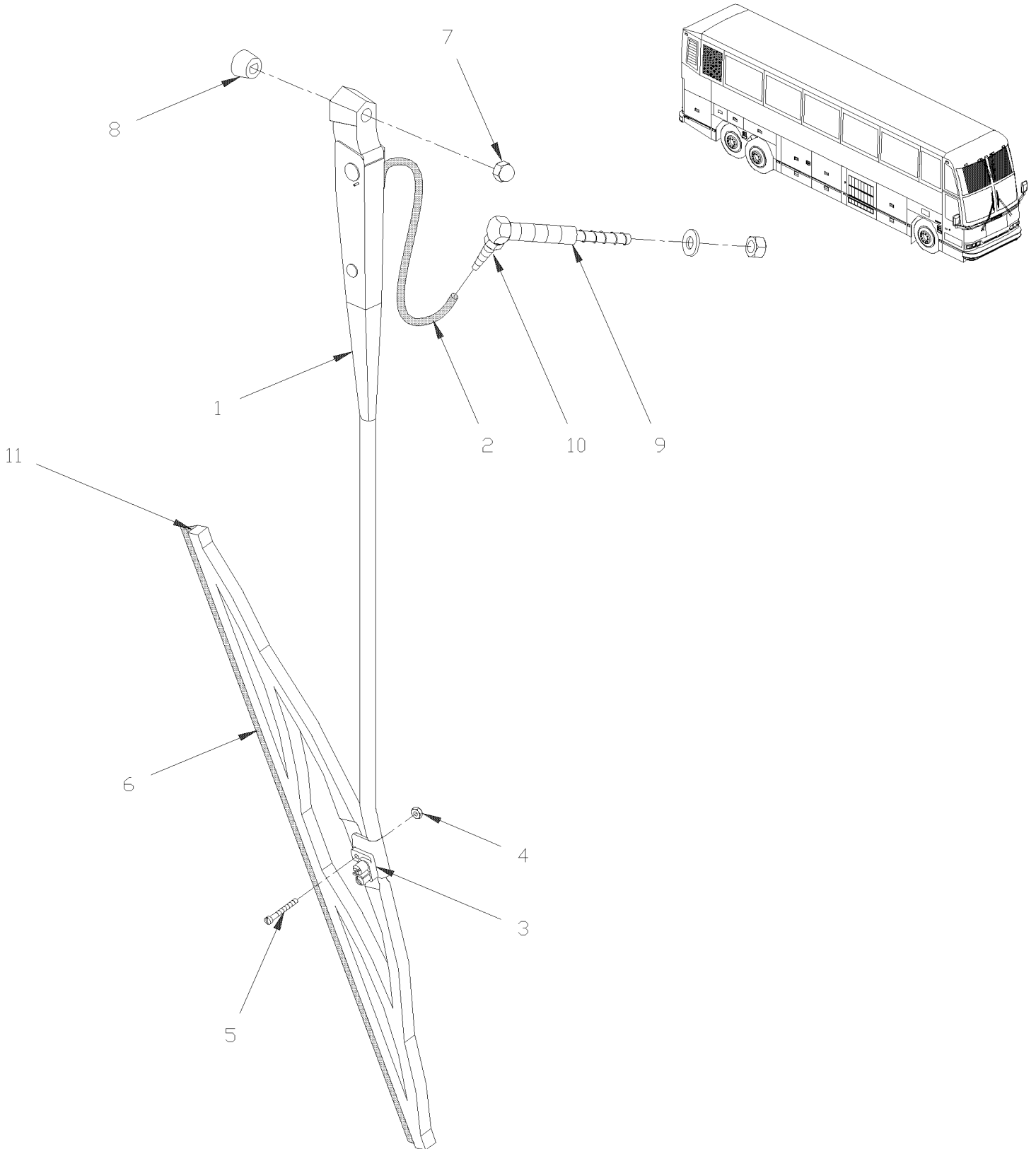
Item#	Part	Description	H 3 4 0	V I P 4 0	N O T E S
31	300061	SPACER To N-204	2	2	
31	300279	SPACER From N-205	2	2	
31	300301	SPACER	2	2	B
32	507318	O-RING 5/8" I.D. X 1/16" From N-205	2	2	
33	507303	O-RING 1/2" I.D. FLAT FACE From N-205	2	2	
34	300202	SECONDARY SHAFT ASSY	1	1	
34	300274	SECONDARY SHAFT IDLE ARM	1	1	
35	502822	NUT HEX JAM THN 5/8-18x3/16 Z050	1	1	
36	300169	BASE ASSY LH To L-043	1	1	A
36	300168	BASE ASSY RH To L-043	1	1	A
36	300208	PLATE, MOUNTING From L-044	2	2	
37	502583	WASHER LO SERR 8.15x22.3x1.0 Z050	8	8	
38	300206	PLATE, THREADED	4	4	
39	H4-2305-00	LOWER WINDSHIELD WIPER			
40	H4-2305-00	LOWER WINDSHIELD WIPER			
41	250742	SUPPORT, WIPER PIVOT L.H. / (WELDED AT STRUCTURE)	1	1	
41	250741	SUPPORT, WIPER PIVOT R.H. / (WELDED AT STRUCTURE)	1	1	
NS	300506	KIT, MOTOR WIPER BOSCH	AR	AR	
. NS	IS-00151A	. SEE INSTRUCTION SHEET	1	1	
		A) FOR THOSE PARTS UP TO L-043 PARTS ARE DIFFERENT THAN ILLUSTRATED			
		B) SERVICE			
		C) THIS MOTOR IS SUPERSEDED BY KIT #300506			

From L-031 To R-079

Date:07/2024

PAGE:H4-2305-10

UPPER WINDSHIELD WIPER



From L-031 To R-079	Date:07/2024	PAGE:H4-2305-10
UPPER WINDSHIELD WIPER		

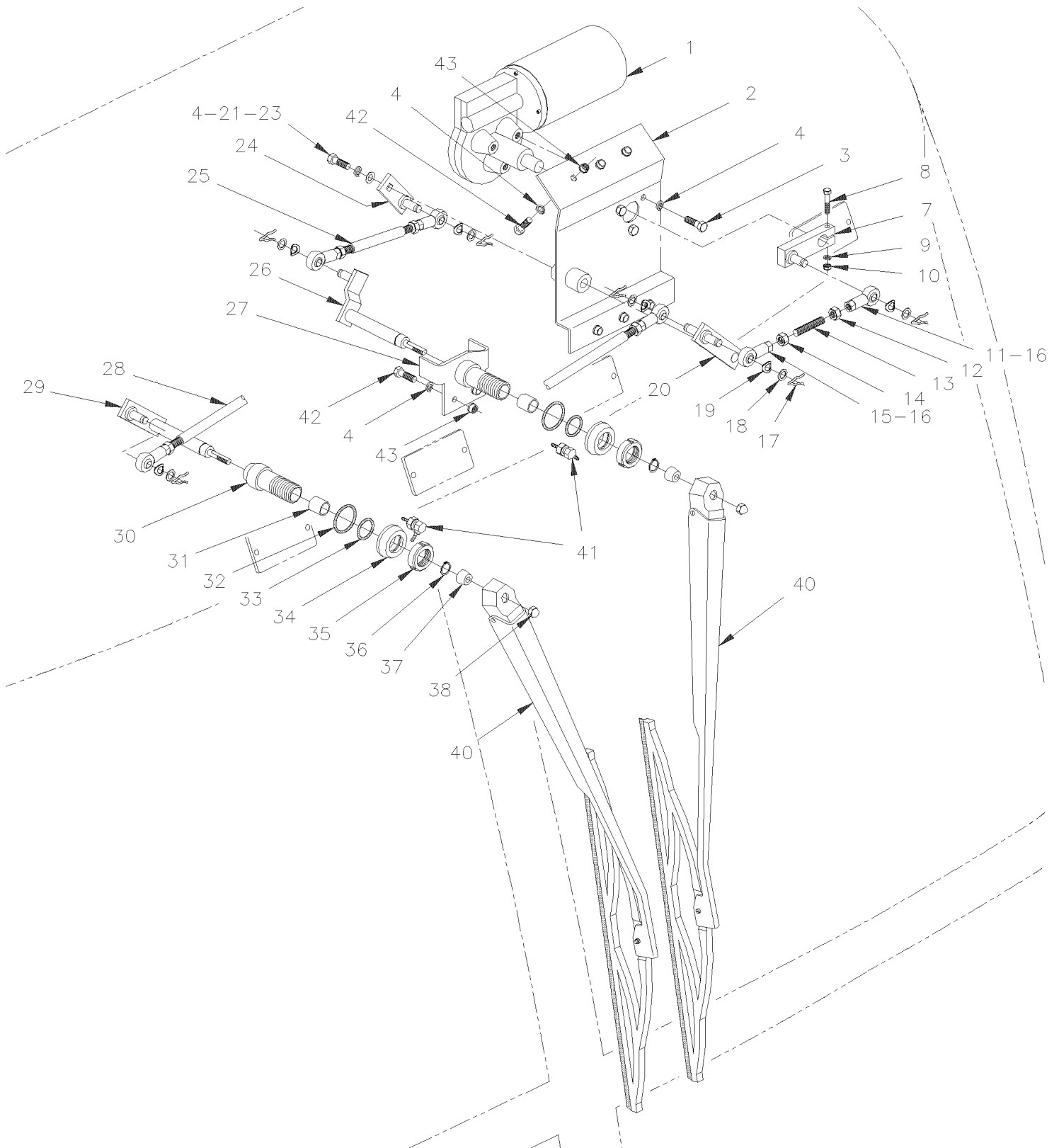
Item#	Part	Description	H 3 4 0	V I P 4 0	N O T E S
1	800278	ARM WIPER, R.H. UPPER	1	1	
1	800279	ARM WIPER, L.H. UPPER	1	1	
2	300292	. HOSE #2 54"	AR	AR	A
3	800280	. NOZZLE, WINDSHIELD WASHER / R.H.	1	1	
3	800281	. NOZZLE, WINDSHIELD WASHER / L.H.	1	1	
4	500425	. NUT HEX NYRT #4-40 SS	1	1	
5	800244	. SCREW #4-40 / SADDLE LINK	1	1	
6	800234	BLADE ASSY, WIPER 20"	1	1	
6	800315	. RUBBER BLADE REFILL	1	1	
6	800180	. CLIP / RETAINER END	1	1	
7	800062	NUT HEX CAP 3/8-24 BK	1	1	
8	800282	ADAPTOR, DRIVE KNURLED	1	1	
9	800266	ADAPTOR ASSY 90 DEG / #2 TO #2 WET ARM	1	1	B
9	800321	ADAPTOR ASSY 90 DEG / #3 TO #2 WET ARM	1	1	
10	800317	. ADAPTOR HOSE #2 (ALUMINUM)	1	1	
NS	300106	HOSE #2 30"	AR	AR	
NS	300250	HOSE #2 33"	AR	AR	
NS	300107	HOSE #2 42"	AR	AR	
NS	300269	HOSE #2 50'	AR	AR	
NS	800227	HOSE WINDSHIELD WASHER WIPER ARM 100 FT	AR	AR	
		A) SEE AT THE END OF DESCRIPTION PAGE ALL LENGHT AVAILABLE			
		B) FOR PRODUCT IMPROVMENT YOU REQUIRE ONE KIT #300316			

From L-031 To R-079

Date:07/2024

PAGE:H4-2305-15

UPPER WINDSHIELD WIPER - INSTALLATION



From L-031 To R-079	Date:07/2024	PAGE:H4-2305-15
UPPER WINDSHIELD WIPER - INSTALLATION		

Item#	Part	Description	H 3 4 0	V I P 4 0	N O T E S
1	800287	MOTOR WIPER ASSY / 24V To L-043	1	1	
1	800304	MOTOR WIPER ASSY / 24V / NIDEC From L-044	1	1	C
2	300121	SUPPORT To L-043	1	1	
2	300227	SUPPORT From L-044	1	1	
NS	800274	BUSHING FLANGE 5/8" I.D. X 7/8" O.D. X 3/4" L	1	1	
3	500544	SCREW CAP HEX M8-1.25x30 G8.8 Z050	3	3	
4	502507	WASHER LO SPT 8.1x14.8x2.0 Z050	4	4	
7	300109	LEVER / MOTOR To L-043	1	1	
7	300184	LEVER / MOTOR From L-044	1	1	
8	502651	SCREW CAP HEX M8-1.25x35 G8.8 Z050 To L-043	1	1	
8	502533	SCREW CAP HEX M6-1.0x30 G8.8 Z050 From L-044	1	1	
9	500874	WASHER FL 8.4x17.0x1.6 Z050 To L-043	1	1	
9	502564	WASHER LO SPT 6.1x11.8x1.6 Z050 From L-044	1	1	
10	502543	NUT HEX M8-1.25 Z050 To L-043	1	1	
10	502565	NUT HEX M6-1.0 SS From L-044	1	1	
11	502174	ROD END MALE 3/8-24 / 3/8 I.D.	2	2	
12	500956	NUT HEX JAM 3/8-24 Z050	2	2	
13	300124	ROD ASSY W/BEARING To L-043	1	1	A
13	300229	ROD THREADED / W/3/8-24 RH THREAD BOTH END 54MM From L-044 To M-111	1	1	B
13	300248	ROD THREADED / W/3/8-24 LH & RH THREAD 54MM From M-112	1	1	
14	5001039	NUT HEX JAM LH 3/8-24 Z050	2	2	
15	502186	ROD END MALE L.H. 3/8-24-L.H./ 3/8 I.D.	2	2	
16	680739	GREASE SYNTHETIC / RED 20KG	AR	AR	
17	502185	PIN HAIR CUTTER .062 X 9/32	3	3	A
17	504477	RING RETAINER / EXT 14.0 X 13.4 X 1.0MM	3	3	
18	5001011	WASHER FL .406x.625x.040 Z050	3	3	
19	500905	WASHER SPR WAVE .750x.015	3	3	
20	300126	INVERTION PIVOT To L-043	1	1	A
20	300236	INVERTION PIVOT From L-044	1	1	
21	502780	SCREW CAP HEX M8-1.25x25 SS BK	1	1	
23	5001045	WASHER BEL SPR .331x.827x.098 Z050	1	1	
24	300232	LEVER ASSY	1	1	
25	300132	ROD THREADED / W/3/8-24 RH THREAD BOTH END 173MM To M-111	1	1	B
25	300257	ROD THREADED / W/3/8-24 LH & RH THREAD 173MM From M-112	1	1	
26	300148	LEFT PIVOT To L-043	1	1	
26	300238	LEFT PIVOT From L-044	1	1	
27	300260	MAIN WIPER ARM THREADED TUBE STREETSIDE	1	1	
28	300255	ROD THREADED / W/3/8-24 LH & RH THREAD 555MM	1	1	
29	300149	RIGHT PIVOT To L-043	1	1	
29	300240	RIGHT PIVOT From L-044	1	1	
30	300139	MAIN WIPER ARM THREADED TUBE	1	1	
31	800125	BUSHING 5/8" I.D. X 7/8" O.D. X 5/8" L	1	1	

From L-031 To R-079	Date:07/2024	PAGE:H4-2305-15
---------------------	--------------	-----------------

UPPER WINDSHIELD WIPER - INSTALLATION

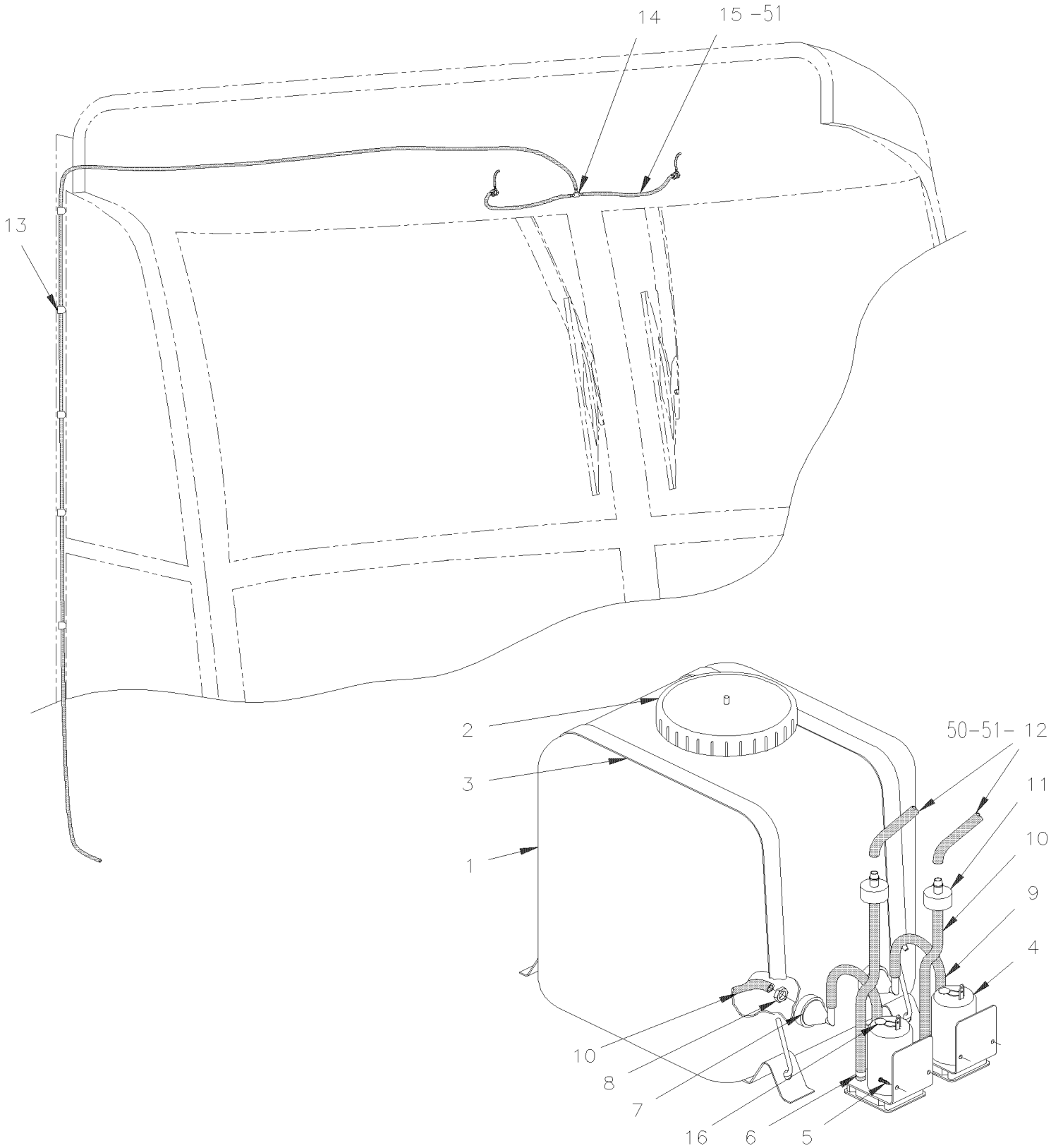
Item#	Part	Description	H 3 4 0	V I P 4 0	N O T E S
NS	800274	BUSHING FLANGE 5/8" I.D. X 7/8" O.D. X 3/4" L	1	1	
NS	800276	V-RING	1	1	
NS	680100	THREAD LOCKER LOCTITE #271 / RED / 250ml	AR	AR	
32	507321	O-RING 1 5/8" I.D. X 1/8"	2	2	
33	507320	O-RING 1 1/8" I.D. X 1/8"	2	2	
34	300271	SPACER	2	2	
35	800064	NUT SPANNER 1 1/8-18 / PLASTIC	2	2	
36	504512	RING RETAINER / EXT .625 x .588 x .037" / SS	1	1	
37	800282	ADAPTOR, DRIVE KNURLED	2	2	
38	800062	NUT HEX CAP 3/8-24 BK	2	2	
40	H4-2305-10	UPPER WINDSHIELD WIPER			
41	H4-2305-10	UPPER WINDSHIELD WIPER			
42	500181	SCREW CAP HEX 5/16-18x1 G5 Z050	8	8	
43	500277	RIVET NUT FL KNURLED OKS 5/16-18 .150-.312	8	8	
NS	300506	KIT, MOTOR WIPER BOSCH	AR	AR	
. NS	IS-00151A	. SEE INSTRUCTION SHEET	1	1	
		A) FOR THOSE PARTS PRIOR L-044 PARTS ARE DIFFERNT THAN ILLUSTRATED			
		B) FROM L-044 TO M-112 WE USE ROD WITH 2ROD END WITH RH THREAD			
		C) THIS MOTOR IS SUPERSEDED BY KIT #300506			

From L-031 To R-079

Date:07/2024

PAGE:H4-2305-20

WINDSHIELD WASHER - INSTALLATION



From L-031 To R-079	Date:07/2024	PAGE:H4-2305-20
WINDSHIELD WASHER - INSTALLATION		

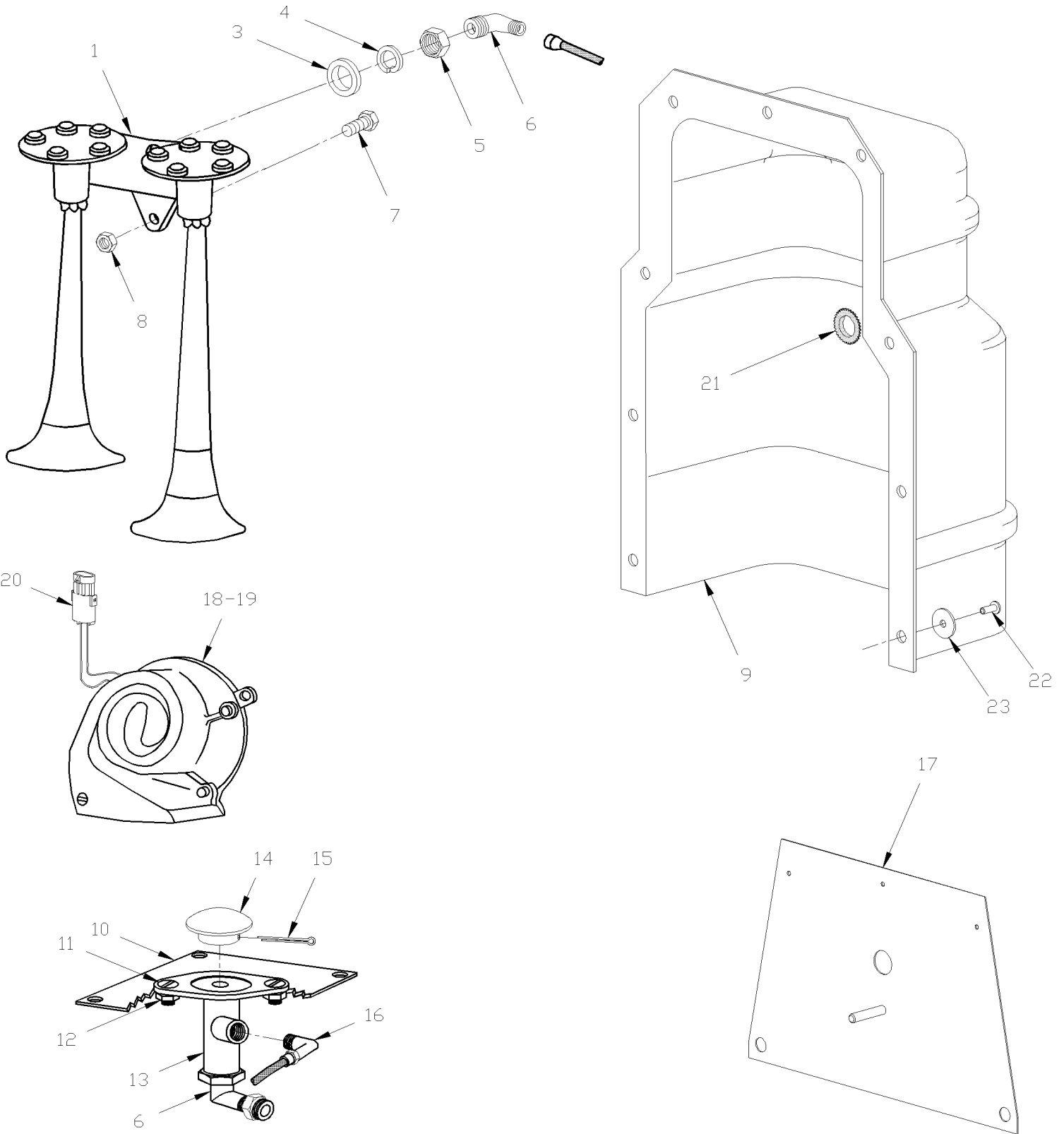
Item#	Part	Description	H 3 4 0	V I P 4 0	N O T E S
1	800285	TANK, WINDSHIELD WASHER	1	1	
2	800286	COVER ASSY W/PLUG	1	1	
3	504483	TIE RUBBER BELT, W/HOOK 23"	2	2	
4	800314	PUMP WINDSHIELD WASHER	2	2	
5	500657	SCREW TC TR PH #10-24x1/2 Z050	4	4	
6	504590	CLAMP SPRING / 3/8	2	2	
7	800292	ELBOW, MALE CONNECTOR	2	2	
8	5001188	NUT HEX M8-1.25 SS	2	2	
9	300162	HOSE #3 225MM	2	2	
10	300161	HOSE #3 150MM	5	5	
11	800288	VALVE, CHECK	2	2	
12	503002	HOSE / EPDM 5/32" I.D. / S.L.	AR	AR	
13	504637	CABLE TIE / 3/16" x 13"	7	7	
14	800206	UNION TEE / HOSE BARB FITTING / #2x#2x5/32 PLAS	1	1	B
14	800322	UNION TEE / HOSE BARB FITTING / 5/32x5/32x5/32 PLAS	1	1	
15	800227	HOSE WINDSHIELD WASHER WIPER ARM 100 FT	AR	AR	A
16	064129	RESISTANCE S14K30	2	2	
NS	300106	HOSE #2 30"	AR	AR	
NS	300250	HOSE #2 33"	AR	AR	
NS	300107	HOSE #2 42"	AR	AR	
NS	300292	HOSE #2 54"	AR	AR	
NS	300269	HOSE #2 50'	AR	AR	
50	H4-2305-00	LOWER WINDSHIELD WIPER			
51	H4-2305-10	UPPER WINDSHIELD WIPER			
		A) SEE AT END OF DESCRIPTION PAGE DIFFERENT LENGHT OFFER			
		B) FOR PRODUCT IMPROVMENT YOU REQUIRE KIT #300316			

From L-031 To R-079

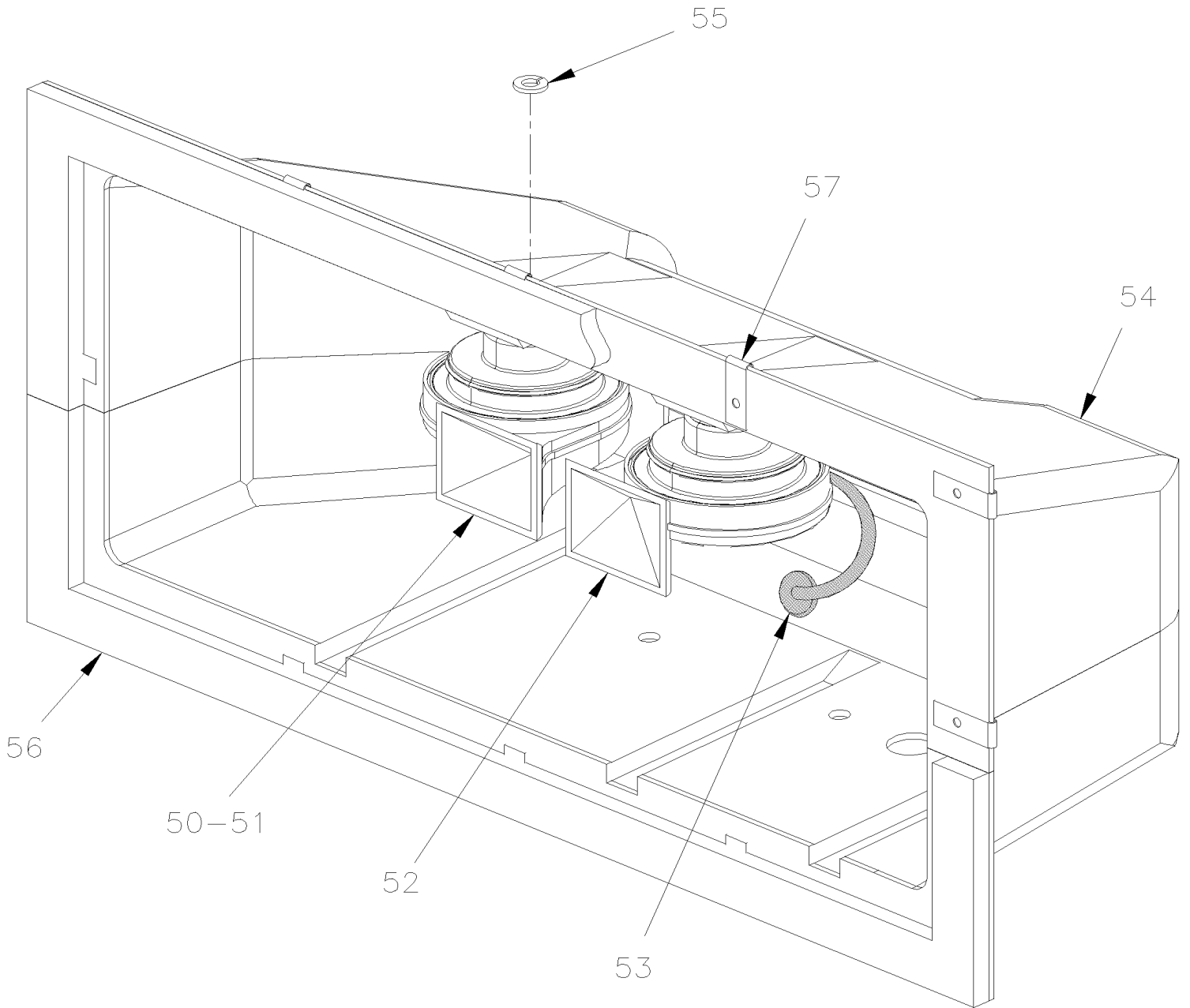
Date:07/2024

PAGE:H4-2310-00

HORN - INSTALLATION



From L-031 To R-079	Date:07/2024	PAGE:H4-2310-00
HORN - INSTALLATION		



From L-031 To R-079	Date:07/2024	PAGE:H4-2310-00
HORN - INSTALLATION		

Item#	Part	Description	H 3 4 0	V I P 4 0	N O T E S
1	640093	HORN AIR	1	1	
3	500448	WASHER FL .625x1.469x.109 ZP	1	1	
4	500858	WASHER LO INT .769x1.245x.055 Z050	1	1	
5	500730	NUT HEX JAM THN 5/8-18x3/8 ZP	1	1	
6	640996	MALE ELBOW 90° / NTA FITTING / #4x1/8NPT-M BR	2	2	
7	500025	SCREW CAP HEX 5/16-24x1 G5 ZP	1	1	
8	500699	NUT HEX 5/16-24 Z050	1	1	
9	141279	BOX, COVER / ELECTRICAL & AIR	1	1	
10	141253	PLATE / W/AUTOMATIC TRANSMISSION	1	1	
10	140372	PLATE / HORN VALVE	1	1	
10	141454	PLATE / W/O AIR HORN			
11	500873	SCREW MA RND PH #8-32x3/4 SS BK	6	6	
12	500764	NUT HEX #8-32 Z050	2	2	
NS	500470	WASHER LO SPT .193x.334x.047 Z050	2	2	
13	640128	VALVE HORN HV-3	1	1	
14	N.S.S.	. BUTTON	1	1	1
15	502097	. PIN, COTTER 3/32 x 3/4	1	1	
16	640987	. MALE CONNECTOR / NTA FITTING / #4x1/8NPT-M BR	1	1	
17	141571	PLATE SUPPORT HORN BOX	1	1	
18	560379	HORN, ELECTRIC / LOW "F" / 24 VOLTS / "DELCO" To M-169	1	1	
18	560380	HORN, ELECTRIC / HIGH "A" / 24 VOLTS / "DELCO" To M-169	1	1	
18	065313	HORN, KIT ELECTRIC / LOW / 24 VOLTS / "FIAM" To M-169	1	1	S
. NS	IS-99152	. SEE INSTRUCTION SHEET To M-169	1	1	S
18	563028	. HORN, ELECTRIC / LOW 335HZ / 24V "FIAM" SERVICE To M-169	1	1	S
18	065314	HORN, KIT ELECTRIC / HIGH / 24 VOLTS / "FIAM" To M-169	1	1	S
. NS	IS-99152	. SEE INSTRUCTION SHEET To M-169	1	1	S
18	563029	. HORN, ELECTRIC / HIGH 400HZ / 24V "FIAM" SERVICE To M-169	1	1	S
18	562174	HORN, ELECTRIC / LOW 360HZ / 12V From M-170	1	1	
18	562175	HORN, ELECTRIC / HIGH 450HZ / 12V From M-170	1	1	
18	563015	HORN, ELECTRIC / LOW 405HZ / 12V "FIAM" SERVICE	1	1	S
18	563023	HORN, ELECTRIC / HIGH 485HZ / 12V "FIAM" SERVICE	1	1	S
19	560575	. NUT HEX SPRING STEEL	2	2	
20	062231	HARNESS / HORN & CONNECTOR To M-169	1	1	
20	063205	HARNESS / HORN & CONNECTOR From M-170	1	1	
21	504070	GROMMET / .375x.625x.156x.406x1.000	1	1	
22	502868	SCREW TC TR PH #10-16x1/2 N500	13	13	
23	500805	WASHER FL .218x.875x.062 N500	13	13	
50	141473	HORN ASSY W/BOX 24V / MTH & H3-40 V.I.P. To M-169			1
50	141539	HORN ASSY W/BOX 12V / H3 V.I.P. From M-170			1
51	563028	HORN, ELECTRIC / LOW 335HZ / 24V "FIAM" SERVICE To M-169			1
51	563015	HORN, ELECTRIC / LOW 405HZ / 12V "FIAM" SERVICE From M-170			1
52	563029	HORN, ELECTRIC / HIGH 400HZ / 24V "FIAM" SERVICE To M-169			1

From L-031 To R-079	Date:07/2024	PAGE:H4-2310-00
HORN - INSTALLATION		

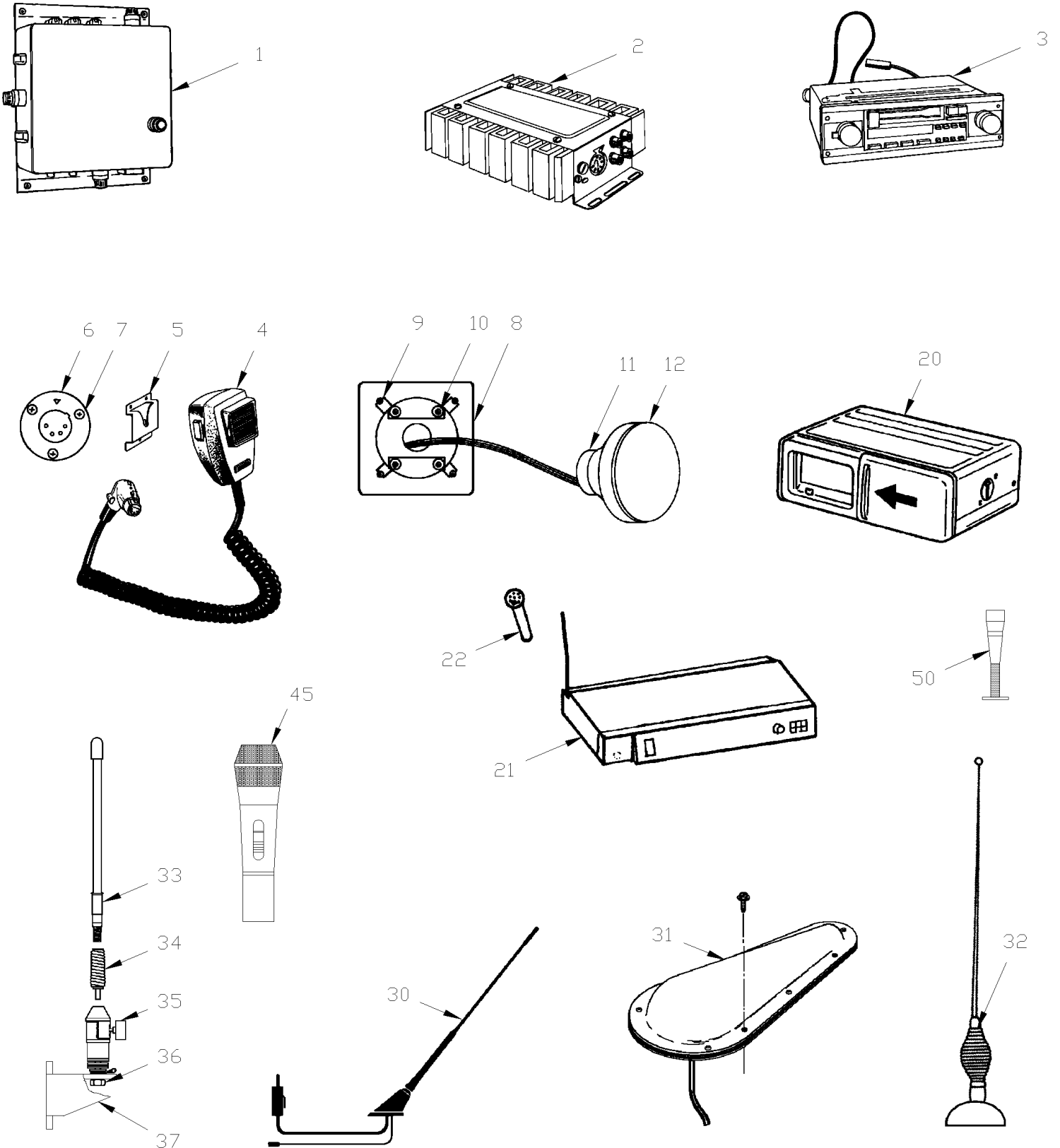
Item#	Part	Description	H 3 4 0	V I P 4 0	N O T E S
52	563023	HORN, ELECTRIC / HIGH 485HZ / 12V "FIAM" SERVICE From M-170		1	
53	065287	. CABLE HARNESS / ENGINE ACCESSORIES		1	
54	141161	. BOX, PLASTIC / BLACK / ELECTRIC HORN		1	
55	500468	. WASHER FL .281x1.250x.065 Z050		2	
NS	500489	. WASHER LO INT .894x1.410x.060 Z050		2	
56	506282	. TAPE RUB ADH1 CC POL 3/8" x 1" x 20' / GREY 2520		AR	
57	500252	. NUT SPR U #10-24 .156-.187		10	
		S) USE IN SERVICE ONLY			
		1) NOT SOLD SEPARATELY			

From L-031 To R-079

Date:07/2024

PAGE:H4-2315-00

AUDIO SYSTEM



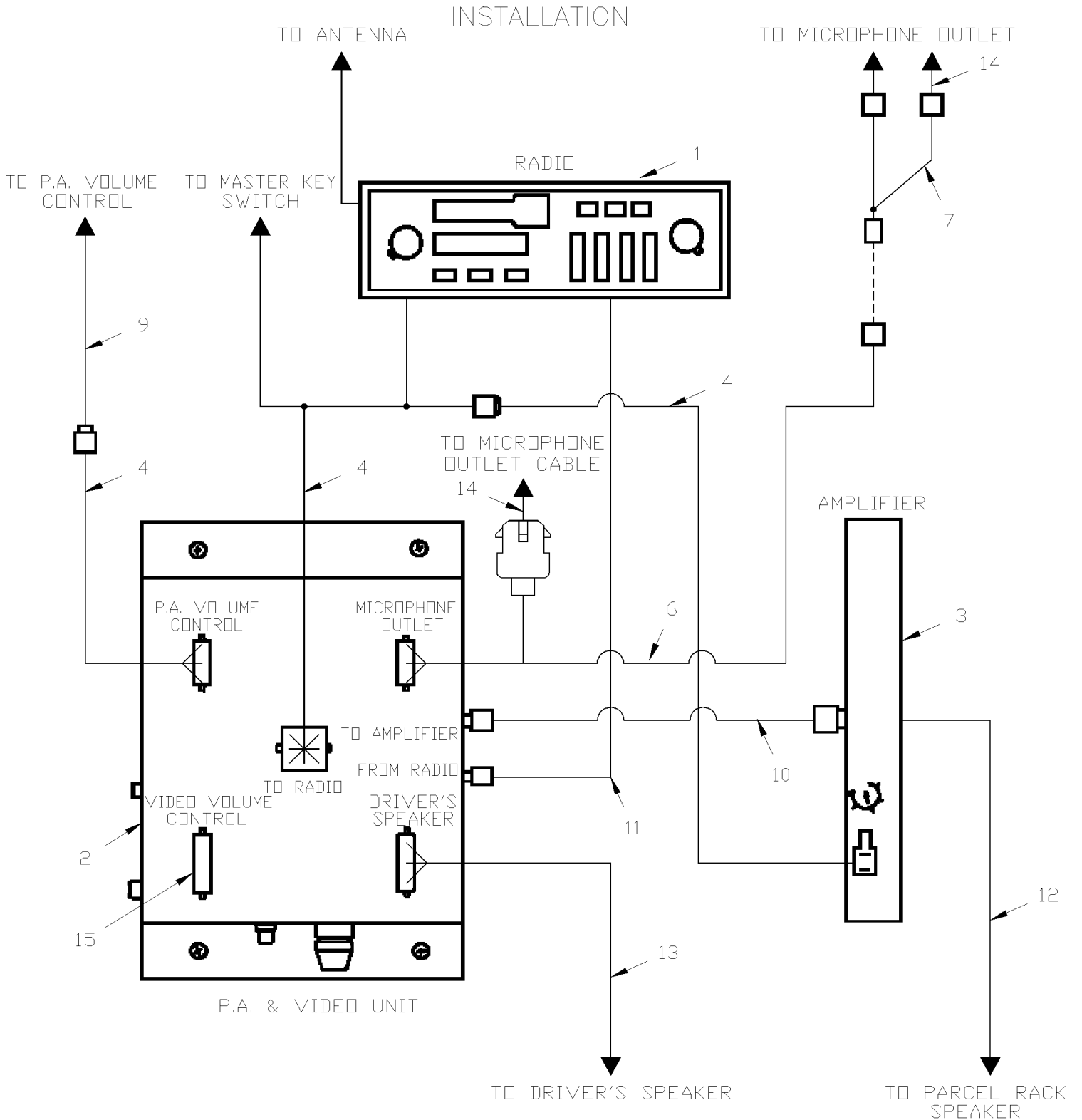
From L-031 To R-079	Date:07/2024	PAGE:H4-2315-00
AUDIO SYSTEM		

Item#	Part	Description	H 3 4 0	V I P 4 0	N O T E S
1	H4-2315-10	SOUND SYSTEM - INSTALLATION			
2	H4-2315-10	SOUND SYSTEM - INSTALLATION			
3	H4-2315-10	SOUND SYSTEM - INSTALLATION			
4	900290	MICROPHONE / W/6' CORD / "MIDWEST" / TYPE C.B.	1		
. NS	900721	. CONNECTOR MICROPHONE 90° / R4F	1		
. NS	900900	. CABLE MICROPHONE 10' / "REI"	1		
NS	900366	MICROPHONE / W/10' CORD / "MIDWEST" / TYPE C.B.	1		
. NS	900721	. CONNECTOR MICROPHONE 90° / R4F	1		
. NS	900900	. CABLE MICROPHONE 10' / "REI"	1		
5	900437	BRACKET, MOUNTING / MICROPHONE	1		
NS	900501	BRACKET, MOUNTING / MICROPHONE	1		
NS	900859	BRACKET, MOUNTING / MICROPHONE	1		
6	402371	OUTLET, MICROPHONE	AR		
6	900247	. OUTLET / MICROPHONE	1		
7	504107	RIVET POP DOME OE 1/8x5/16 AL	3		
8	322655	SUPPORT / DRIVER'S SPEAKER To L-043	1		
NS	403205	SUPPORT / DRIVER'S SPEAKER From L-044	1		
8	063336	CABLE ASSY / DRIVER'S SPEAKER	1		
9	502811	NUT SPR J #8A-B .168-.198	AR		
10	500643	SCREW TP PAN PH #12x3/4 Z050	AR		
11	900502	SPEAKER To L-043	AR		
NS	900609	SPEAKER From L-044 To P-272	AR		
NS	900673	SPEAKER From P-273	AR		
NS	403960	SPACER ADAPTOR / PLASTIC BLACK From P-273	AR		
12	900503	GRILLE / SPEAKER To L-043	AR		
NS	900608	GRILLE / SPEAKER From L-044 To P-272	AR		
NS	900669	GRILLE / SPEAKER From P-273	AR		
20	900885	CD CHARGER / 6 DISCS / "BLAUPUNKT" CDC-RF6/ SERVICE	1		
20	900732	CD CHARGER / 10 DISCS / "BLAUPUNKT" CDC M5	1		
20	900797	CD CHARGER / 10 DISCS / "BLAUPUNKT" CDC M7	1		
21	900723	RECEIVER, WIRELESS MICROPHONE 171.90 MHZ	1		
21	900725	RECEIVER, WIRELESS MICROPHONE 185.15 MHZ	1		
21	900727	RECEIVER, WIRELESS MICROPHONE 209.15 MHZ	1		
21	900729	RECEIVER, WIRELESS MICROPHONE 215.20 MHZ	1		
22	900722	MICROPHONE, WIRELESS 171.90 MHZ	1		
22	900724	MICROPHONE, WIRELESS 185.15 MHZ	1		
22	900726	MICROPHONE, WIRELESS 209.15 MHZ	1		
22	900728	MICROPHONE, WIRELESS 215.20 MHZ	1		
NS	900712	SUPPORT MICROPHONE	1		
NS	900776	NOISE SUPPRESSOR FILTER 12 AMPS / "MAGNADYNE"	1		
NS	403887	CABLE ASSY / RECEIVER & P/A	1		
30	900661	ANTENNA, RADIO / W/AMPLIFIER From N-183	1		

From L-031 To R-079	Date:07/2024	PAGE:H4-2315-00
AUDIO SYSTEM		

Item#	Part	Description	H 3 4 0	V I P 4 0	N O T E S
. NS	901068	. ANTENNA STICK / REPLACEMENT From N-183	1		
NS	900663	ADAPTOR / RADIO & ANTENNA CABLE / MOTOROLA MALE to EURO FEMA	1		
30	404698	KIT ANTENNA REPLACEMENT	AR		
. NS	900661	. ANTENNA, RADIO / W/AMPLIFIER	1		
. . NS	901068	. . ANTENNA STICK / REPLACEMENT	1		
. NS	IS-97051	. SEE INSTRUCTION SHEET	1		
31	900668	ANTENNA ASSY / CELLULAR / "TEARDROP"	1		
32	900547	ANTENNA, RADIO To N-182	1		
NS	900546	CABLE, ANTENNA EXTENSION / 13' 2" To N-182	1		
NS	502633	SCREW MA PAN SLT M6-1.0x40	1		
NS	403552	PLATE, GROUND / FRONT CAP & STRUCTURE	1		
33	900472	ANTENNA ASSY / C.B. / 25"	1		
34	900469	SPRING EXTENSION / .828 O.D. x 3.010 X .104 W/3/8	1		
35	900471	BRACKET, MOUNTING	1		
NS	404109	BRACKET, MOUNTING	AR		
36	900470	CABLE COAXIAL 18 FEET	1		
NS	5001242	WASHER SHR .375x.110 NYL	1		
NS	403488	WASHER	1		
37	403575	ANTENNA SUPPORT	AR		
45	900745	MICROPHONE / W/10' CORD / "SHURE" / TYPE ENTERTAINER	1		
. NS	900900	. CABLE MICROPHONE 10' / "REI"	1		
50	900660	MICROPHONE / W/GOOSE NECK 26"	1		
NS	404763	KIT CD CHARGER REPLACEMENT	1		
. NS	IS-98168	. SEE INSTRUCTION SHEET	1		

From L-031 To R-079	Date:07/2024	PAGE:H4-2315-10
SOUND SYSTEM - INSTALLATION		



From L-031 To R-079	Date:07/2024	PAGE:H4-2315-10
SOUND SYSTEM - INSTALLATION		

Item#	Part	Description	H 3 4 0	V I P 4 0	N O T E S
1	900498	RADIO "BLAUPUNKT" / "DENVER" To L-043	1		
1	900601	RADIO "BLAUPUNKT" / "CALGARY" From L-044 To M-130	1		
1	403432	RADIO "BLAUPUNKT" / "PHOENIX" From M-131 To P-311	1		
1	900644	. RADIO "BLAUPUNKT" / "PHOENIX"	1		
1	403656	RADIO "BLAUPUNKT" / "DAYTONA" From P-312 To R-005	1		
1	900681	. RADIO "BLAUPUNKT" / "DAYTONA"	1		
1	403773	RADIO "BLAUPUNKT" / "CHEYENNE" From R-006	1		
1	900690	. RADIO "BLAUPUNKT" / "CHEYENNE"	1		
1	403936	RADIO "BLAUPUNKT" / "LEXINGTON"	1		S
1	900730	. RADIO "BLAUPUNKT" MODEL "LEXINGTON" CM84	1		S
1	404764	RADIO "BLAUPUNKT" / "MELBOURNE" C-30	1		S
1	900944	. RADIO "BLAUPUNKT" / "MELBOURNE" C-30	1		
1	405327	RADIO "BLAUPUNKT" / "DAYTONA BEACH" C-51	1		S
1	901063	. RADIO "BLAUPUNKT" / "DAYTONA BEACH" C-51	1		
1	409114	RADIO "BLAUPUNKT" / "ST-LOUIS" C-32	1		S
1	901090	. RADIO "BLAUPUNKT" / "ST-LOUIS" C-32	1		
1	409128	RADIO "BLAUPUNKT" MODEL "LEXINGTON" C32	1		
1	901129	. RADIO "BLAUPUNKT" MODEL "LEXINGTON" C32	1		
NS	500135	. SCREW CAP HEX 5/8-18x4 G5 ZP	1		
NS	561669	. CONNECTOR / UNIVERSAL MATE-N-LOK / SH 9C / AMP 1-480706-0	1		
NS	561514	. SOCKET TERMINAL / 20-14 / AMP 350537-3	9		
2	900610	AMPLIFIER, P/A & VIDEO	1		
2	900795	AMPLIFIER, P/A & VIDEO	1		
3	900542	AMPLIFIER "BLAUPUNKT" 80 WATTS (BPA 420) To N-229	1		B
3	900665	AMPLIFIER "BLAUPUNKT" 120 WATTS (BQA 120) From N-230	1		B
3	900744	AMPLIFIER "SONY" 4 X 20 WATTS / (XM2042)	AR		B
3	900858	AMPLIFIER "PIONEER" 4 x 35 WATTS / (GM X84)	AR		B
3	901023	AMPLIFIER "RCF" 4 x 20 WATTS	1		S
NS	403016	SUPPORT To N-229	1		
NS	403577	SUPPORT From N-230	1		
4	062184	CABLE ASSY, MAIN To L-061	1		
4	062918	CABLE ASSY, MAIN From L-062 To M-130	1		
4	063049	CABLE ASSY, MAIN From M-131	1		
6	402372	CABLE ASSY / MICRO OUTLET ON R.H. CONSOLE / 32"	AR		
6	402402	CABLE ASSY / MICRO OUTLET ON L.H. CONSOLE / 42"	AR		
6	402401	CABLE ASSY / MICRO OUTLET ON DRIVER'S GUARD / 78"	AR		
6	402400	CABLE ASSY / MICRO OUTLET ON R.H.MODESTY PANEL / 108"	AR		
6	402851	CABLE ASSY TO MODESTY PANEL / 118"	2		
6	403370	CABLE ASSY / MICRO OUTLET ON DRIVER'S GUARD 128"	AR		
6	402490	CABLE ASSY / MICRO OUTLET ON L.H. PARCEL RACK / 163"	AR		
6	403950	CABLE ASSY / MICRO OUTLET ON L.H. PARCEL RACK / 223"	AR		
6	402414	CABLE ASSY 360" / MICRO OUTLET ON A/C DUCT	AR		

From L-031 To R-079	Date:07/2024	PAGE:H4-2315-10
SOUND SYSTEM - INSTALLATION		

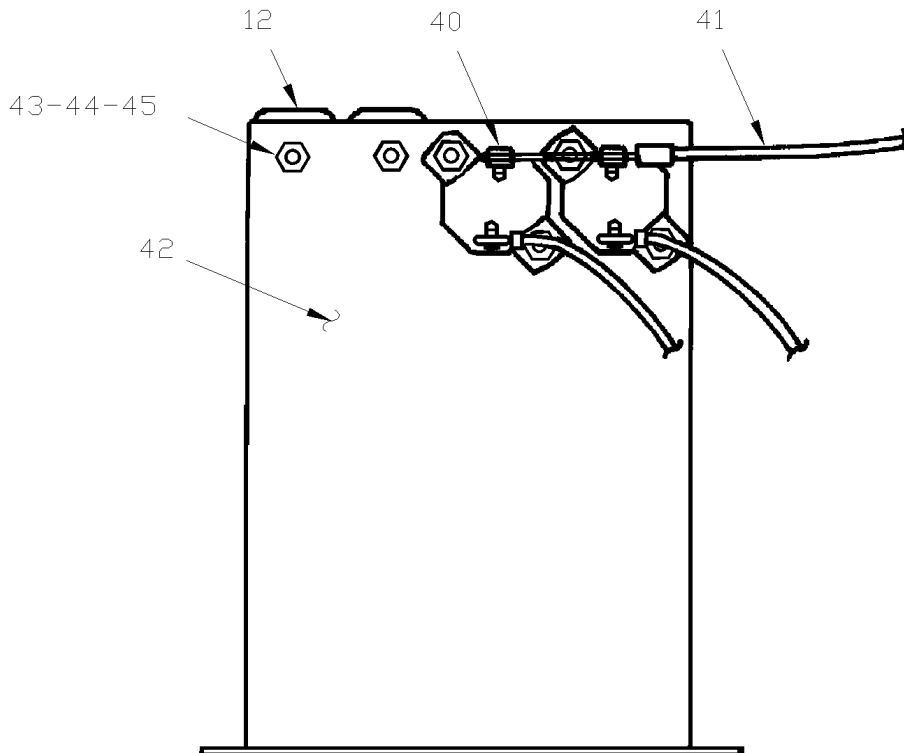
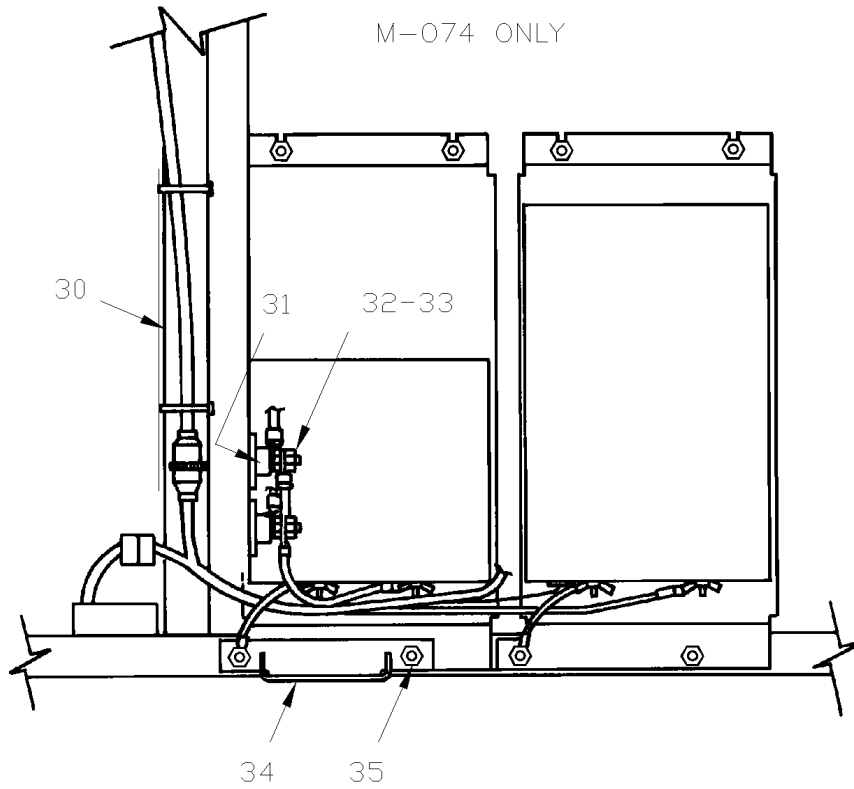
Item#	Part	Description	H 3 4 0	V I P 4 0	N O T E S
6	402403	CABLE ASSY / MICRO OUTLET ON LAVATORY WALL / 552"	AR		
6	403951	CABLE ASSY / MICRO OUTLET ON LAVATORY WALL / 611"	AR		
6	403103	CABLE ASSY IN PARCEL RACK / 624"	1		
7	402404	CABLE ASSY / Y-JUNCTION To N-229	AR		
7	403529	Y JCT ADAPTOR / W/5 MICRO OUTLET From N-230	AR		
9	402373	CONTROL VOLUME / P/A	1		
10	403532	CABLE ASSY / P/A & VOLUME CONTROL	1		
11	403531	CABLE ASSY / P/A & RADIO	1		
12	062591	CABLE ASSY / PARCEL RACK	2		
13	062227	CABLE ASSY / P/A & DRIVER SPEAKER	1		
14	402371	OUTLET, MICROPHONE	AR		B
15	403221	CONTROL VOLUME / VIDEO / L.H. CONSOLE To N-220	1		
NS	403604	CONTROL VOLUME / VIDEO / L.H. CONSOLE From N-221	1		
NS	404476	KIT, PA REI	AR		
. NS	IS-95084	. SEE INSTRUCTION SHEET	1		
NS	404524	KIT AUDIO AMPLIFIER (FORMER)	1		
. NS	IS-96185	. SEE INSTRUCTION SHEET	1		
NS	405219	KIT AUDIO AMPLIFIER (CURRENT)	1		
. NS	IS-00206	. SEE INSTRUCTION SHEET	1		
		B) THOSE AMPLIFIER ARE OBSOLETE, USE RETROFIT KIT #405219 SEE INSTRUCTION SHEET IS-00206			
		S) SERVICE ONLY			

From L-031 To R-079

Date:07/2024

PAGE:H4-2315-50

POWERVERTER - 12/110 VOLTS / VIDEO & GALLEY

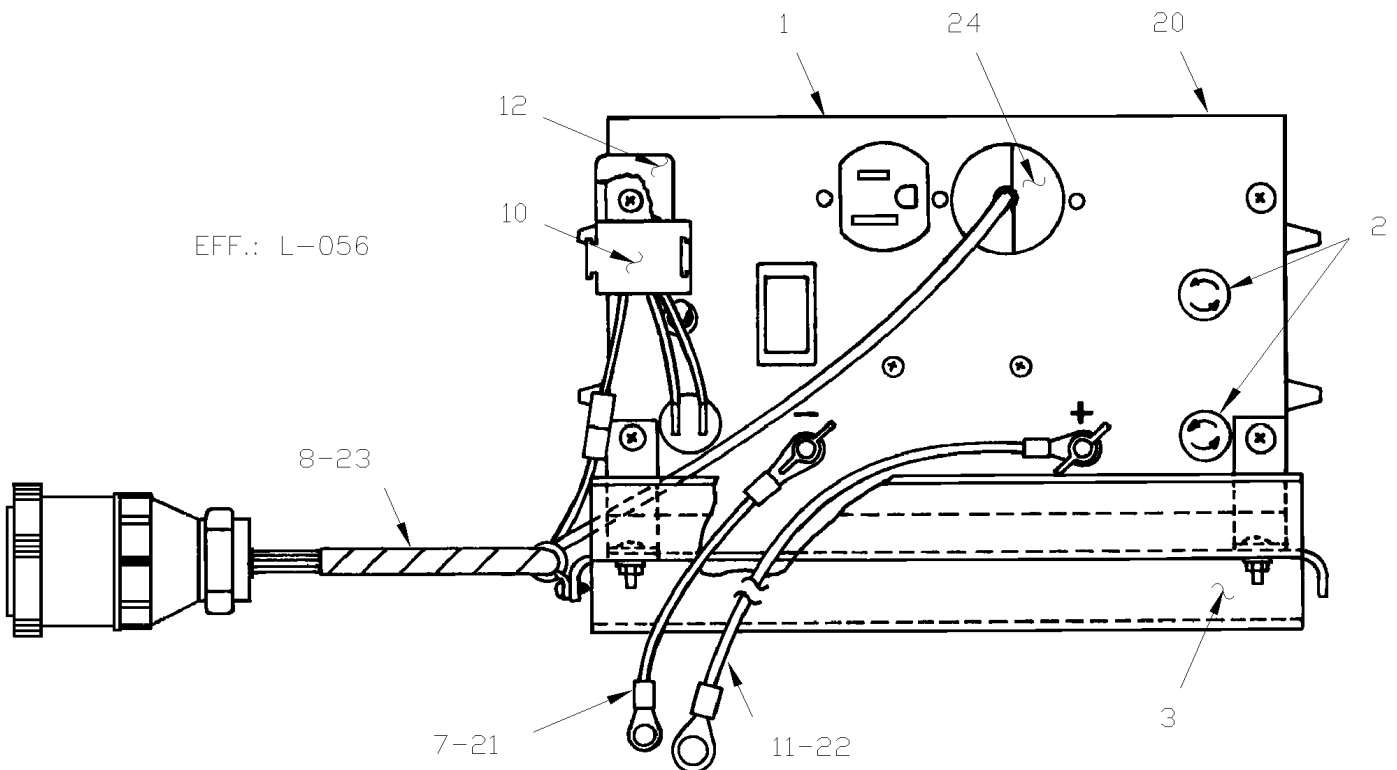
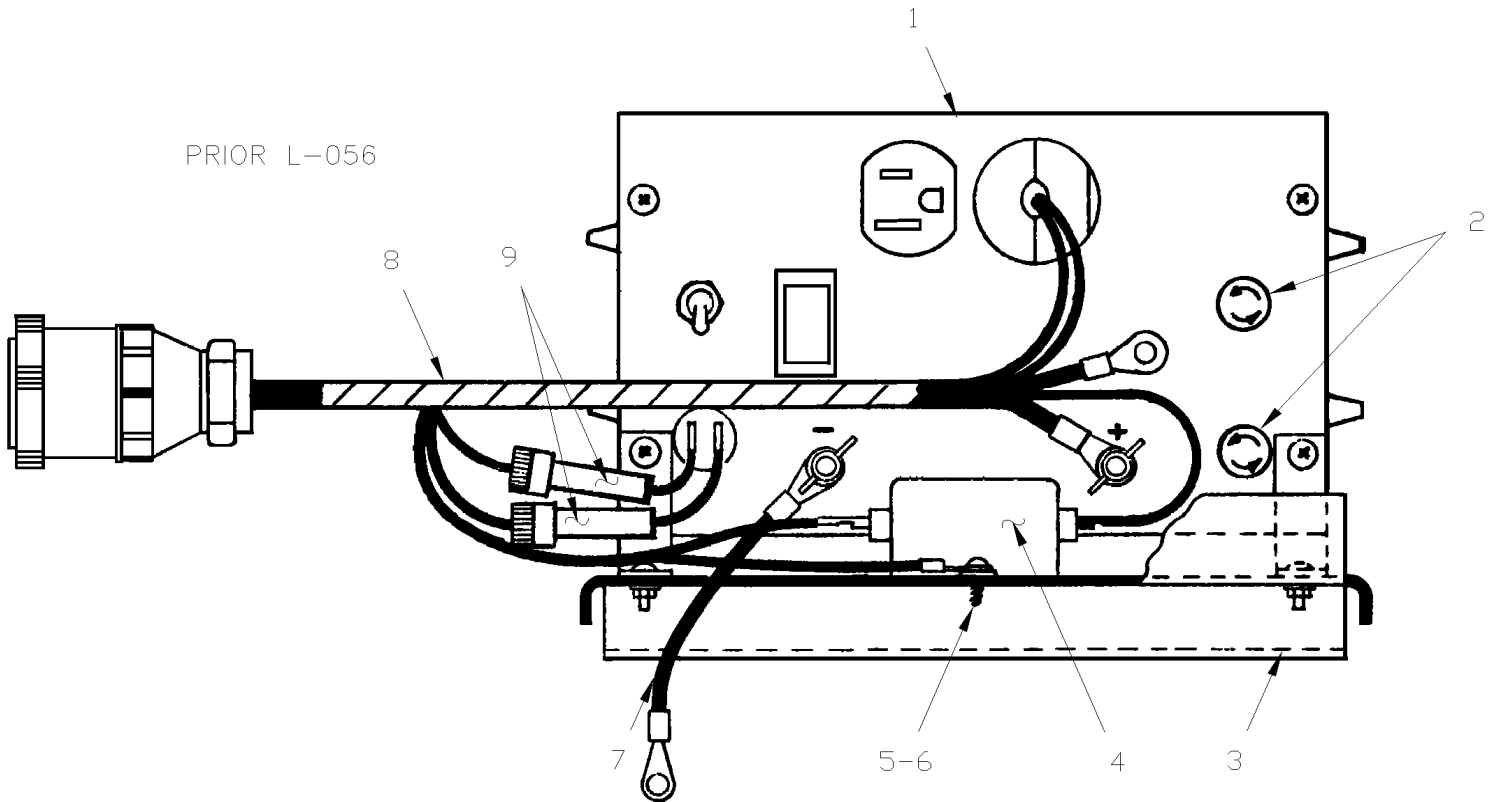


From L-031 To R-079

Date:07/2024

PAGE:H4-2315-50

POWERVERTER - 12/110 VOLTS / VIDEO & GALLEY



From L-031 To R-079	Date:07/2024	PAGE:H4-2315-50
POWERVERTER - 12/110 VOLTS / VIDEO & GALLEY		

Item#	Part	Description	H 3 4 0	V I P 4 0	N O T E S
	403273P	POWERVERTER ASSY / 24/110 VOLTS 500 WATTS	1	1	
1	561935	. POWERVERTER ASSY / 12/110 V 500 WATTS (FORM	1	1	A
1	562292	. POWERVERTER ASSY / 12/110 V 750 WATTS	1	1	
2	560063	. . FUSE / 20 AMPS / SFE-20	2	2	
2	562472	. . FUSE / ATC 40 AMPS ORANGE	2	2	
3	403271	. SUPPORT	1	1	
4	900592	FILTER, NOISE / 10A-120V To L-055	1	1	
5	500654	. SCREW TC BDG PH #8-32x1/2 Z050	2	2	
6	500022	. WASHER LO INT .168x.340x.023 Z050	2	2	
7	062149	. CABLE ASSY #0	1	1	
8	062736	CABLE ASSY To L-055	1		
8	062931	. CABLE ASSY From L-056	1	1	
11	063052	. CABLE ASSY #0	1	1	
12	561707	. RELAY 24V S.P.D.T. W/RESISTOR /	1	1	
20	562046	POWERVERTER ASSY / 24/110 V 1000 WATTS	1	1	B
21	062984	CABLE ASSY #0	1	1	B
22	063053	CABLE ASSY	1	1	B
23	062959	CABLE ASSY	1	1	B
24	062958	CABLE ASSY 110V OUTLET	1	1	B
NS	403373	SUPPORT	1	1	B
NS	403374	PROTECTOR	1	1	B
NS	504323	GROMMET / .375x.500x.062x.281x.687	1	1	B
30	062737	CABLE ASSY / POWERVERTER & FRONT JUNCTION BLOCK To L-055	1		
NS	062930	CABLE ASSY / POWERVERTER & FRONT JUNCTION BLOCK / CONSOLE From L-056	1	1	
NS	560407	SWITCH MAGNETIC / 24V S.P.S.T. / 50AMPS N.O.	1	1	
NS	063299	CABLE ASSY	1	1	
NS	381493	STOPPER / TO FIX POWERVERTER	2	2	
NS	381485	STRAP / TO FIX POWERVERTER	1	1	
31	560422	BLOCK, TERMINAL / 1 STUD 3/8-16 / BLACK	2	2	B
32	500783	NUT HEX 3/8-16 Z050	4	4	B
33	500478	WASHER LO SPT .380x.683x.094 Z050	4	4	B
34	283707	SUPPORT	1	1	B
35	502511	NUT HEX NYRT M6-1.0 Z050	AR	AR	B
NS	502573	WASHER FL 6.4x12.5x1.6 SS	AR	AR	B
40	870690	BREAKER 30AMPS / 24V /	2	2	B
41	063055	CABLE ASSY #24 VF	1	1	B
42	381291	SUPPORT	1	1	B
43	502698	SCREW MA PAN PH M4-0.7x16 SS BK	AR	AR	B
44	502636	WASHER LO SPT 4.1x7.6x0.9 Z050	AR	AR	B
45	502524	NUT HEX M4-0.7 Z050	AR	AR	B

From L-031 To R-079	Date:07/2024	PAGE:H4-2315-50
---------------------	--------------	-----------------

POWERVERTER - 12/110 VOLTS / VIDEO & GALLEY

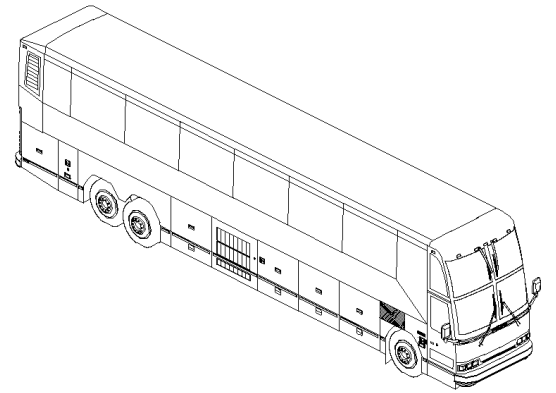
Item#	Part	Description	H 3 4 0	V I P 4 0	N O T E S
		A) THIS POWERVERTER IS OBSOLETE, USE RETROFIT KIT #381494 & 562292			
		B) RELATED TO POWERVERTER 1000 WATTS			

From L-031 To R-079

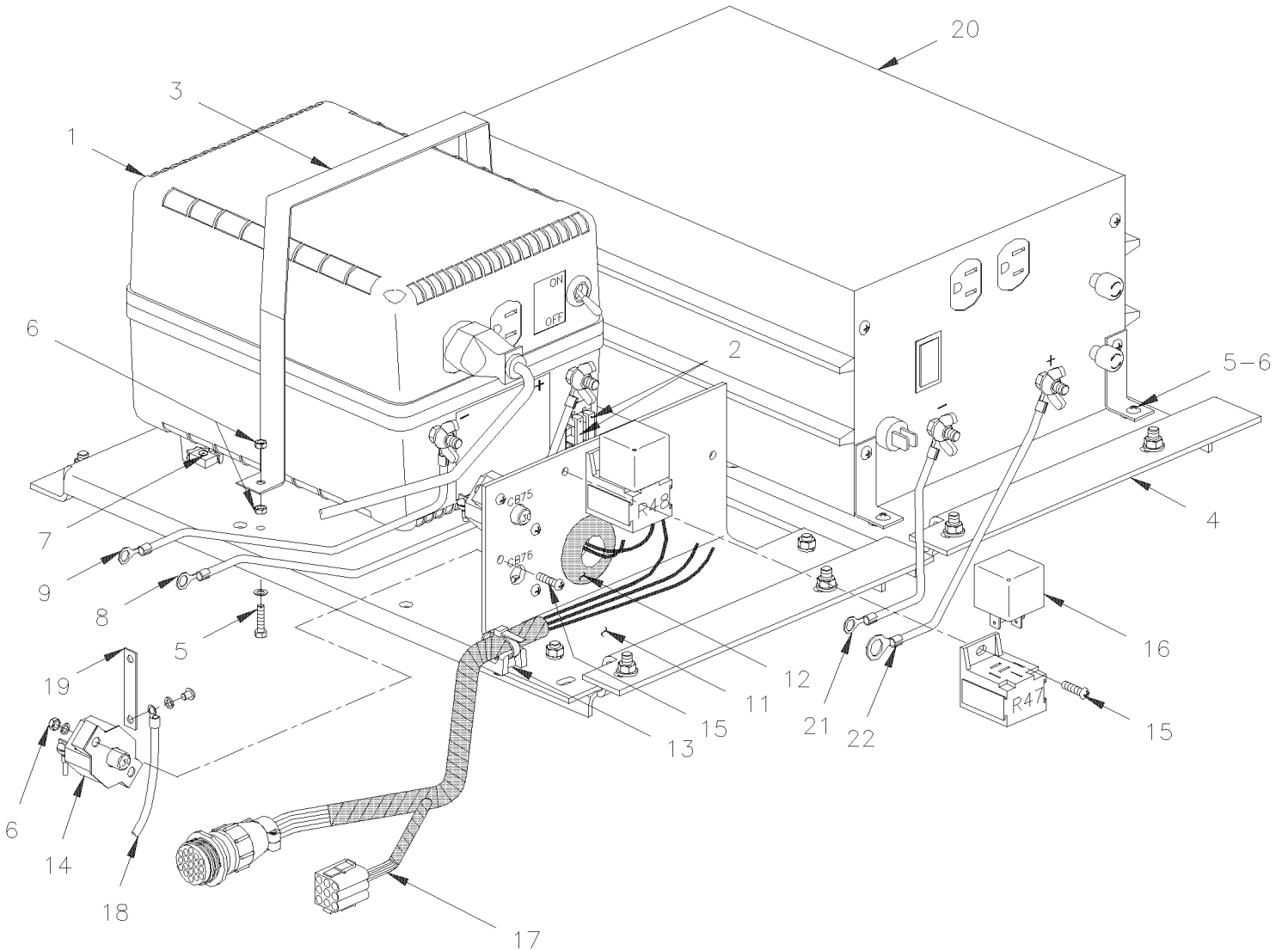
Date:07/2024

PAGE:H4-2315-51

POWERVERTER - 12&24/110 VOLTS/VIDEO&GALLEY / SERVICE



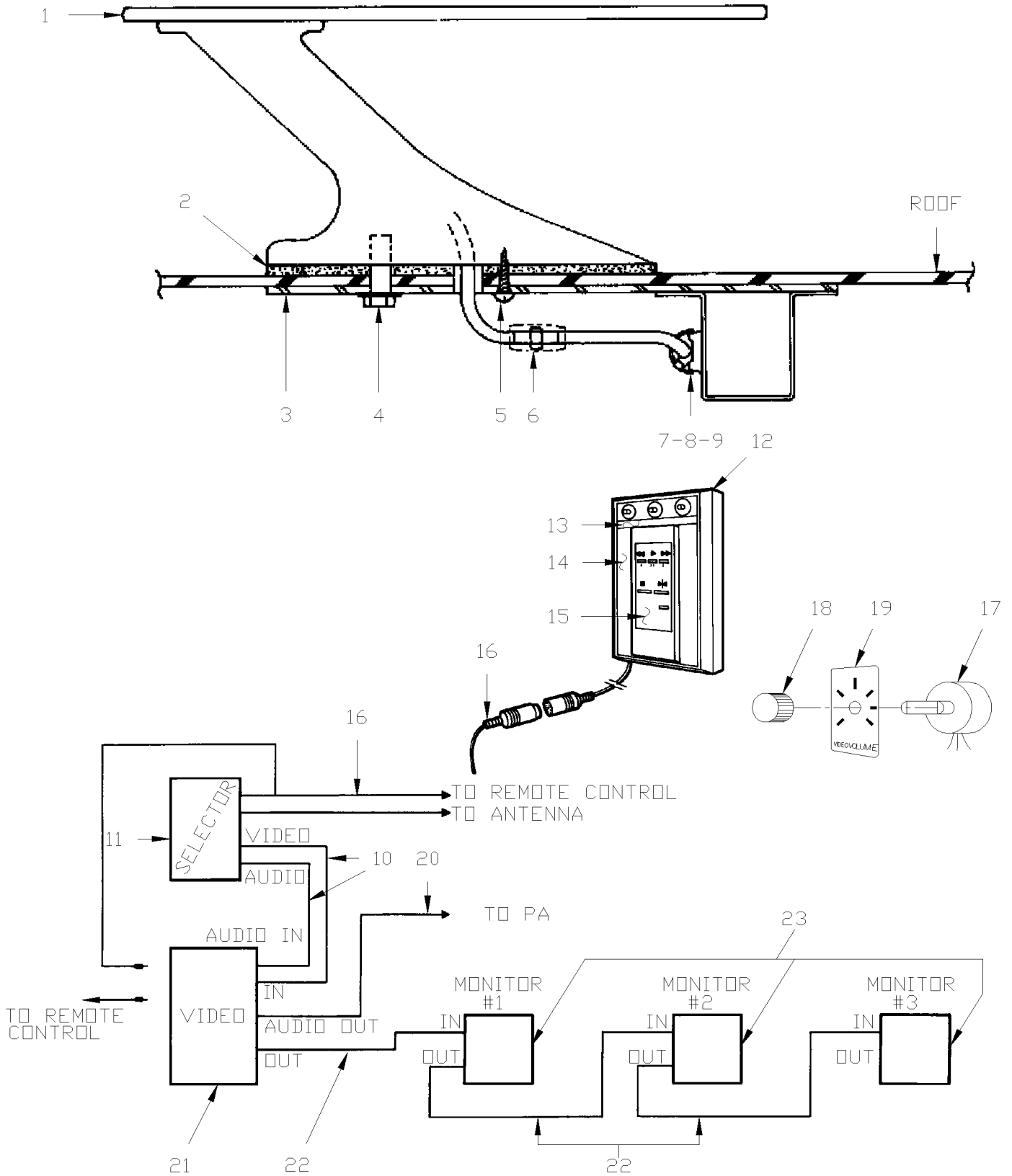
FRONT



From L-031 To R-079	Date:07/2024	PAGE:H4-2315-51
POWERVERTER - 12&24/110 VOLTS/VIDEO&GALLEY / SERVICE		

Item#	Part	Description	H 3 4 0	V I P 4 0	N O T E S
1	562292	POWERVERTER ASSY / 12/110 V 750 WATTS To T-1454	1		A
2	562472	. FUSE / ATC 40 AMPS ORANGE To T-1454	2		A
3	381485	STRAP / TO FIX POWERVERTER To T-1454	1		A
NS	506001	TAPE RUB ADH1 CC POL 1/8" x 3/4" x 50' / GREY 2520X To T-1454	AR		A
4	403271	SUPPORT To T-1454	1		A
5	502550	SCREW CAP HEX M4-0.7x16 G8.8 Z050 To T-1454	2		A
6	502524	NUT HEX M4-0.7 Z050 To T-1454	2		A
NS	502636	WASHER LO SPT 4.1x7.6x0.9 Z050 To T-1454	AR		A
7	381493	STOPPER / TO FIX POWERVERTER To T-1454	2		A
8	063158	CABLE ASSY #12PV To T-1454	1		A
9	063052	CABLE ASSY #0 To T-1454	1		A
11	381484	SUPPORT BREAKER & RELAY To T-1454	1		A
12	504530	GROMMET / .750x1.250x.125x.312x1.625 To T-1454	1		A
13	504013	TIE MOUNT / 1/4" X 1/4" I.D. To T-1454	1		A
13	504114	RIVET POP DOME OE 3/16x1/4 AL To T-1454	1		A
13	504637	CABLE TIE / 3/16" x 13" To T-1454	1		A
14	870690	BREAKER 30AMPS / 24V / To T-1454	2		A
15	502698	SCREW MA PAN PH M4-0.7x16 SS BK To T-1454	AR		A
16	561707	RELAY 24V S.P.D.T. W/RESISTOR / To T-1454	AR		A
17	063346	HARNESS ASSY (VCR & GALLEY) To T-1454	1		A
NS	062930	CABLE ASSY / POWERVERTER & FRONT JUNCTION BLOCK / CONSOLE To T-1454	1		A
18	063055	CABLE ASSY #24 VF To T-1454	1		A
19		BUS BAR / 30 AMP BREAKER To T-1454	1		A
20	562456	POWERVERTER ASSY / 24/110 V 1000 WATTS	1		B C
20	562472	. FUSE / ATC 40 AMPS ORANGE	4		B
21	064264	CABLE ASSY #0	1		B
22	064263	CABLE ASSY #24PV	1		B
NS	065708	KIT, INVERTER REPLACEMENT / BAGGAGE COMPARTMENT	1		
. NS	IS-01028	. SEE INSTRUCTION SHEET	1		
NS	065710	KIT, INVERTER REPLACEMENT / INSIDE GALLEY SERIE "H"	1		
. NS	IS-01028	. SEE INSTRUCTION SHEET	1		
		A) THOSE ITEMS ARE RELATED WITH "VIDEO" SYSTEM "PREVOST"			
		B) THOSE ITEMS ARE RELATED WITH "GALLEY"			
		C) THIS POWERVERTER IS SUPERSEDED BY KIT #065708 OR #065710			

From L-031 To R-079	Date:07/2024	PAGE:H4-2315-60
ROOF ANTENNA & VIDEO WIRING DIAGRAM		



From L-031 To R-079	Date:07/2024	PAGE:H4-2315-60
---------------------	--------------	-----------------

ROOF ANTENNA & VIDEO WIRING DIAGRAM

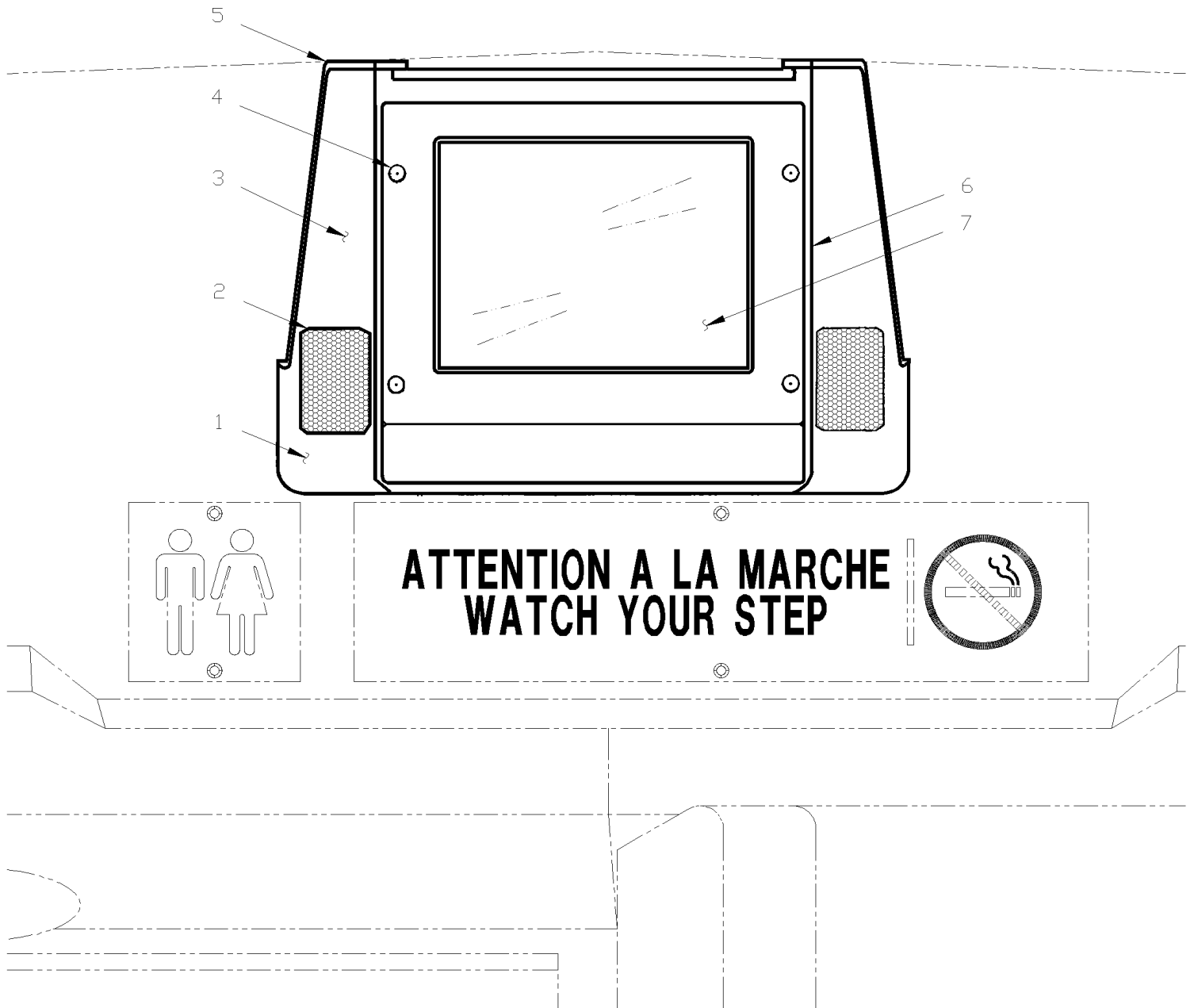
Item#	Part	Description	H 3 4 0	V I P 4 0	N O T E S
1	900617	ANTENNA, ROOF / "WINTENNA" MODEL 720 6"	1		
1	900794	ANTENNA, ROOF / "WINTENNA" MODEL 2 3/4"	1		
1	403354	DECAL / VEHICLE HEIGHT 12'10" / BUS W/ TV ANTENNA	1		
1	403830	DECAL / VEHICLE HEIGHT 12' 10"	1		A
1	403831	DECAL / VEHICLE HEIGHT 12' 4"	1		B
2	403298	GASKET, ANTENNA	1		
3	500048	SCREW CAP HEX 3/8-24x1 1/4 G5 ZP	1		
4	403293	PLATE, REINFORCEMENT / ROOF	1		
5	500617	SCREW TP PAN PH #8x1 Z050	1		
6	560786	SHRINK TUBING / .500" - .250" / BLACK / ALPHA FIT-300-1/2-4B	AR		
7	504013	TIE MOUNT / 1/4" X 1/4" I.D.	4		
7	504006	RIVET POP CK OE 1/8x5/16 AL	4		
8	504012	CABLE TIE / 3/16" X 6"1/2	4		
10	900616	CABLE ASSY / VIDEO & SELECTOR	2		
NS	561267	WIRE MARKER / LETTER "A" / S.L.	AR		
NS	561288	WIRE MARKER / LETTER "V" / S.L.	AR		
11	403289	SELECTOR, CHANNEL	1		
12	403294	CONTROL ASSY, REMOTE / W/SELECTOR ONLY	1		
12	403346	CONTROL ASSY, REMOTE / W/DOUBLE VIDEO ONLY OPTION P.W.T.	AR		
13	403496	. DECAL "TV-TV+ON/OFF"	1		
14	390972	. LEXAN	1		
15	900612	. CONTROL REMOTE	1		
NS	900796	CONTROL REMOTE / W/60' CABLE	1		
16	403295	CABLE / REMOTE CONTROL / CONTROL & SELECTOR	1		
17	403604	CONTROL VOLUME / VIDEO / L.H. CONSOLE	1		
18	505306	KNOB, POINTER	1		
19	391335	DECAL / VIDEO VOLUME	1		
20	H4-2317-11	SIDE MONITOR - VIDEO			
21	H4-2317-20	VIDEO VHS PLAYER - INSTALLATION			
22	H4-2317-11	SIDE MONITOR - VIDEO			
23	H4-2317-00	FRONT MONITOR - VIDEO			
23	H4-2317-11	SIDE MONITOR - VIDEO			
		A) VEHICLE HEIGHT 12'10"			
		B) VEHICLE HEIGHT 12'			

From L-031 To R-079

Date:07/2024

PAGE:H4-2317-00

FRONT MONITOR - VIDEO

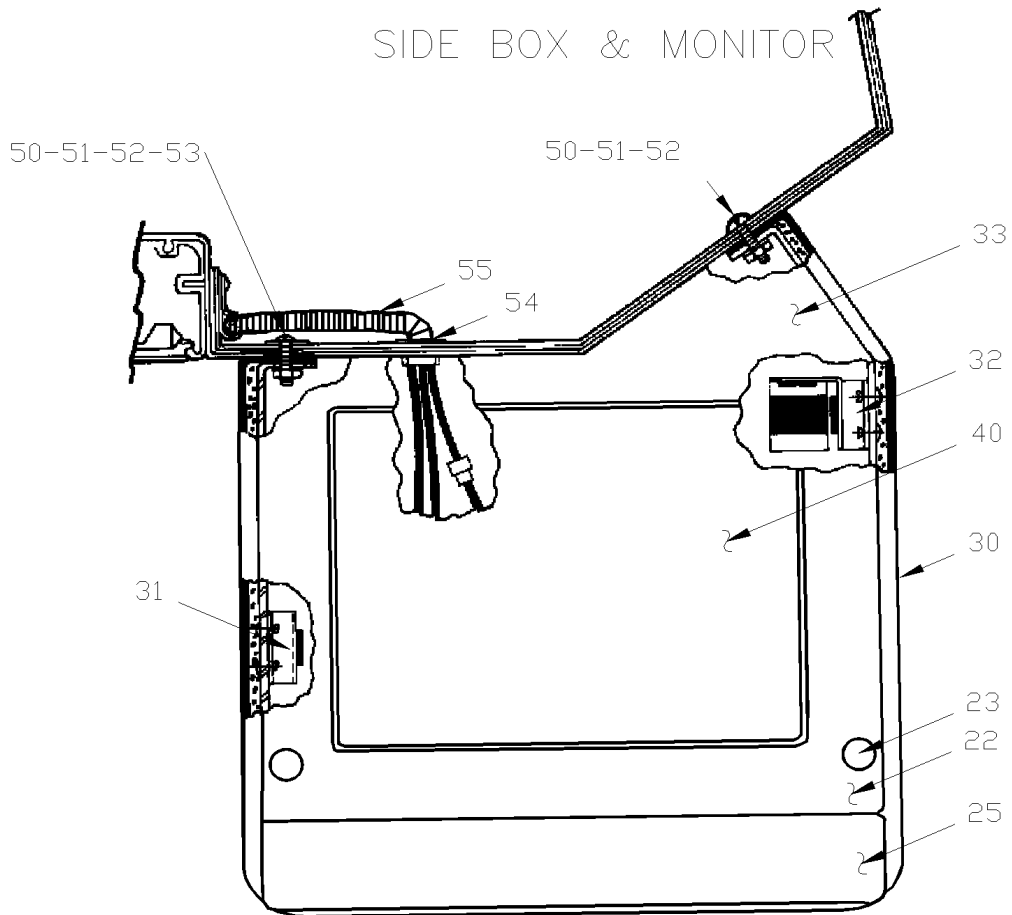


From L-031 To R-079	Date:07/2024	PAGE:H4-2317-00
FRONT MONITOR - VIDEO		

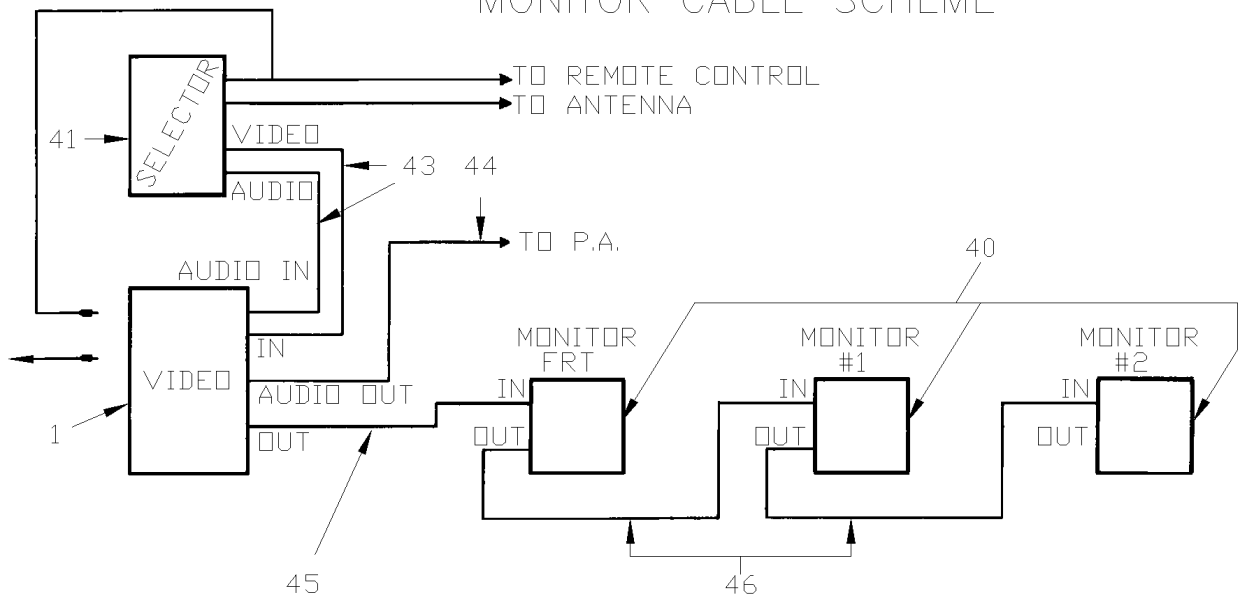
Item#	Part	Description	H 3 4 0	V I P 4 0	N O T E S
1	403226P	BOX, MONITOR CENTRAL ASSY	1		
2	402959	. GRILLE ASSY	2		
NS	502524	. NUT HEX M4-0.7 Z050	4		
NS	502636	. WASHER LO SPT 4.1x7.6x0.9 Z050	4		
3	402951	. RIM, FRONT MONITOR	1		
4	504400	. SNAP CAP #10 FINISHING BLACK	4		
NS	504399	. WASHER RETAINER SNAP CAP #10	4		
NS	505259	. SPACER 3/8 I.D. X 3/8 LG	4		
NS	500575	. SCREW TP PAN PH #8x1 1/4	4		
5	403233	. MOULDING ASSY 570MM	1		
6	402974	. PROTECTOR	1		
NS	403004P	. BRACKET ANGLE BOTTOM	2		
NS	403227	. BRACKET ANGLE TOP	1		
7	900614	MONITOR ASSY / MODEL ST-1000M	1		A
NS	403228	SUPPORT REAR / TO FIX MONITOR	1		
		A) IN JUNE 1996 "PANASONIC" MODEL ST-100M BECAME OBSOLETE PART HAS BEEN SUPERSEDED BY 900838 & 404477			

From L-031 To N-172	Date:07/2024	PAGE:H4-2317-10
SIDE MONITOR - VIDEO		

SIDE BOX & MONITOR



MONITOR CABLE SCHEME

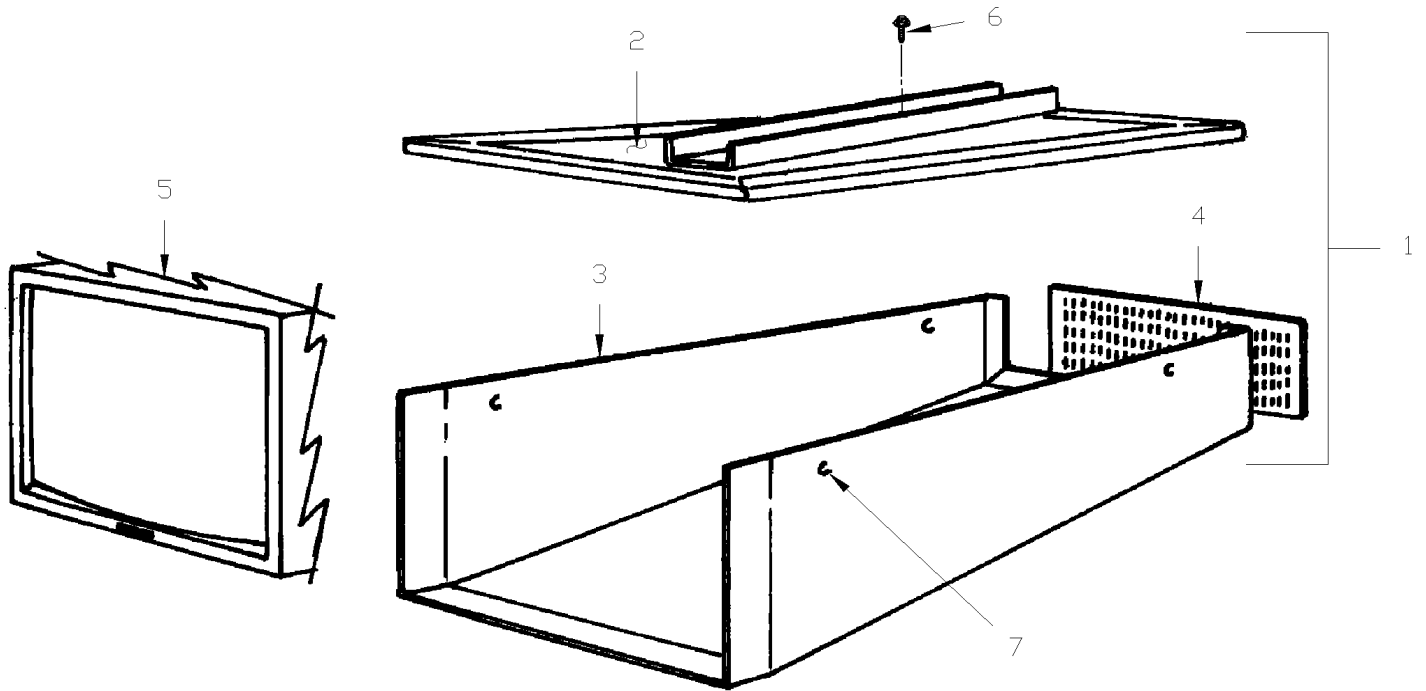


From L-031 To N-172	Date:07/2024	PAGE:H4-2317-10
SIDE MONITOR - VIDEO		

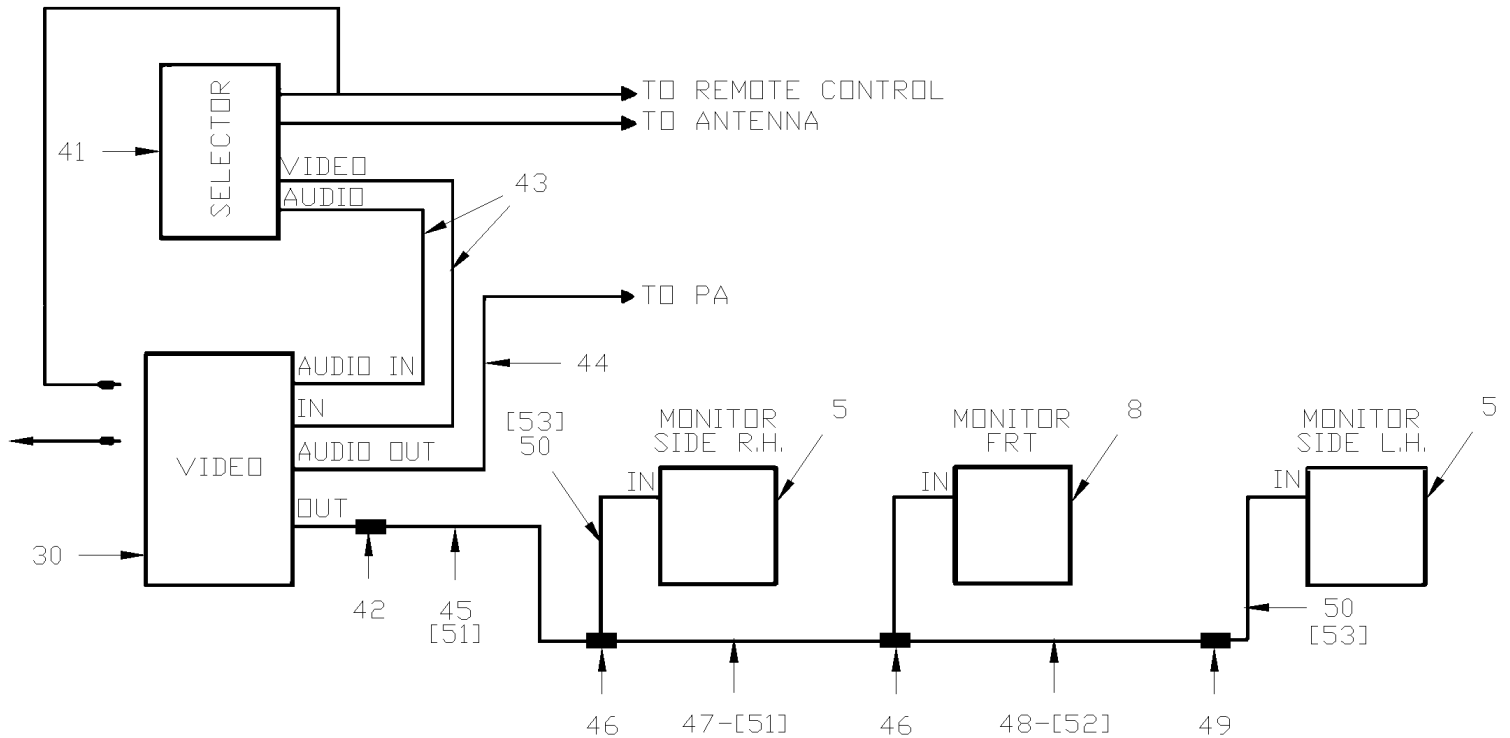
Item#	Part	Description	H 3 4 0	V I P 4 0	N O T E S
1	403002P	BOX ASSY, R.H. / SPECIFY COLOR	2		
1	403408P	BOX ASSY, L.H. / SPECIFY COLOR	AR		
2	403244	. STOPPER / LOWER	1		
3	403245	. STOPPER / UPPER / W/R.H. BOX	1		
3	403414	. STOPPER / UPPER / W/L.H. BOX	1		
4	402956	. BRACKET, R.H. BOX	1		
4	403413	. BRACKET, L.H. BOX	1		
5	900614	MONITOR ASSY / MODEL ST-1000M	3		
6	402974	. PROTECTOR	1		
7	402951	. RIM, FRONT MONITOR	1		
8	504400	. SNAP CAP #10 FINISHING BLACK	4		
8	504399	. WASHER RETAINER SNAP CAP #10	4		
8	500575	. SCREW TP PAN PH #8x1 1/4	4		
8	505229	. SPACER 3/8 I.D. X 3/8 LG	4		
10	5001027	SCREW MA PAN PH #10-32x1 SS EMN	AR		
11	500470	WASHER LO SPT .193x.334x.047 Z050	AR		
12	500700	NUT HEX #10-32 Z050	AR		
13	402985	PLATE, REINFORCEMENT	2		
14	504500	SNAP BUSHING / .766x1.125x.453	4		
15	562116	CONVOLUTED TUBING / SLIT / BLACK & GRAY / .500"	AR		
NS	062751	CABLE ASSY / FROM VIDEO TO MONITOR AND POWERVERTER	1		
NS	561932	CONNECTOR / 15 AMPS / HUBBELL 5269-C	2		
NS	561834	WIRE CABLE 18 / WHITE / TEW	AR		
NS	561261	WIRE CABLE 18 / BLACK / GXL	AR		
NS	561932	CONNECTOR / 15 AMPS / HUBBELL 5269-C	2		
NS	500482	WASHER LO SPT .506x.873x.125 Z050	2		
NS	500989	WASHER FL .219x.875x.062 Z050	4		
41	403289	SELECTOR, CHANNEL	1		
43	900616	CABLE ASSY / VIDEO & SELECTOR	1		
44	062719	CABLE ASSY / VIDEO AUDIO TO P.A.	1		
45	402942	CABLE ASSY / VIDEO OUT TO MONITOR	1		
46	402943	CABLE ASSY / EACH MONITOR	2		
47	900567	VIDEO CASSETTE PLAYER VHS / MODEL AG-1000	1		

From N-173 To R-079	Date:07/2024	PAGE:H4-2317-11
SIDE MONITOR - VIDEO		

SIDE BOX & MONITOR



MONITOR CABLE SCHEME



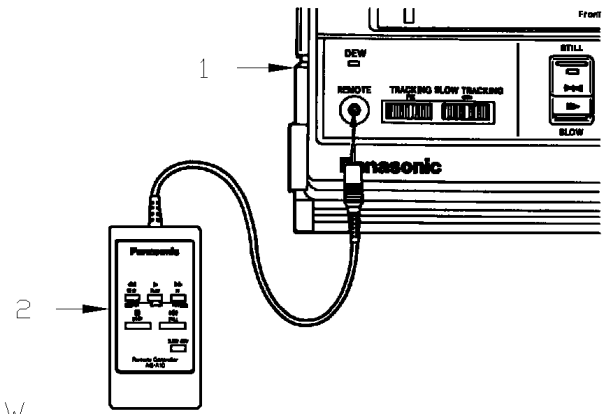
From N-173 To R-079	Date:07/2024	PAGE:H4-2317-11
SIDE MONITOR - VIDEO		

Item#	Part	Description	H 3 4 0	V I P 4 0	N O T E S
1	403309P	BOX ASSY / MONITOR ASSY, R.H. / SPECIFY COLOR / PRODUCTION	AR		A
1	403512P	BOX ASSY / MONITOR ASSY, L.H. / SPECIFY COLOR / PRODUCTION	AR		A
2	403502P	. ATTACHMENT, R.H. / SPECIFY COLOR	1		
2	403513P	. ATTACHMENT, L.H. / SPECIFY COLOR	1		
2	403514	. . ATTACHMENT, L.H.	1		
2	403503	. . ATTACHMENT, R.H.	1		
NS	403507	. . SPACER / W/R.H. & L.H. ATTACHMENT	2		
NS	506322	. TAPE RUB ADH2 POL .045" x 1" x 223' / WHITE 4085	AR		
3	403508P	. BOX COVER ASSY / SPECIFY COLOR	1		
3	403509	. . BOX COVER	1		
4	403510	. . GRILLE	1		
NS	500814	. . SCREW TP BDG PH #6x3/4 BK	3		
NS	506247	. PAD RUB CC EPDM 1/4" x 40" x 54" / GREY 1440	AR		
5	403501	. MONITOR ASSY / MODEL ST-1000M / 110VOLTS	1		B
6	5001054	. SCREW CAP BUT HEXS M10-1.5x50 G10.9 ZP	3		
6	500445	. WASHER FL .437x1.000x.083 Z050	3		
6	500556	. SCREW MA TR PH 1/4-20x3/4 SS	4		
6	504399	. WASHER RETAINER SNAP CAP #10	4		
7	504400	. SNAP CAP #10 FINISHING BLACK	4		
7	403497	. SPACER	4		
7	500879	. SCREW TP PAN PH #10x1 Z050	4		
8	H4-2317-00	FRONT MONITOR - VIDEO			
30	H4-2317-20	VIDEO VHS PLAYER - INSTALLATION			
41	H4-2315-60	ROOF ANTENNA & VIDEO WIRING DIAGRAM			
42	562207	CONNECTOR / BNC / FEMALE / RCA MALE / AMP 12343	1		
43	900616	CABLE ASSY / VIDEO & SELECTOR	1		
NS	900777	CONNECTOR BNC PLUG TO RCA ADAPTOR / ELEC 21-142-0	1		
NS	561267	WIRE MARKER / LETTER "A" / S.L.	2		
NS	561288	WIRE MARKER / LETTER "V" / S.L.	2		
44	900653	CABLE ASSY / AUDIO/VIDEO TO PA	1		
45	403409	CABLE ASSY (VIDEO) / VIDEO TO TEE JACK / 1400MM	1		
46	562197	CONNECTOR / BNC / FEMALE "T" / AMP 221988-1	2		A
47	403411	CABLE ASSY (VIDEO) / MONITOR TO MONITOR 6000MM	AR		A
48	403412	CABLE ASSY (VIDEO) / MONITOR TO MONITOR 2300MM	1		
49	562083	CONNECTOR / BNC / FEMALE JOINT / AMP 221551-1	AR		
NS	900670	CONNECTOR / BNC / PLUG 75 OHMS / AMP 12210	1		
50	403412	CABLE ASSY (VIDEO) / MONITOR TO MONITOR 2300MM	AR		A
50	403479	CABLE ASSY (VIDEO) / MONITOR TO MONITOR 3800MM	1		A
50	403780	CABLE ASSY (VIDEO) / FRONT MONITOR TO SIDE MONITOR 4500MM	1		A
51	063144	CABLE ASSY 110V / FRONT MONITOR TO SIDE MONITOR / 6100MM	1		
52	063736	CABLE ASSY 110V / FRONT TO L.H. / POWER TO VIDEO	1		
53	063735	CABLE ASSY 110V / MONITOR & MONITOR 4400MM	1		A

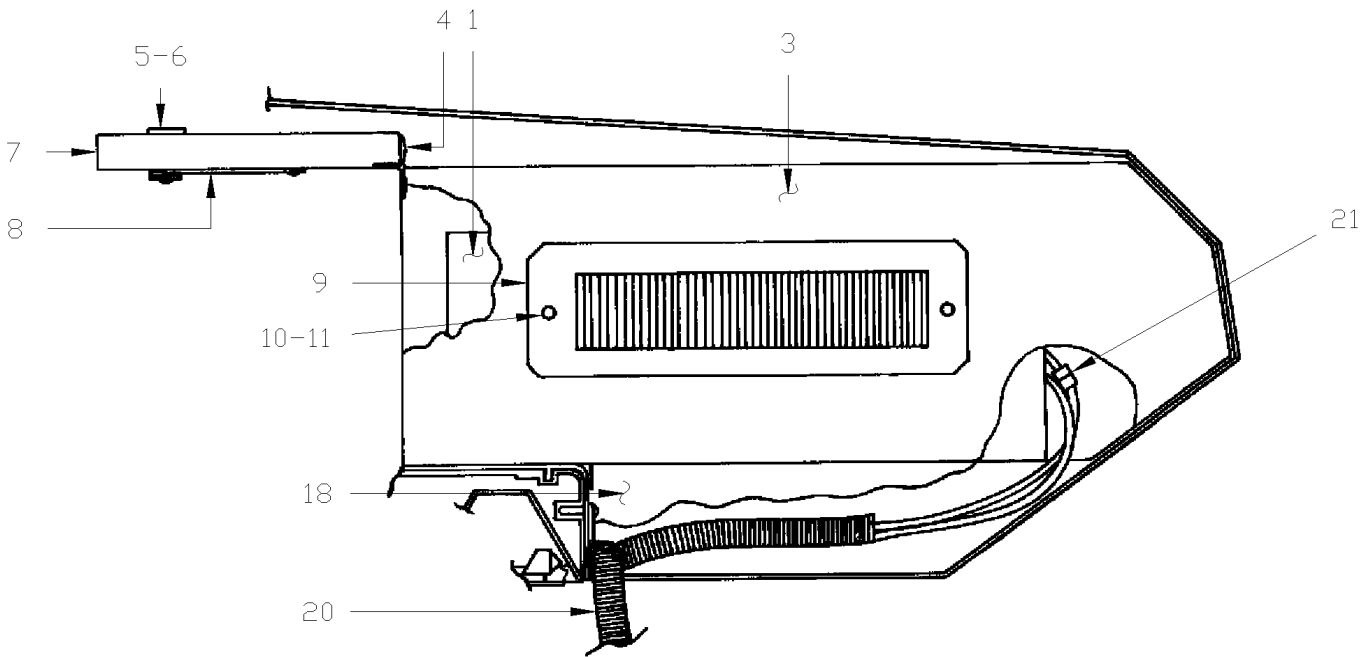
From N-173 To R-079	Date:07/2024	PAGE:H4-2317-11
SIDE MONITOR - VIDEO		

Item#	Part	Description	H 3 4 0	V I P 4 0	N O T E S
NS	063736	CABLE ASSY 110V / FRONT TO L.H. / POWER TO VIDEO	1		
NS	064123	CABLE 110 V / JCT PANEL & INVERTER / 3050MM	1		
		A) FOR EACH ADDITIONAL MONITOR YOU NEED 1 JACK, 1 VIDEO CABLE & 1 110V CABLE (VERIFY LENGHT FOR CABLE)			
		B) SEE ATTACHED TEXT RELATED TO NOTE B			

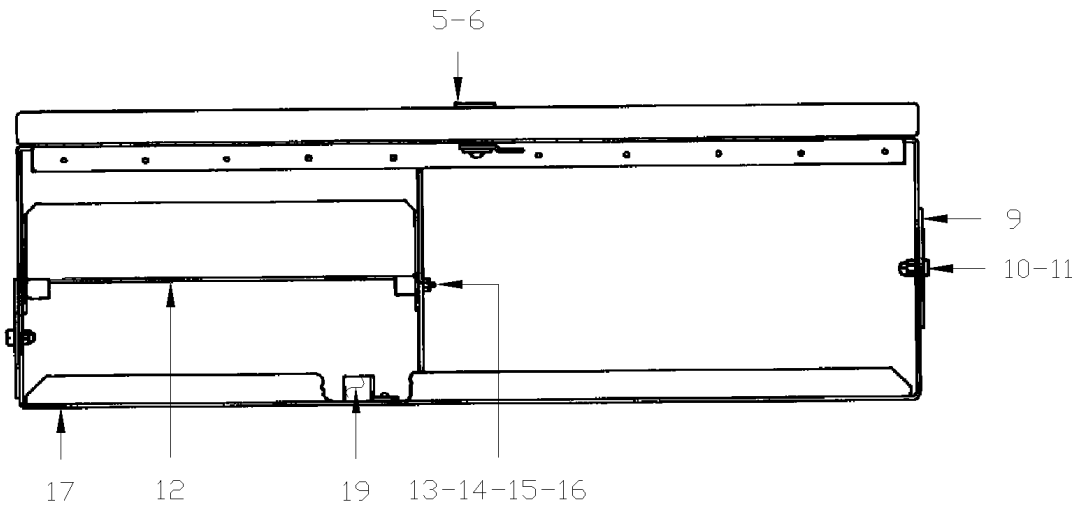
From L-031 To R-079	Date:07/2024	PAGE:H4-2317-20
VIDEO VHS PLAYER - INSTALLATION		



SIDE VIEW



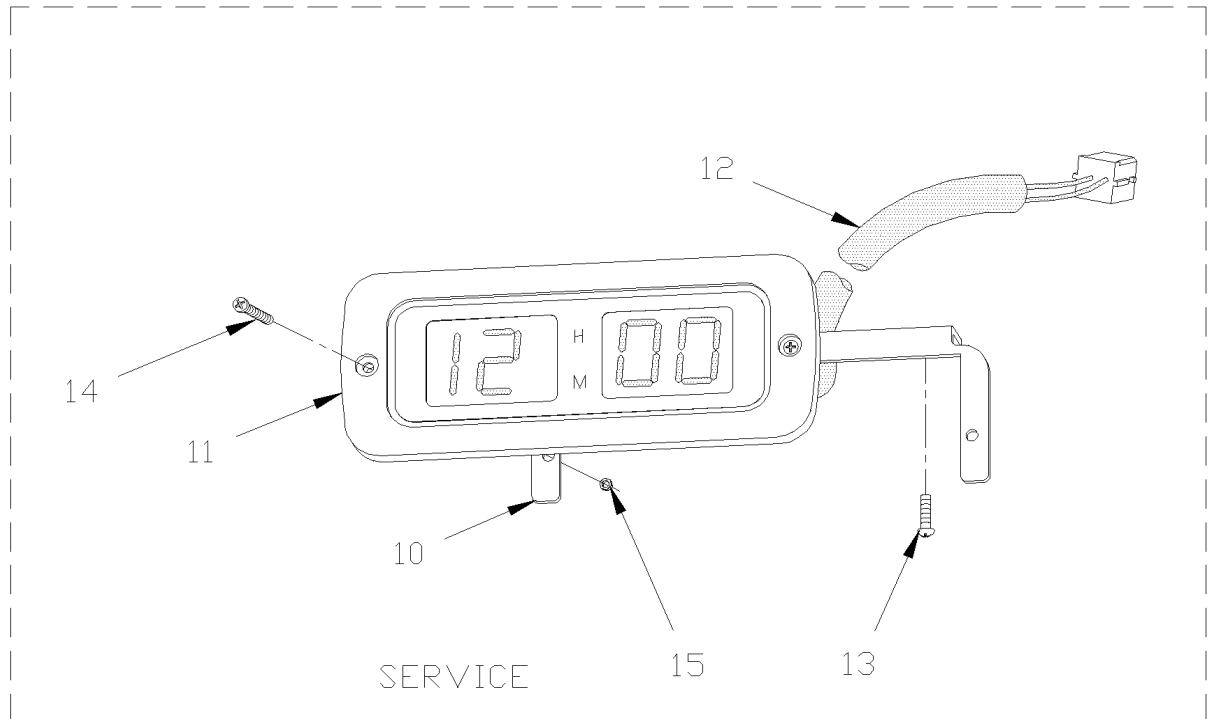
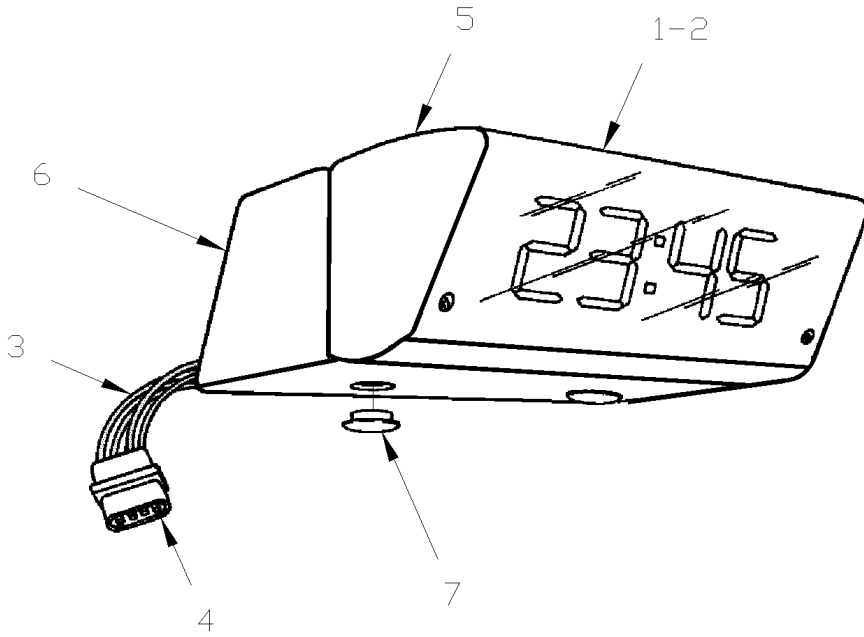
FRONT VIEW



From L-031 To R-079	Date:07/2024	PAGE:H4-2317-20
VIDEO VHS PLAYER - INSTALLATION		

Item#	Part	Description	H 3 4 0	V I P 4 0	N O T E S
1	900567	VIDEO CASSETTE PLAYER VHS / MODEL AG-1000	1		
NS	900737	VIDEO CASSETTE PLAYER VHS / MODEL AG-5210	1		
NS	900622	CASSETTE VIDEO / QUALITE OPTIMALE - FRENCH	AR		
NS	900623	CASSETTE VIDEO / COMMITMENT TO LASTING QUALITY - ENGLISH	AR		
2	900612	CONTROL REMOTE	1		
3	403299	BOX ASSY / VIDEO / SPECIFY COLOR	1		
NS	404053P	BOX ASSY / VIDEO / SPECIFY COLOR	1		
4	403281	. HINGE	1		
NS	502611	. SCREW TP FL PH #6x1/2 Z050	6		
NS	504105	. RIVET POP DOME OE 1/8x3/16 AL	24		
5	780180	. LOCK CYLINDER W/KEY / "VIRO"	1		
. NS	780501	. . KEY	1		
5	780806	. LOCK CYLINDER W/KEY / "VIRO"	1		
. NS	780501	. . KEY	1		
6	281782	. PIVOT LEVER / 39.67MM / W/.09MM OFFSET	1		
NS	289557	. PIVOT LEVER / 42.4MM / W/13MM OFFSET	1		S
7	403280	. DOOR / WOOD	1		
NS	900569	. MOULDING, PLASTIC	1		
8	403215	. DECAL / WARNING - ENGLISH	1		
NS	404054	. DECAL / WARNING - ENGLISH	1		
NS	403216	. DECAL / AVERTISSEMENT - FRENCH	1		
NS	404053	. DECAL / AVERTISSEMENT - FRENCH	1		
9	403018	. GRILLE ASSY	1		
10	5001048	. SCREW MA RND PH #10-24x3/8 ZP	4		
11	500891	. NUT HEX CAP #10-24 Z050	4		
12	403283	. SHELF / W/TV ANTENNA	1		
13	402737	. REINFORCEMENT / DOOR LOCK	1		
14	502787	. SCREW MA PAN PH M3-0.5x10 ZP	2		
15	502578	. WASHER FL 3.2x7.0x0.5 Z050	2		
16	502579	. NUT HEX M3-0.5 NP	2		
17	403207	. BRACKET, ANGLE / BOTTOM	1		
NS	506228	. TAPE RUB ADH1 CC POL 1/4" x 1/2" x 37.5' / GREY 2520X	AR		
18	403290P	BASE ASSY / VIDEO / SPECIFY COLOR	1		
NS	403284	. BASE	1		
19	403279	. STOPPER	1		
20	562116	CONVOLUTED TUBING / SLIT / BLACK & GRAY / .500"	AR		
21	561932	CONNECTOR / 15 AMPS / HUBBELL 5269-C	2		
		S) REQUIERED ONLY IN SERVICE IF YOU NEED TO CHANGE YOUR OLD CYLINDER LOCK # 780180			

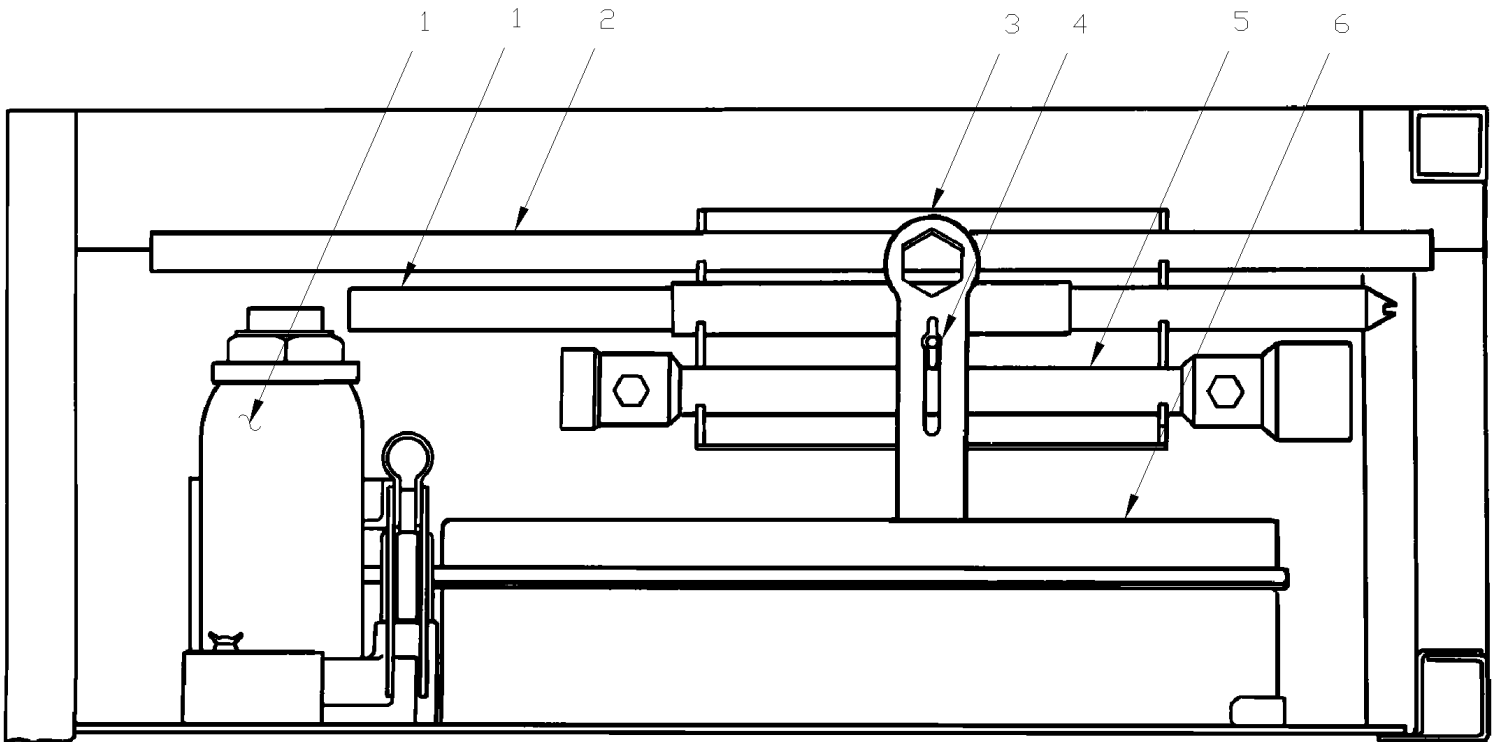
From L-031 To R-079	Date:07/2024	PAGE:H4-2318-00
CLOCK (DIGITAL)		



From L-031 To R-079	Date:07/2024	PAGE:H4-2318-00
CLOCK (DIGITAL)		

Item#	Part	Description	H 3 4 0	V I P 4 0	N O T E S
1	403486	DIGITAL CLOCK ASSY / MOUNTED CENTER FRONT CAP (AS SHOWN)	1	1	
1	404048	DIGITAL CLOCK ASSY W/SUPPORT / MOUNTED UNDER PARCEL RACK	1	1	
2	900457	. DIGITAL CLOCK	1	1	
3	560851	. CONNECTOR / COM. MATE-N-LOCK / PH 4C / AMP 1-480426-0	1	1	
4	560901	. PIN TERMINAL / 20-14 / AMP 60620-1	4	4	
5	500560	SCREW MA PAN PH M4-0.7x6 Z050	4	4	
NS	502636	WASHER LO SPT 4.1x7.6x0.9 Z050	4	4	
6	440277	SUPPORT / L.H.	1	1	
NS	502504	SCREW MA BDG PH #10-32x1 SS	2	2	
NS	502774	NUT WELL #10-32x.625	2	2	
7	504449	HOLE PLUG BUTTON / .500 O.D. BLACK	2	2	
NS	403989	SUPPORT TO FIX CLOCK UNDER PARCEL RACK	1	1	
NS	5001036	SCREW MA PAN PH M4-0.7x10 Z050	4	4	
NS	504412	WASHER RETAINER SNAP CAP #8	4	4	
NS	504403	SNAP CAP #8 FINISHING BLACK	4	4	
NS	561476	CONNECTOR / (.062) / SH 4C / MOLEX 03-06-1044	1	1	
NS	561478	SOCKET TERMINAL / 24-18 / MOLEX 02-06-1103	4	4	
10	404546	SUPPORT	1	1	A
11	404547	DIGITAL CLOCK / 12HRS	1	1	A
11	404551	DIGITAL CLOCK / 24HRS	1	1	A
NS	900867	DIGITAL CLOCK	1	1	A
NS	561476	CONNECTOR / (.062) / SH 4C / MOLEX 03-06-1044	1	1	A
NS	561478	SOCKET TERMINAL / 24-18 / MOLEX 02-06-1103	3	3	A
NS	562387	CONVOLUTED TUBING / SLIT / BLACK / .250"	AR	AR	A
12	064199	CABLE ASSY / CLOCK & FRONT JCT PANEL	1	1	A
13	500409	SCREW TP PAN PH #8x1/2 BK	3	3	A
14	500260	SCREW TC FL PH #8-32x3/4 BK	2	2	A
15	500670	NUT HEX NYRT #8-32 Z050	2	2	A
		A) RELATED WITH SERVICE DIGITAL CLOCK			

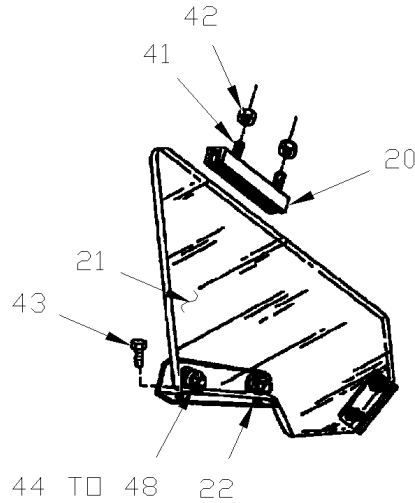
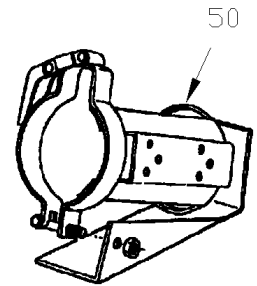
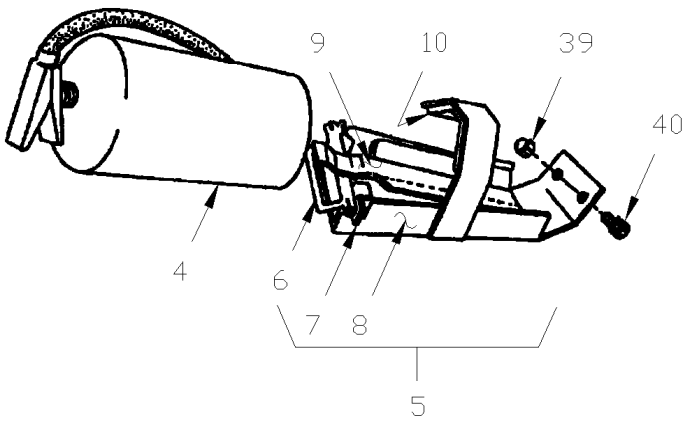
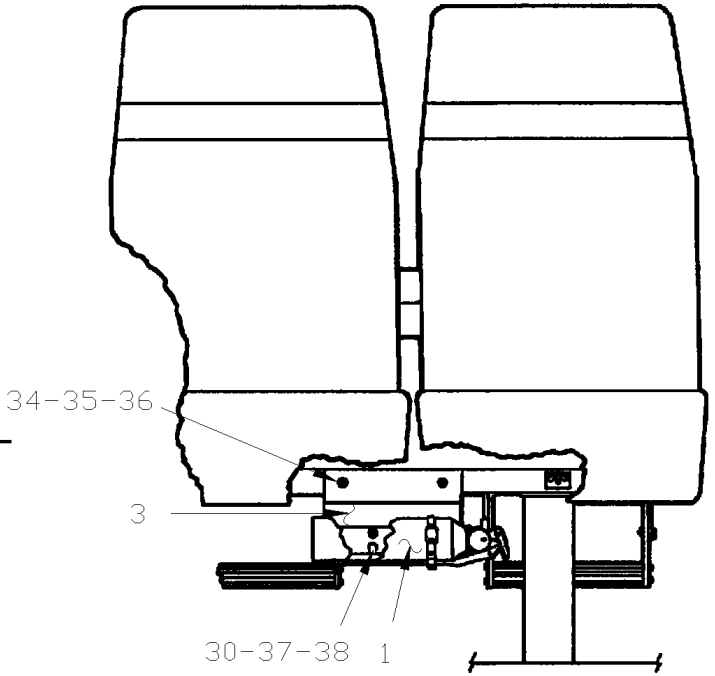
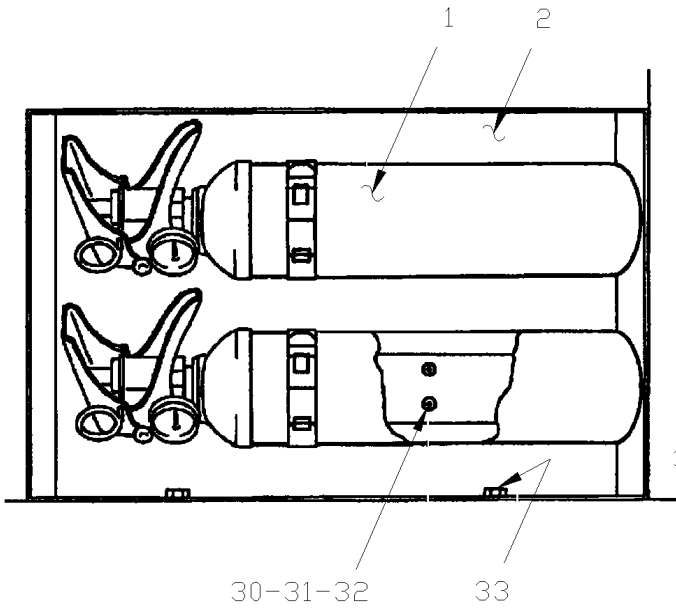
From L-031 To R-079	Date:07/2024	PAGE:H4-2320-00
JACK & FLARE KIT - INSTALLATION		



From L-031 To R-079	Date:07/2024	PAGE:H4-2320-00
JACK & FLARE KIT - INSTALLATION		

Item#	Part	Description	H 3 4 0	V I P 4 0	N O T E S
1	505505	JACK, 12TONS	1	1	
NS	5001012	SCREW TH 5/16-18x1 1/2 BZC	1	1	
2	690002	HANDLE, W/WRENCH WHEEL NUT	1	1	
3	410556	KEY (FOR FRONT BUMPER NUT)	1	1	
. NS	410545	. KEY	1	1	
. NS	410557	. RUBBER	1	1	
4	500782	NUT WING 5/16-18 Z050	1	1	
5	690001	WRENCH, WHEEL NUT 1 1/2" & 13/16 SQUARE	1	1	
6	930283	FLARE KIT, TRIANGULAR	1	1	
6	930442	FLARE KIT, TRIANGULAR	1	1	S
		S) SERVICE			

From L-031 To R-079	Date:07/2024	PAGE:H4-2320-30
EXTINGUISHER - INSTALLATION		



From L-031 To R-079	Date:07/2024	PAGE:H4-2320-30
EXTINGUISHER - INSTALLATION		

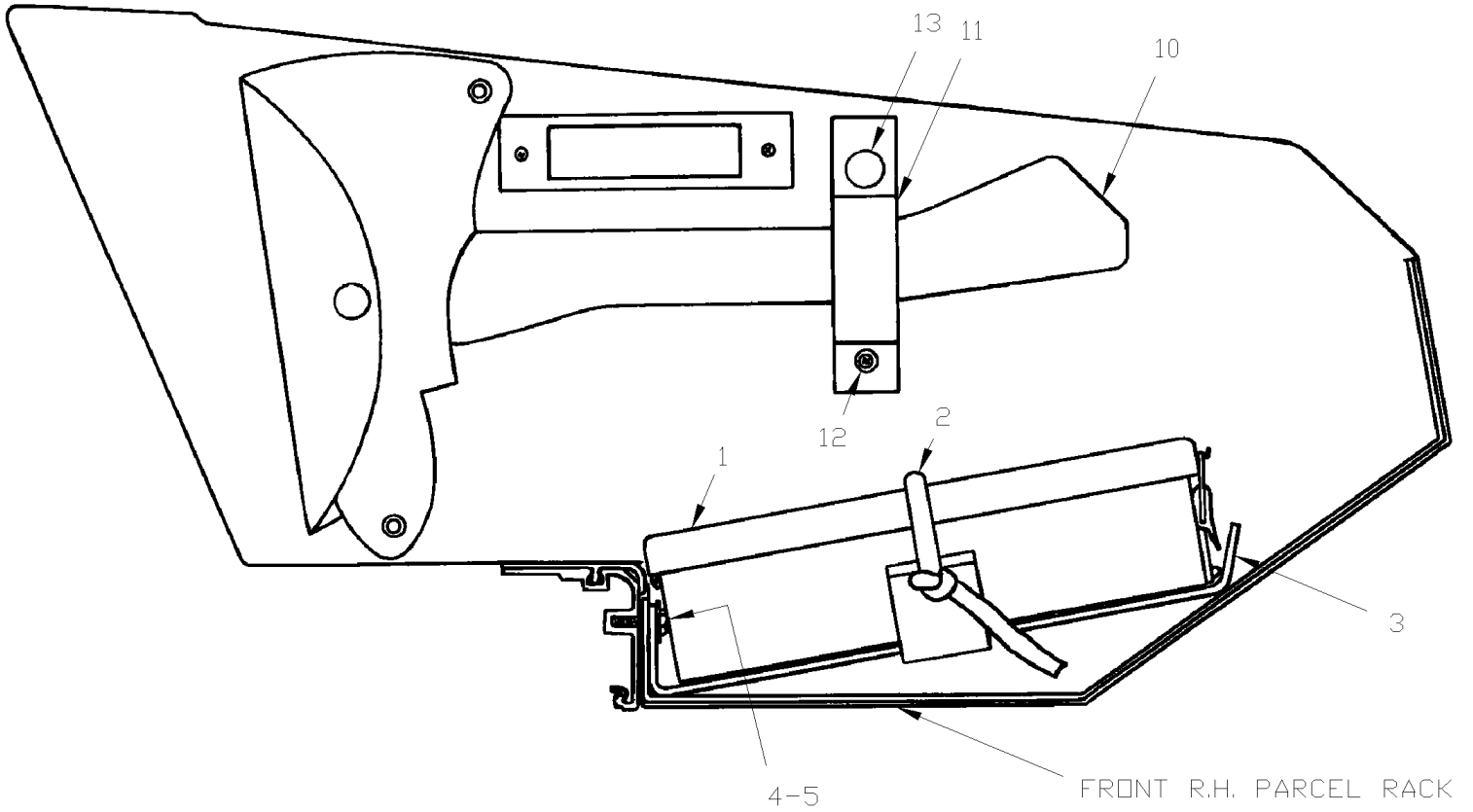
Item#	Part	Description	H 3 4 0	V I P 4 0	N O T E S
1	900042	EXTINGUISHER 2 LBS	2	2	A
1	900702	EXTINGUISHER 2.5 LBS / W/PLASTIC HANDLE	2	2	B
2	320615	SUPPORT ASSY / EXTINGUISHER	1	1	A
2	324391	SUPPORT ASSY / EXTINGUISHER	1	1	B
3	322632	SUPPORT ASSY / EXTINGUISHER	1	1	A
3	324349	SUPPORT ASSY / EXTINGUISHER	2	2	B
NS	470949	SPACER RUBBER 3/4" O.D. / S.Q.	2	2	
NS	900651	EXTINGUISHER 20 LBS	1	1	
NS	403465	SUPPORT / FOR EXTINGUISHER 20 LBS / UNDER SEAT	1	1	
4	900449	EXTINGUISHER 10 LBS	1		
NS	900618	SUPPORT	1		
NS	900618	SUPPORT	1		
5	403581	SUPPORT ASSY / 10 LBS INTINGUISHER / IN PARCEL RACK	1		
6	402575	HANDLE ASSY / TILTING SUPPORT	1		
7	402571	CLIP, SPRING	2		
8	402569	BRACKET ASSY / TILTING SUPPORT	1		
9	402567	SUPPORT, TILTING	1		
9	505188	PIN, SPRING 1/4" X 7/8"	1		
9	470949	SPACER RUBBER 3/4" O.D. / S.Q.	2		
10	506235	TAPE RUB ADH1 PVC.NITRIL 1/2" x 1" x 15' / BLACK 1210	AR		
20	402555	FIXTURE, UPPER	2		
21	402541	GUARD, PLEXIGLASS	1		
22	402553	FIXTURE, LOWER	2		
30	500572	SCREW MA TR PH #10-24x1/2 SS BK	8	8	
31	500470	WASHER LO SPT .193x.334x.047 Z050	8	8	
32	500786	NUT HEX #10-24 Z050	8	8	
33	500535	SCREW TP CAP HEX #14x3/4 Z050	4		
34	500559	SCREW MA TR PH 1/4-20x1 1/2 SS EMN	4		
35	500468	WASHER FL .281x1.250x.065 Z050	4		
36	500770	NUT HEX STO 1/4-20 Z050	4		
37	500964	WASHER FL .203x.500x.047 Z050	8		
38	500767	NUT HEX #10-24 Z050	8		
39	500772	NUT HEX CAP 1/4-20 NP	2		
40	500394	SCREW MA TR SLT 1/4-20x1/2 Z050	2		
41	500510	SCREW MA BDG PH #10-32x3/4 SS EMN	4		
42	500519	NUT WELL #10-32x.518	4		
43	500657	SCREW TC TR PH #10-24x1/2 Z050	2		
44	500607	SCREW MA TR PH #10-24x1 SS	4		
45	500891	NUT HEX CAP #10-24 Z050	6		
46	900251	BUSHING, RUBBER	8		
47	400380	SPACER 5/16 O.D. x 17/32" x 18GA	4		
47	505539	SPACER 5/16 O.D. x 17/32" x 18GA	4		

From L-031 To R-079	Date:07/2024	PAGE:H4-2320-30
---------------------	--------------	-----------------

EXTINGUISHER - INSTALLATION

Item#	Part	Description	H 3 4 0	V I P 4 0	N O T E S
48	500989	WASHER FL .219x.875x.062 Z050	4		
		A) PRODUCTION			
		B) SERVICE			

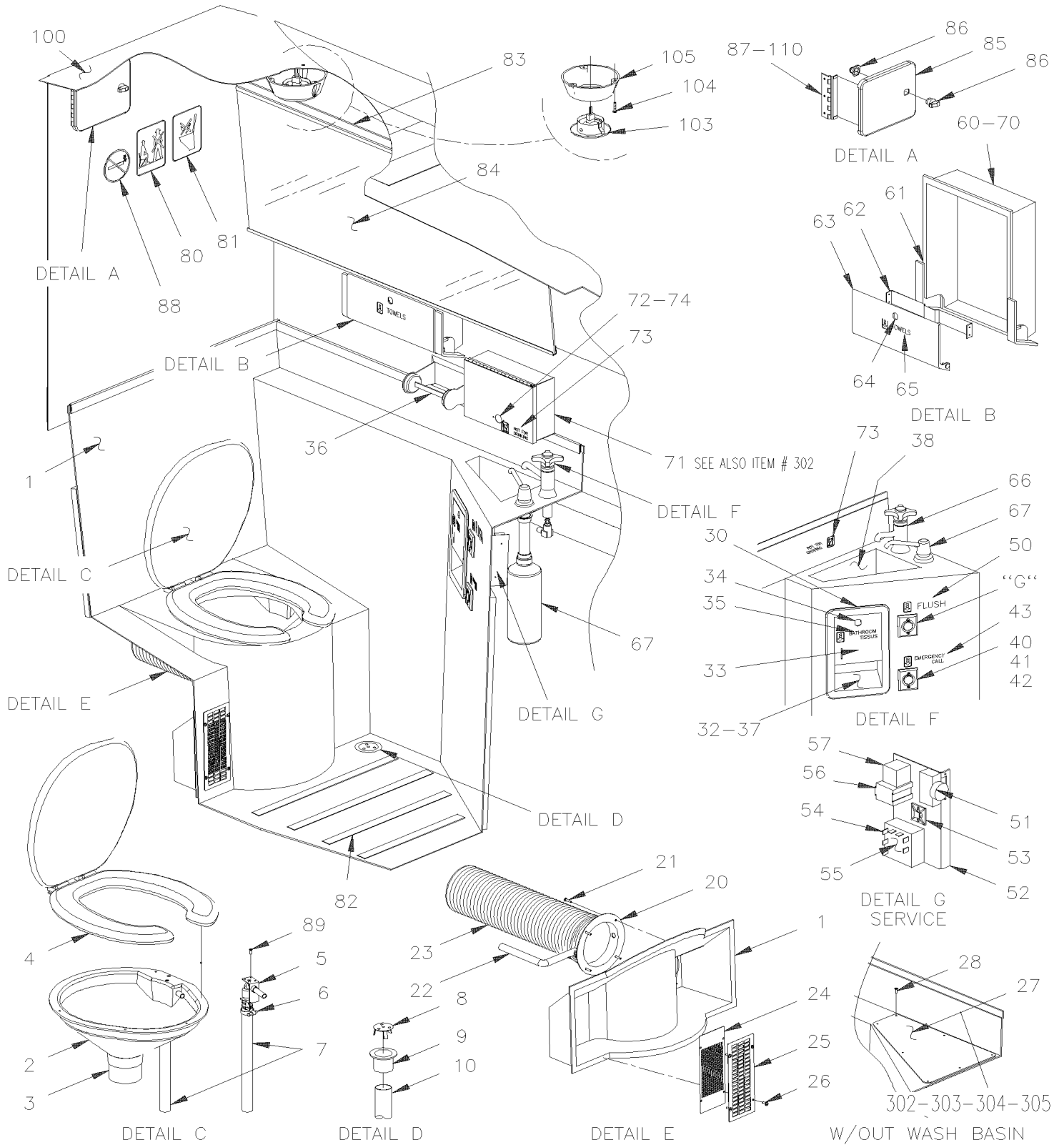
From L-031 To R-079	Date:07/2024	PAGE:H4-2320-40
FIRST AID KIT & AXE - INSTALLATION		



From L-031 To R-079	Date:07/2024	PAGE:H4-2320-40
FIRST AID KIT & AXE - INSTALLATION		

Item#	Part	Description	H 3 4 0	V I P 4 0	N O T E S
1	900014	KIT, FIRST AID (SMALL)	1		
1	900289	KIT, FIRST AID (LARGE) / MODEL #36	1		
1	900767	KIT, FIRST AID (EXTRA LARGE) / W / W.C.L.	1		
NS	195889	KIT "EMERGENCY CLEANING" BIOHAZARD CASE OF 25	AR		
NS	19503187	HAND & FACE REFRESHER TOWELLETES	AR		
2	506621	STRAP, RUBBER / S.L.	AR		
3	323606	SUPPORT ASSY / W/FIRST AID KIT (SMALL) / 165MM	1		
3	323608	SUPPORT ASSY / W/FIRST AID KIT (LARGE) / 350MM	1		
4	502526	SCREW TC BDG PH #12-24x3/4 Z050	2		
5	500989	WASHER FL .219x.875x.062 Z050	2		
10	900046	FIRE AXE	1		
11	403582	STRAP / TO FIX AXE	1		
NS	506236	TAPE RUB ADH1 CC POL 1/16" x 1/2" x 100' / GREY 2520	AR		
12	504106	RIVET POP DOME OE 1/8x1/4 AL	1		
NS	500157	WASHER FL .125x.375x.032 SS	3		
13	504003	FASTENER RIVET BASE	3		
NS	504107	RIVET POP DOME OE 1/8x5/16 AL	1		
NS	323292	DECAL / FIRST AID	1		
NS	323291	DECAL / AXE	1		

LAVATORY - ACCESSORIES

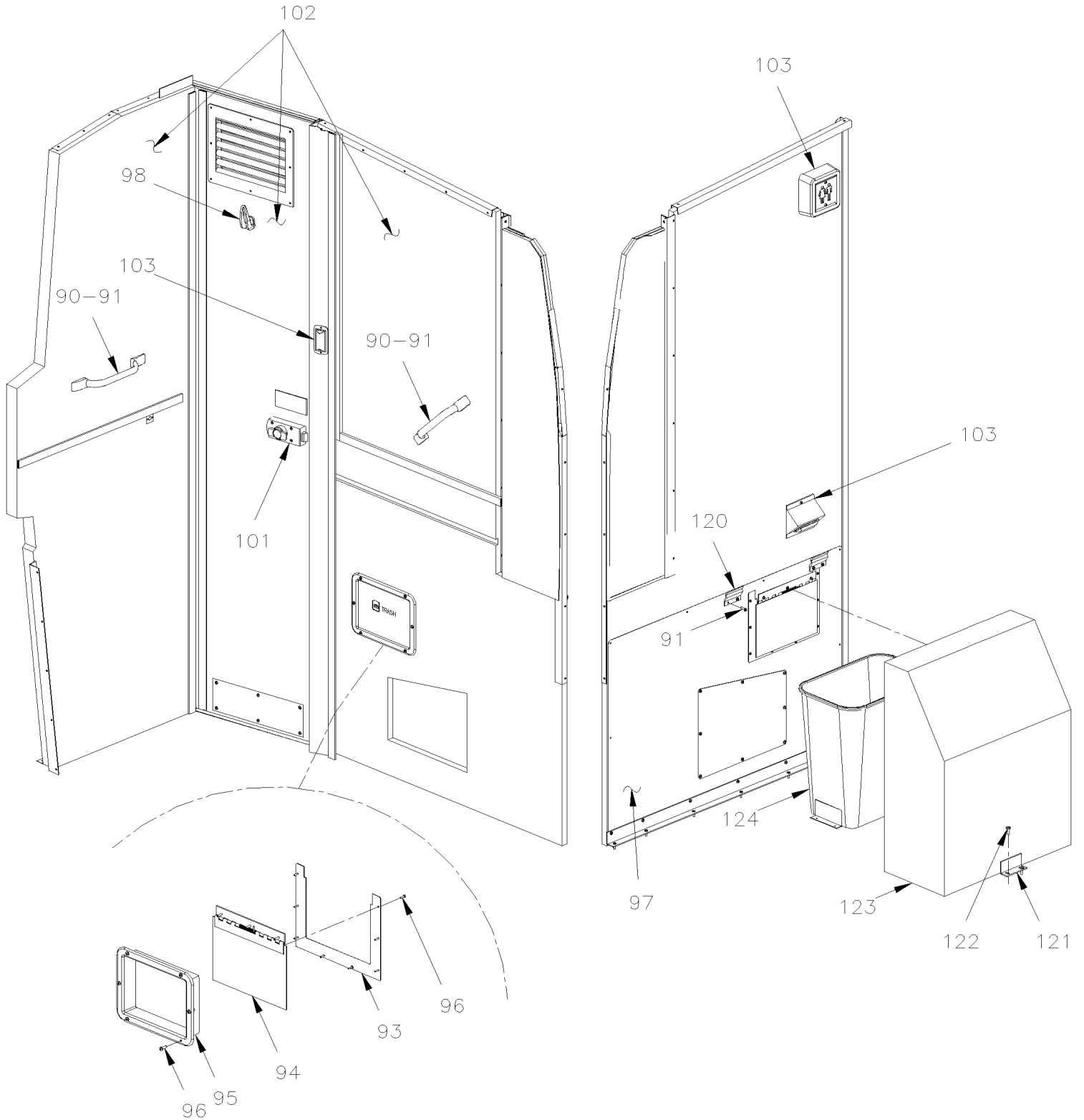


From L-031 To R-079

Date:07/2024

PAGE:H4-2325-00

LAVATORY - ACCESSORIES



From L-031 To R-079		Date:07/2024	PAGE:H4-2325-00
LAVATORY - ACCESSORIES			

Item#	Part	Description	H 3 4 0	V I P 4 0	N O T E S
	403168P	LAVATORY ASSY W/BASIN WASH	1		
1	402960	TOILET FIBERGLASS ASSY	1		
1	403683	TOILET FIBERGLASS ASSY / W/W.C.L. "ST & ST"	1		
2	403084	BOWL ASSY, TOILET / W/SS LAVATORY	1		
3	404322	PIPE ABS 3" I.D. X 73MM	1		
4	900338	SEAT & COVER ASSY, TOILET / "BEMIS"	1		
NS	504427	NUT WELL 1/4-20	2		
NS	500610	SCREW MA RND PH 1/4x1 3/4 SS	2		
5	405361	SUPPORT	1		
5	405362	PIPE ASSY	1		
6	504319	HOSE CLAMP / 1"-1"1/2 SS / E.T. 16	1		
7	403191	HOSE 3/4" I.D. x 1900MM	1		
8	401927	GRILLE ASSY, STRAINER	1		
9	900219	STRAINER ASSY, FLOOR	1		
NS	900861	PIGTAIL / DRAIN TUBE	1		
10	590109	DRAIN BOOT 1" I.D. X 5" / AS SHOWN	1		
NS	504019	HOSE CLAMP / 9/16"-1"1/16 SS / HS-10	1		
20	403060	FLANGE HOSE ADAPTOR 4" O.D. / W/5/8" HOSE	1		
21	500641	SCREW TP PAN PH #8x3/4 Z050	4		
22	403190	HOSE 5/8" I.D. 500MM	1		
23	403058	HOSE FLEXIBLE 5" I.D. X 460MM	1		
24	283827	SCREEN 84.5 x 223	1		
25	403151	GRILLE / SIDE OF BOWL / 91MM x 226MM	1		
26	500638	SCREW TP PAN PH #8x1/2 Z050	8		
27	403382	COVER / FORMICA / W/O WASHBASSIN	AR		
27	404198	COVER / SS / W/O WASHBASSIN	AR		
28	500656	SCREW TP OV PH #6x3/4 SS	7		
NS	500463	WASHER FN CKF .187x.500x.090 BR Z050	7		
30	402497	DISPENSER ASSY	1		
32	409022	. BOX	1		
33	409021	. DOOR	1		
34	780538	. LOCK	1		
. NS	780539	. . KEY / (CH751)	1		
NS	403145	SUPPORT DISPENSER	1		
NS	502789	SCREW MA PAN PH M6-1.0x20 Z050	1		
NS	900085	PAPER, TOILET / BOX OF 96 PACK	AR		
35	402746	DECAL / "BATHROOM TISSUS" / ENGLISH	1		
35	402586	DECAL / "PAPIER HYGIENIQUE"	1		
36	900656	DISPENSER / TOILET PAPER ASSY (TO USE W/STD) ROLL	1		
NS	900657	PAPER, TOILET / ROLL S.Q.	AR		
37	403553	CLOSING PANEL SS	1		
38	900509	STRAINER / WASHBASIN	1		

From L-031 To R-079	Date:07/2024	PAGE:H4-2325-00
LAVATORY - ACCESSORIES		

Item#	Part	Description	H 3 4 0	V I P 4 0	N O T E S
40	561676	BUTTON / EMERGENCY	1		
41	403040	PROTECTOR / EMERGENCY SWITCH / PLASTIC GREY / 44MM X 54MM	2		
NS	500148	SCREW MA RND PH #6-32x1/2 SS	4		
42	500862	SCREW TC PAN PH #6-32x3/4 Z050	2		
43	402745	DECAL / "EMERGENCY CALL" / ENGLISH	1		
43	402582	DECAL / "APPEL D'URGENCE"	1		
50	402744	DECAL / LAVATORY PUMP FLUSH / ENGLISH	1		
50	402587	DECAL / "CHASSE D'EAU"	1		
51	900349	PUSH BUTTON, OPERATOR	1		C
NS	900350	. BRACKET, MOUNTING	1		C
NS	900348	. SWITCH, TIMER	1		C
NS	900602	. PUSH BUTTON / OPERATOR	1		
52	382030	. FLUSH PUMP SWITCH ASSY	1		
52	382031	. . SUPPORT	1		
53	562679	. . 4 WAY ADH. BACKED MOUNTS 1.000 x 1.000 x .160	1		
54	065830	. . RESISTOR ASSY 1M OHMS 1/2 W	1		
55	563327	. . TIME DELAY OFF	1		
56	065813	. . CABLE ASSY / TIMER FLUSH PUMP	1		
57	563332	. . RELAY 24V S.P.D.T. W/RESISTOR / "VOLVO" (20374662)	1		
NS	062574	. CABLE ASSY / TIMER & ACCESSORIES	1		
60	403167	DISPENSER ASSY	1		
61	403042	. BOX	1		
62	403161	. SUPPORT, ALUMINIUM	1		
63	409016	. DOOR	1		
64	780538	. LOCK	1		B
. NS	780539	. . KEY / (CH751)	1		B
65	402747	DECAL / "TOWELS"	1		
65	402584	DECAL / "ESSUIE-MAIN"	1		
66	900582	FAUCET	1		
67	900084	DISPENSER / SOAP	1		
NS	19501055	SOAP BASE ANGLED COUNTER MOUNT ROUND 2" O.D. / WHITE	AR		
NS	19503252	SOAP BASE ANGLED COUNTER MOUNT ROUND 2" O.D. / BLACK	AR		
NS	19501054	SOAP BASE 12° ANGLED COUNTER MOUNT ROUND 2" 5/8" / BLACK	AR		
NS	19503186	HAND SANITIZER WATERLESS ALCOHOLIC SCREWABLE BOTTLE	AA		
NS	19503185	HAND SANITIZER WATERLESS NON-ALCOHOLIC SCREWABLE BOTTLE	AR		
NS	19503187	HAND & FACE REFRESHER TOWELLETES	AR		
70	900328	TOWEL, PAPER	AR		
NS	403891	CLOSING PANEL SS / TO USE W/O DISPENSER ASSY	1		
NS	500640	SCREW TP PAN PH #6x3/4 Z050	6		F
NS	500996	NUT SPR U #6-32 .135-.150	6		F
71	401760	DISPENSER / WET TOWELS	1		
NS	402026	. BOX	1		

From L-031 To R-079		Date:07/2024	PAGE:H4-2325-00
LAVATORY - ACCESSORIES			

Item#	Part	Description	H 3 4 0	V I P 4 0	N O T E S
72	401788	. LOCK MODIFIED	1		
73	402748	DECAL / "NOT FOR DRINKING" / ENGLISH	1		
73	402583	DECAL / "NON POTABLE"	1		
74	900588	TISSUS / WET PAPER	AR		
80	402751	DECAL / "PLEASE SIT DOWN"	1		
81	402752	DECAL / "NO GARBAGE"	1		
82	900515	TAPE ANTISKID ADH / GREY / 1" X 60'	AR		
83	403156	SUPPORT / MIRROR LOWER	1		
83	403153	SUPPORT / MIRROR UPPER	1		
NS	506494	TAPE RUB ADH2 URE 1/8" x 1" x 100' / WHITE 4008	AR		
NS	506236	TAPE RUB ADH1 CC POL 1/16" x 1/2" x 100' / GREY 2520	AR		
84	403041	MIRROR ASSY / SAFETY	1		
85	403044	BOX	1		K
85	403043	ACCES DOOR	1		K
86	780538	LOCK	1		
. NS	780539	. KEY / (CH751)	1		
86	504502	LATCH ASSY, DOOR	1		
87	403150	HINGE	1		
88	901026	DECAL / "NO SMOKING" / 4" O.D.	1		
89	502885	SCREW TC FL PH #8-32x5/8 N500	2		
90	900308	HANDLE / LONG	2		
91	500641	SCREW TP PAN PH #8x3/4 Z050	AR		
93	403675	FRAME / STANLESS STEEL / EXTERIOR	1		
94	403677	TRAP ASSY 232MM x 146MM	1		
. NS	403674	. HINGE	1		
. NS	502209	. SPRING, TORSION / .140 I.D. x 1.86 x .063	1		
95	403045	FRAME / PLASTIC / EXTERIOR / PLASTIC GREY	1		
96	500640	SCREW TP PAN PH #6x3/4 Z050	2		
97	403687	CLOSING PANEL / W/W.C.L. "ST & ST" 889MM X 533MM	1		A
98	900297	HOOK / COAT	1		
100	H4-1833-00	REAR FINISHING CAP & SIDE WALL			
101	H4-2329-00	LAVATORY DOOR LOCK & SWITCH			
102	H4-2328-00	LAVATORY WALL - INSTALLATION			
103	H4-0655-00	INTERIOR LIGHTING			
104	502643	SCREW MA PAN PH #8-32x1 1/4 Z050	3		
NS	500678	NUT WELL #8-32x.450	3		
105	405244	LAMP SUPPORT / LAVATORY	1		
NS	860434	ASHTRAY	1		
110	900603	HOSE, COIL 1/4" X 12'	1		
110	900604	NOZZLE, CLEANING	1		
110	900615	WASHER, SEAL	1		
110	403067	ADAPTOR	1		

From L-031 To R-079	Date:07/2024	PAGE:H4-2325-00
LAVATORY - ACCESSORIES		

Item#	Part	Description	H 3 4 0	V I P 4 0	N O T E S
120	404459	BRACKET, RETAINING / TO FIX CONTAINER TO WALL	2		
121	400860	ANGLE / TO FIX DUSTBIN TO FLOOR / 3"	1		
122	500841	SCREW TP PAN PH #14x3/4 Z050	2		
123	403166	CONTAINER ASSY / WASTE PAPER	1		
. NS	403170	. DOOR WASTE PAPER CONTAINER	1		
. NS	403148	. TRAP	1		
. NS	504502	. LATCH ASSY, DOOR	1		
. NS	509558	. WEATHERSEAL SNAP-ON 1/8" / SINGLE LIP / WH / C.T.L.	AR		
NS	405713	DECAL / "TRASH DEPOSIT" PICTOGRAM / PHOTOLUMINESCENT	1		
124	900605	TRASH CAN / BLACK PLASTIC	1		
NS	404005	CONTAINER ASSY	1		A
NS	404006	. COVER	1		A
NS	504353	. RETAINER, 5/16"DIA. (DZUS) STUD	2		A
NS	504354	. STUD 5/16 O.D. X 3/8 (DZUS)	2		A
NS	504365	. SPRING HOOK / DZUS 5/16	2		A
NS	509558	. WEATHERSEAL SNAP-ON 1/8" / SINGLE LIP / WH / C.T.L.	AR		A
NS	500510	SCREW MA BDG PH #10-32x3/4 SS EMN	4		A
NS	500519	NUT WELL #10-32x.518	4		A
NS	562176	DETECTOR / SMOKE (OPTION)	1		
NS	505412	. SPACER, ROLL	2		
NS	502630	. WASHER FL .156x.375x.049 Z050	2		
NS	500440	. WASHER FL .250x.562x.065 Z050	4		
NS	504481	. RIVET POP DOME OE 1/8x.515 STL	2		
		NEXT PACK ARE FOR SERVICE			
300	900655	CHEMICAL PACK / "TIMSEN-AIR" / (BOX OF 960)	AR		
300	403678	CHEMICAL PACK / "TIMSEN-AIR" / (BOX OF 40)	AR		
301	900329	CHEMICAL PACK / "INCA GOLD" / S.Q.	AR		
301	900654	CHEMICAL PACK / "INCA" FORMULE 104 / S.Q.	AR		
301	900893	CHEMICAL PACK / "CELESTE INDUSTRIE" / S.Q.	AR		
301	900894	CHEMICAL PACK / "CELESTE INDUSTRIE" / (BOX OF 100)	AR		
		WET TOWEL DISPENDER MOULDED			
302	405275	SUPPORT WET TOWEL DISPENDER	1		
303	405303	DISPENSER PLASTIC / WET TOWELS	1		
. NS	780538	. LOCK	1		
. . NS	780539	. . KEY / (CH751)	1		
304	500656	SCREW TP OV PH #6x3/4 SS	8		
305	500463	WASHER FN CKF .187x.500x.090 BR Z050	8		
306	065897	KIT, RETROFIT / FLUSH PUMP W/2 SWITCH / SERIE "H"	1		

From L-031 To R-079	Date:07/2024	PAGE:H4-2325-00
LAVATORY - ACCESSORIES		

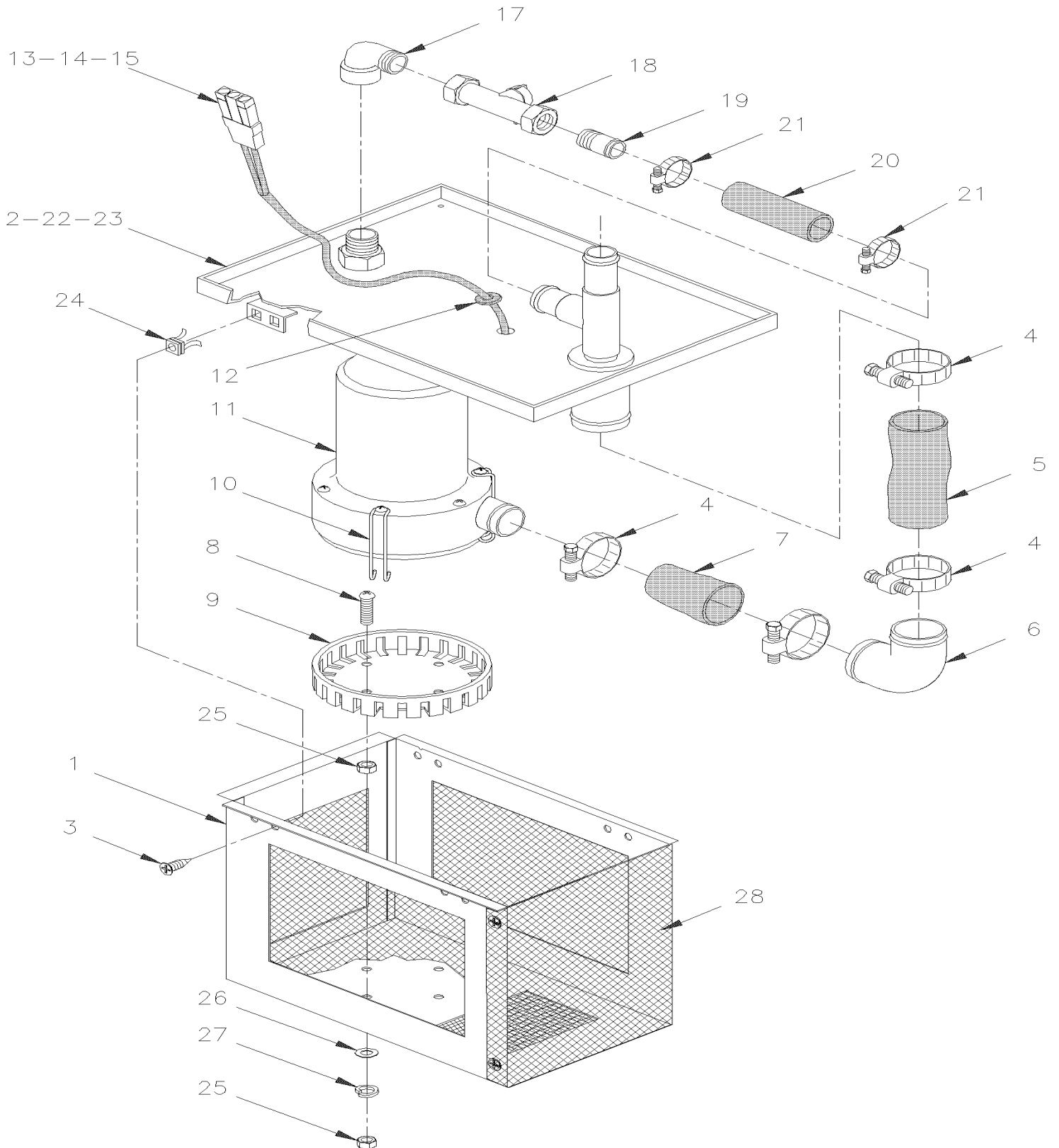
Item#	Part	Description	H 3 4 0	V I P 4 0	N O T E S
. NS	IS-02112	. SEE INSTRUCTION SHEET	1		
307	405368	KIT, CLEANING DOOR LAVATORY	1		
. NS	IS-02026	. SEE INSTRUCTION SHEET	1		
		A) FOR COACH EQUIPPED W/W.C.L. W/ WASTE CONTAINER INSIDE OF LAVATORY			
		B) SOME COACH USE LOCK /504502 TO USE W/O KEY			
		C) THIS TIMER & SUPPORT ARE SUPPERSEDED BY KIT#065896 FOR VEHICULE EQUIPPED WITH ONE INSIDE OPERATING SWITCH OR BY KIT #065897 FOR VEHICULE EQUIPPED WITH EXTERIOR AUXILIARY SWITCH IN REAR ENGINE COMPARTMENT			
		F) TO FIX CLOSING PANEL			
		K) THIS PART IS SUPERSEDED BY KIT #405368			

From L-031 To R-079

Date:07/2024

PAGE:H4-2326-00

TOILET PUMP ASSY



From L-031 To R-079	Date:07/2024	PAGE:H4-2326-00
TOILET PUMP ASSY		

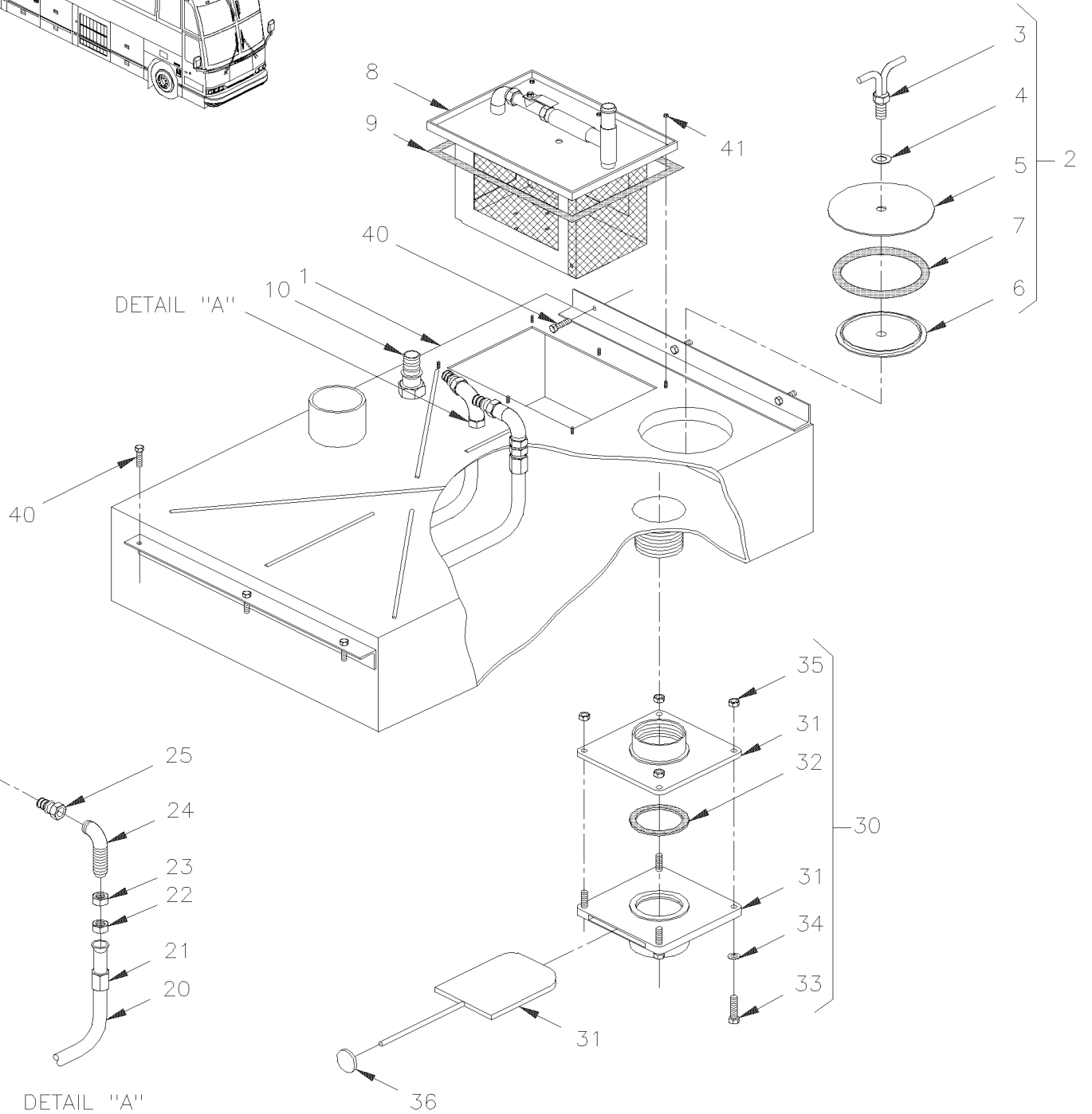
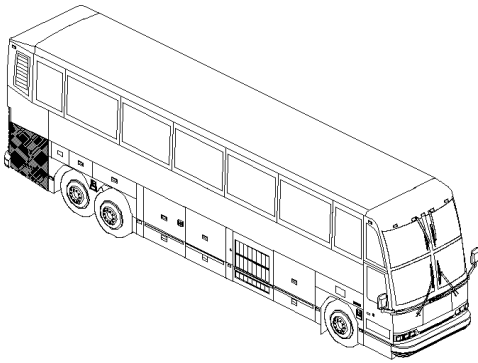
Item#	Part	Description	H 3 4 0	V I P 4 0	N O T E S
1	403035	FRAME / PUMP BOX	1		
2	403036	COVER / PUMP BOX To M-109	1		
2	403467	COVER / PUMP BOX / STD From M-110	1		
3	500124	SCREW TP TR PH #8x1/2 SS	12		
4	504413	HOSE CLAMP / 1"1/16-2" SS / HAS-24	4		
5	503391	HOSE SILICONE 4PLY 1 1/8" I.D. x 3'	AR		
6	403470	TUBE ASSY	1		
7	503391	HOSE SILICONE 4PLY 1 1/8" I.D. x 3'	AR		
8	500556	SCREW MA TR PH 1/4-20x3/4 SS	4		
9	900549	BASE, STRAINER	AR		
10	402774	CLAMP, HOLD-DOWN	2		
11	900496	PUMP TOILET	1		
11	900550	. IMPELLER, PUMP	AR		
11	900551	. SEAL, PUMP	AR		
12	504323	GROMMET / .375x.500x.062x.281x.687	1		
13	561786	CABLE SEAL / GRAY / PED 15324980	2		
14	561568	PIN TERMINAL / 16-14 / PED 12089305	2		
15	561566	CONNECTOR / WEATHER PACK / PH 2C / BLACK / PED 12010973	1		
17	507557	STREET ELBOW 90° / PIPE FITTING / 1/2NPT-Mx1/2NPT-F BR	1		
18	530096	BALL VALVE 1/2" NPT 1/2 NPT F x 1/2 NPT F	1		
19	030827	NIPPLE	1		
20	381115	HOSE 7/8" I.D. X 3"	1		
21	504022	HOSE CLAMP / 3/4"-1"3/4 SS / HS-20	2		
22	409053	GASKET / PUMP COVER 8 HOLES	2		
23	502621	NUT HEX STO M6-1.0 Z050	1		A
24	502741	NUT AN #8 NYL	12		
25	500769	NUT HEX 1/4-20 Z050	8		
26	502573	WASHER FL 6.4x12.5x1.6 SS	4		
27	502570	WASHER LO SPT 6.1x11.8x1.6 SS	4		
28	403037	PROTECTION GRILL	1		
NS	404917	KIT LAVATORY FLUSH PUMP	AR		
. NS	IS-99029	. SEE INSTRUCTION SHEET	1		
		A) TO FIX PUMP			

From L-031 To R-079

Date:07/2024

PAGE:H4-2327-00

SUMP TANK - S/S



From L-031 To R-079	Date:07/2024	PAGE:H4-2327-00
SUMP TANK - S/S		

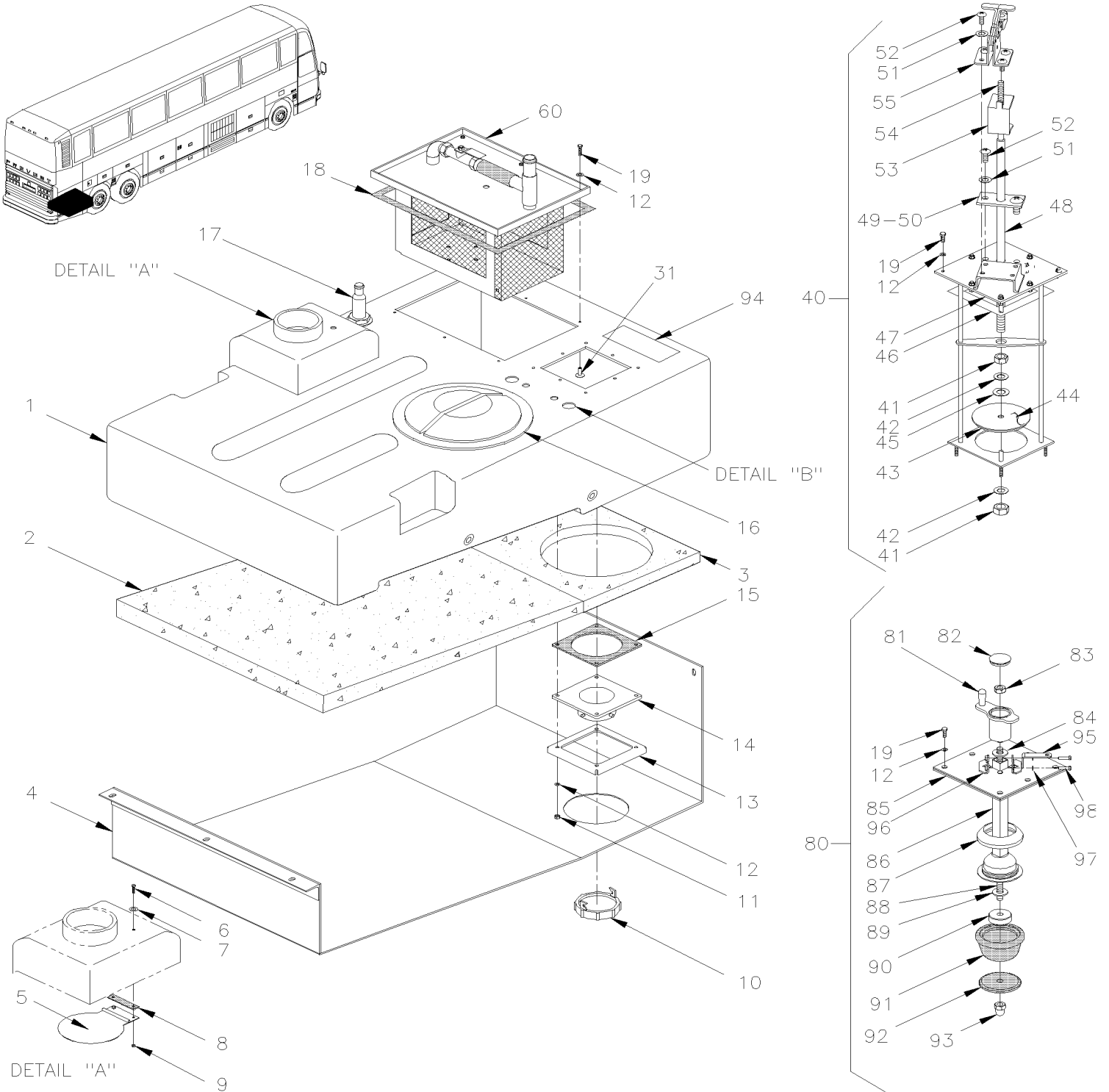
Item#	Part	Description	H 3 4 0	V I P 4 0	N O T E S
1	403020P	SUMP TANK ASSY	1		A
2	402611	COVER ASSY	1		
3	402606	. HANDLE	1		
4	502623	. WASHER FL .443x.750x.125 NYL	4		
5	402608	. PLATE, UPPER	1		
6	402612	. PLATE, LOWER	1		
7	402610P	. GASKET	1		
NS	680333	. GLUE / TO FIX GASKET	1		
NS	680335	ANTIGRIP MIXTURE	1		
NS	504401	SNAP-IN PLUG / .875 O.D. (FLUSH HEAD)	2		
8	H4-2326-00	TOILET PUMP ASSY			
9	409053	GASKET / PUMP COVER 8 HOLES	1		
10	900280	THRU HULL, CONNECTOR / PLASTIC	1		
20	403626	TUBE	1		
21	5011027	NUT FLARELESS TUBE / JIC 37° FITTING / #10 STL	1		
22	5011028	FERRULE FLARELESS TUBE / JIC 37° FITTING / #10 STL	2		
23	5011032	NUT BULKHEAD FITTING / #10 STL	1		
24	5011030	BULKHEAD UNION ELBOW 90° / JIC 37° FITTING / #10JIC-Mx#10JIC-M STL	2		
25	5011031	FEMALE CONNECTOR SWIVEL / PUSH-LOK FITTING / #10JIC-F/FL-Fx#10 STL	2		
30	402667	THREADED VALVE ASSY W/HANDLE	1		
31	900197	. THREADED VALVE ASSY W/PLASTIC HANDLE	1		
32	900330	. . SEAL	2		
33	500994	. . SCREW CAP HEX 1/4-20x1 3/4 G5 PT Z050	4		
34	500411	. . WASHER FL .260x.697x.050 SS	4		
35	500769	. . NUT HEX 1/4-20 Z050	4		
35	N.S.S.	. . HANDLE / PLASTIC	1		1
36	403109	. HANDLE, THREADED VALVE / STANLESS STEEL	1		
40	502780	SCREW CAP HEX M8-1.25x25 SS BK	6		
NS	502744	NUT HEX STO M8-1.25 Z050	6		
NS	500270	WASHER FL .406x1.000x.063 SS	6		
100	404405P	SUMP TANK ASSY	1		
. NS	IS-95091	. SEE INSTRUCTION SHEET	1		
		A) FOR RETROFIT WITH PLASTIC TANK ASK KIT 404405P			
		1) NOT SOLD SEPARATELY			

From L-031 To R-079

Date:07/2024

PAGE:H4-2327-01

SUMP TANK - PLASTIC / SERVICE

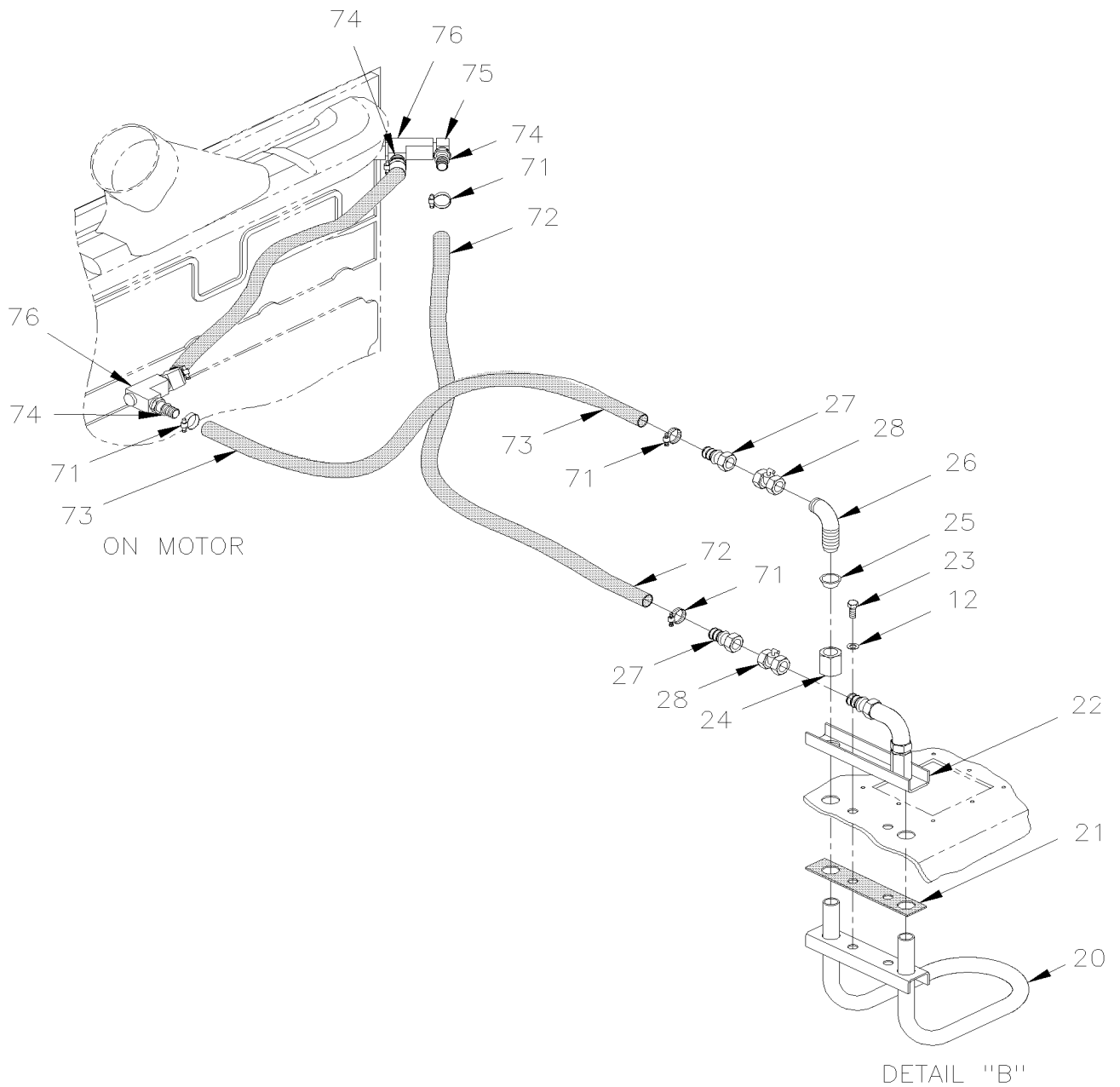
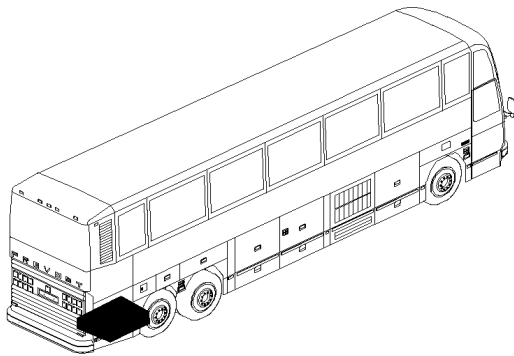


From L-031 To R-079

Date:07/2024

PAGE:H4-2327-01

SUMP TANK - PLASTIC / SERVICE



From L-031 To R-079	Date:07/2024	PAGE:H4-2327-01
SUMP TANK - PLASTIC / SERVICE		

Item#	Part	Description	H 3 4 0	V I P 4 0	N O T E S
	404405P	SUMP TANK ASSY	1		
NS	IS-95091	SEE INSTRUCTION SHEET	1		
1	403955	SUMP TANK	1		
2	404340	INSULATOR PANEL	1		
3	404341	INSULATOR PANEL	1		
4	404335	BOTTOM PANEL	1		
5	404176	TRAP DOOR WELDED	1		
6	502622	SCREW CAP HEX M6-1.0x20 SS BK	2		
7	502582	WASHER LO SERR 6.1x16.2x0.9 Z050	4		
8	404155	GASKET	1		
9	502581	NUT HEX M6-1.0 Z050	2		
10	900520	CAP	1		
11	502511	NUT HEX NYRT M6-1.0 Z050	4		
12	502564	WASHER LO SPT 6.1x11.8x1.6 Z050	22		
13	404373	PLATE	1		
13	404972	PLATE / TO FIXING EMTYING PLUG	1		A
14	900522	HOSE ADAPTOR / BAYONET FLANGE	1		
15	404342	GASKET	1		
16	900825	8" CLOSED LID C/W RIM	1		
17	900280	THRU HULL, CONNECTOR / PLASTIC	1		
17	409038	GASKET	1		
18	409053	GASKET / PUMP COVER 8 HOLES	1		
19	502563	SCREW CAP HEX M6-1.0x12 G8.8 Z050	12		
20	404337	HEATER ASSY	1		
21	404367	GASKET	1		
22	404339	SUPPORT PLATE	1		
23	502737	SCREW CAP HEX M6-1.0x25 SS BK	2		
24	5011027	NUT FLARELESS TUBE / JIC 37° FITTING / #10 STL	2		
25	5011028	FERRULE FLARELESS TUBE / JIC 37° FITTING / #10 STL	2		
26	5011137	UNION ELBOW 90° / JIC 37° FITTING / #10JIC-Mx#10JIC-M STL	2		
26	5011175	UNION ELBOW 90° / FERULOK FITTING / #6x#6 STL	2		
27	5011031	FEMALE CONNECTOR SWIVEL / PUSH-LOK FITTING / #10JIC-F/FL-Fx#10 STL	2		
27	507605	MALE CONNECTOR / HOSE BARB FITTING / #12x1/2NPT-M BR	2		
28	530096	BALL VALVE 1/2" NPT 1/2 NPT F x 1/2 NPT F	2		
31	5001182	NUT HEX NYRT M6-1.0 SS	6		
40	404148P	EMPTYING TRAP DOOR	1		B
41	500875	NUT HEX M12-1.75 SS	1		
42	500958	WASHER FL .531x1.062x.095 SS	2		
43	404156	GASKET	1		
NS	681285	ADHESIVE	AR		
44	404100	CAP	1		
45	404432	O-RING	1		

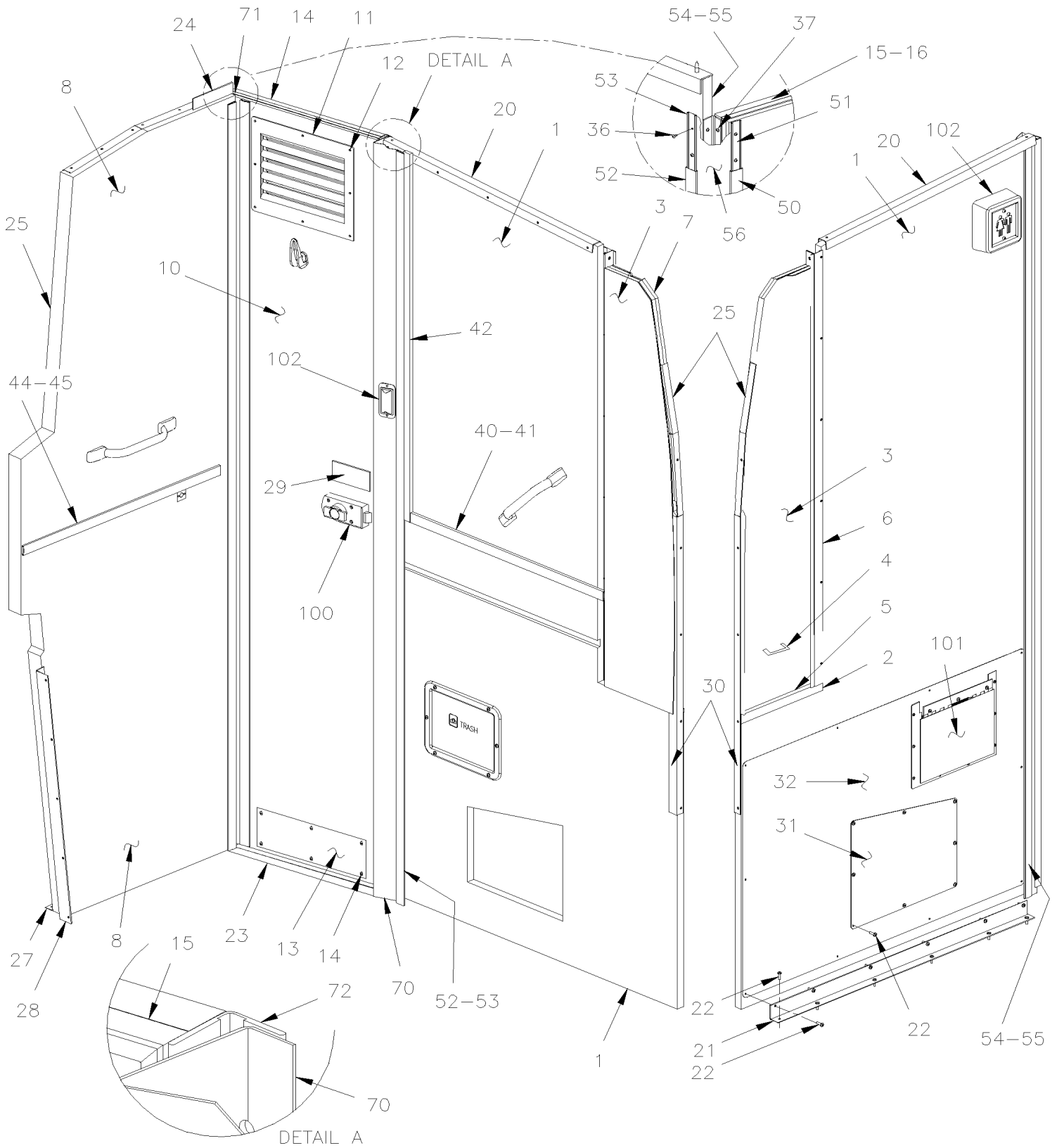
From L-031 To R-079	Date:07/2024	PAGE:H4-2327-01
SUMP TANK - PLASTIC / SERVICE		

Item#	Part	Description	H 3 4 0	V I P 4 0	N O T E S
46	404136	. . GASKET	1		
47	404394	. . FRAME (WELDED)	1		
48	404144	. . CENTER ROD	1		
49	404396	. . PLATE	AR		
NS	680096	. . SEALANT BUTYL ALUM / GREY / 310ml CARTRIDGE	1		
50	507290	. . MOLYTHANE SEAL POLYPAK	6		
51	502564	. . WASHER LO SPT 6.1x11.8x1.6 Z050	8		
52	502526	. . SCREW TC BDG PH #12-24x3/4 Z050	1		
53	404182	. . HOOK	1		
54	504644	. . PROTECTOR CAP / BLACK / .281 I.D. x .500	1		
55	900834	LOCK LEVER	1		
60	H4-2326-00	TOILET PUMP ASSY			
71	504646	HOSE CLAMP / 11/16"-1"1/4 / C.T. 9412	4		
72	404427	HOSE / HEATER & ENGINE / 3/4" I.D. 1260MM	1		
73	402618	HOSE / HEATER & ENGINE / 3/4" I.D. 960MM	1		
73	503523	HOSE SILICONE 1PLY 3/4" I.D. x 100' / S.L.	1		
74	507605	MALE CONNECTOR / HOSE BARB FITTING / #12x1/2NPT-M BR	3		
75	5011038	MALE ELBOW 90° / BEADED HOSE BARB / #12x1/2NPT-M	1		
76	501473	MALE RUN TEE / PIPE FITTING / 1/2NPT-Mx1/2NPT-Fx1/2NPT-F BR	1		
77	501528	STREET ELBOW 45° / PIPE FITTING / 1/2NPT-Mx1/2NPT-F BR	1		
80	404948P	EMPTYING PLUG ASSY	1		A
81	404953	. CRANK	1		D
81	405446	. CRANK W/FLANGE	1		C
82	689948	. HOLE PLUG / 1.25OD X .125 NYL BK	1		
83	502567	. NUT HEX M10-1.5 SS	1		
84	509802	. WASHER FL .500x1.125x.081 BR	2		
85	404949	. PLATE ASSY / W/19MM SQ HOLE	1		
. NS	404950	. . PLATE	1		
. NS	404951	. . SEAL RUBBER / W/19MM SQ HOLE	1		
. NS	405083	. . SEAL RETAINER	1		
. NS	504643	. . RIVET POP DOME OE 1/8x1/2 SS	4		
85	407499	. PLATE ASSY / W/22MM SQ HOLE SERVICE	1		
. NS	407497	. . PLATE	1		
. NS	407498	. . SEAL RUBBER / W/22MM SQ HOLE	1		
. NS	407496	. . SEAL RETAINER FORMER ONE PIECE	1		
. NS	409262	. . SEAL RETAINER CURRENT TWO PIECES	2		
. NS	504643	. . RIVET POP DOME OE 1/8x1/2 SS	4		
86	407494	. TUBE PLASTIC	1		
86	409257	. TUBE PLASTIC SERVICE	1		
87	404956	. CLAMPING RING	1		
87	409256	. CLAMPING RING SERVICE	1		
88	407495	. ROD	1		

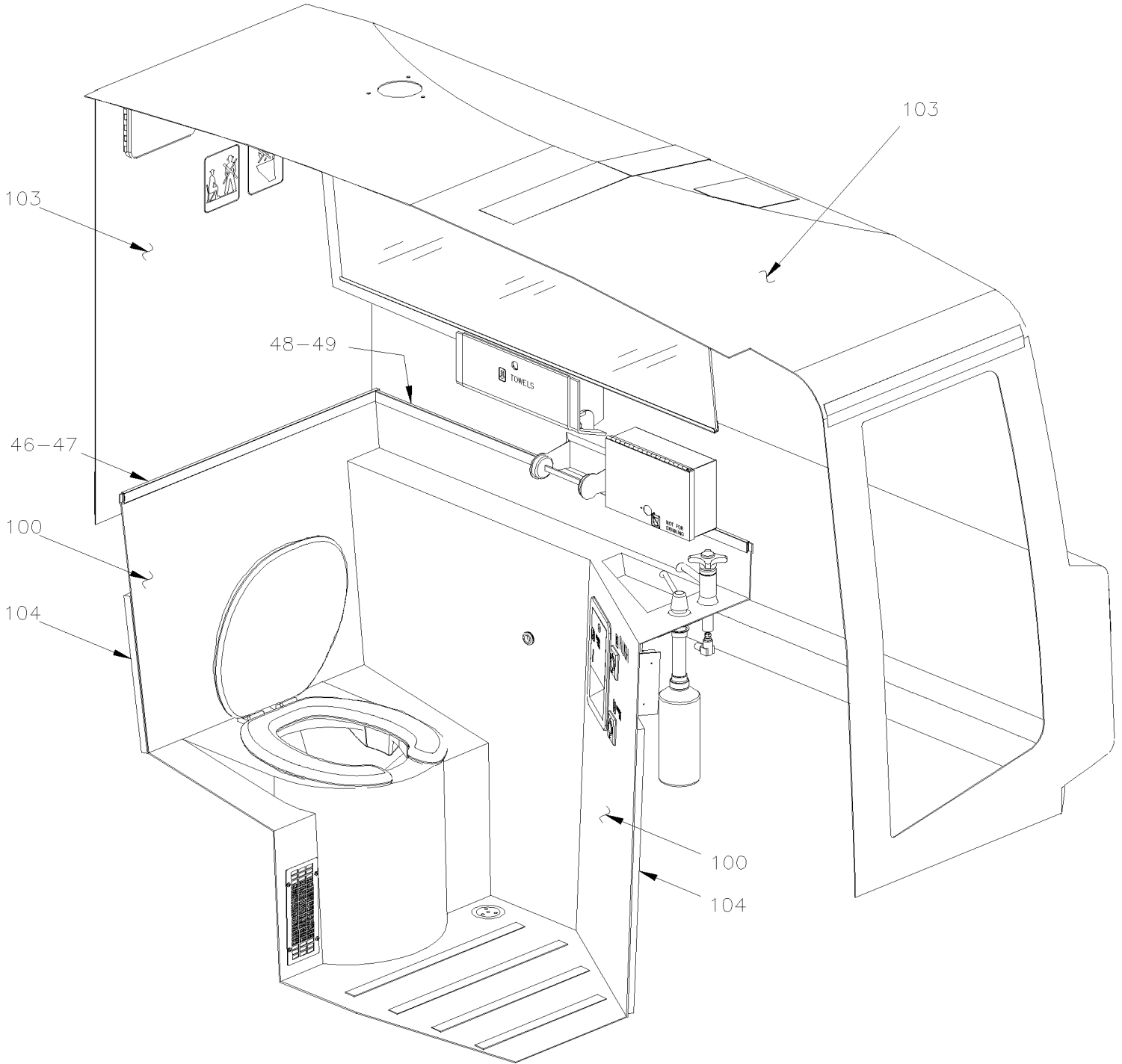
From L-031 To R-079	Date:07/2024	PAGE:H4-2327-01
SUMP TANK - PLASTIC / SERVICE		

Item#	Part	Description	H 3 4 0	V I P 4 0	N O T E S
89	5001443	. WASHER FL 10.3x38.0x3.0 SS	1		
91	409989	. PLUG RUBBER	1		
92	404959	. WASHER, CONIC	1		
93	5001511	. NUT HEX CAP M10-1.5 SS	1		
94	405194	DECAL "OPENING & CLOSING SUMP TANK PICTOGRA	1		
95	405439	HANDLE / USE W/SS TUBE ITEM # 86	1		C
95	405437	HANDLE / USE W/PLASTIC TUBE ITEM # 86	1		D
96	405436	COLLAR ASSY W/NUT	1		C
96	405438	COLLAR ASSY W/NUT	1		D
97	502570	WASHER LO SPT 6.1x11.8x1.6 SS	2		
98	5001165	SCREW CAP HEX M6-1.0x20 SS EMN	2		
100	405440	KIT COLLAR & HANDLE / W/SS TUBE	1		C
. NS	IS-02130	. SEE INSTRUCTION SHEET	1		C
100	405441	KIT COLLAR & HANDLE / W/PLASTIC TUBE	1		D
. NS	IS-02130	. SEE INSTRUCTION SHEET	1		D
101	409990P	KIT EMPTYING PLUG SUMP TANK	1		
		A) PART INCLUDE WITH KIT #409990			
		B) FOR PRODUCT IMPROVMENT ASK FOR KIT 409990P FOR INSTALLATION SEE DIAGRAM D-400291			
		C) USE WITH PLASTIC TUBE #86			
		D) WITH STAINLESS STEEL TUBE #86			

LAVATORY WALL - INSTALLATION



From L-031 To R-079	Date:07/2024	PAGE:H4-2328-00
LAVATORY WALL - INSTALLATION		



From L-031 To R-079	Date:07/2024	PAGE:H4-2328-00
LAVATORY WALL - INSTALLATION		

Item#	Part	Description	H 3 4 0	V I P 4 0	N O T E S
1	403193P	FRONT WALL ASSY / LAVATORY / SPECIFY COLOR	1		
1	508342	. FORMICA	AR		
1	500641	. SCREW TP PAN PH #8x3/4 Z050	3		
2	403147	. ANGLE, FINISHING	1		
3	403196P	CLOSING PANEL ASSY / WATER TANK / SPECIFY COLOR / MIDNIGHT CHARCOAL	1		
3	Call order desk	CLOSING PANEL ASSY / WATER TANK / SPECIFY COLOR /W/W.C.L. "ST & ST"	1		P
3	508342	. FORMICA	AR		
4	900568	. HANDLE / DOOR	1		
NS	500575	. SCREW TP PAN PH #8x1 1/4	2		
5	403146	. ANGLE, FINISHING / LOWER	1		
6	403157	. MOULDING, FINISHING / SIDE	1		
6	403698	MOULDING, FINISHING/ SIDE W/W.C.L. "ST & ST / S.B.	1		
7	403197	CORD FILLING / WALL CAP	1		
8	403195P	SIDE WALL ASSY / LAVATORY / SPECIFY COLOR	1		
8	508342	. FORMICA	AR		
10	403194P	DOOR ASSY / SPECIFY COLOR	1		
10	508342	. FORMICA	AR		
NS	065516	CABLE / LAVATORY DOOR LOCK SWITCH / INSIDE OF DOOR	1		
11	373291	. GRILL, VENT	2		
NS	506191	. TAPE RUB ADH1 CC POL 1/8" x 1/4" x 50' / GREY 2520X	AR		
12	500814	. SCREW TP BDG PH #6x3/4 BK	8		
13	403608	PROTECTOR PANEL SS 18"1/4 X 4"	1		
13	404303	PROTECTOR PANEL 405MM X 100MM SS	1		
14	500952	SCREW TP BDG PH #8x1/2 SS	6		
15	403132	. MOULDING "J" FORM / 415MM (16 5/16") / A/A	2		E
15	403130	. MOULDING "J" FORM / 415MM (16 5/16") / A/A	2		F
16	403131	. MOULDING "J" FORM / 1930MM (76") / F/F	2		E
16	403129	. MOULDING "J" FORM / 1930MM (76") / A/A	2		F
18	860585	VINYL , GREY	AR		
20	403139	MOULDING "U" 22MM X 25MM X 662MM	1		
NS	504114	RIVET POP DOME OE 3/16x1/4 AL	14		
21	403140	ANGLE / W/W.C.L. "ST & ST" / 914MM	1		
22	500641	. SCREW TP PAN PH #8x3/4 Z050	AR		
23	403155	FLOOR MOULDING / COVERING & TOILET	1		
24	403141	MOULDING "U" 22MM X 25MM X 490MM	1		
25	403197	CORD FILLING / WALL CAP	2		
27	403142	. ANGLE, SUPPORT / SIDE WALL TO FLOOR (25MM X 38MM X 508MM)	1		
28	403143	ANGLE 25MM X 38MM X 670MM	1		
29	402743	DECAL "LOCK FOR LIGHTING"	1		
29	402741	DECAL "VEROUILLER"	1		
29	405222	DECAL / LAVATORY OPEN / LOCK / ENGLISH	1		
30	403144	ANGLE 20MM X 25MM X 1715MM / FIXED AT WINDOW POST	1		

From L-031 To R-079	Date:07/2024	PAGE:H4-2328-00
LAVATORY WALL - INSTALLATION		

Item#	Part	Description	H 3 4 0	V I P 4 0	N O T E S
30	403987	ANGLE 20MM X 25MM X 1150MM / FIXED AT WINDOW POST W/W.C.L. "ST & ST"	1		
31	404756	CLOSING PLATE / TRAP ACCESS	AR		A
32	403687	CLOSING PANEL / W/W.C.L. "ST & ST" 889MM X 533MM	1		
36	500640	SCREW TP PAN PH #6x3/4 Z050	AR		
37	500614	SCREW TP FL PH #6x3/4 Z050	AR		
40	403114	MOULDING RETAINER / 623MM (24 1/2")	1		
41	403121	MOULDING CAP / GREY PLATINE 629MM / 24 3/4"	1		
42	403262	SPACER ASSY / FRONT WALL / FORMICA GREY	1		
44	403117	MOULDING RETAINER / 615MM (24 1/4")	1		
45	403118	MOULDING CAP / GREY PLATINE 621MM / 24 3/8"	1		
46	403115	MOULDING RETAINER / 733MM (28 7/8")	1		
47	403119	MOULDING CAP / GREY PLATINE 739MM / 29 1/8"	1		
48	403116	MOULDING RETAINER / 1081MM (42 1/2")	1		
49	403120	MOULDING CAP / GREY PLATINE 1089MM / 42 7/8"	1		
50	403124	MOULDING CAP / GREY PLATINE 1930MM / 76"	1		
51	403123	MOULDING RETAINER / 1955MM (77")	1		
52	403125	MOULDING CAP / GREY PLATINE 1948MM / 76 5/8"	1		
53	403126	MOULDING RETAINER / 1943MM (76 1/2")	1		
54	403112	MOULDING RETAINER / 1943MM (76 1/2")	2		
55	403113	MOULDING CAP / SS 1948MM (76 11/16")	2		
56	403171	LEATHERETTE / GREY / 125MM X 1970MM	1		
70	403165	MOULDING / WALL	1		
NS	404512	LEATHERETTE / SWITCH COVERING / 60 X 125MM	1		
71	403158	MOULDING ASSY W/HINGE	1		
72	403162	MOULDING / DOOR STOPPER	1		
NS	500641	SCREW TP PAN PH #8x3/4 Z050	AR		
NS	506071	TAPE RUB ADH1 CC POL 1/8" x 1/2" x 50' / GREY 2520X	AR		
100	H4-2329-00	LAVATORY DOOR LOCK & SWITCH			
101	H4-2325-00	LAVATORY - ACCESSORIES			
102	H4-0655-00	INTERIOR LIGHTING			
103	H4-1833-00	REAR FINISHING CAP & SIDE WALL			
104	350222	INSULATING PAD TRIANGULAR SHAPE 230MM x 230MM	1		
104	350223	INSULATING PAD REAR LOWER WALL	1		
104	350224	INSULATING PAD / 635MM x 360MM	1		
104	350249	INSULATING PAD REAR LOWER TOILET	1		
104	350305	INSULATING PAD / 640MM x 90MM	1		
104	350306	INSULATING PAD / 880MM x 90MM	1		
104	350376	INSULATING PAD / 965MM x 280MM	1		
		A) FOR COACH EQUIPPED W/W.C.L. "ST & ST." SEE NOTE "A" PAGE H4-2325-00 FOR WASTE CONTAINER			

From L-031 To R-079		Date:07/2024	PAGE:H4-2328-00
LAVATORY WALL - INSTALLATION			

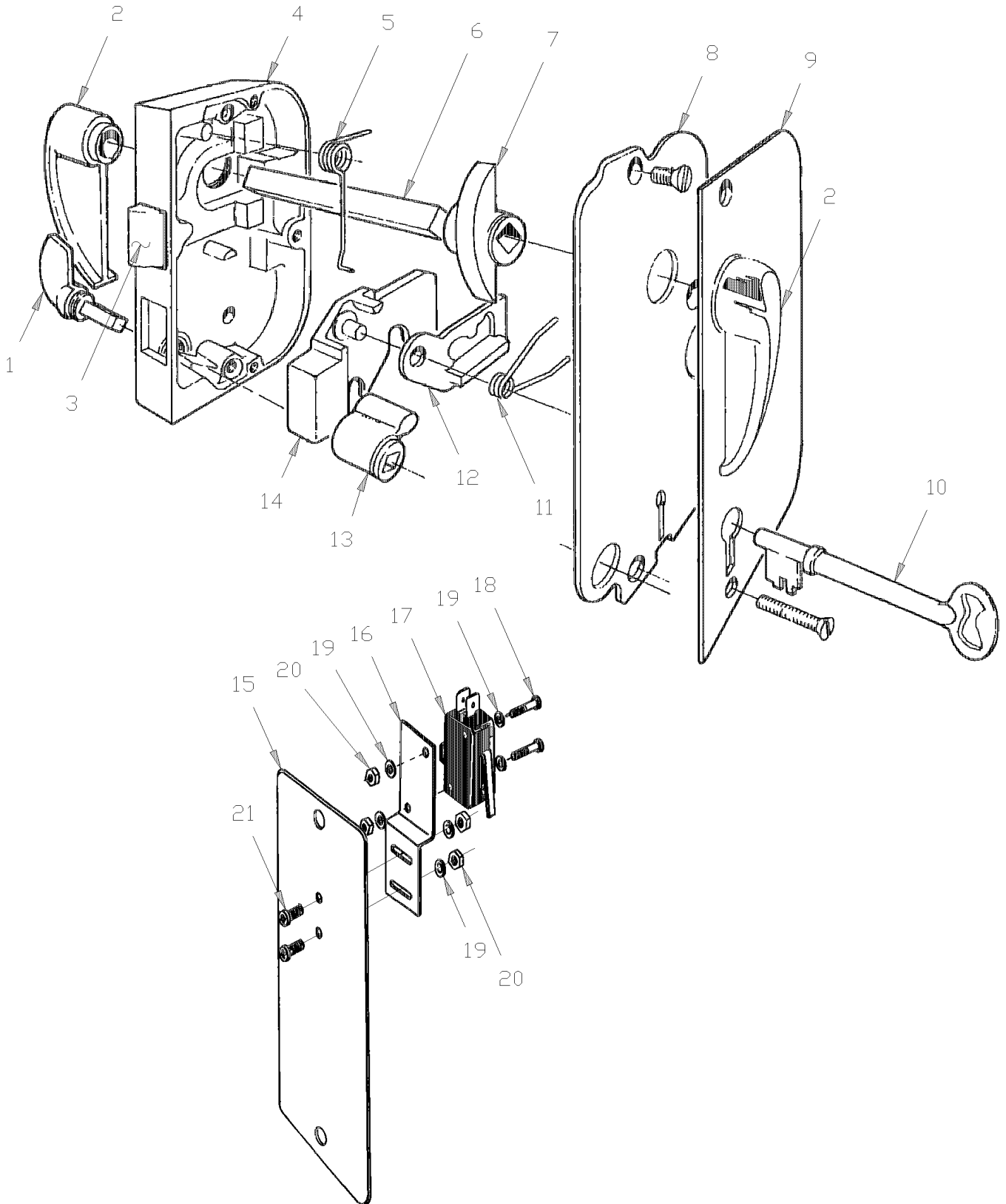
Item#	Part	Description	H 3 4 0	V I P 4 0	N O T E S
		E) WITH TISSU FINISHING			
		F) WITH CARPET FINISHING			
		P) CALL ORDER DESK FOR SPECIFIC APPLICATION (V.I.N.)			

From L-031 To R-079

Date:07/2024

PAGE:H4-2329-00

LAVATORY DOOR LOCK & SWITCH



From L-031 To R-079	Date:07/2024	PAGE:H4-2329-00
LAVATORY DOOR LOCK & SWITCH		

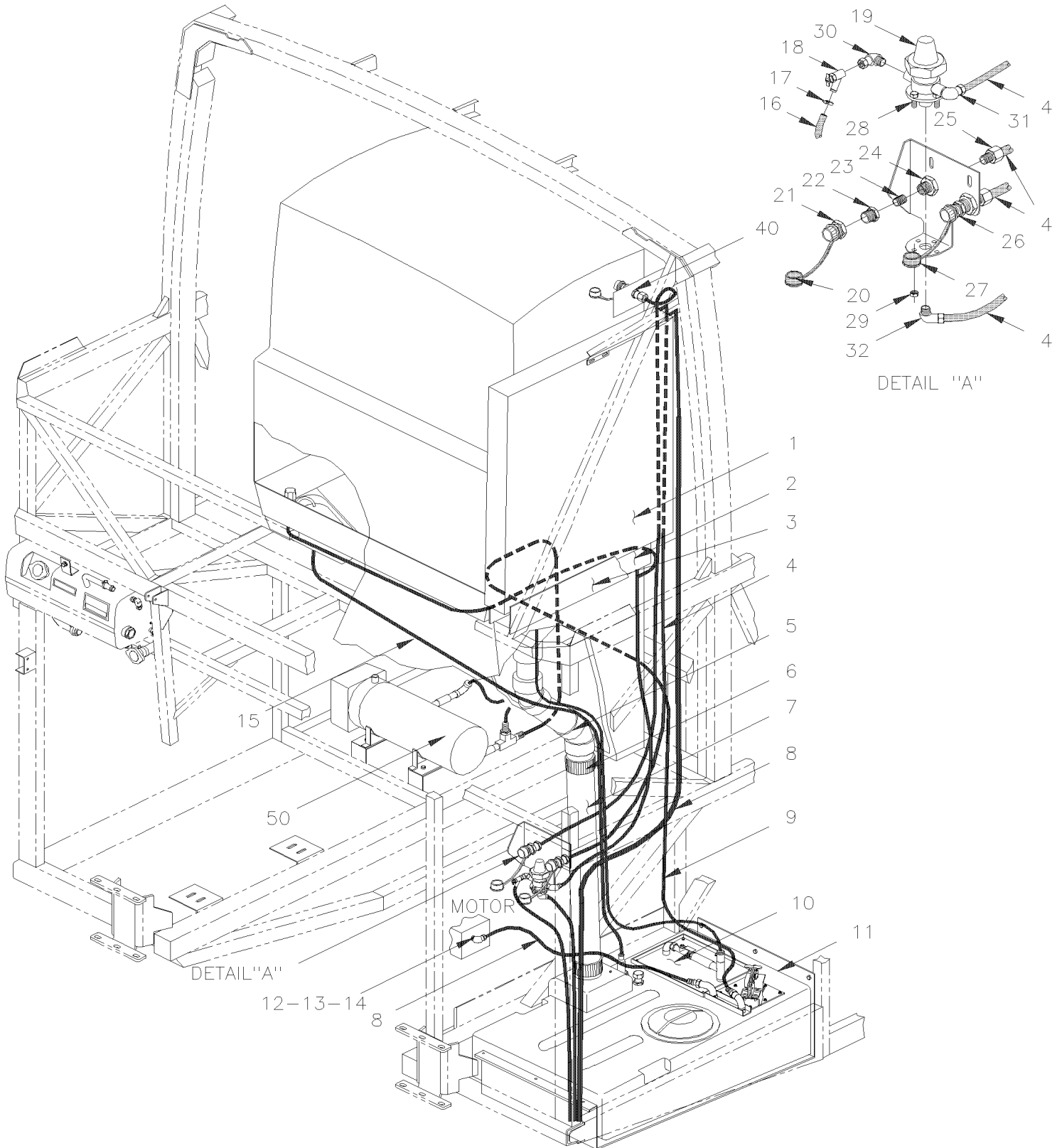
Item#	Part	Description	H 3 4 0	V I P 4 0	N O T E S
	900375	LOCK ASSY, DOOR	1		
	500887	. SCREW MA FL PH #8-32x1 1/4 SS	3		
1	900629	. THUMB, PIECE	1		
2	900630	. HANDLE, DOOR	2		
3	900631	. BOLT, LATCH	1		
4	N.S.S.	. CASE (ONLY)	1		1
5	900632	. SPRING, TORSION / .348 I.D. x .275 x .055	1		
6		. ROD, SQUARE 5/16" / S.L.	AR		
7	900633	. FOLLOWER	1		
8	N.S.S.	. COVER / CASE	1		1
8	500272	. SCREW MA FL PH #8-32x1/2 ZP	3		
9	900634	. ESCUTCHEON ASSY	1		
10	900299	. KEY / LAVATORY DOOR "ADAMS & WESTLAKE"	1		
11	900635	. SPRING, TORSION / .305 I.D. x .162 x .050	1		
12	900636	. TUMBLER	1		
13	900637	. FOLLOWER / THUMB PIECE	1		
14		. BOLT, DEAD	1		
14		MICRO SWITCH ASSY	1		
15	403135	COVER / MICRO SWITCH	1		
15	500647	SCREW TC PAN PH #4-40x1/4 ZP	2		
16	403136	SUPPORT / MICRO SWITCH	1		
17	561677	MICRO SWITCH	1		
NS	405015	LEATHERETTE / SWITCH COVERING / 60 X 125MM	1		
18	502577	SCREW MA PAN PH M3-0.5x16 ZP	2		
19	502578	WASHER FL 3.2x7.0x0.5 Z050	6		
20	502579	NUT HEX M3-0.5 NP	4		
21	502787	SCREW MA PAN PH M3-0.5x10 ZP	2		
NS	062573	CABLE ASSY / FOR LIGHT SWITCH	1		A
NS	504448	CABLE CLIP 1/4" / ADHESIVE	5		
NS	402741	DECAL "VEROUILLER"	1		
NS	402743	DECAL "LOCK FOR LIGHTING"	1		
		A) THIS PROTECTOR IS COATED WITH GRAVEL GUARD AND IS BLACK PAINTED READY TO INSTALL			
		1) NOT SOLD SEPARATELY			

From L-031 To R-079

Date:07/2024

PAGE:H4-2330-00

WATER & SUMP TANK - INSTALLATION



From L-031 To R-079	Date:07/2024	PAGE:H4-2330-00
WATER & SUMP TANK - INSTALLATION		

Item#	Part	Description	H 3 4 0	V I P 4 0	N O T E S
1	403030P	TANK / WATER ASSY / WELDED SS	1		
2	062683	HEATER ASSY	1		
2	562018	. HEATER, WATER	1		
NS	641040	MALE ELBOW 90° / NTA FITTING / #8x3/8NPT-M BR	2		
NS	641182	MALE RUN TEE / NTA FITTING / #8x#8x3/8NPT-M BR	1		
3	403851	SUPPORT / WATER TANK	1		
3	310674	ANGLE, #5 / L.H. / USE ONLY W/O FRESH WATER TANK	1		
3	504068	GROMMET / .500x.750x.062x.312x1.062	1		
3	500365	SCREW TP CAP HEX #12x1 Z050	6		
3	504249	RIVET CHY Q PRDG 3/16x3/8 SS	5		A
4	503488	TUBE, NYLON 1/2 O.D. / BLACK S.L./	AR		
NS	641012	BULKHEAD UNION / NTA FITTING / #8x3/8NPT-M BR	AR		
5	403074	TUBE ASSY / ABS	1		B
6	503532	UNION / ABS PIPE / 3Fx3F NEO	3		
7	503539	TUBE / ABS PIPE / 3IDx12' ABS	AR		
8	503006	HOSE 5/8" I.D. 50' / S.L.	AR		
9	503523	HOSE SILICONE 1PLY 3/4" I.D. x 100' / S.L.	AR		
10	H4-2326-00	TOILET PUMP ASSY			
11	H4-2327-00	SUMP TANK - S/S			
11	H4-2327-01	SUMP TANK - PLASTIC / SERVICE			
12	507557	STREET ELBOW 90° / PIPE FITTING / 1/2NPT-Mx1/2NPT-F BR	1		
13	501373	MALE CONNECTOR / HOSE BARB FITTING / #10x1/2NPT-M GALV	1		
14	504020	HOSE CLAMP / 9/16"-1"1/4 SS / HS-12	1		
15	503006	HOSE 5/8" I.D. 50' / S.L.	AR		
NS	900191	TUBE, TAIL 1 1/2" X 4" LG	1		
NS	504023	HOSE CLAMP / 1"5/16-2"1/4 SS / HS-28	1		
16	503527	HOSE RADIATOR / 5/8" I.D. X 25"/"GREEN STRIPE"	AR		
17	504319	HOSE CLAMP / 1"-1"1/2 SS / E.T. 16	2		
18	501531	DRAIN VALVE 3/8 NPT M x 5/8 HOSE	1		
19	900372	AUTOMATIC DRAIN VALVE / FREEZING	1		
NS	900880	KIT REPAIR / AUTOMATIC DRAIN VALVE	AR		
20	900326	DUST CAP / QUICK DISCONNECT "B SERIES" / #10 VINYL	2		
21	900323	NIPPLE / QUICK DISCONNECT "B SERIES" / #10x1/2NPT-F BR	2		
22	501534	BUSHING REDUCER / PIPE FITTING / 1/2NPT-Mx3/8NPT-F BR	2		
23	501325	NIPPLE / PIPE FITTING / 3/8NPT-Mx3/8NPT-Mx1 BR	2		
24	641012	BULKHEAD UNION / NTA FITTING / #8x3/8NPT-M BR	2		
26	900324	COUPLER / QUICK DISCONNECT "B SERIES" / #8x1/2NPT-F BR	1		
27	900325	DUST PLUG / QUICK DISCONNECT "B SERIES" / #8 VINYL	1		
30	501333	STREET ELBOW 90° / PIPE FITTING / 3/8NPT-Mx3/8NPT-F BR	1		
31	641040	MALE ELBOW 90° / NTA FITTING / #8x3/8NPT-M BR	1		
32	641076	MALE ELBOW 90° / NTA FITTING / #8x1/2NPT-M BR	1		
		SEE PAGE H4-2325-00 ITEM #9			

From L-031 To R-079	Date:07/2024	PAGE:H4-2330-00
WATER & SUMP TANK - INSTALLATION		

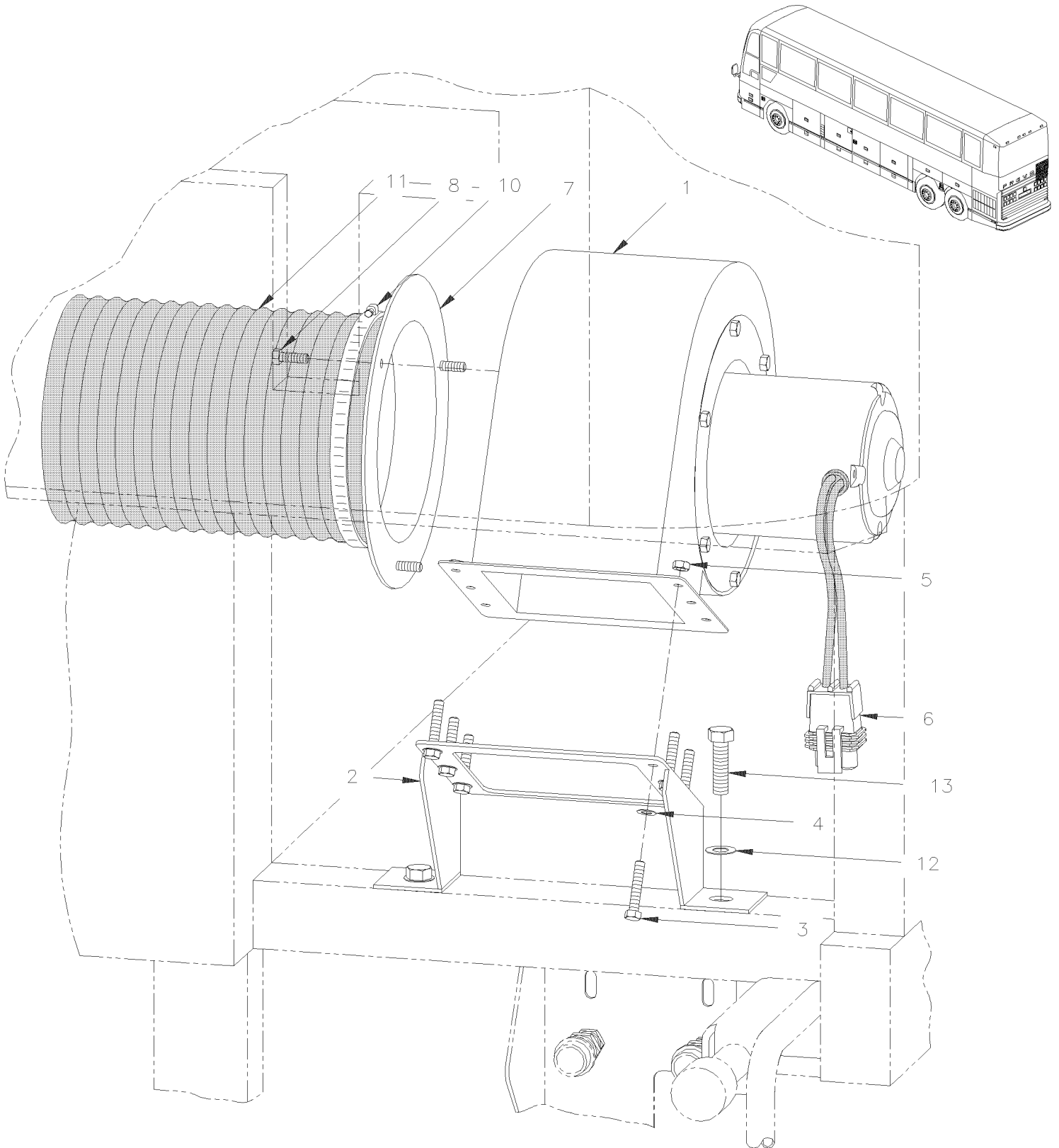
Item#	Part	Description	H 3 4 0	V I P 4 0	N O T E S
		WATER HEATER			
		A) FOR COACH W/W.C.L. SEE NOTE AT PAGE H4-2325-00 FOR WASTE CONTAINER			
		B) FOR PRODUCT IMPROVEMENT, REPLACE BY #405693, 530211 AND 2 OF ITEMS 504235.			

From L-031 To R-079

Date:07/2024

PAGE:H4-2337-00

LAVATORY FAN - INSTALLATION



From L-031 To R-079	Date:07/2024	PAGE:H4-2337-00
LAVATORY FAN - INSTALLATION		

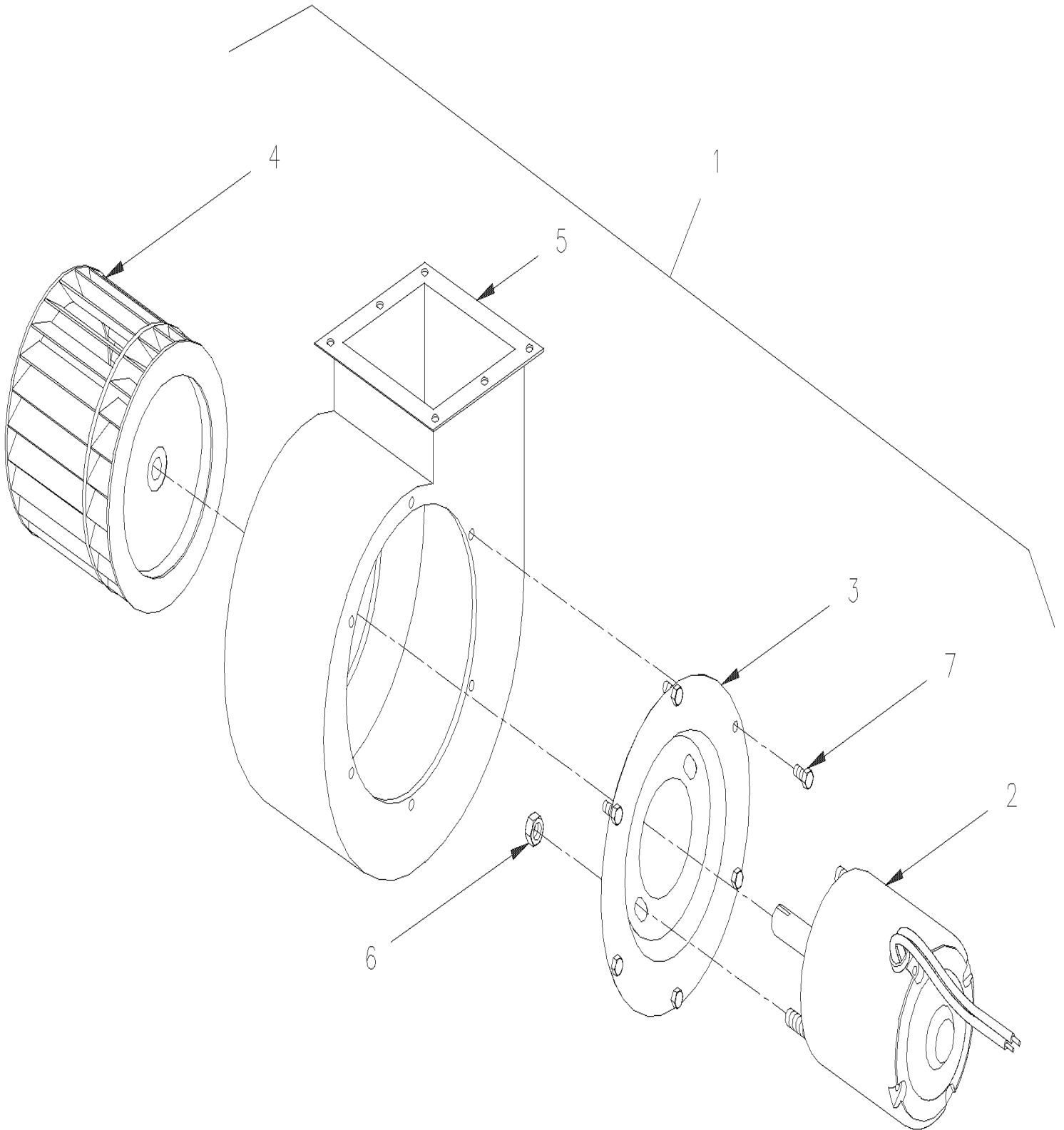
Item#	Part	Description	H 3 4 0	V I P 4 0	N O T E S
		BLOWER ASSY / LAVATORY	1		
1	H4-2240-00	BLOWER & MOTOR ASSY - "AURORA"			
1	870844	BLOWER & MOTOR ASSY - "M.C.C." "CW" / FAN END			
2	403085	. SUPPORT ASSY	1		
3	500588	. SCREW CAP HEX M4-0.7x20 G8.8 Z050	6		
4	500591	. WASHER FL 4.3x9.0x0.8 Z050	6		
5	500590	. NUT HEX NYRT M4-0.7 Z050	6		
6	561690	. CONNECTOR / WEATHER PACK / SH 2C / BLACK / PED 12015792	1		
NS	561578	. SOCKET TERMINAL / 16-14 / PED 12010182	2		
NS	561786	. CABLE SEAL / GRAY / PED 15324980	2		
7	403063	. FLANGE / HOSE ADAPTOR	1		
8	502685	. SCREW CAP HEX M4-0.7x20 SS EMN	3		
NS	500589	. NUT WELL M4-0.7x13.5	3		
NS	561883	. SUPPORT RESISTOR	2		
NS	561884	. RESISTOR / 2 OHMS / 50 W	2		
10	504324	HOSE CLAMP / 4"1/2-6"1/2 SS / HS-96	2		
11	503522	HOSE FLEXIBLE / AIR DUCT 5" I.D. X 12' LINEN RUBBER	AR		
12	500874	WASHER FL 8.4x17.0x1.6 Z050	2		
NS	502507	WASHER LO SPT 8.1x14.8x2.0 Z050	2		
13	500069	SCREW CAP HEX M8-1.25x16 G10.9 DP	2		

From L-031 To R-079

Date:07/2024

PAGE:870844

BLOWER & MOTOR ASSY - "M.C.C." "CW" / FAN END

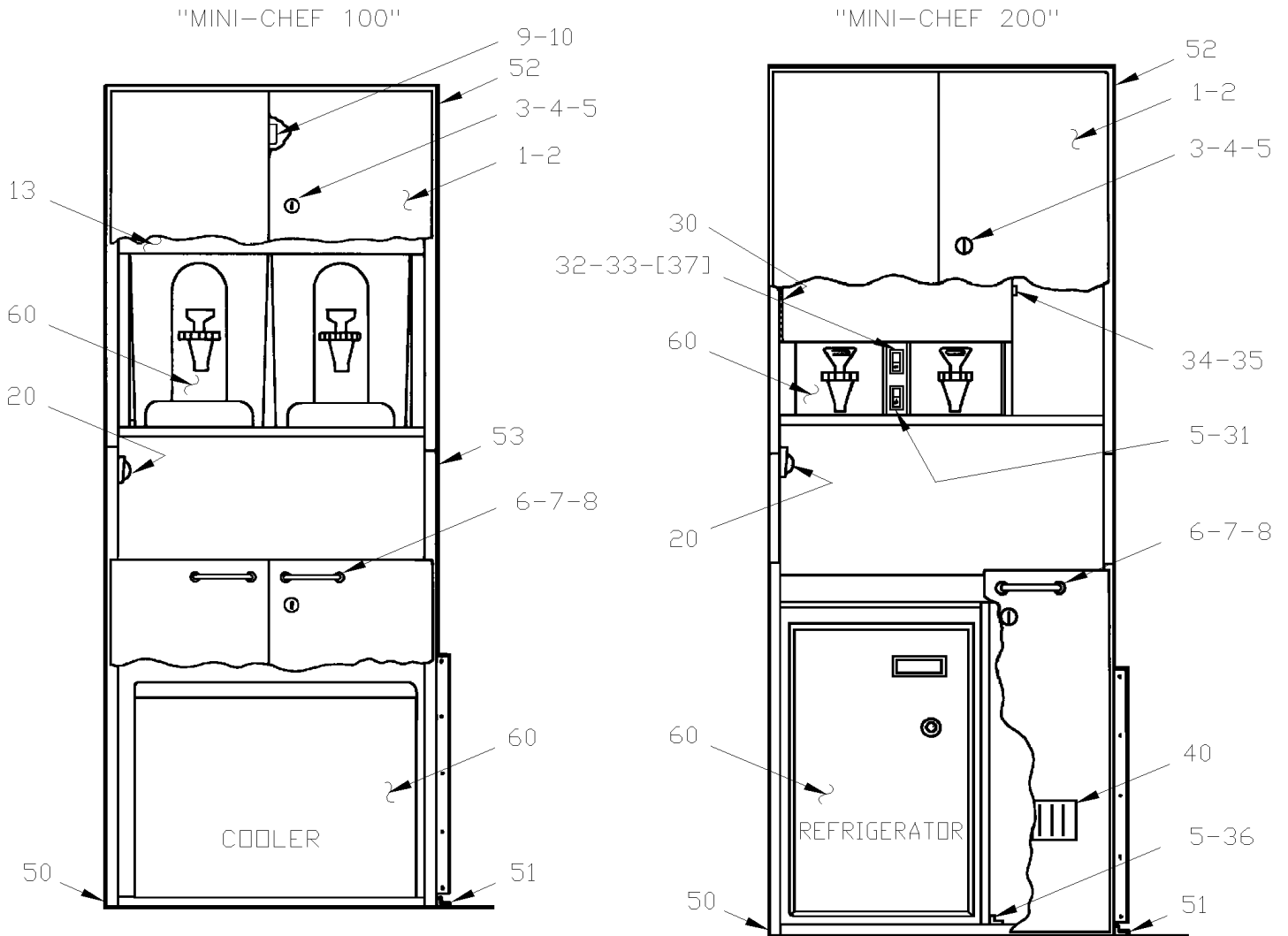


From L-031 To R-079	Date:07/2024	PAGE:870844
---------------------	--------------	-------------

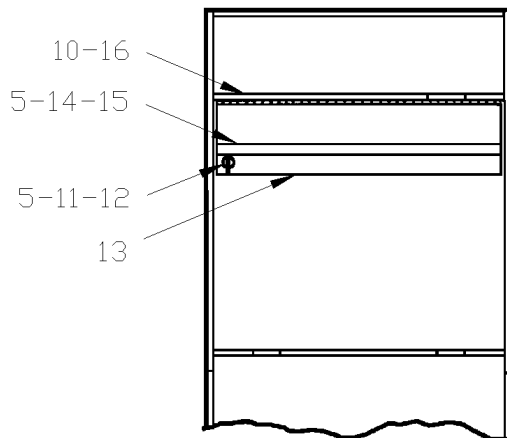
BLOWER & MOTOR ASSY - "M.C.C." "CW" / FAN END

Item#	Part	Description	H 3 4 0	V I P 4 0	N O T E S
1		BLOWER ASSY 24V / CW	1	1	
2	562167	. MOTOR ASSY / 24V	1	1	
3	871020	. PLATE MOUNTING / MOTOR	1	1	
4	871017	. BLOWER WHEEL / STEEL	1	1	
5	871440	. HOUSING BLOWER	1	1	
6	500786	. NUT HEX #10-24 Z050	2	2	
7	500978	. SCREW CAP HEX #10-24x3/4 Z050	6	6	

From L-031 To R-079	Date:07/2024	PAGE:H4-2345-00
GALLEY ASSY		



"MINI-CHEF 100" (DOOR OPEN)



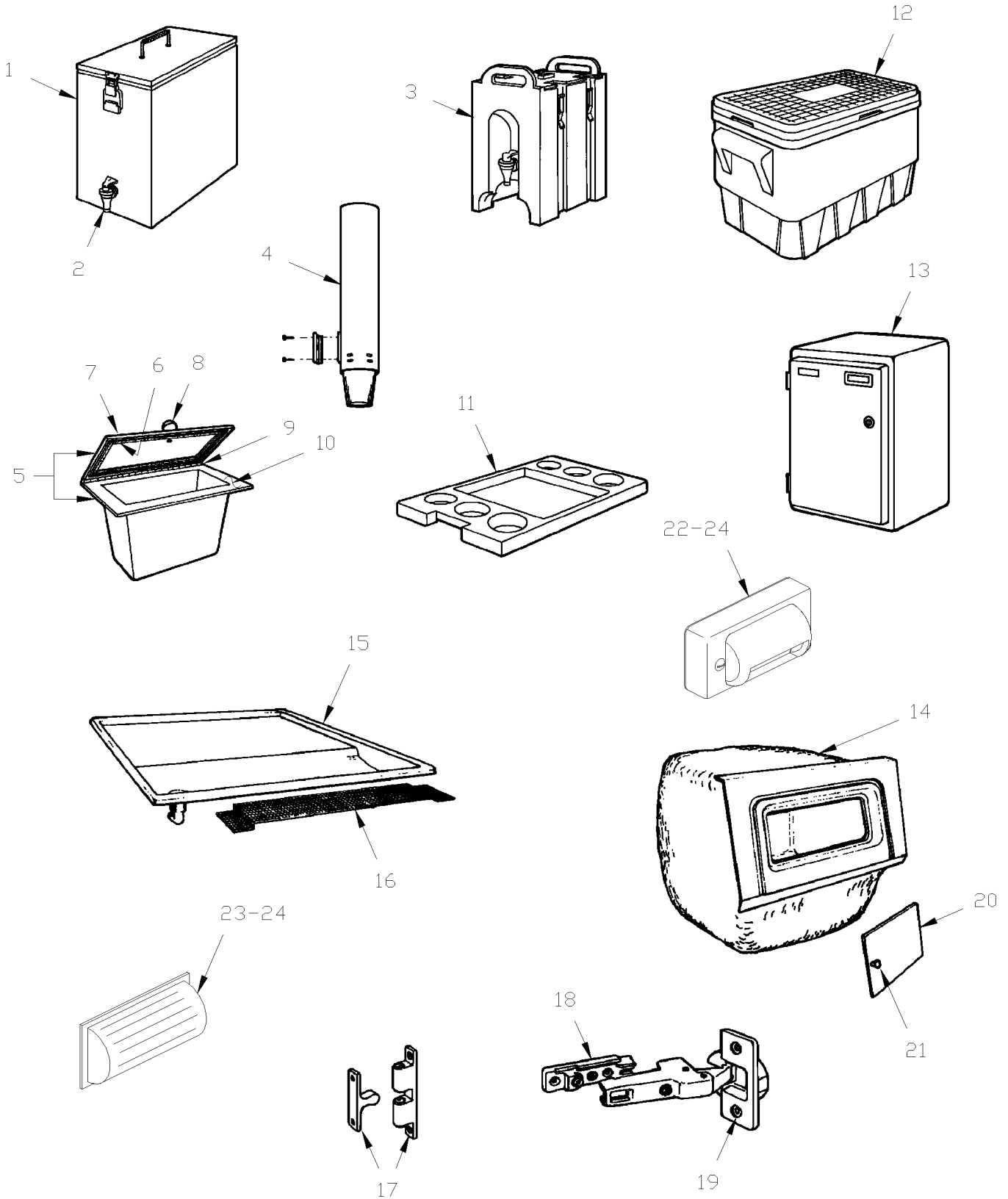
From L-031 To R-079	Date:07/2024	PAGE:H4-2345-00
GALLEY ASSY		

Item#	Part	Description	H 3 4 0	V I P 4 0	N O T E S
	403329P	GALLEY "MINI-CHEF 100" ASSY/W/COOLER	1		A
	403330P	GALLEY "MINI-CHEF 100" ASSY/W/REFRIGERATOR 1.2 CU FT	1		A
	403421P	GALLEY "MINI CHEF 100" ASSY W/COFFEE MACHINE & MICROWAVE	AR		B
	403331P	GALLEY "MINI-CHEF 200" ASSY W/COOLER	1		A
	403332P	GALLEY "MINI-CHEF 200" ASSY/W/REFRIGERATOR 1.2 CU.FT	1		A
	403333P	GALLEY "MINI CHEF 200" / W/REFRIGERATOR & MICROWAVE	1		A
1	N.S.S.	. DOOR ASSY / GALLEY "MINI-CHEF"	4		1
2	900569	. MOULDING, PLASTIC	AR		C
2	900587	. HINGE, DOOR / GALLEY	8		
2	900514	. PLATE, MOUNTING / HINGE	8		
2	500626	. SCREW TP OV PH #8x3/4 Z050	AR		
3	780180	. LOCK CYLINDER W/KEY / "VIRO"	1		
. NS	780501	. . KEY	1		
3	780806	. LOCK CYLINDER W/KEY / "VIRO"	1		
. NS	780501	. . KEY	1		
NS	289549	PIVOT LOCK ACTUATOR 42.4MM / W/11MM OFFSET	1		
4	402737	. REINFORCEMENT / DOOR LOCK	2		D
5	500583	. SCREW TP PAN PH #6x1/2 Z050	AR		
6	900568	. HANDLE / DOOR	4		
7	500645	. SCREW TP OV PH #8x1 1/4 Z050	8		
8	500464	. WASHER FN CKF .210x.540 SS	8		
9	402738	. PLATE, RETAINING / DOOR	4		
10	502611	. SCREW TP FL PH #6x1/2 Z050	AR		
11	504502	. LATCH ASSY, DOOR	1		
12	402827	. ANGLE, RETAINING / LATCH	1		
13	403249	. PLATE, CLOSING	1		
13	506004	. TAPE RUB ADH1 CC POL 3/8" x 1/2" x 20' / GREY 2520X	AR		
14	403250	. MOULDING CAP / GREY PLATINE 524MM / 20 5/8"	AR		
15	403251	. MOULDING RETAINER / 514MM (20 1/4")	AR		
16	403248	. HINGE / DOOR	1		
20	830124	. LAMP ASSY	1		
20	561942	. BULB / 10WATT-24VOLTS / SAE# 6429	AR		
30	402828	. HINGE, DOOR	1		
30	900621	. LATCH ASSY	1		
30	403321	. SPACER / LATCH & SHELF	1		
31	402736	. SUPPORT / SWITCH GALLEY SS 349.25MM x 38.1MM	1		
31	403326	. SUPPORT / SWITCH / W/GALLEY & W/MICROWAVE 461MM x 110MM	1		
32	561468	. SWITCH / OFF-ON S.P.S.T.	2		
33	063019	. INSERT / GREEN / L.H. CONTAINER (GALLEY)	1		
33	063020	. INSERT / GREEN / R.H. CONTAINER (GALLEY)	1		

From L-031 To R-079	Date:07/2024	PAGE:H4-2345-00
GALLEY ASSY		

Item#	Part	Description	H 3 4 0	V I P 4 0	N O T E S
34	403081	. HOOK / DOOR	1		
35	500656	. SCREW TP OV PH #6x3/4 SS	2		
36	402849	. ANGLE, RETAINING	2		
37	063347	CABLE ASSY / REAR OF GALLEY & REAR JCT PANEL	1		
37	063831	CABLE ASSY / INVERTER 750 WATT & GALLEY ON R.H. SIDE	1		
37	062929	CABLE ASSY / INVERTER 1000W & GALLEY ON R.H. SIDE	1		
37	064411	CABLE ASSY / INVERTER 1000W & GALLEY ON L.H. SIDE	1		
48	400877	ANGLE, FINISHING / FRONT GALLEY	1		
NS	900280	THRU HULL, CONNECTOR / PLASTIC	1		
50	403324	ANGLE / TO FIX GALLEY	1		
NS	Call order desk	BASE ASSY / GALLEY & FLOOR	1		P
51	403323	ANGLE / TO FIX GALLEY	2		
52	403322	ANGLE / TO FIX GALLEY	1		
53	403328	CLOSING PANEL	1		
NS	500686	SCREW TP OV PH #6x1/2 BK	AR		
NS	500345	WASHER FN CKF .187x.500x.090 BR BK	AR		
NS	504106	RIVET POP DOME OE 1/8x1/4 AL	AR		
NS	500638	SCREW TP PAN PH #8x1/2 Z050	AR		
60	H4-2345-10	GALLEY ACCESSORIES			
		A) REFRIGERATOR, COOLER, ICE BOX & HOT LIQUID DISPENSOR ARE NOT INCLUDED IN ASSEMBLY SEE (H4-2345-10)			
		B) THIS PART NUMBER INCLUDE ALLS COMPONENTS & INVERTER 1000W			
		C) S.L.			
		D) DOOR LOCK			
		1) NOT SOLD SEPARATELY			
		P) CALL ORDER DESK FOR SPECIFIC APPLICATION (V.I.N.)			

From L-031 To R-079	Date:07/2024	PAGE:H4-2345-10
GALLEY ACCESSORIES		



From L-031 To R-079	Date:07/2024	PAGE:H4-2345-10
GALLEY ACCESSORIES		

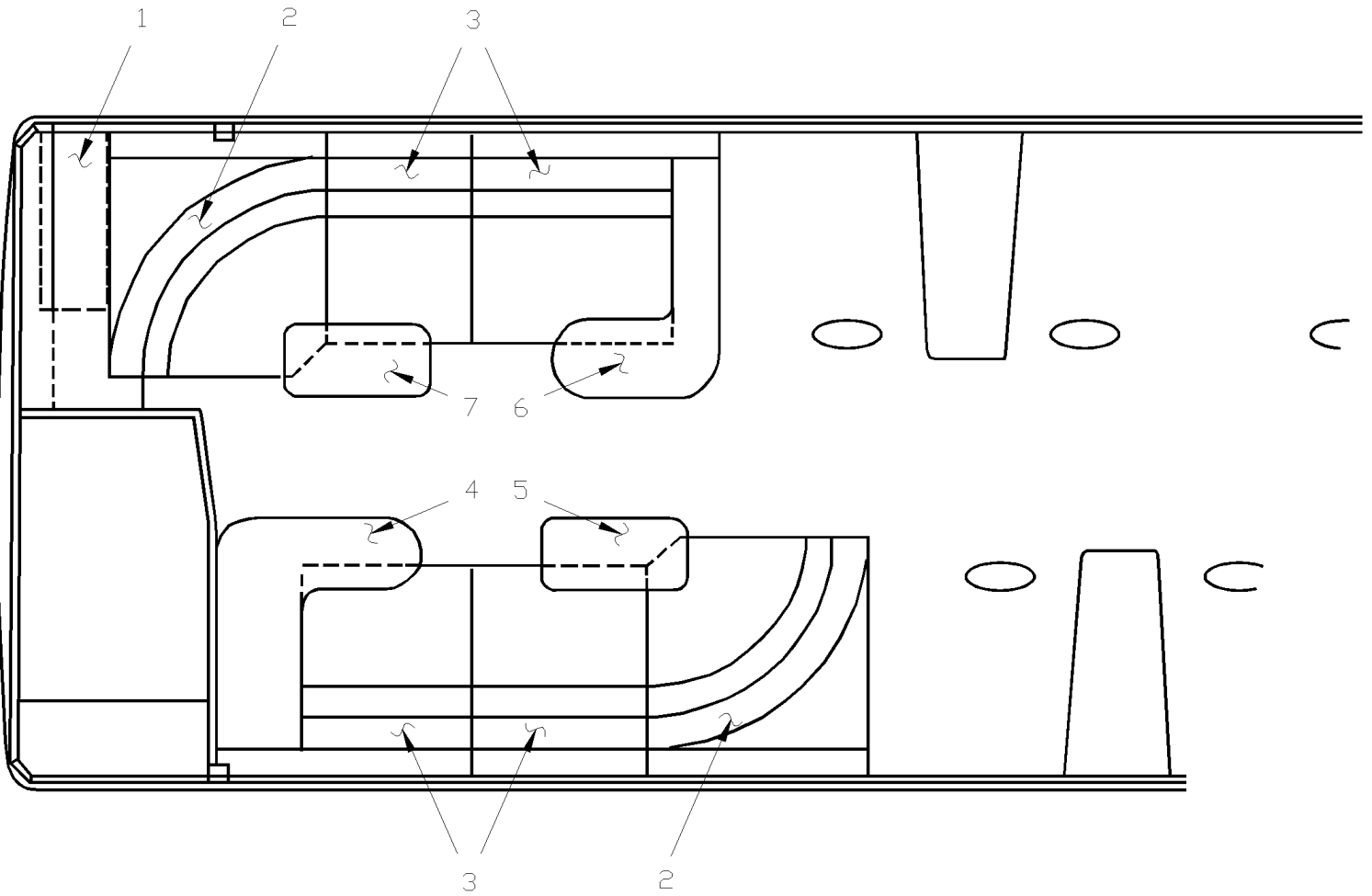
Item#	Part	Description	H 3 4 0	V I P 4 0	N O T E S
1	403640	DISPENSER ASSY / HOT LIQUID	2		
1	900488	. DISPENSER, HOT LIQUID	1		
2	900483	. SPIGOT ASSY / 1/2 NPT W/900488	1		
2	900678	. ADAPTOR / SPIGOT & CONTAINER	1		
2	900426	. PLUG, 3 PINS MALE	1		
2	900427	. SWITCH, TEMPERATURE	1		
2	900676	. GASKET COVER	1		
2	403639	. ADAPTOR, ON COVER FOR SAFETY CAP	1		
3	900583	CONTAINER, LIQUID	2		
3	900677	. SPIGOT ASSY / W/PLASTIC WING NUT	1		
4	402826	DISPENSER, CUP / MODIFIED SHORT	1		
4	900391	CUP DISPENSER / CUP / LONG	1		
NS	900249	CUP / 100 UNIT PACK	AR		
5	402732	ICE CONTAINER ASSY	2		
6	402734	. COVER, ICE CONTAINER	1		
7	506002	. TAPE RUB ADH1 CC POL 3/16" x 1/2" x 40' / GREY 2520	AR		
8	505018	. KNOB	1		
8	500541	. SCREW MA FL PH 1/4-20x1/2 SS BK	1		
9	402829	HINGE, COVER	1		
10	402731	. CONTAINER, ICE	1		
11	403243	TRAY, SERVICE	1		
12	900585	COOLER 23 LITERS	1		
13	900741	REFRIGERATOR "NORCOLD" 2.5 CU. FT MODEL DE-351 120/12 V W/ICE BOX	1		
13	900738 FORMER	REFRIGERATOR "NORCOLD" 4 CU. FT MODEL DE-390	1		
. NS	901539	. HINGE ASSY	1		
13	900584	REFRIGERATOR "FRENSELE" 1.2 CU. FT / W/GALLEY "MINI-CHEF"	1		
13	900586	COMPRESSOR, 24 VOLTS, REFRIGERATOR / W/900584 ONLY	1		
14	400989	ICE BOX ASSY	1		
15	400821	DRAIN PAN ASSY / BEIGE	1		
16	400806	GRILLE DRAIN SS 466.7MM x 96MM	1		
NS	900280	THRU HULL, CONNECTOR / PLASTIC	1		
17	900425	CATCH ASSY			
18	900514	PLATE, MOUNTING / HINGE	2		
19	900389	HINGE, DOOR	2		
20	401009	DOOR, SLIDING	1		
21	505018	KNOB	1		
22	830124	LAMP ASSY	AR		
23	830139	LAMP ASSY / W/ONE BULB	AR		
24	562278	BULB / 10WATT-24VOLTS / SAE# 6429	1		

From L-031 To R-079

Date:07/2024

PAGE:H4-2345-20

QUICK LOUNGE



From L-031 To R-079	Date:07/2024	PAGE:H4-2345-20
QUICK LOUNGE		

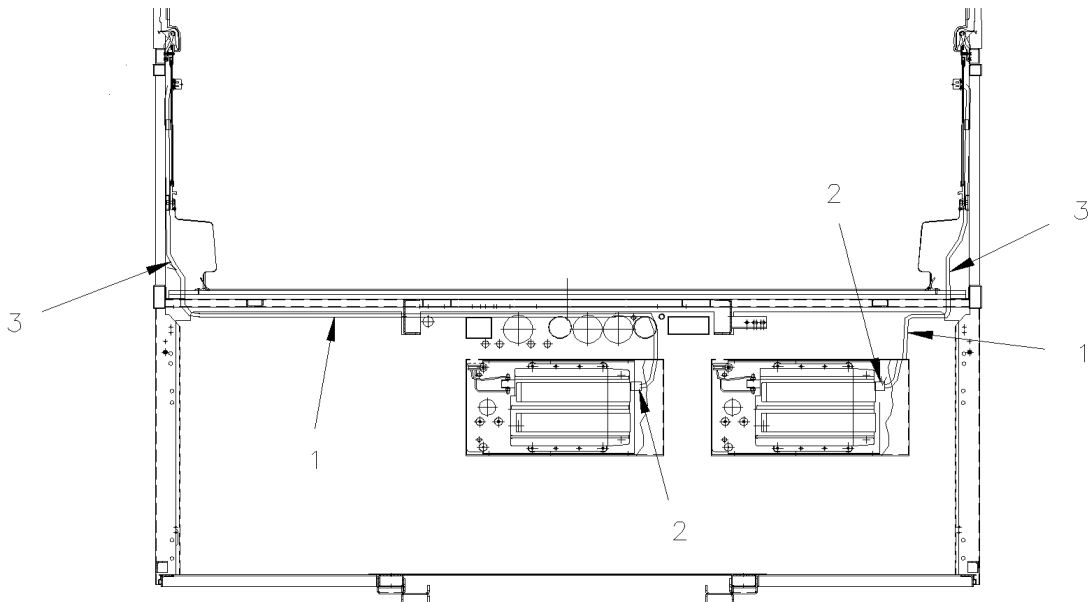
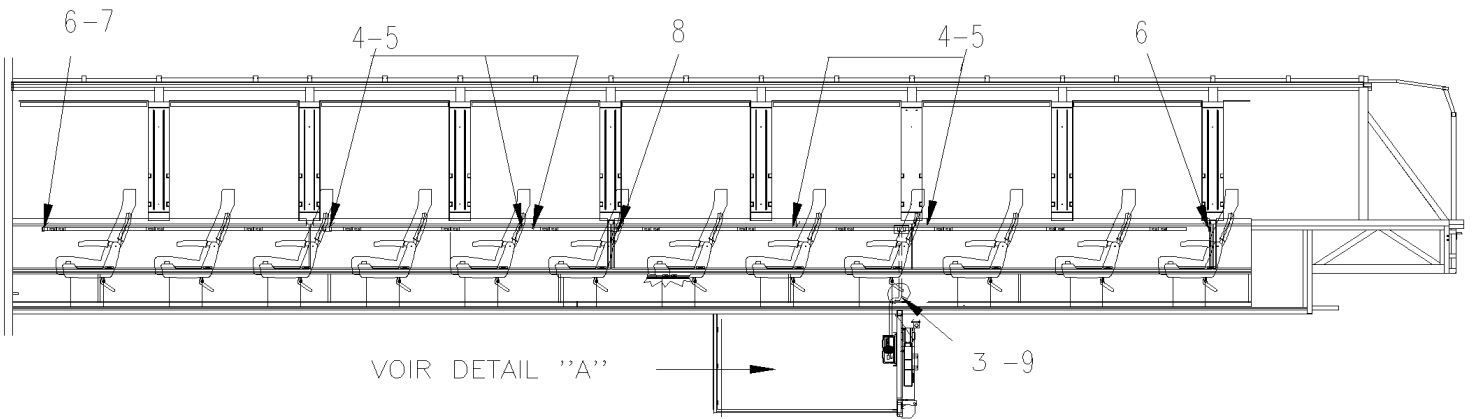
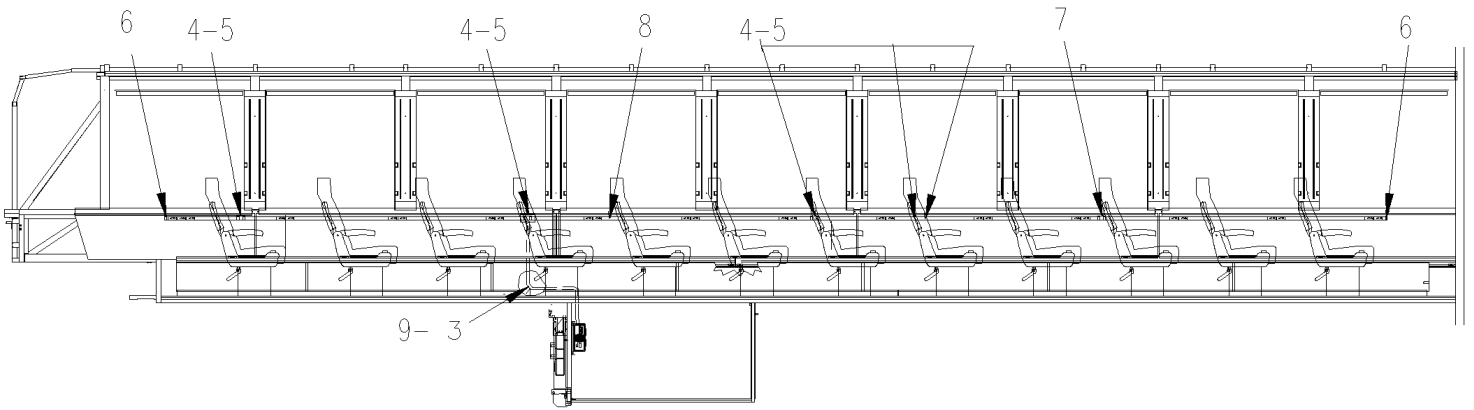
Item#	Part	Description	H 3 4 0	V I P 4 0	N O T E S
1	860701	CLOSING PANEL	1		
2	860653	SEAT ASSY / CORNER MODULE / S.C.C.	2		
3	860654	SEAT ASSY / S.C.C.	4		
4	860702	TABLE ASSY	1		
5	860655	TABLE ASSY	1		
6	860697	TABLE ASSY	1		
7	860703	TABLE ASSY	1		
		IF YOU HAVE TO MOVE CARD TABLE TO			
		INSTALL A QUICK LOUNGE, ORDER KIT #363079			
		TO COMPLETE INSTALLATION.			
NS	363079	KIT FOR RETROFIT TABLE / SPACER WALL AND STRUCTURE	1	1	
. NS	IS-91077	. SEE INSTRUCTION SHEET	1	1	

From L-031 To R-079

Date:07/2024

PAGE:H4-2345-99

110 VOLT - OUTLET / "RETROFIT"



DETAIL "A"

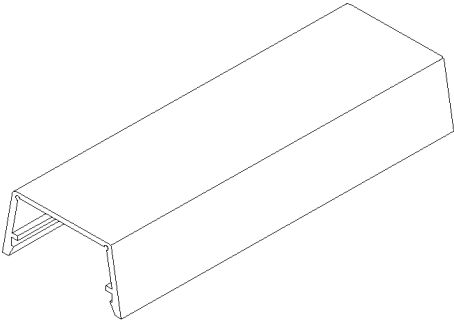
From L-031 To R-079

Date:07/2024

PAGE:H4-2345-99

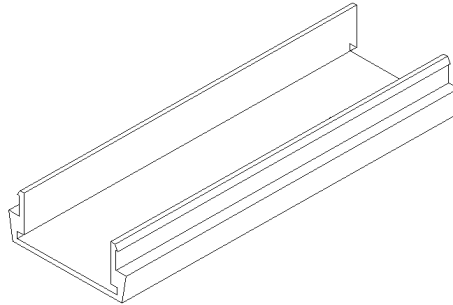
110 VOLT - OUTLET / "RETROFIT"

564151



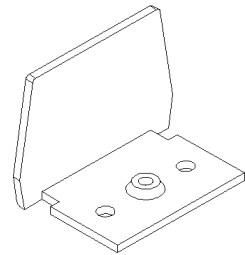
COVER ALUMINIUM
RACEWAY 110V

564152



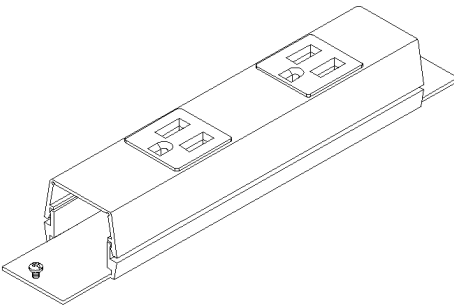
BASE ALUMINIUM
RACEWAY 110V

564153



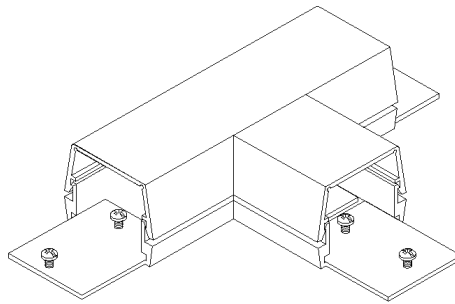
BLANK END FITTING
RACEWAY 110V

564154



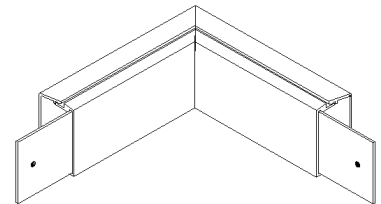
RECEPTACLE DOUBLE
RACEWAY 110V

564155



TEE
RACEWAY 110V

564156



ELNOW
RACEWAY 110V

From L-031 To R-079

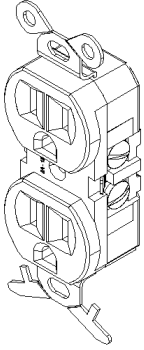
Date:07/2024

PAGE:H4-2345-99

110 VOLT - OUTLET / "RETROFIT"

562657

WHITE



PLUG DOUBLE
OUTLET 110V

562659

WHITE

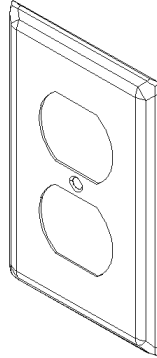
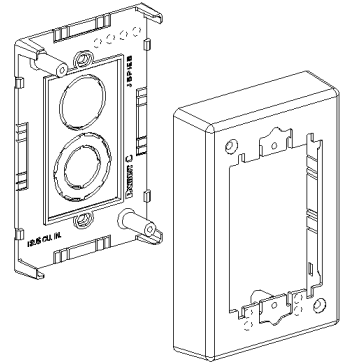


PLATE OUTLET 110V

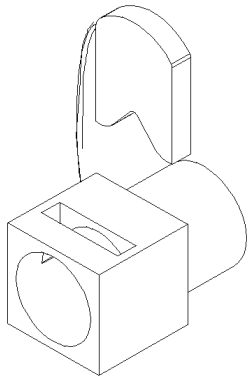
564129

WHITE



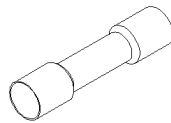
RECEPTACLE BOX
OUTLET 110V

564467



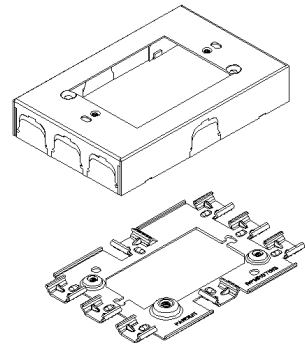
CONNECTOR IBERVILLE

563624



563848

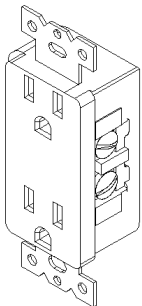
WHITE



RECEPTACLE BOX
OUTLET 110V

563846

WHITE



PLUG DOUBLE
OUTLET 110V

563847

WHITE

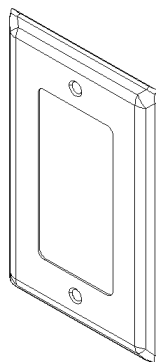


PLATE OUTLET 110V

From L-031 To R-079	Date:07/2024	PAGE:H4-2345-99
110 VOLT - OUTLET / "RETROFIT"		

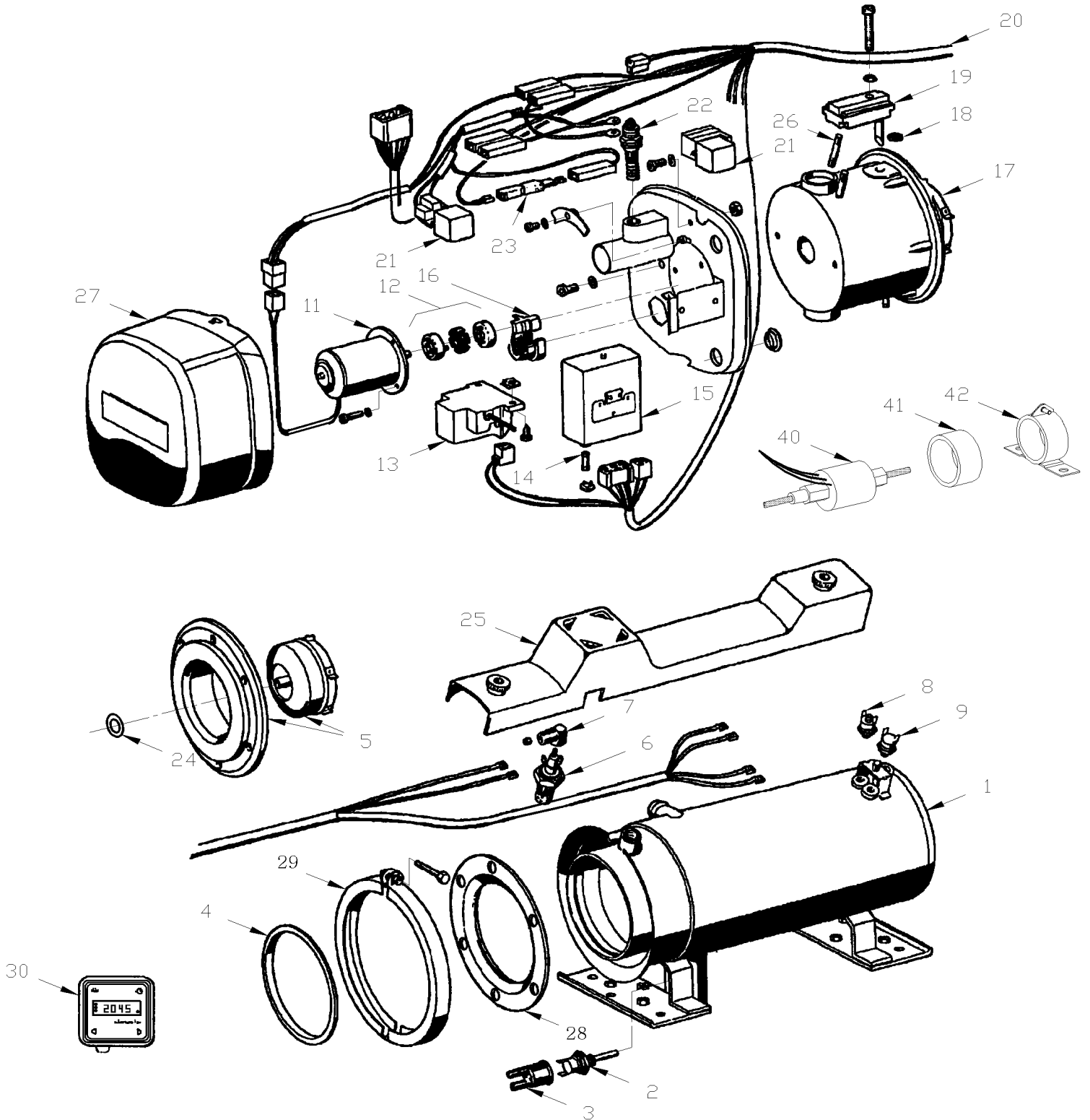
Item#	Part	Description	H 3 4 0	V I P 4 0	N O T E S
1	562664	PROTECTOR METALLIC 1"/CABLE	AR		
2	560933	CONNECTOR / 15 AMPS / HUBBELL 5266-C	AR		
3	562595	SPECIAL WIRE CABLE 14/3 / WHITE (BOAT CABLE)	AR		
4	564151	RACEWAY BASE ALUMINUM 60"	AR		
5	564152	RACEWAY COVER ALUMINUM 60"	AR		
6	564153	BLANK END FITTING CLOSING	AR		
7	564154	RECEPTACLE DOUBLE / IN-LINE 15 Amps	AR		
8	564155	TEE ALUMINUM RACEWAY	AR		
9	564156	ELBOW 90° EXTERNAL RACEWAY	AR		
20	562657	PLUG DOUBLE 110 VAC MURAL / WHITE	AR		
21	562659	COVER PLATE DOUBLE 110V OUTLET / WHITE	AR		
22	564129	RECEPTACLE BOX / 110Vac outlet / WHITE	AR		
23	564467	CONNECTOR IBERVILLE 1/2" PLASTIC GREY	AR		
24	563624	BUTT SPLICE / 12-10 / YELLOW / W/THERMORETRAC / PANDUIT BSH10-E	AR		
25	563848	RECEPTACLE BOX / 100Vac outlet WHITE NYLON	AR		
26	562662	PLUG DOUBLE 110 VAC MURAL WHITE NYLON "DECORA"	AR		
26	563846	PLUG DOUBLE 110 VAC MURAL WHITE NYLON "DECORA"	AR		
26	564507	PLUG DOUBLE 110 VAC MURAL W/2 USB PORT GREY NYLON "DECORA"	AR		
27	563847	COVER PLATE DOUBLE 110V OUTLET WHITE NYLON	AR		
27	564508	COVER PLATE DOUBLE 110V OUTLET SILVER	AR		

From L-031 To R-079

Date:07/2024

PAGE:870969

WATER HEATER - "ESPAR" 40,000 B.T.U.



From L-031 To R-079	Date:07/2024	PAGE:870969
WATER HEATER - "ESPAR" 40,000 B.T.U.		

Item#	Part	Description	H 3 4 0	V I P 4 0	N O T E S
		WATER HEATER - "ESPAR" 40,000 B.T.U.	1	1	
1	870983	. EXCHANGER HEAT	1	1	
2	871004	. SWITCH TEMPERATURE	1	1	
3	871006	. CAP PROTECTOR	1	1	
4	870997	. RING SEALING	1	1	
5	871114	. ATOMIZER	1	1	A
NS	870984	. KIT ATOMIZER	1	1	A
6	870994	. PLUG GLOW	1	1	
7	870993	. CONNECTOR PLUG	1	1	
8	870996	. SWITCH SAFETY CUTOUT	1	1	
8	871035	. SWITCH REGULATING / (CUT OUT 194°F / CUT IN 178°F)	1	1	
9	870995	. SWITCH REGULATING	1	1	
11	870989	. MOTOR ASSY / 24V	1	1	
12	871005	. COUPLING	1	1	
13	870988	. IGNITION SPARK GENERATOR	1	1	
14	871003	. FUSE 4 AMPS	1	1	
15	871000	. UNIT CENTRAL	1	1	
16	870991	. GROMMET	1	1	
17	870990	. BURNER	1	1	
18	870998	. O-RING	1	1	
19	870985	. SENSOR FLAME	1	1	
20	870999	. HARNESS ASSY	1	1	
21	561707	. RELAY 24V S.P.D.T. W/RESISTOR /	2	2	
22	870987	. RESISTOR	1	1	
23	870992	. DIODE	1	1	
24	871115	. WASHER	1	1	
25	871072	. COVER / GLOW PLUG	1	1	
26	871081	. STUD / TO FIX COVER / M5X40MM	2	2	
27	871083	. COVER	1	1	
28	871367	. FLANGE	1	1	
29	871349	. CLAMP RETAINER	1	1	
30	562025	TIMER ASSY / W/"ESPAR" PREHEATER	1	1	B
40	870973	PUMP FUEL	1	1	
41	870972	RING, RUBBER	1	1	
42	870971	SUPPORT, PUMP	1	1	
NS	870981	EXHAUST PIPE 1.57 O.D. X 118"	AR	AR	
NS	870979	CLAMP / EXHAUST	1	1	
NS	870975	ELBOW 90° / EXHAUST	1	1	
NS	870974	BALL	1	1	
NS	870976	NUT	1	1	

From L-031 To R-079	Date:07/2024	PAGE:870969
WATER HEATER - "ESPAR" 40,000 B.T.U.		

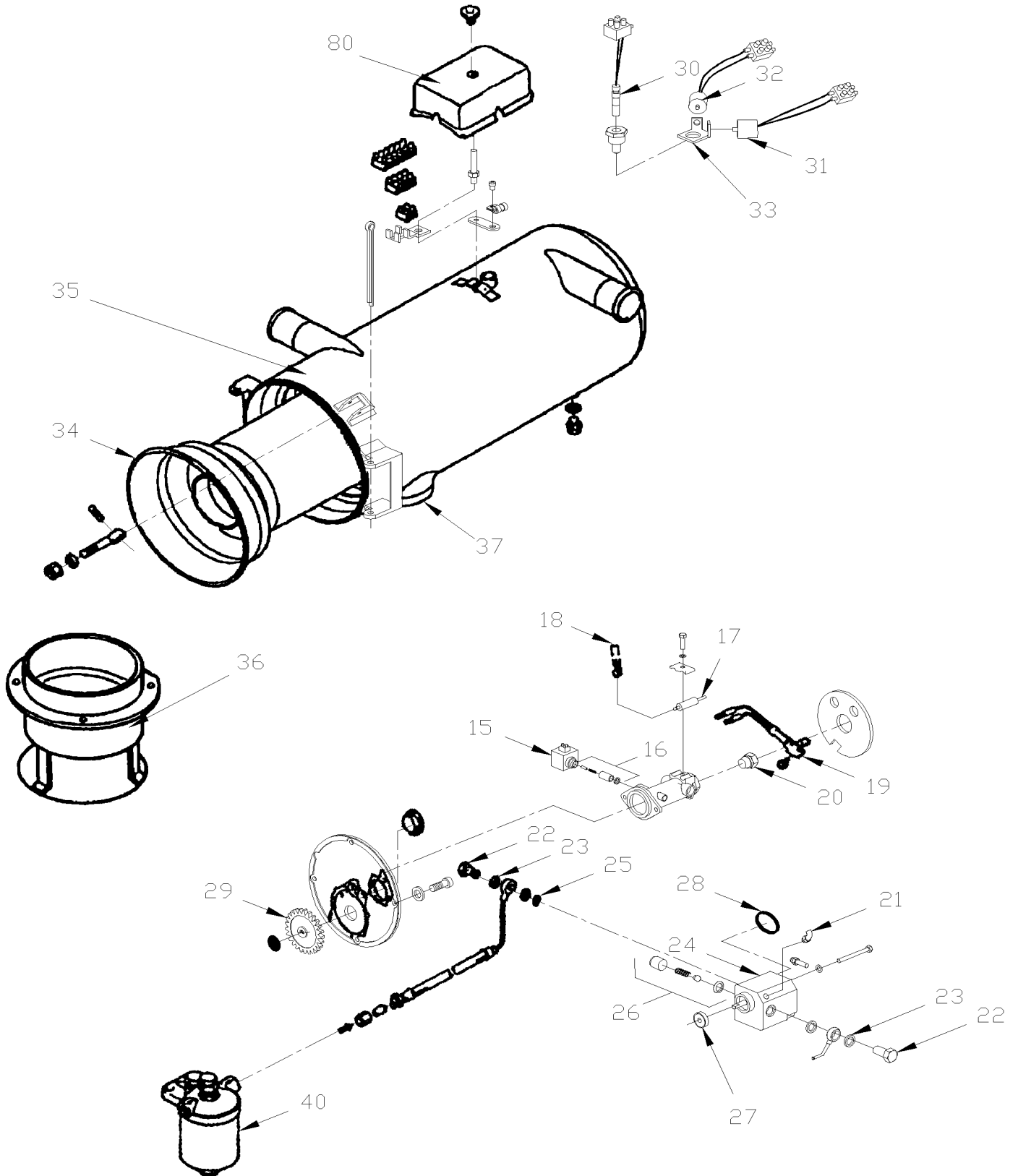
Item#	Part	Description	H 3 4 0	V I P 4 0	N O T E S
		A) WHEN IT'S FIRST ATOMIZER REPLACED, USE CONVERSION KIT #870984			
		B) L.H. CONSOLE			

From P-256 To R-079

Date:07/2024

PAGE:871036

WATER HEATER - "WEBASTO" 80,000 B.T.U.

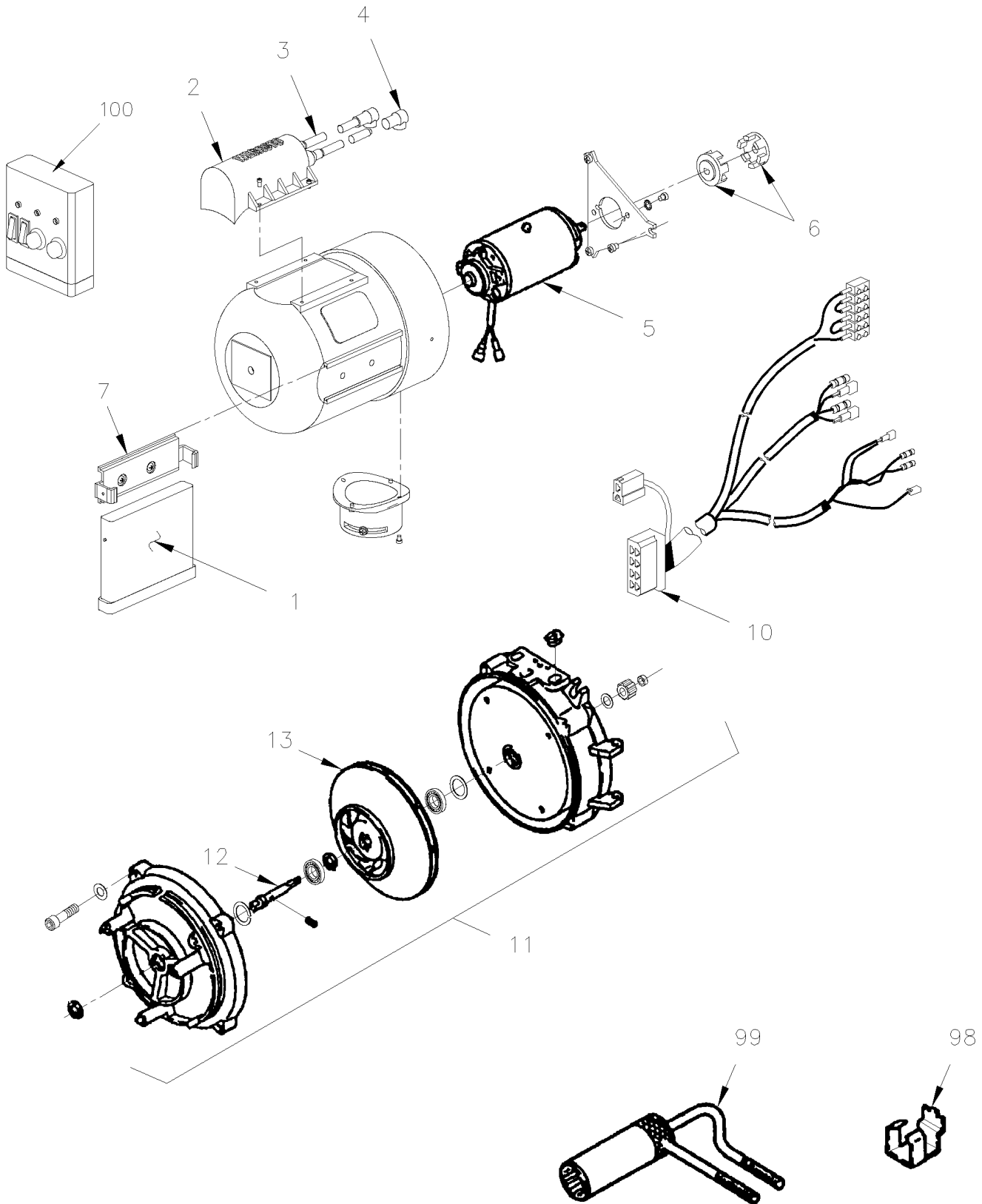


From P-256 To R-079

Date:07/2024

PAGE:871036

WATER HEATER - "WEBASTO" 80,000 B.T.U.



From P-256 To R-079	Date:07/2024	PAGE:871036
WATER HEATER - "WEBASTO" 80,000 B.T.U.		

Item#	Part	Description	H 3 4 0	V I P 4 0	N O T E S
		WATER HEATER - "WEBASTO" 80,000 B.T.U.	1	1	
	N25810	WATER HEATER - "WEBASTO" 80,000 B.T.U.			
NS	871309	BURNER HEAD ASSY 24V / DBW 2020	1	1	
1	870909	. CONTROL UNIT 24V	1	1	A
. NS	561186	. . CONNECTOR / FASTIN-FASTON (.250) / RH 6C / AMP 925276-0	1	1	A
. NS	561597	. . CONNECTOR / 56 SERIES / TAB RH 2C / BROWN / PED 2965981	1	1	A
. NS	562363	. . CONNECTOR / FASTIN-FASTON (.250) / RH 8C / AMP 163007	1	1	A
2	870910	. COIL, IGNITION	1	1	
3	870911	. . SOCKET	2	2	
4	870912	. . CABLE, HIGH TENSION / S.L.	AR	AR	
5	870913	. MOTOR ASSY / 24V	1	1	
6	870939	. CLUTCH	2	2	
7	N8883051	. CLIP CONTROL UNIT	1	1	
10	870914	. WIRING HARNESS / W/TERMINAL BLOCK 6 C	1	1	
11	870915	. KIT, MOUNTING SHAFT	1	1	
12	870916	. SHAFT	1	1	
13	G1017453	. ROTOR TURBINE	1	1	
15	870917	. SOLENOID VALVE / 24V	1	1	
16	870919	. . UNLOADER POWER ASSY	1	1	
17	870920	. ELECTRODE, IGNITION	2	2	
18	870921	. PLUG / ELECTRODE	2	2	
19	870922	. CELL, PHOTOELECTRIC	1	1	
20	870918	. NOZZLE 0.80GPH	1	1	
20	871316	NOZZLE 0.35GPH	AR	AR	
20	871126	NOZZLE 0.40GPH	AR	AR	
20	192271	NOZZLE 0.65GPH / PACK OF 12	AR	AR	
20	G5007384	NOZZLE 0.65GPH	AR	AR	
20	G1017473	NOZZLE 0.65GPH	AR	AR	
20	871291	NOZZLE 0.85GPH	AR	AR	
21	870928	. PIPE, HIGH PRESSURE	1	1	
22	870929	. BANJO BOLT / M10-1.0	2	2	
23	870923	. BANJO WASHER / M10	4	4	
24	870930	. PUMP FUEL	1	1	
25	870924	. . FILTER	1	1	
26	870925	. . VALVE, PRESSURE CONTROL	1	1	
27	870926	. . GASKET	1	1	
28	870927	. . GASKET, RING	1	1	
29	870931	. SPUR GEAR	1	1	
30	870932	. FUSE THERMO 138°C (YELLOW)	1	1	
31	870933	. RELEASE, THERMO 117°C (GREEN)	1	1	
32	870934	. CONTROL THERMOSTAT 75°C GREEN & RED	1	1	
33	870935	. ANGLE BRACKET	1	1	

From P-256 To R-079	Date:07/2024	PAGE:871036
WATER HEATER - "WEBASTO" 80,000 B.T.U.		

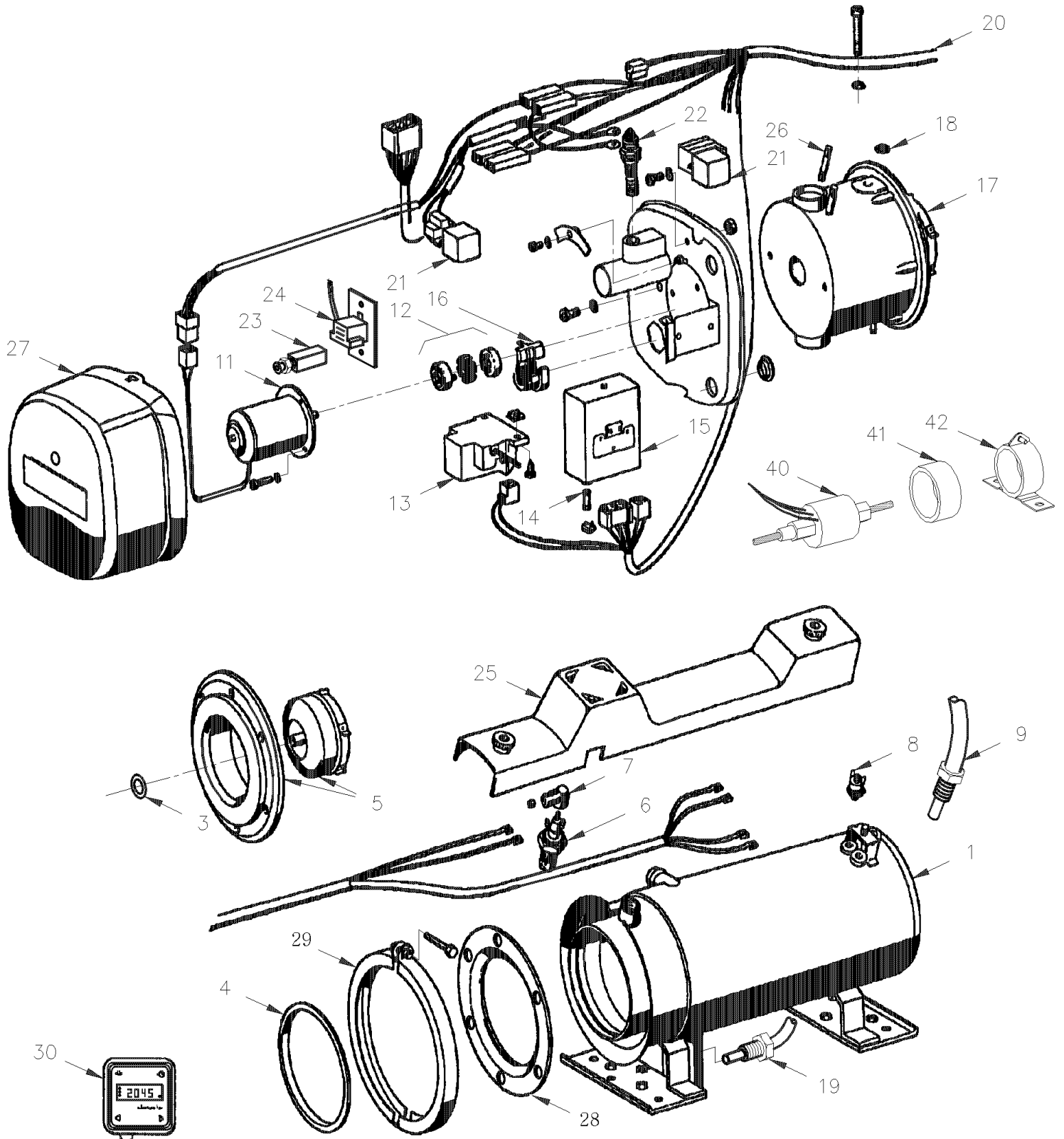
Item#	Part	Description	H 3 4 0	V I P 4 0	N O T E S
34	871057	. CHAMBER, COMBUSTION / W/80,000 BTU	1	1	
35	871251	. HEAT EXCHANGER	1	1	
36	870940	. PIPE, OUTLET	1	1	
37	871039	EXHAUST PIPE SS 70MM O.D. X 1000MM	1	1	
		SEE WATER HEATER - INSTALLATION			
80	N8883102	CAP	1	1	
98	870937	GAUGE / IGNITION ELECTRODE	1	1	
99	870938	BOX WRENCH / HIGH PRESSURE NOZZLE	1	1	
100	871319	TESTING GEAR TOOL	AR	AR	
NS	871246	KIT, RETROFIT W/HEATER CONTROL BOX WATERTIGHT	AR	AR	
NS	192273	KIT NOZZLE W/OVERHEAT FUSE / DBW 2020	AR	AR	B
NS	065744	KIT, RETROFIT BOX W/EXTENSION CABLE AND SUPP.	AR	AR	
NS	192274	KIT, MOTOR 24V W/BEARING, NOZZLE & O.H. FUSE / DBW 2020	AR	AR	
NS	192269	KIT, ELECTRICAL REBUILT COMPONENTS 24V / DBW 2020 & DBW 300	AR	AR	C
		A) FOR PRODUCT IMPROVMENT USE KIT #871246 FOTR EXTEND WIRE CABLE BETWEEN CONTROL BOX AND WATER HEATER OR USE KIT #065744 FOR FIXED UNIT CONTROL BOX IN WATERPROOF BOX			
		B) INCLUDES 2 ITEMS #20 & 30			
		C) INCLUDES ITEMS #1, 2, 3, 4, 10, 17, 19 & MORE			

From P-256 To R-079

Date:07/2024

PAGE:871097

WATER HEATER - "ESPAR" 41,000 B.T.U.



From P-256 To R-079	Date:07/2024	PAGE:871097
WATER HEATER - "ESPAR" 41,000 B.T.U.		

Item#	Part	Description	H 3 4 0	V I P 4 0	N O T E S
		WATER HEATER ASSY / MODEL D-12W / 25 1860 25 - "ESPAR" 41,000 B.T.U. From V-1922	1	1	
1	870983	. EXCHANGER HEAT To V-1921	1	1	
1	871111	. EXCHANGER HEAT From V-1922	1	1	
3	871115	. WASHER	1	1	
4	870997	. RING SEALING	1	1	
5	871114	. ATOMIZER	1	1	A
NS	870984	. KIT ATOMIZER	1	1	A
6	870994	. PLUG GLOW	1	1	
7	870993	. CONNECTOR PLUG	1	1	
8	870996	. SWITCH SAFETY CUTOUT	1	1	
9	871035	. SWITCH REGULATING / (CUT OUT 194°F / CUT IN 178°F) To V-1921	1	1	
9	871116	. SWITCH REGULATING / (CUT OUT 194°F / CUT IN 178°F) From V-1922	1	1	
11	870989	. MOTOR ASSY / 24V	1	1	
12	871005	. COUPLING	1	1	
13	870988	. IGNITION SPARK GENERATOR	1	1	
14	871003	. FUSE 4 AMPS	1	1	
15	871088	. UNIT CENTRAL	1	1	
16	870991	. GROMMET	1	1	
17	870990	. BURNER To V-1921	1	1	
17	871113	. BURNER From V-1922	1	1	
18	870998	. O-RING	1	1	
19	871118	. SENSOR FLAME	1	1	
20	870999	. HARNESS ASSY To V-1921	1	1	
20	871112	. HARNESS ASSY From V-1922	1	1	
21	561707	. RELAY 24V S.P.D.T. W/RESISTOR /	2	2	
22	870987	. RESISTOR	1	1	
23	871117	. LED, INDICATOR	1	1	
24	871095	. CIRCUIT BOARD	1	1	
25	871072	. COVER / GLOW PLUG	1	1	
26	871081	. STUD / TO FIX COVER / M5X40MM	2	2	
27	871083	. COVER	1	1	
28	871367	. FLANGE	1	1	
29	871349	. CLAMP RETAINER	1	1	
30	562025	TIMER ASSY / W/"ESPAR" PREHEATER To V-1921	1	1	
30	562680	TIMER ASSY / W/"ESPAR" PREHEATER / 7 DAYS From V-1922	1	1	
NS	871102	. BULB / 1.4WATT-24 VOLTS	1	1	
40	870973	PUMP FUEL	1	1	
41	870972	RING, RUBBER	1	1	
42	870971	SUPPORT, PUMP	1	1	

From P-256 To R-079	Date:07/2024	PAGE:871097
WATER HEATER - "ESPAR" 41,000 B.T.U.		

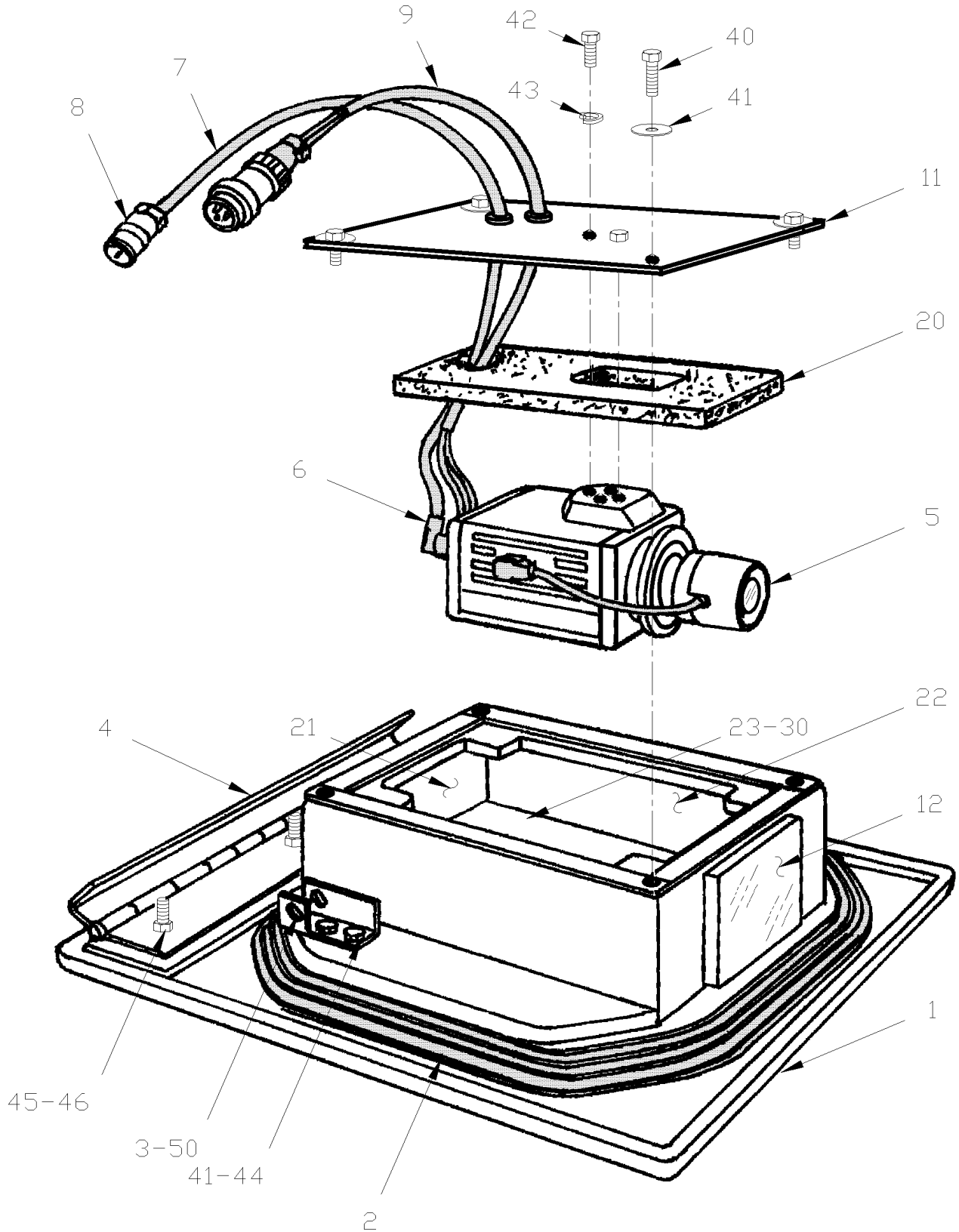
Item#	Part	Description	H 3 4 0	V I P 4 0	N O T E S
		A) WHEN IT'S THE FIRST ATOMIZER REPLACED, USE CONVERSION KIT #870984			

From L-031 To M-083

Date:07/2024

PAGE:H4-2355-00

BACK-UP CAMERA - INSTALLATION



From L-031 To M-083	Date:07/2024	PAGE:H4-2355-00
---------------------	--------------	-----------------

BACK-UP CAMERA - INSTALLATION

Item#	Part	Description	H 3 4 0	V I P 4 0	N O T E S
1	490425	HOUSING, CAMERA To M-083	1	1	
2	282960	SEAL, RUBBER / S.L. To M-083	AR	AR	A
3	490454	ATTACHMENT, CYLINDER / IN COVER To M-083	1	1	B
3	490640	ATTACHMENT, CYLINDER / IN COVER From M-084	1	1	
4	490453	HINGE / CAMERA HOUSING To M-083	1	1	B
4	490639	HINGE / CAMERA HOUSING From M-084	1	1	
5	990160	CAMERA / W/LENS "PANASONIC"	1	1	
5	990294	CAMERA / W/LENS "PANASONIC"	1	1	
5	H4-0645-30	R.H. DASHBOARD PANEL			
6	561715	CONNECTOR / BNC / PLUG 90DEG / CABLE / AMP 331176	1	1	
7	490465	COAXIAL CABLE ASSY	1	1	
8	561716	CONNECTOR / BNC / PLUG / CABLE / AMP 221265-2	1	1	
9	062116	HARNESS ASSY / 12 VOLTS POWER SOURCE	1	1	
9	561651	CABLE CLAMP / CPC / #11 / AMP 206062-1	1	1	
10	504069	GROMMET / .281x.375x.062x.250x.562	2	2	
11	490456	PLATE, ANCHOR / CAMERA	1	1	
12	490437	GLASS, PROTECTOR / CAMERA	1	1	
NS	680453	SEALANT TAPE / CLEAR / 1/32"x1/2"x65' / 1795	AR	AR	
NS	680532	SEALANT SIKA #221 / GREY / 310ml CARTRIDGE	AR	AR	
20	490461	PAD, INSULATING / LOWER CAMERA	1	1	
21	490462	PAD, INSULATING / REAR CAMERA	1	1	
22	490463	PAD, INSULATING / UPPER CAMERA	1	1	
23	490460	PAD, INSULATING / SIDE CAMERA	2	2	
30	561717	SWITCH, THERMAL S.P.S.T.	1	1	
NS	561718	ELEMENT HEATING (FORMER)	1	1	
NS	063173	ELEMENT, HEATING CURRENT	1	1	
NS	561197	SPRING SPADE TERMINAL #6 / 16-14 / AMP 52935-3	5	5	
40	502631	SCREW CAP HEX M6-1.0x20 G8.8 Z050	4	4	
41	502571	WASHER FL SEAL .281x.625x20GA SS	6	6	
42	500047	SCREW CAP HEX 1/4-20x5/8 G5 ZP	2	2	
43	500473	WASHER LO SPT .262x.489x.062 Z050	2	2	
44	502531	SCREW CAP HEX M6-1.0x16 G8.8 Z050	2	2	
45	502679	NUT HEX NYRT M4-0.7 ZP	3	3	
46	502556	WASHER FL 4.3x9.0x0.8 SS	3	3	
50	990141	CYLINDER, AIR 9/16" DOUBLE ACTION	1	1	
NS	990142	ROD, PIVOT / CYLINDER	1	1	
NS	990143	MALE CONNECTOR / PUSH-IN FITTING / W/O-RING / #2x#10-32-M BR	2	2	
NS	490455	ATTACHMENT, CYLINDER / ON CAP+B841 To M-083	1	1	B
NS	490641	ATTACHMENT, CYLINDER / ON CAP From M-084	1	1	
NS	490459	PIN, CLEVIS / TO FIX CYLINDER TO COVER ATTACHMENT	1	1	
NS	502094	PIN, COTTER 1/16 x 1/2 SS	1	1	B
NS	502187	PIN HITCH CLIP 1/16 x 1 5/32 ZP From M-084	1	1	

From L-031 To M-083	Date:07/2024	PAGE:H4-2355-00
---------------------	--------------	-----------------

BACK-UP CAMERA - INSTALLATION

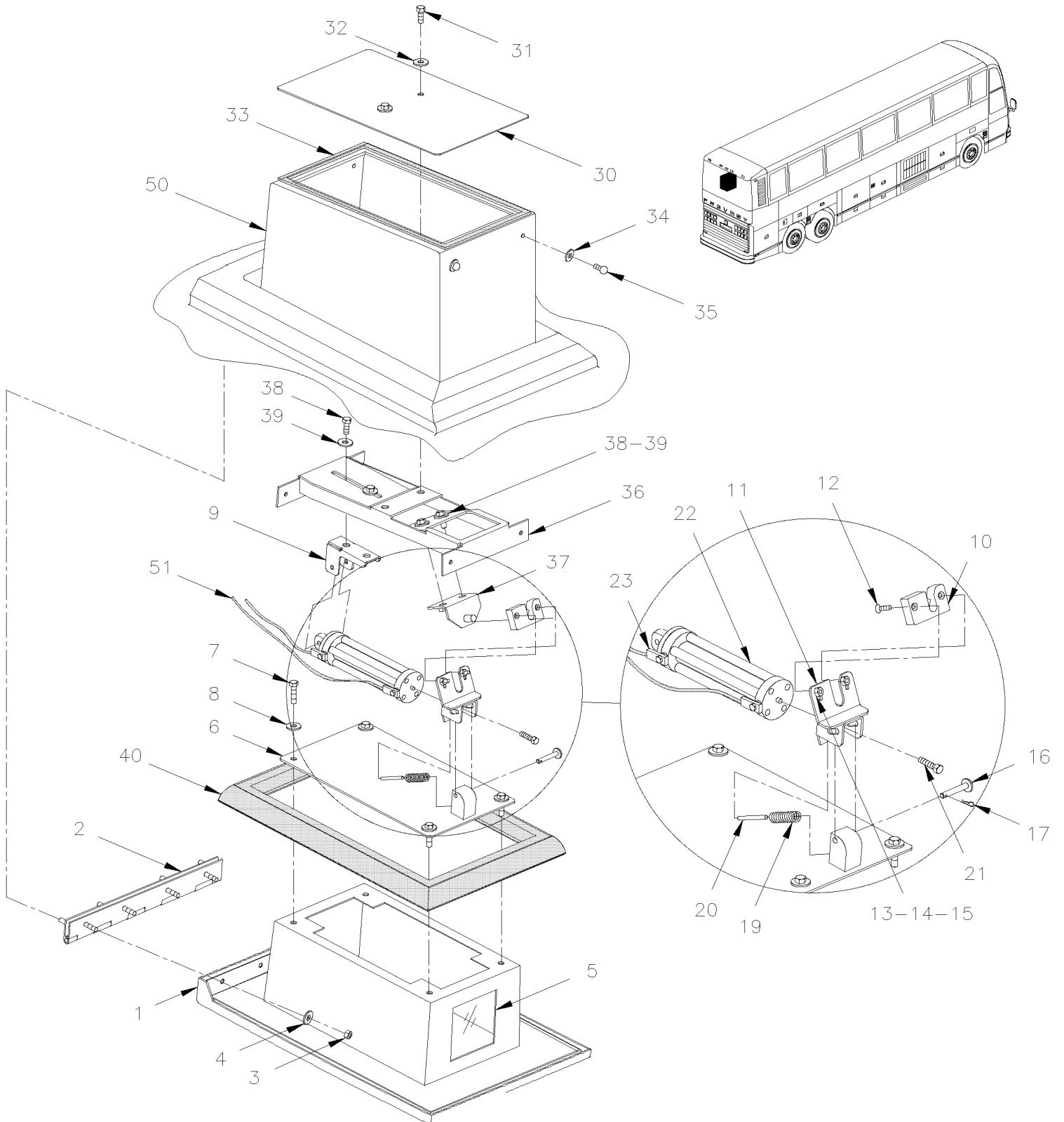
Item#	Part	Description	H 3 4 0	V I P 4 0	N O T E S
		A) SEAL IS FIXED ON REAR CAP FROM M-084			
		B) FOR EASIER ACCESS TO CAMERA, USE PART FROM M-084			

From M-084 To R-079

Date:07/2024

PAGE:H4-2355-01

BACK-UP CAMERA - INSTALLATION



From M-084 To R-079	Date:07/2024	PAGE:H4-2355-01
---------------------	--------------	-----------------

BACK-UP CAMERA - INSTALLATION

Item#	Part	Description	H 3 4 0	V I P 4 0	N O T E S
	490770	HOUSING ASSY		1	
1	490767	. HOUSING		1	
2	490765	. HINGE		1	
3	5001180	. NUT HEX NYRT #10-24 SS		4	
4	500989	. WASHER FL .219x.875x.062 Z050		4	
5	490768	. GLASS WINDOW		1	
5	682176	. SEALANT SIKA #221 / BLACK / 310ml CARTRIDGE		AR	
5	680453	. SEALANT TAPE / CLEAR / 1/32"x1/2"x65' / 1795		AR	
6	490761	. PLATE ASSY / ATTACHMENT		1	
7	502622	. SCREW CAP HEX M6-1.0x20 SS BK		4	
8	502571	. WASHER FL SEAL .281x.625x20GA SS		4	
9	490760	. ATTACHMENT / UPPER CYLINDER		1	
10	990225	. CATCH ASSY		1	
11	490755	. ATTACHMENT		1	
12	502642	. SCREW MA FL PH #6-32x3/4 SS		2	
13	500581	. WASHER LO SPT .141x.250x.031 SS		2	
14	502556	. WASHER FL 4.3x9.0x0.8 SS		2	
15	500553	. NUT HEX #6-32 SS		2	
16	490459	. PIN, CLEVIS / TO FIX CYLINDER TO COVER ATTACHMENT		2	
17	502187	. PIN HITCH CLIP 1/16 x 1 5/32 ZP		1	
NS	502637	. WASHER FL .200x.437x.037 SS		2	
19	490759	. SPRING COMPRESSION / .322 O.D. x 1.439 x .058		1	
20	505221	. SPRING, PIN 1/8 X 3/8		1	
21	500512	. SCREW CAP HEXF #10-32x1/2 ZP		1	
22	990224	. AIR CYLINDER / BACK-UP CAMERA		1	
23	642167	. MALE ELBOW 90° SWIVEL / PUSH-IN FITTING / #2x10-32 BR		2	
30	490769	COVER		1	
NS	506071	TAPE RUB ADH1 CC POL 1/8" x 1/2" x 50' / GREY 2520X		AR	
31	502622	SCREW CAP HEX M6-1.0x20 SS BK		1	
32	502571	WASHER FL SEAL .281x.625x20GA SS		1	
33	506648	TAPE RUB ADH1 CC POL 1/8" x 1/2"x 50' / GREY 2542		AR	
34	500964	WASHER FL .203x.500x.047 Z050		4	
35	504488	RIVET MGLP PRDG 3/16x17/64 SS		4	
36	490756	ATTACHMENT / UPPER TO FIX CYLINDER		1	
37	490757	ATTACHMENT / LOWER TO FIX CATCH		1	
38	5001181	SCREW CAP HEX M6-1.0x12 SS		4	
39	502582	WASHER LO SERR 6.1x16.2x0.9 Z050		4	
40	490766	RUBBER SEAL EXTRUSION / BACK-UP CAMERA / 281MM X 167.5MM		1	E
50	H4-1851-00	CAP - FRONT & REAR - INSTALLATION			
51	H4-1202-00	TUBES PLASTIC / AIR D.O.T.			

From M-084 To R-079		Date:07/2024	PAGE:H4-2355-01
---------------------	--	--------------	-----------------

BACK-UP CAMERA - INSTALLATION

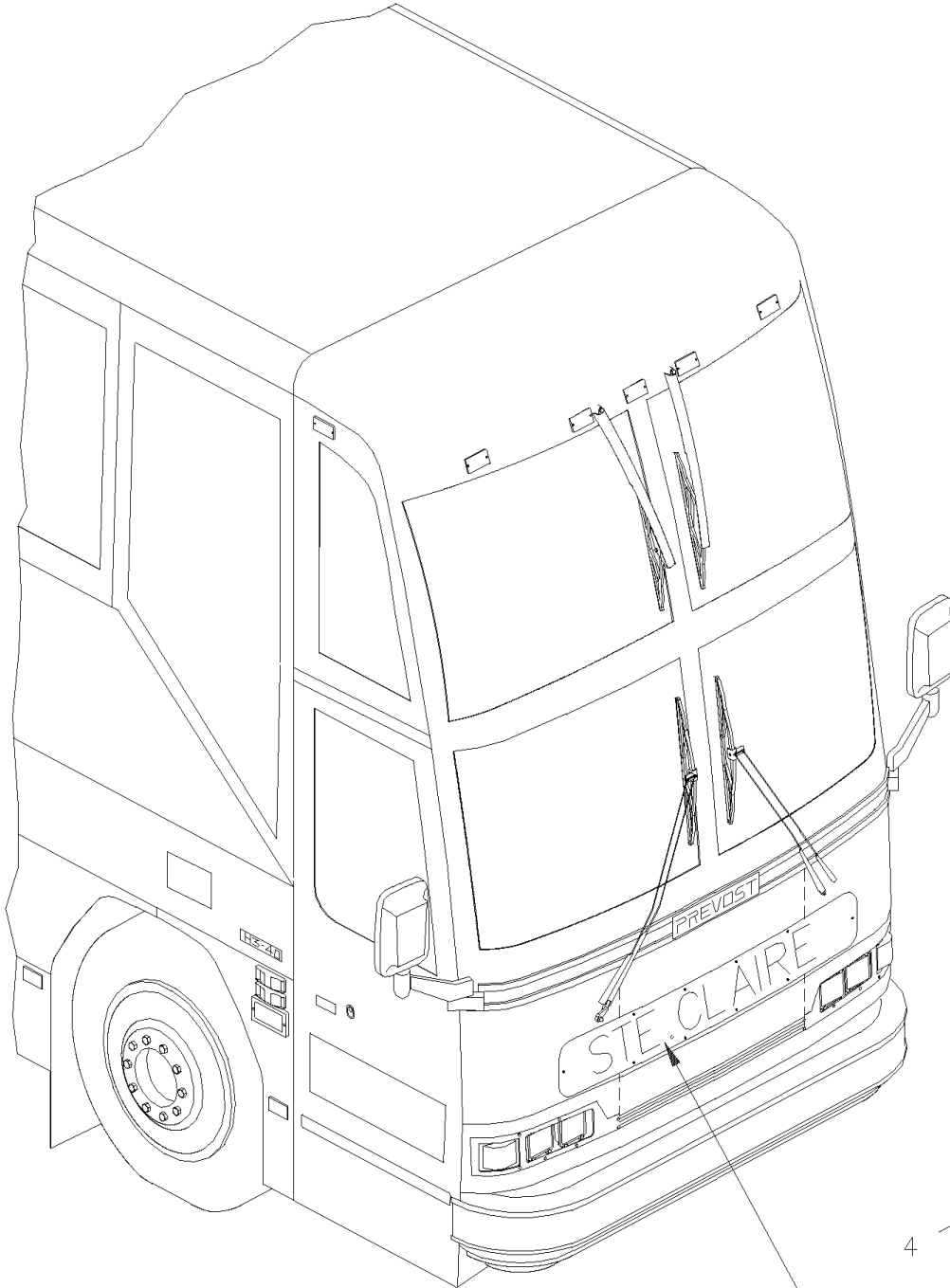
Item#	Part	Description	H 3 4 0	V I P 4 0	N O T E S
		E) THIS SEAL ARE FIXED TO REAR CAP			

From L-031 To R-079

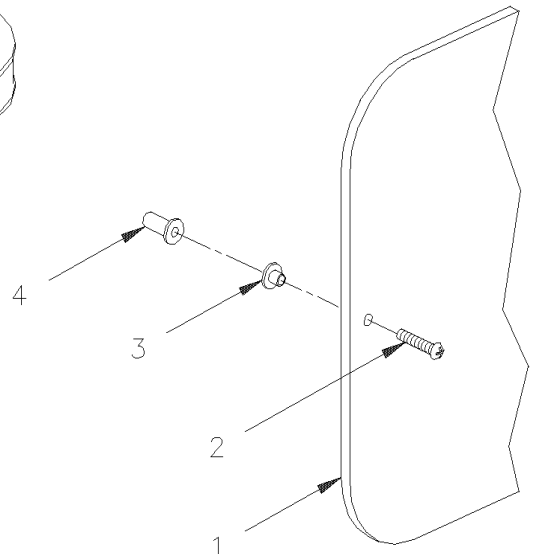
Date:07/2024

PAGE:H4-2360-00

MONOGRAM ASSY & LETTERS



This monogram is only a example



From L-031 To R-079	Date:07/2024	PAGE:H4-2360-00
MONOGRAM ASSY & LETTERS		

Item#	Part	Description	H 3 4 0	V I P 4 0	N O T E S
		BEFORE ORDERING "MONOGRAM" OR "DECAL" PLEASE SPECIFY NAME...			
	490392	DECAL / ON BAGGAGE DOOR "OWNER & OPERATOR ICC # & ETC...."	1	1	
1	490494P	MONOGRAM ASSY / FRONT BLACK W/ACRYLIC LETTER (WHITE OR GREY)			
1	490492	. MONOGRAM PLATE, BLACK PLASTIC / 9 3/4" X 82 5/8"	1	1	
1	490716P	MONOGRAM ASSY / FRONT RED W/ACRYLIC LETTER GREY	1	1	
1	490700	. MONOGRAM PLATE, RED PLASTIC / 9 3/4" X 82 5/8"	1	1	
1	490683P	MONOGRAM ASSY / FRONT CLEAR W/PAINT LETTER OR "SCOTCH"			
1	490686	. MONOGRAM PLATE, CLEAR PLASTIC / 9 3/4" X 90 1/2"	1	1	
2	502735	SCREW MA BDG PH #10-32x1 SS BK	10	10	A
3	900251	BUSHING, RUBBER	10	10	
4	500519	NUT WELL #10-32x.518	10	10	
NS	680130	GLUE / TO FIX ACRYLIC LETTER TO MONOGRAM 1 Liter	AR	AR	
NS	490307	LETTER "A" / ACRYLIC WHITE	AR	AR	
NS	490608	LETTER "A" / ACRYLIC GREY	AR	AR	
NS	490308	LETTER "B" / ACRYLIC WHITE	AR	AR	
NS	490609	LETTER "B" / ACRYLIC GREY	AR	AR	
NS	490309	LETTER "C" / ACRYLIC WHITE	AR	AR	
NS	490610	LETTER "C" / ACRYLIC GREY	AR	AR	
NS	490310	LETTER "D" / ACRYLIC WHITE	AR	AR	
NS	490611	LETTER "D" / ACRYLIC GREY	AR	AR	
NS	490311	LETTER "E" / ACRYLIC WHITE	AR	AR	
NS	490612	LETTER "E" / ACRYLIC GREY	AR	AR	
NS	490312	LETTER "F" / ACRYLIC WHITE	AR	AR	
NS	490613	LETTER "F" / ACRYLIC GREY	AR	AR	
NS	490313	LETTER "G" / ACRYLIC WHITE	AR	AR	
NS	490614	LETTER "G" / ACRYLIC GREY	AR	AR	
NS	490314	LETTER "H" / ACRYLIC WHITE	AR	AR	
NS	490615	LETTER "H" / ACRYLIC GREY	AR	AR	
NS	490336	LETTER "I" / ACRYLIC WHITE	AR	AR	
NS	490616	LETTER "I" / ACRYLIC GREY	AR	AR	
NS	490315	LETTER "J" / ACRYLIC WHITE	AR	AR	
NS	490617	LETTER "J" / ACRYLIC GREY	AR	AR	
NS	490316	LETTER "K" / ACRYLIC WHITE	AR	AR	
NS	490618	LETTER "K" / ACRYLIC GREY	AR	AR	
NS	490317	LETTER "L" / ACRYLIC WHITE	AR	AR	
NS	490619	LETTER "L" / ACRYLIC GREY	AR	AR	
NS	490318	LETTER "M" / ACRYLIC WHITE	AR	AR	
NS	490620	LETTER "M" / ACRYLIC GREY	AR	AR	
NS	490319	LETTER "N" / ACRYLIC WHITE	AR	AR	

From L-031 To R-079	Date:07/2024	PAGE:H4-2360-00
MONOGRAM ASSY & LETTERS		

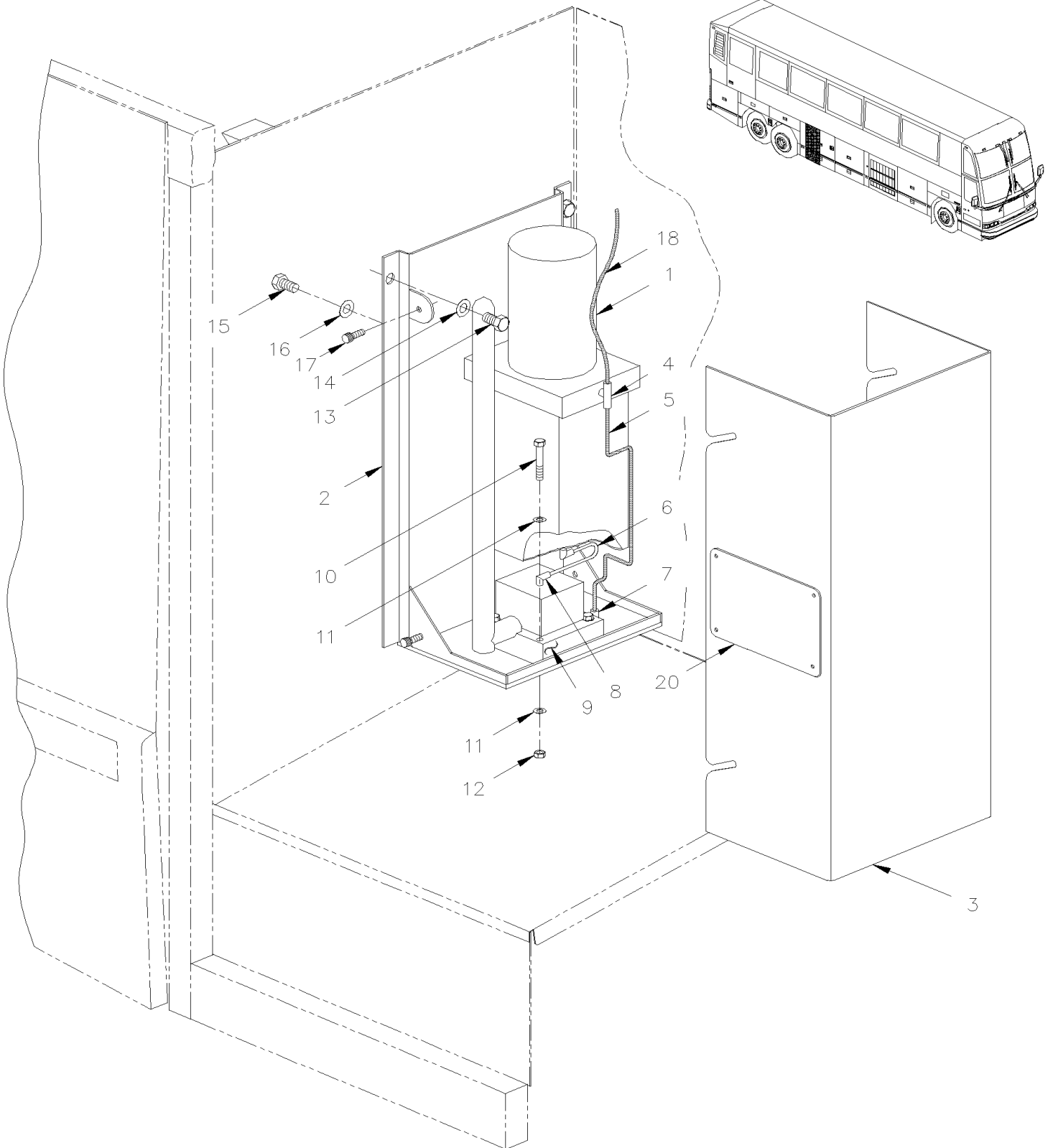
Item#	Part	Description	H 3 4 0	V I P 4 0	N O T E S
NS	490621	LETTER "N" / ACRYLIC GREY	AR	AR	
NS	490320	LETTER "O" / ACRYLIC WHITE	AR	AR	
NS	490622	LETTER "O" / ACRYLIC GREY	AR	AR	
NS	490321	LETTER "P" / ACRYLIC WHITE	AR	AR	
NS	490597	LETTER "P" / ACRYLIC GREY	AR	AR	
NS	490322	LETTER "Q" / ACRYLIC WHITE	AR	AR	
NS	490624	LETTER "Q" / ACRYLIC GREY	AR	AR	
NS	490323	LETTER "R" / ACRYLIC WHITE	AR	AR	
NS	490625	LETTER "R" / ACRYLIC GREY	AR	AR	
NS	490324	LETTER "S" / ACRYLIC WHITE	AR	AR	
NS	490626	LETTER "S" / ACRYLIC GREY	AR	AR	
NS	490325	LETTER "T" / ACRYLIC WHITE	AR	AR	
NS	490599	LETTER "T" / ACRYLIC GREY	AR	AR	
NS	490326	LETTER "U" / ACRYLIC WHITE	AR	AR	
NS	490628	LETTER "U" / ACRYLIC GREY	AR	AR	
NS	490327	LETTER "V" / ACRYLIC WHITE	AR	AR	
NS	490629	LETTER "V" / ACRYLIC GREY	AR	AR	
NS	490328	LETTER "W" / ACRYLIC WHITE	AR	AR	
NS	490598	LETTER "W" / ACRYLIC GREY	AR	AR	
NS	490329	LETTER "X" / ACRYLIC WHITE	AR	AR	
NS	490631	LETTER "X" / ACRYLIC GREY	AR	AR	
NS	490330	LETTER "Y" / ACRYLIC WHITE	AR	AR	
NS	490632	LETTER "Y" / ACRYLIC GREY	AR	AR	
NS	490331	LETTER "Z" / ACRYLIC WHITE	AR	AR	
NS	490633	LETTER "Z" / ACRYLIC GREY	AR	AR	
NS	490332	AND "&" / ACRYLIC WHITE	AR	AR	
NS	490634	AND "&" / ACRYLIC GREY	AR	AR	
NS	490333	DOT "." / ACRYLIC WHITE	AR	AR	
NS	490635	DOT "." / ACRYLIC GREY	AR	AR	
NS	490334	DASH "-" / ACRYLIC WHITE	AR	AR	
NS	490636	DASH "-" / ACRYLIC GREY	AR	AR	
NS	490335	COMA "," / ACRYLIC WHITE	AR	AR	
NS	490637	COMA "," / ACRYLIC GREY	AR	AR	
		A) TO FIX MONOGRAM			

From P-343 To P-364

Date:07/2024

PAGE:H4-2370-00

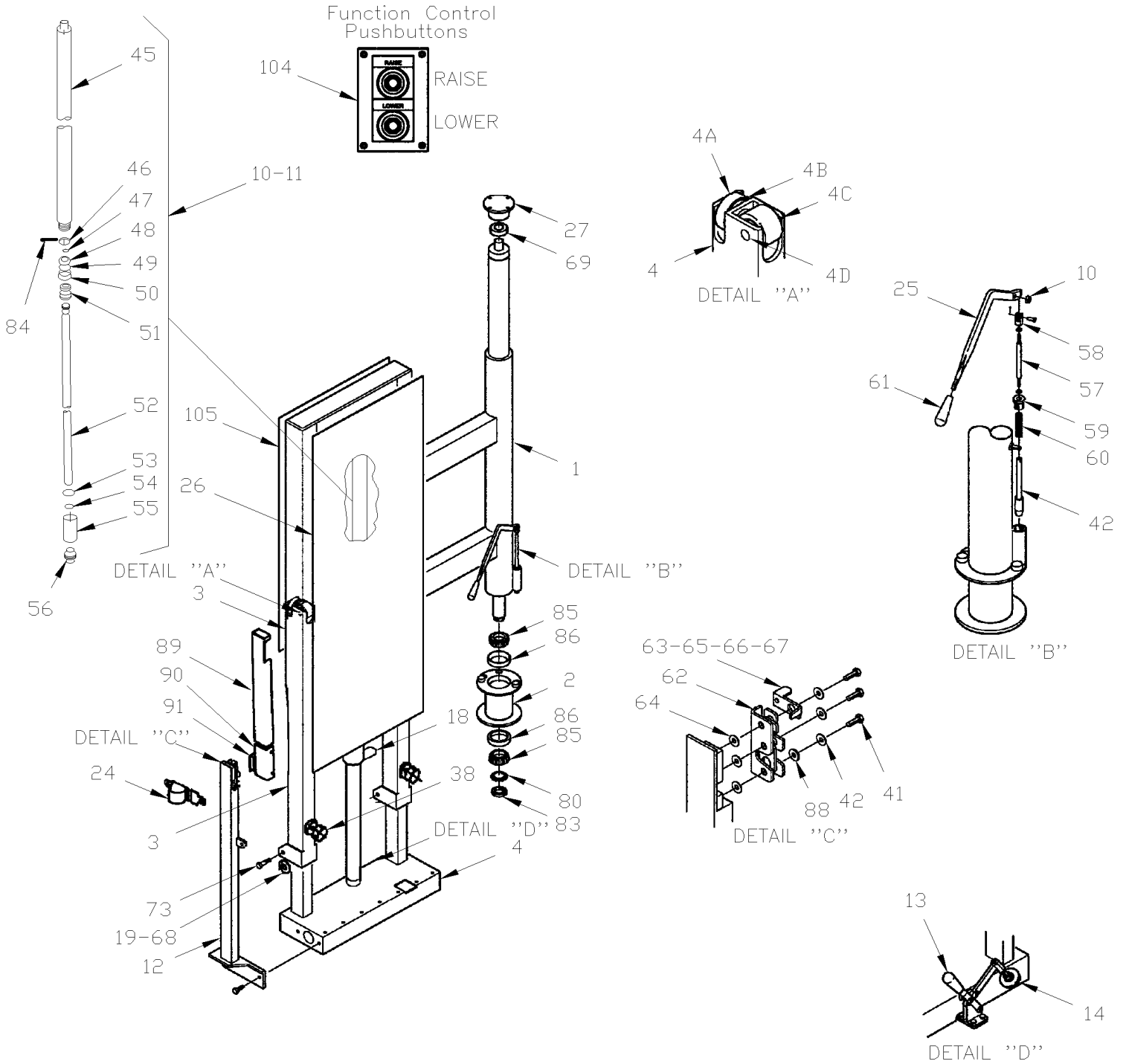
W.C.L. "ST & ST" - PUMP INSTALLATION



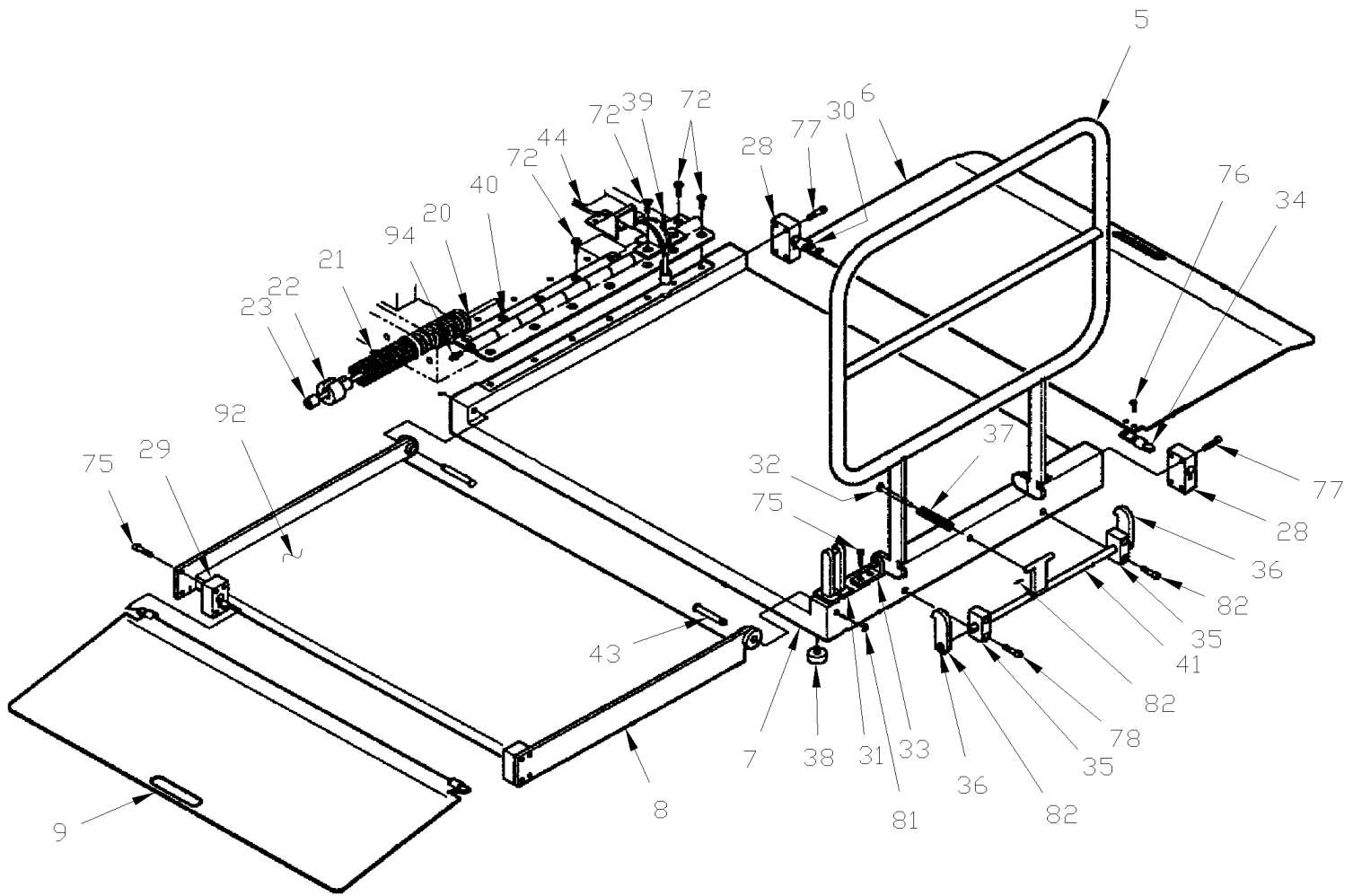
From P-343 To P-364	Date:07/2024	PAGE:H4-2370-00
W.C.L. "ST & ST" - PUMP INSTALLATION		

Item#	Part	Description	H 3 4 0	V I P 4 0	N O T E S
1	860797	PUMP HYDRAULIC ASSY 24V	1		
2	284608	SUPPORT ASSY	1		
3	284619	COVER ASSY	1		
NS	810034	. CARPET OZITE / S.L. 12 FT WIDE	AR		A
4	5011060	MALE RUN TEE / JIC 37° FITTING / #6JIC-Mx #6JIC-Mx3/8NPT-M STL	1		
5	285196	HOSE ASSY / #6 330MM	1		
6	285195	PIPE COPPER TUBE	1		
7	501695	MALE ELBOW 90° / JIC 37° FITTING / #6JIC-Mx1/4NPT-M STL	1		
8	641372	MALE ELBOW 90° NON-SWIVEL / PUSH-IN FITTING / #6x1/4NPT-M BR	2		
9	860836	HAND PUMP ASSEMBLY / (B13067)	1		
10	500172	SCREW CAP HEX 1/4-20x2 1/2 G5 PT ZP	4		
11	500440	WASHER FL .250x.562x.065 Z050	8		
12	500770	NUT HEX STO 1/4-20 Z050	4		B
13	502617	NUT HEX NYRT M10-1.5 Z050	4		
NS	500462	WASHER FL .343x1.500x.083 SS	4		
14	500602	SCREW TH SHR 1/4-20x3/4	4		
15	500190	SCREW CAP HEX 3/8-16x3/4 G5 Z050	2		
16	502616	WASHER LO SPT 10.2x18.1x2.2 SS	2		
17	5001323	NUT THUMB KNURLED M6-1.0	4		
18	285197	HOSE ASSY / #6 8535MM	1		
NS	560482	CLAMP / 3/4" I.D. / W/HOLE 3/16"	2		
NS	501695	MALE ELBOW 90° / JIC 37° FITTING / #6JIC-Mx1/4NPT-M STL	1		
20	860865	INSTRUCTION PLATE MANUAL PUMP	1		
21	685682	OIL HYDRAULIC W.C.L. (19 LITERS)	1		
		A) S.L.			
		B) TO FIX BALLAST			

From P-343 To P-364	Date:07/2024	PAGE:H4-2370-05
W.C.L. "ST & ST" - MODEL SSPL 380 L		



From P-343 To P-364	Date:07/2024	PAGE:H4-2370-05
W.C.L. "ST & ST" - MODEL SSPL 380 L		



From P-343 To P-364	Date:07/2024	PAGE:H4-2370-05
W.C.L. "ST & ST" - MODEL SSPL 380 L		

Item#	Part	Description	H 3 4 0	V I P 4 0	N O T E S
	860791	LIFT ASSY COMPLETE / MODEL	1		
1	860998	. ROTATING COLUMN	1		
2	860999	. COLUMN BASE	1		
3	861000	. OUTER FRAME	1		
4	861001	. INNER FRAME	1		
5	861002	. HAND RAIL	1		
6	861003	. REAR PLATFORM	1		
7	861004	. MAIN PLATFORM	1		
8	861005	. FRONT PLATFORM	1		
9	861006	. BARRIER	1		
10	861007	. CYLINDER	1		
11	861008	. SEAL KIT INCLUDE ITEMS 47,49,50,53,54 & 56	1		
12	861009	. SEAT BELT STAND	1		
13	861010	. CLAMP	1		
14	861011	. CLAMP PAD	1		
18	860900	. FLOW VALVE	1		
19	861012	. ROLLER	1		
20	861013	. SPRING COLLAR	1		
21	861014	. SPRING	1		
22	861015	. CABLE COLLAR	1		
23	861016	. CABLE	1		
24	861017	. SEAT BELT	1		
25	861018	. HANDLE LEVER	1		
26	861019	. COVER	2		
27	861020	. ROTATING CAP	1		
28	861021	. LOCK BLOCK	2		
29	861022	. LOCK BLOCK, FRONT	2		
31	861023	. LATCH	1		
32	861024	. PIN	1		
33	861025	. BRACKET	1		
34	861026	. PIVOT PIN	2		
35	861027	. PIVOT BLOCK	2		
36	861028	. LATCH	2		
37	861029	. SPRING	1		
38	861030	. BUMPER	2		
39	861039	. PULLEY CABLE	1		
40	861032	. HINGE	1		
41	861033	. BELL CRANK	1		
42	861034	. INDEX PIN	1		
43	861035	. PIN	2		
44	861036	. CABLE COVER	1		
45	861037	. TUBE	1		

From P-343 To P-364	Date:07/2024	PAGE:H4-2370-05
W.C.L. "ST & ST" - MODEL SSPL 380 L		

Item#	Part	Description	H 3 4 0	V I P 4 0	N O T E S
46	N.P.N.	. CASTEL NUT 5/8-16	AR		4
47	861038	. O-RING	1		
48	861039	. PULLEY CABLE	1		
49	N.P.N.	. POLYSEAL	AR		4
50	861041	. WEAR RING	1		
51	861042	. PISTON	1		
52	861043	. ROD	1		
53	861044	. O-RING	1		
54	861045	. O-RING	1		
55	861046	. ROD END	1		
56	861047	. GLAND SEAL	1		
57	861048	. ROD	1		
58	861049	. CLEVIS	1		
59	861050	. SPRING CAP	1		
60	861051	. SPRING COMPRESSION / .767 O.D. x 2.512 x .104	1		
61	861052	. HANDLE	1		
62	861053	. LATCH	1		
63	861054	. LEVER	1		
64	500985	. WASHER FL .343x.875x.125 Z050	AR		
65	861055	. ROD	1		
66	861056	. BALL JOINT	1		
67	500692	. NUT HEX 1/4-28 Z050	AR		
68	861057	. BEARING	4		
69	861058	. BEARING	1		
72	500192	. SCREW CAP HEX 3/8-16x1 1/4 G5 Z050	2		
73	502694	. SCREW CAP HEX 3/8-16x3 1/4 G5 ZP	2		
75	500367	. SCREW MA FL SLT 1/4-20x1 1/4 Z050	12		
76	500638	. SCREW TP PAN PH #8x1/2 Z050	4		
80	861059	. WASHER, LOCK	1		
81	861060	. SNAP RING	4		
82	861061	. ROLL PIN 1/8 X 3/4	3		
83	861062	. NUT	1		
84	861063	. CUTTER PIN	1		
85	861064	. BEARING CONE	2		
86	861065	. BEARING CUP	2		
87	861066	. GROMMET	2		
88	861067	. SPACER	1		
89	861068	. TOP COVER	1		
90	861069	. BOTTOM COVER	1		
91	861070	. RELEASE LATCH	1		
92	861071	. ANTI-SKID	1		
93	861072	. INSTRUCTION PLATE	1		

From P-343 To P-364	Date:07/2024	PAGE:H4-2370-05
---------------------	--------------	-----------------

W.C.L. "ST & ST" - MODEL SSPL 380 L

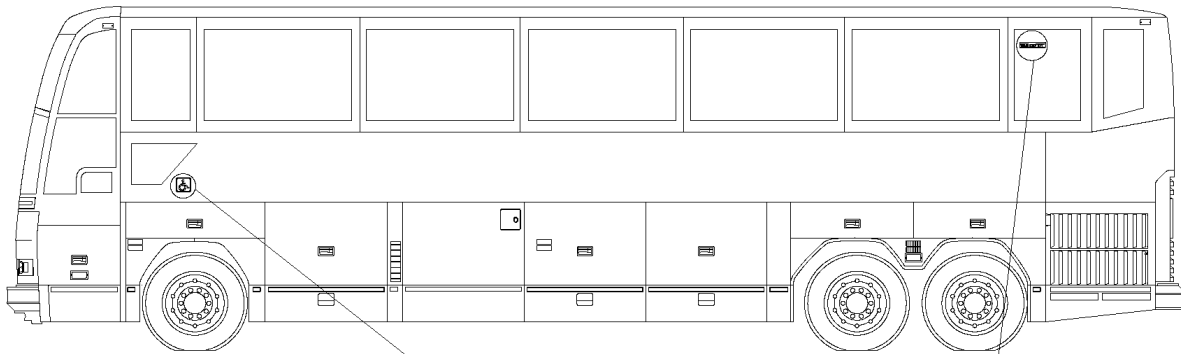
Item#	Part	Description	H 3 4 0	V I P 4 0	N O T E S
101	861073	. IDENTIFICATION PLATE	1		
102	861074	. NAME PLATE, POWERLIFT	1		
103	861075	. LABEL, LATCH RELEASE	1		
104	861076	. CONTROL SWITCH	1		
105	861077	. PANEL	1		
		4) NO PARTS NUMBER			

From P-343 To P-364

Date:07/2024

PAGE:H4-2370-10

W.C.L. - DECAL



SORTIE URGENCE   EMERGENCY EXIT

8

4

5

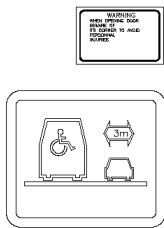
1

3

2

7

6



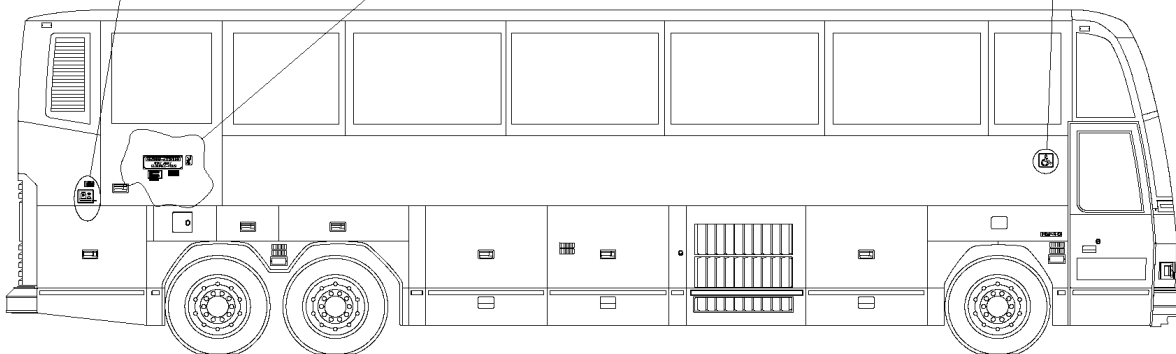
WARNING-ATTENTION
STAY AWAY
ELOIGNEZ-VOUS



NE PAS APPROCHER DE CET
VEHICULE. NE PAS FUMER NI BOIRE
DANS LE VOISINAGE DE CE
VEHICULE. NE PAS S'APPROCHER DE
CE VEHICULE. NE PAS FUMER NI
BOIRE DANS LE VOISINAGE DE
CE VEHICULE.

NE PAS APPROCHER DE CET
VEHICULE. NE PAS FUMER NI
BOIRE DANS LE VOISINAGE DE
CE VEHICULE. NE PAS S'APPROCHER
DE CE VEHICULE. NE PAS FUMER
NI BOIRE DANS LE VOISINAGE DE
CE VEHICULE.

W.C.L. "ST & ST"



From P-343 To P-364	Date:07/2024	PAGE:H4-2370-10
W.C.L. - DECAL		

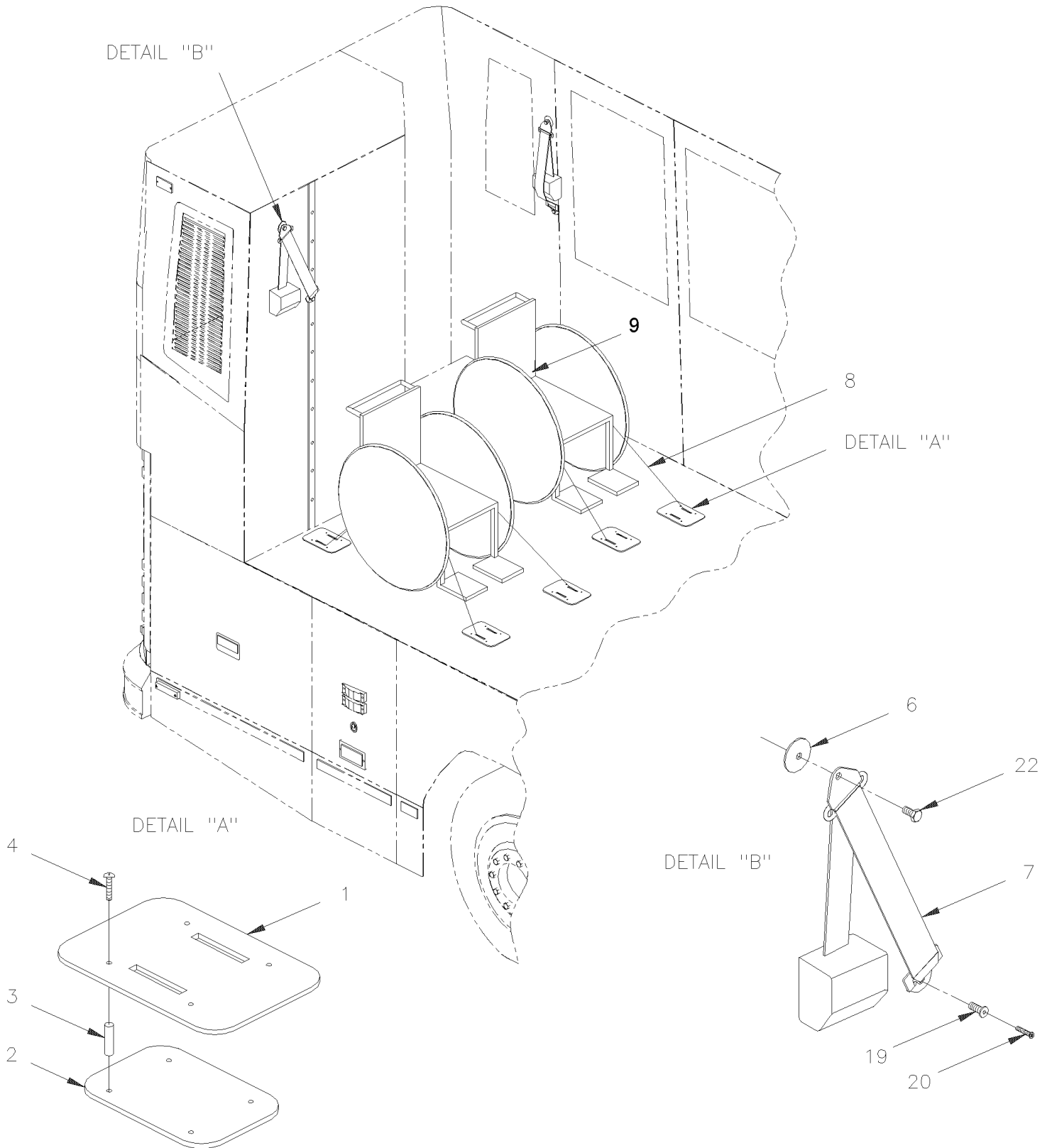
Item#	Part	Description	H 3 4 0	V I P 4 0	N O T E S
1	404087	DECAL / BLUE W/CHAIR / 180MM x 180MM	2		
2	404083	DECAL / DO NOT PARK WITHIN 3 METRES / ENGLISH & FRANCAIS	1		
2	404089	DECAL / DO NOT PARK WITHIN 3 METRES / ENGLISH	1		
2	405645	DECAL / DO NOT PARK WITHIN 3 METRES / ENGLISH & SPANISH	1		
3	403898	DECAL / "WARNING" WHEN OPENING DOOR BEWARE.. / ENGLISH & FRANCAIS	1		A
3	404332	DECAL / "WARNING" WHEN OPENING DOOR BEWARE.. / ENGLISH	1		
3	405644	DECAL / "WARNING" WHEN OPENING DOOR BEWARE.. / ENGLISH & SPANISH	1		
4	404085	DECAL / ATTENTION ELOIGNEZ-VOUS	1		A
4	404090	DECAL / WARNING STAY AWAY	1		
5	403895	DECAL / PICTOGRAM MAN W/X RED OVER & PLATFORM	1		
6	403897	DECAL / S'ASURER QUE.ELEVATEUR	1		A
7	403896	DECAL / AVANT D'OPERER LE.FERMEEES	1		A
8	404084	DECAL / EMERGENCY EXIT / (RED ON CLEAR) / ENGLISH & FRANCAIS	1		A
8	404088	DECAL / EMERGENCY EXIT / (RED ON CLEAR) / ENGLISH	1		
8	405629	DECAL / EMERGENCY EXIT / (RED ON CLEAR) / ENGLISH & SPANISH	1		
		A) BILINGUAL FRENCH & ENGLISH			

From P-343 To P-364

Date:07/2024

PAGE:H4-2370-20

W.C.L. SEAT BELTS



From P-343 To P-364	Date:07/2024	PAGE:H4-2370-20
W.C.L. SEAT BELTS		

Item#	Part	Description	H 3 4 0	V I P 4 0	N O T E S
1	363375	ANCHOR PLATE	4		
2	363374	RECEPTACLE	4		
3	504617	SPACER M10 X 30	12		
3	504618	SPACER M10 X 12	4		
4	5001187	SCREW MA FL SLT M8-1.25x50 SS EMN	16		
6	403873	FINISHING WASHER	1		
7	860824	BELT RETAINER / SHOULDER	1		
8	860825	BELT RETAINER / WHEELCHAIR	1		
9	860826	BELT RETAINER / ABDOMINAL	1		
19	500322	RIVET NUT FL OKS 1/4-20x.35x.216	1		
20	5001097	SCREW TC OV PH #6-32x3/4 SS410 BK	1		
22	500074	SCREW CAP HEX 7/16-20x2 G5 Z050	2		

Date:07/2024

PAGE:ABBREVIATIONS

ABBREVIATIONS

Item#	Part	Description	QTY	Notes
A	ABS	ANTILOCK BRAKING SYSTEM		
A	ADH1	ONE SIDE ADHESIVE		
A	ADH2	TWO SIDE ADHESIVE		
A	AR	AS REQUIRED		
A	ASSY	ASSEMBLY		
B	BDG	BINDING		
B	BEL	BELLEVILLE		
B	BOW	BOWED		
B	BR	BRASS		
B	BRAZ	BRAZIER		
B	BRZ	BRONZE		
B	BUT	BUTTON		
B	BZC	BRIGHT ZINC CHROMATE		
C	C.E.	COMMUTATOR END		
C	C.T.	CONSTANT TORQUE		
C	C/C	CENTER/CENTER		
C	CC	CLOSED CELL		
C	CCW	COUNTERCLOCKWISE		
C	CEB	CUFF END BELLOW		
C	CHE	CHEESE		
C	CHR	CHROME		
C	CHY	CHERRY		
C	CK	COUNTERSUNK		
C	CKD	CLOSED KEYED		
C	CKF	COUNTERSUNK FLUSH		
C	CKS	CLOSED KEYLESS		
C	CLE	CLOSE END		
C	CON	CONCAVE		
C	CONV	CONVOLUTED TUBING		
C	COP	COPPER		
C	CP	CADMIUM PLATED		
C	CPG	COUPLING		
C	CPV	CAPTIVE		
C	CRG	CARRIAGE		
C	CRS	COLD ROLLED STEEL		
C	CSL	CASTLE		
C	CT	CONSTANT TORQUE		
C	CW	CLOCKWISE		
C	CYL.	CYLINDER		
D	D.E.	DRIVE END		
D	D.P.D.T.	DOUBLE POLE DOUBLE THROW		
D	DIA.	DIAMETER		
D	DIFF	DIFFERENTIAL		
D	DOB	DIAMETER OVER BALLS		
D	DR	DRILL		
D	DRV	DRIVE		
D	DW	DOUBLE WAVE		
E	ECU	ELECTRONIC CONTROL UNIT		
E	EFF	EFFECTIVE		
E	EMN	EMRALON		

Date:07/2024

PAGE:ABBREVIATIONS

ABBREVIATIONS

Item#	Part	Description	QTY	Notes
E	ENG.	ENGINE		
E	EXT	EXTERNAL		
F	F	FEMALE		
F	FER	FERRULE		
F	FFB	FLAT FACE BOWED		
F	FH	FITTING HOSE		
F	FIB	FIBER		
F	FIL	FILLISTER		
F	FL	FLAT		
F	FLRET	FLOATING RETAINER		
F	FN	FINISHING		
F	FORM	FORMICA		
F	FRT	FRONT		
F	FT	FULLY THREADED		
G	G500	MAGNI 565 GRAY / 500 HOURS SALT SPRAY		
G	GAL	GALVANISED		
G	GND	GROUND		
H	H.P.	HIGH PRESSURE		
H	HD	HEAVY DUTY		
H	HEX	HEXAGONAL		
H	HEXF	HEXAGONAL FLANGE		
H	HEXH	HEXAGONAL HEAVY		
H	HEXS	HEXAGONAL SOCKET		
H	HEXW	HEXAGONAL WASHER		
H	HI	HIGH		
H	HK	HOOK		
H	HRS	HOT ROLLED STEEL		
H	HVAC	HEATING, VENTILATION & AIR CONDITIONING		
H	HYD	HYDRAULIC		
I	I.D.	INSIDE DIAMETER		
I	INS	INSERT		
I	INT	INTERNAL		
J	JCT	JUNCTION		
L	L.P.	LOW PRESSURE		
L	LED	LIGHT-EMITTING DIODE		
L	LGE	LARGE		
L	LH	LEFT HAND		
L	LO	LOCK		
L	LUGG.	LUGGAGE		
M	M	MALE		
M	M & F	MALE & FEMALE		
M	MA	MACHINE		
M	MAX	MAXIMUM		
M	MGLP	MAGNA-LOK		
M	MIN	MINIMUM		
M	MNB	MONOBOLT		
M	MNL	MONEL		
N	N.C.	NORMALY CLOSE		
N	N.O.	NORMALY OPEN		
N	N.P.N.	NO PARTS NUMBER		

Date:07/2024

PAGE:ABBREVIATIONS

ABBREVIATIONS

Item#	Part	Description	QTY	Notes
N	N.S.P.	NOT SOLD AT PREVOST		
N	N.S.S.	NOT SOLD SEPARATELY		
N	N/A	NOT AVAILABLE		
N	N500	MAGNI 565 BLACK / 500 HOURS SALT SPRAY		
N	NEG.	NEGATIVE		
N	NEO	NEOPRENE		
N	NERB	NEOPRENE & BRASS		
N	NIT	NITRILE		
N	NP	NICKEL PLATED		
N	NPT	NATIONAL PIPE THREAD		
N	NS	NOT SHOWN		
N	NYAL	NYLON & ALUMINIUM		
N	NYL	NYLON		
N	NYRT	NYLON INSERT		
O	O.D.	OUTSIDE DIAMETER		
O	O.S.	OVERSIZE		
O	OE	OPEN END		
O	OKD	OPEN KEYED		
O	OKS	OPEN KEYLESS		
O	OPT.	OPTION		
O	OV	OVAL		
P	PH	PHILIPS		
P	PHB	PHOSPHOR BRONZE		
P	PHC	PHOSPHATE COATING		
P	PLAS	PLASTIC		
P	PLEX	PLEXIGLASS		
P	PO	PUSH-ON		
P	POL	POLYETHYLENE		
P	POLCAR	POLYCARBONATE		
P	POLY	POLYPROPYLENE		
P	POLYA	POLYAMIDE		
P	POLYP	POLYPROPYLENE		
P	POS.	POSITIVE		
P	PRDG	PROTRUDING		
P	PROT	PROTECTIVE		
P	PT	PARTIALLY THREADED		
R	RBP	RUBBER BUMPER		
R	RCT	RECEPTACLE		
R	REC	RECTANGULAR		
R	RES	RECESS		
R	RET	RETANING / RETAINER		
R	RH	RIGHT HAND		
R	RND	ROUND		
R	RR	REAR		
R	RUB	RUBBER		
R	RVT	RIVET		
S	S.C.C.	SPECIFY COLOR CODE		
S	S.D.	SPECIFY DIMENSION		
S	S.L.	SPECIFY LENGHT		
S	S.P.D.T	SINGLE POLE DOUBLE THROW		

Date:07/2024

PAGE:ABBREVIATIONS

ABBREVIATIONS

Item#	Part	Description	QTY	Notes
S	S.P.S.T	SINGLE POLE SINGLE THROW		
S	SB	SATIN BLEND		
S	SCT	SECTION		
S	SERR	SERRATED		
S	SG	SPRING GUARD		
S	SHR	SHOULDER		
S	SLE	SLEEVE		
S	SLO	SELF LOCKING		
S	SLT	SLOTTED		
S	SM	SMALL		
S	SOL	SOLID		
S	SPE	SPECIAL		
S	SPR	SPRING		
S	SPT	SPLIT		
S	SQ	SQUARE		
S	SQS	SQUARE SOCKET		
S	SS	STAINLESS STEEL		
S	STD	STANDARD		
S	STL	STEEL		
S	STO	STOVER		
S	SW	SWIVEL		
S	SWL FITT.	SWIVEL FITT		
T	TC	THREAD CUTTING		
T	TH	THICKNESS		
T	TP	TAPPING		
T	TPG	TAPPING		
T	TR	TRUSS		
T	TRANS.	TRANSMISSION		
T	TWAY	TWO WAY LOCK		
T	TXV	THERMAL EXPANSION VALVE		
U	U.S.	UNDERSIZE		
V	VAC	VEHICLE ACCELERATION CONTROL		
W	W	WITH		
W	W.S.	WAVE SEAL		
W	W/O	WITHOUT		
W	WD	WELDED		
W	WIND.	WINDOW		
W	WO	WOOD		
W	WOC	WITHOUT CERAMIC		
X	XX-XXXX-XX	SEE PAGE		
Y	YZP	YELLOW ZINC PLATED		
Z	Z050	ZINC PLATED		
Z	ZG603	ZINC IRON BLACK		
Z	ZP	ZINC PLATED		
N	N_A	NOT AVAILABLE		
W	W_O	WITHOUT		
C	C_C	CENTER/CENTER		
A	ABBREVIATIC	ABBREVIATIONS		