

PREVOST

COACH MANUFACTURER

PARTS MANUAL

X3 COACHES



PA1617

REVISION 07-2024

General information

A. Vehicle Identification Number (V.I.N.)

Each time spare parts have to be ordered, you must refer to your vehicle identification number serial number. In order to understand the meaning of this number, please refer to the following:

4 R K G 3 3 4 9 9 G 9 7 3 7275

G = VEHICLE MODEL
9 = VEHICLE LENGTH
G = MODEL YEAR
7275 = SEQUENCE NUMBER

Vehicle Model

This manual covers vehicle model XL coaches and MTH bus shells.

G	X3 coaches
----------	------------

Vehicle Length

9	45 feet
----------	---------

Model Year

YEAR	CODE	YEAR	CODE
2016	G	2020	L
2017	H		
2018	J		
2019	K		

Sequence Number

This number represents the sequence the vehicle has followed on the assembly line. Since 1996 model year, the sequence number is represented by the last four digits

B. Effectivity

This manual covers information for vehicles from the **G-7275** to present.

The heading of each page in this manual refers to an effectivity serial number and in the parts description, you may find additional information on the effectivity of a specific part to a serial number (refer to FROM:).

In the description, you may also remark the expression UP TO which means that a component is effective to the vehicles manufactured up to the specified serial number (refer to UP TO:).

PARTS MANUAL

C. Illustrations

An exploded view is conveniently located at the beginning of each section and is meant to assist the user in identifying parts and components.

The illustrations show the typical construction of the different assemblies and , in all cases, may not reproduced the full detail or exact shape of parts shown, however, they represent parts which have same or similar function.

D. General

The information, illustrations and components/system descriptions contained in this manual are correct at time of publication. Prévost Car Inc., however, maintains a policy of continuous improvement of its product without imposing upon itself any obligation to install them on products previously manufactured.

Prévost Car Inc., reserves the right at any time to discontinue or change specifications, designs, features, models or equipment without incurring obligation.

PARTS MANUAL

E. Parts and Service Center

CANADA

Canadian Parts Customer Service 2955-A Watt Street Québec, Québec Canada, G1X 3W1	Toll free phone: 1 (800) 463-8876 Tel.: (418) 654-0174 Fax: (800) 939-0133 Fax: (418) 658-1723	Service Center British Columbia 11911 No. 5 Road Richmond, British Columbia Canada, V7A 4E9	Tel.: (604) 940-3306 Fax: (604) 940-3384
Service Center 850 Chemin Olivier Saint-Nicolas, Quebec Canada G7A 2N1	Toll free phone: 1 866 870-2046 Tel.: (418) 831-2046 Fax: (418) 831-7432	Service Ontario 8301-A Keele Street Vaughan, Ontario Canada, L4K 1Z6	Tel.: (905) 738-0881 Fax: (905) 738-0891
Service Center Alberta 292 MacDonald Crescent Fort McMurray, Alberta Canada T9H 4B6	Tel.: (780) 792-9526 Fax: (780) 743-0983		

UNITED STATES

US Parts Customer Service 2250 Point Blvd., Suite 410 Elgin, IL USA, 60123	Toll free phone 1 800 799-9938 Main office (847) 844-7680 Parts 1 800 621-5519	Prevost Parts & Service Center 800 South Cartwright Street Goodlettsville, TN USA, 37072	Toll free phone 1 877 299-8881 Main office (615) 299-8881 Fax: (615) 299-8816 After-Hours (615) 519-1372 Parts Emergency
Prevost Parts & Service Center 3384 De Forest Circle Mira Loma, CA USA, 91752	Toll free phone 1 800 421-9958 Main office (951) 360-2550 Fax: (951) 360-2560 After-Hours (951) 314-0226 Parts Emergency	Prevost Parts & Service Center 201 South Avenue South Plainfield, NJ USA, 07080	Toll free phone 1 800 223-0830 Main office (908) 222-7211 Fax: (908) 222-7304 Fax parts (908) 222-7305 After-Hours (201) 315-4064 Parts Emergency
Prevost Parts & Service Center 6821 Central Avenue, Newark, CA USA, 94560	Main office (310) 283-1852 After-Hours: (951) 314-0226 Parts Emergency	Prevost Parts & Service Center 15200 Frye Road Fort Worth, TX USA, 76155-2702	Service/Parts 1 866 773-8678 Main office (817) 685-0250 Fax : (817) 685-0460 After-Hours (817) 271-8653 Parts Emergency
Prevost Parts & Service Center 6931 Business Park Blvd North Jacksonville, FL USA, 32256	Toll free phone 1 800 874-7740 Main office (904) 886-4555 Fax: (904) 886-0092 After-Hours (904) 412-8023 Parts Emergency	Prevost Parts & Service Center 11851 Cutten Road Houston, TX USA, 77066	Service/Parts 1 877 602-0273 Main office (713) 849-8562 Fax: (281) 315-1571 After-Hours (346) 333-5520 Parts Emergency
Prevost Parts & Service Center 1300 Green Forest Court Winter Garden, FL USA, 34787	Toll free phone 1 866 726-6235 Main office (407) 554-0196 After-Hours: (407) 259-5720 Parts Emergency	Prevost Parts & Service Center 3715 N. Carnation St. Franklin Park, IL USA, 60131	Main office (847) 778-7475 Fax: (847) 737-2242 After-Hours 1 800 463-7738 Parts Emergency

PARTS MANUAL

KEY & ABBREVIATIONS

(XXXX-XX)	SEE PAGE	N/A	NOT AVAILABLE
<>	BETWEEN	NEG.	NEGATIVE
°	DEGREE	N.O.	NORMALLY OPEN
#	NUMBER	N.C.	NORMALLY CLOSE
??	INFORMATION NOT AVAILABLE AT TIME OF PUBLICATION	N.P.N.	NO PARTS NUMBER
ABS	ANTILOCK BRAKING SYSTEM	NPT	NATIONAL PIPE THREAD
AR	AS REQUIRED	NS	NOT SHOWN
ASSY	ASSEMBLY	N.S.P.	NOT SOLD AT PREVOST (SEE MANUFACTURING PART NUMBER AT THE END OF DESCRIPTION LINE)
CCW	COUNTERCLOCKWISE	N.S.S.	NOT SOLD SEPARATELY
C.E.	COMMUTATOR END	O.D.	OUTSIDE DIAMETER
CHR	CHROME	OPT.	OPTION
CW	CLOCKWISE	O.S.	OVERSIZE
CYL.	CYLINDER	PH	PHILLIPS
C/C	CENTER/CENTER	POS.	POSITIVE
D.E.	DRIVE END	RR	REAR
DIA.	DIAMETER	S.C.C.	SPECIFY COLOR CODE
DIFF.	DIFFERENTIAL	SCT	SECTION
D.P.D.T.	DOUBLE POLE DOUBLE THROW	S.D.	SPECIFY DIMENSION
ECU	ELECTRONIC CONTROL UNIT	S.L.	SPECIFY LENGHT
EDU	ELECTRONIC DISTRIBUTOR UNIT	SM	SMALL
EFF	EFFECTIVE	S.P.S.T.	SINGLE POLE SINGLE THROW
ENG.	ENGINE	S.P.D.T.	SINGLE POLE DOUBLE THROW
EXT	EXTERNAL	S.Q.	SPECIFY QUANTITY
FR	FRONT	SS	STAINLESS STEEL
GND	GROUND	STD	STANDARD
HD	HEAD	STO	STOVER
HEX	HEXAGONAL	SW	SWIVEL
H.P.	HIGH PRESSURE	SWL FITT.	SWIVEL FITTING
HVAC	HEATING, VENTILATION & AIR CONDITIONING	TPG	TAPING
HYD	HYDRAULIC	TH	THICKNESS
I.D.	INSIDE DIAMETER	TRANS.	TRANSMISSION
INT	INTERNAL	TXV	THERMAL EXPANSION VALVE
JCT	JUNCTION	U.S.	UNDERSIZE
LED	LIGHT-EMITTING DIODE	W	WITH
L.P.	LOW PRESSURE	W/O	WITHOUT
LUGG.	LUGGAGE	WIND.	WINDOW
M & F	MALE & FEMALE	ZP	ZINC PLATED

PARTS MANUAL

MEASUREMENT EQUIVALENTS

Fraction - Inches (dec.) - Millimeter

25.4mm = 1 inch

1mm = .03937 inch

fraction	decimal	mm	fraction	decimal	mm
1/64	0.0156	0.397	33/64	0.5156	13.097
1/32	0.0313	0.794	17/32	0.5313	13.494
-	0.0394	1	35/64	0.5469	13.891
3/64	0.0469	1.191	-	0.5512	14
1/16	0.0625	1.588	9/16	0.5625	14.288
5/64	0.0781	1.984	37/64	0.5781	14.684
-	0.0787	2	-	0.5906	15
3/32	0.0938	2.381	19/32	0.5938	15.081
7/64	0.1093	2.778	39/64	0.6094	15.478
-	0.1181	3	5/8	0.6250	15.875
1/8	0.1250	3.175	-	0.6299	16
9/64	0.1406	3.572	41/64	0.6406	16.272
5/32	0.1563	3.969	21/32	0.6563	16.669
-	0.1575	4	-	0.6693	17
11/64	0.1719	4.366	43/64	0.6719	17.066
3/16	0.1875	4.762	11/16	0.6875	17.462
-	0.1969	5	45/64	0.7031	17.859
13/64	0.2031	5.159	-	0.7087	18
7/32	0.2188	5.556	23/32	0.7188	18.256
15/64	0.2344	5.953	47/64	0.7344	18.653
-	0.2362	6	-	0.7480	19
1/4	0.2500	6.350	3/4	0.7500	19.050
17/64	0.2656	6.747	49/64	0.7656	19.447
-	0.2756	7	25/32	0.7813	19.844
9/32	0.2813	7.144	-	0.7874	20
19/64	0.2969	7.541	51/64	0.7969	20.241
5/16	0.3125	7.938	13/16	0.8125	20.638
-	0.3150	8	-	0.8268	21
21/64	0.3281	8.334	53/64	0.8281	21.034
11/32	0.3438	8.731	27/32	0.8438	21.431
-	0.3543	9	55/64	0.8594	21.828
23/64	0.3594	9.128	-	0.8661	22
3/8	0.3750	9.525	7/8	0.8750	22.225
25/64	0.3906	9.922	57/64	0.8096	22.622
-	0.3937	10	-	0.9055	23
13/32	0.4063	10.319	29/32	0.9063	23.019
27/64	0.4219	10.716	59/64	0.9219	23.416
-	0.4331	11	15/16	0.9375	23.812
7/16	0.4375	11.112	-	0.9449	24
29/64	0.4531	11.509	61/64	0.9531	24.209
15/32	0.4688	11.906	31/32	0.9688	24.606
-	0.4724	12	-	0.9843	25
31/64	0.4844	12.303	63/64	0.9844	25.003
12	0.5000	12.700	1/1	1	25.400
-	0.5118	13	-	-	-

PARTS MANUAL

TABLE OF CONTENTS

GENERAL	00
ENGINE	01
CLUTCH	02
FUEL	03
EXHAUST	04
COOLING	05
ELECTRICAL	06
TRANSMISSION	07
PROPELLER SHAFT	09
FRONT AXLE	10
REAR AXLE	11
BRAKE	12
WHEEL, HUBS & TIRES	13
STEERING	14
SUSPENSION	16
BODY	18
HEATING & AIR CONDITIONING	22
ACCESSORIES	23
WHEEL CHAIR LIFT	25

PARTS MANUAL

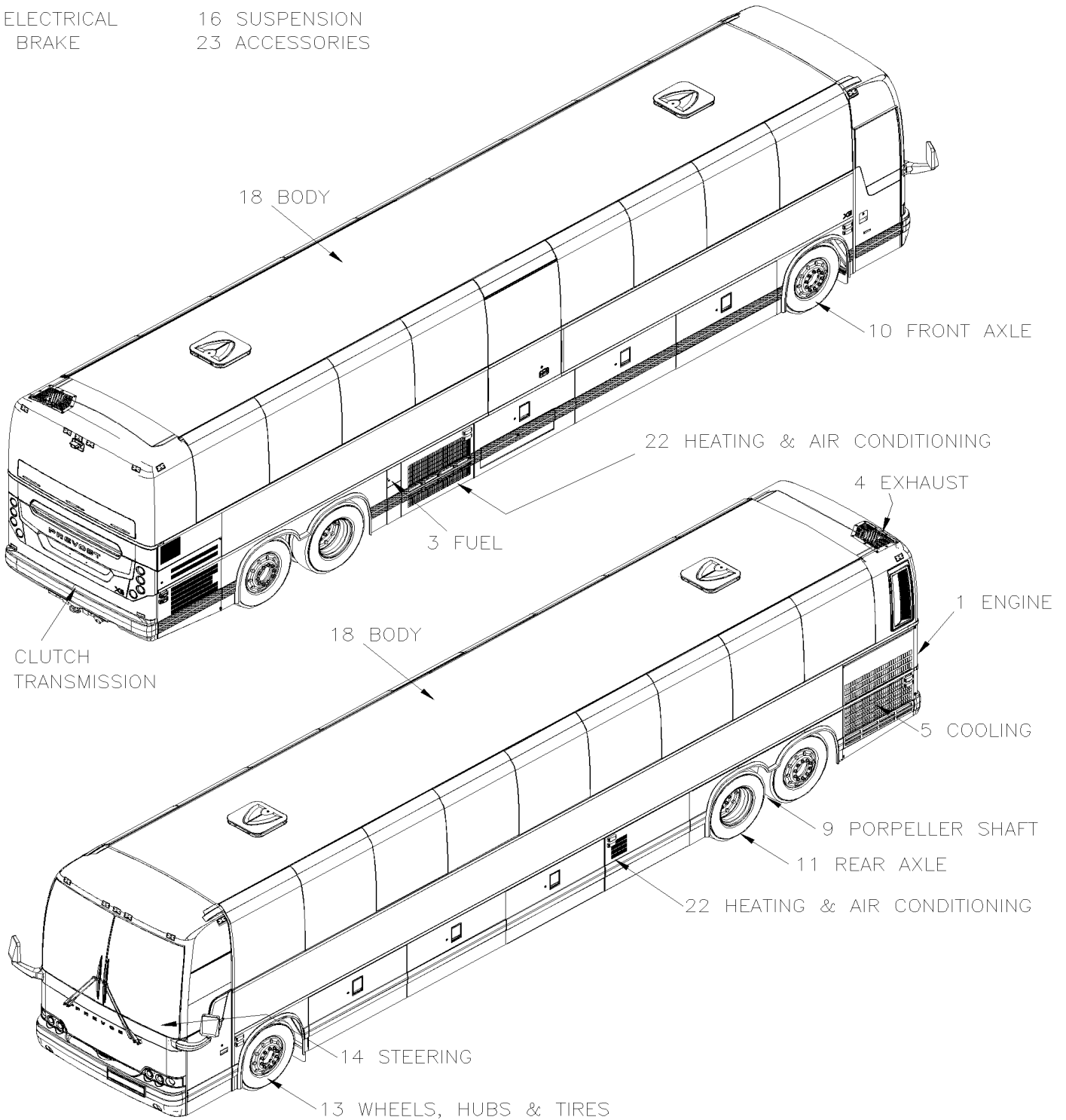
To have more information about fast moving parts, place an order for the book PA-1105 to your nearest parts order desk.

Thank you!

	Date:07/2024	PAGE: X3 BUS PLB
X3 / BUS / 2016 TO 2021 / VIN FROM G-7275 TO M-7767		

6 ELECTRICAL
12 BRAKE

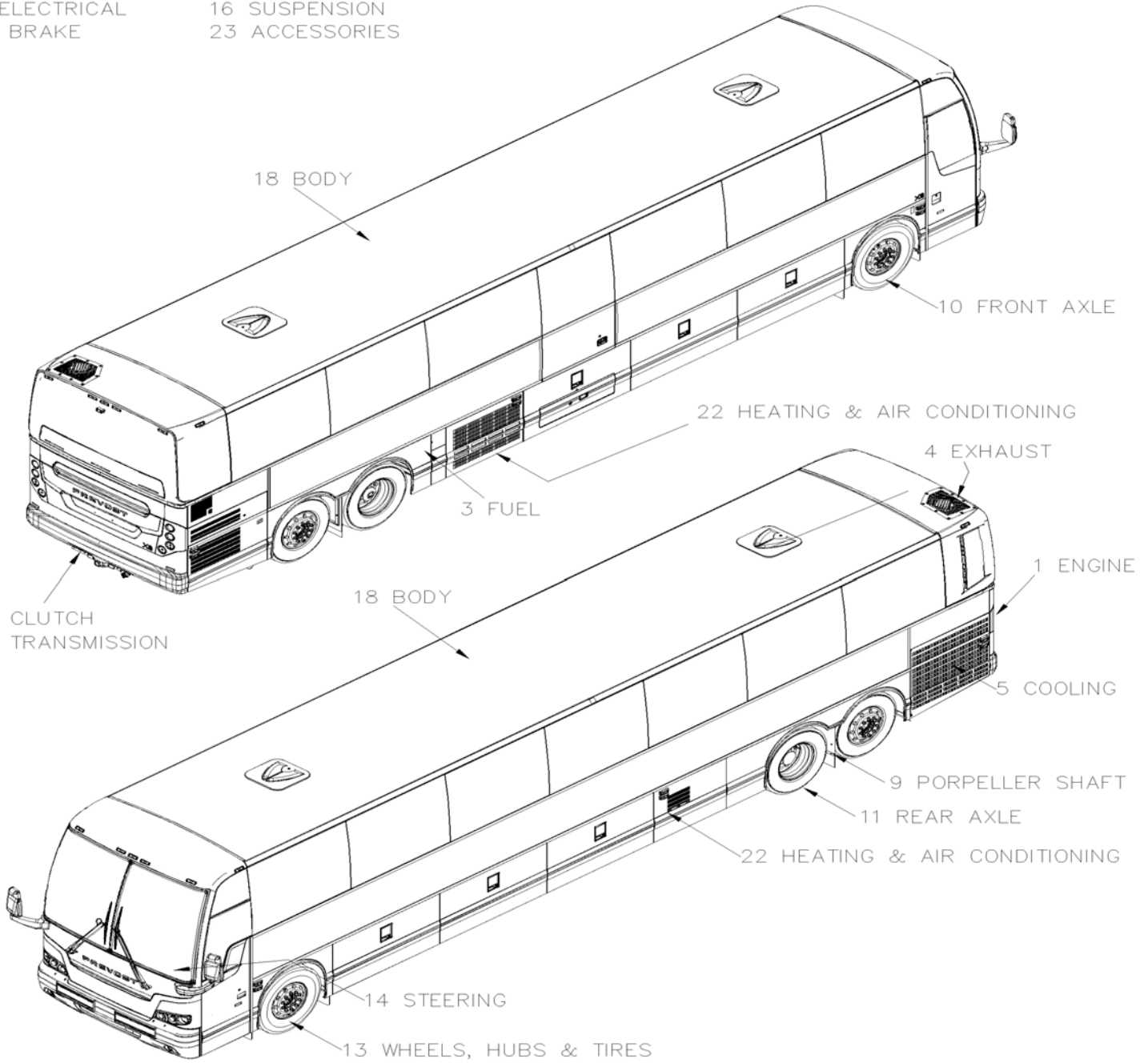
16 SUSPENSION
23 ACCESSORIES



	Date:07/2024	PAGE: X3 BUS PLB
X3 / BUS / 2016 TO 2021 / VIN FROM G-7275 TO M-7767		

6 ELECTRICAL
12 BRAKE

16 SUSPENSION
23 ACCESSORIES



	Date:07/2024	PAGE: X3 BUS PLB
X3 / BUS / 2016 TO 2021 / VIN FROM G-7275 TO M-7767		

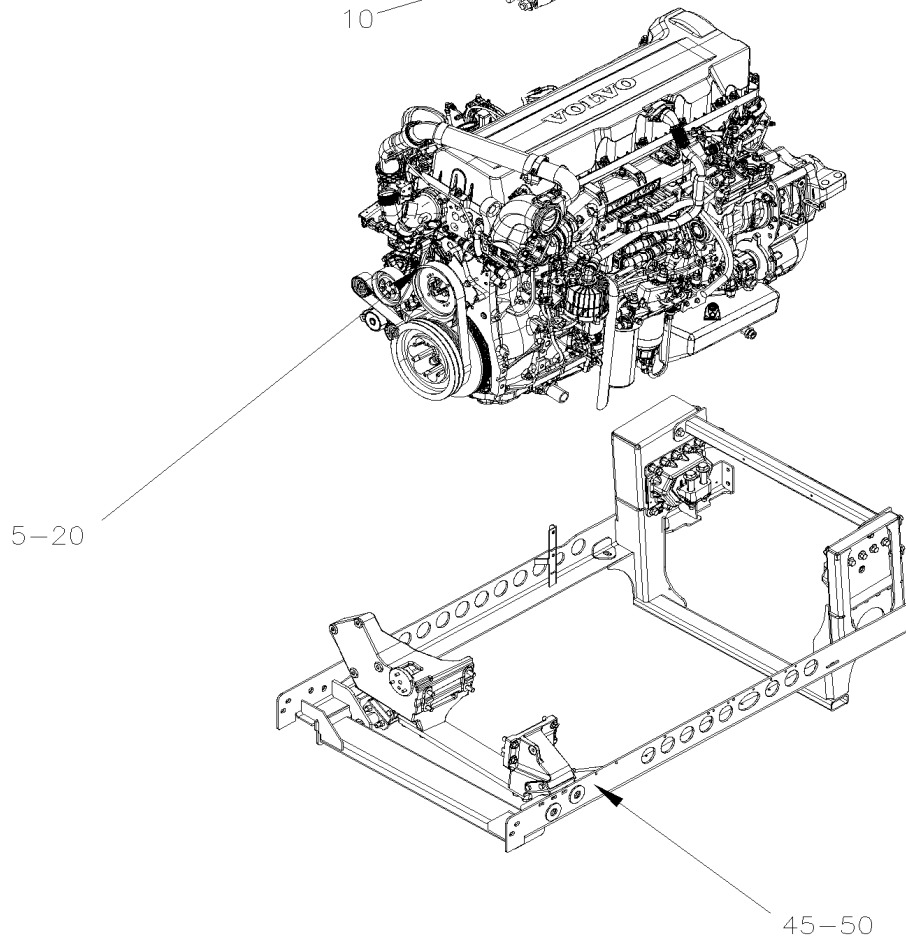
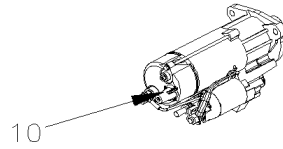
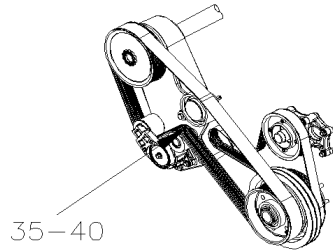
Item#	Part	Description	QTY	Notes
1	X3PLB-01	ENGINE		
2	X3PLB-02	CLUTCH		
3	X3PLB-03	FUEL		
4	X3PLB-04	EXHAUST		
5	X3PLB-05	COOLING		
6	X3PLB-06	ELECTRICAL		
7	X3PLB-07	TRANSMISSION		
9	X3PLB-09	PROPELLER SHAFT		
10	X3PLB-10	FRONT AXLE		
11	X3PLB-11	REAR AXLE		
12	X3PLB-12	BRAKE		
13	X3PLB-13	WHEELS, HUBS & TIRES		
14	X3PLB-14	STEERING		
16	X3PLB-16	SUSPENSION		
18	X3PLB-18	BODY		
22	X3PLB-22	HEATING & AIR CONDITIONING		
23	X3PLB-23	ACCESSORIES		
30	X3PLB-SEATSET	PASSENGER'S SEAT SET		
40	X3PLB-DRIVER	DRIVER'S SEAT		

From G-7275 To M-7767

Date:07/2024

X3PLB-01

ENGINE



From G-7275 To M-7767	Date:07/2024	X3PLB-01
-----------------------	--------------	----------

ENGINE

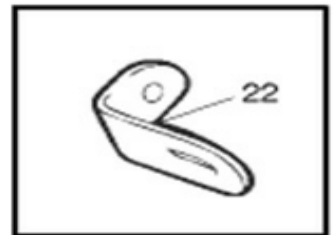
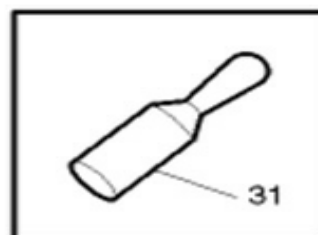
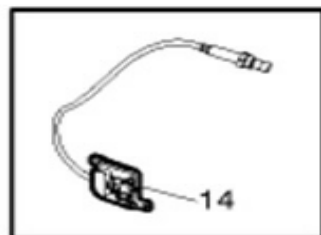
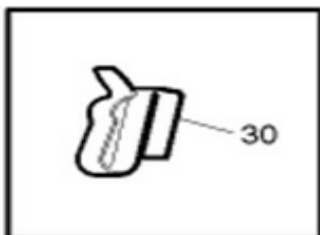
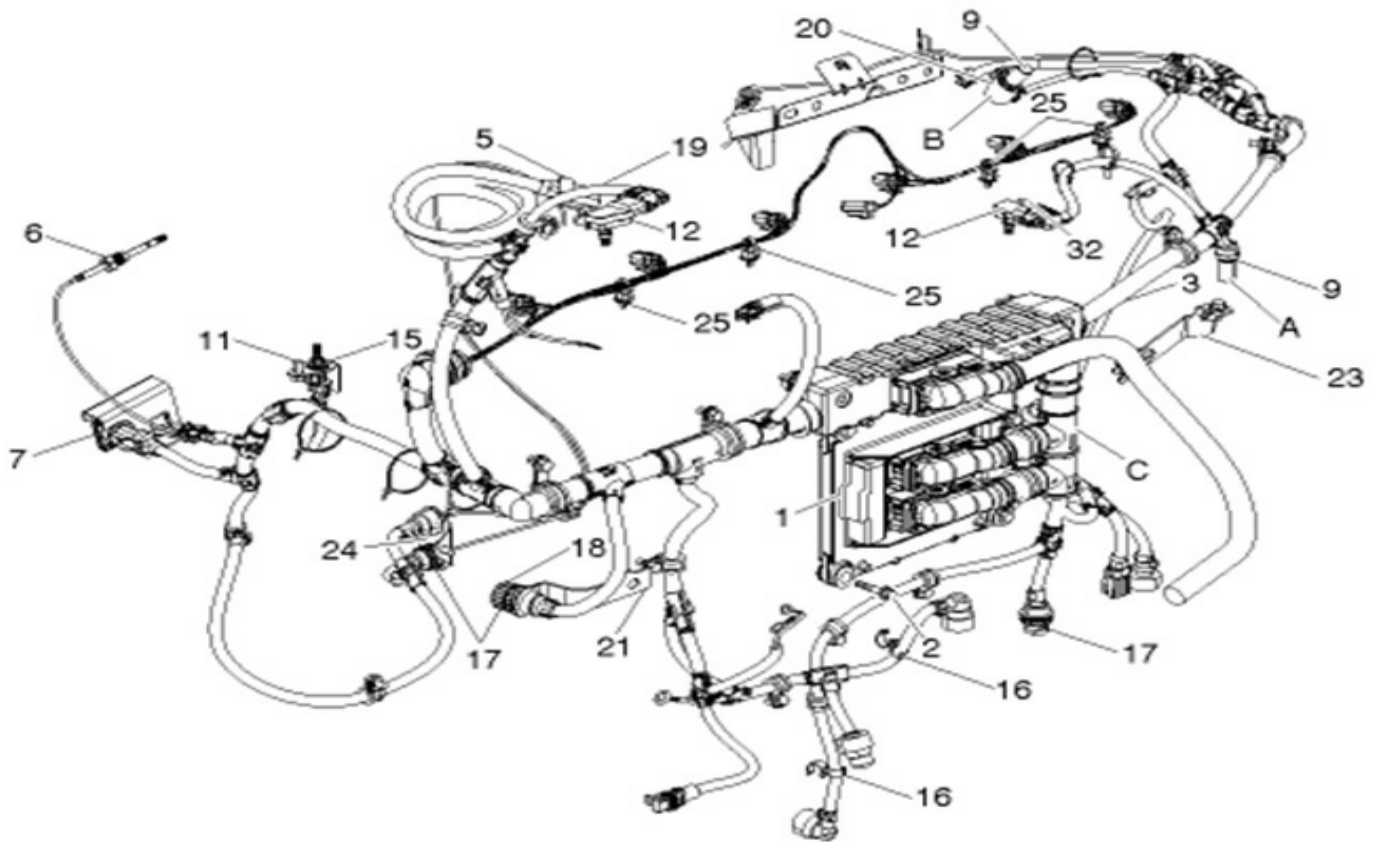
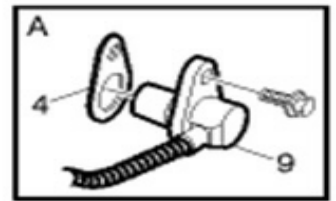
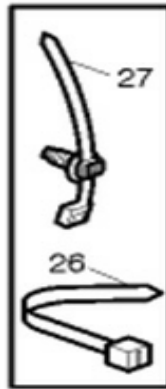
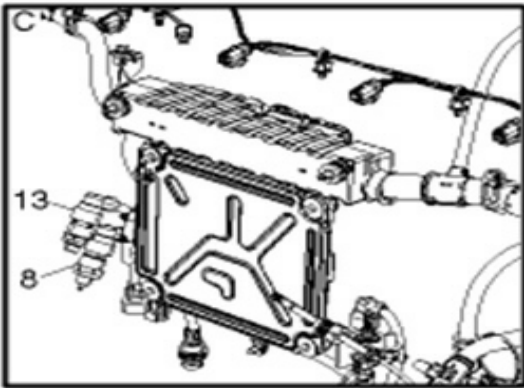
Item#	Part	Description	QTY	Notes
5	X3PLB-0100-05	VOLVO ENGINE CONTROL SYSTEM From G-7275 To M-7767		
5	X3PLB-0100-07	ENGINE WIRING HARNESS - INSTALLATION WITH VOLVO D13 From G-7275 To H-7416		
5	X3PLB-0100-08	ENGINE WIRING HARNESS - INSTALLATION WITH VOLVO D13 - GHG17 From H-7417 To M-7767		
10	X3PLB-0100-10	STARTER - INSTALLATION From G-7275 To M-7767		
20	X3PLB-0105-05	ENGINE OIL FILLER CAP & DIPSTICK WITH VOLVO D13 From G-7275 To M-7767		
35	X3PLB-0120-00	DRIVE PULLEY, BELTS & TENSIONER WITH VOLVO D13 From G-7275 To H-7416		
35	X3PLB-0120-01	DRIVE PULLEY, BELTS & TENSIONER WITH VOLVO D13 - GHG17 From H-7417 To M-7767		
40	X3PLB-0135-00	BELT GUARD OPTION GLI From J-7474 To M-7767		
45	X3PLB-0150-00	ENGINE CRADLE - WITH VOLVO D13 From G-7275 To H-7416		
45	X3PLB-0150-01	ENGINE CRADLE - WITH VOLVO D13 - GHG17 From H-7417 To M-7767		
50	X3PLB-0155-10	ENGINE TRANSMISSION GUARD & AIR SHIELD VOLVO D13 From G-7275 To H-7416		
50	X3PLB-0155-11	ENGINE TRANSMISSION GUARD & AIR SHIELD VOLVO D13 / GHG17 From H-7417 To M-7767		
50	X3PLB-0155-20	ENGINE GUARD VOLVO D13 From G-7275 To M-7767		

From G-7275 To M-7767

Date:07/2024

PAGE:X3PLB-0100-05

VOLVO ENGINE CONTROL SYSTEM



R1036551

From G-7275 To M-7767	Date:07/2024	PAGE:X3PLB-0100-05
VOLVO ENGINE CONTROL SYSTEM		

Item#	Part	Description	QTY	Notes
1	21107008	CONTROL UNIT 1 / 6	1	
1	21300060	CONTROL UNIT 8 +	1	
NS	20946783	SHIELD CONTROL UNIT INSTAL	1	
2	947760	SCREW CAP HEXF M8-1.25x40 G8.8 ZP	4	
3	21033597	CABLE HARNESS ASSY 1 / 3	1	
3	21271767	CABLE HARNESS ASSY RXX 4 / 6	1	
3	21400265	CABLE HARNESS ASSY RXX 8 +	1	
3	21159796	CABLE HARNESS ASSY PH/PX 4 / 6	1	
3	21400113	CABLE HARNESS ASSY PH/PX 8 +	1	
4	20556179	SHIM	1	
5	20738963	HUMIDITY SENSOR 1	1	
5	21046544	HUMIDITY SENSOR 3 +	1	
6	21010707	TEMPERATURE SENSOR DP MIX CHAMBER TEMP	1	
7	20930137	PRESSURE SENSOR EGR DIFF PRESSURE 1 / 4	1	
NS	21364040	O-RING SENSOR INSTAL 1 / 4	2	
7	21304786	PRESSURE SENSOR EGR DIFF PRESSURE 5 +	1	
8	20796744	PRESSURE SENSOR,CRANKCASE TB-130329258-1	1	
9	20513343	SENSOR,ENGINE SPEED TB-128951072-1	2	
10	20556179	SHIM	AR	
11	20513340	SENSOR COOLANT TEMPERATURE	1	
12	20524936	PRESSURE SENSOR BOOST PRESSURE/TEMP	2	
13	20886108	PRESSURE SENSOR OIL PRESSURE	1	
14	20789066	SENSOR NOX ASSY W/CABLE 1	1	
14	21069361	SENSOR NOX ASSY W/CABLE 3 / 8	1	
14	22303391	SENSOR "NOX" / SCR FILTER	1	
15	20771140	HEAT SHIELD 1 / 3	1	
15	20857215	HEAT SHIELD 4 +	1	
16	21018335	CAP	3	
17	3963413	RING LOCK / AMP 964610-1	4	
18	20374157	CAP	2	
19	20448962	HOUSING	1	
20	20749801	HEAT SHIELD	1	
21	20577191	BRACKET	1	
22	965576	BRACKET	1	
23	20590744	BRACKET	1	
24	3832422	BRACKET	1	
25	8131393	RETAINER	4	
26	20885496	RETAINER	AR	
NS	948210	CABLE TIE 190MM	2	
26	948211	CABLE TIE 275MM	AR	
26	983472	CABLE TIE HIGHT TEMP	AR	
27	980881	CABLE TIE 200MM W/PUSH-IN RETAINER	AR	

From G-7275 To M-7767	Date:07/2024	PAGE:X3PLB-0100-05
VOLVO ENGINE CONTROL SYSTEM		

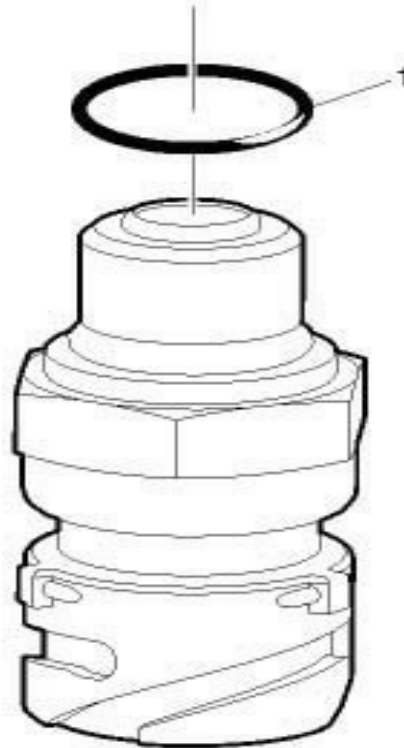
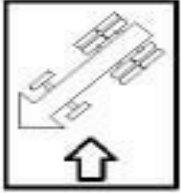
Item#	Part	Description	QTY	Notes
28	945081	CLAMP / 7/8" I.D.	1	
28	946834	CLAMP 11.1MM	1	
28	949746	CLAMP 12.7MM	AR	
28	949747	CLAMP / 5/8" I.D.	AR	
28	949786	CLAMP 20.0MM	AR	
28	949997	CLAMP 31.8MM	AR	
28	977743	CLAMP 15.9MM	1	
28	981664	CLAMP 15.9MM	1	
29	944926	SCREW CAP HEXF M8-1.25x14	1	
29	946173	SCREW CAP HEXF M8-1.25x20	2	
29	946440	SCREW CAP HEXF M12-1.75x140 G8.8 MAGNI 565	18	
29	5001742	SCREW CAP HEXF M8-1.25x30 G8.8 N500	AR	
29	946934	SCREW CAP HEXF M6-1.0x20	1	
30	20786586	WIRES JUMPER @ERG VALVE	1	
31	3988328	BRACKET PH/PX	1	
32	984936	RETAINER 7th INJECTOR HARNESS	4	
33	3545508	RETAINER	3	
34	21029459	BRACKET	1	
35	961613	NUT WD SQ M6-1.0	AR	

From G-7275 To M-7767

Date:07/2024

PAGE:20796744

PRESSURE SENSOR,CRANKCASE TB-130329258-1



From G-7275 To M-7767	Date:07/2024	PAGE:20796744
-----------------------	--------------	---------------

PRESSURE SENSOR,CRANKCASE TB-130329258-1

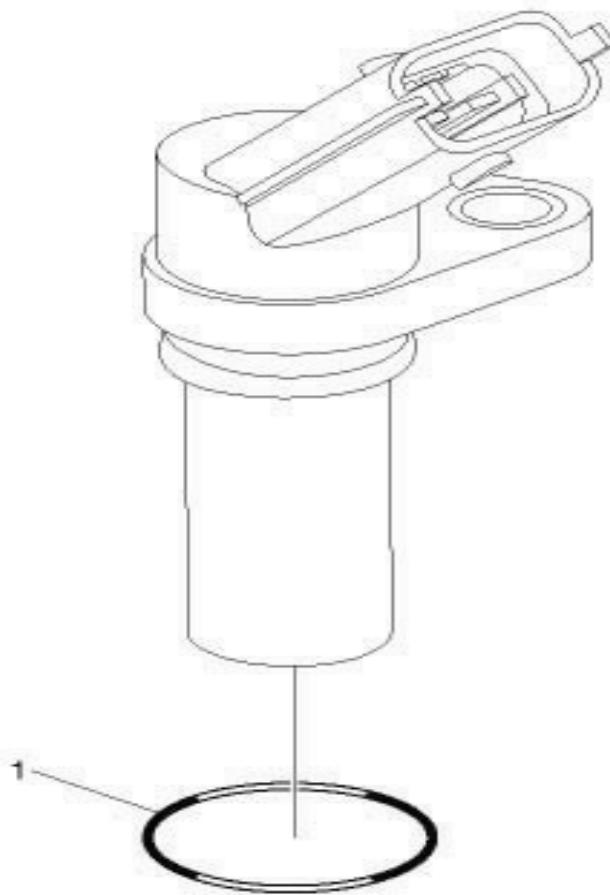
Item#	Part	Description	QTY	Notes
1	968559	O-RING (PRESSURE SENSOR)	1	

From G-7275 To M-7767

Date:07/2024

PAGE:20513343

SENSOR,ENGINE SPEED TB-128951072-1



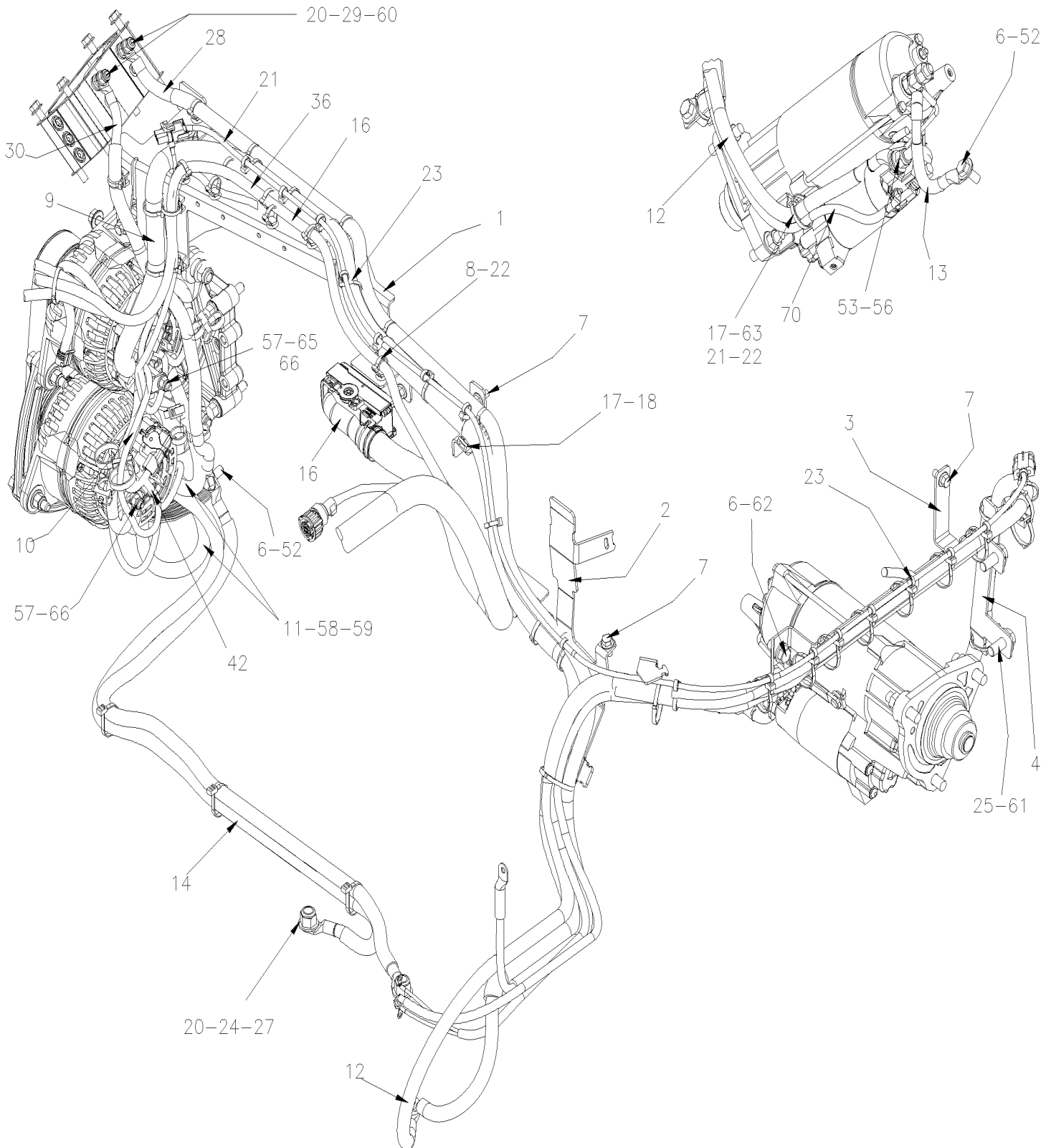
From G-7275 To M-7767		Date:07/2024	PAGE:20513343	
SENSOR,ENGINE SPEED TB-128951072-1				
Item#	Part	Description	QTY	Notes
1	20966752	O-RING	1	

From G-7275 To H-7416

Date:07/2024

PAGE:X3PLB-0100-07

ENGINE WIRING HARNESS - INSTALLATION WITH VOLVO D13



From G-7275 To H-7416	Date:07/2024	PAGE:X3PLB-0100-07
ENGINE WIRING HARNESS - INSTALLATION WITH VOLVO D13		

Item#	Part	Description	QTY	Notes
1	012944	SUPPORT CABLE	1	
1	507383	TIE MOUNT HOLE 3/8"	1	
NS	502830	SCREW CAP HEX M6-1.0x20 G8.8 N500	1	
NS	5001833	WASHER BEL SPR 6.1x18x1.27 SS	1	
NS	5001932	NUT HEXF NYRT M6-1.0 G8.8 N500	1	
2	012682	SUPPORT CABLE COMPRESSOR	1	
3	012689	SUPPORT CABLE REAR ENGINE	1	
4	019227	SUPPORT CABLE STARTOR MOTOR	1	
5	X3PLB-0610-05	ALTERNATOR MOUNTING / "BOSCH" VOLVO D13	1	
6	502804	SCREW CAP HEX M10-1.5x25 G8.8 N500	4	
7	5001780	SCREW CAP HEXF M8-1.25x16 G8.8 N500	7	
8	509815	TIE MOUNT / ATTACHMENT W/TREE MOUNT	AR	
9	069222	CABLE ASSY W/ALTERNATOR # 102-3/0	1	
10	067835	CABLE ALT POWER HARNESS W/VOLVO	1	
11	067796	CABLE ALTERNATOR GROUND BODY To H-7344	2	
11	069639	CABLE ALTERNATOR GROUND BODY From H-7376	2	
12	067887	CABLE ASSY SW24V TO STARTER	1	
13	067086	CABLE ASSY # 0C	1	
14	067203	CABLE GROUND MOTOR TO BODY	2	
16	069216	CABLE ASSY / RR JCT & ENGINE	1	
17	504013	TIE MOUNT / 1/4" X 1/4" I.D.	AR	
18	504379	RIVET POP DOME OE 3/16x1/4 SS	AR	
20	684013	RUBBER PROTECTOR / COLOR GUARD 14.5oz	AR	
21	069062	CABLE THERMO DETECTOR (LINEAR FIRE CABLE) / 1.6M / 168C/180C // 334F/356F	1	
22	504637	CABLE TIE / 3/16" x 13"	AR	
22	504016	CABLE TIE / 5/16" X 14"1/2	AR	
23	507664	CABLE TIE / 3/16" 11" / DOUBLE LOOP HEAD	AR	
24	500958	WASHER FL .531x1.062x.095 SS	2	
25	5001866	SCREW CAP HEX M12-1.75x30 G10.9 N500	2	
27	502595	NUT HEX NYRT 1/2-13 Z050	2	
28	067889	CABLE HEATER ELEMENT RELAY	1	
29	5001787	NUT HEX NYRT M8-1.25 SS	2	
30	067102	CABLE NEG HEATER ELEMENT	1	
36	068567	CABLE ASSY / ALTERNATOR & CABLE	1	
42	068570	CABLE ASSY / GROUND	1	
52	500270	WASHER FL .406x1.000x.063 SS	3	
53	5001761	NUT HEXF NYRT M12-1.75 G8 N500	1	
56	500958	WASHER FL .531x1.062x.095 SS	1	
57	5001341	WASHER FL 8.4x17.0x1.6 SS	3	
58	5001182	NUT HEX NYRT M6-1.0 SS	1	
59	502573	WASHER FL 6.4x12.5x1.6 SS	2	
60	5001341	WASHER FL 8.4x17.0x1.6 SS	2	

From G-7275 To H-7416	Date:07/2024	PAGE:X3PLB-0100-07
-----------------------	--------------	--------------------

ENGINE WIRING HARNESS - INSTALLATION WITH VOLVO D13

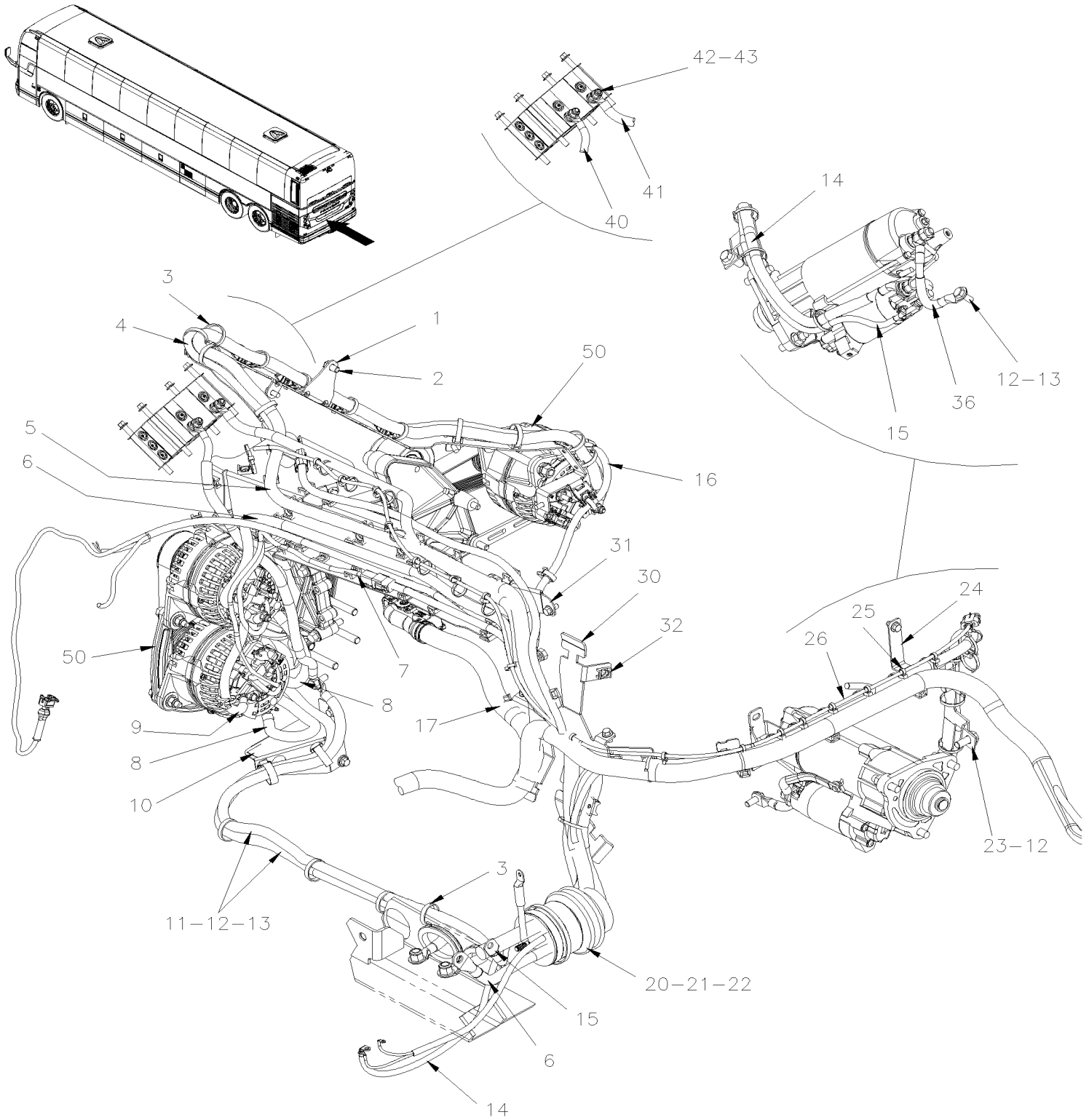
Item#	Part	Description	QTY	Notes
61	500967	WASHER BEL SPR .512x1.142x.098 N500	2	
62	5001834	WASHER BEL SPR 10.5X23X2.5 N500	1	
63	502817	SCREW MA PAN PH M6-1.0x16 N500	1	
65	564590	ADAPTOR STUD M8 Male x M8 Female M8-1.25 x 18MM SS	1	
66	5001787	NUT HEX NYRT M8-1.25 SS	2	
70	067885	CABLE EXTENTION ASSY / STARTER W/D13	1	

From H-7417 To M-7767

Date:07/2024

PAGE:X3PLB-0100-08

ENGINE WIRING HARNESS - INSTALLATION WITH VOLVO D13 - GHG17



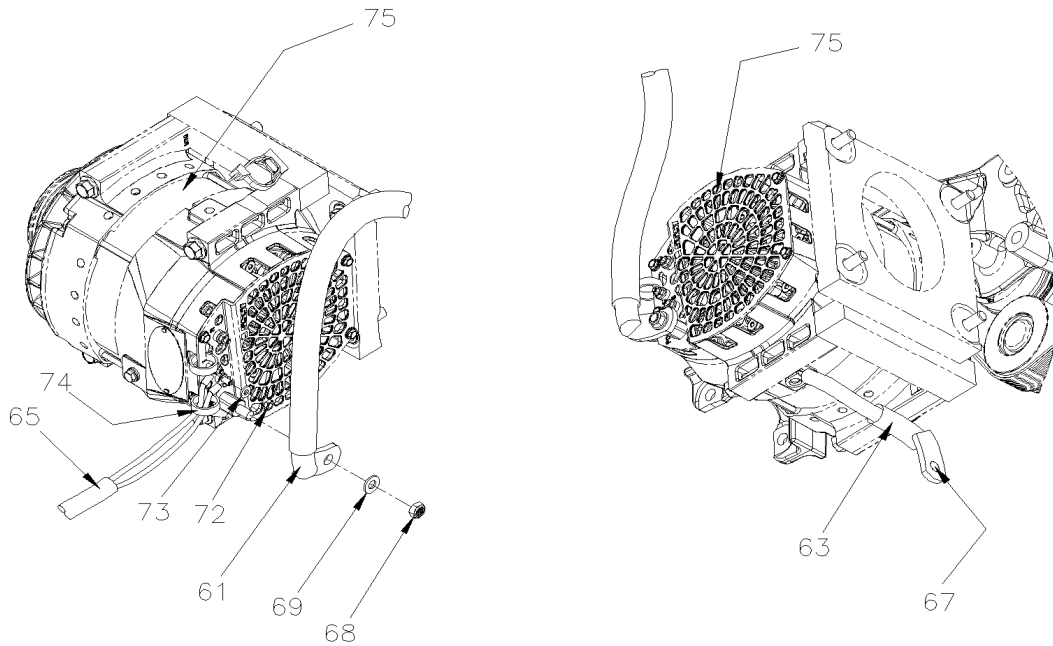
From H-7417 To M-7767

Date:07/2024

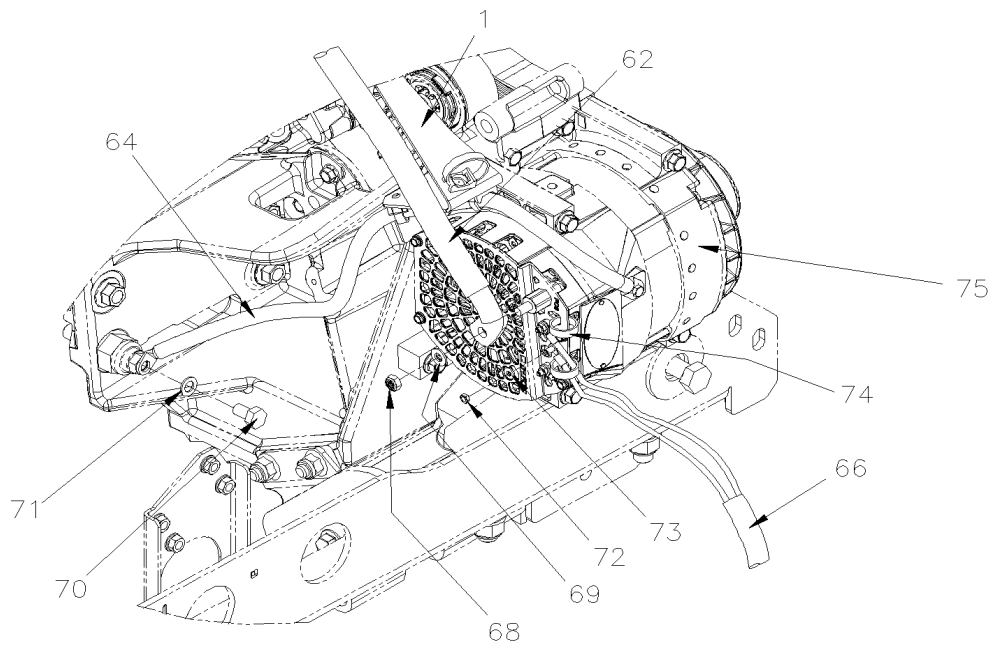
PAGE:X3PLB-0100-08

ENGINE WIRING HARNESS - INSTALLATION WITH VOLVO D13 - GHG17

CURBSIDE WITH REMY



STREET SIDE WITH REMY



From H-7417 To M-7767	Date:07/2024	PAGE:X3PLB-0100-08
-----------------------	--------------	--------------------

ENGINE WIRING HARNESS - INSTALLATION WITH VOLVO D13 - GHG17

Item#	Part	Description	QTY	Notes
1	012949	SUPPORT, ALTERNATOR HARNESS / LH To K-7607	1	
1	010036	SUPPORT, ALTERNATOR HARNESS / LH From K-7608	1	
1	010092	SUPPORT, ALTERNATOR HARNESS / LH W/REMY From K-7590 To L-7720	1	A
1	010297	SUPPORT, ALTERNATOR HARNESS / LH W/REMY From L-7721	1	A
1	509490	ATTACHMENT DOUBLE USE WITH CABLE TIE	5	
NS	504610	RIVET MGLP PRDG 1/4x5/8 SS	5	
NS	504013	TIE MOUNT / 1/4" X 1/4" I.D.	AR	
NS	509815	TIE MOUNT / ATTACHMENT W/TREE MOUNT	1	
NS	5001780	SCREW CAP HEXF M8-1.25x16 G8.8 N500	3	
NS	504187	CLAMP P SS PA 19.4-36 ID From L-7721	1	
2	5001729	SCREW CAP HEXF M10-1.5x16 G8.8 N500	1	
3	504016	CABLE TIE / 5/16" X 14"1/2 To L-7663	AR	
3	5040100	CABLE TIE /OUTSIDE SERRATED 5/16" X 14"1/2 From L-7664	AR	
4	069511	HARNESS ALT. BOSCH LEFT HAND SIDE	1	
NS	5001341	WASHER FL 8.4x17.0x1.6 SS	1	
NS	060297	ADAPTOR STUD M8 Male x M8 Female + FLANGE M8-1.25 x 18MM SS	AR	
NS	5001983	NUT HEX NYRT M8-1.25 SS SS BK	AR	
5	069537	HARNESS BATTERY TO ALTERNATOR LH	1	
6	069517	HARNESS ALT 102A	1	
NS	060297	ADAPTOR STUD M8 Male x M8 Female + FLANGE M8-1.25 x 18MM SS	AR	
NS	5001983	NUT HEX NYRT M8-1.25 SS SS BK	AR	
7	060088	HARNESS ALT. BOSCH RIGHT HAND SIDE	1	
8	060264	HARNESS ALTERNATOR GROUND BODY	2	
NS	5001341	WASHER FL 8.4x17.0x1.6 SS To K-7607	2	
NS	560811	WASHER, ELECTRICAL CONDUCTOR M8/5/16 From K-7608	2	
NS	5001182	NUT HEX NYRT M6-1.0 SS	2	
NS	502573	WASHER FL 6.4x12.5x1.6 SS	2	
9	060265	HARNESS, POWER ALT_JUMPER	1	
NS	5001341	WASHER FL 8.4x17.0x1.6 SS	1	
NS	5001182	NUT HEX NYRT M6-1.0 SS	1	
NS	5001787	NUT HEX NYRT M8-1.25 SS	1	
10	068541	SUPPORT CABLE GROUND ALTERNATOR	1	
11	060306	CABLE GROUND MOTOR TO BODY	2	
NS	500958	WASHER FL .531x1.062x.095 SS	2	
NS	5002001	NUT HEX NYRT 1/2-13 SS BK	2	
12	502804	SCREW CAP HEX M10-1.5x25 G8.8 N500	AR	
13	500270	WASHER FL .406x1.000x.063 SS	3	
14	069518	CABLE EXTENTION ASSY/ STARTER 101	1	
15	069515	HARNESS STARTER RELAY MELCO	1	
NS	502817	SCREW MA PAN PH M6-1.0x16 N500	1	
16	069504	HARNESS LH GROUND ALTERNATOR	1	
17	060040	CABLE ASSY / WITH "ALISSON" TRANSMISSION To J-7445	1	

From H-7417 To M-7767	Date:07/2024	PAGE:X3PLB-0100-08
ENGINE WIRING HARNESS - INSTALLATION WITH VOLVO D13 - GHG17		

Item#	Part	Description	QTY	Notes
17	061434	CABLE ASSY / WITH "ALISSON" TRANSMISSION From J-7446 To N-8010	1	
17	0610557	CABLE ASSY / WITH "ALISSON" TRANSMISSION From N-8011	1	
17	060118	CABLE ASSY / WITH "I-SHIFT" TRANSMISSION To J-7445	1	
17	061475	CABLE ASSY / WITH "I-SHIFT" TRANSMISSION From J-7446 To N-8010	1	
17	0610558	CABLE ASSY / WITH "I-SHIFT" TRANSMISSION From N-8011	1	
20	069471	FEED THRU / ENGINE CABLE	1	
NS	504637	CABLE TIE / 3/16" x 13"	AR	
21	069472	SEAL RUBBER NITRILE 1/8" 60-70 DURO	1	
22	504499	CUFF END BELLOW / 2 7/8" I.D. x 3 5/8" x 4 7/16	1	
NS	5001866	SCREW CAP HEX M12-1.75x30 G10.9 N500	2	
NS	500967	WASHER BEL SPR .512x1.142x.098 N500	2	
23	019227	SUPPORT CABLE STARTOR MOTOR	1	
NS	504637	CABLE TIE / 3/16" x 13"	AR	
24	012946	SUPPORT, REAR HARNESS	1	
NS	5001780	SCREW CAP HEXF M8-1.25x16 G8.8 N500	1	
25	507664	CABLE TIE / 3/16" 11" / DOUBLE LOOP HEAD	33	
26	069062	CABLE THERMO DETECTOR (LINEAR FIRE CABLE) / 1.6M / 168C/180C // 334F/356F	1	
30	012953	BRACKET ENGINE HARNESS	1	
NS	504637	CABLE TIE / 3/16" x 13"	AR	
NS	5001780	SCREW CAP HEXF M8-1.25x16 G8.8 N500	2	
31	012951	MAIN SUPPORT ENGINE HARNESS	1	
NS	509815	TIE MOUNT / ATTACHMENT W/TREE MOUNT	1	
NS	5001780	SCREW CAP HEXF M8-1.25x16 G8.8 N500	3	
32	504013	TIE MOUNT / 1/4" X 1/4" I.D.	AR	
NS	504379	RIVET POP DOME OE 3/16x1/4 SS	AR	
NS	5001935	WASHER FL 10.5x18.0x1.6 SS	1	
NS	502719	SCREW CAP HEX M10-1.5x20 SS EMN	1	
NS	5001182	NUT HEX NYRT M6-1.0 SS	1	
NS	502573	WASHER FL 6.4x12.5x1.6 SS	1	
NS	504013	TIE MOUNT / 1/4" X 1/4" I.D.	1	
NS	502817	SCREW MA PAN PH M6-1.0x16 N500	1	
36	060307	HARNESS GND STRARTER TO BODY	1	
NS	502804	SCREW CAP HEX M10-1.5x25 G8.8 N500	1	
40	060308	CABLE NEG HEATER ELEMENT	1	
41	069516	CABLE HEATER ELEMENT RELAY	1	
42	5001341	WASHER FL 8.4x17.0x1.6 SS To K-7607	2	
42	560811	WASHER, ELECTRICAL CONDUCTOR M8/5/16 From K-7608	2	
43	5001787	NUT HEX NYRT M8-1.25 SS	2	
NS	504768	CABLE TIE / 3/16" 14.7" / DOUBLE LOOP HEAD	AR	
50	X3PLB-0610-06	ALTERNATOR MOUNTING / "BOSCH" VOLVO D13 - GHG17		
61	0610030	HARNESS, ALTERNATOR BATTERY / CURBSIDE From K-7590	1	A
62	0610031	HARNESS, ALTERNATOR BATTERY / STREET SIDE From K-7590	1	A

From H-7417 To M-7767	Date:07/2024	PAGE:X3PLB-0100-08
ENGINE WIRING HARNESS - INSTALLATION WITH VOLVO D13 - GHG17		

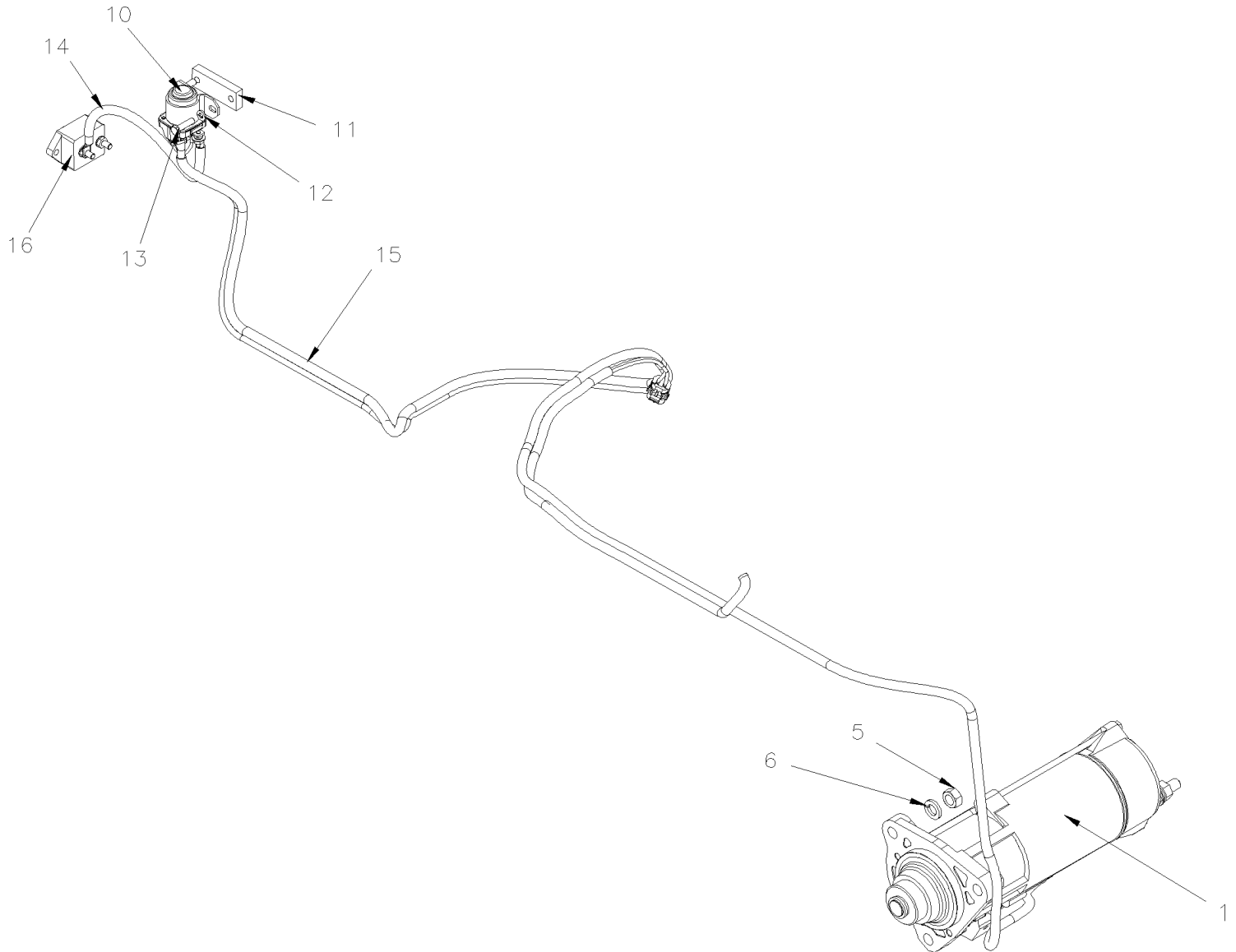
Item#	Part	Description	QTY	Notes
63	0610034	HARNESS, ALTERNATOR CHASSIS GROUND / CURBSIDE From K-7590	1	A
64	0610035	HARNESS, ALTERNATOR CHASSIS GROUND / STREET SIDE From K-7590	1	A
65	0610036	HARNESS, ALTERNATOR CONTROL / CURBSIDE From K-7590 To L-7724	1	A
65	0610315	HARNESS, ALTERNATOR CONTROL / CURBSIDE From L-7725 To P-8096	1	A
65	0610600	HARNESS, ALTERNATOR CONTROL / CURBSIDE From P-8097	1	A
66	0610037	HARNESS, ALTERNATOR CONTROL / STREET SIDE From K-7590 To L-7724	1	A
66	0610324	HARNESS, ALTERNATOR CONTROL / STREET SIDE From L-7725 To P-8096	1	A
66	0610601	HARNESS, ALTERNATOR CONTROL / STREET SIDE From P-8097	1	A
67	502804	SCREW CAP HEX M10-1.5x25 G8.8 N500 From K-7590	1	A
67	500270	WASHER FL .406x1.000x.063 SS From K-7590	1	A
68	5002097	NUT HEX NYRT THN 5/16-18 SS From K-7590	2	A
69	5001341	WASHER FL 8.4x17.0x1.6 SS From K-7590	2	A
70	502719	SCREW CAP HEX M10-1.5x20 SS EMN From K-7590	1	A
71	5001935	WASHER FL 10.5x18.0x1.6 SS From K-7590	1	A
72	5001180	NUT HEX NYRT #10-24 SS From K-7590 To P-8096	6	A
72	684013	RUBBER PROTECTOR / COLOR GUARD 14.5oz From K-7590	AR	A
73	5001137	WASHER FL .203x.438x.050 SS From K-7590 To P-8096	6	A
74	504016	CABLE TIE / 5/16" X 14"1/2 From K-7590	AR	A
75	X3PLB-0605-10	ALTERNATOR 24V/250 AMPS / "REMY" From K-7590 To P-8096		A
75	X3PLB-0605-11	ALTERNATOR 24V/250 AMPS / "REMY" From P-8097		A
75	X3PLB-0610-15	ALTERNATOR MOUNTING / "REMY" VOLVO D13 From K-7590		A
		A) WITH REMY ALTERNATOR		

From G-7275 To M-7767

Date:07/2024

PAGE:X3PLB-0100-10

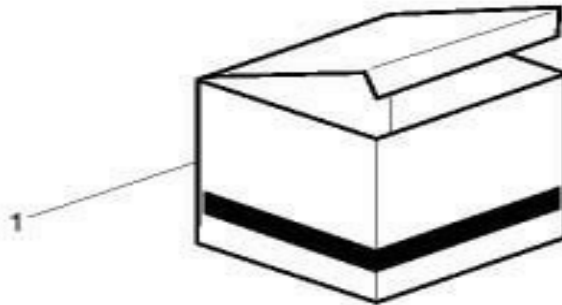
STARTER - INSTALLATION



From G-7275 To M-7767	Date:07/2024	PAGE:X3PLB-0100-10
STARTER - INSTALLATION		

Item#	Part	Description	QTY	Notes
1	21212425	VOLVO STARTER 24V, MELCO WITHOUT RELAY TB-129577391-1 To J-7483	1	D13
1	22807202	VOLVO STARTER 24V, MELCO WITHOUT RELAY From J-7484	1	D13
5	5001668	SCREW CB 12POINT 5/8-11x2 1/4	3	
NS	971072	NUT HEX M12-1.75 ZG603	3	D13
6	502884	WASHER LO SPT 16.2x27.4x3.5 N500	3	
6	500482	WASHER LO SPT .506x.873x.125 Z050	3	D13
10	564095	SMALL STARTOR RELAY	1	
11	067335	SPACER / PLASTIC / RELAY / STARTOR MELCO	1	
12	502584	WASHER LO SERR 8.2x26.3x1.8 Z050	2	
12	504357	WASHER FL .187x.437x.050 SS	2	
13	5001182	NUT HEX NYRT M6-1.0 SS	2	
14	067329	CABLE ASSY / RELAY & BREAKER	1	
15	067360	CABLE ASSY / RELAY & STARTER	1	
15	067337	CABLE EXTENTION ASSY / STARTER W/D13	1	D13
15	067328	CABLE ASSY / STARTOR "MELCO" X3 W/D13	1	D13
15	502817	SCREW MA PAN PH M6-1.0x16 N500	1	
15	504013	TIE MOUNT / 1/4" X 1/4" I.D.	1	
15	504637	CABLE TIE / 3/16" x 13"	1	
16	565137	BREAKER 90AMPS / 24V / W/O HARDWARE	1	
NS	5001924	NUT HEX NYRT THN 1/4-28 SS	2	
NS	502573	WASHER FL 6.4x12.5x1.6 SS	2	
		D13) WITH VOLVO ENGINE D13		

To J-7483	Date:07/2024	PAGE:21212425
VOLVO STARTER 24V, MELCO WITHOUT RELAY TB-129577391-1		



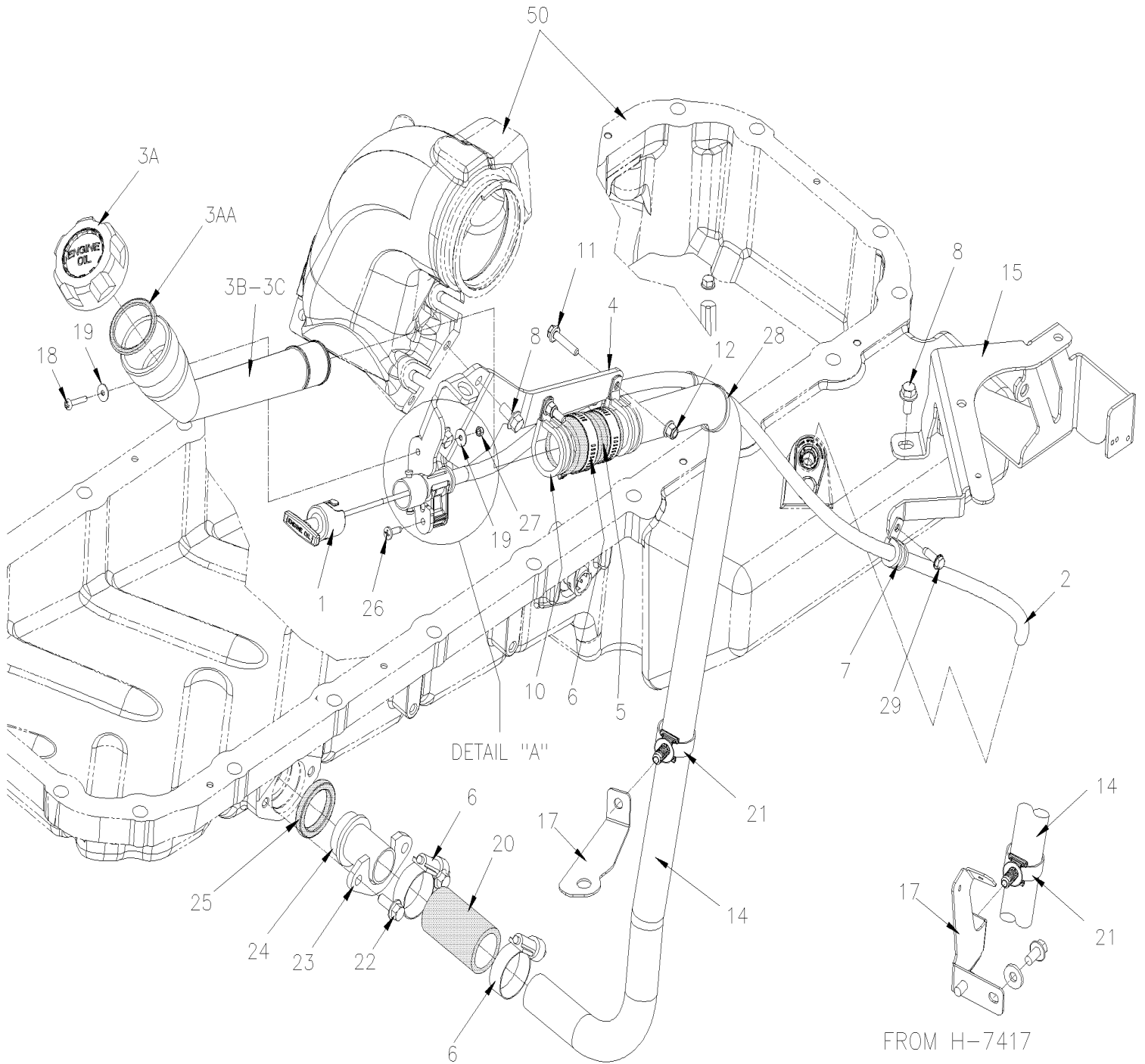
To J-7483		Date:07/2024	PAGE:21212425	
VOLVO STARTER 24V, MELCO WITHOUT RELAY TB-129577391-1				
Item#	Part	Description	QTY	Notes
1	85125992	KIT	1	

From G-7275 To M-7767

Date:07/2024

PAGE:X3PLB-0105-05

ENGINE OIL FILLER CAP & DIPSTICK WITH VOLVO D13



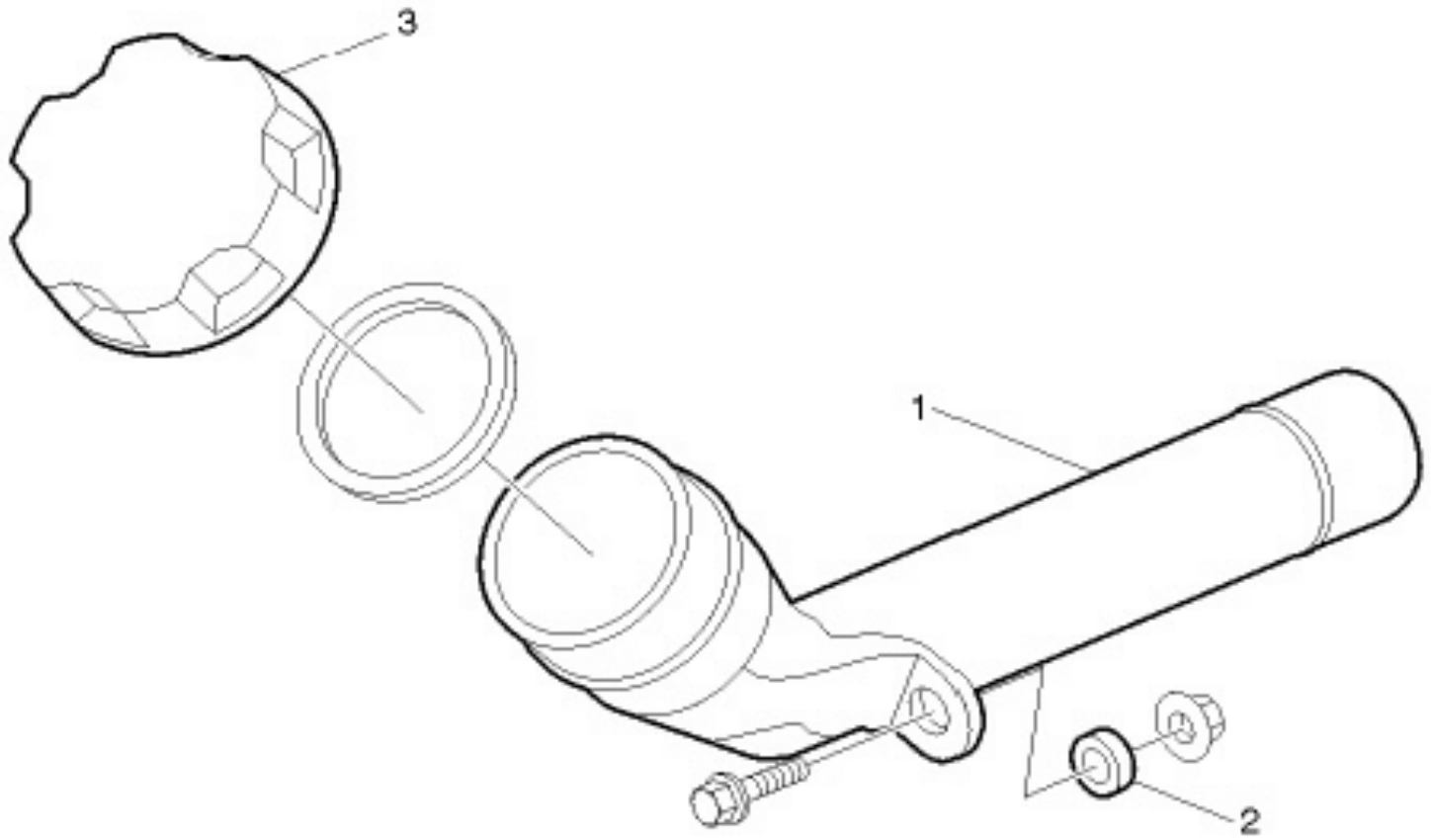
From G-7275 To M-7767	Date:07/2024	PAGE:X3PLB-0105-05
ENGINE OIL FILLER CAP & DIPSTICK WITH VOLVO D13		

Item#	Part	Description	QTY	Notes
1	015998	DIPSTICK & TUBE ASSY To N-8007	1	
1	010348	DIPSTICK & TUBE ASSY From P-8008	1	
1	015997	. DIPSTICK ASSY / ENGINE OIL / W/D13 1362MM	1	
2	015996	. TUBE OIL DIPSTICK W/D13 1276MM To N-8007	1	
2	010347	. TUBE OIL DIPSTICK W/D13 1362MM From P-8008	1	
3	22281824	OIL FILLER NECK TB-133887958-1	1	
. A	20807510	. OIL CAP / WITH GASKET	1	
. . A	20365079	. . GASKET OIL CAP	1	
. B	22281825	. OIL NECK / PIPE FILLER	1	
. C	943361	. SPACER WASHER 6.5 X 12 X 4	1	
. NS	8149895	. SUPPORT RING	1	
4	012882	SUPPORT DIPSTICK & FILLER NECK	1	
5	3034195	RACCORD COUPLING	1	
6	992086	HOSE CLAMP / 32MM/52MM	4	
7	952627	CLAMP / 1/2" I.D.	2	
8	5001780	SCREW CAP HEXF M8-1.25x16 G8.8 N500	3	
8	680038	THREAD LOCKER LOCTITE #243 / BLUE / 50ml	AR	
10	952639	CLAMP / 1"1/4 I.D.	4	
11	5001815	SCREW CAP HEXF M6-1.0x30 G 8.8 N500	3	
12	5001932	NUT HEXF NYRT M6-1.0 G8.8 N500	3	
14	012835	OIL FILLER TUBE To H-7339	1	
14	010064	OIL FILLER TUBE STAINLESS STEEL From H-7340	1	
15	033946	SUPPORT FUEL LINE	1	
17	012833	SUPPORT DIPSTICK To H-7416	1	
17	010069	SUPPORT DIPSTICK From H-7417	1	
17	500321	WASHER BEL SPR .331x.827x.098 N500	AR	
17	5001780	SCREW CAP HEXF M8-1.25x16 G8.8 N500	AR	
18	5001815	SCREW CAP HEXF M6-1.0x30 G 8.8 N500	1	
19	5001750	WASHER FL 4.3x14.0x1.0 N500	2	
20	012933	HOSE 31.75MM I.D. x 70MM	1	
21	504750	CABLE TIE / 1/2" x 15" / CHRISTMAS TREE	1	
22	946173	SCREW CAP HEXF M8-1.25x20 To L-7750	2	
22	984734	SCREW CAP HEXF M8x20 From M-7751	2	
23	469950	FLANGE	1	
24	70329332	INLET PIPE To M-7840	1	
24	22676938	INLET PIPE From M-7841	1	
25	20555696	SEALING RING	1	
26	500414	SCREW TP BDG PH #10x3/4 SS	1	
27	5001932	NUT HEXF NYRT M6-1.0 G8.8 N500	1	
28	507664	CABLE TIE / 3/16" 11" / DOUBLE LOOP HEAD	1	
29	502848	SCREW TC CAP HEXF 1/4-20x3/4 N500	1	

From G-7275 To M-7767	Date:07/2024	PAGE:X3PLB-0105-05
ENGINE OIL FILLER CAP & DIPSTICK WITH VOLVO D13		

Item#	Part	Description	QTY	Notes
		NEXT 5 ITEMS TO FIX OIL CAP		
NS	510973	CABLE SS 3/64" DIA. ASSY W/LOOP 8" LG x W/1" LOOP	1	
NS	502861	SCREW SHR HEXS 5/16x3/8 {1/4-20 N500	1	
NS	5001008	WASHER FL .218x.437x.062 RUB BK	1	
NS	502638	WASHER FL .312x.734x.065 N500	1	
NS	5001352	NUT HEX NYRT 1/4-20 SS	1	
50	Refer To Volvo	SEE IMPACT OR CALL ORDER DESK		V
		V) SEE IMPACT OR CALL ORDER DESK		

From G-7275 To M-7767	Date:07/2024	PAGE:22281824
OIL FILLER NECK TB-133887958-1		



From G-7275 To M-7767		Date:07/2024	PAGE:22281824
-----------------------	--	--------------	---------------

OIL FILLER NECK TB-133887958-1

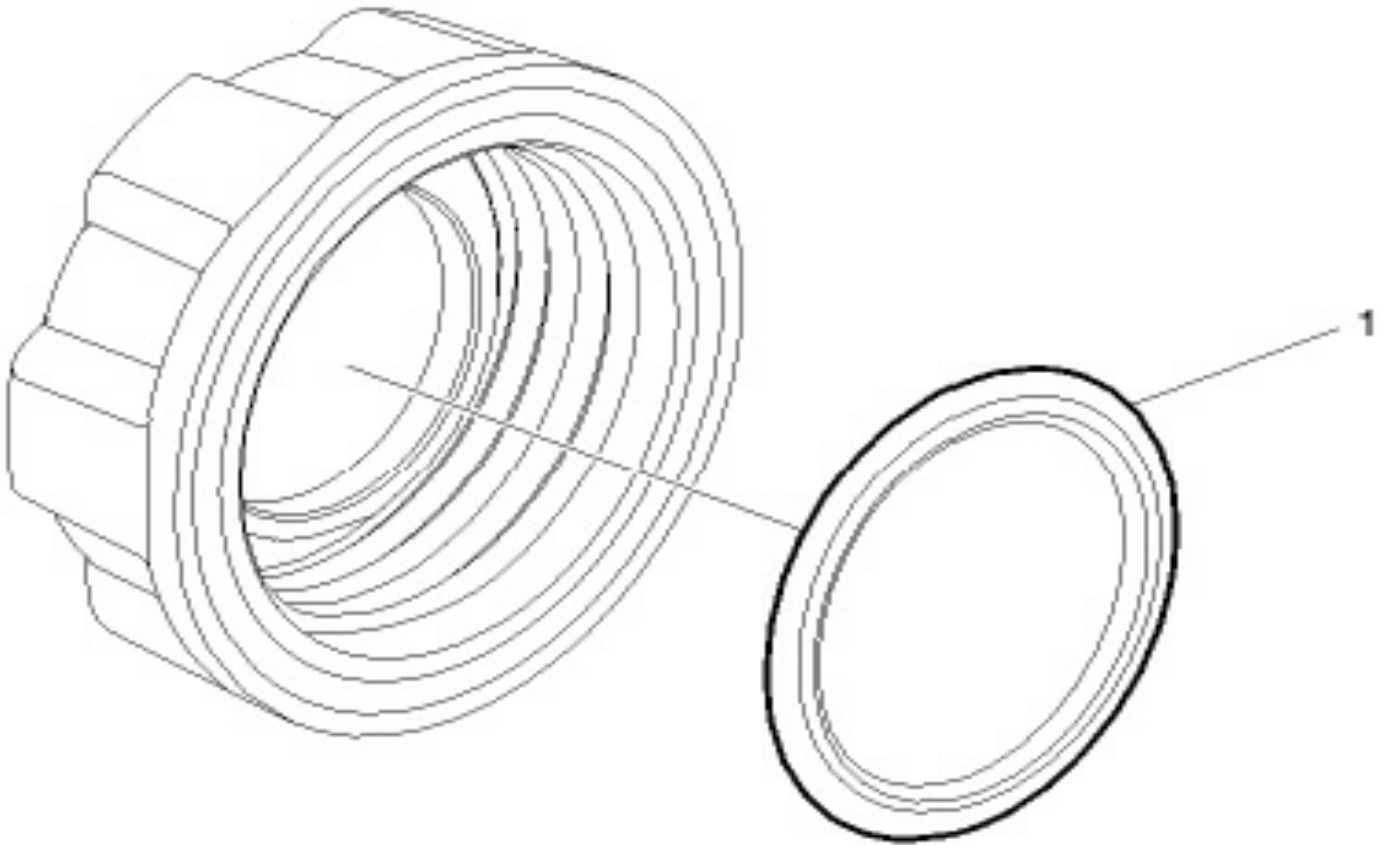
Item#	Part	Description	QTY	Notes
1	22281825	OIL NECK / PIPE FILLER	1	
2	60112502	SPACER WASHER	1	
3	20807510	OIL CAP / WITH GASKET	1	
.A	20365079	. GASKET OIL CAP	1	

From G-7275 To M-7767

Date:07/2024

PAGE:20807510

OIL CAP / WITH GASKET



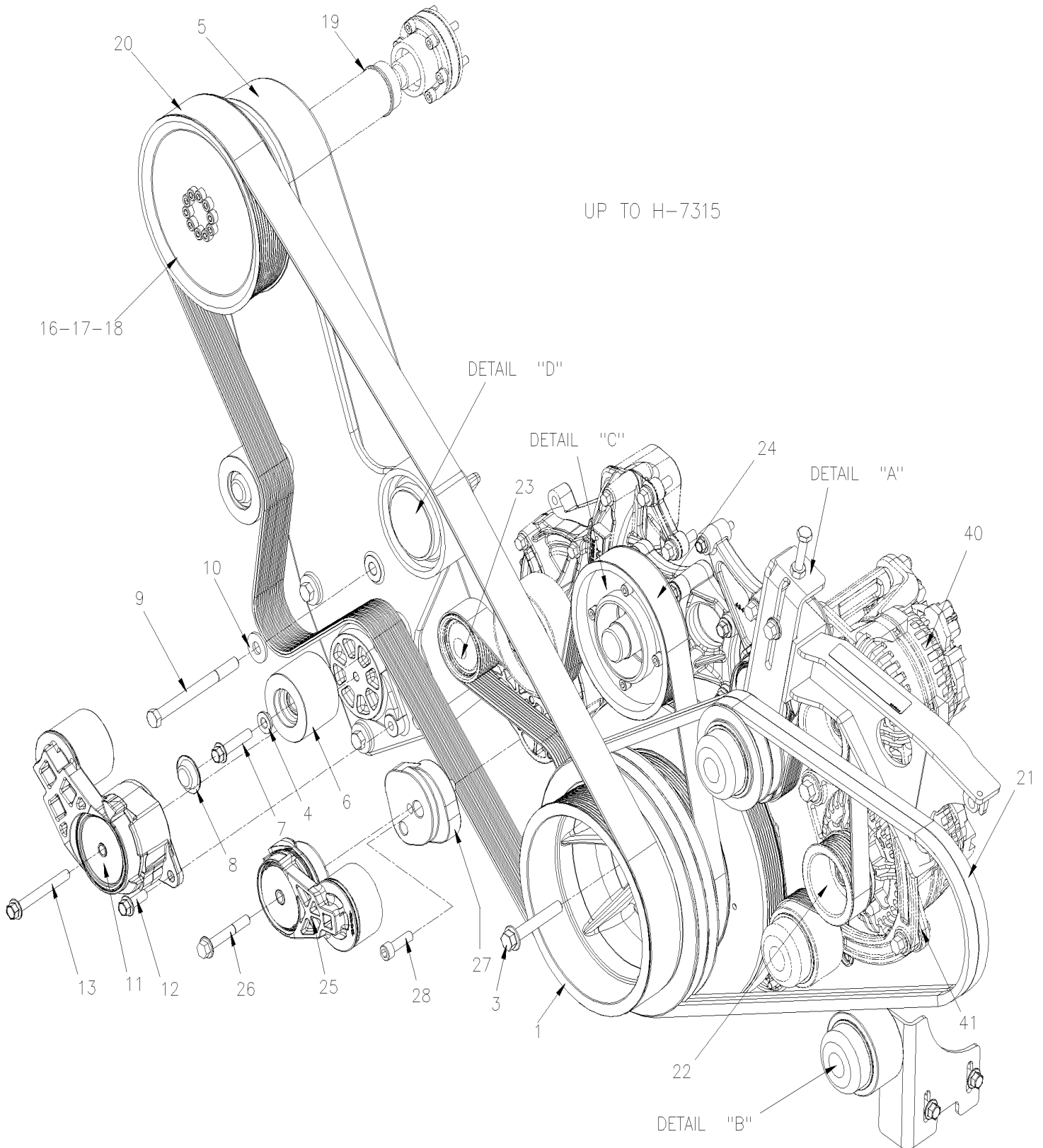
From G-7275 To M-7767			Date:07/2024	PAGE:20807510		
OIL CAP / WITH GASKET						
Item#	Part	Description			QTY	Notes
1	20365079	GASKET OIL CAP			1	

From G-7275 To H-7416

Date:07/2024

PAGE:X3PLB-0120-00

DRIVE PULLEY, BELTS & TENSIONER WITH VOLVO D13

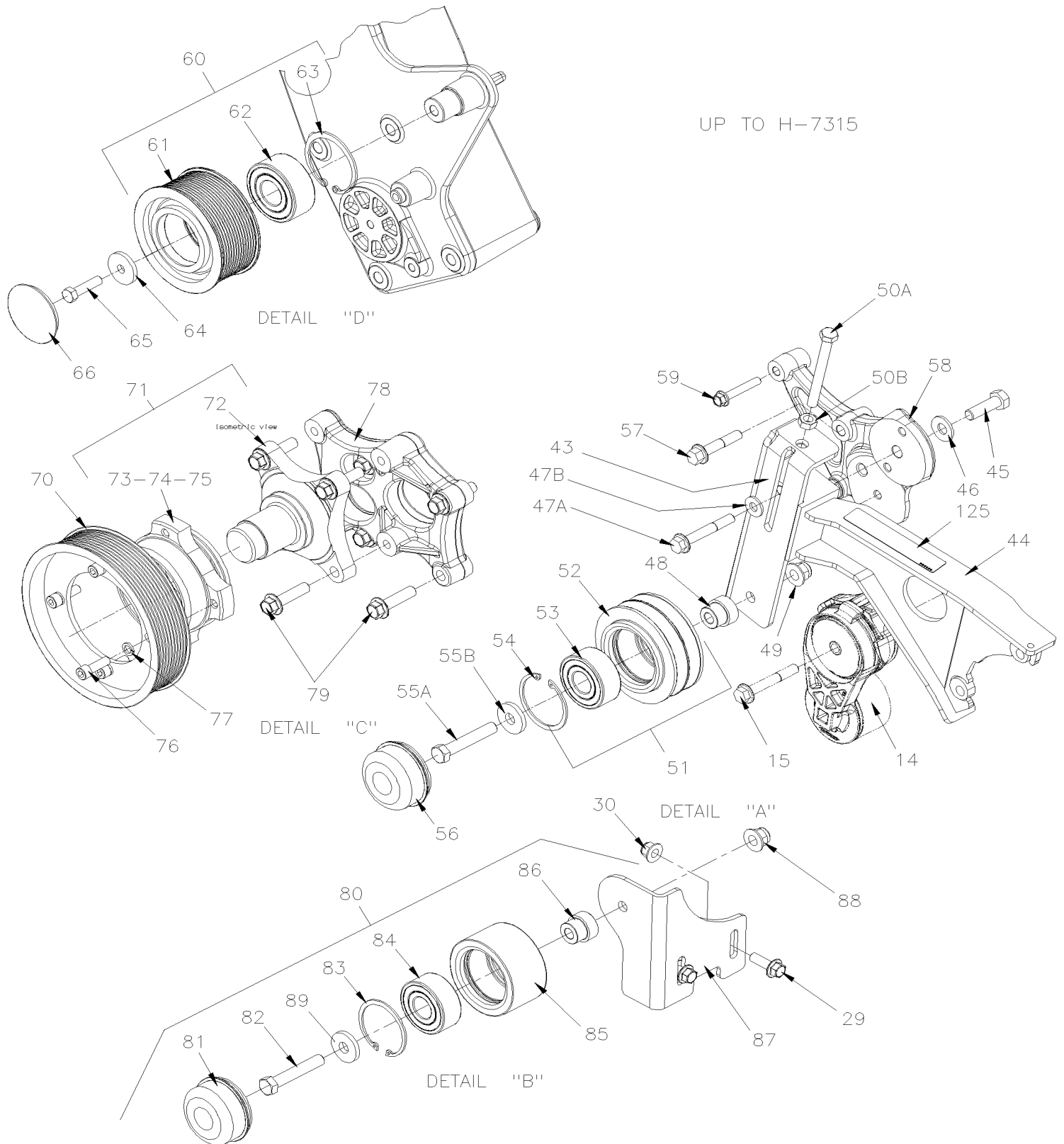


From G-7275 To H-7416

Date:07/2024

PAGE:X3PLB-0120-00

DRIVE PULLEY, BELTS & TENSIONER WITH VOLVO D13

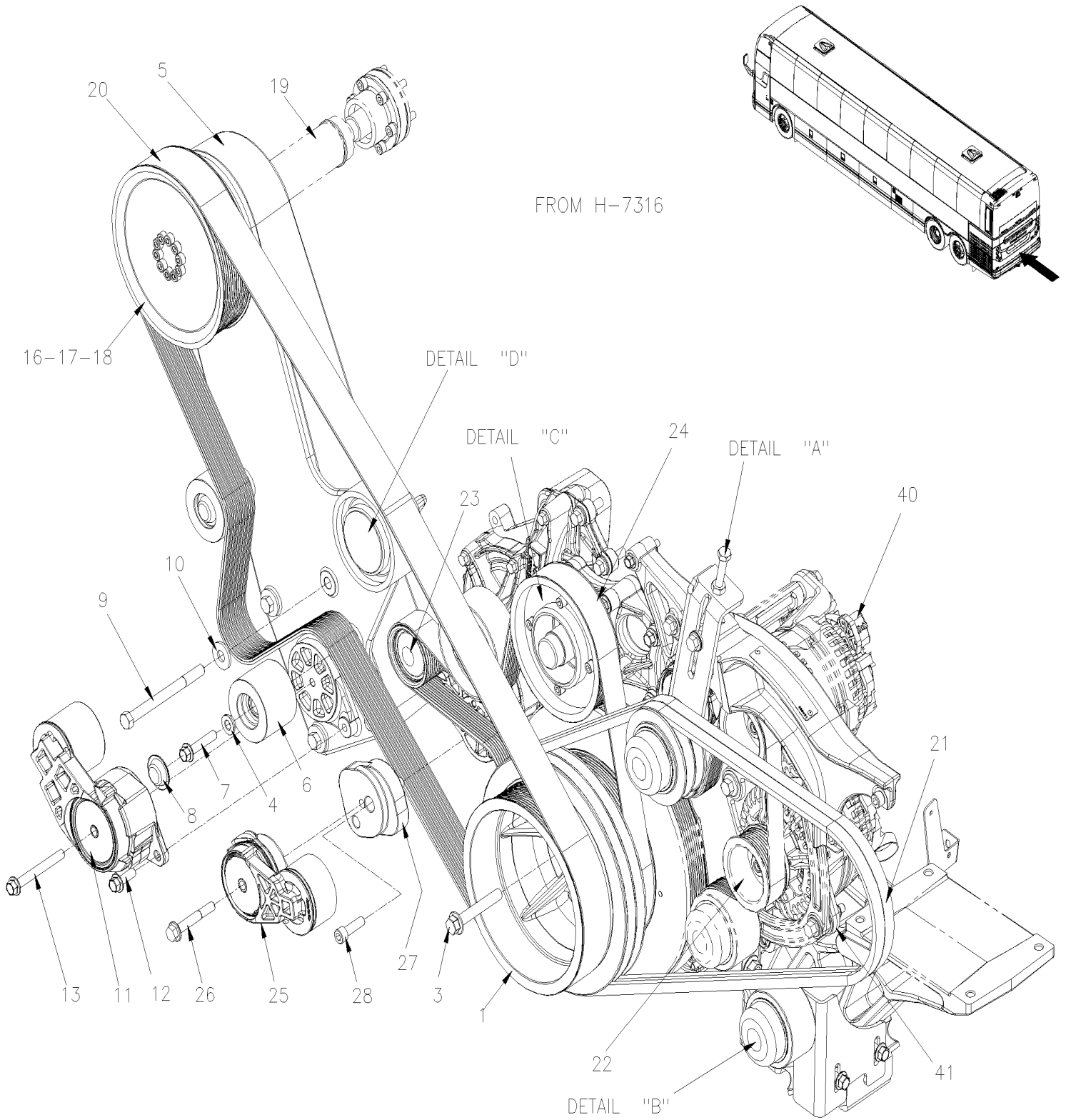


From G-7275 To H-7416

Date:07/2024

PAGE:X3PLB-0120-00

DRIVE PULLEY, BELTS & TENSIONER WITH VOLVO D13

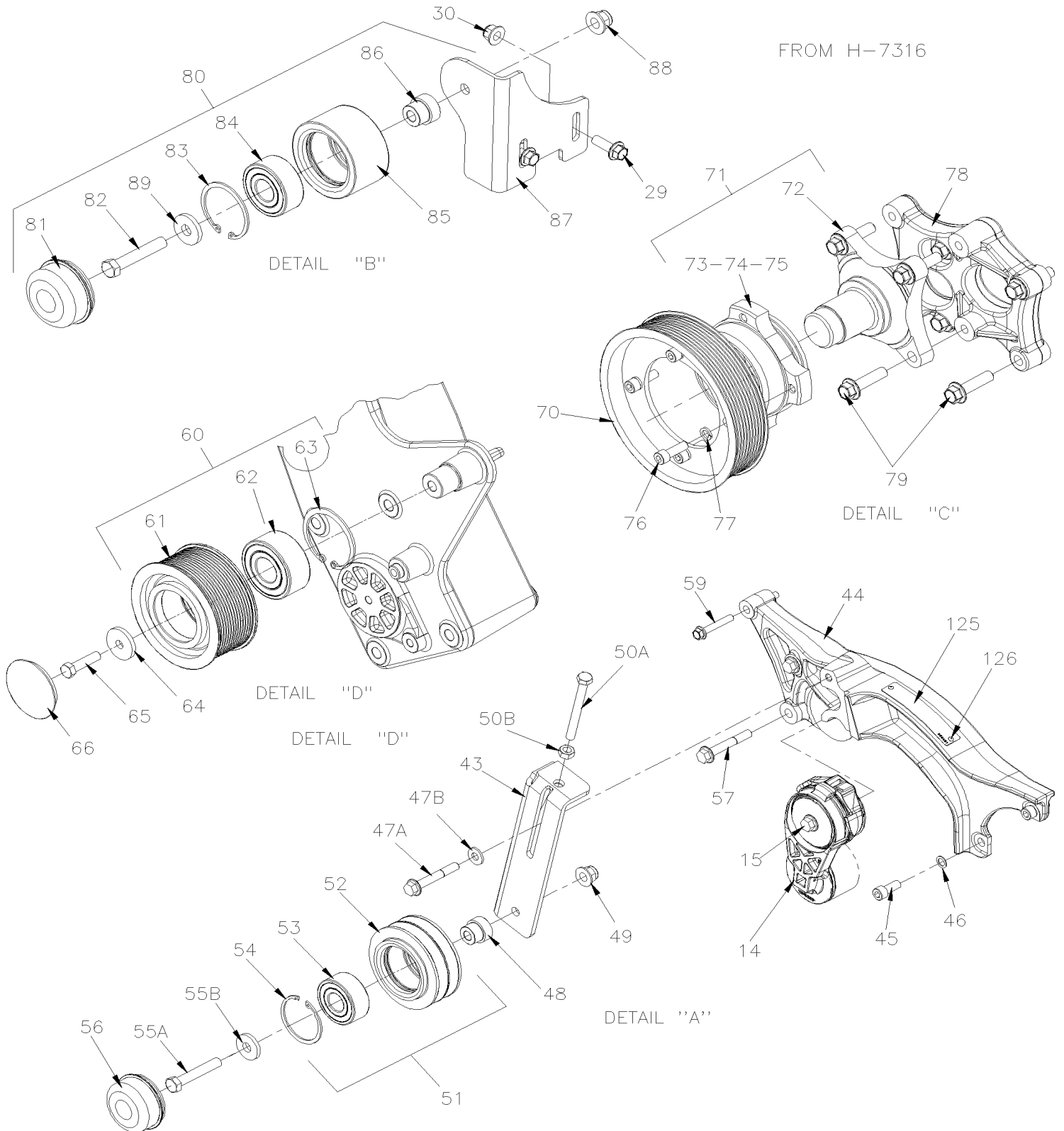


From G-7275 To H-7416

Date:07/2024

PAGE:X3PLB-0120-00

DRIVE PULLEY, BELTS & TENSIONER WITH VOLVO D13



From G-7275 To H-7416	Date:07/2024	PAGE:X3PLB-0120-00
DRIVE PULLEY, BELTS & TENSIONER WITH VOLVO D13		

Item#	Part	Description	QTY	Notes
1	012802	PULLEY DRIVE 277MM x 2V & 220MM x 10RIB & 223MM x 14 RIB	1	
3	5001296	SCREW CAP HEXF M12-1.75x80 G10.9 N500	6	
NS	680038	THREAD LOCKER LOCTITE #243 / BLUE / 50ml	AR	
4	053022	GUIDE, BUSHING	1	
5	20966630	LONG FAN ARM SUPPORT	1	
6	550985	PULLEY ASSY W/BEARING 74MM O.D. x 57MM CROWNED/DOME	2	
7	5001843	SCREW CAP HEXF AD M10-1.5x50 G10.9 N500	2	
8	557056	PROTECTOR CAP / STEEL 40.7MM O.D. x 11MM	2	
9	5001940	SCREW CAP HEX M12-1.75x140 G10.9 N500	4	
10	500211	WASHER FL .531x1.250x.125 N500	4	
11	550925	AUTOMATIC TENSIONER ASSY	1	
. NS	010032	. TOOL KEY 1 1/2" / TENSIONER RELEASE	1	
12	5001644	SCREW CAP HEXF M10-1.5x30 G8.8 G500	1	
13	5001784	SCREW CAP HEXF M10-1.5x90 G8.8 AD N500	1	
14	510991	AUTOMATIC TENSIONER ASSY	1	
15	5001799	SCREW CAP HEXF M10-1.5x70 G10.9 N500	1	
16	550961	PULLEY ASSY / FAN DRIVE 212MM O.D. W/14 RIB	1	
. NS	550983	. BEARING	1	
. NS	551021	. SCREW CAP HEXS M8-1.25 x 30	10	
16	550981	PULLEY ASSY / FAN DRIVE 212MM O.D. W/14 RIB ALTERNATIVE PART	1	
. NS	551020	. BEARING	1	
. NS	551021	. SCREW CAP HEXS M8-1.25 x 30	10	
. NS	551022	. RETAINING RING	1	
17	5001738	SCREW CAP HEX M8-1.25x30 G8.8 N500	6	
18	500321	WASHER BEL SPR .331x.827x.098 N500	6	
19	X3PLB-0520-00	FAN DRIVE - INSTALLATION		
20	5061284	MULTI V-BELT / 14 RIB 100.98" (2565MM) 14PK2565 QT To H-7393	1	
20	506030	MULTI V-BELT / 14 RIB 100.98" (2565MM) 14PK2565 QT ARAMIDE From H-7394	1	
20	5060119	MULTI V-BELT / 14 RIB 100.98" (2565MM) 14PK2565 QT + SD To H-7393	1	H
20	506029	MULTI V-BELT / 14 RIB 100.98" (2565MM) 14PK2565 QT + SD ARAMIDE From H-7394	1	H
21	5060134	V-BELT / BX-71 / SET OF 2	1	
22	X3PLB-0610-05	ALTERNATOR MOUNTING / "BOSCH" VOLVO D13		
22	012880	DECAL / "BELT ROUTING"	1	
23	Refer To Volvo	PULLEY IDLER	1	V
24	5060110	MULTI V-BELT / 10 RIB 59.5" (1512MM) 10PK1512 QT (21-2112)	1	
24	5060104	MULTI V-BELT / 10 RIB 59.5" (1512MM) 10PK1512 QT + SD (21-2112)	1	H
25	510991	AUTOMATIC TENSIONER ASSY	1	
26	5001799	SCREW CAP HEXF M10-1.5x70 G10.9 N500	1	
27	012695	SUPPORT ADAPTOR AUTOMTIC TENSIONER ASSY W/DOWEL / WATER PUMP	1	
. NS	502941	. DOWEL PIN	2	
NS	5001620	SCREW CAP HEXS M10-1.5X35 G10.9 G500	1	

From G-7275 To H-7416	Date:07/2024	PAGE:X3PLB-0120-00
DRIVE PULLEY, BELTS & TENSIONER WITH VOLVO D13		

Item#	Part	Description	QTY	Notes
29	5001741	SCREW CAP HEXF M10-1.5x30 G8.8 N500 To H-7349	2	
29	5000343	SCREW CAP HEXF M10-1.5x30 G10.9 N500 From H-7350	2	
30	5001930	NUT HEXF NYRT M10-1.5 N500 G10.9	2	
40	X3PLB-0605-00	ALTERNATOR 24V/150 AMPS / "BOSCH"		
41	X3PLB-0610-05	ALTERNATOR MOUNTING / "BOSCH" VOLVO D13		
42	X3PLB-2245-00	A/C COMPRESSOR "BITZER" - INSTALLATION		
43	457542	TENSIONER To H-7315	1	
43	457765	TENSIONER, AC BELT COMPRESSOR From H-7316	1	
44	457675	SUPPORT, TENSIONNER WELDED To H-7315	1	
44	457750	SUPPORT, TENSIONNER CASTING From H-7316	1	
45	5001885	SCREW CAP HEX M12-1.75X40 G10.9 N500 To H-7315	1	
45	5001616	SCREW CAP HEXS M10-1.5X25 G10.9 DP From H-7316	2	
45	680098	THREAD SEALANT LOCTITE #567 / WHITE / 250ml From H-7316	AR	
46	500967	WASHER BEL SPR .512x1.142x.098 N500 To H-7315	1	
46	502867	WASHER FL .406x.625x.040 N500 From H-7316	2	
47A	5001799	SCREW CAP HEXF M10-1.5x70 G10.9 N500 To H-7315	1	
47A	5000343	SCREW CAP HEXF M10-1.5x30 G10.9 N500 From H-7316	1	
47B	5001834	WASHER BEL SPR 10.5X23X2.5 N500	1	
48	457501	BUSHING 30MM O.D. x 20MM I.D. x 12MM To H-7315	1	
48	053724	BUSHING From H-7316	1	
49	5001761	NUT HEXF NYRT M12-1.75 G8 N500	1	
50A	5001914	SCREW CAP HEX M10-1.5x100 FT SS	1	
50B	500847	NUT HEX M10-1.5 N500	1	
51	457505	PULLEY ASSY W/BEARING To H-7314	1	G
51	450334	KIT PULLEY REPLACEMENT / SERVICE LARGE A/C To H-7314	1	G
51	457785	PULLEY ASSY W/BEARING From H-7315 To H-7361	1	
51	450096	PULLEY ASSY W/BEARING From H-7362	1	
52	457504	. PULLEY / 112MM O.D. X 2V To H-7314	1	
52	457786	. PULLEY / 112MM O.D. X 2V From H-7315	1	
53	507340	. BALL BEARING 20 ID x 52 OD x 22.2 W To H-7314	1	E
53	507014	. BALL BEARING 20 ID x 52 OD x 22.2 W To H-7314	1	
53	507006	. BALL BEARING 25 ID x 62 OD x 25.4 W From H-7315 To H-7361	1	
53	509952	. BALL BEARING 25 ID x 62 OD x 25.4 W HI-TEMP From H-7362	1	
54	504095	. RING RETAINER / INT 2.00 x 2.12 x .062 To H-7314	1	
54	504040	. RING RETAINER / INT 2.440 x 1.860 x 0.078 STL BLK From H-7315	1	
55A	457500	ROD, IDLER A/C M12-1.75 x 59 To H-7314	1	
55A	5001862	SCREW CAP HEX M12-1.75x70 G10.9 N500 From H-7315	1	
55B	5002008	WASHER FL 13.0x35.0x5.0 N500 From H-7315	1	
56	453076	CAP, DUST	1	
57	5001799	SCREW CAP HEXF M10-1.5x70 G10.9 N500 To H-7315	2	

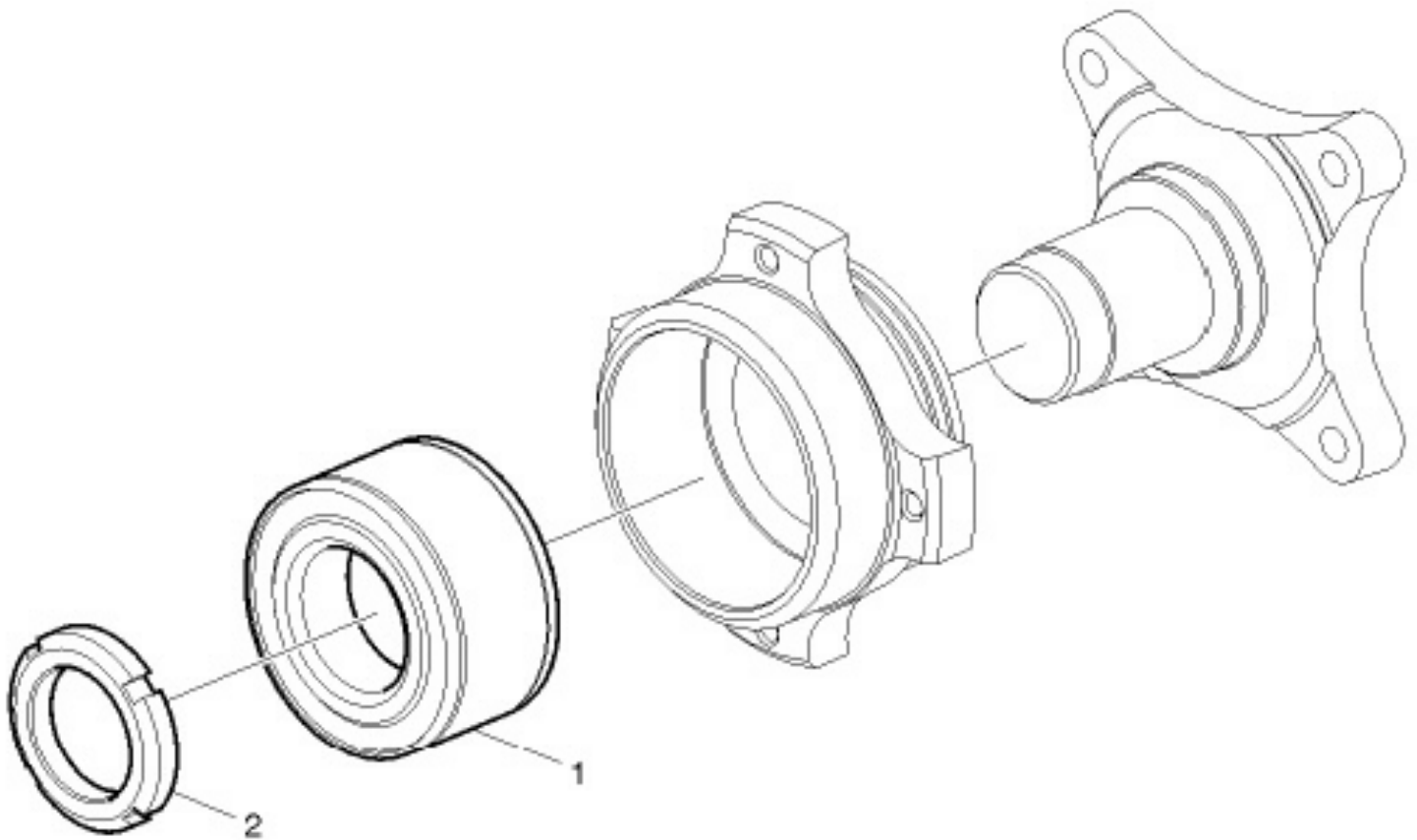
From G-7275 To H-7416	Date:07/2024	PAGE:X3PLB-0120-00
DRIVE PULLEY, BELTS & TENSIONER WITH VOLVO D13		

Item#	Part	Description	QTY	Notes
57	5001801	SCREW CAP HEXF M10-1.5x55 G10.9 N500 From H-7316	2	
58	454779	SUPPORT PULLEY ALT & A/C WELDED PROTO To H-7315	1	
59	500796	SCREW CAP HEXF M8-1.25x50 G10.9 N500	1	
60	052896	PULLEY ASSY W/BEARING / 54MM x 117MM O.D. To H-7314	1	J
60	053722	PULLEY ASSY W/BEARING / 54MM x 125MM O.D. / 14V From H-7315 To H-7361	1	J
60	050027	PULLEY ASSY W/BEARING / 54MM x 125MM O.D. / 14V From H-7362	1	
61	052625	. PULLEY / 54MM x 117MM O.D. To H-7314	1	
61	053723	. PULLEY / 54MM x 125MM O.D. / 14V From H-7315	1	
62	510618	. BALL BEARING DBL ROW / 30MM x 62MM x 27 W To H-7314	1	
62	507008	. BALL BEARING 30MM x 72MM x 30.2 W From H-7315 To H-7361	1	
62	509953	. BALL BEARING 30MM x 72MM x 30.2 W HI-TEMP From H-7362	1	
63	504040	. RING RETAINER / INT 2.440 x 1.860 x 0.078 STL BLK To H-7314	1	
63	504736	. RING RETAINER / INT 72 x 75 x 2.5MM From H-7315	1	
64	012062	WASHER FL 10.2 x38.1x5 ST	1	
65	500829	SCREW CAP HEX M10-1.5x40 G8.8	1	
66	510798	PROTECTOR CAP / "PREVOST"	1	
70	8149875	PULLEY 171 MM O.D. W/10RIB	1	
71	21146745	HUB ASSY To H-7339	1	
71	22719941	HUB ASSY From H-7340	1	
72	20459796	. SHAFT MOUNTING	1	
73	N.S.S.	. BEARING HOUSING To H-7339	1	1
73	N.S.S.	. BEARING HOUSING From H-7340	1	1
74	21146660	. BALL BEARING To H-7339	1	
74	N.S.S.	. BALL BEARING From H-7340	1	1
75	1675790	. NUT M40 x 9MM	1	
76	5001775	SCREW CAP HEXS M8-1.25x25 G8.8 G500	4	
77	500942	WASHER LO SPT 8.1x14.8x2.0 N500	4	
78	21270170	SUPPORT PULLEY TENSIONER WATER PUMP	1	
79	5001308	SCREW CAP HEXF M10-1.5x40 G10.9 N500	8	
80	457545	PULLEY, LOOSE ASM To H-7314	1	F
80	457781	PULLEY, LOOSE ASM From H-7315 To H-7361	1	F
80	450094	PULLEY, LOOSE ASM From H-7362	1	
81	453076	. CAP, DUST	1	
82	453835	. SCREW CAP HEX M20-2.5x65 To H-7314	1	
82	5001862	. SCREW CAP HEX M12-1.75x70 G10.9 N500 From H-7315	1	
83	504095	. RING RETAINER / INT 2.00 x 2.12 x .062 To H-7314	1	
83	504040	. RING RETAINER / INT 2.440 x 1.860 x 0.078 STL BLK From H-7315	1	
84	507340	. BALL BEARING 20 ID x 52 OD x 22.2 W To H-7314	1	E
84	507014	. BALL BEARING 20 ID x 52 OD x 22.2 W To H-7314	1	
84	507006	. BALL BEARING 25 ID x 62 OD x 25.4 W From H-7315 To H-7361	1	
84	509952	. BALL BEARING 25 ID x 62 OD x 25.4 W HI-TEMP From H-7362	1	
85	453834	. PULLEY / 45MM x 90MM O.D. To H-7314	1	

From G-7275 To H-7416	Date:07/2024	PAGE:X3PLB-0120-00
DRIVE PULLEY, BELTS & TENSIONER WITH VOLVO D13		

Item#	Part	Description	QTY	Notes
85	012958	. PULLEY / 48MM x 90MM O.D. From H-7315	1	
86	052205	. SPACER 20MM I.D. X 12.5MM TH To H-7314	1	
86	053724	. BUSHING From H-7315	1	
87	457546	. SUPPORT, LOOSE PULLEY To H-7314	1	
87	457782	. SUPPORT, LOOSE PULLEY From H-7315	1	
88	5001252	. NUT HEX STO M20-2.5 DP To H-7314	1	
88	5001761	. NUT HEXF NYRT M12-1.75 G8 N500 From H-7315	1	
89	5002008	. WASHER FL 13.0x35.0x5.0 N500 From H-7315	1	
NS	685290	TOOL PULLEY RETAINER / FOR TORQ # 550912	1	
125	069356	DECAL "DO NOT POWER WASH ALTERNATORS" ENGLISH To H-7315	1	
125	069421	DECAL "DO NOT POWER WASH ALTERNATORS" From H-7316	1	
126	504339	RIVET POP DOME OE 1/8x3/8 SS From H-7316	1	
NS	684420	SCREW MARKER LOCK 90ml	AR	
		E) REPLACE BY # 507014		
		F) FOR PRODUCT IMPROVMENT ASK FOR # 450094		
		G) FOR PRODUCT IMPROVMENT ASK FOR # 450334		
		H) HEAVY DUTY		
		J) FOR PRODUCT IMPROVMENT ASK FOR # 050027		
		1) NOT SOLD SEPARATELY		
		V) SEE IMPACT OR CALL ORDER DESK		

From H-7340	Date:07/2024	PAGE:22719941
HUB ASSY		



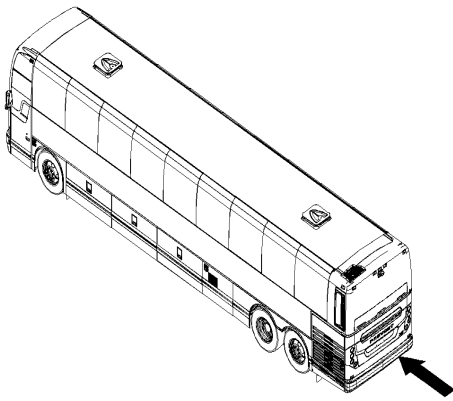
From H-7340			Date:07/2024	PAGE:22719941	
HUB ASSY					
Item#	Part	Description		QTY	Notes
1	21760184	BALL BEARING		1	
2	23705970	ROUND NUT		1	

From H-7417 To M-7767

Date:07/2024

PAGE:X3PLB-0120-01

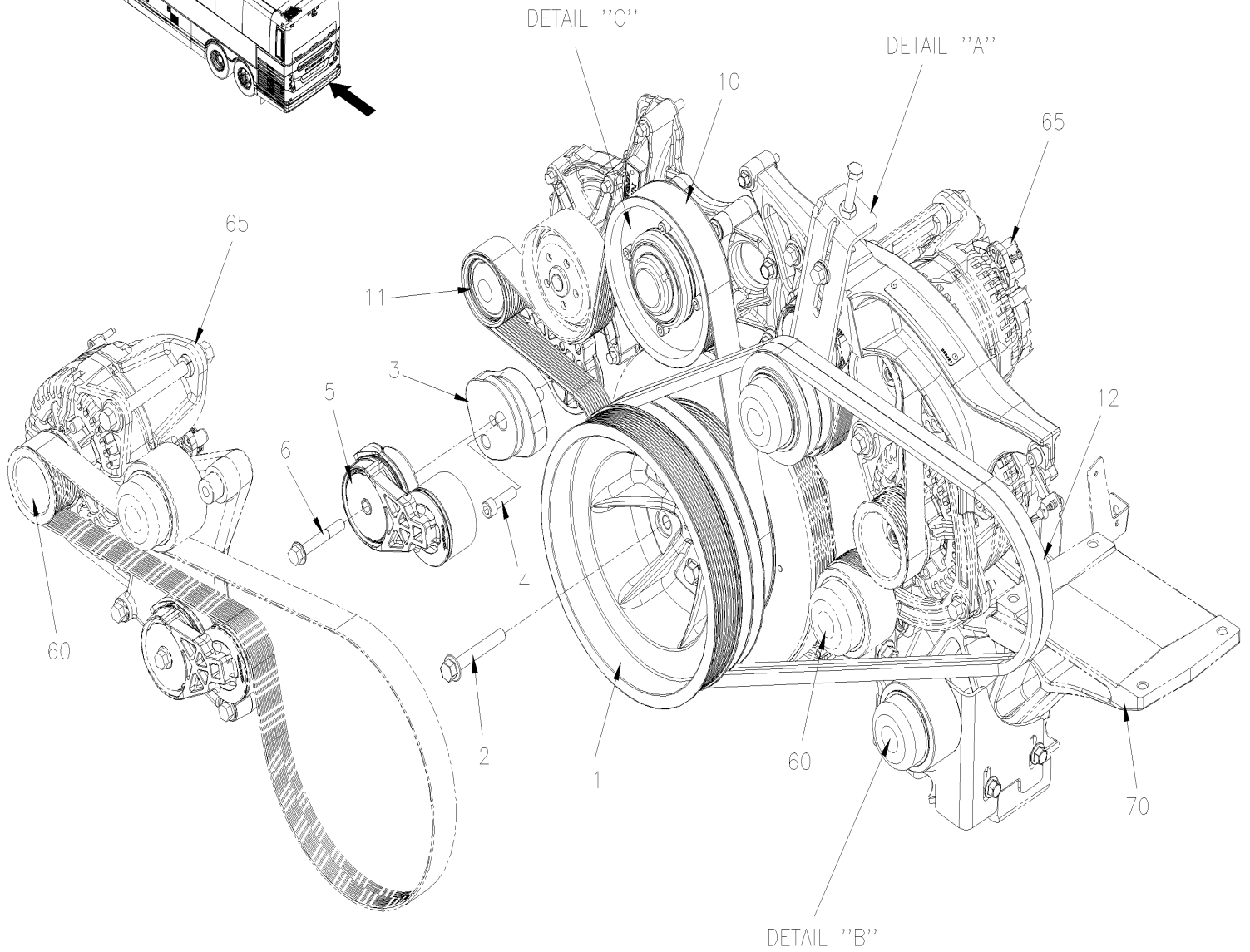
DRIVE PULLEY, BELTS & TENSIONER WITH VOLVO D13 - GHG17



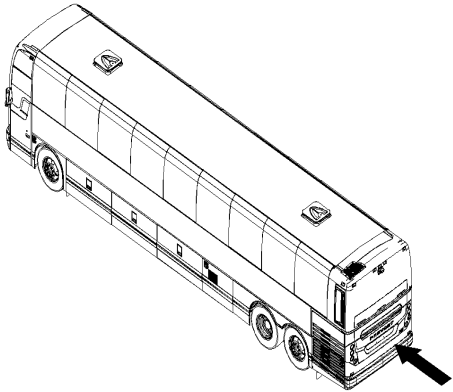
WITH BOSCH ALTERNATOR

DETAIL "C"

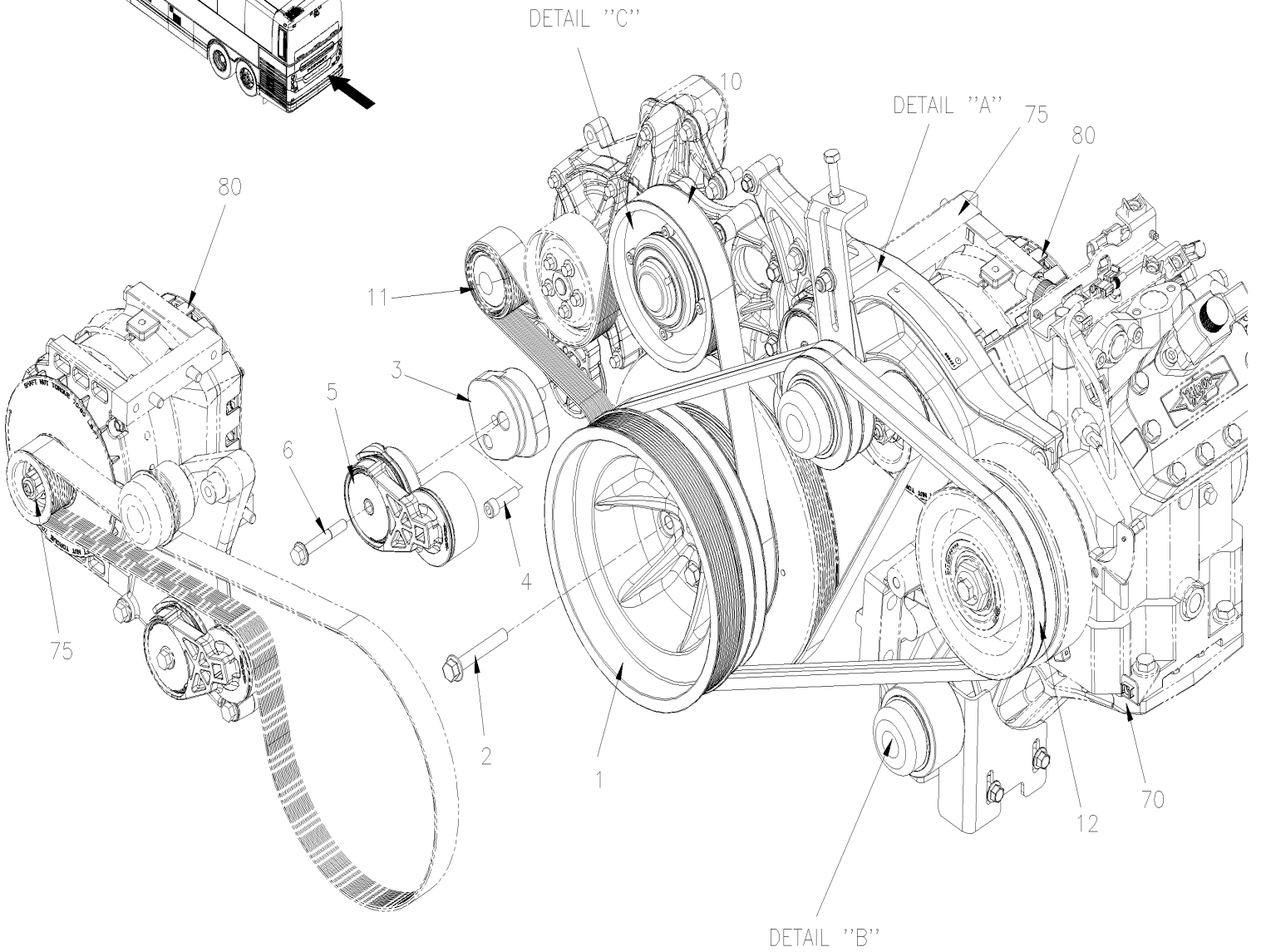
DETAIL "A"



From H-7417 To M-7767	Date:07/2024	PAGE:X3PLB-0120-01
DRIVE PULLEY, BELTS & TENSIONER WITH VOLVO D13 - GHG17		



WITH REMY ALTERNATOR

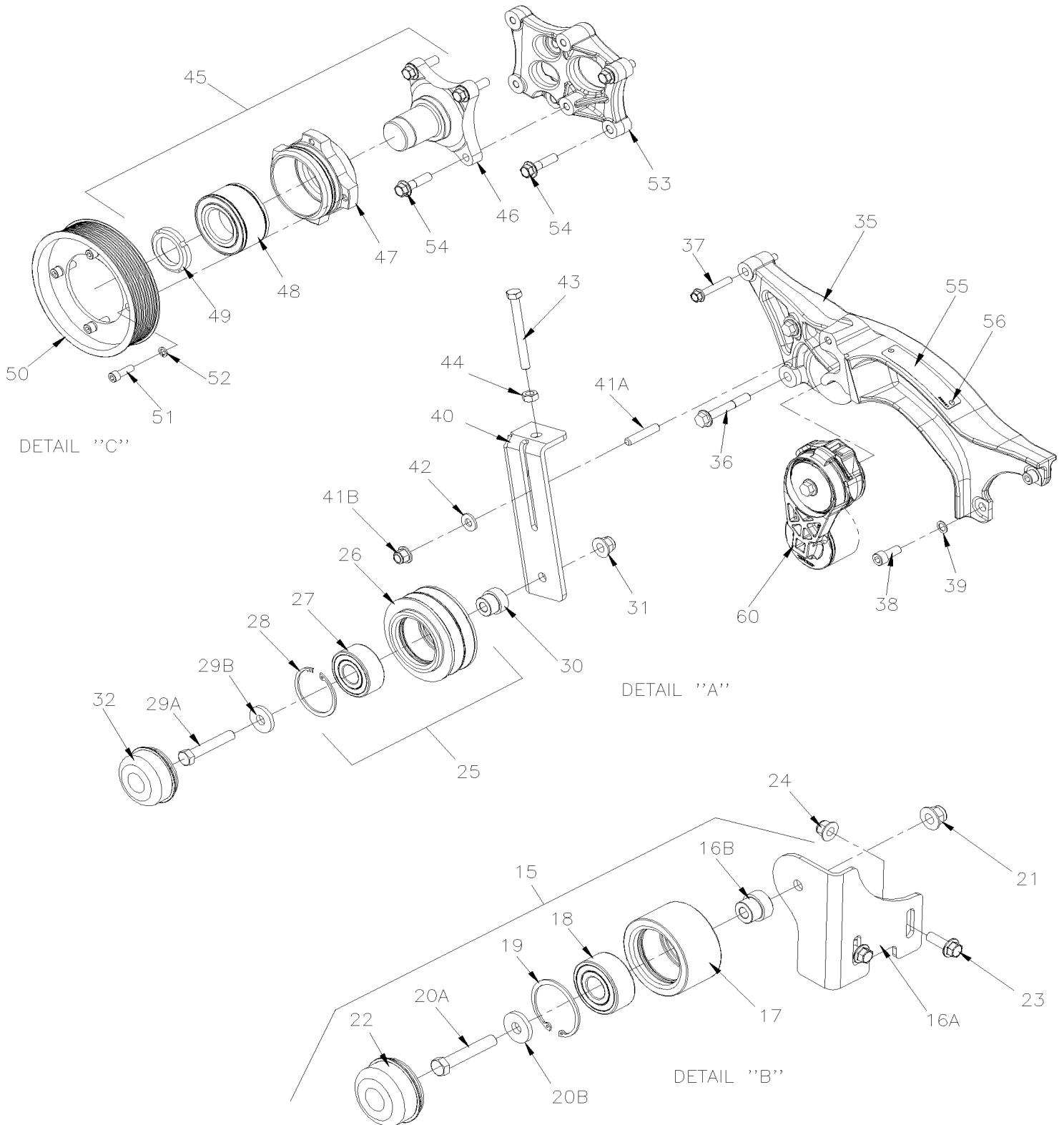


From H-7417 To M-7767

Date:07/2024

PAGE:X3PLB-0120-01

DRIVE PULLEY, BELTS & TENSIONER WITH VOLVO D13 - GHG17



From H-7417 To M-7767	Date:07/2024	PAGE:X3PLB-0120-01
DRIVE PULLEY, BELTS & TENSIONER WITH VOLVO D13 - GHG17		

Item#	Part	Description	QTY	Notes
1	012941	DRIVE PULLEY / 280MMx10RIB/ 268.3MMx2V / 220.8MMx10 RIB To M-7767	1	
1	010319	DRIVE PULLEY / 280MMx10RIB/ 268.3MMx2V / 220.8MMx10 RIB From M-7768	1	
2	5001296	SCREW CAP HEXF M12-1.75x80 G10.9 N500	6	
3	012695	SUPPORT ADAPTOR AUTOMTIC TENSIONER ASSY W/DOWEL / WATER PUMP	1	
. NS	502941	. DOWEL PIN	2	
4	5001620	SCREW CAP HEXS M10-1.5X35 G10.9 G500	1	
4	680038	THREAD LOCKER LOCTITE #243 / BLUE / 50ml	AR	
5	510991	AUTOMATIC TENSIONER ASSY	1	
6	5001799	SCREW CAP HEXF M10-1.5x70 G10.9 N500	1	
10	5060110	MULTI V-BELT / 10 RIB 59.5" (1512MM) 10PK1512 QT (21-2112)	1	
10	5060104	MULTI V-BELT / 10 RIB 59.5" (1512MM) 10PK1512 QT + SD (21-2112)	1	H
11	Refer To Volvo	PULLEY IDLER	1	V
12	5060134	V-BELT / BX-71 / SET OF 2 To K-7578	1	
12	5060142	V-BELT / BX-71 From K-7579 To K-7651	2	
12	5060134	V-BELT / BX-71 / SET OF 2 From K-7652 To M-7767	1	
12	5060137	SUPER V-BELT / 5VX740 From M-7768	2	
15	450094	PULLEY, LOOSE ASM	1	
16A	457782	. SUPPORT, LOOSE PULLEY	1	
16B	052205	. SPACER 20MM I.D. X 12.5MM TH	1	
17	012958	. PULLEY / 48MM x 90MM O.D.	1	
18	509952	. BALL BEARING 25 ID x 62 OD x 25.4 W HI-TEMP	1	
19	504040	. RING RETAINER / INT 2.440 x 1.860 x 0.078 STL BLK	1	
20A	5001862	. SCREW CAP HEX M12-1.75x70 G10.9 N500	1	
20B	5002008	. WASHER FL 13.0x35.0x5.0 N500	1	
21	5001252	. NUT HEX STO M20-2.5 DP	1	
22	453076	. CAP, DUST	1	
23	5000343	SCREW CAP HEXF M10-1.5x30 G10.9 N500	2	
24	5001930	NUT HEXF NYRT M10-1.5 N500 G10.9	2	
25	450044	PULLEY ASSY W/BEARING To M-7767	1	
25	450096	PULLEY ASSY W/BEARING From M-7768	1	
26	450045	. PULLEY / 112MM O.D. X 2V To M-7767	1	
26	457786	. PULLEY / 112MM O.D. X 2V From M-7768	1	
27	509952	. BALL BEARING 25 ID x 62 OD x 25.4 W HI-TEMP	1	
28	504040	. RING RETAINER / INT 2.440 x 1.860 x 0.078 STL BLK	1	
29A	5001862	SCREW CAP HEX M12-1.75x70 G10.9 N500	1	
29B	5002008	WASHER FL 13.0x35.0x5.0 N500	1	
30	053724	BUSHING	1	
31	5001761	NUT HEXF NYRT M12-1.75 G8 N500	1	
32	453076	CAP, DUST	1	
35	457750	SUPPORT, TENSIONNER CASTING To K-7607	1	
35	450580	SUPPORT, TENSIONNER CASTING From K-7590 To K-7607	1	A
35	450580	SUPPORT, TENSIONNER CASTING From K-7608 To N-8010	1	

From H-7417 To M-7767	Date:07/2024	PAGE:X3PLB-0120-01
DRIVE PULLEY, BELTS & TENSIONER WITH VOLVO D13 - GHG17		

Item#	Part	Description	QTY	Notes
35	454767	SUPPORT, TENSIONNER CASTING From N-8011	1	
36	5001799	SCREW CAP HEXF M10-1.5x70 G10.9 N500	2	
37	500796	SCREW CAP HEXF M8-1.25x50 G10.9 N500	1	
38	5001616	SCREW CAP HEXS M10-1.5X25 G10.9 DP	2	
NS	680038	THREAD LOCKER LOCTITE #243 / BLUE / 50ml	AR	
39	502867	WASHER FL .406x.625x.040 N500	2	
40	450050	TENSIONER, AC BELT COMPRESSOR	1	
41	5000343	SCREW CAP HEXF M10-1.5x30 G10.9 N500 To H-7416	1	
41A	5000360	ROD M10-1.5x52 N500 From H-7417	1	
41A	680100	THREAD LOCKER LOCTITE #271 / RED / 250ml From H-7417	AR	
41B	5001930	NUT HEXF NYRT M10-1.5 N500 G10.9 From H-7417	1	
42	5001834	WASHER BEL SPR 10.5X23X2.5 N500	1	
43	5001914	SCREW CAP HEX M10-1.5x100 FT SS	1	
44	500847	NUT HEX M10-1.5 N500	1	
45	21146745	HUB ASSY To H-7339	1	
45	22719941	HUB ASSY From H-7340	1	
46	20459796	. SHAFT MOUNTING	1	
47	N.S.S.	. BEARING HOUSING To H-7339	1	1
47	N.S.S.	. BEARING HOUSING From H-7340	1	1
48	21146660	. BALL BEARING To H-7339	1	
48	N.S.S.	. BALL BEARING From H-7340	1	1
49	1675790	. NUT M40 x 9MM	1	
50	8149875	PULLEY 171 MM O.D. W/10RIB	1	
51	5001775	SCREW CAP HEXS M8-1.25x25 G8.8 G500	4	
NS	680038	THREAD LOCKER LOCTITE #243 / BLUE / 50ml	1	
52	500942	WASHER LO SPT 8.1x14.8x2.0 N500	4	
53	21270170	SUPPORT PULLEY TENSIONER WATER PUMP	1	
54	5001308	SCREW CAP HEXF M10-1.5x40 G10.9 N500	8	
55	069421	DECAL "DO NOT POWER WASH ALTERNATORS"	1	
56	504339	RIVET POP DOME OE 1/8x3/8 SS	2	
60	X3PLB-0610-06	ALTERNATOR MOUNTING / "BOSCH" VOLVO D13 - GHG17	1	
60	X3PLB-0610-10	ALTERNATOR MOUNTING / COACH WITH 4 ALTERNATORS VOLVO D13	1	O
65	X3PLB-0605-00	ALTERNATOR 24V/150 AMPS / "BOSCH"	1	
NS	069356	DECAL "DO NOT POWER WASH ALTERNATORS" ENGLISH To L-7718	1	
NS	0610176	DECAL "DO NOT POWER WASH ALTERNATORS" ENGLISH From L-7719	1	
NS	0610181	DECAL "DO NOT POWER WASH ALTERNATORS" ENGLISH / FRANCAIS From L-7719	1	
70	X3PLB-0150-01	ENGINE CRADLE - WITH VOLVO D13 - GHG17	1	
75	X3PLB-0610-15	ALTERNATOR MOUNTING / "REMY" VOLVO D13		
80	X3PLB-0605-10	ALTERNATOR 24V/250 AMPS / "REMY" To P-8096		
80	X3PLB-0605-11	ALTERNATOR 24V/250 AMPS / "REMY" From P-8097		

From H-7417 To M-7767	Date:07/2024	PAGE:X3PLB-0120-01
-----------------------	--------------	--------------------

DRIVE PULLEY, BELTS & TENSIONER WITH VOLVO D13 - GHG17

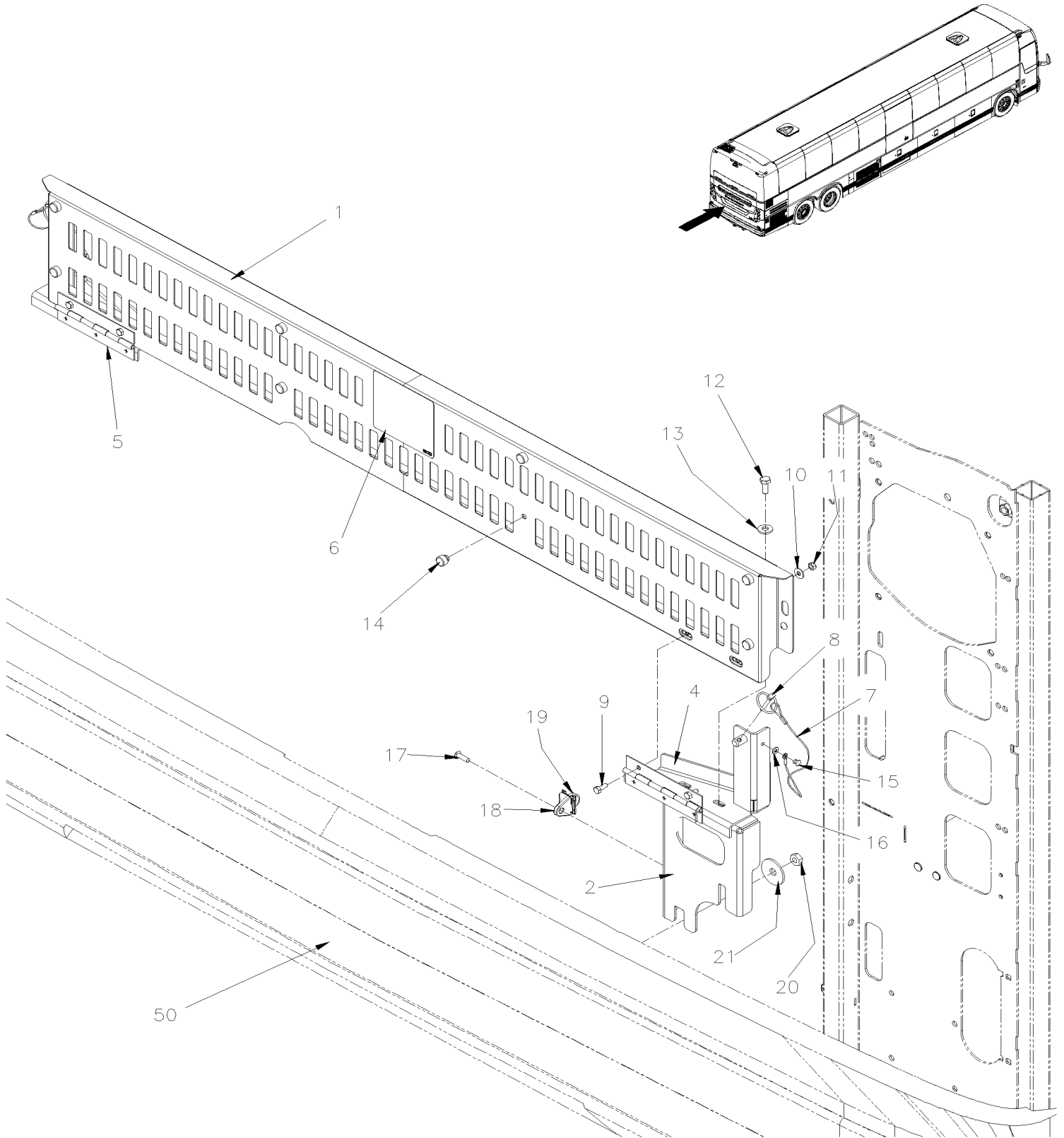
Item#	Part	Description	QTY	Notes
		A) WITH REMY ALTERNATOR		
		H) HEAVY DUTY		
		O) OPTIONAL, 2 ALTERNATEUR STREET SIDE, W/ LARGE A/C OPTION		
		1) NOT SOLD SEPARATELY		
		V) SEE IMPACT OR CALL ORDER DESK		

From J-7474 To M-7767

Date:07/2024

PAGE:X3PLB-0135-00

BELT GUARD OPTION GLI



From J-7474 To M-7767	Date:07/2024	PAGE:X3PLB-0135-00
-----------------------	--------------	--------------------

BELT GUARD OPTION GLI

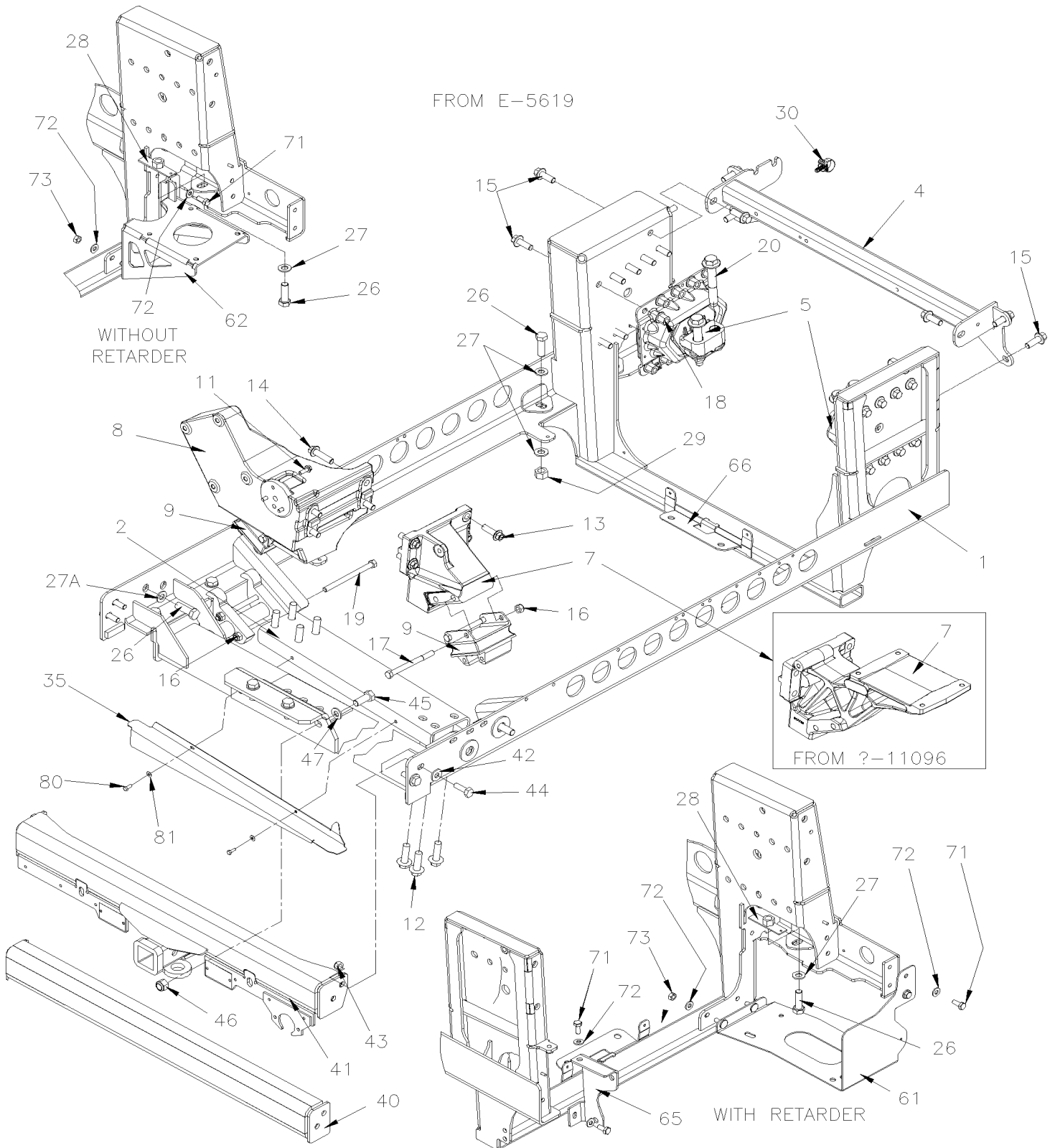
Item#	Part	Description	QTY	Notes
1	491600	BELT GUARD 1480 x 200 x 36.6 MM	1	
2	491592	BELT GUARD BRACKET, CURB SIDE 236 X 156 X 40 MM	1	
NS	491593	BELT GUARD BRACKET, STREET SIDE 236 X 156 X 40 MM	1	
4	491594	HINGE BRACKET ASS, CURB SIDE 213.2 x 168.8 x 89 MM	1	
5	491595	HINGE BRACKET ASS, STREET SIDE 213.2 x 168.8 x 89 MM	1	
6	012723	DECAL "WARNING DO NOT WORK AROUND BELT..."	1	
7	510973	CABLE SS 3/64" DIA. ASSY W/LOOP 8" LG x W/1" LOOP	2	
8	5002045	LOCKING PIN WITH RING	2	
9	5001697	SCREW CAP HEX M6-1.0x16 SS BK	4	
10	5001833	WASHER BEL SPR 6.1x18x1.27 SS	4	
11	5001182	NUT HEX NYRT M6-1.0 SS	4	
12	500119	SCREW CAP HEX M8X1.25X20 BK	4	
13	5001848	WASHER BEL SPR .827 x .331 x .098 th SS	4	
14	504527	BUMPER PLUG / .625ODx.312THx.250HOLEx.125	AR	
15	504379	RIVET POP DOME OE 3/16x1/4 SS	2	
16	504357	WASHER FL .187x.437x.050 SS	2	
17	504610	RIVET MGLP PRDG 1/4x5/8 SS	1	
18	504772	ATTACHMENT USE WITH CABLE TIE 5/16 BOLT	1	
19	504016	CABLE TIE / 5/16" X 14"1/2	1	
20	502567	NUT HEX M10-1.5 SS	AR	
21	284447	WASHERS BELLEVILLE	AR	
31	IS18901	ENGINE BELT GUARD INSTALLATION	1	
. NS	200778P	. ENGINE BELT GUARD SUB-ASSEMBLY	1	
. NS	IS-18901	. SEE INSTRUCTION SHEET	1	
50	X3PLB-1850-10	BUMPER REAR	1	

From G-7275 To H-7416

Date:07/2024

PAGE:X3PLB-0150-00

ENGINE CRADLE - WITH VOLVO D13



From G-7275 To H-7416	Date:07/2024	PAGE:X3PLB-0150-00
ENGINE CRADLE - WITH VOLVO D13		

Item#	Part	Description	QTY	Notes
1	012901	ENGINE CRADLE / W/D13 WITHOUT TRAILER HITCH	1	
1	012900	ENGINE CRADLE / W/D13 WITH TRAILER HITCH	1	
2	012732	BAR PROTECTOR & REINFORCEMENT W/D13	1	
4	012785	REINFORCEMENT ASSY W/D13	1	
5	20499474	ENGINE MOUNT FRONT W/D13	2	
7	012839	ENGINE MOUNT CURBSIDE WITH "BITZER" W/D13	1	
8	20966683	ENGINE MOUNT STREET SIDE W/D13	1	
9	3037072	INSULATOR, RUBBER MOUNT W/D13	2	
10	5001308	SCREW CAP HEXF M10-1.5x40 G10.9 N500	4	
11	5001643	SCREW CAP HEXF M8-1.25x25 G8.8 G500	3	
12	5001590	SCREW CAP HEX M16-2.0x40 G10.9 N500	12	
NS	5001150	WASHER FL 17.0x30.0x3.0 N500	23	
13	5001671	SCREW CAP HEXF M14-2.0x45 G8.8 G500	8	
14	5001672	SCREW CAP HEXF M14-2.0x55 G8.8 G500	4	
15	5001671	SCREW CAP HEXF M14-2.0x45 G8.8 G500	26	
15	680038	THREAD LOCKER LOCTITE #243 / BLUE / 50ml	AR	
16	5001761	NUT HEXF NYRT M12-1.75 G8 N500	8	
17	5001940	SCREW CAP HEX M12-1.75x140 G10.9 N500	4	
18	979231	NUT HEXF M14-XXX MAGGI 565	26	
19	979935	SCREW CAP HEXF M12-1.75x160 G8.8 ZG603	4	
20	991198	SCREW CAP HEXF DOG POINT M20-2.5x120 G10.9	4	
26	5001372	SCREW CAP HEX M16-2.0x50 G10.9 N500	AR	
27A	502901	WASHER FL .625x1.469x.109 N500	2	
28	012546	NUT STO SPECIAL / WELDED ON PLATE M16-2.0 DP	AR	
29	5001662	NUT HEX NYRT M16-2.0 G10 Z050	AR	
30	504750	CABLE TIE / 1/2" x 15" / CHRISTMAS TREE	1	
NS	504449	HOLE PLUG BUTTON / .500 O.D. BLACK	3	
NS	680042	GLUE LOCTITE 430 BOTTLE 1OZ	AR	
35	012852	PROTECTOR / BELT	1	
40	N.P.N.	PROTECTOR ASSY	1	4
41	411289	PROTECTOR ASSY / W/TRAILER HITCH	1	
42	500011	WASHER FL / HARDENED 13.0x24.0x3.0 STL	4	
43	5001728	NUT HEXF STO M12-1.75 N500 G10	4	
44	5001885	SCREW CAP HEX M12-1.75X40 G10.9 N500	4	
45	5001372	SCREW CAP HEX M16-2.0x50 G10.9 N500	4	
46	500781	NUT HEX STO M16-2.0 DP	4	
47	5001150	WASHER FL 17.0x30.0x3.0 N500	8	
61	070040	SUPPORT OIL COOLER W/RETARDER	1	A
62	071674	SUPPORT OIL COOLER W/O RETARDER	1	B
65	071672	SUPPORT ACCUMULATOR	1	A
71	502804	SCREW CAP HEX M10-1.5x25 G8.8 N500	4	

From G-7275 To H-7416	Date:07/2024	PAGE:X3PLB-0150-00
ENGINE CRADLE - WITH VOLVO D13		

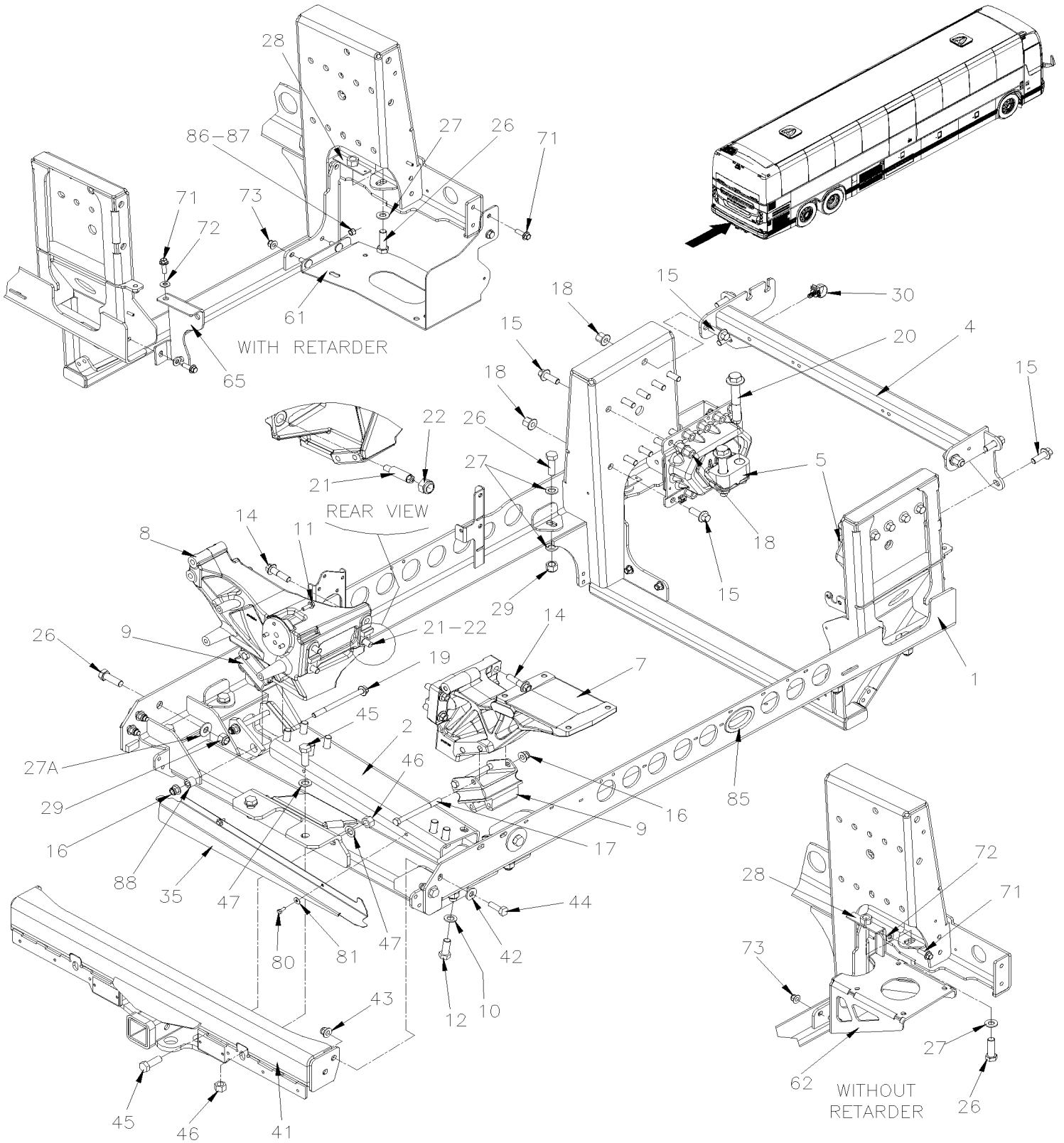
Item#	Part	Description	QTY	Notes
72	5001834	WASHER BEL SPR 10.5X23X2.5 N500	4	
73	500847	NUT HEX M10-1.5 N500	2	
80	5001697	SCREW CAP HEX M6-1.0x16 SS BK	2	
81	5001833	WASHER BEL SPR 6.1x18x1.27 SS	2	
		A) WITH RETARDER		
		B) WITHOUT RETARDER		
		4) NO PARTS NUMBER		

From H-7417 To M-7767

Date:07/2024

PAGE:X3PLB-0150-01

ENGINE CRADLE - WITH VOLVO D13 - GHG17



From H-7417 To M-7767	Date:07/2024	PAGE:X3PLB-0150-01
ENGINE CRADLE - WITH VOLVO D13 - GHG17		

Item#	Part	Description	QTY	Notes
1	012956	ENGINE CRADLE / W / D13 WITH TRAILER HITCH To J-7447	1	
1	010081	ENGINE CRADLE / W / D13 WITH TRAILER HITCH From J-7448 To K-7589	1	
1	010103	ENGINE CRADLE / W / D13 WITH TRAILER HITCH From K-7590 To L-7720	1	
1	010311	ENGINE CRADLE / W / D13 WITH TRAILER HITCH From L-7721 To P-8096	1	
1	010346	ENGINE CRADLE / W / D13 WITH TRAILER HITCH From P-8097	1	
1	012955	ENGINE CRADLE / W / D13 WITHOUT TRAILER HITCH To K-7589	1	
1	010202	ENGINE CRADLE / W / D13 WITHOUT TRAILER HITCH From K-7590 To L-7720	1	
1	010310	ENGINE CRADLE / W / D13 WITHOUT TRAILER HITCH From L-7721 To P-8096	1	
1	010332	ENGINE CRADLE / W / D13 WITHOUT TRAILER HITCH From P-8097	1	
2	012732	BAR PROTECTOR & REINFORCEMENT W/D13	1	
4	012785	REINFORCEMENT ASSY W/D13 To L-7720	1	
4	010305	REINFORCEMENT ASSY W/D13 From L-7721	1	
5	20499474	ENGINE MOUNT FRONT W/D13	2	
7	012839	ENGINE MOUNT CURBSIDE WITH "BITZER" W/D13 To L-7741	1	
7	010318	ENGINE MOUNT CURBSIDE WITH "BITZER" W/D13 From L-7742 To M-7787	1	
7	010105	ENGINE MOUNT CURBSIDE WITH "BITZER" W/D13 From M-7788	1	
8	012942	ENGINE MOUNT STREET SIDE W/D13	1	
8	010090	ENGINE MOUNT STREET SIDE W/D13 W/REMY From K-7590	1	R
9	3037072	INSULATOR, RUBBER MOUNT W/D13	2	
10	5001150	WASHER FL 17.0x30.0x3.0 N500	7	
11	5001643	SCREW CAP HEXF M8-1.25x25 G8.8 G500	3	
12	5001590	SCREW CAP HEX M16-2.0x40 G10.9 N500	7	
14	5001672	SCREW CAP HEXF M14-2.0x55 G8.8 G500	7	
15	5001671	SCREW CAP HEXF M14-2.0x45 G8.8 G500	26	
16	5001761	NUT HEXF NYRT M12-1.75 G8 N500	8	
17	5001940	SCREW CAP HEX M12-1.75x140 G10.9 N500	4	
18	5001762	NUT HEXF M14-2.0	20	
19	5001763	SCREW CAP HEXF M12-1.75x160 G8.8 N500	4	
20	5001791	SCREW CAP HEXF DOG POINT M20-2.5x120 G10.9 G500	4	
21	012921	GROUND STUD M14 Lg.:88MM	1	
22	5001665	NUT HEX NYRT M22-2.5 G8 Z050	1	
26	5001372	SCREW CAP HEX M16-2.0x50 G10.9 N500	10	
27	5001150	WASHER FL 17.0x30.0x3.0 N500	15	
27A	502901	WASHER FL .625x1.469x.109 N500	2	
28	012546	NUT STO SPECIAL / WELDED ON PLATE M16-2.0 DP	1	
29	5001662	NUT HEX NYRT M16-2.0 G10 Z050	9	
30	504750	CABLE TIE / 1/2" x 15" / CHRISTMAS TREE	1	
35	012852	PROTECTOR / BELT	1	
41	411289	PROTECTOR ASSY / W/TRAILER HITCH	1	
42	500011	WASHER FL / HARDENED 13.0x24.0x3.0 STL	4	
43	5001728	NUT HEXF STO M12-1.75 N500 G10	4	
44	5001885	SCREW CAP HEX M12-1.75X40 G10.9 N500	4	

From H-7417 To M-7767	Date:07/2024	PAGE:X3PLB-0150-01
ENGINE CRADLE - WITH VOLVO D13 - GHG17		

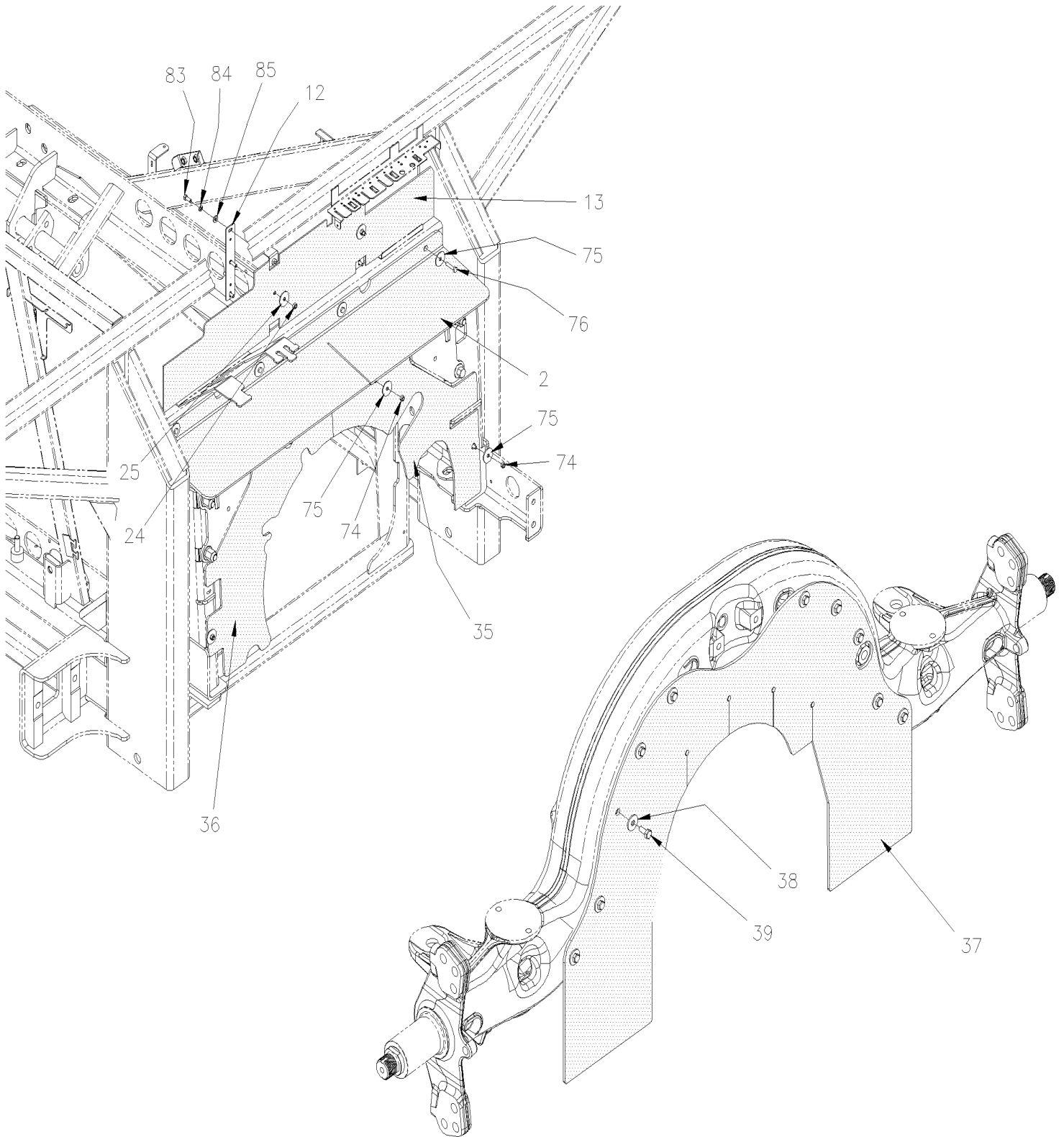
Item#	Part	Description	QTY	Notes
45	5001372	SCREW CAP HEX M16-2.0x50 G10.9 N500	4	
46	500781	NUT HEX STO M16-2.0 DP	4	
47	5001150	WASHER FL 17.0x30.0x3.0 N500	4	
61	070040	SUPPORT OIL COOLER W/RETARDER	1	
62	071713	SUPPORT OIL COOLER W/O RETARDER	1	
65	071672	SUPPORT ACCUMULATOR	1	
71	5001741	SCREW CAP HEXF M10-1.5x30 G8.8 N500	3	
72	5001834	WASHER BEL SPR 10.5X23X2.5 N500	3	
73	5001930	NUT HEXF NYRT M10-1.5 N500 G10.9	4	
80	5001697	SCREW CAP HEX M6-1.0x16 SS BK	2	
81	5001833	WASHER BEL SPR 6.1x18x1.27 SS	2	
85	504720	GROMMET / 2.375x3.000x.250x.437x3.250	1	
86	504449	HOLE PLUG BUTTON / .500 O.D. BLACK	4	
87	680066	ADHESIVE / ADBOND #5014 / 23.6ML BOTTLE	AR	
88	012938	BUSHING	4	
NS	680038	THREAD LOCKER LOCTITE #243 / BLUE / 50ml	AR	
		R) WITH REMY ALTERNATOR		

From G-7275 To H-7416

Date:07/2024

PAGE:X3PLB-0155-10

ENGINE TRANSMISSION GUARD & AIR SHIELD VOLVO D13



EPA 2010

From G-7275 To H-7416	Date:07/2024	PAGE:X3PLB-0155-10
ENGINE TRANSMISSION GUARD & AIR SHIELD VOLVO D13		

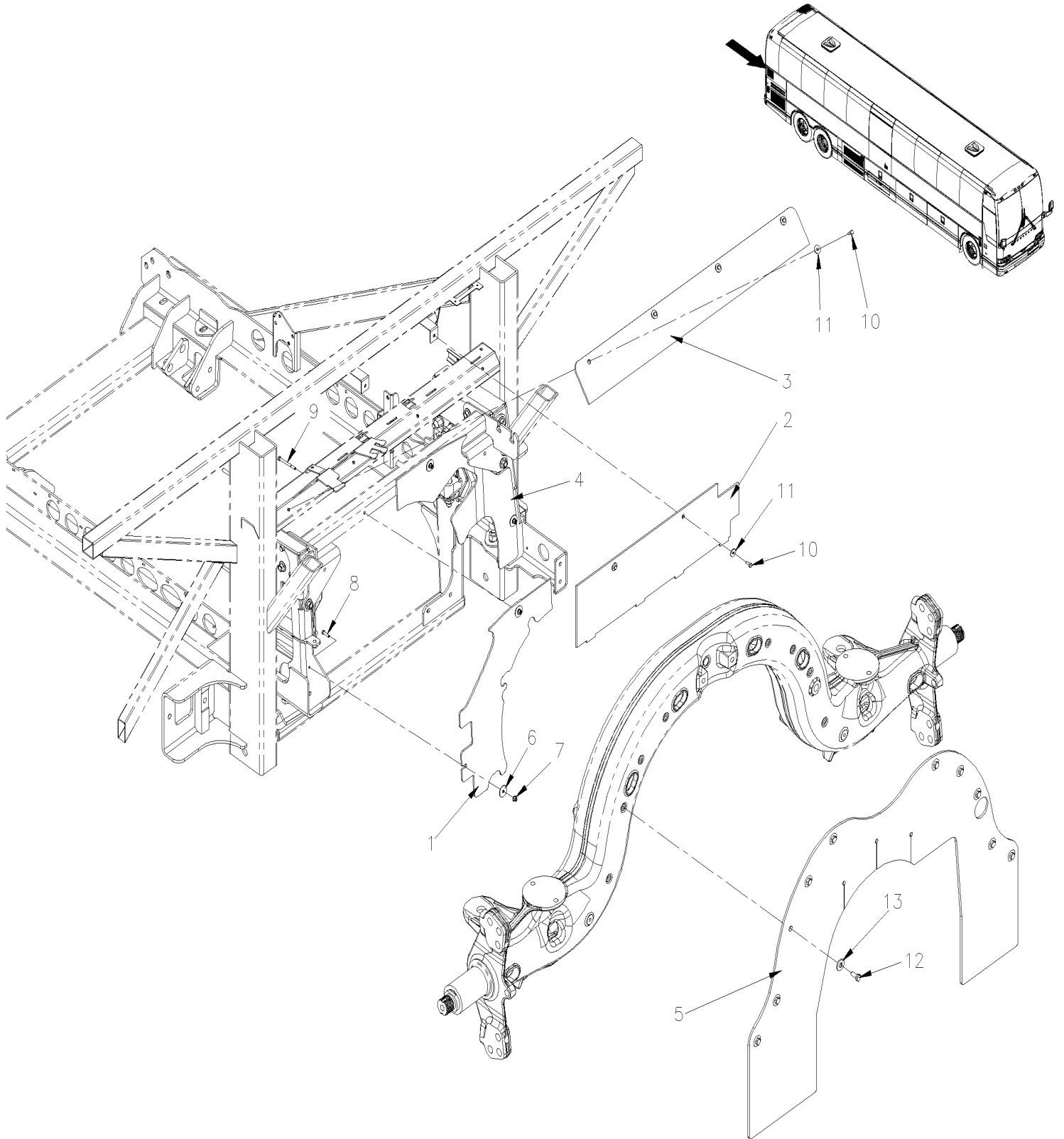
Item#	Part	Description	QTY	Notes
2	012712	GUARD CENTRAL PART UPPER 189MM x 1000MM	1	
12	012575	SUPPORT / GUARD UPPER	2	
13	012570	GUARD CENTRAL PART UPPER	1	A
13	012693	GUARD CENTRAL PART UPPER W/OUT WATER HEATER	1	
24	5001932	. NUT HEXF NYRT M6-1.0 G8.8 N500	2	
25	500913	. WASHER FL .281x1.250x.065 N500	2	
35	012936	GUARD UPPER L.H.	1	A
35	012935	GUARD UPPER L.H. W/" I-SHIFT" TRANS	1	A
36	012662	GUARD UPPER R.H. W/ "WORLD" TRANS	1	A
36	012644	GUARD UPPER R.H. W/" I-SHIFT" TRANS	1	
37	070703	PROTECTOR PANEL W/ "WORLD" TRANS	1	
38	500211	WASHER FL .531x1.250x.125 N500	10	
39	502804	SCREW CAP HEX M10-1.5x25 G8.8 N500	10	
74	502621	NUT HEX STO M6-1.0 Z050	6	
75	500468	WASHER FL .281x1.250x.065 Z050	9	
76	502533	SCREW CAP HEX M6-1.0x30 G8.8 Z050	5	
83	955271	SCREW CAP HEX M6-1.0x16 G8.8 ZG603	4	
84	502853	WASHER LO SPT 6.1x11.8x1.6 N500	4	
85	500877	WASHER FL .250x.562x.065 N500	4	
		A) AS SHOWN		

From H-7417 To M-7767

Date:07/2024

PAGE:X3PLB-0155-11

ENGINE TRANSMISSION GUARD & AIR SHIELD VOLVO D13 / GHG17



From H-7417 To M-7767	Date:07/2024	PAGE:X3PLB-0155-11
ENGINE TRANSMISSION GUARD & AIR SHIELD VOLVO D13 / GHG17		

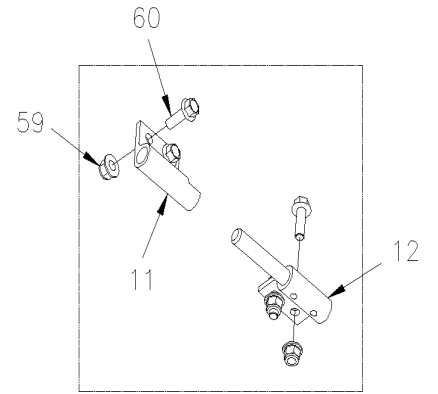
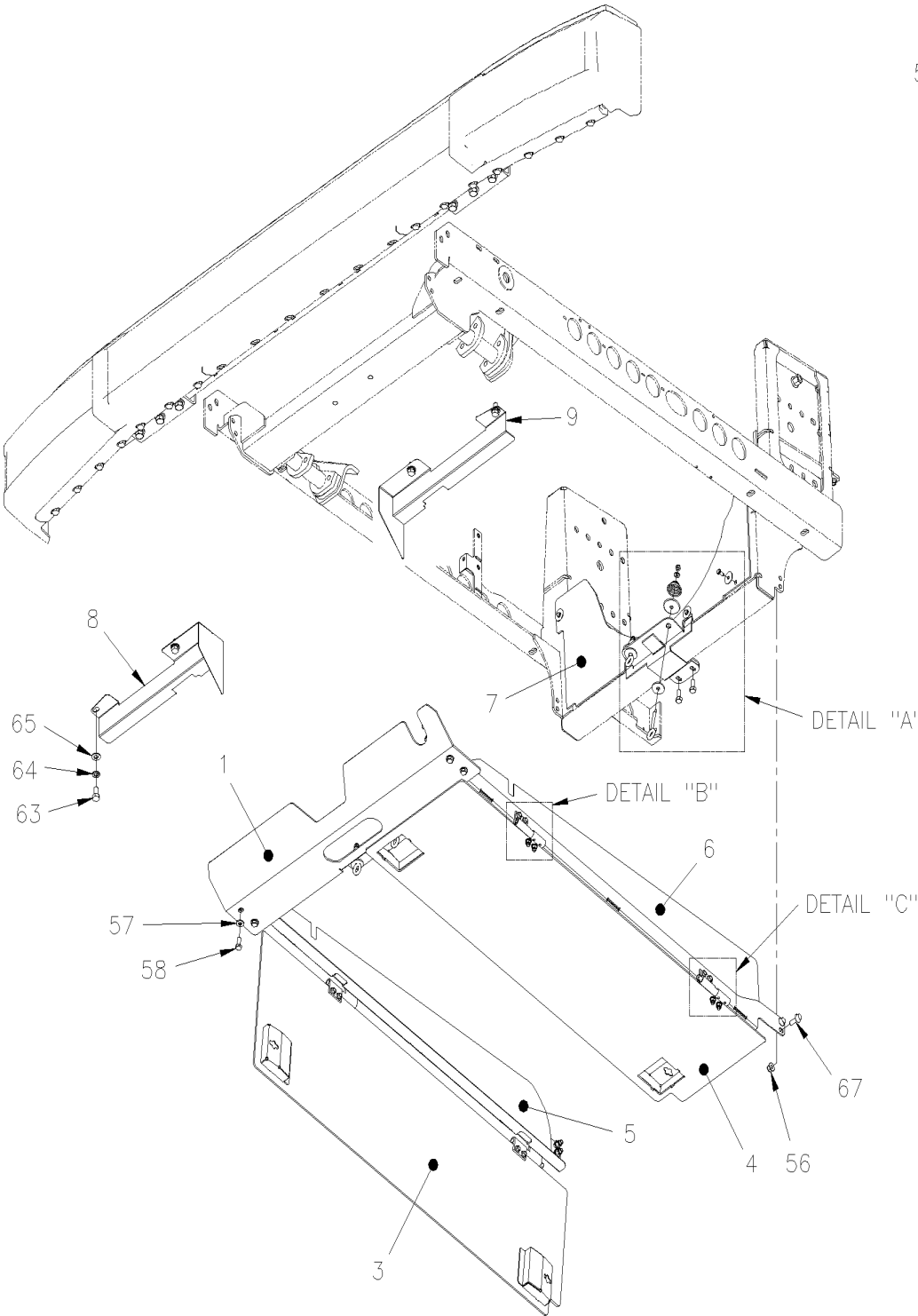
Item#	Part	Description	QTY	Notes
1	012662	GUARD UPPER R.H. W/ "WORLD" TRANS	1	
2	012934	GUARD TRANSMISSION PROTECTOR W/ "WORLD" TRANS To L-7685	1	
2	010292	GUARD TRANSMISSION PROTECTOR W/ "WORLD" TRANS From L-7686 To M-7750	1	
2	010299	GUARD TRANSMISSION PROTECTOR W/ "WORLD" TRANS From M-7751	1	
3	012937	GUARD UPPER CENTER PROTECTOR W/ "WORLD" TRANS To M-7750	1	
3	010298	GUARD UPPER CENTER PROTECTOR W/ "WORLD" TRANS From M-7751	1	
4	012948	GUARD UPPER L.H. W/ "WORLD" TRANS	1	
5	070703	PROTECTOR PANEL W/ "WORLD" TRANS	1	
6	500913	WASHER FL .281x1.250x.065 N500	4	
7	5001932	NUT HEXF NYRT M6-1.0 G8.8 N500	4	
8	502737	SCREW CAP HEX M6-1.0x25 SS BK	2	
9	5001817	SCREW CAP HEX M6-1.0x70 G8.8 N500	2	
10	5001697	SCREW CAP HEX M6-1.0x16 SS BK	6	
11	500142	WASHER FL 6.6x22.0x2.0 SS	6	
12	502804	SCREW CAP HEX M10-1.5x25 G8.8 N500	10	
13	500211	WASHER FL .531x1.250x.125 N500	10	

From G-7275 To M-7767

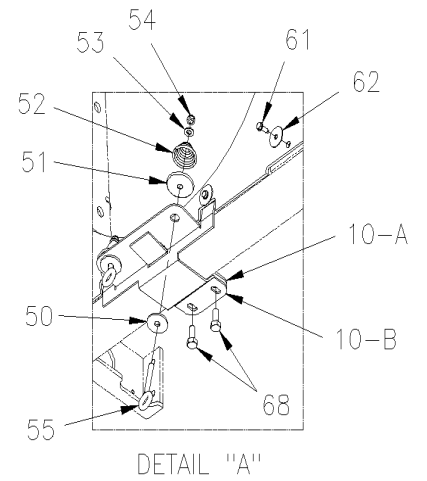
Date:07/2024

PAGE:X3PLB-0155-20

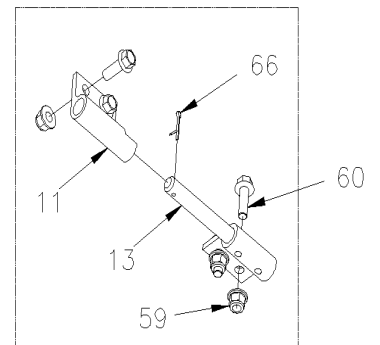
ENGINE GUARD VOLVO D13



DETAIL "B"



DETAIL "A"



DETAIL "C"

From G-7275 To M-7767	Date:07/2024	PAGE:X3PLB-0155-20
ENGINE GUARD VOLVO D13		

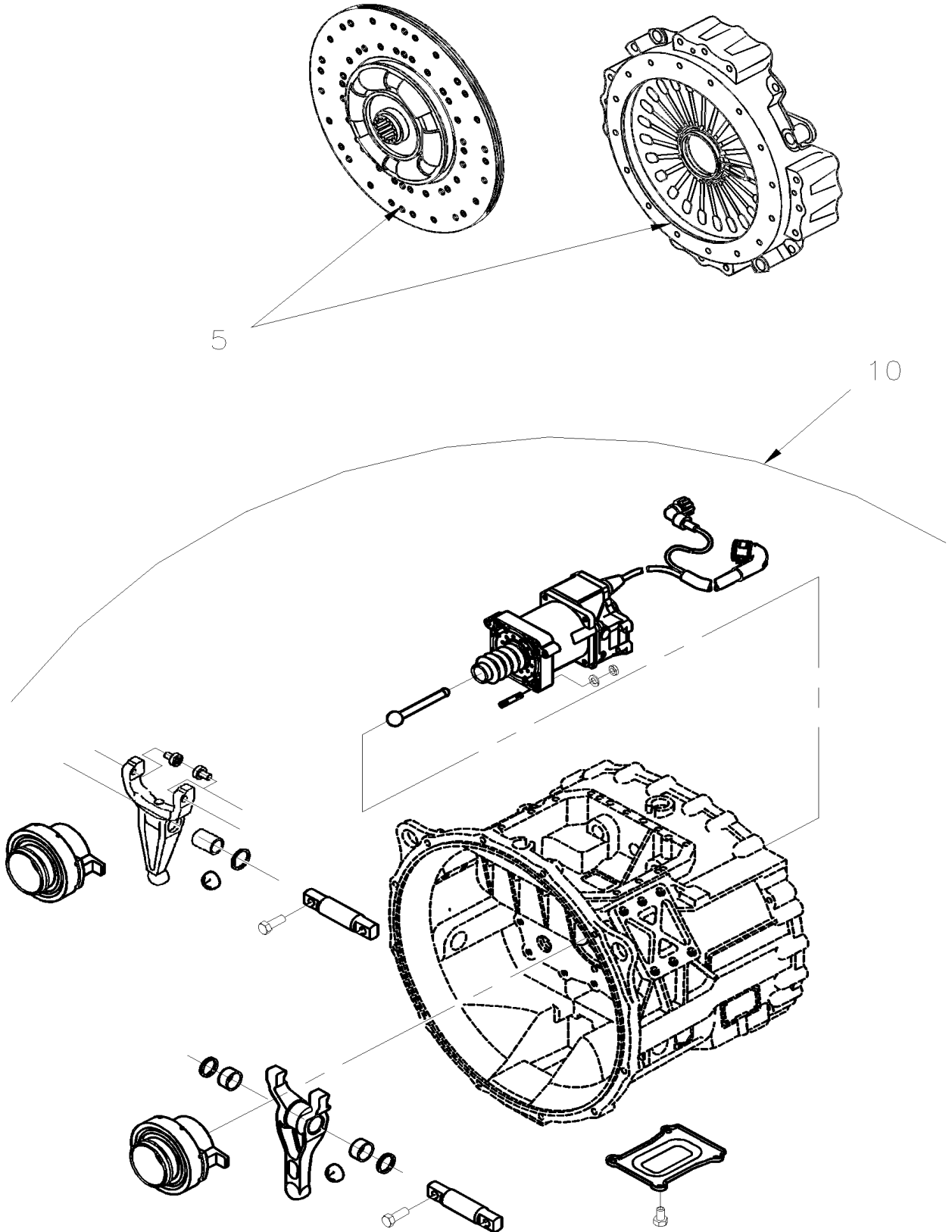
Item#	Part	Description	QTY	Notes
1	012740	DUST SHIELD PLATE ANGLE	1	
1	012932	DUST SHIELD PLATE ANGLE W/TOW HOOK A/ATTACHE REM.	1	
3	012863	LEFT DOOR ASSY	1	
4	012864	RIGHT DOOR ASSY	1	
5	012929	LH CHANNEL ASSY	1	
6	012928	RH CHANNEL ASSY	1	
7	012758	SHIELD WITH / AVEC WORLD TRANS.	1	
7	012787	SHIELD WITH / AVEC I-SHIFT TRANS.	1	
8	411274	GUARD, RIGHT	1	
9	411275	GUARD, LEFT	1	
10A	012859	PULLROD, SUPPORT	1	
10B	012860	PULLROD, SUPPORT	1	
11	012765	HINGE	4	
12	012763	HINGE W/PIN / A/AXE	2	
13	012764	HINGE W/PIN / A/AXE	2	
50	507679	WASHER RUBBER / STANCHION / .375x1.500x.125	4	
51	507678	SPRING, RETAINER	4	
52	502944	SPRING CONICAL / CONIQUE	4	
52	2413712	SPRING CONICAL / CONIQUE	4	
53	5001341	WASHER FL 8.4x17.0x1.6 SS	4	
54	500685	NUT HEX NYRT 5/16-18 SS	4	
55	502943	SCREW EYE WITH NUT 5/16-18x3 1/2 GAL	4	
56	5001931	NUT HEXF NYRT M8-1.25 G8.8 N500	8	
57	5001834	WASHER BEL SPR 10.5X23X2.5 N500	4	
58	5001643	SCREW CAP HEXF M8-1.25x25 G8.8 G500	4	
59	5001931	NUT HEXF NYRT M8-1.25 G8.8 N500	16	
60	5001643	SCREW CAP HEXF M8-1.25x25 G8.8 G500	16	
61	502848	SCREW TC CAP HEXF 1/4-20x3/4 N500	5	
62	500913	WASHER FL .281x1.250x.065 N500	5	
63	5001565	SCREW CAP HEX 1/2-13x1 G5 N500	4	
64	5001534	WASHER LO SPT .509x.873x.125 SS	4	
65	500958	WASHER FL .531x1.062x.095 SS	4	
66	502097	PIN, COTTER 3/32 x 3/4	2	
67	5001643	SCREW CAP HEXF M8-1.25x25 G8.8 G500	8	
68	5001231	SCREW CAP HEX M10-1.5x25 SS	2	

From G-7275 To M-7767

Date:07/2024

X3PLB-02

CLUTCH



From G-7275 To M-7767		Date:07/2024	X3PLB-02
-----------------------	--	--------------	----------

CLUTCH

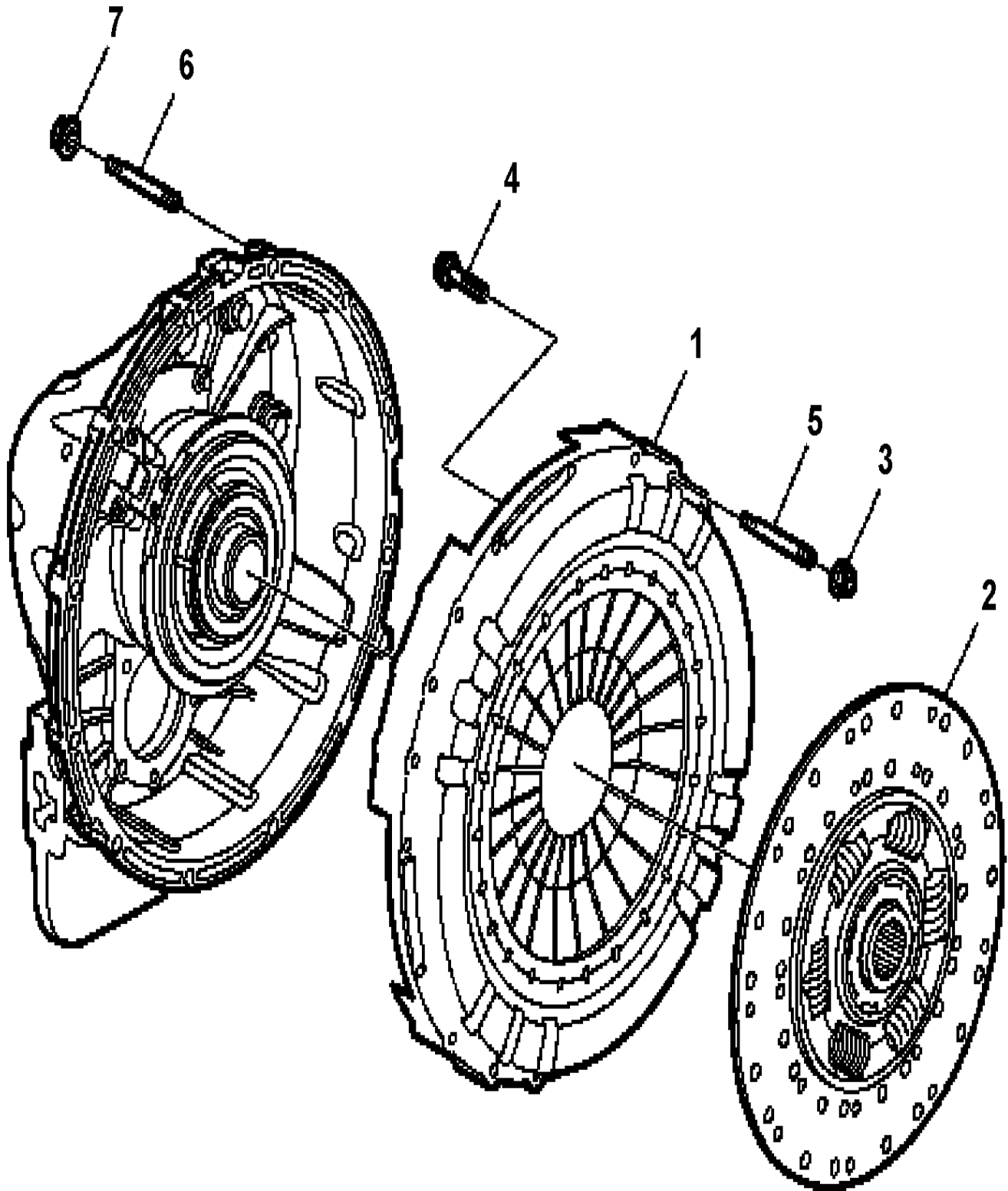
Item#	Part	Description	QTY	Notes
5	X3PLB-0205-00	CLUTCH PRESSURE PLATE WITH "I-SHIFT" TRANS From G-7275 To M-7767		

From G-7275 To M-7767

Date:07/2024

PAGE:X3PLB-0205-00

CLUTCH PRESSURE PLATE WITH "I-SHIFT" TRANS



From G-7275 To M-7767	Date:07/2024	PAGE:X3PLB-0205-00
-----------------------	--------------	--------------------

CLUTCH PRESSURE PLATE WITH "I-SHIFT" TRANS

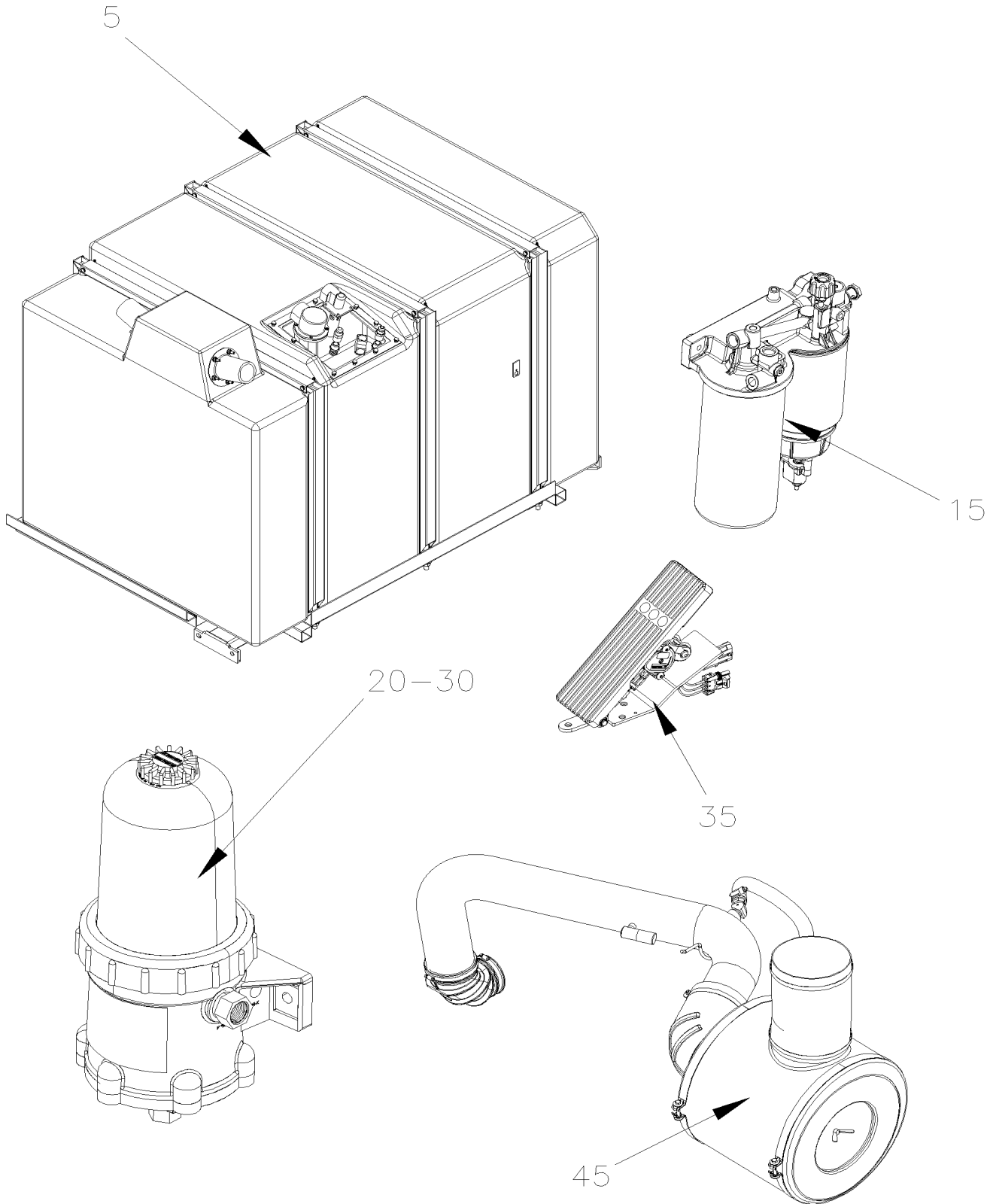
Item#	Part	Description	QTY	Notes
1	572140	PRESSURE PLATE	1	
1	20806454	PRESSURE PLATE	1	
2	572141	CLUTCH ASSY	1	
2	20566389	CLUTCH ASSY	1	
2	21615194	CLUTCH ASSY	1	
3	971098	NUT HEXF STO M10-1.5 G8 ZP	12	
4	965188	SCREW M10x70	12	
5	990818	STUD	2	
6	953525	STUD	12	
7	946175	FLANGE NUT	1	

From G-7275 To M-7767

Date:07/2024

X3PLB-03

FUEL

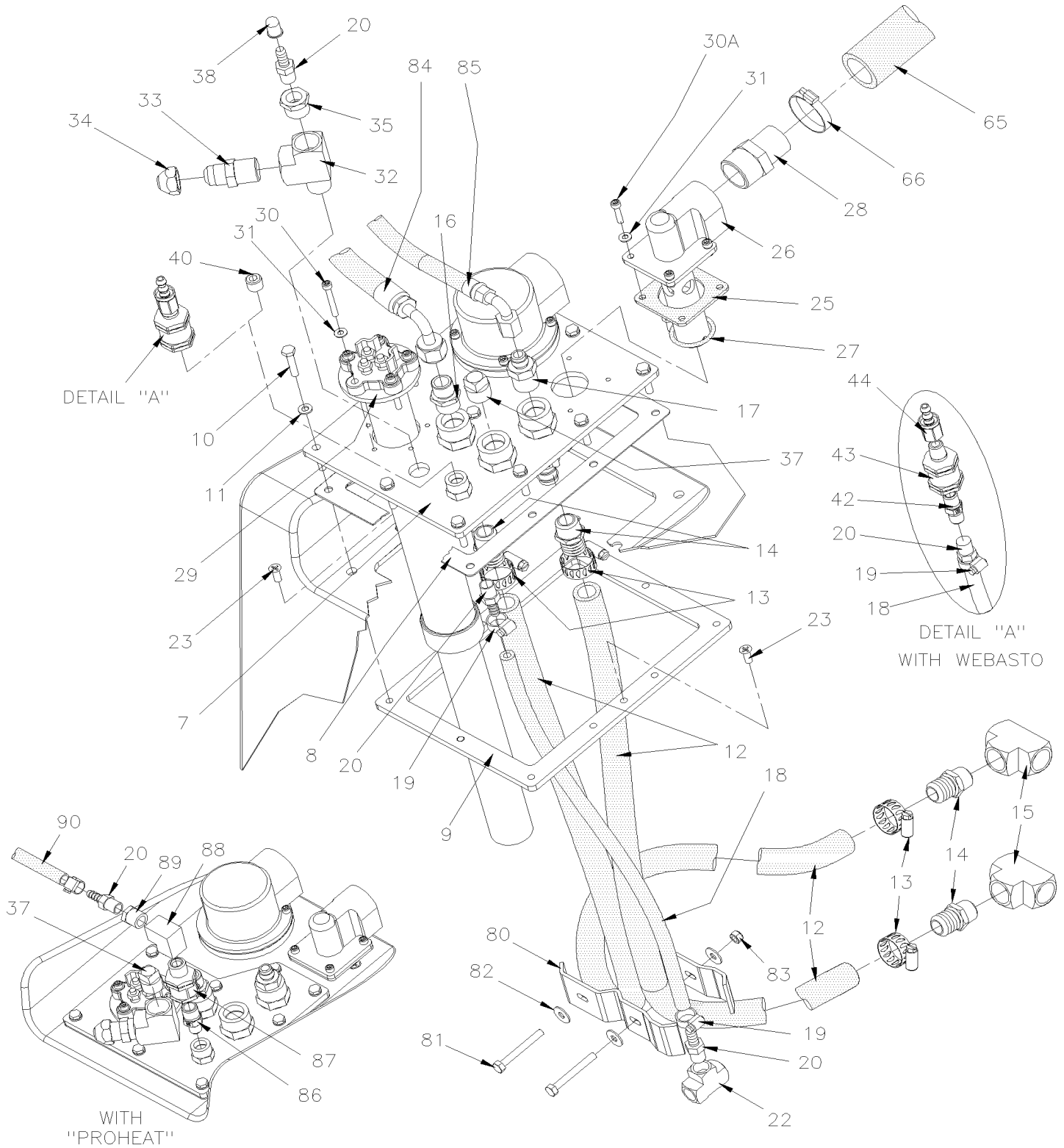


From G-7275 To M-7767	Date:07/2024	X3PLB-03
-----------------------	--------------	----------

FUEL

Item#	Part	Description	QTY	Notes
5	X3PLB-0305-00	FUEL TANK PLASTIC 208 GALLONS From G-7275 To J-7469		
5	X3PLB-0305-01	FUEL TANK PLASTIC 208 GALLONS From J-7470 To M-7767		
15	X3PLB-0311-00	FUEL FILTER - PRIMARY & SECONDARY WITH VOLVO D13 From G-7275 To H-7416		
15	X3PLB-0311-01	FUEL FILTER - PRIMARY & SECONDARY WITH VOLVO D13 - GHG17 From H-7417 To M-7767		
20	X3PLB-0311-15	FUEL FILTER / "PRO 382" From G-7275 To N-7977		
30	X3PLB-0312-10	FUEL PRO - INSTALLATION WITH VOLVO D13 From G-7275 To H-7416		
30	X3PLB-0312-11	FUEL PRO - INSTALLATION WITH VOLVO D13 - GHG17 From H-7417 To M-7767		
35	X3PLB-0315-10	ACCELERATOR PEDAL - ELECTRONIC From G-7275 To M-7767		
45	X3PLB-0330-00	AIR FILTER & INTAKE - INSTALLATION WITH VOLVO D13 From G-7275 To H-7416		
45	X3PLB-0330-01	AIR FILTER & INTAKE - INSTALLATION WITH VOLVO D13 - GHG17 From H-7417 To M-7767		

FUEL TANK PLASTIC 208 GALLONS



From G-7275 To J-7469	Date:07/2024	PAGE:X3PLB-0305-00
FUEL TANK PLASTIC 208 GALLONS		

Item#	Part	Description	QTY	Notes
	032899P	FUEL TANK ASSY	1	
1	030013	FUEL TANK / 203 GALLONS US / W/ONE INLET HOLE	1	
NS	506035	TAPE RUB ADH1 NEO 1/2" x 1" x 15' / BLACK 1220X	AR	
2	032463	ATTACHMENT POST ASSY / 689MM	4	
3	032965	REMOVABLE FLOOR ASSY To H-7383	1	
3	030054	REMOVABLE FLOOR ASSY From H-7384	1	
4	502932	SPRING COMPRESSION / SS .975 O.D. x 1.250 x .125	AR	
5	032607	NUT HEX SPECIAL M12-1.75 SS	4	
NS	680038	THREAD LOCKER LOCTITE #243 / BLUE / 50ml	AR	
6	506758	TAPE RUB ADH1 NEO 1/16"X 1 1/2"X50'	AR	
NS	506007	TAPE RUB ADH1 CC NEO 3/4" x 1" x 10' / BLACK 1220	AR	
7	033959	MAIN PLATE / RECTANGULAR SHAPE	1	
8	032956	GASKET / RECTANGULAR SHAPE 250 x 190 MM	1	
9	033962	INTERIOR FRAME ASSY / RECTANGULAR SHAPE	1	
10	502686	SCREW CAP HEX M6-1.0x30 SS BK	AR	
11	5001392	WASHER FL 6.0x12.0x1.5 COP	AR	
12	531417	HOSE / 2556 / #10 X 48"	2	
13	504019	HOSE CLAMP / 9/16"-1"1/16 SS / HS-10	4	
14	501942	MALE CONNECTOR / PUSH-LOK FITTING / 1/2NPT-Mx#10 BR	2	
15	501472	FEMALE UNION TEE / PIPE FITTING / 1/2NPT-Fx1/2NPT-Fx1/2NPT-F BR	2	
16	5011049	MALE ELBOW 45° / JIC 37° FITTING / #8JIC-Mx1/2NPT-M STL	1	
17	501054	CAP NUT / SAE 45° FITTING / #10FL-F BR	1	
17	501930	MALE CONNECTOR / JIC 37° FITTING / #6JIC-Mx1/2NPT-M STL	1	
18	531444	HOSE / 2556 / #4 X 18 1/2"	1	
19	504014	HOSE CLAMP / 1/4"-5/8" SS / HM-4	2	
20	507602	MALE CONNECTOR / PUSH-LOK FITTING / 1/4NPT-Mx#4 BR	4	
22	501337	FEMALE UNION TEE / PIPE FITTING / 1/4NPT-Fx1/4NPT-Fx1/4NPT-F BR	1	
23	5001198	SCREW MA FL PH M6-1.0x16 Z050	8	
25	531443	GASKET / VALVE CONTROL LEVEL	1	
26	504701	VALVE, FUEL TANK LEVEL CONTROL To J-7437	1	
NS	531459	VALVE, FUEL TANK LEVEL CONTROL EMCO	1	B
NS	530212	GASKET / VALVE CONTROL LEVEL	1	B
NS	531410	WHISTLE	1	B
27	507356	O-RING To J-7437	1	
28	501205	ADAPTER / COPPER @ PIPE / 1Mx1NPT-M To J-7437	1	
28	5011352	STREET ELBOW 90° / PIPE FITTING / 1NTP-Mx1NPT-F PVC From J-7438	3	
29	531387	SENSOR, FUEL LEVEL / 24" To H-7416	1	
NS	531419	GASKET, FUEL SENSOR To H-7416	1	
29	530003	SENSOR, FUEL LEVEL / 23.5" From H-7417	1	
NS	531419	GASKET, FUEL SENSOR From H-7417	1	
NS	060087	CABLE HARNESS / FUEL TANK / MUX	1	
30	5001925	SCREW CAP HEXS #10-24x1 1/4 N500	AR	

From G-7275 To J-7469	Date:07/2024	PAGE:X3PLB-0305-00
FUEL TANK PLASTIC 208 GALLONS		

Item#	Part	Description	QTY	Notes
30A	500273	. SCREW CAP HEXS #10-24x7/8 ZP	4	
31	500593	. WASHER FL .200x.437x.036 BR	10	
32	501473	. MALE RUN TEE / PIPE FITTING / 1/2NPT-Mx1/2NPT-Fx1/2NPT-F BR	1	
33	501616	. MALE CONNECTOR / SAE 45° FITTING / #8FL-Mx1/2NPT-M BR	1	
34	501053	. CAP NUT / SAE 45° FITTING / #8FL-F BR	1	
35	501316	. BUSHING REDUCER / PIPE FITTING / 1/2NPT-Mx1/4NPT-F BR	1	
37	501966	. PLUG HEXS / PIPE FITTING / 1/2NPT-M STL	1	
38	680733	. CAP PROTECTOR (NO-THREADED)	1	
39	530156	. VALVE PRESSURE	1	
. NS	531427	. . GASKET / (SMALL)	1	
. NS	531428	. . GASKET / (LARGE)	1	
39	531414	. VALVE PRESSURE	1	B
40	501800	. PLUG HEXS / PIPE FITTING / 1/4NPT-M STL	1	
41	500143	. SCREW CAP HEXS #10-24x1/2 N500	5	
42	501321	. NIPPLE HEX / PIPE FITTING / 1/4NPT-Mx1/4NPT-Mx1 3/8 BR	1	
43	530043	. CHECK VALVE UP TO 250 PSI-2600 SERIES	1	
44	501011	. FEMALE CONNECTOR / PUSH-LOK FITTING / 1/4NPT-Fx#4 BR	1	
45	032443	. TRANSVERSAL CROSS BAR / 833.5 MM	2	
46	502121	. PIN, CLEVIS 3/8 x 1.625 BZC	4	
47	502102	. PIN, COTTER 1/8 x 1	4	
50	032938	. GASKET	1	
51	032436	. PLATE EXTERIOR	1	
51	032664	. FILLING HOSE ADAPTOR ASSY W/GRILL / R.H. / "GREYHOUND"	1	GR
54	502511	. NUT HEX NYRT M6-1.0 Z050	10	
55	500411	. WASHER FL .260x.697x.050 SS	10	
61	032914	. TUBE BALL RETAINER To G-7274	1	
61	030021	. TUBE BALL RETAINER WITH ANTI SYPHON From G-7275	1	
62	032438	. BASKET	1	
63	032871	. BALL 77MM O.D.	1	
64	504293	. HOSE CLAMP / 2"5/16-3"1/4 SS / E.T. 44	1	
65	032415	. HOSE #16 X 28" LG	1	
. NS	503579	. . HOSE 1" I.D. X 50' / "GREEN STRIPE"	AR	
NS	504637	. CABLE TIE / 3/16" x 13"	1	
66	504021	. HOSE CLAMP / 11/16"-1"1/2 SS / HS-16	1	
NS	688034	SPRAY PAINT GRAY / TOUCH-UP From H-7379	AR	
NS	682175	UNDERCOATING BLACK PROTECTOR (GRAVELGUARD) 567gr From H-7379	AR	
NS	680064	OIL ANTICOROSIVE GREY (TECTYL) (20 LITERS) From H-7379	AR	
73	500806	SCREW CAP HEX M12-1.75X35 G10.9 G500	4	
NS	SR17-28	SAFETY RECALL "FUEL TANK HARDWARE" To J-7469	1	
74	500958	WASHER FL .531x1.062x.095 SS	12	
75	500811	NUT HEX STO M12-1.75 G500	6	
76	5001941	SCREW CAP HEX M12-1.75x120 G10.9 N500	2	

From G-7275 To J-7469	Date:07/2024	PAGE:X3PLB-0305-00
FUEL TANK PLASTIC 208 GALLONS		

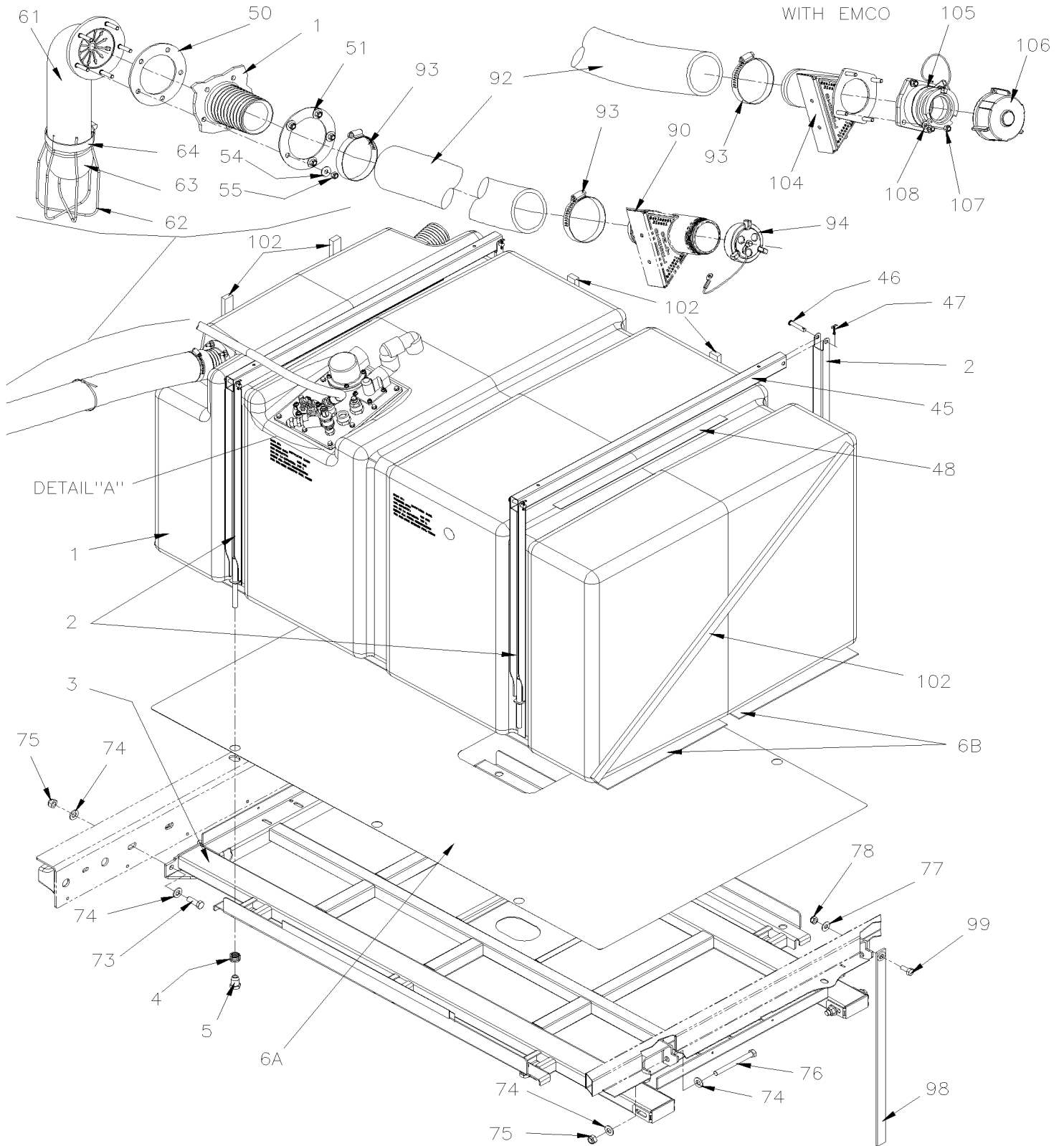
Item#	Part	Description	QTY	Notes
NS	SR17-28	SAFETY RECALL "FUEL TANK HARDWARE" To J-7469	1	
NS	030082	SPACER "U" 3.175MM	4	
NS	030083	SPACER "U" 0.953MM	4	
80	032779	HOLDING PLATE / TO HOLD TUBE	2	
81	502656	SCREW CAP HEX M6-1.0x50 SS	2	
82	500411	WASHER FL .260x.697x.050 SS	4	
83	502511	NUT HEX NYRT M6-1.0 Z050	4	
84	033010	HOSE ASSY / #8 4650MM To H-7416	1	
84	030048	HOSE ASSY / #8 4490MM From H-7417	1	
NS	504016	CABLE TIE / 5/16" X 14"1/2 From H-7417	1	
85	033003	HOSE ASSY / #6 4700MM	1	
86	501749	NIPPLE REDUCER HEX / PIPE FITTING / 3/8NPT-Mx1/4NPT-Mx1 13/32 BR	1	
87	530042	CHECK VALVE 3/8 NPT	4	
88	509863	FEMALE ELBOW 90° / PIPE FITTING / 3/8NPT-Fx3/8NPT-F BR	1	
89	501314	BUSHING REDUCER / PIPE FITTING / 3/8NPT-Mx1/4NPT-F BR	1	
90	X3PLB-2350-10	WATER HEATER - INSTALLATION		
90A	X3PLB-1875-00	FUEL TANK & UREA FILLING DOOR		
NS	032824	DECAL / ULTRA LOW SULFURE DIESEL / ENGLISH	1	
NS	032823	DECAL / ULTRA LOW SULFURE DIESEL (ULSD) / ENGLISH & SPANISH	1	
NS	21298228	DECAL / ULTRA LOW SULFURE DIESEL (ULSD) / ENGLISH & SPANISH	1	
NS	032822	DECAL / ULTRA LOW SULFURE DIESEL / ENGLISH & FRANCAIS	1	
NS	21298562	DECAL / ULTRA LOW SULFURE DIESEL / ENGLISH & FRANCAIS	1	
NS	031164	DECAL / CERTIFICATION	1	
NS	400137	DECAL / DIESEL FUEL BLACK	1	
NS	400001	DECAL / DIESEL FUEL WHITE	1	
91	400051	DECAL / INSTRUCTION FOR FILLING TANK /203 GAL BLACK	1	
91	400050	DECAL / INSTRUCTION FOR FILLING TANK /203 GAL WHITE	1	
92	032902	FILLING HOSE / #40 815MM	1	
93	504381	HOSE CLAMP / 2"3/4-3"5/8 SS / HT-350	2	
94	5001231	SCREW CAP HEX M10-1.5x25 SS	2	
95	505056	ANTISTATIC STRAP / UNDER STRUCTURE	2	
96	506035	TAPE RUB ADH1 NEO 1/2" x 1" x 15' / BLACK 1220X	AR	
97	502859	NUT HEX NYRT M10-1.5 N500	2	
98	500270	WASHER FL .406x1.000x.063 SS	2	
		B) WITH "EMCO WHEATON		
		GR) "GREYHOUND" OPTION		

From J-7470 To M-7767

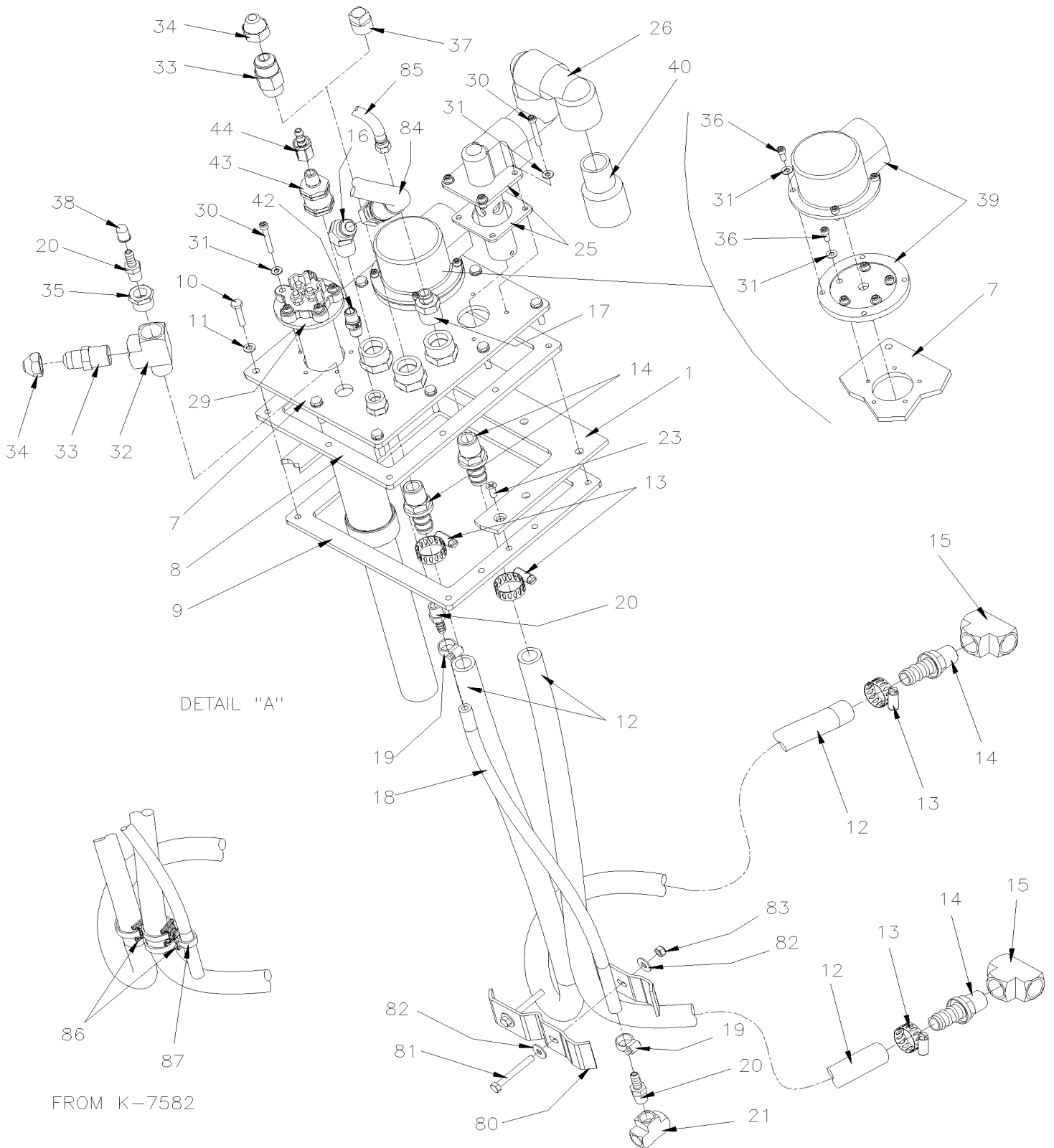
Date:07/2024

PAGE:X3PLB-0305-01

FUEL TANK PLASTIC 208 GALLONS



FUEL TANK PLASTIC 208 GALLONS



From J-7470 To M-7767	Date:07/2024	PAGE:X3PLB-0305-01
FUEL TANK PLASTIC 208 GALLONS		

Item#	Part	Description	QTY	Notes
	032899P	. FUEL TANK ASSY	1	
1	030013	. FUEL TANK / 203 GALLONS US / W/ONE INLET HOLE	1	
NS	506035	. TAPE RUB ADH1 NEO 1/2" x 1" x 15' / BLACK 1220X	AR	
2	030067	. VERTICAL POST ASSY / WELDED	4	
2	030067	. VERTICAL POST ASSY / WELDED From M-7752	6	C
3	030054	. REMOVABLE FLOOR ASSY To M-7834	1	
3	030174	. REMOVABLE FLOOR ASSY From M-7835 To N-7931	1	
3	030187	. REMOVABLE FLOOR ASSY From N-7932	1	
4	502932	. SPRING COMPRESSION / SS .975 O.D. x 1.250 x .125	4	
4	502932	. SPRING COMPRESSION / SS .975 O.D. x 1.250 x .125 From M-7752	6	C
5	032607	. NUT HEX SPECIAL M12-1.75 SS	4	
5	032607	. NUT HEX SPECIAL M12-1.75 SS From M-7752	6	C
6A	030072	. FUEL TANK BOTTOM PANEL 897.7 x 1501.1 MM	1	
6B	030074	. PLATE NITRILE 1/8" TH. 1495.9 x 398 MM	AR	
7	033959	. MAIN PLATE / RECTANGULAR SHAPE	1	
8	032956	. GASKET / RECTANGULAR SHAPE 250 x 190 MM	1	
9	033962	. INTERIOR FRAME ASSY / RECTANGULAR SHAPE	1	
10	502686	. SCREW CAP HEX M6-1.0x30 SS BK	AR	
11	5001392	. WASHER FL 6.0x12.0x1.5 COP	AR	
12	531417	. HOSE / 2556 / #10 X 48"	2	
13	504019	. HOSE CLAMP / 9/16"-1"1/16 SS / HS-10	4	
14	501942	. MALE CONNECTOR / PUSH-LOK FITTING / 1/2NPT-Mx#10 BR	4	
15	501472	. FEMALE UNION TEE / PIPE FITTING / 1/2NPT-Fx1/2NPT-Fx1/2NPT-F BR	2	
16	5011049	. MALE ELBOW 45° / JIC 37° FITTING / #8JIC-Mx1/2NPT-M STL	1	
17	501930	. MALE CONNECTOR / JIC 37° FITTING / #6JIC-Mx1/2NPT-M STL	1	
18	531444	. HOSE / 2556 / #4 X 18 1/2"	1	
19	504014	. HOSE CLAMP / 1/4"-5/8" SS / HM-4	2	
20	507602	. MALE CONNECTOR / PUSH-LOK FITTING / 1/4NPT-Mx#4 BR	2	
21	501337	. FEMALE UNION TEE / PIPE FITTING / 1/4NPT-Fx1/4NPT-Fx1/4NPT-F BR	1	
23	5001198	. SCREW MA FL PH M6-1.0x16 Z050	2	
25	531459	. VALVE, FUEL TANK LEVEL CONTROL EMCO	1	
. NS	530212	. . GASKET / VALVE CONTROL LEVEL	1	
26	5011352	. STREET ELBOW 90° / PIPE FITTING / 1NTP-Mx1NPT-F PVC	3	
NS	531410	. WHISTLE	1	
29	530003	. SENSOR, FUEL LEVEL / 23.5" To K-7647	1	
. NS	531419	. . GASKET, FUEL SENSOR To K-7647	1	
29	530005	. SENSOR, FUEL LEVEL / 23.5" From K-7648	1	
. NS	531419	. . GASKET, FUEL SENSOR From K-7648	1	
NS	060087	CABLE HARNESS / FUEL TANK / MUX	1	
30	5001925	. SCREW CAP HEXS #10-24x1 1/4 N500	AR	
31	500593	. WASHER FL .200x.437x.036 BR	AR	
32	501473	. MALE RUN TEE / PIPE FITTING / 1/2NPT-Mx1/2NPT-Fx1/2NPT-F BR	AR	

From J-7470 To M-7767	Date:07/2024	PAGE:X3PLB-0305-01
FUEL TANK PLASTIC 208 GALLONS		

Item#	Part	Description	QTY	Notes
33	501616	. MALE CONNECTOR / SAE 45° FITTING / #8FL-Mx1/2NPT-M BR	AR	
34	501053	. CAP NUT / SAE 45° FITTING / #8FL-F BR	AR	
35	501316	. BUSHING REDUCER / PIPE FITTING / 1/2NPT-Mx1/4NPT-F BR	1	
36	500143	. SCREW CAP HEXS #10-24x1/2 N500	AR	
37	501966	. PLUG HEXS / PIPE FITTING / 1/2NPT-M STL	1	
38	680733	. CAP PROTECTOR (NO-THREADED)	1	
39	530156	. VALVE PRESSURE	AR	
. NS	531427	. . GASKET / (SMALL)	1	
. NS	531428	. . GASKET / (LARGE)	1	
39	531414	. VALVE PRESSURE From M-7752	1	C
40	531410	. WHISTLE From M-7752	1	C
42	501321	. NIPPLE HEX / PIPE FITTING / 1/4NPT-Mx1/4NPT-Mx1 3/8 BR	1	
43	530043	. CHECK VALVE UP TO 250 PSI-2600 SERIES	1	
44	501011	. FEMALE CONNECTOR / PUSH-LOK FITTING / 1/4NPT-Fx#4 BR	1	
45	030065	. PIN, COTTER 1/8 x 1	2	
45	030065	. PIN, COTTER 1/8 x 1 From M-7752	3	C
46	502121	. PIN, CLEVIS 3/8 x 1.625 BZC	4	
46	502121	. PIN, CLEVIS 3/8 x 1.625 BZC From M-7752	6	C
47	502102	. PIN, COTTER 1/8 x 1	4	
47	502102	. PIN, COTTER 1/8 x 1 From M-7752	6	C
48	506758	. TAPE RUB ADH1 NEO 1/16"X 1 1/2"X50' To J-7530	AR	
48	506046	. TAPE NIT N/A BK 1/16"X1"X50' From J-7531	AR	
NS	680108	. TAPE RUB ADH2 VHB 1" x .045" x 108' From J-7531	AR	
50	032938	. GASKET	1	
51	032436	. PLATE EXTERIOR	1	
54	500411	. WASHER FL .260x.697x.050 SS	4	
55	502681	. NUT HEX NYRT M6-1.0 N500 G8	4	
61	030021	. TUBE BALL RETAINER WITH ANTI SYPHON	1	
62	032438	. BASKET	1	
63	032871	. BALL 77MM O.D.	1	
64	504293	. HOSE CLAMP / 2"5/16-3"1/4 SS / E.T. 44	1	
73	500806	. SCREW CAP HEX M12-1.75X35 G10.9 G500	4	
NS	SR17-28	. SAFETY RECALL "FUEL TANK HARDWARE" To J-7471	1	
74	500958	. WASHER FL .531x1.062x.095 SS	AR	
75	500811	. NUT HEX STO M12-1.75 G500	AR	
76	5001941	. SCREW CAP HEX M12-1.75x120 G10.9 N500	2	
NS	SR17-28	. SAFETY RECALL "FUEL TANK HARDWARE" To J-7471	1	
NS	030082	. SPACER "U" 3.175MM	4	
NS	030083	. SPACER "U" 0.953MM	4	
77	500270	. WASHER FL .406x1.000x.063 SS	1	
78	502859	. NUT HEX NYRT M10-1.5 N500	1	
80	032779	. HOLDING PLATE / TO HOLD TUBE To K-7581	2	

From J-7470 To M-7767	Date:07/2024	PAGE:X3PLB-0305-01
FUEL TANK PLASTIC 208 GALLONS		

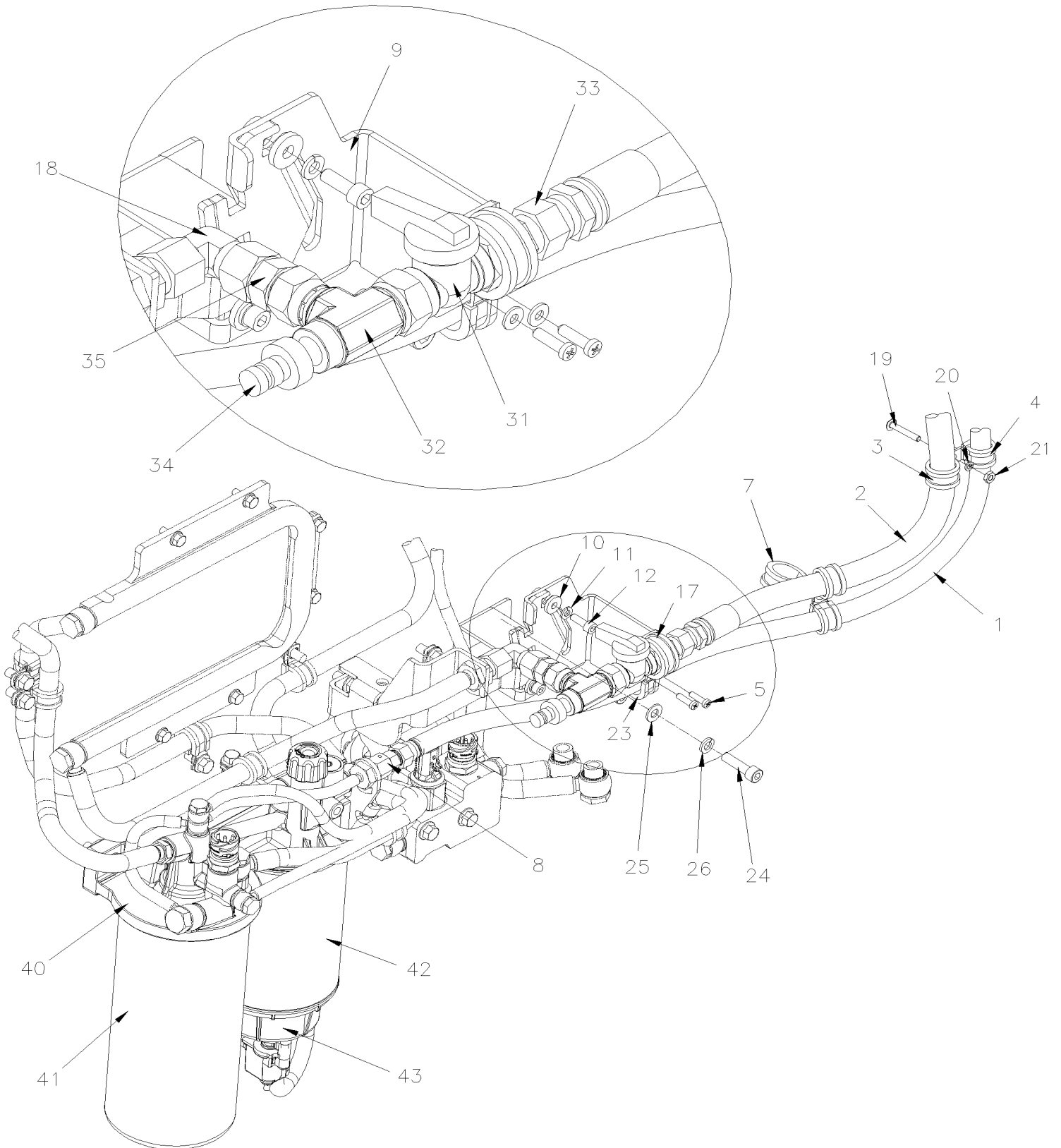
Item#	Part	Description	QTY	Notes
81	502656	. SCREW CAP HEX M6-1.0x50 SS To K-7581	2	
82	500411	. WASHER FL .260x.697x.050 SS To K-7581	AR	
83	502681	. NUT HEX NYRT M6-1.0 N500 G8 To K-7581	2	
84	033028	. HOSE ASSY / #8 4650MM	1	B
84	030048	. HOSE ASSY / #8 4490MM	1	A
85	033029	. HOSE ASSY / #6 4560MM To £-18003	1	
85	030154	. HOSE ASSY / #6 4560MM From £-18003	1	
. NS	505181	. . COIL PROTECTOR / PLASTIC / #8 From £-18003	AR	
86	504751	. ROTATIF SPACER DOUBLE / SMALL From K-7582	2	
87	504016	. CABLE TIE / 5/16" X 14"1/2 From K-7582	AR	
NS	682175	UNDERCOATING BLACK PROTECTOR (GRAVELGUARD) 567gr To N-7995	AR	
NS	685413	RUBBERIZED UNDERCOAT (GRAVELGUARD) 560gr From N-7996	AR	
90	X3PLB-1875-00	. FUEL TANK & UREA FILLING DOOR		
NS	031164	DECAL / CERTIFICATION	1	
NS	400137	DECAL / DIESEL FUEL BLACK	1	
NS	400001	DECAL / DIESEL FUEL WHITE	1	
NS	400051	DECAL / INSTRUCTION FOR FILLING TANK /203 GAL BLACK	1	
NS	400050	DECAL / INSTRUCTION FOR FILLING TANK /203 GAL WHITE	1	
92	032902	FILLING HOSE / #40 815MM	1	
93	504381	HOSE CLAMP / 2"3/4-3"5/8 SS / HT-350	2	
94	531424	FUEL FILLING CAP / SCREW TYPE CAP	1	
. NS	530133	. REPLACEMENT GASKET FOR 2" FEMALE CAP	1	
98	505056	ANTISTATIC STRAP / UNDER STRUCTURE	1	
99	5001231	SCREW CAP HEX M10-1.5x25 SS	1	
102	506035	TAPE RUB ADH1 NEO 1/2" x 1" x 15' / BLACK 1220X To M-7860	AR	
102	680397	CONTACT GLUE / AEROSOL 17oz To M-7860	AR	
104	030058	FILLING PLATE ASSY From M-7752	1	C
105	531413	ADAPTOR From M-7752	1	C
106	531412	FUEL FILLING CAP / "EMCO WHEATON" TYPE From M-7752	1	C
107	502681	NUT HEX NYRT M6-1.0 N500 G8 From M-7752	4	C
108	502573	WASHER FL 6.4x12.5x1.6 SS From M-7752	4	C
		A) WITHOUT FUEL PRO		
		B) WITH FUEL PRO		
		C) WITH EMCO FILLER		

From G-7275 To H-7416

Date:07/2024

PAGE:X3PLB-0311-00

FUEL FILTER - PRIMARY & SECONDARY WITH VOLVO D13



From G-7275 To H-7416	Date:07/2024	PAGE:X3PLB-0311-00
FUEL FILTER - PRIMARY & SECONDARY WITH VOLVO D13		

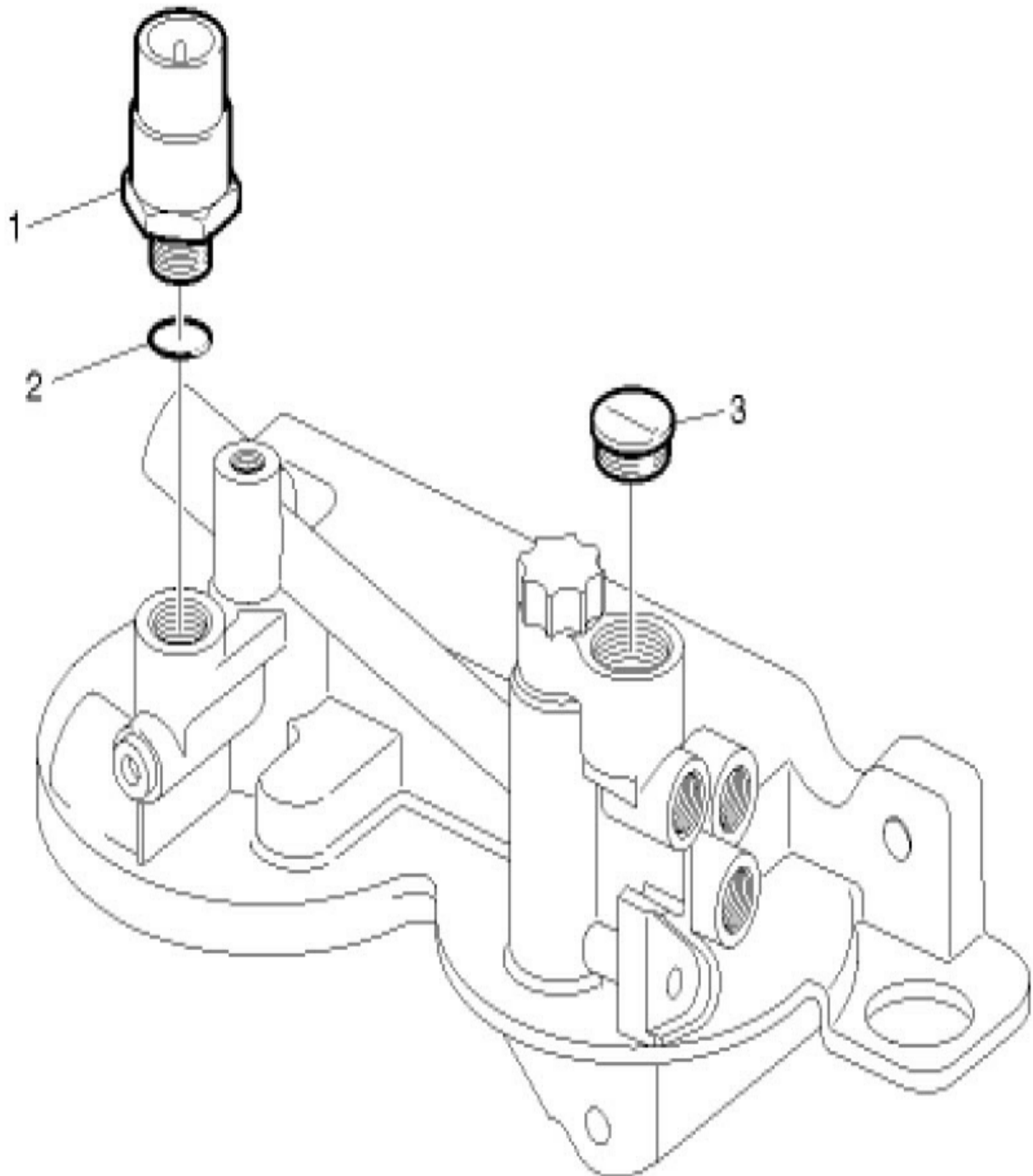
Item#	Part	Description	QTY	Notes
1	033010	HOSE ASSY / #8 4650MM	1	
2	033003	HOSE ASSY / #6 4700MM	1	
3	952631	CLAMP / 3/4" I.D.	2	
4	952629	CLAMP / 5/8" I.D.	AR	
5	502848	SCREW TC CAP HEXF 1/4-20x3/4 N500	2	
7	952635	CLAMP / 1" I.D.	1	
8	507662	MALE CONNECTOR SWIVEL / JIC 37° @ METRIC24° / #6JIC-MxM16-1.5 W/24° O-RING-F	1	
9	033946	SUPPORT FUEL LINE	1	
10	5001654	WASHER FL 6.4x17.0x3.0 SS	2	
11	502570	WASHER LO SPT 6.1x11.8x1.6 SS	2	
12	5001648	SCREW CAP HEXS M6-1.0x18 SS BK	2	
17	952637	CLAMP / 1"1/16 I.D.	1	
18	964016	ELBOW	1	
19	500574	SCREW MA TR PH #10-24x1 1/4 SS	2	
20	500914	WASHER LO SPT .193x.334x.047 N500	2	
21	502882	NUT HEX #10-24 N500	2	
23	5001986	CLAMP / SS / SILICONE RUBBER / 5/8" I.D. x .281 HOLE	1	
24	5001598	SCREW CAP HEXS M8-1.25x30 SS	1	
25	5001341	WASHER FL 8.4x17.0x1.6 SS	1	
26	5001161	WASHER LO SPT 8.1x14.8x2.0 SS-304	1	
31	530096	BALL VALVE 1/2" NPT 1/2 NPT F x 1/2 NPT F	1	
32	5001677	SWIVEL NUT ADAPTER TEE / JIC 37° FITTING / #8JIC-Fx1/2NPT-Mx1/4NTP-F STL	1	
33	501616	MALE CONNECTOR / SAE 45° FITTING / #8FL-Mx1/2NPT-M BR	1	
34	504706	NIPPLE / QUICK DISCONNECT "SAE J1502" / #4x1/4NPT-M STL W/DUST CAP	1	
NS	195533	DUST CAP / QUICK DISCONNECT "SAE J1502" / #4	1	
35	507659	MALE CONNECTOR SWIVEL / JIC 37° @ METRIC24° / #8JIC-MxM18-1.5 W/24° O-RING-F	1	
40	Refer To Volvo	HOUSING FUEL FILTER ASSY W/PRIMER PUMP TB-111262697-1	1	V
41	20405160	FUEL FILTER (LONG)	1	
42	20879806	FUEL FILTER WATER SEPARATOR	1	
43	Refer To Volvo	BOWL / W/WATER DETECTOR IN FUEL UAUXFUEL	1	V
43	Refer To Volvo	BOWL AF-E	1	V
		V) SEE IMPACT OR CALL ORDER DESK		

From G-7275 To H-7416

Date:07/2024

PAGE:21023285

HOUSING FUEL FILTER ASSY W/PRIMER PUMP TB-111262697-1



From G-7275 To H-7416	Date:07/2024	PAGE:21023285
-----------------------	--------------	---------------

HOUSING FUEL FILTER ASSY W/PRIMER PUMP TB-111262697-1

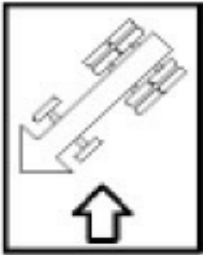
Item#	Part	Description	QTY	Notes
1	21302639	PRESSURE SENSOR,FUEL/OIL TB-130959470-1	1	
2	968559	O-RING (PRESSURE SENSOR)	1	
3	20744692	CAP	1	

From G-7275 To H-7416

Date:07/2024

PAGE:21302639

PRESSURE SENSOR,FUEL/OIL TB-130959470-1



From G-7275 To H-7416		Date:07/2024	PAGE:21302639
-----------------------	--	--------------	---------------

PRESSURE SENSOR,FUEL/OIL TB-130959470-1

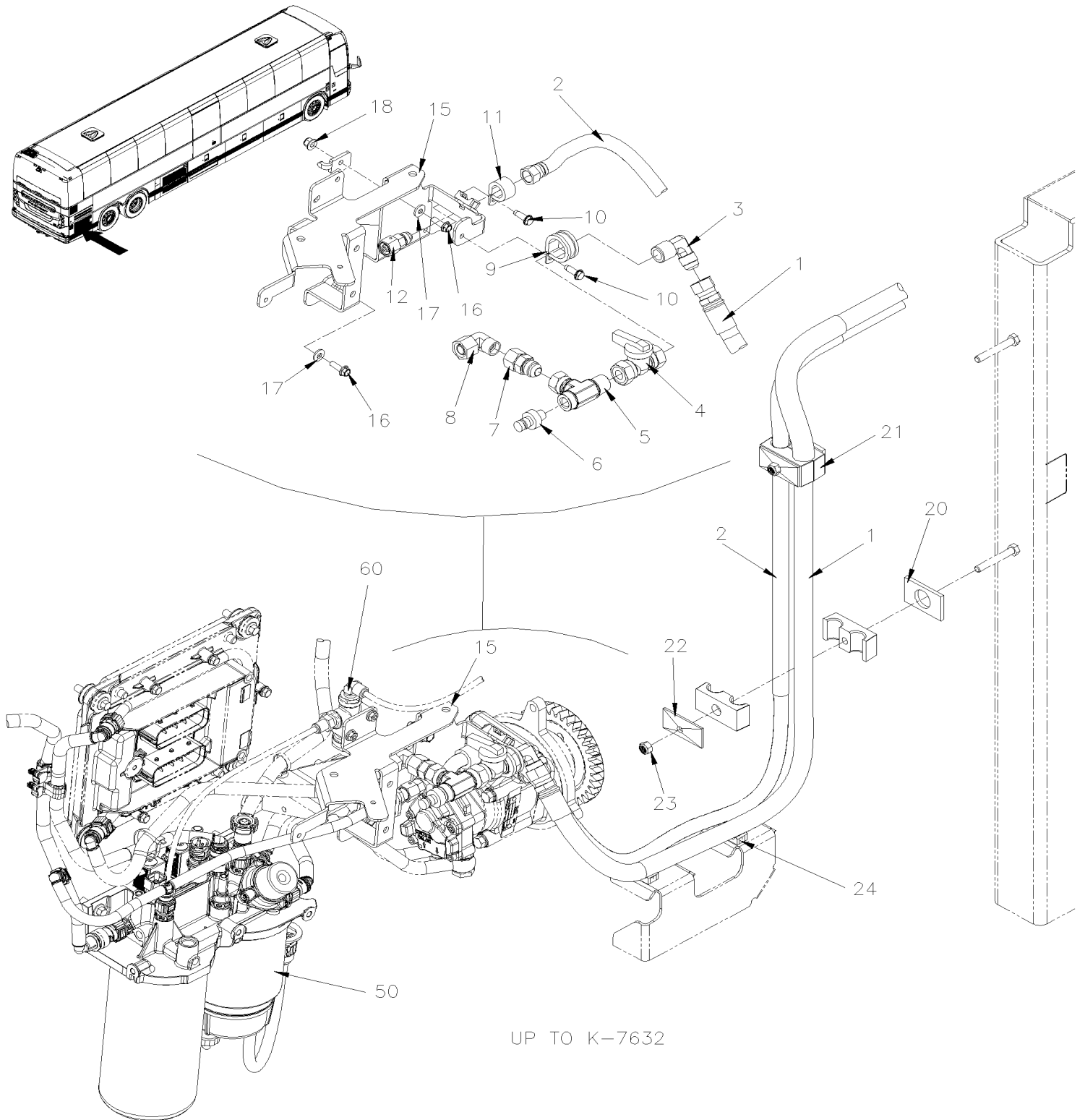
Item#	Part	Description	QTY	Notes
1	968559	O-RING (PRESSURE SENSOR)	1	

From H-7417 To M-7767

Date:07/2024

PAGE:X3PLB-0311-01

FUEL FILTER - PRIMARY & SECONDARY WITH VOLVO D13 - GHG17

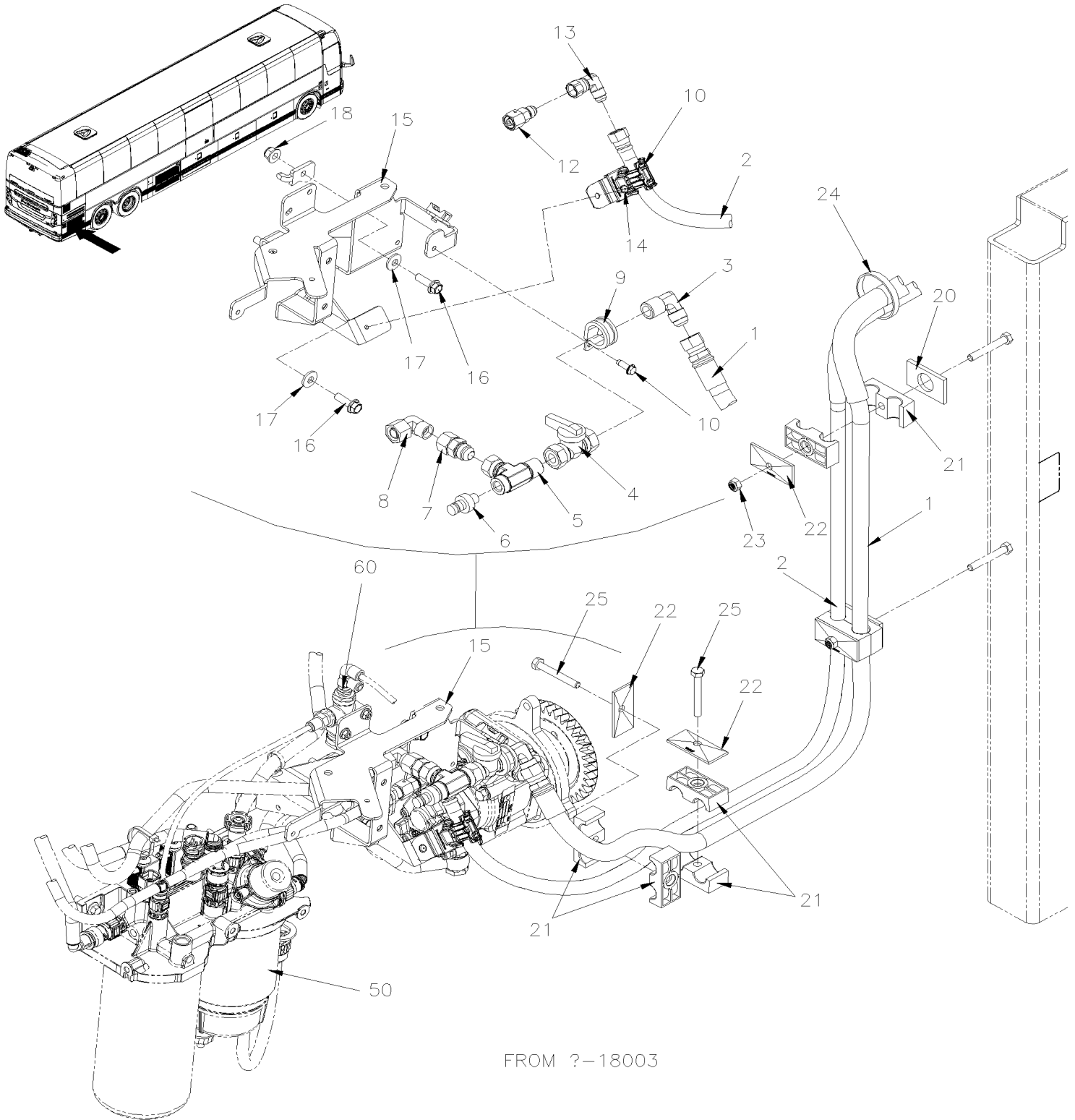


From H-7417 To M-7767

Date:07/2024

PAGE:X3PLB-0311-01

FUEL FILTER - PRIMARY & SECONDARY WITH VOLVO D13 - GHG17



From H-7417 To M-7767	Date:07/2024	PAGE:X3PLB-0311-01
FUEL FILTER - PRIMARY & SECONDARY WITH VOLVO D13 - GHG17		

Item#	Part	Description	QTY	Notes
1	030048	HOSE ASSY / #8 4490MM	1	
2	033029	HOSE ASSY / #6 4560MM To £-18003	1	
2	033029	HOSE ASSY / #6 4560MM To £-18003	1	
2	030154	HOSE ASSY / #6 4560MM From £-18003	1	
. NS	505181	. COIL PROTECTOR / PLASTIC / #8 From £-18003	AR	
3	501612	MALE ELBOW 90° / SAE 45° FITTING / #8FL-Mx1/2NPT-M BR	1	
4	530096	BALL VALVE 1/2" NPT 1/2 NPT F x 1/2 NPT F	1	
5	5001677	SWIVEL NUT ADAPTER TEE / JIC 37° FITTING / #8JIC-Fx1/2NPT-Mx1/4NTP-F STL	1	
6	504706	NIPPLE / QUICK DISCONNECT "SAE J1502" / #4x1/4NPT-M STL W/DUST CAP	1	
. NS	195533	. DUST CAP / QUICK DISCONNECT "SAE J1502" / #4	1	
7	507659	MALE CONNECTOR SWIVEL / JIC 37° @ METRIC24° / #8JIC-MxM18-1.5 W/24° O-RING-F	1	
8	964016	ELBOW	1	
9	952635	CLAMP / 1" I.D.	1	
10	502848	SCREW TC CAP HEXF 1/4-20x3/4 N500 To K-7632	2	
10	502848	SCREW TC CAP HEXF 1/4-20x3/4 N500 From K-7633	1	
NS	680098	THREAD SEALANT LOCTITE #567 / WHITE / 250ml	AR	
11	5001986	CLAMP / SS / SILICONE RUBBER / 5/8" I.D. x .281 HOLE To K-7632	1	
11	504193	CLAMP P SS PA 12.7-19.5 ID From K-7633	1	
12	507662	MALE CONNECTOR SWIVEL / JIC 37° @ METRIC24° / #6JIC-MxM16-1.5 W/24° O-RING-F	1	
13	5011359	SWIVEL NUT ELBOW 90° / JIC 37° FITTING / #6JIC-Fx#6JIC-M STL From K-7633	1	
14	504488	RIVET MGLP PRDG 3/16x17/64 SS From K-7633	1	
15	010043	SUPPORT FUEL LINE To K-7632	1	
15	010293	SUPPORT FUEL LINE From K-7633	1	
16	5001643	SCREW CAP HEXF M8-1.25x25 G8.8 G500	3	
17	500321	WASHER BEL SPR .331x.827x.098 N500	3	
18	5001931	NUT HEXF NYRT M8-1.25 G8.8 N500	1	
18	680038	THREAD LOCKER LOCTITE #243 / BLUE / 50ml	AR	
20	069465	SHIM FOR CLAMP	2	
21	504727	CLAMP DOUBLE ASS / 2 HOSE SIZE 3/8" To £-18003	2	
21	504208	CLAMP DOUBLE ASS / SPLIT BLOC / 19MM/15MM x 67MM POLYA From £-18003	4	
22	504728	PLATE RETAINER To £-18003	2	
22	504177	PLATE RETAINER 79MM SS From £-18003	4	
23	5001983	NUT HEX NYRT M8-1.25 SS SS BK	2	
24	504013	TIE MOUNT / 1/4" X 1/4" I.D. To £-18003	4	
NS	504357	WASHER FL .187x.437x.050 SS To £-18003	4	
NS	504488	RIVET MGLP PRDG 3/16x17/64 SS To £-18003	4	
NS	504016	CABLE TIE / 5/16" X 14"1/2 To £-18003	4	
24	504016	CABLE TIE / 5/16" X 14"1/2 From £-18003	1	
25	5001178	SCREW CAP HEX M8-1.25x60 SS BK From £-18003	2	
50	Refer To Volvo	HOUSING FUEL FILTER ASSY W/PRIMER PUMP	1	V
60	X3PLB-0405-11	7TH INJECTOR / "AHI" / EXHAUST VOLVO D13 - GHG17	1	

From H-7417 To M-7767	Date:07/2024	PAGE:X3PLB-0311-01
-----------------------	--------------	--------------------

FUEL FILTER - PRIMARY & SECONDARY WITH VOLVO D13 - GHG17

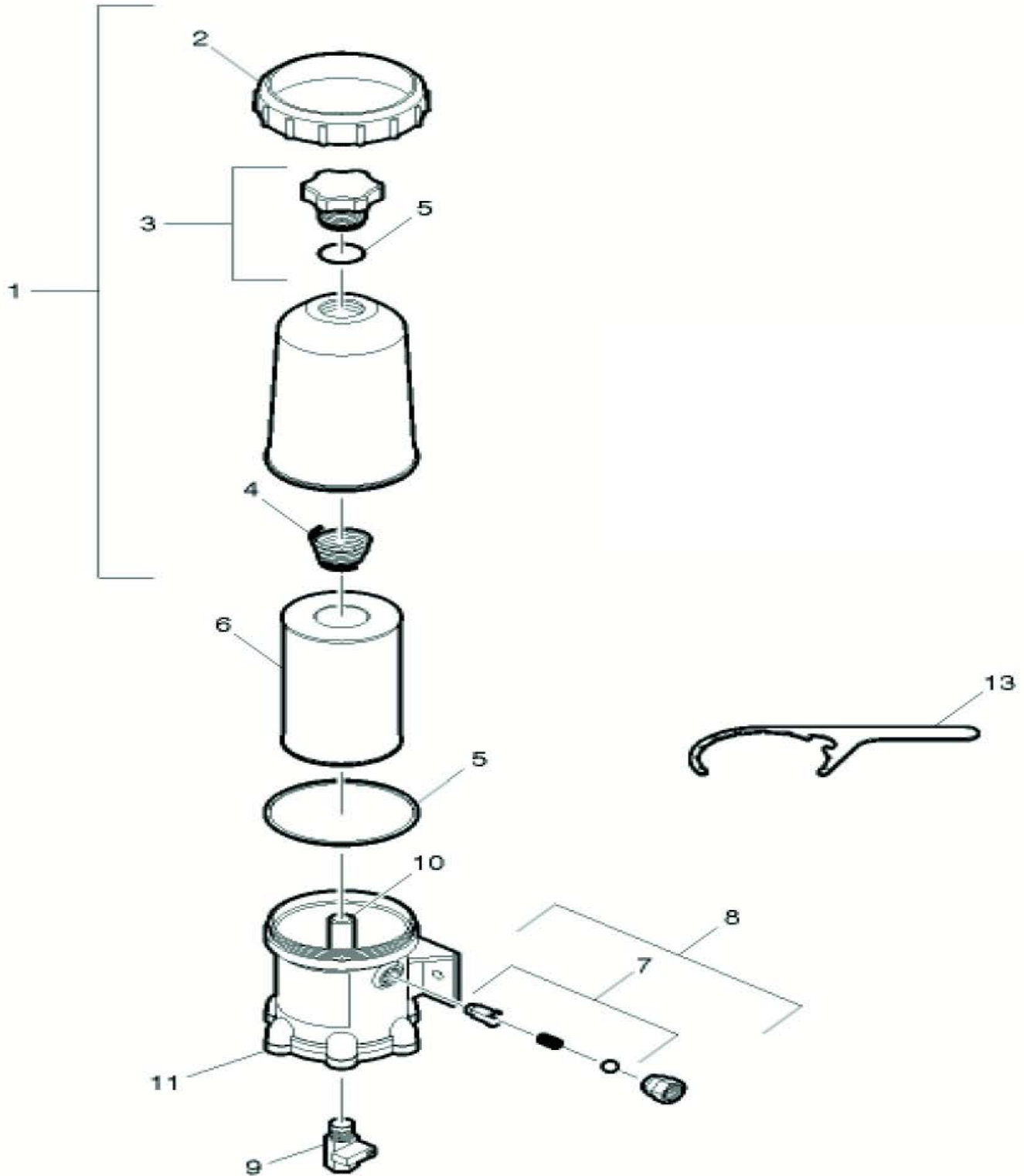
Item#	Part	Description	QTY	Notes
		V) SEE IMPACT OR CALL ORDER DESK		

From G-7275 To N-7977

Date:07/2024

PAGE:X3PLB-0311-15

FUEL FILTER / "PRO 382"



R1103003

From G-7275 To N-7977	Date:07/2024	PAGE:X3PLB-0311-15
FUEL FILTER / "PRO 382"		

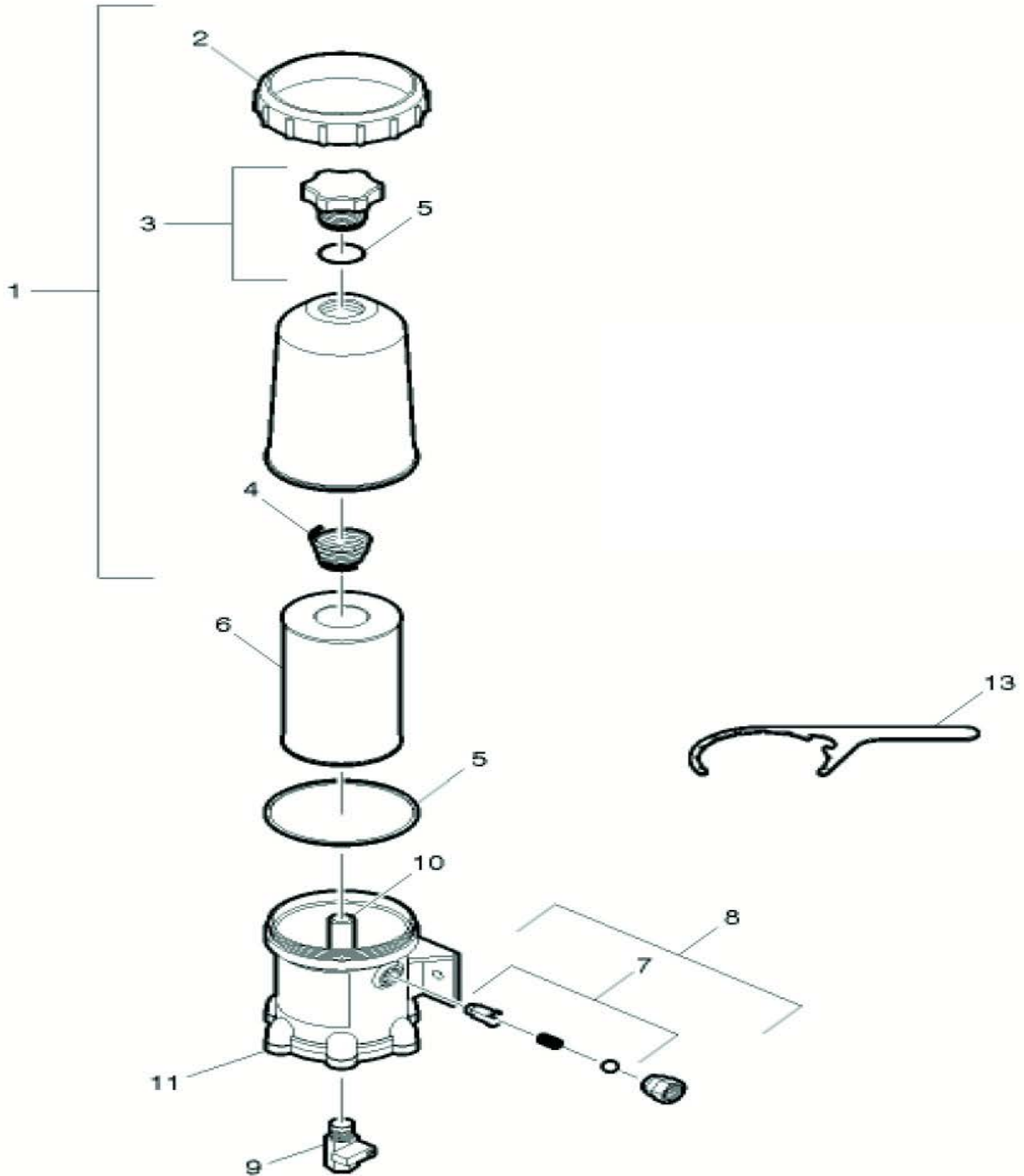
Item#	Part	Description	QTY	Notes
	22188830	FILTER ASSY "FUEL PRO 382" UNHEATED	1	
1	530217	. COVER ASSEMBLY INCLUDES ITEMS 1, 2, 3, 4	1	
2	531441	. COLLAR, COVER	1	
3	530218	. VENT CAP SERVICE KIT	1	
4	3099140	. SPRING	1	
5	3946029	. O-RING SET	1	
. A	N.S.S.	. . ANTI TAMPER SEAL	1	1
. B	N.S.S.	. . O-RING	1	1
6	530219	. FILTER ELEMENT 25 MICRON	1	
7	530220	. CHECK VALVE SERVICE KIT	1	
8	530221	. CHECK VALVE ASSEMBLY INCLUDES ITEM 7	1	
9	G1093949	. DRAIN VALVE	1	
10	19506118	. STUD 13/16-12 X 7/8-14	1	
11	530222	. BOTTOM PLATE	1	
13	530224	. WRENCH	1	
		1) NOT SOLD SEPARATELY		

From G-7275 To N-7977

Date:07/2024

PAGE:22188830

FILTER ASSY "FUEL PRO 382" UNHEATED



R1103003

From G-7275 To N-7977	Date:07/2024	PAGE:22188830
FILTER ASSY "FUEL PRO 382" UNHEATED		

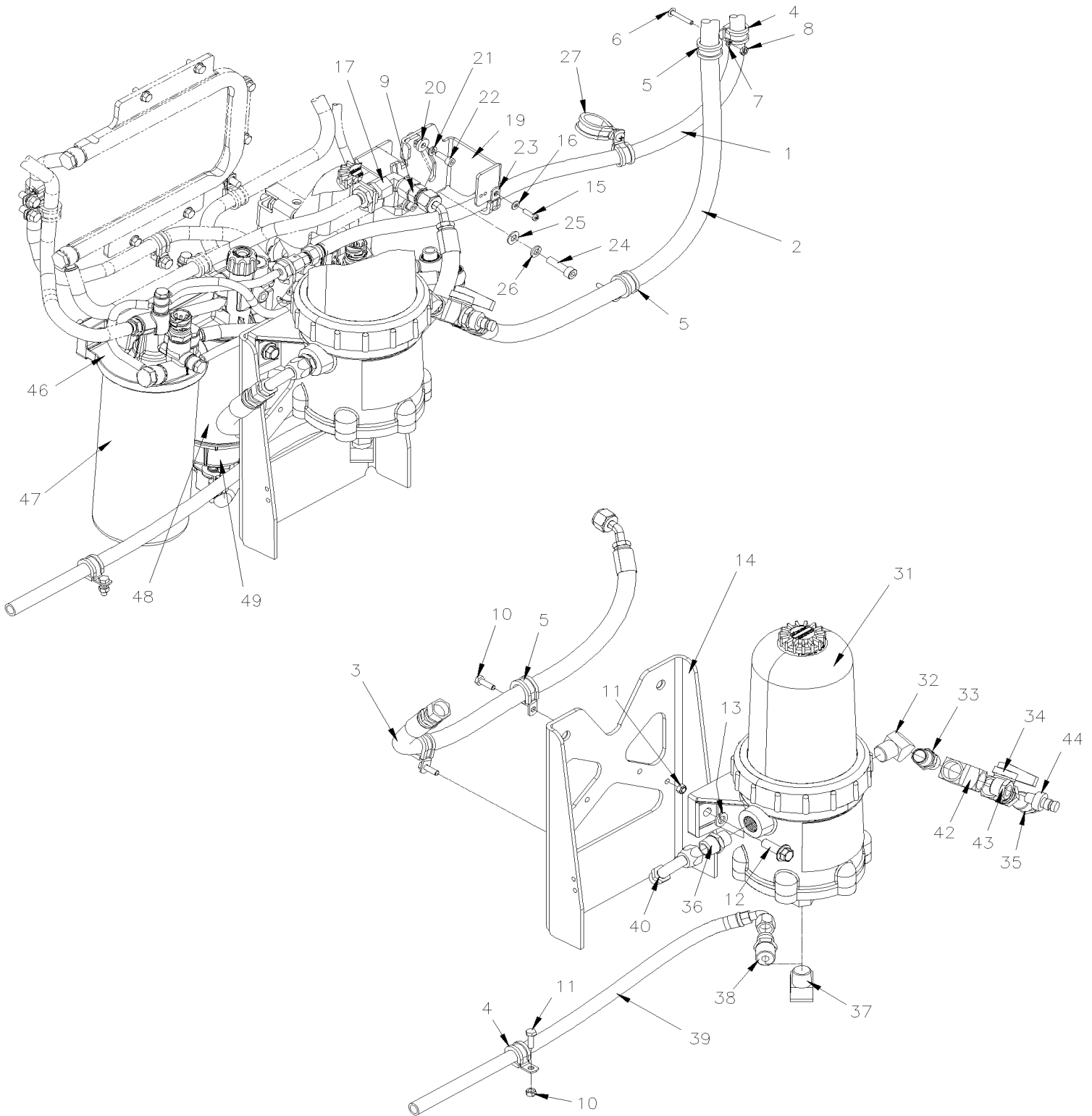
Item#	Part	Description	QTY	Notes
1	530217	COVER ASSEMBLY INCLUDES ITEMS 1, 2, 3, 4	1	
2	531441	COLLAR, COVER	1	
3	530218	VENT CAP SERVICE KIT	1	
4	3099140	SPRING	1	
5	3946029	O-RING SET	1	
. A	N.S.S.	. ANTI TAMPER SEAL	1	1
. B	N.S.S.	. O-RING	1	1
6	530219	FILTER ELEMENT 25 MICRON	1	
7	530220	CHECK VALVE SERVICE KIT	1	
8	530221	CHECK VALVE ASSEMBLY INCLUDES ITEM 7	1	
9	G1093949	DRAIN VALVE	1	
10	19506118	STUD 13/16-12 X 7/8-14	1	
11	530222	BOTTOM PLATE	1	
13	530224	WRENCH	1	
		1) NOT SOLD SEPARATELY		

From G-7275 To H-7416

Date:07/2024

PAGE:X3PLB-0312-10

FUEL PRO - INSTALLATION WITH VOLVO D13



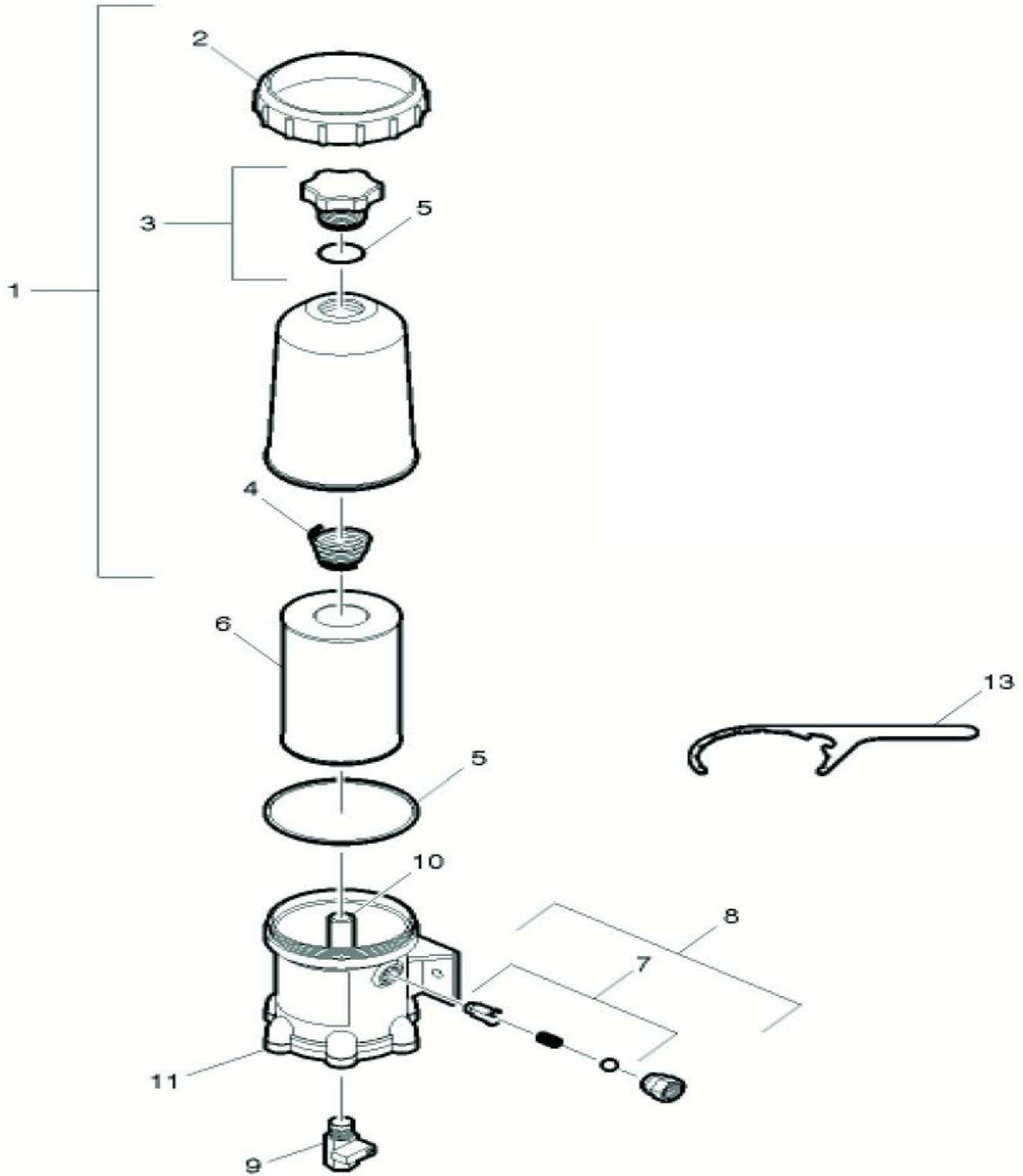
From G-7275 To H-7416	Date:07/2024	PAGE:X3PLB-0312-10
FUEL PRO - INSTALLATION WITH VOLVO D13		

Item#	Part	Description	QTY	Notes
1	033003	HOSE ASSY / #6 4700MM	1	
2	033010	HOSE ASSY / #8 4650MM	1	
3	032897	HOSE ASSY / #8 500MM	1	
3	033244	HOSE ASSY / #8 500MM	1	A
4	952629	CLAMP / 5/8" I.D.	3	
5	952631	CLAMP / 3/4" I.D.	AR	
6	500574	SCREW MA TR PH #10-24x1 1/4 SS	3	
7	500914	WASHER LO SPT .193x.334x.047 N500	3	
8	502882	NUT HEX #10-24 N500	3	
9	507659	MALE CONNECTOR SWIVEL / JIC 37° @ METRIC24° / #8JIC-MxM18-1.5 W/24° O-RING-F	1	
10	502830	SCREW CAP HEX M6-1.0x20 G8.8 N500	3	
11	502681	NUT HEX NYRT M6-1.0 N500 G8	3	
12	5000343	SCREW CAP HEXF M10-1.5x30 G10.9 N500	2	
13	5001737	WASHER LO SPT 10.2x18.1x2.2 N500	2	
14	032679	SUPPORT "FUEL PRO" (WELDED AT STRUCTURE)	1	
15	500623	SCREW TC PAN PH #10-24x3/4 N500	1	
16	500855	WASHER FL .188x.438x.049 N500	1	
17	964016	ELBOW	1	
18	507662	MALE CONNECTOR SWIVEL / JIC 37° @ METRIC24° / #6JIC-MxM16-1.5 W/24° O-RING-F	1	
19	033946	SUPPORT FUEL LINE	1	
20	5001654	WASHER FL 6.4x17.0x3.0 SS	2	
21	502570	WASHER LO SPT 6.1x11.8x1.6 SS	2	
22	5001648	SCREW CAP HEXS M6-1.0x18 SS BK	2	
23	5001986	CLAMP / SS / SILICONE RUBBER / 5/8" I.D. x .281 HOLE	1	
24	5001598	SCREW CAP HEXS M8-1.25x30 SS	1	
25	5001341	WASHER FL 8.4x17.0x1.6 SS	1	
26	5001161	WASHER LO SPT 8.1x14.8x2.0 SS-304	1	
27	952635	CLAMP / 1" I.D.	1	
31	22188830	FILTER ASSY "FUEL PRO 382" UNHEATED		
32	501528	STREET ELBOW 45° / PIPE FITTING / 1/2NPT-Mx1/2NPT-F BR	1	
33	5011067	NIPPLE HEX / PIPE FITTING / 1/2NPT-Mx1/2NPT-Mx1 13/16 BR	1	
34	530096	BALL VALVE 1/2" NPT 1/2 NPT F x 1/2 NPT F	1	
35	501616	MALE CONNECTOR / SAE 45° FITTING / #8FL-Mx1/2NPT-M BR	1	
36	501739	MALE CONNECTOR / JIC 37° FITTING / #8JIC-Mx1/2NPT-M STL	1	
37	507557	STREET ELBOW 90° / PIPE FITTING / 1/2NPT-Mx1/2NPT-F BR	1	
38	501618	MALE CONNECTOR / SAE 45° FITTING / #6FL-Mx1/2NPT-M BR	1	
39	032614	HOSE ASSY / #8 420MM	1	
40	501845	SWIVEL NUT ELBOW 90° LONG / JIC 37° FITTING / #8JIC-Fx#8JIC-Mx1.86 STL	1	
42	501473	MALE RUN TEE / PIPE FITTING / 1/2NPT-Mx1/2NPT-Fx1/2NPT-F BR	1	
43	501316	BUSHING REDUCER / PIPE FITTING / 1/2NPT-Mx1/4NPT-F BR	1	
44	504706	NIPPLE / QUICK DISCONNECT "SAE J1502" / #4x1/4NPT-M STL W/DUST CAP	1	
. NS	195533	. DUST CAP / QUICK DISCONNECT "SAE J1502" / #4	1	

From G-7275 To H-7416	Date:07/2024	PAGE:X3PLB-0312-10
FUEL PRO - INSTALLATION WITH VOLVO D13		

Item#	Part	Description	QTY	Notes
46	Refer To Volvo	HOUSING FUEL FILTER ASSY W/PRIMER PUMP TB-111262697-1	1	V
47	20405160	FUEL FILTER (LONG)	1	
47	20972293	FUEL FILTER (LONG) MAIN / PRINCIPAL	1	
48	20879806	FUEL FILTER WATER SEPARATOR	1	
49	20771580	BOWL / W/WATER DETECTOR IN FUEL UAUXFUEL	1	
49	Refer To Volvo	BOWL AF-E	1	V
		A) SERVICE ONLY		
		V) SEE IMPACT OR CALL ORDER DESK		

FILTER ASSY "FUEL PRO 382" UNHEATED



From G-7275 To H-7416	Date:07/2024	PAGE:22188830
FILTER ASSY "FUEL PRO 382" UNHEATED		

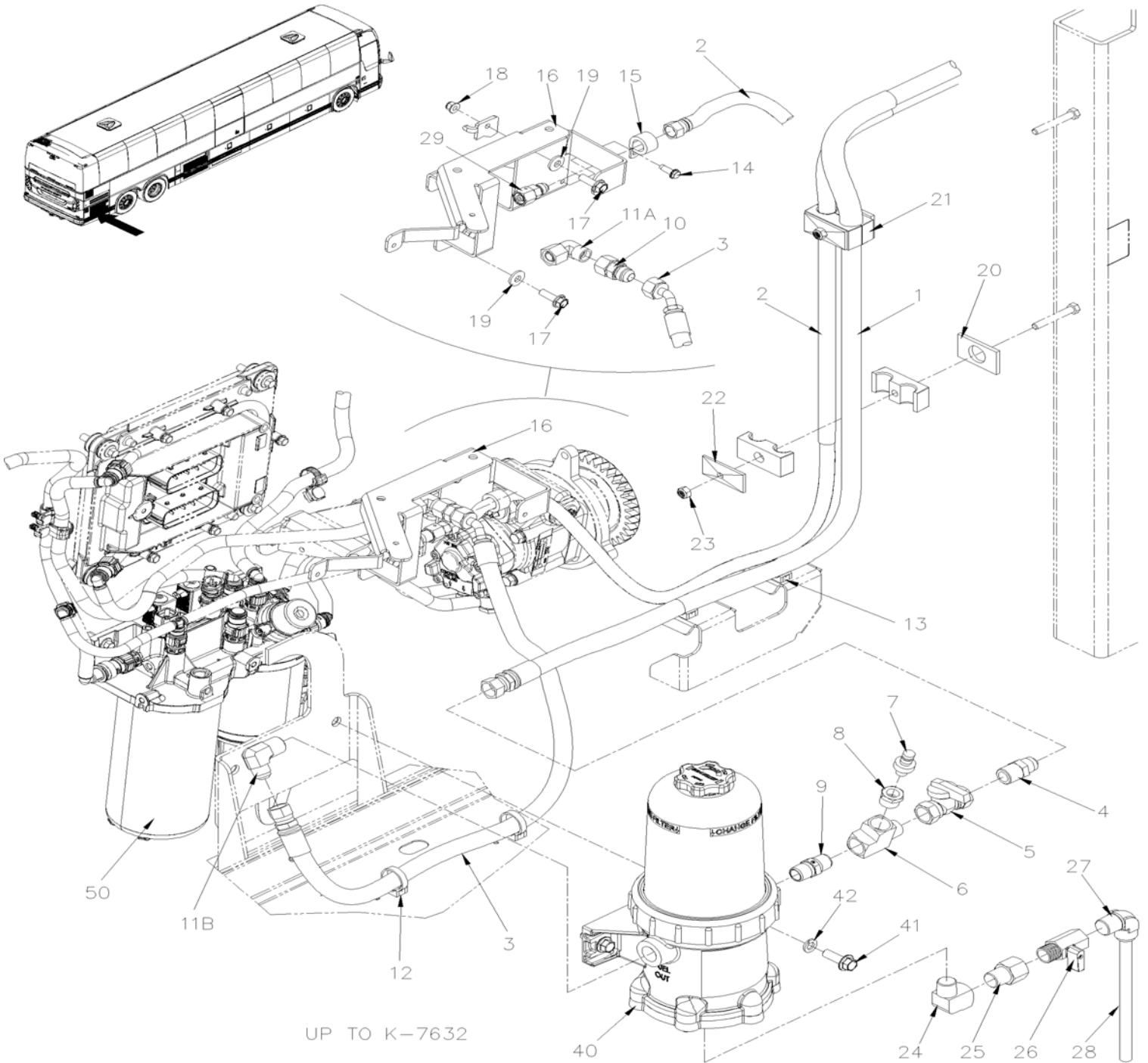
Item#	Part	Description	QTY	Notes
1	530217	COVER ASSEMBLY INCLUDES ITEMS 1, 2, 3, 4	1	
2	531441	COLLAR, COVER	1	
3	530218	VENT CAP SERVICE KIT	1	
4	3099140	SPRING	1	
5	3946029	O-RING SET	1	
. A	N.S.S.	. ANTI TAMPER SEAL	1	1
. B	N.S.S.	. O-RING	1	1
6	530219	FILTER ELEMENT 25 MICRON	1	
7	530220	CHECK VALVE SERVICE KIT	1	
8	530221	CHECK VALVE ASSEMBLY INCLUDES ITEM 7	1	
9	G1093949	DRAIN VALVE	1	
10	19506118	STUD 13/16-12 X 7/8-14	1	
11	530222	BOTTOM PLATE	1	
13	530224	WRENCH	1	
		1) NOT SOLD SEPARATELY		

From H-7417 To M-7767

Date:07/2024

PAGE:X3PLB-0312-11

FUEL PRO - INSTALLATION WITH VOLVO D13 - GHG17

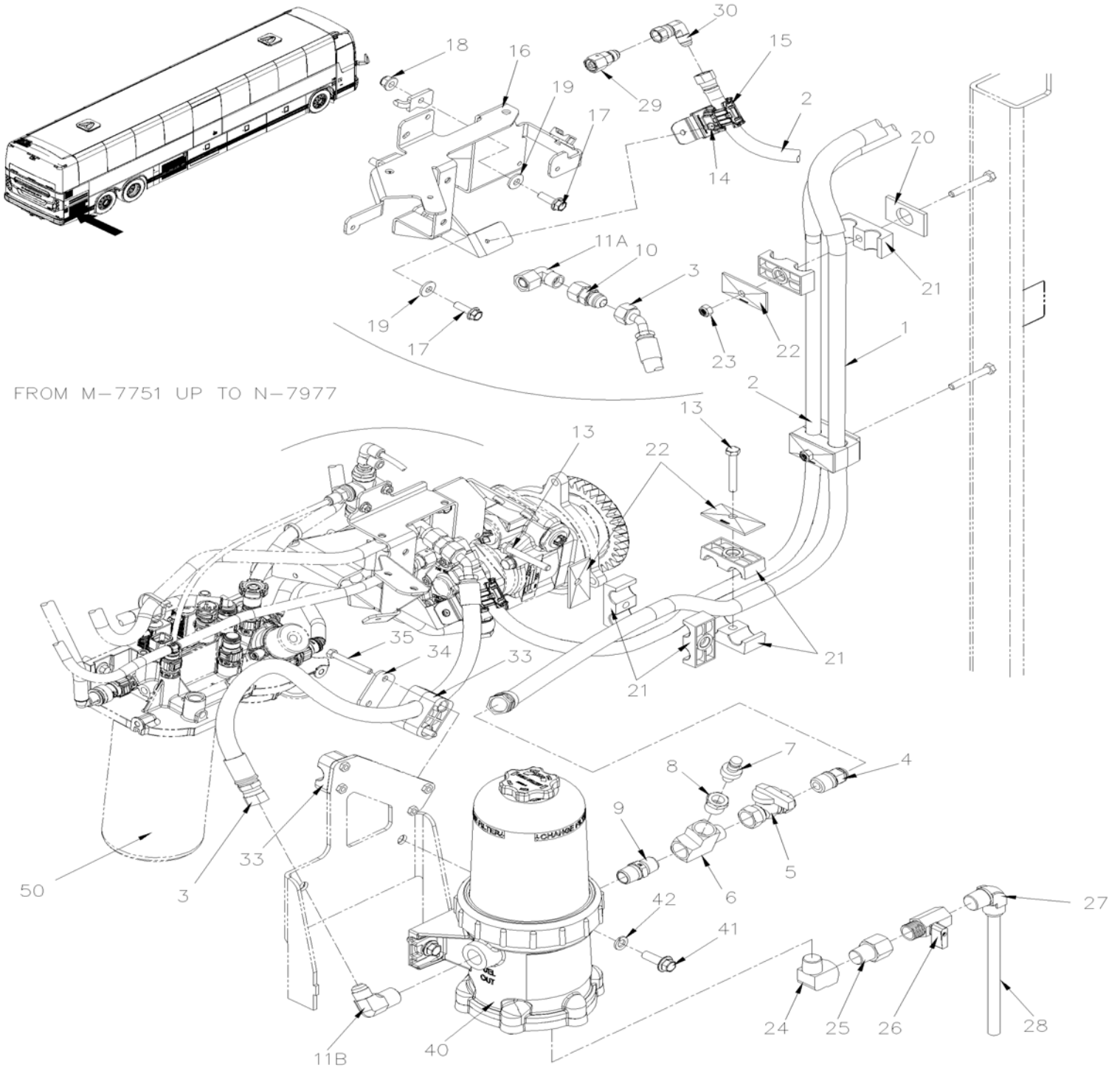


From H-7417 To M-7767

Date:07/2024

PAGE:X3PLB-0312-11

FUEL PRO - INSTALLATION WITH VOLVO D13 - GHG17



From H-7417 To M-7767	Date:07/2024	PAGE:X3PLB-0312-11
FUEL PRO - INSTALLATION WITH VOLVO D13 - GHG17		

Item#	Part	Description	QTY	Notes
1	033028	HOSE ASSY / #8 4650MM	1	
2	033029	HOSE ASSY / #6 4560MM To M-7750	1	
2	030154	HOSE ASSY / #6 4560MM From M-7751	1	
. NS	505181	. COIL PROTECTOR / PLASTIC / #8 From M-7751	AR	
3	033212	FUEL HOSE ASSY / #8 755MM To N-7977	1	
3	033239	FUEL HOSE ASSY / #8 755MM To N-7977	1	B
3	030222	HOSE ASSY / #8 830MM From N-7978 To P-8093	1	
3	033251	HOSE ASSY / #8 830MM From P-8094	1	
4	501616	MALE CONNECTOR / SAE 45° FITTING / #8FL-Mx1/2NPT-M BR To M-7750	1	
4	501145	MALE ELBOW 45° / SAE 45° FITTING / #8FL-Mx1/2NPT-M BR From M-7751	1	
5	530096	BALL VALVE 1/2" NPT 1/2 NPT F x 1/2 NPT F	1	
6	501473	MALE RUN TEE / PIPE FITTING / 1/2NPT-Mx1/2NPT-Fx1/2NPT-F BR	1	
7	504706	NIPPLE / QUICK DISCONNECT "SAE J1502" / #4x1/4NPT-M STL W/DUST CAP	1	
. NS	195533	. DUST CAP / QUICK DISCONNECT "SAE J1502" / #4	1	
8	501316	BUSHING REDUCER / PIPE FITTING / 1/2NPT-Mx1/4NPT-F BR	1	
9	5011067	NIPPLE HEX / PIPE FITTING / 1/2NPT-Mx1/2NPT-Mx1 13/16 BR	1	
10	507659	MALE CONNECTOR SWIVEL / JIC 37° @ METRIC24° / #8JIC-MxM18-1.5 W/24° O-RING-F	1	
11A	964016	ELBOW	1	
11B	5011061	MALE ELBOW 90° / JIC 37° FITTING / #8JIC-Mx1/2NPT-M STL	1	
12	504013	TIE MOUNT / 1/4" X 1/4" I.D. To M-7750	2	
NS	504016	CABLE TIE / 5/16" X 14" 1/2 To M-7750	2	
NS	504379	RIVET POP DOME OE 3/16x1/4 SS To M-7750	2	
13	504013	TIE MOUNT / 1/4" X 1/4" I.D. To M-7750	4	
NS	504357	WASHER FL .187x.437x.050 SS To M-7750	4	
NS	504488	RIVET MGLP PRDG 3/16x17/64 SS To M-7750	4	
13	5001178	SCREW CAP HEX M8-1.25x60 SS BK From M-7751	2	
14	502848	SCREW TC CAP HEXF 1/4-20x3/4 N500 To K-7632	1	
14	504488	RIVET MGLP PRDG 3/16x17/64 SS From K-7633	1	
15	5001986	CLAMP / SS / SILICONE RUBBER / 5/8" I.D. x .281 HOLE To K-7632	1	
15	504193	CLAMP P SS PA 12.7-19.5 ID From K-7633	1	
16	010043	SUPPORT FUEL LINE To K-7632	1	
16	010293	SUPPORT FUEL LINE From K-7633	1	
17	5001643	SCREW CAP HEXF M8-1.25x25 G8.8 G500	3	
18	5001932	NUT HEXF NYRT M6-1.0 G8.8 N500	1	
19	500321	WASHER BEL SPR .331x.827x.098 N500	3	
20	069465	SHIM FOR CLAMP	2	
21	504727	CLAMP DOUBLE ASS / 2 HOSE SIZE 3/8" To M-7750	2	
21	504208	CLAMP DOUBLE ASS / SPLIT BLOC / 19MM/15MM x 67MM POLYA From M-7751	4	
22	504728	PLATE RETAINER To M-7750	2	
22	504177	PLATE RETAINER 79MM SS From M-7751	4	
23	5001983	NUT HEX NYRT M8-1.25 SS SS BK	2	
24	507557	STREET ELBOW 90° / PIPE FITTING / 1/2NPT-Mx1/2NPT-F BR	1	

From H-7417 To M-7767	Date:07/2024	PAGE:X3PLB-0312-11
FUEL PRO - INSTALLATION WITH VOLVO D13 - GHG17		

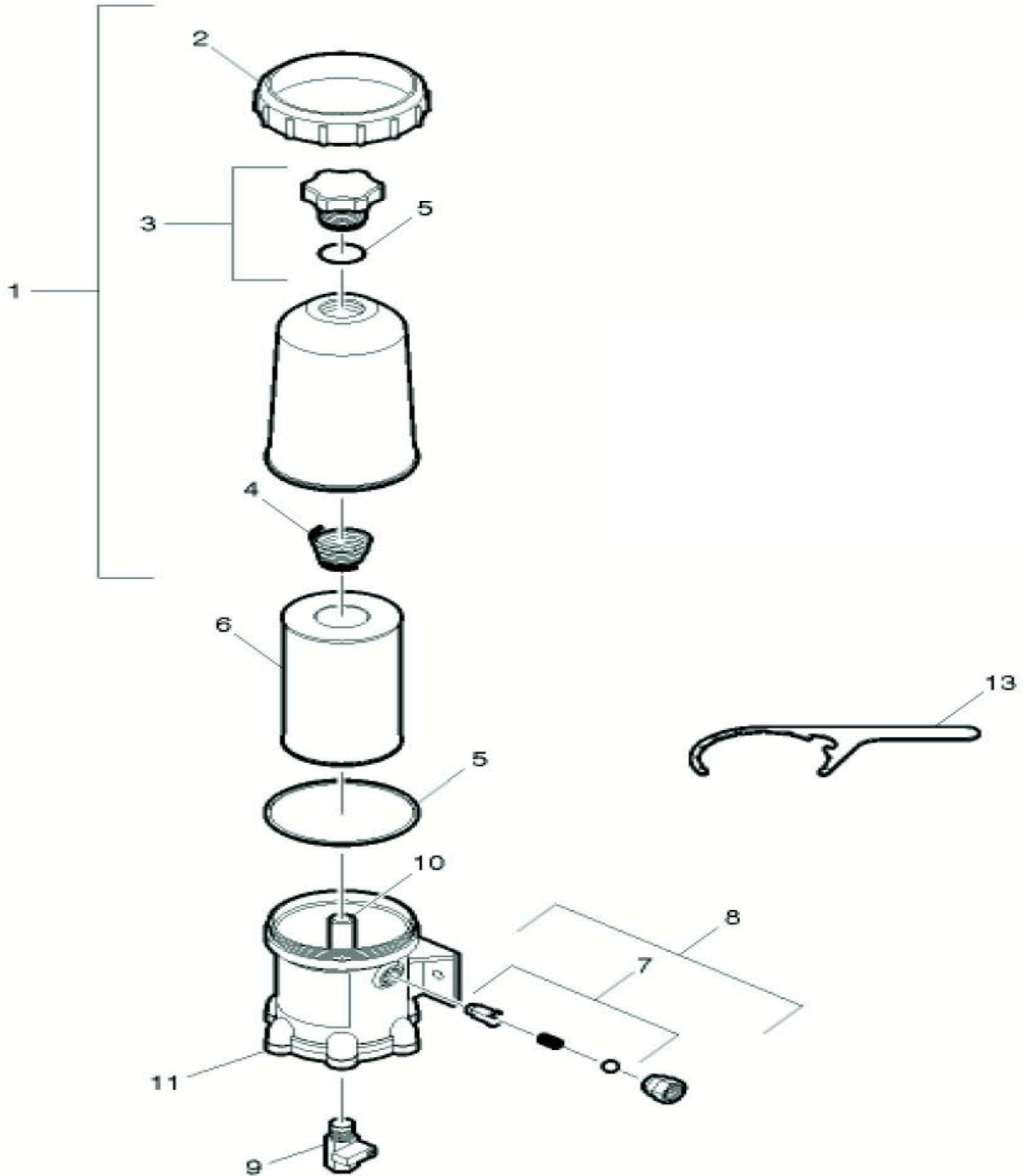
Item#	Part	Description	QTY	Notes
25	5011119	ADAPTER / PIPE FITTING / 1/2NPT-Fx1/2NPT-M BR	1	
26	G1093949	DRAIN VALVE	1	A
27	641378	MALE ELBOW 90° / PUSH-IN FITTING / #8x1/2NPT-M BRASS To N-7977	1	
27	641383	MALE CONNECTOR / PUSH-IN FITTING / #8x1/2NPT-M BR From N-7978 To P-8096	1	
27	504018	HOSE CLAMP / 7/16"-1" SS / HS-8 From P-8097	1	
28	033214	PNEU. PIPE, NYL. BLACK 1/2 OD #8 200MM To P-8096	1	
NS	503488	TUBE, NYLON 1/2 O.D. / BLACK S.L./ To P-8096	AR	
28	503523	HOSE SILICONE 1PLY 3/4" I.D. x 100' / S.L. From P-8097	AR	
29	507662	MALE CONNECTOR SWIVEL / JIC 37° @ METRIC24° / #6JIC-MxM16-1.5 W/24° O-RING-F	2	
30	5011359	SWIVEL NUT ELBOW 90° / JIC 37° FITTING / #6JIC-Fx#6JIC-M STL From K-7633	1	
33	504164	CLAMP SIMPLE ASS / SPLIT BLOC / 19MM x 50MM x 33MM C/C POLYA From M-7751	2	
34	504165	PLATE RETAINER 33MM C/C SS From M-7751	2	
35	5002123	SCREW CAP HEX M6-1.0x60 SS NSS From M-7751	4	
40	22188830	FILTER ASSY "FUEL PRO 382" UNHEATED To N-7977		
40	530021	FILTER ASSY "FUEL PRO 386" UNHEATED From N-7978 To P-8096	1	
40	530069	FILTER ASSY "FUEL PRO 386" UNHEATED From P-8097	1	
41	5000343	SCREW CAP HEXF M10-1.5x30 G10.9 N500	2	
42	5001737	WASHER LO SPT 10.2x18.1x2.2 N500	2	
50	Refer To Volvo	HOUSING FUEL FILTER ASSY W/PRIMER PUMP	1	V
		A) AS REFERENCE ONLY, BUY WITH ITEM #40		
		B) SERVICE ONLY		
		V) SEE IMPACT OR CALL ORDER DESK		

To N-7977

Date:07/2024

PAGE:22188830

FILTER ASSY "FUEL PRO 382" UNHEATED



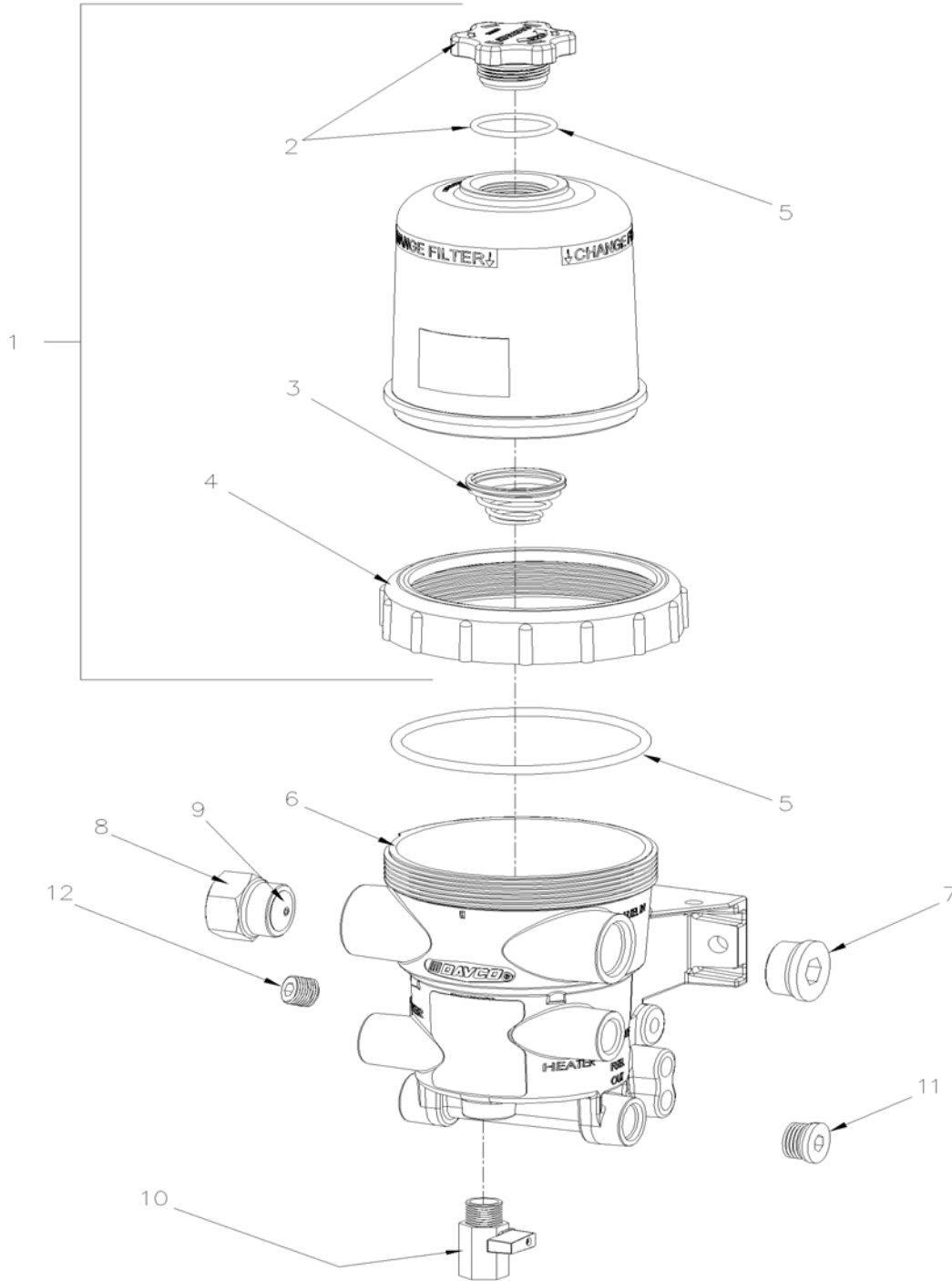
R1103003

To N-7977	Date:07/2024	PAGE:22188830
-----------	--------------	---------------

FILTER ASSY "FUEL PRO 382" UNHEATED

Item#	Part	Description	QTY	Notes
1	530217	COVER ASSEMBLY INCLUDES ITEMS 1, 2, 3, 4	1	
2	531441	COLLAR, COVER	1	
3	530218	VENT CAP SERVICE KIT	1	
4	3099140	SPRING	1	
5	3946029	O-RING SET	1	
. A	N.S.S.	. ANTI TAMPER SEAL	1	1
. B	N.S.S.	. O-RING	1	1
6	530219	FILTER ELEMENT 25 MICRON	1	
7	530220	CHECK VALVE SERVICE KIT	1	
8	530221	CHECK VALVE ASSEMBLY INCLUDES ITEM 7	1	
9	G1093949	DRAIN VALVE	1	
10	19506118	STUD 13/16-12 X 7/8-14	1	
11	530222	BOTTOM PLATE	1	
13	530224	WRENCH	1	
		1) NOT SOLD SEPARATELY		

FILTER ASSY "FUEL PRO 386" UNHEATED



From N-7978 To P-8096	Date:07/2024	PAGE:530021
FILTER ASSY "FUEL PRO 386" UNHEATED		

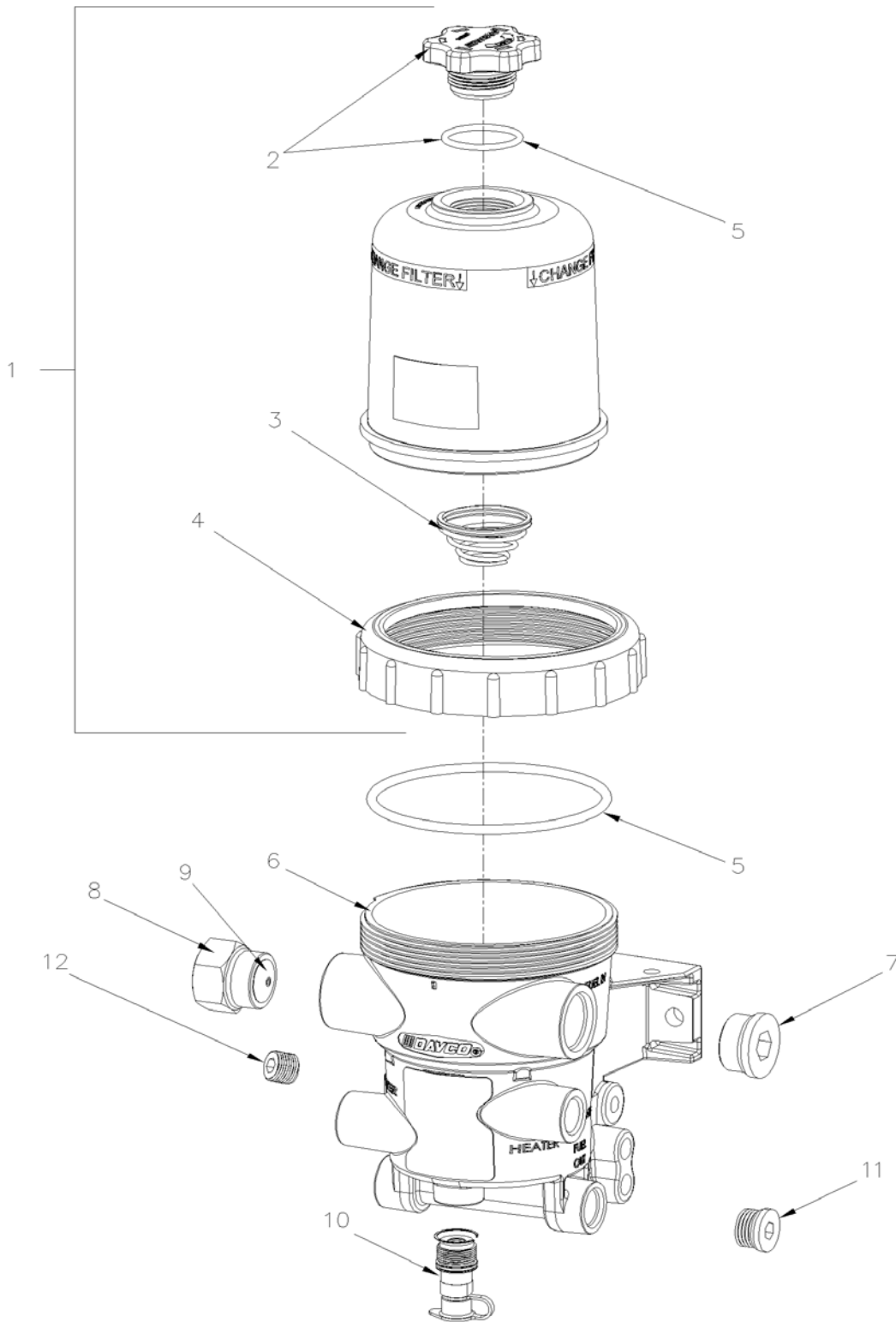
Item#	Part	Description	QTY	Notes
1	530031	COVER SERVICE KIT	1	
2	530063	. VENT CAP & O-RING SERVICE KIT	1	
3	530062	. SPRING FILTER	1	
4	530033	. COLLAR	1	
5	530034	O-RING SERVICE KIT	1	
6		HOUSING	1	
7	530040	PLUG (FUEL-IN)	1	
8	530044	CHECK VALVE 1/2NPT	1	
9	530045	UMBRELLA VALVE	1	
10	530048	DRAIN VALVE 1/2NPT	1	
11	530064	PLUG 7/8-14	1	
12	530054	PLUG	1	
NS	530057	FILTER ELEMENT 10 MICRON	1	
NS	530055	COMPOSITE WRENCH	1	
NS	530056	METAL WRENCH WITH HANDLE	1	
NS	530065	HEAVY DUTY WRENCH	1	

From P-8097

Date:07/2024

PAGE:530069

FILTER ASSY "FUEL PRO 386" UNHEATED



From P-8097	Date:07/2024	PAGE:530069
-------------	--------------	-------------

FILTER ASSY "FUEL PRO 386" UNHEATED

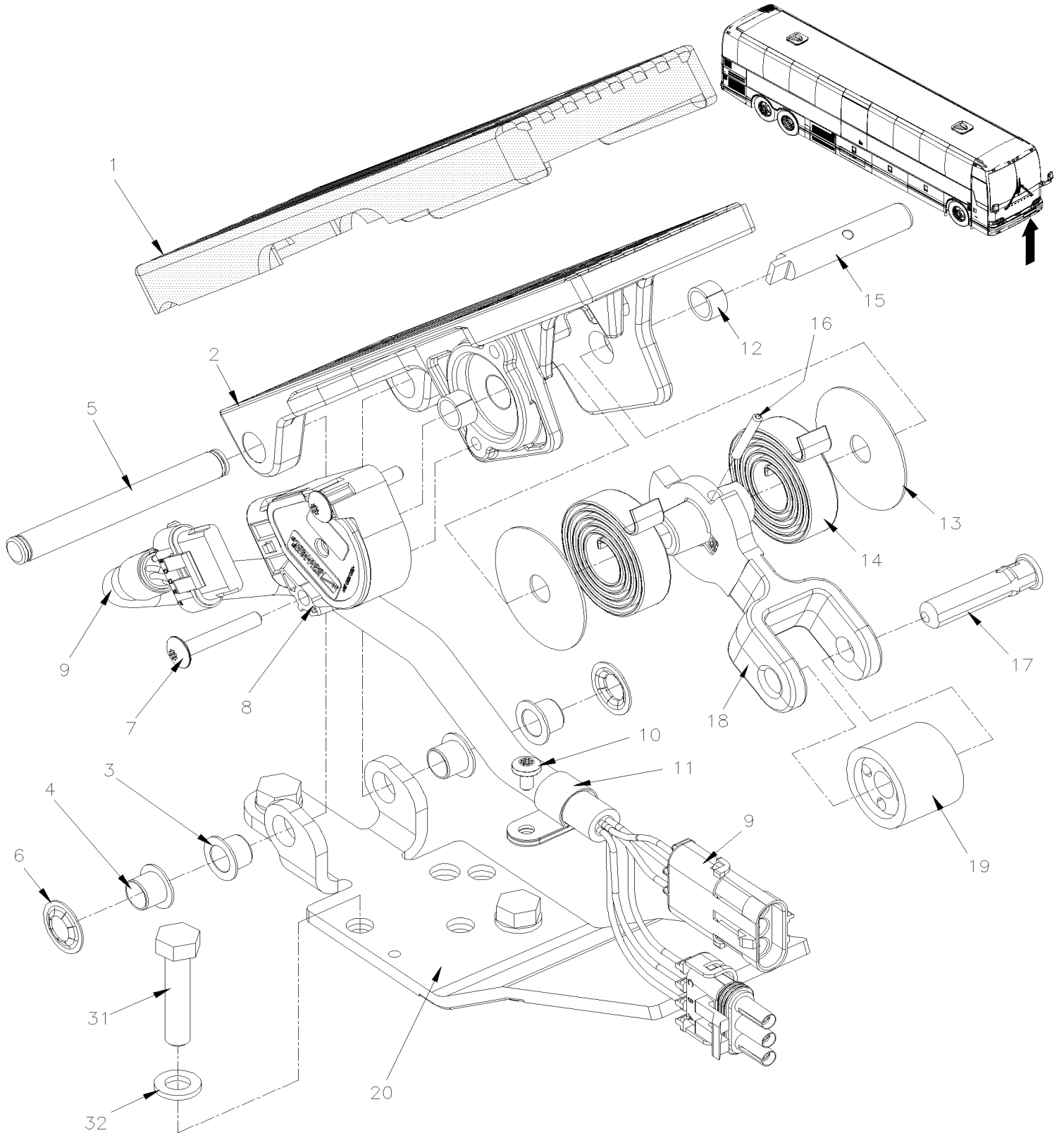
Item#	Part	Description	QTY	Notes
1	530031	COVER SERVICE KIT	1	
2	530063	. VENT CAP & O-RING SERVICE KIT	1	
3	530062	. SPRING FILTER	1	
4	530033	. COLLAR	1	
5	530034	O-RING SERVICE KIT	1	
6		HOUSING	1	
7	530040	PLUG (FUEL-IN)	1	
8	530044	CHECK VALVE 1/2NPT	1	
9	530045	UMBRELLA VALVE	1	
10	530083	KIT, DRAIN SERVICE	1	
11	530064	PLUG 7/8-14	1	
12	530054	PLUG	1	
NS	530057	FILTER ELEMENT 10 MICRON	1	
NS	530055	COMPOSITE WRENCH	1	
NS	530056	METAL WRENCH WITH HANDLE	1	
NS	530065	HEAVY DUTY WRENCH	1	

From G-7275 To M-7767

Date:07/2024

PAGE:X3PLB-0315-10

ACCELERATOR PEDAL - ELECTRONIC



From G-7275 To M-7767	Date:07/2024	PAGE:X3PLB-0315-10
-----------------------	--------------	--------------------

ACCELERATOR PEDAL - ELECTRONIC

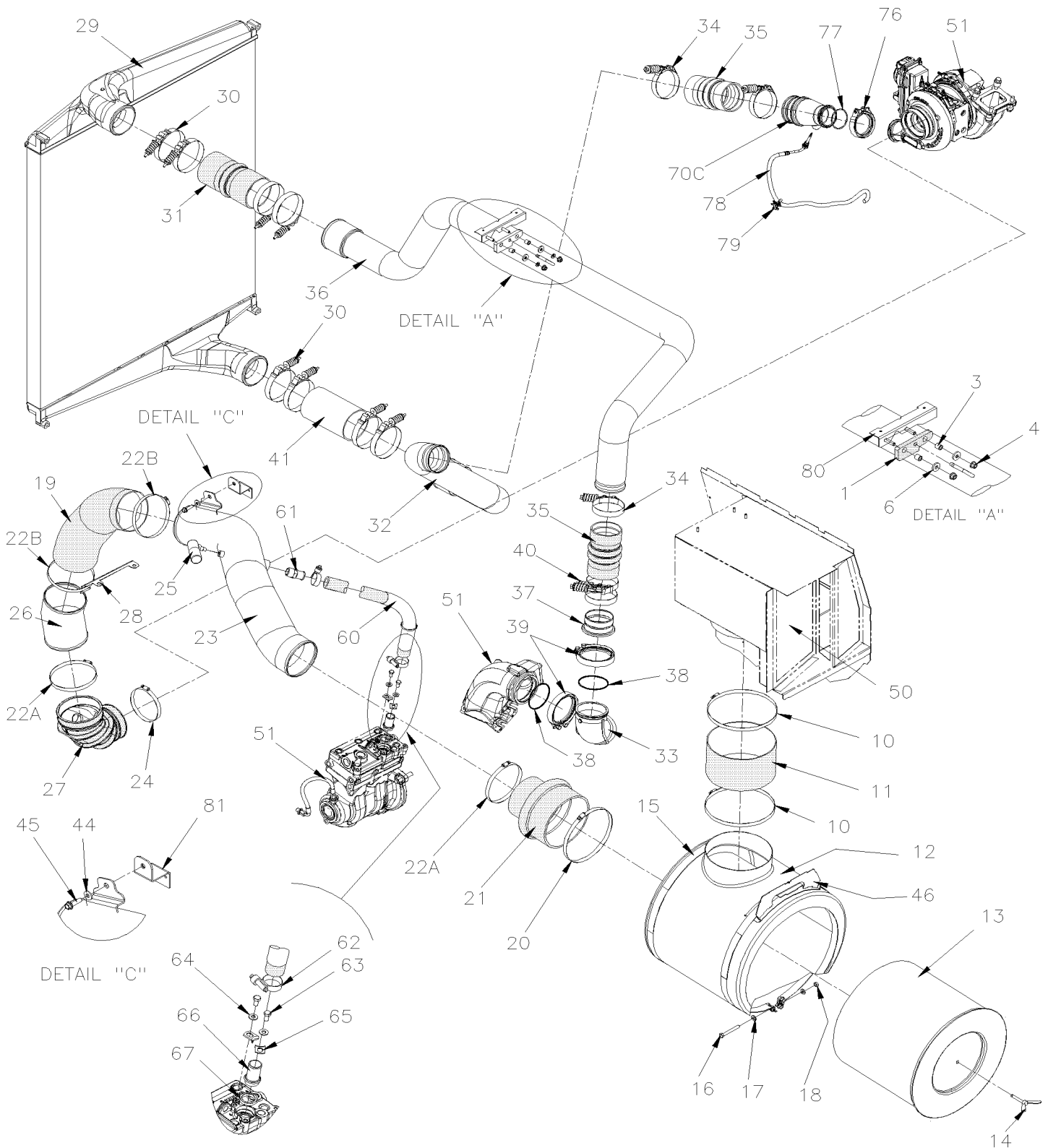
Item#	Part	Description	QTY	Notes
	531487	ACCELERATOR PEDAL ASSY / W0-32V SENSOR "VOLVO" "VOLVO"	1	
1	531401	. THREADLE COVER	1	
2	N.S.S.	. THREADLE	1	1
3	N.S.S.	. BUSHING, INNER	2	1
4	507260	. BUSHING NYLINER W/SHOULDER .375x.437x.375x.594	2	
5	N.S.S.	. PIN, THREADLE	1	1
6	N.S.S.	. RING, SNAP 5/16" I.D.	3	1
7	500427	. SCREW MA RND PH #10-32x1 1/4 ZP	2	
8	568084	. POTENTIOMETER PEDAL SENSOR 0-32V	1	
9	N8887087	. WIRE HARNESS	1	
10	500883	. . SCREW TC PAN PH #8-32x3/8 Z050	2	
11	N.S.S.	. . CLIP	2	1
12	N.S.S.	. BUSHING, GARLOCK	2	1
13	N.S.S.	. THRUST, WASHER-OUTER	2	1
13	N.S.S.	. THRUST, WASHER-INNER	2	1
14	N.S.S.	. SPRING	2	1
15	N.S.S.	. SHAFT SENSOR DRIVE	1	1
16	505208	. SPRING, PIN 1/8 X 7/8	1	
17	N.S.S.	. ROLLER, PIN	1	1
18	N.S.S.	. LEVER, THREADLE	1	1
19	N.S.S.	. ROLLER	1	1
20	531462	. BASE PLATE / (includes item #5)	1	
NS	531393	KIT REPAIR / LOWER THREADLE PIN	1	A
NS	531394	KIT REPAIR / ROLLER	1	B
31	5001814	SCREW CAP HEX 5/16-18X1 1/2 G5 N500 To J-7429	3	
31	5001992	SCREW CAP HEX SLO 5/16-18x1 1/2 SS From J-7430	3	
32	500942	WASHER LO SPT 8.1x14.8x2.0 N500 To J-7429	3	
32	5001341	WASHER FL 8.4x17.0x1.6 SS From J-7430	3	
NS	680067	SEALANT TAPE BUTYL / BLACK / 1/8"x3/4"x25' / 75211E760	AR	
		A) INCLUDES ITEMS #3-4-5-6		
		B) INCLUDES ITEMS 6, 18, 19		
		1) NOT SOLD SEPARATELY		

From G-7275 To H-7416

Date:07/2024

PAGE:X3PLB-0330-00

AIR FILTER & INTAKE - INSTALLATION WITH VOLVO D13



From G-7275 To H-7416	Date:07/2024	PAGE:X3PLB-0330-00
AIR FILTER & INTAKE - INSTALLATION WITH VOLVO D13		

Item#	Part	Description	QTY	Notes
1	053034	RUBBER SUPPORT 37.2MM X 110MM X 11.1MM	1	
3	032540	SPACER 1/2" O.D.X 12MM SS	2	
4	502837	NUT HEXF STO M8-1.25 N500	2	
6	500401	WASHER FL .343x.875x.125 N500	2	
10	504415	HOSE CLAMP / 7"1/4-9"1/4 SS / HS-152	2	
11	032859	HOSE, ENGINE AIR FILTER 20MM	1	
. NS	503743	. HOSE FLEXIBLE / AIR DUCT 8" I.D. X 25' THERMOPLASTIC	AR	
12	531478	FILTER AIR 18"	1	
13	530197	. ELEMENT AIR FILTER 18"	1	
14	531420	. NUT WING 1/2-13 NY	1	
15	031465	STRAP MOUNTING / W/18" AIR FILTER	2	
16	5001347	SCREW CAP HEX M8-1.25x70 SS	2	
17	5001736	WASHER FL 8.4x18.0x2.0 N500	4	
18	5001740	NUT HEX STO M8-1.25 N500	2	
19	033195	HOSE FLEXIBLE / 5" I.D. x 470MM	1	
20	504229	HOSE CLAMP / 6"1/2-8"1/2 SS / HS-100	1	
21	531486	REDUCER 7" X 5"	1	
22A	504324	HOSE CLAMP / 4"1/2-6"1/2 SS / HS-96	1	
22B	504786	HOSE CLAMP / 4"3/4-5"5/8 / C.T. 550	2	
23	033953	PIPE 5" O.D. / AIR FILTER & TURBO	1	
24	504257	HOSE CLAMP / 4"1/16-5" SS / HS-72	1	
25	530161	GAUGE AIR RESTRICTION 20" H2O 1/8" NPT	1	
26	032880	PIPE 5" O.D. / AIR FILTER & TURBO	1	
27	21659720	ELBOW INLET, RUBBER	1	
28	032988	ATTACHMENT AIR INTAKE	1	
29	550967	AIR COOLER ASSY Dura-Lite SERVICE	1	
29	Call order desk	AIR COOLER ASSY	1	P
30	21490616	HOSE CLAMP SPRING LOAD / HEAVY DUTY 4"1/8-4"7/16	8	
31	70396486	HOSE / W/2 RING / 4" I.D. 8" / 500°F To H-7384	1	
31	531469	HOSE / W/2 RING / 4" I.D. 8" / 500°F From H-7385	1	
32	053687	PIPE 4" O.D. / AIR COOLER & TURBO	1	
33	052885	ELBOW AIR INTAKE/ MODIFIED	1	
34	21490630	HOSE CLAMP SPRING LOAD / HEAVY DUTY 3"5/8-3"15/16	3	
35	20550690	HOSE 86MM I.D. X 162.5MM	2	
36	053101	PIPE 4" O.D. / AIR COOLER & MANIFOLD	1	
36	050087	CAC TUBE REPLACEMENT	1	
37	1675067	HOSE CONNECTOR	1	
38	1675066	GASKET 107.7MM I.D. V-CLAMP	2	
39	20592783	V-CLAMP / (USE W GASKET) 107.7MM I.D.	2	
40	21490632	HOSE CLAMP SPRING LOAD / HEAVY DUTY 3"9/16-3"7/8	2	
41	531471	HOSE SILICONE 4" I.D. 6 1/2" / 500F°	1	
44	500321	WASHER BEL SPR .331x.827x.098 N500	1	

From G-7275 To H-7416	Date:07/2024	PAGE:X3PLB-0330-00
AIR FILTER & INTAKE - INSTALLATION WITH VOLVO D13		

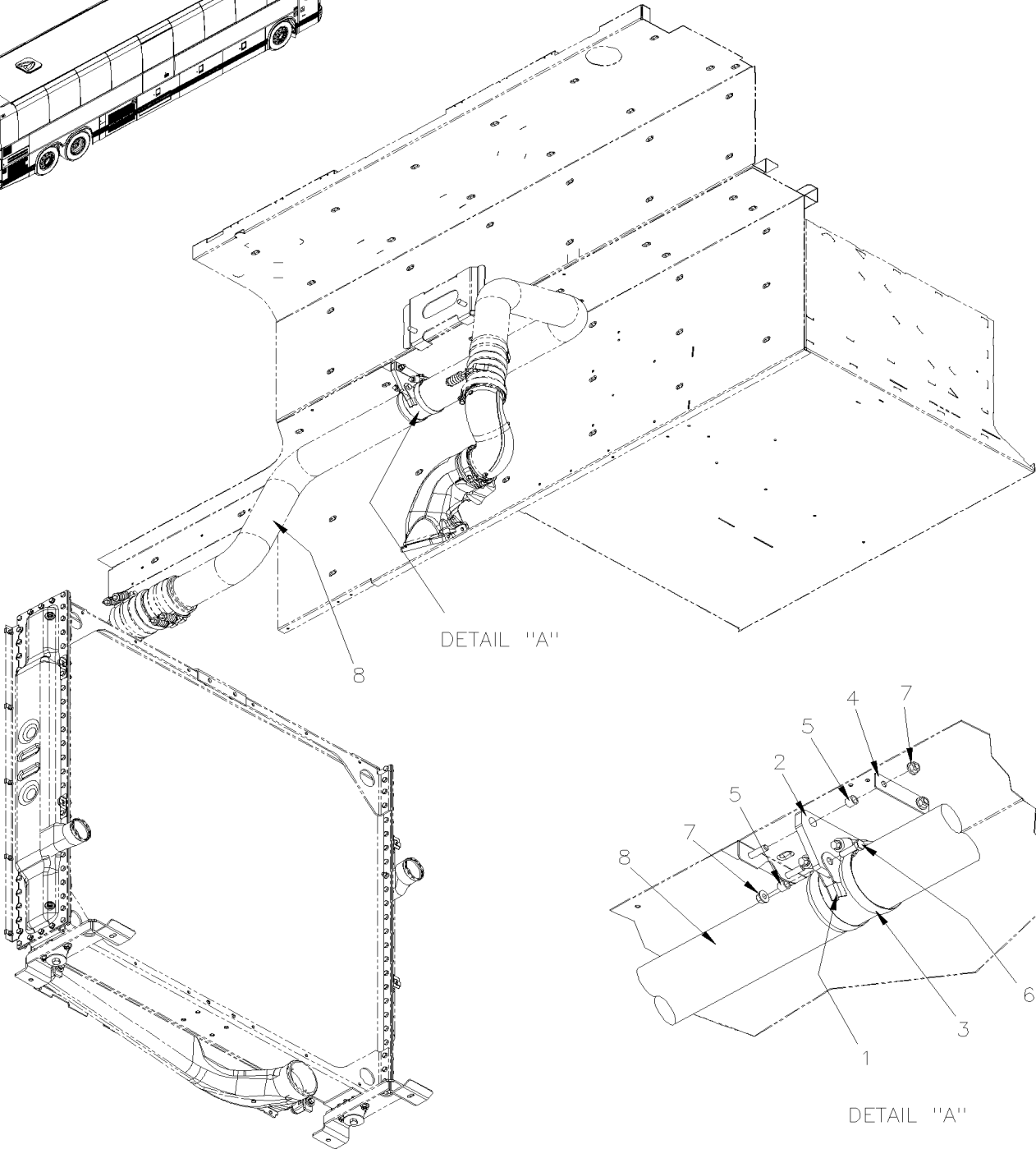
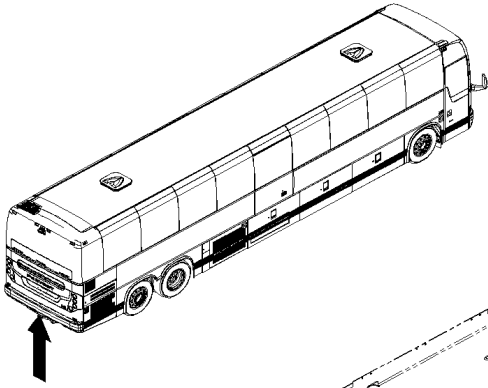
Item#	Part	Description	QTY	Notes
45	5001742	SCREW CAP HEXF M8-1.25x30 G8.8 N500	1	
46	218738	ATTACHMENT / SUPPORT AIR FILTER	1	
50	X3PLB-189X-XX	STRUCTURE / CALL ORDER DESK		
51	Refer To Volvo	SEE IMPACT OR CALL ORDER DESK	1	V
60	503739	HOSE (SUCTION) / 1" I.D. X 250' / C.T.L.	AR	
NS	505182	COIL PROTECTOR / PLASTIC / #16	AR	
NS	504637	CABLE TIE / 3/16" x 13"	1	
61	5011240	MALE CONNECTOR / BEADED HOSE BARB / #16x3/4NPT-M BR	1	
62	504291	HOSE CLAMP / 1"1/8-1"3/4 SS / E.T. 20	2	
63	500820	SCREW CAP HEX M8-1.25x16 G10.9 N500	2	
64	5001736	WASHER FL 8.4x18.0x2.0 N500	2	
65	1546531	ANGLE RETAINER 13MM I.D.	2	
66	032763	PIPE AIR INLET COMPRESSOR 25.5 O.D. x 52MM / W/FLANGE 28MM O.D.	1	
67	504738	RUBBER JOINT	1	
70C	053662	COUPLING TURBO	1	
76	20592787	V-CLAMP / 81.7MM I.D.	1	
77	21096684	GASKET 60MM I.D.	1	
78	21164792	SENSOR TEMPEARATURE	1	
79	504751	ROTATIF SPACER DOUBLE / SMALL	1	
79	504016	CABLE TIE / 5/16" X 14"1/2	1	
80	216811	ATTACHMENT / PIPE AIR COOLER & MANIFOLD	1	
81	218449	ATTACHMENT / PIPE AIR FILTER & TURBO	1	
83	8081420	DECAL ETHER / ENGLISH & FRANCAIS	1	
83	8081419	DECAL ETHER / ENGLISH & SPANISH	1	
		P) CALL ORDER DESK FOR SPECIFIC APPLICATION (V.I.N.)		
		V) SEE IMPACT OR CALL ORDER DESK		

From G-7275 To H-7416

Date:07/2024

PAGE:050087

CAC TUBE REPLACEMENT



From G-7275 To H-7416		Date:07/2024	PAGE:050087
-----------------------	--	--------------	-------------

CAC TUBE REPLACEMENT

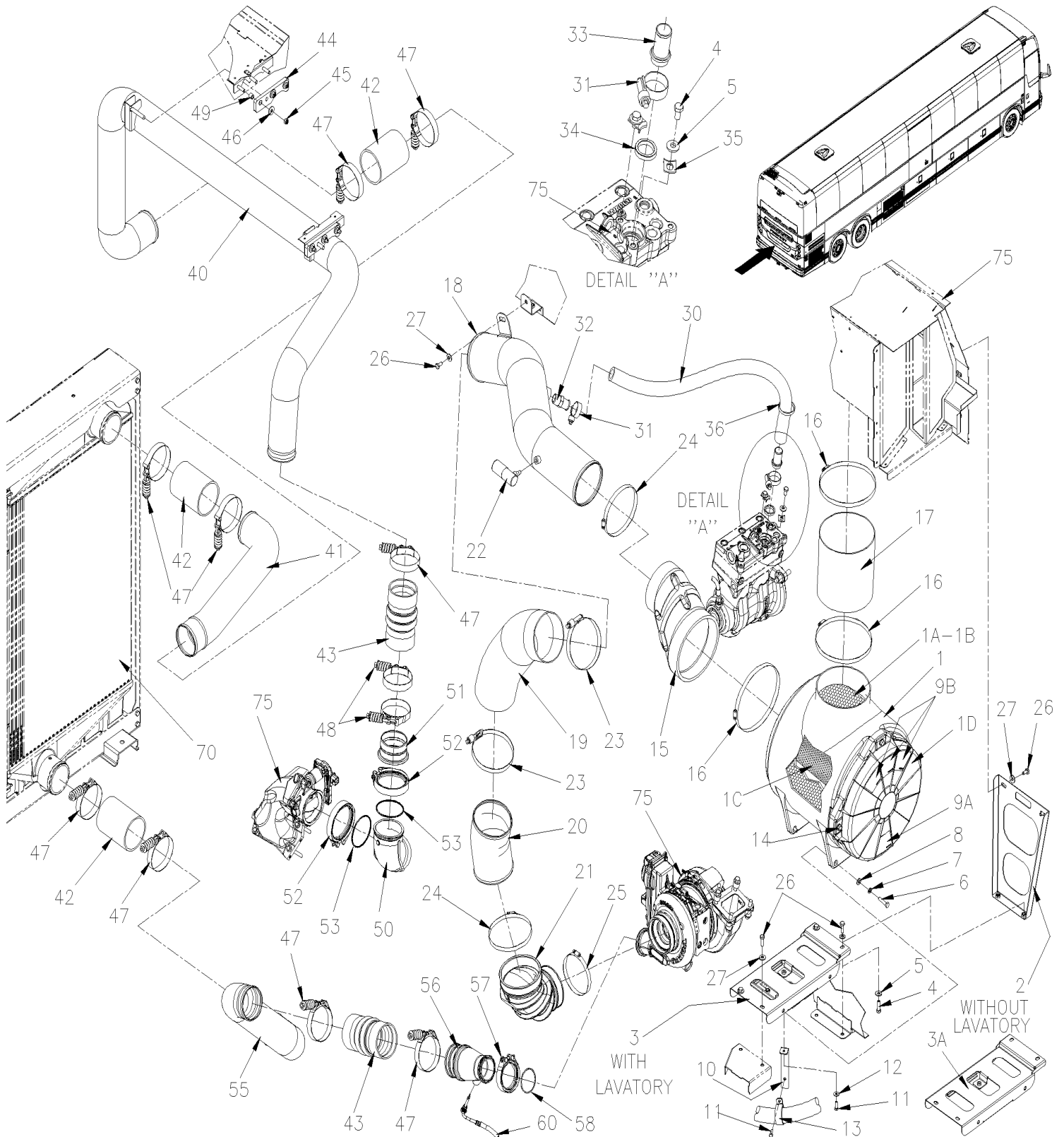
Item#	Part	Description	QTY	Notes
1	050012	SUPPORT PIPE	1	
2	050009	RUBBER SUPPORT	1	
3	504580	HOSE CLAMP / 3"1/4-4"1/8 / C.T. 400	2	
4	053026	PLATE 25MM x 96MM	1	
5	032540	SPACER 1/2" O.D.X 12MM SS	3	
6	5001499	SCREW CAP HEX M8-1.25x30 SS	1	
7	502837	NUT HEXF STO M8-1.25 N500	3	
8	050008	PIPE 4" O.D. / AIR COOLER & MANIFOLD	1	

From H-7417 To M-7767

Date:07/2024

PAGE:X3PLB-0330-01

AIR FILTER & INTAKE - INSTALLATION WITH VOLVO D13 - GHG17



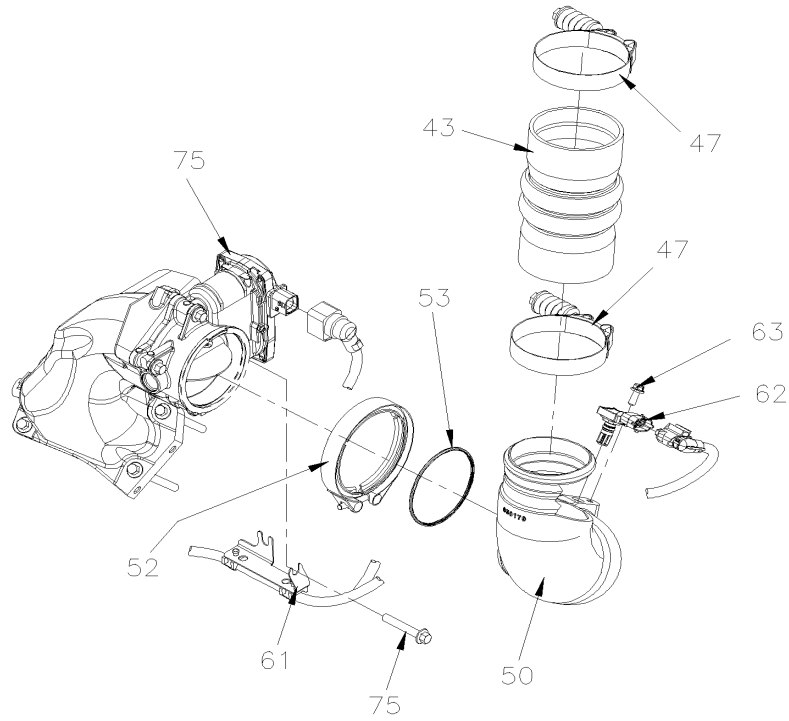
From H-7417 To M-7767

Date:07/2024

PAGE:X3PLB-0330-01

AIR FILTER & INTAKE - INSTALLATION WITH VOLVO D13 - GHG17

FROM K-7608



From H-7417 To M-7767	Date:07/2024	PAGE:X3PLB-0330-01
AIR FILTER & INTAKE - INSTALLATION WITH VOLVO D13 - GHG17		

Item#	Part	Description	QTY	Notes
1	531493	AIR FILTER, INTAKE MOTOR	1	
A	531359	FILTER, AIR STANDARD	1	
B	531360	FILTER, AIR HEAVY DUTY	1	
C	531361	FILTER, SAFETY	1	
D	531362	COVER, ACCES	1	
NS	N24423	DRAIN BOOT 1 1/4" O.D. X 1" O.D. X .125	1	
NS	N8881935	SCREW AND FASTENER KIT FOR COVER	1	
NS	8081419	DECAL ETHER / ENGLISH & SPANISH	1	
NS	8081420	DECAL ETHER / ENGLISH & FRANCAIS	1	
2	033210	SUPPORT VERTICAL, AIR FILTER	1	A
3	030050	SUPPORT BASE, AIR FILTER	1	
3A	033991	SUPPORT BASE, AIR FILTER	1	A
4	5001527	SCREW CAP HEX M8-1.25x16 SS BK	AR	
5	5001848	WASHER BEL SPR .827 x .331 x .098 th SS	AR	
6	502836	SCREW CAP HEX M8-1.25x35 G8.8 N500	4	
7	500942	WASHER LO SPT 8.1x14.8x2.0 N500	4	
8	5001736	WASHER FL 8.4x18.0x2.0 N500	4	
9A	034005	DECAL "PLASTIC BOLT TORQUE" ENGLISH / FRENCH	1	
9B	030045	DECAL "NE PAS UTILISER D'ETHER OU LIQUIDE DE DEMARRAGE" FRENCH / ONLY	1	
9B	030046	DECAL "DO NOT USE ETHER OR STARTING FLUID" ENGLISH / ONLY	1	
9B	030047	DECAL "NO USE ETER O FLUIDO PARA ARRANCAR" SPANISH / ONLY	1	
10	450002	SUPPORT, COMPRESSOR HOSE	1	
11	502622	SCREW CAP HEX M6-1.0x20 SS BK	2	
NS	680098	THREAD SEALANT LOCTITE #567 / WHITE / 250ml	1	
12	5001833	WASHER BEL SPR 6.1x18x1.27 SS	1	
13	504785	CLAMP / SS / SILICONE RUBBER / 1 1/2" I.D. x .281 HOLE	1	
14	5001990	SCREW CAP HEX M8-1.25x30 NYL BK	4	
14	5001736	WASHER FL 8.4x18.0x2.0 N500	4	
15	531363	OFFSET REDUCING / 7 TO 5 IN, ENGINE	1	
16	504229	HOSE CLAMP / 6"1/2-8"1/2 SS / HS-100	AR	
17	033987	HOSE 7" DIA. / 190MM LG +/-20MM, ENGINE	1	
18	030052	PIPE 5" O.D. / AIR FILTER & TURBO	1	
NS	160044	DECAL "OIL DEXTRON"	1	
NS	012702	DECAL "OIL SPEC" 10W/40 / ENGLISH & FRANCAIS / SPANISH To L-7722	1	
NS	010315	DECAL "OIL SPEC" 5W/30 / ENGLISH & FRANCAIS / SPANISH From L-7723 To L-7746	1	
18	010329	DECAL "OIL SPEC" 5W/30 / ENGLISH & FRANCAIS / SPANISH From L-7747	1	
19	033195	HOSE FLEXIBLE / 5" I.D. x 470MM	1	
20	032880	PIPE 5" O.D. / AIR FILTER & TURBO	1	
20	030135	PIPE 5" O.D. / AIR FILTER & TURBO	1	C
21	21659720	ELBOW INLET, RUBBER	1	
22	530161	GAUGE AIR RESTRICTION 20" H2O 1/8" NPT	1	
23	504786	HOSE CLAMP / 4"3/4-5"5/8 / C.T. 550	2	

From H-7417 To M-7767	Date:07/2024	PAGE:X3PLB-0330-01
AIR FILTER & INTAKE - INSTALLATION WITH VOLVO D13 - GHG17		

Item#	Part	Description	QTY	Notes
24	504324	HOSE CLAMP / 4"1/2-6"1/2 SS / HS-96	AR	
25	504257	HOSE CLAMP / 4"1/16-5" SS / HS-72	1	
26	502780	SCREW CAP HEX M8-1.25x25 SS BK	AR	
27	5001868	WASHER BEL SPR 8.4x18x2 SS	AR	
30	503739	HOSE (SUCTION) / 1" I.D. X 250' / C.T.L.	3	
31	504291	HOSE CLAMP / 1"1/8-1"3/4 SS / E.T. 20	2	
32	5011240	MALE CONNECTOR / BEADED HOSE BARB / #16x3/4NPT-M BR	1	
33	032763	PIPE AIR INLET COMPRESSOR 25.5 O.D. x 52MM / W/FLANGE 28MM O.D.	1	
34	504738	RUBBER JOINT	1	
35	1546531	ANGLE RETAINER 13MM I.D.	2	
36	504016	CABLE TIE / 5/16" X 14"1/2 To L-7663	1	
36	5040100	CABLE TIE /OUTSIDE SERRATED 5/16" X 14"1/2 From L-7664	1	
40	053086	PIPE 3 1/2" O.D./ CAC	1	
40	050474	PIPE 3 1/2" O.D./ CAC SS304	1	C
41	053085	PIPE 3 1/2" O.D./ CAC	1	
41	050475	PIPE 3 1/2" O.D./ CAC SS304	1	C
42	531490	HOSE 3 1/2" I.D./ CAC	2	
43	20550690	HOSE 86MM I.D. X 162.5MM To J-7507	2	
43	030096	HOSE 86MM I.D. X 162.5MM From J-7508	2	
44	050022	RUBBER SUPPORT	2	
45	5001983	NUT HEX NYRT M8-1.25 SS SS BK	6	
46	5001849	WASHER FL 8.4x24.0x2.0 SS	6	
47	21490630	HOSE CLAMP SPRING LOAD / HEAVY DUTY 3"5/8-3"15/16	AR	
48	21490632	HOSE CLAMP SPRING LOAD / HEAVY DUTY 3"9/16-3"7/8	2	
49	032540	SPACER 1/2" O.D.X 12MM SS	6	
50	052885	ELBOW AIR INTAKE/ MODIFIED To K-7607	1	
50	050182	ELBOW AIR INTAKE / WITH SENSOR INLET From K-7608	1	
51	1675067	HOSE CONNECTOR	1	
52	20592783	V-CLAMP / (USE W GASKET) 107.7MM I.D.	AR	
53	1675066	GASKET 107.7MM I.D. V-CLAMP	AR	
55	053090	PIPE 3 1/2" O.D./ CAC	1	
55	050477	PIPE 3 1/2" O.D./ CAC SS304	1	C
56	053662	COUPLING TURBO	1	
57	20592787	V-CLAMP / 81.7MM I.D.	1	
58	21096684	GASKET 60MM I.D.	1	
60	21164792	SENSOR TEMPEARATURE	1	
61	061497	SUPPORT FOR HARNESS From K-7608	1	
NS	504013	TIE MOUNT / 1/4" X 1/4" I.D. From K-7608	2	
NS	504379	RIVET POP DOME OE 3/16x1/4 SS From K-7608	2	
NS	504637	CABLE TIE / 3/16" x 13" From K-7608	2	
62	23182832	SENSOR TEMPERATURE , CAC OUT From K-7608	1	
63	5001730	SCREW CAP HEXF M6-1.0x16 G10.9 N500 From K-7608	1	

From H-7417 To M-7767	Date:07/2024	PAGE:X3PLB-0330-01
-----------------------	--------------	--------------------

AIR FILTER & INTAKE - INSTALLATION WITH VOLVO D13 - GHG17

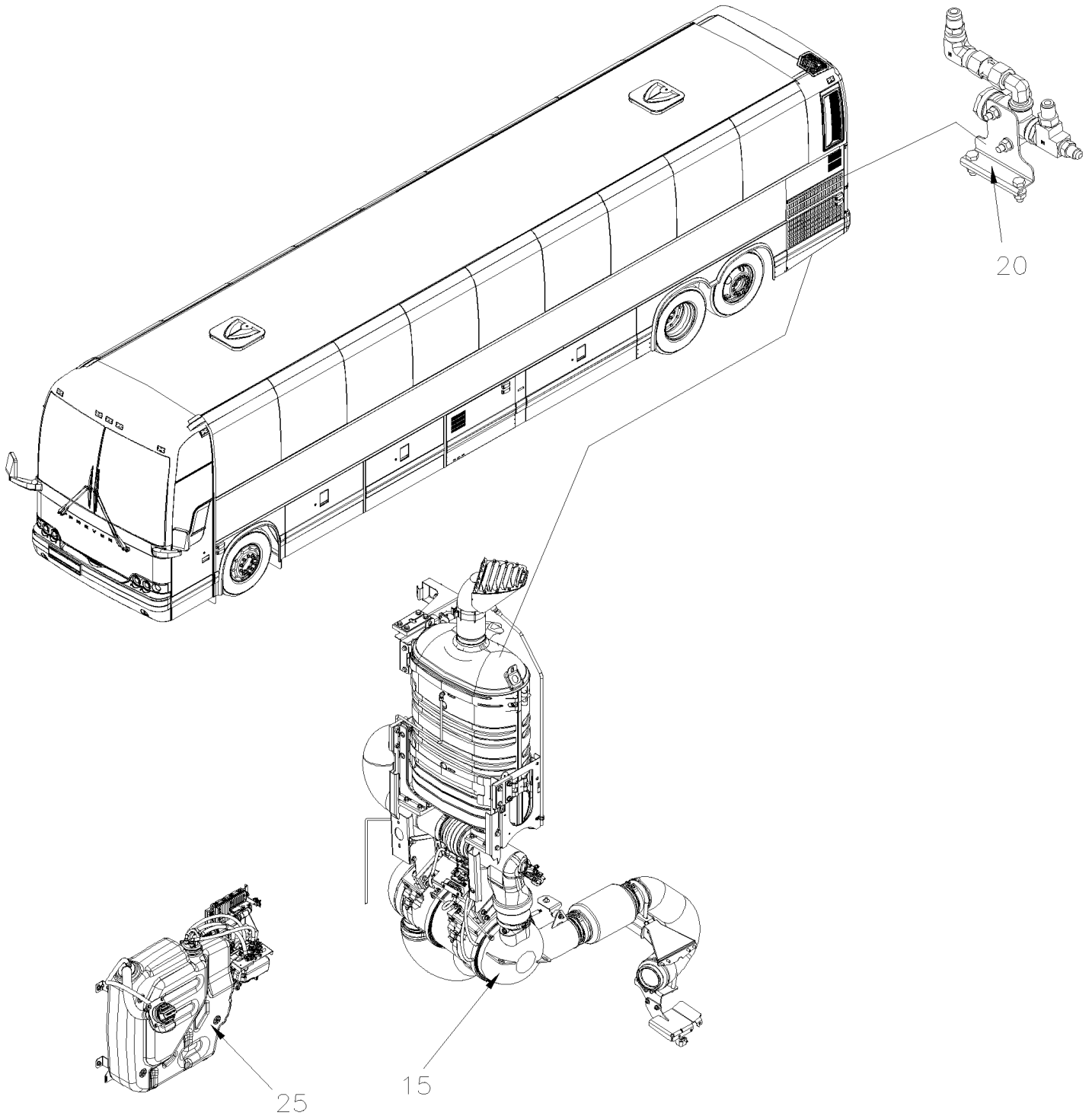
Item#	Part	Description	QTY	Notes
70	X3PLB-0505-02	RADIATOR ASSY VOLVO D13 - GHG17	1	
75	Refer To Volvo	SEE IMPACT OR CALL ORDER DESK		V
		A) USE WITH OPTION W/O LAVATORY		
		C) SPECIAL OPTION SS304		
		V) SEE IMPACT OR CALL ORDER DESK		

From G-7275 To M-7767

Date:07/2024

X3PLB-04

EXHAUST



From G-7275 To M-7767	Date:07/2024	X3PLB-04
-----------------------	--------------	----------

EXHAUST

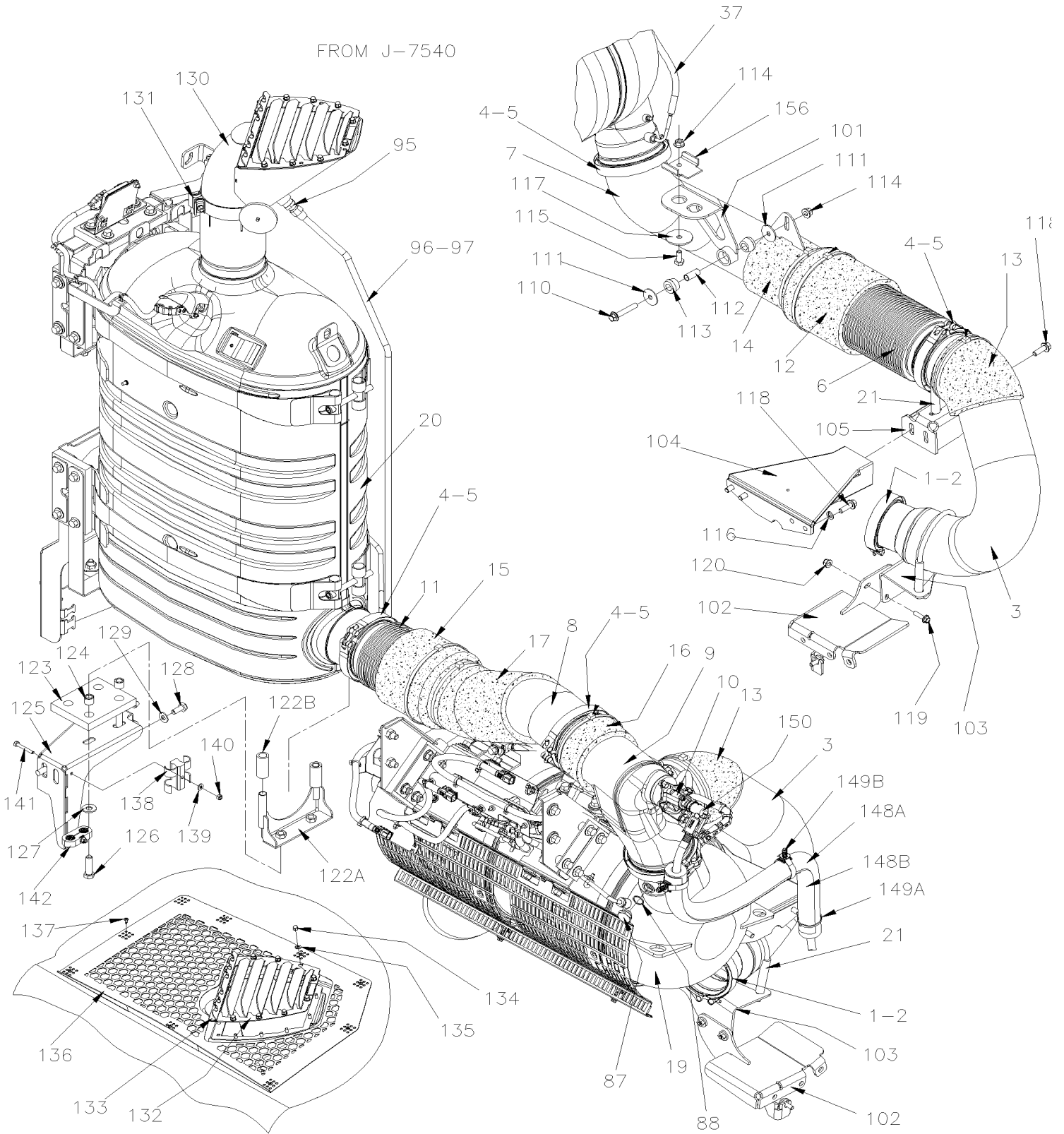
Item#	Part	Description	QTY	Notes
15	X3PLB-0405-00	MUFFLER - INSTALLATION WITH DPF & SCR WITH VOLVO D13 From G-7275 To K-7662		
15	X3PLB-0405-01	MUFFLER - INSTALLATION WITH DPF & SCR WITH VOLVO D13 From L-7663 To M-7767		
20	X3PLB-0405-10	7TH INJECTOR / "AHI" / EXHAUST VOLVO D13 From G-7275 To H-7416		
20	X3PLB-0405-11	7TH INJECTOR / "AHI" / EXHAUST VOLVO D13 - GHG17 From H-7417 To M-7767		
25	X3PLB-0410-00	UREA RESERVOIR ASSY From G-7275 To M-7767		

From G-7275 To K-7662

Date:07/2024

PAGE:X3PLB-0405-00

MUFFLER - INSTALLATION WITH DPF & SCR WITH VOLVO D13

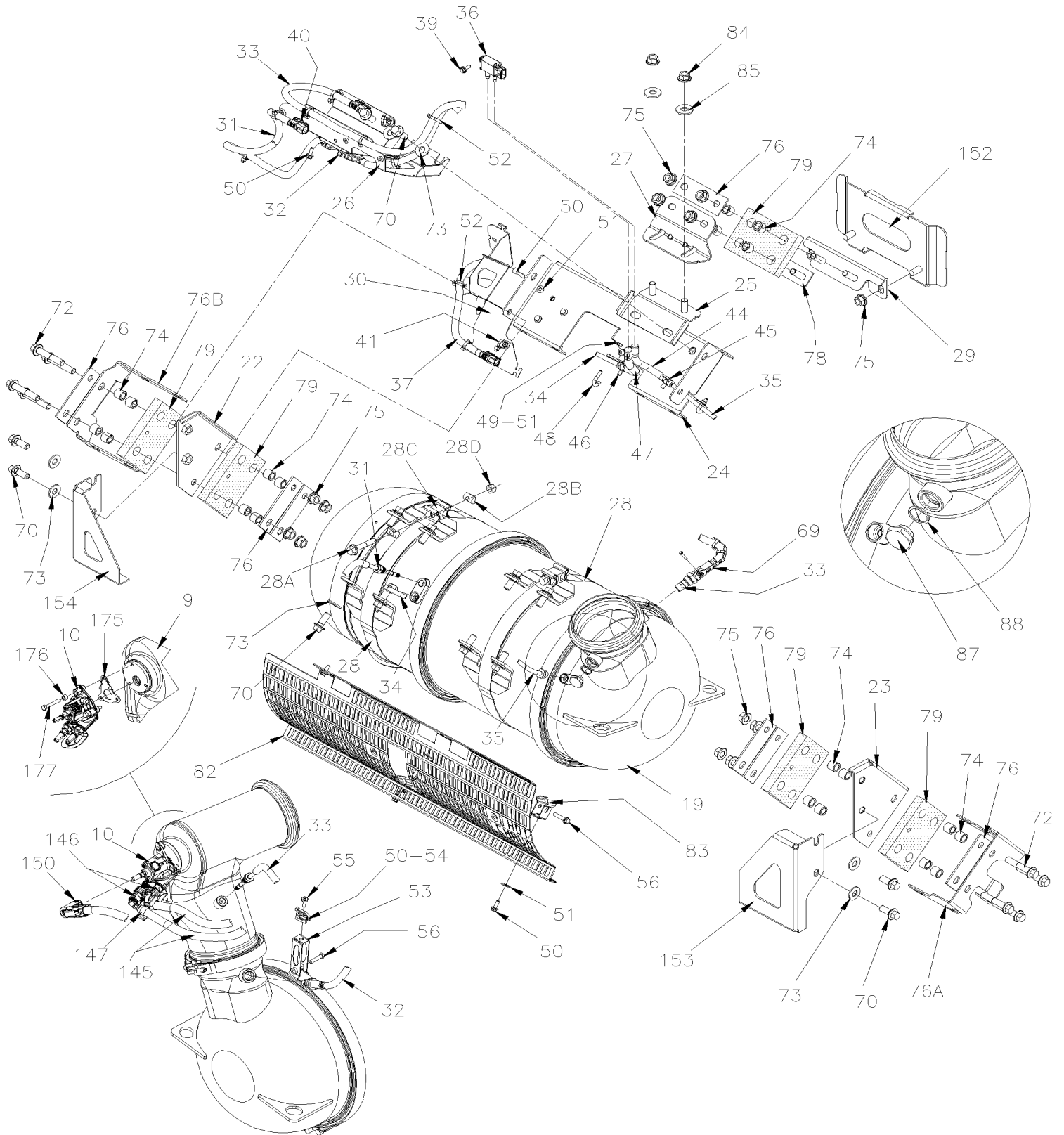


From G-7275 To K-7662

Date:07/2024

PAGE:X3PLB-0405-00

MUFFLER - INSTALLATION WITH DPF & SCR WITH VOLVO D13



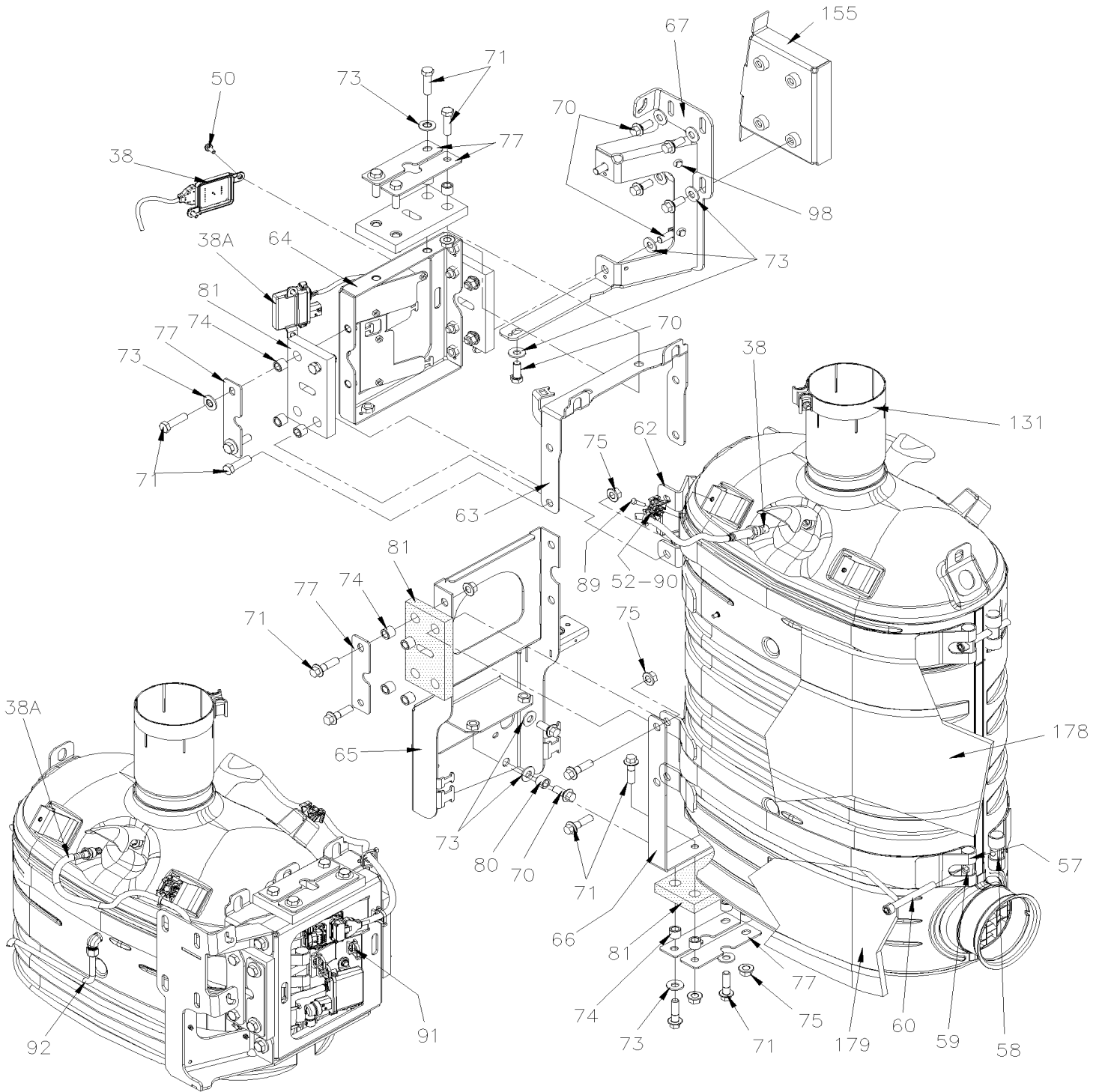
From G-7275 To K-7662

Date:07/2024

PAGE:X3PLB-0405-00

MUFFLER - INSTALLATION WITH DPF & SCR WITH VOLVO D13

FROM G-7310



From G-7275 To K-7662	Date:07/2024	PAGE:X3PLB-0405-00
MUFFLER - INSTALLATION WITH DPF & SCR WITH VOLVO D13		

Item#	Part	Description	QTY	Notes
1	21060426	V-CLAMP / (USE W GASKET) 4.81" I.D.	1	
2	21095721	GASKET	1	
3	040651	PIPE, EXHAUST "U"	1	
4	21021850	V-CLAMP / (USE W GASKET) 5.91" I.D.	7	
5	21095726	GASKET	7	
6	540071	BELLOWS - EXHAUST 5" I.D. x 14.49"	1	
7	040822	PIPE EXHAUST / INLET	1	
8	040823	PIPE EXHAUST / OUTLET	1	
9	21403611	SWIRL PIPE To H-7416	1	
9	23041035	SWIRL PIPE From H-7417	1	
. NS	21209156	. TIE WRAP STAINLESS STEEL From H-7417	4	
10	22391563	NOZZLE UREA TB-134512462-1 To H-7416	1	
10	22757225	NOZZLE UREA, 2.5 From H-7417	1	
NS	502622	SCREW CAP HEX M6-1.0x20 SS BK To H-7416	3	
10	5000310	SCREW CAP HEX M6-1.0x40 BK From H-7417	3	
11	540072	BELLOWS - EXHAUST	1	
12	041095	INSULATED BLANKET / BELLOW W/SPRING ATTACHMENT	1	
13	041115	INSULATED BLANKET / PIPE TURBO W/SPRING ATTACHMENT	1	
14	041116	INSULATED BLANKET / PIPE DPF INLET W/SPRING ATTACHMENT	1	
15	041119	INSULATED BLANKET / BELLOW W/SPRING ATTACHMENT	1	
16	041117	INSULATED BLANKET / PIPE SWIRL W/SPRING ATTACHMENT	1	
17	041118	INSULATED BLANKET / PIPE EXHAUST W/SPRING ATTACHMENT	1	
19	Refer To Volvo	MUFFLER DPF EXHAUST FILTER	1	V
19	068469	HARNESS DPF "VOLVO" PRELIM	1	
19	068993	HARNESS DPF "VOLVO" To G-7309	1	
19	069503	HARNESS DPF "VOLVO" From H-7310 To H-7416	1	
19	060089	HARNESS DPF "VOLVO" From H-7417	1	
20	21437514	MUFFLER SCR EXHAUST FILTER To G-7309	1	
. NS	Refer To Volvo	. FOR SERVICE PARTS SEE IMPACT To G-7309	1	V
. NS	Refer To Volvo	. OR CALL ORDER DESK To G-7309	1	V
20	22409129	MUFFLER SCR EXHAUST FILTER From H-7310 To H-7416	1	
. NS	Refer To Volvo	. FOR SERVICE PARTS SEE IMPACT From H-7310 To H-7416	1	V
. NS	Refer To Volvo	. OR CALL ORDER DESK From H-7310 To H-7416	1	V
20	23190006	MUFFLER SCR EXHAUST FILTER From K-7576 To K-7605	1	
20	23196231	MUFFLER SCR EXHAUST FILTER From K-7608	1	
21	540018	U-CLAMP / (GUILLOTINE TYPE) / 5" I.D.	2	
22	040761	ATTACHMENT DPF VOLVO	1	
23	040868	ATTACHMENT DPF VOLVO	1	
24	041083	SUPPORT DPF VOLVO	1	
25	040764	ATTACHMENT SUPPORT DPF VOLVO	1	
26	040975	SUPPORT CABLE DPF	1	
27	040762	ATTACHMENT DPF VOLVO UPPER MIDDLE	1	

From G-7275 To K-7662	Date:07/2024	PAGE:X3PLB-0405-00
MUFFLER - INSTALLATION WITH DPF & SCR WITH VOLVO D13		

Item#	Part	Description	QTY	Notes
28	040986	CLAMP SUPPORT ASSY	2	
28A	5001801	SCREW CAP HEXF M10-1.5x55 G10.9 N500	AR	
28B	540085	SPACER / HALF MOON SHAPE	AR	
28C	540086	SPACER / ANVIL SHAPE	AR	
28D	5001758	NUT HEX STO M10-1.5 N500	AR	
29	040763	ATTACHMENT DPF VOLVO UPPER MIDDLE	1	
30	041082	SUPPORT CABLE DPF To H-7416	1	
30	040010	SUPPORT CABLE DPF From H-7417	1	
31	21164414	SENSOR TEMPEARATURE "T2" To H-7416	1	
31	21673931	SENSOR TEMPEARATURE "T2" From H-7417	1	
32	22303390	SENSOR "NOX" / DPF FILTER	1	
33	21126692	SENSOR TEMPEARATURE "T3" To H-7416	1	
33	21412472	SENSOR TEMPEARATURE "T3" From H-7417	1	
34	040911	PIPE, DP HIGH PRESSURE	1	
35	040912	PIPE, DP LOW PRESSURE	1	
36	21403962	SENSOR PRESSURE "DELTA"	1	
36	040096	KIT SENSOR PRESSURE DPF	1	
37	21225020	SENSOR TEMPEARATURE "T1"	1	
38	22303391	SENSOR "NOX" / SCR FILTER	1	
38A	060161	SENSOR "PM" / SCR FILTER ASSY From H-7310 To H-7356	1	
. NS	22733524	. SENSOR "PM" / SCR FILTER From H-7310 To H-7356	1	
. NS	562387	. CONVOLUTED TUBING / SLIT / BLACK / .250" From H-7310 To H-7356	AR	
. NS	564099	. TAPE ADHESIF ELECTRICAL TISSUS / BLACK 838MM From H-7310 To H-7356	AR	
38A	060327	SENSOR "PM" / SCR FILTER ASSY From H-7357	1	
38A	22835170	. SENSOR "PM" / SCR FILTER From H-7357 To J-7517	1	
38A	22946032	. SENSOR "PM" / SCR FILTER From J-7518	1	
38A	562387	CONVOLUTED TUBING / SLIT / BLACK / .250" From H-7310	AR	
38A	564099	TAPE ADHESIF ELECTRICAL TISSUS / BLACK 838MM From H-7310	AR	
38A	504637	CABLE TIE / 3/16" x 13" From H-7310	AR	
38A	504013	TIE MOUNT / 1/4" X 1/4" I.D. From H-7310	AR	
38A	504379	RIVET POP DOME OE 3/16x1/4 SS From H-7310	AR	
39	5001730	SCREW CAP HEXF M6-1.0x16 G10.9 N500	2	
40	564108	SELF MOUNTING STUD // DEUTSCH 1011-310-0205	3	
41	8631155	CABLE TIE / 4.6MM x 200 / CHRISTMAS TREE	AR	
44	040977	HOSE 1/4"	1	
44	503776	. HOSE SILICONE 1/4" I.D. x 10' / S.L.	AR	
45	21283793	SPRING HOSE CLAMP 5/16"	2	
46	040976	HOSE 5/16"	1	
46	503775	. HOSE SILICONE 5/16" I.D. x 10' / S.L.	AR	
47	21283796	SPRING HOSE CLAMP 1/4"	2	
48	040916	J-HOOK / M6-1.0 x 33 SS	2	
49	502854	NUT HEX M6-1.0 N500	2	

From G-7275 To K-7662	Date:07/2024	PAGE:X3PLB-0405-00
MUFFLER - INSTALLATION WITH DPF & SCR WITH VOLVO D13		

Item#	Part	Description	QTY	Notes
50	5001697	SCREW CAP HEX M6-1.0x16 SS BK	11	
51	5001833	WASHER BEL SPR 6.1x18x1.27 SS	9	
52	504637	CABLE TIE / 3/16" x 13"	AR	
53	21468325	CABLE SUPPORT	1	
54	504013	TIE MOUNT / 1/4" X 1/4" I.D.	3	
55	502817	SCREW MA PAN PH M6-1.0x16 N500	1	
56	502686	SCREW CAP HEX M6-1.0x30 SS BK	3	
57	21282895	STRAP SCR	4	
58	21321221	BAR THREAD SCR	4	
59	20974254	BAR ROUND SCR	4	
60	509892	SCREW CAP HEXS M12-1.75x100 G8.8 N500	4	
61	040786	ATTACHMENT, LOWER, SCR VOLVO	2	
62	040855	ATTACHMENT, UPPER, SCR VOLVO	1	
63	041109	BRACKET "U" SHAPE, UPPER, SCR VOLVO To G-7309	1	
63	041146	SUPPORT, UPPER, SCR From H-7310	1	
64	041110	SUPPORT ASSY, UPPER, SCR VOLVO To G-7309	1	
64	041145	SUPPORT, UPPER, SCR From H-7310 To K-7607	1	
64	040065	SUPPORT, UPPER, SCR From K-7608 To K-7613	1	
64	040025	SUPPORT, UPPER, SCR From K-7614	1	
65	040854	SUPPORT ASSY, LOWER, SCR VOLVO To H-7416	1	
65	040009	SUPPORT ASSY, LOWER, SCR VOLVO From H-7417 To J-7512	1	
65	040026	SUPPORT ASSY, LOWER, SCR VOLVO From J-7513	1	
66	040817	BRACKET "U" SHAPE, LOWER, SCR VOLVO	1	
67	040816	SUPPORT "C" SHAPE ASSY, UPPER, SCR VOLVO To G-7309	1	
67	041144	SUPPORT UPPER, SCR From H-7310 To K-7607	1	
67	040064	SUPPORT UPPER, SCR From K-7608	1	
69	040959	GUIDE, WIRING	2	
NS	502799	SCREW CAP HEX M4-0.7X16 G8.8 N500	2	
NS	502556	WASHER FL 4.3x9.0x0.8 SS	2	
NS	504637	CABLE TIE / 3/16" x 13"	AR	
70	5001866	SCREW CAP HEX M12-1.75x30 G10.9 N500	27	
71	5001338	SCREW CAP HEX M12-1.75x45 G10.9 N500	24	
72	5001861	SCREW CAP HEX M12-1.75x60 G10.9 N500	8	
73	500967	WASHER BEL SPR .512x1.142x.098 N500	AR	
74	040937	SPACER 3/4" O.D. X 16MM ST	46	
75	5001774	NUT HEXF STO M12-1.75 MAGNI G500	30	
76	21138255	PLATE ATTACHMENT 120MM X 40MM	7	
76A	041021	BRACKET, DPF	1	
76B	041022	BRACKET, DPF	1	
77	040783	PLATE ATTACHMENT 120MM X 40MM	8	
78	040844	PLATE ATTACHMENT 120MM X 34MM / W/2 M12-1.75x40	1	
79	22227002	MUFFLER CONNECTION RUBBER 135MM x 93MM	5	

From G-7275 To K-7662	Date:07/2024	PAGE:X3PLB-0405-00
MUFFLER - INSTALLATION WITH DPF & SCR WITH VOLVO D13		

Item#	Part	Description	QTY	Notes
80	040936	SPACER 4MM O.D. X 12MM ST	2	
81	041070	MUFFLER CONNECTION RUBBER 170MM x 93MM	6	
82	041092	GRILLE PROTECTOR OVER DFP	1	
83	040861	CABLE SUPPORT	2	
84	5001774	NUT HEXF STO M12-1.75 MAGNI G500	2	
85	500211	WASHER FL .531x1.250x.125 N500	2	
87	20565546	PLUG / DPF	1	
88	947625	SEAL COPPER / DPF	1	
89	502737	SCREW CAP HEX M6-1.0x25 SS BK	2	
90	509490	ATTACHMENT DOUBLE USE WITH CABLE TIE	2	
91	504637	CABLE TIE / 3/16" x 13" From H-7310	AR	
91	8631155	CABLE TIE / 4.6MM x 200 / CHRISTMAS TREE From K-7584	AR	
91	504013	TIE MOUNT / 1/4" X 1/4" I.D. From H-7310	AR	
91	504379	RIVET POP DOME OE 3/16x1/4 SS From H-7310	AR	
91	564108	SELF MOUNTING STUD // DEUTSCH 1011-310-0205 From H-7310	1	
92	040965	HOSE DRAIN SCR	1	
95	640873	MALE CONNECTOR / AB FITTING / #8x1/2NPT-M BR	1	
95	680098	THREAD SEALANT LOCTITE #567 / WHITE / 250ml	AR	
96	040863	PIPE DRAIN	1	
97	504018	HOSE CLAMP / 7/16"-1" SS / HS-8	2	
98	509815	TIE MOUNT / ATTACHMENT W/TREE MOUNT From H-7310	AR	
101	040856	ANGLE PIPE SUPPORT To H-7416	1	
101	041154	ANGLE PIPE SUPPORT From H-7417	1	
102	21589669	SUPPORT EXHAUST PIPE	1	
103	040952	SUPPORT PIPE	1	
104	041006	SUPPORT PRIMARY / EXHAUST PIPE	1	
105	040969	SUPPORT SECONDARY / EXHAUST PIPE	1	
110	5001595	SCREW CAP HEXF M10-1.5x60 G8.8 G500	1	
111	500261	WASHER FL .390x1.500x.083 N500	2	
112	505217	SPACER 7/16" X 1 1/4"	1	
113	661074	BUSHING / RUBBER 3/4" x 5/8" I.D.	2	
114	5001727	NUT HEXF NYRT M10-1.5 N500	2	
115	502804	SCREW CAP HEX M10-1.5x25 G8.8 N500 To H-7416	1	
115	5001741	SCREW CAP HEXF M10-1.5x30 G8.8 N500 From H-7417	1	
116	5001834	WASHER BEL SPR 10.5X23X2.5 N500	4	
117	040627	WASHER FL 10.5x54x11GA SS	1	
118	5001644	SCREW CAP HEXF M10-1.5x30 G8.8 G500	6	
119	5001742	SCREW CAP HEXF M8-1.25x30 G8.8 N500	2	
120	5001931	NUT HEXF NYRT M8-1.25 G8.8 N500	2	
122A	041093	STABILIZER ASSY	1	
122B	503802	HOSE SILICONE 1 PLY / NOMEX-ARAMID 5/8" I.D. x 100' / S.L.	AR	

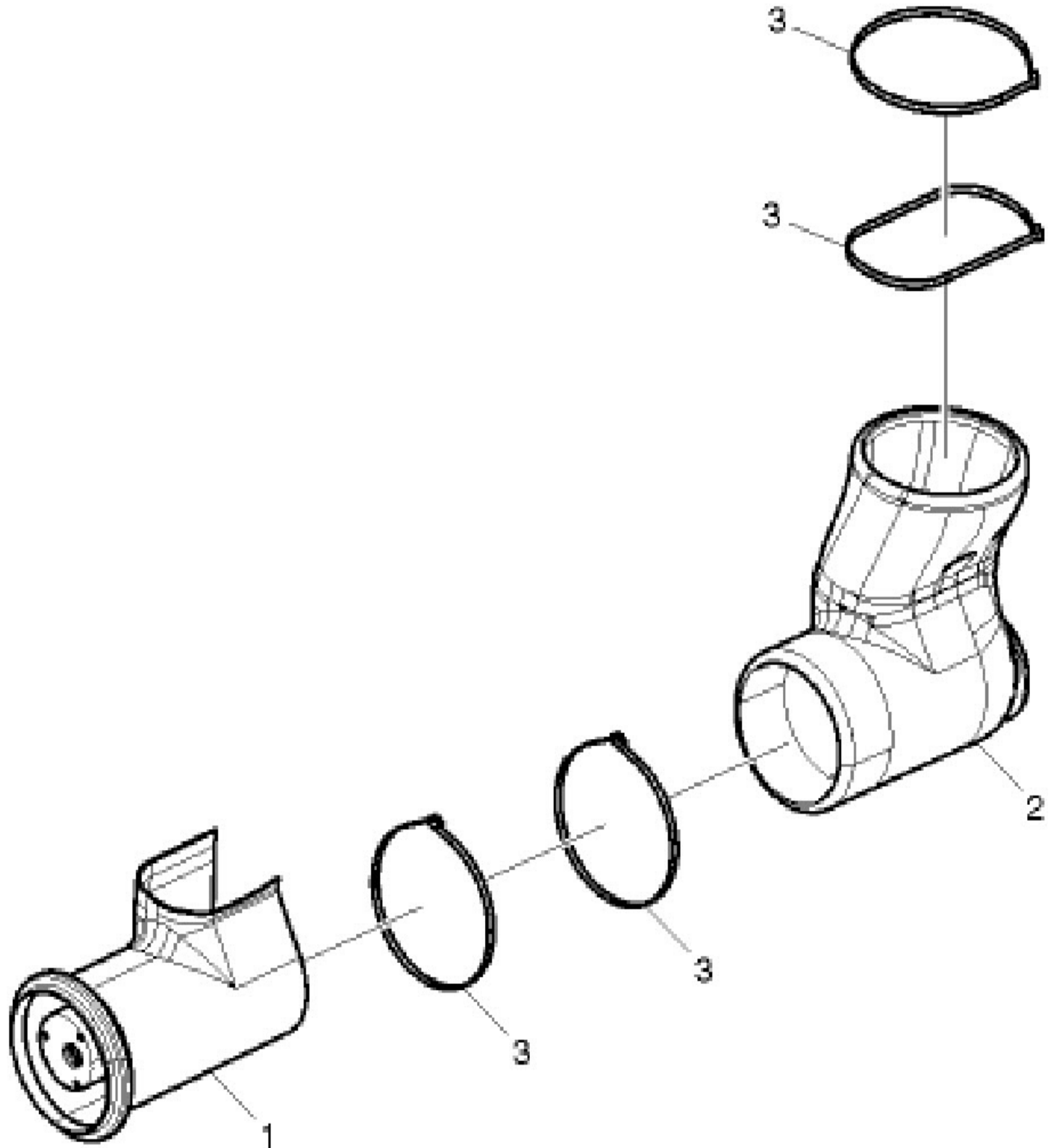
From G-7275 To K-7662	Date:07/2024	PAGE:X3PLB-0405-00
MUFFLER - INSTALLATION WITH DPF & SCR WITH VOLVO D13		

Item#	Part	Description	QTY	Notes
123	041069	MUFFLER CONNECTION RUBBER 135MM x 107MM	1	
124	040937	SPACER 3/4" O.D. X 16MM ST	2	
125	041114	BRACKET, SCR ASSY To J-7539	1	
125	040041	BRACKET, SCR ASSY From J-7540	1	
126	5001338	SCREW CAP HEX M12-1.75x45 G10.9 N500	2	
127	500967	WASHER BEL SPR .512x1.142x.098 N500	2	
128	502705	SCREW CAP HEX M12-1.75X25 G8.8 N500	2	
129	500967	WASHER BEL SPR .512x1.142x.098 N500	2	
130	21603076	DIFFUSOR ASSY	1	
NS	041139	KIT, REPLACEMENT SHUTTER OF DIFFUSOR	1	
131	540067	CLAMP BAND SEAL / LAP JOINT / 5" I.D.x1.25"	1	
132	21139384	GRILL DIFFUSOR	1	
133	21139388	PLATE "WARNING" THIS DIFFUSOR MUST BE FLUSH..	1	
134	5001684	NUT HEX CAP M6-1.0 SS	10	
135	502573	WASHER FL 6.4x12.5x1.6 SS	10	
136	479306	GRILL ROOF	1	
137	500952	SCREW TP BDG PH #8x1/2 SS	10	
138	504634	T-CLIP / 7/8" - 1"	1	
139	500877	WASHER FL .250x.562x.065 N500 To J-7539	1	
139	500877	WASHER FL .250x.562x.065 N500 From J-7540	2	
140	502681	NUT HEX NYRT M6-1.0 N500 G8 To J-7539	1	
140	502681	NUT HEX NYRT M6-1.0 N500 G8 From J-7540	2	
141	5001923	SCREW CAP HEX M6-1.0x45 SS BK From J-7540	2	
142	504155	CLAMP TWIN DESIGN / 19MM/19MM x 70MM POLYA From J-7540	1	
145	503821	HOSE SILICONE 4 PLY / NOMEX-ARAMID 3/8" x 144"	AR	
145	053008	RESTRICTION / ALU. TUBE 20MM X 9.05MM O.D. W/3.05MM HOLE	1	
146	20805110	QUICK CONNECTOR 90° 10MM	2	
147	992081	HOSE CLAMP / 12MM/22MM	2	
148A	506205	PIPE INSULATING / 5/8" I.D. X 1/2" TH. X 72 / SPLIT ADHESIVE	AR	
148B	957022	TAPE ELASTOMERIC 1/8" X 2" X 30"	AR	
149A	504637	CABLE TIE / 3/16" x 13"	AR	
149A	504013	TIE MOUNT / 1/4" X 1/4" I.D.	2	
149A	504379	RIVET POP DOME OE 3/16x1/4 SS	2	
149B	504750	CABLE TIE / 1/2" x 15" / CHRISTMAS TREE	2	
150	041123	HOSE HEATER ASSY 6200MM	1	
NS	N8902118	CONNECTOR CLIP - 5/16"	2	
150	X3PLB-0410-00	UREA RESERVOIR ASSY		
152	218717	ATTACHMENT, MIDDLE, DPF VOLVO	1	
153	216753	ATTACHMENT, DPF VOLVO / CURBSIDE	1	
154	216752	ATTACHMENT, DPF VOLVO / STREET SIDE	1	
155	Call order desk	POST ATTACHMENT, UPPER, SCR VOLVO	1	P

From G-7275 To K-7662	Date:07/2024	PAGE:X3PLB-0405-00
MUFFLER - INSTALLATION WITH DPF & SCR WITH VOLVO D13		

Item#	Part	Description	QTY	Notes
155	Call order desk	POST ATTACHMENT, UPPER, SCR VOLVO	1	P
156	218503	ATTACHMENT, SUPPORT EXHAUST PIPE	1	
175	22677399	GASKET NOZZLE UREA From H-7417	1	
176	22757141	SPACER From H-7417	1	
177	5000310	SCREW CAP HEX M6-1.0x40 BK From H-7417	3	
178	22986637	INSULATED BLANKET / SCR UPPER From H-7417 To H-7447	1	
. NS	22998036	. TIE WRAP STAINLESS STEEL 1905MM From H-7417 To H-7447	1	
178	23090822	INSULATED BLANKET / SCR UPPER From H-7448 To K-7607	1	
. NS	22998036	. TIE WRAP STAINLESS STEEL 1905MM From H-7448 To K-7607	1	
179	22986640	INSULATED BLANKET / SCR LOWER From H-7417 To H-7447	1	
. NS	22998036	. TIE WRAP STAINLESS STEEL 1905MM From H-7417 To H-7447	1	
179	23090830	INSULATED BLANKET / SCR LOWER From H-7448 To K-7607	1	
. NS	22998036	. TIE WRAP STAINLESS STEEL 1905MM From H-7448 To K-7607	2	
		P) CALL ORDER DESK FOR SPECIFIC APPLICATION (V.I.N.)		
		V) SEE IMPACT OR CALL ORDER DESK		
		V) SEE IMPACT OR CALL ORDER DESK		

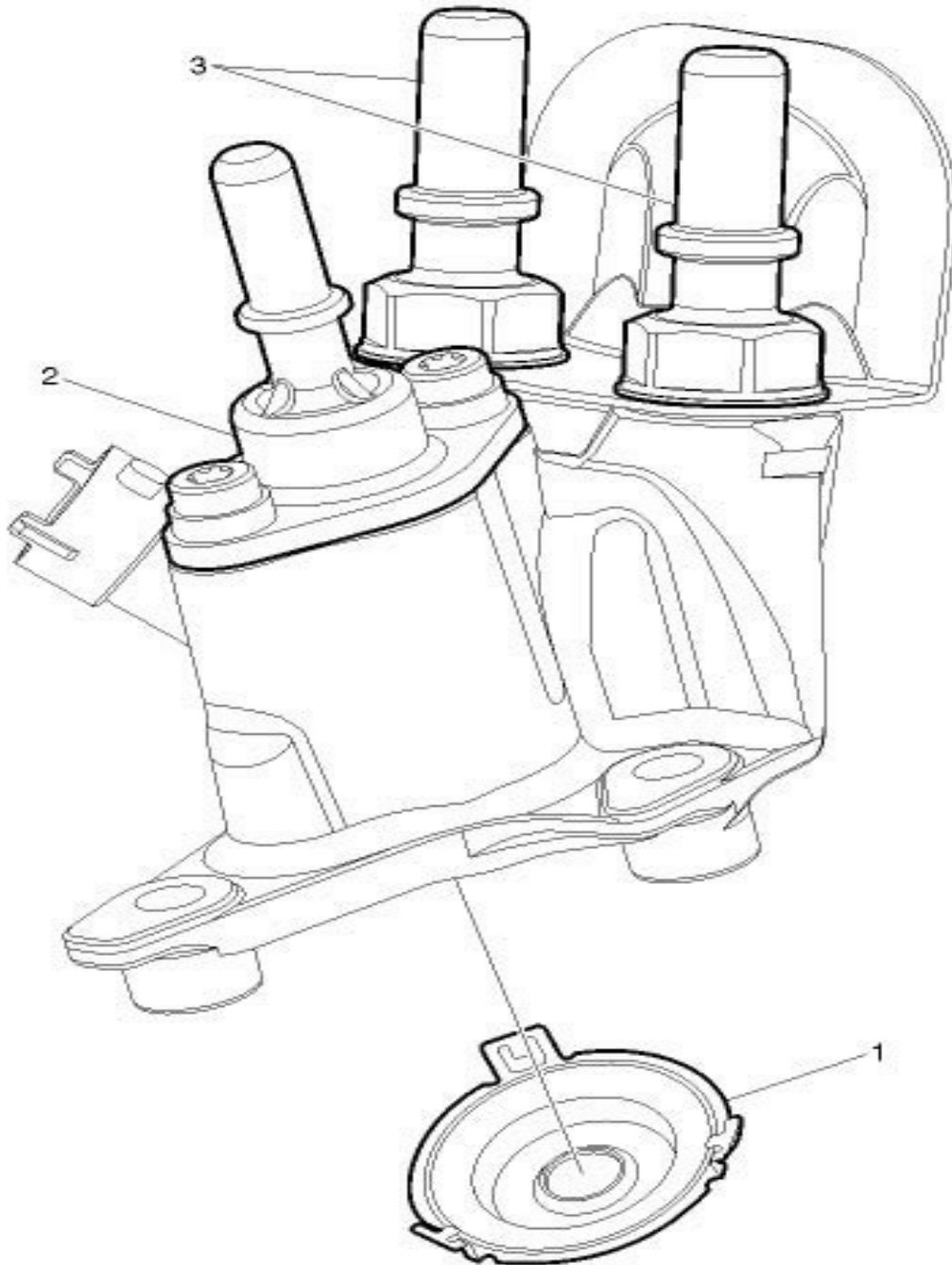
From H-7417	Date:07/2024	PAGE:23041035
SWIRL PIPE		



From H-7417		Date:07/2024	PAGE:23041035
SWIRL PIPE			

Item#	Part	Description	QTY	Notes
1	21403611	SWIRL PIPE	1	
2	23041032	HEAT SHEILD	1	
3	21209156	TIE WRAP STAINLESS STEEL	4	

To H-7416	Date:07/2024	PAGE:22391563
NOZZLE UREA TB-134512462-1		



To H-7416	Date:07/2024	PAGE:22391563
-----------	--------------	---------------

NOZZLE UREA TB-134512462-1

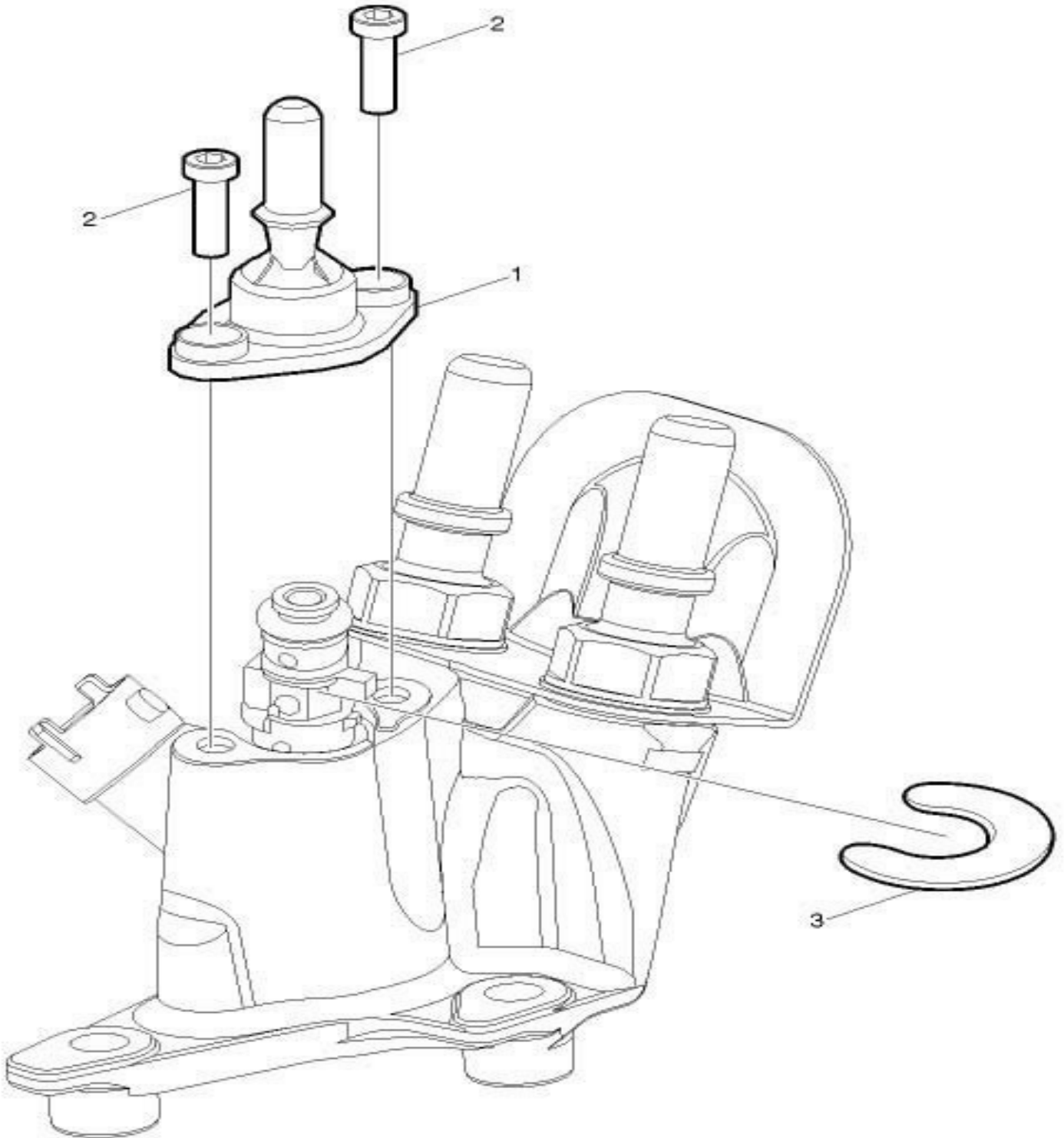
Item#	Part	Description	QTY	Notes
1	21376801	SEALING PLATE	1	
2	N.S.S.	CONNECTOR UREA TB-129663345-1	1	1
3	21376813	CONNECTOR COOLING	1	
		1) NOT SOLD SEPARATELY		

To H-7416

Date:07/2024

PAGE:21579080

CONNECTOR UREA TB-129663345-1



R1045189

To H-7416	Date:07/2024	PAGE:21579080
CONNECTOR UREA TB-129663345-1		

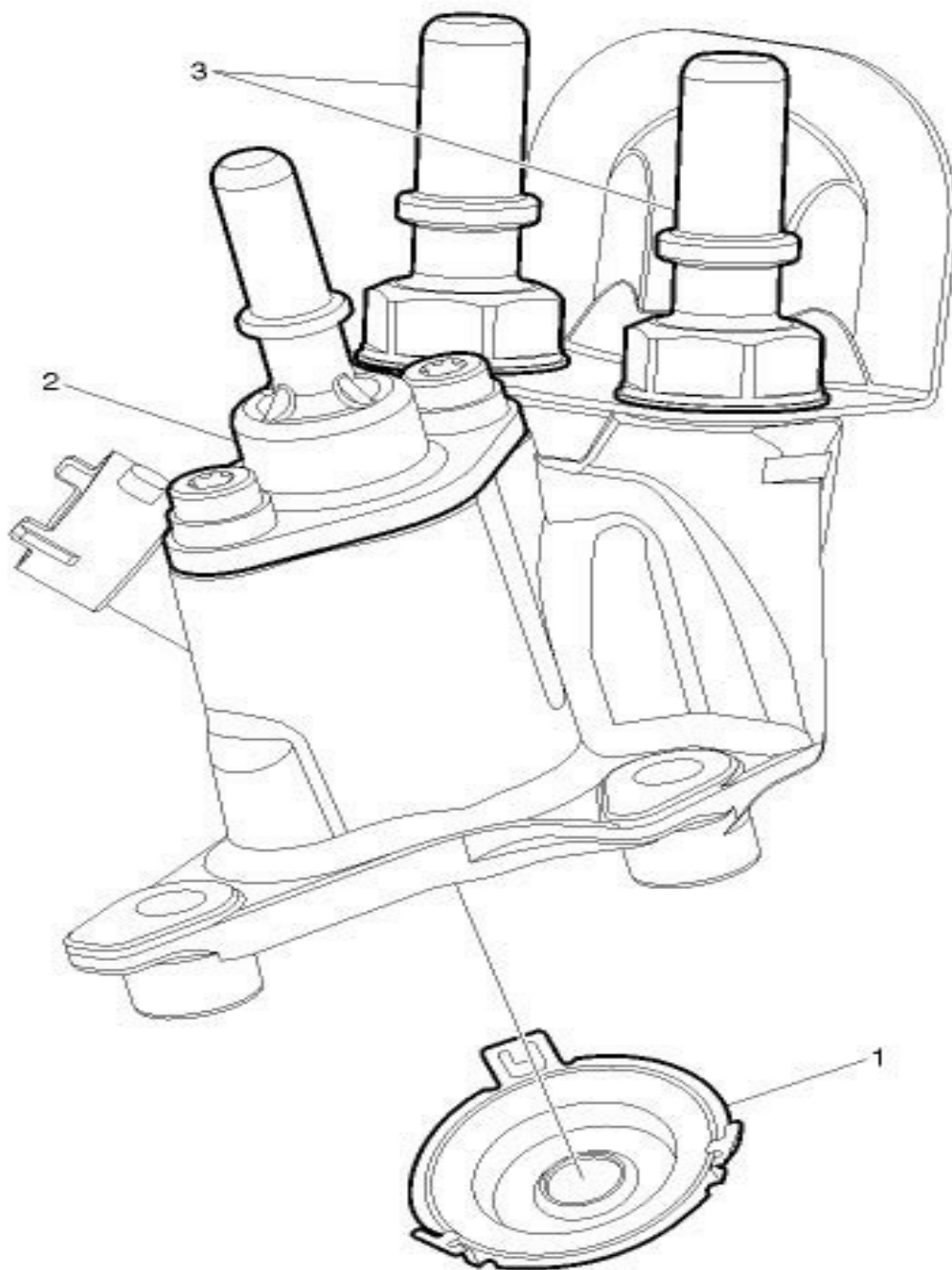
Item#	Part	Description	QTY	Notes
	N.S.S.		X	1
	N.S.S.		X	1
	N.S.S.		X	1
		1) NOT SOLD SEPARATELY		

From H-7417

Date:07/2024

PAGE:22757225

NOZZLE UREA, 2.5



From H-7417	Date:07/2024	PAGE:22757225
-------------	--------------	---------------

NOZZLE UREA, 2.5

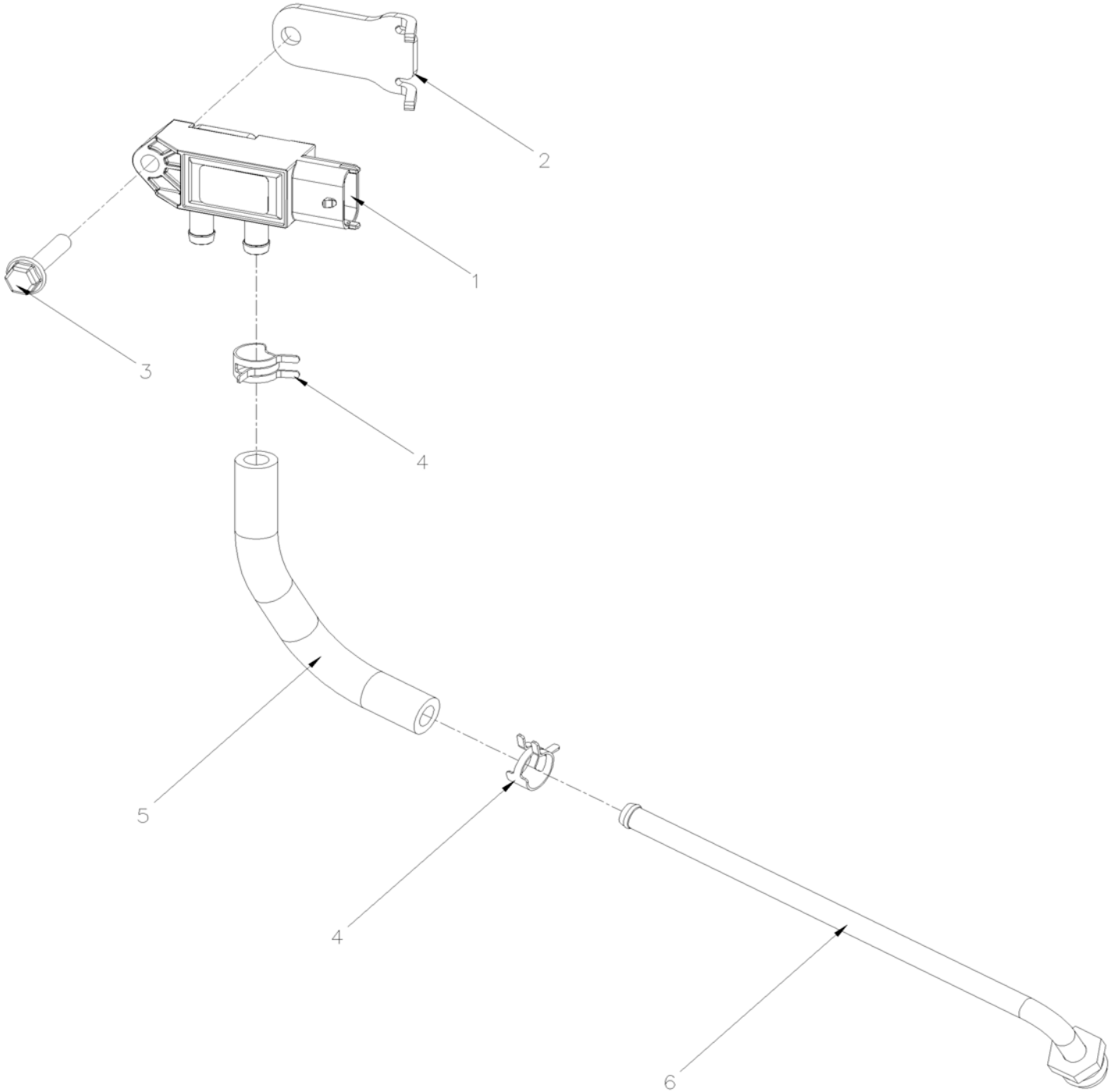
Item#	Part	Description	QTY	Notes
1	21376801	SEALING PLATE	1	
2	N.S.S.	CONNECTOR UREA TB-129663345-1	1	1
3	21376813	CONNECTOR COOLING	1	
		1) NOT SOLD SEPARATELY		

From G-7275 To K-7662

Date:07/2024

PAGE:040096

KIT SENSOR PRESSURE DPF



From G-7275 To K-7662		Date:07/2024	PAGE:040096
------------------------------	--	---------------------	--------------------

KIT SENSOR PRESSURE DPF

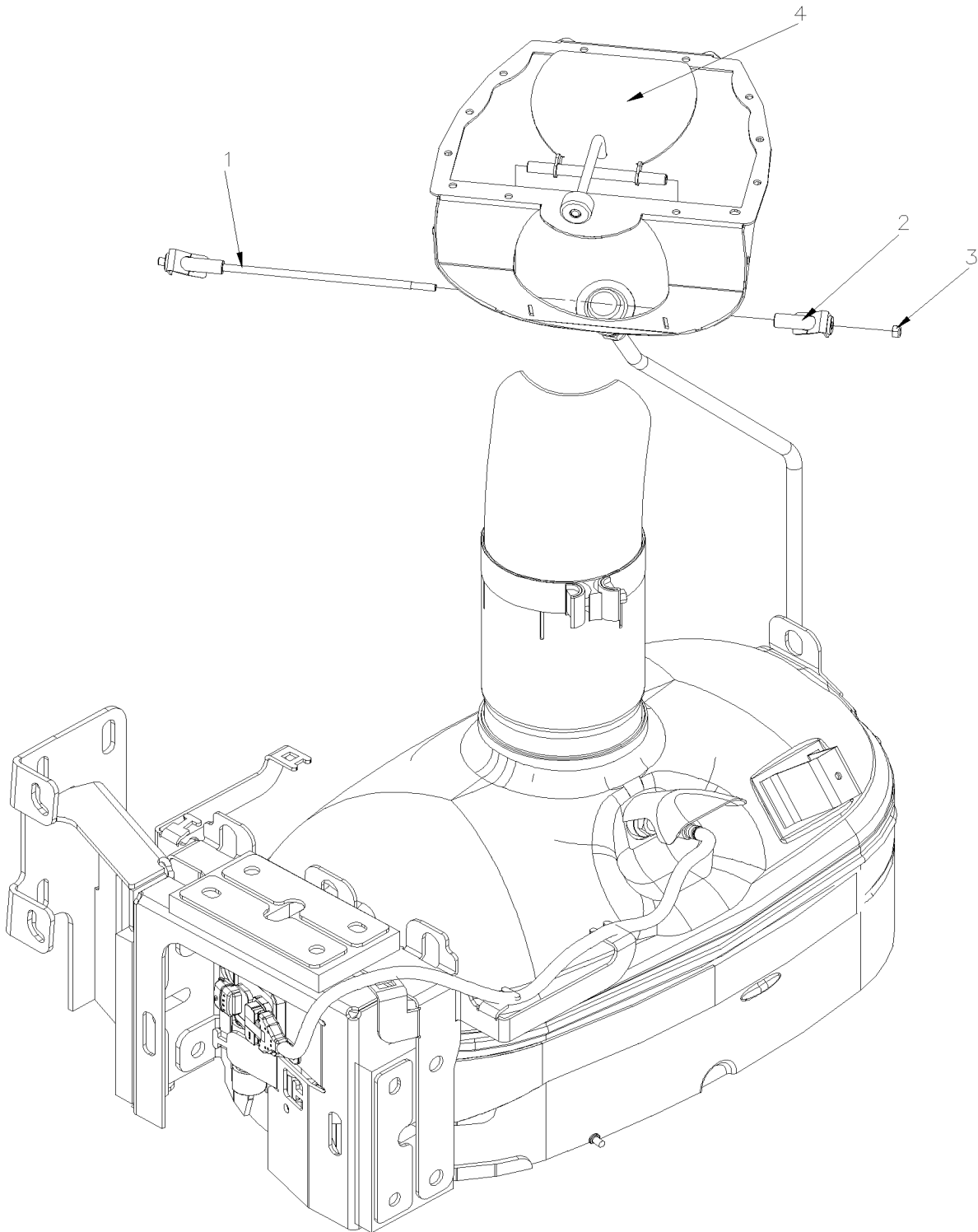
Item#	Part	Description	QTY	Notes
1	23488881	SENSOR PRESSURE "DELTA"	1	
2	040097	SPACER, FOR SENSOR OF PRESSURE	1	
3	5001815	SCREW CAP HEXF M6-1.0x30 G 8.8 N500	1	
4	21283793	SPRING HOSE CLAMP 5/16"	2	
5	040914	HOSE	1	
6	040093	PIPE, DP LOW PRESSURE	1	

From G-7275 To K-7662

Date:07/2024

PAGE:041139

KIT, REPLACEMENT SHUTTER OF DIFFUSOR



From G-7275 To K-7662		Date:07/2024	PAGE:041139
-----------------------	--	--------------	-------------

KIT, REPLACEMENT SHUTTER OF DIFFUSOR

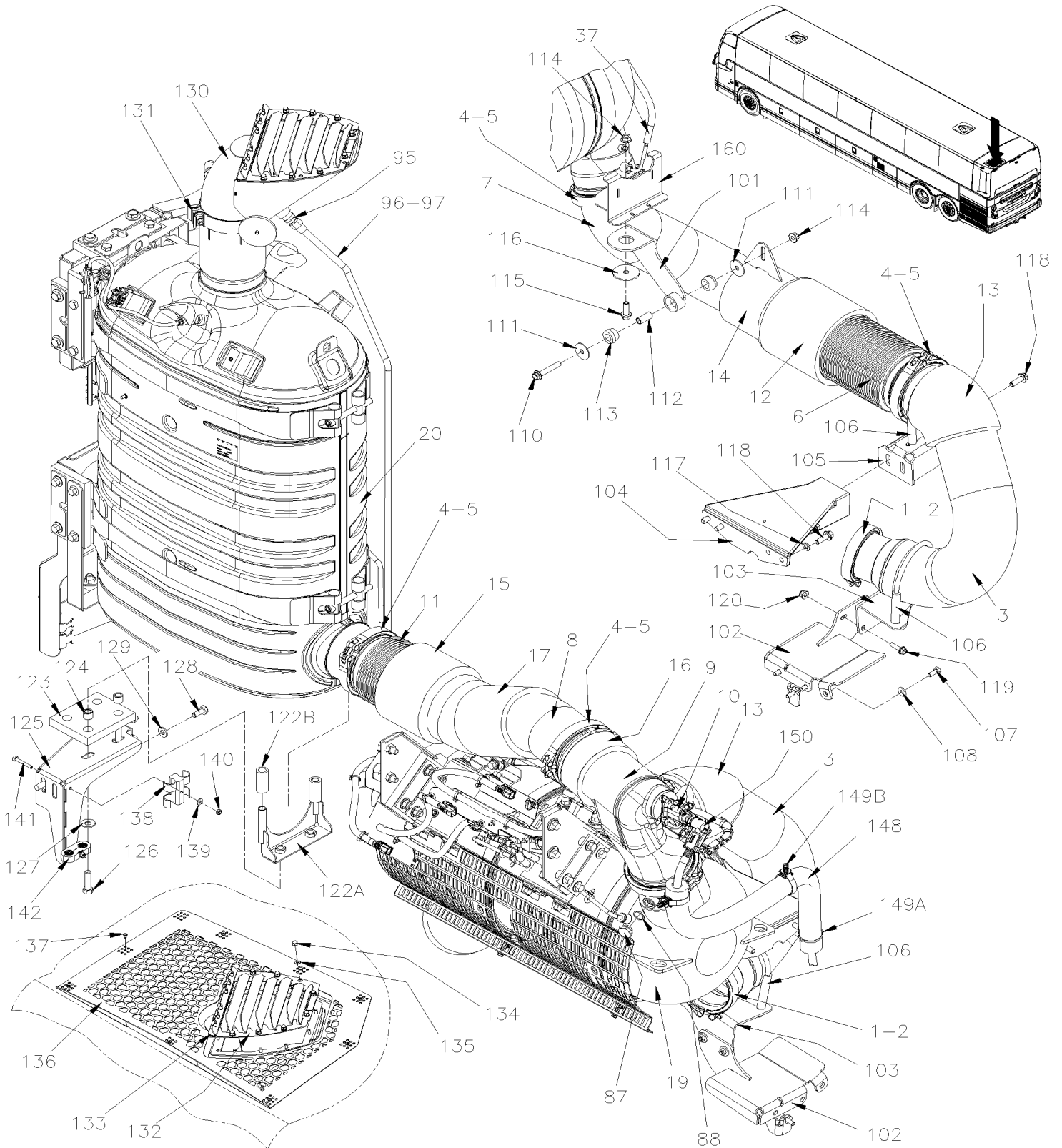
Item#	Part	Description	QTY	Notes
1	041137	PIVOT, LATERAL, ASSY	1	
2	041134	PIVOT, LATERAL, ASSY	1	
3	502860	NUT HEX STO M6-1.0 N500	1	
4	041130	SHUTTER ASSY	1	

From L-7663 To M-7767

Date:07/2024

PAGE:X3PLB-0405-01

MUFFLER - INSTALLATION WITH DPF & SCR WITH VOLVO D13

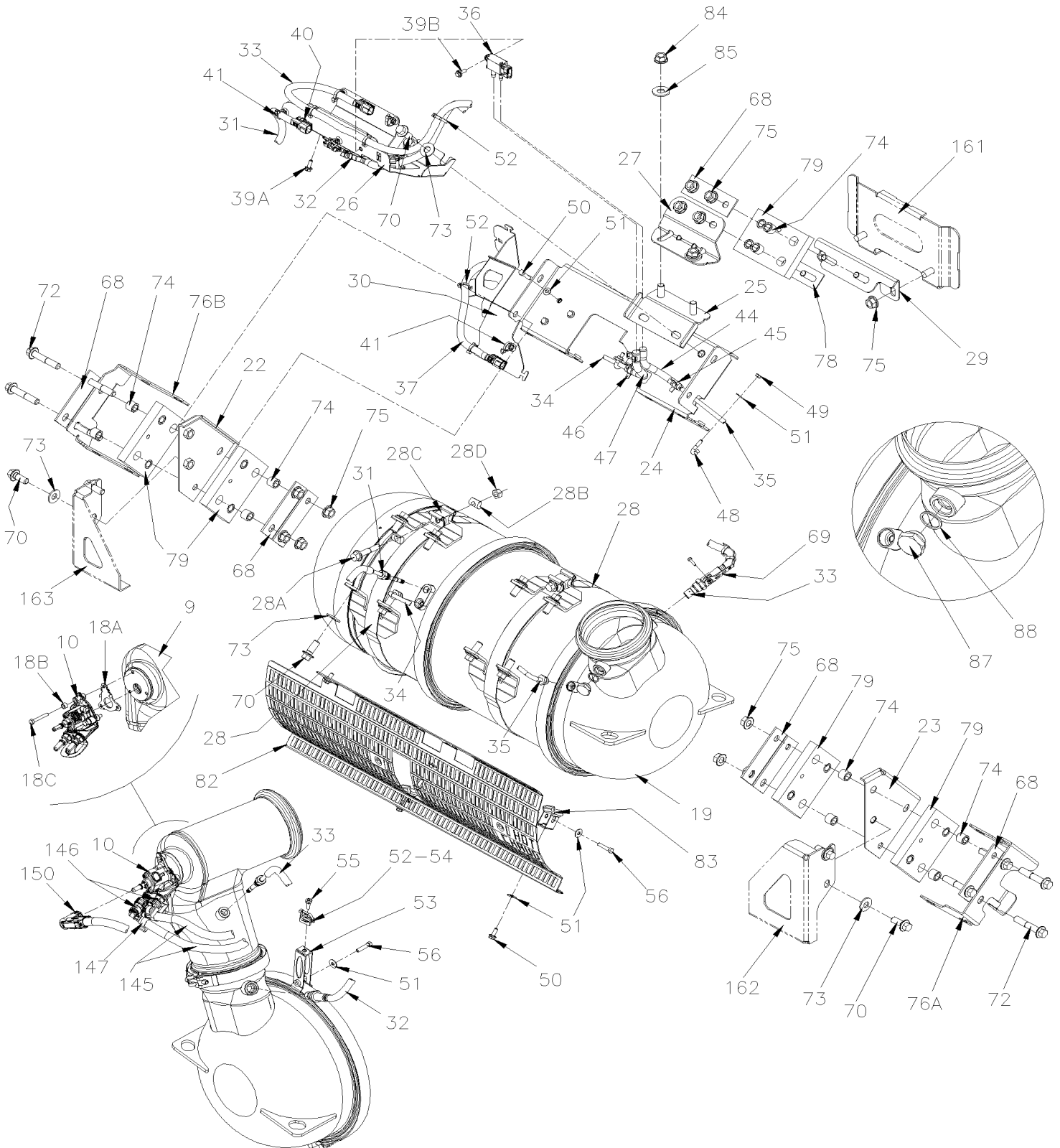


From L-7663 To M-7767

Date:07/2024

PAGE:X3PLB-0405-01

MUFFLER - INSTALLATION WITH DPF & SCR WITH VOLVO D13

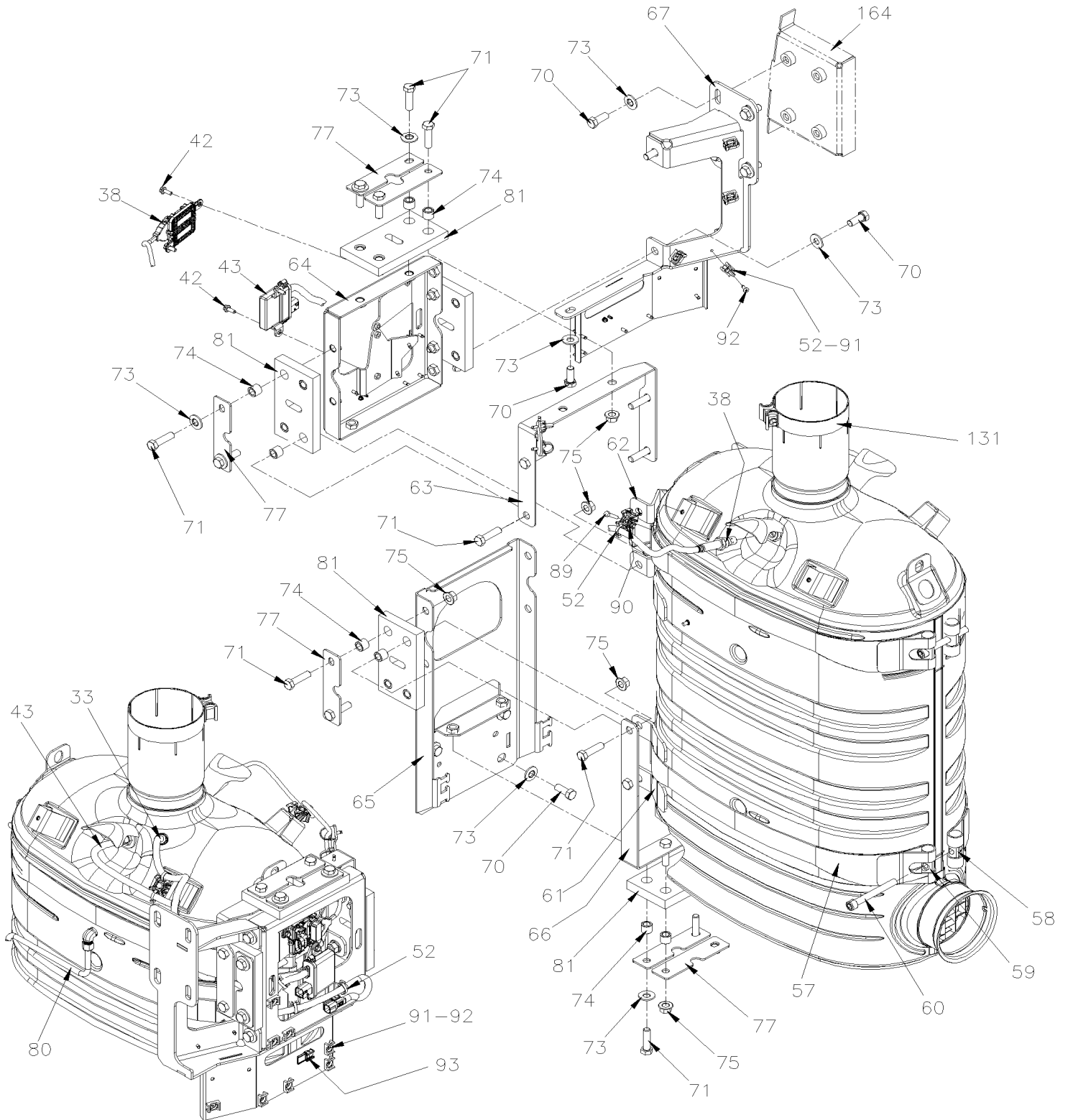


From L-7663 To M-7767

Date:07/2024

PAGE:X3PLB-0405-01

MUFFLER - INSTALLATION WITH DPF & SCR WITH VOLVO D13



From L-7663 To M-7767	Date:07/2024	PAGE:X3PLB-0405-01
MUFFLER - INSTALLATION WITH DPF & SCR WITH VOLVO D13		

Item#	Part	Description	QTY	Notes
1	21060426	V-CLAMP / (USE W GASKET) 4.81" I.D.	1	
2	21095721	GASKET	1	
3	040651	PIPE, EXHAUST "U"	1	
4	21021850	V-CLAMP / (USE W GASKET) 5.91" I.D.	7	
5	21095726	GASKET	7	
6	540071	BELLOWS - EXHAUST 5" I.D. x 14.49"	1	
7	040822	PIPE EXHAUST / INLET	1	
8	040823	PIPE EXHAUST / OUTLET	1	
9	23041035	SWIRL PIPE	1	
NS	21209156	TIE WRAP STAINLESS STEEL	4	
10	22757225	NOZZLE UREA, 2.5	1	
11	540072	BELLOWS - EXHAUST	1	
12	041095	INSULATED BLANKET / BELLOW W/SPRING ATTACHMENT	1	
13	041115	INSULATED BLANKET / PIPE TURBO W/SPRING ATTACHMENT	1	
14	041116	INSULATED BLANKET / PIPE DPF INLET W/SPRING ATTACHMENT	1	
15	041119	INSULATED BLANKET / BELLOW W/SPRING ATTACHMENT	1	
16	23041032	HEAT SHEILD	1	
16	21209156	TIE WRAP STAINLESS STEEL	4	
17	041118	INSULATED BLANKET / PIPE EXHAUST W/SPRING ATTACHMENT	1	
18A	22677399	GASKET NOZZLE UREA	1	
18B	22757141	SPACER	1	
18C	5000310	SCREW CAP HEX M6-1.0x40 BK	3	
19	Refer To Volvo	MUFFLER DPF EXHAUST FILTER	1	V
19	060089	HARNESS DPF "VOLVO"	1	
20	23196231	MUFFLER SCR EXHAUST FILTER	1	
22	040761	ATTACHMENT DPF VOLVO	1	
23	040868	ATTACHMENT DPF VOLVO	1	
24	041083	SUPPORT DPF VOLVO	1	
25	040764	ATTACHMENT SUPPORT DPF VOLVO	1	
26	040975	SUPPORT CABLE DPF To N-8007	1	
26	040088	SUPPORT CABLE DPF From P-8008	1	
27	040762	ATTACHMENT DPF VOLVO UPPER MIDDLE	1	
28	040986	CLAMP SUPPORT ASSY	2	
28A	5001801	SCREW CAP HEXF M10-1.5x55 G10.9 N500	2	
28B	540085	SPACER / HALF MOON SHAPE	4	
28C	540086	SPACER / ANVIL SHAPE	2	
28D	5001758	NUT HEX STO M10-1.5 N500	AR	
29	040763	ATTACHMENT DPF VOLVO UPPER MIDDLE	1	
30	040010	SUPPORT CABLE DPF	1	
31	21673931	SENSOR TEMPEARATURE "T2"	1	
32	22303390	SENSOR "NOX" / DPF FILTER	1	
33	21412472	SENSOR TEMPEARATURE "T3"	2	

From L-7663 To M-7767	Date:07/2024	PAGE:X3PLB-0405-01
MUFFLER - INSTALLATION WITH DPF & SCR WITH VOLVO D13		

Item#	Part	Description	QTY	Notes
34	040911	PIPE, DP HIGH PRESSURE	1	
35	040912	PIPE, DP LOW PRESSURE To N-8007	1	
35	040093	PIPE, DP LOW PRESSURE From P-8008	1	
36	21403962	SENSOR PRESSURE "DELTA" To N-8007	1	
36	040096	KIT SENSOR PRESSURE DPF To N-8007	1	
36	23488881	SENSOR PRESSURE "DELTA" From P-8008	1	
37	21225020	SENSOR TEMPEARATURE "T1"	1	
38	22303391	SENSOR "NOX" / SCR FILTER	1	
39A	5001730	SCREW CAP HEXF M6-1.0x16 G10.9 N500	2	
39A	5001730	SCREW CAP HEXF M6-1.0x16 G10.9 N500	2	
39B	5001730	SCREW CAP HEXF M6-1.0x16 G10.9 N500 To N-8007	1	
39B	5001730	SCREW CAP HEXF M6-1.0x16 G10.9 N500 To N-8007	1	
39B	5001815	SCREW CAP HEXF M6-1.0x30 G 8.8 N500 From P-8008	1	
40	564108	SELF MOUNTING STUD // DEUTSCH 1011-310-0205	3	
41	8631155	CABLE TIE / 4.6MM x 200 / CHRISTMAS TREE	AR	
42	5001730	SCREW CAP HEXF M6-1.0x16 G10.9 N500	4	
43	060327	SENSOR "PM" / SCR FILTER ASSY To L-7722	1	
43	0610356	SENSOR "PM" / SCR FILTER ASSY From L-7723 To P-8053	1	
43	0600086	SENSOR "PM" / SCR FILTER ASSY From P-8054	1	
43	22946032	. SENSOR "PM" / SCR FILTER To L-7722	1	
43	23320447	. SENSOR "PM" / SCR FILTER From L-7723 To P-8053	1	
43	24191736	. SENSOR "PM" / SCR FILTER From P-8054	1	
44	040977	HOSE 1/4" To N-8007	1	
44	040976	HOSE 5/16" From P-8008	1	
44	503776	. HOSE SILICONE 1/4" I.D. x 10' / S.L. To N-8007	AR	
44	503775	. HOSE SILICONE 5/16" I.D. x 10' / S.L. From P-8008	AR	
45	21283796	SPRING HOSE CLAMP 1/4" To N-8007	2	
45	21283793	SPRING HOSE CLAMP 5/16" From P-8008	2	
46	040976	HOSE 5/16"	1	
46	503775	. HOSE SILICONE 5/16" I.D. x 10' / S.L.	AR	
47	21283793	SPRING HOSE CLAMP 5/16"	2	
48	040916	J-HOOK / M6-1.0 x 33 SS	2	
49	502854	NUT HEX M6-1.0 N500	2	
50	5001697	SCREW CAP HEX M6-1.0x16 SS BK	7	
51	5001833	WASHER BEL SPR 6.1x18x1.27 SS	12	
52	504637	CABLE TIE / 3/16" x 13"	AR	
53	21468325	CABLE SUPPORT	1	
54	504013	TIE MOUNT / 1/4" X 1/4" I.D.	3	
55	502817	SCREW MA PAN PH M6-1.0x16 N500	1	
56	502686	SCREW CAP HEX M6-1.0x30 SS BK	3	
57	21282895	STRAP SCR To P-8040	4	
57	041159	STRAP SCR From P-8041	4	

From L-7663 To M-7767	Date:07/2024	PAGE:X3PLB-0405-01
MUFFLER - INSTALLATION WITH DPF & SCR WITH VOLVO D13		

Item#	Part	Description	QTY	Notes
58	21321221	BAR THREAD SCR	4	
59	20974254	BAR ROUND SCR	4	
60	509892	SCREW CAP HEXS M12-1.75x100 G8.8 N500	4	
61	040786	ATTACHMENT, LOWER, SCR VOLVO	2	
62	040855	ATTACHMENT, UPPER, SCR VOLVO	1	
63	040027	SUPPORT, UPPER, SCR	1	
64	040065	SUPPORT, UPPER, SCR	1	
65	040020	SUPPORT ASSY, LOWER, SCR VOLVO	1	
66	040817	BRACKET "U" SHAPE, LOWER, SCR VOLVO	1	
67	040029	SUPPORT UPPER, SCR	1	
68	21138255	PLATE ATTACHMENT 120MM X 40MM	7	
69	040959	GUIDE, WIRING	2	
NS	502799	SCREW CAP HEX M4-0.7X16 G8.8 N500	2	
NS	502556	WASHER FL 4.3x9.0x0.8 SS	2	
NS	504637	CABLE TIE / 3/16" x 13"	AR	
70	5001866	SCREW CAP HEX M12-1.75x30 G10.9 N500	27	
71	5001338	SCREW CAP HEX M12-1.75x45 G10.9 N500	22	
72	5001861	SCREW CAP HEX M12-1.75x60 G10.9 N500	8	
73	500967	WASHER BEL SPR .512x1.142x.098 N500	AR	
74	040937	SPACER 3/4" O.D. X 16MM ST	46	
75	5001774	NUT HEXF STO M12-1.75 MAGNI G500	30	
76A	041021	BRACKET, DPF	1	
76B	041022	BRACKET, DPF	1	
77	040783	PLATE ATTACHMENT 120MM X 40MM	8	
78	040844	PLATE ATTACHMENT 120MM X 34MM / W/2 M12-1.75x40	1	
79	22227002	MUFFLER CONNECTION RUBBER 135MM x 93MM	5	
80	040965	HOSE DRAIN SCR	1	
81	041070	MUFFLER CONNECTION RUBBER 170MM x 93MM	6	
82	041092	GRILLE PROTECTOR OVER DFP	1	
83	040861	CABLE SUPPORT	2	
84	5001774	NUT HEXF STO M12-1.75 MAGNI G500	2	
85	500211	WASHER FL .531x1.250x.125 N500	2	
87	20565546	PLUG / DPF To L-7682	1	
87	040004	PLUG / DPF / S.STEEL From L-7683	1	
88	947625	SEAL COPPER / DPF	1	
89	502737	SCREW CAP HEX M6-1.0x25 SS BK	2	
90	509490	ATTACHMENT DOUBLE USE WITH CABLE TIE	2	
91	504013	TIE MOUNT / 1/4" X 1/4" I.D.	AR	
92	504379	RIVET POP DOME OE 3/16x1/4 SS	AR	
93	564108	SELF MOUNTING STUD // DEUTSCH 1011-310-0205	1	
95	640873	MALE CONNECTOR / AB FITTING / #8x1/2NPT-M BR	1	
95	680098	THREAD SEALANT LOCTITE #567 / WHITE / 250ml	AR	

From L-7663 To M-7767	Date:07/2024	PAGE:X3PLB-0405-01
MUFFLER - INSTALLATION WITH DPF & SCR WITH VOLVO D13		

Item#	Part	Description	QTY	Notes
96	040863	PIPE DRAIN	1	
97	504018	HOSE CLAMP / 7/16"-1" SS / HS-8	2	
101	041154	ANGLE PIPE SUPPORT	1	
102	21589669	SUPPORT EXHAUSTST PIPE	1	
103	040952	SUPPORT PIPE	1	
104	041006	SUPPORT PRIMARY / EXHAUST PIPE	1	
105	040969	SUPPORT SECONDARY / EXHAUST PIPE	1	
106	540018	U-CLAMP / (GUILLOTINE TYPE) / 5" I.D.	2	
107	502862	SCREW CAP HEX M8-1.25x20 G8.8 N500	4	
108	500321	WASHER BEL SPR .331x.827x.098 N500	4	
110	5001595	SCREW CAP HEXF M10-1.5x60 G8.8 G500	1	
111	500261	WASHER FL .390x1.500x.083 N500	2	
112	505217	SPACER 7/16" X 1 1/4"	1	
113	661074	BUSHING / RUBBER 3/4" x 5/8" I.D.	2	
114	5001727	NUT HEXF NYRT M10-1.5 N500	2	
115	5001741	SCREW CAP HEXF M10-1.5x30 G8.8 N500	1	
116	040627	WASHER FL 10.5x54x11GA SS	1	
117	5001834	WASHER BEL SPR 10.5X23X2.5 N500	4	
118	5001644	SCREW CAP HEXF M10-1.5x30 G8.8 G500	6	
119	5001742	SCREW CAP HEXF M8-1.25x30 G8.8 N500	2	
120	5001931	NUT HEXF NYRT M8-1.25 G8.8 N500	2	
122A	041093	STABILIZER ASSY	1	
122B	041096	HOSE 5/8" I.D. x 52MM	1	
122B	503802	. HOSE SILICONE 1 PLY / NOMEX-ARAMID 5/8" I.D. x 100' / S.L.	AR	
123	041069	MUFFLER CONNECTION RUBBER 135MM x 107MM	1	
124	040937	SPACER 3/4" O.D. X 16MM ST	2	
125	040041	BRACKET, SCR ASSY	1	
126	5001338	SCREW CAP HEX M12-1.75x45 G10.9 N500	2	
127	500967	WASHER BEL SPR .512x1.142x.098 N500	2	
128	502705	SCREW CAP HEX M12-1.75X25 G8.8 N500	2	
129	500967	WASHER BEL SPR .512x1.142x.098 N500	2	
130	21603076	DIFFUSOR ASSY	1	
NS	041139	KIT, REPLACEMENT SHUTTER OF DIFFUSOR	1	
131	540067	CLAMP BAND SEAL / LAP JOINT / 5" I.D.x1.25"	1	
132	21139384	GRILL DIFFUSOR	1	
133	21139388	PLATE "WARNING" THIS DIFFUSOR MUST BE FLUSH..	1	
134	5001684	NUT HEX CAP M6-1.0 SS	10	
135	502573	WASHER FL 6.4x12.5x1.6 SS	10	
136	471132	GRILL ROOF	1	
137	500952	SCREW TP BDG PH #8x1/2 SS	10	
138	504634	T-CLIP / 7/8" - 1" To M-7752	1	
139	500877	WASHER FL .250x.562x.065 N500 To M-7752	2	

From L-7663 To M-7767	Date:07/2024	PAGE:X3PLB-0405-01
MUFFLER - INSTALLATION WITH DPF & SCR WITH VOLVO D13		

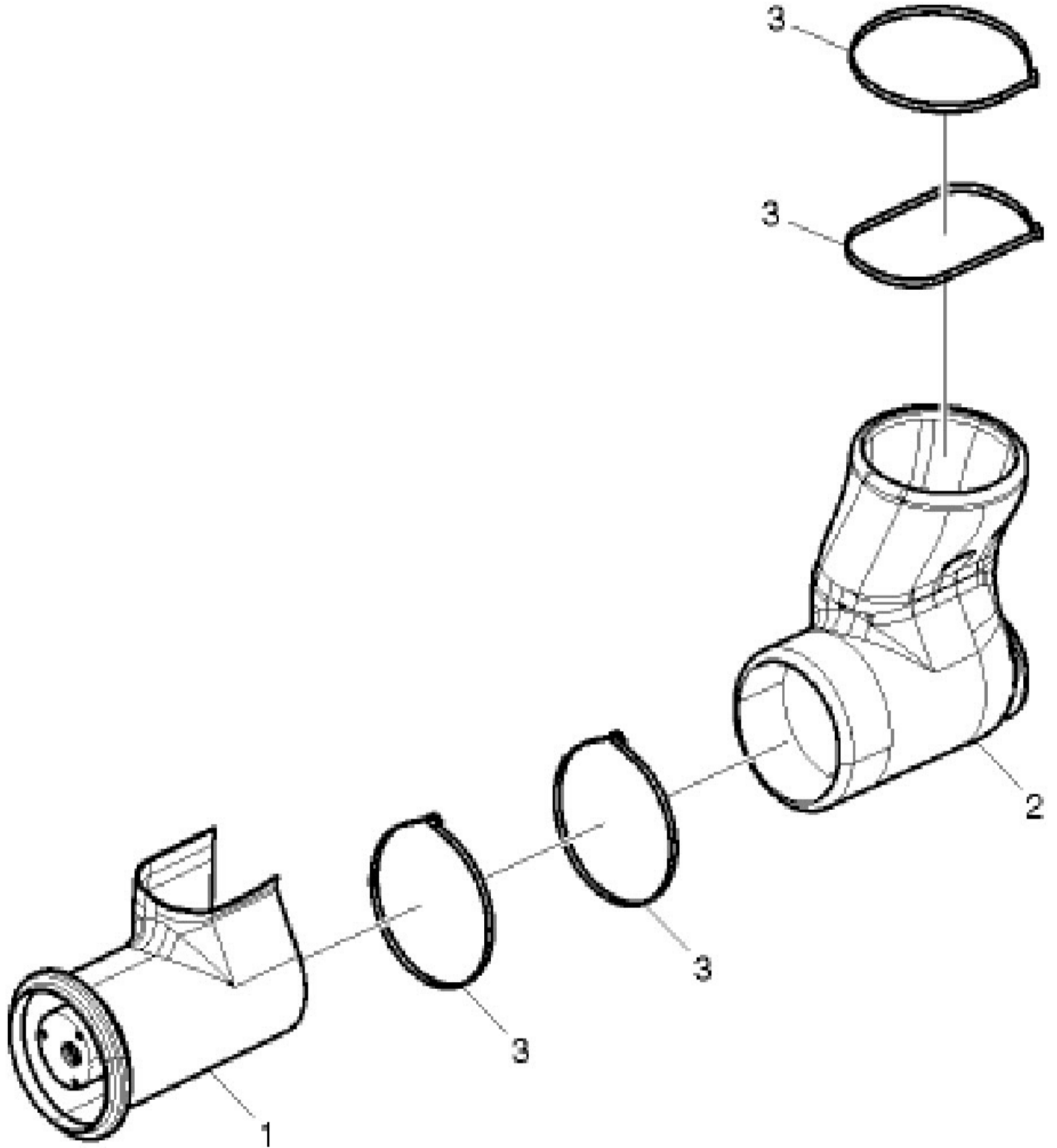
Item#	Part	Description	QTY	Notes
140	502681	NUT HEX NYRT M6-1.0 N500 G8	2	
141	5001923	SCREW CAP HEX M6-1.0x45 SS BK	2	
142	504155	CLAMP TWIN DESIGN / 19MM/19MM x 70MM POLYA To M-7752	1	
142	504155	CLAMP TWIN DESIGN / 19MM/19MM x 70MM POLYA From M-7753	2	
142	504221	COVER TWIN DESIGN / 63.5MM ZP From M-7753	2	
145	503821	HOSE SILICONE 4 PLY / NOMEX-ARAMID 3/8" x 144"	AR	
145	053008	RESTRICTION / ALU. TUBE 20MM X 9.05MM O.D. W/3.05MM HOLE	1	
146	20805110	QUICK CONNECTOR 90° 10MM	2	
147	992081	HOSE CLAMP / 12MM/22MM	2	
148	506205	PIPE INSULATING / 5/8" I.D. X 1/2" TH. X 72 / SPLIT ADHESIVE	AR	
149A	504637	CABLE TIE / 3/16" x 13"	AR	
149B	504750	CABLE TIE / 1/2" x 15" / CHRISTMAS TREE	2	
150	041123	HOSE HEATER ASSY 6200MM	1	
. NS	N8902118	. CONNECTOR CLIP - 5/16"	2	
150	X3PLB-0410-00	UREA RESERVOIR ASSY		
160	041078	ATTACHMENT, SUPPORT EXHAUST PIPE	1	
161	218717	ATTACHMENT, MIDDLE, DPF VOLVO	1	
162	216753	ATTACHMENT, DPF VOLVO / CURBSIDE	1	
163	216752	ATTACHMENT, DPF VOLVO / STREET SIDE	1	
164	Call order desk	POST ATTACHMENT, UPPER, SCR VOLVO	1	P
		P) CALL ORDER DESK FOR SPECIFIC APPLICATION (V.I.N.)		
		V) SEE IMPACT OR CALL ORDER DESK		

From L-7663 To M-7767

Date:07/2024

PAGE:23041035

SWIRL PIPE



From L-7663 To M-7767	Date:07/2024	PAGE:23041035
SWIRL PIPE		

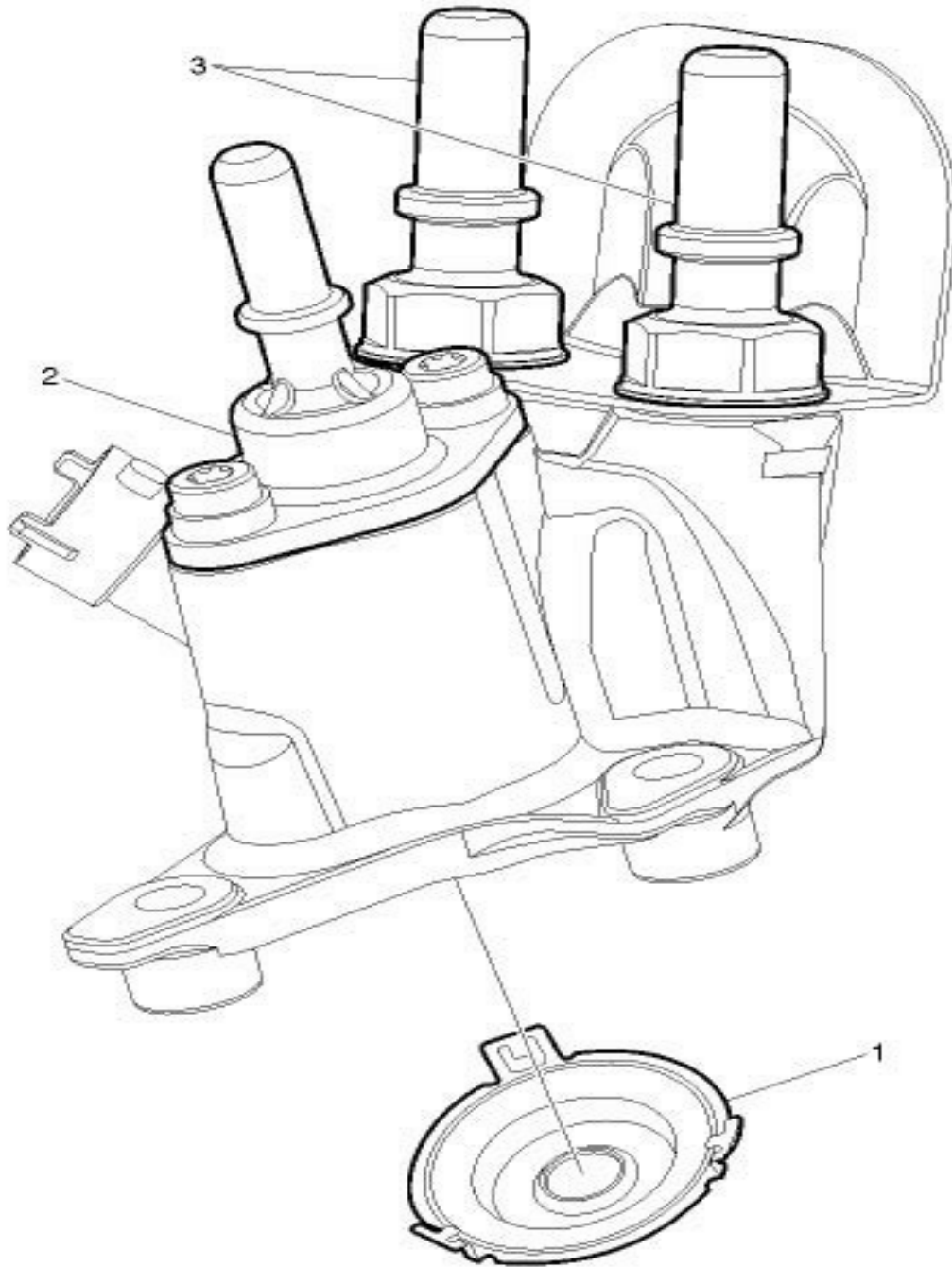
Item#	Part	Description	QTY	Notes
1	21403611	SWIRL PIPE	1	
2	23041032	HEAT SHEILD	1	
3	21209156	TIE WRAP STAINLESS STEEL	4	

From L-7663 To M-7767

Date:07/2024

PAGE:22757225

NOZZLE UREA, 2.5

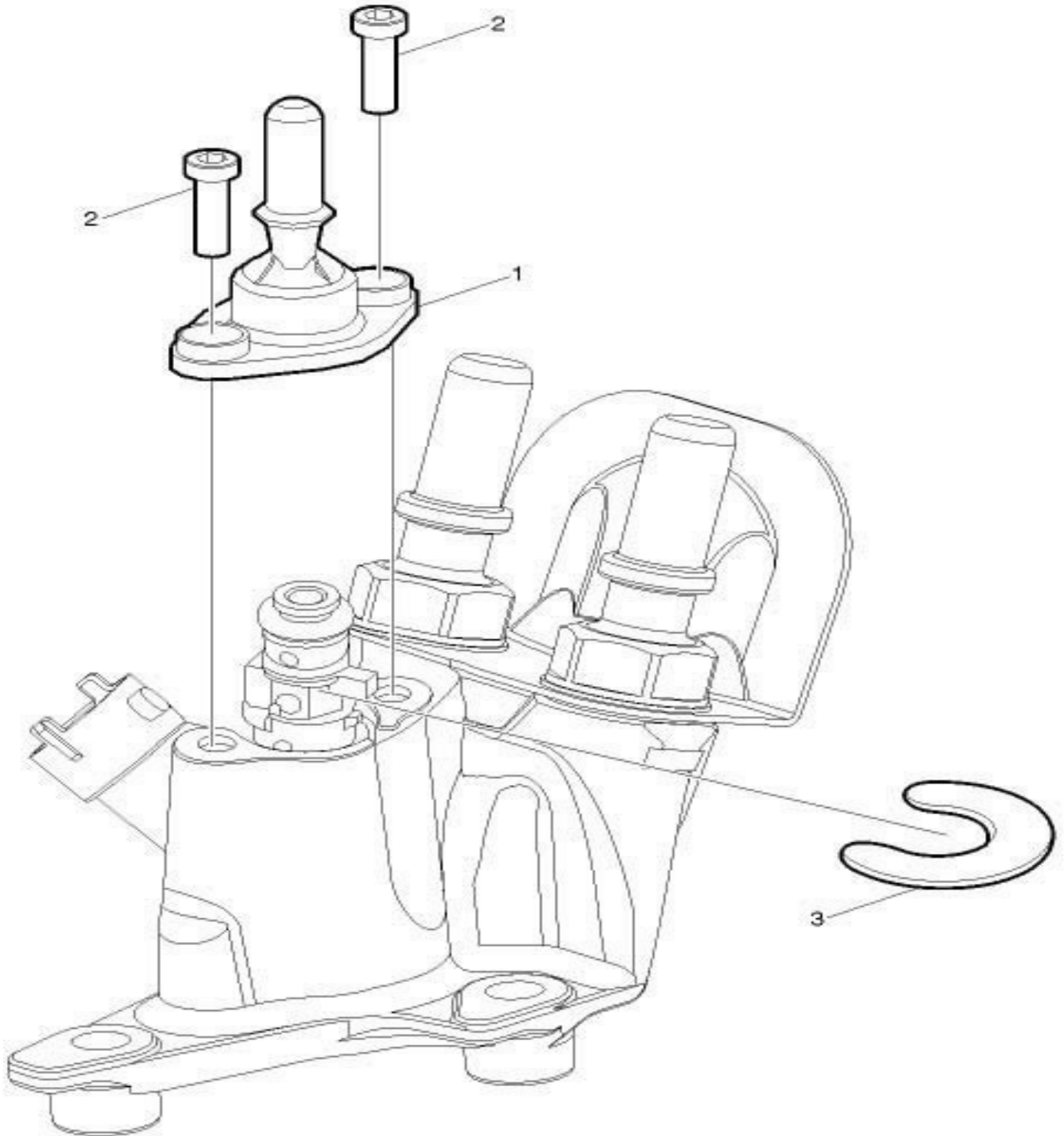


From L-7663 To M-7767	Date:07/2024	PAGE:22757225
-----------------------	--------------	---------------

NOZZLE UREA, 2.5

Item#	Part	Description	QTY	Notes
1	21376801	SEALING PLATE	1	
2	N.S.S.	CONNECTOR UREA TB-129663345-1	1	1
3	21376813	CONNECTOR COOLING	1	
		1) NOT SOLD SEPARATELY		

From L-7663 To M-7767	Date:07/2024	PAGE:21579080
CONNECTOR UREA TB-129663345-1		



From L-7663 To M-7767		Date:07/2024	PAGE:21579080
-----------------------	--	--------------	---------------

CONNECTOR UREA TB-129663345-1

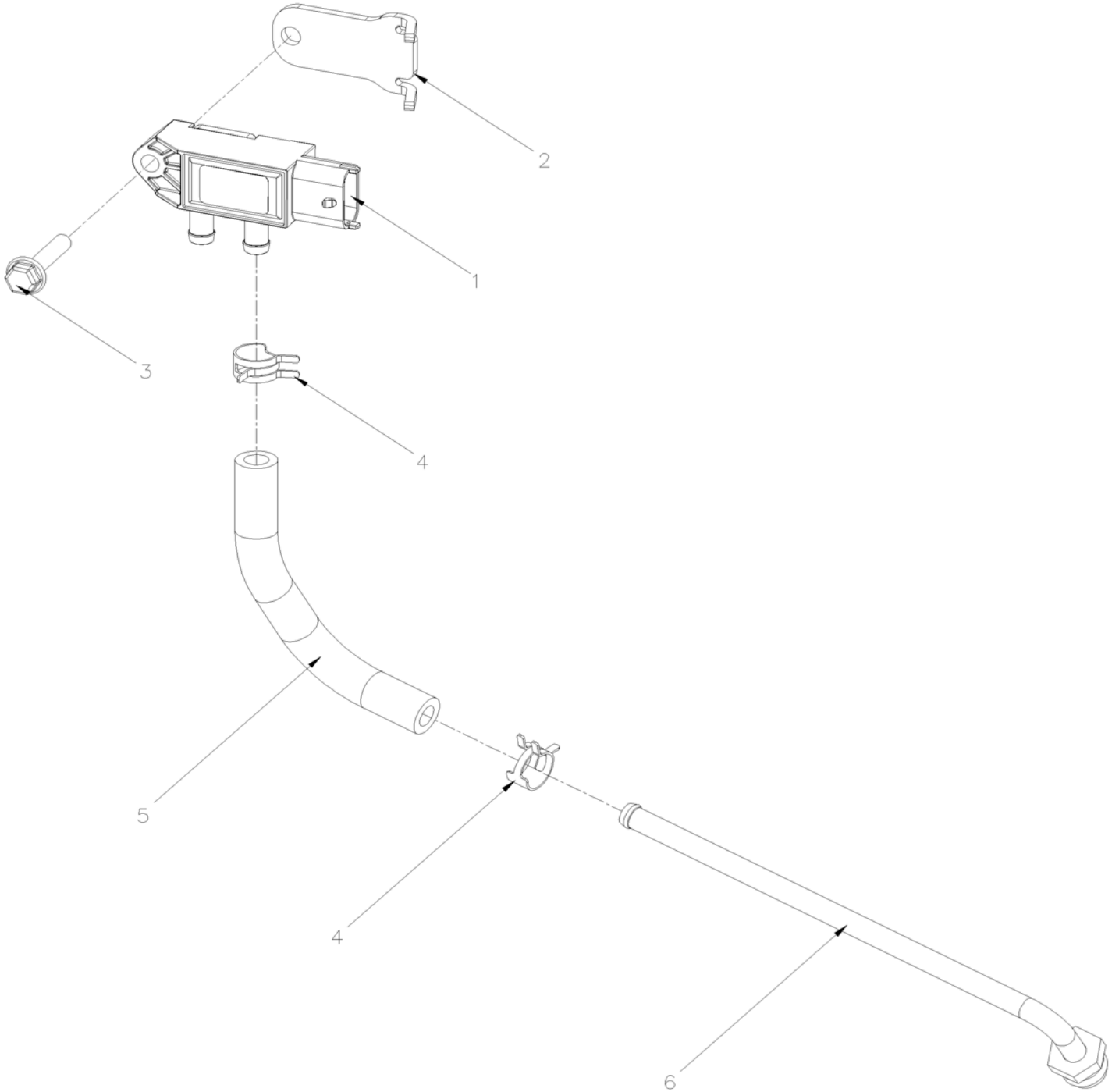
Item#	Part	Description	QTY	Notes
	N.S.S.		X	1
	N.S.S.		X	1
	N.S.S.		X	1
		1) NOT SOLD SEPARATELY		

To N-8007

Date:07/2024

PAGE:040096

KIT SENSOR PRESSURE DPF



To N-8007	Date:07/2024	PAGE:040096
-----------	--------------	-------------

KIT SENSOR PRESSURE DPF

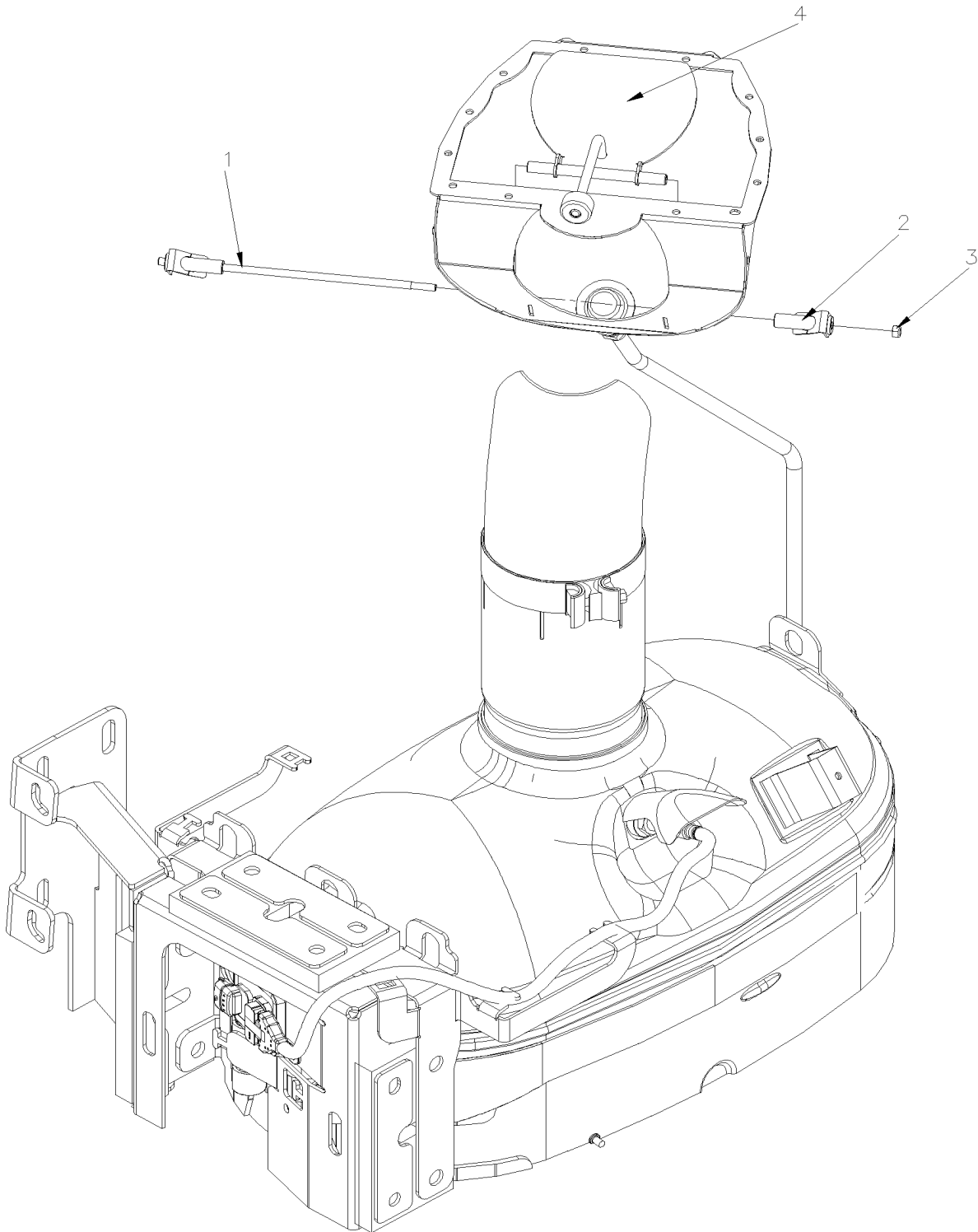
Item#	Part	Description	QTY	Notes
1	23488881	SENSOR PRESSURE "DELTA"	1	
2	040097	SPACER, FOR SENSOR OF PRESSURE	1	
3	5001815	SCREW CAP HEXF M6-1.0x30 G 8.8 N500	1	
4	21283793	SPRING HOSE CLAMP 5/16"	2	
5	040914	HOSE	1	
6	040093	PIPE, DP LOW PRESSURE	1	

From L-7663 To M-7767

Date:07/2024

PAGE:041139

KIT, REPLACEMENT SHUTTER OF DIFFUSOR

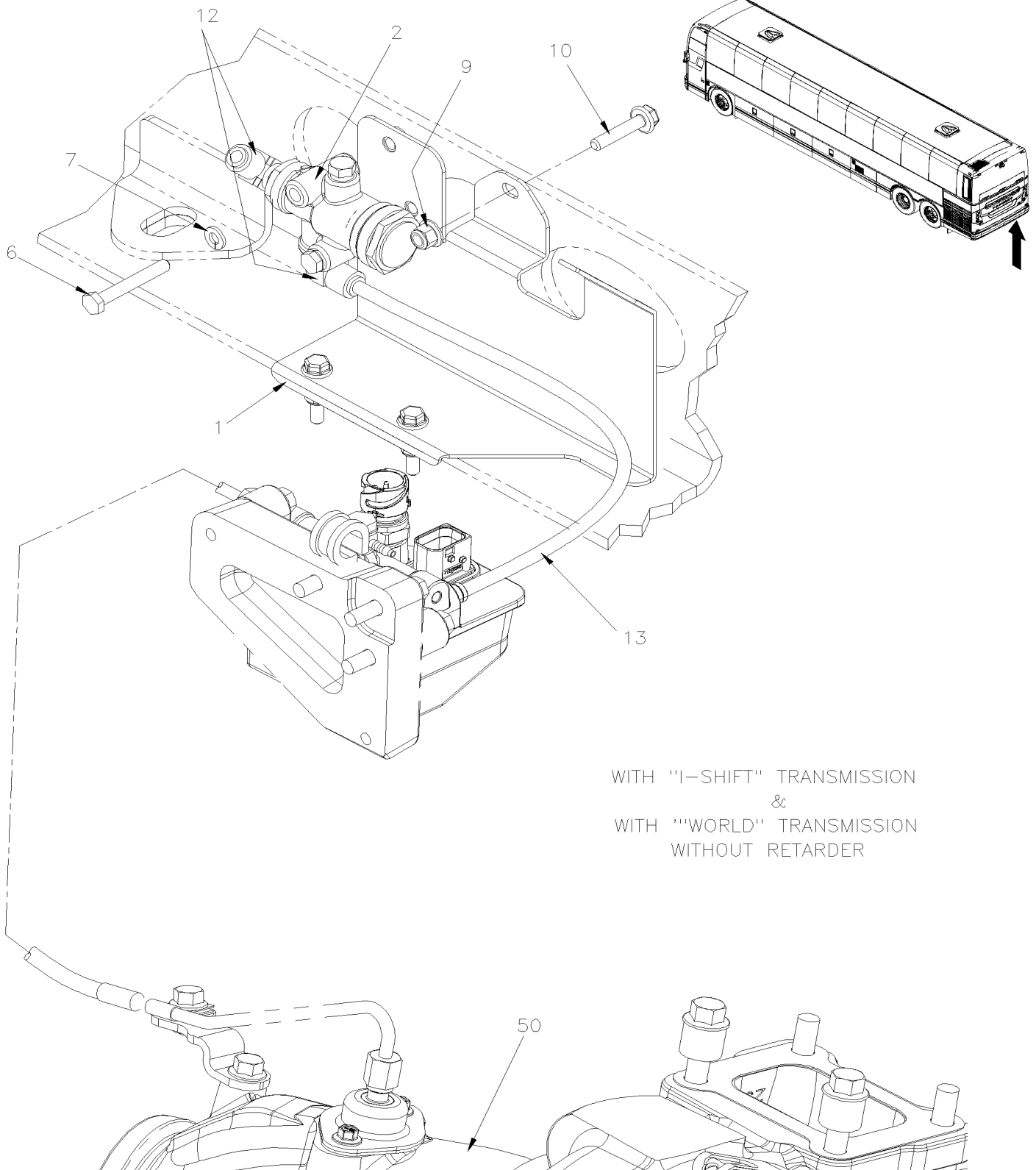


From L-7663 To M-7767		Date:07/2024	PAGE:041139
-----------------------	--	--------------	-------------

KIT, REPLACEMENT SHUTTER OF DIFFUSOR

Item#	Part	Description	QTY	Notes
1	041137	PIVOT, LATERAL, ASSY	1	
2	041134	PIVOT, LATERAL, ASSY	1	
3	502860	NUT HEX STO M6-1.0 N500	1	
4	041130	SHUTTER ASSY	1	

7TH INJECTOR / "AHI" / EXHAUST VOLVO D13

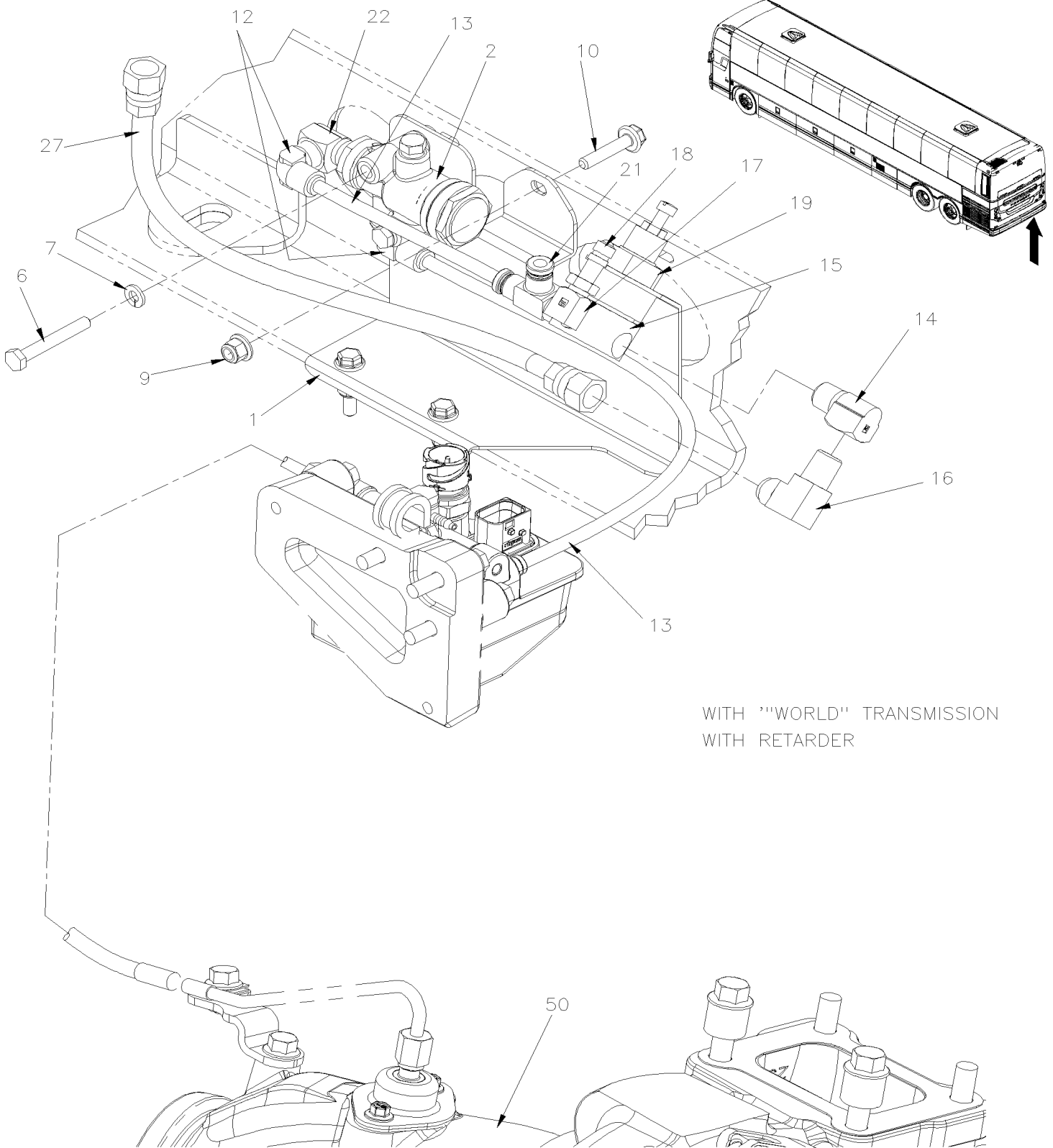


From G-7275 To H-7416

Date:07/2024

PAGE:X3PLB-0405-10

7TH INJECTOR / "AHI" / EXHAUST VOLVO D13



WITH "WORLD" TRANSMISSION
WITH RETARDER

From G-7275 To H-7416	Date:07/2024	PAGE:X3PLB-0405-10
7TH INJECTOR / "AHI" / EXHAUST VOLVO D13		

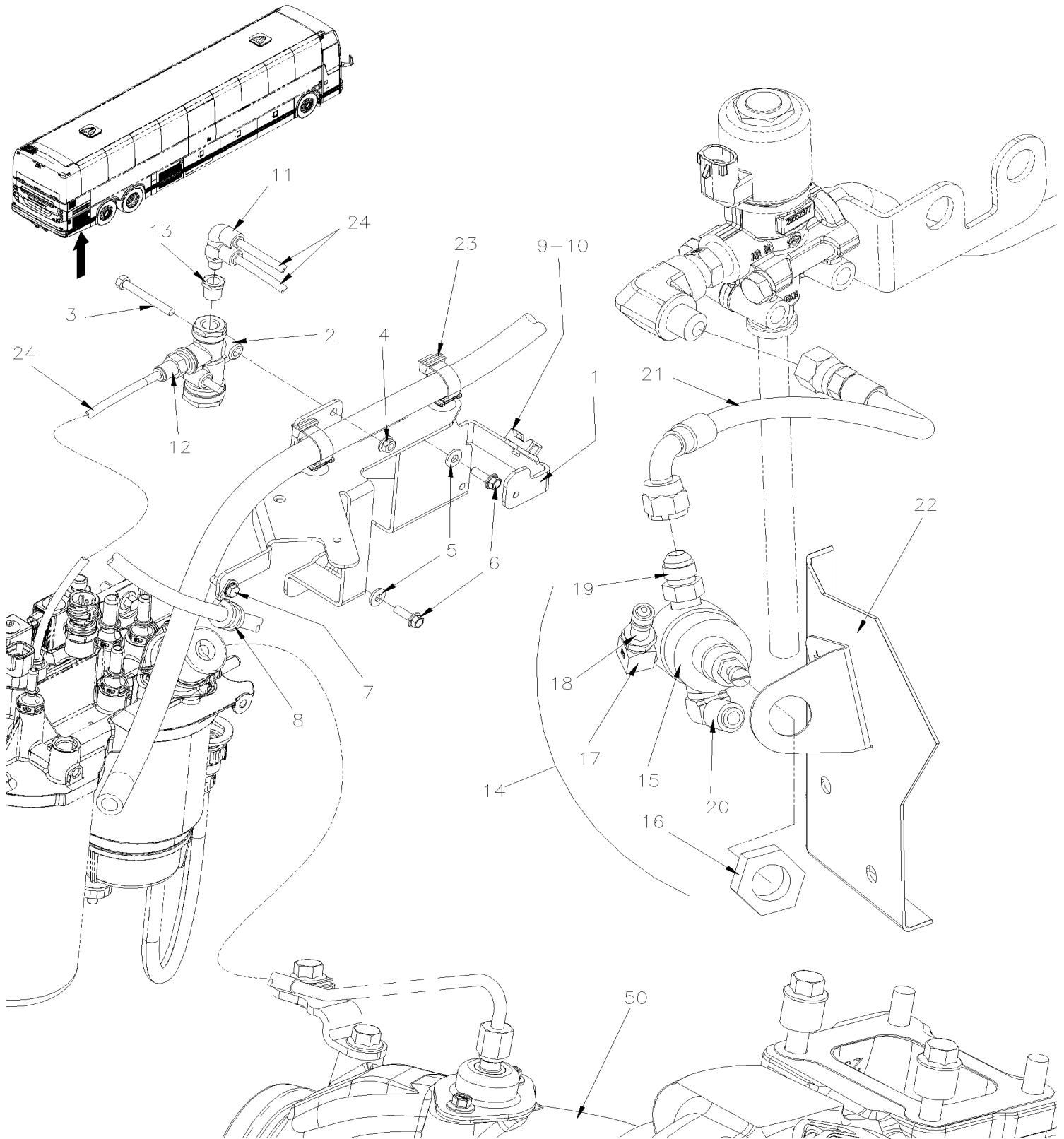
Item#	Part	Description	QTY	Notes
	Call order desk	VALVE ASSY RV-3 W/SUPPORT	1	PI
	143280P	VALVE ASSY RV-3 W/SUPPORT	1	R
1	143278	SUPPORT VALVE	1	
2	21243502	VALVE PRESSURE REDUCER RV-3 / K028993	1	
4	501027	MALE CONNECTOR / SAE 45° FITTING / #4FL-Mx1/4NPT-M BR	1	
5	641956	MALE RUN TEE SWIVEL / PUSH-IN FITTING / #4x#4x1/4NPT-M BR	1	I
6	502656	SCREW CAP HEX M6-1.0x50 SS	2	
7	502853	WASHER LO SPT 6.1x11.8x1.6 N500	2	
9	5001932	NUT HEXF NYRT M6-1.0 G8.8 N500	3	
10	5001815	SCREW CAP HEXF M6-1.0x30 G 8.8 N500	3	
11	680098	THREAD SEALANT LOCTITE #567 / WHITE / 250ml	AR	
12	641371	MALE ELBOW 90° NON-SWIVEL / PUSH-IN FITTING / #4x1/4NPT-M BR	1	
13	503402	TUBE, NYLON 1/4 O.D. / BLACK S.L.	AR	
14	501332	STREET ELBOW 90° / PIPE FITTING / 1/4NPT-Mx1/4NPT-F BR	1	R
15	641472	AIR PRESSURE REGULATOR 1/4" NPT / COPPER	1	R
16	501695	MALE ELBOW 90° / JIC 37° FITTING / #6JIC-Mx1/4NPT-M STL	1	R
17	501331	STREET ELBOW 90° / PIPE FITTING / 1/8NPT-Mx1/8NPT-F BR	1	R
18	640488	VALVE, AIR FILL 1/8" NPT	1	R
. NS	650164	. CAP VALVE / CHROME	1	R
19	500734	NUT HEX JAM 3/4-16 Z050	1	R
21	641956	MALE RUN TEE SWIVEL / PUSH-IN FITTING / #4x#4x1/4NPT-M BR	1	R
22	501332	STREET ELBOW 90° / PIPE FITTING / 1/4NPT-Mx1/4NPT-F BR	1	
27	070052	HOSE ASSY TEFLON #6 270MM	1	
. NS	5011194	. FEMALE CONNECTOR SWIVEL / JIC 37° FITTING / TEFLON / #6JIC-Fx#6 STL	2	
. NS	503065	. HOSE TEFLON #6 / S.L.	AR	
28	143023	HOSE ASSY TEFLON #4 820MM	1	
29	5011304	FEMALE CONNECTOR / PIPE @ ORB / 1/4NPT-Fxm12-1.5 ORB-M	1	
30	501027	MALE CONNECTOR / SAE 45° FITTING / #4FL-Mx1/4NPT-M BR	1	
31	500574	SCREW MA TR PH #10-24x1 1/4 SS	3	
32	500470	WASHER LO SPT .193x.334x.047 Z050	3	
33	500786	NUT HEX #10-24 Z050	3	
34	500964	WASHER FL .203x.500x.047 Z050	3	
35	952625	CLAMP / 3/8" I.D.	1	
NS	Call order desk	KIT RELOCATED VALVE RV-3	1	P
50	Refer To Volvo	SEE IMPACT OR CALL ORDER DESK		V
		I) TRANSMISSION WITHOUT RETARDER & TRANSMISSION "I-SHIFT"		
		R) TRANSMISSION WITH RETARDER		
		P) CALL ORDER DESK FOR SPECIFIC APPLICATION (V.I.N.)		
		V) SEE IMPACT OR CALL ORDER DESK		

From H-7417 To M-7767

Date:07/2024

PAGE:X3PLB-0405-11

7TH INJECTOR / "AHI" / EXHAUST VOLVO D13 - GHG17

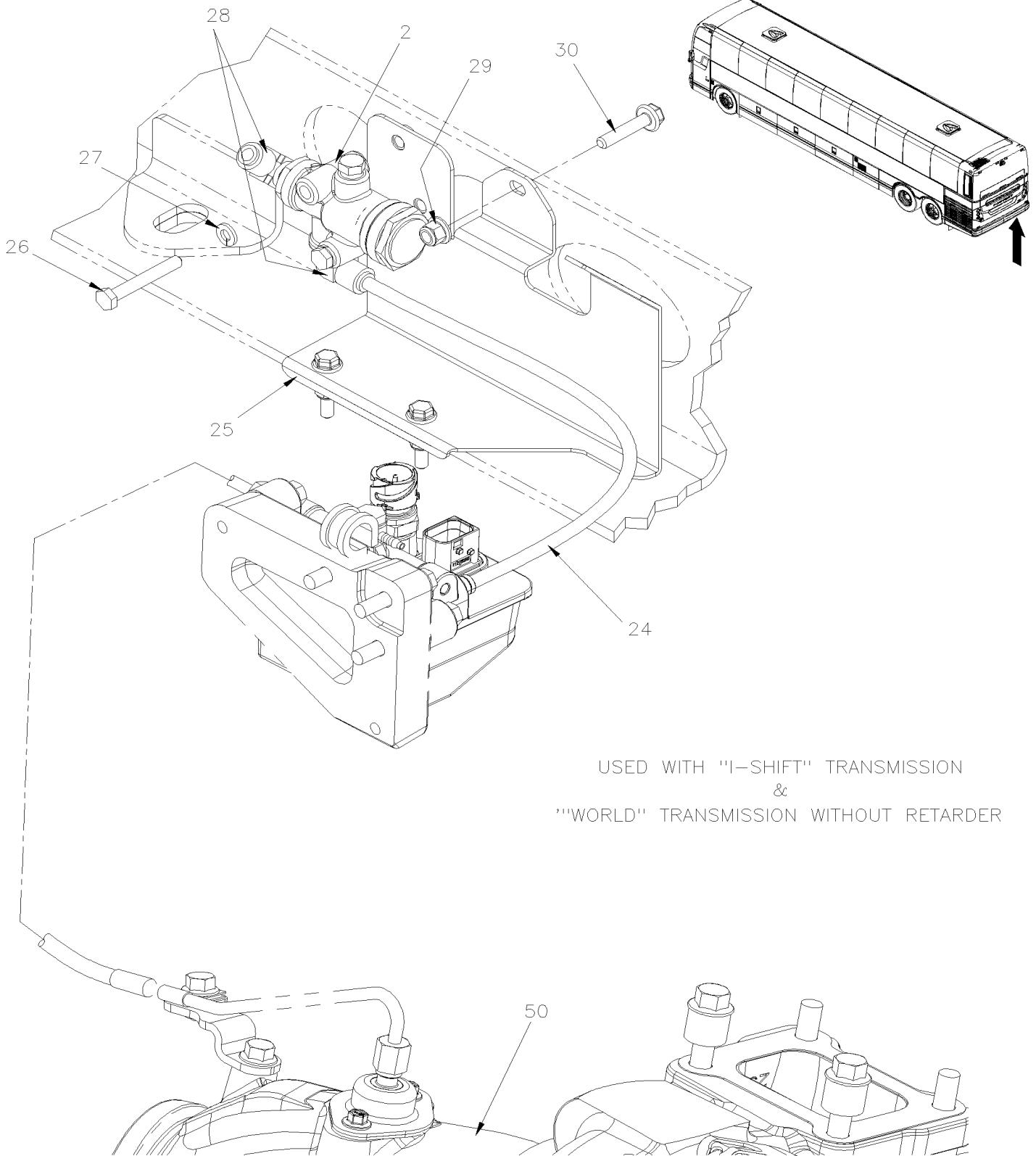


From H-7417 To M-7767

Date:07/2024

PAGE:X3PLB-0405-11

7TH INJECTOR / "AHI" / EXHAUST VOLVO D13 - GHG17



USED WITH "I-SHIFT" TRANSMISSION
&
"WORLD" TRANSMISSION WITHOUT RETARDER

From H-7417 To M-7767	Date:07/2024	PAGE:X3PLB-0405-11
7TH INJECTOR / "AHI" / EXHAUST VOLVO D13 - GHG17		

Item#	Part	Description	QTY	Notes
	140047P	VALVE ASSY RV-3 W/SUPPORT	1	
1	010043	SUPPORT FUEL LINE	1	
2	21243502	VALVE PRESSURE REDUCER RV-3 / K028993	1	
3	5001923	SCREW CAP HEX M6-1.0x45 SS BK	2	
4	5001857	NUT HEXF M6-1.0 N500	2	
NS	680098	THREAD SEALANT LOCTITE #567 / WHITE / 250ml	AR	
5	500321	WASHER BEL SPR .331x.827x.098 N500	3	
6	5001643	SCREW CAP HEXF M8-1.25x25 G8.8 G500	3	
NS	5001931	NUT HEXF NYRT M8-1.25 G8.8 N500	1	
7	502848	SCREW TC CAP HEXF 1/4-20x3/4 N500	1	
8	952627	CLAMP / 1/2" I.D.	1	
9	504488	RIVET MGLP PRDG 3/16x17/64 SS	1	
10	504013	TIE MOUNT / 1/4" X 1/4" I.D.	1	
11	642127	MALE ELBOW 90° SWIVEL DUAL PORT / PUSH-IN / #4x#4x1/8NPT-M BR	1	
12	641332	MALE CONNECTOR / PUSH-IN FITTING / #4x1/4NPT-M BR	1	
13	501312	BUSHING REDUCER / PIPE FITTING / 1/4NTP-Mx1/8NPT-F BR	1	
14	Call order desk	AIR REGULATOR TRANS. ALLISON / W / RETARDER	1	P W
15	641472	. AIR PRESSURE REGULATOR 1/4" NPT / COPPER	1	
16	500734	. NUT HEX JAM 3/4-16 Z050	1	
17	501331	. STREET ELBOW 90° / PIPE FITTING / 1/8NPT-Mx1/8NPT-F BR	1	
18	640488	. VALVE, AIR FILL 1/8" NPT	1	
. NS	650164	. . CAP VALVE / CHROME	1	
19	501687	. MALE CONNECTOR / JIC 37° FITTING / #6JIC-Mx1/4NPT-M STL	1	
NS	680098	. THREAD SEALANT LOCTITE #567 / WHITE / 250ml	AR	
20	641371	. MALE ELBOW 90° NON-SWIVEL / PUSH-IN FITTING / #4x1/4NPT-M BR	1	
21	070059	HOSE ASSY TEFLON #6 364MM	1	W
. NS	503065	. HOSE TEFLON #6 / S.L.	AR	W
. NS	5011193	. SLEEVE / #5 STL	2	W
. NS	5011194	. FEMALE CONNECTOR SWIVEL / JIC 37° FITTING / TEFLON / #6JIC-Fx#6 STL	1	W
. NS	5011195	. FEMALE ELBOW 90° SHORT DROP/ JIC 37° FITTING/ #6JIC-Fx#6 STL	1	W
22	X3PLB-0620-01	REAR JUNCTION BOX ASSY GHG17		
23	504750	CABLE TIE / 1/2" x 15" / CHRISTMAS TREE	2	
24	503402	TUBE, NYLON 1/4 O.D. / BLACK S.L.	AR	
NS	507664	CABLE TIE / 3/16" 11" / DOUBLE LOOP HEAD	2	
25	143278	SUPPORT VALVE	1	
26	502843	SCREW CAP HEX M6-1.0x45 G8.8 N500	2	
27	502853	WASHER LO SPT 6.1x11.8x1.6 N500	2	
28	641371	MALE ELBOW 90° NON-SWIVEL / PUSH-IN FITTING / #4x1/4NPT-M BR	2	
29	5001932	NUT HEXF NYRT M6-1.0 G8.8 N500	1	
30	5001815	SCREW CAP HEXF M6-1.0x30 G 8.8 N500	1	
50	Refer To Volvo	SEE IMPACT OR CALL ORDER DESK	1	V
NS	504813	. CABLE TIE / BALL LOCKING / 5/16" x 26.8" SS	1	

From H-7417 To M-7767	Date:07/2024	PAGE:X3PLB-0405-11
-----------------------	--------------	--------------------

7TH INJECTOR / "AHI" / EXHAUST VOLVO D13 - GHG17

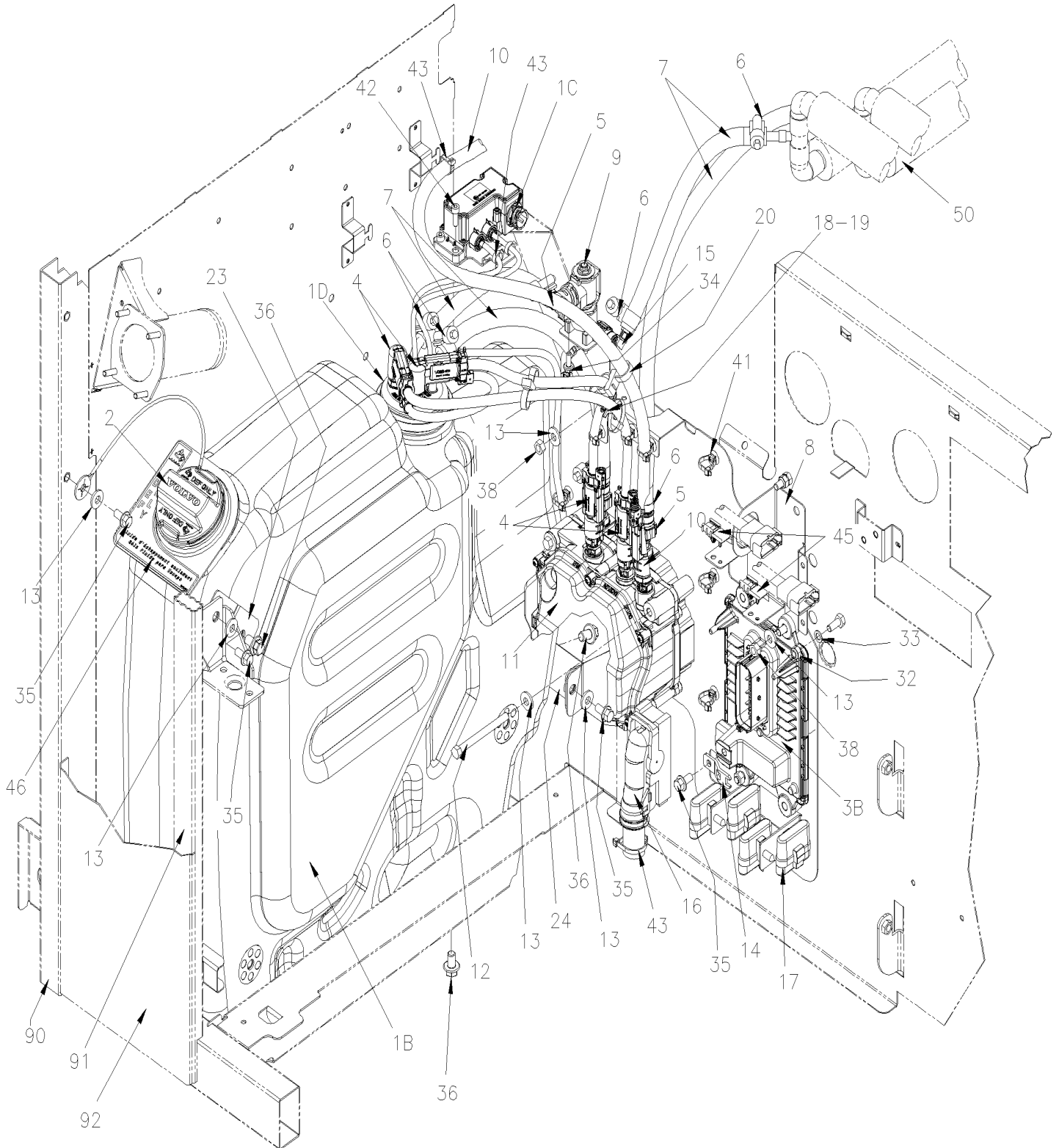
Item#	Part	Description	QTY	Notes
		W) WITH RETARDER ONLY		
		P) CALL ORDER DESK FOR SPECIFIC APPLICATION (V.I.N.)		
		V) SEE IMPACT OR CALL ORDER DESK		

From G-7275 To M-7767

Date:07/2024

PAGE:X3PLB-0410-00

UREA RESERVOIR ASSY

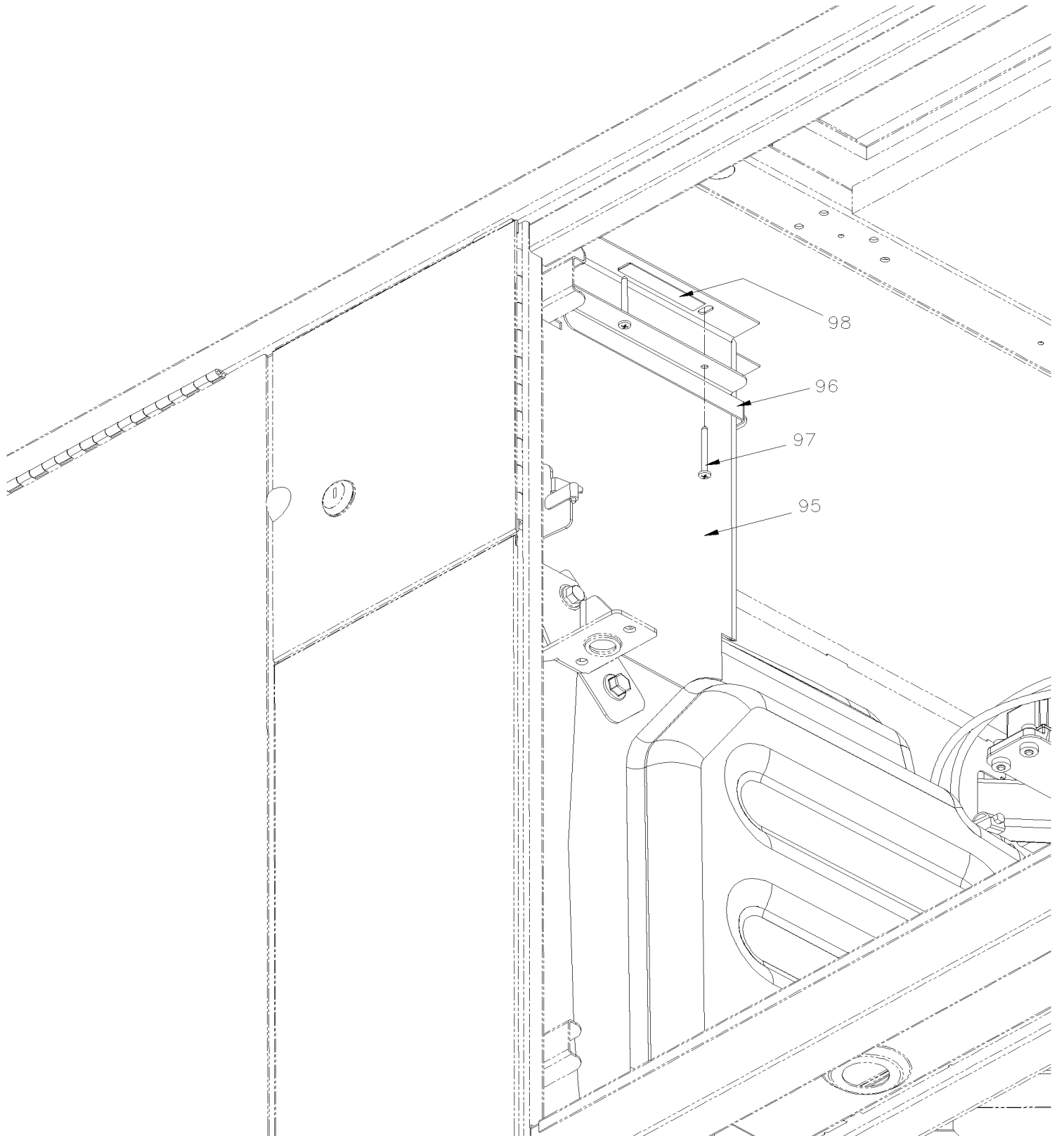


From G-7275 To M-7767

Date:07/2024

PAGE:X3PLB-0410-00

UREA RESERVOIR ASSY



From G-7275 To M-7767	Date:07/2024	PAGE:X3PLB-0410-00
UREA RESERVOIR ASSY		

Item#	Part	Description	QTY	Notes
1B	21967924	RESERVOIR UREA 60Liters To L-7674	1	
1B	540010	RESERVOIR UREA 60Liters From L-7675 To N-8007	1	
1B	24176948	RESERVOIR UREA From P-8008	1	
1C	22560276	HEATER AND SENSOR To J-7430	1	
. NS	22406383	. FILTER KIT To J-7430	1	
1C	22997058	HEATER AND SENSOR From J-7431 To M-7871	1	
. NS	22406383	. FILTER KIT From J-7431 To M-7871	1	
1C	23635292	HEATER AND SENSOR From M-7872 To N-8007	1	
. NS	22406383	. FILTER KIT From M-7872 To N-8007	1	
1C	24076036	HEATER AND SENSOR From P-8008	1	
1D	992091	HOSE CLAMP / 80MM/100MM To N-7971	1	
1D	504145	HOSE CLAMP / 80-100MM C.T. From N-7972	1	
NS	685328	UREA 2 GALLONS US	AR	
NS	685329	UREA 55 GALLONS US	AR	
NS	680753	UREA 1250 LITER SQ	AR	
2	21148722	CAP FILLER UREA	1	
2	21148725	CAP FILLER UREA / WITH LOCK	1	
3B	22449432	UNIT CONTROL "ACM" To K-7607	1	
3B	23252913	UNIT CONTROL "ACM" From K-7608	1	
4	040901	HOSE HEATER ASSY "H" STYLE	1	
. NS	540089	. CONNECTOR CLIP - 3/8"	3	
. NS	N8902118	. CONNECTOR CLIP - 5/16"	1	
NS	507664	CABLE TIE / 3/16" 11" / DOUBLE LOOP HEAD From P-8008	4	
5	20805109	QUICK CONECTOR 10MM	3	
6	992081	HOSE CLAMP / 12MM/22MM	8	
7	503821	HOSE SILICONE 4 PLY / NOMEX-ARAMID 3/8" x 144"	AR	
7	8631155	CABLE TIE / 4.6MM x 200 / CHRISTMAS TREE	2	
7	504768	CABLE TIE / 3/16" 14.7" / DOUBLE LOOP HEAD	1	
8	041140	SUPPORT PUMP & UNIT CONTROL To G-7309	1	
8	041032	SUPPORT PUMP & UNIT CONTROL From H-7310	1	
9	21314741	SOLENOID VALVE	1	
10	041123	HOSE HEATER ASSY 6200MM	1	
. NS	N8902118	. CONNECTOR CLIP - 5/16"	2	
NS	506205	PIPE INSULATING / 5/8" I.D. X 1/2" TH. X 72 / SPLIT ADHESIVE	AR	
NS	957022	TAPE ELASTOMERIC 1/8" X 2" X 30"	AR	
NS	504637	CABLE TIE / 3/16" x 13"	AR	
NS	509815	TIE MOUNT / ATTACHMENT W/TREE MOUNT	AR	
11	21576178	PUMP ASSY UREA TB-129684310-1 To M-7883	1	
11	23753841	PUMP ASSY UREA From M-7884	1	
12	5001186	SCREW CAP HEX M8-1.25x90 SS BK PROTO	3	
13	500321	WASHER BEL SPR .331x.827x.098 N500	11	
14	040974	PLATE / ATTACHMENT CABLE	1	

From G-7275 To M-7767	Date:07/2024	PAGE:X3PLB-0410-00
UREA RESERVOIR ASSY		

Item#	Part	Description	QTY	Notes
15	20805110	QUICK CONNECTOR 90° 10MM	2	
16	068977	WIRING HARNESS / UREA SYSTEM To G-7309	1	
16	069569	WIRING HARNESS / UREA SYSTEM From H-7310 To H-7416	1	
16	060568	WIRING HARNESS / UREA SYSTEM From H-7417 To K-7607	1	
16	0610026	WIRING HARNESS / UREA SYSTEM From K-7608 To K-7662	1	
16	069984	WIRING HARNESS / UREA SYSTEM From L-7663 To L-7731	1	
16	0611012	WIRING HARNESS / UREA SYSTEM From L-7732 To N-8007	1	
16	0610591	WIRING HARNESS / UREA SYSTEM From P-8008	1	
17	564542	TREE MOUNT CLIP FOR PED CONNECTOR	1	
18	504751	ROTATIF SPACER DOUBLE / SMALL	1	
19	504637	CABLE TIE / 3/16" x 13"	AR	
20	504768	CABLE TIE / 3/16" 14.7" / DOUBLE LOOP HEAD	AR	
23	040934	SUPPORT RESERVOIR UREA / OFFSET	1	
24	040933	SUPPORT RESERVOIR UREA	1	
32	5002028	NUT HEX NYRT M10-1.5 SS From L-7663	2	
33	5001935	WASHER FL 10.5x18.0x1.6 SS From L-7663	2	
34	5001730	SCREW CAP HEXF M6-1.0x16 G10.9 N500	2	
35	5001780	SCREW CAP HEXF M8-1.25x16 G8.8 N500	4	
36	5001729	SCREW CAP HEXF M10-1.5x16 G8.8 N500	7	
38	502851	NUT HEX M8-1.25 N500	5	
41	8631155	CABLE TIE / 4.6MM x 200 / CHRISTMAS TREE	AR	
41	504016	CABLE TIE / 5/16" X 14"1/2	AR	
42	5001648	SCREW CAP HEXS M6-1.0x18 SS BK To N-8007	4	
43	504637	CABLE TIE / 3/16" x 13"	AR	
45	564108	SELF MOUNTING STUD // DEUTSCH 1011-310-0205	2	
46	030034	DECAL "DEF ONLY" From H-7334	1	
46	030039	SUPPORT, DECAL From H-7334	1	
46	5001729	SCREW CAP HEXF M10-1.5x16 G8.8 N500 From H-7334	1	
50	X3PLB-2210-10	WATER PUMP - INSTALLATION VOLVO D13		
90	221888	POST ASSY FORWARD FENDER To H-7416	1	
. NS	217130	. CATCH FENDER LOWER To H-7416	1	
. NS	221887	. POST To H-7416	1	
. NS	218654	. SHAFT To H-7416	1	
90	220018	POST ASSY FORWARD FENDER From H-7417	1	
. NS	217130	. CATCH FENDER LOWER From H-7417	1	
. NS	220017	. POST From H-7417	1	
. NS	218654	. SHAFT From H-7417	1	
91	221916	POST ASSY FORWARD FUEL DOOR ASSY W/REINFORCMENT PANEL	1	
. NS	221921	. PANEL REINFORCMENT LOWER FUEL DOOR 244.4MM x 508.6MM	1	
. NS	221896	. ATTACH PIVOT LATCH	1	
. NS	221917	. TUBE, FUEL DOOR / 895MM LG.	1	
. NS	221918	. STOPPER, CONDENSOR DOOR, UPPER	1	

From G-7275 To M-7767	Date:07/2024	PAGE:X3PLB-0410-00
UREA RESERVOIR ASSY		

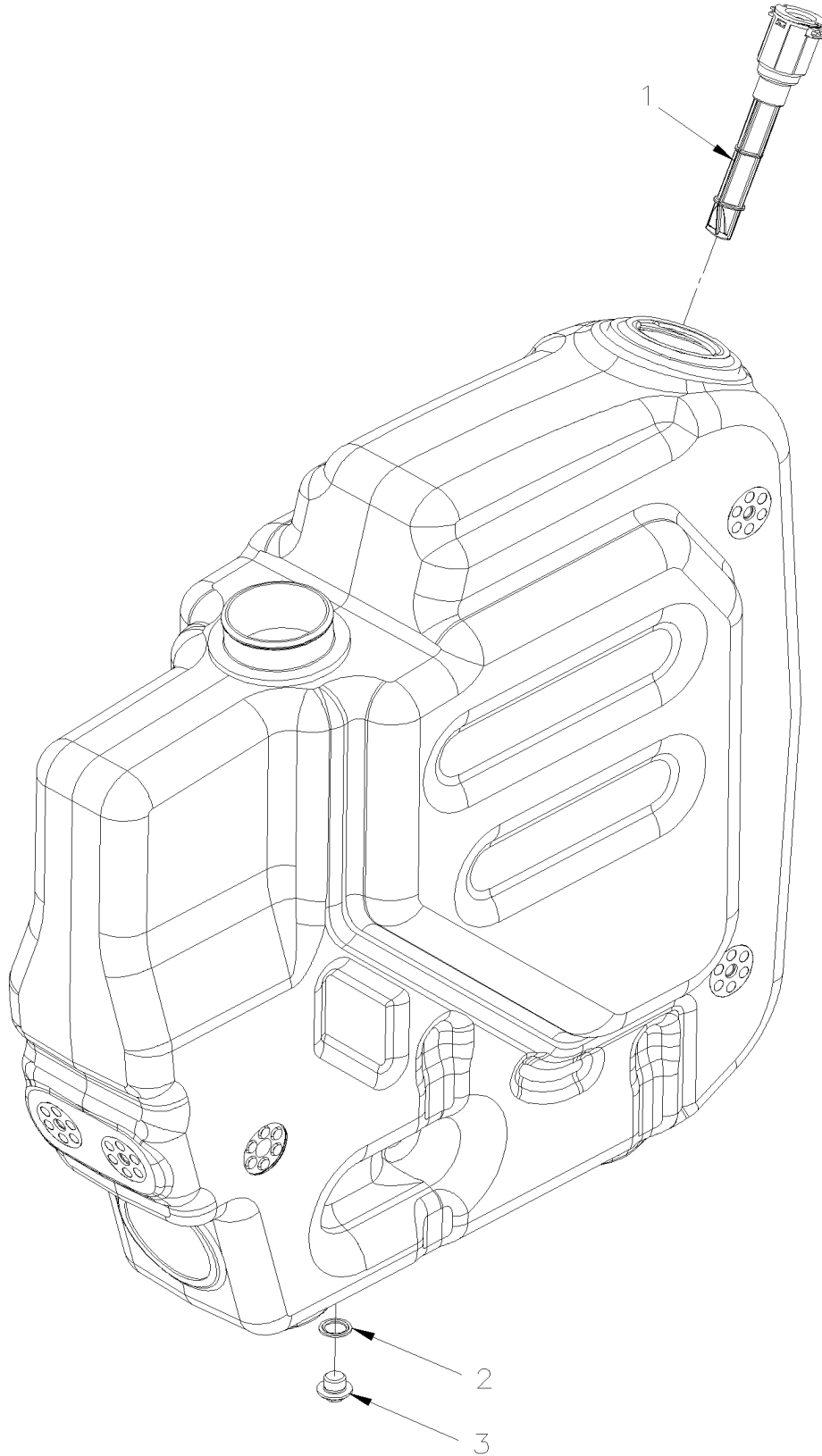
Item#	Part	Description	QTY	Notes
. NS	221919	. SUPPORT, CONDENSOR DOOR, LATCH	1	
. NS	221920	. STOPPER, CONDENSOR DOOR	1	
92	221921	. PANEL REINFORCMENT LOWER FUEL DOOR 244.4MM x 508.6MM	1	
95	033979	MUD FLAP / UREA TANK, PROTECTOR, FILLING To H-7356	1	
95	033030	MUD FLAP / UREA TANK, PROTECTOR, FILLING From H-7357	1	
96	033978	SUPPORT, PROTECTOR	1	
97	5001890	SCREW TP PAN PH #8x1 3/4" SS	4	
98	680453	SEALANT TAPE / CLEAR / 1/32"x1/2"x65' / 1795	AR	
		A) AVIALABLE END OF DECEMBER 2010		

To L-7674

Date:07/2024

PAGE:21967924

RESERVOIR UREA 60Liters

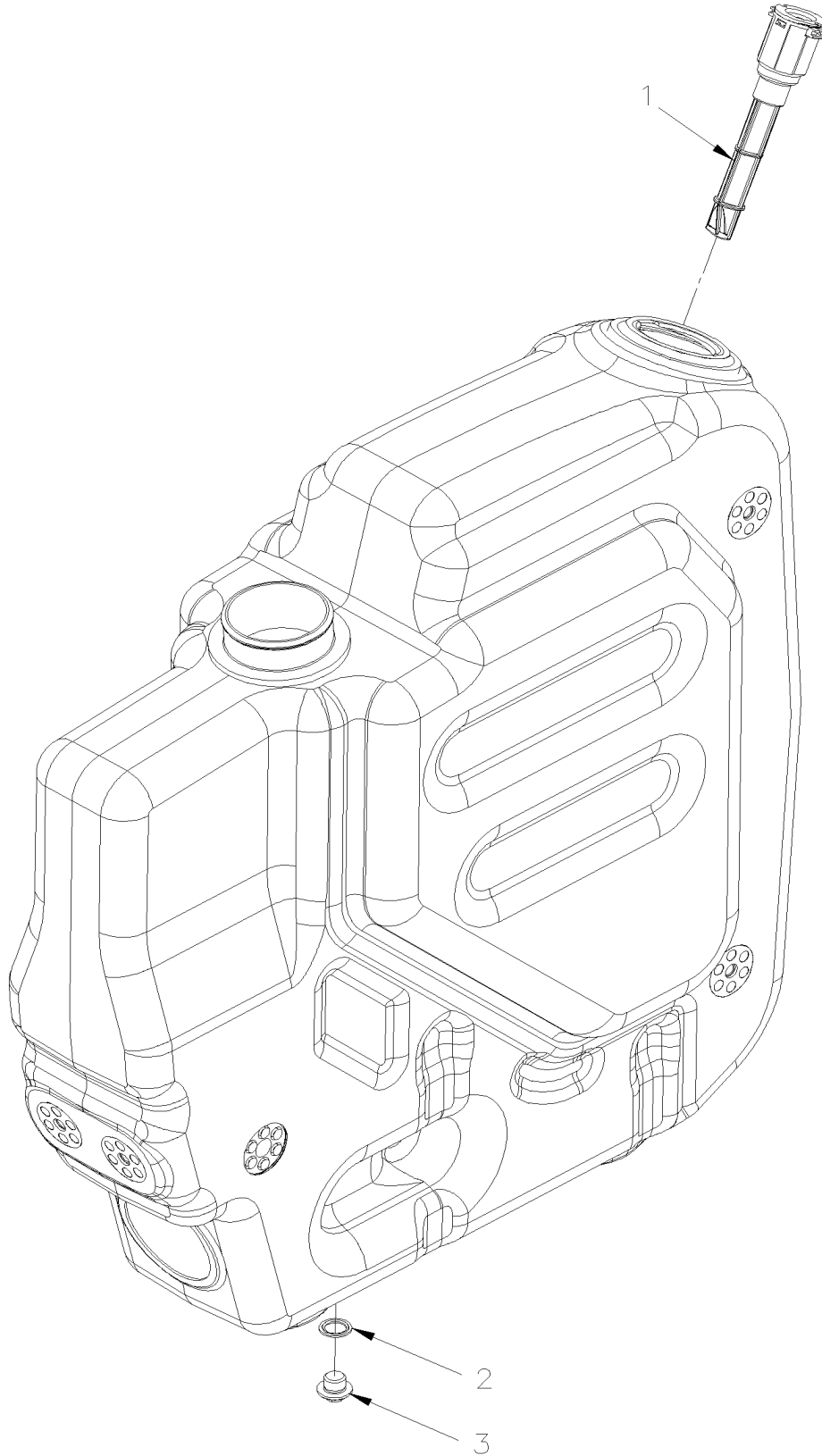


To L-7674	Date:07/2024	PAGE:21967924
-----------	--------------	---------------

RESERVOIR UREA 60Liters

Item#	Part	Description	QTY	Notes
		RESERVOIR UREA	1	
1	82269261	. FILTER	1	
2	982724	. GASKET M16x6	1	
3	20562668	. DRAIN PLUG	1	

RESERVOIR UREA 60Liters



From L-7675 To N-8007		Date:07/2024	PAGE:540010
-----------------------	--	--------------	-------------

RESERVOIR UREA 60Liters

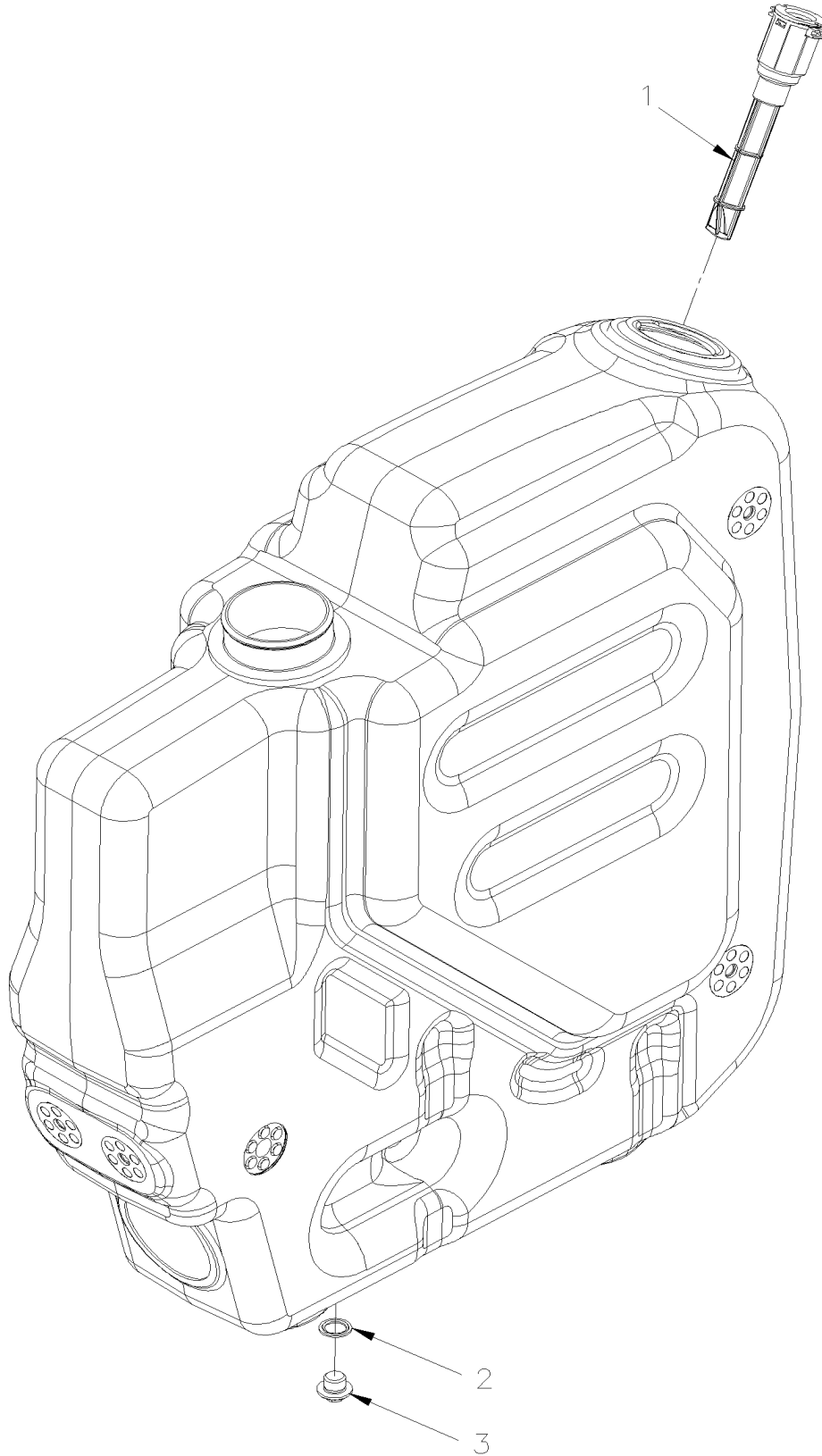
Item#	Part	Description	QTY	Notes
		RESERVOIR UREA	1	
1	82269261	. FILTER	1	
2	982724	. GASKET M16x6	1	
3	20562668	. DRAIN PLUG	1	

From P-8008

Date:07/2024

PAGE:24176948

RESERVOIR UREA



From P-8008	Date:07/2024	PAGE:24176948
-------------	--------------	---------------

RESERVOIR UREA

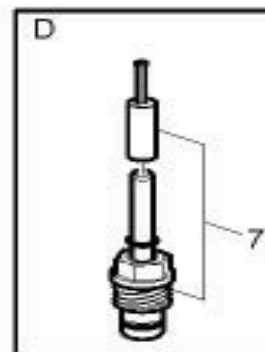
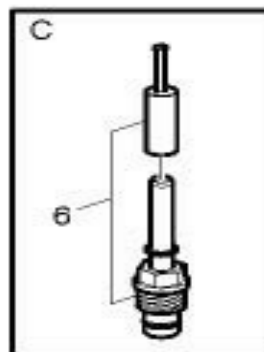
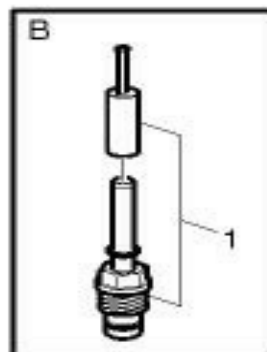
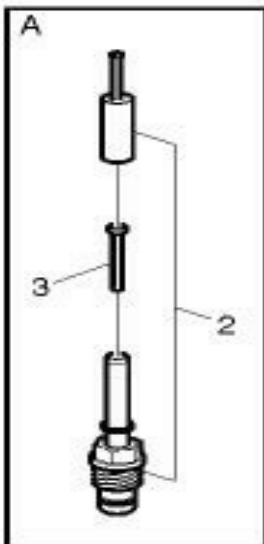
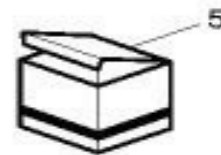
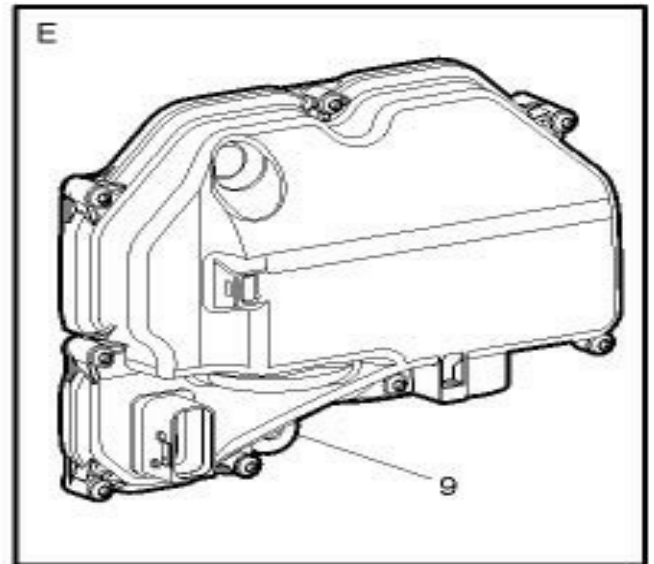
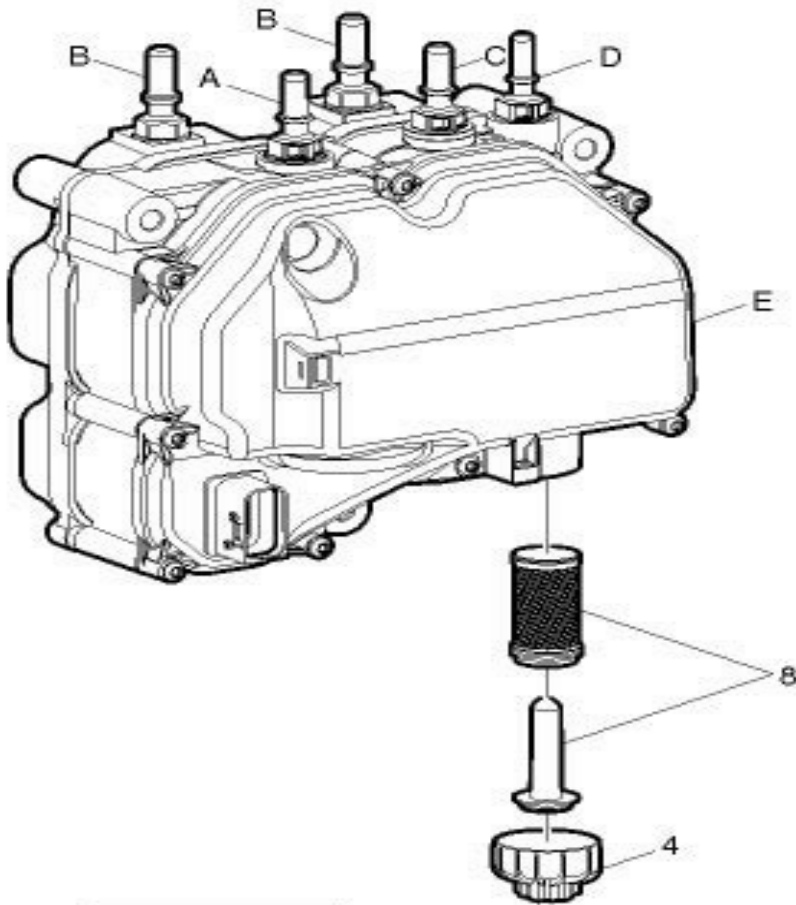
Item#	Part	Description	QTY	Notes
		RESERVOIR UREA	1	
1	82269261	. FILTER	1	
2	982724	. GASKET M16x6	1	
3	20562668	. DRAIN PLUG	1	

To M-7883

Date:07/2024

PAGE:21576178

PUMP ASSY UREA TB-129684310-1



To M-7883	Date:07/2024	PAGE:21576178
-----------	--------------	---------------

PUMP ASSY UREA TB-129684310-1

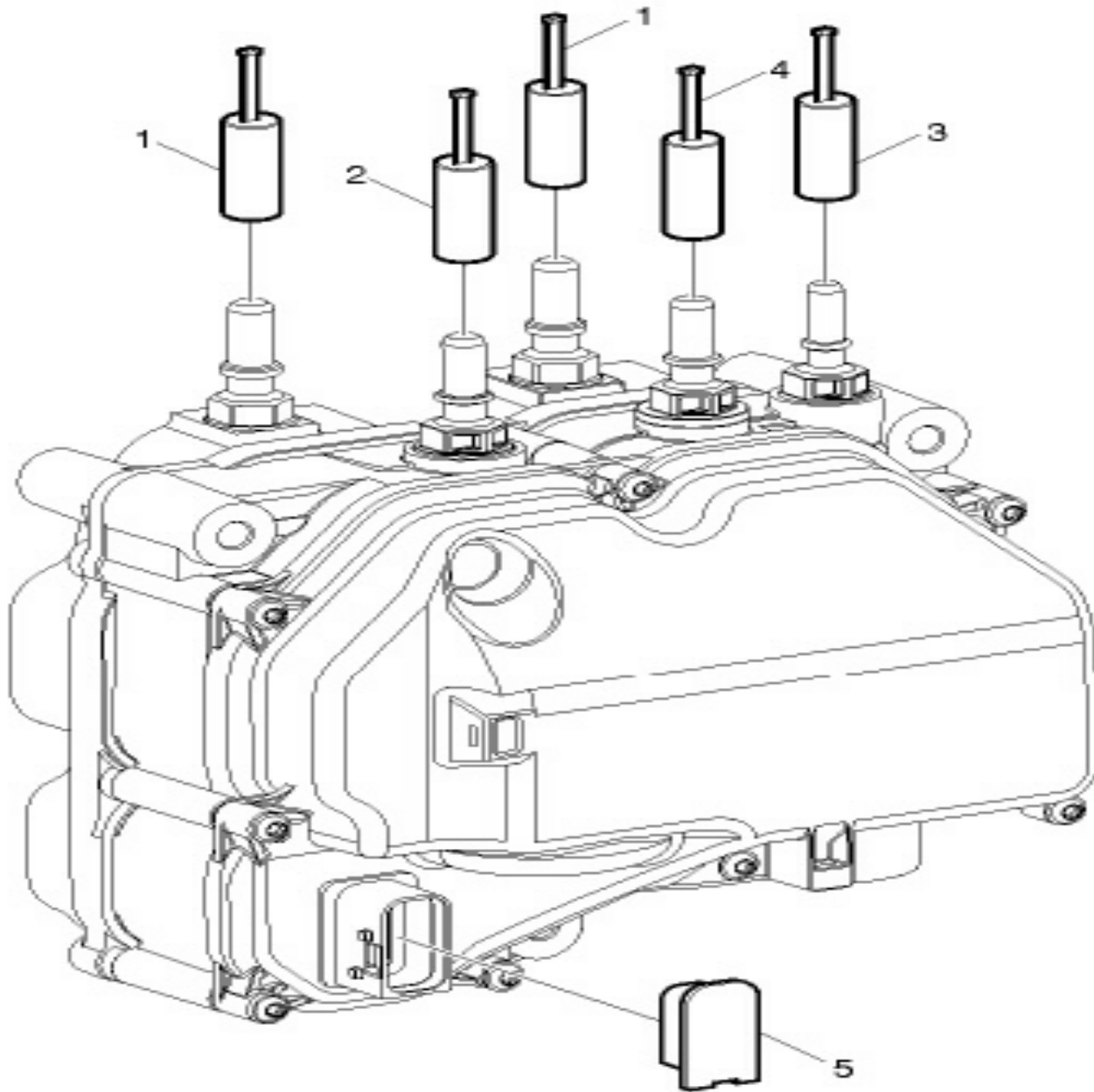
Item#	Part	Description	QTY	Notes
1	21376749	CONNECTOR / HEATER	2	
2	21376721	CONNECTOR / INLET	1	
3	21954674	. STRAINER	1	
4	21376707	FILTER CAP	1	
5	21376772	CAP PLUG	1	
6	21376746	CONNECTEUR / BACKFLOW	1	
7	21376731	CONNECTEUR / OUTLET	1	
8	21516229	FILTER	1	
9	21378032	COVER	1	

To M-7883

Date:07/2024

PAGE:21376772

CAP PLUG



To M-7883	Date:07/2024	PAGE:21376772
-----------	--------------	---------------

CAP PLUG

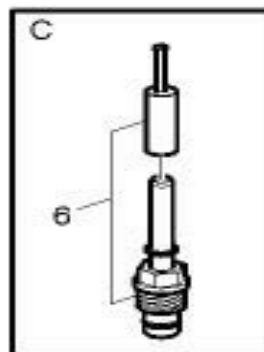
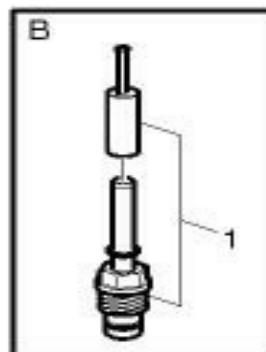
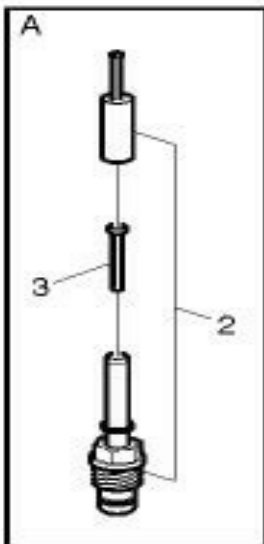
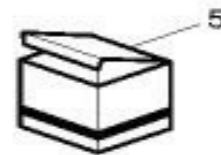
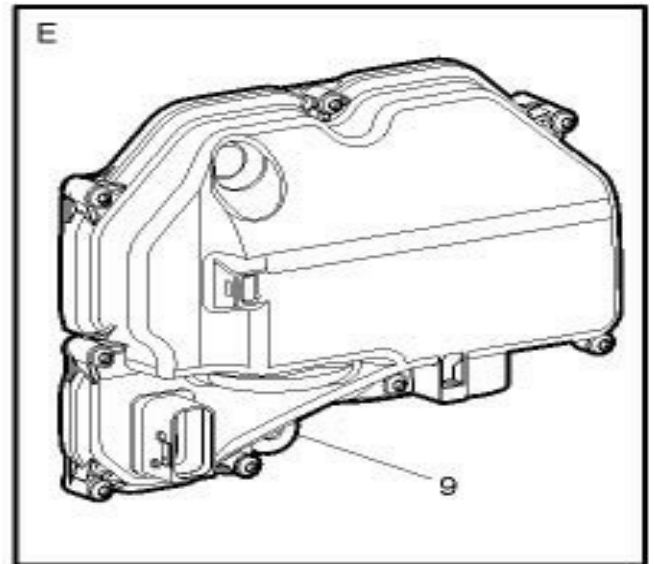
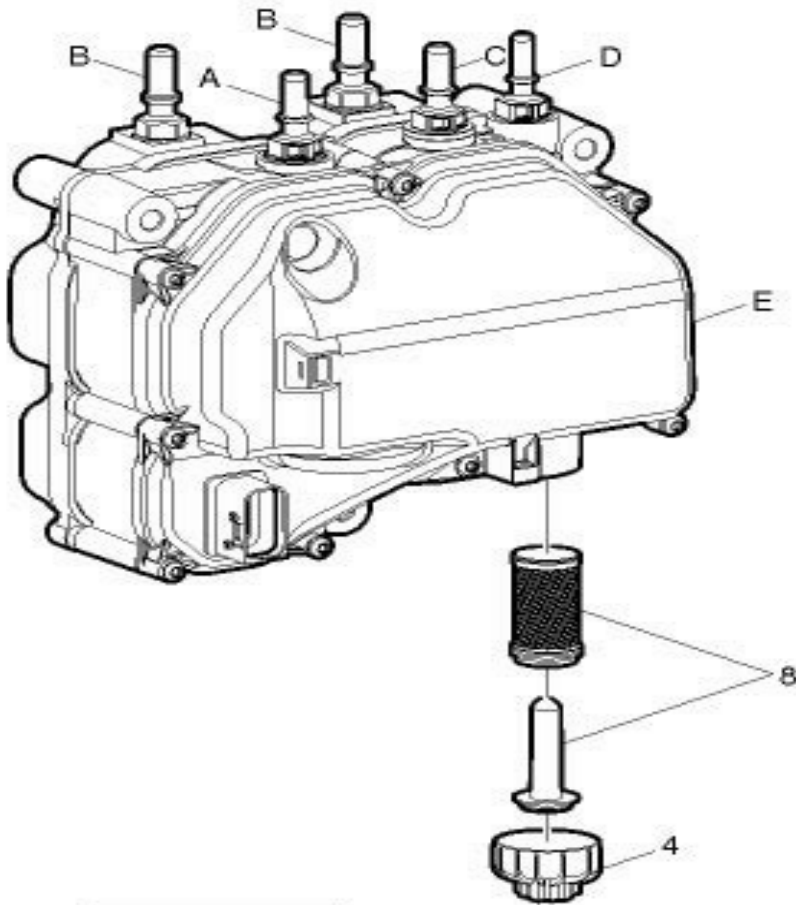
Item#	Part	Description	QTY	Notes
1	N.S.S.	COOLANT	1	1
2	N.S.S.	INLET	1	1
3	N.S.S.	BACKFLOW	1	1
4	N.S.S.	OUTLET	1	1
5	N.S.S.	ELECTRICAL	1	1
		1) NOT SOLD SEPARATELY		

From M-7884

Date:07/2024

PAGE:23753841

PUMP ASSY UREA



From M-7884	Date:07/2024	PAGE:23753841
PUMP ASSY UREA		

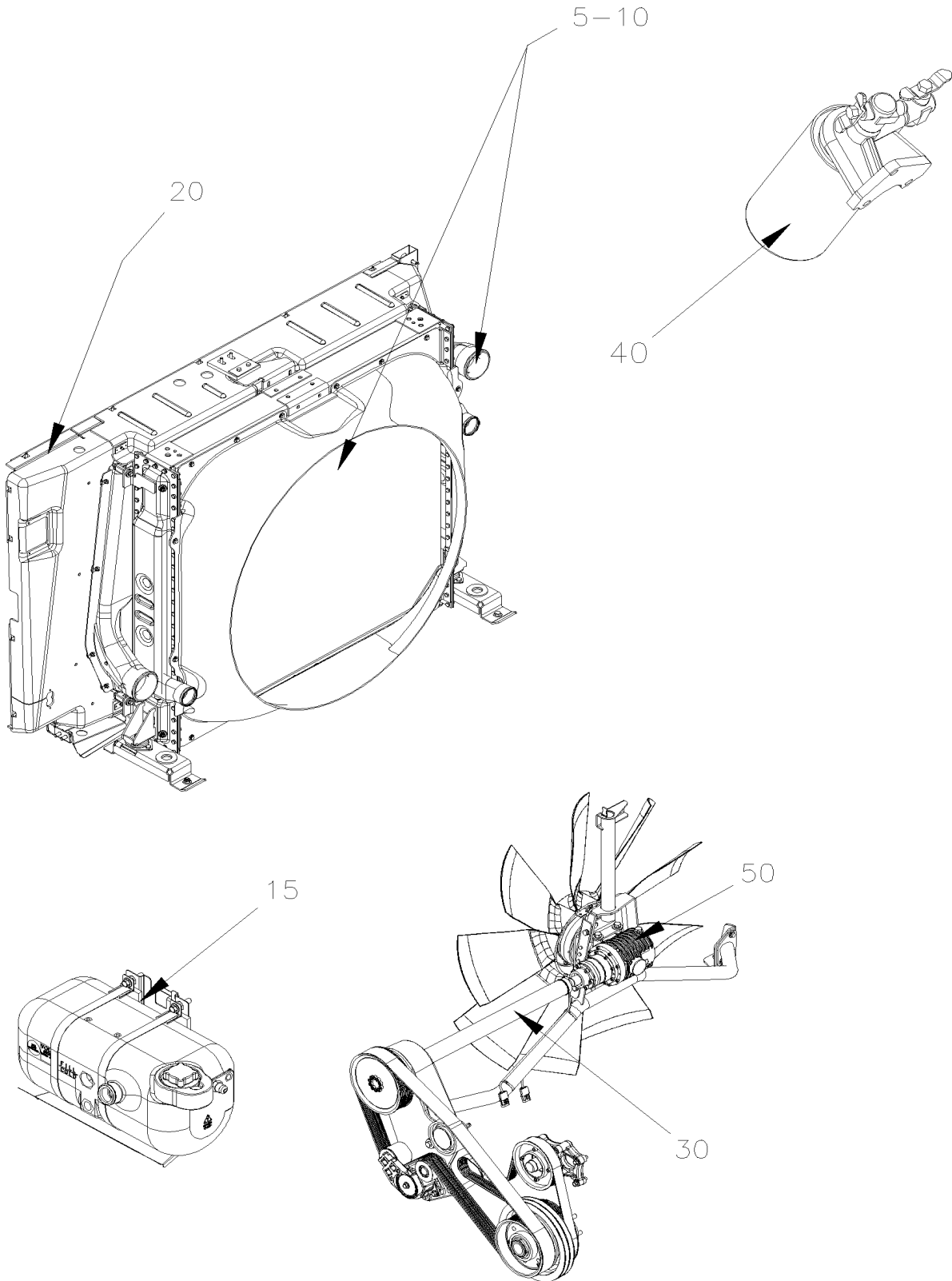
Item#	Part	Description	QTY	Notes
1	21376749	CONNECTOR / HEATER	2	
2	21376721	CONNECTOR / INLET	1	
3	21954674	. STRAINER	1	
4	21376707	FILTER CAP	1	
5	21376772	CAP PLUG	1	
6	21376746	CONNECTEUR / BACKFLOW	1	
7	21376731	CONNECTEUR / OUTLET	1	
8	23381562	FILTER	1	
9	21378032	COVER	1	

From G-7275 To M-7767

Date:07/2024

X3PLB-05

COOLING



From G-7275 To M-7767	Date:07/2024	X3PLB-05
-----------------------	--------------	----------

COOLING

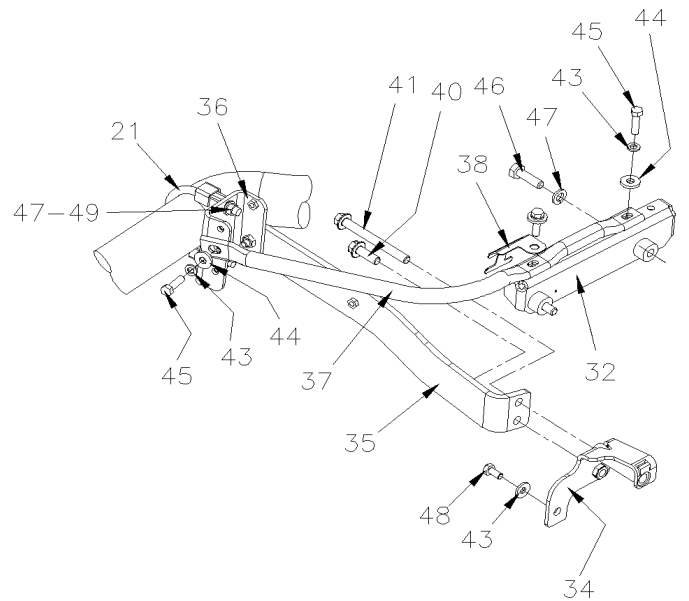
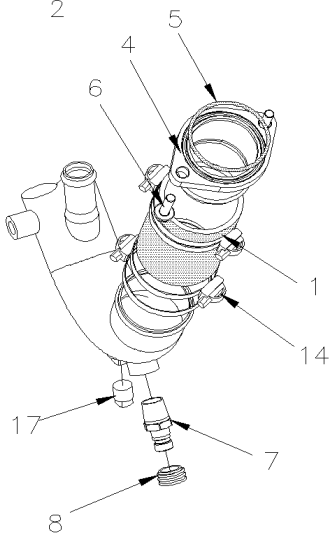
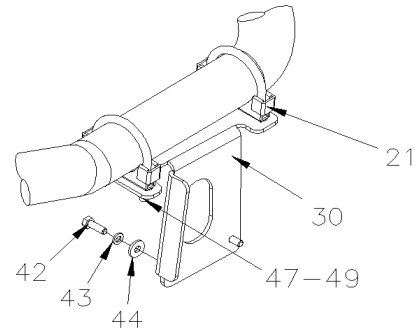
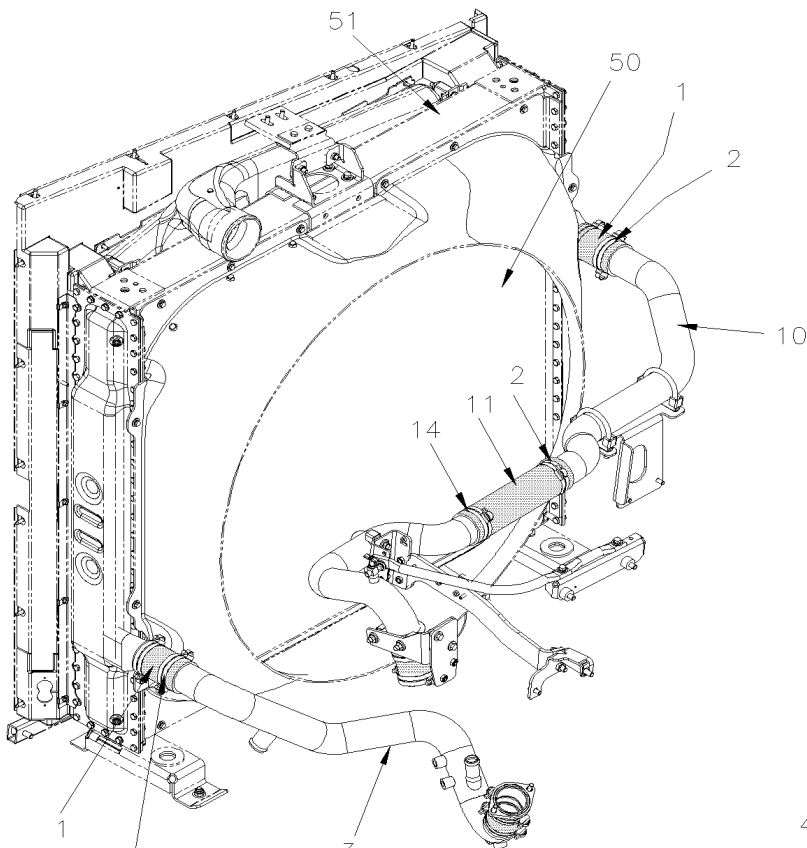
Item#	Part	Description	QTY	Notes
5	X3PLB-0500-00	COOLANT PIPING WITH VOLVO D13 From G-7275 To H-7416		
5	X3PLB-0500-01	COOLANT PIPING WITH VOLVO D13 - GHG17 From H-7417 To M-7767		
10	X3PLB-0505-00	RADIATOR ASSY From G-7275 To H-7416		
10	X3PLB-0505-02	RADIATOR ASSY VOLVO D13 - GHG17 From H-7417 To M-7767		
15	X3PLB-0510-00	SURGE TANK From G-7275 To H-7416		
15	X3PLB-0510-01	SURGE TANK VOLVO D13 - GHG17 From H-7417 To J-7512		
15	X3PLB-0510-02	SURGE TANK From J-7513 To M-7767		
15	X3PLB-0510-10	RECOVERY TANK INSTALLATION From J-7513 To M-7767		
20	X3PLB-0518-00	RADIATOR SEALING FRAME - BUS From G-7275 To H-7416		
30	X3PLB-0520-00	FAN DRIVE - INSTALLATION From G-7275 To H-7416		
30	X3PLB-0520-01	ELECTRICAL FANS - INSTALLATION VOLVO D13 - GHG17 From H-7417 To M-7767		
40	X3PLB-0530-00	COOLANT FILTER - INSTALLATION WITH VOLVO D13 From G-7275 To H-7416		
40	X3PLB-0530-01	COOLANT FILTER - INSTALLATION WITH / GHG17 From H-7417 To M-7767		
50	X3PLB-0540-00	FAN CLUTCH & ANGLE DRIVE ASSY C.W. From G-7275 To H-7416		
55	X3PLB-0599-00	RETROFIT ELECTRIC FAN DRIVE COOLING SYSTEM CONVERSION From G-7275 To H-7416		

From G-7275 To H-7416

Date:07/2024

PAGE:X3PLB-0500-00

COOLANT PIPING WITH VOLVO D13

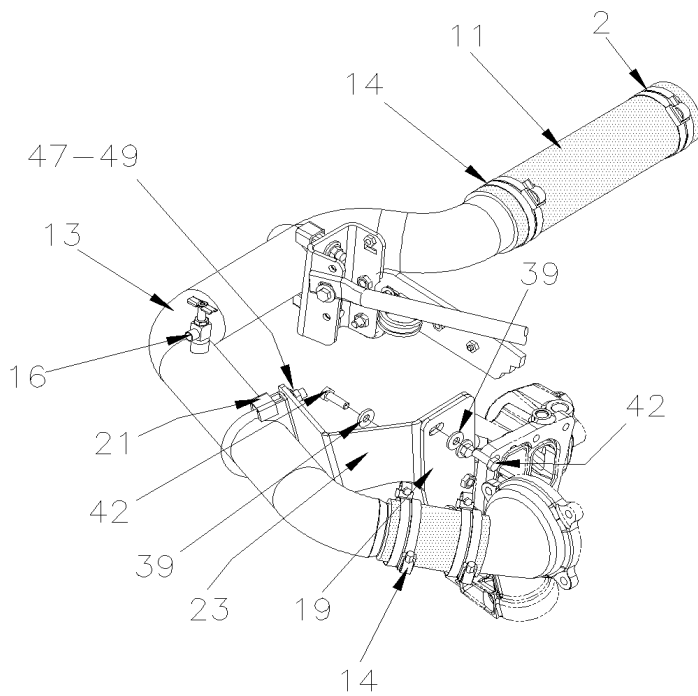


From G-7275 To H-7416

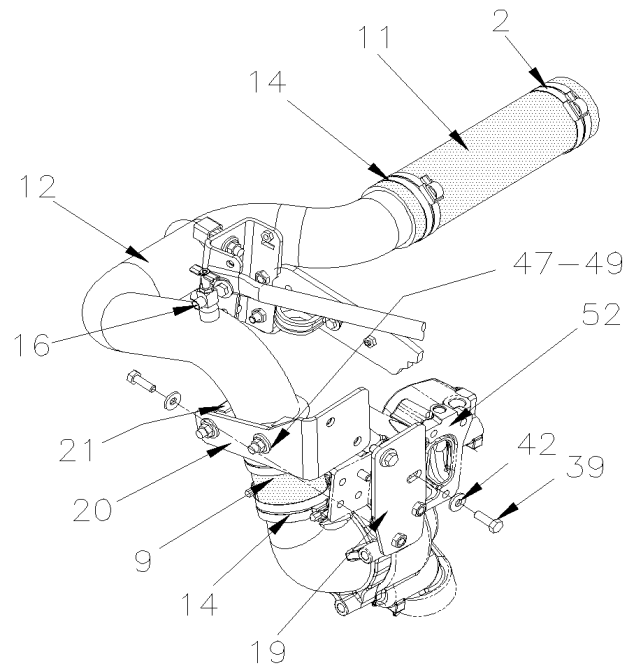
Date:07/2024

PAGE:X3PLB-0500-00

COOLANT PIPING WITH VOLVO D13



WITH "I-SHIFT"
TRANSMISSION



WITH "WORLD"
TRANSMISSION

From G-7275 To H-7416	Date:07/2024	PAGE:X3PLB-0500-00
COOLANT PIPING WITH VOLVO D13		

Item#	Part	Description	QTY	Notes
1	053617	HOSE SILICONE / NOMEX 2 1/2" I.D. 105MM	3	
. NS	503786	. HOSE SILICONE 4 PLY / NOMEX-ARAMID 2 1/2" I.D. x 6'	1	
1	503786	. HOSE SILICONE 4 PLY / NOMEX-ARAMID 2 1/2" I.D. x 6'	AR	
2	992089	HOSE CLAMP / 60MM/80MM	10	
3	053063	PIPE / RADIATOR & ENGINE WATER PUMP	1	
4	053462	PIPE ADAPTOR ENGINE WATER PUMP	1	
4	21264361	PIPE ADAPTOR ENGINE WATER PUMP	1	
5	975675	O-RING 64.5 MM X 3MM	1	
6	5001742	SCREW CAP HEXF M8-1.25x30 G8.8 N500	2	
7	1675641	NIPPLE / QUICK DISCONNECT "VOLVO" / 1/2NPT-M	1	
. NS	V476279	. DUST CAP / QUICK DISCONNECT "VOLVO" /	1	
. NS	507666	. DUST CAP / QUICK DISCONNECT "VOLVO" /	1	
NS	85112740	COOLANT EXTRACTOR	1	
. NS	9996049	. Quick coupling adaptor for Volvo # 1675641	1	
8	507666	DUST CAP / QUICK DISCONNECT "VOLVO" /	1	
9	053466	HOSE 2 3/8" I.D. 105MM	1	W
9	503785	. HOSE SILICONE 4PLY / NOMEX-ARAMID 2 3/8" I.D. x 6'	AR	W
9	071660	HOSE / SILICONE W/NOMEX 2 3/8" I.D. 98MM "GREYHOUND"	1	GR
9	503785	. HOSE SILICONE 4PLY / NOMEX-ARAMID 2 3/8" I.D. x 6' "GREYHOUND"	AR	GR
10	053070	PIPE / ELBOW 90°	1	
11	052889	HOSE SILICONE 2 1/2" I.D. 280MM	1	
11	503722	. HOSE SILICONE 4PLY 2 1/2" I.D. x 4'	AR	
11	053618	HOSE SILICONE / NOMEX 2 1/2" I.D. 280MM "GREYHOUND"	1	GR
11	503786	. HOSE SILICONE 4 PLY / NOMEX-ARAMID 2 1/2" I.D. x 6' "GREYHOUND"	AR	GR
12	053064	PIPE / ELBOW 90° TO THERMOSTAT HOUSING	1	
13	053612	PIPE / ELBOW 90° TO THERMOSTAT HOUSING PRELIMINAIRE 9614 / 9992	1	I
14	992089	HOSE CLAMP / 60MM/80MM	10	
16	501025	DRAIN VALVE 1/4NPTM 3/8TUBE	1	
17	501305	PLUG SQUARE HEAD / PIPE FITTING / 3/8NPT-M BR	1	
19	053608	PIPE SUPPORT	1	A
20	053609	PIPE SUPPORT / "WORLD TRANSMISSION	1	A W
21	505535	U BOLT 2 1/2" I.D. SS	4	
22	053557	HOSE 2 1/4" I.D. 100MM	1	I
22	503801	. HOSE SILICONE 4PLY / NOMEX-ARAMID 2 1/4" I.D. x 6'	1	I
23	053610	PIPE SUPPORT / "I-SHIFT" TRANSMISSION	1	I
30	173489	SUPPORT PIPE / ELBOW 90°	1	
31	052921	P-CLAMP PIPE / 2 1/2" I.D. / M8-1.25	2	
32	053660	ATTACHMENT ENGINE BLOCK	1	
34	053485	ATTACHMENT ENGINE BLOCK	1	
35	053708	BRACE PIPE SUPPORT	1	
36	053606	PIPE SUPPORT	1	
37	053659	BRACE PIPE SUPPORT	1	

From G-7275 To H-7416	Date:07/2024	PAGE:X3PLB-0500-00
COOLANT PIPING WITH VOLVO D13		

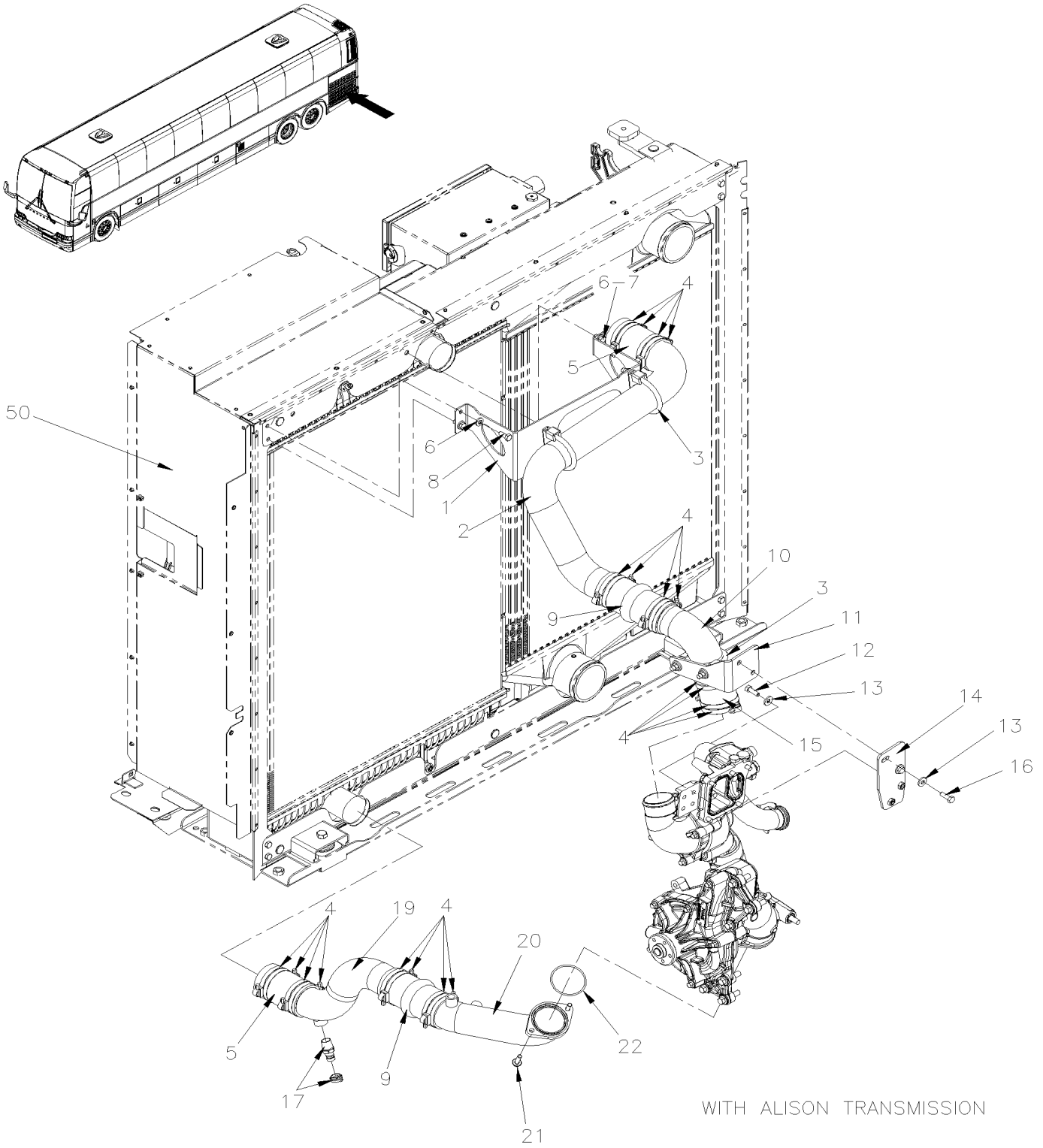
Item#	Part	Description	QTY	Notes
38	032988	ATTACHMENT AIR INTAKE	1	
39	500321	WASHER BEL SPR .331x.827x.098 N500	4	
40	5001644	SCREW CAP HEXF M10-1.5x30 G8.8 G500	1	
41	5001785	SCREW CAP HEXF M10-1.5x100 G10.9 N500	1	
42	5001745	SCREW CAP HEX M8-1.25x25 G8.8 N500	8	
43	500942	WASHER LO SPT 8.1x14.8x2.0 N500	11	
44	500401	WASHER FL .343x.875x.125 N500	8	
45	5001738	SCREW CAP HEX M8-1.25x30 G8.8 N500	4	
46	500359	SCREW CAP HEX M10-1.5x22 G8.8 N500	2	
47	500487	WASHER LO SPT .443x.779x.109 N500	6	
48	500820	SCREW CAP HEX M8-1.25x16 G10.9 N500	1	
49	5001751	WASHER FL 10.5x26.0x2.0 N500	6	
50	X3PLB-0505-00	RADIATOR ASSY		
51	X3PLB-0330-00	AIR FILTER & INTAKE - INSTALLATION WITH VOLVO D13		
52	SEE IMPACT	SEE IMPACT OR CALL ORDER DESK		
		A) USE ONLY IF YOU CHANGE TO THE NEW THERMOSATS HOUSING		
		GR) "GREYHOUND" OPTION		
		I) WITH "I-SHIFT" TRANSMISSION		
		W) WITH "WORLD" TRANSMISSION		

From H-7417 To M-7767

Date:07/2024

PAGE:X3PLB-0500-01

COOLANT PIPING WITH VOLVO D13 - GHG17

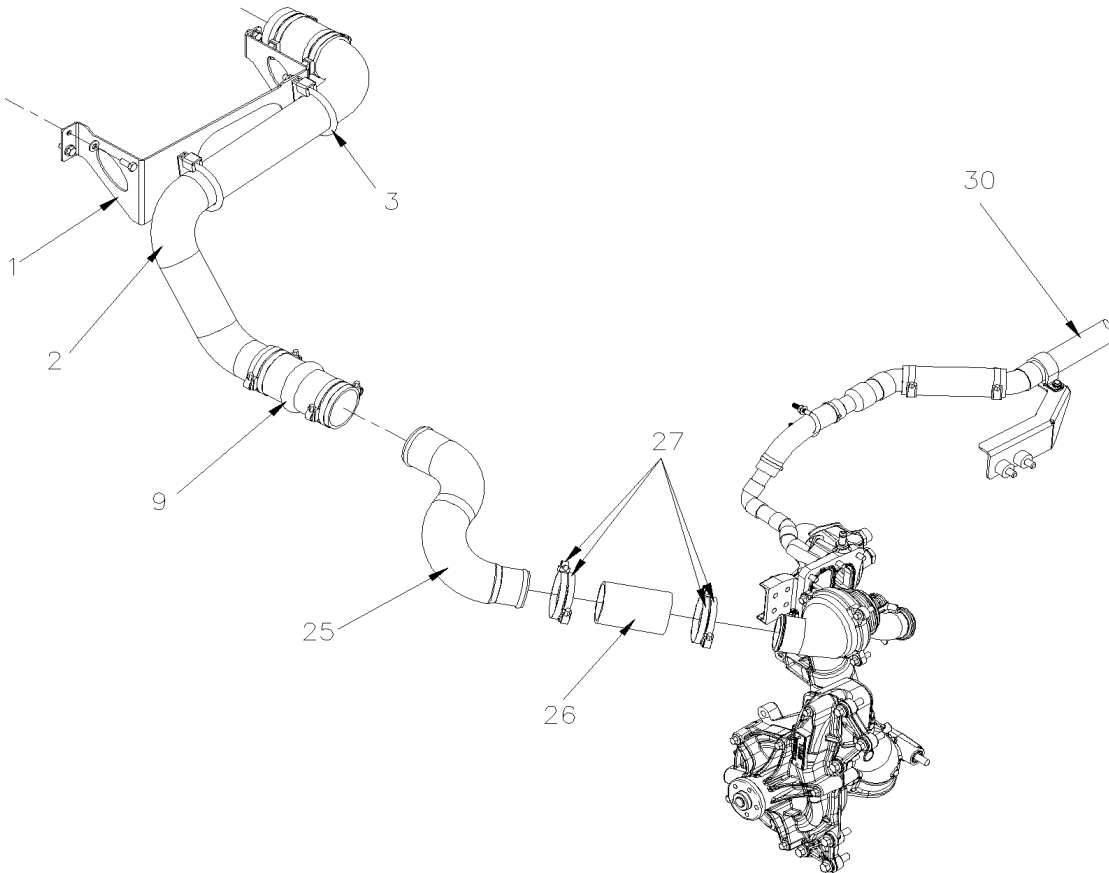
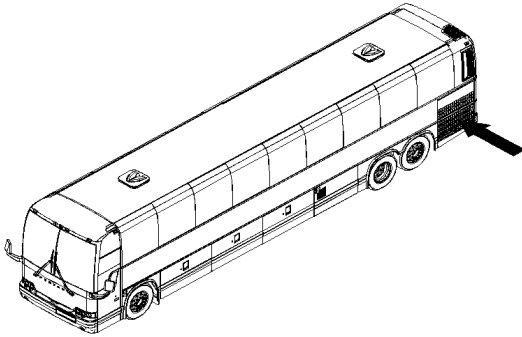


From H-7417 To M-7767

Date:07/2024

PAGE:X3PLB-0500-01

COOLANT PIPING WITH VOLVO D13 - GHG17



WITH ISHIFT TRANSMISSION

From H-7417 To M-7767	Date:07/2024	PAGE:X3PLB-0500-01
COOLANT PIPING WITH VOLVO D13 - GHG17		

Item#	Part	Description	QTY	Notes
1	053096	PIPE HOLDER To J-7512	1	
1	050117	PIPE HOLDER From J-7513 To L-7706	1	
1	050435	PIPE HOLDER From L-7707	1	
2	053091	WATER PIPE RADIATOR	1	
2	050476	WATER PIPE RADIATOR SS304	1	C
3	505535	U BOLT 2 1/2" I.D. SS	3	
4	992089	HOSE CLAMP / 60MM/80MM	20	
5	053617	HOSE SILICONE / NOMEX 2 1/2" I.D. 105MM	2	
. NS	503786	. HOSE SILICONE 4 PLY / NOMEX-ARAMID 2 1/2" I.D. x 6'	1	
6	5001868	WASHER BEL SPR 8.4x18x2 SS	3	
7	5001527	SCREW CAP HEX M8-1.25x16 SS BK	1	
8	500119	SCREW CAP HEX M8X1.25X20 BK	2	
9	551013	WATER HOSE SILICON WITH HUMP	2	
10	053087	WATER PIPE MOTOR /W/ALLISON TRANSMISSION To J-7484	1	
10	050107	WATER PIPE MOTOR /W/ALLISON TRANSMISSION From J-7485	1	
10	050481	WATER PIPE MOTOR /W/ALLISON TRANSMISSION SS304	1	C
11	053609	PIPE SUPPORT / "WORLD TRANSMISSION	1	
12	5001745	SCREW CAP HEX M8-1.25x25 G8.8 N500	2	
13	500321	WASHER BEL SPR .331x.827x.098 N500	4	
14	053608	PIPE SUPPORT	1	
15	070039	HOSE SILICONE 4PLY / NOMEX-ARAMID 2 3/8" x 100MM	1	
. NS	503785	. HOSE SILICONE 4PLY / NOMEX-ARAMID 2 3/8" I.D. x 6'	AR	
16	5001745	SCREW CAP HEX M8-1.25x25 G8.8 N500	2	
17	1675641	NIPPLE / QUICK DISCONNECT "VOLVO" / 1/2NPT-M	1	
. NS	V476279	. DUST CAP / QUICK DISCONNECT "VOLVO" /	1	
. NS	507666	. DUST CAP / QUICK DISCONNECT "VOLVO" /	1	
NS	680098	THREAD SEALANT LOCTITE #567 / WHITE / 250ml	AR	
19	053089	WATER PIPE RADIATOR To P-8096	1	
19	050578	WATER PIPE RADIATOR From P-8097	1	
19	050478	WATER PIPE RADIATOR SS304 To P-8096	1	C
19	050590	WATER PIPE RADIATOR SS304 From P-8097	1	C
20	053088	WATER PIPE RADIATOR To P-8096	1	
20	050584	WATER PIPE RADIATOR From P-8097	1	
20	050384	WATER PIPE RADIATOR SS304 To P-8096	1	C
20	050589	WATER PIPE RADIATOR SS304 From P-8097	1	C
21	946671	SCREW CAP HEXF M8-1.25x30 G8.8 ZG603	1	
22	975675	O-RING 64.5 MM X 3MM	1	
25	050020	WATER PIPE MOTOR W/SHIFT TRANSMISSION	1	I
25	050482	WATER PIPE MOTOR W/SHIFT TRANSMISSION SS304	1	C I
26	053557	HOSE 2 1/4" I.D. 100MM	1	I
26	503801	HOSE SILICONE 4PLY / NOMEX-ARAMID 2 1/4" I.D. x 6'	1	I
27	992089	HOSE CLAMP / 60MM/80MM	4	I

From H-7417 To M-7767	Date:07/2024	PAGE:X3PLB-0500-01
-----------------------	--------------	--------------------

COOLANT PIPING WITH VOLVO D13 - GHG17

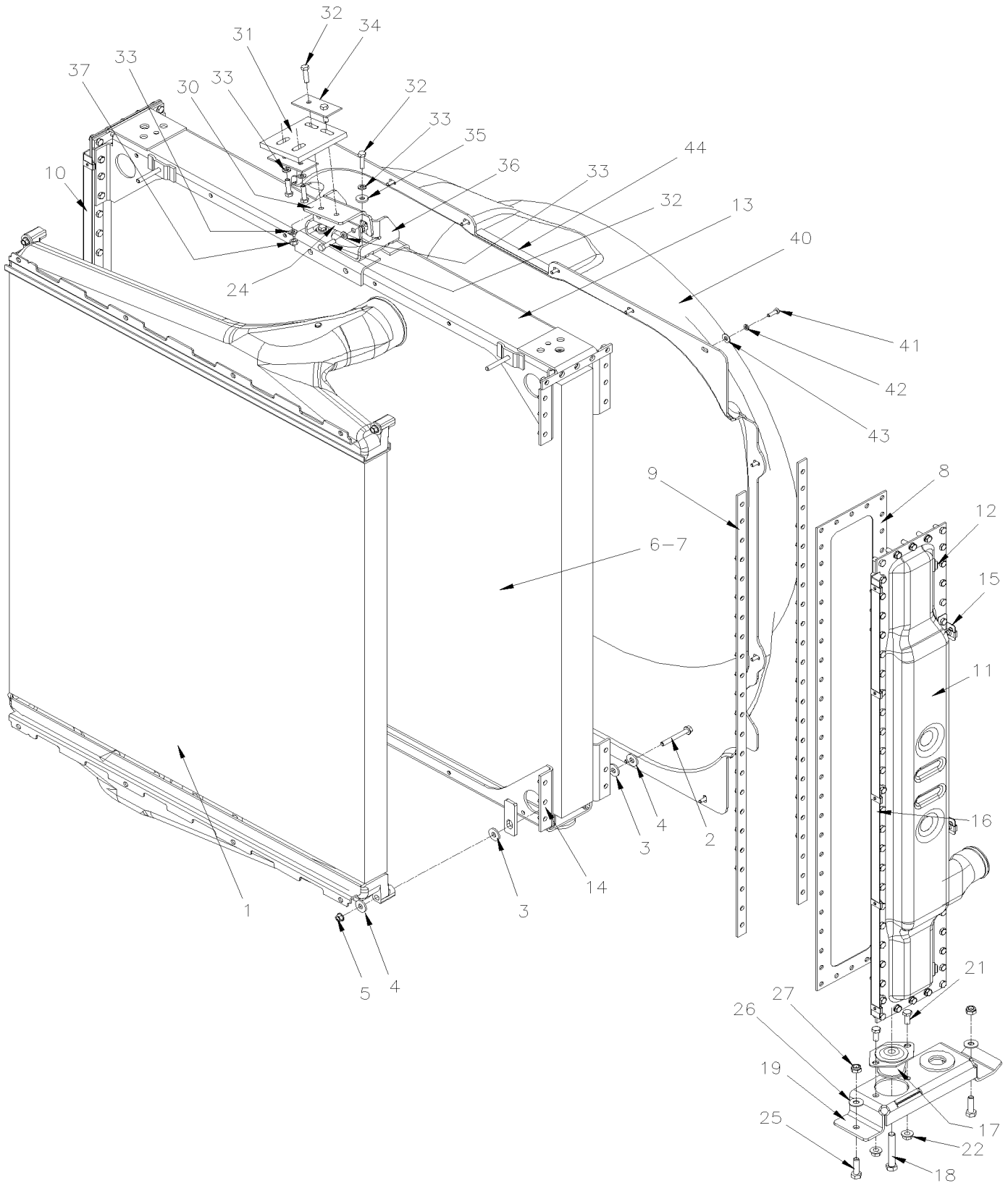
Item#	Part	Description	QTY	Notes
30	X3PLB-2222-06	HEATER LINE REAR SECTION VOLVO D13 - GHG17	1	
50	X3PLB-0505-02	RADIATOR ASSY VOLVO D13 - GHG17	1	
		C) SPECIAL OPTION SS304		
		I) WITH I SHIFT TRANSMISSION		

From G-7275 To H-7416

Date:07/2024

PAGE:X3PLB-0505-00

RADIATOR ASSY



From G-7275 To H-7416	Date:07/2024	PAGE:X3PLB-0505-00
RADIATOR ASSY		

Item#	Part	Description	QTY	Notes
	N.S.A.	RADIATOR & AIR COOLER ASSY	1	3
1	550967	. AIR COOLER ASSY Dura-Lite SERVICE	1	
1	550970	. AIR COOLER ASSY TitanX	1	
1	550296	. GASKET / COVER / BOLT KIT	1	
2	N20874	. SCREW CAP HEX M8-1.25x70 G8.8 YP	2	
3	502220	. WASHER FL .375x1.000x.125 RUB	4	
4	500270	. WASHER FL .406x1.000x.063 SS	6	
5	5001082	. NUT HEXF M8-1.25 G500	4	
6	550915	. RADIATOR ASSY	1	
6	7770005	. RADIATOR ASSY SERVICE	1	
6	550297	. . BOLT KIT / TO FIX AIR COOLER	1	
7	550058	. . CORE ASSY	1	
8	551014	. . GASKET	2	
9	550940	. . REINFORCMENT BAR	4	
10	550933	. . TANK ASSY / FORWARD	1	
11	550934	. . TANK ASSY / BACKWARD	1	
12	501800	. . PLUG HEXS / PIPE FITTING / 1/4NPT-M STL	2	
13	550935	. . SUPPORT ASSY TOP	1	
14	550936	. . SUPPORT ASSY BOTTOM	1	
15	550938	. . ANGLE BRACKET 16 GA SS	4	
16	550939	. . ANGLE BAR 14 GA SS	2	
17	550904	. BUSHING RUBBER	2	
NS	550905	. WASHER FL 16x52x3 ZP	2	
18	N21798	. SCREW CAP HEX M12-1.75x75 G8.8 YP	2	
19	550932	. BRACKET ASSY / RUBBER MOUNTING SUPPORT	2	
21	500190	. SCREW CAP HEX 3/8-16x3/4 G5 Z050	4	
22	500301	. NUT HEXF STO 3/8-16 Z050	4	
NS	550995	. U-CLIP	AR	
24	052795	PLATE / UPPER RADIATOR 30MM X 120MM	1	
25	970949	SCREW CAP HEX M10-1.5x35 G8.8 ZG603	4	
26	960143	WASHER FL 10.5x26.0x2.0 ZP	4	
27	502859	NUT HEX NYRT M10-1.5 N500	4	
30	052671	ANGLE ATTACHMENT / TO STRUCTURE	1	
31	21185073	RUBBER PAD 100MM X 123MM	1	
32	940142	SCREW CAP HEX M8-1.25x30 G8.8 ZG603	8	
33	500942	WASHER LO SPT 8.1x14.8x2.0 N500	8	
34	052473	PLATE / UPPER RADIATOR 40MM X 90MM	2	
35	500401	WASHER FL .343x.875x.125 N500	4	
36	052669	ATTACHMENT UPPER RADIATOR	1	
37	502837	NUT HEXF STO M8-1.25 N500	2	
40	21120999	SHROUD W/38" FAN BLADE	1	
41	502830	SCREW CAP HEX M6-1.0x20 G8.8 N500	AR	

From G-7275 To H-7416	Date:07/2024	PAGE:X3PLB-0505-00
-----------------------	--------------	--------------------

RADIATOR ASSY

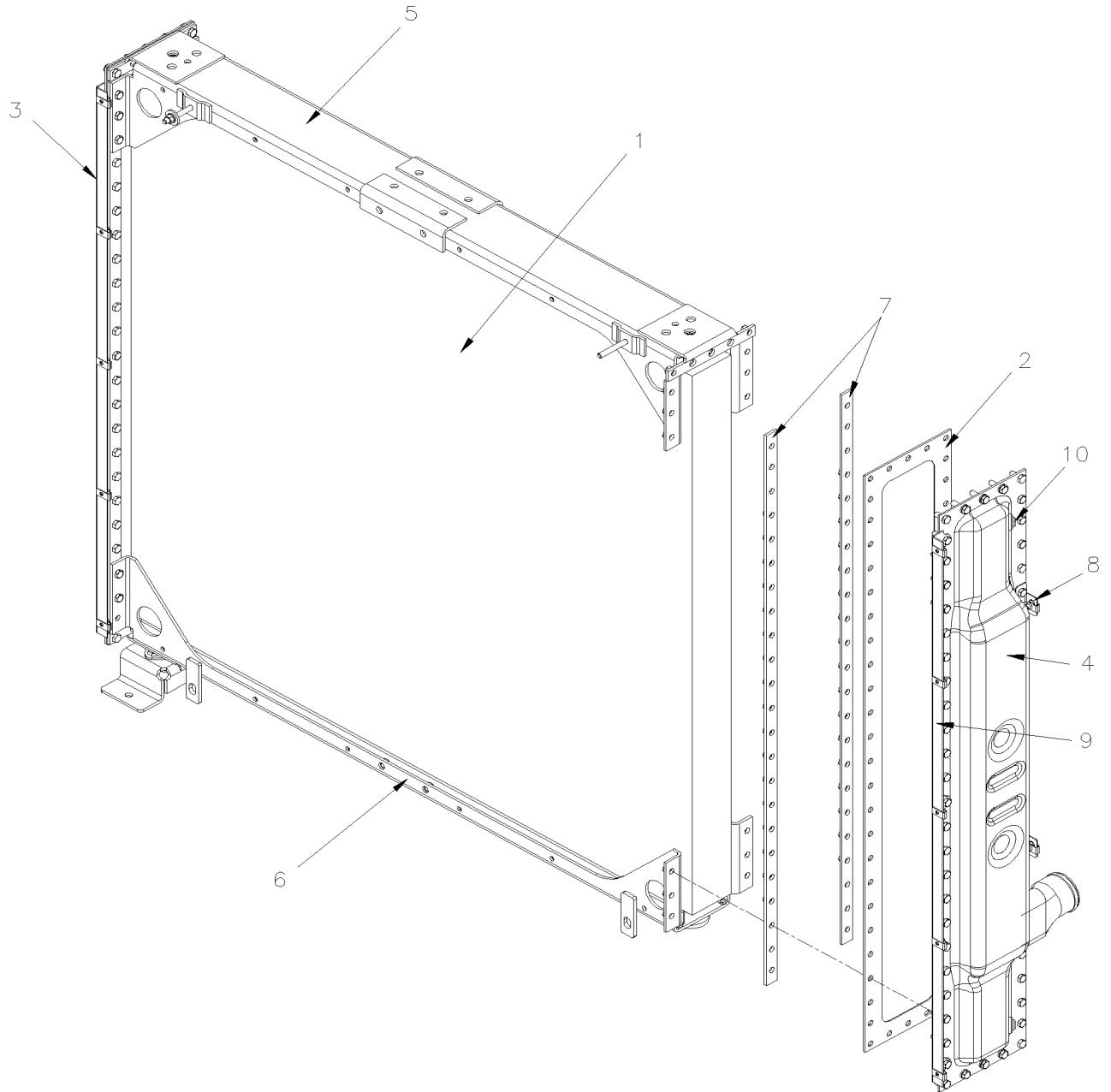
Item#	Part	Description	QTY	Notes
42	502853	WASHER LO SPT 6.1x11.8x1.6 N500	AR	
43	502638	WASHER FL .312x.734x.065 N500	AR	
44	506277	TAPE RUB ADH1 CC POL 1/2" x 3/4" x 15' / GREY 2520X	AR	
		3) NOT SOLD ASSEMBLY		

From G-7275 To H-7416

Date:07/2024

PAGE:7770005

RADIATOR ASSY SERVICE



From G-7275 To H-7416		Date:07/2024	PAGE:7770005
-----------------------	--	--------------	--------------

RADIATOR ASSY SERVICE

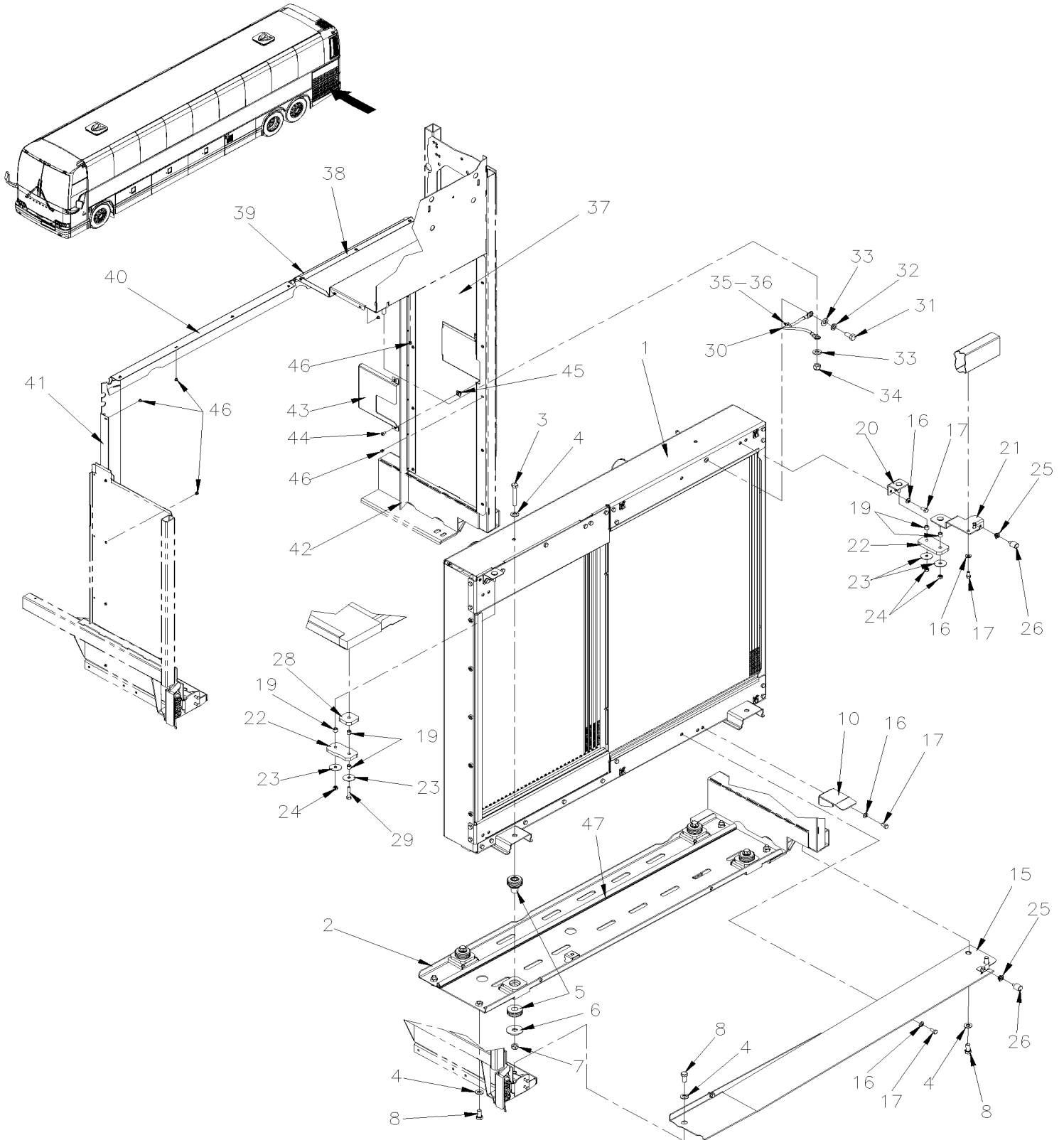
Item#	Part	Description	QTY	Notes
1	7770990	CORE ASSY	1	
2	7770989	GASKET	1	
3	7770951	TANK, LEFT	1	
4	7770952	TANK, RIGHT	1	
5	7770953	BRACKET UPPER	1	
6	7770954	BRACKET LOWER	1	
7	7770955	CLAMP STRIP	4	
8	7775151	ANGULAR SS 3"	4	
9	7770956	ANGULAR SS 41"	2	
10	501304	PLUG SQUARE HEAD / PIPE FITTING / 1/4NPT-M BR	2	

From H-7417 To M-7767

Date:07/2024

PAGE:X3PLB-0505-02

RADIATOR ASSY VOLVO D13 - GHG17

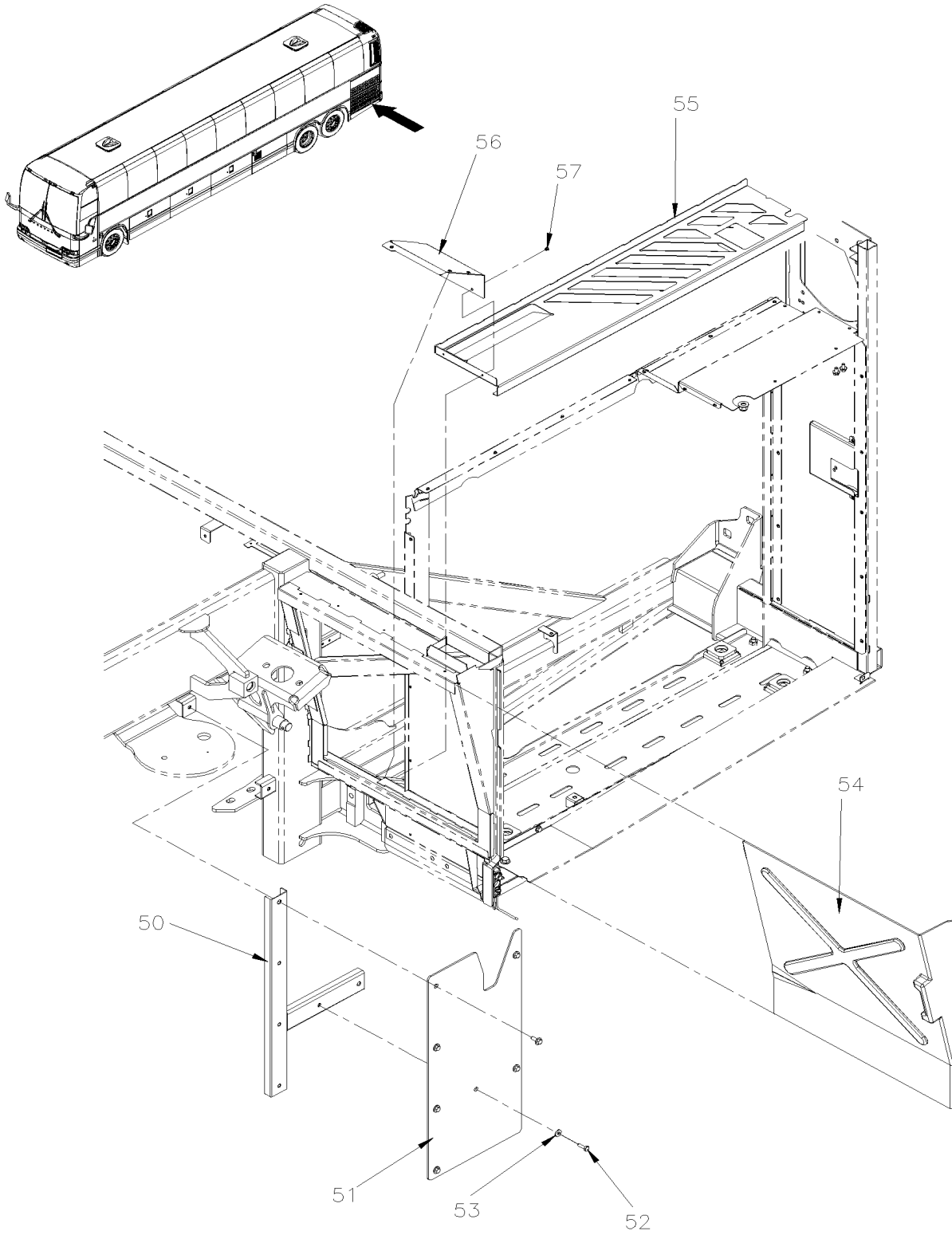


From H-7417 To M-7767

Date:07/2024

PAGE:X3PLB-0505-02

RADIATOR ASSY VOLVO D13 - GHG17



From H-7417 To M-7767	Date:07/2024	PAGE:X3PLB-0505-02
RADIATOR ASSY VOLVO D13 - GHG17		

Item#	Part	Description	QTY	Notes
1	550994	RADIATOR & AIR COOLER To J-7519	1	
NS	501063	. MALE ELBOW 45° / SAE 45° FITTING / #4FL-Mx1/4NPT-M BR To J-7519	1	
1	550048	RADIATOR & AIR COOLER From J-7520 To L-7712	1	
1	550081	RADIATOR & AIR COOLER From L-7713 To M-7762	1	
1	550091	RADIATOR & AIR COOLER From M-7763	1	
1	501027	. MALE CONNECTOR / SAE 45° FITTING / #4FL-Mx1/4NPT-M BR From J-7520	1	
2	261618	FLOOR PLATE FOR RADIATOR	1	
3	5001987	SCREW CAP HEX M12-1.75x75 SS BK	4	
4	5001877	WASHER BEL SPR .512x1.000x.073 SS	7	
5	551010	VIBRATION ISOLATOR TOW PIECES	4	
6	052765	WASHER FL 12.5MMx52MMx3MM	4	
7	5001988	NUT HEX NYRT M12-1.75 SS BK	4	
NS	680064	OIL ANTICORROSIVE GREY (TECTYL) (20 LITERS)	AR	
8	5001979	SCREW CAP HEX M12-1.75x25 SS BK	7	
10	053081	GUIDE FOR FAN'S DOOR	1	
15	261654	DEFLECTOR FLOOR	1	
16	5001868	WASHER BEL SPR 8.4x18x2 SS	10	
17	5001527	SCREW CAP HEX M8-1.25x16 SS BK	10	
19	032540	SPACER 1/2" O.D.X 12MM SS	AR	
20	053102	CORNER BRACKET	2	
21	053084	HOLDER To J-7512	1	
21	050097	HOLDER From J-7513	1	
NS	509815	. TIE MOUNT / ATTACHMENT W/TREE MOUNT	1	
22	053105	VIBRATION ABSORBER RUBBER PLATE	2	
23	500462	WASHER FL .343x1.500x.083 SS	5	
24	5001983	NUT HEX NYRT M8-1.25 SS SS BK	3	
25	5001009	NUT AN 1/4 NYL	2	
26	504454	BUMPER RUBBER BOLT / 20MM ODx20MM TH X M6X15MM STUD	2	
28	053110	RUBBER SPACER	1	
29	5002012	SCREW CAP HEX W/DOG M8-1.25x45 SS	1	
30	069279	RADIATOR GROUND HARNESS To J-7512	1	
30	062315	RADIATOR GROUND HARNESS From J-7513	1	
31	5001565	SCREW CAP HEX 1/2-13x1 G5 N500	1	
NS	684013	RUBBER PROTECTOR / COLOR GUARD 14.5oz	AR	
32	5001534	WASHER LO SPT .509x.873x.125 SS	1	
33	500958	WASHER FL .531x1.062x.095 SS	2	
34	5002001	NUT HEX NYRT 1/2-13 SS BK	1	
35	509815	TIE MOUNT / ATTACHMENT W/TREE MOUNT	1	
36	504637	CABLE TIE / 3/16" x 13"	1	
37	053713	SIDE PANEL To J-7512	1	
37	050096	SIDE PANEL From J-7513	1	
38	053712	UPPER PANEL To J-7512	1	

From H-7417 To M-7767	Date:07/2024	PAGE:X3PLB-0505-02
RADIATOR ASSY VOLVO D13 - GHG17		

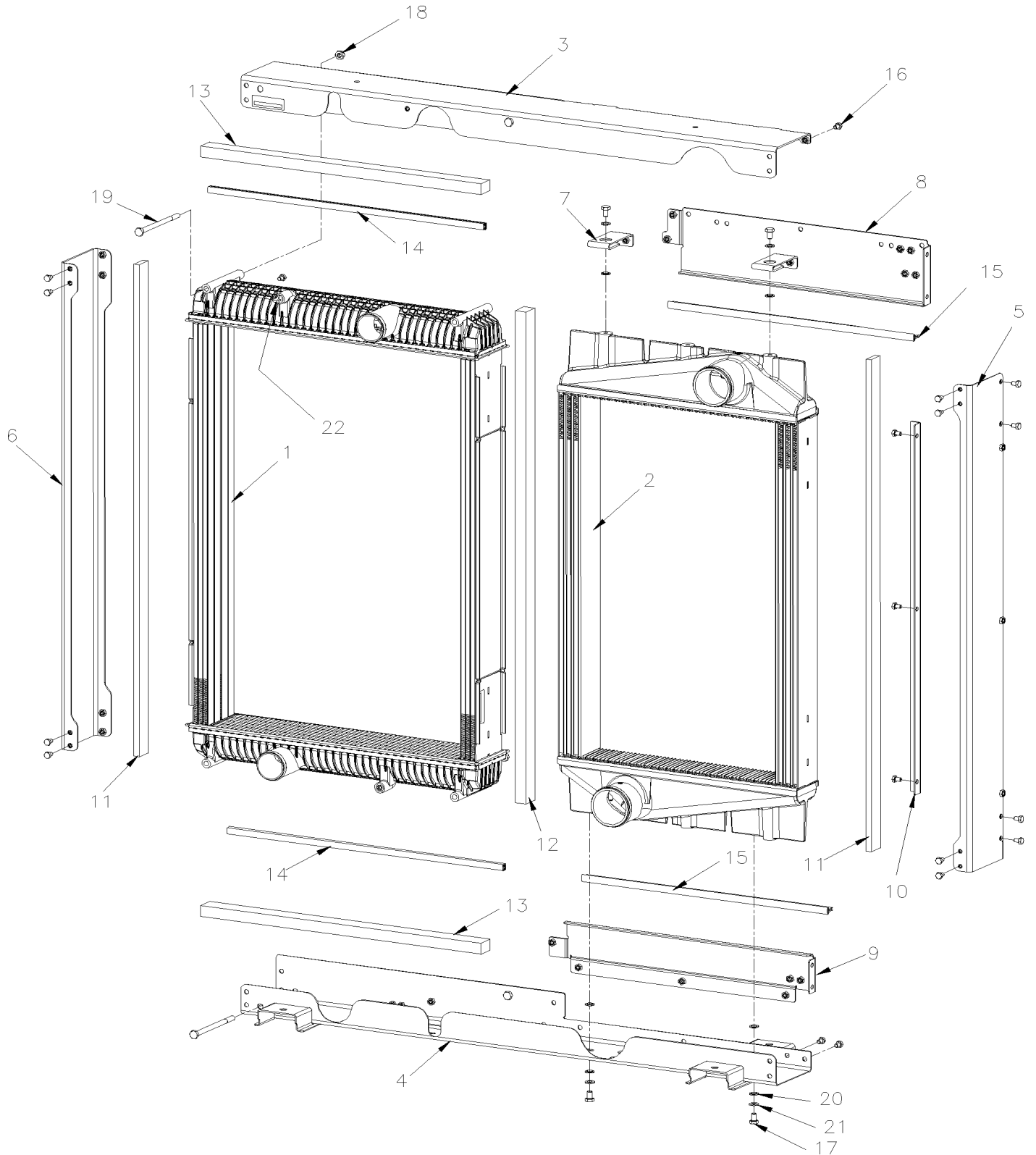
Item#	Part	Description	QTY	Notes
38	050098	UPPER PANEL From J-7513 To K-7662	1	
38	050518	UPPER PANEL From L-7663	1	
38	504069	GROMMET / .281x.375x.062x.250x.562 From J-7513 To K-7662	1	
39	059068	. ANGLE TOP TIGHT 500 MM	1	
NS	059069	. RETAINER 481 MM	1	
NS	059070	. RUBBER SEAL 503 MM	1	
NS	504717	. RIVET POP DOME OE 1/8x1/4 SS	4	
40	059072	. ANGLE TOP LEFT 777 MM	1	
NS	059073	. RETAINER 801 MM	1	
NS	059074	. RUBBER SEAL 830 MM	1	
NS	504717	. RIVET POP DOME OE 1/8x1/4 SS	6	
41	059080	. ANGLE SIDE RIGHT 1030 MM	1	
NS	059081	. RETAINER 1001MM	1	
NS	059082	. RUBBER SEAL 1153 MM	1	
NS	504717	. RIVET POP DOME OE 1/8x1/4 SS	8	
42	059076	. ANGLE SIDE LEFT 1028 MM	1	
NS	059081	. RETAINER 1001MM	1	
NS	059078	. RUBBER SEAL 1160 MM	1	
NS	504717	. RIVET POP DOME OE 1/8x1/4 SS	8	
43	059084	CLOSING PLATE	1	
44	5001184	SCREW TP PAN PH #12x1/2 SS	2	
44	500142	WASHER FL 6.6x22.0x2.0 SS	2	
45	5001009	NUT AN 1/4 NYL	2	
46	504488	RIVET MGLP PRDG 3/16x17/64 SS	AR	
47	5060103	RUBBER SEAL 6.56FT LONG 6.56 ft To L-7690	1	
47	509042	RUBBER SEAL 51.38"+0-0.25 From L-7691	1	
50	053719	FRAME FOR PANEL WELDED	1	
51	053122	AIR DEFLECTOR PANEL PLASTIC	1	
52	502780	SCREW CAP HEX M8-1.25x25 SS BK	7	
53	5001848	WASHER BEL SPR .827 x .331 x .098 th SS	7	
54	053703	FENDER ACCESS PANEL ASSY PLASTIC	1	
55	261666	REAR FLOR PANEL FOR RADIATOR	1	
56	261644	CLOSING PANIEL	1	
57	504488	RIVET MGLP PRDG 3/16x17/64 SS	5	
NS	682175	UNDERCOATING BLACK PROTECTOR (GRAVELGUARD) 567gr To N-7995	AR	
NS	685413	RUBBERRIZED UNDERCOAT (GRAVELGUARD) 560gr From N-7996	AR	

To J-7519

Date:07/2024

PAGE:550994

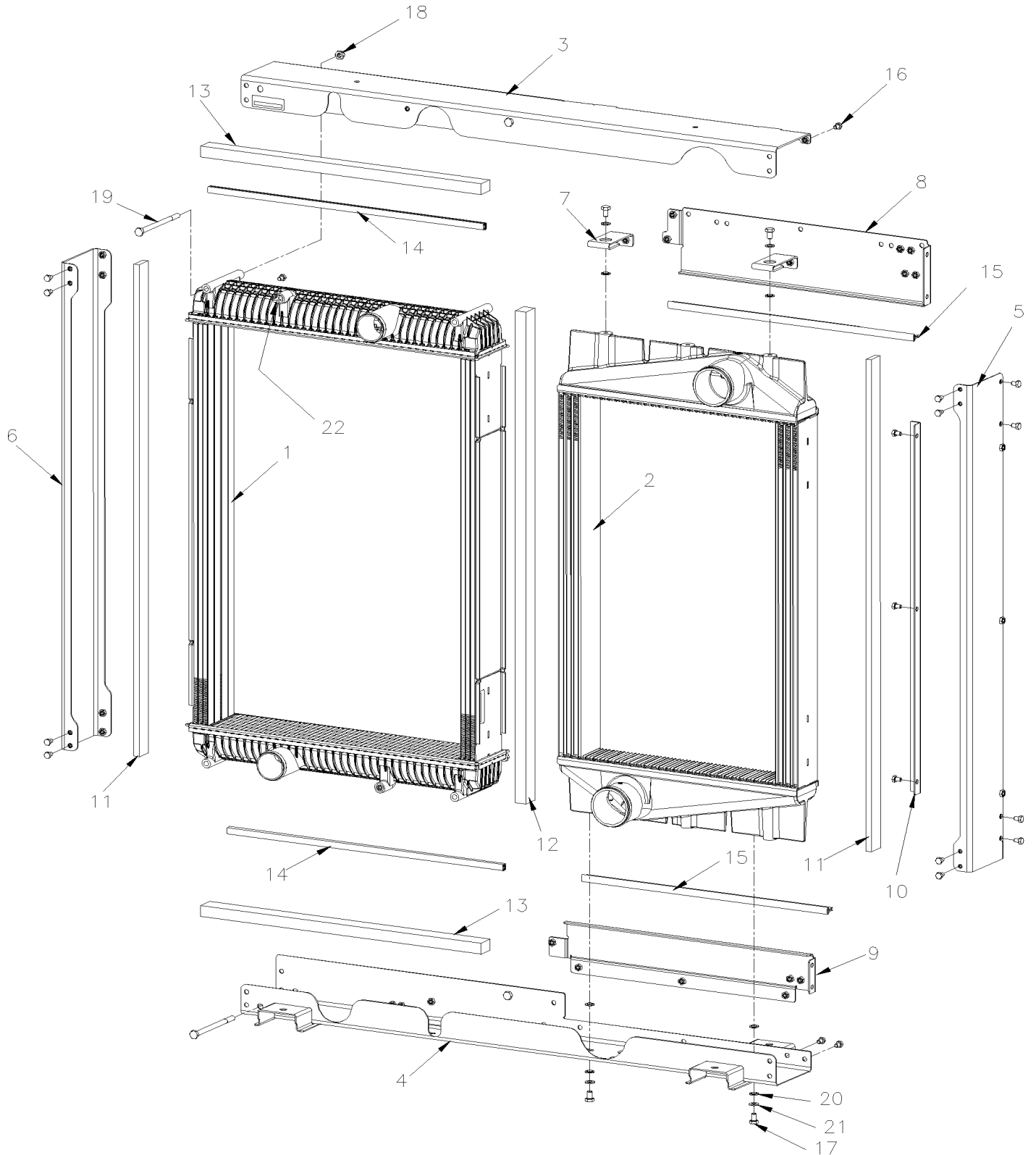
RADIATOR & AIR COOLER



To J-7519	Date:07/2024	PAGE:550994
RADIATOR & AIR COOLER		

Item#	Part	Description	QTY	Notes
1	551011	RADIATOR ALUMINUM	1	
2	551012	CHARGE AIR COOLER ALUMINUM	1	
3	550006	FRAME, TOP	1	
4	550007	FRAME, BOTTOM	1	
5	550008	FRAME, LEFT	1	
6	550009	FRAME, RIGHT	1	
7	550014	BRACKET TOP CAC	1	
8	550015	COVER PANEL TOP	1	
9	550017	COVER PANEL BOTTOM	1	
10	550019	ANGLE	1	
11	550021	SEALING STRIP	1	
12	550028	SEALING PROFIL	1	
13	550029	SEALING PROFIL	2	
14	550030	SEALING PROFIL	2	
15	550031	SEALING PROFIL	2	
16	550053	HEX HEAD SCREW SS M8 X 12	36	
17	550054	HEX HEAD SCREW SS M10 X 16	4	
18	550050	NUT LOCK SS/NYLON M10	4	
19	550051	HEX HEAD SCREW SS M10 X 160	4	
20	550032	WASHER, SHOULDER NYLON .45X.620X.75"	8	
21	N87290	WASHER SS 10.5MM X 20MM X2.2MM	4	
22	501063	MALE ELBOW 45° / SAE 45° FITTING / #4FL-Mx1/4NPT-M BR	1	

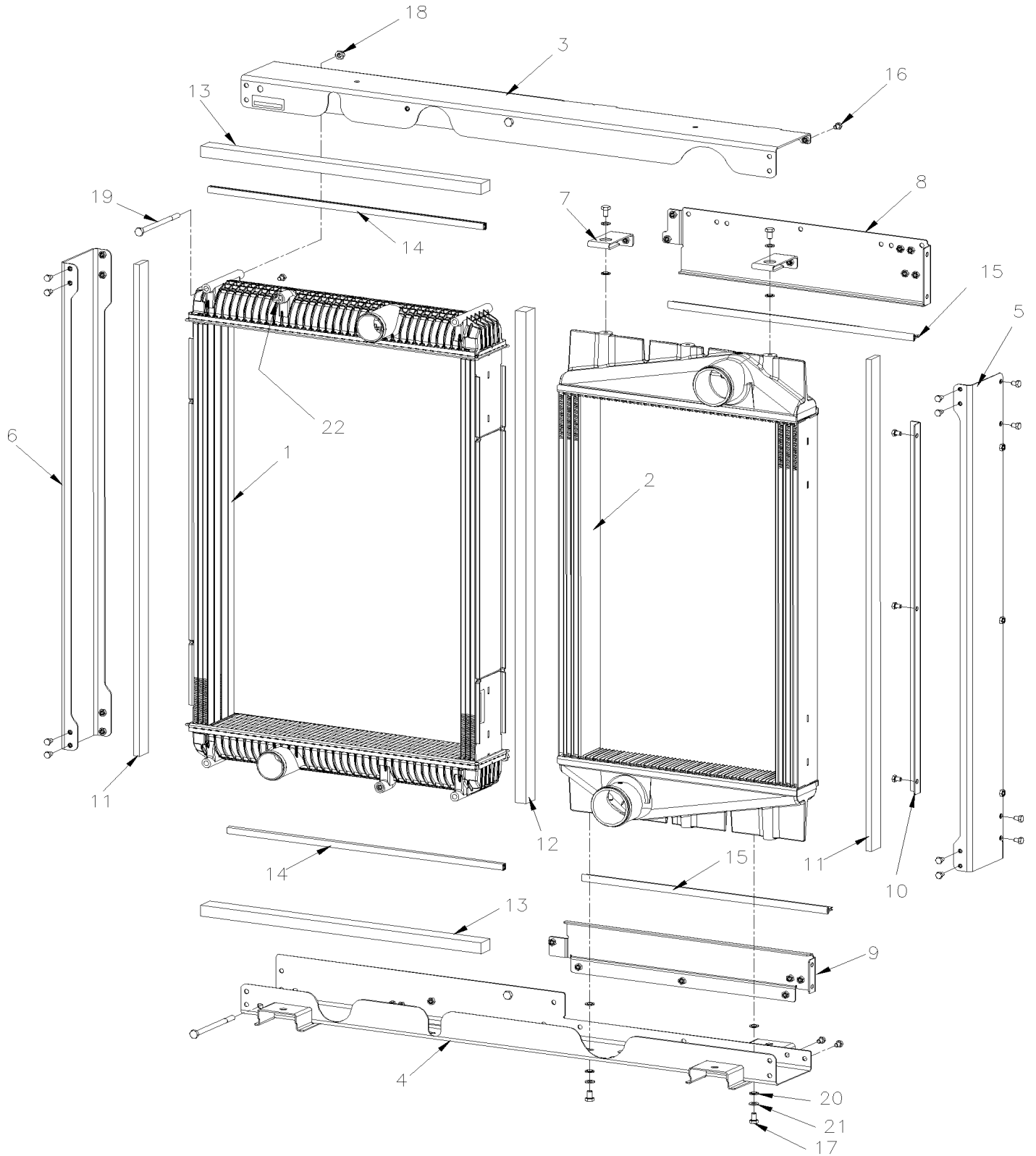
RADIATOR & AIR COOLER



From J-7520 To L-7712	Date:07/2024	PAGE:550048
RADIATOR & AIR COOLER		

Item#	Part	Description	QTY	Notes
1	550049	RADIATOR	1	
2	551012	CHARGE AIR COOLER ALUMINUM	1	
3	550006	FRAME, TOP	1	
4	550007	FRAME, BOTTOM	1	
5	550008	FRAME, LEFT	1	
6	550009	FRAME, RIGHT	1	
7	550014	BRACKET TOP CAC	1	
8	550015	COVER PANEL TOP	1	
9	550017	COVER PANEL BOTTOM	1	
10	550019	ANGLE	1	
11	550021	SEALING STRIP	1	
12	550028	SEALING PROFIL	1	
13	550029	SEALING PROFIL	2	
14	550030	SEALING PROFIL	2	
15	550031	SEALING PROFIL	2	
16	550053	HEX HEAD SCREW SS M8 X 12	36	
17	550054	HEX HEAD SCREW SS M10 X 16	4	
18	550050	NUT LOCK SS/NYLON M10	4	
19	550051	HEX HEAD SCREW SS M10 X 160	4	
20	550032	WASHER, SHOULDER NYLON .45X.620X.75"	8	
21	N87290	WASHER SS 10.5MM X 20MM X2.2MM	4	
22	501027	MALE CONNECTOR / SAE 45° FITTING / #4FL-Mx1/4NPT-M BR	1	

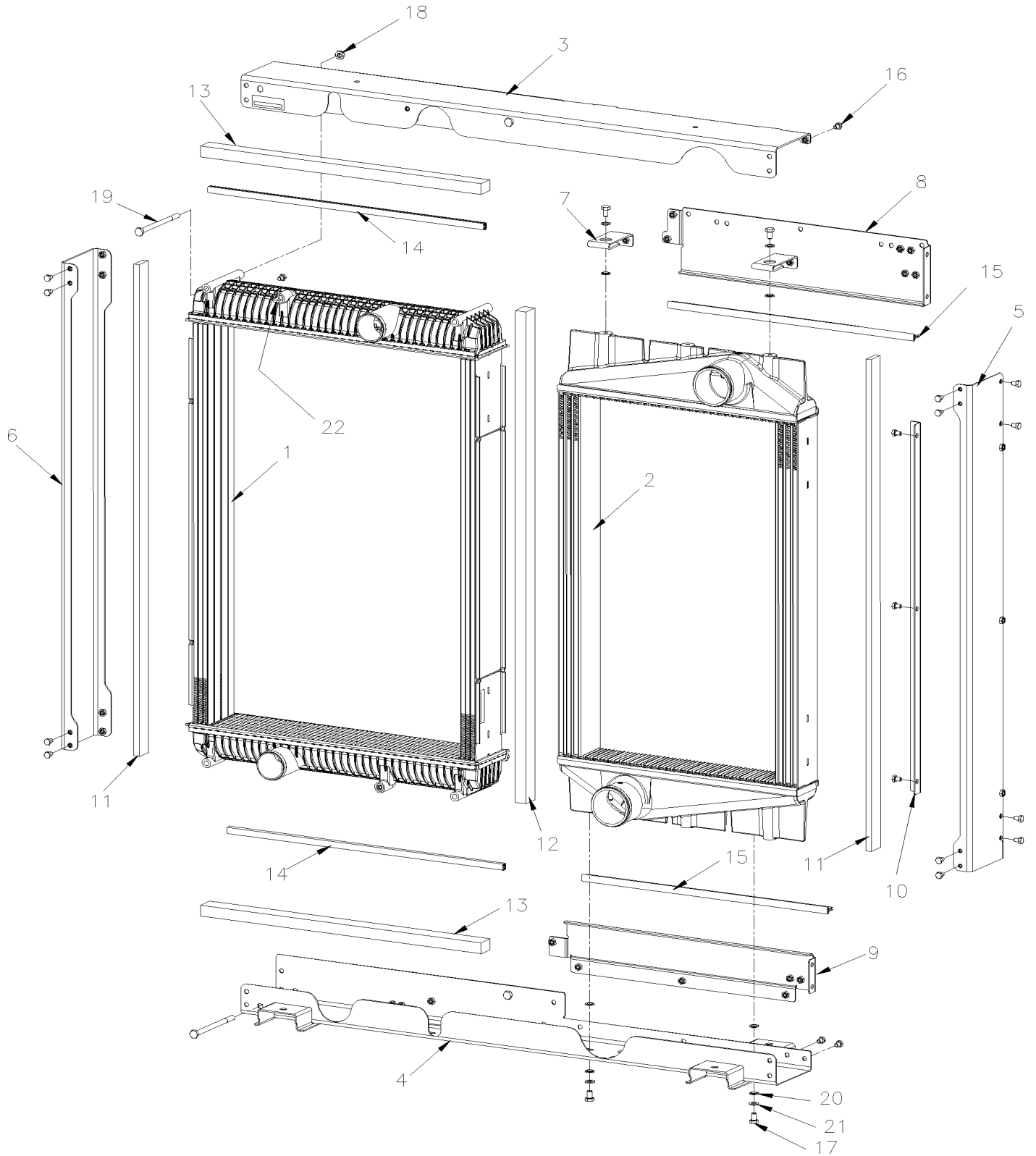
RADIATOR & AIR COOLER



From L-7713 To M-7762	Date:07/2024	PAGE:550081
RADIATOR & AIR COOLER		

Item#	Part	Description	QTY	Notes
1	550063	RADIATOR	1	
2	550060	CHARGE AIR COOLER ALUMINUM	1	
3	550006	FRAME, TOP	1	
4	550007	FRAME, BOTTOM	1	
5	550008	FRAME, LEFT	1	
6	550009	FRAME, RIGHT	1	
7	550014	BRACKET TOP CAC	1	
8	550015	COVER PANEL TOP	1	
9	550017	COVER PANEL BOTTOM	1	
10	550019	ANGLE	1	
11	550021	SEALING STRIP	1	
12	550028	SEALING PROFIL	1	
13	550029	SEALING PROFIL	2	
14	550030	SEALING PROFIL	2	
15	550031	SEALING PROFIL	2	
16	550053	HEX HEAD SCREW SS M8 X 12	36	
17	550054	HEX HEAD SCREW SS M10 X 16	4	
18	550050	NUT LOCK SS/NYLON M10	4	
19	550051	HEX HEAD SCREW SS M10 X 160	4	
20	550032	WASHER, SHOULDER NYLON .45X.620X.75"	8	
21	N87290	WASHER SS 10.5MM X 20MM X2.2MM	4	
22	501027	MALE CONNECTOR / SAE 45° FITTING / #4FL-Mx1/4NPT-M BR	1	

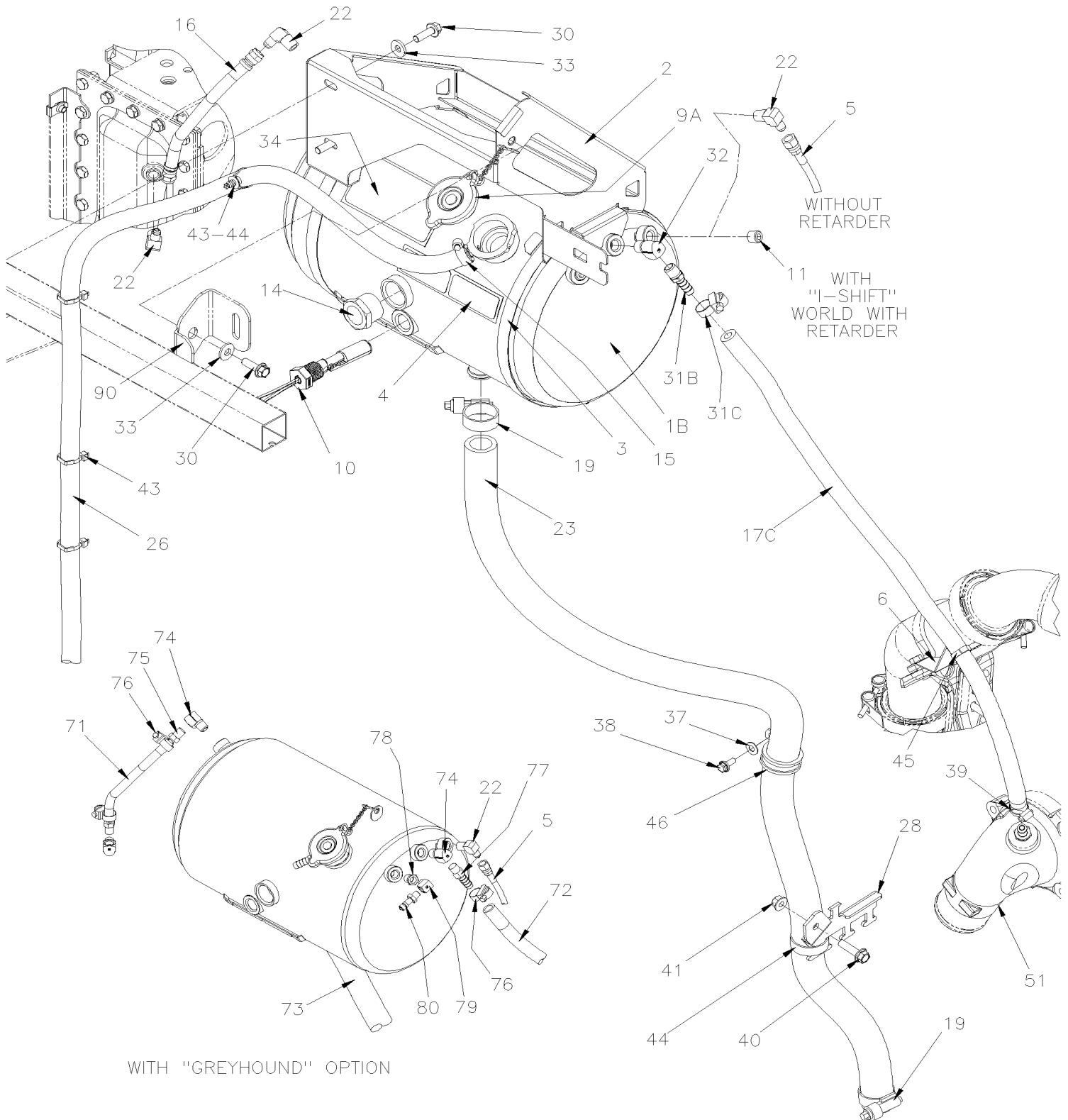
RADIATOR & AIR COOLER



From M-7763	Date:07/2024	PAGE:550091
RADIATOR & AIR COOLER		

Item#	Part	Description	QTY	Notes
1	550084	RADIATOR	1	
2	550077	CHARGE AIR COOLER ALUMINUM	1	
3	550006	FRAME, TOP	1	
4	550007	FRAME, BOTTOM	1	
5	550008	FRAME, LEFT	1	
6	550009	FRAME, RIGHT	1	
7	550014	BRACKET TOP CAC	1	
8	550015	COVER PANEL TOP	1	
9	550017	COVER PANEL BOTTOM	1	
10	550019	ANGLE	1	
11	550021	SEALING STRIP	1	
12	550028	SEALING PROFIL	1	
13	550106	SEALING PROFIL	2	
14	Call order desk	SEALING PROFIL	2	P
15	550031	SEALING PROFIL	2	
16	550053	HEX HEAD SCREW SS M8 X 12	36	
17	550054	HEX HEAD SCREW SS M10 X 16	4	
18	550050	NUT LOCK SS/NYLON M10	4	
19	550051	HEX HEAD SCREW SS M10 X 160	4	
20	550032	WASHER, SHOULDER NYLON .45X.620X.75"	8	
21	N87290	WASHER SS 10.5MM X 20MM X2.2MM	4	
22	501027	MALE CONNECTOR / SAE 45° FITTING / #4FL-Mx1/4NPT-M BR	1	
		P) CALL ORDER DESK FOR SPECIFIC APPLICATION (V.I.N.)		

SURGE TANK



From G-7275 To H-7416	Date:07/2024	PAGE:X3PLB-0510-00
SURGE TANK		

Item#	Part	Description	QTY	Notes
1B	053641	SURGE TANK ALUMINUM REV. C	1	
2	053692	SUPPORT ASSY / SURGE TANK	1	
2	050164	SURGE TANK SUPPORT REPLACEMENT	1	
3	504775	T-BOLT BAND CLAMP/ 9.69" ID	2	
4	053597	DECAL SPEC / ANTIFREEZE / W/ "VOLVO" ENGINE FRANCAIS / ENGLISH / SPANISH	1	
5	053585P	HOSE ASSY TEFLON #4 1850MM To G-7299	1	S
. NS	503064	. HOSE TEFLON #4 / S.L. To G-7299	AR	S
. NS	5011182	. FEMALE CONNECTOR SWIVEL / SAE 45° FITTING / #4FL-Fx#4 STL To G-7299	2	S
. NS	5011183	. SLEEVE / #4 STL To G-7299	2	S
6	053600	SUPPORT HOSE	1	
9A	550984	CAP PRESSURE / OVER 13 LBS	1	
10	067304	SENSOR PROBE "LOW LEVEL COOLANT" ASSY / 1/2" NPT To H-7315	1	
. NS	564465	. SENSOR PROBE "LOW LEVEL COOLANT" / 1/2" NPT To H-7315	1	
. NS	21242838	. SENSOR PROBE "LOW LEVEL COOLANT" / 1/2" NPT To H-7315	1	
. NS	563764	. CONNECTOR / CPC SERIES 3 / PH 3C / PED 15300002 To H-7315	1	
. NS	563765	. PIN TERMINAL / 18-16 / PED 12048159 To H-7315	2	
. NS	563369	. CABLE SEAL / GRAY / PED 12010293 To H-7315	2	
. NS	562387	. CONVOLUTED TUBING / SLIT / BLACK / .250" To H-7315	AR	
. NS	562388	. SECONDARY LOCK / METRI-PACK 280 / 2C / BLUE / PED 15300014 To H-7315	1	
10	060139	SENSOR PROBE "LOW LEVEL COOLANT" ASSY / 1/2" NPT From H-7316	1	
. NS	560058	. SENSOR PROBE "LOW LEVEL COOLANT" / 1/2" NPT From H-7316	1	
. NS	563764	. CONNECTOR / CPC SERIES 3 / PH 3C / PED 15300002 From H-7316	1	
. NS	563763	. PIN TERMINAL / 14-12 / PED 12129497 From H-7316	2	
. NS	561786	. CABLE SEAL / GRAY / PED 15324980 From H-7316	2	
. NS	562387	. CONVOLUTED TUBING / SLIT / BLACK / .250" From H-7316	AR	
. NS	562388	. SECONDARY LOCK / METRI-PACK 280 / 2C / BLUE / PED 15300014 From H-7316	1	
NS	680098	THREAD SEALANT LOCTITE #567 / WHITE / 250ml	AR	
NS	688914	PRIMER LOCTITE #7649 1.75 oz	AR	
11	501800	PLUG HEXS / PIPE FITTING / 1/4NPT-M STL	1	
11	501800	PLUG HEXS / PIPE FITTING / 1/4NPT-M STL	2	I
13	21247975	MALE CONNECTOR / BEADED HOSE BARB / #16x#16ORB-M STL	1	
14	21331481	SIGHT GLASS 1" NPT	1	
15	992081	HOSE CLAMP / 12MM/22MM	AR	
16	053582P	HOSE ASSY / #4 205 MM	1	
. NS	503789	. HOSE SILICONE 1 PLY / NOMEX-ARAMID 1/4" X 25'	AR	
. NS	501347	. FEMALE CONNECTOR SWIVEL / PUSH-LOK FITTING #4JIC-Fx#4 BR	2	
. NS	992081	. HOSE CLAMP / 12MM/22MM	2	
17C	053583P	HOSE / #6 700MM	1	
. NS	503821	. HOSE SILICONE 4 PLY / NOMEX-ARAMID 3/8" x 144"	AR	
17C	503821	HOSE SILICONE 4 PLY / NOMEX-ARAMID 3/8" x 144"	AR	
18	501308	ADAPTER / PIPE FITTING / 1/4NPT-Fx1/4NPT-M BR	2	
19	992084	HOSE CLAMP / 23MM/35MM	2	

From G-7275 To H-7416	Date:07/2024	PAGE:X3PLB-0510-00
SURGE TANK		

Item#	Part	Description	QTY	Notes
22	501037	MALE ELBOW 90° / SAE 45° FITTING / #4FL-Mx1/4NPT-M BR To G-7299	3	
22	501037	MALE ELBOW 90° / SAE 45° FITTING / #4FL-Mx1/4NPT-M BR From G-7300	2	
23	N.S.A.	HOSE RADIATOR / 1" I.D. x 1204MM	1	3
. NS	503579	. HOSE 1" I.D. X 50' / "GREEN STRIPE"	AR	
23	N.S.A.	HOSE #12 1204MM	1	3
. NS	503579	. HOSE 1" I.D. X 50' / "GREEN STRIPE"	AR	
26	053584P	HOSE ASSY / #6 1750MM	1	
. NS	503702	. HOSE / (SAFETY STRIPE) / 3/8" I.D. 50' / S.L.	AR	
27	504019	HOSE CLAMP / 9/16"-1"1/16 SS / HS-10	1	
28	053006	SUPPORT HOSE To G-7309	1	
28	050007	SUPPORT HOSE From H-7310	1	
29	5001800	SCREW CAP HEXF M10-1.5x45 G10.9 N500	2	
30	5001643	SCREW CAP HEXF M8-1.25x25 G8.8 G500	3	
31B	642196	MALE CONNECTOR / HOSE BARB FITTING / #6x1/4NPT-M BR	1	
31C	992081	HOSE CLAMP / 12MM/22MM	1	
32	501332	STREET ELBOW 90° / PIPE FITTING / 1/4NPT-Mx1/4NPT-F BR	1	
33	500321	WASHER BEL SPR .331x.827x.098 N500	3	
34	012702	DECAL "OIL SPEC" 10W/40 / ENGLISH & FRANCAIS / SPANISH	1	
35	502848	SCREW TC CAP HEXF 1/4-20x3/4 N500	6	
36	502666	SCREW MA FL PH #6-32x3/4 SS BK	1	
37	5001833	WASHER BEL SPR 6.1x18x1.27 SS	1	
38	5001730	SCREW CAP HEXF M6-1.0x16 G10.9 N500	1	
39	992081	HOSE CLAMP / 12MM/22MM	1	
40	502836	SCREW CAP HEX M8-1.25x35 G8.8 N500 To H-7309	1	
40	502836	SCREW CAP HEX M8-1.25x35 G8.8 N500 From H-7310	2	
40	500321	WASHER BEL SPR .331x.827x.098 N500 From H-7310	1	
41	5001931	NUT HEXF NYRT M8-1.25 G8.8 N500	1	
43	504637	CABLE TIE / 3/16" x 13"	AR	
44	509491	CABLE TIE / 13MM x 383MM	AR	
45	504016	CABLE TIE / 5/16" X 14"1/2	AR	
46	952641	CLAMP P STL ZP RUB 34.9 ID	1	
50	FM-00CW-01	CLAMPS - WIRE & TUBE		
51	Refer To Volvo	SEE IMPACT OR CALL ORDER DESK		V
		GREYHOUND "OPTION"		
71	Call order desk	HOSE SILICONE / NOMEX	1	P GR
71	503789	. HOSE SILICONE 1 PLY / NOMEX-ARAMID 1/4" X 25'	AR	GR
72	Call order desk	HOSE SILICONE / NOMEX 3/8" I.D. 760MM	1	P GR
72	503821	. HOSE SILICONE 4 PLY / NOMEX-ARAMID 3/8" x 144"	AR	GR
73	503788	HOSE SILICONE 4 PLY / NOMEX-ARAMID 1" I.D. x 54"	AR	GR
74	501332	STREET ELBOW 90° / PIPE FITTING / 1/4NPT-Mx1/4NPT-F BR	3	GR

From G-7275 To H-7416	Date:07/2024	PAGE:X3PLB-0510-00
SURGE TANK		

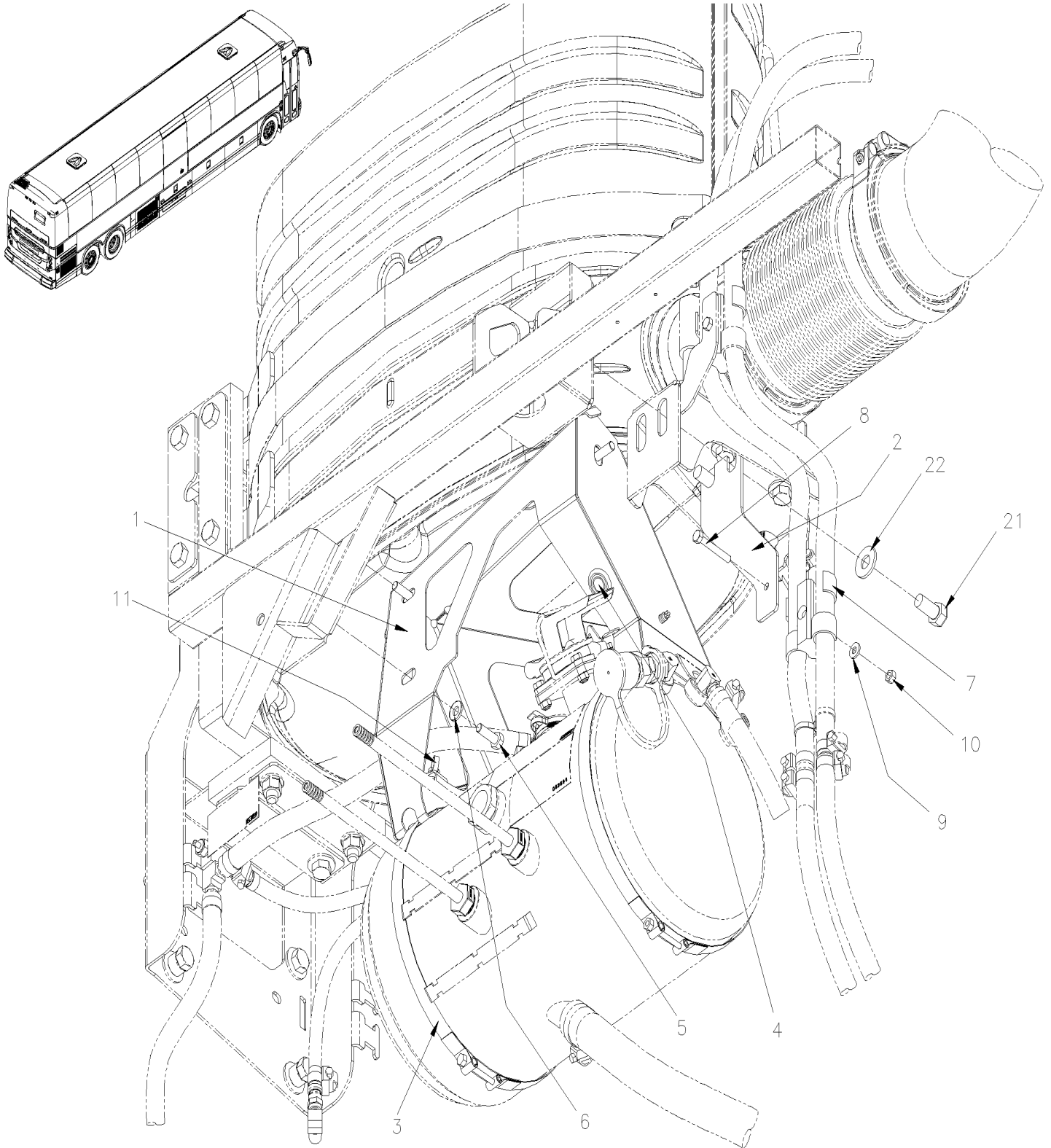
Item#	Part	Description	QTY	Notes
75	507602	MALE CONNECTOR / PUSH-LOK FITTING / 1/4NPT-Mx#4 BR	2	GR
76	992081	HOSE CLAMP / 12MM/22MM	3	GR
77	501179	MALE CONNECTOR / PUSH-LOK FITTING / 1/4NPT-Mx#6 BR	1	GR
78	501312	BUSHING REDUCER / PIPE FITTING / 1/4NTP-Mx1/8NPT-F BR	1	GR
79	501331	STREET ELBOW 90° / PIPE FITTING / 1/8NPT-Mx1/8NPT-F BR	1	GR
80	640488	VALVE, AIR FILL 1/8" NPT	1	GR
. NS	650164	. CAP VALVE / CHROME	1	GR
90	040820	SUPPORT TANK	1	GR
100	685241	. . COOLANT PRESTONE / 208 LITERS 50%/50% PRE-MIXED W/"VOLVO"	AR	
100	685127	. . . COOLANT PRESTONE / 4 LITERS 50%/50% PRE-MIXED W/"VOLVO"	AR	
		GR) WITH GREYHOUND OPTION		
		I) WITH "I-SHIFT" TRANS		
		S) WORLD TRANSMISSION WITHOUT RETARDER		
		3) NOT SOLD ASSEMBLY		
		P) CALL ORDER DESK FOR SPECIFIC APPLICATION (V.I.N.)		
		V) SEE IMPACT OR CALL ORDER DESK		

From G-7275 To H-7416

Date:07/2024

PAGE:050164

SURGE TANK SUPPORT REPLACEMENT



From G-7275 To H-7416	Date:07/2024	PAGE:050164
SURGE TANK SUPPORT REPLACEMENT		

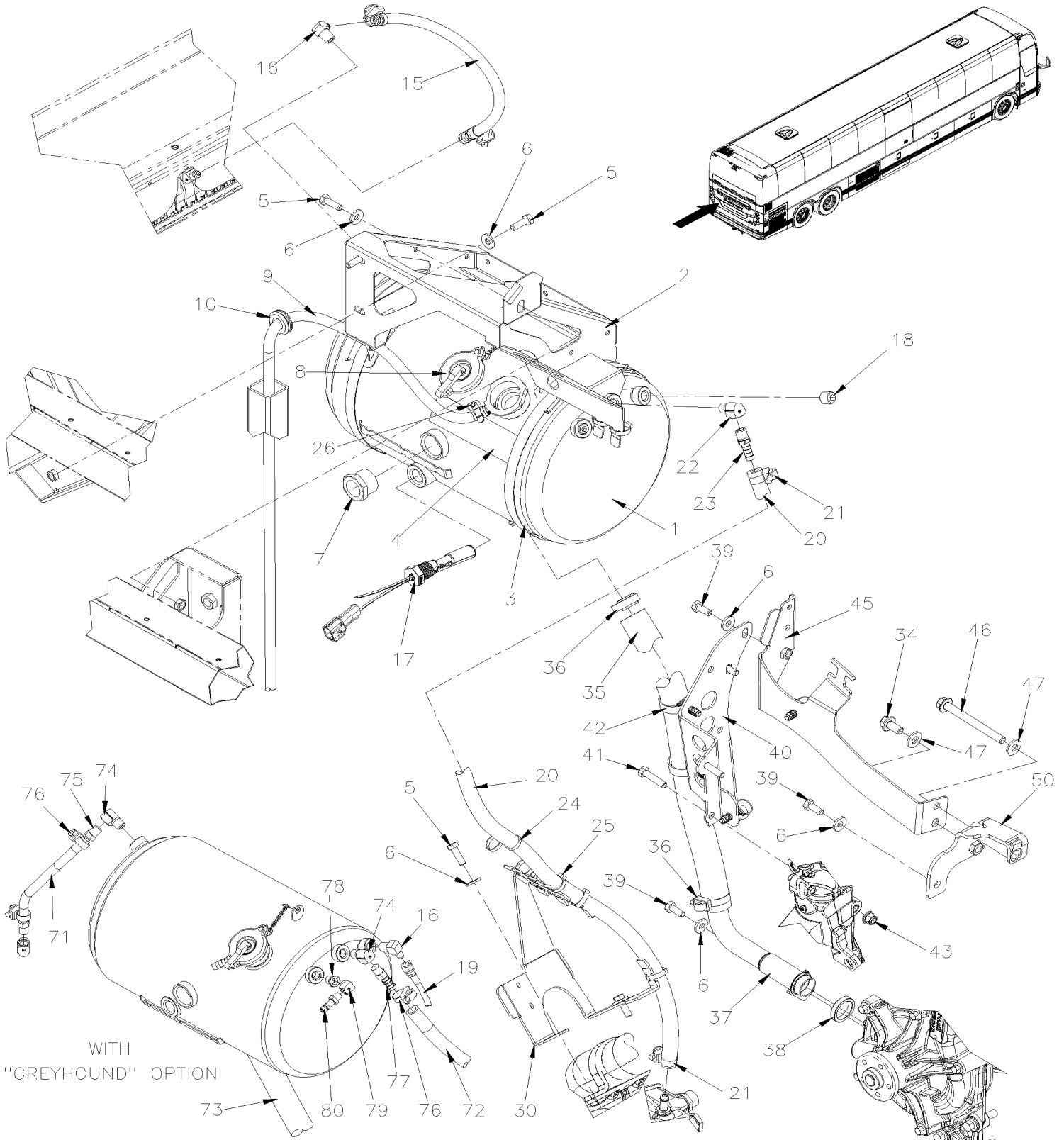
Item#	Part	Description	QTY	Notes
1	050134	SUPPORT ASSY/ SURGE TANK	1	
2	050136	BRACKET, COOLING HOSE	1	
3	504775	T-BOLT BAND CLAMP/ 9.69" ID	2	
4	382564	LED, ENGINE AIR FILTER ASSY	1	
5	502780	SCREW CAP HEX M8-1.25x25 SS BK	3	
6	5001868	WASHER BEL SPR 8.4x18x2 SS	3	
7	504634	T-CLIP / 7/8" - 1"	1	
8	5001923	SCREW CAP HEX M6-1.0x45 SS BK	1	
9	500877	WASHER FL .250x.562x.065 N500	1	
10	502681	NUT HEX NYRT M6-1.0 N500 G8	1	
11	509815	TIE MOUNT / ATTACHMENT W/TREE MOUNT	9	
11	504637	CABLE TIE / 3/16" x 13"	9	
NS	564108	SELF MOUNTING STUD // DEUTSCH 1011-310-0205	1	
21	502705	SCREW CAP HEX M12-1.75X25 G8.8 N500	2	
22	500967	WASHER BEL SPR .512x1.142x.098 N500	2	

From H-7417 To J-7512

Date:07/2024

PAGE:X3PLB-0510-01

SURGE TANK VOLVO D13 - GHG17



From H-7417 To J-7512	Date:07/2024	PAGE:X3PLB-0510-01
SURGE TANK VOLVO D13 - GHG17		

Item#	Part	Description	QTY	Notes
1	050001	SURGE TANK ALUMINUM	1	
2	053715	SUPPORT ASSY/ SURGE TANK	1	
2	050164	SURGE TANK SUPPORT REPLACEMENT	1	
3	504775	T-BOLT BAND CLAMP/ 9.69" ID	2	
4	053597	DECAL SPEC / ANTIFREEZE / W/ "VOLVO" ENGINE FRANCAIS / ENGLISH / SPANISH	1	
5	5001745	SCREW CAP HEX M8-1.25x25 G8.8 N500	5	
6	500321	WASHER BEL SPR .331x.827x.098 N500	10	
7	21331481	SIGHT GLASS 1" NPT	1	
8	550984	CAP PRESSURE / OVER 13 LBS	1	
9	Call order desk	HOSE ASSY / 1700 MM	1	P
. NS	503789	. HOSE SILICONE 1 PLY / NOMEX-ARAMID 1/4" X 25'	AR	
NS	992081	HOSE CLAMP / 12MM/22MM	4	
NS	504637	CABLE TIE / 3/16" x 13"	4	
NS	509815	TIE MOUNT / ATTACHMENT W/TREE MOUNT	1	
10	504671	GROMMET / .687x1.000x.125x.437x1.312	1	
15	050005P	HOSE ASSY 1/4" 350 MM To J-7519	1	
. NS	501347	. FEMALE CONNECTOR SWIVEL / PUSH-LOK FITTING #4JIC-Fx#4 BR To J-7519	2	
. NS	503706	. HOSE FC-332-4 #4 To J-7519	AR	
. NS	992081	. HOSE CLAMP / 12MM/22MM To J-7519	2	
15	050145P	HOSE ASSY 1/4" 400 MM From J-7520	1	
. NS	501347	. FEMALE CONNECTOR SWIVEL / PUSH-LOK FITTING #4JIC-Fx#4 BR From J-7520	2	
. NS	503706	. HOSE FC-332-4 #4 From J-7520	AR	
. NS	992081	. HOSE CLAMP / 12MM/22MM From J-7520	2	
16	501037	MALE ELBOW 90° / SAE 45° FITTING / #4FL-Mx1/4NPT-M BR	1	
17	060139	SENSOR PROBE "LOW LEVEL COOLANT" ASSY / 1/2" NPT To J-7504	1	
. NS	560058	. SENSOR PROBE "LOW LEVEL COOLANT" / 1/2" NPT To J-7504	1	
. NS	563764	. CONNECTOR / CPC SERIES 3 / PH 3C / PED 15300002 To J-7504	1	
. NS	563763	. PIN TERMINAL / 14-12 / PED 12129497 To J-7504	2	
. NS	561786	. CABLE SEAL / GRAY / PED 15324980 To J-7504	2	
. NS	562387	. CONVOLUTED TUBING / SLIT / BLACK / .250" To J-7504	AR	
. NS	562388	. SECONDARY LOCK / METRI-PACK 280 / 2C / BLUE / PED 15300014 To J-7504	1	
17	069812	SENSOR PROBE "LOW LEVEL COOLANT" ASSY / 1/2" NPT From J-7505	1	
. NS	560058	. SENSOR PROBE "LOW LEVEL COOLANT" / 1/2" NPT From J-7505	1	
. NS	563764	. CONNECTOR / CPC SERIES 3 / PH 3C / PED 15300002 From J-7505	1	
. NS	563763	. PIN TERMINAL / 14-12 / PED 12129497 From J-7505	2	
. NS	561786	. CABLE SEAL / GRAY / PED 15324980 From J-7505	2	
. NS	562387	. CONVOLUTED TUBING / SLIT / BLACK / .250" From J-7505	AR	
. NS	562388	. SECONDARY LOCK / METRI-PACK 280 / 2C / BLUE / PED 15300014 From J-7505	1	
18	501800	PLUG HEXS / PIPE FITTING / 1/4NPT-M STL	1	
19	053585P	HOSE ASSY TEFLON #4 1850MM	1	
. NS	503064	. HOSE TEFLON #4 / S.L.	AR	
. NS	5011182	. FEMALE CONNECTOR SWIVEL / SAE 45° FITTING / #4FL-Fx#4 STL	2	

From H-7417 To J-7512	Date:07/2024	PAGE:X3PLB-0510-01
SURGE TANK VOLVO D13 - GHG17		

Item#	Part	Description	QTY	Notes
. NS	5011183	. SLEEVE / #4 STL	2	
20	Call order desk	HOSE COOLING / 739 MM	1	P
. NS	503821	. HOSE SILICONE 4 PLY / NOMEX-ARAMID 3/8" x 144"	AR	
21	992081	HOSE CLAMP / 12MM/22MM	2	
22	501332	STREET ELBOW 90° / PIPE FITTING / 1/4NPT-Mx1/4NPT-F BR	1	
23	642196	MALE CONNECTOR / HOSE BARB FITTING / #6x1/4NPT-M BR	1	
24	507664	CABLE TIE / 3/16" 11" / DOUBLE LOOP HEAD	AR	
25	504016	CABLE TIE / 5/16" X 14"1/2	AR	
26	21283793	SPRING HOSE CLAMP 5/16"	1	
30	071715	BRACKET, TRANSMISSION DIPSTICK	1	
34	5001307	SCREW CAP HEXF M10-1.5x20 8.8 N500	1	
35	503788	HOSE SILICONE 4 PLY / NOMEX-ARAMID 1" I.D. x 54"	1	
36	992084	HOSE CLAMP / 23MM/35MM	2	
37	053709	PIPE ASSY, WATER PUMP	1	
38	504738	RUBBER JOINT	1	
39	502862	SCREW CAP HEX M8-1.25x20 G8.8 N500	4	
40	053037	HOSE HOLDER BRACKET To J-7506	1	
40	050110	HOSE HOLDER BRACKET 284.9x146x94.3 MM From J-7507	1	
NS	503821	HOSE SILICONE 4 PLY / NOMEX-ARAMID 3/8" x 144"	AR	
41	502836	SCREW CAP HEX M8-1.25x35 G8.8 N500	2	
42	504750	CABLE TIE / 1/2" x 15" / CHRISTMAS TREE	AR	
43	5001931	NUT HEXF NYRT M8-1.25 G8.8 N500	1	
45	053038	BRACKET, HOSE & DIPSTICK To J-7506	1	
45	050111	BRACKET, HOSE 275.5x165.7x48.5 MM From J-7507	1	
46	5001784	SCREW CAP HEXF M10-1.5x90 G8.8 AD N500	1	
47	5001834	WASHER BEL SPR 10.5X23X2.5 N500	2	
50	053485	ATTACHMENT ENGINE BLOCK	1	
70		GREYHOUND "OPTION"	1	
71	503789	HOSE SILICONE 1 PLY / NOMEX-ARAMID 1/4" X 25'	AR	GR
72	503821	HOSE SILICONE 4 PLY / NOMEX-ARAMID 3/8" x 144"	AR	GR
73	503788	HOSE SILICONE 4 PLY / NOMEX-ARAMID 1" I.D. x 54"	AR	GR
74	501332	STREET ELBOW 90° / PIPE FITTING / 1/4NPT-Mx1/4NPT-F BR	3	GR
75	507602	MALE CONNECTOR / PUSH-LOK FITTING / 1/4NPT-Mx#4 BR	1	GR
76	992081	HOSE CLAMP / 12MM/22MM	3	GR
77	501179	MALE CONNECTOR / PUSH-LOK FITTING / 1/4NPT-Mx#6 BR	1	GR
78	501312	BUSHING REDUCER / PIPE FITTING / 1/4NTP-Mx1/8NPT-F BR	1	GR
79	501331	STREET ELBOW 90° / PIPE FITTING / 1/8NPT-Mx1/8NPT-F BR	1	GR
80	640488	VALVE, AIR FILL 1/8" NPT	1	GR
. NS	650164	. CAP VALVE / CHROME	1	GR

From H-7417 To J-7512	Date:07/2024	PAGE:X3PLB-0510-01
SURGE TANK VOLVO D13 - GHG17		

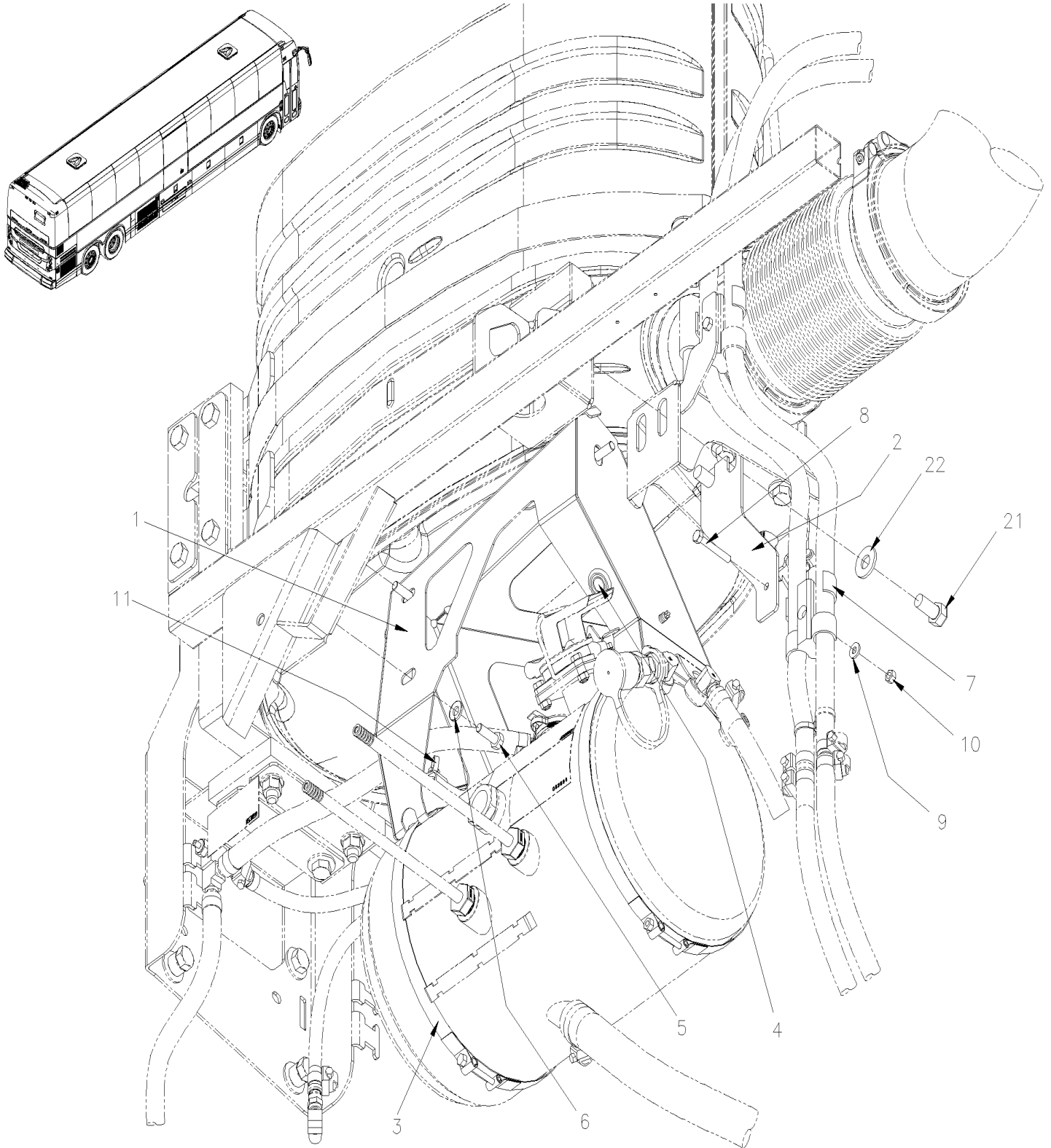
Item#	Part	Description	QTY	Notes
NS	685241	. . COOLANT PRESTONE / 208 LITERS 50%/50% PRE-MIXED W/"VOLVO"	1	
NS	685127	. . . COOLANT PRESTONE / 4 LITERS 50%/50% PRE-MIXED W/"VOLVO"	1	
		GR) WITH GREYHOUND OPTION		
		P) CALL ORDER DESK FOR SPECIFIC APPLICATION (V.I.N.)		

From H-7417 To J-7512

Date:07/2024

PAGE:050164

SURGE TANK SUPPORT REPLACEMENT



From H-7417 To J-7512	Date:07/2024	PAGE:050164
SURGE TANK SUPPORT REPLACEMENT		

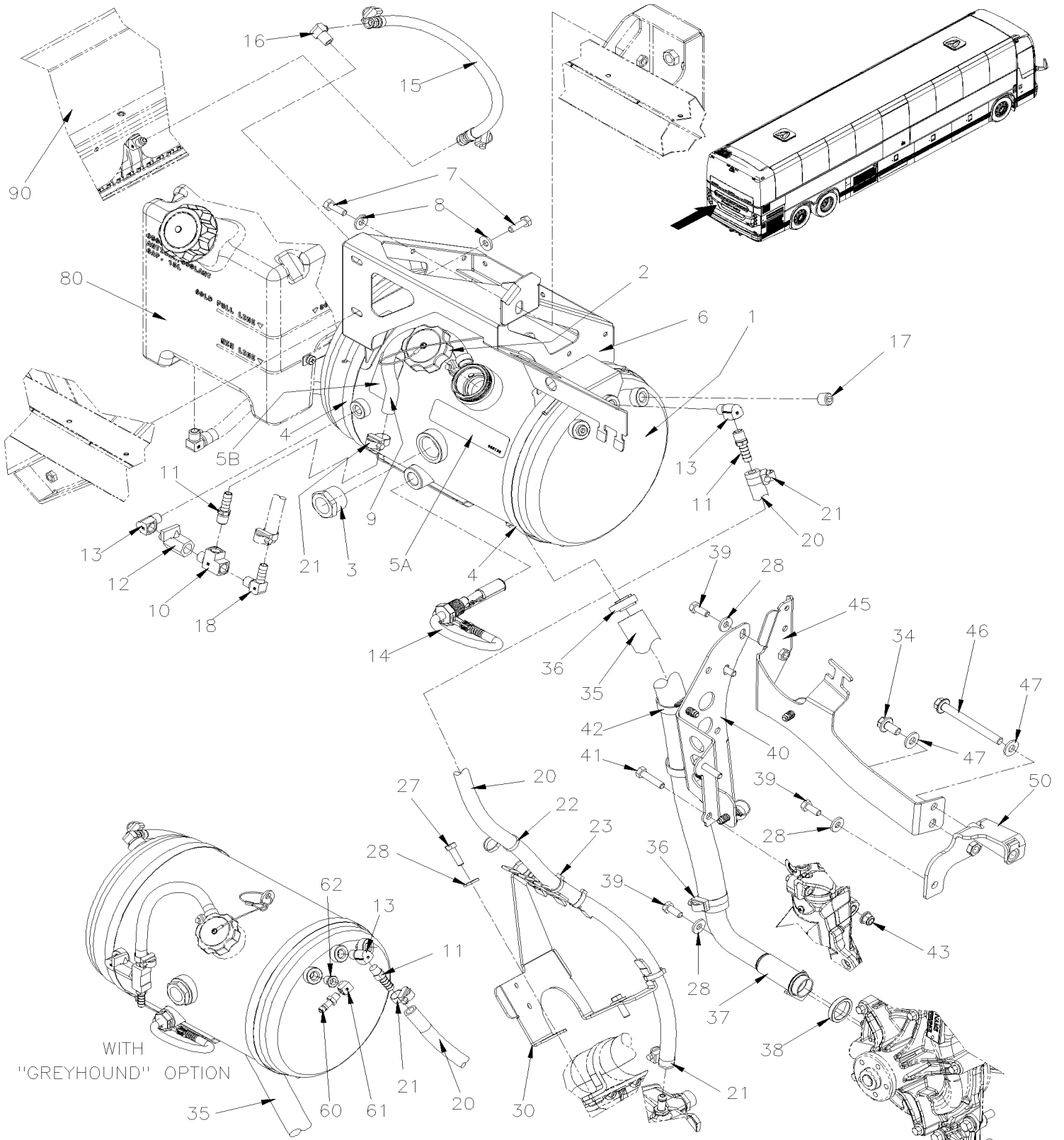
Item#	Part	Description	QTY	Notes
1	050134	SUPPORT ASSY/ SURGE TANK	1	
2	050136	BRACKET, COOLING HOSE	1	
3	504775	T-BOLT BAND CLAMP/ 9.69" ID	2	
4	382564	LED, ENGINE AIR FILTER ASSY	1	
5	502780	SCREW CAP HEX M8-1.25x25 SS BK	3	
6	5001868	WASHER BEL SPR 8.4x18x2 SS	3	
7	504634	T-CLIP / 7/8" - 1"	1	
8	5001923	SCREW CAP HEX M6-1.0x45 SS BK	1	
9	500877	WASHER FL .250x.562x.065 N500	1	
10	502681	NUT HEX NYRT M6-1.0 N500 G8	1	
11	509815	TIE MOUNT / ATTACHMENT W/TREE MOUNT	9	
11	504637	CABLE TIE / 3/16" x 13"	9	
NS	564108	SELF MOUNTING STUD // DEUTSCH 1011-310-0205	1	
21	502705	SCREW CAP HEX M12-1.75X25 G8.8 N500	2	
22	500967	WASHER BEL SPR .512x1.142x.098 N500	2	

From J-7513 To M-7767

Date:07/2024

PAGE:X3PLB-0510-02

SURGE TANK



From J-7513 To M-7767	Date:07/2024	PAGE:X3PLB-0510-02
SURGE TANK		

Item#	Part	Description	QTY	Notes
1	050083	SURGE TANK To M-7863	1	
1	050519	SURGE TANK From M-7864	1	
2	050130	CAP, ASSY To M-7863	1	
. NS	504133	. CAP, SURGE TANK To M-7863	1	
. NS	5002066	. SCREW TC PAN PH #6-32x1/4 SS To M-7863	1	
. NS	510973	. CABLE SS 3/64" DIA. ASSY W/LOOP 8" LG x W/1" LOOP To M-7863	AR	
2	050557	KIT, CAP ADAPTATOR, SURGE TANK From M-7864	1	A
2	21528785	CAP PRESSURE / OVER 13 LBS From M-7864	1	
3	21331481	SIGHT GLASS 1" NPT	1	
4	504775	T-BOLT BAND CLAMP/ 9.69" ID	2	
5A	050138	DECAL "CAUTION NEVER OPEN..." ENGLISH To L-7718	1	
5A	050463	DECAL "CAUTION NEVER OPEN..." ENGLISH From L-7719	1	
5A	050147	DECAL "CAUTION NEVER OPEN..." ENGLISH / FRANCAIS To L-7718	1	
5A	050462	DECAL "CAUTION NEVER OPEN..." ENGLISH / FRANCAIS From L-7719	1	
5A	050157	DECAL "CAUTION NEVER OPEN..." ENGLISH / SPANISH To L-7718	1	
5A	050464	DECAL "CAUTION NEVER OPEN..." ENGLISH / SPANISH From L-7719	1	
5B	050163	DECAL "OPERATIONAL MODE" ENGLISH To L-7718	1	
5B	050466	DECAL "OPERATIONAL MODE" ENGLISH From L-7719	1	
5B	050161	DECAL "OPERATIONAL MODE" ENGLISH / SPANISH To L-7718	1	
5B	050470	DECAL "OPERATIONAL MODE" ENGLISH / SPANISH From L-7719	1	
5B	050158	DECAL "OPERATIONAL MODE" ENGLISH / FRANCAIS To L-7718	1	
5B	050465	DECAL "OPERATIONAL MODE" ENGLISH / FRANCAIS From L-7719	1	
6	053715	SUPPORT ASSY/ SURGE TANK To J-7539	1	
6	050164	SURGE TANK SUPPORT REPLACEMENT To J-7539	1	
6	050134	SUPPORT ASSY/ SURGE TANK From J-7540 To J-7706	1	
6	050338	SUPPORT ASSY/ SURGE TANK From J-7707	1	
NS	504013	TIE MOUNT / 1/4" X 1/4" I.D. From J-7707	1	
NS	504379	RIVET POP DOME OE 3/16x1/4 SS From J-7707	1	
NS	5001137	WASHER FL .203x.438x.050 SS From J-7707	1	
7	502780	SCREW CAP HEX M8-1.25x25 SS BK	AR	
8	5001868	WASHER BEL SPR 8.4x18x2 SS	AR	
9	503702	HOSE / (SAFETY STRIPE) / 3/8" I.D. 50' / S.L.	AR	
10	501894	MALE BRANCHE TEE / PIPE FITTING / 1/4NPT-Fx1/4NPT-Fx1/4NPT-M BR To J-7706	1	
10	501338	MALE RUN TEE / PIPE FITTING / 1/4NPT-Mx1/4NPT-Fx1/4NPT-F BR From J-7707	1	
11	642196	MALE CONNECTOR / HOSE BARB FITTING / #6x1/4NPT-M BR	2	
12	641936	BALL VALVE 1/4 NPT M x 1/4 NPT F	1	
13	501332	STREET ELBOW 90° / PIPE FITTING / 1/4NPT-Mx1/4NPT-F BR To J-7706	2	
13	501332	STREET ELBOW 90° / PIPE FITTING / 1/4NPT-Mx1/4NPT-F BR From J-7707	3	
14	069812	SENSOR PROBE "LOW LEVEL COOLANT" ASSY / 1/2" NPT	1	
. NS	560058	. SENSOR PROBE "LOW LEVEL COOLANT" / 1/2" NPT	1	
. NS	563764	. CONNECTOR / CPC SERIES 3 / PH 3C / PED 15300002	1	
. NS	563763	. PIN TERMINAL / 14-12 / PED 12129497	2	

From J-7513 To M-7767	Date:07/2024	PAGE:X3PLB-0510-02
SURGE TANK		

Item#	Part	Description	QTY	Notes
. NS	561786	. CABLE SEAL / GRAY / PED 15324980	2	
. NS	562387	. CONVOLUTED TUBING / SLIT / BLACK / .250"	AR	
. NS	562388	. SECONDARY LOCK / METRI-PACK 280 / 2C / BLUE / PED 15300014	1	
15	Call order desk	HOSE ASSY 1/4" 350 MM To J-7519	1	P
. NS	501347	. FEMALE CONNECTOR SWIVEL / PUSH-LOK FITTING #4JIC-Fx#4 BR To J-7519	2	
. NS	503706	. HOSE FC-332-4 #4 To J-7519	AR	
. NS	992081	. HOSE CLAMP / 12MM/22MM To J-7519	2	
15	Call order desk	HOSE ASSY 1/4" 400 MM From J-7520	1	P
. NS	501347	. FEMALE CONNECTOR SWIVEL / PUSH-LOK FITTING #4JIC-Fx#4 BR From J-7520	2	
. NS	503706	. HOSE FC-332-4 #4 From J-7520	AR	
. NS	992081	. HOSE CLAMP / 12MM/22MM From J-7520	2	
16	501037	MALE ELBOW 90° / SAE 45° FITTING / #4FL-Mx1/4NPT-M BR	1	
17	501800	PLUG HEXS / PIPE FITTING / 1/4NPT-M STL	AR	
18	642196	MALE CONNECTOR / HOSE BARB FITTING / #6x1/4NPT-M BR To J-7706	1	
18	501088	MALE ELBOW 90° / HOSE BARB FITTING / #6x1/4NPT-M BR From J-7707	1	
20	503821	HOSE SILICONE 4 PLY / NOMEX-ARAMID 3/8" x 144"	AR	
21	992081	HOSE CLAMP / 12MM/22MM	AR	
22	507664	CABLE TIE / 3/16" 11" / DOUBLE LOOP HEAD	AR	
23	504016	CABLE TIE / 5/16" X 14"1/2	AR	
27	5001745	SCREW CAP HEX M8-1.25x25 G8.8 N500	3	
28	500321	WASHER BEL SPR .331x.827x.098 N500	3	
30	071715	BRACKET, TRANSMISSION DIPSTICK	1	
34	5001307	SCREW CAP HEXF M10-1.5x20 8.8 N500	1	
35	503788	HOSE SILICONE 4 PLY / NOMEX-ARAMID 1" I.D. x 54"	1	
36	992084	HOSE CLAMP / 23MM/35MM	2	
37	053709	PIPE ASSY, WATER PUMP	1	
38	504738	RUBBER JOINT	1	
39	502862	SCREW CAP HEX M8-1.25x20 G8.8 N500	4	
40	053037	HOSE HOLDER BRACKET	1	
40	050110	HOSE HOLDER BRACKET 284.9x146x94.3 MM	1	
40	503821	HOSE SILICONE 4 PLY / NOMEX-ARAMID 3/8" x 144"	AR	
41	502836	SCREW CAP HEX M8-1.25x35 G8.8 N500	2	
42	504750	CABLE TIE / 1/2" x 15" / CHRISTMAS TREE	AR	
43	5001931	NUT HEXF NYRT M8-1.25 G8.8 N500	1	
45	053038	BRACKET, HOSE & DIPSTICK	1	
45	050111	BRACKET, HOSE 275.5x165.7x48.5 MM	1	
46	5001784	SCREW CAP HEXF M10-1.5x90 G8.8 AD N500	1	
47	5001834	WASHER BEL SPR 10.5X23X2.5 N500	2	
50	053485	ATTACHMENT ENGINE BLOCK	1	
60	640488	VALVE, AIR FILL 1/8" NPT	1	GR

From J-7513 To M-7767	Date:07/2024	PAGE:X3PLB-0510-02
SURGE TANK		

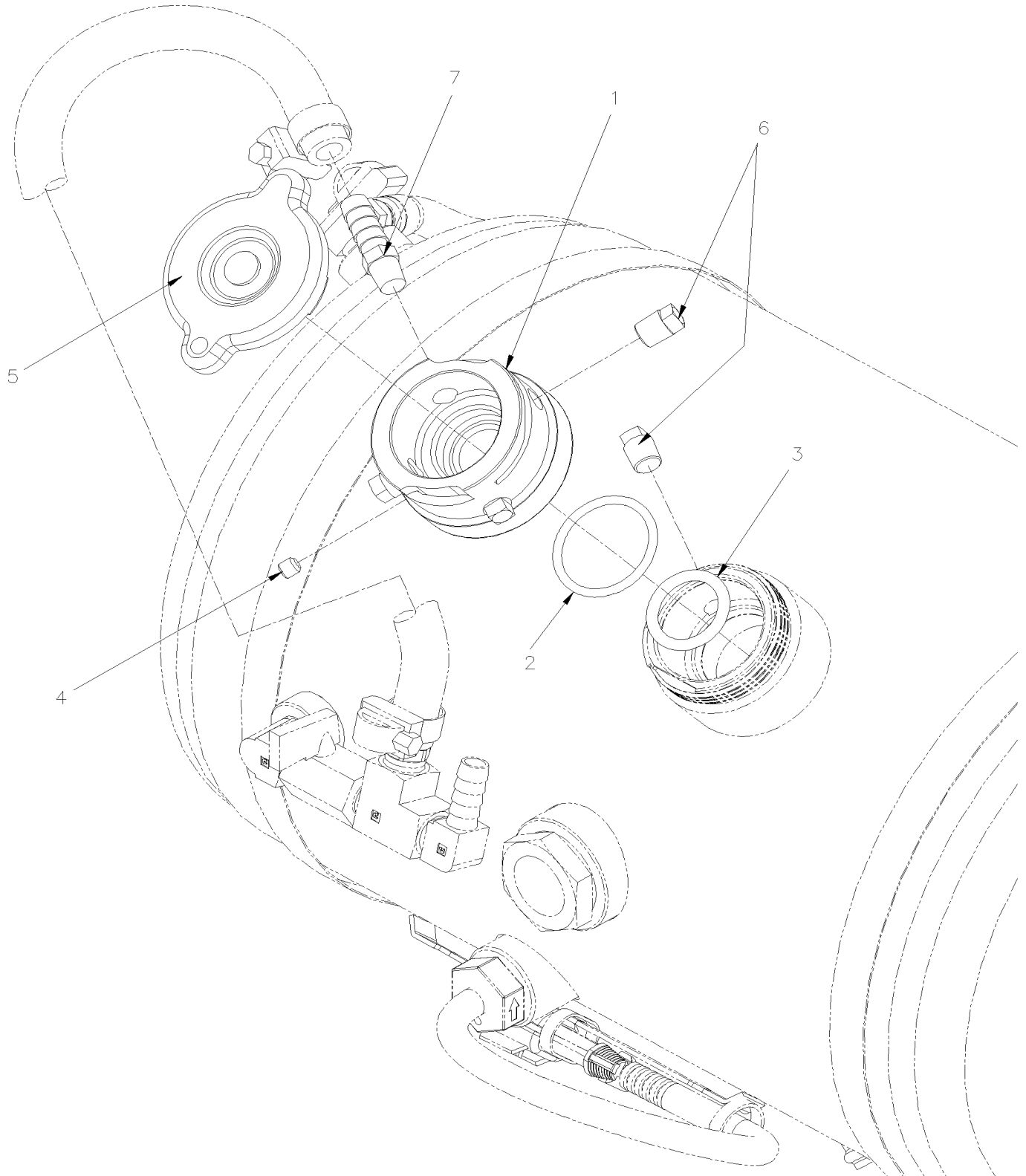
Item#	Part	Description	QTY	Notes
NS	650164	CAP VALVE / CHROME	1	GR
61	501331	STREET ELBOW 90° / PIPE FITTING / 1/8NPT-Mx1/8NPT-F BR	1	GR
62	501312	BUSHING REDUCER / PIPE FITTING / 1/4NTP-Mx1/8NPT-F BR	1	GR
80	X3PLB-0510-10	RECOVERY TANK INSTALLATION		
90	X3PLB-0505-02	RADIATOR ASSY VOLVO D13 - GHG17	1	
NS	685241	COOLANT PRESTONE / 208 LITERS 50%/50% PRE-MIXED W/"VOLVO"	AR	
NS	685127	COOLANT PRESTONE / 4 LITERS 50%/50% PRE-MIXED W/"VOLVO"	1	
		A) FOR PRODUCT IMPROVEMENT ASK FOR 050557		
		GR) WITH GRWYHOUND OPTION		
		P) CALL ORDER DESK FOR SPECIFIC APPLICATION (V.I.N.)		

From M-7864

Date:07/2024

PAGE:050557

KIT, CAP ADAPTATOR, SURGE TANK

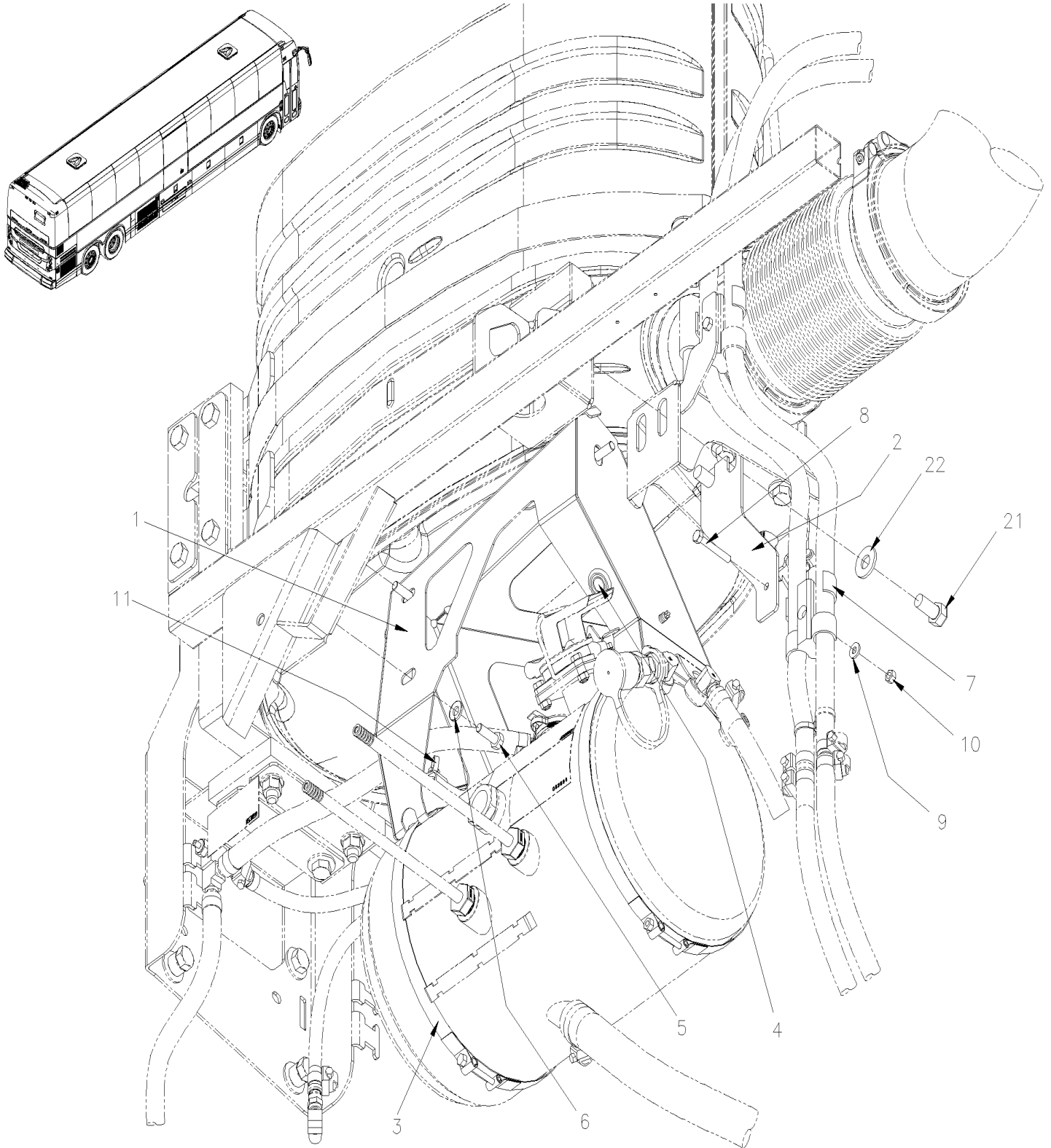


From M-7864	Date:07/2024	PAGE:050557
--------------------	---------------------	--------------------

KIT, CAP ADAPTATOR, SURGE TANK

Item#	Part	Description	QTY	Notes
1	050556	CAP ADAPTATOR, SURGE TANK	1	
2	507036	O-RING 33 X 39 X 3	1	
3	507035	O-RING 23 X 31 X 4	1	
4	502634	SCREW SET HEXS CUP M6-1.0x6	1	
5	21528785	CAP PRESSURE / OVER 13 LBS	1	
6	501303	PLUG SQUARE HEAD / PIPE FITTING / 1/8NPT-M BR	4	
7	5011366	MALE CONNECTOR / HOSE BARB FITTING / #6x1/8NPT-M BR	1	

SURGE TANK SUPPORT REPLACEMENT

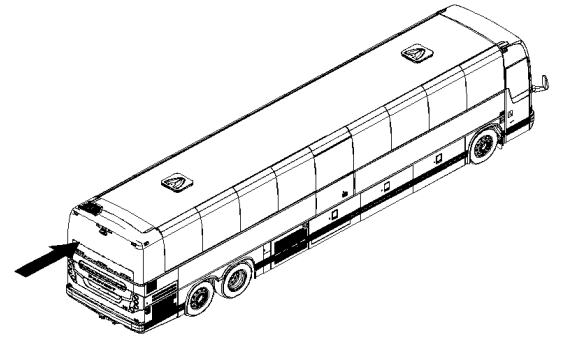


To J-7539	Date:07/2024	PAGE:050164
-----------	--------------	-------------

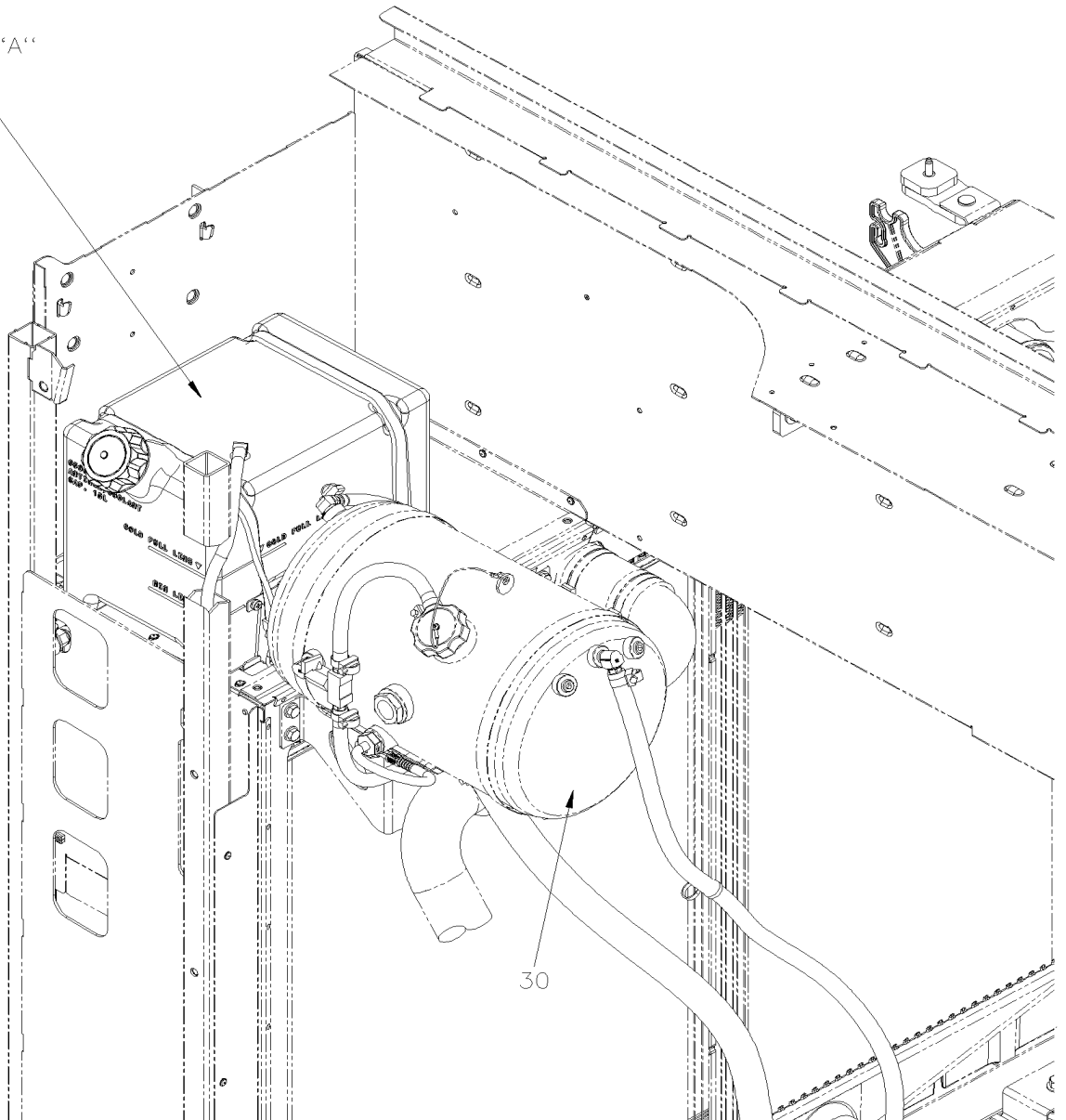
SURGE TANK SUPPORT REPLACEMENT

Item#	Part	Description	QTY	Notes
1	050134	SUPPORT ASSY/ SURGE TANK	1	
2	050136	BRACKET, COOLING HOSE	1	
3	504775	T-BOLT BAND CLAMP/ 9.69" ID	2	
4	382564	LED, ENGINE AIR FILTER ASSY	1	
5	502780	SCREW CAP HEX M8-1.25x25 SS BK	3	
6	5001868	WASHER BEL SPR 8.4x18x2 SS	3	
7	504634	T-CLIP / 7/8" - 1"	1	
8	5001923	SCREW CAP HEX M6-1.0x45 SS BK	1	
9	500877	WASHER FL .250x.562x.065 N500	1	
10	502681	NUT HEX NYRT M6-1.0 N500 G8	1	
11	509815	TIE MOUNT / ATTACHMENT W/TREE MOUNT	9	
11	504637	CABLE TIE / 3/16" x 13"	9	
NS	564108	SELF MOUNTING STUD // DEUTSCH 1011-310-0205	1	
21	502705	SCREW CAP HEX M12-1.75X25 G8.8 N500	2	
22	500967	WASHER BEL SPR .512x1.142x.098 N500	2	

RECOVERY TANK INSTALLATION



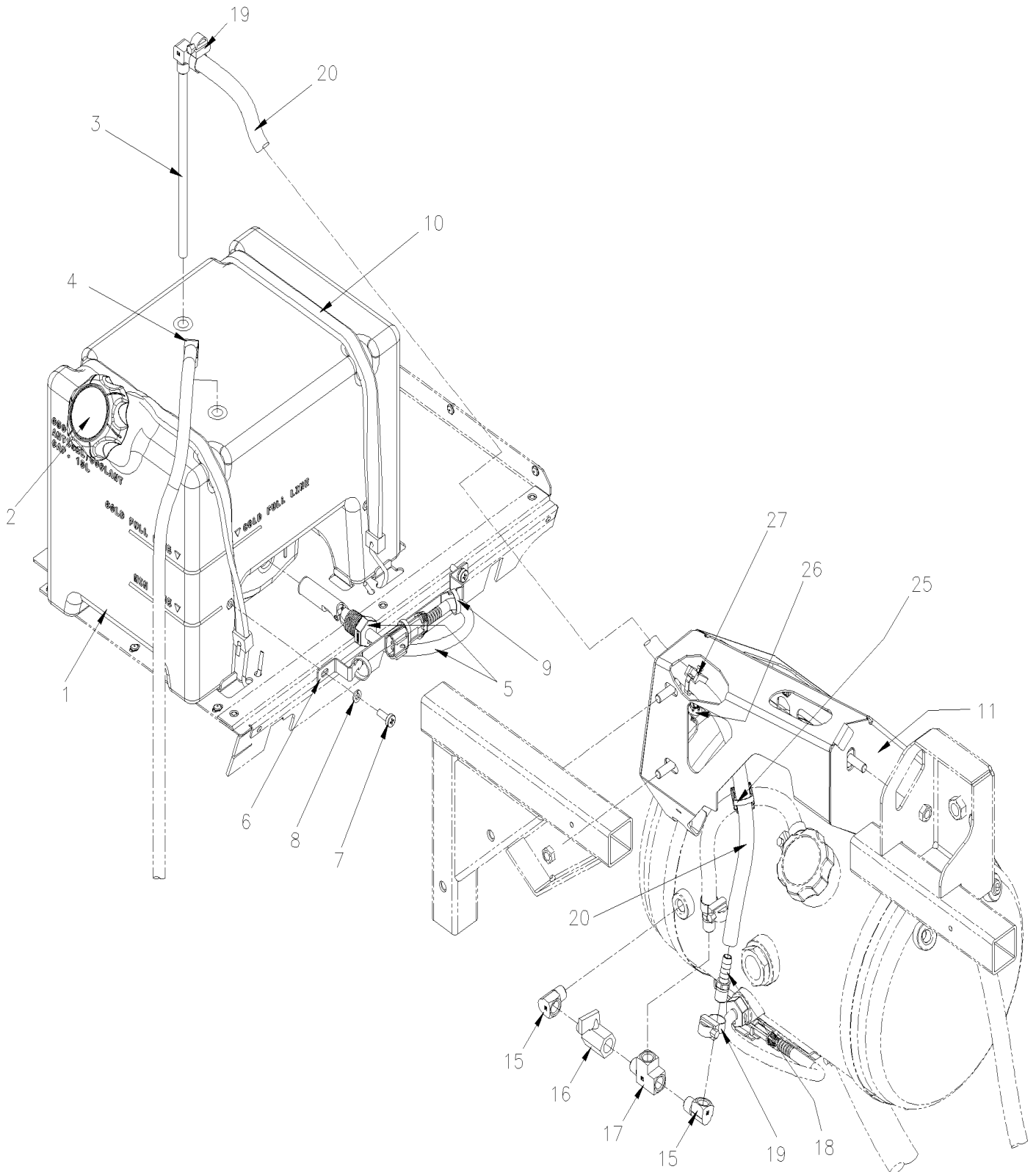
DETAIL "A"



From J-7513 To M-7767	Date:07/2024	PAGE:X3PLB-0510-10
RECOVERY TANK INSTALLATION		

Item#	Part	Description	QTY	Notes
1	050095	RECOVERY TANK To L-7706	1	
1	050189	RECOVERY TANK From L-7707	1	
1	050461	RECOVERY TANK REPLACEMENT KIT To L-7706	1	
2	5041100	CAP NON VENTED	1	
3	503702	HOSE / (SAFETY STRIPE) / 3/8" I.D. 50' / S.L.	AR	
NS	504751	ROTATIF SPACER DOUBLE / SMALL	1	
NS	504637	CABLE TIE / 3/16" x 13"	2	
4	992081	HOSE CLAMP / 12MM/22MM To L-7706	1	
4	992081	HOSE CLAMP / 12MM/22MM From L-7707	2	
5	504761	CLAMP "E-Z CLIP" / "TUBE-O" / G134 #8	1	
6	501088	MALE ELBOW 90° / HOSE BARB FITTING / #6x1/4NPT-M BR To L-7706	1	
6	050340	ANKLE ASSY From L-7707	1	
7	503789	HOSE SILICONE 1 PLY / NOMEX-ARAMID 1/4" X 25'	AR	
8	501089	MALE ELBOW 90° / HOSE BARB FITTING / #4x1/4NPT-M BR	1	
9	504116	RUBBER TIE DOWN W/HOOK / 25"	2	
10	050112	BRACKET, RECOVERY TANK	1	
11	502817	SCREW MA PAN PH M6-1.0x16 N500 To L-7706	3	
11	502817	SCREW MA PAN PH M6-1.0x16 N500 From L-7707	2	
12	502570	WASHER LO SPT 6.1x11.8x1.6 SS	2	
13	060139	SENSOR PROBE "LOW LEVEL COOLANT" ASSY / 1/2" NPT	1	
NS	560058	SENSOR PROBE "LOW LEVEL COOLANT" / 1/2" NPT	1	
NS	563764	CONNECTOR / CPC SERIES 3 / PH 3C / PED 15300002	1	
NS	563763	PIN TERMINAL / 14-12 / PED 12129497	2	
NS	561786	CABLE SEAL / GRAY / PED 15324980	2	
NS	562387	CONVOLUTED TUBING / SLIT / BLACK / .250"	AR	
NS	562388	SECONDARY LOCK / METRI-PACK 280 / 2C / BLUE / PED 15300014	1	
15	504059	GROMMET / 1.250x1.500x.094x.375x1.875	1	
16	504013	TIE MOUNT / 1/4" X 1/4" I.D.	AR	
17	504637	CABLE TIE / 3/16" x 13"	AR	
18	5001137	WASHER FL .203x.438x.050 SS	AR	
19	504379	RIVET POP DOME OE 3/16x1/4 SS	AR	
20	21283796	SPRING HOSE CLAMP 1/4" From L-7707	1	
30	X3PLB-0510-02	SURGE TANK		

RECOVERY TANK REPLACEMENT KIT



To L-7706	Date:07/2024	PAGE:050461
------------------	---------------------	--------------------

RECOVERY TANK REPLACEMENT KIT

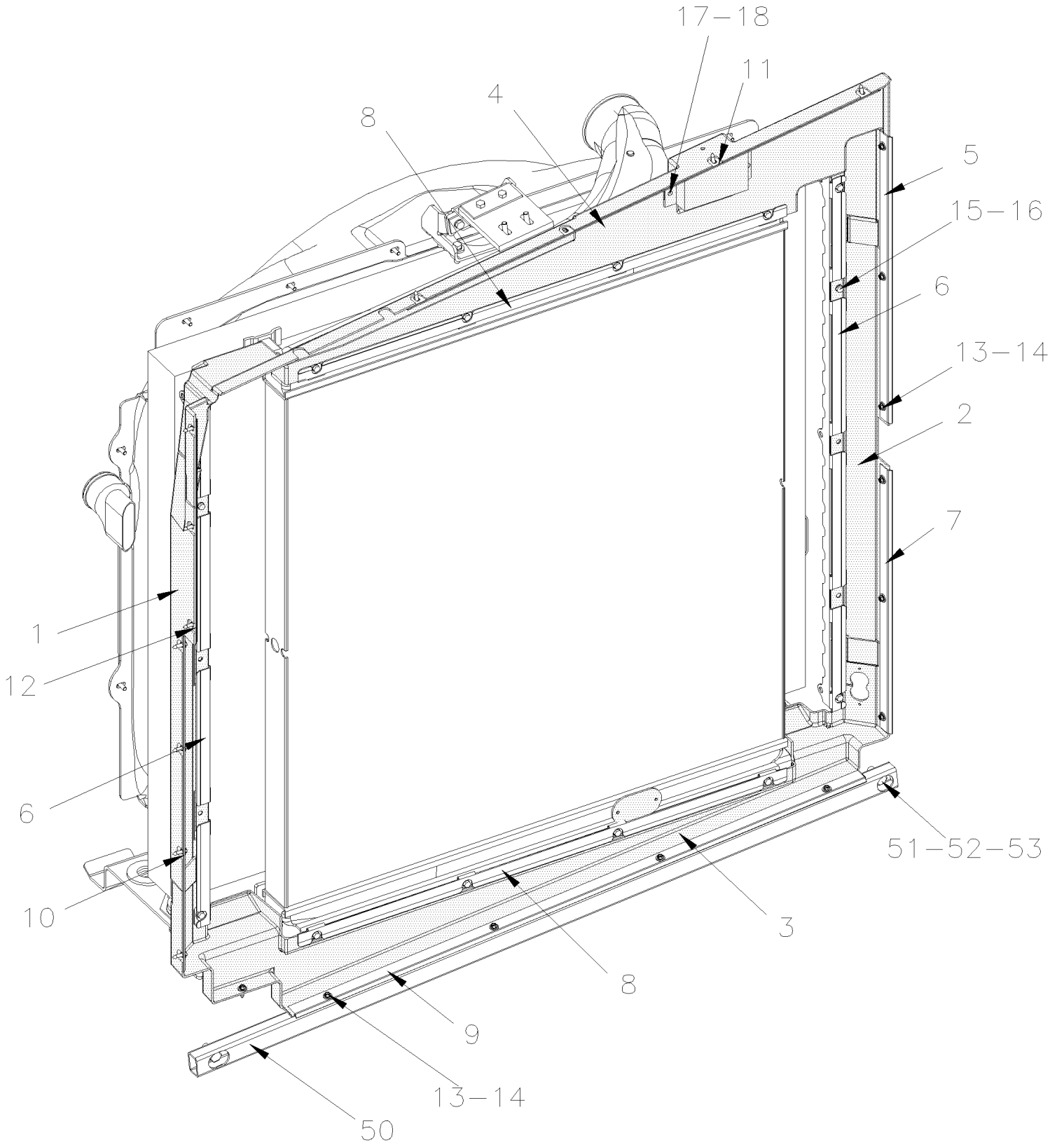
Item#	Part	Description	QTY	Notes
1	050189	RECOVERY TANK	1	O
1	050615	RECOVERY TANK	1	N
2	5041100	. CAP NON VENTED	1	
3	050340	ANKLE ASSY	1	
4	501089	MALE ELBOW 90° / HOSE BARB FITTING / #4x1/4NPT-M BR	1	
5	069812	SENSOR PROBE "LOW LEVEL COOLANT" ASSY / 1/2" NPT	1	
. NS	560058	. SENSOR PROBE "LOW LEVEL COOLANT" / 1/2" NPT	1	
. NS	563764	. CONNECTOR / CPC SERIES 3 / PH 3C / PED 15300002	1	
. NS	563763	. PIN TERMINAL / 14-12 / PED 12129497	2	
. NS	561786	. CABLE SEAL / GRAY / PED 15324980	2	
. NS	562387	. CONVOLUTED TUBING / SLIT / BLACK / .250"	AR	
. NS	562388	. SECONDARY LOCK / METRI-PACK 280 / 2C / BLUE / PED 15300014	1	
6	050112	BRACKET, RECOVERY TANK	1	
7	502817	SCREW MA PAN PH M6-1.0x16 N500	2	
8	502570	WASHER LO SPT 6.1x11.8x1.6 SS	2	
9	504637	CABLE TIE / 3/16" x 13"	3	
10	504116	RUBBER TIE DOWN W/HOOK / 25"	2	
11	050338	SUPPORT ASSY/ SURGE TANK	1	
NS	564108	SELF MOUNTING STUD // DEUTSCH 1011-310-0205	1	
15	501332	STREET ELBOW 90° / PIPE FITTING / 1/4NPT-Mx1/4NPT-F BR	2	
16	641936	BALL VALVE 1/4 NPT M x 1/4 NPT F	1	
17	501338	MALE RUN TEE / PIPE FITTING / 1/4NPT-Mx1/4NPT-Fx1/4NPT-F BR	1	
18	642196	MALE CONNECTOR / HOSE BARB FITTING / #6x1/4NPT-M BR	2	
19	992081	HOSE CLAMP / 12MM/22MM	2	
20	Call order desk	HOSE / 3/8" x 620MM	1	P
20	503702	. HOSE / (SAFETY STRIPE) / 3/8" I.D. 50' / S.L.	AR	
25	504751	ROTATIF SPACER DOUBLE / SMALL	1	
25	504637	CABLE TIE / 3/16" x 13"	2	
26	509815	TIE MOUNT / ATTACHMENT W/TREE MOUNT	8	
26	504637	CABLE TIE / 3/16" x 13"	8	
27	504013	TIE MOUNT / 1/4" X 1/4" I.D.	1	
27	504637	CABLE TIE / 3/16" x 13"	1	
27	504379	RIVET POP DOME OE 3/16x1/4 SS	1	
27	5001137	WASHER FL .203x.438x.050 SS	1	
NS	680098	THREAD SEALANT LOCTITE #567 / WHITE / 250ml	AR	
NS	680901	SCCELLANT PLASTIQUE LOCTITE MR5438, 473ML	AR	
		N) NEW		
		O) OLD		
		P) CALL ORDER DESK FOR SPECIFIC APPLICATION (V.I.N.)		

From G-7275 To H-7416

Date:07/2024

PAGE:X3PLB-0518-00

RADIATOR SEALING FRAME - BUS

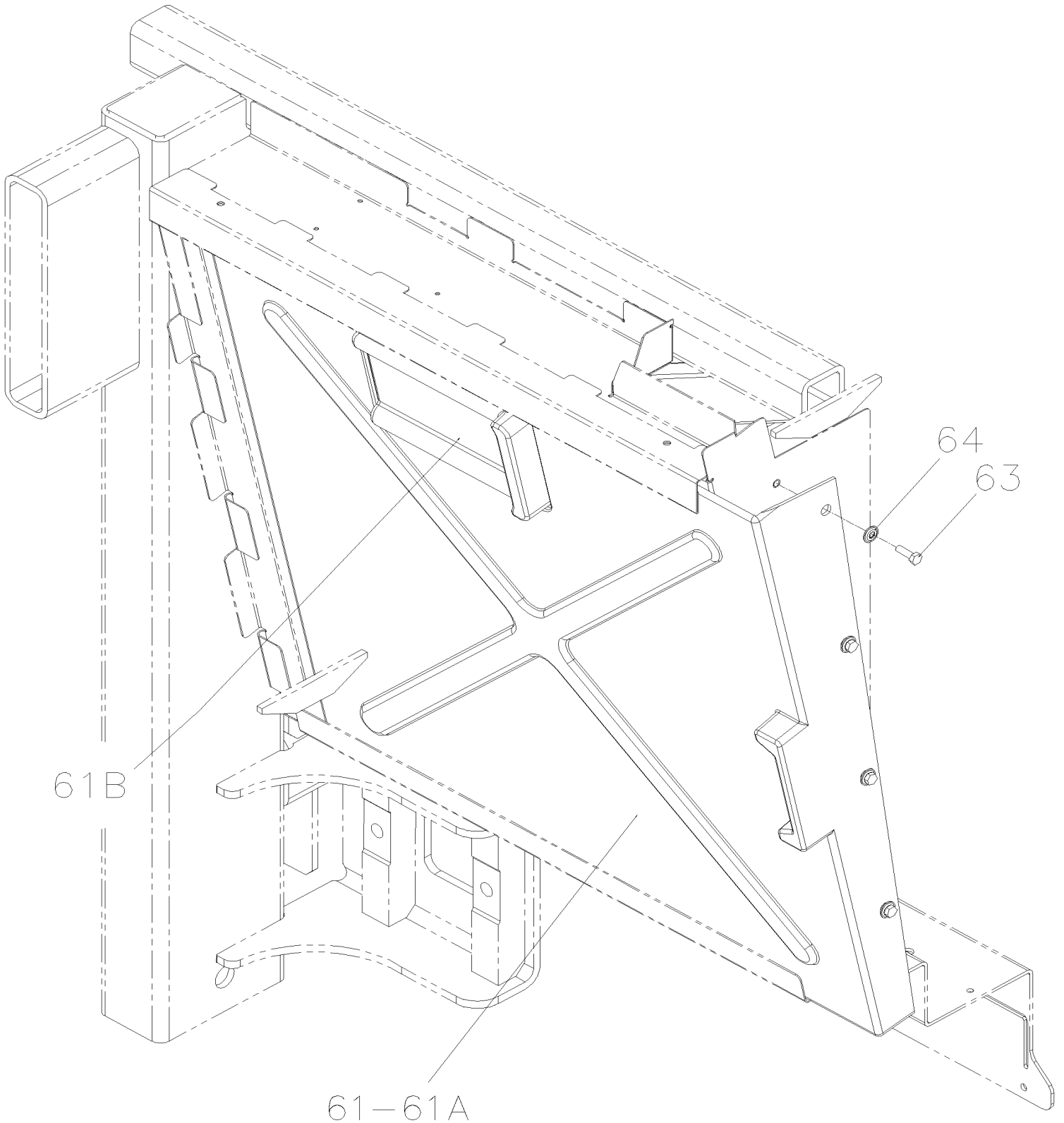


From G-7275 To H-7416

Date:07/2024

PAGE:X3PLB-0518-00

RADIATOR SEALING FRAME - BUS



From G-7275 To H-7416	Date:07/2024	PAGE:X3PLB-0518-00
RADIATOR SEALING FRAME - BUS		

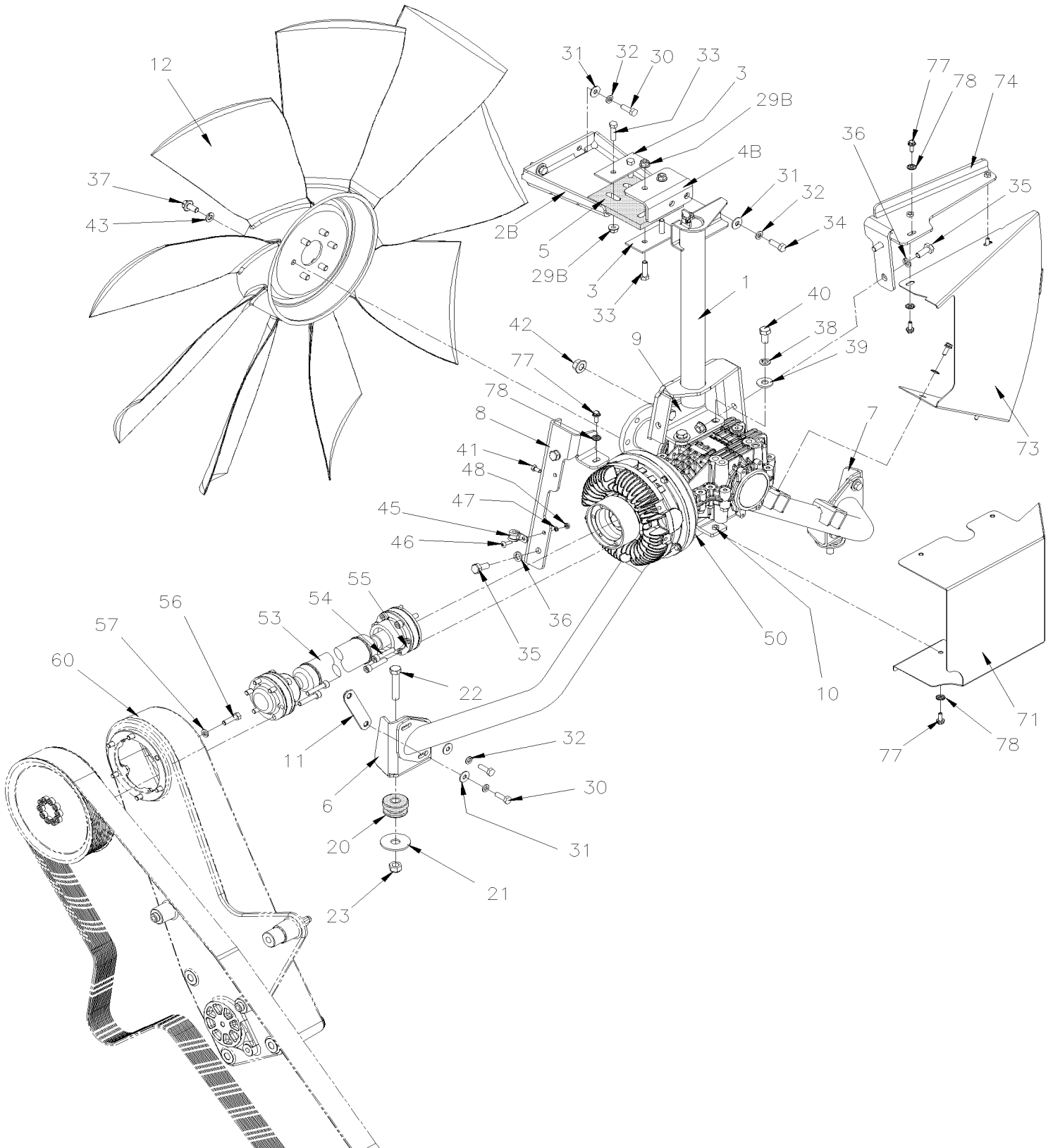
Item#	Part	Description	QTY	Notes
	052844	KIT SEALING FRAME WO & WE	1	
1	052774	. FRAME, SEALING / FORWARD	1	
2	052779	. FRAME, SEALING / BACKWARD	1	
3	052780	. FRAME, SEALING / LOWER	1	
4	052781	. FRAME, SEALING / UPPER	1	
5	052804	ANGLE REINFORCEMENT 662MM	1	
6	052814	REINFORCMENT "U" 1043MM	2	
7	052778	ANGLE REINFORCEMENT 515MM	1	
8	052815	REINFORCMENT "U" 893MM	2	
9	052817	ANGLE REINFORCEMENT 1045MM	1	
10	052793	ANGLE REINFORCEMENT 658MM	AR	
11	052805	ANGLE REINFORCEMENT 871MM	AR	
12	052816	ANGLE REINFORCEMENT 435MM	AR	
13	500526	SCREW TP CAP HEXW #12x3/4 N500	AR	
14	500877	WASHER FL .250x.562x.065 N500	AR	
15	502853	WASHER LO SPT 6.1x11.8x1.6 N500	AR	
16	502830	SCREW CAP HEX M6-1.0x20 G8.8 N500	AR	
17	5001067	WASHER FL .128x.312x.032 SS	2	
18	504339	RIVET POP DOME OE 1/8x3/8 SS	2	
50	288722	TUBE PROTECTOR LOWER RADIATOR 1283MM	1	
51	502705	SCREW CAP HEX M12-1.75X25 G8.8 N500	2	
52	500958	WASHER FL .531x1.062x.095 SS	2	
53	500747	WASHER LO SPT 12.2x21.1x2.5 N500	2	
61	053455	FENDER ACCESS PANEL ASSY PLASTIC To H-7321	1	
. A	053453	. FENDER ACCESS PANEL LARGE PLASTIC To H-7321	1	
. B	053454	. FENDER ACCESS PANEL SMALL PLASTIC To H-7321	1	
61	050018	FENDER ACCESS PANEL ASSY PLASTIC From H-7322	1	
63	5001743	SCREW CAP HEX M6-1.0x12 G8.8 N500 To H-7321	4	
63	5001743	SCREW CAP HEX M6-1.0x12 G8.8 N500 From H-7322	2	
64	500356	WASHER LO SERR 6.1x16.0x0.9 N500 To H-7321	4	
64	500356	WASHER LO SERR 6.1x16.0x0.9 N500 From H-7322	2	

From G-7275 To H-7416

Date:07/2024

PAGE:X3PLB-0520-00

FAN DRIVE - INSTALLATION



From G-7275 To H-7416	Date:07/2024	PAGE:X3PLB-0520-00
FAN DRIVE - INSTALLATION		

Item#	Part	Description	QTY	Notes
1	052939	TRIPOD SUPPORT SHORT	1	
2B	053024	SUPPORT UPPER TRIPOD	1	
3	052473	PLATE / UPPER RADIATOR 40MM X 90MM	2	
4B	053025	SUPPORT UPPER TRIPOD	1	
5	21185073	RUBBER PAD 100MM X 123MM	1	
6	052901	SUPPORT LOWER TRIPOD / BACKWARD	1	
7	052905	SUPPORT LOWER TRIPOD / FORWARD	1	
8	053637	ANGLE CLOSING BACKWARD SUPPORT TRIPOD	1	
9	053639	ANGLE RETAINER UP 90° GEARBOX	1	
10	053640	ANGLE RETAINER LOWER 90° GEARBOX	1	
11	052840	PLATE ATTACHMENT W/2 NUTS M8-1.25	2	
12	557064	FAN ASSY / CW 38" / 9 BLADES PLASTIC	1	
20	21183424	RUBBER BUSHING	2	
21	052765	WASHER FL 12.5MMx52MMx3MM	2	
22	5001861	SCREW CAP HEX M12-1.75x60 G10.9 N500	2	
23	5001759	NUT HEX STO M12-1.75 N500	2	
29B	502837	NUT HEXF STO M8-1.25 N500	4	
30	5001745	SCREW CAP HEX M8-1.25x25 G8.8 N500	6	
31	500332	WASHER FL .328x.875x.062 N500	8	
32	500942	WASHER LO SPT 8.1x14.8x2.0 N500	8	
33	5001738	SCREW CAP HEX M8-1.25x30 G8.8 N500	4	
34	502862	SCREW CAP HEX M8-1.25x20 G8.8 N500	6	
35	502804	SCREW CAP HEX M10-1.5x25 G8.8 N500	4	
36	502616	WASHER LO SPT 10.2x18.1x2.2 SS	2	
37	5001307	SCREW CAP HEXF M10-1.5x20 8.8 N500	4	
38	500747	WASHER LO SPT 12.2x21.1x2.5 N500	8	
39	500211	WASHER FL .531x1.250x.125 N500	8	
40	5001222	SCREW CAP HEX M12-1.5x30 G10.9 N500	4	
41	5001181	SCREW CAP HEX M6-1.0x12 SS	4	
41	680038	THREAD LOCKER LOCTITE #243 / BLUE / 50ml	AR	
42	5001774	NUT HEXF STO M12-1.75 MAGNI G500	4	
43	5001834	WASHER BEL SPR 10.5X23X2.5 N500	6	
45	952624	CLAMP / 1/4" I.D.	1	
46	500606	SCREW MA TR PH #10-24x3/4 SS	1	
47	500914	WASHER LO SPT .193x.334x.047 N500	1	
48	502882	NUT HEX #10-24 N500	1	
50	X3PLB-0540-00	FAN CLUTCH & ANGLE DRIVE ASSY C.W.		
50	068185	CABLE ADAPTOR FAN CLUTCH / WITH 4 CONTACTS	1	
53	557072	DRIVE SHAFT 335MM	1	
. NS	550930	. PLATE REINFORCMENT HALF CIRCLE	6	
. NS	5000356	. SCREW CAP HEXS LOW HEAD M8-1.25x40 G8.8 YZP	12	

From G-7275 To H-7416	Date:07/2024	PAGE:X3PLB-0520-00
FAN DRIVE - INSTALLATION		

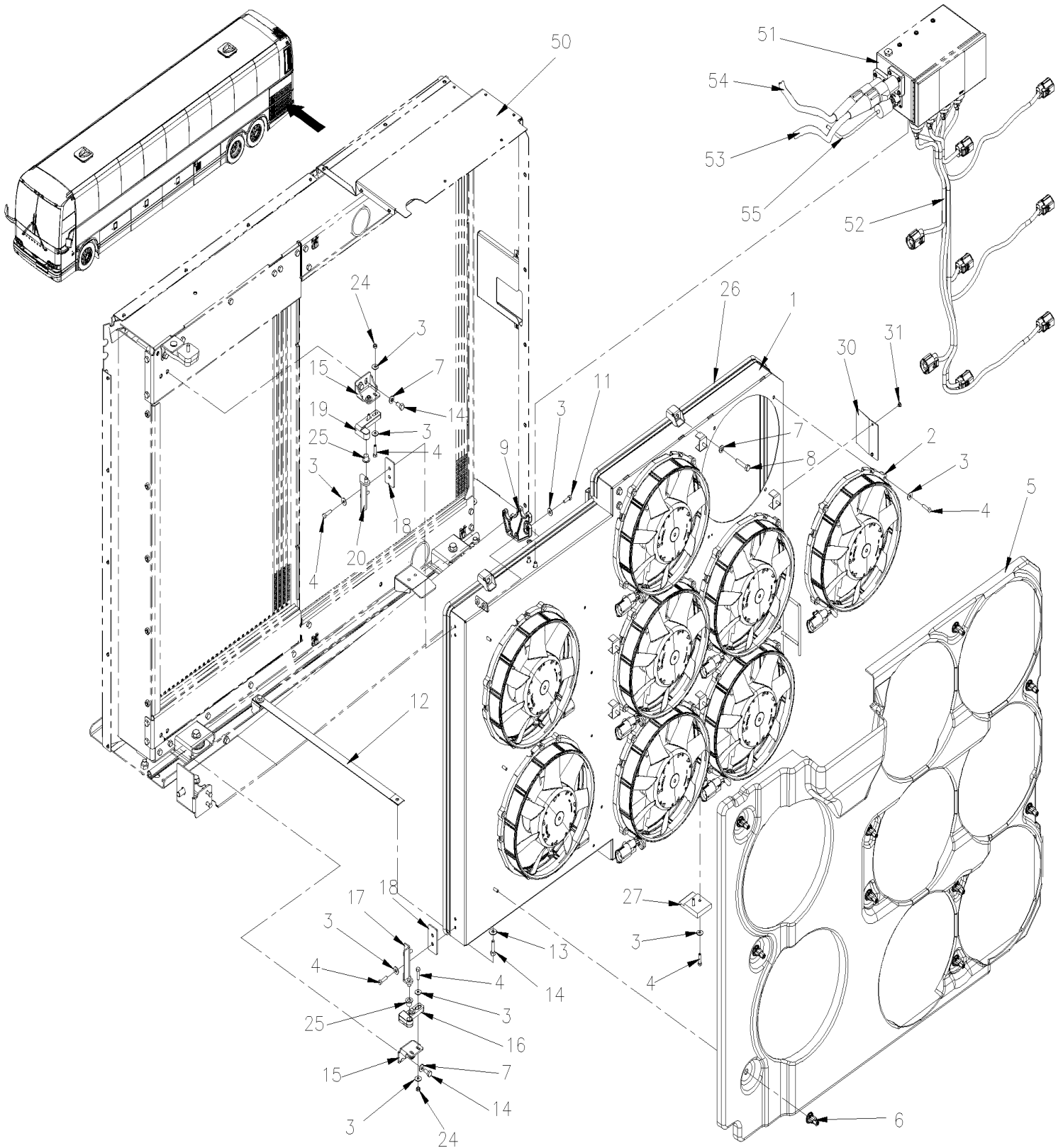
Item#	Part	Description	QTY	Notes
53	550990	DRIVE SHAFT 335MM ALTERNATIVE PART	1	
54	5000356	SCREW CAP HEXS LOW HEAD M8-1.25x40 G8.8 YZP	12	
54	502743	SCREW CAP HEXS M8-1.25x40 G8.8	12	B
55	550930	PLATE REINFORCMENT HALF CIRCLE	6	B
56	5001738	SCREW CAP HEX M8-1.25x30 G8.8 N500	6	
57	500321	WASHER BEL SPR .331x.827x.098 N500	6	
60	X3PLB-0120-00	DRIVE PULLEY, BELTS & TENSIONER WITH VOLVO D13		
71	053638	AIR DEFLECTOR BACKWARD	1	
73	052630	AIR DEFLECTOR FORWARD	1	
74	052994	RETAINER UPPER SUPPORT AIR DEFLECTOR	1	
77	5001730	SCREW CAP HEXF M6-1.0x16 G10.9 N500	7	
78	500356	WASHER LO SERR 6.1x16.0x0.9 N500	7	
		B) ONLY USE WITH THE OEM PART		

From H-7417 To M-7767

Date:07/2024

PAGE:X3PLB-0520-01

ELECTRICAL FANS - INSTALLATION VOLVO D13 - GHG17



From H-7417 To M-7767	Date:07/2024	PAGE:X3PLB-0520-01
ELECTRICAL FANS - INSTALLATION VOLVO D13 - GHG17		

Item#	Part	Description	QTY	Notes
1	053075	DOOR / FANS HOLDER FOR RADIATOR & CAC (WELDED)	1	
2	565191	ELECTRIC FAN FOR RADIATOR & CAC To M-7758	8	
. NS	568092	. CONNECTOR / PH 4C / YAZAKI 7282-8497-90 To M-7758	1	
. NS	560009	. CONNECTOR CLIP / HELLERMAN TYTON 155-30702 To M-7758	1	
2	564312	ELECTRIC FAN FOR RADIATOR & CAC From M-7759	8	
. NS	568092	. CONNECTOR / PH 4C / YAZAKI 7282-8497-90 From M-7759	1	
. NS	560009	. CONNECTOR CLIP / HELLERMAN TYTON 155-30702 From M-7759	1	
3	5001833	WASHER BEL SPR 6.1x18x1.27 SS	54	
4	502737	SCREW CAP HEX M6-1.0x25 SS BK	44	
5	053714	FINISH PANEL RADIATORS	1	
5	IS23502	ELEC. FAN DRIVE COOLING PLASTIC SHROUD	1	
. NS	053714	. FINISH PANEL RADIATORS	1	
. NS	491237	. NUT WING / PLASTIC M6-1.0 x 23	10	
6	491237	NUT WING / PLASTIC M6-1.0 x 23	10	
7	5001868	WASHER BEL SPR 8.4x18x2 SS	6	
8	5002012	SCREW CAP HEX W/DOG M8-1.25x45 SS	2	
NS	5001983	NUT HEX NYRT M8-1.25 SS SS BK	2	
NS	680335	ANTIGRIP MIXTURE	AR	
9	069350	CABLE SUPPORT FOR POWER BOX	1	
11	502622	SCREW CAP HEX M6-1.0x20 SS BK	2	
12	505507	STRAP NYLON 1" WIDE / S.L.	AR	
13	5001849	WASHER FL 8.4x24.0x2.0 SS	2	
14	5001527	SCREW CAP HEX M8-1.25x16 SS BK	6	
15	053073	BRACKET FOR HINGE	2	
16	286085	HINGE / LOWER	1	
17	289149	ARM ASSY	1	
18	053080	ATTACHEMENT / HINGE	2	
19	286129	HINGE / UPPER	1	
20	289150	ARM ASSY	1	
24	502565	NUT HEX M6-1.0 SS	4	
25	284607	BUSHING, NYLON / (NOT INCLUDE W/HINGE)	2	
26	506303	RUBBER SEAL EXTRUSION	AR	
27	053082	SKATE, FANS DOOR RAD. & CAC	1	
30	053111	PLATE, PROTECTION FOR RUBBER	1	
31	504379	RIVET POP DOME OE 3/16x1/4 SS	2	
50	X3PLB-0505-02	RADIATOR ASSY VOLVO D13 - GHG17	1	
51	X3PLB-0622-00	POWER BOX FOR RADIATORS FANS GHG17	1	
52	068820	HARNESS FAN DRIVE	1	
NS	504016	CABLE TIE / 5/16" X 14"1/2	AR	
NS	509492	CABLE TIE MOUNT FOR THREADED STUD 1/4	AR	
NS	8631155	CABLE TIE / 4.6MM x 200 / CHRISTMAS TREE	AR	
53	069245	HARNESS PWR FAN DRIVE	1	

From H-7417 To M-7767	Date:07/2024	PAGE:X3PLB-0520-01
-----------------------	--------------	--------------------

ELECTRICAL FANS - INSTALLATION VOLVO D13 - GHG17

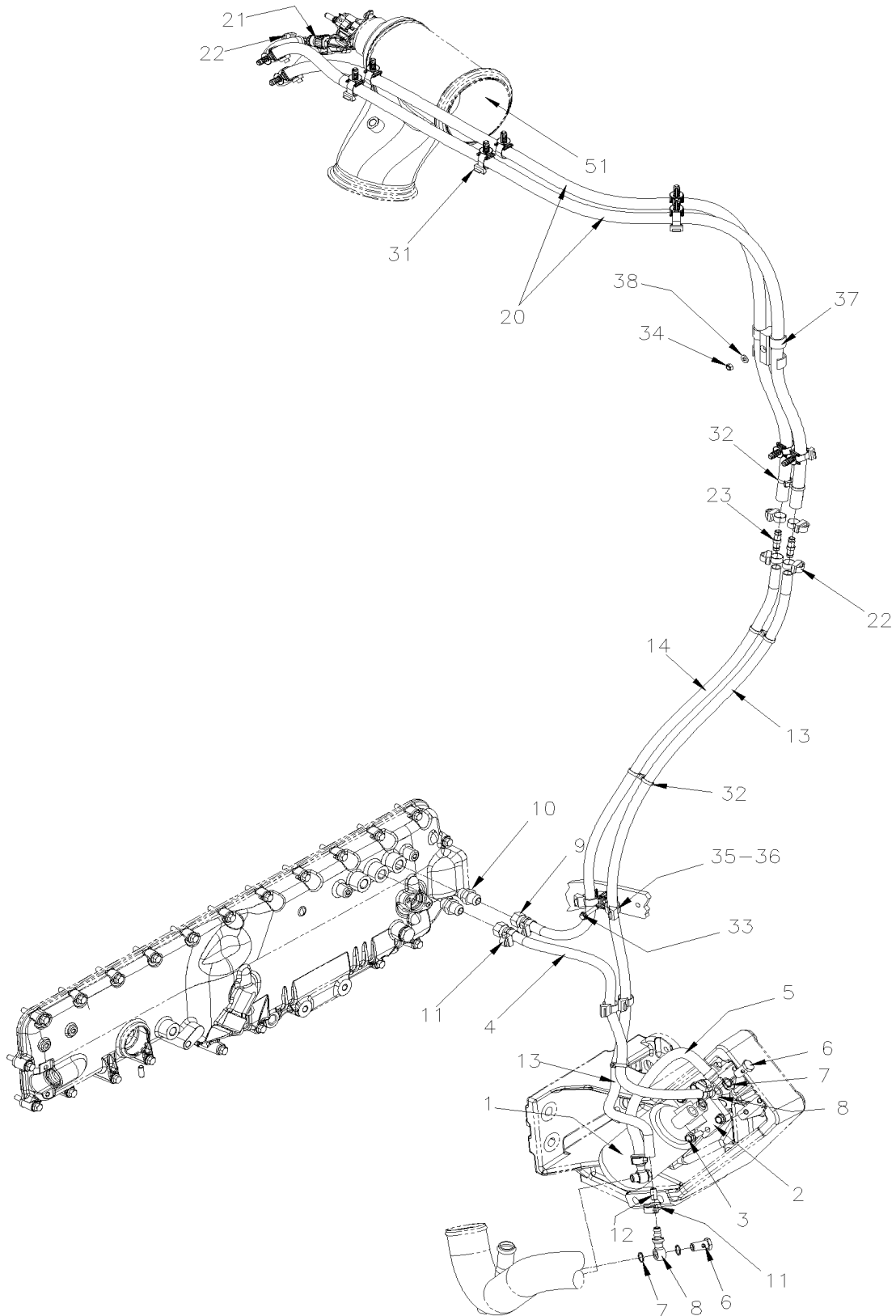
Item#	Part	Description	QTY	Notes
54	069246	HARNESS GROUND FAN DRIVE	1	
55	060535	CABLE HARNESS / ENGINE COMPT & ACCESSORIES To J-7447	1	
55	061422	CABLE HARNESS / ENGINE COMPT & ACCESSORIES From J-7448 To J-7512	1	
55	069874	CABLE HARNESS / ENGINE COMPT & ACCESSORIES From J-7513 To K-7607	1	
55	069961	CABLE HARNESS / ENGINE COMPT & ACCESSORIES From K-7608 To L-7731	1	
55	0610310	CABLE HARNESS / ENGINE COMPT & ACCESSORIES From L-7732	1	

From G-7275 To H-7416

Date:07/2024

PAGE:X3PLB-0530-00

COOLANT FILTER - INSTALLATION WITH VOLVO D13



From G-7275 To H-7416	Date:07/2024	PAGE:X3PLB-0530-00
-----------------------	--------------	--------------------

COOLANT FILTER - INSTALLATION WITH VOLVO D13

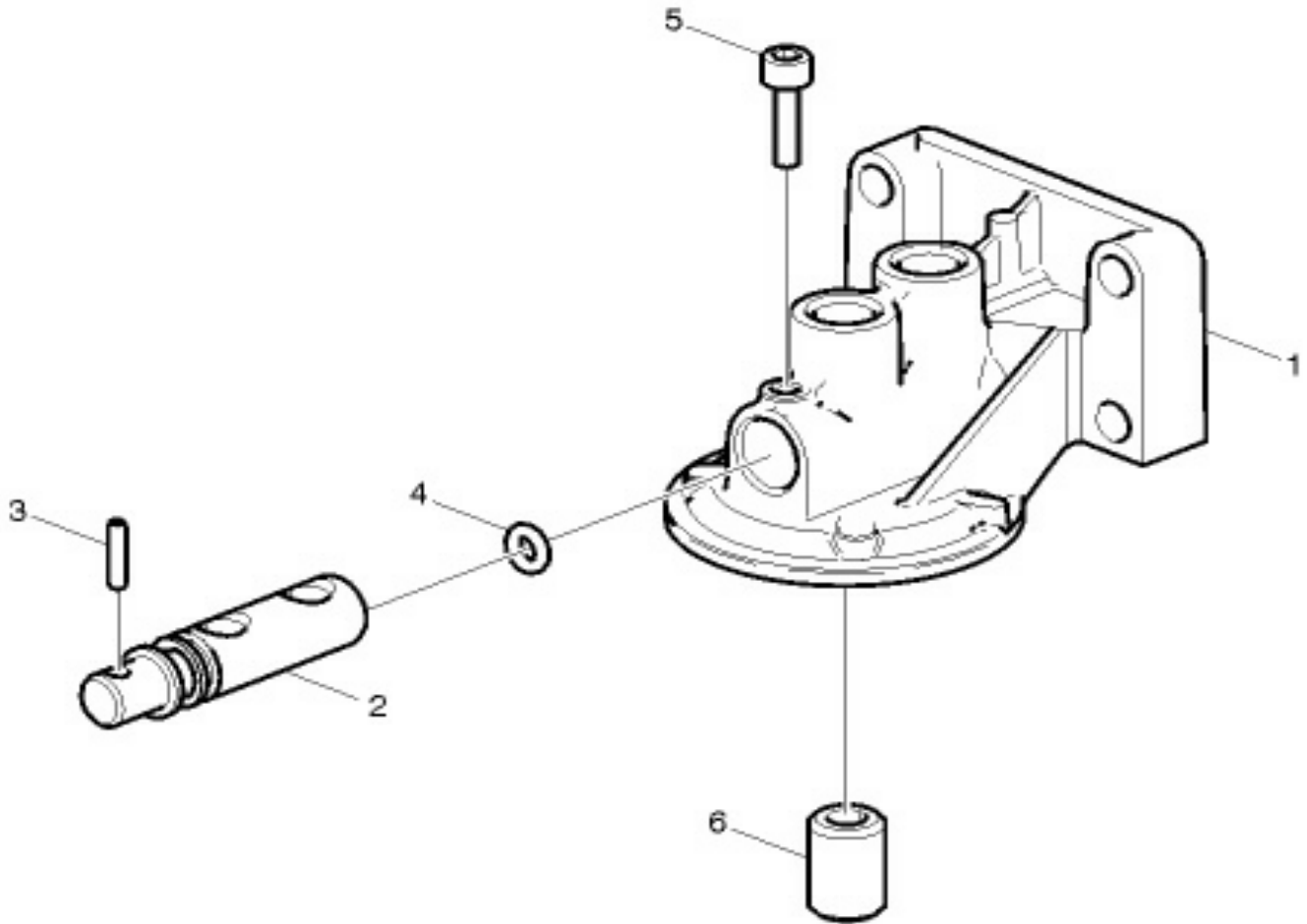
Item#	Part	Description	QTY	Notes
1	21937327	CARTRIGE "MAINTENANCE" COOLANT LONG LIFE "WITH D13 ENGINE"	1	
2	3979836	ADAPTOR HEAD, COOLANT FILTER	1	
3	5001742	SCREW CAP HEXF M8-1.25x30 G8.8 N500	4	
4	503821	HOSE SILICONE 4 PLY / NOMEX-ARAMID 3/8" x 144"	AR	
5	503821	HOSE SILICONE 4 PLY / NOMEX-ARAMID 3/8" x 144"	AR	
6	507655	BANJO BOLT / M14-1.5	4	
7	507657	BANJO WASHER / M14	8	
8	507653	BANJO UNION / 14MMx#6HOSE	4	
9	5011260	FEMALE CONNECTOR SWIVEL / PUSH-LOK FITTING / #8FL-Fx#6 BR	2	
10	5011192	MALE CONNECTOR / JIC 37° FITTING / #8JIC-MxM18-1.5-M STL	2	
. NS	N.P.N.	. O-RING	1	4
. NS	N.P.N.	. WASHER RET	1	4
11	992081	HOSE CLAMP / 12MM/22MM	6	
12	053008	RESTRICTION / ALU. TUBE 20MM X 9.05MM O.D. W/3.05MM HOLE	1	
13	503821	HOSE SILICONE 4 PLY / NOMEX-ARAMID 3/8" x 144"	AR	
14	503821	HOSE SILICONE 4 PLY / NOMEX-ARAMID 3/8" x 144"	AR	
20	503821	HOSE SILICONE 4 PLY / NOMEX-ARAMID 3/8" x 144"	AR	
21	20805110	QUICK CONNECTOR 90° 10MM	2	
22	992081	HOSE CLAMP / 12MM/22MM	4	
23	5011340	UNION / MINI BARB FITTING / #8x#8 BR	2	
31	504750	CABLE TIE / 1/2" x 15" / CHRISTMAS TREE	AR	
32	507664	CABLE TIE / 3/16" 11" / DOUBLE LOOP HEAD	AR	
33	5001815	SCREW CAP HEXF M6-1.0x30 G 8.8 N500	1	
34	502681	NUT HEX NYRT M6-1.0 N500 G8	1	
35	509490	ATTACHMENT DOUBLE USE WITH CABLE TIE	1	
36	509491	CABLE TIE / 13MM x 383MM	4	
37	504634	T-CLIP / 7/8" - 1"	1	
38	500877	WASHER FL .250x.562x.065 N500	1	
50	X3PLB-0500-00	COOLANT PIPING WITH VOLVO D13		
51	X3PLB-0405-00	MUFFLER - INSTALLATION WITH DPF & SCR WITH VOLVO D13		
52	052988P	HOSE SILICONE #6 575MM	1	
. NS	503821	. HOSE SILICONE 4 PLY / NOMEX-ARAMID 3/8" x 144"	AR	
		4) NO PARTS NUMBER		

From G-7275 To H-7416

Date:07/2024

PAGE:3979836

ADAPTOR HEAD, COOLANT FILTER



From G-7275 To H-7416		Date:07/2024	PAGE:3979836
-----------------------	--	--------------	--------------

ADAPTOR HEAD, COOLANT FILTER

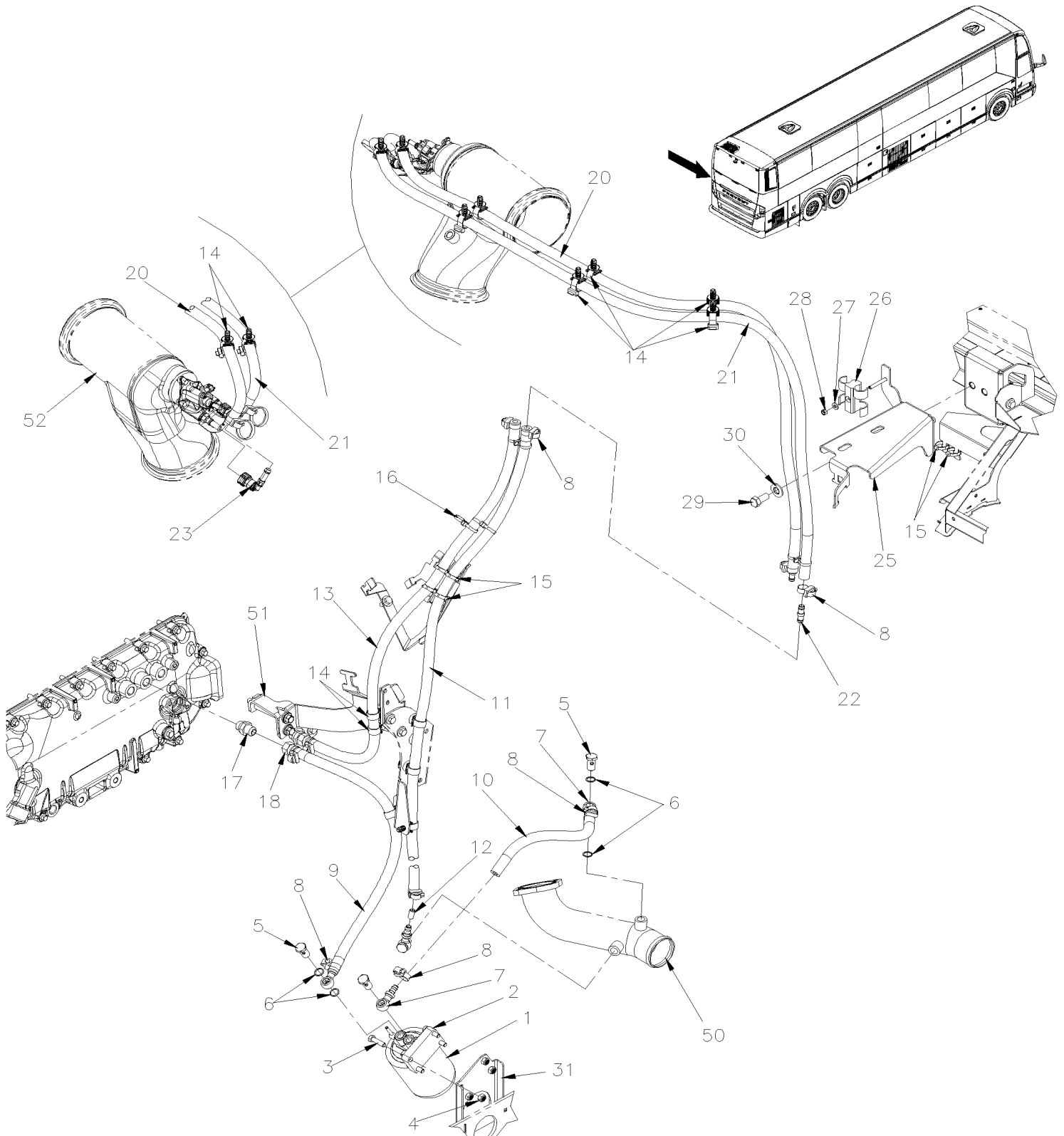
Item#	Part	Description	QTY	Notes
1	1661683	HOUSING	1	
2	1661686	SPINDLE	1	
3	951972	SPRING PIN	1	
4	968725	O-RING 11.3X2.4	1	
5	963692	HEX. SOCKET SCREW	1	
6	1676554	NIPPLE COOLANT FILTER	1	

From H-7417 To M-7767

Date:07/2024

PAGE:X3PLB-0530-01

COOLANT FILTER - INSTALLATION WITH / GHG17



From H-7417 To M-7767	Date:07/2024	PAGE:X3PLB-0530-01
COOLANT FILTER - INSTALLATION WITH / GHG17		

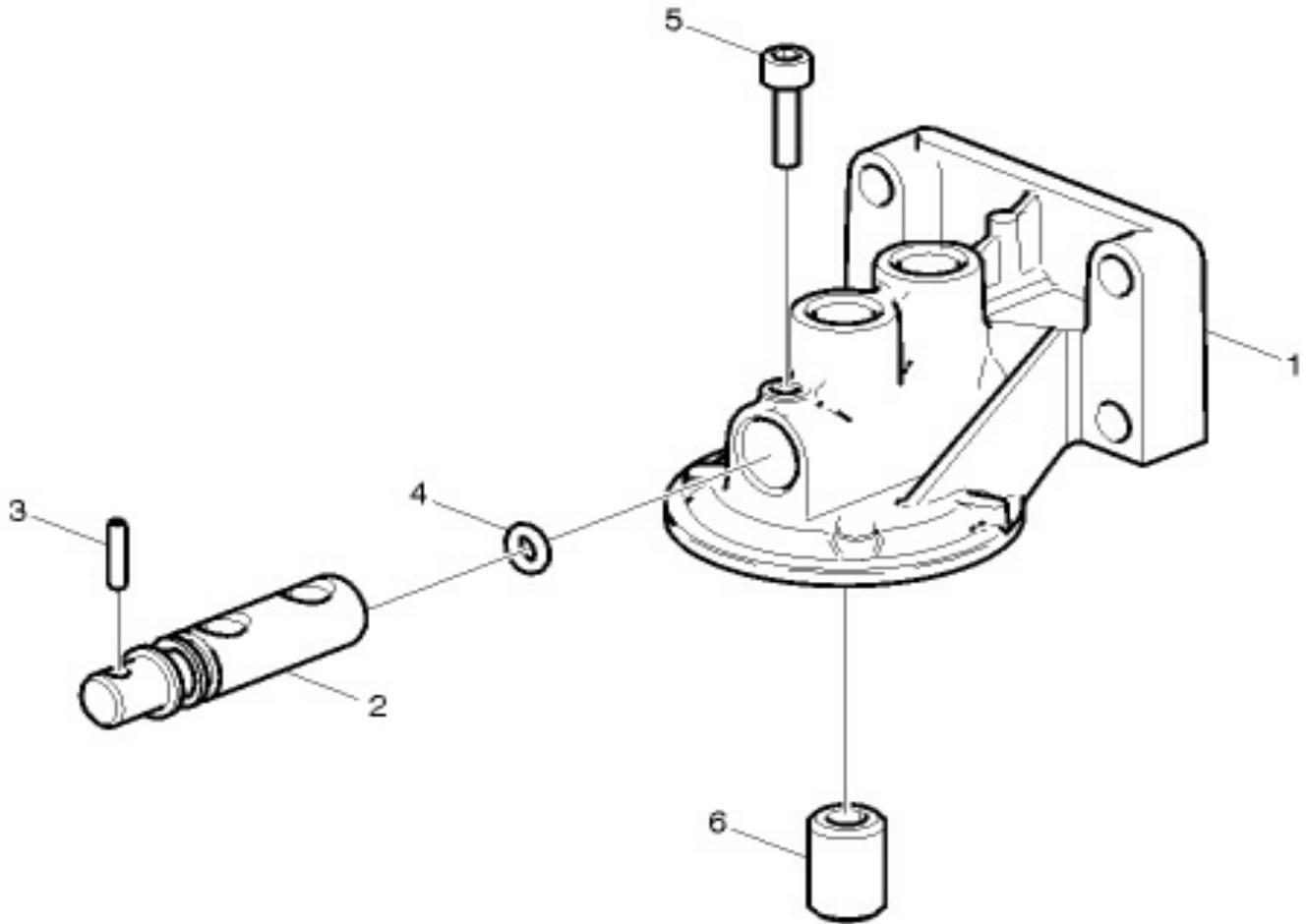
Item#	Part	Description	QTY	Notes
1	21937327	CARTRIGE "MAINTENANCE" COOLANT LONG LIFE "WITH D13 ENGINE"	1	
2	3979836	ADAPTOR HEAD, COOLANT FILTER	1	
3	5001912	SCREW CAP HEX M8-1.25x30 SS BK	4	
4	5001983	NUT HEX NYRT M8-1.25 SS SS BK	4	
5	507655	BANJO BOLT / M14-1.5	4	
6	507657	BANJO WASHER / M14	8	
7	507653	BANJO UNION / 14MMx#6HOSE	4	
8	992081	HOSE CLAMP / 12MM/22MM	8	
9	503821	HOSE SILICONE 4 PLY / NOMEX-ARAMID 3/8" x 144"	AR	
10	503821	HOSE SILICONE 4 PLY / NOMEX-ARAMID 3/8" x 144"	AR	
11	503821	HOSE SILICONE 4 PLY / NOMEX-ARAMID 3/8" x 144"	AR	
12	053008	RESTRICTION / ALU. TUBE 20MM X 9.05MM O.D. W/3.05MM HOLE	1	
13	503821	HOSE SILICONE 4 PLY / NOMEX-ARAMID 3/8" x 144"	AR	
14	504475	RIVET POP CK OE 1/8x3/16 AL	AR	
15	504016	CABLE TIE / 5/16" X 14"1/2	AR	
16	507664	CABLE TIE / 3/16" 11" / DOUBLE LOOP HEAD	AR	
17	5011192	MALE CONNECTOR / JIC 37° FITTING / #8JIC-MxM18-1.5-M STL	2	
. NS	N.P.N.	. O-RING	1	4
. NS	N.P.N.	. WASHER RET	1	4
18	5011260	FEMALE CONNECTOR SWIVEL / PUSH-LOK FITTING / #8FL-Fx#6 BR	2	
20	503821	HOSE SILICONE 4 PLY / NOMEX-ARAMID 3/8" x 144"	AR	
21	503821	HOSE SILICONE 4 PLY / NOMEX-ARAMID 3/8" x 144"	AR	
22	5011340	UNION / MINI BARB FITTING / #8x#8 BR	2	
23	20805110	QUICK CONNECTOR 90° 10MM	2	
25	041114	BRACKET, SCR ASSY	1	
26	504634	T-CLIP / 7/8" - 1"	1	
27	500877	WASHER FL .250x.562x.065 N500	1	
28	502681	NUT HEX NYRT M6-1.0 N500 G8	1	
29	502705	SCREW CAP HEX M12-1.75X25 G8.8 N500	2	
30	500967	WASHER BEL SPR .512x1.142x.098 N500	2	
31	X3PLB-0150-01	ENGINE CRADLE - WITH VOLVO D13 - GHG17		
50	X3PLB-0500-01	COOLANT PIPING WITH VOLVO D13 - GHG17		
51	X3PLB-0510-01	SURGE TANK VOLVO D13 - GHG17		
52	X3PLB-0405-00	MUFFLER - INSTALLATION WITH DPF & SCR WITH VOLVO D13 To K-7662		
52	X3PLB-0405-01	MUFFLER - INSTALLATION WITH DPF & SCR WITH VOLVO D13 From L-7663		
		4) NO PARTS NUMBER		

From H-7417 To M-7767

Date:07/2024

PAGE:3979836

ADAPTOR HEAD, COOLANT FILTER



From H-7417 To M-7767		Date:07/2024	PAGE:3979836
-----------------------	--	--------------	--------------

ADAPTOR HEAD, COOLANT FILTER

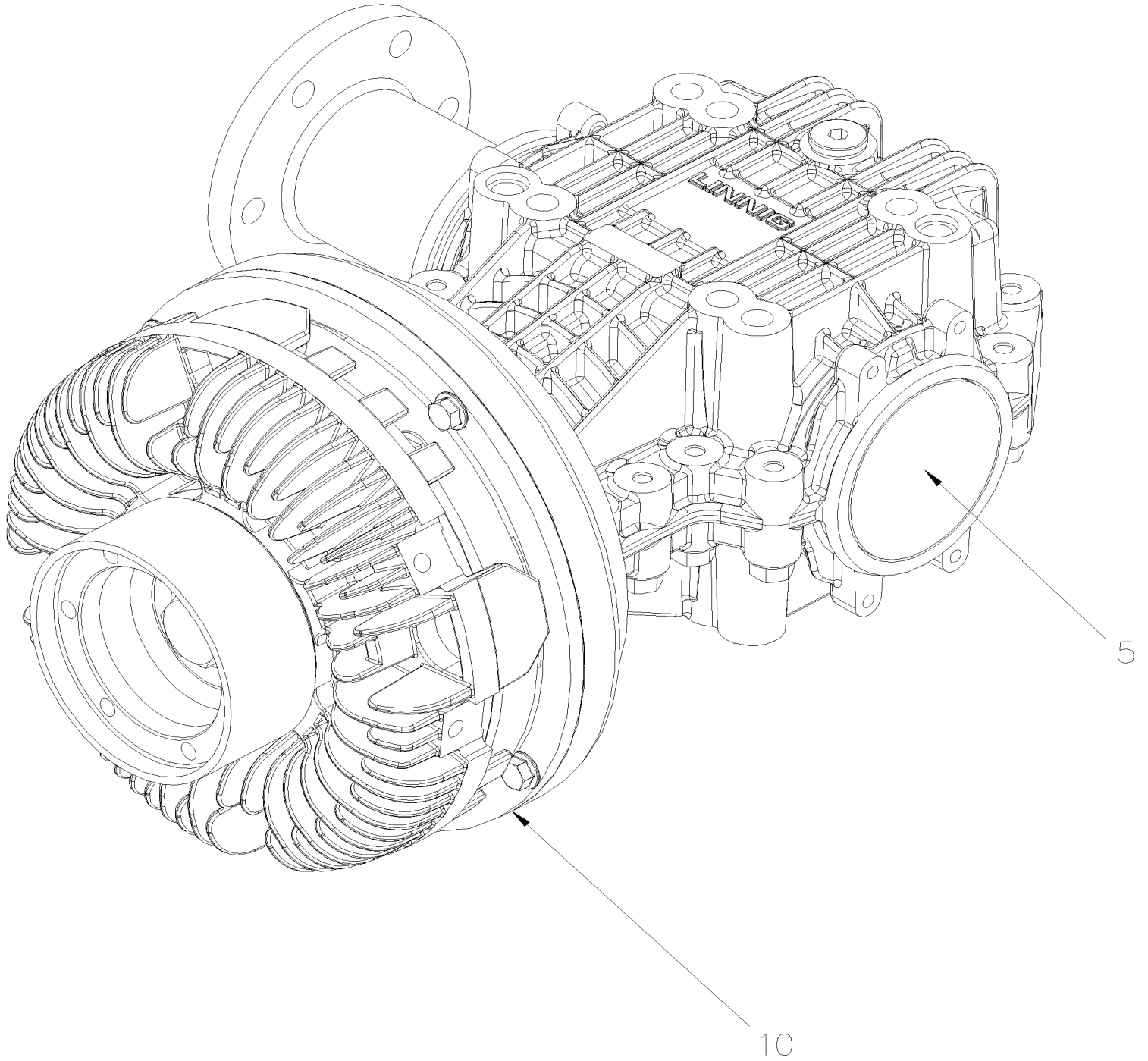
Item#	Part	Description	QTY	Notes
1	1661683	HOUSING	1	
2	1661686	SPINDLE	1	
3	951972	SPRING PIN	1	
4	968725	O-RING 11.3X2.4	1	
5	963692	HEX. SOCKET SCREW	1	
6	1676554	NIPPLE COOLANT FILTER	1	

From G-7275 To H-7416

Date:07/2024

PAGE:X3PLB-0540-00

FAN CLUTCH & ANGLE DRIVE ASSY C.W.



From G-7275 To H-7416	Date:07/2024	PAGE:X3PLB-0540-00
-----------------------	--------------	--------------------

FAN CLUTCH & ANGLE DRIVE ASSY C.W.

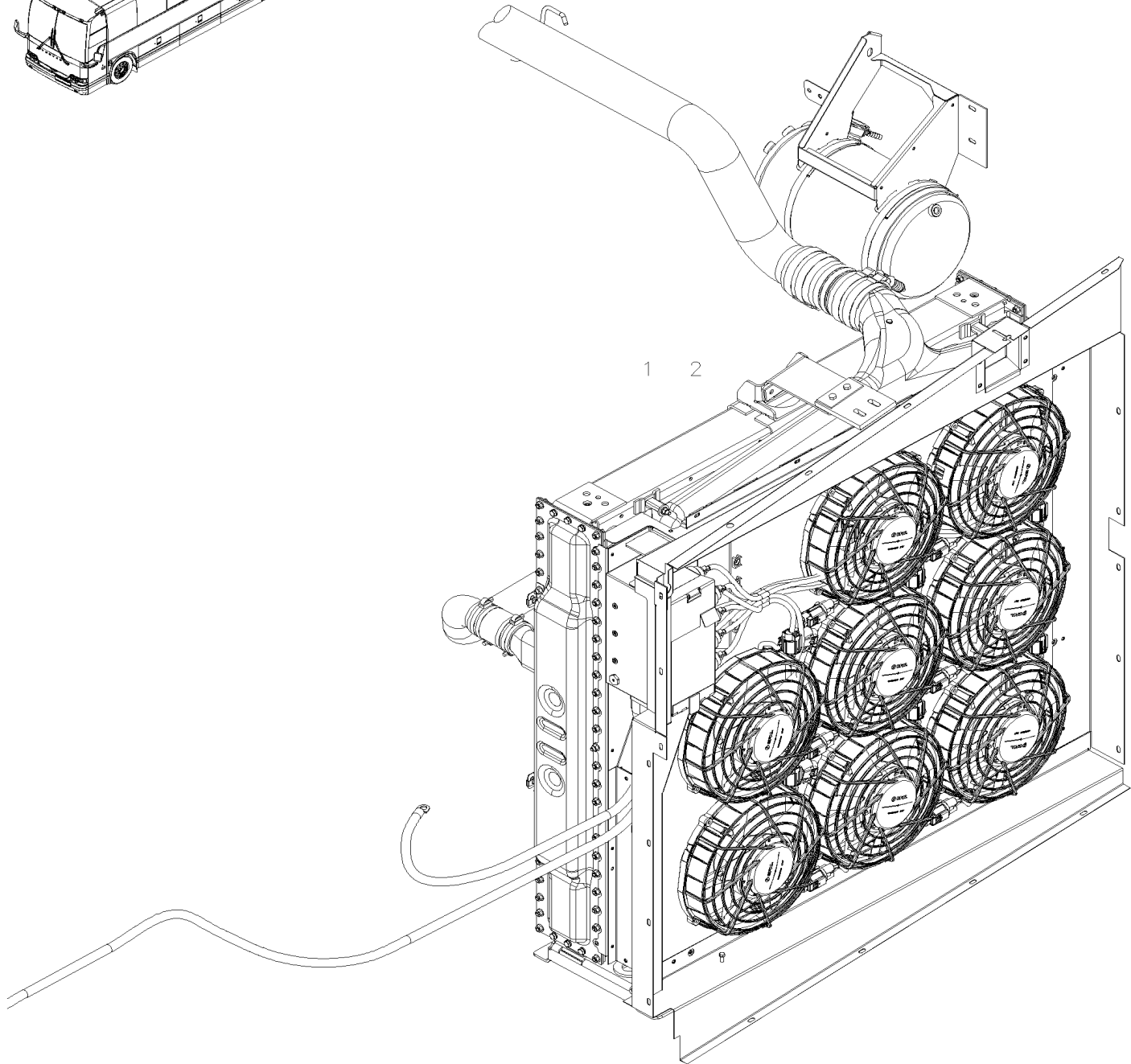
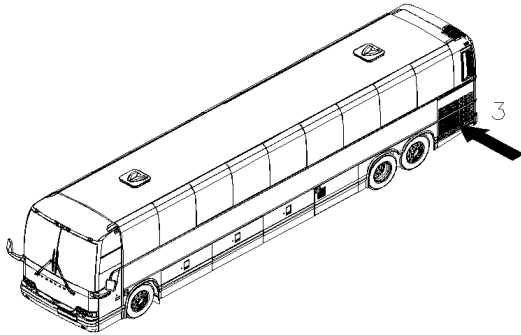
Item#	Part	Description	QTY	Notes
	550130	GEARBOX ASSY WITH FAN CLUTCH	1	
. NS	550294	. DRAIN PLUG WITH MAGNET	1	
. NS	550295	. DRAIN PLUG	1	
. NS	551001	. MAGNET	1	
. NS	5002257	. SEALING CRUSH WASHER 14.0x20.0x1.5 COP	1	
. NS	550265	. CHECK VALVE	1	
	680719	. OIL SYNTHETIC GEAR BOX TITAN SAE 75W90 W/O-RING WASHER	1	
5	N.P.N.	. GEARBOX	1	4
10	N.P.N.	. FAN CLUTCH	1	4
NS	551017	REPAIR KIT CLUTCH	1	
NS	551016	REPAIR KIT RADIAL SHAFT SEAL	1	
NS	551015	TOOL KIT FOR GEARBOX WITH FAN CLUTCH	1	
NS	068185	CABLE ADAPTOR FAN CLUTCH / WITH 4 CONTACTS	1	
		4) NO PARTS NUMBER		

From G-7275 To H-7416

Date:07/2024

PAGE:X3PLB-0599-00

RETROFIT ELECTRIC FAN DRIVE COOLING SYSTEM CONVERSION



ALWAYS REFER TO INSTRUCTION SHEET FOR ALL INFORMATION NOT SHOWN

From G-7275 To H-7416	Date:07/2024	PAGE:X3PLB-0599-00
-----------------------	--------------	--------------------

RETROFIT ELECTRIC FAN DRIVE COOLING SYSTEM CONVERSION

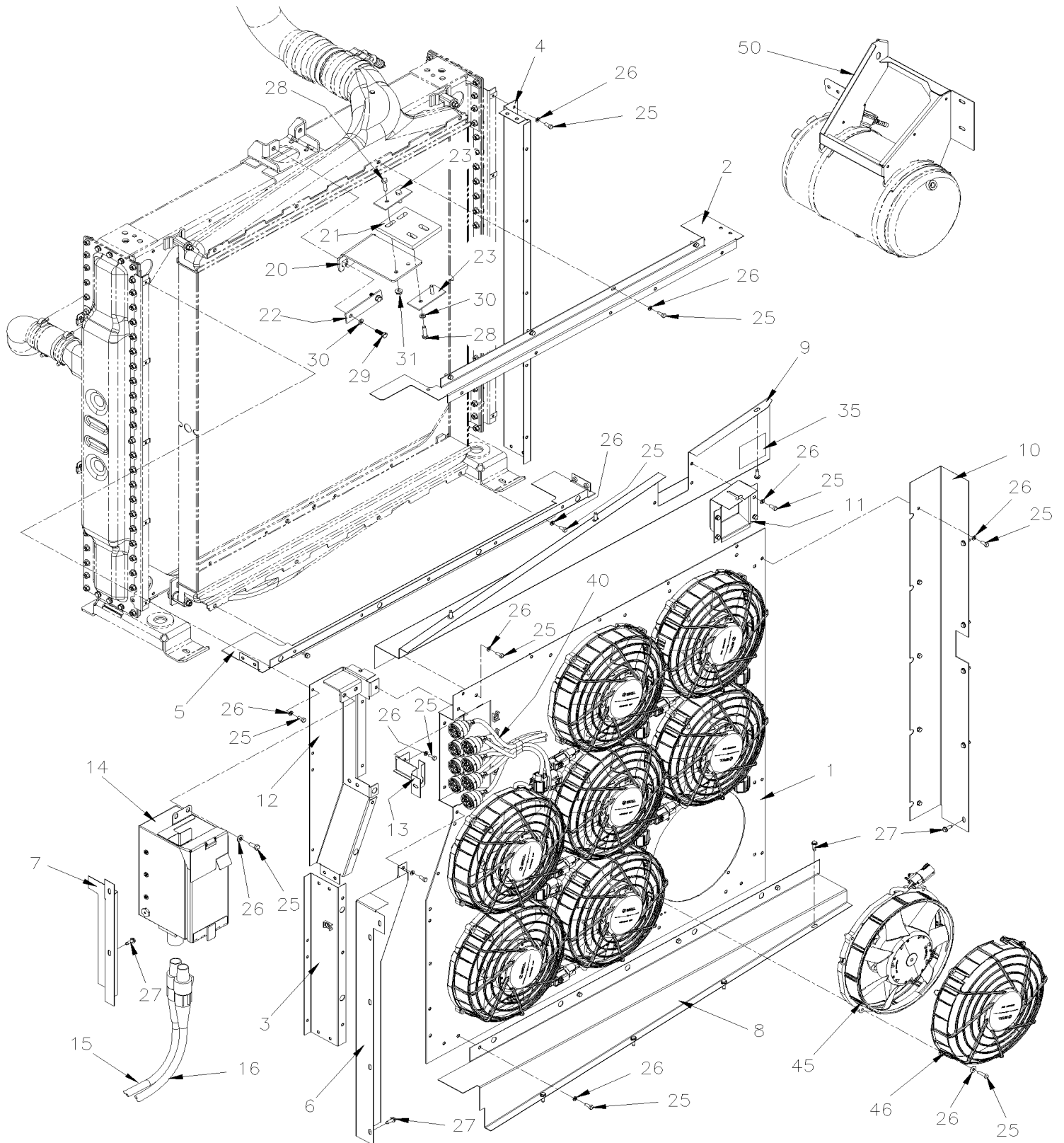
Item#	Part	Description	QTY	Notes
		ALWAYS REFER TO INSTRUCTION SHEET FOR ALL INFORMATION NOT SHOWN*		
1	IS19901	ELECTRIC FAN DRIVE COOL. SYS. CONVERSION-BOSCH ALT. US10 UP TO GHG17 From G-7275 To H-7416	1	
1A		REGARDING YOUR VIN, IT IS RECOMMENDED TO INSTALL ONE OF FOLLOWING KITS	1	
2	IS19912	ELECTRIC FAN DRIVE COOL. SYS CONVERSION-REMY ALT. US10 UP TO GHG17 From G-7275 To H-7416	1	
3	IS19909	BOSCH TO DELCO REMY ALTERNATOR INSTALLATION X3-45 From G-7275 To H-6179	1	

From G-7275 To H-7416

Date:07/2024

PAGE:IS19901

ELECTRIC FAN DRIVE COOL. SYS. CONVERSION-BOSCH ALT. US10 UP TO GHG17

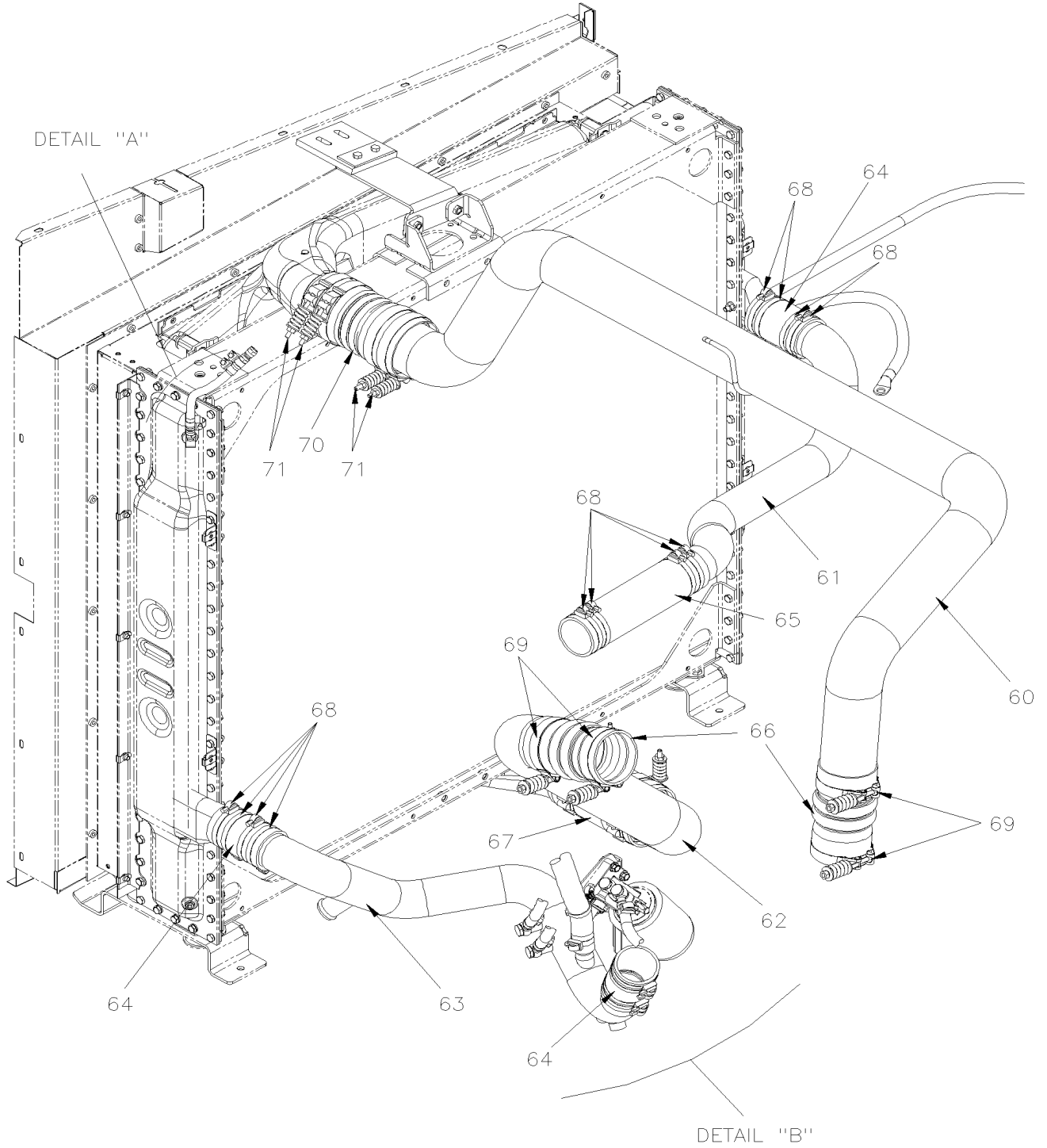


From G-7275 To H-7416

Date:07/2024

PAGE:IS1901

ELECTRIC FAN DRIVE COOL. SYS. CONVERSION-BOSCH ALT. US10 UP TO GHG17

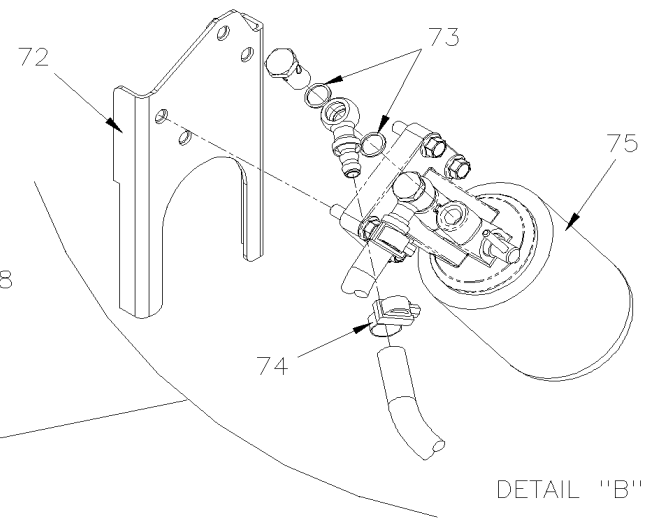
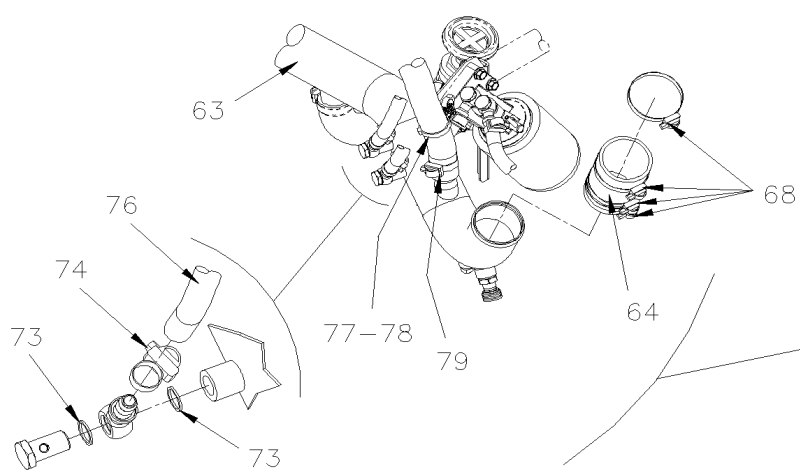
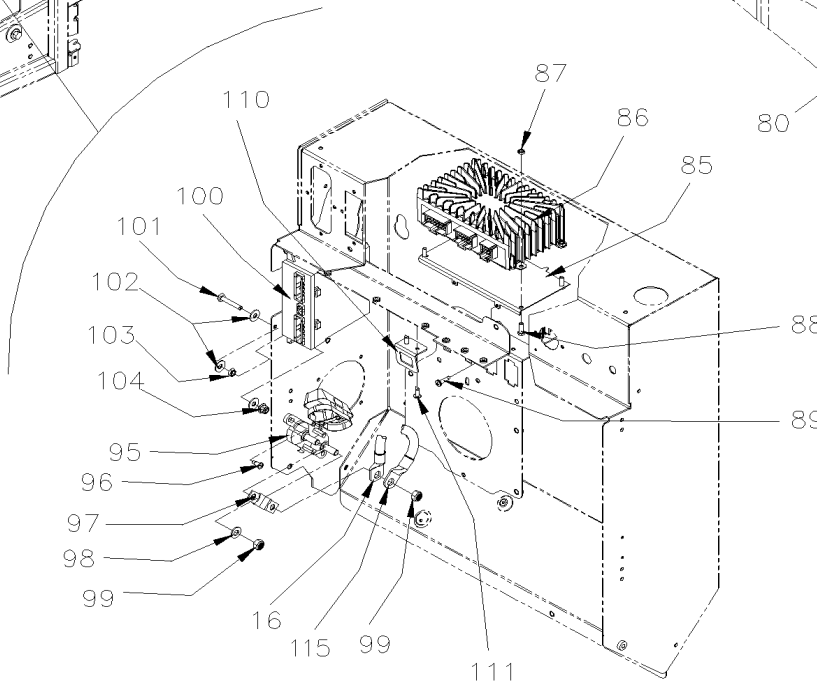
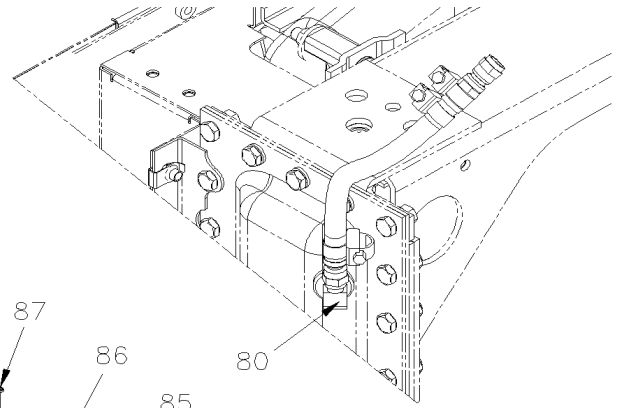
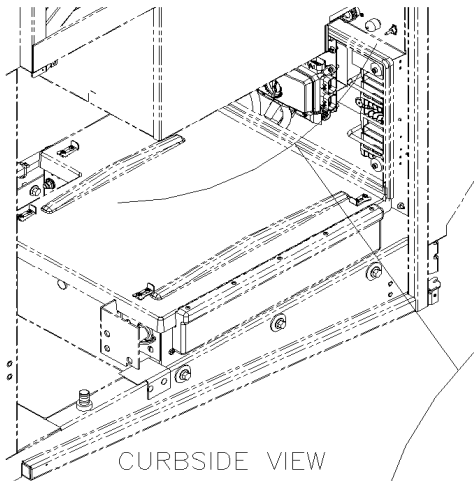


From G-7275 To H-7416

Date:07/2024

PAGE:IS19901

ELECTRIC FAN DRIVE COOL. SYS. CONVERSION-BOSCH ALT. US10 UP TO GHG17



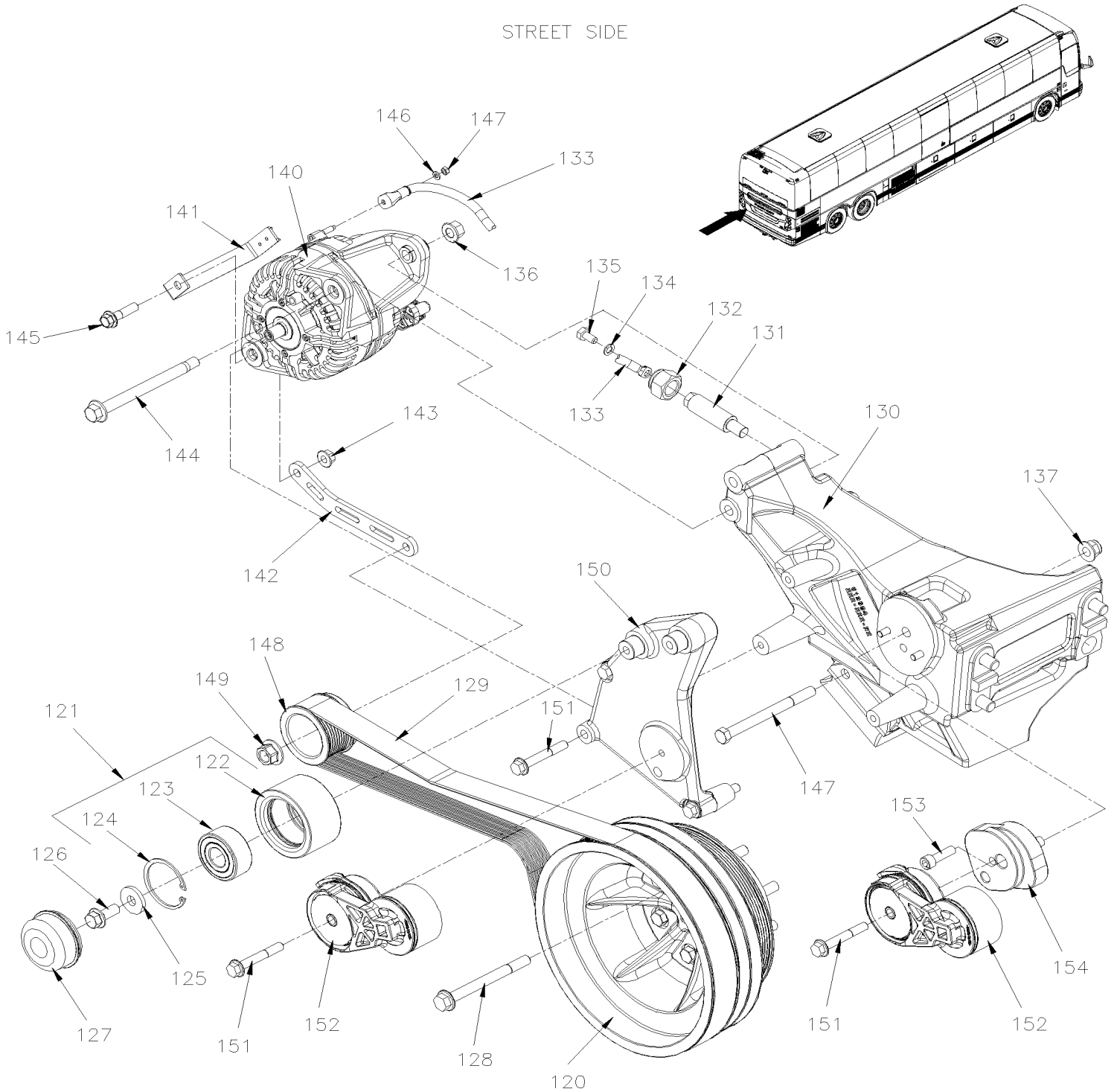
From G-7275 To H-7416

Date:07/2024

PAGE:IS19901

ELECTRIC FAN DRIVE COOL. SYS. CONVERSION-BOSCH ALT. US10 UP TO GHG17

STREET SIDE



From G-7275 To H-7416	Date:07/2024	PAGE:IS19901
ELECTRIC FAN DRIVE COOL. SYS. CONVERSION-BOSCH ALT. US10 UP TO GHG17		

Item#	Part	Description	QTY	Notes
1	050343	FAN SUPPORT PANEL, WELDED	1	
NS	506025	RUBBER CHANNEL / 1/18" x 5/16" INT "U" SHAPE / SQUARE C.T.L.	AR	
2	050355	UPPER SHROUD TRANSITION	1	
NS	506040	TAPE RUB ADH1 CC EPDM 5/16" x 3/4" x 25' / BLACK OR GREY 144X	AR	
3	050359	LOWER LEFT SHROUD TRANSITION	1	
4	050360	RIGHT SHROUD TRANSITIO	1	
5	050362	LOWER SHROUD TRANSITION	1	
6	050363	LOWER LH SIDE SHROUD PANEL	1	
7	050364	UPPER LH SIDE SHROUD PANEL	1	
8	050365	LOWER SHROUD PANE	1	
9	050366	UPPER SHROUD PANEL	1	
10	050367	RH SIDE SHROUD PANEL	1	
11	050369	BOX, DOOR PUSH-ROD	1	
12	050380	UPPER LEFT SHROUD TRANSITION WELDED	1	
13	050415	UPPER LEFT SHROUD PANEL	1	
14	564612	POWER BOX, FAN DRIVE	1	
15	069246	HARNESS GROUND FAN DRIVE	1	
16	069245	HARNESS PWR FAN DRIVE	1	
20	050351	UPPER RADIATOR SUPPORT X	1	
21	21185073	RUBBER PAD 100MM X 123MM	1	
22	052795	PLATE / UPPER RADIATOR 30MM X 120MM	1	
23	052473	PLATE / UPPER RADIATOR 40MM X 90MM	2	
25	5001697	SCREW CAP HEX M6-1.0x16 SS BK	AR	
26	502570	WASHER LO SPT 6.1x11.8x1.6 SS	AR	
27	502848	SCREW TC CAP HEXF 1/4-20x3/4 N500	AR	
28	5001738	SCREW CAP HEX M8-1.25x30 G8.8 N500	4	
29	5001745	SCREW CAP HEX M8-1.25x25 G8.8 N500	2	
30	500942	WASHER LO SPT 8.1x14.8x2.0 N500	4	
31	502837	NUT HEXF STO M8-1.25 N500	2	
35	069205	DECAL "WARNING FAN"	1	
40	068820	HARNESS FAN DRIVE	1	
45	564312	ELECTRIC FAN FOR RADIATOR & CAC	8	
. NS	568092	. CONNECTOR / PH 4C / YAZAKI 7282-8497-90	1	
. NS	560009	. CONNECTOR CLIP / HELLERMAN TYTON 155-30702	1	
46	563533	HAND GUARD, FAN	8	
50	053040	BRACKET, SURGE TANK X3	1	
NS	500321	WASHER BEL SPR .331x.827x.098 N500	1	
NS	5001983	NUT HEX NYRT M8-1.25 SS SS BK	1	
60	050308	CAC PIPE OUTLET	1	
61	050309	WATER PIPE INLET RADIATOR	1	
62	050328	CAC PIPE	1	
63	050331	WATER PIPE ENGINE RETURN	1	

From G-7275 To H-7416	Date:07/2024	PAGE:IS19901
ELECTRIC FAN DRIVE COOL. SYS. CONVERSION-BOSCH ALT. US10 UP TO GHG17		

Item#	Part	Description	QTY	Notes
64	053617	HOSE SILICONE / NOMEX 2 1/2" I.D. 105MM	3	
NS	503786	HOSE SILICONE 4 PLY / NOMEX-ARAMID 2 1/2" I.D. x 6'	1	
65	052889	HOSE SILICONE 2 1/2" I.D. 280MM	1	
66	030096	HOSE 86MM I.D. X 162.5MM	2	
NS	053662	COUPLING TURBO	1	
NS	21096684	GASKET 60MM I.D.	1	
NS	20592787	V-CLAMP / 81.7MM I.D.	1	
67	531471	HOSE SILICONE 4" I.D. 6 1/2" / 500F°	1	
68	992089	HOSE CLAMP / 60MM/80MM	AR	
69	21490630	HOSE CLAMP SPRING LOAD / HEAVY DUTY 3"5/8-3"15/16	4	
70	531469	HOSE / W/2 RING / 4" I.D. 8" / 500°F	1	
71	21490616	HOSE CLAMP SPRING LOAD / HEAVY DUTY 4"1/8-4"7/16	8	
72	050265	COOLANT FILTER SUPPORT	1	
73	507657	BANJO WASHER / M14	8	
74	992081	HOSE CLAMP / 12MM/22MM	4	
75	21937327	CARTRIGE "MAINTENANCE" COOLANT LONG LIFE "WITH D13 ENGINE"	1	
76	052366	HOSE / LOWER / #6 1550MM	1	
NS	503702	HOSE / (SAFETY STRIPE) / 3/8" I.D. 50' / S.L.	AR	
77	504016	CABLE TIE / 5/16" X 14"1/2	AR	
78	504751	ROTATIF SPACER DOUBLE / SMALL	4	
79	992086	HOSE CLAMP / 32MM/52MM	2	
80	501037	MALE ELBOW 90° / SAE 45° FITTING / #4FL-Mx1/4NPT-M BR	1	
85	053043	SUPPORT MODULE	1	
86	22722850	I/O B E-MODULE VOLVO MULTIPLEX / ALUMINUM	1	
87	5001180	NUT HEX NYRT #10-24 SS	4	
88	5001447	SCREW CAP HEX #10-24x5/8 PT SS BK	4	
89	500623	SCREW TC PAN PH #10-24x3/4 N500	2	
95	563750	FUSEHOLDER W/RED COVER / MEGA FUSE /	1	
96	500658	SCREW TC PAN PH #10-24x3/4 Z050	AR	
97	5001341	WASHER FL 8.4x17.0x1.6 SS	AR	
98	564520	FUSE / MEGA FUSE / 300 AMPS / GREY	1	
99	5001983	NUT HEX NYRT M8-1.25 SS SS BK	2	
100	23499009-EFD	MCM PROGRAMME - SERVICE KIT EFD	1	
NS	563593	CONNECTOR W/END OF LINE RESISTOR 120R / DTM SERIES / SH 2C / GRAY / DEUTSCH DTM06-2S-P006	AR	
101	502888	SCREW CAP HEX M6-1.0x35 G8.8 N500	3	
102	502709	WASHER FL .260x.687x.050 XLN BK	9	
103	502854	NUT HEX M6-1.0 N500	3	
104	5001932	NUT HEXF NYRT M6-1.0 G8.8 N500	3	
110	050303	ALTERNATOR TELLTALE BRACKET	1	
111	504379	RIVET POP DOME OE 3/16x1/4 SS	AR	
NS	391028	INSERT / RED / GENERATOR	1	
NS	562113	TELLTALE ASSY / 24V SHORT	1	

From G-7275 To H-7416	Date:07/2024	PAGE:IS19901
-----------------------	--------------	--------------

ELECTRIC FAN DRIVE COOL. SYS. CONVERSION-BOSCH ALT. US10 UP TO GHG17

Item#	Part	Description	QTY	Notes
115	060682	HARNESS BATTERY TO ALTERNATOR LH	1	
120	012941	DRIVE PULLEY / 280MMx10RIB/ 268.3MMx2V / 220.8MMx10 RIB	1	
NS	5060130	MULTI V-BELT / 8 RIB 62" (1575MM) 8PK1575 SEVERE DUTY	1	
121	012349	PULLEY ASSY W/BEARING / 48MM x 90MM O.D.	1	
122	012958	PULLEY / 48MM x 90MM O.D.	1	
123	509952	BALL BEARING 25 ID x 62 OD x 25.4 W HI-TEMP	1	
124	504040	RING RETAINER / INT 2.440 x 1.860 x 0.078 STL BLK	1	
125	5002008	WASHER FL 13.0x35.0x5.0 N500	1	
126	5001786	SCREW CAP HEXF M12-1.75x30 G8.8 N500	1	
127	453076	CAP, DUST	1	
128	5001296	SCREW CAP HEXF M12-1.75x80 G10.9 N500	AR	
129	505606	MULTI V-BELT / 10 RIB (1695MM) 10PK1695 STANDARD DUTY	1	
130	012942	ENGINE MOUNT STREET SIDE W/D13	1	
131	012921	GROUND STUD M14 Lg.:88MM	1	
132	5001665	NUT HEX NYRT M22-2.5 G8 Z050	1	
133	069504	HARNESS LH GROUND ALTERNATOR	1	
134	5001935	WASHER FL 10.5x18.0x1.6 SS	1	
135	502719	SCREW CAP HEX M10-1.5x20 SS EMN	1	
136	5001728	NUT HEXF STO M12-1.75 N500 G10	1	
137	5001761	NUT HEXF NYRT M12-1.75 G8 N500	AR	
140	564593	ALTERNATOR ASSY 24V/150 AMPS / W/OUT PULLEY	1	
NS	060297	ADAPTOR STUD M8 Male x M8 Female + FLANGE M8-1.25 x 18MM SS	1	
NS	069511	HARNESS ALT. BOSCH LEFT HAND SIDE	1	
141	050266	ALTERNATOR BATTERY CABLE SUPPORT	1	
142	060102	ALTERNATOR, LOWER BRACKET	1	
143	5001930	NUT HEXF NYRT M10-1.5 N500 G10.9	2	
144	502950	SCREW SHR CAP HEXF 13x135 (M12x1.75 G10.9 N500	1	
145	5001800	SCREW CAP HEXF M10-1.5x45 G10.9 N500	1	
146	502573	WASHER FL 6.4x12.5x1.6 SS	1	
147	5001182	NUT HEX NYRT M6-1.0 SS	1	
148	0600265	PULLEY ALTERNATOR / "BOSCH" / 73MM DOB x 10 RIB	1	
149	21429955	FLANGE NUT	1	
150	011213	IDLER SUPPORT	1	
151	5001799	SCREW CAP HEXF M10-1.5x70 G10.9 N500	AR	
152	510991	AUTOMATIC TENSIONER ASSY	1	
153	5001620	SCREW CAP HEXS M10-1.5X35 G10.9 G500	1	
154	012695	SUPPORT ADAPTOR AUTOMTIC TENSIONER ASSY W/DOWEL / WATER PUMP	1	
NS	502941	DOWEL PIN	2	
NS	010060	DECAL / "BELT ROUTING"	1	
NS	561610	CONNECTOR / WEATHER PACK / PH 4C / BLACK / PED 12015024	1	
NS	561783	SEAL PLUG CAVITY / GREEN / PED 12010300	AR	
NS	23445869	HARNESS	1	

From G-7275 To H-7416	Date:07/2024	PAGE:IS19901
ELECTRIC FAN DRIVE COOL. SYS. CONVERSION-BOSCH ALT. US10 UP TO GHG17		

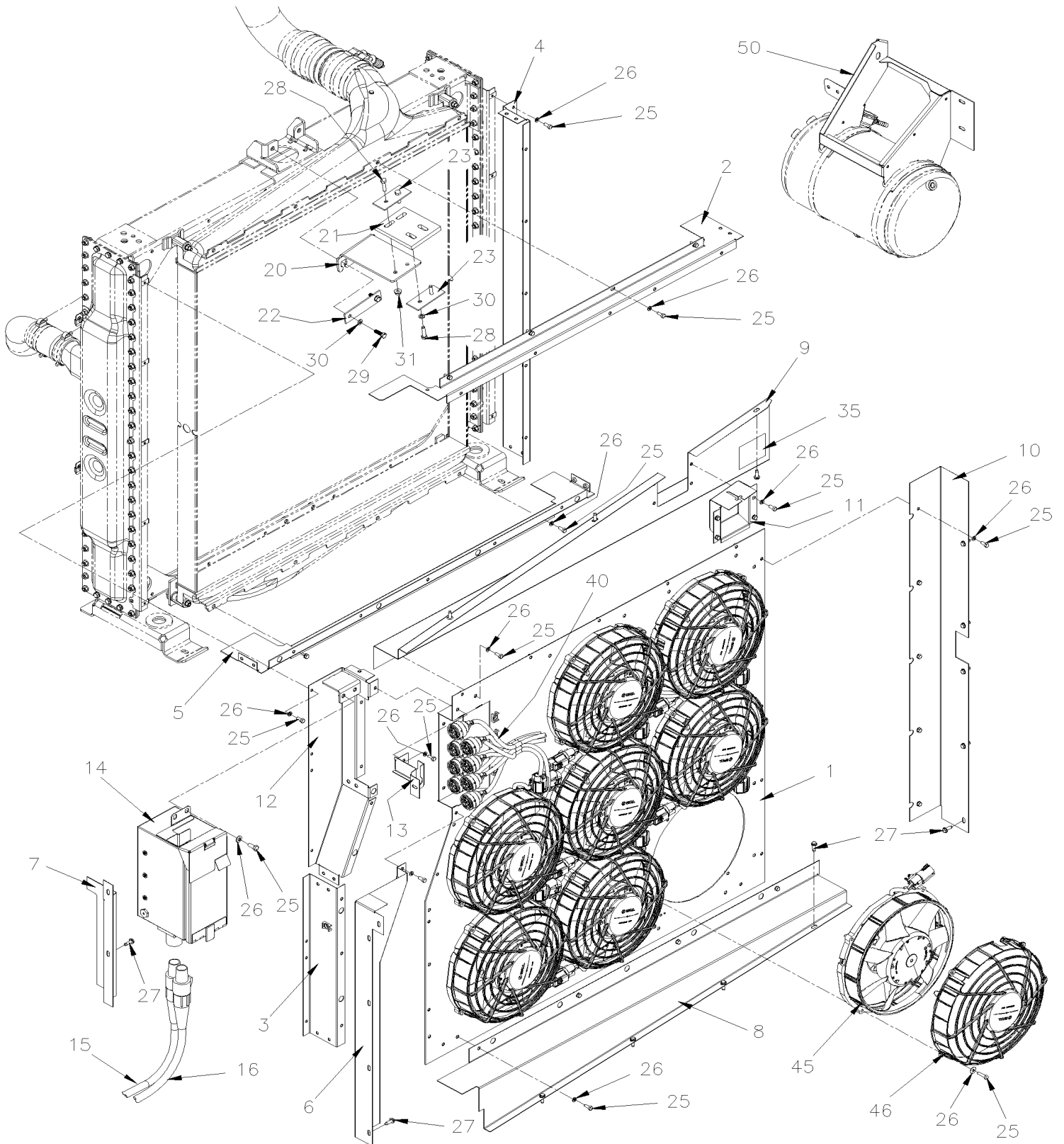
Item#	Part	Description	QTY	Notes
NS	23488790	FAN TO RJB INTERFACE HARNESS H345	1	
NS	561608	SOCKET TERMINAL / 18-16 / DEUTSCH 0462-201-16141	AR	
NS	23490553	VEHICLE INTERFACE HARNESS H345	1	
NS	23498450	BATTERY CABLE MASTER SW TO FUSE	1	
NS	N37749	CABLE TIE DUAL .250-2.300	AR	
NS	509490	ATTACHMENT DOUBLE USE WITH CABLE TIE	AR	
NS	509491	CABLE TIE / 13MM x 383MM	AR	
NS	562679	4 WAY ADH. BACKED MOUNTS 1.000 x 1.000 x .160	4	
500	IS-19901	INSTRUCTION SHEET	1	
NS	FI-19901	VOIR FEUILLE D'INSTRUCTION	1	

From G-7275 To H-7416

Date:07/2024

PAGE:IS19912

ELECTRIC FAN DRIVE COOL. SYS CONVERSION-REMY ALT. US10 UP TO GHG17

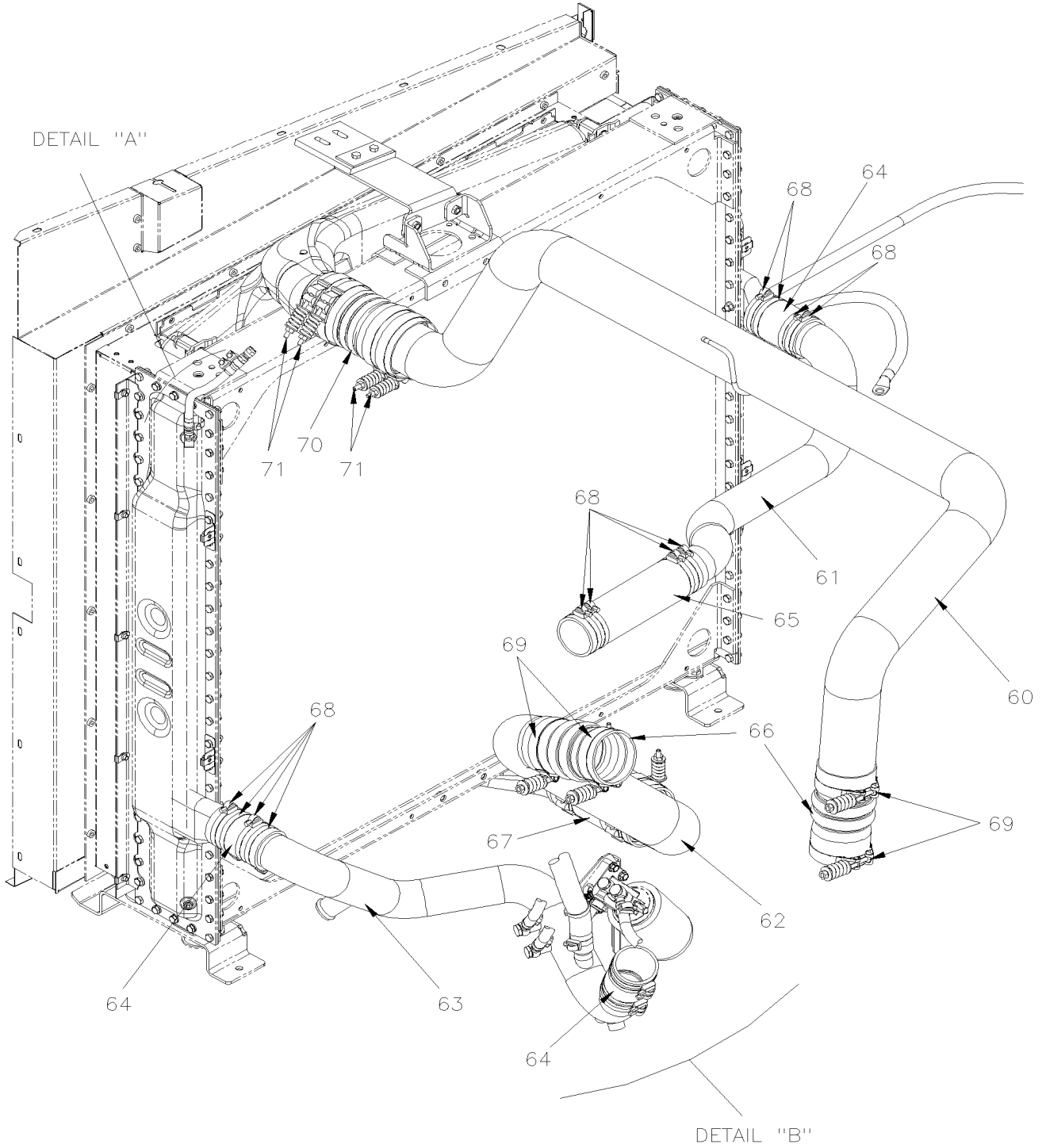


From G-7275 To H-7416

Date:07/2024

PAGE:IS19912

ELECTRIC FAN DRIVE COOL. SYS CONVERSION-REMY ALT. US10 UP TO GHG17

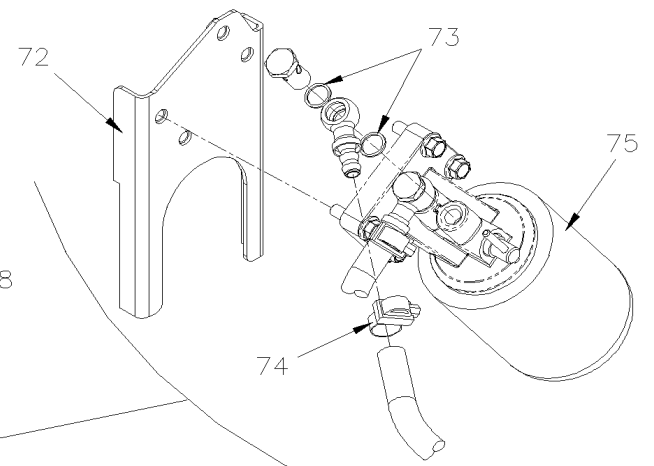
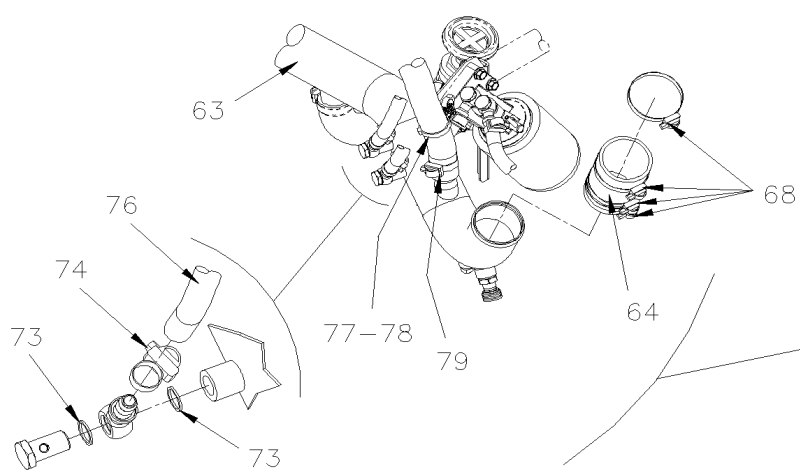
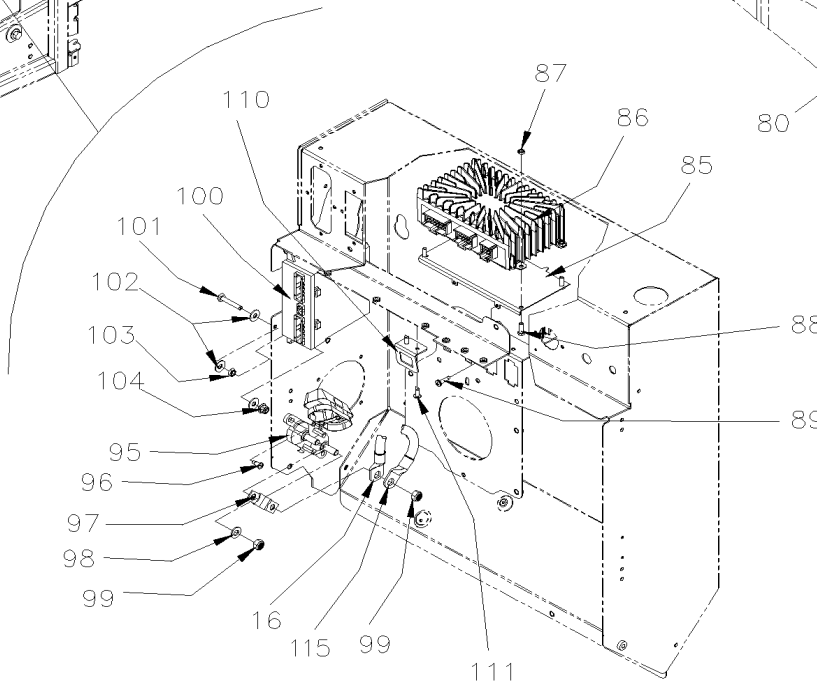
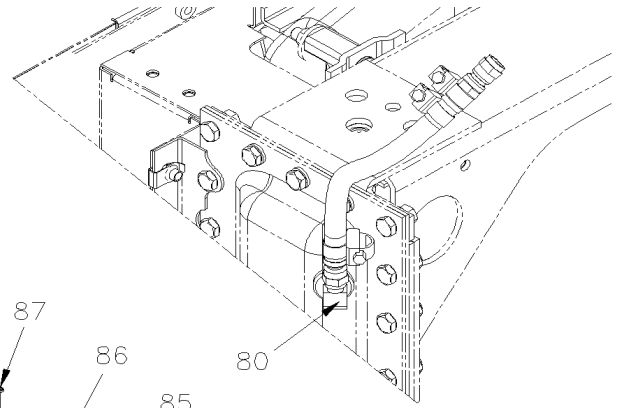
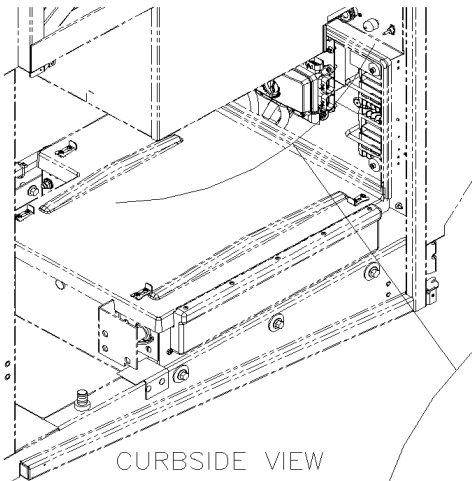


From G-7275 To H-7416

Date:07/2024

PAGE:IS19912

ELECTRIC FAN DRIVE COOL. SYS CONVERSION-REMY ALT. US10 UP TO GHG17



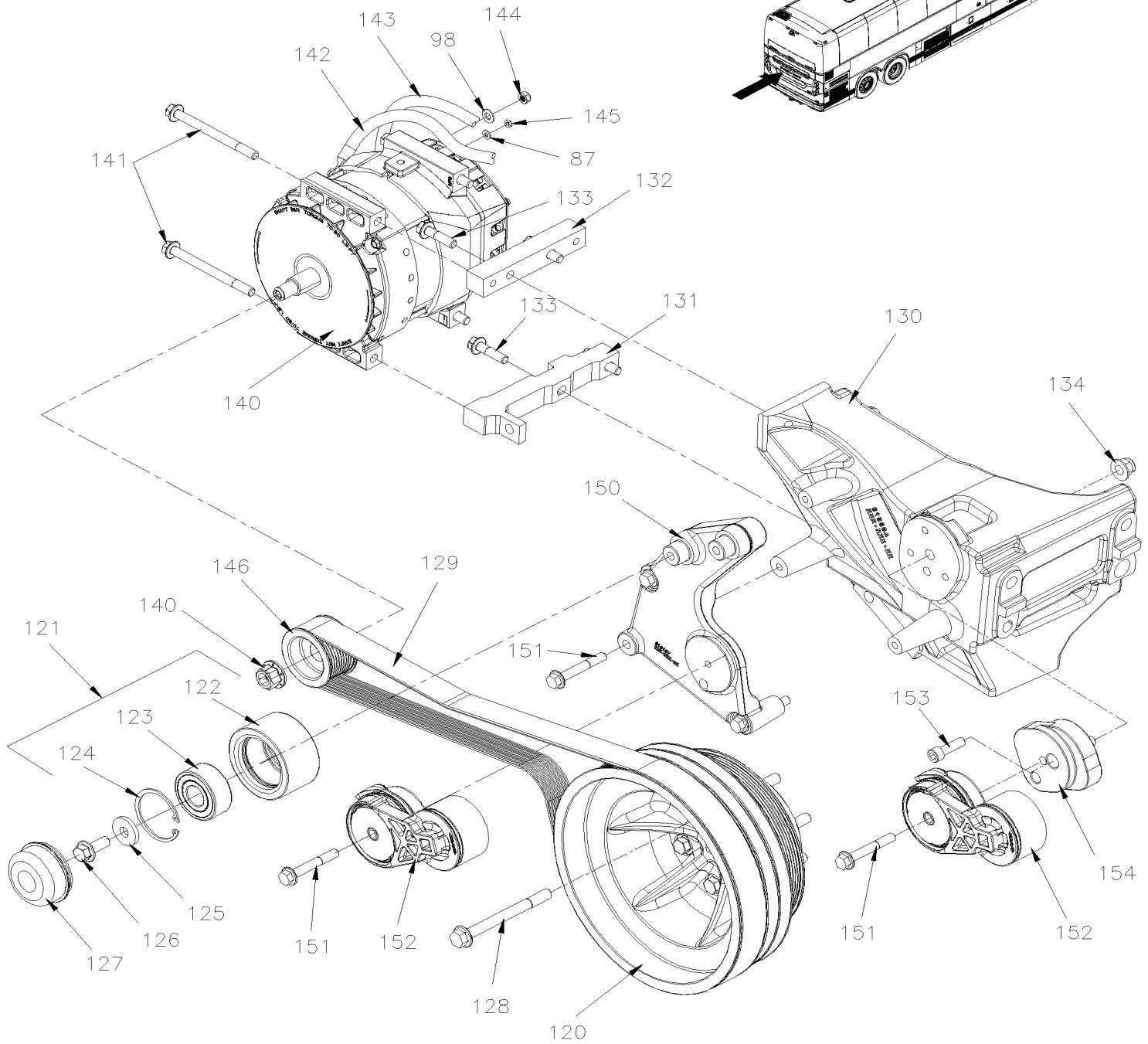
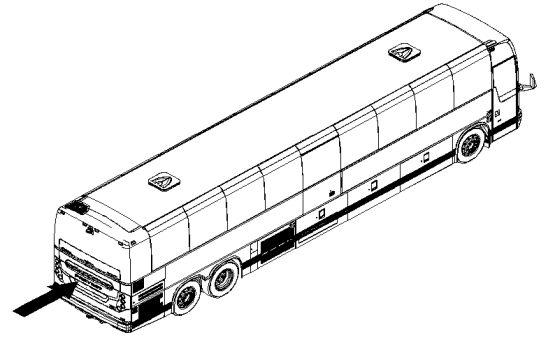
From G-7275 To H-7416

Date:07/2024

PAGE:IS19912

ELECTRIC FAN DRIVE COOL. SYS CONVERSION-REMY ALT. US10 UP TO GHG17

STREET SIDE



From G-7275 To H-7416	Date:07/2024	PAGE:IS19912
ELECTRIC FAN DRIVE COOL. SYS CONVERSION-REMY ALT. US10 UP TO GHG17		

Item#	Part	Description	QTY	Notes
1	050343	FAN SUPPORT PANEL, WELDED	1	
NS	506025	RUBBER CHANNEL / 1/18" x 5/16" INT "U" SHAPE / SQUARE C.T.L.	AR	
2	050355	UPPER SHROUD TRANSITION	1	
NS	506040	TAPE RUB ADH1 CC EPDM 5/16" x 3/4" x 25' / BLACK OR GREY 144X	AR	
3	050359	LOWER LEFT SHROUD TRANSITION	1	
4	050360	RIGHT SHROUD TRANSITIO	1	
5	050362	LOWER SHROUD TRANSITION	1	
6	050363	LOWER LH SIDE SHROUD PANEL	1	
7	050364	UPPER LH SIDE SHROUD PANEL	1	
8	050365	LOWER SHROUD PANE	1	
9	050366	UPPER SHROUD PANEL	1	
10	050367	RH SIDE SHROUD PANEL	1	
11	050369	BOX, DOOR PUSH-ROD	1	
12	050380	UPPER LEFT SHROUD TRANSITION WELDED	1	
13	050415	UPPER LEFT SHROUD PANEL	1	
14	564612	POWER BOX, FAN DRIVE	1	
15	069246	HARNESS GROUND FAN DRIVE	1	
16	069245	HARNESS PWR FAN DRIVE	1	
20	050351	UPPER RADIATOR SUPPORT X	1	
21	21185073	RUBBER PAD 100MM X 123MM	1	
22	052795	PLATE / UPPER RADIATOR 30MM X 120MM	1	
23	052473	PLATE / UPPER RADIATOR 40MM X 90MM	2	
25	5001697	SCREW CAP HEX M6-1.0x16 SS BK	AR	
26	502570	WASHER LO SPT 6.1x11.8x1.6 SS	AR	
27	502848	SCREW TC CAP HEXF 1/4-20x3/4 N500	AR	
28	5001738	SCREW CAP HEX M8-1.25x30 G8.8 N500	4	
29	5001745	SCREW CAP HEX M8-1.25x25 G8.8 N500	2	
30	500942	WASHER LO SPT 8.1x14.8x2.0 N500	4	
31	502837	NUT HEXF STO M8-1.25 N500	2	
35	069205	DECAL "WARNING FAN"	1	
40	068820	HARNESS FAN DRIVE	1	
45	564312	ELECTRIC FAN FOR RADIATOR & CAC	8	
. NS	568092	. CONNECTOR / PH 4C / YAZAKI 7282-8497-90	1	
. NS	560009	. CONNECTOR CLIP / HELLERMAN TYTON 155-30702	1	
46	563533	HAND GUARD, FAN	8	
50	053040	BRACKET, SURGE TANK X3	1	
NS	500321	WASHER BEL SPR .331x.827x.098 N500	1	
NS	5001983	NUT HEX NYRT M8-1.25 SS SS BK	1	
60	050308	CAC PIPE OUTLET	1	
61	050309	WATER PIPE INLET RADIATOR	1	
62	050328	CAC PIPE	1	
63	050331	WATER PIPE ENGINE RETURN	1	

From G-7275 To H-7416	Date:07/2024	PAGE:IS19912
ELECTRIC FAN DRIVE COOL. SYS CONVERSION-REMY ALT. US10 UP TO GHG17		

Item#	Part	Description	QTY	Notes
64	053617	HOSE SILICONE / NOMEX 2 1/2" I.D. 105MM	3	
NS	503786	HOSE SILICONE 4 PLY / NOMEX-ARAMID 2 1/2" I.D. x 6'	1	
65	052889	HOSE SILICONE 2 1/2" I.D. 280MM	1	
66	030096	HOSE 86MM I.D. X 162.5MM	2	
NS	053662	COUPLING TURBO	1	
NS	21096684	GASKET 60MM I.D.	1	
NS	20592787	V-CLAMP / 81.7MM I.D.	1	
67	531471	HOSE SILICONE 4" I.D. 6 1/2" / 500F°	1	
68	992089	HOSE CLAMP / 60MM/80MM	AR	
69	21490630	HOSE CLAMP SPRING LOAD / HEAVY DUTY 3"5/8-3"15/16	4	
70	531469	HOSE / W/2 RING / 4" I.D. 8" / 500°F	1	
71	21490616	HOSE CLAMP SPRING LOAD / HEAVY DUTY 4"1/8-4"7/16	8	
72	050265	COOLANT FILTER SUPPORT	1	
73	507657	BANJO WASHER / M14	8	
74	992081	HOSE CLAMP / 12MM/22MM	4	
75	21937327	CARTRIGE "MAINTENANCE" COOLANT LONG LIFE "WITH D13 ENGINE"	1	
76	052366	HOSE / LOWER / #6 1550MM	1	
NS	503702	HOSE / (SAFETY STRIPE) / 3/8" I.D. 50' / S.L.	AR	
77	504016	CABLE TIE / 5/16" X 14"1/2	AR	
78	504751	ROTATIF SPACER DOUBLE / SMALL	4	
79	992086	HOSE CLAMP / 32MM/52MM	2	
80	501037	MALE ELBOW 90° / SAE 45° FITTING / #4FL-Mx1/4NPT-M BR	1	
85	053043	SUPPORT MODULE	1	
86	22722850	I/O B E-MODULE VOLVO MULTIPLEX / ALUMINUM	1	
87	5001180	NUT HEX NYRT #10-24 SS	4	
88	5001447	SCREW CAP HEX #10-24x5/8 PT SS BK	4	
89	500623	SCREW TC PAN PH #10-24x3/4 N500	2	
95	563750	FUSEHOLDER W/RED COVER / MEGA FUSE /	1	
96	500658	SCREW TC PAN PH #10-24x3/4 Z050	AR	
97	5001341	WASHER FL 8.4x17.0x1.6 SS	AR	
98	564520	FUSE / MEGA FUSE / 300 AMPS / GREY	1	
99	5001983	NUT HEX NYRT M8-1.25 SS SS BK	2	
100	23499009-EFD	MCM PROGRAMME - SERVICE KIT EFD	1	
NS	563593	CONNECTOR W/END OF LINE RESISTOR 120R / DTM SERIES / SH 2C / GRAY / DEUTSCH DTM06-2S-P006	AR	
101	502888	SCREW CAP HEX M6-1.0x35 G8.8 N500	3	
102	502709	WASHER FL .260x.687x.050 XLN BK	9	
103	502854	NUT HEX M6-1.0 N500	3	
104	5001932	NUT HEXF NYRT M6-1.0 G8.8 N500	3	
110	050303	ALTERNATOR TELLTALE BRACKET	1	
111	504379	RIVET POP DOME OE 3/16x1/4 SS	AR	
NS	391028	INSERT / RED / GENERATOR	1	
NS	562113	TELLTALE ASSY / 24V SHORT	1	

From G-7275 To H-7416	Date:07/2024	PAGE:IS19912
-----------------------	--------------	--------------

ELECTRIC FAN DRIVE COOL. SYS CONVERSION-REMY ALT. US10 UP TO GHG17

Item#	Part	Description	QTY	Notes
115	060682	HARNESS BATTERY TO ALTERNATOR LH	1	
120	012941	DRIVE PULLEY / 280MMx10RIB/ 268.3MMx2V / 220.8MMx10 RIB	1	
NS	506080	MULTI V-BELT / 8 RIB 62" (1575MM) 8PK1575 QT + SD ARAMIDE	1	
121	012349	PULLEY ASSY W/BEARING / 48MM x 90MM O.D.	1	
122	012958	PULLEY / 48MM x 90MM O.D.	1	
123	509952	BALL BEARING 25 ID x 62 OD x 25.4 W HI-TEMP	1	
124	504040	RING RETAINER / INT 2.440 x 1.860 x 0.078 STL BLK	1	
125	5002008	WASHER FL 13.0x35.0x5.0 N500	1	
126	5001786	SCREW CAP HEXF M12-1.75x30 G8.8 N500	1	
127	453076	CAP, DUST	1	
128	5001296	SCREW CAP HEXF M12-1.75x80 G10.9 N500	6	
129	506067	MULTI V-BELT / 10 RIB 67.1" (1705MM) 10PK1705 QT ARAMIDE	2	
130	010090	ENGINE MOUNT STREET SIDE W/D13 W/REMY	1	
131	069890	BRACKET, ALTERNATOR REMY LOWER	1	
132	069891	BRACKET, ALTERNATOR REMY UPPER	1	
133	5001308	SCREW CAP HEXF M10-1.5x40 G10.9 N500	4	
134	5001761	NUT HEXF NYRT M12-1.75 G8 N500	AR	
140	560720	ALTERNATOR ASSY 24V/250 AMPS / "REMY"	1	
141	5002091	SCREW CAP HEXF M10-1.5x120 G10.9 N500	4	
142	0610035	HARNESS, ALTERNATOR CHASSIS GROUND / STREET SIDE	1	
143	0610037	HARNESS, ALTERNATOR CONTROL / STREET SIDE	1	
144	500685	NUT HEX NYRT 5/16-18 SS	1	
145	5001137	WASHER FL .203x.438x.050 SS	2	
146	069893	PULLEY ALTERNATOR / "REMY" / 69MM DOB x 10 PK	1	
150	011213	IDLER SUPPORT	1	
151	5001799	SCREW CAP HEXF M10-1.5x70 G10.9 N500	AR	
152	510991	AUTOMATIC TENSIONER ASSY	1	
153	5001940	SCREW CAP HEX M12-1.75x140 G10.9 N500	4	
154	012695	SUPPORT ADAPTOR AUTOMTIC TENSIONER ASSY W/DOWEL / WATER PUMP		
. NS	502941	. DOWEL PIN	2	
NS	561610	CONNECTOR / WEATHER PACK / PH 4C / BLACK / PED 12015024	1	
NS	561783	SEAL PLUG CAVITY / GREEN / PED 12010300	AR	
NS	23445869	HARNESS	1	
NS	23488790	FAN TO RJB INTERFACE HARNESS H345	1	
NS	561608	SOCKET TERMINAL / 18-16 / DEUTSCH 0462-201-16141	AR	
NS	23490553	VEHICLE INTERFACE HARNESS H345	1	
NS	23498450	BATTERY CABLE MASTER SW TO FUSE	1	
NS	N37749	CABLE TIE DUAL .250-2.300	AR	
NS	509490	ATTACHMENT DOUBLE USE WITH CABLE TIE	AR	
NS	509491	CABLE TIE / 13MM x 383MM	AR	
NS	562679	4 WAY ADH. BACKED MOUNTS 1.000 x 1.000 x .160	4	
500	IS-19901	INSTRUCTION SHEET	1	

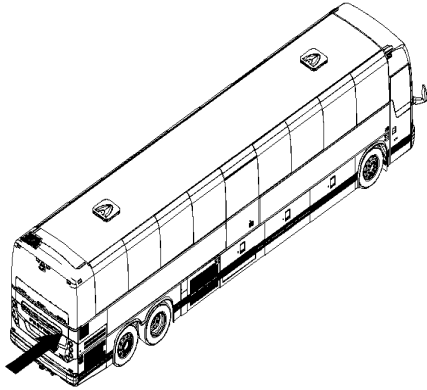
From G-7275 To H-7416		Date:07/2024	PAGE:IS19912	
ELECTRIC FAN DRIVE COOL. SYS CONVERSION-REMY ALT. US10 UP TO GHG17				
Item#	Part	Description	QTY	Notes
500	FI-19901	VOIR FEUILLE D'INSTRUCTION	1	

From G-7275 To H-7416

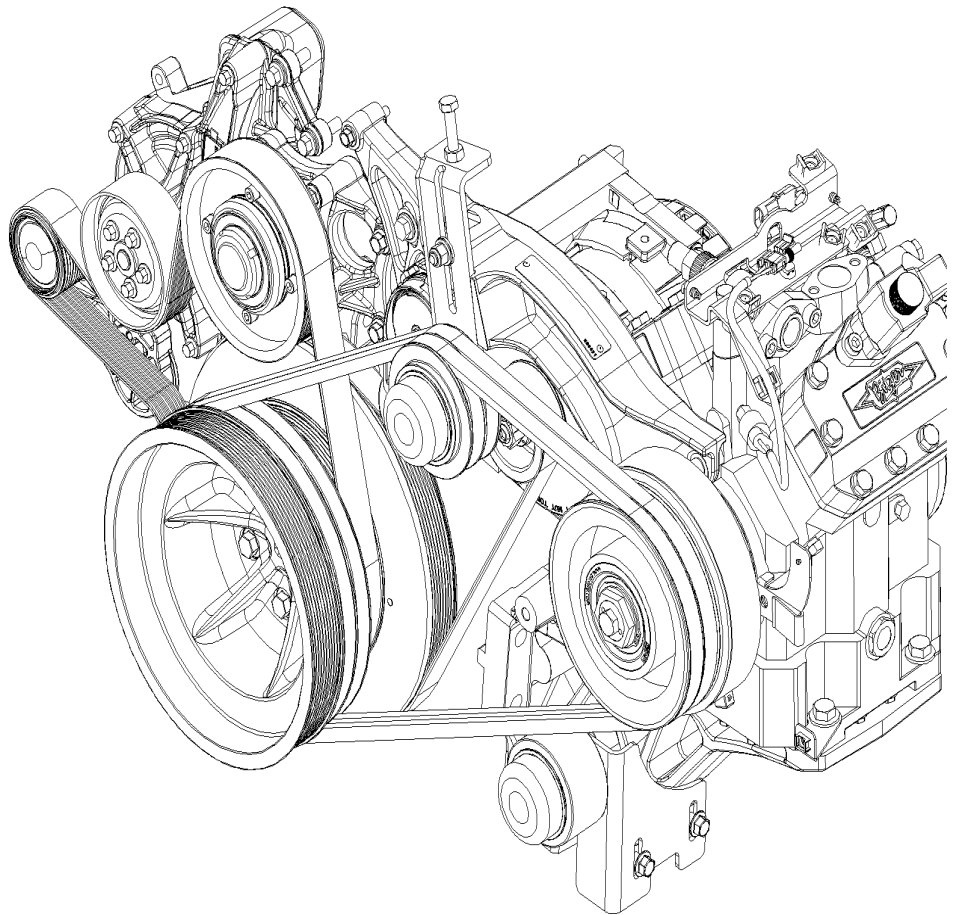
Date:07/2024

PAGE:IS19909

BOSCH TO DELCO REMY ALTERNATOR INSTALLATION X3-45



WITH REMY ALTERNATOR



From G-7275 To H-7416	Date:07/2024	PAGE:IS19909
-----------------------	--------------	--------------

BOSCH TO DELCO REMY ALTERNATOR INSTALLATION X3-45

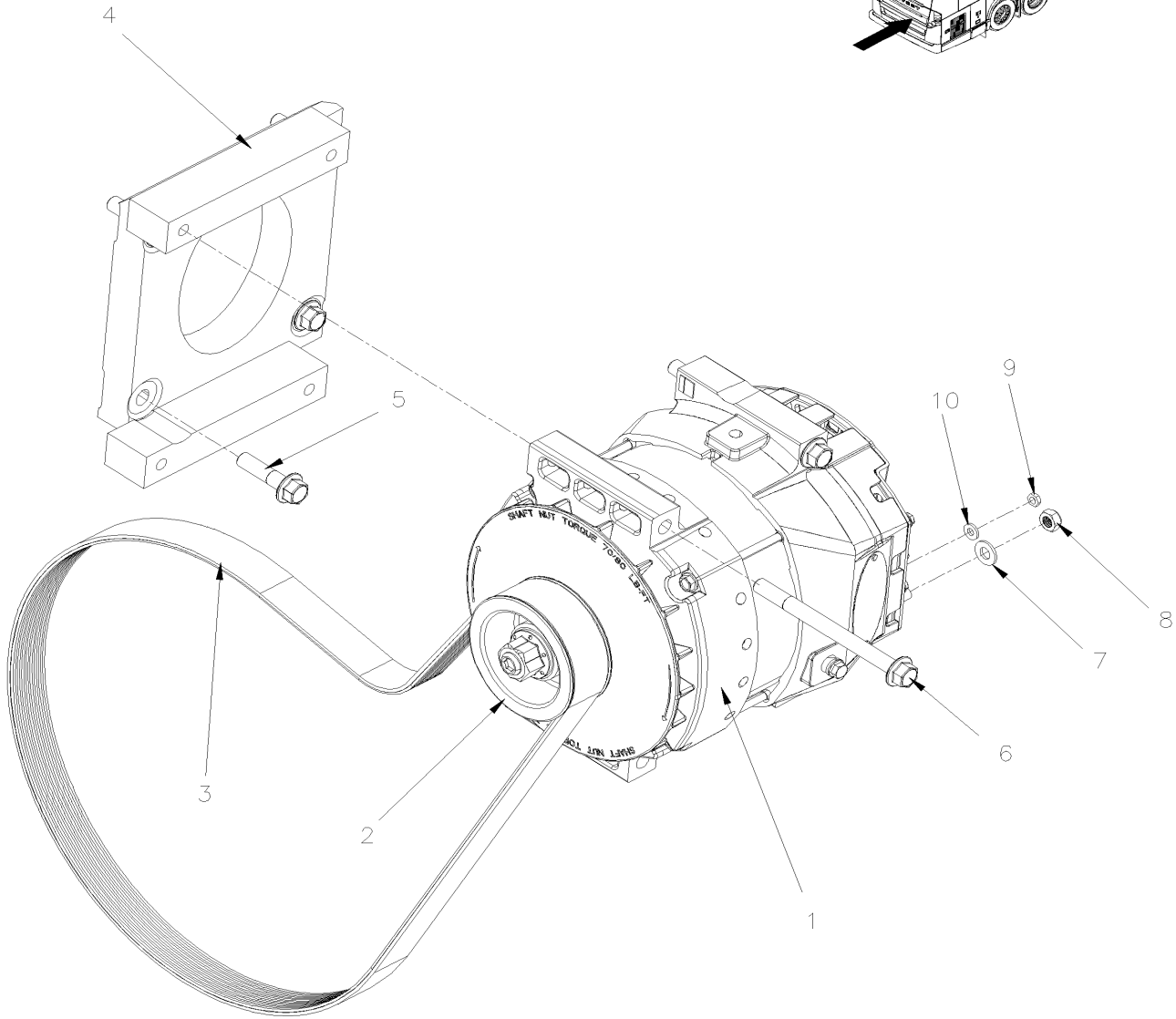
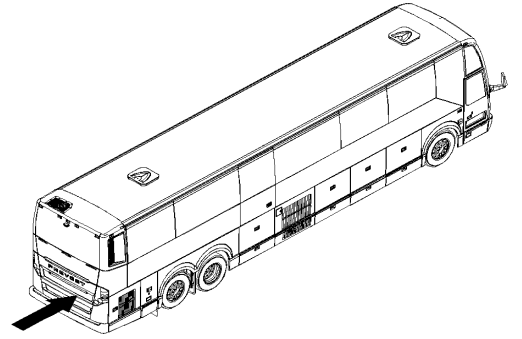
Item#	Part	Description	QTY	Notes
1	0610086	KIT INSTALLATION, ALTERNATOR REMY CURB SIDE	1	
2	0610091	ALTERNATOR REMY ADAPTATION X3 CURB SIDE	1	
3	IS-19909	INSTRUCTION SHEET	1	

From G-7275 To H-6179

Date:07/2024

PAGE:0610086

KIT INSTALLATION, ALTERNATOR REMY CURB SIDE



From G-7275 To H-6179	Date:07/2024	PAGE:0610086
KIT INSTALLATION, ALTERNATOR REMY CURB SIDE		

Item#	Part	Description	QTY	Notes
1	560720	ALTERNATOR ASSY 24V/250 AMPS / "REMY"	1	
2	069892	PULLEY ALTERNATOR / "REMY" / 83MM DOB. x 8 PK	1	
3	506065	MULTI V-BELT / 8 RIB 56.5" (1435MM) 8PK1435 QT EPDM	2	
4	069894	BRACKET, ALTERNATOR REMY	1	
5	5001308	SCREW CAP HEXF M10-1.5x40 G10.9 N500	4	
6	5002091	SCREW CAP HEXF M10-1.5X120 G10.9 N500	4	
7	5001341	WASHER FL 8.4x17.0x1.6 SS	1	
8	500685	NUT HEX NYRT 5/16-18 SS	1	
9	5001180	NUT HEX NYRT #10-24 SS	2	
10	5001137	WASHER FL .203x.438x.050 SS	2	
NS	500411	WASHER FL .260x.697x.050 SS	1	
NS	IS-19905	SEE INSTRUCTION SHEET	1	

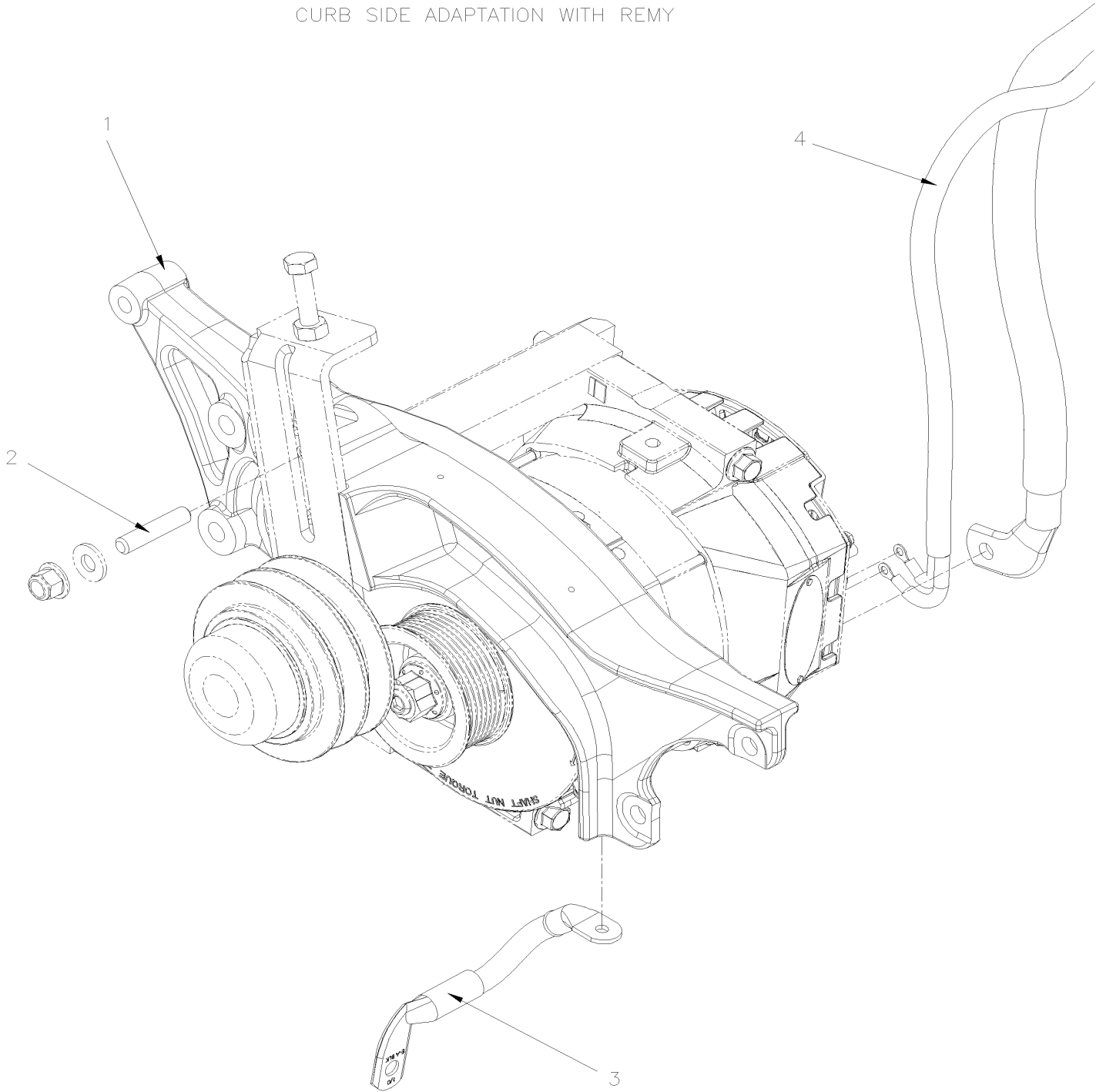
From G-7275 To H-6179

Date:07/2024

PAGE:0610091

ALTERNATOR REMY ADAPTATION X3 CURB SIDE

CURB SIDE ADAPTATION WITH REMY



From G-7275 To H-6179	Date:07/2024	PAGE:0610091
-----------------------	--------------	--------------

ALTERNATOR REMY ADAPTATION X3 CURB SIDE

Item#	Part	Description	QTY	Notes
1	450580	SUPPORT, TENSIONNER CASTING	1	
2	5000360	ROD M10-1.5x52 N500	1	
3	0610034	HARNESS, ALTERNATOR CHASSIS GROUND / CURBSIDE	1	
4	0610030	HARNESS, ALTERNATOR BATTERY / CURBSIDE	1	
NS	N55439-02	RING TERMINAL #5 / 16-14 / DURASEAL / AMP B-106-1502	3	
NS	N33509-06	SHRINK TUBING / .187" - .060" / BLACK / RAYCHEM SCL 3/16-0	AR	
NS	5001834	WASHER BEL SPR 10.5X23X2.5 N500	1	
NS	5001930	NUT HEXF NYRT M10-1.5 N500 G10.9	1	
NS	5001799	SCREW CAP HEXF M10-1.5x70 G10.9 N500	2	
NS	563870	RING TERMINAL #5 / 16-14 / DURASEAL / AMP B-106-1502	3	
NS	563158	SHRINK TUBING / .300" - .060" / BLACK / 3M EPS-400.300	AR	

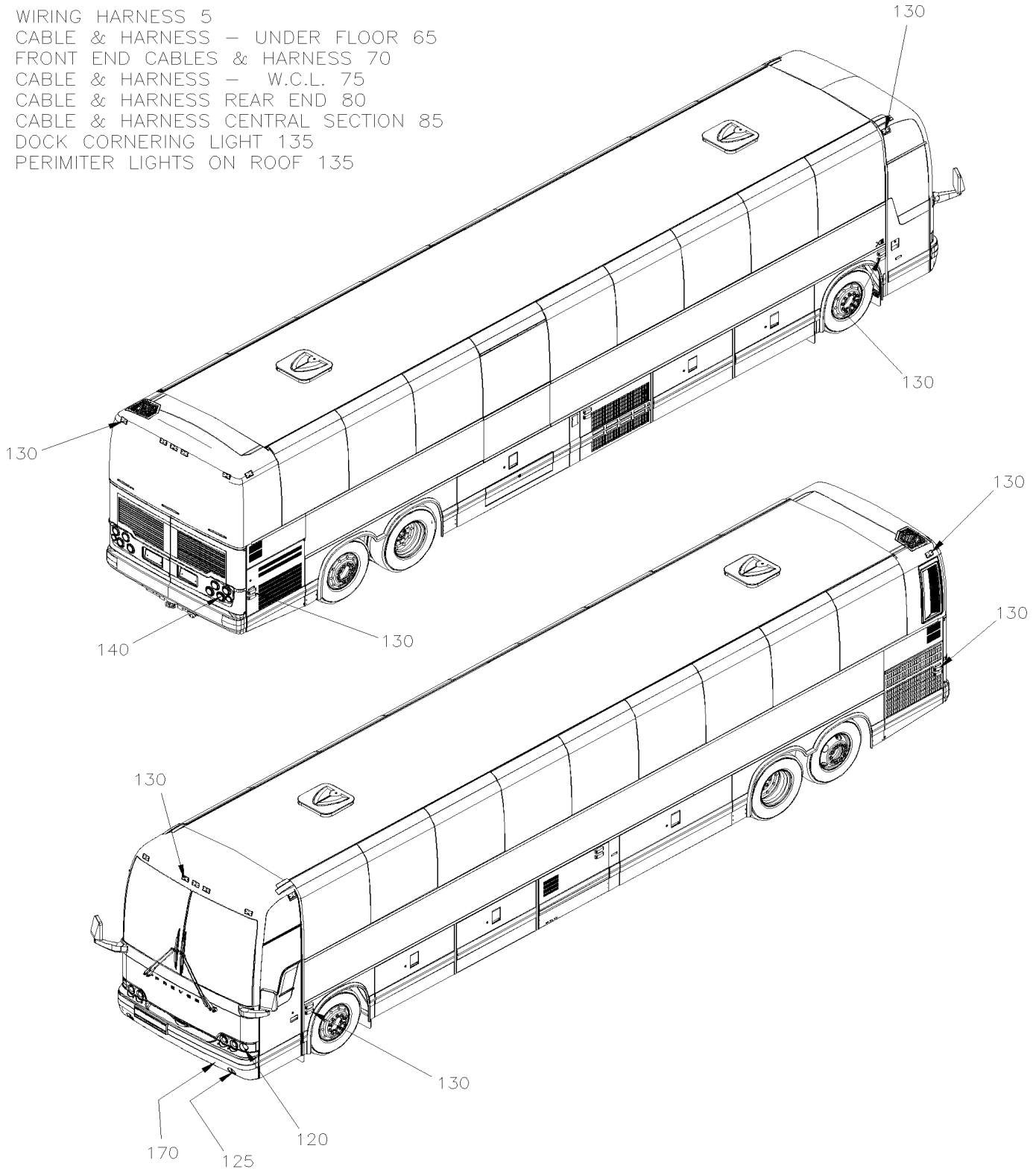
From G-7275 To M-7767

Date:07/2024

X3PLB-06

ELECTRICAL

WIRING HARNESS 5
CABLE & HARNESS – UNDER FLOOR 65
FRONT END CABLES & HARNESS 70
CABLE & HARNESS – W.C.L. 75
CABLE & HARNESS REAR END 80
CABLE & HARNESS CENTRAL SECTION 85
DOCK CORNERING LIGHT 135
PERIMETER LIGHTS ON ROOF 135

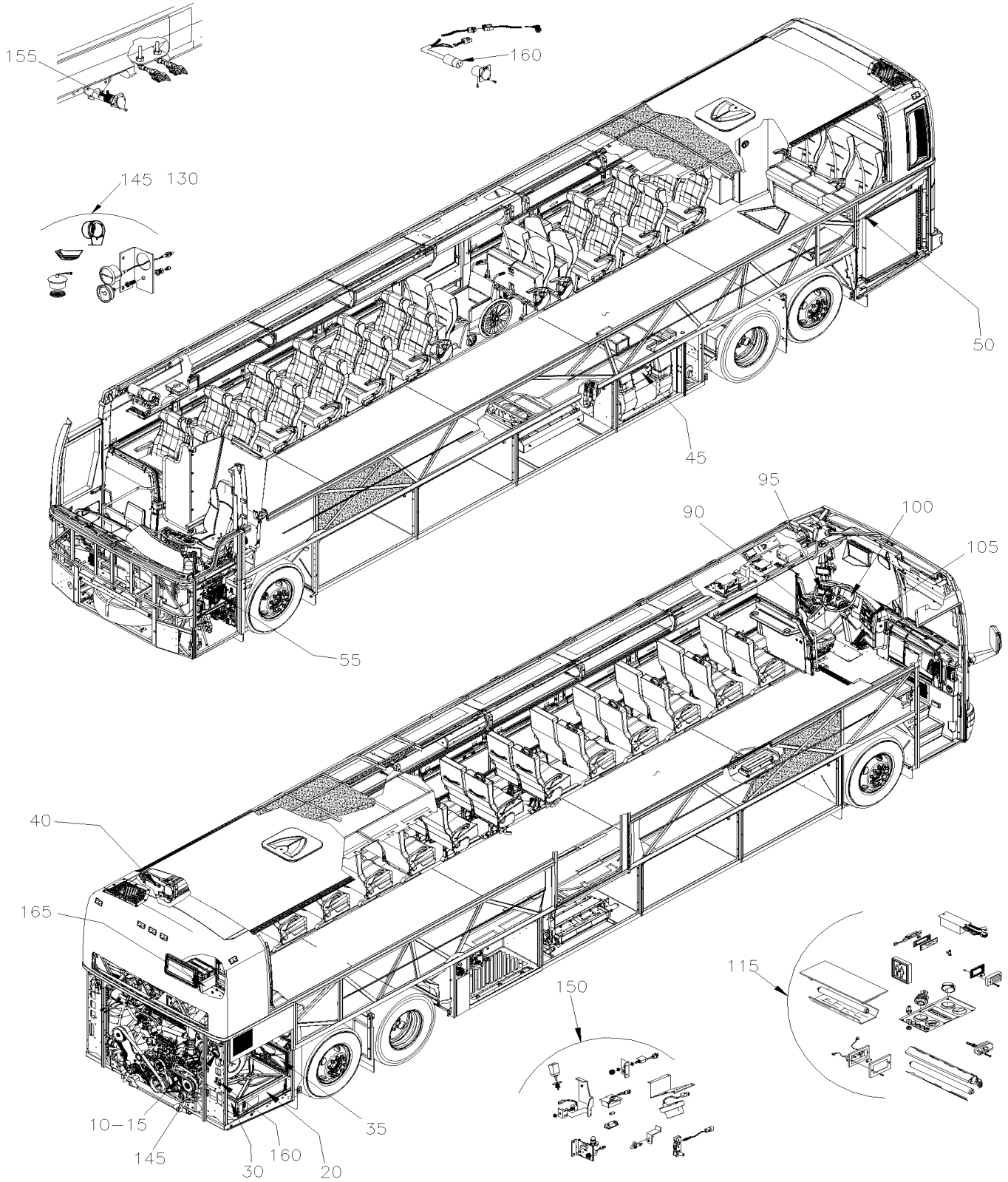


From G-7275 To M-7767

Date:07/2024

X3PLB-06

ELECTRICAL



From G-7275 To M-7767	Date:07/2024	X3PLB-06
-----------------------	--------------	----------

ELECTRICAL

Item#	Part	Description	QTY	Notes
5	X3PLB-0600-00	WIRING HARNESS - BUS From G-7275 To M-7767		
10	X3PLB-0605-00	ALTERNATOR 24V/150 AMPS / "BOSCH" From G-7275 To M-7767		
10	X3PLB-0605-10	ALTERNATOR 24V/250 AMPS / "REMY" From K-7590 To M-7767		
15	X3PLB-0610-05	ALTERNATOR MOUNTING / "BOSCH" VOLVO D13 From G-7275 To H-7416		
15	X3PLB-0610-06	ALTERNATOR MOUNTING / "BOSCH" VOLVO D13 - GHG17 From H-7417 To M-7767		
15	X3PLB-0610-10	ALTERNATOR MOUNTING / COACH WITH 4 ALTERNATORS VOLVO D13 From K-7582 To M-7767		
15	X3PLB-0610-15	ALTERNATOR MOUNTING / "REMY" VOLVO D13 From K-7590 To M-7767		
20	X3PLB-0615-00	BATTERIES INSTALLATION From G-7275 To H-7416		
20	X3PLB-0615-01	BATTERIES INSTALLATION VOLVO D13 - GHG17 From H-7417 To M-7767		
30	X3PLB-0616-10	BREAKERS PANEL From G-7275 To H-7416		
30	X3PLB-0616-11	BREAKERS PANEL GHG17 From H-7417 To M-7767		
35	X3PLB-0620-00	REAR JUNCTION BOX ASSY From G-7275 To H-7416		
35	X3PLB-0620-01	REAR JUNCTION BOX ASSY GHG17 From H-7417 To M-7767		
35	X3PLB-0620-10	REAR JUNCTION BOX INSTALLATION GHG17 From H-7417 To M-7767		
40	X3PLB-0620-20	PARCEL RACK JUNCTION PANEL From G-7275 To K-7662		
40	X3PLB-0620-21	PARCEL RACK JUNCTION PANEL From L-7663 To M-7767		
45	X3PLB-0621-10	A/C ELECTRICAL PANEL ASSY / EVAPORATOR COMPARTMENT From G-7275 To M-7767		
45	X3PLB-0621-11	A/C ELECTRICAL PANEL ASSY / EVAPORATOR COMPARTMENT GHG17 From H-7417 To M-7767		
45	X3PLB-0621-45	BREAKER PANEL, INVERTER From J-7448 To M-7767		
45	X3PLB-0621-80	MODULE WCL ASSY From H-7417 To M-7767		
50	X3PLB-0622-00	POWER BOX FOR RADIATORS FANS GHG17 From H-7417 To M-7767		
55	X3PLB-0625-00	FRONT JUNCTION PANEL From G-7275 To H-7416		
55	X3PLB-0625-01	FRONT JUNCTION PANEL VOLVO D13 - GHG17 From H-7417 To M-7767		
55	X3PLB-0625-10	FRONT JUNCTION BOX - INSTALLATION From G-7275 To H-7416		
55	X3PLB-0625-11	FRONT JUNCTION BOX - INSTALLATION GHG17 From H-7417 To M-7767		
65	X3PLB-0630-00	CABLE & HARNESS - UNDER FLOOR From G-7275 To M-7767		
70	X3PLB-0640-00	CABLE & HARNESS - FRONT END INSTALLATION From G-7275 To M-7767		
75	X3PLB-0640-80	CABLE & HARNESS - W.C.L. From G-7275 To M-7767		
80	X3PLB-0641-00	CABLE & HARNESS - REAR END INSTALLATION From G-7275 To M-7767		

From G-7275 To M-7767	Date:07/2024	X3PLB-06
-----------------------	--------------	----------

ELECTRICAL

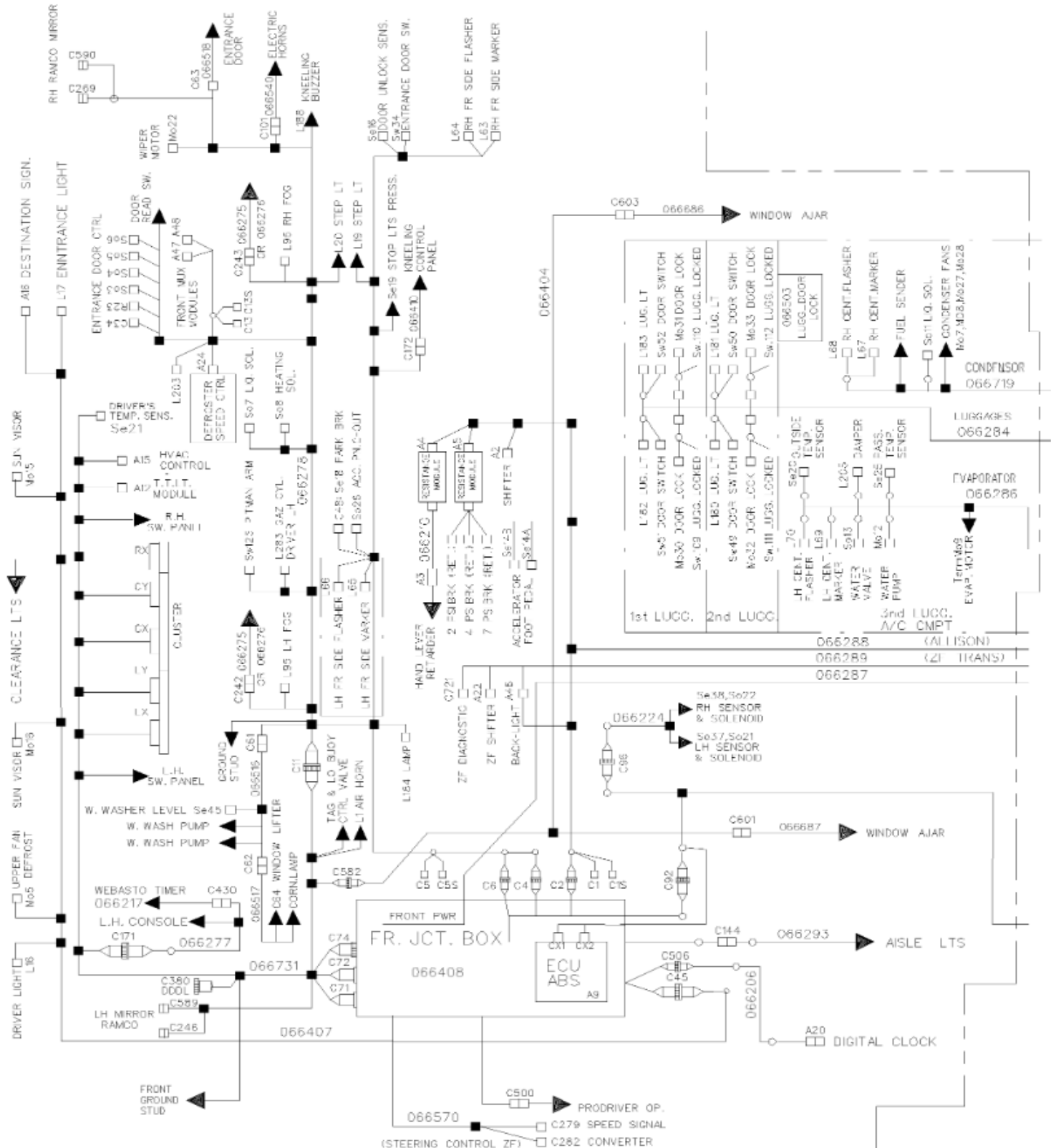
Item#	Part	Description	QTY	Notes
85	X3PLB-0642-00	CABLE & HARNESS - CENTRAL SECTION INSTALLATION From G-7275 To M-7767		
90	X3PLB-0645-00	SWITCHES L.H. CONSOLE - BUS From G-7275 To K-7542		
90	X3PLB-0645-01	SWITCHES L.H. CONSOLE - BUS From K-7543 To M-7767		
95	X3PLB-0645-10	L.H. DASHBOARD PANEL From G-7275 To K-7542		
95	X3PLB-0645-11	L.H. DASHBOARD PANEL From K-7543 To M-7767		
100	X3PLB-0645-20	CENTER DASHBOARD PANEL From G-7275 To M-7767		
105	X3PLB-0645-30	R.H. DASHBOARD PANEL From G-7275 To M-7767		
105	X3PLB-0645-31	R.H. DASHBOARD PANEL From K-7543 To M-7767		
115	X3PLB-0655-00	INTERIOR LIGHTING / "LED" From G-7275 To M-7767		
115	X3PLB-0655-10	AUTOMATIC EMERGENCY LAMPS From M-7839 To M-7767		A
120	X3PLB-0660-00	HEADLAMP & FRONT DIRECTIONAL LAMPS From G-7275 To K-7662		
120	X3PLB-0660-01	HEADLAMP & FRONT DIRECTIONAL LAMPS From L-7663 To M-7767		
125	X3PLB-0661-00	FOG LAMP From G-7275 To K-7610		
125	X3PLB-0661-01	FOG LAMP / LED From K-7611 To M-7767		
130	X3PLB-0662-00	CLEARANCE & MARKER LIGHT From G-7275 To K-7662		
130	X3PLB-0662-01	CLEARANCE & MARKER LIGHT From L-7663 To M-7767		
135	X3PLB-0663-00	DOCK & CORNERING LIGHT From G-7275 To M-7767		
135	X3PLB-0663-30	PERIMETER LIGHTS ON ROOF From L-7663 To M-7767		
135	X3PLB-0663-80	LIGHT / W.C.L. BAGGAGE DOOR From G-7275 To M-7767		
140	X3PLB-0664-00	REAR EXTERIOR LIGHTS & PLATE HOLDER From G-7275 To M-7767		
145	X3PLB-0665-00	ENGINE COMPARTMENT - ELECTRIC COMPONENTS From G-7275 To H-7416		
145	X3PLB-0665-01	ENGINE COMPARTMENT - ELECTRIC COMPONENTS VOLVO D13 - GHG17 From H-7417 To M-7767		
150	X3PLB-0665-10	SWITCHES, LIGHTS, AJAR - UNDER FLOOR From G-7275 To M-7767		
155	X3PLB-0665-20	CABLE TRAILER - INSTALLATION - BUS From G-7275 To H-7416		
155	X3PLB-0665-21	CABLE TRAILER - INSTALLATION - BUS From H-7417 To M-7767		
160	X3PLB-0666-00	BLOCK HEATER RECEPTACLE From G-7275 To M-7767		
165	X3PLB-0670-10	BATTERIES CHARGER - INSTALLATION From G-7275 To H-7416		
165	X3PLB-0670-11	BATTERIES CHARGER - INSTALLATION / GHG17 From H-7417 To M-7767		
170	X3PLB-0675-05	SYSTEM - ADAPTIVE CRUISE CONTROL ACB - "BENDIX FLR20 & FLR21 From G-7275 To M-7767		

From G-7275 To M-7767		Date:07/2024	X3PLB-06
-----------------------	--	--------------	----------

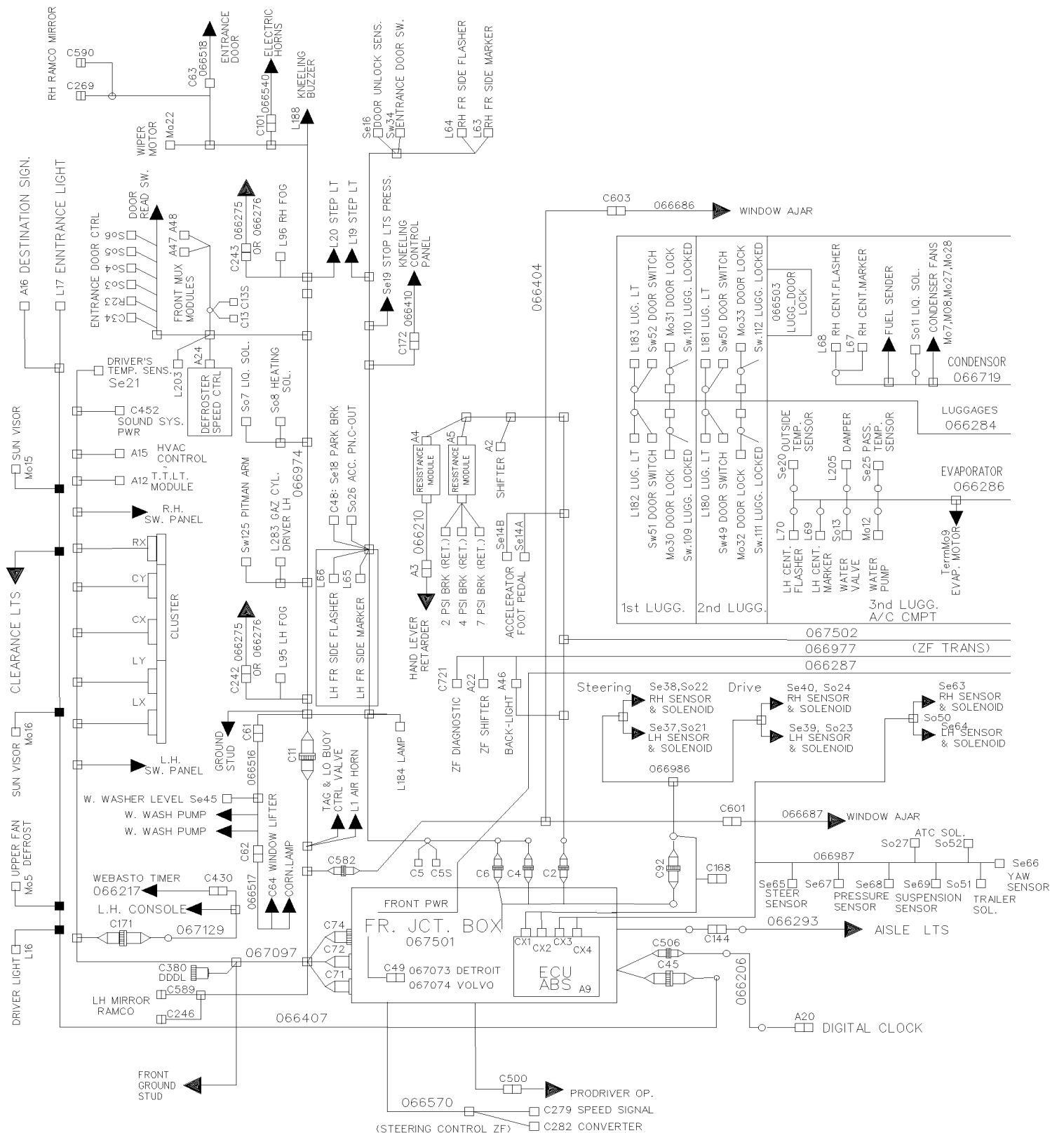
ELECTRICAL

Item#	Part	Description	QTY	Notes
175	X3PLB-0675-20	SYSTEM CAMERA & HUD - "PREVOST DRIVER ASSIT" From M-7768 To M-7767		
180	IS19909	BOSCH TO DELCO REMY ALTERNATOR INSTALLATION X3-45 From G-7275 To H-7416		
		A) CALIFORNIA REGULATIONS		

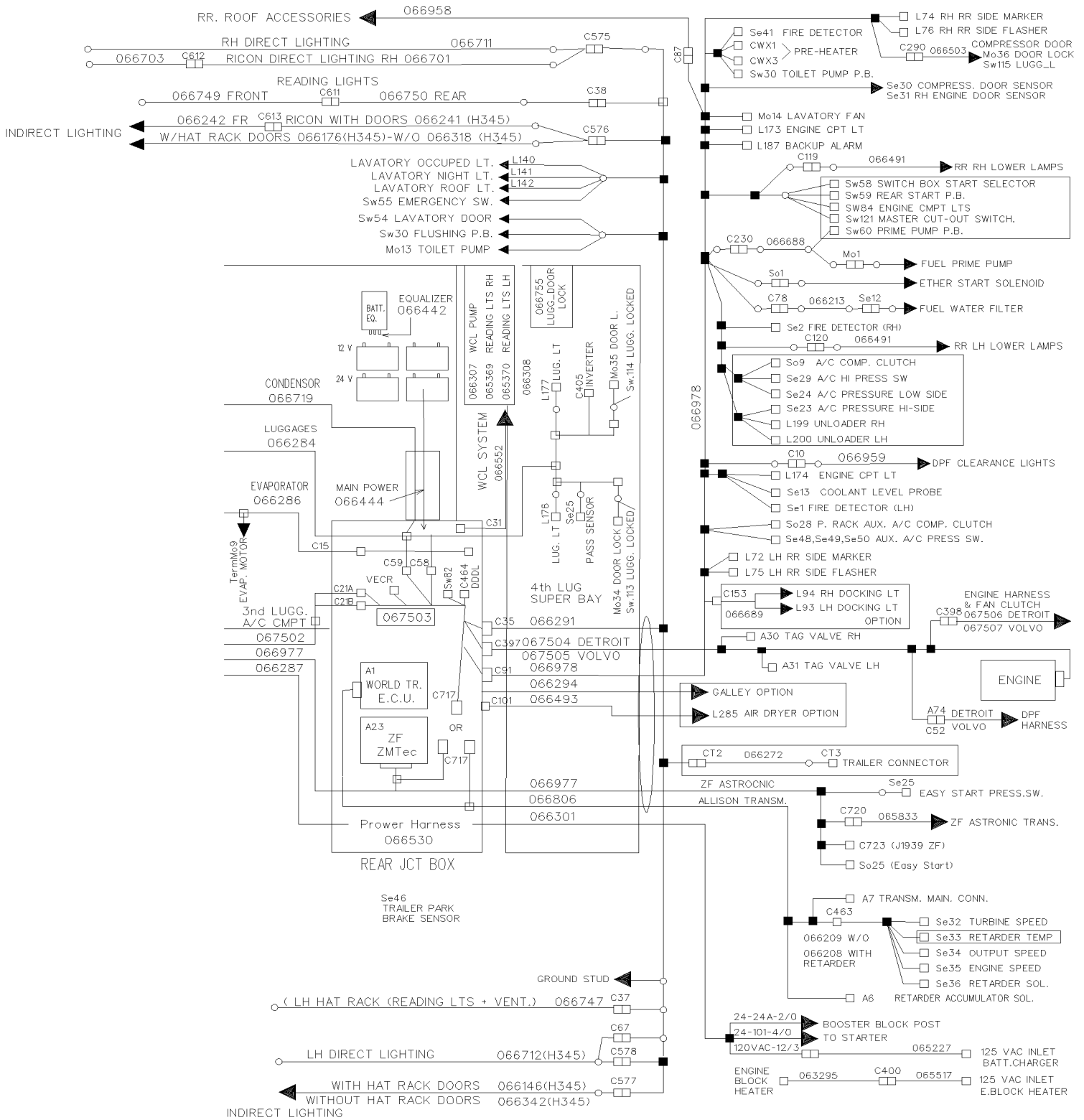
WIRING HARNESS - BUS



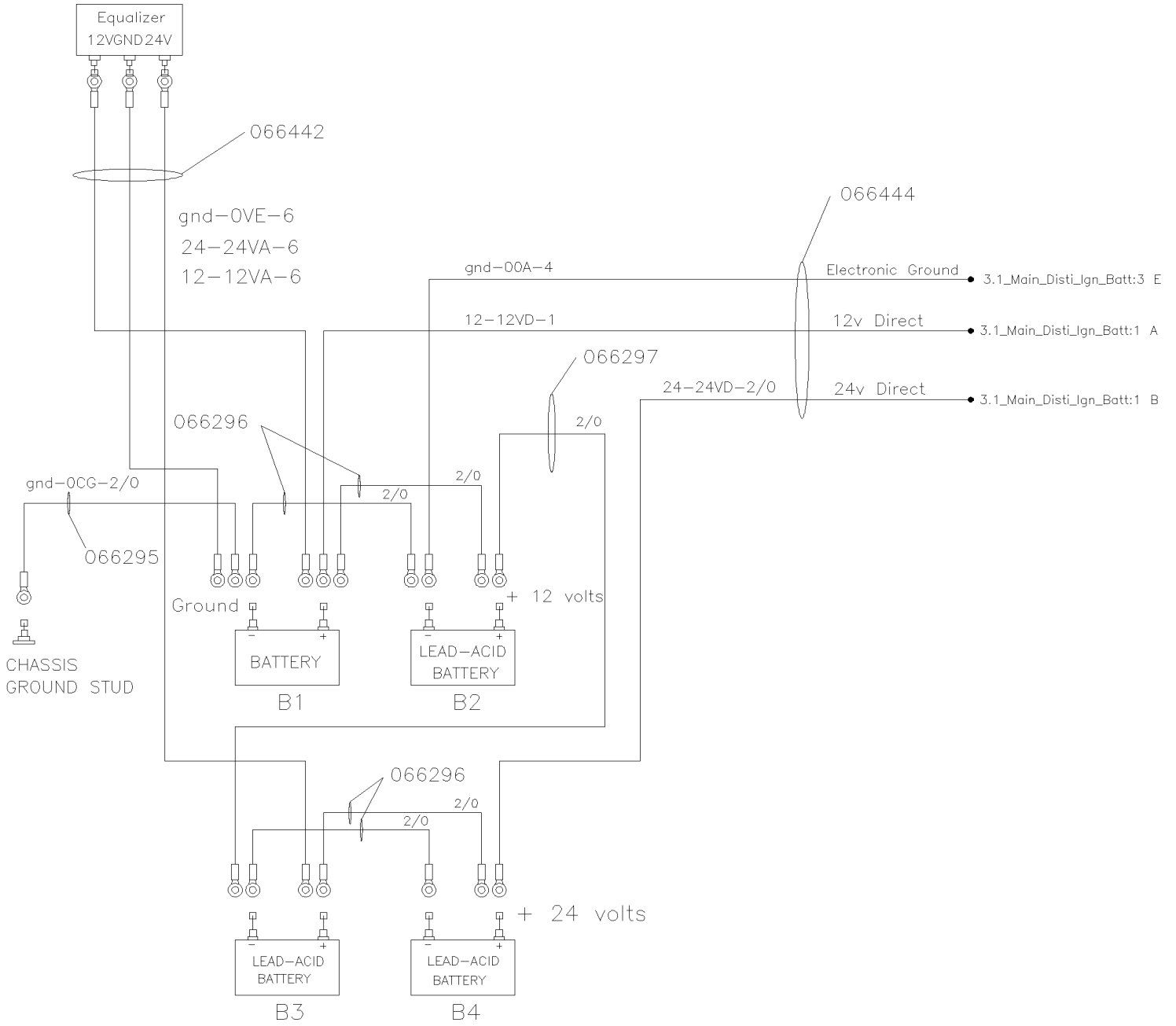
WIRING HARNESS - BUS



WIRING HARNESS - BUS



WIRING HARNESS - BUS



From G-7275 To M-7767	Date:07/2024	PAGE:X3PLB-0600-00
WIRING HARNESS - BUS		

Item#	Part	Description	QTY	Notes
		IN BATTERIES COMPARTMENT		
1	066295	CABLE ASSY / TO GROUND	1	
2	066296	CABLE ASSY / B + TO B -	4	
3	066297	CABLE POWER 24V	1	
4	066442	CABLE BATTERIES TO EQUALIZER	1	
5	066444	CABLE POWER / TO REAR JCT BOX	1	
		FROM REAR JUNCTION BOX		
		TO E.C.M. & ENGINE ACCESSORIES		
42	068089	CABLE POWER MOTOR & ECU W/"VOLVO" ENGINE W/"VOLVO" ENGINE	1	
43	067827	CABLE ASSY / ENGINE & FAN CLUTCH W/"VOLVO" ENGINE	1	
44	069082	CABLE ASSY / RJB & W.C.L. To H-7416	1	
44	069337	CABLE ASSY / RJB & W.C.L. From H-7417	1	
46	066294	CABLE ASSY / RJB & GALLEY	1	
47	068081	CABLE ASSY / DOOR LOCK / W/W.C.L.	1	
48	069304	CABLE ASSY / TO L.H. WINDOW / W/W.C.L. To H-7416	1	
48	060310	CABLE ASSY / TO L.H. WINDOW / W/W.C.L. From H-7417 To K-7662	1	
48	069971	CABLE ASSY / TO L.H. WINDOW / W/W.C.L. From L-7663	1	
49	068665	CABLE ASSY / POWER / W.C.L. "RICON"	1	
		INSIDE REAR JUNCTION BOX		
51	068088	CABLE HARNESS / REAR JUNCTION BOX	1	
54	066530	CABLE POWER / REAR JCT BOX BREAKER	1	
		FROM REAR JUNCTION BOX		
		TO ENGINE COMPARTMENT		
61	068879	CABLE HARNESS / ENGINE COMPT & ACCESSORIES To G-7309	1	
61	069571	CABLE HARNESS / ENGINE COMPT & ACCESSORIES From H-7310 To H-7416	1	
61	060535	CABLE HARNESS / ENGINE COMPT & ACCESSORIES From H-7417 To H-7447	1	
61	061422	CABLE HARNESS / ENGINE COMPT & ACCESSORIES From H-7448 To J-7512	1	
61	069874	CABLE HARNESS / ENGINE COMPT & ACCESSORIES From J-7513 To K-7607	1	
61	069961	CABLE HARNESS / ENGINE COMPT & ACCESSORIES From K-7608 To L-7731	1	
61	0610310	CABLE HARNESS / ENGINE COMPT & ACCESSORIES From L-7732	1	
62	066531	CABLE ASSY / RH ROOF ACCESSORIES	1	
62	068322	CABLE HARNESS / REAR ROOF / CURBSIDE To H-7416	1	
62	069553	CABLE HARNESS / REAR ROOF / CURBSIDE From H-7417 To K-7662	1	
62	069829	CABLE HARNESS / REAR ROOF / CURBSIDE From L-7663	1	
62	069661	CABLE HARNESS / REAR ROOF / CURBSIDE From H-7400 To K-7662	1	N

From G-7275 To M-7767	Date:07/2024	PAGE:X3PLB-0600-00
WIRING HARNESS - BUS		

Item#	Part	Description	QTY	Notes
63	066491	CABLE / ENGINE DOOR REAR LAMP W/LEDS	2	
64	067667	CABLE HARNESS / REAR ROOF / STREETSIDE To H-7416	1	
64	060033	CABLE HARNESS / REAR ROOF / STREETSIDE From H-7417 To K-7662	1	
64	069833	CABLE HARNESS / REAR ROOF / STREETSIDE From L-7663	1	
64	069662	CABLE HARNESS / REAR ROOF / STREETSIDE From H-7400 To K-7662	1	N
65	066213	CABLE ASSY / FUEL WATER FILTER From H-7417	1	
66	068080	CABLE ASSY / DOOR LOCK	1	
67	066493	CABLE ASSY / "AIR DRYER "WABCO" EXTENTION W"OPTION" BAGGAGE	1	
69	066688	CABLE ASSY / FUEL PUMP PRIMER	1	
70	066689	CABLE ASSY / DOCKING LIGHT	1	
		FROM REAR JUNCTION BOX		
		TO PARCEL RACK & LAVATORY		
81	069312	CABLE POWER / PARCEL RACK & LAVATORY To H-7416	1	
81	069327	CABLE POWER / PARCEL RACK & LAVATORY From H-7417 To H-7447	1	
81	061384	CABLE POWER / PARCEL RACK & LAVATORY From H-7448 To K-7662	1	
81	069962	CABLE POWER / PARCEL RACK & LAVATORY From L-7663	1	
84	066712	CABLE ASSY / DIRECT LIGHT & SPEAKER L.H.	1	
85	066711	CABLE ASSY / DIRECT LIGHT & SPEAKER R.H.	1	
85	068119	CABLE RH DIRECT LIGHT REAR / W/W.C.L.	1	
85	068120	CABLE RH DIRECT LIGHT FRONT / W/W.C.L.	1	
87	066146	CABLE HARNESS / IND LIGHT L.H. / W/DOOR / MUX	1	
87	066318	CABLE HARNESS / IND LIGHT L.H. / W/O DDOR / MUX	1	
88	066176	CABLE HARNESS / IND LIGHT R.H. / W/DOOR / MUX	1	
88	066342	CABLE HARNESS / IND LIGHT R.H. / W/O DOOR / MUX	1	
88	068114	CABLE HARNESS / IND LIGHT R.H. / W/DOOR RR / W/W.C.L.	1	
88	068115	CABLE HARNESS / IND LIGHT R.H. / W/DOOR FRT / W/W.C.L.	1	
90	066546	CABLE ASSY / READING LIGHT CURBSIDE	1	
90	068596	CABLE HARNESS / READING LIGHT CURBSIDE FRONT / W/W.C.L.	1	
90	068597	CABLE HARNESS / READING LIGHT CURBSIDE REAR / W/W.C.L.	1	
91	068287	CABLE ASSY / READING LIGHT STREETSIDE	1	
91	065370	CABLE HARNESS / READING LIGHT STREETSIDE / W/W.C.L.	1	
92	066745	CABLE HARNESS / SPEAKER CURBSIDE FRT / W/W.C.L. / 10	1	
93	066746	CABLE HARNESS / SPEAKER CURBSIDE RR / W/W.C.L. / 7 SP	1	
94	066744	CABLE HARNESS / SPEAKER STREETSIDE / 16 SP	1	
95	068532	CABLE ASSY / TRAILER CONNECTOR / "POLLAK" CONNECTOR	1	
95	067309	CABLE ASSY / TRAILER CONNECTOR / "TRUCK-LITE" CONNECTOR	1	
		FROM REAR JUNCTION BOX		
		TO COMPARTMENT, UNDER THE FLOOR		

From G-7275 To M-7767	Date:07/2024	PAGE:X3PLB-0600-00
WIRING HARNESS - BUS		

Item#	Part	Description	QTY	Notes
101	068605	CABLE RJB TO CONDENSOR FANS To H-7416	1	
101	060377	CABLE CONDENSOR FANS From H-7417 To M-7750	1	
101	0610237	CABLE CONDENSOR FANS From M-7751	1	
101	060087	CABLE HARNESS / FUEL TANK / MUX	1	
102	069489	CABLE ASSY / FRT & RR BAGGAGE COMPATMENT To H-7416	1	
102	060559	CABLE ASSY / FRT & RR BAGGAGE COMPATMENT From H-7417 To K-7590	1	
102	069969	CABLE ASSY / FRT & RR BAGGAGE COMPATMENT From K-7591	1	
102	069610	CABLE ASSY / FRT & RR BAGGAGE COMPATMENT / CURB LIGHTS OPTION From G-7275	1	
103	068136	CABLE INVERTER To H-7416	1	
103	069526	CABLE INVERTER /24V From H-7417	1	
		FROM REAR JUNCTION BOX		
		OF VEHICLE WITH "WORLD" TRANSMISSION		
111	069488	CABLE MAIN / FRONT JCT BOX & REAR JCT BOX To G-7309	1	
111	069570	CABLE MAIN / FRONT JCT BOX & REAR JCT BOX From H-7310 To H-7416	1	
111	060550	CABLE MAIN / FRONT JCT BOX & REAR JCT BOX From H-7417 To J-7447	1	
111	061421	CABLE MAIN / FRONT JCT BOX & REAR JCT BOX From J-7448 To K-7542	1	
111	069908	CABLE MAIN / FRONT JCT BOX & REAR JCT BOX From K-7543 To K-7607	1	
111	0610025	CABLE MAIN / FRONT JCT BOX & REAR JCT BOX From K-7608 To K-7620	1	
111	0610170	CABLE MAIN / FRONT JCT BOX & REAR JCT BOX From K-7621 To K-7662	1	
111	069973	CABLE MAIN / FRONT JCT BOX & REAR JCT BOX From L-7663 To L-7731	1	
111	0610274	CABLE MAIN / FRONT JCT BOX & REAR JCT BOX From L-7732 To M-7763	1	
111	0610414	CABLE MAIN / FRONT JCT BOX & REAR JCT BOX From M-7764	1	
111	061453	CABLE MAIN / FRONT JCT BOX & REAR JCT BOX From J-7448 To K-7542	1	GR
111	069564	CABLE MAIN / FRONT JCT BOX & REAR JCT BOX From K-7543 To K-7607	1	GR
111	060210	CABLE MAIN / FRONT JCT BOX & REAR JCT BOX From K-7608 To K-7620	1	GR
111	0610171	CABLE MAIN / FRONT JCT BOX & REAR JCT BOX From K-7621 To K-7662	1	GR
111	0610180	CABLE MAIN / FRONT JCT BOX & REAR JCT BOX From L-7663 To L-7731	1	GR
111	0610275	CABLE MAIN / FRONT JCT BOX & REAR JCT BOX From L-7732 To M-7763	1	GR
111	0610415	CABLE MAIN / FRONT JCT BOX & REAR JCT BOX From M-7764	1	GR
		WITH CURB-SIDE LAMP OPTION		
111	069607	CABLE MAIN / FRONT JCT BOX & REAR JCT BOX /W/ CURB SIDE LAMP OPTION From G-7275 To H-7309	1	C
111	069669	CABLE MAIN / FRONT JCT BOX & REAR JCT BOX /W/ CURB SIDE LAMP OPTION From H-7310 To H-7416	1	C
112	066210	CABLE ASSY / RESISTANCE MODULE & SWITCH / MUX	1	
114	068473	CABLE ASSY / FRONT & REAR WITH "WORLD" / TRANS To G-7309	1	
114	069599	CABLE ASSY / FRONT & REAR WITH "WORLD" / TRANS From H-7310	1	

From G-7275 To M-7767	Date:07/2024	PAGE:X3PLB-0600-00
WIRING HARNESS - BUS		

Item#	Part	Description	QTY	Notes
115	066797	CABLE HARNESS / SENSOR WTEC W/RETARDER / MUX To G-7309	1	
115	069509	CABLE HARNESS / SENSOR WTEC W/RETARDER From H-7310 To H-7416	1	
115	060081	CABLE HARNESS / SENSOR WTEC W/RETARDER From H-7417 To J-7479	1	
115	069777	CABLE HARNESS / SENSOR WTEC W/RETARDER From J-7480 To N-8007	1	
115	0610586	CABLE HARNESS / SENSOR WTEC W/RETARDER From P-8008	1	
116	066209	CABLE HARNESS / SENSOR WTEC W/OUT RETARDER / MUX To G-7309	1	
116	069508	CABLE HARNESS / SENSOR WTEC W/OUT RETARDER From H-7310 To H-7416	1	
116	060082	CABLE HARNESS / SENSOR WTEC W/OUT RETARDER From H-7417 To J-7479	1	
116	069778	CABLE HARNESS / SENSOR WTEC W/OUT RETARDER From J-7480 To N-8007	1	
116	0610588	CABLE HARNESS / SENSOR WTEC W/OUT RETARDER From P-8008	1	
		FROM REAR JUNCTION BOX		
		TO FRONT JUNCTION BOX		
131	068974	CABLE ASSY POWER FR RR	1	
132	069596	CABLE ASSY LAVATORY To H-7416	1	
132	069332	CABLE ASSY LAVATORY From H-7417 To K-7662	1	
132	069964	CABLE ASSY LAVATORY From L-7663	1	
		INSIDE FRONT JUNCTION BOX		
141	069108	WIRING HARNESS FRONT JUNCTION BOX / W/MUX To H-7416	1	
141	060541	WIRING HARNESS FRONT JUNCTION BOX From H-7417 To J-7442	1	
141	060879	WIRING HARNESS FRONT JUNCTION BOX From J-7443	1	
142	066570	CABLE ASSY TO STEERING SPEED SIGNAL ECU	1	
143	067073	CABLE ASSY W/DETROIT	1	
144	068073	UNIVERSAL CAN HARNESS / FRT JCT BOX	1	
		FROM "ABS" MODULE IN		
		FRONT JUNCTION BOX TO SENSOR		
162	069014	CABLE ASSY / FRONT "ABS" SENSOR & VALVE / MUX & EPS To H-7416	1	
162	060124	CABLE ASSY / FRONT "ABS" SENSOR & VALVE / MUX & EPS From H-7417	1	
		FROM FRONT JUNCTION BOX		
		FORWARD VEHICULE		
173	069274	CABLE ASSY / FRONT LOWER END To G-7309	1	
173	069567	CABLE ASSY / FRONT LOWER END From H-7310 To H-7416	1	
173	060543	CABLE ASSY / FRONT LOWER END From H-7417 To J-7442	1	
173	060878	CABLE ASSY / FRONT LOWER END From J-7443 To J-7447	1	

From G-7275 To M-7767	Date:07/2024	PAGE:X3PLB-0600-00
WIRING HARNESS - BUS		

Item#	Part	Description	QTY	Notes
173	061435	CABLE ASSY / FRONT LOWER END From J-7448 To K-7662	1	
173	069976	CABLE ASSY / FRONT LOWER END From L-7663 To L-7686	1	
173	0610216	CABLE ASSY / FRONT LOWER END From L-7687 To M-7767	1	
173	0610487	CABLE ASSY / FRONT LOWER END From M-7768	1	
174	066994	CABLE HARNESS / FRONT ROOF W/FRONT DRIVER HALOGENE To H-7416	1	
174	069660	CABLE HARNESS / FRONT ROOF W/FRONT DRIVER HALOGENE From H-7417	1	
174	069651	CABLE HARNESS / FRONT ROOF W/FRONT DRIVER LED From H-7313 To H-7399	1	
174	069331	CABLE HARNESS / FRONT ROOF W/FRONT DRIVER LED From H-7400 To L-7662	1	
174	069880	CABLE HARNESS / FRONT ROOF W/FRONT DRIVER LED From L-7663 To L-7663	1	
174	069974	CABLE HARNESS / FRONT ROOF W/FRONT From L-7663	1	
175	069313	WIRING HARNESS DASHBOARD CENTRAL MODULE / MUX To H-7416	1	
175	069643	WIRING HARNESS DASHBOARD CENTRAL MODULE / MUX From G-7313 To H-7416	1	GR
175	060533	WIRING HARNESS DASHBOARD CENTRAL MODULE From H-7417 To J-7442	1	
175	060885	WIRING HARNESS DASHBOARD CENTRAL MODULE From J-7443 To J-7481	1	
175	061416	WIRING HARNESS DASHBOARD CENTRAL MODULE From J-7482 To K-7662	1	
175	0611112	WIRING HARNESS DASHBOARD CENTRAL MODULE From L-7663 To L-7700	1	
175	061423	WIRING HARNESS DASHBOARD CENTRAL MODULE / MUX From K-7558 To K-7607	1	GR
175	060206	WIRING HARNESS DASHBOARD CENTRAL MODULE From K-7608 To K-7662	1	GR
175	0611112	WIRING HARNESS DASHBOARD CENTRAL MODULE From L-7663 To L-7700	1	GR
175	0610240	WIRING HARNESS DASHBOARD CENTRAL MODULE From L-7701 To M-7767	1	
175	0610408	WIRING HARNESS DASHBOARD CENTRAL MODULE From M-7768 To P-8019	1	
175	0610599	WIRING HARNESS DASHBOARD CENTRAL MODULE From P-8020	1	
176	068627	CABLE ASSY TO AISLE LAMP	1	
177	066206	CABLE ASSY TO DIGITAL CLOCK To H-7416	1	
177	061296	CABLE ASSY TO DIGITAL CLOCK From H-7417	1	
		CABLE / CONNECTED AT HARNESS / # 175		
		FROM / HARNESS DASHBOARD CENTRAL MODULE		
181	067425	WIRING HARNESS DASHBOARD LEFT MODULE / W/MUX	1	
182	066217	WIRING HARNESS / W/ "WEBASTO" PREHEATER / W/MUX To H-7416	1	
182	060557	WIRING HARNESS TIMER PREHEATER From H-7417	1	
183	066404	CABLE ASSY TO WINDOW AJAR BOTH SIDE To H-7416	1	
183	060574	CABLE ASSY TO WINDOW AJAR BOTH SIDE From H-7417 To K-7662	1	
184	068755	CABLE WINDOW AJAR TO STREESIDE To H-7416	1	
184	060084	CABLE WINDOW AJAR TO STREESIDE From H-7417 To K-7662	1	
185	068118	CABLE WINDOW AJAR TO CURBSIDE To H-7416	1	
185	060085	CABLE WINDOW AJAR TO CURBSIDE From H-7417 To K-7662	1	
		CABLE / CONNECTED AT HARNESS / # 173		
		FROM / CABLE ASSY / FRONT LOWER END		

From G-7275 To M-7767	Date:07/2024	PAGE:X3PLB-0600-00
WIRING HARNESS - BUS		

Item#	Part	Description	QTY	Notes
191	068141	CABLE ENTRANCE DOOR To H-7416	1	
191	060038	CABLE ENTRANCE DOOR From H-7417	1	
192	066540	HARNESS / HORN & CONNECTOR To H-7416	1	
192	060074	HARNESS / HORN & CONNECTOR From H-7417	1	
194	066275	CABLE ASSY / W/"HALOGENE" LAMPS / MUX To H-7416	2	
194	060078	CABLE ASSY / W/"HALOGENE" LAMPS / LH / MUX From H-7417	1	
194	060380	CABLE ASSY / W/"HALOGENE" LAMPS / RH / MUX From H-7417	1	
195	066276	CABLE ASSY / "XENON" / MUX To H-7416	2	
195	060079	CABLE ASSY / "XENON" / LH / MUX From H-7417	1	
195	060390	CABLE ASSY / "XENON" / RH / MUX From H-7417	1	
196	069271	CABLE ASSY KNEELING PANEL To G-7309	1	
A	641385	CONNECTOR / SOCKET HOUSING ASSY 3C / PNEUMAC 54934-01 To G-7309	6	
B	562848	CONNECTOR / SOCKET HOUSING ASSY 3C / PNEUMAC 54933-05 To G-7309	1	
C	563159	CONNECTOR / METRI-PACK 150 / SH 3C / PED 12065287 To G-7309	3	
D	563677	CONNECTOR / METRI-PACK 150 / SH 4C / PED 12065402 To G-7309	1	
E	561566	CONNECTOR / WEATHER PACK / PH 2C / BLACK / PED 12010973 To G-7309	1	
F	561690	CONNECTOR / WEATHER PACK / SH 2C / BLACK / PED 12015792 To G-7309	1	
196	069506	CABLE ASSY KNEELING PANEL From H-7310 To H-7416	1	
A	641385	CONNECTOR / SOCKET HOUSING ASSY 3C / PNEUMAC 54934-01 From H-7310 To H-7416	6	
B	562848	CONNECTOR / SOCKET HOUSING ASSY 3C / PNEUMAC 54933-05 From H-7310 To H-7416	1	
C	563159	CONNECTOR / METRI-PACK 150 / SH 3C / PED 12065287 From H-7310 To H-7416	3	
D	563677	CONNECTOR / METRI-PACK 150 / SH 4C / PED 12065402 From H-7310 To H-7416	1	
E	561566	CONNECTOR / WEATHER PACK / PH 2C / BLACK / PED 12010973 From H-7310 To H-7416	1	
F	561690	CONNECTOR / WEATHER PACK / SH 2C / BLACK / PED 12015792 From H-7310 To H-7416	1	
196	069330	CABLE ASSY KNEELING PANEL From H-7417 To J-7442	1	
196	069715	CABLE ASSY KNEELING PANEL From J-7443	1	
A	641385	CONNECTOR / SOCKET HOUSING ASSY 3C / PNEUMAC 54934-01 From J-7443	4	
B	562848	CONNECTOR / SOCKET HOUSING ASSY 3C / PNEUMAC 54933-05 From J-7443	2	
C	563159	CONNECTOR / METRI-PACK 150 / SH 3C / PED 12065287 From J-7443	4	
D	563677	CONNECTOR / METRI-PACK 150 / SH 4C / PED 12065402 From J-7443	1	
E	561566	CONNECTOR / WEATHER PACK / PH 2C / BLACK / PED 12010973 From J-7443	1	
F	568109	CONNECTOR / HDP20 SERIES / SH 31C / DEUTSCH HDP24-24-31SE-L017 From J-7443	1	
197	067947	CABLE ASSY / WINDSHIELD WASHER PUMP To H-7416	1	
197	060498	CABLE ASSY / WINDSHIELD WASHER PUMP From H-7417	1	
198	067181	WIRING HARNESS SERVICE DOOR To H-7416	1	
198	060502	WIRING HARNESS SERVICE DOOR From H-7417	1	
		MISCELLANEOUS "OPTIONS"		
		110VOLT AC OUTLET		
201	068723	CABLE ASSY / 110V BLOCK HEATER To K-7649	1	
201	0610126	CABLE ASSY / 110V BLOCK HEATER From K-7650	1	

From G-7275 To M-7767	Date:07/2024	PAGE:X3PLB-0600-00
WIRING HARNESS - BUS		

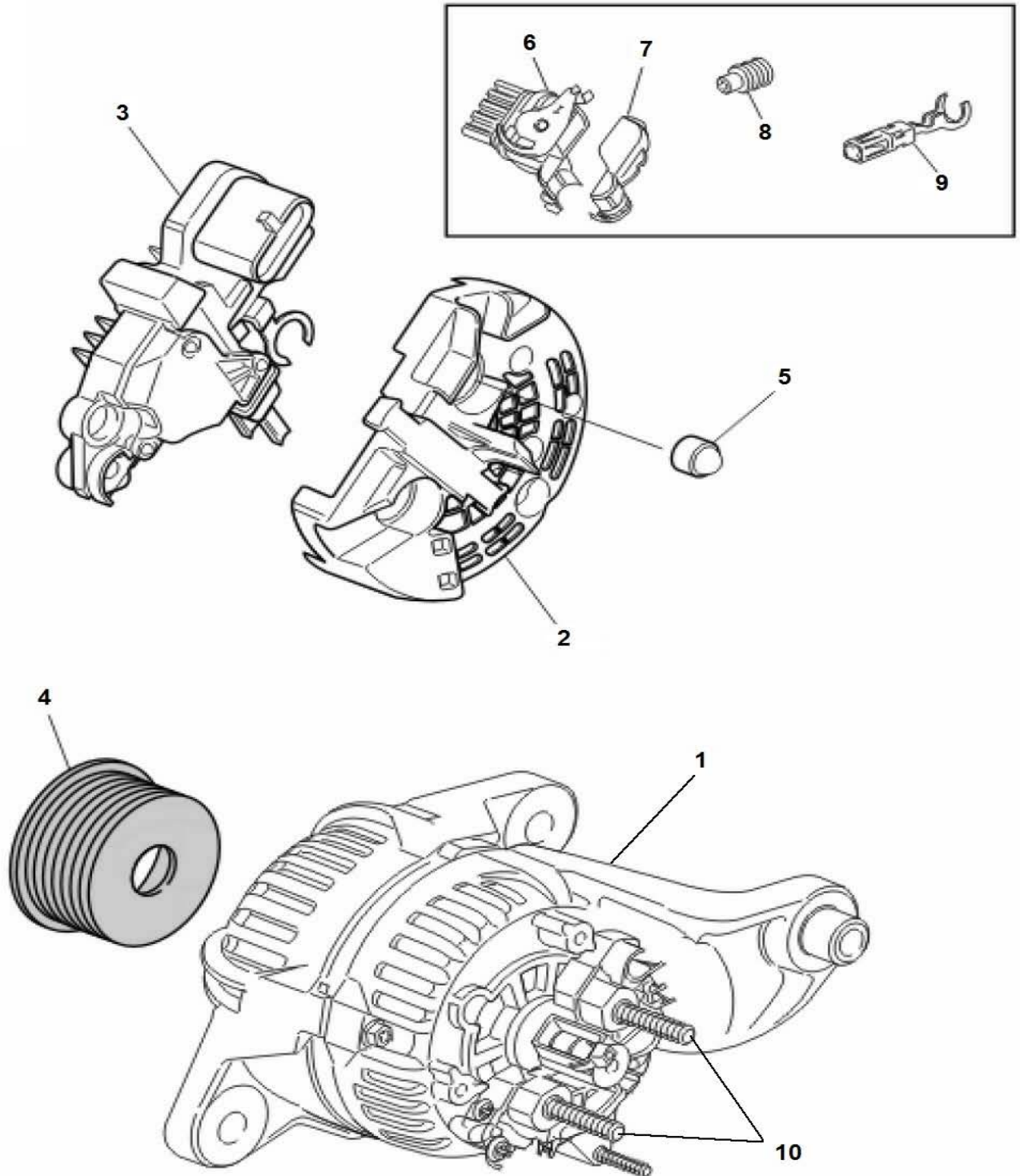
Item#	Part	Description	QTY	Notes
202	067413	CABLE ASSY / 110V BLOCK HEATER ENGINE SECTION	1	
NS	068130	CABLE BATTERIES CHARGER 120VAC POWER To H-7416	1	
NS	060151	CABLE BATTERIES CHARGER 120VAC POWER From H-7417	1	
205	068135	CABLE POWER / RJB VOLTAGE & 120V AC	1	
300	X3PLB-0615-00	BATTERIES INSTALLATION To H-7416		
300	X3PLB-0615-01	BATTERIES INSTALLATION VOLVO D13 - GHG17 From H-7417	1	
301	X3PLB-0620-00	REAR JUNCTION BOX ASSY To H-7416		
301	X3PLB-0620-01	REAR JUNCTION BOX ASSY GHG17 From H-7417	1	
302	X3PLB-0625-00	FRONT JUNCTION PANEL		
303	X3PLB-1864-00	BAGGAGE DOOR ASSY		
304	X3PLB-2225-00	DRIVER'S HEATER & DEFROSTER ASSY		
305	X3PLB-0750-00	AUTOMATIC TRANSMISSION - "WORLD" WITH VOLVO D13		
313	063296	CABLE ASSY / 110V BLOCK HEATER	1	
		C) WITH CURBSIDE LAMP OPTION		
		GR) GREYHOUND OPTION		
		N) NEW HAMPSHIRE TRANSIT OPTION		

From G-7275 To M-7767

Date:07/2024

PAGE:X3PLB-0605-00

ALTERNATOR 24V/150 AMPS / "BOSCH"



From G-7275 To M-7767	Date:07/2024	PAGE:X3PLB-0605-00
-----------------------	--------------	--------------------

ALTERNATOR 24V/150 AMPS / "BOSCH"

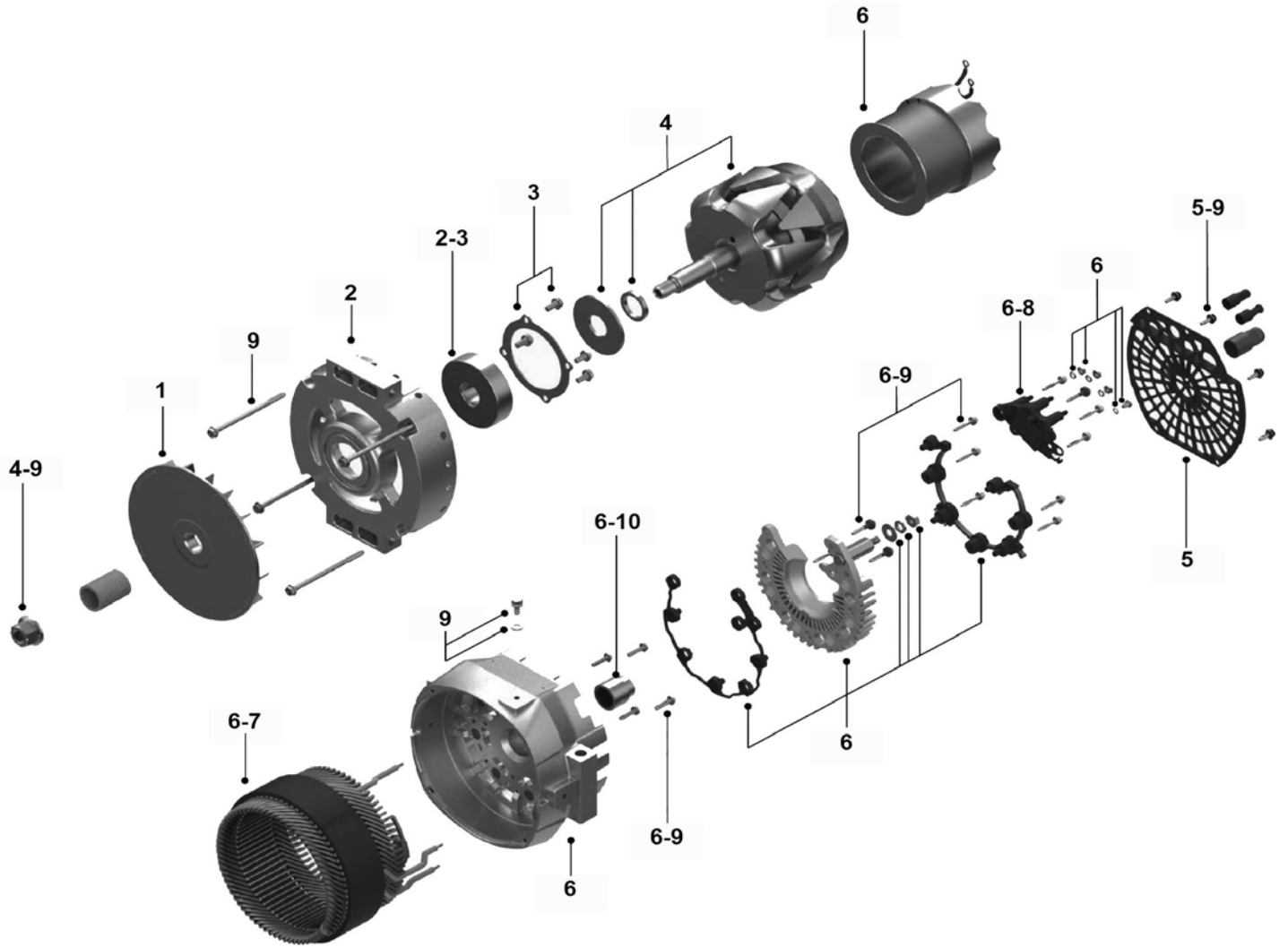
Item#	Part	Description	QTY	Notes
1	564593	ALTERNATOR ASSY 24V/150 AMPS / W/OUT PULLEY To K-7638	1	
1	560748	ALTERNATOR ASSY 24V/150 AMPS / W/OUT PULLEY From K-7634	1	
2	20523388	. COVER	1	
3	20523391	. BRUSH ASSY W/CHARGE REGULATOR / 24VOLT	1	
4	565869	PULLEY ALTERNATOR / "BOSCH" / 83MM DOB x 8 RIB To H-7416	1	
4	565869	PULLEY ALTERNATOR / "BOSCH" / 83MM DOB x 8 RIB From H-7417 To J-7512	1	C
4	0600264	PULLEY ALTERNATOR / "BOSCH" / 83MM DOB x 8 RIB From J-7513	1	C
4	069556	PULLEY ALTERNATOR / "BOSCH" / 73MM DOB x 10 RIB From H-7417 To J-7512	1	S
4	0600265	PULLEY ALTERNATOR / "BOSCH" / 73MM DOB x 10 RIB From J-7513	1	S
4	21429955	FLANGE NUT	1	
4	500449	WASHER FL .625x1.500 SS To J-7512	1	C
4	500449	WASHER FL .625x1.500 SS To J-7512	1	S
5	20576874	NUT, CAP PROTECTOR	1	
6	564469	CONNECTOR / MKR-PLUS / SH 5C / G&H 18241 000 000	1	
6	20429872	CONNECTOR / MKR-PLUS / SH 5C	1	
7	564470	COVER / MKR-PLUS	1	
7	20429873	COVER / MKR-PLUS	1	
8	564473	CABLE SEAL / BLUE // G&H 16695 627 642	1	
8	3944654	CABLE SEAL / BLUE /	1	
8	564474	CABLE SEAL / RED // G&H 16694 627 626	1	
9	564471	SOCKET TERMINAL / 18-16 / G&H 26780	1	
10	564590	ADAPTOR STUD M8 Male x M8 Female M8-1.25 x 18MM SS To H-7416	2	
10	060297	ADAPTOR STUD M8 Male x M8 Female + FLANGE M8-1.25 x 18MM SS From H-7417	2	
50	X3PLB-0100-07	ENGINE WIRING HARNESS - INSTALLATION WITH VOLVO D13 To H-7416		
51	X3PLB-0100-08	ENGINE WIRING HARNESS - INSTALLATION WITH VOLVO D13 - GHG17 From H-7417		
		C) CURB-SIDE		
		S) STREET SIDE		

From K-7590 To M-7767

Date:07/2024

PAGE:X3PLB-0605-10

ALTERNATOR 24V/250 AMPS / "REMY"



From K-7590 To M-7767	Date:07/2024	PAGE:X3PLB-0605-10
-----------------------	--------------	--------------------

ALTERNATOR 24V/250 AMPS / "REMY"

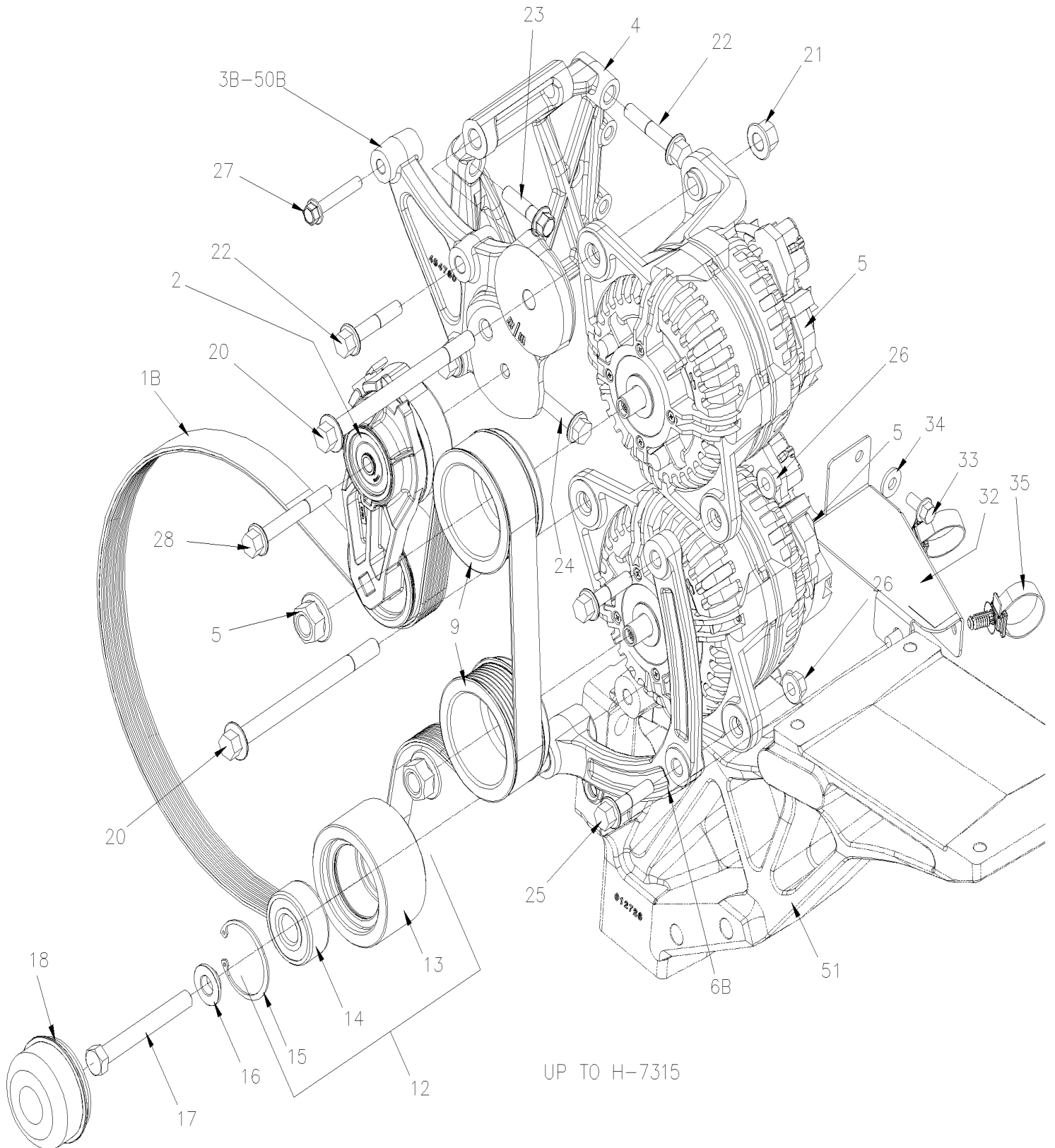
Item#	Part	Description	QTY	Notes
	560720	ALTERNATOR ASSY 24V/250 AMPS / "REMY"	1	
1	563502	. FAN	1	
2	563504	. FRAME WITH BEARING	1	
3	563505	. BEARING KIT	1	
4	563506	. ROTOR KIT	1	
5	563507	. COVER	1	
6	563508	. FRAME & STATOR ASM	1	
7	563509	. STATOR AND LEAD ASM	1	
8	563510	. REGULATOR	1	
9	563511	. HARDWARE KIT	1	
10	563512	. BEARING	1	

From G-7275 To H-7416

Date:07/2024

PAGE:X3PLB-0610-05

ALTERNATOR MOUNTING / "BOSCH" VOLVO D13

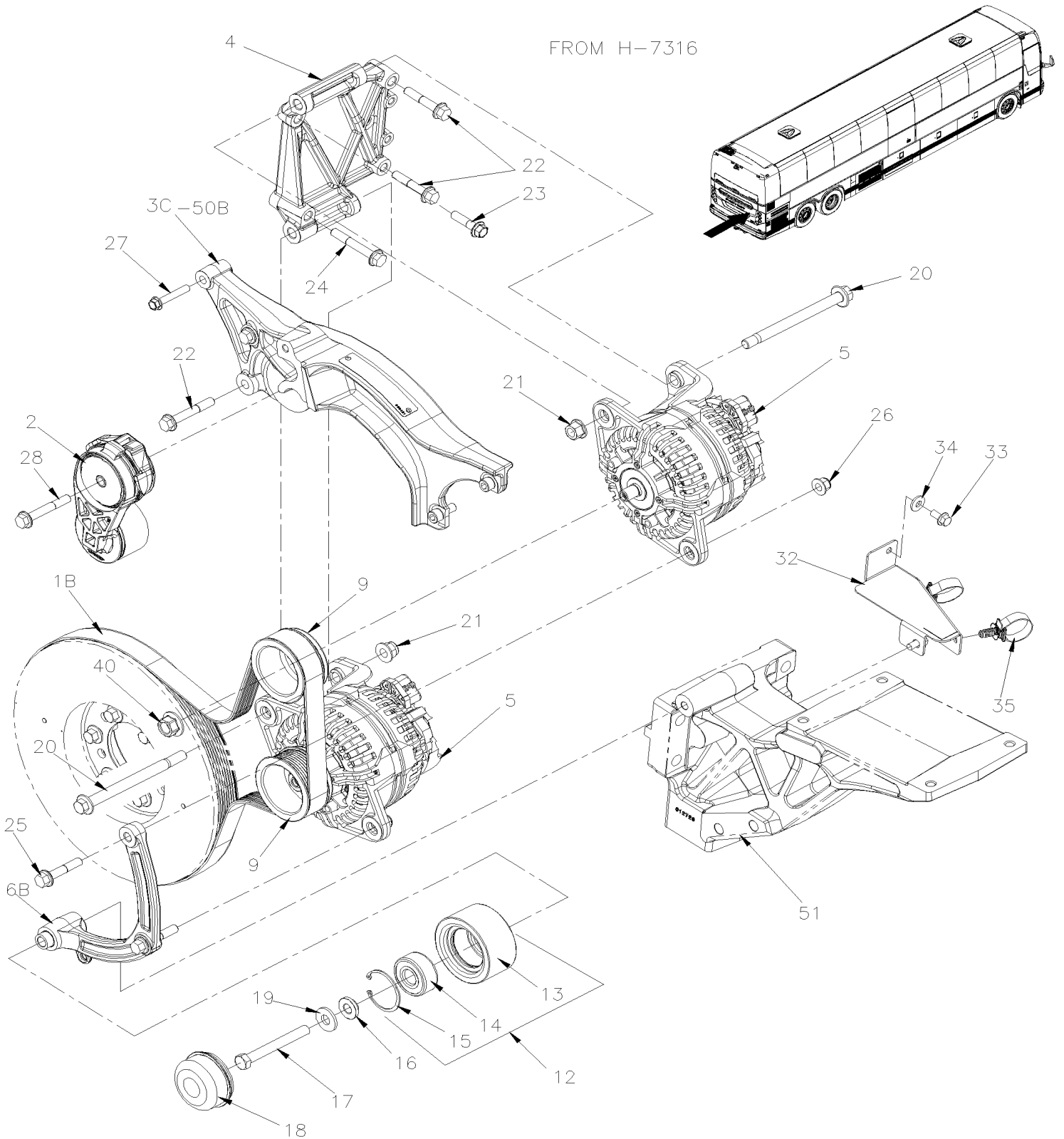


From G-7275 To H-7416

Date:07/2024

PAGE:X3PLB-0610-05

ALTERNATOR MOUNTING / "BOSCH" VOLVO D13



From G-7275 To H-7416	Date:07/2024	PAGE:X3PLB-0610-05
ALTERNATOR MOUNTING / "BOSCH" VOLVO D13		

Item#	Part	Description	QTY	Notes
1B	5060129	MULTI V-BELT / 8 RIB 62" (1575MM) 8PK1575 QT	1	
1B	5060130	MULTI V-BELT / 8 RIB 62" (1575MM) 8PK1575 SEVERE DUTY	1	H
1B	5060131	MULTI V-BELT / 8 RIB 59.5" (1512MM) 8PK1512 QT	1	E
2	510991	AUTOMATIC TENSIONER ASSY	1	
3	012674	SUPPORT PULLEY ALT & A/C PROTO	1	U
3B	454779	SUPPORT PULLEY ALT & A/C WELDED To H-7315	1	
3C	457750	SUPPORT, TENSIONNER CASTING From H-7316	1	
4	20995657	ALTERNATOR MOUNT UPPER	1	
5	X3PLB-0605-00	ALTERNATOR 24V/150 AMPS / "BOSCH"		
6B	21134692	SUPPORT ASSY IDLER PULLEY & ALTERNATOR	1	
9	565869	PULLEY ALTERNATOR / "BOSCH" / 83MM DOB x 8 RIB	2	
NS	068346	SHIM 20GA	AR	D
NS	068347	SHIM 26GA	AR	D
9	500449	WASHER FL .625x1.500 SS	2	
10	5001901	SCREW CAP HEX M10-1.5x100 G10.9 N500	1	
10A	053022	GUIDE, BUSHING To H-7315	1	
12	457705	PULLEY ASSY W/BEARING / 45MM x 90MM O.D. To H-7314	1	G
12	010074	KIT PULLEY REPLACEMENT / SERVICE To H-7314	1	G
12	012961	PULLEY ASSY W/BEARING / 48MM x 90MM O.D. From H-7315 To H-7361	1	
12	012349	PULLEY ASSY W/BEARING / 48MM x 90MM O.D. From H-7362	1	
12	012349	PULLEY ASSY W/BEARING / 48MM x 90MM O.D. INCLUDE INSIDE KIT 010074 To H-7314	1	G
13	453834	. PULLEY / 45MM x 90MM O.D. To H-7314	1	
13	012958	. PULLEY / 48MM x 90MM O.D. From H-7315	1	
13	012958	. PULLEY / 48MM x 90MM O.D. INCLUDE INSIDE KIT 010074 To H-7314	1	G
14	507340	. BALL BEARING 20 ID x 52 OD x 22.2 W To H-7314	1	F
14	507014	. BALL BEARING 20 ID x 52 OD x 22.2 W To H-7314	1	
14	507006	. BALL BEARING 25 ID x 62 OD x 25.4 W From H-7315 To H-7361	1	
14	509952	. BALL BEARING 25 ID x 62 OD x 25.4 W HI-TEMP From H-7362	1	
14	509952	. BALL BEARING 25 ID x 62 OD x 25.4 W HI-TEMP INCLUDE INSIDE KIT 010074 To H-7314	1	G
15	504095	. RING RETAINER / INT 2.00 x 2.12 x .062 To H-7314	1	
15	504040	. RING RETAINER / INT 2.440 x 1.860 x 0.078 STL BLK From H-7315	1	
15	504040	. RING RETAINER / INT 2.440 x 1.860 x 0.078 STL BLK INCLUDE INSIDE KIT 010074 To H-7314	1	G
16	053690	GUIDE, BUSHING To H-7314	1	
16	060137	GUIDE, BUSHING From H-7315	1	
17	5001688	SCREW CAP HEX M12-1.75x100 G10.9 G500	1	
18	453076	CAP, DUST	1	
19	500211	WASHER FL .531x1.250x.125 N500 From H-7315	1	
20	5001853	SCREW SHR CAP HEXF 13x130 (M12x1.75 G10.9 N500 To H-7315	2	
20	502950	SCREW SHR CAP HEXF 13x135 (M12x1.75 G10.9 N500 From H-7316	2	
21	5001761	NUT HEXF NYRT M12-1.75 G8 N500	2	
22	5001801	SCREW CAP HEXF M10-1.5x55 G10.9 N500	4	

From G-7275 To H-7416	Date:07/2024	PAGE:X3PLB-0610-05
-----------------------	--------------	--------------------

ALTERNATOR MOUNTING / "BOSCH" VOLVO D13

Item#	Part	Description	QTY	Notes
23	5001308	SCREW CAP HEXF M10-1.5x40 G10.9 N500	1	
24	5001799	SCREW CAP HEXF M10-1.5x70 G10.9 N500	1	
25	5001801	SCREW CAP HEXF M10-1.5x55 G10.9 N500	2	
26	5001930	NUT HEXF NYRT M10-1.5 N500 G10.9	2	
27	500796	SCREW CAP HEXF M8-1.25x50 G10.9 N500	1	
28	5001799	SCREW CAP HEXF M10-1.5x70 G10.9 N500	1	
30	068013	PROTECTION PLATE ASSY W/"VOLVO" ENGINE PROTO	1	U
32	068541	SUPPORT CABLE GROUND ALTERNATOR	1	
33	5001780	SCREW CAP HEXF M8-1.25x16 G8.8 N500	3	
34	500321	WASHER BEL SPR .331x.827x.098 N500	3	
35	504750	CABLE TIE / 1/2" x 15" / CHRISTMAS TREE	2	
50B	X3PLB-0120-00	DRIVE PULLEY, BELTS & TENSIONER WITH VOLVO D13		
51	X3PLB-0150-00	ENGINE CRADLE - WITH VOLVO D13		
51	012670	ENGINE MOUNT CURBSIDE W/D13 PROTO	1	U
NS	565874	SPACER MOUNTING W/D13 PROTO	1	U
		FOLLOWING ITEMS ARE FOR RETROFIT WITH REMY ALTERNATOR		
		D) USE TO ALIGN PULLEYS		
		E) USE ON EMERGENCY WITH ONE ALTERNATOR		
		F) REPLACE BY # 507014		
		G) FOR PRODUCT IMPROVMENT ASK FOR # 010074		
		H) SEVERE DUTY		

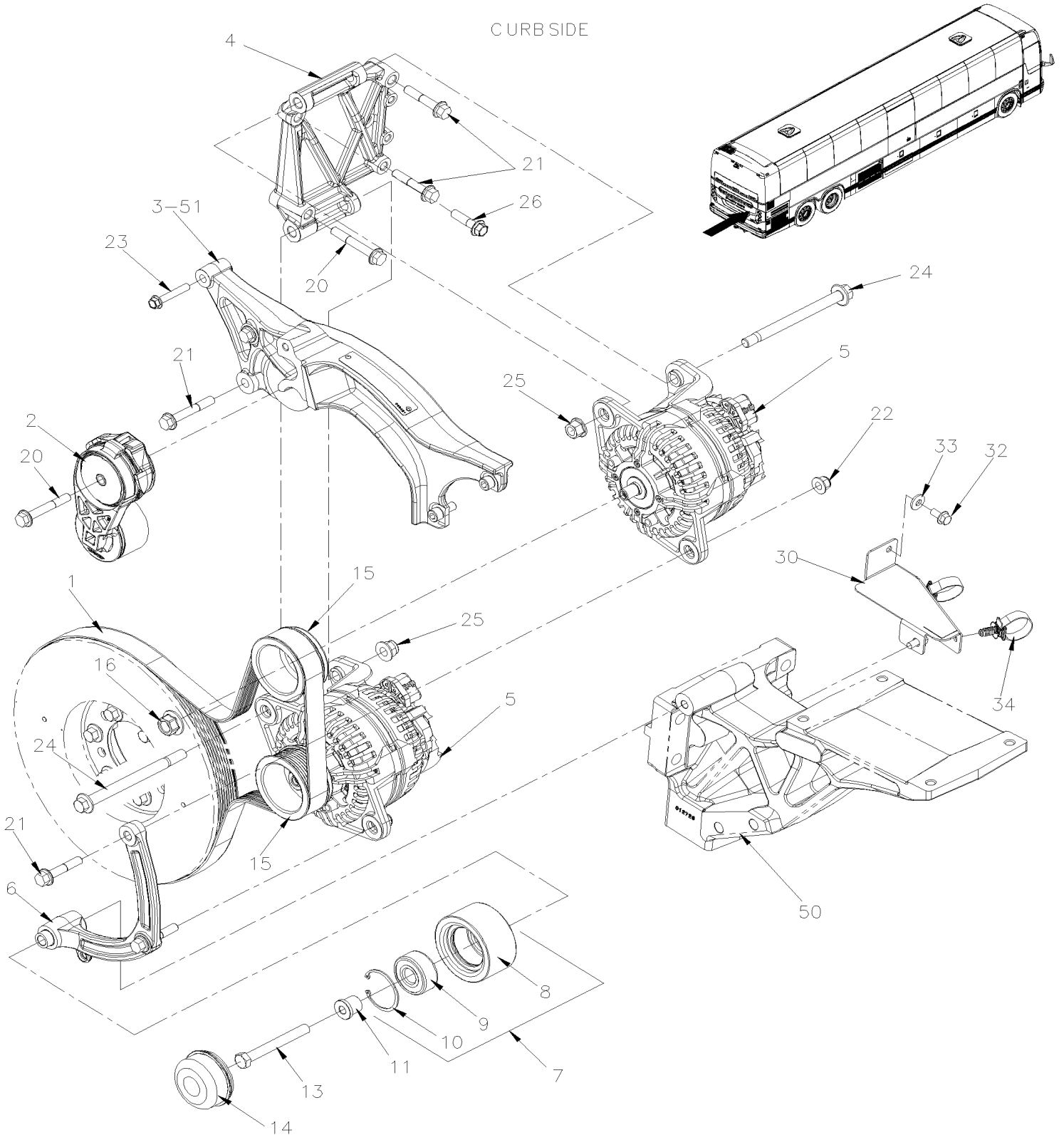
From H-7417 To M-7767

Date:07/2024

PAGE:X3PLB-0610-06

ALTERNATOR MOUNTING / "BOSCH" VOLVO D13 - GHG17

CURB SIDE



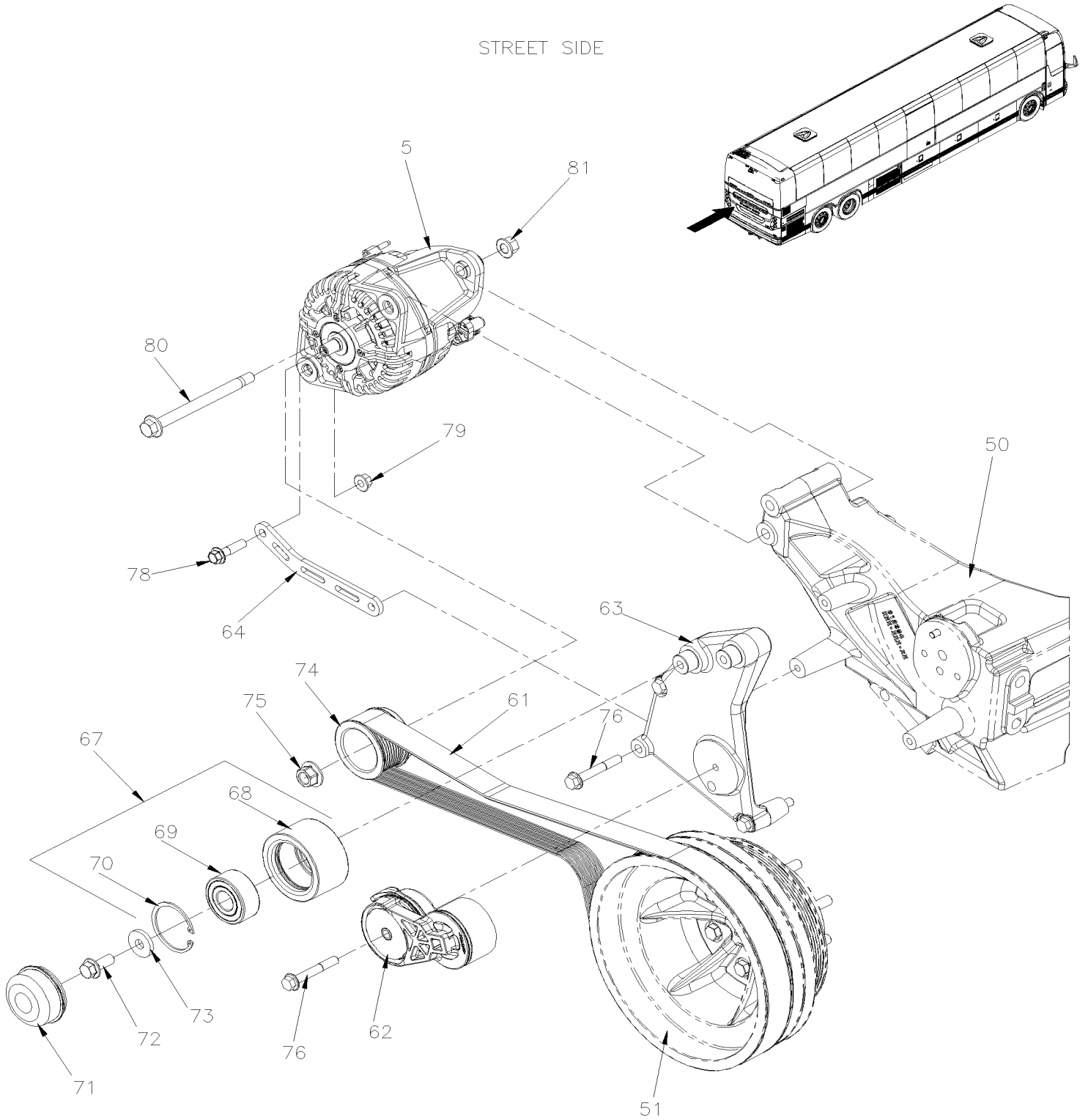
From H-7417 To M-7767

Date:07/2024

PAGE:X3PLB-0610-06

ALTERNATOR MOUNTING / "BOSCH" VOLVO D13 - GHG17

STREET SIDE



From H-7417 To M-7767	Date:07/2024	PAGE:X3PLB-0610-06
ALTERNATOR MOUNTING / "BOSCH" VOLVO D13 - GHG17		

Item#	Part	Description	QTY	Notes
1	5060129	. MULTI V-BELT / 8 RIB 62" (1575MM) 8PK1575 QT	1	
1	5060130	. MULTI V-BELT / 8 RIB 62" (1575MM) 8PK1575 SEVERE DUTY	1	H
1	5060131	MULTI V-BELT / 8 RIB 59.5" (1512MM) 8PK1512 QT	1	E
2	510991	AUTOMATIC TENSIONER ASSY	1	
3	457750	SUPPORT, TENSIONNER CASTING To K-7589	1	
3	450580	SUPPORT, TENSIONNER CASTING From K-7590 To N-8010	1	
3	454767	SUPPORT, TENSIONNER CASTING From N-8011	1	
4	20995657	ALTERNATOR MOUNT UPPER	1	
5	X3PLB-0605-00	ALTERNATOR 24V/150 AMPS / "BOSCH"	2	
6	21134692	SUPPORT ASSY IDLER PULLEY & ALTERNATOR	1	
7	012349	PULLEY ASSY W/BEARING / 48MM x 90MM O.D.	1	
8	012958	. PULLEY / 48MM x 90MM O.D.	1	
9	509952	. BALL BEARING 25 ID x 62 OD x 25.4 W HI-TEMP	1	
10	504040	. RING RETAINER / INT 2.440 x 1.860 x 0.078 STL BLK	1	
11	060137	GUIDE, BUSHING	1	
11	680038	THREAD LOCKER LOCTITE #243 / BLUE / 50ml	AR	
13	5001688	SCREW CAP HEX M12-1.75x100 G10.9 G500	1	
14	453076	CAP, DUST	1	
15	565869	PULLEY ALTERNATOR / "BOSCH" / 83MM DOB x 8 RIB To J-7512	2	
15	0600264	PULLEY ALTERNATOR / "BOSCH" / 83MM DOB x 8 RIB From J-7513	1	
NS	068346	SHIM 20GA	AR	A
NS	068347	SHIM 26GA	AR	A
16	21429955	FLANGE NUT	2	
16	500449	WASHER FL .625x1.500 SS To J-7512	1	
20	5001799	SCREW CAP HEXF M10-1.5x70 G10.9 N500	2	
21	5001801	SCREW CAP HEXF M10-1.5x55 G10.9 N500	4	
22	5001930	NUT HEXF NYRT M10-1.5 N500 G10.9	2	
23	500796	SCREW CAP HEXF M8-1.25x50 G10.9 N500	1	
24	5001853	SCREW SHR CAP HEXF 13x130 {M12x1.75 G10.9 N500	2	
25	5001774	NUT HEXF STO M12-1.75 MAGNI G500	2	
26	5001308	SCREW CAP HEXF M10-1.5x40 G10.9 N500	1	
27	502950	SCREW SHR CAP HEXF 13x135 {M12x1.75 G10.9 N500	1	
30	068541	SUPPORT CABLE GROUND ALTERNATOR	1	
32	5001780	SCREW CAP HEXF M8-1.25x16 G8.8 N500	3	
33	500321	WASHER BEL SPR .331x.827x.098 N500	3	
34	504750	CABLE TIE / 1/2" x 15" / CHRISTMAS TREE	2	
50	X3PLB-0150-01	ENGINE CRADLE - WITH VOLVO D13 - GHG17	1	
51	X3PLB-0120-01	DRIVE PULLEY, BELTS & TENSIONER WITH VOLVO D13 - GHG17	1	
61	505606	. MULTI V-BELT / 10 RIB (1695MM) 10PK1695 STANDARD DUTY	1	
61	505607	. MULTI V-BELT / 10 RIB (1695MM) 10PK1695 SEVERE DUTY	1	H
62	510991	AUTOMATIC TENSIONER ASSY	1	
63	012943	IDLER SUPPORT To K-7632	1	

From H-7417 To M-7767	Date:07/2024	PAGE:X3PLB-0610-06
-----------------------	--------------	--------------------

ALTERNATOR MOUNTING / "BOSCH" VOLVO D13 - GHG17

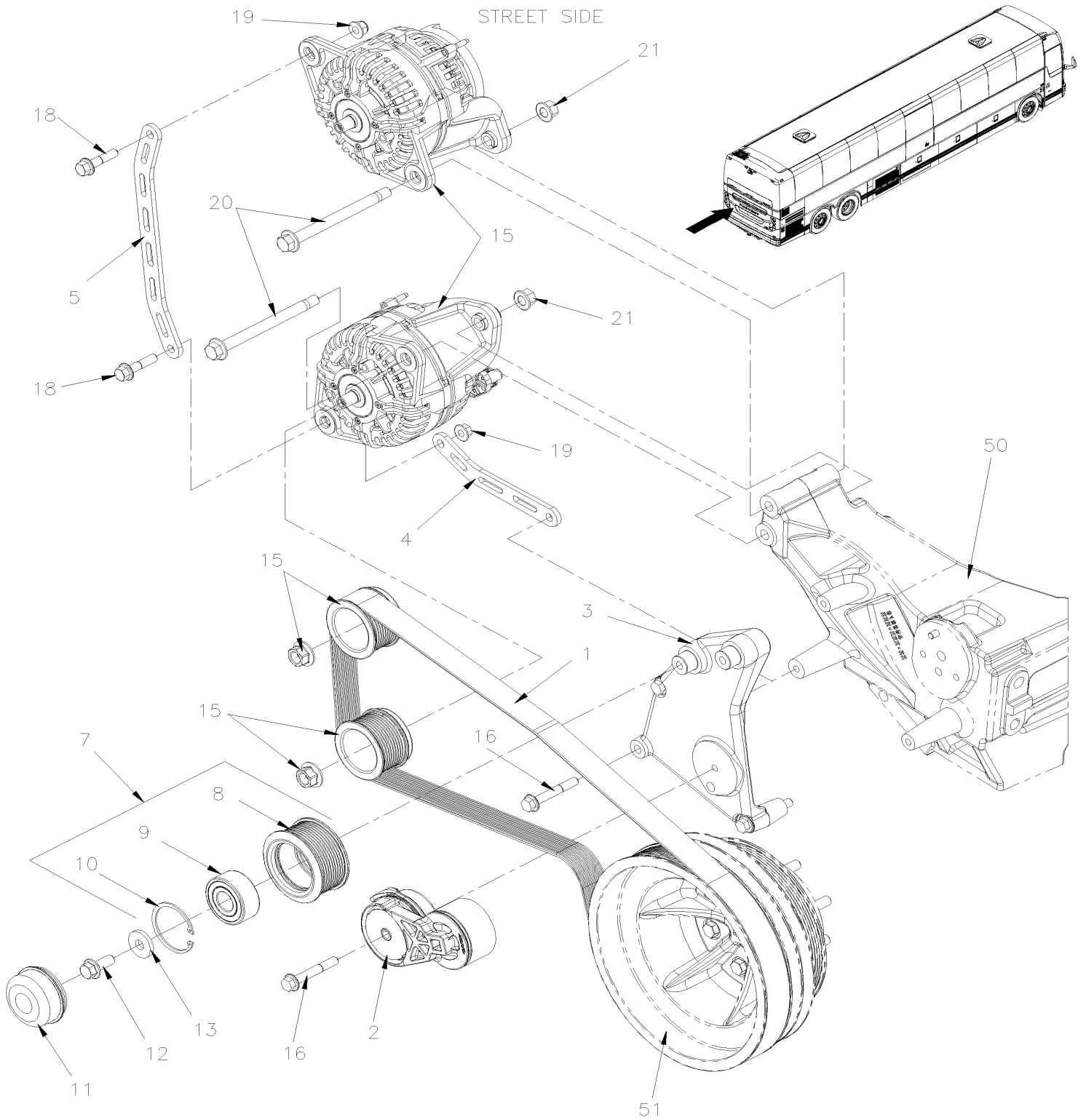
Item#	Part	Description	QTY	Notes
63	011213	IDLER SUPPORT From K-7633	1	
64	060102	ALTERNATOR, LOWER BRACKET	1	
67	012349	PULLEY ASSY W/BEARING / 48MM x 90MM O.D.	1	
68	012958	. PULLEY / 48MM x 90MM O.D.	1	
69	509952	. BALL BEARING 25 ID x 62 OD x 25.4 W HI-TEMP	1	
70	504040	. RING RETAINER / INT 2.440 x 1.860 x 0.078 STL BLK	1	
71	453076	CAP, DUST	1	
72	5001786	SCREW CAP HEXF M12-1.75x30 G8.8 N500	1	
73	5002008	WASHER FL 13.0x35.0x5.0 N500	1	
74	069556	PULLEY ALTERNATOR / "BOSCH" / 73MM DOB x 10 RIB To J-7512	1	
74	0600265	PULLEY ALTERNATOR / "BOSCH" / 73MM DOB x 10 RIB From J-7513	1	
75	21429955	FLANGE NUT	1	
75	500449	WASHER FL .625x1.500 SS To J-7512	1	
76	5001799	SCREW CAP HEXF M10-1.5x70 G10.9 N500	4	
78	5001800	SCREW CAP HEXF M10-1.5x45 G10.9 N500	1	
79	5001930	NUT HEXF NYRT M10-1.5 N500 G10.9	1	
80	502950	SCREW SHR CAP HEXF 13x135 (M12x1.75 G10.9 N500	1	
81	5001774	NUT HEXF STO M12-1.75 MAGNI G500	1	
		FOLLOWING ITEMS ARE FOR RETROFIT WITH REMY ALTERNATOR		
		A) USE TO ALIGN PULLEYS		
		E) USE ON EMERGENCY WITH ONE ALTERNATOR		
		H) SEVERE DUTY		

From K-7582 To M-7767

Date:07/2024

PAGE:X3PLB-0610-10

ALTERNATOR MOUNTING / COACH WITH 4 ALTERNATORS VOLVO D13



From K-7582 To M-7767	Date:07/2024	PAGE:X3PLB-0610-10
ALTERNATOR MOUNTING / COACH WITH 4 ALTERNATORS VOLVO D13		

Item#	Part	Description	QTY	Notes
1	505602	MULTI V-BELT / 8 RIB 72.4" (1840MM) 8PK1840 STANDARD DUTY	1	
2	510991	AUTOMATIC TENSIONER ASSY	1	
3	012943	IDLER SUPPORT To K-7632	1	
3	011213	IDLER SUPPORT From K-7633	1	
4	060102	ALTERNATOR, LOWER BRACKET	1	
5	060891	ALTERNATOR, SIDE BRACKET	1	
7	012344	PULLEY ASSY W/BEARING / 10 RIB	1	
8	012959	. PULLEY / 10 RIB 48MM x 90MM O.D.	1	
9	509952	. BALL BEARING 25 ID x 62 OD x 25.4 W HI-TEMP	1	
10	504040	. RING RETAINER / INT 2.440 x 1.860 x 0.078 STL BLK	1	
11	453076	CAP, DUST	1	
12	5001786	SCREW CAP HEXF M12-1.75x30 G8.8 N500	1	
13	5002008	WASHER FL 13.0x35.0x5.0 N500	2	
15	X3PLB-0610-06	ALTERNATOR MOUNTING / "BOSCH" VOLVO D13 - GHG17	2	
NS	060406	ALTERNATOR CONTROL LEFT HARNESS MTH	1	
NS	060413	ALTERNATORS JUMPER POWER HARNESS	1	
NS	060414	GROUND FRAME ALTERNATOR UP LEFT HARNESS	1	
NS	060415	ALTERNATOR BOTTOM LEFT BATTERY HARNESS	1	
16	5001799	SCREW CAP HEXF M10-1.5x70 G10.9 N500	4	
18	5001800	SCREW CAP HEXF M10-1.5x45 G10.9 N500	2	
19	5001930	NUT HEXF NYRT M10-1.5 N500 G10.9	2	
20	502950	SCREW SHR CAP HEXF 13x135 (M12x1.75 G10.9 N500	2	
21	5001774	NUT HEXF STO M12-1.75 MAGNI G500	2	
50	X3PLB-0150-01	ENGINE CRADLE - WITH VOLVO D13 - GHG17		
51	X3PLB-0120-01	DRIVE PULLEY, BELTS & TENSIONER WITH VOLVO D13 - GHG17		

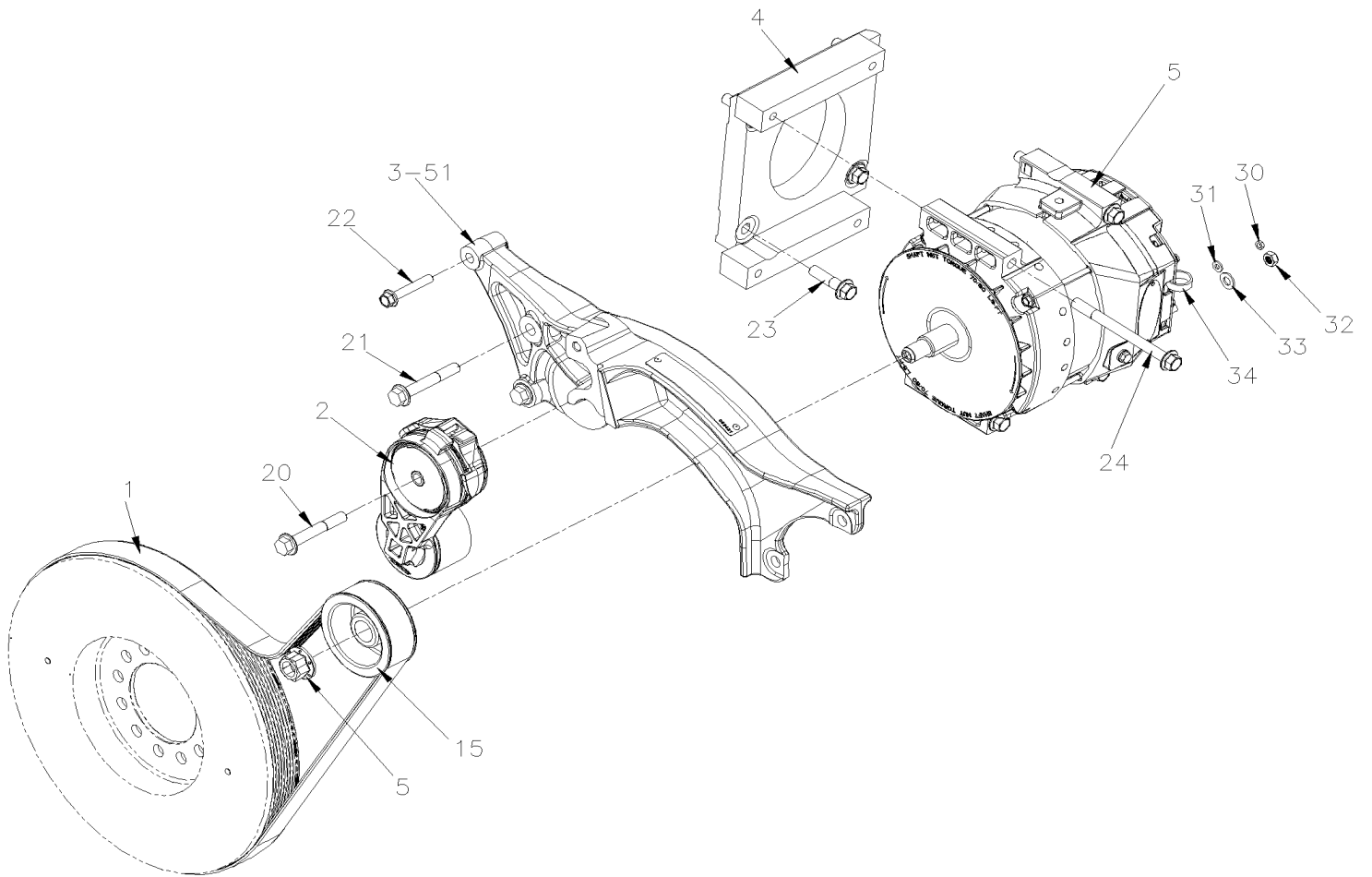
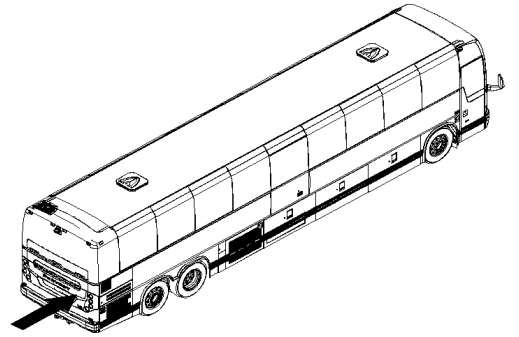
From K-7590 To M-7767

Date:07/2024

PAGE:X3PLB-0610-15

ALTERNATOR MOUNTING / "REMY" VOLVO D13

CURB-SIDE



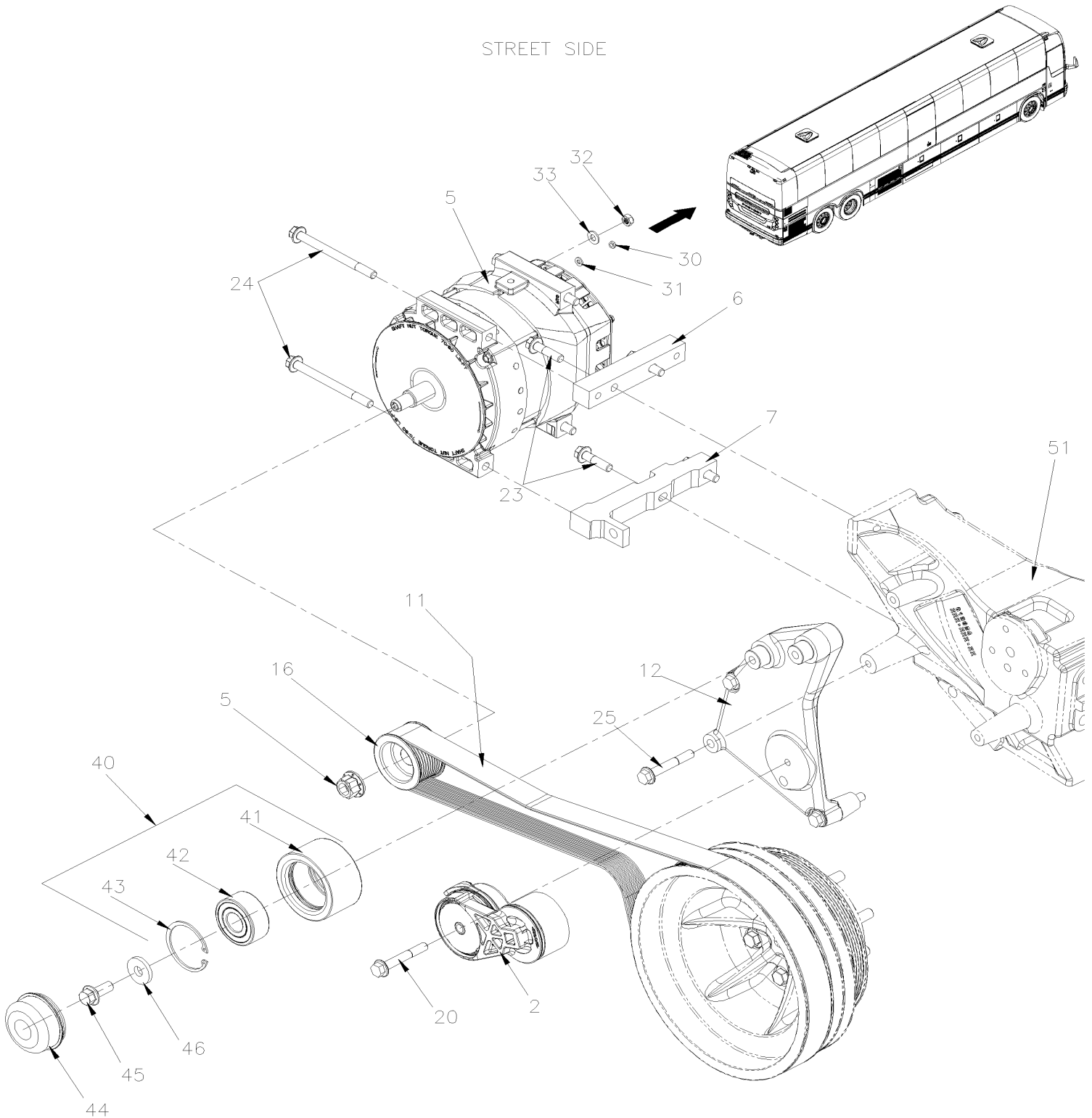
From K-7590 To M-7767

Date:07/2024

PAGE:X3PLB-0610-15

ALTERNATOR MOUNTING / "REMY" VOLVO D13

STREET SIDE



From K-7590 To M-7767	Date:07/2024	PAGE:X3PLB-0610-15
-----------------------	--------------	--------------------

ALTERNATOR MOUNTING / "REMY" VOLVO D13

Item#	Part	Description	QTY	Notes
1	506065	MULTI V-BELT / 8 RIB 56.5" (1435MM) 8PK1435 QT EPDM	1	
1	505609	MULTI V-BELT / 8 RIB 56.5" (1435MM) 8PK1435 SEVERE DUTY	1	A
2	510991	AUTOMATIC TENSIONER ASSY	1	
3	450580	SUPPORT, TENSIONNER CASTING To N-8010	1	
3	454767	SUPPORT, TENSIONNER CASTING From N-8011	1	
4	069894	BRACKET, ALTERNATOR REMY	1	
5	X3PLB-0605-10	ALTERNATOR 24V/250 AMPS / "REMY" To P-8096	2	
5	X3PLB-0605-11	ALTERNATOR 24V/250 AMPS / "REMY" From P-8097	2	
6	069891	BRACKET, ALTERNATOR REMY UPPER	1	
7	069890	BRACKET, ALTERNATOR REMY LOWER	1	
11	20846320	MULTI V-BELT / 10 RIB 67.1" (1705MM) 10PK1705 STANDARD DUTY	1	
11	506193	MULTI V-BELT / 10 RIB 67.24" (1708MM) 10PK1705 SEVERE DUTY	1	A
12	012943	IDLER SUPPORT To K-7632	1	
12	011213	IDLER SUPPORT From K-7633	1	
15	069892	PULLEY ALTERNATOR / "REMY" / 83MM DOB. x 8 PK	1	
16	069893	PULLEY ALTERNATOR / "REMY" / 69MM DOB x 10 PK	1	
20	5001799	SCREW CAP HEXF M10-1.5x70 G10.9 N500	2	
21	5001799	SCREW CAP HEXF M10-1.5x70 G10.9 N500	2	
22	500796	SCREW CAP HEXF M8-1.25x50 G10.9 N500	1	
23	5001308	SCREW CAP HEXF M10-1.5x40 G10.9 N500	8	
24	5002091	SCREW CAP HEXF M10-1.5X120 G10.9 N500	8	
25	5001799	SCREW CAP HEXF M10-1.5x70 G10.9 N500	3	
30	5001180	NUT HEX NYRT #10-24 SS	6	
31	5001137	WASHER FL .203x.438x.050 SS	6	
32	500685	NUT HEX NYRT 5/16-18 SS	2	
33	560811	WASHER, ELECTRICAL CONDUCTOR M8/5/16	2	
34	504016	CABLE TIE / 5/16" X 14"1/2	AR	
40	012349	PULLEY ASSY W/BEARING / 48MM x 90MM O.D.	1	
41	012958	. PULLEY / 48MM x 90MM O.D.	1	
42	509952	. BALL BEARING 25 ID x 62 OD x 25.4 W HI-TEMP	1	
43	504040	. RING RETAINER / INT 2.440 x 1.860 x 0.078 STL BLK	1	
44	453076	CAP, DUST	1	
45	5001786	SCREW CAP HEXF M12-1.75x30 G8.8 N500	1	
46	5002008	WASHER FL 13.0x35.0x5.0 N500	1	
51	X3PLB-0120-01	DRIVE PULLEY, BELTS & TENSIONER WITH VOLVO D13 - GHG17		
		A) SEVERE DUTY		

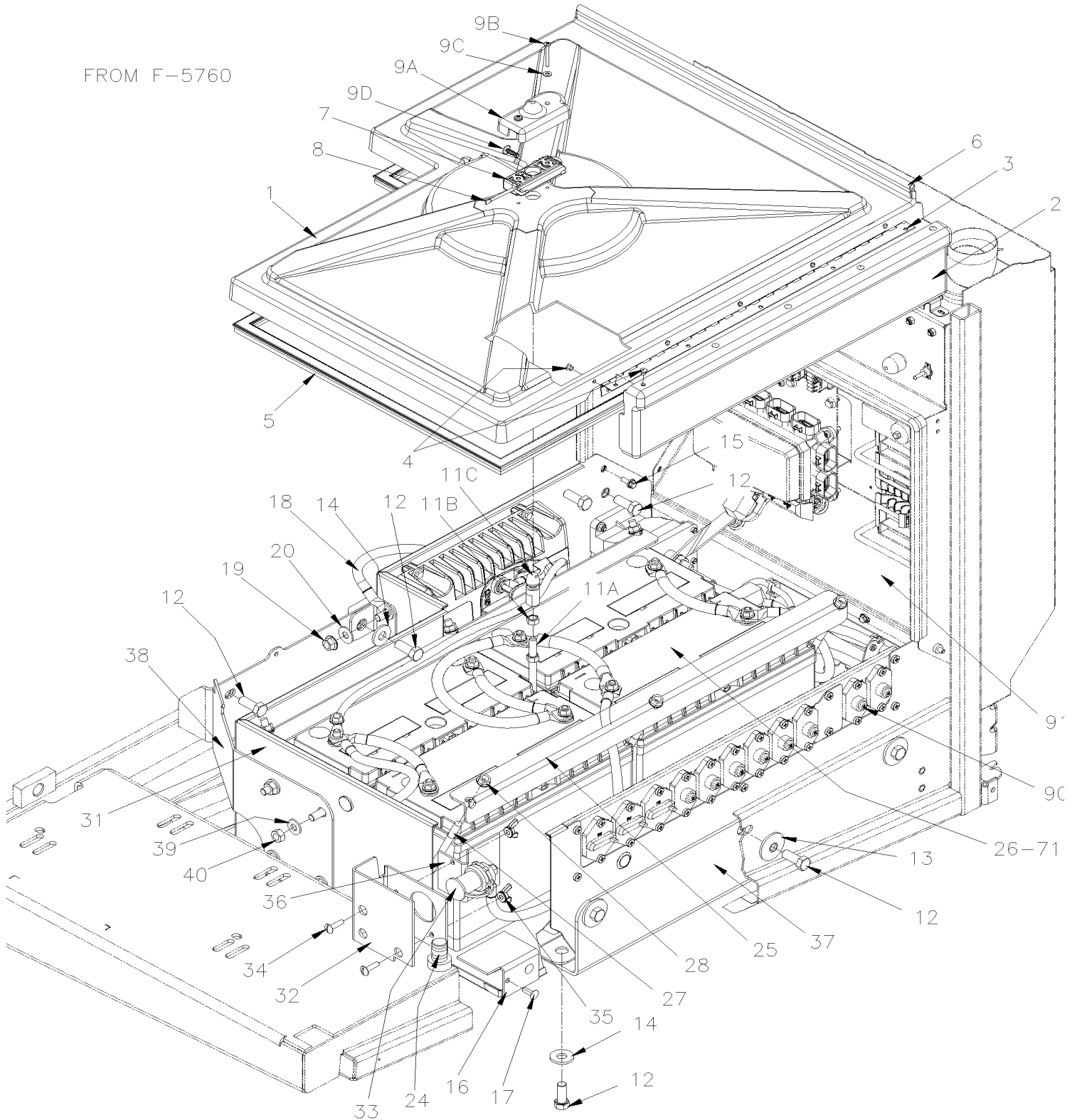
From G-7275 To H-7416

Date:07/2024

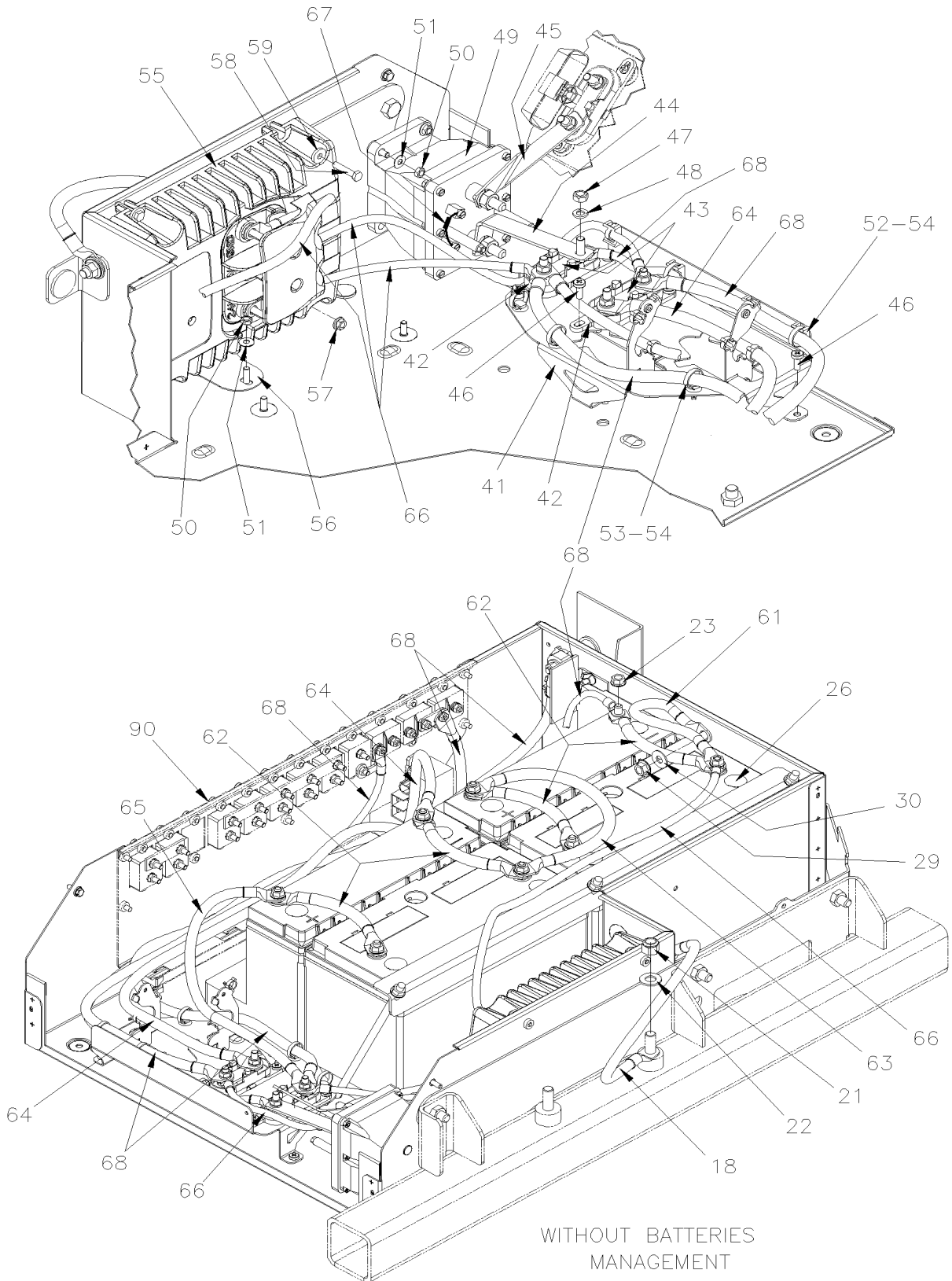
PAGE:X3PLB-0615-00

BATTERIES INSTALLATION

FROM F-5760



BATTERIES INSTALLATION

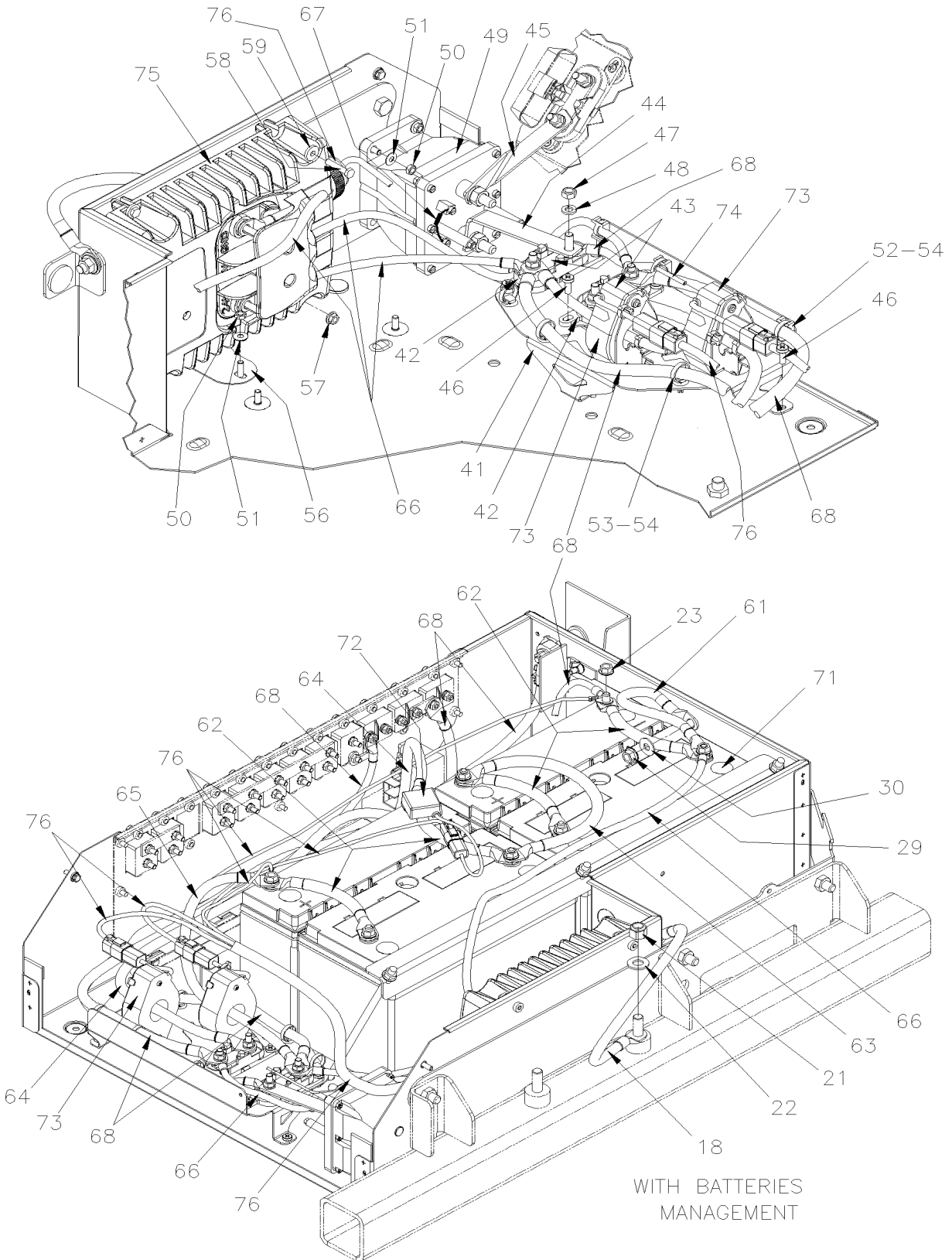


From G-7275 To H-7416

Date:07/2024

PAGE:X3PLB-0615-00

BATTERIES INSTALLATION



From G-7275 To H-7416	Date:07/2024	PAGE:X3PLB-0615-00
BATTERIES INSTALLATION		

Item#	Part	Description	QTY	Notes
	068701P	COVER ASSY W/SIDE BREAKER COVER PROTECTOR	1	
1	069075	. COVER	1	
2	067757	. COVER SIDE BREAKERS	1	
3	067756	. HINGE 622MM	1	
4	504379	. RIVET POP DOME OE 3/16x1/4 SS	10	
5	5060103	. RUBBER SEAL 6.56FT LONG	AR	
6	069094	. RUBBER EXTRUSION / BATTERY COVER 620MM	1	
6	504339	. RIVET POP DOME OE 1/8x3/8 SS	3	
6	5001067	. WASHER FL .128x.312x.032 SS	3	
7	477399	. RECEPTACLE	1	
8	472830	. SPRING GUIDE HOLDER	1	
9A	069054	. COVER / RECEPTACLE	1	
9B	5001452	. SCREW TP PAN PH #8x1 1/2 SS	2	
9C	5001137	. WASHER FL .203x.438x.050 SS	2	
9D	5001630	. SCREW TP BUTF TORX M6x20 SS	1	
11A	069076	ROD, COVER BATTERY BOX	1	
11B	500102	NUT HEX 3/8-16 SS	1	
11C	069049	STOPPER	1	
12	5001866	SCREW CAP HEX M12-1.75x30 G10.9 N500	9	
13	500494	WASHER BEL SPR .470x1.680x.125 N500	3	
14	500211	WASHER FL .531x1.250x.125 N500	4	
15	5001730	SCREW CAP HEXF M6-1.0x16 G10.9 N500	3	
16	067785	GUARD BOX	1	
17	5001438	RIVET DRV TR 1/4x3/4 NYL	2	
18	067888	CABLE ASSY / BATTERIES GND TO BODY	1	
19	502216	NUT HEXF M10-1.5 SS	1	
20	500270	WASHER FL .406x1.000x.063 SS	1	
21	502595	NUT HEX NYRT 1/2-13 Z050	1	
22	500958	WASHER FL .531x1.062x.095 SS	1	
23	5001522	NUT HEXF LO 3/8-16 SS	8	
24	382101	STUD, GROUND (WELDED TO STRUCTURE)	1	
25	068580	ANGLE BAR / BATTERIES RETAINER 710MM	2	
26	563030	BATTERY 12V/930 CCA / GR31	4	
26	068746	DECAL BATTERIES	1	
27	067753	J-HOOK / 270.8MM / 3/8-16 SS	6	
28	5001522	NUT HEXF LO 3/8-16 SS	6	
29	502216	NUT HEXF M10-1.5 SS	1	
30	500270	WASHER FL .406x1.000x.063 SS	1	
31	068573	BOX ASSY / BATERIES COMPARTMENT	1	
31	506338	RUBBER CHANNEL / 1/16" x 1/4" INT "U" SHAPE / ROUND C.T.L.	AR	
31	680066	ADHESIVE / ADBOND #5014 / 23.6ML BOTTLE	AR	
32	067759	GUARD BOX	1	

From G-7275 To H-7416	Date:07/2024	PAGE:X3PLB-0615-00
-----------------------	--------------	--------------------

BATTERIES INSTALLATION

Item#	Part	Description	QTY	Notes
32	067968	DECAL / "BOOSTER BLOCK" + 24 PICTOGRAM	1	
33	561856	BOOSTER BLOCK, REMOTE / RED	1	
33	509945	WASHER FL 10.5x18.0x1.6 SS	1	
33	509946	NUT HEX NYRT 3/8-16 SS	1	
34	500515	SCREW MA BDG SLT 1/4-20x1 NYL	3	
35	5001348	NUT WING 1/4-20 NYL	3	
36	067785	GUARD BOX	1	
37	068209	SUPPORT BOX ASSY / BATERIES COMPARTMENT	1	
38	068574	SUPPORT, BOX BATTERY	1	
39	5001834	WASHER BEL SPR 10.5X23X2.5 N500	5	
40	500847	NUT HEX M10-1.5 N500	5	
41	068599	SUPPORT, ELECTRIC SENSOR	1	
42	563750	FUSEHOLDER W/RED COVER / MEGA FUSE /	2	
43	068169	BUS BAR / W/2 HOLES	2	
43	561756	SHRINK TUBING / 1.000" - .500" / RED / ALPHA FIT-221-1	AR	
44	068705	BUS BAR / W/2 HOLES	1	
45	068706	BUS BAR / W/2 HOLES	1	
46	502817	SCREW MA PAN PH M6-1.0x16 N500	7	
47	966171	NUT HEX NYRT M8x1.25 SS	4	
48	5001341	WASHER FL 8.4x17.0x1.6 SS	4	
49	562364	RELAY 24V S.P.S.T. / 300 AMPS N.O. // BATTERY DISCONNECT	1	
50	502854	NUT HEX M6-1.0 N500	4	
51	5001608	WASHER BEL SPR 6.2x15.0x0.7 G500	4	
52	504013	TIE MOUNT / 1/4" X 1/4" I.D.	4	
52	504379	RIVET POP DOME OE 3/16x1/4 SS	4	
53	509815	TIE MOUNT / ATTACHMENT W/TREE MOUNT	4	
54	504637	CABLE TIE / 3/16" x 13"	AR	
55	563634	EQUALIZER "VANNER" 100AMPS	1	B
55	560699	EQUALIZER "VANNER" 100AMPS	1	
55	563829	EQUALIZER "SURE POWER" 100AMPS	1	GR
55	068832	CABLE EQUALIZER "SURE POWER"	1	GR
56	068578	SUPPORT INTERMEDIARY, EQUALIZER	1	
57	5001857	NUT HEXF M6-1.0 N500	2	
58	502686	SCREW CAP HEX M6-1.0x30 SS BK	2	
58	502737	SCREW CAP HEX M6-1.0x25 SS BK	2	GR
59	5001654	WASHER FL 6.4x17.0x3.0 SS	2	
61	067888	CABLE ASSY / BATTERIES GND TO BODY	1	
62	062371	CABLE ASSY / B + TO B +	4	
63	066296	CABLE ASSY / B + TO B -	1	
64	067974	CABLE 12VD	1	
65	067972	CABLE 24VD	1	
66	067970	CABLE EQUALIZER To H-7363	1	

From G-7275 To H-7416	Date:07/2024	PAGE:X3PLB-0615-00
-----------------------	--------------	--------------------

BATTERIES INSTALLATION

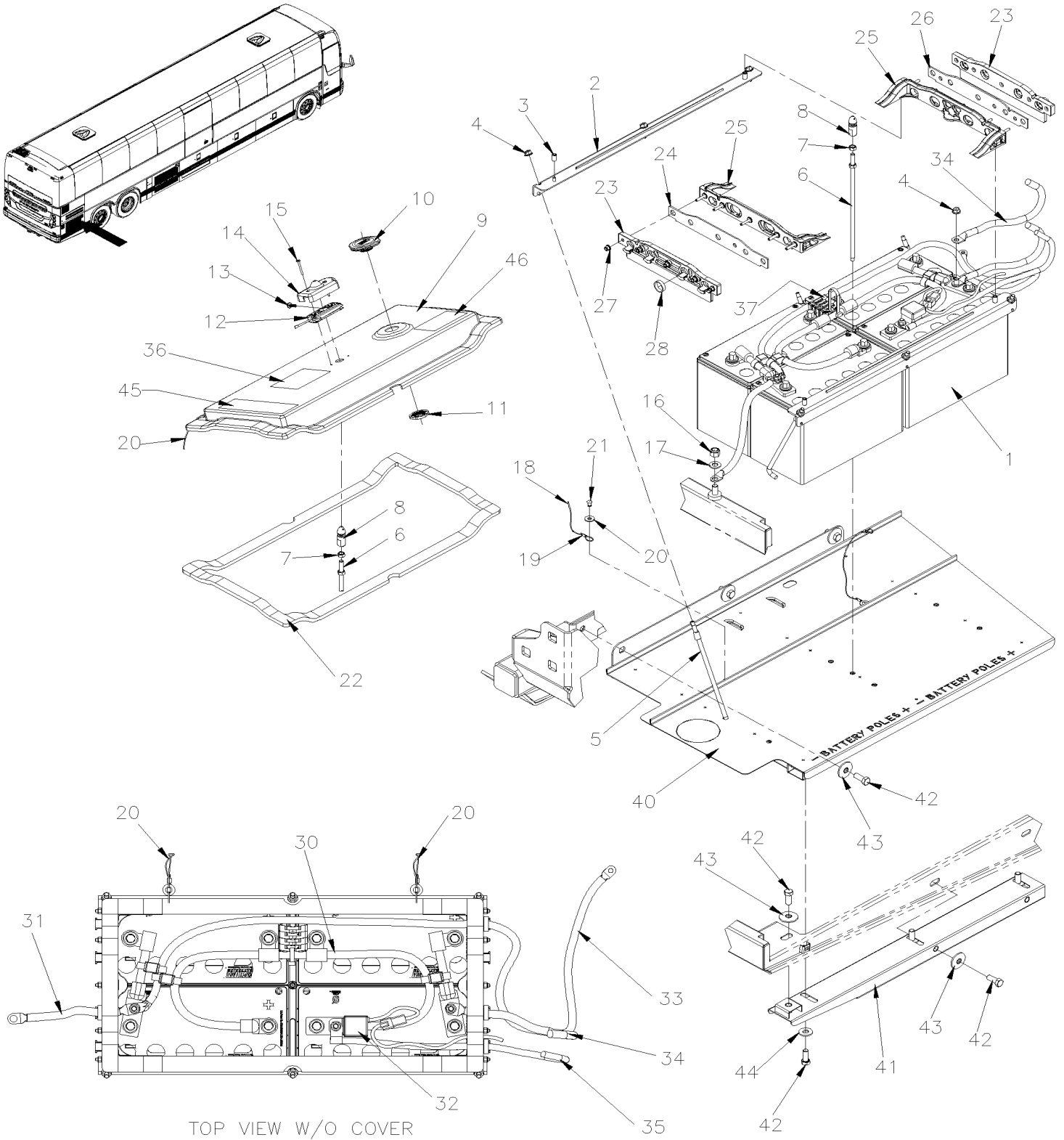
Item#	Part	Description	QTY	Notes
66	069670	CABLE EQUALIZER From H-7364	1	
67	068134	DIODE ASSY	1	
68	067971	CABLE ASSY REAR JCT BREAKER ASSY	1	
		NEXT FOLLOWING ITEM ARE USE ONLY WITH		
		PRIME - "POWER RECOVERY BY INTELLIGENT MANAGEMENT OF ENERGY"		
71	21258363	BATTERY AGM - 12V GR31 800 CCA	4	
71	068735	DECAL BATTERIES MANAGEMENT	1	
72	067952	SENSOR VOLT AND TEMP - VANNER	1	
73	067954	SENSOR 80/600AMP - VANNER	2	
74	5001694	SCREW MA PAN PH M4-0.7x40 SS BK	4	
75	067951	EQUALIZER "VANNER" 100AMPS	1	A
75	560705	EQUALIZER "VANNER" 100AMPS	1	
76	067965	HARNESSE EQUALIZER CONTROL	1	
90	X3PLB-0616-10	BREAKERS PANEL		
91	X3PLB-0620-00	REAR JUNCTION BOX ASSY	1	
		A) FOR PRODUCT IMPROVMENT ASK FOR #560705		
		B) FOR PRODUCT IMPROVMENT ASK FOR #560699		
		GR) WITH GREYHOUND OPTION		

From H-7417 To M-7767

Date:07/2024

PAGE:X3PLB-0615-01

BATTERIES INSTALLATION VOLVO D13 - GHG17



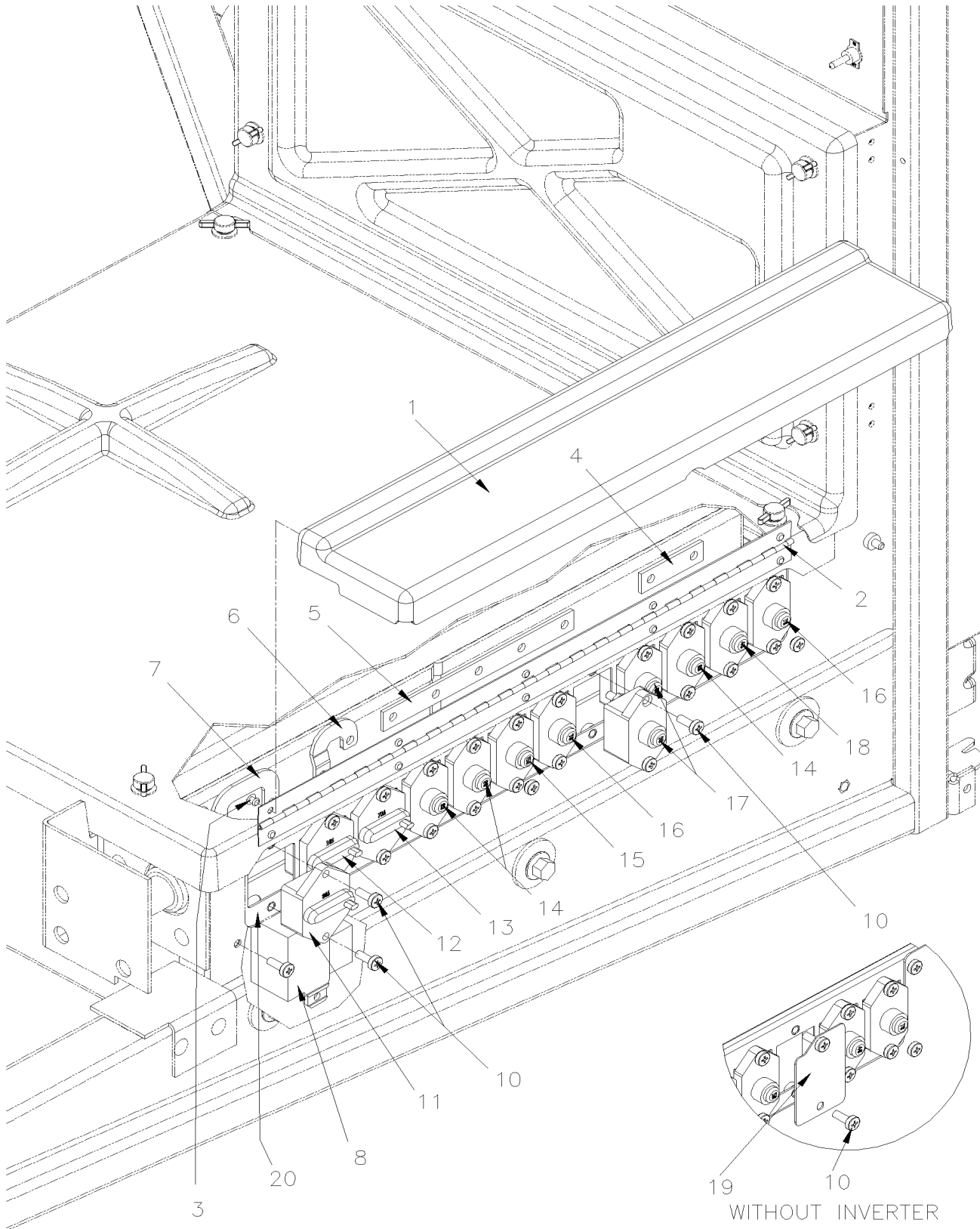
From H-7417 To M-7767	Date:07/2024	PAGE:X3PLB-0615-01
BATTERIES INSTALLATION VOLVO D13 - GHG17		

Item#	Part	Description	QTY	Notes
1	21258363	BATTERY AGM - 12V GR31 800 CCA	4	
1	565904	BATTERY AGM - 12V - ODYSSEY (HEAVY-DUTY)	4	
2	069380	ANCHOR, BATTERY	2	
3	060160	SLEEVE, THREADED PLASTIC	4	
4	5001522	NUT HEXF LO 3/8-16 SS	AR	
5	060145	HOOK, BATTERY	6	
NS	060227	SPACER BETWEEN BATTERY	2	
. NS	503523	. HOSE SILICONE 1PLY 3/4" I.D. x 100' / S.L.	AR	
6	060153	ROD	1	
7	500102	NUT HEX 3/8-16 SS	1	
8	060198	STOPPER	1	
9	069365	COVER BATTERY	1	
NS	060428	DECAL BATTERY CONNECTION To J-7508	1	
9	069886	DECAL BATTERY CONNECTION From J-7509	1	
10	507690	VENT, GORE	1	
11	507689	NUT, VENT GORE	1	
12	477399	RECEPTACLE	1	
12	472830	SPRING GUIDE HOLDER	1	
13	5001630	SCREW TP BUTF TORX M6x20 SS	1	
14	069054	COVER / RECEPTACLE	1	
15	5001452	SCREW TP PAN PH #8x1 1/2 SS	2	
16	5002001	NUT HEX NYRT 1/2-13 SS BK	1	
17	500958	WASHER FL .531x1.062x.095 SS	1	
18	504814	CABLE 0.063" (1/16") DIA, 18-8 SS	AR	
19	780341	SLEEVE / TO HOLDING CABLE 1/16OD SS	4	
20	5001448	WASHER FL .343x.875x.062 SS18-8	2	
21	504459	RIVET MGLP PRDG 1/4x3/8 SS	2	
22	060159	GASKET SILICONE 3/8"	2	
23	060073	CABLE THROUGH	2	
24	060075	GASKET RUBBER 1/8"	1	
25	060072	CABLE THROUGH	2	
. NS	5000307	. SCREW CAP HEX M6-1.0x35 SS	5	
26	069366	GASKET RUBBER 1/8"	1	
27	5001932	NUT HEXF NYRT M6-1.0 G8.8 N500	10	
28	504016	CABLE TIE / 5/16" X 14"1/2	4	
30	060152	HARNESS MAIN JUMPER BATTERY	1	
. NS	0610565	. CABLE GROUND BLACK	1	
. NS	0610566	. CABLE 24V RED	1	
. NS	0610567	. CABLE 12V YELLOW	1	
. NS	0610564	. TIE-STRAP, 2 HOSES	4	
. NS	560278	. NUT 3/8	8	
31	069525	CABLE GND STRAP	1	

From H-7417 To M-7767	Date:07/2024	PAGE:X3PLB-0615-01
BATTERIES INSTALLATION VOLVO D13 - GHG17		

Item#	Part	Description	QTY	Notes
32	067952	SENSOR VOLT AND TEMP - VANNER	1	
33	069534	HARNESS BATTERY ELECTRONIC GND	1	
34	069561	HARNESS BATTERY 24VD	1	
NS	060254	PROTECTION COVERING	1	
. NS	503748	. HOSE PROTECTOR / YELLOW / .838 I.D.	AR	
35	069523	HARNESS BATTERY 12 VD	1	
NS	060254	PROTECTION COVERING	1	
. NS	503748	. HOSE PROTECTOR / YELLOW / .838 I.D.	AR	
36	060252	DECAL COVER LOCK	1	
37	504037	SPACER	1	
NS	504016	CABLE TIE / 5/16" X 14"1/2	1	
40	069372	FLOOR, BATTERY To J-7484	1	
40	069805	FLOOR, BATTERY From J-7485 To J-7542	1	
40	069889	FLOOR, BATTERY From K-7543 To N-7977	1	
40	0610560	FLOOR, BATTERY From N-7978 To P-8096	1	
40	0610624	FLOOR, BATTERY From P-8097	1	
41	069512	TUBE ASSY,	1	
42	5001866	SCREW CAP HEX M12-1.75x30 G10.9 N500	6	
43	500494	WASHER BEL SPR .470x1.680x.125 N500	6	
44	500211	WASHER FL .531x1.250x.125 N500	3	
45	060771	DECAL / WELDING PROCEDURE	1	
46	061325	DECAL "CAUTION" ALWAYS FIRST.... / ENGLISH & FRANCAIS	1	

BREAKERS PANEL



From G-7275 To H-7416	Date:07/2024	PAGE:X3PLB-0616-10
BREAKERS PANEL		

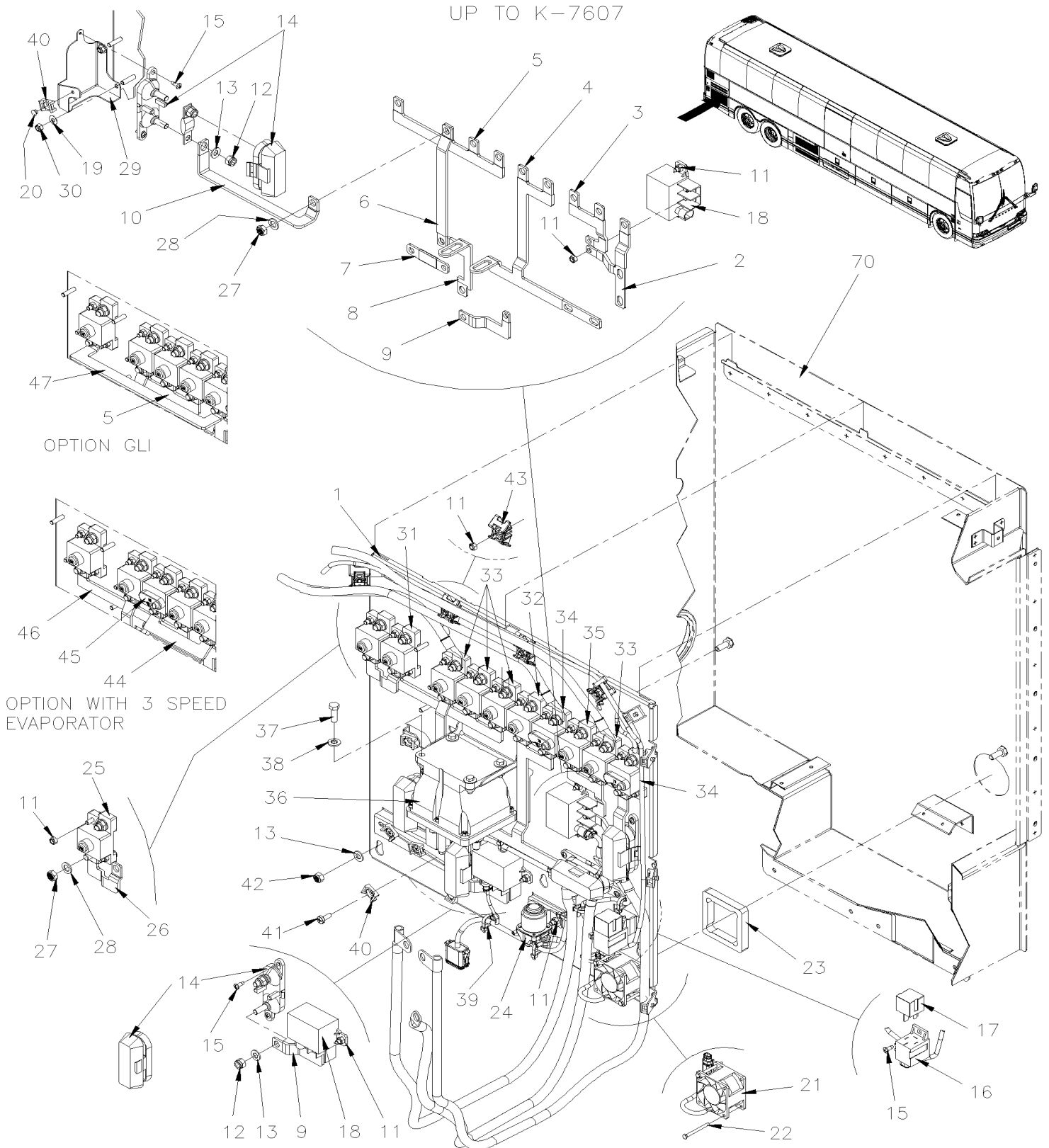
Item#	Part	Description	QTY	Notes
1	067757	COVER SIDE BREAKERS	1	
2	067756	HINGE 622MM	1	
3	504379	RIVET POP DOME OE 3/16x1/4 SS	10	
4	068055	BUS BAR / W/2 HOLES / 45.5MM C/C	1	
5	068059	BUS BAR / W/5 HOLES / 45.5MM C/C	1	
5	068056	BUS BAR / W/6 HOLES / 45.5MM C/C	1	
6	068057	BUS BAR / "J" FORM 2 HOLES / 32.5MM C/C	1	
7	068058	BUS BAR / W/2 HOLES / 27.7MM C/C	1	
8	563348	RELAY POWER 24V 200 AMPS / S.P.S.T. N.O.	1	
. NS	5001182	. NUT HEX NYRT M6-1.0 SS	1	
. NS	502573	. WASHER FL 6.4x12.5x1.6 SS	1	
. NS	563409	. CONNECTOR / SUPERSEAL 1.5 SERIES / SH 2C / AMP 282080-1	1	
. NS	562607	. SOCKET TERMINAL / 20-16 / AMP 183025-1	1	
8	502681	NUT HEX NYRT M6-1.0 N500 G8	1	
10	502817	SCREW MA PAN PH M6-1.0x16 N500	24	
11	565147	BREAKER 90AMPS / 24V / W/O HARDWARE	1	
12	565141	BREAKER 30AMPS / 24V / W/O HARDWARE	1	
13	565146	BREAKER 70AMPS / 24V / W/O HARDWARE	1	
14	565137	BREAKER 90AMPS / 24V / W/O HARDWARE	2	
15	565140	BREAKER 150AMPS / 24V / W/O HARDWARE	1	
16	565136	BREAKER 70AMPS / 24V / W/O HARDWARE	2	
17	565135	BREAKER 50AMPS / 24V / W/O HARDWARE	2	
18	565134	BREAKER 40AMPS / 24V / W/O HARDWARE	1	
NS	5001924	NUT HEX NYRT THN 1/4-28 SS	AR	
NS	502573	WASHER FL 6.4x12.5x1.6 SS	AR	
19	382116	CLOSING PLATE BREAKER HOLE	AR	
20	068124	SUPPORT BREAKER	1	
NS	068974	CABLE ASSY POWER FR RR	1	
NS	068071	CABLE ASSY POWER SOUND SYSTEM	1	
NS	067971	CABLE ASSY REAR JCT BREAKER ASSY	1	
NS	068084	CABLE ASSY / COMPRESSOR DOOR LOCK	1	
NS	069168	CABLE ASSY POWER TO EVAPORATOR	1	
NS	068135	CABLE POWER / RJB VOLTAGE & 120V AC	1	
NS	068121	DECAL "REAR JCT BREAKER'S PANEL	1	

From H-7417 To M-7767

Date:07/2024

PAGE:X3PLB-0616-11

BREAKERS PANEL GHG17

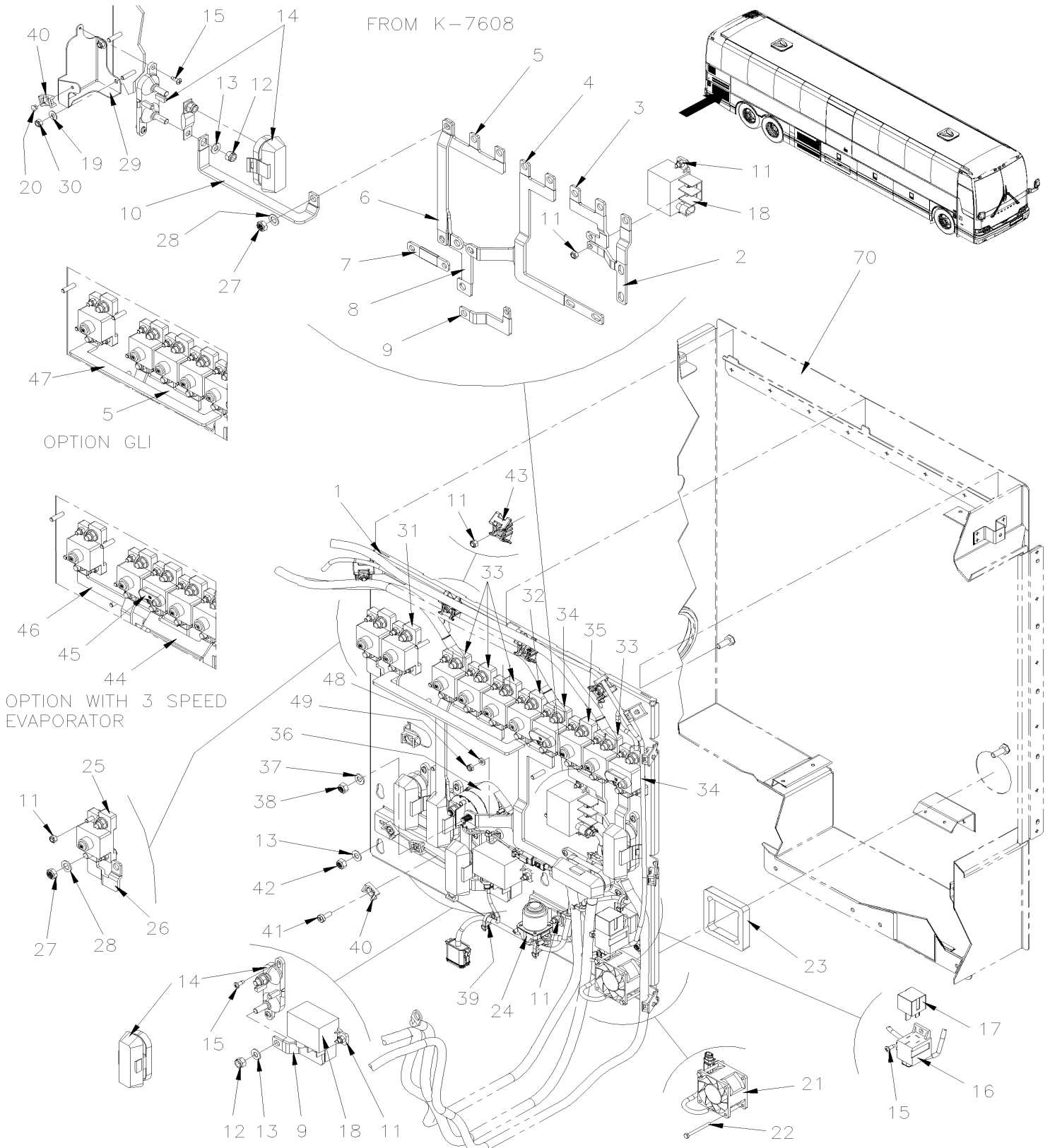


From H-7417 To M-7767

Date:07/2024

PAGE:X3PLB-0616-11

BREAKERS PANEL GHG17



From H-7417 To M-7767	Date:07/2024	PAGE:X3PLB-0616-11
BREAKERS PANEL GHG17		

Item#	Part	Description	QTY	Notes
1	067471	SUPPORT PLATE POWER RJB To J-7484	1	
1	061431	SUPPORT PLATE POWER RJB From J-7485 To K-7607	1	
1	0610063	SUPPORT PLATE POWER RJB From K-7608 To M-7763	1	
1	0610451	SUPPORT PLATE POWER RJB From M-7764	1	
2	067461	BUS BAR 156 x 88MM, 2 HOLES 2 SLOTS	1	
3	060203	BUS BAR 86,5 x 6MM, 3 HOLES	1	
4	067463	BUS BAR 218 x 214MM, 2 HOLES 3 SLOTS To K-7607	1	
4	0610061	BUS BAR 213x 172MM, 2 HOLES 3 SLOTS From K-7608	1	
5	060191	BUS BAR 216.5 x 44.2MM, 5 HOLES	1	NO
5	0600269	BUS BAR 216.5 x 45MM, 4 HOLES	1	WI
5	060477	BUS BAR 117.2 x 44.2MM, 3 HOLES From J-7448	1	GR
6	067467	BUS BAR 214MM LG., 2 HOLES To K-7607	1	
6	0610059	BUS BAR 219 x 70.2MM, 3 HOLES From K-7608	1	
7	060205	BUS BAR 81MM, 2 HOLES	1	
8	067466	BUS BAR 109 x 52 x 63MM,2 HOLES 1 SLOT To K-7607	1	
8	0610060	BUS BAR 89 x 63MM,2 HOLES From K-7608	1	
9	060204	BUS BAR 86 x 47MM, 2HOLES	1	
10	0600266	BUS BAR 200.4 x 60MM, 2 HOLES From J-7448	1	GR
11	502681	NUT HEX NYRT M6-1.0 N500 G8	AR	
12	5001787	NUT HEX NYRT M8-1.25 SS	10	
13	5001341	WASHER FL 8.4x17.0x1.6 SS	20	
14	563750	FUSEHOLDER W/RED COVER / MEGA FUSE /	AR	
NS	564174	FUSE / MEGA FUSE / 150 AMPS / ORANGE	AR	
NS	564520	FUSE / MEGA FUSE / 300 AMPS / GREY	AR	
15	502868	SCREW TC TR PH #10-16x1/2 N500	AR	
16	060547	HARNESS / REAR JUNCTION BOX CONTROL To K-7607	1	
16	0610097	HARNESS / REAR JUNCTION BOX CONTROL From K-7608 To L-7731	1	
16	0611010	HARNESS / REAR JUNCTION BOX CONTROL From L-7732 To M-7763	1	
16	0610457	CONTROL HARNESS, REAR JUNCTION BOX From M-7764	1	
16	564108	SELF MOUNTING STUD // DEUTSCH 1011-310-0205	AR	
17	564218	RELAY 24V S.P.S.T. / 40 AMPS N.O. To M-7763	1	
17	564218	RELAY 24V S.P.S.T. / 40 AMPS N.O. From M-7764	2	
18	563348	RELAY POWER 24V 200 AMPS / S.P.S.T. N.O.	2	
. NS	5001182	. NUT HEX NYRT M6-1.0 SS	1	
. NS	502573	. WASHER FL 6.4x12.5x1.6 SS	1	
. NS	563409	. CONNECTOR / SUPERSEAL 1.5 SERIES / SH 2C / AMP 282080-1	1	
. NS	562607	. SOCKET TERMINAL / 20-16 / AMP 183025-1	1	
19	5001608	WASHER BEL SPR 6.2x15.0x0.7 G500 From J-7448	AR	
20	504379	RIVET POP DOME OE 3/16x1/4 SS From J-7448	AR	
21	565899	AXIAL FAN 60 x 38MM	1	
21	563589	CONNECTOR / DTM SERIES / SH 2C / GRAY / DEUTSCH DTM06-2S-E007	1	
21	563605	SECONDARY LOCK / DTM SERIES / SH 2C / DEUTSCH WM-2S	1	

From H-7417 To M-7767	Date:07/2024	PAGE:X3PLB-0616-11
BREAKERS PANEL GHG17		

Item#	Part	Description	QTY	Notes
21	565907	SOCKET TERMINAL / 18-16 / DEUTSCH 0462-005-20141	2	
22	70314700	SCREW CAP HEX M4-0.7X45 SS	2	
23	287809	SEAL SQUARE 78MMX12MM TH	1	
24	564095	SMALL STARTOR RELAY	1	
24	502573	WASHER FL 6.4x12.5x1.6 SS	4	
24	5001182	NUT HEX NYRT M6-1.0 SS	4	
25	563708	BREAKER 90AMPS / 24V /	1	O
25	568114	BREAKER 150AMPS / 24V /	1	T
26	067465	BUS BAR 60 x 48MM	1	O T
27	5001936	NUT HEX NYRT 3/8-16 SS	AR	
28	5001935	WASHER FL 10.5x18.0x1.6 SS	AR	
29	060434	SUPPORT FUSEHOLDER 120.2 x 79 x 47.5 MM From J-7448	1	GR
30	5001182	NUT HEX NYRT M6-1.0 SS From J-7448	2	
31	568127	BREAKER 50AMPS / 24V /	1	
32	563707	BREAKER 70AMPS / 24V /	2	
33	563708	BREAKER 90AMPS / 24V /	4	
34	568113	BREAKER 70AMPS / 24V /	2	
35	568114	BREAKER 150AMPS / 24V /	1	
36	562364	RELAY 24V S.P.S.T. / 300 AMPS N.O. // BATTERY DISCONNECT To K-7607	1	
36	5001628	NUT HEX NYRT M10-1.5 SS To K-7607	2	
36	560843	RELAY 24V S.P.S.T. / 300 AMPS N.O. // BATTERY DISCONNECT From K-7608	1	
37	502737	SCREW CAP HEX M6-1.0x25 SS BK To K-7607	4	
37	5001789	NUT HEX NYRT M8-1.25 SS From K-7608	2	
38	5001833	WASHER BEL SPR 6.1x18x1.27 SS To K-7607	4	
38	5001341	WASHER FL 8.4x17.0x1.6 SS From K-7608	2	
39	8631155	CABLE TIE / 4.6MM x 200 / CHRISTMAS TREE	AR	
40	504013	TIE MOUNT / 1/4" X 1/4" I.D.	AR	
41	504379	RIVET POP DOME OE 3/16x1/4 SS	AR	
42	5001983	NUT HEX NYRT M8-1.25 SS SS BK	2	
43	509490	ATTACHMENT DOUBLE USE WITH CABLE TIE	4	
44	060954	BUS BAR 117 x 40.9 MM, 2 HOLES	1	EV
45	560456	BREAKER 90AMPS / 24V /	1	EV
46	061020	BUS BAR 216.5 x 45MM, 3 HOLES	1	PWT
47	062607	BUS BAR 266.9 x 25.2MM, 2 HOLES From J-7448	1	GR
48	5001137	WASHER FL .203x.438x.050 SS From K-7608	2	
49	502841	NUT HEX NYRT M5-0.8 N500 From K-7608	2	
70	X3PLB-0620-01	REAR JUNCTION BOX ASSY GHG17		
		EV) OPTION 3 SPEED EVAPORATOR		
		GR) GREYHOUND OPTION		

From H-7417 To M-7767	Date:07/2024	PAGE:X3PLB-0616-11
-----------------------	--------------	--------------------

BREAKERS PANEL GHG17

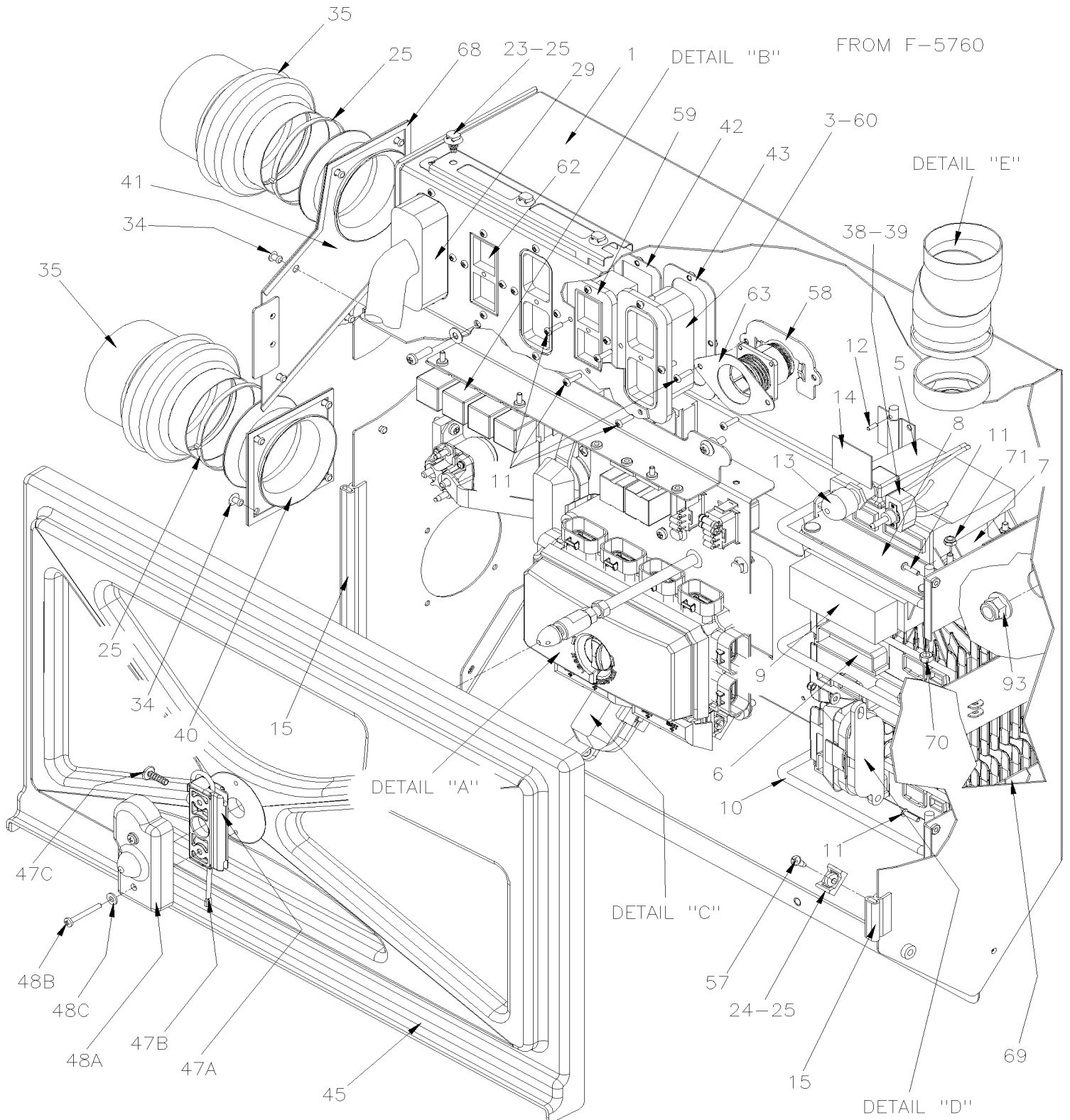
Item#	Part	Description	QTY	Notes
		NO) WITHOUT INVERTER		
		O) ONE INVERTER OPTION		
		PWT) PACIFIC WESTERN OPTION		
		T) TWO INVERTER OPTION		
		WI) WITH INVERTER		

From G-7275 To H-7416

Date:07/2024

PAGE:X3PLB-0620-00

REAR JUNCTION BOX ASSY

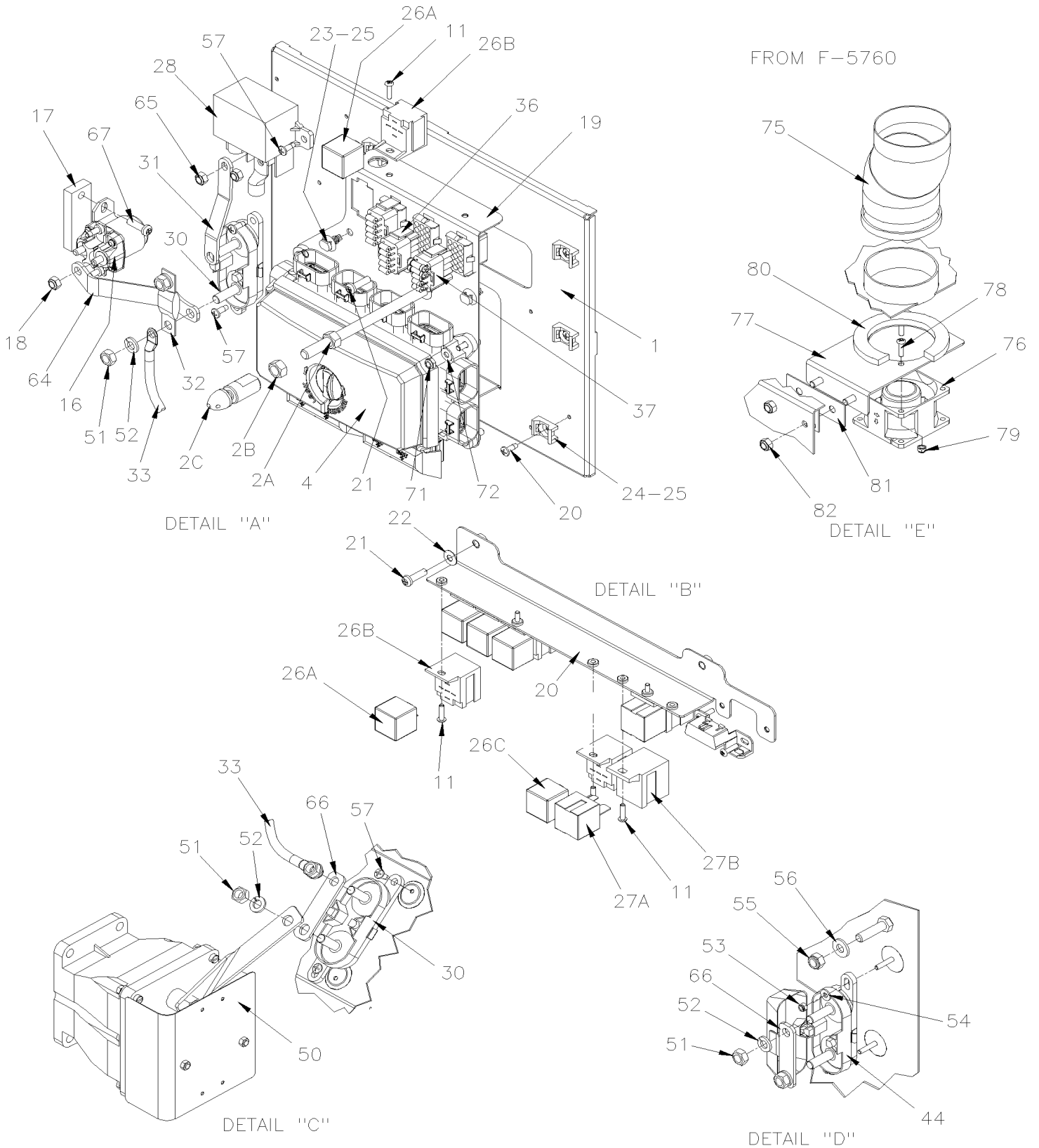


From G-7275 To H-7416

Date:07/2024

PAGE:X3PLB-0620-00

REAR JUNCTION BOX ASSY



From G-7275 To H-7416	Date:07/2024	PAGE:X3PLB-0620-00
REAR JUNCTION BOX ASSY		

Item#	Part	Description	QTY	Notes
	Call order desk	REAR JCT BOX ASSY D380252	1	P
	Call order desk	REAR JCT BOX ASSY	1	P
1	068814	PANEL BOX SUPPORT ASSY REAR	1	
1	680093	SEALANT TAPE BUTYL / GREY / 1/16"x1 1/2"x50' /71079B11760	AR	
2A	069052	ROD, COVER REAR JCT BOX	1	
2B	500102	NUT HEX 3/8-16 SS	1	
2C	069049	STOPPER	1	
3	069576	CABLE HARNESS / REAR JUNCTION BOX	1	
3	069614	CABLE HARNESS / REAR JUNCTION BOX / CRUB LIGHTS / OPTION	1	
3	066968	CABLE ASSY W/FUSE HOLDER / W/"PRO-HEAT" M-80 / "OPTION"	1	
4	563239	VEC DISTRIBUTION MODULE / REAR JCT BOX	1	
. NS	564104	. COVER / VEC BOX	1	
. NS	563269	. RELAY 24V S.P.D.T. W/RESISTOR /	4	
. NS	563004	. FUSE / ATM 2 AMPS GREY	2	
. NS	563279	. FUSE / ATM 3 AMPS VIOLET	3	
. NS	563005	. FUSE / ATM 7.5 AMPS BROWN	2	
. NS	563283	. FUSE / ATM 10 AMPS RED	13	
. NS	563284	. FUSE / ATM 15 AMPS BLUE	9	
. NS	563282	. FUSE / ATM 20 AMPS YELLOW	12	
. NS	563153	. FUSE / ATM 25 AMPS NATURAL	6	
. NS	563165	. FUSE / ATM 30 AMPS GREEN	3	
. NS	563181	. CONNECTOR / SH 8C / YELLOW / BUSSMANN 32006-E21	1	
. NS	563182	. CONNECTOR / SH 8C / ORANGE / BUSSMANN 32006-G21	1	
. NS	563183	. CONNECTOR / SH 8C / RED / BUSSMANN 32006-F21	1	
. NS	563184	. CONNECTOR / SH 8C / GREEN / BUSSMANN 32006-C21	1	
. NS	563185	. CONNECTOR / SH 8C / BLACK / BUSSMANN 32006-A21	1	
. NS	563186	. CONNECTOR / SH 8C / GREY / BUSSMANN 32006-B21	1	
. NS	563187	. CONNECTOR / SH 8C / BROWN / BUSSMANN 32006-H21	1	
. NS	563448	. CONNECTOR / SH 8C / BLUE / BUSSMANN 32006-D21	1	
. NS	19518268	. COVER RUBBER RED	2	
5	22561320	I/O A-MODULE VOLVO MULTIPLEX / BLACK To G-7309	1	
. NS	562767	. CONNECTOR / SH 30C / GREEN / JAE IL-AG5-30S-D3C1 To G-7309	1	
. NS	562957	. CONNECTOR / SH 5C / GREEN / JAE IL-AG5-5S-S3C1 To G-7309	1	
. NS	563132	. CONNECTOR / SH 2C / YAZAKI 7283-6458-40 To G-7309	1	
5	22722832	I/O A-MODULE VOLVO MULTIPLEX / BLACK From H-7310	1	
. NS	562767	. CONNECTOR / SH 30C / GREEN / JAE IL-AG5-30S-D3C1 From H-7310	1	
. NS	562957	. CONNECTOR / SH 5C / GREEN / JAE IL-AG5-5S-S3C1 From H-7310	1	
. NS	563132	. CONNECTOR / SH 2C / YAZAKI 7283-6458-40 From H-7310	1	
6	564193	I/O B-MODULE VOLVO MULTIPLEX / ALUMINUM To G-7309	3	
. NS	563132	. CONNECTOR / SH 2C / YAZAKI 7283-6458-40 To G-7309	1	
. NS	563133	. CONNECTOR / JUNIOR POWER TIMER / SH 29C / AMP 1-963449-2 To G-7309	1	
. NS	562957	. CONNECTOR / SH 5C / GREEN / JAE IL-AG5-5S-S3C1 To G-7309	1	

From G-7275 To H-7416	Date:07/2024	PAGE:X3PLB-0620-00
REAR JUNCTION BOX ASSY		

Item#	Part	Description	QTY	Notes
6	22722842	I/O B-MODULE VOLVO MULTIPLEX / ALUMINUM From H-7310	3	
. NS	563132	. CONNECTOR / SH 2C / YAZAKI 7283-6458-40 From H-7310	1	
. NS	563133	. CONNECTOR / JUNIOR POWER TIMER / SH 29C / AMP 1-963449-2 From H-7310	1	
. NS	562957	. CONNECTOR / SH 5C / GREEN / JAE IL-AG5-5S-S3C1 From H-7310	1	
7	067773	PLATE SUPPORT / I/O A-MODULE	1	
8	067772	PLATE SUPPORT TRANS ECU WORLD	1	
9	572178	INTERFACE TCM B500 2014 / 435HP OR 500HP WITH ALL RATIOS W/O VAC	1	
9	572179	INTERFACE TCM B500 2014 / 435HP OR 500HP WITH ALL RATIOS W/VAC	1	
10	382166	ROD ATTACHMENT / I/O B MODULE	3	
11	502698	SCREW MA PAN PH M4-0.7x16 SS BK	AR	
12	505221	SPRING, PIN 1/8 X 3/8	3	
13	562484	SWITCH S.P.S.T. / N.C.	1	
13	561891	CAP RUBBER	1	
13	561786	CABLE SEAL / GRAY / PED 15324980	2	
13	561578	SOCKET TERMINAL / 16-14 / PED 12010182	2	
13	562471	CONNECTOR / WEATHER PACK / SH 2C / BLACK / PED 12103784	1	
13	563158	SHRINK TUBING / .300" - .060" / BLACK / 3M EPS-400.300	1	
14	065466	DECAL / LAVATORY PUMP FLUSH / ENGLISH & FRANCAIS	1	
14	066050	DECAL / LAVATORY PUMP FLUSH / ENGLISH & SPANISH	1	
14	067576	DECAL / LAVATORY PUMP FLUSH / ENGLISH & SPANISH	1	IN
15	506303	RUBBER SEAL EXTRUSION	AR	
16	564095	SMALL STARTOR RELAY	1	
17	067335	SPACER / PLASTIC / RELAY / STARTOR MELCO	1	
18	500539	NUT HEX NYRT M4-0.7 N500	1	
19	068783	PLATE SUPPORT "VEC"	1	
20	068456	PLATE SUPPORT UPPER RELAY	1	
21	502626	SCREW MA PAN PH M6-1.0x20 N500	AR	
22	5001608	WASHER BEL SPR 6.2x15.0x0.7 G500	2	
23	509815	TIE MOUNT / ATTACHMENT W/TREE MOUNT	10	
24	504013	TIE MOUNT / 1/4" X 1/4" I.D.	8	
25	504637	CABLE TIE / 3/16" x 13"	AR	
25	504016	CABLE TIE / 5/16" X 14"1/2	AR	
26A	563332	RELAY 24V S.P.D.T. W/RESISTOR / "VOLVO" (20374662)	4	
26B	564496	CONNECTOR / METRI-PACK 630 / SH 5C / PED 12033871	4	
26C	563337	RELAY 12V S.P.D.T. W/RESISTOR /	1	
27A	564218	RELAY 24V S.P.S.T. / 40 AMPS N.O.	2	
27B	564210	RELAY BASE / TAB TERMINAL / COLE HERSEE 99025	2	
28	563348	RELAY POWER 24V 200 AMPS / S.P.S.T. N.O.	1	
. NS	5001182	. NUT HEX NYRT M6-1.0 SS	1	
. NS	502573	. WASHER FL 6.4x12.5x1.6 SS	1	
. NS	563409	. CONNECTOR / SUPERSEAL 1.5 SERIES / SH 2C / AMP 282080-1	1	
. NS	562607	. SOCKET TERMINAL / 20-16 / AMP 183025-1	1	

From G-7275 To H-7416	Date:07/2024	PAGE:X3PLB-0620-00
REAR JUNCTION BOX ASSY		

Item#	Part	Description	QTY	Notes
29	069216	CABLE ASSY / RR JCT & ENGINE	1	
30	563750	FUSEHOLDER W/RED COVER / MEGA FUSE /	2	
31	068072	BUS BAR / W/2 HOLES / 96.4MM C/C 14MM / OFFSET	1	
31	561754	SHRINK TUBING / .500" - .250" / RED / ALPHA FIT-221-1/2	AR	
32	564174	FUSE / MEGA FUSE / 150 AMPS / ORANGE	1	
33	067669	CABLE ASSY / BATTERIES & FUSE HOLDER	1	
34	504379	RIVET POP DOME OE 3/16x1/4 SS	AR	
35	504499	CUFF END BELLOW / 2 7/8" I.D. x 3 5/8" x 4 7/16	2	
36	381145	DIODE ASSY / W/5 3AMPS	2	
37	382175	DIODE ASSY / W/3 3AMPS & 2 RESISTORS 100 OHMS	1	
38	562394	PLATE, INDICATING (ON/OFF)	1	
39	563609	SWITCH / OFF-ON / S.P.S.T. / SEALED W/WIRES ASSY	1	
39	562477	CONNECTOR / DT SERIES / SH 4C / GRAY / DEUTSCH DT06-4S	1	
39	562478	SECONDARY LOCK / DT SERIES / SH 4C / DEUTSCH W4S	1	
39	562482	SOCKET TERMINAL / 16-14 / DEUTSCH 0462-209-16141	2	
40	068050	PANEL ASSY / PASS CABLE LOWER SIDE BOX	1	
41	067818	PANEL ASSY / PASS CABLE UPPER SIDE BOX	1	
42	067775	PLATE RETAINER CONECTORS 40 PINS "J" FORM 55MMx99.7MM	2	
43	067774	PLATE RETAINER CONECTORS 70 PINS "J" FORM 60.6MM x 128.5MM	3	
44	563238	FUSEHOLDER W/BLACK COVER / MEGA FUSE /	1	
45	069069	COVER REAR JCT BOX	1	
NS	066155	DECAL PIN OUT / JCT BOX W/MUX	1	
47A	477399	RECEPTACLE	1	
47B	472830	SPRING GUIDE HOLDER	1	
47C	5001630	SCREW TP BUTF TORX M6x20 SS	1	
48A	069054	COVER / RECEPTACLE	1	
48B	5001452	SCREW TP PAN PH #8x1 1/2 SS	2	
48C	5001137	WASHER FL .203x.438x.050 SS	2	
50	X3PLB-0615-00	BATTERIES INSTALLATION		
51	966171	NUT HEX NYRT M8x1.25 SS	6	
52	5001341	WASHER FL 8.4x17.0x1.6 SS	6	
53	500379	NUT HEX 3/8-16 BR	2	
54	500855	WASHER FL .188x.438x.049 N500	2	
55	502847	NUT HEX NYRT M8-1.25 N500	1	
56	5001341	WASHER FL 8.4x17.0x1.6 SS	1	
57	502868	SCREW TC TR PH #10-16x1/2 N500	AR	
58	382505	PLATE, FIXATION	1	
59	564197	GASKET / DRC SERIES / 40C / DEUTSCH DRC40-GKT AD	2	
60	564198	GASKET / DRC SERIES / 70C, ADHESIVE BACK / DEUTSCH DRC70-GKT AD	3	
61	069583	DECAL REAR JUNCTION BOX / COMPONENTS	1	
62	069225	CABLE / JUNCTION BOX TRANSMISSION	1	
62	068461	CABLE / JUNCTION BOX TRANSMISSION "I-SHIFT"	1	

From G-7275 To H-7416	Date:07/2024	PAGE:X3PLB-0620-00
REAR JUNCTION BOX ASSY		

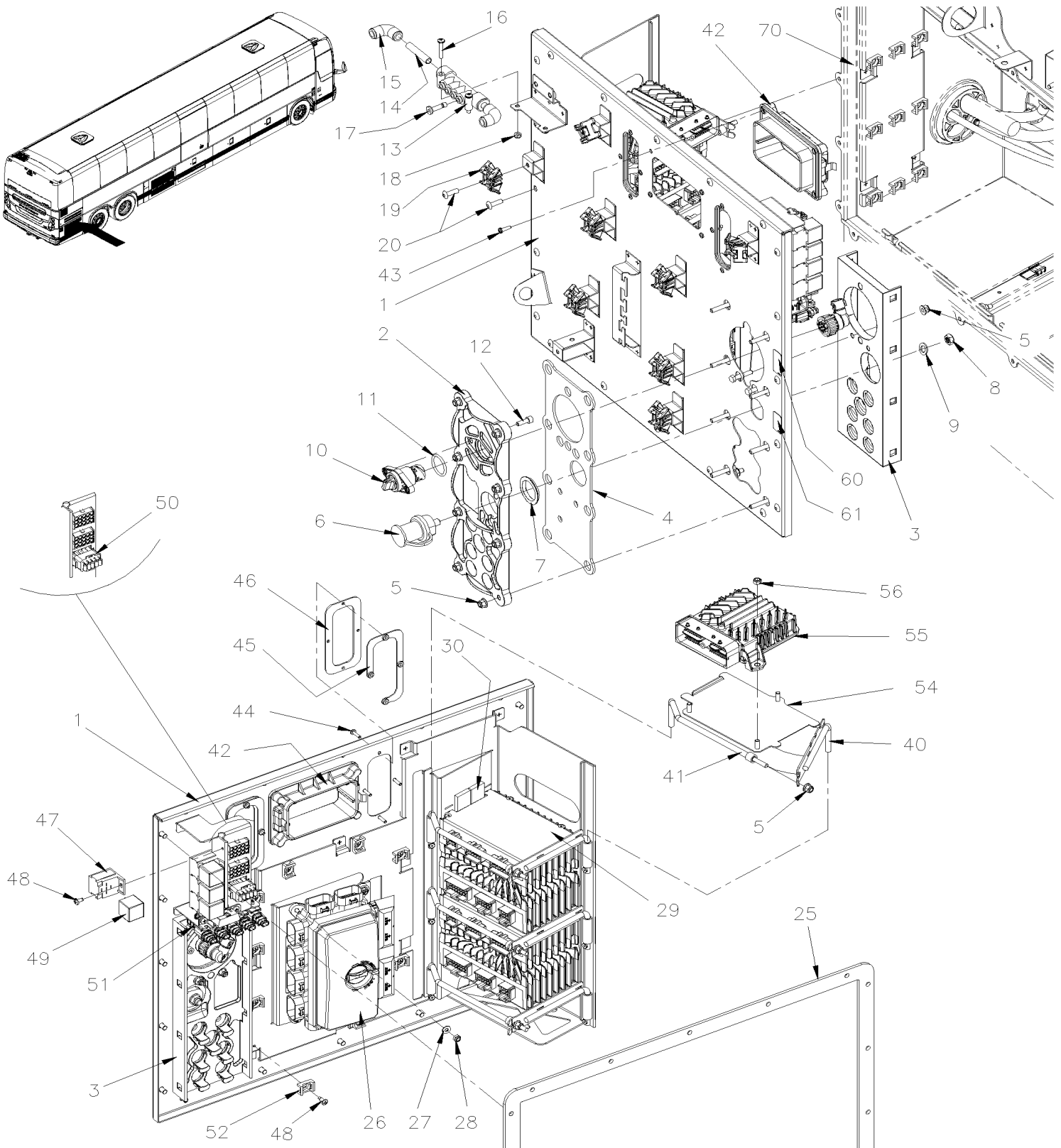
Item#	Part	Description	QTY	Notes
63	068713	GASKET, CONNECTOR 16POS CPC	1	
64	068727	BUS BAR / W/2 HOLES	1	
65	5001182	NUT HEX NYRT M6-1.0 SS	2	
66	068169	BUS BAR / W/2 HOLES	2	
66	564520	FUSE / MEGA FUSE / 300 AMPS / GREY	1	GR
67	502626	SCREW MA PAN PH M6-1.0x20 N500	2	
68	506191	TAPE RUB ADH1 CC POL 1/8" x 1/4" x 50' / GREY 2520X	AR	
68	684685	ADHESIVE SIMSON #ISR 70-03 / 310ml CARTRIDGE	AR	
69	506339	TAPE RUB ADH1 NIT 1/4" x 1" x 35' / BLACK 1220	AR	
70	502681	NUT HEX NYRT M6-1.0 N500 G8	3	
71	502841	NUT HEX NYRT M5-0.8 N500	7	
72	500804	WASHER FL .203x.500x.047 N500	4	
NS	561756	SHRINK TUBING / 1.000" - .500" / RED / ALPHA FIT-221-1	AR	
75	503031	HOSE FLEXIBLE / AIR DUCT 2 1/2" I.D. X 12' / RUBBER	AR	
76	565899	AXIAL FAN 60 x 38MM	1	
NS	565907	SOCKET TERMINAL / 18-16 / DEUTSCH 0462-005-20141	1	
77	068743	SUPPORT / FAN	1	
78	502698	SCREW MA PAN PH M4-0.7x16 SS BK	2	
79	500539	NUT HEX NYRT M4-0.7 N500	2	
80	068744	GASKET 82MM O.D. x 6.4MM	1	
81	068751	GASKET 70MM x 24MM	1	
82	502681	NUT HEX NYRT M6-1.0 N500 G8	2	
93	5001761	NUT HEXF NYRT M12-1.75 G8 N500	2	
		GR) WITH GREYHOUND OPTION		
		IN) INDIAN TRAILS OPTION		
		P) CALL ORDER DESK FOR SPECIFIC APPLICATION (V.I.N.)		

From H-7417 To M-7767

Date:07/2024

PAGE:X3PLB-0620-01

REAR JUNCTION BOX ASSY GHG17



From H-7417 To M-7767	Date:07/2024	PAGE:X3PLB-0620-01
REAR JUNCTION BOX ASSY GHG17		

Item#	Part	Description	QTY	Notes
1	060194	PANEL CONTROL, ELECTRIC BOX WELDED To H-6179	1	
1	060494	PANEL CONTROL, ELECTRIC BOX WELDED From H-6180 To H-7395	1	
1	061447	PANEL CONTROL, ELECTRIC BOX WELDED From H-7395 To M-7750	1	
1	0610221	PANEL CONTROL, ELECTRIC BOX WELDED From M-7751	1	
2	060177	FEED THRU PANEL / EXTERNAL	1	
3	067483	FEED THRU PANEL / INTERNAL	1	
4	069476	SEAL FEED TRU	1	
5	5001932	NUT HEXF NYRT M6-1.0 G8.8 N500	10	
6	561856	BOOSTER BLOCK, REMOTE / RED	1	
7	507009	BOOSTER COACH RING	1	
8	5001936	NUT HEX NYRT 3/8-16 SS	1	
9	5001935	WASHER FL 10.5x18.0x1.6 SS	1	
10	560012	ROTARY SWITCH DS SERIES	1	
11	5000313	SEAL / 1 1/8 X 1 1/4 X 1/8	1	
12	5001648	SCREW CAP HEXS M6-1.0x18 SS BK	2	
13	641897	MANIFOLD / PUSH-IN FITTING / 2x#6 / 4x#4 PLAS	1	
14	503404	TUBE, NYLON 3/8 O.D. / BLACK S.L.	AR	
15	641436	UNION ELBOW 90° / PUSH-IN FITTING / #6x#6 BR	2	
16	5001991	SCREW MA RND PH M5-0.8x30 SS	2	
17	641416	PLUG STEM / PUSH-IN FITTING / #4 PLAS	1	
18	5001587	NUT HEX NYRT M5-0.8 SS	2	
19	509490	ATTACHMENT DOUBLE USE WITH CABLE TIE	8	
20	504610	RIVET MGLP PRDG 1/4x5/8 SS	AR	
25	287807	SEAL FOAM AD1 3/8 TH, 631 X 551	1	
26	565992	DVEC DISTRIBUTION MODULE / REAR JCT BOX To J-7447	1	
. NS	563280	. FUSE / ATM 5 AMPS AMBER To J-7447	8	
. NS	563283	. FUSE / ATM 10 AMPS RED To J-7447	14	
. NS	563284	. FUSE / ATM 15 AMPS BLUE To J-7447	18	
. NS	563282	. FUSE / ATM 20 AMPS YELLOW To J-7447	6	
. NS	563153	. FUSE / ATM 25 AMPS NATURAL To J-7447	3	
. NS	563165	. FUSE / ATM 30 AMPS GREEN To J-7447	10	
. NS	564342	. MINI BREAKER / 30 AMPS / SERIES 233 To J-7447	1	
. NS	563185	. CONNECTOR / SH 8C / BLACK / BUSSMANN 32006-A21 To J-7447	1	
. NS	563186	. CONNECTOR / SH 8C / GREY / BUSSMANN 32006-B21 To J-7447	1	
. NS	563184	. CONNECTOR / SH 8C / GREEN / BUSSMANN 32006-C21 To J-7447	1	
. NS	563181	. CONNECTOR / SH 8C / YELLOW / BUSSMANN 32006-E21 To J-7447	1	
. NS	563183	. CONNECTOR / SH 8C / RED / BUSSMANN 32006-F21 To J-7447	1	
. NS	563182	. CONNECTOR / SH 8C / ORANGE / BUSSMANN 32006-G21 To J-7447	1	
. NS	563187	. CONNECTOR / SH 8C / BROWN / BUSSMANN 32006-H21 To J-7447	1	
. NS	563448	. CONNECTOR / SH 8C / BLUE / BUSSMANN 32006-D21 To J-7447	1	
. NS	564132	. LOCK CONNECTOR POSITION ASSURANCE / BUSSMANN 32004-CP To J-7447	AR	
. NS	564104	. COVER / VEC BOX To J-7447	1	

From H-7417 To M-7767	Date:07/2024	PAGE:X3PLB-0620-01
REAR JUNCTION BOX ASSY GHG17		

Item#	Part	Description	QTY	Notes
. NS	19518268	. COVER RUBBER RED To J-7447	2	
26	560471	DVEC DISTRIBUTION MODULE / REAR JCT BOX From J-7448 To L-7731	1	
. NS	563280	. FUSE / ATM 5 AMPS AMBER From J-7448 To L-7731	8	
. NS	563283	. FUSE / ATM 10 AMPS RED From J-7448 To L-7731	11	
. NS	563284	. FUSE / ATM 15 AMPS BLUE From J-7448 To L-7731	18	
. NS	563282	. FUSE / ATM 20 AMPS YELLOW From J-7448 To L-7731	8	
. NS	563153	. FUSE / ATM 25 AMPS NATURAL From J-7448 To L-7731	3	
. NS	563165	. FUSE / ATM 30 AMPS GREEN From J-7448 To L-7731	11	
. NS	564342	. MINI BREAKER / 30 AMPS / SERIES 233 From J-7448 To L-7731	1	
. NS	563185	. CONNECTOR / SH 8C / BLACK / BUSSMANN 32006-A21 From J-7448 To L-7731	1	
. NS	563186	. CONNECTOR / SH 8C / GREY / BUSSMANN 32006-B21 From J-7448 To L-7731	1	
. NS	563184	. CONNECTOR / SH 8C / GREEN / BUSSMANN 32006-C21 From J-7448 To L-7731	1	
. NS	563181	. CONNECTOR / SH 8C / YELLOW / BUSSMANN 32006-E21 From J-7448 To L-7731	1	
. NS	563183	. CONNECTOR / SH 8C / RED / BUSSMANN 32006-F21 From J-7448 To L-7731	1	
. NS	563182	. CONNECTOR / SH 8C / ORANGE / BUSSMANN 32006-G21 From J-7448 To L-7731	1	
. NS	563187	. CONNECTOR / SH 8C / BROWN / BUSSMANN 32006-H21 From J-7448 To L-7731	1	
. NS	563448	. CONNECTOR / SH 8C / BLUE / BUSSMANN 32006-D21 From J-7448 To L-7731	1	
. NS	564132	. LOCK CONNECTOR POSITION ASSURANCE / BUSSMANN 32004-CP From J-7448 To L-7731	AR	
. NS	564104	. COVER / VEC BOX From J-7448 To L-7731	1	
. NS	19518268	. COVER RUBBER RED From J-7448 To L-7731	2	
26	564709	DVEC DISTRIBUTION MODULE / REAR JCT BOX From L-7732 To M-7763	1	
. NS	563280	. FUSE / ATM 5 AMPS AMBER From L-7732 To M-7763	8	
. NS	563283	. FUSE / ATM 10 AMPS RED From L-7732 To M-7763	11	
. NS	563284	. FUSE / ATM 15 AMPS BLUE From L-7732 To M-7763	18	
. NS	563282	. FUSE / ATM 20 AMPS YELLOW From L-7732 To M-7763	8	
. NS	563153	. FUSE / ATM 25 AMPS NATURAL From L-7732 To M-7763	3	
. NS	563165	. FUSE / ATM 30 AMPS GREEN From L-7732 To M-7763	11	
. NS	564342	. MINI BREAKER / 30 AMPS / SERIES 233 From L-7732 To M-7763	1	
. NS	563185	. CONNECTOR / SH 8C / BLACK / BUSSMANN 32006-A21 From L-7732 To M-7763	1	
. NS	563186	. CONNECTOR / SH 8C / GREY / BUSSMANN 32006-B21 From L-7732 To M-7763	1	
. NS	563184	. CONNECTOR / SH 8C / GREEN / BUSSMANN 32006-C21 From L-7732 To M-7763	1	
. NS	563181	. CONNECTOR / SH 8C / YELLOW / BUSSMANN 32006-E21 From L-7732 To M-7763	1	
. NS	563183	. CONNECTOR / SH 8C / RED / BUSSMANN 32006-F21 From L-7732 To M-7763	1	
. NS	563182	. CONNECTOR / SH 8C / ORANGE / BUSSMANN 32006-G21 From L-7732 To M-7763	1	
. NS	563187	. CONNECTOR / SH 8C / BROWN / BUSSMANN 32006-H21 From L-7732 To M-7763	1	
. NS	563448	. CONNECTOR / SH 8C / BLUE / BUSSMANN 32006-D21 From L-7732 To M-7763	1	
. NS	564132	. LOCK CONNECTOR POSITION ASSURANCE / BUSSMANN 32004-CP From L-7732 To M-7763	AR	
. NS	564104	. COVER / VEC BOX From L-7732 To M-7763	1	
. NS	19518268	. COVER RUBBER RED From L-7732 To M-7763	2	
26	564360	DVEC DISTRIBUTION MODULE / REAR JCT BOX From M-7764 To R-4000	1	
. NS	563280	. FUSE / ATM 5 AMPS AMBER From M-7764 To R-4000	8	
. NS	563283	. FUSE / ATM 10 AMPS RED From M-7764 To R-4000	9	

From H-7417 To M-7767	Date:07/2024	PAGE:X3PLB-0620-01
REAR JUNCTION BOX ASSY GHG17		

Item#	Part	Description	QTY	Notes
. NS	563284	. FUSE / ATM 15 AMPS BLUE From M-7764 To R-4000	10	
. NS	563282	. FUSE / ATM 20 AMPS YELLOW From M-7764 To R-4000	11	
. NS	563153	. FUSE / ATM 25 AMPS NATURAL From M-7764 To R-4000	3	
. NS	563165	. FUSE / ATM 30 AMPS GREEN From M-7764 To R-4000	10	
. NS	564342	. MINI BREAKER / 30 AMPS / SERIES 233 From M-7764 To R-4000	1	
. NS	563185	. CONNECTOR / SH 8C / BLACK / BUSSMANN 32006-A21 From M-7764 To R-4000	1	
. NS	563186	. CONNECTOR / SH 8C / GREY / BUSSMANN 32006-B21 From M-7764 To R-4000	1	
. NS	563184	. CONNECTOR / SH 8C / GREEN / BUSSMANN 32006-C21 From M-7764 To R-4000	1	
. NS	563181	. CONNECTOR / SH 8C / YELLOW / BUSSMANN 32006-E21 From M-7764 To R-4000	1	
. NS	563183	. CONNECTOR / SH 8C / RED / BUSSMANN 32006-F21 From M-7764 To R-4000	1	
. NS	563182	. CONNECTOR / SH 8C / ORANGE / BUSSMANN 32006-G21 From M-7764 To R-4000	1	
. NS	563187	. CONNECTOR / SH 8C / BROWN / BUSSMANN 32006-H21 From M-7764 To R-4000	1	
. NS	563448	. CONNECTOR / SH 8C / BLUE / BUSSMANN 32006-D21 From M-7764 To R-4000	1	
. NS	564132	. LOCK CONNECTOR POSITION ASSURANCE / BUSSMANN 32004-CP From M-7764 To R-4000	AR	
. NS	564104	. COVER / VEC BOX From M-7764 To R-4000	1	
. NS	19518268	. COVER RUBBER RED From M-7764 To R-4000	2	
26	564784	DVEC DISTRIBUTION MODULE / REAR JCT BOX From R-4001	1	
26	564132	LOCK CONNECTOR POSITION ASSURANCE / BUSSMANN 32004-CP	8	
26	564399	MINI BREAKER / 20 AMPS / SERIES 233	1	EB
26	564342	MINI BREAKER / 30 AMPS / SERIES 233	1	EB
27	500804	WASHER FL .203x.500x.047 N500	4	
28	502841	NUT HEX NYRT M5-0.8 N500	4	
29	22722850	I/O B E-MODULE VOLVO MULTIPLEX / ALUMINUM To M-7758	4	
29	23824204	I/O B E-MODULE VOLVO MULTIPLEX / ALUMINUM From M-7759	4	
30	506339	TAPE RUB ADH1 NIT 1/4" x 1" x 35' / BLACK 1220	AR	
31	0610187	JUMPER From K-7590 To P-8096	1	B
32	0610001	SUPPORT, BOOSTER REGULATOR W/REMY From K-7590 To P-8096	1	B
33	5001975	SCREW TC BDG PH #10-24x3/8 SS410 ZINC From K-7590 To P-8096	4	B
34	5001137	WASHER FL .203x.438x.050 SS From K-7590 To P-8096	3	B
40	384270	ROD, I/O B MODULE LH ASSY	AR	
41	380061	ROD, I/O B MODULE	AR	
42	560208	FLANGE CONNECTOR / DRB SERIES / 102C / DEUTSCH DRBF-1A	1	
43	502653	SCREW MA PAN PH M5-0.8x16 SS	4	
44	502698	SCREW MA PAN PH M4-0.7x16 SS BK	AR	
45	067774	PLATE RETAINER CONECTORS 70 PINS "J" FORM 60.6MM x 128.5MM	3	
46	564198	GASKET / DRC SERIES / 70C, ADHESIVE BACK / DEUTSCH DRC70-GKT AD	3	
46	061420	HARNESS REAR JUCTION BOX/ TRANS. WORLD From J-7448 To J-7481	1	GR
46	062695	HARNESS REAR JUCTION BOX/ TRANS. WORLD From J-7482 To J-7512	1	
46	069873	HARNESS REAR JUCTION BOX/ TRANS. WORLD From J-7513 To K-7542	1	
46	069909	HARNESS REAR JUCTION BOX/ TRANS. WORLD From K-7543 To K-7607	1	
46	0610082	HARNESS REAR JUCTION BOX/ TRANS. WORLD From K-7608 To K-7620	1	
46	0610168	HARNESS REAR JUCTION BOX/ TRANS. WORLD From K-7621 To K-7662	1	

From H-7417 To M-7767	Date:07/2024	PAGE:X3PLB-0620-01
REAR JUNCTION BOX ASSY GHG17		

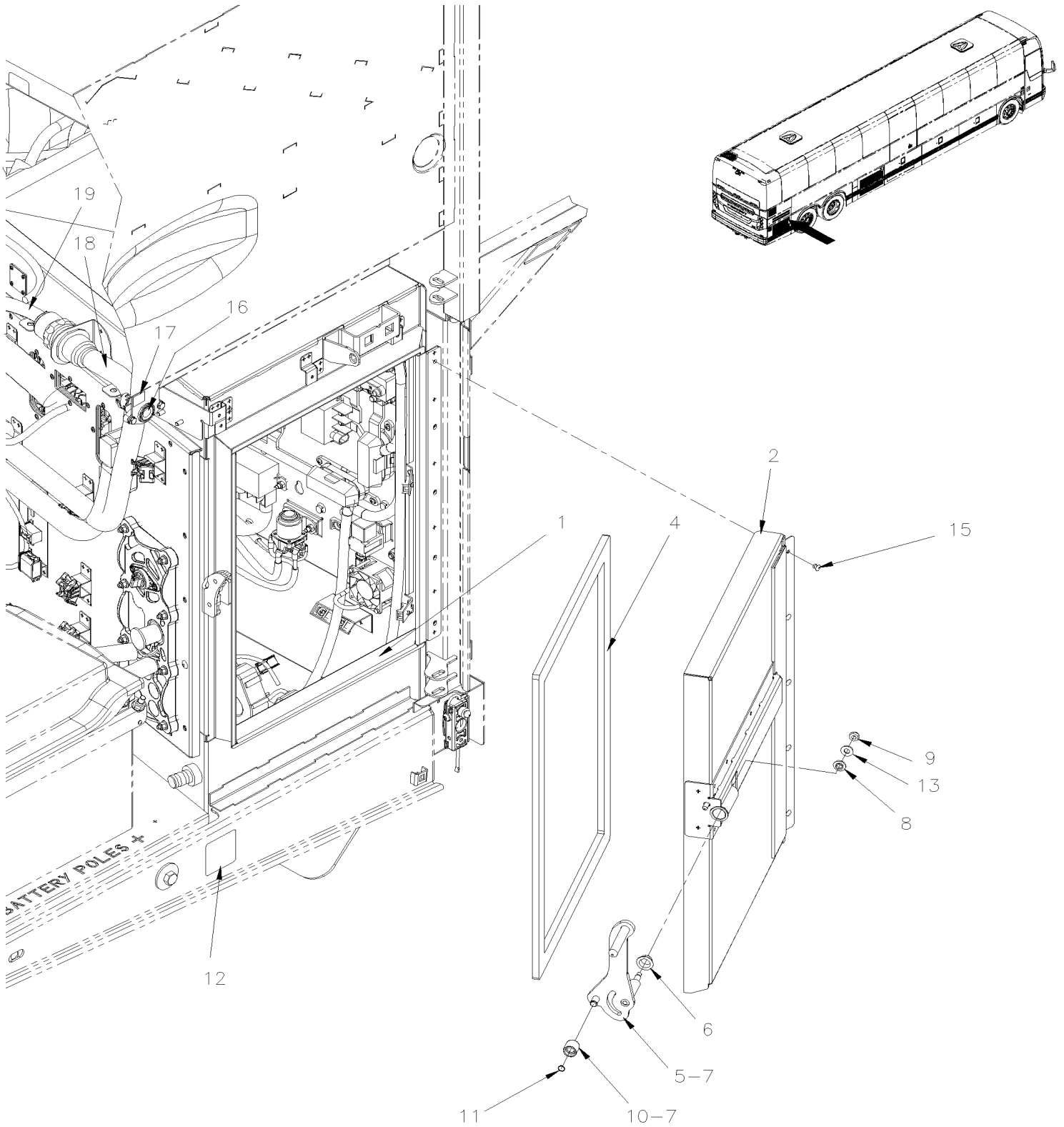
Item#	Part	Description	QTY	Notes
46	069979	HARNESS REAR JUCTION BOX/ TRANS. WORLD From L-7663 To L-7731	1	
46	0610276	HARNESS REAR JUCTION BOX/ TRANS. WORLD From L-7732 To M-7763	1	
46	0610412	HARNESS REAR JUCTION BOX/ TRANS. WORLD From M-7764	1	
46	0610038	HARNESS REAR JUCTION BOX/ TRANS. WORLD W/REMY ALTERNATOR From K-7590 To K-7607	1	B
46	060548	HARNESS REAR JUCTION BOX/ TRANS. I-SHIFT To K-7607	1	
46	0610095	HARNESS REAR JUCTION BOX/ TRANS. I-SHIFT From K-7608 To K-7620	1	
46	0610169	HARNESS REAR JUCTION BOX/ TRANS. I-SHIFT From K-7621 To K-7662	1	
46	069980	HARNESS REAR JUCTION BOX/ TRANS. I-SHIFT From L-7663 To L-7731	1	
46	0610277	HARNESS REAR JUCTION BOX/ TRANS. I-SHIFT From L-7732 To M-7763	1	
46	0610413	HARNESS REAR JUCTION BOX/ TRANS. I-SHIFT From M-7764	1	
47	561183	RELAY BASE / TAB TERMINAL / BOSCH 3334485008	AR	
48	500209	SCREW TC BDG PH #10-24x3/8 N500	AR	
49	563332	RELAY 24V S.P.D.T. W/RESISTOR / "VOLVO" (20374662)	3	
49	564218	RELAY 24V S.P.S.T. / 40 AMPS N.O.	1	
50	060324	DIODE/ RESISTOR BLOCK "1"	1	
51	564108	SELF MOUNTING STUD // DEUTSCH 1011-310-0205	5	
52	504013	TIE MOUNT / 1/4" X 1/4" I.D.	AR	
54	067772	PLATE SUPPORT TRANS ECU WORLD	1	
55	570013	INTERFACE TCM B500 / 435HP WITH ALL RATIOS W/VAC To K-7542	1	
55	570044	INTERFACE TCM B500 / 435HP WITH ALL RATIOS W/VAC From K-7543 To N-8007	1	
55	570086	INTERFACE TCM B500 / WITH ALL RATIOS W/VAC From P-8008	1	
55	570012	INTERFACE TCM B500 / 435HP WITH ALL RATIOS W/O VAC To K-7542	1	
55	570043	INTERFACE TCM B500 / 435HP WITH ALL RATIOS W/O VAC From K-7543 To N-8007	1	
55	570081	INTERFACE TCM B500 / WITH ALL RATIOS W/O VAC From P-8008	1	
55	060133	CABLE / JUNCTION BOX TRANSMISSION ALISSON To H-7416	1	
55	060546	CABLE / JUNCTION BOX TRANSMISSION ALISSON From H-7417	1	
56	502681	NUT HEX NYRT M6-1.0 N500 G8	3	
NS	060092	CABLE I/F BATTERIES CHARGER / W/RELAY BASE	1	
NS	060093	CABLE ASSY POWER / W/FUSE HOLDER & RECTIFIER	1	
60	060595	DECAL ELECTRICAL SHUT-OFF	1	
61	060597	DECAL BOOSTER BLOCK	1	
NS	069614	CABLE HARNESS / REAR JUNCTION BOX / CRUB LIGHTS / OPTION	1	
70	X3PLB-0620-10	REAR JUNCTION BOX INSTALLATION GHG17		
		B) WITH REMY ALTERNATOR		
		EB) WITH ELECTRICAL BRAKE ON TRAILER		
		GR) GREYHOUND OPTION		

From H-7417 To M-7767

Date:07/2024

PAGE:X3PLB-0620-10

REAR JUNCTION BOX INSTALLATION GHG17



From H-7417 To M-7767	Date:07/2024	PAGE:X3PLB-0620-10
REAR JUNCTION BOX INSTALLATION GHG17		

Item#	Part	Description	QTY	Notes
1	261674	REAR JUNCTION BOX / WELDED	1	
2	Call order desk	. DOOR ASSY	1	P
2	2801063	. DOOR WELDED	1	
2	069192	. DECAL PIN OUT / JCT BOX W/MUX	1	
2	060920	. DECAL / REAR JCT BOX COMPONENTS To J-7447	1	
2	069663	. DECAL / REAR JCT BOX COMPONENTS From J-7448 To K-7607	1	
2	0610117	. DECAL / REAR JCT BOX COMPONENTS From K-7608 To K-7620	1	
2	0610174	. DECAL / REAR JCT BOX COMPONENTS From K-7621 To L-7731	1	
2	0610295	. DECAL / REAR JCT BOX COMPONENTS From L-7732 To M-7763	1	
2	0610524	. DECAL / REAR JCT BOX COMPONENTS From M-7764	1	
2	069885	. DECAL "REAR ELECTRICAL JUNCTION BOX" YELLOW & RED From J-7509 To K-7607	1	GR
2	0610148	. DECAL / REAR JCT BOX COMPONENTS From J-7448 To K-7607	1	GR
2	060962	. DECAL RJB BREAKERS X3 - SPECIAL	1	SP
2	280437	. PROTECTION SHEET	1	
4	287808	. SEAL	1	
5	280055	. HANDLE ASSY WELDED	1	
6	507386	. BUSHING 16MM x 18MM x 9MM	1	
7	683652	. GREASE SYNTHETIC / RED BOX 50 TUBE	AR	
8	504503	. BUSHING, NYLON 5/16 DIA.	1	
9	5001251	. NUT HEX NYRT 1/4-20 SS	1	
10	280054	. ROLLER	1	
11	504318	. RING RETAINER / EXT .375 x .352 x .025	1	
12	067969	DECAL / "BOOSTER BLOCK" - GRD PICTOGRAM	1	
13	5001341	WASHER FL 8.4x17.0x1.6 SS	1	
15	504379	RIVET POP DOME OE 3/16x1/4 SS	AR	
16	560038	PUSH BUTTON / 2 POLES BLACK	1	
16	5001530	SCREW CAP HEX M6-1.0x16 SS	2	
16	502570	WASHER LO SPT 6.1x11.8x1.6 SS	2	
17	065466	DECAL / LAVATORY PUMP FLUSH / ENGLISH & FRANCAIS	1	
17	067576	DECAL / LAVATORY PUMP FLUSH / ENGLISH & SPANISH	1	GR
18	060550	CABLE MAIN / FRONT JCT BOX & REAR JCT BOX To J-7447	1	
18	061421	CABLE MAIN / FRONT JCT BOX & REAR JCT BOX From J-7448 To K-7542	1	
18	069908	CABLE MAIN / FRONT JCT BOX & REAR JCT BOX From K-7543 To K-7607	1	
18	0610025	CABLE MAIN / FRONT JCT BOX & REAR JCT BOX From K-7608 To K-7620	1	
18	0610170	CABLE MAIN / FRONT JCT BOX & REAR JCT BOX From K-7621 To K-7662	1	
18	069973	CABLE MAIN / FRONT JCT BOX & REAR JCT BOX From L-7663 To L-7731	1	
18	0610274	CABLE MAIN / FRONT JCT BOX & REAR JCT BOX From L-7732 To M-7763	1	
18	0610414	CABLE MAIN / FRONT JCT BOX & REAR JCT BOX From M-7764	1	
18	061453	CABLE MAIN / FRONT JCT BOX & REAR JCT BOX From J-7448 To K-7542	1	GR
18	069564	CABLE MAIN / FRONT JCT BOX & REAR JCT BOX From K-7543 To K-7607	1	GR
18	060210	CABLE MAIN / FRONT JCT BOX & REAR JCT BOX From K-7608 To K-7620	1	GR
18	0610171	CABLE MAIN / FRONT JCT BOX & REAR JCT BOX From K-7621 To K-7662	1	GR

From H-7417 To M-7767	Date:07/2024	PAGE:X3PLB-0620-10
REAR JUNCTION BOX INSTALLATION GHG17		

Item#	Part	Description	QTY	Notes
18	0610180	CABLE MAIN / FRONT JCT BOX & REAR JCT BOX From L-7663 To L-7731	1	GR
18	0610275	CABLE MAIN / FRONT JCT BOX & REAR JCT BOX From L-7732 To M-7763	1	GR
18	0610415	CABLE MAIN / FRONT JCT BOX & REAR JCT BOX From M-7764	1	GR
19	060535	CABLE HARNESS / ENGINE COMPT & ACCESSORIES To J-7447	1	
19	061422	CABLE HARNESS / ENGINE COMPT & ACCESSORIES From J-7448 To J-7512	1	
19	069874	CABLE HARNESS / ENGINE COMPT & ACCESSORIES From J-7513 To K-7607	1	
19	069961	CABLE HARNESS / ENGINE COMPT & ACCESSORIES From K-7608 To L-7731	1	
19	0610310	CABLE HARNESS / ENGINE COMPT & ACCESSORIES From L-7732	1	
NS	069528	HARNESS CHARGER 24V	1	
20	067951	EQUALIZER "VANNER" 100AMPS To J-7447	1	
20	560492	EQUALIZER "VANNER" 100AMPS WITH ISM FUNCTION From J-7448 To K-7547	1	
20	560758	EQUALIZER "VANNER" 100AMPS WITH ISM FUNCTION From K-7548 To L-7662	1	
20	560758	EQUALIZER "VANNER" 100AMPS WITH ISM FUNCTION From L-7663 To M-7831	1	B
20	564363	EQUALIZER "VANNER" 100AMPS WITH ISM FUNCTION WITH EWD From M-7832	1	B
20	560760	EQUALIZER "VANNER" 100AMPS WITH ISM IN PARCEL RACK From L-7663 To M-7831	1	C
20	564362	EQUALIZER "VANNER" 100AMPS WITH ISM IN PARCEL RACK WITH EWD From M-7832	1	C
20	560631	EQUALIZER "VANNER" 100AMPS WITH ISM IN PARCEL RACK To K-7547	1	GR
20	560760	EQUALIZER "VANNER" 100AMPS WITH ISM IN PARCEL RACK From K-7548 To M-7831	1	GR
20	564362	EQUALIZER "VANNER" 100AMPS WITH ISM IN PARCEL RACK WITH EWD From M-7832	1	GR
20	060028	HARNESS POSITIVE BOOSTER	1	
21	069539	HARNESS EQUALIZER CONTROL	1	
NS	069540	HARNESS POWER VECR	1	
NS	502681	NUT HEX NYRT M6-1.0 N500 G8	4	
NS	5001654	WASHER FL 6.4x17.0x3.0 SS	4	
NS	069542	HARNESS RELAY MELCO BATTERY	4	
25	491985	BREATHER DRAIN M20 NYLON	2	
26	067481	SUPPORT SENSOR VANNER	1	
27	502868	SCREW TC TR PH #10-16x1/2 N500	AR	
28	067954	SENSOR 80/600AMP - VANNER	2	
29	5001694	SCREW MA PAN PH M4-0.7x40 SS BK	4	
30	069560	HARNESS BATTERY 12VD	1	
31	069561	HARNESS BATTERY 24VD	1	
32	564108	SELF MOUNTING STUD // DEUTSCH 1011-310-0205	1	
33	504013	TIE MOUNT / 1/4" X 1/4" I.D.	AR	
34	504499	CUFF END BELLOW / 2 7/8" I.D. x 3 5/8" x 4 7/16	1	
35	504016	CABLE TIE / 5/16" X 14"1/2	1	
36	069471	FEED THRU / ENGINE CABLE	1	
NS	504637	CABLE TIE / 3/16" x 13"	3	
NS	504016	CABLE TIE / 5/16" X 14"1/2	3	
37	069472	SEAL RUBBER NITRILE 1/8" 60-70 DURO	1	
38	069473	FEED THRU / REAR PLATE	1	
39	5000314	NUT HEXF NYRT 3/8-16 GR F NX500	1	

From H-7417 To M-7767	Date:07/2024	PAGE:X3PLB-0620-10
REAR JUNCTION BOX INSTALLATION GHG17		

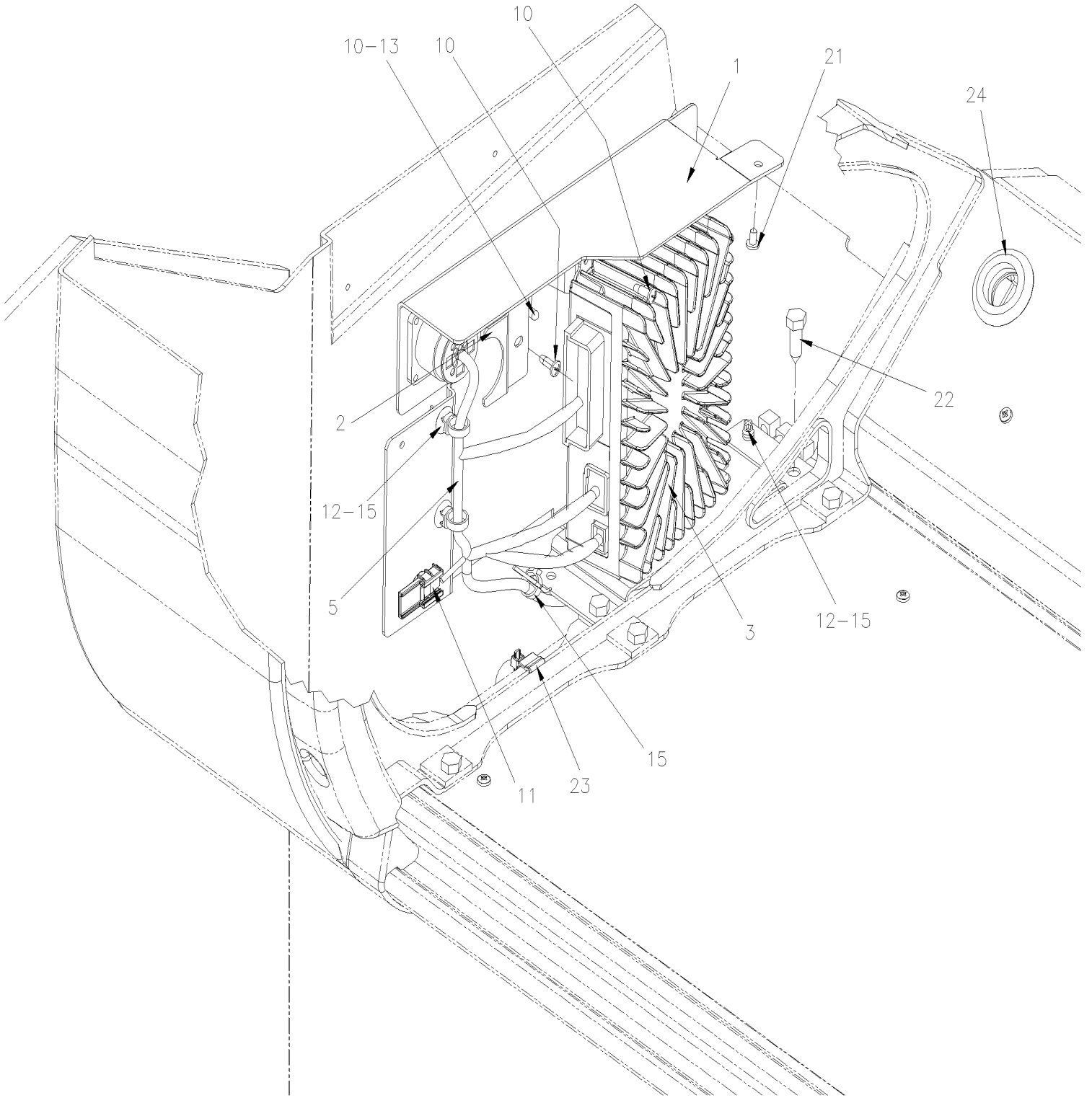
Item#	Part	Description	QTY	Notes
40	560224	JUNCTION BLOCK W/4 STUDS	1	
NS	5001251	NUT HEX NYRT 1/4-20 SS	4	
41	069464	PROTECTION FOR CABLE FEED THRU	1	
42	261714	SLEVE FOR CABLE FEED THRU	1	
43	069468	TIGHT STRAIN RELIEF FITTING 0.7"-0.95"	1	
NS	069245	HARNESS PWR FAN DRIVE	1	
44	069470	SEAL 32MMX42X3.3 NITRILE 60-70 DURO	1	
45	069469	LOCK NUT 1" STAINLESS STEEL	1	
NS	069245	HARNESS PWR FAN DRIVE	1	
47	504026	HOSE CLAMP / 2"13/16-3"3/4 SS / HS-52	2	
48	069496	PROTECTION FOR CABLE FEED THRU	1	
49	060231	HOSE 3"INTX710MM PUROSIL	1	
NS	504751	ROTATIF SPACER DOUBLE / SMALL	1	
50	680784	TAPE FIRE STOP WRAP STRIP 1/4" x 2" x 12'	AR	
51	069497	SLEEVE, PROTECTOR	1	
52	504024	HOSE CLAMP / 1"13/16"-2"3/4 SS / HS-36	AR	
53	503786	HOSE SILICONE 4 PLY / NOMEX-ARAMID 2 1/2" I.D. x 6'	AR	
54	380056	CLOSING PLATE	1	A
55	560037	GASKET / CPC SEAL / AMP 81665-2	1	
56	380085	HOLDING PLATE	1	
57	502825	SCREW MA PAN PH M3-0.5x16 N500	4	
58	5001182	NUT HEX NYRT M6-1.0 SS To K-7662	1	
58	5002028	NUT HEX NYRT M10-1.5 SS From L-7663 To L-7702	1	
58	502681	NUT HEX NYRT M6-1.0 N500 G8 From L-7703	1	
59	5001654	WASHER FL 6.4x17.0x3.0 SS To K-7662	1	
59	5001935	WASHER FL 10.5x18.0x1.6 SS From L-7663 To L-7702	1	
59	502573	WASHER FL 6.4x12.5x1.6 SS From L-7703	1	
		A) WITHOUT BATTERY CHARGER		
		B) WITHOUT IMS RELAY IN PARCEL RACK		
		C) WITH IMS RELAY IN PARCEL RACK		
		GR) GREYHOUND OPTION		
		SP) NEW		
		P) CALL ORDER DESK FOR SPECIFIC APPLICATION (V.I.N.)		

From G-7275 To K-7662

Date:07/2024

PAGE:X3PLB-0620-20

PARCEL RACK JUNCTION PANEL



From G-7275 To K-7662	Date:07/2024	PAGE:X3PLB-0620-20
PARCEL RACK JUNCTION PANEL		

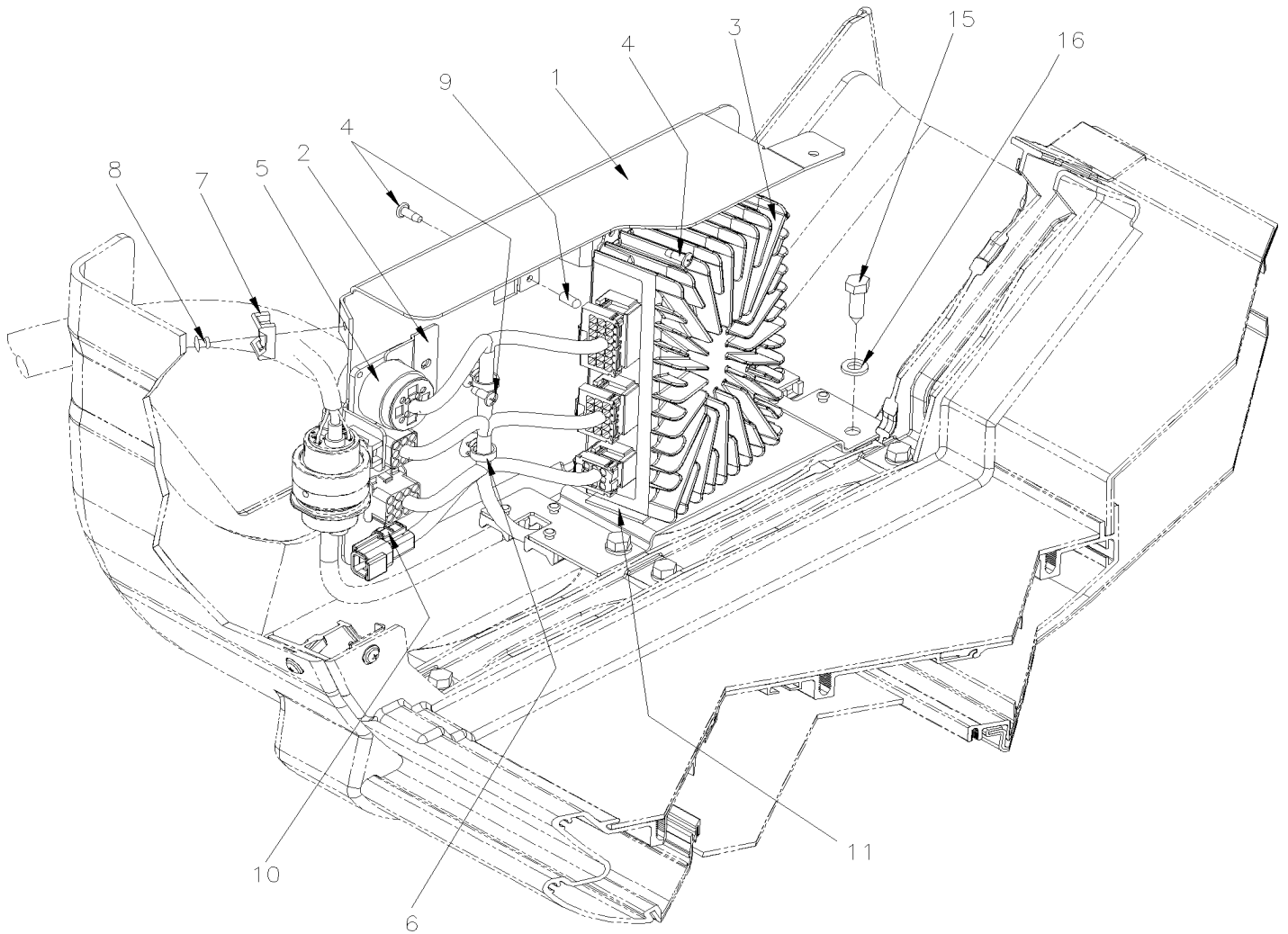
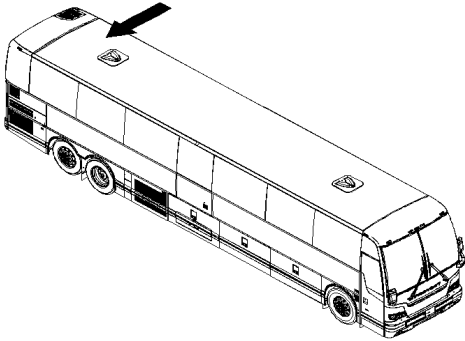
Item#	Part	Description	QTY	Notes
1	382359	SUPPORT MODULE I/O B To H-7416	1	
1	380076	SUPPORT MODULE I/O B From H-7417	1	
NS	506339	TAPE RUB ADH1 NIT 1/4" x 1" x 35' / BLACK 1220	AR	
2	382556	SUPPORT CONNECTOR	1	
3	564193	I/O B-MODULE VOLVO MULTIPLEX / ALUMINUM To G-7309	1	
NS	563132	CONNECTOR / SH 2C / YAZAKI 7283-6458-40 To G-7309	1	
NS	563133	CONNECTOR / JUNIOR POWER TIMER / SH 29C / AMP 1-963449-2 To G-7309	1	
NS	562957	CONNECTOR / SH 5C / GREEN / JAE IL-AG5-5S-S3C1 To G-7309	1	
3	22722842	I/O B-MODULE VOLVO MULTIPLEX / ALUMINUM From G-7308 To H-7416	1	
NS	563132	CONNECTOR / SH 2C / YAZAKI 7283-6458-40 From G-7308 To H-7416	1	
NS	563133	CONNECTOR / JUNIOR POWER TIMER / SH 29C / AMP 1-963449-2 From G-7308 To H-7416	1	
NS	562957	CONNECTOR / SH 5C / GREEN / JAE IL-AG5-5S-S3C1 From G-7308 To H-7416	1	
3	22722850	I/O B E-MODULE VOLVO MULTIPLEX / ALUMINUM From H-7417	1	
5	069303	CABLE HARNESS / PARCEL RACK JUNCTION PANEL To H-7416	1	
5	069326	CABLE HARNESS / PARCEL RACK JUNCTION PANEL From H-7417	1	
10	502868	SCREW TC TR PH #10-16x1/2 N500	4	
11	564108	SELF MOUNTING STUD // DEUTSCH 1011-310-0205	1	
12	509815	TIE MOUNT / ATTACHMENT W/TREE MOUNT	4	
NS	504114	RIVET POP DOME OE 3/16x1/4 AL	AR	
NS	504013	TIE MOUNT / 1/4" X 1/4" I.D.	AR	
13	507333	PROTECTOR CAP / BLACK / .172 I.D. x .500	1	
15	504637	CABLE TIE / 3/16" x 13"	2	
21	500582	SCREW TP PAN PH #8x3/8 Z050	1	
22	502513	SCREW TP CAP HEX 5/16x1 Z050	2	
23	564534	CABLE TIE / WITH EDGE CLIP / T50REC5A 10 MM x 200 MM	1	
24	504666	GROMMET / 1.000x1.375x.250x.625x1.750	1	
25	069312	CABLE POWER / PARCEL RACK & LAVATORY To H-7416	1	
25	069327	CABLE POWER / PARCEL RACK & LAVATORY From H-7417 To J-7447	1	
25	061384	CABLE POWER / PARCEL RACK & LAVATORY From J-7448	1	
NS	068749	DECAL "IOB" To H-7416	1	
26	069194	DECAL "IOB" From H-7417	1	

From L-7663 To M-7767

Date:07/2024

PAGE:X3PLB-0620-21

PARCEL RACK JUNCTION PANEL



From L-7663 To M-7767	Date:07/2024	PAGE:X3PLB-0620-21
-----------------------	--------------	--------------------

PARCEL RACK JUNCTION PANEL

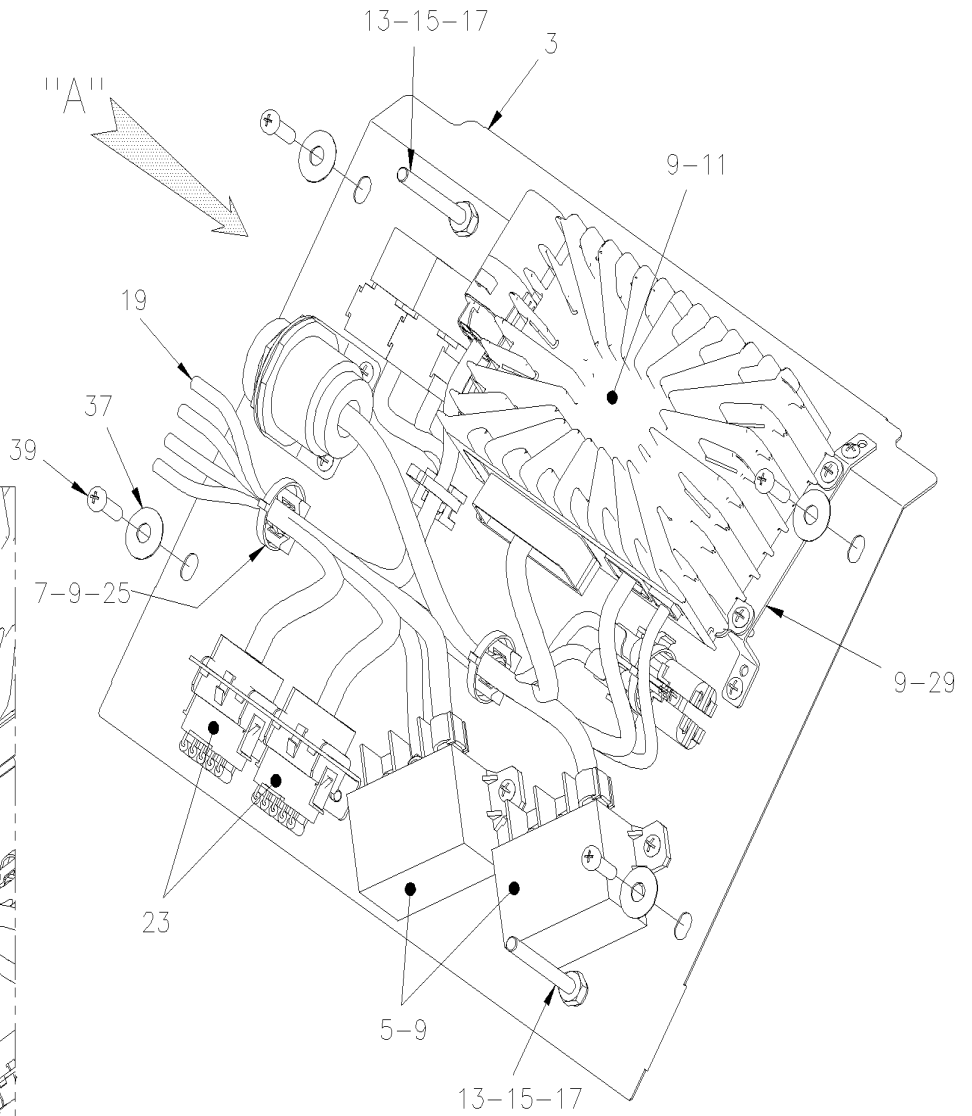
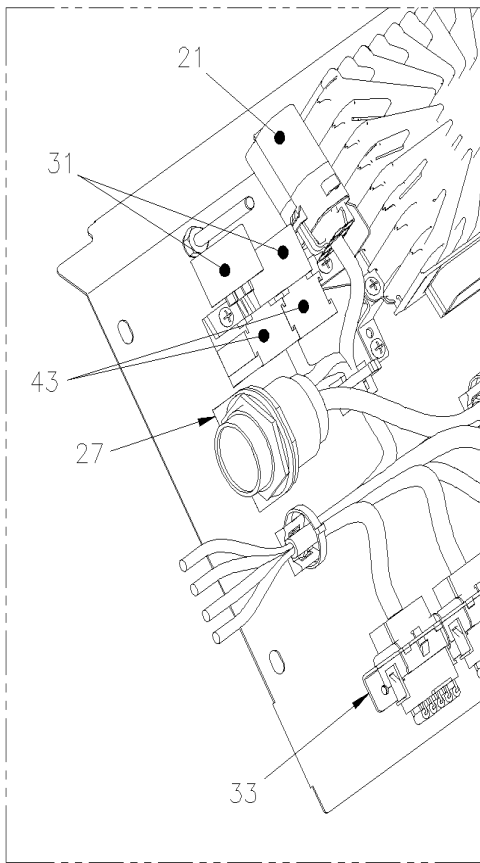
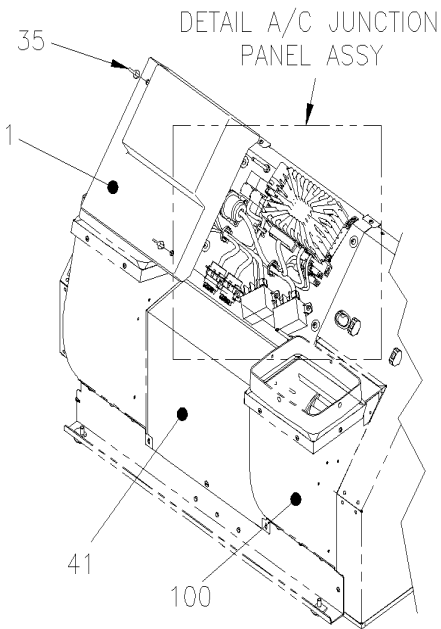
Item#	Part	Description	QTY	Notes
1	380141	SUPPORT MODULE I/O B	1	
2	382556	SUPPORT CONNECTOR	1	
3	22722850	I/O B E-MODULE VOLVO MULTIPLEX / ALUMINUM To M-7758	1	
3	23824204	I/O B E-MODULE VOLVO MULTIPLEX / ALUMINUM From M-7759	1	
4	502868	SCREW TC TR PH #10-16x1/2 N500	4	
5	069963	CABLE HARNESS / PARCEL RACK JUNCTION PANEL	1	
6	509815	TIE MOUNT / ATTACHMENT W/TREE MOUNT	2	
6	504637	CABLE TIE / 3/16" x 13"	2	
7	504013	TIE MOUNT / 1/4" X 1/4" I.D.	8	
7	504637	CABLE TIE / 3/16" x 13"	8	
8	504114	RIVET POP DOME OE 3/16x1/4 AL	8	
9	507333	PROTECTOR CAP / BLACK / .172 I.D. x .500	2	
10	564108	SELF MOUNTING STUD // DEUTSCH 1011-310-0205	1	
11	506758	TAPE RUB ADH1 NEO 1/16"X 1 1/2"X50'	AR	
NS	069194	DECAL "IOB"	1	
15	502513	SCREW TP CAP HEX 5/16x1 Z050	2	
16	500942	WASHER LO SPT 8.1x14.8x2.0 N500	2	

From G-7275 To M-7767

Date:07/2024

PAGE:X3PLB-0621-10

A/C ELECTRICAL PANEL ASSY / EVAPORATOR COMPARTMENT



From G-7275 To M-7767	Date:07/2024	PAGE:X3PLB-0621-10
A/C ELECTRICAL PANEL ASSY / EVAPORATOR COMPARTMENT		

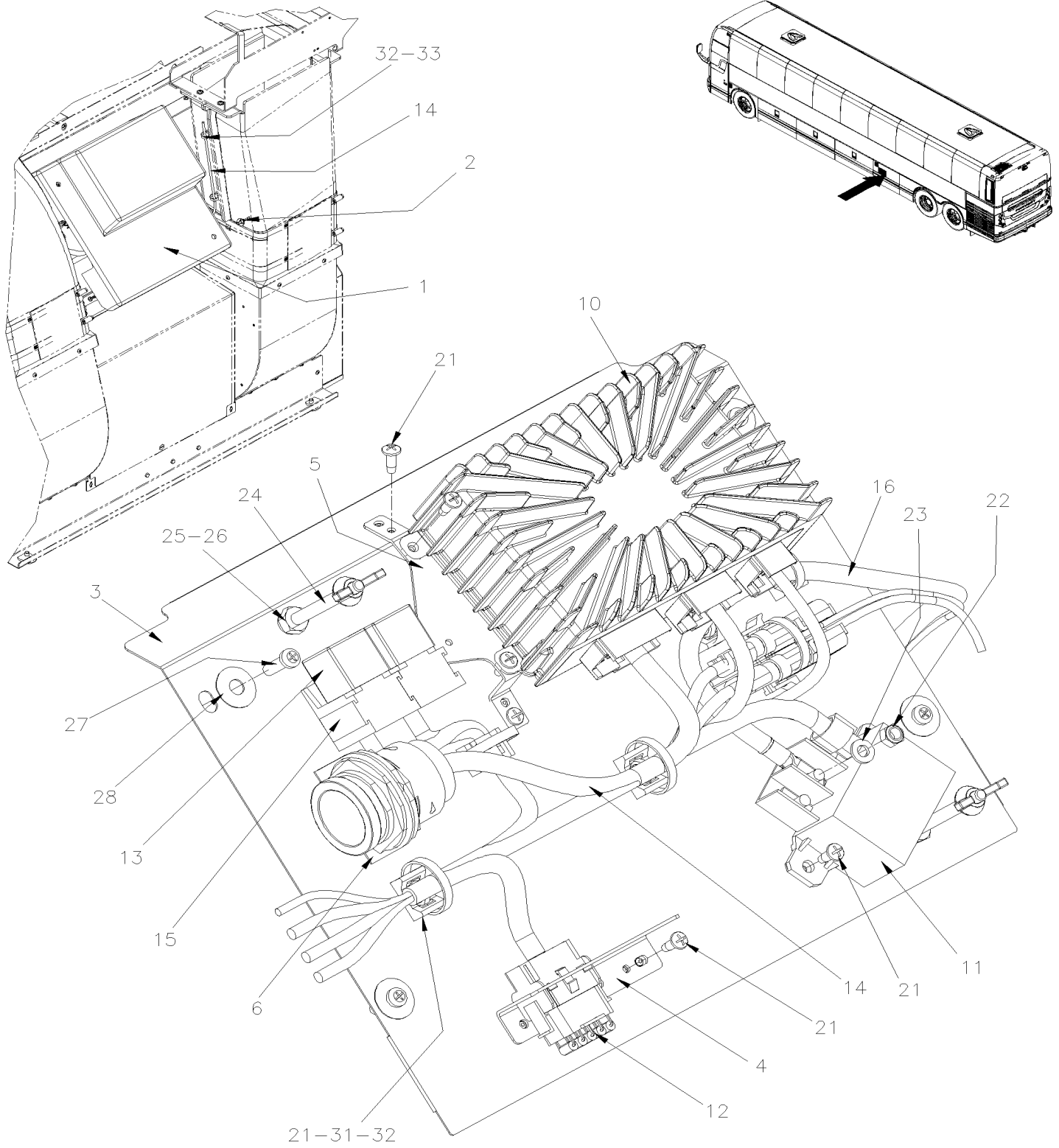
Item#	Part	Description	QTY	Notes
1	382514	A/C JUNCTION BOX PANEL-COVER	1	
NS	069073	DECAL EVAPORATOR PANEL	1	
3	457559	CENTRAL UPPER PANEL PLENUM	1	
5	563348	RELAY POWER 24V 200 AMPS / S.P.S.T. N.O.	2	
NS	5001182	NUT HEX NYRT M6-1.0 SS	1	
NS	502573	WASHER FL 6.4x12.5x1.6 SS	1	
NS	563409	CONNECTOR / SUPERSEAL 1.5 SERIES / SH 2C / AMP 282080-1	1	
NS	562607	SOCKET TERMINAL / 20-16 / AMP 183025-1	1	
7	504013	TIE MOUNT / 1/4" X 1/4" I.D.	3	
9	502868	SCREW TC TR PH #10-16x1/2 N500	AR	
11	564193	I/O B-MODULE VOLVO MULTIPLEX / ALUMINUM To G-7309	1	
NS	563132	CONNECTOR / SH 2C / YAZAKI 7283-6458-40 To G-7309	1	
NS	563133	CONNECTOR / JUNIOR POWER TIMER / SH 29C / AMP 1-963449-2 To G-7309	1	
NS	562957	CONNECTOR / SH 5C / GREEN / JAE IL-AG5-5S-S3C1 To G-7309	1	
11	22722842	I/O B-MODULE VOLVO MULTIPLEX / ALUMINUM From H-7310	1	
NS	563132	CONNECTOR / SH 2C / YAZAKI 7283-6458-40 From H-7310	1	
NS	563133	CONNECTOR / JUNIOR POWER TIMER / SH 29C / AMP 1-963449-2 From H-7310	1	
NS	562957	CONNECTOR / SH 5C / GREEN / JAE IL-AG5-5S-S3C1 From H-7310	1	
13	5001593	SCREW MA RND SLT 1/4-20x2 3/4 SS	2	
15	500477	WASHER LO SPT .262x.489x.062 SS	2	
17	500771	NUT HEX 1/4-20 SS	2	
19	069229	HVAC CONTROL HARNESS To G-7309	1	
19	069568	HVAC CONTROL HARNESS From H-7310	1	
21	564238	FUSE HOLDER / LONG / BUSSMANN CFH-ALE	1	
23	381145	DIODE ASSY / W/5 3AMPS	2	
25	504637	CABLE TIE / 3/16" x 13"	4	
27	457567	SUPPORT, DEUTSCH CONN. To G-7309	1	
27	457574	SUPPORT, DEUTSCH CONN. From H-7310	1	
29	457566	SUPPORT IO/B	2	
31	563332	RELAY 24V S.P.D.T. W/RESISTOR / "VOLVO" (20374662)	2	
33	457565	SUPPORT, DIODE CONN.	1	
35	5001348	NUT WING 1/4-20 NYL	2	
37	5001699	WASHER BEL SPR 8.2x22x1.4 N500	4	
39	502626	SCREW MA PAN PH M6-1.0x20 N500	4	
41	457562P	PLENUM CENTRAL SECTION	1	
43	561183	RELAY BASE / TAB TERMINAL / BOSCH 3334485008	2	
100	X3PLB-2220-00	UNDER FLOOR AIR DUCTING		

From H-7417 To M-7767

Date:07/2024

PAGE:X3PLB-0621-11

A/C ELECTRICAL PANEL ASSY / EVAPORATOR COMPARTMENT GHG17



From H-7417 To M-7767	Date:07/2024	PAGE:X3PLB-0621-11
A/C ELECTRICAL PANEL ASSY / EVAPORATOR COMPARTMENT GHG17		

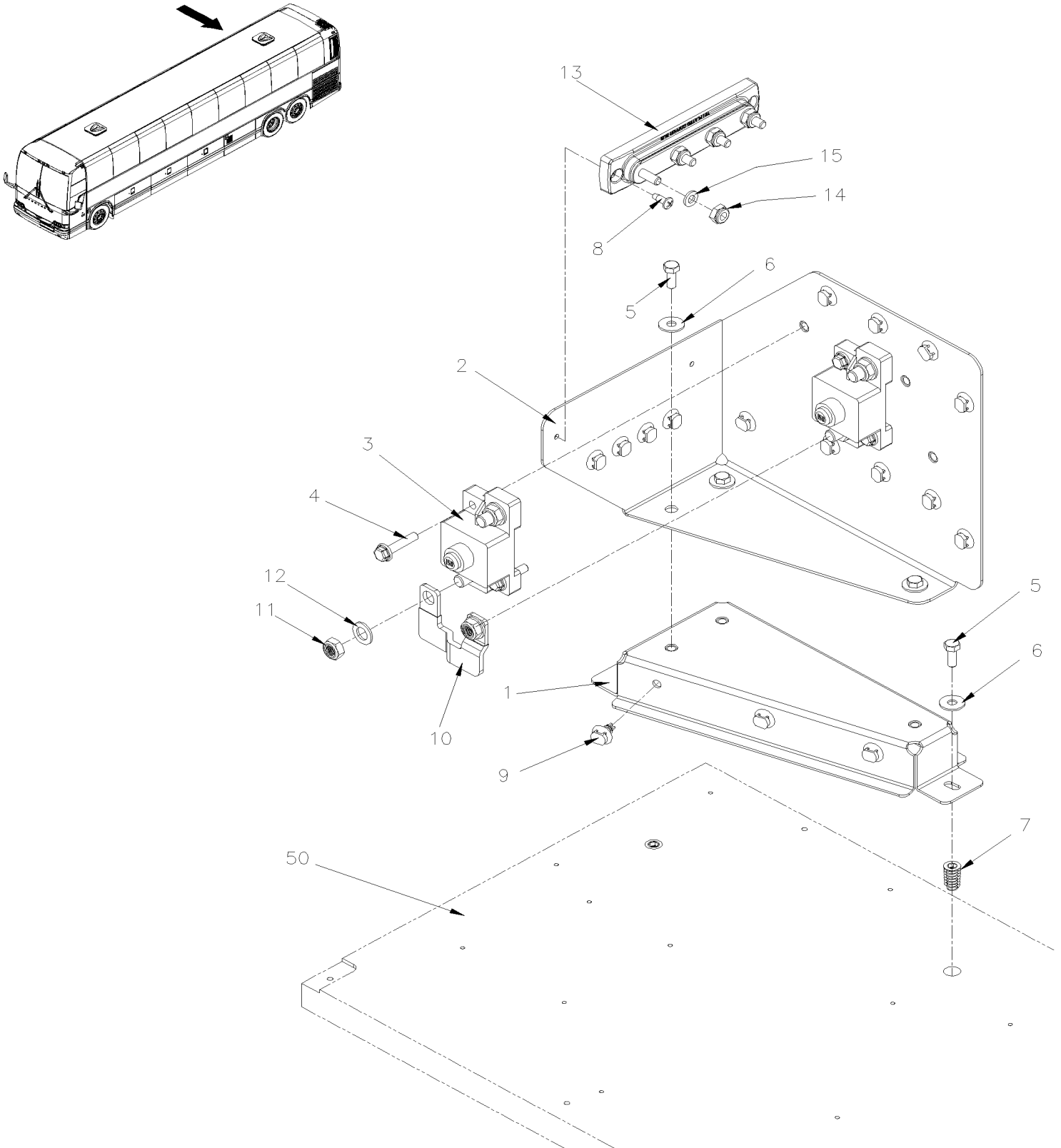
Item#	Part	Description	QTY	Notes
1	380067	A/C JUNCTION BOX PANEL-COVER	1	
1	060959	DECAL EVAPORATOR PANEL	1	A
NS	069743	DECAL EVAPORATOR PANEL	1	
2	5001348	NUT WING 1/4-20 NYL	2	
3	450198	CENTRAL UPPER PANEL PLENUM	1	
4	457565	SUPPORT, DIODE CONN.	1	
5	457566	SUPPORT IO/B	2	
6	457574	SUPPORT, DEUTSCH CONN.	1	
10	22722850	I/O B E-MODULE VOLVO MULTIPLEX / ALUMINUM To M-7758	1	
10	23824204	I/O B E-MODULE VOLVO MULTIPLEX / ALUMINUM From M-7759	1	
11	563348	RELAY POWER 24V 200 AMPS / S.P.S.T. N.O.	1	
NS	5001182	NUT HEX NYRT M6-1.0 SS	1	
NS	502573	WASHER FL 6.4x12.5x1.6 SS	1	
NS	563409	CONNECTOR / SUPERSEAL 1.5 SERIES / SH 2C / AMP 282080-1	1	
NS	562607	SOCKET TERMINAL / 20-16 / AMP 183025-1	1	
12	060324	DIODE/ RESISTOR BLOCK "1"	1	
12	381145	DIODE ASSY / W/5 3AMPS	1	A
13	563332	RELAY 24V S.P.D.T. W/RESISTOR / "VOLVO" (20374662)	2	
14	060540	HVAC CONTROL HARNESS To K-7662	1	
14	069981	HVAC CONTROL HARNESS From L-7663	1	
14	061000	HARNESS EVAPORATOR CTRL 3 SPEED To K-7662	1	A
14	0611004	HARNESS EVAPORATOR CTRL 3 SPEED From L-7663	1	A
14	061001	HARNESS PREHEAT CHARGER SIGNAL	1	A
15	561183	RELAY BASE / TAB TERMINAL / BOSCH 3334485008	2	
16	060529	EVAPORATOR POWER HARNESS	1	
21	502868	SCREW TC TR PH #10-16x1/2 N500	AR	
22	5001182	NUT HEX NYRT M6-1.0 SS	1	
23	502573	WASHER FL 6.4x12.5x1.6 SS	1	
24	5001593	SCREW MA RND SLT 1/4-20x2 3/4 SS	2	
25	500477	WASHER LO SPT .262x.489x.062 SS	2	
26	500771	NUT HEX 1/4-20 SS	2	
27	502626	SCREW MA PAN PH M6-1.0x20 N500	4	
28	5001699	WASHER BEL SPR 8.2x22x1.4 N500	4	
31	504013	TIE MOUNT / 1/4" X 1/4" I.D.	4	
32	504637	CABLE TIE / 3/16" x 13"	AR	
33	509815	TIE MOUNT / ATTACHMENT W/TREE MOUNT	2	
50	X3PLB-2220-00	UNDER FLOOR AIR DUCTING		
		A) PREHEAT SYSTEM EVAPORATOR 3 SPEEDS		

From J-7448 To M-7767

Date:07/2024

PAGE:X3PLB-0621-45

BREAKER PANEL, INVERTER



From J-7448 To M-7767	Date:07/2024	PAGE:X3PLB-0621-45
BREAKER PANEL, INVERTER		

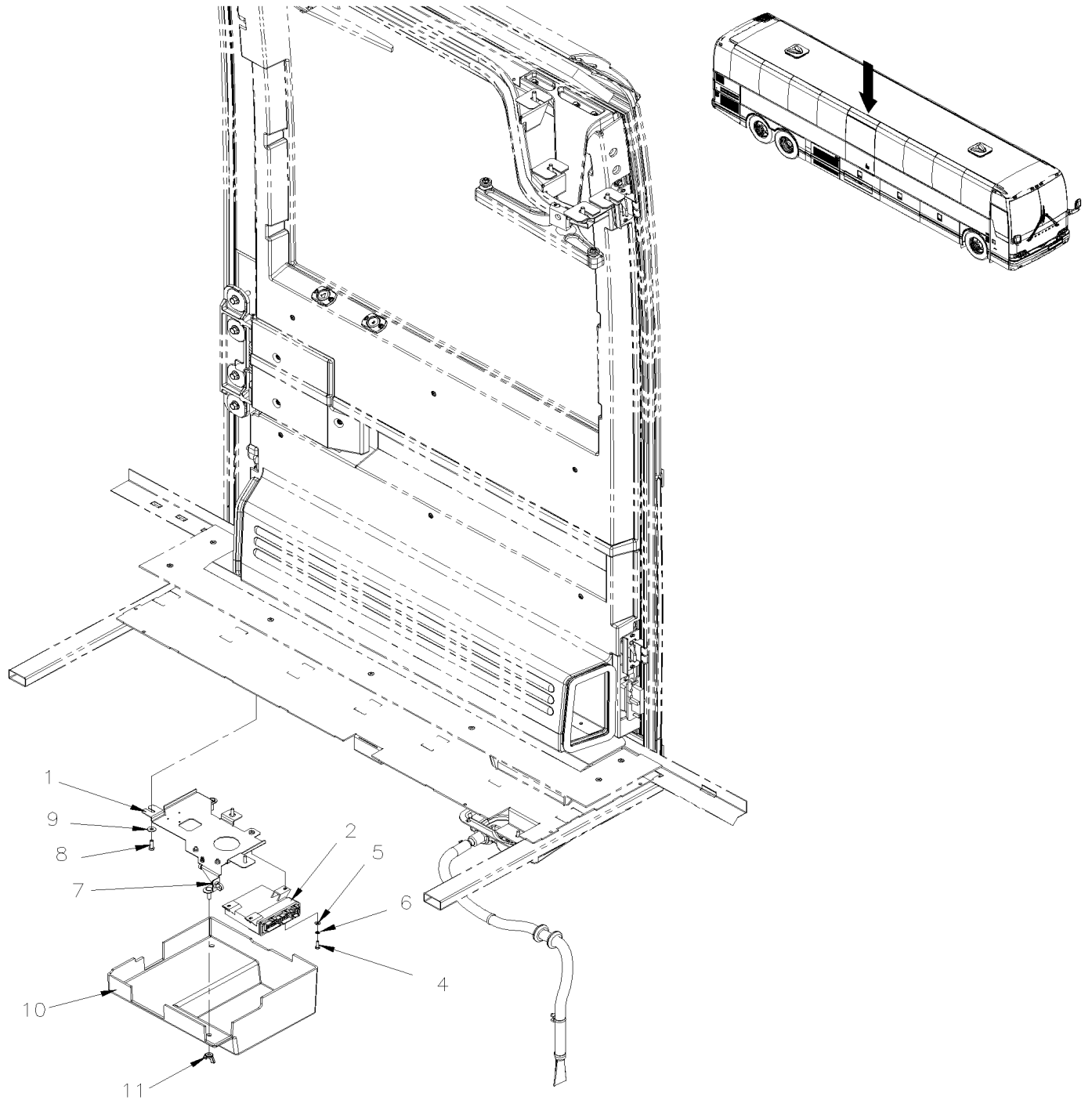
Item#	Part	Description	QTY	Notes
1	060448	LOWER SUPPORT BREAKER PANEL,	1	
2	060449	BREAKER PANEL, 4 A/C PARCEL RACK	1	
3	568114	BREAKER 150AMPS / 24V /	2	
4	5001815	SCREW CAP HEXF M6-1.0x30 G 8.8 N500	4	
5	5001744	SCREW CAP HEX M6-1.0x16 G8.8 N500	5	
6	5001833	WASHER BEL SPR 6.1x18x1.27 SS	5	
7	5000328	NUT AN INS THREADED M6-1.0x20MM	1	
8	502868	SCREW TC TR PH #10-16x1/2 N500	2	
9	509815	TIE MOUNT / ATTACHMENT W/TREE MOUNT	AR	
10	067465	BUS BAR 60 x 48MM	1	
11	5001936	NUT HEX NYRT 3/8-16 SS	4	
12	5001935	WASHER FL 10.5x18.0x1.6 SS	4	
13	560224	JUNCTION BLOCK W/4 STUDS	1	
14	5001251	NUT HEX NYRT 1/4-20 SS	3	
15	502573	WASHER FL 6.4x12.5x1.6 SS	3	
NS	069694	HARNESS INVERTER 24V	1	
NS	069695	HARNESS INVERTER 24V	1	
NS	069696	HARNESS INVERTER 24V	1	
50	X3PLB-1838-01	FLOOR - BUS		

From H-7417 To M-7767

Date:07/2024

PAGE:X3PLB-0621-80

MODULE WCL ASSY



From H-7417 To M-7767	Date:07/2024	PAGE:X3PLB-0621-80
MODULE WCL ASSY		

Item#	Part	Description	QTY	Notes
1	060624	PLATE ASSY To J-7539	1	
1	0601004	PLATE ASSY From J-7540	1	
2	22722846	I/O A E-MODULE VOLVO MULTIPLEX	1	
NS	069338	HARNESS WCL IOE CONTROL To J-7495	1	
NS	062239	HARNESS WCL IOE CONTROL From J-7496	1	
4	502653	SCREW MA PAN PH M5-0.8x16 SS	3	
5	5001137	WASHER FL .203x.438x.050 SS	3	
6	500914	WASHER LO SPT .193x.334x.047 N500	3	
7	509815	TIE MOUNT / ATTACHMENT W/TREE MOUNT	AR	
NS	504637	CABLE TIE / 3/16" x 13"	AR	
8	502830	SCREW CAP HEX M6-1.0x20 G8.8 N500	3	
9	5001833	WASHER BEL SPR 6.1x18x1.27 SS	3	
10	060169	LID MODULE WCL	1	
10	069194	DECAL "IOB"	1	
11	5001348	NUT WING 1/4-20 NYL	2	

From H-7417 To M-7767	Date:07/2024	PAGE:X3PLB-0622-00
POWER BOX FOR RADIATORS FANS GHG17		

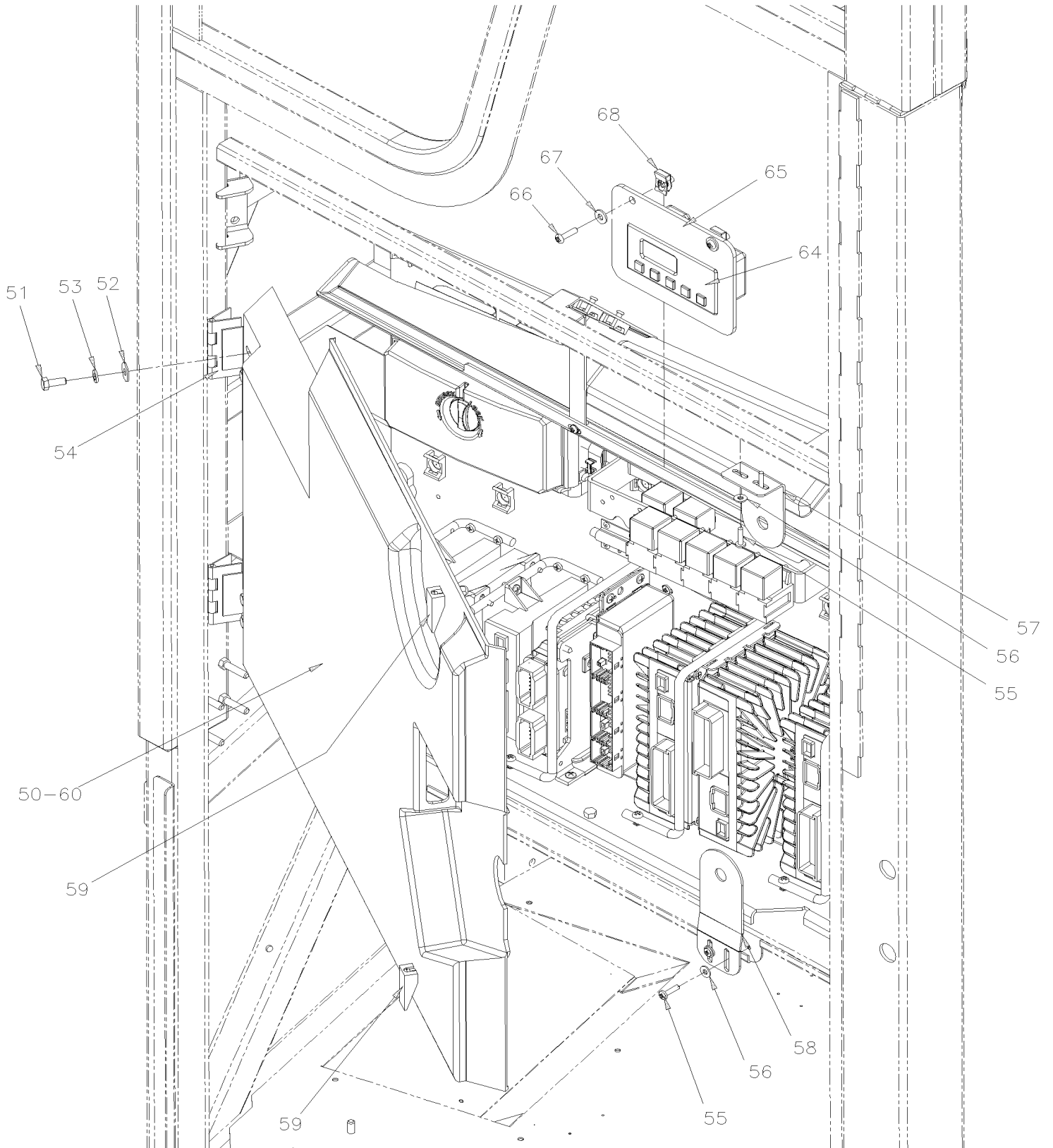
Item#	Part	Description	QTY	Notes
1	564603	POWER BOX, FAN DRIVE To J-7447	1	
1	564612	POWER BOX, FAN DRIVE From J-7448	1	
2	060535	CABLE HARNESS / ENGINE COMPT & ACCESSORIES To J-7447	1	
2	061422	CABLE HARNESS / ENGINE COMPT & ACCESSORIES From J-7448 To J-7512	1	
2	069874	CABLE HARNESS / ENGINE COMPT & ACCESSORIES From J-7513 To K-7607	1	
2	069961	CABLE HARNESS / ENGINE COMPT & ACCESSORIES From K-7608 To L-7731	1	
2	0610310	CABLE HARNESS / ENGINE COMPT & ACCESSORIES From L-7732	1	
3	069245	HARNESS PWR FAN DRIVE	1	
3	560791	SHRINK TUBING / .940" - .406" / BLACK / ALPHA FIT-321-1-4B	AR	
NS	564542	TREE MOUNT CLIP FOR PED CONNECTOR	2	
4	069246	HARNESS GROUND FAN DRIVE	1	
5	069460	GUARD FOR POWER CABLE	1	
6	504357	WASHER FL .187x.437x.050 SS	AR	
7	504488	RIVET MGLP PRDG 3/16x17/64 SS	AR	
8	069351	CLAMP, POWER CABLE	AR	
NS	504016	CABLE TIE / 5/16" X 14"1/2	AR	
9	069459	GUARD FOR POWER CABLE	1	
10	504013	TIE MOUNT / 1/4" X 1/4" I.D.	AR	
11	5001661	SCREW CAP HEXS M8-1.25x35 G10.9 AD MAGNI 565	3	
12	068820	HARNESS FAN DRIVE	1	
13	500119	SCREW CAP HEX M8X1.25X20 BK	AR	
14	5001868	WASHER BEL SPR 8.4x18x2 SS	AR	
15	069205	DECAL "WARNING FAN"	1	
16	504193	CLAMP P SS PA 12.7-19.5 ID From M-7751	2	
17	504488	RIVET MGLP PRDG 3/16x17/64 SS From M-7751	4	
18	504187	CLAMP P SS PA 19.4-36 ID From M-7751	2	
20	564604	BREAKER 50A / 24V / AUTO WURTH To J-7447	8	
20	564613	BREAKER 50A / 24V / MANUAL WURTH From J-7448	8	
50	X3PLB-0520-01	ELECTRICAL FANS - INSTALLATION VOLVO D13 - GHG17		

From G-7275 To H-7416

Date:07/2024

PAGE:X3PLB-0625-00

FRONT JUNCTION PANEL



From G-7275 To H-7416	Date:07/2024	PAGE:X3PLB-0625-00
FRONT JUNCTION PANEL		

Item#	Part	Description	QTY	Notes
1	069108	WIRING HARNESS FRONT JUNCTION BOX / W/MUX	1	
1	069653	WIRING HARNESS FRONT JUNCTION BOX / W/MUX WITH GATEWAY	1	G
1	069642	WIRING HARNESS FRONT JUNCTION BOX / W/MUX	1	GR
2	068073	UNIVERSAL CAN HARNESS / FRT JCT BOX	1	
3	382502	FRONT PANEL BOX	1	
. NS	504784	. NUT INS FL HEX M4-0.7 0.5-3.0 ZP	3	
4	564145	VEC DISTRIBUTION MODULE / FRONT JCT BOX	1	
. NS	564104	. COVER / VEC BOX	1	
. NS	563269	. RELAY 24V S.P.D.T. W/RESISTOR /	1	
. NS	563004	. FUSE / ATM 2 AMPS GREY	1	
. NS	563279	. FUSE / ATM 3 AMPS VIOLET	12	
. NS	563280	. FUSE / ATM 5 AMPS AMBER	4	
. NS	563005	. FUSE / ATM 7.5 AMPS BROWN	3	
. NS	563283	. FUSE / ATM 10 AMPS RED	7	
. NS	563284	. FUSE / ATM 15 AMPS BLUE	8	
. NS	563282	. FUSE / ATM 20 AMPS YELLOW	7	
. NS	563153	. FUSE / ATM 25 AMPS NATURAL	1	
. NS	563165	. FUSE / ATM 30 AMPS GREEN	1	
. NS	564464	. MINI BREAKER / 20 AMPS / SERIES 223	1	
. NS	563181	. CONNECTOR / SH 8C / YELLOW / BUSSMANN 32006-E21	1	
. NS	563182	. CONNECTOR / SH 8C / ORANGE / BUSSMANN 32006-G21	1	
. NS	563183	. CONNECTOR / SH 8C / RED / BUSSMANN 32006-F21	1	
. NS	563184	. CONNECTOR / SH 8C / GREEN / BUSSMANN 32006-C21	1	
. NS	563185	. CONNECTOR / SH 8C / BLACK / BUSSMANN 32006-A21	1	
. NS	563186	. CONNECTOR / SH 8C / GREY / BUSSMANN 32006-B21	1	
. NS	563187	. CONNECTOR / SH 8C / BROWN / BUSSMANN 32006-H21	1	
. NS	563448	. CONNECTOR / SH 8C / BLUE / BUSSMANN 32006-D21	1	
. NS	564132	. LOCK CONNECTOR POSITION ASSURANCE / BUSSMANN 32004-CP	AR	
. NS	19518268	. COVER RUBBER RED	2	
5	22561320	I/O A-MODULE VOLVO MULTIPLEX / BLACK To G-7309	3	
. NS	562767	. CONNECTOR / SH 30C / GREEN / JAE IL-AG5-30S-D3C1 To G-7309	1	
. NS	562957	. CONNECTOR / SH 5C / GREEN / JAE IL-AG5-5S-S3C1 To G-7309	1	
. NS	563132	. CONNECTOR / SH 2C / YAZAKI 7283-6458-40 To G-7309	1	
5	22722832	I/O A-MODULE VOLVO MULTIPLEX / BLACK From H-7310	3	
. NS	562767	. CONNECTOR / SH 30C / GREEN / JAE IL-AG5-30S-D3C1 From H-7310	1	
. NS	562957	. CONNECTOR / SH 5C / GREEN / JAE IL-AG5-5S-S3C1 From H-7310	1	
. NS	563132	. CONNECTOR / SH 2C / YAZAKI 7283-6458-40 From H-7310	1	
6	564193	I/O B-MODULE VOLVO MULTIPLEX / ALUMINUM To G-7309	3	
. NS	563132	. CONNECTOR / SH 2C / YAZAKI 7283-6458-40 To G-7309	1	
. NS	563133	. CONNECTOR / JUNIOR POWER TIMER / SH 29C / AMP 1-963449-2 To G-7309	1	
. NS	562957	. CONNECTOR / SH 5C / GREEN / JAE IL-AG5-5S-S3C1 To G-7309	1	
6	22722842	I/O B-MODULE VOLVO MULTIPLEX / ALUMINUM From H-7310	3	

From G-7275 To H-7416	Date:07/2024	PAGE:X3PLB-0625-00
FRONT JUNCTION PANEL		

Item#	Part	Description	QTY	Notes
. NS	563132	. CONNECTOR / SH 2C / YAZAKI 7283-6458-40 From H-7310	1	
. NS	563133	. CONNECTOR / JUNIOR POWER TIMER / SH 29C / AMP 1-963449-2 From H-7310	1	
. NS	562957	. CONNECTOR / SH 5C / GREEN / JAE IL-AG5-5S-S3C1 From H-7310	1	
7	560056	ECU TIRE PRESSURE	1	
8	382406	SUPPORT TIRE ECU PRESSURE	1	
9	563851	MCM - VOLVO MULTIPLEX MODULE	1	E
9	23317365	MCM - VOLVO MULTIPLEX MODULE	1	E
11	642146	ECU ABS / W/6 CHANNELS / ADVANCED ESP UNPROGRAMMED / NON-PROGRAMME	1	
11	068260	CABLE ASSY ESP FRT JC BOX	1	
12	382465	SUPPORT FRONT PANEL UPPER FORWARD	1	
13	382466	SUPPORT FRONT PANEL UPPER BACKWARD	1	
15	382179	ROD ATTACHMENT / I/O A MODULE	2	
16	382417	ROD ATTACHMENT / I/O B MODULE	2	
18	386652	SUPPORT	1	
19	382418	ROD ATTACHMENT CABLE	1	
20	5001966	SCREW TC BDG PH #10-24x1/2 SS410 ZINC	AR	
21	504013	TIE MOUNT / 1/4" X 1/4" I.D.	AR	
22	504347	RIVET POP DOME OE 3/16x1/4 AL	AR	
23	381145	DIODE ASSY / W/5 3AMPS	2	
24	382470	DIODE SUPPORT PLATE	1	D13
25B	564218	RELAY 24V S.P.S.T. / 40 AMPS N.O.	2	
25C	564210	RELAY BASE / TAB TERMINAL / COLE HERSEE 99025	2	
26	563332	RELAY 24V S.P.D.T. W/RESISTOR / "VOLVO" (20374662)	AR	
27	952627	CLAMP / 1/2" I.D.	2	
28	560422	BLOCK, TERMINAL / 1 STUD 3/8-16 / BLACK	1	
29	500478	WASHER LO SPT .380x.683x.094 Z050	1	
30	500379	NUT HEX 3/8-16 BR	1	
31	500623	SCREW TC PAN PH #10-24x3/4 N500	1	
32	504637	CABLE TIE / 3/16" x 13"	AR	
33	563033	E.C.U. / W/STEERING ASSIST (STP 272 or 330) ((77//125))	1	
33	661170	E.C.U. / W/STEERING ASSIST (STP 338) ((60//95))	1	C
34	563218	JUNCTION BLOCK W/5 STUDS	1	
NS	500765	NUT HEX #10-32 BR	AR	
40	382169	HINGE ROD ATTACHMENT	5	
41	509827	SCREW MA RND PH M4-0.7x20 SS	9	
42	504340	RIVET POP DOME OE 1/8x3/16 SS	12	
43	502868	SCREW TC TR PH #10-16x1/2 N500	AR	
44	500965	SCREW TC BDG PH #8-32x1/2 N500	AR	
45	382557	SUPPORT / RELAY	1	
46	563703	CPC MODULE DETROIT PROTO	1	
46	565867	CPC MODULE DETROIT	1	
46	21720495	VECU4 MODULE / VOLVO	1	D13

From G-7275 To H-7416	Date:07/2024	PAGE:X3PLB-0625-00
FRONT JUNCTION PANEL		

Item#	Part	Description	QTY	Notes
46	382221	SUPPORT VECU MODULE / VOLVO	1	D13
46	502569	SCREW MA PAN PH M6-1.0x16 BK	4	D13
46	068592	CABLE ASSY FRT JCT BOX WORLD TRANSMISSION	1	
47	21284312	ECU VOLVO LINK MODULE	1	D13
47	22357675	ECU VOLVO LINK MODULE	1	D13
50	280010	PROTECTOR FRONT ELECTRIC COMPARTMENT	1	
51	5001743	SCREW CAP HEX M6-1.0x12 G8.8 N500	4	
52	500411	WASHER FL .260x.697x.050 SS	10	
53	502570	WASHER LO SPT 6.1x11.8x1.6 SS	6	
54	287210	ATTACHMENT PLATE W/NUT	2	
55	500641	SCREW TP PAN PH #8x3/4 Z050	4	
56	500438	WASHER FL .187x.437x.050 Z050	4	
57	384286	RETAINER UPPER	1	
58	382360	RETAINER LOWER	1	
59	901052	LATCH RUBBER	2	
60	21715161	GS ECU 24v MODULE I-SHIFT TRANS	1	
61	382430	SUPPORT GSECU I-SHIFT TRANS	1	
61	068721	CABLE ASSY FRT JCT BOX I-SHIFT TRANSMISSION	1	
64	871250	TIMER ASSY / W/"WEBASTO" PREHEATER To H-7401	1	O
. NS	19511692	. BULB To H-7401	1	O
64	871464	TIMER ASSY / W/"SPHEROS" PREHEATER From H-7402	1	O
64	066217	WIRING HARNESS / W/ "WEBASTO" PREHEATER / W/MUX	1	O
65	374626	SUPPORT / TIMER WEBASTO	1	O
66	502698	SCREW MA PAN PH M4-0.7x16 SS BK	2	O
67	500855	WASHER FL .188x.438x.049 N500	2	O
68	5001405	NUT SPR U M4-0.7 0.8-4.0x9.5	2	O
68	500539	NUT HEX NYRT M4-0.7 N500	2	O
70	069604	DECAL "FRT JCT BOX" COMPONENTS	1	
70	069640	DECAL "FRT JCT BOX" COMPONENTS From G-7313	1	GR
70	066155	DECAL PIN OUT / JCT BOX W/MUX	1	
		FOLLOWING ITEMS ARE RELATED WITH		
		BACK-UP PROXIMITY SENSORS		
80	409198	DUAL SENSORS JCT BOX ASSY / W/CONNECTORS	1	
. NS	382381	. DUAL SENSORS JCT BOX	1	
. NS	562583	. CONNECTOR / DT SERIES / PH 6C / GRAY / DEUTSCH DT04-6P	1	
. NS	561240	. SOCKET TERMINAL / 18-16 / SIGNAL CONTACT / AMP 66101-2	8	
. NS	561637	. CONNECTOR / CPC SERIES 1 / SH 9C / AMP 206708-1	1	
. NS	562481	. PIN TERMINAL / 16-14 / DEUTSCH 0460-215-16141	6	

From G-7275 To H-7416	Date:07/2024	PAGE:X3PLB-0625-00
FRONT JUNCTION PANEL		

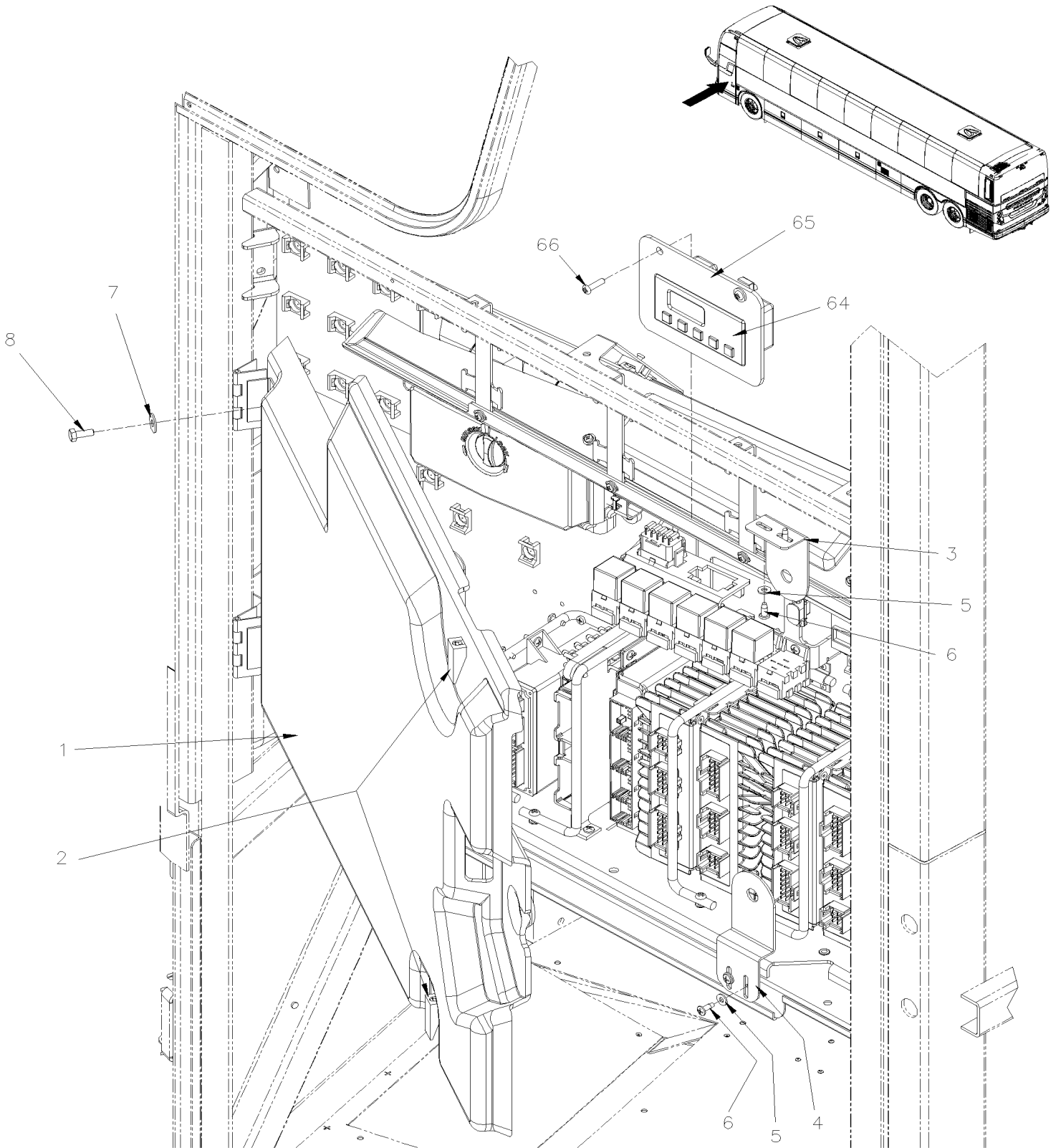
Item#	Part	Description	QTY	Notes
NS	067495	CABLE ASSY / FRT JCT & BACK-UP SENSOR	1	
NS	067496	CABLE ASSY / FRT JCT BOX & REAR SENSOR	1	
NS	409199	SENSOR UNIT ASSY / W/CONNECTORS	1	
. NS	382382	. SENSOR UNIT	1	
. NS	562479	. CONNECTOR / DT SERIES / PH 4C / GRAY / DEUTSCH DT04-4P-C015	1	
NS	409197	DISPLAY SENSOR / ASSY W/CONNECTORS	1	D
. NS	382380	. DISPLAY SENSOR	1	D
. NS	562581	. CONNECTOR / DT SERIES / SH 6C / GRAY / DEUTSCH DT06-6S	1	D
80	382229	SUPPORT DISPALY	1	D
85		FOLLOWING ITEMS ARE RELATED WITH		G
85		GATEWAY MODULE		G
85	564527	MODULE GATEWAY VANSKO	1	G
85	069231	DECAL "GATEWAY SOFTWARE NUMBER"	1	G
85	564518	CONNECTOR / DTM SERIES / SH 12C / GRAY / DEUTSCH DTM06-12SA	1	G
86	500226	SCREW CAP HEX 5/8-11x1 1/4 G5 ZP	2	G
90	068380	SERVICE KIT TO REPLACE 70 AMP RELAY	AR	
. NS	564210	. RELAY BASE / TAB TERMINAL / COLE HERSEE 99025	1	
. NS	564218	. RELAY 24V S.P.S.T. / 40 AMPS N.O.	1	
. NS	FI11015	. SEE INSTRUCTION SHEET ENS. REMPLACEMENT RELAIS 70A	1	
. NS	IS11015	. SEE INSTRUCTION SHEET	1	
		C) THIS E.C.U. GIVE LESS ASSISTANCE AT LOW SPEED		
		D) FIXED ON FRONT L.H. POST WINDSHIELD		
		D13) WITH VOLVO D13 ENGINE		
		E) WHEN YOU MUST REPLACE 563851, YOU MUST ORDER 23317365, BUT YOU MUST GIVE THE SERIAL NUMBER OF YOUR VEHICLE FOR IT TO BE PROGRAM		
		G) WITH GATEWAY		
		GR) WITH GREYHOUND OPTION		
		O) OPTION		

From H-7417 To M-7767

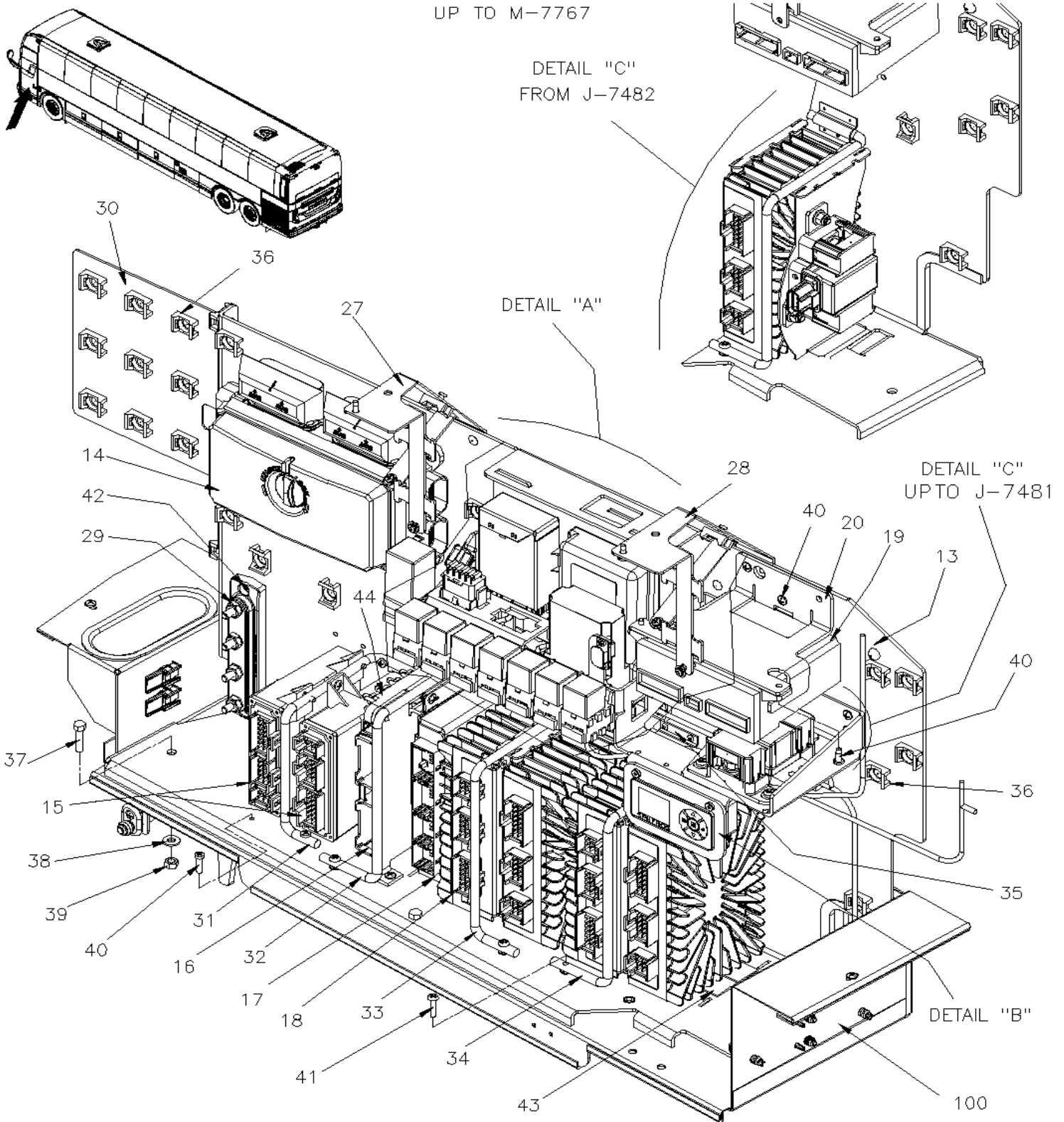
Date:07/2024

PAGE:X3PLB-0625-01

FRONT JUNCTION PANEL VOLVO D13 - GHG17



FRONT JUNCTION PANEL VOLVO D13 - GHG17



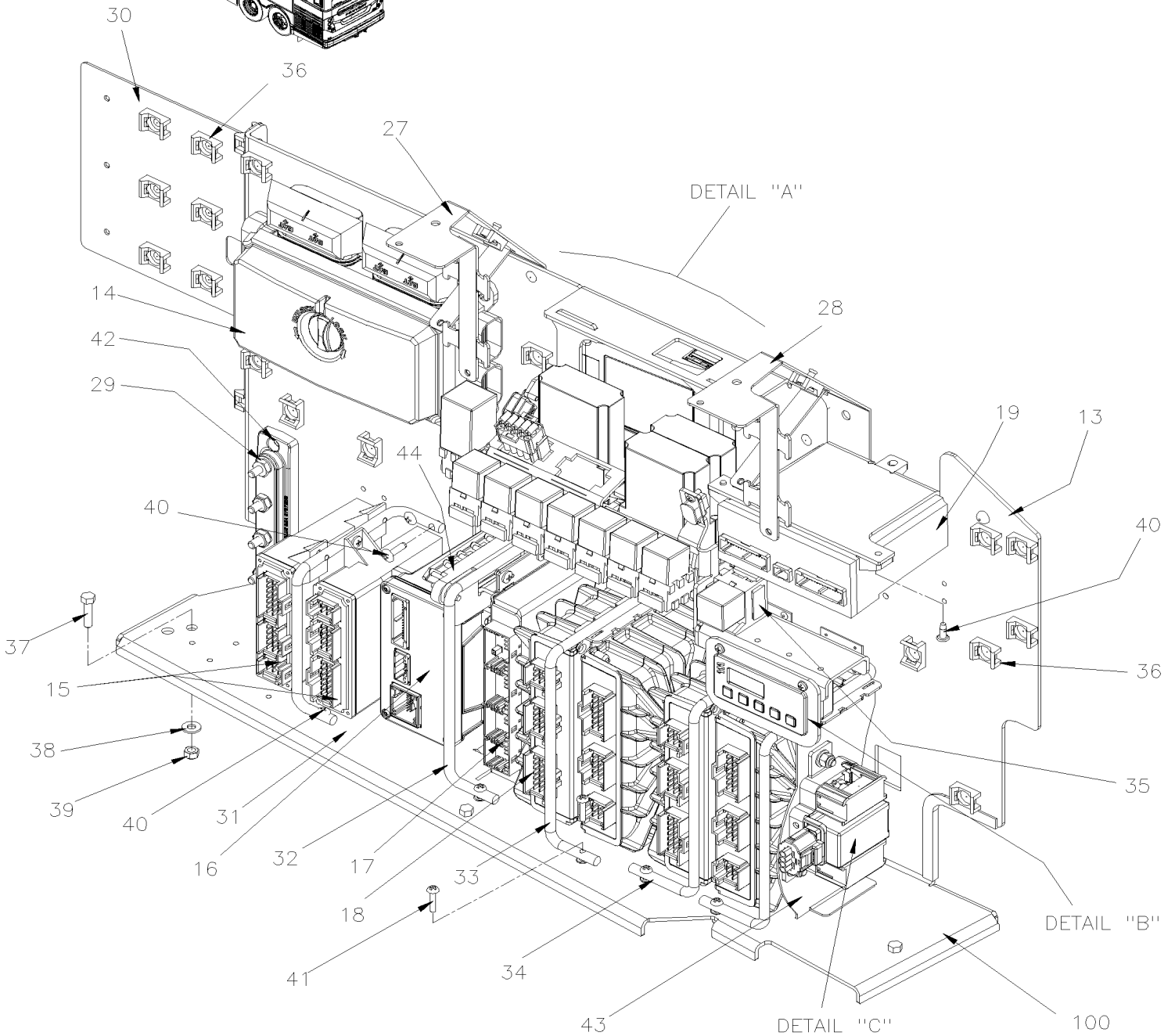
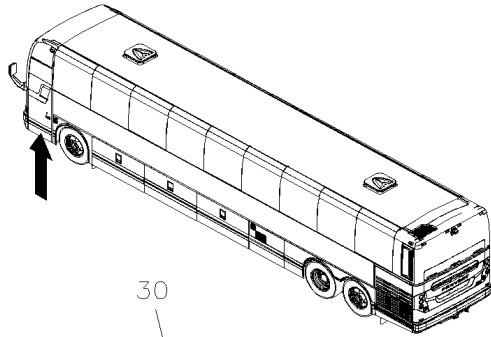
From H-7417 To M-7767

Date:07/2024

PAGE:X3PLB-0625-01

FRONT JUNCTION PANEL VOLVO D13 - GHG17

FROM M-7768



From H-7417 To M-7767	Date:07/2024	PAGE:X3PLB-0625-01
FRONT JUNCTION PANEL VOLVO D13 - GHG17		

Item#	Part	Description	QTY	Notes
	060541	WIRING HARNESS FRONT JUNCTION BOX To J-7442	1	
	060879	WIRING HARNESS FRONT JUNCTION BOX From J-7443 To J-7447	1	
	061439	WIRING HARNESS FRONT JUNCTION BOX From J-7448 To J-7481	1	
	061419	WIRING HARNESS FRONT JUNCTION BOX From J-7482 To J-7495	1	
	061857	WIRING HARNESS FRONT JUNCTION BOX From J-7496 To K-7542	1	
	069907	WIRING HARNESS FRONT JUNCTION BOX From K-7543 To L-7662	1	
	0611113	WIRING HARNESS FRONT JUNCTION BOX From L-7663 To M-7767	1	
	0610269	WIRING HARNESS FRONT JUNCTION BOX From M-7768 To M-7768	1	
	0610409	WIRING HARNESS FRONT JUNCTION BOX From M-7768	1	
	061436	WIRING HARNESS FRONT JUNCTION BOX From J-7448 To J-7495	1	GR
	069945	WIRING HARNESS FRONT JUNCTION BOX From J-7496 To K-7542	1	GR
	069837	WIRING HARNESS FRONT JUNCTION BOX From K-7543 To K-7607	1	GR
	060207	WIRING HARNESS FRONT JUNCTION BOX From K-7608 To K-7662	1	GR
	0610179	WIRING HARNESS FRONT JUNCTION BOX From L-7663 To M-7767	1	GR
	0610380	WIRING HARNESS FRONT JUNCTION BOX From M-7768 To M-7768	1	
	0610410	WIRING HARNESS FRONT JUNCTION BOX From M-7768	1	GR
	060542	CABLE ASSY FRT JCT BOX WORLD TRANSMISSION To K-7542	1	
	069901	CABLE ASSY FRT JCT BOX WORLD TRANSMISSION From K-7543 To K-7607	1	
	0610096	CABLE ASSY FRT JCT BOX WORLD TRANSMISSION From K-7608	1	
	060069	CABLE ASSY FRT JCT BOX I-SHIFT TRANSMISSION	1	
1	280622	PROTECTOR FRONT ELECTRIC COMPARTMENT	1	
NS	069192	DECAL PIN OUT / JCT BOX W/MUX	1	
NS	066155	DECAL PIN OUT / JCT BOX W/MUX	1	GR
NS	060916	DECAL "FRT JCT BOX" COMPONENTS To J-7481	1	
1	069819	DECAL "FRT JCT BOX" COMPONENTS From J-7482 To L-7662	1	
1	0611110	DECAL "FRT JCT BOX" COMPONENTS From L-7663 To M-7768	1	
1	0610522	DECAL "FRT JCT BOX" COMPONENTS From M-7768 To £-21070	1	
1	0610633	DECAL "FRT JCT BOX" COMPONENTS From £-21070	1	
NS	069640	DECAL "FRT JCT BOX" COMPONENTS To J-7447	1	GR
1	061438	DECAL "FRT JCT BOX" COMPONENTS From J-7448 To K-7607	1	GR
1	060202	DECAL "FRT JCT BOX" COMPONENTS From K-7608 To M-7768	1	GR
1	0610525	DECAL "FRT JCT BOX" COMPONENTS From M-7768 To P-8062	1	GR
1	0610635	DECAL "FRT JCT BOX" COMPONENTS From P-8063	1	
1	0610390	DECAL "EMERGENCY LIGHTING..." From M-7839	1	
2	901052	LATCH RUBBER	2	
3	384286	RETAINER UPPER	1	
4	380086	RETAINER LOWER	1	
5	500855	WASHER FL .188x.438x.049 N500	4	
6	502868	SCREW TC TR PH #10-16x1/2 N500	4	
7	5001833	WASHER BEL SPR 6.1x18x1.27 SS	4	
8	5001743	SCREW CAP HEX M6-1.0x12 G8.8 N500	4	
12	563332	RELAY 24V S.P.D.T. W/RESISTOR / "VOLVO" (20374662)	AR	

From H-7417 To M-7767	Date:07/2024	PAGE:X3PLB-0625-01
FRONT JUNCTION PANEL VOLVO D13 - GHG17		

Item#	Part	Description	QTY	Notes
13	382594	FRONT PANEL BOX To J-7481	1	
13	380108	FRONT PANEL BOX From J-7482 To M-7768	1	
13	380452	FRONT PANEL BOX From M-7768	1	
NS	506025	RUBBER CHANNEL / 1/18" x 5/16" INT "U" SHAPE / SQUARE C.T.L.	AR	
14	565991	DVEC DISTRIBUTION MODULE / FRONT JCT BOX To J-7447	1	
NS	563280	FUSE / ATM 5 AMPS AMBER To J-7447	20	
NS	563283	FUSE / ATM 10 AMPS RED To J-7447	7	
NS	563284	FUSE / ATM 15 AMPS BLUE To J-7447	12	
NS	563282	FUSE / ATM 20 AMPS YELLOW To J-7447	3	
NS	563165	FUSE / ATM 30 AMPS GREEN To J-7447	11	
NS	564464	MINI BREAKER / 20 AMPS / SERIES 223 To J-7447	1	
NS	563269	RELAY 24V S.P.D.T. W/RESISTOR / To J-7447	5	
NS	563185	CONNECTOR / SH 8C / BLACK / BUSSMANN 32006-A21 To J-7447	1	
NS	563186	CONNECTOR / SH 8C / GREY / BUSSMANN 32006-B21 To J-7447	1	
NS	563184	CONNECTOR / SH 8C / GREEN / BUSSMANN 32006-C21 To J-7447	1	
NS	563448	CONNECTOR / SH 8C / BLUE / BUSSMANN 32006-D21 To J-7447	1	
NS	563181	CONNECTOR / SH 8C / YELLOW / BUSSMANN 32006-E21 To J-7447	1	
NS	563183	CONNECTOR / SH 8C / RED / BUSSMANN 32006-F21 To J-7447	1	
NS	563182	CONNECTOR / SH 8C / ORANGE / BUSSMANN 32006-G21 To J-7447	1	
NS	563187	CONNECTOR / SH 8C / BROWN / BUSSMANN 32006-H21 To J-7447	1	
NS	564132	LOCK CONNECTOR POSITION ASSURANCE / BUSSMANN 32004-CP To J-7447	AR	
NS	564104	COVER / VEC BOX To J-7447	1	
NS	19518268	COVER RUBBER RED To J-7447	2	
14	560531	DVEC DISTRIBUTION MODULE / FRONT JCT BOX From J-7448	1	
NS	563280	FUSE / ATM 5 AMPS AMBER From J-7448	19	
NS	563283	FUSE / ATM 10 AMPS RED From J-7448	6	
NS	563284	FUSE / ATM 15 AMPS BLUE From J-7448	13	
NS	563282	FUSE / ATM 20 AMPS YELLOW From J-7448	3	
NS	563165	FUSE / ATM 30 AMPS GREEN From J-7448	12	
NS	564464	MINI BREAKER / 20 AMPS / SERIES 223 From J-7448	1	
NS	563269	RELAY 24V S.P.D.T. W/RESISTOR / From J-7448	5	
NS	563185	CONNECTOR / SH 8C / BLACK / BUSSMANN 32006-A21 From J-7448	1	
NS	563186	CONNECTOR / SH 8C / GREY / BUSSMANN 32006-B21 From J-7448	1	
NS	563184	CONNECTOR / SH 8C / GREEN / BUSSMANN 32006-C21 From J-7448	1	
NS	563448	CONNECTOR / SH 8C / BLUE / BUSSMANN 32006-D21 From J-7448	1	
NS	563181	CONNECTOR / SH 8C / YELLOW / BUSSMANN 32006-E21 From J-7448	1	
NS	563183	CONNECTOR / SH 8C / RED / BUSSMANN 32006-F21 From J-7448	1	
NS	563182	CONNECTOR / SH 8C / ORANGE / BUSSMANN 32006-G21 From J-7448	1	
NS	563187	CONNECTOR / SH 8C / BROWN / BUSSMANN 32006-H21 From J-7448	1	
NS	564132	LOCK CONNECTOR POSITION ASSURANCE / BUSSMANN 32004-CP From J-7448	AR	
NS	564104	COVER / VEC BOX From J-7448	1	
NS	19518268	COVER RUBBER RED From J-7448	2	

From H-7417 To M-7767	Date:07/2024	PAGE:X3PLB-0625-01
FRONT JUNCTION PANEL VOLVO D13 - GHG17		

Item#	Part	Description	QTY	Notes
NS	560493	LACTHING RELAY BDS-A 24V From J-7448	1	
NS	560529	BASE FOR LACTHING RELAY BDS-A 24V From J-7448	1	
14	564132	LOCK CONNECTOR POSITION ASSURANCE / BUSSMANN 32004-CP	8	
15	22722846	I/O A E-MODULE VOLVO MULTIPLEX	2	
16	21720495	VECU4 MODULE / VOLVO To M-7767	1	
16	23187043	VECU5 MODULE / VOLVO From M-7768 To M-7857	1	
16	24066689	VECU5 MODULE / VOLVO From M-7858	1	
NS	564756	CONNECTOR / MX34 / SH 20C / JAE MX34020SF1 From M-7768	1	
NS	500623	SCREW TC PAN PH #10-24x3/4 N500 To M-7767	AR	
16	502508	SCREW MA PAN PH M6-1.0x40 N050 From M-7768	3	
17	642146	ECU ABS / W/6 CHANNELS / ADVANCED ESP UNPROGRAMMED / NON-PROGRAMME To J-7495	1	
17	640022	ECU ABS / W/8 CHANNELS / ADVANCED ESP AFTERMARKET From J-7496	1	
18	22722850	I/O B E-MODULE VOLVO MULTIPLEX / ALUMINUM To M-7758	4	
18	23824204	I/O B E-MODULE VOLVO MULTIPLEX / ALUMINUM From M-7759	4	
19	563851	MCM - VOLVO MULTIPLEX MODULE To K-7556	1	A
19	23317365	MCM - VOLVO MULTIPLEX MODULE From K-7557 To K-7629	1	
19	23499009	MCM - VOLVO MULTIPLEX MODULE From K-7630	1	
20	380062	SUPPORT, MCM To J-7481	1	
21	060541	WIRING HARNESS FRONT JUNCTION BOX To J-7442	1	
21	060879	WIRING HARNESS FRONT JUNCTION BOX From J-7443	1	
22	564496	. CONNECTOR / METRI-PACK 630 / SH 5C / PED 12033871	AR	
23	562649	. CONNECTOR / HDP-20 / PH 9C / AMP 205204-1	1	
NS	500601	SCREW TC PAN PH #6-32x3/8 N500	2	
NS	564090	PIN DUST CAP / MALE DB / FCI 70518CLF	1	
24	380047	DIODE 3 AND 10 AMP CONNECTOR ASSY	1	
25	382595	SUPPORT / RELAY To J-7481	1	
25	380110	SUPPORT / RELAY From J-7482 To L-7683	1	
25	380236	SUPPORT / RELAY From L-7684 To £-21070	1	
25	380252	SUPPORT / RELAY From £-21070	1	
26	382596	SUPPORT, DIODE To J-7481	1	
26	380109	SUPPORT TIRE ECU PRESSURE From J-7482 To L-7683	1	
27	382465	SUPPORT FRONT PANEL UPPER FORWARD	1	
NS	504347	RIVET POP DOME OE 3/16x1/4 AL	AR	
28	382597	SUPPORT FRONT PANEL UPPER BACKWARD	1	
NS	504347	RIVET POP DOME OE 3/16x1/4 AL	AR	
29	560224	JUNCTION BLOCK W/4 STUDS	1	
NS	5001976	WASHER FL .266x.718x.060 SS	3	
NS	5001251	NUT HEX NYRT 1/4-20 SS	4	
30	386652	SUPPORT	1	
31	382179	ROD ATTACHMENT / I/O A MODULE To M-7767	1	
31	380482	ROD ATTACHMENT / I/O A MODULE From M-7768	1	
32	382418	ROD ATTACHMENT CABLE To M-7767	1	

From H-7417 To M-7767	Date:07/2024	PAGE:X3PLB-0625-01
FRONT JUNCTION PANEL VOLVO D13 - GHG17		

Item#	Part	Description	QTY	Notes
32	380454	ROD ATTACHMENT CABLE From M-7768	1	
33	382166	ROD ATTACHMENT / I/O B MODULE	1	
34	382417	ROD ATTACHMENT / I/O B MODULE	1	
35	382169	HINGE ROD ATTACHMENT	3	
NS	504340	RIVET POP DOME OE 1/8x3/16 SS	12	
36	504013	TIE MOUNT / 1/4" X 1/4" I.D.	AR	
36	504637	CABLE TIE / 3/16" x 13"	AR	
NS	504347	RIVET POP DOME OE 3/16x1/4 AL	AR	
NS	507664	CABLE TIE / 3/16" 11" / DOUBLE LOOP HEAD	AR	
37	502737	SCREW CAP HEX M6-1.0x25 SS BK	3	
38	500877	WASHER FL .250x.562x.065 N500	3	
39	502681	NUT HEX NYRT M6-1.0 N500 G8	3	
40	500623	SCREW TC PAN PH #10-24x3/4 N500	AR	
41	509827	SCREW MA RND PH M4-0.7x20 SS	3	
42	502868	SCREW TC TR PH #10-16x1/2 N500 To J-7481	AR	
42	5001975	SCREW TC BDG PH #10-24x3/8 SS410 ZINC From J-7482 To M-7767	AR	
42	500209	SCREW TC BDG PH #10-24x3/8 N500 From M-7768	AR	
43	506339	TAPE RUB ADH1 NIT 1/4" x 1" x 35' / BLACK 1220	AR	
44	563218	JUNCTION BLOCK W/5 STUDS	1	
NS	500623	SCREW TC PAN PH #10-24x3/4 N500	2	
NS	500765	NUT HEX #10-32 BR	10	
45	22357675	ECU VOLVO LINK MODULE To J-7436	1	
45	22861158	ECU VOLVO LINK MODULE From J-7437 To K-7648	1	
45	23359380	ECU VOLVO LINK MODULE From K-7649 To L-7720	1	
45	23593814	ECU VOLVO LINK MODULE From L-7721	1	
NS	22990242	SIM CARD VOLVO LINK MODULE FOR SERVICE From J-7428	1	
46	560056	ECU TIRE PRESSURE To L-7683	1	
46	563631	ECU TIRE PRESSURE From L-7684 To P-8036	1	
46	564326	ECU TIRE PRESSURE From P-8037 To £-21070	1	
46	564413	TPMS, SENSATA ECU From £-21070	1	
46	502686	SCREW CAP HEX M6-1.0x30 SS BK To L-7683	2	
46	5001075	SCREW CAP BUT HEXS 1/2-13x2 Z050 From L-7684 To £-21070	2	
46	500601	SCREW TC PAN PH #6-32x3/8 N500 From L-7684 To £-21070	2	
47	060045	WIRING HARNESS / ECU FRT JCT BOX & ACCES.. To L-7683	1	
47	0610142	WIRING HARNESS / ECU FRT JCT BOX & ACCES.. From L-7684 To £-21070	1	
47	0610632	WIRING HARNESS / ECU FRT JCT BOX & ACCES.. From £-21070	1	
NS	500601	SCREW TC PAN PH #6-32x3/8 N500 To £-21070	2	
NS	564090	PIN DUST CAP / MALE DB / FCI 70518CLF	1	
		FOLLOWING ITEMS ARE RELATED WITH GATEWAY MODULE		
48	564527	MODULE GATEWAY VANSO To J-7481	1	

From H-7417 To M-7767	Date:07/2024	PAGE:X3PLB-0625-01
FRONT JUNCTION PANEL VOLVO D13 - GHG17		

Item#	Part	Description	QTY	Notes
48	20890176	CONTROL UNIT FMS GATEWAY From J-7482 To P-8036	1	
48	23888708	CONTROL UNIT FMS GATEWAY From P-8037	1	
NS	564518	CONNECTOR / DTM SERIES / SH 12C / GRAY / DEUTSCH DTM06-12SA	1	
NS	563593	CONNECTOR W/END OF LINE RESISTOR 120R / DTM SERIES / SH 2C / GRAY / DEUTSCH DTM06-2S-P006	1	
NS	061488	CONNECTOR C-700 BYPASSED (CTGI) From J-7448	1	
NS	562637	HEAT DETECTOR SENSOR 2500MM From J-7448	1	
NS	561240	SOCKET TERMINAL / 18-16 / SIGNAL CONTACT / AMP 66101-2 From J-7448	4	
NS	561653	CABLE CLAMP / CPC / #13 / AMP 206966-1 From J-7448	1	
NS	562593	WIRE CABLE 18 / YELLOW / TXL From J-7448	1	
NS	563623	BUTT SPLICE / 16-14 / BLUE / W/THERMORETRAC / PANDUIT BSH14-Q From J-7448	1	
NS	069558	CABLE "GATEWAY" To J-7441	1	
NS	069231	DECAL "GATEWAY SOFTWARE NUMBER"	1	
49	500266	SCREW TC CAP HEX 1/4-20x1 N500	2	
53	21715161	GS ECU 24v MODULE I-SHIFT TRANS	1	
54	500804	WASHER FL .203x.500x.047 N500	AR	
55	563033	E.C.U. / W/STEERING ASSIST (STP 272 or 330) ((77//125))	1	
55	661170	E.C.U. / W/STEERING ASSIST (STP 338) ((60//95))	1	C
56	060378	CABLE ASSY TO STEERING SPEED SIGNAL ECU	1	
62	380122	SUPPORT RELAY	1	
NS	5001975	SCREW TC BDG PH #10-24x3/8 SS410 ZINC	2	
64	871250	TIMER ASSY / W/"WEBASTO" PREHEATER To H-7401	1	O
NS	19511692	BULB To H-7401	1	O
64	871464	TIMER ASSY / W/"SPHEROS" PREHEATER From H-7402 To K-7620	1	O
64	870070	TIMER ASSY / W/"HYDRONIC L30" PREHEATER From K-7621	1	O
NS	060557	WIRING HARNESS TIMER PREHEATER	1	O
65	370154	SUPPORT / TIMER	1	O
66	500965	SCREW TC BDG PH #8-32x1/2 N500	2	O
75	380123	BRACKET LACTHING RELAY BDS-A 24V From J-7448 To J-7481	1	GR
75	062382	BRACKET LACTHING RELAY BDS-A 24V From J-7482	1	
76	560529	BASE FOR LACTHING RELAY BDS-A 24V From J-7448 To J-7481	1	GR
76	560529	BASE FOR LACTHING RELAY BDS-A 24V From J-7482	1	
77	560493	LACTHING RELAY BDS-A 24V From J-7448 To J-7481	1	GR
77	560493	LACTHING RELAY BDS-A 24V From J-7482	1	
78	560538	COVER RELAY From J-7448 To J-7481	2	GR
78	560538	COVER RELAY From J-7482	2	
79	560539	SCREW FOR LACTHING RELAY BDS-A 24V / M8 From J-7448 To J-7481	2	GR
79	560539	SCREW FOR LACTHING RELAY BDS-A 24V / M8 From J-7482	2	
80	5001787	NUT HEX NYRT M8-1.25 SS From J-7448 To J-7481	2	GR
80	5001787	NUT HEX NYRT M8-1.25 SS From J-7482	2	
81	5001341	WASHER FL 8.4x17.0x1.6 SS From J-7448 To J-7481	2	GR
81	5001341	WASHER FL 8.4x17.0x1.6 SS From J-7482	2	

From H-7417 To M-7767	Date:07/2024	PAGE:X3PLB-0625-01
FRONT JUNCTION PANEL VOLVO D13 - GHG17		

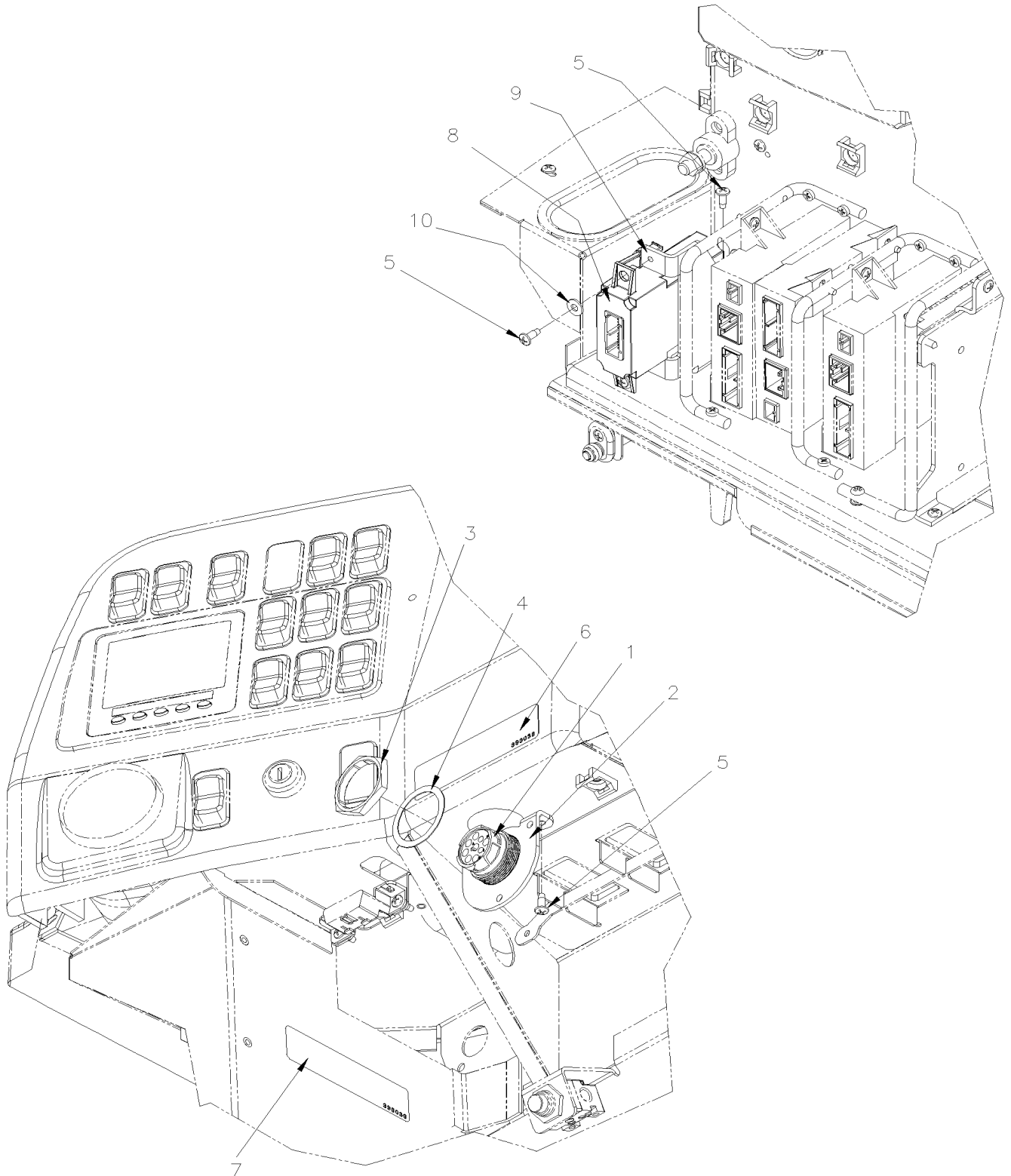
Item#	Part	Description	QTY	Notes
82	502626	SCREW MA PAN PH M6-1.0x20 N500 From J-7448 To J-7481	3	GR
83	500877	WASHER FL .250x.562x.065 N500 From J-7448 To J-7481	6	
84	502681	NUT HEX NYRT M6-1.0 N500 G8 From J-7448 To J-7481	3	
85	502868	SCREW TC TR PH #10-16x1/2 N500 From J-7448 To J-7481	3	
86	506004	TAPE RUB ADH1 CC POL 3/8" x 1/2" x 20' / GREY 2520X From J-7448 To J-7481	AR	GR
86	506004	TAPE RUB ADH1 CC POL 3/8" x 1/2" x 20' / GREY 2520X From J-7482	AR	
87	5001975	SCREW TC BDG PH #10-24x3/8 SS410 ZINC	AR	
88	5001932	NUT HEXF NYRT M6-1.0 G8.8 N500 From J-7482	3	
NS	069800	VOLVO ELD INTERFACE KIT FOR OBD VEHICLES To J-7481	1	
NS	IS17102	ISM-INTELLIGENT SLEEP MODE- INSTALI.W/PRIME INSTALLED ONLY From H-7417 To J-7482	1	
100	X3PLB-0625-11	FRONT JUNCTION BOX - INSTALLATION GHG17	1	
165	OC2018156	REFERENCE ONLY From L-7663		
		A) WHEN YOU MUST REPLACE 563851, YOU MUST ORDER 23317365, BUT YOU MUST GIVE THE SERIAL NUMBER OF YOUR VEHICLE FOR IT TO BE PROGRAM		
		C) THIS E.C.U GIVE LESS ASSISTANCE AT LOW SPEED		
		GR) WITH GREYHOUND OPTION		
		O) OPTION		

To J-7481

Date:07/2024

PAGE:069800

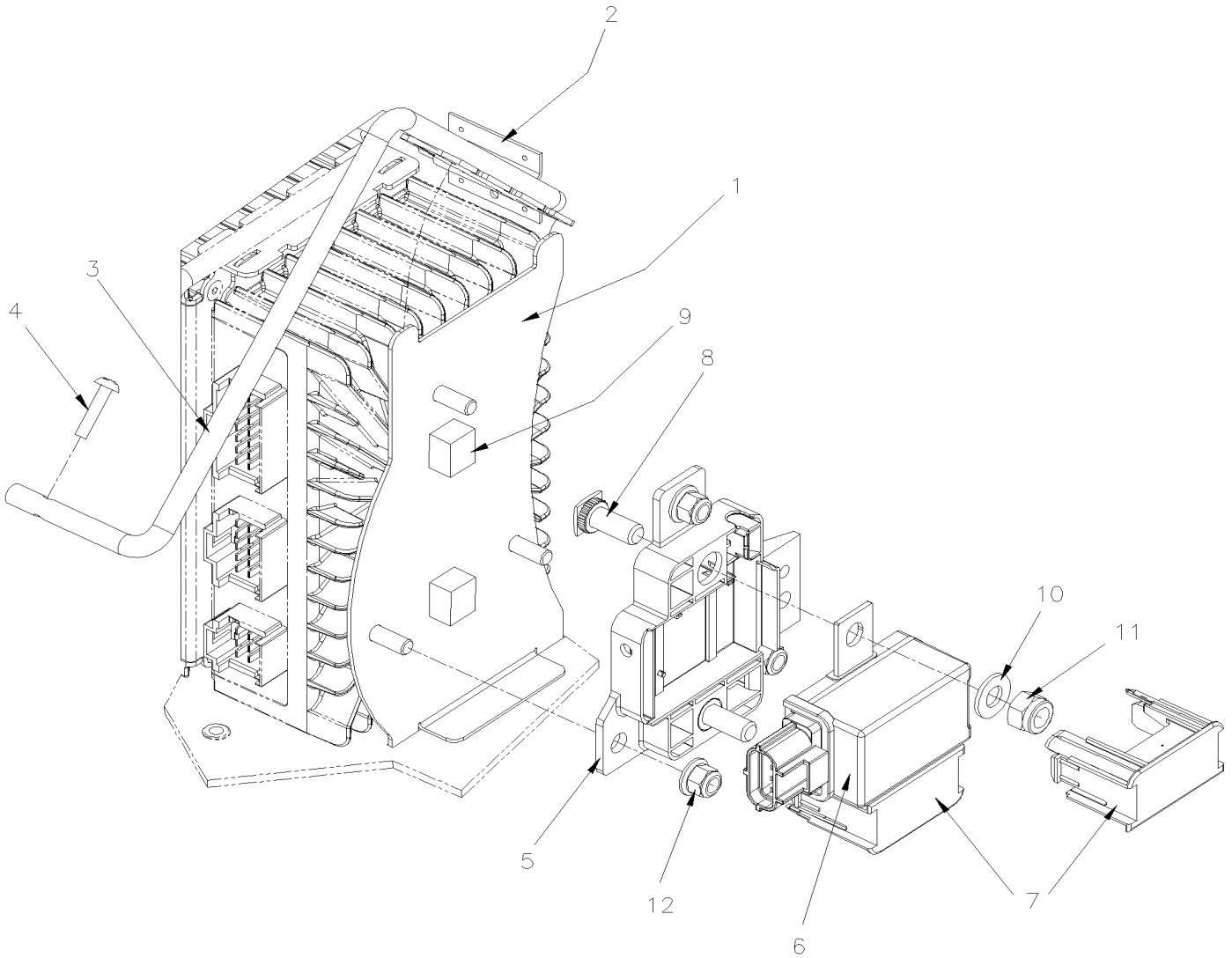
VOLVO ELD INTERFACE KIT FOR OBD VEHICLES



To J-7481	Date:07/2024	PAGE:069800
VOLVO ELD INTERFACE KIT FOR OBD VEHICLES		

Item#	Part	Description	QTY	Notes
		LAPTOP WITH PTT (PREMIUM TECH TOOL, LATEST VERSION INSTALLED) & RELATED CABLES	1	
1	061890	ELD_AFTERMARKET_HARNESS_OBDII	1	
2	380120	CONNECTOR SUPPORT	1	
3	566004	PANEL NUT / HDP20 SERIES / DEUTSCH 2411-002-1805	1	
4	566006	LOCK WASHER / HDP20 SERIES / DEUTSCH 2414-002-1886	1	
5	502868	SCREW TC TR PH #10-16x1/2 N500	6	
6	390038	DECAL, ELECTRONIC LOGGING DEVICE(ELD) / FR, ENG, SP	1	
7	390039	DECAL, ON-BOARD DIAGNOSTIC(OBD) / FR, ENG, SP	1	
8	20890176	CONTROL UNIT FMS GATEWAY To N-6754	1	
8	23888708	CONTROL UNIT FMS GATEWAY From N-6755	1	
8	20890176	CONTROL UNIT FMS GATEWAY To P-1297	1	
8	23888708	CONTROL UNIT FMS GATEWAY From P-1298	1	
9	380121	SUPPORT GSECU I-SHIFT TRANS	1	
10	500855	WASHER FL .188x.438x.049 N500	2	
NS	504637	CABLE TIE / 3/16" x 13"	20	
NS	560587	RING TERMINAL .250 / 18-14 / INSULATED / AMP 160337-2	1	
NS	563160	SOCKET TERMINAL / 12 / YAZAKI 7116-4122-02	1	
NS	FI-17071	VOIR FEUILLE D'INSTRUCTION	1	
NS	IS-17071	SEE INSTRUCTION SHEET	1	

From H-7417 To J-7482	Date:07/2024	PAGE:IS17102
ISM-INTELLIGENT SLEEP MODE- INSTALI.W/PRIME INSTALLED ONLY		



From H-7417 To J-7482	Date:07/2024	PAGE:IS17102
ISM-INTELLIGENT SLEEP MODE- INSTALI.W/PRIME INSTALLED ONLY		

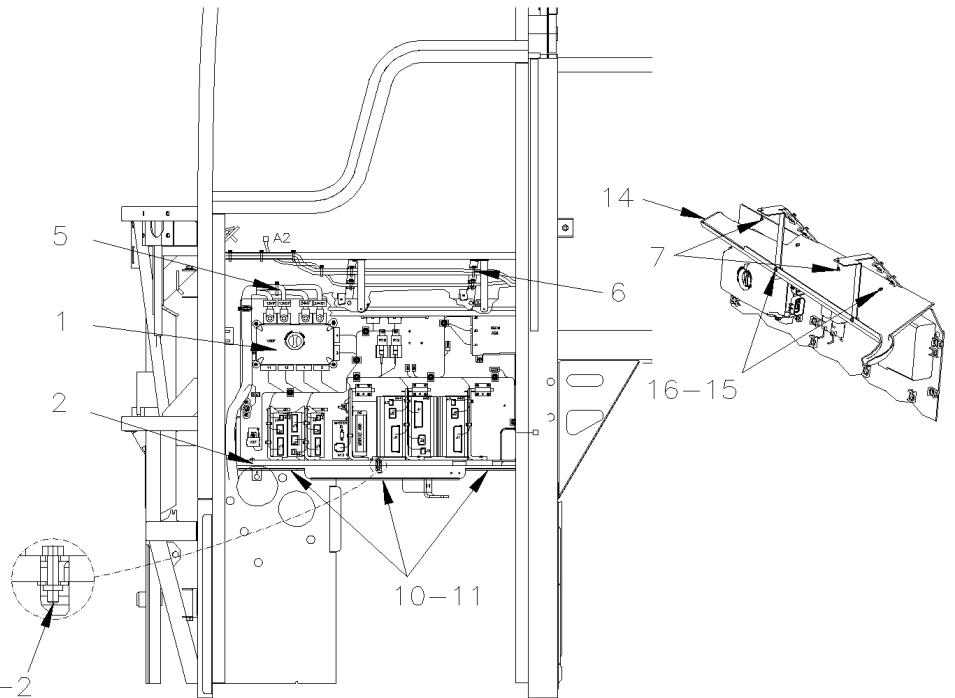
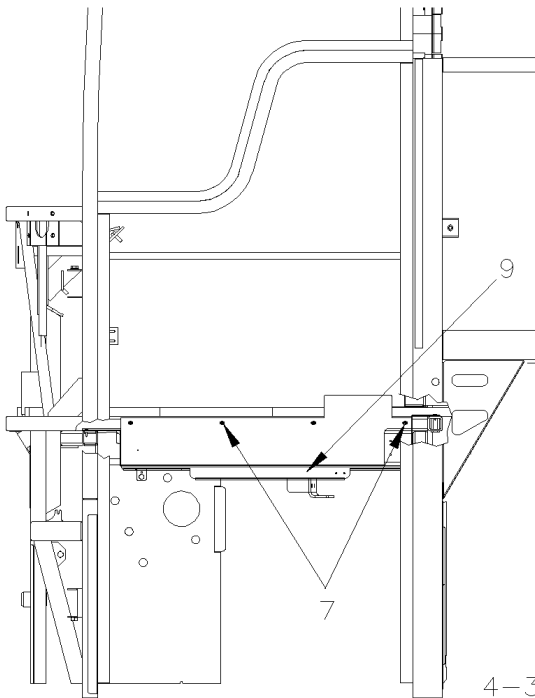
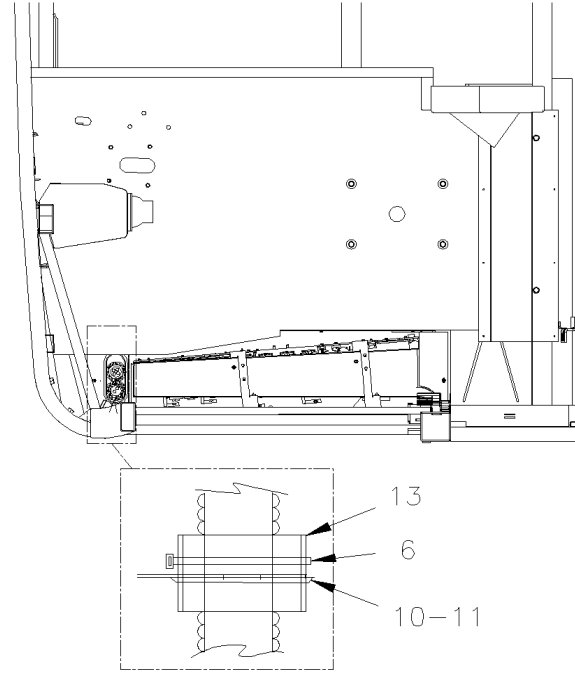
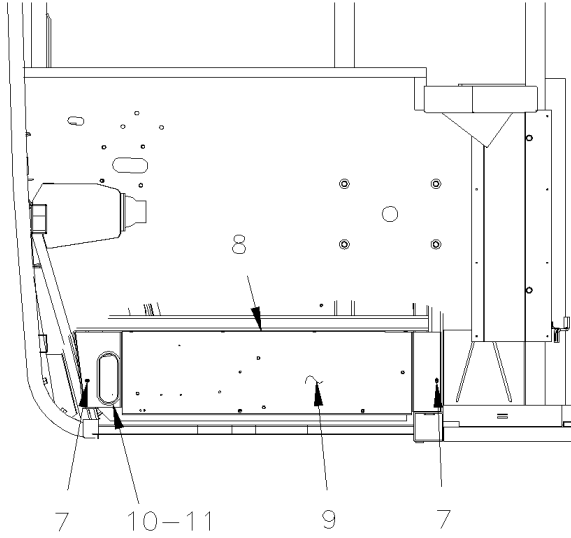
Item#	Part	Description	QTY	Notes
1	062382	BRACKET LACTHING RELAY BDS-A 24V	1	
NS	506339	TAPE RUB ADH1 NIT 1/4" x 1" x 35' / BLACK 1220	AR	
2	382169	HINGE ROD ATTACHMENT	1	
NS	504340	RIVET POP DOME OE 1/8x3/16 SS	5	
3	382417	ROD ATTACHMENT / I/O B MODULE	1	
4	509827	SCREW MA RND PH M4-0.7x20 SS	1	
5	560529	BASE FOR LACTHING RELAY BDS-A 24V	1	
6	560493	LACTHING RELAY BDS-A 24V	1	
7	560538	COVER RELAY	2	
8	560539	SCREW FOR LACTHING RELAY BDS-A 24V / M8	2	
9	506004	TAPE RUB ADH1 CC POL 3/8" x 1/2" x 20' / GREY 2520X	AR	
10	5001341	WASHER FL 8.4x17.0x1.6 SS	2	
11	5001787	NUT HEX NYRT M8-1.25 SS	2	
12	5001932	NUT HEXF NYRT M6-1.0 G8.8 N500	3	
NS	562935	BUTT SPLICE / 22-18 / RED / AMP 55824-1	2	
NS	563158	SHRINK TUBING / .300" - .060" / BLACK / 3M EPS-400.300	AR	
NS	062746	HARNAIS ISM SAV	1	
200	IS-17102	SEE INSTRUCTION SHEET	1	

From G-7275 To H-7416

Date:07/2024

PAGE:X3PLB-0625-10

FRONT JUNCTION BOX - INSTALLATION

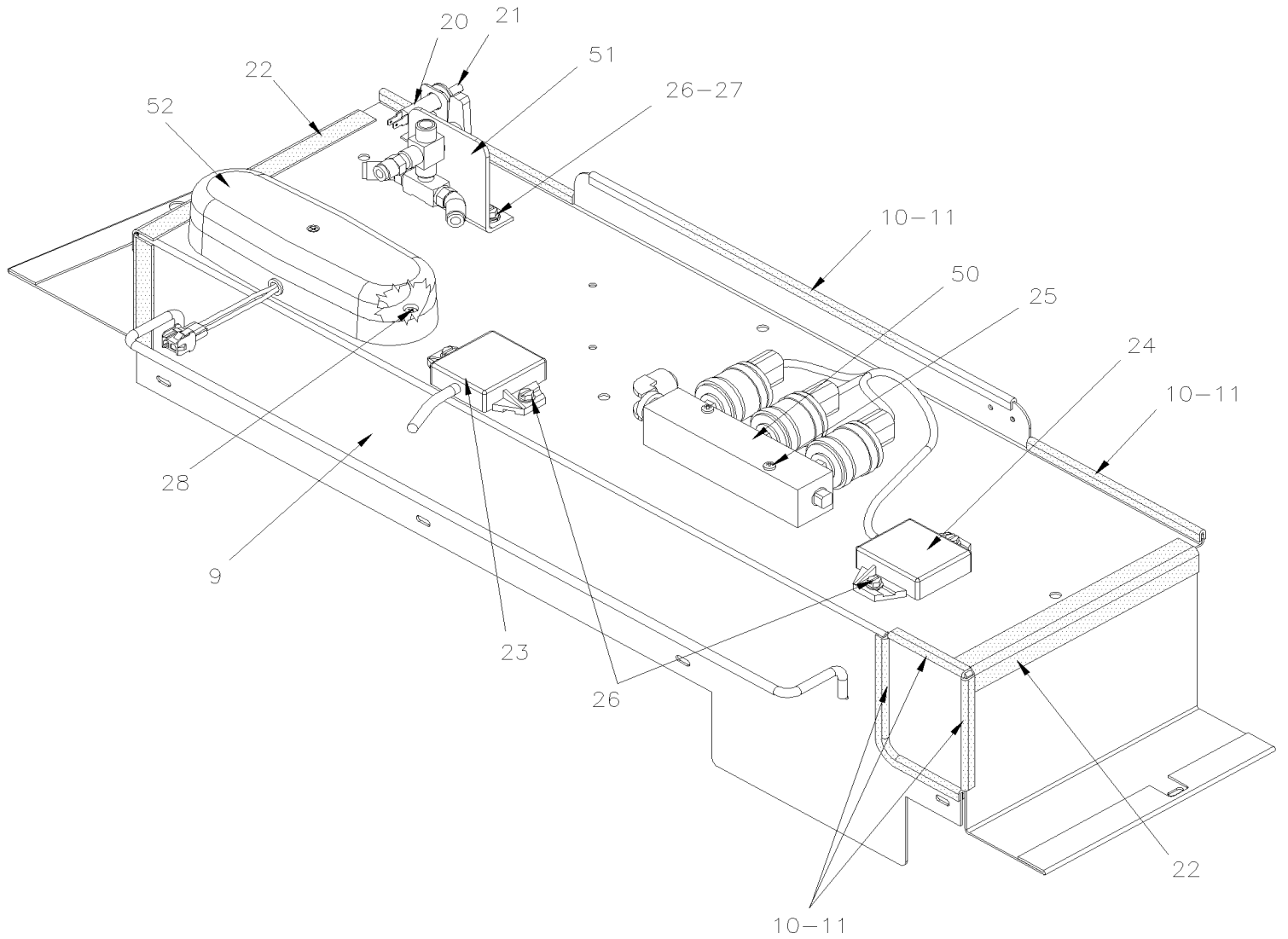


From G-7275 To H-7416

Date:07/2024

PAGE:X3PLB-0625-10

FRONT JUNCTION BOX - INSTALLATION



From G-7275 To H-7416	Date:07/2024	PAGE:X3PLB-0625-10
-----------------------	--------------	--------------------

FRONT JUNCTION BOX - INSTALLATION

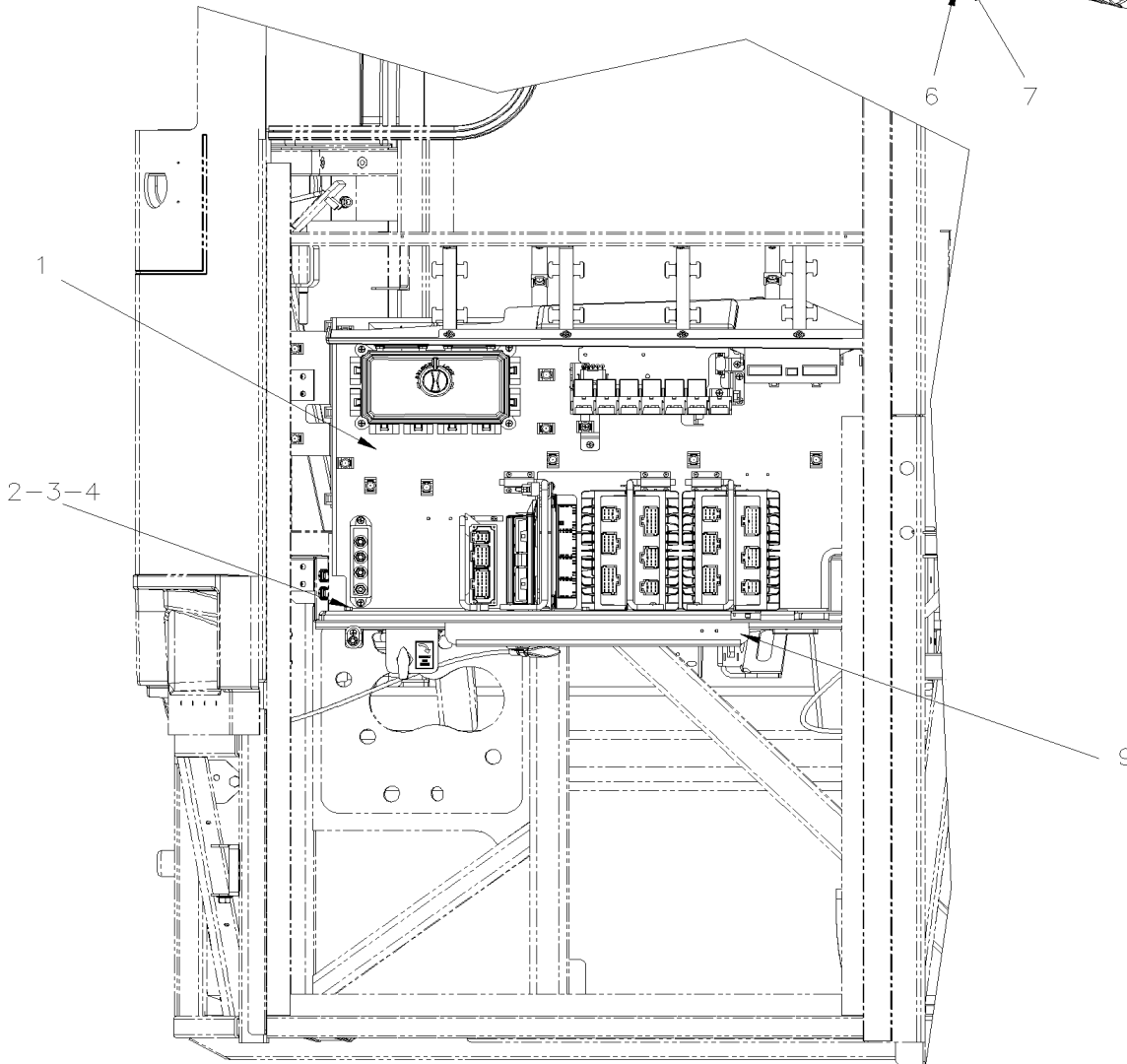
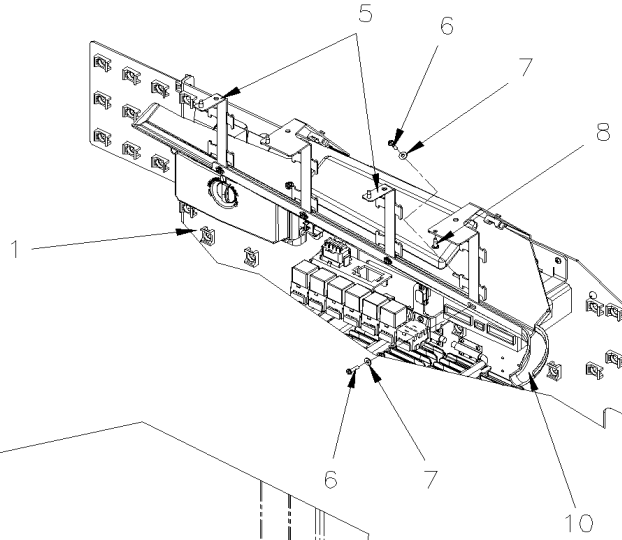
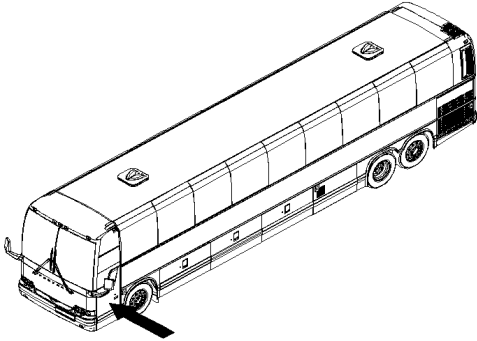
Item#	Part	Description	QTY	Notes
1	X3PLB-0625-00	FRONT JUNCTION PANEL	1	
2	502565	NUT HEX M6-1.0 SS	4	
3	502564	WASHER LO SPT 6.1x11.8x1.6 Z050	4	
4	502737	SCREW CAP HEX M6-1.0x25 SS BK	1	
5	504016	CABLE TIE / 5/16" X 14"1/2	AR	
6	504637	CABLE TIE / 3/16" x 13"	AR	
7	500641	SCREW TP PAN PH #8x3/4 Z050	6	
8	680532	SEALANT SIKA #221 / GREY / 310ml CARTRIDGE	AR	
9	382574	SUPPORT FRONT JCT BOX To H-7376	1	
9	380065	SUPPORT FRONT JCT BOX From H-7377	1	
NS	564108	SELF MOUNTING STUD // DEUTSCH 1011-310-0205	3	
9	504750	CABLE TIE / 1/2" x 15" / CHRISTMAS TREE From H-7377	AR	
NS	509815	TIE MOUNT / ATTACHMENT W/TREE MOUNT	1	
NS	504637	CABLE TIE / 3/16" x 13"	1	
NS	382287	CABLE ATTACH / WELDED	3	
NS	411347	SUPPORT / HANDLE / WELDED	1	
10	506338	RUBBER CHANNEL / 1/16" x 1/4" INT "U" SHAPE / ROUND C.T.L.	AR	
11	680066	ADHESIVE / ADBOND #5014 / 23.6ML BOTTLE	AR	
12	500615	NUT HEX M8-1.25 BR	12	
13	371600	INSULATING PAD 76.2MM x 374.7MM	1	
14	382467	DRIP PAN FRONT JCT BOX	1	
NS	382464	SUPPORT FRONT JCT BOX	2	
15	502556	WASHER FL 4.3x9.0x0.8 SS	4	
16	502698	SCREW MA PAN PH M4-0.7x16 SS BK	4	
NS	5001182	NUT HEX NYRT M6-1.0 SS	1	
NS	500964	WASHER FL .203x.500x.047 Z050	1	
20	066638	SWITCH SUPPORT	1	
21	563464	SWITCH / S.P.S.T. / N.C. / W/RUBBER BOOT	1	
22	382404	RUBBER PROTECTOR, CORNER	1	
23	562357	RESISTANCE MODULE	1	
24	562381	RESISTANCE MODULE	1	
25	500508	SCREW TC PAN PH #10-32x1 1/2 Z050	2	
26	5001245	SCREW TC CAP HEXW SLT #12-24x1/2 Z050	6	
27	500473	WASHER LO SPT .262x.489x.062 Z050	2	
28	500430	SCREW TC PAN PH #8-32x1 1/4 SS BK	2	
50	X3PLB-0750-00	AUTOMATIC TRANSMISSION - "WORLD" WITH VOLVO D13		
51	X3PLB-1802-00	ENTRANCE DOOR CONTROL		
52	X3PLB-0665-10	SWITCHES, LIGHTS, AJAR - UNDER FLOOR		

From H-7417 To M-7767

Date:07/2024

PAGE:X3PLB-0625-11

FRONT JUNCTION BOX - INSTALLATION GHG17

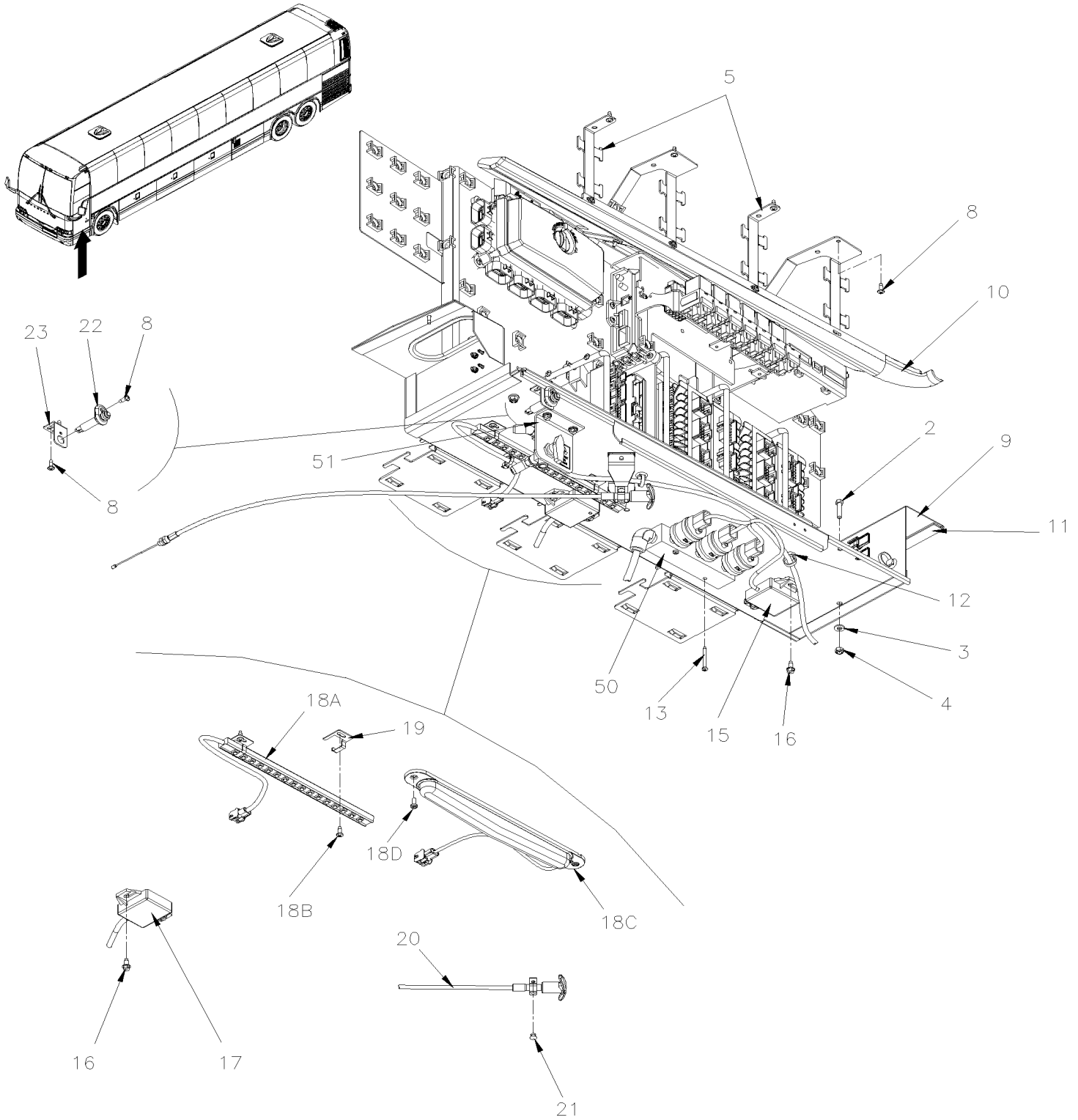


From H-7417 To M-7767

Date:07/2024

PAGE:X3PLB-0625-11

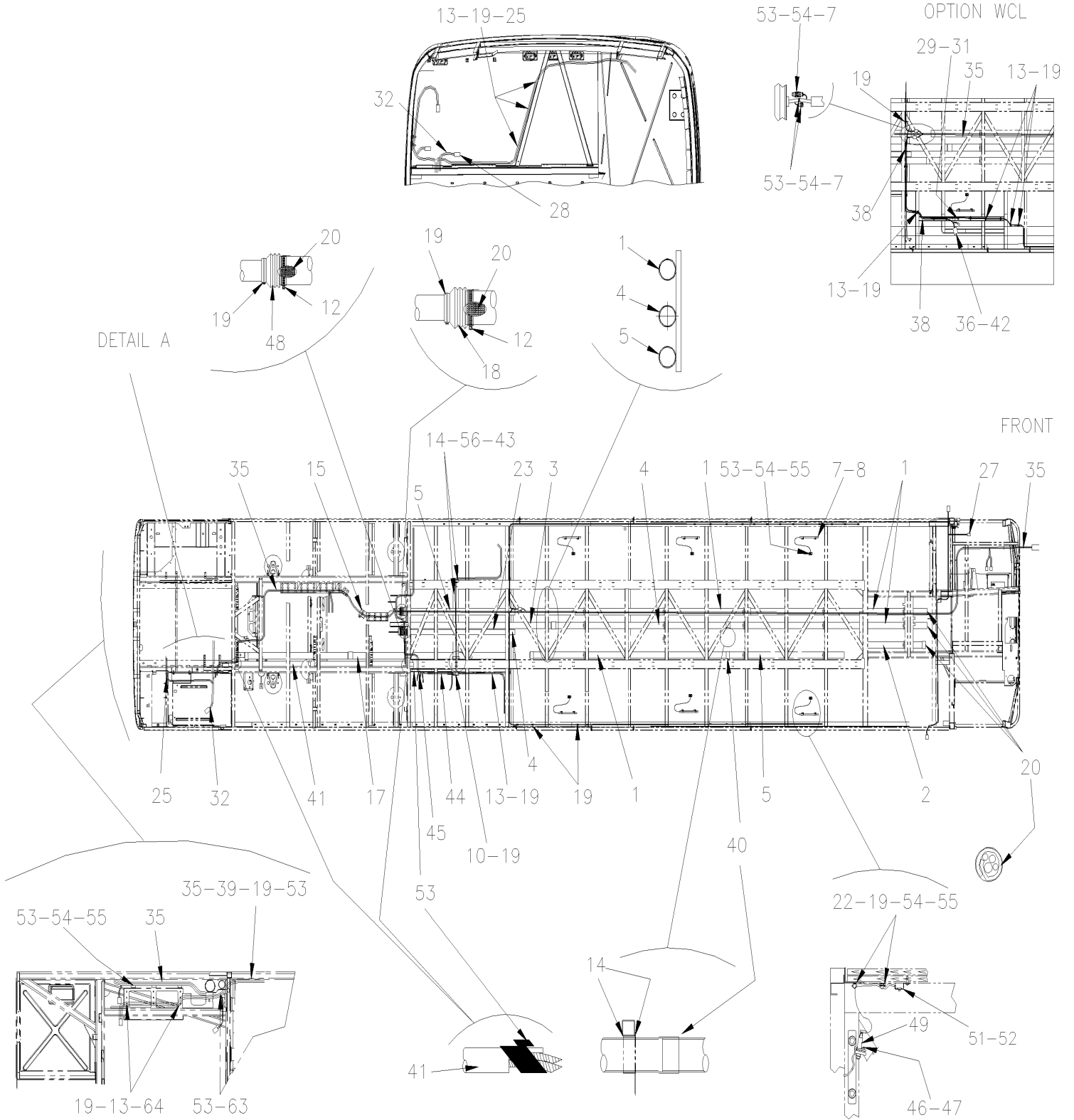
FRONT JUNCTION BOX - INSTALLATION GHG17



From H-7417 To M-7767	Date:07/2024	PAGE:X3PLB-0625-11
FRONT JUNCTION BOX - INSTALLATION GHG17		

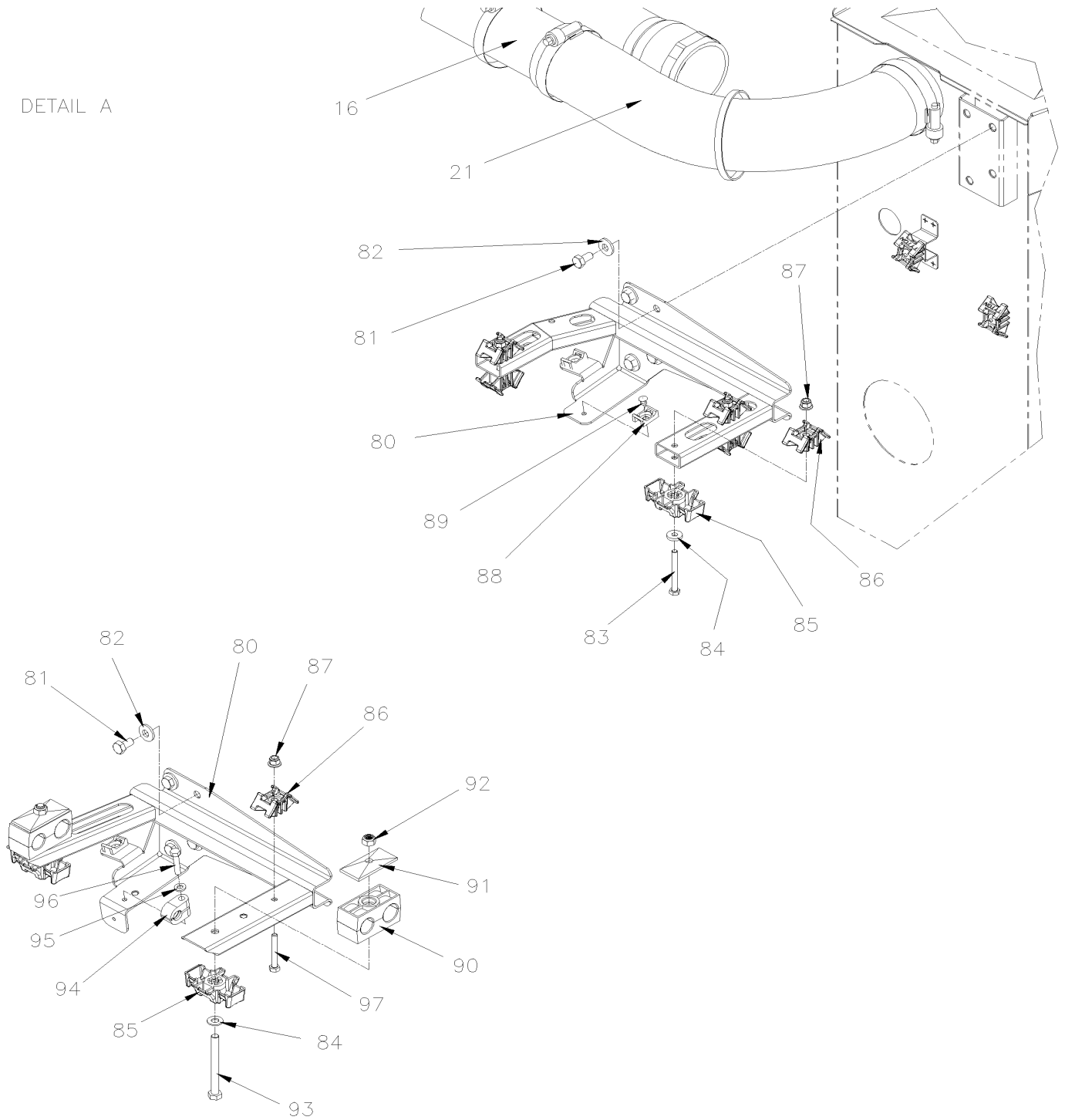
Item#	Part	Description	QTY	Notes
1	X3PLB-0625-01	FRONT JUNCTION PANEL VOLVO D13 - GHG17		
2	502737	SCREW CAP HEX M6-1.0x25 SS BK	3	
3	502681	NUT HEX NYRT M6-1.0 N500 G8	3	
4	500877	WASHER FL .250x.562x.065 N500	3	
5	382464	SUPPORT FRONT JCT BOX	2	
6	502698	SCREW MA PAN PH M4-0.7x16 SS BK	6	
7	500855	WASHER FL .188x.438x.049 N500	6	
8	502868	SCREW TC TR PH #10-16x1/2 N500	AR	
9	380065	SUPPORT FRONT JCT BOX To H-7416	1	
9	380100	SUPPORT FRONT JCT BOX From H-7417 To K-7542	1	
9	380160	SUPPORT FRONT JCT BOX From K-7543 To K-7662	1	
9	380119	SUPPORT FRONT JCT BOX From L-7663	1	
NS	506227	TAPE RUB ADH1 CC POL 1/16" x 3/4" x 100' / GREY 2520	AR	
NS	506338	RUBBER CHANNEL / 1/16" x 1/4" INT "U" SHAPE / ROUND C.T.L.	AR	
NS	680066	ADHESIVE / ADBOND #5014 / 23.6ML BOTTLE	AR	
NS	504750	CABLE TIE / 1/2" x 15" / CHRISTMAS TREE	AR	
10	382467	DRIP PAN FRONT JCT BOX	1	
11	382404	RUBBER PROTECTOR, CORNER	2	
12	509815	TIE MOUNT / ATTACHMENT W/TREE MOUNT	AR	
NS	504637	CABLE TIE / 3/16" x 13"	AR	
13	500508	SCREW TC PAN PH #10-32x1 1/2 Z050	2	
15	562381	RESISTANCE MODULE	1	
16	5001245	SCREW TC CAP HEXW SLT #12-24x1/2 Z050	4	
17	562357	RESISTANCE MODULE	1	
18A	330299	LAMP ASSY 24V / BAGGAGE COMPARTMENT LAMP / LED To H-7416	1	B
NS	561248	CONNECTOR / UNIVERSAL MATE-N-LOK / PH 2C / AMP 1-480699-0 To H-7416	1	B
18B	502868	SCREW TC TR PH #10-16x1/2 N500 To H-7416	2	
18C	830008	LAMP ASSY 24V / LED From H-7417	1	
NS	561248	CONNECTOR / UNIVERSAL MATE-N-LOK / PH 2C / AMP 1-480699-0 From H-7417	1	
18D	500965	SCREW TC BDG PH #8-32x1/2 N500 From H-7417	2	
NS	8631155	CABLE TIE / 4.6MM x 200 / CHRISTMAS TREE	AR	
19	330411	SUPPORT, LIGHT To H-7416	2	
20	289495	CABLE HANDLE ASSY	1	
21	504379	RIVET POP DOME OE 3/16x1/4 SS	2	
22	563464	SWITCH / S.P.S.T. / N.C. / W/RUBBER BOOT	1	
23	066638	SWITCH SUPPORT	1	
50	X3PLB-0750-01	AUTOMATIC TRANSMISSION - "WORLD" WITH VOLVO D13 - GHG17		
51	X3PLB-1802-00	ENTRANCE DOOR CONTROL		
		B) WHEN YOU REPLACE LAMP #330299 BY THE NEW LAMP #830008 YOU HAVE TO DRILL HOLE TO INSTALL IT		

CABLE & HARNESS - UNDER FLOOR



CABLE & HARNESS - UNDER FLOOR

DETAIL A



FROM K-7618

From G-7275 To M-7767	Date:07/2024	PAGE:X3PLB-0630-00
CABLE & HARNESS - UNDER FLOOR		

Item#	Part	Description	QTY	Notes
1	069422	TUBE PVC / 3" X 1550MM	AR	
2	069423	PIPE 3" PVC X 1550MM	1	
4	066698	TUBE PVC / 3" X 1980MM	2	
5	068654	TUBE PVC / 3" X 1687MM	1	
NS	060558	HARNESS FR TO RR X NAE From H-7417	1	
7	500957	SCREW TP BDG PH #10x3/4 N500	AR	
8	X3PLB-0665-10	SWITCHES, LIGHTS, AJAR - UNDER FLOOR		
10	504024	HOSE CLAMP / 1"13/16"-2"3/4 SS / HS-36	2	
12	504026	HOSE CLAMP / 2"13/16-3"3/4 SS / HS-52	31	
13	509815	TIE MOUNT / ATTACHMENT W/TREE MOUNT	9	
14	680532	SEALANT SIKA #221 / GREY / 310ml CARTRIDGE	AR	
15	175253	SUPPORT CABLE	1	
NS	502830	SCREW CAP HEX M6-1.0x20 G8.8 N500	4	
NS	500877	WASHER FL .250x.562x.065 N500	4	
16	069474	TUBE PVC / 2 1/2" X 1630MM From H-7417	1	
17	068148	PIPE 3" PVC	1	
18	504499	CUFF END BELLOW / 2 7/8" I.D. x 3 5/8" x 4 7/16	6	
19	504637	CABLE TIE / 3/16" x 13"	AR	
20	371600	INSULATING PAD 76.2MM x 374.7MM	4	
21	060282	FORMED HOSE SILICONE RUBBER / 3" DIA. From H-7417	1	
22	060559	CABLE ASSY / FRT & RR BAGGAGE COMPATMENT To K-7590	1	
22	069969	CABLE ASSY / FRT & RR BAGGAGE COMPATMENT From K-7591	1	
23	066273	TUBE PVC / 2" X 1650MM	1	
NS	501028	UNION ELBOW 90° / ABS PIPE / 2Mx2F ABS	1	
25	068411	CABLE POWER / PARCEL RACK & LAVATORY To H-7416	1	
25	069327	CABLE POWER / PARCEL RACK & LAVATORY From H-7417 To J-7447	1	
25	061384	CABLE POWER / PARCEL RACK & LAVATORY From J-7448 To K-7662	1	
25	069962	CABLE POWER / PARCEL RACK & LAVATORY From L-7663	1	
27	066404	CABLE ASSY TO WINDOW AJAR BOTH SIDE To H-7416	1	
27	060574	CABLE ASSY TO WINDOW AJAR BOTH SIDE From H-7417 To K-7662	1	
28	069596	CABLE ASSY LAVATORY To H-7416	1	
28	069332	CABLE ASSY LAVATORY From H-7417 To K-7662	1	
28	069964	CABLE ASSY LAVATORY From L-7663	1	
29	500832	WASHER FL .406x.812x.065 N500 To K-7662	1	
29	5001935	WASHER FL 10.5x18.0x1.6 SS From L-7663	1	
31	502859	NUT HEX NYRT M10-1.5 N500 To K-7662	1	
31	5002028	NUT HEX NYRT M10-1.5 SS From L-7663	1	
32	068130	CABLE BATTERIES CHARGER 120VAC POWER To H-7416	1	
32	060151	CABLE BATTERIES CHARGER 120VAC POWER From H-7417	1	
35	069570	CABLE MAIN / FRONT JCT BOX & REAR JCT BOX To H-7416	1	
35	069607	CABLE MAIN / FRONT JCT BOX & REAR JCT BOX /W/ CURB SIDE LAMP OPTION To H-7309	1	C
35	069669	CABLE MAIN / FRONT JCT BOX & REAR JCT BOX /W/ CURB SIDE LAMP OPTION From H-7310 To H-7416	1	C

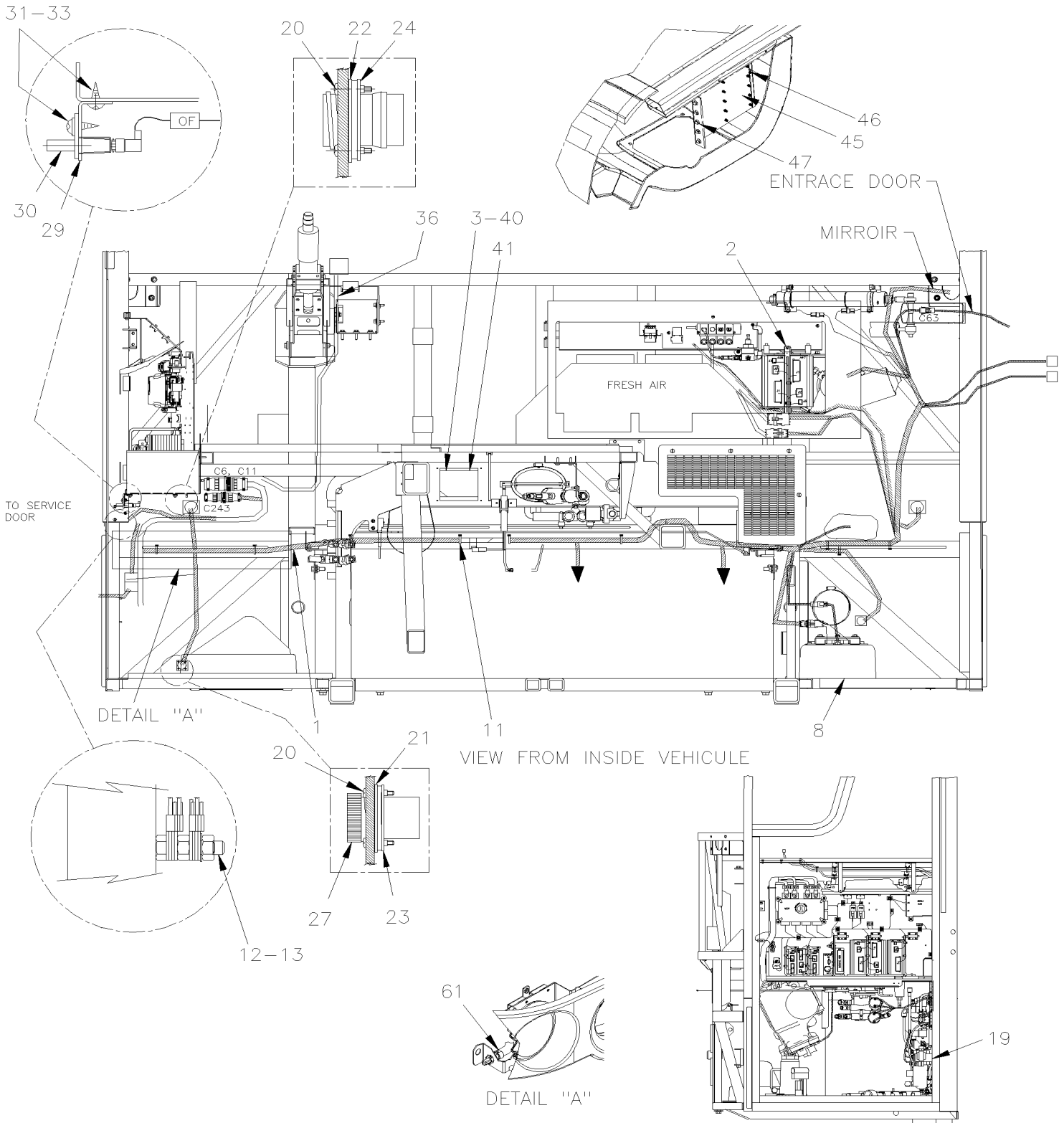
From G-7275 To M-7767	Date:07/2024	PAGE:X3PLB-0630-00
CABLE & HARNESS - UNDER FLOOR		

Item#	Part	Description	QTY	Notes
35	060550	CABLE MAIN / FRONT JCT BOX & REAR JCT BOX From H-7417 To J-7447	1	
35	061421	CABLE MAIN / FRONT JCT BOX & REAR JCT BOX From J-7448 To K-7542	1	
35	069908	CABLE MAIN / FRONT JCT BOX & REAR JCT BOX From K-7543 To K-7607	1	
35	0610025	CABLE MAIN / FRONT JCT BOX & REAR JCT BOX From K-7608 To K-7620	1	
35	0610170	CABLE MAIN / FRONT JCT BOX & REAR JCT BOX From K-7621 To K-7662	1	
35	069973	CABLE MAIN / FRONT JCT BOX & REAR JCT BOX From L-7663 To L-7731	1	
35	0610274	CABLE MAIN / FRONT JCT BOX & REAR JCT BOX From L-7732 To M-7725	1	
35	0610414	CABLE MAIN / FRONT JCT BOX & REAR JCT BOX From M-7726	1	
35	061453	CABLE MAIN / FRONT JCT BOX & REAR JCT BOX From J-7448 To K-7542	1	GR
35	069564	CABLE MAIN / FRONT JCT BOX & REAR JCT BOX From K-7543 To K-7607	1	GR
35	060210	CABLE MAIN / FRONT JCT BOX & REAR JCT BOX From K-7608 To K-7620	1	GR
35	0610171	CABLE MAIN / FRONT JCT BOX & REAR JCT BOX From K-7621 To K-7662	1	GR
35	0610180	CABLE MAIN / FRONT JCT BOX & REAR JCT BOX From L-7663 To L-7731	1	GR
35	0610275	CABLE MAIN / FRONT JCT BOX & REAR JCT BOX From L-7732 To M-7725	1	GR
35	0610415	CABLE MAIN / FRONT JCT BOX & REAR JCT BOX From M-7726	1	GR
36	500855	WASHER FL .188x.438x.049 N500	2	
38	069082	CABLE ASSY / RJB & W.C.L. To H-7416	1	
38	069337	CABLE ASSY / RJB & W.C.L. From H-7417		
39	068473	CABLE ASSY / FRONT & REAR WITH "WORLD" / TRANS To G-7309	1	
39	069599	CABLE ASSY / FRONT & REAR WITH "WORLD" / TRANS From H-7310	1	
40	680290	ADHESIVE PVC / 946ml	AR	
41	503537	TUBE / PVC PIPE / 2.5"x10' GRAY PVC	1	
NS	5011294	UNION ELBOW 45° / PVC PIPE / 2 1/2Fx2 1/2F PVC	1	
42	502698	SCREW MA PAN PH M4-0.7x16 SS BK	2	
43	063386	TUBE PVC / 3" X 1090MM	1	
44	504750	CABLE TIE / 1/2" x 15" / CHRISTMAS TREE	3	
45	060377	CABLE CONDENSOR FANS From H-7417 To L-7734	1	
45	0610237	CABLE CONDENSOR FANS From L-7735	1	
46	5001332	SCREW MA PAN PH M4-0.7x16 SS	6	
47	502557	NUT HEX NYRT M4-0.7 SS	6	
48	504533	CUFF END BELLOW / 2 3/8" I.D. x 2 3/8" x 4"	1	
49	563464	SWITCH / S.P.S.T. / N.C. / W/RUBBER BOOT	6	
51	330411	SUPPORT, LIGHT	12	
52	500957	SCREW TP BDG PH #10x3/4 N500	12	
53	504016	CABLE TIE / 5/16" X 14"1/2	AR	
54	504013	TIE MOUNT / 1/4" X 1/4" I.D.	3	
55	500443	SCREW TP PAN PH #8x1/2 N500	3	
56	504025	HOSE CLAMP / 2"5/16-3"1/4 SS / HS-44	2	
63	680290	ADHESIVE PVC / 946ml	AR	
64	952633	CLAMP / 7/8" I.D.	1	
80	260077	SUPPORT PIPE From H-7417 To K-7632	1	
80	260398	SUPPORT PIPE From K-7633	1	

From G-7275 To M-7767	Date:07/2024	PAGE:X3PLB-0630-00
CABLE & HARNESS - UNDER FLOOR		

Item#	Part	Description	QTY	Notes
81	5001527	SCREW CAP HEX M8-1.25x16 SS BK From H-7417	4	
82	5001848	WASHER BEL SPR .827 x .331 x .098 th SS From H-7417	4	
83	5001710	SCREW CAP HEX M6-1.0x55 SS From H-7417	3	
84	5001654	WASHER FL 6.4x17.0x3.0 SS From H-7417 To K-7632	AR	
84	5001341	WASHER FL 8.4x17.0x1.6 SS From K-7633	2	
85	504051	ATTACHMENT 3-WAY USE WITH CABLE TIE From H-7417	1	
86	509490	ATTACHMENT DOUBLE USE WITH CABLE TIE From H-7417	AR	
86	509894	TIE MOUNT HOLE 7.8MM From K-7633	AR	
NS	5001608	WASHER BEL SPR 6.2x15.0x0.7 G500 From H-7417	3	
NS	504187	CLAMP P SS PA 19.4-36 ID From M-7751	1	
87	5001932	NUT HEXF NYRT M6-1.0 G8.8 N500 From H-7417	3	
88	504013	TIE MOUNT / 1/4" X 1/4" I.D. From H-7417	2	
89	504379	RIVET POP DOME OE 3/16x1/4 SS From H-7417	2	
90	504189	CLAMP DOUBLE ASS / SPLIT BLOC / 22MM/19MM x 67MM POLYA From K-7633	2	
91	504728	PLATE RETAINER From K-7633	2	
92	5001983	NUT HEX NYRT M8-1.25 SS SS BK From K-7633	2	
93	5001185	SCREW CAP HEX M8-1.25x80 SS BK From K-7633	2	
94	504172	CLAMP SINGLE / 12.7MM x 33MM POLYA From K-7633	1	
95	502573	WASHER FL 6.4x12.5x1.6 SS From K-7633	1	
96	5001923	SCREW CAP HEX M6-1.0x45 SS BK From K-7633	1	
97	5001923	SCREW CAP HEX M6-1.0x45 SS BK From K-7633	1	
		C) WITH CUBRSIDE LAMP		
		GR) GREYHOUND OPTION		

CABLE & HARNESS - FRONT END INSTALLATION

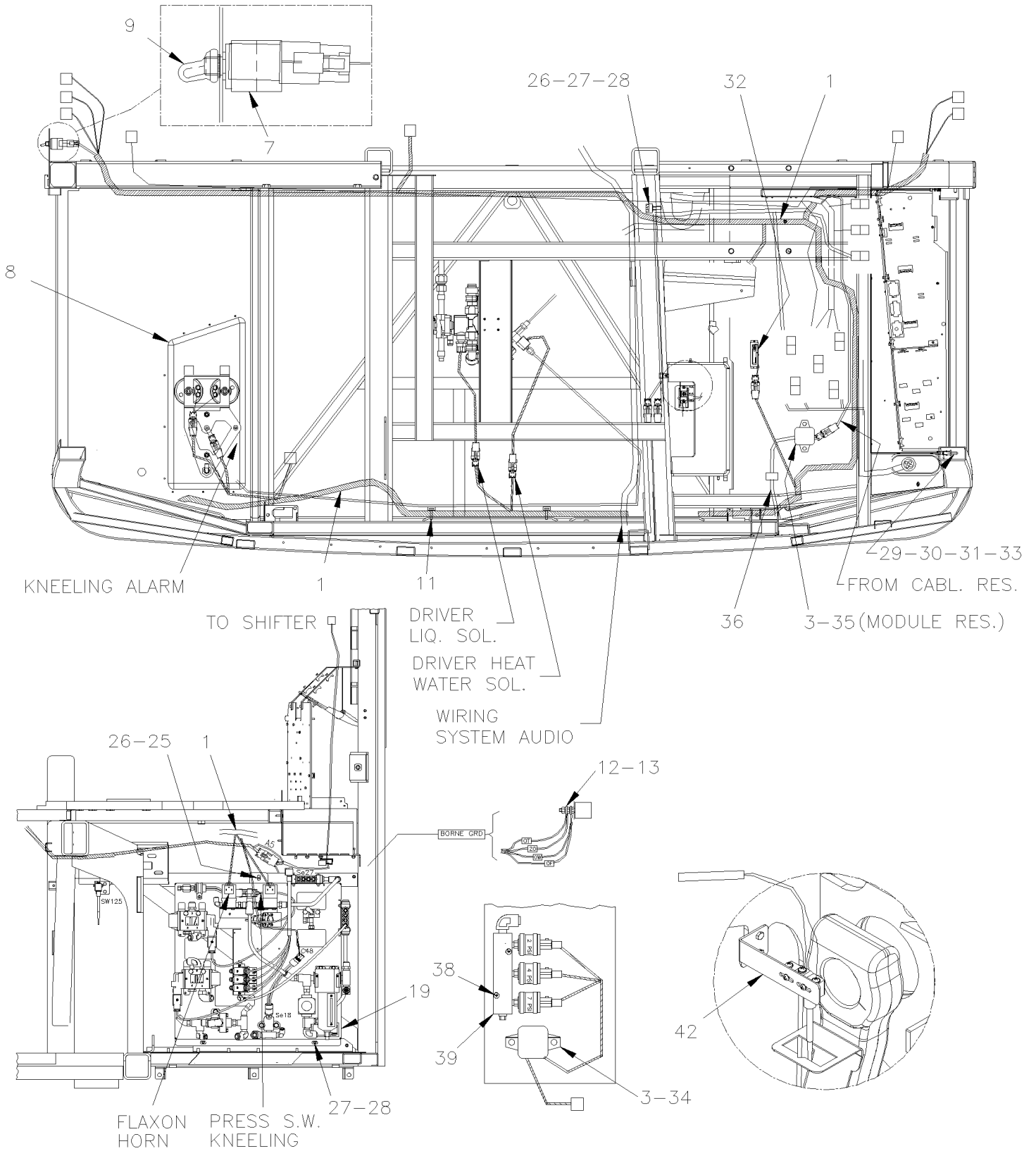


From G-7275 To M-7767

Date:07/2024

PAGE:X3PLB-0640-00

CABLE & HARNESS - FRONT END INSTALLATION



From G-7275 To M-7767	Date:07/2024	PAGE:X3PLB-0640-00
CABLE & HARNESS - FRONT END INSTALLATION		

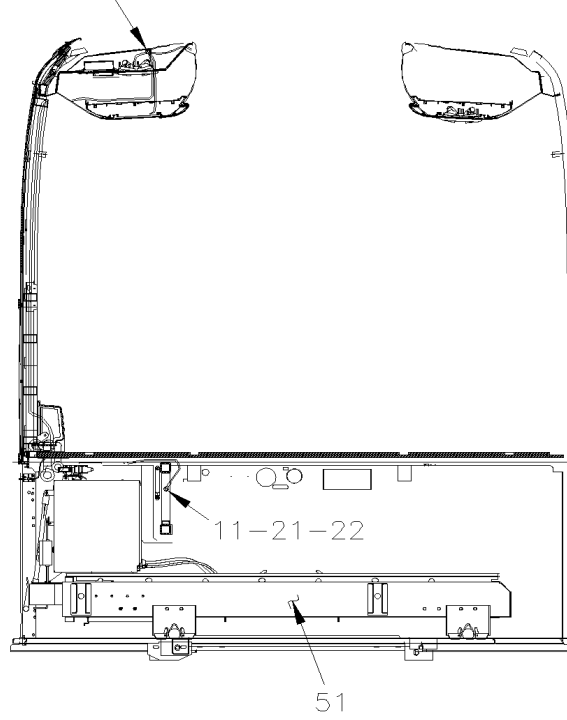
Item#	Part	Description	QTY	Notes
1	069274	CABLE ASSY / FRONT LOWER END To G-7309	1	
1	069567	CABLE ASSY / FRONT LOWER END From H-7310 To H-7416	1	
1	060543	CABLE ASSY / FRONT LOWER END From H-7417 To J-7442	1	
1	060878	CABLE ASSY / FRONT LOWER END From J-7443 To J-7447	1	
1	061435	CABLE ASSY / FRONT LOWER END From J-7448 To K-7662	1	
1	069976	CABLE ASSY / FRONT LOWER END From L-7663 To L-7686	1	
1	0610216	CABLE ASSY / FRONT LOWER END From L-7687 To M-7767	1	
1	0610487	CABLE ASSY / FRONT LOWER END From M-7768	1	
1	068202	HARNESS ENTRANCE DOOR SENSOR	1	
2	X3PLB-1802-00	ENTRANCE DOOR CONTROL		
3	500638	SCREW TP PAN PH #8x1/2 Z050	AR	
7	563047	SWITCH ASSY / WATERPROOF	1	
8	X3PLB-2310-00	HORN - INSTALLATION		
9	560241	RUBBER PROTECTOR, TOGGLE SWITCH	1	
11	504637	CABLE TIE / 3/16" x 13"	AR	
12	502565	NUT HEX M6-1.0 SS To K-7662	15	
12	5002028	NUT HEX NYRT M10-1.5 SS From L-7663	2	
13	502570	WASHER LO SPT 6.1x11.8x1.6 SS To K-7662	8	
13	5001935	WASHER FL 10.5x18.0x1.6 SS From L-7663	2	
17	069820	CONNECTOR JUMPER SE51, SEAT BELT ALARM From J-7484 To K-7618	1	
NS	509815	TIE MOUNT / ATTACHMENT W/TREE MOUNT	AR	
NS	8631155	CABLE TIE / 4.6MM x 200 / CHRISTMAS TREE	AR	
NS	504273	CABLE TIE / 1/8" X 3"1/2	AR	
19	X3PLB-1630-00	FRONT KNEELING - CONTROL PANEL		
20	5001454	SCREW MA BDG PH #4-40x1/2 SS	16	
21	562945	GASKET MOUNTING / HD10 SERIES / 3C / DEUTSCH HD10-3-GKT	2	
22	563096	GASKET MOUNTING / HD10 SERIES / 6C / DEUTSCH HD10-6-GKT	2	
23	062268	NUT, RING #11 / .940" I.D. W/4 4-40	2	
NS	561821	NUT, RING #17 & 20 / 1.500" I.D W/4 4-40 To M-7767	2	
NS	380135	PLATE CONNECTOR FIXATION From M-7768	1	
NS	5000339	SCREW MA PAN PH M3-0.5x20 SS From M-7768	4	
25	500942	WASHER LO SPT 8.1x14.8x2.0 N500	1	
26	502862	SCREW CAP HEX M8-1.25x20 G8.8 N500	1	
27	502573	WASHER FL 6.4x12.5x1.6 SS	2	
28	502854	NUT HEX M6-1.0 N500	2	
29	066638	SWITCH SUPPORT	1	
30	563464	SWITCH / S.P.S.T. / N.C. / W/RUBBER BOOT	1	
31	500834	WASHER LO INT .168x.340x.023 N500	2	
32	X3PLB-0665-10	SWITCHES, LIGHTS, AJAR - UNDER FLOOR	1	
33	502868	SCREW TC TR PH #10-16x1/2 N500	3	
34	562381	RESISTANCE MODULE	1	
35	562357	RESISTANCE MODULE	1	

From G-7275 To M-7767	Date:07/2024	PAGE:X3PLB-0640-00
CABLE & HARNESS - FRONT END INSTALLATION		

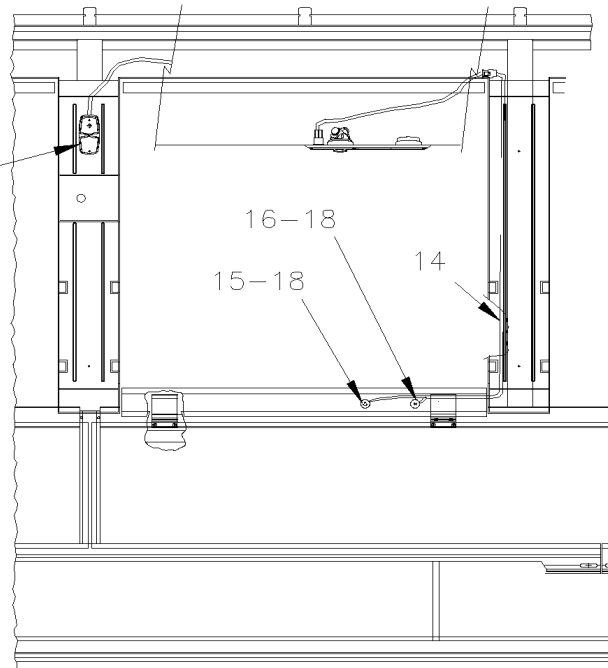
Item#	Part	Description	QTY	Notes
36	066210	CABLE ASSY / RESISTANCE MODULE & SWITCH / MUX	1	
37	952625	CLAMP / 3/8" I.D.	4	
38	500940	SCREW TP FL PH #10x2 Z050	2	
39	X3PLB-0750-00	AUTOMATIC TRANSMISSION - "WORLD" WITH VOLVO D13 To H-7416		
39	X3PLB-0750-01	AUTOMATIC TRANSMISSION - "WORLD" WITH VOLVO D13 - GHG17 From H-7417		
40	065209	PLATE, CLOSING	1	
40	5060120	GROMMET EDGING ADHESIVE .036-.062	AR	
41	504398	GROMMET / 1.000x1.375x.062x.437x1.750	1	
42	X3PLB-1650-00	TAG UNLOAD - STABILISATOR		
45	068405	SUPPORT / WIRING HARNESS To K-7662	1	
45	069860	SUPPORT / WIRING HARNESS From L-7663 To M-7767	1	
45	0610381	SUPPORT / WIRING HARNESS From M-7768	1	
NS	502573	WASHER FL 6.4x12.5x1.6 SS To K-7662	2	
45	5001935	WASHER FL 10.5x18.0x1.6 SS From L-7663	1	
NS	5001182	NUT HEX NYRT M6-1.0 SS To K-7662	2	
45	5002028	NUT HEX NYRT M10-1.5 SS From L-7663	1	
NS	380085	HOLDING PLATE From L-7663	1	
NS	502825	SCREW MA PAN PH M3-0.5x16 N500 From L-7663	4	
NS	502513	SCREW TP CAP HEX 5/16x1 Z050 From L-7663	2	
NS	500942	WASHER LO SPT 8.1x14.8x2.0 N500 From L-7663	2	
46	500965	SCREW TC BDG PH #8-32x1/2 N500	2	
47	509815	TIE MOUNT / ATTACHMENT W/TREE MOUNT	AR	
NS	504013	TIE MOUNT / 1/4" X 1/4" I.D. From L-7663	AR	
NS	504487	RIVET MGLP PRDG 3/16x7/16 SS From L-7663	AR	
NS	504016	CABLE TIE / 5/16" X 14"1/2 From L-7663	AR	
NS	504637	CABLE TIE / 3/16" x 13" From L-7663	AR	
61	563335	SENSOR THERMISTOR ASSY / OUTSIDE // PED 15416387	1	PWT
61	067399	CABLE EXTENSION SENSOR REAR OF HEADLAMP BEZEL	1	PWT
61	504065	GROMMET / .625x.875x.187x.437x1.125	1	PWT
61	680532	SEALANT SIKA #221 / GREY / 310ml CARTRIDGE	AR	PWT
61	504637	CABLE TIE / 3/16" x 13"	AR	PWT
61	068530	RESISTOR 100OHMS 10WATTS	1	PWT
61	564108	SELF MOUNTING STUD // DEUTSCH 1011-310-0205	1	PWT
61	500798	SCREW TP PAN PH #4-3/8 ZP	2	PWT
		PWT) WITH PWT OPTION		

CABLE & HARNESS - W.C.L.

13-12-8



33-32



From G-7275 To M-7767	Date:07/2024	PAGE:X3PLB-0640-80
CABLE & HARNESS - W.C.L.		

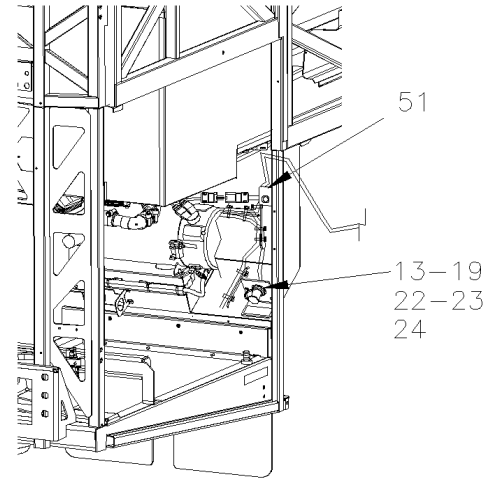
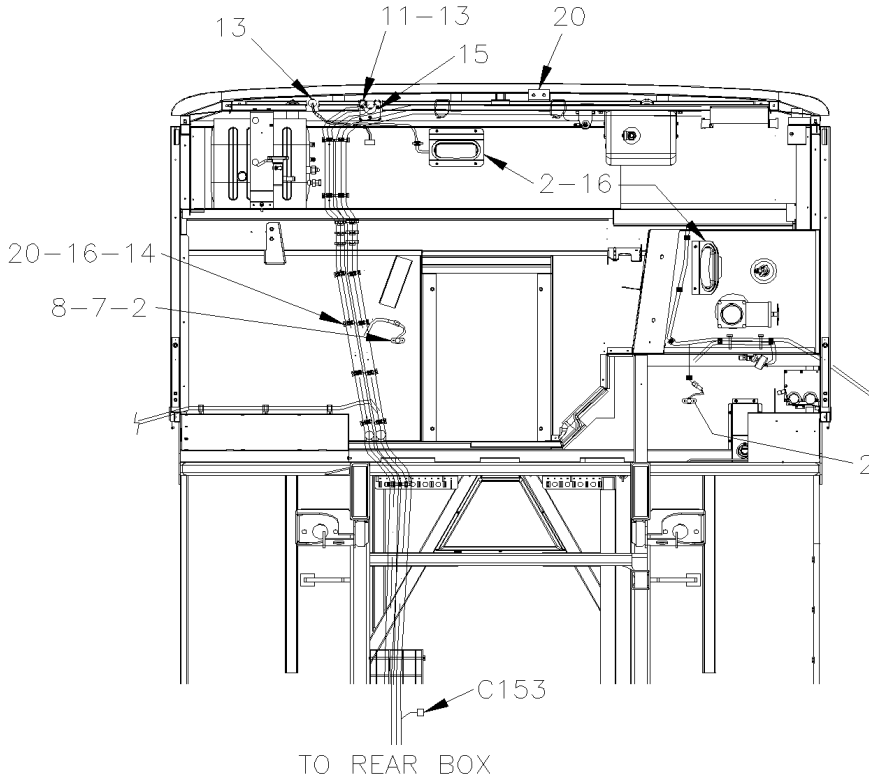
Item#	Part	Description	QTY	Notes
8	500654	SCREW TC BDG PH #8-32x1/2 Z050	5	
11	684013	RUBBER PROTECTOR / COLOR GUARD 14.5oz	1	
12	504637	CABLE TIE / 3/16" x 13"	5	
13	504013	TIE MOUNT / 1/4" X 1/4" I.D.	11	
14	069304	CABLE ASSY / TO L.H. WINDOW / W/W.C.L. To H-7416	1	
14	060310	CABLE ASSY / TO L.H. WINDOW / W/W.C.L. From H-7417 To K-7662	1	
14	069971	CABLE ASSY / TO L.H. WINDOW / W/W.C.L. From L-7663	1	
14	060983	HARNESS, WCL DISTINCT HOSTESS CHIME LH From H-7411	1	A
14	061002	HARNESS, WCL DISTINCT HOSTESS CHIME RH From H-7411	1	A
15	830159	SWITCH / OFF-M/ON / S.P.S.T. / CHIME	1	
16	830158	SWITCH / OFF-ON / S.P.S.T. / READING LIGHT	1	
18	409259	PROTECTOR SWITCH / CAP	2	
NS	288728	REINFORCMENT FOR SCREW PROTECTOR CAP	1	
NS	500814	SCREW TP BDG PH #6x3/4 BK To K-7662	4	
18	502530	SCREW MA OV PH M4-0.7x40 SS From L-7663 To L-7747	4	
18	5001694	SCREW MA PAN PH M4-0.7x40 SS BK From L-7748	4	
18	500589	NUT WELL M4-0.7x13.5 From L-7663	4	
18	401192	SPACER From L-7663	2	
21	500998	NUT HEX 1/2-13 BR	1	
22	500482	WASHER LO SPT .506x.873x.125 Z050	1	
32	066720	LAMP WCL TWS	1	
33	500443	SCREW TP PAN PH #8x1/2 N500	2	
NS	680044	SEALANT TAPE BUTYL / GREY / 1/8"x1/2"x25' / 71017F1760	AR	
50	X3PLB-1836-00	PARCEL RACK /WITH LEDS		
51	X3PLB-2380-00	W.C.L. "RICON" REMOVABLE MODEL "F9TF"		
52	X3PLB-1862-85	ENTRANCE DOOR SLIDING - INSTALLATION - W.C.L. To J-7494		
53	X3PLB-1862-86	ENTRANCE DOOR SLIDING - INSTALLATION - W.C.L. From J-7496		
		A) USE WITH HOSTESS CHIME DISTINCT GONG SOUND FOR WCL		

From G-7275 To M-7767

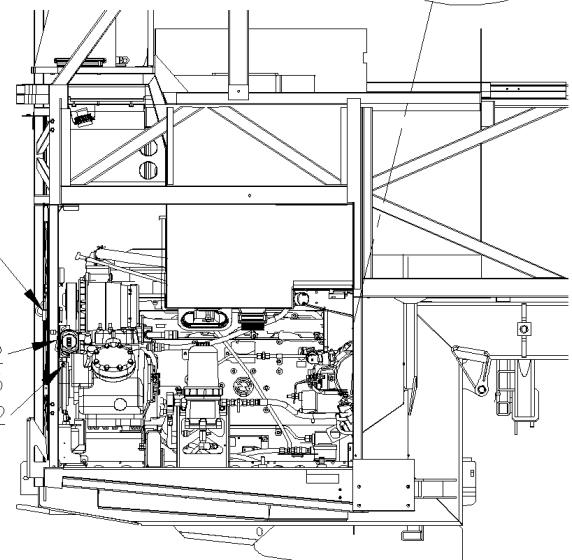
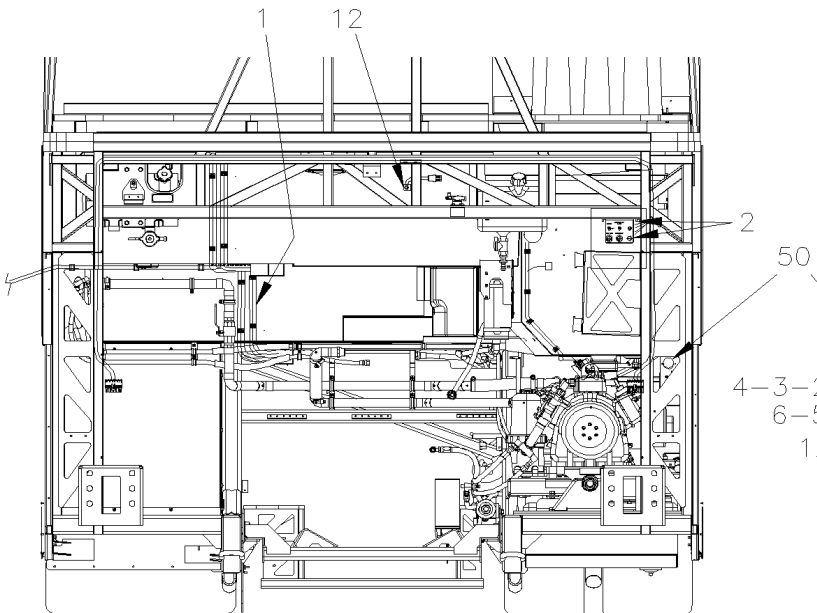
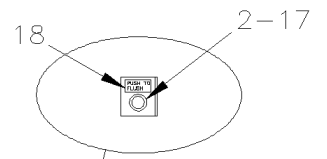
Date:07/2024

PAGE:X3PLB-0641-00

CABLE & HARNESS - REAR END INSTALLATION



WATER HEATER

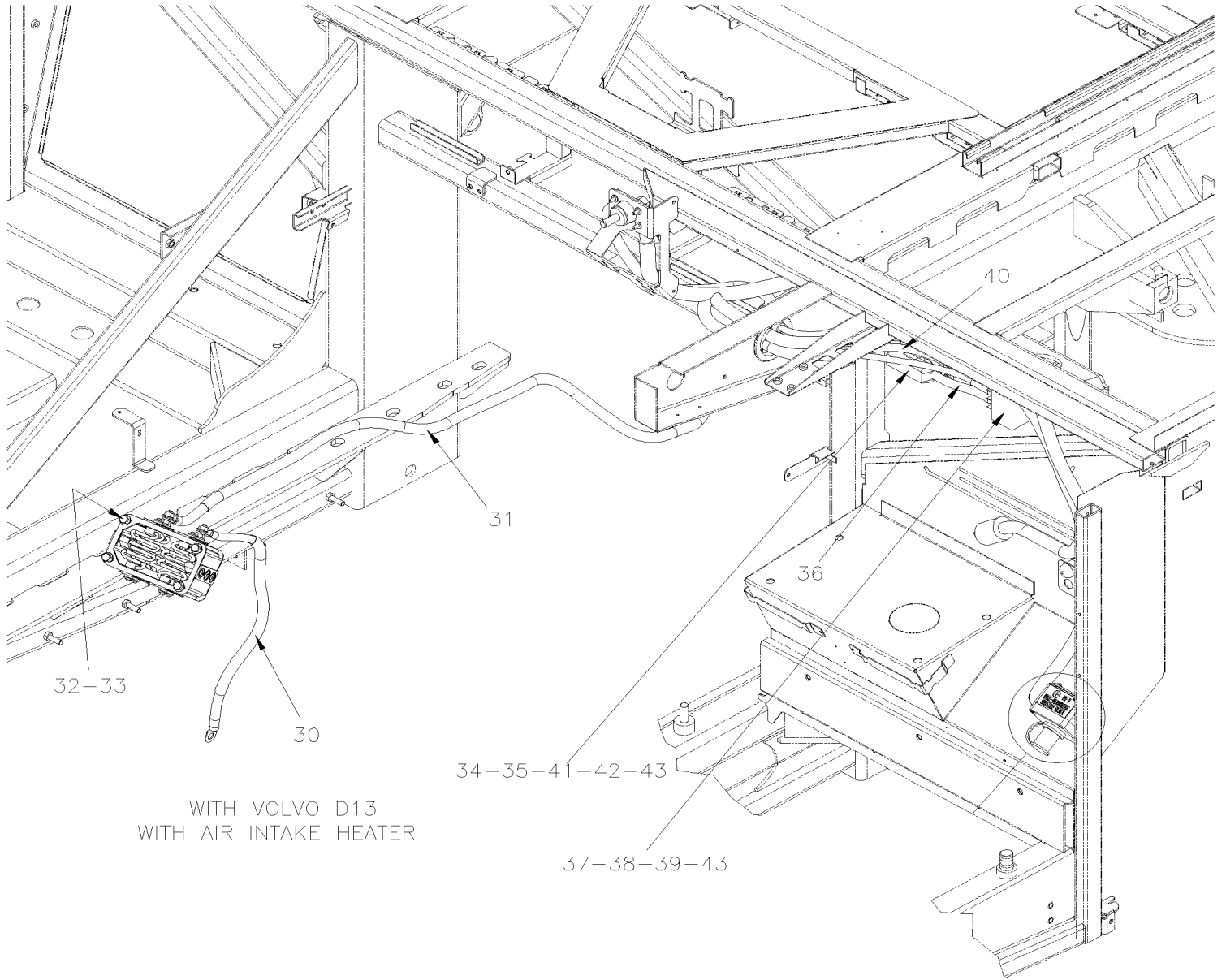


From G-7275 To M-7767

Date:07/2024

PAGE:X3PLB-0641-00

CABLE & HARNESS - REAR END INSTALLATION

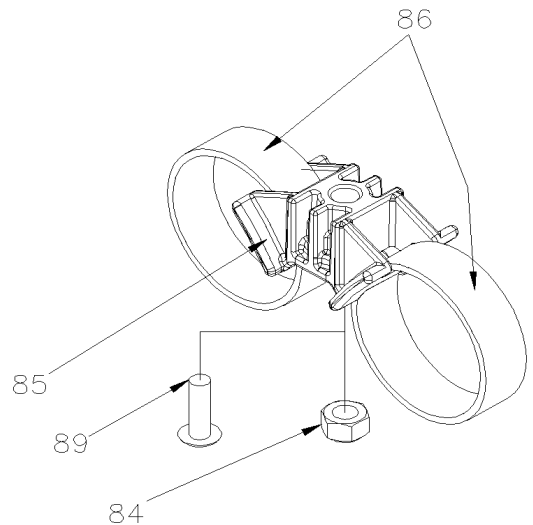
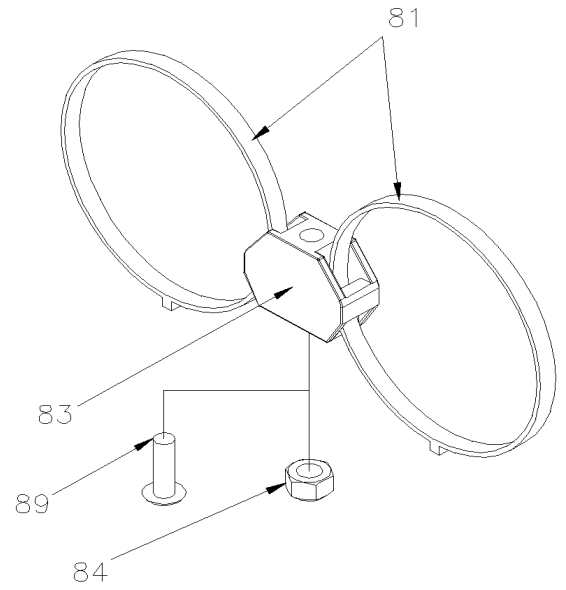
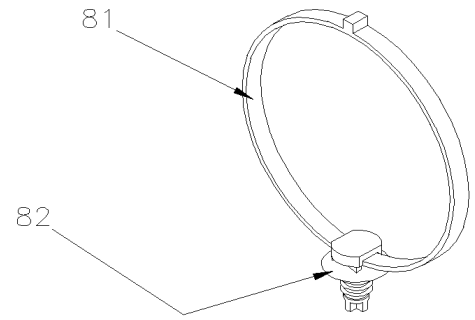
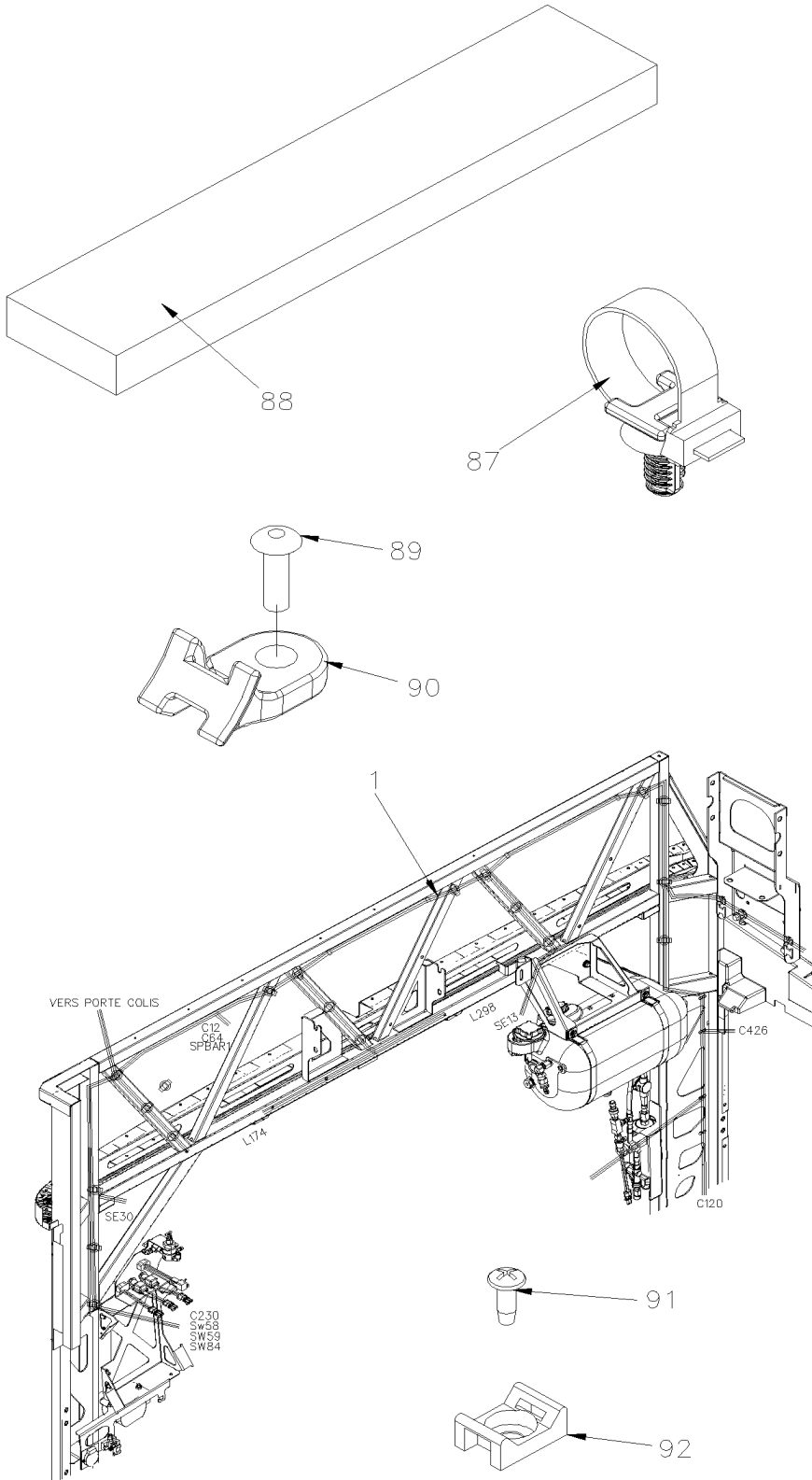


From G-7275 To M-7767

Date:07/2024

PAGE:X3PLB-0641-00

CABLE & HARNESS - REAR END INSTALLATION



From G-7275 To M-7767	Date:07/2024	PAGE:X3PLB-0641-00
CABLE & HARNESS - REAR END INSTALLATION		

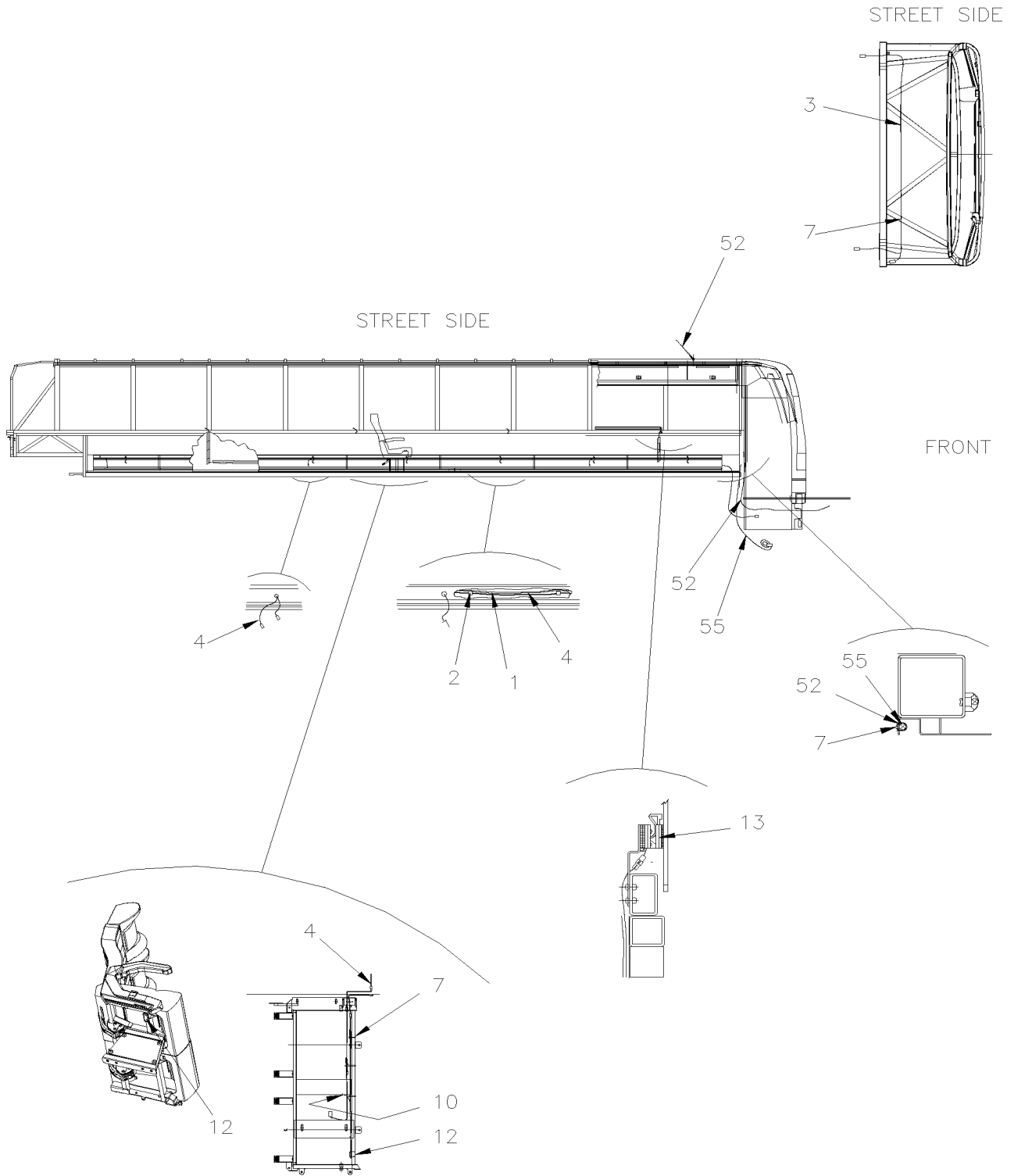
Item#	Part	Description	QTY	Notes
1	068879	CABLE HARNESS / ENGINE COMPT & ACCESSORIES To G-7309	1	
1	069571	CABLE HARNESS / ENGINE COMPT & ACCESSORIES From H-7310	1	
2	X3PLB-0665-10	SWITCHES, LIGHTS, AJAR - UNDER FLOOR		
3	563199	BACK-UP ALARM "ECCO" / 12-36vdc / 107db	1	
4	5001527	SCREW CAP HEX M8-1.25x16 SS BK	2	
5	966171	NUT HEX NYRT M8x1.25 SS	2	
6	5001448	WASHER FL .343x.875x.062 SS18-8	2	
7	065290	HEAT DETECTOR "THERMO-DISK"	3	
8	5001204	SCREW TP FL PH #6x1 1/4 Z050	6	
11	065236	CLOSING PLATE 80MM X 75.4MM	1	
12	065011	SWITCH PROXIMITY ASSY	2	
NS	562950	SWITCH PROXIMITY / S.P.D.T. / W/3 WIRES	1	
NS	561566	CONNECTOR / WEATHER PACK / PH 2C / BLACK / PED 12010973	1	
13	680532	SEALANT SIKA #221 / GREY / 310ml CARTRIDGE	AR	
14	504013	TIE MOUNT / 1/4" X 1/4" I.D.	AR	
NS	504637	CABLE TIE / 3/16" x 13"	AR	
NS	564542	TREE MOUNT CLIP FOR PED CONNECTOR From H-7310	2	
15	500244	SCREW TP BDG PH #8x3/4 N500	3	
16	500957	SCREW TP BDG PH #10x3/4 N500	40	
17	064554	SWITCH ASSY W/CONNECTOR	1	
18	065466	DECAL / LAVATORY PUMP FLUSH / ENGLISH & FRANCAIS	1	
18	067576	DECAL / LAVATORY PUMP FLUSH / ENGLISH & SPANISH	1	
18	066050	DECAL / LAVATORY PUMP FLUSH / ENGLISH & SPANISH	1	
19	561856	BOOSTER BLOCK, REMOTE / RED	1	
19	509945	WASHER FL 10.5x18.0x1.6 SS	1	
19	509946	NUT HEX NYRT 3/8-16 SS	1	
20	504016	CABLE TIE / 5/16" X 14"1/2	AR	
22	381210	SEPARATOR / FIBERGLASS RED	1	A
23	504118	RIVET POP DOME OE 3/16x3/8 AL	2	
24	067969	DECAL / "BOOSTER BLOCK" - GRD PICTOGRAM	1	
24	067968	DECAL / "BOOSTER BLOCK" + 24 PICTOGRAM	1	
24	382442	PLASTIC BOX 80.5x75.5x55	1	
25	066688	CABLE ASSY / FUEL PUMP PRIMER	1	
26	065297	CABLE ASSY / 110V BATTERIES CHARGER	1	
27	641462	PRESSURE SWITCH N.O. 4PSI / 1/4NPT W/10-32 / SL-5 BRAKE	1	
30	067283	CABLE HEATER ELEMENT RELAY	1	H
31	067102	CABLE NEG HEATER ELEMENT	1	H
32	500612	SCREW TP FL PH #8x1/2 ZP	2	H
33	5001161	WASHER LO SPT 8.1x14.8x2.0 SS-304	2	H
34	563750	FUSEHOLDER W/RED COVER / MEGA FUSE /	1	H
35	563751	FUSE / MEGA FUSE / 125 AMPS / GREEN	1	H
35	564174	FUSE / MEGA FUSE / 150 AMPS / ORANGE	1	H

From G-7275 To M-7767	Date:07/2024	PAGE:X3PLB-0641-00
-----------------------	--------------	--------------------

CABLE & HARNESS - REAR END INSTALLATION

Item#	Part	Description	QTY	Notes
36	067100	CABLE ASS FUSE & HEATER ELEMENT	1	H
37	563348	RELAY POWER 24V 200 AMPS / S.P.S.T. N.O.	1	H
. NS	5001182	. NUT HEX NYRT M6-1.0 SS	1	H
. NS	502573	. WASHER FL 6.4x12.5x1.6 SS	1	H
. NS	563409	. CONNECTOR / SUPERSEAL 1.5 SERIES / SH 2C / AMP 282080-1	1	H
. NS	562607	. SOCKET TERMINAL / 20-16 / AMP 183025-1	1	H
38	5001182	NUT HEX NYRT M6-1.0 SS	2	H
39	500855	WASHER FL .188x.438x.049 N500	2	H
40	067542	CABLE POWER HEATER ELEMENT	1	H
41	500035	WASHER LO SPT .317x.586x.078 SS	2	H
42	500615	NUT HEX M8-1.25 BR	2	H
43	502868	SCREW TC TR PH #10-16x1/2 N500	4	H
50	X3PLB-0666-00	BLOCK HEATER RECEPTACLE		
51	X3PLB-0670-10	BATTERIES CHARGER - INSTALLATION		
81	504637	CABLE TIE / 3/16" x 13"	AR	
81	504016	CABLE TIE / 5/16" X 14"1/2	AR	
82	509815	TIE MOUNT / ATTACHMENT W/TREE MOUNT	AR	
83	509492	CABLE TIE MOUNT FOR THREADED STUD 1/4	AR	
84	502681	NUT HEX NYRT M6-1.0 N500 G8	AR	
85	509490	ATTACHMENT DOUBLE USE WITH CABLE TIE	AR	
85	504610	RIVET MGLP PRDG 1/4x5/8 SS	AR	
86	509491	CABLE TIE / 13MM x 383MM	AR	
87	504750	CABLE TIE / 1/2" x 15" / CHRISTMAS TREE	AR	
88	371600	INSULATING PAD 76.2MM x 374.7MM	AR	
89	504610	RIVET MGLP PRDG 1/4x5/8 SS	AR	
90	507383	TIE MOUNT HOLE 3/8"	AR	
91	502868	SCREW TC TR PH #10-16x1/2 N500	AR	
92	504013	TIE MOUNT / 1/4" X 1/4" I.D.	AR	
		A) FOR PRODUCT IMPROVEMENT ASK KIT # 067700 TO PREVENT CORROSION OF TERMINAL CONECTOR		
		H) WITH D13 ENGINE WITH AIR INTAKE HEATER		

CABLE & HARNESS - CENTRAL SECTION INSTALLATION

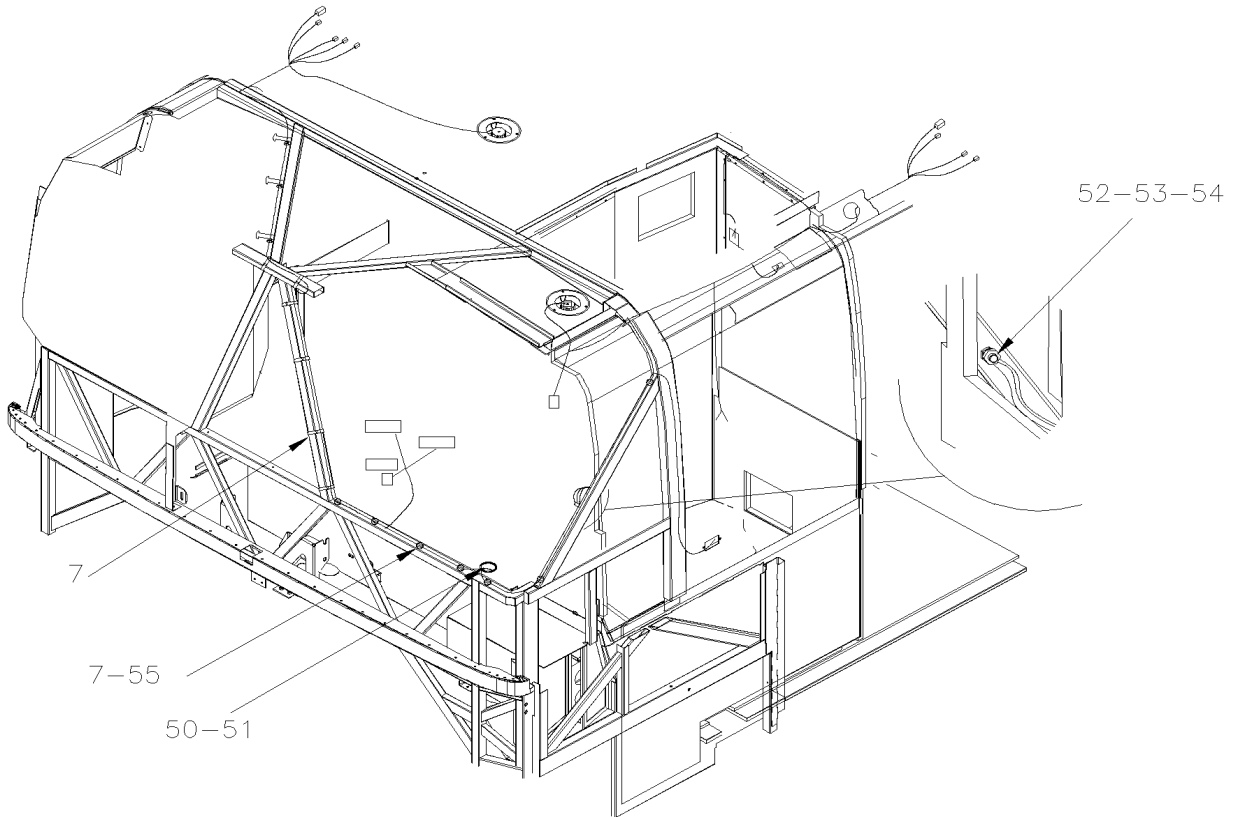
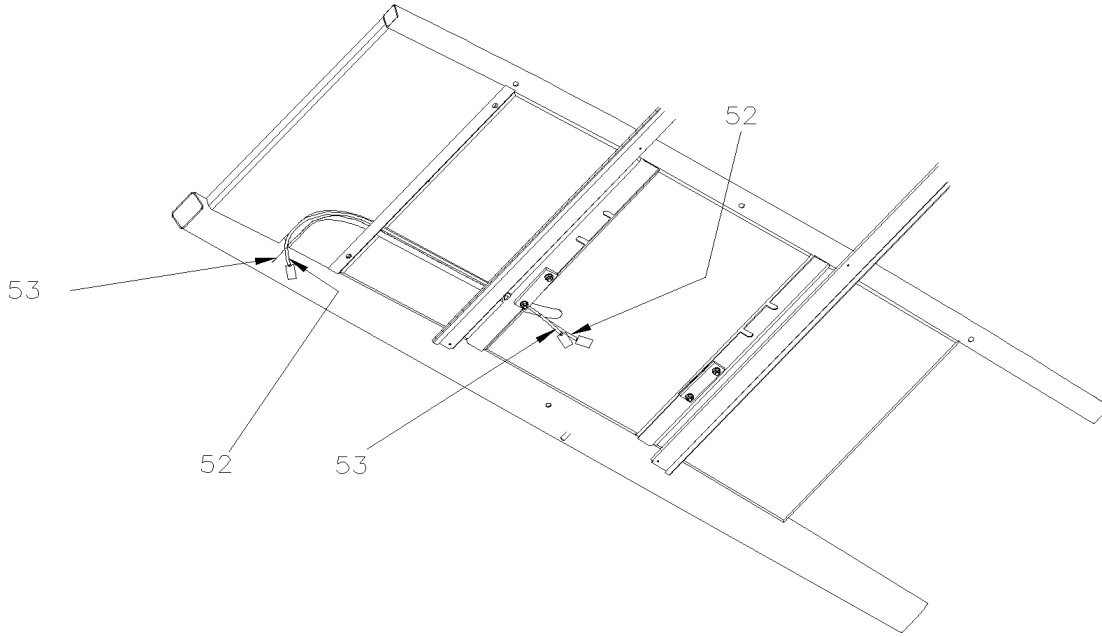


From G-7275 To M-7767

Date:07/2024

PAGE:X3PLB-0642-00

CABLE & HARNESS - CENTRAL SECTION INSTALLATION



From G-7275 To M-7767	Date:07/2024	PAGE:X3PLB-0642-00
-----------------------	--------------	--------------------

CABLE & HARNESS - CENTRAL SECTION INSTALLATION

Item#	Part	Description	QTY	Notes
1	568101	LAMP LED ASSY / BLUE ISOLATED GROUND From H-7417	7	
2	680453	SEALANT TAPE / CLEAR / 1/32"x1/2"x65' / 1795 From H-7417	1	
3	060084	CABLE WINDOW AJAR TO STREESIDE From H-7417 To K-7662	1	
4	060085	CABLE WINDOW AJAR TO CURBSIDE From H-7417 To K-7662	1	
7	504637	CABLE TIE / 3/16" x 13"	AR	
10	500657	SCREW TC TR PH #10-24x1/2 Z050	7	
12	568101	LAMP LED ASSY / BLUE ISOLATED GROUND	7	
13	500582	SCREW TP PAN PH #8x3/8 Z050	14	
NS	500240	WASHER LO EXT .195x.410x.025 Z050	14	
50	504079	PLUG BUTTON / 1.500 O.D. / NICKEL	1	
51	680532	SEALANT SIKA #221 / GREY / 310ml CARTRIDGE	0	
52	500958	WASHER FL .531x1.062x.095 SS	1	
53	502595	NUT HEX NYRT 1/2-13 Z050	1	
54	680324	SEALER, ELECTRICAL CONNECTION AEROSOL / 17.75 OZ	0	
55	509815	TIE MOUNT / ATTACHMENT W/TREE MOUNT	7	

From G-7275 To K-7542	Date:07/2024	PAGE:X3PLB-0645-00
SWITCHES L.H. CONSOLE - BUS		

Item#	Part	Description	QTY	Notes
1	572155	SHIFTER, SELECTOR "WORLD" / GEN V	1	
1	071587	SHIFTER SELECTOR "I-SHIFT"	1	
1	071562	DECAL / USE ELECTRONIC...PROXI...MAY CAUSE... / ENGLISH	1	I ZF
1	071563	DECAL / USE ELECTRONIC...PROXI...MAY CAUSE... / FRENCH / ENGLISH	1	I ZF
1	071564	DECAL / USE ELECTRONIC...PROXI...MAY CAUSE... / ENGLISH / SPANISH	1	I ZF
NS	406174	SUNLIGHT DEFLECTOR	1	
NS	500423	NUT HEX NYRT #10-32 SS	2	
1	069275	WIRING HARNESS DASHBOARD LEFT MODULE To H-7416	1	
1	069345	WIRING HARNESS DASHBOARD LEFT MODULE To H-7416	1	GR
1	060544	WIRING HARNESS DASHBOARD LEFT MODULE From H-7417	1	
2	561491	LIGHTER ASSY / 12V	1	
2	562943	. POP OUT 12V	1	
NS	562944	. BASE LIGHTER	1	
3	890006	ASHTRAY	1	
4	X3PLB-1806-10	L.H. CONSOLE - BUS		
5	562748	SWITCH, MIRROR / ROUND	AR	
5		CLIP RETAINER / MIRROR SWITCH (R2000-1372P)	2	
NS	562749	CONNECTOR / SH 8C / EURAMTEC W-RT8-200	2	
NS	507295	HOLE PLUG BUTTON / 1.375 O.D. BLACK	AR	
5	562799	DUMMY PLUG MIRROR	AR	
6	871250	TIMER ASSY / W/"WEBASTO" PREHEATER To H-7401	1	
NS	19511692	. BULB To H-7401	1	
6	871464	TIMER ASSY / W/"SPHEROS" PREHEATER From H-7402 To K-7607	1	
6	870070	TIMER ASSY / W/"HYDRONIC L30" PREHEATER From K-7608	1	
6	871101	TIMER ASSY / W/"PROHEAT" PREHEATER	1	
NS	066217	WIRING HARNESS / W/ "WEBASTO" PREHEATER / W/MUX To H-7416	1	
6	060557	WIRING HARNESS TIMER PREHEATER From H-7417	1	
NS	065392	WIRING HARNESS / W/ "PROHEAT" PREHEATER	1	
6	392162	SUPPORT W/"PROHEAT" TIMER	1	
6	060016	WIRING HARNESS / W/ "PROHEAT" PREHEATER From H-7417	1	
NS	391968	DUMMY / W/O TIMER	1	
7	X3PLB-2315-00	SOUND SYSTEM & ACCESSORIES		
9	562796	12 VOLTS POWER OUTLET	1	
10	562697	SWITCH / ON-ON / D.P.D.T. / CH-OVER / W/RED & GREEN LED	AR	
11	562698	SWITCH / OFF-M/ON / D.P.S.T. / W/GREEN LED	AR	
12	562699	SWITCH / M/ON-OFF-M/ON / D.P.D.T. / W/GREEN LED	AR	
13	562773	SWITCH / "DUMMY" / PLUG	AR	
14	563725	SWITCH / ON- M/ON / D.P.D.T. / W/RED LED	1	
16	563012	SWITCH / ON-ON / D.P.D.T. / CH-OVER / W/GREEN LED	1	
17	564079	SWITCH / M/OFF-OFF-M/ON	1	
NS	562763	CONNECTOR RH 10C / SWITCH / NGR 28-5637-2	AR	
NS	562768	SOCKET TERMINAL / 16-14 / PED 12015870	AR	

From G-7275 To K-7542	Date:07/2024	PAGE:X3PLB-0645-00
SWITCHES L.H. CONSOLE - BUS		

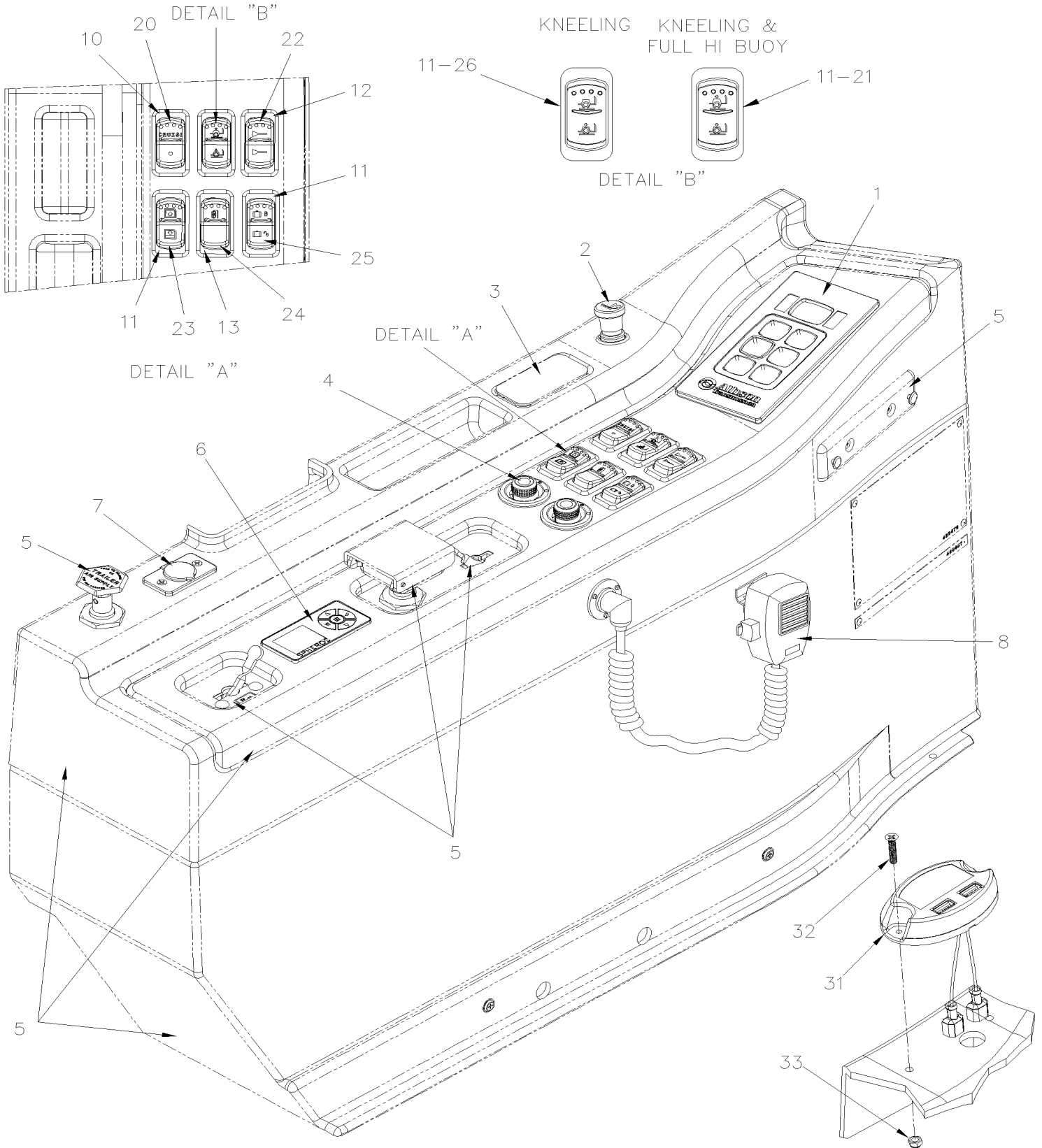
Item#	Part	Description	QTY	Notes
20	562724	CAP / CRUISE CONTROL	1	
22	564081	CAP / HORN SELECTOR - ELEC / AIR	1	
23	562740	CAP / WINDOW DRIVER'S	1	
25	562714	CAP / PLAIN (W/O DESCRIPTION)	AR	B
26	562737	CAP / KNEELING	1	
27	562713	CAP / MIRROR HEATER	1	
28	562736	CAP / LUGGAGE DOOR LOCK	1	
29	562738	CAP / UP-DOWN	1	
50	X3PLB-2320-35	FIRE PROTECTION SYSTEM BUS INSTALLATION / 3RD BAGGAGE COMPARTMENT		
		B) WITH SAFETY SWITCH PARKING BRAKE		
		GR) GREYHOUND OPTION		
		I) WITH "I SHIFT" SHIFTER		
		ZF) WITH "ZF" SHIFTER		

From K-7543 To M-7767

Date:07/2024

PAGE:X3PLB-0645-01

SWITCHES L.H. CONSOLE - BUS



From K-7543 To M-7767	Date:07/2024	PAGE:X3PLB-0645-01
SWITCHES L.H. CONSOLE - BUS		

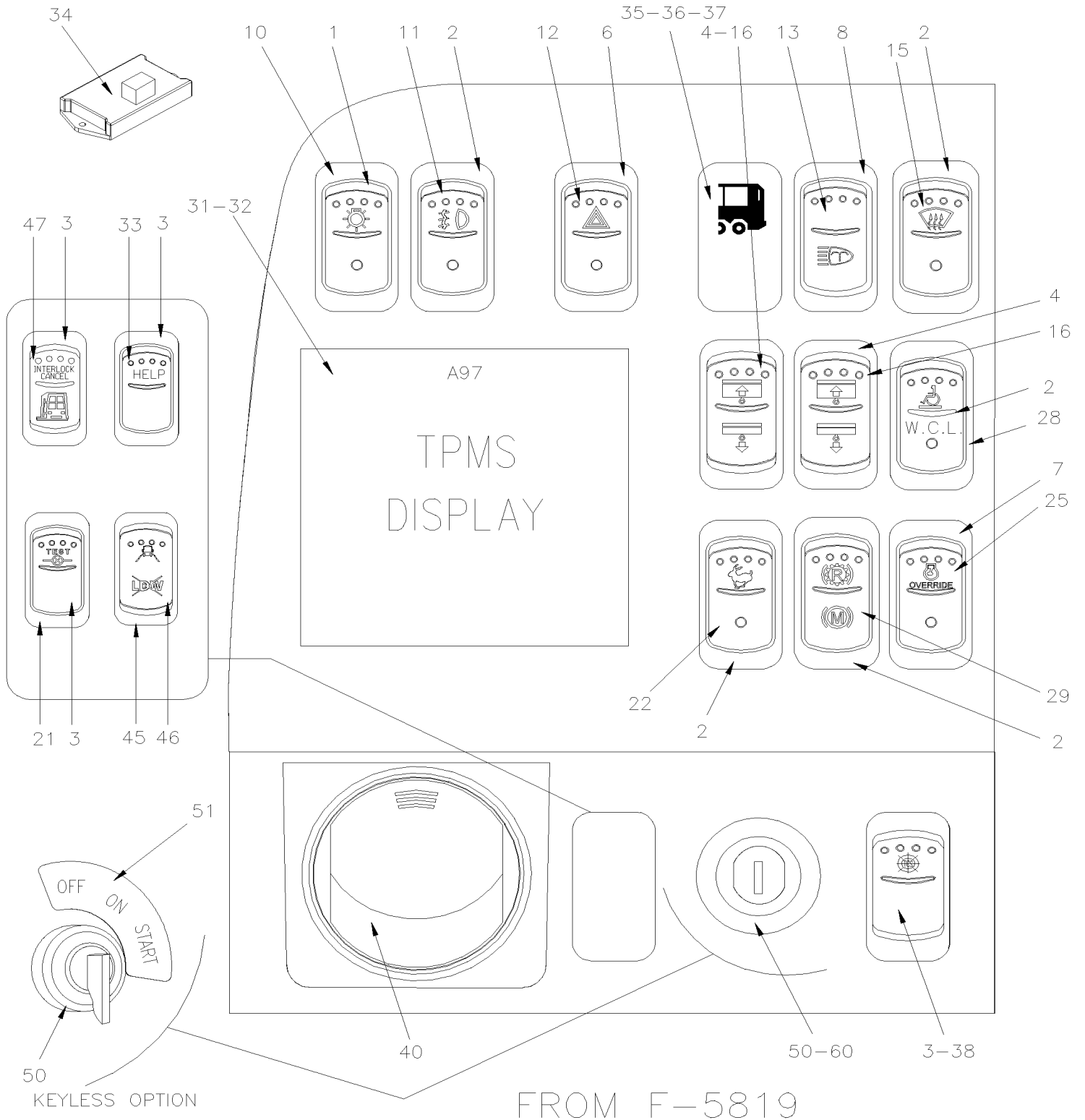
Item#	Part	Description	QTY	Notes
1	570052	SHIFTER, SELECTOR "WORLD" / GEN V To N-8007	1	
1	570134	SHIFTER, SELECTOR "WORLD" / GEN VI From P-8008	1	
1	071587	SHIFTER SELECTOR "I-SHIFT"	1	
2	561491	LIGHTER ASSY / 12V To P-8073	1	
3	890006	ASHTRAY To P-8073	1	
4	562748	SWITCH, MIRROR / ROUND	2	
NS	562799	DUMMY PLUG MIRROR	2	
5	X3PLB-1806-11	L.H. CONSOLE - BUS		
5	060544	WIRING HARNESS DASHBOARD LEFT MODULE To M-7725	1	
5	0610411	WIRING HARNESS DASHBOARD LEFT MODULE From M-7726	1	
6	871464	TIMER ASSY / W/"SPHEROS" PREHEATER To K-7620	1	
6	870070	TIMER ASSY / W/"HYDRONIC L30" PREHEATER From K-7621	1	
6	060557	WIRING HARNESS TIMER PREHEATER	1	
6	871101	TIMER ASSY / W/"PROHEAT" PREHEATER	1	
6	392162	SUPPORT W/"PROHEAT" TIMER	1	
6	060016	WIRING HARNESS / W/ "PROHEAT" PREHEATER	1	
NS	391968	DUMMY / W/O TIMER	1	
7	562796	12 VOLTS POWER OUTLET	1	
8	X3PLB-2315-01	SOUND SYSTEM & ACCESSORIES W/HHD		
10	562697	SWITCH / ON-ON / D.P.D.T. / CH-OVER / W/RED & GREEN LED	1	
11	562699	SWITCH / M/ON-OFF-M/ON / D.P.D.T. / W/GREEN LED	AR	
12	563012	SWITCH / ON-ON / D.P.D.T. / CH-OVER / W/GREEN LED	1	
13	564079	SWITCH / M/OFF-OFF-M/ON	1	
20	562724	CAP / CRUISE CONTROL	1	
21	562738	CAP / UP-DOWN	1	
22	564081	CAP / HORN SELECTOR - ELEC / AIR	1	
23	562740	CAP / WINDOW DRIVER'S	1	
24	562713	CAP / MIRROR HEATER	1	
25	562736	CAP / LUGGAGE DOOR LOCK	1	
26	562737	CAP / KNEELING	1	
NS	562773	SWITCH / "DUMMY" / PLUG	1	
31	560466	MODULE USB DUAL PORT	1	
NS	563622	BUTT SPLICE / 22-18 / RED / W/THERMORETRAC / PANDUIT BSH18-Q	2	
NS	564099	TAPE ADHESIF ELECTRICAL TISSUS / BLACK 838MM	AR	
32	5001411	SCREW MA FL PH M4-0.7x20 BK	2	
33	500539	NUT HEX NYRT M4-0.7 N500	2	

From G-7275 To K-7542

Date:07/2024

PAGE:X3PLB-0645-10

L.H. DASHBOARD PANEL

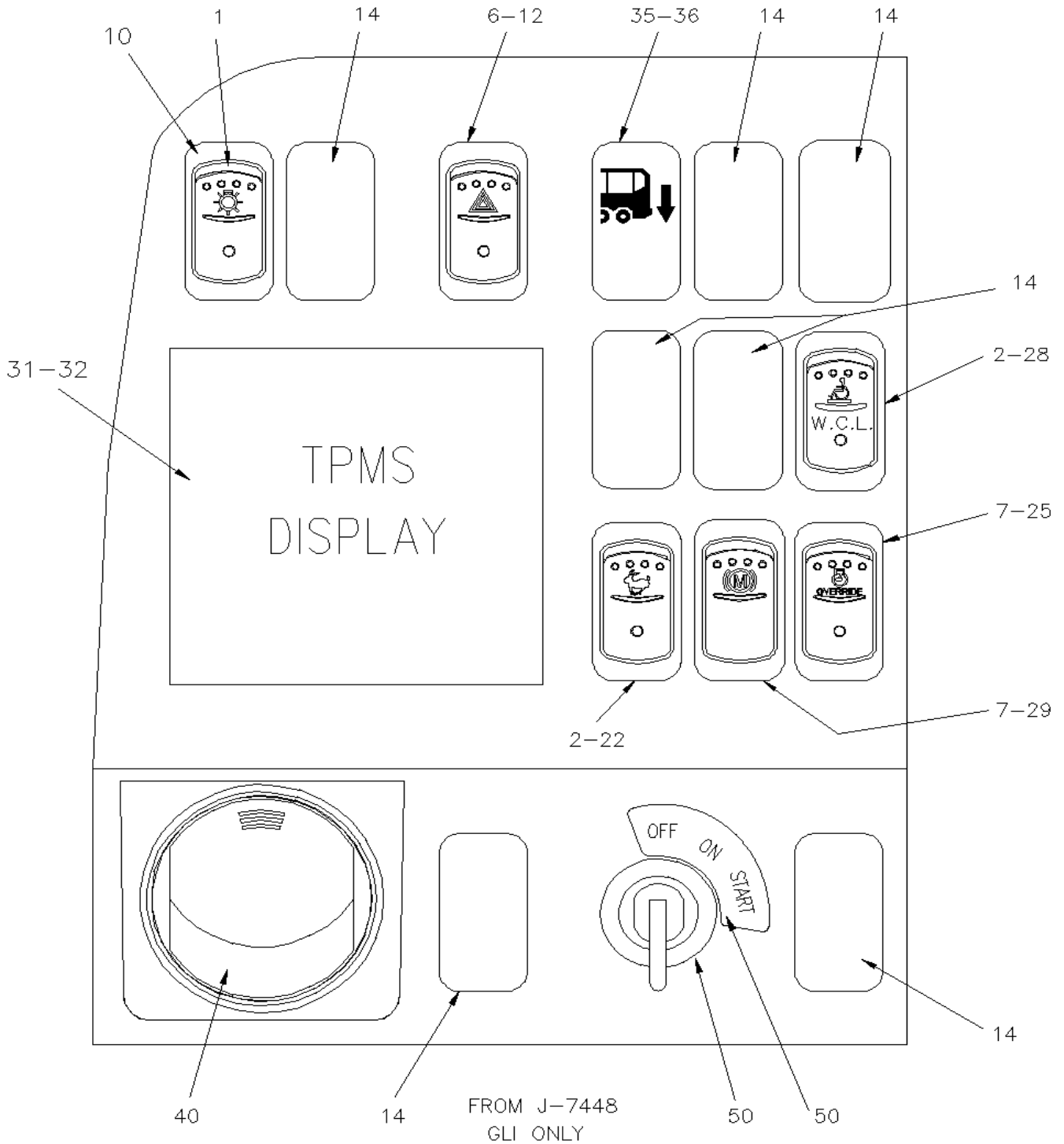


From G-7275 To K-7542

Date:07/2024

PAGE:X3PLB-0645-10

L.H. DASHBOARD PANEL



From G-7275 To K-7542	Date:07/2024	PAGE:X3PLB-0645-10
-----------------------	--------------	--------------------

L.H. DASHBOARD PANEL

Item#	Part	Description	QTY	Notes
1	562696	SWITCH / OFF-ON-ON SERIES S.P.D.T. / W/RED & GREEN LED	AR	
2	562697	SWITCH / ON-ON / D.P.D.T. / CH-OVER / W/RED & GREEN LED	AR	
3	562698	SWITCH / OFF-M/ON / D.P.S.T. / W/GREEN LED	AR	
4	562699	SWITCH / M/ON-OFF-M/ON / D.P.D.T. / W/GREEN LED	AR	
5	562700	SWITCH / ON-OFF-ON / D.P.D.T. / W/GREEN LED	AR	
6	562854	SWITCH / ON-ON / D.P.D.T. / CH-OVER / W/RED LED	AR	
7	562855	SWITCH / OFF-M/ON / D.P.S.T. / W/RED LED	AR	
8	564008	SWITCH / OFF-M/ON / S.P.S.T. / W/GREEN LED	AR	
NS	562773	SWITCH / "DUMMY" / PLUG	AR	
NS	562763	CONNECTOR RH 10C / SWITCH / NGR 28-5637-2	AR	
NS	562768	SOCKET TERMINAL / 16-14 / PED 12015870	AR	
10	562708	CAP / HEADLIGHT	1	
11	562709	CAP / FOG	1	
12	562710	CAP / WARNING LIGHT HAZARD	1	
13	564006	CAP / HEADLAMP WASHER	1	
14	562773	SWITCH / "DUMMY" / PLUG	AR	
15	562712	CAP / DEFOGGER	1	
16	562739	CAP / ROLLER BLIND	2	
21	562741	CAP / TELL TALE TEST	1	
22	562723	CAP / FAST IDLE	1	
25	562727	CAP / ENGINE OVERRIDE	1	
28	562774	CAP / W.C.L.	1	
29	564082	CAP / "JACOB'S" & RETARDER"	AR	
29	564146	CAP / "JACOB'S"	AR	I
29	562698	SWITCH / OFF-M/ON / D.P.S.T. / W/GREEN LED	1	G
29	564146	CAP / "JACOB'S"	1	G
31	565912	SCREEN MONITOR TIRE To J-7502	1	
31	560561	SCREEN MONITOR TIRE From J-7503	1	
32	564084	PLATE TPMS / FIXED AT CENTRAL BOARD	1	
32	564086	PLATE REAR TPMS ON CENTRAL BOARD	1	
NS	564085	PLATE W/OUT TPMS ON CENTRAL BOARD	1	
NS	5001690	SCREW TC M5	5	
33	562714	CAP / PLAIN (W/O DESCRIPTION)	1	C
33	565923	CAP / HELP !	1	
34	560008	GATEWAY LIN BUS INTERFACE	1	B
35	565882	LIGHT SWITCH / LOAD MONITORING	1	GR
36	565961	BASE INDICATOR AMBER LED	1	GR
37	069165	HARNESS, LIGHT LOAD SENSOR	1	GR
37	068354	HARNESS, LIGHT LOAD SENSOR REAR AXLE To H-7416	1	GR
37	060211	HARNESS, LIGHT LOAD SENSOR REAR AXLE From H-7417	1	GR
38	564147	CAP / TCS	1	
39	563012	SWITCH / ON-ON / D.P.D.T. / CH-OVER / W/GREEN LED	1	

From G-7275 To K-7542	Date:07/2024	PAGE:X3PLB-0645-10
-----------------------	--------------	--------------------

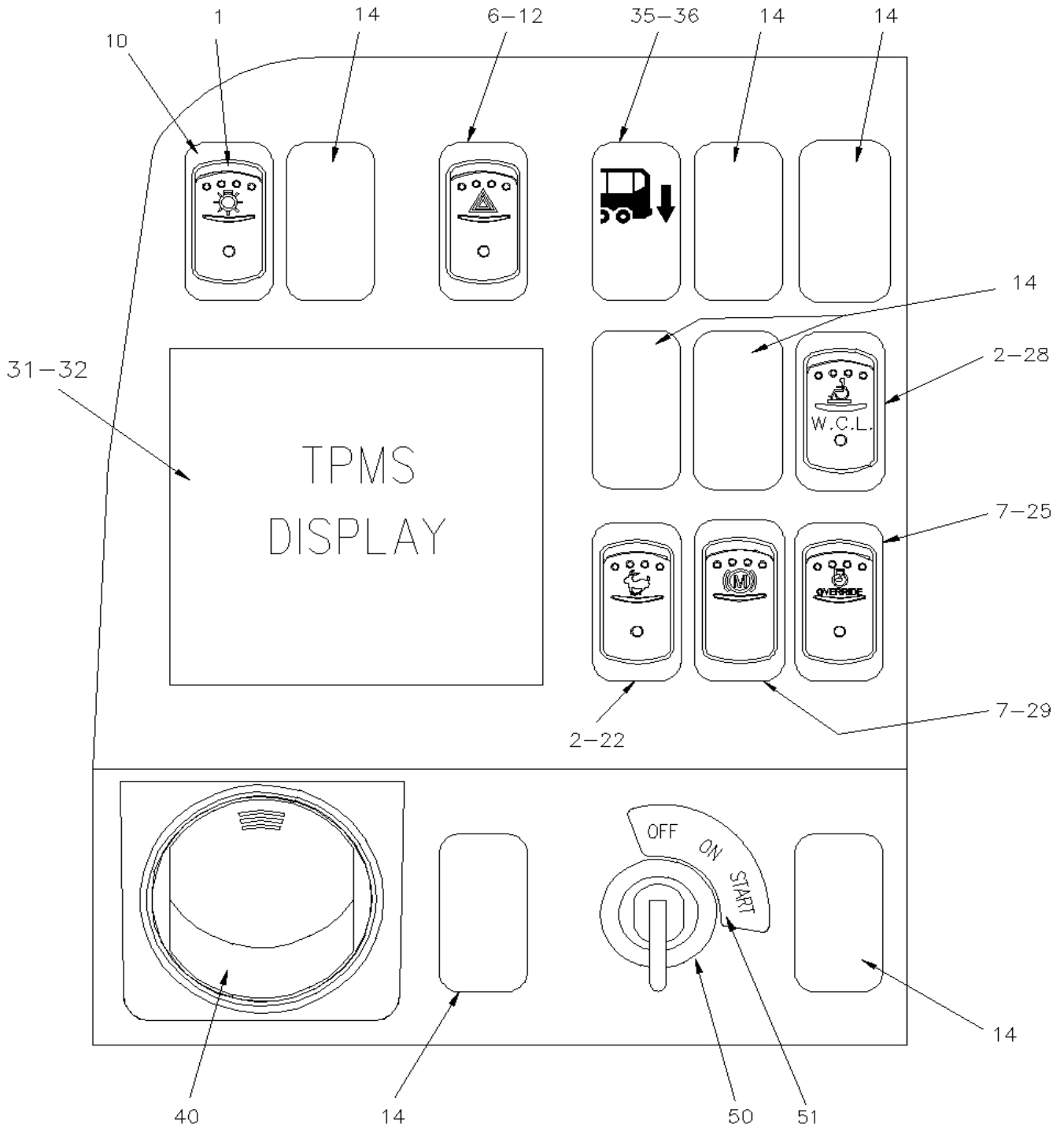
L.H. DASHBOARD PANEL

Item#	Part	Description	QTY	Notes
40	871314	LOUVER, ADJUSTABLE / ROUND 2 5/8" O.D.	1	
45	565890	SWITCH / M/OFF-OFF-M/ON / W/AMBER LED From £-12080	1	
46	565891	CAP / LDW From £-12080	1	
47	563825	CAP / INTERLOCK	1	F
50	562147	SWITCH, IGNITION / CODE 801	1	
. NS	780003	. KEY, IGNITION SWITCH CODE 801	1	
50	562148	SWITCH, IGNITION / CODE 802	1	
. NS	780004	. KEY, IGNITION SWITCH CODE 802	1	
50	562151	SWITCH, IGNITION / CODE 803	1	
. NS	780006	. KEY, IGNITION SWITCH CODE 803	1	
50	562150	SWITCH, IGNITION / CODE 804	1	
. NS	780007	. KEY, IGNITION SWITCH CODE 804	1	
50	562152	SWITCH, IGNITION / CODE 805	1	
. NS	780008	. KEY, IGNITION SWITCH CODE 805	1	
50	562149	SWITCH, IGNITION / CODE 806	1	
. NS	780009	. KEY, IGNITION SWITCH CODE 806	1	
50	562146	SWITCH, IGNITION / KEYLESS (ACC-OFF-IGN-START)	1	
50	562296	KEY / IGNITION BLANCK UNCUT	AR	
50	565888	SWITCH, IGNITION / KEYLESS (OFF-IGN-START) From J-7448	1	GR
51	068589	DECAL (OFF-IGN-START) From J-7448	1	GR
		NEXT ITEMS USED WITH "FORD" IGNITION SWITCH		
60	065512	CYLINDER IGNITION / CODE FA 0000	1	A
60	065658	CYLINDER IGNITION / CODE FA 0001	1	A
NS	064902	CYLINDER IGNITION / CODE FA 0013	1	A
60	065590	CYLINDER IGNITION / CODE FA 0055	1	A
60	065409	CYLINDER IGNITION / CODE FA 0107	1	A
60	065851	CYLINDER IGNITION / CODE FA 0109	1	A
60	065396	CYLINDER IGNITION / CODE FA 0113	1	A
60	068344	CYLINDER IGNITION / CODE FA 0150	1	A
60	065397	CYLINDER IGNITION / CODE FA 0206	1	A
60	065878	CYLINDER IGNITION / CODE FA 0208	1	A
60	061022	CYLINDER IGNITION / CODE FA 0231	1	A
60	064417	CYLINDER IGNITION / CODE FA 0528	1	A
60	065043	CYLINDER IGNITION / CODE FA 0528	1	A
60	067194	CYLINDER IGNITION / CODE FA 0692	1	A
60	065500	CYLINDER IGNITION / CODE FA 0704	1	A
60	065607	CYLINDER IGNITION / CODE FA 0714	1	A
60	069458	CYLINDER IGNITION / CODE FA 0726	1	A
60	065501	CYLINDER IGNITION / CODE FA 1343	1	A
60	067937	CYLINDER IGNITION / CODE FA 1509	1	A

From G-7275 To K-7542	Date:07/2024	PAGE:X3PLB-0645-10
L.H. DASHBOARD PANEL		

Item#	Part	Description	QTY	Notes
60	564566	SWITCH	1	A
60	561626	TAB RECEPTACLE TERMINAL INSUL. NYLON / 22 / AMP 2-520264-4	4	A
NS	562655	NUT / TO FIX SWITCH	1	A
NS	391904	SPACER / SWITCH & MOUNTING PLATE	1	A
NS	064419	CABLE ASSY / RELAY AND SWITCH	1	A
NS	563332	RELAY 24V S.P.D.T. W/RESISTOR / "VOLVO" (20374662)	1	A
61	780645	KEY CODE A	1	A
61	780654	KEY CODE / FA 0001	1	A
61	780604	KEY CODE / FA 0013	1	A
61	780651	KEY CODE / FA 0055	1	A
61	780634	KEY CODE / FA 0107	1	A
61	780656	KEY CODE / FA 0109	1	A
61	780627	KEY CODE / FA 0113	1	A
61	780631	KEY CODE / FA 0206	1	A
61	780659	KEY CODE / FA 0208	1	A
61	780579	KEY CODE / FA 0528	1	A
61	780632	KEY CODE / FA 0692	1	A
61	780639	KEY CODE / FA 0704	1	A
61	780608	KEY CODE / FA 0714	1	A
61	780644	KEY CODE / FA 1343	1	A
61	780798	KEY CODE / FA 0726	1	A
61	780020	KEY CODE / FA 0231	1	A
71	068452	CABLE ASSY / ANTI-THEF	1	O
		A) THOSE ITEMS ARE USED WITH "FORD" IGNITION KEY. SEE DIAGRAM D060950 FOR MORE INFORMATION		
		B) THIS INTERFACE IS LOCATED INSIDE OF DASH		
		C) WITH EMERGENCY SWITCH "HELP"		
		F) WITH BY FOLD DOOR OPTION		
		G) WITH ENGINE BRAKE WITH AUTOMATIQUE TRANSMISSION WITHOUT RETARDER		
		GR) WITH "GREYHOUND" OPTION		
		I) WITH I-SHIFT TRANSMISSION		
		O) WITH ORLEAN OPTION		

From K-7543 To M-7767	Date:07/2024	PAGE:X3PLB-0645-11
L.H. DASHBOARD PANEL		



From K-7543 To M-7767	Date:07/2024	PAGE:X3PLB-0645-11
L.H. DASHBOARD PANEL		

Item#	Part	Description	QTY	Notes
1	562696	SWITCH / OFF-ON-ON SERIES S.P.D.T. / W/RED & GREEN LED	AR	
2	562697	SWITCH / ON-ON / D.P.D.T. / CH-OVER / W/RED & GREEN LED	AR	
3	562698	SWITCH / OFF-M/ON / D.P.S.T. / W/GREEN LED	AR	
4	562699	SWITCH / M/ON-OFF-M/ON / D.P.D.T. / W/GREEN LED	AR	
5	562700	SWITCH / ON-OFF-ON / D.P.D.T. / W/GREEN LED	AR	
6	562854	SWITCH / ON-ON / D.P.D.T. / CH-OVER / W/RED LED	AR	
7	562855	SWITCH / OFF-M/ON / D.P.S.T. / W/RED LED	AR	
8	564008	SWITCH / OFF-M/ON / S.P.S.T. / W/GREEN LED	AR	
NS	562773	SWITCH / "DUMMY" / PLUG	AR	
NS	562763	CONNECTOR RH 10C / SWITCH / NGR 28-5637-2	AR	
NS	562768	SOCKET TERMINAL / 16-14 / PED 12015870	AR	
10	562708	CAP / HEADLIGHT	1	
11	562709	CAP / FOG	1	
12	562710	CAP / WARNING LIGHT HAZARD	1	
13	564006	CAP / HEADLAMP WASHER	1	
14	562773	SWITCH / "DUMMY" / PLUG	AR	
15	562712	CAP / DEFOGGER	1	
16	562739	CAP / ROLLER BLIND	2	
21	562741	CAP / TELL TALE TEST	1	
22	562723	CAP / FAST IDLE	1	
25	562727	CAP / ENGINE OVERRIDE	1	
28	562774	CAP / W.C.L.	1	
29	564082	CAP / "JACOB'S" & RETARDER"	AR	
29	564146	CAP / "JACOB'S"	AR	I
29	562698	SWITCH / OFF-M/ON / D.P.S.T. / W/GREEN LED	1	G
29	564146	CAP / "JACOB'S"	1	G
NS	560467	SKIM MODULE	1	
NS	5002069	SCREW MA PAN PH M5-0.8x30 Z050	2	
NS	502701	WASHER FL .172x.750x.031	2	
NS	5002042	NUT HEX NYRT M5-0.8 Z050	2	
31	560561	SCREEN MONITOR TIRE	1	
32	564084	PLATE TPMS / FIXED AT CENTRAL BOARD	1	
32	564086	PLATE REAR TPMS ON CENTRAL BOARD	1	
NS	564085	PLATE W/OUT TPMS ON CENTRAL BOARD	1	
NS	5001690	SCREW TC M5	AR	
NS	390088	LOCK FOR TPMS PLATE	AR	
NS	5001401	SCREW MA CHE PH M4-0.7x8 ZP	AR	
NS	5002032	WASHER LO EXT 4.3x8.0x0.5 Z050	AR	
32	564085	PLATE W/OUT TPMS ON CENTRAL BOARD From K-7608	1	
32	0610073	TPMS LITE ADAPTER From K-7608	1	
33	562714	CAP / PLAIN (W/O DESCRIPTION)	1	C
33	565923	CAP / HELP !	1	

From K-7543 To M-7767	Date:07/2024	PAGE:X3PLB-0645-11
L.H. DASHBOARD PANEL		

Item#	Part	Description	QTY	Notes
NS	069955	WIRING HARNESS EMERGENCY DESTINATION SIGN To L-7662	1	
NS	069944	WIRING HARNESS EMERGENCY DESTINATION SIGN From L-7663	1	
NS	504637	CABLE TIE / 3/16" x 13" From L-7663	AR	
34	560008	GATEWAY LIN BUS INTERFACE	1	B
NS	5001398	SCREW MA CHE PH M3-0.5x10 SS	1	
NS	5001970	WASHER FL 3.2x9.0x1.0 ZP	2	
NS	5001408	NUT HEX STO M3-0.5 ZP	1	
35	565882	LIGHT SWITCH / LOAD MONITORING	1	GR
36	565961	BASE INDICATOR AMBER LED	1	GR
37	069165	HARNESS, LIGHT LOAD SENSOR	1	GR
37	060211	HARNESS, LIGHT LOAD SENSOR REAR AXLE	1	GR
38	564147	CAP / TCS	1	
39	563012	SWITCH / ON-ON / D.P.D.T. / CH-OVER / W/GREEN LED	1	
40	871314	LOUVER, ADJUSTABLE / ROUND 2 5/8" O.D.	1	
45	562698	SWITCH / OFF-M/ON / D.P.S.T. / W/GREEN LED From M-7768	1	H
46	563883	CAP / LDW From M-7768	1	H
47	563825	CAP / INTERLOCK	1	F
50	562147	SWITCH, IGNITION / CODE 801	1	
NS	780003	. KEY, IGNITION SWITCH CODE 801	1	
50	562148	SWITCH, IGNITION / CODE 802	1	
NS	780004	. KEY, IGNITION SWITCH CODE 802	1	
50	562151	SWITCH, IGNITION / CODE 803	1	
NS	780006	. KEY, IGNITION SWITCH CODE 803	1	
50	562150	SWITCH, IGNITION / CODE 804	1	
NS	780007	. KEY, IGNITION SWITCH CODE 804	1	
50	562152	SWITCH, IGNITION / CODE 805	1	
NS	780008	. KEY, IGNITION SWITCH CODE 805	1	
50	562149	SWITCH, IGNITION / CODE 806	1	
NS	780009	. KEY, IGNITION SWITCH CODE 806	1	
50	562146	SWITCH, IGNITION / KEYLESS (ACC-OFF-IGN-START)	1	
50	562296	KEY / IGNITION BLANCK UNCUT	AR	
50	565888	SWITCH, IGNITION / KEYLESS (OFF-IGN-START)	1	GR
51	068589	DECAL (OFF-IGN-START)	1	GR
		NEXT ITEMS USED WITH "FORD" IGNITION SWITCH		
60	065512	CYLINDER IGNITION / CODE FA 0000	1	A
60	065658	CYLINDER IGNITION / CODE FA 0001	1	A
NS	064902	CYLINDER IGNITION / CODE FA 0013	1	A
60	065590	CYLINDER IGNITION / CODE FA 0055	1	A
60	065409	CYLINDER IGNITION / CODE FA 0107	1	A
60	065851	CYLINDER IGNITION / CODE FA 0109	1	A

From K-7543 To M-7767	Date:07/2024	PAGE:X3PLB-0645-11
L.H. DASHBOARD PANEL		

Item#	Part	Description	QTY	Notes
60	065396	CYLINDER IGNITION / CODE FA 0113	1	A
60	068344	CYLINDER IGNITION / CODE FA 0150	1	A
60	065397	CYLINDER IGNITION / CODE FA 0206	1	A
60	065878	CYLINDER IGNITION / CODE FA 0208	1	A
60	061022	CYLINDER IGNITION / CODE FA 0231	1	A
60	064417	CYLINDER IGNITION / CODE FA 0528	1	A
60	065043	CYLINDER IGNITION / CODE FA 0528	1	A
60	067194	CYLINDER IGNITION / CODE FA 0692	1	A
60	065500	CYLINDER IGNITION / CODE FA 0704	1	A
60	065607	CYLINDER IGNITION / CODE FA 0714	1	A
60	069458	CYLINDER IGNITION / CODE FA 0726	1	A
60	065501	CYLINDER IGNITION / CODE FA 1343	1	A
60	067937	CYLINDER IGNITION / CODE FA 1509	1	A
60	564566	SWITCH	1	A
60	561626	TAB RECEPTACLE TERMINAL INSUL. NYLON / 22 / AMP 2-520264-4	4	A
NS	562655	NUT / TO FIX SWITCH	1	A
NS	391904	SPACER / SWITCH & MOUNTING PLATE	1	A
NS	064419	CABLE ASSY / RELAY AND SWITCH	1	A
NS	563332	RELAY 24V S.P.D.T. W/RESISTOR / "VOLVO" (20374662)	1	A
61	780645	KEY CODE A	1	A
61	780654	KEY CODE / FA 0001	1	A
61	780604	KEY CODE / FA 0013	1	A
61	780651	KEY CODE / FA 0055	1	A
61	780634	KEY CODE / FA 0107	1	A
61	780656	KEY CODE / FA 0109	1	A
61	780627	KEY CODE / FA 0113	1	A
61	780631	KEY CODE / FA 0206	1	A
61	780659	KEY CODE / FA 0208	1	A
61	780579	KEY CODE / FA 0528	1	A
61	780632	KEY CODE / FA 0692	1	A
61	780639	KEY CODE / FA 0704	1	A
61	780608	KEY CODE / FA 0714	1	A
61	780644	KEY CODE / FA 1343	1	A
61	780798	KEY CODE / FA 0726	1	A
61	780020	KEY CODE / FA 0231	1	A
		A) THOSE ITEMS ARE USED WITH "FORD" IGNITION KEY. SEE DIAGRAM D060950 FOR MORE INFORMATION		
		B) THIS INTERFACE IS LOCATED INSIDE OF DASH		
		C) WITH EMERGENCY SWITCH "HELP"		
		F) WITH BI-FOLD DOOR OPTION		

From K-7543 To M-7767		Date:07/2024	PAGE:X3PLB-0645-11
-----------------------	--	--------------	--------------------

L.H. DASHBOARD PANEL

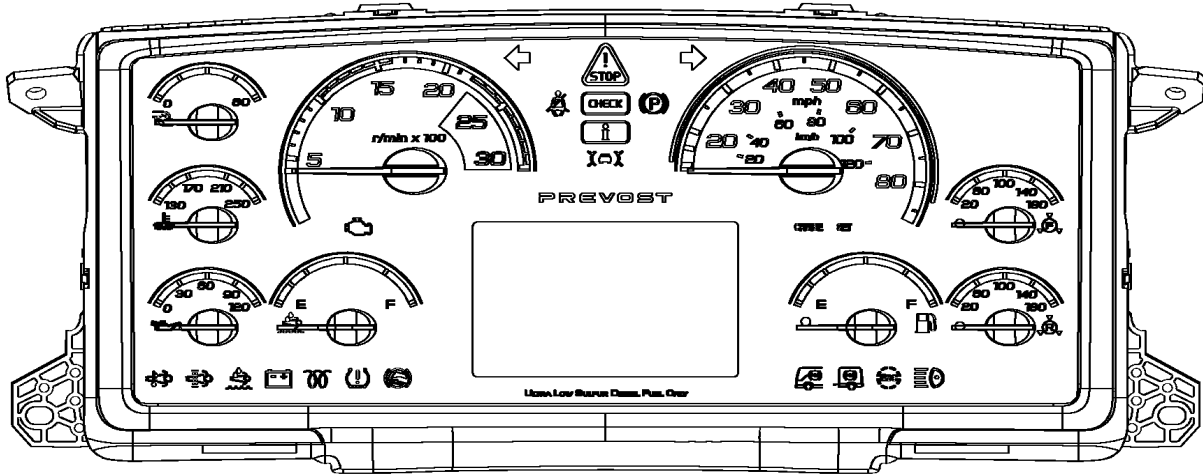
Item#	Part	Description	QTY	Notes
		G) WITH ENGINE BRAKE WITH AUTOMATIQUE TRANSMISSION WITHOUT RETARDER		
		GR) WITH "GREYHOUND" OPTION		
		H) USE WITH "PREVOST DRIVER ASSIST"		
		I) WITH I-SHIFT TRANSMISSION		

From G-7275 To M-7767

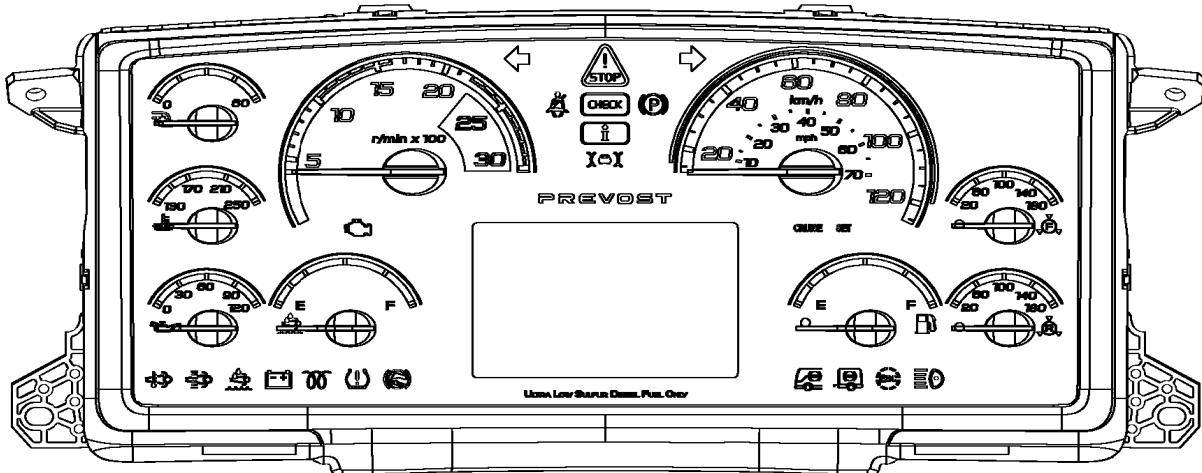
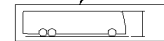
Date:07/2024

PAGE:X3PLB-0645-20

CENTER DASHBOARD PANEL



31

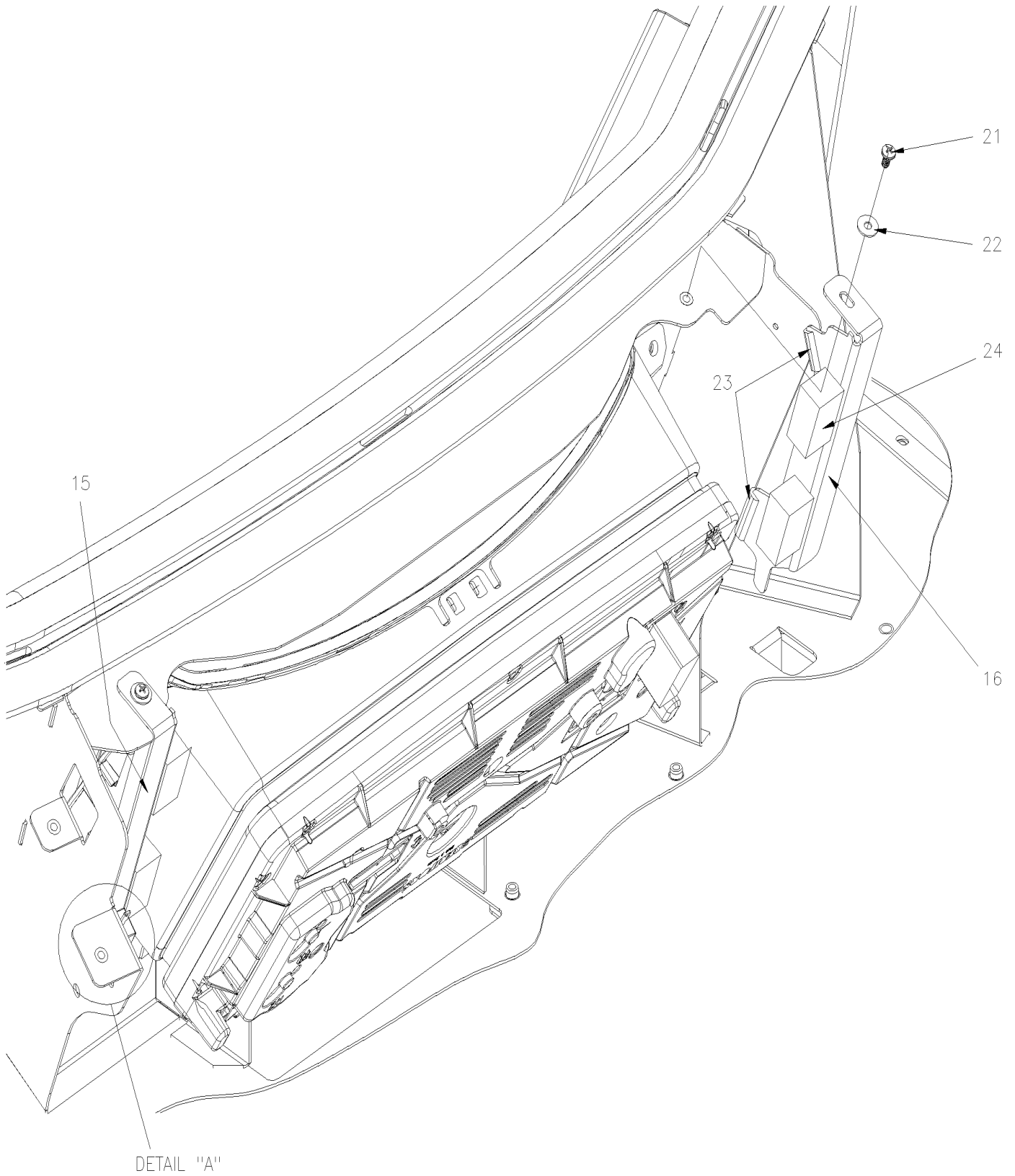


From G-7275 To M-7767

Date:07/2024

PAGE:X3PLB-0645-20

CENTER DASHBOARD PANEL



From G-7275 To M-7767	Date:07/2024	PAGE:X3PLB-0645-20
CENTER DASHBOARD PANEL		

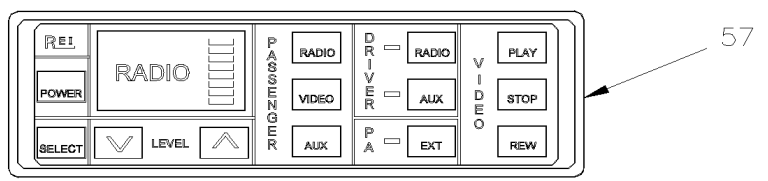
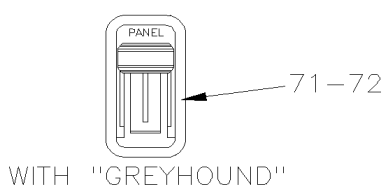
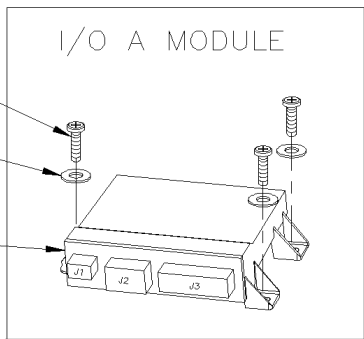
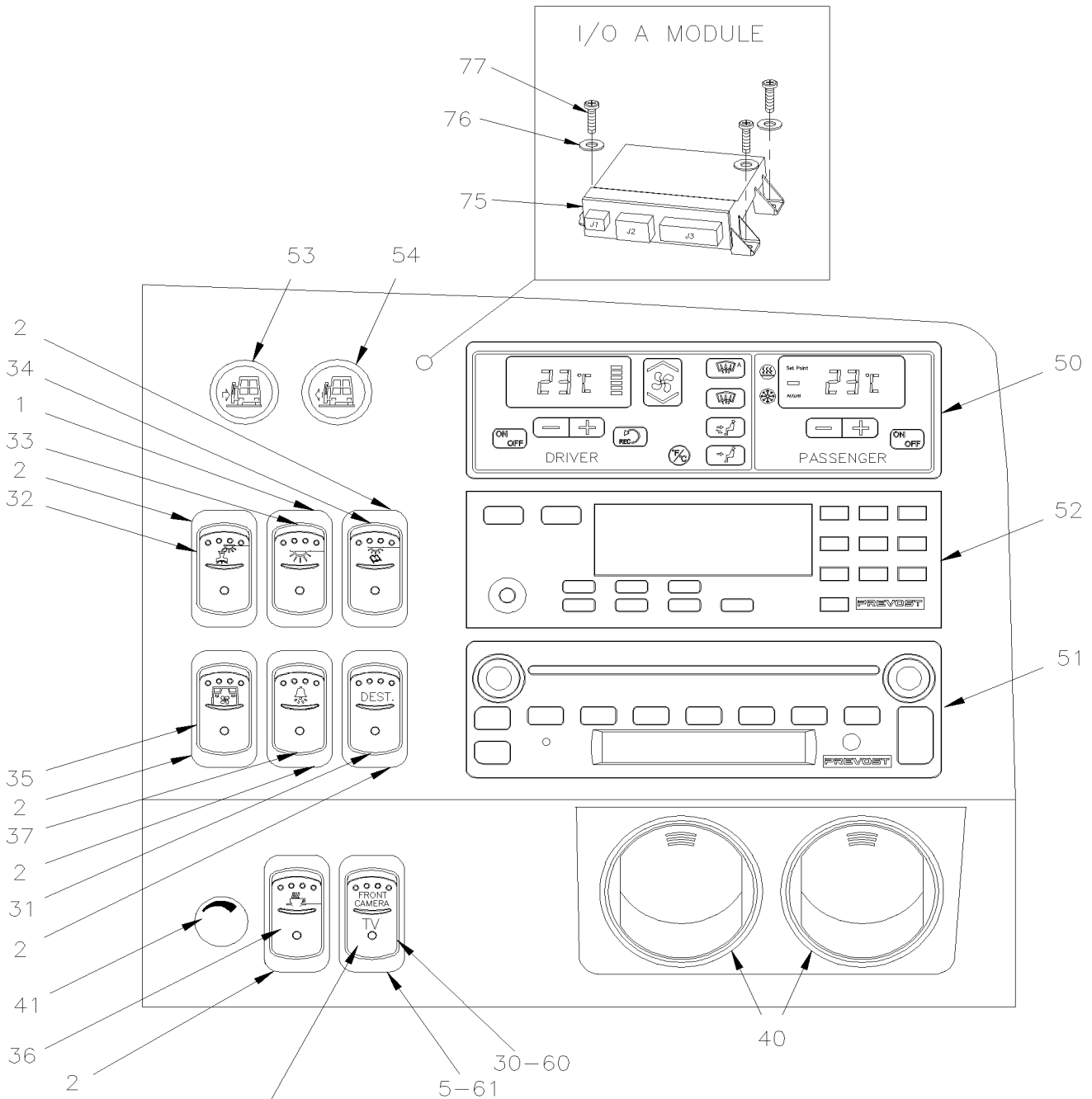
Item#	Part	Description	QTY	Notes
1	22261894	CLUSTER, MPH To K-7607	1	
1	23413703	CLUSTER, MPH From K-7608	1	
1	563667	CLUSTER, MPH / W/"ZF" TRANS From K-7543	1	
1	22261896	CLUSTER, KPH To K-7607	1	
1	23413708	CLUSTER, KPH From K-7608	1	
1	560547	GLOSSY LABEL 3" POLYESTER From K-7543	1	
1	N.P.N.	. . GAUGE WATER TEMPERATURE	1	4
1	N.P.N.	. . GAUGE OIL TEMPERATURE	1	4
1	N.P.N.	. . GAUGE OIL PRESSURE	1	4
1	N.P.N.	. . GAUGE VOLTAGE	1	4
1	N.P.N.	. . GAUGE FUEL LEVEL	1	4
1	N.P.N.	. . TACHOMETER	1	4
1	N.P.N.	. . SPEEDOMETER MILES	1	4
1	N.P.N.	. . SPEEDOMETER KM	1	4
1	N.P.N.	. . ODO LCD	1	4
1	N.P.N.	. GAUGE AIR APPLICATION	1	4
1	N.P.N.	. GAUGE AIR REAR	1	4
1	N.P.N.	. GAUGE AIR FRONT	1	4
NS	20476992	TRANSDUCER PRESSURE (0-12Bar / 0-174PSI)	3	B
15	392528	SUPPORT RH / CLUSTER To J-7480	1	
15	390053	SUPPORT RH / CLUSTER From J-7481	1	
16	392529	SUPPORT LH / CLUSTER To J-7480	1	
16	390052	SUPPORT LH / CLUSTER From J-7481	1	
21	5001401	SCREW MA CHE PH M4-0.7x8 ZP	2	
22	5001971	WASHER FL 4.3x12.0x1.6 ZP	2	
23	890017	TRIM SEAL	AR	
24	890011	TAPE RUB ADH1 NEO 3/4" x 5/8"	AR	
NS	506007	TAPE RUB ADH1 CC NEO 3/4" x 1" x 10' / BLACK 1220	AR	
31	402469	DECAL / VEHICLE HEIGHT 11' 8" / MTH 83"	1	
31	405108	DECAL / VEHICLE HEIGHT 12' 2" / MTH 89"	1	C
NS	X3PLB-1806-00	CENTRAL DASHBOARD PANEL		
		B) THIS TRANSDUCER USE ON ALLS AIR GAUGE APPLICATION		
		C) USE WITH ROOF AIR INTAKE		
		4) NO PARTS NUMBER		

From G-7275 To M-7767

Date:07/2024

PAGE:X3PLB-0645-30

R.H. DASHBOARD PANEL



BUS

From G-7275 To M-7767	Date:07/2024	PAGE:X3PLB-0645-30
R.H. DASHBOARD PANEL		

Item#	Part	Description	QTY	Notes
1	562696	SWITCH / OFF-ON-ON SERIES S.P.D.T. / W/RED & GREEN LED	AR	
2	562697	SWITCH / ON-ON / D.P.D.T. / CH-OVER / W/RED & GREEN LED	AR	
4	562699	SWITCH / M/ON-OFF-M/ON / D.P.D.T. / W/GREEN LED	1	
NS	562773	SWITCH / "DUMMY" / PLUG	AR	
NS	562763	CONNECTOR RH 10C / SWITCH / NGR 28-5637-2	AR	
NS	562768	SOCKET TERMINAL / 16-14 / PED 12015870	AR	
5	563012	SWITCH / ON-ON / D.P.D.T. / CH-OVER / W/GREEN LED	1	
6	562854	SWITCH / ON-ON / D.P.D.T. / CH-OVER / W/RED LED	1	
30	562941	CAP / FRONT CAMERA	1	
31	562743	CAP / DESTINATION SIGN	1	
32	562716	CAP / DRIVER'S LAMP	1	
33	562717	CAP / INTERIOR LIGHT	1	
33	068595	CABLE / GROUND	1	GR
34	562718	CAP / READING LAMP	1	
35	562720	CAP / PARCEL RACK VENTILATION	1	A
36	562721	CAP / GALLEY	1	
37	562719	CAP / HOSTESS BELL	1	
38	562786	CAP / BACK-UP CAMERA	1	
39	562831	CAP / DOOR LOCK	1	
40	871314	LOUVER, ADJUSTABLE / ROUND 2 5/8" O.D.	1	
41	562846	KNOB / DASH ILLUMINATION	1	
NS	562845	RHEOSTAT / DASH ILLUMINATION	1	
NS	1212770	. NUT RND SLT BK M8-.75	1	
50	871350	A/C CONTROL MODULE / W/MUX To J-7480	1	
50	870008	A/C CONTROL MODULE From J-7481	1	
50	563063	SENSOR THERMISTOR ASSY / TEMPERATURE / ("DELPHI")	2	B
50	067516	CABLE ASSY / DASH & PARCEL RACK	1	R
51	901437	RADIO "PREVOST" AM/FM/CD & MP3 BLUETOOTH (DELPHI / PANA PACIFIC) To H-7416	1	
51	23000462	RADIO "PREVOST" AM/FM/CD & MP3 BLUETOOTH (PANA PACIFIC) From H-7417	1	
51	901439	RADIO "PREVOST" AM/FM/CD & MP3 BLUETOOTH & XM (DELPHI / PANA PACIFIC) To H-7416	1	
51	23000444	RADIO "PREVOST" AM/FM/CD & MP3 BLUETOOTH & XM & SIRIUS (PANA PACIFIC) From H-7417	1	
51	901438	RADIO "PREVOST" AM/FM/CD & MP3 BLUETOOTH SIRIUS (DELPHI / PANA PACIFIC) To H-7416	1	
51	23000444	RADIO "PREVOST" AM/FM/CD & MP3 BLUETOOTH & XM & SIRIUS (PANA PACIFIC) From H-7417	1	
51	390021	REPLACEMENT OF RADIO #901437 BY #23000462 To H-7416	1	
. NS	23000444	. RADIO "PREVOST" AM/FM/CD & MP3 BLUETOOTH & XM & SIRIUS (PANA PACIFIC) To H-7416	1	
. NS	061010	. JUMPER HARNESS FOR DEA5XX RADIO To H-7416	1	
. NS	563962	. CONNECTOR / JUNIOR POWER TIMER / SH 8C / AMP 962191-1 To H-7416	1	
. NS	IS16100	. SEE INSTRUCTION SHEET To H-7416	1	
51	390023	REPLACEMENT OF RADIO #901438 & #901439 BY #23000444 To H-7416	1	
. NS	23000444	. RADIO "PREVOST" AM/FM/CD & MP3 BLUETOOTH & XM & SIRIUS (PANA PACIFIC) To H-7416	1	
. NS	061010	. JUMPER HARNESS FOR DEA5XX RADIO To H-7416	1	
. NS	563962	. CONNECTOR / JUNIOR POWER TIMER / SH 8C / AMP 962191-1 To H-7416	1	

From G-7275 To M-7767	Date:07/2024	PAGE:X3PLB-0645-30
R.H. DASHBOARD PANEL		

Item#	Part	Description	QTY	Notes
. NS	IS16100	. SEE INSTRUCTION SHEET To H-7416	1	
51	406440	ATTACHMENT / RADIO	AR	
51	500989	WASHER FL .219x.875x.062 Z050	AR	
51	500470	WASHER LO SPT .193x.334x.047 Z050	AR	
51	502816	NUT HEX M5-0.8 N500	AR	
52	21516503	CONTROL HEAD / "VOLVO" (VSS-05) To J-7503	1	
. NS	21251311	. REMOTE CONTROL / CONTROL HEAD VOLVO / VSS05 To J-7503	1	
52	900238	CONTROL HEAD / "VOLVO" (VSS-05A) From J-7504	1	
. NS	21251311	. REMOTE CONTROL / CONTROL HEAD VOLVO / VSS05 From J-7504	1	
53	563578	SWITCH / DOOR CLOSE	1	
53	562810	. INSERT / DOOR CLOSE	1	
54	563579	SWITCH / DOOR OPEN	1	
54	562830	. INSERT / DOOR OPEN	1	
57	900803	CONTROL HEAD / "R.E.I." SYSTEM 2000	1	R
. NS	563064	. BULB (CONTROL HEAD GREEN) / 12VOLTS / 2700	1	R
		NEXT 2 PARTS ARE RELATED WITH		
		DESTINATION SIGN "AESYS"		
		W/ "EMERGENCY CALL SWITCH" OPTION		
60	562714	CAP / PLAIN (W/O DESCRIPTION)	1	
61	562698	SWITCH / OFF-M/ON / D.P.S.T. / W/GREEN LED	1	
		WITH "GREYHOUND" OPTION		
71	563852	DIMMER SLIDE / READING LIGHTS To H-7363	1	D
71	562697	SWITCH / ON-ON / D.P.D.T. / CH-OVER / W/RED & GREEN LED From H-7364	1	F
71	562718	CAP / READING LAMP From H-7364	1	F
72	069613	WIRING HARNESS, DIMMER READING LIGHTS, DASH To H-7363	1	D
72	069713	WIRING HARNESS, READING LIGHTS SWITCH, DASH / W/CONTROL OF 4 FRIST READING LAMP From H-7364	1	F
72	069622	WIRING READING LAMPS, L.H PARCEL RACK	1	
72	061444	WIRING READING LAMPS, L.H PARCEL RACK From J-7448	1	GR
72	069623	WIRING READING LAMPS, R.H PARCEL RACK	1	
72	061445	WIRING READING LAMPS, L.H PARCEL RACK From J-7448	1	GR
72	069626	READING LAMPS, FRONT JUNCTION BOX / DIMER READING LAMP To H-7363	1	D
72	069712	READING LAMPS, FRONT JUNCTION BOX / W/CONTROL OF 4 FRIST READING LAMP From H-7364	1	F
NS	404226	OUTLET, MICROPHONE / 12" W/CONNECTOR From J-7448	1	GR
NS	900859	BRACKET, MOUNTING / MICROPHONE From J-7448	1	GR
75	22561320	I/O A-MODULE VOLVO MULTIPLEX / BLACK To G-7309	1	S
. NS	562767	. CONNECTOR / SH 30C / GREEN / JAE IL-AG5-30S-D3C1 To G-7309	1	S

From G-7275 To M-7767	Date:07/2024	PAGE:X3PLB-0645-30
-----------------------	--------------	--------------------

R.H. DASHBOARD PANEL

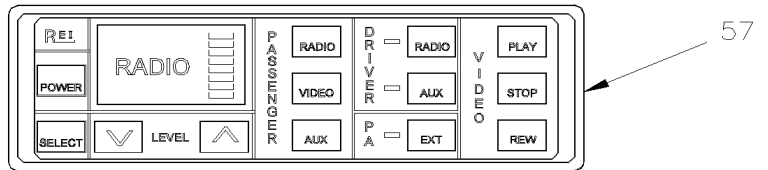
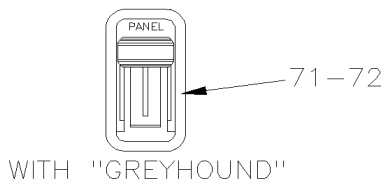
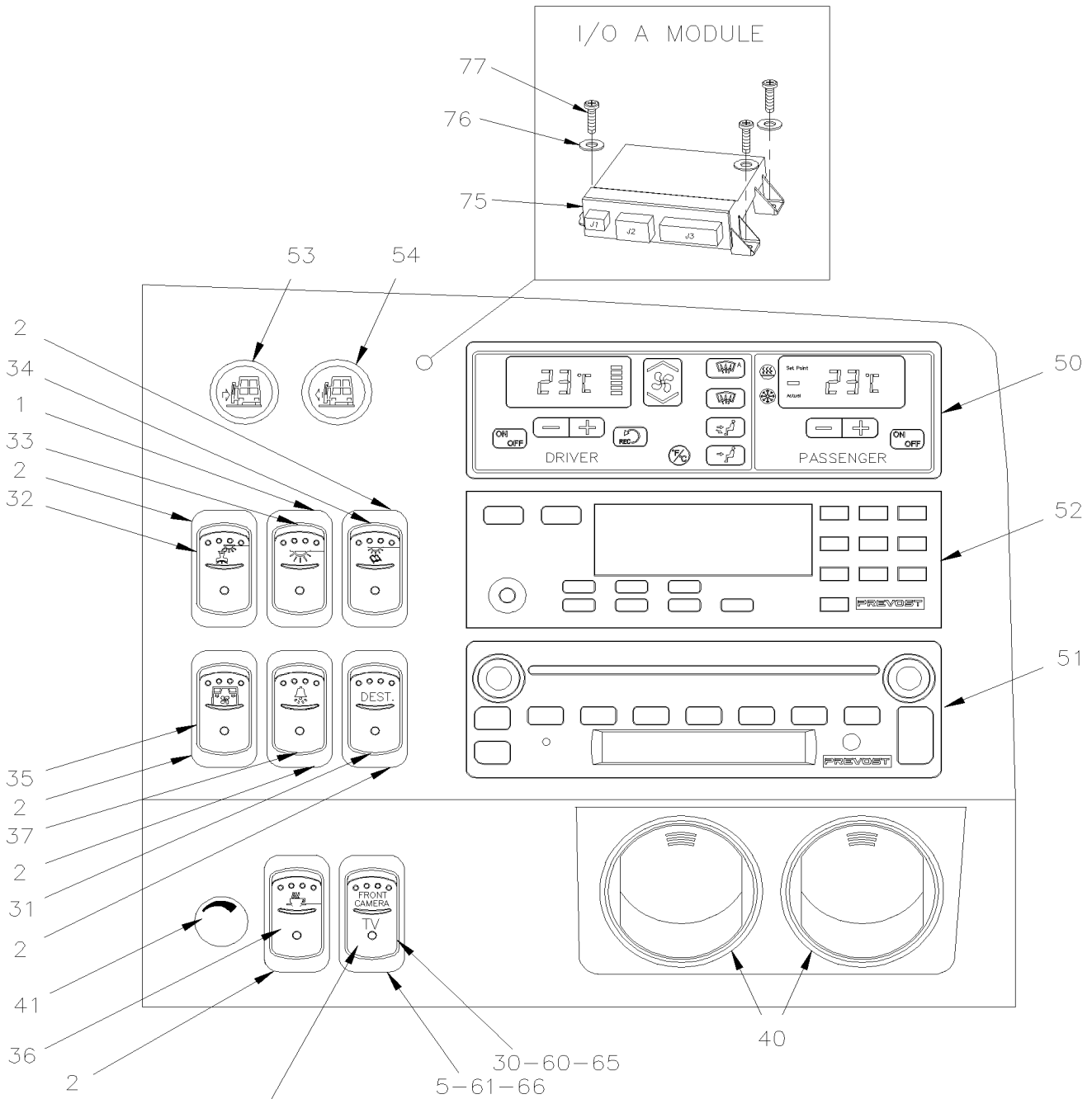
Item#	Part	Description	QTY	Notes
. NS	562957	. CONNECTOR / SH 5C / GREEN / JAE IL-AG5-5S-S3C1 To G-7309	1	S
. NS	563132	. CONNECTOR / SH 2C / YAZAKI 7283-6458-40 To G-7309	1	S
75	22722832	I/O A-MODULE VOLVO MULTIPLEX / BLACK From H-7310 To J-7447	1	
. NS	562767	. CONNECTOR / SH 30C / GREEN / JAE IL-AG5-30S-D3C1 From H-7310 To J-7447	1	
. NS	562957	. CONNECTOR / SH 5C / GREEN / JAE IL-AG5-5S-S3C1 From H-7310 To J-7447	1	
. NS	563132	. CONNECTOR / SH 2C / YAZAKI 7283-6458-40 From H-7310 To J-7447	1	
75	22722832	I/O A-MODULE VOLVO MULTIPLEX / BLACK From K-7543	1	GR
. NS	562767	. CONNECTOR / SH 30C / GREEN / JAE IL-AG5-30S-D3C1 From K-7543	1	GR
. NS	562957	. CONNECTOR / SH 5C / GREEN / JAE IL-AG5-5S-S3C1 From K-7543	1	GR
. NS	563132	. CONNECTOR / SH 2C / YAZAKI 7283-6458-40 From K-7543	1	GR
75	22722846	I/O A E-MODULE VOLVO MULTIPLEX From J-7448	1	S
76	502690	WASHER FL 4.3x9.0x0.8 Z050	3	S
77	502698	SCREW MA PAN PH M4-0.7x16 SS BK	3	S
		A) WE USE #562699 SWITCH AND RESISTOR #562908		
		B) USE IN PASSENGER'S RETURN AIR BOX UNDER PASSENGER'S SEAT & DRIVER'S KNEE		
		D) USE WITH DIMER FOR THE TWO FIRST READING LAMP		
		F) USE WITH CONTROL ON 4 FIRST READING LAMP		
		GR) WITH GREYHOUND OPTION		
		R) USE ONLY WITH "OPTION" R.E.I. CONTROL HEAD FROM 8-9312		
		S) ONLY W/ STEERING WHEEL CONTROL BUTTONS		

From K-7543 To M-7767

Date:07/2024

PAGE:X3PLB-0645-31

R.H. DASHBOARD PANEL



BUS

From K-7543 To M-7767	Date:07/2024	PAGE:X3PLB-0645-31
R.H. DASHBOARD PANEL		

Item#	Part	Description	QTY	Notes
1	562696	SWITCH / OFF-ON-ON SERIES S.P.D.T. / W/RED & GREEN LED	AR	
2	562697	SWITCH / ON-ON / D.P.D.T. / CH-OVER / W/RED & GREEN LED	AR	
4	562699	SWITCH / M/ON-OFF-M/ON / D.P.D.T. / W/GREEN LED	1	
NS	562773	SWITCH / "DUMMY" / PLUG	AR	
NS	562763	CONNECTOR RH 10C / SWITCH / NGR 28-5637-2	AR	
NS	562768	SOCKET TERMINAL / 16-14 / PED 12015870	AR	
5	563012	SWITCH / ON-ON / D.P.D.T. / CH-OVER / W/GREEN LED	1	
6	562854	SWITCH / ON-ON / D.P.D.T. / CH-OVER / W/RED LED	1	
30	562941	CAP / FRONT CAMERA	1	
31	562743	CAP / DESTINATION SIGN	1	
32	562716	CAP / DRIVER'S LAMP	1	
33	562717	CAP / INTERIOR LIGHT	1	
33	068595	CABLE / GROUND	1	GR
34	562718	CAP / READING LAMP	1	
35	562720	CAP / PARCEL RACK VENTILATION	1	A
36	562721	CAP / GALLEY	1	
37	562719	CAP / HOSTESS BELL	1	
38	562786	CAP / BACK-UP CAMERA	1	
39	562831	CAP / DOOR LOCK	1	
40	871314	LOUVER, ADJUSTABLE / ROUND 2 5/8" O.D.	1	
41	562846	KNOB / DASH ILLUMINATION To L-7700	1	
41	563915	KNOB / DASH ILLUMINATION From L-7701 To M-7767	1	
41	563911	CAP EATON NGR DIMER From M-7768	1	
41	562845	RHEOSTAT / DASH ILLUMINATION To L-7700	1	
41	563881	RHEOSTAT / DASH ILLUMINATION From L-7701 To M-7767	1	
41	562699	SWITCH / M/ON-OFF-M/ON / D.P.D.T. / W/GREEN LED From M-7768	1	
41	1212770	. NUT RND SLT BK M8-.75 To L-7700	1	
41	0610318	SERVICE KIT RHEOSTAT To L-7700	1	
. NS	563881	. RHEOSTAT / DASH ILLUMINATION To L-7700	1	
. NS	563915	. KNOB / DASH ILLUMINATION To L-7700	1	
50	870008	A/C CONTROL MODULE To P-8047	1	
50	870128	A/C CONTROL MODULE From P-8048	1	
50	563063	SENSOR THERMISTOR ASSY / TEMPERATURE / ("DELPHI")	2	B
50	067516	CABLE ASSY / DASH & PARCEL RACK	1	R
51	23000462	RADIO "PREVOST" AM/FM/CD & MP3 BLUETOOTH (PANA PACIFIC) To P-8047	1	
51	901882	RADIO AM/FM SD CARD USB DEA710 (PANA PACIFIC) From P-8048	1	
51	23000444	RADIO "PREVOST" AM/FM/CD & MP3 BLUETOOTH & XM & SIRIUS (PANA PACIFIC) To P-8047	1	
51	901883	RADIO "PREVOST" AM/FM/CD & MP3 BLUETOOTH & XM & SIRIUS (PANA PACIFIC) From P-8048	1	
51	901727	PIGTAIL ADAPTOR FOR RADIO ANTENNA From L-7663	1	
51	22480495	ADAPTOR, ANTENNA PHANTOM FEED From L-7663	1	
51	406440	ATTACHMENT / RADIO	AR	
51	500989	WASHER FL .219x.875x.062 Z050	AR	

From K-7543 To M-7767	Date:07/2024	PAGE:X3PLB-0645-31
R.H. DASHBOARD PANEL		

Item#	Part	Description	QTY	Notes
51	500470	WASHER LO SPT .193x.334x.047 Z050	AR	
51	502816	NUT HEX M5-0.8 N500	AR	
52	900238	CONTROL HEAD / "VOLVO" (VSS-05A) To P-8047	1	
. NS	21251311	. REMOTE CONTROL / CONTROL HEAD VOLVO / VSS05 To P-8047	1	
52	563856	CONTROL HEAD / "VOLVO" (VSS-06) From P-8048	1	
. NS	21251311	. REMOTE CONTROL / CONTROL HEAD VOLVO / VSS05 From P-8048	1	
53	563578	SWITCH / DOOR CLOSE	1	
53	562810	. INSERT / DOOR CLOSE	1	
54	563579	SWITCH / DOOR OPEN	1	
54	562830	. INSERT / DOOR OPEN	1	
57	900803	CONTROL HEAD / "R.E.I." SYSTEM 2000	1	R
. NS	563064	. BULB (CONTROL HEAD GREEN) / 12VOLTS / 2700	1	R
		NEXT 2 PARTS ARE RELATED WITH		
		DESTINATION SIGN "AESYS"		
		W/ "EMERGENCY CALL SWITCH" OPTION		
60	562714	CAP / PLAIN (W/O DESCRIPTION)	1	
61	562698	SWITCH / OFF-M/ON / D.P.S.T. / W/GREEN LED	1	
63		NEXT 2 PARTS ARE RELATED WITH From M-7839		L
63		AUTOMATIC EMERGENCY LAMPS From M-7839		L
65	564348	CAP / SWITCH EMERGENCY LIGHT SB247 From M-7839	1	L
66	562698	SWITCH / OFF-M/ON / D.P.S.T. / W/GREEN LED From M-7839	1	L
		READING LAMP SWITCH OPTION		
71	562697	SWITCH / ON-ON / D.P.D.T. / CH-OVER / W/RED & GREEN LED	1	F
71	562718	CAP / READING LAMP	1	F
72	069713	WIRING HARNESS, READING LIGHTS SWITCH, DASH / W/CONTROL OF 4 FRIST READING LAMP	1	F
72	061444	WIRING READING LAMPS, L.H PARCEL RACK	1	GR
NS	061445	WIRING READING LAMPS, L.H PARCEL RACK	1	GR
72	069712	READING LAMPS, FRONT JUNCTION BOX / W/CONTROL OF 4 FRIST READING LAMP	1	F
NS	404226	OUTLET, MICROPHONE / 12" W/CONNECTOR	1	GR
NS	900859	BRACKET, MOUNTING / MICROPHONE	1	GR
75	22722832	I/O A-MODULE VOLVO MULTIPLEX / BLACK	1	GR
. NS	562767	. CONNECTOR / SH 30C / GREEN / JAE IL-AG5-30S-D3C1	1	GR
. NS	562957	. CONNECTOR / SH 5C / GREEN / JAE IL-AG5-5S-S3C1	1	GR
. NS	563132	. CONNECTOR / SH 2C / YAZAKI 7283-6458-40	1	GR
75	22722846	I/O A E-MODULE VOLVO MULTIPLEX	1	

From K-7543 To M-7767	Date:07/2024	PAGE:X3PLB-0645-31
-----------------------	--------------	--------------------

R.H. DASHBOARD PANEL

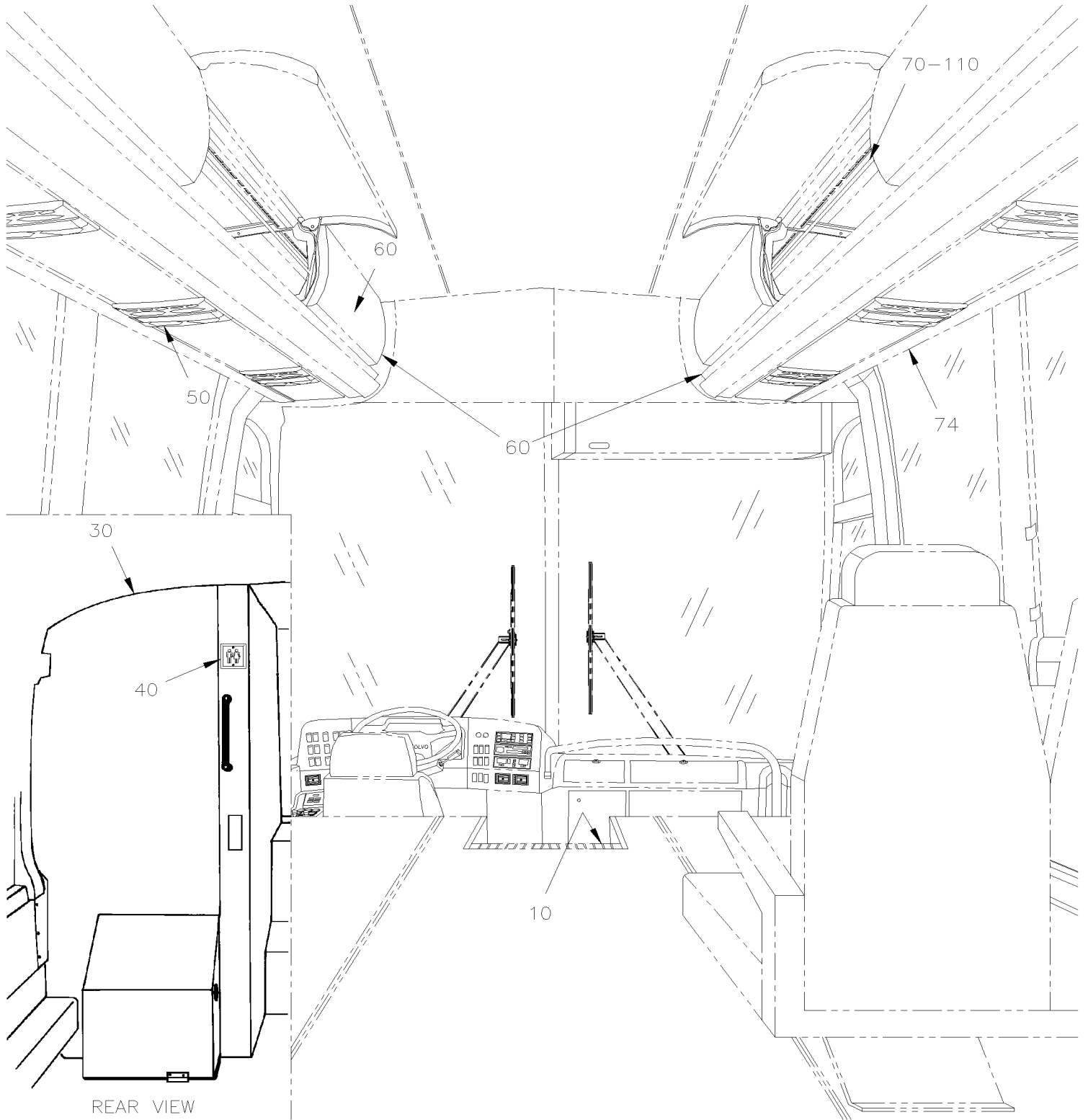
Item#	Part	Description	QTY	Notes
76	5001971	WASHER FL 4.3x12.0x1.6 ZP	3	S
77	5002035	SCREW MA PAN PH M4X0.7 X12 Z050	3	S
		A) THOSE ITEMS ARE USED WITH "FORD" IGNITION KEY. SEE DIAGRAM D060950 FOR MORE INFORMATION		
		B) THIS INTERFACE IS LOCATED INSIDE OF DASH		
		F) WITH BI-FOLD DOOR OPTION		
		GR) WITH "GREYHOUND" OPTION		
		L) CALIFORNIA REGULATIONS		
		R) USE ONLY WITH "OPTION" R.E.I. CONTROL HEAD FROM 8-9312		
		S) ONLY W/ STEERING WHEEL CONTROL BUTTONS		

From G-7275 To M-7767

Date:07/2024

PAGE:X3PLB-0655-00

INTERIOR LIGHTING / "LED"

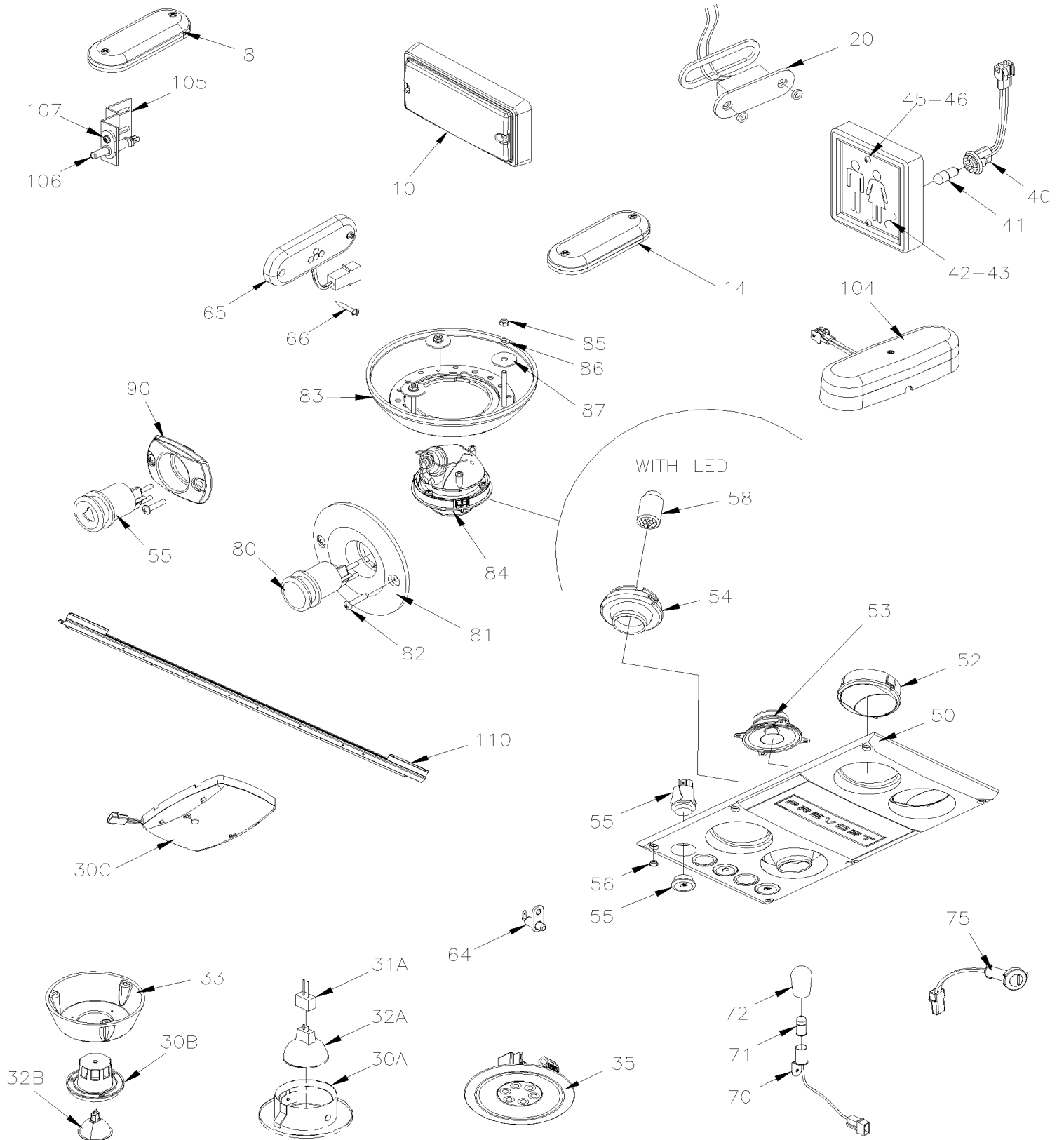


From G-7275 To M-7767

Date:07/2024

PAGE:X3PLB-0655-00

INTERIOR LIGHTING / "LED"



From G-7275 To M-7767	Date:07/2024	PAGE:X3PLB-0655-00
INTERIOR LIGHTING / "LED"		

Item#	Part	Description	QTY	Notes
		AISLE LAMP - UNDER PASSENGER'S SEAT		
		OR OVER LAVATORY DOOR		
NS	061310	CABLE ASSY / LIGHT & MAIN CABLE To H-7416	AR	
NS	069424	CABLE ASSY / LIGHT & MAIN CABLE From H-7417	AR	
NS	0610070	HARN. AISLE LAMPS WHITE (JUMPER 1200) W/FAIC	15	FAIC
NS	0610071	HARN. AISLE LAMPS WHITE FRONT (MOD-P) W/FAIC	1	FAIC
NS	0610299	HARN. AISLE LAMPS WCL W/FAIC	1	FAICW
8	564184	LAMP LED ASSY / BLUE 24V To H-7416	1	
8	568101	LAMP LED ASSY / BLUE ISOLATED GROUND From H-7417	AR	
		STEPWELL LAMP		
10	830197	LAMP ASSY 24V LEDS	2	
NS	500148	SCREW MA RND PH #6-32x1/2 SS	AR	
NS	500422	NUT SPR U #6-32 .110-.120 SS	AR	
NS	500385	NUT SPR U #6-32 .135-.150 N500	4	C O
NS	5001303	SCREW MA BDG PH #6-32x1 ZP EMN	4	C O
NS	3200782	CLOSING PLATE / WITHOUT STEPWELL LAMP	1	C O
NS	500952	SCREW TP BDG PH #8x1/2 SS	4	C O
13		LAVATORY LOCATION LAMP		
14	564184	LAMP LED ASSY / BLUE 24V	1	S
NS	069621	WIRING , LOCATION LAMP ABOVE TOILET DOOR	1	S
15	061250	WIRING , LOCATION LAMP ABOVE TOILET DOOR From J-7438 To J-7442	1	
15	060879	WIRING HARNESS FRONT JUNCTION BOX From J-7443	1	
NS	504083	SNAP BUSHING / .250x.468.406	1	S
NS	504622	GROMMET / 1.500x1.750x.062x.437x2.125	1	S
		GALLEY & WASTE CONTAINER LAMP & LAVATORY SAFETY LAMP		
20	563460	LAMP ASSY "LED"	AR	
25		NEXT ITEM ARE USE WITH AUTOMATIC EMERGENCY LAMPS		K
25	830012	LAMP LED / NORMAL & EMERGENCY 24V From M-7839	14	K
		DRIVER'S LAMP & LAVATORY LAMP		
30A	830179	LAMP BASE To H-7416	2	

From G-7275 To M-7767	Date:07/2024	PAGE:X3PLB-0655-00
INTERIOR LIGHTING / "LED"		

Item#	Part	Description	QTY	Notes
30B	830191	LAMP ASSY / LAVATORY "FRILIGHT" BLACK To H-7416	1	L
NS	830196	BULB / 20 WATTS-12V/SAE#Q20MR16/FL40D To H-7416	1	L
30C	830210	LAMP ASSY / LAVATORY From H-7327 To H-7416	1	L G
30C	830003	LAMP ASSY / LAVATORY From H-7417	1	L
31A	562803	CONNECTOR / SOCKET HOUSING ASSY / LEECRAFT QBL-12 To H-7416	2	
32A	830176	BULB / 20 WATTS-12V/SAE#Q20MR16/FL40D To H-7416	2	
32B	830196	BULB / 20 WATTS-12V/SAE#Q20MR16/FL40D To H-7416	1	L
33	409270	LAMP SUPPORT / LAVATORY GREY PLATINE To H-7416	1	L
NS	069598	HARNESS LAVATORY CEILING LIGHT To H-7416	1	L
34	069674	HARNESS LAVATORY CEILING LIGHT To H-7416	1	L G
34	069676	HARNESS LAVATORY CEILING LIGHT From H-7417	1	L
35	830218	LAMP LED To H-7416	2	F
35	830218	LAMP LED From H-7417 To £-20017	2	
35	830012	LAMP LED / NORMAL & EMERGENCY 24V From £-20017	2	
		LAVATORY LAMP (OCCUPIED)		
40	330342	BASE ASSY W/SOCKET & BULB 24V / LIGHT GREY	1	
NS	330265	SOCKET ASSY W/CONNECTOR / W2.1x9.Dd	1	
NS	562295	SOCKET BULB / PLASTIC W/WIRE / W2.1x9.5d	1	
NS	561248	CONNECTOR / UNIVERSAL MATE-N-LOK / PH 2C / AMP 1-480699-0	1	
NS	562122	PIN TERMINAL / 20-14 / AMP 350547-1	2	
41	561166	BULB / 3WATT-24VOLTS / SAE# 464	1	
42	330341	BASE BOX, LAMP / LIGHT GREY	1	
43	403137	LENS	1	
45	500686	SCREW TP OV PH #6x1/2 BK To H-7344	2	
45	500333	SCREW TP OV PH #6x3/4 BK From H-7345	2	
46	500422	NUT SPR U #6-32 .110-.120 SS	2	
47	500640	SCREW TP PAN PH #6x3/4 Z050	2	F
NS	069597	HARNESS LAVATORY "OCCUPIED" LAMP To H-7416	1	
NS	069675	HARNESS LAVATORY "OCCUPIED" LAMP From H-7417	1	
NS	069840	HARNESS LAVATORY "OCCUPIED" LAMP From H-7417	1	J
		READING LIGHT		
50	830228	MODULE ASSY W/LEDS LAMP, AIR DIFFUSOR & COAXIAL SPEAKER	AR	
50	830229	MODULE ASSY W/LEDS LAMP, AIR DIFFUSOR & COAXIAL SPEAKER	AR	PWT
50	830225	MODULE ASSY W/LEDS LAMP, AIR DIFFUSOR & DUAL CONE SPEAKER	AR	
50	830235	MODULE ASSY W/LEDS LAMP BLUE, AIR DIFFUSOR & DUAL CONE SPEAKER	4	GR
50	830227	MODULE ASSY W/LEDS LAMP, AIR DIFFUSOR & DUAL CONE SPEAKER / SILVER	AR	H
52	871456	AIR DIFFUSOR	2	
53	901195	SPEAKER COAXIAL	1	

From G-7275 To M-7767	Date:07/2024	PAGE:X3PLB-0655-00
INTERIOR LIGHTING / "LED"		

Item#	Part	Description	QTY	Notes
53	901194	. SPEAKER DUAL CONE	1	
53	830223	. SCREW, PHILLIPS SELF-TREADED	4	
53	901536	. GRILL, SPEAKER	1	
53	830221	. TAG, PREVOST	2	
54	830232	. BEZEL, LAMP	2	
55	565942	. SWITCH, BUTTON / CHIME	1	
55	565941	. SWITCH, BUTTON / READING LIGHT	2	
55	565948	. BUTTON, "STOP"	1	PWT
56	830160	. PLUG COVER SCREW	6	
NS	5001439	. SCREW TP OV PH #6x5/8 BK	4	B
58	830224	. LED CHIP BOARD	2	
58	830005	. LED CHIP BOARD / BLUE	2	GR
58	Call order desk	. SCREW TP PAN PH ST3.5x9.5	4	P
58	Call order desk	. WASHER 7.1MM O.D. x 3.7MM I.D.	4	P
NS	067272	CABLE READING LAMP W/REFLECTOR LENS & CLIP	AR	R
NS	066796	RESISTOR 4 OHMS 25W W/CONNECTOR	3	
NS	830164	TOOL / LENS REMOVER READING LIGHT	AR	
		PARCEL RACK - INTERIOR LIGHT		
64	561563	SWITCH / S.P.S.T. / N.C.	1	
65	565889	LAMP LED	AR	
66	502752	SCREW TP RND PH #4x3/4 ZP	AR	
		UPPER OF SIDE WINDOW		
		ALSO IN LIGHTING MODULE OVER		
		PARCEL RACK DOORS		
70	330217	SOCKET ASSY	AR	
71	560601	BULB / 2WATT-24VOLTS / SAE# 456	AR	
71	562112	BULB / 3WATT-24VOLTS / SAE# 1873	AR	
72	560942	BULB COVERING / BLUE	AR	
NS	500648	SCREW TC BDG PH #6-32x1/4 ZP	AR	
NS	500438	WASHER FL .187x.437x.050 Z050	AR	
		NEXT LAMPS USE "EMERGENCY" ONLY		
75	564070	LAMP ASSY "LED" W/RETAINING RING	AR	
. A	563723	. DIFFUSOR	1	
. B	563724	. RECEPTACLE ASSY	1	
. C	330393	. PIN HAIR CUTTER .062 X 9/32 SPEC	1	

From G-7275 To M-7767	Date:07/2024	PAGE:X3PLB-0655-00
INTERIOR LIGHTING / "LED"		

Item#	Part	Description	QTY	Notes
NS	067441	CABLE / EMERGENCY LIGHT LH To H-7416	1	
NS	060091	CABLE / EMERGENCY LIGHT LH From H-7417 To K-7662	1	
NS	069968	CABLE / EMERGENCY LIGHT AND WINDOW AJAR LH From L-7663	1	
NS	067442	CABLE / EMERGENCY LIGHT RH To H-7416	1	
NS	060090	CABLE / EMERGENCY LIGHT RH From H-7417 To K-7662	1	
NS	069967	CABLE / EMERGENCY LIGHT AND WINDOW AJAR RH From L-7663	1	
		NEXT LAMP USE "REAR LOUNGE SEAT" ONLY		
		NEAR LAVATORY		
80	830192	SWITCH / OFF-ON / S.P.S.T. / READING LIGHT RED CAP	1	
81	331930	SUPPORT SWITCH LAMP	1	
82	500814	SCREW TP BDG PH #6x3/4 BK	2	
83	331932	SUPPORT LAMP ASSY	1	
. NS	331931	. SUPPORT ASSY	1	
. NS	331924	. COVER LAMP	1	
84	N.S.A.	LAMP ASSY / W/LEDS	1	3
. NS	067272	. CABLE READING LAMP W/REFLECTOR LENS & CLIP	1	
. NS	563630	. BULB / 12 LEDS / READING LIGHT 24VOLTS / #270017	1	
. NS	830180	. SUPPORT / 12 LEDS BULB	1	
. NS	500235	. SCREW TP BDG PH #6x3/4 N500	3	
85	502524	NUT HEX M4-0.7 Z050	3	
86	502690	WASHER FL 4.3x9.0x0.8 Z050	3	
87	502759	WASHER FL .218x.875x.062 SS	3	
90	409259	PROTECTOR SWITCH / CAP	AR	WCL
. NS	288728	. REINFORCMENT FOR SCREW PROTECTOR CAP	1	WCL
NS	500814	SCREW TP BDG PH #6x3/4 BK	2	WCL
		BAGGAGE & SERVICE DOOR		
104	330299	LAMP ASSY 24V / BAGGAGE COMPARTMENT LAMP / LED To H-7416	AR	J
. NS	561248	. CONNECTOR / UNIVERSAL MATE-N-LOK / PH 2C / AMP 1-480699-0 To H-7416	1	J
104	830008	LAMP ASSY 24V / LED From H-7417	AR	
. NS	561248	. CONNECTOR / UNIVERSAL MATE-N-LOK / PH 2C / AMP 1-480699-0 From H-7417	1	
105	Call order desk	SWITCH ASSY / BAGGAGE COMPARTMENT	8	P
105	066614	. SWITCH SUPPORT / W/BAGGAGE DOORS STD	1	
106	563464	. SWITCH / S.P.S.T. / N.C. / W/RUBBER BOOT	1	
107	500623	. SCREW TC PAN PH #10-24x3/4 N500	1	
107	500840	. WASHER LO EXT .195x.410x.025 N500	1	

From G-7275 To M-7767	Date:07/2024	PAGE:X3PLB-0655-00
-----------------------	--------------	--------------------

INTERIOR LIGHTING / "LED"

Item#	Part	Description	QTY	Notes
		LAMP LED INDIRECT LIGHT PARCEL RACK		
110	316579	INDIRECT LIGHTING "DUMMY", PARCEL RACK AISLE SIDE 770MM	2	
110	316581	INDIRECT LIGHTING "DUMMY", PARCEL RACK AISLE SIDE 604MM	1	
110	319192	LIGHT, INDIRECT, PARCEL RACK W/DOORS / W/WCL AISLE SIDE 1081.5MM 24VDC LED	1	D
110	319180	LIGHT, INDIRECT, PARCEL RACK W/DOORS AISLE SIDE 1312MM 24VDC LED	1	
110	319183	LIGHT, INDIRECT, PARCEL RACK W/O DOORS AISLE SIDE 1312MM 24VDC LED	1	
110	319180	LIGHT, INDIRECT, PARCEL RACK W/DOORS AISLE SIDE 1312MM 24VDC LED	2	D
110	319183	LIGHT, INDIRECT, PARCEL RACK W/O DOORS AISLE SIDE 1312MM 24VDC LED	2	D
110	319179	LIGHT, INDIRECT, PARCEL RACK W/DOORS / W/WCL AISLE SIDE 1341MM 24VDC LED	3	D
110	319182	LIGHT, INDIRECT, PARCEL RACK W/O DOORS / W/WCL AISLE SIDE 1341MM 24VDC LED	3	D
110	319184	LIGHT, INDIRECT, PARCEL RACK W/O DOORS AISLE SIDE 1556MM 24VDC LED	1	E
110	319178	LIGHT, INDIRECT, PARCEL RACK W/DOORS AISLE SIDE 1584.5MM 24VDC LED	11	
110	319181	LIGHT, INDIRECT, PARCEL RACK W/O DOORS AISLE SIDE 1584.5MM 24VDC LED	10	
110	310620	LIGHT, INDIRECT, PARCEL RACK W/DOORS AISLE SIDE 1028MM 24VDC LED From L-7663	1	
110	310622	LIGHT, INDIRECT, PARCEL RACK W/O DOORS AISLE SIDE 1028.5MM 24VDC LED From L-7663	1	
110	310997	LIGHT, INDIRECT, PARCEL RACK W/O DOORS AISLE SIDE 498MM 24VDC LED From L-7663	1	D
110	067747	CABLE HARNESS / IND, LIGHT FRONT RH & REAR LH To H-7416	1	
110	069545	CABLE HARNESS / IND, LIGHT FRONT RH & REAR LH From H-7417	1	
110	069862	CABLE HARNESS / IND, LIGHT FRONT RH From L-7663	1	
110	068258	CABLE HARNESS / IND, LIGHT To H-7416	AR	
110	069546	CABLE HARNESS / IND, LIGHT From H-7417	AR	
110	068310	CABLE HARNESS / IND, LIGHT / W/W.C.L.	1	
110	069547	CABLE HARNESS / IND, LIGHT / W/W.C.L. From H-7417 To K-7662	1	
110	069884	CABLE HARNESS / IND, LIGHT / W/W.C.L. From L-7663	1	
110	068547	CABLE HARNESS / IND, LIGHT FRONT LH & REAR RH To H-7416	1	
110	069544	CABLE HARNESS / IND, LIGHT FRONT LH & REAR RH From H-7417 To K-7662	1	
110	069861	CABLE HARNESS / IND, LIGHT REAR RH From L-7663	1	
110	069985	CABLE HARNESS / IND, LIGHT LH From L-7663	1	
		B) TO FIX MODULES TO PARCEL RACK		
		C) USE WHEN THE STEPWELL LAMP INSTALL ON CENTER DASH BOTTOM		
		D) WITH WHEEL CHAIR LIFT		
		E) USE WITHOUT LAVATORY		
		F) OPTION DRIVER LED LAMP		
		FAIC) OPTION WITH FAIC SET SEAT		
		FAICW) OPTION WITH FAIC SET SEAT WITH WCL		
		G) GREYHOUND OPTION		
		GR) GREYHOUND OPTION		
		H) "HAMPTON JITNEY" OPTION		

From G-7275 To M-7767	Date:07/2024	PAGE:X3PLB-0655-00
-----------------------	--------------	--------------------

INTERIOR LIGHTING / "LED"

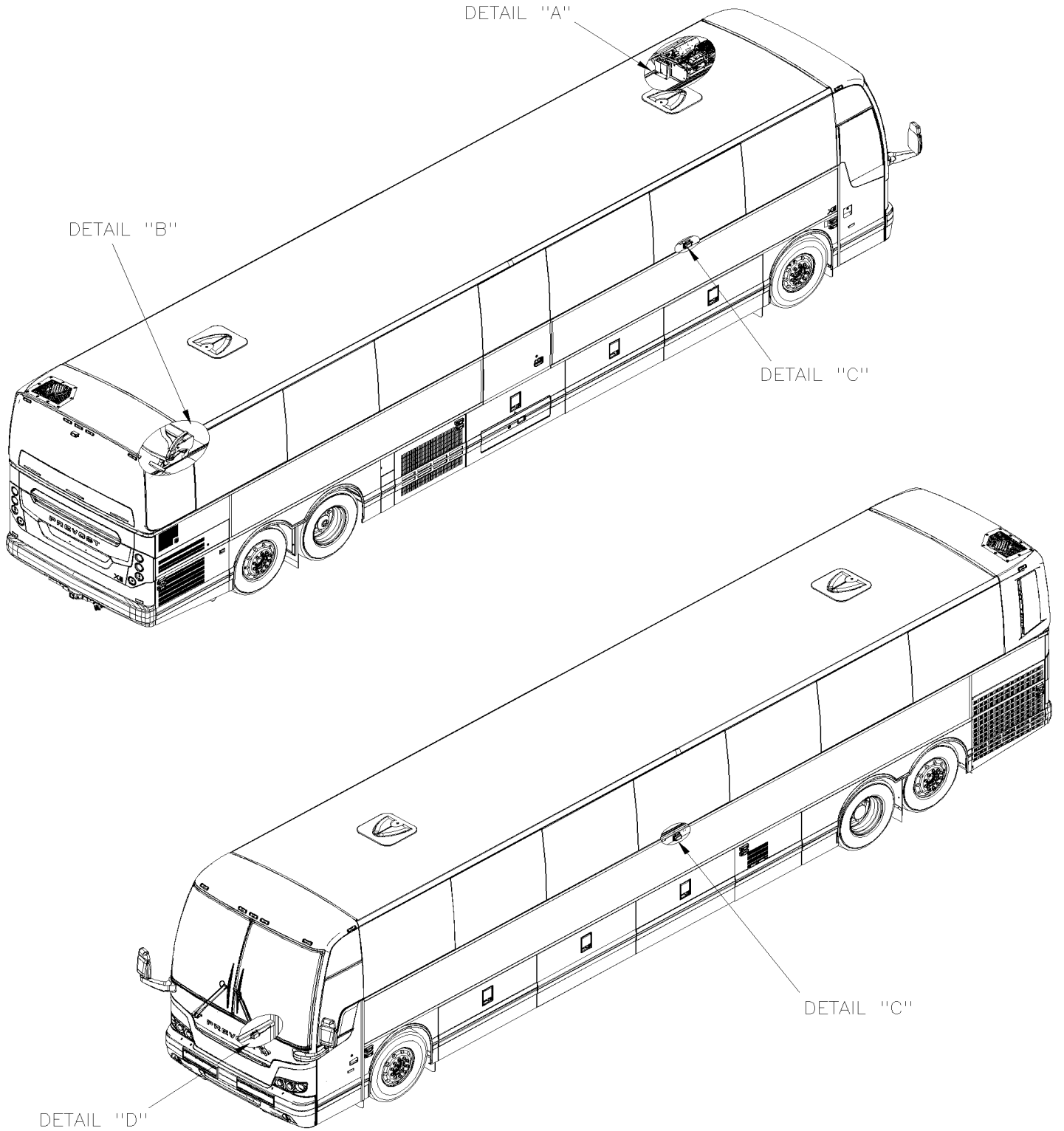
Item#	Part	Description	QTY	Notes
		J) USE WITH PWT HOSPITAL		
		K) CALIFORNIA REGULATIONS		
		L) LAVATORY ONLY		
		O) WITH ORLEAN OPTION		
		PWT) PACIFIC WESTERN OPTION		
		R) THIS READING LIGHT ARE LOCATED ON CEILING PANEL ROOF NEAR LAVATORY		
		S) OPTION LAVATORY LOCATION		
		WCL) THIS SWITCH IT ALSO INSTALL ON LOWER WINDOW MOULDING WITH PROTECTOR # 409259		
		3) NOT SOLD ASSEMBLY		
		P) CALL ORDER DESK FOR SPECIFIC APPLICATION (V.I.N.)		

From M-7839 To M-7767

Date:07/2024

PAGE:X3PLB-0655-10

AUTOMATIC EMERGENCY LAMPS

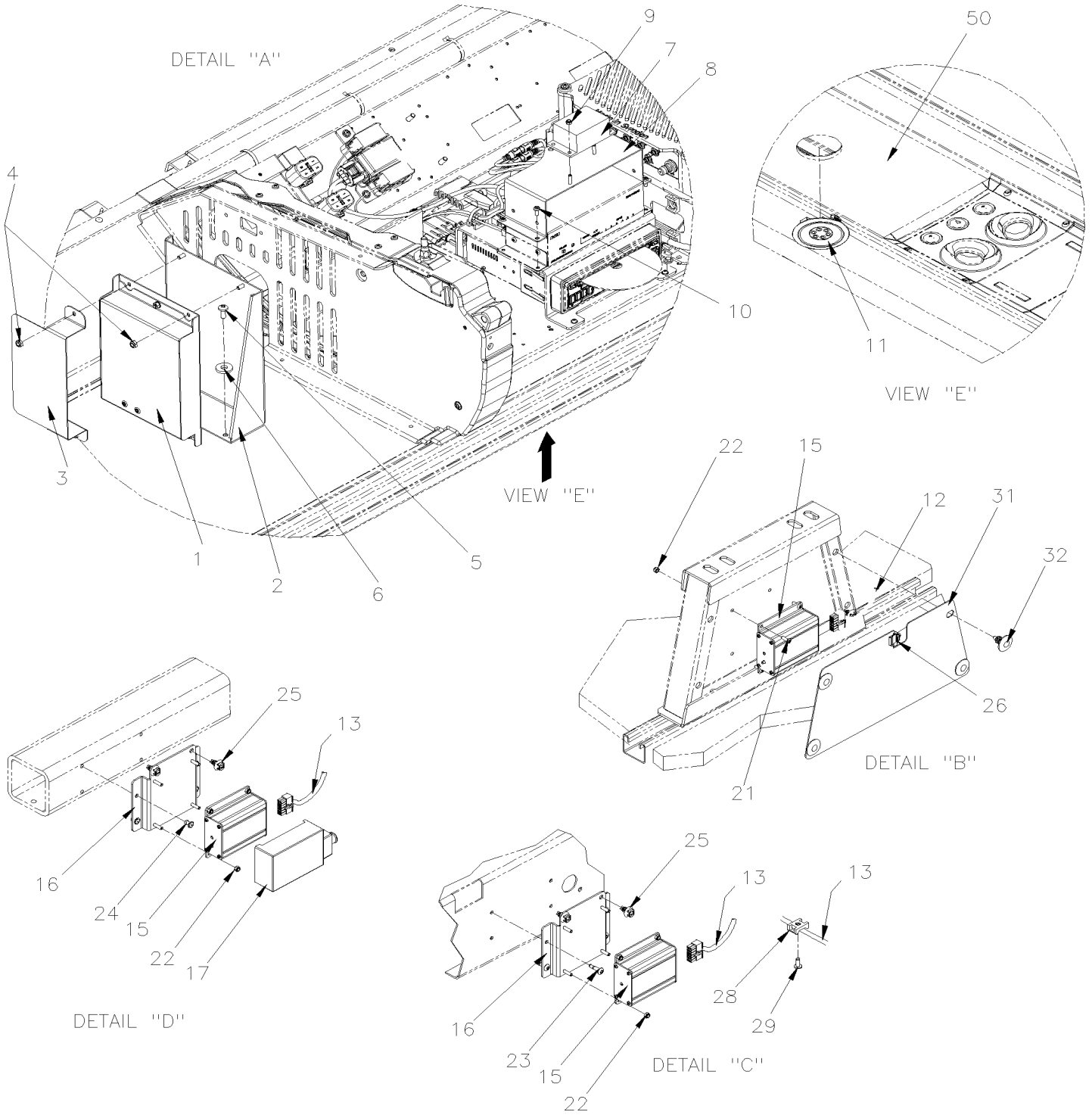


From M-7839 To M-7767

Date:07/2024

PAGE:X3PLB-0655-10

AUTOMATIC EMERGENCY LAMPS



From M-7839 To M-7767	Date:07/2024	PAGE:X3PLB-0655-10
AUTOMATIC EMERGENCY LAMPS		

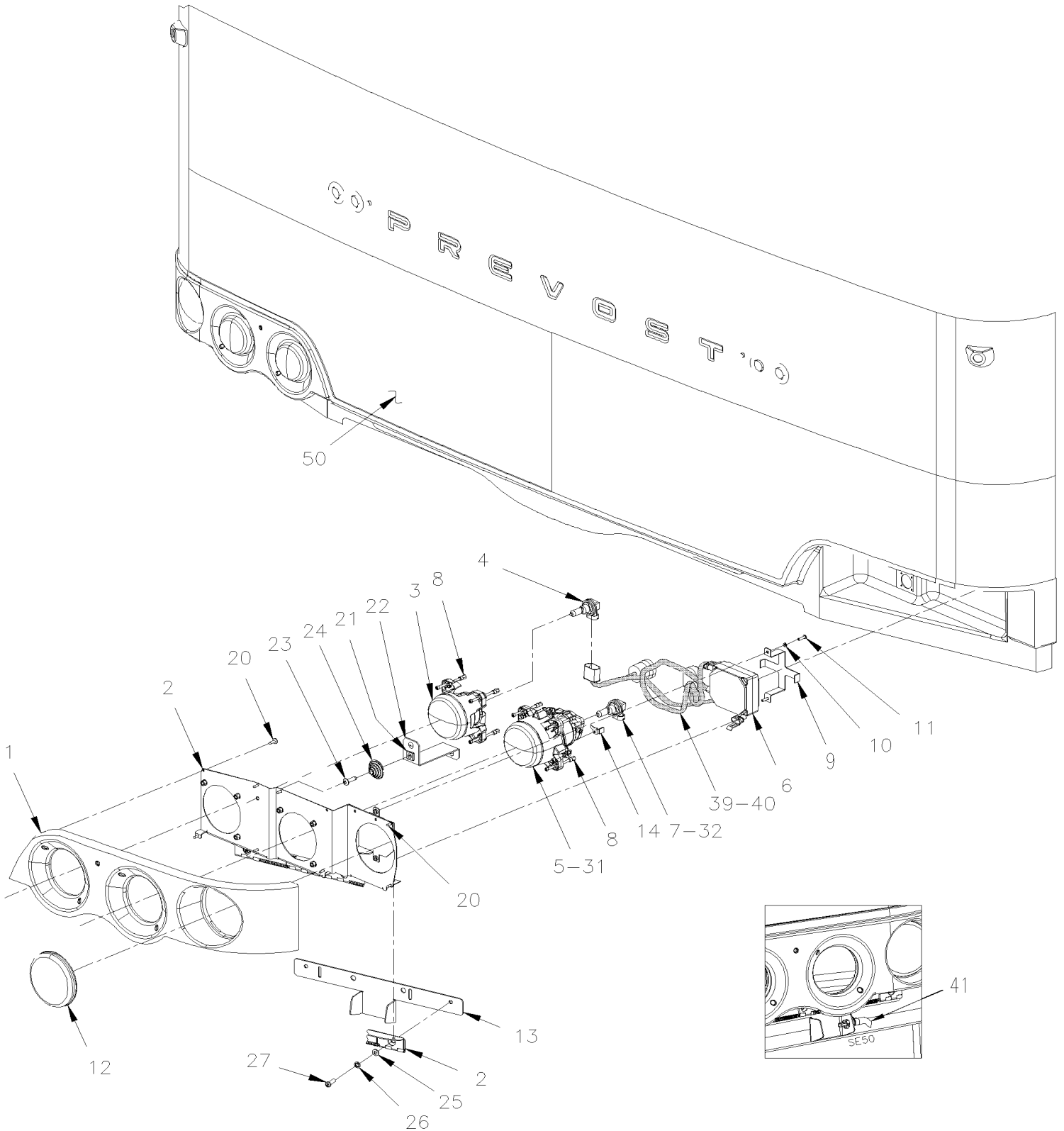
Item#	Part	Description	QTY	Notes
1	901831	EMERGENCY UNIT 24VDC TEKNOWARE	1	
NS	0610438	EMERGENCY LIGHTS MAIN HARNESS	1	
2	0610508	SUPPORT BATTERIE	1	
3	0610507	COVER BATTERIE	1	
4	502841	NUT HEX NYRT M5-0.8 N500	4	
5	500841	SCREW TP PAN PH #14x3/4 Z050	4	
6	500401	WASHER FL .343x.875x.125 N500	4	
7	901837	MOUDLE, ELM LED STATUS REI	1	
8	0610509	SUPPORT STATUS LED	1	
9	500539	NUT HEX NYRT M4-0.7 N500	2	
10	500799	SCREW TC PAN PH #8-32x3/8 N500	4	
11	830012	LAMP LED / NORMAL & EMERGENCY 24V	14	
NS	0610435	EMERGENCY LIGHT RH HARNESS	1	
NS	0610436	EMERGENCY LIGHT LH HARNESS	1	
12	0610432	EMERGENCY SEAT SENSOR HARNESS	1	
NS	0610434	EMERGENCY PASSENGERS SENSOR HARNESS	1	
13	0610437	EMERGENCY LUGGAGE COMP. SENSORS HARNESS	1	
15	901830	MODULE, EMERGENCY LIGHTING SENSOR REI	4	
16	0610386	SUPPORT REI MODULE, IMPACT DETECTION	3	
17	564370	COVER REI MODULE SB247	1	
21	5001996	SCREW MA PAN PH M4-0.7x12 N500	4	
22	500539	NUT HEX NYRT M4-0.7 N500	16	
23	504488	RIVET MGLP PRDG 3/16x17/64 SS	8	
24	504487	RIVET MGLP PRDG 3/16x7/16 SS	4	
25	509815	TIE MOUNT / ATTACHMENT W/TREE MOUNT	AR	
26	564204	CABLE TIE / WITH EDGE CLIP / T50REC4A 10MMx200MM	1	
28	504013	TIE MOUNT / 1/4" X 1/4" I.D.	3	
29	5001966	SCREW TC BDG PH #10-24x1/2 SS410 ZINC	3	
31	360090	COVER AMAYA SEAT	1	
32	864368	SCREW 3/8 PLASTIC	4	
50	X3PLB-1836-00	PARCEL RACK /WITH LEDS		

From G-7275 To K-7662

Date:07/2024

PAGE:X3PLB-0660-00

HEADLAMP & FRONT DIRECTIONAL LAMPS



From G-7275 To K-7662	Date:07/2024	PAGE:X3PLB-0660-00
-----------------------	--------------	--------------------

HEADLAMP & FRONT DIRECTIONAL LAMPS

Item#	Part	Description	QTY	Notes
	430615	LAMP ASSY L.H. "XENON" W/BEZEL XL-II W/O CABLE ASSY	1	
	430619	LAMP ASSY L.H. "HALOGENE" W/BEZEL XL-II W/O CABLE ASSY	1	
	430616	LAMP ASSY R.H. "XENON" W/BEZEL XL-II W/O CABLE ASSY	1	
	430620	LAMP ASSY R.H. "HALOGENE" W/BEZEL XL-II W/O CABLE ASSY	1	
1	476210	. HEADLAMP BEZEL, R.H. / CURBE SIDE	1	
1	476211	. HEADLAMP BEZEL, L.H. / STREET SIDE	1	
2	430575	. SUPPORT R.H.	1	
2	430587	. SUPPORT L.H.	1	
3	930359	. LAMP ASSY / HIGH	1	
4	563092	. . BULB / 65WATT-12VOLTS / SAE# H9	1	
5	930388	. LAMP ASSY "XENON" / W/BALLAST	1	
5	930389	. . LAMP ASSY "XENON" / W/OUT BALLAST & W/OUT BULB	1	
6	930390	. . BALLAST "XENON" LOW BEAM 12Volt Power	1	
7	563365	. . BULB / 35WATT / SAE D2S / 85122	1	
8	930373	. . KIT, BOLTS ADJUSTMENT (3 BOLTS)	1	
9	930434	. . SUPPORT "XENON" BALLAST BLACK	1	
10	502698	. SCREW MA PAN PH M4-0.7x16 SS BK	4	
11	502834	. WASHER LO SPT 4.1x7.6x0.9 N500	4	
12	930364	. LED AMBER 4" / DIRECTIONAL / FRONT 12Volt / 60L (PREVOST)	1	
13	430576	. HOLDER LAMP	1	
14	430604	. BULB STOPPER / "SAFETY FAILURE STRESS" / SS	2	
20	5001536	. SCREW PTR BDG PH M4x12 SS	8	
21	5001009	. NUT AN 1/4 NYL	1	
22	430572	. SUPPORT CENTRAL	1	
23	504249	. RIVET CHY Q PRDG 3/16x3/8 SS	AR	
24	930369	. SPRING CONICAL	1	
25	502573	. WASHER FL 6.4x12.5x1.6 SS	4	
26	5001432	. WASHER LO INT .256x.478x.028 SS 410	4	
27	5001507	. SCREW MA PAN PH M6-1.0x20 SS	4	
31	930360	. LAMP ASSY / LOW	1	H A C
32	563092	. BULB / 65WATT-12VOLTS / SAE# H9	1	H
33	430259	SERVICE KIT LED HEAD LAMP OPP1	1	
. NS	930040	. LAMP ASSY / LOW / WITH LEDS LED PREMIUM	2	
. NS	430242	. BOTTOM, HEAD LAMP	2	
. NS	430252	. BACK GUARD, HEAD LAMP	2	
. NS	930373	. KIT, BOLTS ADJUSTMENT (3 BOLTS)	2	
. NS	0610603	. WIRING HARNESS, TYP. HEAD LAMPS GLI	2	
39	066275	CABLE ASSY / W/"HALOGENE" LAMPS / MUX To H-7416	1	H
39	060078	CABLE ASSY / W/"HALOGENE" LAMPS / LH / MUX From H-7417	1	
39	060380	CABLE ASSY / W/"HALOGENE" LAMPS / RH / MUX From H-7417	1	
40	066276	CABLE ASSY / "XENON" / MUX To H-7416	1	
40	060079	CABLE ASSY / "XENON" / LH / MUX From H-7417	1	

From G-7275 To K-7662	Date:07/2024	PAGE:X3PLB-0660-00
-----------------------	--------------	--------------------

HEADLAMP & FRONT DIRECTIONAL LAMPS

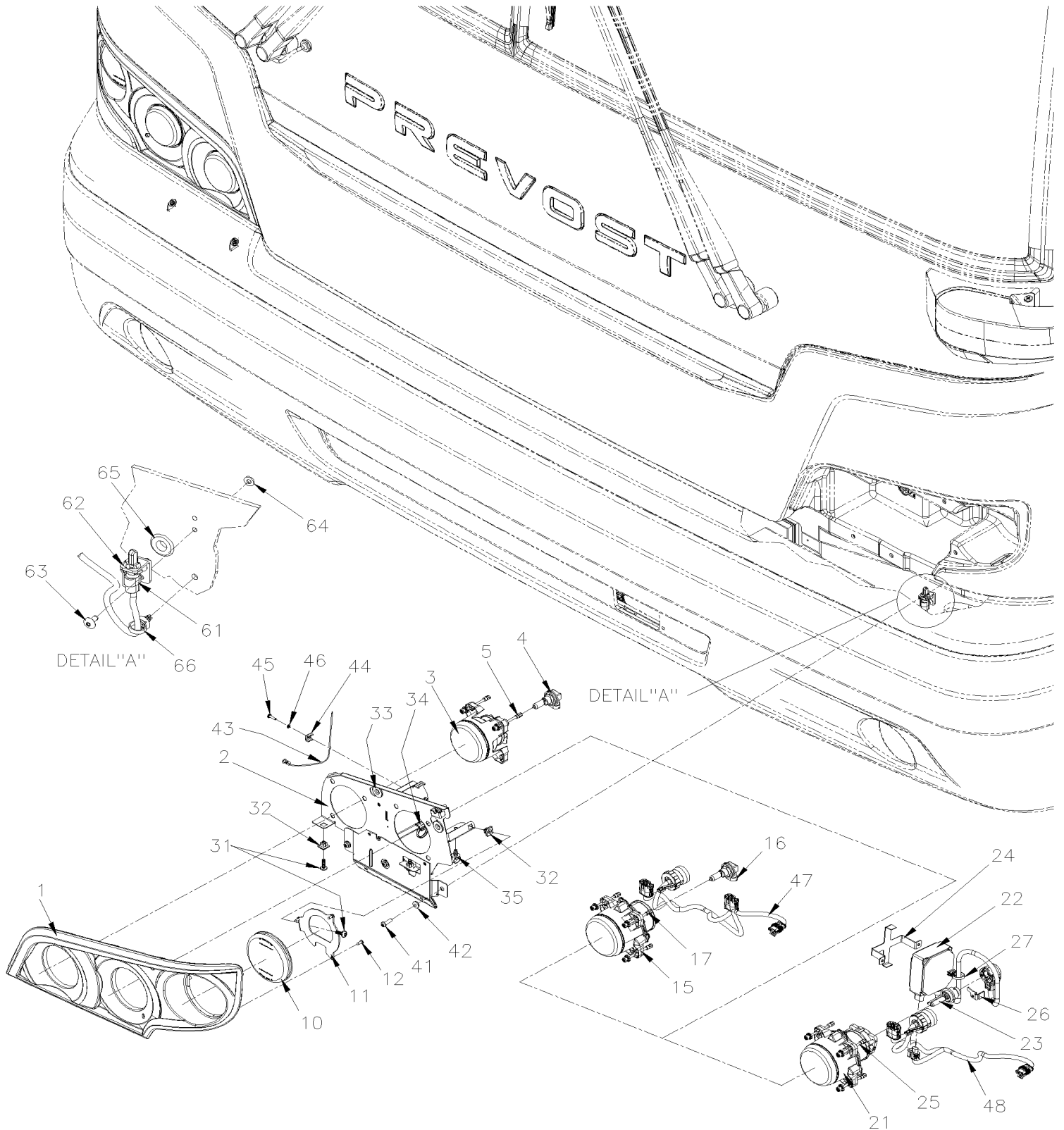
Item#	Part	Description	QTY	Notes
40	060390	CABLE ASSY / "XENON" / RH / MUX From H-7417	1	
41	563335	SENSOR THERMISTOR ASSY / OUTSIDE // PED 15416387 From H-7417	1	
NS	430602	KIT RETROFIT "XENON" FROM HALOGENE "XL-II"	1	
50	X3PLB-1851-00	FRONT CAP - INSTALLATION		
		A) LEATHERETTE / SPECIFY COLOR / (UNDER PARCEL RACK)		
		C) TO CONVERT HALOGENE TO LED ASK KIT 430259		
		H) USE WITH HALOGENE ONLY		

From L-7663 To M-7767

Date:07/2024

PAGE:X3PLB-0660-01

HEADLAMP & FRONT DIRECTIONAL LAMPS



From L-7663 To M-7767	Date:07/2024	PAGE:X3PLB-0660-01
-----------------------	--------------	--------------------

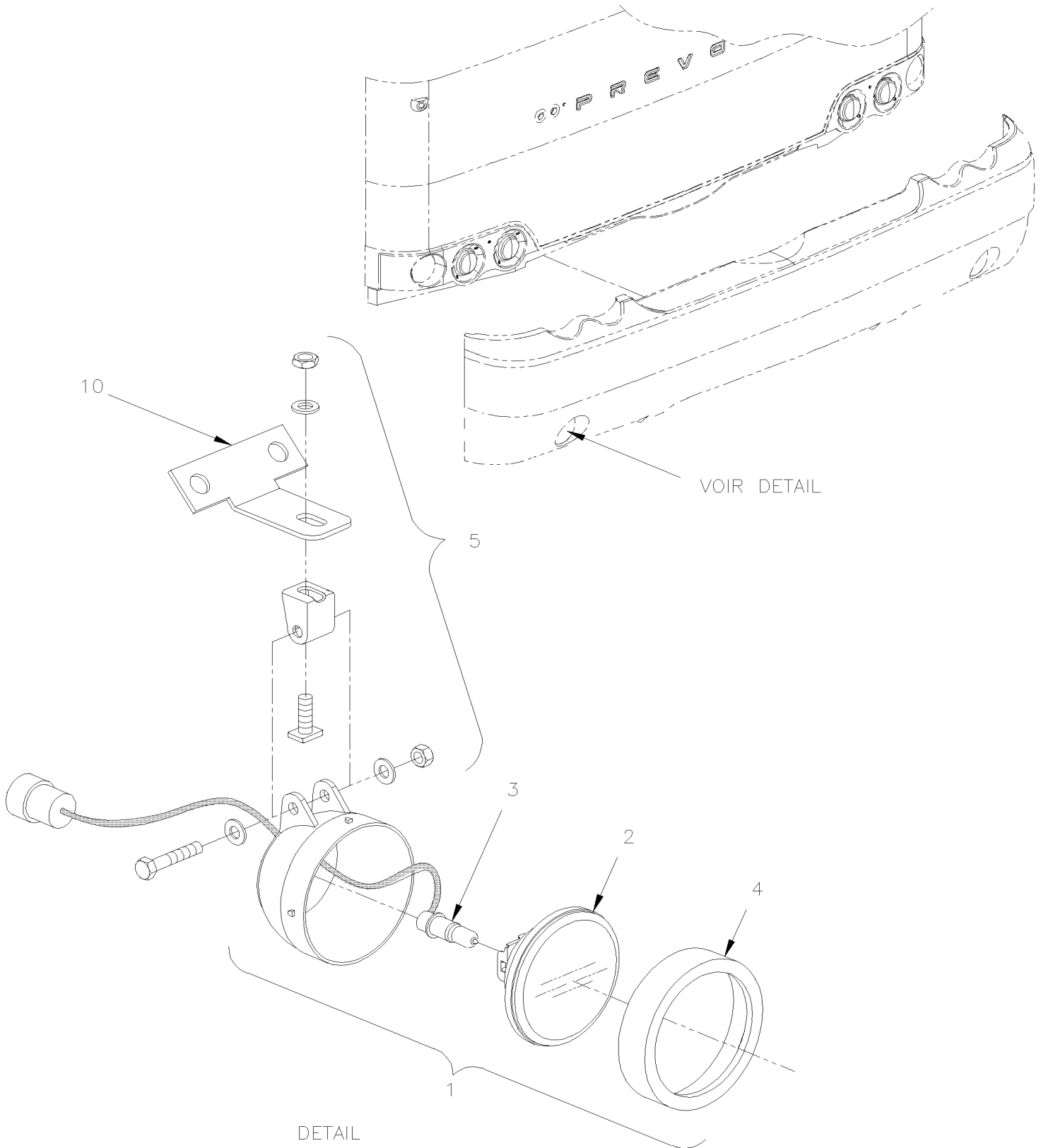
HEADLAMP & FRONT DIRECTIONAL LAMPS

Item#	Part	Description	QTY	Notes
	430158	LAMP ASSY L.H. "XENON" W/BEZEL ASSY	1	
	430160	LAMP ASSY L.H. "HALOGENE" W/BEZEL ASSY	1	
	430162	LAMP ASSY R.H. "XENON" W/BEZEL ASSY	1	
	430167	LAMP ASSY R.H. "HALOGENE" W/BEZEL ASSY	1	
1	471183	. HEADLAMP BEZEL, L.H. / STREET SIDE	1	
1	471188	. HEADLAMP BEZEL, R.H. / CURBE SIDE	1	
2	430001	. SUPPORT ASSY L.H.	1	
2	430005	. SUPPORT ASSY R.H.	1	
3	930359	. LAMP ASSY / HIGH	1	
4	563092	. . BULB / 65WATT-12VOLTS / SAE# H9	1	
5	930373	. . KIT, BOLTS ADJUSTMENT (3 BOLTS)	1	
10	930364	. LED AMBER 4" / DIRECTIONAL / FRONT 12Volt / 60L (PREVOST)	1	
11	430077	. FLASHER SUPPORT LEFT	1	
11	430078	. FLASHER SUPPORT RIGHT	1	
12	5001536	. SCREW PTR BDG PH M4x12 SS	3	
15	930360	. LAMP ASSY / LOW	1	H A
15	564199	. LAMP ASSY / LOW / WITH LEDS	2	B
NS	069850	. CABLE ASSY / W/"LEDS" LAMPS / LH	1	B
NS	069849	. CABLE ASSY / W/"LEDS" LAMPS / RH	1	B
NS	564108	. SELF MOUNTING STUD // DEUTSCH 1011-310-0205	2	B
NS	504637	. CABLE TIE / 3/16" x 13"	2	B
16	563092	. . BULB / 65WATT-12VOLTS / SAE# H9	1	H
17	930373	. . KIT, BOLTS ADJUSTMENT (3 BOLTS)	1	
NS	430284	SERVICE KIT LED HEAD LAMP OPP2	1	
. NS	930040	. LAMP ASSY / LOW / WITH LEDS LED PREMIUM	2	
. NS	930373	. KIT, BOLTS ADJUSTMENT (3 BOLTS)	2	
. NS	0610603	. WIRING HARNESS, TYP. HEAD LAMPS GLI	2	
21	930388	. LAMP ASSY "XENON" / W/BALLAST	1	
21	930389	. . LAMP ASSY "XENON" / W/OUT BALLAST & W/OUT BULB	1	
22	930390	. . BALLAST "XENON" LOW BEAM 12Volt Power	1	
23	563365	. . BULB / 35WATT / SAE D2S / 85122	1	
24	930434	. . SUPPORT "XENON" BALLAST BLACK	1	
25	930373	. . KIT, BOLTS ADJUSTMENT (3 BOLTS)	1	
26	430604	. BULB STOPPER / "SAFETY FAILURE STRESS" / SS	1	
27	564204	. CABLE TIE / WITH EDGE CLIP / T50REC4A 10MMx200MM	1	
31	5001630	. SCREW TP BUTF TORX M6x20 SS	3	
32	5001009	. NUT AN 1/4 NYL	3	
33	504094	. GROMMET / .322x1.000x.079x.276x.984	2	
34	564534	. CABLE TIE / WITH EDGE CLIP / T50REC5A 10 MM x 200 MM	1	
35	509815	. TIE MOUNT / ATTACHMENT W/TREE MOUNT	1	
35	504637	. CABLE TIE / 3/16" x 13"	1	

From L-7663 To M-7767	Date:07/2024	PAGE:X3PLB-0660-01
HEADLAMP & FRONT DIRECTIONAL LAMPS		

Item#	Part	Description	QTY	Notes
41	5001507	SCREW MA PAN PH M6-1.0x20 SS	8	
42	5001836	WASHER FL .250x1.250x.062	8	
43	504814	CABLE 0.063" (1/16") DIA, 18-8 SS	AR	
43	561918	SHRINK TUBING / .125" - .062" / BLACK / ALPHA FIT-221-1/8-4-B	AR	
43	780341	SLEEVE / TO HOLDING CABLE 1/16OD SS	2	
44	430079	STOPPER	2	
45	502698	SCREW MA PAN PH M4-0.7x16 SS BK	2	
46	502834	WASHER LO SPT 4.1x7.6x0.9 N500	2	
47	069864	CABLE ASSY / W/"HALOGENE"	1	
48	069977	CABLE ASSY / "XENON" / LH	1	
48	069865	CABLE ASSY / "XENON" / RH	1	
50	X3PLB-1851-01	FRONT CAP - INSTALLATION		
61	563335	SENSOR THERMISTOR ASSY / OUTSIDE // PED 15416387	1	
62	069866	TEMP SENSOR SUPPORT	1	
63	504793	RIVET MNB OE LARGE HEAD 3/16x7/16 SS	2	
64	5001137	WASHER FL .203x.438x.050 SS	2	
65	504068	GROMMET / .500x.750x.062x.312x1.062	1	
66	509815	TIE MOUNT / ATTACHMENT W/TREE MOUNT	1	
66	504637	CABLE TIE / 3/16" x 13"	1	
		A) TO CONVERT HALOGENE TO LED ASK KIT 430284		
		B) WITH LED LAMP		
		H) USE WITH HALOGENE ONLY		

FOG LAMP



From G-7275 To K-7610	Date:07/2024	PAGE:X3PLB-0661-00
FOG LAMP		

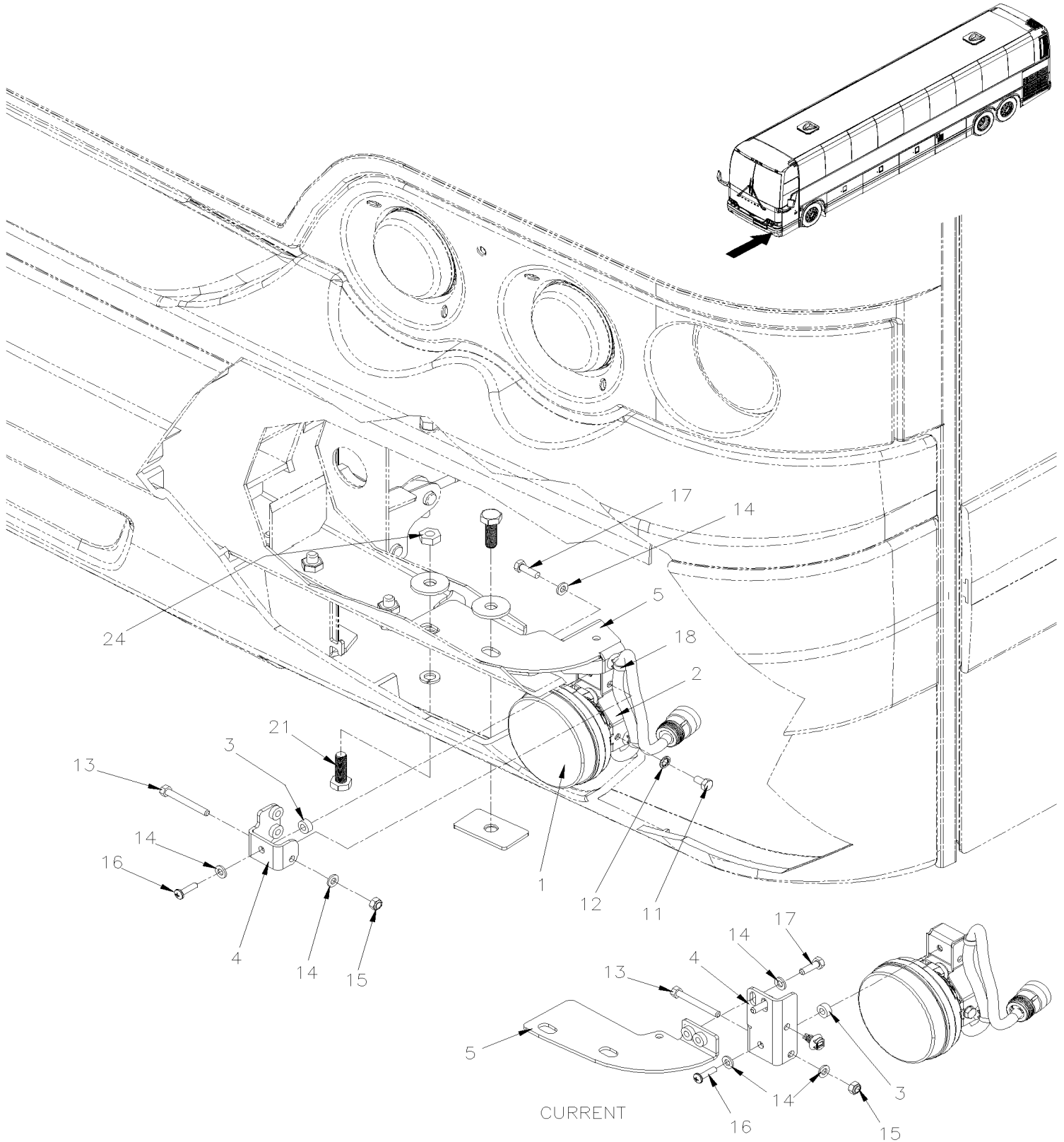
Item#	Part	Description	QTY	Notes
	430553	FOG LAMP 12 V / "BOSCH" COMPACT 100 / W/CONNECTOR "DEUTSCH" To H-7324	2	
	430706	FOG LAMP 12 V / "BOSCH" COMPACT 100 / W/CONNECTOR "DEUTSCH" From H-7325	2	
1	930361	. FOG LAMP ASSY To H-7324	1	
1	564475	. FOG LAMP ASSY From H-7325	1	
2	930370	. GLASS	1	
3	561882	. BULB / 55WATT-12VOLTS / SAE# H3 / 64151	1	
3	069636	. WIRING HARNESS, FOG LAMP From H-7325	1	
4	930371	. HOLDER RING	1	
5	930372	. KIT HARDWARE	1	
10	X3PLB-1850-00	BUMPER FRONT		
20	430028	FOG LAMP / REPLACEMENT KIT 2 LAMPS LED / "X3" / ADVANCED KIT		A
20	430220	FOG LAMP / REPLACEMENT KIT 2 LAMPS / "XL-II" & "X3" & "H3" & "VIP" / BASIC KIT	1	B
		A) ADVANCED KIT WITH ADJUSTMENT		
		B) BASIC KIT WITHOUT ADJUSTMENT		

From G-7275 To K-7610

Date:07/2024

PAGE:430028

FOG LAMP / REPLACEMENT KIT 2 LAMPS LED / "X3" / ADVANCED KIT



From G-7275 To K-7610	Date:07/2024	PAGE:430028
-----------------------	--------------	-------------

FOG LAMP / REPLACEMENT KIT 2 LAMPS LED / "X3" / ADVANCED KIT

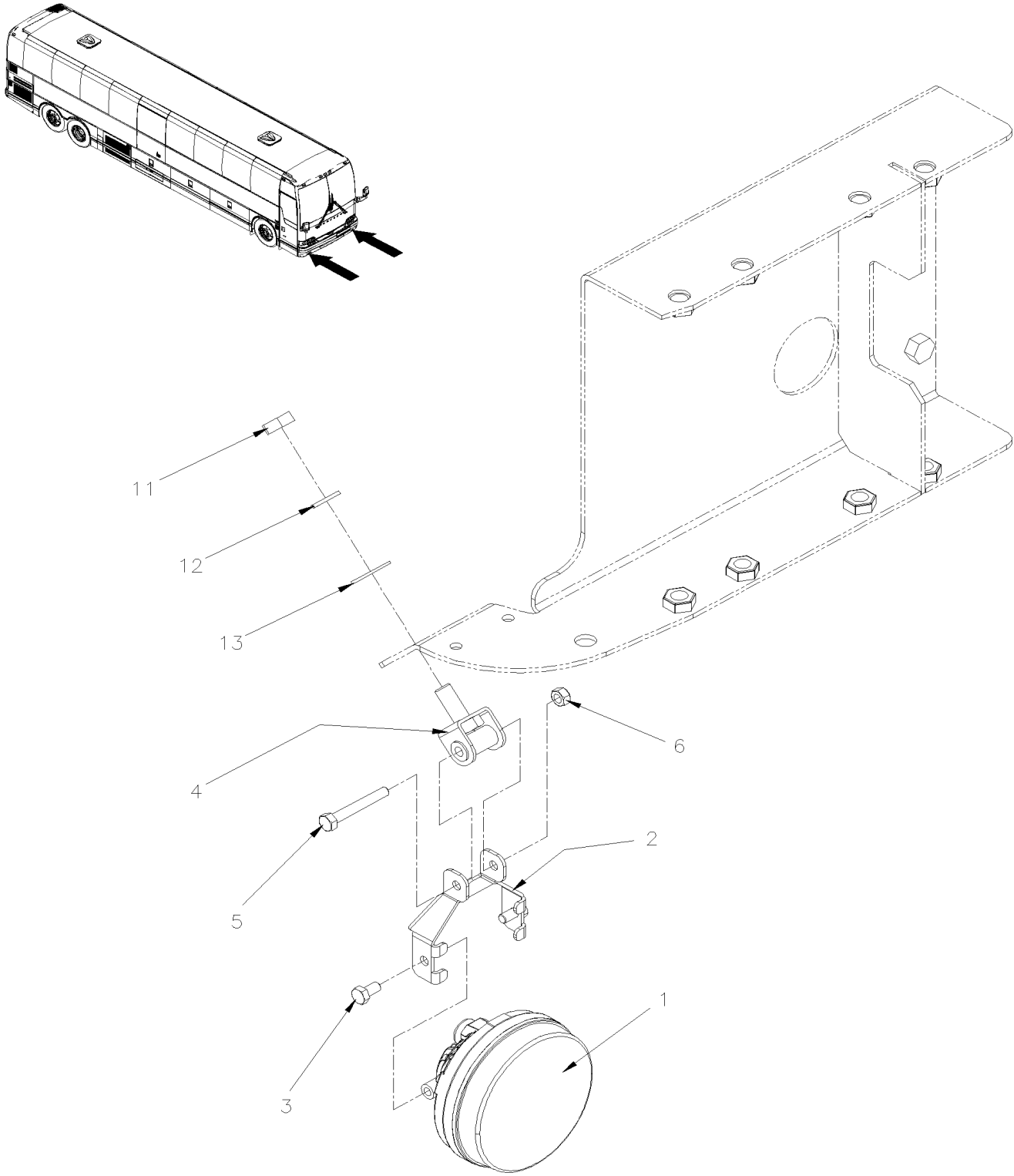
Item#	Part	Description	QTY	Notes
1	560636	FOG LAMP LED	2	
2	430011	SUPPORT, FOG LIGHT	2	
3	430015	SPACER	2	
4	430023	ATTACH, LH FOG LIGHT To FORMER	1	
4	430106	ATTACH, LH FOG LIGHT From CURRENT	1	
4	430022	ATTACH, RH FOG LIGHT To FORMER	1	
4	430105	ATTACH, RH FOG LIGHT From CURRENT	1	
5	430019	ATTACH, LH FOG LIGHT To FORMER	1	
5	430104	ATTACH, LH FOG LIGHT From CURRENT	1	
5	430018	ATTACH, RH FOG LIGHT To FORMER	1	
5	430103	ATTACH, RH FOG LIGHT From CURRENT	1	
11	5001982	SCREW CAP HEX M6-1.0x12 SS BK	4	
12	5001432	WASHER LO INT .256x.478x.028 SS 410	4	
13	5001636	SCREW CAP HEX M6-1.0x50 SS BK	2	
14	502573	WASHER FL 6.4x12.5x1.6 SS	8	
15	5001182	NUT HEX NYRT M6-1.0 SS	2	
16	502746	SCREW MA PAN PH M5-0.8x20 SS BK	2	
17	502622	SCREW CAP HEX M6-1.0x20 SS BK	4	
18	509815	TIE MOUNT / ATTACHMENT W/TREE MOUNT	4	
18	504637	CABLE TIE / 3/16" x 13"	4	
21	509856	SCREW CAP HEX M10-1.5x30 SS XLN BK	4	
24	502567	NUT HEX M10-1.5 SS	2	

From G-7275 To K-7610

Date:07/2024

PAGE:430220

FOG LAMP / REPLACEMENT KIT 2 LAMPS / "XL-II" & "X3" & "H3" & "VIP" / BASIC KIT



From G-7275 To K-7610	Date:07/2024	PAGE:430220
------------------------------	---------------------	--------------------

FOG LAMP / REPLACEMENT KIT 2 LAMPS / "XL-II" & "X3" & "H3" & "VIP" / BASIC KIT

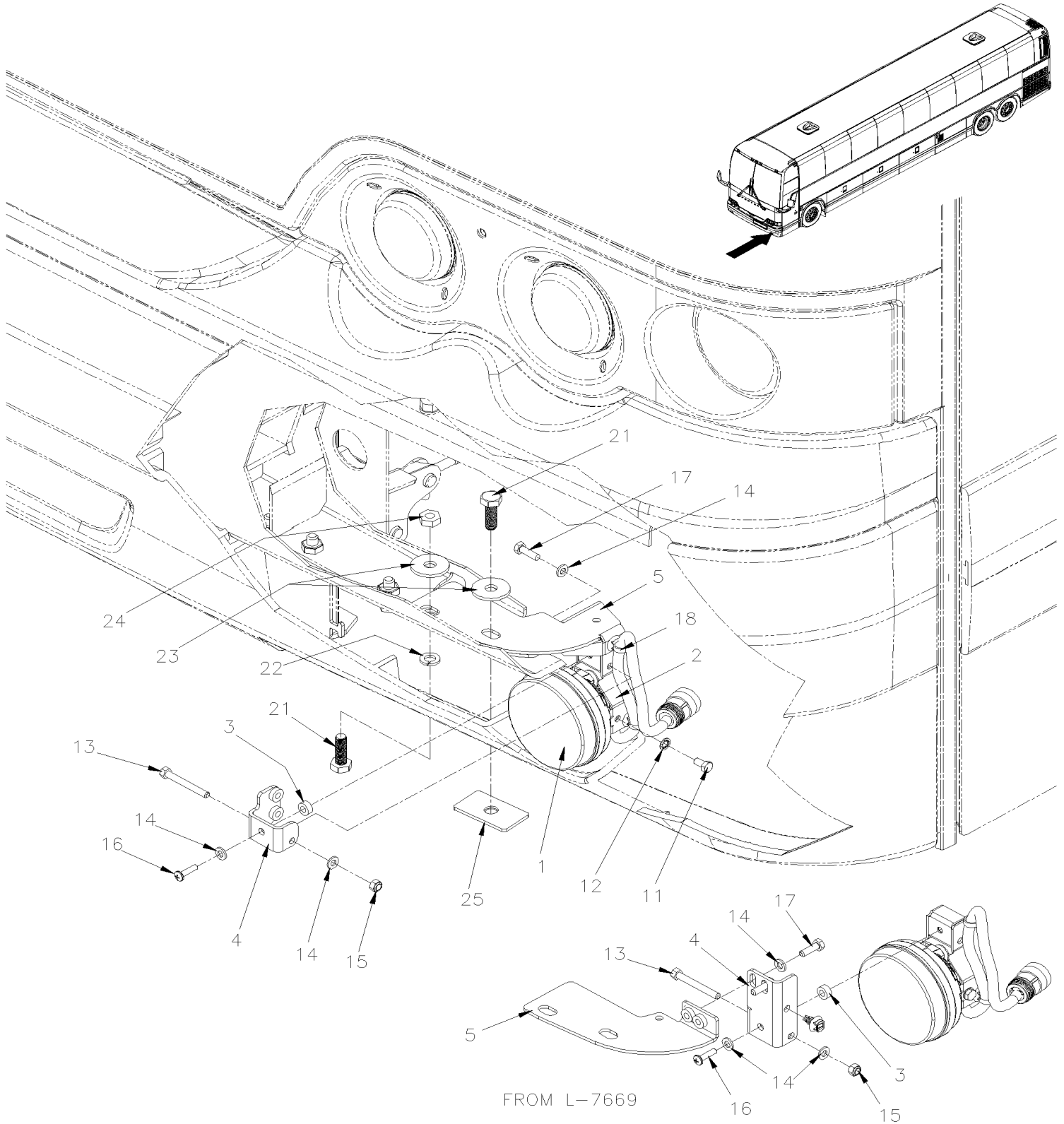
Item#	Part	Description	QTY	Notes
1	560636	FOG LAMP LED	2	
2	430200	SUPPORT, FOG LIGHT	2	
3	5001982	SCREW CAP HEX M6-1.0x12 SS BK	4	
4	430208	SUPPORT, FOG LIGHT	2	
5	5001923	SCREW CAP HEX M6-1.0x45 SS BK	2	
6	5001182	NUT HEX NYRT M6-1.0 SS	2	
11	502567	NUT HEX M10-1.5 SS	2	
12	502616	WASHER LO SPT 10.2x18.1x2.2 SS	2	
13	500270	WASHER FL .406x1.000x.063 SS	2	
NS	IS-17151	SEE INSTRUCTION SHEET	1	
NS	FI-17151	VOIR FEUILLE D'INSTRUCTION	1	

From K-7611 To M-7767

Date:07/2024

PAGE:X3PLB-0661-01

FOG LAMP / LED



From K-7611 To M-7767	Date:07/2024	PAGE:X3PLB-0661-01
FOG LAMP / LED		

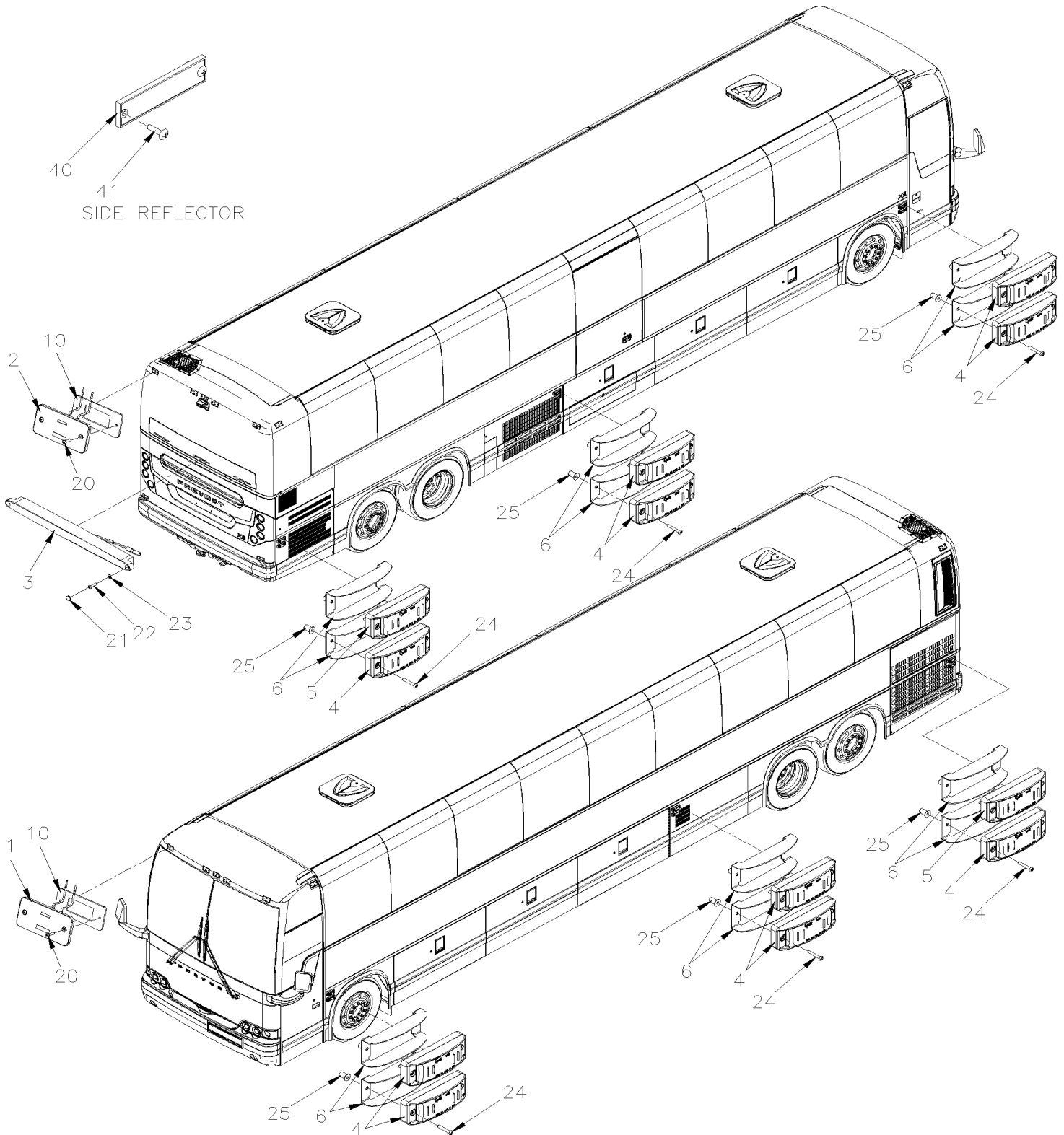
Item#	Part	Description	QTY	Notes
1	560636	FOG LAMP LED	2	
2	430011	SUPPORT, FOG LIGHT	2	
3	430015	SPACER	2	
4	430023	ATTACH, LH FOG LIGHT To L-7668	1	
4	430106	ATTACH, LH FOG LIGHT From L-7669	1	
4	430022	ATTACH, RH FOG LIGHT To L-7668	1	
4	430105	ATTACH, RH FOG LIGHT From L-7669	1	
5	430019	ATTACH, LH FOG LIGHT To L-7668	1	
5	430104	ATTACH, LH FOG LIGHT From L-7669	1	
5	430018	ATTACH, RH FOG LIGHT To L-7668	1	
5	430103	ATTACH, RH FOG LIGHT From L-7669	1	
11	5001982	SCREW CAP HEX M6-1.0x12 SS BK	4	
12	5001432	WASHER LO INT .256x.478x.028 SS 410	4	
13	5001636	SCREW CAP HEX M6-1.0x50 SS BK	2	
14	502573	WASHER FL 6.4x12.5x1.6 SS	8	
15	5001182	NUT HEX NYRT M6-1.0 SS	2	
16	502746	SCREW MA PAN PH M5-0.8x20 SS BK	2	
17	502622	SCREW CAP HEX M6-1.0x20 SS BK	4	
18	509815	TIE MOUNT / ATTACHMENT W/TREE MOUNT	4	
18	504637	CABLE TIE / 3/16" x 13"	4	
21	509856	SCREW CAP HEX M10-1.5x30 SS XLN BK	4	
22	502616	WASHER LO SPT 10.2x18.1x2.2 SS	2	
23	5001417	WASHER FL 11.0x34.0x3.0 SS	4	
24	502567	NUT HEX M10-1.5 SS	2	
25	410878	ANCHOR NUT / M10-1.5	2	
50	X3PLB-1850-00	BUMPER FRONT To K-7662	1	
50	X3PLB-1850-01	BUMPER FRONT From L-7663	1	

From G-7275 To K-7662

Date:07/2024

PAGE:X3PLB-0662-00

CLEARANCE & MARKER LIGHT



From G-7275 To K-7662	Date:07/2024	PAGE:X3PLB-0662-00
CLEARANCE & MARKER LIGHT		

Item#	Part	Description	QTY	Notes
1	066527	LAMP ID & CLEAR -3 LED AMBER / "JIFFI SPLICE" To H-7399	7	M
. NS	930416	. LAMP ID & CLEAR -LED AMBER / 3 LEDS To H-7399	1	M
. NS	430630	. SEAL LAMP BLACK 1/8" THICK To H-7399	1	M
. NS	562286	. PIN TERMINAL / 18-16 / DEUTSCH 0460-202-16141 To H-7399	1	M
. NS	561608	. SOCKET TERMINAL / 18-16 / DEUTSCH 0462-201-16141 To H-7399	1	M
1	930422	LAMP ID & CLEAR -3 LED AMBER From H-7400	7	
NS	563545	SPLICE / JIFFI SPLICE / 16G / DEUTSCH JS16-00 To H-7399	AR	
2	066526	LAMP ID & CLEAR -3 LED RED / "JIFFI SPLICE" To H-7399	7	P
. NS	930415	. LAMP ID & CLEAR -LED RED / 3 LEDS To H-7399	1	P
. NS	430630	. SEAL LAMP BLACK 1/8" THICK To H-7399	1	P
. NS	562286	. PIN TERMINAL / 18-16 / DEUTSCH 0460-202-16141 To H-7399	1	P
. NS	561608	. SOCKET TERMINAL / 18-16 / DEUTSCH 0462-201-16141 To H-7399	1	P
2	930421	LAMP ID & CLEAR -3 LED RED From H-7400	7	
NS	563545	SPLICE / JIFFI SPLICE / 16G / DEUTSCH JS16-00 To H-7399	AR	
3	930330	CYCLOP LAMP	3	
. NS	930353	. CAP PLUG SCREW	2	
NS	506191	TAPE RUB ADH1 CC POL 1/8" x 1/4" x 50' / GREY 2520X	AR	
4	930441	SIDE MARKER ASSY / AMBER / W/6 LED W/O REFLECTOR	10	
NS	478900	GROMMET, MARKER LIGHT	10	
NS	562155	CONNECTOR ASSY SEALED 2C / GROTE 6618-G8	10	
5	930440	SIDE MARKER ASSY / RED / W/6 LED W/O REFLECTOR	2	
NS	478900	GROMMET, MARKER LIGHT	2	
NS	562155	CONNECTOR ASSY SEALED 2C / GROTE 6618-G8	2	
6	430696	GUARD / SIDE MARKER From H-7320 To J-7444	12	B
6	430051	GUARD / SIDE MARKER / WHITE From J-7444	12	B
10	430630	SEAL LAMP BLACK 1/8" THICK To H-7399	14	
10	430048	SEAL LAMP BLACK 1/8" THICK From H-7400	14	
11	064990	CABLE ASSY / SIDE MARKER LAMP FOR DOORS	1	
. NS	473832	. GROMMET 2 HOLESx1.6x11.0MMx2.0MMx8.0MMx16MM	1	
11	067207	CABLE ASSY / SIDE MARKER LAMP FOR DOORS	1	
. NS	473832	. GROMMET 2 HOLESx1.6x11.0MMx2.0MMx8.0MMx16MM	1	
20	5001547	SCREW PTR TR PH M4x20 G500	2	
21	930353	CAP PLUG SCREW	2	
22	502698	SCREW MA PAN PH M4-0.7x16 SS BK	2	
23	502834	WASHER LO SPT 4.1x7.6x0.9 N500 To J-7444	2	
24	5001042	SCREW MA RND PH #10-32x1 1/4 SS From J-7445	2	
24	5002021	SCREW MA TR PH #10-32x1 1/4 SS	2	
25	502774	NUT WELL #10-32x.625	2	
30	066994	CABLE HARNESS / FRONT ROOF W/FRONT DRIVER HALOGENE To H-7416	1	
30	069660	CABLE HARNESS / FRONT ROOF W/FRONT DRIVER HALOGENE From H-7417	1	
30	069651	CABLE HARNESS / FRONT ROOF W/FRONT DRIVER LED From H-7313 To H-7399	1	
30	069331	CABLE HARNESS / FRONT ROOF W/FRONT DRIVER LED From H-7400 To L-7662	1	

From G-7275 To K-7662	Date:07/2024	PAGE:X3PLB-0662-00
CLEARANCE & MARKER LIGHT		

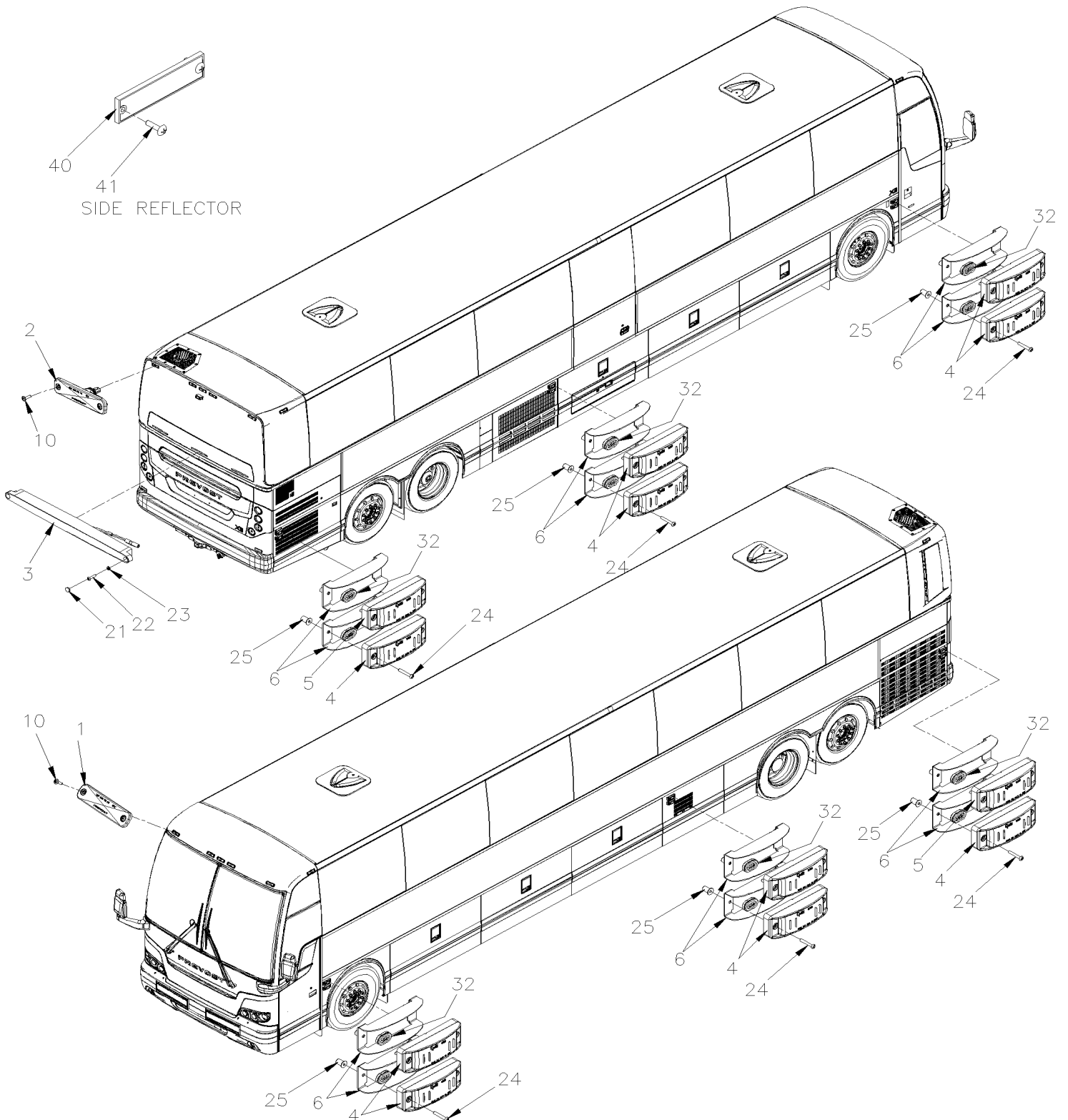
Item#	Part	Description	QTY	Notes
30	069880	CABLE HARNESS / FRONT ROOF W/FRONT DRIVER LED From L-7663	1	
NS	068322	CABLE HARNESS / REAR ROOF / CURBSIDE To H-7416	1	
31	069553	CABLE HARNESS / REAR ROOF / CURBSIDE From H-7417	1	
31	069661	CABLE HARNESS / REAR ROOF / CURBSIDE From H-7400	1	N
NS	067667	CABLE HARNESS / REAR ROOF / STREETSIDE To H-7416	1	
31	060033	CABLE HARNESS / REAR ROOF / STREETSIDE From H-7417	1	
31	069662	CABLE HARNESS / REAR ROOF / STREETSIDE From H-7400	1	N
40	930212	REFLECTOR AMBER 1 1/8" x 4 3/8"	4	A E
40	930320	REFLECTOR RED 1 3/16" x 4 7/16"	2	C
41	500124	SCREW TP TR PH #8x1/2 SS	6	A
41	5001305	SCREW MA RND PH #8-32X3/4 SS	2	E
41	500678	NUT WELL #8-32x.450	2	E
41	5001299	SCREW MA PAN PH #10-32x3/4 SS	4	C
41	500423	NUT HEX NYRT #10-32 SS To H-7324	4	C
61	500519	NUT WELL #10-32x.518 From H-7325	4	C
		A) USE WITH FRONT ENTRANCE DOOR / FRONT SERVICE DOOR / CONDENSOR DOOR		
		B) SOUTHEASTREN STAGE OPTION		
		C) USE WITH RADIATOR DOOR / COPMPRESSOR DOOR		
		E) USE WITH EVAPORATOR DOOR ONLY		
		M) 066527 CAN'T BE SOLD / BUY COMPONENTS SEPARATELY		
		N) NEW HAMPSHIRE TRANSIT OPTION		
		P) 066526 CAN'T BE SOLD / BUY COMPONENTS SEPARATELY		

From L-7663 To M-7767

Date:07/2024

PAGE:X3PLB-0662-01

CLEARANCE & MARKER LIGHT



From L-7663 To M-7767	Date:07/2024	PAGE:X3PLB-0662-01
CLEARANCE & MARKER LIGHT		

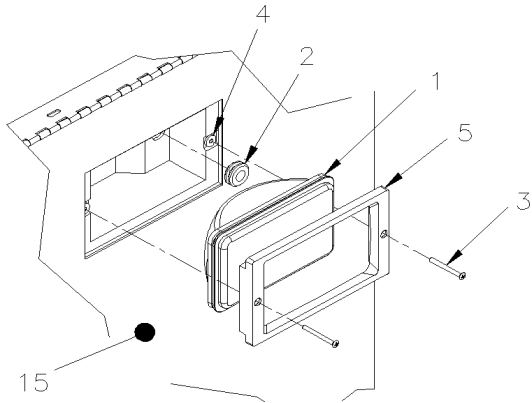
Item#	Part	Description	QTY	Notes
1	930005	LAMP ID & CLEARANCE - 4 LED AMBER	7	
2	930009	LAMP ID & CLEARANCE - 4 LED RED	7	
3	930330	CYCLOP LAMP	3	
. NS	930353	. CAP PLUG SCREW	2	
NS	506191	TAPE RUB ADH1 CC POL 1/8" x 1/4" x 50' / GREY 2520X	AR	
4	930441	SIDE MARKER ASSY / AMBER / W/6 LED W/O REFLECTOR	10	
5	930440	SIDE MARKER ASSY / RED / W/6 LED W/O REFLECTOR	2	
6	430051	GUARD / SIDE MARKER / WHITE	12	B
NS	430276	MARKER LIGHT SEAL From L-7686	24	B
10	901589	SCREW FOR LAMP ID & CLEARANCE	2	
21	930353	CAP PLUG SCREW	2	
22	502698	SCREW MA PAN PH M4-0.7x16 SS BK	2	
23	502834	WASHER LO SPT 4.1x7.6x0.9 N500	2	
24	5002021	SCREW MA TR PH #10-32x1 1/4 SS	2	
25	502774	NUT WELL #10-32x.625	2	
NS	069974	CABLE HARNESS / FRONT ROOF W/FRONT	1	
NS	069829	CABLE HARNESS / REAR ROOF / CURBSIDE	1	
NS	069833	CABLE HARNESS / REAR ROOF / STREETSIDE	1	
32	478900	GROMMET, MARKER LIGHT	AR	
NS	562155	CONNECTOR ASSY SEALED 2C / GROTE 6618-G8	AR	
40	930212	REFLECTOR AMBER 1 1/8" x 4 3/8"	4	A E
40	930320	REFLECTOR RED 1 3/16" x 4 7/16"	2	C
41	500124	SCREW TP TR PH #8x1/2 SS	6	A
41	5001305	SCREW MA RND PH #8-32X3/4 SS	2	E
41	500678	NUT WELL #8-32x.450	2	E
41	5001299	SCREW MA PAN PH #10-32x3/4 SS	4	C
41	500519	NUT WELL #10-32x.518	4	C
		A) USE WITH FRONT ENTRANCE DOOR / FRONT SERVICE DOOR / CONDENSOR DOOR		
		B) SOUTHEASTREN STAGE OPTION		
		C) USE WITH RADIATOR DOOR / COPMPRESSOR DOOR		
		E) USE WITH EVAPORATOR DOOR ONLY		

From G-7275 To M-7767

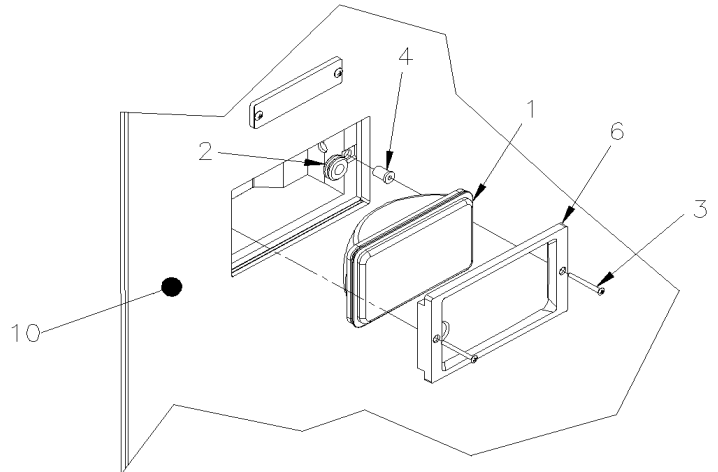
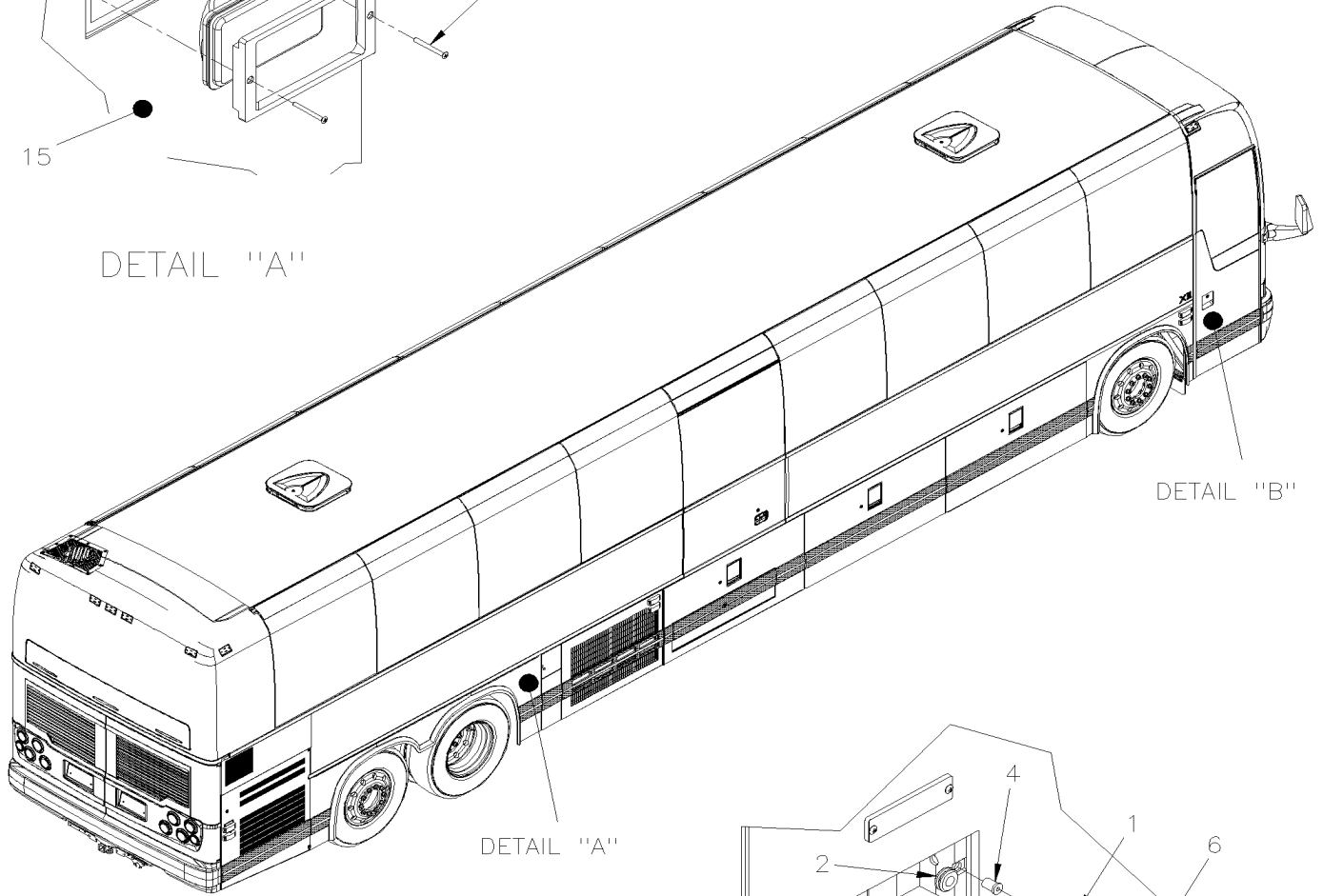
Date:07/2024

PAGE:X3PLB-0663-00

DOCK & CORNERING LIGHT



DETAIL "A"



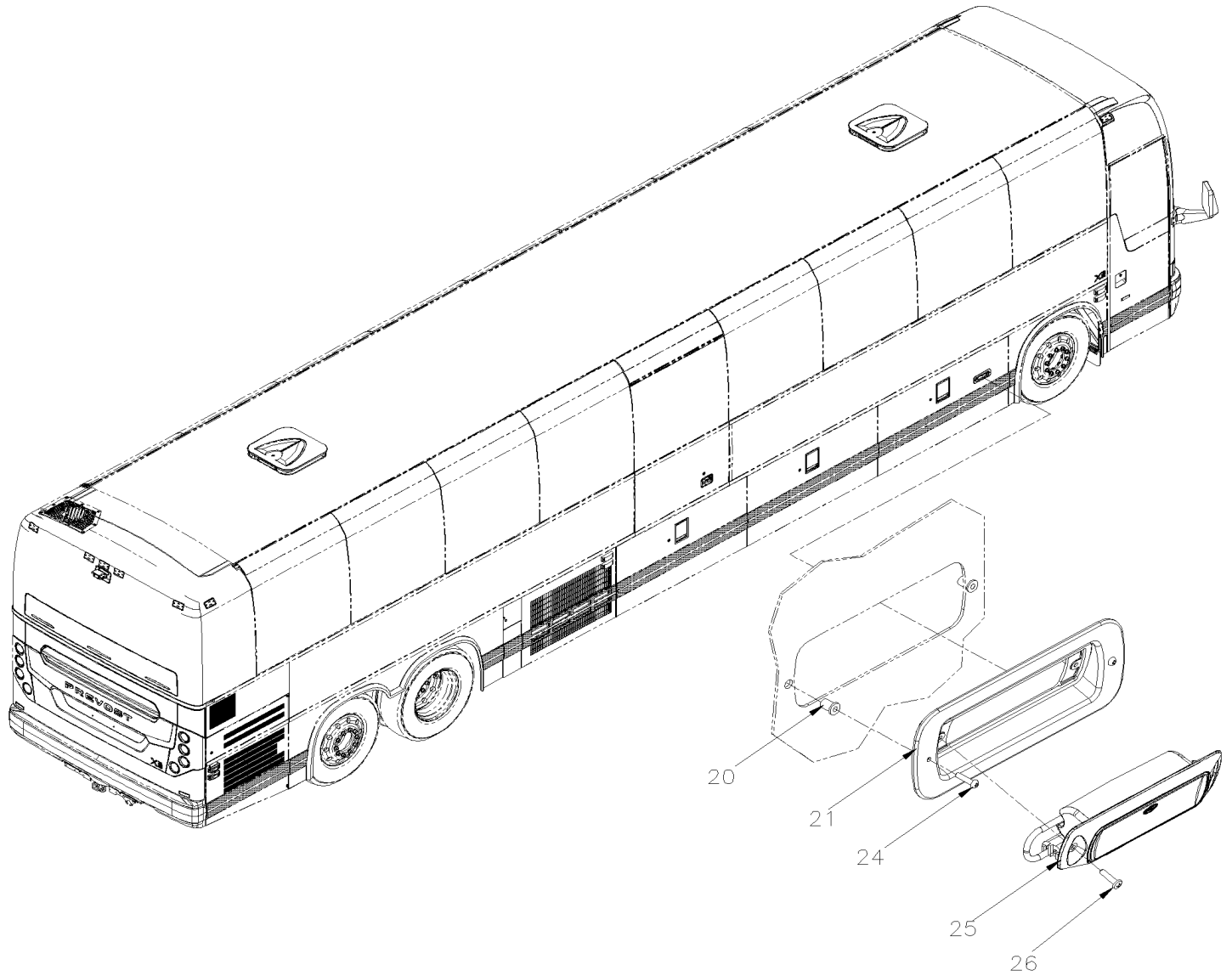
DETAIL "B"

From G-7275 To M-7767

Date:07/2024

PAGE:X3PLB-0663-00

DOCK & CORNERING LIGHT



From G-7275 To M-7767	Date:07/2024	PAGE:X3PLB-0663-00
DOCK & CORNERING LIGHT		

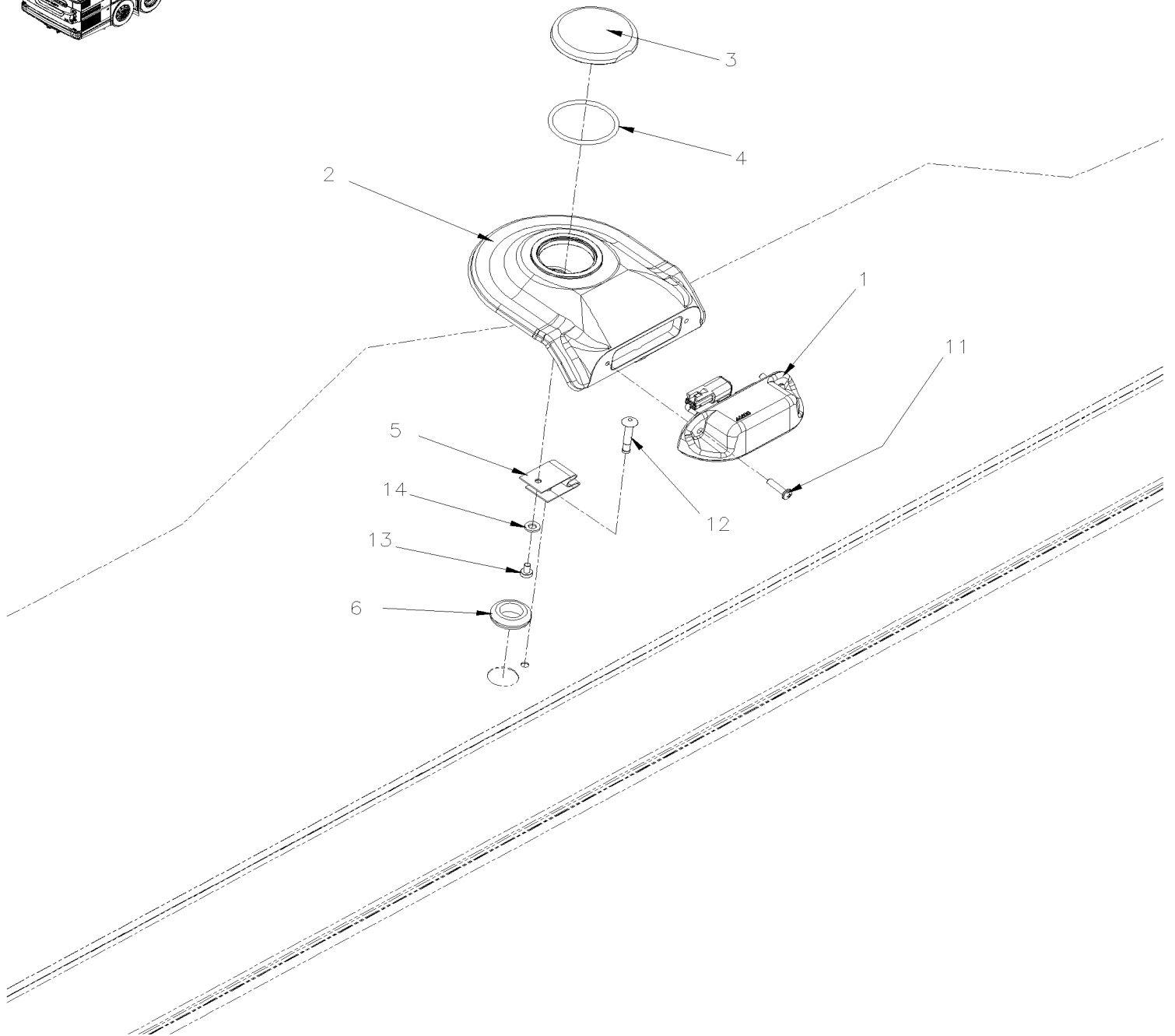
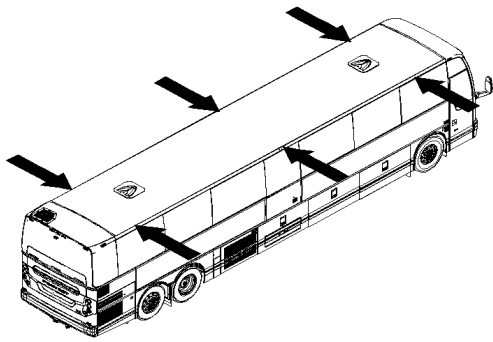
Item#	Part	Description	QTY	Notes
1	930319	SEAL BEAM / 37.5WATT-12V / SAE# H9415	2	
1	19515870	LAMPE RECTANGLE LED 38WATT	2	O
2	504062	GROMMET / .4375x.687x.125x.375x.937	2	
3	5001712	SCREW MA FL PH M4-0.7x30 SS	4	
4	500589	NUT WELL M4-0.7x13.5	4	
5	286400	BEZEL	1	
5	479044	BEZEL	1	O
6	473424	BEZEL	1	
10	X3PLB-1862-00	ENTRANCE DOOR ASSY - BUS		
15	X3PLB-1857-05	FENDERS R.H. - BUS W/FLAT PANELING To H-7416		
15	X3PLB-1857-06	FENDERS R.H. - BUS W/FLAT PANELING / GHG17 From H-7417		
20	500678	NUT WELL #8-32x.450	2	
21	430701	SIDE BOX LAMP WCL	1	
24	500873	SCREW MA RND PH #8-32x3/4 SS BK	2	
25	430702P	LAMP ASSY / W.C.L. LED	1	
26	5001119	SCREW TP BDG PH #8x3/4 SS	1	
NS	069609	CABLE ASSY CURB LIGHT FIRST LUGG To H-7416	1	
NS	060766	CABLE ASSY CURB LIGHT FIRST LUGG From H-7417 To J-7438	1	
27	061260	CABLE ASSY CURB LUGG. DOOR LOCK W/ONE LAMP From J-7439 To K-7590	1	
27	069970	CABLE ASSY CURB LUGG. DOOR LOCK W/ONE LAMP From K-7591	1	
		O) OPTION LED		

From L-7663 To M-7767

Date:07/2024

PAGE:X3PLB-0663-30

PERIMETER LIGHTS ON ROOF



From L-7663 To M-7767	Date:07/2024	PAGE:X3PLB-0663-30
PERIMETER LIGHTS ON ROOF		

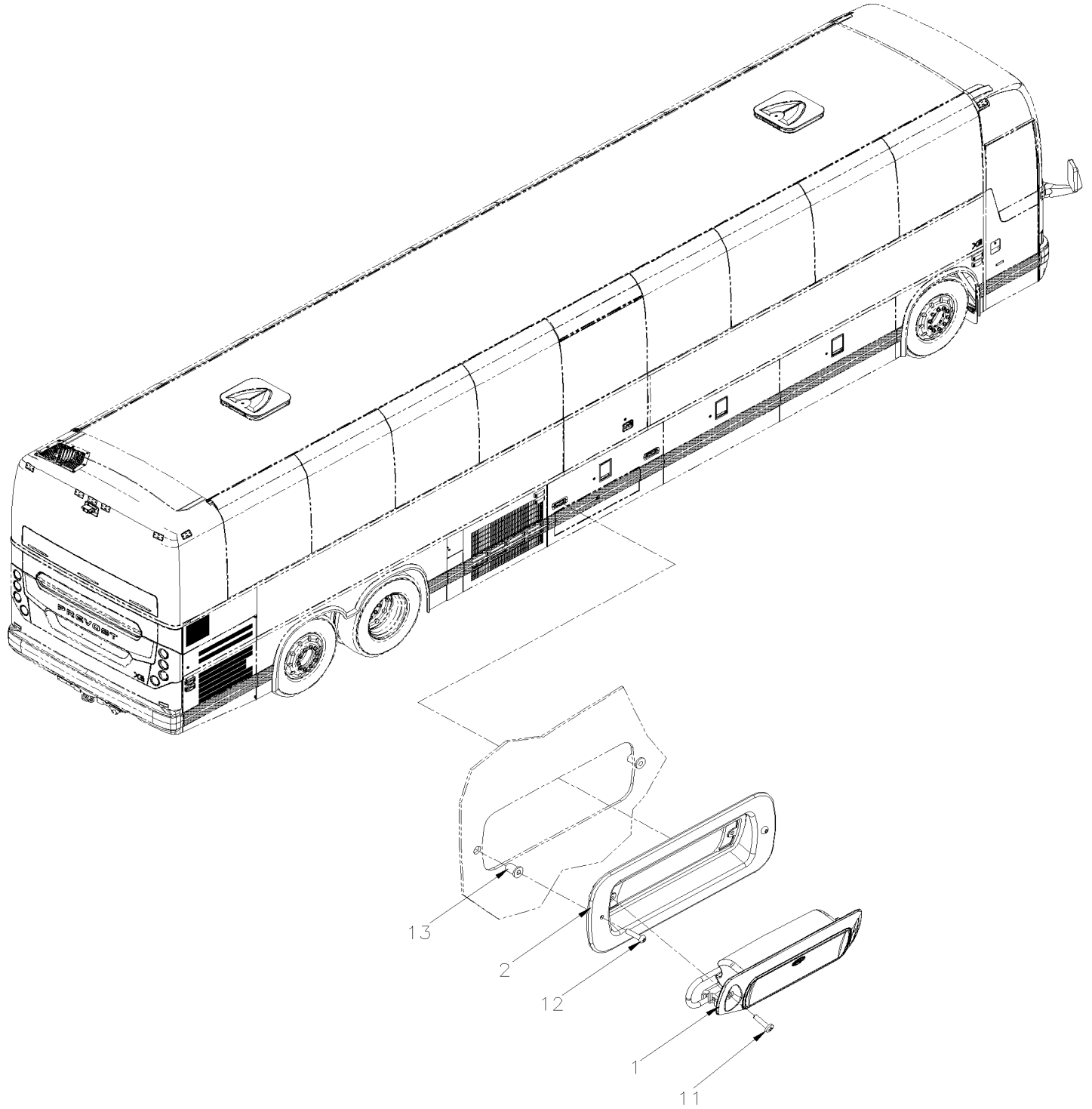
Item#	Part	Description	QTY	Notes
1	930026	SEALED LAMP LED / 12-32V	6	
NS	060058	PERIMETER LIGHT HARNESS	2	
NS	509815	TIE MOUNT / ATTACHMENT W/TREE MOUNT	6	
NS	504273	CABLE TIE / 1/8" X 3"1/2	6	
2	430119	PERIMETER LIGHT HOLDER To M-7767	6	
2	430101	PERIMETER LIGHT HOLDER From M-7768	6	
NS	687957	GLUE MS POLYMER TEROSON MS 9399 / 400ml CARTRIDGE To M-7792	AR	
NS	685387	GLUE MS POLYMER TEROSON MS 9399 / 400ml CARTRIDGE From M-7793	AR	
NS	684685	ADHESIVE SIMSON #ISR 70-03 / 310ml CARTRIDGE	AR	
NS	506785	TAPE RUB ADH2 CC POL 1/16" X 1/4" X 200' / BLACK I1C-N-A	AR	
3	491549	PLUG, SUPPORT ACCESS " BRIGADE"	6	
4	507022	O-RING 1.984 ID x 2.262 OD x 0.139 W	6	
5	491848	RETAINING STRAP	6	
6	504066	GROMMET / .687x1.000x.062x.375x1.312	6	
11	502746	SCREW MA PAN PH M5-0.8x20 SS BK	12	
12	504787	RIVET CHY MONOLOK PRDG 1/4x5/8 ZP	6	
13	5001377	SCREW MA PAN PH M5-0.8x8 SS	6	
14	502573	WASHER FL 6.4x12.5x1.6 SS	6	

From G-7275 To M-7767

Date:07/2024

PAGE:X3PLB-0663-80

LIGHT / W.C.L. BAGGAGE DOOR



From G-7275 To M-7767	Date:07/2024	PAGE:X3PLB-0663-80
LIGHT / W.C.L. BAGGAGE DOOR		

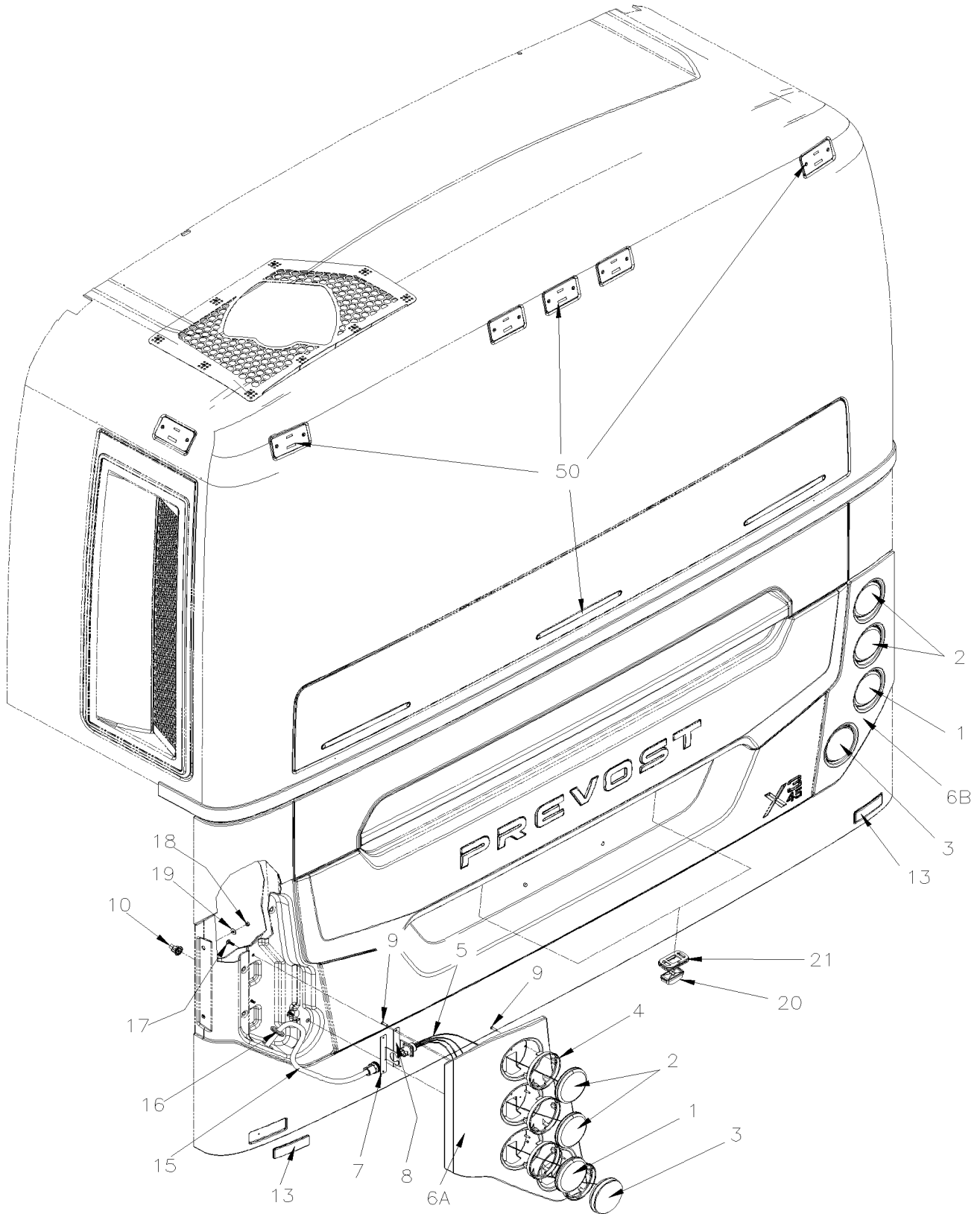
Item#	Part	Description	QTY	Notes
1	430702P	LAMP ASSY / W.C.L. LED	2	
NS	069608	CABLE ASSY / W/WCL	1	
NS	509815	TIE MOUNT / ATTACHMENT W/TREE MOUNT	2	
2	430701	SIDE BOX LAMP WCL	2	
11	5001119	SCREW TP BDG PH #8x3/4 SS	4	
12	500873	SCREW MA RND PH #8-32x3/4 SS BK	4	
13	500678	NUT WELL #8-32x.450	4	

From G-7275 To M-7767

Date:07/2024

PAGE:X3PLB-0664-00

REAR EXTERIOR LIGHTS & PLATE HOLDER



From G-7275 To M-7767	Date:07/2024	PAGE:X3PLB-0664-00
REAR EXTERIOR LIGHTS & PLATE HOLDER		

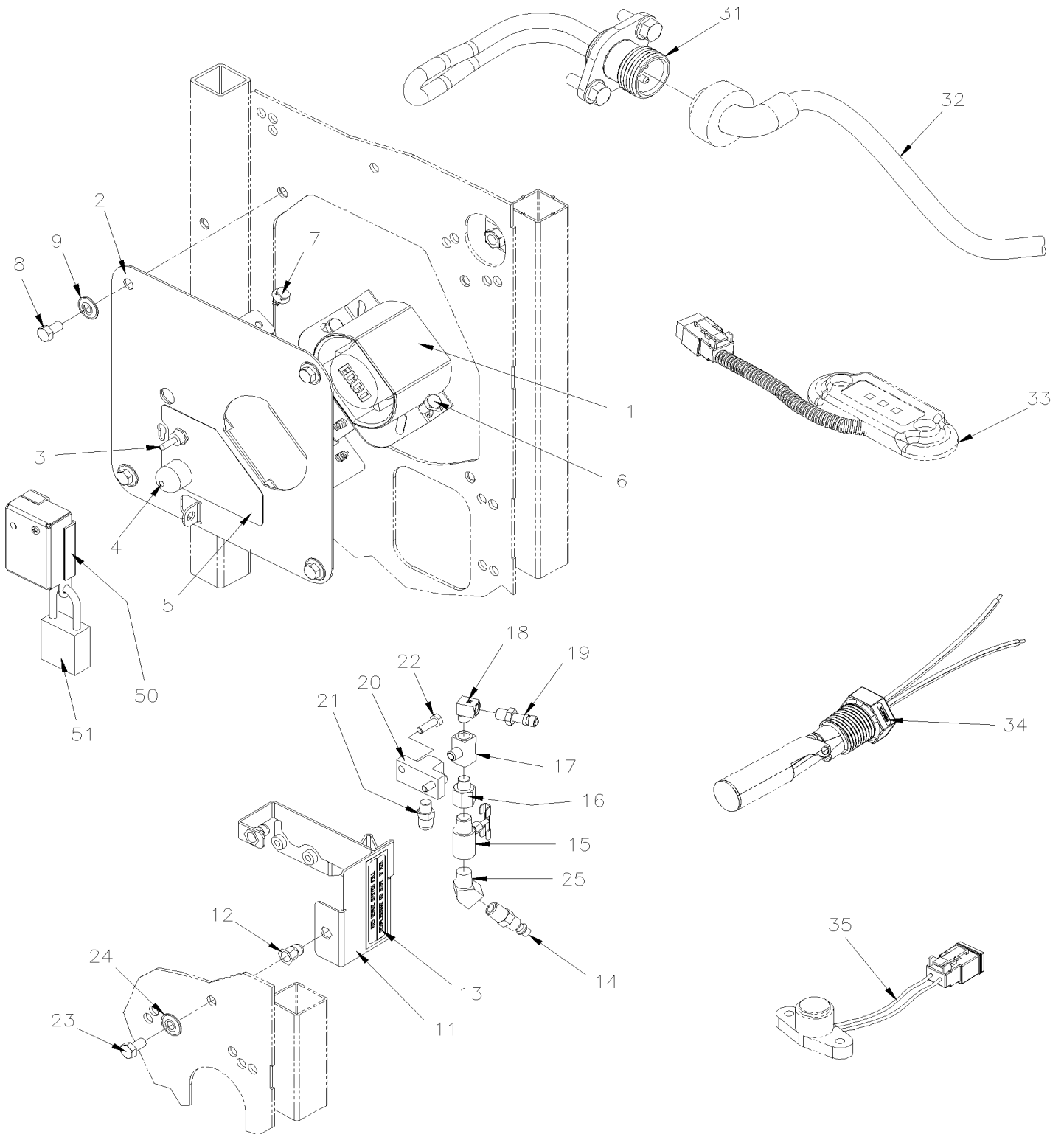
Item#	Part	Description	QTY	Notes
1	930446	LED AMBER 4" / DIRECTIONAL / REAR 12Volt / 6L (PREVOST)	2	
2	930366	LED STOP & TAIL 4" 12Volt / 6L (PREVOST)	4	
3	930420	LAMP BACK-UP 4" 12Volt / 6L	2	
4	430554	SUPPORT LAMP	8	
5	068878	HARNESS REAR LAMPS To H-7416	2	
5	069552	HARNESS REAR LAMPS From H-7417	2	
6A	2800347	SUPPORT LIGHT LEFT To K-7662	1	
6A	2800187	SUPPORT LIGHT LEFT BLACK From L-7663	1	
6B	2800346	SUPPORT LIGHT RIGHT To K-7662	1	
6B	2800186	SUPPORT LIGHT RIGHT BLACK From L-7663	1	
7	2800420	SUPPORT CONNECTOR	2	
8	2800418	SUPPORT CONNECTOR	2	
9	5001547	SCREW PTR TR PH M4x20 G500	20	
10	491237	NUT WING / PLASTIC M6-1.0 x 23	2	
13	430692	REFLECTOR RED 117MMx33MM	2	
15	068876	HARNESS ENGINE DOOR To G-7309	1	
15	069586	HARNESS ENGINE DOOR From H-7310 To H-7416	1	
15	060039	HARNESS ENGINE DOOR From H-7417	1	
NS	509815	TIE MOUNT / ATTACHMENT W/TREE MOUNT	3	
NS	504637	CABLE TIE / 3/16" x 13"	2	
16	504530	GROMMET / .750x1.250x.125x.312x1.625	2	
16	680066	ADHESIVE / ADBOND #5014 / 23.6ML BOTTLE	AR	
17	5001630	SCREW TP BUTF TORX M6x20 SS	8	
18	5001182	NUT HEX NYRT M6-1.0 SS	4	
19	500411	WASHER FL .260x.697x.050 SS	4	
20	930368	SEAL LEDS / W/CONNECTOR LEDS - 12VOLTS	2	
. NS	12015378	. CONNECTOR / WEATHER PACK / SH 2C / GRAY / PED 12015378	1	
. NS	N.P.N.	. SEAL LEDS / W/CONNECTOR		4
. NS	562348	. CONNECTOR / WEATHER PACK / PH 2C / GRAY / PED 12034074	1	
. NS	561786	. CABLE SEAL / GRAY / PED 15324980	2	
. NS	561568	. PIN TERMINAL / 16-14 / PED 12089305	2	
21	930408	GROMMET RUBBER RETAINER / LICENCE LAMP TL 150702	2	
50	X3PLB-0662-00	CLEARANCE & MARKER LIGHT To K-7662		
50	X3PLB-0662-01	CLEARANCE & MARKER LIGHT From L-7663		
		4) NO PARTS NUMBER		

From G-7275 To H-7416

Date:07/2024

PAGE:X3PLB-0665-00

ENGINE COMPARTMENT - ELECTRIC COMPONENTS



From G-7275 To H-7416	Date:07/2024	PAGE:X3PLB-0665-00
-----------------------	--------------	--------------------

ENGINE COMPARTMENT - ELECTRIC COMPONENTS

Item#	Part	Description	QTY	Notes
1	563199	BACK-UP ALARM "ECCO" / 12-36vdc / 107db	1	
2	068931	BRACKET ASSY	1	
3	064362	SWITCH ASSY / WATERPROOF	1	
3	069500	PROTECTOR ASSY	1	O
3	069499	. LID PROTECTOR	1	O
3	145611	. DECAL, S3 SU INTERLOCK COMMUTER EN FR	1	O
3	069501	. BASE PROTECTOR	1	O
3	5001696	. SCREW MA PAN PH M4-0.7x35 SS	1	O
3	502557	. NUT HEX NYRT M4-0.7 SS	1	O
4	562484	SWITCH S.P.S.T. / N.C.	1	
4	562471	CONNECTOR / WEATHER PACK / SH 2C / BLACK / PED 12103784	1	
4	563158	SHRINK TUBING / .300" - .060" / BLACK / 3M EPS-400.300	AR	
4	561578	SOCKET TERMINAL / 16-14 / PED 12010182	2	
4	561786	CABLE SEAL / GRAY / PED 15324980	2	
5	068808	DECAL REAR ENGINE START NO TENSIONER...	1	
6	5001527	SCREW CAP HEX M8-1.25x16 SS BK	2	
6	5001699	WASHER BEL SPR 8.2x22x1.4 N500	2	
7	509815	TIE MOUNT / ATTACHMENT W/TREE MOUNT	6	
7	564108	SELF MOUNTING STUD // DEUTSCH 1011-310-0205	1	
8	5001527	SCREW CAP HEX M8-1.25x16 SS BK	4	
9	5001868	WASHER BEL SPR 8.4x18x2 SS	4	
11	068538	BRACKET ASSY	1	
12	5001692	. NUT INS FL HEX M8-1.25 0.5-3.0 SS	2	
13	140381	DECAL / "AIR BRAKE SYSTEM FILL" // ENGLISH & FRANCAIS	1	
13	142369	DECAL / "AIR BRAKE SYSTEM FILL" // ENGLISH & SPANISH	1	
14	684613	NIPPLE / QUICK DISCONNECT "INDUSTRIAL" / #4x1/4NPT-M STL	1	
15	5011129	NEEDLE VALVE 1/4 NPT M x 1/4 NPT F	1	
16	501310	ADAPTER / PIPE FITTING / 1/4NPT-Fx1/8NPT-M BR	1	
NS	680098	THREAD SEALANT LOCTITE #567 / WHITE / 250ml	AR	
17	507589	MALE BRANCHE TEE / PIPE FITTING / 1/8NPT-Fx1/8NPT-Fx1/8NPT-M BR	1	
18	501331	STREET ELBOW 90° / PIPE FITTING / 1/8NPT-Mx1/8NPT-F BR	1	
19	640488	VALVE, AIR FILL 1/8" NPT	1	
. NS	650164	. CAP VALVE / CHROME	1	
20	642021	DROP-EAR ELBOW 90° / PIPE FITTING / 1/8NPT-F BR	1	
21	641242	MALE CONNECTOR / PUSH-IN FITTING / #4x1/8NPT-M BR	1	
22	502622	SCREW CAP HEX M6-1.0x20 SS BK	2	
23	5001527	SCREW CAP HEX M8-1.25x16 SS BK	2	
24	5001868	WASHER BEL SPR 8.4x18x2 SS	2	
25	501329	STREET ELBOW 45° / PIPE FITTING / 1/4NPT-Mx1/4NPT-F BR	1	
31	Refer To Volvo	BLOCK HEATER	1	V D13
32	X3PLB-0666-00	BLOCK HEATER RECEPTACLE		

From G-7275 To H-7416	Date:07/2024	PAGE:X3PLB-0665-00
-----------------------	--------------	--------------------

ENGINE COMPARTMENT - ELECTRIC COMPONENTS

Item#	Part	Description	QTY	Notes
33	X3PLB-0665-10	SWITCHES, LIGHTS, AJAR - UNDER FLOOR		
34	X3PLB-0510-00	SURGE TANK		
35	X3PLB-2320-35	FIRE PROTECTION SYSTEM BUS INSTALLATION / 3RD BAGGAGE COMPARTMENT		
50	G35064	LOCKING BOX ASSEMBLY From F-7061	1	
51	N.S.P.	PADLOCK From F-7061	1	2
		D13) WITH VOLVO ENGINE D-13		
		O) USE WITH BI-FOLD DOOR OPTION		
		2) NOT SOLD BY PREVOST (SEE MANUFACTURING PART NUMBER AT END OF DESCRIPTION LINE)		
		V) SEE IMPACT OR CALL ORDER DESK		

From H-7417 To M-7767	Date:07/2024	PAGE:X3PLB-0665-01
ENGINE COMPARTMENT - ELECTRIC COMPONENTS VOLVO D13 - GHG17		

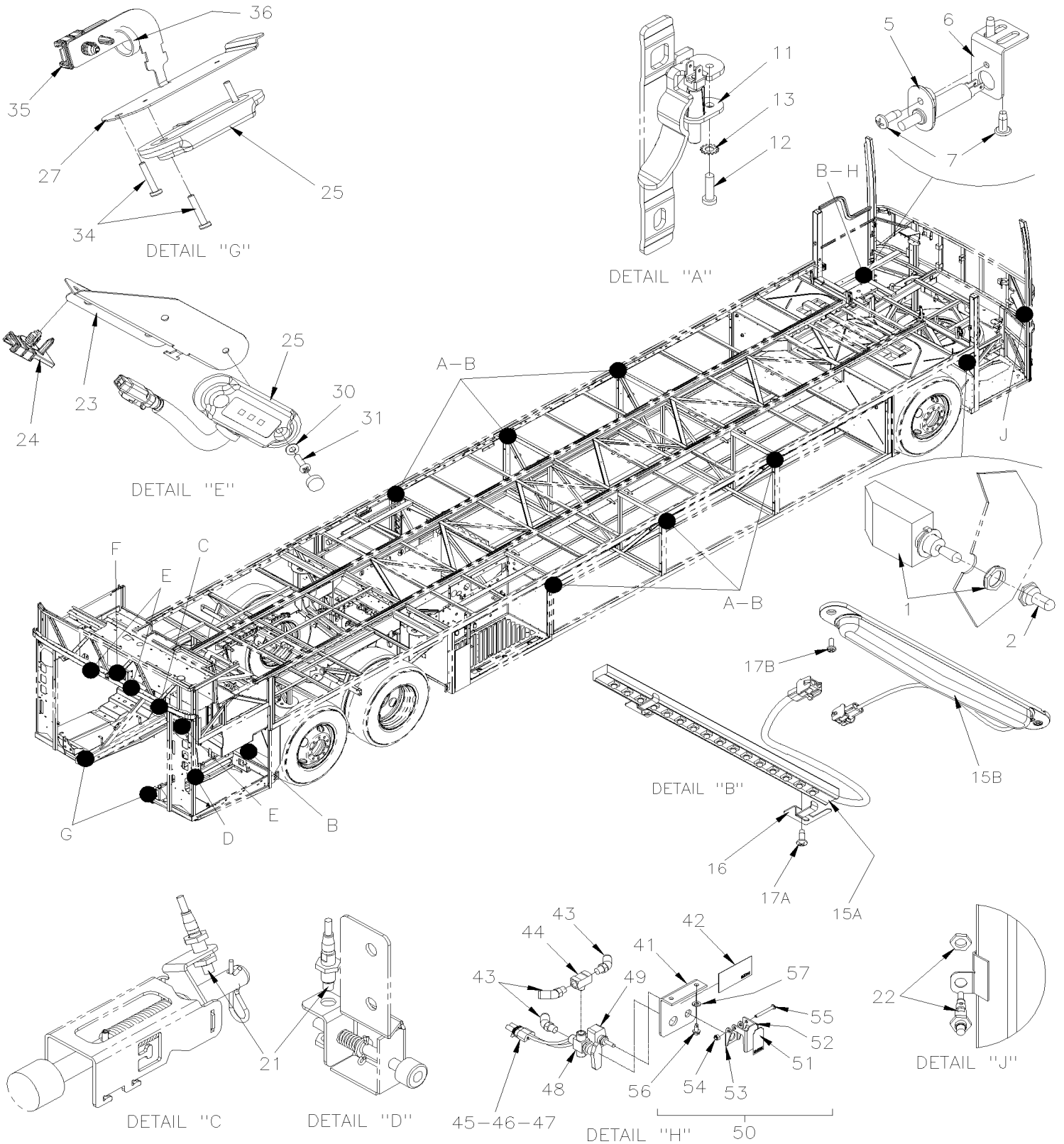
Item#	Part	Description	QTY	Notes
1	563199	BACK-UP ALARM "ECCO" / 12-36vdc / 107db	1	
2	060171	BRACKET ASSY	1	
3	560259	ENGINE SHUT DOWN SWITCH	1	
4	560013	PUSH BUTTON / GREEN WHITH LED, TS SERIES	1	
5	060170	DECAL REAR ENGINE START	1	
7	509815	TIE MOUNT / ATTACHMENT W/TREE MOUNT	2	
7	504637	CABLE TIE / 3/16" x 13"	2	
8	5001527	SCREW CAP HEX M8-1.25x16 SS BK	4	
9	5001699	WASHER BEL SPR 8.2x22x1.4 N500	2	
10	5001868	WASHER BEL SPR 8.4x18x2 SS	4	
11	5001530	SCREW CAP HEX M6-1.0x16 SS	4	
12	502570	WASHER LO SPT 6.1x11.8x1.6 SS	4	
13	684613	NIPPLE / QUICK DISCONNECT "INDUSTRIAL" / #4x1/4NPT-M STL	1	
14	501329	STREET ELBOW 45° / PIPE FITTING / 1/4NPT-Mx1/4NPT-F BR	1	
15	5011129	NEEDLE VALVE 1/4 NPT M x 1/4 NPT F	1	
16	501310	ADAPTER / PIPE FITTING / 1/4NPT-Fx1/8NPT-M BR	1	
17	507589	MALE BRANCHE TEE / PIPE FITTING / 1/8NPT-Fx1/8NPT-Fx1/8NPT-M BR	1	
18	501331	STREET ELBOW 90° / PIPE FITTING / 1/8NPT-Mx1/8NPT-F BR	1	
19	640488	VALVE, AIR FILL 1/8" NPT	1	
NS	650164	CAP VALVE / CHROME	1	
20	642021	DROP-EAR ELBOW 90° / PIPE FITTING / 1/8NPT-F BR	1	
21	641242	MALE CONNECTOR / PUSH-IN FITTING / #4x1/8NPT-M BR	1	
NS	680098	THREAD SEALANT LOCTITE #567 / WHITE / 250ml	AR	
22	5001851	NUT HEX M6-1.0 SS BK	2	
23	502570	WASHER LO SPT 6.1x11.8x1.6 SS	2	
24	504013	TIE MOUNT / 1/4" X 1/4" I.D.	2	
25	504379	RIVET POP DOME OE 3/16x1/4 SS	2	
26	509490	ATTACHMENT DOUBLE USE WITH CABLE TIE	2	
27	504610	RIVET MGLP PRDG 1/4x5/8 SS	2	
31	Refer To Volvo	BLOCK HEATER		V
32	X3PLB-0666-00	BLOCK HEATER RECEPTACLE	1	
33	X3PLB-0665-10	SWITCHES, LIGHTS, AJAR - UNDER FLOOR	1	
34	X3PLB-0510-01	SURGE TANK VOLVO D13 - GHG17	1	
35	X3PLB-2320-35	FIRE PROTECTION SYSTEM BUS INSTALLATION / 3RD BAGGAGE COMPARTMENT	1	
50	G35890	LOCKING BOX ASSEMBLY	1	
51	N.S.P.	PADLOCK	1	2
		2) NOT SOLD BY PREVOST (SEE MANUFACTURING PART NUMBER AT END OF DESCRIPTION LINE)		
		V) SEE IMPACT OR CALL ORDER DESK		

From G-7275 To M-7767

Date:07/2024

PAGE:X3PLB-0665-10

SWITCHES, LIGHTS, AJAR - UNDER FLOOR



From G-7275 To M-7767	Date:07/2024	PAGE:X3PLB-0665-10
SWITCHES, LIGHTS, AJAR - UNDER FLOOR		

Item#	Part	Description	QTY	Notes
1	563047	SWITCH ASSY / WATERPROOF	1	
2	560241	RUBBER PROTECTOR, TOGGLE SWITCH	1	
5	563464	SWITCH / S.P.S.T. / N.C. / W/RUBBER BOOT	1	
6	066638	SWITCH SUPPORT	1	
7	502868	SCREW TC TR PH #10-16x1/2 N500	3	
11	563464	SWITCH / S.P.S.T. / N.C. / W/RUBBER BOOT	6	
12	5001332	SCREW MA PAN PH M4-0.7x16 SS	6	
13	502557	NUT HEX NYRT M4-0.7 SS	6	
15A	330299	LAMP ASSY 24V / BAGGAGE COMPARTMENT LAMP / LED To H-7416	7	D
. NS	561248	. CONNECTOR / UNIVERSAL MATE-N-LOK / PH 2C / AMP 1-480699-0 To H-7416	1	D
15B	830008	LAMP ASSY 24V / LED From H-7417	8	
. NS	561248	. CONNECTOR / UNIVERSAL MATE-N-LOK / PH 2C / AMP 1-480699-0 From H-7417	1	
16	330411	SUPPORT, LIGHT To H-7416	14	
17A	500957	SCREW TP BDG PH #10x3/4 N500 To H-7416	12	
17A	502868	SCREW TC TR PH #10-16x1/2 N500 To H-7416	2	A
17B	500443	SCREW TP PAN PH #8x1/2 N500 From H-7417	12	
17B	500799	SCREW TC PAN PH #8-32x3/8 N500 From H-7417	2	C
17B	500965	SCREW TC BDG PH #8-32x1/2 N500 From H-7417	2	A
21	068076	SWITCH PROXIMITY WITH LED ASSY	2	
. NS	564176	. SWITCH PROXIMITY / S.P.D.T. / W/3 WIRES W/LED	1	
22	564163	SWITCH PROXIMITY / S.P.D.T. / W/3 WIRES	1	
23	060232	SUPPORT LAMP From H-7417	1	
23	504488	RIVET MGLP PRDG 3/16x17/64 SS From H-7417	2	
24	564108	SELF MOUNTING STUD // DEUTSCH 1011-310-0205 From H-7417	1	
25	563845	LAMP ASSY 24V / W/LEDS	AR	
. NS	563589	. CONNECTOR / DTM SERIES / SH 2C / GRAY / DEUTSCH DTM06-2S-E007	1	
27	287678	SUPPORT LAMP	2	
30	502556	WASHER FL 4.3x9.0x0.8 SS	AR	
31	500244	SCREW TP BDG PH #8x3/4 N500	4	
34	5001040	SCREW TC PAN PH #6-32x3/4 SS	6	
35	564108	SELF MOUNTING STUD // DEUTSCH 1011-310-0205	2	
36	504637	CABLE TIE / 3/16" x 13"	AR	
41	287861	SUPPORT, VALVE 3 WAYS	1	
42	068348	DECAL "MASTER INTERLOCK..."	1	
43	641365	MALE ELBOW 45° NON-SWIVEL / PUSH-IN FITTING / #4x1/8NPT-M BR	2	
44	507589	MALE BRANCHE TEE / PIPE FITTING / 1/8NPT-Fx1/8NPT-Fx1/8NPT-M BR	1	
45	561690	CONNECTOR / WEATHER PACK / SH 2C / BLACK / PED 12015792	1	
46	561578	SOCKET TERMINAL / 16-14 / PED 12010182	2	
47	561786	CABLE SEAL / GRAY / PED 15324980	2	
48	642161	VALVE, 3 WAYS 1/8NPT-Fx1/8NPT-Fx1/8NPT-F BR	1	
. NS	642014	. HANDLE / RED	1	
NS	642014	. HANDLE / RED	1	

From G-7275 To M-7767	Date:07/2024	PAGE:X3PLB-0665-10
SWITCHES, LIGHTS, AJAR - UNDER FLOOR		

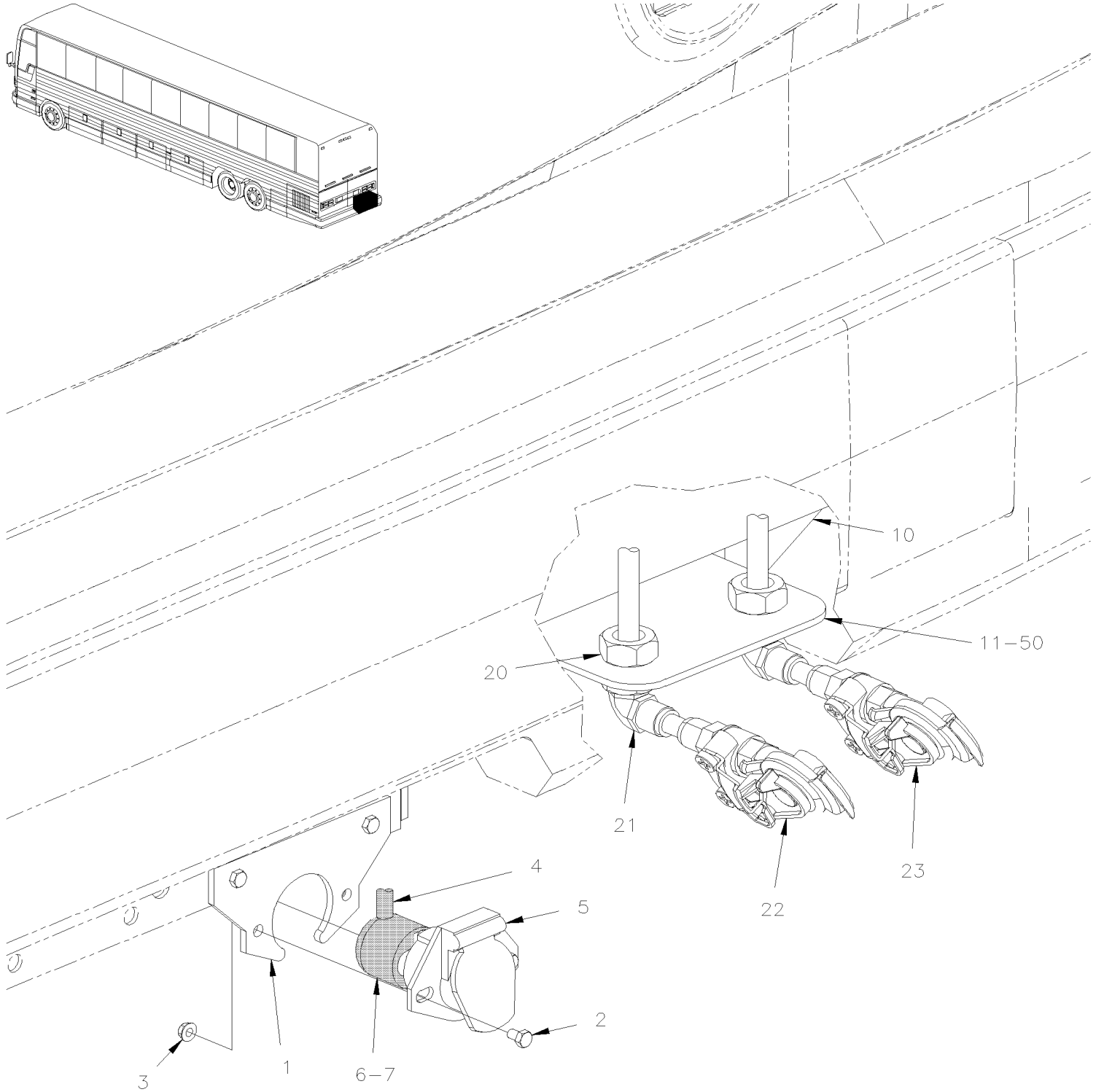
Item#	Part	Description	QTY	Notes
49	563609	SWITCH / OFF-ON / S.P.S.T. / SEALED W/WIRES ASSY	1	
50	069500	PROTECTOR ASSY	1	
51	648596	. DECAL, S3 SU INTERLOCK COMMUTER EN	1	
51	145609	. DECAL, S3 SU INTERLOCK COMMUTER EN	1	
51	145611	. DECAL, S3 SU INTERLOCK COMMUTER EN FR	1	
52	068516	. LID PROTECTOR	1	
53	068517	. BASE PROTECTOR	1	
53	069501	. BASE PROTECTOR	1	
54	502577	. SCREW MA PAN PH M3-0.5x16 ZP	1	
55	5001696	. SCREW MA PAN PH M4-0.7x35 SS	1	
55	5001694	. SCREW MA PAN PH M4-0.7x40 SS BK	1	
56	5001245	. SCREW TC CAP HEXW SLT #12-24x1/2 Z050	1	
57	500473	. WASHER LO SPT .262x.489x.062 Z050	1	
NS	069477	HARNESS, LUGGAGE To H-7416	1	
NS	060328	HARNESS, LUGGAGE From H-7417 To K-7590	1	
NS	0610080	HARNESS, LUGGAGE From K-7591	1	
NS	069717	HARNESS, LUGGAGE WITH CURB LIGHT	1	
		A) USE IN FRONT JUNCTION BOX		
		C) USE IN REAR JUNCTION BOX		
		D) WHEN YOU REPLACE LAMP #330299 BY THE NEW LAMP #830008 YOU HAVE TO DRILL HOLE TO INSTALL IT WITH TWO SCREWS #500443 OR #500965		

From G-7275 To H-7416

Date:07/2024

PAGE:X3PLB-0665-20

CABLE TRAILER - INSTALLATION - BUS



From G-7275 To H-7416	Date:07/2024	PAGE:X3PLB-0665-20
CABLE TRAILER - INSTALLATION - BUS		

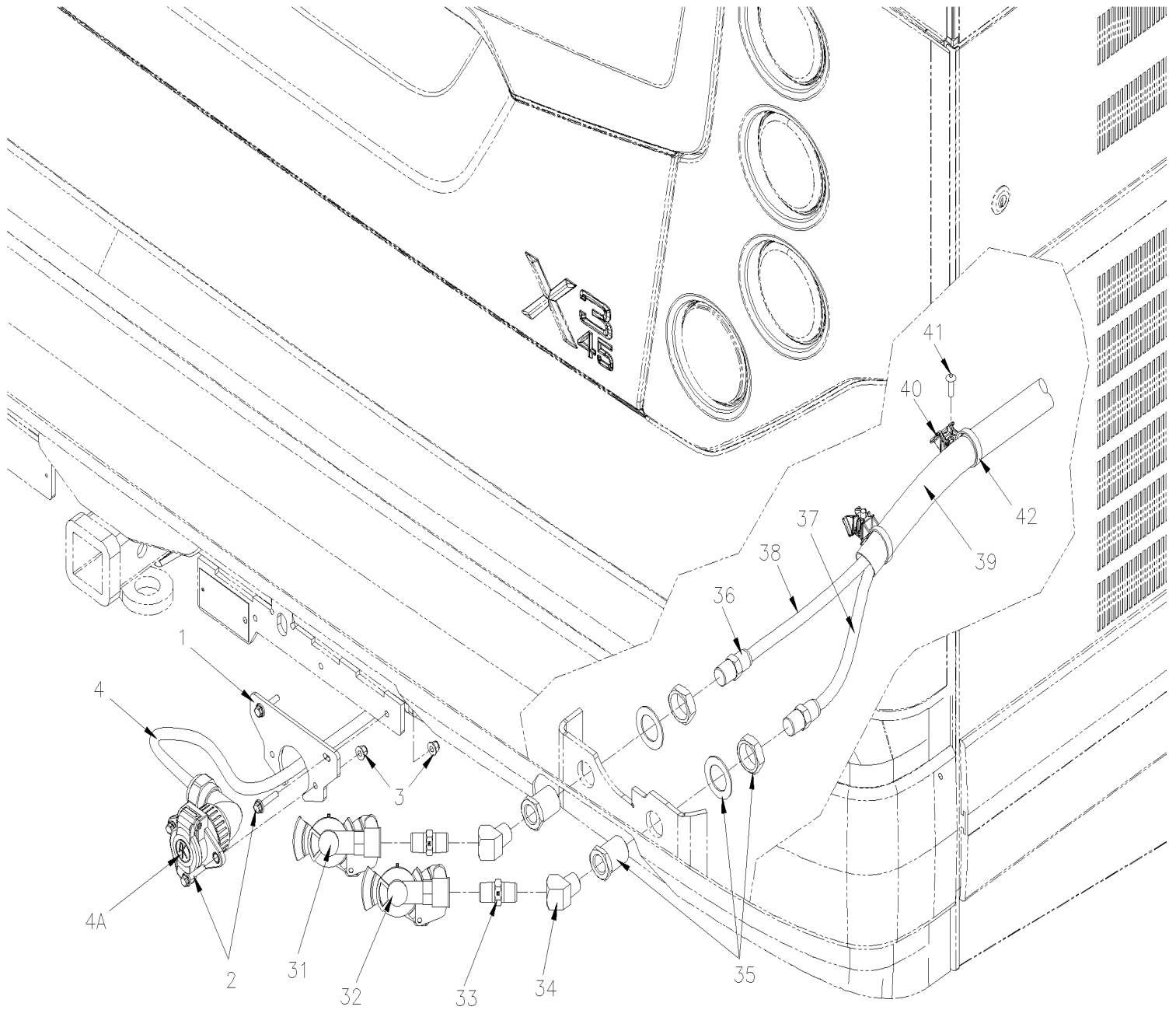
Item#	Part	Description	QTY	Notes
1	410998	SUPPORT ELECTRICAL CONECTOR	1	
2	5001815	SCREW CAP HEXF M6-1.0x30 G 8.8 N500	4	
3	5001932	NUT HEXF NYRT M6-1.0 G8.8 N500	4	
4	068532	CABLE ASSY / TRAILER CONNECTOR / "POLLAK" CONNECTOR	1	
4	067309	CABLE ASSY / TRAILER CONNECTOR / "TRUCK-LITE" CONNECTOR	1	
5	563352	CONNECTOR MALE 7C / POLLAK 11-723	1	
5	067306	NOSE BOX / TRUCK-LITE 50822	1	
6	563353	BOOT PROTECTOR / POLLAK 11-761	1	
7	504637	CABLE TIE / 3/16" x 13"	AR	
10	410996	PROTECTOR VALVE CONNECTOR	1	
11	410997	SUPPORT QUICK CONNECT HOSE CONNECTOR	1	
20	501796	BULKHEAD COUPLING / PIPE FITTING / 1/2NPT-Fx1/2NPT-Fx1 1/2 BR	2	
21	501713	MALE ELBOW 90° / PIPE FITTING / 1/2NPT-Mx1/2NPT-M BR	2	
22	641938	GLANDHAND W/DUST COVER "RED"	1	
23	641939	GLANDHAND W/DUST COVER "BLUE"	1	
NS	066939	"TOWING CABLE" "Y" / ADAPTOR 4300MM	1	
50	X3PLB-1220-50	TRAILER VALVE INSTALLATION		

From H-7417 To M-7767

Date:07/2024

PAGE:X3PLB-0665-21

CABLE TRAILER - INSTALLATION - BUS

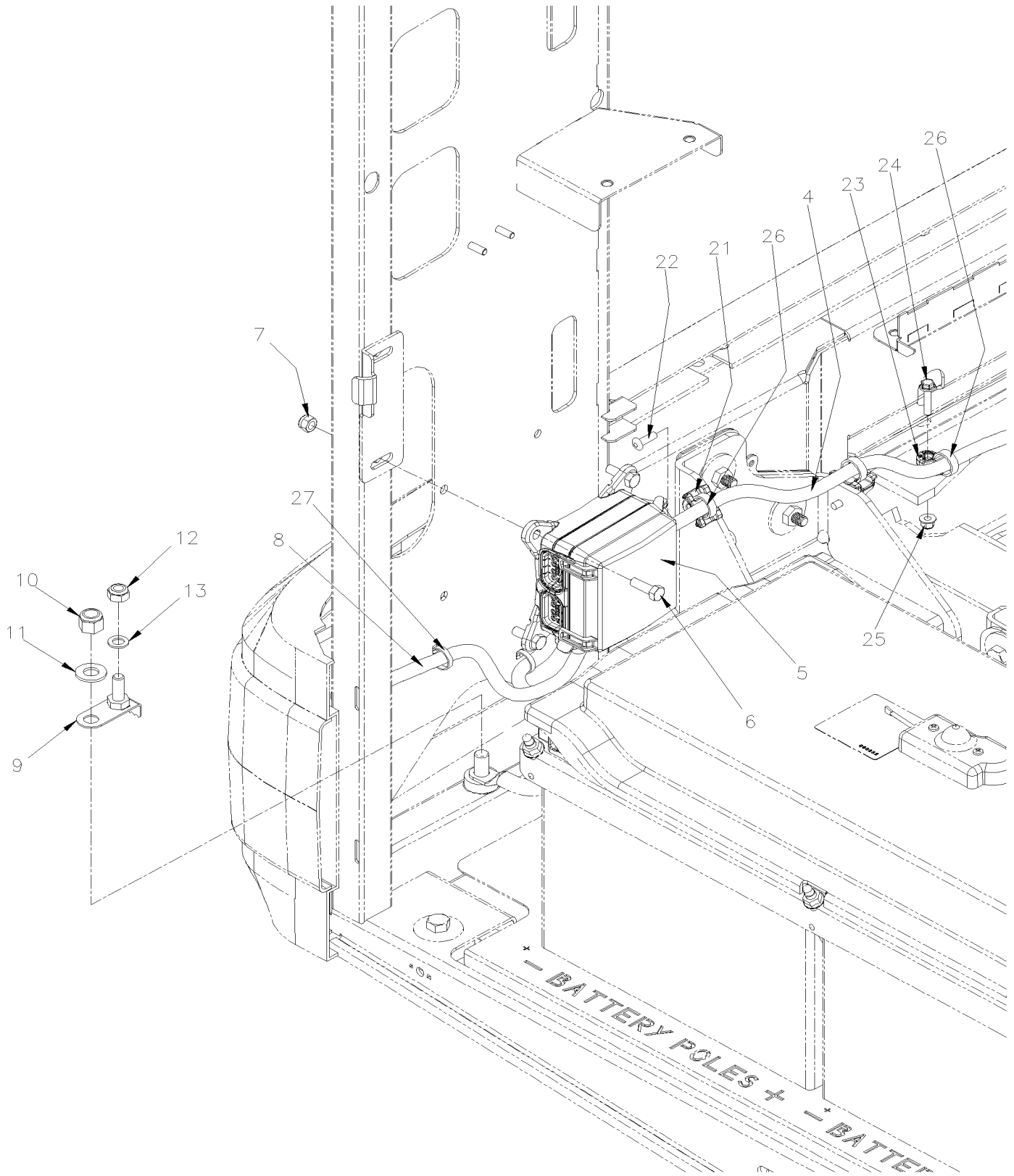


From H-7417 To M-7767

Date:07/2024

PAGE:X3PLB-0665-21

CABLE TRAILER - INSTALLATION - BUS



From H-7417 To M-7767	Date:07/2024	PAGE:X3PLB-0665-21
CABLE TRAILER - INSTALLATION - BUS		

Item#	Part	Description	QTY	Notes
1	410998	SUPPORT ELECTRICAL CONECTOR	1	
2	5001815	SCREW CAP HEXF M6-1.0x30 G 8.8 N500	4	
3	5001932	NUT HEXF NYRT M6-1.0 G8.8 N500	4	
4	060317	CABLE ASSY / TRAILER W/ELECTRICAL BRAKE CONNECTOR	1	
A	560233	CONNECTOR TRAILER 7C / AK-TECK AK060 058 113	1	
5	560075	DVEC DISTRIBUTION MODULE FOR TRAILER	1	
NS	563284	FUSE / ATM 15 AMPS BLUE	11	
NS	560490	MICRO RELAY 12 VOLTS	1	
5	560476	DVEC DISTRIBUTION MODULE FOR TRAILER W/ELECTRICAL BRAKE From J-7448	1	GR
NS	563284	FUSE / ATM 15 AMPS BLUE From J-7448	1	GR
NS	560490	MICRO RELAY 12 VOLTS From J-7448	1	GR
NS	564399	MINI BREAKER / 20 AMPS / SERIES 233 From J-7448	1	GR
NS	563714	CONNECTOR / SH 8C / SEALED / GREEN / BUSSMANN 32006-C12 From J-7448	1	GR
NS	561783	SEAL PLUG CAVITY / GREEN / PED 12010300 From J-7448	AR	GR
6	502780	SCREW CAP HEX M8-1.25x25 SS BK	4	
7	5001787	NUT HEX NYRT M8-1.25 SS	4	
8	060316	CABLE ASSY / TRAILER W/ELECTRICAL BRAKE	1	
8	069771	CABLE ASSY / TRAILER W/ELECTRICAL BRAKE From J-7448	1	GR
9	061253	OFFSET GROUND STUD	1	
10	5002001	NUT HEX NYRT 1/2-13 SS BK	1	
11	500958	WASHER FL .531x1.062x.095 SS	1	
12	5001628	NUT HEX NYRT M10-1.5 SS	1	
13	5001935	WASHER FL 10.5x18.0x1.6 SS	1	
21	504772	ATTACHMENT USE WITH CABLE TIE 5/16 BOLT	2	
22	504610	RIVET MGLP PRDG 1/4x5/8 SS	2	
23	509894	TIE MOUNT HOLE 7.8MM	3	
24	5001815	SCREW CAP HEXF M6-1.0x30 G 8.8 N500	3	
25	5001932	NUT HEXF NYRT M6-1.0 G8.8 N500	3	
26	504016	CABLE TIE / 5/16" X 14"1/2 To L-7663	5	
27	504637	CABLE TIE / 3/16" x 13"	AR	
31	641938	GLANDHAND W/DUST COVER "RED"	1	
32	641939	GLANDHAND W/DUST COVER "BLUE"	1	
33	5011067	NIPPLE HEX / PIPE FITTING / 1/2NPT-Mx1/2NPT-Mx1 13/16 BR	2	
34	501528	STREET ELBOW 45° / PIPE FITTING / 1/2NPT-Mx1/2NPT-F BR	2	
35	501796	BULKHEAD COUPLING / PIPE FITTING / 1/2NPT-Fx1/2NPT-Fx1 1/2 BR	2	
36	641383	MALE CONNECTOR / PUSH-IN FITTING / #8x1/2NPT-M BR	2	
37	503406	TUBE, NYLON 1/2 O.D. / GREEN S.L.	AR	
38	503638	TUBE, NYLON 1/2 O.D. / BROWN S.L.	AR	
39	562218	CONVOLUTED TUBING / UNSLIT / BLACK & GRAY / 1.000"	AR	
40	509490	ATTACHMENT DOUBLE USE WITH CABLE TIE	4	

From H-7417 To M-7767		Date:07/2024	PAGE:X3PLB-0665-21
-----------------------	--	--------------	--------------------

CABLE TRAILER - INSTALLATION - BUS

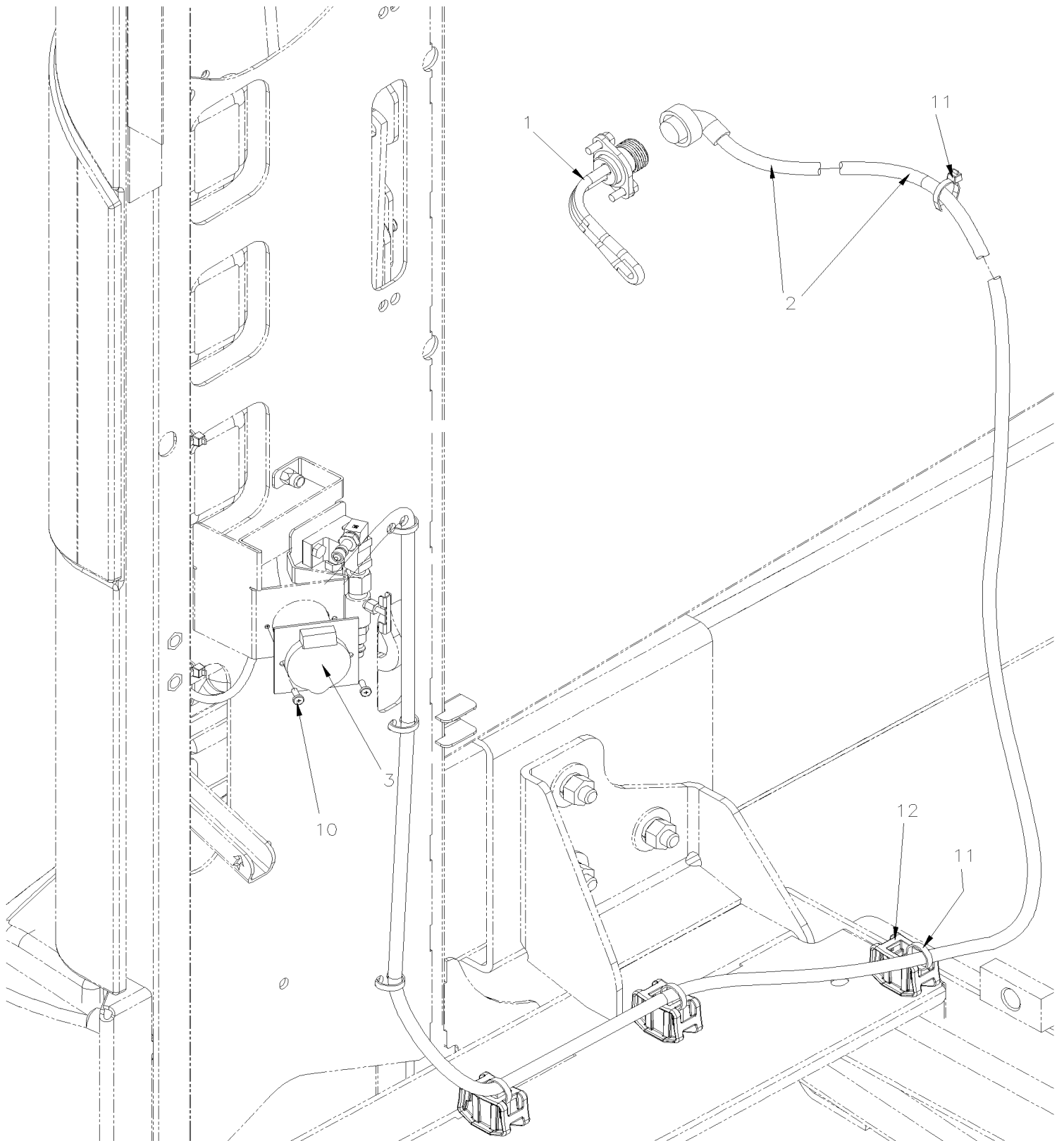
Item#	Part	Description	QTY	Notes
41	504610	RIVET MGLP PRDG 1/4x5/8 SS	4	
42	504016	CABLE TIE / 5/16" X 14"1/2	4	
50	X3PLB-1220-50	TRAILER VALVE INSTALLATION		
		GR) GREYHOUND OPTION		

From G-7275 To M-7767

Date:07/2024

PAGE:X3PLB-0666-00

BLOCK HEATER RECEPTACLE

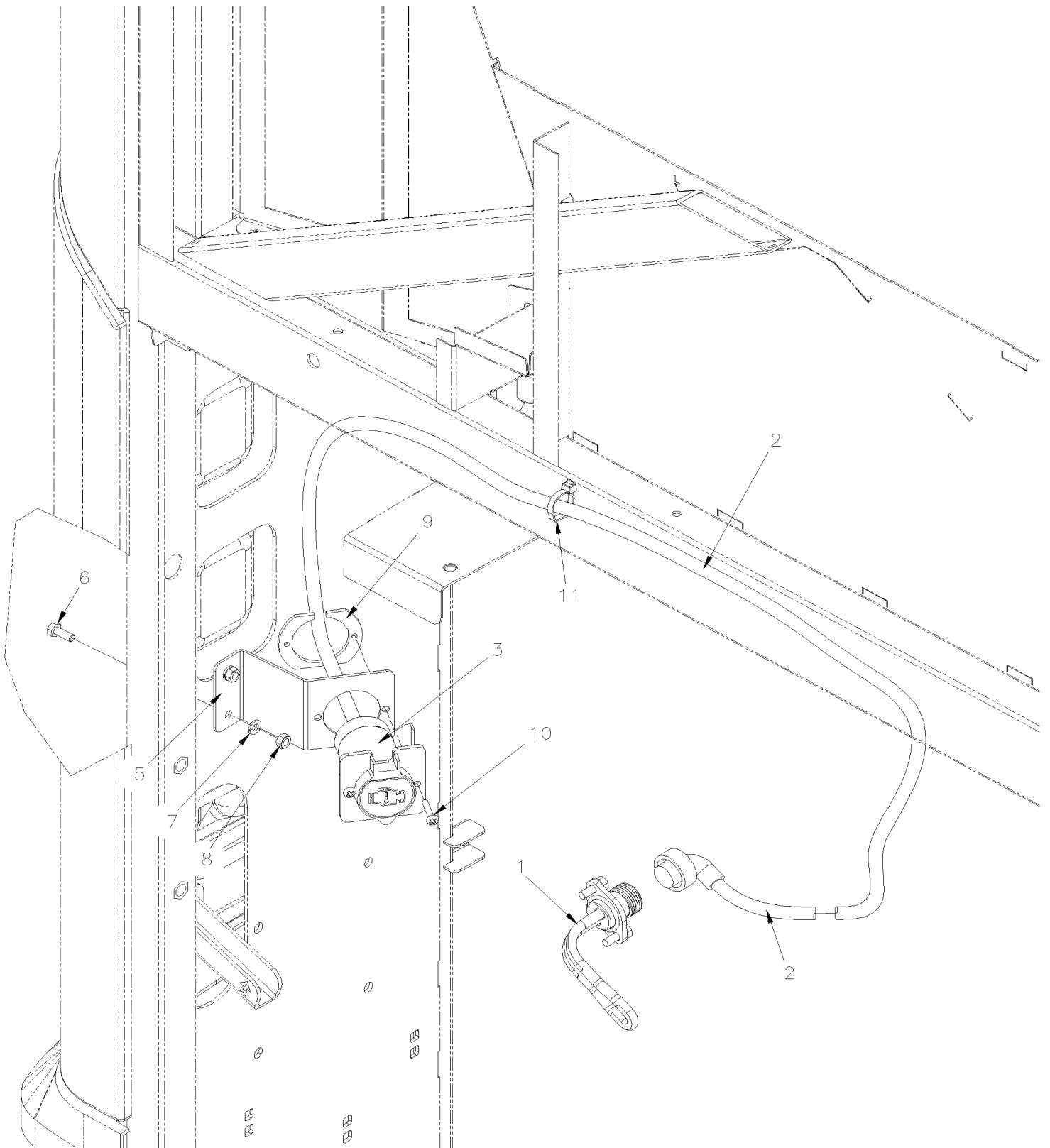


From G-7275 To M-7767

Date:07/2024

PAGE:X3PLB-0666-00

BLOCK HEATER RECEPTACLE

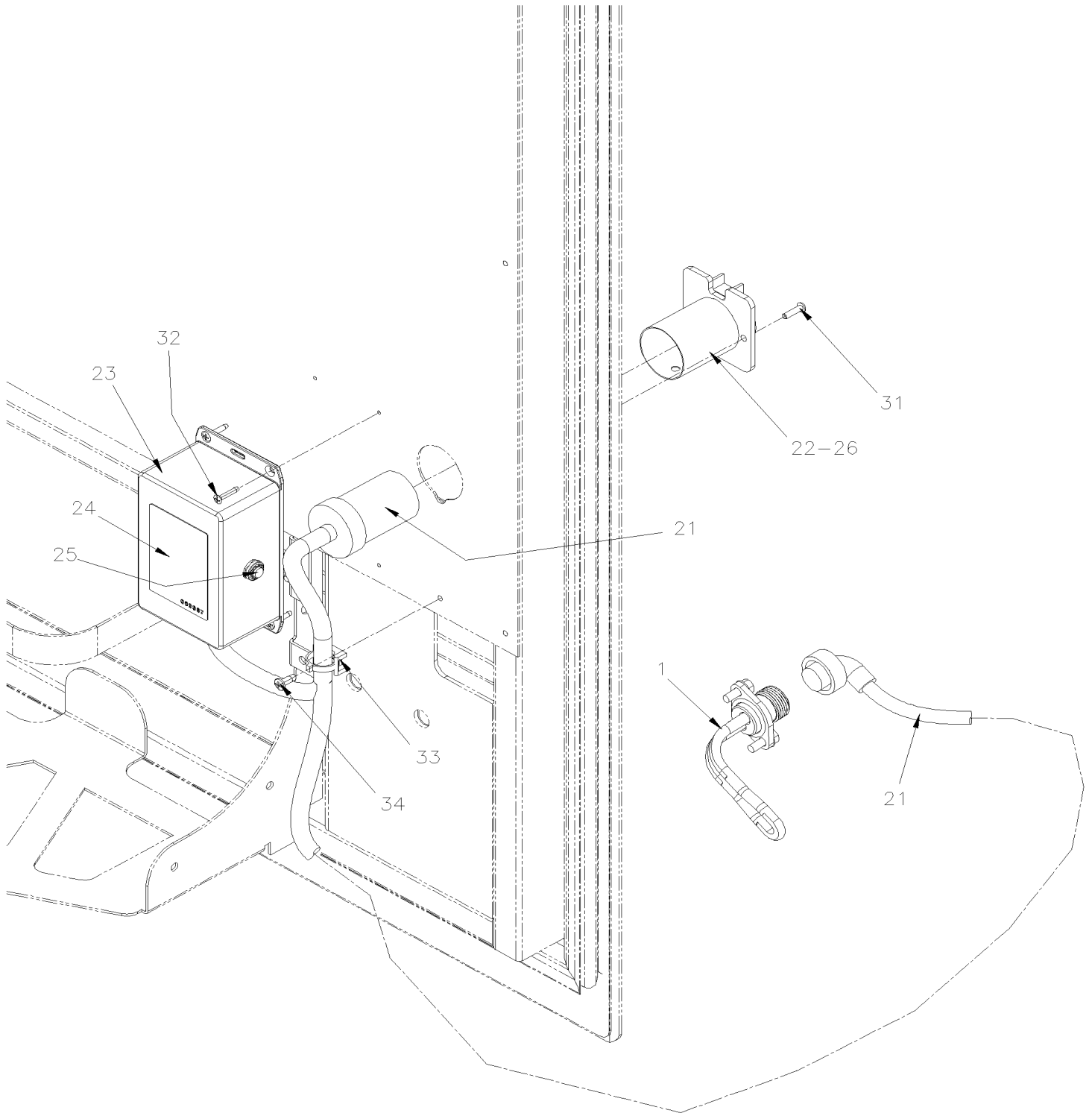


From G-7275 To M-7767

Date:07/2024

PAGE:X3PLB-0666-00

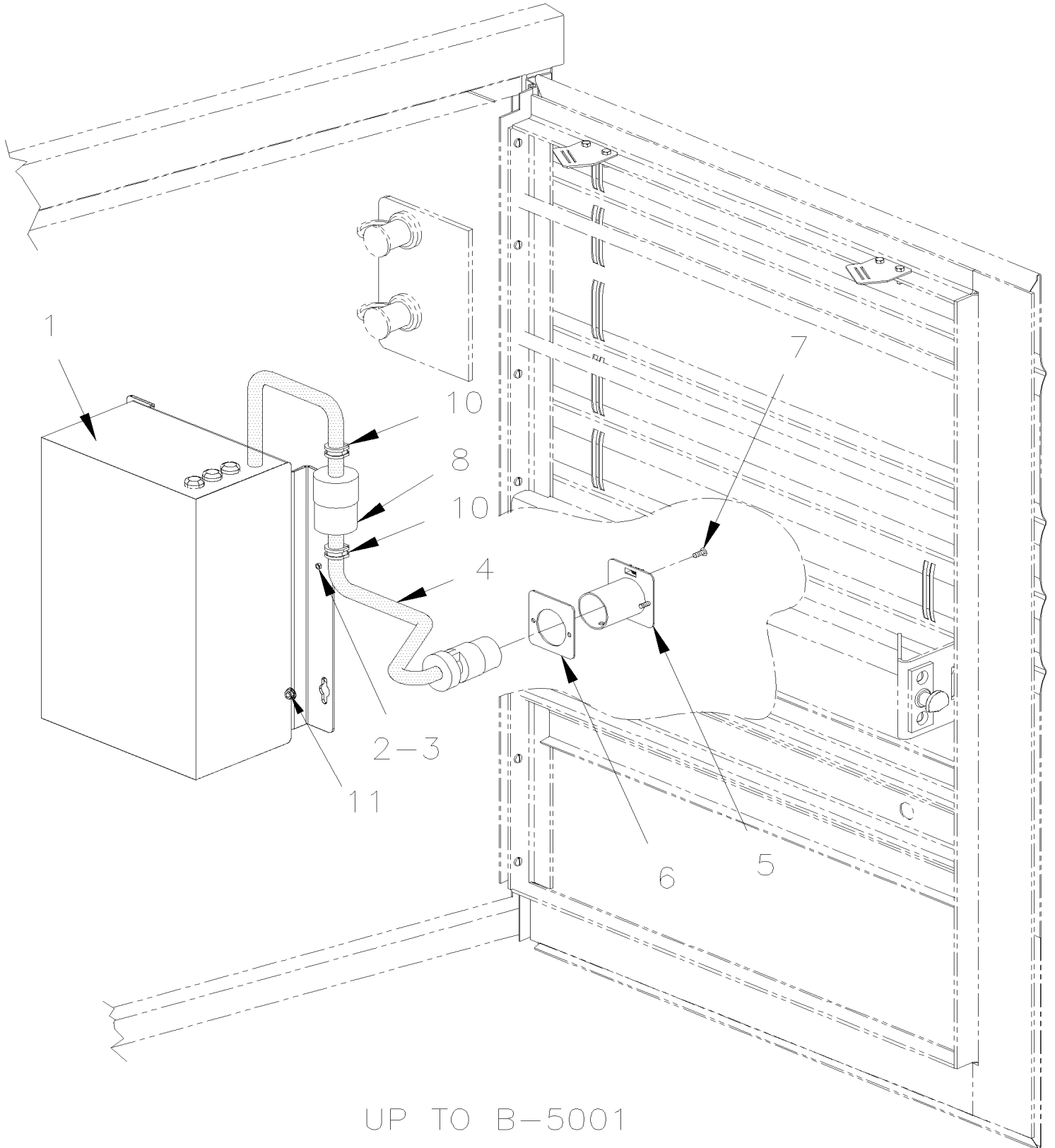
BLOCK HEATER RECEPTACLE



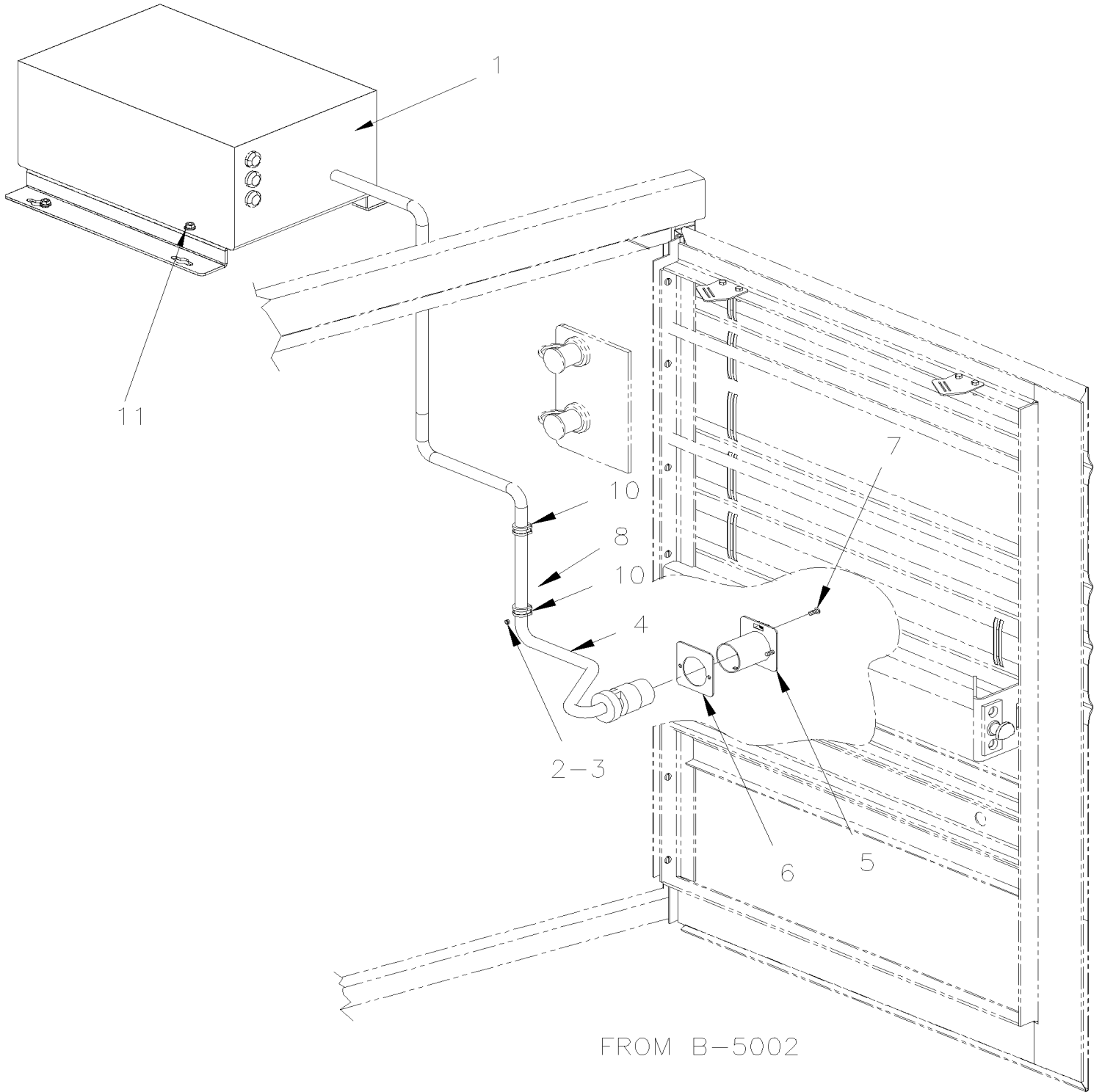
From G-7275 To M-7767	Date:07/2024	PAGE:X3PLB-0666-00
BLOCK HEATER RECEPTACLE		

Item#	Part	Description	QTY	Notes
1	Refer To Volvo	BLOCK HEATER	1	V
2	068723	CABLE ASSY / 110V BLOCK HEATER To K-7649	1	
2	0610126	CABLE ASSY / 110V BLOCK HEATER From K-7650	1	
2	019224	. DECAL / BLOCK HEATER	1	
3	564103	. RECEPTACLE ASSY W/CORD	1	
5	061003	SUPPORT / BLOCK HEATER HARNESS From H-7417	1	
6	5001744	SCREW CAP HEX M6-1.0x16 G8.8 N500 From H-7417	2	
7	502570	WASHER LO SPT 6.1x11.8x1.6 SS From H-7417	2	
8	5001851	NUT HEX M6-1.0 SS BK From H-7417	2	
9	064388	FIXATION RING From H-7417	1	
10	500623	SCREW TC PAN PH #10-24x3/4 N500 To H-7416	2	
10	502677	SCREW MA RND PH M4-0.7x25 SS From H-7417	2	
11	504637	CABLE TIE / 3/16" x 13"	AR	
11	507664	CABLE TIE / 3/16" 11" / DOUBLE LOOP HEAD To H-7416	AR	
12	509493	ATTACHMENT DOUBLE USE WITH CABLE TIE CHRISTMAS TREE To H-7416	3	
NS	504751	ROTATIF SPACER DOUBLE / SMALL From J-7448	1	
21	069352	CABLE ASSY / 110V BLOCK HEATER	1	T
22	564103	. RECEPTACLE ASSY W/CORD	1	T
23	Call order desk	BOX, ABS W/FLANGED LID WIHTOUT BREAKER	1	P T
23	Call order desk	BOX, ABS W/FLANGED LID / WITH BREAKERS	1	P S
23	504062	GROMMET / .4375x.687x.125x.375x.937	1	T
NS	504062	GROMMET / .4375x.687x.125x.375x.937	2	S
24	069367	DECAL, 120VAC ENG. BLOCK HEATER PROT.	1	T
24	0610009	DECAL / BLOCK HEATER & BATTERY CHARGER	1	S
25	565184	BREAKER 20AMPS / 250V /	1	T
25	560779	BREAKER 15AMPS / 250V /	2	S
26	019224	DECAL / BLOCK HEATER	1	T
31	5001332	SCREW MA PAN PH M4-0.7x16 SS	2	T
32	500289	SCREW TC OV PH #6-32x3/4 SS410	4	T
33	504013	TIE MOUNT / 1/4" X 1/4" I.D.	1	T
33	504637	CABLE TIE / 3/16" x 13"	1	T
34	502868	SCREW TC TR PH #10-16x1/2 N500	1	T
		S) OPTION WITH FRONT BLOCK HEATER PLUG & BATTERY CHARGER PLUG		
		T) OPTION WITH FRONT BLOCK HEATER PLUG		
		P) CALL ORDER DESK FOR SPECIFIC APPLICATION (V.I.N.)		
		V) SEE IMPACT OR CALL ORDER DESK		

BATTERIES CHARGER - INSTALLATION



BATTERIES CHARGER - INSTALLATION



From G-7275 To H-7416	Date:07/2024	PAGE:X3PLB-0670-10
-----------------------	--------------	--------------------

BATTERIES CHARGER - INSTALLATION

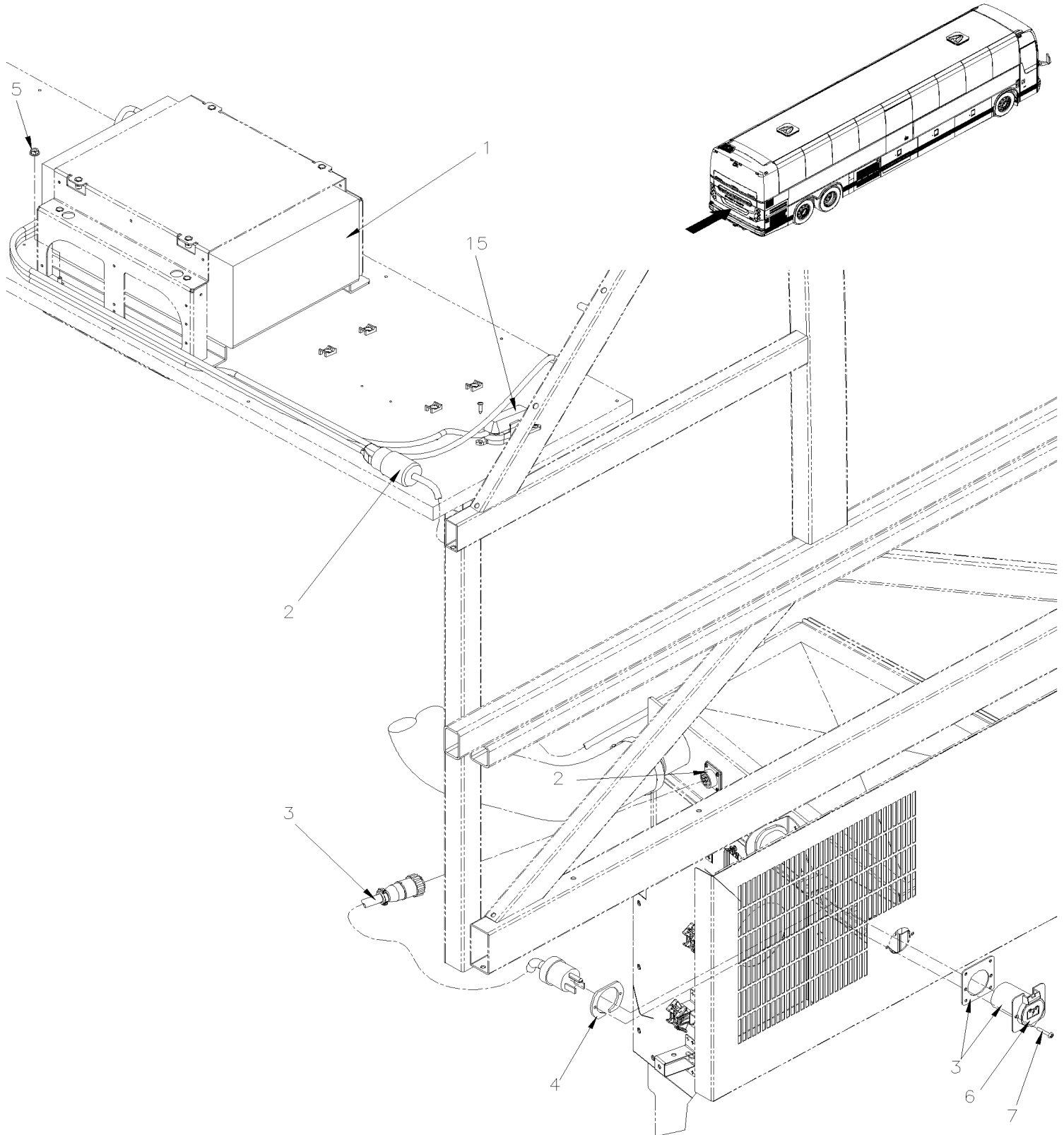
Item#	Part	Description	QTY	Notes
1	562967	BATTERY CHARGER 24V	1	B
NS	069419	DECAL, M3 EL BATT. CHARGER CONN. E	1	
2	502565	NUT HEX M6-1.0 SS	4	
3	502570	WASHER LO SPT 6.1x11.8x1.6 SS	4	
4	065297	CABLE ASSY / 110V BATTERIES CHARGER	1	
4	065462	CABLE ASSY / 110V BATTERIES WARMER INSTALL	1	A
5	561572	. RECEPTACLE ASSY W/CORD	1	
6	064388	. FIXATION RING	1	
7	502677	. SCREW MA RND PH M4-0.7x25 SS	4	
8	561932	. CONNECTOR / 15 AMPS / HUBBELL 5269-C	1	
10	952631	CLAMP / 3/4" I.D.	2	
11	502874	NUT HEX NYRT 1/4-20 N500 To B-5001	4	
11	5001857	NUT HEXF M6-1.0 N500 From B-5002	4	
NS	504637	CABLE TIE / 3/16" x 13"	2	
NS	068112	DECAL / ICON "BATTERY CHARGER" 41.5MM O.D.	1	C
NS	068113	DECAL / ICON "BATTERY WARMER" 41.5MM O.D.	1	A C
NS	068254	DECAL "POWER DISTRIBUTION"	1	
50	X3PLB-1868-00	A/C COMPRESSOR DOOR ASSY		
		A) USE WITH BATTERIES WARMER		
		B) LOCATED IN REAR JCT BOX STREETS		
		C) THIS DECAL IT FIXED OUTSIDE OF RECEPTACLE (# 561572) COVER		

From H-7417 To M-7767

Date:07/2024

PAGE:X3PLB-0670-11

BATTERIES CHARGER - INSTALLATION / GHG17



From H-7417 To M-7767	Date:07/2024	PAGE:X3PLB-0670-11
BATTERIES CHARGER - INSTALLATION / GHG17		

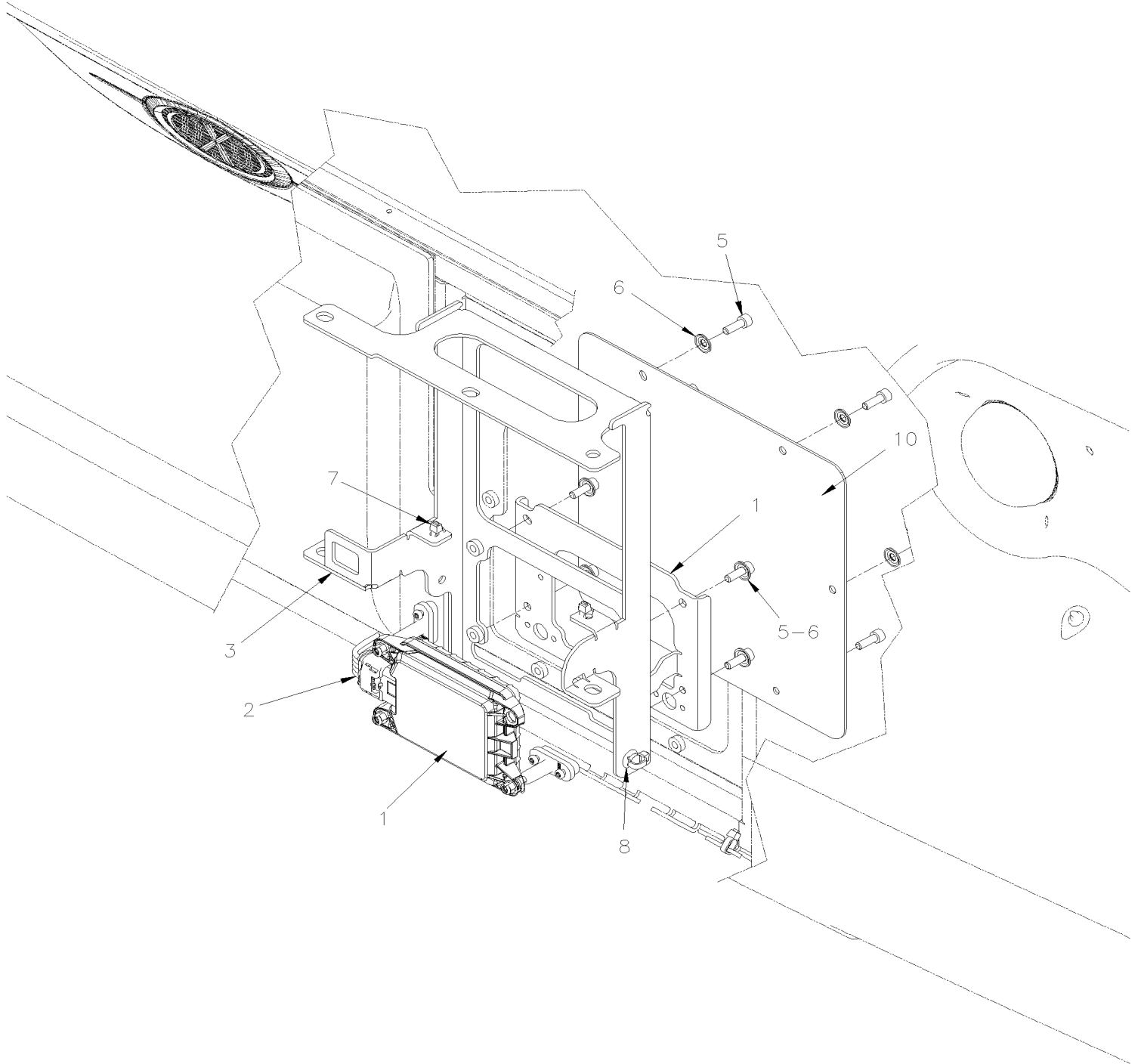
Item#	Part	Description	QTY	Notes
1	562967	BATTERY CHARGER 24V To M-7831	1	
1	564334	BATTERY CHARGER 24V From M-7832	1	
2	060149	CABLE EXT. BATTERY CHARGER 120VAC	1	
NS	560034	. CONNECTOR / CPC SEAL / SH 3C / AMP 788189-1	1	
NS	561655	. CABLE CLAMP / CPC / #17 / AMP 206070-8	1	
NS	561932	. CONNECTOR / 15 AMPS / HUBBELL 5269-C	1	
3	060151	CABLE BATTERIES CHARGER 120VAC POWER	1	
NS	561572	. RECEPTACLE ASSY W/CORD	1	
NS	561655	. CABLE CLAMP / CPC / #17 / AMP 206070-8	1	
NS	564034	. CONNECTOR / CPC SEAL / PH 3C / AMP 788188-1	1	
4	064388	FIXATION RING	1	
5	5001857	NUT HEXF M6-1.0 N500	4	
6	068112	DECAL / ICON "BATTERY CHARGER" 41.5MM O.D.	1	
7	502677	SCREW MA RND PH M4-0.7x25 SS	2	
15	563750	FUSEHOLDER W/RED COVER / MEGA FUSE /	1	
NS	5001787	NUT HEX NYRT M8-1.25 SS	2	
NS	5001341	WASHER FL 8.4x17.0x1.6 SS	2	
NS	068169	BUS BAR / W/2 HOLES	1	G
NS	502859	NUT HEX NYRT M10-1.5 N500	1	
NS	500170	SCREW CAP HEX 1/4-20x2 G5 PT Z050	1	
21	0610008	CABLE BATTERIES CHARGER 120VAC POWER	1	T
21	564102	. HEATER PLUG ASSY	1	T
21	504062	. GROMMET / .4375x.687x.125x.375x.937	1	T
22	068112	DECAL / ICON "BATTERY CHARGER" 41.5MM O.D.	1	T
23	5001332	SCREW MA PAN PH M4-0.7x16 SS	2	T
24	504013	TIE MOUNT / 1/4" X 1/4" I.D.	2	T
25	504637	CABLE TIE / 3/16" x 13"	2	T
26	502868	SCREW TC TR PH #10-16x1/2 N500	2	T
27	380205	BOX, ABS W/FLANGED LID / WITH BREAKERS	1	T
28	0610009	. DECAL / BLOCK HEATER & BATTERY CHARGER	1	T
29	560779	. BREAKER 15AMPS / 250V /	2	T
30	500289	SCREW TC OV PH #6-32x3/4 SS410	4	T
50	X3PLB-0666-00	BLOCK HEATER RECEPTACLE	1	
		G) GLI OPTION		
		T) OPTION WITH FRONT BLOCK HEATER PLUG & BATTERY CHARGER PLUG		

From G-7275 To M-7767

Date:07/2024

PAGE:X3PLB-0675-05

SYSTEM - ADAPTIVE CRUISE CONTROL ACB - "BENDIX FLR20 & FLR21



From G-7275 To M-7767	Date:07/2024	PAGE:X3PLB-0675-05
SYSTEM - ADAPTIVE CRUISE CONTROL ACB - "BENDIX FLR20 & FLR21"		

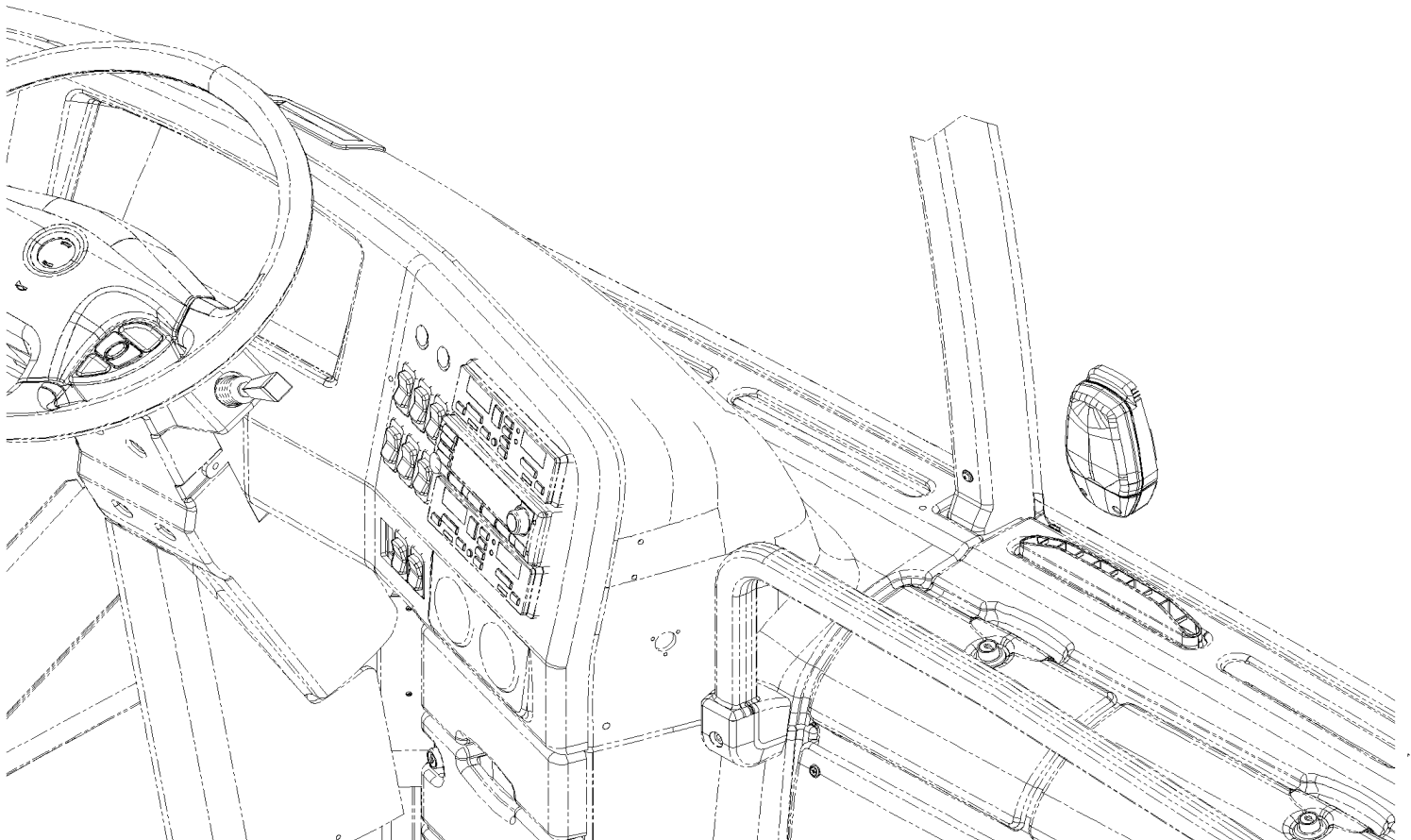
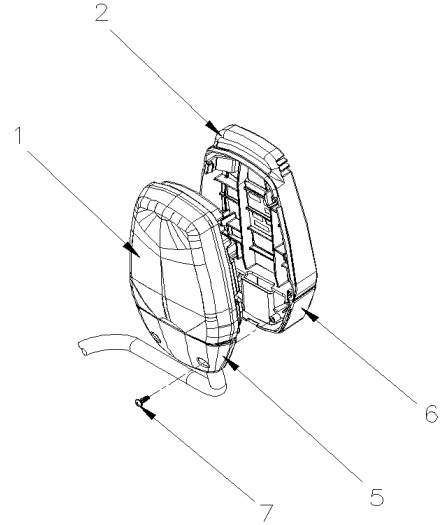
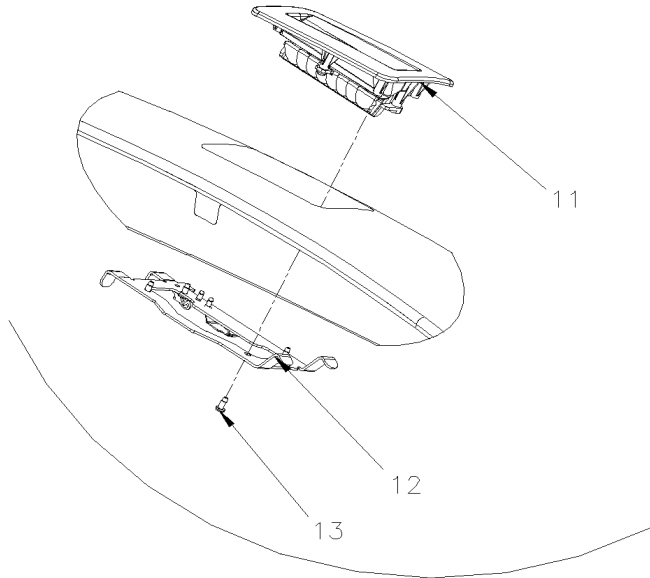
Item#	Part	Description	QTY	Notes
1	IS13169-2	FLR20 RADAR SENSOR REPLACEMENT KIT X3-45 /SAV To M-7767	1	
. NS	145372	. RADAR ACB ASSY To M-7767	1	
. . NS	564257	. . FLR20 AJUSTER KIT SET OF 3 To M-7767	1	
. NS	IS-13169	. INSTRUCTION SHEET To M-7767	1	
. NS	FI-13169	. FEUILLE D'INSTRUCTION To M-7767	1	
1	880018	RADAR From M-7768	1	
2	069043	CABLE ADAPTIVE CRUISE CONTROL To H-7416	1	
2	060035	CABLE ADAPTIVE CRUISE CONTROL From H-7417 To M-7767	1	
2	0610271	CABLE ADAPTIVE CRUISE CONTROL From M-7768	1	
3	145206	MAIN SUPPORT, RADAR	1	
5	5001648	SCREW CAP HEXS M6-1.0x18 SS BK	AR	
6	5001833	WASHER BEL SPR 6.1x18x1.27 SS	AR	
7	504637	CABLE TIE / 3/16" x 13"	7	
8	509815	TIE MOUNT / ATTACHMENT W/TREE MOUNT	2	
10	2800893	PLATE CLOSING W/"ACB" OR W/OUT "ACB"	1	

From M-7768 To M-7767

Date:07/2024

PAGE:X3PLB-0675-20

SYSTEM CAMERA & HUD - "PREVOST DRIVER ASSIT"



From M-7768 To M-7767	Date:07/2024	PAGE:X3PLB-0675-20
SYSTEM CAMERA & HUD - "PREVOST DRIVER ASSIT"		

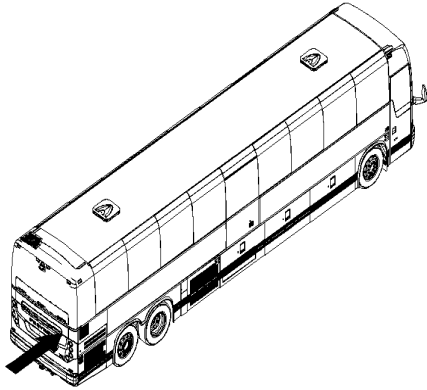
Item#	Part	Description	QTY	Notes
1	880015	CAMERA "PREVOST DRIVER ASSIT"	1	
2	880011	BRACKET WINDSHEILD / CAMERA "PREVOST DRIVER ASSIT" To M-7763	1	
2	880060	BRACKET WINDSHEILD / CAMERA "PREVOST DRIVER ASSIT" From M-7764	1	
2	G37276	TEMPLATE, CAMERA POSITION MARKINGS X3	1	C
5	3211136	CABLE COVER "PREVOST DRIVER ASSIT"	1	
6	3211135	CABLE COVER "PREVOST DRIVER ASSIT"	1	
7	5002198	SCREW TP PAN PH #4-20 X 5/16 Z050	2	
11	380362	DISPLAY MODULE ASSY "HUD"	1	
12	380367	HOLDER ASSY "HUD"	1	
13	5002199	SCREW TP PAN PH #4-20 X 5/16 Z050	4	
NS	640048	CALIBRATION TEMPLATE	1	
50	X3PLB-0675-05	SYSTEM - ADAPTIVE CRUISE CONTROL ACB - "BENDIX FLR20 & FLR21	1	
51	X3PLB-0645-11	L.H. DASHBOARD PANEL	1	
		A) WHEN YOU INSTALL "PREVOST DRIVER ASSIT" CAMERA SYSTEM ON VEHICLE WITH ACB		
		B) WHEN YOU INSTALL "PREVOST DRIVER ASSIT" CAMERA SYSTEM ON VEHICLE WITHOUT ACB		
		C) USE IF WINDSHIELD DOESN'T ALREADY HAVE POSITION MARKINGS		

From G-7275 To H-7416

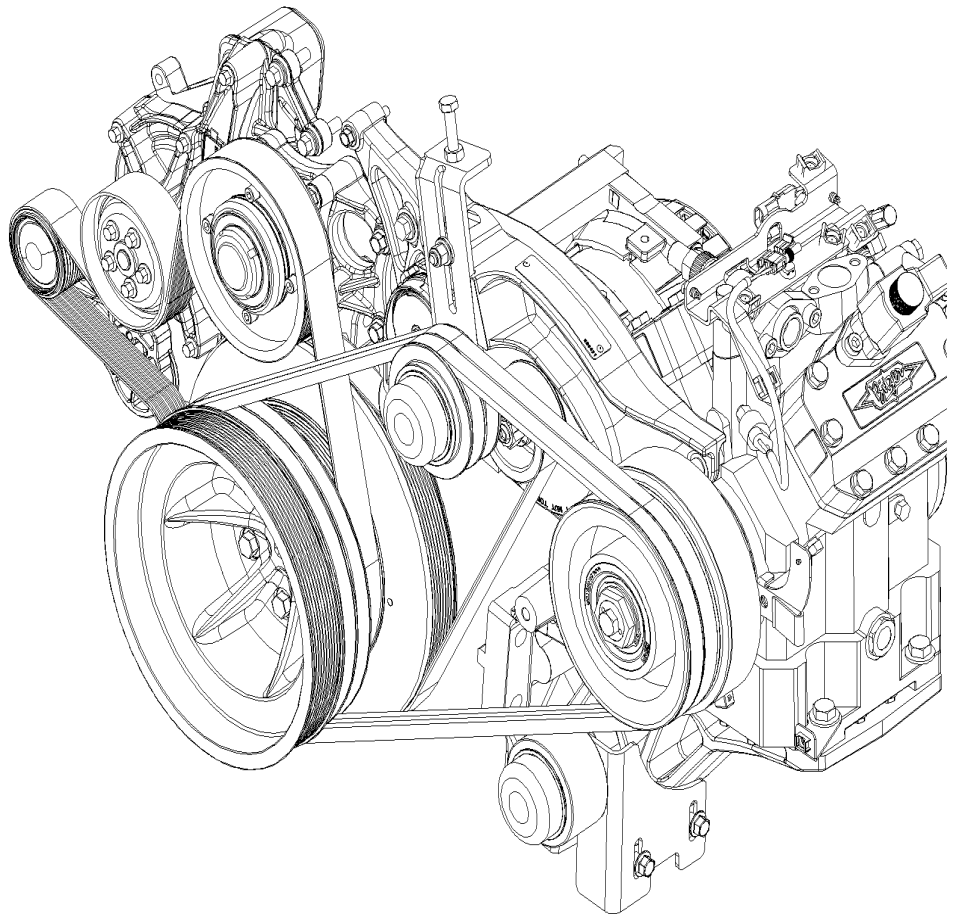
Date:07/2024

PAGE:IS19909

BOSCH TO DELCO REMY ALTERNATOR INSTALLATION X3-45



WITH REMY ALTERNATOR



From G-7275 To H-7416	Date:07/2024	PAGE:IS19909
-----------------------	--------------	--------------

BOSCH TO DELCO REMY ALTERNATOR INSTALLATION X3-45

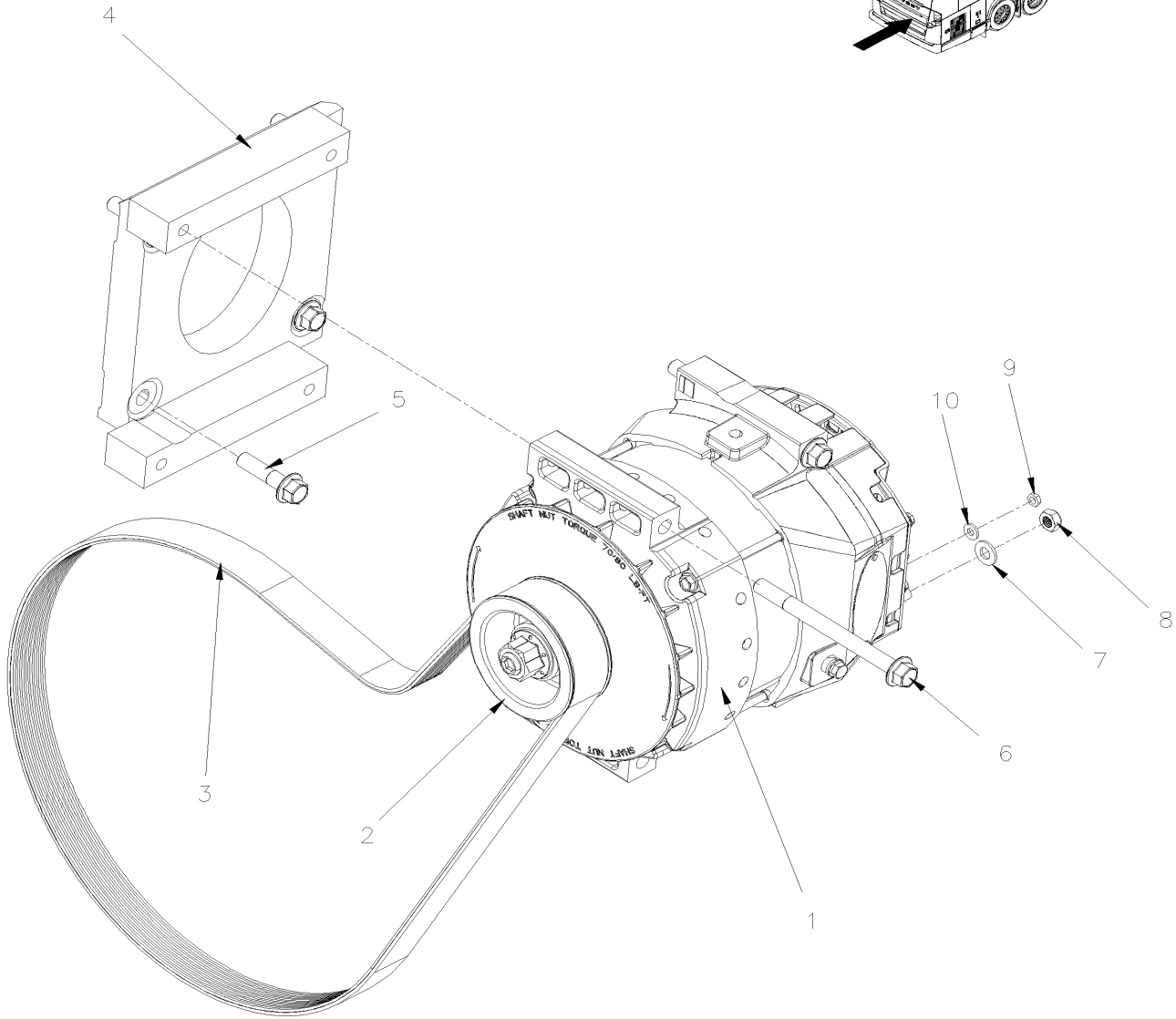
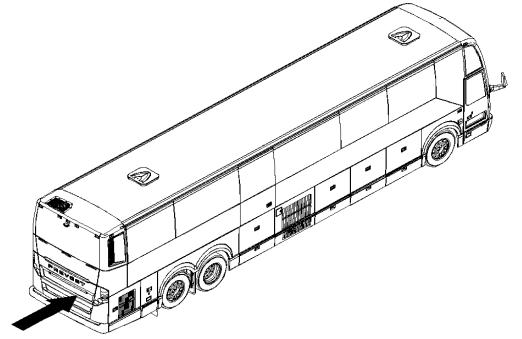
Item#	Part	Description	QTY	Notes
1	0610086	KIT INSTALLATION, ALTERNATOR REMY CURB SIDE	1	
2	0610091	ALTERNATOR REMY ADAPTATION X3 CURB SIDE	1	
3	IS-19909	INSTRUCTION SHEET	1	

From G-7275 To H-7416

Date:07/2024

PAGE:0610086

KIT INSTALLATION, ALTERNATOR REMY CURB SIDE



From G-7275 To H-7416	Date:07/2024	PAGE:0610086
KIT INSTALLATION, ALTERNATOR REMY CURB SIDE		

Item#	Part	Description	QTY	Notes
1	560720	ALTERNATOR ASSY 24V/250 AMPS / "REMY"	1	
2	069892	PULLEY ALTERNATOR / "REMY" / 83MM DOB. x 8 PK	1	
3	506065	MULTI V-BELT / 8 RIB 56.5" (1435MM) 8PK1435 QT EPDM	2	
4	069894	BRACKET, ALTERNATOR REMY	1	
5	5001308	SCREW CAP HEXF M10-1.5x40 G10.9 N500	4	
6	5002091	SCREW CAP HEXF M10-1.5X120 G10.9 N500	4	
7	5001341	WASHER FL 8.4x17.0x1.6 SS	1	
8	500685	NUT HEX NYRT 5/16-18 SS	1	
9	5001180	NUT HEX NYRT #10-24 SS	2	
10	5001137	WASHER FL .203x.438x.050 SS	2	
NS	500411	WASHER FL .260x.697x.050 SS	1	
NS	IS-19905	SEE INSTRUCTION SHEET	1	

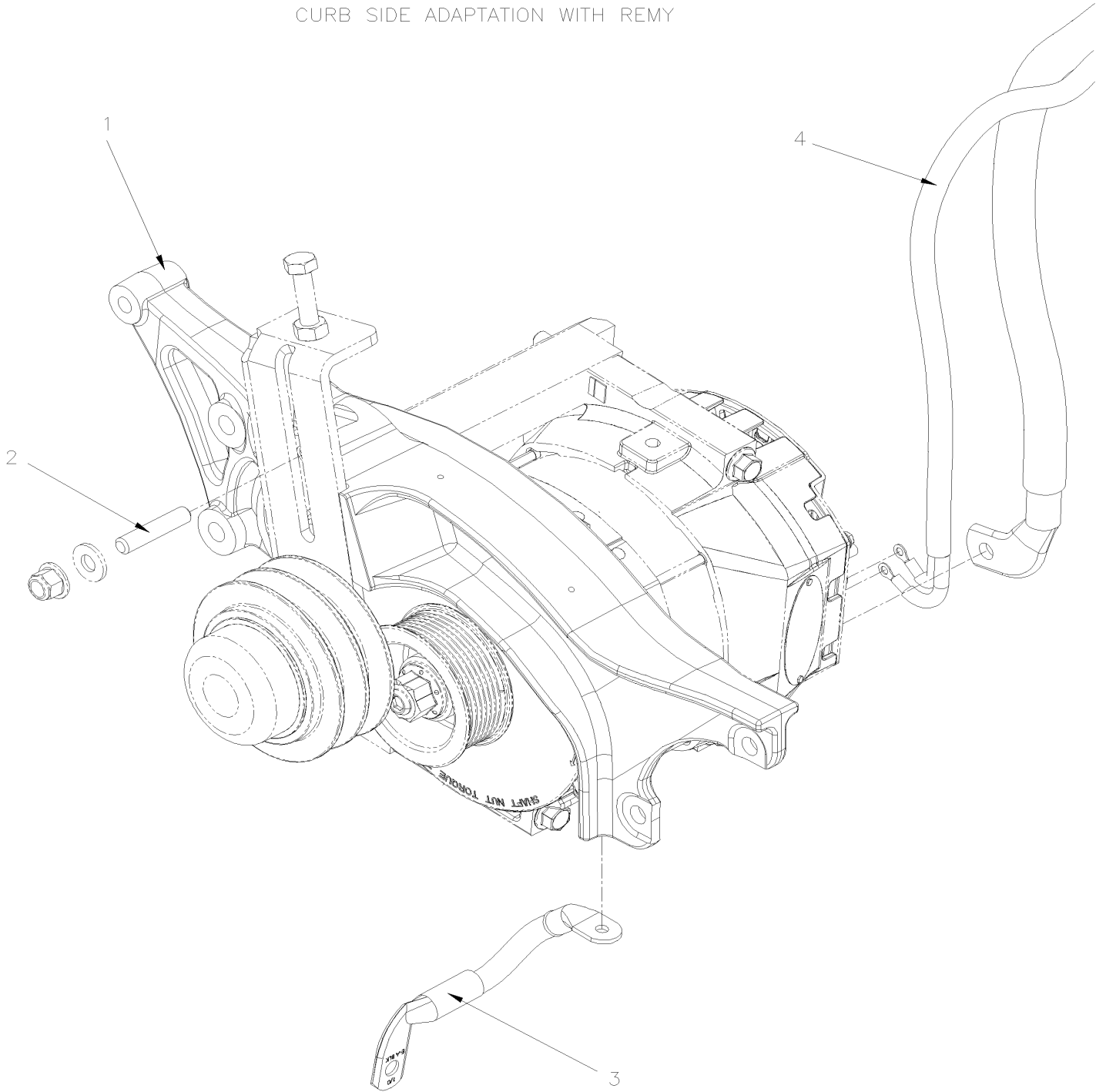
From G-7275 To H-7416

Date:07/2024

PAGE:0610091

ALTERNATOR REMY ADAPTATION X3 CURB SIDE

CURB SIDE ADAPTATION WITH REMY



From G-7275 To H-7416	Date:07/2024	PAGE:0610091
ALTERNATOR REMY ADAPTATION X3 CURB SIDE		

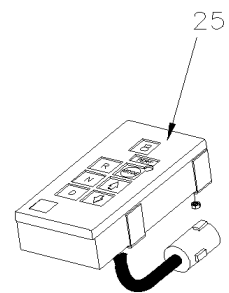
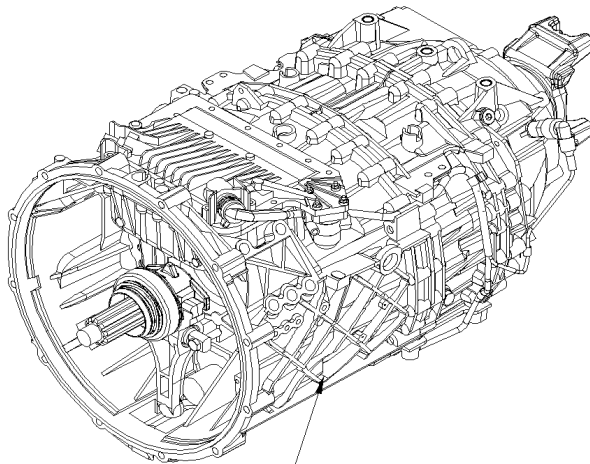
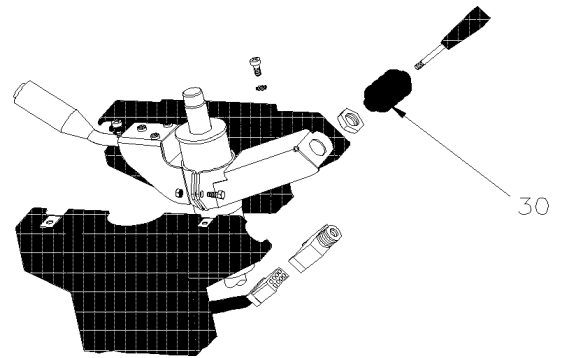
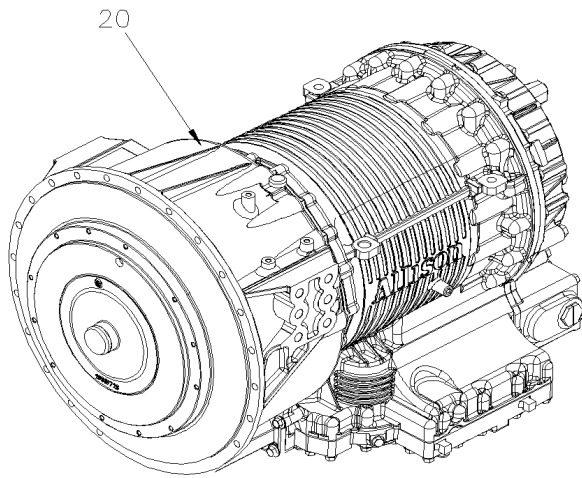
Item#	Part	Description	QTY	Notes
1	450580	SUPPORT, TENSIONNER CASTING	1	
2	5000360	ROD M10-1.5x52 N500	1	
3	0610034	HARNESS, ALTERNATOR CHASSIS GROUND / CURBSIDE	1	
4	0610030	HARNESS, ALTERNATOR BATTERY / CURBSIDE	1	
NS	N55439-02	RING TERMINAL #5 / 16-14 / DURASEAL / AMP B-106-1502	3	
NS	N33509-06	SHRINK TUBING / .187" - .060" / BLACK / RAYCHEM SCL 3/16-0	AR	
NS	5001834	WASHER BEL SPR 10.5X23X2.5 N500	1	
NS	5001930	NUT HEXF NYRT M10-1.5 N500 G10.9	1	
NS	5001799	SCREW CAP HEXF M10-1.5x70 G10.9 N500	2	
NS	563870	RING TERMINAL #5 / 16-14 / DURASEAL / AMP B-106-1502	3	
NS	563158	SHRINK TUBING / .300" - .060" / BLACK / 3M EPS-400.300	AR	

From G-7275 To M-7767

Date:07/2024

X3PLB-07

TRANSMISSION



From G-7275 To M-7767	Date:07/2024	X3PLB-07
-----------------------	--------------	----------

TRANSMISSION

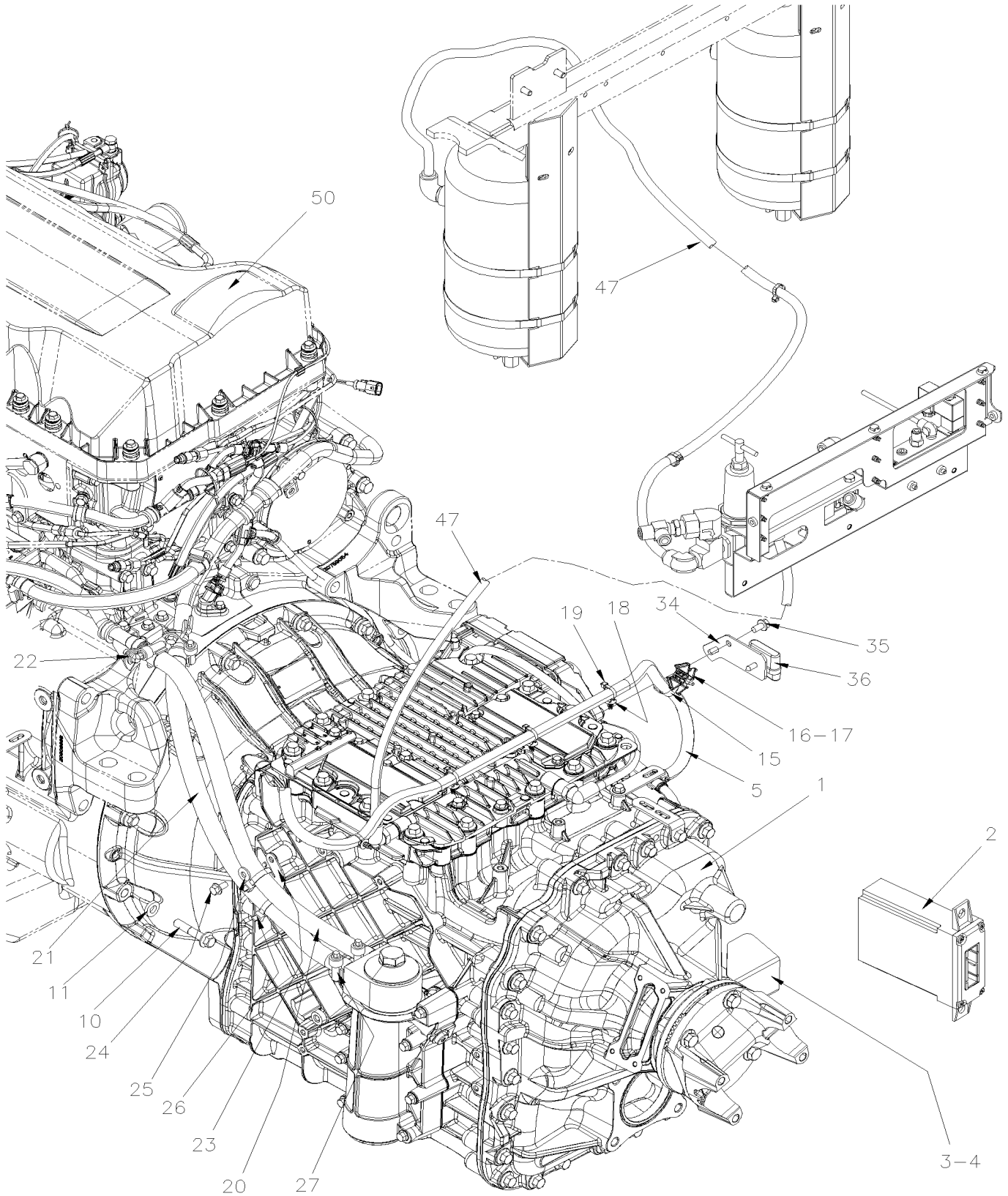
Item#	Part	Description	QTY	Notes
5	X3PLB-0700-00	TRANSMISSION "VOLVO I-SHIFT" - INSTALLATION WITH "EPA 2010" From G-7275 To M-7767		
15	X3PLB-0705-50	TRANS "I-SHIFT" - OIL FILTER - INSTALLATION From G-7275 To M-7767		
20	X3PLB-0750-00	AUTOMATIC TRANSMISSION - "WORLD" WITH VOLVO D13 From G-7275 To H-7416		
20	X3PLB-0750-01	AUTOMATIC TRANSMISSION - "WORLD" WITH VOLVO D13 - GHG17 From H-7417 To M-7767		
25	X3PLB-0755-15	SHIFTER ELECTRONIC - "WORLD" TRANSMISSION From G-7275 To M-7767		
30	X3PLB-0760-00	RETARDER SELECTOR SWITCH - "WORLD" From G-7275 To M-7767		

From G-7275 To M-7767

Date:07/2024

PAGE:X3PLB-0700-00

TRANSMISSION "VOLVO I-SHIFT" - INSTALLATION WITH "EPA 2010"

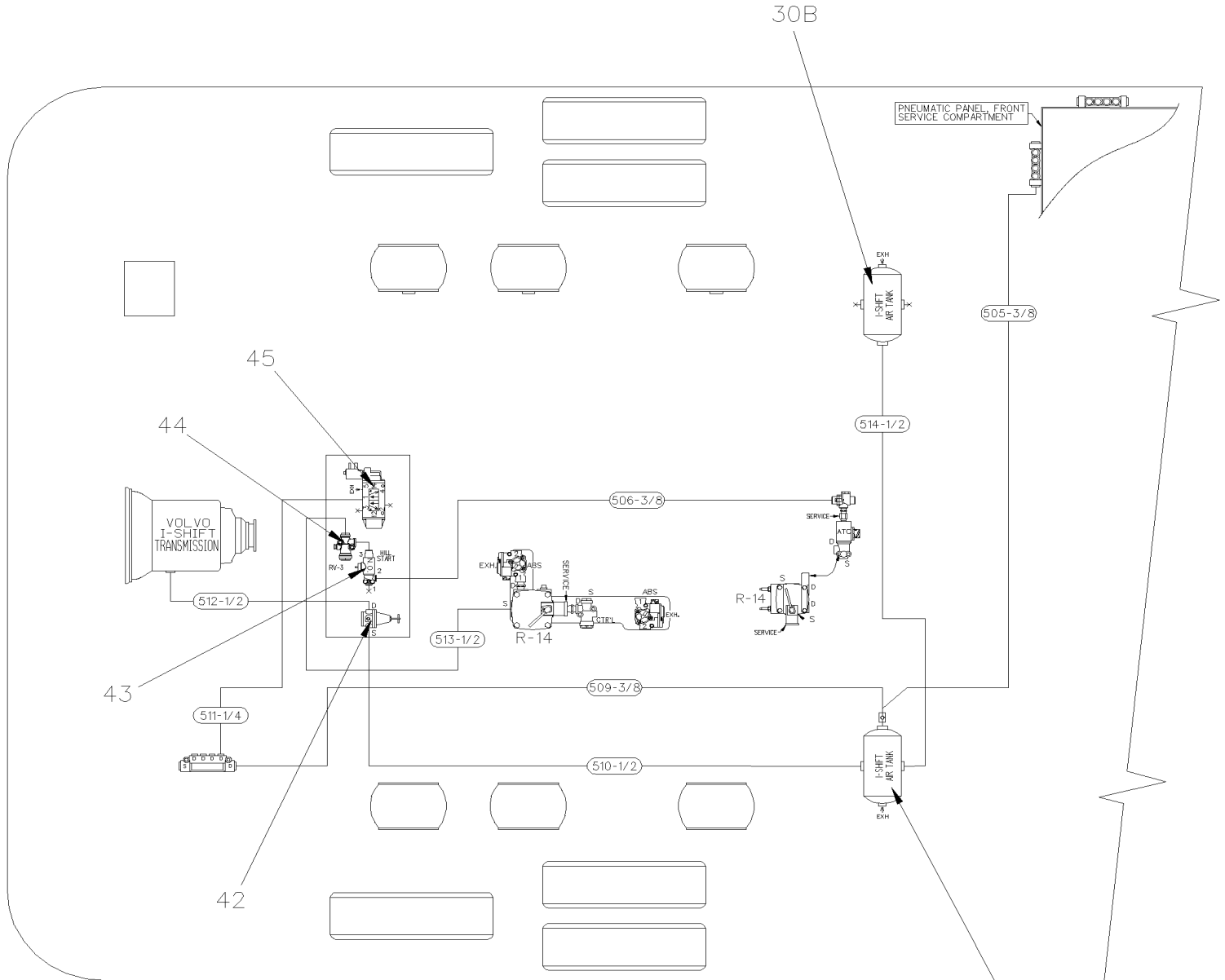


From G-7275 To M-7767

Date:07/2024

PAGE:X3PLB-0700-00

TRANSMISSION "VOLVO I-SHIFT" - INSTALLATION WITH "EPA 2010"



I-SHIFT TRANSMISSION OPTION

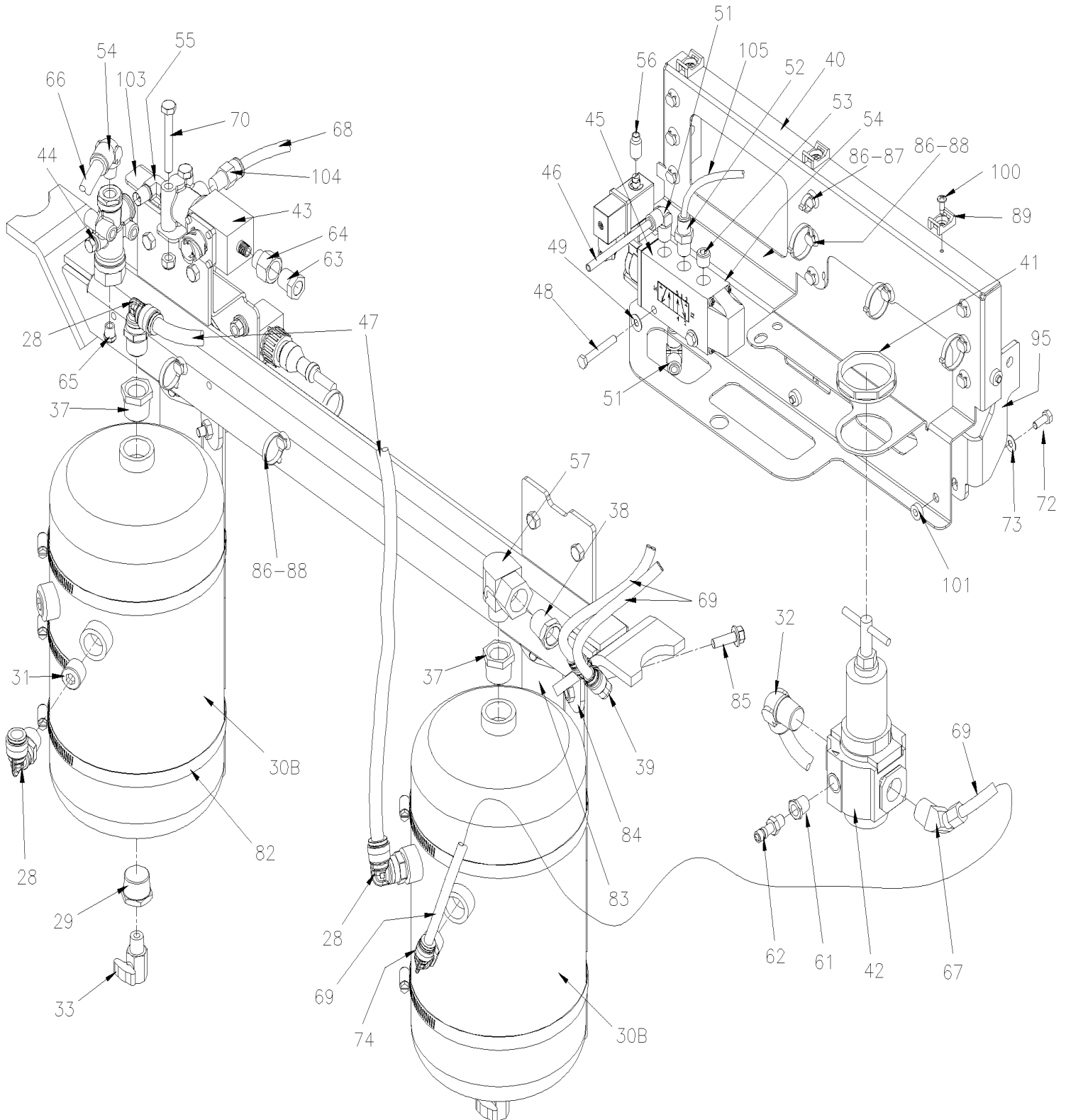
30B

From G-7275 To M-7767

Date:07/2024

PAGE:X3PLB-0700-00

TRANSMISSION "VOLVO I-SHIFT" - INSTALLATION WITH "EPA 2010"



From G-7275 To M-7767	Date:07/2024	PAGE:X3PLB-0700-00
TRANSMISSION "VOLVO I-SHIFT" - INSTALLATION WITH "EPA 2010"		

Item#	Part	Description	QTY	Notes
1	Refer To Volvo	TRANSMISSION "VOLVO I-SHIFT" MODEL "AT2512"	1	V
1	572140	PRESSURE PLATE	1	
1	572141	CLUTCH ASSY	1	
1	20566389	CLUTCH ASSY	1	
1	21615194	CLUTCH ASSY	1	
1	068472	CABLE ASSY / WITH "I-SHIFT" TRANSMISSION To H-7416	1	
1	060118	CABLE ASSY / WITH "I-SHIFT" TRANSMISSION From H-7417 To J-7445	1	
1	061475	CABLE ASSY / WITH "I-SHIFT" TRANSMISSION From J-7446	1	
1	685323	OIL TRANSYND TRANSMISSION "ISHIFT" CASTROL / 75W/85 AP1 GL4 / 200 LITERS	AR	
2	21715161	GS ECU 24v MODULE I-SHIFT TRANS	1	
3	071594	CAP PROTECTOR CABLE	1	
4	5001314	SCREW CAP HEX M12-1.75x19 G8.8 ZP	2	
5	068453	CABLE HARNESS I-SHIFT TRANS	1	
10	5001764	SCREW CAP HEXF 7/16-14x2 1/4 G8 N500	12	
11	5001792	WASHER FL HARD .468x.937x.187 Z050	12	
15	509491	CABLE TIE / 13MM x 383MM	1	
16	500266	SCREW TC CAP HEX 1/4-20x1 N500	1	
17	509490	ATTACHMENT DOUBLE USE WITH CABLE TIE	1	
18	509815	TIE MOUNT / ATTACHMENT W/TREE MOUNT	1	
19	504637	CABLE TIE / 3/16" x 13"	1	
20	Call order desk	HOSE 5/8" I.D. x 620MM	1	P
20	503802	. HOSE SILICONE 1 PLY / NOMEX-ARAMID 5/8" I.D. x 100' / S.L.	AR	
21	Call order desk	HOSE 5/8" I.D. x 640MM	1	P
21	503802	. HOSE SILICONE 1 PLY / NOMEX-ARAMID 5/8" I.D. x 100' / S.L.	AR	
22	374358	ADAPTOR HOSE D15 TO 5/8" I.D. HOSE	1	
23	071624	SUPPORT HOSE	1	
24	5001780	SCREW CAP HEXF M8-1.25x16 G8.8 N500	1	
25	500321	WASHER BEL SPR .331x.827x.098 N500	1	
26	504016	CABLE TIE / 5/16" X 14"1/2	2	
27	992084	HOSE CLAMP / 23MM/35MM	4	
28	642126	MALE ELBOW 90° SWIVEL / PUSH-IN FITTING / #8x1/2NPT-M COMPOSITE	2	
29	501755	BUSHING REDUCER / PIPE FITTING / 3/4NTP-Mx1/4NPT-F BR	2	
30B	131403	AIR TANK / 434 IN° / 7" O.D. X 13 1/4"	2	
31	501966	PLUG HEXS / PIPE FITTING / 1/2NPT-M STL	1	
32	641378	MALE ELBOW 90° / PUSH-IN FITTING / #8x1/2NPT-M BRASS	2	
33	641043	DRAIN VALVE 1/4 NPT M	2	
34	071680	SUPPORT CABLE To £-16098	1	
35	946173	SCREW CAP HEXF M8-1.25x20	1	
36	564139	CAP CONNECTOR / METRI-PACK 280 / 6C / BLACK	1	
36	564542	TREE MOUNT CLIP FOR PED CONNECTOR	1	
37	501462	BUSHING REDUCER / PIPE FITTING / 3/4NTP-Mx1/2NPT-F BR	2	
38	501534	BUSHING REDUCER / PIPE FITTING / 1/2NPT-Mx3/8NPT-F BR	1	

From G-7275 To M-7767	Date:07/2024	PAGE:X3PLB-0700-00
TRANSMISSION "VOLVO I-SHIFT" - INSTALLATION WITH "EPA 2010"		

Item#	Part	Description	QTY	Notes
39	642128	MALE ELBOW 90° SWIVEL DUAL PORT / PUSH-IN / #6x#6x3/8NPT-M BR	1	
40	142851	SUPPORT VALVE	1	
41	641506	NUT RING / AIR REGULATOR RETAINING	1	
42	641352	AIR PRESSURE REGULATOR 1/2" NPT	1	
43	642079	VALVE, "ATC" 12VOLT	1	
44	642136	VALVE, PRESSURE REDUCING / RV-3 55 PSI	1	
44	144980	RESTRICTION / 1.59MM	1	
45	641527	VALVE, 4 WAYS, 2 POSITIONS	1	
. NS	641929	. COIL 24V	1	
. NS	641186	. SPOOL	1	
. NS	641385	. CONNECTOR / SOCKET HOUSING ASSY 3C / PNEUMAC 54934-01	1	
46	503402	TUBE, NYLON 1/4 O.D. / BLACK S.L.	AR	
47	503488	TUBE, NYLON 1/2 O.D. / BLACK S.L./	AR	
48	502793	SCREW CAP HEX M6-1.0x45 G8.8 Z050	2	
49	5001608	WASHER BEL SPR 6.2x15.0x0.7 G500	2	
50	Refer To Volvo	SEE IMPACT OR CALL ORDER DESK		V
51	641371	MALE ELBOW 90° NON-SWIVEL / PUSH-IN FITTING / #4x1/4NPT-M BR	2	
52	641332	MALE CONNECTOR / PUSH-IN FITTING / #4x1/4NPT-M BR	1	
53	501800	PLUG HEXS / PIPE FITTING / 1/4NPT-M STL	2	
54	641372	MALE ELBOW 90° NON-SWIVEL / PUSH-IN FITTING / #6x1/4NPT-M BR	2	
55	501999	MALE ELBOW 45° / JIC 37° FITTING / #20JIC-Mx1 1/4NPT-M STL	1	
56	642113	MALE CONNECTOR / PUSH-IN FITTING / #4x#10-32-M BR	1	
57	641172	VALVE, CHECK ELBOW 90° 1/2 NPT To J-7503	1	
57	640123	VALVE, CHECK 1/2 NPT SC-1 From J-7504	1	
. NS	641401	. VALVE, CHECK 1/2 NPT SC-1 From J-7504	1	
NS	507557	STREET ELBOW 90° / PIPE FITTING / 1/2NPT-Mx1/2NPT-F BR From J-7504	1	
58	501534	BUSHING REDUCER / PIPE FITTING / 1/2NPT-Mx3/8NPT-F BR	1	
59	641388	MALE RUN TEE NON-SWIVEL / PUSH-IN FITTING / #6x#6x3/8NPT-M BR	1	
60	501473	MALE RUN TEE / PIPE FITTING / 1/2NPT-Mx1/2NPT-Fx1/2NPT-F BR	1	
61	501312	BUSHING REDUCER / PIPE FITTING / 1/4NTP-Mx1/8NPT-F BR	1	
62	640488	VALVE, AIR FILL 1/8" NPT	1	
. NS	650164	. CAP VALVE / CHROME	1	
63	641934	SILENCER / MUFFLER / 3/8NPT-M	1	
64	5001660	REDUCER COUPLING / PIPE FITTING / 3/8NPT-Fx1/8NPT-F BR	1	
65	641943	SILENCER / MUFFLER / 1/8NPT-M	1	
66	503406	TUBE, NYLON 1/2 O.D. / GREEN S.L.	AR	
67	641119	MALE ELBOW 45° / NTA FITTING / #6x1/2NPT-M BR	1	
68	503463	TUBE, NYLON 3/8 O.D. / GREEN S.L.	AR	
69	503404	TUBE, NYLON 3/8 O.D. / BLACK S.L.	AR	
70	5001178	SCREW CAP HEX M8-1.25x60 SS BK	2	

From G-7275 To M-7767	Date:07/2024	PAGE:X3PLB-0700-00
TRANSMISSION "VOLVO I-SHIFT" - INSTALLATION WITH "EPA 2010"		

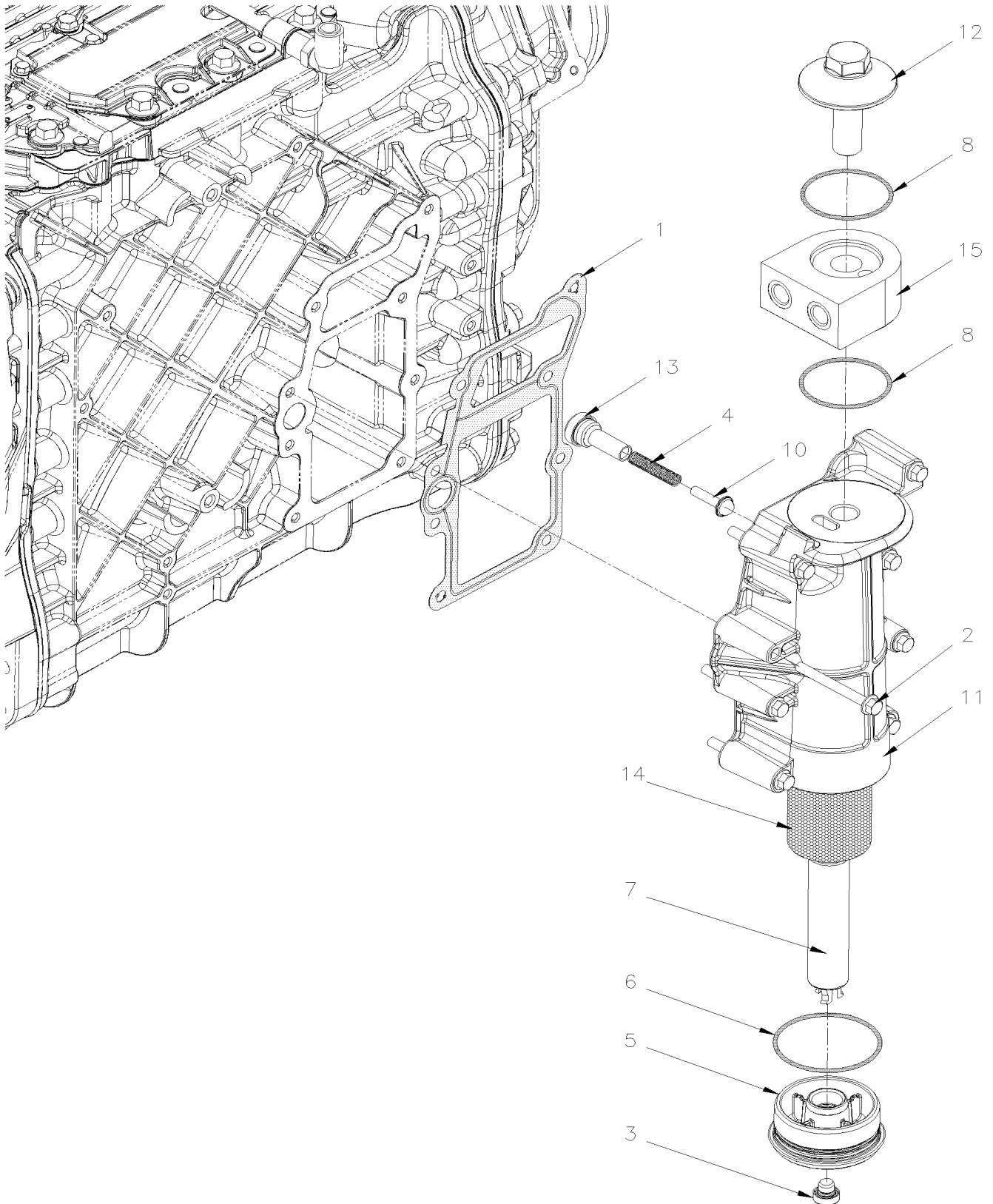
Item#	Part	Description	QTY	Notes
71	502847	NUT HEX NYRT M8-1.25 N500	2	
72	5001744	SCREW CAP HEX M6-1.0x16 G8.8 N500	5	
73	5001608	WASHER BEL SPR 6.2x15.0x0.7 G500	5	
74	642179	MALE ELBOW 90° NON-SWIVEL / PUSH-IN FITTING / #6 x1/2NPT-M COMPOSITE	1	
82	504649	HOSE CLAMP / 4"5/8-7"1/2 SS	4	
83	071675	SUPPORT / AIR TANK	2	
84	175073	SUPPORT / AIR TANK (WELDED AT STRUCTURE)	2	
85	5001643	SCREW CAP HEXF M8-1.25x25 G8.8 G500	4	
86	509815	TIE MOUNT / ATTACHMENT W/TREE MOUNT	AR	
87	504637	CABLE TIE / 3/16" x 13"	1	
88	504637	CABLE TIE / 3/16" x 13"	AR	
89	504013	TIE MOUNT / 1/4" X 1/4" I.D.	3	
90	X3PLB-1203-00	AIR TANK - INSTALLATION		
91	X3PLB-1250-10	ABS/ESP BRAKE VALVE - INSTALLATION / WITH MERITOR AXLE DRIVE		
92	X3PLB-1202-00	TUBES PLASTIC / AIR D.O.T.		
95	173797	SUPPORT VALVE	1	
100	502868	SCREW TC TR PH #10-16x1/2 N500	3	
101	502659	NUT WD RND M6-1.0 SS	AR	
103	145500	SUPPORT L.H. / VALVE ABS & RELAY VALVE	1	
104	641331	MALE CONNECTOR / PUSH-IN FITTING / #6x1/4NPT-M BR	1	
105	503402	TUBE, NYLON 1/4 O.D. / BLACK S.L.	AR	
NS	504751	ROTATIF SPACER DOUBLE / SMALL	AR	
NS	509491	CABLE TIE / 13MM x 383MM	AR	
NS	509491	CABLE TIE / 13MM x 383MM	AR	
NS	509493	ATTACHMENT DOUBLE USE WITH CABLE TIE CHRISTMAS TREE	AR	
		P) CALL ORDER DESK FOR SPECIFIC APPLICATION (V.I.N.)		
		V) SEE IMPACT OR CALL ORDER DESK		

From G-7275 To M-7767

Date:07/2024

PAGE:X3PLB-0705-50

TRANS "I-SHIFT" - OIL FILTER - INSTALLATION



From G-7275 To M-7767	Date:07/2024	PAGE:X3PLB-0705-50
-----------------------	--------------	--------------------

TRANS "I-SHIFT" - OIL FILTER - INSTALLATION

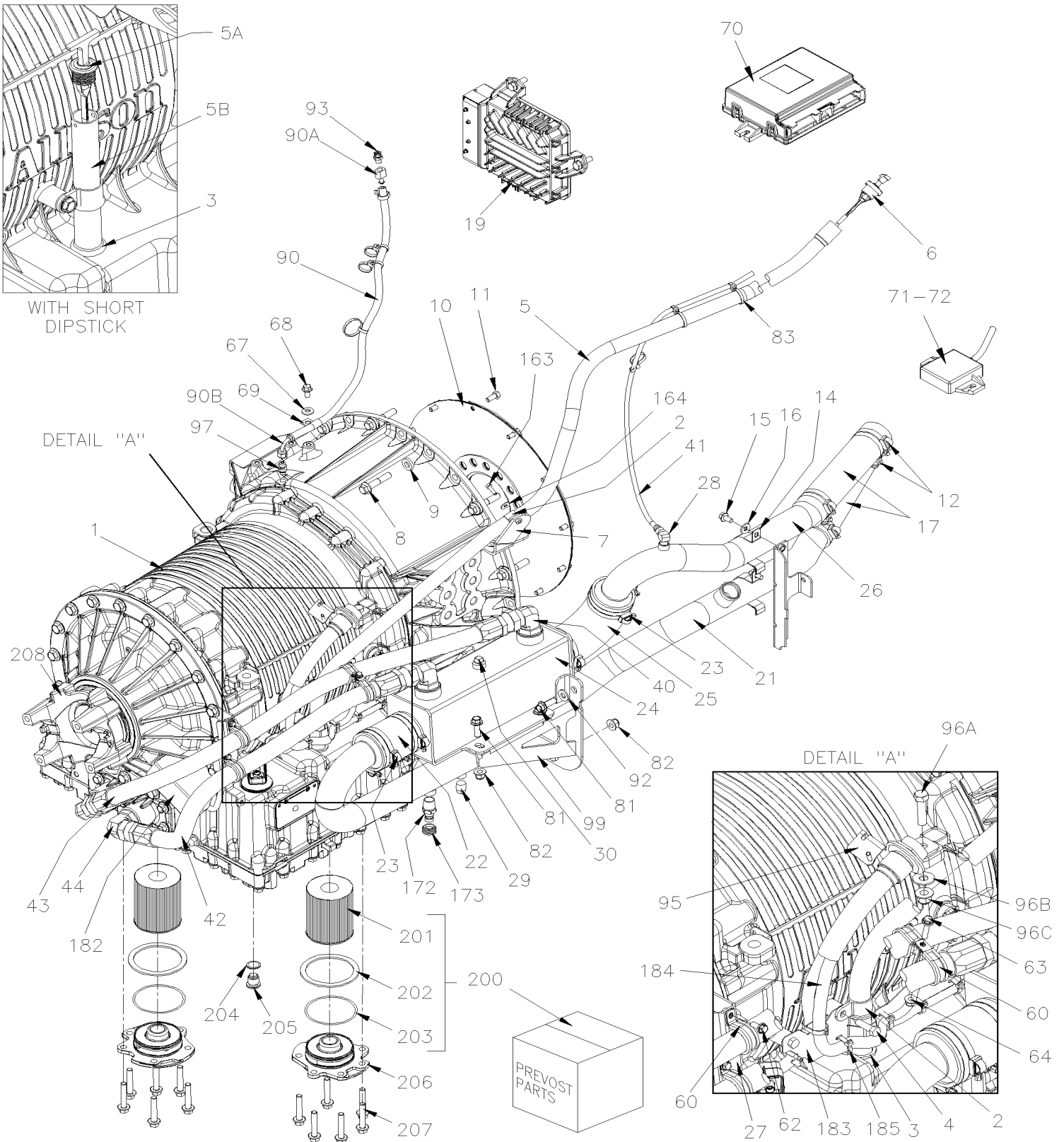
Item#	Part	Description	QTY	Notes
1	Refer To Volvo	GASKET OIL FILTER HOUSING	1	V
2	Refer To Volvo	FLANGE SCREW	1	V
3	Refer To Volvo	DRAIN PLUG	2	V
4	Refer To Volvo	SPRING BY-PASS	1	V
5	Refer To Volvo	COVER LOWER FILTER	1	V
6	Refer To Volvo	O-RING	1	V
7	Refer To Volvo	TUBE	1	V
8	Refer To Volvo	O-RING	3	V
10	Refer To Volvo	VALVE BY-PASS	1	V
11	Refer To Volvo	FILTER HOUSING	1	V
12	Refer To Volvo	COVER	1	V
13	Refer To Volvo	PLUG	1	V
14	Refer To Volvo	KIT, OIL FILTER TRANS I-SHIFT	1	VI
15	Refer To Volvo	CONNECTING BLOCK	1	V
NS	Refer To Volvo	NIPPLE	2	V
NS	Refer To Volvo	GASKET	4	V
		I) INCLUDE ITEM # 6 & 8		
		V) SEE IMPACT OR CALL ORDER DESK		

From G-7275 To H-7416

Date:07/2024

PAGE:X3PLB-0750-00

AUTOMATIC TRANSMISSION - "WORLD" WITH VOLVO D13

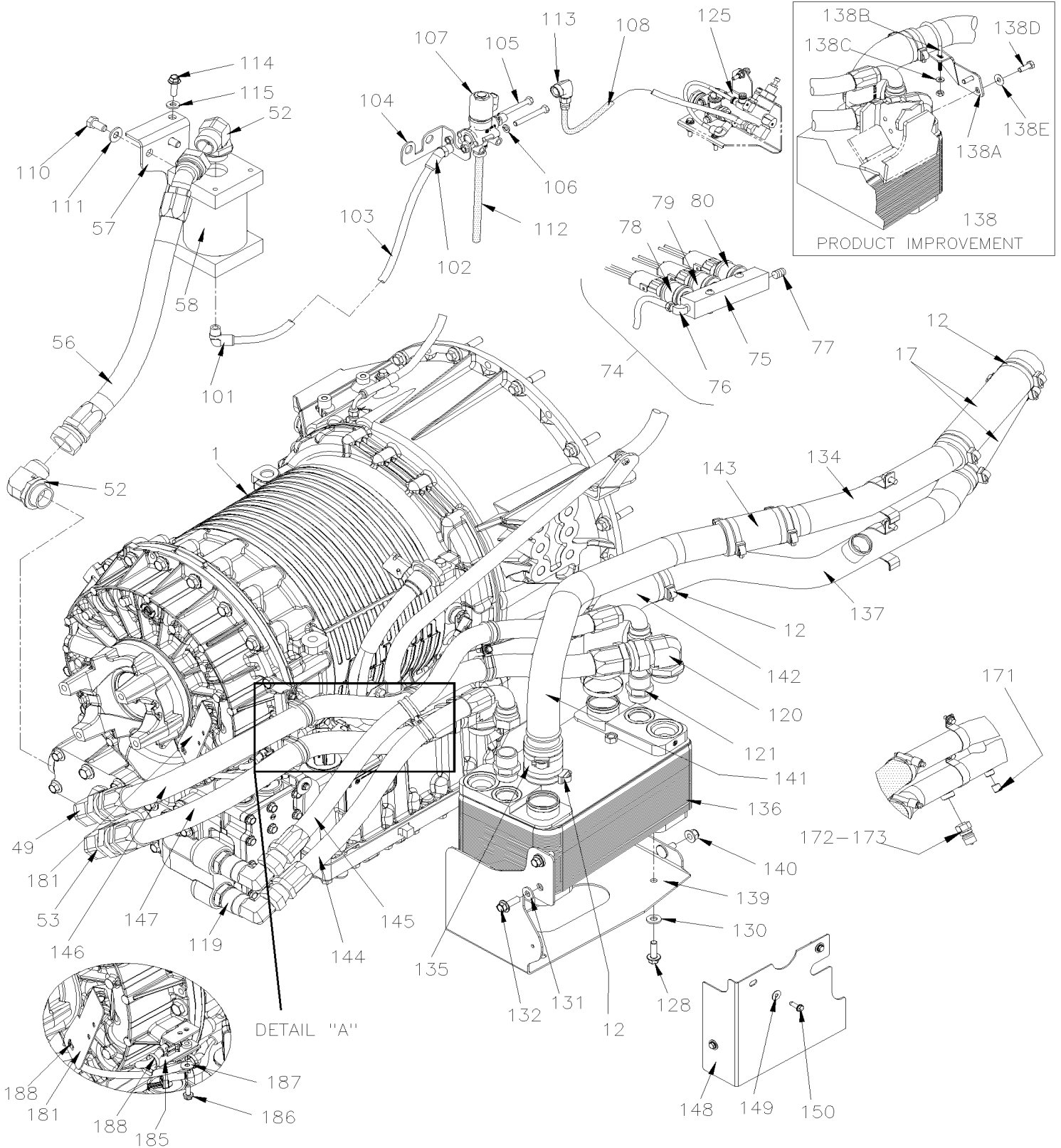


From G-7275 To H-7416

Date:07/2024

PAGE:X3PLB-0750-00

AUTOMATIC TRANSMISSION - "WORLD" WITH VOLVO D13

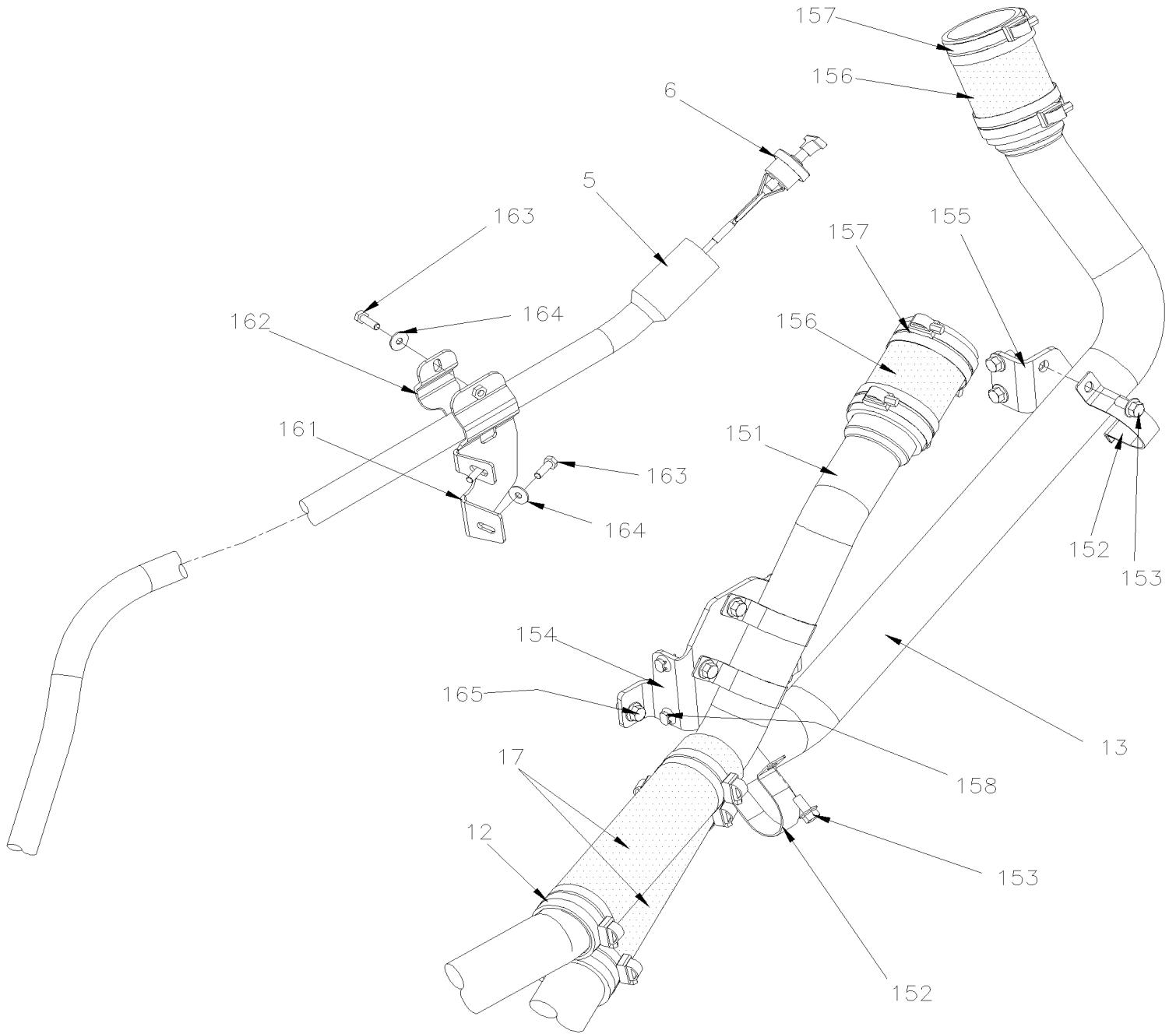


From G-7275 To H-7416

Date:07/2024

PAGE:X3PLB-0750-00

AUTOMATIC TRANSMISSION - "WORLD" WITH VOLVO D13



From G-7275 To H-7416	Date:07/2024	PAGE:X3PLB-0750-00
AUTOMATIC TRANSMISSION - "WORLD" WITH VOLVO D13		

Item#	Part	Description	QTY	Notes
		THE NEXT FOLLOWING TRANSMISSION W/O RETARDER		
	572138	TRANSMISSION ASSY B500 / GEN V	1	
	572174	TRANSMISSION ASSY B500 / GEN V / WITH SHORT DIPSTICK	1	S
		THE NEXT FOLLOWING TRANSMISSION W/RETARDER		
	572139	TRANSMISSION ASSY B500R / GEN V	1	
		TRANSMISSION ASSY SEE ABOVE		
NS	685371	GREASE / GREY BLACK MOBIL XHP 222 SPECIAL 400 g	AR	
NS	20788933	SPACER FLY WHEEL HOUSING 21MM	1	
NS	684016	OIL TRANSYND TRANSMISSION "WORLD"	AR	
2	504602	CLAMP / 1" I.D. X .375 HOLE	2	
3	571662	GROMMET RUBBER / TUBE & TRANS	1	
4	502513	SCREW TP CAP HEX 5/16x1 Z050	1	
5	071656	TUBE DIPSTICK ASSY	1	
5A	572158	TRANS DIPSTICK SHORT	1	S
5B	572159	TUBE DIPSTICK SHORT	1	S
NS	7770111	FILL TUBE KIT	1	S
6	572147	TRANS DIPSTICK 2385.7MM	1	
6	071687	DECAL "TranSynd OIL ONLY" / ENGLISH & FRANCAIS	1	
6	071688	DECAL "TranSynd OIL ONLY" / ENGLISH & SPANISH	1	
7	071685	SUPPORT / TUBE DIPSTICK	1	
8	20953751	SCREW CAP HEXF 7/16-14x2 1/4 G8 MAGNI 565	12	
9	8397499	WASHER FL HARD .468x.937x.187 ZP	12	
10	Refer To Volvo	FLEXPLATE	1	V
11	5001217	SCREW CAP HEX M8-1.25x20 G10.9	12	
12	992088	HOSE CLAMP / 50MM/70MM	AR	
13	071696	PIPE / THERMOSTAT HOUSING & OIL COOLER	1	
14	012551	"U" CLAMP OFFSET 51MM I.D.	2	
15	5001780	SCREW CAP HEXF M8-1.25x16 G8.8 N500	2	
16	500321	WASHER BEL SPR .331x.827x.098 N500	2	
17	071429	HOSE SILICONE 4PLY 2" I.D. x 254 MM	2	
17	503784	HOSE SILICONE 4 PLY / NOMEX-ARAMID 2" I.D. x 12'	AR	
19	X3PLB-0620-00	REAR JUNCTION BOX ASSY		
21	071517	PIPE 2" O.D. INLET x 2 3/4" O.D. OUTLET	1	
22	071268	HOSE SILICONE 4 PLY 2 3/4" I.D X 84MM	1	
22	503787	HOSE SILICONE 4 PLY / NOMEX-ARAMID 2 3/4" I.D. x 6'	AR	
23	992090	HOSE CLAMP / 70MM/90MM	8	
24	571769	OIL COOLER "MODINE" / SINGLE To G-7301	1	
24	570014	OIL COOLER "MODINE" / SINGLE / SS From G-7302	1	

From G-7275 To H-7416	Date:07/2024	PAGE:X3PLB-0750-00
AUTOMATIC TRANSMISSION - "WORLD" WITH VOLVO D13		

Item#	Part	Description	QTY	Notes
25	053696	ELBOW 90° X 2 3/4" I.D. / 110MM x 110MM C/C / SILICONE ARAMID	1	
26	071693	PIPE 2 3/4" I.D. INLET x 2" O.D. OUTLET To G-7299	1	
26	070056	PIPE 2 3/4" I.D. INLET x 2" O.D. OUTLET From G-7300	1	
27	071407	SUPPORT HOSE	1	
28	501037	MALE ELBOW 90° / SAE 45° FITTING / #4FL-Mx1/4NPT-M BR To G-7299	1	
29	501305	PLUG SQUARE HEAD / PIPE FITTING / 3/8NPT-M BR	1	
30	5001304	SCREW TC CAP HEXW SLT #12-24x5/8 ZP	1	
40	5001917	MALE ELBOW 90° / JIC 37° FITTING / #16JIC-Mx#16ORB-M STL VITON	1	
41	053585P	HOSE ASSY TEFLON #4 1850MM To G-7299	1	
. NS	503064	. HOSE TEFLON #4 / S.L. To G-7299	AR	
. NS	5011182	. FEMALE CONNECTOR SWIVEL / SAE 45° FITTING / #4FL-Fx#4 STL To G-7299	2	
. NS	5011183	. SLEEVE / #4 STL To G-7299	2	
42	071566	HOSE ASSY / #16 725MM	1	
43	071567	HOSE ASSY / #16 1045MM	1	
NS	071511	PROTECTOR RUBBER CABLE HARNESS & HOSES	1	
NS	071702	PROTECTOR RUBBER CABLE HARNESS & HOSES WITH SHORT DIPSTICK	1	S
44	5001917	MALE ELBOW 90° / JIC 37° FITTING / #16JIC-Mx#16ORB-M STL VITON	2	
49	5011065	MALE ELBOW 90° / JIC 37° FITTING / #20JIC-Mx#20ORB-M STL VITON	1	
52	5011065	MALE ELBOW 90° / JIC 37° FITTING / #20JIC-Mx#20ORB-M STL VITON	4	
53	5001918	MALE ELBOW 90° LONG / JIC 37° FITTING / #20JIC-Mx#20ORB-Mx4.41 STL VIT	1	
56	071595	HOSE ASSY / #20 493MM	1	
57	071672	SUPPORT ACCUMULATOR		
58	572030	ACCUMULATOR & SOLENOID / GEN IV	1	
60	952637	CLAMP / 1"1/16 I.D.	AR	
60	952641	CLAMP P STL ZP RUB 34.9 ID	AR	
62	5001730	SCREW CAP HEXF M6-1.0x16 G10.9 N500	2	
63	5001815	SCREW CAP HEXF M6-1.0x30 G 8.8 N500	2	
64	5001932	NUT HEXF NYRT M6-1.0 G8.8 N500	1	
67	500942	WASHER LO SPT 8.1x14.8x2.0 N500	1	
68	502862	SCREW CAP HEX M8-1.25x20 G8.8 N500	1	
69	504601	CLAMP / 5/16" I.D. x .375 HOLE	1	
70	X3PLB-0625-00	FRONT JUNCTION PANEL		
71	562357	RESISTANCE MODULE	1	
72	562381	RESISTANCE MODULE	1	
74	071709	PRESSURES SWITCH ASSY W/MANIFOLD	1	
75	070903	. MANIFOLD	1	
76	640999	. MALE ELBOW 90° / NTA FITTING / #6x1/4NPT-M BR	1	
77	501800	. PLUG HEXS / PIPE FITTING / 1/4NPT-M STL	1	
78	562358	. PRESSURE SWITCH N.O. 2PSI / 1/8NPT	1	
79	562384	. PRESSURE SWITCH N.O. 4PSI / 1/8NPT	1	
80	562385	. PRESSURE SWITCH N.O. 7PSI / 1/8NPT	1	
81	5001741	SCREW CAP HEXF M10-1.5x30 G8.8 N500	5	

From G-7275 To H-7416	Date:07/2024	PAGE:X3PLB-0750-00
AUTOMATIC TRANSMISSION - "WORLD" WITH VOLVO D13		

Item#	Part	Description	QTY	Notes
82	5001930	NUT HEXF NYRT M10-1.5 N500 G10.9	6	
83	507664	CABLE TIE / 3/16" 11" / DOUBLE LOOP HEAD	AR	
90	071500	HOSE ASSY / #4 610MM	1	
. A	071167	. FEMALE CONNECTOR / HOSE BARB @ METRIC / #4x M10-1.5-F BR	1	
. B	5011303	. FEMALE ELBOW 90° SWIVEL / PUSH-LOK FITTING / #4FL-Fx#4 BR	1	
. C	503706	. HOSE FC-332-4 #4	AR	
92	5001834	WASHER BEL SPR 10.5X23X2.5 N500	3	
93	571763	BREATHER	1	
95	071403	SUPPORT CABLE HARNESS / W/1 HOLE & 1 STUD / GEN IV	1	
96A	500829	SCREW CAP HEX M10-1.5x40 G8.8	1	
96B	5001834	WASHER BEL SPR 10.5X23X2.5 N500	1	
96C	5001930	NUT HEXF NYRT M10-1.5 N500 G10.9	1	
97	071497	MALE CONNECTOR / SAE 45° @ METRIC / #4FL-Mx M10-1.5 M BR	1	
99	071713	SUPPORT OIL COOLER W/O RETARDER	1	
101	641376	MALE ELBOW 90° NON-SWIVEL / PUSH-IN FITTING / #8x3/8NPT-M BR	1	
102	641368	MALE ELBOW 45° NON-SWIVEL / PUSH-IN FITTING / #8x3/8NPT-M BR	1	
103	503488	TUBE, NYLON 1/2 O.D. / BLACK S.L./	AR	
104	071690	SUPPORT SOLENOID	1	
105	5001347	SCREW CAP HEX M8-1.25x70 SS	2	
106	500942	WASHER LO SPT 8.1x14.8x2.0 N500	2	
107	571708	VALVE SOLENOID 12V	1	
108	070052	HOSE ASSY TEFLON #6 270MM	1	
. NS	5011194	. FEMALE CONNECTOR SWIVEL / JIC 37° FITTING / TEFLON / #6JIC-Fx#6 STL	2	
. NS	503065	. HOSE TEFLON #6 / S.L.	AR	
110	5001565	SCREW CAP HEX 1/2-13x1 G5 N500	4	
111	500967	WASHER BEL SPR .512x1.142x.098 N500	4	
112	560384	PLASTIC TUBING / 3/8" / CLEAR	AR	
113	5011112	FEMALE ELBOW 90° / JIC 37° FITTING / #6JIC-Mx3/8NPT-F STL	1	
114	5001741	SCREW CAP HEXF M10-1.5x30 G8.8 N500	2	
115	5001834	WASHER BEL SPR 10.5X23X2.5 N500	2	
119	5001919	MALE ELBOW 90° LONG / JIC 37° FITTING / #16JIC-M x#16ORB-Mx3.72 STL VITON	2	
120	5011065	MALE ELBOW 90° / JIC 37° FITTING / #20JIC-Mx#20ORB-M STL VITON	2	
121	5001920	MALE CONNECTOR / JIC 37° FITTING / #16JIC-Mx#16ORB-M STL VITON	2	
125	X3PLB-0405-10	7TH INJECTOR / "AHI" / EXHAUST VOLVO D13		
128	5001307	SCREW CAP HEXF M10-1.5x20 8.8 N500	4	
130	5001834	WASHER BEL SPR 10.5X23X2.5 N500	4	
131	5001834	WASHER BEL SPR 10.5X23X2.5 N500	2	
132	5001741	SCREW CAP HEXF M10-1.5x30 G8.8 N500	2	
134	071695	PIPE OIL COOLER 2" O.D.	1	
135	071494	HOSE SILICONE 4PLY 2" I.D. 60MM	1	
135	503784	. HOSE SILICONE 4 PLY / NOMEX-ARAMID 2" I.D. x 12'	AR	
136	572043	COOLER, OIL, DOUBLE CIRCUIT	1	

From G-7275 To H-7416	Date:07/2024	PAGE:X3PLB-0750-00
AUTOMATIC TRANSMISSION - "WORLD" WITH VOLVO D13		

Item#	Part	Description	QTY	Notes
137	071694	PIPE OIL COOLER 2" O.D.	1	
138	070070	KIT,ELBOW SUPPORT COOLING SYSTEM	1	A
. A	070069	. SUPPORT PIPE, TRANSMISSION OIL COOLER	1	A
. B	504050	. U-BOLT 2" I.D. x 3 1/4 x 1/4-20 GLV	1	A
. C	500877	. WASHER FL .250x.562x.065 N500	2	A
. D	502780	. SCREW CAP HEX M8-1.25x25 SS BK	2	A
. E	5001699	. WASHER BEL SPR 8.2x22x1.4 N500	2	A
139	070040	SUPPORT OIL COOLER W/RETARDER	1	
140	5001930	NUT HEXF NYRT M10-1.5 N500 G10.9	2	
141	071591	PIPE OIL COOLER 2" O.D.	1	
142	071533	ELBOW 90° X 2" I.D. / 114.3MM x 101.2MM C/C / SILICONE	1	
143	071493	HOSE SILICONE 4PLY 2" I.D. 110MM	1	
143	503784	. HOSE SILICONE 4 PLY / NOMEX-ARAMID 2" I.D. x 12'	AR	
144	070049	HOSE ASSY / #16 466MM	1	
145	070048	HOSE ASSY / #16 766MM	1	
146	070050	HOSE ASSY / #20 1083MM	1	
147	070051	HOSE ASSY / #20 649MM	1	
NS	071510	PROTECTOR RUBBER CABLE HARNESS & HOSES	1	
148	071589	PROTECTOR OIL COOLER \	1	
149	500411	WASHER FL .260x.697x.050 SS	3	
150	502848	SCREW TC CAP HEXF 1/4-20x3/4 N500	3	
151	071697	PIPE / OIL COOLER TO HOSE REDUCER	1	
152	012551	"U" CLAMP OFFSET 51MM I.D.	4	
153	5001780	SCREW CAP HEXF M8-1.25x16 G8.8 N500	AR	
154	012668	SUPPORT OIL COOLER PIPE	1	
155	012358	SUPPORT OIL COOLER PIPE	1	
156	071660	HOSE / SILICONE W/NOMEX 2 3/8" I.D. 98MM	1	
157	992089	HOSE CLAMP / 60MM/80MM	AR	
158	509815	TIE MOUNT / ATTACHMENT W/TREE MOUNT	2	
158	504637	CABLE TIE / 3/16" x 13"	2	
161	071640	SUPPORT / TUBE DIPSTICK	1	
162	071487	ATTACHMENT DIPSTICK TUBE W1 HOLE & HOCK	1	
163	502830	SCREW CAP HEX M6-1.0x20 G8.8 N500	3	
164	5001833	WASHER BEL SPR 6.1x18x1.27 SS	3	
165	5001745	SCREW CAP HEX M8-1.25x25 G8.8 N500	3	
166	500321	WASHER BEL SPR .331x.827x.098 N500	3	
171	501305	PLUG SQUARE HEAD / PIPE FITTING / 3/8NPT-M BR	1	
172	1675641	NIPPLE / QUICK DISCONNECT "VOLVO" / 1/2NPT-M	1	
. NS	V476279	. DUST CAP / QUICK DISCONNECT "VOLVO" /	1	
. NS	507666	. DUST CAP / QUICK DISCONNECT "VOLVO" /	1	
173	507666	DUST CAP / QUICK DISCONNECT "VOLVO" /	1	

From G-7275 To H-7416	Date:07/2024	PAGE:X3PLB-0750-00
AUTOMATIC TRANSMISSION - "WORLD" WITH VOLVO D13		

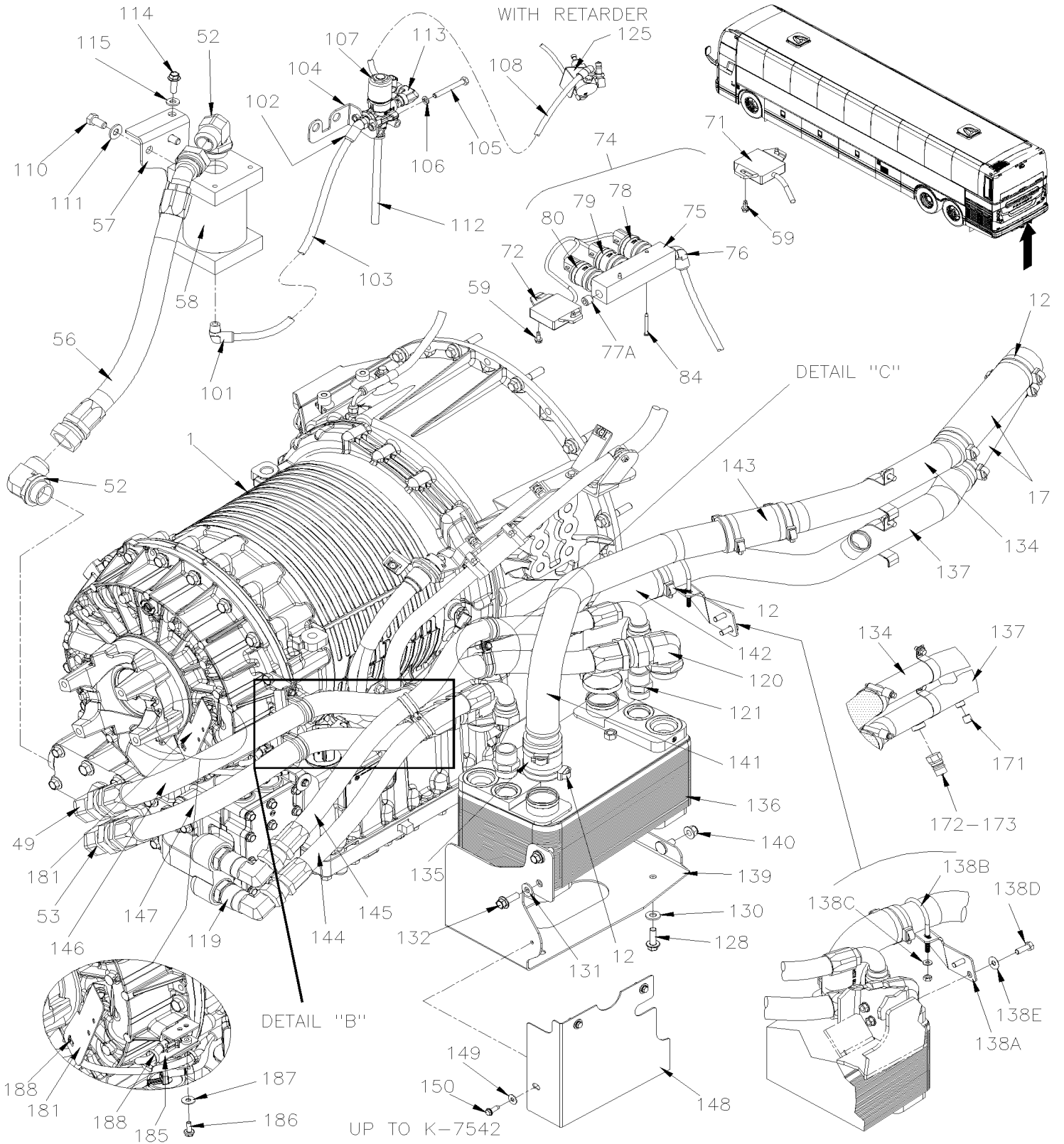
Item#	Part	Description	QTY	Notes
NS	507664	CABLE TIE / 3/16" 11" / DOUBLE LOOP HEAD	2	
181	071097	PROTECTOR SUPPORT SS 102MM X 90MM	1	
182	079022	PROTECTOR SUPPORT SS "V" SHAPE 74MM HIGH	1	
183	071581	SUPPORT CABLE HARNESS	1	
184	066209	CABLE HARNESS / SENSOR WTEC W/OUT RETARDER / MUX To G-7309	1	
184	069508	CABLE HARNESS / SENSOR WTEC W/OUT RETARDER From H-7310	1	
184	066797	CABLE HARNESS / SENSOR WTEC W/RETARDER / MUX To G-7309	1	
184	069509	CABLE HARNESS / SENSOR WTEC W/RETARDER From H-7310	1	
185	065398	SUPPORT RETARDER TEMPERATURE SENSOR		
186	5001730	SCREW CAP HEXF M6-1.0x16 G10.9 N500	1	
187	5001833	WASHER BEL SPR 6.1x18x1.27 SS	1	
188	504637	CABLE TIE / 3/16" x 13"	AR	
200	572050	TRANSMISSION FILTER / MAINTENANCE KIT	1	
NS	571692	O-RING / (LARGE SQUARE CUT)	2	
NS	571693	O-RING / (SMALL)	2	
NS	571694	O-RING / DRAIN PLUG	2	
NS	571695	DRAIN PLUG ASSY W/O-RING	1	
201	N.S.S.	FILTER	1	1
202	571692	O-RING / (LARGE SQUARE CUT)	2	
203	571693	O-RING / (SMALL)	2	
204	571694	O-RING / DRAIN PLUG	2	
205	571695	DRAIN PLUG ASSY W/O-RING	1	
205	684016	OIL TRANSYND TRANSMISSION "WORLD"	AR	
206	N.S.P.	COVER FILTER / (29507434)	2	2
207	N.S.P.	BOLT M10-1.5 x 55M / (29505617)	AR	2
208	N.S.P.	YOKE (1810) HALF ROUND (29511516/6.5-4-4521-1)	1	2
208	N.S.P.	STRAP LOCK PLATE	1	2
208	N.S.P.	BOLT M10-1.5 X 30MM GR 10.9	2	2
208	N.S.P.	SEAL OUTPUT / (29515621)	1	2
		A) FOR PROCUCT IMPROVMENT		
		S) USE WITH SHORT DIPSTICK		
		1) NOT SOLD SEPARATELY		
		2) NOT SOLD BY PREVOST (SEE MANUFACTURING PART NUMBER AT END OF DESCRIPTION LINE)		
		V) SEE IMPACT OR CALL ORDER DESK		

From H-7417 To M-7767

Date:07/2024

PAGE:X3PLB-0750-01

AUTOMATIC TRANSMISSION - "WORLD" WITH VOLVO D13 - GHG17

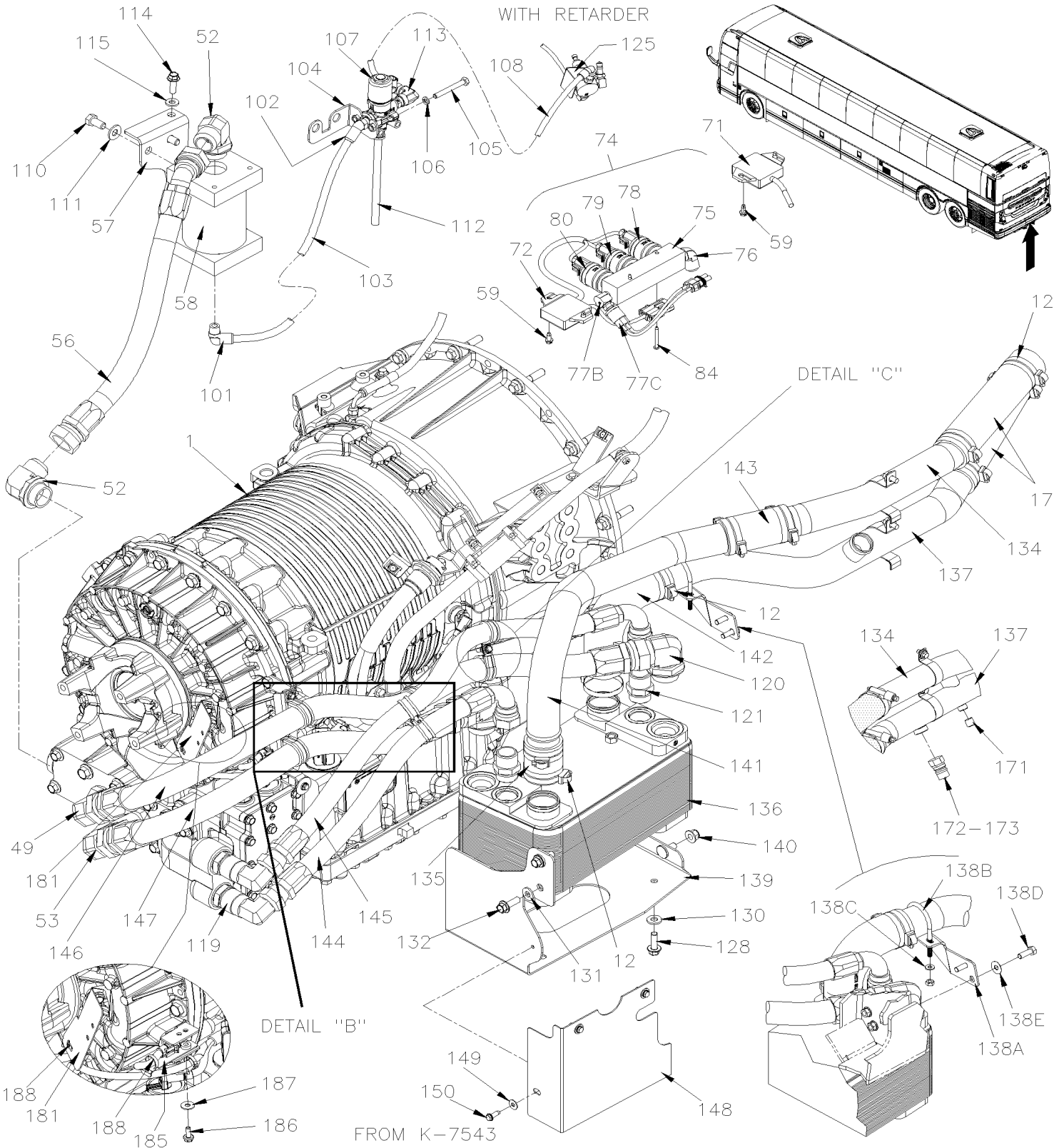


From H-7417 To M-7767

Date:07/2024

PAGE:X3PLB-0750-01

AUTOMATIC TRANSMISSION - "WORLD" WITH VOLVO D13 - GHG17

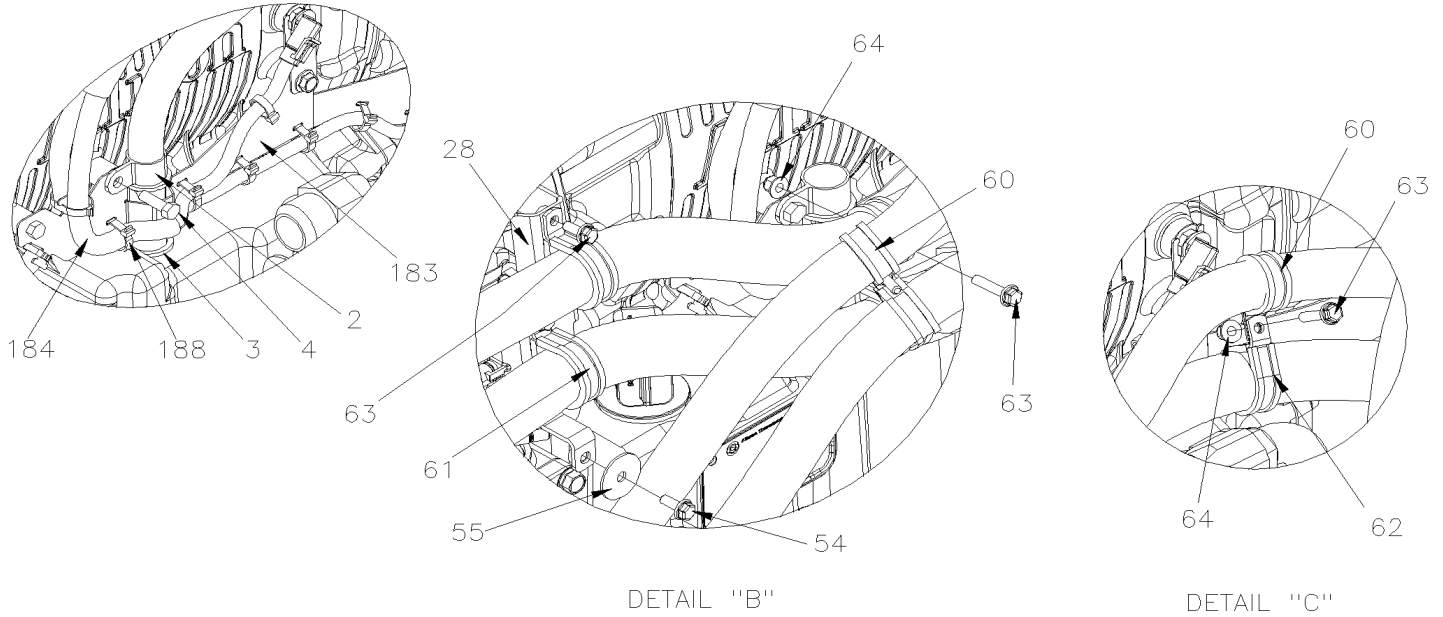


From H-7417 To M-7767

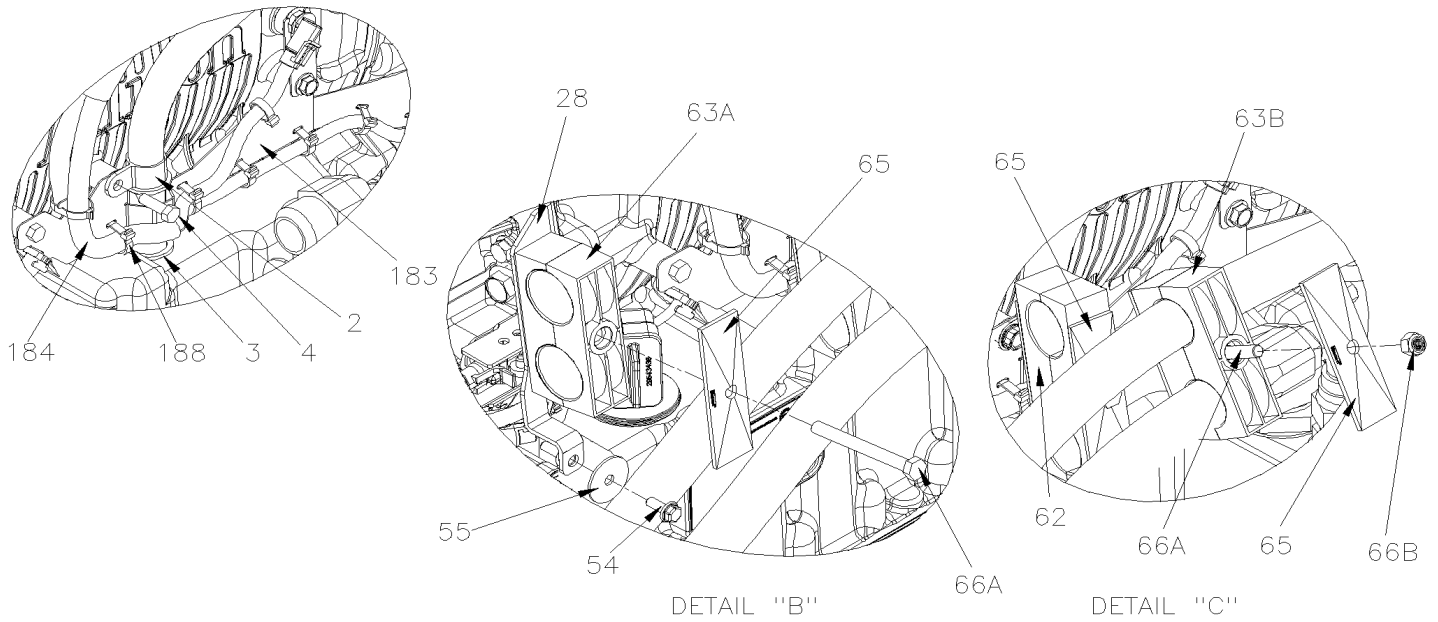
Date:07/2024

PAGE:X3PLB-0750-01

AUTOMATIC TRANSMISSION - "WORLD" WITH VOLVO D13 - GHG17



UP TO ?-18003



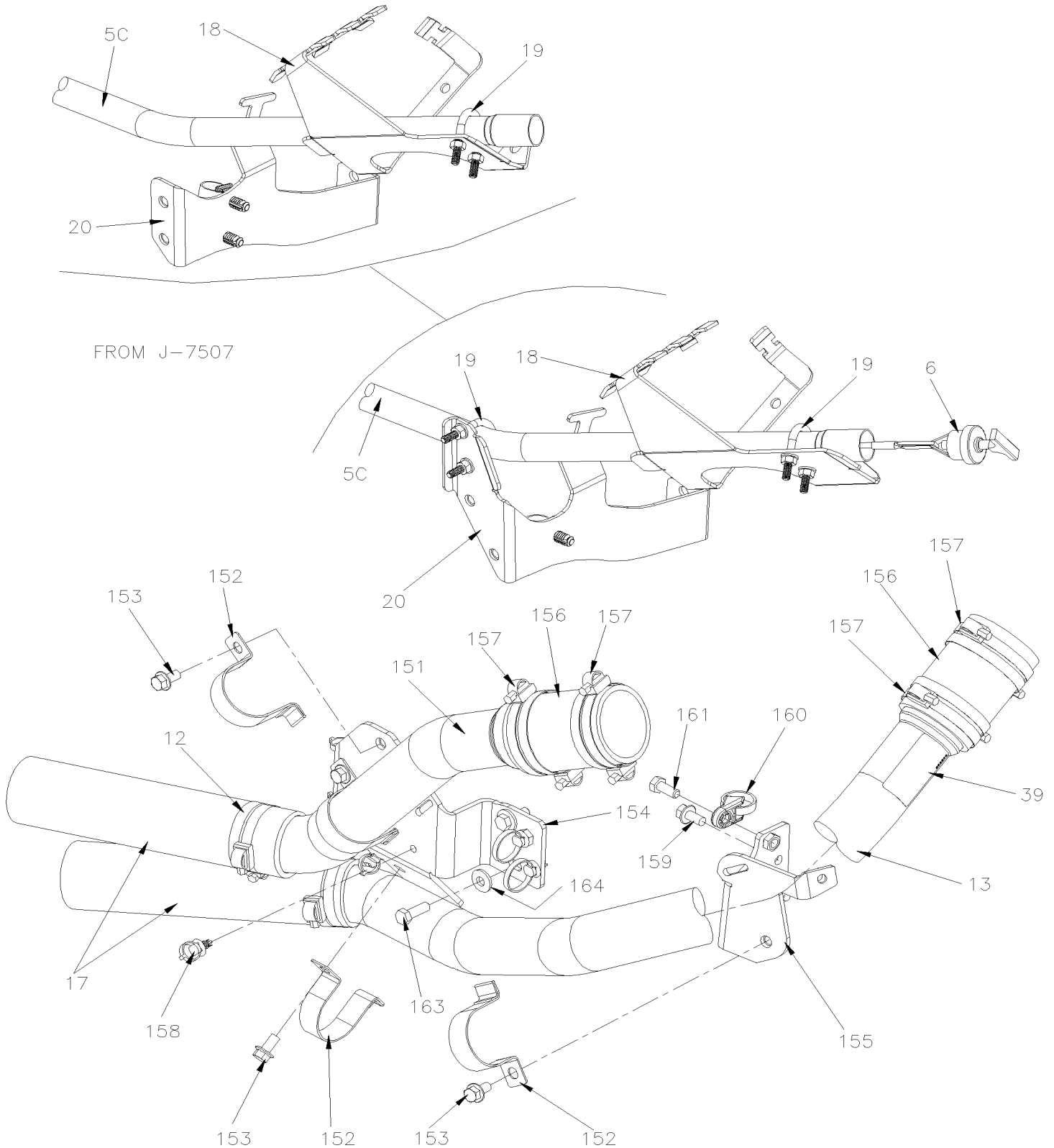
FROM ?-18003

From H-7417 To M-7767

Date:07/2024

PAGE:X3PLB-0750-01

AUTOMATIC TRANSMISSION - "WORLD" WITH VOLVO D13 - GHG17



From H-7417 To M-7767	Date:07/2024	PAGE:X3PLB-0750-01
-----------------------	--------------	--------------------

AUTOMATIC TRANSMISSION - "WORLD" WITH VOLVO D13 - GHG17

Item#	Part	Description	QTY	Notes
		THE NEXT FOLLOWING TRANSMISSION W/O RETARDER		
	572138	TRANSMISSION ASSY B500 / GEN V To N-8007	1	
	570107	TRANSMISSION ASSY B500 / GEN VI From P-8008	1	
	572174	TRANSMISSION ASSY B500 / GEN V / WITH SHORT DIPSTICK To N-8007	1	S
	570114	TRANSMISSION ASSY B500 / GEN VI / WITH SHORT DIPSTICK From P-8008	1	S
		THE NEXT FOLLOWING TRANSMISSION W/RETARDER		
	572139	TRANSMISSION ASSY B500R / GEN V To N-8007	1	
	570108	TRANSMISSION ASSY B500 / GEN VI From P-8008	1	
		TRANSMISSION ASSY SEE ABOVE		
NS	685371	GREASE / GREY BLACK MOBIL XHP 222 SPECIAL 400 g	AR	
NS	20788933	SPACER FLY WHEEL HOUSING 21MM	1	
NS	684016	OIL TRANSYND TRANSMISSION "WORLD" To P-8096	AR	
NS	685391	OIL TRANSYND TRANSMISSION "WORLD" From P-8097	AR	
2	504602	CLAMP / 1" I.D. X .375 HOLE	2	
3	571662	GROMMET RUBBER / TUBE & TRANS	1	
4	502513	SCREW TP CAP HEX 5/16x1 Z050	1	
5A	572158	TRANS DIPSTICK SHORT	1	S
5B	572159	TUBE DIPSTICK SHORT	1	S
NS	7770111	FILL TUBE KIT	1	S
5C	070053	PIPE, TRANSMISSION DIPSTICK 1729MM To L-7742	1	
5C	070028	PIPE, TRANSMISSION DIPSTICK 1729MM From L-7743	1	
5C	070001	PIPE, TRANSMISSION DIPSTICK 1729MM SS304	1	C
5D	071714	PIPE, TRANSMISSION DIPSTICK	1	
5E	503788	HOSE SILICONE 4 PLY / NOMEX-ARAMID 1" I.D. x 54"	AR	
5F	992084	HOSE CLAMP / 23MM/35MM	2	
6	070055	TRANS DIPSTICK 2328.5 MM	1	
6	071687	DECAL "TranSynd OIL ONLY" / ENGLISH & FRANCAIS	1	
6	071688	DECAL "TranSynd OIL ONLY" / ENGLISH & SPANISH	1	
7	071722	SUPPORT / TUBE DIPSTICK	1	
8	5001764	SCREW CAP HEXF 7/16-14x2 1/4 G8 N500	12	
9	5001792	WASHER FL HARD .468x.937x.187 Z050	12	
10	Refer To Volvo	FLEXPLATE	1	V
11	5001217	SCREW CAP HEX M8-1.25x20 G10.9	12	
12	992088	HOSE CLAMP / 50MM/70MM	AR	
13	071712	PIPE / THERMOSTAT HOUSING & OIL COOLER	1	
13	071735	PIPE / THERMOSTAT HOUSING & OIL COOLER SS304	1	C
14	012551	"U" CLAMP OFFSET 51MM I.D.	2	
15	5001780	SCREW CAP HEXF M8-1.25x16 G8.8 N500	2	

From H-7417 To M-7767	Date:07/2024	PAGE:X3PLB-0750-01
AUTOMATIC TRANSMISSION - "WORLD" WITH VOLVO D13 - GHG17		

Item#	Part	Description	QTY	Notes
16	500321	WASHER BEL SPR .331x.827x.098 N500	2	
17	071429	HOSE SILICONE 4PLY 2" I.D. x 254 MM	2	
17	503784	. HOSE SILICONE 4 PLY / NOMEX-ARAMID 2" I.D. x 12'	1	
18	071715	BRACKET, TRANSMISSION DIPSTICK	1	
18	X3PLB-0510-01	SURGE TANK VOLVO D13 - GHG17	1	
19	504809	U-BOLT 1" I.D. x 2 x 1/4-20 GLV To J-7506	2	
19	504809	U-BOLT 1" I.D. x 2 x 1/4-20 GLV From J-7507	1	
20	053038	BRACKET, HOSE & DIPSTICK To J-7506	1	
20	050111	BRACKET, HOSE 275.5x165.7x48.5 MM From J-7507	1	
20	X3PLB-0510-01	SURGE TANK VOLVO D13 - GHG17	1	
21	071517	PIPE 2" O.D. INLET x 2 3/4" O.D. OUTLET	1	
22	071268	HOSE SILICONE 4 PLY 2 3/4" I.D X 84MM	1	
22	503787	. HOSE SILICONE 4 PLY / NOMEX-ARAMID 2 3/4" I.D. x 6'	AR	
23	992090	HOSE CLAMP / 70MM/90MM	8	
24	570014	OIL COOLER "MODINE" / SINGLE / SS	1	
25	053696	ELBOW 90° X 2 3/4" I.D. / 110MM x 110MM C/C / SILICONE ARAMID	1	
26	070056	PIPE 2 3/4" I.D. INLET x 2" O.D. OUTLET	1	
26	071740	PIPE 2 3/4" I.D. INLET x 2" O.D. OUTLET SS304	1	C
27	071407	SUPPORT HOSE	1	A
28	071407	SUPPORT HOSE To M-7767	1	R
28	070022	SUPPORT HOSE From M-7768	1	R
29	501305	PLUG SQUARE HEAD / PIPE FITTING / 3/8NPT-M BR	1	
30	5001304	SCREW TC CAP HEXW SLT #12-24x5/8 ZP	1	
31	500877	WASHER FL .250x.562x.065 N500	4	
32	504750	CABLE TIE / 1/2" x 15" / CHRISTMAS TREE	1	
35	X3PLB-0620-01	REAR JUNCTION BOX ASSY GHG17	1	
39	069356	DECAL "DO NOT POWER WASH ALTERNATORS" ENGLISH To L-7718	1	
39	0610176	DECAL "DO NOT POWER WASH ALTERNATORS" ENGLISH From L-7719	1	
39	0610181	DECAL "DO NOT POWER WASH ALTERNATORS" ENGLISH / FRANCAIS From L-7719	1	
40	5001917	MALE ELBOW 90° / JIC 37° FITTING / #16JIC-Mx#16ORB-M STL VITON	1	
42	071566	HOSE ASSY / #16 725MM	1	
43	071567	HOSE ASSY / #16 1045MM	1	
NS	071511	PROTECTOR RUBBER CABLE HARNESS & HOSES	1	
NS	071702	PROTECTOR RUBBER CABLE HARNESS & HOSES WITH SHORT DIPSTICK	1	S
44	5001917	MALE ELBOW 90° / JIC 37° FITTING / #16JIC-Mx#16ORB-M STL VITON	2	
49	5011065	MALE ELBOW 90° / JIC 37° FITTING / #20JIC-Mx#20ORB-M STL VITON	1	
52	5011065	MALE ELBOW 90° / JIC 37° FITTING / #20JIC-Mx#20ORB-M STL VITON	4	
53	5001918	MALE ELBOW 90° LONG / JIC 37° FITTING / #20JIC-Mx#20ORB-Mx4.41 STL VIT To J-7515	1	
53	501074	MALE ELBOW 90° LONG / JIC 37° FITTING / #20JIC-M x#20ORB-Mx4.41 STL VITON From J-7516	1	
54	5001815	SCREW CAP HEXF M6-1.0x30 G 8.8 N500	1	
55	500913	WASHER FL .281x1.250x.065 N500	1	
56	071595	HOSE ASSY / #20 493MM	1	

From H-7417 To M-7767	Date:07/2024	PAGE:X3PLB-0750-01
AUTOMATIC TRANSMISSION - "WORLD" WITH VOLVO D13 - GHG17		

Item#	Part	Description	QTY	Notes
57	071672	SUPPORT ACCUMULATOR		
58	572030	ACCUMULATOR & SOLENOID / GEN IV To M-7822	1	
58	570058	ACCUMULATOR & SOLENOID / GEN IV From M-7823	1	
59	5001245	SCREW TC CAP HEXW SLT #12-24x1/2 Z050	4	R
60	504778	CLAMP / SS / SILICONE RUBBER / 1 1/8" I.D. x .281 HOLE	AR	
61	504004	CLAMP / SS / SILICONE RUBBER / 1 1/4" I.D. x .281 HOLE	AR	
62	504785	CLAMP / SS / SILICONE RUBBER / 1 1/2" I.D. x .281 HOLE To M-7767	AR	
62	070023	CLAMP DOUBLE / SPLIT BLOC / 37.2MMx37.2MM x 131MM POLYA From M-7768	2	
63	5001815	SCREW CAP HEXF M6-1.0x30 G 8.8 N500	4	
63A	504157	CLAMP DOUBLE ASS / SPLIT BLOC / 37.2MM/37.2MM x 106MM POLYA From M-7768	1	
63B	504163	CLAMP DOUBLE ASS / SPLIT BLOC / 32MM/32MM x 106MM POLYA From M-7768	1	
64	5001932	NUT HEXF NYRT M6-1.0 G8.8 N500	1	
65	504160	PLATE RETAINER 102MM SS From M-7768	5	
66A	5001185	SCREW CAP HEX M8-1.25x80 SS BK From M-7768	3	
66B	5001983	NUT HEX NYRT M8-1.25 SS SS BK From M-7768	2	
67	500321	WASHER BEL SPR .331x.827x.098 N500	1	
68	5001730	SCREW CAP HEXF M6-1.0x16 G10.9 N500	1	
69	504601	CLAMP / 5/16" I.D. x .375 HOLE To K-7347	1	
69	504072	CLAMP / 5/8" I.D. x .375 HOLE From K-7348	1	
70	X3PLB-0625-01	FRONT JUNCTION PANEL VOLVO D13 - GHG17		
71	562357	RESISTANCE MODULE	1	R
72	562381	RESISTANCE MODULE	1	R
74	071709	PRESSURES SWITCH ASSY W/MANIFOLD To K-7542	1	R
74	070017	PRESSURES SWITCH ASSY W/MANIFOLD From K-7543	1	R
75	070903	. MANIFOLD	1	R
76	641372	. MALE ELBOW 90° NON-SWIVEL / PUSH-IN FITTING / #6x1/4NPT-M BR	1	R
77A	501800	. PLUG HEXS / PIPE FITTING / 1/4NPT-M STL To K-7542	1	R
77B	501332	. STREET ELBOW 90° / PIPE FITTING / 1/4NPT-Mx1/4NPT-F BR From K-7543	1	R
77C	070013	. PRESSURE SWITCH ASSY From K-7543	1	R
. NS	950590	. . PRESSURE SWITCH N.O. 30-15 From K-7543	1	R
. NS	561690	. . CONNECTOR / WEATHER PACK / SH 2C / BLACK / PED 12015792 From K-7543	1	R
. NS	561578	. . SOCKET TERMINAL / 16-14 / PED 12010182 From K-7543	2	R
. NS	561840	. . CABLE SEAL / BLUE / PED 15324981 From K-7543	2	R
78	562358	. PRESSURE SWITCH N.O. 2PSI / 1/8NPT	1	R
79	562384	. PRESSURE SWITCH N.O. 4PSI / 1/8NPT	1	R
80	562385	. PRESSURE SWITCH N.O. 7PSI / 1/8NPT	1	R
NS	680098	. THREAD SEALANT LOCTITE #567 / WHITE / 250ml	AR	R
81	5001741	SCREW CAP HEXF M10-1.5x30 G8.8 N500	5	
82	5001930	NUT HEXF NYRT M10-1.5 N500 G10.9	6	
83	507664	CABLE TIE / 3/16" 11" / DOUBLE LOOP HEAD	AR	
84	500508	SCREW TC PAN PH #10-32x1 1/2 Z050	2	
85	070015	PRESSURES SWITCH ASSY From K-7543	1	A

From H-7417 To M-7767	Date:07/2024	PAGE:X3PLB-0750-01
AUTOMATIC TRANSMISSION - "WORLD" WITH VOLVO D13 - GHG17		

Item#	Part	Description	QTY	Notes
85	640643	. ANCHOR ELBOW / PIPE FITTING / 1/4NPT-Fx1/4NPT-F STL From K-7543	1	A
86	641372	. MALE ELBOW 90° NON-SWIVEL / PUSH-IN FITTING / #6x1/4NPT-M BR From K-7543	1	A
87	501332	. STREET ELBOW 90° / PIPE FITTING / 1/4NPT-Mx1/4NPT-F BR From K-7543	1	A
88	070013	. PRESSURE SWITCH ASSY From K-7543	1	A
. NS	950590	. . PRESSURE SWITCH N.O. 30-15 From K-7543	1	A
. NS	561690	. . CONNECTOR / WEATHER PACK / SH 2C / BLACK / PED 12015792 From K-7543	1	A
. NS	561578	. . SOCKET TERMINAL / 16-14 / PED 12010182 From K-7543	2	A
. NS	561840	. . CABLE SEAL / BLUE / PED 15324981 From K-7543	2	A
89	502526	SCREW TC BDG PH #12-24x3/4 Z050 From K-7543	2	A
90	071500	HOSE ASSY / #4 610MM To K-7347	1	
. A	071167	. FEMALE CONNECTOR / HOSE BARB @ METRIC / #4x M10-1.5-F BR To K-7347	1	
. B	5011303	. FEMALE ELBOW 90° SWIVEL / PUSH-LOK FITTING / #4FL-Fx#4 BR To K-7347	1	
. C	503706	. HOSE FC-332-4 #4 To K-7347	AR	
90	070075	HOSE ASSY / #6 640 MM From K-7348	1	
. A	501085	. FEMALE CONNECTOR / HOSE BARB @ METRIC / #6x M10-1.5-F BR From K-7348	1	
. B	501118	. FEMALE ELBOW 90° SWIVEL / PUSH-LOK FITTING / #4FL-Fx#6 BR From K-7348	1	
. C	503728	. HOSE FC-332-6 #6 From K-7348	1	
92	5001834	WASHER BEL SPR 10.5X23X2.5 N500	3	
93	571763	BREATHER	1	
95	071721	SUPPORT, TRANSMISSION WIRING	1	
95	070014	SUPPORT, TRANSMISSION WIRING	1	S
NS	504013	TIE MOUNT / 1/4" X 1/4" I.D.	AR	
NS	504379	RIVET POP DOME OE 3/16x1/4 SS	AR	
96A	500829	SCREW CAP HEX M10-1.5x40 G8.8	1	
96B	5001751	WASHER FL 10.5x26.0x2.0 N500	1	
96C	5001930	NUT HEXF NYRT M10-1.5 N500 G10.9	1	
97	071497	MALE CONNECTOR / SAE 45° @ METRIC / #4FL-Mx M10-1.5 M BR	1	
99	071713	SUPPORT OIL COOLER W/O RETARDER	1	
101	641376	MALE ELBOW 90° NON-SWIVEL / PUSH-IN FITTING / #8x3/8NPT-M BR	1	
102	641368	MALE ELBOW 45° NON-SWIVEL / PUSH-IN FITTING / #8x3/8NPT-M BR	1	
103	503488	TUBE, NYLON 1/2 O.D. / BLACK S.L./	AR	
104	071690	SUPPORT SOLENOID	1	
105	5001347	SCREW CAP HEX M8-1.25x70 SS	2	
106	500942	WASHER LO SPT 8.1x14.8x2.0 N500	2	
107	571708	VALVE SOLENOID 12V	1	
108	070059	HOSE ASSY TEFLON #6 364MM	1	
. NS	503065	. HOSE TEFLON #6 / S.L.	AR	
. NS	5011193	. SLEEVE / #5 STL	2	
. NS	5011194	. FEMALE CONNECTOR SWIVEL / JIC 37° FITTING / TEFLON / #6JIC-Fx#6 STL	1	
. NS	5011195	. FEMALE ELBOW 90° SHORT DROP/ JIC 37° FITTING/ #6JIC-Fx#6 STL	1	
110	5001565	SCREW CAP HEX 1/2-13x1 G5 N500	4	
111	500967	WASHER BEL SPR .512x1.142x.098 N500	4	

From H-7417 To M-7767	Date:07/2024	PAGE:X3PLB-0750-01
AUTOMATIC TRANSMISSION - "WORLD" WITH VOLVO D13 - GHG17		

Item#	Part	Description	QTY	Notes
112	560384	PLASTIC TUBING / 3/8" / CLEAR	AR	
113	5011112	FEMALE ELBOW 90° / JIC 37° FITTING / #6JIC-Mx3/8NPT-F STL	1	
114	5001741	SCREW CAP HEXF M10-1.5x30 G8.8 N500	2	
115	5001834	WASHER BEL SPR 10.5X23X2.5 N500	2	
119	5001919	MALE ELBOW 90° LONG / JIC 37° FITTING / #16JIC-M x#16ORB-Mx3.72 STL VITON	2	
120	5011065	MALE ELBOW 90° / JIC 37° FITTING / #20JIC-Mx#20ORB-M STL VITON	2	
121	5001920	MALE CONNECTOR / JIC 37° FITTING / #16JIC-Mx#16ORB-M STL VITON	2	
125	X3PLB-0405-11	7TH INJECTOR / "AHI" / EXHAUST VOLVO D13 - GHG17	1	
128	5001307	SCREW CAP HEXF M10-1.5x20 8.8 N500	4	
130	5001834	WASHER BEL SPR 10.5X23X2.5 N500	4	
131	5001834	WASHER BEL SPR 10.5X23X2.5 N500	2	
132	5001741	SCREW CAP HEXF M10-1.5x30 G8.8 N500	2	
134	071695	PIPE OIL COOLER 2" O.D.	1	
134	071737	PIPE OIL COOLER 2" O.D.SS304	1	C
135	071494	HOSE SILICONE 4PLY 2" I.D. 60MM	1	
135	503784	. HOSE SILICONE 4 PLY / NOMEX-ARAMID 2" I.D. x 12'	AR	
136	572043	COOLER, OIL, DOUBLE CIRCUIT	1	
137	071694	PIPE OIL COOLER 2" O.D.	1	
137	071739	PIPE OIL COOLER 2" O.D.SS304	1	C
138	070070	KIT,ELBOW SUPPORT COOLING SYSTEM From H-7417	1	
. A	070069	. SUPPORT PIPE, TRANSMISSION OIL COOLER From H-7417	1	
. B	504050	. U-BOLT 2" I.D. x 3 1/4 x 1/4-20 GLV From H-7417	1	
. C	500877	. WASHER FL .250x.562x.065 N500 From H-7417	2	
. D	502780	. SCREW CAP HEX M8-1.25x25 SS BK From H-7417	2	
. E	5001699	. WASHER BEL SPR 8.2x22x1.4 N500 From H-7417	2	
139	070040	SUPPORT OIL COOLER W/RETARDER	1	
140	5001930	NUT HEXF NYRT M10-1.5 N500 G10.9	2	
141	071591	PIPE OIL COOLER 2" O.D.	1	
141	071738	PIPE OIL COOLER 2" O.D.	1	C
142	071533	ELBOW 90° X 2" I.D. / 114.3MM x 101.2MM C/C / SILICONE	1	
143	071493	HOSE SILICONE 4PLY 2" I.D. 110MM	1	
143	503784	. HOSE SILICONE 4 PLY / NOMEX-ARAMID 2" I.D. x 12'	AR	
144	070049	HOSE ASSY / #16 466MM	1	
145	070048	HOSE ASSY / #16 766MM	1	
146	070050	HOSE ASSY / #20 1083MM To M-7767	1	
146	070021	HOSE ASSY / #20 1148MM From M-7768	1	
147	070051	HOSE ASSY / #20 649MM	1	
NS	071510	PROTECTOR RUBBER CABLE HARNESS & HOSES To M-7767	1	
NS	070030	PROTECTOR RUBBER CABLE HARNESS & HOSES From M-7768	1	
148	071589	PROTECTOR OIL COOLER \	1	
149	500411	WASHER FL .260x.697x.050 SS	3	
150	502848	SCREW TC CAP HEXF 1/4-20x3/4 N500	3	

From H-7417 To M-7767	Date:07/2024	PAGE:X3PLB-0750-01
AUTOMATIC TRANSMISSION - "WORLD" WITH VOLVO D13 - GHG17		

Item#	Part	Description	QTY	Notes
151	071697	PIPE / OIL COOLER TO HOSE REDUCER	1	
151	071736	PIPE / OIL COOLER TO HOSE REDUCER SS304	1	C
152	012551	"U" CLAMP OFFSET 51MM I.D.	4	
153	5001780	SCREW CAP HEXF M8-1.25x16 G8.8 N500	AR	
154	010070	SUPPORT OIL COOLER PIPE	1	
155	071708	SUPPORT OIL COOLER PIPE	1	
156	070039	HOSE SILICONE 4PLY / NOMEX-ARAMID 2 3/8" x 100MM	2	
. NS	503785	. HOSE SILICONE 4PLY / NOMEX-ARAMID 2 3/8" I.D. x 6'	AR	
157	992089	HOSE CLAMP / 60MM/80MM	AR	
158	509815	TIE MOUNT / ATTACHMENT W/TREE MOUNT	2	
158	504637	CABLE TIE / 3/16" x 13"	2	
159	5001780	SCREW CAP HEXF M8-1.25x16 G8.8 N500	2	
160	509894	TIE MOUNT HOLE 7.8MM	1	
160	504016	CABLE TIE / 5/16" X 14"1/2 To L-7663	1	
160	5040100	CABLE TIE /OUTSIDE SERRATED 5/16" X 14"1/2 From L-7664	1	
161	502862	SCREW CAP HEX M8-1.25x20 G8.8 N500	1	
163	5001745	SCREW CAP HEX M8-1.25x25 G8.8 N500	3	
164	500321	WASHER BEL SPR .331x.827x.098 N500	3	
171	501305	PLUG SQUARE HEAD / PIPE FITTING / 3/8NPT-M BR	1	
172	1675641	NIPPLE / QUICK DISCONNECT "VOLVO" / 1/2NPT-M	1	
. NS	V476279	. DUST CAP / QUICK DISCONNECT "VOLVO" /	1	
. NS	507666	. DUST CAP / QUICK DISCONNECT "VOLVO" /	1	
173	507666	DUST CAP / QUICK DISCONNECT "VOLVO" /	1	
NS	507664	CABLE TIE / 3/16" 11" / DOUBLE LOOP HEAD	2	
181	071097	PROTECTOR SUPPORT SS 102MM X 90MM	1	
182	079022	PROTECTOR SUPPORT SS "V" SHAPE 74MM HIGH	1	
183	071581	SUPPORT CABLE HARNESS	1	
184	060081	CABLE HARNESS / SENSOR WTEC W/RETARDER To J-7479	1	
184	069777	CABLE HARNESS / SENSOR WTEC W/RETARDER From J-7480 To N-8007	1	
184	0610586	CABLE HARNESS / SENSOR WTEC W/RETARDER From P-8008	1	
184	060082	CABLE HARNESS / SENSOR WTEC W/OUT RETARDER To J-7479	1	
184	069778	CABLE HARNESS / SENSOR WTEC W/OUT RETARDER From J-7480 To N-8007	1	
184	0610588	CABLE HARNESS / SENSOR WTEC W/OUT RETARDER From P-8008	1	
185	065398	SUPPORT RETARDER TEMPERATURE SENSOR		
186	5001730	SCREW CAP HEXF M6-1.0x16 G10.9 N500	1	
187	5001833	WASHER BEL SPR 6.1x18x1.27 SS	1	
188	504637	CABLE TIE / 3/16" x 13"	AR	
NS	680343	GREASE CLEAR SPRAY BOTTLE 283GR	AR	
NS	680098	THREAD SEALANT LOCTITE #567 / WHITE / 250ml	AR	
NS	680038	THREAD LOCKER LOCTITE #243 / BLUE / 50ml	AR	
NS	685371	GREASE / GREY BLACK MOBIL XHP 222 SPECIAL 400 g	AR	
200	572050	TRANSMISSION FILTER / MAINTENANCE KIT	1	

From H-7417 To M-7767	Date:07/2024	PAGE:X3PLB-0750-01
AUTOMATIC TRANSMISSION - "WORLD" WITH VOLVO D13 - GHG17		

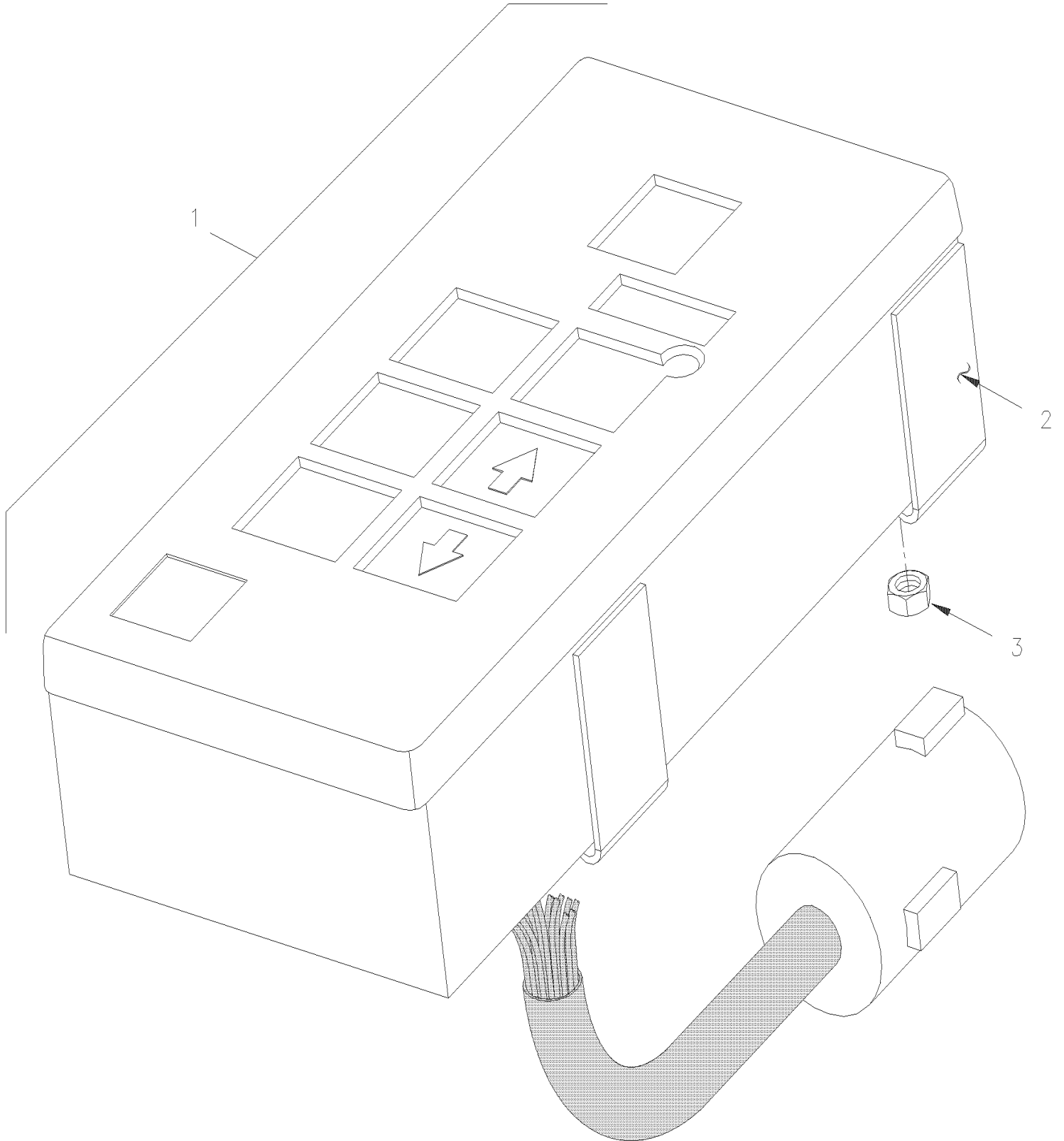
Item#	Part	Description	QTY	Notes
. NS	571692	. O-RING / (LARGE SQUARE CUT)	2	
. NS	571693	. O-RING / (SMALL)	2	
. NS	571694	. O-RING / DRAIN PLUG	2	
. NS	571695	. DRAIN PLUG ASSY W/O-RING	1	
201	N.S.S.	. FILTER	1	1
202	571692	. O-RING / (LARGE SQUARE CUT)	2	
203	571693	. O-RING / (SMALL)	2	
204	571694	. O-RING / DRAIN PLUG	2	
205	571695	. DRAIN PLUG ASSY W/O-RING	1	
NS	684016	OIL TRANSYND TRANSMISSION "WORLD" To P-8096	AR	
NS	685391	OIL TRANSYND TRANSMISSION "WORLD" From P-8097	AR	
206	N.S.P.	COVER FILTER / (29507434)	2	2
207	N.S.P.	BOLT M10-1.5 x 55M / (2954186)	AR	2
208	N.S.P.	YOKE (1810) HALF ROUND (29511516/6.5-4-4521-1)	1	2
208	N.S.P.	STRAP LOCK PLATE	1	2
208	N.S.P.	BOLT M10-1.5 X 30MM GR 10.9	2	2
208	N.S.P.	SEAL OUTPUT / (29515621)	1	2
		A) WITHOUT RETARDER		
		C) SPECIAL OPTION SS304		
		R) WITH RETARDER		
		S) USE WITH SHORT DIPSTICK		
		1) NOT SOLD SEPARATELY		
		2) NOT SOLD BY PREVOST (SEE MANUFACTURING PART NUMBER AT END OF DESCRIPTION LINE)		
		V) SEE IMPACT OR CALL ORDER DESK		

From G-7275 To M-7767

Date:07/2024

PAGE:X3PLB-0755-15

SHIFTER ELECTRONIC - "WORLD" TRANSMISSION



From G-7275 To M-7767	Date:07/2024	PAGE:X3PLB-0755-15
SHIFTER ELECTRONIC - "WORLD" TRANSMISSION		

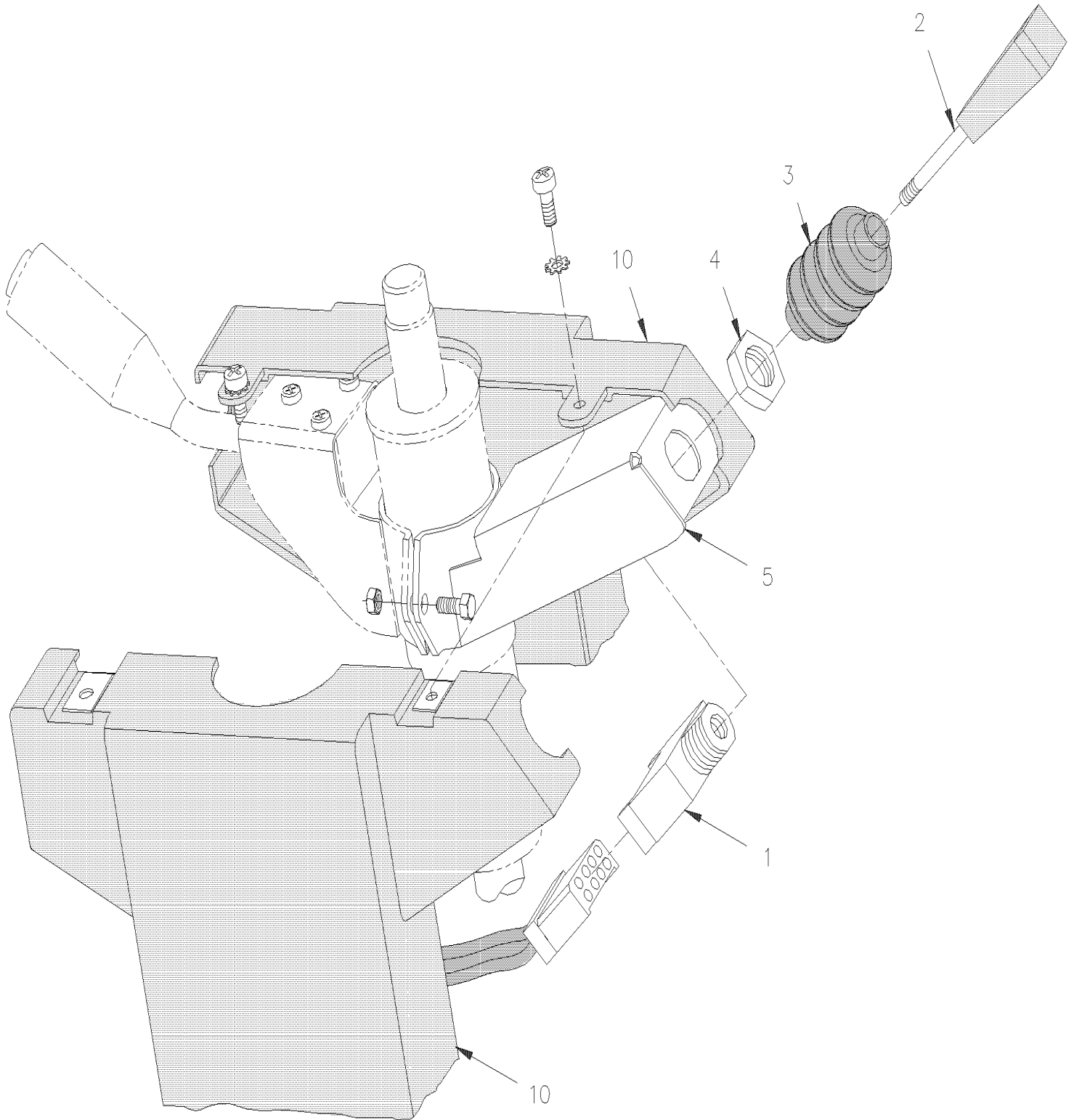
Item#	Part	Description	QTY	Notes
1	572155	SHIFTER, SELECTOR "WORLD" / GEN V To K-7542	1	
1	570052	SHIFTER, SELECTOR "WORLD" / GEN V From K-7543 To N-8007	1	
1	570134	SHIFTER, SELECTOR "WORLD" / GEN VI From P-8008	1	
2	N.S.S.	. BRACKET	2	1
3	500423	. NUT HEX NYRT #10-32 SS	4	
		1) NOT SOLD SEPARATELY		

From G-7275 To M-7767

Date:07/2024

PAGE:X3PLB-0760-00

RETARDER SELECTOR SWITCH - "WORLD"



From G-7275 To M-7767	Date:07/2024	PAGE:X3PLB-0760-00
-----------------------	--------------	--------------------

RETARDER SELECTOR SWITCH - "WORLD"

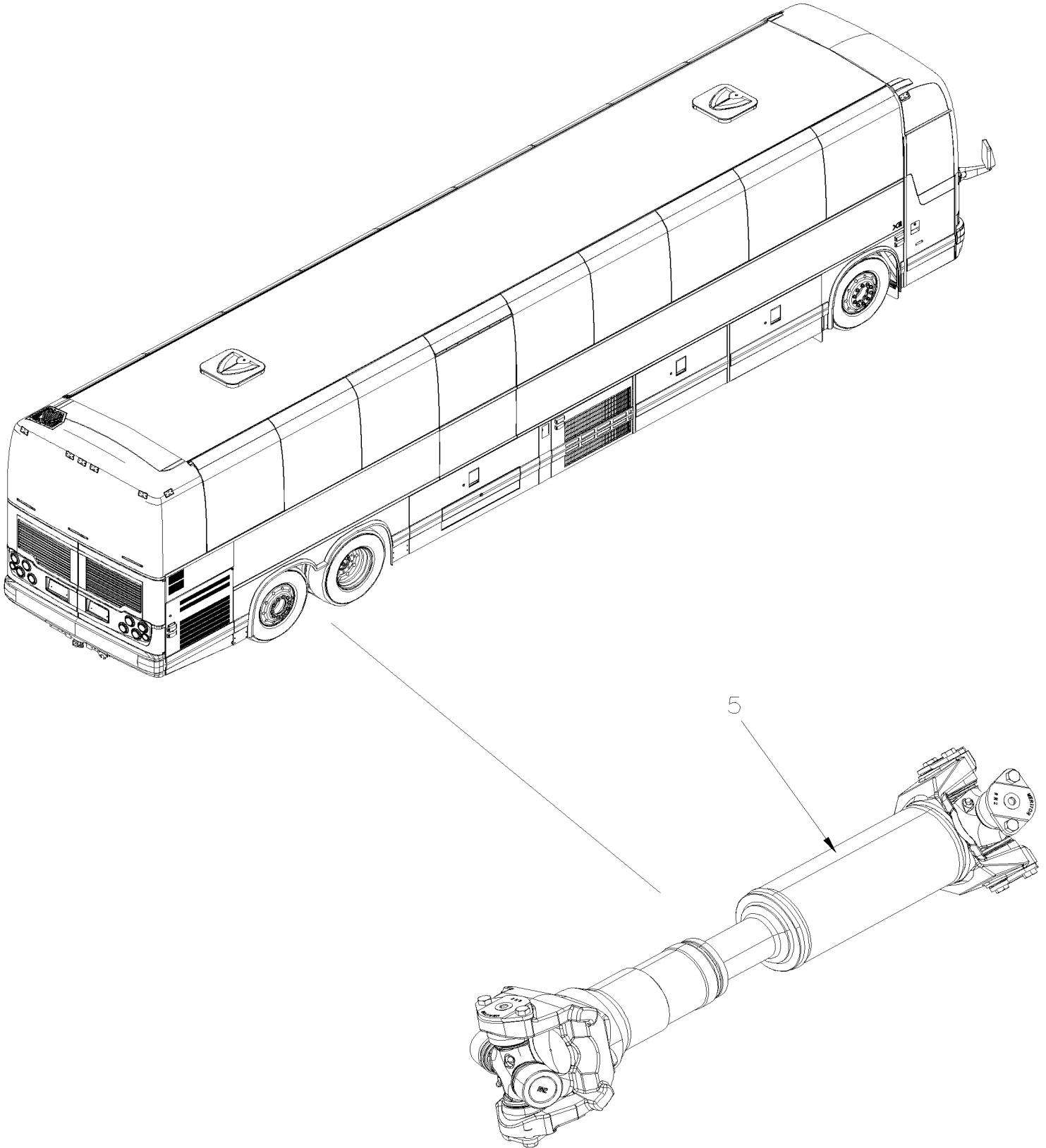
Item#	Part	Description	QTY	Notes
1	562356	SWITCH ASSY / W/LEVER & BOOT / 6 POSITIONS	1	
2	N.S.S.	. LEVER	1	1
3	N.S.S.	. BOOT	1	1
4	N.S.S.	. NUT JAM	1	1
5	N.P.N.	SUPPORT CONTROL SWITCH	1	4
10	X3PLB-1407-00	STEERING COLUMN & COVER - INSTALLATION		
		1) NOT SOLD SEPARATELY		
		4) NO PARTS NUMBER		

From G-7275 To M-7767

Date:07/2024

X3PLB-09

PROPELLER SHAFT



From G-7275 To M-7767		Date:07/2024	X3PLB-09
-----------------------	--	--------------	----------

PROPELLER SHAFT

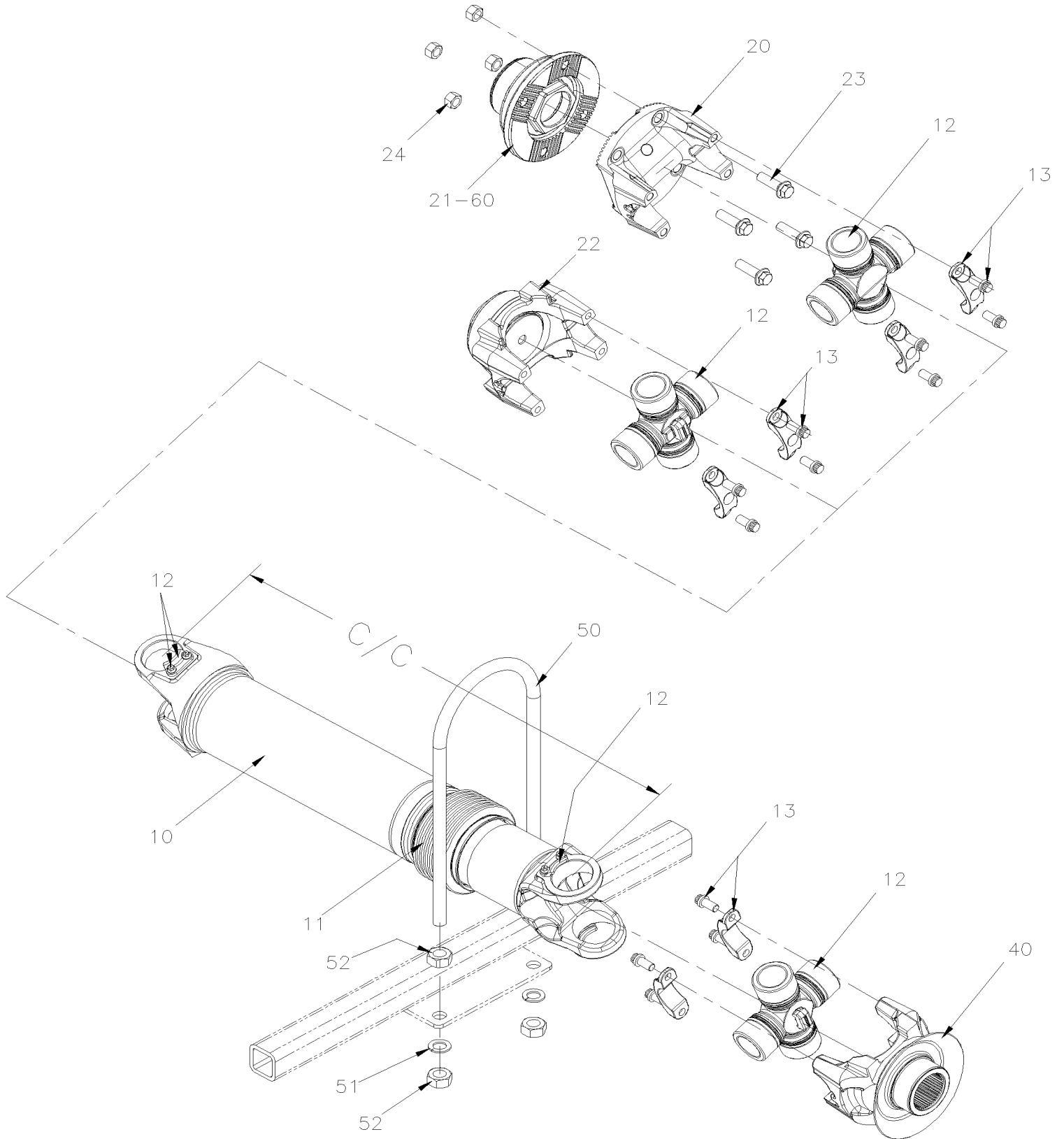
Item#	Part	Description	QTY	Notes
5	X3PLB-0905-00	PROPELLER SHAFT WITH MERITOR DRIVE AXLE From G-7275 To M-7767		
5	X3PLB-0905-10	PROPELLER SHAFT WITH ZF DRIVE AXLE From G-7275 To M-7767		

From G-7275 To M-7767

Date:07/2024

PAGE:X3PLB-0905-00

PROPELLER SHAFT WITH MERITOR DRIVE AXLE



From G-7275 To M-7767	Date:07/2024	PAGE:X3PLB-0905-00
-----------------------	--------------	--------------------

PROPELLER SHAFT WITH MERITOR DRIVE AXLE

Item#	Part	Description	QTY	Notes
		PROPELLER SHAFT SERIES SPL250		
10	580086	SHAFT ASSY 373MM C/C / SPL250-373MM I-SHIFT	1	
10	580090	DRIVE SHAFT ASSY 451MM C/C WORLD TRANS	1	
11	3947801	. KIT BOOT & CLIPS SPL250X	1	
12	19511258	. KIT, CROSS & BEARING SPL250-3X	2	
. NS	3095735	. . GREASE FITTING	1	
13	3947800	. KIT STRAP & BOLT SPL250-70-18X To L-7750	2	
13	85133971	. KIT STRAP & BOLT From M-7751	2	
		NEXT FOLLOWING YOKE ARE PART OF TRANSMISSION		
20	580089	FLANGE YOKE "I"-SHIFT SPL250	1	
20	20828302	FLANGE YOKE "I"-SHIFT OR "ZF DRIVE AXLE" SPL250	1	
21	20773853	COMPANION FLANGE "I" -SHIFT TRANS	1	
22	N.P.N.	YOKE SERIES 250 HALF ROUND / W/"WORLD" TRANS	1	4
23	5001715	SCREW CAP HEXF M14-2.0x47 G10.9 MAGNI 565	4	
24	5001716	NUT HEX M14-2.0 MAG565 G10.9	4	
		NEXT FOLLOWING YOKE ARE PART OF DIFERENTIAL		
40	621833	YOKE SERIES 250 HALF ROUND	1	
. NS	621501	. DEFLECTOR, OIL	1	
. NS	621492	. SPEEDY SLEEVE 3.250" I.D. / TO REPAIR OIL LEAK ON YOKE	1	
50	121909	PROTECTOR GUARD PROPELLER SHAFT 433.5MM x 169MM	1	
51	500488	WASHER LO SPT .760x1.271x.188 Z050	2	
52	500733	NUT HEX 3/4-16 Z050	4	
NS	682175	UNDERCOATING BLACK PROTECTOR (GRAVELGUARD) 567gr To N-7995	AR	
NS	685413	RUBBERIZED UNDERCOAT (GRAVELGUARD) 560gr From N-7996	AR	
60	SEE IMPACT	SEE IMPACT OR CALL ORDER DESK		
		4) NO PARTS NUMBER		

From G-7275 To M-7767	Date:07/2024	PAGE:X3PLB-0905-10
PROPELLER SHAFT WITH ZF DRIVE AXLE		

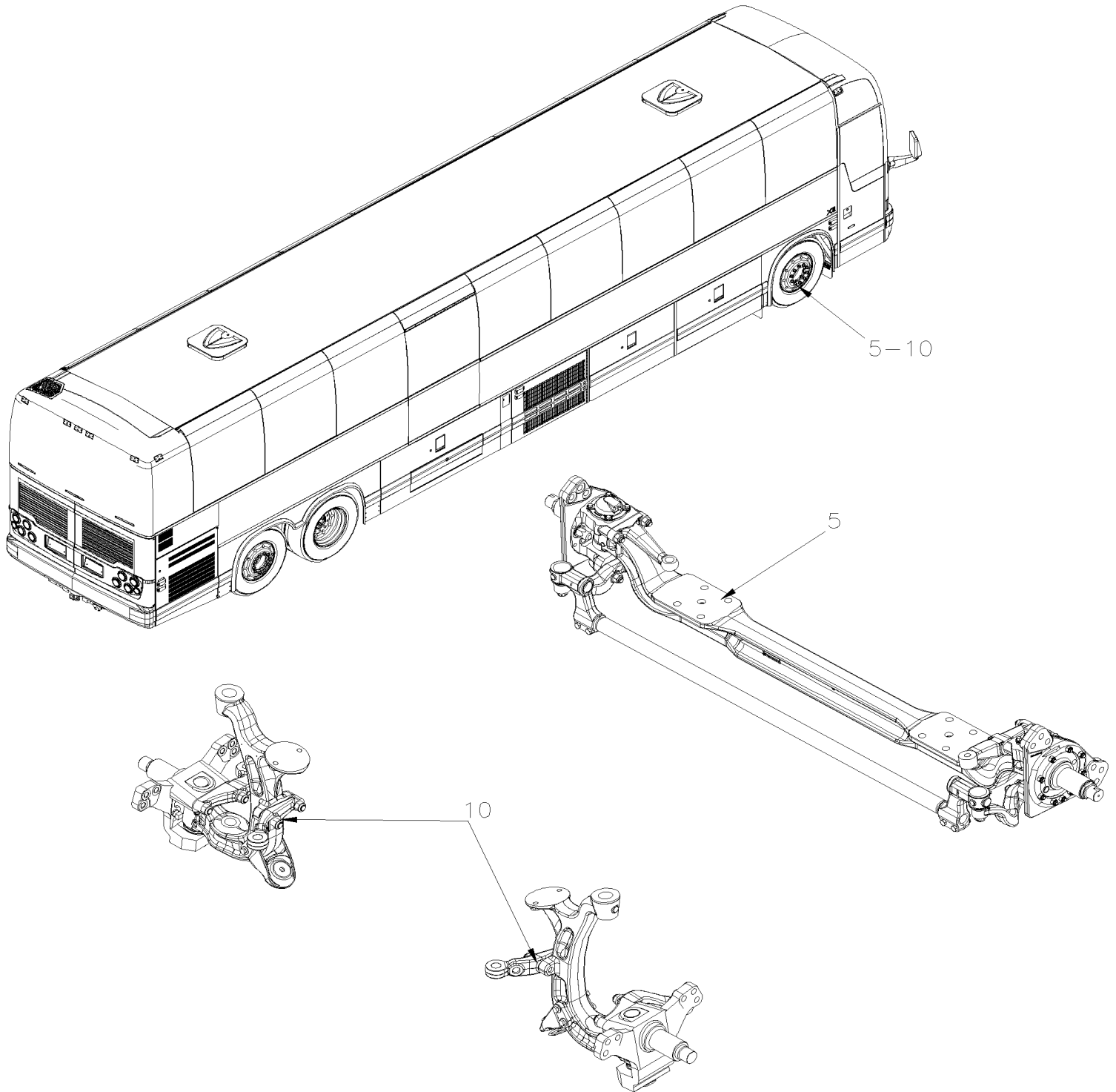
Item#	Part	Description	QTY	Notes
		DRIVE SHAFT SERIES SPL250		
10	580091	DRIVE SHAFT ASSY 430MM C/C	1	
11	3947801	. KIT BOOT & CLIPS SPL250X	1	
12	3947698	. KIT, CROSS & BEARING SPL250X	2	
13	3947800	. KIT STRAP & BOLT SPL250-70-18X To L-7750	2	
13	85133971	. KIT STRAP & BOLT From M-7751	2	
		NEXT FOLLOWING YOKE ARE PART OF TRANSMISSION		
22	570016	YOKE / W/"ALLISON" TRANSMISSION	1	A
22	29542517	PLATE	1	
		NEXT FOLLOWING YOKE ARE PART OF DIFERENTIAL		
30	20828302	FLANGE YOKE "I"-SHIFT OR "ZF DRIVE AXLE" SPL250	1	
31	5001476	SCREW CAP HEX M14-2.0x45 G8.8 G500	4	
32	5001716	NUT HEX M14-2.0 MAG565 G10.9	4	
40	621948	INPUT FLANGE	1	
50	121909	PROTECTOR GUARD PROPELLER SHAFT 433.5MM x 169MM	1	
51	500488	WASHER LO SPT .760x1.271x.188 Z050	2	
52	500733	NUT HEX 3/4-16 Z050	4	
NS	680064	OIL ANTICOROSIVE GREY (TECTYL) (20 LITERS)	AR	
NS	682175	UNDERCOATING BLACK PROTECTOR (GRAVELGUARD) 567gr To N-7995	AR	
NS	685413	RUBBERIZED UNDERCOAT (GRAVELGUARD) 560gr From N-7996	AR	
		A) NOT SOLD BY PREVOST		

From G-7275 To M-7767

Date:07/2024

X3PLB-10

FRONT AXLE



From G-7275 To M-7767	Date:07/2024	X3PLB-10
-----------------------	--------------	----------

FRONT AXLE

Item#	Part	Description	QTY	Notes
5	X3PLB-1005-00	FRONT AXLE - I BEAM RIGID MODEL "S84U" From G-7275 To K-7582		
5	X3PLB-1005-01	FRONT AXLE - I BEAM RIGID MODEL "S84U" From K-7583 To M-7767		
10	X3PLB-1005-50	FRONT AXLE - INDEPENDENT MODEL "NDIFS80P" / 19000LBS From G-7275 To M-7767		

From G-7275 To K-7582	Date:07/2024	PAGE:X3PLB-1005-00
FRONT AXLE - I BEAM RIGID MODEL "S84U"		

Item#	Part	Description	QTY	Notes
	612386	AXLE ASSY W/ABS / MODEL "S84U" / W/ BRAKE INDICATOR W/TYPE 24 BOOSTER To H-7401	1	
	610019	AXLE ASSY W/ABS / MODEL "S84U" / W/ BRAKE INDICATOR W/TYPE 24 BOOSTER From H-7402	1	
1	611454	. AXLE BEAM	1	
2	501491	. GREASE FITTING / 1/8 NPTx3/4"	2	
2A	504615	. PROTECTOR CAP / BLACK / .313 I.D. x .500	2	
3	611008	. CAP COVER	2	
4	500067	. SCREW CAP HEX 7/16-20x1 G5 Z050	4	
4	680404	. . CAP PLUG	1	
4	500447	. WASHER FL .562x1.375x.109 ZP	4	
6	611153	. NUT HEX STO 1 3/8"-12	2	
7	611010	. WASHER 38.23x69.85x7	2	
8	611011	. CONE BEARING	2	
9	611012	. CUP BEARING	2	
10	611017	. WASHER SHIM / .015"	AR	
10	611016	. WASHER SHIM / .010"	AR	
10	611015	. WASHER SHIM / .008"	AR	
10	611014	. WASHER SHIM / .006"	AR	
10	611013	. WASHER SHIM / .005"	AR	
11	611145	. OIL SEAL	2	
12	611154	. SLEEVE	2	
13	611290	. KNUCKLE R.H. CURBSIDE	1	
13	611289	. KNUCKLE L.H. STREET SIDE	1	
14	611031	. STEERING ARM UPPER L.H. STREET SIDE	1	
14	161033	. STEERING ARM UPPER R.H. CURBSIDE	1	
15	611042	. WASHER SHIM / 1/32" TH To J-7530	AR	
15	5002077	. WASHER SHIM / 1/32" TH From J-7531	AR	
15	611041	. WASHER SHIM / 1/16" TH To J-7530	AR	
15	5002076	. WASHER SHIM / 1/16" TH From J-7531	AR	
15	611040	. WASHER SHIM / 1/8" TH To J-7530	AR	
15	5002075	. WASHER SHIM / 1/8" TH From J-7531	AR	
16	611170	. SWIVEL STOP SCREW 43MM	2	
16	611355	. SWIVEL STOP SCREW 54MM	1	
18	5007001	. NUT HEX STO 1/2-20 Z050 G "C"	16	
19	611294	. V-SEAL	2	
20	611144	. BUSHING LOWER KING PIN	2	
21	611148	. KING PIN	2	
22	611155	. CAP LOWER / KING PIN	2	
22	612364	. SCREW 3/8-24	4	
22	612363	. WASHER	4	
22A	611156	. O-RING	1	
23	611258	. SWIVEL PIN LOCK	2	
23A	610029	. NUT 7/16 UNF	1	

From G-7275 To K-7582	Date:07/2024	PAGE:X3PLB-1005-00
FRONT AXLE - I BEAM RIGID MODEL "S84U"		

Item#	Part	Description	QTY	Notes
23B	5001200	. WASHER FL .453x.875x.090	1	
25	611032	. STEERING ARM LOWER L.H. STREET SIDE	1	
NS	611033	. STEERING ARM LOWER R.H. CURBSIDE	1	
26	611330	. STUD 3/4-16 X 3 7/8"	2	
26	611166	. STUD 3/4-16 X 3 1/4"	2	
26	611479	. STUD / STREET SIDE / 3/4-16 X 3"	2	
26	611331	. STUD / CURBSIDE / 3/4-16 X 4 1/4"	2	
28	611480	. NUT HEX SLO 3/4-16	8	
30	610004	. GREASE FITTING 45° / 1/8BSP-M	2	
NS	504615	. PROTECTOR CAP / BLACK / .313 I.D. x .500	2	
31	611292	. ROD	1	
32	611024	. TIE ROD ASSY / 5" OFFSET / R.H. THREAD M48-2 CURB SIDE	1	
33	611025	. TIE ROD ASSY / 5" OFFSET / L.H. THREAD M48-2 STREET SIDE	1	
34	N.S.S.	. . HOUSING / OFFSET L.H. THREAD	1	1
34	N.S.S.	. . HOUSING / OFFSET R.H. THREAD	1	1
35	N.S.P.	. . RUBBING PAD / (7157/156)	1	2
36	N.S.P.	. . THRUST CUP / (7157/153)	1	2
37	N.S.P.	. . COMPRESSION SPRING / (5443/4)	1	2
38	N.S.P.	. . ADJUSTER PIECE / (5443/154)	1	2
39	680404	. . CAP PLUG	1	
40	N.S.P.	. . PLUG / (5247/155)	1	2
40	N.S.P.	. . SNAP RING / (ML7544/55N)	1	2
41	N.S.P.	. . BALL STUD / (F4223/11)	1	2
42	501495	. . GREASE FITTING 90° / 1/8 NPT	2	
43	611056	. . DIRT SEAL PRESSING	1	
44	611057	. . RUBBER SEAL BOOT	1	
45	500420	. . WASHER FL .938x1.750x.134 ZP	1	
46	5001196	. . NUT HEX SLT 3/4-16	1	
47	502111	. . PIN, COTTER 1/8 x 1 1/2 SS	1	
48	5001861	. . SCREW CAP HEX M12-1.75x60 G10.9 N500	2	
49	500811	. . NUT HEX STO M12-1.75 G500	2	
50	502115	. . PIN, COTTER 3/16 x 2 1/2	1	
51	641096	. CLIP, SPRING / TO FIX SENSOR	2	
52	642084	. SENSOR ABS 90° ANGLE - OEM	2	
53	X3PLB-1300-00	HUB & ROTOR - FRONT AXLE - I BEAM MODEL "S84U"		
55	X3PLB-1410-00	STEERING GEAR BOX & DRAG LINK - INSTALLATION		
100	611966	KIT REPAIR / STEERING KNUCKLE BUSHING (PARALLEL) / (REQUIRES 2 KITS)	AR	B
101	611101	KIT REPAIR / TIE ROD END	2	A
102	IS18091	TIE ROD 610052 FIRST INSTALLATION INSTRUCTIONS	1	
. NS	610052	. TIE ROD ASSY	1	
. NS	610051	. NUT HEX SLO / SINGLE USE M24-1.5	2	

From G-7275 To K-7582	Date:07/2024	PAGE:X3PLB-1005-00
FRONT AXLE - I BEAM RIGID MODEL "S84U"		

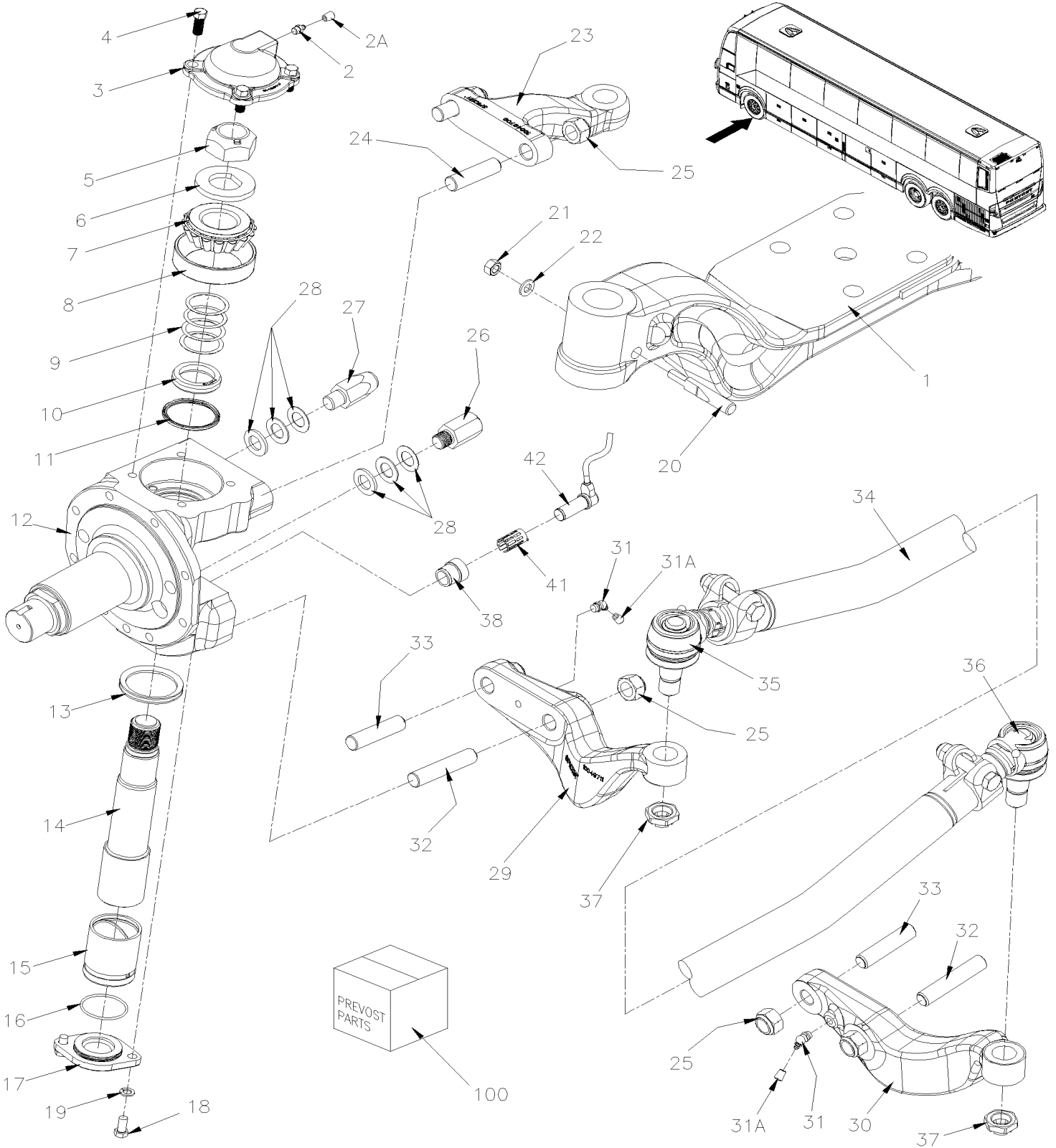
Item#	Part	Description	QTY	Notes
. NS	IS-18091	. SEE INSTRUCTION SHEET	1	
. NS	FI-18091	. VOIR FEUILLE D'INSTRUCTION	1	
		A) INCLUDING ITEMS #35 TO 50		
		B) INCLUDING ITEMS #4 TO 12, 19 TO 21 & 23		
		1) NOT SOLD SEPARATELY		
		2) NOT SOLD BY PREVOST (SEE MANUFACTURING PART NUMBER AT END OF DESCRIPTION LINE)		

From K-7583 To M-7767

Date:07/2024

PAGE:X3PLB-1005-01

FRONT AXLE - I BEAM RIGID MODEL "S84U"



From K-7583 To M-7767	Date:07/2024	PAGE:X3PLB-1005-01
FRONT AXLE - I BEAM RIGID MODEL "S84U"		

Item#	Part	Description	QTY	Notes
	610042	AXLE ASSY W/ABS / MODEL "S84U" / W/ BRAKE INDICATOR W/TYPE 24 BOOSTER To M-7831	1	
	610065	AXLE ASSY W/ABS / MODEL "S84U" / W/ BRAKE INDICATOR W/TYPE 24 BOOSTER From M-7832	1	
1	611454	. AXLE BEAM	1	
2	501491	. GREASE FITTING / 1/8 NPTx3/4"	2	
2A	504615	. PROTECTOR CAP / BLACK / .313 I.D. x .500	2	
3	611008	. CAP COVER	2	
4	500067	. SCREW CAP HEX 7/16-20x1 G5 Z050	4	
4	680404	. . CAP PLUG	1	
5	611153	. NUT HEX STO 1 3/8"-12	2	
6	611010	. WASHER 38.23x69.85x7	2	
7	611011	. CONE BEARING	2	
8	611012	. CUP BEARING	2	
9	611017	. WASHER SHIM / .015"	AR	
9	611016	. WASHER SHIM / .010"	AR	
9	611015	. WASHER SHIM / .008"	AR	
9	611014	. WASHER SHIM / .006"	AR	
9	611013	. WASHER SHIM / .005"	AR	
10	611154	. SLEEVE	2	
11	611145	. OIL SEAL	2	
12	611289	. KNUCKLE L.H. STREET SIDE	1	
12	611290	. KNUCKLE R.H. CURBSIDE	1	
13	611294	. V-SEAL	2	
14	611148	. KING PIN	2	
15	611144	. BUSHING LOWER KING PIN	2	
16	611156	. O-RING	1	
17	611155	. CAP LOWER / KING PIN	2	
18	612364	. SCREW 3/8-24	4	
19	612363	. WASHER	4	
20	611258	. SWIVEL PIN LOCK	2	
21	610029	. NUT 7/16 UNF	2	
22	5001200	. WASHER FL .453x.875x.090	2	
23	610047	. STEERING ARM UPPER L.H. STREET SIDE	1	
23	161033	. STEERING ARM UPPER R.H. CURBSIDE	1	
24	611479	. STUD / STREET SIDE / 3/4-16 X 3"	2	
24	611331	. STUD / CURBSIDE / 3/4-16 X 4 1/4"	2	
25	611480	. NUT HEX SLO 3/4-16	8	
26	611170	. SWIVEL STOP SCREW 43MM	2	
27	611355	. SWIVEL STOP SCREW 54MM	1	
28	5002077	. WASHER SHIM / 1/32" TH	AR	
28	5002076	. WASHER SHIM / 1/16" TH	AR	
28	5002075	. WASHER SHIM / 1/8" TH	AR	
29	610049	. STEERING ARM LOWER L.H. STREET SIDE	1	

From K-7583 To M-7767	Date:07/2024	PAGE:X3PLB-1005-01
FRONT AXLE - I BEAM RIGID MODEL "S84U"		

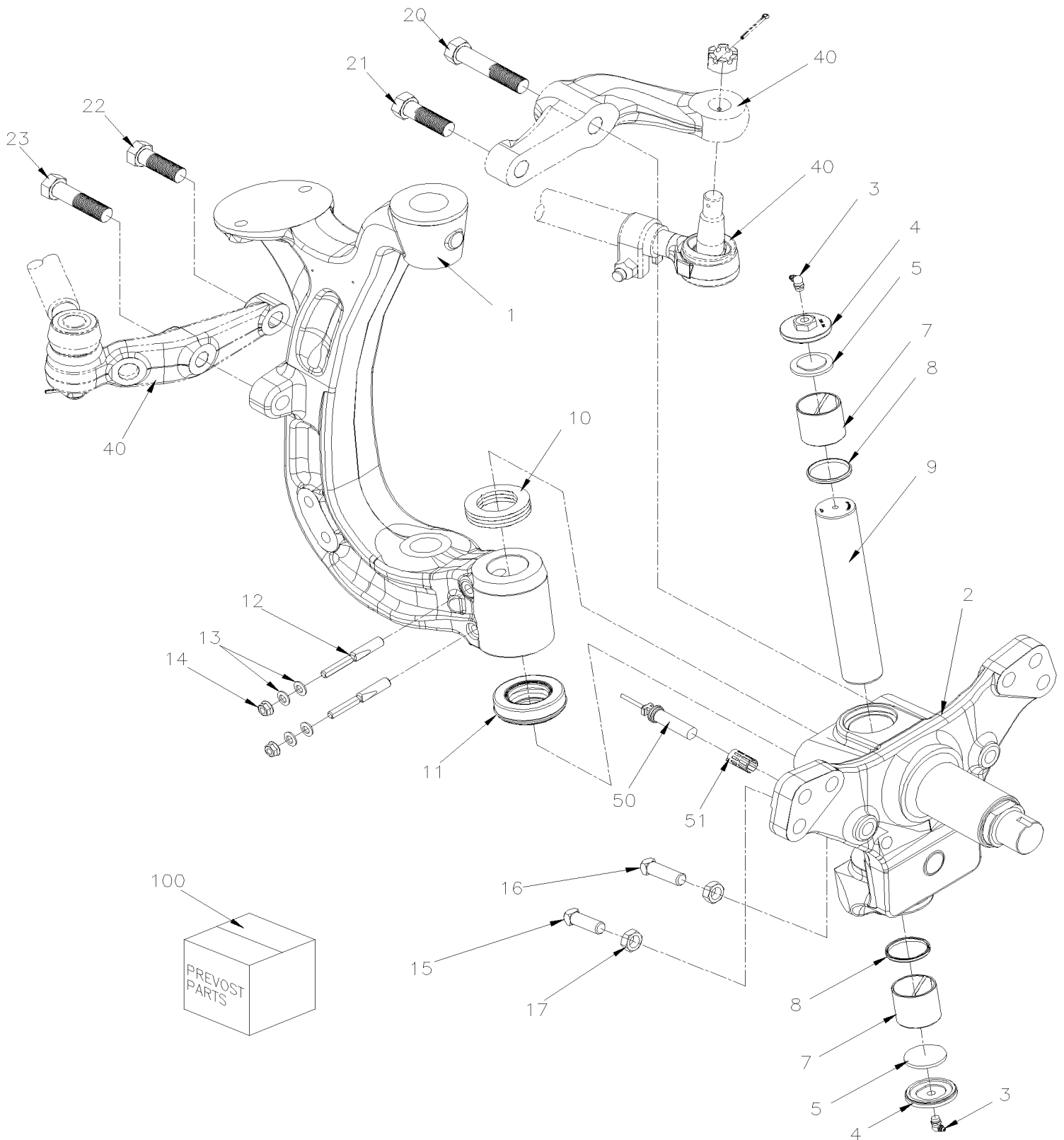
Item#	Part	Description	QTY	Notes
30	610050	. STEERING ARM LOWER R.H. CURBSIDE	1	
31	610004	. GREASE FITTING 45° / 1/8BSP-M	2	
31A	504615	. PROTECTOR CAP / BLACK / .313 I.D. x .500	2	
32	611330	. STUD 3/4-16 X 3 7/8"	2	
33	611166	. STUD 3/4-16 X 3 1/4"	2	
34	610052	. TIE ROD ASSY	1	
34	610057	. . TIE ROD	1	
35	610055	. . TIE ROD END L.H. STREET SIDE	1	
36	610056	. . TIE ROD END R.H. CURBSIDE	1	
37	610051	. NUT HEX SLO / SINGLE USE M24-1.5	2	
38	612384	. BUSHING / ABS SENSOR	1	
41	641096	CLIP, SPRING / TO FIX SENSOR	2	
42	642084	SENSOR ABS 90° ANGLE - OEM	2	
50	X3PLB-1225-00	BRAKE PARTS - FRONT RIGIDE & TAG AXLE "KNORR-BREMSE" SN7 SERIES W/N2G ADJUSTER		
51	X3PLB-1300-00	HUB & ROTOR - FRONT AXLE - I BEAM MODEL "S84U"		
52	X3PLB-1410-00	STEERING GEAR BOX & DRAG LINK - INSTALLATION		
100	611966	KIT REPAIR / STEERING KNUCKLE BUSHING (PARALLEL) / (REQUIRES 2 KITS)	AR	B
		B) INCLUDING ITEMS #2 TO #11 & #13 TO #22		

From G-7275 To M-7767

Date:07/2024

PAGE:X3PLB-1005-50

FRONT AXLE - INDEPENDENT MODEL "NDIFS80P" / 19000LBS



From G-7275 To M-7767	Date:07/2024	PAGE:X3PLB-1005-50
-----------------------	--------------	--------------------

FRONT AXLE - INDEPENDENT MODEL "NDIFS80P" / 19000LBS

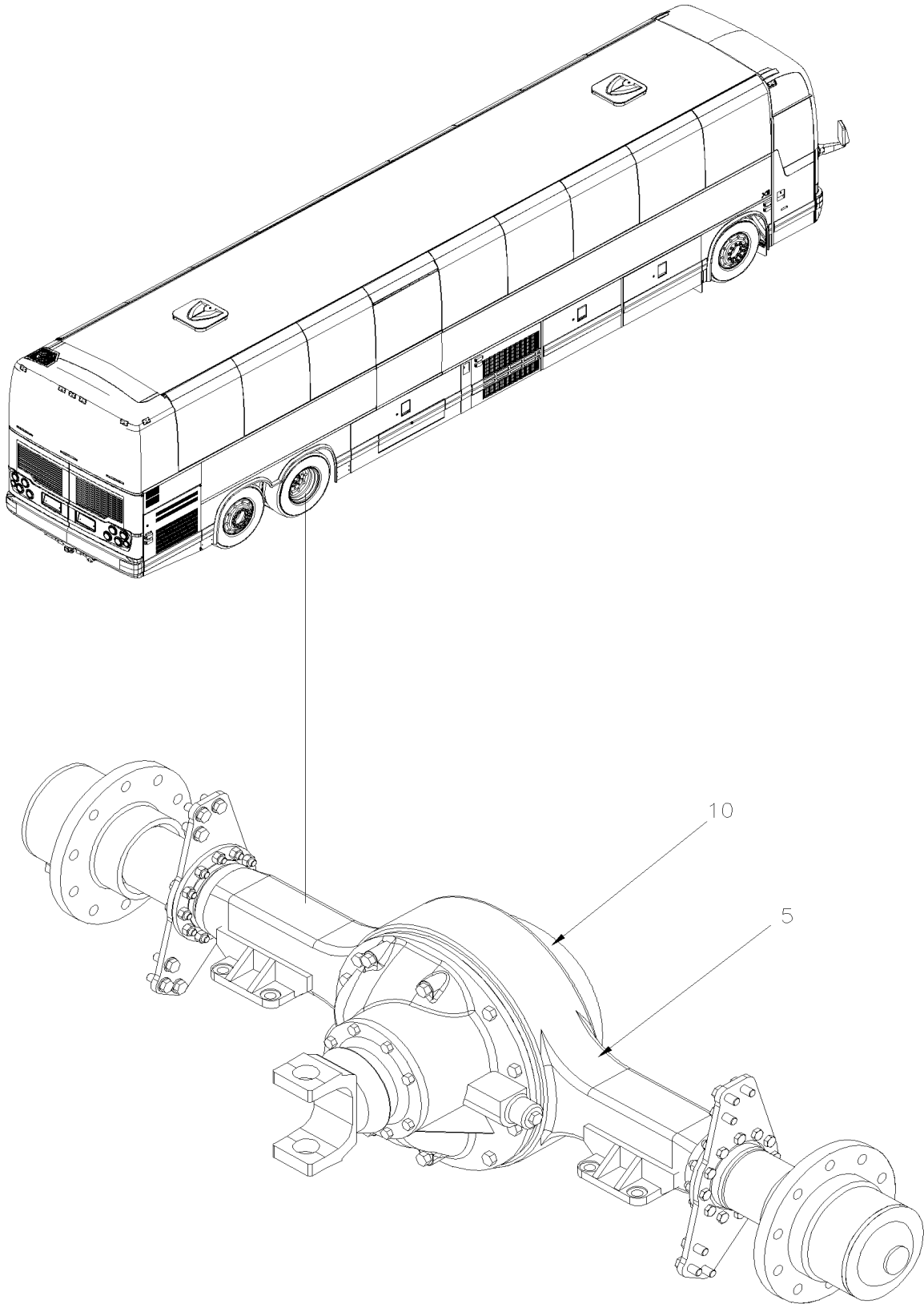
Item#	Part	Description	QTY	Notes
	612391	AXLE ASSY L.H. & R.H. / NDIFS80P / 19K To H-7401	1	
	610020	AXLE ASSY L.H. & R.H. / NDIFS80P / 19K From H-7402 To M-7831	1	
	610063	AXLE ASSY L.H. & R.H. / NDIFS80P / 19K From M-7832	1	
1	612377	. AXLE L.H. / W/DOUBLE LOCK ON KING PIN / 19K	1	
1	612376	. AXLE R.H. / W/DOUBLE LOCK ON KING PIN / 19K	1	
2	612361	. KNUCKEL L.H. & R.H.	2	
3	501490	. GREASE FITTING / 1/8 NPT	2	
4	611283	. CAP UPPER & LOWER	2	
5	611939	. FOAM INSERT	2	
7	N.S.S.	. BUSHING (STD)	2	1
8	611936	. OIL SEAL	2	
9	N.S.S.	. KING PIN	2	1
10	611956	. SHIM 0.013	AR	
10	611957	. SHIM 0.025	AR	
11	N.S.S.	. THRUST BEARING	2	1
12	N.S.S.	. DRAW KEY	4	1
13	N.S.S.	. WASHER - DRAW KEY	8	1
14	N.S.S.	. NUT - DRAW KEY	4	1
15	611288	. LOCKSTOP SCREW FRONT	2	
16	611288	. LOCKSTOP SCREW BACK	2	
17	612393	. NUT - LOCKSTOP	4	
20	612359	. SCREW CAP HEX M22-2.5x100 G12.9	1	
21	612360	. SCREW CAP HEX M22-2.5x65 G12.9	1	
22	611305	. SCREW CAP HEX M20-2.5x60 G12.9	1	
23	611307	. SCREW CAP HEX M20-2.5x80 G12.9	1	
40	X3PLB-1410-50	STEERING RODS - INSTALLATION W/INDEPENDENT "NDIFS80P" / 19000LBS		
50	642085	SENSOR ABS - OEM	2	
50	642184	SENSOR ABS - AFTER MARKET	2	
51	641096	CLIP, SPRING / TO FIX SENSOR	2	
100	611132	KIT REPAIR / STEERING KNUCKLE BUSHING (STD) / (REQUIRE 2 KITS)	1	A
. NS	SB07_03	. NSDIFS80P - KINGPIN KITS	1	A
		A) THIS KIT INCLUDES ITEMS 3, 4, 5, 7, 8, 9, 10, 11, 12, 13, 14		
		1) NOT SOLD SEPARATELY		

From G-7275 To M-7767

Date:07/2024

X3PLB-11

REAR AXLE



From G-7275 To M-7767	Date:07/2024	X3PLB-11
-----------------------	--------------	----------

REAR AXLE

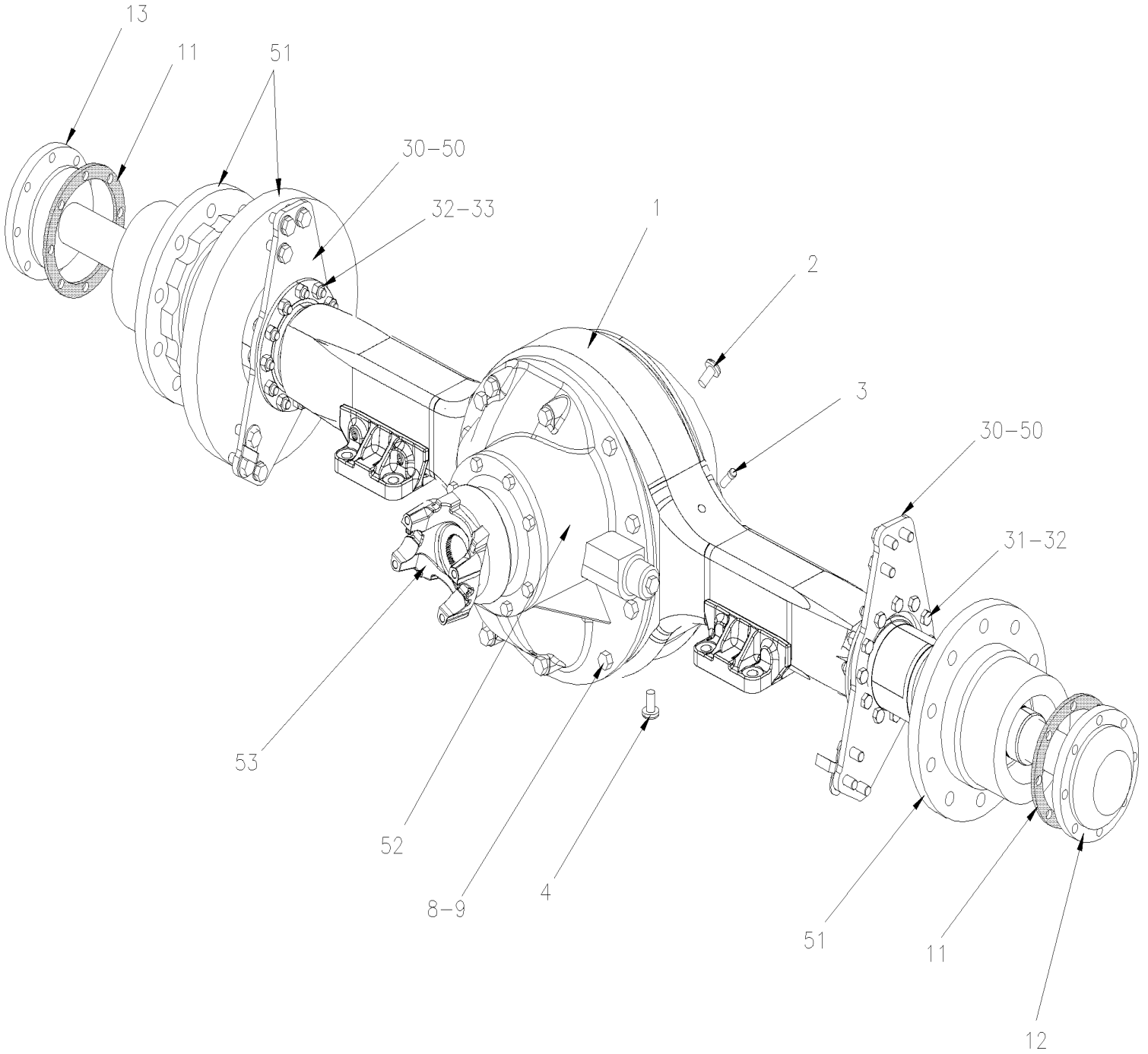
Item#	Part	Description	QTY	Notes
5	X3PLB-1105-00	REAR AXLE - MODEL "RC23165" From G-7275 To M-7767		
6	X3PLB-1105-10	REAR AXLE - MODEL "A132" From G-7275 To M-7767		
10	X3PLB-1110-00	CARRIER ASSY - MODEL "RC23165" From G-7275 To M-7767		
11	X3PLB-1110-10	CARRIER ASSY - MODEL "A132" From G-7275 To M-7767		

From G-7275 To M-7767

Date:07/2024

PAGE:X3PLB-1105-00

REAR AXLE - MODEL "RC23165"



From G-7275 To M-7767	Date:07/2024	PAGE:X3PLB-1105-00
REAR AXLE - MODEL "RC23165"		

Item#	Part	Description	QTY	Notes
	N.P.N.	AXLE ASSY WITHOUT WHEELS STUD		4
	621908	REAR AXLE ASSY / 2.50 RATIO To M-7831	1	IS
	620082	REAR AXLE ASSY / 2.50 RATIO From M-7832	1	IS
	621902	REAR AXLE ASSY / 2.50 RATIO / SUPER SINGLE To M-7831	1	IS
	620075	REAR AXLE ASSY / 2.50 RATIO / SUPER SINGLE From M-7832	1	IS
	621909	REAR AXLE ASSY / 3.58 RATIO To J-7480	1	
	620033	REAR AXLE ASSY / 3.58 RATIO From J-7481 To M-7831	1	
	620073	REAR AXLE ASSY / 3.58 RATIO From M-7832	1	
	621903	REAR AXLE ASSY / 3.58 RATIO / SUPER SINGLE To M-7831	1	
	620076	REAR AXLE ASSY / 3.58 RATIO / SUPER SINGLE From M-7832	1	
	621907	REAR AXLE ASSY / 3.91 RATIO To M-7831	1	
	620080	REAR AXLE ASSY / 3.91 RATIO From M-7832	1	
	621904	REAR AXLE ASSY / 3.91 RATIO / SUPER SINGLE To M-7831	1	
	620078	REAR AXLE ASSY / 3.91 RATIO / SUPER SINGLE From M-7832	1	
	621910	REAR AXLE ASSY / 4.10 RATIO To M-7831	1	
	620085	REAR AXLE ASSY / 4.10 RATIO From M-7832	1	
	621905	REAR AXLE ASSY / 4.10 RATIO / SUPER SINGLE To M-7831	1	
	620079	REAR AXLE ASSY / 4.10 RATIO / SUPER SINGLE From M-7832	1	
1	620047	HOUSING ASSY W/BRACKET WELDED	1	D
1	621752	HOUSING ASSY W/BRACKET WELDED / SUPER SINGLE	1	S
NS	680053	. SILICONE TUBE RTV103 / BLACK / 3 oz	2	
2	621142	. PLUG FILLER	1	
3	621871	. BREATHER AND TUBE	1	
4	621615	. PLUG MAGNETIC	1	
8	5001422	. SCREW CAP HEX 5/8-11x2 1/2 G8 ZP	12	
8	5001423	. SCREW CAP HEX 5/8-11x4 G8 ZP	4	
8	621221	. SCREW CAP HEX 5/8-11x1 3/4 G8 ZP	AR	
9	620474	. WASHER HARDENED / 5/8" I.D.	18	
10	500742	. NUT HEX STO 7/8-14 ZP	18	
11	621640	. GASKET / AXLE SHAFT W/8 STUDS	2	
12	620022	. SHAFT, AXLE / 41.41" (STP 2394) (INSTALL RH CURBSIDE)	1	D
12	621755	. SHAFT, AXLE / 46.30" (stp 1998) / SUPER SINGLE (INSTALL RH CURBSIDE)	1	S
12	621692	. SHAFT, AXLE / (stp 9645) / W/DIFF LOCK	1	D
13	620020	. SHAFT, AXLE / 39.41" (STP 2393) (INSTALL LH STREET SIDE)	1	D
13	621756	. SHAFT, AXLE / 44.37"(stp 1999) / SUPER SINGLE (INSTALL LH STREET SIDE)	1	S
13	621692	. SHAFT, AXLE / (stp 9645) / W/DIFF LOCK	1	D
14	686082	OIL DIFERENTIAL S.A.E. 140 GL5 85-140W (VRAC)	AR	
30	621868	CALIPER MOUNTING BRACKET L.H. & R.H. W/OUT BUSHING	2	
30	621869	BUSHING - ABS SENSOR	2	

From G-7275 To M-7767	Date:07/2024	PAGE:X3PLB-1105-00
REAR AXLE - MODEL "RC23165"		

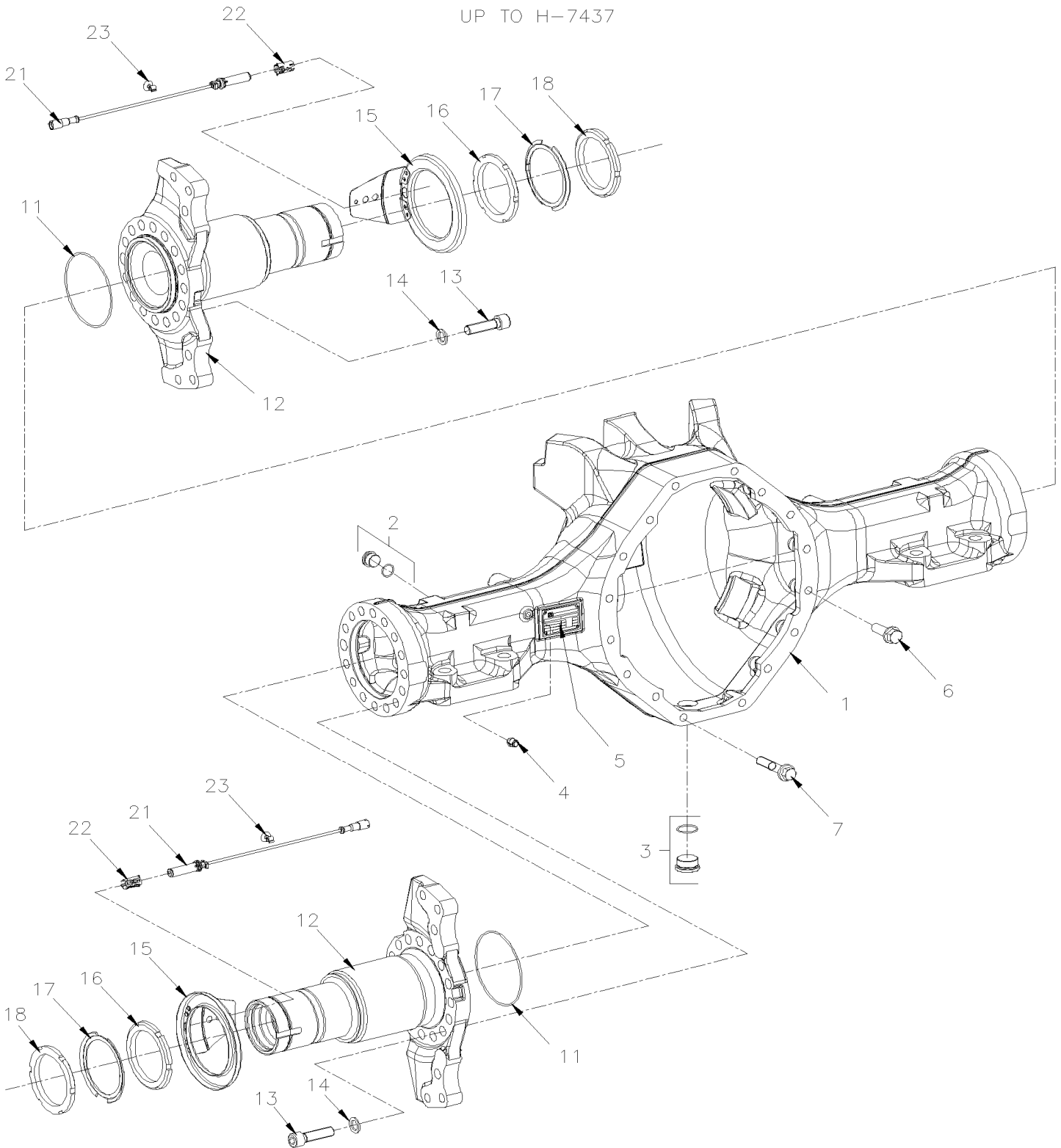
Item#	Part	Description	QTY	Notes
31	621636	SCREW CAP HEX / TO FIX BRACKET TO AXLE 9/16-18 X 2 GR 8	12	
32	621365	WASHER (HARD) .59IDX.97ODX.09	24	
33	621638	NUT HEX 9/16-18 GR8	12	
50	X3PLB-1235-00	BRAKE PARTS - DRIVE AXLE "KNORR-BREMSE" SN7 SERIES / WITH MERITOR AXLE DRIVE		
51	X3PLB-1305-00	HUB & ROTOR - DRIVE AXLE WITH MERITOR DRIVE AXLE		
51	X3PLB-1305-99	ROTOR (SPLINED DISC) PRODUCT IMPROVMENT		
52	X3PLB-1110-00	CARRIER ASSY - MODEL "RC23165"		
53	X3PLB-0905-00	PROPELLER SHAFT WITH MERITOR DRIVE AXLE		
		D) WITH DOUBLE WHEEL ONLYW/ABS PROTECTOR SHIELD		
		IS) WITH I-SHIFT TRANS		
		S) WITH SUPPER SINGLE ONLY		
		4) NO PARTS NUMBER		

From G-7275 To M-7767

Date:07/2024

PAGE:X3PLB-1105-10

REAR AXLE - MODEL "A132"



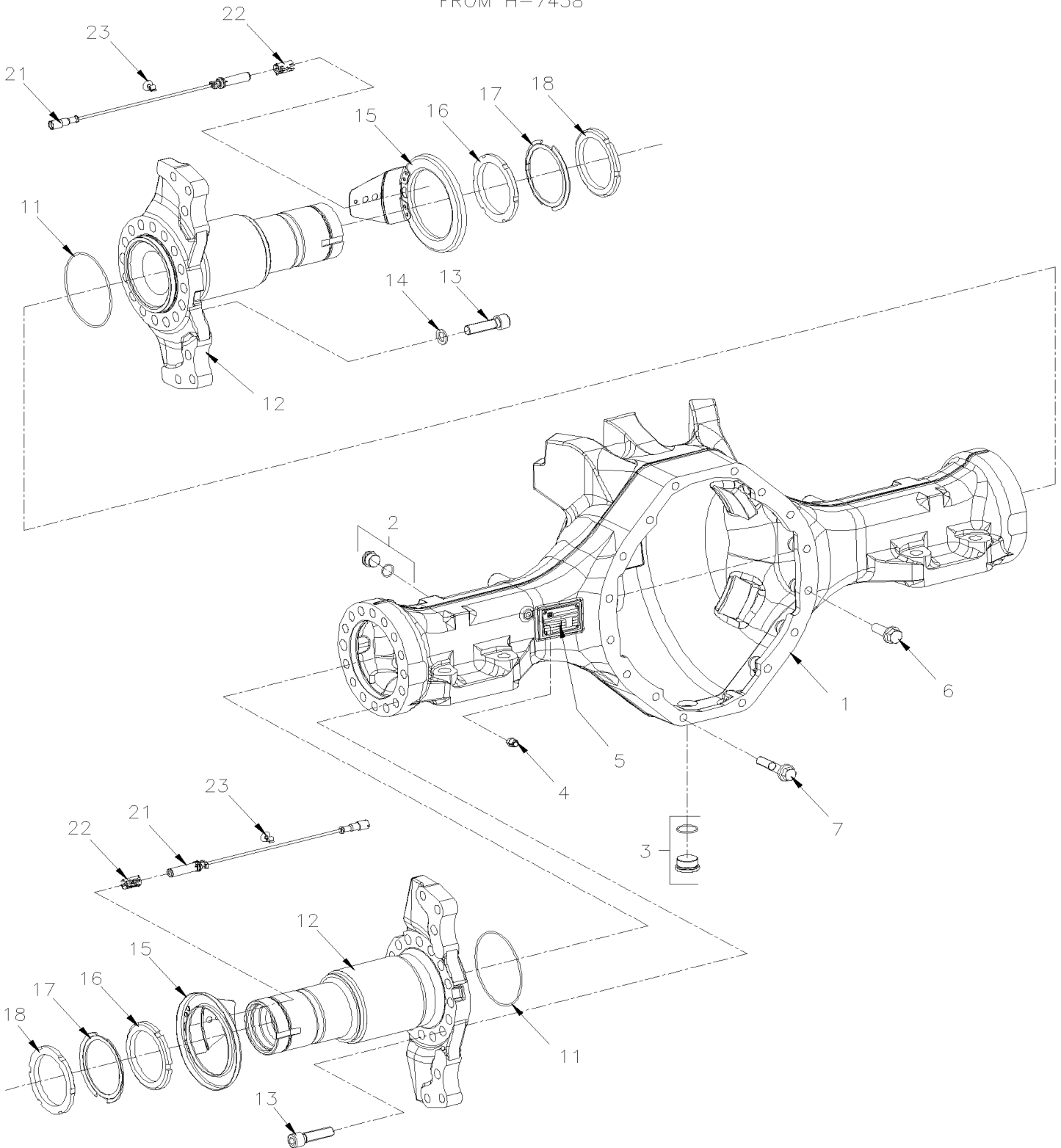
From G-7275 To M-7767

Date:07/2024

PAGE:X3PLB-1105-10

REAR AXLE - MODEL "A132"

FROM H-7438



From G-7275 To M-7767	Date:07/2024	PAGE:X3PLB-1105-10
REAR AXLE - MODEL "A132"		

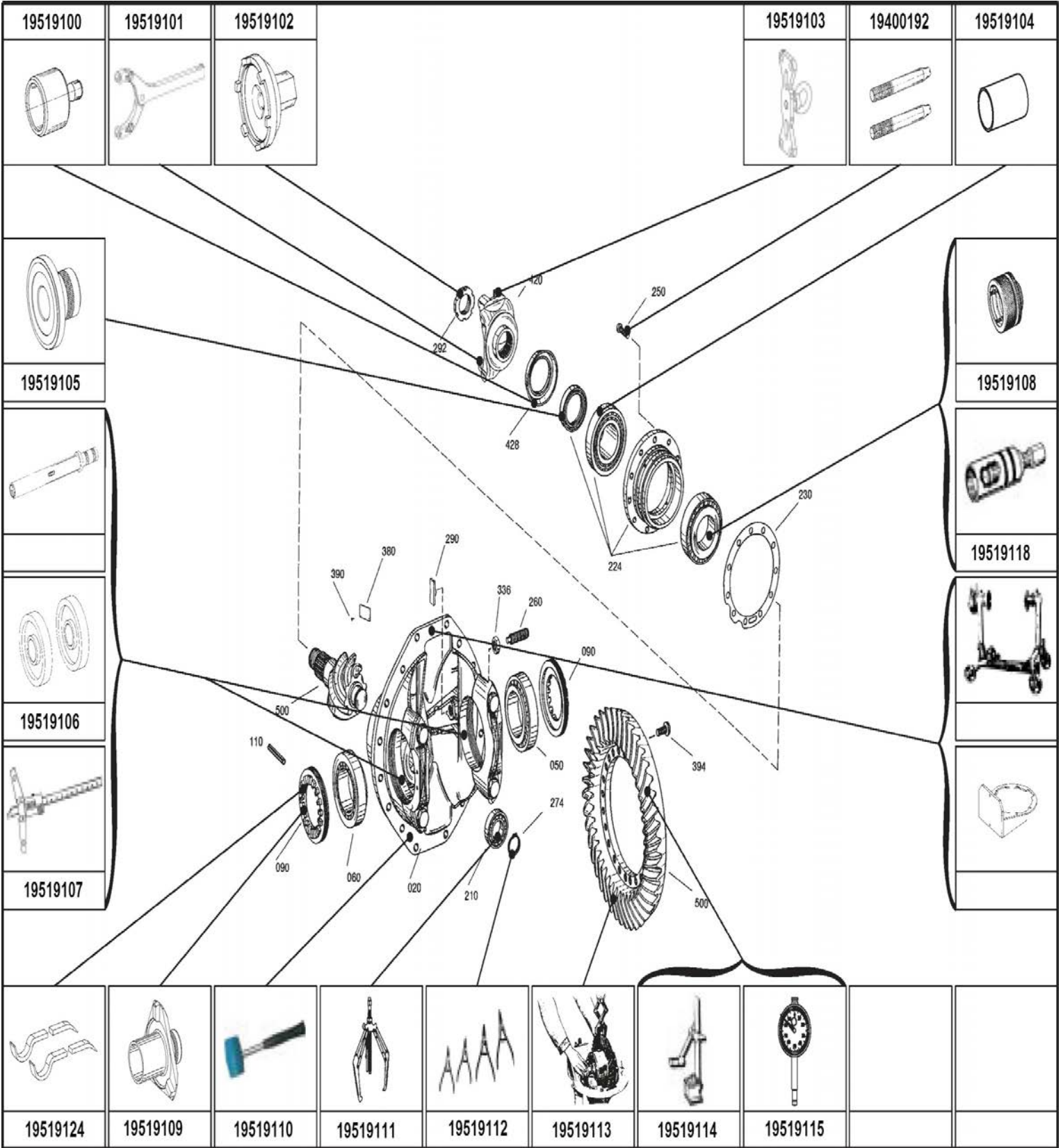
Item#	Part	Description	QTY	Notes
	620008	REAR AXLE ASSY / W/STEEL WHEEL / 3.54 RATIO To J-7442	1	
	620015	REAR AXLE ASSY / W/STEEL WHEEL / 3.54 RATIO / W/O BOOSTER From J-7443 To M-7831	1	
	620069	REAR AXLE ASSY / W/STEEL WHEEL / 3.54 RATIO / W/O BOOSTER From M-7832	1	
	620013	REAR AXLE ASSY / W/ALUMINIUM WHEEL / 3.54 RATIO To J-7442	1	
	620018	REAR AXLE ASSY / W/ALUMINIUM WHEEL / 3.54 RATIO / W/O BOOSTER From J-7443 To M-7831	1	
	620070	REAR AXLE ASSY / W/ALUMINIUM WHEEL / 3.54 RATIO / W/O BOOSTER From M-7832	1	
1	621944	. AXLE HOUSING	1	
2	N8899344	. SCREW PLUG ASSY	2	
. NS	N8890669	. . O-RING / 21 X 2,0	1	
3	N8899326	. SCREW PLUG ASSY	1	
. NS	N8890670	. . O-RING / 33 X 2,2	1	
4	N8891785	. BREATHER /	1	
5	N8888255	. PLATE IDENTIFICATION	1	
6	621957	. SCREW CAP HEXF M16-1.5x50	12	
7	621958	. SCREW CAP HEXF M16-1.5x80 DURLOK 12.9	4	
11	N8884336	. O-RING / 138 X 3,0	2	
12	621947	. HUB CARRIER	2	
13	621959	. SCREW CAP HEXS M18-1.5x65 To J-7442	30	
13	621017	. SCREW CAP TORX M18-1.5x60 From J-7443	30	
14	N8893294	. WASHER 19MMx30MMx3MM To J-7442	30	
15	N8901014	. SCREEN SHEET	2	
16	N8891794	. SLOTTED NUT M105-1.50	2	
17	N8893314	. TAB WASHER	2	
18	N8891794	. SLOTTED NUT M105-1.50	2	
21	N48608	. SENSOR ABS / ZF	2	
NS	503702	. HOSE / (SAFETY STRIPE) / 3/8" I.D. 50' / S.L.	AR	
NS	504016	. CABLE TIE / 5/16" X 14"1/2	AR	
22	N8892040	. CLIP, SPRING / TO FIX SENSOR	2	
23	N8895145	. CLAMP	2	
24	X3PLB-1110-10	. CARRIER ASSY - MODEL "A132"	1	
NS	680786	OIL ZF DRIVE AXLE 80W-140 (12M)	AR	
50	FM-TOOL-ZF	TOOLS FOR "ZF" DRIVE AXLE	1	
NS	N8897019	COVER FOR TOWING	2	T
NS	N8893304	O-RING 155MMx3MM	2	T
NS	N8893305	SCREW CAP HEX M18-1.5x50MM	4	T
		T) USE WHEN YOU REMOVE SHAFT FOR TOWING		

From G-7275 To M-7767

Date:07/2024

PAGE:FM-TOOL-ZF

TOOLS FOR "ZF" DRIVE AXLE



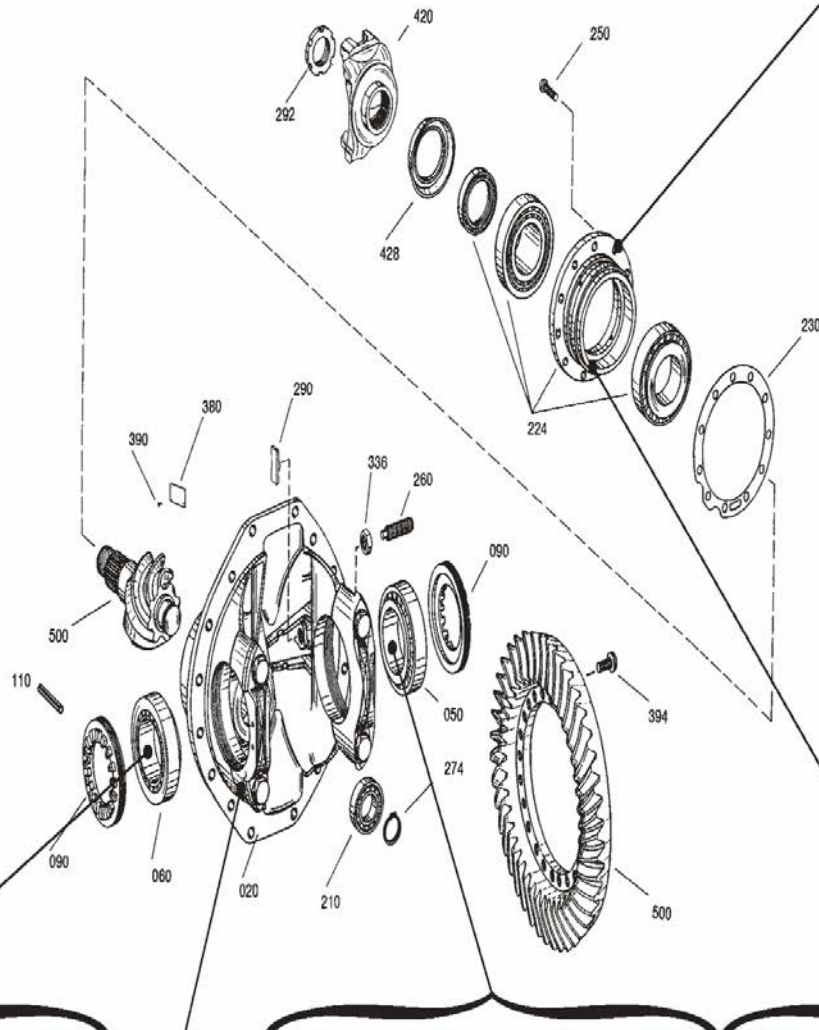
From G-7275 To M-7767











Date:07/2024

PAGE:FM-TOOL-ZF

TOOLS FOR "ZF" DRIVE AXLE

					19400192	
						



									
19519116	19519117	19519118		19519116	19519117	19519118		19519120	19519107

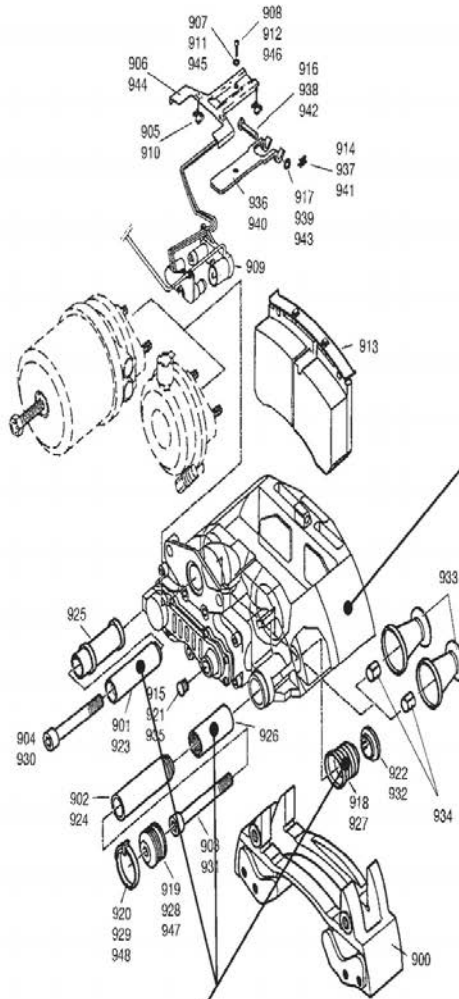
From G-7275 To M-7767

Date:07/2024

PAGE:FM-TOOL-ZF

TOOLS FOR "ZF" DRIVE AXLE

19519134



19519133

From G-7275 To M-7767	Date:07/2024	PAGE:FM-TOOL-ZF
TOOLS FOR "ZF" DRIVE AXLE		

Item#	Part	Description	QTY	Notes
1	19519100	DRIVER (MOUNT SCREEN)	1	
2	19519101	CLAMPING FORK	1	
3	19519102	SLOTTED NUT WRENCH	1	
4	19519103	LIFTING DEVICE	1	
5	19400192	ADJUSTING SCREWS (1 SET = 2 PCS)	1	
6	19519104	PRESSING BUSHING	1	
7	19519105	DRIVER (MOUNT SHAFT SEAL)	1	
8	Call order desk	MEASURING SHAFT	1	P
9	19519106	FITTING PIECES	1	
10	19519107	DIGITAL DEPTH GAUGE # 300 MM	1	
11	19519108	GRIPPING INSERT #	1	
12	19519118	BASIC TOOL	1	
13	Call order desk	ASSEMBLY TROLLEY	1	P
14	Call order desk	SUPPORT – AXLE INSERT	1	P
15	19519124	ASSEMBLY LEVER 2 PCS REQUIRED	1	
16	19519109	SOCKET WRENCH # 1" – SQUARE INPUT	1	
17	19519110	PLASTIC HAMMER # Ø 60 MM	1	
18	19519111	THREE-ARMED PULLER	1	
19	19519112	SET OF EXTERNAL PLIERS A1-A2-A3-A4	1	
20	19519113	GRIPPER TONGS	1	
21	19519114	MAGNETIC STAND	1	
22	19519115	DIAL INDICATOR	1	
31	19400192	ADJUSTING SCREWS (1 SET = 2 PCS)	1	
32	19519116	GRIPPING INSERT #	1	
33	19519117	REDUCING ADAPTER	1	
34	19519118	BASIC TOOL	1	
35	Call order desk	MICROMETER	1	P
36	19519116	GRIPPING INSERT #	1	
37	19519117	REDUCING ADAPTER	1	
38	19519118	BASIC TOOL	1	
39	Call order desk	STRAIGHTEDGE # 295 MM	1	P
40	19519120	GAUGE BLOCKS	1	
41	19519107	DIGITAL DEPTH GAUGE # 300 MM	1	
45	5870350000	ASSEMBLY TROLLEY	1	
46	19519121	SUPPORT	1	
47	19519122	CLAMPING BRACKET	1	
48	19519123	ADJUSTING SCREWS (1 SET = 2 PCS)	1	
49	19519124	ASSEMBLY LEVER 2 PCS REQUIRED	1	
51	19519125	PRY BAR	1	

From G-7275 To M-7767	Date:07/2024	PAGE:FM-TOOL-ZF
TOOLS FOR "ZF" DRIVE AXLE		

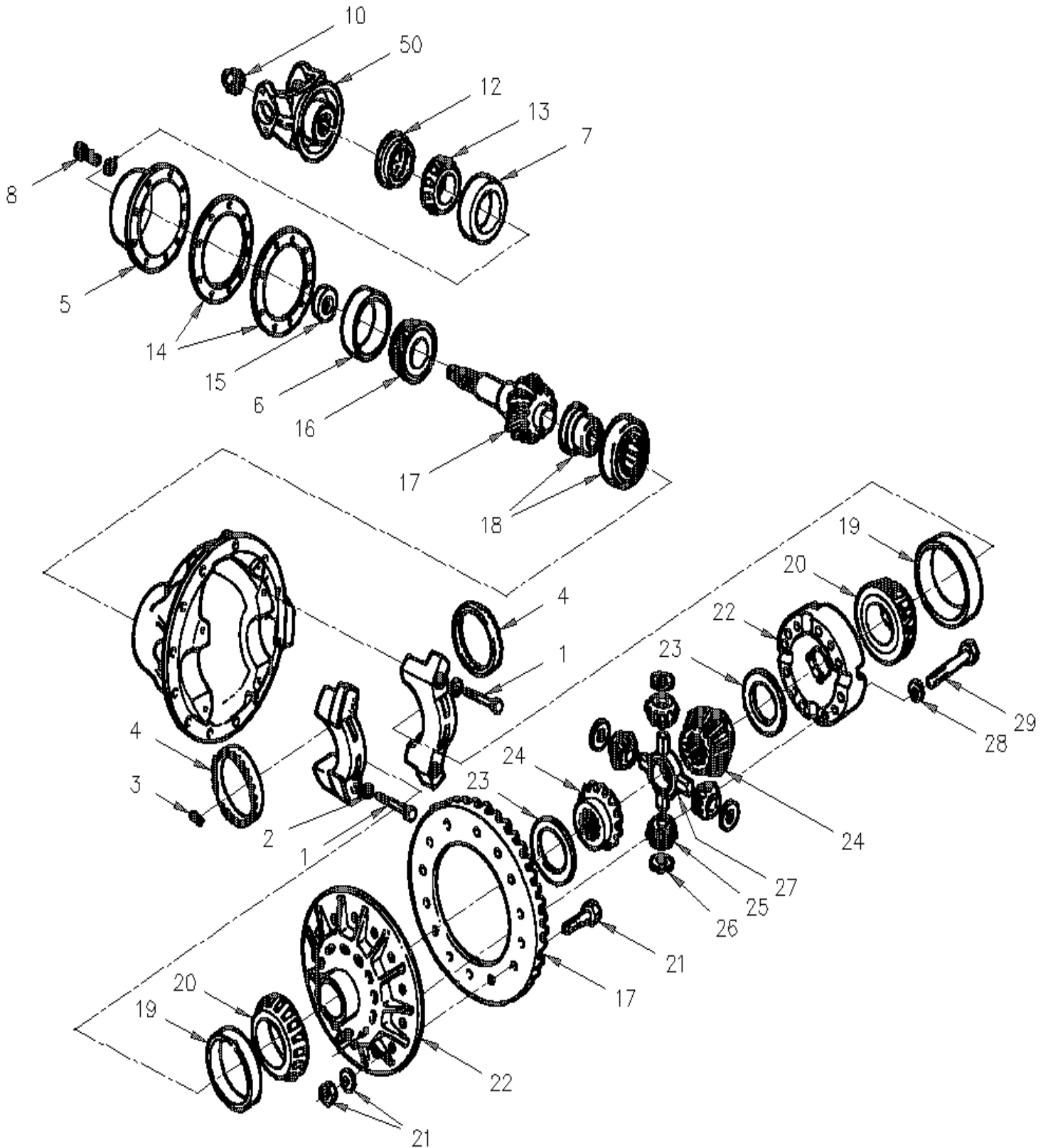
Item#	Part	Description	QTY	Notes
52	19519126	ADJUSTING SCREWS (1 SET = 2 PCS)	1	
53	N67817-20	LIFTING BRACKET	1	
NS	N67817-19	HANDLE	1	
54	N67817-25	INNER INSTALLER #	1	
55	19519128	DRIVER (MOUNT BEARING OUTER RINGS)	1	
56	N67817-16	DRIVER (MOUNT BEARING SEAL)	1	
57	N67817-21	SLOTTED NUT WRENCH ZF TOOL	1	
58	19519129	SCREW (1 SET = 2 PCS) M16-1.5x190	1	
59	N67817-16	DRIVER (MOUNT BEARING SEAL)	1	
60	19519130	INSERT M22X1.5	1	
61	19519131	INSERT 7/8 – 11 BSF	1	
62	19519132	WHEEL BOLT PULLER	1	
65	19519134	LIFTING CHAIN	1	
66	19519133	TOOL SET	1	
		P) CALL ORDER DESK FOR SPECIFIC APPLICATION (V.I.N.)		

From G-7275 To M-7767

Date:07/2024

PAGE:X3PLB-1110-00

CARRIER ASSY - MODEL "RC23165"



From G-7275 To M-7767	Date:07/2024	PAGE:X3PLB-1110-00
CARRIER ASSY - MODEL "RC23165"		

Item#	Part	Description	QTY	Notes
	621875	CARRIER ASSY / 2.50 RATIO	1	
	621242	CARRIER ASSY / 3.58 RATIO	1	
	621866	CARRIER ASSY / 3.91 RATIO	1	
	621249	CARRIER ASSY / 4.10 RATIO	1	
	N.S.S.	. CASE CARRIER	1	1
1	621418	. . SCREW, CAP	2	
2	621417	. . WASHER	4	
3	505128	. SPRING, PIN 1/4 X 2	2	
4	621479	. RING, ADJUSTING / W/MODEL 3200-P-1706	2	
5	621419	. CASE & CUP ASSY / PINION BEARING	1	
6	621420	. . CUP BEARING / INNER BEARING	1	
7	621421	. . CUP BEARING / OUTER BEARING	1	
8	621439	. SCREW, CAP	8	
10	621418	. SCREW, CAP	4	
NS	621445	. NUT / DRIVE PINION	1	
12	621424	. SEAL, OIL	1	
NS	195671	SEAL INSTALLER TOOL / CARRIER DRIVE PINION (2731T1)	1	I
13	621423	. CONE BEARING / OUTER	1	
14	621438	. SHIM 0.020	AR	
14	621437	. SHIM 0.008	AR	
14	621436	. SHIM 0.005	AR	
14	621435	. SHIM 0.003	AR	
15	621434	. SPACER .263	AR	
15	621433	. SPACER .262	AR	
15	621432	. SPACER .261	AR	
15	621431	. SPACER .260	AR	
15	621430	. SPACER .256	AR	
15	621429	. SPACER .254	AR	
15	621428	. SPACER .253	AR	
15	621427	. SPACER .252	AR	
15	621426	. SPACER .251	AR	
15	621425	. SPACER .250	AR	
16	621422	. CONE BEARING / INNER	1	
17	621877	. SET, GEAR DRIVE & PINION / 2.50 RATIO	1	C
17	621721	. SET, GEAR DRIVE & PINION / 3.21 RATIO	1	
17	621712	. SET, GEAR DRIVE & PINION / 3.42 RATIO	1	
17	621718	. SET, GEAR DRIVE & PINION / 3.58 RATIO	1	
17	621713	. SET, GEAR DRIVE & PINION / 3.73 RATIO	1	
17	621813	. SET, GEAR DRIVE & PINION / 3.91 RATIO	1	
17	621710	. SET, GEAR DRIVE & PINION / 4.10 RATIO	1	
17	621720	. SET, GEAR DRIVE & PINION / 4.30 RATIO	1	
17	621716	. SET, GEAR DRIVE & PINION / 4.56 RATIO	1	

From G-7275 To M-7767	Date:07/2024	PAGE:X3PLB-1110-00
CARRIER ASSY - MODEL "RC23165"		

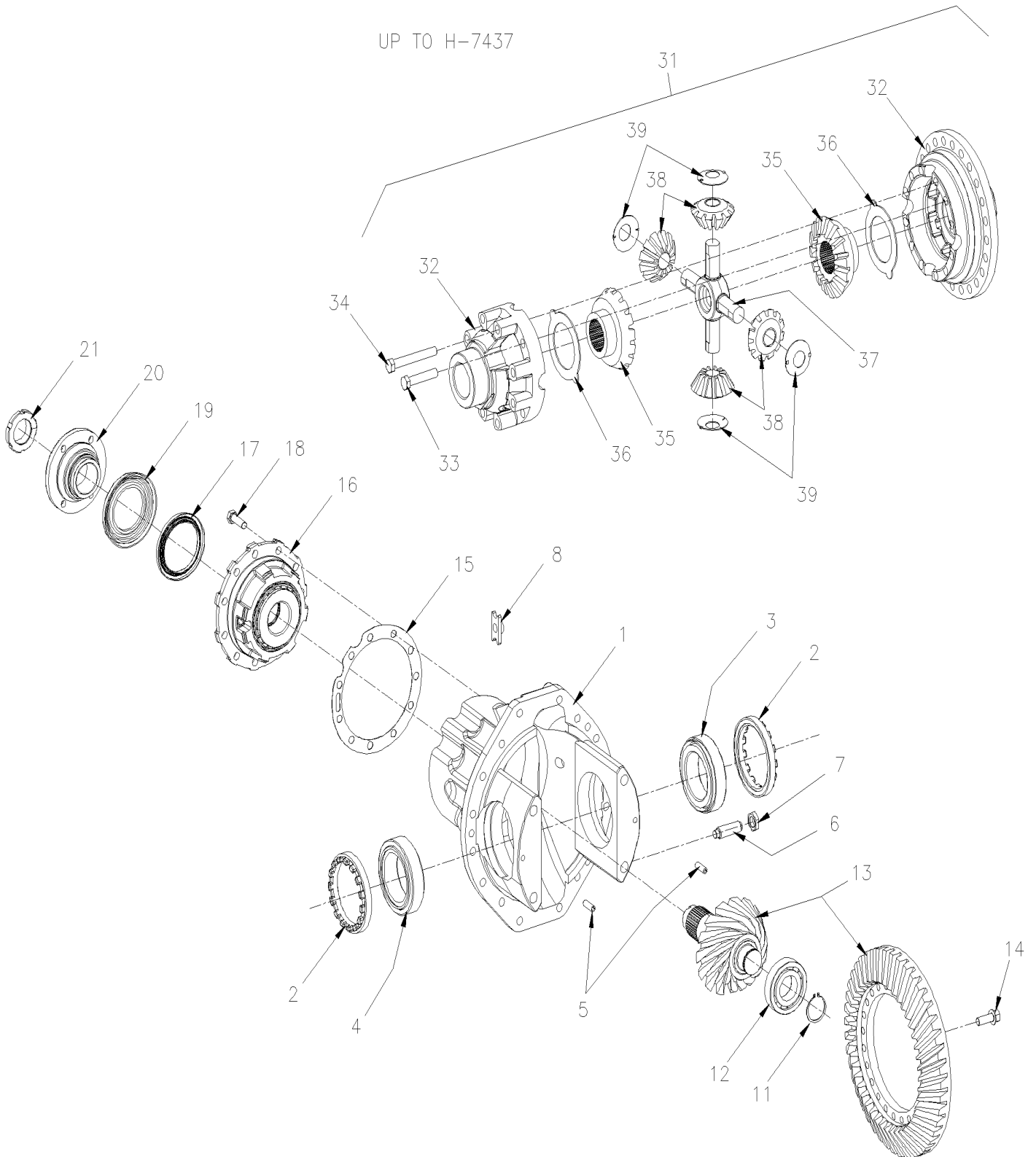
Item#	Part	Description	QTY	Notes
17	621719	. SET, GEAR DRIVE & PINION / 4.89 RATIO	1	
18	621481	. BEARING SPIGOT / INNER & OUTER / W/3200-P-1706	1	
NS	621482	. RING, SNAP / TO FIX SPIGOT BEARING	1	
19	621210	. CUP BEARING	2	A
20	621209	. CONE BEARING	2	A
21	621444	. BOLT, NUT & WASHER / (KIT OF 12)	1	
22	621876	. CASE ASSY / W/RATIO 2.50	1	C
22	621480	. CASE ASSY W/RATIO 3.07, 3.21, 3.42& 3.73	1	
22	621488	. CASE ASSY / W/RATIO 3.91, 4.10, 4.30 & 4.56	1	
22	621539	. CASE ASSY / W/RATIO 4.89	1	
23	621449	. . WASHER, THRUST / SIDE GEAR	2	
24	621450	. . GEAR, SIDE	2	
25	621452	. . GEAR, PINION	4	
26	621453	. . WASHER, GEAR PINION	4	
27	621451	. . SPIDER	1	
28	621447	. . WASHER	12	
29	621448	. . SCREW, CAP	12	
50	621833	YOKE SERIES 250 HALF ROUND	1	
. NS	621501	. DEFLECTOR, OIL	1	
. NS	621492	. SPEEDY SLEEVE 3.250" I.D. / TO REPAIR OIL LEAK ON YOKE	1	
NS	621653	KIT, CUP & CONE	AR	
		A) ALSO SOLD IN KIT #621653		
		C) WITH "I-SHIFT" TRANSMISSION		
		I) THIS TOOL INSTALLER ARE USE WITH NEW SEAL STAMPED A1205A2731		
		1) NOT SOLD SEPARATELY		

From G-7275 To M-7767

Date:07/2024

PAGE:X3PLB-1110-10

CARRIER ASSY - MODEL "A132"

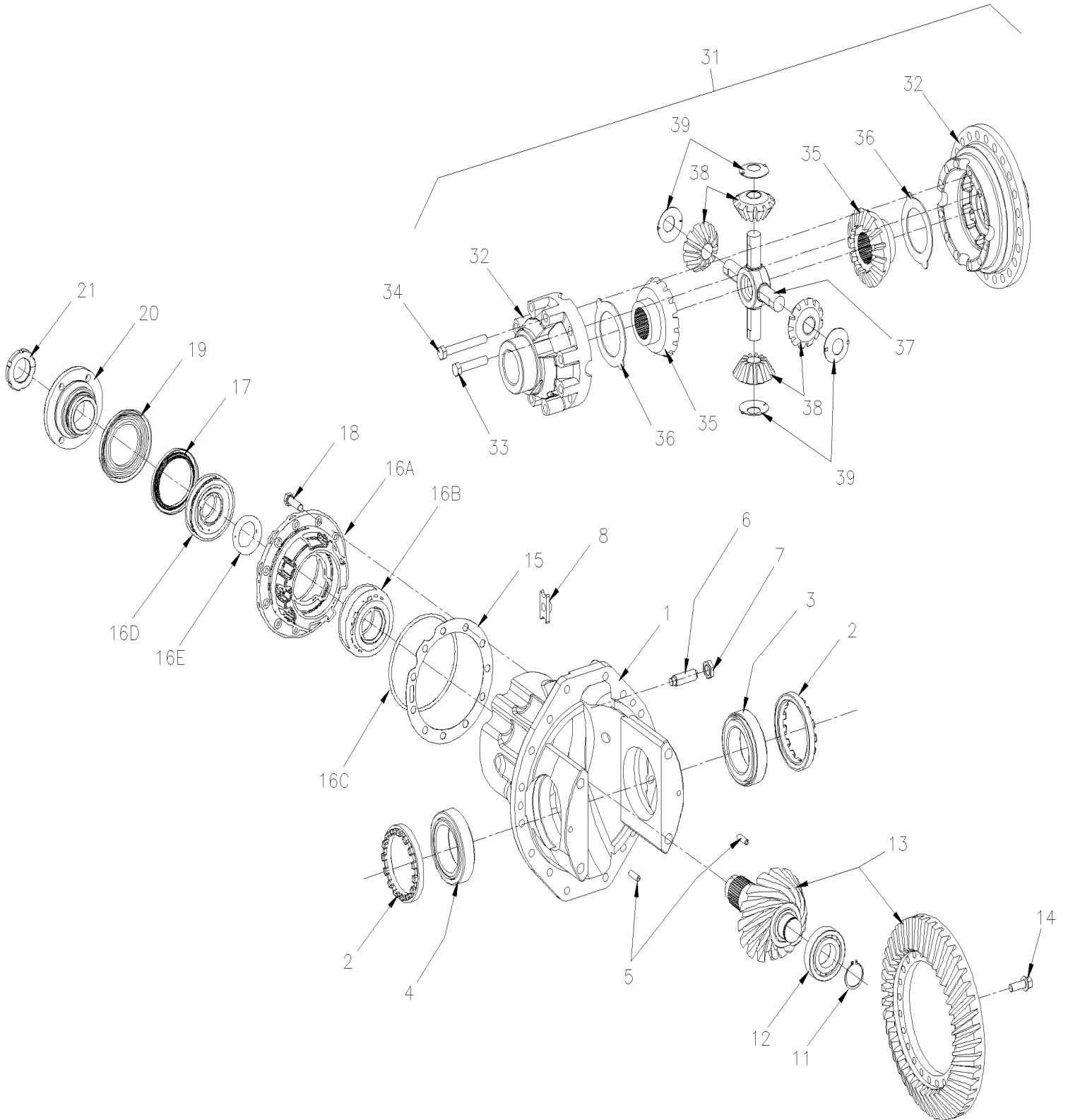


From G-7275 To M-7767

Date:07/2024

PAGE:X3PLB-1110-10

CARRIER ASSY - MODEL "A132"



From G-7275 To M-7767	Date:07/2024	PAGE:X3PLB-1110-10
CARRIER ASSY - MODEL "A132"		

Item#	Part	Description	QTY	Notes
	620010	CARRIER ASSY / 3.54 RATIO To J-7442	1	
	621018	CARRIER ASSY / 3.54 RATIO From J-7443	1	
1	621943	. AXLE DRIVE HOUSING	1	
2	621928	. ADJUSTING NUT M170x1.5	2	
3	19500839	. ROLLER BEARING TAPERED 100MMx160MMx41MM	1	
4	621953	. ROLLER BEARING TAPERED 105MMx160MMx43MM	1	
5	621963	. SLOTTED PIN 12MMx40MM	2	
6	621929	. ADJUSTING SCREW	1	
7	621949	. NUT HEX M24-1,5	1	
8	621961	. SLIDING PAD	1	
11	621950	. RETAINING RING 55MMx2MM	1	
12	621951	. ROLLER BEARING CYLINDER 55MMx115MMx29MM	1	
13	620011	. BEVEL GEAR SET 3.54 RATIO To J-7442	1	
13	621022	. BEVEL GEAR SET 3.54 RATIO From J-7443	1	
14	621956	. SCREW CAP HEXF M16-1.5x45 12.9	24	
15	621938	. ADJUSTMENT PLATE .150MM	1	
15	621935	. ADJUSTMENT PLATE .200MM	1	
15	621934	. ADJUSTMENT PLATE .300MM	1	
15	621933	. ADJUSTMENT PLATE .400MM	1	
15	621932	. ADJUSTMENT PLATE .500MM	1	
15	621931	. ADJUSTMENT PLATE .800MM	1	
15	621939	. ADJUSTMENT PLATE .950MM	1	
15	621930	. ADJUSTMENT PLATE 1.000MM	1	
15	621940	. ADJUSTMENT PLATE 1.050MM	1	
15	621941	. ADJUSTMENT PLATE 1.100MM	1	
15	621942	. ADJUSTMENT PLATE 1.150MM	1	
15	621936	. ADJUSTMENT PLATE 1.200MM	1	
15	621937	. ADJUSTMENT PLATE 1.500MM	1	
16	621952	. ROLLER BEARING TAPERED 110.23MMx145MMx10/12 To J-7442	1	
16A	621023	. BEARING BUSHING From J-7443	1	
16B	N8893791	. ROLLER BEARING TAPERED 70MMx150MMx50MM From J-7443	1	
16C	621026	. O-RING 205x3 From J-7443	1	
16D	621027	. ROLLER BEARING TAPERED 65MMx140MMx36MM From J-7443	1	
16E	621032	. SPACER RING / 13.200MM From J-7443	AR	
16E	621033	. SPACER RING / 13.250MM From J-7443	AR	
16E	621049	. SPACER RING / 13.300MM From J-7443	AR	
16E	621050	. SPACER RING / 13.350MM From J-7443	AR	
16E	621056	. SPACER RING / 13.400MM From J-7443	AR	
16E	621061	. SPACER RING / 13.450MM From J-7443	AR	
16E	621063	. SPACER RING / 13.500MM From J-7443	AR	
16E	621094	. SPACER RING / 13.550MM From J-7443	AR	
16E	621095	. SPACER RING / 13.600MM From J-7443	AR	

From G-7275 To M-7767	Date:07/2024	PAGE:X3PLB-1110-10
CARRIER ASSY - MODEL "A132"		

Item#	Part	Description	QTY	Notes
16E	621114	. SPACER RING / 13.650MM From J-7443	AR	
16E	621116	. SPACER RING / 13.700MM From J-7443	AR	
16E	621125	. SPACER RING / 13.750MM From J-7443	AR	
16E	621147	. SPACER RING / 13.800MM From J-7443	AR	
16E	621148	. SPACER RING / 13.850MM From J-7443	AR	
16E	621155	. SPACER RING / 13.900MM From J-7443	AR	
16E	621156	. SPACER RING / 13.950MM From J-7443	AR	
16E	621164	. SPACER RING / 14.000MM From J-7443	AR	
16E	621165	. SPACER RING / 14.050MM From J-7443	AR	
16E	621166	. SPACER RING / 14.100MM From J-7443	AR	
16E	621169	. SPACER RING / 14.150MM From J-7443	AR	
16E	621181	. SPACER RING / 14.200MM From J-7443	AR	
16E	621204	. SPACER RING / 14.250MM From J-7443	AR	
16E	621205	. SPACER RING / 14.300MM From J-7443	AR	
16E	621206	. SPACER RING / 14.350MM From J-7443	AR	
16E	621207	. SPACER RING / 14.400MM From J-7443	AR	
16E	621211	. SPACER RING / 14.450MM From J-7443	AR	
16E	621212	. SPACER RING / 14.500MM From J-7443	AR	
16E	621213	. SPACER RING / 14.550MM From J-7443	AR	
16E	621214	. SPACER RING / 14.600MM From J-7443	AR	
16E	621216	. SPACER RING / 14.650MM From J-7443	AR	
16E	621217	. SPACER RING / 14.700MM From J-7443	AR	
16E	621219	. SPACER RING / 14.750MM From J-7443	AR	
16E	621220	. SPACER RING / 14.800MM From J-7443	AR	
16E	621222	. SPACER RING / 14.850MM From J-7443	AR	
16E	621225	. SPACER RING / 14.900MM From J-7443	AR	
17	621925	. SHAFT SEAL To J-7442	1	
17	621231	. SHAFT SEAL From J-7443	1	
18	621955	. SCREW CAP HEX M16x50	11	
19	621954	. SCREEN SHEET To J-7442	1	
19	621232	. SCREEN SHEET From J-7443	1	
20	621948	. INPUT FLANGE To J-7442	1	
20	621233	. INPUT FLANGE From J-7443	1	
21	621962	. SLOTTED NUT To J-7442	1	A
21	621240	. SLOTTED NUT From J-7443	1	A
31	621946	. DIFFERENTIAL PROF.N62X1,2 5	1	
32	621919	. DIFFERENTIAL CASE	1	
33	N8893302	. SCREW CAP HEX M16-1.5x80	4	
34	621923	. SCREW CAP HEX M16-1.5x120	8	
35	621918	. AXLE BEVEL GEAR Z=16	2	
36	621927	. THRUST WASHER	2	
37	621921	. DIFFERENTIAL SPIDER A=215	1	

From G-7275 To M-7767	Date:07/2024	PAGE:X3PLB-1110-10
-----------------------	--------------	--------------------

CARRIER ASSY - MODEL "A132"

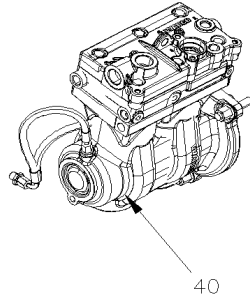
Item#	Part	Description	QTY	Notes
38	621920	. DIFFERENTIAL BEVEL GEAR Z=9	4	
39	621926	. THRUST WASHER A=1,50	4	
NS	FM-TOOL-ZF	TOOLS FOR "ZF" DRIVE AXLE		
		A) USE TOOL N67817-21		

From G-7275 To M-7767

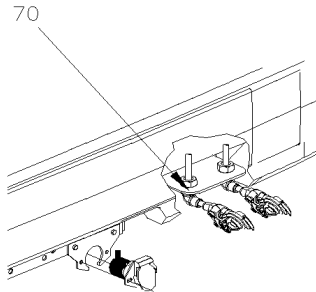
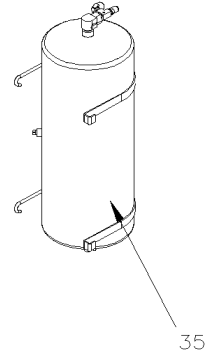
Date:07/2024

X3PLB-12

BRAKE



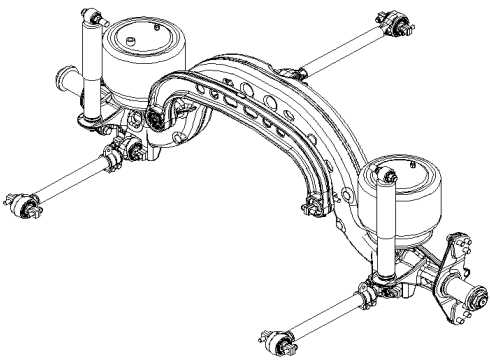
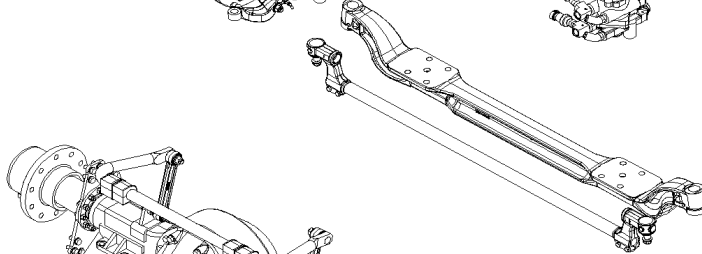
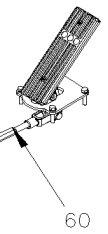
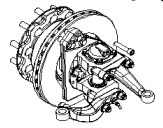
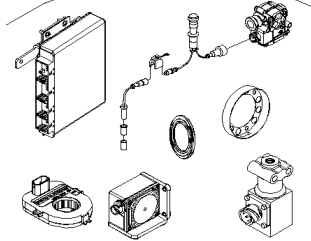
Brake Air System 5
Fitting - Miscellaneous 20
Tubes Plastic / Air D.O.T. 25
Miscellaneous - Air Valves 55



75

80

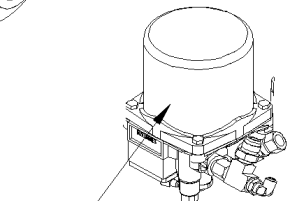
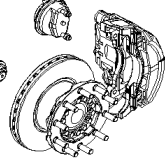
95-100



90

75

75



45

From G-7275 To M-7767		Date:07/2024	X3PLB-12
-----------------------	--	--------------	----------

BRAKE

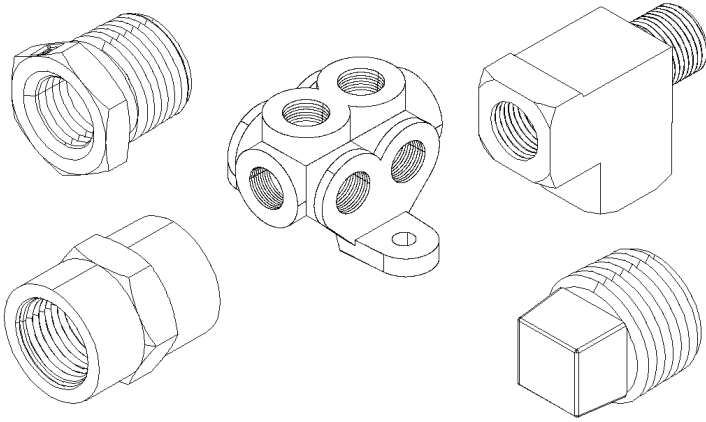
Item#	Part	Description	QTY	Notes
		R) WITH "I" BEAM SUSPENSION		
		V) SEE IMPACT OR CALL ORDER DESK		

From G-7275 To M-7767

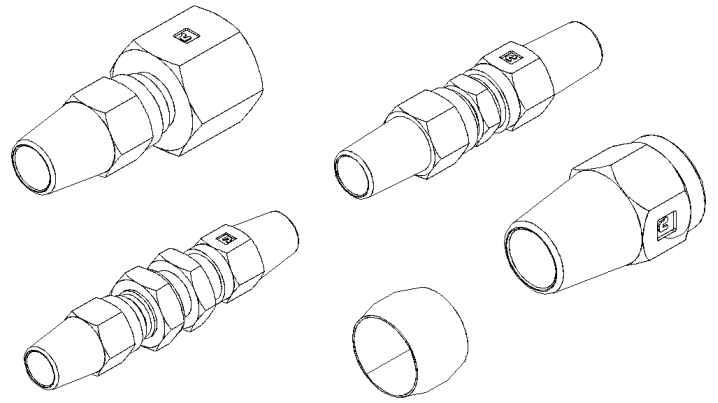
Date:07/2024

PAGE:X3PLB-1201-00

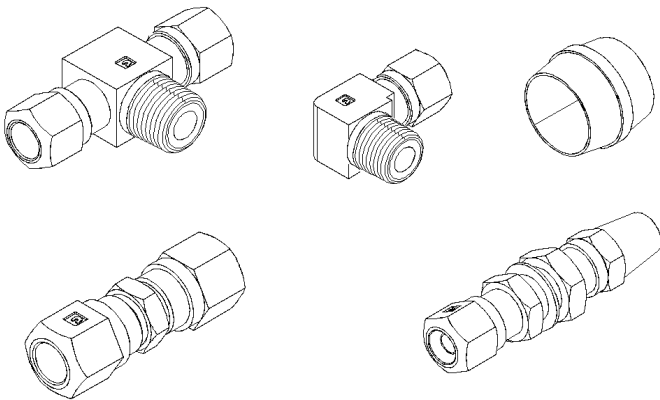
FITTING - MISCELLANEOUS



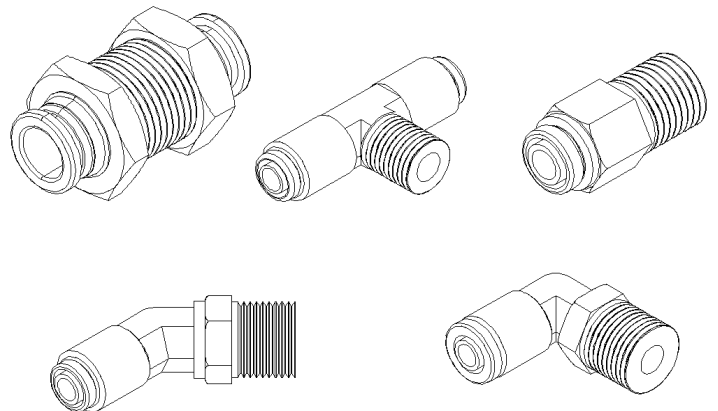
FITTING PIPE "NPT"
1



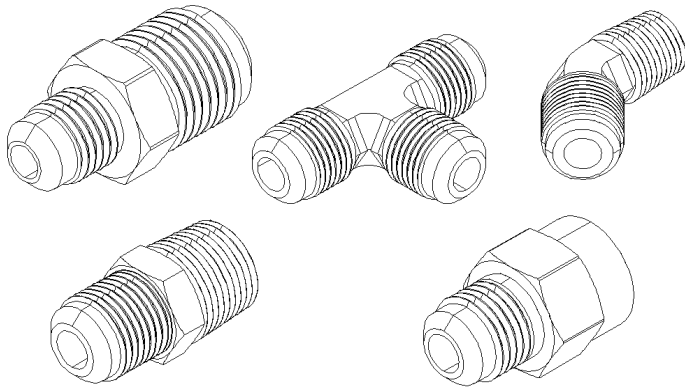
FITTING BRAKE "AB"
2



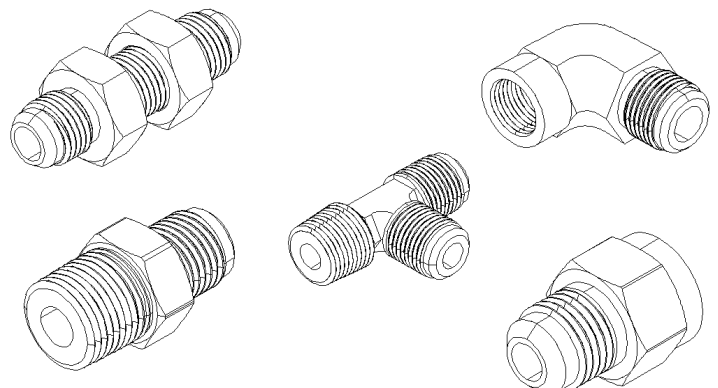
FITTING BRAKE "NTA"
3



FITTING BRAKE "PUSH-IN"
4



FITTING "SAE 45°"
5



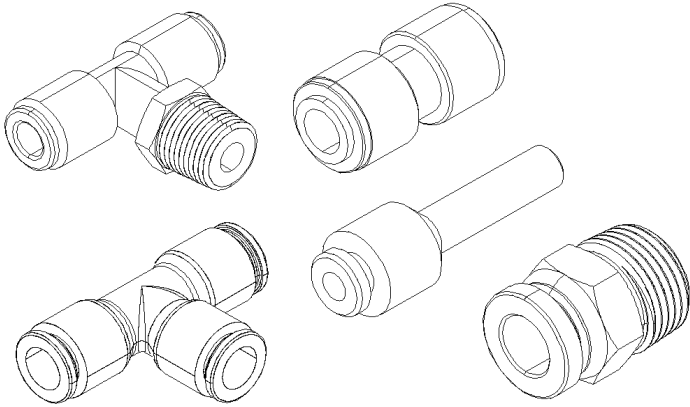
FITTING "JIC 37°"
6

From G-7275 To M-7767

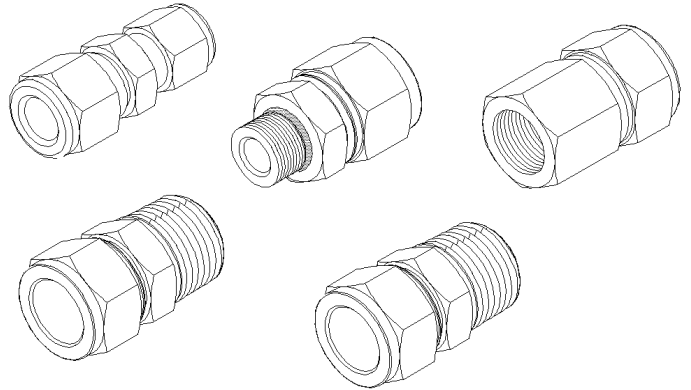
Date:07/2024

PAGE:X3PLB-1201-00

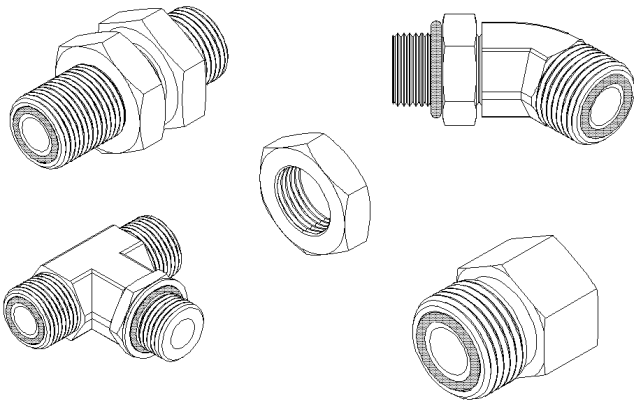
FITTING - MISCELLANEOUS



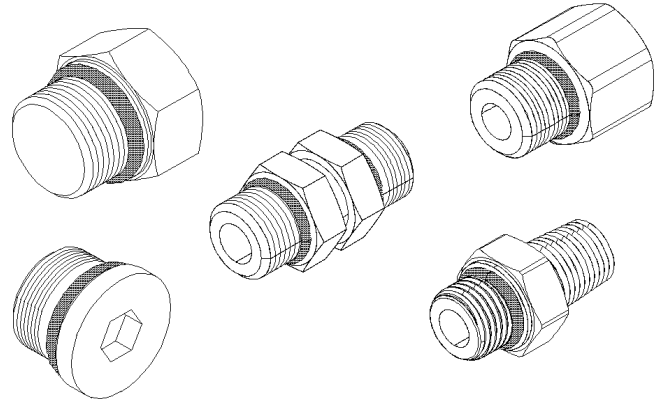
FITTING "PUSH-IN"
7



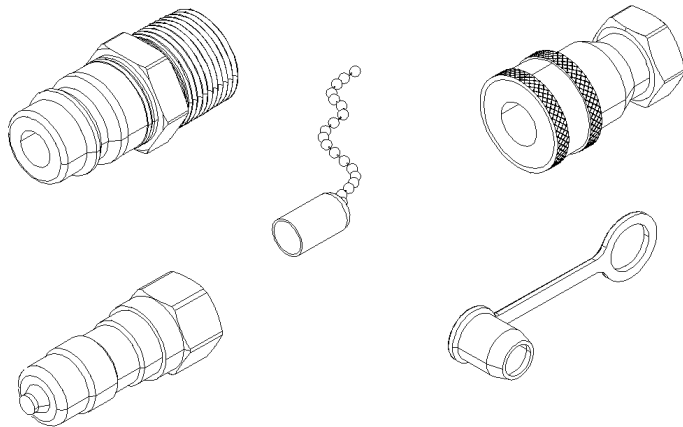
FITTING "A-LOK"
8



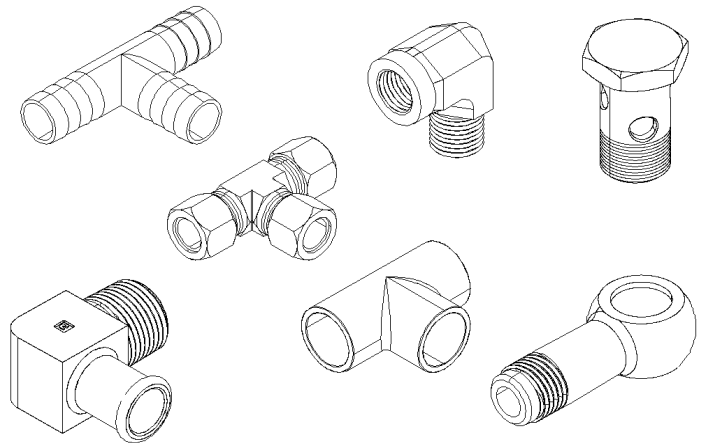
FITTING "ORS"
9



FITTING "ORB"
10



FITTING "QUICK DISCONNECT"
11



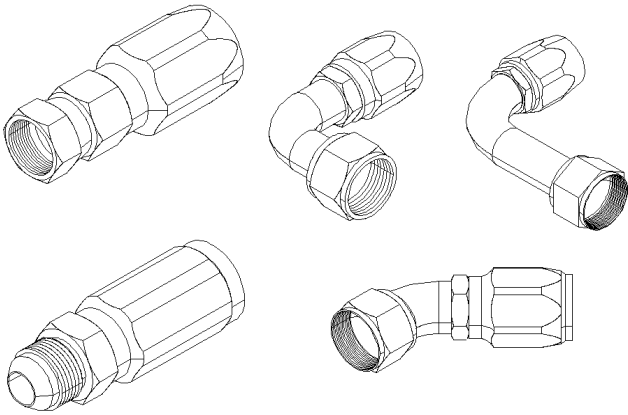
FITTING "MISCELANOUS"
12

From G-7275 To M-7767

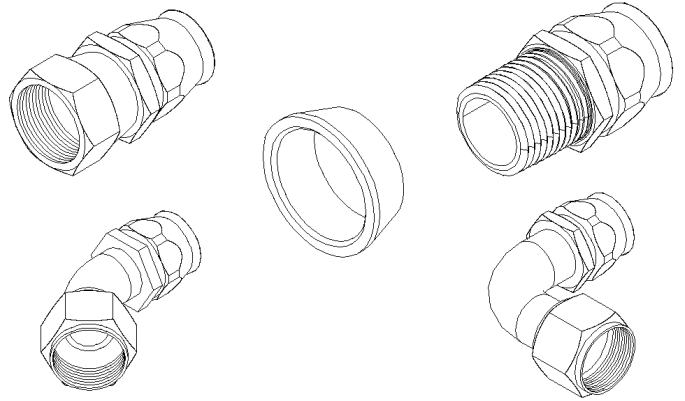
Date:07/2024

PAGE:X3PLB-1201-00

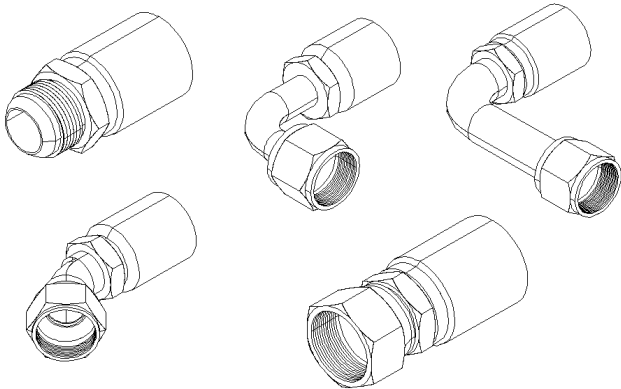
FITTING - MISCELLANEOUS



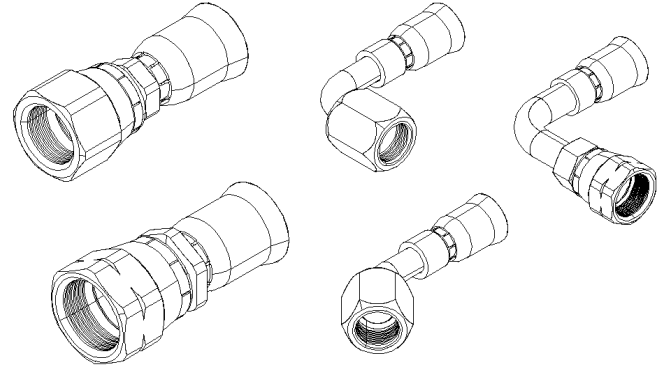
FITTING "HOSE END REUSABLE"
13



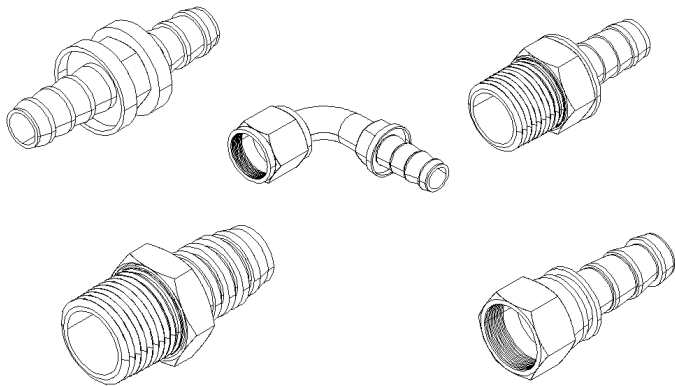
FITTING "HOSE END REUSABLE"
TEFLON
14



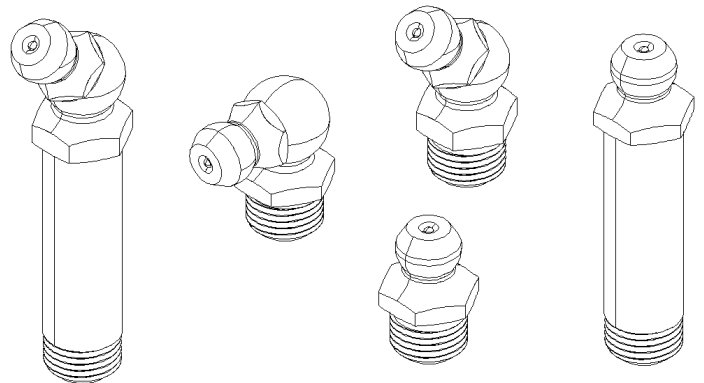
FITTING "HOSE END CRIMP"
15



FITTING "HOSE END CRIMP"
TEFLON
16



FITTING "HOSE END"
"PUSH-LOK & COLLAR"
17



FITTING "GREASE"
30

From G-7275 To M-7767	Date:07/2024	PAGE:X3PLB-1201-00
-----------------------	--------------	--------------------

FITTING - MISCELLANEOUS

Item#	Part	Description	QTY	Notes
		... BRAKE		
1	FM-00FM-00	FITTING NPT PIPE - MISCELANOUS		
2	FM-00FM-01	FITTING BRAKE "AB" - MISCELANOUS (D.O.T.)		
3	FM-00FM-02	FITTING BRAKE "NTA" - MISCELANOUS (D.O.T.)		
4	FM-00FM-03	FITTING BRAKE "PUSH-IN" - MISCELANOUS (D.O.T.)		
		... SAE & JIC		
5	FM-00FM-04	FITTING "SAE 45°" - MISCELANOUS		
6	FM-00FM-05	FITTING "JIC 37°" - MISCELANOUS		
7	FM-00FM-06	FITTING "PUSH-IN" - MISCELANOUS		
8	FM-00FM-07	FITTING "A-LOK" - MISCELANOUS (SWAGLELOK)		
		... ORS & ORB		
9	FM-00FM-08	FITTING "ORS" - MISCELANOUS		
10	FM-00FM-09	FITTING "ORB" - MISCELANOUS		
		... QUICK DISCONNECT		
11	FM-00FM-10	FITTING "QUICK DISCONNECT" - MISCELANOUS		
12	FM-00FM-11	FITTING "MISCELANOUS"		
		... HOSE END FITTING		
13	FM-00FM-12	FITTING "HOSE END REUSABLE" - MISCELANOUS		
14	FM-00FM-13	FITTING "HOSE END REUSABLE TEFLON" - MISCELANOUS		
15	FM-00FM-14	FITTING "HOSE END CRIMP" - MISCELANOUS		
16	FM-00FM-15	FITTING "HOSE END CRIMP TEFLON" - MISCELANOUS		
17	FM-00FM-16	FITTING "HOSE END" - "PUSH-LOK & COLLAR"		
30	FM-00GF-00	GREASE FITTING		

From G-7275 To M-7767

Date:07/2024

PAGE:X3PLB-1202-00

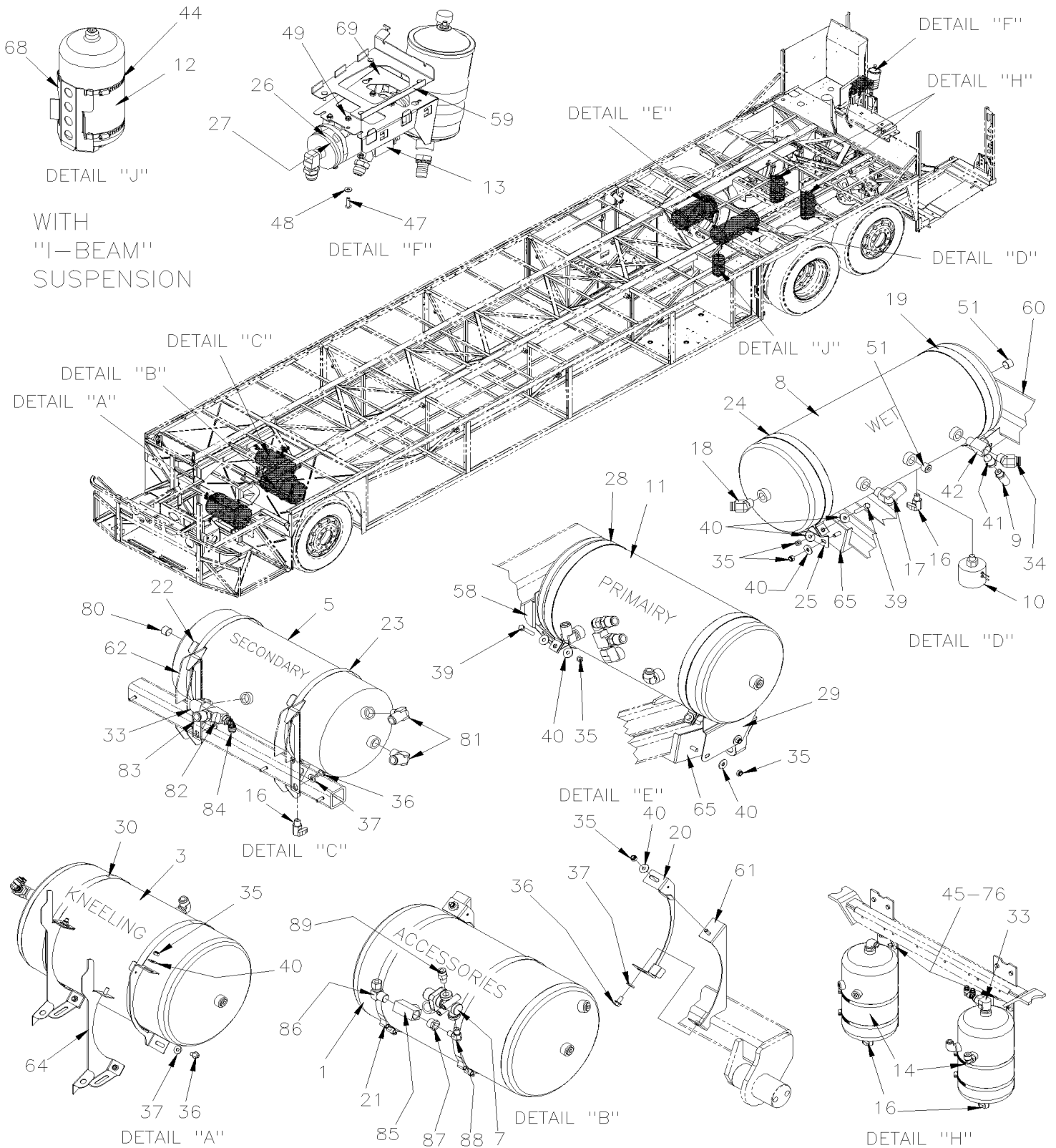
TUBES PLASTIC / AIR D.O.T.

ILLUSTRATION NOT
AVAILABLE AT TIME OF
PRINTING

From G-7275 To M-7767	Date:07/2024	PAGE:X3PLB-1202-00
TUBES PLASTIC / AIR D.O.T.		

Item#	Part	Description	QTY	Notes
	503747	TUBE, NYLON 6MM O.D. / BLACK S.L.		
	503566	TUBE, NYLON 1/4 O.D. / BLUE S.L.		
	503471	TUBE, NYLON 3/8 O.D. / BLUE S.L.		
	503517	TUBE, NYLON 1/2 O.D. / BLUE S.L.		
	503402	TUBE, NYLON 1/4 O.D. / BLACK S.L.		
	503404	TUBE, NYLON 3/8 O.D. / BLACK S.L.		
	503488	TUBE, NYLON 1/2 O.D. / BLACK S.L./		
	503548	TUBE, NYLON 1/4 O.D. / YELLOW S.L.		
	503470	TUBE, NYLON 3/8 O.D. / YELLOW S.L.		
	503533	TUBE, NYLON 1/2 O.D. / YELLOW S.L.		
NS	19514092	TUBE, NYLON 1/2 O.D. / YELLOW / 100FT ROLL		
	503467	TUBE, NYLON 3/8 O.D. / RED S.L.		
	503468	TUBE, NYLON 1/2 O.D. / RED S.L.		
	503469	TUBE, NYLON 5/8 O.D. / RED S.L.		
	503464	TUBE, NYLON 1/4 O.D. / GREEN S.L.		
	503463	TUBE, NYLON 3/8 O.D. / GREEN S.L.		
	503406	TUBE, NYLON 1/2 O.D. / GREEN S.L.		
	503408	TUBE, NYLON 5/8 O.D. / GREEN S.L.		
	503465	TUBE, NYLON 3/4 O.D. / GREEN S.L.		
	503472	TUBE, NYLON 3/8 O.D. / GREY S.L.		
	503822	TUBE, NYLON 1/4 O.D. / BROWN S.L.		
	503639	TUBE, NYLON 3/8 O.D. / BROWN S.L.		
	503638	TUBE, NYLON 1/2 O.D. / BROWN S.L.		
NS	683355	TOOL PLASTIC TUBE CUTTER / PLASTIC	1	
NS	681625	TOOL PLASTIC TUBE CUTTER / METAL	1	
NS	503748	HOSE PROTECTOR / YELLOW / .838 I.D.		

AIR TANK - INSTALLATION

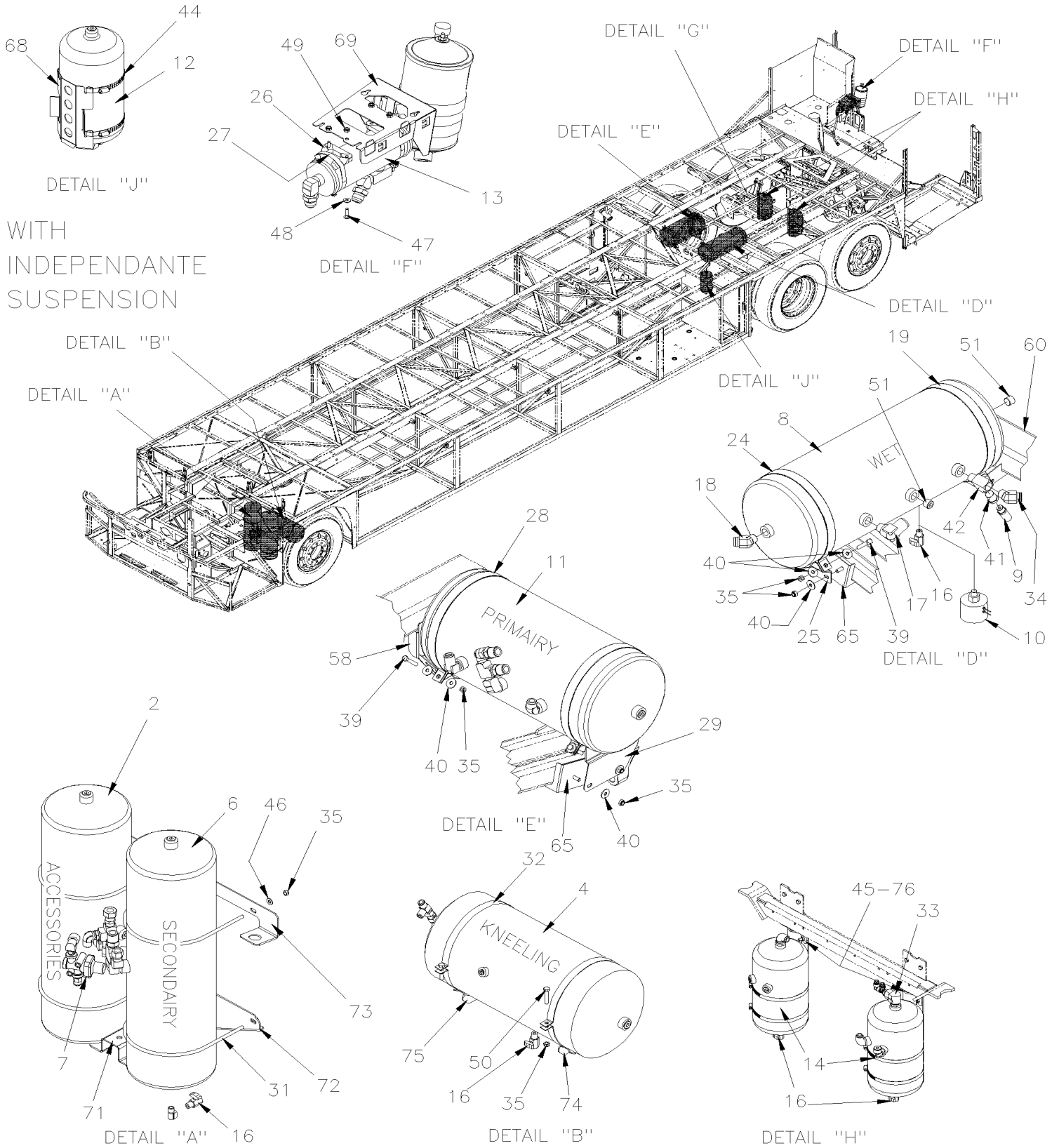


From G-7275 To M-7767

Date:07/2024

PAGE:X3PLB-1203-00

AIR TANK - INSTALLATION



From G-7275 To M-7767	Date:07/2024	PAGE:X3PLB-1203-00
-----------------------	--------------	--------------------

AIR TANK - INSTALLATION

Item#	Part	Description	QTY	Notes
		ACCESSORIES AIR TANK		
1	641411	AIR TANK / 2370 IN° / 12" O.D. X 24"	1	R
2	141834	AIR TANK / 1303 IN° / 8" O.D. X 27"1/2	1	I
		KNEELING AIR TANK		
3	641411	AIR TANK / 2370 IN° / 12" O.D. X 24"	1	R
4	641583	AIR TANK / 1508 IN° / 9" 1/2 O.D. X 24"	1	I
		SECONDARY AIR TANK		
5	641583	AIR TANK / 1508 IN° / 9" 1/2 O.D. X 24"	1	R
6	141834	AIR TANK / 1303 IN° / 8" O.D. X 27"1/2	1	I
7	641137	VALVE, PRESSURE PROTECTION TYPE PR-4 70PSI WET AIR TANK		
8	642000	AIR TANK / 1791 IN° / 9 1/2" O.D. X 27"	1	
9	642210	SAFETY VALVE 153 PSI X 1/4 NPT OEM	1	
9	19511125	SAFETY VALVE 153 PSI X 1/4 NPT AFTER-MARKET	1	
NS	501316	BUSHING REDUCER / PIPE FITTING / 1/2NPT-Mx1/4NPT-F BR	1	
10	642155	AUTOMATIC DRAIN VALVE "EXPELLO"	1	GR
		PRIMARY AIR TANK		
11	642209	AIR TANK / 1954 IN° / 10 1/2" OD X24 1/2"	1	
12		PURGE TANK		A
12	642110	AIR TANK / 290 IN° / 6" O.D. X 12" / W/(3) 1/2" NPT	1	A
		PING AIR TANK		
13	641982	AIR TANK / 96 IN° / 3 1/2" O.D. X 10"	1	
		"I-SHIFT TRANSMISSION AIR TANK		
14	131403	AIR TANK / 434 IN° / 7" O.D. X 13 1/4"	2	T
14	X3PLB-0700-00	TRANSMISSION "VOLVO I-SHIFT" - INSTALLATION WITH "EPA 2010"		T

From G-7275 To M-7767	Date:07/2024	PAGE:X3PLB-1203-00
AIR TANK - INSTALLATION		

Item#	Part	Description	QTY	Notes
16	641043	DRAIN VALVE 1/4 NPT M	AR	
17	641410	MALE ELBOW 90° NON-SWIVEL / PUSH-IN FITTING / #12x1/2NPT-M BR	1	
18	642069	MALE ELBOW 45° NON-SWIVEL / PUSH-IN FITTING / #10x1/2NPT-M BR	1	
19	145280	BAND CLAMPS 245MM I.D. To G-7299	1	
19	145592	BAND CLAMPS 245MM I.D. From G-7300	1	
20	145222	SUPPORT / AIR TANK	2	
21	504046	T-BOLT BAND CLAMP/ 12.05"-12.44" ID	4	
22	145252	BRACKET, SECONDARY AIR TANK	2	
23	504775	T-BOLT BAND CLAMP/ 9.69" ID	2	
24	145051	BAND CLAMPS 245MM I.D.	1	
25	145007	SUPPORT / WET AIR TANK / FORWARD	1	
26	161337	SUPPORT / PING AIR TANK	2	
27	504235	HOSE CLAMP / 3"9/16"-4"1/2 SS / HS-64	2	
28	145052	BAND CLAMPS 270MM I.D.	2	
28	145047	SUPPORT / PRIMARY AIR TANK / BACKWARD	1	
29	145046	SUPPORT / PRIMARY AIR TANK / FORWARD	1	
30	145222	SUPPORT / AIR TANK	2	
31	141835	ROD / TO USE W/8" O.D. TANK / "U" SHAPE	4	
32	131610	STRAP / TO USE W/9"1/2 O.D. TANK / "O" SHAPE To K-7656	2	I
32	504775	T-BOLT BAND CLAMP/ 9.69" ID From K-7657	2	I
33	641172	VALVE, CHECK ELBOW 90° 1/2 NPT To J-7503	1	
33	640123	VALVE, CHECK 1/2 NPT SC-1 From J-7504	1	
NS	641401	VALVE, CHECK 1/2 NPT SC-1 From J-7504	1	
NS	507557	STREET ELBOW 90° / PIPE FITTING / 1/2NPT-Mx1/2NPT-F BR From J-7504	1	
34	642069	MALE ELBOW 45° NON-SWIVEL / PUSH-IN FITTING / #10x1/2NPT-M BR	1	
35	502847	NUT HEX NYRT M8-1.25 N500	AR	
36	5001780	SCREW CAP HEXF M8-1.25x16 G8.8 N500	AR	
37	500321	WASHER BEL SPR .331x.827x.098 N500	AR	
39	502927	SCREW CAP HEX M8-1.25x50 G8.8 N500	2	
40	500381	WASHER FL 8.4x25.0x2.0 N500	AR	
41	501316	BUSHING REDUCER / PIPE FITTING / 1/2NPT-Mx1/4NPT-F BR	1	
42	501473	MALE RUN TEE / PIPE FITTING / 1/2NPT-Mx1/2NPT-Fx1/2NPT-F BR	1	
44	504324	HOSE CLAMP / 4"1/2-6"1/2 SS / HS-96	2	
45	5001643	SCREW CAP HEXF M8-1.25x25 G8.8 G500	2	
46	5001736	WASHER FL 8.4x18.0x2.0 N500	2	
47	500558	SCREW MA TR PH 1/4-20x1 SS	4	
48	500411	WASHER FL .260x.697x.050 SS	4	
49	502874	NUT HEX NYRT 1/4-20 N500	4	
50	5001319	SCREW CAP HEX M8-1.25x40 SS	2	
51	501966	PLUG HEXS / PIPE FITTING / 1/2NPT-M STL	2	
55	X3PLB-1215-10	AIR DRYER - INSTALLATION		

From G-7275 To M-7767	Date:07/2024	PAGE:X3PLB-1203-00
AIR TANK - INSTALLATION		

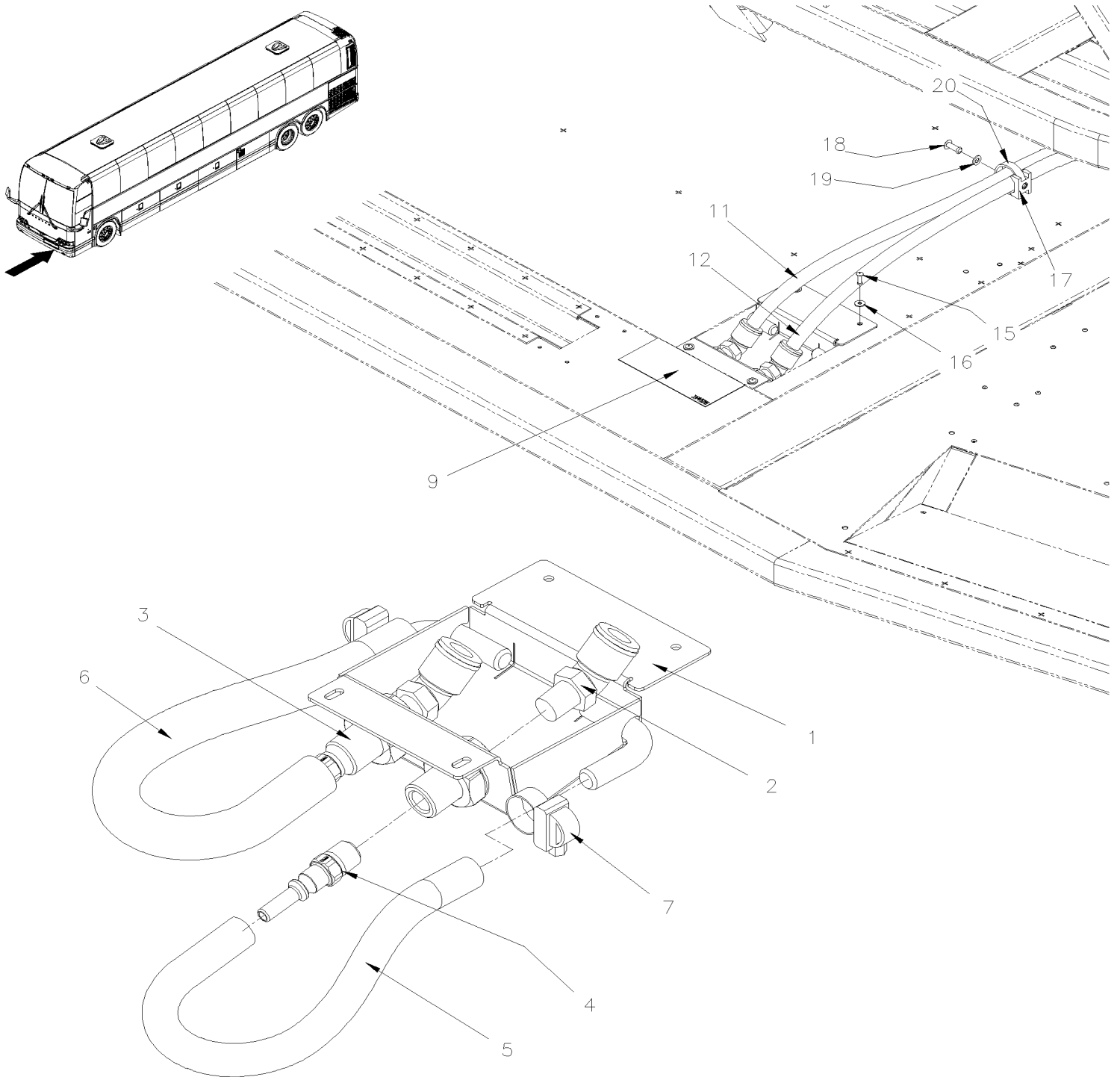
Item#	Part	Description	QTY	Notes
58	175147	SUPPORT / PRIMARY AIR TANK / FOWARD / (WELDED TO FRAME)	1	
59	218493	SUPPORT / AIR TANK & POWER STEERING RESERVOIR / (WELDED TO FRAME)	1	
60	175125	SUPPORT / WET AIR TANK / FORWAD / (WELDED TO FRAME)	1	
61	145220	SUPPORT / ACCESSORIES AIR TANK / (WELDED TO FRAME)	2	
62	175215	SUPPORT / SECONDAIRY AIR TANK / (WELDED TO FRAME)	2	
64	145221	SUPPORT / KNEELING AIR TANK / (WELDED TO FRAME)	2	
65	175124	SUPPORT / AIR TANK / BACKWARD / (WELDED TO FRAME)	2	
68	173506	SUPPORT / AIR TANK W/6" TANK	1	
69	161332	SUPPORT / AIR TANK & POWER STEERING RESERVOIR To K-7632	1	
69	160030	SUPPORT / AIR TANK & POWER STEERING RESERVOIR From K-7633	1	
71	172705	SUPPORT AIR TANK / LOWER	1	
72	172704	SUPPORT AIR TANK / LOWER	1	I
73	173724	SUPPORT AIR TANK / UPPER	1	I
74	131747	SUPPORT L.H. "KNEELING" TANK	1	I
75	131748	SUPPORT R.H. "KNEELING" TANK	1	I
76	175073	SUPPORT / AIR TANK (WELDED AT STRUCTURE)	2	T
80	501966	PLUG HEXS / PIPE FITTING / 1/2NPT-M STL	AR	
81	641379	MALE ELBOW 90° NON-SWIVEL / PUSH-IN FITTING / #10x1/2NPT-M BR	AR	
82	501473	MALE RUN TEE / PIPE FITTING / 1/2NPT-Mx1/2NPT-Fx1/2NPT-F BR	AR	
83	641384	MALE CONNECTOR / PUSH-IN FITTING / #10x1/2NPT-M BR To G-6075	AR	
83	640994	MALE CONNECTOR / NTA FITTING / #10x1/2NPT-M BR From G-6076	AR	
84	642179	MALE ELBOW 90° NON-SWIVEL / PUSH-IN FITTING / #6 x1/2NPT-M COMPOSITE	AR	
85	507556	MALE BRANCHE TEE / PIPE FITTING / 1/2NPT-Fx1/2NPT-Fx1/2NPT-M BR	AR	
86	641175	MALE ELBOW 90° / NTA FITTING / #6x1/2NPT-M BR	AR	
87	501316	BUSHING REDUCER / PIPE FITTING / 1/2NPT-Mx1/4NPT-F BR	AR	
88	641999	MALE ELBOW 90° / PIPE FITTING / 3/8NPT-Mx3/8NPT-M BR	AR	
89	641331	MALE CONNECTOR / PUSH-IN FITTING / #6x1/4NPT-M BR	AR	
		A) WITH AIR DRYER HALDEX		
		GR) WITH GREYHOUND OPTION		
		I) WITH INDEPENDANTE SUSPENSION		
		R) WITH I-BEAM SUSPENSION		
		T) WITH "I-SHIFT" TRANSMISSION		

From H-7320 To M-7767

Date:07/2024

PAGE:X3PLB-1206-00

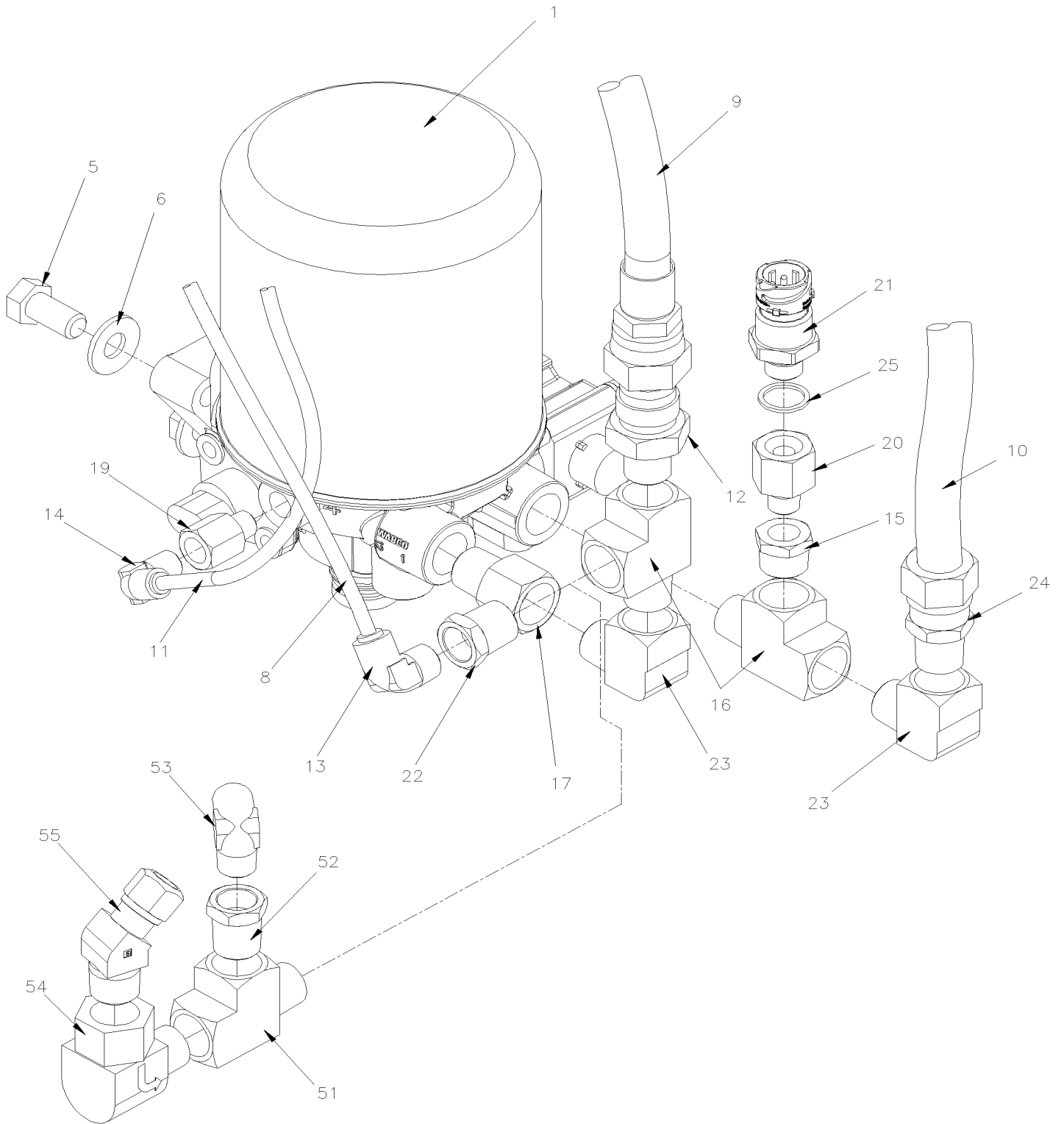
FRONT AIR SUPPLY FOR TOWING



From H-7320 To M-7767	Date:07/2024	PAGE:X3PLB-1206-00
FRONT AIR SUPPLY FOR TOWING		

Item#	Part	Description	QTY	Notes
1	140057	BRACKET, QUICK COUPLING	1	
2	642073	MALE ELBOW 45° / PUSH-IN FITTING / #8x1/4NPT-M	2	
3	501711	BULKHEAD COUPLING / PIPE FITTING / 1/4NPT-Fx1/4NPT-Fx1 1/2 BR	2	
4	5011341	NIPPLE / QUICK DISCONNECT "LINCOLN" / #4x1/4NPT-M STL	2	
5	503005	HOSE SILICONE 3/8" x 144"	AR	
6	503821	HOSE SILICONE 4 PLY / NOMEX-ARAMID 3/8" x 144"	AR	
7	992081	HOSE CLAMP / 12MM/22MM	2	
9	144979	DECAL, AIR LINE	1	
11	503406	TUBE, NYLON 1/2 O.D. / GREEN S.L.	AR	
12	503638	TUBE, NYLON 1/2 O.D. / BROWN S.L.	AR	
15	504717	RIVET POP DOME OE 1/8x1/4 SS	4	
16	500157	WASHER FL .125x.375x.032 SS	4	
17	504013	TIE MOUNT / 1/4" X 1/4" I.D.	3	
18	504119	RIVET POP DOME OE 3/16x1/2 AL	1	
18	504118	RIVET POP DOME OE 3/16x3/8 AL	1	
18	504379	RIVET POP DOME OE 3/16x1/4 SS	1	
19	500855	WASHER FL .188x.438x.049 N500	3	
20	504016	CABLE TIE / 5/16" X 14"1/2	AR	
50	X3PLB-1220-10	BRAKE PEDAL VALVE - "BENDIX" E-8P		
51	X3PLB-1630-00	FRONT KNEELING - CONTROL PANEL		

AIR DRYER - "WABCO"



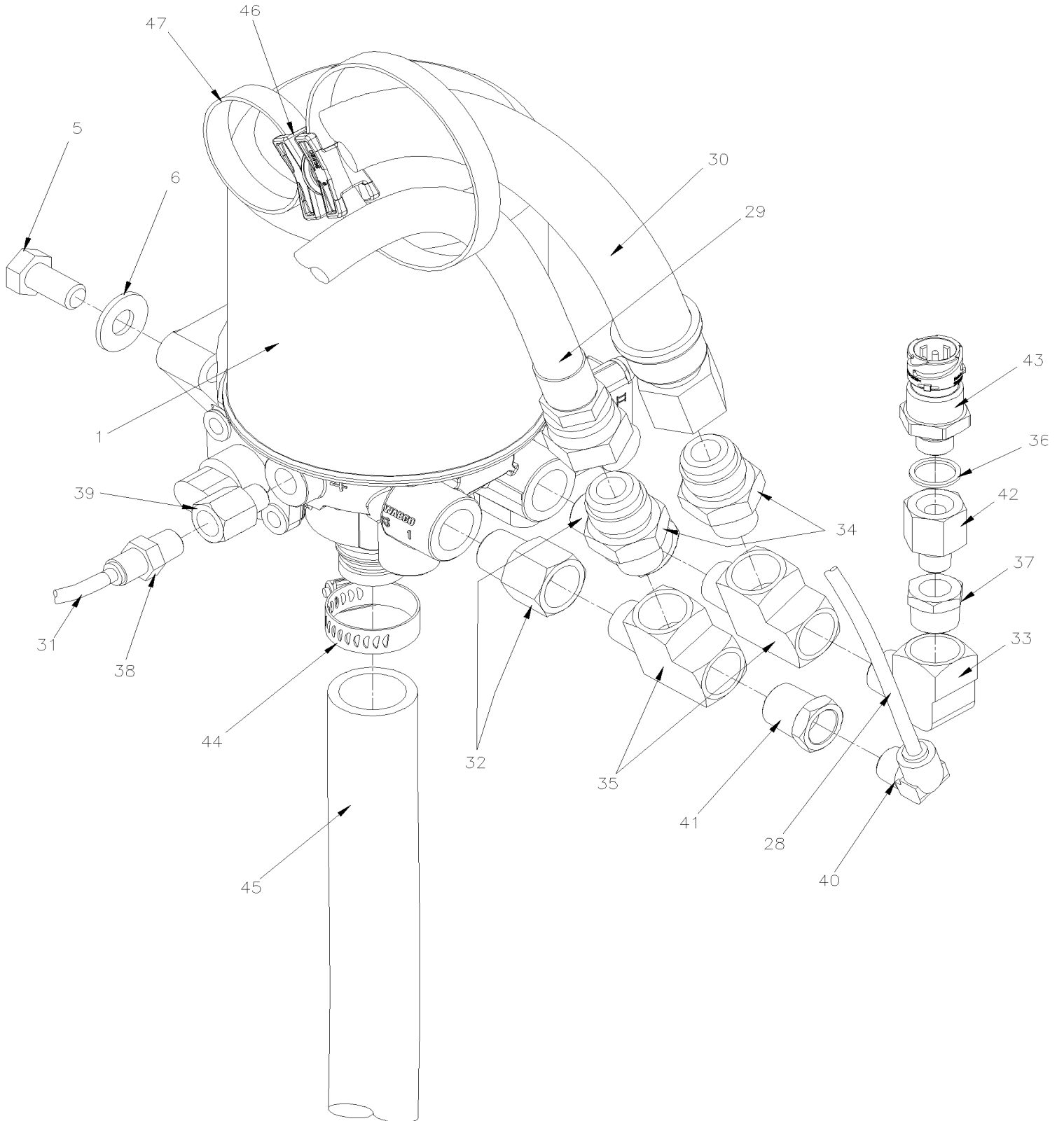
OPTION
SOUTHEASTERN STAGE

From G-7275 To H-7416

Date:07/2024

PAGE:X3PLB-1215-05

AIR DRYER - "WABCO"



From G-7275 To H-7416	Date:07/2024	PAGE:X3PLB-1215-05
AIR DRYER - "WABCO"		

Item#	Part	Description	QTY	Notes
1	21440978	AIR DRYER "WABCO" 12 VOLTS	1	
1	067966	HARNESS / AIR DRYER CONTROL	1	A
NS	680098	THREAD SEALANT LOCTITE #567 / WHITE / 250ml	AR	
5	5001565	SCREW CAP HEX 1/2-13x1 G5 N500	3	
6	500967	WASHER BEL SPR .512x1.142x.098 N500	3	
NS	682175	UNDERCOATING BLACK PROTECTOR (GRAVELGUARD) 567gr	AR	
8	503464	TUBE, NYLON 1/4 O.D. / GREEN S.L.	AR	
9	145061	HOSE ASSY TEFLON / #12 3510MM	1	
10	503465	TUBE, NYLON 3/4 O.D. / GREEN S.L.	AR	
11	503548	TUBE, NYLON 1/4 O.D. / YELLOW S.L.	AR	
12	501600	MALE CONNECTOR / JIC 37° FITTING / #12JIC-Mx1/2NPT-M STL	1	
13	641374	MALE ELBOW 90° NON-SWIVEL / PUSH-IN FITTING / #4x3/8NPT-M BR	1	
14	641371	MALE ELBOW 90° NON-SWIVEL / PUSH-IN FITTING / #4x1/4NPT-M BR	1	
15	501316	BUSHING REDUCER / PIPE FITTING / 1/2NPT-Mx1/4NPT-F BR	1	
16	501473	MALE RUN TEE / PIPE FITTING / 1/2NPT-Mx1/2NPT-Fx1/2NPT-F BR	2	
17	5011119	ADAPTER / PIPE FITTING / 1/2NPT-Fx1/2NPT-M BR	1	
19	501308	ADAPTER / PIPE FITTING / 1/4NPT-Fx1/4NPT-M BR	1	
20	647893	ADAPTER / PIPE FITTING / 1/4NPT-MxM16-F STL	1	
21	20829689	SENSOR PRESSURE / 0-15bar	1	
22	501534	BUSHING REDUCER / PIPE FITTING / 1/2NPT-Mx3/8NPT-F BR	1	
23	507557	STREET ELBOW 90° / PIPE FITTING / 1/2NPT-Mx1/2NPT-F BR	2	
24	640995	MALE CONNECTOR / NTA FITTING / #12x1/2NPT-M BR	1	
25	504789	RETAINING RING	1	
28	503464	TUBE, NYLON 1/4 O.D. / GREEN S.L.	AR	
29	143174	HOSE ASSY TEFLON #12 4650MM	1	
30	143153P	HOSE ASSY / #12 1550MM	1	
31	503548	TUBE, NYLON 1/4 O.D. / YELLOW S.L.	AR	
32	5011119	ADAPTER / PIPE FITTING / 1/2NPT-Fx1/2NPT-M BR	2	
33	507557	STREET ELBOW 90° / PIPE FITTING / 1/2NPT-Mx1/2NPT-F BR	1	
34	501600	MALE CONNECTOR / JIC 37° FITTING / #12JIC-Mx1/2NPT-M STL	2	
35	501473	MALE RUN TEE / PIPE FITTING / 1/2NPT-Mx1/2NPT-Fx1/2NPT-F BR	2	
36	504789	RETAINING RING	1	
37	501316	BUSHING REDUCER / PIPE FITTING / 1/2NPT-Mx1/4NPT-F BR	1	
38	641332	MALE CONNECTOR / PUSH-IN FITTING / #4x1/4NPT-M BR	1	
39	501308	ADAPTER / PIPE FITTING / 1/4NPT-Fx1/4NPT-M BR	1	
40	641374	MALE ELBOW 90° NON-SWIVEL / PUSH-IN FITTING / #4x3/8NPT-M BR	1	
41	501534	BUSHING REDUCER / PIPE FITTING / 1/2NPT-Mx3/8NPT-F BR	1	
42	647893	ADAPTER / PIPE FITTING / 1/4NPT-MxM16-F STL	1	
43	20829689	SENSOR PRESSURE / 0-15bar	1	

From G-7275 To H-7416		Date:07/2024	PAGE:X3PLB-1215-05
AIR DRYER - "WABCO"			

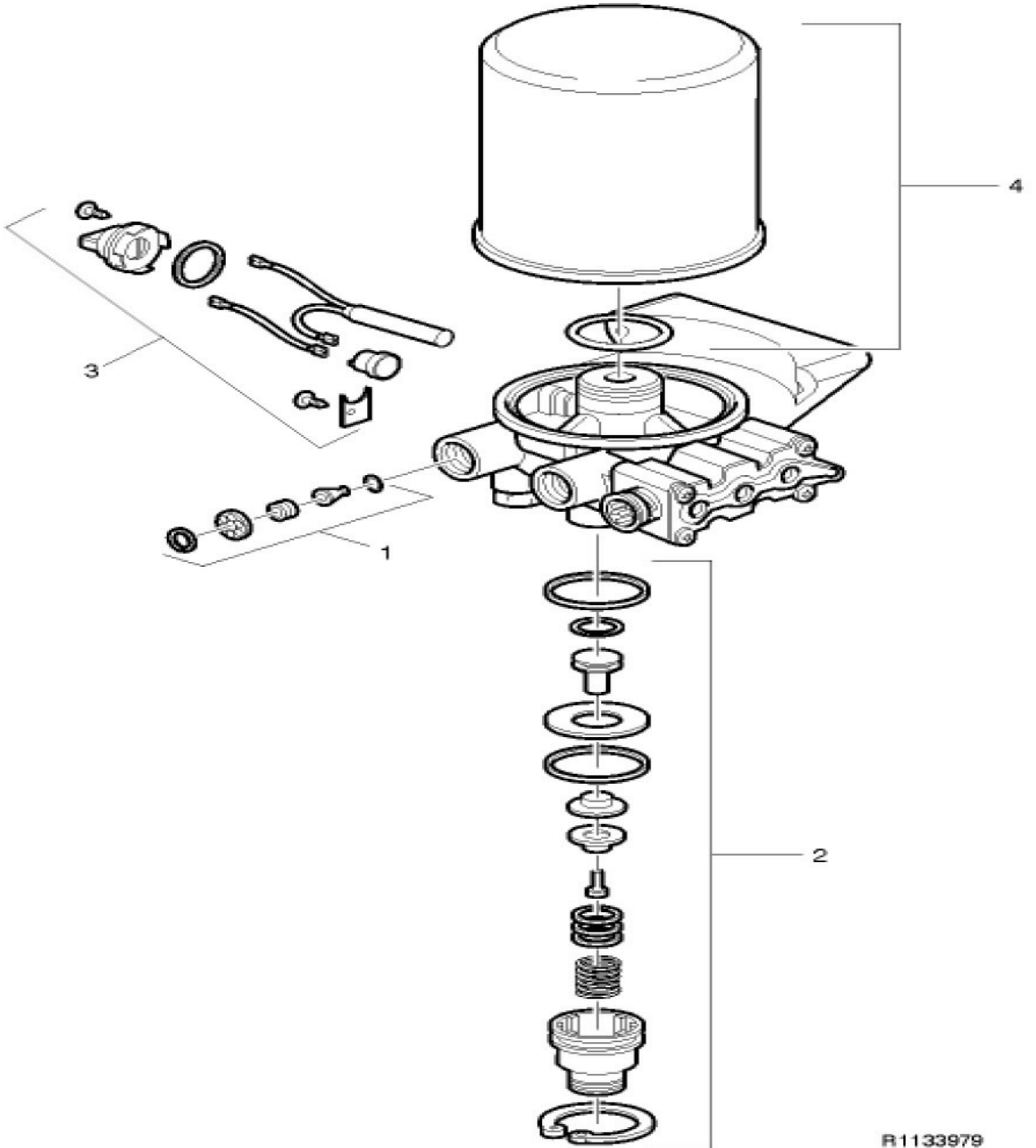
Item#	Part	Description	QTY	Notes
44	504022	HOSE CLAMP / 3/4"-1"3/4 SS / HS-20	1	
45	503796	HOSE SILICONE 2 PLY / NOMEX-ARAMID 1 1/8" I.D. x 6'	AR	
46	504752	ROTATIF SPACER DOUBLE / LARGE	AR	
47	509491	CABLE TIE / 13MM x 383MM	AR	
47	507664	CABLE TIE / 3/16" 11" / DOUBLE LOOP HEAD	AR	
51	501473	MALE RUN TEE / PIPE FITTING / 1/2NPT-Mx1/2NPT-Fx1/2NPT-F BR	1	S
52	501534	BUSHING REDUCER / PIPE FITTING / 1/2NPT-Mx3/8NPT-F BR	1	S
53	641374	MALE ELBOW 90° NON-SWIVEL / PUSH-IN FITTING / #4x3/8NPT-M BR	1	S
54	641172	VALVE, CHECK ELBOW 90° 1/2 NPT	1	S
55	641089	MALE ELBOW 45° / NTA FITTING / #8x1/2NPT-M BR	1	S
		A) WITH PRIME - "POWER RECOVERY BY INTELLIGENT MANAGEMENT OF ENERGY"		
		S) SOUTHEASTERN STAGE OPTION		

From G-7275 To H-7416

Date:07/2024

PAGE:21440978

AIR DRYER "WABCO" 12 VOLTS



From G-7275 To H-7416		Date:07/2024	PAGE:21440978
-----------------------	--	--------------	---------------

AIR DRYER "WABCO" 12 VOLTS

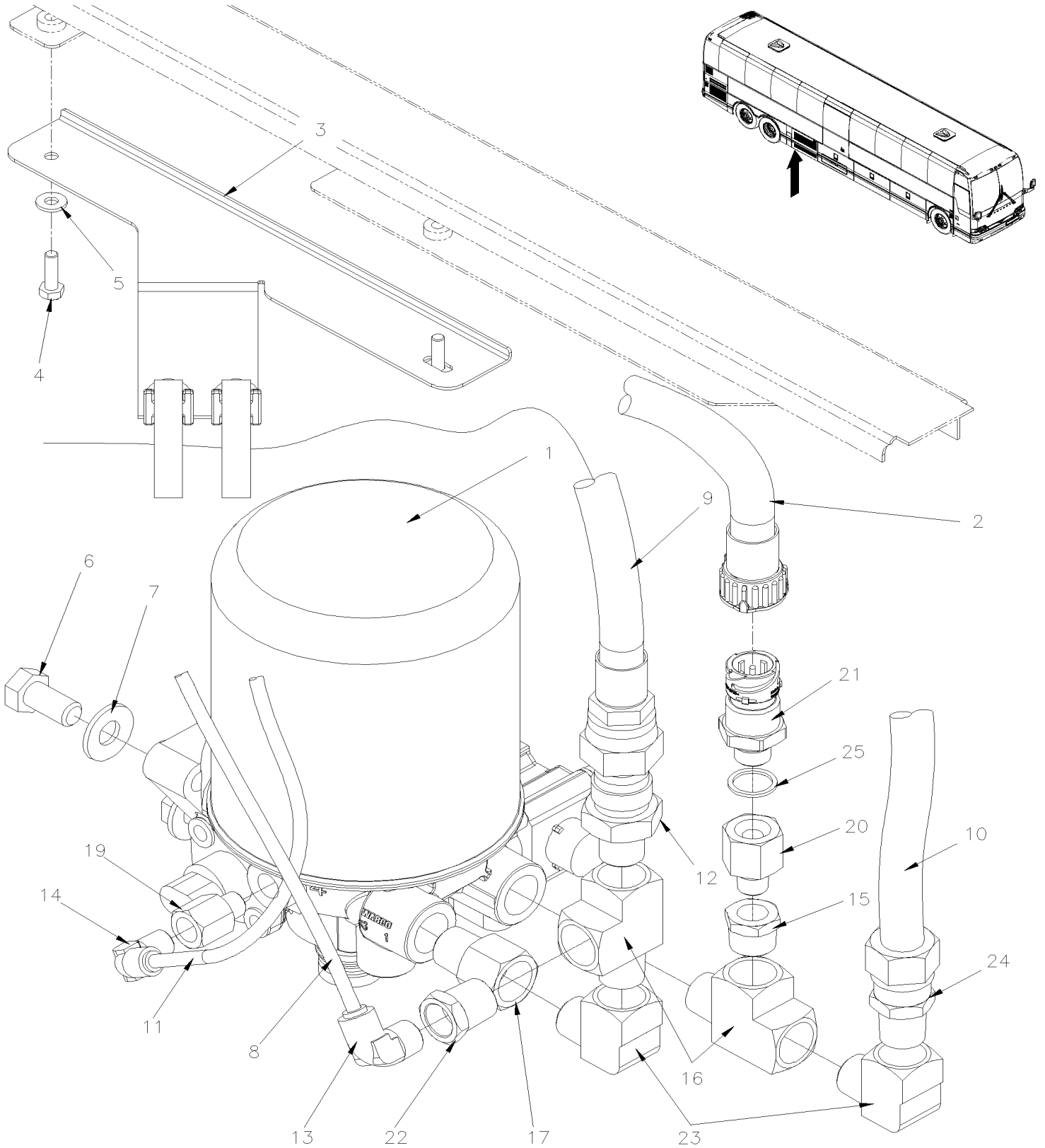
Item#	Part	Description	QTY	Notes
1	641281	OUTLET CHECK VALVE KIT	1	
2	641283	PURGE VALVE KIT	1	
3	3918354	HEATER ASSY KIT 12 VOLTS	1	
. NS	562251	. CONNECTOR / METRI-PACK 280 / SH 2C / PED 12020599	1	
. NS	562101	. SOCKET TERMINAL / 14-12 / PED 12129493	2	
4	642123	DESICANT CARTRIDGE / "WABCO" / SS-1200UP	1	
4	640045	DESICANT CARTRIDGE / "WABCO"	1	

From H-7417 To M-7767

Date:07/2024

PAGE:X3PLB-1215-06

AIR DRYER - "WABCO" VOLVO D13 - GHG17

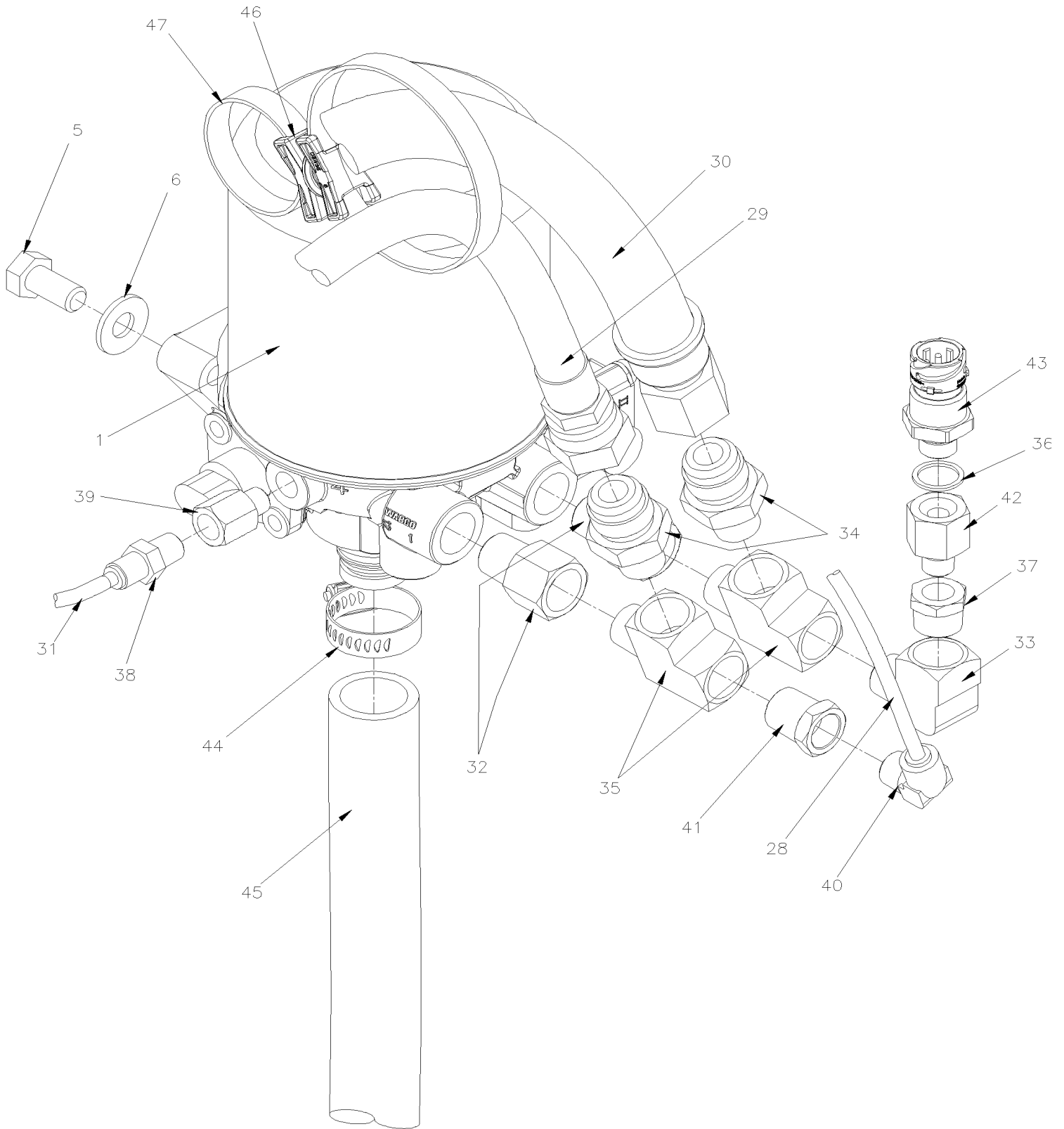


From H-7417 To M-7767

Date:07/2024

PAGE:X3PLB-1215-06

AIR DRYER - "WABCO" VOLVO D13 - GHG17



From H-7417 To M-7767	Date:07/2024	PAGE:X3PLB-1215-06
AIR DRYER - "WABCO" VOLVO D13 - GHG17		

Item#	Part	Description	QTY	Notes
1	21440978	AIR DRYER "WABCO" 12 VOLTS	1	
NS	680098	THREAD SEALANT LOCTITE #567 / WHITE / 250ml	AR	
2	060095	HARNESS / AIR DRYER CONTROL	1	A
NS	504637	CABLE TIE / 3/16" x 13"	AR	
3	175232	SUPPORT PIPE	1	
NS	504750	CABLE TIE / 1/2" x 15" / CHRISTMAS TREE	AR	
4	502830	SCREW CAP HEX M6-1.0x20 G8.8 N500	2	
5	500877	WASHER FL .250x.562x.065 N500	2	
6	5001565	SCREW CAP HEX 1/2-13x1 G5 N500	3	
7	500967	WASHER BEL SPR .512x1.142x.098 N500	3	
NS	682175	UNDERCOATING BLACK PROTECTOR (GRAVELGUARD) 567gr To N-7995	AR	
NS	685413	RUBBERIZED UNDERCOAT (GRAVELGUARD) 560gr From N-7996	1	
8	503464	TUBE, NYLON 1/4 O.D. / GREEN S.L.	AR	
9	145061	HOSE ASSY TEFLON / #12 3510MM	1	
NS	504751	ROTATIF SPACER DOUBLE / SMALL	1	
10	503465	TUBE, NYLON 3/4 O.D. / GREEN S.L.	AR	
11	503548	TUBE, NYLON 1/4 O.D. / YELLOW S.L.	AR	
12	501600	MALE CONNECTOR / JIC 37° FITTING / #12JIC-Mx1/2NPT-M STL	1	
13	641374	MALE ELBOW 90° NON-SWIVEL / PUSH-IN FITTING / #4x3/8NPT-M BR	1	
14	641371	MALE ELBOW 90° NON-SWIVEL / PUSH-IN FITTING / #4x1/4NPT-M BR	1	
15	501316	BUSHING REDUCER / PIPE FITTING / 1/2NPT-Mx1/4NPT-F BR	1	
16	501473	MALE RUN TEE / PIPE FITTING / 1/2NPT-Mx1/2NPT-Fx1/2NPT-F BR	2	
17	5011119	ADAPTER / PIPE FITTING / 1/2NPT-Fx1/2NPT-M BR	1	
19	501308	ADAPTER / PIPE FITTING / 1/4NPT-Fx1/4NPT-M BR	1	
20	647893	ADAPTER / PIPE FITTING / 1/4NPT-MxM16-F STL	1	
21	20829689	SENSOR PRESSURE / 0-15bar	1	
22	501534	BUSHING REDUCER / PIPE FITTING / 1/2NPT-Mx3/8NPT-F BR	1	
23	507557	STREET ELBOW 90° / PIPE FITTING / 1/2NPT-Mx1/2NPT-F BR	2	
24	640995	MALE CONNECTOR / NTA FITTING / #12x1/2NPT-M BR	1	
25	504789	RETAINING RING	1	
28	503464	TUBE, NYLON 1/4 O.D. / GREEN S.L.	AR	
29	143174	HOSE ASSY TEFLON #12 4650MM	1	
30	143153P	HOSE ASSY / #12 1550MM	1	
31	503548	TUBE, NYLON 1/4 O.D. / YELLOW S.L.	AR	
32	5011119	ADAPTER / PIPE FITTING / 1/2NPT-Fx1/2NPT-M BR	2	
33	507557	STREET ELBOW 90° / PIPE FITTING / 1/2NPT-Mx1/2NPT-F BR	1	
34	501600	MALE CONNECTOR / JIC 37° FITTING / #12JIC-Mx1/2NPT-M STL	2	
35	501473	MALE RUN TEE / PIPE FITTING / 1/2NPT-Mx1/2NPT-Fx1/2NPT-F BR	2	
36	504789	RETAINING RING	1	
37	501316	BUSHING REDUCER / PIPE FITTING / 1/2NPT-Mx1/4NPT-F BR	1	
38	641332	MALE CONNECTOR / PUSH-IN FITTING / #4x1/4NPT-M BR	1	

From H-7417 To M-7767	Date:07/2024	PAGE:X3PLB-1215-06
AIR DRYER - "WABCO" VOLVO D13 - GHG17		

Item#	Part	Description	QTY	Notes
39	501308	ADAPTER / PIPE FITTING / 1/4NPT-Fx1/4NPT-M BR	1	
40	641374	MALE ELBOW 90° NON-SWIVEL / PUSH-IN FITTING / #4x3/8NPT-M BR	1	
41	501534	BUSHING REDUCER / PIPE FITTING / 1/2NPT-Mx3/8NPT-F BR	1	
42	647893	ADAPTER / PIPE FITTING / 1/4NPT-MxM16-F STL	1	
43	20829689	SENSOR PRESSURE / 0-15bar	1	
44	504022	HOSE CLAMP / 3/4"-1"3/4 SS / HS-20	1	
45	503796	HOSE SILICONE 2 PLY / NOMEX-ARAMID 1 1/8" I.D. x 6'	AR	
NS	504060	GROMMET / 1.500x2.000x.094x.375x2.375	1	
46	504752	ROTATIF SPACER DOUBLE / LARGE	AR	
47	509491	CABLE TIE / 13MM x 383MM	AR	
47	507664	CABLE TIE / 3/16" 11" / DOUBLE LOOP HEAD	AR	
NS	680064	OIL ANTICORROSIVE GREY (TECTYL) (20 LITERS)	AR	
NS	682175	UNDERCOATING BLACK PROTECTOR (GRAVELGUARD) 567gr To N-7995	AR	
NS	685413	RUBBERIZED UNDERCOAT (GRAVELGUARD) 560gr From N-7996	1	
		A) WITH PRIME - "POWER RECOVERY BY INTELLIGENT MANAGEMENT OF ENERGY"		

From H-7417 To M-7767	Date:07/2024	PAGE:21440978
-----------------------	--------------	---------------

AIR DRYER "WABCO" 12 VOLTS

Item#	Part	Description	QTY	Notes
1	641281	OUTLET CHECK VALVE KIT	1	
2	641283	PURGE VALVE KIT	1	
3	3918354	HEATER ASSY KIT 12 VOLTS	1	
. NS	562251	. CONNECTOR / METRI-PACK 280 / SH 2C / PED 12020599	1	
. NS	562101	. SOCKET TERMINAL / 14-12 / PED 12129493	2	
4	642123	DESICANT CARTRIDGE / "WABCO" / SS-1200UP	1	
4	640045	DESICANT CARTRIDGE / "WABCO"	1	

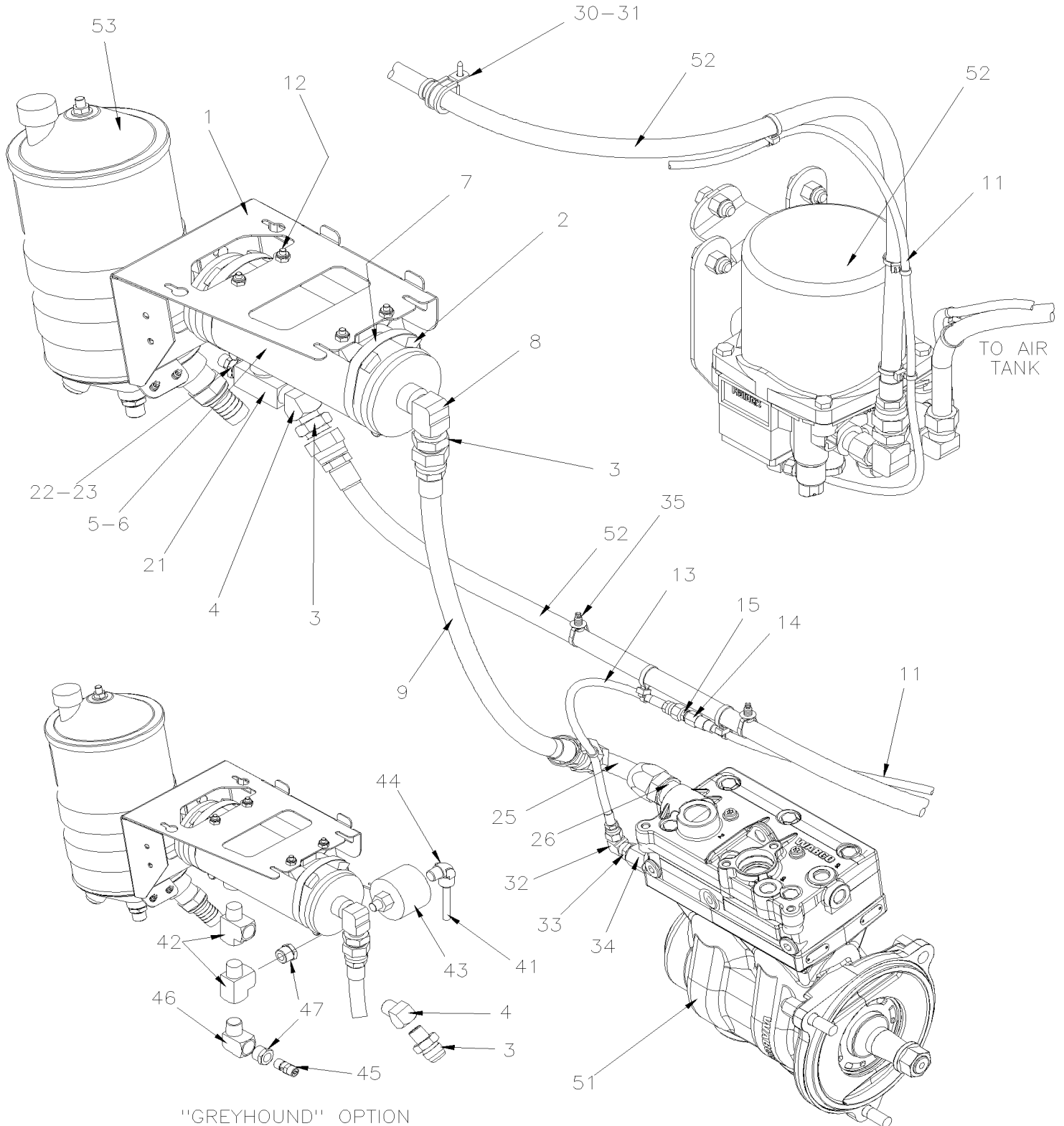
From G-7275 To M-7767

Date:07/2024

PAGE:X3PLB-1215-10

AIR DRYER - INSTALLATION

WITH VOLVO D13 ENGINE EPA 2010



From G-7275 To M-7767	Date:07/2024	PAGE:X3PLB-1215-10
AIR DRYER - INSTALLATION		

Item#	Part	Description	QTY	Notes
1	161332	SUPPORT / AIR TANK & POWER STEERING RESERVOIR To K-7632	1	
1	160030	SUPPORT / AIR TANK & POWER STEERING RESERVOIR From K-7633	1	
2	161337	SUPPORT / PING AIR TANK	1	
3	501600	MALE CONNECTOR / JIC 37° FITTING / #12JIC-Mx1/2NPT-M STL	2	
NS	680098	THREAD SEALANT LOCTITE #567 / WHITE / 250ml	AR	
4	501528	STREET ELBOW 45° / PIPE FITTING / 1/2NPT-Mx1/2NPT-F BR	1	
5	501966	PLUG HEXS / PIPE FITTING / 1/2NPT-M STL	1	
6	641982	AIR TANK / 96 IN° / 3 1/2" O.D. X 10"	1	
7	504235	HOSE CLAMP / 3"9/16"-4"1/2 SS / HS-64	2	
8	507557	STREET ELBOW 90° / PIPE FITTING / 1/2NPT-Mx1/2NPT-F BR	1	
9	143198	HOSE ASSY TEFLON #12 410MM	1	
11	503464	TUBE, NYLON 1/4 O.D. / GREEN S.L.	AR	
12	500558	SCREW MA TR PH 1/4-20x1 SS	4	
NS	500411	WASHER FL .260x.697x.050 SS	4	
NS	502874	NUT HEX NYRT 1/4-20 N500	4	
13	143248	HOSE ASSY TEFLON #4 152MM	1	
14	642080	FEMALE CONNECTOR / PUSH-IN FITTING / #4x1/8NPT-F NP	1	
15	501026	MALE CONNECTOR / SAE 45° FITTING / #4FL-Mx1/8NPT-M BR	1	
21	507556	MALE BRANCHE TEE / PIPE FITTING / 1/2NPT-Fx1/2NPT-Fx1/2NPT-M BR	1	
22	501316	BUSHING REDUCER / PIPE FITTING / 1/2NPT-Mx1/4NPT-F BR	1	
23	642109	SAFETY VALVE 200 PSI x 1/4 NPT / ST-4	1	
25	507544	SWIVEL NUT ELBOW 90° SHORT / JIC 37° FITTING/ #12JIC-Fx#12JIC-Mx1.82 STL	1	
26	507647	MALE CONNECTOR W/ED SEAL / JIC 37° FITTING / #12JIC-MxM26-1.5-M STL	1	
NS	506758	TAPE RUB ADH1 NEO 1/16"X 1 1/2"X50'	1	
NS	504016	CABLE TIE / 5/16" X 14"1/2	AR	
NS	504750	CABLE TIE / 1/2" x 15" / CHRISTMAS TREE	AR	
NS	504751	ROTATIF SPACER DOUBLE / SMALL	AR	
NS	504768	CABLE TIE / 3/16" 14.7" / DOUBLE LOOP HEAD	AR	
NS	509815	TIE MOUNT / ATTACHMENT W/TREE MOUNT	AR	
30	952631	CLAMP / 3/4" I.D.	AR	
30	952633	CLAMP / 7/8" I.D.	AR	
31	500957	SCREW TP BDG PH #10x3/4 N500	AR	
32	501037	MALE ELBOW 90° / SAE 45° FITTING / #4FL-Mx1/4NPT-M BR	1	
33	501314	BUSHING REDUCER / PIPE FITTING / 3/8NPT-Mx1/4NPT-F BR	1	
34	5011205	FEMALE CONNECTOR / PIPE @ METRIC / 3/8NPT-FxM16-1.5-M ZP	1	
NS	641297	O-RING 13.1MM I.D. X 2.6 TH	1	
NS	641298	WASHER FL 17MM I.D x 22MM O.D. x 1.5MM	1	
35	504013	TIE MOUNT / 1/4" X 1/4" I.D.	2	
35	504379	RIVET POP DOME OE 3/16x1/4 SS	2	
		WITH "GREYHOUND" OPTION		

From G-7275 To M-7767	Date:07/2024	PAGE:X3PLB-1215-10
-----------------------	--------------	--------------------

AIR DRYER - INSTALLATION

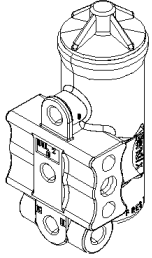
Item#	Part	Description	QTY	Notes
41	503404	TUBE, NYLON 3/8 O.D. / BLACK S.L.	AR	GR
42	501473	MALE RUN TEE / PIPE FITTING / 1/2NPT-Mx1/2NPT-Fx1/2NPT-F BR	2	GR
43	642155	AUTOMATIC DRAIN VALVE "EXPELLO"	1	GR
43	509815	TIE MOUNT / ATTACHMENT W/TREE MOUNT	3	GR
43	504637	CABLE TIE / 3/16" x 13"	3	GR
44	641375	MALE ELBOW 90° NON-SWIVEL / PUSH-IN FITTING / #6x3/8NPT-M BR	1	GR
45	642109	SAFETY VALVE 200 PSI x 1/4 NPT / ST-4	1	GR
46	507557	STREET ELBOW 90° / PIPE FITTING / 1/2NPT-Mx1/2NPT-F BR	1	GR
47	501316	BUSHING REDUCER / PIPE FITTING / 1/2NPT-Mx1/4NPT-F BR	2	GR
51	Refer To Volvo	AIR COMPRESSOR - "WABCO" 636CC - WITH VOLVO D13		V
52	X3PLB-1215-05	AIR DRYER - "WABCO"		
53	X3PLB-1420-00	POWER STEERING TANK - 4 QT U.S. To K-7632		
53	X3PLB-1420-10	POWER STEERING TANK - ZF From K-7633		
		GR) WITH "GREYHOUND" OPTION		
		V) SEE IMPACT OR CALL ORDER DESK		

From G-7275 To M-7767

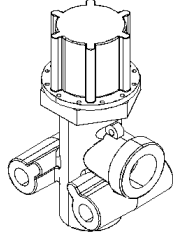
Date:07/2024

PAGE:X3PLB-1220-00

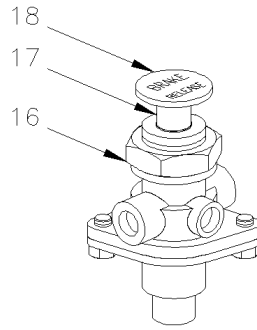
MISCELLANEOUS AIR VALVE



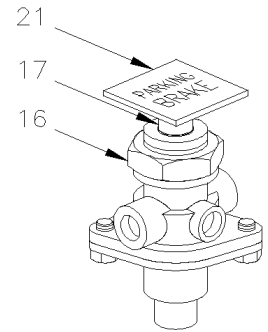
5



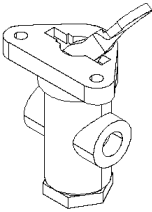
10



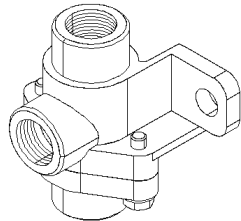
15



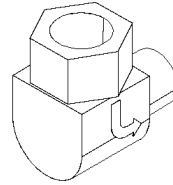
20



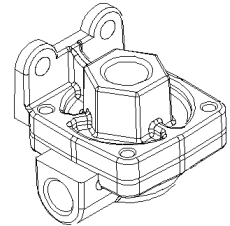
25



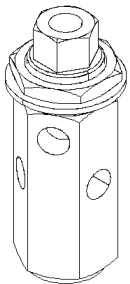
30



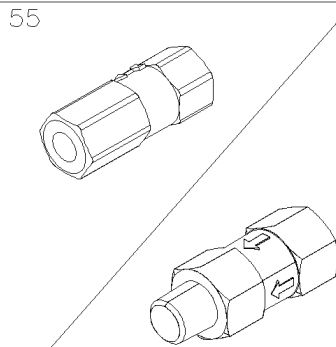
35



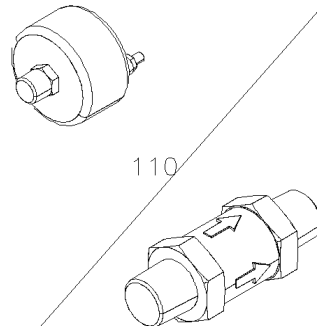
40



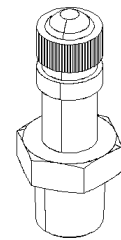
45



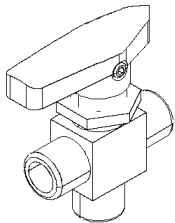
55



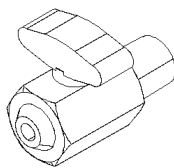
110



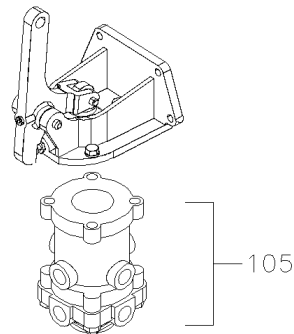
70



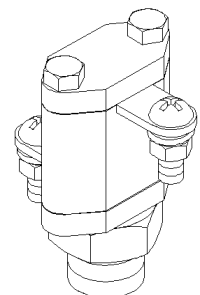
75



90



100



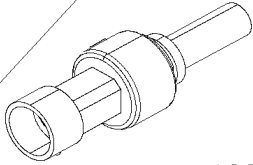
85

From G-7275 To M-7767

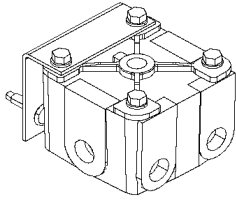
Date:07/2024

PAGE:X3PLB-1220-00

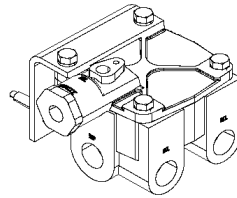
MISCELLANEOUS AIR VALVE



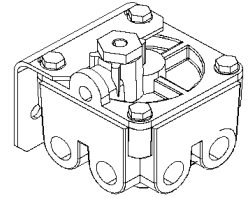
120



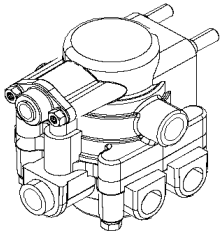
125



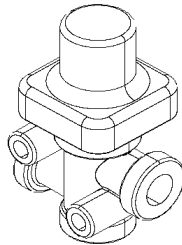
130



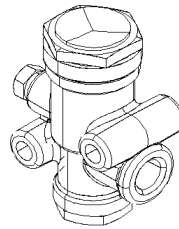
135



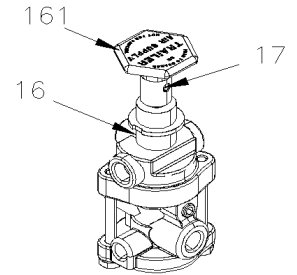
145



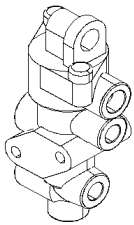
150



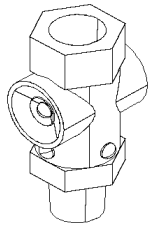
155



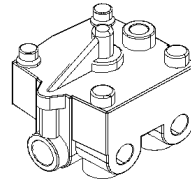
160



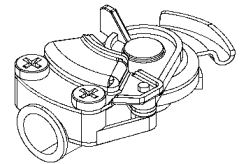
170



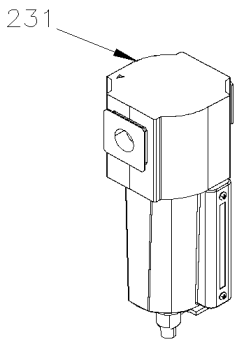
175



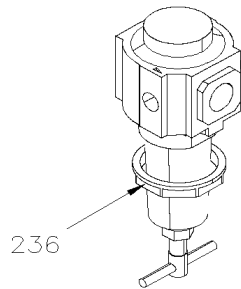
180



185

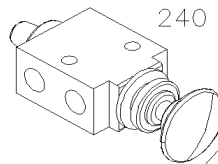


230

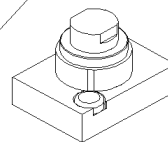


236

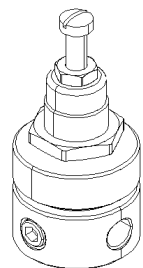
235



240



241



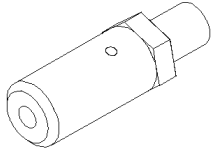
245

From G-7275 To M-7767

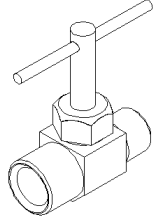
Date:07/2024

PAGE:X3PLB-1220-00

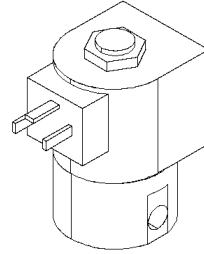
MISCELLANEOUS AIR VALVE



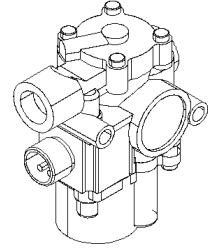
250



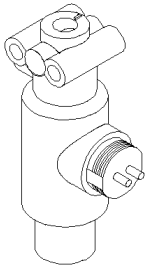
260



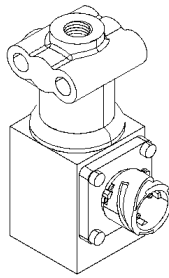
275



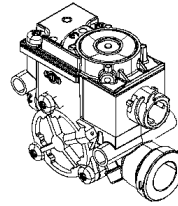
300



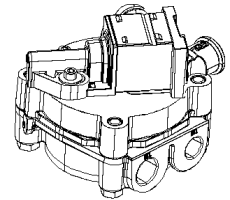
305



310



322



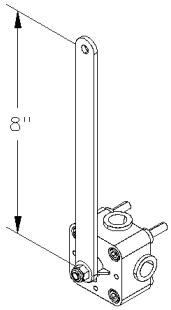
323

From G-7275 To M-7767

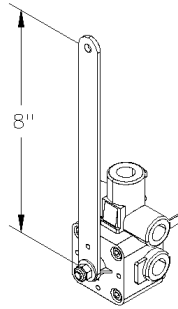
Date:07/2024

PAGE:X3PLB-1220-00

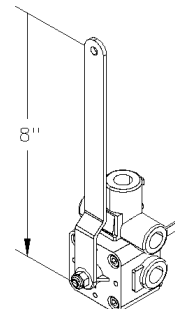
MISCELLANEOUS AIR VALVE



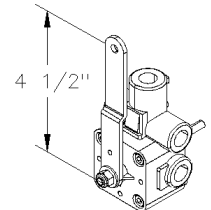
350



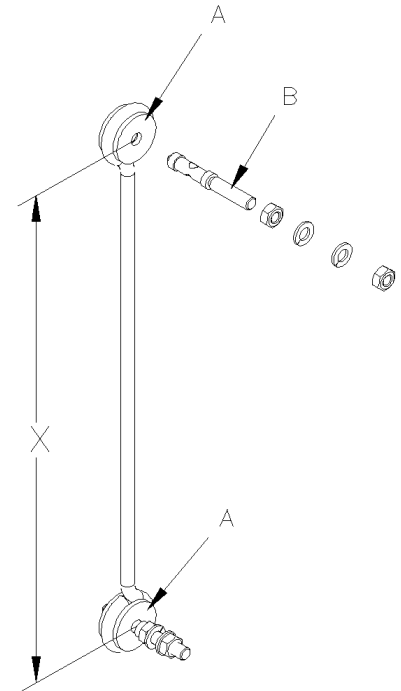
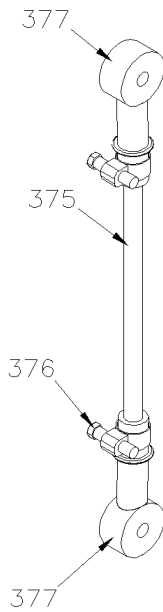
360



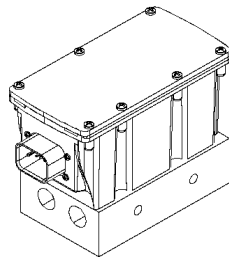
362



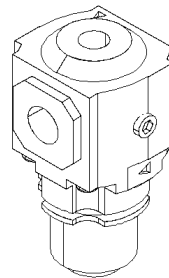
365



385



395



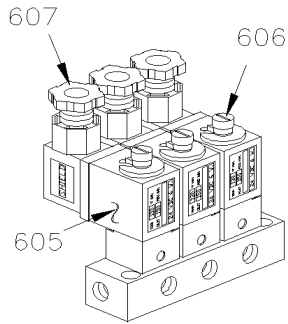
397

From G-7275 To M-7767

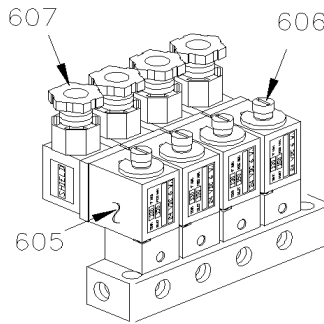
Date:07/2024

PAGE:X3PLB-1220-00

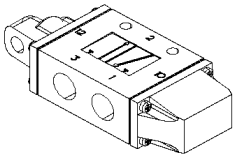
MISCELLANEOUS AIR VALVE



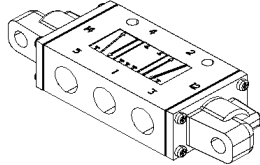
601



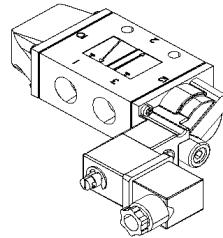
602



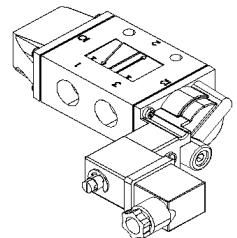
610



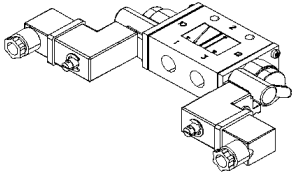
615



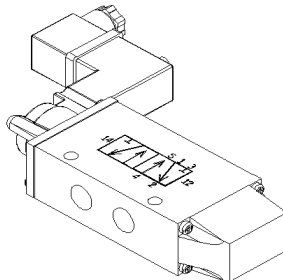
620



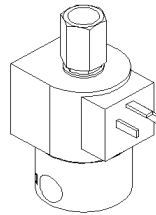
625



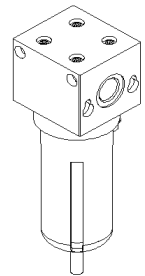
630



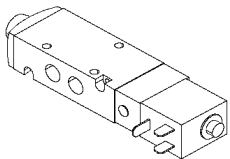
635



640



645



650

From G-7275 To M-7767	Date:07/2024	PAGE:X3PLB-1220-00
MISCELLANEOUS AIR VALVE		

Item#	Part	Description	QTY	Notes
5	641933	GOVERNOR, AIR / D-2 / (110/130PSI)	1	
. NS	640965	. REPAIR KIT / GOVERNOR D-2	1	
. NS	640638	. GASKET, AIR GOVERNOR	1	
. NS	500187	. SCREW CAP HEX 5/16-18x3 G5 Z050	2	
. NS	500942	. WASHER LO SPT 8.1x14.8x2.0 N500	2	
10	642136	VALVE, PRESSURE REDUCING / RV-3 55 PSI	1	
15	640472	VALVE, CONTROL / RD-3	1	
. NS	641154	. REPAIR KIT / PP-1 & RD-3	1	
16	640297	NUT	1	
17	640286	PIN ROLLER	1	
18	641155	BUTTON, OVERRULE ROUND BLACK	1	
NS	640394	BUTTON, PARKING BRAKE ROUND BLACK / 1"	1	
20	642169	VALVE, CONTROL VALVE PP-1 / 60PSI	1	
. NS	641154	. REPAIR KIT / PP-1 & RD-3	1	
. NS	641149	. BUTTON, PARKING BRAKE DIAMOND YELLOW / 1"	1	
21	641149	BUTTON, PARKING BRAKE DIAMOND YELLOW / 1"	1	
25	640136	VALVE, CONTROL TW-1	1	
. NS	641156	. REPAIR KIT / TW-1	1	
30	641564	VALVE, DOUBLE CHECK DC-4	1	
35	641172	VALVE, CHECK ELBOW 90° 1/2 NPT	1	
40	641429	VALVE, QUICK RELEASE QR-1 / 3/8NPTx3/8NPTx3/8NPT	1	
. NS	640924	. REPAIR KIT / QR-1	1	
50	640135	VALVE, CHECK 1/4 NPT	1	
55	640123	VALVE, CHECK 1/2 NPT SC-1	1	
. NS	641401	. VALVE, CHECK 1/2 NPT SC-1	1	
55	641401	VALVE, CHECK 1/2 NPT SC-1	1	
60	530175	VALVE, CHECK 1/8 NPT	1	
70	640488	VALVE, AIR FILL 1/8" NPT	1	
. NS	650164	. CAP VALVE / CHROME	1	
75	641417	VALVE, 3 WAYS 1/8NPT-Fx1/8NPT-Fx1/8NPT-F BR	1	
. NS	642014	. HANDLE / RED	1	
75	642161	VALVE, 3 WAYS 1/8NPT-Fx1/8NPT-Fx1/8NPT-F BR / SERVICE	1	
. NS	642014	. HANDLE / RED	1	
85	640975	PRESSURE SWITCH N.C. 66PSI / 1/4NPT LP-3	1	
85	641174	PRESSURE SWITCH N.C. 30PSI / 1/4NPT LP-2	1	
90	641043	DRAIN VALVE 1/4 NPT M	1	
100	641856	BRAKE VALVE ASSY W/BACKET / MODEL E-10P	1	
. NS	19507993	. BOOT PLUNGER	1	
. NS	19510779	. PLUNGER	1	
. NS	2222120	. MOUNTING BRACKET COUPLING D-1	1	
105	641925	. VALVE SUB ASSY / MODEL E-10P	1	
110	641462	PRESSURE SWITCH N.O. 4PSI / 1/4NPT W/10-32 / SL-5 BRAKE	1	

From G-7275 To M-7767	Date:07/2024	PAGE:X3PLB-1220-00
MISCELLANEOUS AIR VALVE		

Item#	Part	Description	QTY	Notes
120	642075	TRANSDUCER PRESSURE	1	
. NS	563159	. CONNECTOR / METRI-PACK 150 / SH 3C / PED 12065287	1	
125	641088	VALVE, RELAY R-12 HORIZONTAL PORT	1	
125	642068	VALVE, RELAY R-12 HORIZONTAL PORT / W/OUT SUPPORT	1	
130	641120	VALVE, RELAY R-14 HORIZONTAL PORT 4psi Crack	1	
. NS	10508267	. KIT, REPAIR	1	
135	641991	VALVE, RELAY R-14 "WABCO"	1	
145	643384	VALVE / SPRING BRAKE SR-7	1	
. NS	642119	. VALVE / SPRING BRAKE SR-7	1	
150	641137	VALVE, PRESSURE PROTECTION TYPE PR-4 70PSI	1	
155	640471	VALVE, INVERSION TR-3 25-40LBS	1	
155	21243502	VALVE PRESSURE REDUCER RV-3 / K028993	1	
160	641397	TRAILER SUPPLY VALVE PP-7	1	
161	641935	BUTTON RED / FOR TRAILER VALVE PP-7	1	
170	641495	TRACTOR PROTECTION VALVE TP-3 DC	1	
175	642088	VALVE, QUICK RELEASE QR-L / IN LINE	1	
180	641399	VALVE, RELAY R-12 P SUPPERSEDED 642097	1	
185	641939	GLANDHAND W/DUST COVER "BLUE"	1	
185	641938	GLANDHAND W/DUST COVER "RED"	1	
230	641338	AIR FILTER ASSY	1	
231	641339	SUPPORT / AIR FILTER	1	
235	641352	AIR PRESSURE REGULATOR 1/2" NPT	1	
236	641506	NUT RING / AIR REGULATOR RETAINING	1	
NS	142025	SUPPORT / AIR REGULATOR	1	A
241	642173	VALVE, 3 WAYS, 2 POSITIONS MECHANICAL	1	
245	641472	AIR PRESSURE REGULATOR 1/4" NPT / COPPER	1	
250	642022	SAFETY VALVE 150 PSI X 3/8 NPT / ST-3	1	
260	501354	NEEDLE VALVE 1/8 NPT M x 1/8 NPT F	1	
275	562804	VALVE, 2 WAYS N.C.	1	
. NS	562848	. CONNECTOR / SOCKET HOUSING ASSY 3C / PNEUMAC 54933-05	1	
300	641951	VALVE, "ABS" 12VOLT	1	
305	641460	VALVE, "ATC" 24VOLT	1	
305	641950	VALVE, "ATC" 12VOLT	1	
310	642079	VALVE, "ATC" 12VOLT	1	
322	640228	VALVE, "ABS" 12VOLT / M-40QR	1	
350	630156	VALVE, HEIGHT CONTROL "BARKSDALE" 8"	1	
360	630261	VALVE, HEIGHT CONTROL "BARKSDALE" / FRONT / W/DRAIN 8"	1	
362	630247	VALVE, HEIGHT CONTROL "BARKSDALE" / REAR / W/DRAIN 8"	1	
365	630266	VALVE, HEIGHT CONTROL "BARKSDALE" / FRONT / W/DRAIN 4 1/2"	1	
375	131351	ROD LINK / 140MM	1	
375	131308	ROD LINK / 305MM x .250"	1	
376	504014	. HOSE CLAMP / 1/4"-5/8" SS / HM-4	AR	

From G-7275 To M-7767	Date:07/2024	PAGE:X3PLB-1220-00
MISCELLANEOUS AIR VALVE		

Item#	Part	Description	QTY	Notes
377	630133	. ROD END / BLACK RUBBER 1/4" I.D.		
385	630231	LINK ASSY 185MM C/C 7 1/4"	1	
. A	N8889244	. GROMMET / LINK	2	
. B	630250	. STUD RETAINER 1/4-20 X 1"	2	
. C	500247	. NUT HEX 1/4-20 N500	4	
. D	500473	. WASHER LO SPT .262x.489x.062 Z050	4	
385	630232	LINK ASSY 265MM C/C 10 1/2"	1	
. A	N8889244	. GROMMET / LINK	2	
. B	630250	. STUD RETAINER 1/4-20 X 1"	2	
. NS	500479	. WASHER LO INT .448x.789x.040 Z050	4	
. NS	500473	. WASHER LO SPT .262x.489x.062 Z050	4	
385	630263	LINK ASSY 317MM C/C 11 1/2"	1	
. A	N8889244	. GROMMET / LINK	2	
. B	630250	. STUD RETAINER 1/4-20 X 1"	2	
. NS	500769	. NUT HEX 1/4-20 Z050	4	
. NS	500473	. WASHER LO SPT .262x.489x.062 Z050	4	
395	630262	VALVE, TAG CONTROL "BARKSDALE" / MASTER	1	
. NS	563463	. CONNECTOR / AMPSEAL SERIES / SH 14C / WHITE / AMP 776273-2	1	
. NS	131829	. COVER PROTECTOR / CONNECTOR	1	
. NS	131830	. SUPPORT PROTECTOR / COVER	1	
395	630265	VALVE, TAG CONTROL "BARKSDALE" / SLAVE	1	
. NS	563463	. CONNECTOR / AMPSEAL SERIES / SH 14C / WHITE / AMP 776273-2	1	
. NS	131829	. COVER PROTECTOR / CONNECTOR	1	
. NS	131830	. SUPPORT PROTECTOR / COVER	1	
397	630269	VALVE DISCHARGE V72G W/3/8	1	
601	641180	MANIFOLD VALVE / W/3 SOLENOID	1	
. NS	641928	. KIT, MANIFOLD REPAIR / N.C.	3	
. NS	641107	. COIL 24V	1	
602	641906	MANIFOLD VALVE / W/4 SOLENOID	1	
. NS	641927	. KIT, MANIFOLD REPAIR / N.O.	1	
. NS	641928	. KIT, MANIFOLD REPAIR / N.C.	3	
. NS	641107	. COIL 24V	1	
. NS	642213	. MALE ELBOW 90° SWIVEL / PUSH-IN FITTING / #2x10-32 NP	1	
. NS	990143	. MALE CONNECTOR / PUSH-IN FITTING / W/O-RING / #2x#10-32-M BR	1	
. NS	641385	. CONNECTOR / SOCKET HOUSING ASSY 3C / PNEUMAC 54934-01	1	
. NS	641455	. REDUCER STEM / PUSH-IN FITTING / #2x#4 PLAS	1	
605	641107	. COIL 24V	AR	
606	641353	. PLUNGER REPAIR KIT / MANIFOLD VALVE (1)	AR	
607	641385	. CONNECTOR / SOCKET HOUSING ASSY 3C / PNEUMAC 54934-01	AR	
610	641274	VALVE, 3 WAYS, 2 POSITIONS N.C.	1	
615	641531	VALVE, 5 WAYS, 3 POSITIONS	1	
. NS	641186	. SPOOL	1	

From G-7275 To M-7767	Date:07/2024	PAGE:X3PLB-1220-00
MISCELLANEOUS AIR VALVE		

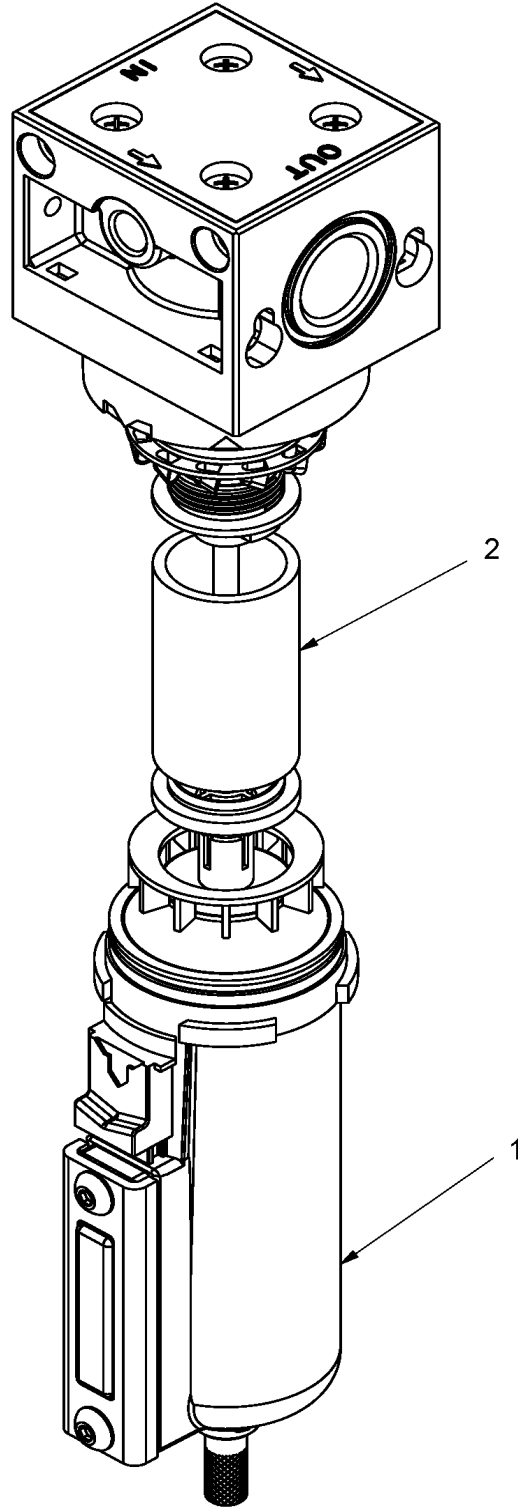
Item#	Part	Description	QTY	Notes
620	641937	VALVE, 3 WAYS, 2 POSITIONS N.C. / W/MAN OVERRIDE	1	
. NS	641929	. COIL 24V	1	
. NS	641385	. CONNECTOR / SOCKET HOUSING ASSY 3C / PNEUMAC 54934-01	1	
625	641528	VALVE, 3 WAYS, 2 POSITIONS N.O.	1	
. NS	641929	. COIL 24V	1	
. NS	641169	. SPOOL	1	
. NS	641385	. CONNECTOR / SOCKET HOUSING ASSY 3C / PNEUMAC 54934-01	1	
630	641530	VALVE, 3 WAYS, 2 POSITIONS / 2 SOLENOIDS	1	
. NS	641929	. COIL 24V	1	
. NS	641169	. SPOOL	1	
. NS	641385	. CONNECTOR / SOCKET HOUSING ASSY 3C / PNEUMAC 54934-01	1	
635	641527	VALVE, 4 WAYS, 2 POSITIONS	1	
. NS	641929	. COIL 24V	1	
. NS	641186	. SPOOL	1	
. NS	641385	. CONNECTOR / SOCKET HOUSING ASSY 3C / PNEUMAC 54934-01	1	
640	642227	VALVE, 3 WAYS, 2 POSITIONS N.C.	1	
. NS	195765	. SOLENOIDE 24 VOLTS	1	
645	642192	AIR FILTER	1	
650	642023	VALVE, 5 WAYS, 2 POSITIONS 24V / MODEL V19	1	
. NS	641385	. CONNECTOR / SOCKET HOUSING ASSY 3C / PNEUMAC 54934-01	1	
		A) LOCATED IN SPARE COMPARTMENT NEAR DRIVE'RS FLOOR		

From G-7275 To M-7767

Date:07/2024

PAGE:642192

AIR FILTER



From G-7275 To M-7767	Date:07/2024	PAGE:642192
-----------------------	--------------	-------------

AIR FILTER

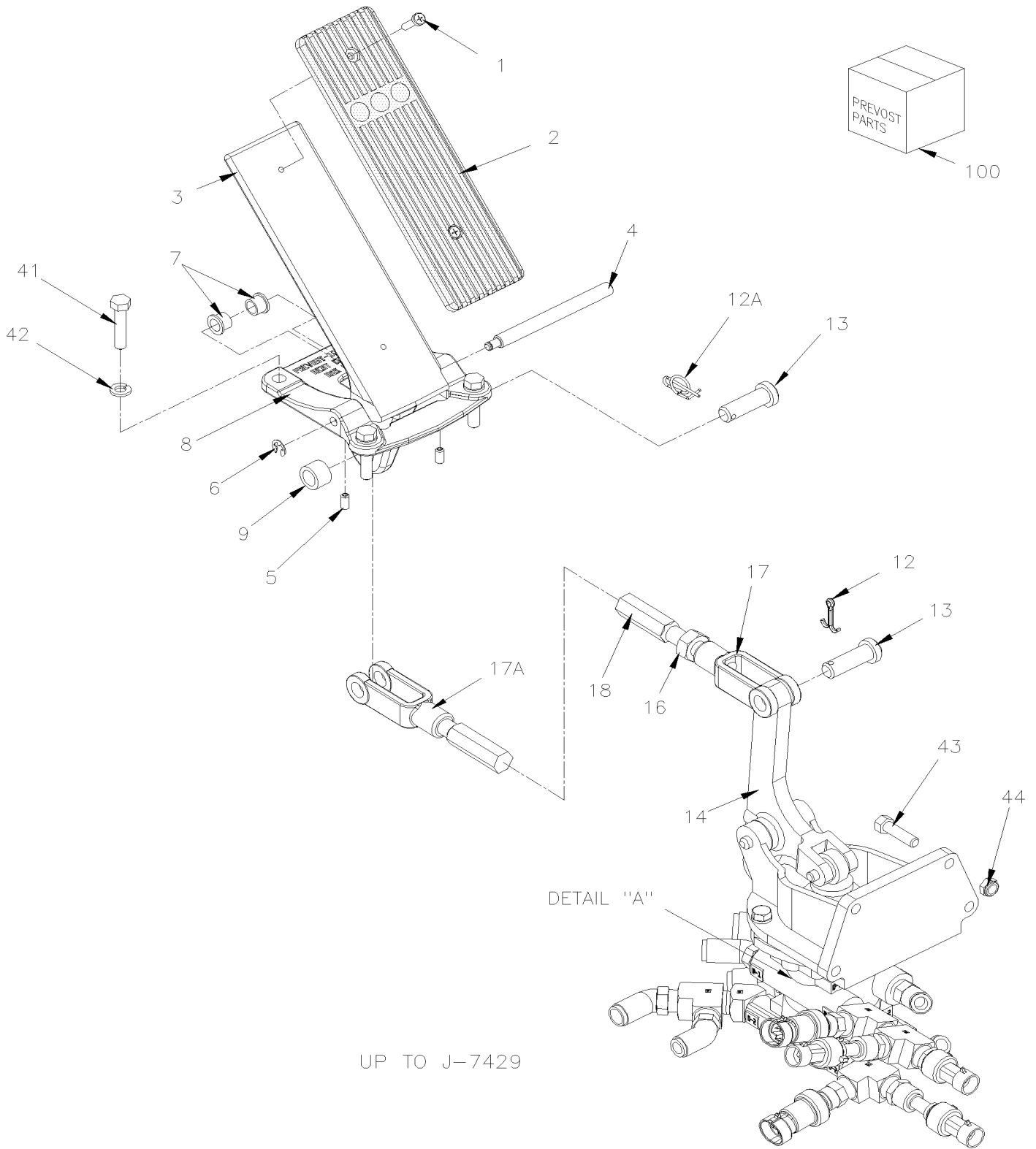
Item#	Part	Description	QTY	Notes
1	642219	METAL BOWL MANUAL DRAIN	1	
2	642220	FILTER ELEMENT	1	
NS	642221	SERVICE KIT AIR FILTER	1	A
. NS	N.S.S.	. FILTER SIDE PLATE	2	1 A
. NS	N.S.S.	. SCREW CAP BUT	2	1 A
. NS	N.S.S.	. PLUG	1	1 A
. NS	N.S.S.	. O-RING	1	1 A
. NS	N.S.S.	. GREASE PACKET	1	1 A
		A) CONTAIN SIDE COVER 2X / SCREW X2 / PLUG 1X / O-RING 1X / GREASE PACKAGE 1X		
		1) NOT SOLD SEPARATELY		

From G-7275 To M-7767

Date:07/2024

PAGE:X3PLB-1220-10

BRAKE PEDAL VALVE - "BENDIX" E-8P



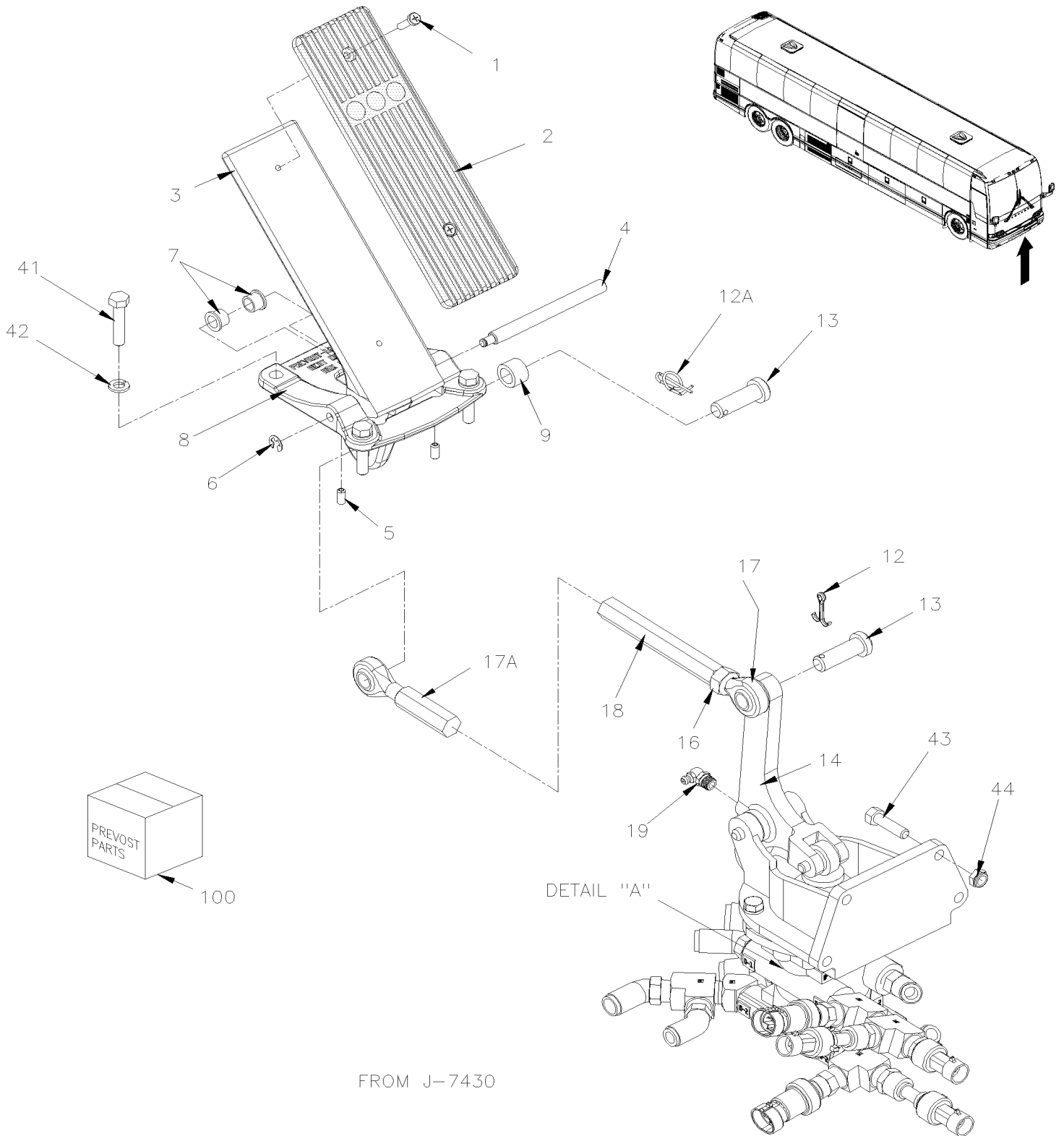
UP TO J-7429

From G-7275 To M-7767

Date:07/2024

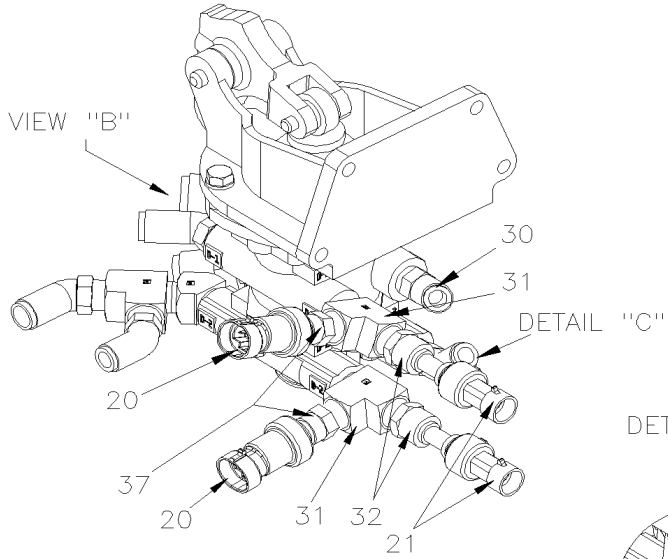
PAGE:X3PLB-1220-10

BRAKE PEDAL VALVE - "BENDIX" E-8P

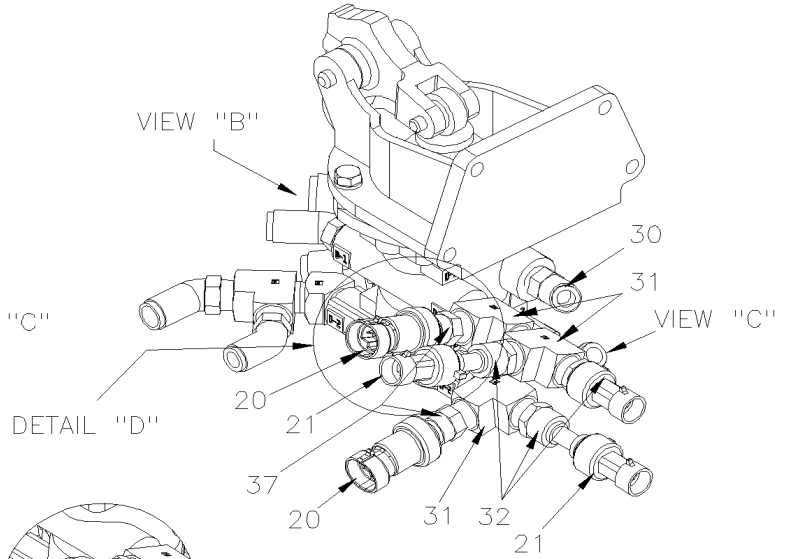


BRAKE PEDAL VALVE - "BENDIX" E-8P

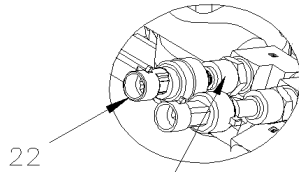
DETAIL "A"
WITH "WORLD" TRANSMISSION
WITHOUT RETARDER
WITH "I-SHIFT" TRANSMISSION



DETAIL "A"
WITH "WORLD" TRANSMISSION
WITH RETARDER

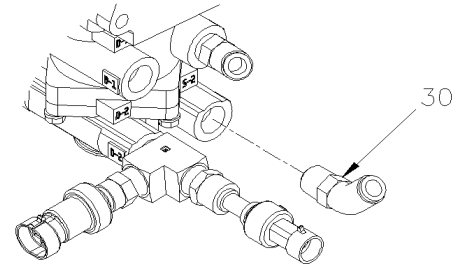
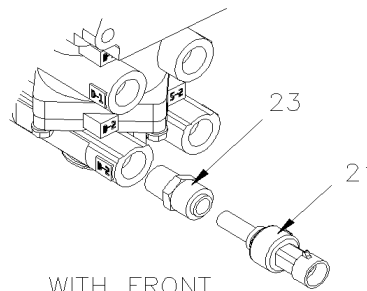


VIEW "B"



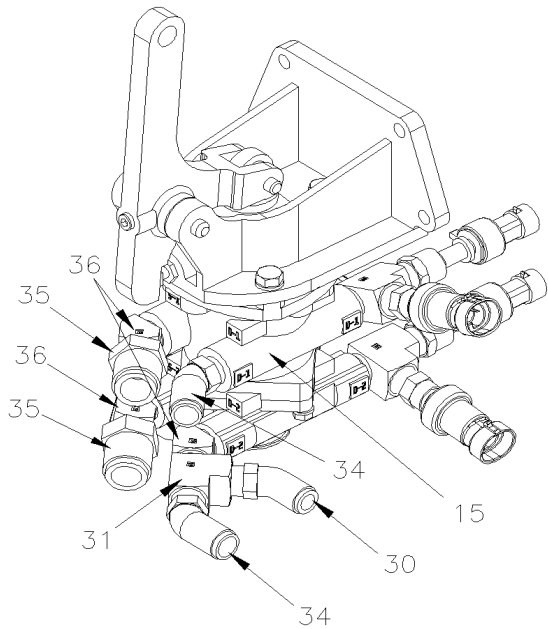
23 DETAIL "D"

VIEW "C"

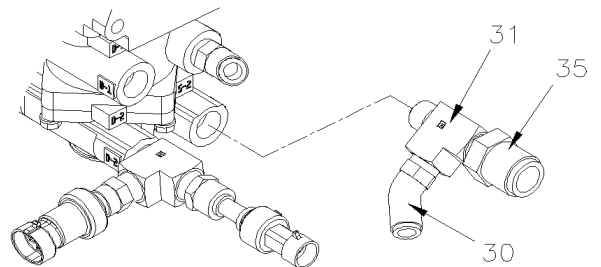


WITH FRONT
AIR SUPPLY
FOR TOWING

WITHOUT TRAILER
AIR BRAKE



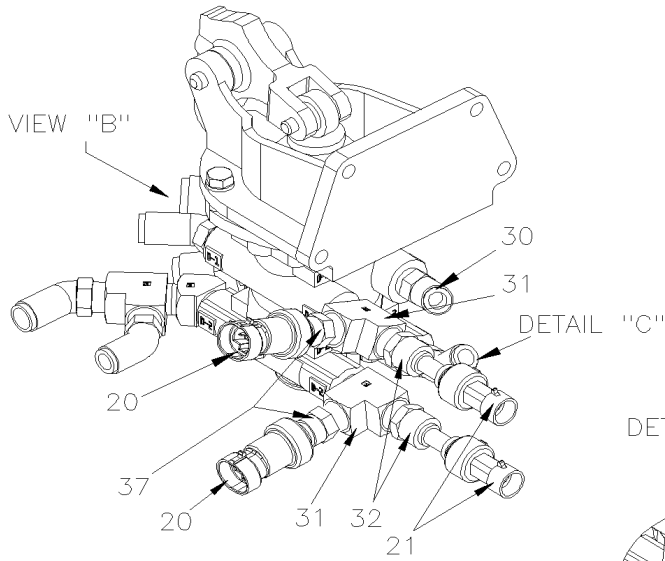
UP TO K-7542



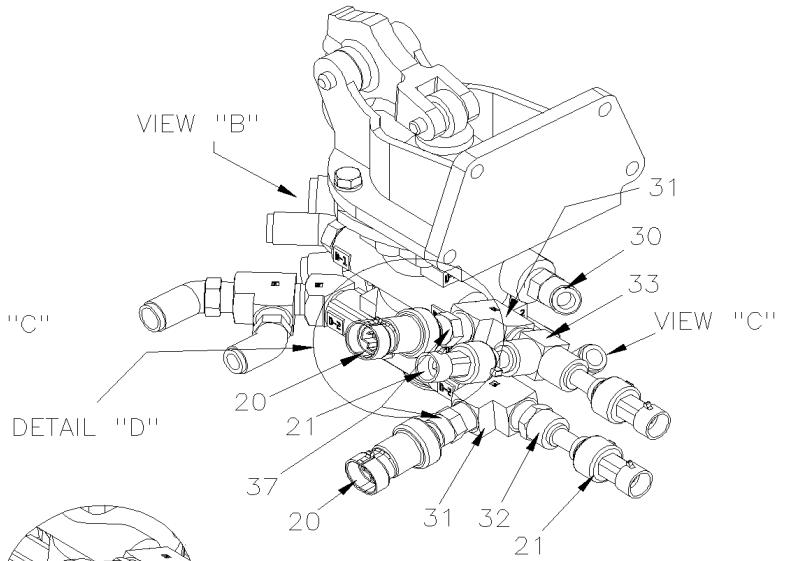
WITH TRAILER
AIR BRAKE

BRAKE PEDAL VALVE - "BENDIX" E-8P

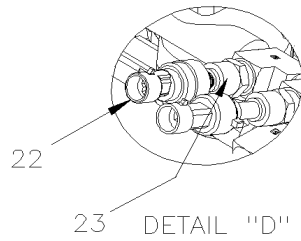
DETAIL "A"
WITH "I-SHIFT" TRANSMISSION



DETAIL "A"
WITH "WORLD" TRANSMISSION

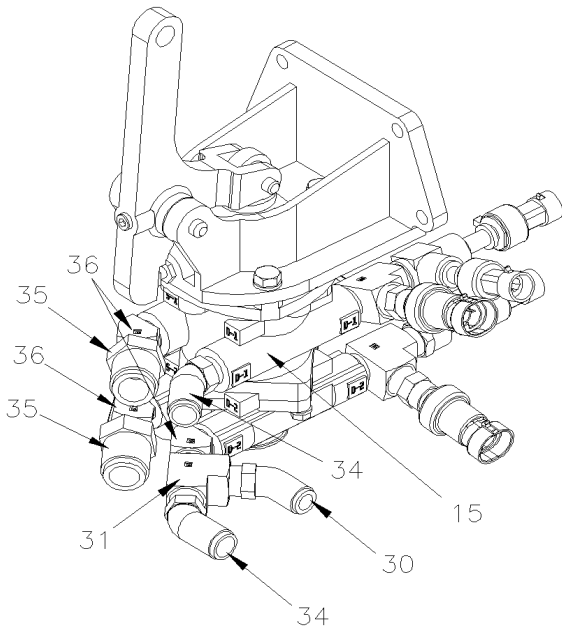


VIEW "B"



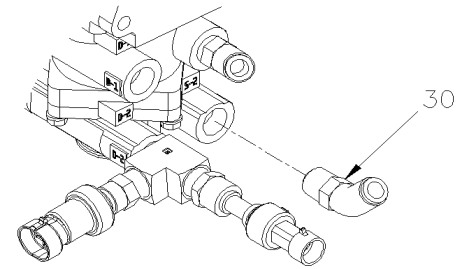
DETAIL "D"

VIEW "C"

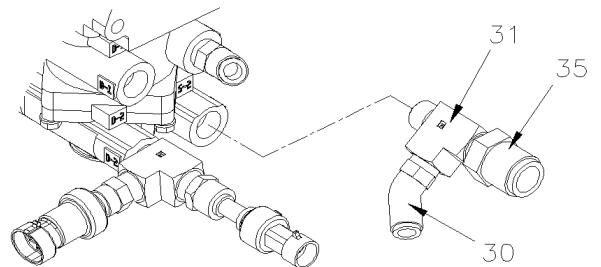


WITH FRONT
AIR SUPPLY
FOR TOWING

FROM K-7543



WITHOUT TRAILER
AIR BRAKE



WITH TRAILER
AIR BRAKE

From G-7275 To M-7767	Date:07/2024	PAGE:X3PLB-1220-10
BRAKE PEDAL VALVE - "BENDIX" E-8P		

Item#	Part	Description	QTY	Notes
	145262	PEDAL ASSY	1	
1	502746	. SCREW MA PAN PH M5-0.8x20 SS BK	2	
2	142842	. THREADLE COVER / W/STEEL BACKING	1	
2	142842	. THREADLE COVER / W/STEEL BACKING	1	
3	145309	. PEDAL BRAKE	1	
4	145311	. SHAFT, BRAKE PEDAL	1	
5	5001634	. SCREW SET HEXS CUP M6-1.0X12MM Z050	2	
6	504699	. RING RETAINER / EXT .250 x .207 x .025" / SS	1	
7	507297	. FLANGE BUSHING	2	
8	145310	. SUPPORT ASSY / TO FIX BRAKE PEDAL	1	
9	507307	. BUSHING OIL 1/2 I.D. X 3/4 O.D. X 1/2	1	
12	502102	PIN, COTTER 1/8 x 1	1	
12A	502107	PIN, WRAP-AROUND LOCKING To L-7706	1	
12A	502018	LOCK PIN 3/32 X 1 5/8 SS From L-7707	1	
13	502035	PIN, CLEVIS 1/2 x 1 3/8 Z050 To J-7429	2	
13	140050	PIN, CLEVIS 4 x 40 SS From J-7430	2	
14	642211	BRAKE VALVE ASSY W/BRACKET / MODEL E-8P	1	
15	642212	. VALVE SUB ASSY / MODEL E-8P	1	
. NS	640943	. . REPAIR KIT / MINOR / VALVE MODEL E-8P	1	
. NS	6987220	. . REPAIR KIT / MAJOR / VALVE MODEL E-8P	1	
16	500716	NUT HEX 1/2-20 Z050 To J-7429	1	
16	5001757	NUT HEX M12-1.75 N500 From J-7430	1	
17	142830	YOKE 1/2-20x1 15/16 C/Lx9/16Wx1/2 To J-7429	1	
17	502252	ROD END MALE M12-1.75 / 12MM I.D. From J-7430	1	
17A	142831	YOKE L.H. 1/2-20x1 15/16 C/Lx9/16Wx1/2 To J-7429	1	
17A	502253	ROD END MALE L.H. M12-1.75-L.HH / 12MM I.D. From J-7430	1	
18	142829	SHAFT THREADED W/R.H. & L.H. THREAD 260MM To J-7429	1	
18	140048	SHAFT THREADED W/R.H. & L.H. THREAD 280MM From J-7430 To P-8096	1	
18	140513	SHAFT THREADED W/R.H. & L.H. THREAD 271MM From P-8097	1	
19	501495	GREASE FITTING 90° / 1/8 NPT From J-7448	1	GR
NS	680098	THREAD SEALANT LOCTITE #567 / WHITE / 250ml From J-7448	AR	
20	642072	PRESSURE SWITCH N.C. 2-6 PSI / 1/4" TUBE	2	
. NS	563677	. CONNECTOR / METRI-PACK 150 / SH 4C / PED 12065402	1	
21	642075	TRANSDUCER PRESSURE	2	
. NS	563159	. CONNECTOR / METRI-PACK 150 / SH 3C / PED 12065287	1	
22	560005	TRANSDUCER PRESSURE (0-12 BAR, 0-174 PSI) To M-7831	1	B
22	22443498	TRANSDUCER PRESSURE (0-12 BAR, 0-174 PSI) From M-7832	1	B
23	641330	MALE CONNECTOR / PUSH-IN FITTING / #6x3/8NPT-M BR	1	
30	641367	MALE ELBOW 45° NON-SWIVEL / PUSH-IN FITTING / #6x3/8NPT-M BR	AR	
31	501699	MALE RUN TEE / PIPE FITTING / 3/8NPT-Mx3/8NPT-Fx3/8NPT-F BR	AR	
32	641330	MALE CONNECTOR / PUSH-IN FITTING / #6x3/8NPT-M BR	AR	
33	641388	MALE RUN TEE NON-SWIVEL / PUSH-IN FITTING / #6x#6x3/8NPT-M BR From K-7543	AR	

From G-7275 To M-7767	Date:07/2024	PAGE:X3PLB-1220-10
BRAKE PEDAL VALVE - "BENDIX" E-8P		

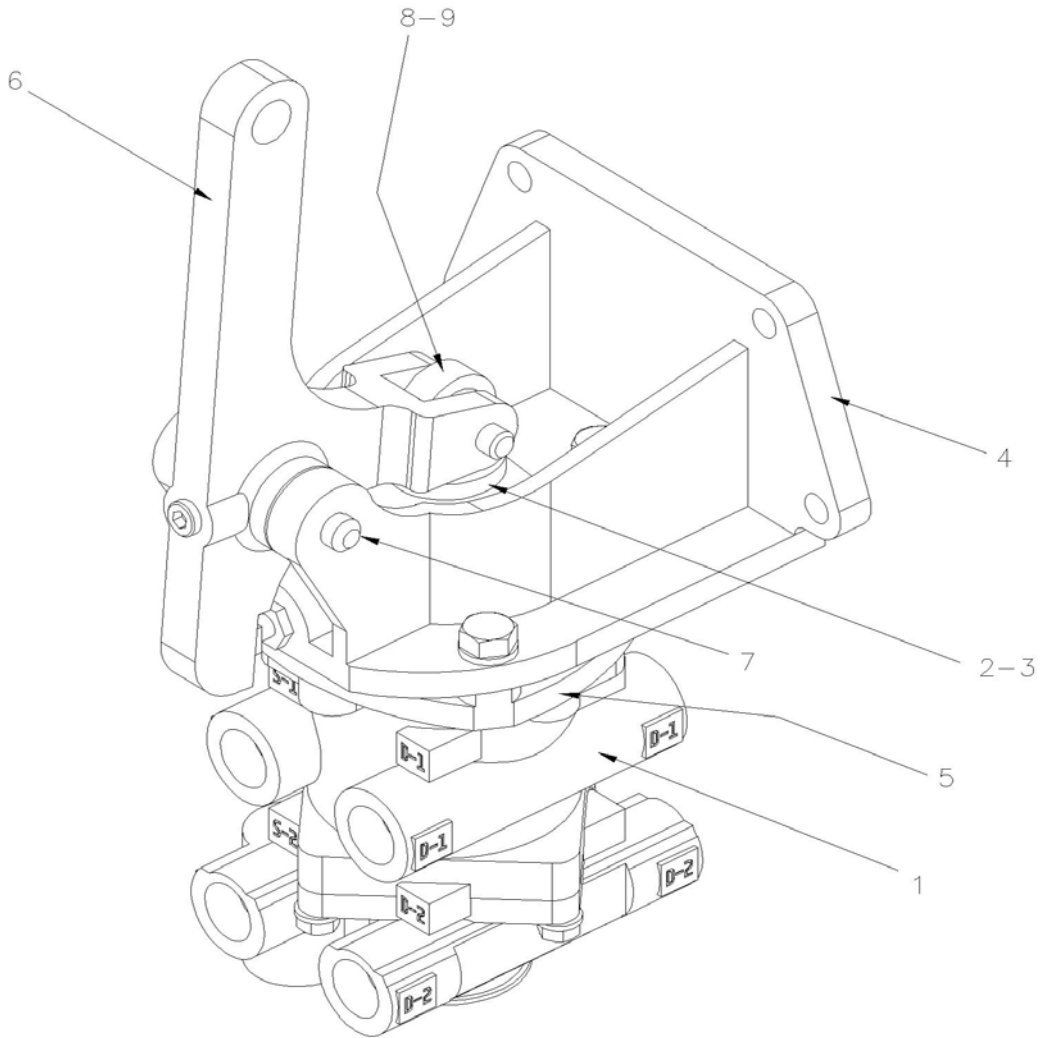
Item#	Part	Description	QTY	Notes
34	641368	MALE ELBOW 45° NON-SWIVEL / PUSH-IN FITTING / #8x3/8NPT-M BR	AR	
35	641602	MALE CONNECTOR / PUSH-IN FITTING / #10x3/8NPT-M BR	AR	
36	501330	STREET ELBOW 45° / PIPE FITTING / 3/8NPT-Mx3/8NPT-F BR	AR	
37	641347	MALE CONNECTOR / PUSH-IN FITTING / #4x3/8NPT-M BR	AR	
41	5001814	SCREW CAP HEX 5/16-18X1 1/2 G5 N500 To J-7429	4	
41	5001992	SCREW CAP HEX SLO 5/16-18x1 1/2 SS From J-7430	4	
42	500942	WASHER LO SPT 8.1x14.8x2.0 N500 To J-7429	4	
42	5001341	WASHER FL 8.4x17.0x1.6 SS From J-7430	4	
43	5001738	SCREW CAP HEX M8-1.25x30 G8.8 N500 To J-7447	4	
43	502836	SCREW CAP HEX M8-1.25x35 G8.8 N500 From J-7448	4	
44	502692	NUT HEXF STO M8-1.25 Z050	4	
100	640943	REPAIR KIT / MINOR / VALVE MODEL E-8P	1	
100	6987220	REPAIR KIT / MAJOR / VALVE MODEL E-8P	1	
		B) WITH BY-FOLD DOOR		
		GR) GREYHOUND OPTION		

From G-7275 To M-7767

Date:07/2024

PAGE:642211

BRAKE VALVE ASSY W/BRACKET / MODEL E-8P

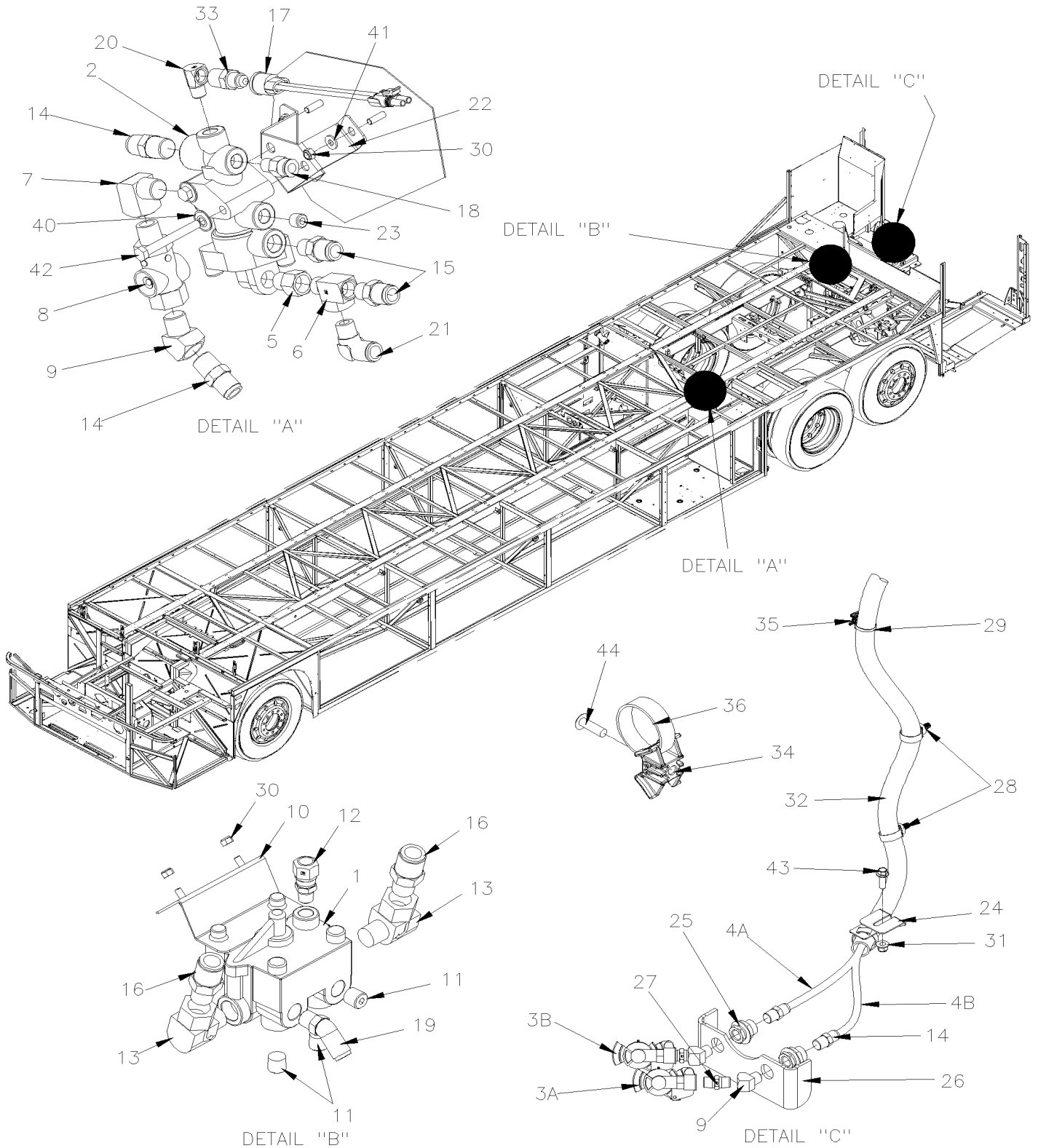


From G-7275 To M-7767	Date:07/2024	PAGE:642211
-----------------------	--------------	-------------

BRAKE VALVE ASSY W/BRACKET / MODEL E-8P

Item#	Part	Description	QTY	Notes
1	642212	VALVE SUB ASSY / MODEL E-8P	1	
. NS	640943	. REPAIR KIT / MINOR / VALVE MODEL E-8P	1	
. NS	6987220	. REPAIR KIT / MAJOR / VALVE MODEL E-8P	1	
2	19507993	BOOT PLUNGER	1	
3	19510779	PLUNGER	1	
4	2222120	MOUNTING BRACKET COUPLING D-1	1	
5	19512957	PLATE, TOP ADAPTER	1	
6	195554	LEVER	1	
7	19510780	PIN	1	
8	2054524	ROLLER	1	
9	640027	CLEVIS PIN	1	

TRAILER VALVE INSTALLATION



From G-7275 To M-7767	Date:07/2024	PAGE:X3PLB-1220-50
TRAILER VALVE INSTALLATION		

Item#	Part	Description	QTY	Notes
1	641399	VALVE, RELAY R-12 P SUPPERSEDED 642097	1	
2	641495	TRACTOR PROTECTION VALVE TP-3 DC	1	
3A	641938	GLANDHAND W/DUST COVER "RED"	1	
3B	641939	GLANDHAND W/DUST COVER "BLUE"	1	
4A	503406	TUBE, NYLON 1/2 O.D. / GREEN S.L.	AR	
4B	503638	TUBE, NYLON 1/2 O.D. / BROWN S.L.	AR	
5	501309	ADAPTER / PIPE FITTING / 3/8NPT-Fx3/8NPT-M BR	1	
6	501699	MALE RUN TEE / PIPE FITTING / 3/8NPT-Mx3/8NPT-Fx3/8NPT-F BR	1	
7	507557	STREET ELBOW 90° / PIPE FITTING / 1/2NPT-Mx1/2NPT-F BR	1	
8	642088	VALVE, QUICK RELEASE QR-L / IN LINE	1	
9	501528	STREET ELBOW 45° / PIPE FITTING / 1/2NPT-Mx1/2NPT-F BR	1	
10	142850	SUPPORT VALVE R-12P	1	
11	501449	PLUG HEXS / PIPE FITTING / 3/8NPT-M STL	3	
12	641380	MALE CONNECTOR / PUSH-IN FITTING / #8x1/4NPT-M BR	1	
13	641172	VALVE, CHECK ELBOW 90° 1/2 NPT To J-7501	2	
13	640123	VALVE, CHECK 1/2 NPT SC-1 From J-7504	2	
NS	641401	VALVE, CHECK 1/2 NPT SC-1 From J-7504	1	
13	507557	STREET ELBOW 90° / PIPE FITTING / 1/2NPT-Mx1/2NPT-F BR From J-7504	2	
14	641383	MALE CONNECTOR / PUSH-IN FITTING / #8x1/2NPT-M BR	2	
15	641381	MALE CONNECTOR / PUSH-IN FITTING / #8x3/8NPT-M BR	2	
16	641384	MALE CONNECTOR / PUSH-IN FITTING / #10x1/2NPT-M BR	2	
17	950245	PRESSURE SWITCH N.C. 20-30 LO-UNLOAD W/WIRE BLACK	1	
18	641331	MALE CONNECTOR / PUSH-IN FITTING / #6x1/4NPT-M BR	1	
19	641368	MALE ELBOW 45° NON-SWIVEL / PUSH-IN FITTING / #8x3/8NPT-M BR To H-7416	1	
19	641381	MALE CONNECTOR / PUSH-IN FITTING / #8x3/8NPT-M BR From H-7417	1	
20	501332	STREET ELBOW 90° / PIPE FITTING / 1/4NPT-Mx1/4NPT-F BR	1	
21	641376	MALE ELBOW 90° NON-SWIVEL / PUSH-IN FITTING / #8x3/8NPT-M BR	1	
NS	680098	THREAD SEALANT LOCTITE #567 / WHITE / 250ml	AR	
22	175275	SUPPORT VALVE TP-3	1	
23	501800	PLUG HEXS / PIPE FITTING / 1/4NPT-M STL	1	
24	145467	SUPPORT, AIR BRAKE HOSE	1	
25	501796	BULKHEAD COUPLING / PIPE FITTING / 1/2NPT-Fx1/2NPT-Fx1 1/2 BR	1	
26	261341	GLAD HANDS CONNECTORS SUPPORT	1	
27	5011067	NIPPLE HEX / PIPE FITTING / 1/2NPT-Mx1/2NPT-Mx1 13/16 BR	1	
28	504750	CABLE TIE / 1/2" x 15" / CHRISTMAS TREE	5	
29	504637	CABLE TIE / 3/16" x 13"	4	
30	502681	NUT HEX NYRT M6-1.0 N500 G8	5	
31	5001930	NUT HEXF NYRT M10-1.5 N500 G10.9	1	
32	562218	CONVOLUTED TUBING / UNSLIT / BLACK & GRAY / 1.000"	AR	
33	501027	MALE CONNECTOR / SAE 45° FITTING / #4FL-Mx1/4NPT-M BR	1	
34	509490	ATTACHMENT DOUBLE USE WITH CABLE TIE	5	
35	504751	ROTATIF SPACER DOUBLE / SMALL	1	

From G-7275 To M-7767	Date:07/2024	PAGE:X3PLB-1220-50
-----------------------	--------------	--------------------

TRAILER VALVE INSTALLATION

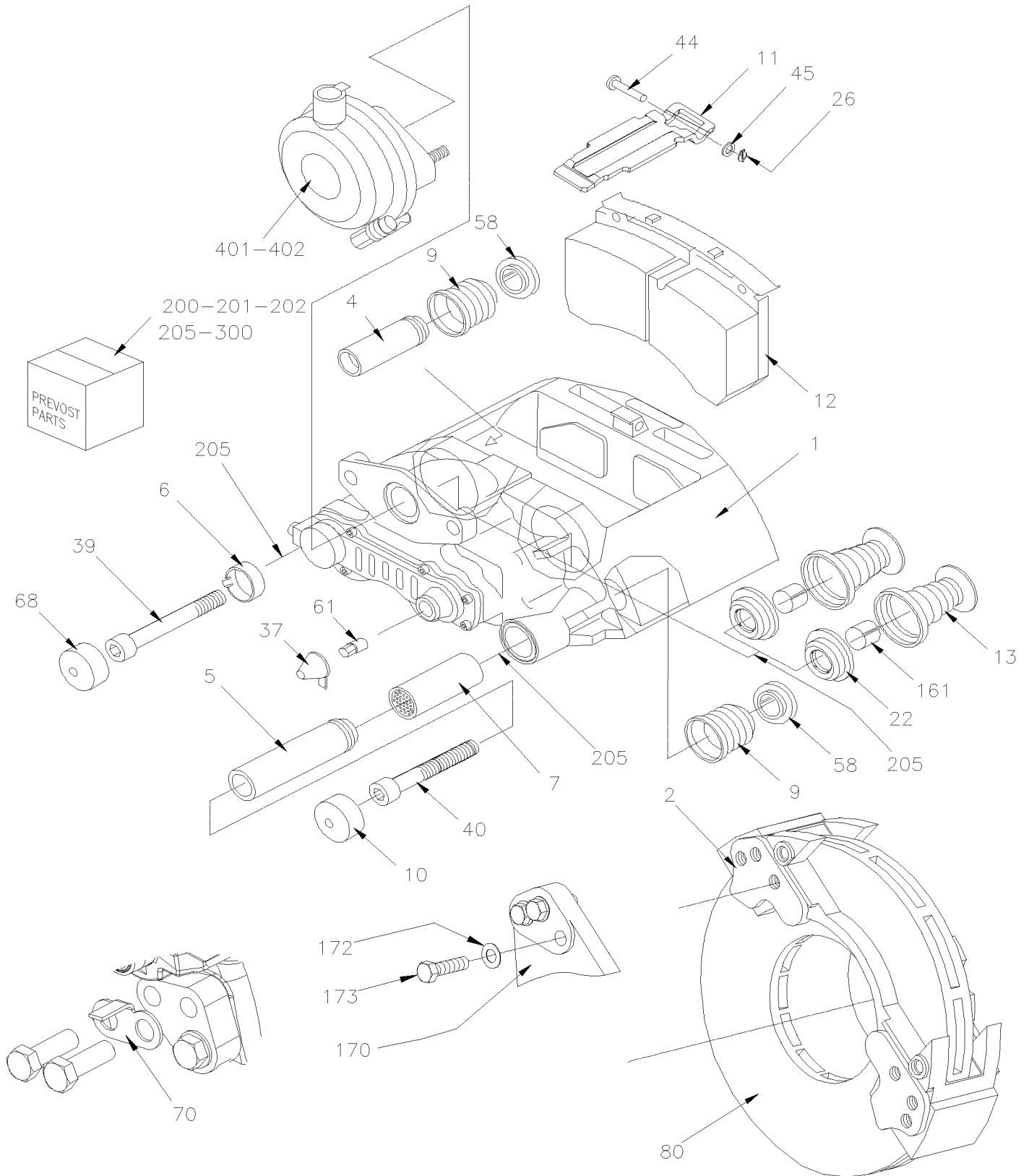
Item#	Part	Description	QTY	Notes
36	509491	CABLE TIE / 13MM x 383MM	1	
40	5001699	WASHER BEL SPR 8.2x22x1.4 N500	2	
41	500877	WASHER FL .250x.562x.065 N500	3	
42	502797	SCREW CAP HEX M8-1.25x70 G10.9 G500	2	
43	5001741	SCREW CAP HEXF M10-1.5x30 G8.8 N500	1	
44	504610	RIVET MGLP PRDG 1/4x5/8 SS	5	
50	X3PLB-1202-00	TUBES PLASTIC / AIR D.O.T.		
51	X3PLB-1806-00	CENTRAL DASHBOARD PANEL		

From G-7275 To M-7767

Date:07/2024

PAGE:X3PLB-1225-00

BRAKE PARTS - FRONT RIGIDE & TAG AXLE "KNORR-BREMSE" SN7 SERIES W/N2G ADJUSTER



From G-7275 To M-7767 Date:07/2024 PAGE:X3PLB-1225-00

BRAKE PARTS - FRONT RIGIDE & TAG AXLE "KNORR-BREMSE" SN7 SERIES W/N2G ADJUSTER

Item#	Part	Description	QTY	Notes
	642186	CALIPER ASSY R.H. FRONT & TAG OR L.H. DRIVE AXLE / W/O POTENTIOMETER SN7 To M-7831	1	
	640071	CALIPER ASSY R.H. FRONT & TAG OR L.H. DRIVE AXLE / W/O POTENTIOMETER SN7 From M-7832	1	
	642187	CALIPER ASSY L.H. FRONT & TAG OR R.H. DRIVE AXLE / W/O POTENTIOMETER SN7 To M-7831	1	
	640076	CALIPER ASSY L.H. FRONT & TAG OR R.H. DRIVE AXLE / W/O POTENTIOMETER SN7 From M-7832	1	
1	N.S.S.	. CALIPER HOUSING	1	1
2	611960	. BRAKE CARRIER / W/6 HOLES BOLT RETAINERS M20-1.5	1	
4	N.S.S.	. . GUIDE BUSHING / SHORT	1	1
5	N.S.S.	. . GUIDE BUSHING / LONG	1	1
6	N.S.S.	. . GUIDE BUSHING / DU	1	1
7		. . BUSHING / BRASS	1	
8	N.S.S.	. . BOOT RUBBER / WHITE	2	1
9	N.S.S.	. . BELLOW GUIDE BUSHING / RED	2	1
10	N.S.S.	. . STEEL CAP	1	1
11	N.S.S.	. . BRAKE PAD BRACKET	1	1
12	642188	. . LINING SET STD / To M-7831	1	B
. 11	N.S.S.	. . . BRAKE PAD BRACKET To M-7831	1	1 B
. 26	N.S.S.	. . . SPRING SPLIT PIN To M-7831	1	1 B
. 37	642034	. . . KIT, PLUG CAP W/AJUSTING DEVICE (PACK of 10x #37, #37a & 61) To M-7831	1	B
. 44	N.S.S.	. . . CLEVIS PIN To M-7831	1	1 B
. 45	N.S.S.	. . . WASHER To M-7831	1	1 B
. 61	N.S.S.	. . . SHEAR ADAPTER To M-7831	1	1 B
12	610072	. . LINING SET STD / TX3054 From M-7832	1	
13	N.S.S.	. . TAPPET WITH BOOT ASSY	2	1
22	N.S.S.	. . BOOT	2	1
26	N.S.S.	. . SPRING SPLINT PIN	1	1
37	N.S.S.	. . PLUG CAP / ADJUSTING DEVICE	1	1
39	N.S.S.	. . SCREW CAP HEXS ZP M16-1.5 GR10.9	1	1
40	N.S.S.	. . SCREW CAP HEXS ZP M16-1.5 GR10.9	1	1
44	N.S.S.	. . CLEVIS PIN	1	1
45	N.S.S.	. . WASHER	1	1
58	N.S.S.	. . RING	2	1
61	N.S.S.	. . SHEAR ADAPTER	1	1
68	N.S.S.	. . CAP	1	1
70	110786	BRAKE WEAR INDICATOR MECHANICAL / 44MM To K-7582	AR	A
70	110061	BRAKE WEAR INDICATOR MECHANICAL / 47MM From K-7583	AR	A
70	142907	BRAKE WEAR INDICATOR WITH HOLE MECHANICAL	AR	TG
80	X3PLB-1300-00	HUB & ROTOR - FRONT AXLE - I BEAM MODEL "S84U"		
80	X3PLB-1310-00	HUB & ROTOR - TAG AXLE TYPE TS8U		
161	N.S.S.	. RING RETAINING	2	1
170	X3PLB-1005-00	FRONT AXLE - I BEAM RIGID MODEL "S84U" To K-7582		
170	X3PLB-1005-01	FRONT AXLE - I BEAM RIGID MODEL "S84U" From K-7583		
170	X3PLB-1005-50	FRONT AXLE - INDEPENDENT MODEL "NDIFS80P" / 19000LBS		

From G-7275 To M-7767 Date:07/2024 PAGE:X3PLB-1225-00

BRAKE PARTS - FRONT RIGIDE & TAG AXLE "KNORR-BREMSE" SN7 SERIES W/N2G ADJUSTER

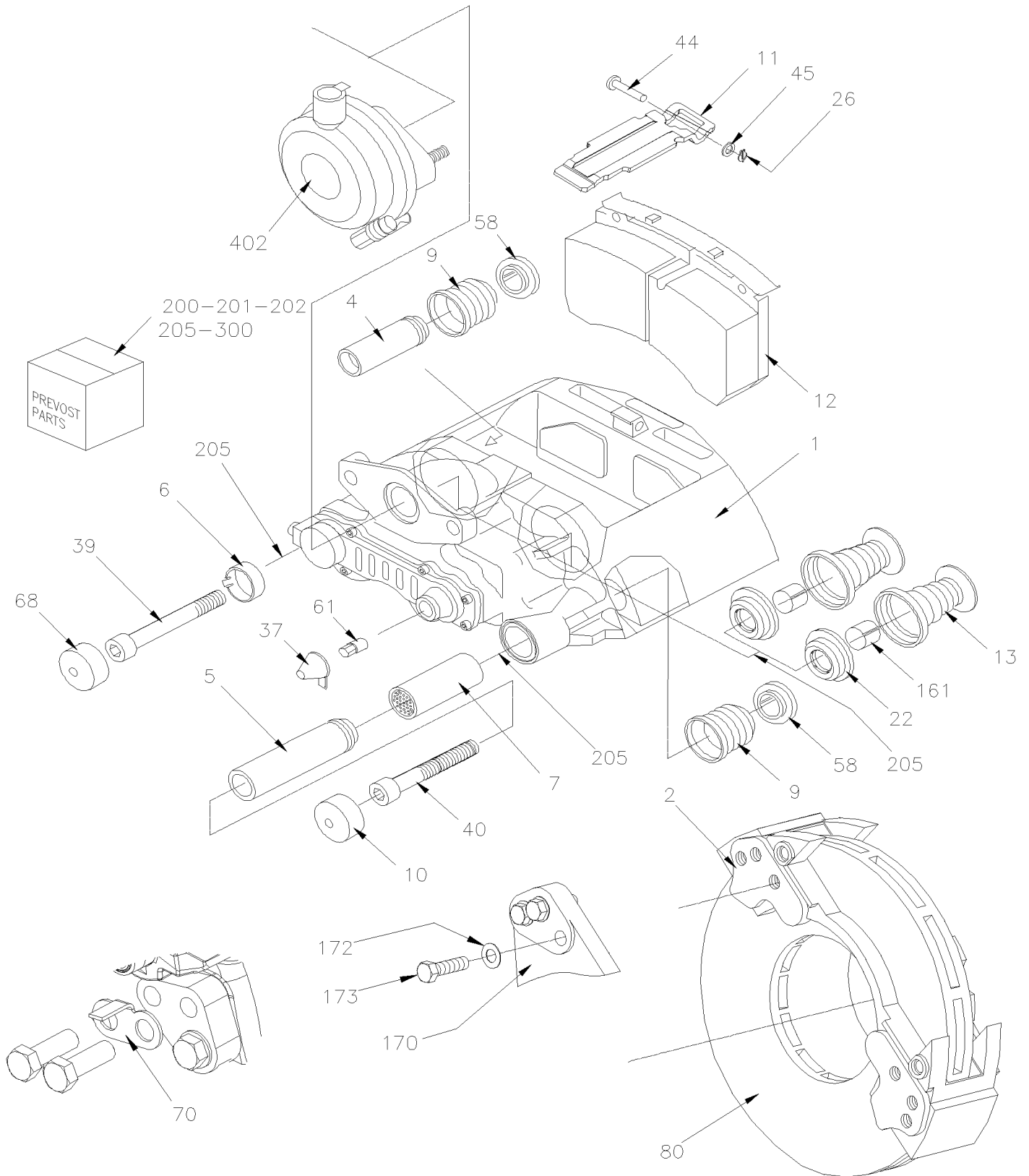
Item#	Part	Description	QTY	Notes
170	X3PLB-1615-00	TAG AXLE - INSTALL SUSPENSION ONE PIECE		
172	502558	WASHER FL 21.0x37.0x3.0 G500	6	
173	5001529	SCREW CAP HEX M20-1.5x60 G10.9 G500	6	
200	19509429	KIT, TAPPET W/BOOT	AR	C
201	642141	KIT, GUIDANCE PINS & BELLOW / SN W/ GUIDE SLEEVE BUSHING END To F-7020	AR	E
201	640019	KIT, GUIDANCE PINS & BELLOW / SN W/ GUIDE SLEEVE BUSHING END From F-7021	AR	E
202	642034	KIT, PLUG CAP W/AJUSTING DEVICE (PACK of 10x #37, #37a & 61)	AR	S
205	683345	GREASE WHITE / 5GR	AR	K
205	641930	GREASE WHITE / 500GR	AR	K
300	642214	KIT TOOL TO REPAIR BRAKE N2G	AR	L
401	X3PLB-1225-10	BRAKE CHAMBER - FRONT AXLE TYPE 24		
402	X3PLB-1245-10	BRAKE CHAMBER - TAG AXLE TYPE 16		
		A) WITH "I BEAM" SUSPENSION		
		B) INCLUDES ITEMS #11, 26, 37, 44, 45 & 61		
		C) INCLUDES 2 OF ITEMS #13, 22 & 161		
		E) INCLUDES ITEMS #4, 5, 6, 7, 9, 10, 39, 40, 58 & 68		
		K) FOR ITEMS #5 & 7		
		L) TO USE W/ITEMS #13		
		S) INCLUDES 10 ITEMS #37 AND 61		
		TG) TAG AXLE ONLY		
		1) NOT SOLD SEPARATELY		
		1) NOT SOLD SEPARATELY		

From G-7275 To M-7767

Date:07/2024

PAGE:X3PLB-1225-20

BRAKE PARTS - FRONT INDEPENDENT "KNORR-BREMSE" SN7 SERIES W/N2G ADJUSTER



From G-7275 To M-7767 Date:07/2024 PAGE:X3PLB-1225-20

BRAKE PARTS - FRONT INDEPENDENT "KNORR-BREMSE" SN7 SERIES W/N2G ADJUSTER

Item#	Part	Description	QTY	Notes
	642186	CALIPER ASSY R.H. FRONT & TAG OR L.H. DRIVE AXLE / W/O POTENTIOMETER SN7	1	
	642187	CALIPER ASSY L.H. FRONT & TAG OR R.H. DRIVE AXLE / W/O POTENTIOMETER SN7	1	
1	N.S.S.	. CALIPER HOUSING	1	1
2	611960	. BRAKE CARRIER / W/6 HOLES BOLT RETAINERS M20-1.5	1	
4	N.S.S.	. . GUIDE BUSHING / SHORT	1	1
5	N.S.S.	. . GUIDE BUSHING / LONG	1	1
6	N.S.S.	. . GUIDE BUSHING / DU	1	1
7		. . BUSHING / BRASS	1	
8	N.S.S.	. . BOOT RUBBER / WHITE	2	1
9	N.S.S.	. . BELLOW GUIDE BUSHING / RED	2	1
10	N.S.S.	. . STEEL CAP	1	1
11	N.S.S.	. . BRAKE PAD BRACKET	1	1
12	642188	. . LINING SET STD /	1	B
. 11	N.S.S.	. . . BRAKE PAD BRACKET	1	1 B
. 26	N.S.S.	. . . SPRING SPLIT PIN	1	1 B
. 37	642034	. . . KIT, PLUG CAP W/AJUSTING DEVICE (PACK of 10x #37, #37a & 61)	1	B
. 44	N.S.S.	. . . CLEVIS PIN	1	1 B
. 45	N.S.S.	. . . WASHER	1	1 B
. 61	N.S.S.	. . . SHEAR ADAPTER	1	1 B
13	N.S.S.	. . TAPPET WITH BOOT ASSY	2	1
22	N.S.S.	. . BOOT	2	1
26	N.S.S.	. . SPRING SPLINT PIN	1	1
37	N.S.S.	. . PLUG CAP / ADJUSTING DEVICE	1	1
39	N.S.S.	. . SCREW CAP HEXS ZP M16-1.5 GR10.9	1	1
40	N.S.S.	. . SCREW CAP HEXS ZP M16-1.5 GR10.9	1	1
44	N.S.S.	. . CLEVIS PIN	1	1
45	N.S.S.	. . WASHER	1	1
58	N.S.S.	. . RING	2	1
61	N.S.S.	. . SHEAR ADAPTER	1	1
68	N.S.S.	. . CAP	1	1
70	110786	BRAKE WEAR INDICATOR MECHANICAL / 44MM	AR	
80	X3PLB-1300-00	HUB & ROTOR - FRONT AXLE - I BEAM MODEL "S84U"		
161	N.S.S.	. RING RETAINING	2	1
170	X3PLB-1005-50	FRONT AXLE - INDEPENDENT MODEL "NDIFS80P" / 19000LBS		
172	502558	WASHER FL 21.0x37.0x3.0 G500	6	
173	5001529	SCREW CAP HEX M20-1.5x60 G10.9 G500	6	
200	19509429	KIT, TAPPET W/BOOT	AR	C
201	642141	KIT, GUIDANCE PINS & BELLOW / SN W/ GUIDE SLEEVE BUSHING END To F-7020	AR	E
201	640019	KIT, GUIDANCE PINS & BELLOW / SN W/ GUIDE SLEEVE BUSHING END From F-7021	AR	E
202	642034	KIT, PLUG CAP W/AJUSTING DEVICE (PACK of 10x #37, #37a & 61)	AR	S
205	683345	GREASE WHITE / 5GR	AR	K
205	641930	GREASE WHITE / 500GR	AR	K

From G-7275 To M-7767	Date:07/2024	PAGE:X3PLB-1225-20
-----------------------	--------------	--------------------

BRAKE PARTS - FRONT INDEPENDENT "KNORR-BREMSE" SN7 SERIES W/N2G ADJUSTER

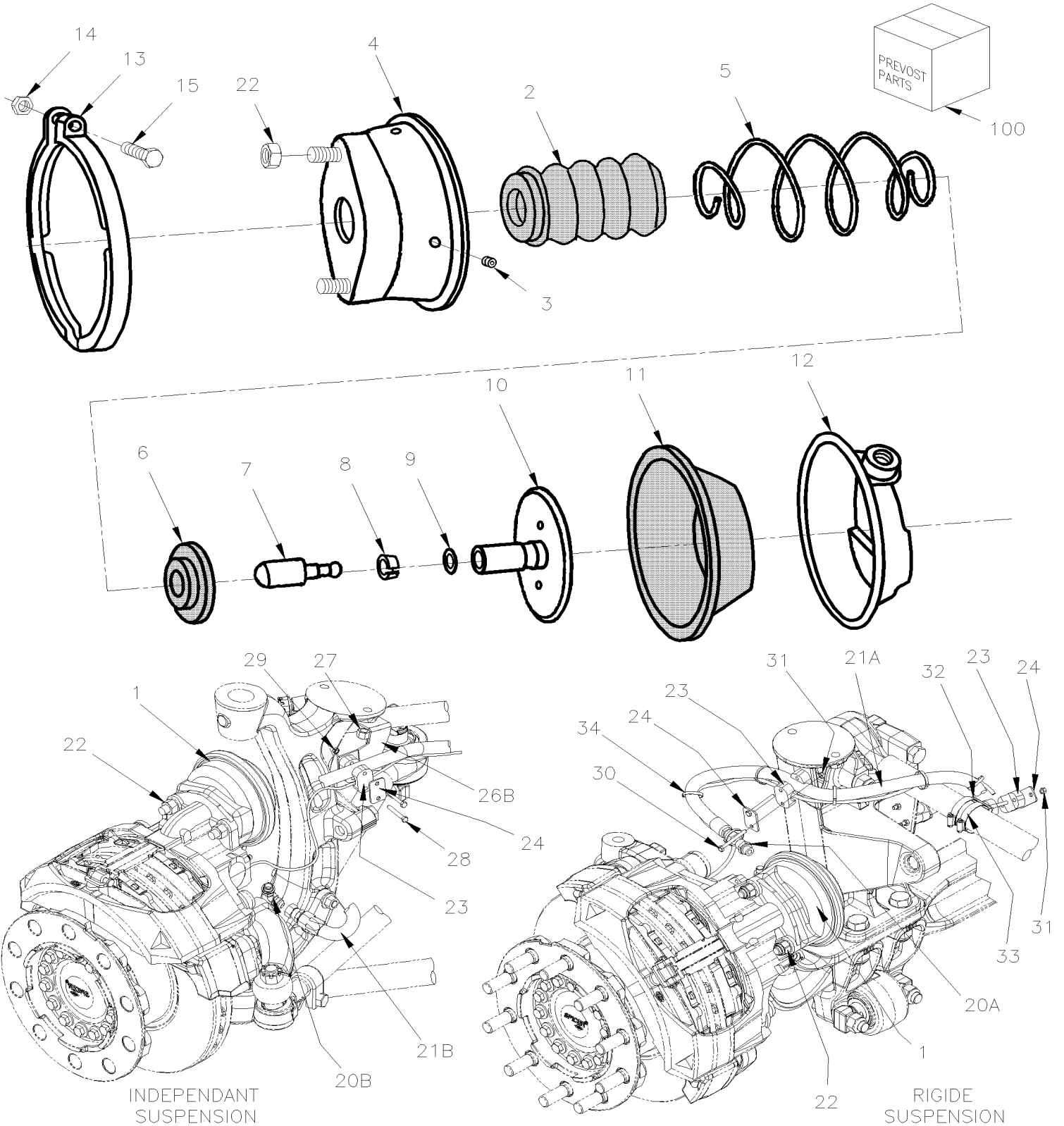
Item#	Part	Description	QTY	Notes
300	642214	KIT TOOL TO REPAIR BRAKE N2G	AR	L
402	X3PLB-1225-10	BRAKE CHAMBER - FRONT AXLE TYPE 24		
		B) INCLUDES ITEMS #11, 26, 37, 44, 45 & 61		
		C) INCLUDES 2 OF ITEMS #13, 22 & 161		
		E) INCLUDES ITEMS #4, 5, 6, 7, 9, 10, 39, 40, 58 & 68		
		K) FOR ITEMS #5 & 7		
		L) TO USE W/ITEMS #13		
		S) INCLUDES 10 ITEMS #37 AND 61		
		1) NOT SOLD SEPARATELY		
		1) NOT SOLD SEPARATELY		

From G-7275 To M-7767

Date:07/2024

PAGE:X3PLB-1225-10

BRAKE CHAMBER - FRONT AXLE TYPE 24



From G-7275 To M-7767	Date:07/2024	PAGE:X3PLB-1225-10
BRAKE CHAMBER - FRONT AXLE TYPE 24		

Item#	Part	Description	QTY	Notes
1	612353	BRAKE CHAMBER ASSY R.H. / TYPE 24 WITH "I" BEAM SUSPENSION	1	
1	612354	BRAKE CHAMBER ASSY L.H. / TYPE 24 WITH "I" BEAM SUSPENSION	1	
2	N.S.S.	. BOOT	1	1
3	N.S.S.	. HOLE PLUG	1	1
4	N.S.S.	. CHAMBER , NO-PRESSURE	1	1
5	640231	. SPRING, COMP.	1	
6	N.S.S.	. SPRING SEAT	1	1
7	N.S.S.	. PUSH ROD END	1	1
8	N.S.S.	. RETAINER	1	1
9	N.S.S.	. RING	1	1
10	N.S.S.	. PUSH ROD	1	1
11	640229	. DIAPHRAGM / TYPE 24	1	
12	N.S.S.	. CHAMBER PRESSURE PLATE	1	1
13	N.S.S.	. CLAMP W/BOLT & NUT	1	1
14	502543	. . NUT HEX M8-1.25 Z050	1	
15	5001021	. . SCREW CAP HEXS M8-1.25x60 G8.8 PT	1	
20A	641294	MALE CONNECTOR / JIC 37° FITTING / #8JIC-MxM16-1.5-M STL	1	
. NS	641297	. O-RING 13.1MM I.D. X 2.6 TH	1	
. NS	641298	. WASHER FL 17MM I.D x 22MM O.D. x 1.5MM	1	
20B	660914	MALE ELBOW 90° / JIC 37° FITTING / #8JIC-MxM16-1.5-M STL	1	
. NS	641297	. O-RING 13.1MM I.D. X 2.6 TH	1	
. NS	641298	. WASHER FL 17MM I.D x 22MM O.D. x 1.5MM	1	
21A	145292P	HOSE BRAKE #8 1366MM	2	R
21B	641903	HOSE BRAKE #8 1090MM (43")	2	I
22	5001253	NUT HEX STO M16-1.5 G500	2	
23	504612	COLLAR 13/16" I.D. / TO FIX HOSE To H-7416	2	
23	140079	HALF COLLAR 44MM I.D. / TO FIX HOSE From H-7417	4	
24	504614	PLATE RETAINING / COLLAR	2	
26B	142353	HOSE SUPPORT L.H. To L-7683	1	I
26B	140152	HOSE SUPPORT L.H. From L-7684	1	I
26B	142352	HOSE SUPPORT R.H. To L-7683	1	I
26B	140151	HOSE SUPPORT R.H. From L-7684	1	I
27	500276	NUT HEX STO 1/2-13 N500	1	I
28	502656	SCREW CAP HEX M6-1.0x50 SS	2	
29	502565	NUT HEX M6-1.0 SS	2	
30	5001681	SCREW CAP HEX M6-1.0x60 SS	8	R
31	502860	NUT HEX STO M6-1.0 N500	8	R
32	132002	SUPPORT HOSE LH	1	R
32	132022	SUPPORT HOSE RH	1	R
33	504023	HOSE CLAMP / 1"5/16-2"1/4 SS / HS-28	4	R
34	504637	CABLE TIE / 3/16" x 13"	AR	
50	X3PLB-1250-10	ABS/ESP BRAKE VALVE - INSTALLATION / WITH MERITOR AXLE DRIVE		

From G-7275 To M-7767	Date:07/2024	PAGE:X3PLB-1225-10
-----------------------	--------------	--------------------

BRAKE CHAMBER - FRONT AXLE TYPE 24

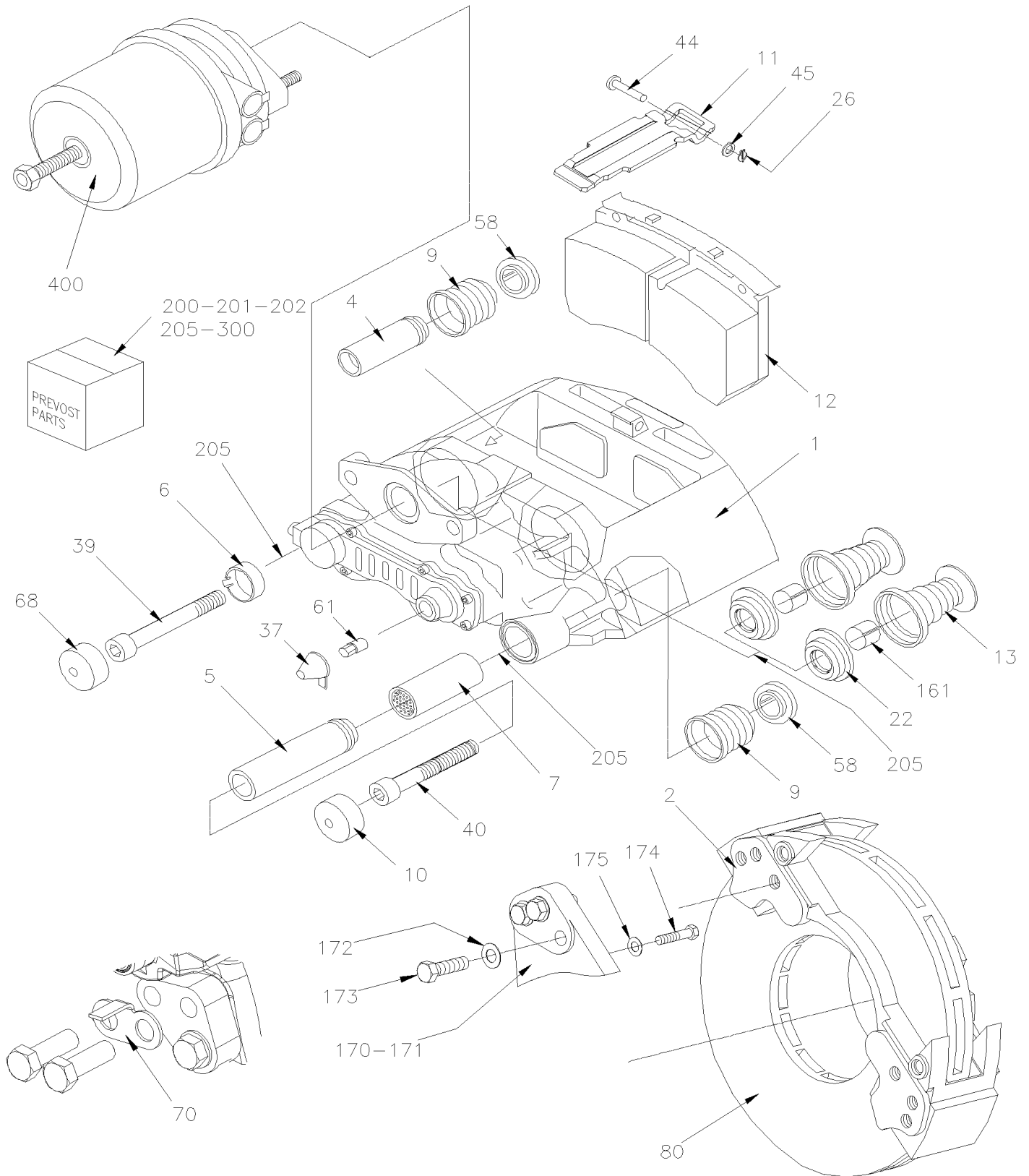
Item#	Part	Description	QTY	Notes
100	641422	KIT REPAIR / TYPE 24	1	A
		A) INCLUDED ITEMS #2,3,6,8,9 & 11		
		I) WITH INDEPENDANT SUSPENSION		
		R) WITH "I" BEAM SUSPENSION		
		1) NOT SOLD SEPARATELY		

From G-7275 To M-7767

Date:07/2024

PAGE:X3PLB-1235-00

BRAKE PARTS - DRIVE AXLE "KNORR-BREMSE" SN7 SERIES / WITH MERITOR AXLE DRIVE



From G-7275 To M-7767 Date:07/2024 PAGE:X3PLB-1235-00

BRAKE PARTS - DRIVE AXLE "KNORR-BREMSE" SN7 SERIES / WITH MERITOR AXLE DRIVE

Item#	Part	Description	QTY	Notes
	642186	CALIPER ASSY R.H. FRONT & TAG OR L.H. DRIVE AXLE / W/O POTENTIOMETER SN7 To M-7831	1	
	640071	CALIPER ASSY R.H. FRONT & TAG OR L.H. DRIVE AXLE / W/O POTENTIOMETER SN7 From M-7832	1	
	642187	CALIPER ASSY L.H. FRONT & TAG OR R.H. DRIVE AXLE / W/O POTENTIOMETER SN7 To M-7831	1	
	640076	CALIPER ASSY L.H. FRONT & TAG OR R.H. DRIVE AXLE / W/O POTENTIOMETER SN7 From M-7832	1	
1	N.S.S.	. CALIPER HOUSING	1	1
2	611960	. BRAKE CARRIER / W/6 HOLES BOLT RETAINERS M20-1.5	1	
4	N.S.S.	. . GUIDE BUSHING / SHORT	1	1
5	N.S.S.	. . GUIDE BUSHING / LONG	1	1
6	N.S.S.	. . GUIDE BUSHING / DU	1	1
7		. . BUSHING / BRASS	1	
8	N.S.S.	. . BOOT RUBBER / WHITE	2	1
9	N.S.S.	. . BELLOW GUIDE BUSHING / RED	2	1
10	N.S.S.	. . STEEL CAP	1	1
11	N.S.S.	. . BRAKE PAD BRACKET	1	1
12	642188	. . LINING SET STD / To M-7831	1	B
. 11	N.S.S.	. . . BRAKE PAD BRACKET To M-7831	1	1 B
. 26	N.S.S.	. . . SPRING SPLIT PIN To M-7831	1	1 B
. 37	642034	. . . KIT, PLUG CAP W/AJUSTING DEVICE (PACK of 10x #37, #37a & 61) To M-7831	1	B
. 44	N.S.S.	. . . CLEVIS PIN To M-7831	1	1 B
. 45	N.S.S.	. . . WASHER To M-7831	1	1 B
. 61	N.S.S.	. . . SHEAR ADAPTER To M-7831	1	1 B
12	610072	. . LINING SET STD / TX3054 From M-7832	1	
13	N.S.S.	. . TAPPET WITH BOOT ASSY	2	1
22	N.S.S.	. . BOOT	2	1
26	N.S.S.	. . SPRING SPLINT PIN	1	1
37	N.S.S.	. . PLUG CAP / ADJUSTING DEVICE	1	1
39	N.S.S.	. . SCREW CAP HEXS ZP M16-1.5 GR10.9	1	1
40	N.S.S.	. . SCREW CAP HEXS ZP M16-1.5 GR10.9	1	1
44	N.S.S.	. . CLEVIS PIN	1	1
45	N.S.S.	. . WASHER	1	1
58	N.S.S.	. . RING	2	1
61	N.S.S.	. . SHEAR ADAPTER	1	1
68	N.S.S.	. . CAP	1	1
70	110786	BRAKE WEAR INDICATOR MECHANICAL / 44MM	AR	
80	X3PLB-1305-00	HUB & ROTOR - DRIVE AXLE WITH MERITOR DRIVE AXLE		
80	X3PLB-1305-99	ROTOR (SPLINED DISC) PRODUCT IMPROVMENT		
161	N.S.S.	. RING RETAINING	2	1
170	X3PLB-1105-00	REAR AXLE - MODEL "RC23165"		
171	621868	CALIPER MOUNTING BRACKET L.H. & R.H. W/OUT BUSHING	1	D
172	N8889049	WASHER	6	
173	5001529	SCREW CAP HEX M20-1.5x60 G10.9 G500	6	
174	621636	SCREW CAP HEX / TO FIX BRACKET TO AXLE 9/16-18 X 2 GR 8	24	D

From G-7275 To M-7767 Date:07/2024 PAGE:X3PLB-1235-00

BRAKE PARTS - DRIVE AXLE "KNORR-BREMSE" SN7 SERIES / WITH MERITOR AXLE DRIVE

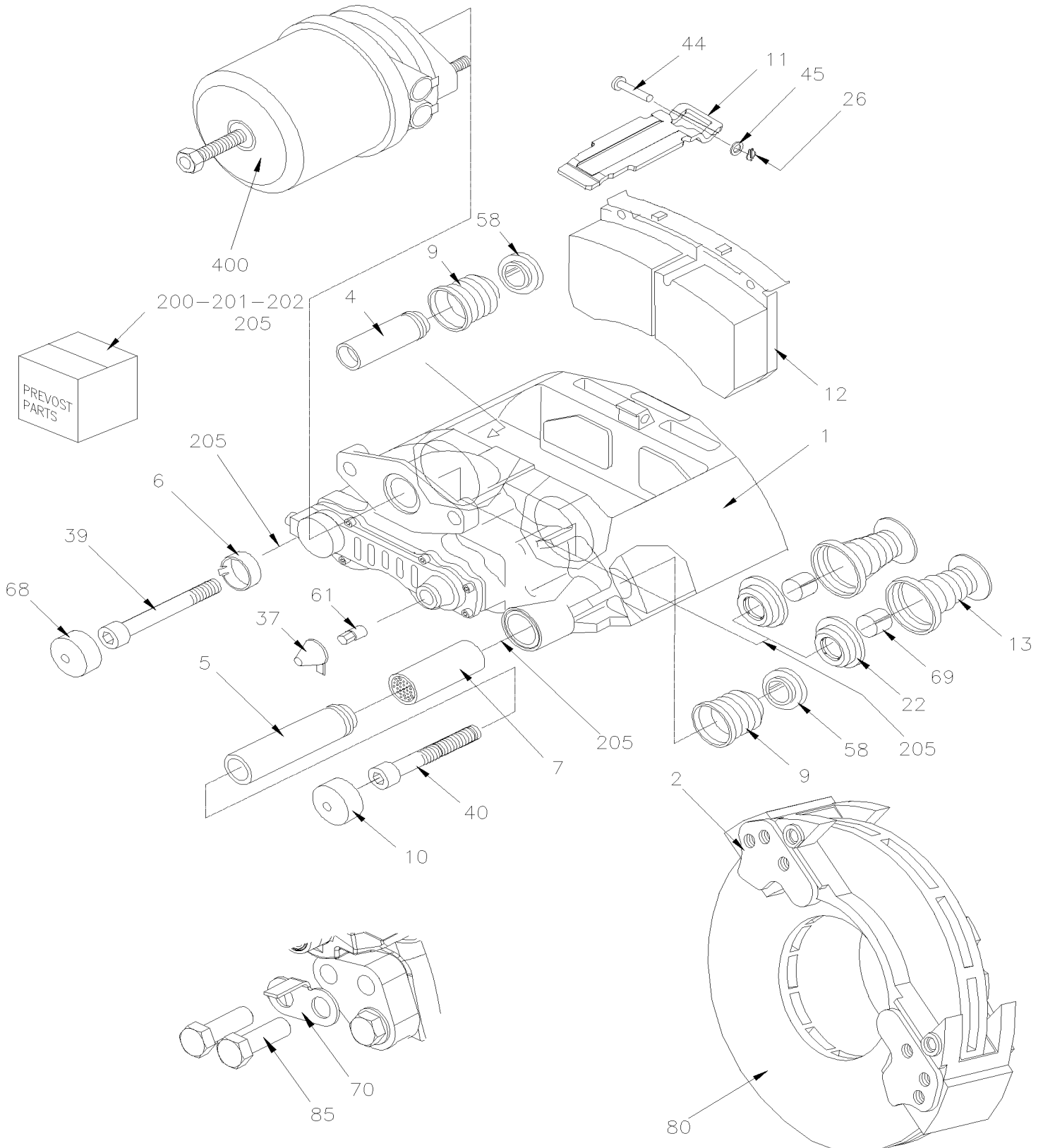
Item#	Part	Description	QTY	Notes
175	621365	WASHER (HARD) .59IDX.97ODX.09	24	D
200	19509429	KIT, TAPPET W/BOOT	AR	C
201	642141	KIT, GUIDANCE PINS & BELLOW / SN W/ GUIDE SLEEVE BUSHING END To F-7020	AR	E
201	640019	KIT, GUIDANCE PINS & BELLOW / SN W/ GUIDE SLEEVE BUSHING END From F-7021	AR	E
202	642034	KIT, PLUG CAP W/AJUSTING DEVICE (PACK of 10x #37, #37a & 61)	AR	S
203	641402	KIT, PAD HOLDER	AR	H
. 26	N.S.S.	. SPRING SPLIT PIN	1	1 H
. 44	N.S.S.	. CLEVIS PIN	1	1 H
. 45	N.S.S.	. WASHER	1	1 H
205	683345	GREASE WHITE / 5GR	AR	K
205	641930	GREASE WHITE / 500GR	AR	K
300	642214	KIT TOOL TO REPAIR BRAKE N2G	AR	L
400	X3PLB-1235-10	BRAKE CHAMBER - DRIVE AXLE / WITH MERITOR AXLE DRIVE		
		B) INCLUDES ITEMS #11, 26, 37, 44, 45 & 61		
		C) INCLUDES 2 OF ITEMS #13, 22 & 161		
		D) ON DRIVE AXLE ONLY		
		E) INCLUDES ITEMS #4, 5, 6, 7, 9, 10, 39, 40, 58 & 68		
		H) INCLUDES ITEMS #11,26,44 & 45		
		K) FOR ITEMS #5 & 7		
		L) TO USE W/ITEMS #13		
		S) INCLUDES 10 ITEMS #37 AND 61		
		1) NOT SOLD SEPARATELY		
		1) NOT SOLD SEPARATELY		

From G-7275 To M-7767

Date:07/2024

PAGE:X3PLB-1235-05

BRAKE PARTS - DRIVE AXLE "KNORR-BREMSE" SN7 SERIES / WITH ZF DRIVE AXLE



From G-7275 To M-7767	Date:07/2024	PAGE:X3PLB-1235-05
-----------------------	--------------	--------------------

BRAKE PARTS - DRIVE AXLE "KNORR-BREMSE" SN7 SERIES / WITH ZF DRIVE AXLE

Item#	Part	Description	QTY	Notes
	642223	CALIPER ASSY R.H. DRIVE AXLE ZF / W/POTENTIOMETER SN7 To M-7831	1	
	640079	CALIPER ASSY R.H. DRIVE AXLE ZF / W/POTENTIOMETER SN7 From M-7832	1	
	642222	CALIPER ASSY L.H. DRIVE AXLE ZF / W/POTENTIOMETER SN7 To M-7831	1	
	640082	CALIPER ASSY L.H. DRIVE AXLE ZF / W/POTENTIOMETER SN7 From M-7832	1	
1	N.S.A.	. CALIPER RIGH SIDE	1	3
1	N.S.A.	. CALIPER LEFT SIDE	1	3
2	N8893331	. BRAKE CARRIER R.H. / W/6 HOLES BOLTS M16-1.5	1	
2	N8893322	. BRAKE CARRIER L.H. / W/6 HOLES BOLTS M16-1.5	1	
4	N.S.S.	. . GUIDE BUSHING / SHORT	1	1
5	N.S.S.	. . GUIDE BUSHING / LONG	1	1
6	N.S.S.	. . GUIDE BUSHING / DU	1	1
7		. . BUSHING / BRASS	1	
8	N.S.S.	. . BOOT RUBBER / WHITE	2	1
9	N.S.S.	. . BELLOW GUIDE BUSHING / RED	2	1
10	N.S.S.	. . STEEL CAP	1	1
11	N.S.S.	. . BRAKE PAD BRACKET	1	1
12	642188	. . LINING SET STD / To M-7831	1	B
. 11	N.S.S.	. . . BRAKE PAD BRACKET To M-7831	1	1 B
. 26	N.S.S.	. . . SPRING SPLIT PIN To M-7831	1	1 B
. 37	642034	. . . KIT, PLUG CAP W/ADJUSTING DEVICE (PACK of 10x #37, #37a & 61) To M-7831	1	B
. 44	N.S.S.	. . . CLEVIS PIN To M-7831	1	1 B
. 45	N.S.S.	. . . WASHER To M-7831	1	1 B
. 61	N.S.S.	. . . SHEAR ADAPTER To M-7831	1	1 B
12	610072	. . LINING SET STD / TX3054 From M-7832	1	
13	N.S.S.	. . TAPPET WITH BOOT ASSY	2	1
22	N.S.S.	. . BOOT	2	1
26	N.S.S.	. . SPRING SPLINT PIN	1	1
37	N.S.S.	. . PLUG CAP / ADJUSTING DEVICE	1	1
39	N.S.S.	. . SCREW CAP HEXS ZP M16-1.5 GR10.9 SHORT	1	1
40	N.S.S.	. . SCREW CAP HEXS ZP M16-1.5 GR10.9 LONG	1	1
44	N.S.S.	. . CLEVIS PIN	1	1
45	N.S.S.	. . WASHER	1	1
58	N.S.S.	. . RING	2	1
61	N.S.S.	. . SHEAR ADAPTER	1	1
68	N.S.S.	. . CAP	1	1
69	N.S.S.	. . RING RETAINING	2	1
70	122087	BRAKE WEAR INDICATOR MECHANICAL	1	
80	X3PLB-1305-10	HUB & ROTOR - DRIVE AXLE WITH ZF DRIVE AXLE		
85	621970	SCREW SHR CAP HEXF M16-1.5x60	1	
85	621969	SCREW CAP HEXF M16-1.5x60	5	
200	19509429	KIT, TAPPET W/BOOT	AR	C
201	642141	KIT, GUIDANCE PINS & BELLOW / SN W/ GUIDE SLEEVE BUSHING END To F-7020	AR	E

From G-7275 To M-7767	Date:07/2024	PAGE:X3PLB-1235-05
-----------------------	--------------	--------------------

BRAKE PARTS - DRIVE AXLE "KNORR-BREMSE" SN7 SERIES / WITH ZF DRIVE AXLE

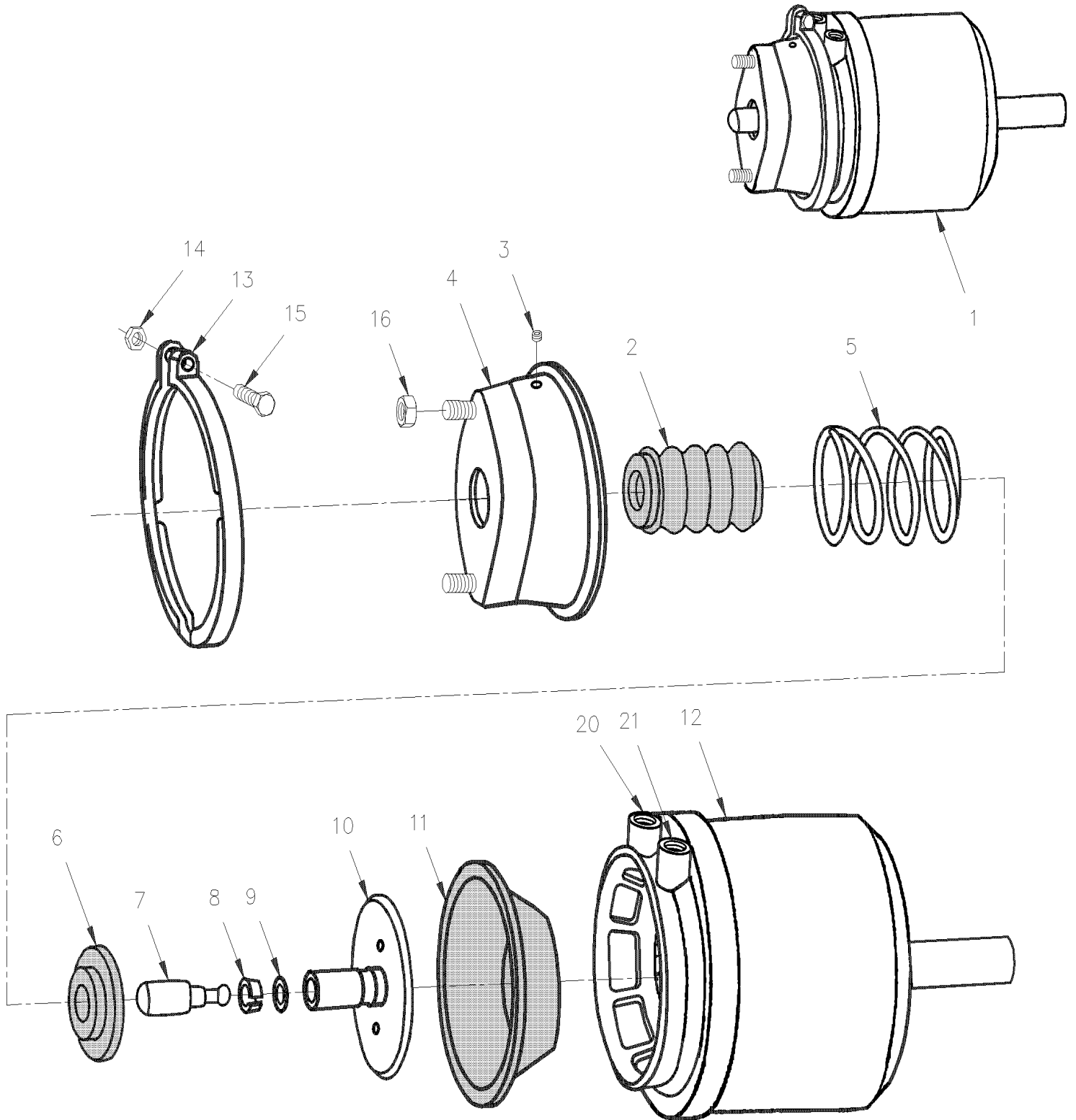
Item#	Part	Description	QTY	Notes
201	640019	KIT, GUIDANCE PINS & BELLOW / SN W/ GUIDE SLEEVE BUSHING END From F-7021	AR	E
202	642034	KIT, PLUG CAP W/AJUSTING DEVICE (PACK of 10x #37, #37a & 61)	AR	S
205	683345	GREASE WHITE / 5GR	AR	K
205	641930	GREASE WHITE / 500GR	AR	K
NS	Call order desk	KIT TOOL TO REPAIR BRAKE N2G	1	P
400	X3PLB-1235-15	BRAKE CHAMBER - DRIVE AXLE / WITH ZF DRIVE AXLE		
		B) INCLUDES ITEMS #11, 26, 37, 44, 45 & 61		
		C) INCLUDES 2 OF ITEMS #13, 22 & 161		
		E) INCLUDES ITEMS #4, 5, 6, 7, 9, 10, 39, 40, 58 & 68		
		K) FOR ITEMS #5 & 7		
		S) INCLUDES 10 ITEMS #37 AND 61		
		1) NOT SOLD SEPARATELY		
		3) NOT SOLD ASSEMBLY		
		P) CALL ORDER DESK FOR SPECIFIC APPLICATION (V.I.N.)		
		1) NOT SOLD SEPARATELY		

From G-7275 To M-7767

Date:07/2024

PAGE:X3PLB-1235-10

BRAKE CHAMBER - DRIVE AXLE / WITH MERITOR AXLE DRIVE

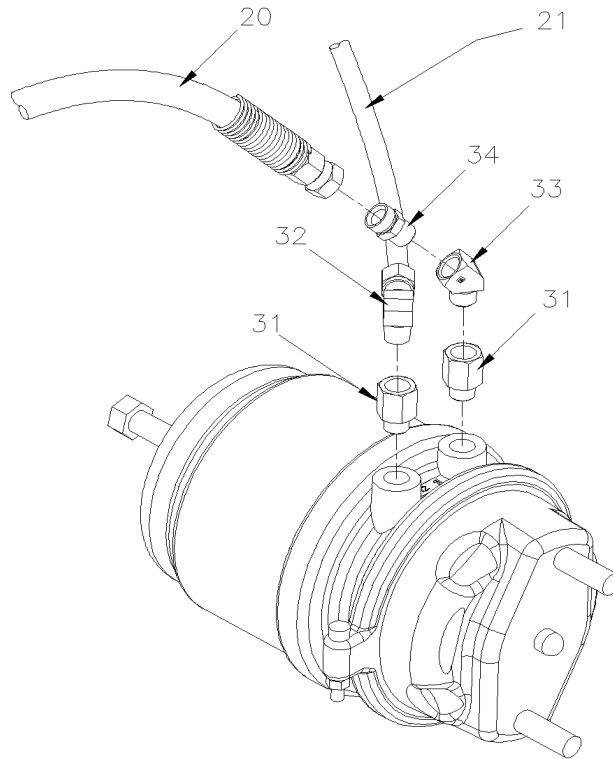


From G-7275 To M-7767

Date:07/2024

PAGE:X3PLB-1235-10

BRAKE CHAMBER - DRIVE AXLE / WITH MERITOR AXLE DRIVE



From G-7275 To M-7767	Date:07/2024	PAGE:X3PLB-1235-10
BRAKE CHAMBER - DRIVE AXLE / WITH MERITOR AXLE DRIVE		

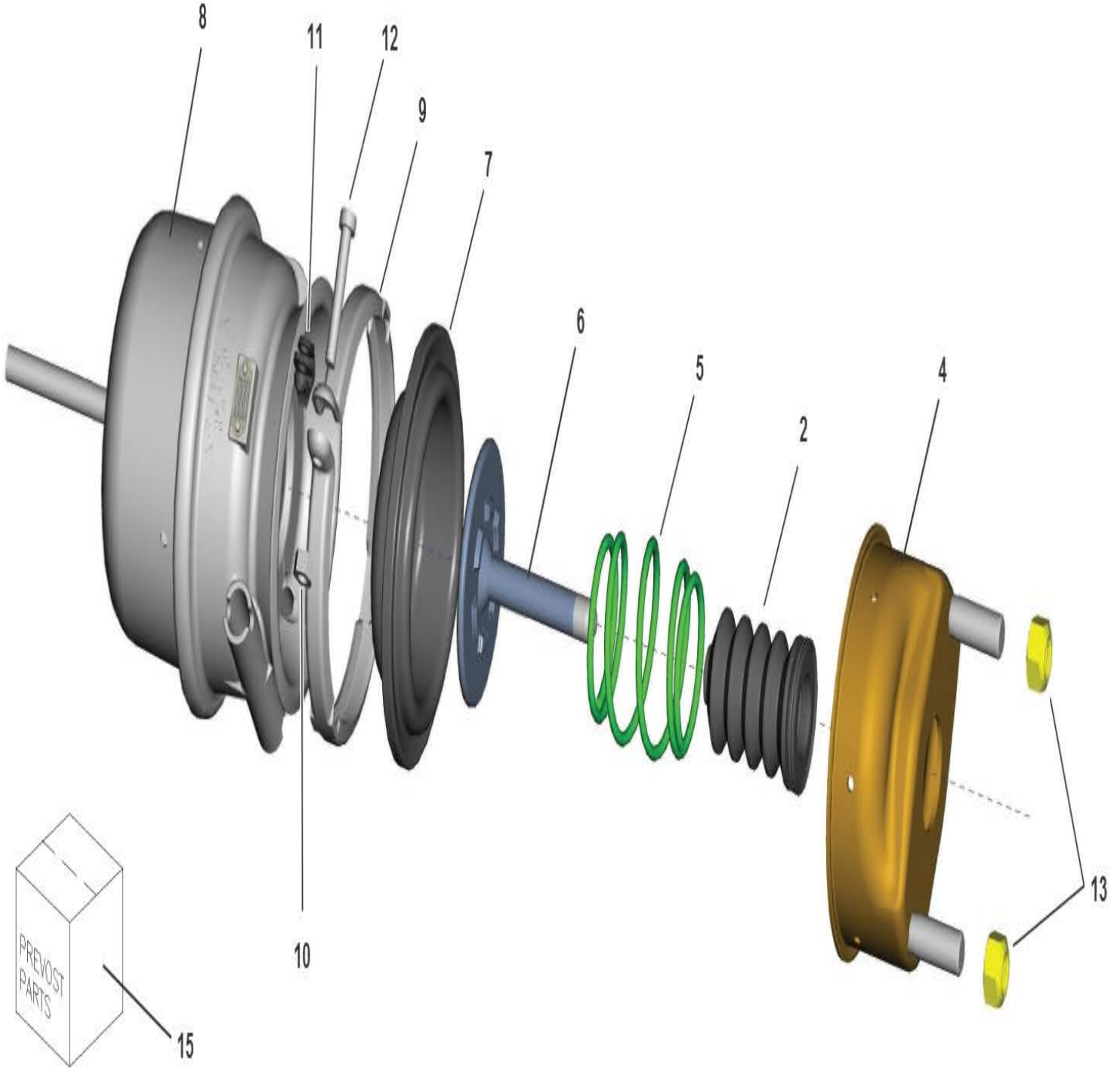
Item#	Part	Description	QTY	Notes
1	642057	BRAKE CHAMBER ASSY L.H. / TYPE 24/24 (SEALED)	1	
1	642058	BRAKE CHAMBER ASSY R.H. / TYPE 24/24 (SEALED)	1	
2	N.S.S.	. BOOT	1	1
3	N.S.S.	. HOLE PLUG	1	1
4	N.S.S.	. CHAMBER , NO-PRESSURE	1	1
5	N.S.S.	. SPRING	1	1
6	N.S.S.	. SPRING SEAT	1	1
7	N.S.S.	. PUSH ROD END	1	1
8	N.S.S.	. RETAINER	1	1
9	N.S.S.	. RING	1	1
10	N.S.S.	. PUSH ROD	1	1
16	5001253	NUT HEX STO M16-1.5 G500	2	
		HOSE SERVICE BRAKE		
20	641303	HOSE BRAKE #8 914MM (36")	2	A
20	641305	HOSE BRAKE #8 718MM (28 1/4")	1	
		HOSE EMERGENCY BRAKE		
21	503488	TUBE, NYLON 1/2 O.D. / BLACK S.L./	AR	
31	5011205	FEMALE CONNECTOR / PIPE @ METRIC / 3/8NPT-FxM16-1.5-M ZP	4	
. NS	641297	. O-RING 13.1MM I.D. X 2.6 TH	1	
. NS	641298	. WASHER FL 17MM I.D x 22MM O.D. x 1.5MM	1	
32	641040	MALE ELBOW 90° / NTA FITTING / #8x3/8NPT-M BR	2	
33	501330	STREET ELBOW 45° / PIPE FITTING / 3/8NPT-Mx3/8NPT-F BR	2	
34	501842	ADAPTER / AIR BRAKE HOSE FITTING / 3/4-20-Mx3/8NPT-M STL	2	
		A) R.H. & L.H.		
		1) NOT SOLD SEPARATELY		

From G-7275 To M-7767

Date:07/2024

PAGE:X3PLB-1235-15

BRAKE CHAMBER - DRIVE AXLE / WITH ZF DRIVE AXLE

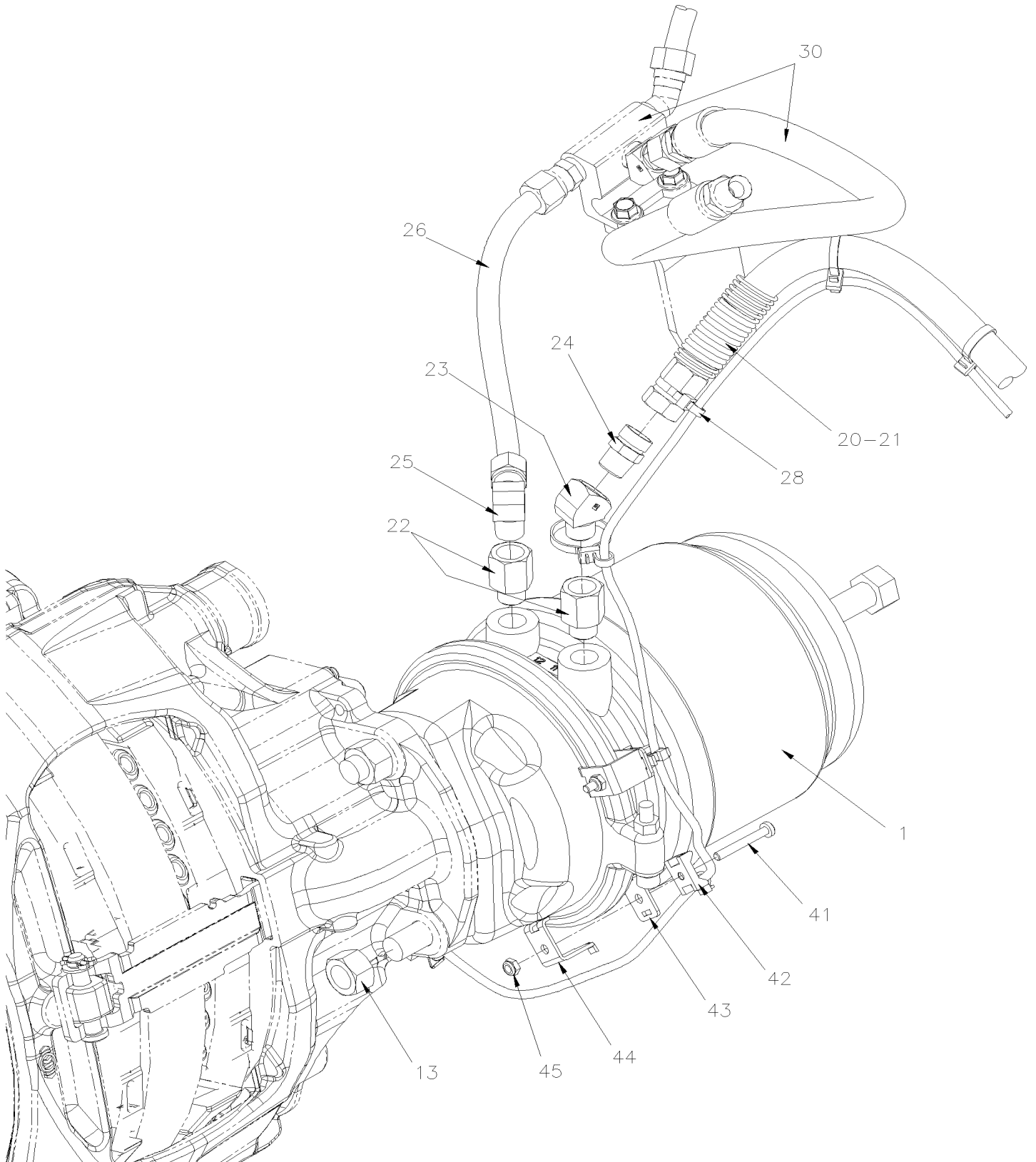


From G-7275 To M-7767

Date:07/2024

PAGE:X3PLB-1235-15

BRAKE CHAMBER - DRIVE AXLE / WITH ZF DRIVE AXLE



From G-7275 To M-7767	Date:07/2024	PAGE:X3PLB-1235-15
BRAKE CHAMBER - DRIVE AXLE / WITH ZF DRIVE AXLE		

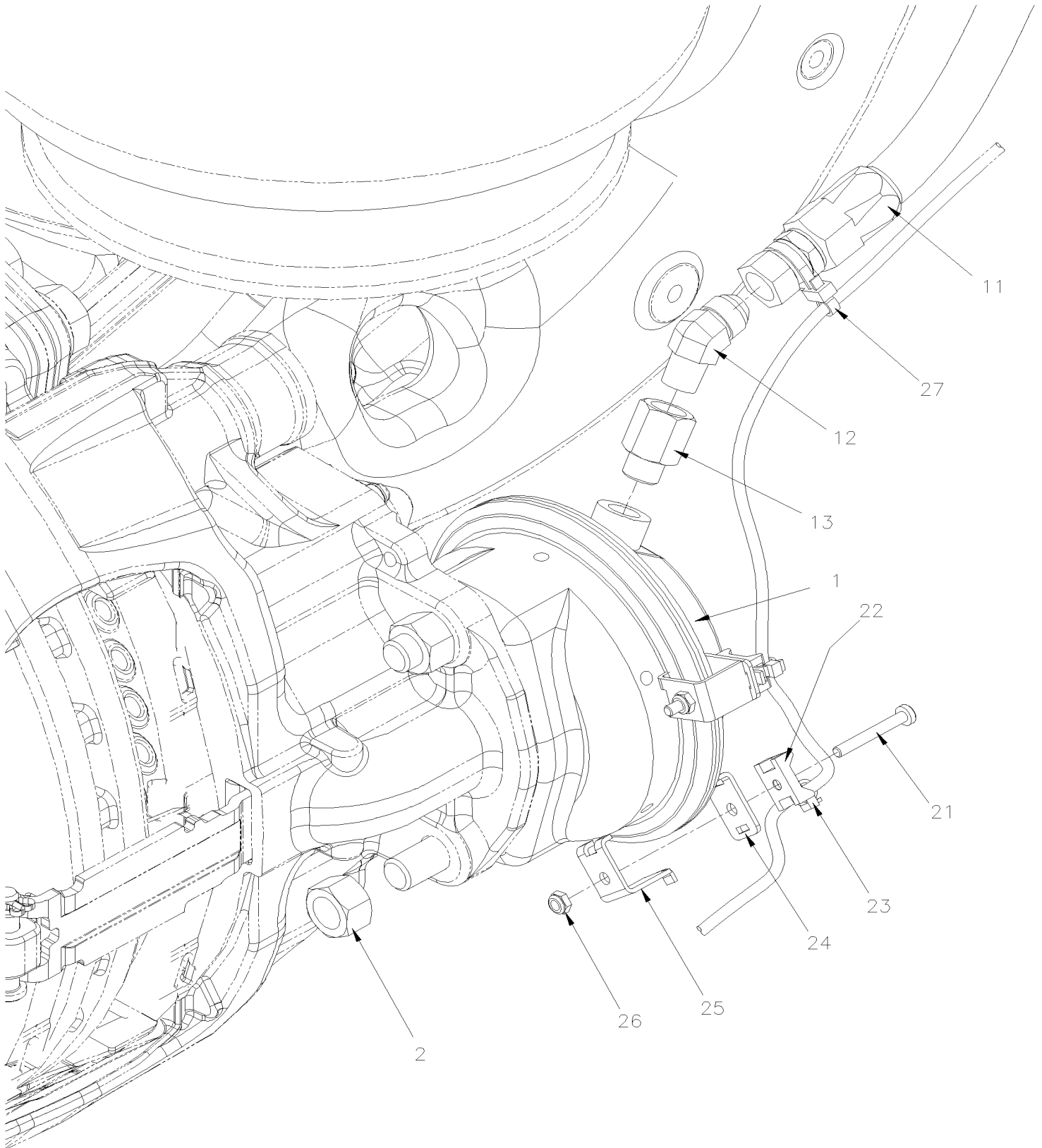
Item#	Part	Description	QTY	Notes
1	7770345	BRAKE CHAMBER ASSY / TYPE 24/24 (SEALED)	1	
2	N.S.S.	. BOOT	1	1
4	N.S.S.	. CHAMBER , NO-PRESSURE	1	1
5	N.S.S.	. SPRING	1	1
6	N.S.S.	. PUSH ROD	1	1
7	N.S.S.	. DIAPHRAGM / TYPE 24	1	1
8	N.S.S.	. CHAMBER SUB ASSY / TYPE 24/24	1	1
9	N.S.S.	. CLAMP W/BOLT & NUT	1	1
10	502543	. . NUT HEX M8-1.25 Z050	1	
11	N.S.S.	. . SPACING SLEEVE	1	1
12	5001021	. . SCREW CAP HEXS M8-1.25x60 G8.8 PT	1	
13	620009	HEXAGON NUT M16-1.5 G10	2	
15	642217	KIT REPAIR / TYPE 24/24	AR	B
20	641302	HOSE BRAKE #8 610MM (24") STREET SIDE	1	
21	641305	HOSE BRAKE #8 718MM (28 1/4") CURB SIDE	1	
22	5011205	FEMALE CONNECTOR / PIPE @ METRIC / 3/8NPT-FxM16-1.5-M ZP	4	
. NS	641297	. O-RING 13.1MM I.D. X 2.6 TH	1	
. NS	641298	. WASHER FL 17MM I.D x 22MM O.D. x 1.5MM	1	
23	501330	STREET ELBOW 45° / PIPE FITTING / 3/8NPT-Mx3/8NPT-F BR	2	
24	501842	ADAPTER / AIR BRAKE HOSE FITTING / 3/4-20-Mx3/8NPT-M STL	2	
25	641040	MALE ELBOW 90° / NTA FITTING / #8x3/8NPT-M BR	2	
26	503533	TUBE, NYLON 1/2 O.D. / YELLOW S.L.	AR	
. NS	19514092	. TUBE, NYLON 1/2 O.D. / YELLOW / 100FT ROLL		
NS	680098	THREAD SEALANT LOCTITE #567 / WHITE / 250ml	AR	
28	507664	CABLE TIE / 3/16" 11" / DOUBLE LOOP HEAD	AR	
30	X3PLB-1250-10	ABS/ESP BRAKE VALVE - INSTALLATION / WITH MERITOR AXLE DRIVE		
41	5001953	SCREW MA PAN PH M5-0.8x40 SS	3	A
42	504013	TIE MOUNT / 1/4" X 1/4" I.D.	3	A
42	504016	CABLE TIE / 5/16" X 14"1/2	3	A
43	145246	BRACKET, BRAKE WEAR INDICATOR	3	A
44	145245	BRACKET, BRAKE WEAR INDICATOR	3	A
45	502841	NUT HEX NYRT M5-0.8 N500	3	A
		A) STREET SIDE ONLY		
		B) INCLUDING ITEM 2,5,7,10,11,12,13		
		1) NOT SOLD SEPARATELY		

From G-7275 To J-7495

Date:07/2024

PAGE:X3PLB-1245-10

BRAKE CHAMBER - TAG AXLE TYPE 16



From G-7275 To J-7495	Date:07/2024	PAGE:X3PLB-1245-10
BRAKE CHAMBER - TAG AXLE TYPE 16		

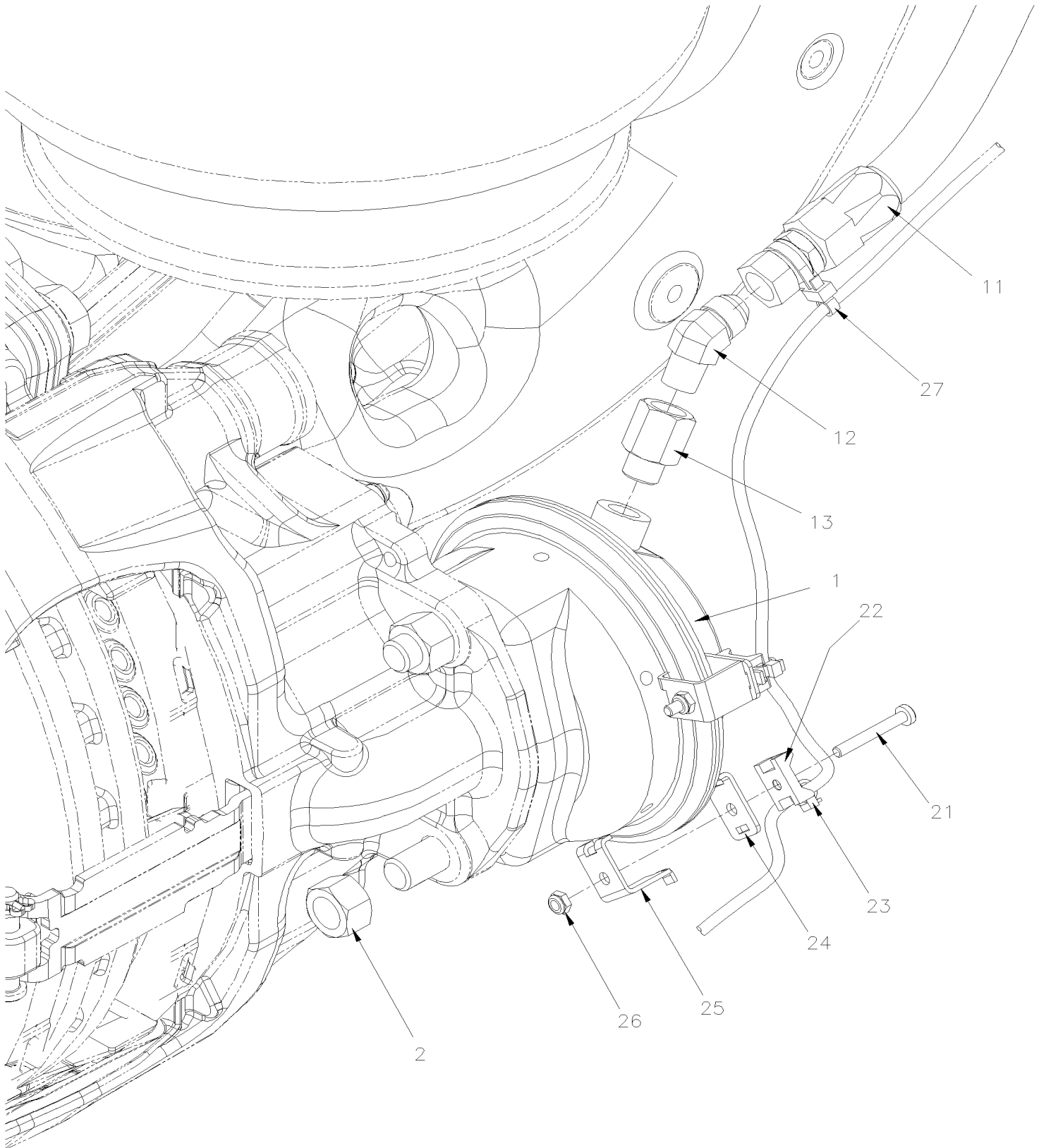
Item#	Part	Description	QTY	Notes
1	642086	BRAKE CHAMBER ASSY / TYPE 16 / SEALED	2	ESP
2	5001253	NUT HEX STO M16-1.5 G500	4	
11	641905	HOSE BRAKE #8 952MM (37 1/2")	2	
12	501291	MALE ELBOW 45° / JIC 37° FITTING / #8JIC-Mx3/8NPT-M STL	1	
13	5011205	FEMALE CONNECTOR / PIPE @ METRIC / 3/8NPT-FxM16-1.5-M ZP	1	
. NS	641297	. O-RING 13.1MM I.D. X 2.6 TH	1	
. NS	641298	. WASHER FL 17MM I.D x 22MM O.D. x 1.5MM	1	
21	5001953	SCREW MA PAN PH M5-0.8x40 SS	2	ESP ZF
22	504013	TIE MOUNT / 1/4" X 1/4" I.D.	2	ZF
23	504637	CABLE TIE / 3/16" x 13"	2	ZF
24	145246	BRACKET, BRAKE WEAR INDICATOR	2	ZF
25	145245	BRACKET, BRAKE WEAR INDICATOR	2	ZF
26	502841	NUT HEX NYRT M5-0.8 N500	2	ZF
27	507664	CABLE TIE / 3/16" 11" / DOUBLE LOOP HEAD	1	ZF
		ESP) WITH "ESP"		
		ZF) WITH ``ZF`` DIFFERENTIAL		

From J-7496 To M-7767

Date:07/2024

PAGE:X3PLB-1245-11

BRAKE CHAMBER - TAG AXLE TYPE 20



From J-7496 To M-7767	Date:07/2024	PAGE:X3PLB-1245-11
BRAKE CHAMBER - TAG AXLE TYPE 20		

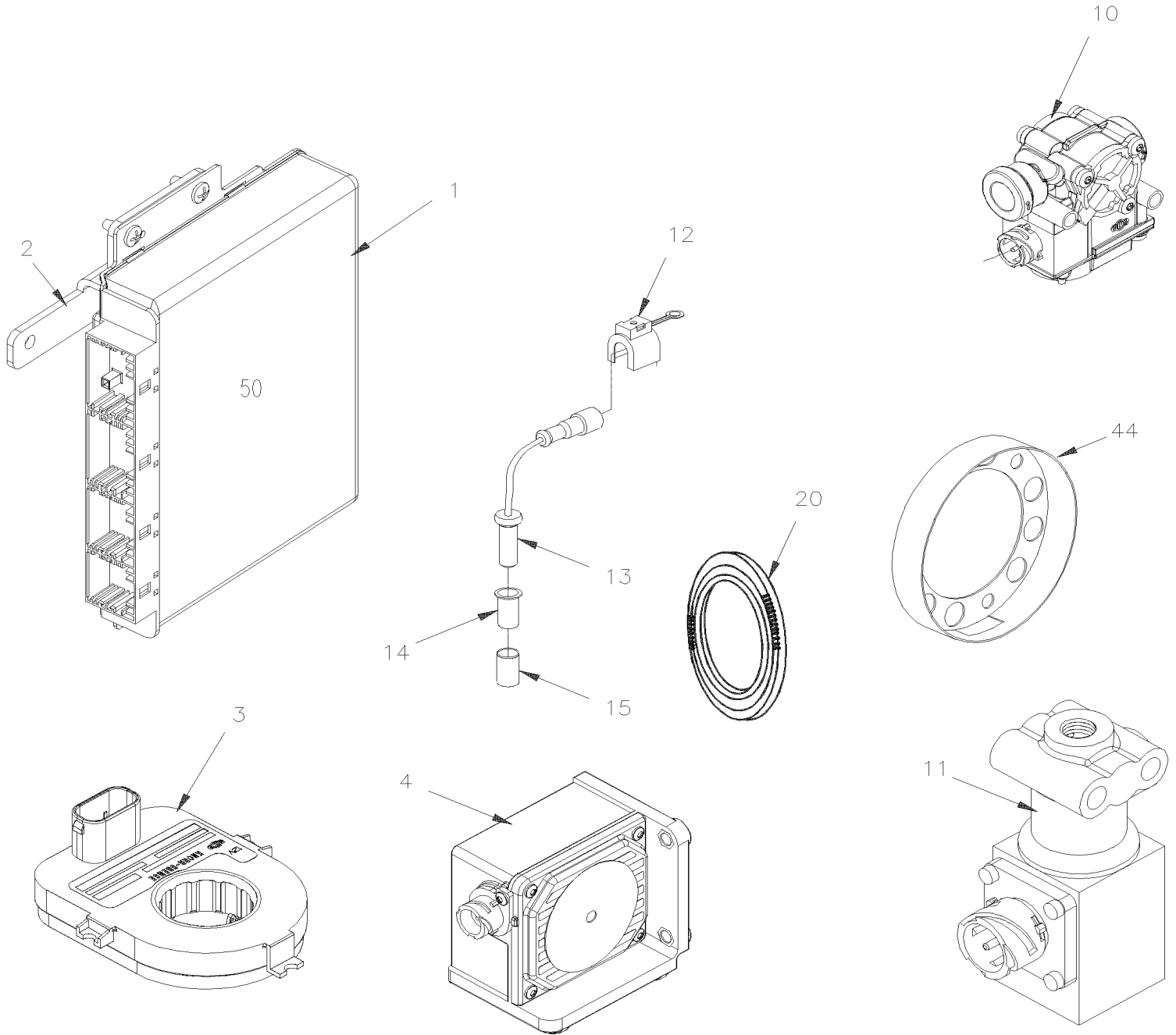
Item#	Part	Description	QTY	Notes
1	640016	BRAKE CHAMBER ASSY / TYPE 20 / SEALED	2	
2	5001253	NUT HEX STO M16-1.5 G500	4	
11	641905	HOSE BRAKE #8 952MM (37 1/2")	2	
12	501291	MALE ELBOW 45° / JIC 37° FITTING / #8JIC-Mx3/8NPT-M STL	2	
13	5011205	FEMALE CONNECTOR / PIPE @ METRIC / 3/8NPT-FxM16-1.5-M ZP	2	
. NS	641297	. O-RING 13.1MM I.D. X 2.6 TH	1	
. NS	641298	. WASHER FL 17MM I.D x 22MM O.D. x 1.5MM	1	
21	5001953	SCREW MA PAN PH M5-0.8x40 SS	2	A Z
22	504013	TIE MOUNT / 1/4" X 1/4" I.D.	2	A Z
23	504637	CABLE TIE / 3/16" x 13"	2	A Z
24	145246	BRACKET, BRAKE WEAR INDICATOR	2	A Z
25	145245	BRACKET, BRAKE WEAR INDICATOR	2	A Z
26	502841	NUT HEX NYRT M5-0.8 N500	2	A Z
27	507664	CABLE TIE / 3/16" 11" / DOUBLE LOOP HEAD	1	A Z
		A) CURB SIDE ONLY		
		Z) WITH DIFFERENTIAL ZF		

From G-7275 To M-7767

Date:07/2024

PAGE:X3PLB-1250-00

ABS & ESP CONTROL / WITH MERITOR AXLE DRIVE



From G-7275 To M-7767	Date:07/2024	PAGE:X3PLB-1250-00
ABS & ESP CONTROL / WITH MERITOR AXLE DRIVE		

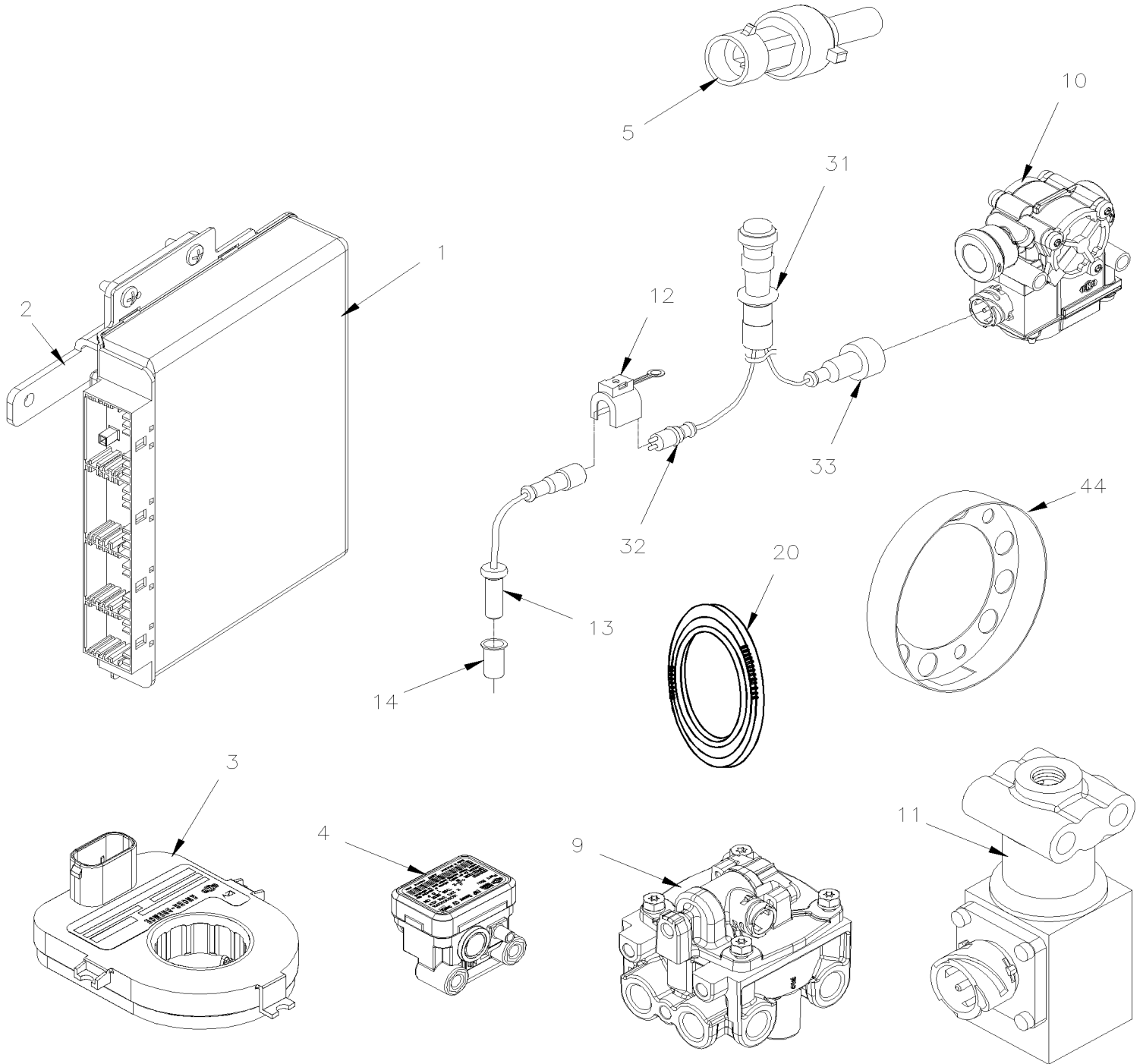
Item#	Part	Description	QTY	Notes
1	642146	ECU ABS / W/6 CHANNELS / ADVANCED ESP UNPROGRAMMED / NON-PROGRAMME To J-7495	1	
1	640022	ECU ABS / W/8 CHANNELS / ADVANCED ESP AFTERMARKET From J-7496	1	
2	382468	SUPPORT ECU	1	
3	661120	SENSOR ANGLE POSITION DETECTOR	1	
. NS	564042	. CONNECTOR / BOSCH 1 928 404 025	1	
3	661148	SENSOR ANGLE POSITION DETECTOR	1	
. NS	564042	. CONNECTOR / BOSCH 1 928 404 025	1	
4	642151	SENSOR "YAW"	1	
5	642075	TRANSDUCER PRESSURE	1	
. NS	563159	. CONNECTOR / METRI-PACK 150 / SH 3C / PED 12065287	1	
10	640228	VALVE, "ABS" 12VOLT / M-40QR	AR	
11	640018	VALVE, RELAY & ATC / ATR-6	1	
12	561115	CLAMP W/ 3 & 4 / ITT CANNON 029-0262-000	AR	
13	642084	SENSOR ABS 90° ANGLE - OEM	2	R
13	642108	SENSOR ABS 90° ANGLE - AFTER MARKET	2	R
13	642085	SENSOR ABS - OEM	2	I
13	642184	SENSOR ABS - AFTER MARKET	2	I
13	642085	SENSOR ABS - OEM	2	T
13	642184	SENSOR ABS - AFTER MARKET	2	T
13	642085	SENSOR ABS - OEM	2	A
13	642184	SENSOR ABS - AFTER MARKET	2	A
NS	565885	TIE MOUNT HOLE 1/2"	2	
NS	504637	CABLE TIE / 3/16" x 13"	2	
NS	500594	SCREW CAP HEX 7/16-20x1 1/4 G8 N500	2	
14	641096	CLIP, SPRING / TO FIX SENSOR	AR	
15	621869	BUSHING - ABS SENSOR	2	A
15	121912	BUSHING ABS SENSOR MOUNTING TAG AXLE ONE PIECE	2	T
20	611473	TOOTH WHEEL / FRONT AXLE & TAG W/ "FAG" 143.90MM I.D.	1	ID
20	611473	TOOTH WHEEL / FRONT AXLE & TAG W/ "FAG" 143.90MM I.D.	1	T
20	611457	ROTOR VENTED (W/TOOTH WHEEL / DRIVE AXLE)	1	
20	621801	TOOTH WHEEL / TAG AXLE W/CAST TAG	1	T
44	621870	ABS SHIELD PROTECTOR	2	
50	X3PLB-0625-00	FRONT JUNCTION PANEL		
		A) DRIVE AXLE ONLY		
		D) WITH HUB "FAG"		
		I) WITH INDEPENDENT SUSPENSION		
		R) WITH "I" BEAM SUSPENSION		
		T) ON TAG AXLE ONLY		

From G-7275 To M-7767

Date:07/2024

PAGE:X3PLB-1250-05

ABS & ESP CONTROL / WITH ZF DRIVE AXLE



From G-7275 To M-7767	Date:07/2024	PAGE:X3PLB-1250-05
ABS & ESP CONTROL / WITH ZF DRIVE AXLE		

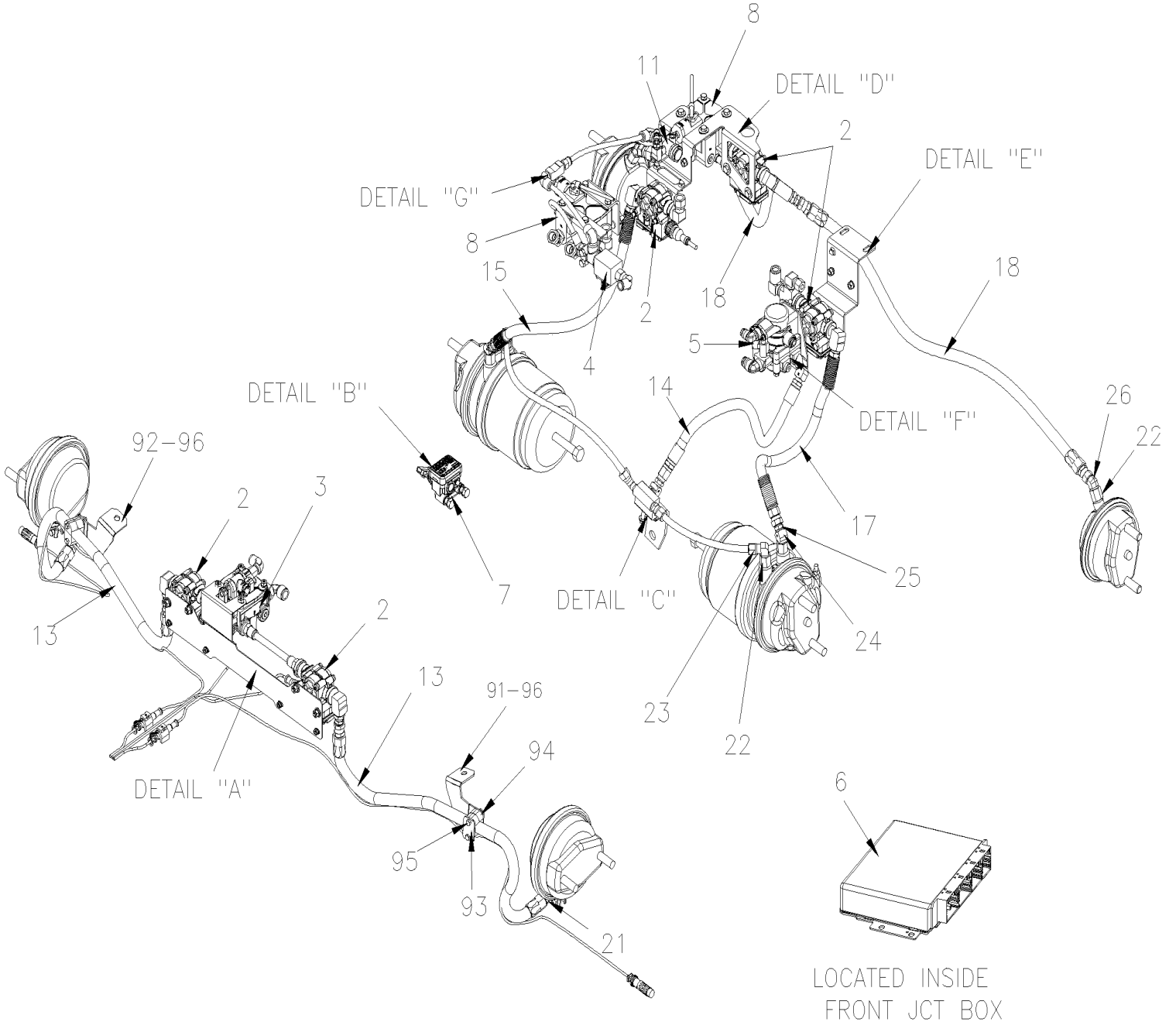
Item#	Part	Description	QTY	Notes
1	642146	ECU ABS / W/6 CHANNELS / ADVANCED ESP UNPROGRAMMED / NON-PROGRAMME To J-7495	1	
1	640022	ECU ABS / W/8 CHANNELS / ADVANCED ESP AFTERMARKET From J-7496	1	
2	382468	SUPPORT ECU	1	
3	661120	SENSOR ANGLE POSITION DETECTOR	1	
. NS	564042	. CONNECTOR / BOSCH 1 928 404 025	1	
3	661148	SENSOR ANGLE POSITION DETECTOR	1	
. NS	564042	. CONNECTOR / BOSCH 1 928 404 025	1	
4	642151	SENSOR "YAW"	1	
4	642230	SENSOR "YAW"	1	S
5	642075	TRANSDUCER PRESSURE	2	
. NS	563159	. CONNECTOR / METRI-PACK 150 / SH 3C / PED 12065287	1	
5	642072	PRESSURE SWITCH N.C. 2-6 PSI / 1/4" TUBE	1	
. NS	563677	. CONNECTOR / METRI-PACK 150 / SH 4C / PED 12065402	1	
5	20476992	TRANSDUCER PRESSURE (0-12Bar / 0-174PSI)	1	
9	640018	VALVE, RELAY & ATC / ATR-6	1	
10	640228	VALVE, "ABS" 12VOLT / M-40QR To G-7241	AR	
11	640018	VALVE, RELAY & ATC / ATR-6	1	
12	561115	CLAMP W/ 3 & 4 / ITT CANNON 029-0262-000	AR	
13	642085	SENSOR ABS - OEM	AR	T
13	642084	SENSOR ABS 90° ANGLE - OEM	2	F
13	N48608	SENSOR ABS / ZF From F-7001	2	A
13	503702	HOSE / (SAFETY STRIPE) / 3/8" I.D. 50' / S.L. From F-7001	AR	A
13	504016	CABLE TIE / 5/16" X 14"1/2 From F-7001	AR	A
14	641096	CLIP, SPRING / TO FIX SENSOR To F-7000	4	F T
14	N8892040	CLIP, SPRING / TO FIX SENSOR From F-7001	2	A
20	621801	TOOTH WHEEL / TAG AXLE W/CAST TAG	1	T
20	611471	HUB ASSY / UNITISED L.H. & R.H. "FAG" ASSY W/"ABS" RING To H-7401	1	F
. NS	N.S.S.	. TOOTH WHEEL To H-7401	1	1 F
. NS	509939	. SCREW DRV RND #4x1/4 SS To H-7401	3	F
20	611360	BEARING HOUSING ASSY / UNITISED L.H. & R.H. "FAG" ASSY W/"ABS" RING From H-7402	1	F
. NS	N.S.S.	. HUB ASSY / UNITISED L.H. & R.H. "FAG" From H-7402	1	1 F
. NS	N.S.S.	. TOOTH WHEEL From H-7402	1	1 F
20	611457	ROTOR VENTED (W/TOOTH WHEEL / DRIVE AXLE)	1	A
31	068759	CABLE ASSY / FRONT "ABS" SENSOR & VALVE / MUX & EPS	1	
32	641132	. CONNECTOR / MALE W2 WIRES x 3 METER / WABCO 8945900102	1	
33	564046	. CONNECTOR / FEMALE W3 WIRES x 2.5 METER / LEONI 220768700	1	
NS	504637	CABLE TIE / 3/16" x 13"	AR	
44	621711	ABS SHIELD PROTECTOR	2	
		A) DRIVE AXLE ONLY		

From G-7275 To M-7767	Date:07/2024	PAGE:X3PLB-1250-05
-----------------------	--------------	--------------------

ABS & ESP CONTROL / WITH ZF DRIVE AXLE

Item#	Part	Description	QTY	Notes
		F) FRONT AXLE ONLY		
		S) SERVICE ONLY		
		T) ON TAG AXLE ONLY		
		1) NOT SOLD SEPARATELY		

ABS/ESP BRAKE VALVE - INSTALLATION / WITH MERITOR AXLE DRIVE

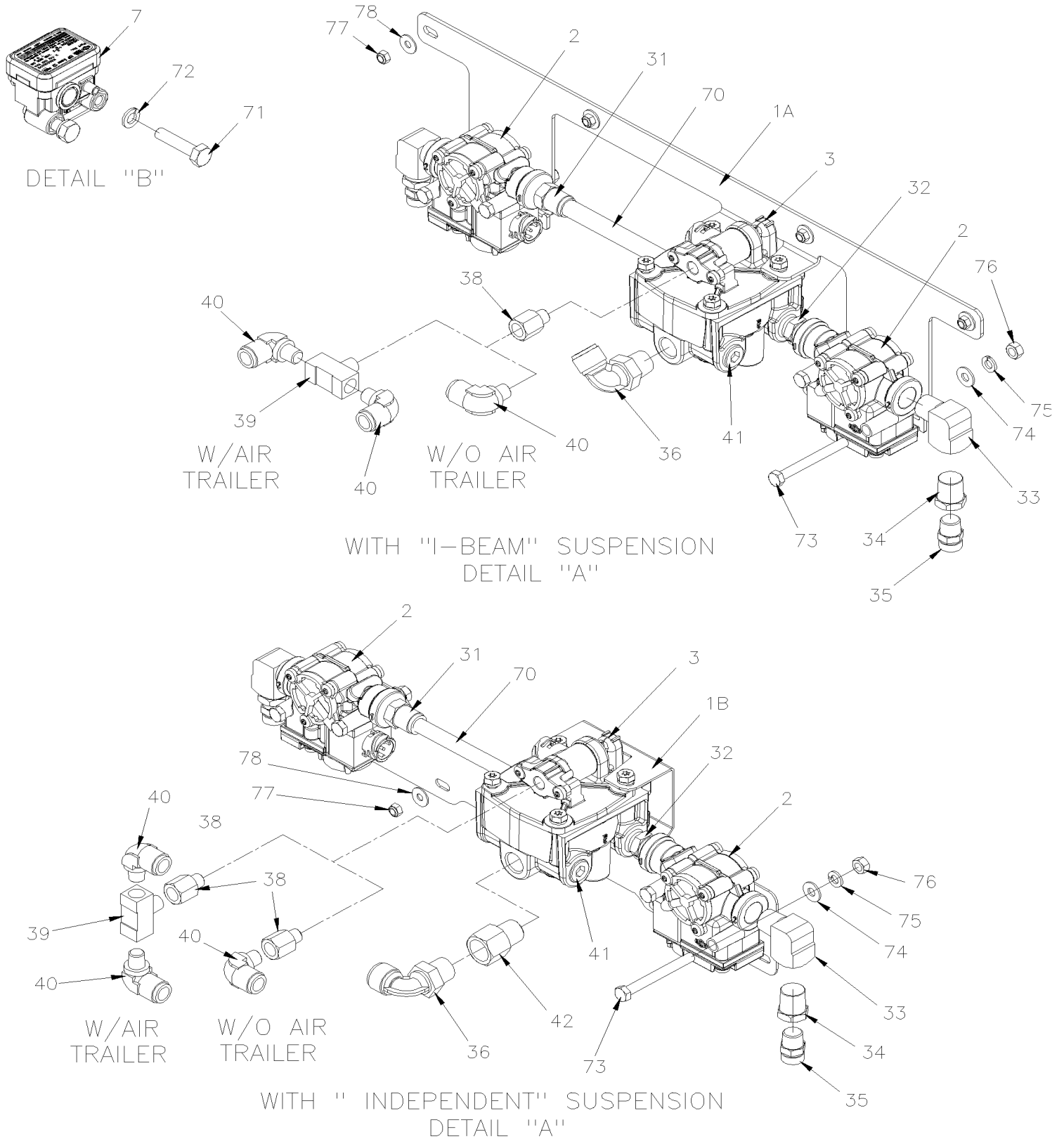


From G-7275 To M-7767

Date:07/2024

PAGE:X3PLB-1250-10

ABS/ESP BRAKE VALVE - INSTALLATION / WITH MERITOR AXLE DRIVE



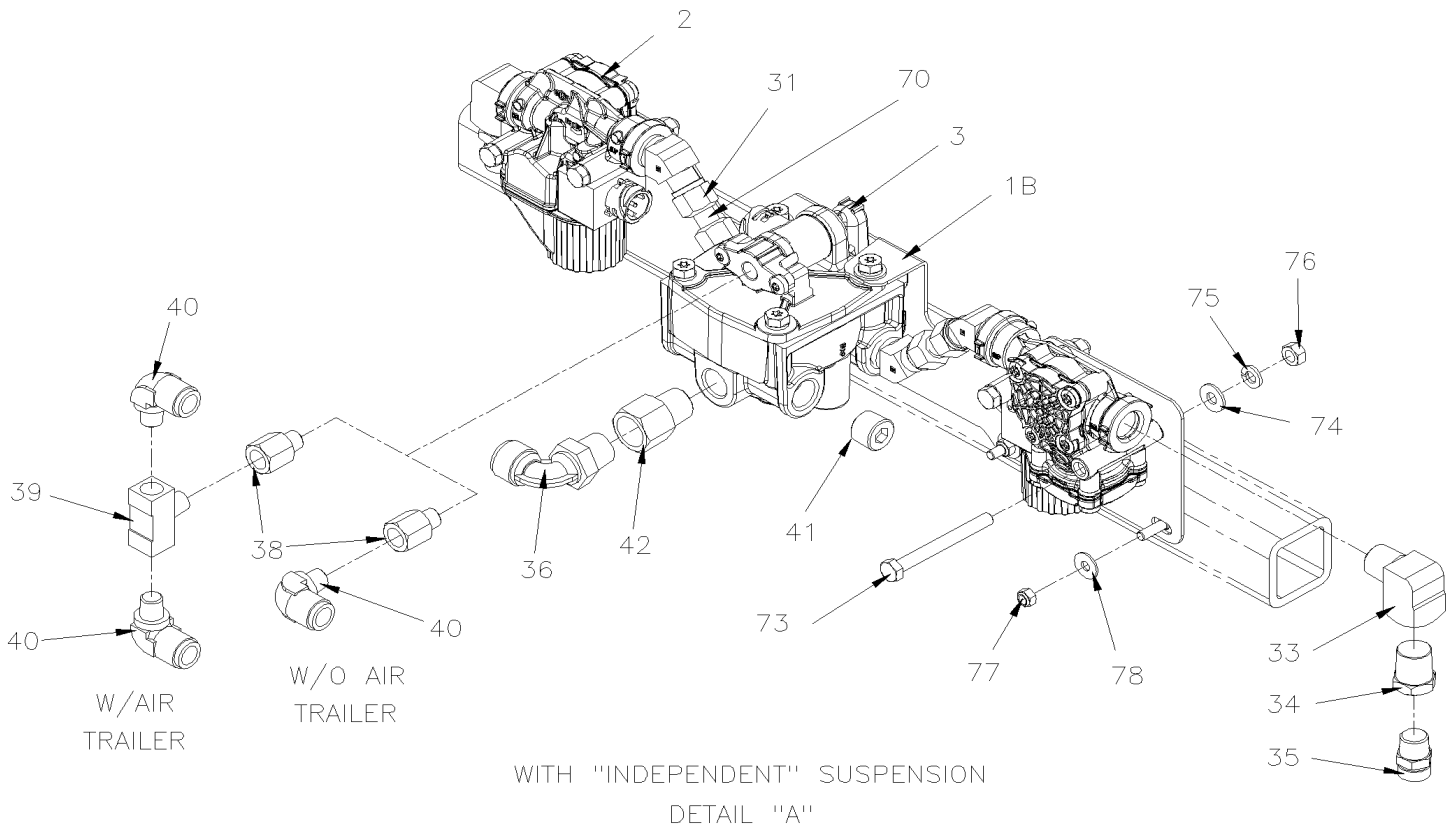
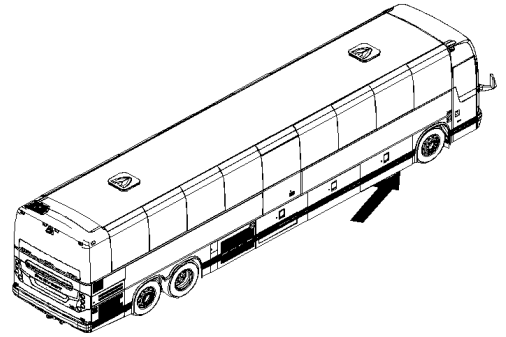
From G-7275 To M-7767

Date:07/2024

PAGE:X3PLB-1250-10

ABS/ESP BRAKE VALVE - INSTALLATION / WITH MERITOR AXLE DRIVE

FROM J-7441

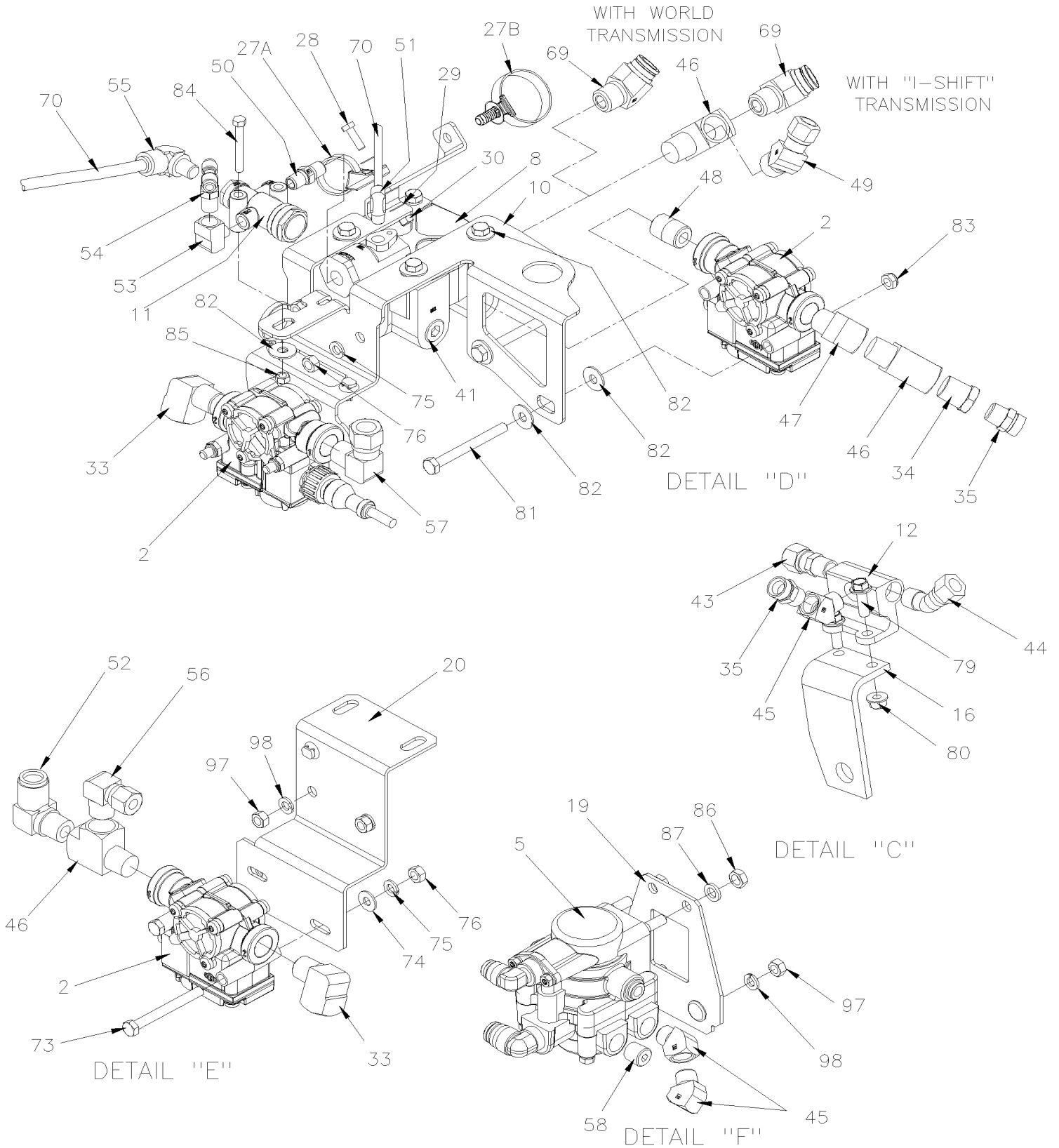


From G-7275 To M-7767

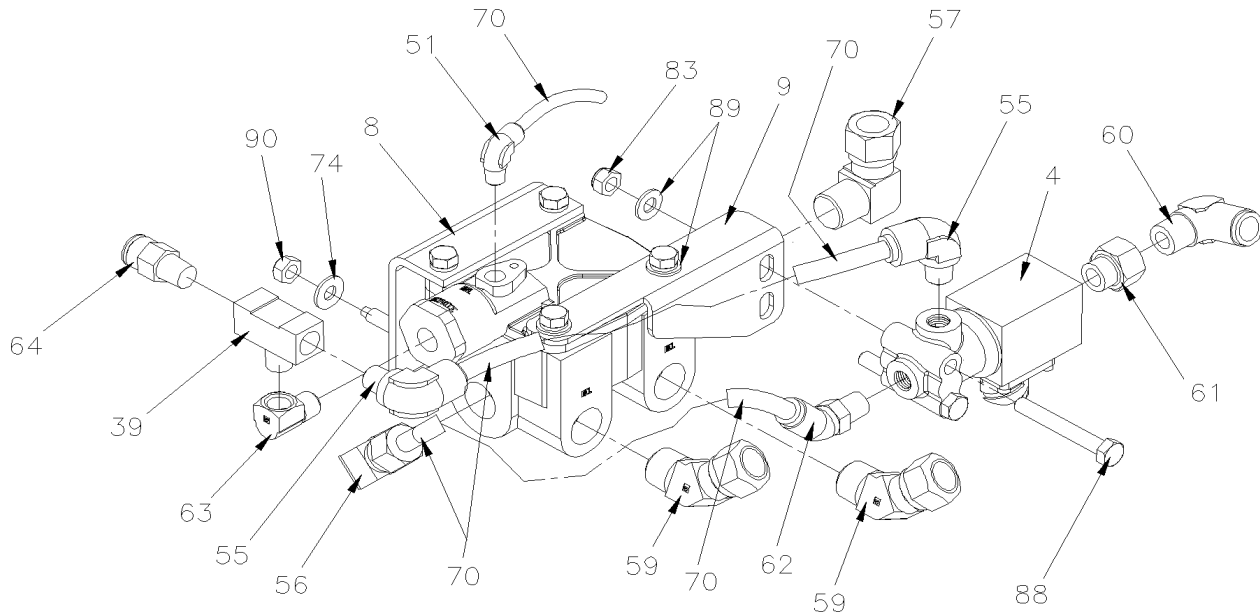
Date:07/2024

PAGE:X3PLB-1250-10

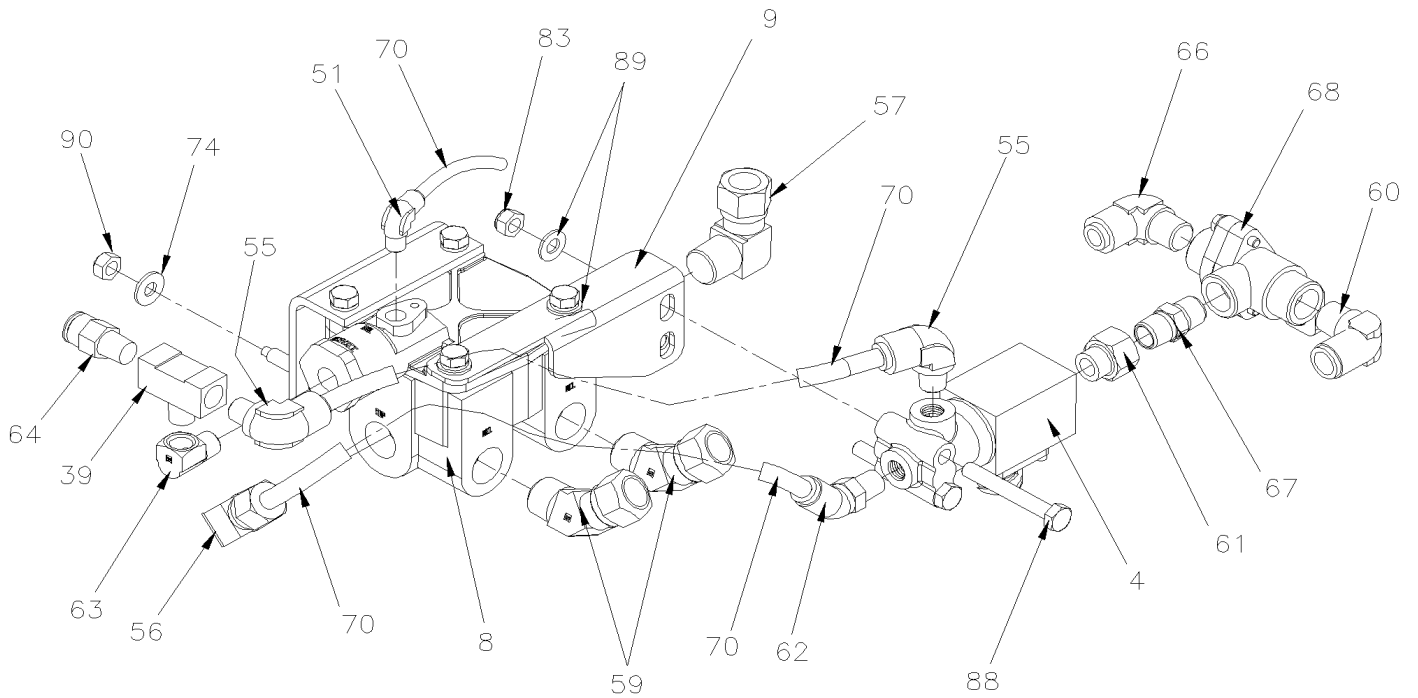
ABS/ESP BRAKE VALVE - INSTALLATION / WITH MERITOR AXLE DRIVE



From G-7275 To M-7767	Date:07/2024	PAGE:X3PLB-1250-10
ABS/ESP BRAKE VALVE - INSTALLATION / WITH MERITOR AXLE DRIVE		



DETAIL "G"
WITH WORLD TRANSMISSION
WITH "ESP"



DETAIL "G"
WITH "I-SHIFT" TRANSMISSION
WITH "ESP"

From G-7275 To M-7767	Date:07/2024	PAGE:X3PLB-1250-10
-----------------------	--------------	--------------------

ABS/ESP BRAKE VALVE - INSTALLATION / WITH MERITOR AXLE DRIVE

Item#	Part	Description	QTY	Notes
1A	145057	SUPPORT VALVE FRONT	1	R
1A	145081	SUPPORT VALVE FRONT To J-7504	1	R H
1A	140105	SUPPORT VALVE FRONT From J-7505	1	
NS	509815	TIE MOUNT / ATTACHMENT W/TREE MOUNT	1	R H
1B	145056	SUPPORT VALVE FRONT To J-7443	1	I
1B	140083	SUPPORT VALVE FRONT From J-7444	1	I
2	640228	VALVE, "ABS" 12VOLT / M-40QR	AR	
3	640018	VALVE, RELAY & ATC / ATR-6	1	
4	642079	VALVE, "ATC" 12VOLT	1	
5	643384	VALVE / SPRING BRAKE SR-7	1	
. NS	642119	. VALVE / SPRING BRAKE SR-7	1	
6	642146	ECU ABS / W/6 CHANNELS / ADVANCED ESP UNPROGRAMMED / NON-PROGRAMME To J-7495	1	
6	640022	ECU ABS / W/8 CHANNELS / ADVANCED ESP AFTERMARKET From J-7496	1	
7	642151	SENSOR "YAW"	1	
8	641120	VALVE, RELAY R-14 HORIZONTAL PORT To J-7495	2	
. NS	10508267	. KIT, REPAIR To J-7495	1	
8	640013	VALVE, RELAY R-14 HORIZONTAL PORT From J-7496	1	
9	143031	SUPPORT "ATC" VALVE & RELAY VALVE	1	
10	145272	SUPPORT BRAKE VALVE REAR / CURBSIDE	1	
NS	509815	TIE MOUNT / ATTACHMENT W/TREE MOUNT	AR	
NS	504637	CABLE TIE / 3/16" x 13"	AR	
11	640471	VALVE, INVERSION TR-3 25-40LBS	1	
12	641136	ANCHOR TEE / PIPE FITTING / 3/8NPT-Fx3/8NPT-Fx3/8NPT-F ZP	1	
13	641903	HOSE BRAKE #8 1090MM (43")	2	I
13	145292P	HOSE BRAKE #8 1366MM	2	R
14	642143	HOSE BRAKE #8 560MM (22")	1	
15	641305	HOSE BRAKE #8 718MM (28 1/4")	1	
16	121444	SUPPORT / ANCHOR TEE / WITH MERITOR DRIVE AXLE	1	
17	641302	HOSE BRAKE #8 610MM (24")	1	
18	641905	HOSE BRAKE #8 952MM (37 1/2")	2	
19	142475	SUPPORT SPRING BRAKE VALVE	1	
20	145500	SUPPORT L.H. / VALVE ABS & RELAY VALVE	1	
21	660914	MALE ELBOW 90° / JIC 37° FITTING / #8JIC-MxM16-1.5-M STL	2	I
. NS	641297	. O-RING 13.1MM I.D. X 2.6 TH	1	I
. NS	641298	. WASHER FL 17MM I.D x 22MM O.D. x 1.5MM	1	I
21	641294	MALE CONNECTOR / JIC 37° FITTING / #8JIC-MxM16-1.5-M STL	2	R
. NS	641297	. O-RING 13.1MM I.D. X 2.6 TH	1	R
. NS	641298	. WASHER FL 17MM I.D x 22MM O.D. x 1.5MM	1	R
22	5011205	FEMALE CONNECTOR / PIPE @ METRIC / 3/8NPT-FxM16-1.5-M ZP	6	
. NS	641297	. O-RING 13.1MM I.D. X 2.6 TH	1	
. NS	641298	. WASHER FL 17MM I.D x 22MM O.D. x 1.5MM	1	

From G-7275 To M-7767	Date:07/2024	PAGE:X3PLB-1250-10
-----------------------	--------------	--------------------

ABS/ESP BRAKE VALVE - INSTALLATION / WITH MERITOR AXLE DRIVE

Item#	Part	Description	QTY	Notes
23	641040	MALE ELBOW 90° / NTA FITTING / #8x3/8NPT-M BR	2	
24	501330	STREET ELBOW 45° / PIPE FITTING / 3/8NPT-Mx3/8NPT-F BR	2	
25	501842	ADAPTER / AIR BRAKE HOSE FITTING / 3/4-20-Mx3/8NPT-M STL	2	
26	501291	MALE ELBOW 45° / JIC 37° FITTING / #8JIC-Mx3/8NPT-M STL	2	
27A	509894	TIE MOUNT HOLE 7.8MM	1	
27A	509491	CABLE TIE / 13MM x 383MM	1	
27B	504750	CABLE TIE / 1/2" x 15" / CHRISTMAS TREE	1	
28	502830	SCREW CAP HEX M6-1.0x20 G8.8 N500	1	
29	5001608	WASHER BEL SPR 6.2x15.0x0.7 G500	2	
30	502681	NUT HEX NYRT M6-1.0 N500 G8	1	
31	641383	MALE CONNECTOR / PUSH-IN FITTING / #8x1/2NPT-M BR To J-7443	AR	
31	641089	MALE ELBOW 45° / NTA FITTING / #8x1/2NPT-M BR From J-7444	1	
32	5011067	NIPPLE HEX / PIPE FITTING / 1/2NPT-Mx1/2NPT-Mx1 13/16 BR To J-7443	AR	
33	507557	STREET ELBOW 90° / PIPE FITTING / 1/2NPT-Mx1/2NPT-F BR	AR	
34	501534	BUSHING REDUCER / PIPE FITTING / 1/2NPT-Mx3/8NPT-F BR	AR	
35	501842	ADAPTER / AIR BRAKE HOSE FITTING / 3/4-20-Mx3/8NPT-M STL	AR	
36	642098	MALE ELBOW 90° NON-SWIVEL / PUSH-IN FITTING / #10x1/2NPT-M COMPOSITE	AR	
38	501308	ADAPTER / PIPE FITTING / 1/4NPT-Fx1/4NPT-M BR	AR	
39	501894	MALE BRANCHE TEE / PIPE FITTING / 1/4NPT-Fx1/4NPT-Fx1/4NPT-M BR	AR	
40	641373	MALE ELBOW 90° NON-SWIVEL / PUSH-IN FITTING / #8x1/4NPT-M BR	AR	
41	501966	PLUG HEXS / PIPE FITTING / 1/2NPT-M STL	AR	
42	5011119	ADAPTER / PIPE FITTING / 1/2NPT-Fx1/2NPT-M BR	AR	
43	640991	MALE CONNECTOR / NTA FITTING / #8x3/8NPT-M BR	AR	
44	641010	MALE ELBOW 45° / NTA FITTING / #8x3/8NPT-M BR	AR	
45	501330	STREET ELBOW 45° / PIPE FITTING / 3/8NPT-Mx3/8NPT-F BR	AR	
NS	680098	THREAD SEALANT LOCTITE #567 / WHITE / 250ml	AR	
46	501473	MALE RUN TEE / PIPE FITTING / 1/2NPT-Mx1/2NPT-Fx1/2NPT-F BR	AR	
47	501528	STREET ELBOW 45° / PIPE FITTING / 1/2NPT-Mx1/2NPT-F BR	AR	
48	501424	NIPPLE / PIPE FITTING / 1/2NPT-Mx1/2NPT-Mx1 1/8 BR	AR	
49	641089	MALE ELBOW 45° / NTA FITTING / #8x1/2NPT-M BR	AR	
50	501321	NIPPLE HEX / PIPE FITTING / 1/4NPT-Mx1/4NPT-Mx1 3/8 BR	AR	
51	641369	MALE ELBOW 90° NON-SWIVEL / PUSH-IN FITTING / #4x1/8NPT-M BR	AR	
52	641379	MALE ELBOW 90° NON-SWIVEL / PUSH-IN FITTING / #10x1/2NPT-M BR	AR	
53	501787	STREET ELBOW 90° / PIPE FITTING / 1/8NPT-Mx1/4NPT-F BR	AR	
54	642094	MALE BRANCH TEE / PUSH-IN FITTING / #4x#4x1/4NPT-M COMPOSITE	AR	
55	641372	MALE ELBOW 90° NON-SWIVEL / PUSH-IN FITTING / #6x1/4NPT-M BR	AR	
56	641175	MALE ELBOW 90° / NTA FITTING / #6x1/2NPT-M BR	AR	
57	641001	MALE ELBOW 90° / NTA FITTING / #10x1/2NPT-M BR	AR	
58	501449	PLUG HEXS / PIPE FITTING / 3/8NPT-M STL	AR	
59	641027	MALE ELBOW 45° / NTA FITTING / #10x1/2NPT-M BR	AR	
60	641376	MALE ELBOW 90° NON-SWIVEL / PUSH-IN FITTING / #8x3/8NPT-M BR	AR	
61	5001660	REDUCER COUPLING / PIPE FITTING / 3/8NPT-Fx1/8NPT-F BR	AR	

From G-7275 To M-7767	Date:07/2024	PAGE:X3PLB-1250-10
-----------------------	--------------	--------------------

ABS/ESP BRAKE VALVE - INSTALLATION / WITH MERITOR AXLE DRIVE

Item#	Part	Description	QTY	Notes
62	641366	MALE ELBOW 45° NON-SWIVEL / PUSH-IN FITTING / #6x1/4NPT-M BR	AR	
63	501332	STREET ELBOW 90° / PIPE FITTING / 1/4NPT-Mx1/4NPT-F BR	AR	
64	641331	MALE CONNECTOR / PUSH-IN FITTING / #6x1/4NPT-M BR	AR	
66	641375	MALE ELBOW 90° NON-SWIVEL / PUSH-IN FITTING / #6x3/8NPT-M BR	AR	
67	501322	NIPPLE HEX / PIPE FITTING / 3/8NPT-Mx3/8NPT-Mx1 13/32 BR	AR	
68	641564	VALVE, DOUBLE CHECK DC-4	AR	
69	642069	MALE ELBOW 45° NON-SWIVEL / PUSH-IN FITTING / #10x1/2NPT-M BR	AR	
70	X3PLB-1202-00	TUBES PLASTIC / AIR D.O.T.		
71	5001316	SCREW CAP HEX M10-1.5x45 SS	2	
72	502616	WASHER LO SPT 10.2x18.1x2.2 SS	2	
73	500187	SCREW CAP HEX 5/16-18x3 G5 Z050 To L-7730	AR	
73	502650	SCREW CAP HEX M8-1.25x80 G8.8 Z050 From L-7731	AR	
74	502638	WASHER FL .312x.734x.065 N500 To L-7730	AR	
74	5001341	WASHER FL 8.4x17.0x1.6 SS From L-7731	AR	
75	500942	WASHER LO SPT 8.1x14.8x2.0 N500 To L-7730	AR	
76	500778	NUT HEX 5/16-18 N500 To L-7730	AR	
76	502847	NUT HEX NYRT M8-1.25 N500 From L-7731	AR	
77	502681	NUT HEX NYRT M6-1.0 N500 G8	AR	
78	500411	WASHER FL .260x.697x.050 SS	AR	
79	5001643	SCREW CAP HEXF M8-1.25x25 G8.8 G500	2	
80	502837	NUT HEXF STO M8-1.25 N500	2	
81	502650	SCREW CAP HEX M8-1.25x80 G8.8 Z050	AR	
82	500332	WASHER FL .328x.875x.062 N500	AR	
83	502847	NUT HEX NYRT M8-1.25 N500	AR	
84	5001636	SCREW CAP HEX M6-1.0x50 SS BK	1	
85	502681	NUT HEX NYRT M6-1.0 N500 G8	1	
86	500783	NUT HEX 3/8-16 Z050	2	
87	500478	WASHER LO SPT .380x.683x.094 Z050	2	
88	5001178	SCREW CAP HEX M8-1.25x60 SS BK	2	
89	5001341	WASHER FL 8.4x17.0x1.6 SS	2	
90	500248	NUT HEX STO 5/16-18 N500	2	
91	142353	HOSE SUPPORT L.H. To L-7683	1	I
91	140152	HOSE SUPPORT L.H. From L-7684	1	I
92	142352	HOSE SUPPORT R.H. To L-7683	1	I
92	140151	HOSE SUPPORT R.H. From L-7684	1	I
93	504614	PLATE RETAINING / COLLAR	2	
94	504612	COLLAR 13/16" I.D. / TO FIX HOSE To H-7416	2	
94	140079	HALF COLLAR 44MM I.D. / TO FIX HOSE From H-7417	4	
95	502656	SCREW CAP HEX M6-1.0x50 SS	2	
95	502565	NUT HEX M6-1.0 SS	2	

From G-7275 To M-7767	Date:07/2024	PAGE:X3PLB-1250-10
-----------------------	--------------	--------------------

ABS/ESP BRAKE VALVE - INSTALLATION / WITH MERITOR AXLE DRIVE

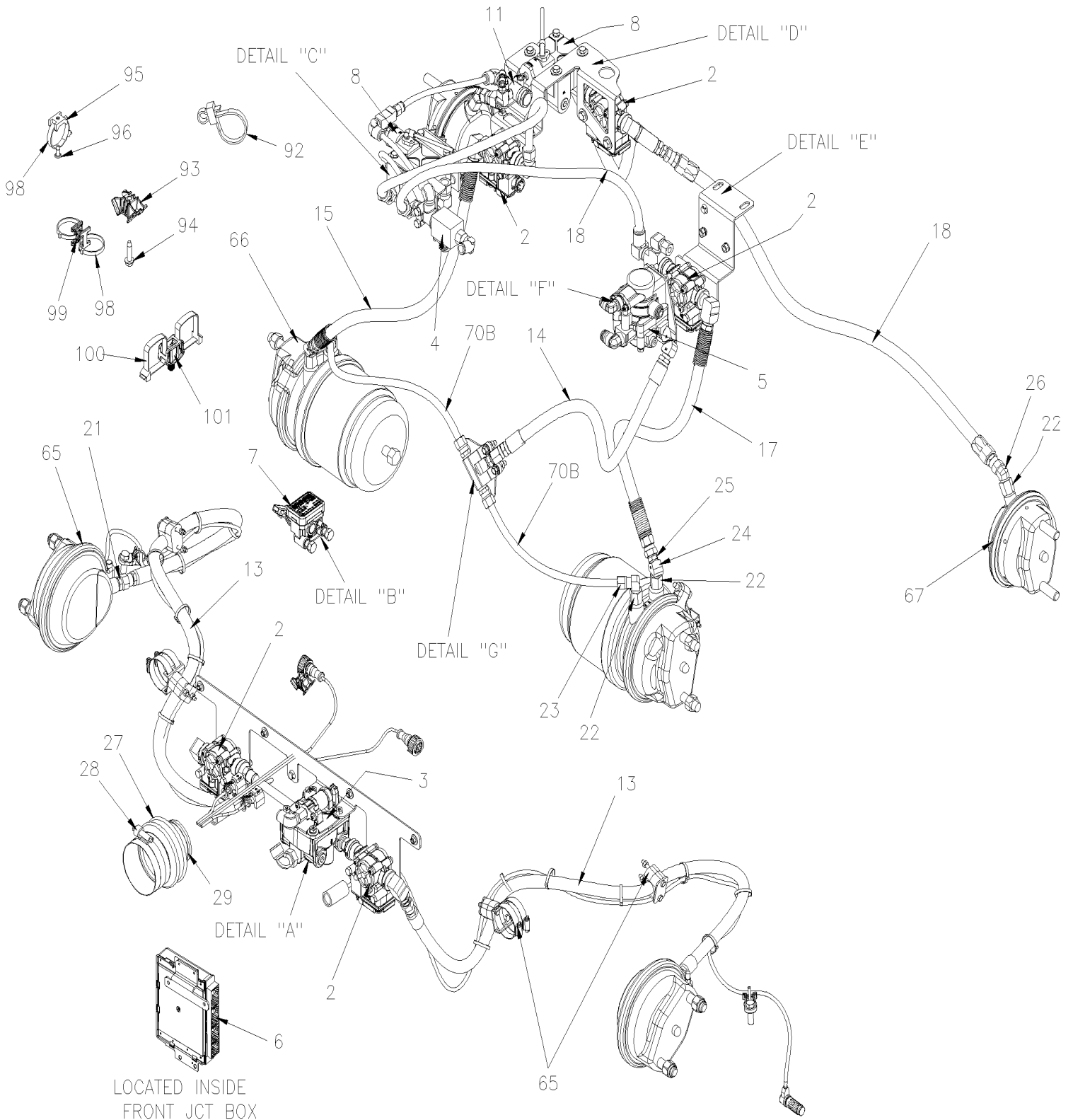
Item#	Part	Description	QTY	Notes
96	110765	HOSE SUPPORT L.H. & R.H. / FIXED AT SHOCK END /	2	R
97	500778	NUT HEX 5/16-18 N500	AR	
98	500942	WASHER LO SPT 8.1x14.8x2.0 N500	AR	
		H) W/ TRAILER AIR BRAKE		
		I) WITH INDEPENDENT SUSPENSION		
		R) WITH I-BEAM RIGID SUSPENSION		

From G-7275 To M-7767

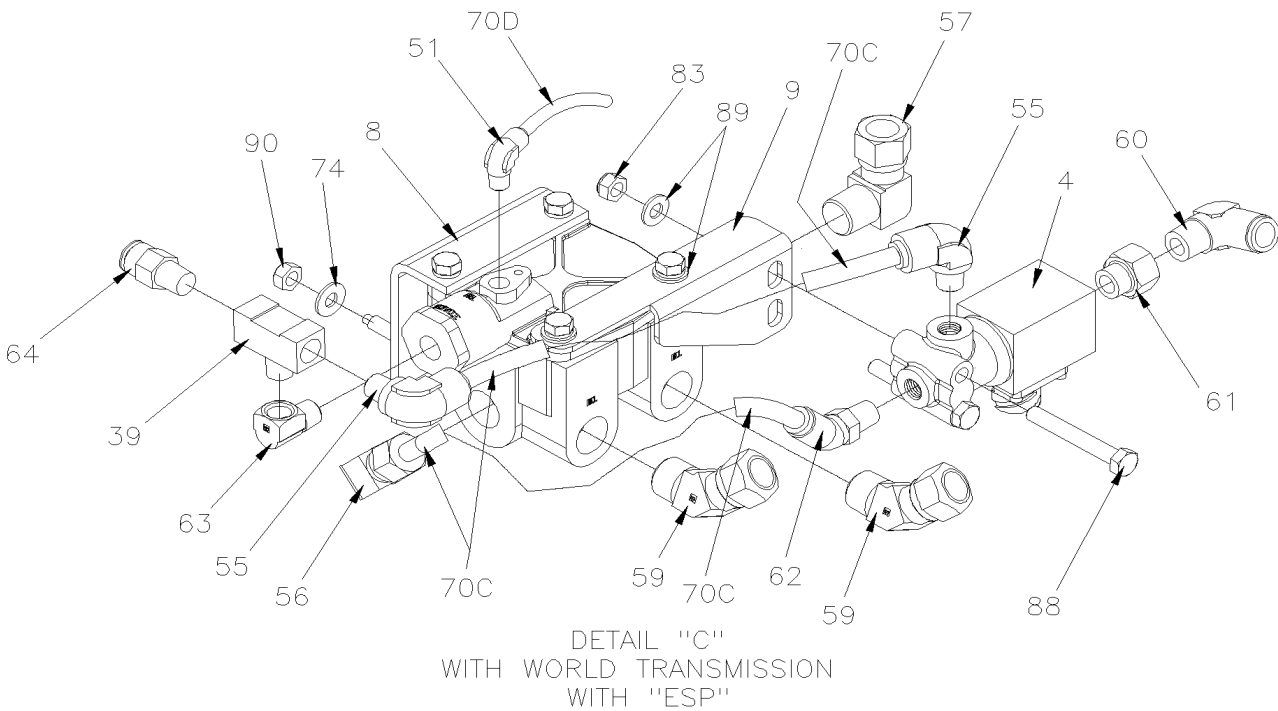
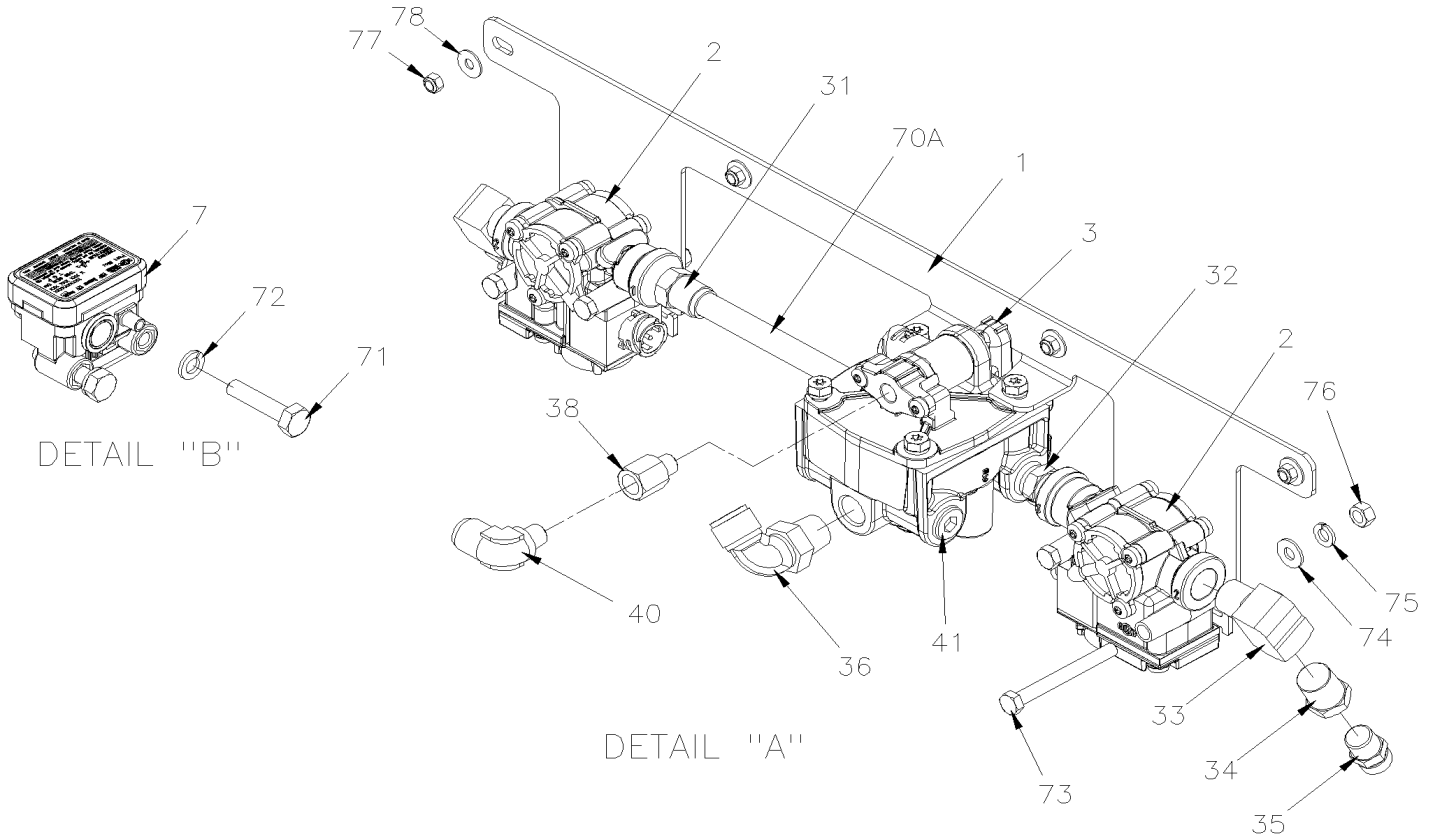
Date:07/2024

PAGE:X3PLB-1250-15

ABS/ESP BRAKE VALVE - INSTALLATION / WITH ZF DRIVE AXLE



From G-7275 To M-7767	Date:07/2024	PAGE:X3PLB-1250-15
ABS/ESP BRAKE VALVE - INSTALLATION / WITH ZF DRIVE AXLE		



From G-7275 To M-7767	Date:07/2024	PAGE:X3PLB-1250-15
ABS/ESP BRAKE VALVE - INSTALLATION / WITH ZF DRIVE AXLE		

Item#	Part	Description	QTY	Notes
1	145081	SUPPORT VALVE FRONT To J-7504	1	R
1	140105	SUPPORT VALVE FRONT From J-7505	1	R
NS	509815	TIE MOUNT / ATTACHMENT W/TREE MOUNT	1	
2	640228	VALVE, "ABS" 12VOLT / M-40QR	AR	
3	640018	VALVE, RELAY & ATC / ATR-6	1	
4	642079	VALVE, "ATC" 12VOLT	1	
5	643384	VALVE / SPRING BRAKE SR-7	1	
. NS	642119	. VALVE / SPRING BRAKE SR-7	1	
6	642146	ECU ABS / W/6 CHANNELS / ADVANCED ESP UNPROGRAMMED / NON-PROGRAMME To J-7495	1	
6	640022	ECU ABS / W/8 CHANNELS / ADVANCED ESP AFTERMARKET From J-7496	1	
7	642151	SENSOR "YAW"	1	
7	642230	SENSOR "YAW"	1	S
8	641120	VALVE, RELAY R-14 HORIZONTAL PORT To J-7495	2	
. NS	10508267	. KIT, REPAIR To J-7495	1	
8	640013	VALVE, RELAY R-14 HORIZONTAL PORT From J-7496	1	
9	143031	SUPPORT "ATC" VALVE & RELAY VALVE	1	
10	145272	SUPPORT BRAKE VALVE REAR / CURBSIDE	1	
11	640471	VALVE, INVERSION TR-3 25-40LBS	1	
12	641136	ANCHOR TEE / PIPE FITTING / 3/8NPT-Fx3/8NPT-Fx3/8NPT-F ZP	1	
13	145292P	HOSE BRAKE #8 1366MM	2	R
14	642143	HOSE BRAKE #8 560MM (22")	1	
15	641305	HOSE BRAKE #8 718MM (28 1/4")	1	
16	145282	SUPPORT / ANCHOR TEE / WITH ZF DRIVE AXLE	1	
17	641302	HOSE BRAKE #8 610MM (24")	1	
18	641905	HOSE BRAKE #8 952MM (37 1/2")	2	
19	142475	SUPPORT SPRING BRAKE VALVE	1	
20	145500	SUPPORT L.H. / VALVE ABS & RELAY VALVE	1	
21	641294	MALE CONNECTOR / JIC 37° FITTING / #8JIC-MxM16-1.5-M STL	2	R
. NS	641297	. O-RING 13.1MM I.D. X 2.6 TH	1	R
. NS	641298	. WASHER FL 17MM I.D x 22MM O.D. x 1.5MM	1	R
22	5011205	FEMALE CONNECTOR / PIPE @ METRIC / 3/8NPT-FxM16-1.5-M ZP	6	
. NS	641297	. O-RING 13.1MM I.D. X 2.6 TH	1	
. NS	641298	. WASHER FL 17MM I.D x 22MM O.D. x 1.5MM	1	
23	641040	MALE ELBOW 90° / NTA FITTING / #8x3/8NPT-M BR	2	
24	501330	STREET ELBOW 45° / PIPE FITTING / 3/8NPT-Mx3/8NPT-F BR	2	
25	501842	ADAPTER / AIR BRAKE HOSE FITTING / 3/4-20-Mx3/8NPT-M STL	2	
26	501291	MALE ELBOW 45° / JIC 37° FITTING / #8JIC-Mx3/8NPT-M STL	2	
27	504499	CUFF END BELLOW / 2 7/8" I.D. x 3 5/8" x 4 7/16	1	
28	504026	HOSE CLAMP / 2"13/16-3"3/4 SS / HS-52	1	
29	504637	CABLE TIE / 3/16" x 13"	1	

From G-7275 To M-7767	Date:07/2024	PAGE:X3PLB-1250-15
ABS/ESP BRAKE VALVE - INSTALLATION / WITH ZF DRIVE AXLE		

Item#	Part	Description	QTY	Notes
31	641383	MALE CONNECTOR / PUSH-IN FITTING / #8x1/2NPT-M BR	AR	
32	5011067	NIPPLE HEX / PIPE FITTING / 1/2NPT-Mx1/2NPT-Mx1 13/16 BR	AR	
33	507557	STREET ELBOW 90° / PIPE FITTING / 1/2NPT-Mx1/2NPT-F BR	AR	
34	501534	BUSHING REDUCER / PIPE FITTING / 1/2NPT-Mx3/8NPT-F BR	AR	
35	501842	ADAPTER / AIR BRAKE HOSE FITTING / 3/4-20-Mx3/8NPT-M STL	AR	
36	642098	MALE ELBOW 90° NON-SWIVEL / PUSH-IN FITTING / #10x1/2NPT-M COMPOSITE	AR	
38	501308	ADAPTER / PIPE FITTING / 1/4NPT-Fx1/4NPT-M BR	AR	
39	501894	MALE BRANCHE TEE / PIPE FITTING / 1/4NPT-Fx1/4NPT-Fx1/4NPT-M BR	AR	
40	641373	MALE ELBOW 90° NON-SWIVEL / PUSH-IN FITTING / #8x1/4NPT-M BR	AR	
41	501966	PLUG HEXS / PIPE FITTING / 1/2NPT-M STL	AR	
43	640991	MALE CONNECTOR / NTA FITTING / #8x3/8NPT-M BR	AR	
45	501330	STREET ELBOW 45° / PIPE FITTING / 3/8NPT-Mx3/8NPT-F BR	AR	
46	501473	MALE RUN TEE / PIPE FITTING / 1/2NPT-Mx1/2NPT-Fx1/2NPT-F BR	AR	
47	501528	STREET ELBOW 45° / PIPE FITTING / 1/2NPT-Mx1/2NPT-F BR	AR	
48	501424	NIPPLE / PIPE FITTING / 1/2NPT-Mx1/2NPT-Mx1 1/8 BR	AR	
49	641089	MALE ELBOW 45° / NTA FITTING / #8x1/2NPT-M BR	AR	
50	501321	NIPPLE HEX / PIPE FITTING / 1/4NPT-Mx1/4NPT-Mx1 3/8 BR	AR	
51	641369	MALE ELBOW 90° NON-SWIVEL / PUSH-IN FITTING / #4x1/8NPT-M BR	AR	
52	641379	MALE ELBOW 90° NON-SWIVEL / PUSH-IN FITTING / #10x1/2NPT-M BR	AR	
53	501787	STREET ELBOW 90° / PIPE FITTING / 1/8NPT-Mx1/4NPT-F BR	AR	
54	642094	MALE BRANCH TEE / PUSH-IN FITTING / #4x#4x1/4NPT-M COMPOSITE	AR	
55	641372	MALE ELBOW 90° NON-SWIVEL / PUSH-IN FITTING / #6x1/4NPT-M BR	AR	
56	641175	MALE ELBOW 90° / NTA FITTING / #6x1/2NPT-M BR	AR	
57	641001	MALE ELBOW 90° / NTA FITTING / #10x1/2NPT-M BR	AR	
58	501449	PLUG HEXS / PIPE FITTING / 3/8NPT-M STL	AR	
59	641027	MALE ELBOW 45° / NTA FITTING / #10x1/2NPT-M BR	AR	
60	641376	MALE ELBOW 90° NON-SWIVEL / PUSH-IN FITTING / #8x3/8NPT-M BR	AR	
61	5001660	REDUCER COUPLING / PIPE FITTING / 3/8NPT-Fx1/8NPT-F BR	AR	
62	641366	MALE ELBOW 45° NON-SWIVEL / PUSH-IN FITTING / #6x1/4NPT-M BR	AR	
63	501332	STREET ELBOW 90° / PIPE FITTING / 1/4NPT-Mx1/4NPT-F BR	AR	
64	641331	MALE CONNECTOR / PUSH-IN FITTING / #6x1/4NPT-M BR	AR	
65	X3PLB-1225-10	BRAKE CHAMBER - FRONT AXLE TYPE 24		
66	X3PLB-1235-15	BRAKE CHAMBER - DRIVE AXLE / WITH ZF DRIVE AXLE		
67	X3PLB-1245-10	BRAKE CHAMBER - TAG AXLE TYPE 16		
68	500778	NUT HEX 5/16-18 N500	AR	
69	500942	WASHER LO SPT 8.1x14.8x2.0 N500	AR	
70A	503468	TUBE, NYLON 1/2 O.D. / RED S.L.	AR	
70B	503638	TUBE, NYLON 1/2 O.D. / BROWN S.L.	AR	
70C	503463	TUBE, NYLON 3/8 O.D. / GREEN S.L.	AR	
70D	503402	TUBE, NYLON 1/4 O.D. / BLACK S.L.	AR	
71	5001316	SCREW CAP HEX M10-1.5x45 SS	2	
72	502616	WASHER LO SPT 10.2x18.1x2.2 SS	2	

From G-7275 To M-7767	Date:07/2024	PAGE:X3PLB-1250-15
ABS/ESP BRAKE VALVE - INSTALLATION / WITH ZF DRIVE AXLE		

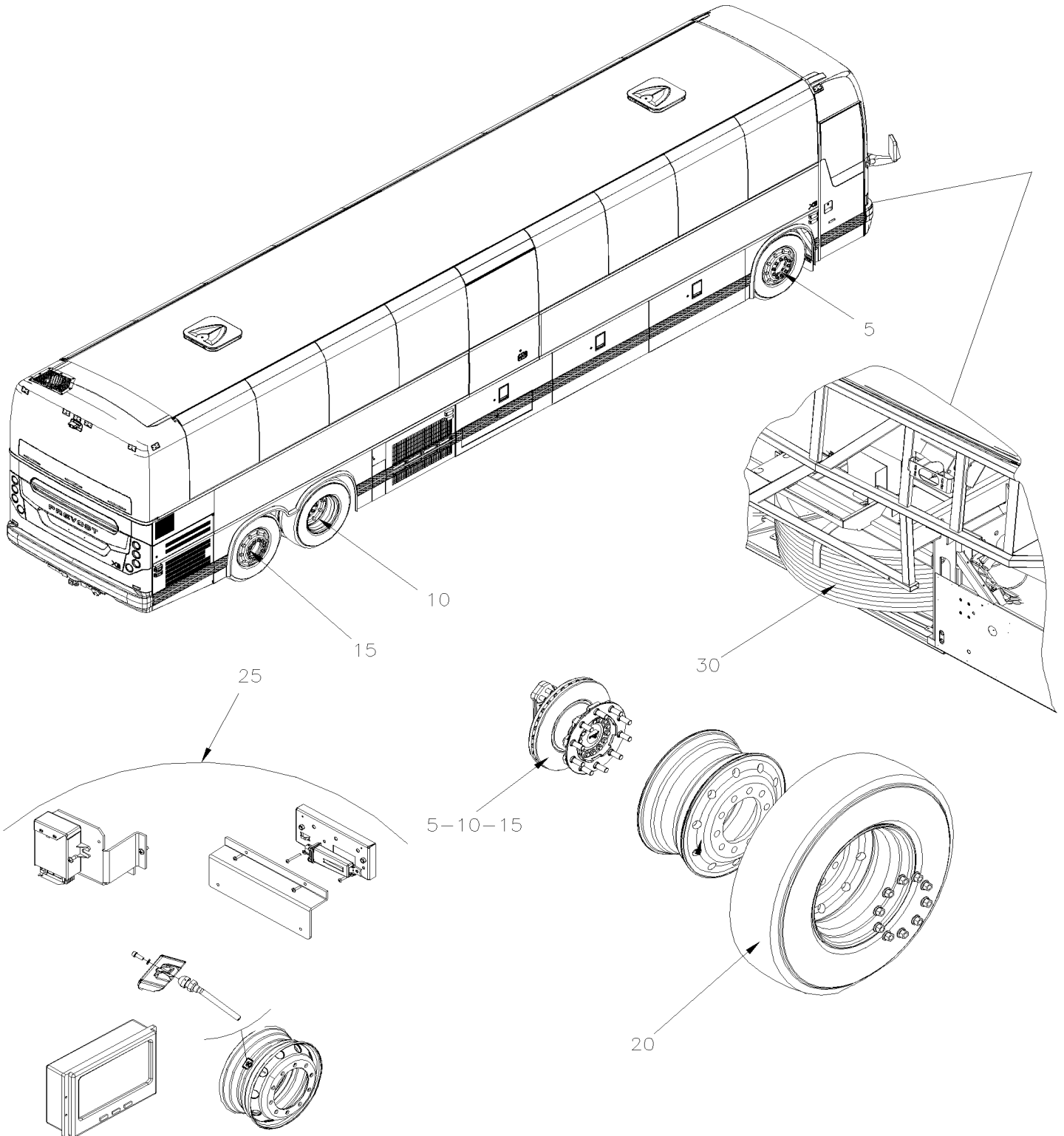
Item#	Part	Description	QTY	Notes
73	500187	SCREW CAP HEX 5/16-18x3 G5 Z050 To L-7730	AR	
73	502650	SCREW CAP HEX M8-1.25x80 G8.8 Z050 From L-7731	AR	
74	502638	WASHER FL .312x.734x.065 N500 To L-7730	AR	
74	5001341	WASHER FL 8.4x17.0x1.6 SS From L-7731	AR	
75	500942	WASHER LO SPT 8.1x14.8x2.0 N500 To L-7730	AR	
76	500778	NUT HEX 5/16-18 N500 To L-7730	AR	
76	502847	NUT HEX NYRT M8-1.25 N500 From L-7731	AR	
77	5001182	NUT HEX NYRT M6-1.0 SS	AR	
78	500411	WASHER FL .260x.697x.050 SS	AR	
79	5001643	SCREW CAP HEXF M8-1.25x25 G8.8 G500	2	
80	502837	NUT HEXF STO M8-1.25 N500	2	
81	502650	SCREW CAP HEX M8-1.25x80 G8.8 Z050	AR	
82	500332	WASHER FL .328x.875x.062 N500	AR	
83	502847	NUT HEX NYRT M8-1.25 N500	AR	
84	5001636	SCREW CAP HEX M6-1.0x50 SS BK	1	
85	502681	NUT HEX NYRT M6-1.0 N500 G8	1	
86	500783	NUT HEX 3/8-16 Z050	2	
87	500478	WASHER LO SPT .380x.683x.094 Z050	2	
88	5001178	SCREW CAP HEX M8-1.25x60 SS BK	2	
89	5001341	WASHER FL 8.4x17.0x1.6 SS	4	
90	500248	NUT HEX STO 5/16-18 N500	2	
92	507664	CABLE TIE / 3/16" 11" / DOUBLE LOOP HEAD	AR	
93	509490	ATTACHMENT DOUBLE USE WITH CABLE TIE	AR	
94	500266	SCREW TC CAP HEX 1/4-20x1 N500	AR	
95	504013	TIE MOUNT / 1/4" X 1/4" I.D.	AR	
96	502868	SCREW TC TR PH #10-16x1/2 N500	AR	
97	509815	TIE MOUNT / ATTACHMENT W/TREE MOUNT	AR	
98	504637	CABLE TIE / 3/16" x 13"	AR	
99	504751	ROTATIF SPACER DOUBLE / SMALL	AR	
100	509491	CABLE TIE / 13MM x 383MM	AR	
101	509493	ATTACHMENT DOUBLE USE WITH CABLE TIE CHRISTMAS TREE	AR	
102	509894	TIE MOUNT HOLE 7.8MM	1	
102	509491	CABLE TIE / 13MM x 383MM	1	
103	504750	CABLE TIE / 1/2" x 15" / CHRISTMAS TREE	1	
104	502830	SCREW CAP HEX M6-1.0x20 G8.8 N500	1	
105	5001608	WASHER BEL SPR 6.2x15.0x0.7 G500	2	
106	502681	NUT HEX NYRT M6-1.0 N500 G8	1	
		R) WITH I-BEAM RIGID SUSPENSION		
		S) SERVICE ONLY		

From G-7275 To M-7767

Date:07/2024

X3PLB-13

WHEELS, HUBS & TIRES



From G-7275 To M-7767	Date:07/2024	X3PLB-13
-----------------------	--------------	----------

WHEELS, HUBS & TIRES

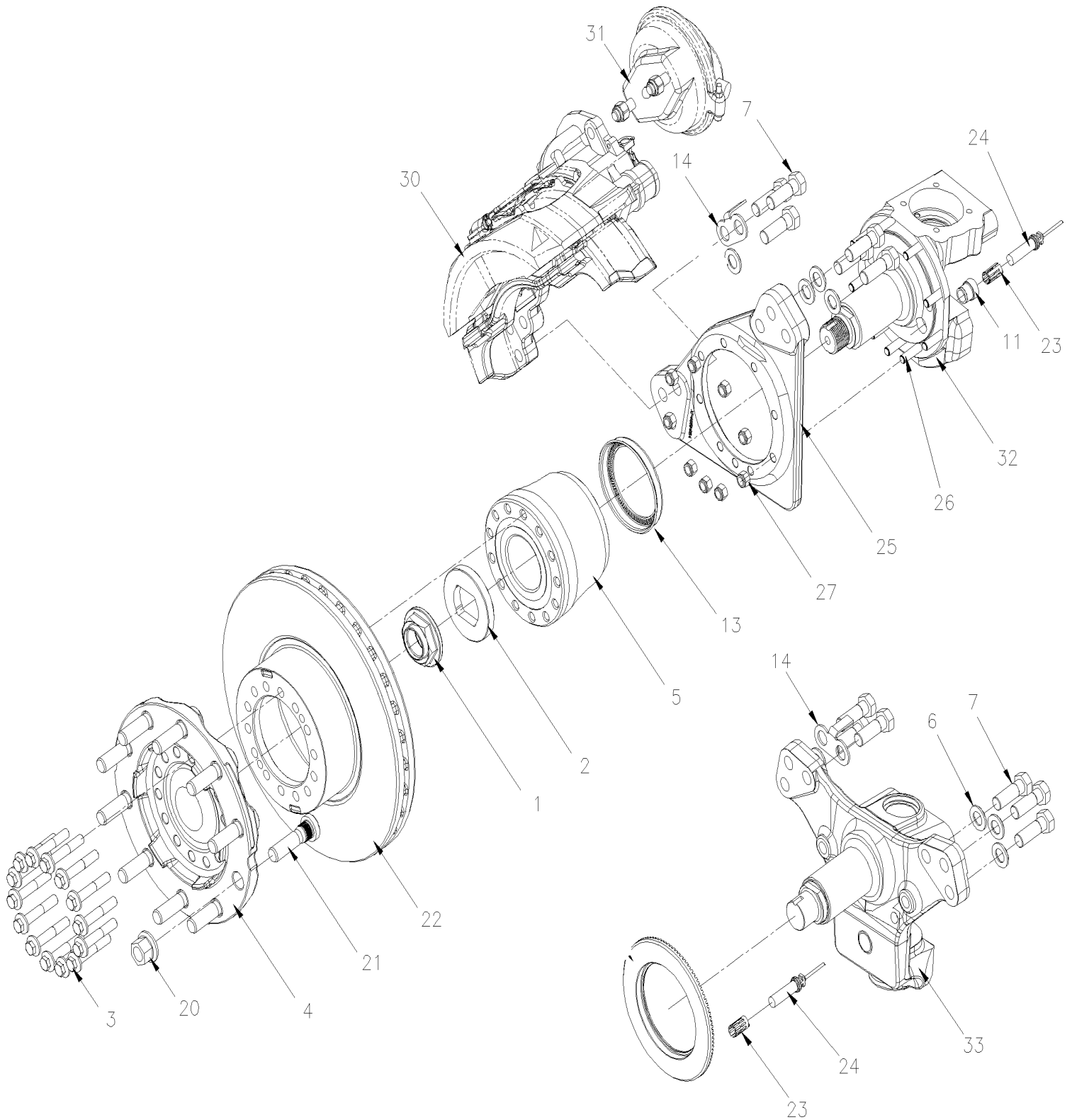
Item#	Part	Description	QTY	Notes
5	X3PLB-1300-00	HUB & ROTOR - FRONT AXLE - I BEAM MODEL "S84U" From G-7275 To M-7767		
5	X3PLB-1300-50	HUB & ROTOR - FRONT AXLE - INDEPENDANT MODEL "NDIFS80P" From G-7275 To M-7767		
10	X3PLB-1305-00	HUB & ROTOR - DRIVE AXLE WITH MERITOR DRIVE AXLE From G-7275 To M-7767		
10	X3PLB-1305-10	HUB & ROTOR - DRIVE AXLE WITH ZF DRIVE AXLE From G-7275 To M-7767		
10	X3PLB-1305-99	ROTOR (SPLINED DISC) PRODUCT IMPROVMENT From G-7275 To M-7767		
15	X3PLB-1310-00	HUB & ROTOR - TAG AXLE TYPE TS8U From G-7275 To M-7767		
20	X3PLB-1318-00	WHEELS & COMPONENTS - TRUCK MOUNT (METRIC) From G-7275 To M-7767		
20	X3PLB-1318-05	TAG AXLE WHEEL SCRAPER From G-7275 To M-7767		O
25	X3PLB-1318-10	TIRE MONITOR PRESSURE - "BERU" From G-7275 To M-7767		
30	X3PLB-1325-00	SPARE WHEEL - INSTALLATION From G-7275 To M-7767		
		O) OPTION		

From G-7275 To M-7767

Date:07/2024

PAGE:X3PLB-1300-00

HUB & ROTOR - FRONT AXLE - I BEAM MODEL "S84U"



WITH INDEPENDANT SUSP.

From G-7275 To M-7767	Date:07/2024	PAGE:X3PLB-1300-00
HUB & ROTOR - FRONT AXLE - I BEAM MODEL "S84U"		

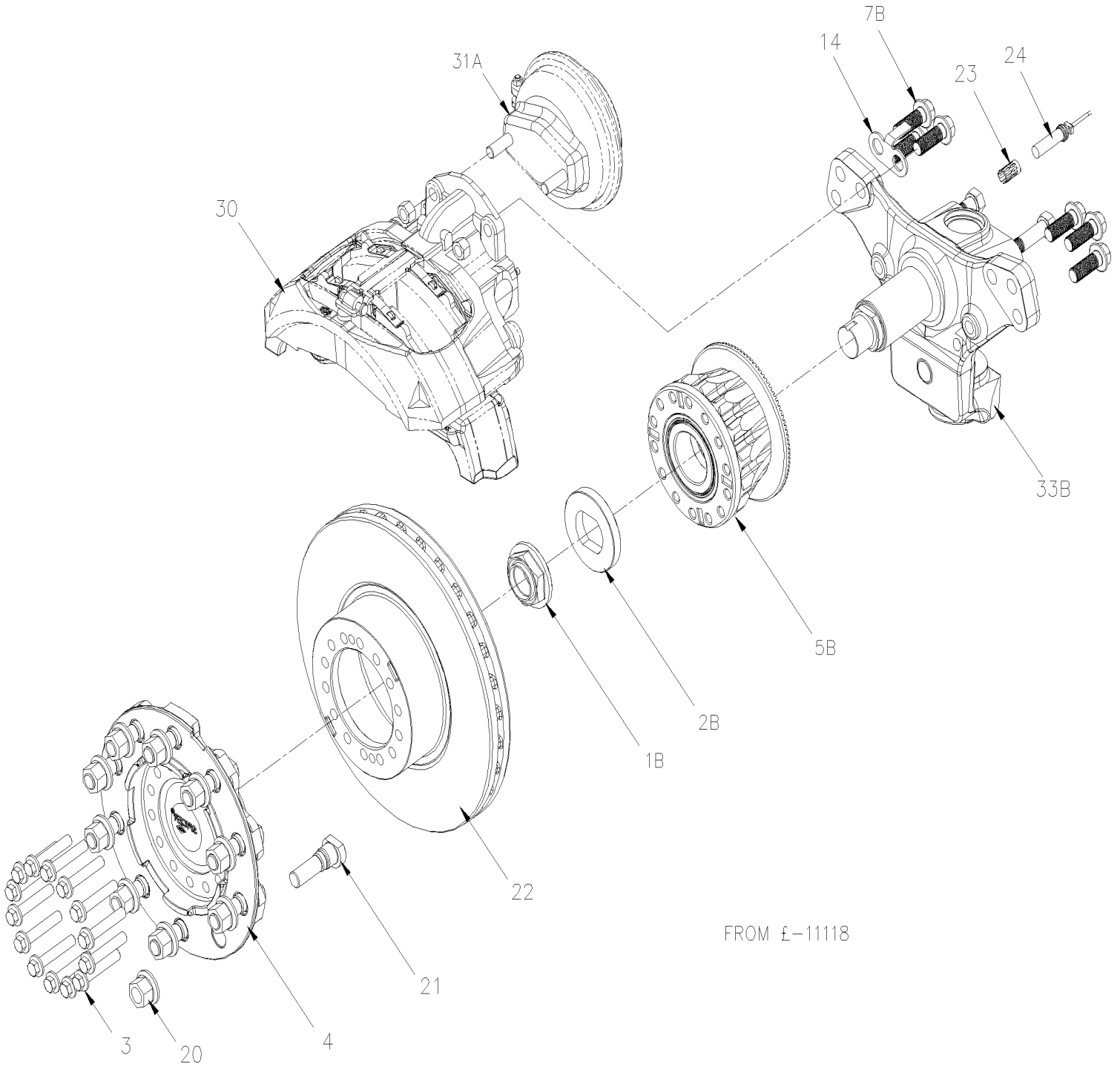
Item#	Part	Description	QTY	Notes
1	611949	HUB NUT 1 3/4-8	1	
2	611948	THRUST WASHER	1	
3	611955	SCREW CAP HEXF M14-1.5x78 G12.9 N500	14	S
4	611301	HUB FLANGE	1	
5	611471	HUB ASSY / UNITISED L.H. & R.H. "FAG" ASSY W/"ABS" RING To H-7416	1	R S
. NS	N.S.S.	. TOOTH WHEEL To H-7416	1	1 R S
. NS	509939	. SCREW DRV RND #4x1/4 SS To H-7416	3	R S
5	611360	BEARING HOUSING ASSY / UNITISED L.H. & R.H. "FAG" ASSY W/"ABS" RING From H-7417	1	R S
. NS	N.S.S.	. HUB ASSY / UNITISED L.H. & R.H. "FAG" From H-7417	1	1 R S
. NS	N.S.S.	. TOOTH WHEEL From H-7417	1	1 R S
NS	491115	TOOL, HUB INSTALLER W/UNITISED BEARING / 70MM	1	
. NS	NDS8	. MAINTENANCE INSTRUCTION	1	
7	612362	SCREW CAP HEXF M20-1.5x55 G10.9	6	
11	612384	BUSHING / ABS SENSOR	1	
13	N.S.S.	TOOTH WHEEL / FRONT AXLE RIGID INCLUDE WITH ITEM #5	1	1 R
14	110786	BRAKE WEAR INDICATOR MECHANICAL / 44MM To K-7582	1	
14	110061	BRAKE WEAR INDICATOR MECHANICAL / 47MM From K-7583	1	
20	20434082	NUT R.H. / W/HUB-MOUNT WHEEL M22-1.5 / 27 MM TH	10	
21	611207	STUD / R.H. / W/HUB-MOUNT WHEEL M22-1.5 x 81MM	10	
22	611300	ROTOR VENTED To M-7831	1	
22	611359	ROTOR VENTED From M-7832	1	
23	641096	CLIP, SPRING / TO FIX SENSOR	1	
24	642084	SENSOR ABS 90° ANGLE - OEM	1	
24	642108	SENSOR ABS 90° ANGLE - AFTER MARKET	1	
25	611039	CALIPER MOUNTING BRACKET L.H. & R.H.	1	
26	611030	STUD 1/2-20 X 1 11/16"	AR	
27	5007001	NUT HEX STO 1/2-20 Z050 G "C"	AR	
30	X3PLB-1225-00	BRAKE PARTS - FRONT RIGIDE & TAG AXLE "KNORR-BREMSE" SN7 SERIES W/N2G ADJUSTER		
31	X3PLB-1225-10	BRAKE CHAMBER - FRONT AXLE TYPE 24		
32	X3PLB-1005-00	FRONT AXLE - I BEAM RIGID MODEL "S84U" To K-7582		
32	X3PLB-1005-01	FRONT AXLE - I BEAM RIGID MODEL "S84U" From K-7583		
33	X3PLB-1005-50	FRONT AXLE - INDEPENDENT MODEL "NDIFS80P" / 19000LBS		
		R) WITH I BEAM RIGID SUSPENSION		
		S) INSPECTED ALL BOLTS FOR DAMAGE TO THE THREAD AND ON THE SURFACE BELOW THE HEAD WHEN YOU DISASSEMBLED OR UNSCREWED THE HUB AND REPLACE IF NECESSARY		
		1) NOT SOLD SEPARATELY		
		1) NOT SOLD SEPARATELY		

From G-7275 To M-7767

Date:07/2024

PAGE:X3PLB-1300-50

HUB & ROTOR - FRONT AXLE - INDEPENDANT MODEL "NDIFS80P"



From G-7275 To M-7767	Date:07/2024	PAGE:X3PLB-1300-50
HUB & ROTOR - FRONT AXLE - INDEPENDANT MODEL "NDIFS80P"		

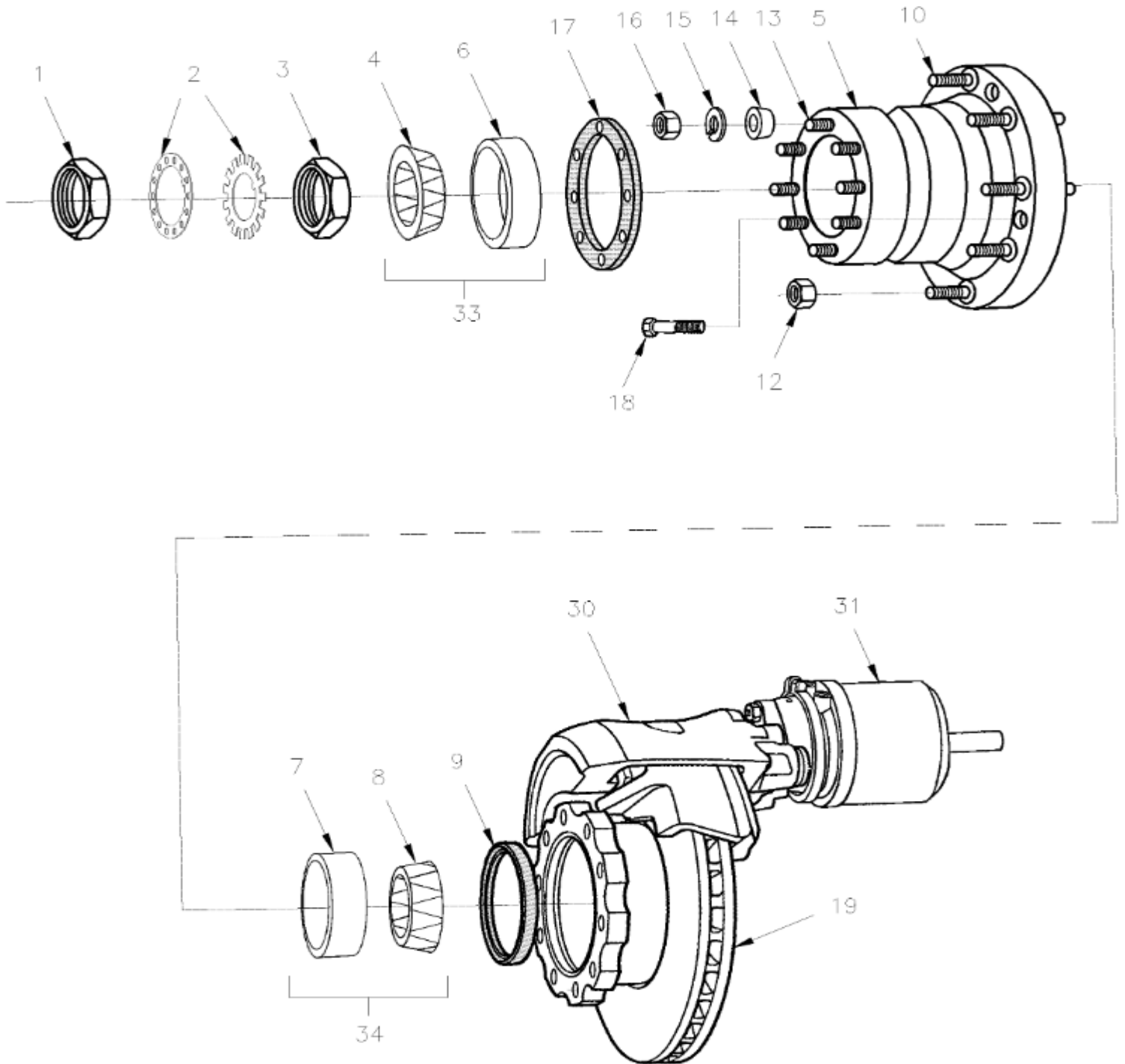
Item#	Part	Description	QTY	Notes
1B	612357	HUB NUT M42-2.0	1	B
2B	612358	THRUST WASHER	1	B
3	611955	SCREW CAP HEXF M14-1.5x78 G12.9 N500	14	S
4	611301	HUB FLANGE	1	
NS	491115	TOOL, HUB INSTALLER W/UNITISED BEARING / 70MM	1	
NS	NDS8	MAINTENANCE INSTRUCTION	1	
5B	611471	HUB ASSY / UNITISED L.H. & R.H. "FAG" ASSY W/"ABS" RING To H-7401	1	B S
NS	N.S.S.	TOOTH WHEEL To H-7401	1	1 B S
NS	509939	SCREW DRV RND #4x1/4 SS To H-7401	3	B S
5B	611360	BEARING HOUSING ASSY / UNITISED L.H. & R.H. "FAG" ASSY W/"ABS" RING From H-7402	1	B S
NS	N.S.S.	HUB ASSY / UNITISED L.H. & R.H. "FAG" From H-7402	1	1 B S
NS	N.S.S.	TOOTH WHEEL From H-7402	1	1 B S
7B	612362	SCREW CAP HEXF M20-1.5x55 G10.9	6	B
14	110786	BRAKE WEAR INDICATOR MECHANICAL / 44MM	1	
20	20434082	NUT R.H. / W/HUB-MOUNT WHEEL M22-1.5 / 27 MM TH	10	
21	611207	STUD / R.H. / W/HUB-MOUNT WHEEL M22-1.5 x 81MM	10	
22	611300	ROTOR VENTED To M-7831	1	
22	611359	ROTOR VENTED From M-7832	1	
23	641096	CLIP, SPRING / TO FIX SENSOR	1	
24	642084	SENSOR ABS 90° ANGLE - OEM	1	
24	642085	SENSOR ABS - OEM	1	
24	642184	SENSOR ABS - AFTER MARKET	1	
30	X3PLB-1225-00	BRAKE PARTS - FRONT RIGIDE & TAG AXLE "KNORR-BREMSE" SN7 SERIES W/N2G ADJUSTER		
31A	X3PLB-1225-10	BRAKE CHAMBER - FRONT AXLE TYPE 24		
33B	X3PLB-1005-50	FRONT AXLE - INDEPENDENT MODEL "NDIFS80P" / 19000LBS		
		B) WITH 19,000LBS INDEPENDANTE SUSPENSION		
		S) INSPECTED ALL BOLTS FOR DAMAGE TO THE THREAD AND ON THE SURFACE BELOW THE HEAD WHEN YOU DISASSEMBLED OR UNSCREWED THE HUB AND REPLACE IF NECESSARY		
		1) NOT SOLD SEPARATELY		

From G-7275 To M-7767

Date:07/2024

PAGE:X3PLB-1305-00

HUB & ROTOR - DRIVE AXLE WITH MERITOR DRIVE AXLE



From G-7275 To M-7767	Date:07/2024	PAGE:X3PLB-1305-00
HUB & ROTOR - DRIVE AXLE WITH MERITOR DRIVE AXLE		

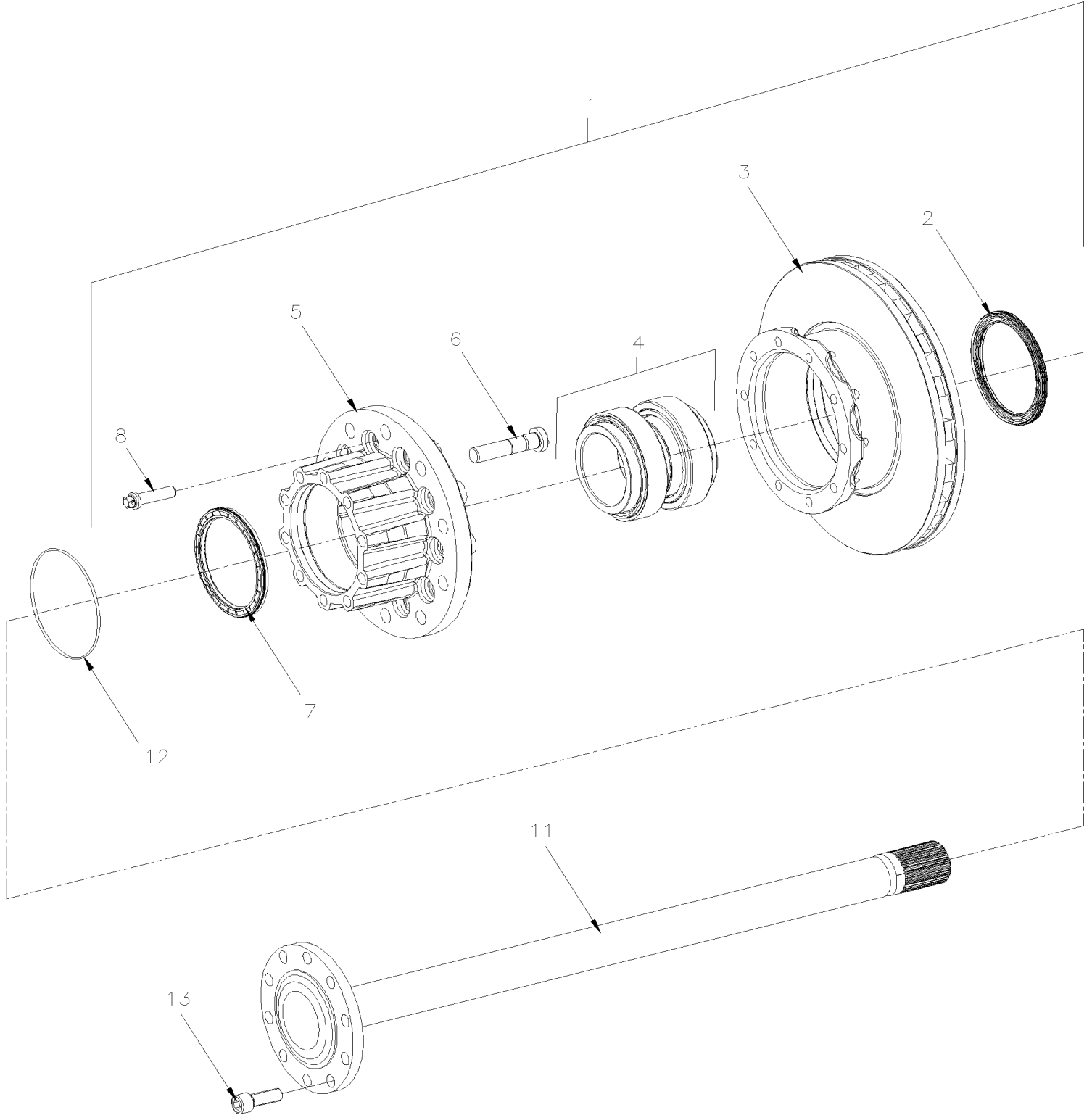
Item#	Part	Description	QTY	Notes
1	620275	NUT OUTER / WHEEL BEARING	1	
2	621624	WASHER LOCK / KIT	1	
3	620279	NUT INNER / WHEEL BEARING	1	
4	620034	CONE BEARING / OUTER WHEEL BEARING	1	A
5	621617	HUB & CUPS ASSY	2	
6	620032	. CUP BEARING	1	A
7	621210	. CUP BEARING	1	B
8	621209	CONE BEARING	1	B
9	621916	SEAL OIL	1	
10	621634	STUD / L.H. / W/STUD-MOUNT WHEEL	10	
10	621633	STUD / R.H. / W/STUD-MOUNT WHEEL	10	
10	620002	STUD / R.H. / W/HUB-MOUNT WHEEL M22-1.5 x 100 MM To J-7494	10	
10	620027	STUD / R.H. / W/HUB-MOUNT WHEEL M22-1.5 x 98.5 MM From J-7495	10	
10	620004	STUD / R.H. / W/HUB-MOUNT WHEEL M22-1.5 x 110 MM To J-7494	AR	D
10	620028	STUD / R.H. / W/HUB-MOUNT WHEEL M22-1.5 x 109.5 MM From J-7495	AR	D
12	610175	NUT L.H. 1 1/8-16 / STUD MOUNT WHEEL	10	
12	610176	NUT R.H. 1 1/8-16 / STUD MOUNT WHEEL	10	
12	20434082	NUT R.H. / W/HUB-MOUNT WHEEL M22-1.5 / 27 MM TH	10	
13	621730	STUD / 5/8-11x 5/8-18 x 2 7/8"	8	
14	621627	DOWEL 5/8" I.D.	8	
15	5001518	WASHER LO EXT .625x1.070x.055 ZP	8	
16	500723	NUT HEX 5/8-18 ZP	8	
17	621640	GASKET / AXLE SHAFT W/8 STUDS	AR	
18	621628	SCREW CAP HEXS 5/8-18x1 3/4 GR8	10	
19	621672	ROTOR SOLID (W/TOOTH WHEEL / DRIVE AXLE)	1	
19	611457	ROTOR VENTED (W/TOOTH WHEEL / DRIVE AXLE)	1	
30	X3PLB-1235-00	BRAKE PARTS - DRIVE AXLE "KNORR-BREMSE" SN7 SERIES / WITH MERITOR AXLE DRIVE		
31	X3PLB-1235-10	BRAKE CHAMBER - DRIVE AXLE / WITH MERITOR AXLE DRIVE	1	
33	621652	KIT, CUP & CONE	1	
34	621653	KIT, CUP & CONE	1	
NS	684646	SEAL INSTALLER TOOL / DRIVE W/DISC	1	
NS	X3PLB-1305-99	ROTOR (SPLINED DISC) PRODUCT IMPROVMENT		
		A) ALSO AVAILABLE IN KIT #621652		
		B) ALSO AVAILABLE IN KIT #621653		
		D) WITH 2 ALUMINUM WHEELS		

From G-7275 To M-7767

Date:07/2024

PAGE:X3PLB-1305-10

HUB & ROTOR - DRIVE AXLE WITH ZF DRIVE AXLE



From G-7275 To M-7767	Date:07/2024	PAGE:X3PLB-1305-10
-----------------------	--------------	--------------------

HUB & ROTOR - DRIVE AXLE WITH ZF DRIVE AXLE

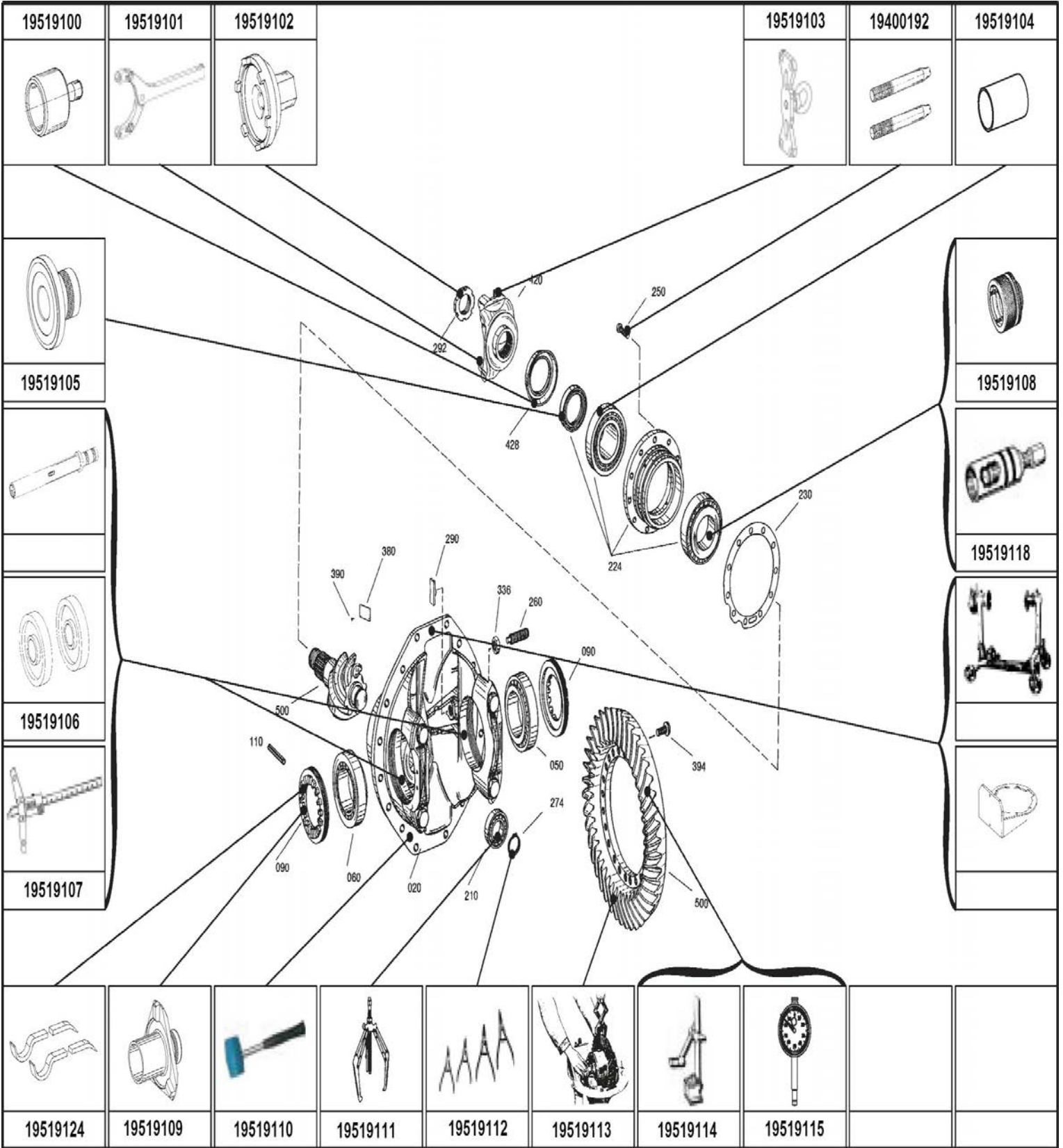
Item#	Part	Description	QTY	Notes
1	N.S.A.	WHEEL END ASSY	1	3
2	N8898979	. SHAFT SEAL 132MMx172MMx12/14.5	1	
3	N8884457	. DISC BRAKE	1	
4	N8893298	. ROLLER BEARING	1	
. NS	N8893299	. . RETAINING RING	1	
. NS	N8893300	. . O-RING 109.2 X 5.7	1	
5	621922	. HUB	1	
5	19512982	. GREASE / RENOLIT LX-PEP 2 TUBE	1	
6	N8893366	. STUD WHEEL / W/STEEL M22-1.5	10	
6	621015	. STUD WHEEL / W/ALUMINUM M22-1.5	10	
7	N8898980	. SHAFT SEAL 132MMx160MMx10MM	1	
8	621924	. SCREW CAP TORX M16-1.5x60	10	
11	621960	SHAFT AXLE	2	
11	N8897019	COVER FOR TOWING	2	T
11	N8893304	O-RING 155MMx3MM	2	T
11	N8893305	SCREW CAP HEX M18-1.5x50MM	4	T
12	N8893304	O-RING 155MMx3MM	2	
13	N8893293	SCREW CAP HEXS M18-1.5x50 To J-7444	20	
13	N8904440	SCREW CAP TORX M18-1.5x45 From J-7445	20	
50	FM-TOOL-ZF	TOOLS FOR "ZF" DRIVE AXLE	1	
		T) USE WHEN YOU REMOVE SHAFT FOR TOWING		
		3) NOT SOLD ASSEMBLY		

From G-7275 To M-7767

Date:07/2024

PAGE:FM-TOOL-ZF

TOOLS FOR "ZF" DRIVE AXLE



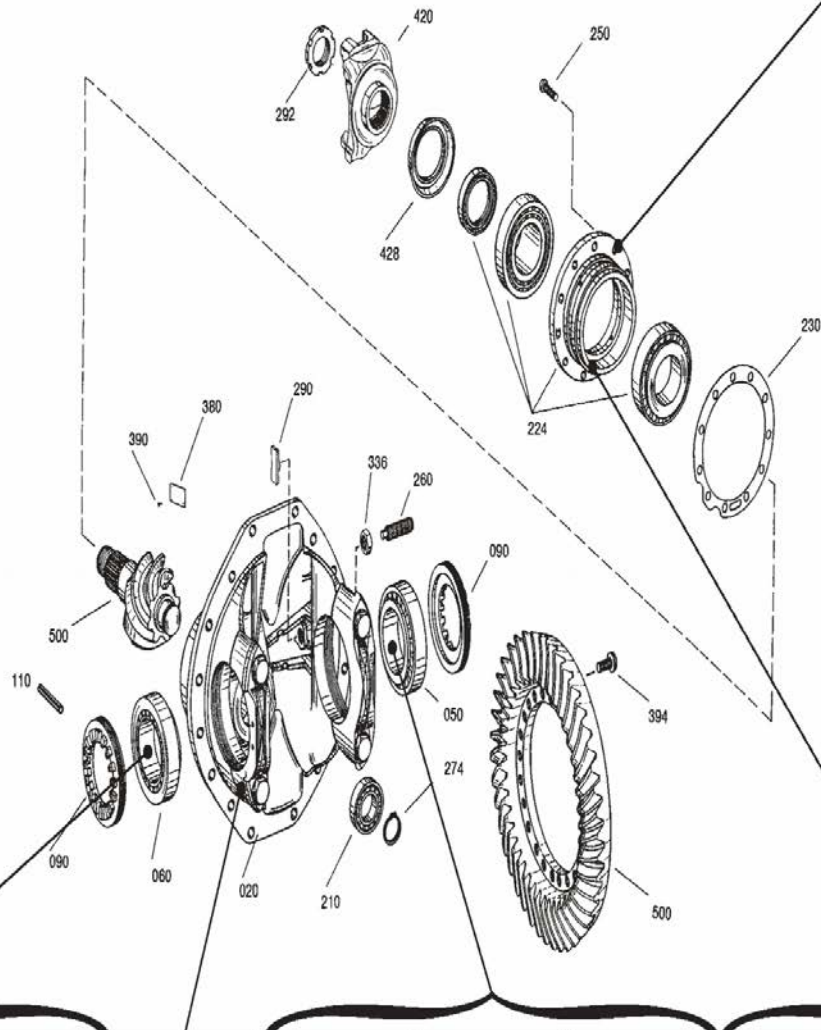
From G-7275 To M-7767











Date:07/2024

PAGE:FM-TOOL-ZF

TOOLS FOR "ZF" DRIVE AXLE

					19400192	
						



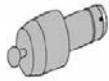
									
19519116	19519117	19519118		19519116	19519117	19519118		19519120	19519107

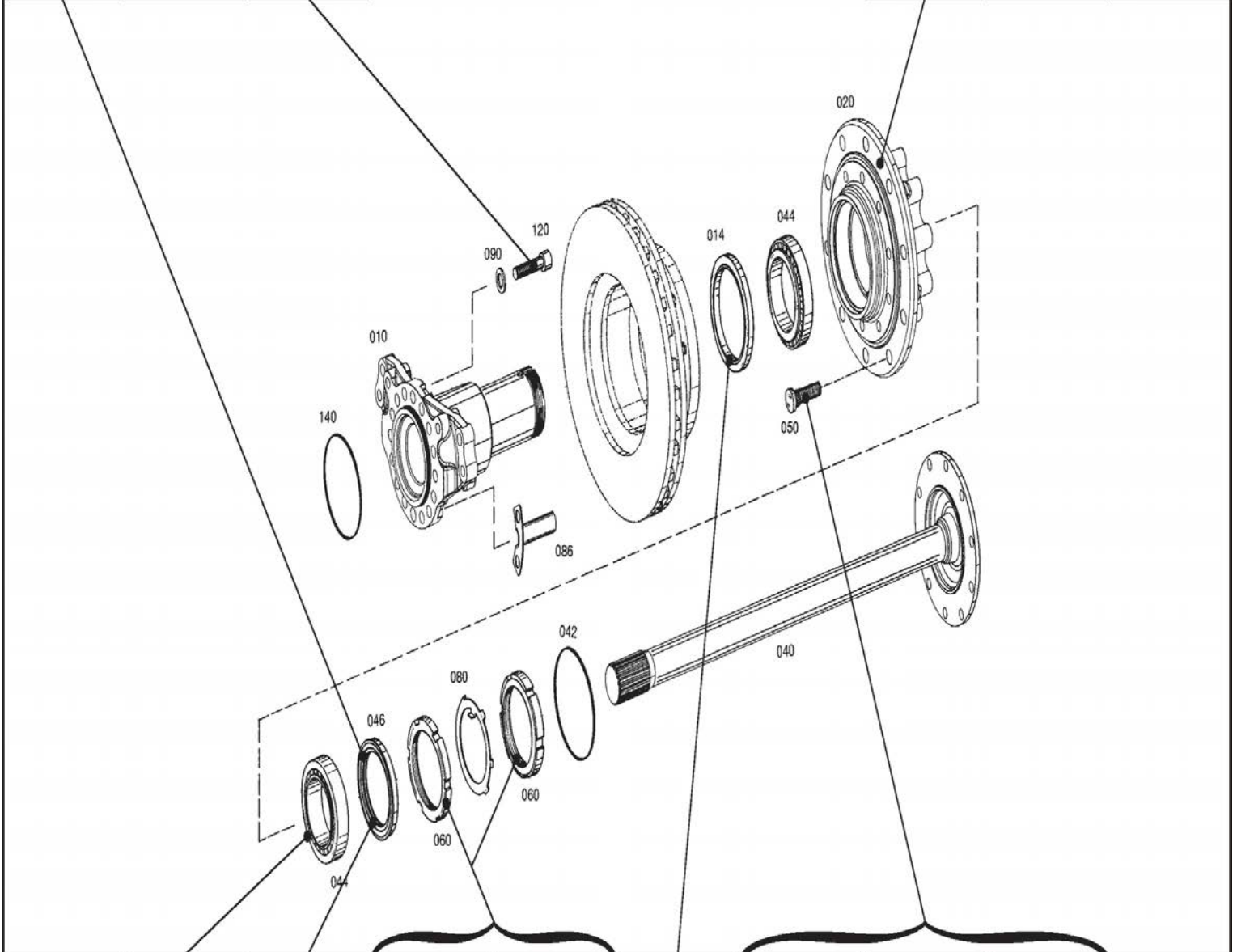
From G-7275 To M-7767








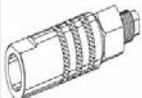
Date:07/2024

PAGE:FM-TOOL-ZF

TOOLS FOR "ZF" DRIVE AXLE

19519125 		19519126 		N67817-20 	N67817-25 	
--	--	---	--	--	--	--



			 (2x) M16x1,5x190		 M22x1,5	 7/8-11 BSF			
19519128	N67817-16	N67817-21	19519129	N67817-16	19519130	19519131	19519132		

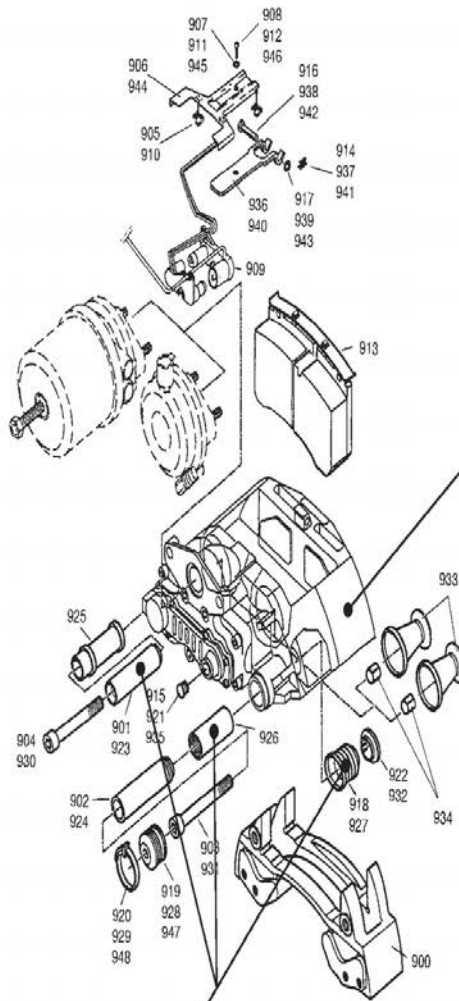
From G-7275 To M-7767

Date:07/2024

PAGE:FM-TOOL-ZF

TOOLS FOR "ZF" DRIVE AXLE

19519134



19519133

From G-7275 To M-7767	Date:07/2024	PAGE:FM-TOOL-ZF
TOOLS FOR "ZF" DRIVE AXLE		

Item#	Part	Description	QTY	Notes
1	19519100	DRIVER (MOUNT SCREEN)	1	
2	19519101	CLAMPING FORK	1	
3	19519102	SLOTTED NUT WRENCH	1	
4	19519103	LIFTING DEVICE	1	
5	19400192	ADJUSTING SCREWS (1 SET = 2 PCS)	1	
6	19519104	PRESSING BUSHING	1	
7	19519105	DRIVER (MOUNT SHAFT SEAL)	1	
8	Call order desk	MEASURING SHAFT	1	P
9	19519106	FITTING PIECES	1	
10	19519107	DIGITAL DEPTH GAUGE # 300 MM	1	
11	19519108	GRIPPING INSERT #	1	
12	19519118	BASIC TOOL	1	
13	Call order desk	ASSEMBLY TROLLEY	1	P
14	Call order desk	SUPPORT – AXLE INSERT	1	P
15	19519124	ASSEMBLY LEVER 2 PCS REQUIRED	1	
16	19519109	SOCKET WRENCH # 1" – SQUARE INPUT	1	
17	19519110	PLASTIC HAMMER # Ø 60 MM	1	
18	19519111	THREE-ARMED PULLER	1	
19	19519112	SET OF EXTERNAL PLIERS A1-A2-A3-A4	1	
20	19519113	GRIPPER TONGS	1	
21	19519114	MAGNETIC STAND	1	
22	19519115	DIAL INDICATOR	1	
31	19400192	ADJUSTING SCREWS (1 SET = 2 PCS)	1	
32	19519116	GRIPPING INSERT #	1	
33	19519117	REDUCING ADAPTER	1	
34	19519118	BASIC TOOL	1	
35	Call order desk	MICROMETER	1	P
36	19519116	GRIPPING INSERT #	1	
37	19519117	REDUCING ADAPTER	1	
38	19519118	BASIC TOOL	1	
39	Call order desk	STRAIGHTEDGE # 295 MM	1	P
40	19519120	GAUGE BLOCKS	1	
41	19519107	DIGITAL DEPTH GAUGE # 300 MM	1	
45	5870350000	ASSEMBLY TROLLEY	1	
46	19519121	SUPPORT	1	
47	19519122	CLAMPING BRACKET	1	
48	19519123	ADJUSTING SCREWS (1 SET = 2 PCS)	1	
49	19519124	ASSEMBLY LEVER 2 PCS REQUIRED	1	
51	19519125	PRY BAR	1	

From G-7275 To M-7767	Date:07/2024	PAGE:FM-TOOL-ZF
TOOLS FOR "ZF" DRIVE AXLE		

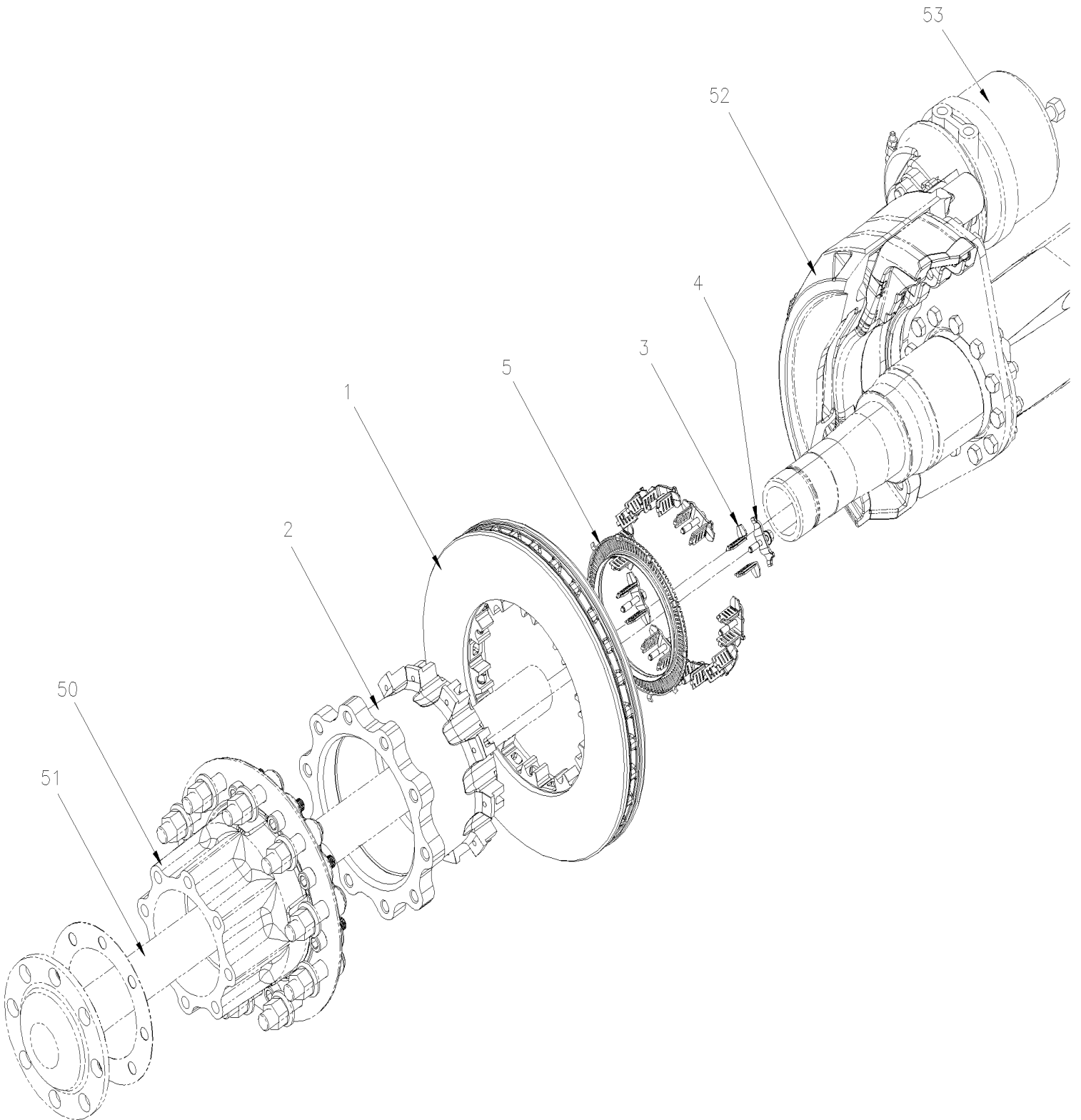
Item#	Part	Description	QTY	Notes
52	19519126	ADJUSTING SCREWS (1 SET = 2 PCS)	1	
53	N67817-20	LIFTING BRACKET	1	
NS	N67817-19	HANDLE	1	
54	N67817-25	INNER INSTALLER #	1	
55	19519128	DRIVER (MOUNT BEARING OUTER RINGS)	1	
56	N67817-16	DRIVER (MOUNT BEARING SEAL)	1	
57	N67817-21	SLOTTED NUT WRENCH ZF TOOL	1	
58	19519129	SCREW (1 SET = 2 PCS) M16-1.5x190	1	
59	N67817-16	DRIVER (MOUNT BEARING SEAL)	1	
60	19519130	INSERT M22X1.5	1	
61	19519131	INSERT 7/8 – 11 BSF	1	
62	19519132	WHEEL BOLT PULLER	1	
65	19519134	LIFTING CHAIN	1	
66	19519133	TOOL SET	1	
		P) CALL ORDER DESK FOR SPECIFIC APPLICATION (V.I.N.)		

From G-7275 To M-7767

Date:07/2024

PAGE:X3PLB-1305-99

ROTOR (SPLINED DISC) PRODUCT IMPROVMENT



From G-7275 To M-7767	Date:07/2024	PAGE:X3PLB-1305-99
ROTOR (SPLINED DISC) PRODUCT IMPROVMENT		

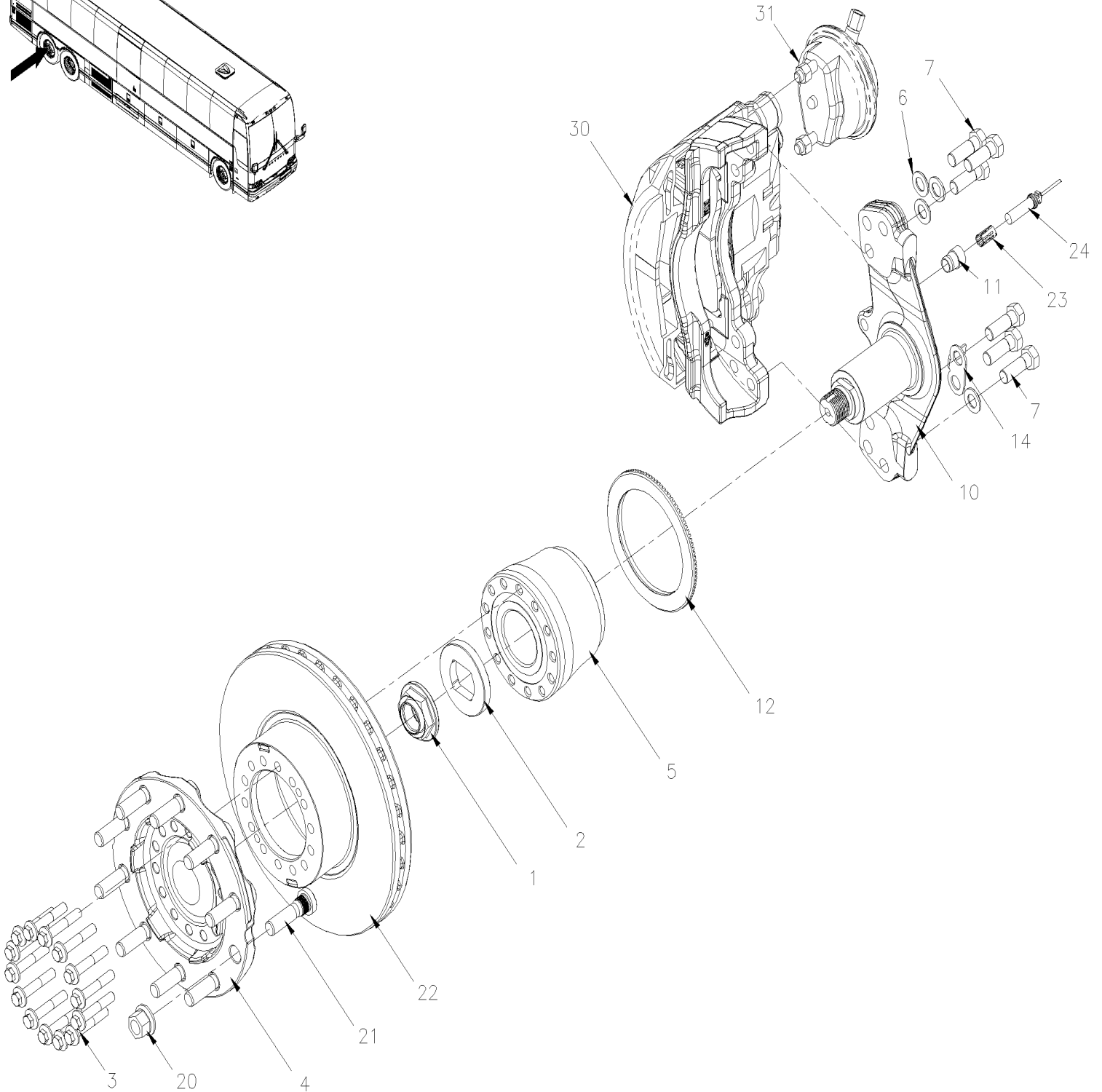
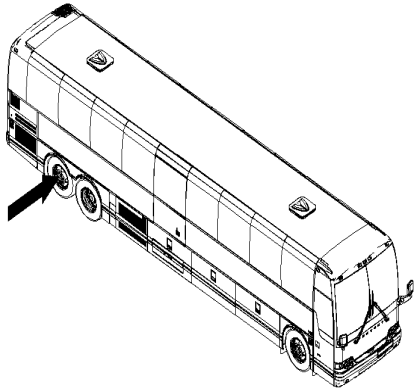
Item#	Part	Description	QTY	Notes
	144982	KIT SPLINED BRAKE DISC ON DRIVE AXLE	1	
NS	IS-09085	SEE INSTRUCTION SHEET	1	
1	144984	ROTOR / "SPLINED DISC"	1	
2	144983	ROTOR ADAPTOR / "SPLINED DISC"	1	
3	144986	PIECE INTERMEDIATE / "SPLINED DISC"	20	
4	144985	SPRING ELEMENT / "SPLINED DISC"	10	
5	124921	TOOTH WHEEL / DRIVE AXLE / "SPLINED DISC"	1	
NS	680754	GREASE, ANTI-SEIZE PERMATEX COPPER (454GR)	AR	
50	X3PLB-1305-00	HUB & ROTOR - DRIVE AXLE WITH MERITOR DRIVE AXLE		
51	X3PLB-1105-00	REAR AXLE - MODEL "RC23165"		
52	X3PLB-1235-00	BRAKE PARTS - DRIVE AXLE "KNORR-BREMSE" SN7 SERIES / WITH MERITOR AXLE DRIVE		
53	X3PLB-1235-10	BRAKE CHAMBER - DRIVE AXLE / WITH MERITOR AXLE DRIVE		

From G-7275 To M-7767

Date:07/2024

PAGE:X3PLB-1310-00

HUB & ROTOR - TAG AXLE TYPE TS8U



From G-7275 To M-7767	Date:07/2024	PAGE:X3PLB-1310-00
HUB & ROTOR - TAG AXLE TYPE TS8U		

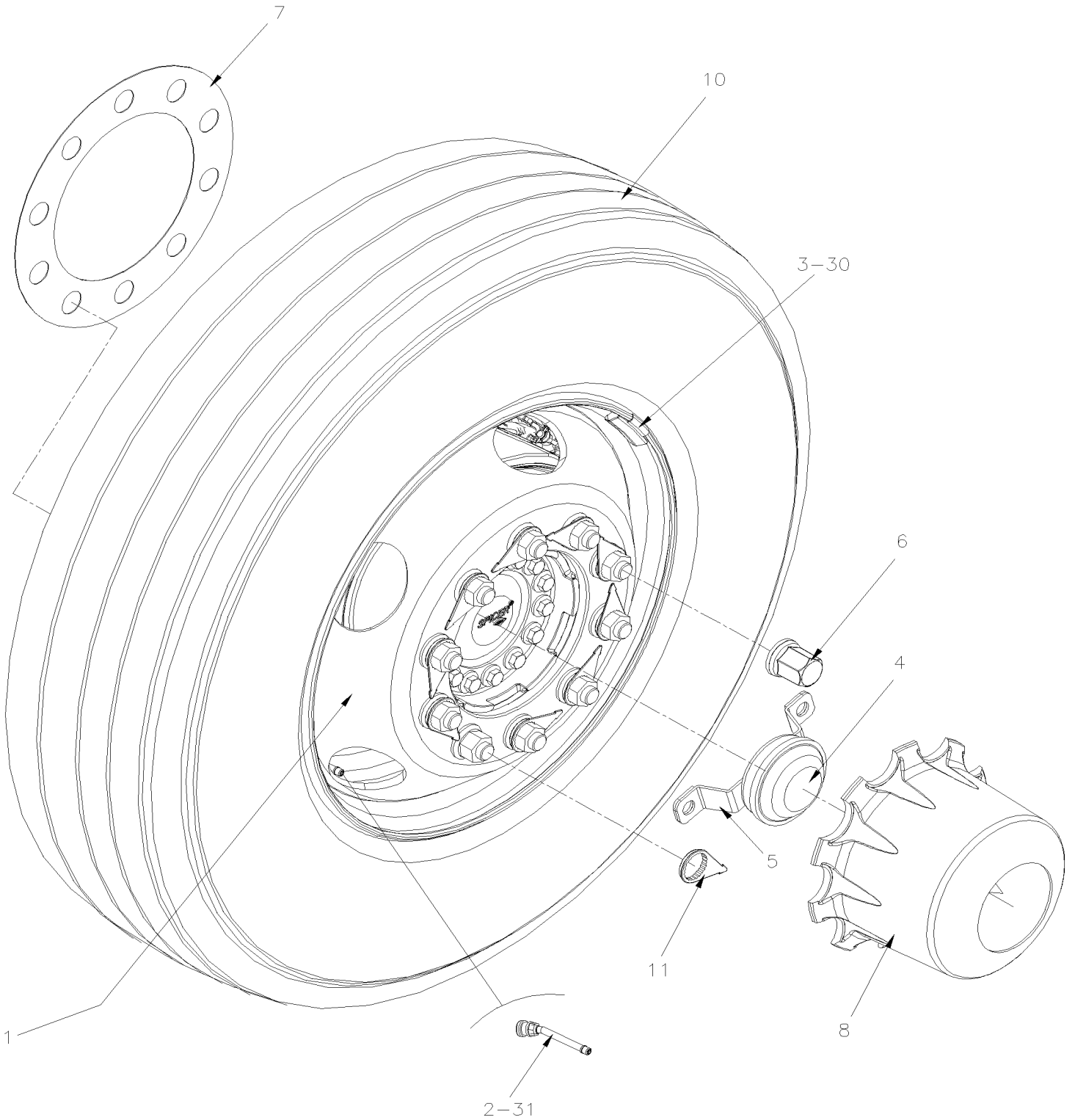
Item#	Part	Description	QTY	Notes
1	621967	HUB NUT 1 3/4-8	1	
2	621810	THRUST WASHER	1	
3	5001842	SCREW CAP HEXF M14-1.5x75 G10.9 SERR G500	14	S
4	621809	HUB FLANGE	1	
5	621816P	HUB ASSY / UNITISED L.H. & R.H. "FAG" WITH TOOTH WHEEL	1	S
. NS	621807	. HUB ASSY / UNITISED L.H. & R.H. "FAG"	1	S
. . NS	621894	. . O-RING	1	S
. NS	621801	. TOOTH WHEEL / TAG AXLE W/CAST TAG	1	S
NS	G32950	TOOL, HUB INSTALLER W/UNITISED BEARING / 82MM	1	
6	611044	WASHER FL HARD 21.0x37.0x3.0 N500	6	
7	5001529	SCREW CAP HEX M20-1.5x60 G10.9 G500	6	
10	621808	TAG AXLE / FORGE	1	
11	121912	BUSHING ABS SENSOR MOUNTING TAG AXLE ONE PIECE	1	
12	621801	TOOTH WHEEL / TAG AXLE W/CAST TAG	1	
14	142907	BRAKE WEAR INDICATOR WITH HOLE MECHANICAL	1	
20	20434082	NUT R.H. / W/HUB-MOUNT WHEEL M22-1.5 / 27 MM TH	10	
21	20515515	STUD / R.H. / W/HUB-MOUNT WHEEL M22-1.5 x 88MM	10	
22	611300	ROTOR VENTED To M-7831	1	
22	611359	ROTOR VENTED From M-7832	1	
23	641096	CLIP, SPRING / TO FIX SENSOR	1	
24	642085	SENSOR ABS - OEM	1	
24	642184	SENSOR ABS - AFTER MARKET	1	
30	X3PLB-1225-00	BRAKE PARTS - FRONT RIGIDE & TAG AXLE "KNORR-BREMSE" SN7 SERIES W/N2G ADJUSTER	1	
31	X3PLB-1245-10	BRAKE CHAMBER - TAG AXLE TYPE 16		
		S) REPLACED ALL BOLTS EACH TIME WHEN YOU DISASSEMBLED OR UNSCREWED THE HUB		

From G-7275 To M-7767

Date:07/2024

PAGE:X3PLB-1318-00

WHEELS & COMPONENTS - TRUCK MOUNT (METRIC)



From G-7275 To M-7767	Date:07/2024	PAGE:X3PLB-1318-00
-----------------------	--------------	--------------------

WHEELS & COMPONENTS - TRUCK MOUNT (METRIC)

Item#	Part	Description	QTY	Notes
		STEEL WHEELS / HUB-MOUNTED		
1	650486	WHEEL, STEEL HUB 22.5 X 9.00 / SILVER / POWDER COAT	AR	
1	650485	WHEEL, STEEL HUB 22.5 X 9.00 / WHITE / POWDER COAT	AR	
		ALUMINUM WHEELS / HUB-MOUNTED		
1	650958	WHEEL, ALU. HUB 22.5 X 9.00 / BOTH SIDE MACHINED	AR	D
1	651145	WHEEL, ALU. HUB 22.5 X 9.00 / OUTSIDE POLISH To H-7324	AR	D
1	650038	WHEEL, ALU. HUB 22.5 X 9.00 / OUTSIDE POLISH From H-7325	AR	D
1	651140	WHEEL, ALU. HUB 22.5 X 9.00 / OUTSIDE DURA-BRIGHT XBR To H-7324	AR	D
1	650044	WHEEL, ALU. HUB 22.5 X 9.00 / OUTSIDE DURA-BRIGHT EVO From H-7325	AR	D
1	651143	WHEEL, ALU. HUB 22.5 X 9.00 / INSIDE POLISH To H-7324	AR	D
1	650039	WHEEL, ALU. HUB 22.5 X 9.00 / INSIDE POLISH From H-7325	AR	D
1	651141	WHEEL, ALU. HUB 22.5 X 9.00 / INSIDE DURA BRIGHT XBR To H-7324	AR	D
1	650045	WHEEL, ALU. HUB 22.5 X 9.00 / INSIDE DURA BRIGHT EVO From H-7325	AR	D
1	651144	WHEEL, ALU. HUB 22.5 X 9.00 / BOTH SIDE POLISH To H-7324	AR	D
1	650043	WHEEL, ALU. HUB 22.5 X 9.00 / BOTH SIDE POLISH From H-7325	AR	D
1	651142	WHEEL, ALU. HUB 22.5 X 9.00 / BOTH SIDE DURA-BRIGHT XBR To H-7324	AR	D
1	650046	WHEEL, ALU. HUB 22.5 X 9.00 / BOTH SIDE DURA-BRIGHT EVO From H-7325	AR	D
1	650662	WHEEL, ALU. HUB 22.5 X 10.5 / BOTH SIDE DURA-BRIGHT XBR To H-7324	AR	E
1	650047	WHEEL, ALU. HUB 22.5 X 10.5 / BOTH SIDE DURA-BRIGHT EVO From H-7325	AR	E
1	650443	WHEEL, ALU. HUB 22.5 X 10.5 / OUTSIDE POLISH	AR	E
1	659199	WHEEL, ALU. HUB 22.5 X 14.00 / INSIDE POLISH To H-7324	2	S
1	650048	WHEEL, ALU. HUB 22.5 X 14.00 / INSIDE POLISH From H-7325	2	S
1	651159	WHEEL, ALU. HUB 22.5 X 14.00 / INSIDE DURA BRIGHT XBR To H-7324	2	S
1	650049	WHEEL, ALU. HUB 22.5 X 14.00 / INSIDE DURA BRIGHT EVO From H-7325	2	S
NS	683527	SEALANT "ALUMINUM WHEEL" / SPRAY 13 OZ.	AR	
NS	683529	CLEANER "ALUMINUM WHEEL" / SPRAY 22 OZ.	AR	
NS	683528	POLISH "ALUMINUM WHEEL" / WAX 16 OZ.	AR	
		VALVES - VALVE EXTENTION & HOLDER		
2	150293	VALVE / W/STEEL WHEEL / "KNORR-BREMSE " BRAKE -	AR	A
2	650194	VALVE / W/ALUMINUM WHEEL / 1.38" LG W/60 deg	AR	
2	650744	VALVE / W/ALUMINUM WHEEL / 1.26" LG	AR	
2	651078	VALVE / W/ALUMINUM WHEEL / 2.31" LG	AR	
2	651114	VALVE / W/ALUMINUM WHEEL / 2.60" LG W/60 deg	AR	
NS	650164	. CAP VALVE / CHROME	AR	
NS	650151	. CAP VALVE / STD	AR	

From G-7275 To M-7767	Date:07/2024	PAGE:X3PLB-1318-00
WHEELS & COMPONENTS - TRUCK MOUNT (METRIC)		

Item#	Part	Description	QTY	Notes
NS	650151	. CAP VALVE / STD	AR	
NS	650008	. SPRING VALVE	AR	
NS	650205	. SPRING VALVE 21116	AR	B
2	650745	EXTENSION VALVE 3/4" LG	AR	
2	650201	EXTENSION VALVE 1 3/8" LG	AR	
NS	650188	EXTENSION VALVE / 7" LG	AR	
2	651064	RUBBER HOLDER / 2" O.D. / EXTENSION VALVE To N-7940	AR	
NS	651181	RUBBER HOLDER / 2" O.D. / EXTENSION VALVE From N-7941	AR	
		WEIGHTS		
3	650030	WEIGHT BALANCING / 0.5 OZ / WEIGHT FREE LEAD	AR	
3	650003	WEIGHT BALANCING / W/STEEL WHEEL / 1 OZ / WEIGHT FREE LEAD	AR	
3	650062	WEIGHT BALANCING / W/STEEL WHEEL / 2 OZ	AR	
3	650005	WEIGHT BALANCING / W/STEEL WHEEL / 2 OZ / WEIGHT FREE LEAD	AR	
3	650063	WEIGHT BALANCING / W/STEEL WHEEL / 3 OZ	AR	
3	650006	WEIGHT BALANCING / W/STEEL WHEEL / 3 OZ / WEIGHT FREE LEAD	AR	
3	650064	WEIGHT BALANCING / W/STEEL WHEEL / 4 OZ	AR	
3	650010	WEIGHT BALANCING / W/STEEL WHEEL / 4 OZ / WEIGHT FREE LEAD	AR	
3	650011	WEIGHT BALANCING / W/STEEL WHEEL / 5 OZ / WEIGHT FREE LEAD	AR	
3	650065	WEIGHT BALANCING / W/STEEL WHEEL / 6 OZ	AR	
3	650012	WEIGHT BALANCING / W/STEEL WHEEL / 6 OZ / WEIGHT FREE LEAD	AR	
3	650066	WEIGHT BALANCING / W/STEEL WHEEL / 8 OZ	AR	
3	650032	WEIGHT BALANCING / W/STEEL WHEEL / 8 OZ / WEIGHT FREE LEAD	AR	
3	650067	WEIGHT BALANCING / W/STEEL WHEEL / 10 OZ	AR	
3	650068	WEIGHT BALANCING / W/STEEL WHEEL / 12 OZ	AR	
3	650069	WEIGHT BALANCING / W/STEEL WHEEL / 14 OZ	AR	
3	650070	WEIGHT BALANCING / W/STEEL WHEEL / 16 OZ	AR	
3	650030	WEIGHT BALANCING / 0.5 OZ / WEIGHT FREE LEAD	AR	
3	650175	WEIGHT BALANCING / W/ALUMINUM WHEEL / INT. & EXT. / 2 OZ	AR	
3	650025	WEIGHT BALANCING / W/ALUMINUM WHEEL / 2 OZ / WEIGHT FREE LEAD	AR	
3	650109	WEIGHT BALANCING / W/ALUMINUM WHEEL / INT. & EXT. / 3 OZ	AR	
3	650026	WEIGHT BALANCING / W/ALUMINUM WHEEL / 3 OZ / WEIGHT FREE LEAD	AR	
3	650110	WEIGHT BALANCING / W/ALUMINUM WHEEL / EXT. ON 4 OZ	AR	
3	650114	WEIGHT BALANCING / W/ALUMINUM WHEEL / INT. ON 4 OZ	AR	
3	650027	WEIGHT BALANCING / W/ALUMINUM WHEEL / 4 OZ / WEIGHT FREE LEAD	AR	
3	650060	WEIGHT BALANCING / W/ALUMINUM WHEEL / 5 OZ / WEIGHT FREE LEAD	AR	
3	650111	WEIGHT BALANCING / W/ALUMINUM WHEEL / EXT. ON 6 OZ	AR	
3	650115	WEIGHT BALANCING / W/ALUMINUM WHEEL / INT. ON 6 OZ	AR	
3	650192	WEIGHT BALANCING / W/ALUMINUM WHEEL / W/ADHES 6 OZ	AR	
3	650028	WEIGHT BALANCING / W/ALUMINUM WHEEL / 6 OZ / WEIGHT FREE LEAD	AR	
3	650116	WEIGHT BALANCING / W/ALUMINUM WHEEL / INT. ON 8 OZ	AR	

From G-7275 To M-7767	Date:07/2024	PAGE:X3PLB-1318-00
-----------------------	--------------	--------------------

WHEELS & COMPONENTS - TRUCK MOUNT (METRIC)

Item#	Part	Description	QTY	Notes
3	650112	WEIGHT BALANCING / W/ALUMINUM WHEEL / EXT. ON 8 OZ	AR	
3	650029	WEIGHT BALANCING / W/ALUMINUM WHEEL / 8 OZ / WEIGHT FREE LEAD	AR	
3	650206	WEIGHT BALANCING / POWDER (12 OZ BAG)	AR	
		HUBODOMETER		
4	650002	HUBODOMETER, COMPLETE 11 X 20 & 12 X 22.5 MPH / STEMCO	AR	
4	650117	HUBODOMETER, COMPLETE 11 X 20 & 12 X 22.5 KM/H / STEMCO	AR	
4	590216	HUBODOMETER, COMPLETE 11 X 20 & 12 X 22.5 KM/H / V.D.O.	AR	
4	650174	HUBODOMETER, COMPLETE / FOR 295/80 KM/H	AR	
5	650145	HUBODOMETER BRACKET / W/8 STUDS AXLE SHAFT	AR	
5	150015	HUBODOMETER BRACKET / USE WITH 14" WHEEL ONLY	AR	
5	651153	HUBODOMETER BRACKET / W/ZF DRIVE AXLE	AR	
		OTHERS		
6	5001339	CAP, PLASTIC CHROME / WHEEL NUT / HUB MOUNT / PUSH-ON TYPE	60	
7	650134	WHEEL GUARD MYLAR / WHEEL & HUB	AR	
8	621683	HUB CAP PLASTIC CHROME W/NUT / HUB MOUNT	2	G
8	621753	HUB CAP PLASTIC CHROME W/NUT / HUB MOUNT / METRIC AFTER MARKET	2	G
. NS	624215	. CAP NUT COVER WRENCH	1	G
8	652236	HUB CAP PLASTIC CHROME / HUB MOUNT / METRIC ONE SET OF 2	2	G
. NS	652238	. RETENTION NUT, PACK OF 10	1	G
. NS	652237	. RETENTION NUT, PACK OF 50	1	G
8	150662	HUB CAP PLASTIC CHROME / HUB MOUNT / USE WITH HUBODOMETER WITH 9" WHEEL	1	G
8	150016	HUB CAP PLASTIC CHROME / HUB MOUNT / USE WITH HUBODOMETER WITH 14" WHEEL	1	G
8	611470	HUB CAP PLASTIC CHROME W/NUT / HUB MOUNT / METRIC	2	F
. NS	624215	. CAP NUT COVER WRENCH	1	F
8	652235	HUB CAP PLASTIC CHROME W/NUT / HUB MOUNT / METRIC ONE SET OF 2	2	F
10	650447	TIRE MICHELIN 455/55 R22.5 X-ONE-XTE SUMMER TIRE	1	
10	651120	TIRE MICHELIN 455/55 R22.5 X ONE XONE XDA-ENERGY SUMMER TIRE	1	
10	651099	TIRE MICHELIN 455/55 R22.5 XD-N2 WINTER TIRE To K-7559	1	
10	651166	TIRE MICHELIN 455/55 R22.5 X-ONE LINE GRIP D WINTER TIRE From K-7560 To N-8005	1	
10	651203	TIRE MICHELIN 455/55 R22.5 X-ONE LINE GRIP D WINTER TIRE From N-8006	1	
11	652066	WHEEL NUT FLAG, ORANGE	AR	
11	651163	WHEEL NUT FLAG, WHITE	1	
NS	491190	KIT DECAL TIRE PRESSURE 2 x 130 + 4 x 105	1	
		VALVES - WITH TIRE PRESSURE SENSOR		
30	066446	DECAL / "WARNING DETECTOR INSIDE" / ENGLISH & FRANCAIS To L-7696	1	
30	066445	DECAL / "WARNING DETECTOR INSIDE" / ENGLISH To L-7696	1	

From G-7275 To M-7767	Date:07/2024	PAGE:X3PLB-1318-00
-----------------------	--------------	--------------------

WHEELS & COMPONENTS - TRUCK MOUNT (METRIC)

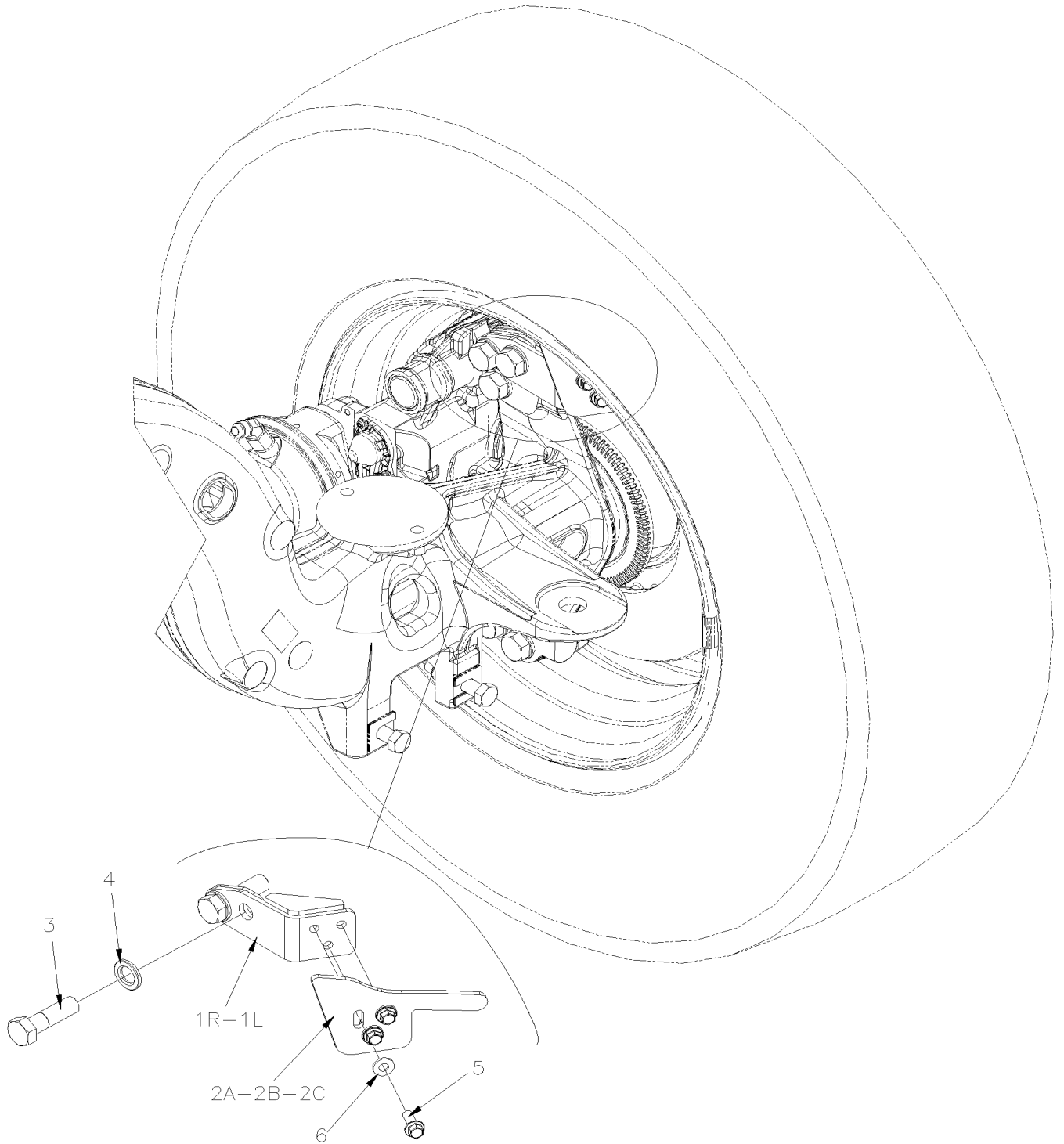
Item#	Part	Description	QTY	Notes
31	X3PLB-1318-10	TIRE MONITOR PRESSURE - "BERU"		
		A) USE THIS VALVE WITH ALLS STEEL WHEELS MOUNTED WITH "KNORR-BREMSE" BRAKE SYSTEM		
		B) USE THIS EXTENSION WITH POWDER BALANCING WEIGHT		
		D) USE WITH 651064 RUBBER HOLDER		
		E) USE WITH 650178 RUBBER HOLDER		
		F) TO USE WITH FRONT AND TAG WHEEL		
		G) TO USE WITH DRIVE AXLE WHEEL		
		S) USE ONLY WITH SUPER SINGLE TIRE (650447)		

From G-7275 To M-7767

Date:07/2024

PAGE:X3PLB-1318-05

TAG AXLE WHEEL SCRAPER



From G-7275 To M-7767	Date:07/2024	PAGE:X3PLB-1318-05
-----------------------	--------------	--------------------

TAG AXLE WHEEL SCRAPER

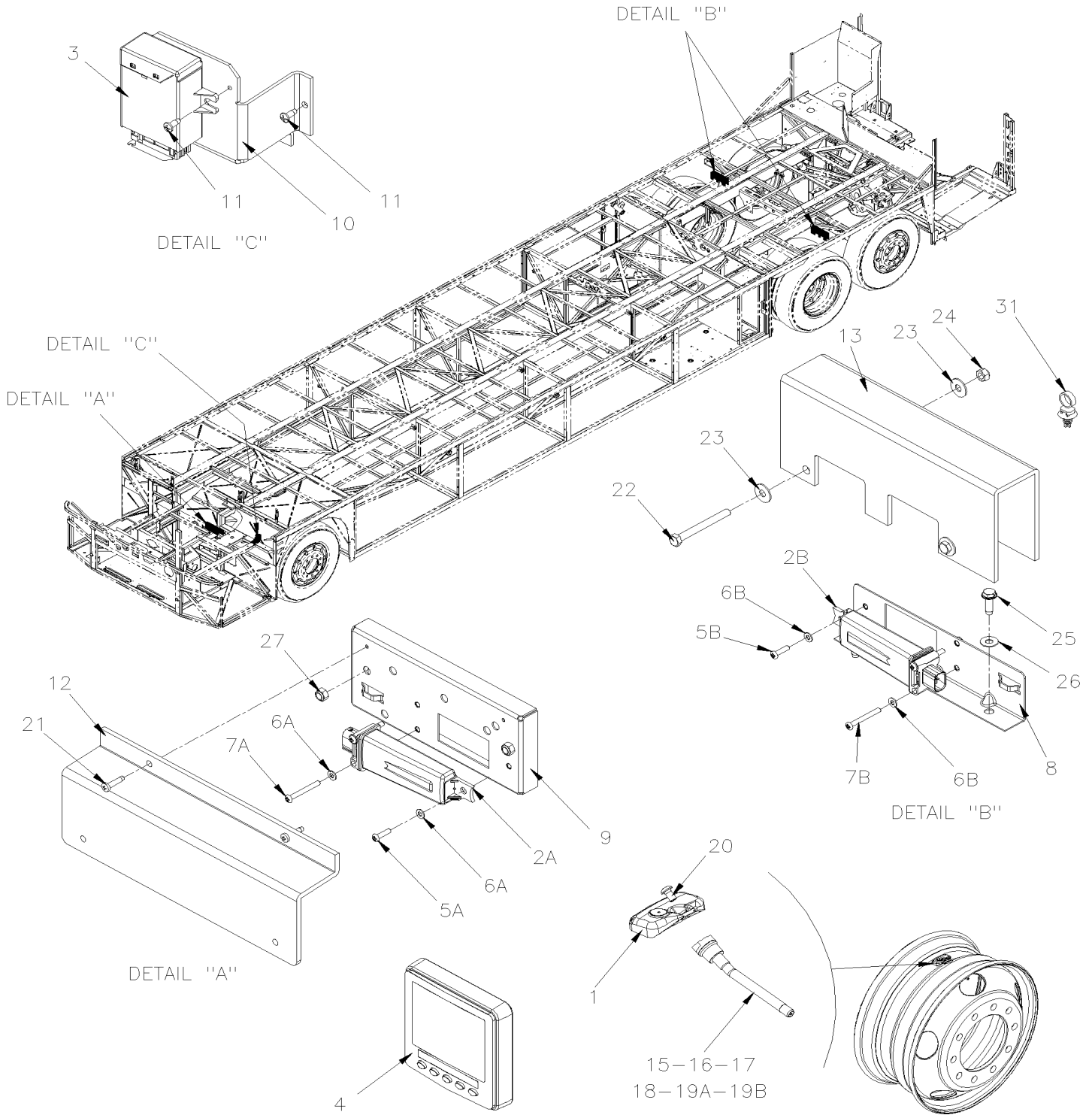
Item#	Part	Description	QTY	Notes
	150809	KIT SCRAPER ALUMINUM WH 9" ONE PIECE TAG	1	
	150810	KIT SCRAPER STEEL WH 9" ONE PIECE TAG	1	
	150811	KIT SCRAPER ALUMINUM WH 10.5" ONE PIECE TAG	1	
1L	150801	. SCRAPER HOLDER LEFT SIDE	1	L
1R	150800	. SCRAPER HOLDER RIGHT SIDE	1	R
2A	150806	. SCRAPER PLATE FOR RIM 9" STEEL	1	
2B	150807	. SCRAPER PLATE FOR RIM 9" ALUMINUM	1	
2C	150808	. SCRAPER PLATE FOR RIM 10.5" ALUMINUM	1	
3	5001997	. SCREW CAP HEX M20-1.5x70 G10.9 ZP	AR	
4	611044	. WASHER FL HARD 21.0x37.0x3.0 N500	AR	
5	5001741	. SCREW CAP HEXF M10-1.5x30 G8.8 N500	AR	
6	5001834	. WASHER BEL SPR 10.5X23X2.5 N500	AR	
		L) LEFT SIDE		
		R) RIGTH SIDE		

From G-7275 To M-7767

Date:07/2024

PAGE:X3PLB-1318-10

TIRE MONITOR PRESSURE - "BERU"

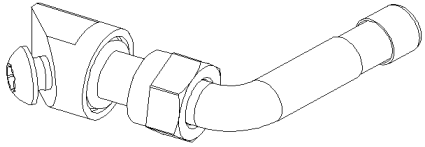


From G-7275 To M-7767

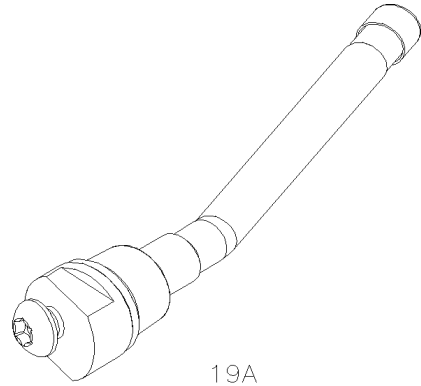
Date:07/2024

PAGE:X3PLB-1318-10

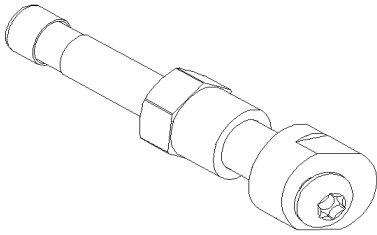
TIRE MONITOR PRESSURE - "BERU"



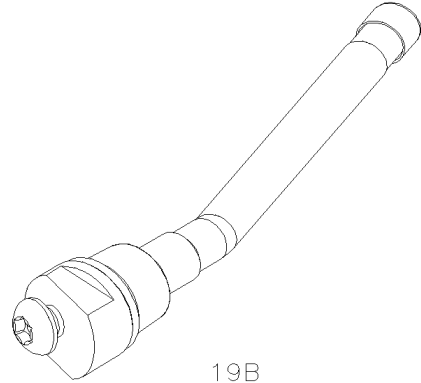
15



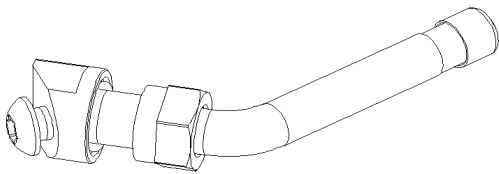
19A



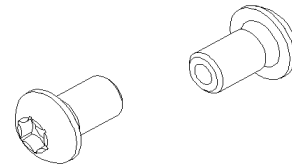
16



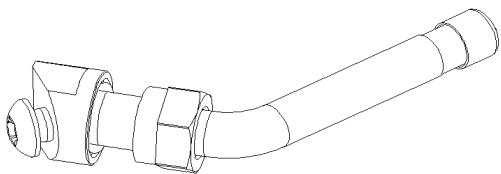
19B



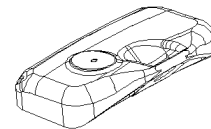
17



20



18



1

From G-7275 To M-7767	Date:07/2024	PAGE:X3PLB-1318-10
TIRE MONITOR PRESSURE - "BERU"		

Item#	Part	Description	QTY	Notes
1	560032	SENSOR TIRE PRESSURE - "BERU" To H-7379	9	
1	560279	SENSOR TIRE PRESSURE - "BERU" From H-7380 To K-7560	9	
1	560749	SENSOR TIRE PRESSURE - "BERU" From K-7561 To M-7888	9	
1	564327	SENSOR TIRE PRESSURE - "BERU" From M-7889	9	
NS	066445	DECAL / "WARNING DETECTOR INSIDE" / ENGLISH To L-7696	AR	
NS	066446	DECAL / "WARNING DETECTOR INSIDE" / ENGLISH & FRANCAIS To L-7696	AR	
2	564077	ANTENNA - TIRE PRESSURE To L-7683	3	
NS	563758	CONNECTOR / MICRO-QUADLOK-SYSTEM / SH 4C / AMP 1-967640-1 To L-7683	1	
NS	564074	CONNECTOR CAP 90° / MICRO-QUADLOK-SYSTEM / SCH 7806880-K To L-7683	1	
NS	563759	SOCKET TERMINAL / 24-20 / AMP 963727-1 To L-7683	1	
NS	563761	SEAL PLUG CAVITY / BLUE / AMP 967056-1 To L-7683	1	
2A	563520	FRONT ANTENNA - TIRE PRESSURE From L-7684	1	
2B	563521	REAR RIGHT ANTENNA - TIRE PRESSURE From L-7684	1	
2C	563522	REAR LEFT ANTENNA - TIRE PRESSURE From L-7684	1	
3	560056	ECU TIRE PRESSURE To L-7683	1	
3	563631	ECU TIRE PRESSURE From L-7684 To £-20039	1	
3	564326	ECU TIRE PRESSURE From P-8037	1	
4	565912	SCREEN MONITOR TIRE To J-7502	1	
4	560561	SCREEN MONITOR TIRE From J-7503	1	
NS	564084	PLATE TPMS / FIXED AT CENTRAL BOARD	1	
NS	564086	PLATE REAR TPMS ON CENTRAL BOARD	1	
NS	5001690	SCREW TC M5	3	
NS	564085	PLATE W/OUT TPMS ON CENTRAL BOARD	1	
NS	068986	WIRING HARNESS / FRT JCT BOX & ANTENNA To H-7416		
NS	060143	WIRING HARNESS / FRT JCT BOX & ANTENNA From H-7417 To L-7683	1	
NS	0610143	WIRING HARNESS / FRT JCT BOX & ANTENNA From L-7684	1	
NS	067204	WIRING HARNESS / ECU FRT JCT BOX & ACCES.. To H-7416	1	
NS	060045	WIRING HARNESS / ECU FRT JCT BOX & ACCES.. From H-7417 To L-7683	1	
NS	0610142	WIRING HARNESS / ECU FRT JCT BOX & ACCES.. From L-7684	1	
NS	5001694	SCREW MA PAN PH M4-0.7x40 SS BK	6	
5A	502698	SCREW MA PAN PH M4-0.7x16 SS BK	1	
5B	5001332	SCREW MA PAN PH M4-0.7x16 SS To L-7683	2	
5B	500032	SCREW CAP HEX M5-0.8x16 BK From L-7684	2	
6A	502556	WASHER FL 4.3x9.0x0.8 SS	3	
6A	502556	WASHER FL 4.3x9.0x0.8 SS	3	
6B	502556	WASHER FL 4.3x9.0x0.8 SS To L-7683	6	
6B	502556	WASHER FL 4.3x9.0x0.8 SS To L-7683	6	
6B	5001137	WASHER FL .203x.438x.050 SS From L-7684	6	
7A	5001694	SCREW MA PAN PH M4-0.7x40 SS BK	2	
7B	5001696	SCREW MA PAN PH M4-0.7x35 SS To L-7683	4	
7B	502708	SCREW CAP HEX M5-0.8x35 SS From L-7684	4	
8	406121	SUPPORT ANTENNA TIRE PRESSURE To L-7683	2	

From G-7275 To M-7767	Date:07/2024	PAGE:X3PLB-1318-10
TIRE MONITOR PRESSURE - "BERU"		

Item#	Part	Description	QTY	Notes
8	401257	SUPPORT ANTENNA TIRE PRESSURE From L-7684	2	
8	509815	TIE MOUNT / ATTACHMENT W/TREE MOUNT From L-7684	6	
8	564108	SELF MOUNTING STUD // DEUTSCH 1011-310-0205 From L-7684	1	
9	406085	SUPPORT ANTENNA TIRE PRESSURE	1	
10	382406	SUPPORT TIRE ECU PRESSURE To H-7416	1	
11	502868	SCREW TC TR PH #10-16x1/2 N500 To H-7416	5	
11	502686	SCREW CAP HEX M6-1.0x30 SS BK From H-7417 To L-7683	2	
11	5001975	SCREW TC BDG PH #10-24x3/8 SS410 ZINC From L-7684	2	
11	500804	WASHER FL .203x.500x.047 N500 From L-7684	2	
12	406119	PROTECTOR ANTENNA / AL "Z" SHAPE	1	
13	406122	PROTECTOR ANTENNA / AL "U" SHAPE To L-7683	2	
13	401364	PROTECTOR ANTENNA / AL "U" SHAPE From L-7684	2	
15	650013	KIT VALVE 60DEG / W/AL / 14" To J-7476	1	
. NS	651116	. O-RING 8.9MM I.D. x 1.9MM "VITON" To J-7476	1	
. NS	650019	. SCREW MA BUT TORX W/HOLE M5 To J-7476	1	
15	650635	KIT VALVE 60DEG / W/AL / 14" From J-7477	1	
15	150030	KIT VALVE 60DEG / W/AL / 14" W/SENSOR To K-7560	1	
. NS	650635	. KIT VALVE 60DEG / W/AL / 14" To K-7560	1	
. NS	560279	. SENSOR TIRE PRESSURE - "BERU" To K-7560	1	
15	150009	KIT VALVE 60DEG / W/AL / 14" W/SENSOR From K-7561 To M-7888	1	
. NS	650635	. KIT VALVE 60DEG / W/AL / 14" From K-7561 To M-7888	1	
. NS	560749	. SENSOR TIRE PRESSURE - "BERU" From K-7561 To M-7888	1	
15	150001	KIT VALVE 60DEG / W/AL / 14" W/SENSOR From M-7889	1	
. NS	650635	. KIT VALVE 60DEG / W/AL / 14" From M-7889	1	
. NS	564327	. SENSOR TIRE PRESSURE - "BERU" From M-7889	1	
16	650014	KIT VALVE / W/AL / 10.5" To J-7476	1	
. NS	651116	. O-RING 8.9MM I.D. x 1.9MM "VITON" To J-7476	1	
. NS	650019	. SCREW MA BUT TORX W/HOLE M5 To J-7476	1	
16	650636	KIT VALVE / W/AL / 10.5" From J-7477	1	
16	150031	KIT VALVE / W/AL / 10.5" / W/SENSOR To K-7560	1	
. NS	650636	. KIT VALVE / W/AL / 10.5" To K-7560	1	
. NS	560279	. SENSOR TIRE PRESSURE - "BERU" To K-7560	1	
16	150110	KIT VALVE / W/AL / 10.5" / W/SENSOR From K-7561 To M-7888	1	
. NS	650636	. KIT VALVE / W/AL / 10.5" From K-7561 To M-7888	1	
. NS	560749	. SENSOR TIRE PRESSURE - "BERU" From K-7561 To M-7888	1	
16	150002	KIT VALVE / W/AL / 10.5" / W/SENSOR From M-7889	1	
. NS	650636	. KIT VALVE / W/AL / 10.5" From M-7889	1	
. NS	564327	. SENSOR TIRE PRESSURE - "BERU" From M-7889	1	
17	650015	KIT VALVE 40DEG / W/AL / 9" To J-7476	1	
. NS	651116	. O-RING 8.9MM I.D. x 1.9MM "VITON" To J-7476	1	
. NS	650019	. SCREW MA BUT TORX W/HOLE M5 To J-7476	1	
17	650634	KIT VALVE 40DEG / W/AL / 9" From J-7477	1	

From G-7275 To M-7767	Date:07/2024	PAGE:X3PLB-1318-10
TIRE MONITOR PRESSURE - "BERU"		

Item#	Part	Description	QTY	Notes
. NS	650019	. SCREW MA BUT TORX W/HOLE M5 From J-7477	1	
. NS	651191	. NUT From J-7477	1	
. NS	651267	. GROMMET V9-10-6 BLACK, TPMS VALVE From J-7477	1	
17	150032	KIT VALVE 40DEG / W/AL / 9" /W/SENSOR To K-7560	1	
. NS	650634	. KIT VALVE 40DEG / W/AL / 9" To K-7560	1	
. . NS	650019	. . SCREW MA BUT TORX W/HOLE M5 To K-7560	1	
. . NS	651191	. . NUT To K-7560	1	
. . NS	651267	. . GROMMET V9-10-6 BLACK, TPMS VALVE To K-7560	1	
. NS	560279	. SENSOR TIRE PRESSURE - "BERU" To K-7560	1	
17	150111	KIT VALVE 40DEG / W/AL / 9" /W/SENSOR From K-7561 To M-7888	1	
. NS	650634	. KIT VALVE 40DEG / W/AL / 9" From K-7561 To M-7888	1	
. . NS	650019	. . SCREW MA BUT TORX W/HOLE M5 From K-7561 To M-7888	1	
. . NS	651191	. . NUT From K-7561 To M-7888	1	
. . NS	651267	. . GROMMET V9-10-6 BLACK, TPMS VALVE From K-7561 To M-7888	1	
. NS	560279	. SENSOR TIRE PRESSURE - "BERU" From K-7561 To M-7888	1	
17	150003	KIT VALVE 40DEG / W/AL / 9" /W/SENSOR From M-7889	1	
. NS	650634	. KIT VALVE 40DEG / W/AL / 9" From M-7889	1	
. . NS	650019	. . SCREW MA BUT TORX W/HOLE M5 From M-7889	1	
. . NS	651191	. . NUT From M-7889	1	
. . NS	651267	. . GROMMET V9-10-6 BLACK, TPMS VALVE From M-7889	1	
. NS	564327	. SENSOR TIRE PRESSURE - "BERU" From M-7889	1	
18	650015	KIT VALVE 40DEG / W/AL / 9" To J-7476	1	
. NS	651116	. O-RING 8.9MM I.D. x 1.9MM "VITON" To J-7476	1	
. NS	650019	. SCREW MA BUT TORX W/HOLE M5 To J-7476	1	
18	650634	KIT VALVE 40DEG / W/AL / 9" From J-7477	1	
. NS	650019	. SCREW MA BUT TORX W/HOLE M5 From J-7477	1	
. NS	651191	. NUT From J-7477	1	
. NS	651267	. GROMMET V9-10-6 BLACK, TPMS VALVE From J-7477	1	
18	150032	KIT VALVE 40DEG / W/AL / 9" /W/SENSOR To K-7560	1	
. NS	650634	. KIT VALVE 40DEG / W/AL / 9" To K-7560	1	
. . NS	650019	. . SCREW MA BUT TORX W/HOLE M5 To K-7560	1	
. . NS	651191	. . NUT To K-7560	1	
. . NS	651267	. . GROMMET V9-10-6 BLACK, TPMS VALVE To K-7560	1	
. NS	560279	. SENSOR TIRE PRESSURE - "BERU" To K-7560	1	
18	150111	KIT VALVE 40DEG / W/AL / 9" /W/SENSOR From K-7561 To M-7888	1	
. NS	650634	. KIT VALVE 40DEG / W/AL / 9" From K-7561 To M-7888	1	
. . NS	650019	. . SCREW MA BUT TORX W/HOLE M5 From K-7561 To M-7888	1	
. . NS	651191	. . NUT From K-7561 To M-7888	1	
. . NS	651267	. . GROMMET V9-10-6 BLACK, TPMS VALVE From K-7561 To M-7888	1	
. NS	560279	. SENSOR TIRE PRESSURE - "BERU" From K-7561 To M-7888	1	
18	150003	KIT VALVE 40DEG / W/AL / 9" /W/SENSOR From M-7889	1	
. NS	650634	. KIT VALVE 40DEG / W/AL / 9" From M-7889	1	

From G-7275 To M-7767	Date:07/2024	PAGE:X3PLB-1318-10
TIRE MONITOR PRESSURE - "BERU"		

Item#	Part	Description	QTY	Notes
. . NS	650019	. . SCREW MA BUT TORX W/HOLE M5 From M-7889	1	
. . NS	651191	. . NUT From M-7889	1	
. . NS	651267	. . GROMMET V9-10-6 BLACK, TPMS VALVE From M-7889	1	
. NS	564327	. SENSOR TIRE PRESSURE - "BERU" From M-7889	1	
19A	650018	KIT VALVE 20DEG / W/STEEL WHEELS 9" To K-7594	1	9.0
. NS	650019	. SCREW MA BUT TORX W/HOLE M5 To K-7594	1	9.0
. NS	651119	. SEAL VALVE / STEEL "VITON" GREEN To K-7594	1	9.0
19A	650016	KIT VALVE 20DEG / W/STEEL WHEELS 9" From K-7595	1	9.0
. NS	650019	. SCREW MA BUT TORX W/HOLE M5 From K-7595	1	9.0
. NS	651119	. SEAL VALVE / STEEL "VITON" GREEN From K-7595	1	9.0
19A	150034	KIT VALVE 20DEG / W/STEEL WHEELS 9" / W/SENSOR To K-7560	1	9.0
. NS	650018	. KIT VALVE 20DEG / W/STEEL WHEELS 9" To K-7560	1	9.0
. . NS	650019	. . SCREW MA BUT TORX W/HOLE M5 To K-7560	1	9.0
. . NS	651119	. . SEAL VALVE / STEEL "VITON" GREEN To K-7560	1	9.0
. NS	560279	. SENSOR TIRE PRESSURE - "BERU" To K-7560	1	9.0
19A	150114	KIT VALVE 20DEG / W/STEEL WHEELS 9" / W/SENSOR From K-7561 To M-7888	1	9.0
. NS	650016	. KIT VALVE 20DEG / W/STEEL WHEELS 9" From K-7561 To M-7888	1	9.0
. . NS	650019	. . SCREW MA BUT TORX W/HOLE M5 From K-7561 To M-7888	1	9.0
. . NS	651119	. . SEAL VALVE / STEEL "VITON" GREEN From K-7561 To M-7888	1	9.0
. NS	560749	. SENSOR TIRE PRESSURE - "BERU" From K-7561 To M-7888	1	9.0
19A	150005	KIT VALVE 20DEG / W/STEEL WHEELS 9" / W/SENSOR From M-7889	1	9.0
. NS	650016	. KIT VALVE 20DEG / W/STEEL WHEELS 9" From M-7889	1	9.0
. . NS	650019	. . SCREW MA BUT TORX W/HOLE M5 From M-7889	1	9.0
. . NS	651119	. . SEAL VALVE / STEEL "VITON" GREEN From M-7889	1	9.0
. NS	564327	. SENSOR TIRE PRESSURE - "BERU" From M-7889	1	9.0
19B	650017	KIT VALVE 20DEG / W/STEEL WHEELS 8.25"	1	8.25
. NS	650019	. SCREW MA BUT TORX W/HOLE M5	1	8.25
. NS	651119	. SEAL VALVE / STEEL "VITON" GREEN	1	8.25
19B	150033	KIT VALVE 20DEG / W/STEEL WHEELS 8.25"/W/SENSOR To K-7560	1	8.25
. NS	650017	. KIT VALVE 20DEG / W/STEEL WHEELS 8.25" To K-7560	1	8.25
. . NS	650019	. . SCREW MA BUT TORX W/HOLE M5 To K-7560	1	8.25
. . NS	651119	. . SEAL VALVE / STEEL "VITON" GREEN To K-7560	1	8.25
. NS	560279	. SENSOR TIRE PRESSURE - "BERU" To K-7560	1	8.25
19B	150112	KIT VALVE 20DEG / W/STEEL WHEELS 8.25"/W/SENSOR From K-7561 To M-7888	1	8.25
. NS	650017	. KIT VALVE 20DEG / W/STEEL WHEELS 8.25" From K-7561 To M-7888	1	8.25
. . NS	650019	. . SCREW MA BUT TORX W/HOLE M5 From K-7561 To M-7888	1	8.25
. . NS	651119	. . SEAL VALVE / STEEL "VITON" GREEN From K-7561 To M-7888	1	8.25
. NS	560749	. SENSOR TIRE PRESSURE - "BERU" From K-7561 To M-7888	1	8.25
19B	150004	KIT VALVE 20DEG / W/STEEL WHEELS 8.25"/W/SENSOR From M-7889	1	8.25
. NS	650017	. KIT VALVE 20DEG / W/STEEL WHEELS 8.25" From M-7889	1	8.25
. . NS	650019	. . SCREW MA BUT TORX W/HOLE M5 From M-7889	1	8.25
. . NS	651119	. . SEAL VALVE / STEEL "VITON" GREEN From M-7889	1	8.25

From G-7275 To M-7767	Date:07/2024	PAGE:X3PLB-1318-10
TIRE MONITOR PRESSURE - "BERU"		

Item#	Part	Description	QTY	Notes
NS	564327	SENSOR TIRE PRESSURE - "BERU" From M-7889	1	8.25
20	650019	SCREW MA BUT TORX W/HOLE M5	1	
NS	685324	GREASE "PERMATEX" DIELECTRIC TUBE 3 OZ	AR	S
NS	680038	THREAD LOCKER LOCTITE #243 / BLUE / 50ml	AR	
21	500952	SCREW TP BDG PH #8x1/2 SS	2	
22	5001681	SCREW CAP HEX M6-1.0x60 SS	2	
23	500411	WASHER FL .260x.697x.050 SS	8	
24	502681	NUT HEX NYRT M6-1.0 N500 G8	AR	
25	502848	SCREW TC CAP HEXF 1/4-20x3/4 N500	2	
26	5001608	WASHER BEL SPR 6.2x15.0x0.7 G500	4	
27	5001182	NUT HEX NYRT M6-1.0 SS	2	
31	509815	TIE MOUNT / ATTACHMENT W/TREE MOUNT	AR	
31	504637	CABLE TIE / 3/16" x 13"	AR	
NS	IS21070	KIT TPMS ANTENNAS REPLACEMENT		
		8.25) USE WITH STEEL WHEEL 8.25"		
		9.0) USE WITH STEEL WHEEL 9.0"		
		S) USE TO PREVENT CORROSION WITH ALUMINUM WHEELS		

From G-7275 To M-7767		Date:07/2024	PAGE:IS21070
KIT TPMS ANTENNAS REPLACEMENT			

PREVOST

Feuille d'instructions

FI-21070

REPLACEMENT ANTENNES TPMS OBSOLÈTE

PREVOST

Instruction Sheet

IS-21070

OBSOLETE TPMS ANTENNAS REPLACEMENT

From G-7275 To M-7767	Date:07/2024	PAGE:IS21070
KIT TPMS ANTENNAS REPLACEMENT		

Item#	Part	Description	QTY	Notes
NS	564305	ANTENNA, TPMS "SENSATA"	3	
NS	564413	TPMS, SENSATA ECU	1	
NS	380252	SUPPORT / RELAY	1	
NS	406762	SUPPORT, ANTENNA	1	
NS	406119	PROTECTOR ANTENNA / AL "Z" SHAPE	1	
NS	401333	SUPPORT, ANTENNA	2	
NS	406764	PROTECTOR, ANTENNA	2	
NS	0610632	WIRING HARNESS / ECU FRT JCT BOX & ACCES..	1	
NS	504622	GROMMET / 1.500x1.750x.062x.437x2.125	1	
NS	0610631	WIRING HARNESS / FRT JCT BOX & ANTENNA	1	
NS	562795	CONNECTOR / JUNIOR POWER TIMER / SH 15C / AMP 964561-2	1	
NS	5001182	NUT HEX NYRT M6-1.0 SS	2	
NS	502708	SCREW CAP HEX M5-0.8x35 SS	3	
NS	5001137	WASHER FL .203x.438x.050 SS	3	
NS	502848	SCREW TC CAP HEXF 1/4-20x3/4 N500	4	
NS	5001608	WASHER BEL SPR 6.2x15.0x0.7 G500	4	
NS	5001681	SCREW CAP HEX M6-1.0x60 SS	4	
NS	500411	WASHER FL .260x.697x.050 SS	8	
NS	502681	NUT HEX NYRT M6-1.0 N500 G8	4	
NS	502868	SCREW TC TR PH #10-16x1/2 N500	2	
NS	500804	WASHER FL .203x.500x.047 N500	2	
NS	509815	TIE MOUNT / ATTACHMENT W/TREE MOUNT	17	
NS	504637	CABLE TIE / 3/16" x 13"	20	
NS	8631155	CABLE TIE / 4.6MM x 200 / CHRISTMAS TREE	2	
NS	504013	TIE MOUNT / 1/4" X 1/4" I.D.	2	
NS	504347	RIVET POP DOME OE 3/16x1/4 AL	2	
NS	IS-21070	SEE ENGLISH INSTRUCTION SHEET	1	
NS	FI-21070	SEE FRENCH INSTRUCTION SHEET	1	
NS		PARTS BELOW NOT INCLUDED IN KIT IS21070		
NS		STEEL WHEEL 9"		
NS	150006	KIT VALVE & SENSOR / FOR WHEEL STEEL 9"	1	
NS		ALUMINIUM WHEEL 9"		
NS	150201	KIT VALVE & SENSOR / FOR WHEEL AL 9"	1	
NS		ALUMINIUM WHEEL 10.5"		
NS	150149	KIT VALVE & SENSOR / FOR WHEEL AL 10.5"	1	
NS		ALUMINIUM WHEEL 14"		
NS	150177	KIT VALVE & SENSOR / FOR WHEEL AL 14"	1	

From G-7275 To M-7767		Date:07/2024	PAGE:IS21070
-----------------------	--	--------------	--------------

KIT TPMS ANTENNAS REPLACEMENT

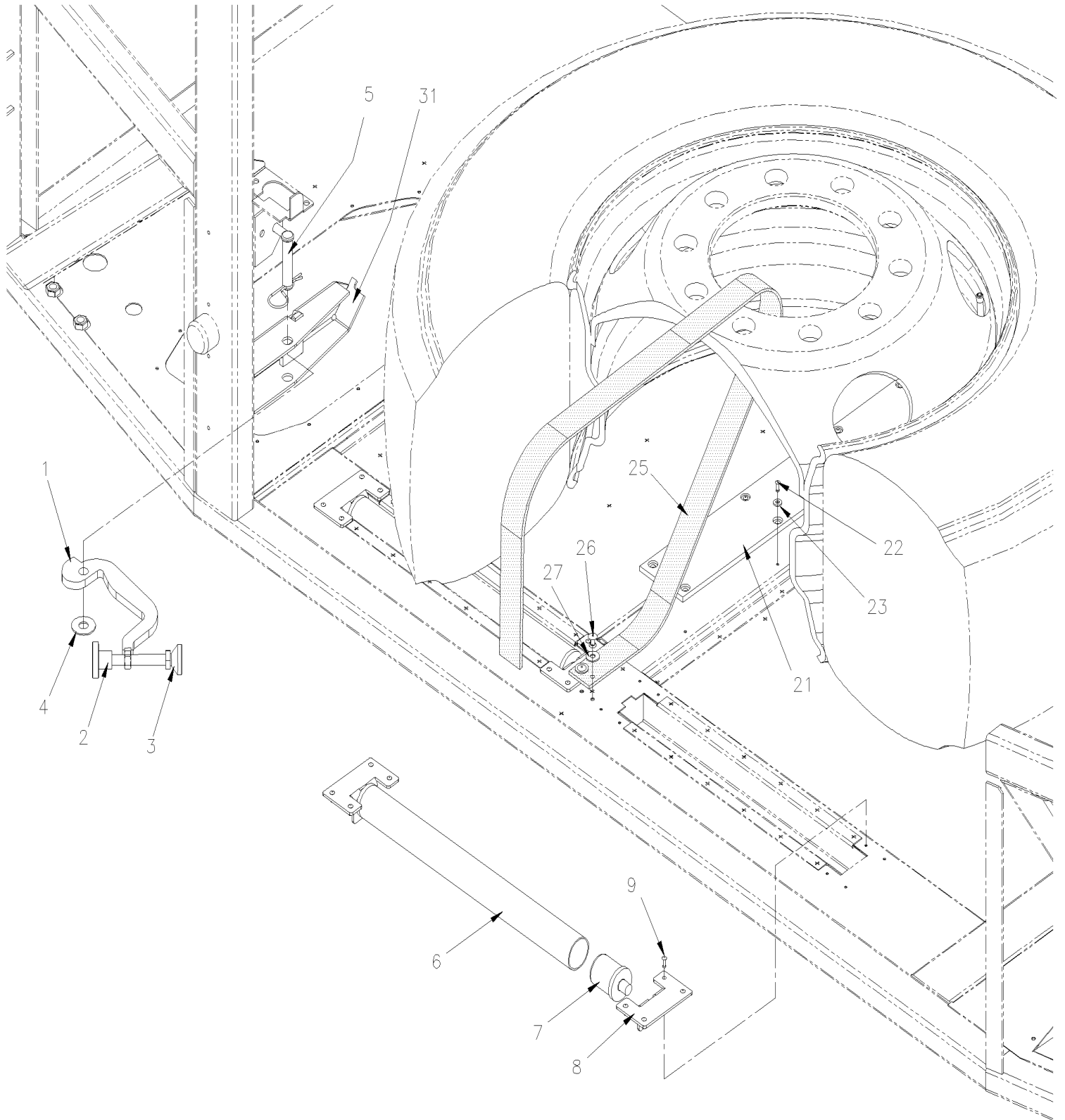
Item#	Part	Description	QTY	Notes
NS	684517	ADHESIVE SIMSON #SR 70-03 / GREY / 310ml CARTRIDGE	1	
NS	680038	THREAD LOCKER LOCTITE #243 / BLUE / 50ml	1	
NS	685324	GREASE "PERMATEX" DIELECTRIC TUBE 3 OZ	1	

From G-7275 To M-7767

Date:07/2024

PAGE:X3PLB-1325-00

SPARE WHEEL - INSTALLATION



From G-7275 To M-7767	Date:07/2024	PAGE:X3PLB-1325-00
SPARE WHEEL - INSTALLATION		

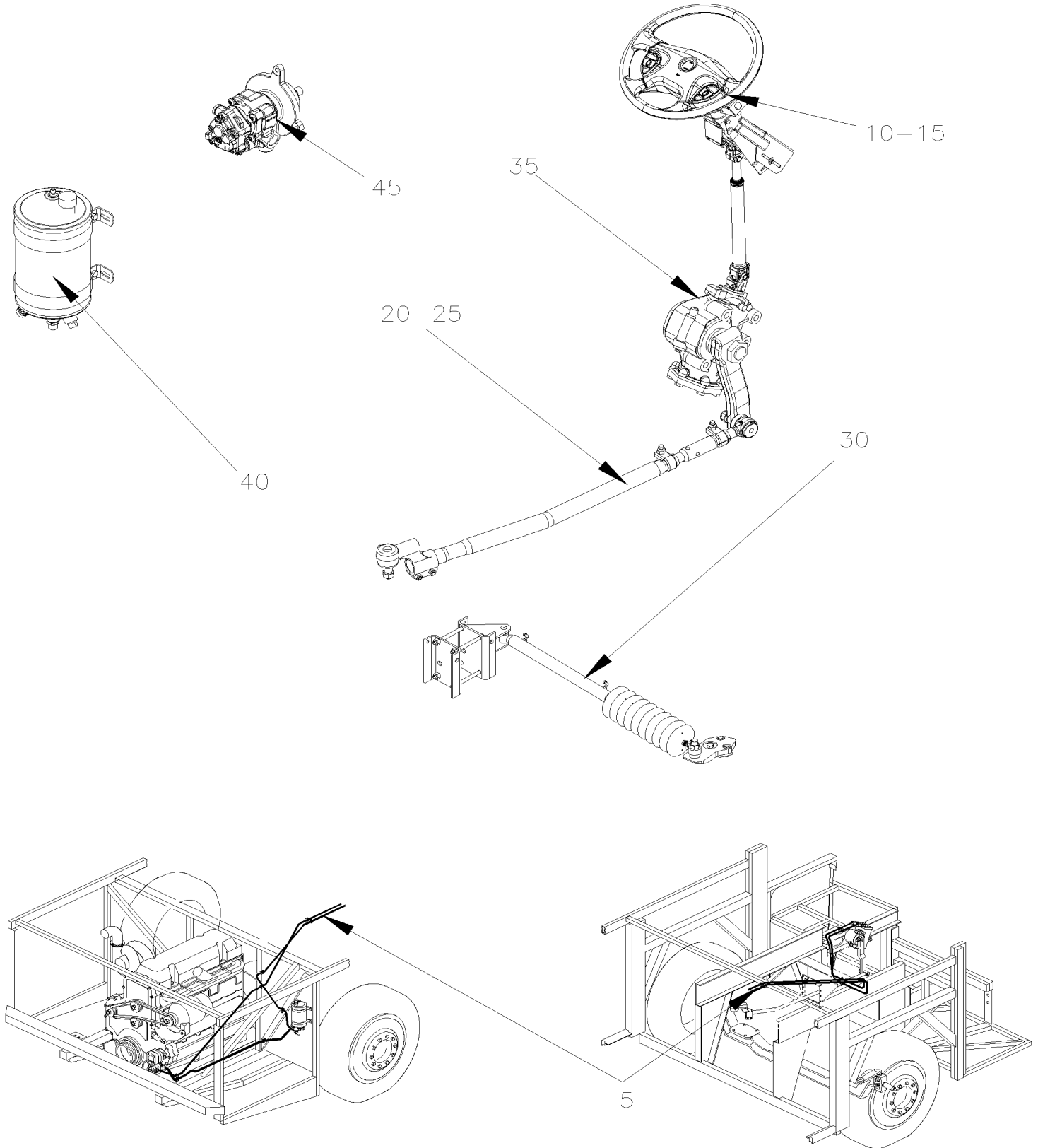
Item#	Part	Description	QTY	Notes
1	411302	STOPPER ASSY	1	
2	5001701	BUTTON SS M10-1.5 SS	1	
3	5001702	NUT SW M10-1.5 SS	1	
4	5001233	WASHER FL .500x1.250x.062 NYL	1	
5	5001703	PIN, CLEVIS 1/2 x 2 1/2 SS	1	
6	150318	TUBE	2	
7	150314	AXLE SHAFT	4	
8	150797	ANGLE SUPPORT	4	
9	504339	RIVET POP DOME OE 1/8x3/8 SS	16	
NS	680343	GREASE CLEAR SPRAY BOTTLE 283GR	1	
NS	150128	COVER SPARE WHEEL	1	
21	150798	SLIDE TRACK	1	
22	504339	RIVET POP DOME OE 1/8x3/8 SS	9	
23	5001137	WASHER FL .203x.438x.050 SS	9	
25	157734	STRAP	1	
26	504793	RIVET MNB OE LARGE HEAD 3/16x7/16 SS	2	
27	500411	WASHER FL .260x.697x.050 SS	2	
NS	682175	UNDERCOATING BLACK PROTECTOR (GRAVELGUARD) 567gr To N-7995	AR	
NS	685413	RUBBERIZED UNDERCOAT (GRAVELGUARD) 560gr From N-7996	AR	
31	173958	SUPPORT, STOPPER (WELDED)	1	

From G-7275 To M-7767

Date:07/2024

X3PLB-14

STEERING



From G-7275 To M-7767	Date:07/2024	X3PLB-14
-----------------------	--------------	----------

STEERING

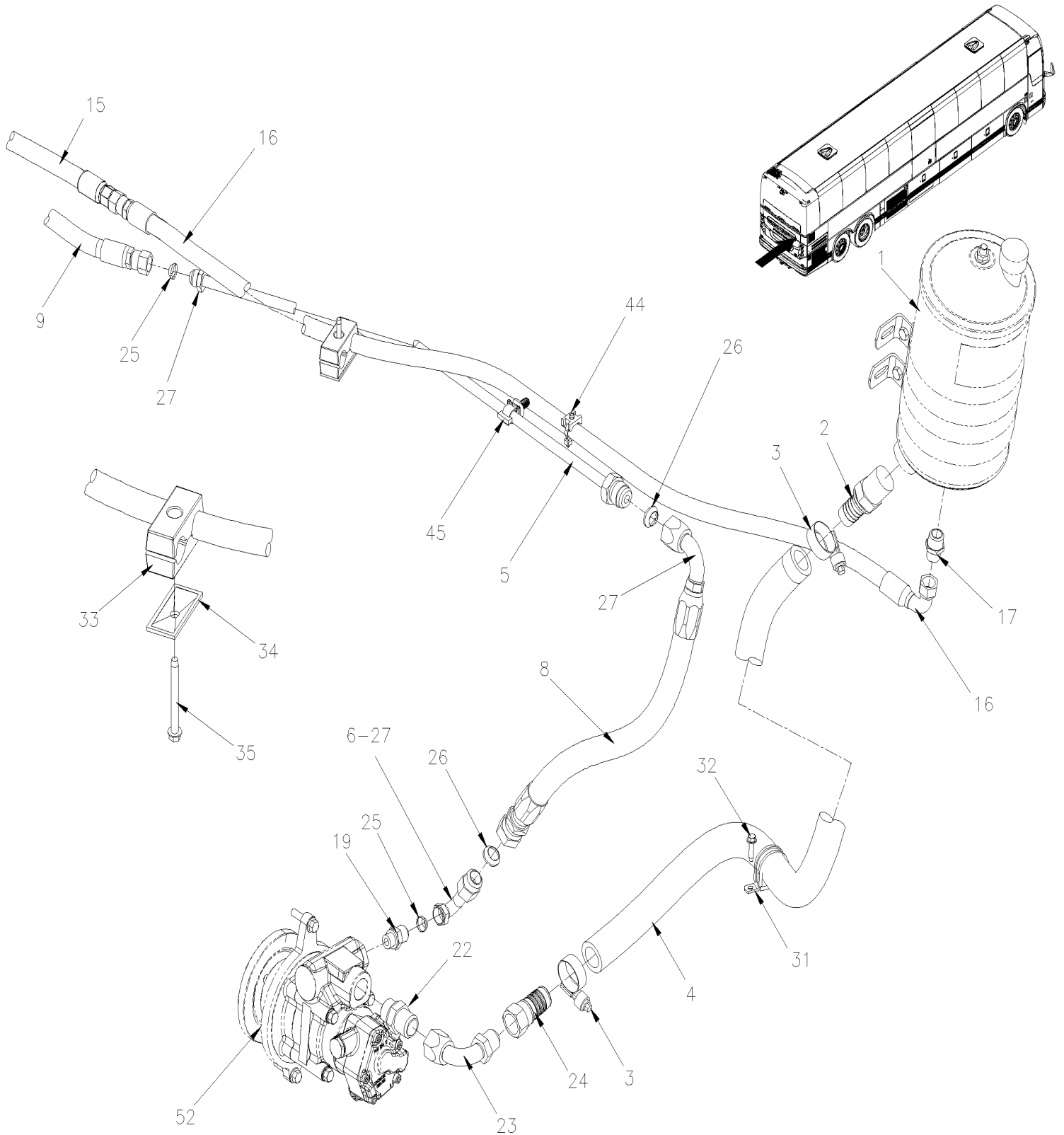
Item#	Part	Description	QTY	Notes
5	X3PLB-1400-00	POWER STEERING HOSE - INSTALLATION From G-7275 To H-7416		
5	X3PLB-1400-01	POWER STEERING HOSE - INSTALLATION VOLVO D13 - GHG17 From H-7417 To M-7767		
10	X3PLB-1405-00	STEERING WHEEL & COLUMN ASSY WITH CONTROL SWITCHES From G-7275 To M-7767		
15	X3PLB-1407-00	STEERING COLUMN & COVER - INSTALLATION From G-7275 To M-7767		
20	X3PLB-1410-00	STEERING GEAR BOX & DRAG LINK - INSTALLATION From G-7275 To M-7767		
25	X3PLB-1410-50	STEERING RODS - INSTALLATION W/INDEPENDENT "NDIFS80P" / 19000LBS From G-7275 To M-7767		
30	X3PLB-1412-00	STEERING DAMPER - INSTALL W/ I BEAM RIGID From G-7275 To M-7767		
35	X3PLB-1415-00	STEERING GEARBOX - "ZF" W/ I BEAM RIGID From G-7275 To M-7767		
35	X3PLB-1415-50	STEERING GEARBOX - "ZF" - W/INDEPENDENT From G-7275 To M-7767		
40	X3PLB-1420-00	POWER STEERING TANK - 4 QT U.S. From G-7275 To K-7632		
40	X3PLB-1420-10	POWER STEERING TANK - ZF From K-7633 To M-7767		
45	X3PLB-1427-00	POWER STEERING PUMP - "VOLVO" D13 From G-7275 To M-7767		

From G-7275 To H-7416

Date:07/2024

PAGE:X3PLB-1400-00

POWER STEERING HOSE - INSTALLATION

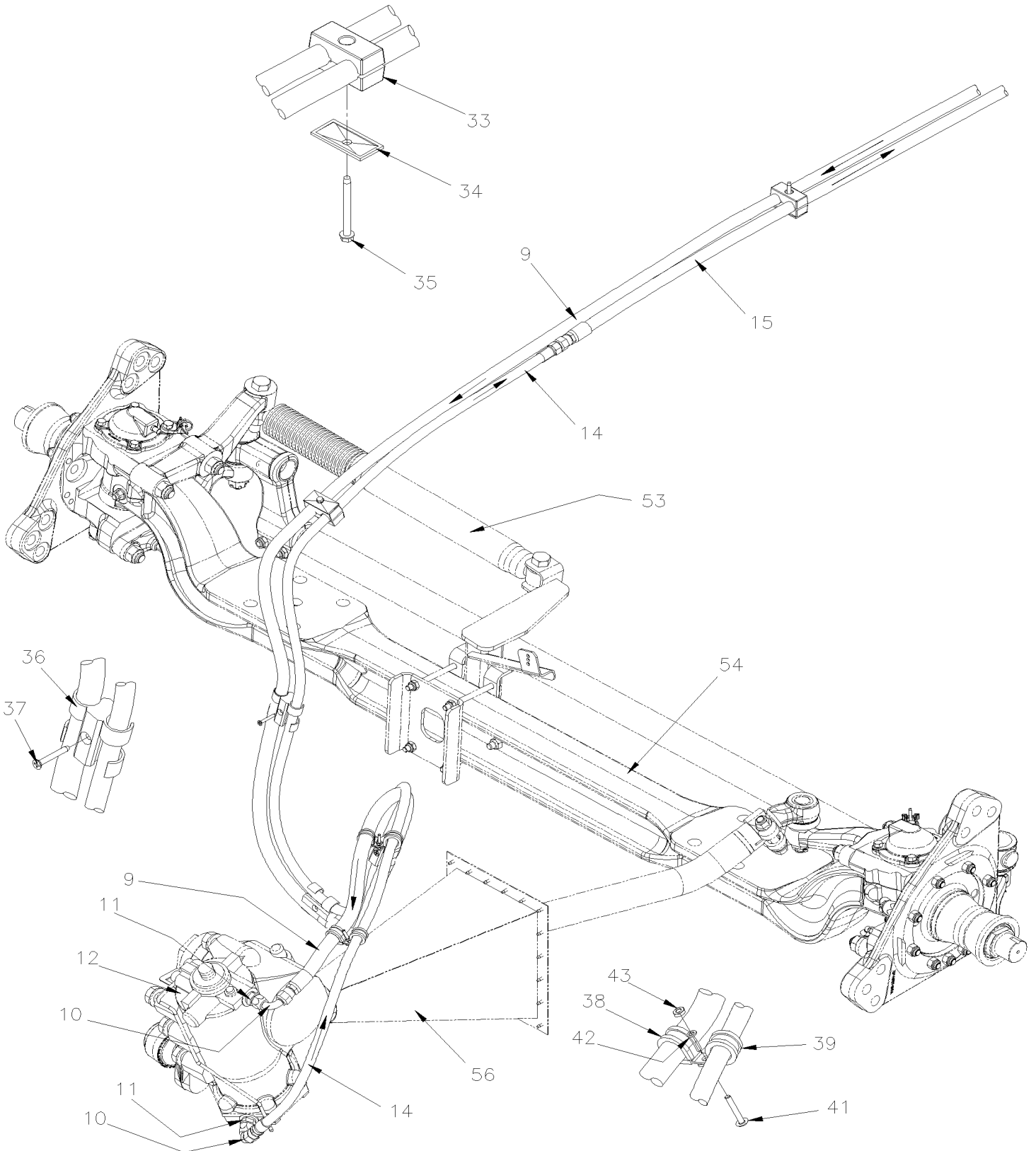


From G-7275 To H-7416

Date:07/2024

PAGE:X3PLB-1400-00

POWER STEERING HOSE - INSTALLATION

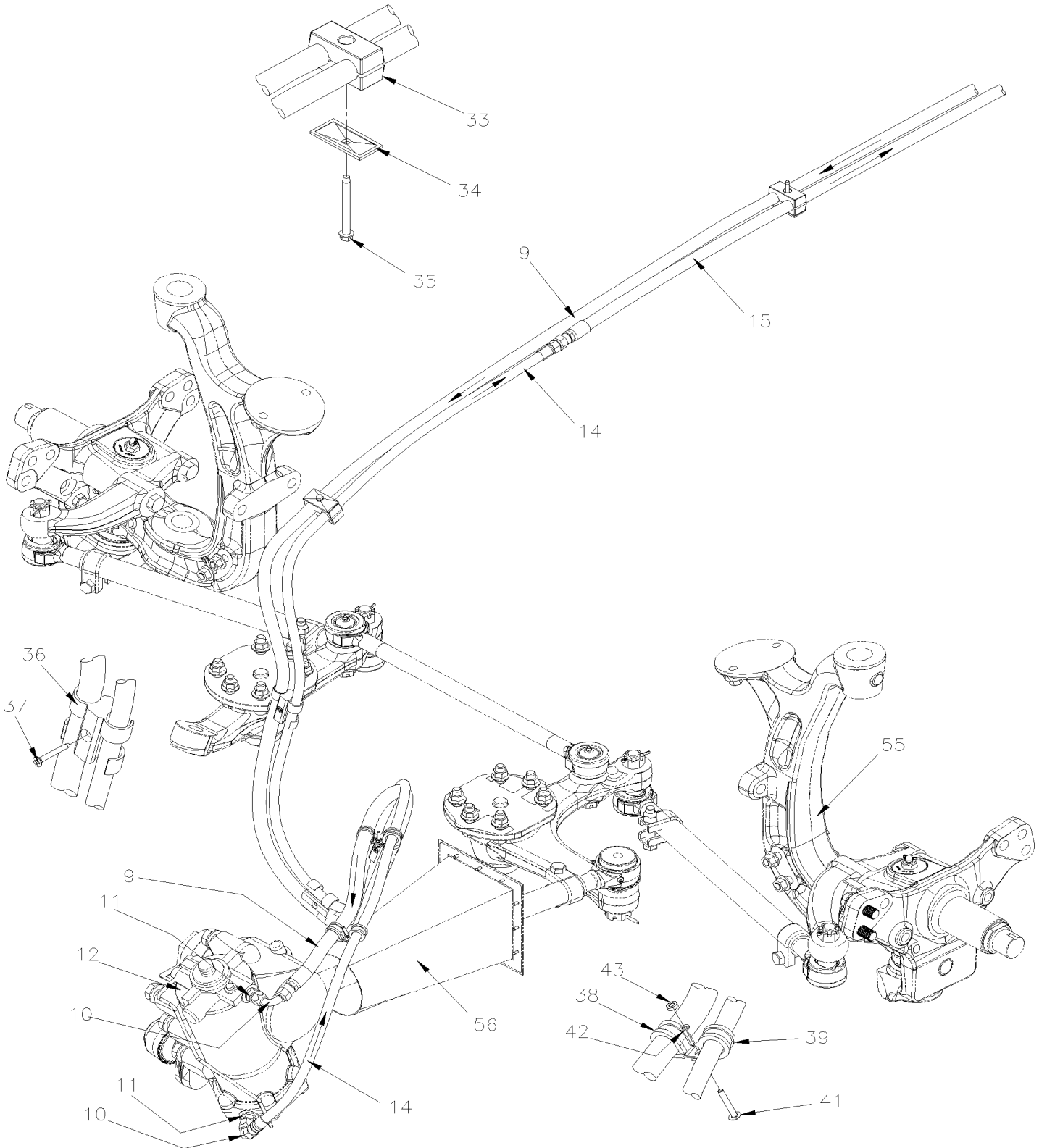


From G-7275 To H-7416

Date:07/2024

PAGE:X3PLB-1400-00

POWER STEERING HOSE - INSTALLATION



From G-7275 To H-7416	Date:07/2024	PAGE:X3PLB-1400-00
POWER STEERING HOSE - INSTALLATION		

Item#	Part	Description	QTY	Notes
1	X3PLB-1420-00	POWER STEERING TANK - 4 QT U.S.		
2	5011086	MALE CONNECTOR / PUSH-LOK FITTING / 1NPT-Mx#16 STL	1	
3	992086	HOSE CLAMP / 32MM/52MM	AR	
4	161334P	HOSE #16 1040MM	1	D13
5	169070	HOSE ASSY WITH NOISE ATENUATOR TUBE		D13
6	5011342	. SWIVEL NUT ELBOW 90° LONG / JIC 37° FITTING / #12JIC-Mx#8JIC-F STL	1	D13
8	169072	. HOSE ASSY / #12 570MM	1	D13
9	160039	HOSE ASSY / #8 11620MM	1	D13
9	503748	. HOSE PROTECTOR / YELLOW / .838 I.D.	AR	
9	160127	KIT, POWER STEERING PUMP DISCHARGE HOSE (PRESSURE) X	1	
. NS	160006	. HOSE PRESSURE, POWER STEERING #8 11690MM	1	
. NS	500107	. SCREW TC CAP HEXW 1/4-20x2 1/2 Z050	3	
. NS		. FLARETITE SEAL ARE NO LONGER USED IN PRODUCTION AND SERVICE	1	
. NS	504189	. CLAMP DOUBLE ASS / SPLIT BLOC / 22MM/19MM x 67MM POLYA	13	
. NS	504728	. PLATE RETAINER	3	
. NS	IS-19040	. INSTRUCTION SHEET	1	
. NS	FI-19040	. VOIR FEUILLE D'INSTRUCTION	1	
10	501845	SWIVEL NUT ELBOW 90° LONG / JIC 37° FITTING / #8JIC-Fx#8JIC-Mx1.86 STL	2	
11	5011192	MALE CONNECTOR / JIC 37° FITTING / #8JIC-MxM18-1.5-M STL	2	
. NS	N.P.N.	. O-RING	1	4
. NS	N.P.N.	. WASHER RET	1	4
NS	688910	THREAD LOCKER LOCTITE #262 / RED / 250ml	AR	
12	X3PLB-1415-00	STEERING GEARBOX - "ZF" W/ I BEAM RIGID	1	
12	X3PLB-1415-50	STEERING GEARBOX - "ZF" - W/INDEPENDENT	1	
13	160040	HOSE ASSY /	1	
14	163249	. HOSE ASSY / #6 3000MM	1	
15	163248	. HOSE ASSY / #8 8850MM	1	
15	503748	HOSE PROTECTOR / YELLOW / .838 I.D.	AR	
16	163250	. HOSE ASSY / #8 1860MM	1	
17	501739	MALE CONNECTOR / JIC 37° FITTING / #8JIC-Mx1/2NPT-M STL	1	
19	641294	MALE CONNECTOR / JIC 37° FITTING / #8JIC-MxM16-1.5-M STL	1	D13
. NS	641297	. O-RING 13.1MM I.D. X 2.6 TH	1	D13
. NS	641298	. WASHER FL 17MM I.D x 22MM O.D. x 1.5MM	1	D13
22	507647	MALE CONNECTOR W/ED SEAL / JIC 37° FITTING / #12JIC-MxM26-1.5-M STL	1	D13
23	507544	SWIVEL NUT ELBOW 90° SHORT / JIC 37° FITTING/ #12JIC-Fx#12JIC-Mx1.82 STL	1	D13
24	507646	FEMALE CONNECTOR SWIVEL / COLLAR FITTING / #12JIC-Fx#16 STL	1	D13
25	501031	SEAL / JIC 37° FITTING / #8 From H-7316	2	
26	501059	SEAL / JIC 37° FITTING / #12 From H-7316	2	
27	688910	THREAD LOCKER LOCTITE #262 / RED / 250ml From H-7316	AR	
31	952641	CLAMP P STL ZP RUB 34.9 ID	1	
32	500266	SCREW TC CAP HEX 1/4-20x1 N500	1	
33	504727	CLAMP DOUBLE ASS / 2 HOSE SIZE 3/8"	AR	

From G-7275 To H-7416	Date:07/2024	PAGE:X3PLB-1400-00
POWER STEERING HOSE - INSTALLATION		

Item#	Part	Description	QTY	Notes
34	504728	PLATE RETAINER	AR	
35	500107	SCREW TC CAP HEXW 1/4-20x2 1/2 Z050	AR	
36	504634	T-CLIP / 7/8" - 1"	3	
37	500267	SCREW TC FL PH #10-32x1 1/2 Z050	2	
38	952633	CLAMP / 7/8" I.D.	2	
39	952631	CLAMP / 3/4" I.D.	2	
41	500574	SCREW MA TR PH #10-24x1 1/4 SS	2	
42	500470	WASHER LO SPT .193x.334x.047 Z050	2	
43	502882	NUT HEX #10-24 N500	2	
44	504013	TIE MOUNT / 1/4" X 1/4" I.D.	AR	
44	504379	RIVET POP DOME OE 3/16x1/4 SS	AR	
44	504637	CABLE TIE / 3/16" x 13"	AR	
44	504016	CABLE TIE / 5/16" X 14"1/2	AR	
52	X3PLB-1427-00	POWER STEERING PUMP - "VOLVO" D13		
53	X3PLB-1412-00	STEERING DAMPER - INSTALL W/ I BEAM RIGID		
54	X3PLB-1005-00	FRONT AXLE - I BEAM RIGID MODEL "S84U"		
55	X3PLB-1005-50	FRONT AXLE - INDEPENDENT MODEL "NDIFS80P" / 19000LBS		
56	X3PLB-1410-00	STEERING GEAR BOX & DRAG LINK - INSTALLATION		
		D13) WITH "VOLVO" ENGINE D13		
		4) NO PARTS NUMBER		

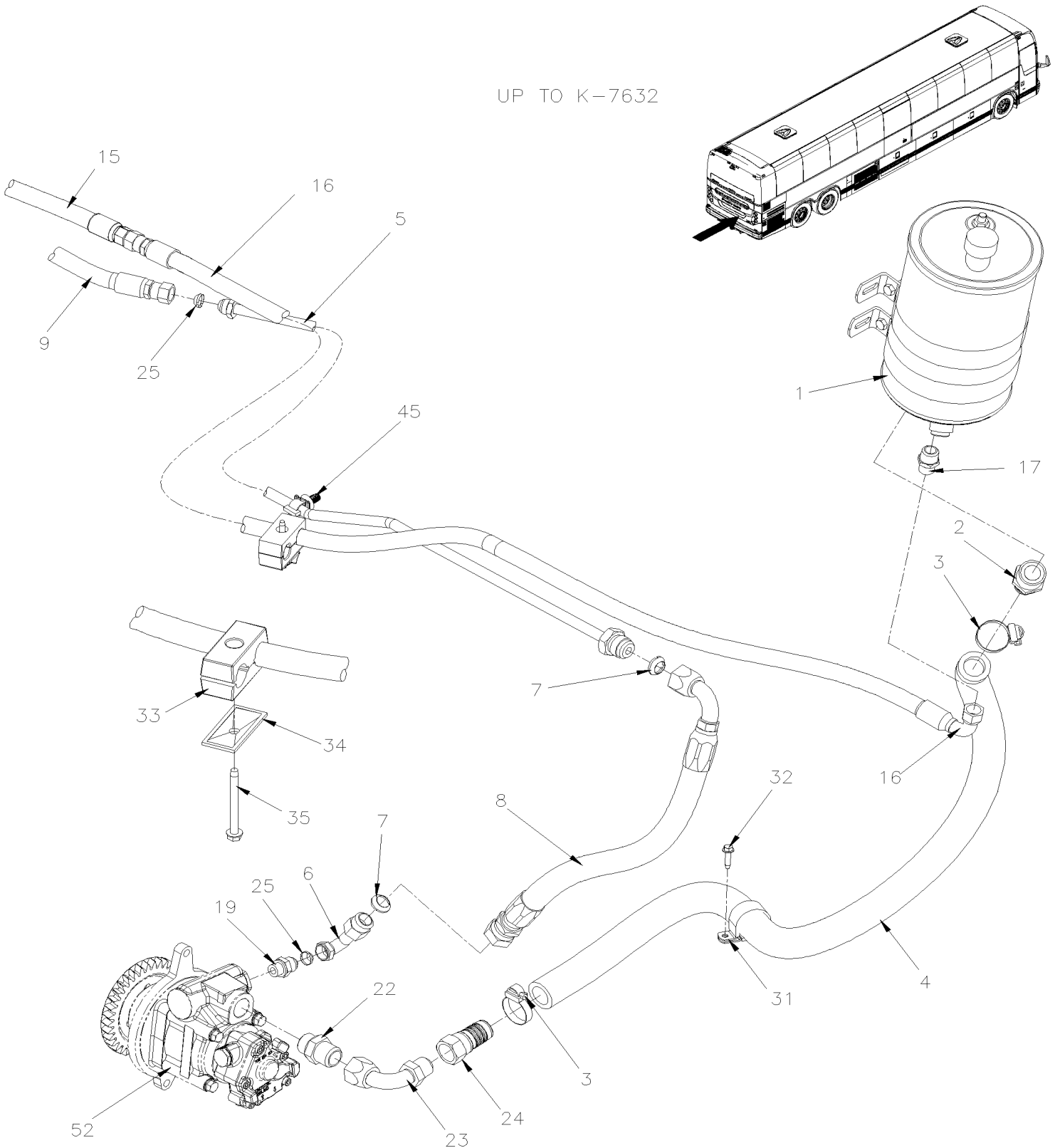
From H-7417 To M-7767

Date:07/2024

PAGE:X3PLB-1400-01

POWER STEERING HOSE - INSTALLATION VOLVO D13 - GHG17

UP TO K-7632



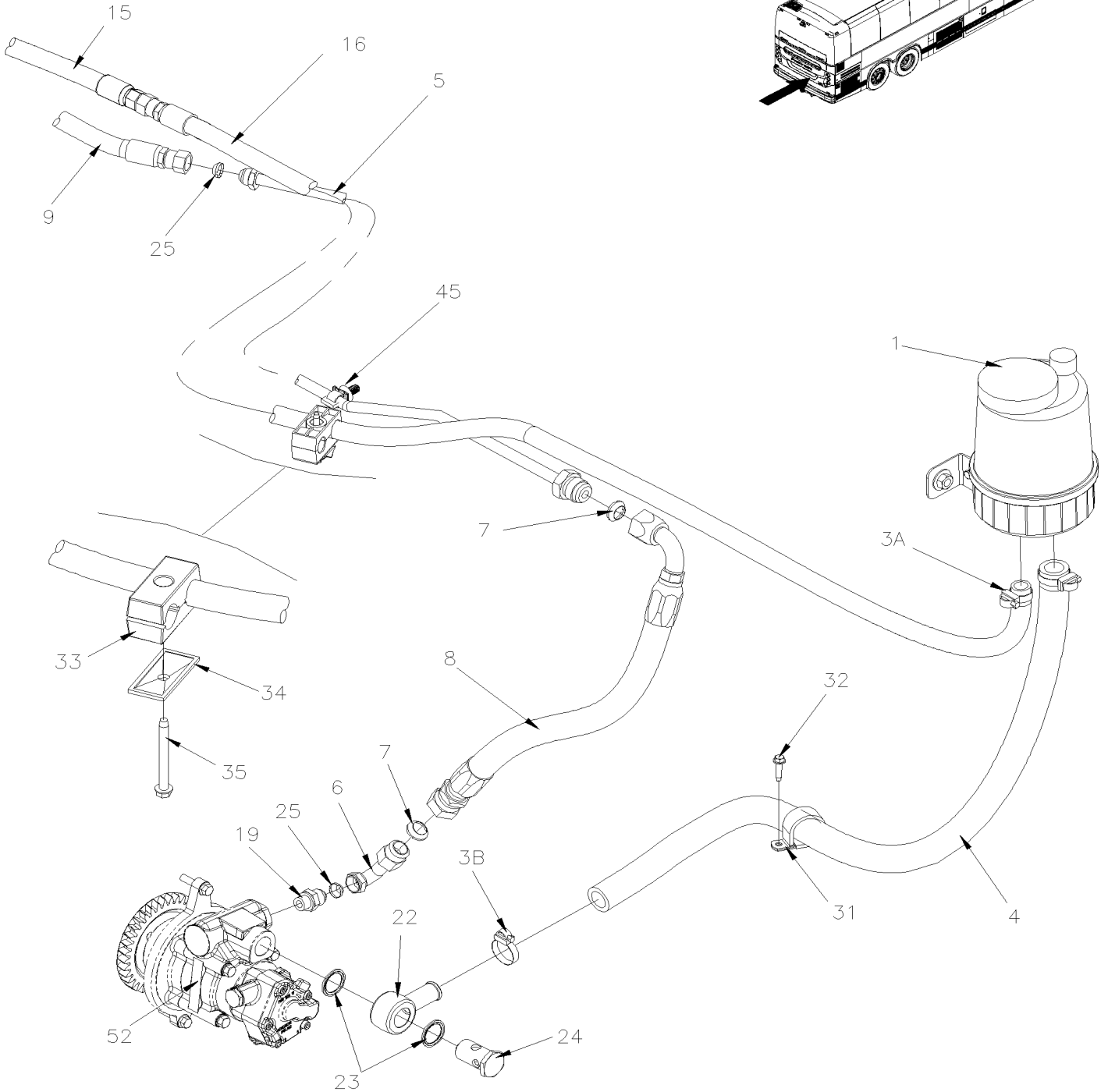
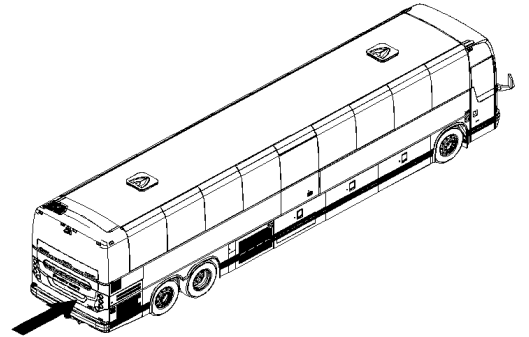
From H-7417 To M-7767

Date:07/2024

PAGE:X3PLB-1400-01

POWER STEERING HOSE - INSTALLATION VOLVO D13 - GHG17

FROM K-7633

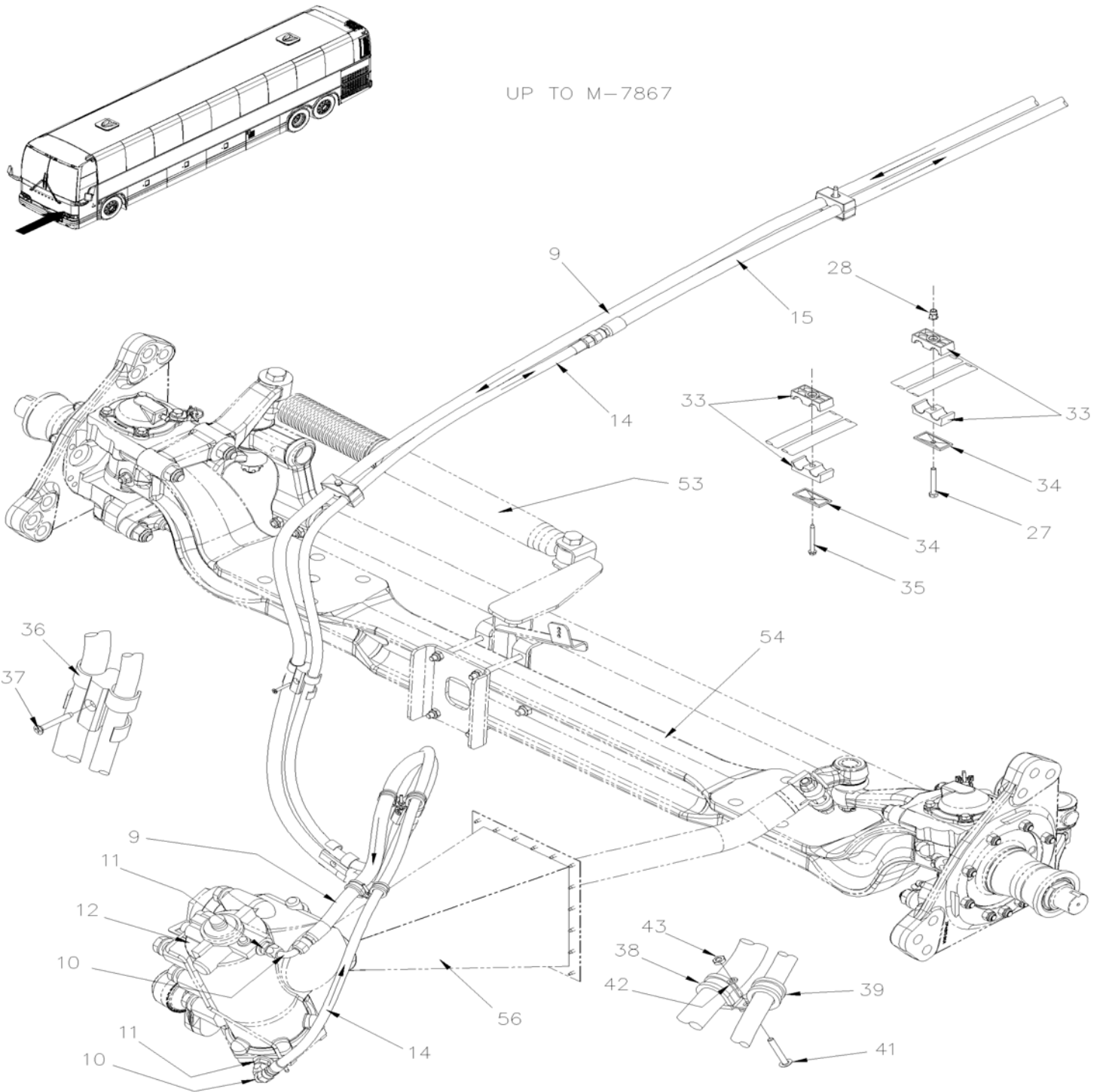


From H-7417 To M-7767

Date:07/2024

PAGE:X3PLB-1400-01

POWER STEERING HOSE - INSTALLATION VOLVO D13 - GHG17

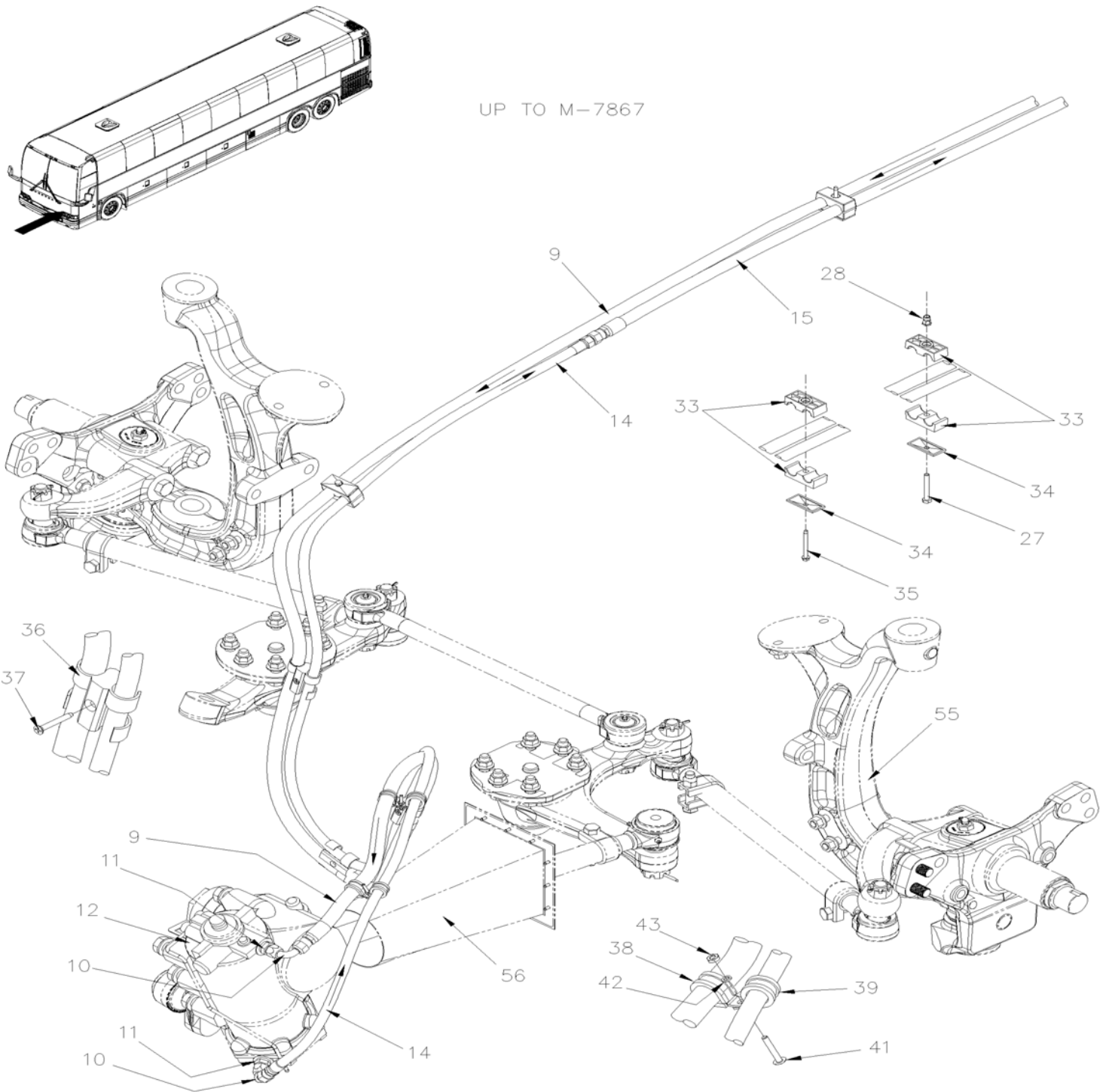


From H-7417 To M-7767

Date:07/2024

PAGE:X3PLB-1400-01

POWER STEERING HOSE - INSTALLATION VOLVO D13 - GHG17



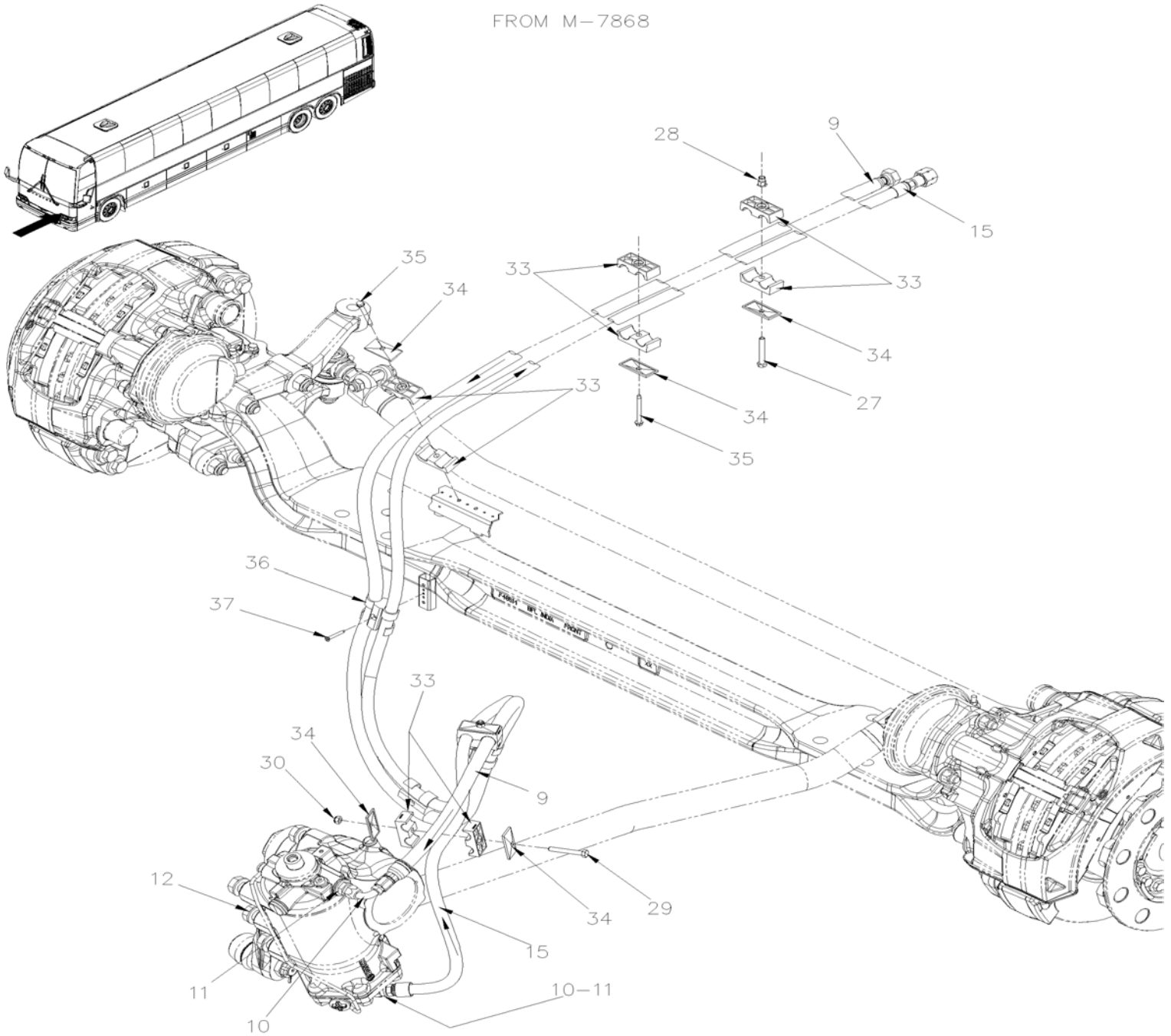
From H-7417 To M-7767

Date:07/2024

PAGE:X3PLB-1400-01

POWER STEERING HOSE - INSTALLATION VOLVO D13 - GHG17

FROM M-7868

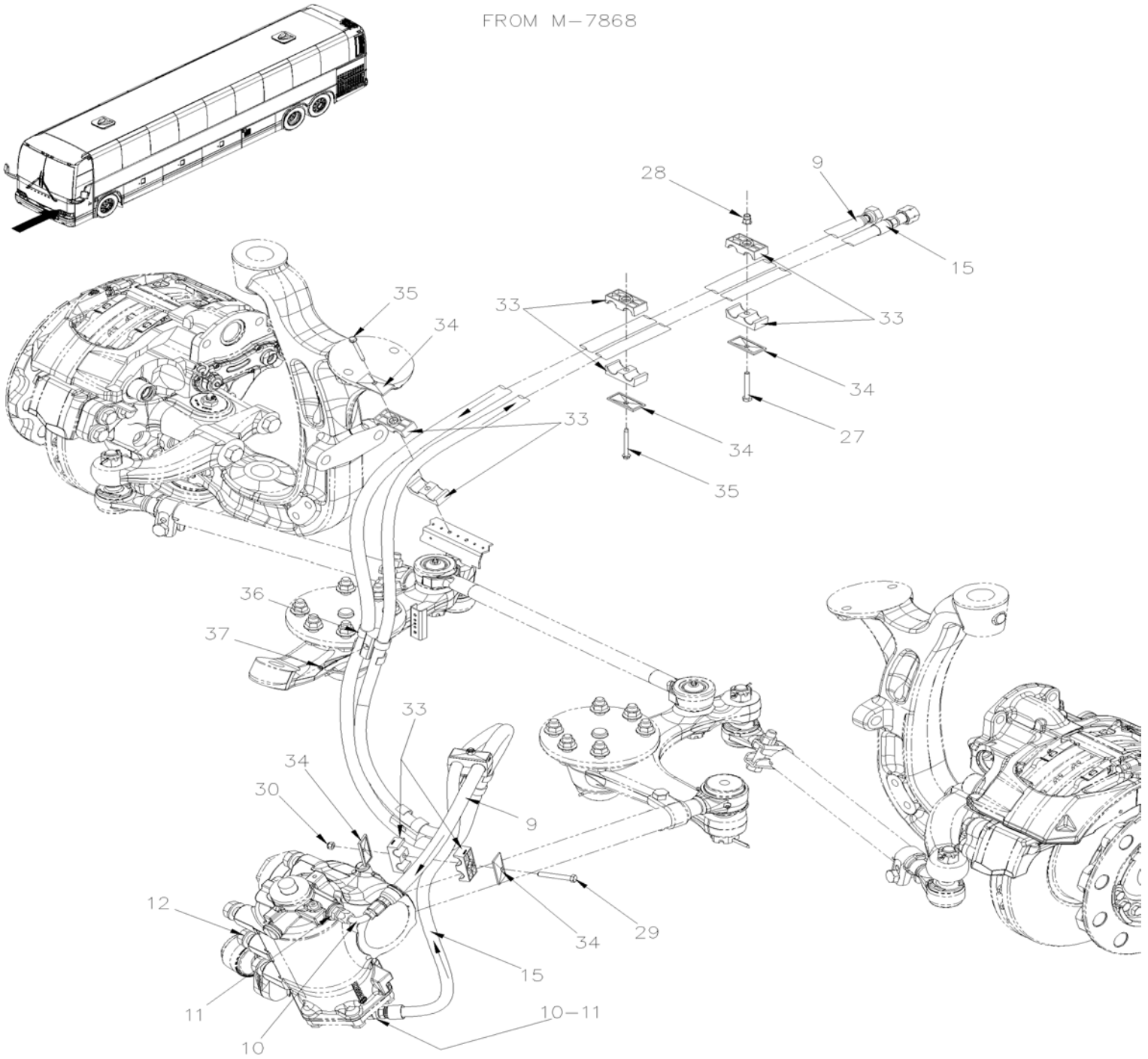


From H-7417 To M-7767

Date:07/2024

PAGE:X3PLB-1400-01

POWER STEERING HOSE - INSTALLATION VOLVO D13 - GHG17



From H-7417 To M-7767	Date:07/2024	PAGE:X3PLB-1400-01
POWER STEERING HOSE - INSTALLATION VOLVO D13 - GHG17		

Item#	Part	Description	QTY	Notes
1	X3PLB-1420-00	POWER STEERING TANK - 4 QT U.S. To K-7632	1	
1	5011086	. MALE CONNECTOR / PUSH-LOK FITTING / 1NPT-Mx#16 STL To K-7632	1	
1	X3PLB-1420-10	POWER STEERING TANK - ZF From K-7633	1	
2	5011086	MALE CONNECTOR / PUSH-LOK FITTING / 1NPT-Mx#16 STL To K-7632	1	
3	992086	HOSE CLAMP / 32MM/52MM To K-7632	AR	
3A	992082	HOSE CLAMP / 16MM/27MM From K-7633	1	
3B	992084	HOSE CLAMP / 23MM/35MM From K-7633	2	
4	161334P	HOSE #16 1040MM To K-7632	1	
4	160074	HOSE / ID 22MM, 1210MM From K-7633	1	
5	169074	HOSE ASSY WITH NOISE ATENUATOR TUBE To M-7864	1	
5	163605	HOSE ASSY WITH NOISE ATENUATOR TUBE From M-7865 To N-8007	1	
5	160195	HOSE ASSY WITH NOISE ATENUATOR TUBE From P-8008	1	
5	169073	. NOISE ATENUATOR TUBE To M-7864	1	
5	163604	. NOISE ATENUATOR TUBE From M-7865	1	
6	5011342	. SWIVEL NUT ELBOW 90° LONG / JIC 37° FITTING / #12JIC-Mx#8JIC-F STL	1	
7	501059	. SEAL / JIC 37° FITTING / #12	2	
8	169072	. HOSE ASSY / #12 570MM To N-8007	1	
8	160194	HOSE ASSY / #12 706MM From P-8008	1	
NS	688910	THREAD LOCKER LOCTITE #262 / RED / 250ml	AR	
9	160039	HOSE ASSY / #8 11620MM To L-7706	1	
9	503748	HOSE PROTECTOR / YELLOW / .838 I.D.	AR	
9	160006	HOSE PRESSURE, POWER STEERING #8 11690MM From L-7707	1	
9	160006	HOSE PRESSURE, POWER STEERING #8 11690MM From L-7707	1	
9	160127	KIT, POWER STEERING PUMP DISCHARGE HOSE (PRESSURE) X	1	
. NS	160006	. HOSE PRESSURE, POWER STEERING #8 11690MM	1	
. NS	160006	. HOSE PRESSURE, POWER STEERING #8 11690MM	1	
. NS	500107	. SCREW TC CAP HEXW 1/4-20x2 1/2 Z050	3	
. NS		. FLARETITE SEAL ARE NO LONGER USED IN PRODUCTION AND SERVICE	1	
. NS	504189	. CLAMP DOUBLE ASS / SPLIT BLOC / 22MM/19MM x 67MM POLYA	13	
. NS	504728	. PLATE RETAINER	3	
. NS	IS-19040	. INSTRUCTION SHEET	1	
. NS	FI-19040	. VOIR FEUILLE D'INSTRUCTION	1	
10	501845	SWIVEL NUT ELBOW 90° LONG / JIC 37° FITTING / #8JIC-Fx#8JIC-Mx1.86 STL	2	
11	5011192	MALE CONNECTOR / JIC 37° FITTING / #8JIC-MxM18-1.5-M STL	2	
. NS	N.P.N.	. O-RING	1	4
. NS	N.P.N.	. WASHER RET	1	4
11	688910	THREAD LOCKER LOCTITE #262 / RED / 250ml	AR	
12	X3PLB-1415-00	STEERING GEARBOX - "ZF" W/ I BEAM RIGID		
12	X3PLB-1415-50	STEERING GEARBOX - "ZF" - W/INDEPENDENT		
13	160040	HOSE ASSY / To L-7706	1	
14	163249	. HOSE ASSY / #6 3000MM To L-7706	1	
15	163248	. HOSE ASSY / #8 8850MM To L-7706	1	

From H-7417 To M-7767	Date:07/2024	PAGE:X3PLB-1400-01
POWER STEERING HOSE - INSTALLATION VOLVO D13 - GHG17		

Item#	Part	Description	QTY	Notes
15	160128	HOSE RETURN, POWER STEERING From L-7707	1	
16	163250	HOSE ASSY / #8 1860MM To L-7706	1	
16	160009	HOSE RETURN, POWER STEERING #10 2059MM From L-7707	1	
17	501739	MALE CONNECTOR / JIC 37° FITTING / #8JIC-Mx1/2NPT-M STL	1	
19	641294	MALE CONNECTOR / JIC 37° FITTING / #8JIC-MxM16-1.5-M STL To N-8007	1	
NS	641297	O-RING 13.1MM I.D. X 2.6 TH To N-8007	1	
NS	641298	WASHER FL 17MM I.D x 22MM O.D. x 1.5MM To N-8007	1	
19	660914	MALE ELBOW 90° / JIC 37° FITTING / #8JIC-MxM16-1.5-M STL From P-8008	1	
NS	641297	O-RING 13.1MM I.D. X 2.6 TH From P-8008	1	
NS	641298	WASHER FL 17MM I.D x 22MM O.D. x 1.5MM From P-8008	1	
22	507647	MALE CONNECTOR W/ED SEAL / JIC 37° FITTING / #12JIC-MxM26-1.5-M STL To K-7632	1	
22	507680	BANJO UNION / 26MMx22MMHOSE From K-7633 To N-8007	1	
22	1598055	BANJO UNION ELBOW / 26MMx22MMHOSE 44DEG From P-8008	1	
23	507544	SWIVEL NUT ELBOW 90° SHORT / JIC 37° FITTING/ #12JIC-Fx#12JIC-Mx1.82 STL To K-7632	1	
23	507682	BANJO WASHER / M26 From K-7633 To M-7904	2	
23	507037	BANJO WASHER / M26 From M-7905	2	
24	507646	FEMALE CONNECTOR SWIVEL / COLLAR FITTING / #12JIC-Fx#16 STL To K-7632	1	
24	507646	FEMALE CONNECTOR SWIVEL / COLLAR FITTING / #12JIC-Fx#16 STL From K-7633	1	
25	501031	SEAL / JIC 37° FITTING / #8	2	
27	5001178	SCREW CAP HEX M8-1.25x60 SS BK	AR	
28	5001178	SCREW CAP HEX M8-1.25x60 SS BK	1	
29	5001178	SCREW CAP HEX M8-1.25x60 SS BK From M-7868	2	
30	502847	NUT HEX NYRT M8-1.25 N500 From M-7868	2	
31	504779	CLAMP / SS / SILICONE RUBBER / 1 3/8" I.D. x .281 HOLE To K-7632	1	
31	504004	CLAMP / SS / SILICONE RUBBER / 1 1/4" I.D. x .281 HOLE From K-7633	1	
32	500107	SCREW TC CAP HEXW 1/4-20x2 1/2 Z050	AR	
32	5001178	SCREW CAP HEX M8-1.25x60 SS BK	AR	
33	504727	CLAMP DOUBLE ASS / 2 HOSE SIZE 3/8" To L-7706	AR	
33	504189	CLAMP DOUBLE ASS / SPLIT BLOC / 22MM/19MM x 67MM POLYA From L-7707	AR	
34	504728	PLATE RETAINER	AR	
35	500107	SCREW TC CAP HEXW 1/4-20x2 1/2 Z050	AR	
36	504634	T-CLIP / 7/8" - 1"	AR	
37	500267	SCREW TC FL PH #10-32x1 1/2 Z050	2	
38	952633	CLAMP / 7/8" I.D. To M-7867	2	
39	952631	CLAMP / 3/4" I.D. To M-7867	2	
40	504016	CABLE TIE / 5/16" X 14"1/2	AR	
41	500574	SCREW MA TR PH #10-24x1 1/4 SS To M-7867	2	
42	500470	WASHER LO SPT .193x.334x.047 Z050 To M-7867	2	
43	502882	NUT HEX #10-24 N500 To M-7867	AR	
44	504013	TIE MOUNT / 1/4" X 1/4" I.D.	AR	
NS	504379	RIVET POP DOME OE 3/16x1/4 SS	AR	
NS	504637	CABLE TIE / 3/16" x 13"	AR	

From H-7417 To M-7767	Date:07/2024	PAGE:X3PLB-1400-01
POWER STEERING HOSE - INSTALLATION VOLVO D13 - GHG17		

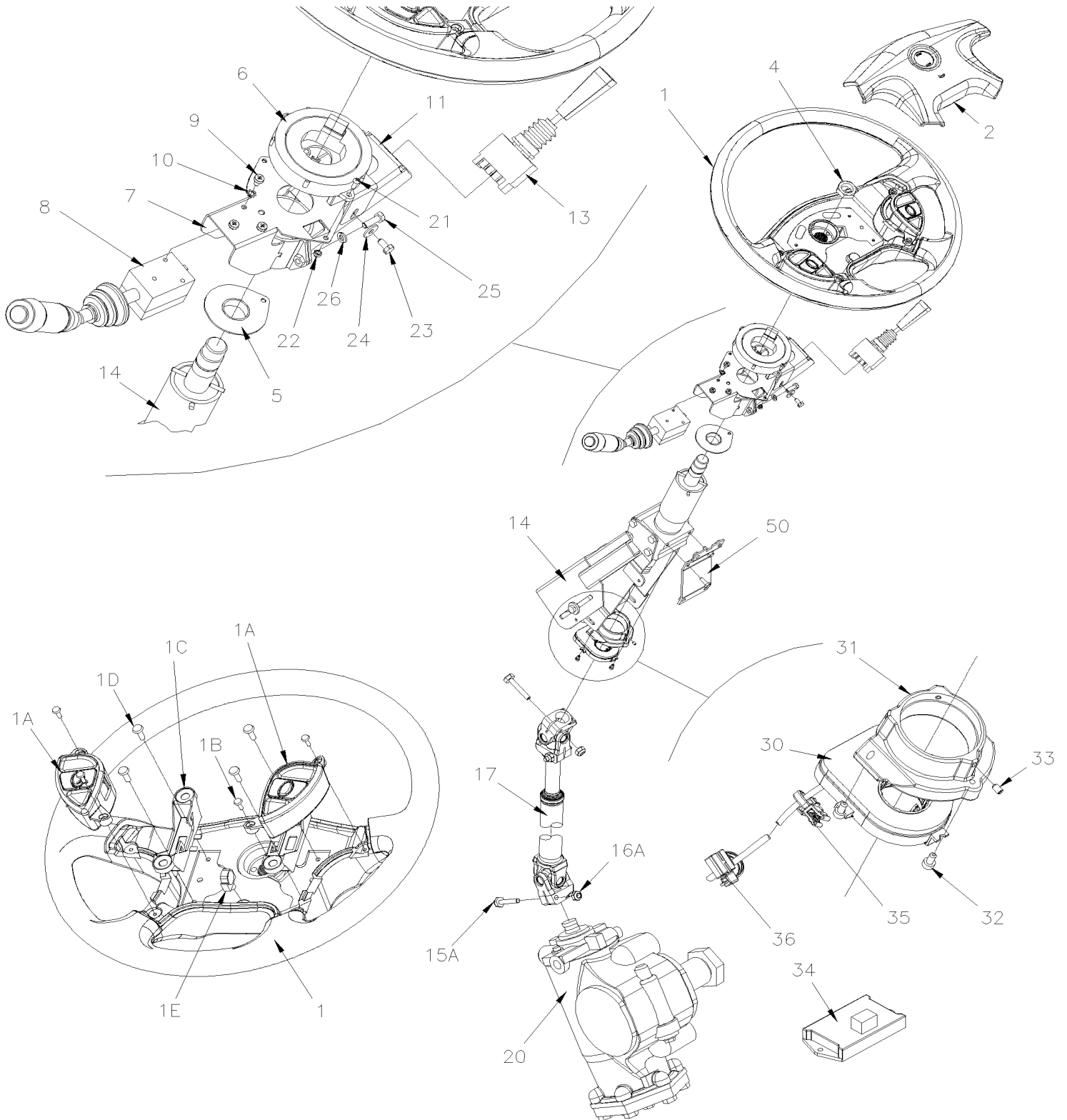
Item#	Part	Description	QTY	Notes
45	504750	CABLE TIE / 1/2" x 15" / CHRISTMAS TREE	AR	
52	X3PLB-1427-00	POWER STEERING PUMP - "VOLVO" D13		
53	X3PLB-1412-00	STEERING DAMPER - INSTALL W/ I BEAM RIGID		
54	X3PLB-1005-00	FRONT AXLE - I BEAM RIGID MODEL "S84U" To K-7582		
54	X3PLB-1005-01	FRONT AXLE - I BEAM RIGID MODEL "S84U" From K-7583		
55	X3PLB-1005-50	FRONT AXLE - INDEPENDENT MODEL "NDIFS80P" / 19000LBS		
56	X3PLB-1410-00	STEERING GEAR BOX & DRAG LINK - INSTALLATION		
		4) NO PARTS NUMBER		

From G-7275 To M-7767

Date:07/2024

PAGE:X3PLB-1405-00

STEERING WHEEL & COLUMN ASSY WITH CONTROL SWITCHES



From G-7275 To M-7767	Date:07/2024	PAGE:X3PLB-1405-00
STEERING WHEEL & COLUMN ASSY WITH CONTROL SWITCHES		

Item#	Part	Description	QTY	Notes
1	661172	STEERING WHEEL URHETHANE	1	
A	661204	SWITCH ASSY / W/OUT TRANS SHIFTER	1	
B	661159	SCREW MA BUT M4-0.7x8	4	
C	661157	HORN PAD BASE	2	
D	661160	SCREW MA M5-0.8x8	4	
E	661158	CLIP WIRE RETAINER	1	
1	661173	STEERING WHEEL URHETHANE W/ "I-Shift" "VOLVO"	1	
A	661205	SWITCH ASSY / W/TRANS SHIFTER	1	
B	661159	SCREW MA BUT M4-0.7x8	4	
C	661157	HORN PAD BASE	2	
D	661160	SCREW MA M5-0.8x8	4	
E	661158	CLIP WIRE RETAINER	1	
1	661174	STEERING WHEEL LEATHER	1	
A	661204	SWITCH ASSY / W/OUT TRANS SHIFTER	1	
B	661159	SCREW MA BUT M4-0.7x8	4	
C	661157	HORN PAD BASE	2	
D	661160	SCREW MA M5-0.8x8	4	
E	661158	CLIP WIRE RETAINER	1	
1	661175	STEERING WHEEL LEATHER W/ "I-Shift" "VOLVO"	1	
A	661205	SWITCH ASSY / W/TRANS SHIFTER	1	
B	661159	SCREW MA BUT M4-0.7x8	4	
C	661157	HORN PAD BASE	2	
D	661160	SCREW MA M5-0.8x8	4	
E	661158	CLIP WIRE RETAINER	1	
1	661176	STEERING WHEEL LEATHER & WOOD	1	
A	661204	SWITCH ASSY / W/OUT TRANS SHIFTER	1	
B	661159	SCREW MA BUT M4-0.7x8	4	
C	661157	HORN PAD BASE	2	
D	661160	SCREW MA M5-0.8x8	4	
E	661158	CLIP WIRE RETAINER	1	
1	661180	STEERING WHEEL LEATHER & WOOD W/ "I-Shift" "VOLVO"	1	
A	661205	SWITCH ASSY / W/TRANS SHIFTER	1	
B	661159	SCREW MA BUT M4-0.7x8	4	
C	661157	HORN PAD BASE	2	
D	661160	SCREW MA M5-0.8x8	4	
E	661158	CLIP WIRE RETAINER	1	
1	661177	STEERING WHEEL LEATHER & WOOD BLACK	1	
A	661204	SWITCH ASSY / W/OUT TRANS SHIFTER	1	
B	661159	SCREW MA BUT M4-0.7x8	4	
C	661157	HORN PAD BASE	2	
D	661160	SCREW MA M5-0.8x8	4	
E	661158	CLIP WIRE RETAINER	1	

From G-7275 To M-7767	Date:07/2024	PAGE:X3PLB-1405-00
STEERING WHEEL & COLUMN ASSY WITH CONTROL SWITCHES		

Item#	Part	Description	QTY	Notes
1	661181	STEERING WHEEL LEATHER & WOOD BLACK W/ "I-Shift" "VOLVO"	1	
A	661205	SWITCH ASSY / W/TRANS SHIFTER	1	
B	661159	SCREW MA BUT M4-0.7x8	4	
C	661157	HORN PAD BASE	2	
D	661160	SCREW MA M5-0.8x8	4	
E	661158	CLIP WIRE RETAINER	1	
1	661172	STEERING WHEEL URHETHANE To K-7553	1	G
A	661204	SWITCH ASSY / W/OUT TRANS SHIFTER To K-7553	1	G
B	661159	SCREW MA BUT M4-0.7x8 To K-7553	4	G
C	661157	HORN PAD BASE To K-7553	2	G
D	661160	SCREW MA M5-0.8x8 To K-7553	4	G
E	661158	CLIP WIRE RETAINER To K-7553	1	G
1	660037	STEERING LIN, URETHANE W/O BLIND CONT. From K-7554	1	G
A	661204	SWITCH ASSY / W/OUT TRANS SHIFTER From K-7554	1	G
B	661159	SCREW MA BUT M4-0.7x8 From K-7554	4	G
C	661157	HORN PAD BASE From K-7554	2	G
D	661160	SCREW MA M5-0.8x8 From K-7554	4	G
E	661158	CLIP WIRE RETAINER From K-7554	1	G
2	661149	HORN BUTTON CUSHION PAD W PROVOST EMBLEM	1	
NS	N.S.S.	SPRING HORN	4	1
NS	661162	SPRING RETAINER / HORN SPRING	4	
NS	661163	HORN CONTACT	1	
4	661051	NUT	1	
5	161273	RING TURN SIGNAL CANCELING	1	
NS	502506	SCREW SET HEXS CUP M4-0.7x16	2	
6	661119	ROTATING CONTACT / CLOCK SPRING To H-7312	1	
6	660012	ROTATING CONTACT / CLOCK SPRING From H-7313 To P-8038	1	
6	661224	ROTATING CONTACT / CLOCK SPRING From P-8039	1	
NS	067214	EXTENSION, CLOCK SPRING	1	
NS	161249	GUIDE ROTATING CONTACT	1	
NS	504742	RING RETAINER / EXT 1.562 x 1.446 x 0.62	1	
7	161212	SUPPORT, DIRECTIONAL SWITCH	1	
8	661075	LEVER ASSY / MULTIFONCTINAL	1	
NS	660781	CAP PLEATED RUBBER	1	
8	504804	RING RETAINER / EXT 1 3/4	1	
9	5001377	SCREW MA PAN PH M5-0.8x8 SS	3	
10	5001378	WASHER LO EXT 5.3x10x0.6 Z050	3	
11	161211	COLLAR W/SWITCH SUPPORT	1	
13	562356	SWITCH ASSY / W/LEVER & BOOT / 6 POSITIONS	1	
14	661147	STEERING COLUMN ASSY W/E.C.S. 36SPL / 66SPL LOWER	1	
NS	509558	WEATHERSEAL SNAP-ON 1/8" / SINGLE LIP / WH / C.T.L.	AR	
NS	161220	DECAL "WARNING" STREERING SYSTEM CALIBRA.."	1	

From G-7275 To M-7767	Date:07/2024	PAGE:X3PLB-1405-00
STEERING WHEEL & COLUMN ASSY WITH CONTROL SWITCHES		

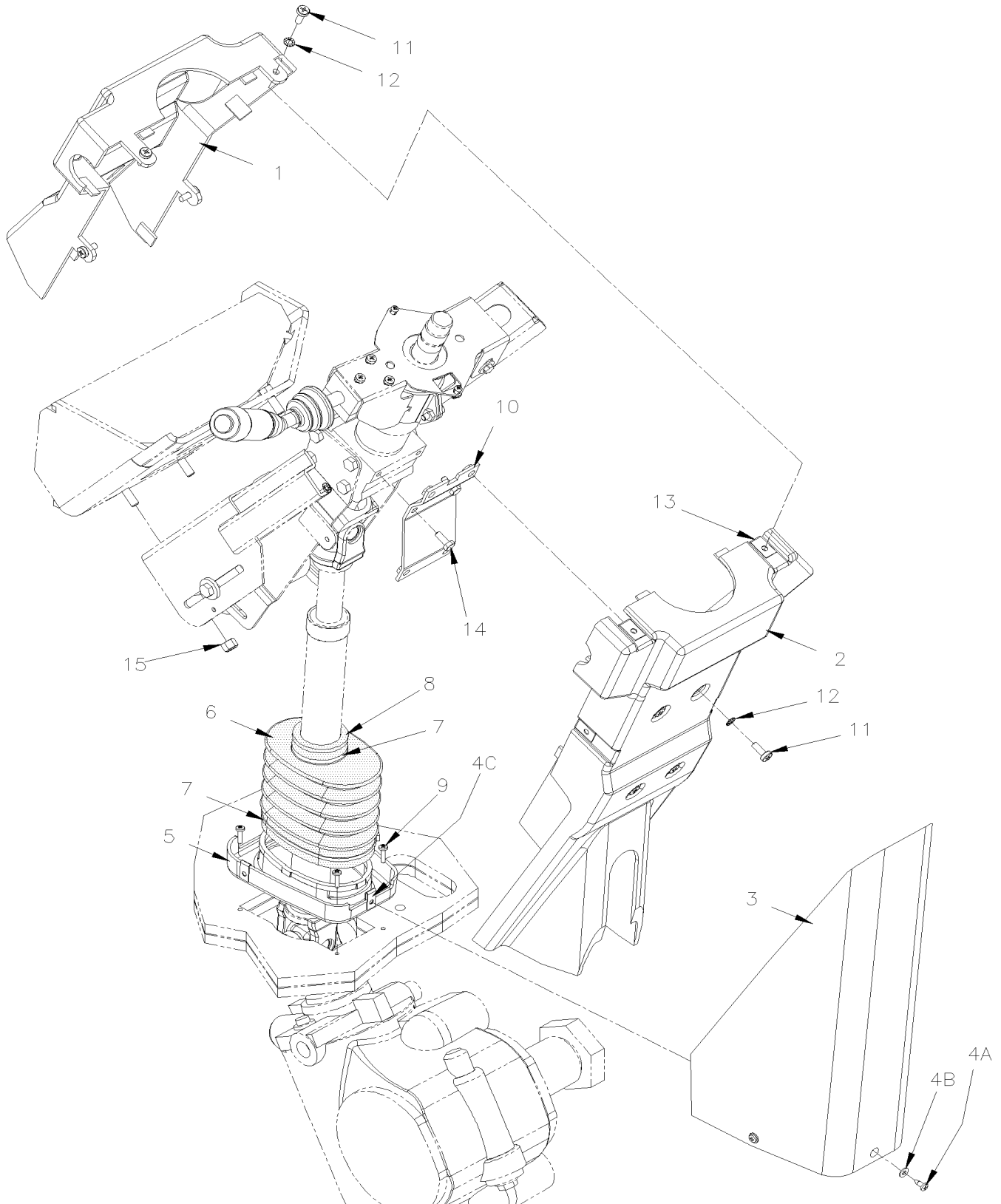
Item#	Part	Description	QTY	Notes
NS	641242	MALE CONNECTOR / PUSH-IN FITTING / #4x1/8NPT-M BR	1	
15	661195	SCREW "SPECIAL" STEERING SHAFT "ZF"	1	
15A	502946	SCREW CAP HEX M10-1.5x50 G10.9 N500	1	
16A	502859	NUT HEX NYRT M10-1.5 N500	1	
17	660770	SHAFT ASSY STEERING W/E.C.S. 66SPL / 79SPL LOWER	1	
NS	661195	SCREW "SPECIAL" STEERING SHAFT "ZF"	1	
NS	161220	DECAL "WARNING" STREERING SYSTEM CALIBRA.."	1	
20	X3PLB-1415-00	STEERING GEARBOX - "ZF" W/ I BEAM RIGID		
20	X3PLB-1415-50	STEERING GEARBOX - "ZF" - W/INDEPENDENT		
21	500344	SCREW MA RND PH M4-0.7x12 Z050	2	
22	500590	NUT HEX NYRT M4-0.7 Z050	2	
23	502563	SCREW CAP HEX M6-1.0x12 G8.8 Z050	2	
24	5001462	WASHER FL 6.4x18.0x1.6 Z050	2	
25	502631	SCREW CAP HEX M6-1.0x20 G8.8 Z050	2	
26	500356	WASHER LO SERR 6.1x16.0x0.9 N500	2	
30	661148	SENSOR ANGLE POSITION DETECTOR	1	
NS	564042	CONNECTOR / BOSCH 1 928 404 025	1	
31	161265	SUPPORT SENSOR ANGLE POSITION STEERING	1	
32	5001670	SCREW CAP HEXS M4-0.7x8 G8.8 Z050	3	
33	500587	SCREW SET HEXS CUP M4-0.7x6	3	
34	560008	GATEWAY LIN BUS INTERFACE	1	A
35	564204	CABLE TIE / WITH EDGE CLIP / T50REC4A 10MMx200MM	1	
36	564534	CABLE TIE / WITH EDGE CLIP / T50REC5A 10 MM x 200 MM	1	
50	X3PLB-1407-00	STEERING COLUMN & COVER - INSTALLATION		
		A) THIS INTERFACE BOX IS LOCATED INSIDE OF DASH ON L.H. SIDE		
		G) GREYHOUND OPTION		
		1) NOT SOLD SEPARATELY		

From G-7275 To M-7767

Date:07/2024

PAGE:X3PLB-1407-00

STEERING COLUMN & COVER - INSTALLATION



From G-7275 To M-7767	Date:07/2024	PAGE:X3PLB-1407-00
STEERING COLUMN & COVER - INSTALLATION		

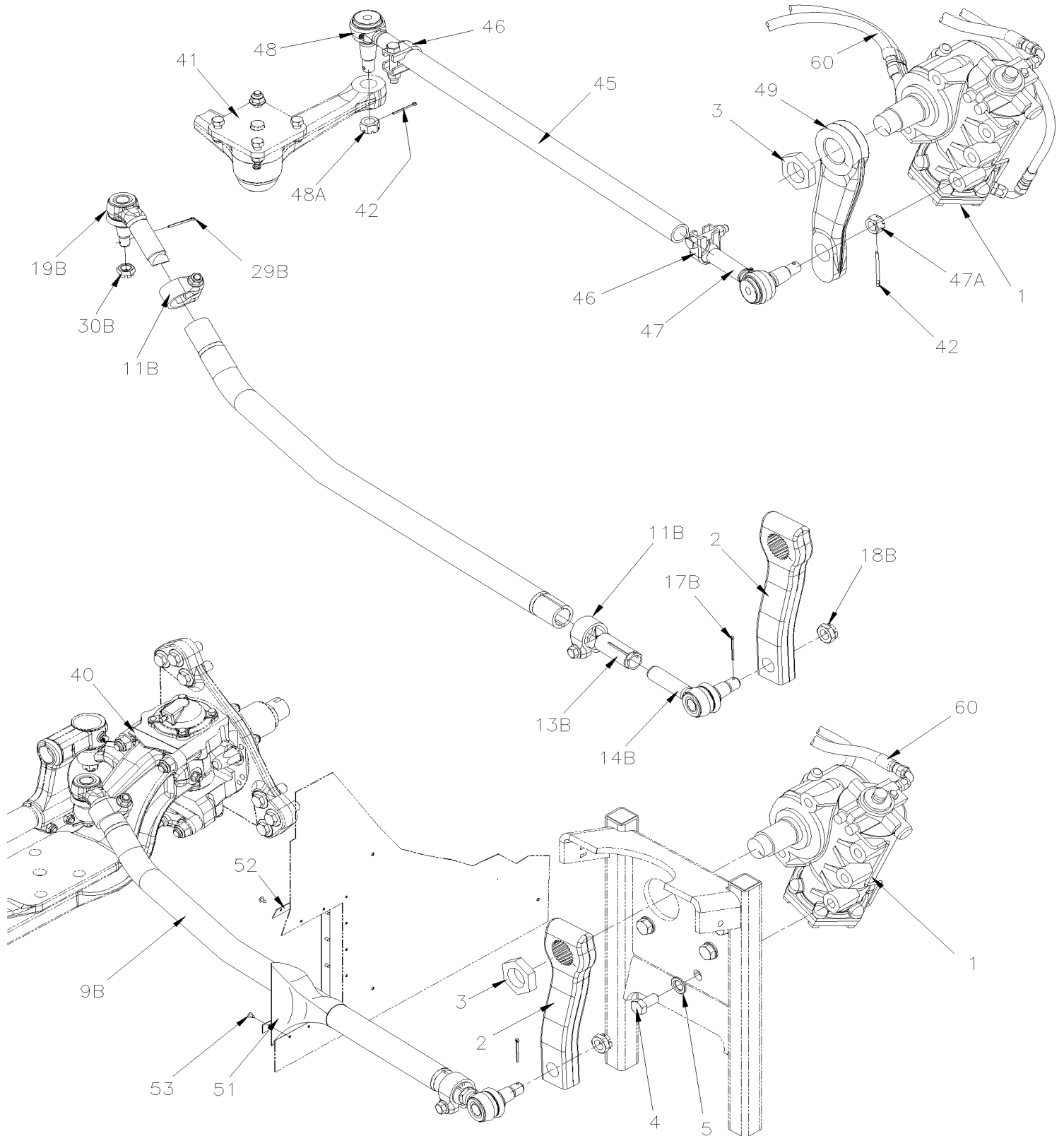
Item#	Part	Description	QTY	Notes
1	161358	COVER / W/RETARDER / BLACK	1	
1	161356	COVER / W/O RETARDER / BLACK	1	
2	161358	COVER / W/RETARDER / BLACK	1	
2	161355	COVER / W/O RETARDER / BLACK	1	
3	160881	COVER, LOWER / BLACK	1	
3	160882	COVER, LOWER / BLACK To H-7370	1	GR
4A	500443	SCREW TP PAN PH #8x1/2 N500 To K-7612	3	
4A	500957	SCREW TP BDG PH #10x3/4 N500 From K-7613	1	
4B	500855	WASHER FL .188x.438x.049 N500	3	
4C	500684	NUT SPR U #8A .025-.064	3	
5	391974	PLATE SUPPORT	1	
6	660981	BELLOW	1	
7	504637	CABLE TIE / 3/16" x 13"	2	
8	391930	COLLAR	1	
9	500641	SCREW TP PAN PH #8x3/4 Z050	4	
10	161068	ATTACHMENT	1	
11	502569	SCREW MA PAN PH M6-1.0x16 BK	8	
12	5001739	WASHER LO EXT 6.4x11.0x0.7 N500	8	
13	5001965	NUT SPR U M6-1.0 0.6-4.0 N500	2	
13	504669	RIVET DRV BDG .187x.609 NYL	2	
14	502531	SCREW CAP HEX M6-1.0x16 G8.8 Z050	2	
15	502600	NUT HEX NYRT 5/16-18 Z050	4	
		GR) GREYHOUND OPTION		

From G-7275 To M-7767

Date:07/2024

PAGE:X3PLB-1410-00

STEERING GEAR BOX & DRAG LINK - INSTALLATION



From G-7275 To M-7767	Date:07/2024	PAGE:X3PLB-1410-00
STEERING GEAR BOX & DRAG LINK - INSTALLATION		

Item#	Part	Description	QTY	Notes
1	X3PLB-1415-00	STEERING GEARBOX - "ZF" W/ I BEAM RIGID		
1	X3PLB-1415-50	STEERING GEARBOX - "ZF" - W/INDEPENDENT		
2	160134P	ARM, PITMAN ASSY To L-7686	1	
. NS	660618	. ARM, PITMAN To L-7686	1	
. NS	066608	. ACTUATOR TAG UNLOAD / To L-7686	1	
. NS	506785	. TAPE RUB ADH2 CC POL 1/16" X 1/4" X 200' / BLACK I1C-N-A To L-7686	AR	
. NS	684517	. ADHESIVE SIMSON #ISR 70-03 / GREY / 310ml CARTRIDGE To L-7686	AR	
2	660618	ARM, PITMAN From L-7687	1	
3	661050	LOCKNUT M45X1.5 GEARBOX ZF	1	
4	5001442	SCREW CAP HEX M20-1.5x40 G10.9 N500	5	
5	611044	WASHER FL HARD 21.0x37.0x3.0 N500	5	
NS	682175	UNDERCOATING BLACK PROTECTOR (GRAVELGUARD) 567gr To N-7995	AR	
NS	685413	RUBBERIZED UNDERCOAT (GRAVELGUARD) 560gr From N-7996	AR	
9B	660699	DRAG LINK ASSY / 1320.5MM C/C	1	
11B	660018	. COLLAR ASSY / W/BOLT & NUT 50MM I.D.	2	
. NS	22164949	. . SCREW KIT	1	
13B	660013	. SLEEVE THREADED	1	
14B	661212	. TIE ROD END R.H. THREAD M30-1.5	1	
17B	502104	. . PIN, COTTER 5/32 x 2	1	
18B	661216	. NUT HEX CSL THN M24-1.5	1	
19B	661211	. TIE ROD END R.H. THREAD M38-1.5	1	
29B	502104	. . PIN, COTTER 5/32 x 2	1	
30B	661213	. NUT HEX CSL THN M20-1.5	1	
40	611031	STEERING ARM UPPER L.H. STREET SIDE	1	
		WITH INDEPENDENT FRONT SUSPENSION		
41	X3PLB-1410-50	STEERING RODS - INSTALLATION W/INDEPENDENT "NDIFS80P" / 19000LBS		
42	502109	PIN, COTTER 6.3MM x 71MM Z50	2	
NS	684420	SCREW MARKER LOCK 90ml	AR	
45	661188	DRAG LINK ASSY / 970 MM C/C / 19000LBS / LARGE TIE ROD END	1	
45	N.P.N.	. ROD	1	4
46	661133	. COLLAR ASSY / W/BOLT & NUT & STOPPER 1 5/8" I.D.	2	
. NS	500231	. . SCREW CAP HEX 5/8-11x3 G5 ZP	1	
. NS	500683	. . NUT HEX STO 5/8-11 ZP	1	
47	661200	. TIE ROD END R.H. THREAD 1 1/4-12 / 19000LBS	1	
47A	661207	. . NUT HEX CSL THN 1 1/8-12	1	
48	661202	. TIE ROD END L.H. THREAD 1 1/4-12 / 19000LBS	1	
48A	661207	. . NUT HEX CSL THN 1 1/8-12	1	
49	660663	ARM, PITMAN 9" / (PAINTED BLACK) / 19000LBS	1	

From G-7275 To M-7767	Date:07/2024	PAGE:X3PLB-1410-00
STEERING GEAR BOX & DRAG LINK - INSTALLATION		

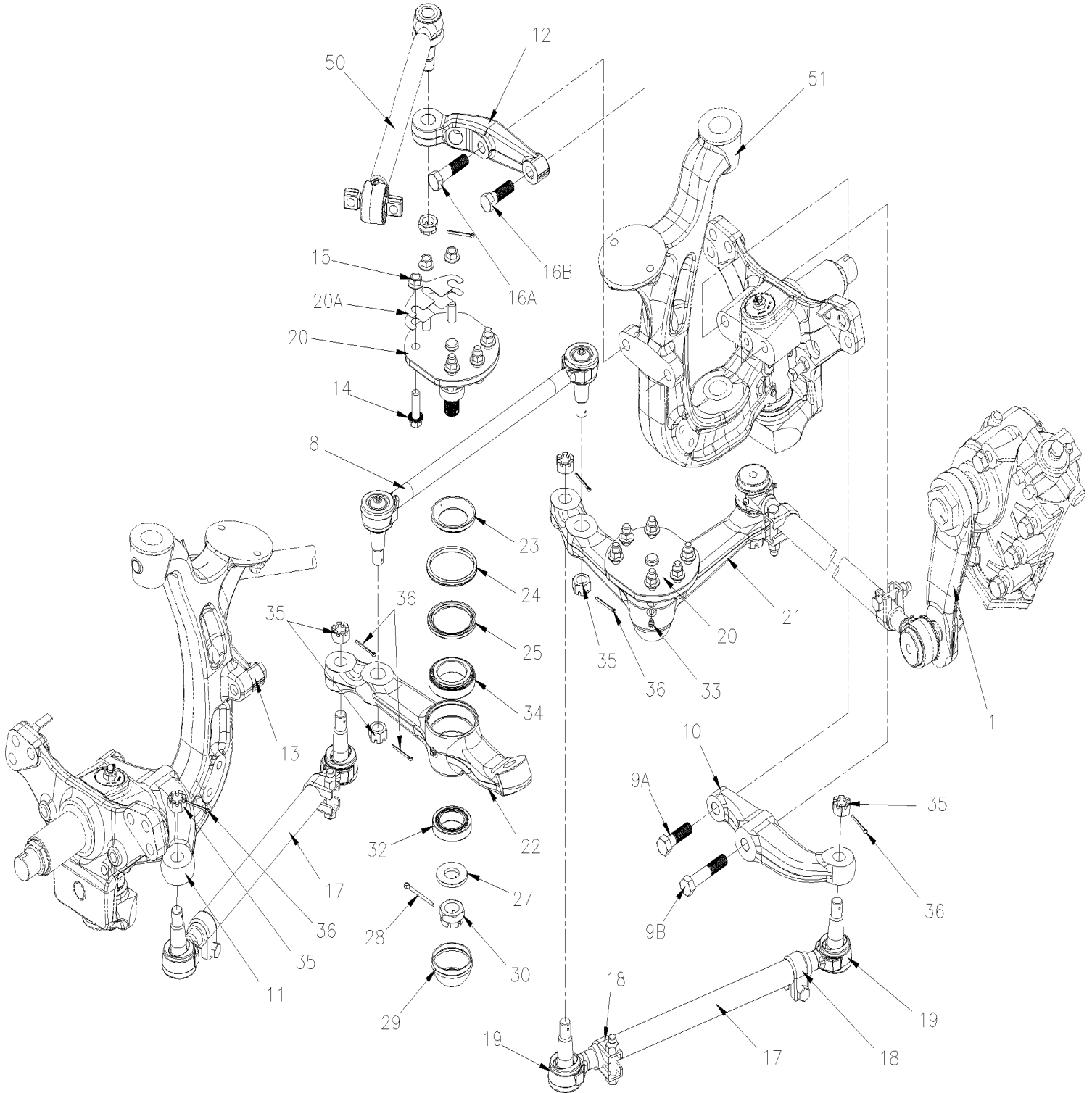
Item#	Part	Description	QTY	Notes
51	160931	SHIELD RUBBER To H-7336	1	
51	160116	SHIELD RUBBER From H-7337	1	
51	161009	SHIELD RUBBER To H-7336	1	I
51	160112	SHIELD RUBBER From H-7337	1	I
51	680066	ADHESIVE / ADBOND #5014 / 23.6ML BOTTLE From H-7337	AR	
52	161120	COLLAR SHIELD RETAINER To H-7336	1	
52	161994	COLLAR SHIELD RETAINER From H-7337	1	
52	160994	COLLAR SHIELD RETAINER / "O" FORM CLOSED To H-7336	1	I
52	161993	COLLAR SHIELD RETAINER From H-7337	1	I
53	5001966	SCREW TC BDG PH #10-24x1/2 SS410 ZINC	AR	
NS	504089	BLACK NYLON RETAINER 13 x 5 16 mm Lg From H-7337	2	
NS	500855	WASHER FL .188x.438x.049 N500 From H-7337	2	
NS	500805	WASHER FL .218x.875x.062 N500 From H-7337	4	
60	X3PLB-1400-00	POWER STEERING HOSE - INSTALLATION To H-7416		
61	X3PLB-1400-01	POWER STEERING HOSE - INSTALLATION VOLVO D13 - GHG17 From H-7417		
105	661207	NUT HEX CSL THN 1 1/8-12	1	
		I) WITH INDEPENDENT SUSPENSION		
		4) NO PARTS NUMBER		

From G-7275 To M-7767

Date:07/2024

PAGE:X3PLB-1410-50

STEERING RODS - INSTALLATION W/INDEPENDENT "NDIFS80P" / 19000LBS



From G-7275 To M-7767	Date:07/2024	PAGE:X3PLB-1410-50
-----------------------	--------------	--------------------

STEERING RODS - INSTALLATION W/INDEPENDENT "NDIFS80P" / 19000LBS

Item#	Part	Description	QTY	Notes
1	X3PLB-1410-00	STEERING GEAR BOX & DRAG LINK - INSTALLATION		
8	661183	ROD ASSY / 591.8MM C/C CENTER	1	
9A	N.P.N.	SCREW CAP HEX M22-2.5x65 G12.9	1	4
9B	N.P.N.	SCREW CAP HEX M22-2.5x100 G12.9	1	4
10	612389	STEERING ARM L.H. / 19000LBS	1	
11	612390	STEERING ARM R.H. / 19000LBS	1	
12	612380	UPRIGHT ARM L.H	1	
13	612381	UPRIGHT ARM R.H	1	
14	5001859	SCREW CAP HEXF SERR M16-2.0x50 G10.9	8	
15	5001844	NUT HEXF SERR M16-2.0 G500	8	
16A	611307	SCREW CAP HEX M20-2.5x80 G12.9	1	
16B	611305	SCREW CAP HEX M20-2.5x60 G12.9	1	
17	661182	ROD ASSY / 657MM C/C	2	
17	N.P.N.	. ROD	1	4
18	661133	. COLLAR ASSY / W/BOLT & NUT & STOPPER 1 5/8" I.D.	2	
. NS	500231	. . SCREW CAP HEX 5/8-11x3 G5 ZP	1	
. NS	500683	. . NUT HEX STO 5/8-11 ZP	1	
19	661199	. TIE ROD END R.H. THREAD 1 1/4-12	1	
19	661201	. TIE ROD END L.H. THREAD 1 1/4-12	1	
20	661186	SPINDLE SHAFT / 19K To M-7889	1	
20	660076	SPINDLE SHAFT / 19K From M-7890 To P-8096	1	
20	660082	SPINDLE SHAFT / 19K From P-8097	1	
NS	682175	UNDERCOATING BLACK PROTECTOR (GRAVELGUARD) 567gr From M-7890 To N-7995	AR	
NS	685413	RUBBERIZED UNDERCOAT (GRAVELGUARD) 560gr From N-7996	AR	
20A	161343	SHIM 26GAGE 105MM C/C x 18MM slot	AR	
20A	161344	SHIM 20GAGE 105MM C/C x 18MM slot	AR	
21	661185	LEVER L.H. / 19000LBS	1	
22	661184	LEVER R.H. / 19000LBS	1	
23	160115	SLEEVE WIPER 77.2MM O.D.	2	
24	507673	DUST SEAL 3.470 I.D. X 4.085 O.D.	2	
24	685371	GREASE / GREY BLACK MOBIL XHP 222 SPECIAL 400 g	AR	
25	507674	OIL SEAL	2	
27	161338	WASHER FL / W/ INTERIOR KEY 30.5x63.05x6.3	2	
28	502115	PIN, COTTER 3/16 x 2 1/2	2	
29	661014	COVER	2	
30	5001218	NUT HEX CSL M30-1.5	2	
32	507353	KIT, CUP & CONE BEARING	2	
33	501490	GREASE FITTING / 1/8 NPT	2	
34	507672	KIT, CUP & CONE BEARING / 19K	2	
35	5001345	NUT HEX CSL THN 7/8-14	6	
36	502104	PIN, COTTER 5/32 x 2	6	
50	X3PLB-1605-50	FRONT AXLE - INSTALL W/INDEPENDENT "NDIFS80P" / 19000LBS		

From G-7275 To M-7767	Date:07/2024	PAGE:X3PLB-1410-50
-----------------------	--------------	--------------------

STEERING RODS - INSTALLATION W/INDEPENDENT "NDIFS80P" / 19000LBS

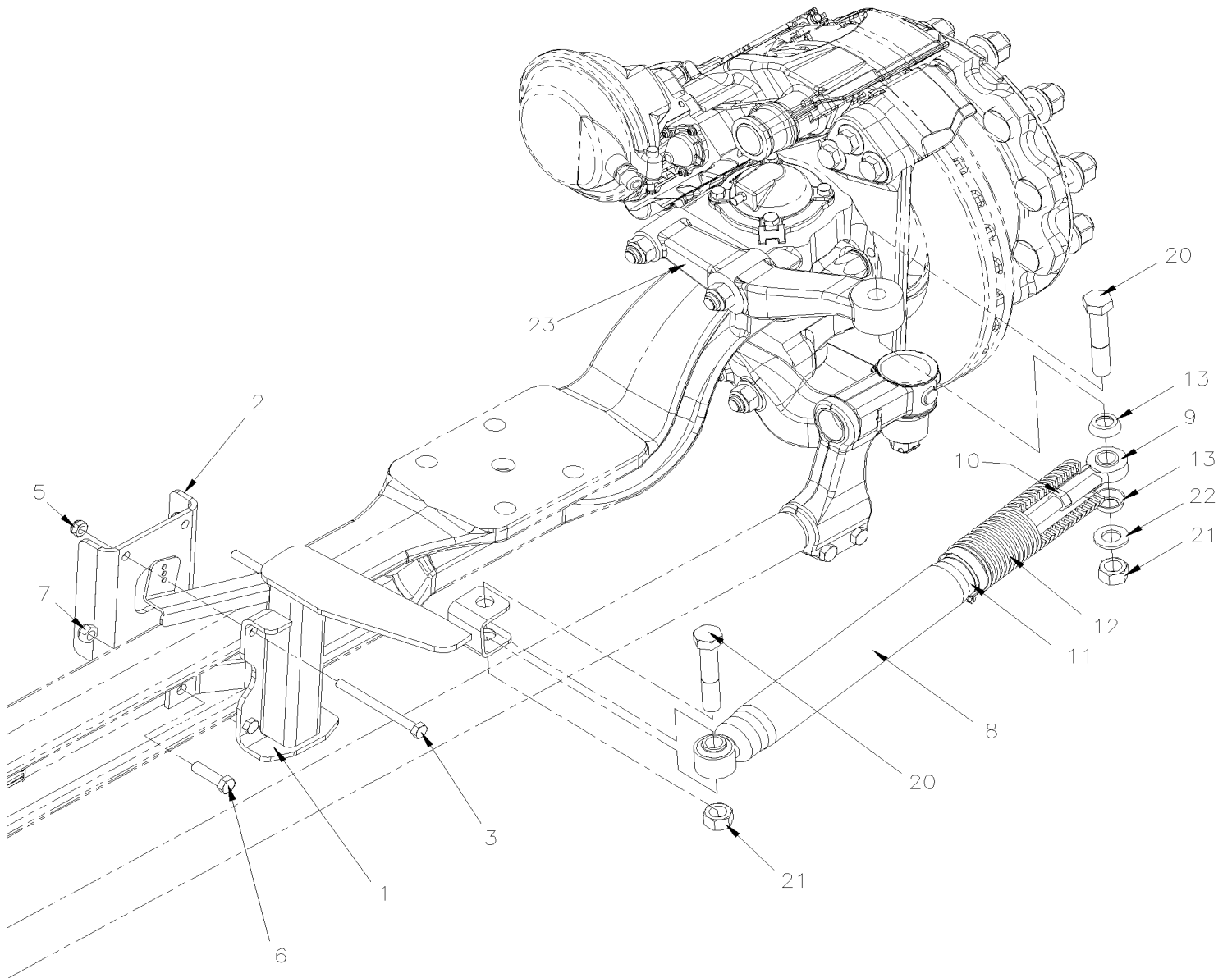
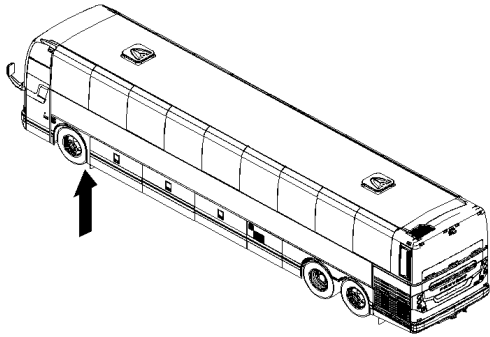
Item#	Part	Description	QTY	Notes
51	X3PLB-1005-50	FRONT AXLE - INDEPENDENT MODEL "NDIFS80P" / 19000LBS		
		4) NO PARTS NUMBER		

From G-7275 To M-7767

Date:07/2024

PAGE:X3PLB-1412-00

STEERING DAMPER - INSTALL W/ I BEAM RIGID



From G-7275 To M-7767	Date:07/2024	PAGE:X3PLB-1412-00
STEERING DAMPER - INSTALL W/ I BEAM RIGID		

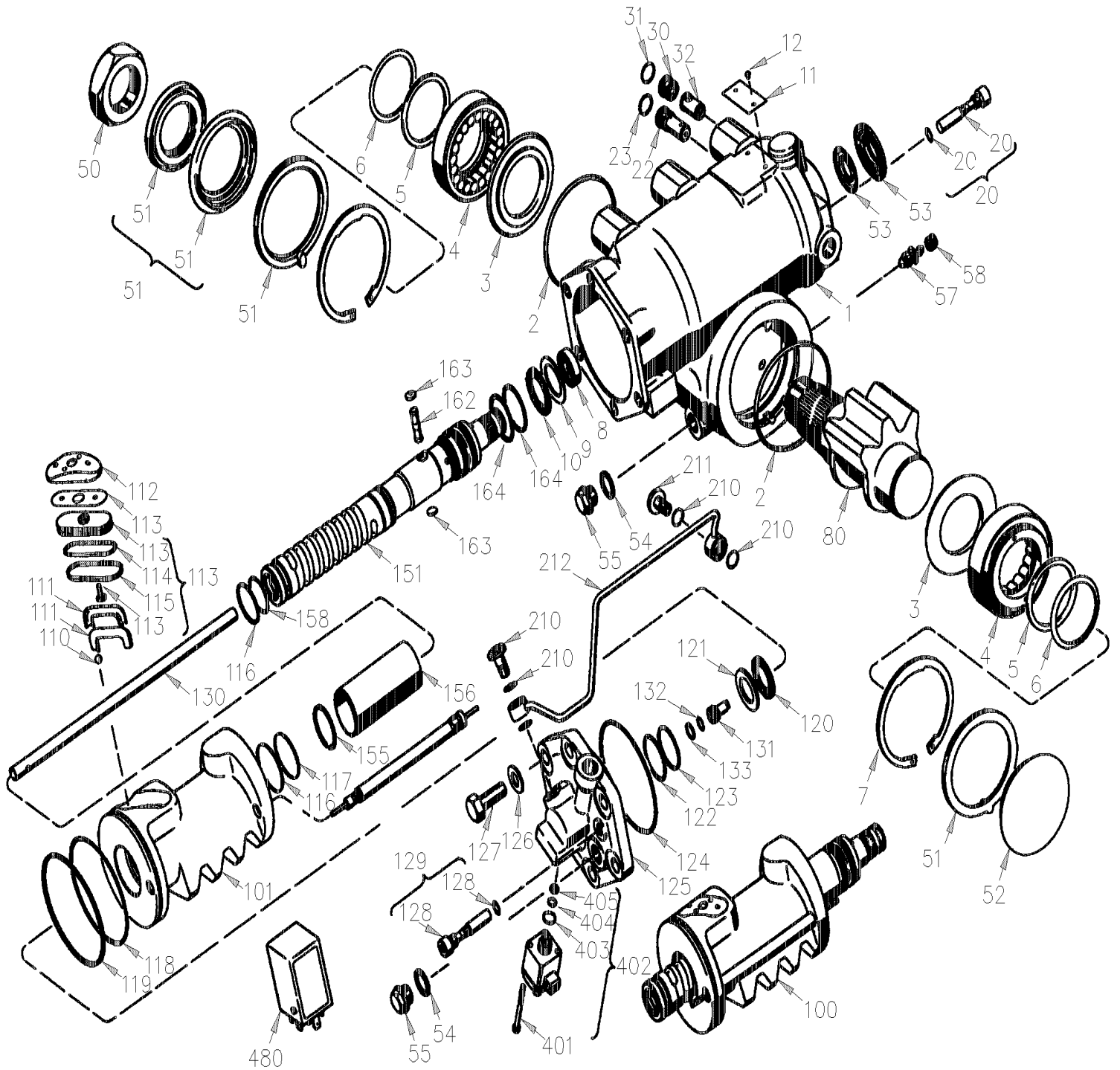
Item#	Part	Description	QTY	Notes
1	110741	ATTACHMENT CYLINDER	1	
2	110749	ATTACHMENT PLATE	1	
3	5001500	SCREW CAP HEX M10-1.5x120 G10.9 N500	4	
4	500444	WASHER FL .406x.812x.065 Z050	8	
5	500680	NUT HEX STO M10-1.5 Z050	4	
6	502731	SCREW CAP HEX M12-1.75x40 G8.8 Z050	1	
7	500811	NUT HEX STO M12-1.75 G500	1	
8	160835	DAMPER SHOCK ASS	1	
NS	IS-96052A	SEE INSTRUCTION SHEET	1	
8	660979	DAMPER SHOCK	1	
9	660884	ROD END FEMALE 3/4"-16 / 3/4 I.D.	1	
9	501497	GREASE FITTING / 1/4-28	1	
10	500734	NUT HEX JAM 3/4-16 Z050	1	
11	504792	HOSE CLAMP / 1"9/16-2.5" SS / HAS-32	1	
12	661007	BOOT PROTECTOR	1	
13	660980	COVER ROD END / RUBBER	2	
20	500146	SCREW CAP HEX 3/4-16x4 G5 N500	2	
21	500251	NUT HEX NYRT 3/4-16 Z050	2	
22	500087	WASHER FL .812x1.500x.134 N500	1	
23	161033	STEERING ARM UPPER R.H. CURBSIDE	1	

From G-7275 To M-7767

Date:07/2024

PAGE:X3PLB-1415-00

STEERING GEARBOX - "ZF" W/ I BEAM RIGID



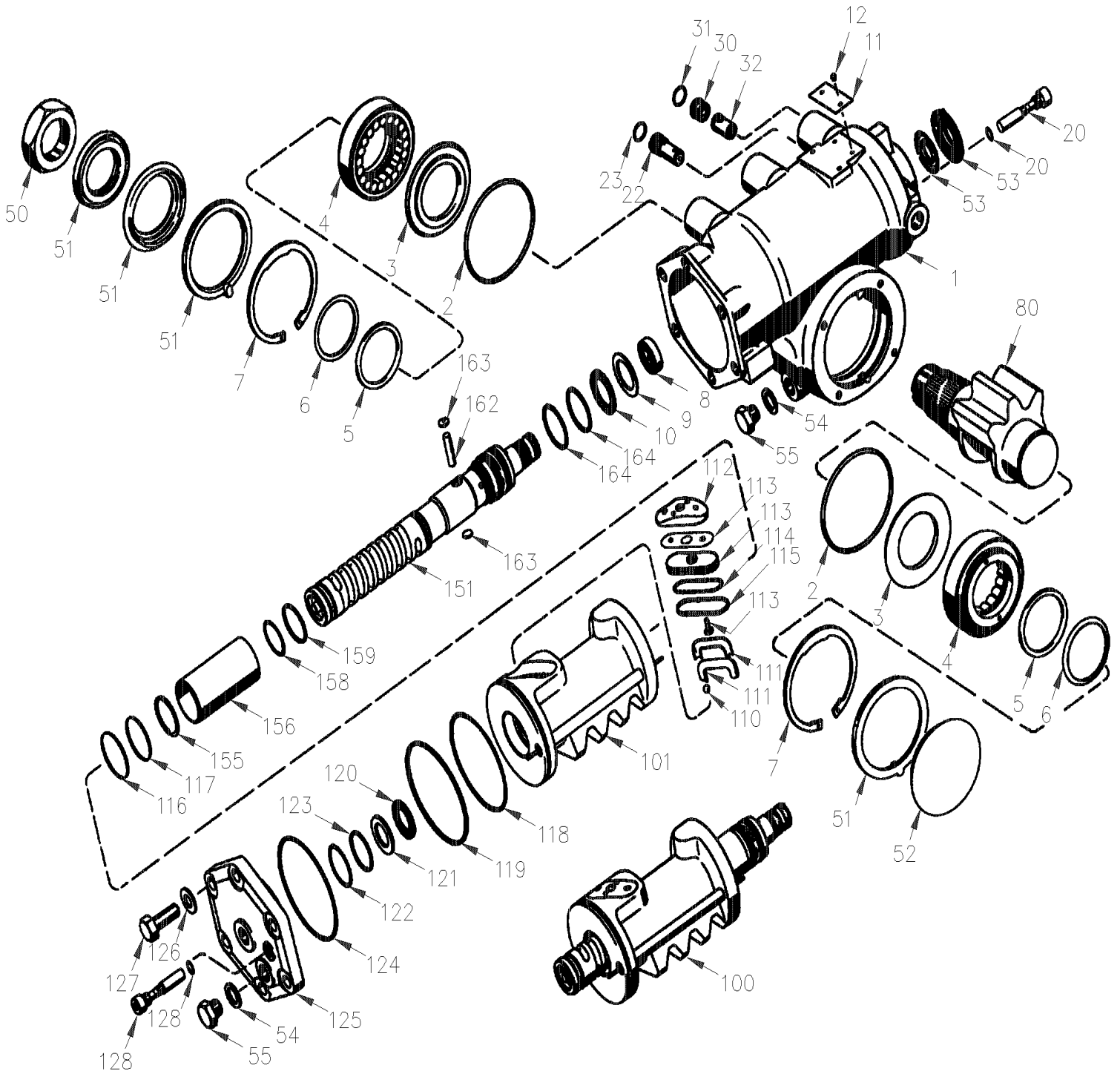
MODEL "ZF" - SERVOCOMTRONIC

From G-7275 To M-7767

Date:07/2024

PAGE:X3PLB-1415-00

STEERING GEARBOX - "ZF" W/ I BEAM RIGID



MODEL "ZF" - SEVOCOM

From G-7275 To M-7767	Date:07/2024	PAGE:X3PLB-1415-00
STEERING GEARBOX - "ZF" W/ I BEAM RIGID		

Item#	Part	Description	QTY	Notes
	661167	GEARBOX STEERING "ZF" W/VARIABLE STEERING ASSISTANCE "SERVOCOMTRONIC"	1	
	661137	GEARBOX STEERING "ZF"	1	
1	N.P.N.	. HOUSING	1	4
2	N.P.N.	. O-RING	1	4
3	N.P.N.	. WASHER	1	4
4	N.P.N.	. HOUSING COVER	1	4
5	N.P.N.	. GASKET	1	4
6	N.P.N.	. SUPPORT RING	1	4
7	N.P.N.	. RETAINING RING	1	4
8	N.P.N.	. SHAFT SEAL	1	4
9	N.P.N.	. AXIAL-, WASHER	1	4
10	N.P.N.	. NEEDLE CAGE	1	4
11	N.P.N.	. TYPE PLATE	1	4
12	N.P.N.	. GROOVED STUD	1	4
20	N.P.N.	. SET SCREW / ADJUSTING SCREW / SCREW	1	4
20	N.P.N.	. O-RING	1	4
21	N.P.N.	. COLLAR NUT	1	4
22	N.P.N.	. VALVE INSERT	1	4
23	N.P.N.	. O-RING	1	4
30	N.P.N.	. SCREW	1	4
31	N.P.N.	. O-RING	1	4
32	N.P.N.	. VALVE INSERT	1	4
50	661050	. LOCKNUT M45X1.5 GEARBOX ZF	1	
51	N.P.N.	. DUST SEAL	1	4
51	N.P.N.	. STOP-RING	1	4
51	N.P.N.	. GASKET	1	4
51	N.P.N.	. DUST SEAL	1	4
52	N.P.N.	. PLUG	1	4
53	N.P.N.	. PROTECTING CAP	1	4
53	N.P.N.	. GASKET	1	4
54	N.P.N.	. SEALING RING	1	4
55	N.P.N.	. SCREW PLUG	1	4
56	N.P.N.	. PROTECTING SLEEVE	1	4
57	N.P.N.	. BREATHER	1	4
58	N.P.N.	. PROTECTING CAP	1	4
80	661102	. SECTOR SHAFT	1	
100	661103	. PISTON	1	A
100	661104	. PISTON	1	B
101	N.P.N.	. PISTON	1	4
110	N.P.N.	. BALL SET	1	4
111	N.P.N.	. RECIRCULATING HALF TUBE	1	4
112	N.P.N.	. GASKET / PLUG	1	4

From G-7275 To M-7767	Date:07/2024	PAGE:X3PLB-1415-00
STEERING GEARBOX - "ZF" W/ I BEAM RIGID		

Item#	Part	Description	QTY	Notes
113	N.P.N.	. GASKET	1	4
113	N.P.N.	. COMPENSATING PLATE	1	4
113	N.P.N.	. PIN	1	4
114	N.P.N.	. O-RING	1	4
115	N.P.N.	. SEALING RING	1	4
116	N.P.N.	. SEALING RING	1	4
117	N.P.N.	. SEALING RING	1	4
118	N.P.N.	. O-RING	1	4
119	N.P.N.	. GASKET	1	4
120	N.P.N.	. NEEDLE CAGE	1	4
121	N.P.N.	. WASHER	1	4
122	N.P.N.	. O-RING	1	4
123	N.P.N.	. SEALING RING	1	4
124	N.P.N.	. O-RING	1	4
125	N.P.N.	. CYLINDER COVER	1	4
126	N.P.N.	. WASHER	1	4
127	N.P.N.	. HEXAGON SCREW	1	4
128	N.P.N.	. SET SCREW / SCREW	1	4
128	N.P.N.	. O-RING	1	4
129	N.P.N.	. COLLAR NUT	1	4
130	N.P.N.	. PIPE	1	4
131	N.P.N.	. REACTION PISTON	1	4
132	N.P.N.	. O-RING	1	4
133	N.P.N.	. SEALING RING	1	4
151	N.P.N.	. WORM	1	4
155	N.P.N.	. SNAP RING	1	4
156	N.P.N.	. SLIDING TUBE	1	4
158	N.P.N.	. O-RING	1	4
159	N.P.N.	. SEALING RING	1	4
162	N.P.N.	. PIN	1	4
163	N.P.N.	. PLUG	1	4
164	N.P.N.	. SEALING RING	1	4
210	661105	. O-RING	1	
211	661106	. UNION SCREW	1	
212	661107	. PIPE	1	
401	N.P.N.	. CAP SCREW	1	4 B
402	661108	. CONVERTER	1	B
403	N.P.N.	. O-RING	1	4 B
404	N.P.N.	. O-RING	1	4 B
405	N.P.N.	. OIL SCREEN	1	4 B
480	563033	. E.C.U. / W/STEERING ASSIST (STP 272 or 330) ((77//125))	1	B
480	661170	. E.C.U. / W/STEERING ASSIST (STP 338) ((60//95))	1	B C

From G-7275 To M-7767	Date:07/2024	PAGE:X3PLB-1415-00
-----------------------	--------------	--------------------

STEERING GEARBOX - "ZF" W/ I BEAM RIGID

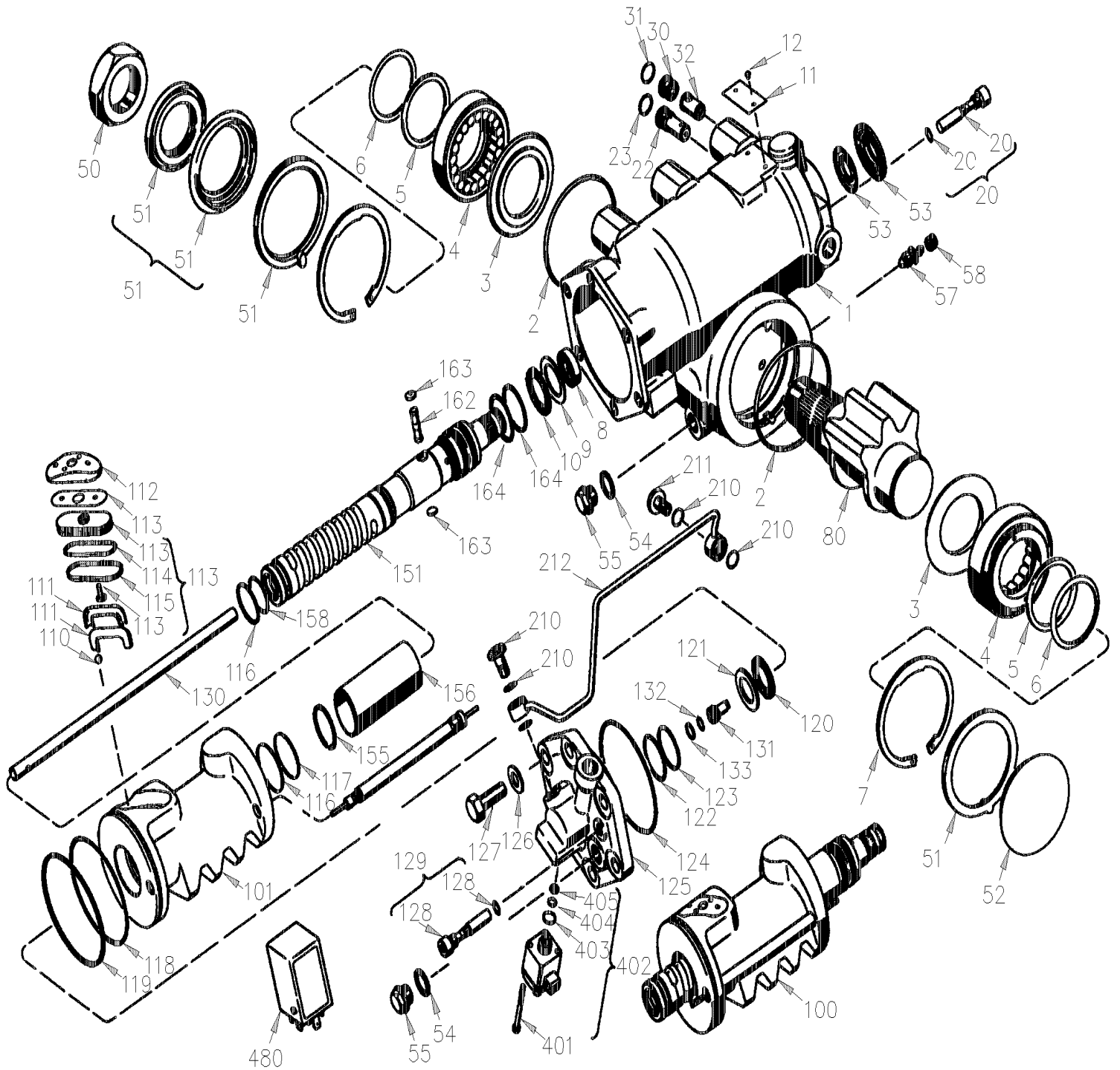
Item#	Part	Description	QTY	Notes
NS	661109	KIT, SEAL REPAIR MAJOR	1	A
. NS	85109281	. KIT, SEAL REPAIR MAJOR	1	A
NS	661110	KIT, SEAL REPAIR MAJOR / W/SERVOCOMTRONIC	1	B
. NS	85109291	. KIT, SEAL REPAIR MAJOR / W/SERVOCOMTRONIC	1	B
		A) WITHOUT "ZF" SERVOCOMTRONIC		
		B) WITH "ZF" SERVOCOMTRONIC		
		C) THIS E.C.U. GIVE LESS ASSISTANCE AT LOW SPEED		
		4) NO PARTS NUMBER		

From G-7275 To M-7767

Date:07/2024

PAGE:X3PLB-1415-50

STEERING GEARBOX - "ZF" - W/INDEPENDENT



MODEL "ZF" - SERVOCOMTRONIC

From G-7275 To M-7767	Date:07/2024	PAGE:X3PLB-1415-50
STEERING GEARBOX - "ZF" - W/INDEPENDENT		

Item#	Part	Description	QTY	Notes
	661191	GEARBOX STEERING "ZF"® / W/SERVOCOMTRONIC	1	
	661190	GEARBOX STEERING "ZF"®	1	
1	N.P.N.	. HOUSING	1	4
2	N.P.N.	. O-RING	1	4
3	N.P.N.	. WASHER	1	4
4	N.P.N.	. HOUSING COVER	1	4
5	N.P.N.	. GASKET	1	4
6	N.P.N.	. SUPPORT RING	1	4
7	N.P.N.	. RETAINING RING	1	4
8	N.P.N.	. SHAFT SEAL	1	4
9	N.P.N.	. AXIAL-, WASHER	1	4
10	N.P.N.	. NEEDLE CAGE	1	4
11	N.P.N.	. TYPE PLATE	1	4
12	N.P.N.	. GROOVED STUD	1	4
20	N.P.N.	. SET SCREW / ADJUSTING SCREW / SCREW	1	4
20	N.P.N.	. O-RING	1	4
21	N.P.N.	. COLLAR NUT	1	4
22	N.P.N.	. VALVE INSERT	1	4
23	N.P.N.	. O-RING	1	4
30	N.P.N.	. SCREW	1	4
31	N.P.N.	. O-RING	1	4
32	N.P.N.	. VALVE INSERT	1	4
50	661050	. LOCKNUT M45X1.5 GEARBOX ZF	1	
51	N.P.N.	. DUST SEAL	1	4
51	N.P.N.	. STOP-RING	1	4
51	N.P.N.	. GASKET	1	4
51	N.P.N.	. DUST SEAL	1	4
52	N.P.N.	. PLUG	1	4
53	N.P.N.	. PROTECTING CAP	1	4
53	N.P.N.	. GASKET	1	4
54	N.P.N.	. SEALING RING	1	4
55	N.P.N.	. SCREW PLUG	1	4
56	N.P.N.	. PROTECTING SLEEVE	1	4
57	N.P.N.	. BREATHER	1	4
58	N.P.N.	. PROTECTING CAP	1	4
80	661102	. SECTOR SHAFT	1	
100	661103	. PISTON	1	A
100	661104	. PISTON	1	B
101	N.P.N.	. PISTON	1	4
110	N.P.N.	. BALL SET	1	4
111	N.P.N.	. RECIRCULATING HALF TUBE	1	4
112	N.P.N.	. GASKET / PLUG	1	4

From G-7275 To M-7767	Date:07/2024	PAGE:X3PLB-1415-50
STEERING GEARBOX - "ZF" - W/INDEPENDENT		

Item#	Part	Description	QTY	Notes
113	N.P.N.	. GASKET	1	4
113	N.P.N.	. COMPENSATING PLATE	1	4
113	N.P.N.	. PIN	1	4
114	N.P.N.	. O-RING	1	4
115	N.P.N.	. SEALING RING	1	4
116	N.P.N.	. SEALING RING	1	4
117	N.P.N.	. SEALING RING	1	4
118	N.P.N.	. O-RING	1	4
119	N.P.N.	. GASKET	1	4
120	N.P.N.	. NEEDLE CAGE	1	4
121	N.P.N.	. WASHER	1	4
122	N.P.N.	. O-RING	1	4
123	N.P.N.	. SEALING RING	1	4
124	N.P.N.	. O-RING	1	4
125	N.P.N.	. CYLINDER COVER	1	4
126	N.P.N.	. WASHER	1	4
127	N.P.N.	. HEXAGON SCREW	1	4
128	N.P.N.	. SET SCREW / SCREW	1	4
128	N.P.N.	. O-RING	1	4
129	N.P.N.	. COLLAR NUT	1	4
130	N.P.N.	. PIPE	1	4
131	N.P.N.	. REACTION PISTON	1	4
132	N.P.N.	. O-RING	1	4
133	N.P.N.	. SEALING RING	1	4
151	N.P.N.	. WORM	1	4
155	N.P.N.	. SNAP RING	1	4
156	N.P.N.	. SLIDING TUBE	1	4
158	N.P.N.	. O-RING	1	4
159	N.P.N.	. SEALING RING	1	4
162	N.P.N.	. PIN	1	4
163	N.P.N.	. PLUG	1	4
164	N.P.N.	. SEALING RING	1	4
210	661105	. O-RING	1	
211	661106	. UNION SCREW	1	
212	661107	. PIPE	1	
401	N.P.N.	. CAP SCREW	1	4 B
402	661108	. CONVERTER	1	B
403	N.P.N.	. O-RING	1	4 B
404	N.P.N.	. O-RING	1	4 B
405	N.P.N.	. OIL SCREEN	1	4 B
480	563033	. E.C.U. / W/STEERING ASSIST (STP 272 or 330) ((77//125))	1	B
480	661170	. E.C.U. / W/STEERING ASSIST (STP 338) ((60//95))	1	B C

From G-7275 To M-7767	Date:07/2024	PAGE:X3PLB-1415-50
STEERING GEARBOX - "ZF" - W/INDEPENDENT		

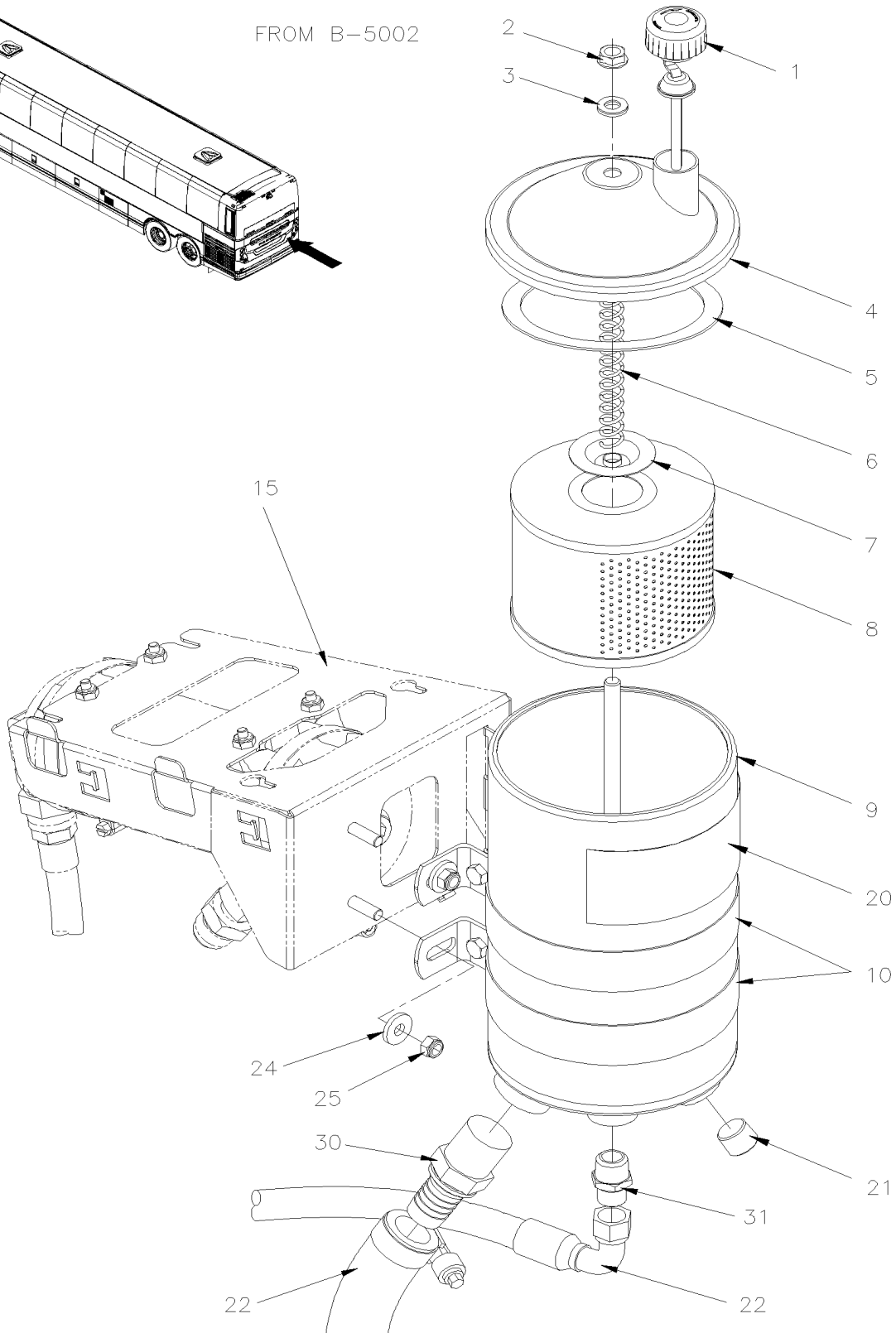
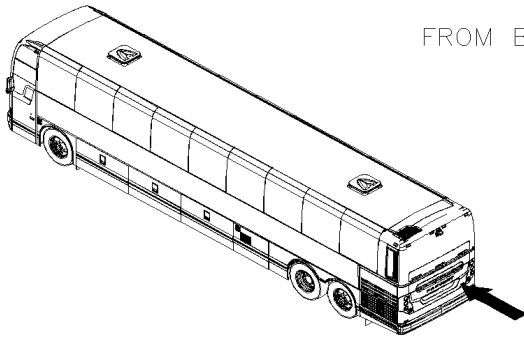
Item#	Part	Description	QTY	Notes
NS	661109	KIT, SEAL REPAIR MAJOR	1	A
. NS	85109281	. KIT, SEAL REPAIR MAJOR	1	A
NS	661110	KIT, SEAL REPAIR MAJOR / W/SERVOCOMTRONIC	1	B
. NS	85109291	. KIT, SEAL REPAIR MAJOR / W/SERVOCOMTRONIC	1	B
		A) WITHOUT "ZF" SERVOCOMTRONIC		
		B) WITH "ZF" SERVOCOMTRONIC		
		C) THIS E.C.U. GIVE LESS ASSISTANCE AT LOW SPEED		
		4) NO PARTS NUMBER		

From G-7275 To K-7632

Date:07/2024

PAGE:X3PLB-1420-00

POWER STEERING TANK - 4 QT U.S.



From G-7275 To K-7632	Date:07/2024	PAGE:X3PLB-1420-00
-----------------------	--------------	--------------------

POWER STEERING TANK - 4 QT U.S.

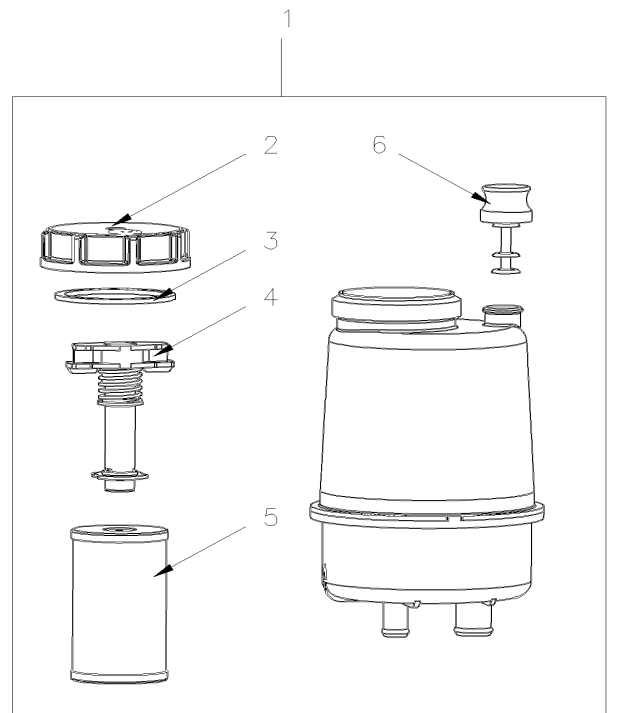
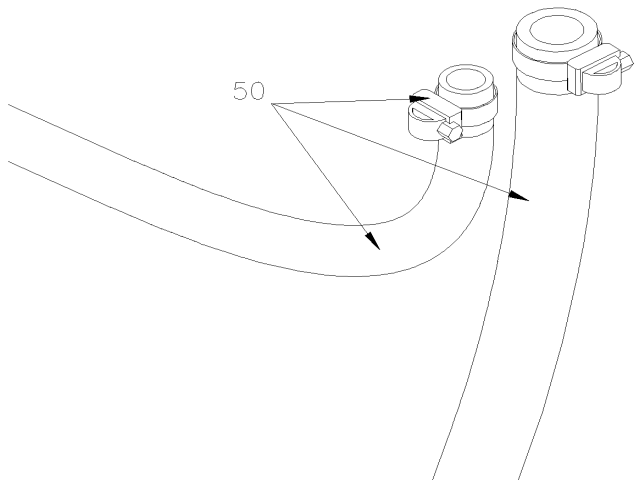
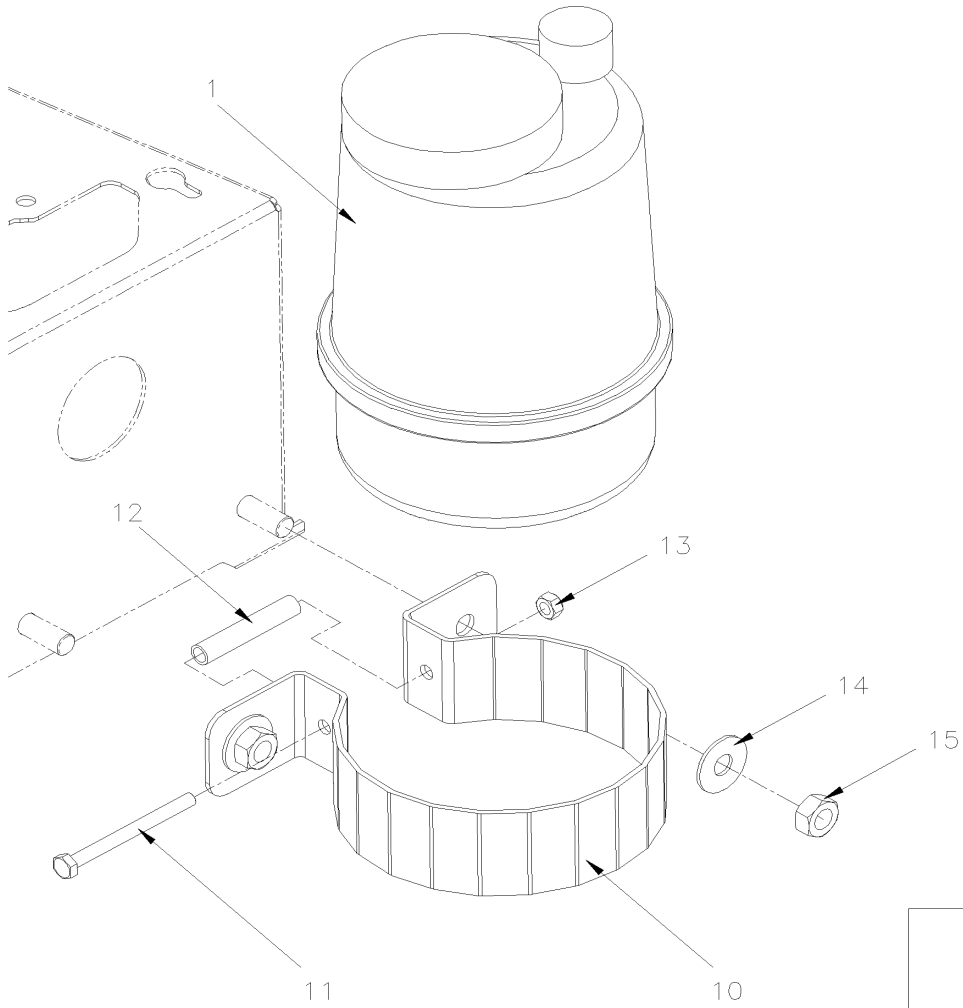
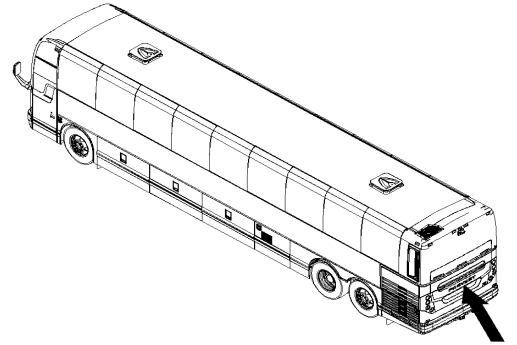
Item#	Part	Description	QTY	Notes
	660982	TANK ASSY 4QT U.S.	1	
	661060	TANK ASSY 4QT US / WITH SIGHT GLASS OPTION	1	A
1	660985	. DIPSTICK	1	
2	N.S.P.	. WING NUT 3/8-16	1	2
3	19512588	. WASHER	1	
4	660989	. COVER ASSY	1	
5	660986	. GASKET	1	
6	660991	. SPRING, COMP.	1	
7	N8886469	. WASHER, RETAINER	1	
8	660987	. ELEMENT FILTER	1	
9		. TANK	1	
10	660988	. ATTACHMENT SUPPORT	2	
10	500187	. . SCREW CAP HEX 5/16-18x3 G5 Z050	1	
10	500942	. . WASHER LO SPT 8.1x14.8x2.0 N500	1	
10	500778	. . NUT HEX 5/16-18 N500	1	
15	X3PLB-1203-00	AIR TANK - INSTALLATION	1	
20	160370	DECAL "OIL DEXTRON" To H-7416	1	
20	160044	DECAL "OIL DEXTRON" From H-7417	1	
21	501966	PLUG HEXS / PIPE FITTING / 1/2NPT-M STL	1	
21	667586	PLUG HEXS / PIPE FITTING / MAGNETIC / 1/2NPT-M STL	1	D13
22	X3PLB-1400-00	POWER STEERING HOSE - INSTALLATION To H-7416		
22	X3PLB-1400-01	POWER STEERING HOSE - INSTALLATION VOLVO D13 - GHG17 From H-7417		
24	500401	WASHER FL .343x.875x.125 N500	2	
25	502847	NUT HEX NYRT M8-1.25 N500	2	
30	5011086	MALE CONNECTOR / PUSH-LOK FITTING / 1NPT-Mx#16 STL	1	
31	501739	MALE CONNECTOR / JIC 37° FITTING / #8JIC-Mx1/2NPT-M STL	1	
		A) OPTION AMERICAN COACH LINES		
		D13) WITH "VOLVO" ENGINE		
		2) NOT SOLD BY PREVOST (SEE MANUFACTURING PART NUMBER AT END OF DESCRIPTION LINE)		

From K-7633 To M-7767

Date:07/2024

PAGE:X3PLB-1420-10

POWER STEERING TANK - ZF



From K-7633 To M-7767	Date:07/2024	PAGE:X3PLB-1420-10
POWER STEERING TANK - ZF		

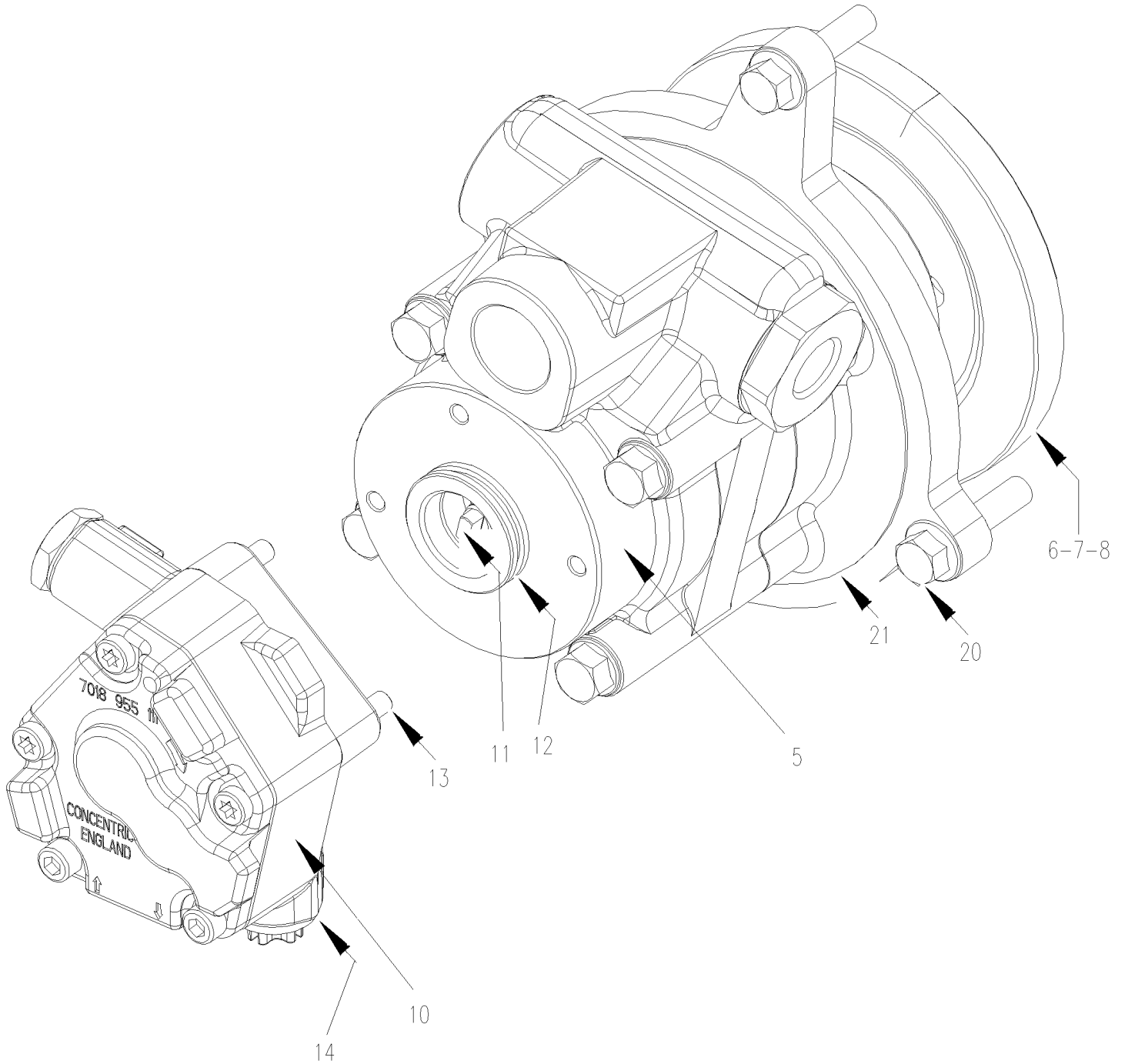
Item#	Part	Description	QTY	Notes
1	669400	TANK ASSY ZF	1	
2	660086	. CAP OIL TANK ZF	1	
3	1696360	. SEALING RING	1	
4	1696359	. BOLT OIL TANK ZF	1	
5	661221	. FILTER OIL TANK ZF	1	
6	661222	. DIPSTICK OIL TANK ZF	1	
10	160026	CLAMP / OIL TANK ZF	1	
11	5001667	SCREW CAP HEX M6-1.0x70 BK	1	
12	160027	SPACER	1	
13	502681	NUT HEX NYRT M6-1.0 N500 G8	1	
14	5001718	WASHER BEL SPR 10.2x27x1.6 MAGNI 565	2	
15	500847	NUT HEX M10-1.5 N500	2	
50	X3PLB-1400-01	POWER STEERING HOSE - INSTALLATION VOLVO D13 - GHG17		

From G-7275 To M-7767

Date:07/2024

PAGE:X3PLB-1427-00

POWER STEERING PUMP - "VOLVO" D13



From G-7275 To M-7767	Date:07/2024	PAGE:X3PLB-1427-00
POWER STEERING PUMP - "VOLVO" D13		

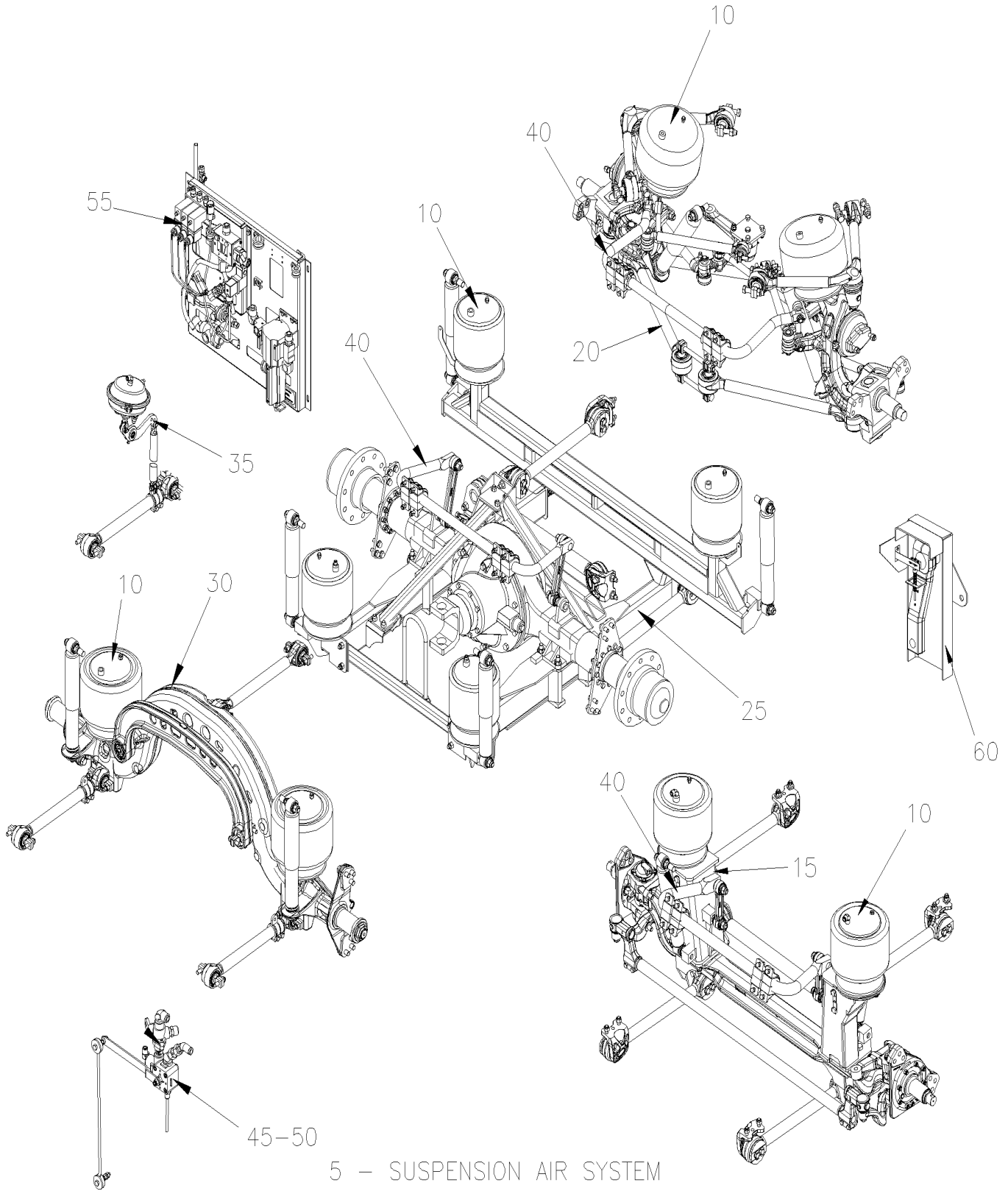
Item#	Part	Description	QTY	Notes
	70377032	POWER STEERING & FUEL PUMP ASSY W/435	1	
5	N.P.N.	. POWER STEERING PUMP W/485 & 515	1	4
5	70377033	. POWER STEERING PUMP W/435		
6	8131292	. GEAR DRIVE PUMP	1	
7	1505357	. KEY	1	
8	20367040	. LOCK NUT	1	
10	85109709	. FUEL PUMP	1	
10	85103778	. . FUEL PUMP W/485 & 515	1	
10	20997341	. . FUEL PUMP W/435	1	
11	85103779	. . . CONSTANT VELOCITY JOINT	1	
12	85103703	. O-RING	1	
13	85103780	. HEX. SOCKET SCREW	3	
14	11996	. WASHER SEAL BANJO FITTING	4	
20	946470	FLANGE SCREW M8-35	3	
21	977030	O-RING	1	
		4) NO PARTS NUMBER		

From G-7275 To M-7767

Date:07/2024

X3PLB-16

SUSPENSION



From G-7275 To M-7767	Date:07/2024	X3PLB-16
-----------------------	--------------	----------

SUSPENSION

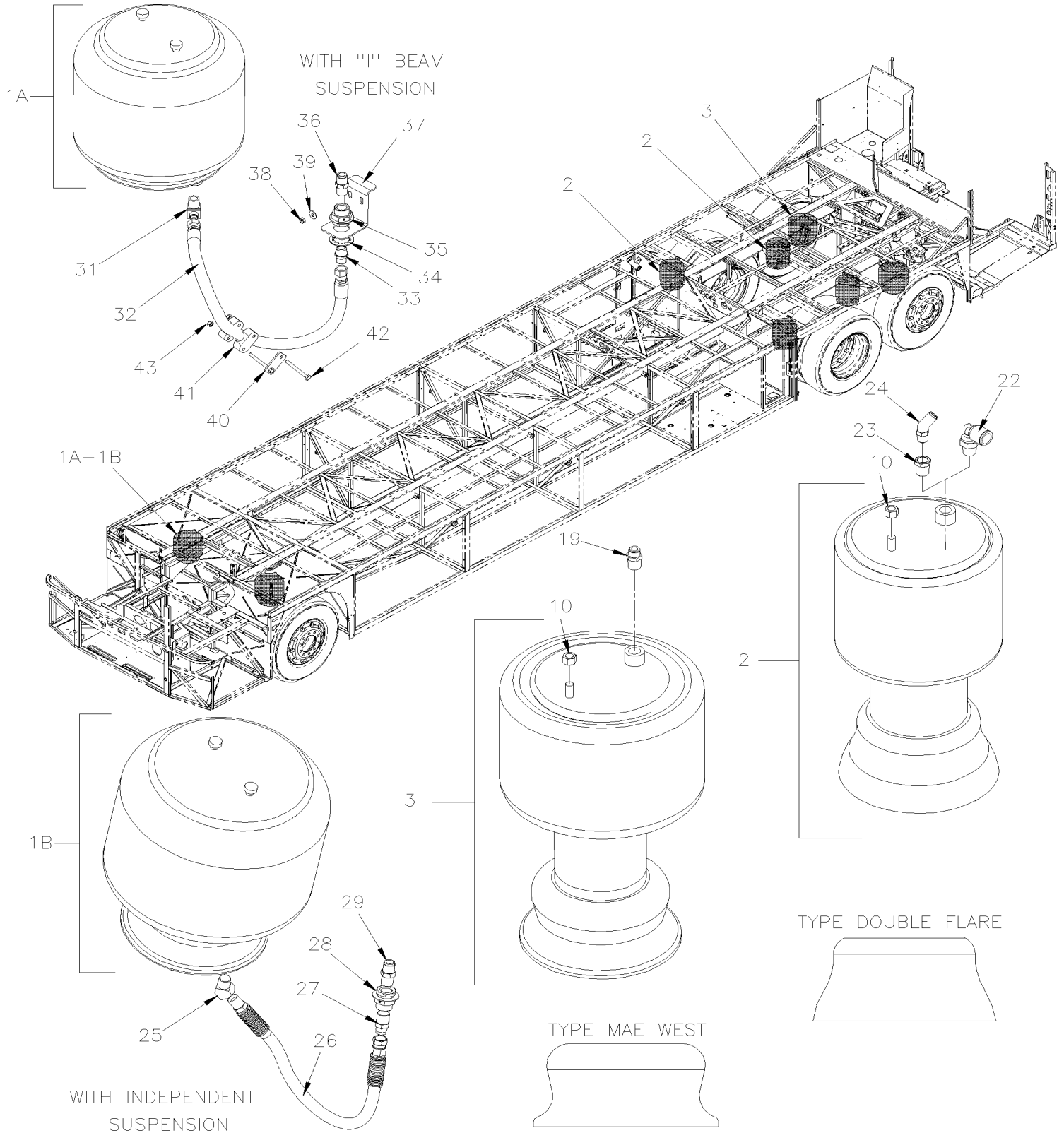
Item#	Part	Description	QTY	Notes
10	X3PLB-1601-00	BELLOWS - AIR SUSPENSION From G-7275 To M-7767		
15	X3PLB-1605-00	FRONT AXLE - INSTALL W/ I BEAM RIGID From G-7275 To M-7767		
20	X3PLB-1605-50	FRONT AXLE - INSTALL W/INDEPENDENT "NDIFS80P" / 19000LBS From G-7275 To M-7767		
25	X3PLB-1610-00	REAR AXLE - INSTALL SUSPENSION WITH MERITOR DRIVE AXLE From G-7275 To M-7767		
25	X3PLB-1610-10	REAR AXLE - INSTALL SUSPENSION WITH ZF DRIVE AXLE From G-7275 To M-7767		
30	X3PLB-1615-00	TAG AXLE - INSTALL SUSPENSION ONE PIECE From G-7275 To M-7767		
35	X3PLB-1615-10	TAG AXLE - LIFTING From G-7275 To M-7767		
40	X3PLB-1616-00	SWAY BAR WITH MERITOR DRIVE AXLE From G-7275 To M-7767		
40	X3PLB-1616-10	SWAY BAR WITH ZF DRIVE AXLE From G-7275 To M-7767		
45	X3PLB-1620-00	HEIGHT CONTROL VALVE From G-7275 To M-7767		
50	X3PLB-1620-10	HIGH-BUOY, LOW BUOY & "KNEELING" VALVE PNEUMATIC DIAGRAM From G-7275 To M-7767		
55	X3PLB-1630-00	FRONT KNEELING - CONTROL PANEL From G-7275 To M-7767		
60	X3PLB-1650-00	TAG UNLOAD - STABILISATOR From G-7275 To M-7767		

From G-7275 To M-7767

Date:07/2024

PAGE:X3PLB-1601-00

BELLOWS - AIR SUSPENSION



From G-7275 To M-7767	Date:07/2024	PAGE:X3PLB-1601-00
BELLOWS - AIR SUSPENSION		

Item#	Part	Description	QTY	Notes
		... FRONT AXLE BELLOW		
1A	630285	BELLOW ASSY / MODEL 1400 M.W.	2	R
1B	630280	BELLOW ASSY / MODEL 1400 M.W. / 19000lbs	2	I
		... DRIVE AXLE BELLOW		
2	630260	BELLOW ASSY / MODEL 1100 D.F.	4	
		... TAG AXLE BELLOW		
3	630286	BELLOW ASSY / MODEL 1200 M.W.	2	
10	500276	NUT HEX STO 1/2-13 N500	AR	
19	641382	MALE CONNECTOR / PUSH-IN FITTING / #6x1/2NPT-M BR	1	
22	642179	MALE ELBOW 90° NON-SWIVEL / PUSH-IN FITTING / #6 x1/2NPT-M COMPOSITE	2	
23	501534	BUSHING REDUCER / PIPE FITTING / 1/2NPT-Mx3/8NPT-F BR	2	
24	641367	MALE ELBOW 45° NON-SWIVEL / PUSH-IN FITTING / #6x3/8NPT-M BR	2	
25	501528	STREET ELBOW 45° / PIPE FITTING / 1/2NPT-Mx1/2NPT-F BR	2	I
26	642153	HOSE ASSY / #8 22"	2	I
27	501616	MALE CONNECTOR / SAE 45° FITTING / #8FL-Mx1/2NPT-M BR	2	I
28	501796	BULKHEAD COUPLING / PIPE FITTING / 1/2NPT-Fx1/2NPT-Fx1 1/2 BR	2	I
29	641383	MALE CONNECTOR / PUSH-IN FITTING / #8x1/2NPT-M BR	2	I
31	501719	MALE ELBOW 90° / JIC 37° FITTING / #8JIC-Mx1/2NPT-M BR	2	R
32	145293P	HOSE ASSY / #8 727MM	2	R
33	501739	MALE CONNECTOR / JIC 37° FITTING / #8JIC-Mx1/2NPT-M STL	2	R
34	500979	WASHER LO INT 1.144x1.830x.067 Z050	2	R
35	501796	BULKHEAD COUPLING / PIPE FITTING / 1/2NPT-Fx1/2NPT-Fx1 1/2 BR	2	R
36	641383	MALE CONNECTOR / PUSH-IN FITTING / #8x1/2NPT-M BR To J-7504	2	R
37	132056	SUPPORT	2	R
37	130028	SUPPORT From J-7505	2	R
38	5001182	NUT HEX NYRT M6-1.0 SS	4	R
39	500411	WASHER FL .260x.697x.050 SS	4	R
40	504614	PLATE RETAINING / COLLAR	2	R
41	504612	COLLAR 13/16" I.D. / TO FIX HOSE To H-7416	4	R
41	140079	HALF COLLAR 44MM I.D. / TO FIX HOSE From H-7417	8	R
42	5001681	SCREW CAP HEX M6-1.0x60 SS	4	R
43	502860	NUT HEX STO M6-1.0 N500	4	R

From G-7275 To M-7767		Date:07/2024	PAGE:X3PLB-1601-00
-----------------------	--	--------------	--------------------

BELLOWS - AIR SUSPENSION

Item#	Part	Description	QTY	Notes
		I) WITH INDEPENDENT SUSPENSION		
		R) WITH I BEAM RIGID SUSPENSION		

From G-7275 To M-7767	Date:07/2024	PAGE:X3PLB-1605-00
FRONT AXLE - INSTALL W/ I BEAM RIGID		

Item#	Part	Description	QTY	Notes
1B	611488	SUPPORT ASSY L.H. BELLOW To L-7741	1	
1B	110146	SUPPORT ASSY L.H. BELLOW From L-7742 To M-7787	1	
1B	118920	SUPPORT ASSY L.H. BELLOW From M-7788	1	
2B	611489	SUPPORT ASSY R.H. BELLOW To L-7741	1	
2B	110148	SUPPORT ASSY R.H. BELLOW From L-7742 To M-7787	1	
2B	118922	SUPPORT ASSY R.H. BELLOW From M-7788	1	
3	611484	SUPPORT RADIUS ROD To L-7741	2	
3	110144	SUPPORT RADIUS ROD From L-7742 To M-7787	2	
3	118918	SUPPORT RADIUS ROD From M-7788	2	
4	5001907	SCREW SET HEXS CUP M16-2x25 N500	2	
5	621879	ROD ASSY / 889MM	1	
. NS	621891	. BALL PIN BUSHING / REPAIR KIT 70MM O.D.	1	
. NS	621892	. BALL PIN BUSHING / REPAIR KIT 70MM O.D. / 130MM C/C	1	
6	5001909	SCREW CAP HEX M22-2.5x80 G10.9 N500	8	
7	5001509	WASHER FL 23.0x39.0x4.0 ZP	8	
8	5002115	NUT HEX NYRT M22-2.5 G10 NX500	8	
9	505541	DOWEL PIN 1"x1"	2	
10	5001905	SCREW CAP HEX M20-2.5X150 G10.9 N500	4	
11	5001663	NUT HEX NYRT M20-2.5 G10 Z050	18	
12	5001897	STUD M20-2.5x70 G10.9 N500	4	
13	5001525	SCREW CAP HEX M20-2.5x100 G10.9 N500	10	
14	661219	SHIM "U" 0.79 x 39.5MM x 38MM x 20 i.d.	AR	
14	661101	SHIM "U" 1.52 x 39.5MM x 38MM x 20 i.d.	AR	
14	160993	SHIM "U" 3.175x 39.5MM x 38MM x 20 i.d.	AR	
14	661094	SHIM "U" 4.76 x 39.5MM x 38MM x 20 i.d.	AR	
14	160992	SHIM "U" 6.35 x 39.5MM x 38MM x 20 i.d.	AR	
14	163599	SHIM "U" 9.53 x 39.5MM x 38MM x 20 i.d.	AR	
15	5001899	SCREW CAP HEX M16-1.5x50 G10.9 N500	1	
16	621832	PULL PLUG DIA. 23MM	1	
17	630278	WASHER "NORD-LOCK" 17.0x25.4x3.4 YP	1	
20	621900	ROD ASSY / 594MM	4	
21	132002	SUPPORT HOSE LH	1	
22	504792	HOSE CLAMP / 1"9/16-2.5" SS / HAS-32	4	
23	132022	SUPPORT HOSE RH	1	
30	630288	SHOCK ABSORBER / SACHS	2	
31	630291	. BUSHING / RUBBER / (TWO PIECES) 1" x 1.005" I.D.	2	
35	131424	PIN W/TAPER ATTACHMENT M20-2.5	4	
36	5001153	WASHER CON 25.5x50.0x4.5 ZP	4	
38	5001152	WASHER CON 21.0x50.0x4.5 ZP	4	
39	5001663	NUT HEX NYRT M20-2.5 G10 Z050	2	
50	X3PLB-1601-00	BELLOWS - AIR SUSPENSION		
51	X3PLB-1005-00	FRONT AXLE - I BEAM RIGID MODEL "S84U" To K-7582		

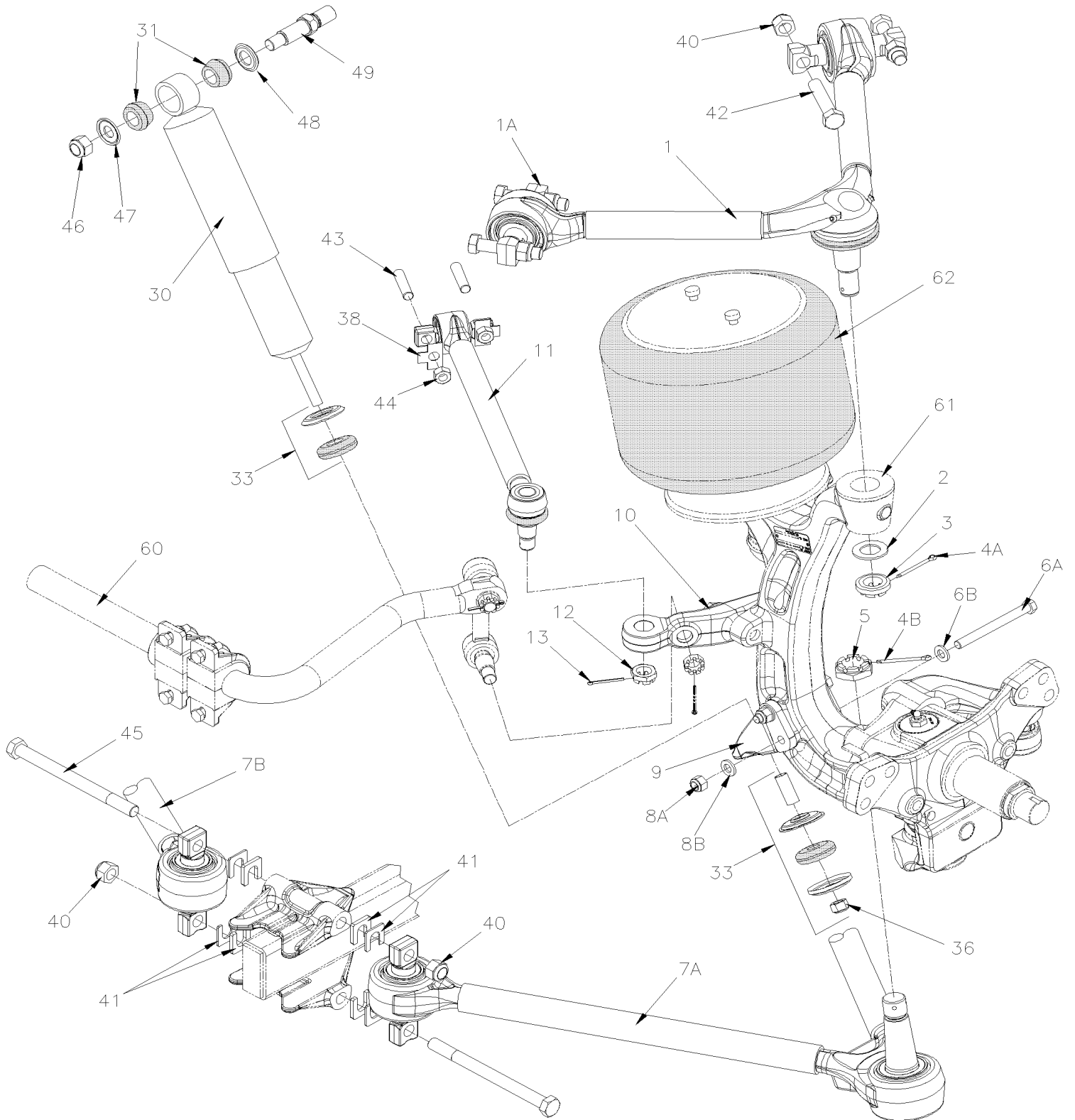
From G-7275 To M-7767		Date:07/2024	PAGE:X3PLB-1605-00	
FRONT AXLE - INSTALL W/ I BEAM RIGID				
Item#	Part	Description	QTY	Notes
51	X3PLB-1005-01	FRONT AXLE - I BEAM RIGID MODEL "S84U" From K-7583		
52	X3PLB-1225-10	BRAKE CHAMBER - FRONT AXLE TYPE 24		

From G-7275 To M-7767

Date:07/2024

PAGE:X3PLB-1605-50

FRONT AXLE - INSTALL W/INDEPENDENT "NDIFS80P" / 19000LBS



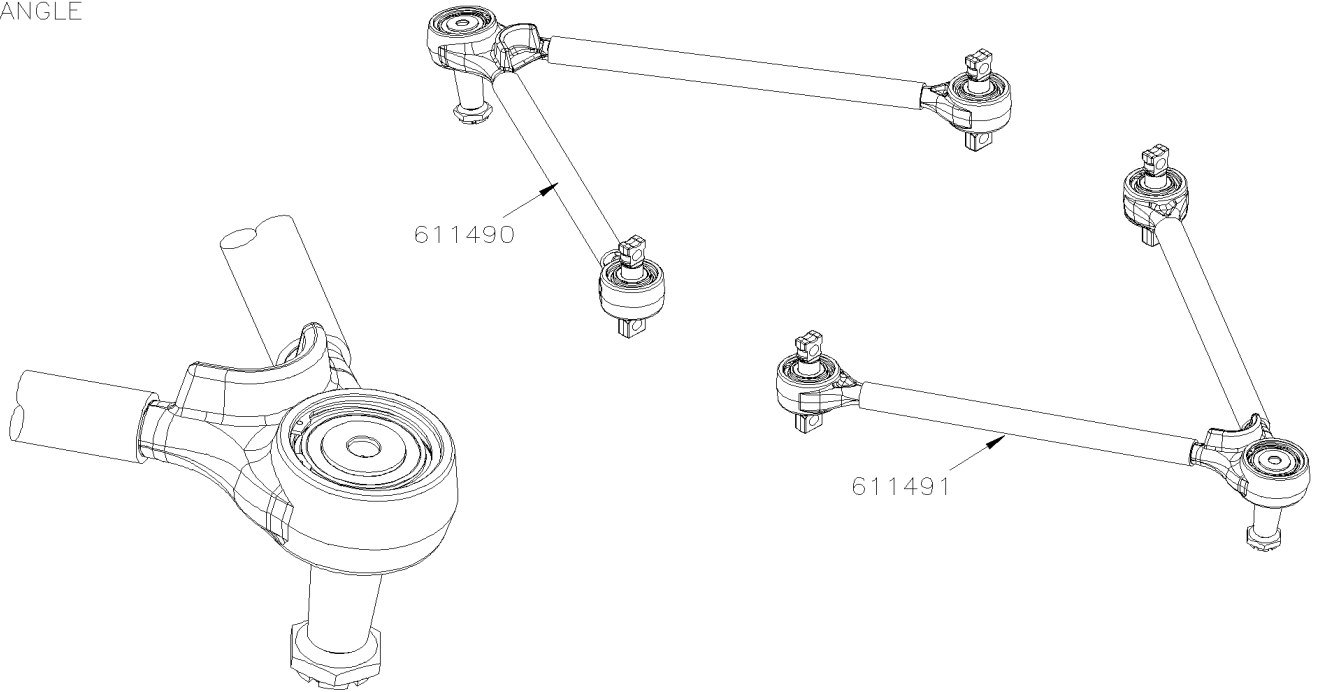
From G-7275 To M-7767

Date:07/2024

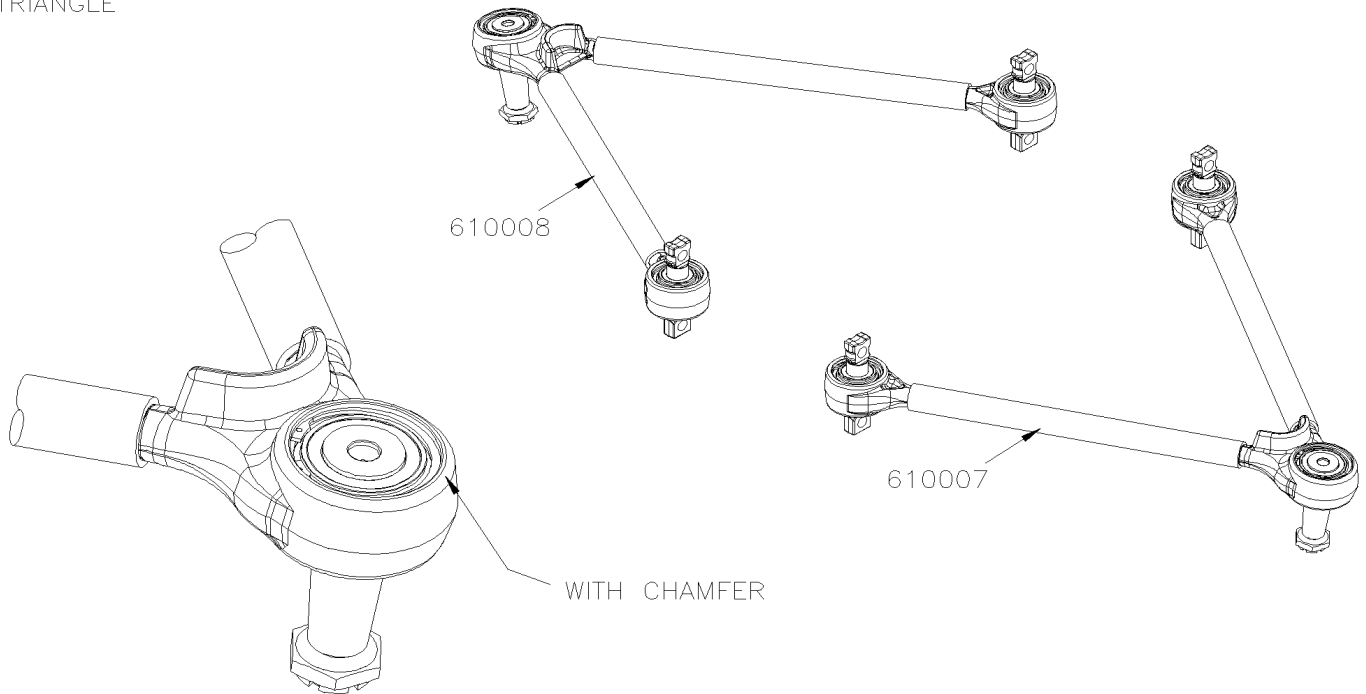
PAGE:X3PLB-1605-50

FRONT AXLE - INSTALL W/INDEPENDENT "NDIFS80P" / 19000LBS

OLD TRIANGLE



NEW TRIANGLE



From G-7275 To M-7767	Date:07/2024	PAGE:X3PLB-1605-50
FRONT AXLE - INSTALL W/INDEPENDENT "NDIFS80P" / 19000LBS		

Item#	Part	Description	QTY	Notes
1	611270	UPPER ARM ASSY / L.H. & R.H.	2	
. A	611346	. BUSHING BAR PIN / 20MM 150mm c/c 85MM O.D. x 72MM wide	2	
. A1	611358	. BUSHING BAR PIN / 20MM 150mm c/c 85MM O.D. x 72MM wide	2	
2	5001255	WASHER FL 31.75x54.77x3.175	2	
3	5001321	NUT HEX CSL M30-1.5 17TH CJ	2	
4A	502115	PIN, COTTER 3/16 x 2 1/2 To H-7349	4	
4A	502115	PIN, COTTER 3/16 x 2 1/2 From H-7350	2	
4B	502109	PIN, COTTER 6.3MM x 71MM Z50 From H-7350	2	
5	5001333	NUT HEX CSL M36-1.5 17TH CJ	2	
6A	5001993	SCREW CAP HEX M14-2.0x140 G10.9 PT N500 To H-7428	2	
6A	5002000	SCREW CAP HEX M14-2.0x150 G10.9 PT N500 From H-7429	2	
6B	5001995	WASHER FL 15.0x28.0x3.5 N500	2	
7A	611490	LOWER ARM ASSY / R.H / 19K To H-7370	1	
. NS	611477	. BUSHING BAR PIN / REPAIR KIT To H-7370	2	
. NS	611478	. BALL ASSY / REPAIR KIT To H-7370	1	
7A	610008	LOWER ARM ASSY / R.H / 19K From H-7371	1	
. NS	610009	. BUSHING BAR PIN / REPAIR KIT FRAME SIDE From H-7371	2	
. NS	610010	. BALL ASSY / REPAIR KIT WHEEL SIDE From H-7371	1	
7B	611491	LOWER ARM ASSY / L.H / 19K To H-7370	1	
. NS	611477	. BUSHING BAR PIN / REPAIR KIT To H-7370	2	
. NS	611478	. BALL ASSY / REPAIR KIT To H-7370	1	
7B	610007	LOWER ARM ASSY / L.H / 19K From H-7371	1	
. NS	610009	. BUSHING BAR PIN / REPAIR KIT FRAME SIDE From H-7371	2	
. NS	610010	. BALL ASSY / REPAIR KIT WHEEL SIDE From H-7371	1	
8A	5001994	NUT HEX NYRT M14-2.0 NX500	2	
8B	5001995	WASHER FL 15.0x28.0x3.5 N500	2	
9	110819	ATTACHMENT / SHOCK ABSORBER LH To H-7428	1	
9	110820	ATTACHMENT / SHOCK ABSORBER RH To H-7428	1	
9	110821	ATTACHMENT / SHOCK ABSORBER From H-7429	2	
10	612380	UPRIGHT ARM L.H	1	
10	612381	UPRIGHT ARM R.H	1	
11	661111	ROD ASSY / 5TH / W/58 Deg	2	
12	5001325	. NUT HEX CSL M24-1.5 15TH CJ	1	
13	661215	. PIN, COTTER 5MMx40MM	1	
30	630287	SHOCK ABSORBER / SACHS To H-7311	2	
. NS	630255	. KIT WASHER & RUBBER BUSHING To H-7311	1	
. NS	630291	. BUSHING / RUBBER / (TWO PIECES) 1" x 1.005" I.D. To H-7311	1	
30	630292	SHOCK ABSORBER / SACHS From H-7312	2	M
. NS	630255	. KIT WASHER & RUBBER BUSHING From H-7312	1	M
. NS	630291	. BUSHING / RUBBER / (TWO PIECES) 1" x 1.005" I.D. From H-7312	1	M
31	630291	. BUSHING / RUBBER / (TWO PIECES) 1" x 1.005" I.D.	2	
33	630255	. KIT WASHER & RUBBER BUSHING	2	

From G-7275 To M-7767	Date:07/2024	PAGE:X3PLB-1605-50
FRONT AXLE - INSTALL W/INDEPENDENT "NDIFS80P" / 19000LBS		

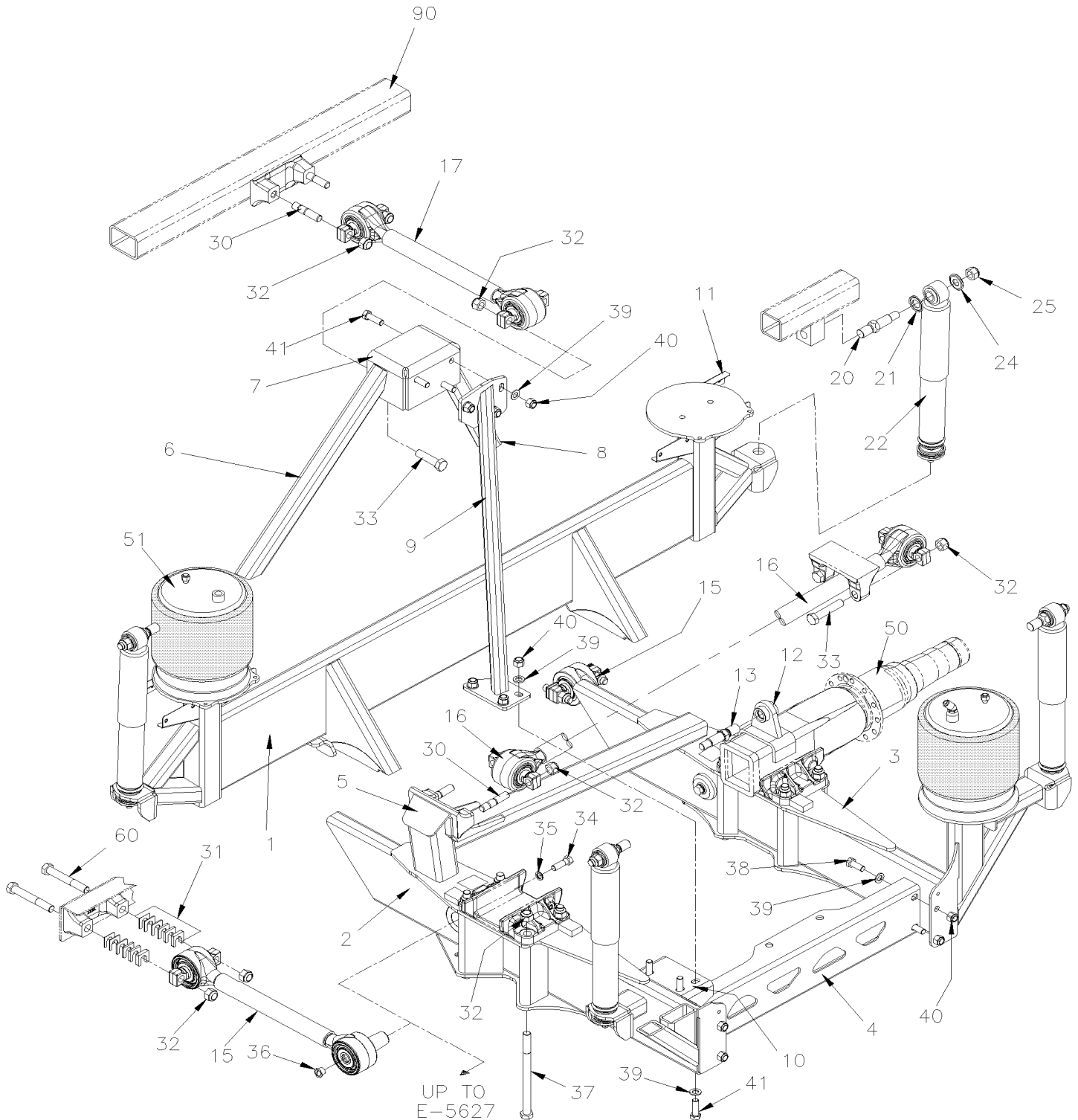
Item#	Part	Description	QTY	Notes
36	5001579	. NUT HEX NYRT M16-1.5 Z050	2	
38	161176	TAB LOCK W/1 HOLE 17MM I.D. To H-7390	4	
38	131961	TAB LOCK From H-7391	4	
40	5001663	NUT HEX NYRT M20-2.5 G10 Z050	12	
41	661219	SHIM "U" 0.79 x 39.5MM x 38MM x 20 i.d.	AR	
41	661101	SHIM "U" 1.52 x 39.5MM x 38MM x 20 i.d.	AR	
41	160993	SHIM "U" 3.175x 39.5MM x 38MM x 20 i.d.	AR	
41	661094	SHIM "U" 4.76 x 39.5MM x 38MM x 20 i.d.	AR	
41	160992	SHIM "U" 6.35 x 39.5MM x 38MM x 20 i.d.	AR	
41	163599	SHIM "U" 9.53 x 39.5MM x 38MM x 20 i.d.	AR	
42	5001525	SCREW CAP HEX M20-2.5x100 G10.9 N500	4	
43	130963	STUD M16-2.0x70 To H-7390	4	
43	5000308	STUD M16-2.0x50 G10.9 N500 From H-7391	4	
44	502588	NUT HEX M16-2.0 ZP To H-7390	4	
44	5001662	NUT HEX NYRT M16-2.0 G10 Z050 From H-7391	4	
45	5001561	SCREW CAP HEX M20-2.5x250 G10.9 ZP	8	
46	5001663	NUT HEX NYRT M20-2.5 G10 Z050	2	
47	5001152	WASHER CON 21.0x50.0x4.5 ZP	2	
48	5001153	WASHER CON 25.5x50.0x4.5 ZP	2	
49	131424	PIN W/TAPER ATTACHMENT M20-2.5	2	
NS	682175	UNDERCOATING BLACK PROTECTOR (GRAVELGUARD) 567gr To N-7995	AR	
NS	685413	RUBBERIZED UNDERCOAT (GRAVELGUARD) 560gr From N-7996	AR	
60	X3PLB-1616-00	SWAY BAR WITH MERITOR DRIVE AXLE		
61	X3PLB-1005-50	FRONT AXLE - INDEPENDENT MODEL "NDIFS80P" / 19000LBS		
62	X3PLB-1601-00	BELLOWS - AIR SUSPENSION		
		M) METAL SLEEVE FROM KIT 630255 NOT USED		

From G-7275 To M-7767

Date:07/2024

PAGE:X3PLB-1610-00

REAR AXLE - INSTALL SUSPENSION WITH MERITOR DRIVE AXLE



From G-7275 To M-7767	Date:07/2024	PAGE:X3PLB-1610-00
REAR AXLE - INSTALL SUSPENSION WITH MERITOR DRIVE AXLE		

Item#	Part	Description	QTY	Notes
	Call order desk	REAR DIFFERENTIAL CARRIER ASSY WELDED	1	P
1	122053	. FRONT FRAME ASSY / W/AXLE	1	
2	121967	. BEAM ASSY / L.H.	1	
3	121968	. BEAM ASSY / R.H.	1	
4	122000	. CROSS MEMBER ASSY	1	
5	121990	. PANHARD ATTACHMENT, CARRIER FRAME To P-8064	1	
5	120115	PANHARD ATTACHMENT, CARRIER FRAME From P-8065	1	
6	121998	BRACE / FRONT L.H.	1	
7	122065	TOP TRIPOD ASSY WELDED	1	
8	121997	BRACE / FRONT R.H.	1	
9	121980	TRIPOD ASSY WELDED	1	
10	122023	PLATE SUPPORT	1	
11	122013	ACTUATOR SUPPORT / TO FIX LINK / (WELDED)	2	
12	121467	ATTACHMENT PIN SWAY BAR / (WELDED TO HOUSING)	2	
13	131522	PIN W/TAPER ATTACHMENT M20-2.5 / SWAY-BAR	2	
15	621899	ROD ASSY / 594MM	2	
. NS	630275	. BALL PIN BUSHING / REPAIR KIT 85MM O.D.	1	
16	621873	ROD ASSY / 889MM	1	
. NS	621890	. BALL PIN BUSHING / REPAIR KIT 70MM O.D. / 130MM C/C	2	
17	621900	ROD ASSY / 594MM	1	
20	131424	PIN W/TAPER ATTACHMENT M20-2.5	4	
21	5001153	WASHER CON 25.5x50.0x4.5 ZP	4	
22	630289	SHOCK ABSORBER / DRIVE AXLE SACHS To H-7311	4	
. NS	630255	. KIT WASHER & RUBBER BUSHING To H-7311	1	
. NS	630291	. BUSHING / RUBBER / (TWO PIECES) 1" x 1.005" I.D. To H-7311	1	
22	630294	SHOCK ABSORBER / SACHS From H-7312	4	M
. NS	630291	. BUSHING / RUBBER / (TWO PIECES) 1" x 1.005" I.D. From H-7312	1	M
. NS	630255	. KIT WASHER & RUBBER BUSHING From H-7312	1	M
24	5001152	WASHER CON 21.0x50.0x4.5 ZP	4	
25	5001663	NUT HEX NYRT M20-2.5 G10 Z050	4	
30	5001897	STUD M20-2.5x70 G10.9 N500	4	
31	661219	SHIM "U" 0.79 x 39.5MM x 38MM x 20 i.d.	AR	
31	661101	SHIM "U" 1.52 x 39.5MM x 38MM x 20 i.d.	AR	
31	161351	SHIM "U" 2.28 x 39.5MM x 38MM x 20 i.d.	AR	
31	160993	SHIM "U" 3.175x 39.5MM x 38MM x 20 i.d.	AR	
31	661094	SHIM "U" 4.76 x 39.5MM x 38MM x 20 i.d.	AR	
31	160992	SHIM "U" 6.35 x 39.5MM x 38MM x 20 i.d.	AR	
31	163599	SHIM "U" 9.53 x 39.5MM x 38MM x 20 i.d.	AR	
32	5001663	NUT HEX NYRT M20-2.5 G10 Z050	20	
33	5001225	SCREW CAP HEX M20-2.5x80 G10.9 G500	4	
34	5001899	SCREW CAP HEX M16-1.5x50 G10.9 N500	2	
35	630278	WASHER "NORD-LOCK" 17.0x25.4x3.4 YP	2	

From G-7275 To M-7767	Date:07/2024	PAGE:X3PLB-1610-00
REAR AXLE - INSTALL SUSPENSION WITH MERITOR DRIVE AXLE		

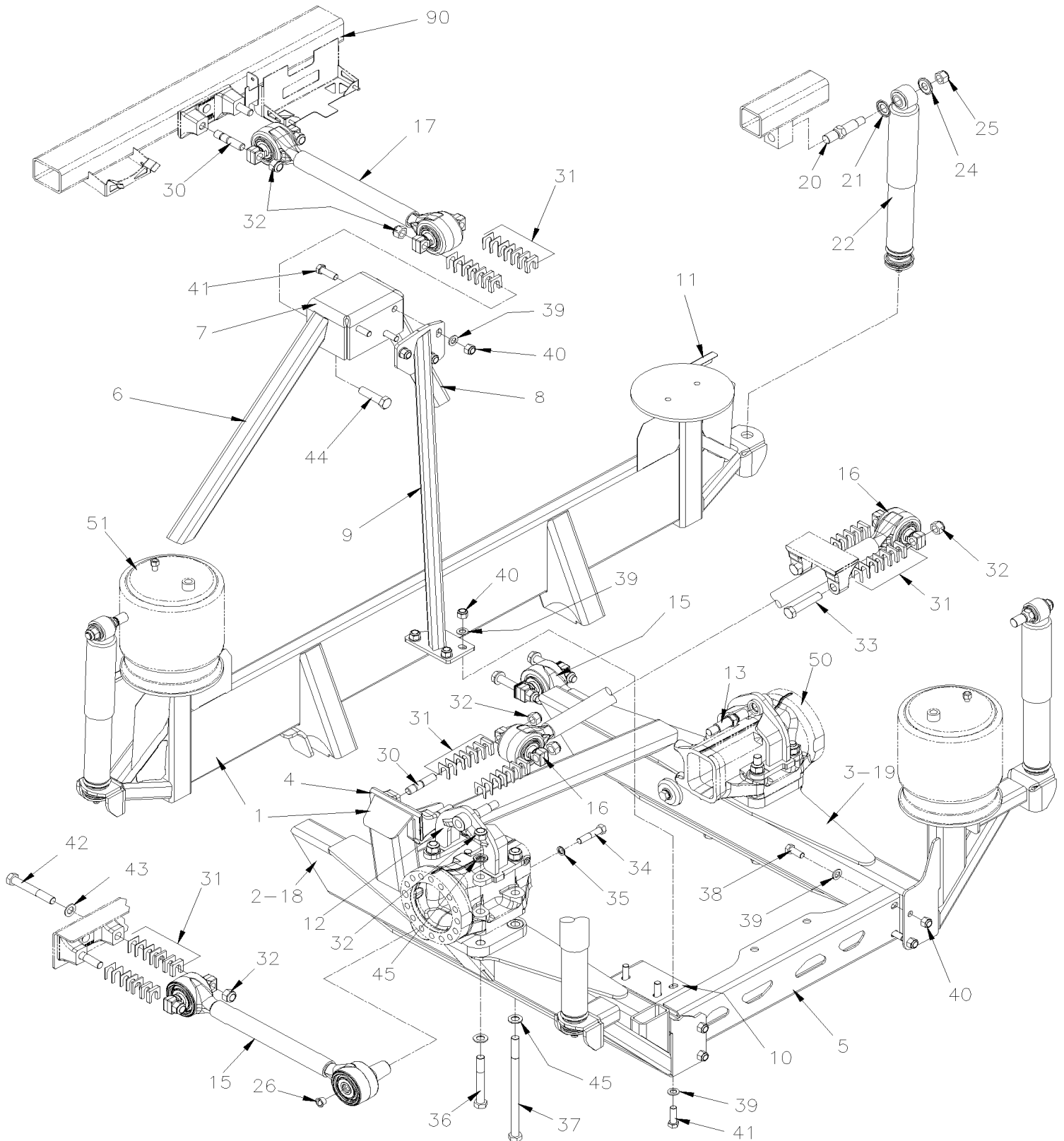
Item#	Part	Description	QTY	Notes
36	621832	PULL PLUG DIA. 23MM	2	
37	5001898	SCREW CAP HEX M20-2.5x275 G10.9 N500	8	
38	5001590	SCREW CAP HEX M16-2.0x40 G10.9 N500	4	
39	5001150	WASHER FL 17.0x30.0x3.0 N500	13	
40	5001662	NUT HEX NYRT M16-2.0 G10 Z050	10	
41	5001372	SCREW CAP HEX M16-2.0x50 G10.9 N500	6	
NS	680038	THREAD LOCKER LOCTITE #243 / BLUE / 50ml	AR	
NS	688910	THREAD LOCKER LOCTITE #262 / RED / 250ml	AR	
NS	680098	THREAD SEALANT LOCTITE #567 / WHITE / 250ml	AR	
NS	680064	OIL ANTICOROSIVE GREY (TECTYL) (20 LITERS)	AR	
NS	682175	UNDERCOATING BLACK PROTECTOR (GRAVELGUARD) 567gr To N-7995	AR	
NS	685413	RUBBERIZED UNDERCOAT (GRAVELGUARD) 560gr From N-7996	AR	
50	X3PLB-1105-00	REAR AXLE - MODEL "RC23165"		
51	X3PLB-1601-00	BELLOWS - AIR SUSPENSION		
60	5001934	SCREW CAP HEX M20-2.5x140 G10.9 N500	4	
NS	502558	WASHER FL 21.0x37.0x3.0 G500	4	
90	178855	CROSSMEMBER REAR SUB-FRAM To J-7504	1	
90	170117	CROSSMEMBER REAR SUB-FRAM From J-7505 To P-8084	1	
90	174146	CROSSMEMBER REAR SUB-FRAM From P-8085	1	
		M) METAL SLEEVE FROM KIT 630255 NOT USED		
		P) CALL ORDER DESK FOR SPECIFIC APPLICATION (V.I.N.)		

From G-7275 To M-7767

Date:07/2024

PAGE:X3PLB-1610-10

REAR AXLE - INSTALL SUSPENSION WITH ZF DRIVE AXLE



From G-7275 To M-7767	Date:07/2024	PAGE:X3PLB-1610-10
REAR AXLE - INSTALL SUSPENSION WITH ZF DRIVE AXLE		

Item#	Part	Description	QTY	Notes
1	122095	REAR DIFFERENTIAL CARRIER ASSY WELDED To P-8064	1	
1	120116	REAR DIFFERENTIAL CARRIER ASSY WELDED From P-8065	1	
2	N.S.S.	. BEAM ASSY / L.H.	1	1
3	N.S.S.	. BEAM ASSY / R.H.	1	1
4	N.S.S.	. RADIUS ROD ANCHOR To P-8064	1	1
4	174143	. RADIUS ROD ANCHOR From P-8065	1	
5	122033	CROSS MEMBER	1	
6	122071	BRACE / FRONT L.H.	1	
7	122065	TOP TRIPOD ASSY WELDED	1	
8	122070	BRACE / FRONT R.H.	1	
9	122058	TRIPOD ASSY WELDED	1	
10	122037	PLATE SUPPORT	1	
11	122055	ACTUATOR SUPPORT / TO FIX LINK / (WELDED)	2	
12	122059	ATTACHMENT PIN SWAY BAR	2	
13	131522	PIN W/TAPER ATTACHMENT M20-2.5 / SWAY-BAR	2	
15	621899	ROD ASSY / 594MM	2	
. NS	630275	. BALL PIN BUSHING / REPAIR KIT 85MM O.D.	1	
16	621873	ROD ASSY / 889MM	1	
. NS	621890	. BALL PIN BUSHING / REPAIR KIT 70MM O.D. / 130MM C/C	2	
17	621900	ROD ASSY / 594MM	1	
18	505545	DOWEL PIN 20MMx50MM	1	
19	505546	SHAFT KEY 20MMx12MMx40MM	1	
20	131424	PIN W/TAPER ATTACHMENT M20-2.5	4	
21	5001153	WASHER CON 25.5x50.0x4.5 ZP	4	
22	630294	SHOCK ABSORBER / SACHS	4	M
. NS	630291	. BUSHING / RUBBER / (TWO PIECES) 1" x 1.005" I.D.	1	M
. NS	630255	. KIT WASHER & RUBBER BUSHING	1	M
24	5001152	WASHER CON 21.0x50.0x4.5 ZP	4	
25	5001663	NUT HEX NYRT M20-2.5 G10 Z050	4	
26	621832	PULL PLUG DIA. 23MM	2	
30	5001897	STUD M20-2.5x70 G10.9 N500	4	
31	661219	SHIM "U" 0.79 x 39.5MM x 38MM x 20 i.d.	AR	
31	661101	SHIM "U" 1.52 x 39.5MM x 38MM x 20 i.d.	AR	
31	161351	SHIM "U" 2.28 x 39.5MM x 38MM x 20 i.d.	AR	
31	160993	SHIM "U" 3.175x 39.5MM x 38MM x 20 i.d.	AR	
31	661094	SHIM "U" 4.76 x 39.5MM x 38MM x 20 i.d.	AR	
31	160992	SHIM "U" 6.35 x 39.5MM x 38MM x 20 i.d.	AR	
31	163599	SHIM "U" 9.53 x 39.5MM x 38MM x 20 i.d.	AR	
32	5001663	NUT HEX NYRT M20-2.5 G10 Z050	20	
33	5001525	SCREW CAP HEX M20-2.5x100 G10.9 N500	2	
34	5001959	SCREW CAP HEX M16-1.5x75 G10.9 N500	1	
35	630278	WASHER "NORD-LOCK" 17.0x25.4x3.4 YP	2	

From G-7275 To M-7767	Date:07/2024	PAGE:X3PLB-1610-10
REAR AXLE - INSTALL SUSPENSION WITH ZF DRIVE AXLE		

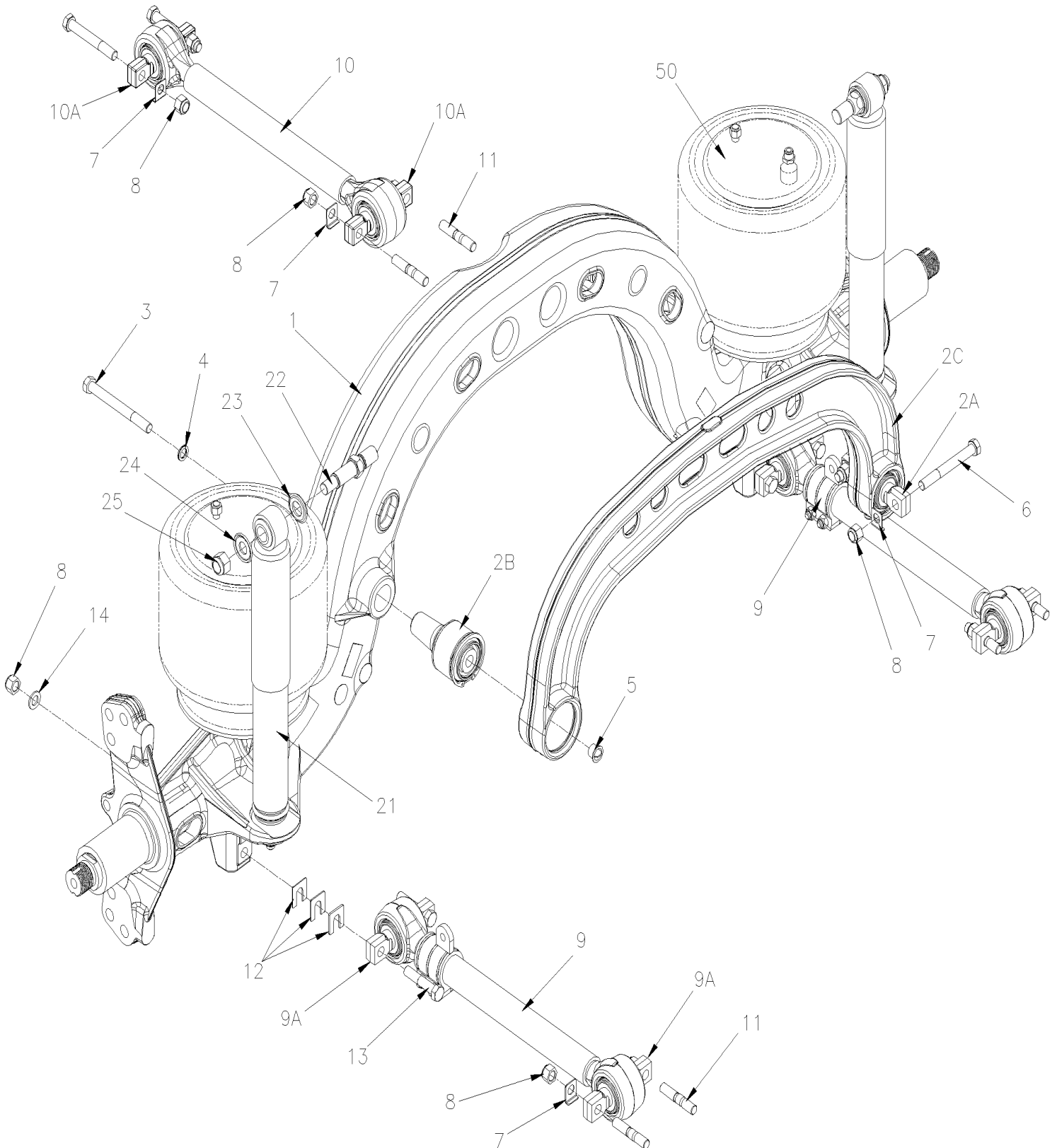
Item#	Part	Description	QTY	Notes
36	5001905	SCREW CAP HEX M20-2.5X150 G10.9 N500	4	
37	5001960	SCREW CAP HEX M20-2.5X340 G10.9 N500	4	
38	5001590	SCREW CAP HEX M16-2.0x40 G10.9 N500	4	
39	5001150	WASHER FL 17.0x30.0x3.0 N500	13	
40	5001662	NUT HEX NYRT M16-2.0 G10 Z050	10	
41	5001372	SCREW CAP HEX M16-2.0x50 G10.9 N500	6	
42	5001934	SCREW CAP HEX M20-2.5x140 G10.9 N500	4	
43	502558	WASHER FL 21.0x37.0x3.0 G500	4	
44	5001225	SCREW CAP HEX M20-2.5x80 G10.9 G500	2	
45	611044	WASHER FL HARD 21.0x37.0x3.0 N500	16	
NS	680038	THREAD LOCKER LOCTITE #243 / BLUE / 50ml	AR	
NS	688910	THREAD LOCKER LOCTITE #262 / RED / 250ml	AR	
NS	680098	THREAD SEALANT LOCTITE #567 / WHITE / 250ml	AR	
NS	680064	OIL ANTICORROSIVE GREY (TECTYL) (20 LITERS)	AR	
NS	682175	UNDERCOATING BLACK PROTECTOR (GRAVELGUARD) 567gr To N-7995	AR	
NS	685413	RUBBERIZED UNDERCOAT (GRAVELGUARD) 560gr From N-7996	AR	
50	X3PLB-1105-10	REAR AXLE - MODEL "A132"		
51	X3PLB-1601-00	BELLOWS - AIR SUSPENSION		
90	178855	CROSSMEMBER REAR SUB-FRAM To J-7504	1	
90	170117	CROSSMEMBER REAR SUB-FRAM From J-7505 To P-8084	1	
90	174146	CROSSMEMBER REAR SUB-FRAM From P-8085	1	
		M) METAL SLEEVE FROM KIT 630255 NOT USED		
		1) NOT SOLD SEPARATELY		

From G-7275 To M-7767

Date:07/2024

PAGE:X3PLB-1615-00

TAG AXLE - INSTALL SUSPENSION ONE PIECE



From G-7275 To M-7767	Date:07/2024	PAGE:X3PLB-1615-00
TAG AXLE - INSTALL SUSPENSION ONE PIECE		

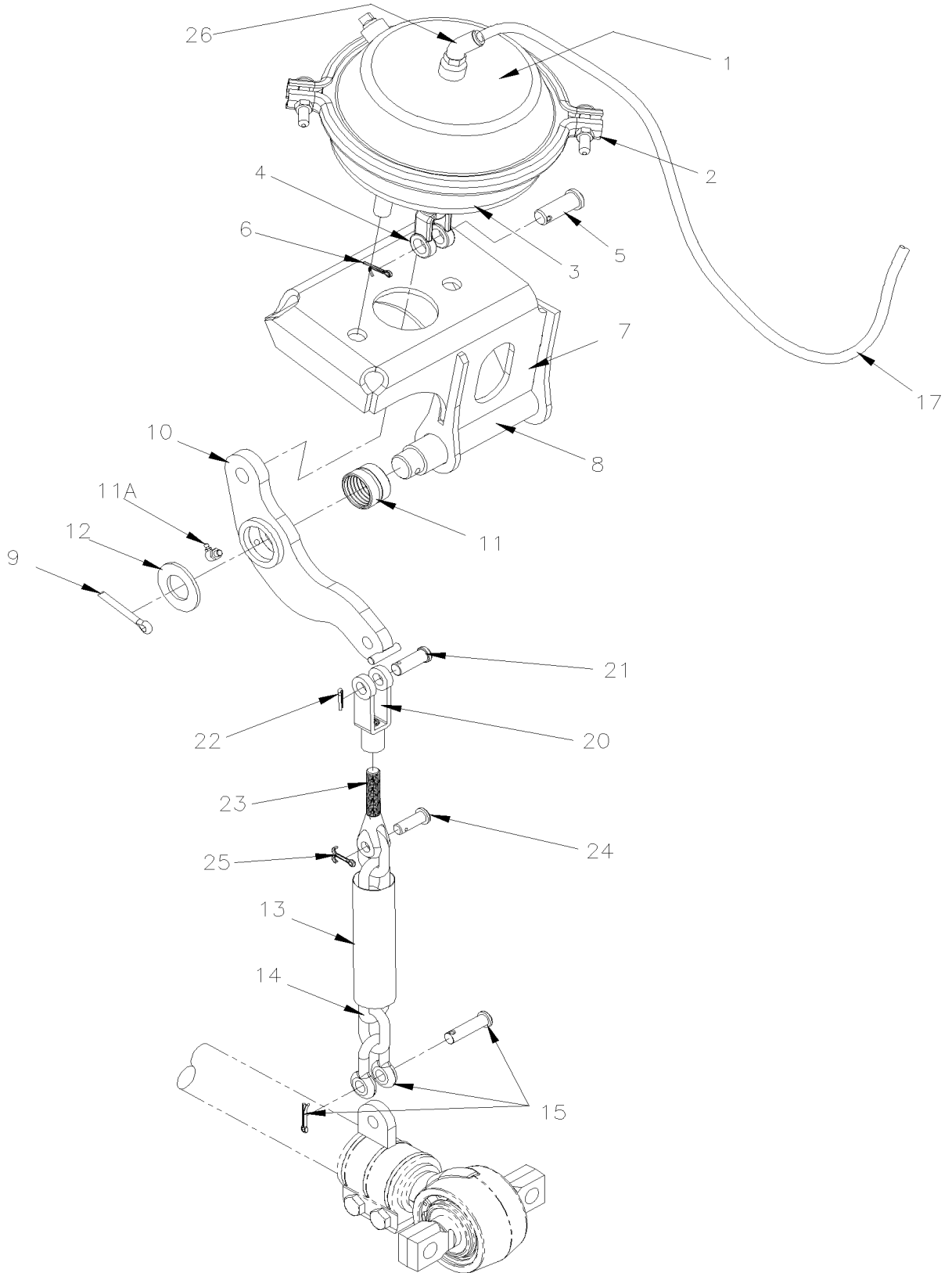
Item#	Part	Description	QTY	Notes
1	621808	TAG AXLE / FORGE	1	
2	630272	ROD ASSY WITH / 35" C/C (889MM) / CASTING	1	
. A	630274	. BALL PIN BUSHING / REPAIR KIT 75MM O.D. / 130MM C/C	1	
. B	630275	. BALL PIN BUSHING / REPAIR KIT 85MM O.D.	1	
. C	630273	. ROD 35" C/C (889MM) / CASTING	1	
NS	G32952	TOOL REMOVER TAG PANHARD FROM AXLE	1	
3	5001795	SCREW CAP HEX M16-1.5x160 G10.9 N500	1	
4	630278	WASHER "NORD-LOCK" 17.0x25.4x3.4 YP	1	
5	621832	PULL PLUG DIA. 23MM	1	
6	5001828	SCREW CAP HEX M16-2.0x140 G10.9 N500	2	
7	131961	TAB LOCK	10	
8	5001662	NUT HEX NYRT M16-2.0 G10 Z050	14	
9	621803	ROD ASSY / 23.38" (594.1MM) / 130MM / M16	2	
. A	630274	. BALL PIN BUSHING / REPAIR KIT 75MM O.D. / 130MM C/C	2	
10	621806	ROD ASSY / 23.38" (594.1MM) / 130MM / M16	1	
. A	630274	. BALL PIN BUSHING / REPAIR KIT 75MM O.D. / 130MM C/C	2	
11	5001867	STUD M16-2.0x60 G10.9 N500 To H-7390	6	
11	5000308	STUD M16-2.0x50 G10.9 N500 From H-7391	6	
12	661220	SHIM "U" 0.79 x39.5MM x 38MM x17 i.d.	AR	
12	621830	SHIM "U" 1.59 x 39.5MM x 38MM x17 i.d.	AR	
12	161352	SHIM "U" 2.28 x39.5MM x 38MM x17 i.d.	AR	
12	621831	SHIM "U" 3.175 x39.5MM x 38MM x17 i.d.	AR	
13	5001830	SCREW CAP HEX M16-2.0x80 G10.9 N500	4	
14	5001722	WASHER FL 17.0x30.0x3.0 SS	4	
15	5001827	SCREW CAP HEX M16-2.0x120 G10.9 N500	2	
21	630290	SHOCK ABSORBER / TAG AXLE SACHS To H-7311	2	
. NS	630255	. KIT WASHER & RUBBER BUSHING To H-7311	1	
. NS	630257	. BUSHING / RUBBER / (TWO PIECES) 1" x 1.005" I.D. To H-7311	1	
21	630295	SHOCK ABSORBER / SACHS From H-7312	2	M
. NS	630255	. KIT WASHER & RUBBER BUSHING From H-7312	1	M
. NS	630291	. BUSHING / RUBBER / (TWO PIECES) 1" x 1.005" I.D. From H-7312	1	M
22	131424	PIN W/TAPER ATTACHMENT M20-2.5	1	
23	5001153	WASHER CON 25.5x50.0x4.5 ZP	2	
24	5001152	WASHER CON 21.0x50.0x4.5 ZP	2	
25	5001663	NUT HEX NYRT M20-2.5 G10 Z050	2	
NS	682175	UNDERCOATING BLACK PROTECTOR (GRAVELGUARD) 567gr To N-7995	AR	
NS	685413	RUBBERIZED UNDERCOAT (GRAVELGUARD) 560gr From N-7996	1	
50	X3PLB-1610-10	REAR AXLE - INSTALL SUSPENSION WITH ZF DRIVE AXLE		
		M) METAL SLEEVE FROM KIT 630255 NOT USED		

From G-7275 To M-7767

Date:07/2024

PAGE:X3PLB-1615-10

TAG AXLE - LIFTING



From G-7275 To M-7767	Date:07/2024	PAGE:X3PLB-1615-10
TAG AXLE - LIFTING		

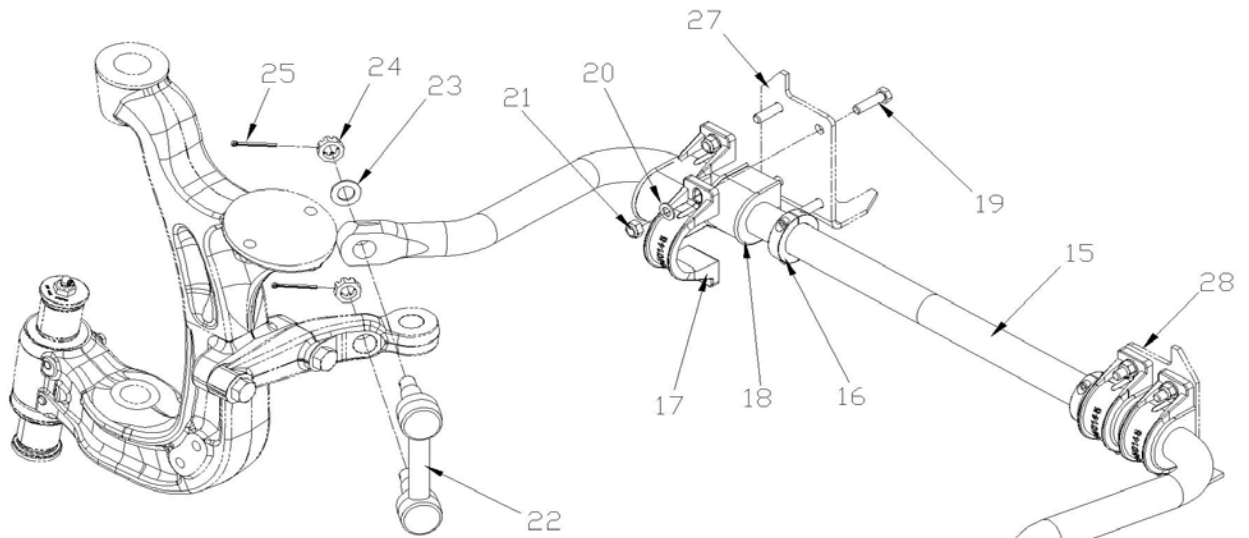
Item#	Part	Description	QTY	Notes
1	641425	BRAKE CHAMBER ASSY / TYPE 36	2	
2	641067	. CLAMP TYPE 36	1	
3	640979	. DIAPHRAGM / TYPE 36	1	
3	641066	. BOOT RUBBER	1	
4	640130	. YOKE 5/8-18x1 3/8 C/Lx9/16Wx5/8	1	
5	502028	. . PIN, CLEVIS 5/8 x 3/4	1	
6	502102	. . PIN, COTTER 1/8 x 1	1	
NS	641426	. SHIELD, ROD CENTER HOLE	1	
7	175144	BRACKET / R.H.	1	
7	175143	BRACKET / L.H.	1	
8	121724	PIVOT PIN	1	
9	502106	PIN, COTTER 1/4 x 2	1	
10	132004	LEVER ASSY	1	
11	131791	. BUSHING BRASS / W/GROOVE INSIDE 38.17 O.D. x 32.2 I.D. x 25.4	1	
11A	501500	. GREASE FITTING 90° / 1/4-28	1	
12	500456	WASHER FL 1.062x2.000x.134 Z050	1	
13	121123	TUBE COVERING CHAIN 290MM	1	
. NS	5001503	. TUBE, PVC / CLEAR / 1 1/2" I.D./ S.L.	AR	
14	121851	CHAIN / 210MM To G-7309	1	
14	121930	CHAIN / 243MM From H-7310	1	
15	505064	SHACKLE CHAIN 3/8	1	
17	503404	TUBE, NYLON 3/8 O.D. / BLACK S.L.	AR	
20	5021002	CLEVIS ROD END 1/2	1	
21	502035	PIN, CLEVIS 1/2 x 1 3/8 Z050	1	
22	502103	PIN, COTTER 1/8 x 2	1	
23	5021003	CLEVIS ROD END 7/16	1	
24	5021004	PIN, CLEVIS 7/16 x 1 1/4 ZP	1	
25	502102	PIN, COTTER 1/8 x 1	1	
26	641375	MALE ELBOW 90° NON-SWIVEL / PUSH-IN FITTING / #6x3/8NPT-M BR	1	

From G-7275 To M-7767

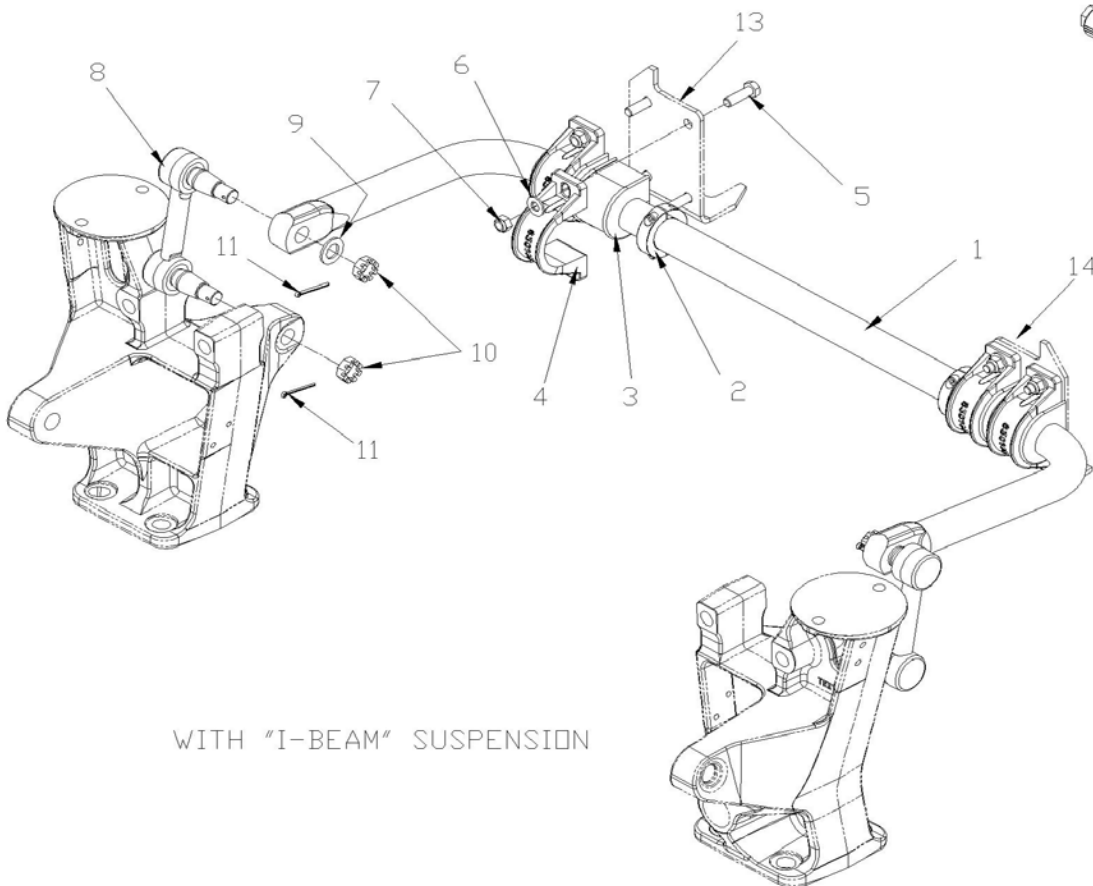
Date:07/2024

PAGE:X3PLB-1616-00

SWAY BAR WITH MERITOR DRIVE AXLE



WITH INDEPENDANTE SUSPENSION



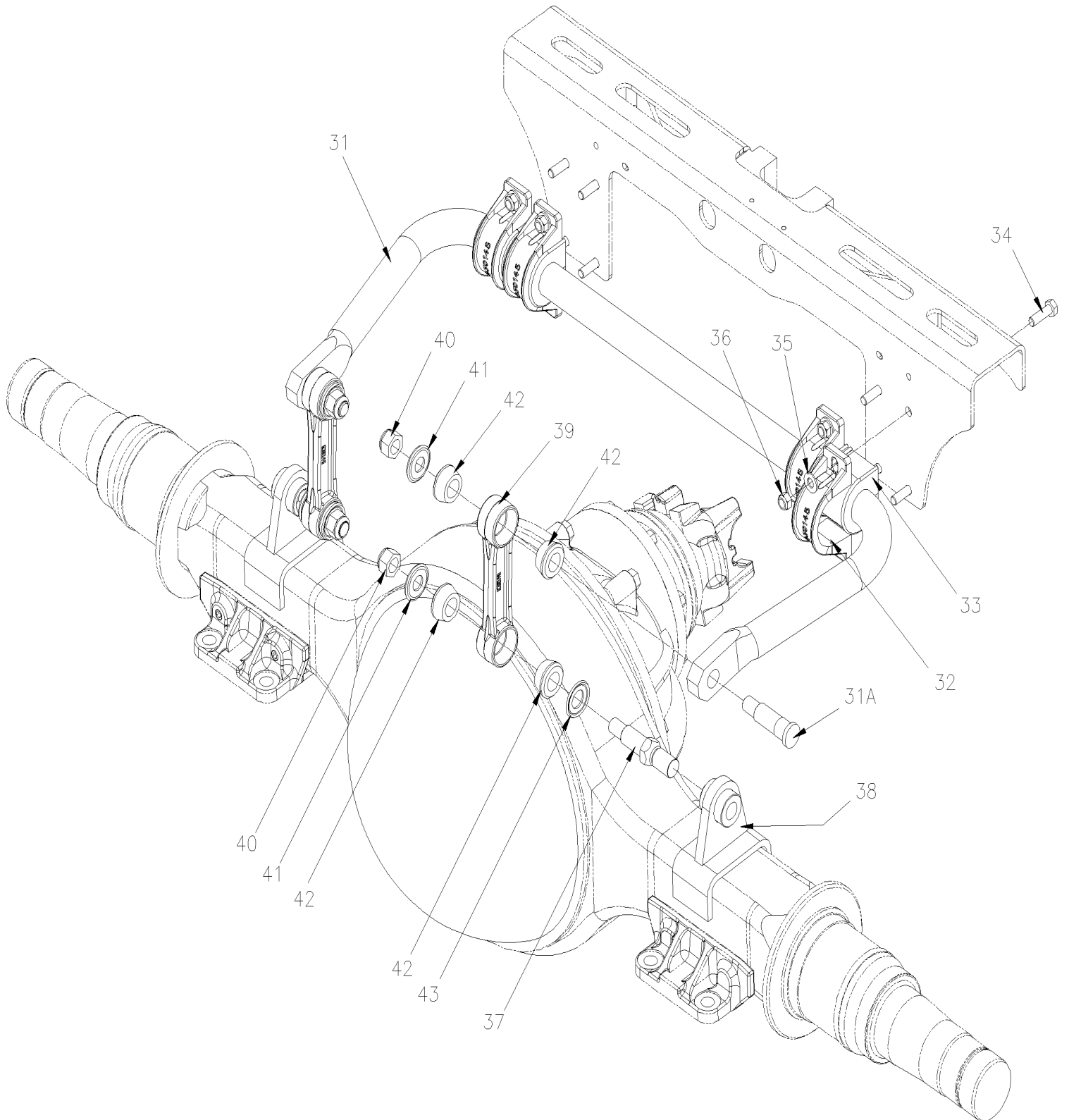
WITH "I-BEAM" SUSPENSION

From G-7275 To M-7767

Date:07/2024

PAGE:X3PLB-1616-00

SWAY BAR WITH MERITOR DRIVE AXLE



From G-7275 To M-7767	Date:07/2024	PAGE:X3PLB-1616-00
SWAY BAR WITH MERITOR DRIVE AXLE		

Item#	Part	Description	QTY	Notes
1	132008	SWAY BAR ASSY / 1 3/4" O.D. X 993MM To K-7563	1	F
1	130014	SWAY BAR ASSY / 45 MM O.D. x 993 MM From K-7564	1	F
2	563042	COLLAR 1 3/4" I.D.	2	F
3	630020	BUSHING / RUBBER / USE WITH SWAY BAR 1 3/4"	4	F
4	630145	COLLAR / IRON / 2x.472" HOLE 4 5/8 C/C	4	F
NS	130078	SERV. KIT SWAYBAR COLLAR 45MM 1,75" DI	1	
. NS	130076	. MACHINED NODULAR COLLAR	4	
. NS	630020	. BUSHING / RUBBER / USE WITH SWAY BAR 1 3/4"	4	
. NS	5001688	. SCREW CAP HEX M12-1.75x100 G10.9 G500	8	
. NS	5001695	. NUT HEX NYRT M12-1.75 Z050	8	
. NS	5002008	. WASHER FL 13.0x35.0x5.0 N500	8	
. NS	IS-23019	. SEE ENGLISH INSTRUCTION SHEET	1	
. NS	FI-23019	. SEE FRENCH INSTRUCTION SHEET	1	
5	5001885	SCREW CAP HEX M12-1.75X40 G10.9 N500	8	F
6	500011	WASHER FL / HARDENED 13.0x24.0x3.0 STL	8	F
7	5001695	NUT HEX NYRT M12-1.75 Z050	8	F
8	630246	LINK ASSY / 150MM C/C / W/18000LBS	2	F
9	502558	WASHER FL 21.0x37.0x3.0 G500	2	F
10	5001553	NUT HEX CSL M20-1.5 N500	4	F
11	502104	PIN, COTTER 5/32 x 2	4	F
13	171718	ATTACHMENT SWAY BAR CURBSIDE To G-7233	1	F
13	170002	ATTACHMENT SWAY BAR CURBSIDE From G-7234	1	F
14	171908	ATTACHMENT SWAY BAR STREETSIDE To G-7233	1	F
14	170003	ATTACHMENT SWAY BAR STREETSIDE From G-7234	1	F
15	131755	SWAY BAR 1 3/4" O.D. 1175MM // W/58 Deg To K-7563	1	I
15	130017	SWAY BAR 45 MM O.D. 1175MM // W/58 Deg From K-7564	1	I
16	563042	COLLAR 1 3/4" I.D.	2	I
17	630145	COLLAR / IRON / 2x.472" HOLE 4 5/8 C/C	4	I
NS	130078	SERV. KIT SWAYBAR COLLAR 45MM 1,75" DI	1	
. NS	130076	. MACHINED NODULAR COLLAR	4	
. NS	630020	. BUSHING / RUBBER / USE WITH SWAY BAR 1 3/4"	4	
. NS	5001688	. SCREW CAP HEX M12-1.75x100 G10.9 G500	8	
. NS	5001695	. NUT HEX NYRT M12-1.75 Z050	8	
. NS	5002008	. WASHER FL 13.0x35.0x5.0 N500	8	
. NS	IS-23019	. SEE ENGLISH INSTRUCTION SHEET	1	
. NS	FI-23019	. SEE FRENCH INSTRUCTION SHEET	1	
18	630020	BUSHING / RUBBER / USE WITH SWAY BAR 1 3/4"	4	I
19	500806	SCREW CAP HEX M12-1.75X35 G10.9 G500	8	I
20	500011	WASHER FL / HARDENED 13.0x24.0x3.0 STL	8	I
21	5001695	NUT HEX NYRT M12-1.75 Z050	8	I

From G-7275 To M-7767	Date:07/2024	PAGE:X3PLB-1616-00
SWAY BAR WITH MERITOR DRIVE AXLE		

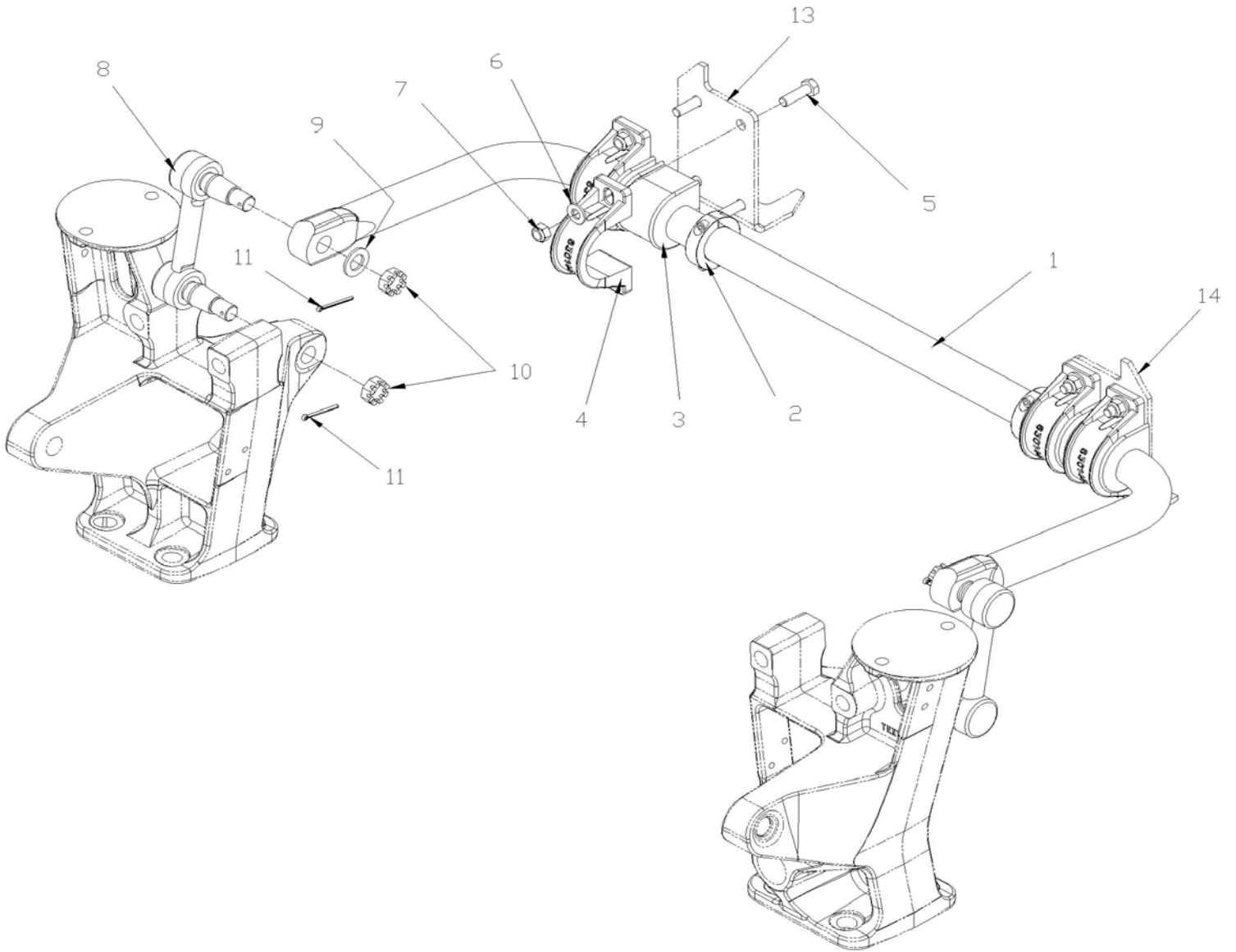
Item#	Part	Description	QTY	Notes
22	630246	LINK ASSY / 150MM C/C / W/18000LBS	2	I
23	502558	WASHER FL 21.0x37.0x3.0 G500	2	I
24	5001553	NUT HEX CSL M20-1.5 N500	4	I
25	502104	PIN, COTTER 5/32 x 2	4	I
27	171718	ATTACHMENT SWAY BAR CURBSIDE To G-7233	1	
27	170002	ATTACHMENT SWAY BAR CURBSIDE From G-7234	1	
28	171908	ATTACHMENT SWAY BAR STREETSIDE To G-7233	1	
28	170003	ATTACHMENT SWAY BAR STREETSIDE From G-7234	1	
31	131019	SWAY BAR ASSY / 1 1/2" O.D. X 848MM	1	R
. A	131520	. STUD 1 1/4" O.D.	2	R
32	630145	COLLAR / IRON / 2x.472" HOLE 4 5/8 C/C	4	R
NS	130077	SERV. KIT SWAYBAR COLLAR 38MM, 1.5" DI	1	
. NS	130076	. MACHINED NODULAR COLLAR	4	
. NS	130953	. BUSHING / RUBBER / USE WITH SWAY BAR 1 1/2"	4	
. NS	5001688	. SCREW CAP HEX M12-1.75x100 G10.9 G500	8	
. NS	5001695	. NUT HEX NYRT M12-1.75 Z050	8	
. NS	5002008	. WASHER FL 13.0x35.0x5.0 N500	8	
. NS	IS-23019	. SEE ENGLISH INSTRUCTION SHEET	1	
. NS	FI-23019	. SEE FRENCH INSTRUCTION SHEET	1	
33	130953	BUSHING / RUBBER / USE WITH SWAY BAR 1 1/2"	4	R
34	5001338	SCREW CAP HEX M12-1.75x45 G10.9 N500	8	R
35	500011	WASHER FL / HARDENED 13.0x24.0x3.0 STL	8	R
36	5001695	NUT HEX NYRT M12-1.75 Z050	8	R
37	131522	PIN W/TAPER ATTACHMENT M20-2.5 / SWAY-BAR	2	R B
38	121467	ATTACHMENT PIN SWAY BAR / (WELDED TO HOUSING)	2	R
39	630146	LINK ASSY / 7" C/C / IRON	2	R
40	5001663	NUT HEX NYRT M20-2.5 G10 Z050	4	R
41	5001152	WASHER CON 21.0x50.0x4.5 ZP	4	R
42	506678	BUSHING / POLYURETHANE / (TWO PIECES) RED 1" x 1.005" I.D.	8	R
43	5001153	WASHER CON 25.5x50.0x4.5 ZP	2	R
NS	682175	UNDERCOATING BLACK PROTECTOR (GRAVELGUARD) 567gr To N-7995	1	
NS	685413	RUBBERIZED UNDERCOAT (GRAVELGUARD) 560gr From N-7996	AR	
		B) THIS PIN IS 3MM SHORTER ON BUSHING SIDE AND BLACK PAINTED FOR EASY IDENTIFICATION		
		F) FRONT I BEAM RIGIDE SUSPENSION		
		I) INDEPENDANT SUSPENSION		
		R) REAR SUSPENSION		

From G-7275 To M-7767

Date:07/2024

PAGE:X3PLB-1616-10

SWAY BAR WITH ZF DRIVE AXLE



From G-7275 To M-7767	Date:07/2024	PAGE:X3PLB-1616-10
-----------------------	--------------	--------------------

SWAY BAR WITH ZF DRIVE AXLE

Item#	Part	Description	QTY	Notes
1	132008	SWAY BAR ASSY / 1 3/4" O.D. X 993MM To K-7563	1	F
1	130014	SWAY BAR ASSY / 45 MM O.D. x 993 MM From K-7564	1	F
2	563042	COLLAR 1 3/4" I.D.	2	F
3	630020	BUSHING / RUBBER / USE WITH SWAY BAR 1 3/4"	4	F
4	630145	COLLAR / IRON / 2x.472" HOLE 4 5/8 C/C	4	F
NS	130078	SERV. KIT SWAYBAR COLLAR 45MM 1,75" DI	1	
NS	130076	MACHINED NODULAR COLLAR	4	
NS	630020	BUSHING / RUBBER / USE WITH SWAY BAR 1 3/4"	4	
NS	5001688	SCREW CAP HEX M12-1.75x100 G10.9 G500	8	
NS	5001695	NUT HEX NYRT M12-1.75 Z050	8	
NS	5002008	WASHER FL 13.0x35.0x5.0 N500	8	
NS	IS-23019	SEE ENGLISH INSTRUCTION SHEET	1	
NS	FI-23019	SEE FRENCH INSTRUCTION SHEET	1	
5	5001885	SCREW CAP HEX M12-1.75X40 G10.9 N500	8	F
6	500958	WASHER FL .531x1.062x.095 SS	8	F
7	5001695	NUT HEX NYRT M12-1.75 Z050	8	F
8	630246	LINK ASSY / 150MM C/C / W/18000LBS	2	F
9	502558	WASHER FL 21.0x37.0x3.0 G500	2	F
10	5001553	NUT HEX CSL M20-1.5 N500	4	F
11	502104	PIN, COTTER 5/32 x 2	4	F
13	171718	ATTACHMENT SWAY BAR CURBSIDE To G-7233	1	
13	170002	ATTACHMENT SWAY BAR CURBSIDE From G-7234	1	
14	171908	ATTACHMENT SWAY BAR STREETSIDE To G-7233	1	
14	170003	ATTACHMENT SWAY BAR STREETSIDE From G-7234	1	
31	138573	SWAY BAR ASSY / 1 1/2" O.D. X 848MM	1	R
31A	131520	STUD 1 1/4" O.D.	2	R
32	630145	COLLAR / IRON / 2x.472" HOLE 4 5/8 C/C	4	R
NS	130077	SERV. KIT SWAYBAR COLLAR 38MM, 1.5" DI	1	
NS	130076	MACHINED NODULAR COLLAR	4	
NS	130953	BUSHING / RUBBER / USE WITH SWAY BAR 1 1/2"	4	
NS	5001688	SCREW CAP HEX M12-1.75x100 G10.9 G500	8	
NS	5001695	NUT HEX NYRT M12-1.75 Z050	8	
NS	5002008	WASHER FL 13.0x35.0x5.0 N500	8	
NS	IS-23019	SEE ENGLISH INSTRUCTION SHEET	1	
NS	FI-23019	SEE FRENCH INSTRUCTION SHEET	1	
33	130953	BUSHING / RUBBER / USE WITH SWAY BAR 1 1/2"	4	R
34	5001885	SCREW CAP HEX M12-1.75X40 G10.9 N500	8	R
35	500958	WASHER FL .531x1.062x.095 SS	8	R
36	5001695	NUT HEX NYRT M12-1.75 Z050	8	R
37	131522	PIN W/TAPER ATTACHMENT M20-2.5 / SWAY-BAR	2	R B

From G-7275 To M-7767	Date:07/2024	PAGE:X3PLB-1616-10
-----------------------	--------------	--------------------

SWAY BAR WITH ZF DRIVE AXLE

Item#	Part	Description	QTY	Notes
38	122059	ATTACHMENT PIN SWAY BAR	2	R
39	630146	LINK ASSY / 7" C/C / IRON	2	R
40	5001663	NUT HEX NYRT M20-2.5 G10 Z050	4	R
41	5001152	WASHER CON 21.0x50.0x4.5 ZP	4	R
42	506678	BUSHING / POLYURETHANE / (TWO PIECES) RED 1" x 1.005" I.D.	8	R
43	5001153	WASHER CON 25.5x50.0x4.5 ZP	2	R
NS	680038	THREAD LOCKER LOCTITE #243 / BLUE / 50ml	AR	
NS	680064	OIL ANTICOROSIVE GREY (TECTYL) (20 LITERS)	AR	
50	X3PLB-1610-10	REAR AXLE - INSTALL SUSPENSION WITH ZF DRIVE AXLE		
		B) THIS PIN IS 3MM SHORTER ON BUSHING SIDE AND BLACK PAINTED FOR EASY IDENTIFICATION		
		F) FRONT I BEAM RIGIDE SUSPENSION		
		R) REAR SUSPENSION		

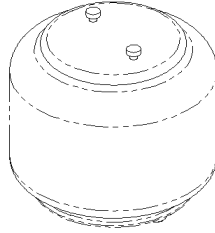
From G-7275 To M-7767

Date:07/2024

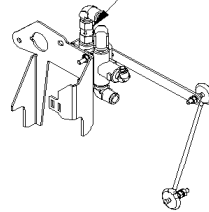
PAGE:X3PLB-1620-00

HEIGHT CONTROL VALVE

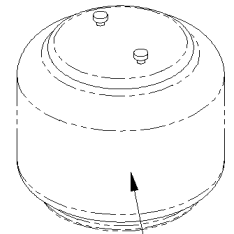
FRONT AXLE
I-BEAM RIGID SUSPENSION



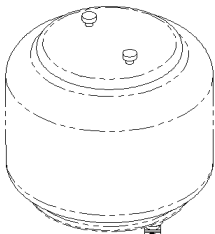
DETAIL "A"



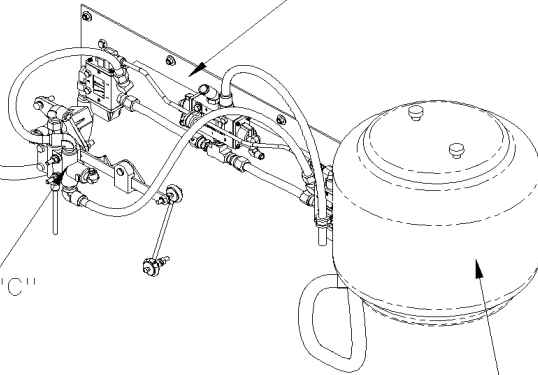
FRONT AXLE
I-BEAM RIGID SUSPENSION
WITH KNEELING



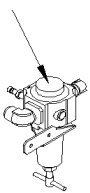
112



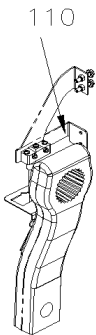
DETAIL "D"



DETAIL "E"

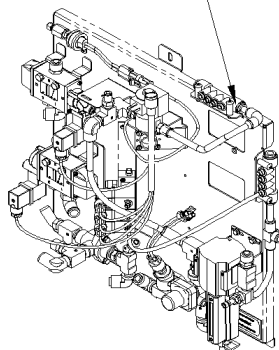


DETAIL "C"



110

111



112

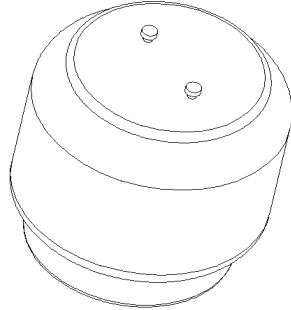
From G-7275 To M-7767

Date:07/2024

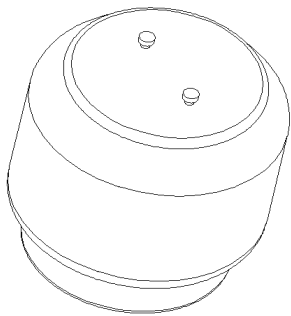
PAGE:X3PLB-1620-00

HEIGHT CONTROL VALVE

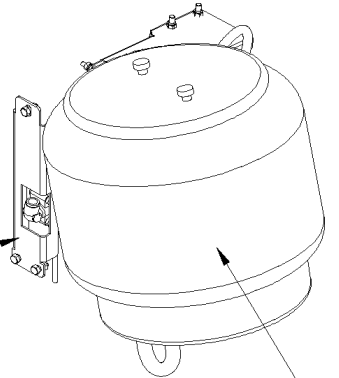
FRONT AXLE
INDEPENDANT SUSPENSION



FRONT AXLE
INDEPENDANT SUSPENSION
WITH KNEELING

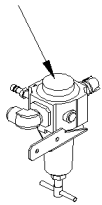


DETAIL "B"



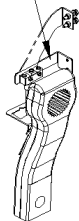
112

DETAIL "E"

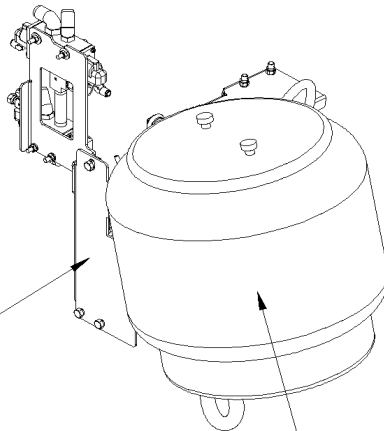


DETAIL "F"

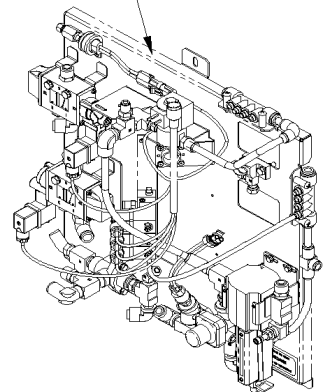
110



112



111



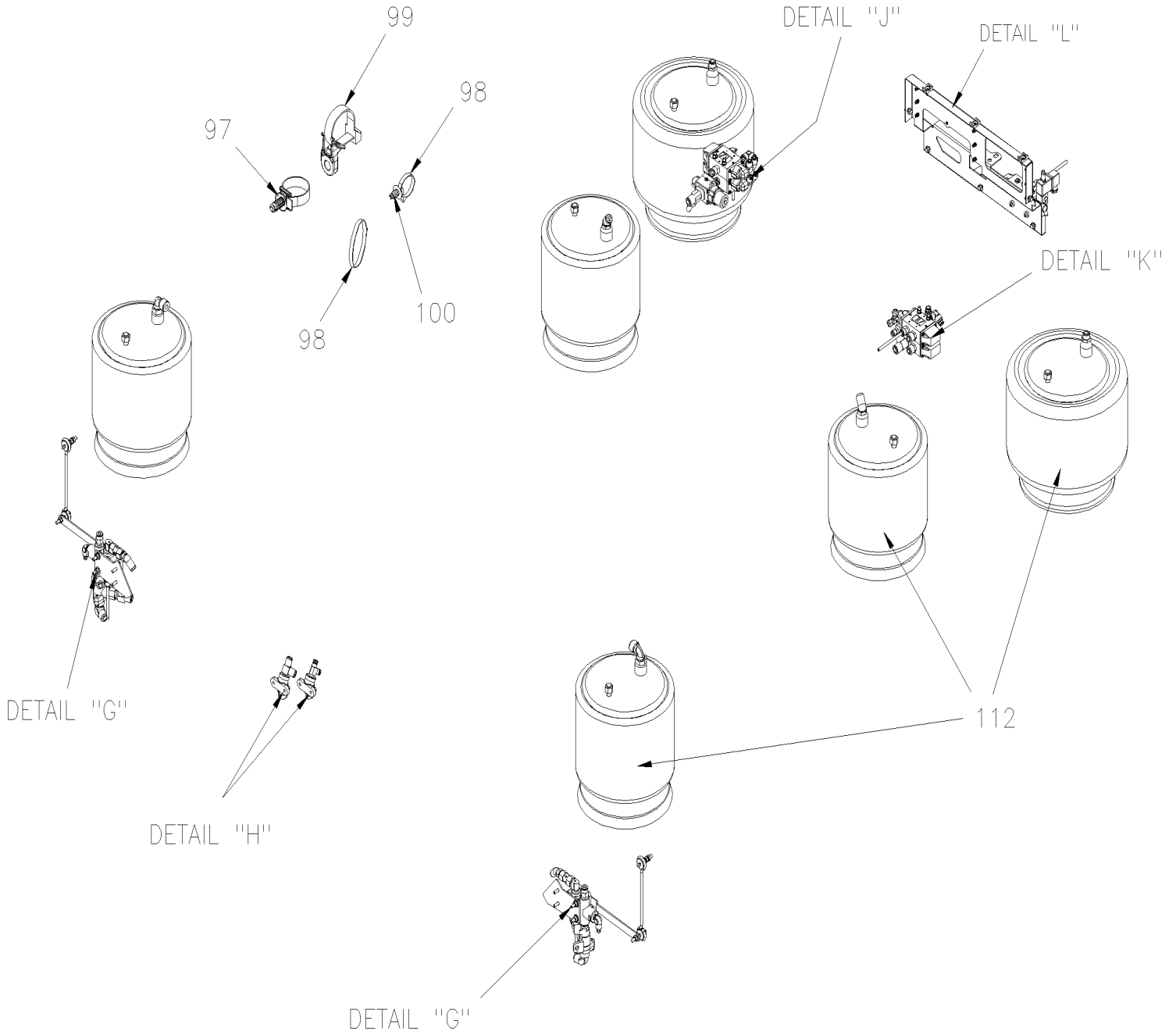
From G-7275 To M-7767

Date:07/2024

PAGE:X3PLB-1620-00

HEIGHT CONTROL VALVE

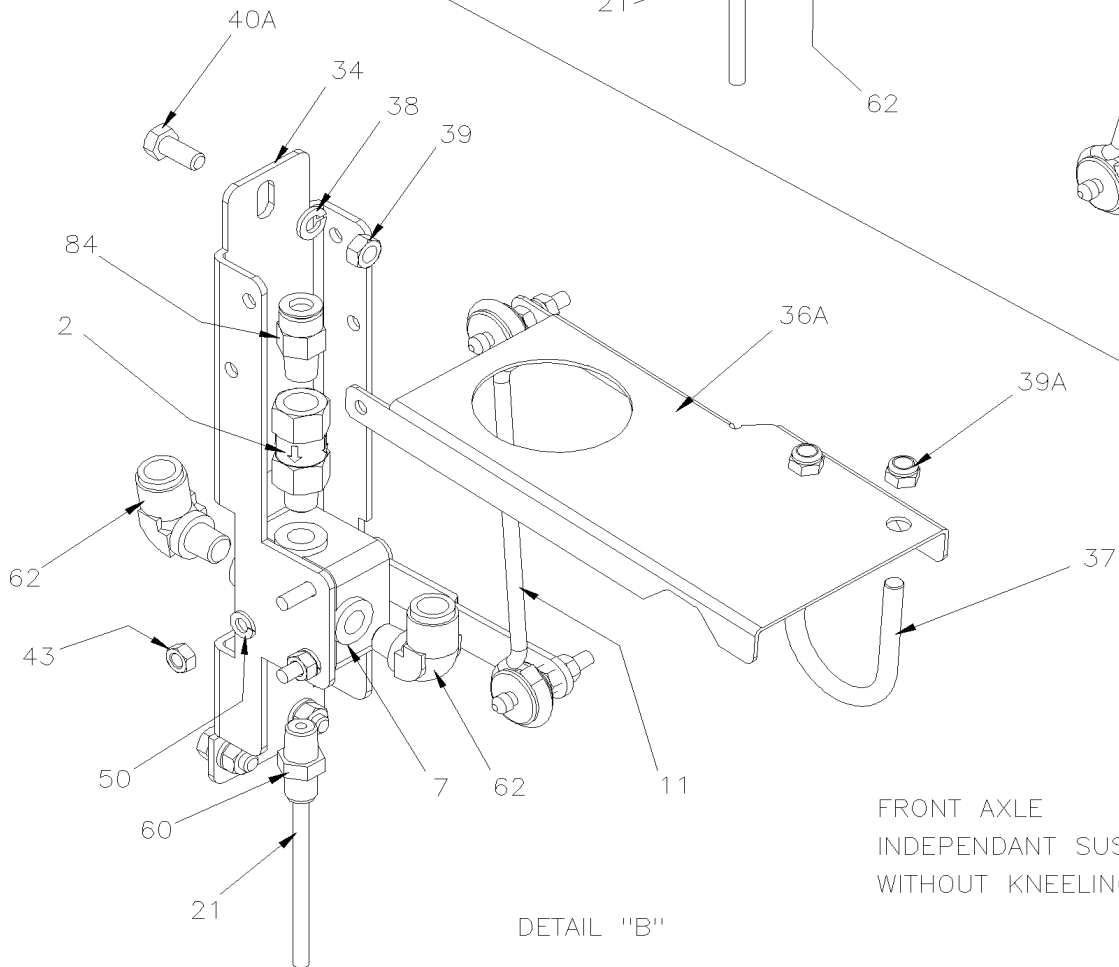
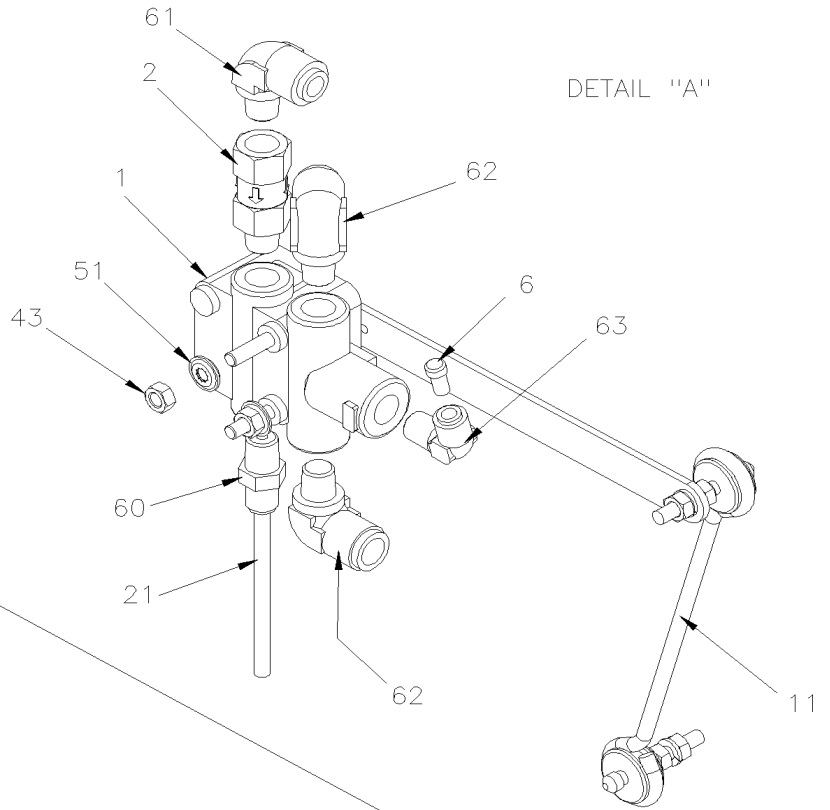
REAR AND TAG AXLE



HEIGHT CONTROL VALVE

FRONT AXLE
RIGIDE SUSPENSION
WITHOUT KNEELING

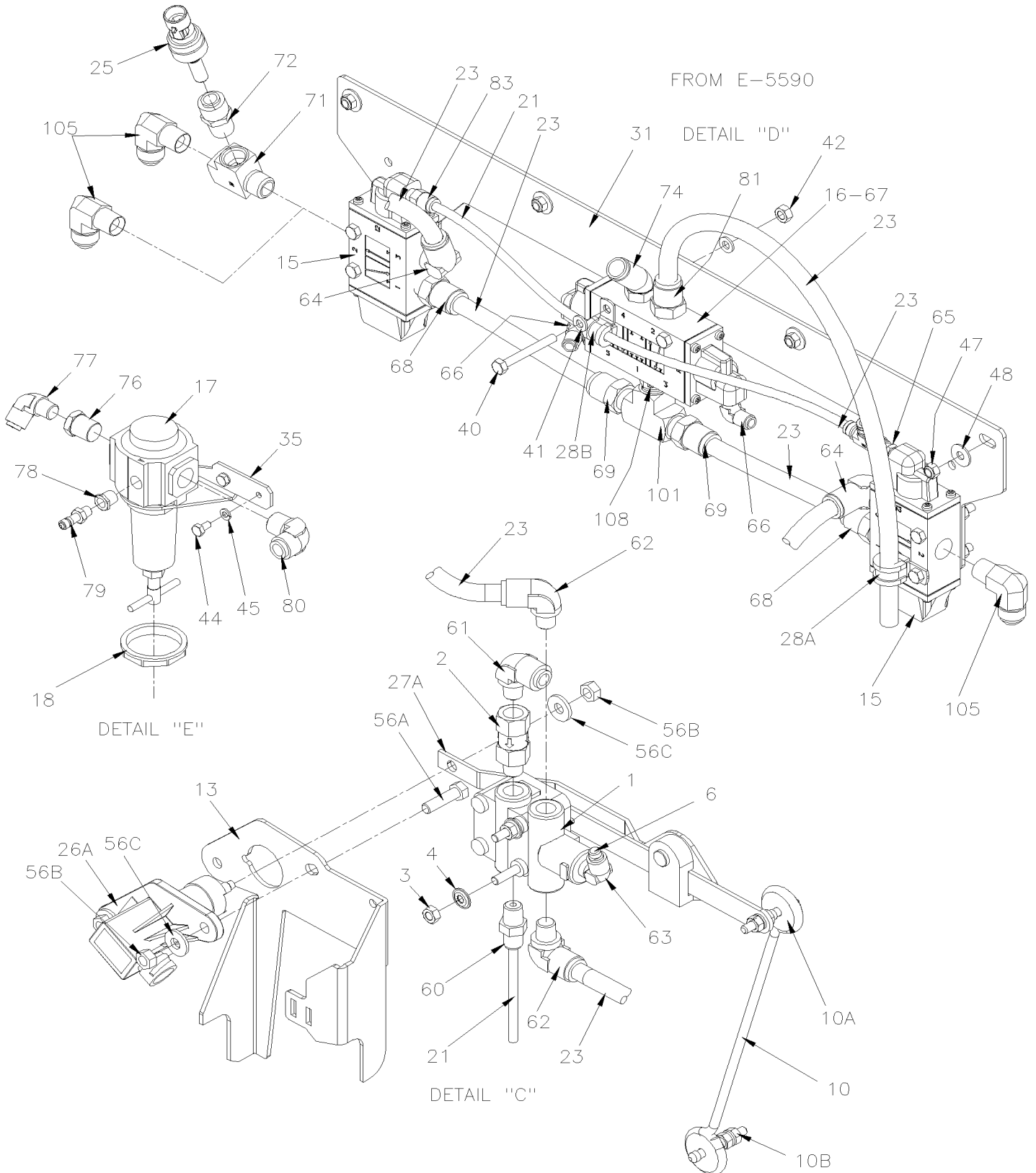
DETAIL "A"



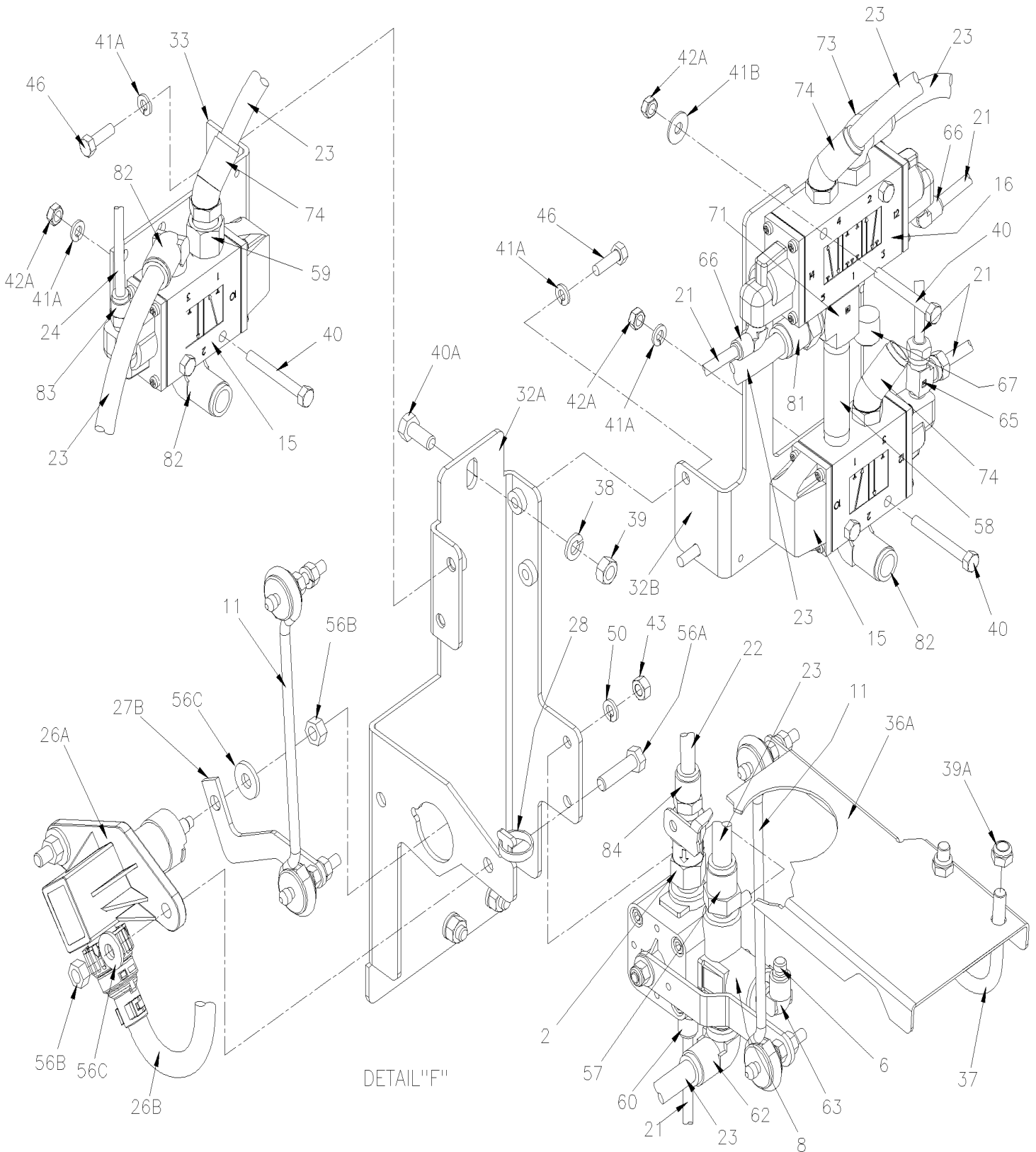
FRONT AXLE
INDEPENDANT SUSPENSION
WITHOUT KNEELING

DETAIL "B"

HEIGHT CONTROL VALVE



HEIGHT CONTROL VALVE



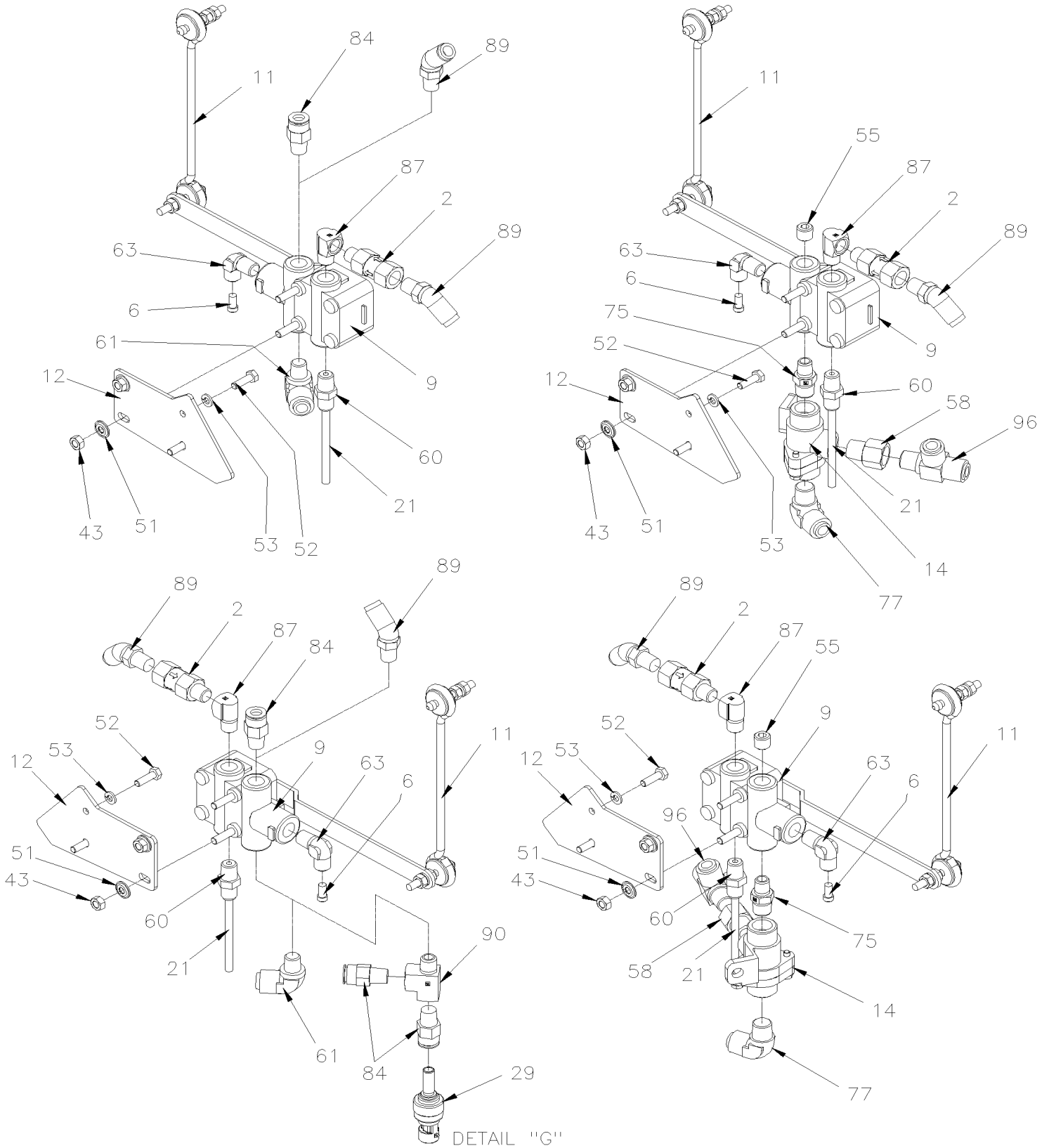
DETAIL "F"

From G-7275 To M-7767

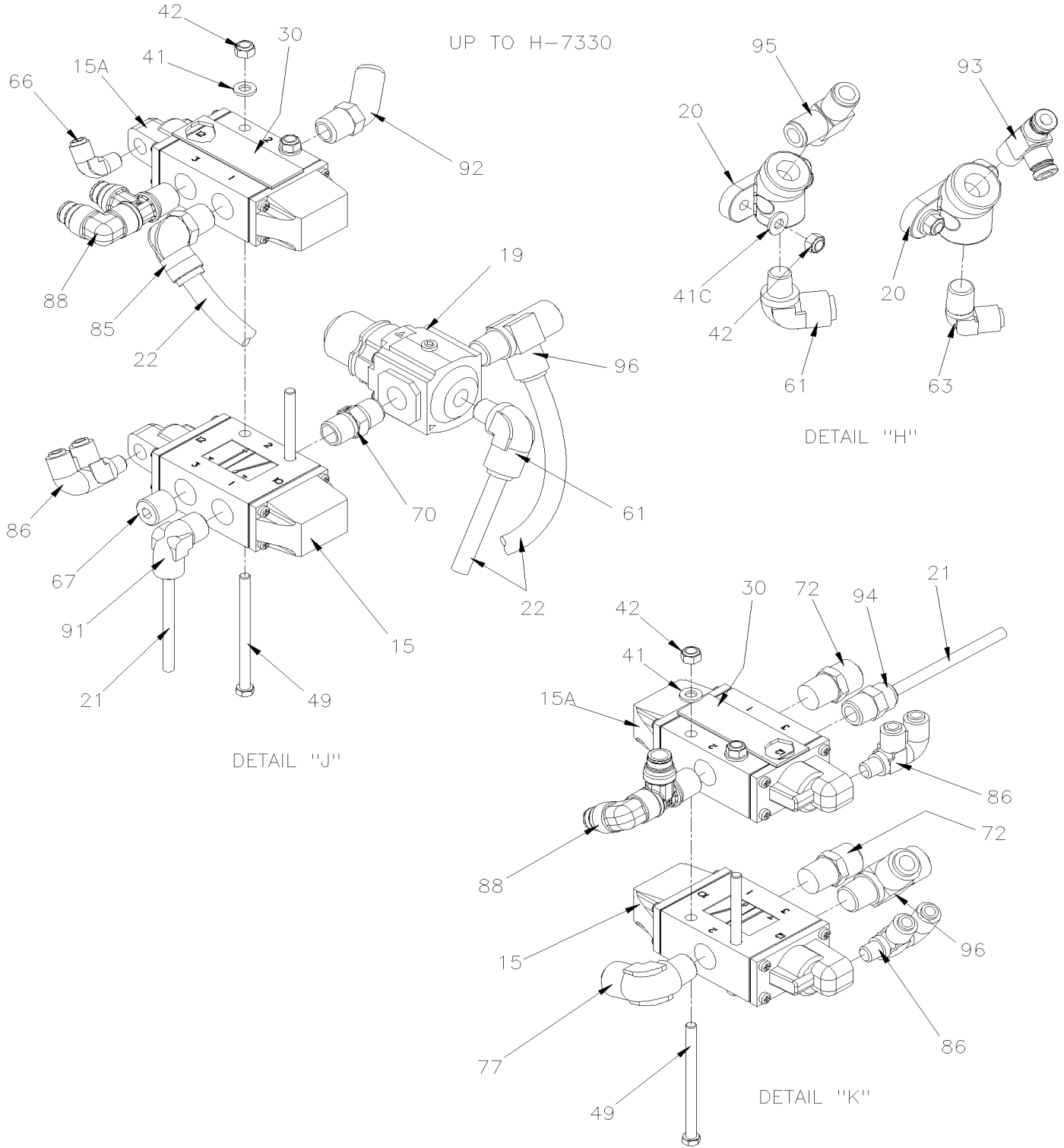
Date:07/2024

PAGE:X3PLB-1620-00

HEIGHT CONTROL VALVE

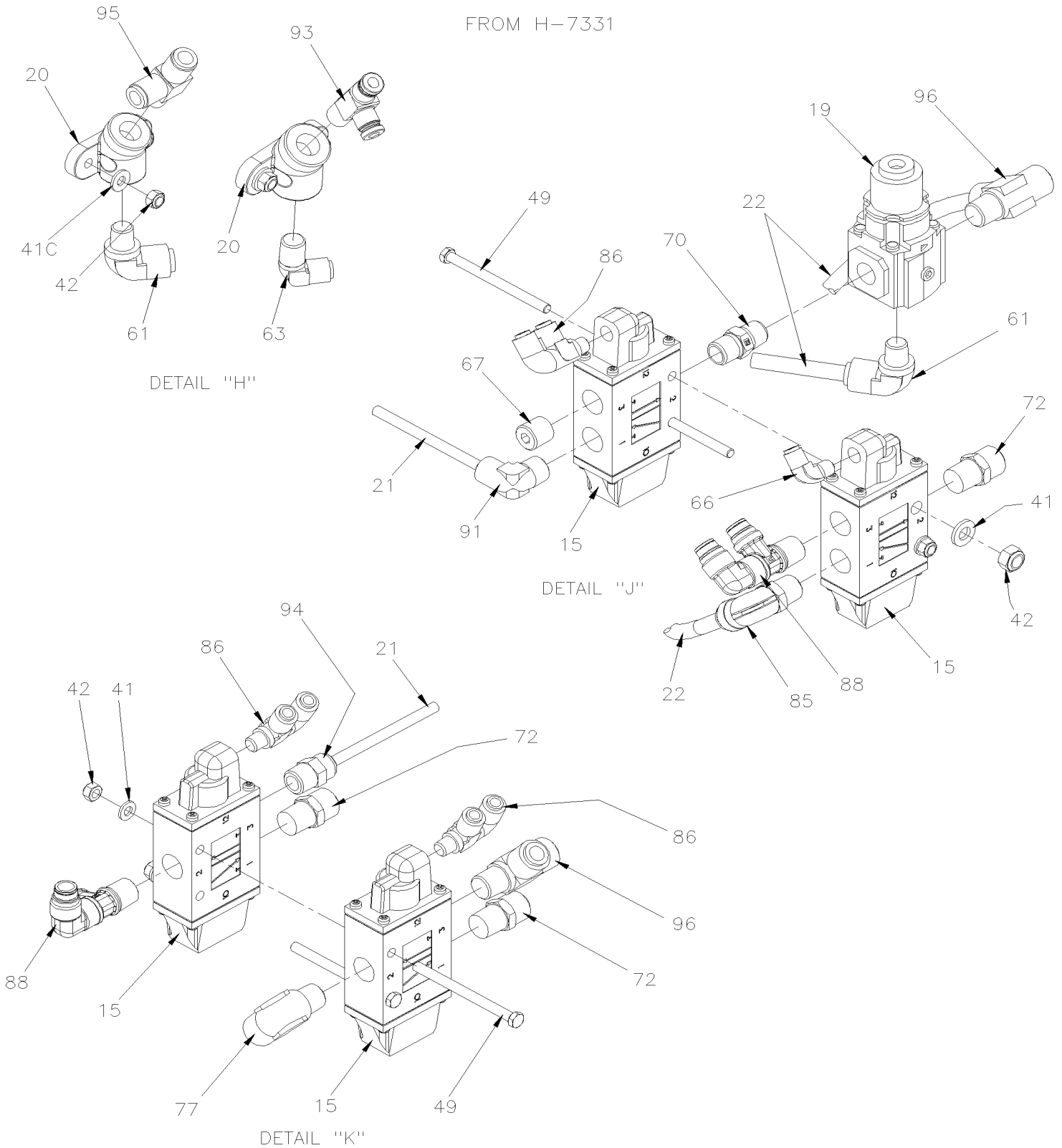


From G-7275 To M-7767	Date:07/2024	PAGE:X3PLB-1620-00
HEIGHT CONTROL VALVE		



From G-7275 To M-7767	Date:07/2024	PAGE:X3PLB-1620-00
HEIGHT CONTROL VALVE		

FROM H-7331

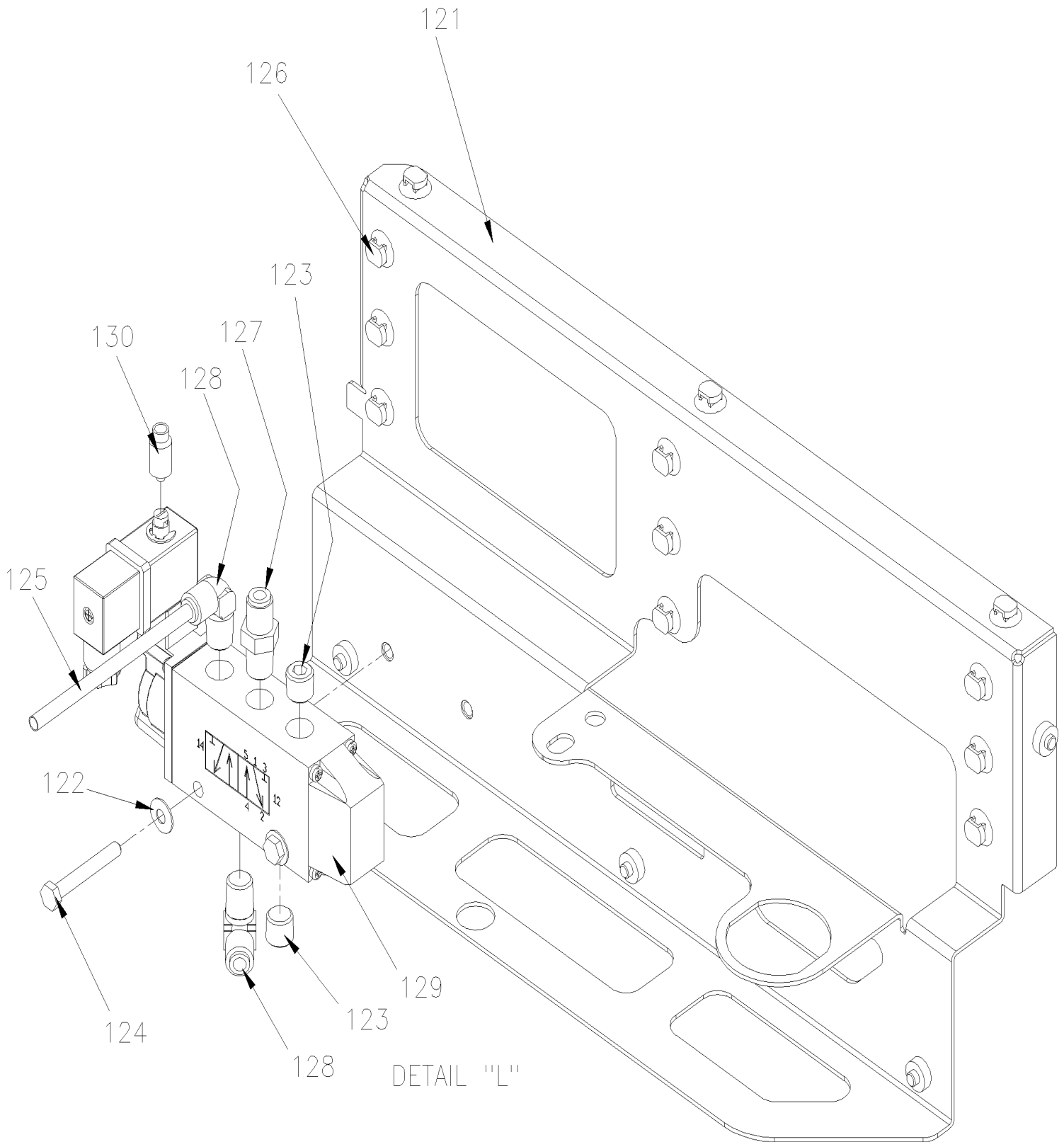


From G-7275 To M-7767

Date:07/2024

PAGE:X3PLB-1620-00

HEIGHT CONTROL VALVE



DETAIL "L"

From G-7275 To M-7767	Date:07/2024	PAGE:X3PLB-1620-00
HEIGHT CONTROL VALVE		

Item#	Part	Description	QTY	Notes
1	630261	VALVE, HEIGHT CONTROL "BARKSDALE" / FRONT / W/DRAIN	1	
2	640135	VALVE, CHECK 1/4 NPT	1	
3	500769	NUT HEX 1/4-20 Z050	2	
4	502582	WASHER LO SERR 6.1x16.2x0.9 Z050	2	
6	641416	PLUG STEM / PUSH-IN FITTING / #4 PLAS	1	
7	630237	VALVE, HEIGHT CONTROL "BARKSDALE" / FRONT	1	
8	630266	VALVE, HEIGHT CONTROL "BARKSDALE" / FRONT / W/DRAIN	1	
9	630247	VALVE, HEIGHT CONTROL "BARKSDALE" / REAR / W/DRAIN	2	
10	630232	LINK ASSY 265MM C/C 10 1/2"	1	
. A	N8889244	. GROMMET / LINK	2	
. B	630250	. STUD RETAINER 1/4-20 X 1"	2	
. NS	500479	. WASHER LO INT .448x.789x.040 Z050	4	
. NS	500473	. WASHER LO SPT .262x.489x.062 Z050	4	
11	630231	LINK ASSY 185MM C/C 7 1/4"	2	
. A	N8889244	. GROMMET / LINK	2	
. B	630250	. STUD RETAINER 1/4-20 X 1"	2	
. C	500247	. NUT HEX 1/4-20 N500	4	
. D	500473	. WASHER LO SPT .262x.489x.062 Z050	4	
12	131993	SUPPORT VALVE	1	
13	174090	SUPPORT VALVE	1	
14	641564	VALVE, DOUBLE CHECK DC-4	1	
15	641274	VALVE, 3 WAYS, 2 POSITIONS N.C. To H-7330	2	
15	641274	VALVE, 3 WAYS, 2 POSITIONS N.C. From H-7331	2	B
15A	130009	VALVE, 3 WAYS, 2 POSITIONS N.C. WITH VENT PROTECTOR To H-7330	2	
. NS	641274	. VALVE, 3 WAYS, 2 POSITIONS N.C. To H-7330	1	
. NS	640004	. VENT PROTECTOR To H-7330	1	
16	641531	VALVE, 5 WAYS, 3 POSITIONS	1	
. NS	641186	. SPOOL	1	
19	630269	VALVE DISCHARGE V72G W/3/8	1	
20	640643	ANCHOR ELBOW / PIPE FITTING / 1/4NPT-Fx1/4NPT-F STL	1	
21	503402	TUBE, NYLON 1/4 O.D. / BLACK S.L.	AR	
22	503471	TUBE, NYLON 3/8 O.D. / BLUE S.L.	AR	
23	503517	TUBE, NYLON 1/2 O.D. / BLUE S.L.	AR	
24	503566	TUBE, NYLON 1/4 O.D. / BLUE S.L.	AR	
25	560005	TRANSDUCER PRESSURE (0-12 BAR, 0-174 PSI) To M-7831	1	G
25	22443498	TRANSDUCER PRESSURE (0-12 BAR, 0-174 PSI) From M-7832	1	G
26A	21643575	SENSOR / HEIGHT ASSY To J-7529	1	
26A	22194741	SENSOR / HEIGHT ASSY From J-7530	1	
26B	068571	CABLE ASSY / FRONT LOWER END	1	
27A	138620	PIVOT CAPTOR ASSY	1	R
27B	132024	PIVOT CAPTOR ASSY	1	I
28	504637	CABLE TIE / 3/16" x 13"	AR	

From G-7275 To M-7767	Date:07/2024	PAGE:X3PLB-1620-00
HEIGHT CONTROL VALVE		

Item#	Part	Description	QTY	Notes
28A	952627	CLAMP / 1/2" I.D.	1	
28B	952631	CLAMP / 3/4" I.D.	1	
29	560005	TRANSDUCER PRESSURE (0-12 BAR, 0-174 PSI) To M-7831	1	GR
29	22443498	TRANSDUCER PRESSURE (0-12 BAR, 0-174 PSI) From M-7832	1	GR
30	640004	VENT PROTECTOR To H-7330	1	B
31	131591	SUPPORT VALVE To J-7504	1	
31	130027	SUPPORT VALVE From J-7505	1	
32A	132023	SUPPORT HEIGHT CONTROL VALVE / W/KNEELING	1	
32B	132108	SUPPORT VALVE	1	
34	131621	SUPPORT HEIGHT CONTROL VALVE / WHITOUT "KNEELING"	1	
36A	110814	ACTUATOR LEVER To M-7756	1	
36A	110062	ACTUATOR LEVER From M-7757	1	
37	504635	U-BOLT 1 3/4" I.D. x 2 3/4" x 5/16-18 To M-7756	1	
37	504215	U-CLAMP / 1 3/4" I.D. x 5/16-18 From M-7757	1	
38	500942	WASHER LO SPT 8.1x14.8x2.0 N500	3	
39	500778	NUT HEX 5/16-18 N500	3	
39A	500685	NUT HEX NYRT 5/16-18 SS To M-7756	2	
39A	500701	NUT HEX 5/16-18 ZP From M-7757	2	
40	502656	SCREW CAP HEX M6-1.0x50 SS	6	
40A	500836	SCREW CAP HEX 5/16-18x3/4 G5 N500	3	
41	502573	WASHER FL 6.4x12.5x1.6 SS	6	
41A	502570	WASHER LO SPT 6.1x11.8x1.6 SS	6	
41B	5001833	WASHER BEL SPR 6.1x18x1.27 SS	2	
41C	500877	WASHER FL .250x.562x.065 N500	4	
42	502681	NUT HEX NYRT M6-1.0 N500 G8	AR	
42A	502565	NUT HEX M6-1.0 SS	6	
43	500247	NUT HEX 1/4-20 N500	2	
43	680098	THREAD SEALANT LOCTITE #567 / WHITE / 250ml	AR	
46	502622	SCREW CAP HEX M6-1.0x20 SS BK	4	
47	500411	WASHER FL .260x.697x.050 SS	4	
48	5001182	NUT HEX NYRT M6-1.0 SS	4	
49	5001682	SCREW CAP HEX M6-1.0x80 SS	4	
50	500473	WASHER LO SPT .262x.489x.062 Z050	AR	
51	502582	WASHER LO SERR 6.1x16.2x0.9 Z050	4	
52	502830	SCREW CAP HEX M6-1.0x20 G8.8 N500	4	
53	502853	WASHER LO SPT 6.1x11.8x1.6 N500	4	
55	501800	PLUG HEXS / PIPE FITTING / 1/4NPT-M STL	2	
56A	5001742	SCREW CAP HEXF M8-1.25x30 G8.8 N500	2	
56B	502851	NUT HEX M8-1.25 N500	3	
56C	500321	WASHER BEL SPR .331x.827x.098 N500	3	
57	641380	MALE CONNECTOR / PUSH-IN FITTING / #8x1/4NPT-M BR	AR	
58	501309	ADAPTER / PIPE FITTING / 3/8NPT-Fx3/8NPT-M BR	AR	

From G-7275 To M-7767	Date:07/2024	PAGE:X3PLB-1620-00
HEIGHT CONTROL VALVE		

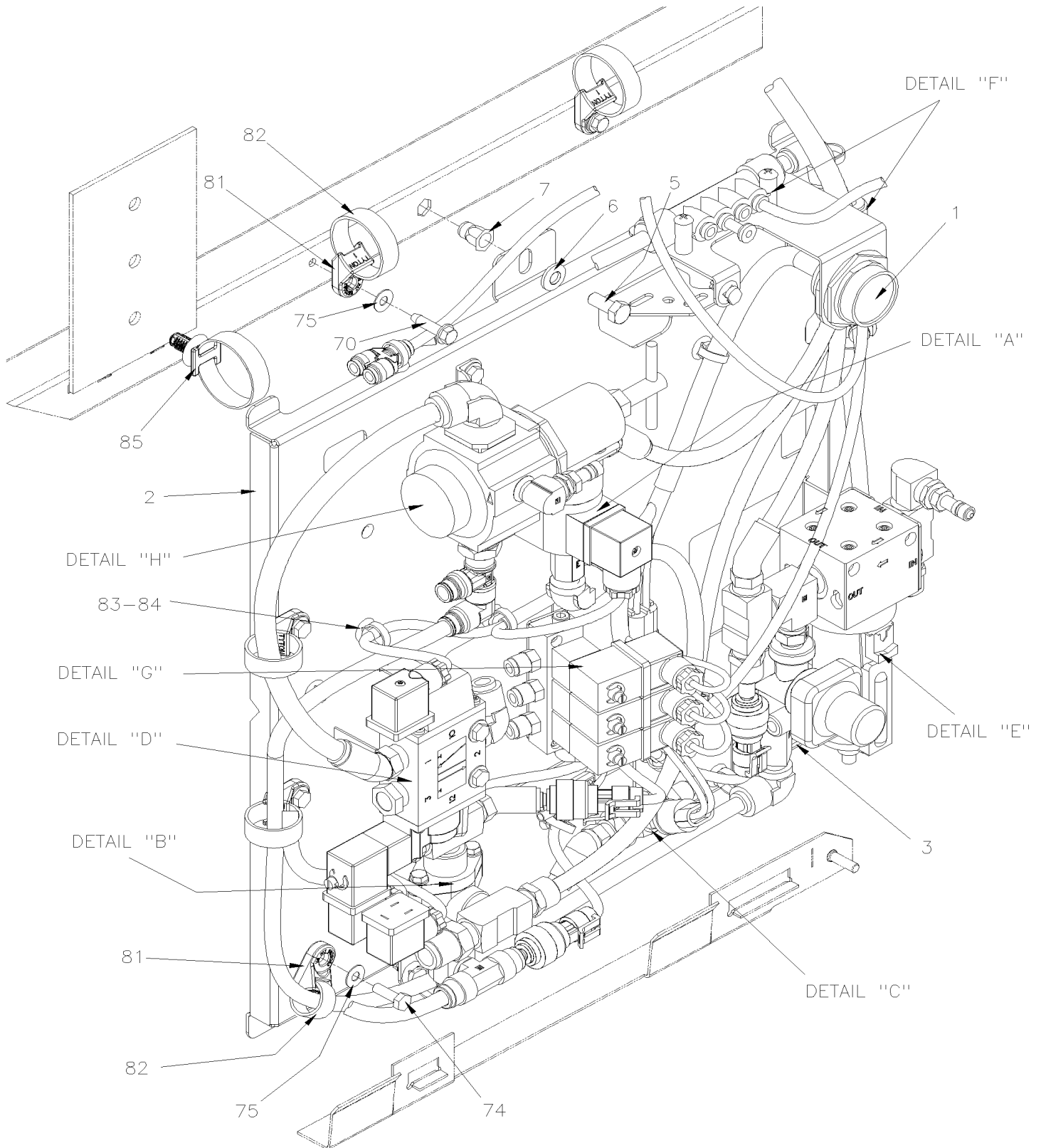
Item#	Part	Description	QTY	Notes
59	501814	NIPPLE / PIPE FITTING / 3/8NPT-Mx3/8NPT-Mx3 BR	AR	
60	641332	MALE CONNECTOR / PUSH-IN FITTING / #4x1/4NPT-M BR	AR	
61	641372	MALE ELBOW 90° NON-SWIVEL / PUSH-IN FITTING / #6x1/4NPT-M BR	AR	A
62	641373	MALE ELBOW 90° NON-SWIVEL / PUSH-IN FITTING / #8x1/4NPT-M BR	AR	
63	641371	MALE ELBOW 90° NON-SWIVEL / PUSH-IN FITTING / #4x1/4NPT-M BR	AR	
64	641376	MALE ELBOW 90° NON-SWIVEL / PUSH-IN FITTING / #8x3/8NPT-M BR	1	
65	641002	MALE RUN TEE / NTA FITTING / #4x#4x1/8NPT-M BR	AR	
66	641369	MALE ELBOW 90° NON-SWIVEL / PUSH-IN FITTING / #4x1/8NPT-M BR	AR	
67	501449	PLUG HEXS / PIPE FITTING / 3/8NPT-M STL	AR	
68	641381	MALE CONNECTOR / PUSH-IN FITTING / #8x3/8NPT-M BR	AR	
69	641381	MALE CONNECTOR / PUSH-IN FITTING / #8x3/8NPT-M BR	AR	
70	501322	NIPPLE HEX / PIPE FITTING / 3/8NPT-Mx3/8NPT-Mx1 13/32 BR	AR	
71	501699	MALE RUN TEE / PIPE FITTING / 3/8NPT-Mx3/8NPT-Fx3/8NPT-F BR	AR	
72	641330	MALE CONNECTOR / PUSH-IN FITTING / #6x3/8NPT-M BR	AR	
73	641428	MALE ELBOW 90° SWIVEL / PUSH-IN FITTING / #8x3/8NPT-M BR	AR	
74	641368	MALE ELBOW 45° NON-SWIVEL / PUSH-IN FITTING / #8x3/8NPT-M BR	AR	
75	501749	NIPPLE REDUCER HEX / PIPE FITTING / 3/8NPT-Mx1/4NPT-Mx1 13/32 BR	AR	
81	641381	MALE CONNECTOR / PUSH-IN FITTING / #8x3/8NPT-M BR	AR	
82	641376	MALE ELBOW 90° NON-SWIVEL / PUSH-IN FITTING / #8x3/8NPT-M BR	AR	
83	641242	MALE CONNECTOR / PUSH-IN FITTING / #4x1/8NPT-M BR	AR	
84	641331	MALE CONNECTOR / PUSH-IN FITTING / #6x1/4NPT-M BR	AR	
85	641375	MALE ELBOW 90° NON-SWIVEL / PUSH-IN FITTING / #6x3/8NPT-M BR	AR	
86	642127	MALE ELBOW 90° SWIVEL DUAL PORT / PUSH-IN / #4x#4x1/8NPT-M BR	AR	
87	501332	STREET ELBOW 90° / PIPE FITTING / 1/4NPT-Mx1/4NPT-F BR	AR	
88	642128	MALE ELBOW 90° SWIVEL DUAL PORT / PUSH-IN / #6x#6x3/8NPT-M BR	AR	
89	641366	MALE ELBOW 45° NON-SWIVEL / PUSH-IN FITTING / #6x1/4NPT-M BR	AR	
90	501338	MALE RUN TEE / PIPE FITTING / 1/4NPT-Mx1/4NPT-Fx1/4NPT-F BR	AR	
91	641374	MALE ELBOW 90° NON-SWIVEL / PUSH-IN FITTING / #4x3/8NPT-M BR	AR	
92	641367	MALE ELBOW 45° NON-SWIVEL / PUSH-IN FITTING / #6x3/8NPT-M BR	AR	
93	641956	MALE RUN TEE SWIVEL / PUSH-IN FITTING / #4x#4x1/4NPT-M BR	AR	
94	641347	MALE CONNECTOR / PUSH-IN FITTING / #4x3/8NPT-M BR	AR	
95	641389	MALE RUN TEE SWIVEL / PUSH-IN FITTING / #6x#6x1/4NPT-M BR	AR	
96	641388	MALE RUN TEE NON-SWIVEL / PUSH-IN FITTING / #6x#6x3/8NPT-M BR	AR	
97	504750	CABLE TIE / 1/2" x 15" / CHRISTMAS TREE	AR	
98	504637	CABLE TIE / 3/16" x 13"	AR	
99	507383	TIE MOUNT HOLE 3/8"	AR	
99	509491	CABLE TIE / 13MM x 383MM	AR	
100	509815	TIE MOUNT / ATTACHMENT W/TREE MOUNT	AR	
101	501527	FEMALE UNION TEE / PIPE FITTING / 3/8NPT-Fx3/8NPT-Fx3/8NPT-F BR	1	
105	501587	MALE ELBOW 90° / JIC 37° FITTING / #8JIC-Mx3/8NPT-M STL	AR	
108	501322	NIPPLE HEX / PIPE FITTING / 3/8NPT-Mx3/8NPT-Mx1 13/32 BR	1	
110	X3PLB-1650-00	TAG UNLOAD - STABILISATOR		

From G-7275 To M-7767	Date:07/2024	PAGE:X3PLB-1620-00
-----------------------	--------------	--------------------

HEIGHT CONTROL VALVE

Item#	Part	Description	QTY	Notes
111	X3PLB-1630-00	FRONT KNEELING - CONTROL PANEL		
112	X3PLB-1601-00	BELLOWS - AIR SUSPENSION		
113	X3PLB-1203-00	AIR TANK - INSTALLATION		
121	142851	SUPPORT VALVE	1	
122	5001608	WASHER BEL SPR 6.2x15.0x0.7 G500	2	
123	501800	PLUG HEXS / PIPE FITTING / 1/4NPT-M STL	2	
124	502793	SCREW CAP HEX M6-1.0x45 G8.8 Z050	2	
125	503402	TUBE, NYLON 1/4 O.D. / BLACK S.L.	AR	
126	509815	TIE MOUNT / ATTACHMENT W/TREE MOUNT	AR	
127	641332	MALE CONNECTOR / PUSH-IN FITTING / #4x1/4NPT-M BR	1	
128	641371	MALE ELBOW 90° NON-SWIVEL / PUSH-IN FITTING / #4x1/4NPT-M BR	2	
129	641527	VALVE, 4 WAYS, 2 POSITIONS	1	
. NS	641929	. COIL 24V	1	
. NS	641186	. SPOOL	1	
. NS	641385	. CONNECTOR / SOCKET HOUSING ASSY 3C / PNEUMAC 54934-01	1	
130	642113	MALE CONNECTOR / PUSH-IN FITTING / #4x#10-32-M BR	1	
NS	507383	TIE MOUNT HOLE 3/8" To L-7716	1	
NS	509894	TIE MOUNT HOLE 7.8MM From L-7717	1	
NS	502681	NUT HEX NYRT M6-1.0 N500 G8	1	
NS	500877	WASHER FL .250x.562x.065 N500	1	
NS	509491	CABLE TIE / 13MM x 383MM	1	
		A) WITH OPTION "ABS-6 ESP ADVENCE"		
		B) WHEN YOU CHANGE THE VALVE 641274 OF THE TAG AXLE, YOU MUST ORDER THE NEW VALVE 130009 TO PROTECT THE EVENT OF DUST		
		G) WITH VEHICULE OPTION WEIGHT CONTROL ON FRONT AXLE "GREYHOUND"		
		GR) WITH GREYHOUND OPTION		
		I) WITH INDEPENDANTE SUSPENSION		
		R) WITH "I BEAM" SUSPENSION		

FRONT KNEELING - CONTROL PANEL

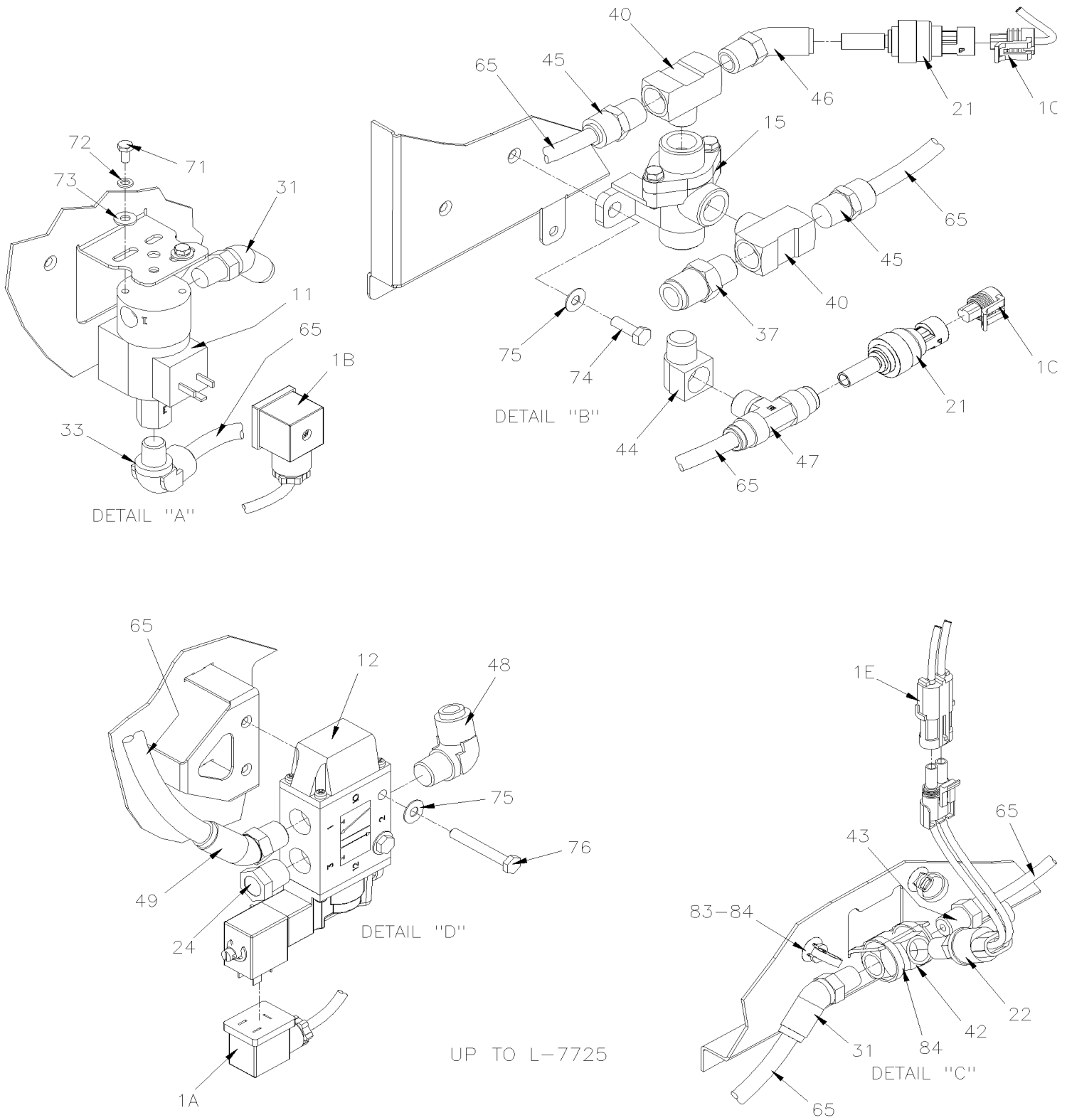


From G-7275 To M-7767

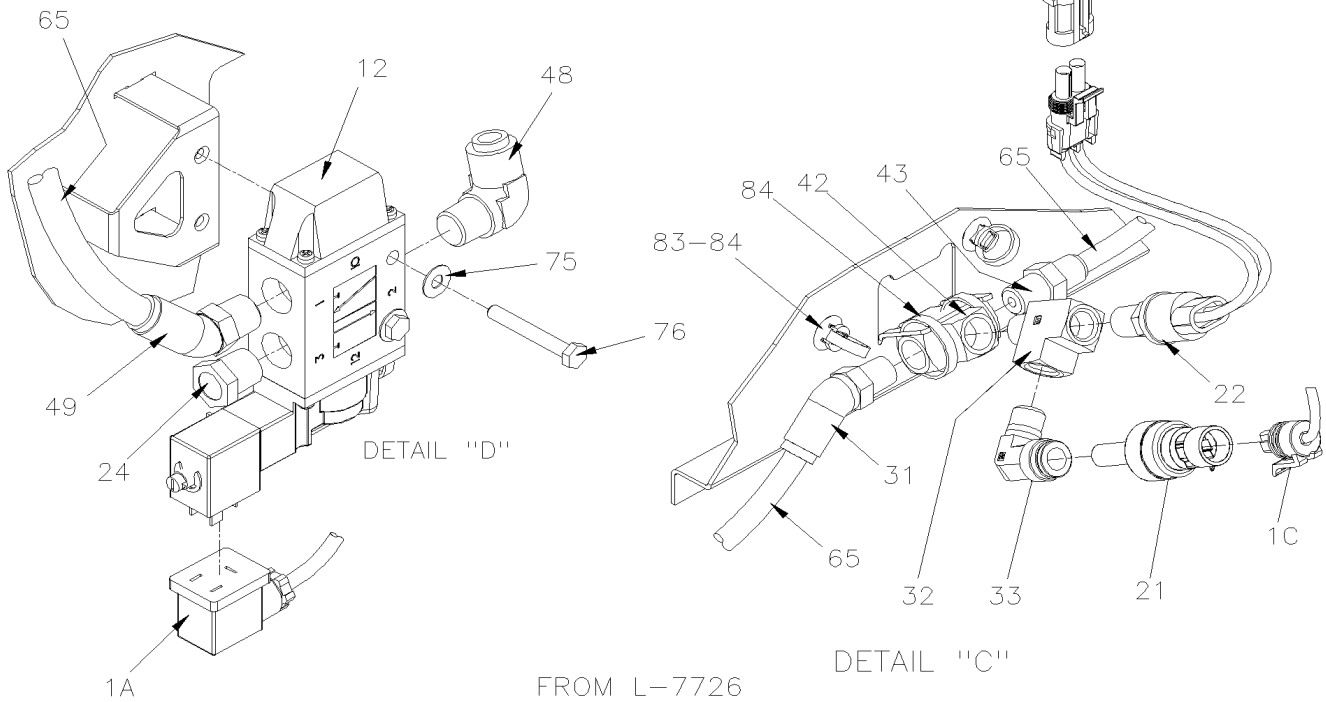
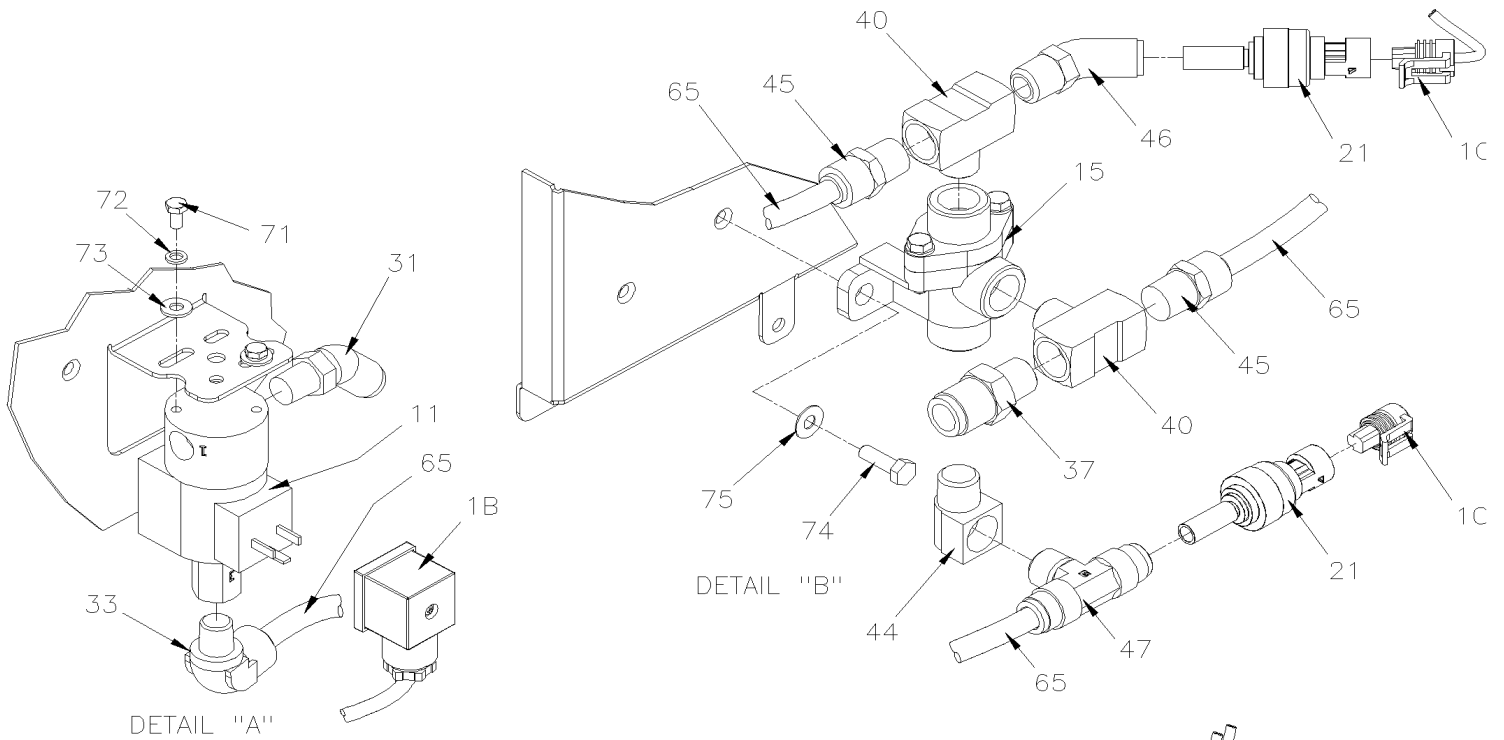
Date:07/2024

PAGE:X3PLB-1630-00

FRONT KNEELING - CONTROL PANEL

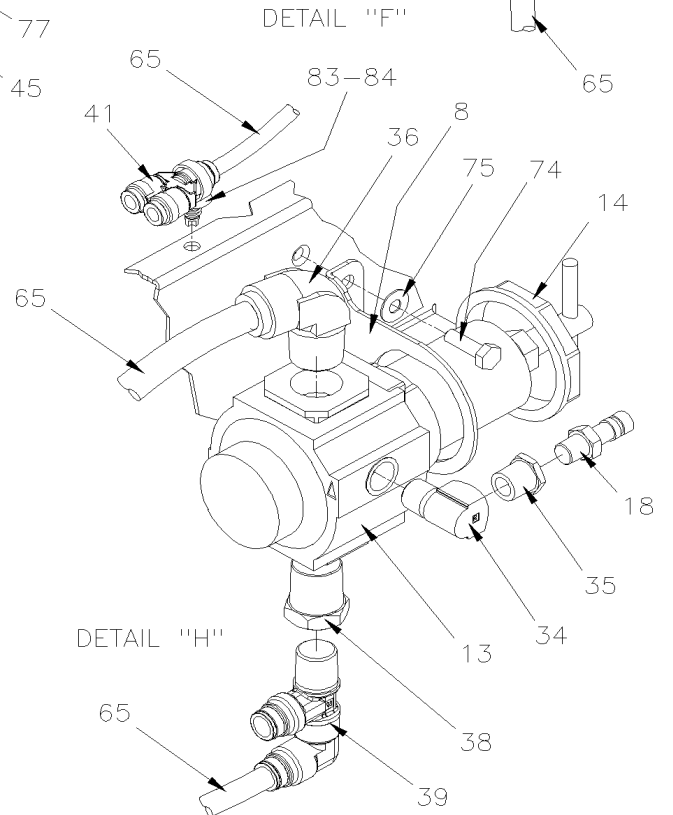
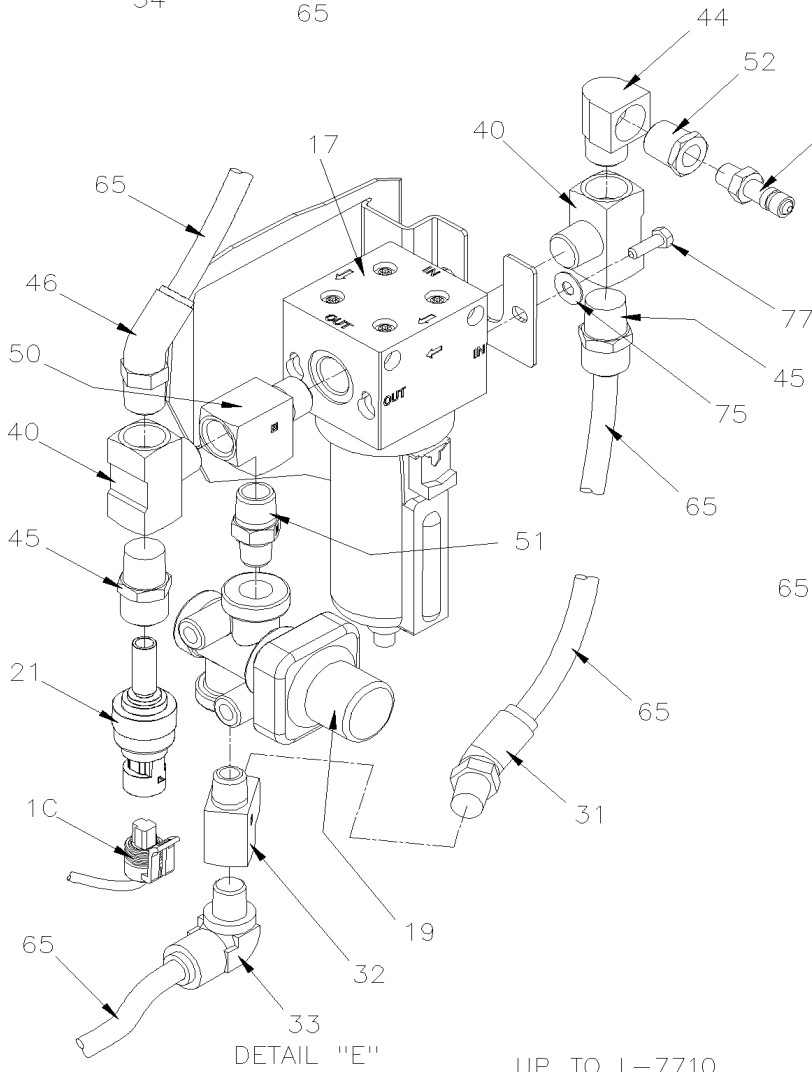
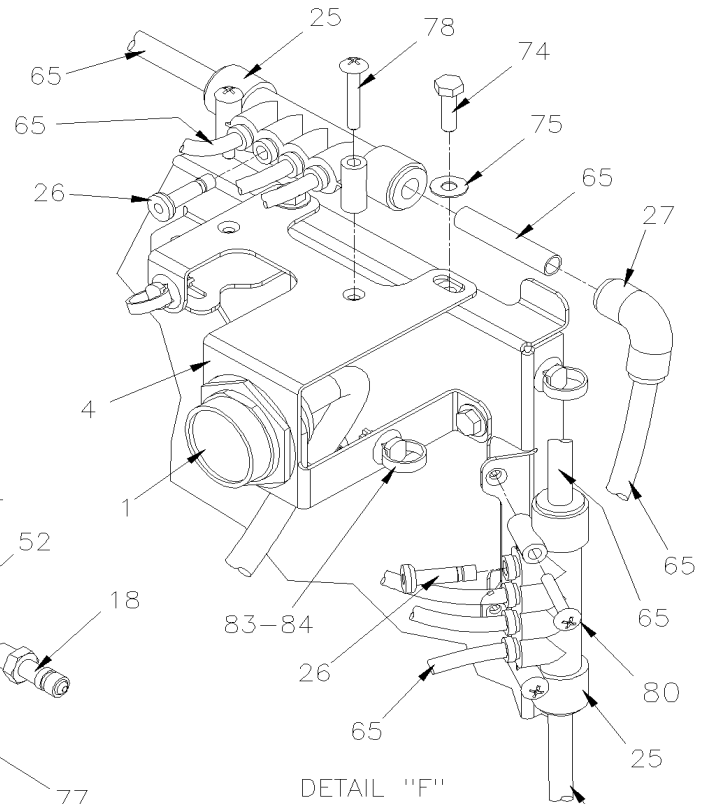
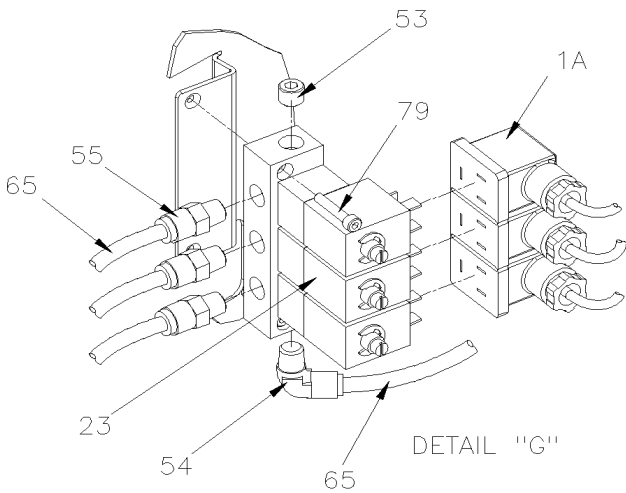


FRONT KNEELING - CONTROL PANEL



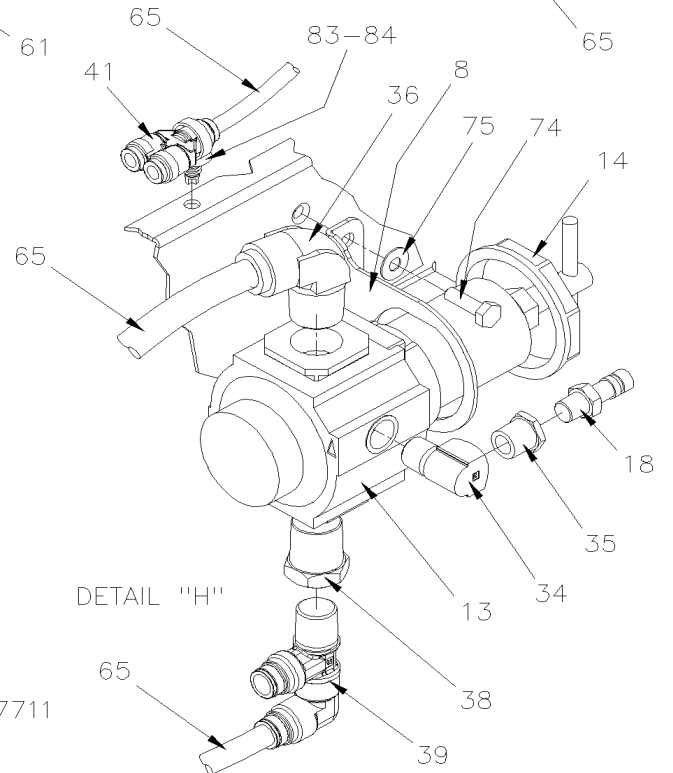
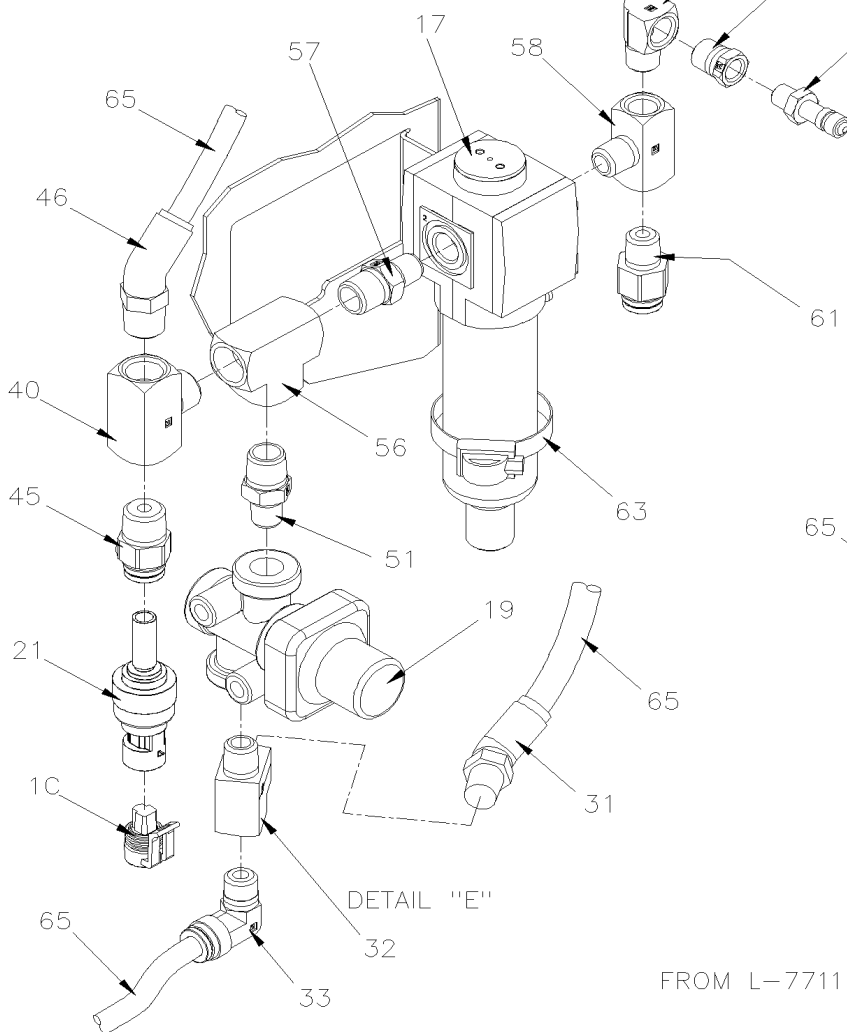
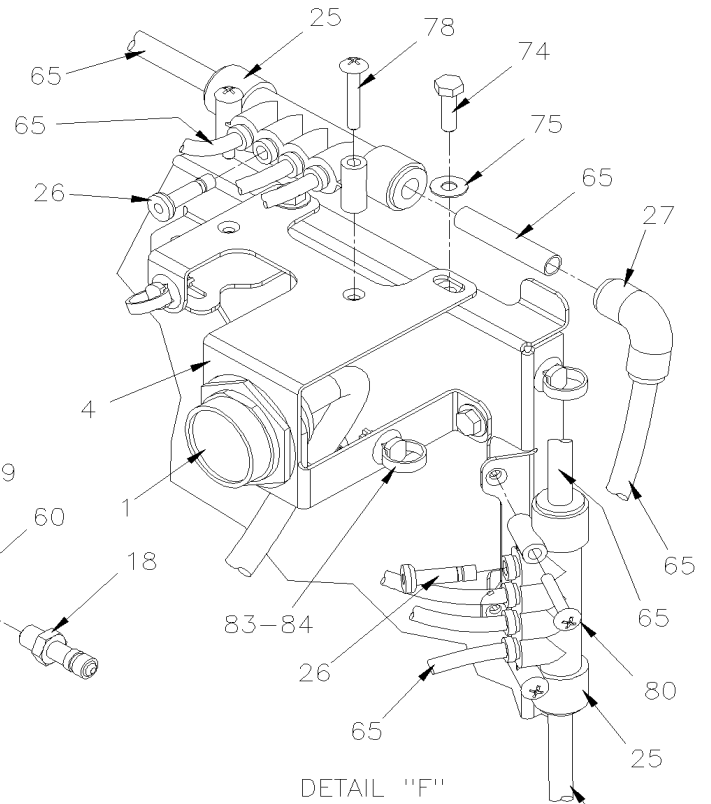
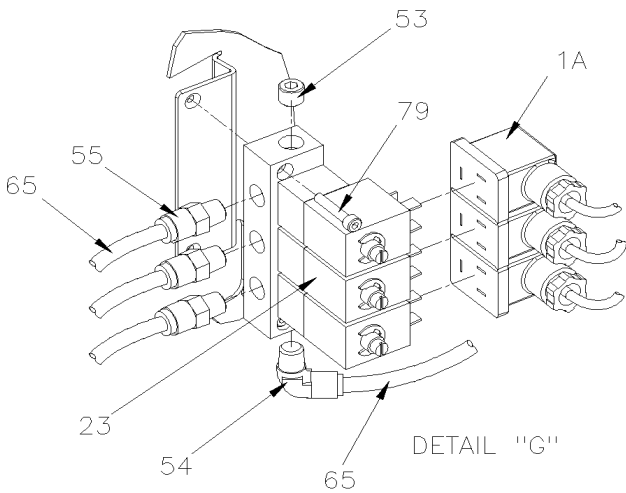
FROM L-7726

FRONT KNEELING - CONTROL PANEL



UP TO L-7710

FRONT KNEELING - CONTROL PANEL



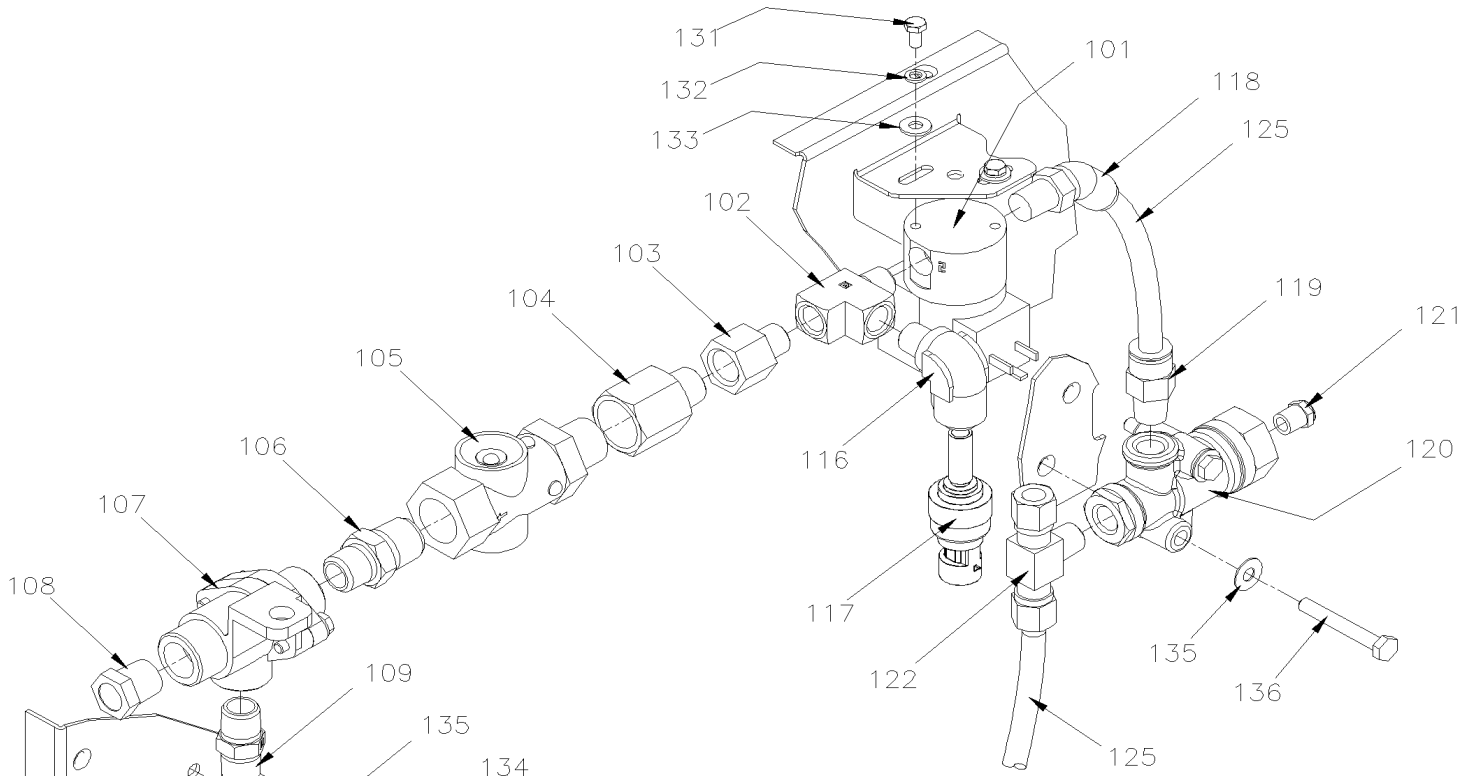
FROM L-7711

From G-7275 To M-7767

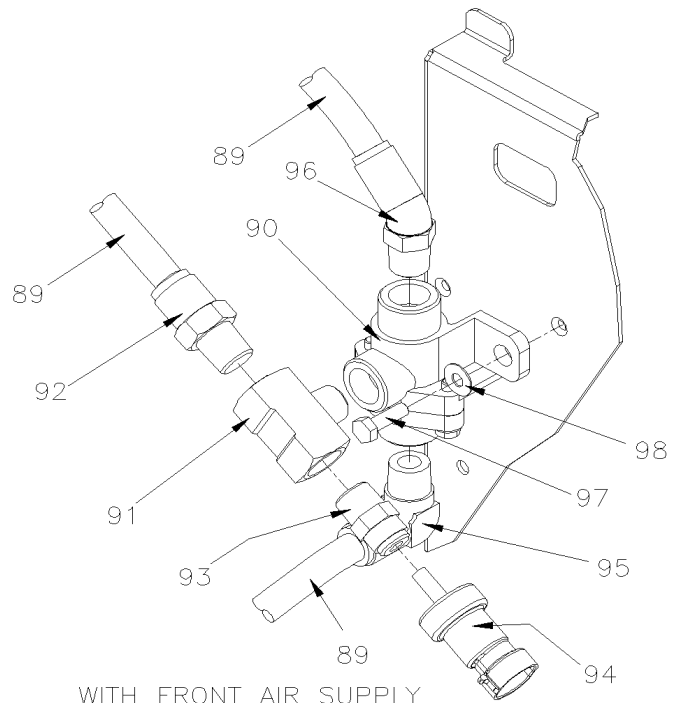
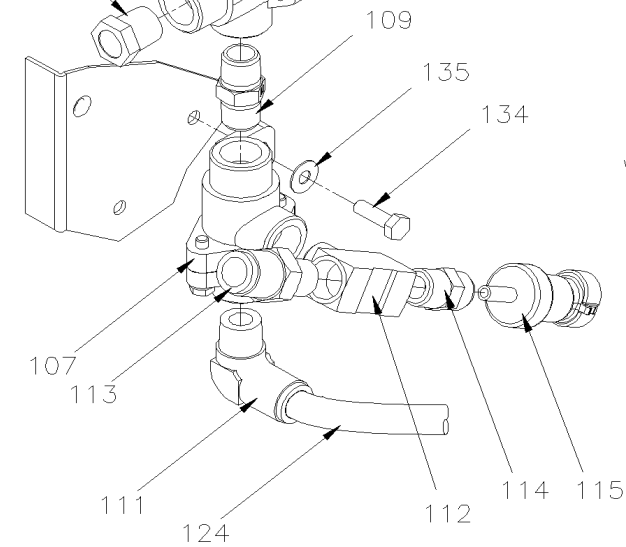
Date:07/2024

PAGE:X3PLB-1630-00

FRONT KNEELING - CONTROL PANEL



WITH BY FOLD DOOR



WITH FRONT AIR SUPPLY
FOR TOWING

From G-7275 To M-7767	Date:07/2024	PAGE:X3PLB-1630-00
FRONT KNEELING - CONTROL PANEL		

Item#	Part	Description	QTY	Notes
1	069271	CABLE ASSY KNEELING PANEL To G-7309	1	
1	069271	CABLE ASSY KNEELING PANEL To G-7309	1	
A	641385	CONNECTOR / SOCKET HOUSING ASSY 3C / PNEUMAC 54934-01 To G-7309	6	
B	562848	CONNECTOR / SOCKET HOUSING ASSY 3C / PNEUMAC 54933-05 To G-7309	1	
C	563159	CONNECTOR / METRI-PACK 150 / SH 3C / PED 12065287 To G-7309	3	
D	563677	CONNECTOR / METRI-PACK 150 / SH 4C / PED 12065402 To G-7309	1	
E	561566	CONNECTOR / WEATHER PACK / PH 2C / BLACK / PED 12010973 To G-7309	1	
F	561690	CONNECTOR / WEATHER PACK / SH 2C / BLACK / PED 12015792 To G-7309	1	
1	069506	CABLE ASSY KNEELING PANEL From H-7310 To H-7416	1	
A	641385	CONNECTOR / SOCKET HOUSING ASSY 3C / PNEUMAC 54934-01 From H-7310 To H-7416	6	
B	562848	CONNECTOR / SOCKET HOUSING ASSY 3C / PNEUMAC 54933-05 From H-7310 To H-7416	1	
C	563159	CONNECTOR / METRI-PACK 150 / SH 3C / PED 12065287 From H-7310 To H-7416	3	
D	563677	CONNECTOR / METRI-PACK 150 / SH 4C / PED 12065402 From H-7310 To H-7416	1	
E	561566	CONNECTOR / WEATHER PACK / PH 2C / BLACK / PED 12010973 From H-7310 To H-7416	1	
F	561690	CONNECTOR / WEATHER PACK / SH 2C / BLACK / PED 12015792 From H-7310 To H-7416	1	
1	069330	CABLE ASSY KNEELING PANEL From H-7417 To J-7442	1	
1	069715	CABLE ASSY KNEELING PANEL From J-7443 To M-7725	1	
A	641385	CONNECTOR / SOCKET HOUSING ASSY 3C / PNEUMAC 54934-01 From J-7443 To M-7725	4	
B	562848	CONNECTOR / SOCKET HOUSING ASSY 3C / PNEUMAC 54933-05 From J-7443 To M-7725	2	
C	563159	CONNECTOR / METRI-PACK 150 / SH 3C / PED 12065287 From J-7443 To M-7725	4	
D	563677	CONNECTOR / METRI-PACK 150 / SH 4C / PED 12065402 From J-7443 To M-7725	1	
E	561566	CONNECTOR / WEATHER PACK / PH 2C / BLACK / PED 12010973 From J-7443 To M-7725	1	
F	568109	CONNECTOR / HDP20 SERIES / SH 31C / DEUTSCH HDP24-24-31SE-L017 From J-7443 To M-7725	1	
1	0610472	CABLE ASSY KNEELING PANEL From M-7726	1	
A	641385	CONNECTOR / SOCKET HOUSING ASSY 3C / PNEUMAC 54934-01 From M-7726	4	
B	562848	CONNECTOR / SOCKET HOUSING ASSY 3C / PNEUMAC 54933-05 From M-7726	2	
C	563159	CONNECTOR / METRI-PACK 150 / SH 3C / PED 12065287 From M-7726	5	
D	563677	CONNECTOR / METRI-PACK 150 / SH 4C / PED 12065402 From M-7726	1	
E	561566	CONNECTOR / WEATHER PACK / PH 2C / BLACK / PED 12010973 From M-7726	1	
F	568109	CONNECTOR / HDP20 SERIES / SH 31C / DEUTSCH HDP24-24-31SE-L017 From M-7726	1	
2	140038	VALVE SUPPORT ASSY To L-7710	1	
2	140221	VALVE SUPPORT ASSY From L-7711	1	
3	140227	DECAL / ACC AIR FILTER DRAIN / ENGLISH & FRANCAIS	1	
3	142368	DECAL / ACC AIR FILTER DRAIN / ENGLISH & SPANISH	1	
4	145261	CABLE SUPPORT	1	
5	502862	SCREW CAP HEX M8-1.25x20 G8.8 N500	1	
6	5001868	WASHER BEL SPR 8.4x18x2 SS	1	
7	5001692	NUT INS FL HEX M8-1.25 0.5-3.0 SS	1	
8	145267	SUPPORT, REGULATOR	1	
11	642227	VALVE, 3 WAYS, 2 POSITIONS N.C. From H-7310	1	

From G-7275 To M-7767	Date:07/2024	PAGE:X3PLB-1630-00
FRONT KNEELING - CONTROL PANEL		

Item#	Part	Description	QTY	Notes
. NS	195765	. SOLENOIDE 24 VOLTS From H-7310	1	
12	641937	VALVE, 3 WAYS, 2 POSITIONS N.C. / W/MAN OVERRIDE	1	
. NS	641929	. COIL 24V	1	
. NS	641385	. CONNECTOR / SOCKET HOUSING ASSY 3C / PNEUMAC 54934-01	1	
13	641352	AIR PRESSURE REGULATOR 1/2" NPT	1	
14	641506	NUT RING / AIR REGULATOR RETAINING	1	
15	641564	VALVE, DOUBLE CHECK DC-4	1	
17	642192	AIR FILTER To L-7710	1	
17	640031	AIR FILTER From L-7711	1	
. NS	640050	. AIR FILTER From L-7711	1	
. NS	640049	. BOWL FILTER From L-7711	1	
17	140259	SERVICE KIT AIR FILTER PNEUMATIC To L-7710	1	
18	640488	VALVE, AIR FILL 1/8" NPT	2	
. NS	650164	. CAP VALVE / CHROME	1	
19	641137	VALVE, PRESSURE PROTECTION TYPE PR-4 70PSI	1	
21	560005	TRANSDUCER PRESSURE (0-12 BAR, 0-174 PSI) To M-7831	3	
21	22443498	TRANSDUCER PRESSURE (0-12 BAR, 0-174 PSI) From M-7832 To M-7864	3	
21	22443498	TRANSDUCER PRESSURE (0-12 BAR, 0-174 PSI) From M-7865	4	
22	287234	PRESSURE SWITCH N.C. 30-10 20PS001AB030E010E	1	
23	641180	MANIFOLD VALVE / W/3 SOLENOID	1	
. NS	641928	. KIT, MANIFOLD REPAIR / N.C.	3	
. NS	641107	. COIL 24V	1	
24	641934	SILENCER / MUFFLER / 3/8NPT-M	1	
25	641897	MANIFOLD / PUSH-IN FITTING / 2x#6 / 4x#4 PLAS	2	
26	641416	PLUG STEM / PUSH-IN FITTING / #4 PLAS	2	
27	641436	UNION ELBOW 90° / PUSH-IN FITTING / #6x#6 BR	1	
31	641366	MALE ELBOW 45° NON-SWIVEL / PUSH-IN FITTING / #6x1/4NPT-M BR	2	
32	501338	MALE RUN TEE / PIPE FITTING / 1/4NPT-Mx1/4NPT-Fx1/4NPT-F BR To L-7725	1	
32	501338	MALE RUN TEE / PIPE FITTING / 1/4NPT-Mx1/4NPT-Fx1/4NPT-F BR From L-7726	2	
33	641372	MALE ELBOW 90° NON-SWIVEL / PUSH-IN FITTING / #6x1/4NPT-M BR To L-7725	2	
33	641372	MALE ELBOW 90° NON-SWIVEL / PUSH-IN FITTING / #6x1/4NPT-M BR From L-7726	3	
34	501332	STREET ELBOW 90° / PIPE FITTING / 1/4NPT-Mx1/4NPT-F BR	1	
35	501312	BUSHING REDUCER / PIPE FITTING / 1/4NPT-Mx1/8NPT-F BR	1	
36	641378	MALE ELBOW 90° / PUSH-IN FITTING / #8x1/2NPT-M BRASS	1	
37	641381	MALE CONNECTOR / PUSH-IN FITTING / #8x3/8NPT-M BR	1	
38	501534	BUSHING REDUCER / PIPE FITTING / 1/2NPT-Mx3/8NPT-F BR	1	
39	642128	MALE ELBOW 90° SWIVEL DUAL PORT / PUSH-IN / #6x#6x3/8NPT-M BR	1	
40	501737	MALE BRANCHE TEE / PIPE FITTING / 3/8NPT-Fx3/8NPT-Fx3/8NPT-M BR To L-7710	4	
40	501737	MALE BRANCHE TEE / PIPE FITTING / 3/8NPT-Fx3/8NPT-Fx3/8NPT-M BR From L-7711	3	
41	642208	UNION "Y" / PUSH-IN FITTING / #4x#4x#4 PLAS	1	
42	501337	FEMALE UNION TEE / PIPE FITTING / 1/4NPT-Fx1/4NPT-Fx1/4NPT-F BR	1	

From G-7275 To M-7767	Date:07/2024	PAGE:X3PLB-1630-00
FRONT KNEELING - CONTROL PANEL		

Item#	Part	Description	QTY	Notes
43	641332	MALE CONNECTOR / PUSH-IN FITTING / #4x1/4NPT-M BR	1	
44	501333	STREET ELBOW 90° / PIPE FITTING / 3/8NPT-Mx3/8NPT-F BR To L-7710	2	
44	501333	STREET ELBOW 90° / PIPE FITTING / 3/8NPT-Mx3/8NPT-F BR From L-7711	1	
45	641330	MALE CONNECTOR / PUSH-IN FITTING / #6x3/8NPT-M BR To L-7710	4	
45	641330	MALE CONNECTOR / PUSH-IN FITTING / #6x3/8NPT-M BR From L-7711	3	
46	641367	MALE ELBOW 45° NON-SWIVEL / PUSH-IN FITTING / #6x3/8NPT-M BR	2	
47	649942	MALE BRANCH TEE / PUSH-IN FITTING / #6x#6x3/8NPT-M BR	1	
48	641375	MALE ELBOW 90° NON-SWIVEL / PUSH-IN FITTING / #6x3/8NPT-M BR	1	
49	641368	MALE ELBOW 45° NON-SWIVEL / PUSH-IN FITTING / #8x3/8NPT-M BR	1	
50	501699	MALE RUN TEE / PIPE FITTING / 3/8NPT-Mx3/8NPT-Fx3/8NPT-F BR To L-7710	1	
51	501749	NIPPLE REDUCER HEX / PIPE FITTING / 3/8NPT-Mx1/4NPT-Mx1 13/32 BR	1	
52	501313	BUSHING REDUCER / PIPE FITTING / 3/8NPT-Mx1/8NPT-F BR To L-7710	1	
53	501072	PLUG HEXS / PIPE FITTING / 1/8NPT-M STL	1	
54	641369	MALE ELBOW 90° NON-SWIVEL / PUSH-IN FITTING / #4x1/8NPT-M BR	1	
55	641242	MALE CONNECTOR / PUSH-IN FITTING / #4x1/8NPT-M BR	3	
56	501527	FEMALE UNION TEE / PIPE FITTING / 3/8NPT-Fx3/8NPT-Fx3/8NPT-F BR From L-7711	1	
57	501749	NIPPLE REDUCER HEX / PIPE FITTING / 3/8NPT-Mx1/4NPT-Mx1 13/32 BR From L-7711	1	
58	501894	MALE BRANCHE TEE / PIPE FITTING / 1/4NPT-Fx1/4NPT-Fx1/4NPT-M BR From L-7711	1	
59	501332	STREET ELBOW 90° / PIPE FITTING / 1/4NPT-Mx1/4NPT-F BR From L-7711	1	
60	501312	BUSHING REDUCER / PIPE FITTING / 1/4NPT-Mx1/8NPT-F BR From L-7711	1	
61	641331	MALE CONNECTOR / PUSH-IN FITTING / #6x1/4NPT-M BR From L-7711	1	
NS	680098	THREAD SEALANT LOCTITE #567 / WHITE / 250ml From L-7711	AR	
63	992086	HOSE CLAMP / 32MM/52MM From L-7711	1	
65	X3PLB-1202-00	TUBES PLASTIC / AIR D.O.T.		
70	500266	SCREW TC CAP HEX 1/4-20x1 N500	2	
71	500393	SCREW TC PAN PH #10-24x3/8 Z050	2	
72	500470	WASHER LO SPT .193x.334x.047 Z050	2	
73	500964	WASHER FL .203x.500x.047 Z050	2	
74	502830	SCREW CAP HEX M6-1.0x20 G8.8 N500	AR	
75	5001608	WASHER BEL SPR 6.2x15.0x0.7 G500	AR	
76	502843	SCREW CAP HEX M6-1.0x45 G8.8 N500	2	
77	500032	SCREW CAP HEX M5-0.8x16 BK To L-7710	2	
78	500574	SCREW MA TR PH #10-24x1 1/4 SS	2	
79	500671	SCREW CAP HEXS #8-32x7/8	2	
80	5001991	SCREW MA RND PH M5-0.8x30 SS	2	
81	509894	TIE MOUNT HOLE 7.8MM	5	
82	509491	CABLE TIE / 13MM x 383MM	5	
83	509815	TIE MOUNT / ATTACHMENT W/TREE MOUNT	AR	
84	504637	CABLE TIE / 3/16" x 13"	AR	
85	504750	CABLE TIE / 1/2" x 15" / CHRISTMAS TREE	AR	

From G-7275 To M-7767	Date:07/2024	PAGE:X3PLB-1630-00
FRONT KNEELING - CONTROL PANEL		

Item#	Part	Description	QTY	Notes
89	503406	TUBE, NYLON 1/2 O.D. / GREEN S.L. From H-7320	AR	B
90	641564	VALVE, DOUBLE CHECK DC-4 From H-7320	1	B
NS	680098	THREAD SEALANT LOCTITE #567 / WHITE / 250ml From H-7320	AR	B
91	501737	MALE BRANCHE TEE / PIPE FITTING / 3/8NPT-Fx3/8NPT-Fx3/8NPT-M BR From H-7320	1	B
92	641381	MALE CONNECTOR / PUSH-IN FITTING / #8x3/8NPT-M BR From H-7320	1	B
93	641347	MALE CONNECTOR / PUSH-IN FITTING / #4x3/8NPT-M BR From H-7320	1	B
94	642072	PRESSURE SWITCH N.C. 2-6 PSI / 1/4" TUBE From H-7320	1	B
NS	563677	CONNECTOR / METRI-PACK 150 / SH 4C / PED 12065402 From H-7320	1	B
95	641376	MALE ELBOW 90° NON-SWIVEL / PUSH-IN FITTING / #8x3/8NPT-M BR From H-7320	1	B
96	641368	MALE ELBOW 45° NON-SWIVEL / PUSH-IN FITTING / #8x3/8NPT-M BR From H-7320	1	B
97	502830	SCREW CAP HEX M6-1.0x20 G8.8 N500 From H-7320	1	B
98	5001608	WASHER BEL SPR 6.2x15.0x0.7 G500 From H-7320	1	B
101	642137	VALVE, 3 WAYS, N.C.	1	A
101	195765	SOLENOIDE 24 VOLTS	1	A
102	501338	MALE RUN TEE / PIPE FITTING / 1/4NPT-Mx1/4NPT-Fx1/4NPT-F BR	1	A
103	501311	ADAPTER / PIPE FITTING / 3/8NPT-Fx1/4NPT-M BR	1	A
104	501810	ADAPTER / PIPE FITTING / 3/8NPT-Mx1/2NPT-F STL	1	A
105	642088	VALVE, QUICK RELEASE QR-L / IN LINE	1	A
106	5011151	NIPPLE REDUCER HEX / PIPE FITTING / 1/2NPT-Mx3/8NPT-Mx1 5/8 BR	1	A
107	641564	VALVE, DOUBLE CHECK DC-4	2	A
108	641934	SILENCER / MUFFLER / 3/8NPT-M	1	A
109	501322	NIPPLE HEX / PIPE FITTING / 3/8NPT-Mx3/8NPT-Mx1 13/32 BR	1	A
111	641376	MALE ELBOW 90° NON-SWIVEL / PUSH-IN FITTING / #8x3/8NPT-M BR	1	A
112	501737	MALE BRANCHE TEE / PIPE FITTING / 3/8NPT-Fx3/8NPT-Fx3/8NPT-M BR	1	A
113	641381	MALE CONNECTOR / PUSH-IN FITTING / #8x3/8NPT-M BR	1	A
114	641347	MALE CONNECTOR / PUSH-IN FITTING / #4x3/8NPT-M BR	1	A
115	642072	PRESSURE SWITCH N.C. 2-6 PSI / 1/4" TUBE	1	A
NS	563677	CONNECTOR / METRI-PACK 150 / SH 4C / PED 12065402	1	A
116	641372	MALE ELBOW 90° NON-SWIVEL / PUSH-IN FITTING / #6x1/4NPT-M BR	1	A
117	560005	TRANSDUCER PRESSURE (0-12 BAR, 0-174 PSI) To M-7831	1	A
117	22443498	TRANSDUCER PRESSURE (0-12 BAR, 0-174 PSI) From M-7832	1	A
118	641366	MALE ELBOW 45° NON-SWIVEL / PUSH-IN FITTING / #6x1/4NPT-M BR	1	A
119	641331	MALE CONNECTOR / PUSH-IN FITTING / #6x1/4NPT-M BR	1	A
120	642136	VALVE, PRESSURE REDUCING / RV-3 55 PSI	1	A
121	641943	SILENCER / MUFFLER / 1/8NPT-M	1	A
122	641007	MALE BRANCH TEE / NTA FITTING / #6x#6x1/4NPT-M BR	1	A
NS	680098	THREAD SEALANT LOCTITE #567 / WHITE / 250ml	AR	A
124	503406	TUBE, NYLON 1/2 O.D. / GREEN S.L.	AR	A
125	503639	TUBE, NYLON 3/8 O.D. / BROWN S.L.	AR	A
131	502751	SCREW CAP HEX #10-32x3/8 Z050	2	A

From G-7275 To M-7767	Date:07/2024	PAGE:X3PLB-1630-00
FRONT KNEELING - CONTROL PANEL		

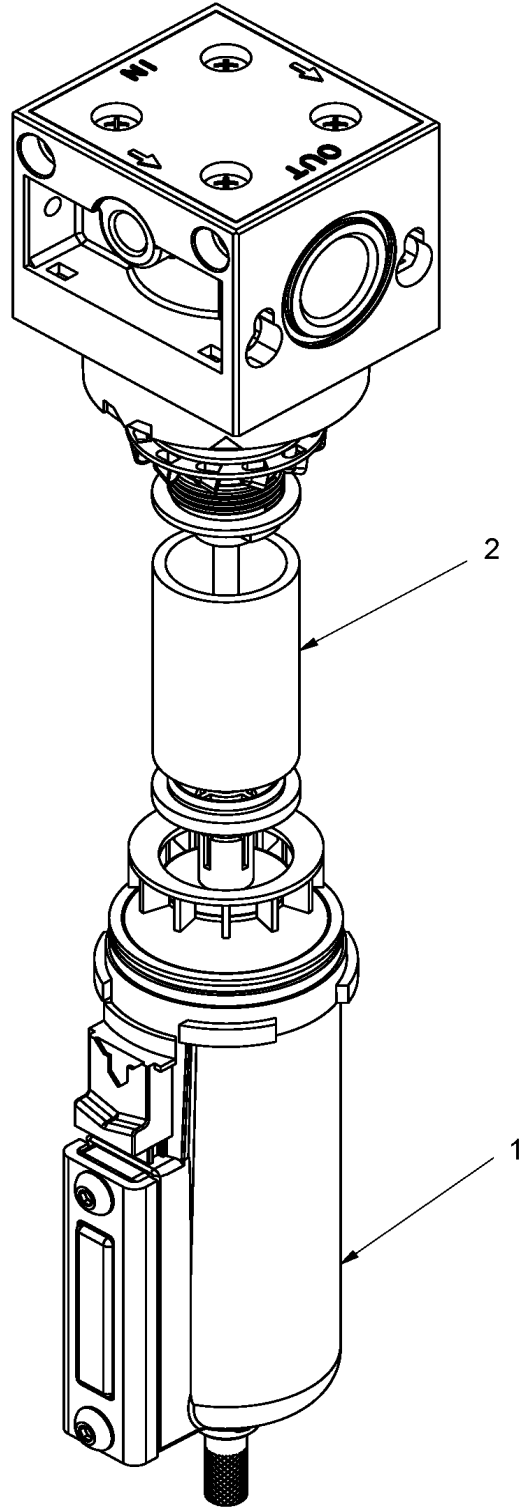
Item#	Part	Description	QTY	Notes
132	500470	WASHER LO SPT .193x.334x.047 Z050	2	A
133	500964	WASHER FL .203x.500x.047 Z050	2	A
134	502830	SCREW CAP HEX M6-1.0x20 G8.8 N500	1	A
135	5001608	WASHER BEL SPR 6.2x15.0x0.7 G500	3	A
136	502843	SCREW CAP HEX M6-1.0x45 G8.8 N500	2	A
		A) USE WITH BI-FOLD DOOR		
		B) WITH FRONT AIR SUPPLY TOWING		

To L-7710

Date:07/2024

PAGE:642192

AIR FILTER



To L-7710	Date:07/2024	PAGE:642192
-----------	--------------	-------------

AIR FILTER

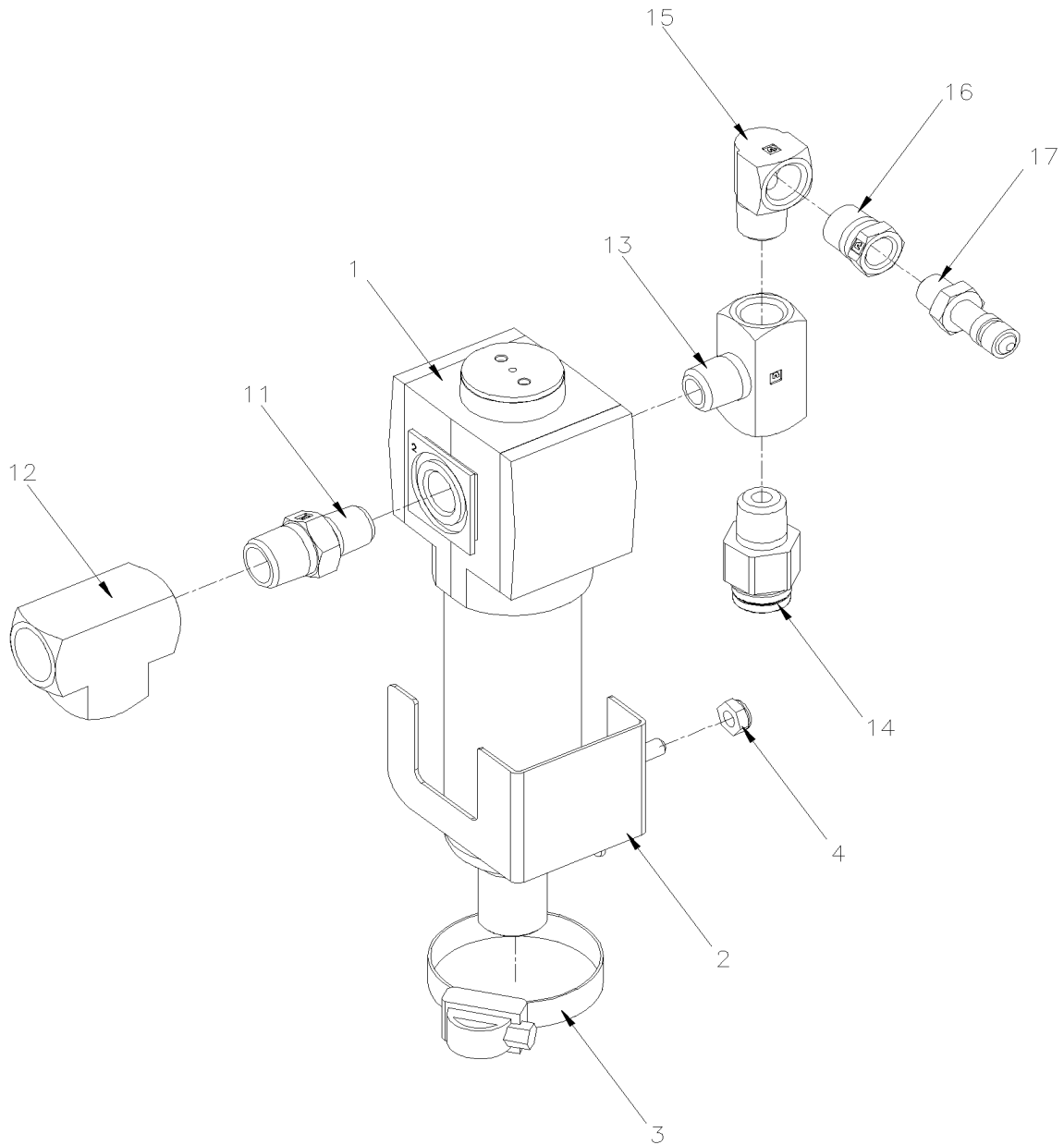
Item#	Part	Description	QTY	Notes
1	642219	METAL BOWL MANUAL DRAIN	1	
2	642220	FILTER ELEMENT	1	
NS	642221	SERVICE KIT AIR FILTER	1	A
. NS	N.S.S.	. FILTER SIDE PLATE	2	1 A
. NS	N.S.S.	. SCREW CAP BUT	2	1 A
. NS	N.S.S.	. PLUG	1	1 A
. NS	N.S.S.	. O-RING	1	1 A
. NS	N.S.S.	. GREASE PACKET	1	1 A
		A) CONTAIN SIDE COVER 2X / SCREW X2 / PLUG 1X / O-RING 1X / GREASE PACKAGE 1X		
		1) NOT SOLD SEPARATELY		

To L-7710

Date:07/2024

PAGE:140259

SERVICE KIT AIR FILTER PNEUMATIC



To L-7710	Date:07/2024	PAGE:140259
-----------	--------------	-------------

SERVICE KIT AIR FILTER PNEUMATIC

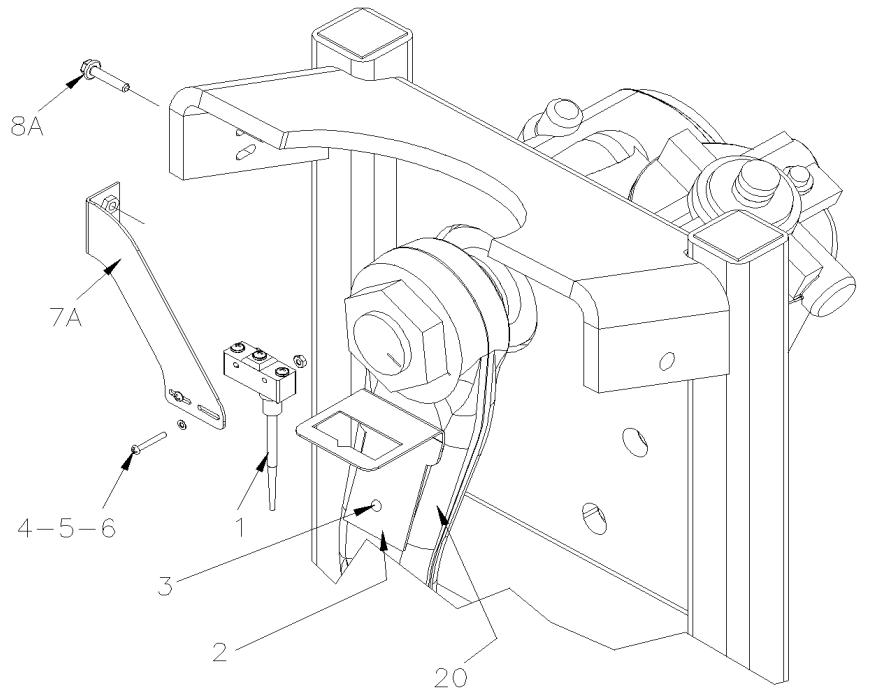
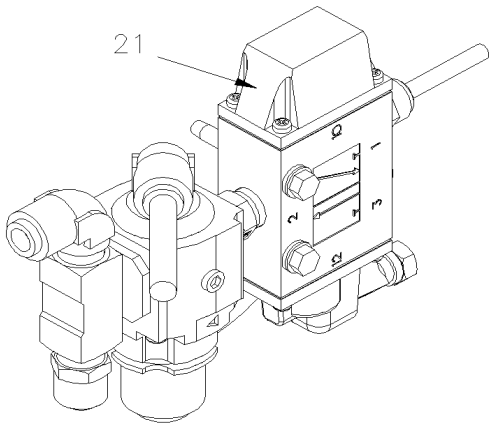
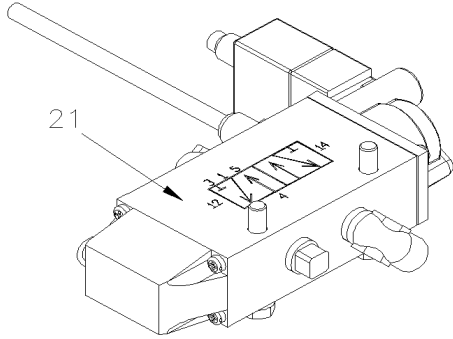
Item#	Part	Description	QTY	Notes
1	640031	AIR FILTER	1	
. NS	640050	. AIR FILTER	1	
. NS	640049	. BOWL FILTER	1	
2	140219	BRACKET, AIR FILTER	1	
3	992086	HOSE CLAMP / 32MM/52MM	1	
4	502841	NUT HEX NYRT M5-0.8 N500	2	
11	501749	NIPPLE REDUCER HEX / PIPE FITTING / 3/8NPT-Mx1/4NPT-Mx1 13/32 BR	1	
12	501527	FEMALE UNION TEE / PIPE FITTING / 3/8NPT-Fx3/8NPT-Fx3/8NPT-F BR	1	
13	501894	MALE BRANCHE TEE / PIPE FITTING / 1/4NPT-Fx1/4NPT-Fx1/4NPT-M BR	1	
14	641331	MALE CONNECTOR / PUSH-IN FITTING / #6x1/4NPT-M BR	1	
15	501332	STREET ELBOW 90° / PIPE FITTING / 1/4NPT-Mx1/4NPT-F BR	1	
16	501312	BUSHING REDUCER / PIPE FITTING / 1/4NTP-Mx1/8NPT-F BR	1	
17	640488	VALVE, AIR FILL 1/8" NPT	1	
. NS	650164	. CAP VALVE / CHROME	1	
18	IS-19084	SEE INSTRUCTION SHEET	1	

From G-7275 To M-7767

Date:07/2024

PAGE:X3PLB-1650-00

TAG UNLOAD - STABILISATOR



From G-7275 To M-7767	Date:07/2024	PAGE:X3PLB-1650-00
TAG UNLOAD - STABILISATOR		

Item#	Part	Description	QTY	Notes
1	562343	MICRO SWITCH ASSY WITH FLEX To L-7686	1	
2	066608	ACTUATOR TAG UNLOAD / To L-7686	1	
3	500500	SCREW DRV RND #8x3/8 Z050 To L-7686	2	
4	502612	SCREW MA RND PH #6-32x1 Z050 To L-7686	2	A
5	500689	NUT HEX #6-32 Z050 To L-7686	2	
6	500467	WASHER LO INT .138x.275x.019 Z050 To L-7686	2	
7A	068236	SUPPORT, SWITCH To L-7686	1	
7A	8631155	CABLE TIE / 4.6MM x 200 / CHRISTMAS TREE To L-7686	1	
8A	5001815	SCREW CAP HEXF M6-1.0x30 G 8.8 N500 To L-7686	2	
NS	506785	TAPE RUB ADH2 CC POL 1/16" X 1/4" X 200' / BLACK I1C-N-A	AR	
NS	684517	ADHESIVE SIMSON #ISR 70-03 / GREY / 310ml CARTRIDGE	AR	
20	X3PLB-1410-50	STEERING RODS - INSTALLATION W/INDEPENDENT "NDIFS80P" / 19000LBS		I
20	X3PLB-1410-00	STEERING GEAR BOX & DRAG LINK - INSTALLATION		R
21	X3PLB-1620-00	HEIGHT CONTROL VALVE		
		A) TO FIX SWITCH		
		I) WITH "INDEPENDENT" SUSPENSION		
		R) WITH I BEAM "RIGID" SUSPENSION		

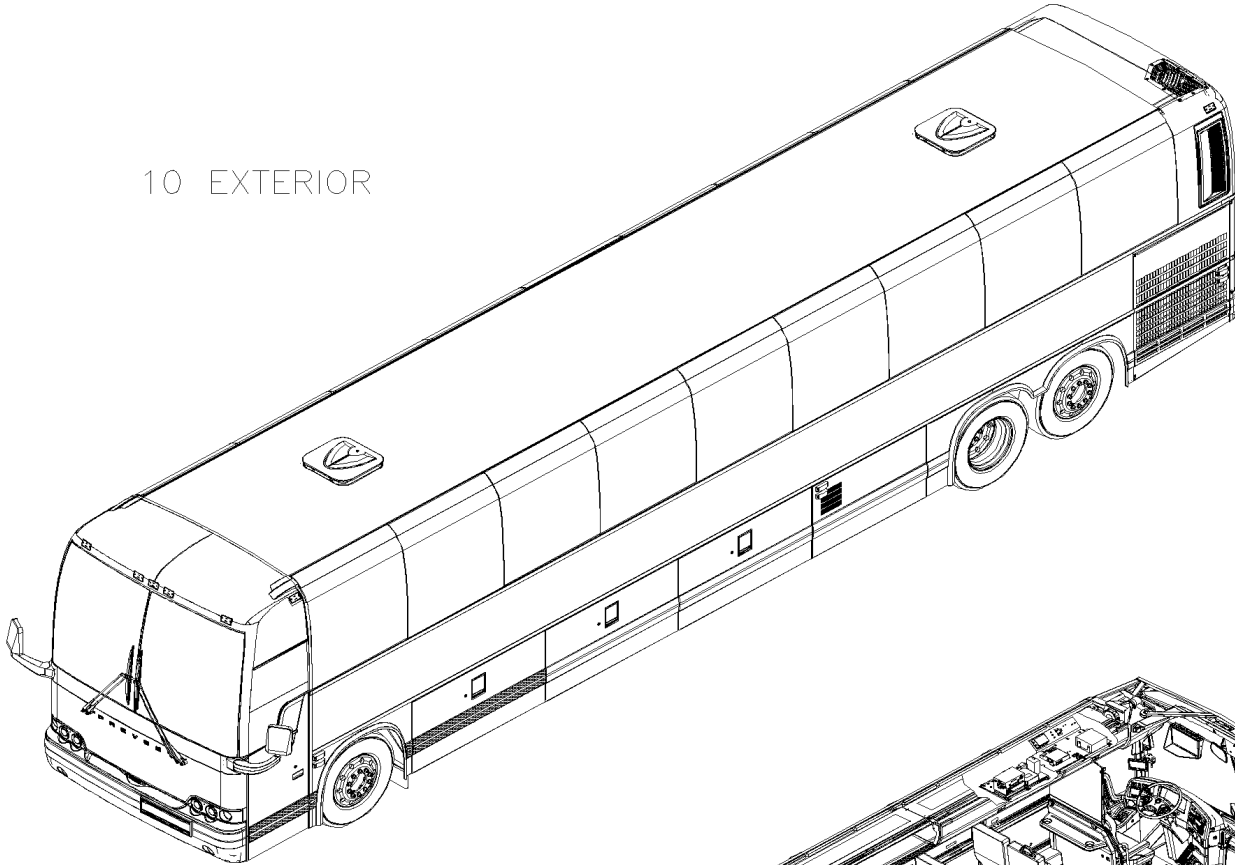
From G-7275 To M-7767

Date:07/2024

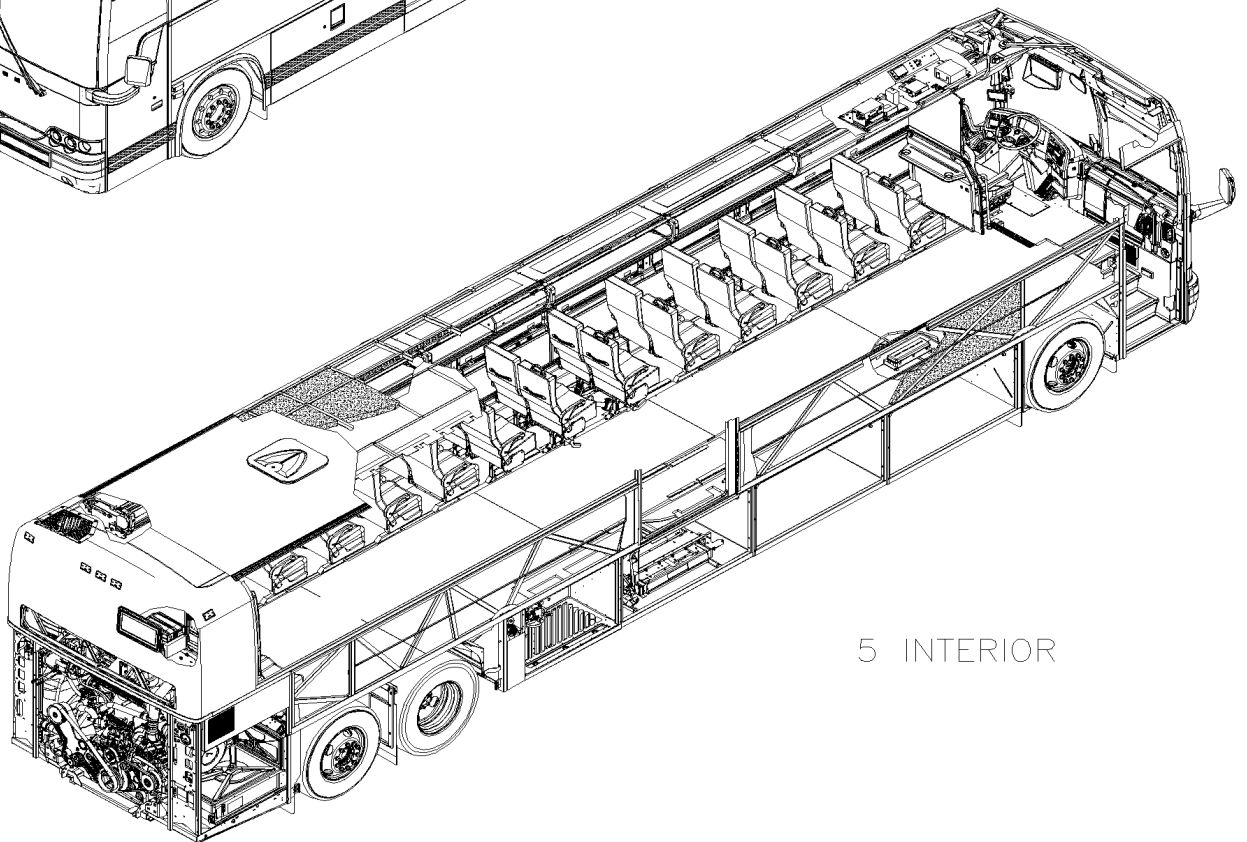
X3PLB-18

BODY

10 EXTERIOR



5 INTERIOR



From G-7275 To M-7767		Date:07/2024	X3PLB-18
-----------------------	--	--------------	----------

BODY

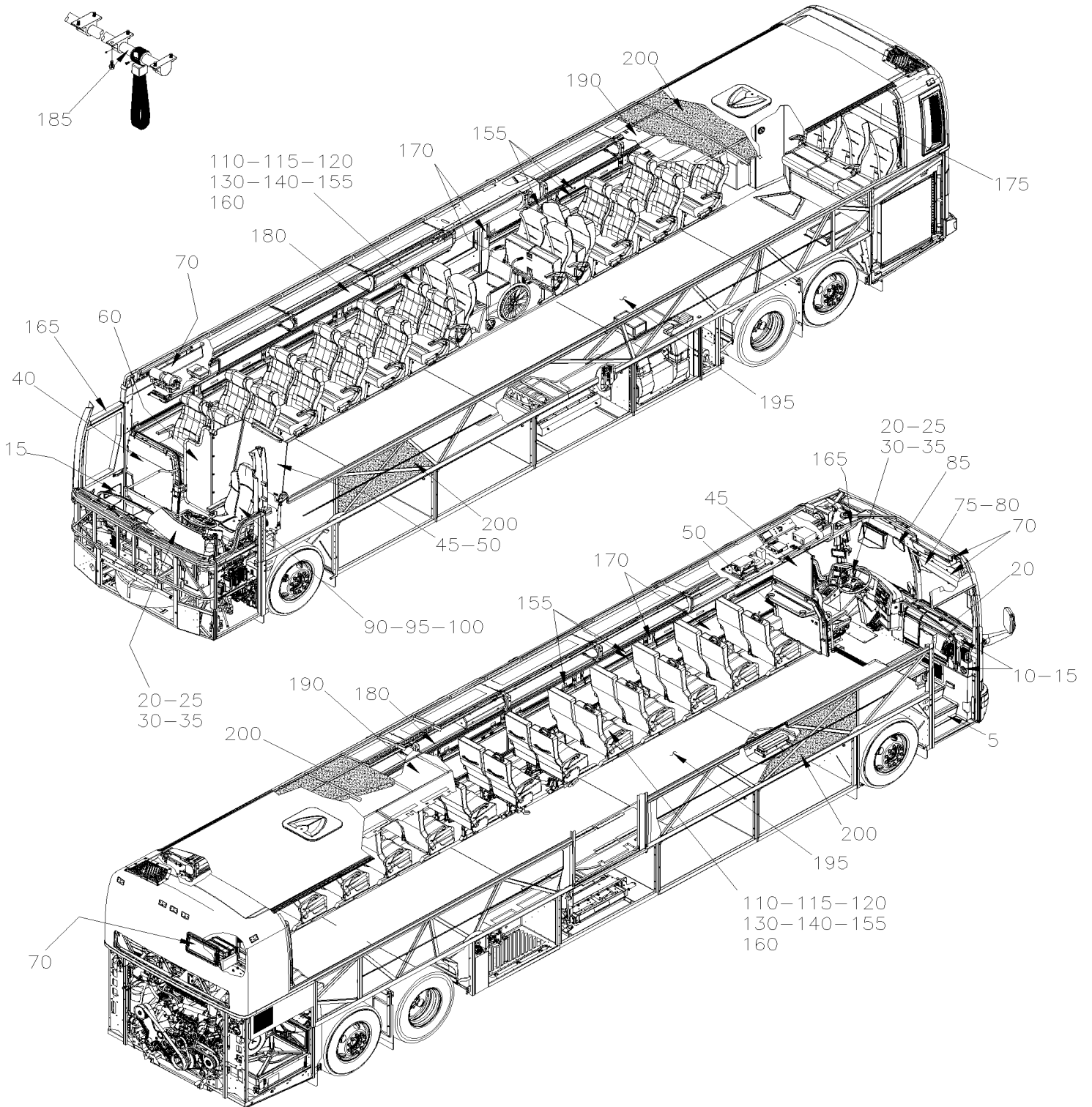
Item#	Part	Description	QTY	Notes
5	X3PLB-18-INT	BODY INTERIOR From G-7275 To M-7767		
10	X3PLB-18-EXT	BODY EXTERIOR From G-7275 To M-7767		

From G-7275 To M-7767

Date:07/2024

PAGE:X3PLB-18-INT

BODY INTERIOR



From G-7275 To M-7767	Date:07/2024	PAGE:X3PLB-18-INT
BODY INTERIOR		

Item#	Part	Description	QTY	Notes
5	X3PLB-1800-00	FRONT STEPWELL - BUS From G-7275 To K-7662		
5	X3PLB-1800-01	FRONT STEPWELL - BUS From L-7663 To M-7767		
10	X3PLB-1802-00	ENTRANCE DOOR CONTROL From G-7275 To M-7767		
10	X3PLB-1802-10	ENTRANCE DOOR CONTROL WITH BI-FOLD DOOR From G-7275 To M-7767		
15	X3PLB-1804-00	ENTRANCE DOOR LOCK From G-7275 To M-7767		
15	X3PLB-1804-10	ENTRANCE DOOR LOCK WITH BI-FOLD DOOR From G-7275 To M-7767		
20	X3PLB-1806-00	CENTRAL DASHBOARD PANEL From G-7275 To K-7542		
20	X3PLB-1806-01	CENTRAL DASHBOARD PANEL From K-7543 To M-7767		
25	X3PLB-1806-10	L.H. CONSOLE - BUS From G-7275 To K-7542		
25	X3PLB-1806-11	L.H. CONSOLE - BUS From K-7543 To M-7767		
30	X3PLB-1806-15	DASHBOARD - ASSY From G-7275 To M-7767		
35	X3PLB-1806-20	DASHBOARD PANEL From G-7275 To K-7542		
35	X3PLB-1806-21	DASHBOARD PANEL From K-7543 To M-7767		
40	X3PLB-1810-00	MODESTY PANEL R.H. From G-7275 To M-7767		
45	X3PLB-1811-00	MODESTY PLEXIGLASS From G-7275 To M-7767		
50	X3PLB-1812-00	MODESTY PANEL L.H. From G-7275 To M-7767		
60	X3PLB-1813-00	DRIVER'S GATE From G-7275 To H-7363		
60	X3PLB-1813-01	DRIVER'S GATE From H-7364 To M-7767		
70	X3PLB-1814-00	DESTINATION SIGN - INSTALLATION FRONT - "AESYS" From G-7275 To K-7662		
70	X3PLB-1814-01	DESTINATION SIGN - INSTALLATION - "AESYS" From L-7663 To M-7767		
70	X3PLB-1814-20	DESTINATION SIGN - INSTALLATION SIDE - "AESYS" From G-7275 To M-7767		
70	X3PLB-1814-10	DESTINATION SIGN - INSTALLATION FRONT - "AXION" From G-7275 To M-7767		
75	X3PLB-1816-00	ROLLER BLIND - DRIVER' S & WINDSHIELD From G-7275 To K-7662		
75	X3PLB-1816-01	ROLLER BLIND - DRIVER' S & WINDSHIELD From L-7663 To M-7767		
75	X3PLB-1816-05	ROLLER BLIND - WINDSHIELD W/ELECTRICAL From G-7275 To K-7662		
80	X3PLB-1816-10	SUN SHADE - PASSENGER'S WINDOW From G-7275 To K-7662		
80	X3PLB-1816-11	SUN SHADE - PASSENGER'S WINDOW From L-7663 To M-7767		
85	X3PLB-1820-00	MIRROR - INTERIOR From G-7275 To M-7767		
90	X3PLB-1821-00	DRIVER'S SEAT - "NATIONAL SEATING" - MODEL NSIII B From G-7275 To M-7767		
95	X3PLB-1822-01	DRIVER'S SEAT - "ISRI" - 6832/872 From G-7275 To M-7767		
95	X3PLB-1822-10	DRIVER'S SEAT - "ISRI" - 6000/515 & 6500/515 From G-7275 To M-7767		
100	X3PLB-1823-50	DRIVER'S SEAT - "USSC" - 9100ALX3 From G-7275 To M-7767		
100	X3PLB-1823-60	SEAT ASSY - "USSC" - 9100ALX3 From G-7275 To M-7767		
100	X3PLB-1823-70	SUSPENSION ASSY - "USSC" - 9100ALX3 From G-7275 To M-7767		
100	X3PLB-1823-80	BASE ASSY - "USSC" - 9100ALX3 From G-7275 To M-7767		
110	X3PLB-1824-30	PASSENGER'S SEAT - "AMAYA" IDENTIFICATION "MODEL" From G-7275 To M-7767		
130	X3PLB-1826-11	PASSENGER'S SEAT - "AMAYA" "TORINO" WITH 3 POINTS From G-7275 To M-7767		
130	X3PLB-1826-40	PASSENGER'S SEAT - "AMAYA" - FOOTREST & PEDESTAL From G-7275 To M-7767		
130	X3PLB-1826-53	ARMREST PASSENGER'S SEAT - "AMAYA" WITH "SIGLIUM" TORO & TORINO From G-7275 To M-7767		
130	X3PLB-1826-54	ARMREST PASSENGER'S SEAT - "AMAYA" WITH "TORINO" & "TORINO V.I.P." From G-7275 To M-7767		
130	X3PLB-1826-60	ACCESSORIES PASSENGER'S SEAT - "AMAYA" From G-7275 To M-7767		
130	X3PLB-1826-70	PASSENGER'S SEAT - "AMAYA" - FLIP-UP HANDICAP WITH 3POINTS From G-7275 To M-7767		

From G-7275 To M-7767	Date:07/2024	PAGE:X3PLB-18-INT
BODY INTERIOR		

Item#	Part	Description	QTY	Notes
140	X3PLB-1827-00	PASSENGER'S SEAT INSTALLATION AMAYA "A-2TEN" From G-7275 To M-7767		
140	X3PLB-1827-01	PASSENGER'S SEAT INSTALLATION AMAYA "A-220" From H-7394 To M-7767		
140	X3PLB-1827-03	PASSENGER'S SEAT INSTALLATION AMAYA "GT" From J-7436 To M-7767		
140	X3PLB-1827-10	PASSENGER'S SEAT / STANDARD AMAYA "A-2TEN" From G-7275 To M-7767		
140	X3PLB-1827-11	PASSENGER'S SEAT / STANDARD AMAYA "A-220" From H-7394 To M-7767		
140	X3PLB-1827-13	PASSENGER'S SEAT AMAYA "GT" From J-7436 To M-7767		
140	X3PLB-1827-20	PASSENGER'S SEAT / FLIP-UP/FIXE AMAYA "A-2TEN" From G-7275 To M-7767		
140	X3PLB-1827-21	PASSENGER'S SEAT / FLIP-UP/FIXE AMAYA "A-220" From H-7394 To M-7767		
140	X3PLB-1827-30	PASSENGER'S SEAT / FLIP-UP / SLIDER AMAYA "A-2TEN" From G-7275 To M-7767		
140	X3PLB-1827-31	PASSENGER'S SEAT / FLIP-UP / SLIDER AMAYA "A-220" From H-7394 To M-7767		
140	X3PLB-1827-40	PASSENGER'S SEAT / REAR CROSS SEAT AMAYA "A-2TEN" From G-7275 To M-7767		
140	X3PLB-1827-41	PASSENGER'S SEAT / REAR CROSS SEAT AMAYA "A-220" From H-7394 To M-7767		
140	X3PLB-1827-43	PASSENGER'S SEAT - "AMAYA" - FOOTREST & PEDESTAL AMAYA "GT", "GT TRANSIT" From J-7436 To M-7767		
140	X3PLB-1827-50	ARMREST AMAYA "A-2TEN" From G-7275 To M-7767		
140	X3PLB-1827-51	ARMREST AMAYA "A-220" From H-7394 To M-7767		
140	X3PLB-1827-53	ARMREST AMAYA "GT" From J-7436 To M-7767		
140	X3PLB-1827-61	BACKREST AMAYA "A-2TEN" From G-7275 To M-7767		
140	X3PLB-1827-62	BACKREST AMAYA "A-220" From H-7394 To M-7767		
140	X3PLB-1827-63	BACKREST AMAYA "GT" From J-7436 To M-7767		
140	X3PLB-1827-70	SEAT CUSHION AMAYA "A-2TEN" From G-7275 To M-7767		
140	X3PLB-1827-71	SEAT CUSHION AMAYA "A-220" From H-7394 To M-7767		
140	X3PLB-1827-73	SEAT CUSHIONS AMAYA TORINO, "GT" & "GTT" From J-7436 To M-7767		
140	X3PLB-1827-80	PASSENGER'S SEAT / REVERSIBLE AMAYA "A-2TEN" From G-7275 To M-7767		
140	X3PLB-1827-81	PASSENGER'S SEAT / REVERSIBLE AMAYA "A-220" From H-7394 To M-7767		
145	X3PLB-1828-01	PASSENGER'S SEAT INSTALLATION / CLOUDONE From N-7941 To M-7767		
145	X3PLB-1828-11	PASSENGER'S SEAT / CLOUDONE From N-7941 To M-7767		
145	X3PLB-1828-21	ACCESSORIES PASSENGER'S SEAT / CLOUDONE From N-7941 To M-7767		
145	X3PLB-1828-41	PEDESTAL INSTALLATION / CLOUDONE From N-7941 To M-7767		
145	X3PLB-1828-51	ARMREST / CLOUDONE From N-7941 To M-7767		
145	X3PLB-1828-61	BACKREST / CLOUDONE From N-7941 To M-7767		
145	X3PLB-1828-71	SEAT CUSHIONS / CLOUDONE From N-7941 To M-7767		
155	X3PLB-1829-00	ACCESSORIES PASSENGER'S SEAT - "PREVOST" From G-7275 To M-7767		
160	X3PLB-1830-00	PASSENGER'S SEAT - "AMERICAN" & "IMMI" "PREMIER"&"SAFEGUARD PREMIER" From G-7275 To M-7767		
165	X3PLB-1832-00	FRONT FINISHING CAP - BUS From G-7275 To K-7662		
165	X3PLB-1832-01	FRONT FINISHING CAP From L-7663 To M-7767		
165	X3PLB-1832-10	FRONT FINISHING CAP - BUS WITH BY-FOLD DOOR From G-7275 To K-7662		
165	X3PLB-1832-11	FRONT FINISHING CAP - BUS WITH BY-FOLD DOOR From L-7663 To M-7767		
170	X3PLB-1833-00	WINDOW FINISHING CAP & WALL From G-7275 To K-7662		
170	X3PLB-1833-01	WINDOW FINISHING CAP & WALL From L-7663 To M-7767		
175	X3PLB-1834-00	REAR FINISHING CAP From G-7275 To M-7767		
175	X3PLB-1834-05	REAR FINISHING CAP / WITHOUT LAVATORY EPA 2010 From G-7275 To M-7767		
180	X3PLB-1836-00	PARCEL RACK /WITH LEDS From G-7275 To M-7767		

From G-7275 To M-7767	Date:07/2024	PAGE:X3PLB-18-INT
BODY INTERIOR		

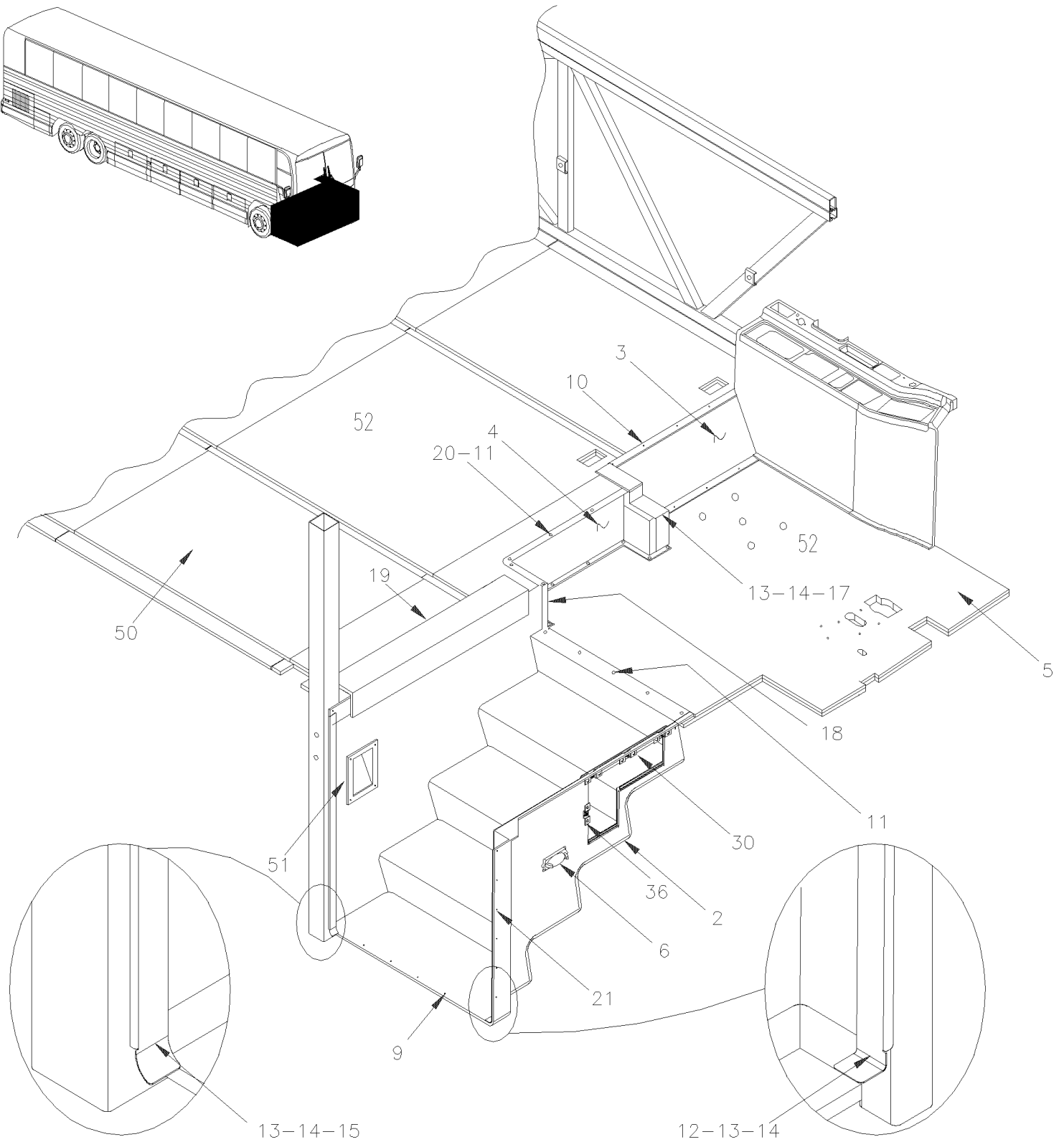
Item#	Part	Description	QTY	Notes
185	X3PLB-1836-05	GRAB HANDLE RAIL From G-7275 To M-7767		
190	X3PLB-1837-00	CEILING PANELS & MOULDING - BUS From G-7275 To K-7662		
190	X3PLB-1837-01	CEILING PANELS From L-7663 To M-7767		
195	X3PLB-1838-00	FLOOR - BUS From G-7275 To H-7416		
195	X3PLB-1838-01	FLOOR - BUS From H-7417 To M-7767		
195	X3PLB-1838-05	FLOOR & COVERING - "R.C.A." From G-7275 To M-7767		
195	X3PLB-1838-10	FLOOR COVERING - "TARAFLEX" From G-7275 To M-7767		
200	X3PLB-1839-00	INSULATING SIDE WALL - LOWER PANEL From G-7275 To H-7416		
200	X3PLB-1839-01	INSULATING SIDE WALL - LOWER PANEL From H-7417 To M-7767		
200	X3PLB-1839-05	INSULATING FRONT - BUS From G-7275 To M-7767		
200	X3PLB-1839-10	INSULATING FLOOR REAR AXLE From G-7275 To H-7416		
200	X3PLB-1839-11	INSULATING FLOOR REAR AXLE GHG17 From H-7417 To M-7767		
200	X3PLB-1839-15	INSULATING FRONT - SUBFRAME From G-7275 To M-7767		
200	X3PLB-1839-25	INSULATING - REAR SCR FILTER From G-7275 To H-7416		
200	X3PLB-1839-26	INSULATING - REAR SCR FILTER / GHG17 From H-7417 To M-7767		
200	X3PLB-1839-30	INSULATING ROOF PANELS From G-7275 To K-7662		
200	X3PLB-1839-31	INSULATING ROOF PANELS From L-7663 To M-7767		
200	X3PLB-1839-40	INSULATING FLOOR PANELS From G-7275 To M-7767		
200	X3PLB-1839-60	INSULATING STAIRWELL From G-7275 To M-7767		
200	X3PLB-1839-65	INSULATING - REAR SCR FILTER - WITHOUT LAVATORY From G-7275 To H-7416		
200	X3PLB-1839-66	INSULATING - REAR SCR FILTER - WITHOUT LAVATORY GHG17 From H-7417 To M-7767		
		O) SPECIAL OPTION		

From G-7275 To K-7662

Date:07/2024

PAGE:X3PLB-1800-00

FRONT STEPWELL - BUS



From G-7275 To K-7662	Date:07/2024	PAGE:X3PLB-1800-00
FRONT STEPWELL - BUS		

Item#	Part	Description	QTY	Notes
2	3201146	STEPWELL BUS To K-7662	1	
2	3210452	STEPWELL BUS From L-7663	1	
2	3202674	STEPWELL BUS WITH BY-FOLD DOOR To K-7662	1	
2	3210562	STEPWELL BUS WITH BY-FOLD DOOR From L-7663	1	
3	3201240	FINISHING PLATE / DRIVER'S FLOOR	1	
4	3201135	AISLE STEP	1	
5	3201476	DRIVER'S FLOOR	1	
5	3202936	DRIVER'S FLOOR	1	GR
NS	5001535	SCREW DR WF RO #14x1 3/4 Z050	40	
5	329657	PLATE ALUMINUM / DIAMOND THREAD 600MM x 250MM	1	GR
5	5001626	SCREW MA FL PH 1/4-20x1 3/4 SS	6	GR
6	X3PLB-0655-00	INTERIOR LIGHTING / "LED"		
9	504339	RIVET POP DOME OE 1/8x3/8 SS	22	
NS	351262	INSULATING PANEL / BACKWARD / UNDER STEPWELL	1	A
NS	351263	INSULATING PANEL / FORWARD / UNDER STEPWELL	1	A
NS	503549	ANCHOR SELF-STICK 1"	3	
NS	500748	WASHER INSU G.10x1.125x1.250 Z050	3	
10	5001119	SCREW TP BDG PH #8x3/4 SS	8	
11	500267	SCREW TC FL PH #10-32x1 1/2 Z050	20	
12	3201132	FINISHING MOULDING ENTRANCE STEP	1	
13	500463	WASHER FN CKF .187x.500x.090 BR Z050	10	
14	500644	SCREW TP OV PH #6x1 ZP	10	
15	3201133	FINISHING MOULDING ENTRANCE STEP To K-7662	1	
15	3201139	FINISHING MOULDING ENTRANCE STEP WITH BY-FOLD DOOR To K-7662	1	
17	3201134	FINISHING R.H. CONSOLE	1	
18	327323	FINISHING ANGLE STEP	1	
19	3201145	FIXATION ANGLE STEP 1132MM	1	
NS	500640	SCREW TP PAN PH #6x3/4 Z050	3	
20	327325	ANGLE 770MM	1	
21	504416	RIVET POP DOME OE 3/16x5/8 SS	5	
30	457701	GRILL AIR / FRONT STEPWELL / RETURN	1	
30	457703	. REINFORCEMENT "Z" SHAPE	2	
30	681283	. TAPE RUB ADH2 ACRYLIC .045" x 1/2" x 108' / WHITE 4945	AR	
30	504604	. FASTENER	4	
30	504681	. STUD 6MM (DZUS)	4	
36	504605	RECEPTACLE 6 MM	4	
NS	326869	INSERT RECEPTACLE RETAINER	4	
50	X3PLB-1838-00	FLOOR - BUS To H-7416		
50	X3PLB-1838-01	FLOOR - BUS From H-7417		
51	X3PLB-2221-20	ENTRANCE STEP DE-ICER		
52	X3PLB-1838-05	FLOOR & COVERING - "R.C.A."		
52	X3PLB-1838-10	FLOOR COVERING - "TARAFLEX"		

From G-7275 To K-7662	Date:07/2024	PAGE:X3PLB-1800-00
-----------------------	--------------	--------------------

FRONT STEPWELL - BUS

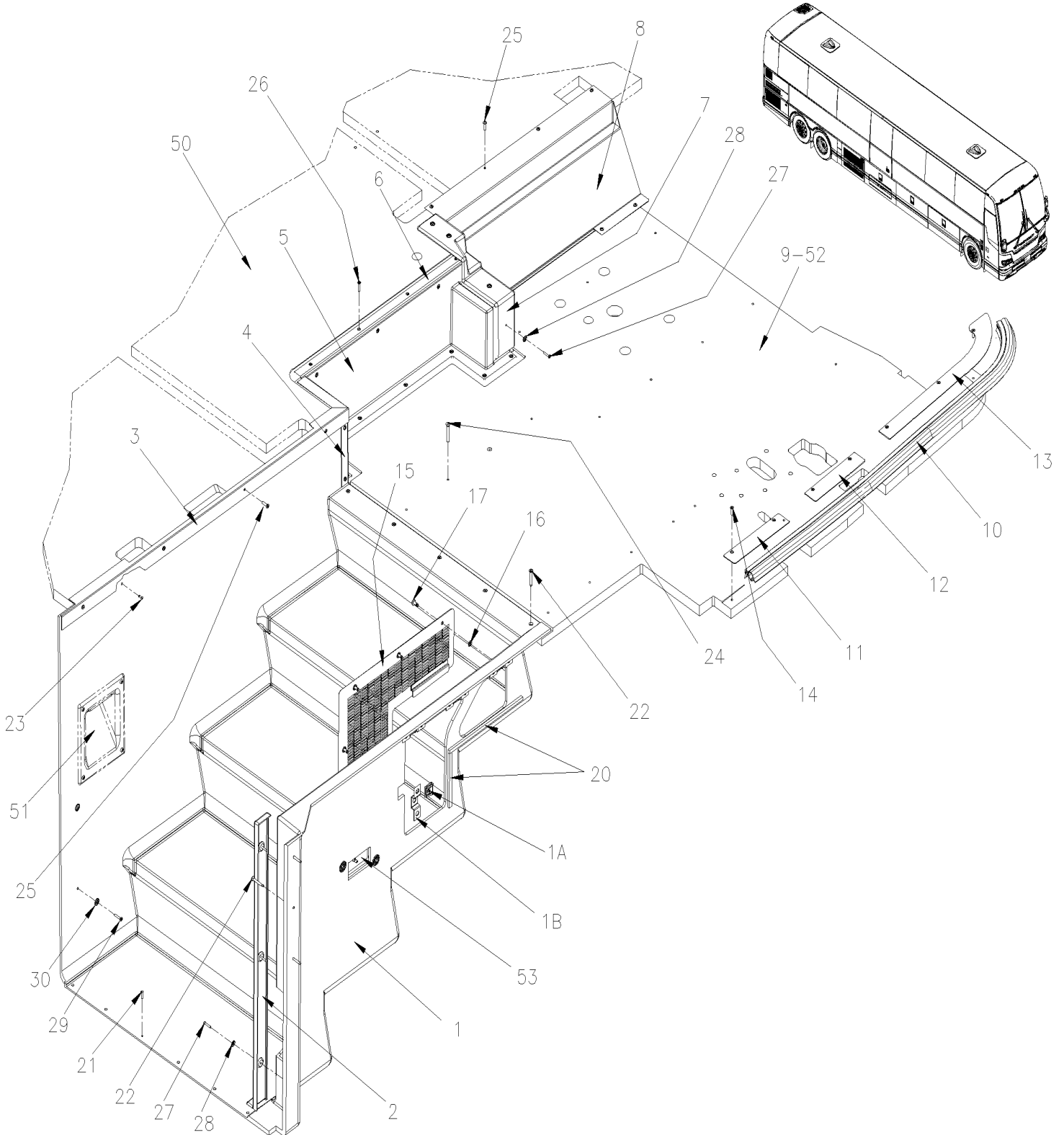
Item#	Part	Description	QTY	Notes
		A) UNDER STEPWELL		
		GR) "GREYHOUND" OPTION		

From L-7663 To M-7767

Date:07/2024

PAGE:X3PLB-1800-01

FRONT STEPWELL - BUS



From L-7663 To M-7767	Date:07/2024	PAGE:X3PLB-1800-01
FRONT STEPWELL - BUS		

Item#	Part	Description	QTY	Notes
1	3210452	STEPWELL BUS	1	
1	3210562	STEPWELL BUS WITH BY-FOLD DOOR	1	
1A	504605	. RECEPTACLE 6 MM	4	
1B	326869	. INSERT RECEPTACLE RETAINER	4	
2	3201132	FINISHING MOULDING ENTRANCE STEP	1	
3	3210408	FIXATION ANGLE STEP	1	
4	327323	FINISHING ANGLE STEP	1	
5	3201135	AISLE STEP	1	
6	327325	ANGLE 770MM	1	
7	3201134	FINISHING R.H. CONSOLE	1	
8	3201240	FINISHING PLATE / DRIVER'S FLOOR	1	
9	3210148	DRIVER'S FLOOR	1	
. NS	501066	. NUT TEE 5/16-18 Z050	7	
9	3201629	DRIVER'S FLOOR	1	GR
. NS	501066	. NUT TEE 5/16-18 Z050	7	GR
9	329657	PLATE ALUMINUM / DIAMOND THREAD 600MM x 250MM	1	GR
9	5001626	SCREW MA FL PH 1/4-20x1 3/4 SS	6	GR
10	3210466	RUBBER EXTRUSION SEAL / 1152MM	1	
. NS	506410	. RUBBER EXTRUSION SEAL / GRIP .062 X 100' / RAW MATERIAL	AR	
11	3210318	SUPPORT PLATE JOINT SEALING	1	
12	3210314	SUPPORT PLATE JOINT SEALING	1	
13	3210315	SUPPORT PLATE JOINT SEALING	1	
14	5001845	SCREW TP FL PH #8x3/4 SS410	7	
15	457701	GRILL AIR / FRONT STEPWELL / RETURN	1	
15	457703	. REINFORCEMENT "Z" SHAPE	2	
15	681283	. TAPE RUB ADH2 ACRYLIC .045" x 1/2" x 108' / WHITE 4945	AR	
16	504604	. FASTENER	4	
17	504681	. STUD 6MM (DZUS)	4	
20	506210	TAPE RUB ADH1 URE 1/2" x 3/4" x 20' / GREY 1820	AR	
21	504643	RIVET POP DOME OE 1/8x1/2 SS	6	
22	500267	SCREW TC FL PH #10-32x1 1/2 Z050	AR	
23	504339	RIVET POP DOME OE 1/8x3/8 SS	AR	
24	5001535	SCREW DR WF RO #14x1 3/4 Z050	AR	
25	5001119	SCREW TP BDG PH #8x3/4 SS	AR	
26	5001349	SCREW WO TR PH #8x7/8	AR	
27	500644	SCREW TP OV PH #6x1 ZP	7	
28	500463	WASHER FN CKF .187x.500x.090 BR Z050	7	
29	5001118	SCREW TP FL PH #8x1 SS410	2	
30	500464	WASHER FN CKF .210x.540 SS	2	

From L-7663 To M-7767	Date:07/2024	PAGE:X3PLB-1800-01
-----------------------	--------------	--------------------

FRONT STEPWELL - BUS

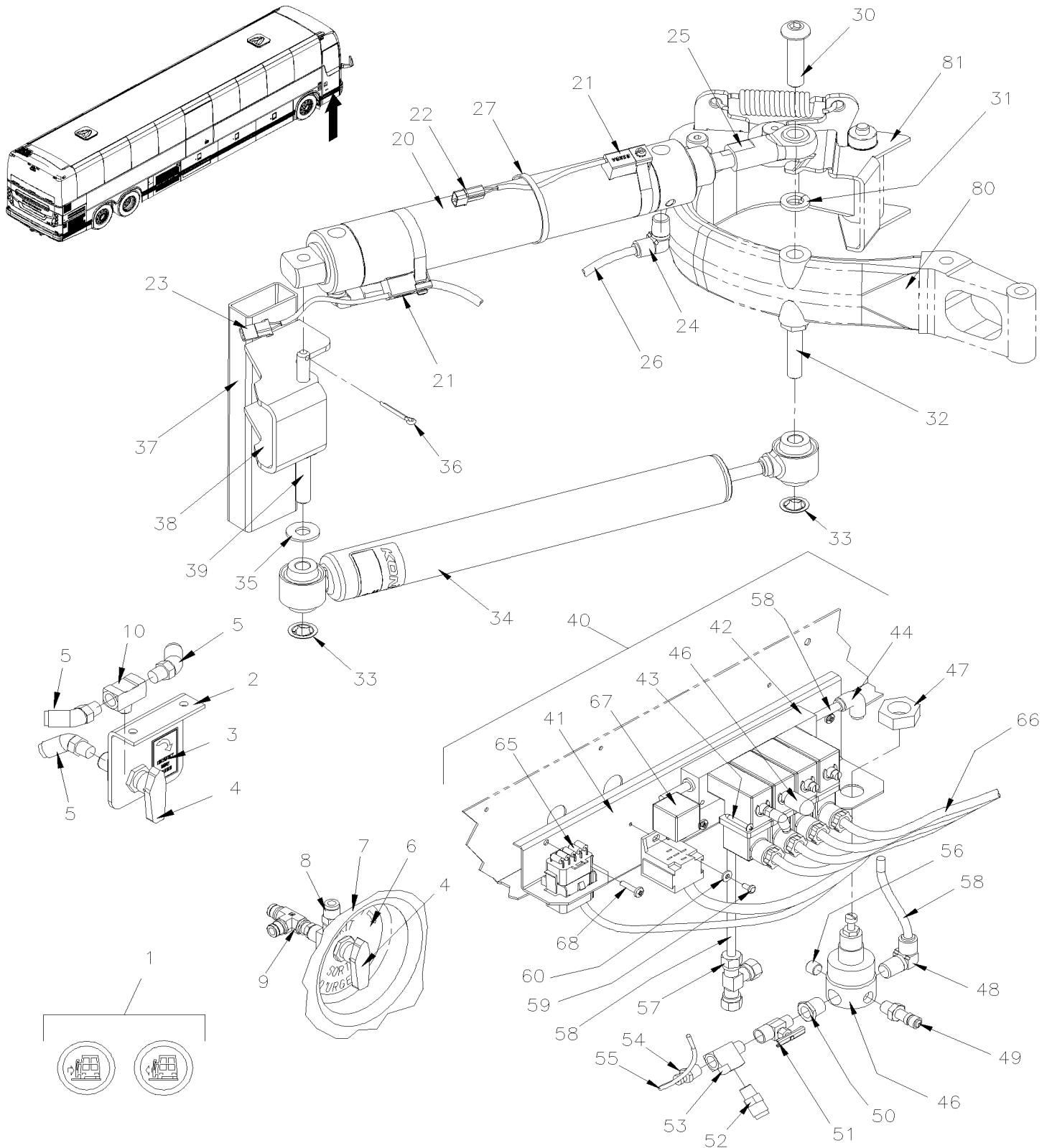
Item#	Part	Description	QTY	Notes
NS	680532	SEALANT SIKA #221 / GREY / 310ml CARTRIDGE	AR	
NS	683838	PUTTY	AR	
NS	680128	PLASTIC WOOD	AR	
50	X3PLB-1838-01	FLOOR - BUS		
51	X3PLB-2221-20	ENTRANCE STEP DE-ICER		
52	X3PLB-1838-05	FLOOR & COVERING - "R.C.A."		
52	X3PLB-1838-10	FLOOR COVERING - "TARAFLEX"		
53	X3PLB-0655-00	INTERIOR LIGHTING / "LED"		
		GR) "GREYHOUND" OPTION		

From G-7275 To M-7767

Date:07/2024

PAGE:X3PLB-1802-00

ENTRANCE DOOR CONTROL

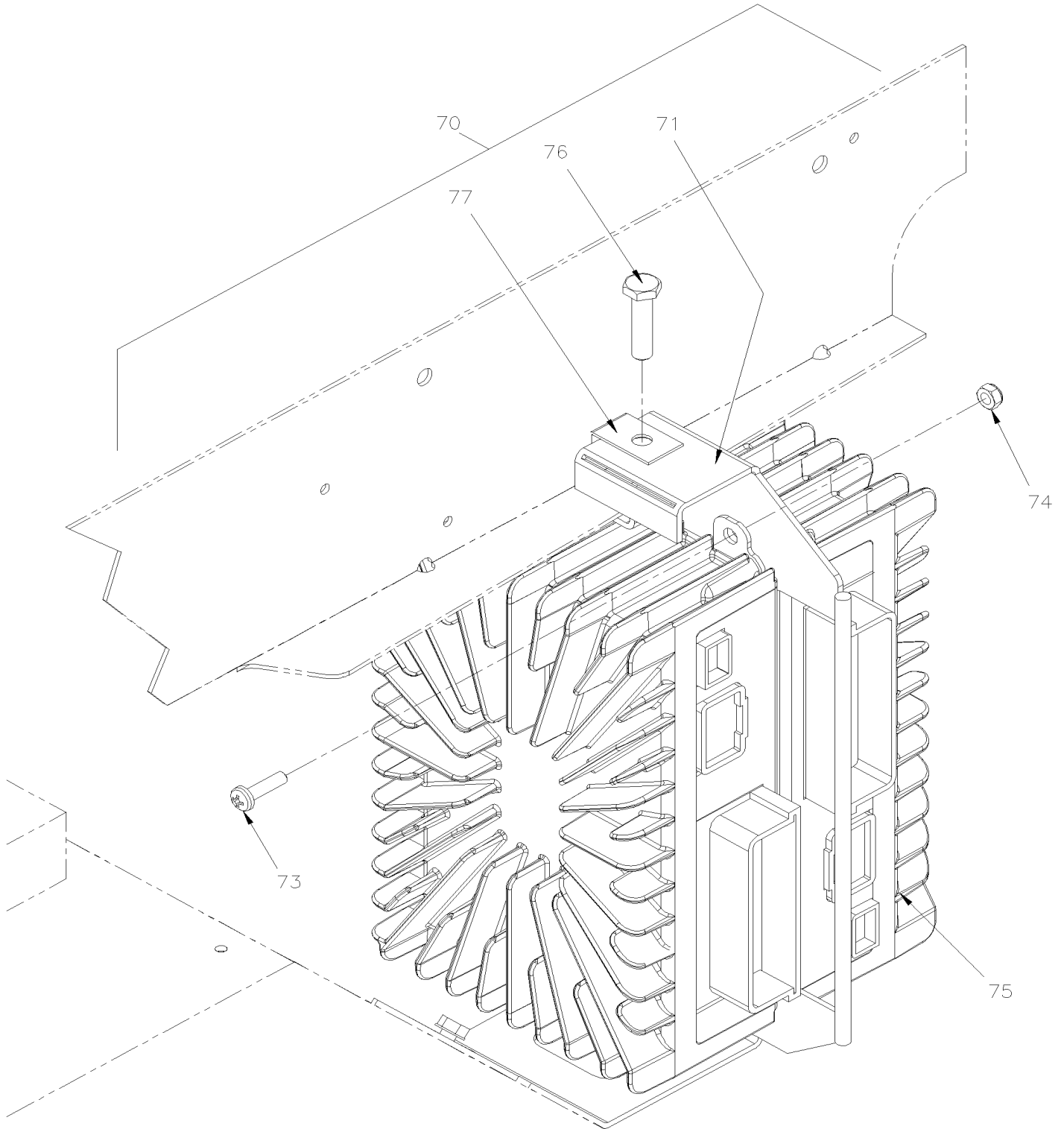


From G-7275 To M-7767

Date:07/2024

PAGE:X3PLB-1802-00

ENTRANCE DOOR CONTROL



From G-7275 To M-7767	Date:07/2024	PAGE:X3PLB-1802-00
ENTRANCE DOOR CONTROL		

Item#	Part	Description	QTY	Notes
1	X3PLB-0645-30	R.H. DASHBOARD PANEL		
2	285537	SUPPORT	1	
3	283989	DECAL "EMERGENCY DOOR VALVE" / IN STEERING COMPARTMENT	1	
4	642161	VALVE, 3 WAYS 1/8NPT-Fx1/8NPT-Fx1/8NPT-F BR	1	
. NS	642014	. HANDLE / RED	1	
5	641365	MALE ELBOW 45° NON-SWIVEL / PUSH-IN FITTING / #4x1/8NPT-M BR	3	
6	284057	DECAL "EMERGENCY EXIT" / ENGLISH & FRANCAIS To P-8058	1	
6	2810660	DECAL "MANUAL DOOR RELEASE" / ENGLISH & FRANCAIS From P-8059	1	
6	288197	DECAL "EMERGENCY EXIT" / ENGLISH & SPANISH To P-8058	1	
6	2810666	DECAL "MANUAL DOOR RELEASE" / ENGLISH & SPANISH From P-8059	1	
6	280617	DECAL "EMERGENCY EXIT" / ENGLISH To P-8058	1	
6	2810667	DECAL "MANUAL DOOR RELEASE" / ENGLISH From P-8059	1	
7	X3PLB-1806-20	DASHBOARD PANEL		
8	641242	MALE CONNECTOR / PUSH-IN FITTING / #4x1/8NPT-M BR	2	
9	641909	MALE RUN TEE SWIVEL / PUSH-IN FITTING / #4x#4x1/8NPT-M BR	1	
10	507589	MALE BRANCHE TEE / PIPE FITTING / 1/8NPT-Fx1/8NPT-Fx1/8NPT-M BR	1	
20	780813	CYLINDER 2"	1	
. NS	780022	. BEARING, SPHERICAL	1	
21	780594	LIMITING REED SWITCH ASSY S.P.S.T. N.O. / W/ 2" CYLINDER	2	
22	560900	CONNECTOR / COM. MATE-N-LOCK / PH 2C / AMP 1-480319-0	1	
22	560853	PIN TERMINAL / 24-18 / AMP 60618-1	2	
23	560898	CONNECTOR / COM. MATE-N-LOCK / SH 2C / AMP 1-480318-0	1	
23	560854	SOCKET TERMINAL / 24-18 / AMP 60617-1	2	
24	641371	MALE ELBOW 90° NON-SWIVEL / PUSH-IN FITTING / #4x1/4NPT-M BR	2	
25	502196	ROD END FEMALE 1/2-20 / 1/2 I.D.	1	
26	503402	TUBE, NYLON 1/4 O.D. / BLACK S.L.	AR	
27	504637	CABLE TIE / 3/16" x 13"	1	
30	5001075	SCREW CAP BUT HEXS 1/2-13x2 Z050	1	
31	500482	WASHER LO SPT .506x.873x.125 Z050	1	
32	285433	PIVOT STUD 7/16-14 X 80MM LG	1	
33	502601	NUT SPR PO RND 7/16	2	
34	780714	SHOCK DAMPER "KONI" To H-7347	1	
34	780896	SHOCK DAMPER "KONI" From H-7348	1	
35	500897	WASHER FL .437x1.000x.083 N500	1	
36	502102	PIN, COTTER 1/8 x 1	1	
37	251656	TUBE ASSY / W/CYLINDER SUPPORT	1	
37	251031	. TUBE	1	
38	251190	. SUPPORT / CYLINDER	1	
39	251657	. PIVOT PIN	1	
40	288628	SEDAN DOOR MODULE ASSY	1	
41	288629	. SUPPORT	1	
42	641906	. MANIFOLD VALVE / W/4 SOLENOID	1	

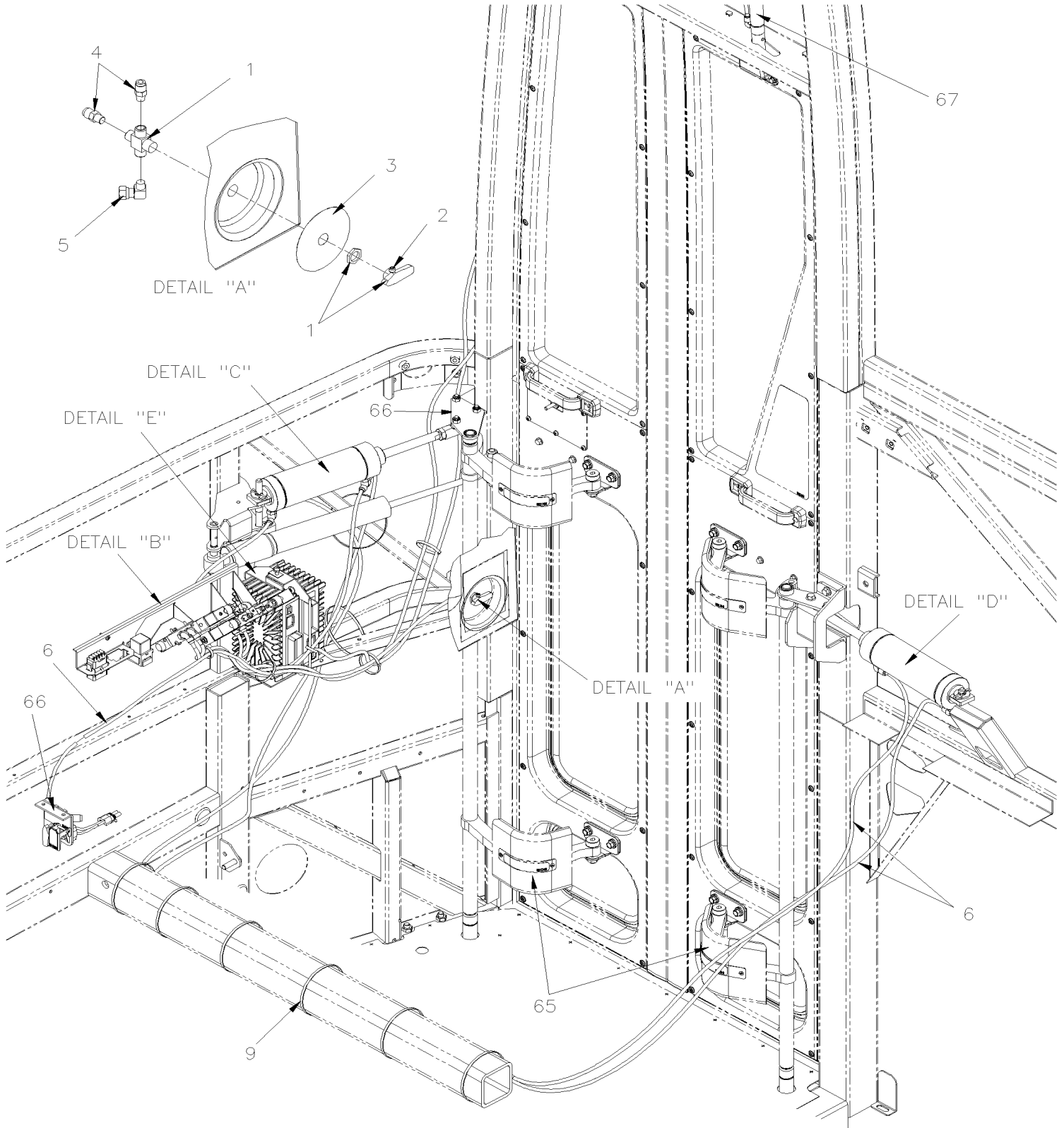
From G-7275 To M-7767	Date:07/2024	PAGE:X3PLB-1802-00
ENTRANCE DOOR CONTROL		

Item#	Part	Description	QTY	Notes
. NS	641927	. . KIT, MANIFOLD REPAIR / N.O.	1	
. NS	641928	. . KIT, MANIFOLD REPAIR / N.C.	3	
. NS	641107	. . COIL 24V	1	
. NS	642213	. . MALE ELBOW 90° SWIVEL / PUSH-IN FITTING / #2x10-32 NP	1	
. NS	990143	. . MALE CONNECTOR / PUSH-IN FITTING / W/O-RING / #2x#10-32-M BR	1	
. NS	641385	. . CONNECTOR / SOCKET HOUSING ASSY 3C / PNEUMAC 54934-01	1	
. NS	641455	. . REDUCER STEM / PUSH-IN FITTING / #2x#4 PLAS	1	
43	500495	. SCREW TP PAN PH #6x1 Z050	2	
44	641447	. UNION ELBOW 90° / PUSH-IN FITTING / #4x#4 BR	1	
45	871374	. MUFFLER M5 PLASTIC	1	
46	641472	. AIR PRESSURE REGULATOR 1/4" NPT / COPPER	1	
47	500734	. NUT HEX JAM 3/4-16 Z050	1	
48	641371	. MALE ELBOW 90° NON-SWIVEL / PUSH-IN FITTING / #4x1/4NPT-M BR	1	
49	640488	. VALVE, AIR FILL 1/8" NPT	1	
. NS	650164	. . CAP VALVE / CHROME	1	
50	501312	. BUSHING REDUCER / PIPE FITTING / 1/4NTP-Mx1/8NPT-F BR	1	
51	501354	. NEEDLE VALVE 1/8 NPT M x 1/8 NPT F	1	
52	641242	. MALE CONNECTOR / PUSH-IN FITTING / #4x1/8NPT-M BR	1	
53	501653	. MALE RUN TEE / PIPE FITTING / 1/8NPT-Mx1/8NPT-Fx1/8NPT-F BR	1	
54	641126	. MALE CONNECTOR / PUSH-IN FITTING / #2x1/8NPT-M BR	1	
55	503536	. TUBE, NYLON 1/8 O.D. / BLACK S.L.	AR	
56	501072	. PLUG HEXS / PIPE FITTING / 1/8NPT-M STL	1	
57	641092	. UNION TEE / NTA FITTING / #4x#4x#4 BR	1	
58	503402	. TUBE, NYLON 1/4 O.D. / BLACK S.L.	AR	
59	500417	. SCREW TP PAN PH #6x3/8 Z050	2	
59	504531	. TIE MOUNT / 3/16" #10 SCREW / TA1S8-C	1	
60	502630	. WASHER FL .156x.375x.049 Z050	1	
NS	680098	. THREAD SEALANT LOCTITE #567 / WHITE / 250ml	AR	
65	381145	DIODE ASSY / W/5 3AMPS	1	
66	069274	CABLE ASSY / FRONT LOWER END To G-7309	1	
66	069567	CABLE ASSY / FRONT LOWER END From H-7310 To H-7416	1	
66	060543	CABLE ASSY / FRONT LOWER END From H-7417 To J-7442	1	
66	060878	CABLE ASSY / FRONT LOWER END From J-7443 To J-7447	1	
66	061435	CABLE ASSY / FRONT LOWER END From J-7448 To K-7662	1	
66	069976	CABLE ASSY / FRONT LOWER END From L-7663 To L-7686	1	
66	0610216	CABLE ASSY / FRONT LOWER END From L-7687 To M-7767	1	
66	0610270	CABLE ASSY / FRONT LOWER END From M-7768 To M-7864	1	
66	0610487	CABLE ASSY / FRONT LOWER END From M-7865	1	
67	563332	RELAY 24V S.P.D.T. W/RESISTOR / "VOLVO" (20374662)	1	
68	500641	SCREW TP PAN PH #8x3/4 Z050	3	
70	Call order desk	I/O B-MODULE VOLVO MULTIPLEX ASSY To H-7416	1	P

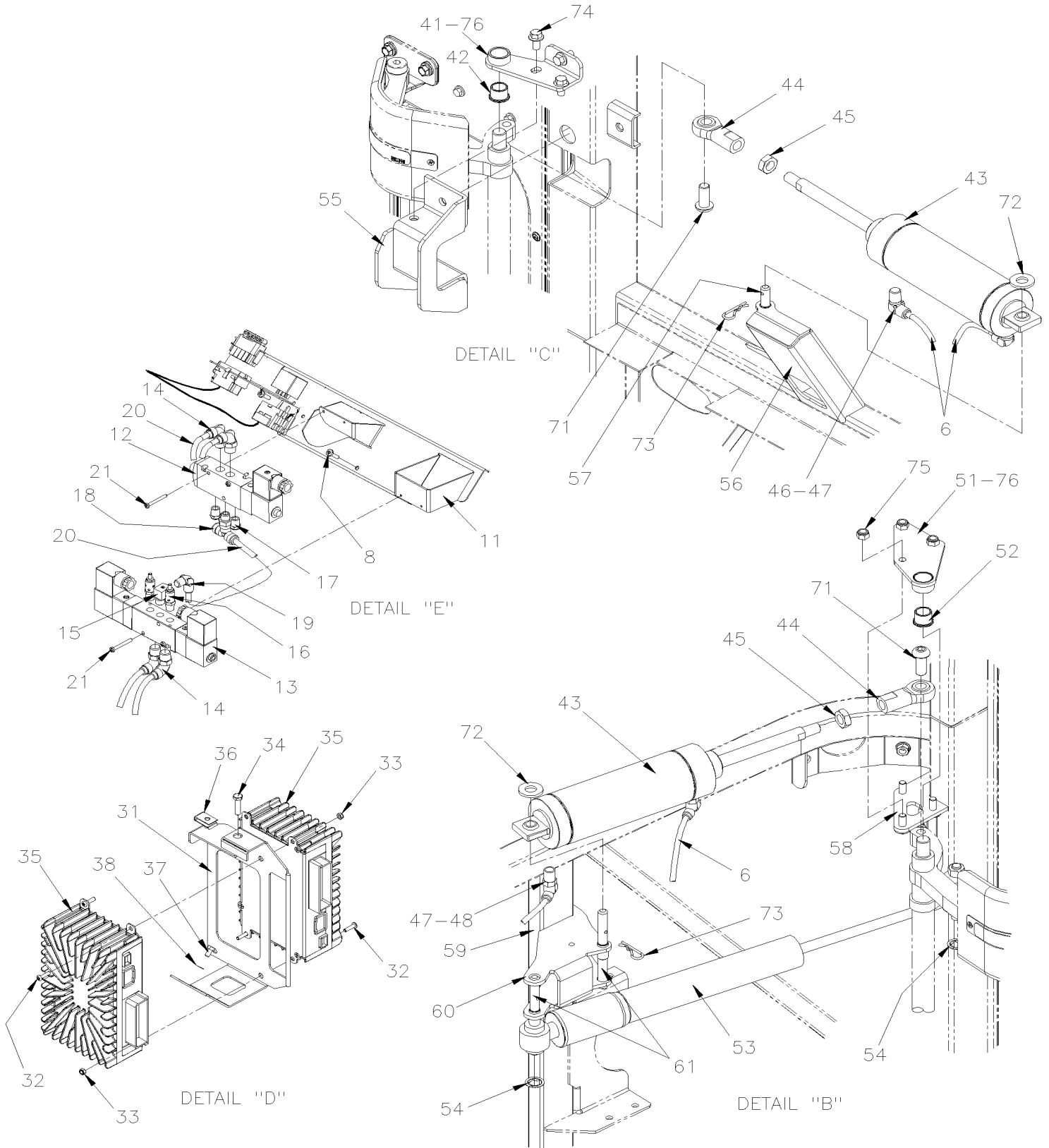
From G-7275 To M-7767	Date:07/2024	PAGE:X3PLB-1802-00
ENTRANCE DOOR CONTROL		

Item#	Part	Description	QTY	Notes
70	Call order desk	I/O B-MODULE VOLVO MULTIPLEX ASSY From H-7417	1	P
71	382398	. SUPPORT REAR I/O B MODULE	1	
73	502698	. SCREW MA PAN PH M4-0.7x16 SS BK	4	
74	5001409	. NUT HEX STO M4-0.7 Z050	4	
75	564193	. I/O B-MODULE VOLVO MULTIPLEX / ALUMINUM To G-7309	2	
. NS	563132	. . CONNECTOR / SH 2C / YAZAKI 7283-6458-40 To G-7309	1	
. NS	563133	. . CONNECTOR / JUNIOR POWER TIMER / SH 29C / AMP 1-963449-2 To G-7309	1	
. NS	562957	. . CONNECTOR / SH 5C / GREEN / JAE IL-AG5-5S-S3C1 To G-7309	1	
75	22722842	. I/O B-MODULE VOLVO MULTIPLEX / ALUMINUM From H-7310 To H-7416	2	
. NS	563132	. . CONNECTOR / SH 2C / YAZAKI 7283-6458-40 From H-7310 To H-7416	1	
. NS	563133	. . CONNECTOR / JUNIOR POWER TIMER / SH 29C / AMP 1-963449-2 From H-7310 To H-7416	1	
. NS	562957	. . CONNECTOR / SH 5C / GREEN / JAE IL-AG5-5S-S3C1 From H-7310 To H-7416	1	
75	22722850	. I/O B E-MODULE VOLVO MULTIPLEX / ALUMINUM From H-7417 To M-7758	2	
75	23824204	. I/O B E-MODULE VOLVO MULTIPLEX / ALUMINUM From M-7759	2	
76	5001433	. SCREW CAP HEX M6-1.0x25 SS	1	
77	5001965	. NUT SPR U M6-1.0 0.6-4.0 N500	1	
80	X3PLB-1862-60	ENTRANCE DOOR FRAME - INSTALLATION		
81	X3PLB-189X-XX	STRUCTURE / CALL ORDER DESK		
		P) CALL ORDER DESK FOR SPECIFIC APPLICATION (V.I.N.)		

ENTRANCE DOOR CONTROL WITH BI-FOLD DOOR



ENTRANCE DOOR CONTROL WITH BI-FOLD DOOR



From G-7275 To M-7767	Date:07/2024	PAGE:X3PLB-1802-10
ENTRANCE DOOR CONTROL WITH BI-FOLD DOOR		

Item#	Part	Description	QTY	Notes
1	642161	VALVE, 3 WAYS 1/8NPT-Fx1/8NPT-Fx1/8NPT-F BR	1	
. NS	642014	. HANDLE / RED	1	
2	5001670	SCREW CAP HEXS M4-0.7x8 G8.8 Z050	1	
3	284057	DECAL "EMERGENCY EXIT" / ENGLISH & FRANCAIS To P-8058	1	
3	2810660	DECAL "MANUAL DOOR RELEASE" / ENGLISH & FRANCAIS From P-8059	1	
3	288197	DECAL "EMERGENCY EXIT" / ENGLISH & SPANISH To P-8058	1	
3	2810666	DECAL "MANUAL DOOR RELEASE" / ENGLISH & SPANISH From P-8059	1	
3	280617	DECAL "EMERGENCY EXIT" / ENGLISH To P-8058	1	
3	2810667	DECAL "MANUAL DOOR RELEASE" / ENGLISH From P-8059	1	
4	641242	MALE CONNECTOR / PUSH-IN FITTING / #4x1/8NPT-M BR	2	
5	641369	MALE ELBOW 90° NON-SWIVEL / PUSH-IN FITTING / #4x1/8NPT-M BR	1	
6	503402	TUBE, NYLON 1/4 O.D. / BLACK S.L.	AR	
8	500641	SCREW TP PAN PH #8x3/4 Z050	AR	
9	504637	CABLE TIE / 3/16" x 13"	AR	
9	8631155	CABLE TIE / 4.6MM x 200 / CHRISTMAS TREE	AR	
11	145017	SUPPORT / VALVE	1	
12	642023	VALVE, 5 WAYS, 2 POSITIONS 24V / MODEL V19	1	
. NS	641385	. CONNECTOR / SOCKET HOUSING ASSY 3C / PNEUMAC 54934-01	1	
13	642135	VALVE SOLONOID 5/3 V60	1	
14	642154	MALE ELBOW 90° SWIVEL / PUSH-IN FITTING / #4x1/8NPT-M COMPOSITE	4	
15	501331	STREET ELBOW 90° / PIPE FITTING / 1/8NPT-Mx1/8NPT-F BR	1	
16	642140	SILENCER / MUFFLER / 1/8 NPT	2	
17	641943	SILENCER / MUFFLER / 1/8NPT-M	2	
18	642142	MALE BRANCH TEE SWIVEL / PUSH-IN FITTING / #4x#4x1/8NPT-M COMPOSITE	1	
19	641369	MALE ELBOW 90° NON-SWIVEL / PUSH-IN FITTING / #4x1/8NPT-M BR	1	
20	503402	TUBE, NYLON 1/4 O.D. / BLACK S.L.	AR	
21	5001085	SCREW TP PAN PH #6x1 1/4 Z050	4	
NS	680098	THREAD SEALANT LOCTITE #567 / WHITE / 250ml	AR	
31	382398	SUPPORT REAR I/O B MODULE	1	
32	502698	SCREW MA PAN PH M4-0.7x16 SS BK	4	
33	500539	NUT HEX NYRT M4-0.7 N500	4	
34	5001433	SCREW CAP HEX M6-1.0x25 SS	1	
35	564193	I/O B-MODULE VOLVO MULTIPLEX / ALUMINUM To G-7309	2	
. NS	563132	. CONNECTOR / SH 2C / YAZAKI 7283-6458-40 To G-7309	1	
. NS	563133	. CONNECTOR / JUNIOR POWER TIMER / SH 29C / AMP 1-963449-2 To G-7309	1	
. NS	562957	. CONNECTOR / SH 5C / GREEN / JAE IL-AG5-5S-S3C1 To G-7309	1	
35	22722842	I/O B-MODULE VOLVO MULTIPLEX / ALUMINUM From H-7310 To H-7416	2	
. NS	563132	. CONNECTOR / SH 2C / YAZAKI 7283-6458-40 From H-7310 To H-7416	1	
. NS	563133	. CONNECTOR / JUNIOR POWER TIMER / SH 29C / AMP 1-963449-2 From H-7310 To H-7416	1	
. NS	562957	. CONNECTOR / SH 5C / GREEN / JAE IL-AG5-5S-S3C1 From H-7310 To H-7416	1	

From G-7275 To M-7767	Date:07/2024	PAGE:X3PLB-1802-10
ENTRANCE DOOR CONTROL WITH BI-FOLD DOOR		

Item#	Part	Description	QTY	Notes
35	22722850	I/O B E-MODULE VOLVO MULTIPLEX / ALUMINUM From H-7417 To M-7758	2	
35	23824204	I/O B E-MODULE VOLVO MULTIPLEX / ALUMINUM From M-7759	2	
36	5001965	NUT SPR U M6-1.0 0.6-4.0 N500	1	
37	N8889857	SCREW CAP HEX M5x10	1	
38	N8890487	WASHER LO EXT #10	1	
41	281254P	SUPPORT, REAR SHAFT ASS. To K-7662	1	
41	Call order desk	SUPPORT, REAR SHAFT ASS. From L-7663	1	P
41	281160	. SUPPORT, REAR SHAFT To K-7662	1	
41	287880	. SUPPORT, REAR SHAFT From L-7663	1	
42	507382	. BUSHING FLANGE 16I.D.x20O.D.x16MM BRASS	1	
43	642132	CYLINDER 2 1/2"	2	
. NS	642171	. BEARING, SPHERICAL	1	
44	502196	ROD END FEMALE 1/2-20 / 1/2 I.D.	2	
45	5001798	NUT HEX JAM THN 1/2-20x5/16 N500	2	
46	641371	MALE ELBOW 90° NON-SWIVEL / PUSH-IN FITTING / #4x1/4NPT-M BR	2	
47	680098	THREAD SEALANT LOCTITE #567 / WHITE / 250ml	AR	
48	642094	MALE BRANCH TEE / PUSH-IN FITTING / #4x#4x1/4NPT-M COMPOSITE	2	
51	280963P	SUPPORT, FRONT SHAFT ASS.	1	
51	280957	. SUPPORT, FRONT SHAFT	1	
52	507382	. BUSHING FLANGE 16I.D.x20O.D.x16MM BRASS	1	
53	780714	SHOCK DAMPER "KONI" To H-7347	1	
53	780896	SHOCK DAMPER "KONI" From H-7348	1	
54	502601	NUT SPR PO RND 7/16	2	
55	251299	REINFORCMENT HAT FORM WELDED	1	
56	218703	SUPPORT, DOUBLE DOOR WELDED	1	
57	289261	. PIVOT CYLINDER, ENTRANCE DOOR	1	
58	251599	SUPPORT, FRONT SHAFT WELDED	1	
59	251654	CYLINDER BRACKET, BI-FOLD DOOR (WELDED) FRONT SECTION	1	
60	251233	. CYLINDER BRACKET, BI-FOLD DOOR (WELDED) FRONT SECTION	1	
61	251655	. PIVOT CYLINDER, ENTRANCE DOOR	2	
65	X3PLB-1862-65	ENTRANCE DOOR INSTALLATION BY-FOLD DOOR		
66	X3PLB-0665-10	SWITCHES, LIGHTS, AJAR - UNDER FLOOR		
67	X3PLB-1804-10	ENTRANCE DOOR LOCK WITH BI-FOLD DOOR		
71	5001615	SCREW CAP BUT HEXS M12-1.75x30 G10.9 G500	2	
72	500920	WASHER FL .540x1.125x.125 NYL	2	
73	502180	PIN HITCH CLIP 3/32 x 1/2 Z050	2	
74	5001780	SCREW CAP HEXF M8-1.25x16 G8.8 N500	3	
75	502847	NUT HEX NYRT M8-1.25 N500	3	

From G-7275 To M-7767		Date:07/2024	PAGE:X3PLB-1802-10
-----------------------	--	--------------	--------------------

ENTRANCE DOOR CONTROL WITH BI-FOLD DOOR

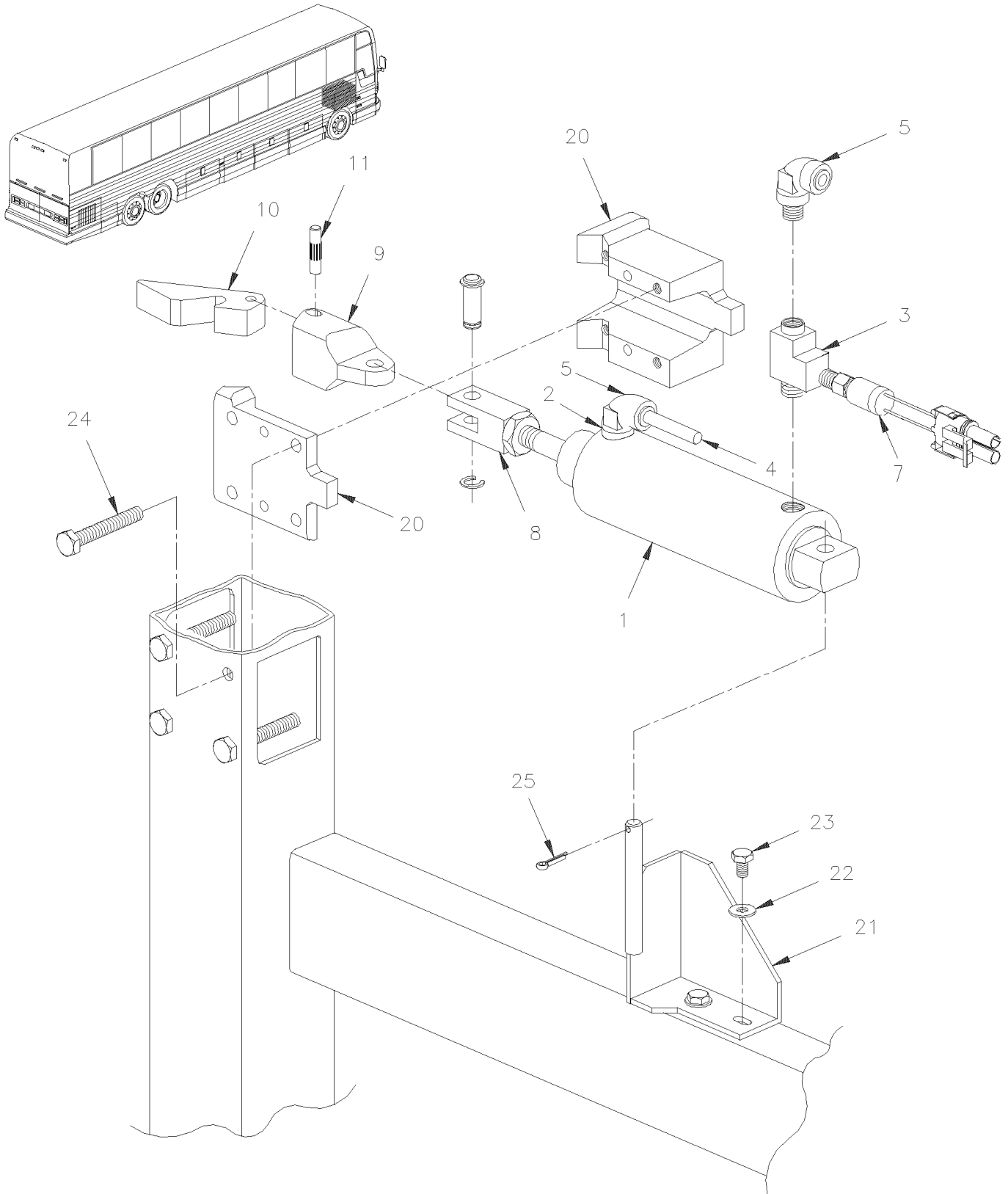
Item#	Part	Description	QTY	Notes
76	683652	GREASE SYNTHETIC / RED BOX 50 TUBE	AR	
		P) CALL ORDER DESK FOR SPECIFIC APPLICATION (V.I.N.)		

From G-7275 To M-7767

Date:07/2024

PAGE:X3PLB-1804-00

ENTRANCE DOOR LOCK



From G-7275 To M-7767	Date:07/2024	PAGE:X3PLB-1804-00
ENTRANCE DOOR LOCK		

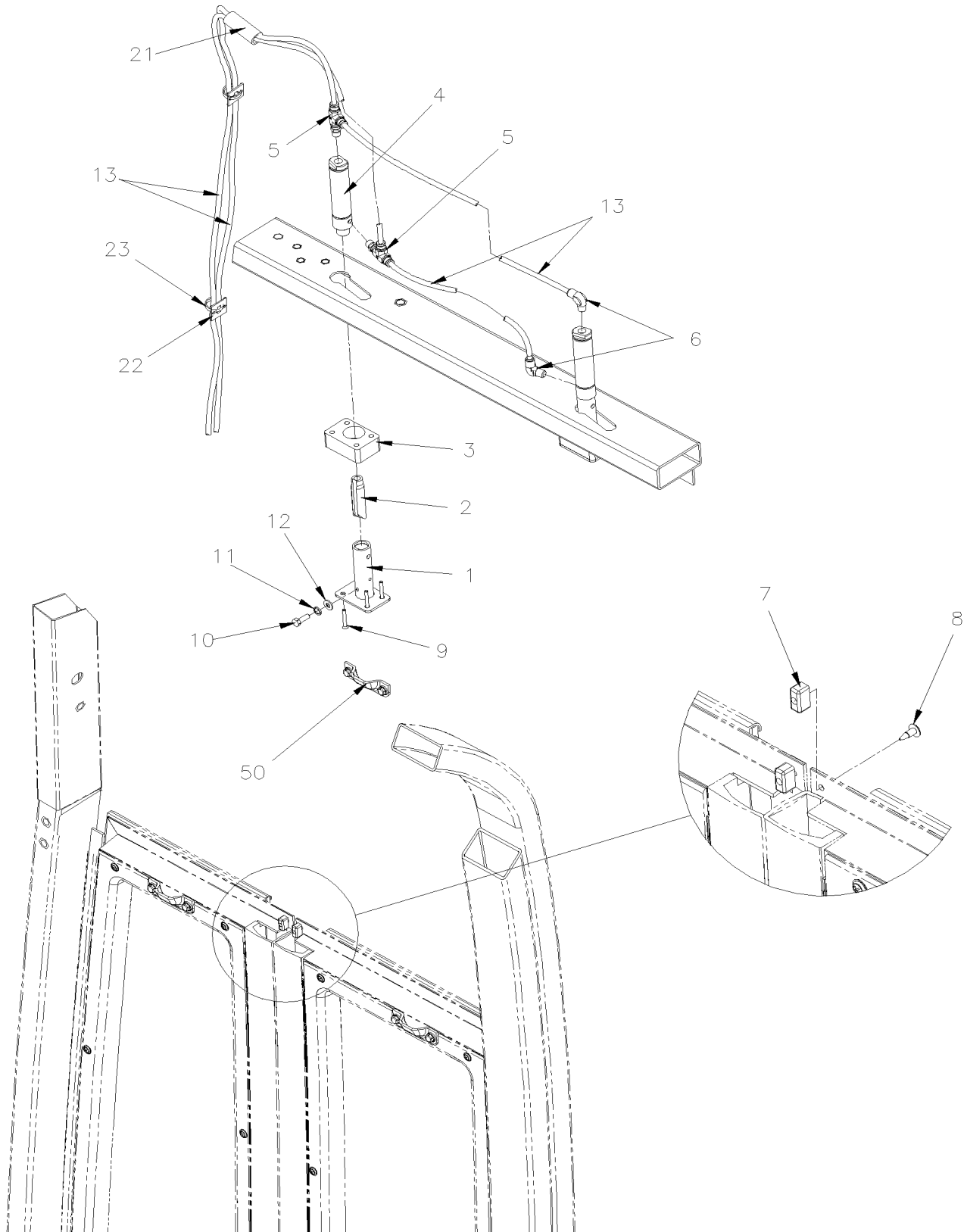
Item#	Part	Description	QTY	Notes
1	641985	CYLINDER 2"1/2 X- 1"1/2 STROKE	1	
NS	680098	THREAD SEALANT LOCTITE #567 / WHITE / 250ml	AR	
3	501338	MALE RUN TEE / PIPE FITTING / 1/4NPT-Mx1/4NPT-Fx1/4NPT-F BR	1	
4	503402	TUBE, NYLON 1/4 O.D. / BLACK S.L.	AR	
5	641371	MALE ELBOW 90° NON-SWIVEL / PUSH-IN FITTING / #4x1/4NPT-M BR	2	
7	287234	PRESSURE SWITCH N.C. 30-10 20PS001AB030E010E	1	
8	641216	YOKE	1	
. NS	642225	. CLIP	2	
9	286696	DOOR LOCK GUIDE	1	
10	286695	DOOR LOCK	1	
11	286694	ENTRANCE DOOR PIN	1	
12	501312	BUSHING REDUCER / PIPE FITTING / 1/4NTP-Mx1/8NPT-F BR	1	
20	286724	GUIDING BLOCK	1	
21	2801005	SUPPORT ASSY W/PIN / (WELDED TO STRUCTURE)	1	
. NS	286698	. PIN 3/8" O.D. X 78MM	1	
22	500473	WASHER LO SPT .262x.489x.062 Z050	4	
23	500923	SCREW TC CAP HEX 1/4-20x3/4 Z050	2	
24	500167	SCREW CAP HEX 1/4-20x1 1/4 G5 PT Z050	2	
24	500994	SCREW CAP HEX 1/4-20x1 3/4 G5 PT Z050	2	
NS	500473	WASHER LO SPT .262x.489x.062 Z050	4	
25	502180	PIN HITCH CLIP 3/32 x 1/2 Z050	1	
26	286700	SUPPORT ASSY W/PIN / BOLTED TO STRUCTURE	1	
. NS	286698	. PIN 3/8" O.D. X 78MM	1	

From G-7275 To M-7767

Date:07/2024

PAGE:X3PLB-1804-10

ENTRANCE DOOR LOCK WITH BI-FOLD DOOR



From G-7275 To M-7767	Date:07/2024	PAGE:X3PLB-1804-10
-----------------------	--------------	--------------------

ENTRANCE DOOR LOCK WITH BI-FOLD DOOR

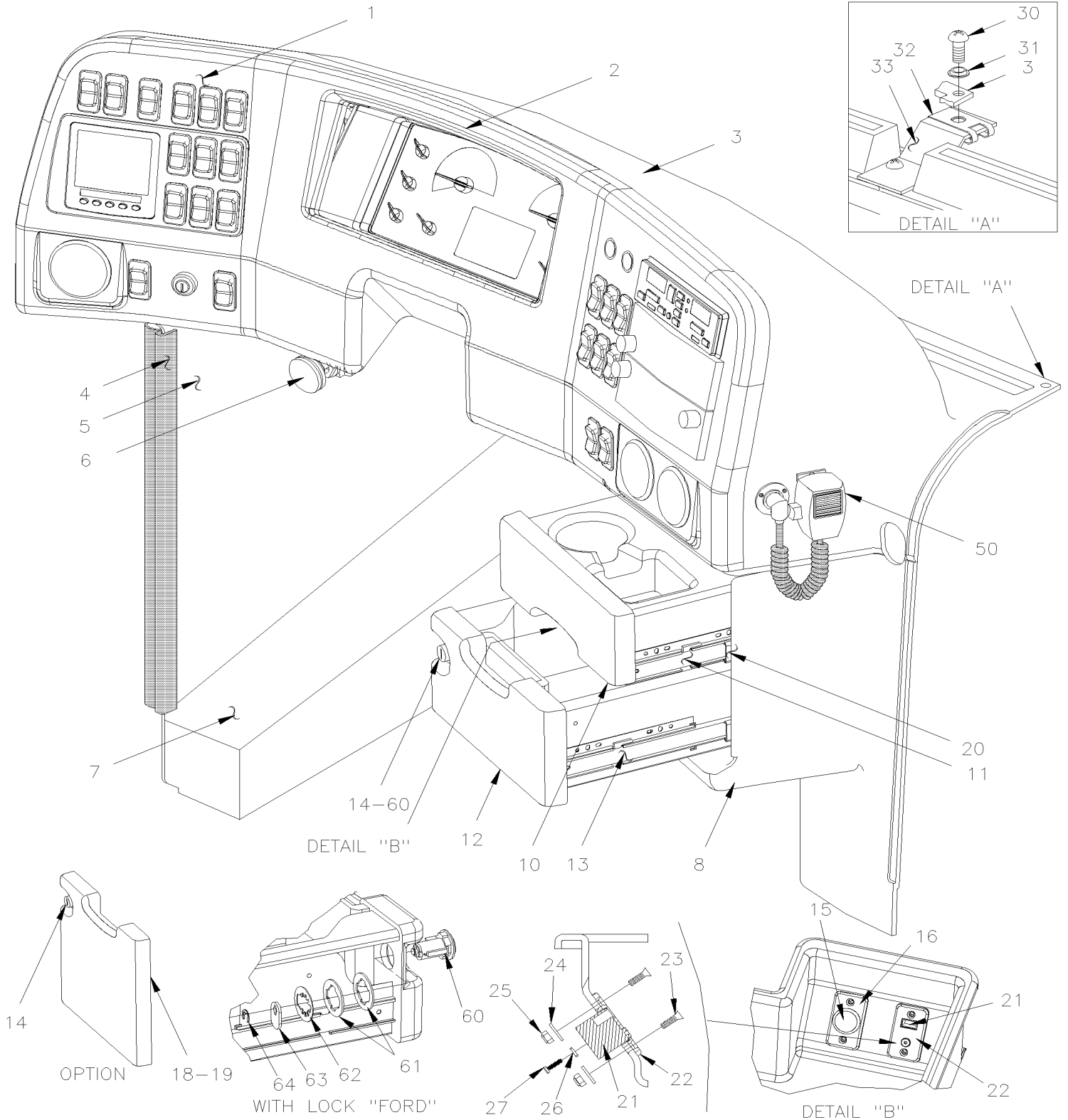
Item#	Part	Description	QTY	Notes
1	287011	PLATE MOUNTING	2	
2	282383	CATCH	2	
3	281247	ASSEMBLY BLOCK, BI-FOLD DOOR	2	
4	641983	CYLINDER 7/8" X 1" STROKE / DOUBLE ACTION	2	
5A	641909	MALE RUN TEE SWIVEL / PUSH-IN FITTING / #4x#4x1/8NPT-M BR To K-7662	1	
5A	642127	MALE ELBOW 90° SWIVEL DUAL PORT / PUSH-IN / #4x#4x1/8NPT-M BR From L-7663	1	
5B	641909	MALE RUN TEE SWIVEL / PUSH-IN FITTING / #4x#4x1/8NPT-M BR	1	
6	641369	MALE ELBOW 90° NON-SWIVEL / PUSH-IN FITTING / #4x1/8NPT-M BR	2	
7	281227	STOPPER	2	
8	500124	SCREW TP TR PH #8x1/2 SS	2	
9	502809	SCREW MA OV PH M4-0.7x30 SS BK	8	
10	5001106	SCREW CAP HEX M6-1.0x10 G8.8 Z050	2	
11	502564	WASHER LO SPT 6.1x11.8x1.6 Z050	2	
12	500877	WASHER FL .250x.562x.065 N500	2	
13	503402	TUBE, NYLON 1/4 O.D. / BLACK S.L.	AR	
NS	680038	THREAD LOCKER LOCTITE #243 / BLUE / 50ml	AR	
NS	680098	THREAD SEALANT LOCTITE #567 / WHITE / 250ml	AR	
NS	685371	GREASE / GREY BLACK MOBIL XHP 222 SPECIAL 400 g	AR	
21	503465	TUBE, NYLON 3/4 O.D. / GREEN S.L.	AR	
22	562679	4 WAY ADH. BACKED MOUNTS 1.000 x 1.000 x .160	AR	
23	504637	CABLE TIE / 3/16" x 13"	AR	
50	X3PLB-1862-70	ENTRANCE DOOR ASSY - FRONT SECTION BY-FOLD DOOR To K-7662		
50	X3PLB-1862-71	ENTRANCE DOOR ASSY - FRONT SECTION WITH FORD LOCK From L-7663		
50	X3PLB-1862-75	ENTRANCE DOOR ASSY - REAR SECTION BY-FOLD DOOR To K-7662		
50	X3PLB-1862-76	ENTRANCE DOOR ASSY - REAR SECTION BY-FOLD DOOR From L-7663		

From G-7275 To K-7542

Date:07/2024

PAGE:X3PLB-1806-00

CENTRAL DASHBOARD PANEL



From G-7275 To K-7542	Date:07/2024	PAGE:X3PLB-1806-00
-----------------------	--------------	--------------------

CENTRAL DASHBOARD PANEL

Item#	Part	Description	QTY	Notes
1	392470	PANEL / FRONT INSTRUMENTATION	1	
1	392476	PANEL / FRONT INSTRUMENTATION W/OUT RADIO	1	B
1	392547	PANEL / FRONT INSTRUMENTATION W/S-SYS W/O RAD KEY W/O ACC "GREYHOUND" From J-7448	1	GLI
2	X3PLB-0645-10	L.H. DASHBOARD PANEL		
2	X3PLB-0645-20	CENTER DASHBOARD PANEL		
2	X3PLB-0645-30	R.H. DASHBOARD PANEL		
3	392112	COVER, DASHBOARD PANEL / BUS	1	
4	504675	RUBBER EXTRUSION TRIM SEAL / GRIP .040/.070 / 5/8" HOLLOW BULB C.T.L.	AR	
5	392502	STRUCTURE / L.H. / W/TPMS W/HANDRAIL	1	
NS	890017	TRIM SEAL From J-7448	AR	GLI
NS	890018	TRIM SEAL KONGSBERG From J-7448	AR	GLI
NS	392305	ADAPTOR RADIO TO STRUCTURE	1	
NS	562361	PROTECTIVE CAP / HD10 SERIES / 6C / DEUTSCH HDC16-6-BLACK	1	F
NS	562492	TYPE A COUPLING	1	F
NS	562493	CHAIN / C.T.L.	1	F
NS	562494	RING / ATTACHMENT END	1	F
6	642173	VALVE, 3 WAYS, 2 POSITIONS MECHANICAL	1	
NS	5001036	SCREW MA PAN PH M4-0.7x10 Z050	2	
NS	500539	NUT HEX NYRT M4-0.7 N500	2	
NS	501307	ADAPTER / PIPE FITTING / 1/8NPT-Fx1/8NPT-M BR	1	
NS	641365	MALE ELBOW 45° NON-SWIVEL / PUSH-IN FITTING / #4x1/8NPT-M BR	2	
NS	392073	ACCESS PANEL / FOR WIPER REPAIR	1	
7	392013	FOOT REST / SUPPORT	1	
NS	5001036	SCREW MA PAN PH M4-0.7x10 Z050	4	
8	391936	UNDER DASH PANEL / BLACK	1	
NS	391920	CONSOLE CAP R.H. / NORYL GRAY	1	
8	392199	UNDER DASH PANEL / BLACK	1	SP
NS	392497	ACCESS PANEL / FOR WIPER REPAIR	1	
10	391932	DRAWER, UPPER / BLACK	1	
NS	392237	SUPPORT MAGNETIC LOCK / UPPER DRAWER	1	
NS	392241	CATCH MAGNETIC LOCK LOWER DRAWER	1	
NS	504733	KIT SLIDE TRACK / FIXED AT DRAWER	1	
NS	066888	CABLE ASSY / W/3.5MM / "I POD" / 12'	1	
11	504677	RAIL ASSY 8" / (SET)	1	
NS	504673	CATCH MAGNETIC	2	
12	391933	DRAWER, LOWER / BLACK	1	
NS	392238	SUPPORT MAGNETIC LOCK / LOWER DRAWER	1	
NS	392240	CATCH MAGNETIC LOCK LOWER DRAWER	1	
NS	504733	KIT SLIDE TRACK / FIXED AT DRAWER	1	
12	392420	DRAWER, LOWER / BLACK W/I-POD CONNETOR To H-7416	1	
NS	392238	SUPPORT MAGNETIC LOCK / LOWER DRAWER To H-7416	1	
NS	392240	CATCH MAGNETIC LOCK LOWER DRAWER To H-7416	1	

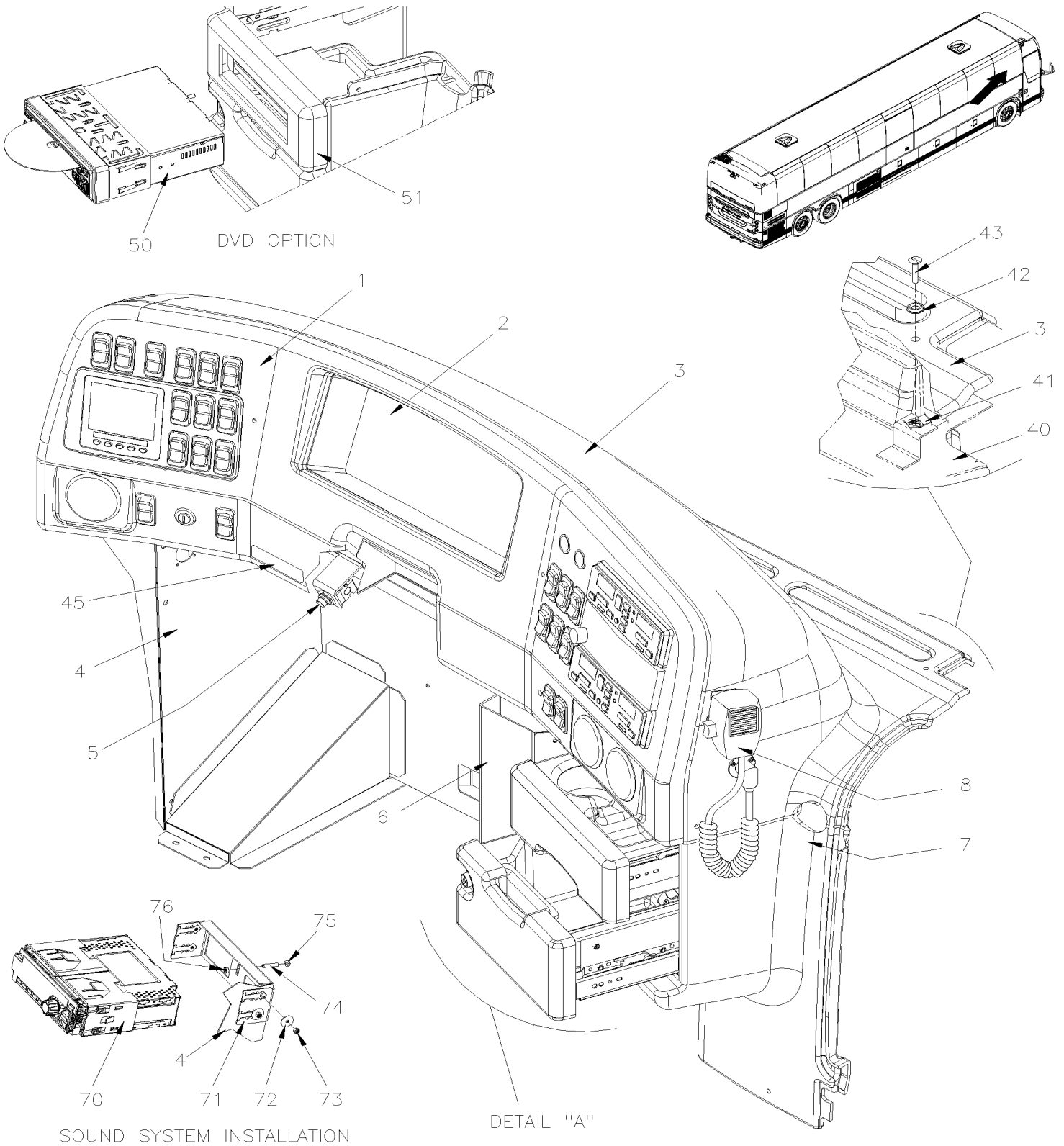
From G-7275 To K-7542	Date:07/2024	PAGE:X3PLB-1806-00
CENTRAL DASHBOARD PANEL		

Item#	Part	Description	QTY	Notes
. NS	504733	. KIT SLIDE TRACK / FIXED AT DRAWER To H-7416	1	
12	390019	DRAWER, LOWER / BLACK W/12VOLTS OUTLET From H-7417	1	
. NS	392238	. SUPPORT MAGNETIC LOCK / LOWER DRAWER From H-7417	1	
. NS	392240	. CATCH MAGNETIC LOCK LOWER DRAWER From H-7417	1	
. NS	504733	. KIT SLIDE TRACK / FIXED AT DRAWER From H-7417	1	
12	390003	DRAWER, LOWER / KEYLESS / BLACK W/I-POD CONNETOR To H-7416	1	
. NS	890008	. LATCH ASSY KEYLESS To H-7416	1	
. NS	504733	. KIT SLIDE TRACK / FIXED AT DRAWER To H-7416	1	
12	390020	DRAWER, LOWER / KEYLESS / BLACK W/12VOLTS OUTLET From H-7417	1	
. NS	890008	. LATCH ASSY KEYLESS From H-7417	1	
. NS	504733	. KIT SLIDE TRACK / FIXED AT DRAWER From H-7417	1	
12	Call order desk	DRAWER, LOWER / WITH FORD LOCK FA0329 / BLACK W/I-POD CONNETOR To H-7416	1	P
12	390012	DRAWER, LOWER / WITH FORD LOCK FA0329 / BLACK W/12VOLTS OUTLET From H-7417	1	
12	Call order desk	DRAWER, LOWER / WITH FORD LOCK FA0368 / BLACK W/I-POD CONNETOR To H-7416	1	P
12	390013	DRAWER, LOWER / WITH FORD LOCK FA0368 / BLACK W/12VOLTS OUTLET From H-7417	1	
12	Call order desk	DRAWER, LOWER / WITH FORD LOCK FA0899 / BLACK W/I-POD CONNETOR To H-7416	1	P
12	390014	DRAWER, LOWER / WITH FORD LOCK FA0899 / BLACK W/12VOLTS OUTLET From H-7417	1	
12	Call order desk	DRAWER, LOWER / WITH FORD LOCK FA0000 / BLACK W/I-POD CONNETOR To H-7416	1	P
12	390015	DRAWER, LOWER / WITH FORD LOCK FA0000 / BLACK W/12VOLTS OUTLET From H-7417	1	
12	Call order desk	DRAWER, LOWER / WITH FORD LOCK FA1509 / BLACK W/I-POD CONNETOR To H-7416	1	P
12	390016	DRAWER, LOWER / WITH FORD LOCK FA1509 / BLACK W/12VOLTS OUTLET From H-7417	1	
12	Call order desk	DRAWER, LOWER / WITH FORD LOCK FA0726 / BLACK W/I-POD CONNETOR To H-7416	1	P
12	390018	DRAWER, LOWER / WITH FORD LOCK FA0726 / BLACK W/12VOLTS OUTLET From H-7417	1	
12	Call order desk	DRAWER, LOWER / WITH FORD LOCK FA0144 / BLACK W/I-POD CONNETOR To H-7416	1	P
12	390017	DRAWER, LOWER / WITH FORD LOCK FA0144 / BLACK W/12VOLTS OUTLET From H-7417	1	
12	390025	DRAWER, LOWER / WITH FORD LOCK FA0576 / BLACK W/12VOLTS OUTLET From H-7417	1	
12	390030	DRAWER, LOWER / WITH FORD LOCK FA0321 / BLACK W/12VOLTS OUTLET From H-7417	1	
13	504678	. RAIL ASSY 10" / (SET)	1	
NS	504673	CATCH MAGNETIC	2	
14	504672	LATCH ASSY W/2 KEYS	1	
. NS	810084	. KEY / (CH751)	1	
14	810084	. KEY / (CH751)	2	
15	562796	12 VOLTS POWER OUTLET	1	
16	500343	SCREW MA FL PH M4-0.7x16 ZP	2	
NS	500590	NUT HEX NYRT M4-0.7 Z050	2	
18	392028	UNDER DASH PANEL ASSY W/FLIP-UP BOX	1	A
. NS	901217	. LATCH GRABBER CATCH / 44N PLASTIC BLACK	1	A
19	392205	. COVER ONLY / W/OUT BOX OR DRAWER	1	
NS	504673	CATCH MAGNETIC	2	
NS	392239	SUPPORT MAGNET FLIP-UP BOX	1	
20	392012	MOUNTING PLATE / DRAWER	4	
NS	5001413	SCREW MA FL PH M4-0.7x20 Z050	AR	

From G-7275 To K-7542	Date:07/2024	PAGE:X3PLB-1806-00
CENTRAL DASHBOARD PANEL		

Item#	Part	Description	QTY	Notes
21	401044	CABLE USB / (DRAWER TO RADIO) / I-POD CONECTOR To H-7416	1	
22	406413	SUPPORT "USB" CONNECTOR To H-7416	1	
23	5001429	SCREW MA FL PH M4-0.7x25 BK To H-7416	2	
24	500855	WASHER FL .188x.438x.049 N500 To H-7416	2	
25	500539	NUT HEX NYRT M4-0.7 N500 To H-7416	2	
26	406414	PLATE RETAINER "USB" CONECTOR To H-7416	1	
27	500798	SCREW TP PAN PH #4-3/8 ZP To H-7416	2	
30	5001411	SCREW MA FL PH M4-0.7x20 BK	AR	
31	500345	WASHER FN CKF .187x.500x.090 BR BK	AR	
32	5001406	NUT SPR U M4-0.7 0.8-4.0x13.5	AR	
33	X3PLB-2230-00	DEFROSTER - INSTALLATION		
34	563063	SENSOR THERMISTOR ASSY / TEMPERATURE / ("DELPHI")	1	
34	373792	BOX SENSOR PROTECTOR	1	
34	503707	HOSE / PVC REINFORCED 1/2" I.D. 100' / S.L.	AR	
NS	140097	DECAL, O1 SU AIR PRESSURE / FRENCH ENGLISH SPANISH From J-7448	1	GLI
NS	140098	DECAL, O1 SU PARK BRAKE / FRENCH ENGLISH SPANISH From J-7448	1	GLI
NS	390038	DECAL, ELECTRONIC LOGGING DEVICE(ELD) / FR, ENG, SP From J-7482	1	
NS	390039	DECAL, ON-BOARD DIAGNOSTIC(OBD) / FR, ENG, SP From J-7482	1	
50	X3PLB-2315-00	SOUND SYSTEM & ACCESSORIES		
50	X3PLB-2315-01	SOUND SYSTEM & ACCESSORIES W/HHED From H-7417	1	
NS	409149	CABLE ASSY / DASH & PARCEL RACK / AUDIO	1	
NS	069313	WIRING HARNESS DASHBOARD CENTRAL MODULE / MUX To H-7416	1	
NS	069643	WIRING HARNESS DASHBOARD CENTRAL MODULE / MUX From G-7313 To H-7416	1	GLI
NS	060533	WIRING HARNESS DASHBOARD CENTRAL MODULE From H-7417 To J-7442	1	
NS	060885	WIRING HARNESS DASHBOARD CENTRAL MODULE From J-7443 To J-7481	1	
NS	061416	WIRING HARNESS DASHBOARD CENTRAL MODULE From J-7482	1	
NS	061423	WIRING HARNESS DASHBOARD CENTRAL MODULE / MUX From K-7558	1	GLI
60	X3PLB-1867-00	KEY & CYLINDER CODE "FORD" & "NS"	1	
61	780826	SPACER LOCK "FORD"	1	
62	780824	RETAINER WASHER LOCK "FORD"	1	
63	780825	LEVER WITH "FORD" CYLINDER LOCK	1	
64	504477	RING RETAINER / EXT 14.0 X 13.4 X 1.0MM	1	
		A) INCLUDE ITEM 8		
		B) WITHOUT RADIO		
		F) ITEMS ARE RELATED WITH CONNECTOR FOR DIAGNOSTIC "DDEC"		
		GLI) GREYHOUND OPTION		
		SP) USE WITHOUT HANDRAIL & WITH DRAWER		
		P) CALL ORDER DESK FOR SPECIFIC APPLICATION (V.I.N.)		

CENTRAL DASHBOARD PANEL

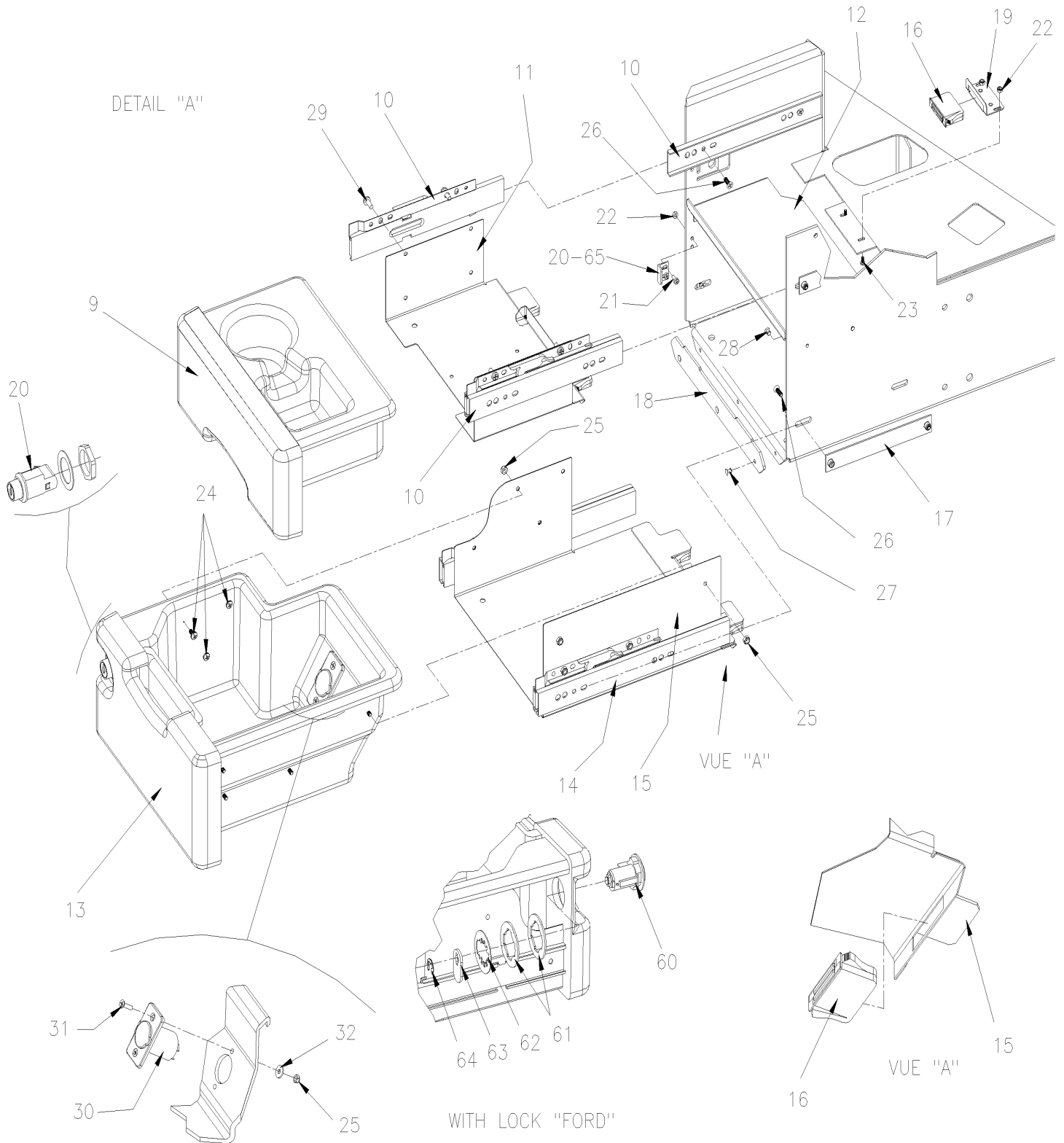


From K-7543 To M-7767

Date:07/2024

PAGE:X3PLB-1806-01

CENTRAL DASHBOARD PANEL



From K-7543 To M-7767	Date:07/2024	PAGE:X3PLB-1806-01
CENTRAL DASHBOARD PANEL		

Item#	Part	Description	QTY	Notes
1	392470	PANEL / FRONT INSTRUMENTATION To M-7767	1	
1	392844	PANEL / FRONT INSTRUMENTATION From M-7768	1	
1	392476	PANEL / FRONT INSTRUMENTATION W/OUT RADIO To M-7767	1	B
1	392842	PANEL / FRONT INSTRUMENTATION W/OUT RADIO From M-7768	1	B
1	392547	PANEL / FRONT INSTRUMENTATION W/S-SYS W/O RAD KEY W/O ACC "GREYHOUND" To M-7767	1	GLI
1	392846	PANEL / FRONT INSTRUMENTATION W/S-SYS W/O RAD KEY W/O ACC "GREYHOUND" From M-7768	1	GLI
2	X3PLB-0645-11	L.H. DASHBOARD PANEL		
2	X3PLB-0645-11	L.H. DASHBOARD PANEL		
2	X3PLB-0645-30	R.H. DASHBOARD PANEL		
3	392112	COVER, DASHBOARD PANEL / BUS To K-7662	1	
3	390871	COVER, DASHBOARD PANEL / BUS From L-7663 To M-7767	1	
3	390871	COVER, DASHBOARD PANEL / BUS From M-7768	1	
3	392774	COVER, DASHBOARD PANEL / BUS WITH "PREVOST DRIVER ASSIT" From M-7768	1	
3	392422	COVER, DASHBOARD PANEL / BUS To K-7590	1	GLI
3	391106	COVER, DASHBOARD PANEL / BUS From K-7591 To K-7662	1	GLI
3	392672	COVER, DASHBOARD PANEL / BUS From L-7663 To M-7767	1	GLI
3	392883	COVER, DASHBOARD PANEL / BUS WITH "PREVOST DRIVER ASSIT" From M-7768	1	GLI
NS	505027	GASKET EPDM / 60° +/- 5 SHORE A BLACK	1	
4	392502	STRUCTURE / L.H. / W/TPMS W/HANDRAIL	AR	
NS	390078	CARPET FOOT REST	1	
NS	509558	WEATHERSEAL SNAP-ON 1/8" / SINGLE LIP / WH / C.T.L. From L-7663	AR	
NS	392305	ADAPTOR RADIO TO STRUCTURE To P-8047	1	
NS	392946	ADAPTOR RADIO TO STRUCTURE From P-8048	1	
NS	502701	WASHER FL .172x.750x.031 From P-8048	2	
NS	5002040	NUT HEX NYRT M4x0.7 SS NSS From P-8048	2	
5	642173	VALVE, 3 WAYS, 2 POSITIONS MECHANICAL	1	
NS	501307	ADAPTER / PIPE FITTING / 1/8NPT-Fx1/8NPT-M BR	1	
NS	641365	MALE ELBOW 45° NON-SWIVEL / PUSH-IN FITTING / #4x1/8NPT-M BR	2	
6	392497	ACCESS PANEL / FOR WIPER REPAIR	1	
NS	5001996	SCREW MA PAN PH M4-0.7x12 N500	4	
7	391936	UNDER DASH PANEL / BLACK	1	
7	392199	UNDER DASH PANEL / BLACK	1	SP
8	X3PLB-2315-01	SOUND SYSTEM & ACCESSORIES W/HHED	1	
NS	391920	CONSOLE CAP R.H. / NORYL GRAY	1	
9	390086	DRAWER, UPPER ASS'Y / PLASTIC BLACK To L-7721	1	
9	392704	DRAWER, UPPER ASS'Y / PLASTIC BLACK From L-7722	1	
10	504677	RAIL ASSY 8" / (SET)	1	
11	390061	SUPPORT, UPPER DRAWER To L-7721	1	
11	392708	SUPPORT MAGNETIC LOCK / UPPER DRAWER From L-7722	1	
12	390043	SEPARATION PLATE	1	
13	390085	DRAWER LOW / PLASTIC BLACK To L-7721	1	
13	392692	DRAWER LOW / PLASTIC BLACK From L-7722	1	

From K-7543 To M-7767	Date:07/2024	PAGE:X3PLB-1806-01
CENTRAL DASHBOARD PANEL		

Item#	Part	Description	QTY	Notes
13	391603	DRAWER LOW / W/ FORD KEY To L-7721	1	
13	392693	DRAWER LOW / W/ FORD KEY From L-7722	1	
14	504678	RAIL ASSY 10" / (SET)	1	
15	390051	SUPPORT, LOWER DRAWER To L-7721	1	
15	392707	SUPPORT MAGNETIC LOCK / LOWER DRAWER From L-7722	1	
16	504673	CATCH MAGNETIC	2	
17	392012	MOUNTING PLATE / DRAWER To L-7721	4	
17	392711	MOUNTING PLATE / DRAWER From L-7722	4	
17	505030	SPACER 4.2x13x6 From L-7722	8	
18	390047	PLATE STOP MAGNET	1	
19	780029	MOUNTING PLATE MAGNETIC LATCH	1	
20	780023	LATCH W/LOCK	1	
. NS	780539	. KEY / (CH751)	2	
20	890008	LATCH ASSY KEYLESS	1	
21	5001397	SCREW MA CHE PH M3-0.5x8 SS	2	
22	5001408	NUT HEX STO M3-0.5 ZP	4	
23	5002029	SCREW MA PAN PH M3-0.5x6 Z050	2	
24	5002048	SCREW MA PAN PH M4-0.7x8 Z050	8	
25	5001409	NUT HEX STO M4-0.7 Z050	AR	
26	5002030	SCREW MA FL PH M4-0.7x12 Z050 To L-7721	AR	
26	5001414	SCREW MA FL PH M4-0.7x16 BK From L-7722	AR	
27	504128	RIVET POP DOME OE 1/8x1/16 SS	3	
28	504140	RIVET POP DOME OE 1/8x3/8 SS	4	
29	500443	SCREW TP PAN PH #8x1/2 N500	1	
30	562796	12 VOLTS POWER OUTLET	1	
31	5001414	SCREW MA FL PH M4-0.7x16 BK	2	
32	5001971	WASHER FL 4.3x12.0x1.6 ZP	2	
33	373792	BOX SENSOR PROTECTOR	1	
33	563063	SENSOR THERMISTOR ASSY / TEMPERATURE / ("DELPHI")	1	
NS	680459	ADHESIVE CYANOACRYLATE LOCTITE 404 Quick Set(TM)	AR	
33	503707	HOSE / PVC REINFORCED 1/2" I.D. 100' / S.L.	AR	
40	X3PLB-2230-00	DEFROSTER - INSTALLATION		
41	5001406	NUT SPR U M4-0.7 0.8-4.0x13.5	AR	
42	500345	WASHER FN CKF .187x.500x.090 BR BK	AR	
43	5001411	SCREW MA FL PH M4-0.7x20 BK	AR	
45	390038	DECAL, ELECTRONIC LOGGING DEVICE(ELD) / FR, ENG, SP	1	
50	901339	DVD PLAYER 12V To J-7539	1	
. NS	901377	. REMOTE CONTROL / DVD R.E.I. To J-7539	1	
50	901436	DVD PLAYER 12V From J-7540	1	
. NS	901264	. REMOTE CONTROL / DVD REI From J-7540	1	
NS	890003	SCREW MOUNT GRABBER CATCH	1	
50	390363	DVD DRAWER SHEET ASSY	1	

From K-7543 To M-7767	Date:07/2024	PAGE:X3PLB-1806-01
CENTRAL DASHBOARD PANEL		

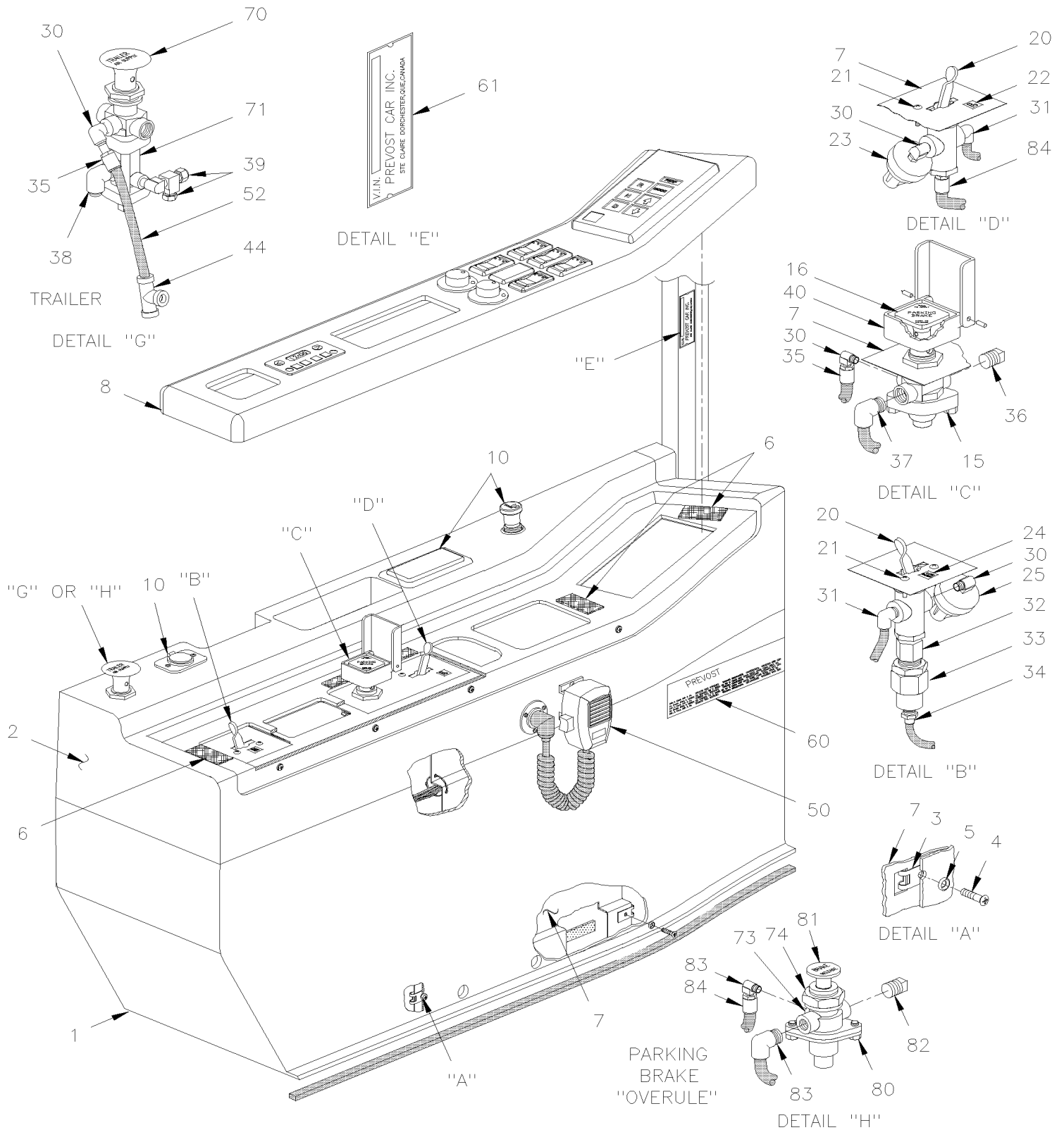
Item#	Part	Description	QTY	Notes
50	5001408	NUT HEX STO M3-0.5 ZP	2	
50	5002040	NUT HEX NYRT M4x0.7 SS NSS	6	
50	5001996	SCREW MA PAN PH M4-0.7x12 N500	AR	
50	5001969	SCREW CAP HEXS M5-0.8x8 SS	AR	
50	5001401	SCREW MA CHE PH M4-0.7x8 ZP	4	
50	502577	SCREW MA PAN PH M3-0.5x16 ZP	2	
50	5002053	WASHER FL 5.3x15.0x2 N050	2	
NS	5002032	WASHER LO EXT 4.3x8.0x0.5 Z050	2	
NS	067419	HARNES JUMPER FOR DVD IN DASH	1	
51	390364	FRONT PANEL FOR DVD	1	
NS	061416	WIRING HARNES DASHBOARD CENTRAL MODULE To K-7662	1	
55	0611112	WIRING HARNES DASHBOARD CENTRAL MODULE From L-7663 To L-7700	1	
NS	061423	WIRING HARNES DASHBOARD CENTRAL MODULE / MUX From K-7558 To K-7607	1	GLI
55	060206	WIRING HARNES DASHBOARD CENTRAL MODULE From K-7608 To K-7662	1	GLI
55	0611112	WIRING HARNES DASHBOARD CENTRAL MODULE From L-7663 To L-7700	1	GLI
55	0610240	WIRING HARNES DASHBOARD CENTRAL MODULE From L-7701 To M-7767	1	
55	0610268	WIRING HARNES DASHBOARD CENTRAL MODULE From M-7768 To M-7864	1	
55	0610408	WIRING HARNES DASHBOARD CENTRAL MODULE From M-7865 To P-8019	1	
55	0610599	WIRING HARNES DASHBOARD CENTRAL MODULE From P-8020	1	
60	X3PLB-1867-00	KEY & CYLINDER CODE "FORD" & "NS"		
60	X3PLB-1867-01	KEY & CYLINDER CODE "FORD" From L-7663	1	
61	780826	SPACER LOCK "FORD"	1	
62	780824	RETAINER WASHER LOCK "FORD"	1	
63	780825	LEVER WITH "FORD" CYLINDER LOCK	1	
64	504556	RING RETAINER / EXT 6.00 x 5.00 x 0.72MM	1	
65	504154	RECEPTACLE, LOCK	1	
70	X3PLB-2315-01	SOUND SYSTEM & ACCESSORIES W/HHED	1	
71	392305	ADAPTOR RADIO TO STRUCTURE	1	
72	502701	WASHER FL .172x.750x.031	AR	
73	5002040	NUT HEX NYRT M4x0.7 SS NSS	AR	
74	5002041	SCREW SET HEXS CUP M5-0.8x25 SS NSS	1	
75	5002042	NUT HEX NYRT M5-0.8 Z050	1	
76	5002043	NUT HEX M5-0.8 Z050	1	
		B) WITHOUT RADIO		
		GLI) GREYHOUND OPTION		
		SP) USE WITHOUT HANDRAIL & WITH DRAWER		

From G-7275 To M-7767

Date:07/2024

PAGE:X3PLB-1806-10

L.H. CONSOLE - BUS



From G-7275 To M-7767	Date:07/2024	PAGE:X3PLB-1806-10
L.H. CONSOLE - BUS		

Item#	Part	Description	QTY	Notes
1	392378	CONSOLE / LOWER	1	
1	5001531	SCREW TP FL PH #10x1 SS410	1	
NS	502761	SCREW TP BDG PH #10x3/4 SS BK	1	
2	392114	CONSOLE / W/ASHTRAY & LIGHTER	1	
2	392115	CONSOLE / W/O ASHTRAY & W/O LIGHTER	1	
2	392143	CONSOLE / W/LIGHTER	1	
3	5001405	NUT SPR U M4-0.7 0.8-4.0x9.5	10	
4	5001414	SCREW MA FL PH M4-0.7x16 BK	10	
5	500345	WASHER FN CKF .187x.500x.090 BR BK	10	
6	506493	TAPE DUAL LOCK 1/2" x 150' / BLACK SJ3541	AR	
7	392039	STRUCTURE ASSY	1	
8	392119	PANEL / W/AUTOMATIC TRANSMISSION WO/PREAHEAT TIMER "WORLD"	1	
8	392118	PANEL / W/AUTOMATIC TRANSMISSION W/PREAHEAT TIMER "WORLD"	1	T
8	392462	PANEL / W/MANUAL TRANSMISSION WO/PREAHEAT TIMER "I"-SHIFT	1	
8	392454	PANEL / W/MANUAL TRANSMISSION W/PREAHEAT TIMER "I"-SHIFT	1	T
10	X3PLB-0645-00	SWITCHES L.H. CONSOLE - BUS		
15	642169	VALVE, CONTROL VALVE PP-1 / 60PSI	1	
NS	641154	REPAIR KIT / PP-1 & RD-3	1	
NS	641149	BUTTON, PARKING BRAKE DIAMOND YELLOW / 1"	1	
NS	640297	NUT	1	
15	640286	PIN ROLLER	1	
16	641149	BUTTON, PARKING BRAKE DIAMOND YELLOW / 1"	1	
20	640136	VALVE, CONTROL TW-1	1	
NS	641156	REPAIR KIT / TW-1	1	
21	500572	SCREW MA TR PH #10-24x1/2 SS BK	2	
22	391952	DECAL "TAG"	1	
23	562518	PRESSURE SWITCH N.O. 4PSI / 1/8NPT W/2 SCREWS / TAG	1	
NS	063892	WIRE ASSY / W/LOW BUOY	1	
24	391951	DECAL "LOW BUOY"	1	
25	560816	PRESSURE SWITCH N.C. 3PSI / 1/8NPT W/2 SCREWS	1	
30	501331	STREET ELBOW 90° / PIPE FITTING / 1/8NPT-Mx1/8NPT-F BR	3	
31	641369	MALE ELBOW 90° NON-SWIVEL / PUSH-IN FITTING / #4x1/8NPT-M BR	3	
32	501310	ADAPTER / PIPE FITTING / 1/4NPT-Fx1/8NPT-M BR	1	
33	640135	VALVE, CHECK 1/4 NPT	1	
34	641332	MALE CONNECTOR / PUSH-IN FITTING / #4x1/4NPT-M BR	1	
35	641349	MALE CONNECTOR / PUSH-IN FITTING / #6x1/8NPT-M BR	1	
36	501800	PLUG HEXS / PIPE FITTING / 1/4NPT-M STL	1	
37	641371	MALE ELBOW 90° NON-SWIVEL / PUSH-IN FITTING / #4x1/4NPT-M BR	1	
38	641372	MALE ELBOW 90° NON-SWIVEL / PUSH-IN FITTING / #6x1/4NPT-M BR	1	
NS	452043	PRESSURE SWITCH N.O. 60-35 20SP001AA060E035E	1	
39	641002	MALE RUN TEE / NTA FITTING / #4x#4x1/8NPT-M BR	1	
40	391725	BOX	1	

From G-7275 To M-7767	Date:07/2024	PAGE:X3PLB-1806-10
L.H. CONSOLE - BUS		

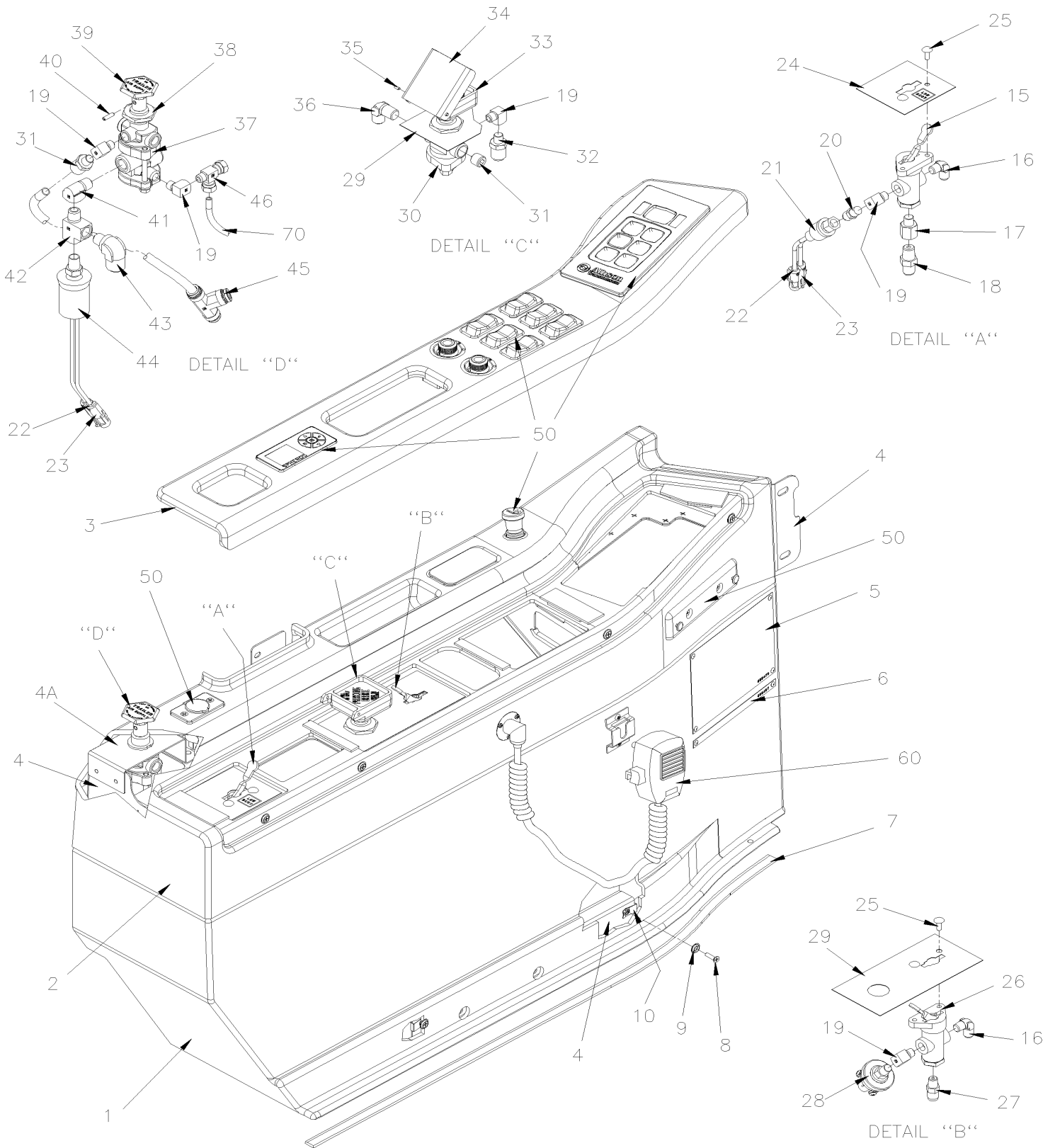
Item#	Part	Description	QTY	Notes
44	641922	UNION TEE / PUSH-IN FITTING / #6x#6x#6 BR	1	
50	X3PLB-2315-00	SOUND SYSTEM & ACCESSORIES		
50	X3PLB-2315-01	SOUND SYSTEM & ACCESSORIES W/HHED From H-7417		
52	X3PLB-1202-00	TUBES PLASTIC / AIR D.O.T.		
60	Call order desk	PLATE / V.I.N.	1	P
60	Call order desk	PLATE / V.I.N. From H-7313	1	P G
60	Call order desk	PLATE / V.I.N.	1	P
60	Call order desk	PLATE / V.I.N.	1	P SS
60	504107	RIVET POP DOME OE 1/8x5/16 AL	4	
61	Call order desk	PLATE / V.I.N.	1	P
61	Call order desk	PLATE / V.I.N.	1	P
NS	504107	RIVET POP DOME OE 1/8x5/16 AL	2	
70	641935	BUTTON RED / FOR TRAILER VALVE PP-7	1	
71	641397	TRAILER SUPPLY VALVE PP-7	1	
NS	452043	PRESSURE SWITCH N.O. 60-35 20SP001AA060E035E	1	
73	640297	NUT	1	
74	640286	PIN ROLLER	1	
80	640472	VALVE, CONTROL / RD-3	1	
NS	641154	REPAIR KIT / PP-1 & RD-3	1	
81	641155	BUTTON, OVERRULE ROUND BLACK	1	
82	501072	PLUG HEXS / PIPE FITTING / 1/8NPT-M STL	1	
83	641370	MALE ELBOW 90° NON-SWIVEL / PUSH-IN FITTING / #6x1/8NPT-M BR	2	
84	641242	MALE CONNECTOR / PUSH-IN FITTING / #4x1/8NPT-M BR	1	
NS	405158	CARD HOLDER SS / 8 3/4" x 11" x 1" TH	1	
NS	500649	SCREW TP BDG PH #6x3/4 BK	6	
		G) GREYHOUND" OPTION		
		SS) WITH SUPER SINGLE TIRES		
		T) USE WITH WEBASTO TIMER		
		P) CALL ORDER DESK FOR SPECIFIC APPLICATION (V.I.N.)		

From K-7543 To M-7767

Date:07/2024

PAGE:X3PLB-1806-11

L.H. CONSOLE - BUS



From K-7543 To M-7767	Date:07/2024	PAGE:X3PLB-1806-11
L.H. CONSOLE - BUS		

Item#	Part	Description	QTY	Notes
1	392378	CONSOLE / LOWER	1	
2	392115	CONSOLE / W/O ASHTRAY & W/O LIGHTER To K-7662	1	
2	390873	CONSOLE / W/O ASHTRAY & W/O LIGHTER From L-7663	1	
2	392114	CONSOLE / W/ASHTRAY & LIGHTER To K-7662	1	
2	390875	CONSOLE / W/O ASHTRAY & W/O LIGHTER / W/ OUTLET 12V To K-7662	1	
2	390895	CONSOLE / W/O ASHTRAY & W/O LIGHTER / W/ OUTLET 12V From L-7663	1	
3	392118	PANEL / W/AUTOMATIC TRANSMISSION W/PREAHEAT TIMER "WORLD"	1	
3	392119	PANEL / W/AUTOMATIC TRANSMISSION WO/PREAHEAT TIMER "WORLD"	1	
3	392454	PANEL / W/MANUAL TRANSMISSION W/PREAHEAT TIMER "I"-SHIFT	1	
3	392462	PANEL / W/MANUAL TRANSMISSION WO/PREAHEAT TIMER "I"-SHIFT	1	
4	392039	STRUCTURE ASSY To K-7662	1	
4	390817	STRUCTURE ASSY From L-7663	1	
4A	390075	BRACKET	1	
4A	504140	RIVET POP DOME OE 1/8x3/8 SS	4	
5	Call order desk	PLATE / V.I.N. From H-7313	1	P
5	Call order desk	PLATE / V.I.N.	1	P
5	Call order desk	PLATE / V.I.N.	1	P SS
NS	504107	RIVET POP DOME OE 1/8x5/16 AL	AR	
6	400457	CONFORMITY PLATE ICES-2	1	
NS	504107	RIVET POP DOME OE 1/8x5/16 AL	AR	
7	506071	TAPE RUB ADH1 CC POL 1/8" x 1/2" x 50' / GREY 2520X	AR	
NS	505537	TAPE DUAL LOCK 2" X 50 YARD / BLACK SJ3551	AR	
8	5001414	SCREW MA FL PH M4-0.7x16 BK	AR	
9	500345	WASHER FN CKF .187x.500x.090 BR BK	14	
10	5001406	NUT SPR U M4-0.7 0.8-4.0x13.5	AR	
15	640136	VALVE, CONTROL TW-1	1	
NS	641156	REPAIR KIT / TW-1	1	
16	641369	MALE ELBOW 90° NON-SWIVEL / PUSH-IN FITTING / #4x1/8NPT-M BR	2	
17	501310	ADAPTER / PIPE FITTING / 1/4NPT-Fx1/8NPT-M BR	1	
18	641332	MALE CONNECTOR / PUSH-IN FITTING / #4x1/4NPT-M BR	1	
19	501331	STREET ELBOW 90° / PIPE FITTING / 1/8NPT-Mx1/8NPT-F BR	AR	
20	950030	SCHRADER VALVE 1/8NPT-M	1	
NS	680098	THREAD SEALANT LOCTITE #567 / WHITE / 250ml	AR	
21	950217	PRESSURE SWITCH N.O. 30-15	1	
22	561840	CABLE SEAL / BLUE / PED 15324981	2	
23	561566	CONNECTOR / WEATHER PACK / PH 2C / BLACK / PED 12010973	1	
23	561568	PIN TERMINAL / 16-14 / PED 12089305	2	
24	391951	DECAL "LOW BUOY"	1	
24	391967	DUMMY / W/O LOW BUOY	1	
25	500572	SCREW MA TR PH #10-24x1/2 SS BK	AR	
26	640136	VALVE, CONTROL TW-1	1	
NS	641156	REPAIR KIT / TW-1	1	

From K-7543 To M-7767	Date:07/2024	PAGE:X3PLB-1806-11
L.H. CONSOLE - BUS		

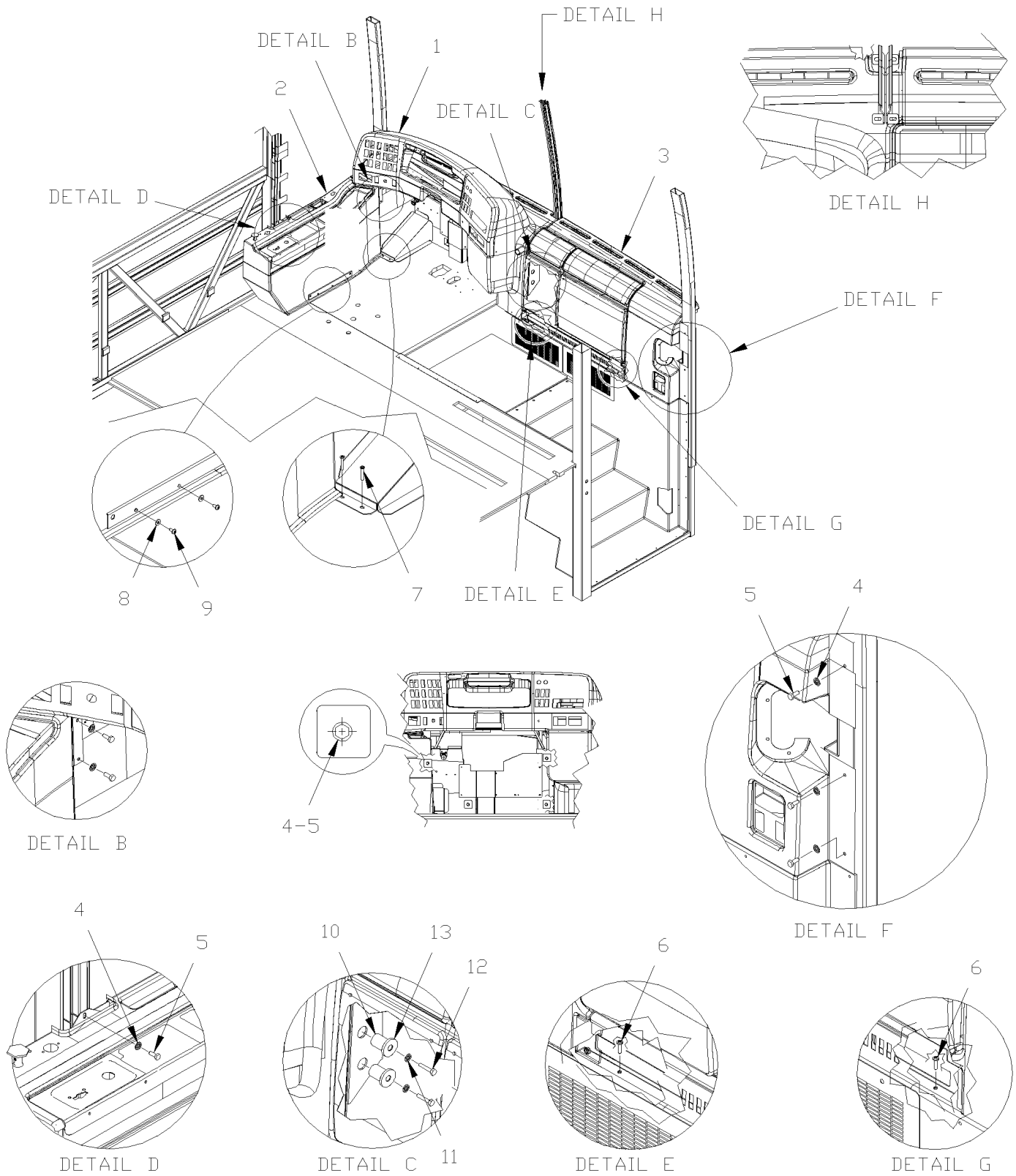
Item#	Part	Description	QTY	Notes
27	641242	MALE CONNECTOR / PUSH-IN FITTING / #4x1/8NPT-M BR	1	
28	562518	PRESSURE SWITCH N.O. 4PSI / 1/8NPT W/2 SCREWS / TAG	1	
29	391952	DECAL "TAG"	1	
30	642169	VALVE, CONTROL VALVE PP-1 / 60PSI	1	
. NS	641154	. REPAIR KIT / PP-1 & RD-3	1	
. NS	641149	. BUTTON, PARKING BRAKE DIAMOND YELLOW / 1"	1	
NS	390386	GASKET, VALVE	1	
NS	390385	NUT, VALVE	1	
31	501800	PLUG HEXS / PIPE FITTING / 1/4NPT-M STL	1	
32	641349	MALE CONNECTOR / PUSH-IN FITTING / #6x1/8NPT-M BR	1	
33	391725	BOX	1	
34	391726	COVER / CLEAR PLASTIC	1	
35	505221	SPRING, PIN 1/8 X 3/8	2	
36	641371	MALE ELBOW 90° NON-SWIVEL / PUSH-IN FITTING / #4x1/4NPT-M BR	1	
37	641397	TRAILER SUPPLY VALVE PP-7	1	
38	640297	NUT	1	
39	641935	BUTTON RED / FOR TRAILER VALVE PP-7		
40	640286	PIN ROLLER	1	
41	501332	STREET ELBOW 90° / PIPE FITTING / 1/4NPT-Mx1/4NPT-F BR	1	
42	501338	MALE RUN TEE / PIPE FITTING / 1/4NPT-Mx1/4NPT-Fx1/4NPT-F BR	1	
43	641372	MALE ELBOW 90° NON-SWIVEL / PUSH-IN FITTING / #6x1/4NPT-M BR	1	
44	450545P	PRESSURE SWITCH N.O. 60-35 20SP001AA060E035E	1	
45	641922	UNION TEE / PUSH-IN FITTING / #6x#6x#6 BR	1	
46	641002	MALE RUN TEE / NTA FITTING / #4x#4x1/8NPT-M BR	1	
50	X3PLB-0645-01	SWITCHES L.H. CONSOLE - BUS		
60	X3PLB-2315-01	SOUND SYSTEM & ACCESSORIES W/HHD		
70	X3PLB-1202-00	TUBES PLASTIC / AIR D.O.T.		
		SS) WITH SUPER SINGLE TIRES		
		P) CALL ORDER DESK FOR SPECIFIC APPLICATION (V.I.N.)		

From G-7275 To M-7767

Date:07/2024

PAGE:X3PLB-1806-15

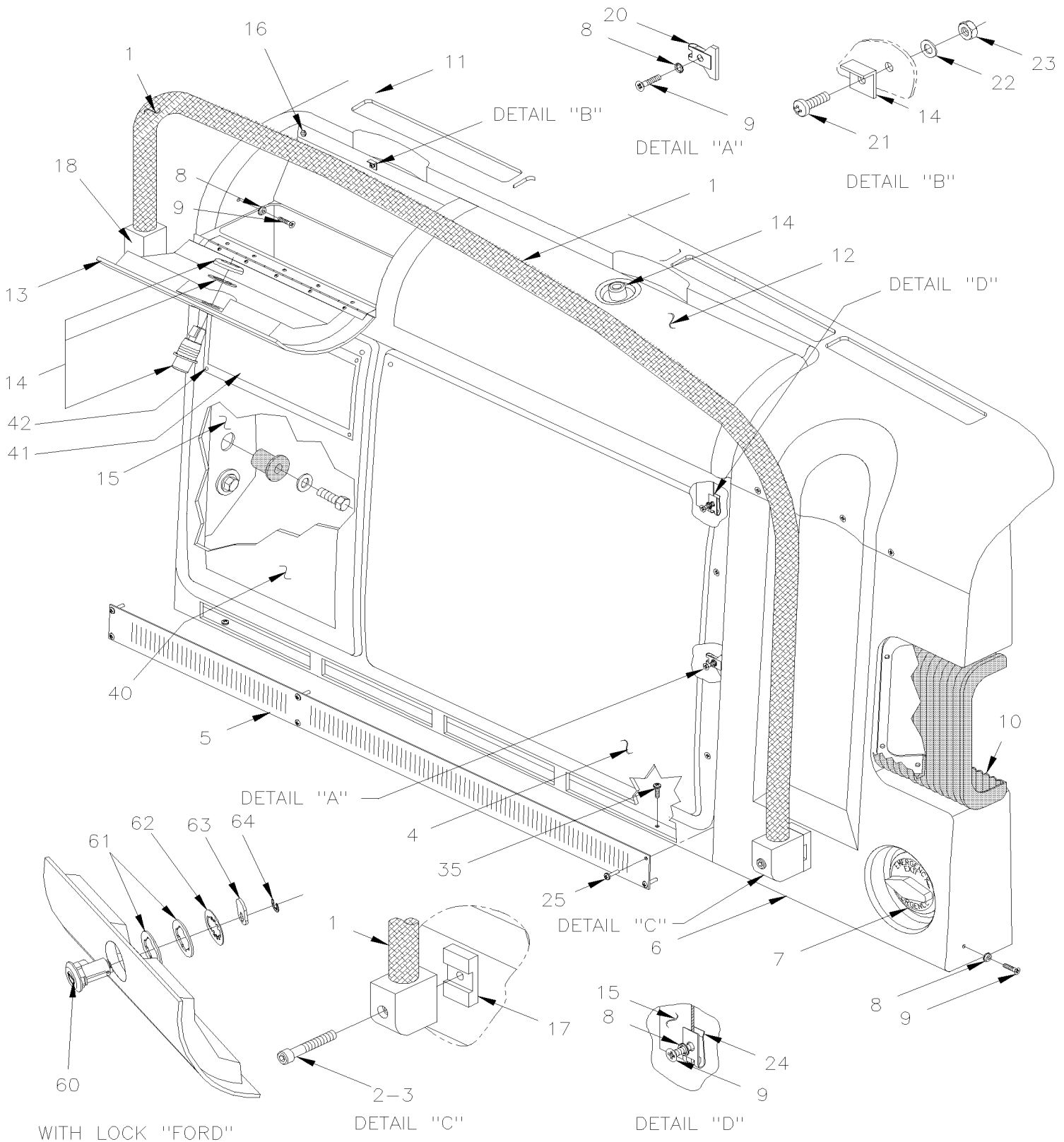
DASHBOARD - ASSY



From G-7275 To M-7767	Date:07/2024	PAGE:X3PLB-1806-15
DASHBOARD - ASSY		

Item#	Part	Description	QTY	Notes
1	X3PLB-1806-00	CENTRAL DASHBOARD PANEL		
2	X3PLB-1806-10	L.H. CONSOLE - BUS		
3	X3PLB-1806-20	DASHBOARD PANEL		
4	502582	WASHER LO SERR 6.1x16.2x0.9 Z050 To K-7662	6	
5	500923	SCREW TC CAP HEX 1/4-20x3/4 Z050 To K-7662	6	
5	5002070	SCREW DR SEMS FN OV PH #8x1 Z050 From L-7663	6	
6	500641	SCREW TP PAN PH #8x3/4 Z050	3	
7	5001531	SCREW TP FL PH #10x1 SS410	2	
8	500964	WASHER FL .203x.500x.047 Z050	2	
9	500613	SCREW TP PAN PH #10x1/2 Z050	2	
10	890007	UNION TUBE	2	
11	502507	WASHER LO SPT 8.1x14.8x2.0 Z050	2	
12	502797	SCREW CAP HEX M8-1.25x70 G10.9 G500	2	
13	5001164	WASHER FL 8.4x25.0x2.0 Z050	2	

DASHBOARD PANEL



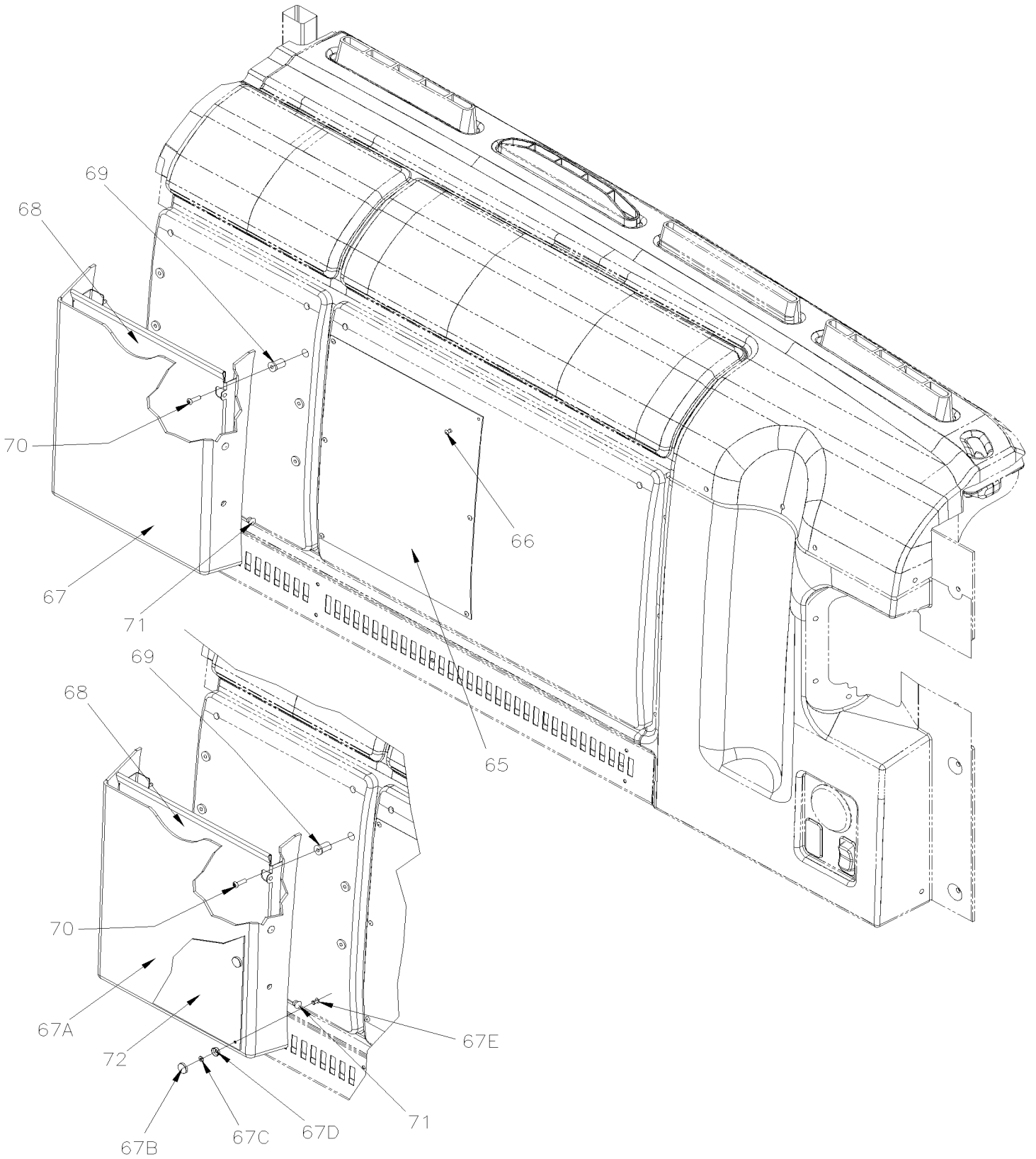
WITH LOCK "FORD"

From G-7275 To K-7542

Date:07/2024

PAGE:X3PLB-1806-20

DASHBOARD PANEL



From G-7275 To K-7542	Date:07/2024	PAGE:X3PLB-1806-20
DASHBOARD PANEL		

Item#	Part	Description	QTY	Notes
1	392266	HAND RAIL / BLACK	1	A
1	3202061	KIT SERVICE METAL BLACK RAMP DASHBOARD	1	
1	392494	HAND RAIL / YELLOW To K-7590	1	WCL B
1	3200962	HAND RAIL / YELLOW From J-7509 To K-7590	1	GR
1	392494	HAND RAIL / YELLOW From K-7591	1	B
1	3202030	KIT SERVICE METAL YELLOW RAMP DASHBOARD	1	
2	5001598	SCREW CAP HEXS M8-1.25x30 SS	1	
3	5001380	SCREW CAP HEXS M8-1.25x100 SS	2	
3	5001604	SCREW CAP HEXS M8-1.25x70 G8.8 G500 From J-7509	1	GR
4	392007	PANEL / SERVICING	1	
NS	066609	DECAL "FRONT PNEUMATIC PANELM DIAGRAM" To H-7416	1	
4	060262	DECAL "FRONT PNEUMATIC PANELM DIAGRAM" From H-7417	1	
NS	066155	DECAL PIN OUT / JCT BOX W/MUX	1	
5	392194	GRILLE / LOWER	1	
6	392120	COVER / ENTRANCE DOOR MECHANISM	1	
6	392442	COVER / ENTRANCE DOOR MECHANISM W/ BY-FOLD DOOR	1	
7	X3PLB-1802-00	ENTRANCE DOOR CONTROL		
8	500345	WASHER FN CKF .187x.500x.090 BR BK	AR	
9	5001413	SCREW MA FL PH M4-0.7x20 Z050	AR	
9	5001429	SCREW MA FL PH M4-0.7x25 BK	AR	
10	X3PLB-1862-60	ENTRANCE DOOR FRAME - INSTALLATION	1	
11	392117	PANEL R.H. / TOP W/2 BOX	1	
12	391954	COVER R.H. / BLACK	1	
13	391955	COVER L.H. / BLACK	1	
13	504676	STRAP RETAINER	1	
14	504672	LATCH ASSY W/2 KEYS	AR	
NS	810084	. KEY / (CH751)	1	
NS	810084	. KEY / (CH751)	2	
14	890008	LATCH ASSY KEYLESS	1	
15	392054	STRUCTURE / R.H.	1	
NS	392018	. STRAP R.H. / TO FIX DUCT TO STRUCTURE	1	
NS	392017	. SUPPORT / R.H. WINDSHIELD	1	
NS	392019	. STRAP L.H. / TO FIX DUCT TO STRUCTURE	1	
15	392441	STRUCTURE / R.H. W/ BY-FOLD DOOR	1	
16	504674	BUMPER RUBBER / 1/4X13/32X13/32X1/8	4	
17	392489	RAMP BLOCK SUPPORT WELD TO DASH STRUCTURE	1	
18	392116	RAMP SUPPORT WELD TO DASH STRUCTURE	1	
20	5001406	NUT SPR U M4-0.7 0.8-4.0x13.5	4	
21	5001398	SCREW MA CHE PH M3-0.5x10 SS	1	
22	N.P.N.	WASHER	4	4
23	5001408	NUT HEX STO M3-0.5 ZP	4	
24	5001405	NUT SPR U M4-0.7 0.8-4.0x9.5	14	

From G-7275 To K-7542	Date:07/2024	PAGE:X3PLB-1806-20
DASHBOARD PANEL		

Item#	Part	Description	QTY	Notes
25	5001410	SCREW MA CHE PH M4-0.7x16 SS	6	
33	500923	SCREW TC CAP HEX 1/4-20x3/4 Z050	AR	
34	502582	WASHER LO SERR 6.1x16.2x0.9 Z050	AR	
35	500641	SCREW TP PAN PH #8x3/4 Z050	AR	
40	406150	DECAL "FOR PASSENGER SAFETY....WHITE" / ASSY / ENGLISH & SPANISH	1	
. NS	405647	. DECAL "FOR PASSENGER SAFETY....WHITE" / ASSY / ENGLISH & SPANISH	1	
. NS	406148	. PLATE SUPPORT DECAL 242MM x 290MM	1	
40	400099	DECAL "FOR PASSENGER SAFETY....YELLOW" / ASSY / ENGLISH & SPANISH	1	
. NS	400098	. DECAL "FOR PASSENGER SAFETY....YELLOW" // ENGLISH & SPANISH	1	
. NS	406148	. PLATE SUPPORT DECAL 242MM x 290MM	1	
40	409376	DECAL "FOR PASSENGER SAFETY....YELLOW" / ASSY / ENGLISH & FRANCAIS	1	
. NS	409377	. DECAL "FOR PASSENGER SAFETY....YELLOW" / ASSY / ENGLISH & SPANISH	1	
. NS	406148	. PLATE SUPPORT DECAL 242MM x 290MM	1	
40	400119	DECAL "FOR PASSENGER SAFETY....YELLOW" / ASSY / ENGLISH & SPANISH	1	
. NS	400125	. DECAL "FOR PASSENGER SAFETY....YELLOW" // ENGLISH & SPANISH	1	
. NS	400132	. PLATE SUPPORT DECAL 242MM x 290MM	1	
40	407647	DECAL "FOR PASSENGER SAFETY....YELLOW" / ASSY / ENGLISH & FRANCAIS	1	
. NS	400132	. PLATE SUPPORT DECAL 242MM x 290MM	1	
. NS	407646	. DECAL "THIS VEHICLE IS NOT DESIGNED TO ACCOMMODATE STANDING PASSENGERS"	1	
40	400024	DECAL "FOR PASSENGER SAFETY....YELLOW" / ASSY / ENGLISH & SPANISH & FRANCAIS	1	
. NS	400016	. DECAL "FOR PASSENGER SAFETY....YELLOW" // ENGLISH & SPANISH & FRANCAIS	1	
. NS	400132	. PLATE SUPPORT DECAL 242MM x 290MM	1	
40	407748	DECAL "THIS VEHICLE IS NOT" / ASSY / ENGLISH & FRANCAIS	1	
. NS	407745	. DECAL "THIS VEHICLE IS NOT" // ENGLISH & FRANCAIS	1	
. NS	400132	. PLATE SUPPORT DECAL 242MM x 290MM	1	
40	407749	DECAL "THIS VEHICLE IS NOT" / ASSY / ENGLISH & SPANISH	1	
. NS	400132	. PLATE SUPPORT DECAL 242MM x 290MM	1	
. NS	407746	. DECAL "THIS VEHICLE IS NOT" / ASSY / ENGLISH & SPANISH	1	
40	407750	DECAL "THIS VEHICLE IS NOT" / ASSY / ENGLISH & SPANISH & FRANCAIS	1	
. NS	400132	. PLATE SUPPORT DECAL 242MM x 290MM	1	
. NS	407747	. DECAL "THIS VEHICLE IS NOT" / ASSY / ENGLISH & SPANISH & FRANCAIS	1	
40	400642	DECAL "PASSENGER MUST REMAIN" / ASSY / ENGLISH & SPANISH & FRANCAIS From J-7448	1	GR
. NS	400132	. PLATE SUPPORT DECAL 242MM x 290MM From J-7448	1	GR
. NS	400604	. DECAL "PASSENGER MUST REMAIN" / ASSY / ENGLISH & SPANISH & FRANCAIS From J-7448	1	GR
41	404625	DECAL "POUR LA SECURITE... BLANCHE" / ASM FRANÇAIS	1	
. NS	404623	. DECAL "POUR LA SECURITE... BLANCHE" FRANÇAIS	1	
. NS	404624	. PLATE SUPPORT DECAL 232MM x 119MM	1	
41	404626	DECAL "FOR PASSENGER SAFETY....WHITE" / ASSY / ENGLISH	1	
. NS	404622	. DECAL "FOR PASSENGER SAFETY....WHITE" / ENGLISH	1	
. NS	404624	. PLATE SUPPORT DECAL 232MM x 119MM	1	
41	407724	DECAL "THIS VEHICLE IS NOT" / ASSY / ENGLISH	1	
. NS	407722	. DECAL "THIS VEHICLE IS NOT....WHITE" / ENGLISH	1	

From G-7275 To K-7542	Date:07/2024	PAGE:X3PLB-1806-20
DASHBOARD PANEL		

Item#	Part	Description	QTY	Notes
. NS	407726	. PLATE SUPPORT DECAL 247MM X 122MM	1	
41	407725	DECAL "CE VEHICULEN'EST PAS...." / ASSY / FRANÇAIS	1	
. NS	407723	. DECAL "CE VEHICULEN'EST PAS....BLANCHE" / FRANCAIS	1	
. NS	407726	. PLATE SUPPORT DECAL 247MM X 122MM	1	
42	504107	RIVET POP DOME OE 1/8x5/16 AL	4	
60	X3PLB-1867-00	KEY & CYLINDER CODE "FORD" & "NS"		
61	780826	SPACER LOCK "FORD"	2	
62	780824	RETAINER WASHER LOCK "FORD"	1	
63	780825	LEVER WITH "FORD" CYLINDER LOCK	1	
64	504477	RING RETAINER / EXT 14.0 X 13.4 X 1.0MM	1	
65	400099	DECAL "FOR PASSENGER SAFETY....YELLOW" / ASSY / ENGLISH & SPANISH		
. NS	400098	. DECAL "FOR PASSENGER SAFETY....YELLOW" // ENGLISH & SPANISH	1	
. NS	406148	. PLATE SUPPORT DECAL 242MM x 290MM	1	
65	400119	DECAL "FOR PASSENGER SAFETY....YELLOW" / ASSY / ENGLISH & SPANISH	1	
. NS	400125	. DECAL "FOR PASSENGER SAFETY....YELLOW" // ENGLISH & SPANISH	1	
. NS	400132	. PLATE SUPPORT DECAL 242MM x 290MM	1	
65	407647	DECAL "FOR PASSENGER SAFETY....YELLOW" / ASSY / ENGLISH & FRANCAIS	1	
. NS	400132	. PLATE SUPPORT DECAL 242MM x 290MM	1	
. NS	407646	. DECAL "THIS VEHICILE IS NOT DESIGNED TO ACCOMMODATE STANDING PASSENGERS"	1	
65	400024	DECAL "FOR PASSENGER SAFETY....YELLOW" / ASSY / ENGLISH & SPANISH & FRANCAIS	1	
. NS	400016	. DECAL "FOR PASSENGER SAFETY....YELLOW" // ENGLISH & SPANISH & FRANCAIS	1	
. NS	400132	. PLATE SUPPORT DECAL 242MM x 290MM	1	
65	407748	DECAL "THIS VEHICLE IS NOT" / ASSY / ENGLISH & FRANCAIS	1	
. NS	407745	. DECAL "THIS VEHICLE IS NOT" // ENGLISH & FRANCAIS	1	
. NS	400132	. PLATE SUPPORT DECAL 242MM x 290MM	1	
65	407749	DECAL "THIS VEHICLE IS NOT" / ASSY / ENGLISH & SPANISH	1	
. NS	400132	. PLATE SUPPORT DECAL 242MM x 290MM	1	
. NS	407746	. DECAL "THIS VEHICLE IS NOT" / ASSY / ENGLISH & SPANISH	1	
65	407750	DECAL "THIS VEHICLE IS NOT" / ASSY / ENGLISH & SPANISH & FRANCAIS	1	
. NS	400132	. PLATE SUPPORT DECAL 242MM x 290MM	1	
. NS	407747	. DECAL "THIS VEHICLE IS NOT" / ASSY / ENGLISH & SPANISH & FRANCAIS	1	
66	504107	RIVET POP DOME OE 1/8x5/16 AL	6	
66	504412	WASHER RETAINER SNAP CAP #8 From J-7448	AR	GR
66	502578	WASHER FL 3.2x7.0x0.5 Z050 From J-7448	AR	GR
66	504403	SNAP CAP #8 FINISHING BLACK From J-7448	AR	GR
67	409383	WALL POCKET DOCUMENT INSTALLATION KIT	1	
. NS	IS-11900	. SEE INSTRUCTION SHEET	1	
67	200943P	WALL POCKET DOCUMENT KIT	1	
67A	409379	. WALL POCKET DOCUMENT	1	
67B	504403	. SNAP CAP #8 FINISHING BLACK	6	
67C	502578	. WASHER FL 3.2x7.0x0.5 Z050	6	
67D	504412	. WASHER RETAINER SNAP CAP #8	6	

From G-7275 To K-7542	Date:07/2024	PAGE:X3PLB-1806-20
DASHBOARD PANEL		

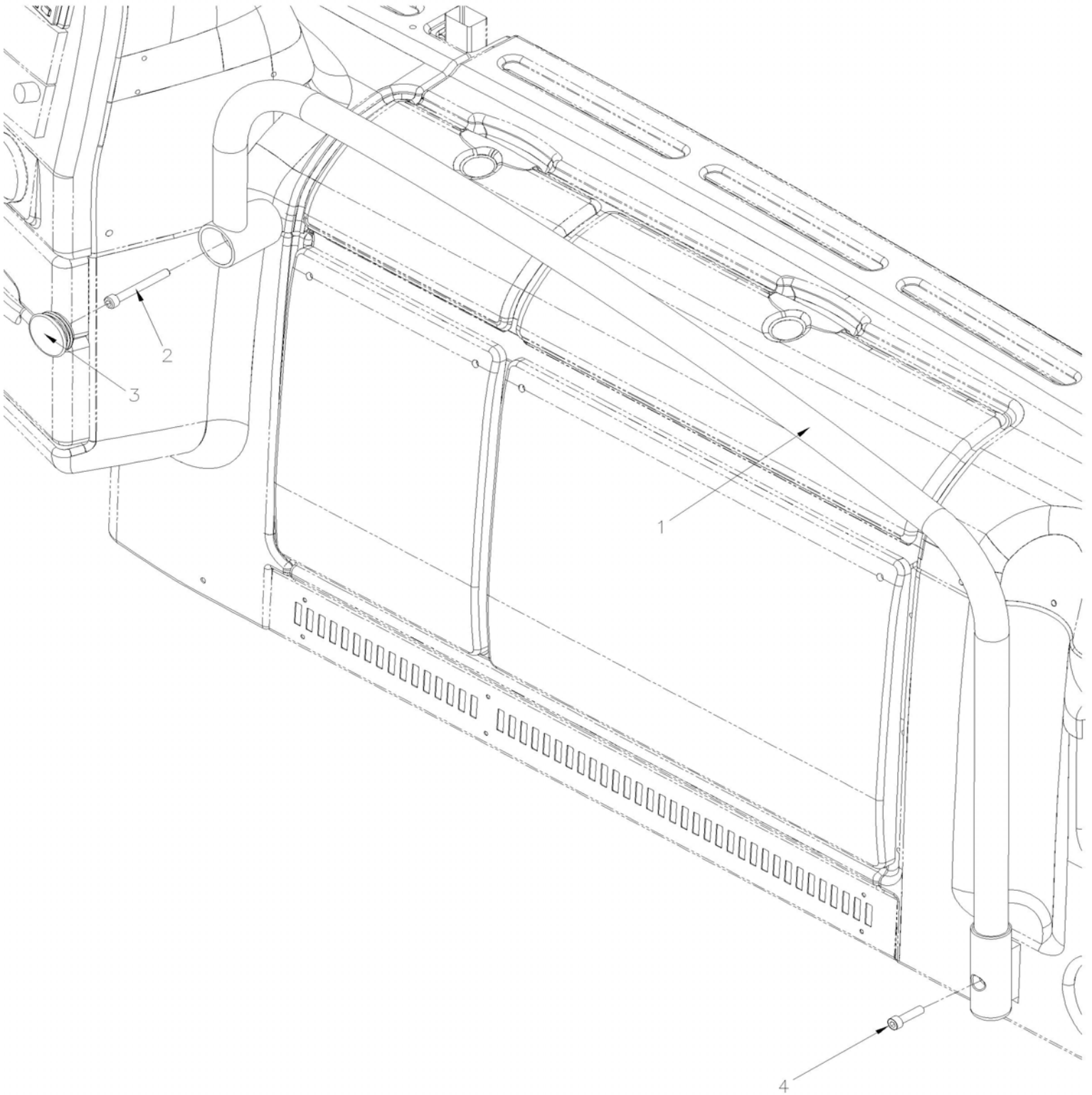
Item#	Part	Description	QTY	Notes
67E	504107	. RIVET POP DOME OE 1/8x5/16 AL	6	
68	406528	. SUPPORT DOCUMENT	1	
69	500589	. NUT WELL M4-0.7x13.5	6	
70	502698	. SCREW MA PAN PH M4-0.7x16 SS BK	6	
71	504582	. RIVET POP DOME OE 3/16x1/4 SS BK	6	
72	400119	. DECAL "FOR PASSENGER SAFETY.....YELLOW" / ASSY / ENGLISH & SPANISH	1	
. NS	400125	. . DECAL "FOR PASSENGER SAFETY.....YELLOW" // ENGLISH & SPANISH	1	
. NS	400132	. . PLATE SUPPORT DECAL 242MM x 290MM	1	
72	407647	DECAL "FOR PASSENGER SAFETY.....YELLOW" / ASSY / ENGLISH & FRANCAIS	1	
. NS	400132	. PLATE SUPPORT DECAL 242MM x 290MM	1	
. NS	407646	. DECAL "THIS VEHICILE IS NOT DESIGNED TO ACCOMMODATE STANDING PASSENGERS"	1	
72	400024	DECAL "FOR PASSENGER SAFETY.....YELLOW" / ASSY / ENGLISH & SPANISH & FRANCAIS	1	
. NS	400016	. DECAL "FOR PASSENGER SAFETY.....YELLOW" // ENGLISH & SPANISH & FRANCAIS	1	
. NS	400132	. PLATE SUPPORT DECAL 242MM x 290MM	1	
72	407748	DECAL "THIS VEHICLE IS NOT" / ASSY / ENGLISH & FRANCAIS	1	
. NS	407745	. DECAL "THIS VEHICLE IS NOT" // ENGLISH & FRANCAIS	1	
. NS	400132	. PLATE SUPPORT DECAL 242MM x 290MM	1	
72	407749	DECAL "THIS VEHICLE IS NOT" / ASSY / ENGLISH & SPANISH	1	
. NS	400132	. PLATE SUPPORT DECAL 242MM x 290MM	1	
. NS	407746	. DECAL "THIS VEHICLE IS NOT" / ASSY / ENGLISH & SPANISH	1	
72	407750	DECAL "THIS VEHICLE IS NOT" / ASSY / ENGLISH & SPANISH & FRANCAIS	1	
. NS	400132	. PLATE SUPPORT DECAL 242MM x 290MM	1	
. NS	407747	. DECAL "THIS VEHICLE IS NOT" / ASSY / ENGLISH & SPANISH & FRANCAIS	1	
NS	068439	DECAL FRONT DASH PANEL WITH BY-FOLD DOOR To H-7416	1	
73	069742	DECAL FRONT DASH PANEL WITH BY-FOLD DOOR From H-7417	1	
		A) FOR SOLUTION IN SERVICE, SEE SERVICE KIT 3202061		
		B) FOR SOLUTION IN SERVICE, SEE SERVICE KIT 3202030		
		GR) WITH GREYHOUND		
		WCL) WITH WHEEL CHAIR LIFT		
		4) NO PARTS NUMBER		

From G-7275 To K-7542

Date:07/2024

PAGE:3202061

KIT SERVICE METAL BLACK RAMP DASHBOARD



From G-7275 To K-7542		Date:07/2024	PAGE:3202061
-----------------------	--	--------------	--------------

KIT SERVICE METAL BLACK RAMP DASHBOARD

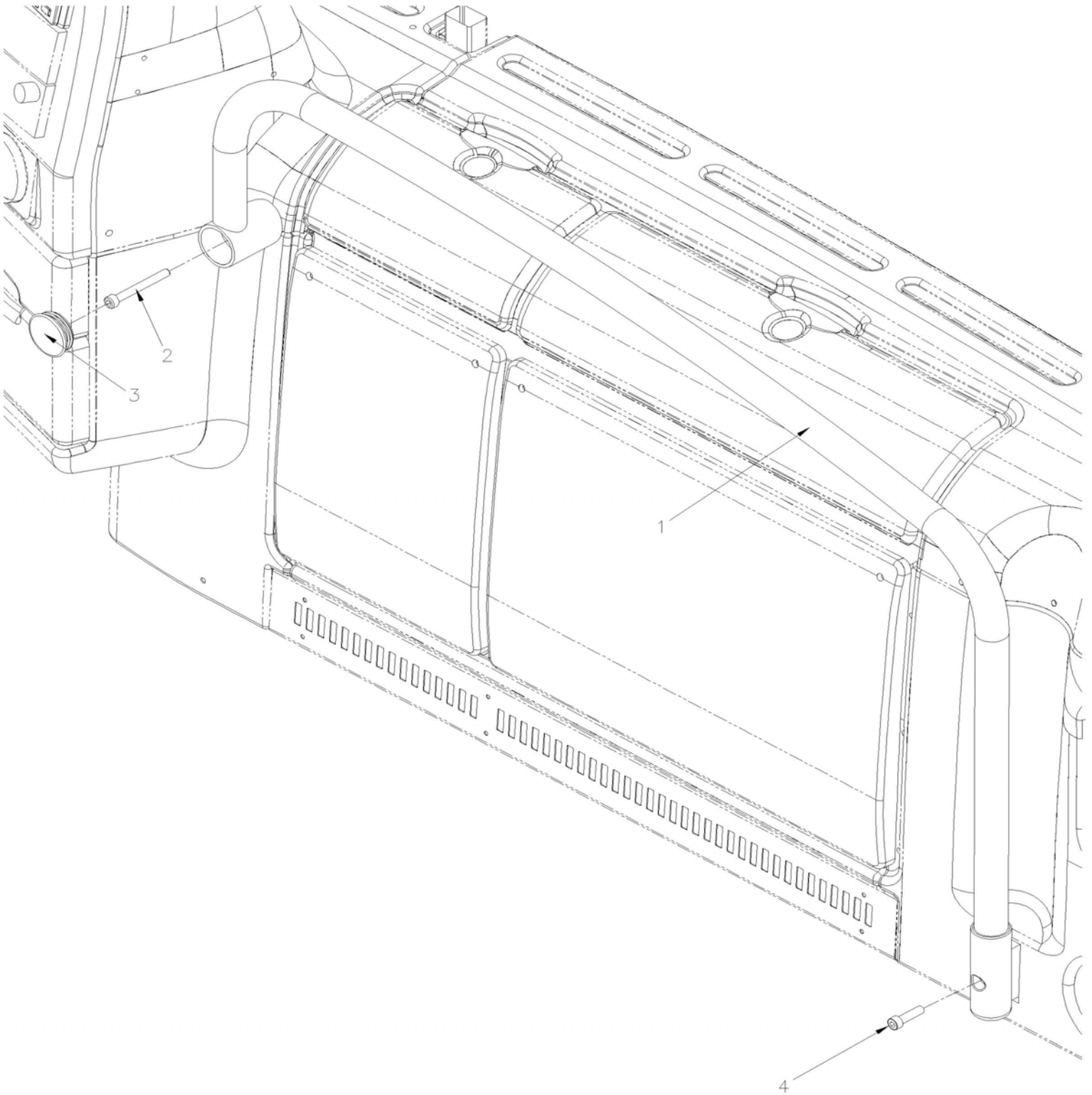
Item#	Part	Description	QTY	Notes
1	3202048	METAL HANDRAIL BLACK DASHBOARD	1	
2	5001604	SCREW CAP HEXS M8-1.25x70 G8.8 G500	1	
3	504513	PLUG BUTTON / 1.9 X 0.58 POL BK	1	
4	5001598	SCREW CAP HEXS M8-1.25x30 SS	1	

From G-7275 To K-7542

Date:07/2024

PAGE:3202030

KIT SERVICE METAL YELLOW RAMP DASHBOARD



From G-7275 To K-7542	Date:07/2024	PAGE:3202030
-----------------------	--------------	--------------

KIT SERVICE METAL YELLOW RAMP DASHBOARD

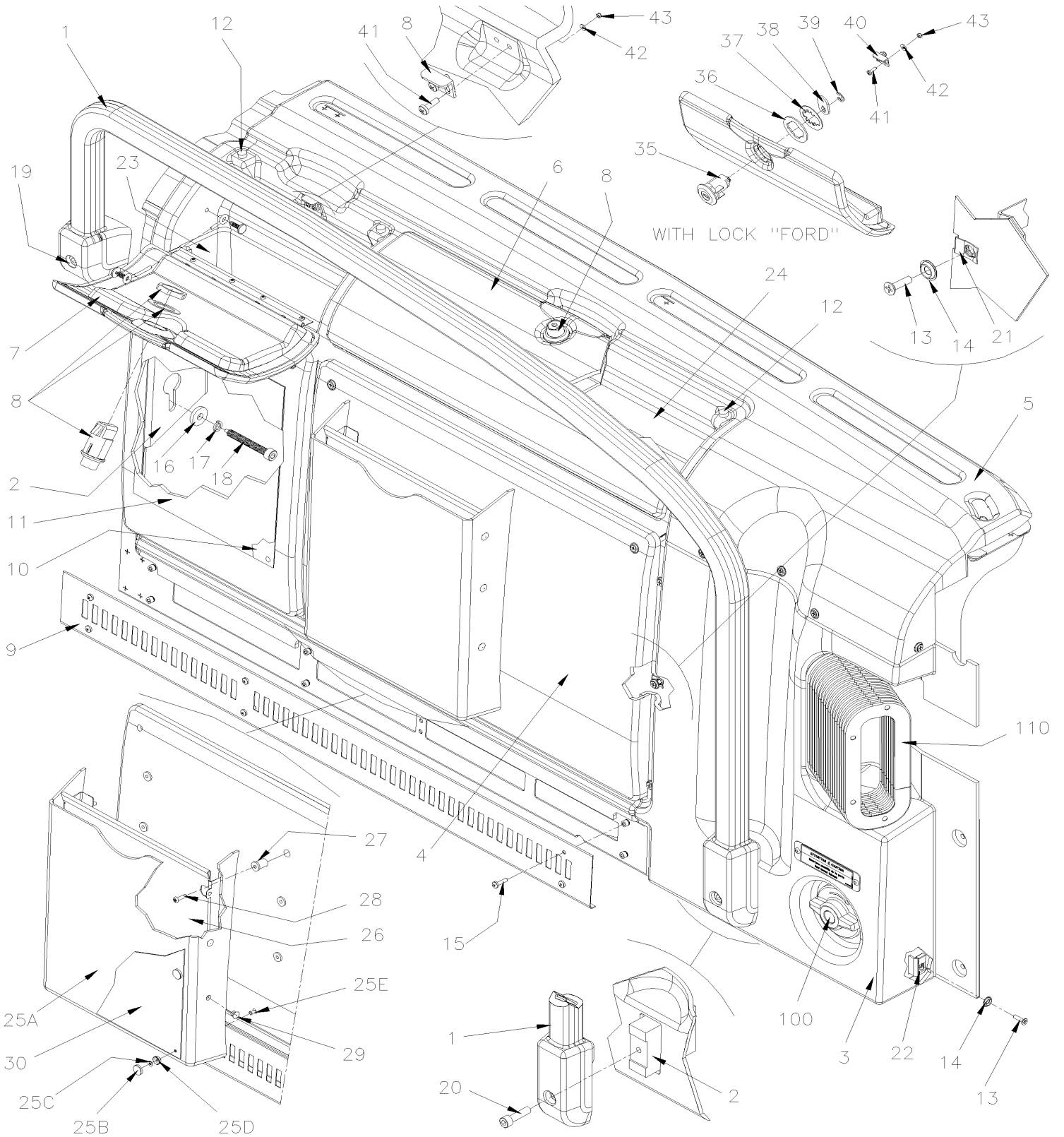
Item#	Part	Description	QTY	Notes
1	3211769	METAL HANDRAIL YELLOW DASHBOARD	1	
2	5001604	SCREW CAP HEXS M8-1.25x70 G8.8 G500	1	
3	504513	PLUG BUTTON / 1.9 X 0.58 POL BK	1	
4	5001598	SCREW CAP HEXS M8-1.25x30 SS	1	

From K-7543 To M-7767

Date:07/2024

PAGE:X3PLB-1806-21

DASHBOARD PANEL



From K-7543 To M-7767	Date:07/2024	PAGE:X3PLB-1806-21
DASHBOARD PANEL		

Item#	Part	Description	QTY	Notes
1	392266	HAND RAIL / BLACK	1	A
1	3202061	KIT SERVICE METAL BLACK RAMP DASHBOARD	1	
1	3200962	HAND RAIL / YELLOW To K-7590	1	
1	392494	HAND RAIL / YELLOW From K-7591	1	B
1	3202030	KIT SERVICE METAL YELLOW RAMP DASHBOARD	1	
2	392054	STRUCTURE / R.H. To K-7662	1	
. NS	392018	. STRAP R.H. / TO FIX DUCT TO STRUCTURE To K-7662	1	
. NS	392017	. SUPPORT / R.H. WINDSHIELD To K-7662	1	
. NS	392019	. STRAP L.H. / TO FIX DUCT TO STRUCTURE To K-7662	1	
2	390815	STRUCTURE / R.H. From L-7663	1	
2	392441	STRUCTURE / R.H. W/ BY-FOLD DOOR To K-7662	1	
2	390365	STRUCTURE / R.H. W/ BY-FOLD DOOR From L-7663	1	
3	392120	COVER / ENTRANCE DOOR MECHANISM	1	
3	392442	COVER / ENTRANCE DOOR MECHANISM W/ BY-FOLD DOOR	1	
4	392007	PANEL / SERVICING	1	
5	390982	PANEL R.H. / TOP W/2 BOXES To K-7662	1	
5	390798	PANEL R.H. / TOP W/2 BOXES From L-7663	1	
NS	392625	PLATE FOR RIVET 190MM x 12.7MM x 1MM	3	
6	390930	COVER R.H.	1	
6	392626	COVER R.H. W/FORD	1	
NS	504643	RIVET POP DOME OE 1/8x1/2 SS	AR	
NS	504676	STRAP RETAINER	2	
NS	504110	BLACK NYLON RETAINER	4	
7	390952	COVER L.H.	1	
7	392618	COVER L.H. W/FORD	1	
7	504643	RIVET POP DOME OE 1/8x1/2 SS	AR	
NS	504676	STRAP RETAINER	1	
NS	504110	BLACK NYLON RETAINER	4	
8	890008	LATCH ASSY KEYLESS	2	
8	780023	LATCH W/LOCK	2	
. NS	780539	. KEY / (CH751)	2	
9	392194	GRILLE / LOWER	1	
10	400132	PLATE SUPPORT DECAL 242MM x 290MM	1	
11	407748	DECAL "THIS VEHICLE IS NOT" / ASSY / ENGLISH & FRANCAIS	1	
. NS	407745	. DECAL "THIS VEHICLE IS NOT" // ENGLISH & FRANCAIS	1	
. NS	400132	. PLATE SUPPORT DECAL 242MM x 290MM	1	
11	400642	DECAL "PASSENGER MUST REMAIN" / ASSY / ENGLISH & SPANISH & FRANCAIS	1	
. NS	400132	. PLATE SUPPORT DECAL 242MM x 290MM	1	
. NS	400604	. DECAL "PASSENGER MUST REMAIN" / ASSY / ENGLISH & SPANISH & FRANCAIS	1	
12	504498	BUMPER PLUG / .406ODx.218THx.250HOLEx.125	4	
13	5001414	SCREW MA FL PH M4-0.7x16 BK	AR	
14	500345	WASHER FN CKF .187x.500x.090 BR BK	AR	

From K-7543 To M-7767	Date:07/2024	PAGE:X3PLB-1806-21
DASHBOARD PANEL		

Item#	Part	Description	QTY	Notes
15	5001410	SCREW MA CHE PH M4-0.7x16 SS	AR	
16	5002037	WASHER FL 8.4x23.0x4.0 N050	2	
17	5002038	WASHER LO SPT 8.1x12.7x2.0 N050	2	
18	5002052	SCREW SET HEXS CUP M8 x1.25 X70 N050	2	
19	5001380	SCREW CAP HEXS M8-1.25x100 SS	1	
20	5001598	SCREW CAP HEXS M8-1.25x30 SS	1	
21	5001406	NUT SPR U M4-0.7 0.8-4.0x13.5	AR	
22	5001405	NUT SPR U M4-0.7 0.8-4.0x9.5	AR	
23	392640	SMALL TOP BOX	1	
24	392641	BIG TOP BOX	1	
25	409383	WALL POCKET DOCUMENT INSTALLATION KIT	1	
. NS	IS-11900	. SEE INSTRUCTION SHEET	1	
25	200943P	WALL POCKET DOCUMENT KIT	1	
25A	409379	WALL POCKET DOCUMENT	1	
25B	504403	SNAP CAP #8 FINISHING BLACK	6	
25C	502578	WASHER FL 3.2x7.0x0.5 Z050	6	
25D	504412	WASHER RETAINER SNAP CAP #8	6	
25E	504107	RIVET POP DOME OE 1/8x5/16 AL	6	
26	406528	SUPPORT DOCUMENT	1	
27	500589	NUT WELL M4-0.7x13.5	6	
28	502698	SCREW MA PAN PH M4-0.7x16 SS BK	6	
29	504582	RIVET POP DOME OE 3/16x1/4 SS BK	6	
30	400119	DECAL "FOR PASSENGER SAFETY....YELLOW" / ASSY / ENGLISH & SPANISH	1	
. NS	400125	. DECAL "FOR PASSENGER SAFETY....YELLOW" // ENGLISH & SPANISH	1	
. NS	400132	. PLATE SUPPORT DECAL 242MM x 290MM	1	
30	407748	DECAL "THIS VEHICLE IS NOT" / ASSY / ENGLISH & FRANCAIS	1	
. NS	407745	. DECAL "THIS VEHICLE IS NOT" // ENGLISH & FRANCAIS	1	
. NS	400132	. PLATE SUPPORT DECAL 242MM x 290MM	1	
35	X3PLB-1867-00	KEY & CYLINDER CODE "FORD" & "NS" To K-7662		
35	X3PLB-1867-01	KEY & CYLINDER CODE "FORD" From L-7663		
36	780826	SPACER LOCK "FORD"	2	
37	780824	RETAINER WASHER LOCK "FORD"	2	
38	780825	LEVER WITH "FORD" CYLINDER LOCK	2	
39	504556	RING RETAINER / EXT 6.00 x 5.00 x 0.72MM	2	
40	504154	RECEPTACLE, LOCK	2	
41	5001398	SCREW MA CHE PH M3-0.5x10 SS	AR	
42	5001970	WASHER FL 3.2x9.0x1.0 ZP	AR	
43	5001048	SCREW MA RND PH #10-24x3/8 ZP	AR	
100	X3PLB-1802-00	ENTRANCE DOOR CONTROL		
100	X3PLB-1802-10	ENTRANCE DOOR CONTROL WITH BI-FOLD DOOR		
110	X3PLB-1862-60	ENTRANCE DOOR FRAME - INSTALLATION		

From K-7543 To M-7767		Date:07/2024	PAGE:X3PLB-1806-21
-----------------------	--	--------------	--------------------

DASHBOARD PANEL

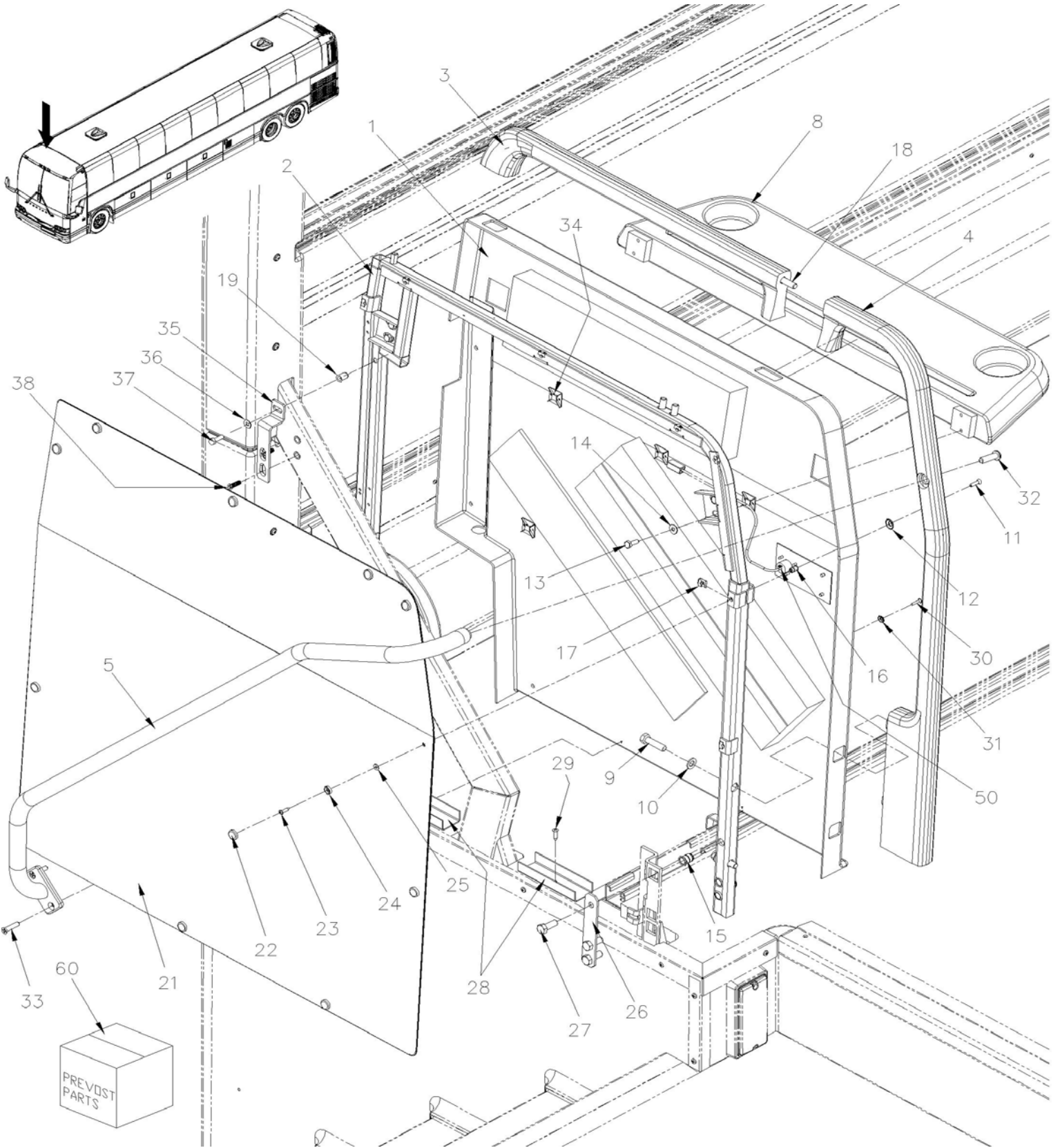
Item#	Part	Description	QTY	Notes
		A) FOR SOLUTION IN SERVICE, SEE SERVICE KIT 3202061		
		B) FOR SOLUTION IN SERVICE, SEE SERVICE KIT 3202030		

From G-7275 To M-7767

Date:07/2024

PAGE:X3PLB-1810-00

MODESTY PANEL R.H.

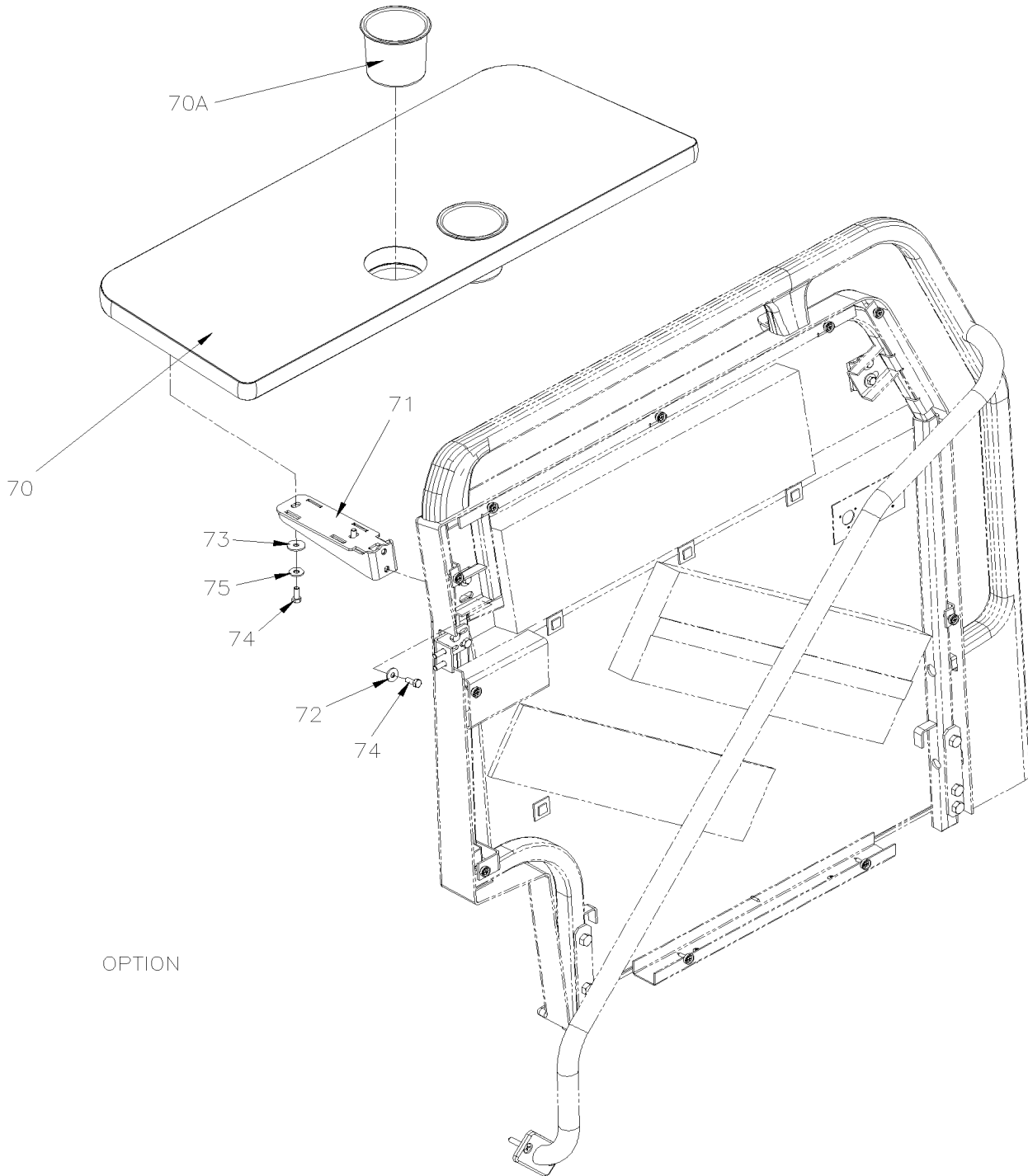


From G-7275 To M-7767

Date:07/2024

PAGE:X3PLB-1810-00

MODESTY PANEL R.H.



OPTION

From G-7275 To M-7767	Date:07/2024	PAGE:X3PLB-1810-00
MODESTY PANEL R.H.		

Item#	Part	Description	QTY	Notes
	327189	MODESTY PANEL R.H. ASSY WITH BLACK HANDRAIL To K-7662	1	
	3210507	MODESTY PANEL R.H. ASSY WITH BLACK HANDRAIL From L-7663	1	
	3200536	MODESTY PANEL R.H. ASSY WITH YELLOW HANDRAIL To K-7662	1	
	3210387	MODESTY PANEL R.H. ASSY WITH YELLOW HANDRAIL From L-7663	1	
	327188	MODESTY PANEL R.H. ASSY WITH BLACK HANDRAIL To K-7662	1	A
	3210456	MODESTY PANEL R.H. ASSY WITH BLACK HANDRAIL From L-7663	1	A
	3200819	MODESTY PANEL R.H. ASSY WITH YELLOW HANDRAIL To K-7662	1	A
	3210505	MODESTY PANEL R.H. ASSY WITH YELLOW HANDRAIL From L-7663	1	A
	3200928	MODESTY PANEL R.H. ASSY WITH BLACK HANDRAIL To K-7662	1	A D
	3210538	MODESTY PANEL R.H. ASSY WITH BLACK HANDRAIL From L-7663	1	A D
	3202672	MODESTY PANEL R.H. ASSY WITH BLACK HANDRAIL To K-7662	1	Y
	3210539	MODESTY PANEL R.H. ASSY WITH BLACK HANDRAIL From L-7663	1	Y
1	327200	. PANEL REAR / PLASTIC To K-7662	1	
1	3210388	. PANEL REAR / PLASTIC From L-7663	1	
1	327199	. PANEL REAR / PLASTIC To K-7662	1	A
1	3210454	. PANEL REAR / PLASTIC From L-7663	1	A
2	327195	. STRUCTURE ASSY R.H. MODESTY To K-7662	1	
2	3210386	. STRUCTURE ASSY R.H. MODESTY From L-7663	1	
3	327196	. HANDLE TOP	1	B C
4	327197	. HANDLE R.H. To K-7662	1	B C
4	3210385	. HANDLE R.H. From L-7663	1	B C
5	327193	. HANDRAIL CURBSIDE / BLACK	1	B
5	3200538	. HANDRAIL CURBSIDE / YELLOW	1	WCL C
5	3202673	. HANDRAIL CURBSIDE / BLACK	1	Y
5	327253	. . PLATE WALL CONNECTOR	1	
8	327198	. SHELF	1	
8	3200802	. SHELF / SPECIAL CUP HOLDER "ORLEAN"	1	D
. NS	3200804	. . CUP HOLDER	1	D
9	500193	. SCREW CAP HEX 3/8-16x1 1/2 G5 Z050	5	
10	500496	. WASHER FL .437x.750x.054 Z050	5	
11	N30853	. SCREW MA FL PH #10-24x3/4 SS	5	
12	500465	. WASHER FN CKF .278x.729x.119 SS	5	
13	500007	. SCREW CAP HEX 1/4-28x3/4 G5 ZP	4	
14	502638	. WASHER FL .312x.734x.065 N500	4	
15	Call order desk	. RIVET NUT FL 3/8-16 .027-.150	6	P
16	Call order desk	. RIVET NUT FL #10-24 .020-.130	5	P
17	Call order desk	. NUT SPR J #10A .087-.110	8	P
18	Call order desk	. STUD 3/8-16 x 2"	1	P
19	502842	. NUT INS TYPE "A-L" OE M6-1.0 0.7-4.2 Z050 From L-7663	1	
NS	9985283	. THREAD LOCKER LOCTITE #242 / BLUE / 250ml	AR	
21	327260P	PANEL FRONT ASSY W/COVERING To K-7662	1	
21	3210416	PANEL FRONT ASSY W/COVERING From L-7663	1	

From G-7275 To M-7767	Date:07/2024	PAGE:X3PLB-1810-00
MODESTY PANEL R.H.		

Item#	Part	Description	QTY	Notes
21	3210572	PANEL FRONT ASSY W/COVERING From L-7663	1	Y
21	327261	. ALUMINUM PANEL To K-7662	1	
21	3210417	. ALUMINUM PANEL From L-7663	1	
21	3210571	. ALUMINUM PANEL From L-7663	1	Y
NS	326962P	COVERING MODESTY PANEL "TISSUS" W/"LOGO" / EMBROIDERED To K-7662	AR	
NS	900088	DISPENSER / SOAP	1	F
NS	500641	SCREW TP PAN PH #8x3/4 Z050	4	F
22	504400	SNAP CAP #10 FINISHING BLACK	AR	
23	500641	SCREW TP PAN PH #8x3/4 Z050 To H-7354	AR	
23	500642	SCREW TP PAN PH #10x3/4 Z050 From H-7355	AR	
24	504399	WASHER RETAINER SNAP CAP #10	AR	
25	500855	WASHER FL .188x.438x.049 N500	AR	
26	327478	PLATE RETAINER	AR	
27	500197	SCREW CAP HEX 3/8-16x1 G5 N500	6	
28	320686	CHANNEL 410MM To K-7662	1	
28	3210398	CHANNEL 120MM From L-7663	2	
29	500642	SCREW TP PAN PH #10x3/4 Z050	2	
NS	500552	SCREW TP OV PH #6x3/4 Z050 To K-7662	1	
30	500552	SCREW TP OV PH #6x3/4 Z050 From L-7663	2	
NS	500463	WASHER FN CKF .187x.500x.090 BR Z050 To K-7662	1	
31	500463	WASHER FN CKF .187x.500x.090 BR Z050 From L-7663	2	
32	5001513	SCREW CAP BUT HEXS 3/8x1 1/2 SS	1	
33	502748	SCREW TP FL PH #14x1 1/4 EMN	2	
34	562679	4 WAY ADH. BACKED MOUNTS 1.000 x 1.000 x .160	AR	
35	327321	ANGLE To K-7662	1	
35	3210397	REINFORCEMENT From L-7663	1	
36	5001608	WASHER BEL SPR 6.2x15.0x0.7 G500 From L-7663	1	
37	500923	SCREW TC CAP HEX 1/4-20x3/4 Z050 To K-7662	1	
37	502830	SCREW CAP HEX M6-1.0x20 G8.8 N500 From L-7663	1	
38	5001961	SCREW MA FL PH M6-1.0x20 Z050 From L-7663	2	
50	X3PLB-2315-00	SOUND SYSTEM & ACCESSORIES To M-7767		
50	X3PLB-2315-01	SOUND SYSTEM & ACCESSORIES W/HHD From H-7417		
60	3202060	KIT SERV BLACK METAL RAMP MOD PAN RH X	1	
60	3202028	KIT SERV YELLOW METAL RAMP MOD PAN RH X	1	
NS	861922	MAGAZINE NET 16" x 6 3/4"	2	E
NS	502666	SCREW MA FL PH #6-32x3/4 SS BK	8	E
NS	500286	NUT WELL #6-32	8	E
70	3210163	SHELF / SPECIAL CUP HOLDER	1	O
70A	900252	. CUP HOLDER	1	O

From G-7275 To M-7767	Date:07/2024	PAGE:X3PLB-1810-00
MODESTY PANEL R.H.		

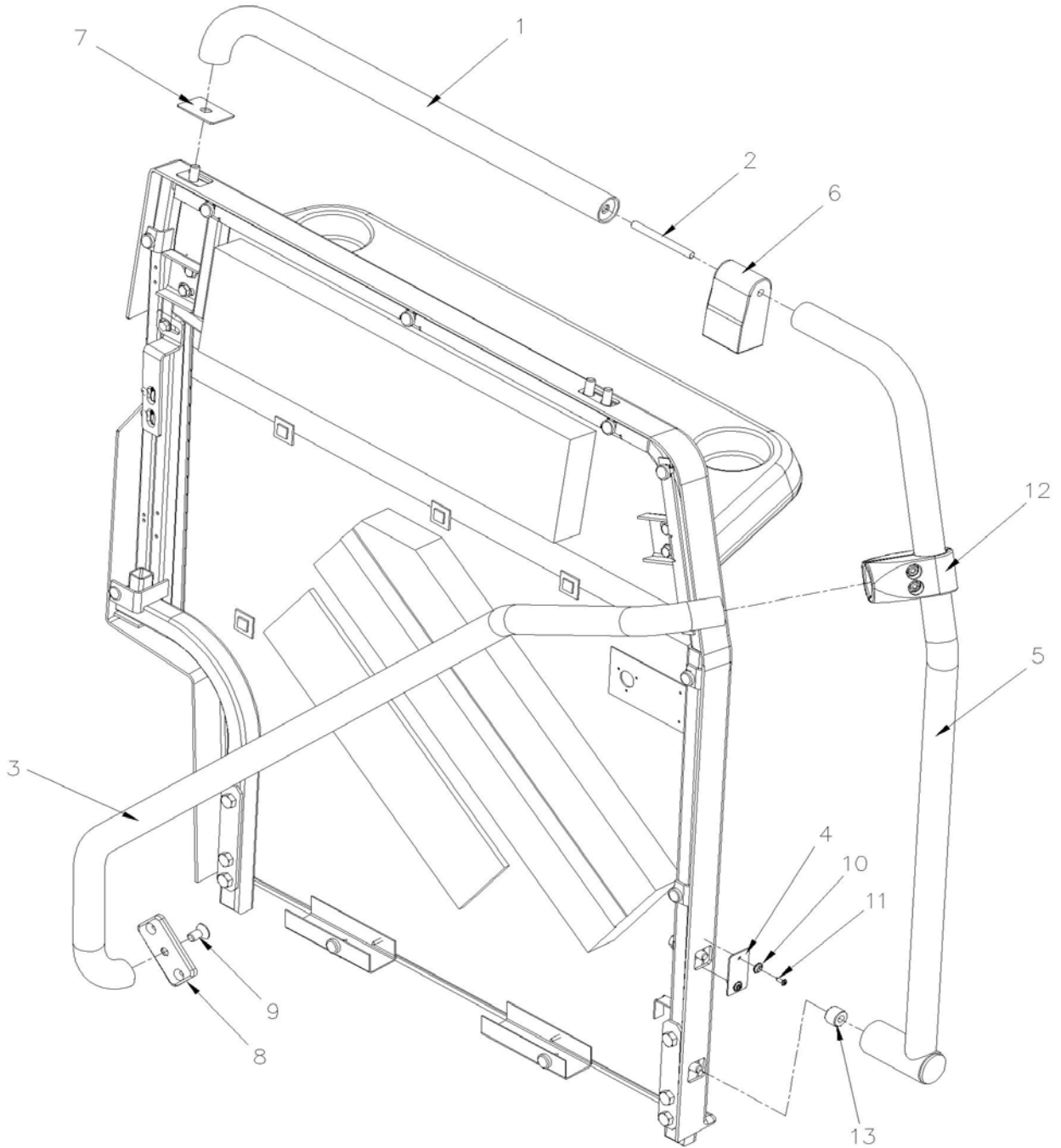
Item#	Part	Description	QTY	Notes
71	3210162	SHELF SUPPORT	2	O
72	5001462	WASHER FL 6.4x18.0x1.6 Z050	4	
73	500142	WASHER FL 6.6x22.0x2.0 SS	4	
74	5001744	SCREW CAP HEX M6-1.0x16 G8.8 N500	8	
75	5001833	WASHER BEL SPR 6.1x18x1.27 SS	4	
		A) TO USE WITH SHELF		
		B) FOR SOLUTION IN SERVICE, USE SERVICE KIT 3202060		
		C) FOR SOLUTION IN SERVICE, USE SERVICE KIT 3202028		
		D) WITH ORELAN OPTION WITH DEEPER CUP HOLDER		
		E) USE WITH MAGAZINE OPTION		
		F) WITH ANTISEPTIC GEL DISPENSER		
		O) OPTION		
		WCL) WITH WHEEL CHAIR LIFT		
		Y) WITH BY-FOLD DOOR		
		P) CALL ORDER DESK FOR SPECIFIC APPLICATION (V.I.N.)		

From G-7275 To M-7767

Date:07/2024

PAGE:3202060

KIT SERV BLACK METAL RAMP MOD PAN RH X



From G-7275 To M-7767	Date:07/2024	PAGE:3202060
-----------------------	--------------	--------------

KIT SERV BLACK METAL RAMP MOD PAN RH X

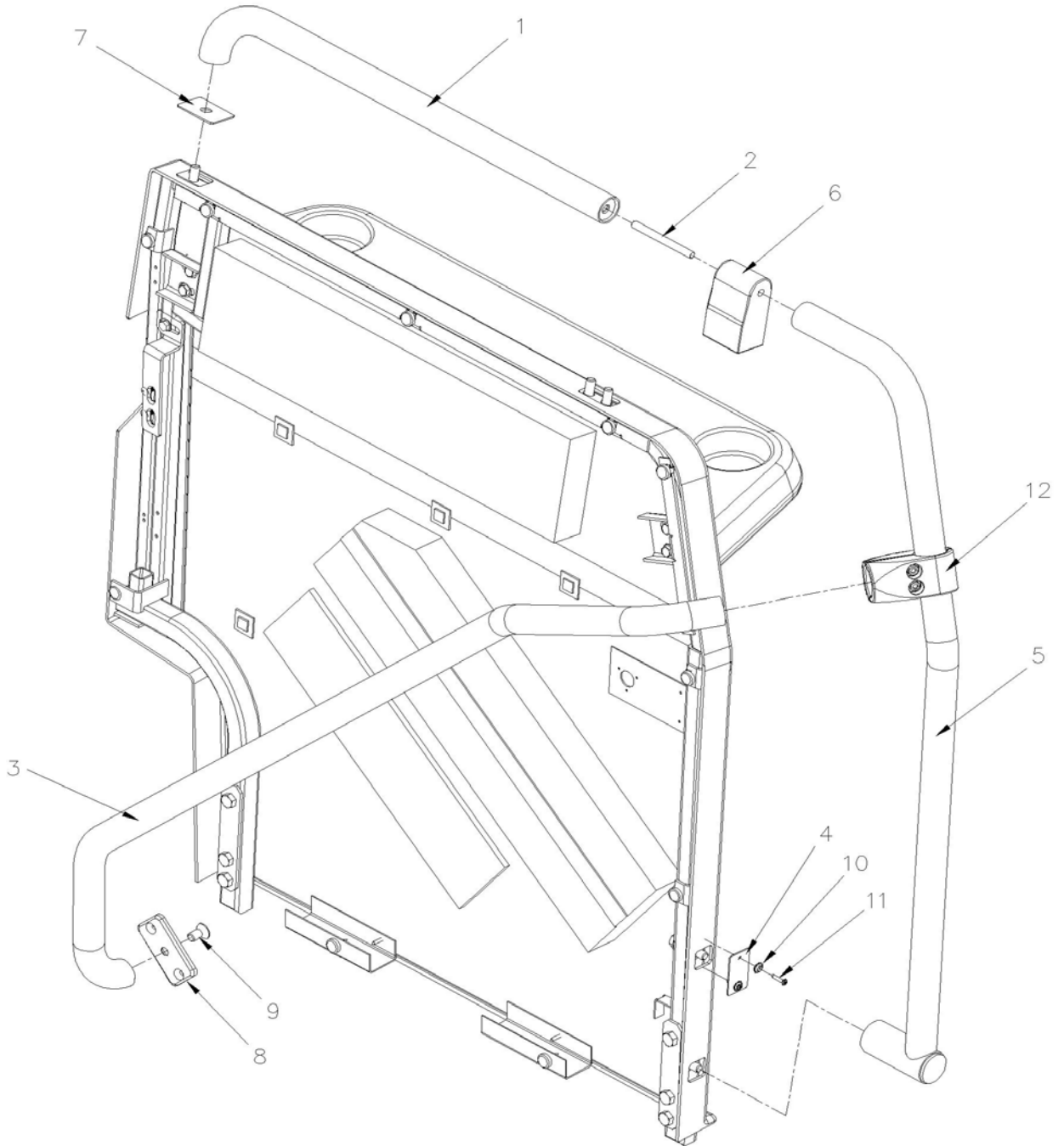
Item#	Part	Description	QTY	Notes
1	3201720	METAL HANDRAIL UPPER BLACK	1	
2	3201977	SHAFT,THREADED	1	
3	3202047	METAL HANDRAIL ENTRANCE BLACK	1	
4	3210725	COVER METAL HANDRAIL	1	
5	3211762	METAL HANDRAIL RH BLACK	1	
6	3211766	METAL HANDRAIL ANCH. MOD. PAN	1	
7	3211767	COVER METAL HANDRAIL	1	
8	327253	PLATE WALL CONNECTOR	1	
9	5001574	SCREW CAP FL HEXS 3/8-16x3/4	1	
10	500463	WASHER FN CKF .187x.500x.090 BR Z050	2	
11	500417	SCREW TP PAN PH #6x3/8 Z050	2	
12	820619	FITTING 1 1/4" T	1	
13	2810628	SPACER M8	1	

From G-7275 To M-7767

Date:07/2024

PAGE:3202028

KIT SERV YELLOW METAL RAMP MOD PAN RH X



From G-7275 To M-7767	Date:07/2024	PAGE:3202028
KIT SERV YELLOW METAL RAMP MOD PAN RH X		

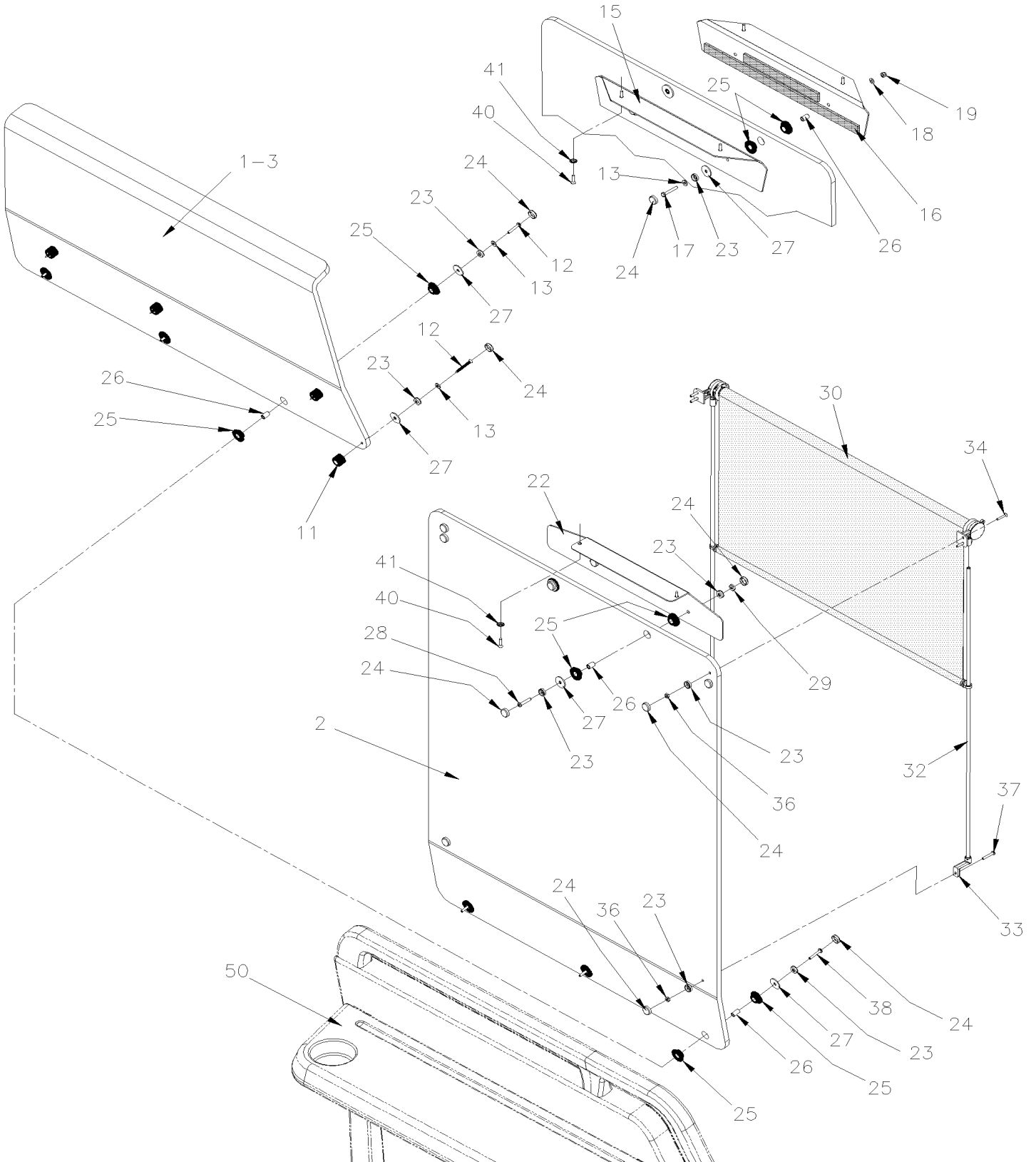
Item#	Part	Description	QTY	Notes
1	3201720	METAL HANDRAIL UPPER BLACK	1	
2	3201977	SHAFT, THREADED	1	
3	3201717	METAL HANDRAIL ENTRANCE YELLOW	1	
4	3210725	COVER METAL HANDRAIL	1	
5	3211762	METAL HANDRAIL RH BLACK	1	
6	3211766	METAL HANDRAIL ANCH. MOD. PAN	1	
7	3211767	COVER METAL HANDRAIL	1	
8	327253	PLATE WALL CONNECTOR	1	
9	5001574	SCREW CAP FL HEXS 3/8-16x3/4	1	
10	500463	WASHER FN CKF .187x.500x.090 BR Z050	2	
11	500417	SCREW TP PAN PH #6x3/8 Z050	2	
12	820619	FITTING 1 1/4" T	1	
13	2810628	SPACER M8	1	

From G-7275 To M-7767

Date:07/2024

PAGE:X3PLB-1811-00

MODESTY PLEXIGLASS

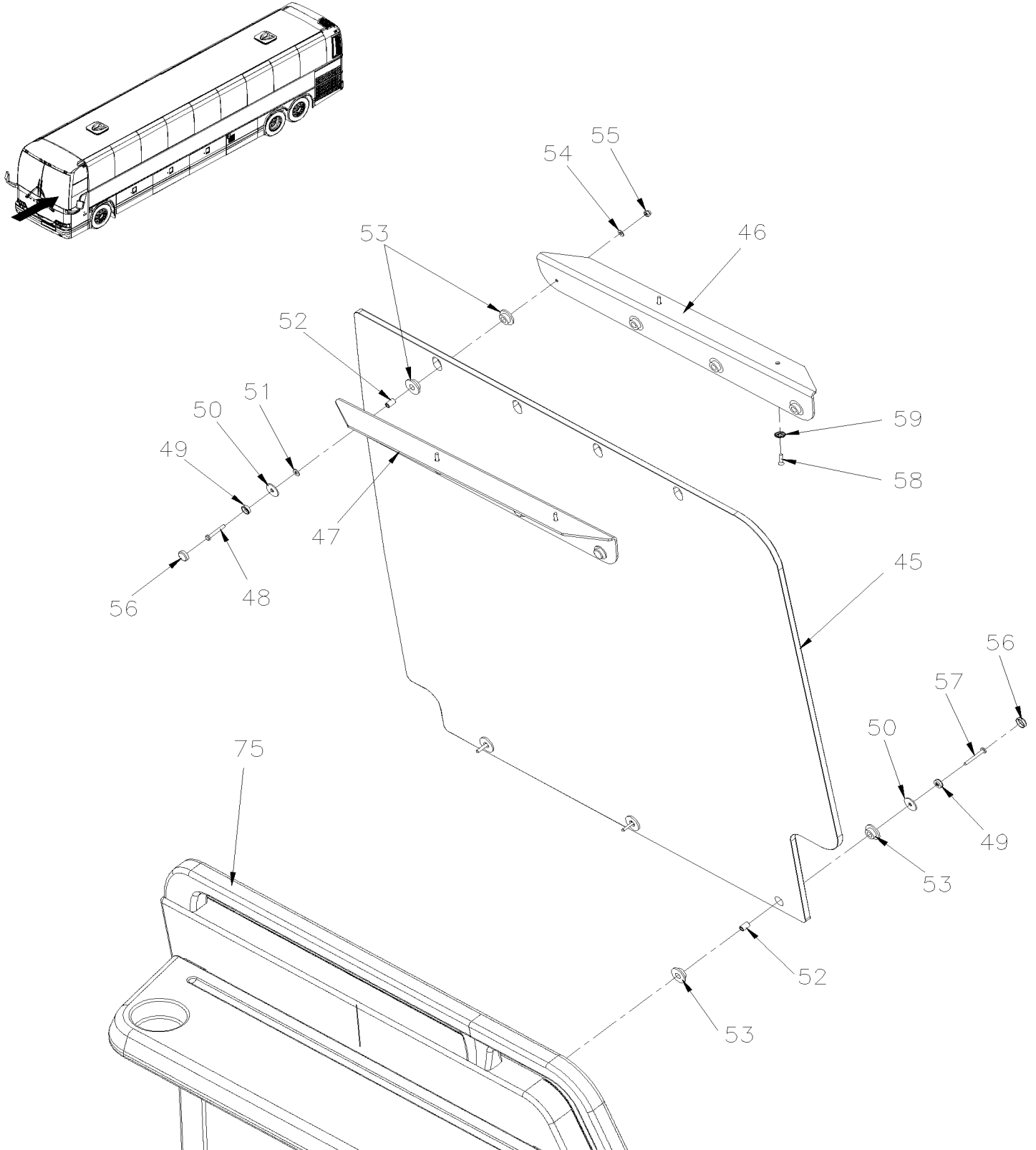


From G-7275 To M-7767

Date:07/2024

PAGE:X3PLB-1811-00

MODESTY PLEXIGLASS

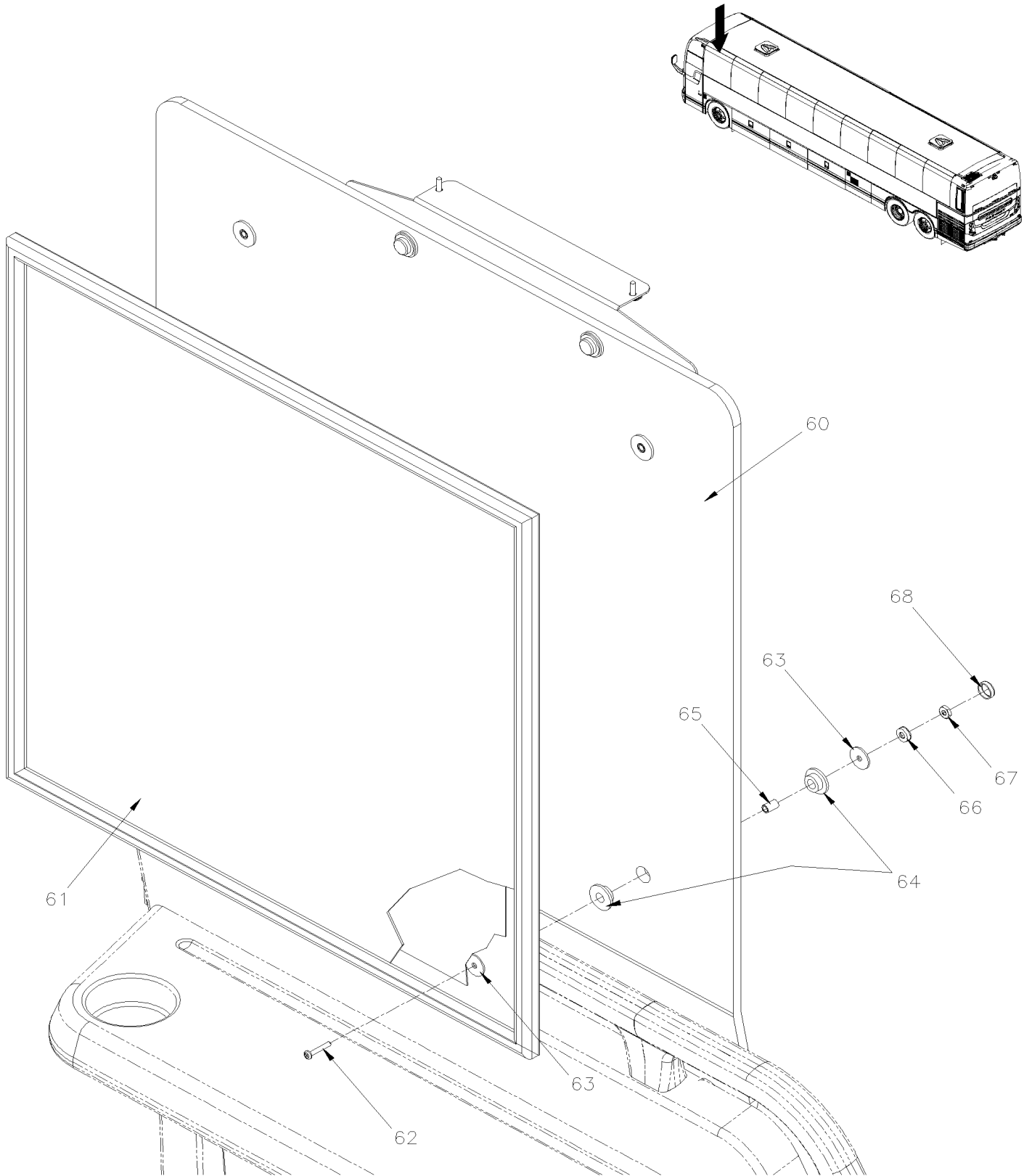


From G-7275 To M-7767

Date:07/2024

PAGE:X3PLB-1811-00

MODESTY PLEXIGLASS



From G-7275 To M-7767	Date:07/2024	PAGE:X3PLB-1811-00
MODESTY PLEXIGLASS		

Item#	Part	Description	QTY	Notes
1	328925	PLEXIGLASS / TINTED STREETSIDE / (233MM APROX)	1	
1	326286	PLEXIGLASS / CLEAR STREETSIDE / (233MM APROX)	1	
2	327359	PLEXIGLASS / CLEAR STREETSIDE / (831MM APROX) To K-7662	1	
2	3210558	PLEXIGLASS / CLEAR STREETSIDE / (818MM APROX) From L-7663	1	
2	327358	PLEXIGLASS / TINTED STREETSIDE / (831MM APROX) To K-7662	1	
2	3210557	PLEXIGLASS / TINTED STREETSIDE / (818MM APROX) From L-7663	1	
3	328852	PLEXIGLASS / CLEAR CURBSIDE / (333MM APROX)	1	
3	320133	PLEXIGLASS / CLEAR CURBSIDE / (233MM APROX)	1	
3	328926	PLEXIGLASS / TINTED CURBSIDE / (233MM APROX)	1	
11	5001168	BUMPER RUBBER / .750 OD x .562 TH x .187 HOLE To J-7533	4	
11	5002023	BUMPER NEOPRENE / .750 OD x .562 TH x .187 HOLE From J-7534	4	
12	500632	SCREW TP OV PH #8x1 1/2 Z050	7	
13	500438	WASHER FL .187x.437x.050 Z050	7	
15	320915	BRACKET ANGLE / LIGHT GREY / "OPTION"	2	O
16	506002	TAPE RUB ADH1 CC POL 3/16" x 1/2" x 40' / GREY 2520	AR	O
17	502643	SCREW MA PAN PH #8-32x1 1/4 Z050	2	O
18	500240	WASHER LO EXT .195x.410x.025 Z050	2	O
19	500501	NUT HEX CAP #8-32 SS	2	O
22	320914	BRACKET ANGLE GREY	1	
23	504399	WASHER RETAINER SNAP CAP #10	5	
24	504400	SNAP CAP #10 FINISHING BLACK	5	
25	900251	BUSHING, RUBBER	6	
26	400380	SPACER 5/16 O.D. x 17/32" x 18GA	5	
26	505539	SPACER 5/16 O.D. x 17/32" x 18GA	5	
27	500805	WASHER FL .218x.875x.062 N500	5	
28	5001317	SCREW MA PAN PH #8-32x1 SS	2	
29	500764	NUT HEX #8-32 Z050	5	
29	500501	NUT HEX CAP #8-32 SS	2	
30	901374	BLIND ROLLER / CHARCOAL / 593MM	1	
. NS	5001999	. SCREW SET HEXS CUP M4-0.7x5	2	
. NS	901562	. BRACKET W/O SHAFT & RATCHED LEVER	1	
. NS	901560	. BRACKET W/SHAFT & RATCHED LEVER	1	
32	401901	ROD, 26" / BACKWARD	2	
33	407650	ROD HOLDER / BLACK / PLASTIC "S" SHAPE	2	
34	502666	SCREW MA FL PH #6-32x3/4 SS BK	2	
36	500689	NUT HEX #6-32 Z050	6	
37	5001303	SCREW MA BDG PH #6-32x1 ZP EMN	2	
38	500637	SCREW TP PAN PH #8x1 1/2 Z050	3	
40	500626	SCREW TP OV PH #8x3/4 Z050	2	
41	500463	WASHER FN CKF .187x.500x.090 BR Z050	2	
45	321268	DRIVER'S PROTECTOR / TINTED PLEXIGLASS From G-7300	1	
46	329687	ANGLE SUPPORT FRONT PLEXIGLASS 545MM From G-7300	1	

From G-7275 To M-7767	Date:07/2024	PAGE:X3PLB-1811-00
MODESTY PLEXIGLASS		

Item#	Part	Description	QTY	Notes
47	329688	ANGLE SUPPORT REAR PLEXIGLASS 545MM From G-7300	1	
48	502643	SCREW MA PAN PH #8-32x1 1/4 Z050 From G-7300	4	
49	504399	WASHER RETAINER SNAP CAP #10 From G-7300	7	
50	500805	WASHER FL .218x.875x.062 N500 From G-7300	7	
51	500855	WASHER FL .188x.438x.049 N500 From G-7300	4	
52	505539	SPACER 5/16 O.D. x 17/32" x 18GA From G-7300	7	
53	900251	BUSHING, RUBBER From G-7300	14	
54	500240	WASHER LO EXT .195x.410x.025 Z050 From G-7300	4	
55	500501	NUT HEX CAP #8-32 SS From G-7300	4	
56	504400	SNAP CAP #10 FINISHING BLACK From G-7300	7	
57	500637	SCREW TP PAN PH #8x1 1/2 Z050 From G-7300	3	
58	500626	SCREW TP OV PH #8x3/4 Z050 From G-7300	4	
59	500464	WASHER FN CKF .210x.540 SS From G-7300	4	
60	3210536	PLEXIGLASS / TINTED STREETSIDE / (831MM APROX) To K-7662	1	A
60	3210559	PLEXIGLASS / TINTED STREETSIDE / (818MM APROX) From L-7663	1	A
61	900420	CARDFRAME	1	A
62	5001317	SCREW MA PAN PH #8-32x1 SS	4	A
63	500805	WASHER FL .218x.875x.062 N500	8	A
64	900251	BUSHING, RUBBER	8	A
65	505539	SPACER 5/16 O.D. x 17/32" x 18GA	4	A
66	504399	WASHER RETAINER SNAP CAP #10	4	A
67	500764	NUT HEX #8-32 Z050	4	A
68	504400	SNAP CAP #10 FINISHING BLACK	4	A
75	X3PLB-1810-00	MODESTY PANEL R.H.		
75	X3PLB-1812-00	MODESTY PANEL L.H.		
NS	IS20907	PLEXIGLASS SHIELD BEHIND DRIVER X3	1	
. NS	3210558	. PLEXIGLASS / CLEAR STREETSIDE / (818MM APROX)	1	
. NS	320914	. BRACKET ANGLE GREY	1	
. NS	504399	. WASHER RETAINER SNAP CAP #10	5	
. NS	504400	. SNAP CAP #10 FINISHING BLACK	5	
. NS	900251	. BUSHING, RUBBER	10	
. NS	500805	. WASHER FL .218x.875x.062 N500	5	
. NS	5001317	. SCREW MA PAN PH #8-32x1 SS	2	
. NS	500501	. NUT HEX CAP #8-32 SS	2	
. NS	500626	. SCREW TP OV PH #8x3/4 Z050	2	
. NS	500464	. WASHER FN CKF .210x.540 SS	2	
. NS	500637	. SCREW TP PAN PH #8x1 1/2 Z050	3	
. NS	IS-20907	. SEE INSTRUCTION SHEET	1	
. NS	FI-20907	. VOIR FEUILLE D'INSTRUCTION	1	

From G-7275 To M-7767	Date:07/2024	PAGE:X3PLB-1811-00
MODESTY PLEXIGLASS		

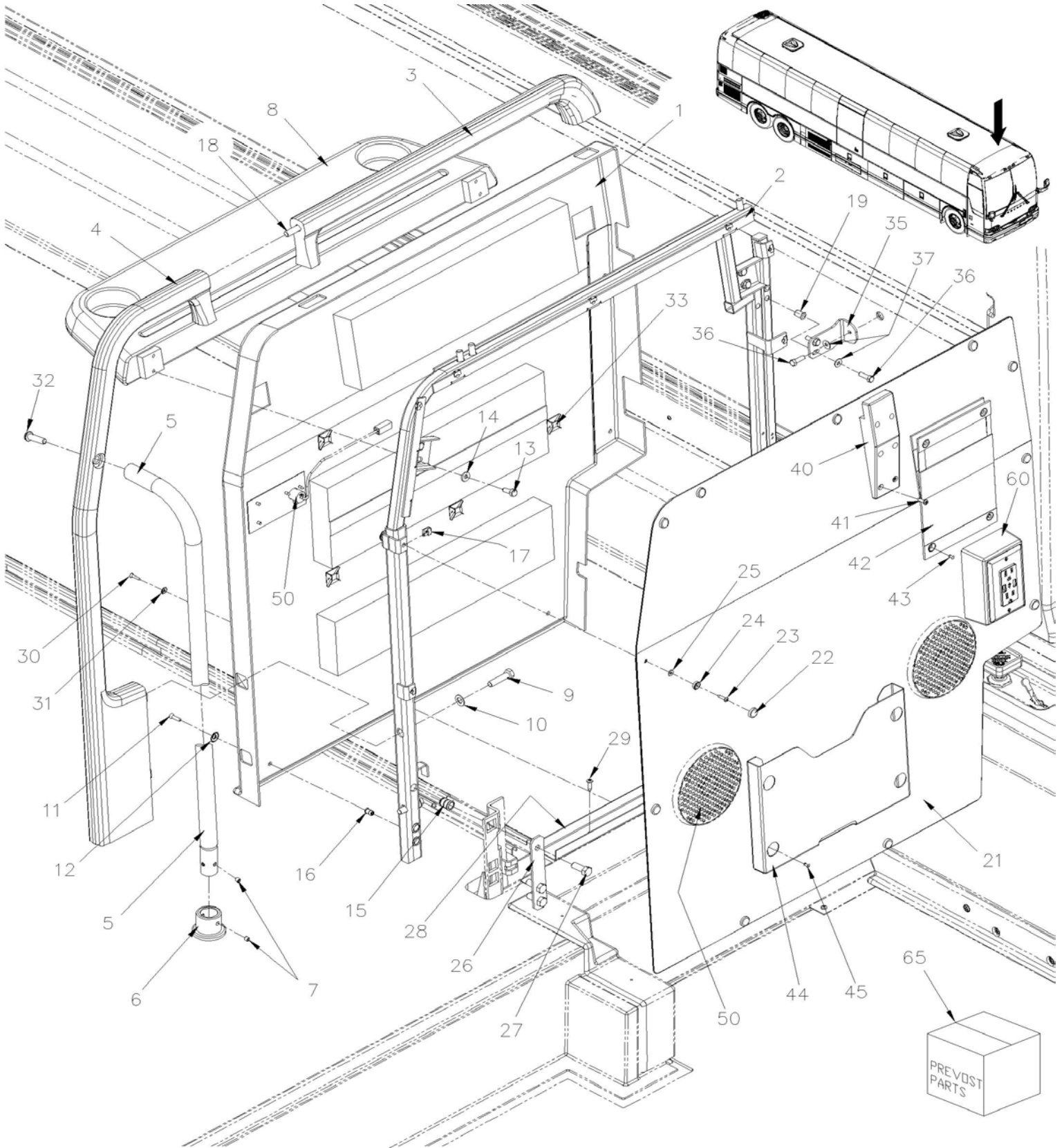
Item#	Part	Description	QTY	Notes
. NS	D320271	. DIAGRAM	1	
		A) WITH CARDFRAME OPTION		
		O) LOCATED EACH SIDE OF PLEXIGLASS / "OPTION"		

From G-7275 To M-7767

Date:07/2024

PAGE:X3PLB-1812-00

MODESTY PANEL L.H.

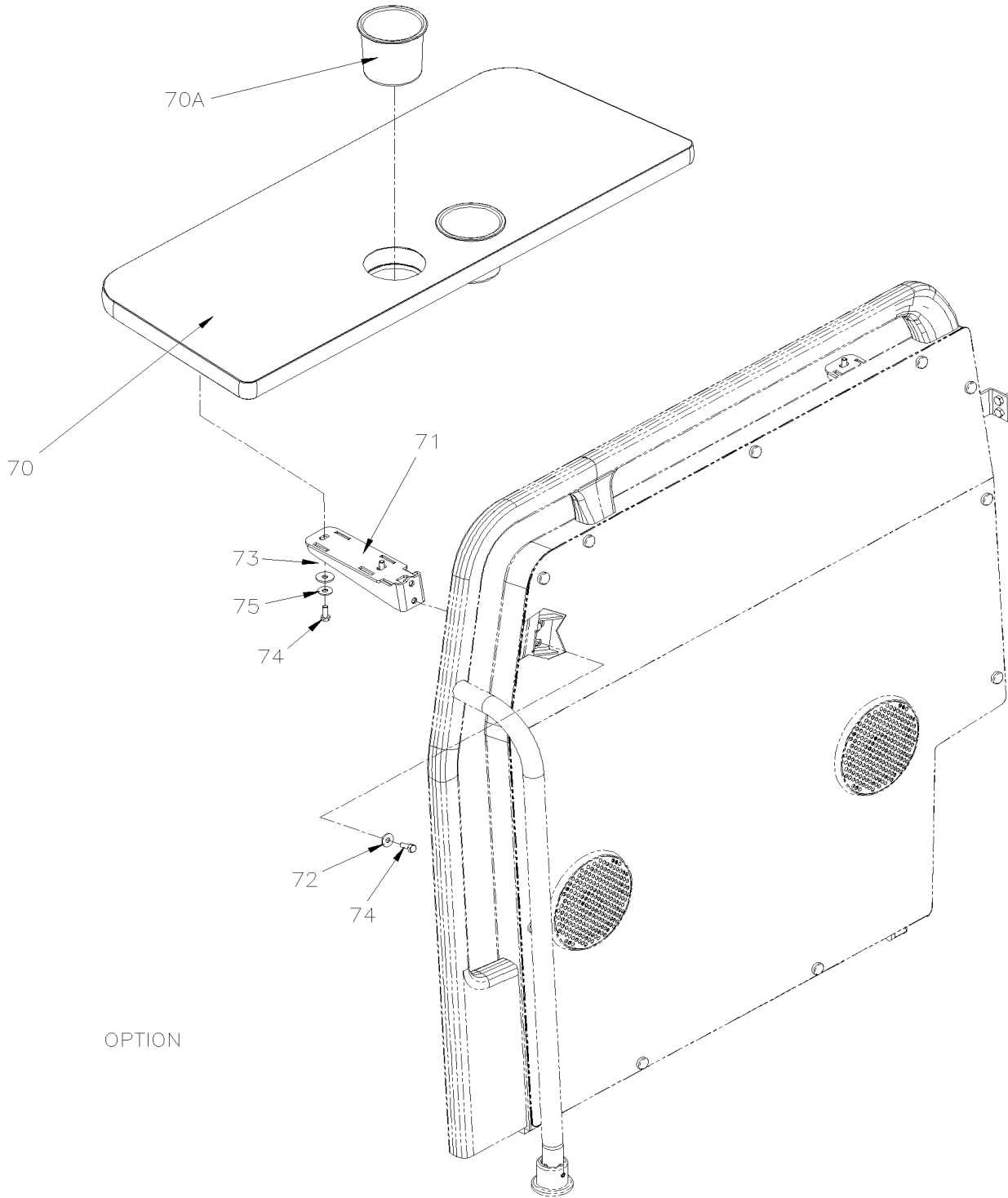


From G-7275 To M-7767

Date:07/2024

PAGE:X3PLB-1812-00

MODESTY PANEL L.H.



OPTION

From G-7275 To M-7767	Date:07/2024	PAGE:X3PLB-1812-00
MODESTY PANEL L.H.		

Item#	Part	Description	QTY	Notes
	327192	MODESTY PANEL L.H. ASSY WITH BLACK HANDRAIL To K-7662	1	
	3210502	MODESTY PANEL L.H. ASSY WITH BLACK HANDRAIL From L-7663	1	
	3200541	MODESTY PANEL L.H. ASSY WITH YELLOW HANDRAIL To K-7662	1	
	3210497	MODESTY PANEL L.H. ASSY WITH YELLOW HANDRAIL From L-7663	1	
	323135	MODESTY PANEL L.H. ASSY WITH BLACK HANDRAIL To K-7662	1	B
	3210500	MODESTY PANEL L.H. ASSY WITH BLACK HANDRAIL From L-7663	1	B
	3201085	MODESTY PANEL L.H. ASSY WITH YELLOW HANDRAIL To K-7662	1	B
	3210499	MODESTY PANEL L.H. ASSY WITH YELLOW HANDRAIL From L-7663	1	B
	327191	MODESTY PANEL L.H. ASSY WITH BLACK HANDRAIL To K-7662	1	A
	3210501	MODESTY PANEL L.H. ASSY WITH BLACK HANDRAIL From L-7663	1	A
	3200820	MODESTY PANEL L.H. ASSY WITH YELLOW HANDRAIL To K-7662	1	A
	3210496	MODESTY PANEL L.H. ASSY WITH YELLOW HANDRAIL From L-7663	1	A
	3200927	MODESTY PANEL L.H. ASSY WITH BLACK HANDRAIL To K-7662	1	A E
	3210509	MODESTY PANEL L.H. ASSY WITH BLACK HANDRAIL From L-7663	1	A E
	323133	MODESTY PANEL L.H. ASSY WITH BLACK HANDRAIL To K-7662	1	A B
	3210461	MODESTY PANEL L.H. ASSY WITH BLACK HANDRAIL From L-7663	1	A B
	3201084	MODESTY PANEL L.H. ASSY WITH YELLOW HANDRAIL To K-7662	1	A B
	3210498	MODESTY PANEL L.H. ASSY WITH YELLOW HANDRAIL From L-7663	1	A B
1	327205	. PANEL REAR / PLASTIC To K-7662	1	
1	3210504	. PANEL REAR / PLASTIC From L-7663	1	
1	323136	. PANEL REAR / PLASTIC To K-7662	1	B
1	3210506	. PANEL REAR / PLASTIC From L-7663	1	B
1	327204	. PANEL REAR / PLASTIC To K-7662	1	A
1	3210503	. PANEL REAR / PLASTIC From L-7663	1	A
1	323134	. PANEL REAR / PLASTIC To K-7662	1	A B
1	3210471	. PANEL REAR / PLASTIC From L-7663	1	A B
2	327202	. STRUCTURE ASSY L.H. MODESTY To K-7662	1	
2	3210460	. STRUCTURE ASSY L.H. MODESTY From L-7663	1	
3	327196	. HANDLE TOP	1	G H
4	327203	. HANDLE L.H.	1	G H
5	327194	. HANDRAIL STREETSIDE / BLACK	1	G
5	3200535	. HANDRAIL STREETSIDE / YELLOW	1	WCL H
6	327254	. COLLAR	1	
7	500306	. SCREW SET HEXS CUP 1/4-20x1/4	6	
8	327198	. SHELF	1	
8	3200802	. SHELF / SPECIAL CUP HOLDER "ORLEAN"	1	E
. NS	3200804	. . CUP HOLDER	1	E
9	500193	. SCREW CAP HEX 3/8-16x1 1/2 G5 Z050	5	
10	500496	. WASHER FL .437x.750x.054 Z050	5	
11	N30853	. SCREW MA FL PH #10-24x3/4 SS	5	
12	500465	. WASHER FN CKF .278x.729x.119 SS	5	
13	500007	. SCREW CAP HEX 1/4-28x3/4 G5 ZP	4	

From G-7275 To M-7767	Date:07/2024	PAGE:X3PLB-1812-00
MODESTY PANEL L.H.		

Item#	Part	Description	QTY	Notes
14	502638	. WASHER FL .312x.734x.065 N500	4	
15	Call order desk	. RIVET NUT FL 3/8-16 .027-.150	6	P
16	Call order desk	. RIVET NUT FL #10-24 .020-.130	5	P
17	Call order desk	. NUT SPR J #10A .087-.110	9	P
18	Call order desk	. STUD 3/8-16 x 2"	1	P
19	502842	. NUT INS TYPE "A-L" OE M6-1.0 0.7-4.2 Z050 From L-7663	2	
NS	9985283	. THREAD LOCKER LOCTITE #242 / BLUE / 250ml	AR	
21	327792P	PANEL FRONT ASSY W/COVERING S.C.C. To K-7662	1	
21	Call order desk	PANEL FRONT ASSY W/COVERING S.C.C. From L-7663	1	P
21	Call order desk	PANEL FRONT ASSY W/COVERING S.C.C. / USE W/SPEAKER To K-7662	1	P
21	Call order desk	PANEL FRONT ASSY W/COVERING S.C.C. / USE W/SPEAKER From L-7663	1	P
21	Call order desk	PANEL FRONT ASSY W/COVERING S.C.C. / USE W/SPEAKER & CONTROL To K-7662	1	P
21	327259	. ALUMINUM PANEL / W/OUT SPEAKER To K-7662	1	
21	3210560	. ALUMINUM PANEL / W/OUT SPEAKER From L-7663	1	
21	320043	. ALUMINUM PANEL / USE W/SPEAKER 105MM O.D. / LOWER PANEL To K-7662	1	
21	3210475	. ALUMINUM PANEL / USE W/SPEAKER 105MM O.D. / LOWER PANEL From L-7663	1	
21	320522	. ALUMINUM PANEL / USE W/SPEAKER / USE W/SPEAKER & CONTROL To K-7662	1	
22	504400	SNAP CAP #10 FINISHING BLACK	AR	
23	504399	WASHER RETAINER SNAP CAP #10	AR	
24	500641	SCREW TP PAN PH #8x3/4 Z050 To H-7354	AR	
24	500642	SCREW TP PAN PH #10x3/4 Z050 From H-7355	AR	
25	500855	WASHER FL .188x.438x.049 N500	AR	
26	327478	PLATE RETAINER	2	
27	500197	SCREW CAP HEX 3/8-16x1 G5 N500	6	
28	320686	CHANNEL 410MM	1	
29	500642	SCREW TP PAN PH #10x3/4 Z050	2	
30	500552	SCREW TP OV PH #6x3/4 Z050	1	
31	500463	WASHER FN CKF .187x.500x.090 BR Z050	1	
32	5001513	SCREW CAP BUT HEXS 3/8x1 1/2 SS	1	
33	562679	4 WAY ADH. BACKED MOUNTS 1.000 x 1.000 x .160	AR	
35	327321	ANGLE To K-7662	1	
35	3210469	ANGLE From L-7663	1	
36	500923	SCREW TC CAP HEX 1/4-20x3/4 Z050 To K-7662	4	
36	502830	SCREW CAP HEX M6-1.0x20 G8.8 N500 From L-7663	3	
37	5001608	WASHER BEL SPR 6.2x15.0x0.7 G500 From L-7663	3	
40	360293	STOPPER / USSC SEAT / WITH PLEXI GLASS	1	C
40	360295	STOPPER / USSC SEAT / WITHOUT PLEXI GLASS	1	C
41	5001155	SCREW TP PAN PH #8X3/4 N050	6	C
42	900217	CELLPHONE POUCH	1	O
43	504118	RIVET POP DOME OE 3/16x3/8 AL	4	O
44	405158	CARD HOLDER SS / 8 3/4" x 11" x 1" TH To J-7433	1	S
44	400508	CARD HOLDER SS / 8 " x 12" x 1" TH From J-7434	1	S

From G-7275 To M-7767	Date:07/2024	PAGE:X3PLB-1812-00
MODESTY PANEL L.H.		

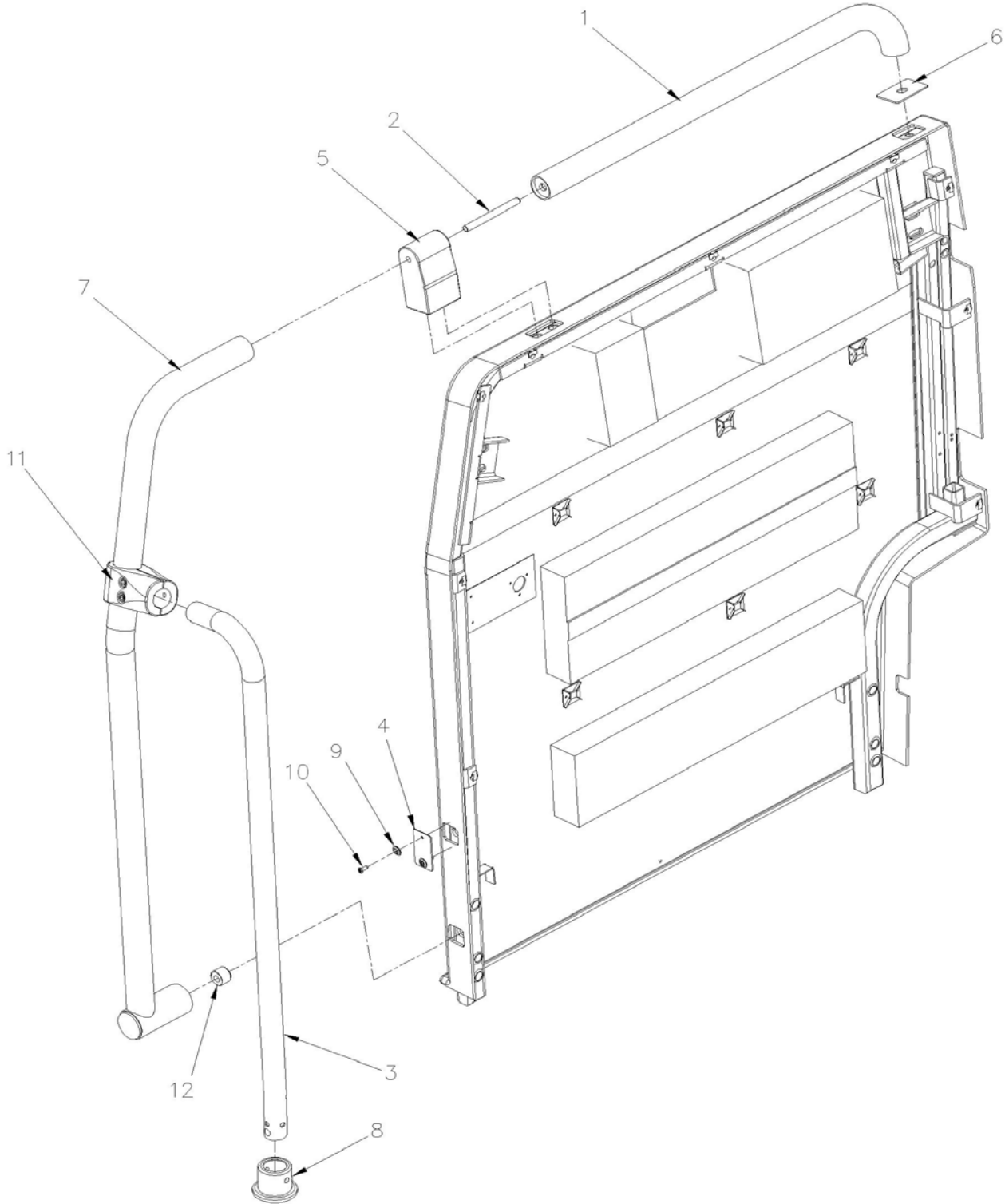
Item#	Part	Description	QTY	Notes
45	504106	RIVET POP DOME OE 1/8x1/4 AL	AR	S
50	X3PLB-2315-00	SOUND SYSTEM & ACCESSORIES To M-7767		
50	X3PLB-2315-01	SOUND SYSTEM & ACCESSORIES W/HHED From H-7417		
60	X3PLB-2345-45	110 VOLT - OUTLET From K-7635		
65	3202057	KIT SERV BLACK METAL RAMP MOD PAN LH X	1	
65	3202029	KIT SERV YELLOW METAL RAMP MOD PAN LH X	1	
NS	861922	MAGAZINE NET 16" x 6 3/4"	2	F
NS	502666	SCREW MA FL PH #6-32x3/4 SS BK	8	F
NS	500286	NUT WELL #6-32	8	F
70	3210163	SHELF / SPECIAL CUP HOLDER	1	O
70A	900252	. CUP HOLDER	2	O
71	3210162	SHELF SUPPORT	2	O
72	5001462	WASHER FL 6.4x18.0x1.6 Z050	4	O
73	500142	WASHER FL 6.6x22.0x2.0 SS	4	O
74	5001744	SCREW CAP HEX M6-1.0x16 G8.8 N500	4	O
75	5001833	WASHER BEL SPR 6.1x18x1.27 SS	4	O
		A) TO USE WITH SHELF		
		B) WITH AUDIO & I-POD CONNECTOR AS SHOWN AT PAGE X3-2315-05		
		C) USE WITH USSC DRIVER'S SEAT		
		E) WITH ORLEAN OPTION		
		F) USE WITH MAGAZINE OPTION		
		G) FOR SOLUTION IN SERVICE, USE SERVICE KIT 3202057		
		H) FOR SOLUTION IN SERVICE, USE SERVICE KIT 3202029		
		O) OPTION		
		S) SOUTHEASTERN STAGE OPTION		
		WCL) WITH WHEEL CHAIR LIFT		
		P) CALL ORDER DESK FOR SPECIFIC APPLICATION (V.I.N.)		

From G-7275 To M-7767

Date:07/2024

PAGE:3202057

KIT SERV BLACK METAL RAMP MOD PAN LH X



From G-7275 To M-7767	Date:07/2024	PAGE:3202057
-----------------------	--------------	--------------

KIT SERV BLACK METAL RAMP MOD PAN LH X

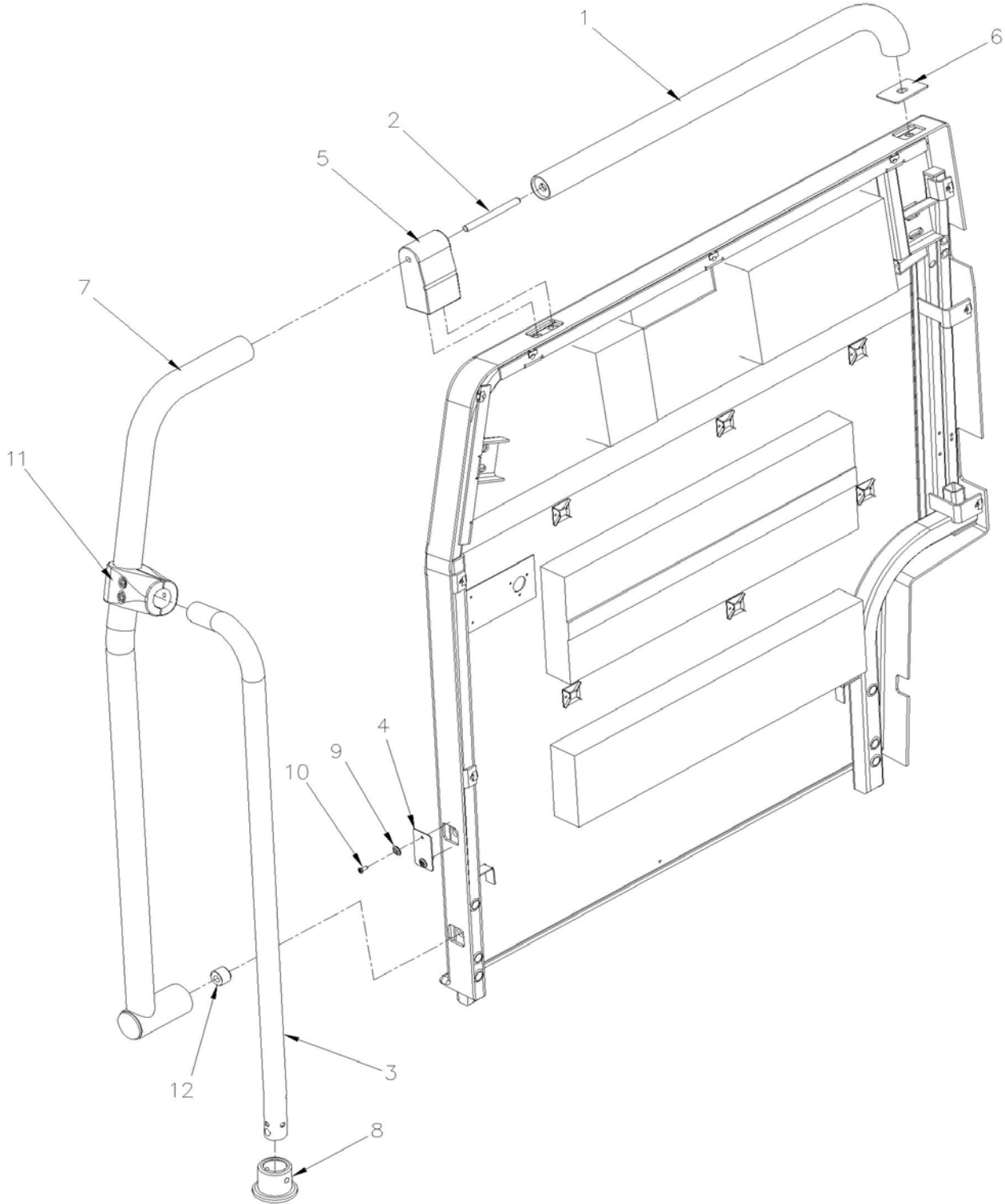
Item#	Part	Description	QTY	Notes
1	3201720	METAL HANDRAIL UPPER BLACK	1	
2	3201977	SHAFT,THREADED	1	
3	3202045	METAL HANDRAIL DRIVER BLACK	1	
4	3210725	COVER METAL HANDRAIL	1	
5	3211766	METAL HANDRAIL ANCH. MOD. PAN	1	
6	3211767	COVER METAL HANDRAIL	1	
7	3211772	METAL HANDRAIL LH BLACK	1	
8	327254	COLLAR	1	
9	500463	WASHER FN CKF .187x.500x.090 BR Z050	2	
10	500417	SCREW TP PAN PH #6x3/8 Z050	2	
11	820620	FITTING 1 1/4" X 1" T	1	
12	2810628	SPACER M8	1	

From G-7275 To M-7767

Date:07/2024

PAGE:3202029

KIT SERV YELLOW METAL RAMP MOD PAN LH X



From G-7275 To M-7767	Date:07/2024	PAGE:3202029
KIT SERV YELLOW METAL RAMP MOD PAN LH X		

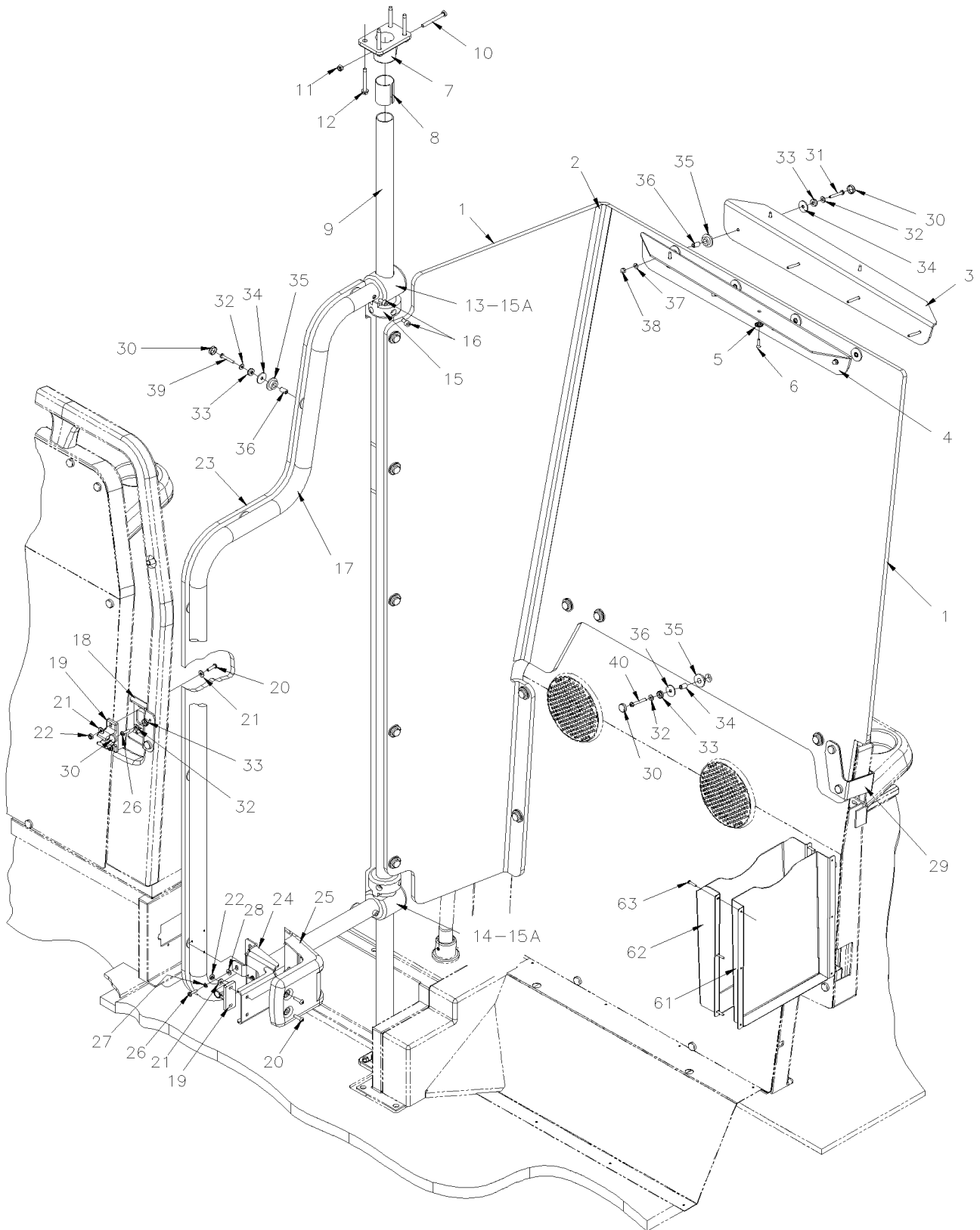
Item#	Part	Description	QTY	Notes
1	3201720	METAL HANDRAIL UPPER BLACK	1	
2	3201977	SHAFT,THREADED	1	
3	3201726	METAL HANDRAIL DRIVER YELLOW	1	
4	3210725	COVER METAL HANDRAIL	1	
5	3211766	METAL HANDRAIL ANCH. MOD. PAN	1	
6	3211767	COVER METAL HANDRAIL	1	
7	3211772	METAL HANDRAIL LH BLACK	1	
8	327254	COLLAR	1	
9	500463	WASHER FN CKF .187x.500x.090 BR Z050	2	
10	500417	SCREW TP PAN PH #6x3/8 Z050	2	
11	820620	FITTING 1 1/4" X 1" T	1	
12	2810628	SPACER M8	1	

From G-7275 To H-7363

Date:07/2024

PAGE:X3PLB-1813-00

DRIVER'S GATE



From G-7275 To H-7363	Date:07/2024	PAGE:X3PLB-1813-00
DRIVER'S GATE		

Item#	Part	Description	QTY	Notes
1	329659	DRIVER'S PROTECTOR	1	
2	329671	DECAL BLACK	AR	
3	329688	ANGLE SUPPORT REAR PLEXIGLASS 545MM	1	
4	329687	ANGLE SUPPORT FRONT PLEXIGLASS 545MM	1	
5	500626	SCREW TP OV PH #8x3/4 Z050	4	
6	500464	WASHER FN CKF .210x.540 SS	4	
7	5011313	CUP W/2 SCREWS / STANCHION / ALUMINIUM / DIA. 1 5/16 3 1/2 x 2 3/8	2	
NS	216373	SUPPORT ROOF TUBE	1	
NS	216374	SUPPORT FLOOR TUBE	1	
8	329665	TUBE FLANGE 46.3 MM	2	
9	3200556	TUBE DRIVER'S GUARD 2189MM	1	
10	5001710	SCREW CAP HEX M6-1.0x55 SS	2	
11	5001182	NUT HEX NYRT M6-1.0 SS	2	
12	5001733	SCREW CAP HEX 1/4-20x1 3/4 SS	8	
12	680038	THREAD LOCKER LOCTITE #243 / BLUE / 50ml	AR	
13	406595	HINGE , DRIVER PARTITION DOOR	1	
13	500341	SCREW SET HEXS CUP M12-1.75x20	1	
14	406595	HINGE , DRIVER PARTITION DOOR	1	
14	500341	SCREW SET HEXS CUP M12-1.75x20	1	
15	406601	STOPPER, DRIVER PARTITION DOOR	1	
15A	406602	BUSHING, DOOR HINGE	1	
16	5001783	SCREW CAP HEXS M6-1.0x12 SS	4	
16	502634	SCREW SET HEXS CUP M6-1.0x6	4	
16	680038	THREAD LOCKER LOCTITE #243 / BLUE / 50ml	AR	
17	406197P	DOOR, DRIVER PARTITION ASSY.	1	A
17	406190	FRAME, DRIVER PARTITION DOOR	1	
18	406192	SUPPORT CATCH	1	
19	504753	LATCH ASSY NYLON (2 PARTS) PLASTIC WHITE	1	
20	500387	SCREW MA RND PH #10-24x3/4 Z050	4	
21	500964	WASHER FL .203x.500x.047 Z050	6	
22	500767	NUT HEX #10-24 Z050	4	
23	406191	PANEL, DRIVER PARTITION DOOR	1	
24	406189	BRACKET, DOOR LOCK	1	
25	406198	COVER, FINISHING, BRACKET DOOR LOCK	1	
26	500641	SCREW TP PAN PH #8x3/4 Z050	6	
27	500470	WASHER LO SPT .193x.334x.047 Z050	5	
28	500438	WASHER FL .187x.437x.050 Z050	5	
29	3200641	SUPPORT ASSY	1	
29	329664	. SUPPORT	1	
NS	506466	. TAPE RUB ADH1 CC POL 1/16" x 1 1/2" x 100 / GREY 2520	AR	
30	504400	SNAP CAP #10 FINISHING BLACK	1	
31	502643	SCREW MA PAN PH #8-32x1 1/4 Z050	AR	

From G-7275 To H-7363	Date:07/2024	PAGE:X3PLB-1813-00
DRIVER'S GATE		

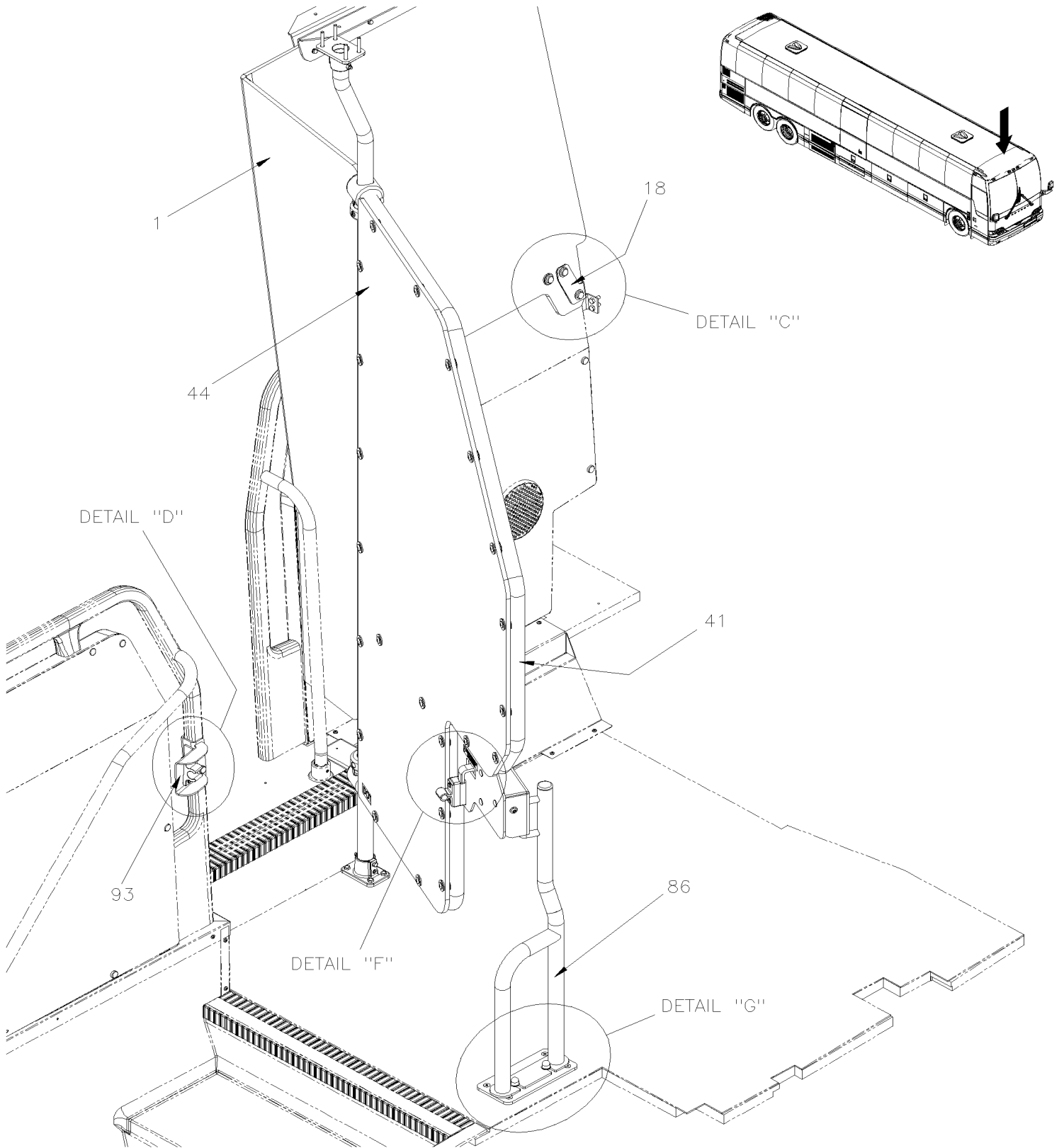
Item#	Part	Description	QTY	Notes
32	500855	WASHER FL .188x.438x.049 N500	AR	
33	504399	WASHER RETAINER SNAP CAP #10	AR	
34	500805	WASHER FL .218x.875x.062 N500	AR	
35	900251	BUSHING, RUBBER	AR	
36	400380	SPACER 5/16 O.D. x 17/32" x 18GA	AR	
36	505539	SPACER 5/16 O.D. x 17/32" x 18GA	AR	
37	500240	WASHER LO EXT .195x.410x.025 Z050	AR	
38	500501	NUT HEX CAP #8-32 SS	AR	
39	500575	SCREW TP PAN PH #8x1 1/4	AR	
40	500637	SCREW TP PAN PH #8x1 1/2 Z050	AR	
40	500436	SCREW TP OV PH #10x2 Z050	1	
61	405158	CARD HOLDER SS / 8 3/4" x 11" x 1" TH	1	
62	409194	CARD HOLDER SS / 8 3/4" x 11" x 2" TH	1	
63	500640	SCREW TP PAN PH #6x3/4 Z050	6	
70	X3PLB-1810-00	MODESTY PANEL R.H.		
		A) INCULED 17-19-20-21-22-23-24-25-26-27-30-32-33-34-35-36-39		

From H-7364 To M-7767

Date:07/2024

PAGE:X3PLB-1813-01

DRIVER'S GATE

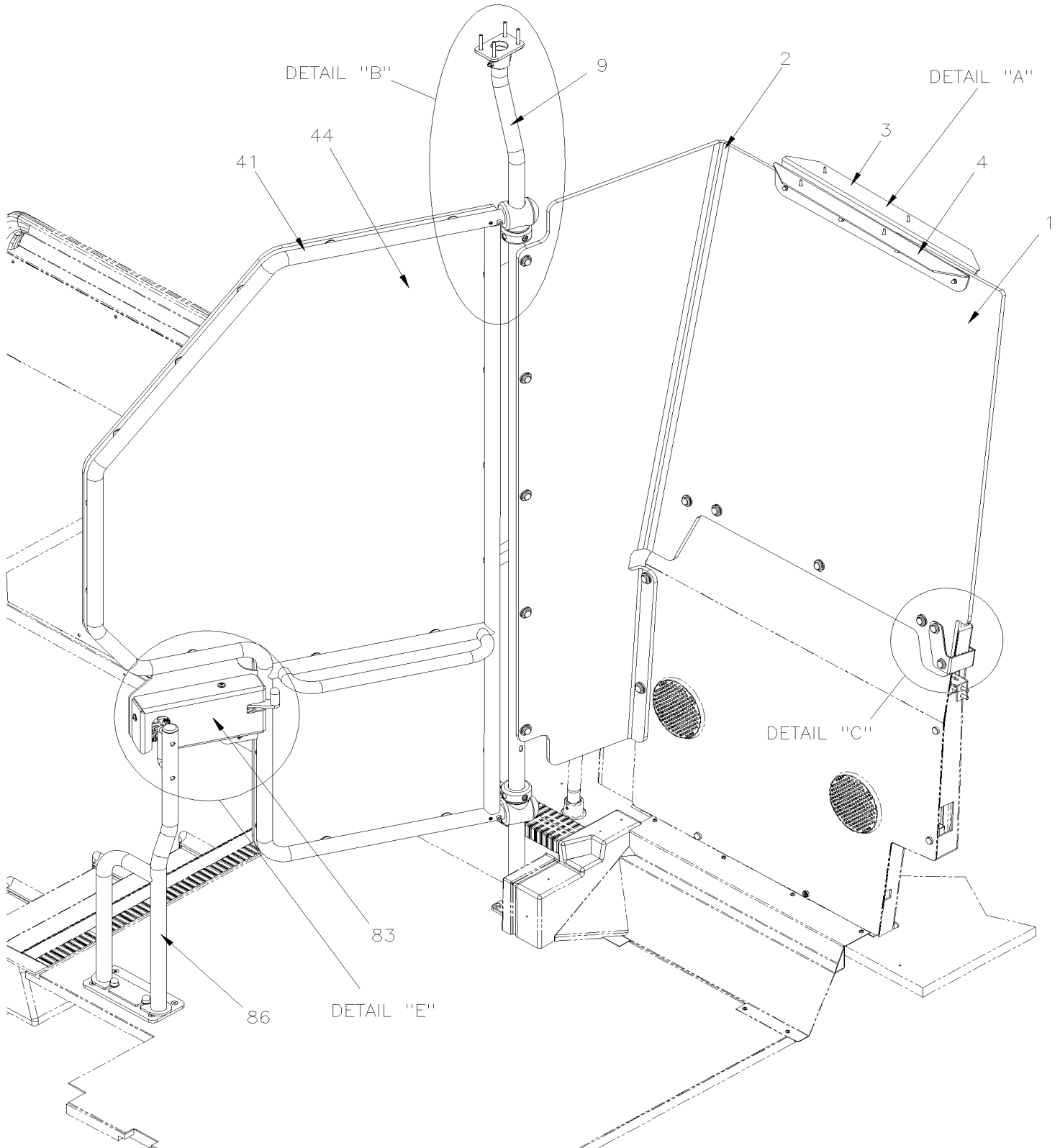


From H-7364 To M-7767

Date:07/2024

PAGE:X3PLB-1813-01

DRIVER'S GATE

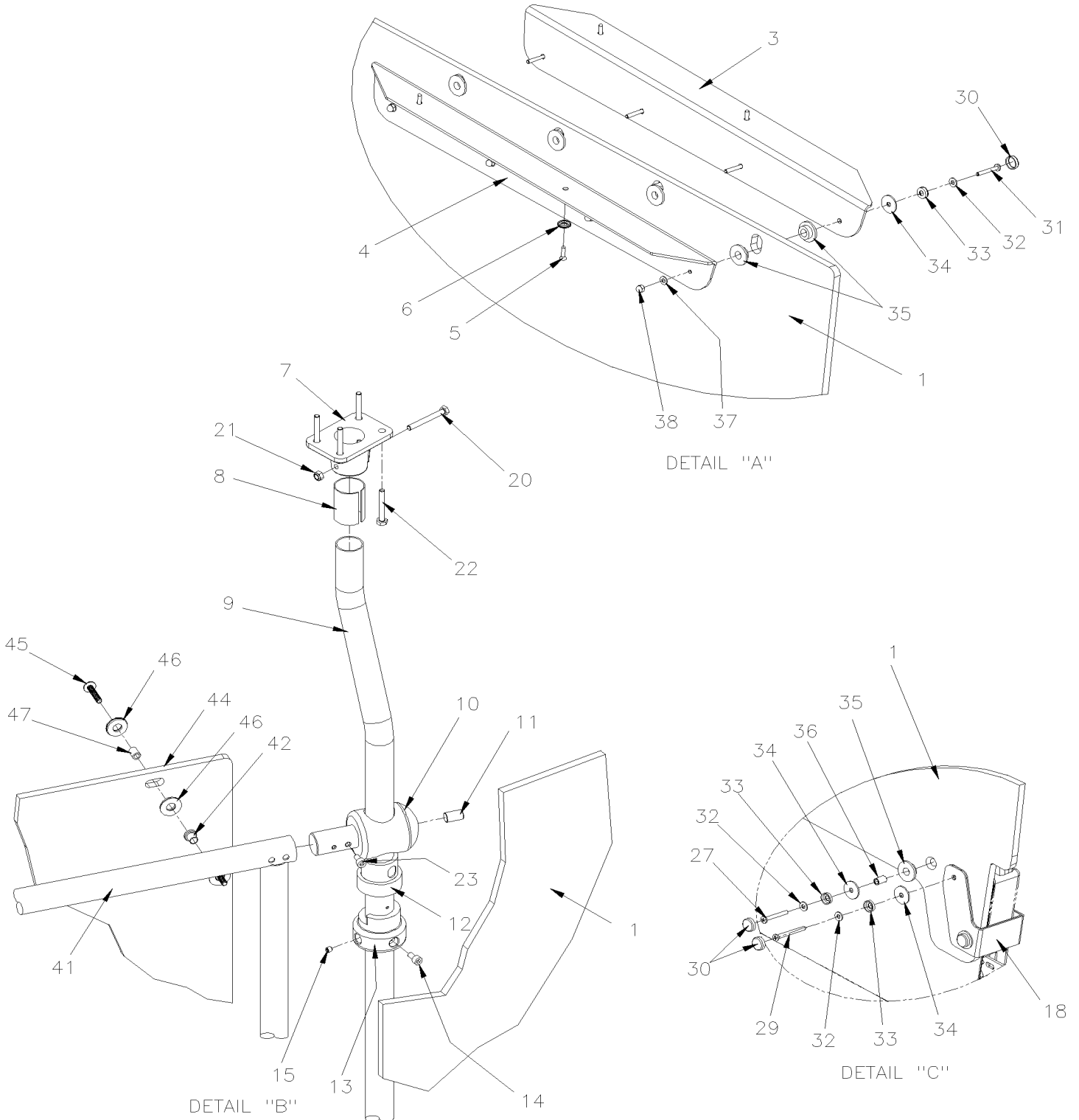


From H-7364 To M-7767

Date:07/2024

PAGE:X3PLB-1813-01

DRIVER'S GATE

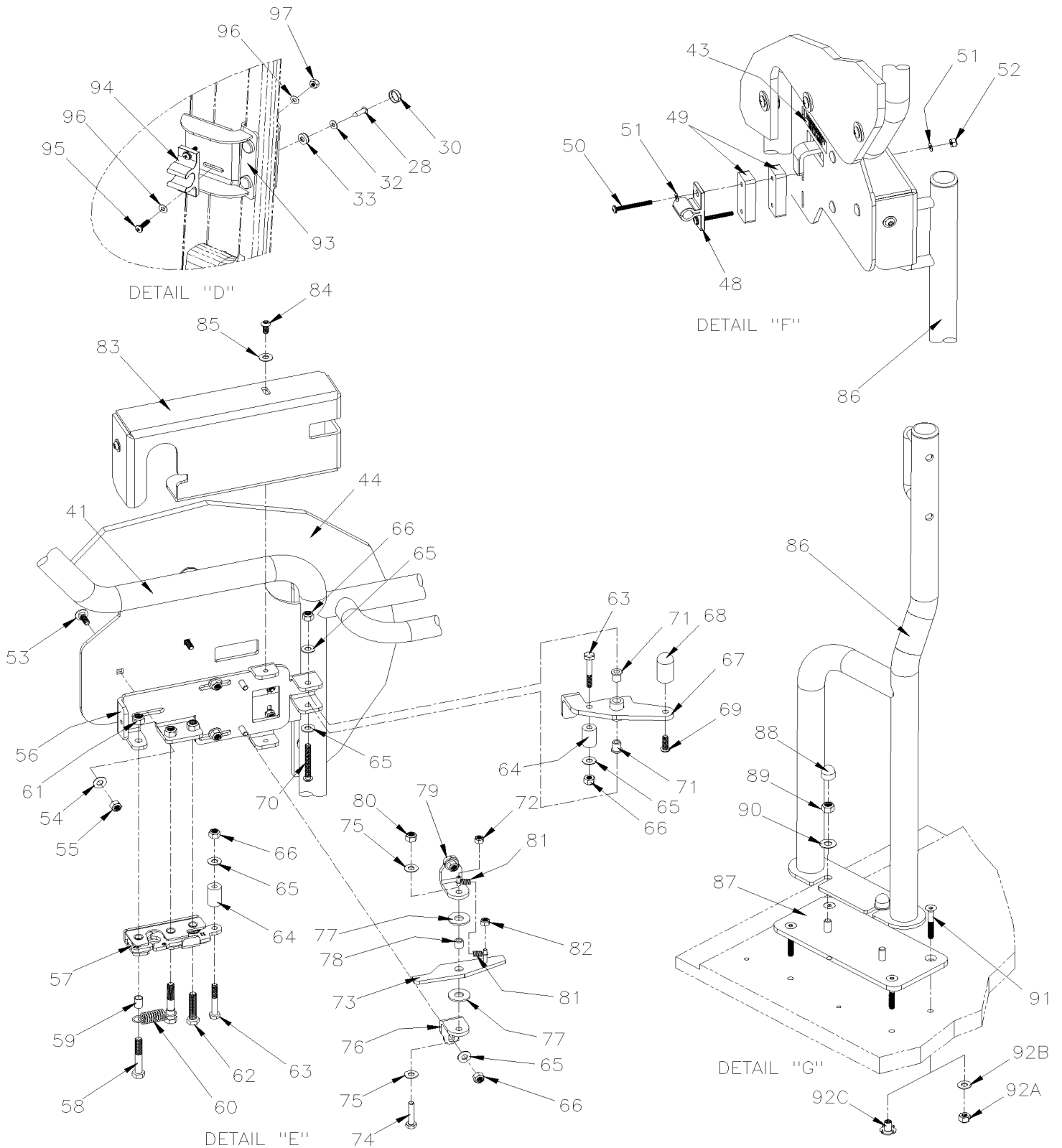


From H-7364 To M-7767

Date:07/2024

PAGE:X3PLB-1813-01

DRIVER'S GATE



From H-7364 To M-7767	Date:07/2024	PAGE:X3PLB-1813-01
DRIVER'S GATE		

Item#	Part	Description	QTY	Notes
1	329659	DRIVER'S PROTECTOR To K-7662	1	
1	3210474	DRIVER'S PROTECTOR From L-7663	1	
2	329671	DECAL BLACK	AR	
3	329688	ANGLE SUPPORT REAR PLEXIGLASS 545MM	1	
4	329687	ANGLE SUPPORT FRONT PLEXIGLASS 545MM	1	
5	500626	SCREW TP OV PH #8x3/4 Z050	4	
6	500464	WASHER FN CKF .210x.540 SS	4	
7	5011313	CUP W/2 SCREWS / STANCHION / ALUMINIUM / DIA. 1 5/16 3 1/2 x 2 3/8	2	
NS	216373	SUPPORT ROOF TUBE	1	
NS	216374	SUPPORT FLOOR TUBE	1	
8	329665	TUBE FLANGE 46.3 MM	2	
9	Call order desk	TUBE DRIVER'S GUARD ASSEMBLY To K-7662	1	P
9	329666P	TUBE DRIVER'S GUARD ASSEMBLY From L-7663	1	
9	3200556	. TUBE DRIVER'S GUARD 2189MM To K-7662	1	
9	3210540	. TUBE DRIVER'S GUARD 2180MM From L-7663	1	
10	406595	. HINGE , DRIVER PARTITION DOOR	2	
11	500341	. SCREW SET HEXS CUP M12-1.75x20	2	
12	406602	. BUSHING, DOOR HINGE	2	
13	406601	. STOPPER, DRIVER PARTITION DOOR	2	
14	5001783	. SCREW CAP HEXS M6-1.0x12 SS	4	
15	502634	. SCREW SET HEXS CUP M6-1.0x6	4	
NS	680038	. THREAD LOCKER LOCTITE #243 / BLUE / 50ml	AR	
18	3200641	SUPPORT ASSY To K-7662	1	
18	329664	. SUPPORT To K-7662	1	
NS	506466	. TAPE RUB ADH1 CC POL 1/16" x 1 1/2" x 100 / GREY 2520 To K-7662	AR	
18	3210494	SUPPORT ASSY From L-7663	1	
20	5001710	SCREW CAP HEX M6-1.0x55 SS To J-7508	2	
21	5001182	NUT HEX NYRT M6-1.0 SS To J-7508	2	
22	5001733	SCREW CAP HEX 1/4-20x1 3/4 SS To K-7662	8	
22	5001733	SCREW CAP HEX 1/4-20x1 3/4 SS From L-7663	4	
22	500948	SCREW TC CAP HEX 1/4-20x1 Z050 From L-7663	4	
23	5001783	SCREW CAP HEXS M6-1.0x12 SS	2	
NS	680038	THREAD LOCKER LOCTITE #243 / BLUE / 50ml	AR	
27	500637	SCREW TP PAN PH #8x1 1/2 Z050	AR	
28	500642	SCREW TP PAN PH #10x3/4 Z050	3	
29	500436	SCREW TP OV PH #10x2 Z050	1	
30	504400	SNAP CAP #10 FINISHING BLACK	AR	
31	502643	SCREW MA PAN PH #8-32x1 1/4 Z050	AR	
32	500855	WASHER FL .188x.438x.049 N500	AR	
33	504399	WASHER RETAINER SNAP CAP #10	AR	
34	500805	WASHER FL .218x.875x.062 N500	AR	

From H-7364 To M-7767	Date:07/2024	PAGE:X3PLB-1813-01
DRIVER'S GATE		

Item#	Part	Description	QTY	Notes
35	900251	BUSHING, RUBBER	AR	
36	505539	SPACER 5/16 O.D. x 17/32" x 18GA	AR	
37	500240	WASHER LO EXT .195x.410x.025 Z050	AR	
38	500501	NUT HEX CAP #8-32 SS	AR	
40	900062	DRIVER'S BARRIER KIT	1	
41	900141	. DRIVER BARRIER - DOOR SUBASSEMBLY	1	
41	900140	. . DRIVER BARRIER FRAME	1	
42	19511322	. . . RIVET NUT FL OKS 1/4-20 ZP	22	
43	900157	. . . DECAL « EMEGRENCY RELEASE »	1	
44	900139	. . DRIVER BARRIER - DOOR POLYCARBONATE	1	
45	900068	. . SCREW MA PAN PH 1/4-20x1 1/4 SS	22	
46	900101	. . WASHER FL WITH NEOPRENE BONDED .434x1.000x.099 SS	44	
47	900090	. . SPACER .375ODx.252IDx.500 SS	22	
48	19509620	. . DRIVER BARRIER - NYLON MALE / FEMALE DOOR CATCH	1	
49	900145	. . CATCH SPACER	2	
50	900082	. . SCREW MA PAN PH #10-32x1 3/4 SS	2	
51	N12843	. . WASHER FL .203x.438x.024 SS	4	
52	900086	. . NUT HEX NYRT #10-32 SS	2	
53	900095	SCREW CRG 1/4-20x3/4 SS	3	
54	19511344	. . WASHER FL .281x.625x.050 SS BK	3	
55	900067	. . NUT HEX NYRT 1/4-20 SS	3	
56	900146	. . LATCH SUBASSEMBLY	1	
56	900144	. . . LATCH PLATE ASSY	1	
57	900129	. . . ROTARY LATCH	1	
58	900133	. . . SCREW CAP HEX 5/16-18 x 2 G5	2	
59	900132	. . . SLEEVE / 3/8 O.D. x 5/16 I.D x 1/2 BR	2	
60	900131	. . . SPRING EXTENSION / .700 x 1.5	1	
61	900123	. . . NUT HEX NYRT 5/16-18 SS	3	
62	900100	. . . SCREW CAP HEX 5/16-18 x 1 1/2 G5	1	
63	900078	. . . SCREW CAP HEX 1/4-20X1-3/4 G5	2	
64	900134	. . . LATCH ROLLER	2	
65	19511344	. . . WASHER FL .281x.625x.050 SS BK	6	
66	900067	. . . NUT HEX NYRT 1/4-20 SS	5	
67	900149	. . . LEVER ARM WELDMENT	1	
68	900158	. . . LATCH HANDLE	1	
69	900110	. . . SCREW CAP BUT HEXS 1/4-20x3/4	1	
70	19511888	. . . SCREW CAP BUT HEXS 1/4-20x2 SS BK	1	
71	900074	. . . FLANGED BEARING 3/8 O.D x 1/4 I.D. x 1/2 NYL	2	
72	900124	. . . NUT HEX NYRT #10-24	1	
73	900130	. . . LATCH LEVER MOUNTING ASSY	1	
73	900128	. . . TOGGLE LEVER ASSEMBLY	1	

From H-7364 To M-7767	Date:07/2024	PAGE:X3PLB-1813-01
DRIVER'S GATE		

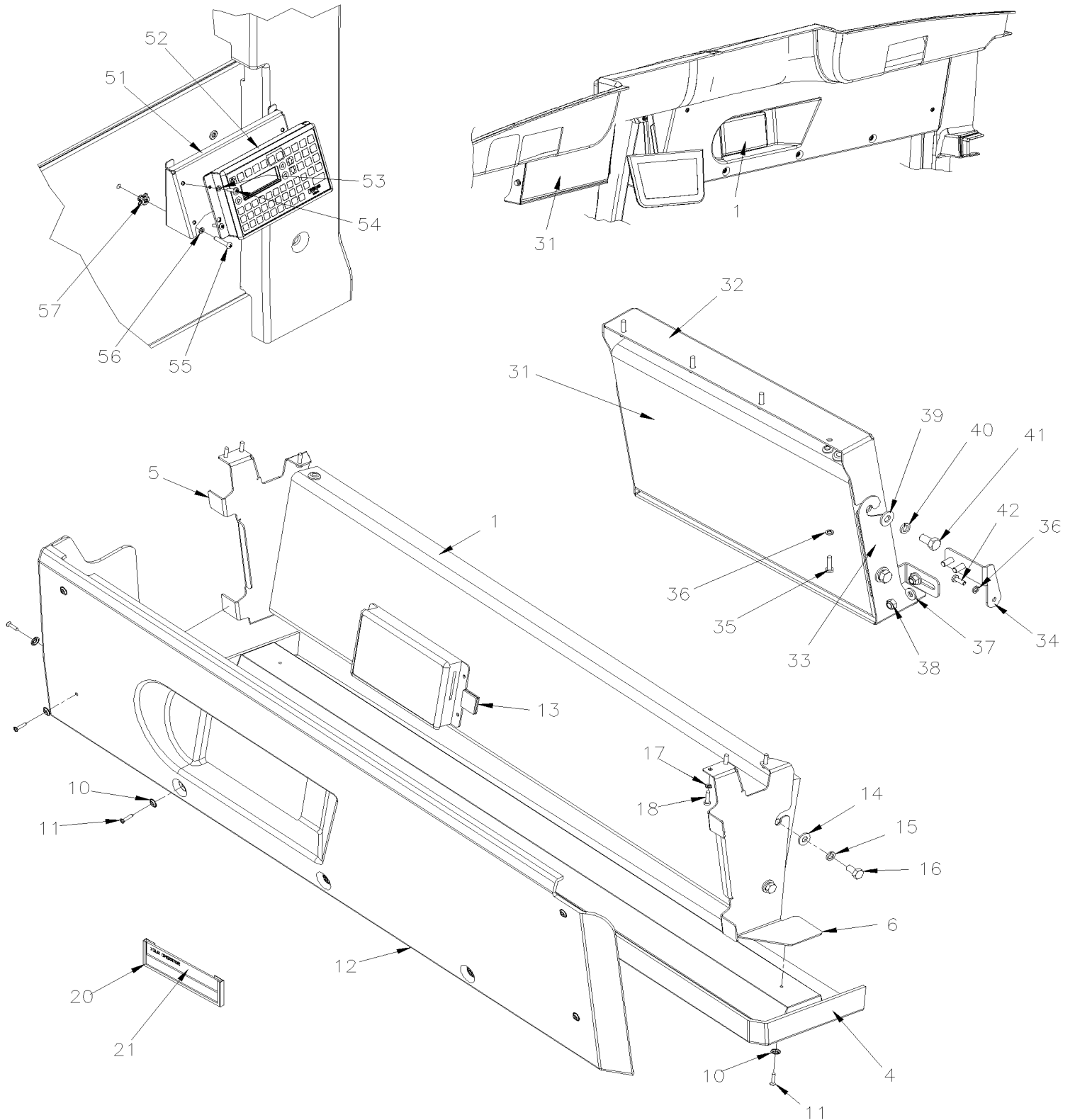
Item#	Part	Description	QTY	Notes
74	900126 SCREW CAP HEX 1/4-20 x 1 1/4	1	
75	19511344 WASHER FL .281x.625x.050 SS BK	2	
76	900156 LATCH PIVOT TAB	1	
77	900077 WASHER FL .406x1.000x.080 NYL	2	
78	900075 SLEEVE / .375 O.D. x .25 I.D. x .375	1	
79	900127 LATCH PIVOT TAB ASSEMBLY	1	
80	900067 NUT HEX NYRT 1/4-20 SS	1	
81	900104 SPRING EXTENSION / .313 x 1.00 ZP	1	
82	900124 NUT HEX NYRT #10-24	1	
83	900143	. LATCH COVER	1	
84	900097	. SCREW CAP BUT HEXS 1/4-20x1/2" SS BK	3	
85	19511344	. WASHER FL .281x.625x.050 SS BK	3	
86	900138	. STANCHION ASSY	1	
87	900137	. STANCHION BASEPLATE ASSY	1	
88	900135	. CAP DOME NYLON 5/16 BK	2	
89	900123	. NUT HEX NYRT 5/16-18 SS	2	
90	900108	. FLAT WASHER - 18-8 SS BLACK OX - 11/32" ID, 3/4" OD .344x.750x.050 SS BK	2	
91	19511323	. SCREW CAP FL HEXS 1/4-20x1 3/4 SS BK	4	
92A	900067	. NUT HEX NYRT 1/4-20 SS	2	
92B	19511344	. WASHER FL .281x.625x.050 SS BK	2	
92C	900136	. NUT TEE 1/4-20, 1/2" SS	2	
93	900150	. DOOR CATCH ASSY	1	
93	406192	. . SUPPORT CATCH To K-7662	1	
93	400805	SUPPORT CATCH From L-7663	1	
94	19509620	. . DRIVER BARRIER - NYLON MALE / FEMALE DOOR CATCH	1	
95	900080	. . SCREW MA PAN PH #10-32x3/4 SS	2	
96	N12843	. . WASHER FL .203x.438x.024 SS	4	
97	900086	. . NUT HEX NYRT #10-32 SS	2	
100	X3PLB-1810-00	MODESTY PANEL R.H.		
105	IS20910	DRIVER PARTION AND DOOR INSTALLATION From L-7663		
		P) CALL ORDER DESK FOR SPECIFIC APPLICATION (V.I.N.)		

From G-7275 To K-7662

Date:07/2024

PAGE:X3PLB-1814-00

DESTINATION SIGN - INSTALLATION FRONT - "AESYS"

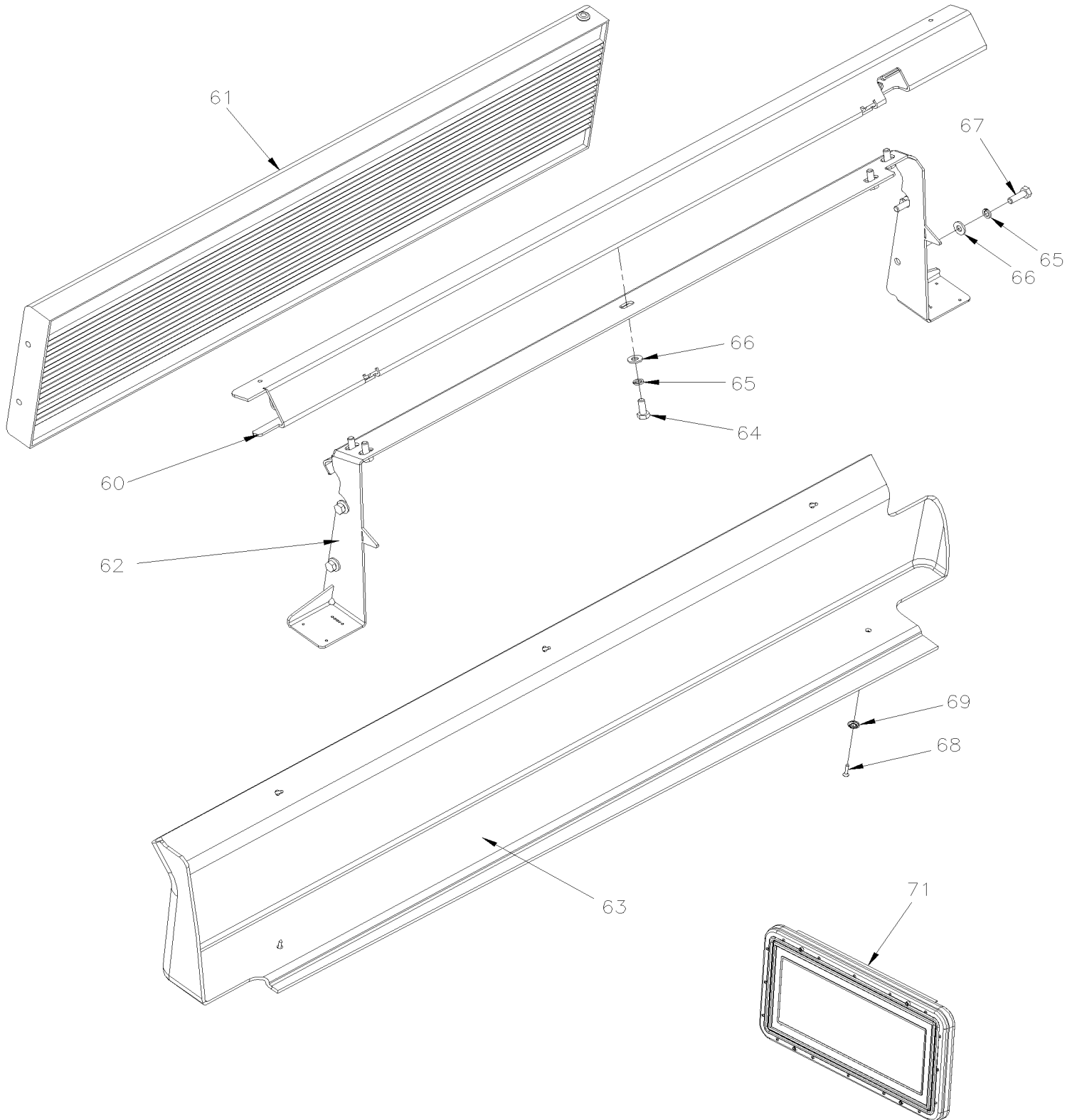


From G-7275 To K-7662

Date:07/2024

PAGE:X3PLB-1814-00

DESTINATION SIGN - INSTALLATION FRONT - "AESYS"



From G-7275 To K-7662	Date:07/2024	PAGE:X3PLB-1814-00
DESTINATION SIGN - INSTALLATION FRONT - "AESYS"		

Item#	Part	Description	QTY	Notes
1	940073	FRONT DESTINATION SIGN "AESYS" WITH ONE SIGN ONLY To L-7662	1	
1	940076	FRONT DESTINATION SIGN "AESYS" WITH TWO SIGN OR MORE To L-7662	1	
1	940012	FRONT DESTINATION SIGN "AESYS" From L-7663	1	
1	940077	FRONT DESTINATION SIGN "AESYS" / W/ EMERGENCY SWITCH	1	
1	940134	FRONT DESTINATION SIGN "AESYS" WHITE LED W/EMERGENCY To L-7662	1	
1	940136	FRONT DESTINATION SIGN "AESYS" WHITE LED W/EMERGENCY From L-7663	1	
1	940101	FRONT DESTINATION SIGN "AESYS" W/O CONTROL To L-7662	1	
1	940139	FRONT DESTINATION SIGN "AESYS" W/O CONTROL From L-7663	1	
1	067175	CABLE POWER DESTINATION SIGN SHIELD & TWISTED To J-7480	1	PWT
1	069848	CABLE POWER DESTINATION SIGN SHIELD & TWISTED From J-7481	1	PWT
4	440361	COVER UNDER	1	
5	440411	SUPPORT L.H.	1	
6	440412	SUPPORT R.H.	1	
10	500463	WASHER FN CKF .187x.500x.090 BR Z050	10	
11	500552	SCREW TP OV PH #6x3/4 Z050	10	
12	440414	COVER REAR / "AESYS" To L-7662	1	
12	440005	COVER REAR / "AESYS" From L-7663	1	
12	440417	COVER REAR / "AESYS" W/O CONTROL	1	
NS	506228	TAPE RUB ADH1 CC POL 1/4" x 1/2" x 37.5' / GREY 2520X	AR	
13	506318	TAPE DUAL LOCK 1" x 150' / BLACK SJ3541	AR	
14	192288	WASHER FL 8.4x18.0x2.0 ZG603	4	
15	502889	WASHER LO SPT 8.1x12.7x2.0 N500	4	
16	500820	SCREW CAP HEX M8-1.25x16 G10.9 N500	4	
17	500914	WASHER LO SPT .193x.334x.047 N500	6	
18	500623	SCREW TC PAN PH #10-24x3/4 N500	6	
20	400638	MOULDING / 11" / "U" SHAPE DRIVER'S NAME HO	1	
21	400636	PLATE / STAMPED "NOM DU CONDUCTEUR"	1	
21	400637	PLATE / STAMPED "DRIVER'S NAME" / REAR	1	
21	400601	PLATE (BLANK) / FOR DRIVER'S NAME / SPECIFY NAME	1	
NS	406155	DECAL / THIS COACH IS RESTROOM EQUIPED... / ENGLISH & SPANISH	1	
NS	406323	DECAL / THIS COACH IS RESTROOM EQUIPED... / ENGLISH & FRANCAIS	1	
NS	400017	DECAL / THIS COACH IS RESTROOM EQUIPED... / ENGLISH & SPANISH & FRANCAIS	1	
22	400302	DECAL / THIS COACH IS RESTROOM EQUIPED... / ENGLISH	1	
NS	406691	DECAL / NO SMOKING / DRINKING INTOXICANTS.... / ENGLISH & SPANISH	1	
NS	406694	DECAL / NO SMOKING / DRINKING INTOXICANTS.... / ENGLISH & FRANCAIS	1	
NS	400014	DECAL / NO SMOKING / DRINKING INTOXICANTS.... / ENGLISH & SPANISH & FRANCAIS	1	
23	400298	DECAL / NO SMOKING / DRINKING INTOXICANTS.... / ENGLISH	1	
		WITH ROAD NUMBER SIGN		
31	940085	SIGN "AESYS" ROAD NUMBER	1	
32	440398	SUPPORT ASSY FRONT ROAD NUMBER	1	

From G-7275 To K-7662	Date:07/2024	PAGE:X3PLB-1814-00
DESTINATION SIGN - INSTALLATION FRONT - "AESYS"		

Item#	Part	Description	QTY	Notes
33	440399	DEFLECTOR ROAD NUMBER	1	
34	440400	REINFORCMENT ROAD NUMBER SIGN	1	
35	500623	SCREW TC PAN PH #10-24x3/4 N500	4	
36	500914	WASHER LO SPT .193x.334x.047 N500	5	
37	500877	WASHER FL .250x.562x.065 N500	2	
38	502681	NUT HEX NYRT M6-1.0 N500 G8	2	
39	5001736	WASHER FL 8.4x18.0x2.0 N500	4	
40	502889	WASHER LO SPT 8.1x12.7x2.0 N500	4	
41	500820	SCREW CAP HEX M8-1.25x16 G10.9 N500	1	
42	500965	SCREW TC BDG PH #8-32x1/2 N500	1	
NS	940078	KIT PROGRAMMATION "AESYS" DESTINATION SIGN	1	
. NS	940157	. PORT SMART MEDIA CARD HOLDER KIT	1	
		WITH CONSOL CONTROL FIX ON STREET SIDE WALL		
51	440416	SUPPORT / CONSOL CONTROL To L-7662	1	
51	440093	SUPPORT / CONSOL CONTROL From L-7663	1	
52	940102	CONSOL CONTROL / DESTINATION SIGN To L-7662	1	
52	940137	KEYBOARD CONTROLER "AESYS" From L-7663	1	
53	500338	SCREW CAP HEXS M10-1.5x20 ZP	2	
54	500470	WASHER LO SPT .193x.334x.047 Z050	2	
55	500888	NUT AN JK #10-24	2	
56	502698	SCREW MA PAN PH M4-0.7x16 SS BK To L-7662	4	
56	5001414	SCREW MA FL PH M4-0.7x16 BK From L-7663	4	
57	502834	WASHER LO SPT 4.1x7.6x0.9 N500 To L-7662	4	
		WITH SIDE SIGN		
60	272394	SUPPORT SIDE SIGN	1	
61	940088	SIDE DESTINATION SIGN "AESYS" 6.66"x37.40" To L-7662	1	
61	940018	SIDE DESTINATION SIGN "AESYS" From L-7663	1	
62	440393	SIDE SIGN BRACKET To L-7662	1	
62	440086	SIDE SIGN BRACKET / W/O SUN VISOR From L-7663	1	
63	440390	COVER SIDE DESTINATION SIGN	1	
64	502862	SCREW CAP HEX M8-1.25x20 G8.8 N500	9	
65	5001736	WASHER FL 8.4x18.0x2.0 N500	9	
66	500942	WASHER LO SPT 8.1x14.8x2.0 N500	9	
67	5001745	SCREW CAP HEX M8-1.25x25 G8.8 N500	4	
68	500552	SCREW TP OV PH #6x3/4 Z050	5	
69	500463	WASHER FN CKF .187x.500x.090 BR Z050	5	
		WITH REAR SIGN		

From G-7275 To K-7662	Date:07/2024	PAGE:X3PLB-1814-00
-----------------------	--------------	--------------------

DESTINATION SIGN - INSTALLATION FRONT - "AESYS"

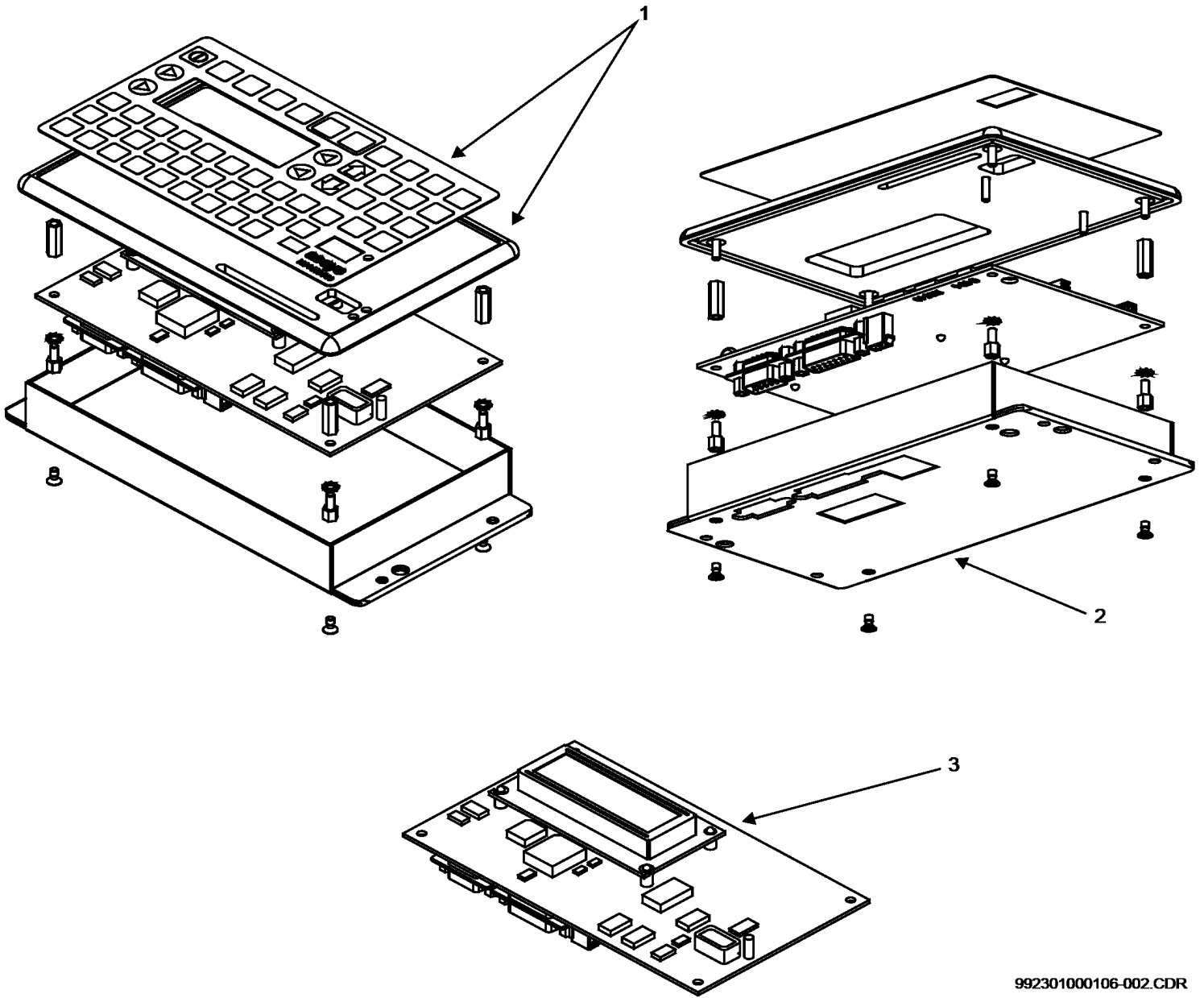
Item#	Part	Description	QTY	Notes
71	940079	REAR DESTINATION SIGN 7.125"x22.047" To L-7662	1	
71	940013	REAR DESTINATION SIGN 7.125"x22.047" From L-7663	1	
NS	506769	TAPE RUB ADH2 CC POL 1/8" x 1/4" x 60' / BLACK H1CC-N#14	AR	
NS	680098	THREAD SEALANT LOCTITE #567 / WHITE / 250ml	AR	
NS	684685	ADHESIVE SIMSON #ISR 70-03 / 310ml CARTRIDGE	AR	
		NEXT CABLE ARE USE WITH FRONT, SIDE & REAR SIGN		
NS	901367	HARNESS SIGN D02 AESYS To L-7662	1	
NS	901369	HARNESS SIGN D03 AESYS To L-7662	1	
NS	901370	HARNESS SIGN S02 AESYS To L-7662	1	
NS	901415	HARNESS SIGN DATA& POWER AESYS To L-7662	1	
NS	901422	HARNESS SIGN CONSOL AESYS To L-7662	1	
NS	069940	HARNESS SIGNS INTERCONNECTION To L-7662	1	
NS	069942	HARNESS SIGNS SIDE, REAR To L-7662	1	
NS	069943	HARNESS SIGNS REAR To L-7662	1	
NS	504637	CABLE TIE / 3/16" x 13" To L-7662	AR	
		PWT) ONLY PACIFIC WESTERN		

From G-7275 To K-7662

Date:07/2024

PAGE:940102

CONSOL CONTROL / DESTINATION SIGN



From G-7275 To K-7662		Date:07/2024	PAGE:940102
-----------------------	--	--------------	-------------

CONSOL CONTROL / DESTINATION SIGN

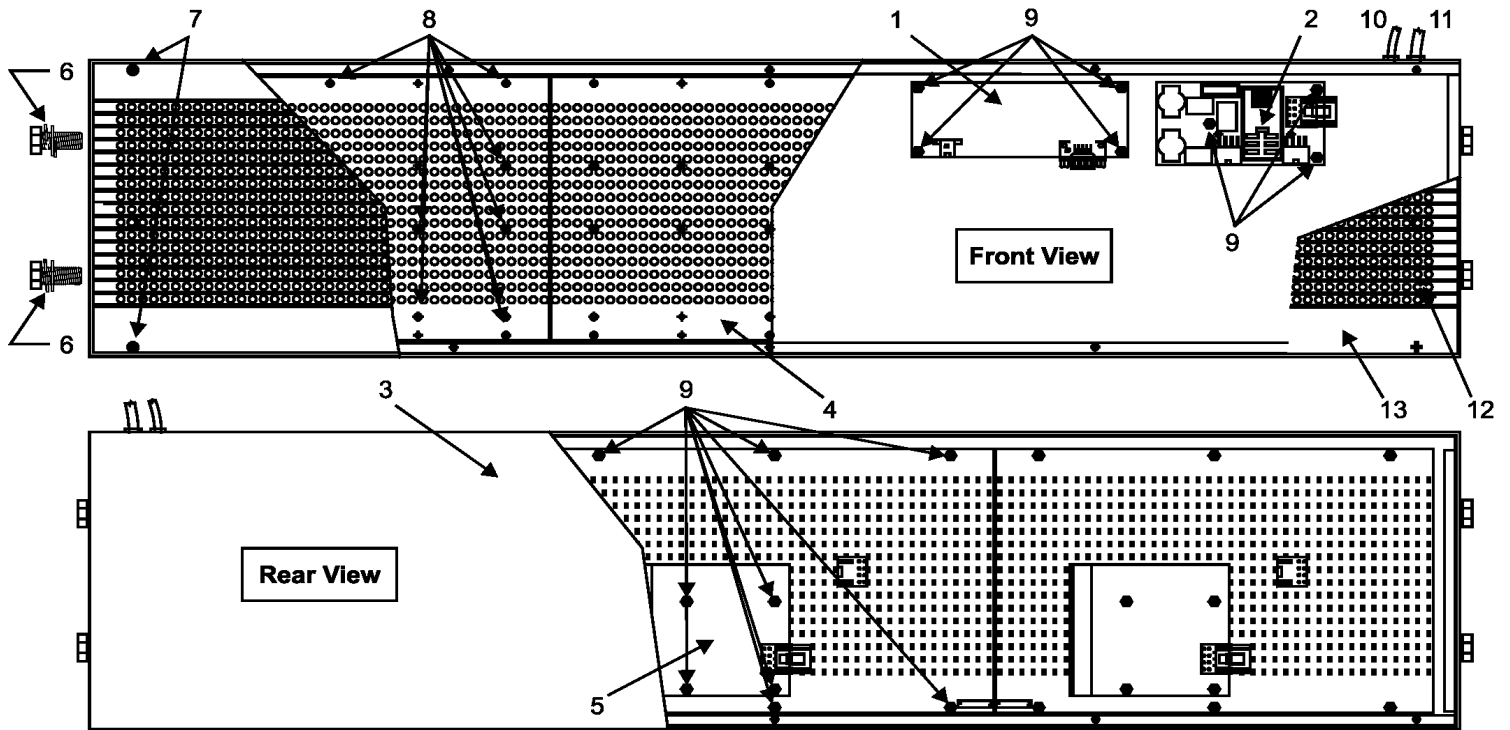
Item#	Part	Description	QTY	Notes
1	940176	KEYBOARD MEMBRANE KC640 USB	1	
1	Call order desk	FRONT PANEL GPS KC640 USB	1	P
2	Call order desk	MAIN HOUSING	1	P
3	Call order desk	PRINTED CIRCUIT BOARD FOR KC640/KC640 J1708	1	P
		P) CALL ORDER DESK FOR SPECIFIC APPLICATION (V.I.N.)		

From G-7275 To K-7662

Date:07/2024

PAGE:940088

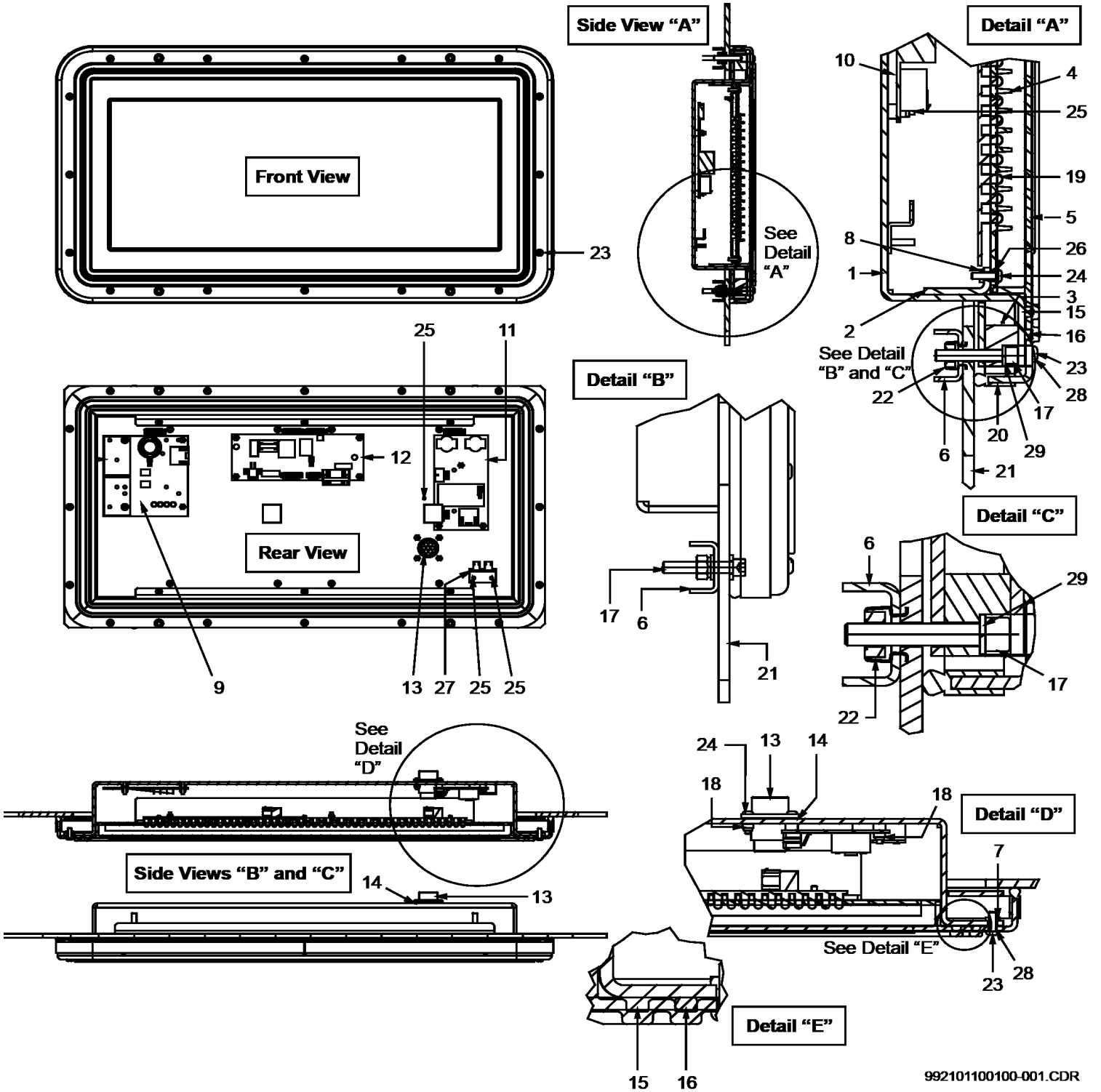
SIDE DESTINATION SIGN "AESYS" 6.66"x37.40"



002100200600 001 CDB

From G-7275 To K-7662	Date:07/2024	PAGE:940088
SIDE DESTINATION SIGN "AESYS" 6.66"x37.40"		

Item#	Part	Description	QTY	Notes
1	940095	PCB - 0109A - PROCESSOR/CPU Z84C15 S 4 MB RS485		
2	Call order desk	PCB - 0318A - SUPPRESSOR - (W/10 A FUSE)		P
3	Call order desk	CASE - MAIN HOUSING (STEEL)		P
4	940099	PCB - 9929B - LED PANEL - (300X37540X16) - NO PHOTOCCELL		
5	940100	PCB - 0133B/0133C/0616B - POWER SUPPLY/DC-DC		
6	Call order desk	SCREW CAP HEX M8 X 20 MM G8.8		P
6	Call order desk	WASHER FLAT Ø8.4 X 16 X 1.6 MM		P
6	Call order desk	WASHER LOCK Ø8.1 X 14.8 X 2 MM		P
7	Call order desk	SCREW M3 X 8 MM - BLACK OXIDIZED		P
8	Call order desk	SPACER NYLON USE FOR PCB 9929B 3.3 X 7 X 5H		P
9	Call order desk	NUT HEX SELF LOCKING M3		P
9	Call order desk	DISTANCE RING NYLON 7 OD x 3 ID x 4		P
10	Call order desk	CBL - DATA CABLE (CONNECTS TO SUPPRESSOR BD) 40 INCH/1016 MM		P
11	Call order desk	CBL - POWER CABLE (CONNECTS TO SUPPRESSOR BD) 40 INCH/1016 MM		P
12	940098	PCB - 9929B - LED PANEL - (300X37540X16)- WITH PHOTOCCELL		
13	Call order desk	FRONT - EXTRUSION WITH LOUVERS (ALUMINUM)		P
NS	Call order desk	INSERT F. EXAG. CH. TFL ZB M8 3÷6 MM		P
NS	Call order desk	FLAT CABLE 16P 9 CM 2IDTF (1T/1B)		P
NS	Call order desk	CBL - RIBBON CABLE FLAT - 16P (21.2 INCH/54 CM)		P
NS	Call order desk	CBL - KC640 DATA/PWR CABLE (DB9F>DB9F) 10.5 INCH/26.6 MM		P
NS	Call order desk	FERRITE - SMALL (16 X 9 X 28L MM)		P
NS	Call order desk	FERRITE - LARGE (17.5 X 9.5 X 35L MM)		P
		P) CALL ORDER DESK FOR SPECIFIC APPLICATION (V.I.N.)		



From G-7275 To K-7662	Date:07/2024	PAGE:940079
REAR DESTINATION SIGN 7.125"x22.047"		

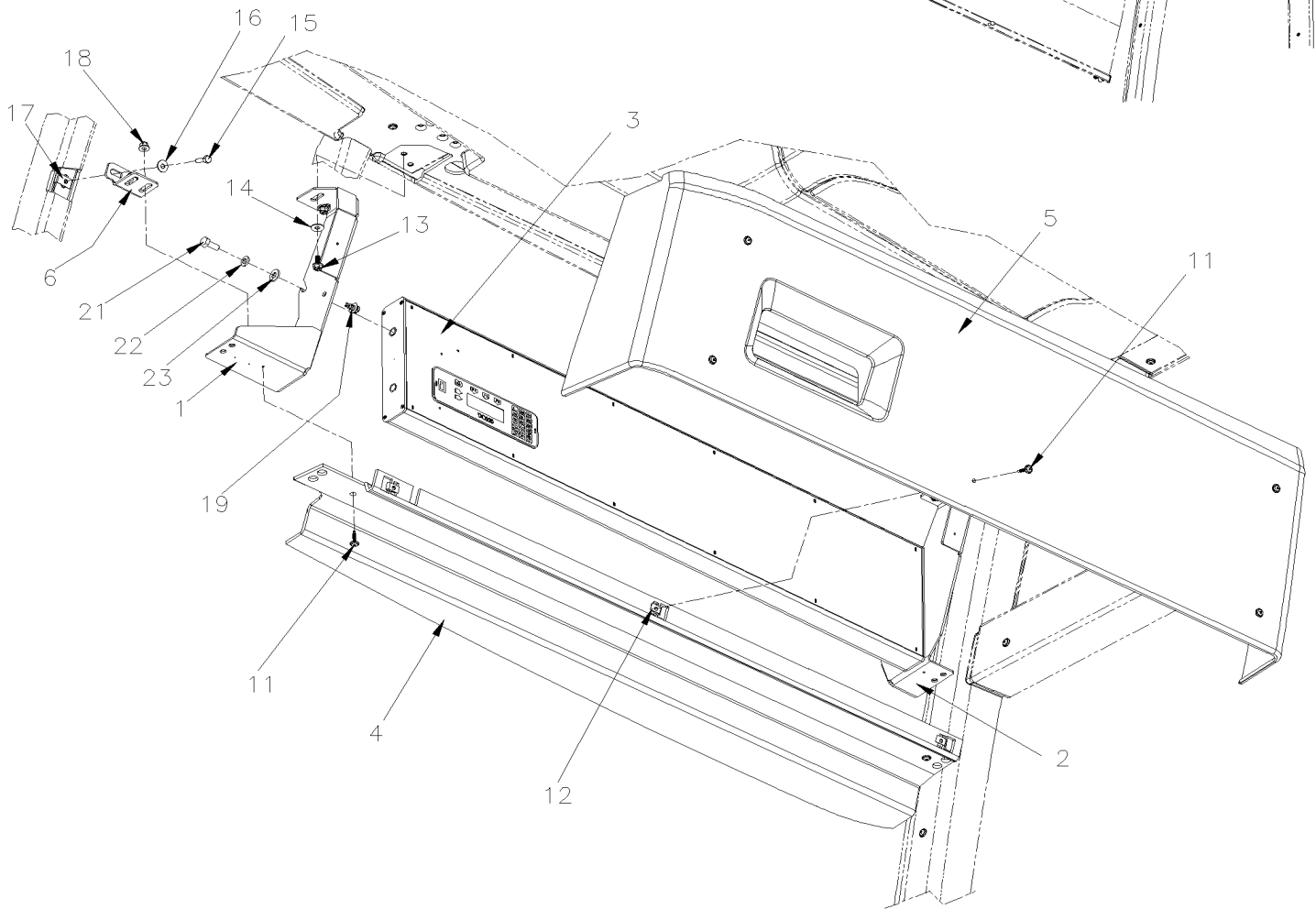
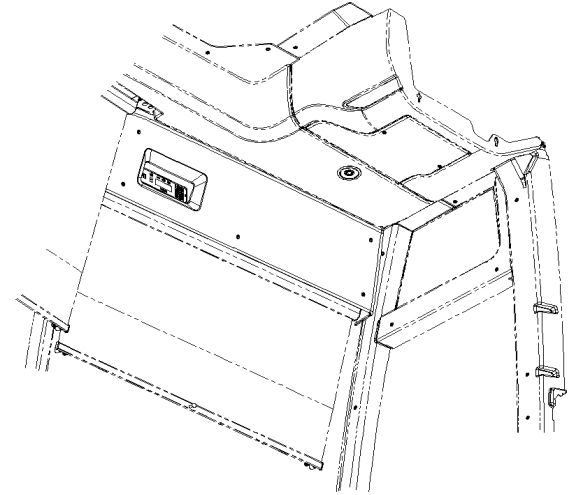
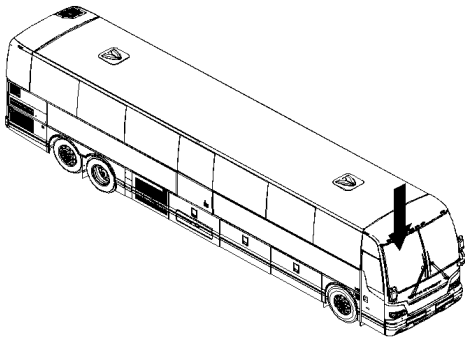
Item#	Part	Description	QTY	Notes
1	Call order desk	CASE - MAIN HOUSING	AR	P
2	Call order desk	LED BOARD REST PLATE	AR	P
3	Call order desk	BLOCK	AR	P
4	Call order desk	LOUVER PLATE	AR	P
5	Call order desk	FACIAL LENS (BONNET)	AR	P
6	Call order desk	REST BAR	AR	P
7	Call order desk	NUT SELF/CLINCHING 8/32	AR	P
8	Call order desk	NUT SELF/CLINCHING 4-40	AR	P
9	940097	PCB - 0133C/0616B POWER SUPPLY	AR	
10	Call order desk	DISTANCE RING NYLON 7 OD x 3 ID x 4	AR	P
11	Call order desk	PCB - 0318A - SUPPRESSOR - (W/10 A FUSE)	AR	P
12	940095	PCB - 0109A - PROCESSOR/CPU Z84C15 S 4 MB RS485	AR	
13	Call order desk	CIRCULAR PLASTIC CONNECTORS C.P.C. RECEPTACLE HOUSING, SERIES 1, SIZE	AR	P
14	Call order desk	ECONOSEAL, FLANGE, GASKET, CPC	AR	P
15	Call order desk	SEAL (INTERNAL LOOP) 6 MM OR	AR	P
16	Call order desk	SEAL (INTERNAL LOOP) 6 MM OR	AR	P
17	Call order desk	SCREW CAP HEXS #12-24X1 1/4 SS	AR	P
18	Call order desk	NUT HEXF NYRT #4-40 SS	AR	P
19	Call order desk	LED BOARD - 9929B HG3 24 X 16	AR	P
20	Call order desk	AUTOMOTIVE GASKET	AR	P
22	Call order desk	NUT SQUARE CLIP-ON #12-24 - ZINC	AR	P
23	Call order desk	SCREW CAP BUT HEXS 8/32x3/8 BLACK	AR	P
24	Call order desk	SCREW CAP BUT HEXS #4-40x1/2	AR	P
25	Call order desk	STUD #4-40x1/2	AR	P
26	Call order desk	WASHER LO INT M3 BLACK	AR	P
27	Call order desk	GROUND PLATE	AR	P
28	Call order desk	FASTENER M4 [8/32] NYLON	AR	P
29	Call order desk	WASHER LOCK #12	AR	P
NS	Call order desk	CONN - C.P.C. PLUG ASSEMBLY SIZE 13-7, STANDARD SEX, SERIES 1	AR	P
NS	Call order desk	CBL - CABLE CLAMP KIT, RIGHT ANGLE, WITH COVER, SIZE 13, (C.P.C.)	AR	P
NS	Call order desk	PIN TERMINAL / 24-20	AR	P
NS	Call order desk	PIN TERMINAL / 18-14	AR	P
NS	Call order desk	SOCKET TERMINAL / 24-20	AR	P
NS	Call order desk	SOCKET TERMINAL / 18-14	AR	P
NS	Call order desk	KEYING PLUG	AR	P
		P) CALL ORDER DESK FOR SPECIFIC APPLICATION (V.I.N.)		

From L-7663 To M-7767

Date:07/2024

PAGE:X3PLB-1814-01

DESTINATION SIGN - INSTALLATION - "AESYS"

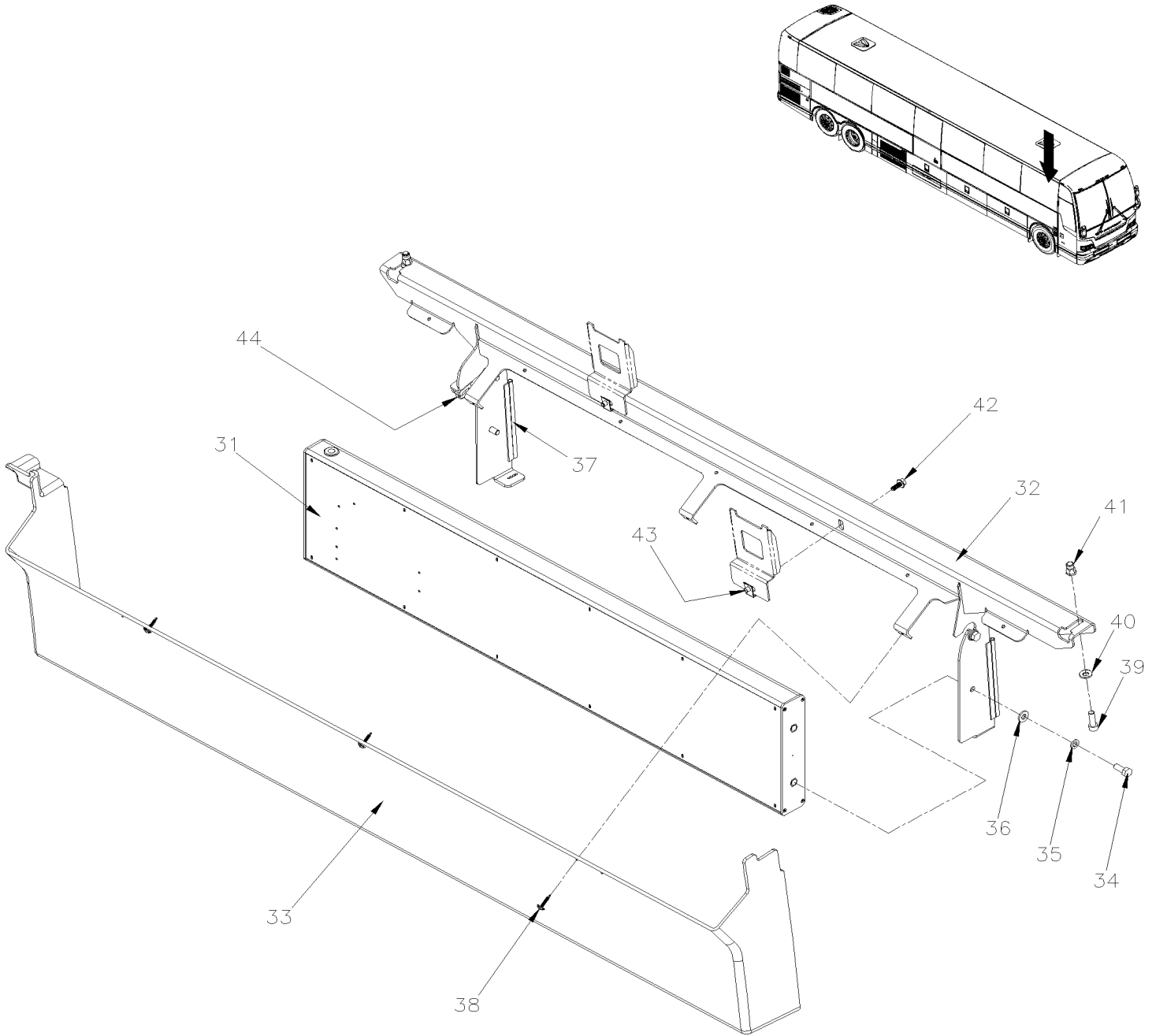


From L-7663 To M-7767

Date:07/2024

PAGE:X3PLB-1814-01

DESTINATION SIGN - INSTALLATION - "AESYS"

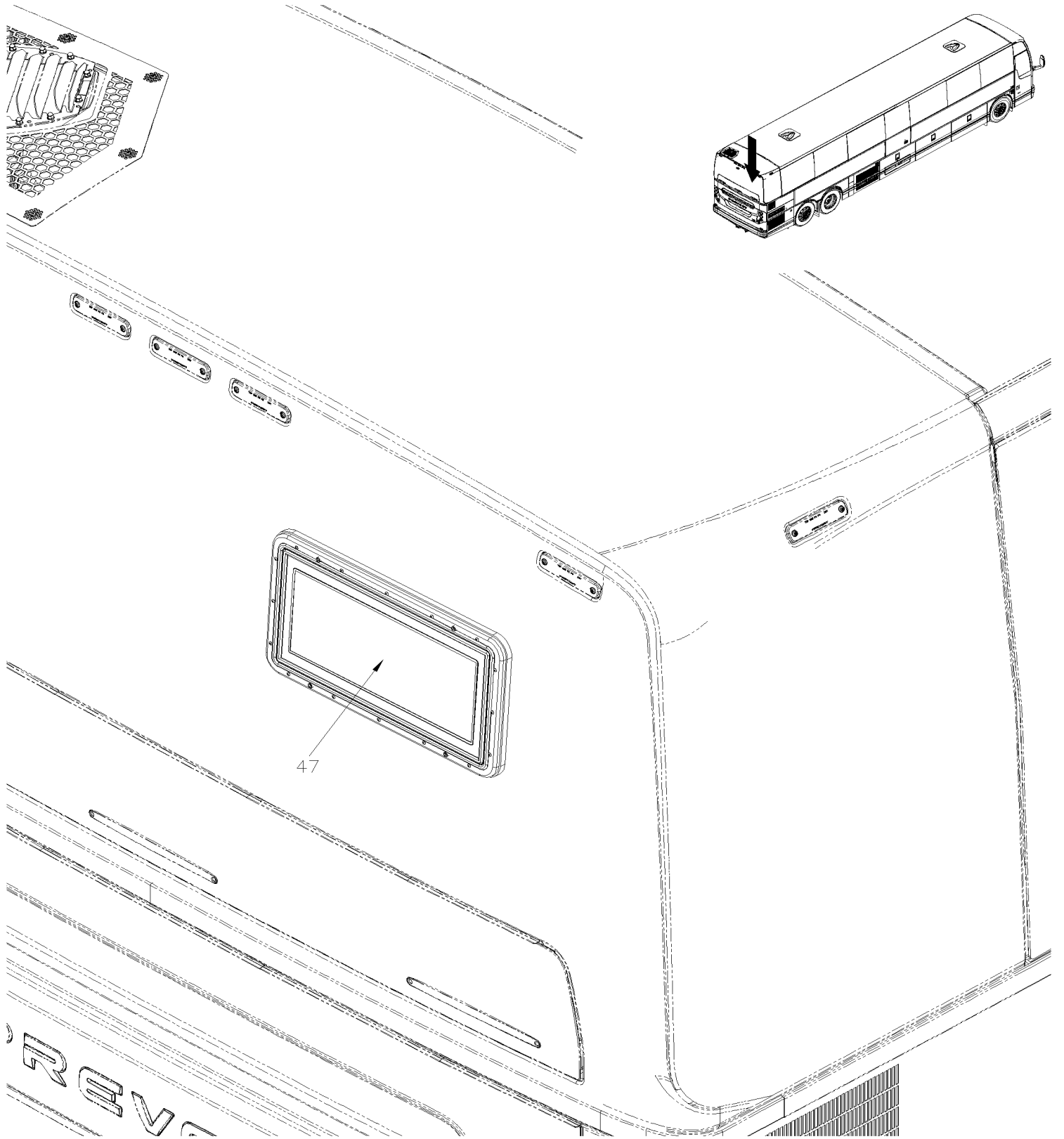


From L-7663 To M-7767

Date:07/2024

PAGE:X3PLB-1814-01

DESTINATION SIGN - INSTALLATION - "AESYS"

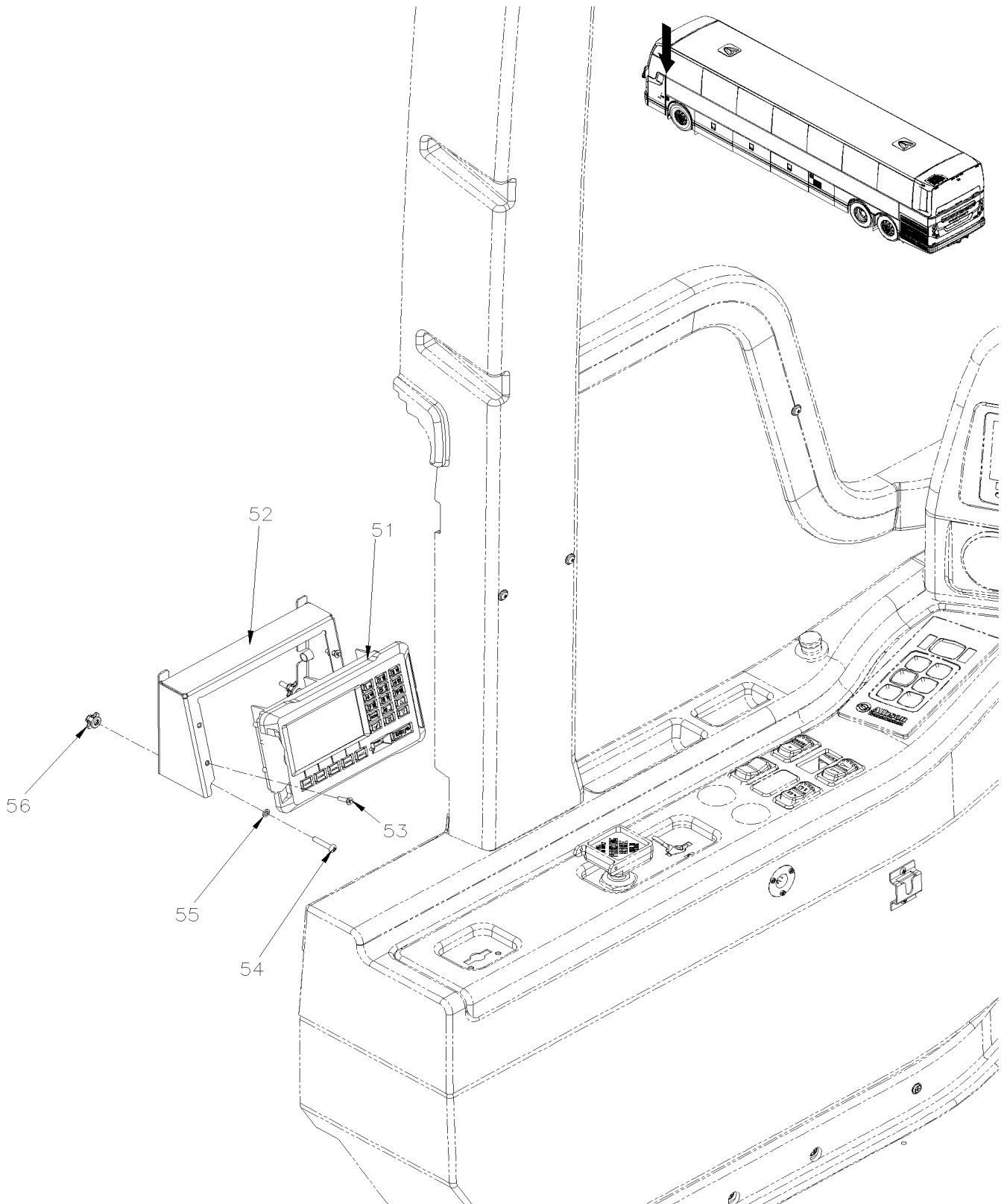


From L-7663 To M-7767

Date:07/2024

PAGE:X3PLB-1814-01

DESTINATION SIGN - INSTALLATION - "AESYS"



From L-7663 To M-7767	Date:07/2024	PAGE:X3PLB-1814-01
DESTINATION SIGN - INSTALLATION - "AESYS"		

Item#	Part	Description	QTY	Notes
1	440129	SUPPORT L.H.	1	
2	440128	SUPPORT R.H.	1	
3	940012	FRONT DESTINATION SIGN "AESYS"	1	
3	940136	FRONT DESTINATION SIGN "AESYS" WHITE LED W/EMERGENCY	1	
3	940139	FRONT DESTINATION SIGN "AESYS" W/O CONTROL	1	A
3	0610193	CABLE POWER DESTINATION SIGN SHIELD & TWISTED	1	PWT
4	440144	COVER UNDER	1	
5	440137	COVER / "AESYS" SIGN	1	
5	440251	COVER / "AESYS" SIGN WITHOUT HOLE FOR KEYBOARD	1	A
NS	406155	DECAL / THIS COACH IS RESTROOM EQUIPED... / ENGLISH & SPANISH	1	
NS	406323	DECAL / THIS COACH IS RESTROOM EQUIPED... / ENGLISH & FRANCAIS	1	
NS	400017	DECAL / THIS COACH IS RESTROOM EQUIPED... / ENGLISH & SPANISH & FRANCAIS	1	
5	400302	DECAL / THIS COACH IS RESTROOM EQUIPED... / ENGLISH	1	
NS	406691	DECAL / NO SMOKING / DRINKING INTOXICANTS.... / ENGLISH & SPANISH	1	
NS	406694	DECAL / NO SMOKING / DRINKING INTOXICANTS.... / ENGLISH & FRANCAIS	1	
NS	400014	DECAL / NO SMOKING / DRINKING INTOXICANTS.... / ENGLISH & SPANISH & FRANCAIS	1	
5	400298	DECAL / NO SMOKING / DRINKING INTOXICANTS.... / ENGLISH	1	
6	440434	AJUSTING BRACKET	1	
11	5002083	SCREW DR SEMS FN OV PH #8X1 N050	7	
12	5002071	NUT SPR U #8 .110-.187 BK	3	
13	5002027	SCREW CAP HEXF AD M6-1.0x16 G10.9 N500	4	
14	5001833	WASHER BEL SPR 6.1x18x1.27 SS	4	
15	502830	SCREW CAP HEX M6-1.0x20 G8.8 N500	1	
16	5001833	WASHER BEL SPR 6.1x18x1.27 SS	1	
17	5001965	NUT SPR U M6-1.0 0.6-4.0 N500	1	
18	5001932	NUT HEXF NYRT M6-1.0 G8.8 N500	2	
19	509815	TIE MOUNT / ATTACHMENT W/TREE MOUNT	2	
21	5001450	SCREW CAP HEX M8-1.25x20 G10.9 DP	4	
22	500942	WASHER LO SPT 8.1x14.8x2.0 N500	4	
23	5001736	WASHER FL 8.4x18.0x2.0 N500	4	
31	940018	SIDE DESTINATION SIGN "AESYS"	1	
31	069941	HARNESS. DESIN. SIGNS FRONT TO SIDE	1	
31	069942	HARNESS SIGNS SIDE, REAR	1	
32	440001	BRACKET ASSY SIDE SIGN "AESYS"	1	
32	440086	SIDE SIGN BRACKET / W/O SUN VISOR	1	
33	340233	COVER SIDE DESTINATION SIGN	1	
34	500820	SCREW CAP HEX M8-1.25x16 G10.9 N500	4	
35	502889	WASHER LO SPT 8.1x12.7x2.0 N500	4	
36	5001736	WASHER FL 8.4x18.0x2.0 N500	4	

From L-7663 To M-7767	Date:07/2024	PAGE:X3PLB-1814-01
DESTINATION SIGN - INSTALLATION - "AESYS"		

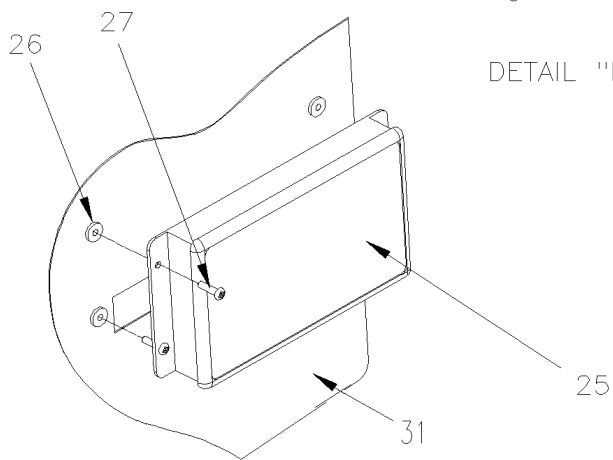
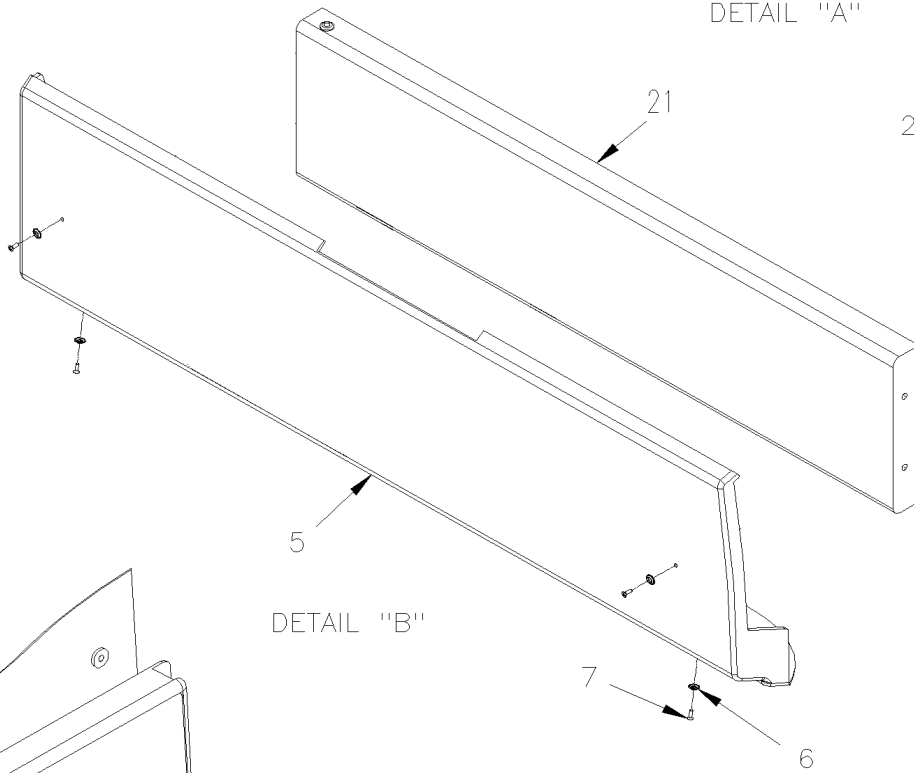
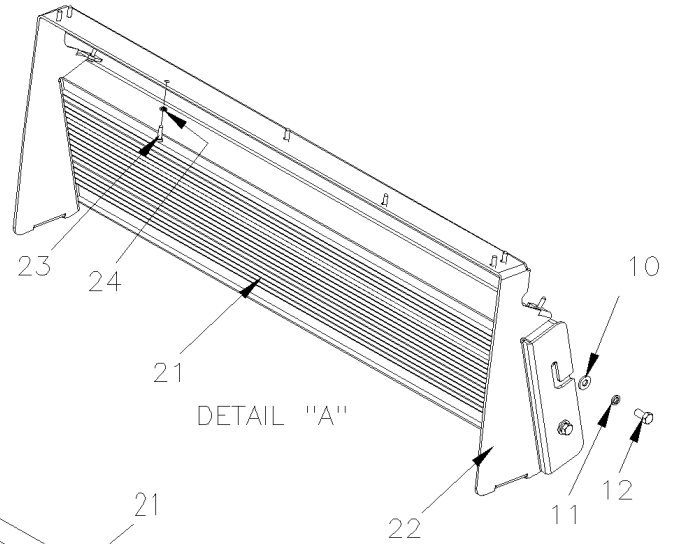
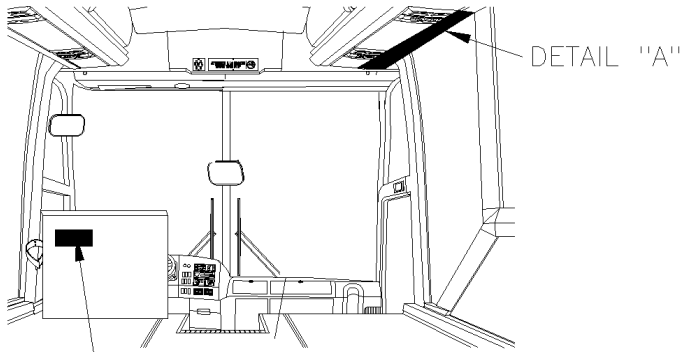
Item#	Part	Description	QTY	Notes
37	506302	RUBBER EXTRUSION TRIM SEAL / GRIP .024 / 7/16" HOLLOW BULB C.T.L.	AR	
38	5002083	SCREW DR SEMS FN OV PH #8X1 N050	5	
39	5001775	SCREW CAP HEXS M8-1.25x25 G8.8 G500	2	
40	5001868	WASHER BEL SPR 8.4x18x2 SS	2	
41	5001337	NUT INS FL HEX M8-1.25 0.5-3.0 Z050	2	
42	5002027	SCREW CAP HEXF AD M6-1.0x16 G10.9 N500	2	
43	5001965	NUT SPR U M6-1.0 0.6-4.0 N500	2	
44	504013	TIE MOUNT / 1/4" X 1/4" I.D.	1	
44	504379	RIVET POP DOME OE 3/16x1/4 SS	1	
44	504637	CABLE TIE / 3/16" x 13"	1	
47	940013	REAR DESTINATION SIGN 7.125"x22.047"	1	
47	684685	ADHESIVE SIMSON #ISR 70-03 / 310ml CARTRIDGE	AR	
47	680098	THREAD SEALANT LOCTITE #567 / WHITE / 250ml	AR	
47	506769	TAPE RUB ADH2 CC POL 1/8" x 1/4" x 60' / BLACK H1CC-N#14	AR	
48	069943	HARNESS SIGNS REAR	1	
51	940137	KEYBOARD CONTROLER "AESYS"	1	A
51	069940	HARNESS SIGNS INTERCONNECTION	1	A
51	562387	CONVOLUTED TUBING / SLIT / BLACK / .250"	AR	A
51	504637	CABLE TIE / 3/16" x 13"	1	A
52	440093	SUPPORT / CONSOL CONTROL	1	A
53	5001414	SCREW MA FL PH M4-0.7x16 BK	4	A
54	500388	SCREW MA RND PH #10-24x1 Z050	2	A
55	500470	WASHER LO SPT .193x.334x.047 Z050	2	A
56	500488	WASHER LO SPT .760x1.271x.188 Z050	2	A
		NEXT 6 ITEMS ARE RELATED WITH From M-7752 To M-7753		
		AESYS AUDIO NEXT STOP SYSTEM From M-7752 To M-7753		
NS	901868	VOCAL UNIT DEVON AUDIO AMPLIFIER From M-7752 To M-7753	1	
NS	901867	CABLE TC430 26POLE From M-7752 To M-7753	1	
NS	901869	CABLE DEVON POWER SUPPLY 0.5M From M-7752 To M-7753	1	
NS	901870	CABLE DEVON SPEACKER CABLE 1M From M-7752 To M-7753	1	
NS	901871	DEVON SERIAL LINE 1.5M From M-7752 To M-7753	1	
NS	901872	DEVON LINE IN 1.5M From M-7752 To M-7753	1	
		A) USE WITH KEYBOARD CONTROLER ON WALL BEHIND DRIVER		
		PWT) PWT OPTION		

From G-7275 To M-7767

Date:07/2024

PAGE:X3PLB-1814-20

DESTINATION SIGN - INSTALLATION SIDE - "AESYS"



From G-7275 To M-7767	Date:07/2024	PAGE:X3PLB-1814-20
-----------------------	--------------	--------------------

DESTINATION SIGN - INSTALLATION SIDE - "AESYS"

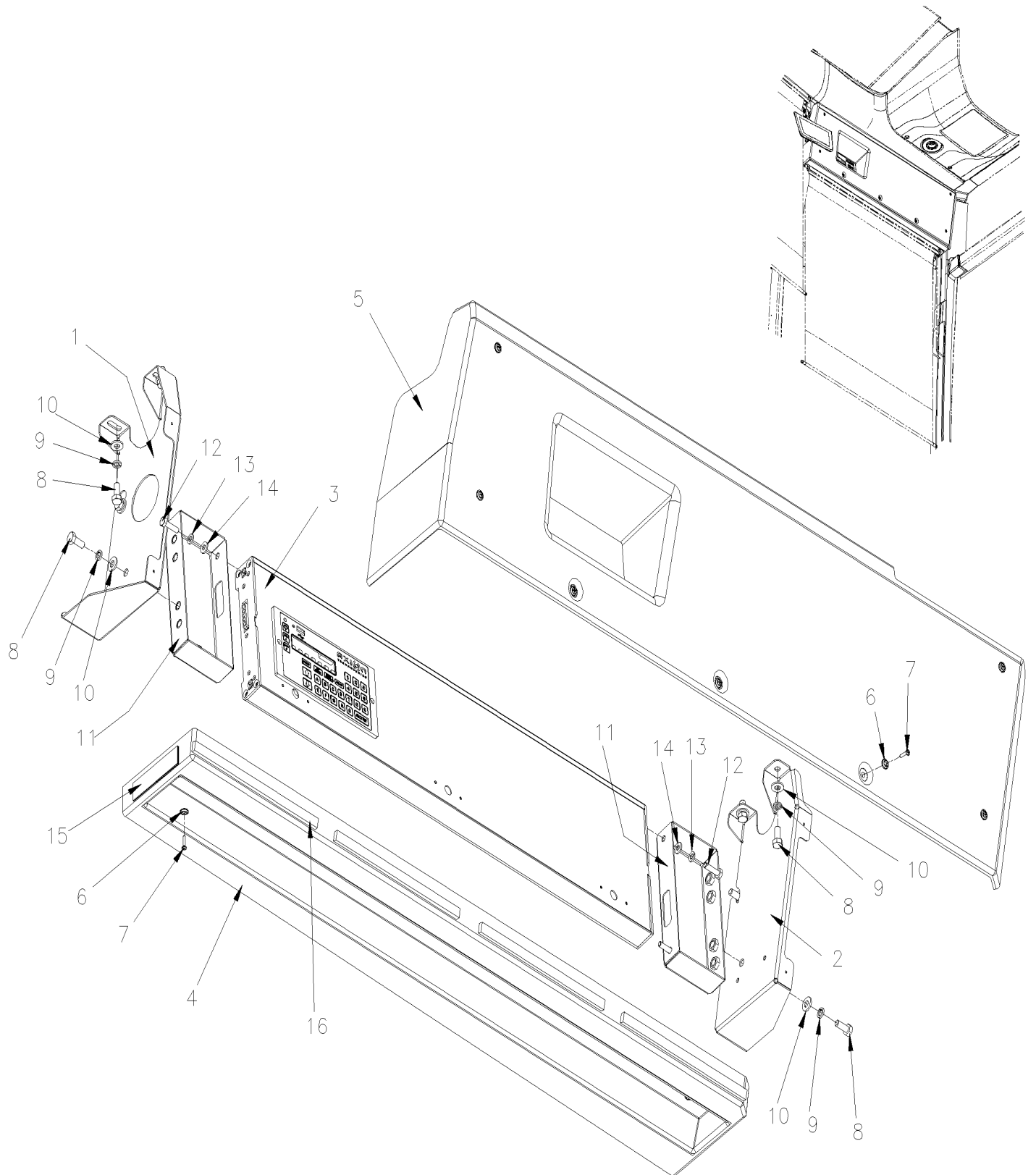
Item#	Part	Description	QTY	Notes
5	440403	COVER / "AESYS" SIGN	1	
NS	5061020	TAPE RUB ADH1 CC POL 1/32" x 1/2" x 50' / BLACK H1C-N	AR	B
6	500463	WASHER FN CKF .187x.500x.090 BR Z050	4	
7	500624	SCREW TP OV PH #6x1/2 Z050	4	
8	500356	WASHER LO SERR 6.1x16.0x0.9 N500	2	
9	502772	SCREW CAP HEX 1/4-20x1/2 G5 N500	2	
10	192288	WASHER FL 8.4x18.0x2.0 ZG603	4	
11	502889	WASHER LO SPT 8.1x12.7x2.0 N500	4	
12	500820	SCREW CAP HEX M8-1.25x16 G10.9 N500	4	
13	500957	SCREW TP BDG PH #10x3/4 N500	6	
21	940088	SIDE DESTINATION SIGN "AESYS" 6.66"x37.40"	1	
22	440402	SUPPORT SIDE DESTINATION SIGN	1	
23	500923	SCREW TC CAP HEX 1/4-20x3/4 Z050	9	
24	500914	WASHER LO SPT .193x.334x.047 N500	9	
25	940102	CONSOL CONTROL / DESTINATION SIGN To L-7662	1	
25	940137	KEYBOARD CONTROLER "AESYS" From L-7663	1	
26	500589	NUT WELL M4-0.7x13.5	4	
27	502698	SCREW MA PAN PH M4-0.7x16 SS BK To L-7662	4	
27	5001414	SCREW MA FL PH M4-0.7x16 BK From L-7663	4	
30	068100	CABLE ASSY W/SIDE DESTINATION ONLY To L-7662	1	
31	Call order desk	PANEL FRONT ASSY W/COVERING S.C.C. / USE W/SPEAKER & CONTROL	1	P
NS	940078	KIT PROGRAMMATION "AESYS" DESTINATION SIGN	1	
NS	940157	PORT SMART MEDIA CARD HOLDER KIT	1	
		B) INSIDE OF PANEL ITEM #5		
		P) CALL ORDER DESK FOR SPECIFIC APPLICATION (V.I.N.)		

From G-7275 To M-7767

Date:07/2024

PAGE:X3PLB-1814-10

DESTINATION SIGN - INSTALLATION FRONT - "AXION"



From G-7275 To M-7767	Date:07/2024	PAGE:X3PLB-1814-10
DESTINATION SIGN - INSTALLATION FRONT - "AXION"		

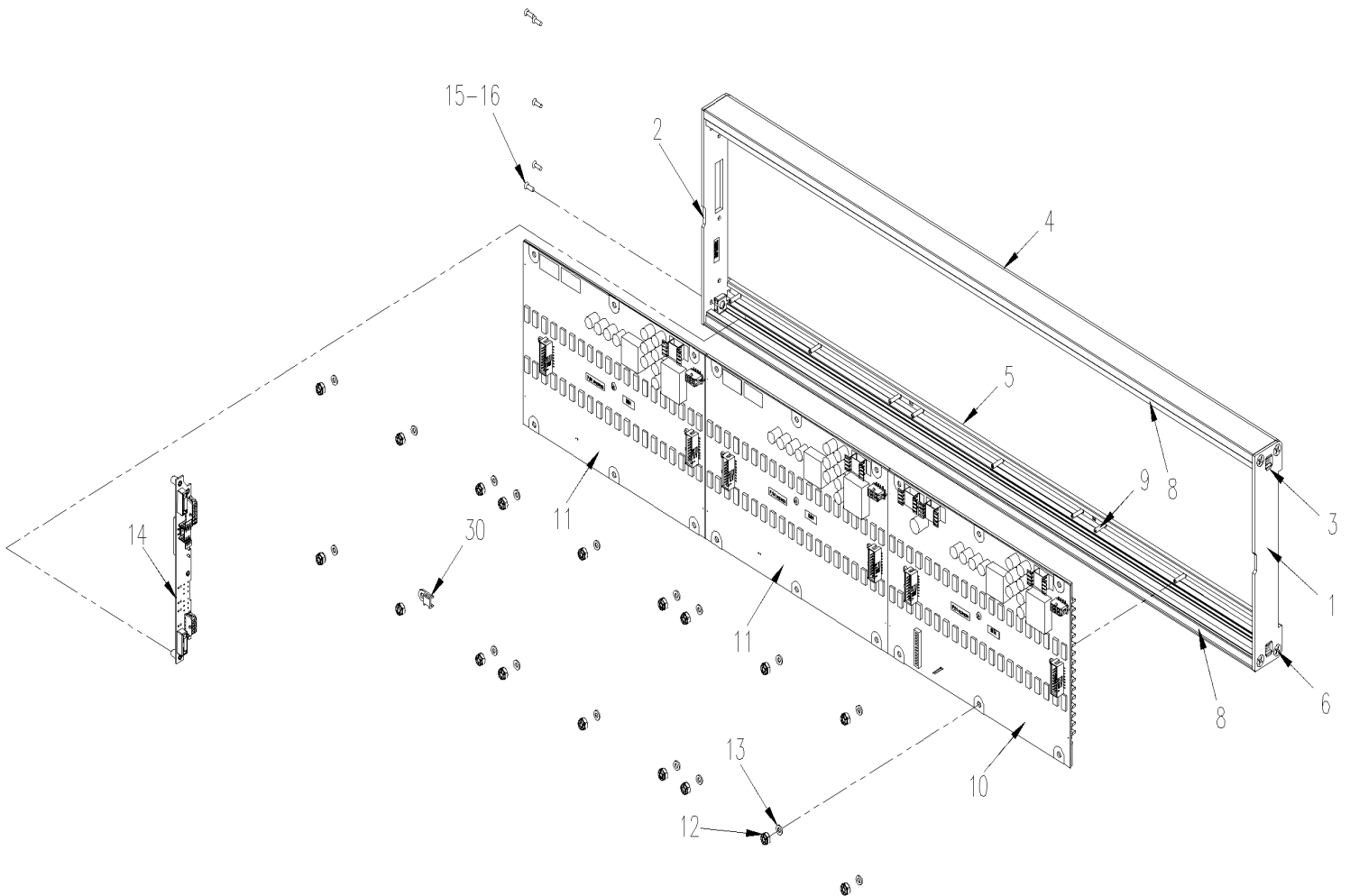
Item#	Part	Description	QTY	Notes
1	440411	SUPPORT L.H.	1	
2	440412	SUPPORT R.H.	1	
3	940103	FRONT DESTINATION SIGN "AXION" 7.66"x30.28"	1	
3	0610218	HARN. FRONT DESTIN. SIGN INTERFACE AXION From L-7663	1	
4	440361	COVER UNDER	1	
5	446165	COVER / "AXION" SIGN	1	
5	406155	DECAL / THIS COACH IS RESTROOM EQUIPED... / ENGLISH & SPANISH	1	
5	406323	DECAL / THIS COACH IS RESTROOM EQUIPED... / ENGLISH & FRANCAIS	1	
5	400017	DECAL / THIS COACH IS RESTROOM EQUIPED... / ENGLISH & SPANISH & FRANCAIS	1	
5	400302	DECAL / THIS COACH IS RESTROOM EQUIPED... / ENGLISH	1	
5	406691	DECAL / NO SMOKING / DRINKING INTOXICANTS.... / ENGLISH & SPANISH	1	
5	406694	DECAL / NO SMOKING / DRINKING INTOXICANTS.... / ENGLISH & FRANCAIS	1	
5	400014	DECAL / NO SMOKING / DRINKING INTOXICANTS.... / ENGLISH & SPANISH & FRANCAIS	1	
5	400298	DECAL / NO SMOKING / DRINKING INTOXICANTS.... / ENGLISH	1	
6	500463	WASHER FN CKF .187x.500x.090 BR Z050	9	
7	500552	SCREW TP OV PH #6x3/4 Z050	9	
8	502862	SCREW CAP HEX M8-1.25x20 G8.8 N500	8	
9	500942	WASHER LO SPT 8.1x14.8x2.0 N500	8	
10	5001736	WASHER FL 8.4x18.0x2.0 N500	8	
11	446166	EXTENSION, SIGN "AXION"	2	
12	500957	SCREW TP BDG PH #10x3/4 N500	4	
13	5001749	WASHER LO SPT 6.5x11.5x1.6 N500	4	
14	500877	WASHER FL .250x.562x.065 N500	4	
15	506755	VELCRO / HOOK ADHESIF 1" x 75'	AR	
15	506756	VELCRO / LOOP ADHESIF 1" x 75'	AR	
16	506228	TAPE RUB ADH1 CC POL 1/4" x 1/2" x 37.5' / GREY 2520X	AR	

From G-7275 To M-7767

Date:07/2024

PAGE:940103

FRONT DESTINATION SIGN "AXION" 7.66"x30.28"

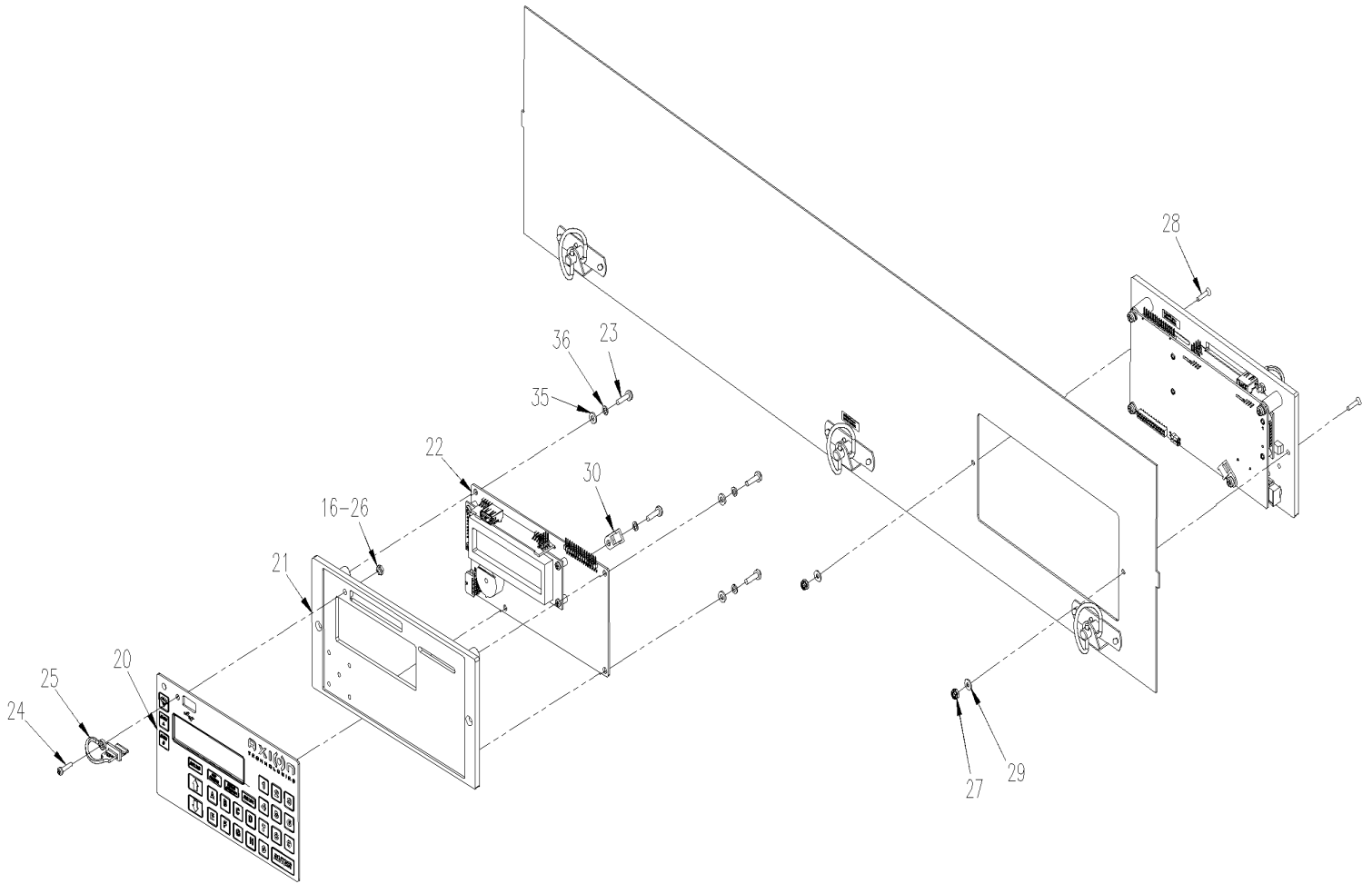


From G-7275 To M-7767

Date:07/2024

PAGE:940103

FRONT DESTINATION SIGN "AXION" 7.66"x30.28"

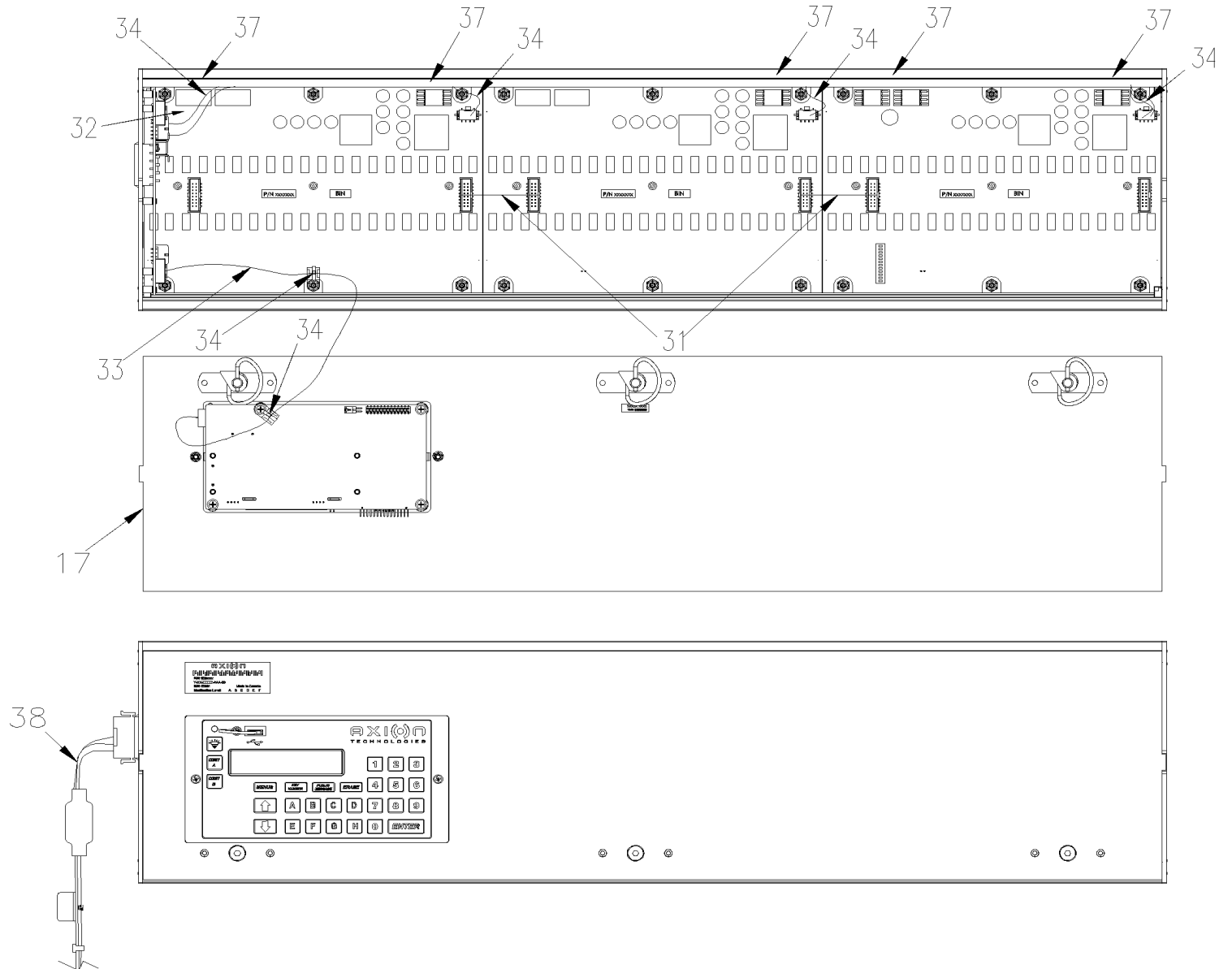


From G-7275 To M-7767

Date:07/2024

PAGE:940103

FRONT DESTINATION SIGN "AXION" 7.66"x30.28"

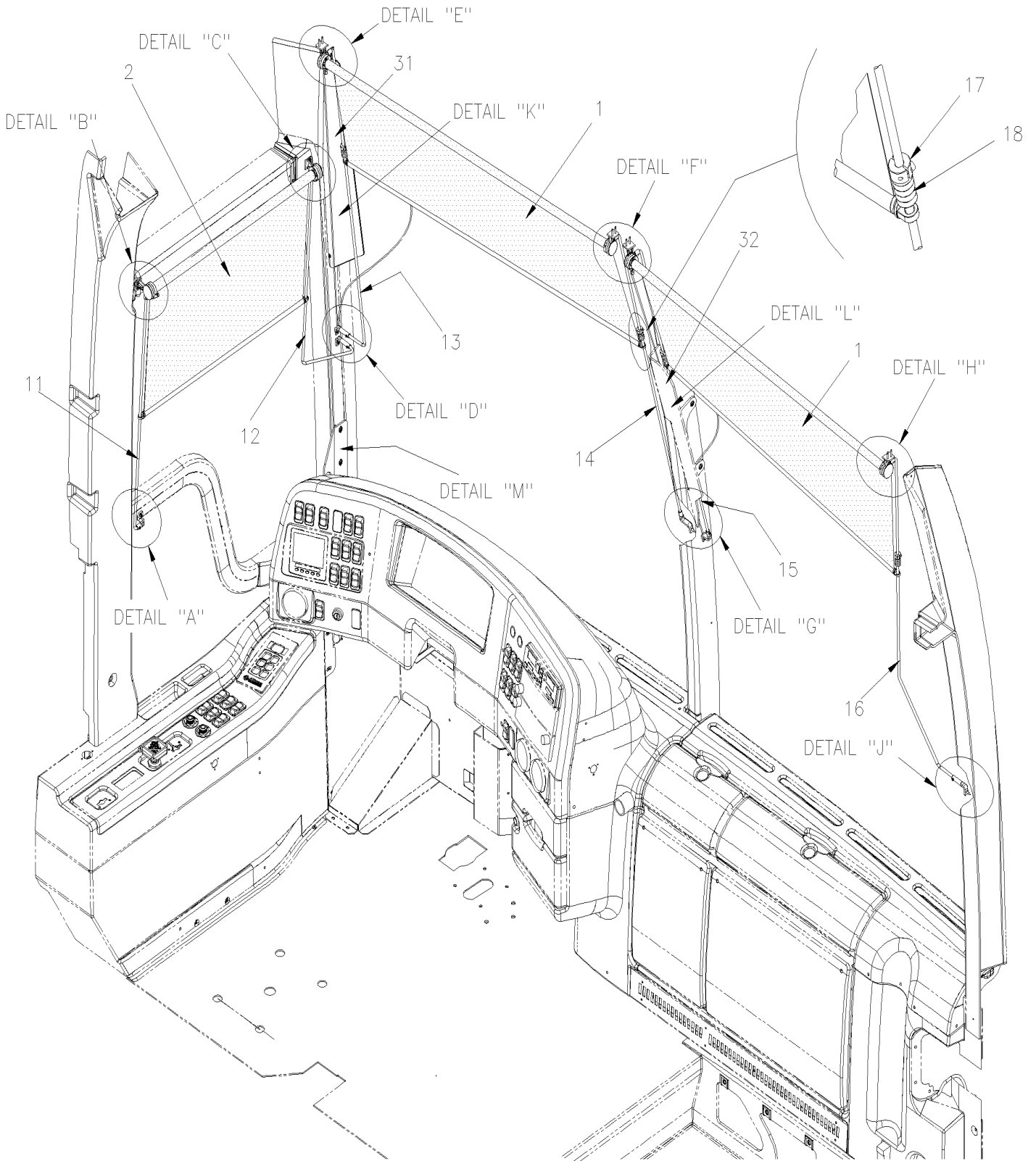


From G-7275 To M-7767	Date:07/2024	PAGE:940103
FRONT DESTINATION SIGN "AXION" 7.66"x30.28"		

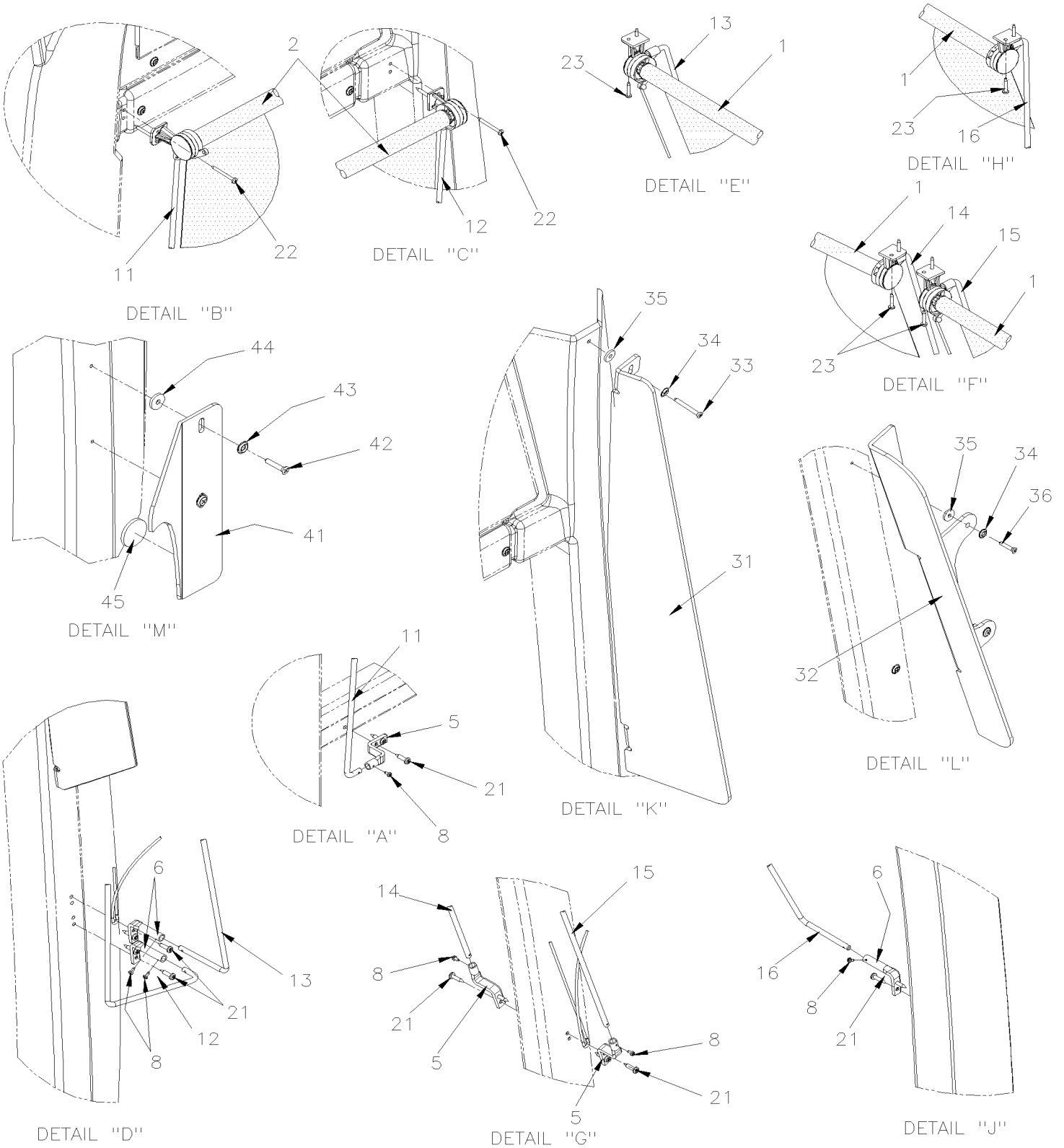
Item#	Part	Description	QTY	Notes
	941083	CASING ASS	1	A
1	941027	SIDE PLATE LH 5"	1	
2	941087	SIDE PLATE RH 5"	1	
3	N.S.S.	NUT RETAINERS 1/4-20 ZP	4	1
4	941088	FRONT UPPER CASING 16x120	1	
5	941089	FRONT LOWER CASING 16x120	1	
6	N.S.S.	SCREW MA FL PH 10 1-1/4 ZP	8	1
8	N.S.S.	GASKET NEOPRENE 1/4x1/16 EP.	AR	1
9	941067	STUD 16x40	6	
10	941085	LED-DRIVER-PS-CPU BOARD	1	
11	941086	LED-DRIVER-PS BOARD	2	
12	Call order desk	NUT HEX NYRT #6-32 ZP	18	P
13	Call order desk	WASHER FL #6x5/16x3/64 NYL	17	P
14	941072	JUNCTION CARD 9-36V	1	
15	Call order desk	SCREW MA FL PH #4-40x3/8 ZP	5	P
16	9985283	THREAD LOCKER LOCTITE #242 / BLUE / 250ml	AR	
17	941028	REAR PANEL FRONT DISPLAY 16x120	1	
18	941053	LATCH SPRING .063-.375	3	
19	N.S.S.	RIVET POP DOME CLE 1/8x1/16-1/8	6	1
20	941024	KEYBOARD CONSOLE USB	1	
21	941041	FRONT PLATE CONSOLE	1	
22	941071	CARD CONSOLE	1	
23	Call order desk	SCREW MA FL PH #6-32x1/2 ZP	4	P
24	Call order desk	SCREW MA FL PH #4-40x1/2 ZP	1	P
25	941048	DUST CAP TYPE A	1	
26	Call order desk	NUT HEX #4-40 ZP	1	P
27	Call order desk	NUT HEX JAM NYRT #4-40 ZP	2	P
28	Call order desk	SCREW MA PAN PH #4-40x1/2 SS	2	P
29	Call order desk	WASHER FL #4x.313x.031 ZP	2	P
30	Call order desk	CABLE HOLD TIE SCR NYL 3/8	2	P
31	941079	CABLE PLAT DRV-DRV 4"	2	
32	941077	CABLE FRONT DISPLAY 16x120	1	
33	941078	CABLE FRONT CONSOLE	1	
34	941056	TIE MOUNT 3.9 BLACK	6	
35	Call order desk	WASHER FL #6x5/16x3/64 NYL	3	P
36	Call order desk	WASHER LO SPT #6	4	P
37	Call order desk	TIE MOUNT 5/16 NYL WHITE	5	P
38	941074	CABLE POWER SUPPLY 12"	1	
		A) INCLUDE 1,2,3,4,5,6,7,8,9,17,18 & 19		

From G-7275 To M-7767			Date:07/2024	PAGE:940103		
FRONT DESTINATION SIGN "AXION" 7.66"x30.28"						
Item#	Part	Description			QTY	Notes
		1) NOT SOLD SEPARATELY				
		P) CALL ORDER DESK FOR SPECIFIC APPLICATION (V.I.N.)				

ROLLER BLIND - DRIVER'S & WINDSHIELD



ROLLER BLIND - DRIVER' S & WINDSHIELD



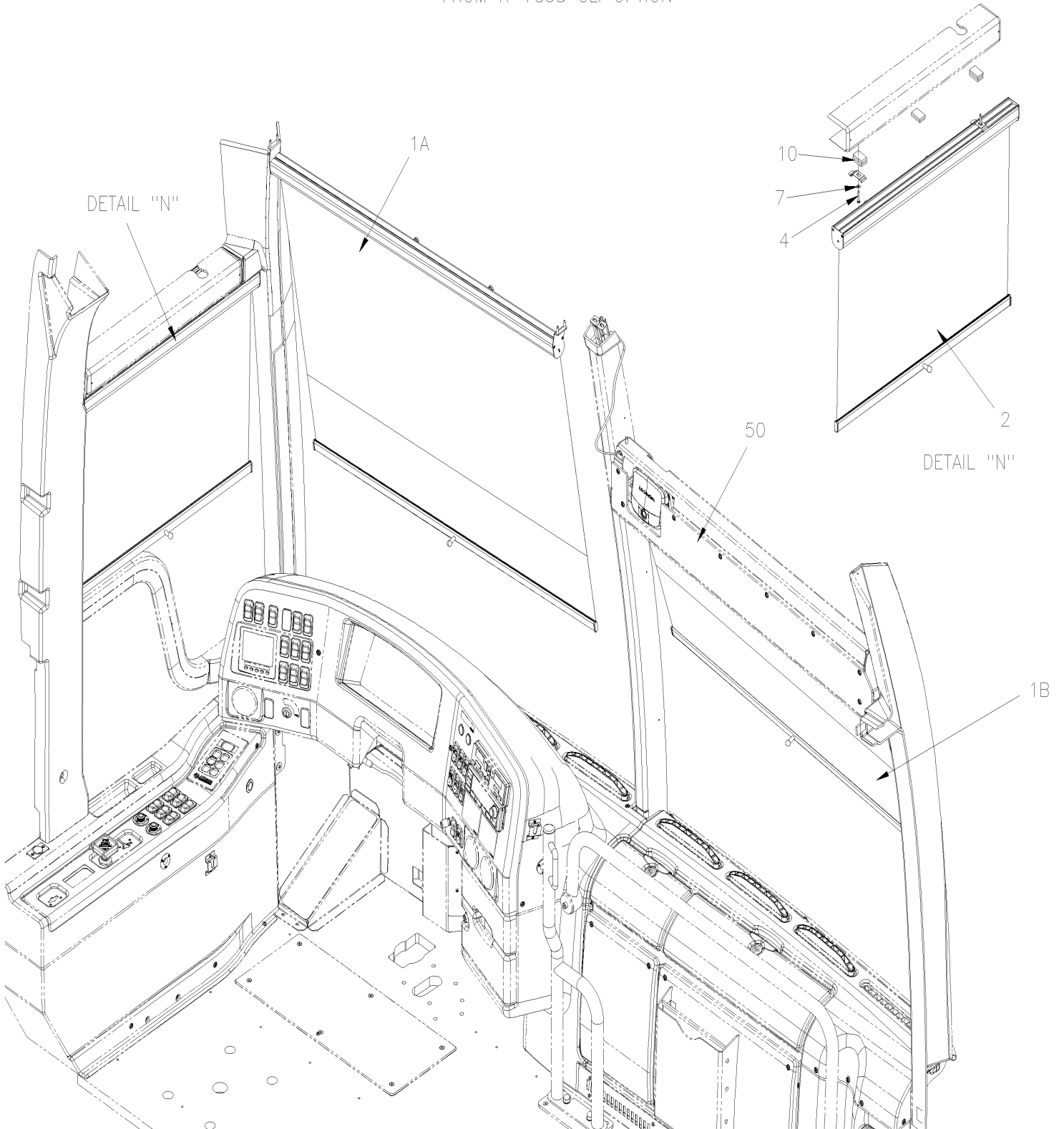
From G-7275 To K-7662

Date:07/2024

PAGE:X3PLB-1816-00

ROLLER BLIND - DRIVER' S & WINDSHIELD

FROM K-7558 GLI OPTION



From G-7275 To K-7662	Date:07/2024	PAGE:X3PLB-1816-00
ROLLER BLIND - DRIVER' S & WINDSHIELD		

Item#	Part	Description	QTY	Notes
1	901373	BLIND ROLLER / CHARCOAL / 1045MM	2	
. NS	901561	. BRACKET W/SHAFT & RATCHED LEVER	1	
. NS	901560	. BRACKET W/SHAFT & RATCHED LEVER	1	
1A	901585	BLIND ROLLER / RH 1044MM From K-7558	1	GR
NS	500654	SCREW TC BDG PH #8-32x1/2 Z050 From K-7558	4	GR
1B	901586	BLIND ROLLER / LH 1030MM From K-7558	1	GR
NS	500432	SCREW TC PAN PH #8-32x3/4 Z050 From K-7558	4	GR
2	901374	BLIND ROLLER / CHARCOAL / 593MM	1	
. NS	5001999	. SCREW SET HEXS CUP M4-0.7x5	2	
. NS	901562	. BRACKET W/O SHAFT & RATCHED LEVER	1	
. NS	901560	. BRACKET W/SHAFT & RATCHED LEVER	1	
2	901587	BLIND ROLLER 667MM From K-7558	1	GR
. NS	901838	. SUPPORT, SUN BLIND From K-7558	2	GR
4	500430	SCREW TC PAN PH #8-32x1 1/4 SS BK From K-7558	2	GR
5	401060	ROD HOLDER / BLACK / PLASTIC "S" SHAPE / 2 HOLES	AR	
6	401059	ROD HOLDER / BLACK / STEEL "L" SHAPE / 2 HOLES	3	
7	504357	WASHER FL .187x.437x.050 SS From K-7558	2	GR
8	5001091	SCREW TC PAN PH #4-40x1/4 BK	AR	
10	790597	RUBBER BLOCK ADJUSTEMENT 20MM x 31.75MM x 4.7 60 DURO From K-7558	AR	
11	405069	ROD / BACKWARD / 640MM X 25MM	1	
12	405192	ROD / FORWARD / 481MM X 130MM	1	
13	407655	ROD, 869MM X 80MM	1	
14	406473	ROD, 886MM X 23MM	1	
15	406473	ROD, 886MM X 23MM	1	
15	406477	ROD / L.H. CURBSIDE / 478MM X 22MM	1	A
15	408242	ROD / L.H. CURBSIDE / 658MM X 20MM	1	B
16	407654	ROD / R.H. CURBSIDE	1	
16	406478	ROD / R.H. CURBSIDE / 445MM X 79MM	1	A
16	408243	ROD / R.H. CURBSIDE / 666MM X 107MM	1	B
17	504030	SHAFT COLLAR 6MM From H-7341	4	
18	504033	CUFF END BELLOW / 1/4 ID x 5/8 x 15/16 W/FLANGE From H-7341	4	
21	5001155	SCREW TP PAN PH #8X3/4 N050	AR	
22	5001298	SCREW TP BDG PH #6x1 1/2 BK	AR	
23	500862	SCREW TC PAN PH #6-32x3/4 Z050	AR	
31	3200339	PLEXIGLASS / TINTED L.H. STREET SIDE / 795MM	1	
31	3201220	PLEXIGLASS / TINTED L.H. STREET SIDE / 645MM	1	O
32	3200340	PLEXIGLASS / TINTED L.H. CURBSIDE / 540MM	1	
33	500632	SCREW TP OV PH #8x1 1/2 Z050	AR	
34	500463	WASHER FN CKF .187x.500x.090 BR Z050	AR	
35	500950	WASHER FL .187x.625x.094 RUB	AR	
36	500629	SCREW TP OV PH #8x1 Z050	AR	
41	400462	PLEXIGLASS BLACK	1	O

From G-7275 To K-7662	Date:07/2024	PAGE:X3PLB-1816-00
ROLLER BLIND - DRIVER' S & WINDSHIELD		

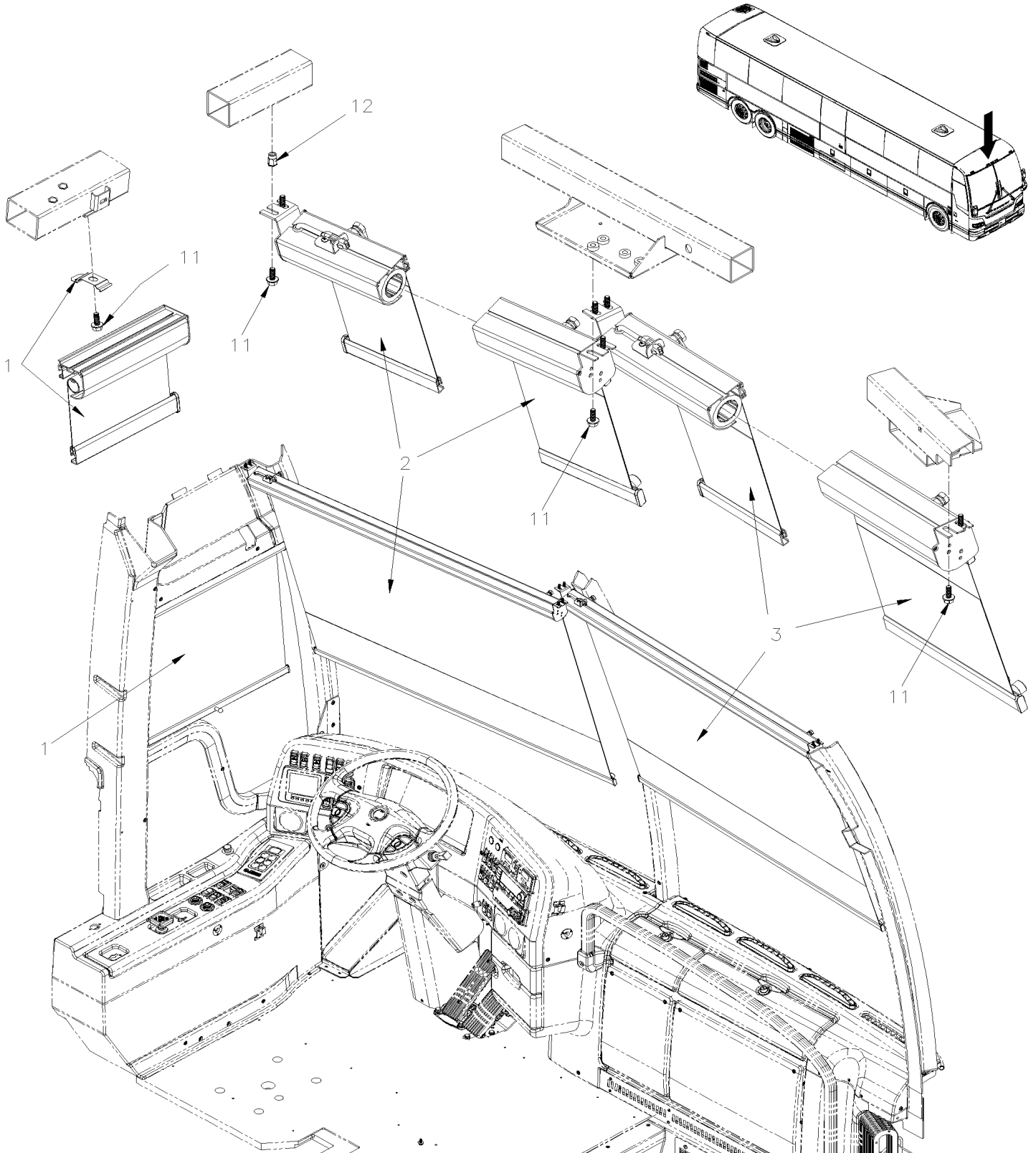
Item#	Part	Description	QTY	Notes
42	500871	SCREW TP OV PH #8x1 BK	2	O
43	500345	WASHER FN CKF .187x.500x.090 BR BK	2	O
44	500950	WASHER FL .187x.625x.094 RUB	2	O
45	473615	WASHER	1	O
50	X3PLB-2317-26	"WI-FI" MODULE / "CADEC" MODULE / "DRIVECAM" - INSTALLTION		
		A) WITH DESTINATION SIGN "POCATEC"		
		B) WITH DESTINATION SIGN "AESYS"		
		GR) GREYHOUND OPTION		
		O) SPECIAL OPTION		

From L-7663 To M-7767

Date:07/2024

PAGE:X3PLB-1816-01

ROLLER BLIND - DRIVER' S & WINDSHIELD

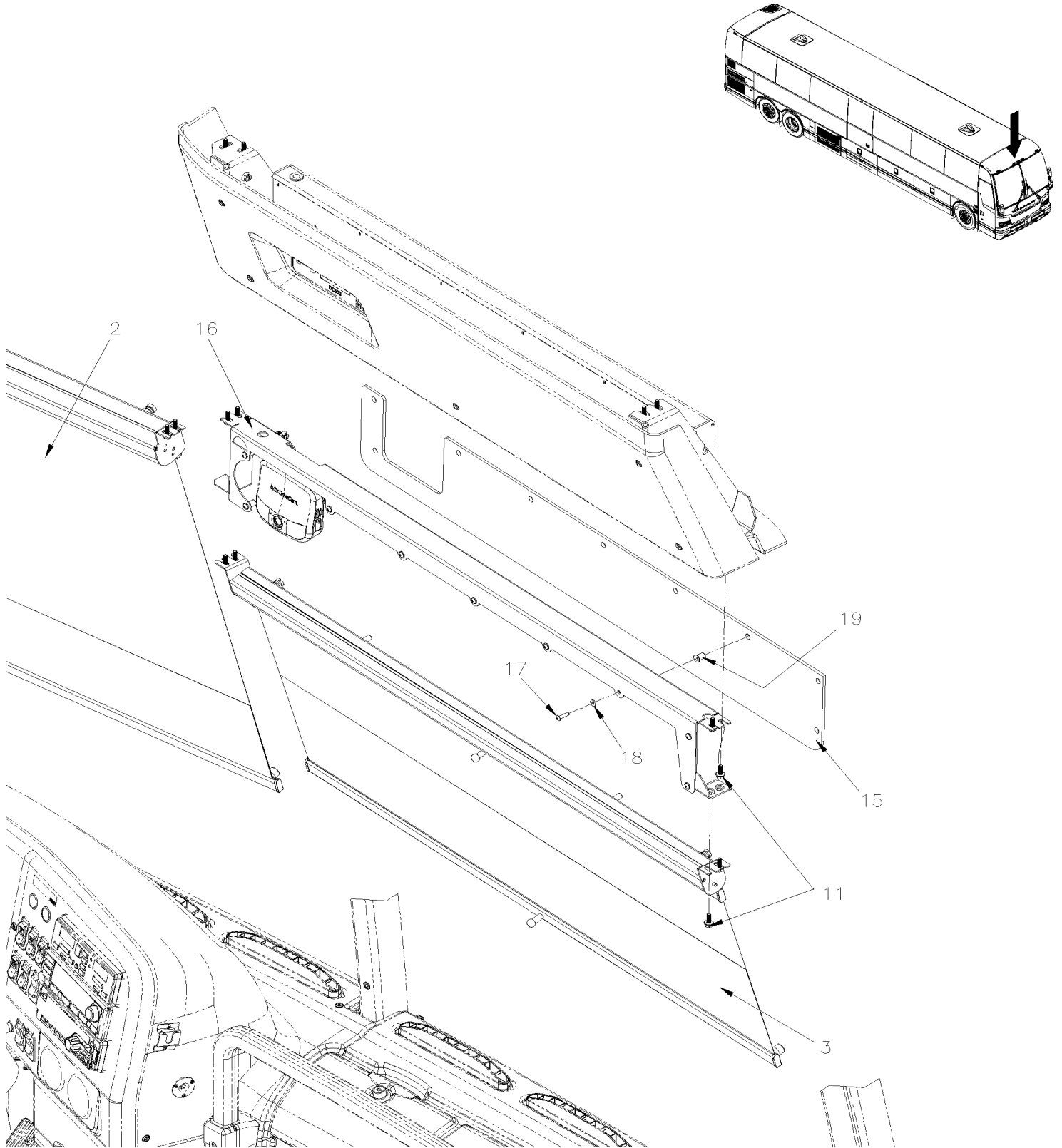


From L-7663 To M-7767

Date:07/2024

PAGE:X3PLB-1816-01

ROLLER BLIND - DRIVER' S & WINDSHIELD



From L-7663 To M-7767	Date:07/2024	PAGE:X3PLB-1816-01
-----------------------	--------------	--------------------

ROLLER BLIND - DRIVER' S & WINDSHIELD

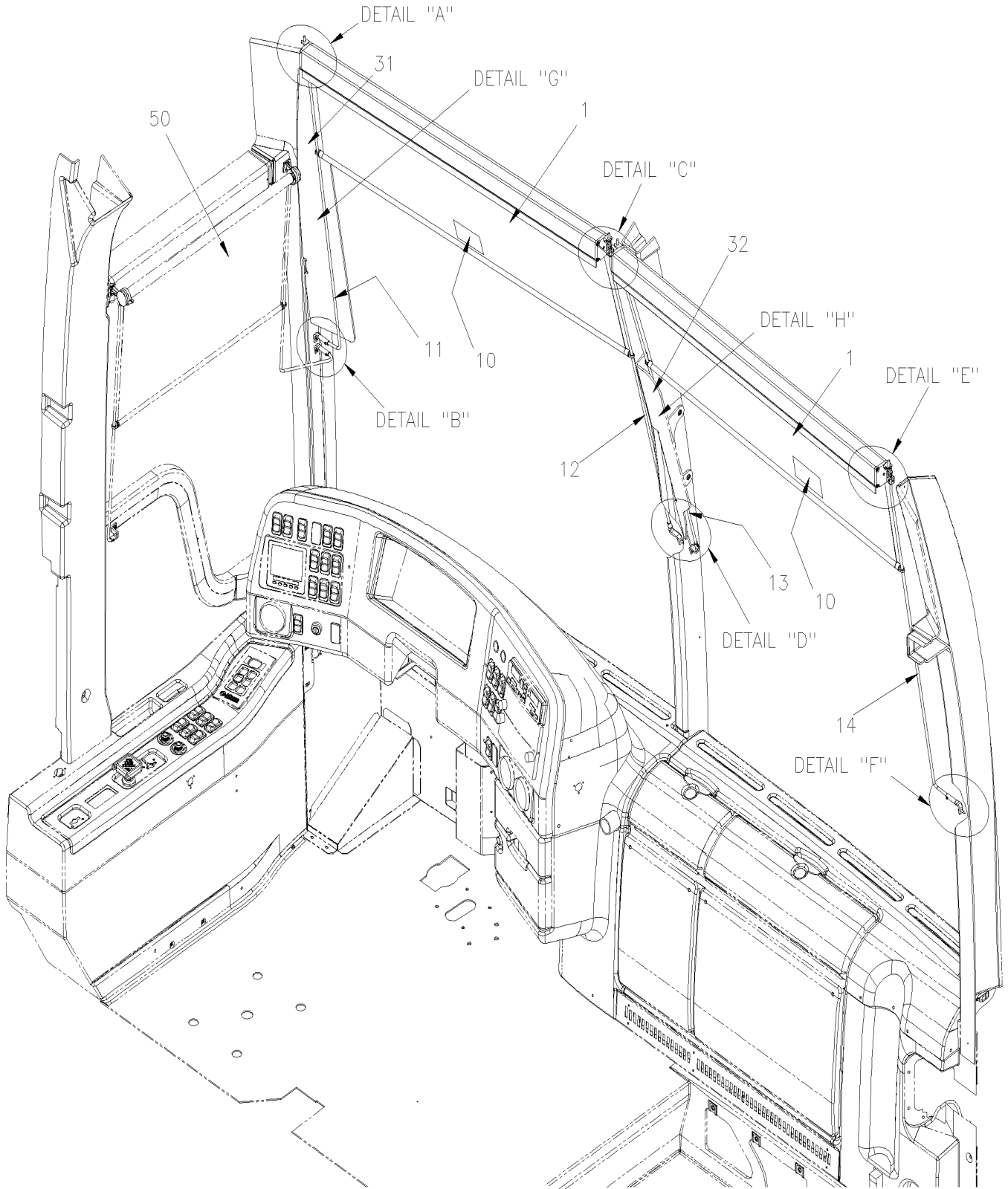
Item#	Part	Description	QTY	Notes
1	901574	ROLLER BLIND / DRIVER / MANUAL / 22"	1	
NS	901838	SUPPORT, SUN BLIND	2	
2	901671	ROLLER BLIND / WINDSHEILD / MANUAL / 45"	1	
2	900526	ROLLER BLIND / WINDSHEILD / ELECTRICAL / 45"	1	
3	901672	ROLLER BLIND / WINDSHEILD / MANUAL / 43"	1	
3	901450	ROLLER BLIND / WINDSHEILD / ELECTRICAL / 43"	1	
3	901697	ROLLER BLIND / WINDSHEILD / MANUAL / 43"	1	A
3	901450	ROLLER BLIND / WINDSHEILD / ELECTRICAL / 43"	1	A
3	901741	ROLLER BLIND / WINDSHEILD / MANUAL / 43"	1	GR
11	5002027	SCREW CAP HEXF AD M6-1.0x16 G10.9 N500	10	
12	5001344	NUT INS FL HEX M6-1.0 0.5-3.0 SS	2	
15	401349	PLEXIGLASS TINTED / "DRIVECAM"	1	
16	401322	SUPPORT / "DRIVECAM"	1	
17	500510	SCREW MA BDG PH #10-32x3/4 SS EMN	9	
18	500855	WASHER FL .188x.438x.049 N500	9	
19	500519	NUT WELL #10-32x.518	8	
		A) WITH DESTINATION SIGN		
		GR) GREYHOUND OPTION		

From G-7275 To K-7662

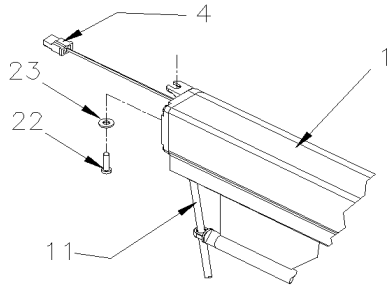
Date:07/2024

PAGE:X3PLB-1816-05

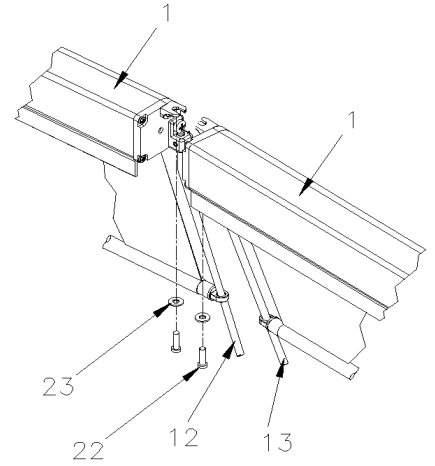
ROLLER BLIND - WINDSHIELD W/ELECTRICAL



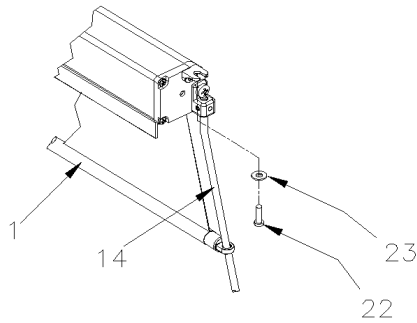
ROLLER BLIND - WINDSHIELD W/ELECTRICAL



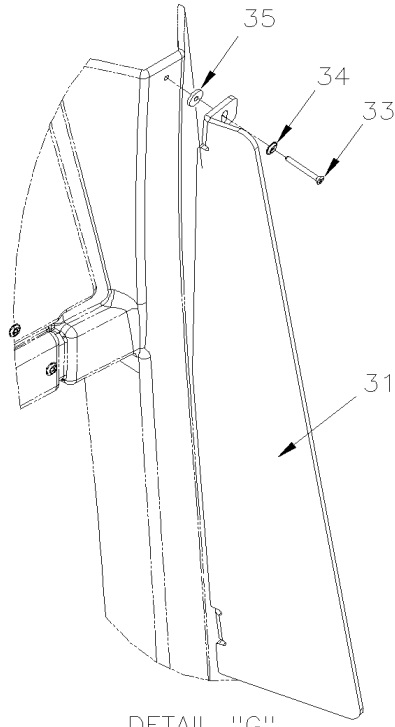
DETAIL "A"



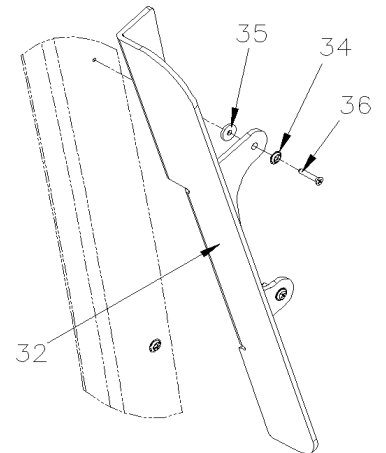
DETAIL "C"



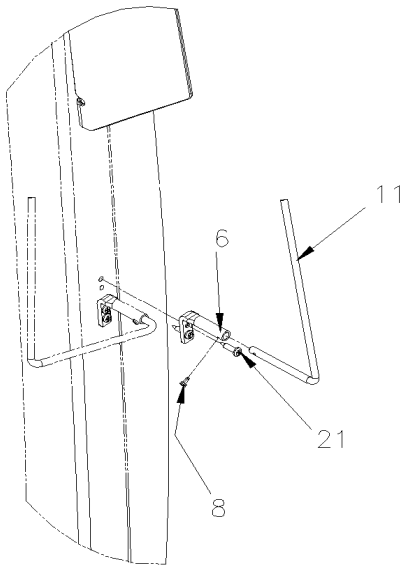
DETAIL "E"



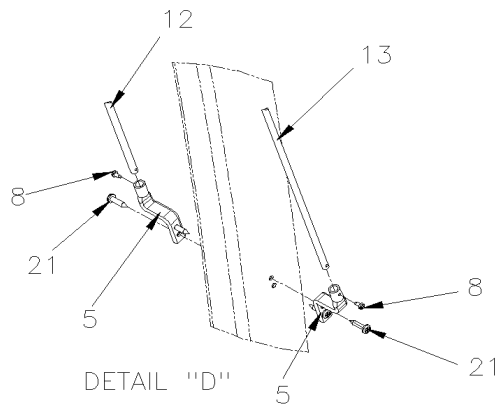
DETAIL "G"



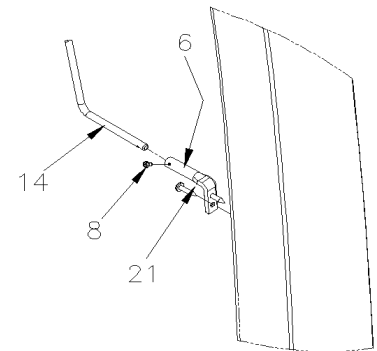
DETAIL "H"



DETAIL "B"



DETAIL "D"



DETAIL "F"

From G-7275 To K-7662	Date:07/2024	PAGE:X3PLB-1816-05
-----------------------	--------------	--------------------

ROLLER BLIND - WINDSHIELD W/ELECTRICAL

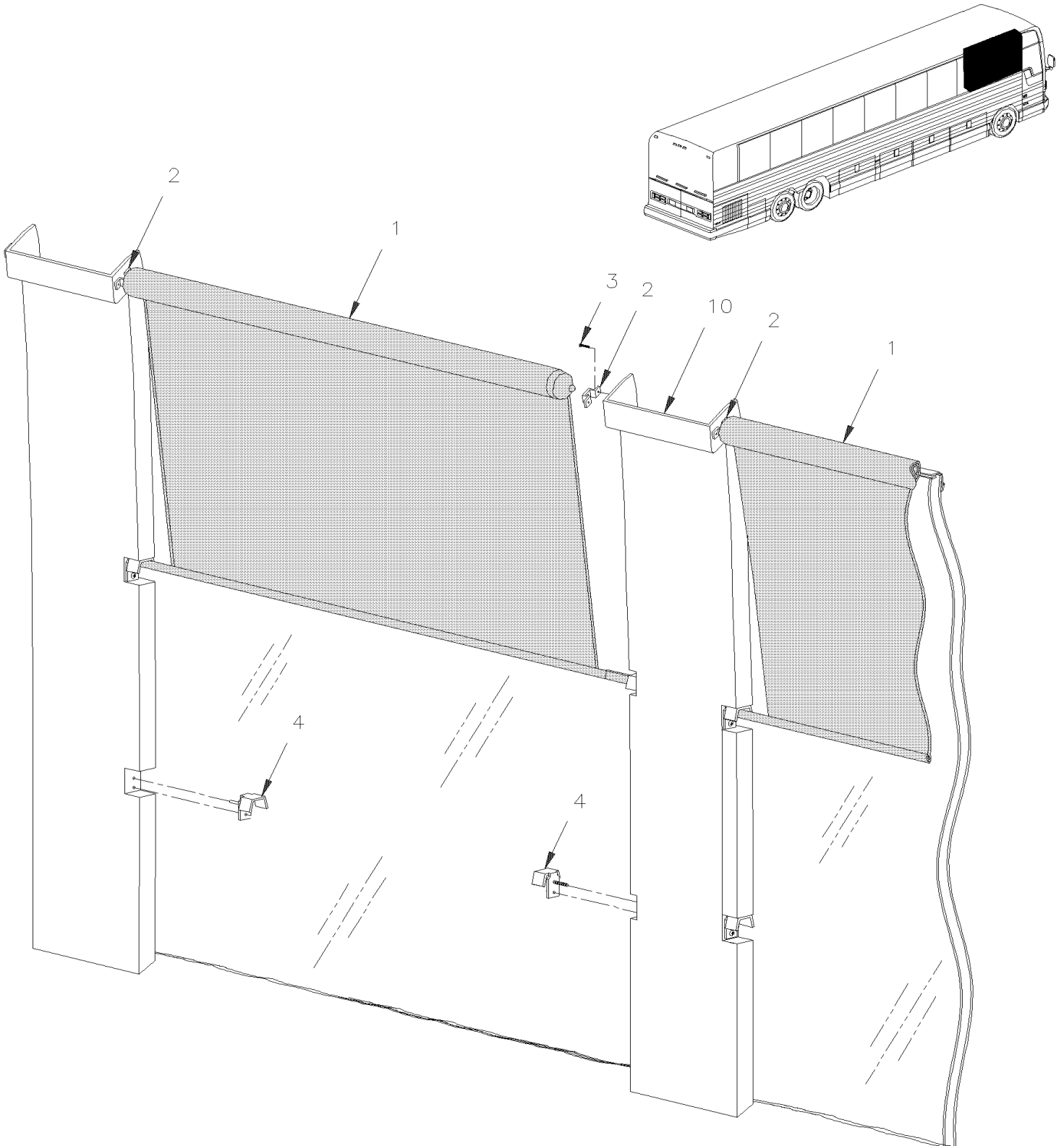
Item#	Part	Description	QTY	Notes
1	900043	ROLLER BLIND ASSY / ELECTRIC	2	
4	560854	SOCKET TERMINAL / 24-18 / AMP 60617-1	2	
5	401060	ROD HOLDER / BLACK / PLASTIC "S" SHAPE / 2 HOLES	2	
6	401059	ROD HOLDER / BLACK / STEEL "L" SHAPE / 2 HOLES	2	
8	5001091	SCREW TC PAN PH #4-40x1/4 BK	4	
10	402952	DECAL	1	
11	407651	ROD / STREET SIDE / 820MM	1	
12	406468	ROD 846MM	1	
13	406468	ROD 846MM	1	
13	406472	ROD / L.H. CURBSIDE / 576MM	1	D
13	407690	ROD / L.H. CURBSIDE / 464MM	1	GR
14	407652	ROD / CURBSIDE / 820MM	1	
14	407653	ROD / R.H. CURBSIDE / 556MM X 59MM	1	D
14	407691	ROD / R.H. CURBSIDE / 457MM	1	GR
21	5001155	SCREW TP PAN PH #8X3/4 N050	4	
22	500658	SCREW TC PAN PH #10-24x3/4 Z050	4	
23	500964	WASHER FL .203x.500x.047 Z050	4	
31	3200339	PLEXIGLASS / TINTED L.H. STREET SIDE / 795MM	1	
31	3201220	PLEXIGLASS / TINTED L.H. STREET SIDE / 645MM	1	O
32	3200340	PLEXIGLASS / TINTED L.H. CURBSIDE / 540MM	1	
33	500632	SCREW TP OV PH #8x1 1/2 Z050	AR	
34	500463	WASHER FN CKF .187x.500x.090 BR Z050	AR	
35	500950	WASHER FL .187x.625x.094 RUB	AR	
36	500629	SCREW TP OV PH #8x1 Z050	AR	
NS	327623	SUPPORT / ROLLER BLIND / UNDER DESTINATION SIGN / 244MM	1	
50	X3PLB-1816-00	ROLLER BLIND - DRIVER' S & WINDSHIELD		
		D) BUS WITH DESTINATION SIGN		
		GR) "GREYHOUND" OPTION		
		O) OPTION		

From G-7275 To K-7662

Date:07/2024

PAGE:X3PLB-1816-10

SUN SHADE - PASSENGER'S WINDOW



From G-7275 To K-7662	Date:07/2024	PAGE:X3PLB-1816-10
-----------------------	--------------	--------------------

SUN SHADE - PASSENGER'S WINDOW

Item#	Part	Description	QTY	Notes
1	901363	SUN SHADE / 1140MM ROD WIDE	17	
. NS	901530	. CLIP SUNVISOR	1	
. NS	901531	. CLIP SUNVISOR W/PIN	1	
. NS	900055	. RUBBER CAP	2	
1	901423	SUN SHADE / W.C.L. DOOR / SLIDING / 941MM WIDE	1	
1	901365	SUN SHADE / W.C.L. / 1071MM ROD WIDE	1	
. NS	901530	. CLIP SUNVISOR	1	
. NS	901531	. CLIP SUNVISOR W/PIN	1	
1	685594	TOOL / SUN SHADE INSTALLATION	1	
2	900979	ATTACHMENT CLIP-ON	34	
3	504107	RIVET POP DOME OE 1/8x5/16 AL	2	
3	502578	WASHER FL 3.2x7.0x0.5 Z050	2	
4	903227	HOOK SINGLE W/1 SCREW HOLE LIGHT GREY	4	
4	409091	BRACKET, R.H. "O"	AR	
4	409090	BRACKET, L.H. "D"	AR	
NS	500814	SCREW TP BDG PH #6x3/4 BK	AR	
10	X3PLB-1833-00	WINDOW FINISHING CAP & WALL		

From L-7663 To M-7767	Date:07/2024	PAGE:X3PLB-1816-11
-----------------------	--------------	--------------------

SUN SHADE - PASSENGER'S WINDOW

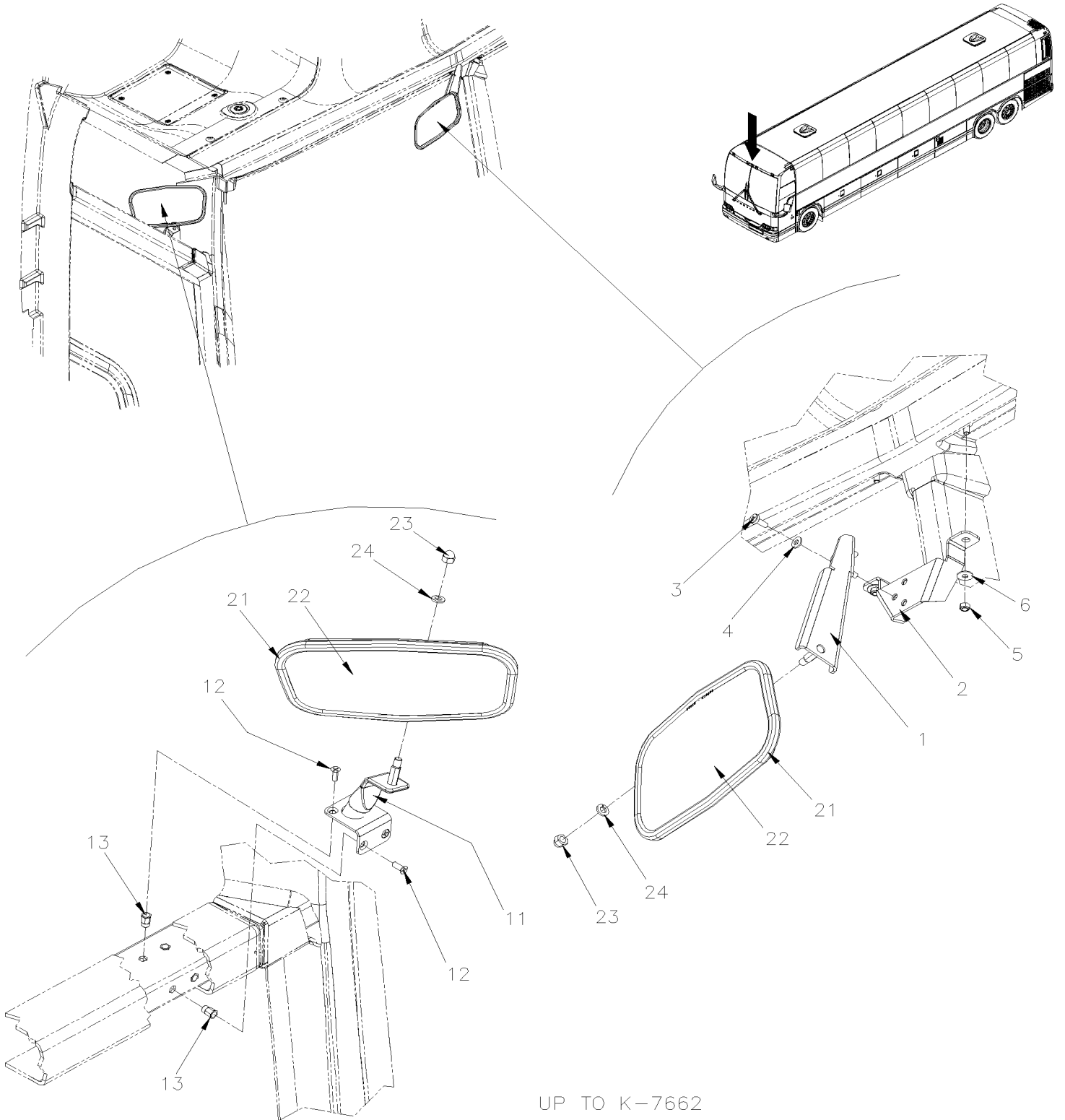
Item#	Part	Description	QTY	Notes
1	901346	SUN SHADE / 1563MM ROD WIDE	13	
. NS	901530	. CLIP SUNVISOR	1	
. NS	901531	. CLIP SUNVISOR W/PIN	1	
. NS	900055	. RUBBER CAP	2	
1	901346	SUN SHADE / 1563MM ROD WIDE	10	A
. NS	901530	. CLIP SUNVISOR	1	A
. NS	901531	. CLIP SUNVISOR W/PIN	1	A
. NS	900055	. RUBBER CAP	2	A
1	900369	SUN SHADE / W.C.L. / 1628MM ROD WIDE	2	A
. NS	901530	. CLIP SUNVISOR	1	A
. NS	901531	. CLIP SUNVISOR W/PIN	1	A
. NS	900055	. RUBBER CAP	2	A
1	900368	SUN SHADE / W.C.L. DOOR / SLIDING / 936MM ROD WIDE	1	A
. NS	901530	. CLIP SUNVISOR	1	A
. NS	901531	. CLIP SUNVISOR W/PIN	1	A
. NS	900055	. RUBBER CAP	2	A
5	900979	ATTACHMENT CLIP-ON	AR	
6	400793	BRACKET, CLIP-ON ASSY	6	
. A	400779	. BRACKET	1	
. B	900979	. ATTACHMENT CLIP-ON	1	
. C	504105	. RIVET POP DOME OE 1/8x3/16 AL	2	
11	504107	RIVET POP DOME OE 1/8x5/16 AL	AR	
12	500437	WASHER FL .125x.375x.040 Z050 To L-7742	AR	
12	502578	WASHER FL 3.2x7.0x0.5 Z050 From L-7743	AR	
13	500235	SCREW TP BDG PH #6x3/4 N500	AR	
20	685594	TOOL / SUN SHADE INSTALLATION	1	
50	X3PLB-1833-01	WINDOW FINISHING CAP & WALL		
		A) WITH WHEEL CHAIR LIFT		

From G-7275 To M-7767

Date:07/2024

PAGE:X3PLB-1820-00

MIRROR - INTERIOR

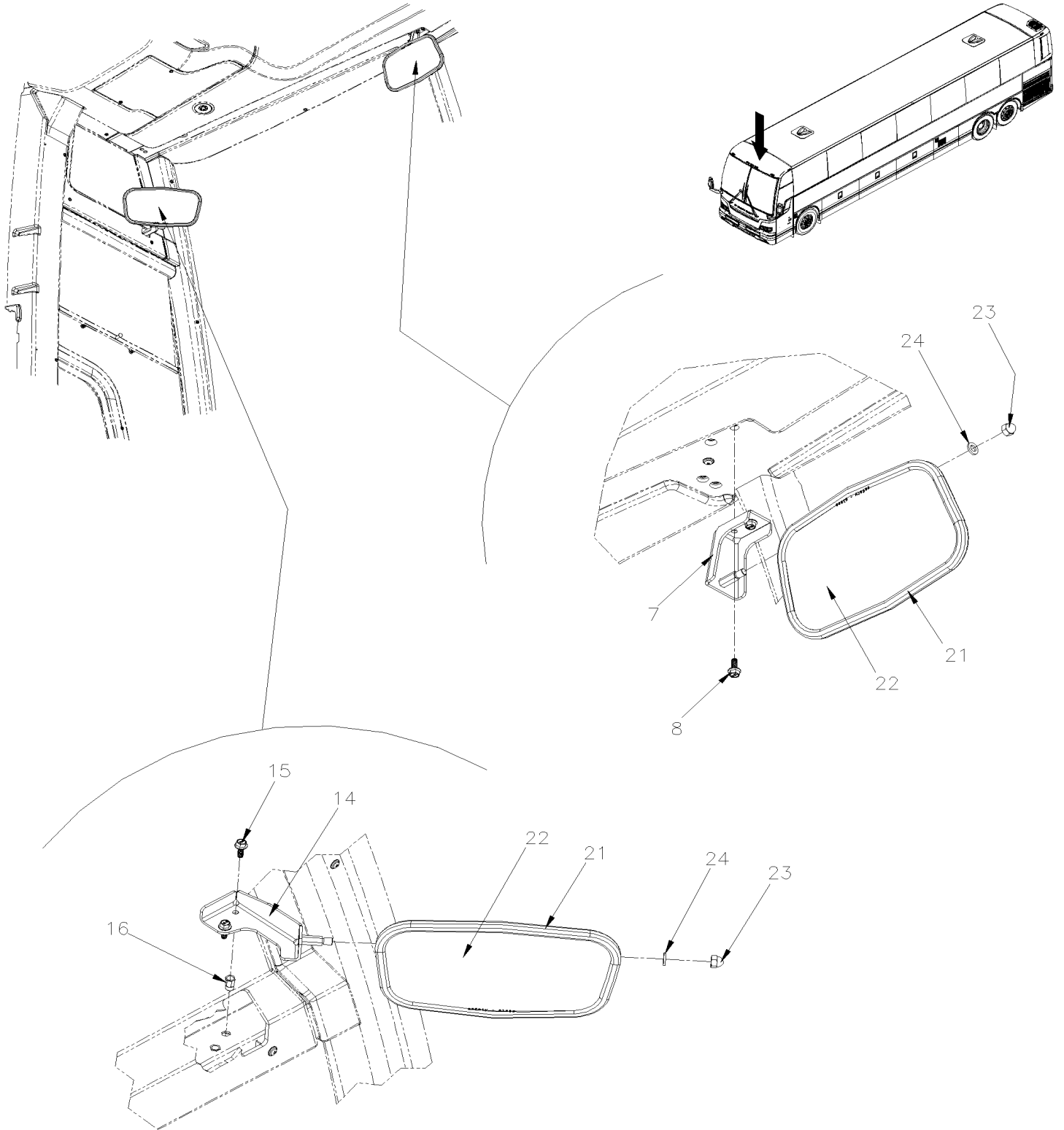


From G-7275 To M-7767

Date:07/2024

PAGE:X3PLB-1820-00

MIRROR - INTERIOR



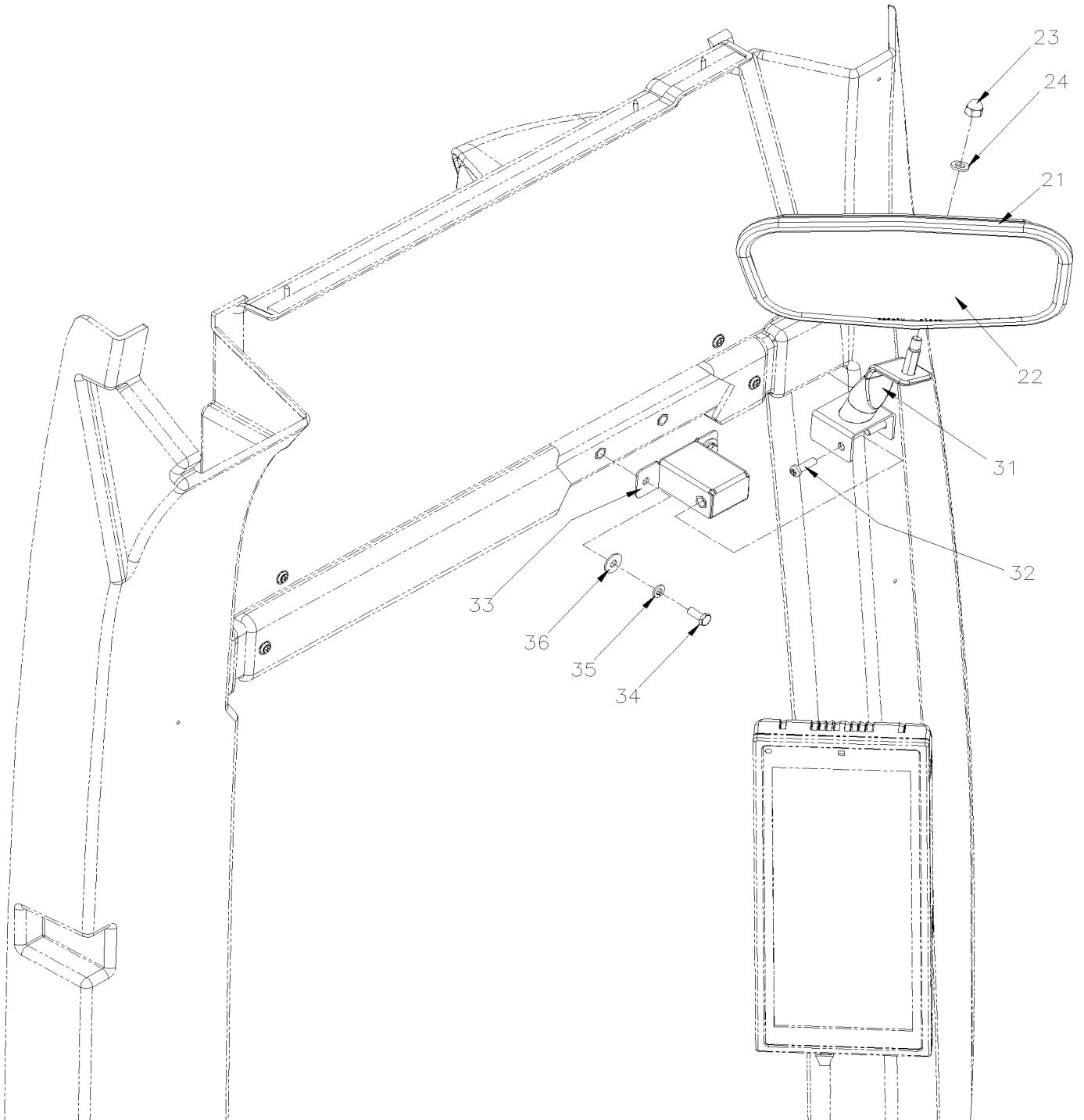
FROM L-7663

From G-7275 To M-7767

Date:07/2024

PAGE:X3PLB-1820-00

MIRROR - INTERIOR



From G-7275 To M-7767	Date:07/2024	PAGE:X3PLB-1820-00
MIRROR - INTERIOR		

Item#	Part	Description	QTY	Notes
1	405136	SUPPORT CENTRAL ASSY, MIRROR To K-7662	1	
2	408099	MIRROR SUPPORT / CENTER WINDSHIELD To K-7662	1	
3	502569	SCREW MA PAN PH M6-1.0x16 BK To K-7662	3	
4	500877	WASHER FL .250x.562x.065 N500 To K-7662	3	
5	502681	NUT HEX NYRT M6-1.0 N500 G8 To K-7662	2	
6	500411	WASHER FL .260x.697x.050 SS To K-7662	2	
7	400694	SUPPORT CENTRAL ASSY, MIRROR From L-7663	1	
8	5002027	SCREW CAP HEXF AD M6-1.0x16 G10.9 N500 From L-7663	2	
11	405301	MIRROR SUPPORT / L.H. DRIVER'S WINDOW To K-7662	1	
12	5001198	SCREW MA FL PH M6-1.0x16 Z050 To K-7662	4	
13	5001344	NUT INS FL HEX M6-1.0 0.5-3.0 SS To K-7662	4	
14	400938	MIRROR SUPPORT / L.H. DRIVER'S WINDOW From L-7663	1	
15	5002027	SCREW CAP HEXF AD M6-1.0x16 G10.9 N500 From L-7663	2	
16	5001344	NUT INS FL HEX M6-1.0 0.5-3.0 SS From L-7663	2	
21	900438	MIRROR ASSY SAFETY	1	
22	900440	. GLASS / SAFETY	1	
23	500780	NUT HEX CAP 5/16-18 Z050	1	
24	500942	WASHER LO SPT 8.1x14.8x2.0 N500	1	
31	401347	MIRROR SUPPORT / L.H. DRIVER'S WINDOW From L-7663	1	
32	5001507	SCREW MA PAN PH M6-1.0x20 SS From L-7663	3	
33	3210848	SUPPORT, INSIDE MIRROR W/"E-MIRROR" From L-7663	1	
34	5001530	SCREW CAP HEX M6-1.0x16 SS From L-7663	2	
35	502853	WASHER LO SPT 6.1x11.8x1.6 N500 From L-7663	2	
36	5001976	WASHER FL .266x.718x.060 SS From L-7663	2	

From G-7275 To M-7767

Date:07/2024

PAGE:X3PLB-1821-00

DRIVER'S SEAT - "NATIONAL SEATING" - MODEL NSIII B

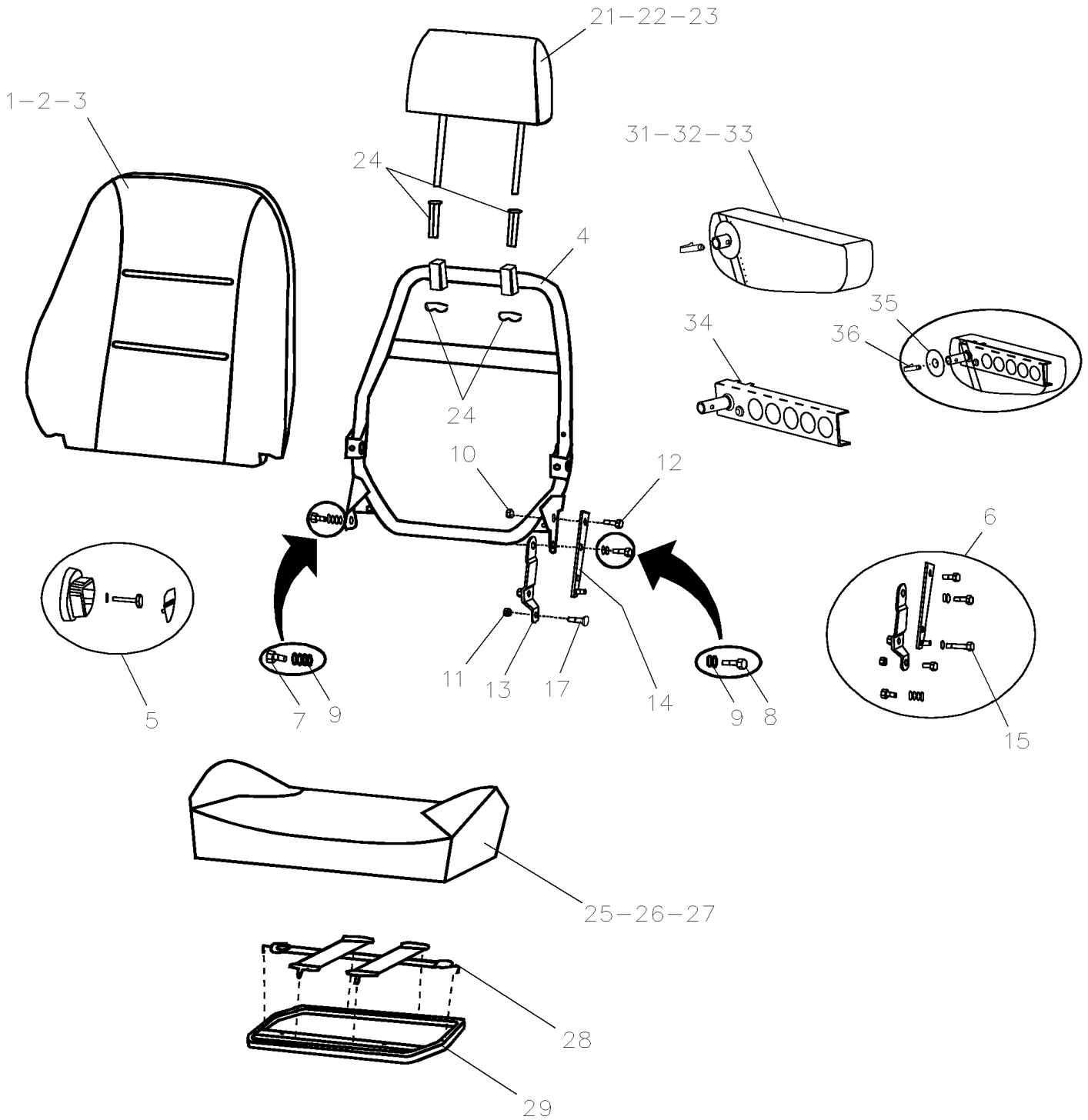


From G-7275 To M-7767

Date:07/2024

PAGE:X3PLB-1821-00

DRIVER'S SEAT - "NATIONAL SEATING" - MODEL NSIII B

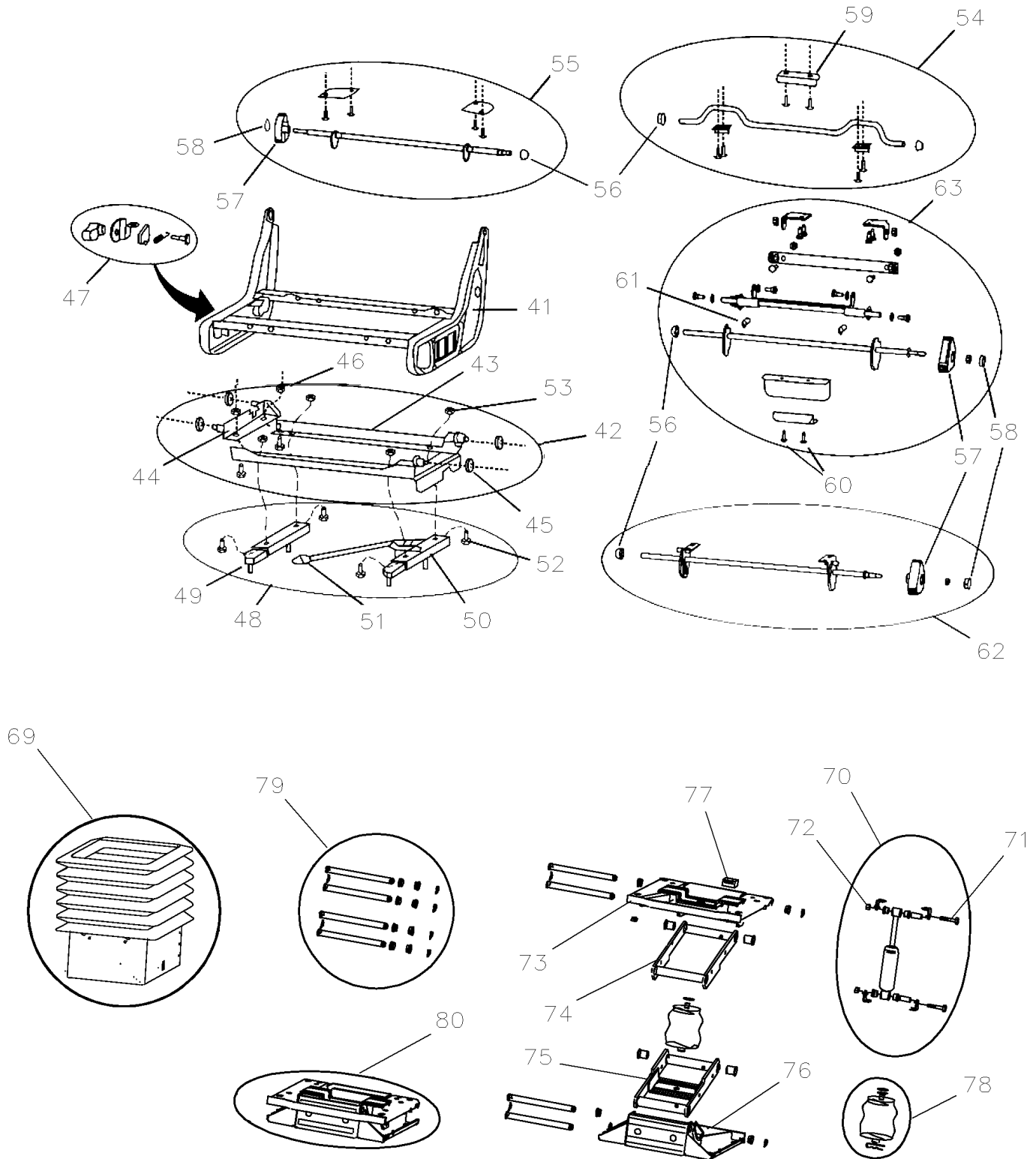


From G-7275 To M-7767

Date:07/2024

PAGE:X3PLB-1821-00

DRIVER'S SEAT - "NATIONAL SEATING" - MODEL NSIII B

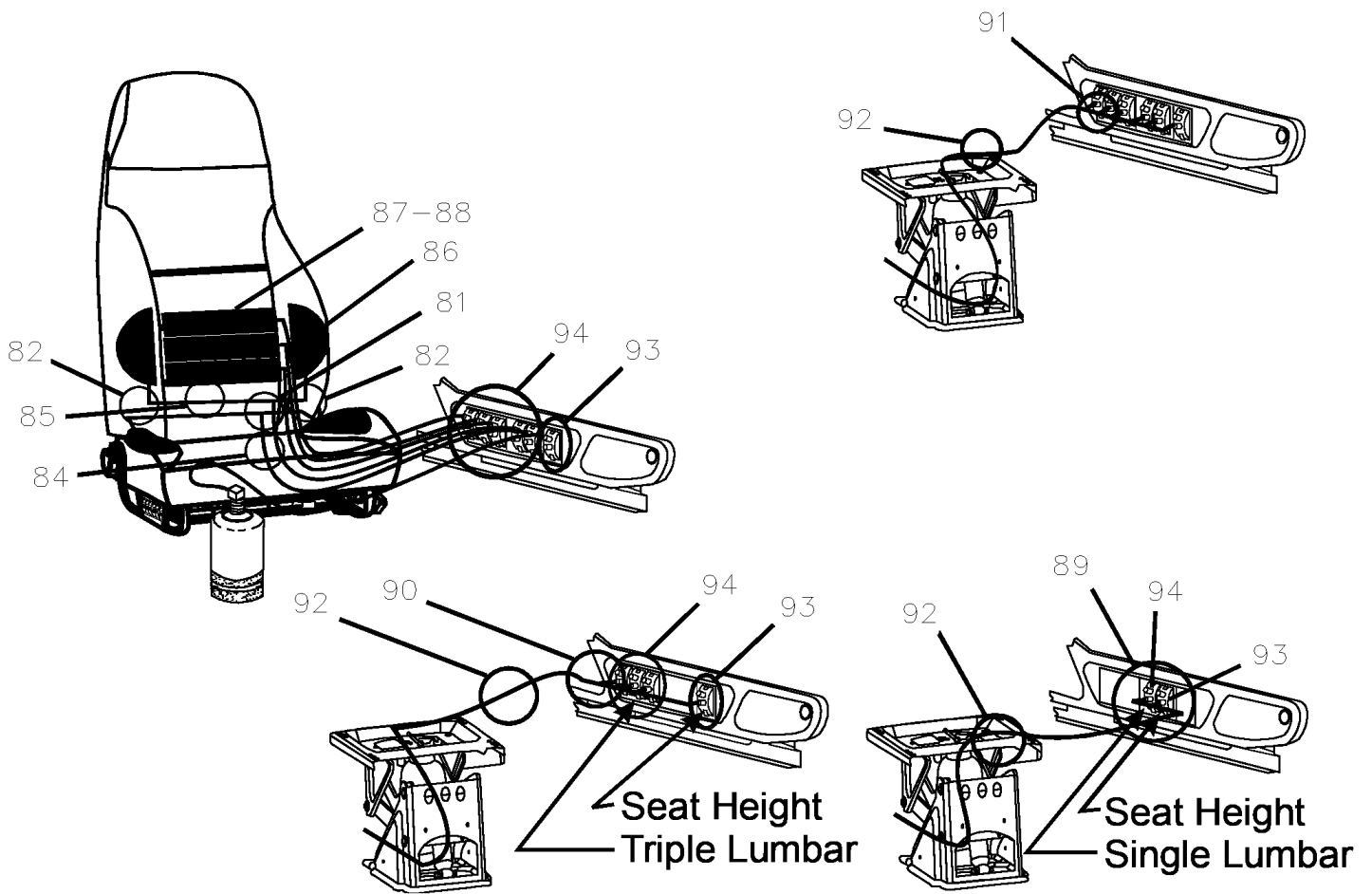


From G-7275 To M-7767

Date:07/2024

PAGE:X3PLB-1821-00

DRIVER'S SEAT - "NATIONAL SEATING" - MODEL NSIII B



From G-7275 To M-7767	Date:07/2024	PAGE:X3PLB-1821-00
-----------------------	--------------	--------------------

DRIVER'S SEAT - "NATIONAL SEATING" - MODEL NSIII B

Item#	Part	Description	QTY	Notes
	863319	DRIVER'S SEAT ASSY / MODEL NSIII B		A
1	Call order desk	. BACK ASSY	1	P C
2	Call order desk	. BACK COVER	1	P C
3	Call order desk	. INTERMEDIATE BACK POLY-20"	1	P C
4	Call order desk	. INT. BACK FRAME ASSY FOR HEADREST	1	P
5	863950	. KNOB KIT -BACK RECLINE	1	
6	Call order desk	. INSTALL BACK TO LOWER FRAME	1	P
7	Call order desk	. BOLT ,SHOULDER	1	P
8	Call order desk	. BOLT ,SHOULDER	1	P
9	Call order desk	. WASHER, WAVE	6	P
10	Call order desk	. NUT,TRACK ATTACHMENT	1	P
11	Call order desk	. LOCK NUT 5/16 -18	1	P
12	Call order desk	. BOLT ,SHOULDER 3/8-16X1"	1	P
13	Call order desk	. BACK PLATE ASSY	1	P
14	Call order desk	. RECLINE LIMITING BRACKET, 6 TO 23DEG	1	P
14	Call order desk	. RECLINE LIMITING BRACKET, 2 TO 15DEG	1	P
15	Call order desk	. BOLT	1	P
NS	Call order desk	. LO-MID BACK CRASH PAD	1	P
17	Call order desk	. BOLT 5/16-18x11/16	1	P
21	Call order desk	. HEADREST ASSY	1	P C
22	Call order desk	. COVER, HEADREST	1	P C
23	Call order desk	. POLY AND FRAME ASSY	1	P
24	Call order desk	. BUSHING KIT	1	P
25	Call order desk	. UPHOLSTERED CUSHION ASSY	1	P C
26	Call order desk	. CUSHION COVER	1	P C
27	Call order desk	. POLY, CUSHION	1	P C
28	Call order desk	. WEBBING	3	P
29	Call order desk	. CUSHION FRAME	1	P
31	Call order desk	. ARMREST	1	P C
32	Call order desk	. ARMREST COVER	1	P C
33	Call order desk	. POLY, ARMREST, LEFT	1	P
33	Call order desk	. POLY, ARMREST, RIGHT	1	P
34	Call order desk	. ARMREST MECHANICAL ASSY LH - 20"	1	P
34	Call order desk	. ARMREST MECHANICAL ASSY RH - 20"	1	P
35	Call order desk	. DISK, NYLON, ARMREST PIVOT	1	P
36	Call order desk	. CLIP, SPRING, ARMREST	1	P
41	Call order desk	. LOWER FRAME ASSY	1	P C
42	Call order desk	. CHUGGER KIT	1	P
43	Call order desk	. CHUGGER SUPPORT	1	P
44	Call order desk	. CHUGGER SUPPORT FRAME	1	P
45	Call order desk	. ROLLER BEARING	4	P
46	Call order desk	. NUT & WASHER ASSY 5/16 -18	2	P

From G-7275 To M-7767	Date:07/2024	PAGE:X3PLB-1821-00
DRIVER'S SEAT - "NATIONAL SEATING" - MODEL NSIII B		

Item#	Part	Description	QTY	Notes
47	Call order desk	. CHUGGER LOCK OUT KIT	1	P
48	Call order desk	. TRACK KIT	1	P
49	Call order desk	. TRACK, SLAVE	1	P
50	867927	. TRACK, LOCKING	1	
51	Call order desk	. KNOB, TRACK	1	P
52	Call order desk	. BOLT, SQUARE NECK	4	P
53	Call order desk	. NUT, TRACK ATTACHMENT	4	P
54	Call order desk	. FRONT CUSHION ADJUSTER KIT, 2 POSITION	1	P
55	Call order desk	. REAR CUSHION ADJUSTER	1	P
56	Call order desk	. CAP, CUSHION ADJUSTER ROD	AR	P
57	865354	. KNOB, REAR / FRONT CUSHION ADJUSTER	AR	
58	Call order desk	. COVER, KNOB CUSHION ADJUSTER	AR	P
59	Call order desk	. HANDLE, FRONT CUSHION ADJUSTER	AR	P
60	865091	. SCREW #10 X 3/4	AR	
61	Call order desk	. SPRING	AR	P
62	Call order desk	. FRONT CUSHION ADJUSTER KIT, 3 POSITION LH	1	P
62	Call order desk	. FRONT CUSHION ADJUSTER KIT, 3 POSITION RH	1	P
63	Call order desk	. FRONT CUSHION ADJUSTER KIT, 6 POSITION LH	1	P
63	Call order desk	. FRONT CUSHION ADJUSTER KIT, 6 POSITION RH	1	P
69	Call order desk	. BELLOWS KIT	1	P
70	860289	. SHOCK ABSORBER	1	
71	Call order desk	. BOLT 3/8-24x1 3/4	1	P
72	Call order desk	. LOCKNUT THIN 3/8-24	1	P
73	860099	. UPPER BASE ASSY - 96 BASE MODEL	1	
73	Call order desk	. UPPER BASE ASSY - 97 BASE MODEL	1	P
74	860103	. UPPER ARM ASSY W/BUSHINGS - 96 BASE MODEL	1	
74	Call order desk	. UPPER ARM ASSY W/BUSHINGS - 97 BASE MODEL	1	P
75	860104	. LOWER ARM ASSY WITH BUSHINGS	1	
76	860105	. LOWER BASE ASSY - 96 MODEL	1	
76	Call order desk	. LOWER BASE ASSY - 97 MODEL	1	P
77	Call order desk	. BUMPER - DOWN STOP	1	P
78	860283	. BELLOW	1	
79	860652	. KIT REPAIR, SHAFT & BUSHING / W/AIR SUSPENSION	1	
80	Call order desk	. BASE ASSY - 96 BASE MODEL	1	P
80	Call order desk	. BASE ASSY - 97 BASE MODEL	1	P
81	Call order desk	. FITTING 1/8"	2	P
82	Call order desk	. ELBOW, PLASTIC FITTING	3	P
83	Call order desk	. TIE STRAP	5	P
84	Call order desk	. TUBING, CLEAR, 2.83 FEET	1	P
85	Call order desk	. TUBING, GREEN, 2.67 FEET	1	P
86	Call order desk	. AIR BOLSTER	4	P
87	865265	. SINGLE CHAMBER LUMBAR BAG	1	

From G-7275 To M-7767	Date:07/2024	PAGE:X3PLB-1821-00
DRIVER'S SEAT - "NATIONAL SEATING" - MODEL NSIII B		

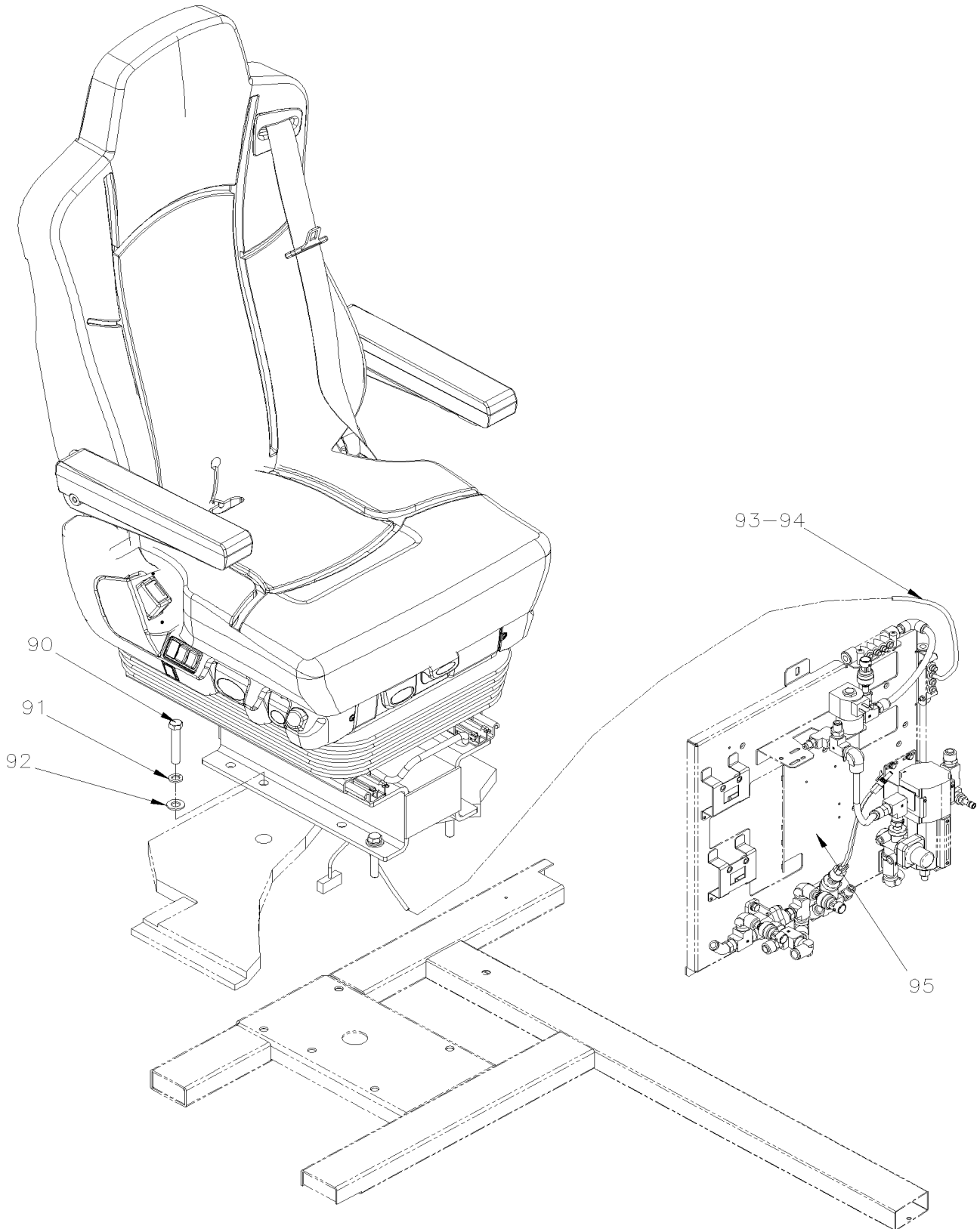
Item#	Part	Description	QTY	Notes
88	865266	. TRIPLE CHAMBER LUMBAR BAG	1	
89	867921	. MANIFOLD ASSY, 2 BUTTON	1	
90	Call order desk	. MANIFOLD ASSY, 4 BUTTON	1	P
91	Call order desk	. MANIFOLD ASSY, 6 BUTTON	1	P
92	Call order desk	. TUBING, BLACK, 1.5 FEET	1	P
93	19518194	. AIR VALVE, HIGH PRESSURE, RED HANDLE	1	
94	865355	. AIR VALVE, LOW PRESSURE, GREY HANDLE	5	
95	Call order desk	. SINGLE CHAMBER INSTALLATION INCLUDING ITEMS 7 & 12	1	P
96	Call order desk	. TRIPLE CHAMBER INSTALLATION INCLUDING ITEMS 8 & 12	1	P
97	Call order desk	. TRIPLE CHAMBER INSTALLATION W/BOLSTERS INCLUDING	1	P
		A) BASE 96 MODEL		
		C) SEAT SERIAL NUMBER NEED		
		P) CALL ORDER DESK FOR SPECIFIC APPLICATION (V.I.N.)		

From G-7275 To M-7767

Date:07/2024

PAGE:X3PLB-1822-01

DRIVER'S SEAT - "ISRI" - 6832/872



From G-7275 To M-7767	Date:07/2024	PAGE:X3PLB-1822-01
------------------------------	---------------------	---------------------------

DRIVER'S SEAT - "ISRI" - 6832/872

Item#	Part	Description	QTY	Notes
	864371	DRIVER'S SEAT - "ISRI" - MODEL 6832/872 / W/ACTIVE CLIMATE CONTROL / W/O COVERING To P-8096	1	
	8601002	DRIVER'S SEAT - "ISRI" - MODEL 6832/872 / W/ACTIVE CLIMATE CONTROL / W/O COVERING From P-8097	1	
	360114	DRIVER'S SEAT - "ISRI" - MODEL 6832/872 / W/O ACTIVE CLIMATE CONTROL / W/COVERING WITH ORANGE SEAT BELT To K-7561	1	
	864372	. DRIVER'S SEAT - "ISRI" - MODEL 6832/872 / W/O ACTIVE CLIMATE CONTROL / W/O COVERING WITH ORANGE SEAT BELT To K-7561	1	
	360068	DRIVER'S SEAT - "ISRI" - MODEL 6832/872 / W/O ACTIVE CLIMATE CONTROL / W/COVERING WITH ORANGE SEAT BELT From K-7562 To P-8096	1	
	860101	DRIVER'S SEAT - "ISRI" - MODEL 6832/872 / W/O ACTIVE CLIMATE CONTROL / W/O COVERING WITH ORANGE SEAT BELT From K-7562 To P-8096	1	
	8601001	DRIVER'S SEAT - "ISRI" - MODEL 6832/872 / W/O ACTIVE CLIMATE CONTROL / W/O COVERING WITH ORANGE SEAT BELT From P-8097	1	
	864413	DRIVER'S SEAT - "ISRI" - MODEL 6832/872 / WITH HEATING / W/O COVERING To K-7561	1	
	860102	DRIVER'S SEAT - "ISRI" - MODEL 6832/872 / WITH HEATING / W/O COVERING From K-7562 To P-8096	1	
	8601000	DRIVER'S SEAT - "ISRI" - MODEL 6832/872 / WITH HEATING / W/O COVERING From P-8097	1	
	864373	DRIVER'S SEAT - "ISRI" - MODEL 6832/872 / W/ACTIVE CLIMATE CONTROL / W/COVERING BLACK / NOIR To K-7561	1	
	860189	DRIVER'S SEAT - "ISRI" - MODEL 6832/872 / W/ACTIVE CLIMATE CONTROL / W/COVERING BLACK / NOIR From K-7562 To P-8096	1	
	8601003	DRIVER'S SEAT - "ISRI" - MODEL 6832/872 / W/ACTIVE CLIMATE CONTROL / W/COVERING BLACK / NOIR From P-8097	1	
	864374	DRIVER'S SEAT - "ISRI" - MODEL 6832/872 / W/O ACTIVE CLIMATE CONTROL / W/COVERING BLACK / NOIR To K-7561	1	
	860193	DRIVER'S SEAT - "ISRI" - MODEL 6832/872 / W/O ACTIVE CLIMATE CONTROL / W/COVERING BLACK / NOIR From K-7562 To P-8096	1	
	8601004	DRIVER'S SEAT - "ISRI" - MODEL 6832/872 / W/O ACTIVE CLIMATE CONTROL / W/COVERING BLACK / NOIR From P-8097	1	
	864414	DRIVER'S SEAT - "ISRI" - MODEL 6832/872 / W/HEATING / W/COVERING BLACK / NOIR To K-7561	1	
	860194	DRIVER'S SEAT - "ISRI" - MODEL 6832/872 / W/HEATING / W/COVERING BLACK / NOIR From K-7562 To P-8096	1	
	8601005	DRIVER'S SEAT - "ISRI" - MODEL 6832/872 / W/HEATING / W/COVERING BLACK / NOIR From P-8097	1	
1	865236	. RISER	1	
2	866273	. BACKREST ASSEMBLY LH	1	
3	364310	. COVERING BACKREST ASSY / S.C.C. / DRIVER'S "ISRI" / 6832/872	1	C
3	364311	. COVERING BACKREST ASSY / S.C.C. / DRIVER'S "ISRI" / 6832/872	1	
3	N8903263	COVERING BACKREST ASSY / BLACK	1	
4	864418	. . BELT GUIDE LH/RH	1	
6	864419	. . 3 POINT SAFETY BELT, LH To K-7561	1	
6	860332	. SEAT BELT ASS / W/BUCKLE W/SENSOR From K-7562	1	
8	864420	. . LUMBAR AIR CHAMBERS	1	
10	Call order desk	. SUSPENSION / SEAT FRAME ASSEMBLY	1	P S
14	N8904018	. SCREWS FOR BACKREST PIVOT	1	
15	861652	. GLIDE - SEAT PAN	1	
16	864421	. BELT BUCKLE To K-7561	1	
16	860332	. SEAT BELT ASS / W/BUCKLE W/SENSOR From K-7562	1	
17	864845	. RH COVER (CONTROL SIDE)	1	
19	866274	. BACKREST RECLINE MECH.	1	
21	N8904020	. BACKREST HANDLE LH	1	
22	861708	. LH COVER - (NON CONTROL SIDE)	1	
26	864422	. LUMBAR CONTROL VALVE, RH 2 BUTTONS	1	
26	N8911085	. LUMBAR CONTROL VALVE 3 BUTTONS	1	
26	868936	SWITCH UNIT RH ACTIVE CLIMATE CONTROL	1	E
27	864423	. HANDLE/CABLE FOR SHOCK ABSORBER	1	
28	865718	. TILT GLIDER	1	

From G-7275 To M-7767	Date:07/2024	PAGE:X3PLB-1822-01
DRIVER'S SEAT - "ISRI" - 6832/872		

Item#	Part	Description	QTY	Notes
29	864424	. HANDLE/CABLE FOR HEIGHT ADJUSTMENT	1	
30	864425	. QUICK AIR RELEASE VALVE, RH	1	
31	Call order desk	. FRONT COVER	1	P
32	865389	. REAR COVER	1	
41	864426	. SHOCK ABSORBER	1	
42	864427	. AIR SPRING	1	
43	864428	. HEIGHT CONTROL VALVE	1	
48	Call order desk	. RUBBER BELLOW	1	P
49	Call order desk	. BELLOW FASTENERS	1	P
50	866109	. SLIDE SET	1	
51	866037	. . SLIDE HANDLE	1	
55	N8903231	. SEAT CUSHION ASSEMBLY / WITHOUT COVERING	1	
55	868157	. CUSHION FOAM WITH W/ACTIVE CLIMATE CONTROL From P-8097	1	
55	868158	. CUSHION FOAM WITHOUT W/ACTIVE CLIMATE CONTROL From P-8097	1	
55	Call order desk	. SEAT CUSHION ASSEMBLY / WITH COVERING	1	P
56	364309	. COVERING SEATREST ASSY / S.C.C. / DRIVER'S "ISRI" / 6832/872 To P-8096	1	
56	360105	. COVERING SEATREST ASSY / S.C.C. / DRIVER'S "ISRI" / 6832/872 From P-8097	1	
56	N8903232	. COVERING SEATREST ASSY / BLACK To P-8096	1	
56	868156	. COVERING SEATREST ASSY / BLACK From P-8097	1	
58	864429	. CUSHION ADJUSTMENT HANDLE To P-8096	1	
62	864430	. PLASTIC VALVE STOP	1	
80	864411	. ARMREST LH / S.C.C. 13"	1	
80	866245	. ARMREST LH / LONG 14"	1	
81	864412	. ARMREST RH / S.C.C. 13"	1	
81	866246	. ARMREST RH / LONG 14"	1	
NS	865350	. KIT PNEUMATIC COMPONENTS	1	
NS	867958	. ADAPTOR	1	
NS	7771643	. FITTING CONNECTOR "Y"	1	
NS	868125	. UNION 4MM/4MM	1	
NS	868128	. UNION 6MM/4MM	1	
NS	868460	. HOSE AIR KIT	1	
NS	868833	. AIR PIPE CONNECTOR SML	AR	
90	5001862	SCREW CAP HEX M12-1.75x70 G10.9 N500	4	
NS	362549	SPACER / STRUCTURE & BASE / 27MM	4	
91	500747	WASHER LO SPT 12.2x21.1x2.5 N500	4	
92	500958	WASHER FL .531x1.062x.095 SS	4	
93	503402	TUBE, NYLON 1/4 O.D. / BLACK S.L.	AR	
NS	504016	CABLE TIE / 5/16" X 14"1/2	1	
93	504637	CABLE TIE / 3/16" x 13"	1	
94	641507	UNION / PUSH-IN FITTING / #4 x 6MM NP	1	
95	X3PLB-1630-00	FRONT KNEELING - CONTROL PANEL	1	

From G-7275 To M-7767		Date:07/2024	PAGE:X3PLB-1822-01
DRIVER'S SEAT - "ISRI" - 6832/872			

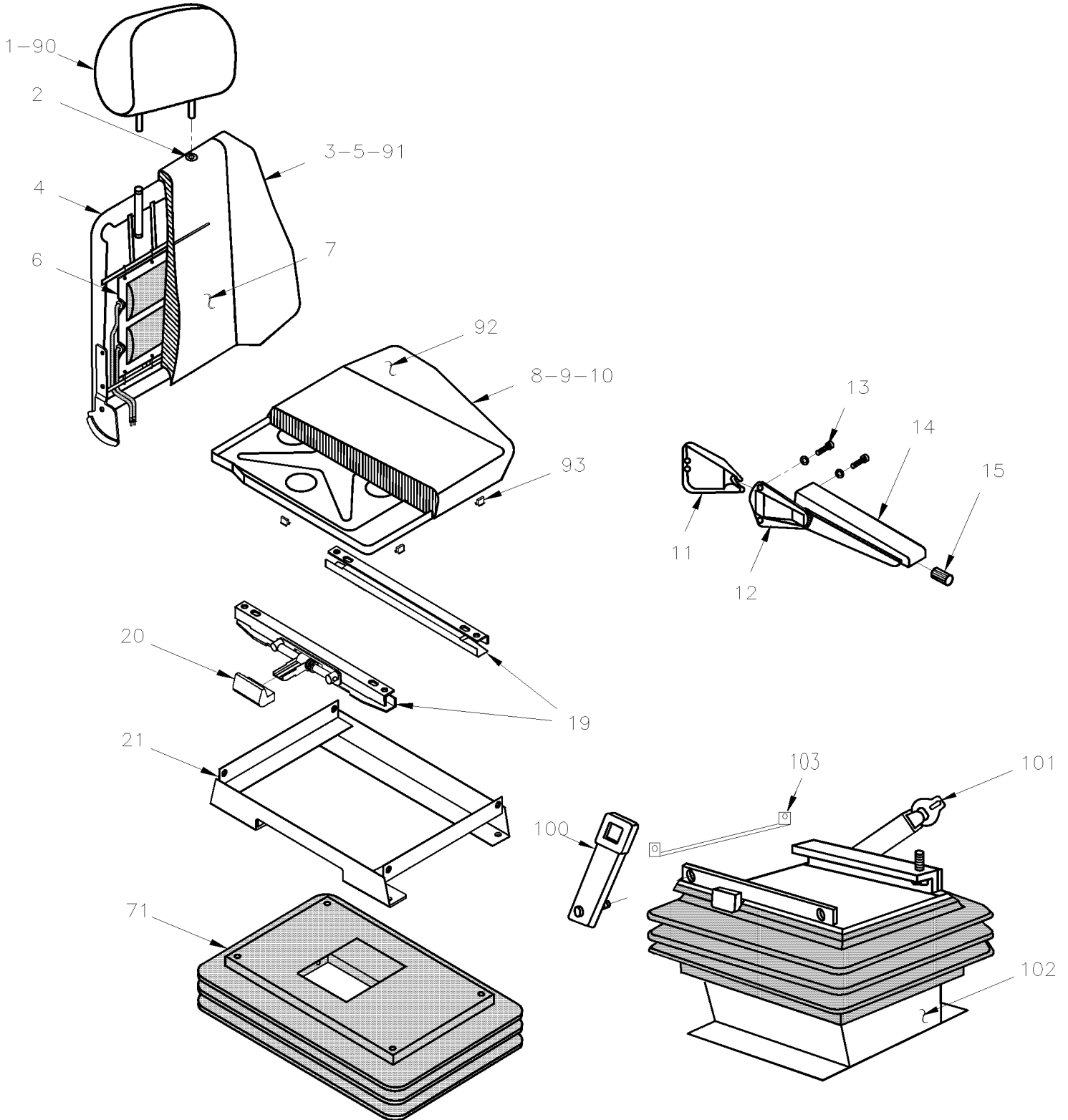
Item#	Part	Description	QTY	Notes
		C) WITH CHOICE BACKREST BACK COLOR		
		E) USE WITH SEAT WITH ACTIVE CLIMATE CONTROL		
		S) INCLUDES 15, 19, 21, 27, 28, 41, 42, 43, 48, 49, 50, 62		
		P) CALL ORDER DESK FOR SPECIFIC APPLICATION (V.I.N.)		

From G-7275 To M-7767

Date:07/2024

PAGE:X3PLB-1822-10

DRIVER'S SEAT - "ISRI" - 6000/515 & 6500/515

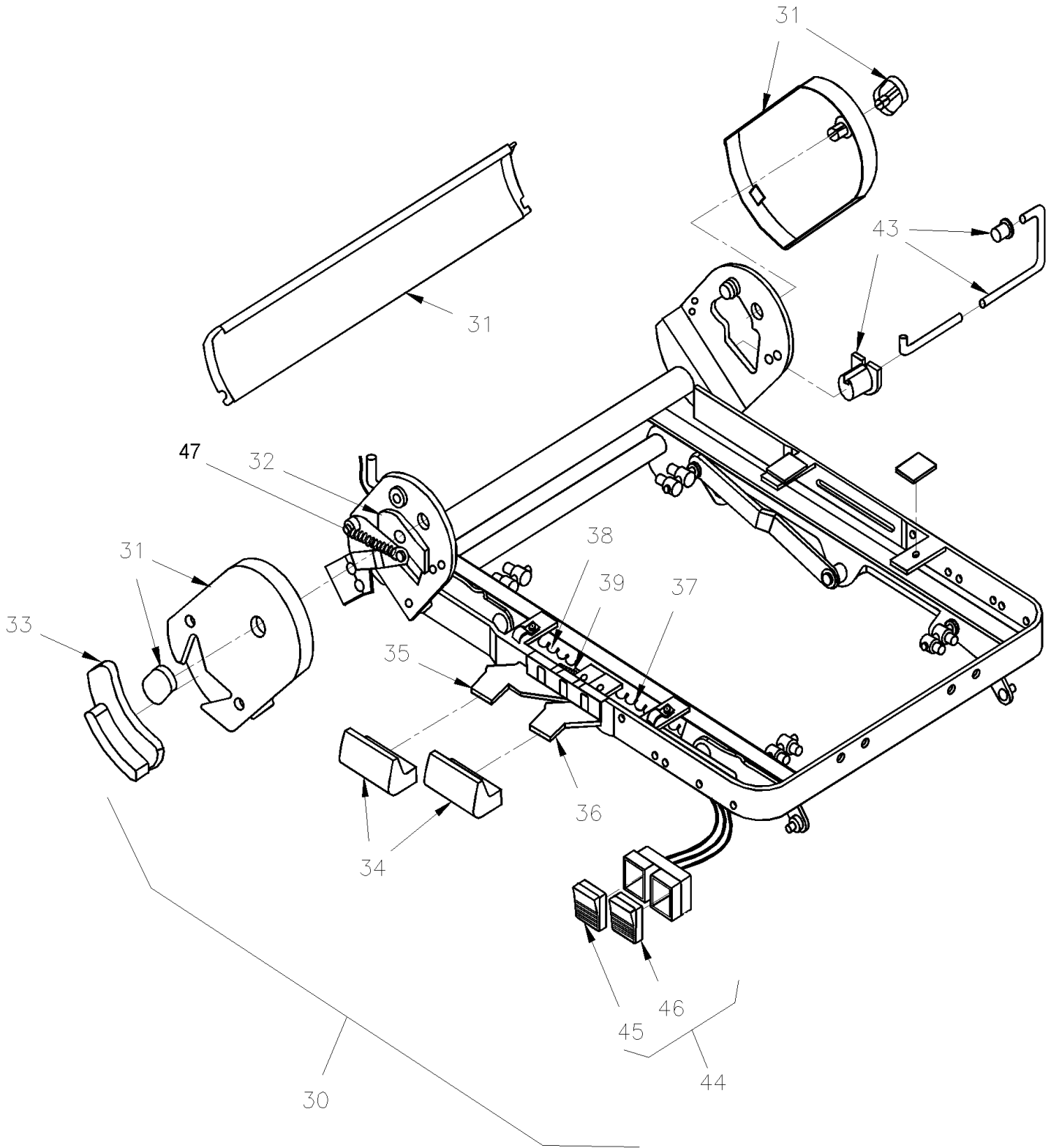


From G-7275 To M-7767

Date:07/2024

PAGE:X3PLB-1822-10

DRIVER'S SEAT - "ISRI" - 6000/515 & 6500/515

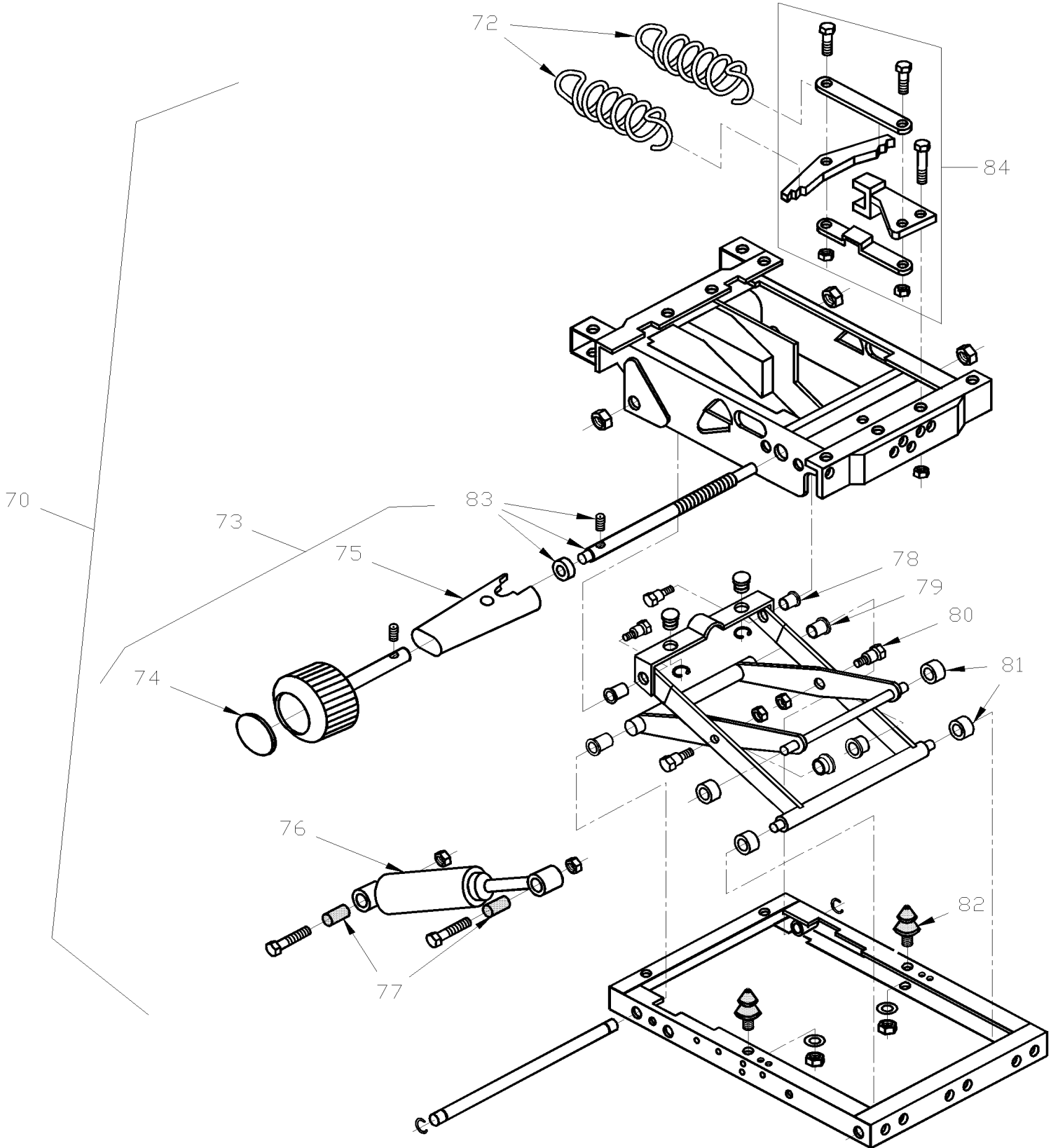


From G-7275 To M-7767

Date:07/2024

PAGE:X3PLB-1822-10

DRIVER'S SEAT - "ISRI" - 6000/515 & 6500/515



From G-7275 To M-7767	Date:07/2024	PAGE:X3PLB-1822-10
DRIVER'S SEAT - "ISRI" - 6000/515 & 6500/515		

Item#	Part	Description	QTY	Notes
	362833	SEAT ASSY MECHANIC / R.H. CONTROL W/COVERING	1	E
	860433	. DRIVER'S SEAT - "ISRI" - MODEL 6000/515 / MECHANIC / R.H. CONTROL	1	
1	860441	HEADREST	1	
2	860483	GROMMET	2	
3	860508	BACKREST ASSY / R.H. CONTROL	1	
4	860509	. FRAME / R.H. CONTROL	1	
5	860507	. FOAM	1	
6	860494	AIR BAG / LOMBAR	1	
7	860548	HEATING PAD / BACK	1	
8	860510	PAN SEAT SUBASSY	1	
9	860511	. FOAM / SEAT	1	
10	860547	HEATING PAD / SEAT	1	
11	860532	COVER	2	
12	N.S.S.	BRACKET / ARMREST	1	1
13	500544	SCREW CAP HEX M8-1.25x30 G8.8 Z050	2	
14	860440	ARMREST L.H. ADJUSTABLE	1	
NS	860442	ARMREST R.H. ADJUSTABLE	1	
15	860725	. KNOB	1	
19	861085	SLIDE MASTER / HANDLE & SLAVE / R.H. CONTROL	1	
20	861086	. HANDLE R.H.	1	
NS	861084	SLIDE SET "C" STYLE / HANDLE & SLAVE / W/SEAT #860852	1	
21	861100	SPACER STATIC /W/FOLLOWING SEAT NUMBER 860432 433,449,450,543,544,545 & 546	1	A
30	861083	FRAME ASSY SEAT / R.H. CONTROL (AS SHOWN)	1	
30	860605	FRAME ASSY SEAT / L.H. CONTROL	1	
31	861090	. SIDE PLATE ASSY / KIT FOR R.H. CONTROL (AS SHOWN)	1	
31	860590	. SIDE PLATE ASSY / KIT FOR L.H. CONTROL	1	
32	861790	. TOOTH LEVER / R.H. SIDE (AS SHOWN)	1	
32	861789	. TOOTH LEVER / L.H. SIDE	1	
33	861089	. HANDLE / R.H. CONTROL (AS SHOWN)	1	
33	860589	. HANDLE / L.H. CONTROL	1	
34	861087	. HANDLE HEIGHT TILT / FRONT	1	
NS	861088	. HANDLE HEIGHT TILT / REAR	1	
35	860587	. LEVER HEIGHT REAR	1	
36	860588	. LEVER HEIGHT FOWARD	1	
37	860690	. LEVER ADJUSTMENT KEY / R.H. FRONT & L.H. RE	1	
38	860689	. LEVER ADJUSTMENT KEY / R.H. REAR & L.H. FRO	1	
39	860513	. KIT SPRING (2 LARGES & 3 SMALL)	1	
43	861091	. TORSION BAR KIT	1	
44	861092	. KIT VALVE LOMBAR SUPPORTS	1	C
NS	860887	. . KIT VALVE LUMBAR SUPPORTS / W/SEAT W/R.H. CONTROL		D
45	861093	. . . BUTTON AIR LOMBAR UPPER SECTION	1	
46	861094	. . . BUTTON AIR LOMBAR LOWER SECTION	1	

From G-7275 To M-7767	Date:07/2024	PAGE:X3PLB-1822-10
DRIVER'S SEAT - "ISRI" - 6000/515 & 6500/515		

Item#	Part	Description	QTY	Notes
47	862217	. SPRING	1	
		CLAMP		
70	860685	SUSPENSION ASSY MECHANICAL / R.H. CONTROL	1	A
71	860526	. COVER	1	
72	862913	. SPRING EXTENSION / KIT OF 2 1.800 O.D. x 6.75 x .340	1	
73	860658	. HANDWHEEL / R.H. CONTROL (AS SHOWN)	1	
74	860549	. . CAP PLASTIC	1	
75	860594	. . CAP SHAFT COVER	1	
76	860521	. ABSORBER / 99LBS	1	
NS	860602	. ABSORBER / 120LBS	1	
77	860586	. . BUSHING / ABSORBER	2	
NS	860692	. KIT REPAIR / MECHANICAL SUSPENSION	AR	A
78	N.S.S.	. . BUSHING SPLIT FLANGE	2	1
79	N.S.S.	. . BUSHING FLANGE	2	1
80	N.S.S.	. . BOLT	2	1
81	N.S.S.	. . ROLLER	4	1
82	N.S.S.	. . BUMPER	2	1
83	860864	SPINDLE KIT	1	
84	861746	. KIT WEIGHT ADJUSTMENT	1	
NS	867958	ADAPTOR	1	
NS	868125	UNION 4MM/4MM	1	
NS	868128	UNION 6MM/4MM	1	
NS	868833	AIR PIPE CONNECTOR SML	AR	
90	362201P	COVERING HEADREST ASSY / S.C.C. / DRIVER'S "ISRI" 6000 & 6500	1	
91	364238	COVERING BACKREST ASSY / S.C.C. / DRIVER'S "ISRI" 6000 & 6500	1	
92	364236	COVERING SEATREST ASSY / S.C.C. / DRIVER'S "ISRI" 6000 & 6500	1	
93	860527	CLIP	8	
NS	860484	SEW STRIP NYLON 10MM	AR	
NS	860485	SEW STRIP NYLON 15MM	AR	
NS	864709	TUBE PLASTIC 6MM O.D. CHARCOAL W/RED LINE	AR	
NS	864710	TUBE PLASTIC 6MM O.D. CHARCOAL W/GREY LINE	AR	
NS	864711	TUBE PLASTIC 6MM O.D. CHARCOAL	AR	
NS	641507	UNION / PUSH-IN FITTING / #4 x 6MM NP	1	
NS	641092	UNION TEE / NTA FITTING / #4x#4x#4 BR	1	
100	362188	KIT BELT	1	
100	860607	. STIFF BUCKLE IN BOOT To K-7597	1	
101	860977	. BELT SEAT To K-7597	1	
101	860136	. BELT SEAT From K-7598	1	
NS	860553	. BELT TETHER / BODY & SUSPENSION / (SET OF 2)	1	
102	361800	BASE DRIVER'S SEAT / W "ISRI" / 76.2MM HEIGHT / 3"	1	
102	5001117	SCREW CAP HEX M12-1.75x70 BK	4	B
102	500958	WASHER FL .531x1.062x.095 SS	4	B

From G-7275 To M-7767	Date:07/2024	PAGE:X3PLB-1822-10
DRIVER'S SEAT - "ISRI" - 6000/515 & 6500/515		

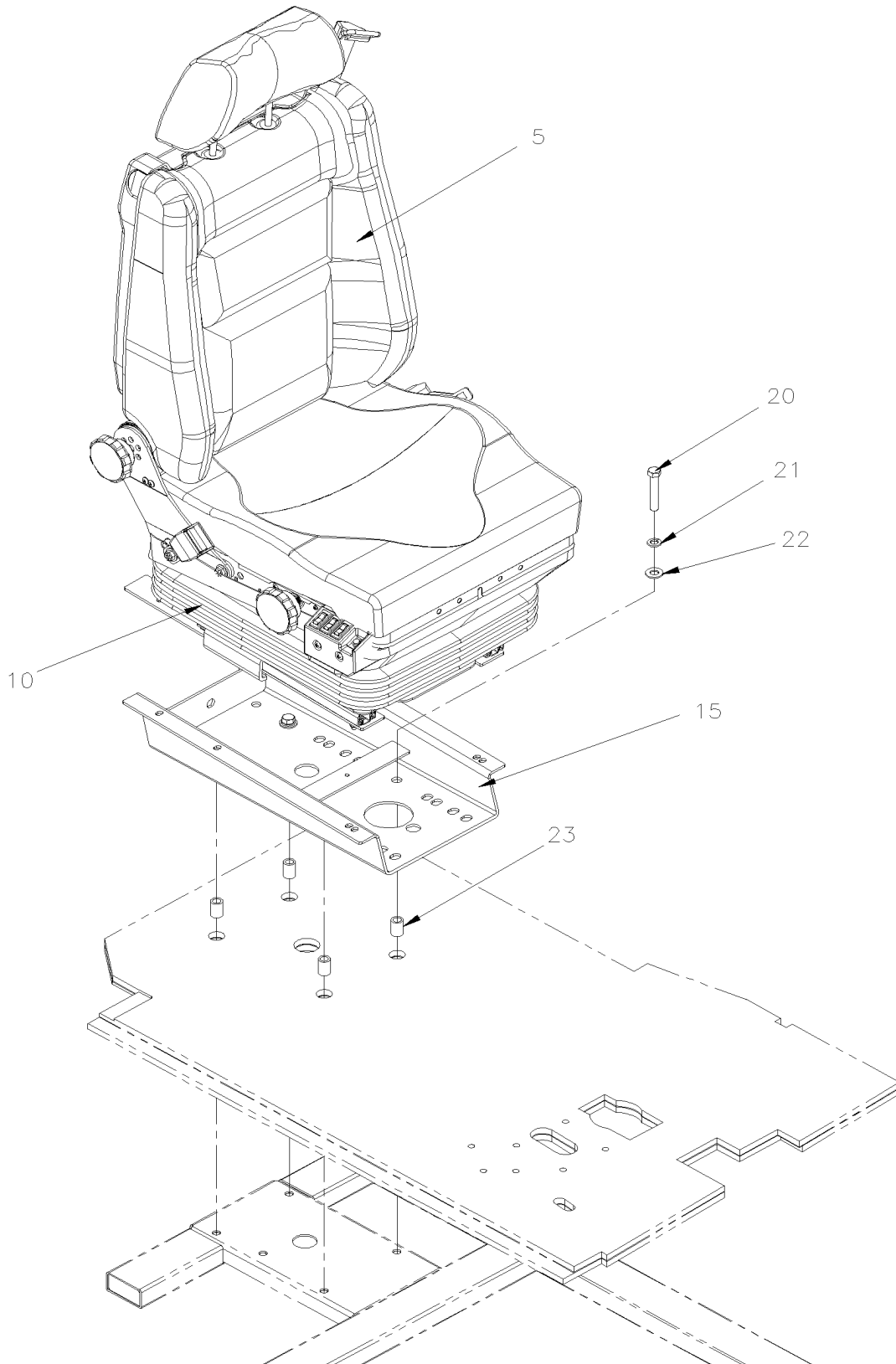
Item#	Part	Description	QTY	Notes
102	500747	WASHER LO SPT 12.2x21.1x2.5 N500	4	B
102	362549	SPACER / STRUCTURE & BASE / 27MM	4	B
103	363945	BAR ICP / W/SEAT MODEL 6500	1	G
NS	500179	SCREW CAP HEX 5/16-18x3/4 G5 Z050	2	G
NS	500777	NUT HEX STO 5/16-18 Z050	2	G
103	364155	JOINT / W/AIR SUSPENSION / W/2 HOLES .344 O / 4 3/8" x W/3 1/4" C/C	1	G
NS	500747	WASHER LO SPT 12.2x21.1x2.5 N500	2	G
NS	500480	WASHER LO SPT .443x.779x.109 Z050	2	G
NS	500445	WASHER FL .437x1.000x.083 Z050	4	G
NS	5001365	SCREW CAP HEX M12-1.75x30 G10.9 DP	2	G
		A) W/SEAT #860433		
		B) TO FIX BASE TO FLOOR		
		C) W/HOSE & HARDWARE		
		D) W/BUTTON		
		E) THIS SEAT IS COMPLETELY ASSY W/COVERING, ARMREST, HEATING PAD & SAFETY BELT (SPECIFY COLOR)		
		G) TO FIX SAFETY BELT TO SEAT		
		1) NOT SOLD SEPARATELY		

From G-7275 To M-7767

Date:07/2024

PAGE:X3PLB-1823-50

DRIVER'S SEAT - "USSC" - 9100ALX3



From G-7275 To M-7767	Date:07/2024	PAGE:X3PLB-1823-50
-----------------------	--------------	--------------------

DRIVER'S SEAT - "USSC" - 9100ALX3

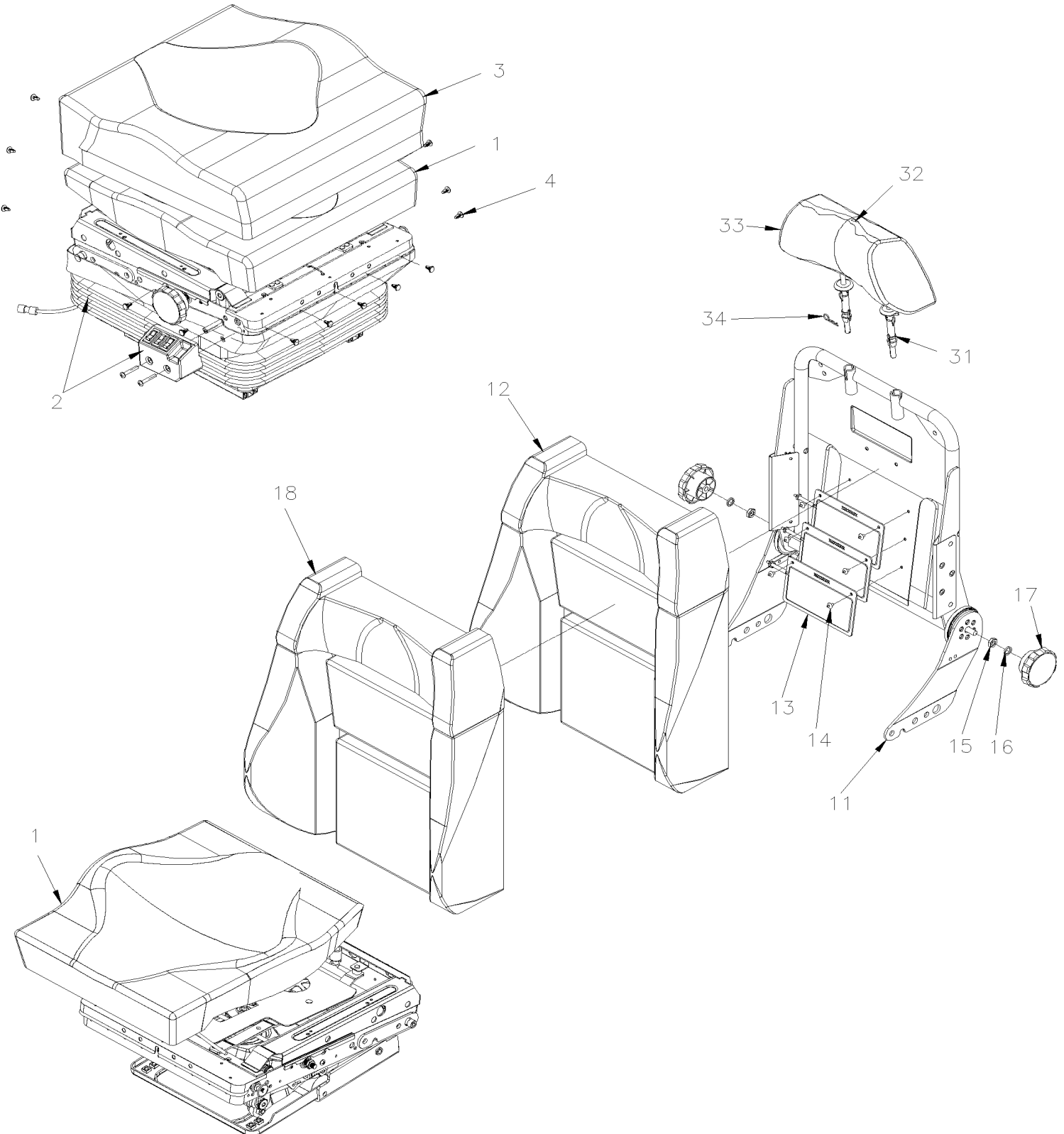
Item#	Part	Description	QTY	Notes
	860020	DRIVER'S SEAT - "USSC" - MODEL 9100 ALX3		
	864699	DRIVER'S SEAT - "USSC" - MODEL 9100 ALX3		
	865260	DRIVER'S SEAT - "USSC" - MODEL 9100 ALX3 WITH ORANGE SEAT BELT		
	866395	DRIVER'S SEAT - "USSC" - MODEL 9100 ALX3		
	866425	DRIVER'S SEAT - "USSC" - MODEL 9100 ALX3		
NS	868202	SEAT CUSHION ASS WITH COVERING BLACK	1	
	867191	DRIVER'S SEAT - "USSC" - MODEL 9100 ALX3		
	866767	DRIVER'S SEAT - "USSC" - MODEL 9100 ALX3		
	867057	DRIVER'S SEAT - "USSC" - MODEL 9100 ALX3		
	867933	DRIVER'S SEAT - "USSC" - MODEL 9100 ALX3		
5	X3PLB-1823-60	SEAT ASSY - "USSC" - 9100ALX3		
10	X3PLB-1823-70	SUSPENSION ASSY - "USSC" - 9100ALX3		
15	X3PLB-1823-80	BASE ASSY - "USSC" - 9100ALX3		
20	5001862	SCREW CAP HEX M12-1.75x70 G10.9 N500	4	
21	500747	WASHER LO SPT 12.2x21.1x2.5 N500	4	
22	500958	WASHER FL .531x1.062x.095 SS	4	
23	362549	SPACER / STRUCTURE & BASE / 27MM	4	
NS	214519	PLATE REINFORCMENT UNDER SEAT 152MM x 101MM GA11	1	
NS	214520	CHANNEL "U" 510MM x 50MM x 38MM	1	
NS	069162	HARNES DRIVER SEAT BELT STATUS	1	GR
		GR) WITH GREYHOUND OPTION		

From G-7275 To M-7767

Date:07/2024

PAGE:X3PLB-1823-60

SEAT ASSY - "USSC" - 9100ALX3

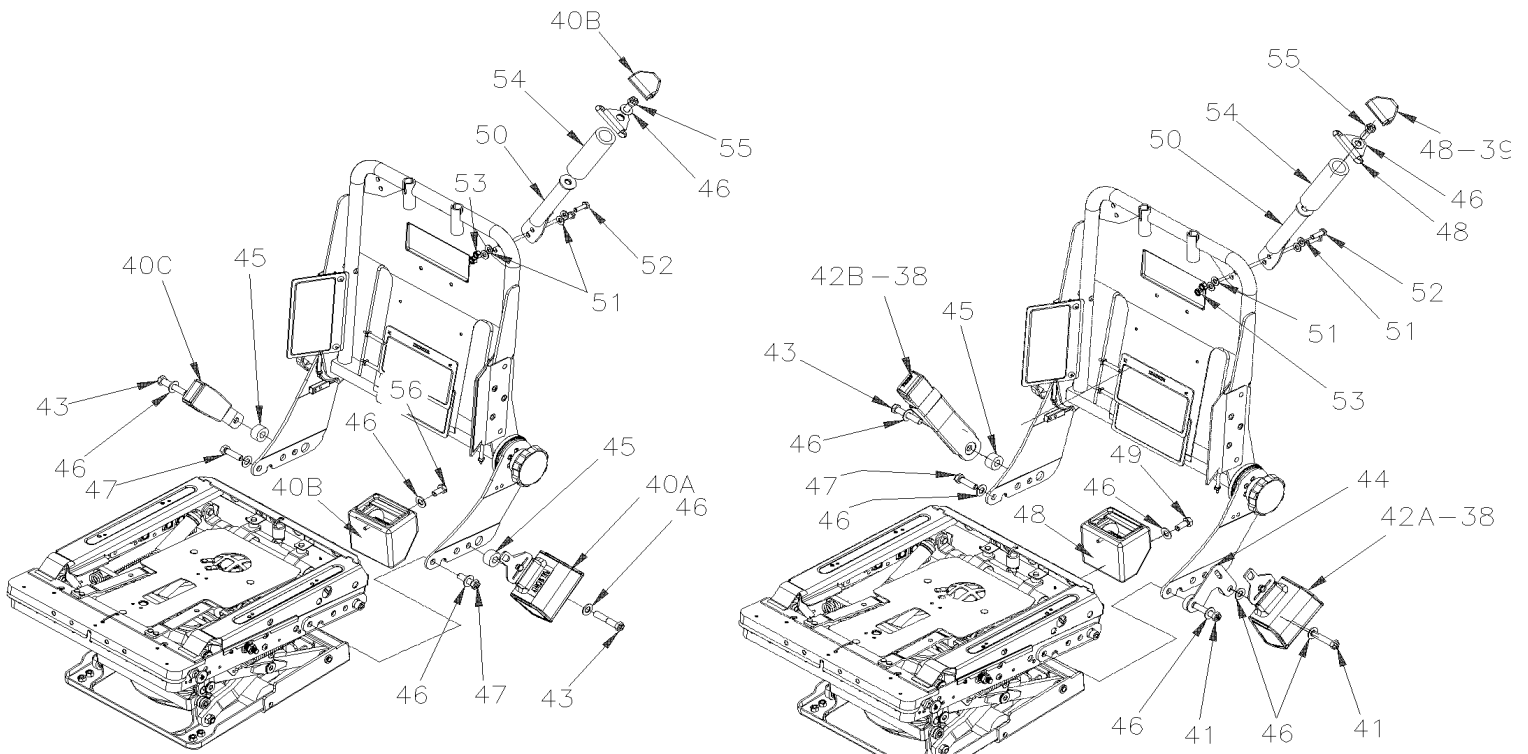


From G-7275 To M-7767

Date:07/2024

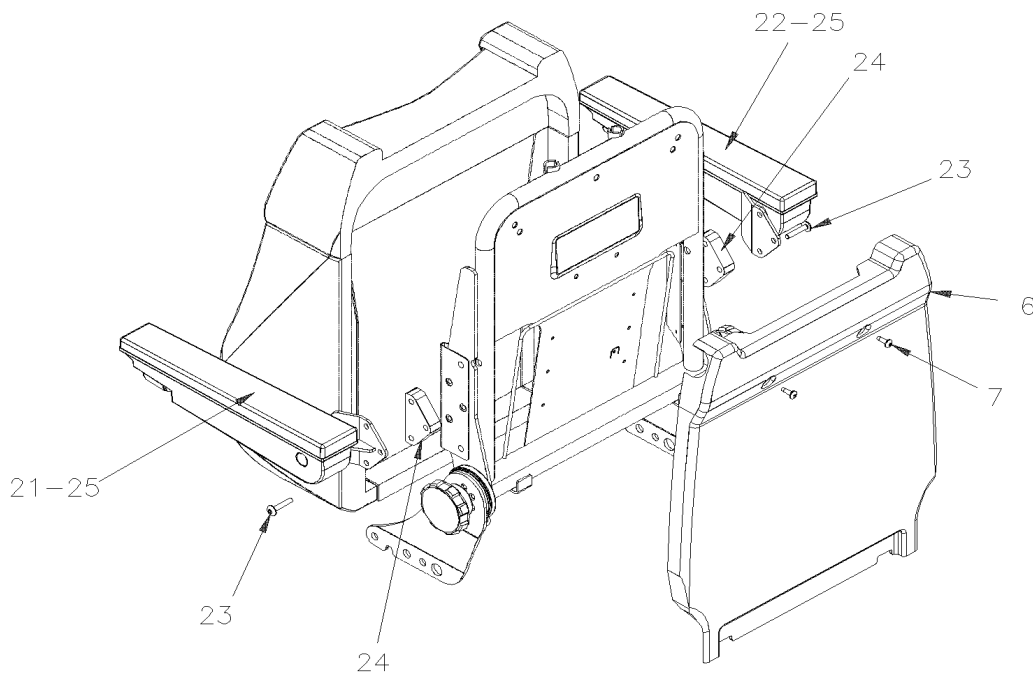
PAGE:X3PLB-1823-60

SEAT ASSY - "USSC" - 9100ALX3



WITH 4 3/4 BUCKLE

WITH 8 3/4 BUCKLE



From G-7275 To M-7767	Date:07/2024	PAGE:X3PLB-1823-60
SEAT ASSY - "USSC" - 9100ALX3		

Item#	Part	Description	QTY	Notes
1	N8887209	CUSHION FOAM	1	
2	X3PLB-1823-70	SUSPENSION ASSY - "USSC" - 9100ALX3		
3	Call order desk	COVER CUSHION	1	P
4	N8883021	RIVET	13	
6	N8887219	SCREW 1/4-20x3/4	2	
7	N8895439	BACKSHELL W/OUT LOGO	1	
11	N8897721	BACK BOLSTER	1	
12	N8882987	FOAM BACKREST	1	
13	N8895287	LUMBAR AIR BAG ASSY	3	
14	N8891961	RIVET	6	
15	N8882988	NUT JAM M10X1.5	2	
16	N8882967	WASHER, LOCK M10	2	
17	N8882989	KNOB SEAT ADJUSTMENT W/FORMER VALVE	2	
18	Call order desk	COVER BACKREST		P
21	Call order desk	ARMREST WITHOUT COVERING PAD RH	1	P
21	N8892788	ARMREST WITH BLACK COVERING PAD LH	1	
22	865417	ARMREST ADJUSTABLE WITHOUT COVERING PAD RH	1	
22	N8892789	ARMREST ADJUSTABLE WITH BLACK COVERING PAD RH	1	
23	N8893510	SCREW M8-1.25x35	6	
24	N8893511	ARMREST SHIM	2	
25	867787	ARMREST PAD	2	
31	N8893445	HEADREST PLUG	2	
32	N8892743	HEADREST ASSY	1	
33	Call order desk	COVER HEADREST	1	P
34	N8891948	PIN HAIR - HEADREST .0725 DIA	2	
38	19507825	BELT 3PT / LAP RETRACTOR ORANGE	1	
39	N8899238	BELT 3PT / SHOULDER RETRACTOR ORANGE	1	
40	N8891957	BELT 3PT ASS	1	
. NS	N8904553	. BUSHING	1	
40A	864096	. BELT 3PT / LAP RETRACTOR	1	
40B	864095	. BELT 3PT / SHOULDER RETRACTOR	1	
40C	864097	. BELT 3PT / BUCKLE RECEPTOR 4 3/4	1	
41	N8897724	SCREW CAP HEX 7/16-20X2 GR8 YZ	2	
42	N8897723	SEAT BELT ASSY	1	
42	864590	SEAT BELT ASSY WITH ALARM	1	
42A	864700	. BELT / LAP RETRACTOR	1	
42B	864701	. BELT / BUCKLE RECEPTOR 8 3/4	1	
42B	864702	. BELT / BUCKLE RECEPTOR WITH ALARM 8 3/4	1	
43	N8882962	SCREW CAP HEX 7/16-20X2.25	1	
44	N8897722	SEAT BELT PLATE /54 DEG	1	
45	N8887857	SPACER 1/2x1-1/8x5/8	1	
46	N8882992	WASHER FLAT 7/16	7	

From G-7275 To M-7767	Date:07/2024	PAGE:X3PLB-1823-60
SEAT ASSY - "USSC" - 9100ALX3		

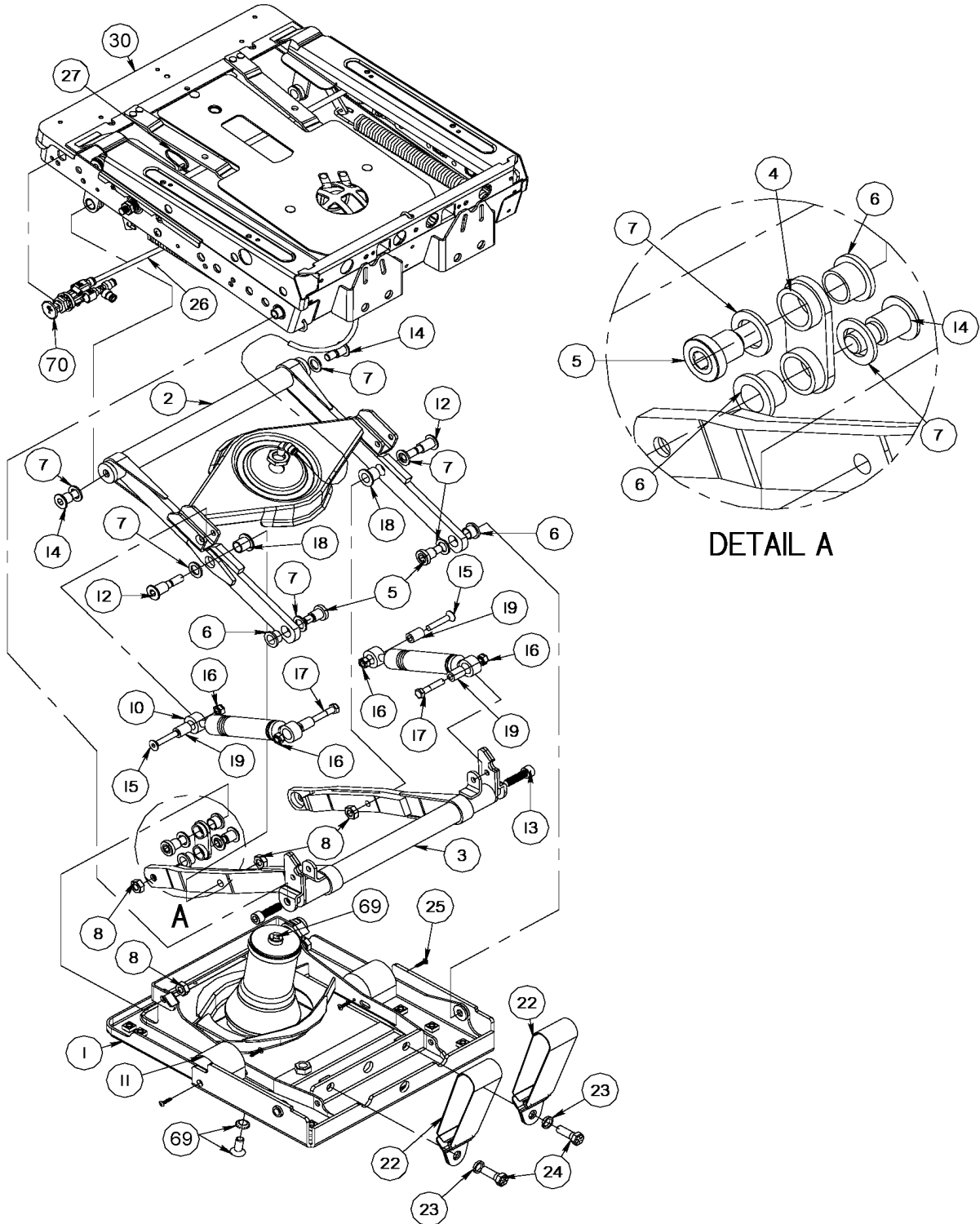
Item#	Part	Description	QTY	Notes
47	N8882960	SCREW CAP HEX /7/16-20X1.5"	1	
48	864095	BELT 3PT / SHOULDER RETRACTOR	1	
49	N8899242	SCREW CAP HEX 7/16-20X1 G8	1	
50	19505644	D-LOOP	1	
51	N8882993	WASHER FLAT 5/16	4	
52	N8902660	SCREW CAP HEX 5/16-18 X 1.0" GR8 YZ.	2	
53	N8893849	NUT LOCK 5/16-18 NYLON	2	
54	19515581	COVER, FOAM 1"" ID X 5"" SMOKESTACK"	1	
55	N8882961	SCREW 7/16-20x1 1/4	1	
56	N8891962	SCREW CAP HEX 7/16-20x.75	1	
		P) CALL ORDER DESK FOR SPECIFIC APPLICATION (V.I.N.)		

From G-7275 To M-7767

Date:07/2024

PAGE:X3PLB-1823-70

SUSPENSION ASSY - "USSC" - 9100ALX3

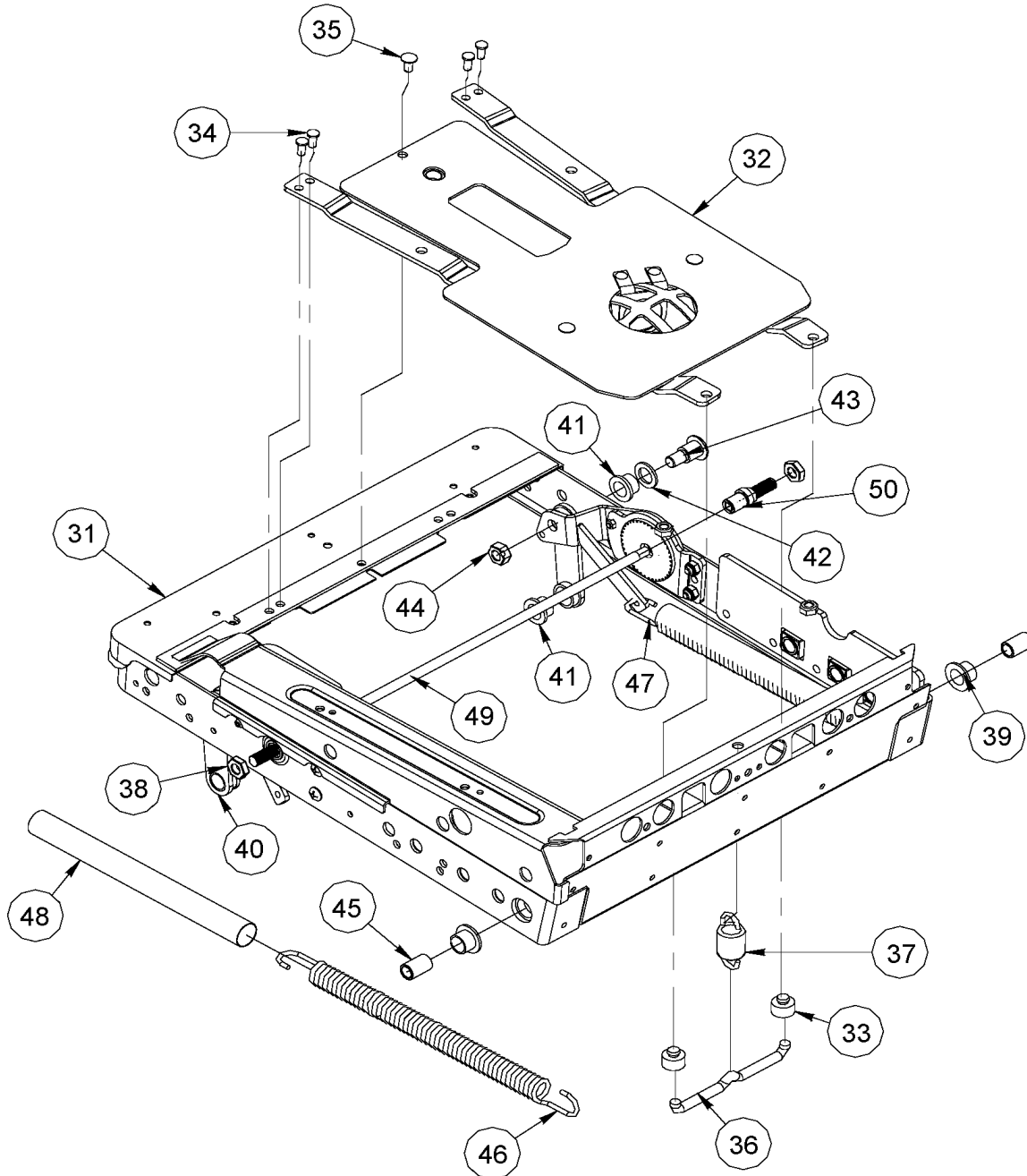


From G-7275 To M-7767

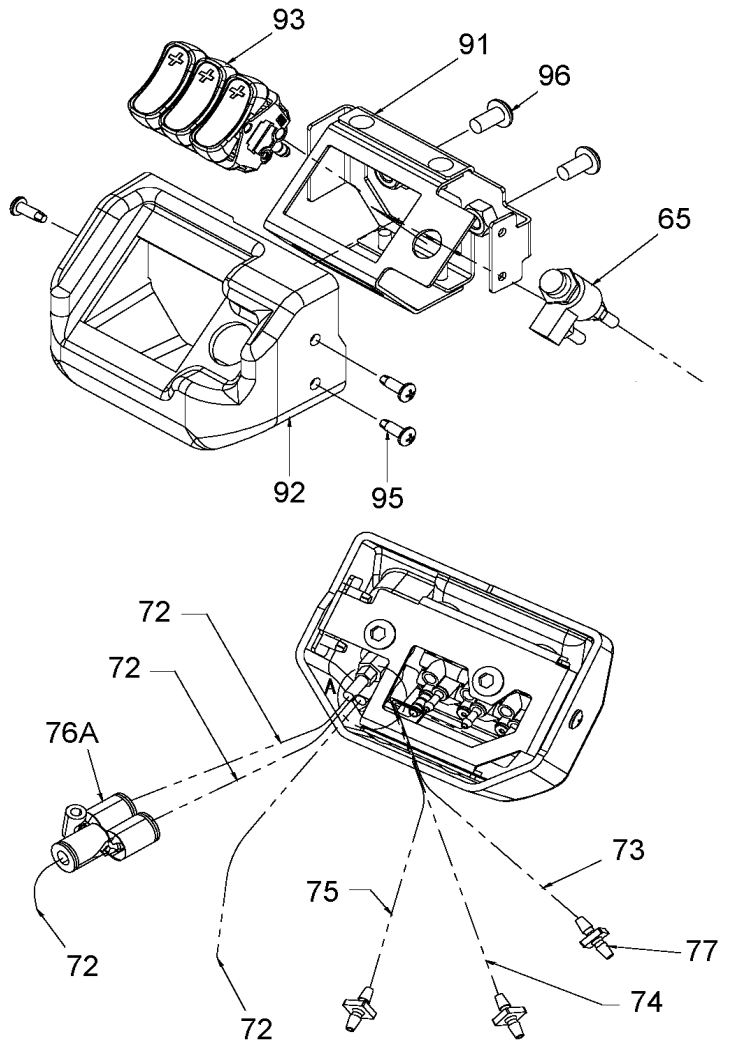
Date:07/2024

PAGE:X3PLB-1823-70

SUSPENSION ASSY - "USSC" - 9100ALX3



DETAIL "A"



From G-7275 To M-7767	Date:07/2024	PAGE:X3PLB-1823-70
SUSPENSION ASSY - "USSC" - 9100ALX3		

Item#	Part	Description	QTY	Notes
	N8894728	SUSPENSION ASSY	1	
1	N.S.S.	. SUSPENSION BOTTOM / WELDMENT	1	1
2	N.S.S.	. SUSPENSION SCISSOR / UPPER WELDMENT	1	1
3	N.S.S.	. SUSPENSION SCISSOR / LOWER WELDMENT	1	1
4	N8894295	. BRACKET	2	
5	N8895289	. BOLT SCISSOR	4	
6	N8899141	. BUSHING 14MM IDx17MM ODx12.6MM LG	6	
7	N8883024	. WASHER	10	
8	19518102	. NUT LOCK M10X1.5/ZP	6	
10	N8893636	. SHOCK ABSORBER, FIRM	2	
11	N8883018	. RUBBER BUMPER	2	
12	N8894297	. BOLT SCISSOR 2"	2	
13	N8894294	. SCREW CAP HEXS M10X1.5/35MMLG	2	
14	N8894301	. BOLT SCISSOR .60 LGTH	4	
15	N8883013	. BOLT, M8 X 40	2	
16	N8883015	. NUT LOCK M8-1.25/GRD10/CZ	4	
17	N8883011	. SCREW 8MMX40/UPPER SHOCK	2	
18	N8899140	. BUSHING .672x.552x.70	2	
19	N8893441	. BUSHING SHOCK ABSORBER	4	
22	N8883017	. STRAP 15"	2	
23	N8882966	. WASHER, LOCK 7/16	2	
24	N8882961	. SCREW 7/16-20x1 1/4	2	
25		. SCREW TRUSS HD NO 6 X .75 " LG	4	
26	N8893854	. TUBE, NYLON 1/4 O.D. / BLACK S.L.	3 FEET	
27		. CABLE TIE/BLK/4"LG X .095"WIDTH	1	
30	N8894298	. TOP PAN ASSEMBLY	1	
31	N.S.S.	. . FRAME	1	1
32	N.S.S.	. . TOP PAN ASSEMBLY	1	1
33	19505642	. . RUBBER BUMPER	2	
34	Call order desk	. . RIVET 1/4-3/8 GRIP 1/4" STL/HS	1	P
35	Call order desk	. . RIVET 3/8-1/2 GRIP 1/4" SS	1	P
36	19505641	. . BAR SUSPENSION PAN	1	
37	19505640	. . SPRING TENSION	1	
38	N8882988	. . NUT JAM M10X1.5	2	
39	N8899144	. . BUSHING .679ODx.556IDx.51	2	
40	19505643	. . BRACKET	2	
41	N8899141	. . BUSHING 14MM IDx17MM ODx12.6MM LG	4	
42	N8883024	. . WASHER	2	
43	N8894301	. . BOLT SCISSOR .60 LGTH	2	
44	19518102	. . NUT LOCK M10X1.5/ZP	1	
45	N8894290	. . BUSHING M10IDXM14ODX22MMLG	2	
46	N8894293	. . SPRING LH /51COIL/LH/EX	1	

From G-7275 To M-7767	Date:07/2024	PAGE:X3PLB-1823-70
SUSPENSION ASSY - "USSC" - 9100ALX3		

Item#	Part	Description	QTY	Notes
47	N8894292	. . SPRING RH /51COIL/RH/EX	1	
48	N8894291	. . SPRING COVER 20.5MM ID	2	
49	N.S.S.	. . SUSPENSION / GEAR SHAFT	1	1
50	N.S.S.	. . SUSPENSION / CAM	2	1
61	N8895287	LUMBAR AIR BAG ASSY	3	
62	N8891961	RIVET	6	
63	N8882997	CONNECTOR	1	
64	N8882986	SCREW 1/4-20x1 3/4	2	
65	N8887215	SLIDE BUTTON ASSY	1	
67	N8887216	SLIDE CYLINDER ASSY	1	
67A	19504884	. AIR CYLINDER1/2" STK\SIDE MNT	1	
67B	N8892738	. CONNECTOR 1/8 NPT	1	
67C	Call order desk	. WASHER 1/2" ID X 3/4" OD	1	P
68	N8887856	AIR LUMBAR REGULATOR ASSY W/FITTING	1	
68A	N8892738	CONNECTOR 1/8 NPT	1	
68B	N8883033	AIR REGULATOR	1	
68C	N8893452	NUT RETAINER REGULATOR	1	
68D	N8893451	MALE RUN TEE 1/8 NPT	1	
69	N8897573	AIR BAG ASSY 150 PSI	1	
69A	N8897622	. AIR BAG	1	
69B	N8897574	. WASHER EXT TOOTH	1	
69C	N8897575	. SCREW CAP FL HEXS 1/2-13 X 1	1	
69D	N8883031	. NUT	1	
69E	N8893449	. MALE ELBOW 90° / PUSH-IN FITTING / #4x1/8NPT-M BR	1	
70	N8892962	AIR VALVE ASSY	1	
70A	N8893450	AIR VALVE / HEIGHT CONTROL / CURRENT	1	
70B	19504019	BRIGHT ZINC PUSH/PULL KNOB	1	
70C	19516104	SET SCREW	1	
70D	N8892738	CONNECTOR 1/8 NPT	1	
70E	N8893451	MALE RUN TEE 1/8 NPT	1	
71	N8893454	UNION CONNECTOR 1/8"	3	
72	N8893852	TUBE, NYLON 1/4 O.D. / CLEAR S.L.	AR	
73	N8893853	TUBE, NYLON 1/4 O.D. / GREY S.L.	AR	
74	N8893854	TUBE, NYLON 1/4 O.D. / BLACK S.L.	AR	
75	N8893855	TUBE, NYLON 1/4 O.D. / WHITE S.L.	AR	
76A	N8897731	Y CONNECTOR 1/4"	1	
77	N8893454	UNION CONNECTOR 1/8"	3	
90	N8898415	AIR BOX ASSY 1	1	
91	N8897726	. BRACKET	1	
92	N8897727	. SWITCH BOX	1	
93	N8897732	. AIR SWITCH / LUMBAR	1	
95	N8897728	. SCREW MA PAN PH 8-32X1/2	3	

From G-7275 To M-7767	Date:07/2024	PAGE:X3PLB-1823-70
SUSPENSION ASSY - "USSC" - 9100ALX3		

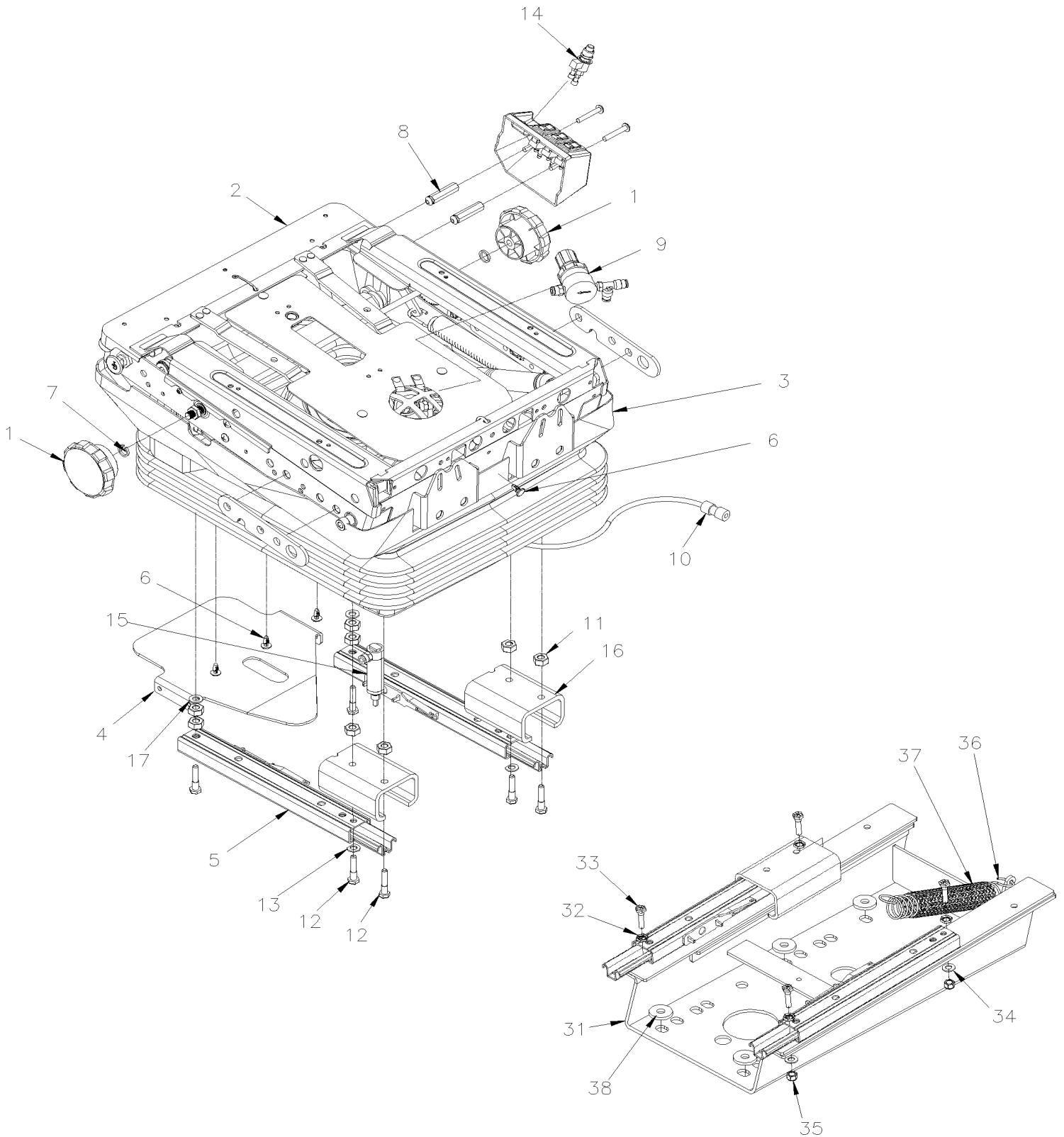
Item#	Part	Description	QTY	Notes
96	N8897729	. SCREW MA BUT 1/4-20X1/2	2	
		1) NOT SOLD SEPARATELY		
		P) CALL ORDER DESK FOR SPECIFIC APPLICATION (V.I.N.)		

From G-7275 To M-7767

Date:07/2024

PAGE:X3PLB-1823-80

BASE ASSY - "USSC" - 9100ALX3



From G-7275 To M-7767	Date:07/2024	PAGE:X3PLB-1823-80
BASE ASSY - "USSC" - 9100ALX3		

Item#	Part	Description	QTY	Notes
1	N8882989	KNOB SEAT ADJUSTMENT W/FORMER VALVE	2	
2	N8894280	SUSPENSION ASSY / AIR	1	
2	X3PLB-1823-70	. SUSPENSION ASSY - "USSC" - 9100ALX3	1	
2	N8893705	. SPACER / BACK TO SUSPENSION	2	
3	N8883020	BELLOW	1	
4	N8891955	RELEASE HANDLE ASM	1	
5	N8883008	SLIDE SET 9.45"	1	
6	N8883021	RIVET	9	
7	N8882967	WASHER, LOCK M10	2	
8	N8887855	AIR BOX MOUNT ASM	2	
9	N8887856	AIR LUMBAR REGULATOR ASSY W/FITTING	1	
10	N8882997	CONNECTOR	1	
11	N8883004	SPACER SLIDE	8	
12	N8882965	SCREW 5/16-18x1 1/2	2	
13	N8891964	WASHER FLAT	2	
14	N8887215	SLIDE BUTTON ASSY	1	
15	N8887216	SLIDE CYLINDER ASSY	1	
16	N8894735	BRACKET SLD REIN/C/1/4"/NF/ASSY	2	
17	N8882993	WASHER FLAT 5/16	2	
31	N8891958	BASE ASSY 4"	4	
32	N8883007	NUT 3/8	4	
33	N8882964	SCREW 5/16-18x1 1/4	4	
34	N8882993	WASHER FLAT 5/16	4	
35	N8893849	NUT LOCK 5/16-18 NYLON	4	
36	N8890626	SPRING 10"	1	
37	N8894303	MESH SPRING COVER	1	
38	N8887858	WASHER 7/16	6	

From G-7275 To M-7767

Date:07/2024

PAGE:X3PLB-1824-30

PASSENGER'S SEAT - "AMAYA" IDENTIFICATION "MODEL"



GAUDI



BRAZIL



2 + 1



TORINO



TORINO VIP



SIGLIUM



PATRIOT



PATRIOT BRASIL



PATRIOT VIP

From G-7275 To M-7767	Date:07/2024	PAGE:X3PLB-1824-30
-----------------------	--------------	--------------------

PASSENGER'S SEAT - "AMAYA" IDENTIFICATION "MODEL"

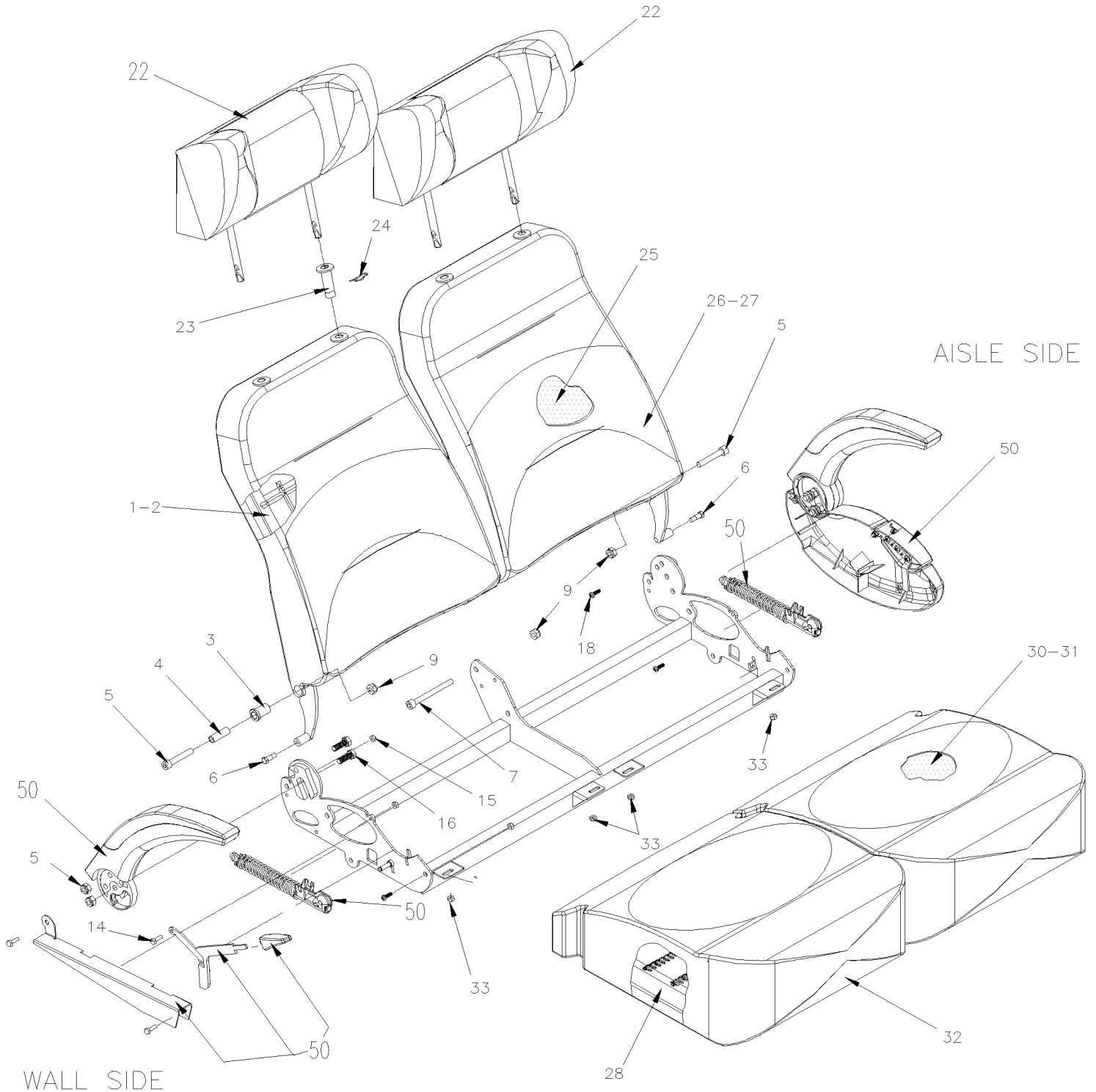
Item#	Part	Description	QTY	Notes
		PASSENGER'S SEAT - "BRASIL" MODEL		
		PASSENGER'S SEAT - "2 + 1" MODEL		
		PASSENGER'S SEAT - "TORINO" MODEL		
		PASSENGER'S SEAT - "TORINO" VIP MODEL		
		PASSENGER'S SEAT - "SIGLIUM" MODEL		

From G-7275 To M-7767

Date:07/2024

PAGE:X3PLB-1826-11

PASSENGER'S SEAT - "AMAYA" "TORINO" WITH 3 POINTS

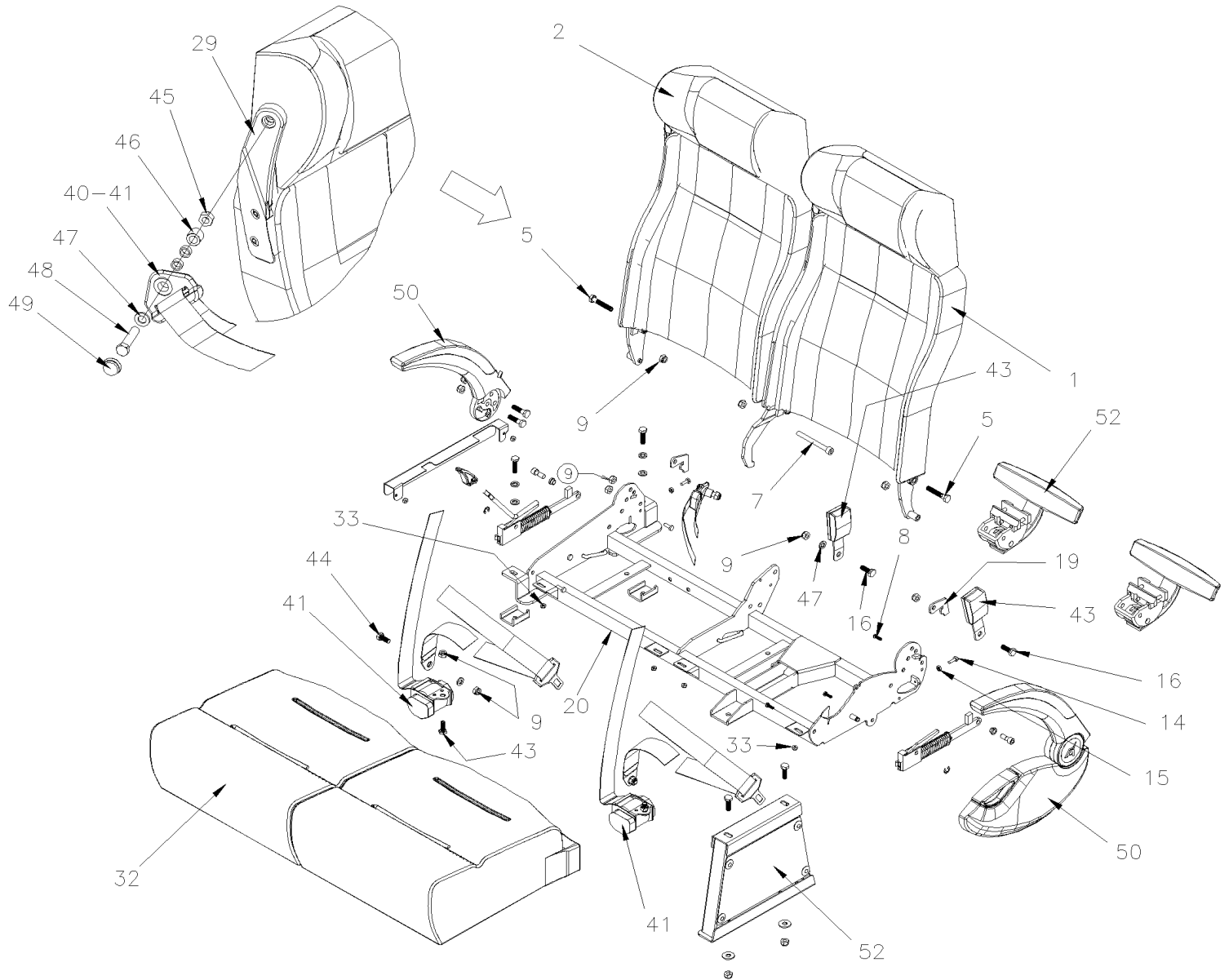


From G-7275 To M-7767

Date:07/2024

PAGE:X3PLB-1826-11

PASSENGER'S SEAT - "AMAYA" "TORINO" WITH 3 POINTS

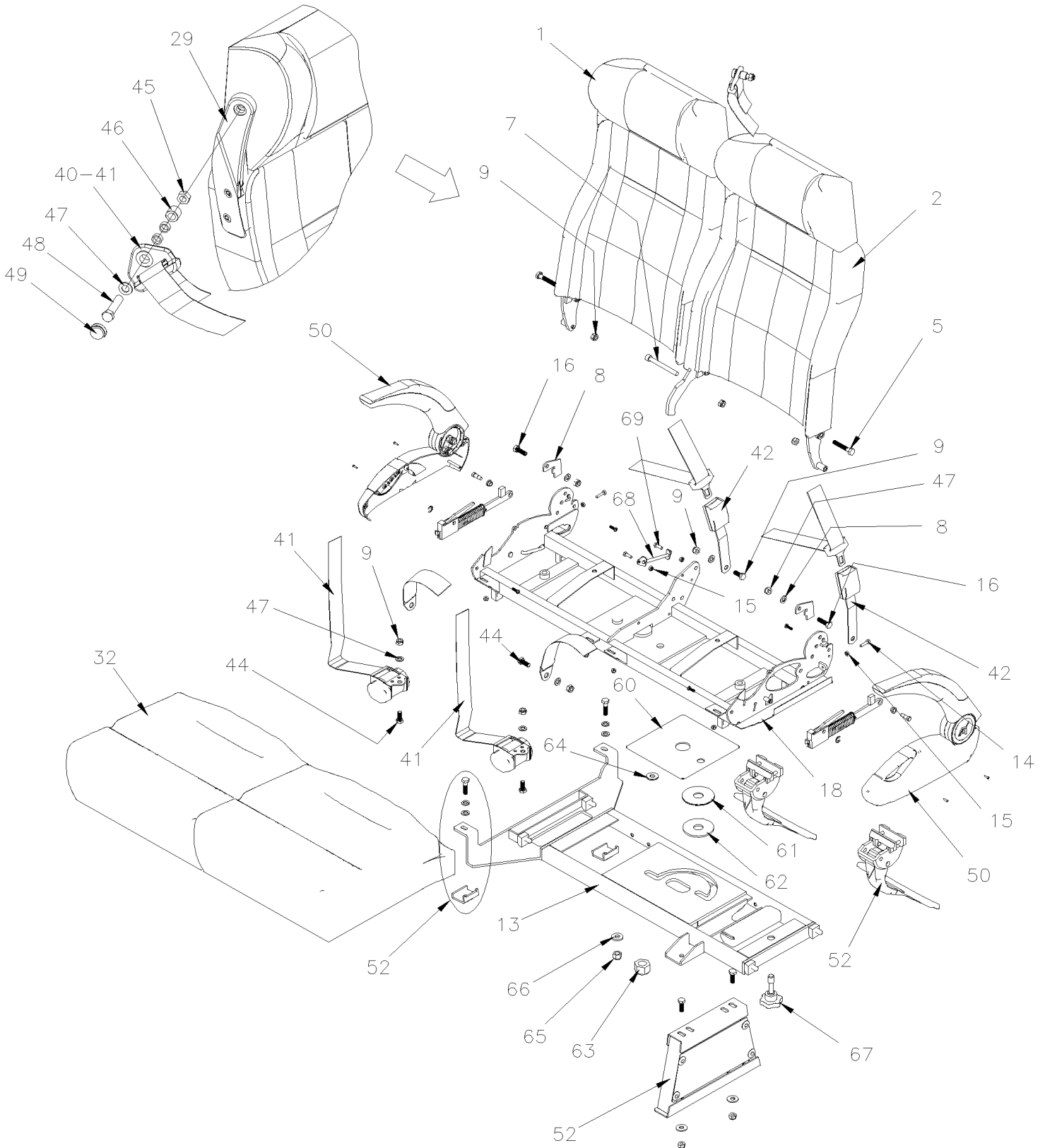


From G-7275 To M-7767

Date:07/2024

PAGE:X3PLB-1826-11

PASSENGER'S SEAT - "AMAYA" "TORINO" WITH 3 POINTS



From G-7275 To M-7767	Date:07/2024	PAGE:X3PLB-1826-11
-----------------------	--------------	--------------------

PASSENGER'S SEAT - "AMAYA" "TORINO" WITH 3 POINTS

Item#	Part	Description	QTY	Notes
		IMPORTANT NOTE:		
		TO ORDER COMPLETE PASSENGER'S SEAT KIT #,		
		SEE THE FINAL VEHICLE RECORD.		
1	Call order desk	BACKREST ASSY R.H. / WSIGLUM TORO	1	P
1	868500	. BACKREST STRUCTURE R.H. / WSIGLUM TORO	1	
1	Call order desk	BACKREST ASSY R.H. / WSIGLUM TORINO	1	P
1	Call order desk	. BACKREST STRUCTURE R.H. / WSIGLUM TORINO	1	P
1	Call order desk	BACKREST L.H. "TORINO VT" STD & rev		P
2	Call order desk	BACKREST ASSY L.H. / WSIGLUM TORO	1	P
2	Call order desk	. BACKREST STRUCTURE L.H. / W/SIGLUM TORO	1	P
2	Call order desk	BACKREST ASSY L.H. / WSIGLUM TORINO	1	P
2	Call order desk	. BACKREST STRUCTURE L.H. / W/SIGLUM TORINO	1	P
2	Call order desk	BACKREST R.H. "TORINO VT" STD & rev	1	P
3	Call order desk	. . INSIDE METAL BUSHING	1	P
4	865560	. . BUSHING HYTREL	1	
5	70314705	SCREW CAP HEXS M10-1.5x60 G8.8 ZP	2	
6	5001132	SCREW CAP HEX 5/16-18x7/8 G5 Z050	2	
7	502765	SCREW CAP HEXS M10-1.5x100 G8.8 PT ZP	1	
8	Call order desk	HY-LO BOLT M6-1.0x23	2	P
9	5001570	NUT HEX NYRT M10-1.5 Z050	5	
10	11500930	SCREW CAP HEX M10-1.5x30 G8.8 PHC	2	
11	Call order desk	STRUCTURE L.H.	1	P
11	Call order desk	STRUCTURE R.H.	1	P
12	Call order desk	SEAT FRAME SUPERIOR / "TORINO" W/REVERSIBLE SEAT	1	P
13	Call order desk	SEAT FRAME INFERIOR BASE W/REVERSIBLE SEAT	1	P
14	9415477	SCREW CAP HEX 1/4-20x3/4 ZP	2	
14	500165	SCREW CAP HEX 1/4-20x1 G5 Z050	2	
15	500769	NUT HEX 1/4-20 Z050	3	
16	11500930	SCREW CAP HEX M10-1.5x30 G8.8 PHC	2	
16	502549	SCREW CAP HEX M10-1.5x35 G8.8 Z050	2	
17	500256	NUT HEX M10-1.5 Z050	4	
18	500829	SCREW CAP HEX M10-1.5x40 G8.8	2	
19	7770173	STOPPER 6" RECLINING (3 pos)	2	
19	7770172	RECLINING STOP 2 STEP w/reversible seat	2	
20	Call order desk	STRUCTURE R.H.	1	P
20	Call order desk	STRUCTURE L.H.	1	P
21	Call order desk	HEADREST FOAM / TYPE "TORO"	1	P
NS	Call order desk	COVERING HEADREST ASSY "TORO" S.C.C.	1	P
22	864858	HEADREST FOAM / TYPE "TORINO"	1	
NS	864861	COVERING HEADREST ASSY "TORINO" S.C.C.	1	
23	864810	GUIDE SLIDING	2	

From G-7275 To M-7767	Date:07/2024	PAGE:X3PLB-1826-11
PASSENGER'S SEAT - "AMAYA" "TORINO" WITH 3 POINTS		

Item#	Part	Description	QTY	Notes
24	866204	BACKREST CLIP	2	
25	Call order desk	BACKREST FOAM / W/SIGLUM TORO S.C.C.	2	P
25	867774	BACKREST FOAM / W/SIGLUM TORINO S.C.C.	2	
26	867775	BACKREST TUFTING WIRE	4	
27	Call order desk	COVERING BACKREST ASSY "TORO" S.C.C.	2	P
27	Call order desk	COVERING BACKREST ASSY "TORINO" S.C.C.	2	P
28	860108	SEAT CUSHION FRAME	2	
29	860011	SEAT BELT SUPPORT, CURB SIDE	1	
29	860012	SEAT BELT SUPPORT, STREET SIDE	1	
30	865360	CUSHION FOAM	2	
31	861716	CUSHION TUFTING WIRE	2	
32	Call order desk	COVERING CUSHION ASSY S.C.C.	2	P
33	502716	NUT HEX NYRT 1/4-20	4	
NS	864217	GUIDE SEAT BELT FOR RH DOUBLE SEAT / FIX TO SEAT BACKREST	1	
NS	864216	GUIDE SEAT BELT FOR LH DOUBLE SEAT / FIX TO SEAT BACKREST	1	
40	864114	SEAT BELT AISLE SIDE	1	
NS	867885	BUSHING 16MM	1	
40	865277	SEAT BELT REAR CROSS SEAT 3 PASSENGER	1	
41	864115	SEAT BELT WINDOW SIDE	1	
NS	864622	EXTENSION SEAT BELT 30cm	AR	
NS	864623	EXTENSION SEAT BELT 50cm	AR	
42	864349	BUCKLE FEMALE	1	
43	864349	BUCKLE FEMALE	1	
44	Call order desk	SCREW CAP HEX 10x25	2	P
45	865521	SCREW CAP HEX 7/16-20x1 G8	2	
46	Call order desk	BUSHING SAFETY BELT	2	P
47	860294	WASHER	2	
48	860280	SCREW BUT HEXS M10-1.5x50MM	2	
49	865220	TORINO 7/16 CAP	2	
50	X3PLB-1826-54	ARMREST PASSENGER'S SEAT - "AMAYA" WITH "TORINO" & "TORINO V.I.P."		
51	X3PLB-1826-60	ACCESSORIES PASSENGER'S SEAT - "AMAYA"		
52	X3PLB-1826-40	PASSENGER'S SEAT - "AMAYA" - FOOTREST & PEDESTAL		
60	Call order desk	BASE NYLON RECTAGULAR	1	P
61	Call order desk	WASHER NYLON ROTATING	1	P
62	Call order desk	WASHER FLAT ST ROTATING	1	P
63	Call order desk	NUT SPECIAL CENTER ROTATING	1	P
64	Call order desk	WASHER NYLON INDEX LOCK	1	P
65	Call order desk	NUT ½	1	P
66	Call order desk	WASHER FLAT ST INDEX LOCK	1	P
67	864119	KNOB / ROTATING SEAT	1	

From G-7275 To M-7767	Date:07/2024	PAGE:X3PLB-1826-11
PASSENGER'S SEAT - "AMAYA" "TORINO" WITH 3 POINTS		

Item#	Part	Description	QTY	Notes
68	Call order desk	REVERSIBLE MOUNTING RETURN	1	P
69	5001515	SCREW CAP HEX 1/4-20x3/4 G8 Z050	2	
		P) CALL ORDER DESK FOR SPECIFIC APPLICATION (V.I.N.)		

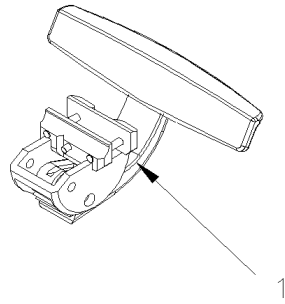
From G-7275 To M-7767

Date:07/2024

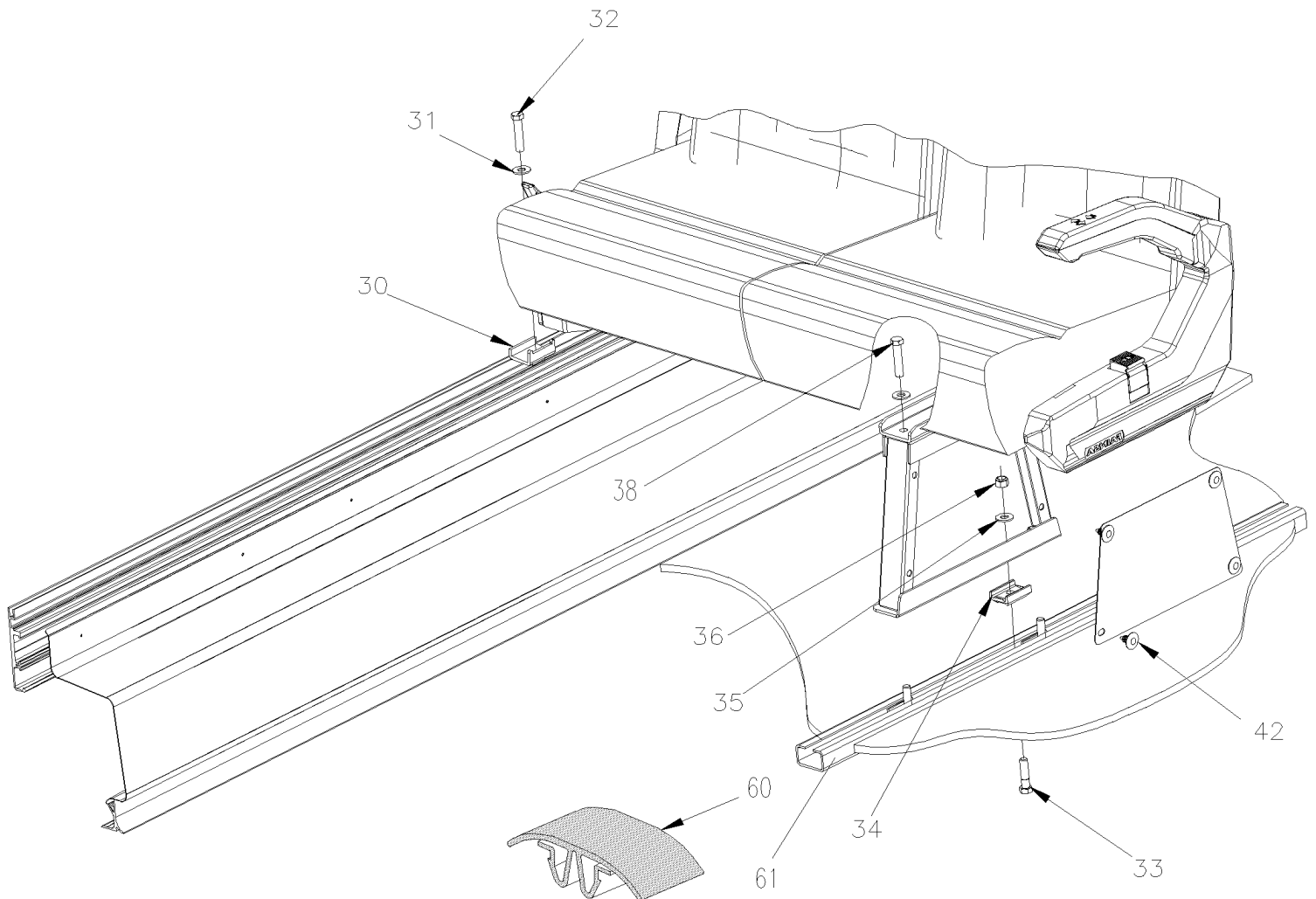
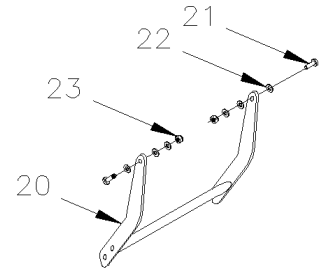
PAGE:X3PLB-1826-40

PASSENGER'S SEAT - "AMAYA" - FOOTREST & PEDESTAL

FOOTREST WITH SPRING



FOOTREST STANDARD

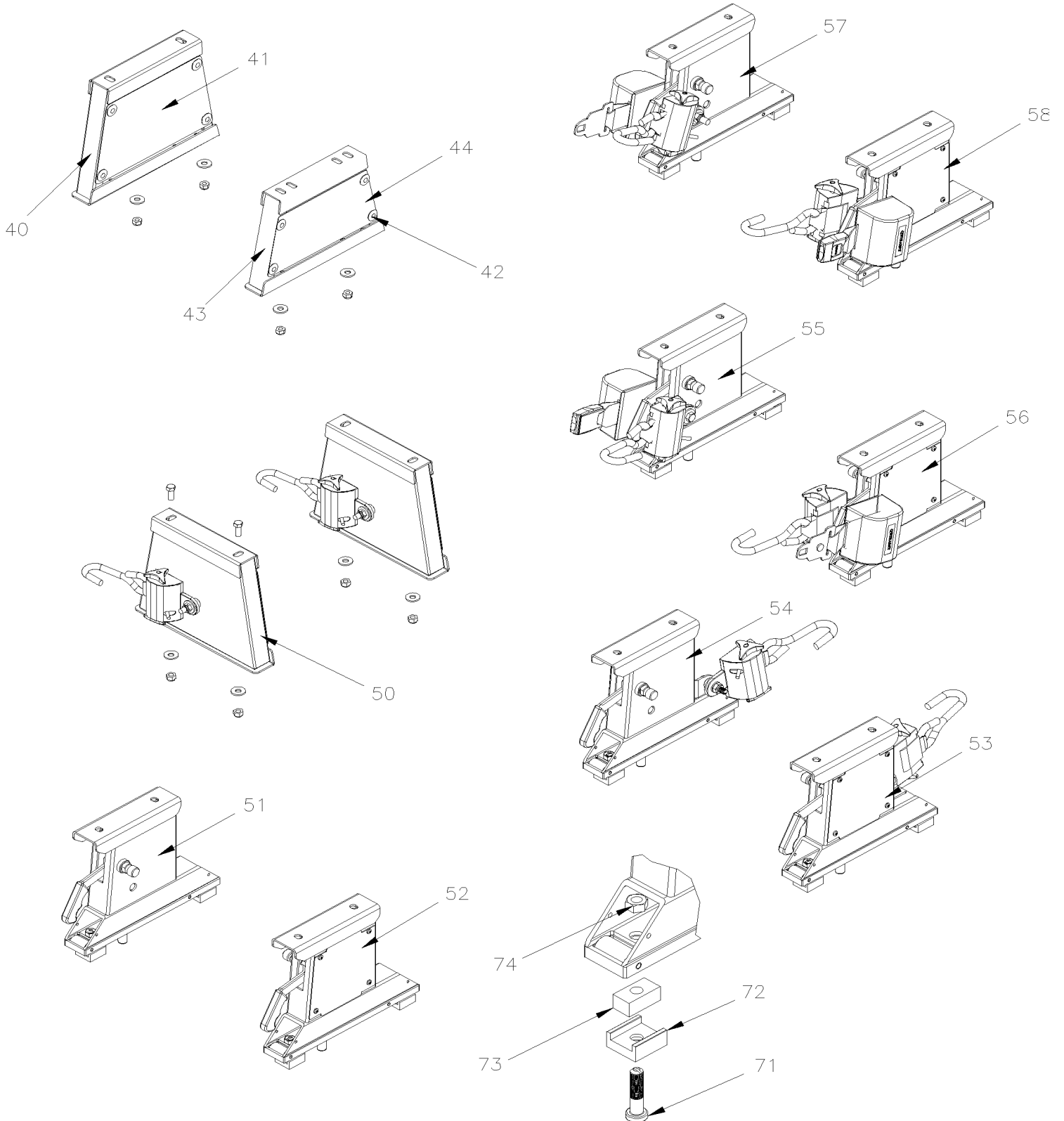


From G-7275 To M-7767

Date:07/2024

PAGE:X3PLB-1826-40

PASSENGER'S SEAT - "AMAYA" - FOOTREST & PEDESTAL



From G-7275 To M-7767	Date:07/2024	PAGE:X3PLB-1826-40
PASSENGER'S SEAT - "AMAYA" - FOOTREST & PEDESTAL		

Item#	Part	Description	QTY	Notes
1	862224	FOOTREST ASSY W/SPRING / "GAUDI" / ALUMINUM	1	
1	867725	FOOTREST ASSY W/AUTOMATIC RETURN / "STELAM" / PLASTIC	1	
1	863995	FOOTREST ASSY W/SPRING / "GALA" / PLASTIC	1	
1	862714	FOOTREST ASSY W/SPRING / "SIGLIUM" / PLASTIC 608-624N	1	B
1	860157	FOOTREST W/O AUTOMATIC RETURN / "A-220"	1	
NS	860097	FOOTREST / "A-220" BOOMER TPYE	1	
	Call order desk			P
20	863814	FOOTREST STANDARD 10" L x 9" U N-1500	1	
20	863982	FOOTREST STANDARD X" L x Y" U H-1500	1	
21	Call order desk	BOLT SPECIAL M8-1.25 x10	2	P
22	500441	WASHER FL .312x.734x.065 Z050	2	
23	500868	NUT HEX NYRT M8-1.25 Z050	2	
30	Call order desk	ATTACHMENT NUT / "L" SHAPE TO FIX SEAT TO WALL TRACK	2	P
30	865336	ATTACHMENT NUT / "L" SHAPE TO FIX SEAT TO WALL TRACK TORINO	2	
30	861714	ATTACHMENT NUT / "U" SHAPE TO FIX SEAT TO WALL TRACK	2	
31	866243	PRESSURE WASHER 7/16" 10MM	2	
32	502549	SCREW CAP HEX M10-1.5x35 G8.8 Z050	2	
33	5001735	SCREW CAP HEX 7/16-20x1 3/4 G8 G500	3	
34	364272	BLOCK ANCHOR / 26.8MM INSIDE / 35MM x 50MM x 19MM Height	3	
35	500897	WASHER FL .437x1.000x.083 N500	3	
36	5001734	NUT HEX 7/16-20 G8 N500	3	
38	Call order desk	SCREW CAP HEX 7/16-20x1 1/4 G8 GREYHOUND	2	P
38	865465	WASHER FL / 7/16	2	
38	865521	SCREW CAP HEX 7/16-20x1 G8	2	
38	Call order desk	SCREW CAP HEX M10-1.5 x30MM torino rev	2	P
	Call order desk			P
40	Call order desk	PEDESTAL ASSY / W STD SEAT	1	P
40	Call order desk	PEDESTAL ASSY / W STD SEAT GREYHOUND	1	P
40	868725	PEDESTAL ASSY / W STD SEAT W/ A-2TEN / A-220 / GTT	1	
40	Call order desk	PEDESTAL ASSY / W FLIP-UP W/ A-2TEN	1	P
40	866146	PEDESTAL ASSY / W STD SEAT W/ TORINO	1	
41	865297	COVER PEDESTAL W/"TORINO", A-2TEN, A-220, GTT	1	
41	861715	COVER PEDESTAL W/"BRASIL" TORINO	1	
42	864368	SCREW 3/8 PLASTIC	4	
43	Call order desk	PEDESTAL ASSY / W REVERSIBLE SEAT "TORINO"	1	P
43	Call order desk	PEDESTAL ASSY / W REVERSIBLE SEAT "BRASIL"	1	P
43	Call order desk	PEDESTAL ASSY / W REVERSIBLE SEAT "A-2TEN"	1	P
44	Call order desk	COVER PEDESTAL W/REVERSIBLE SEAT	1	P
44	865297	COVER PEDESTAL W/"TORINO", A-2TEN, A-220, GTT	1	
45	864119	KNOB / ROTATING SEAT	1	

From G-7275 To M-7767	Date:07/2024	PAGE:X3PLB-1826-40
-----------------------	--------------	--------------------

PASSENGER'S SEAT - "AMAYA" - FOOTREST & PEDESTAL

Item#	Part	Description	QTY	Notes
50	Call order desk	PEDESTAL ASSY / STD W/1 SEAT BELT HOOK BACKWARD	2	P
51	865092	PEDESTAL ASSY R.H. TRACK	1	
. NS	865992	. COVER HANDLE RED	1	
51	865066	PEDESTAL ASSY R.H. TRACK W/BRASIL	1	
. NS	865992	. COVER HANDLE RED	1	
51	865069	PEDESTAL ASSY R.H. TRACK W/TORINO G & A-2TEN	1	
. NS	865992	. COVER HANDLE RED	1	
52	865121	PEDESTAL ASSY L.H. TRACK	1	
. NS	865992	. COVER HANDLE RED	1	
52	865067	PEDESTAL ASSY L.H. TRACK W/BRASIL	1	
. NS	865992	. COVER HANDLE RED	1	
52	865068	PEDESTAL ASSY L.H. TRACK W/TORINO G & A-2TEN	1	
. NS	865992	. COVER HANDLE RED	1	
53	864461	PEDESTAL ASSY L.H. TRACK 1 SEAT BELT HOOK BACKWARD	1	
. NS	865992	. COVER HANDLE RED	1	
54	864698	PEDESTAL ASSY R.H. TRACK 1 SEAT BELT HOOK BACKWARD	1	
. NS	865992	. COVER HANDLE RED	1	
55	864960	PEDESTAL ASSY R.H. TRACK 2 SEATS BELT FORWARD 38"	1	
. NS	865992	. COVER HANDLE RED	1	
56	864621	PEDESTAL ASSY L.H. TRACK 2 SEATS BELT FORWARD 38"	1	
. NS	865992	. COVER HANDLE RED	1	
57	860154	PEDESTAL ASSY R.H. TRACK 2 SEATS BELT FORWARD 40"	1	
. NS	865992	. COVER HANDLE RED	1	
58	860155	PEDESTAL ASSY L.H. TRACK 2 SEATS BELT FORWARD 40"	1	
. NS	865992	. COVER HANDLE RED	1	
NS	322246	SEAT STOPPER BLOCK 100MM x 31.75MM	AR	
NS	319994	SEAT STOPPER BLOCK 50MM x 31.75MM	AR	
NS	329177	SEAT STOPPER BLOCK 275MM x 31.75MM	AR	
60	329689	SEAT TRACK COVER 12' / EACH SEAT / W/COVERING FLOOR	AR	
61	X3PLB-1838-00	FLOOR - BUS		
61	X3PLB-1838-01	FLOOR - BUS		
63	5001738	SCREW CAP HEX M8-1.25x30 G8.8 N500	2	
63	502549	SCREW CAP HEX M10-1.5x35 G8.8 Z050	AR	
64	323809	DECAL/ ARROW > SEAT POSITION 25MM x 35MM	1	
66	866243	PRESSURE WASHER 7/16" 10MM	1	
71	865064	PIN SUPPORT 7/16x54MM HEAD 19.5MM O.D	1	
71	860385	PIN SUPPORT 3/8x44MM HEAD 25.4MM O.D	1	
72	865063	INSIDE GUIDE	1	
73	865062	INSIDE SLIDE	1	

From G-7275 To M-7767	Date:07/2024	PAGE:X3PLB-1826-40
-----------------------	--------------	--------------------

PASSENGER'S SEAT - "AMAYA" - FOOTREST & PEDESTAL

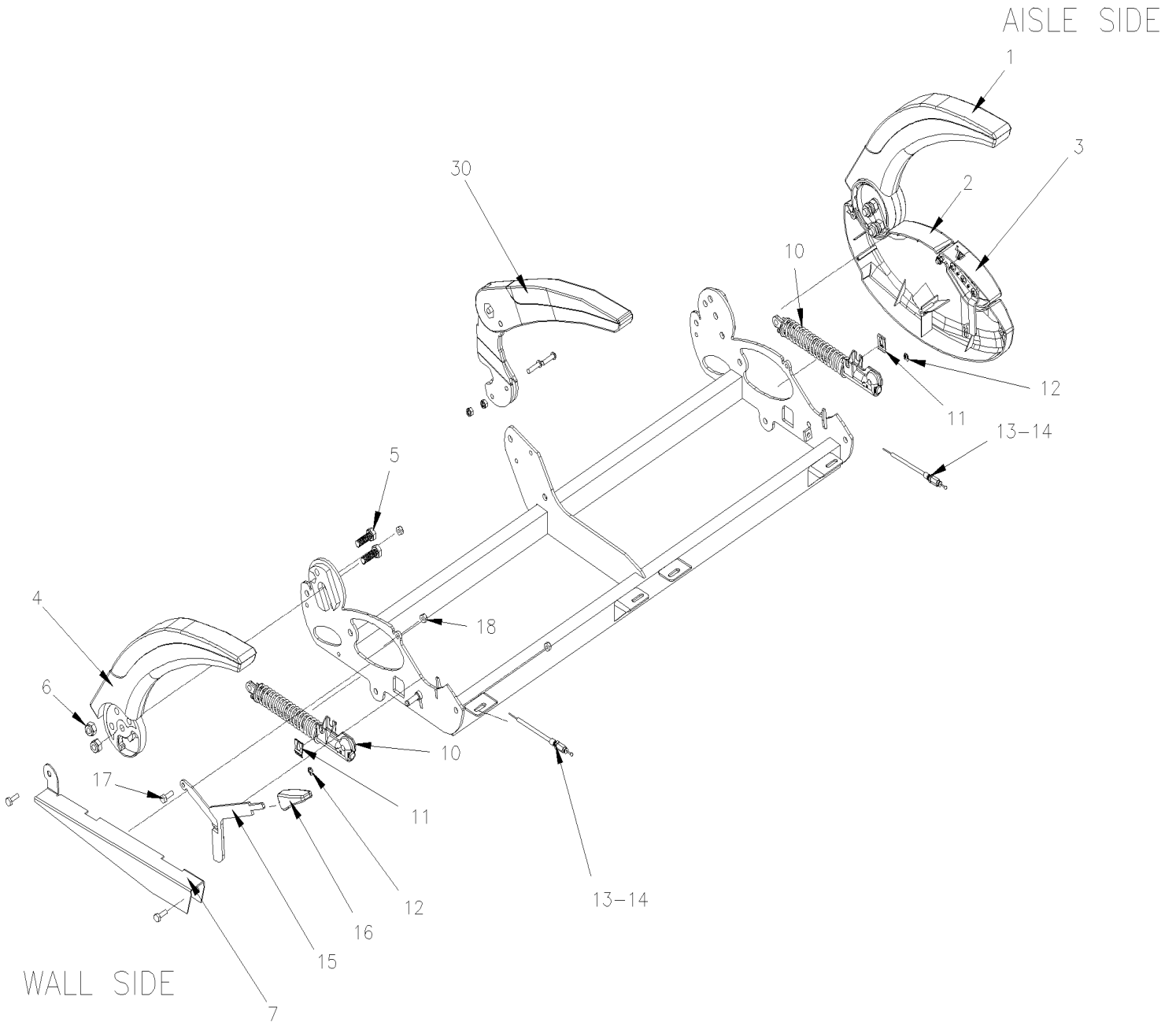
Item#	Part	Description	QTY	Notes
74	500709	NUT HEX 7/16-20 Z050	1	
		B) NO ENGLISH DESCRIPTION		
		P) CALL ORDER DESK FOR SPECIFIC APPLICATION (V.I.N.)		

From G-7275 To M-7767

Date:07/2024

PAGE:X3PLB-1826-53

ARMREST PASSENGER'S SEAT - "AMAYA" WITH "SIGLIUM" TORO & TORINO



From G-7275 To M-7767	Date:07/2024	PAGE:X3PLB-1826-53
-----------------------	--------------	--------------------

ARMREST PASSENGER'S SEAT - "AMAYA" WITH "SIGLIUM" TORO & TORINO

Item#	Part	Description	QTY	Notes
		IMPORTANT NOTE:		
		TO ORDER COMPLETE PASSENGER'S SEAT KIT #,		
		SEE THE FINAL VEHICLE RECORD.		
	N.S.S.	ARMREST R.H. AISLE ASSY	1	1
. NS	863186	. ARMREST R.H.	1	
. NS	Call order desk	. . ARMREST COVERING WOOD FINISHING	1	P
. NS	866077	. . ARMREST COVERING DARK GREY	1	
. NS	865378	. . ARMREST COVERING LIGHT GREY	1	
. NS	860075	. . CAP WITH LOGO AMAYA	1	
. NS	864577	. COVER AISLE R.H.	1	
. NS	864588	. LEVER AISLE R.H.	1	
. NS	860075	. CAP WITH LOGO AMAYA	1	
	N.S.S.	ARMREST L.H. AISLE ASSY	1	1
. NS	864938	. ARMREST L.H.	1	
. NS	Call order desk	. . ARMREST COVERING WOOD FINISHING	1	P
. NS	866077	. . ARMREST COVERING DARK GREY	1	
. NS	865378	. . ARMREST COVERING LIGHT GREY	1	
. NS	860076	. . CAP WITH LOGO AMAYA	1	
. NS	864703	. COVER AISLE SIDE RH SEAT	1	
. NS	864589	. LEVER AISLE L.H.	1	
1	863186	. ARMREST R.H.	1	
. NS	Call order desk	. . ARMREST COVERING WOOD FINISHING	1	P
. NS	866077	. . ARMREST COVERING DARK GREY	1	
. NS	865378	. . ARMREST COVERING LIGHT GREY	1	
. NS	860075	. . CAP WITH LOGO AMAYA	1	
1	864938	. ARMREST L.H.	1	
. NS	Call order desk	. . ARMREST COVERING WOOD FINISHING	1	P
. NS	866077	. . ARMREST COVERING DARK GREY	1	
. NS	865378	. . ARMREST COVERING LIGHT GREY	1	
. NS	860076	. . CAP WITH LOGO AMAYA	1	
2	864577	. COVER AISLE R.H.	1	
2	864703	. COVER AISLE SIDE RH SEAT	1	
3	864588	. LEVER AISLE R.H.	1	
3	864589	. LEVER AISLE L.H.	1	
4	865070	ARMREST R.H. WINDOW SIDE	1	
5	11500930	SCREW CAP HEX M10-1.5x30 G8.8 PHC	2	
6	500256	NUT HEX M10-1.5 Z050	2	
7	Call order desk	COVER MECHANISC R.H.	1	P
7	Call order desk	COVER MECHANISC L.H.	1	P
10	863405	CYLINDER R.H.	1	

From G-7275 To M-7767	Date:07/2024	PAGE:X3PLB-1826-53
-----------------------	--------------	--------------------

ARMREST PASSENGER'S SEAT - "AMAYA" WITH "SIGLIUM" TORO & TORINO

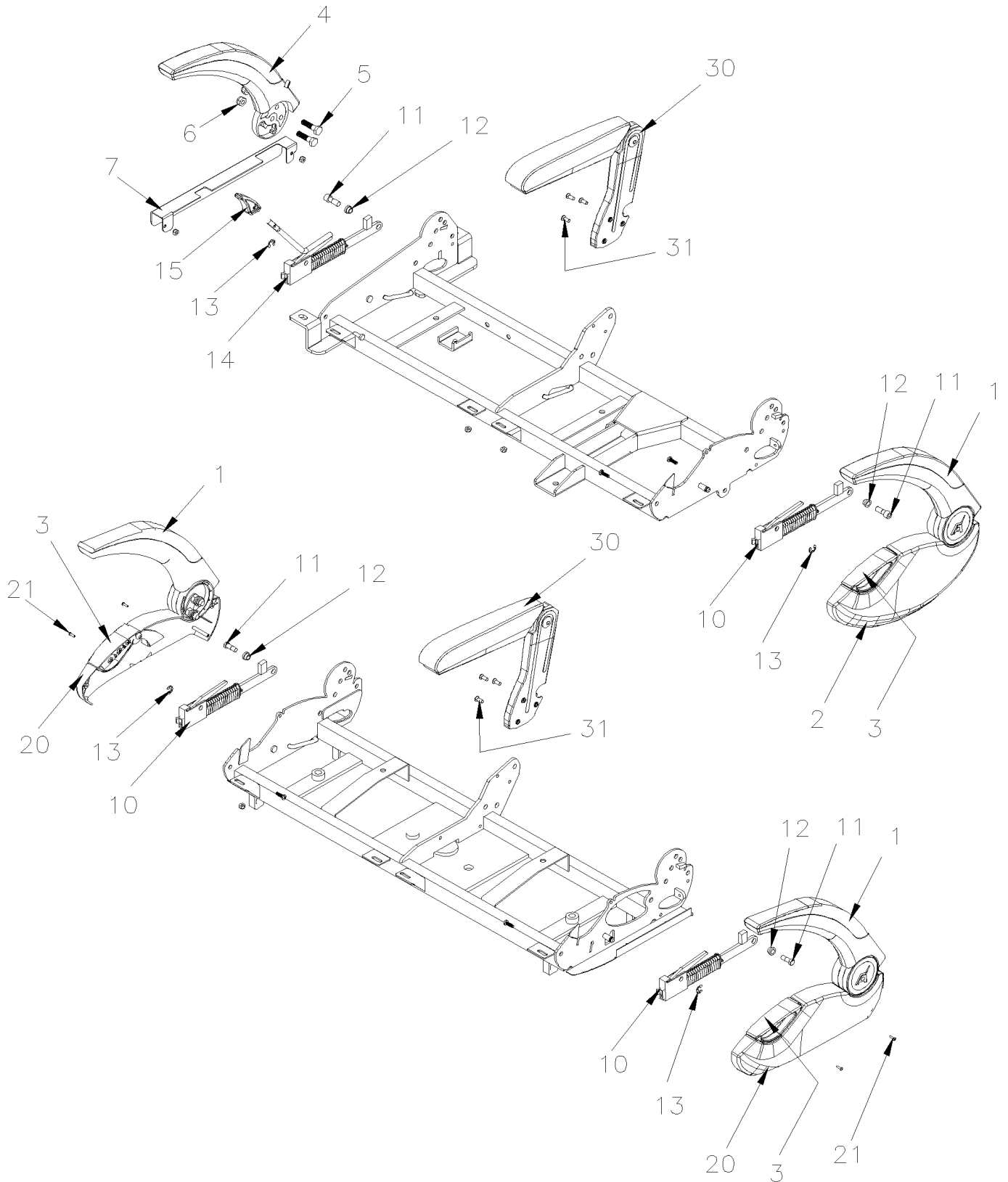
Item#	Part	Description	QTY	Notes
10	863406	CYLINDER L.H.	1	
11	861486	CLIP / WIRE RETAINER	2	
12	865696	CLIP	1	
13	863407	CABLE	2	
14	500690	NUT HEX NYRT 1/4-28 Z050	2	
15	863413	RECLINING LEVEL L.H. WINDOW	1	
15	863414	RECLINING LEVEL R.H. WINDOW	1	
16	863356	KNOB LEVER L.H. WINDOW	1	
16	863357	KNOB LEVER R.H. WINDOW	1	
17	9415477	SCREW CAP HEX 1/4-20x3/4 ZP	1	
18	500769	NUT HEX 1/4-20 Z050	1	
30	864072	ARMREST CENTRAL ASSY / LIGHT GREY	1	
. NS	865995	. BOLT	1	
. NS	865996	. BUSHING	1	
. NS	866240	. ARMREST COVERING LIGHT GREY	1	
30	865104	ARMREST CENTRAL ASSY	1	
. NS	866240	. ARMREST COVERING LIGHT GREY	1	
40	Call order desk	ARMREST WINDOW	1	P
		1) NOT SOLD SEPARATELY		
		P) CALL ORDER DESK FOR SPECIFIC APPLICATION (V.I.N.)		
		P) CALL ORDER DESK FOR SPECIFIC APPLICATION (V.I.N.)		

From G-7275 To M-7767

Date:07/2024

PAGE:X3PLB-1826-54

ARMREST PASSENGER'S SEAT - "AMAYA" WITH "TORINO" & "TORINO V.I.P."



From G-7275 To M-7767	Date:07/2024	PAGE:X3PLB-1826-54
ARMREST PASSENGER'S SEAT - "AMAYA" WITH "TORINO" & "TORINO V.I.P."		

Item#	Part	Description	QTY	Notes
	N.S.A.	ARMREST R.H. AISLE ASSY	1	3
	N.S.A.	ARMREST L.H. AISLE ASSY	1	3
1	863186	. ARMREST R.H.	1	
. NS	Call order desk	. . ARMREST COVERING WOOD FINISHING	1	P
. NS	866077	. . ARMREST COVERING DARK GREY	1	
. NS	865378	. . ARMREST COVERING LIGHT GREY	1	
. NS	860075	. . CAP WITH LOGO AMAYA	1	
1	864938	. ARMREST L.H.	1	
. NS	Call order desk	. . ARMREST COVERING WOOD FINISHING	1	P
. NS	866077	. . ARMREST COVERING DARK GREY	1	
. NS	865378	. . ARMREST COVERING LIGHT GREY	1	
. NS	860076	. . CAP WITH LOGO AMAYA	1	
2	864577	. COVER AISLE R.H.	1	
2	864703	. COVER AISLE SIDE RH SEAT	1	
3	864815	. LEVER ASSY R.H.	1	
3	865298	. LEVER ASSY L.H.	1	
4	865070	ARMREST R.H. WINDOW SIDE	1	
5	500829	SCREW CAP HEX M10-1.5x40 G8.8	2	
6	500256	NUT HEX M10-1.5 Z050	2	
7	Call order desk	MECHANISM COVER L.H.	1	P
10	865086	RECLINING MECHANISM ASSY / "TORINO" AISLE	1	
11	500695	SCREW CAP HEXS 3/8-16x1 ZP	1	
NS	500728	NUT HEX JAM 3/8x16 CP	1	
12	865215	BUSHING NYLON	1	
13	Call order desk	SNAP RING 18.2MM	1	P
14	865061	RECLINING MECHANISM ASSY / "TORINO" WINDOW	1	
15	864117	KNOB W/SQUARE ROD INSERT MECHANISM (CURRENT)	1	
20	Call order desk	ARMREST COVER L.H. / "TORINO VT" W/REVERSIBLE SEAT	1	P
20	Call order desk	ARMREST COVER R.H. / "TORINO VT" W/REVERSIBLE SEAT	1	P
21	504108	RIVET POP DOME OE 1/8x1/2 AL	4	
	Call order desk			P
30	865221	ARMREST CENTRAL ASSY / PAINTED CHARCOAL 2 + 1	1	
. NS	865243	. PLASTIC COVER	1	
30	864072	ARMREST CENTRAL ASSY / LIGHT GREY	1	
. NS	865995	. BOLT	1	
. NS	865996	. BUSHING	1	
. NS	866240	. ARMREST COVERING LIGHT GREY	1	
30	865104	ARMREST CENTRAL ASSY	1	
. NS	866240	. ARMREST COVERING LIGHT GREY	1	
31	Call order desk	. SCREW MA CHE PH M6x15	3	P
33	Call order desk	ARMREST WINDOW	1	P

From G-7275 To M-7767	Date:07/2024	PAGE:X3PLB-1826-54
-----------------------	--------------	--------------------

ARMREST PASSENGER'S SEAT - "AMAYA" WITH "TORINO" & "TORINO V.I.P."

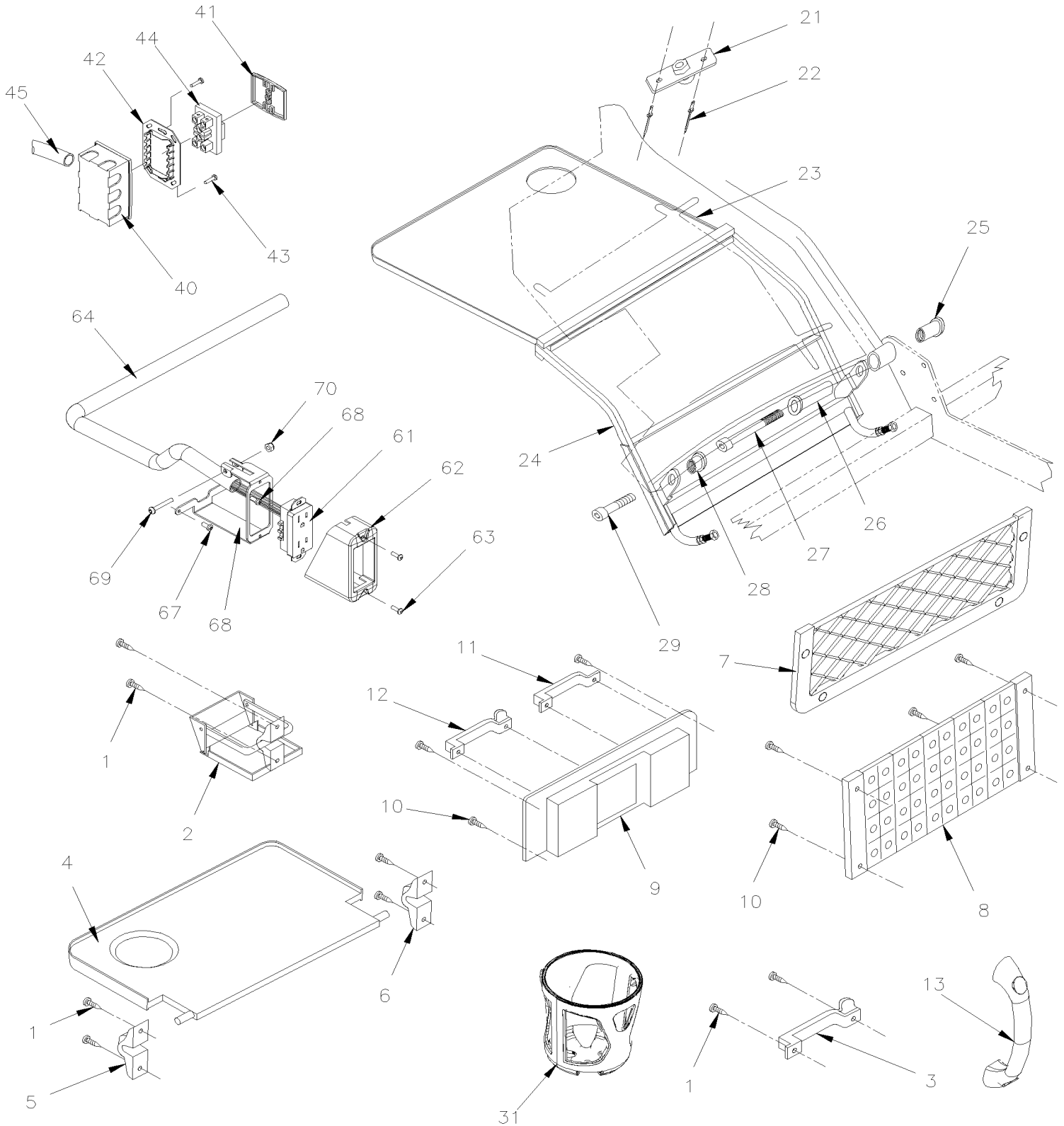
Item#	Part	Description	QTY	Notes
		3) NOT SOLD ASSEMBLY		
		P) CALL ORDER DESK FOR SPECIFIC APPLICATION (V.I.N.)		
		P) CALL ORDER DESK FOR SPECIFIC APPLICATION (V.I.N.)		

From G-7275 To M-7767

Date:07/2024

PAGE:X3PLB-1826-60

ACCESSORIES PASSENGER'S SEAT - "AMAYA"



From G-7275 To M-7767	Date:07/2024	PAGE:X3PLB-1826-60
ACCESSORIES PASSENGER'S SEAT - "AMAYA"		

Item#	Part	Description	QTY	Notes
1	500936	SCREW TP OV PH #10x1 1/4 ZP	1	
2	861923	GLASS HOLDER / W/"AMAYA" / W/2 HOLES FOR SCREW	1	A
NS	862932	GLASS HOLDER / W/"AMAYA" / W/3 HOLES FOR SCREW	1	
3	860422	HANDLE	1	
NS	860421	HOOK	1	
4	863777	TABLE STD FORMER	1	
4	860299	TABLE STD CURRENT	1	
NS	867815	SUPPORT TABLE	2	
NS	867813	PHILLIPS PAN HEAD SCREW #12 X 2 1/2"	2	
NS	867814	PHILLIPS PAN HEAD SCREW #12 X 2"	2	
4	860144	TABLE STD A-220	1	
4	868528	TABLE WITH HOLE CUP HOLDER	1	
5	N.S.S.	SUPPORT R.H.	1	1
6	N.S.S.	SUPPORT L.H.	1	1
7	861922	MAGAZINE NET 16" x 6 3/4"	1	
7	865369	SCREW #10 1 1/4	5	
7	865278	MAGAZINE NET 14.5" x 5"	1	
8	861924	MAGAZINE RACK / PLASTIC 310MM x 145MM = GREY 5 BARS	1	
8	863535	MAGAZINE RACK / PLASTIC 350MM x 145MM = GREY 6 BARS	1	
NS	19505538	MAGAZINE RACK / BANDASTICK	1	
10	865369	SCREW #10 1 1/4	1	
13	865276	HANDLE RED	1	
13	865358	HANDLE GREY	1	
21	863417	KNOB / BLACK	1	
21	863418	KNOB / GREY / FORMER	1	
21	866266	KNOB / GREY / CURRENT	1	
22	504126	RIVET POP DOME OE 3/16x5/8 AL	1	
23	861920	FOOD TRAY / GREY / W/AIRPLANE TYPE	1	
23	860156	FOOD TRAY / GREY / W/AIRPLANE TYPE W/A220	1	
24	864799	FRAME TABLE AIRPLANE TYPE	1	
25	864800	SCREW CENTER BUSHING	1	
26	864801	CENTER BUSHING	1	
27	502765	SCREW CAP HEXS M10-1.5x100 G8.8 PT ZP	1	
28	864802	SHORT BUSHING	1	
29	70314705	SCREW CAP HEXS M10-1.5x60 G8.8 ZP	1	
NS	405795	SUPPORT TABLE, AIRPLANE TYPE / ON GALLEY WALL	1	
31	864860	CUP HOLDER, FLEX, GREY	1	
40	Call order desk	WIRE HOSE 1/2" X 900MM	1	P
41	863780	COVER PLATE DOUBLE 110V OUTLET "AMAYA" SEAT	1	
42	Call order desk	INCREASE	1	P
43	Call order desk	SCREW #8 x 3/4"	2	P
44	Call order desk	ELECTRICAL OUTLET	1	P

From G-7275 To M-7767	Date:07/2024	PAGE:X3PLB-1826-60
-----------------------	--------------	--------------------

ACCESSORIES PASSENGER'S SEAT - "AMAYA"

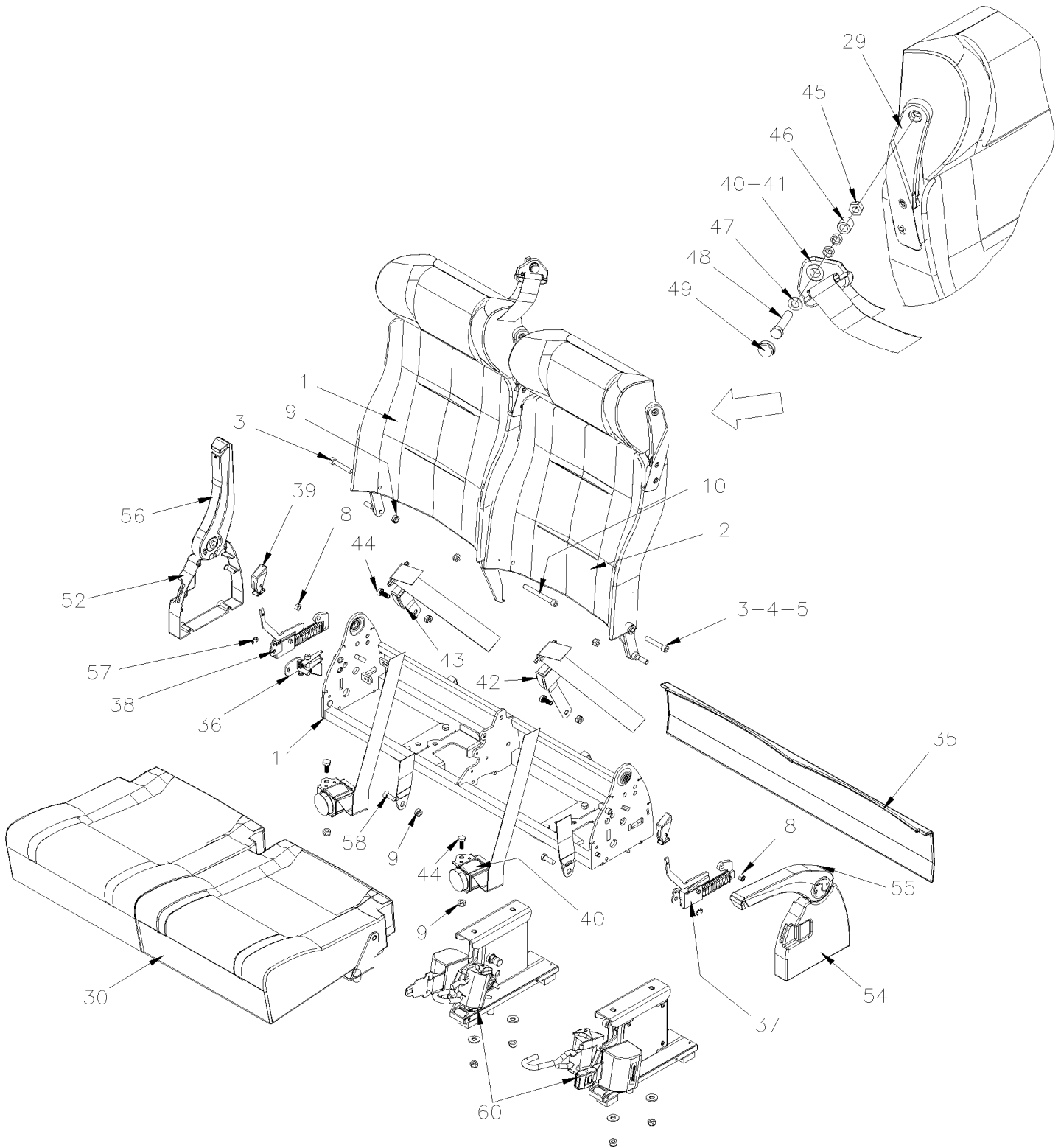
Item#	Part	Description	QTY	Notes
45	Call order desk	HOSE 1/2 x 850MM	1	P
60	865280	KIT OUTLET 110 VAC	1	
60	863232	KIT OUTLET 110 VAC / USB	1	
61	7770275	. PLUG DOUBLE 110 VAC	1	
61	860142	. PLUG DOUBLE 110 VAC MURAL W/2 USB PORT / WHITE	1	
62	866079	. COVER	1	
63	Call order desk	. SCREW MA BUT PH M8x19	2	P
64	Call order desk	. TUBE 3/4	1	P
NS	561781	. CONNECTOR / WEATHER PACK / PH 3C / BLACK / PED 12010717	1	
NS	561782	. CONNECTOR / WEATHER PACK / SH 3C / BLACK / PED 12015793	1	
67	Call order desk	. SCREW #10x1/2	2	P
68	7775135	. SUPPORT / OUTLET	1	
68	860501	. SUPPORT / OUTLET USB	1	
69	Call order desk	. SCREW CAP BUT HEXS 3/16x1 1/4	1	P
70	Call order desk	. NUT HEX JAM NYRT 3/16	1	P
		A) AS SHOWN		
		1) NOT SOLD SEPARATELY		
		P) CALL ORDER DESK FOR SPECIFIC APPLICATION (V.I.N.)		

From G-7275 To M-7767

Date:07/2024

PAGE:X3PLB-1826-70

PASSENGER'S SEAT - "AMAYA" - FLIP-UP HANDICAP WITH 3POINTS



40" STREET SIDE

From G-7275 To M-7767	Date:07/2024	PAGE:X3PLB-1826-70
-----------------------	--------------	--------------------

PASSENGER'S SEAT - "AMAYA" - FLIP-UP HANDICAP WITH 3POINTS

Item#	Part	Description	QTY	Notes
1	Call order desk	BACKREST R.H. 38" WCL "BRASIL"	1	P
1	Call order desk	BACKREST R.H. 40" WCL "BRASIL"	1	P
2	Call order desk	BACKREST L.H. 38" WCL "BRASIL"	1	P
2	Call order desk	BACKREST L.H. 40" WCL "BRASIL"	1	P
3	Call order desk	INSIDE METAL BUSHING	1	P
4	865560	BUSHING HYTREL	1	
5	70314705	SCREW CAP HEXS M10-1.5x60 G8.8 ZP	2	
8	500901	NUT HEX NYRT 3/8-16 Z050	2	
9	500680	NUT HEX STO M10-1.5 Z050	4	
10	70314708	SCREW CAP HEXS M10-1.5X30 G8.8 ZP	1	
11	Call order desk	SEAT FRAME W.C.L. FLIPPER W.C.L. 38"	1	P
11	Call order desk	SEAT FRAME W.C.L. FLIPPER W.C.L. 40"	1	P
30	Call order desk	CUSHION BRASIL FLIPPER 38" / W.C.L. / STREETSIDE SEAT	1	P
30	Call order desk	CUSHION BRASIL FLIPPER 40" / W.C.L. / CURBSIDE SEAT	1	P
35	Call order desk	BACKREST LOWER COVER 38"	1	P
35	Call order desk	BACKREST LOWER COVER 40"	1	P
36	865499	MECHANISM HANDLE / LH	1	
37	862546	RECLINING MECHANISM ASSY WALL SIDE	1	
. NS	IS-136	. INSTRUCTION SHEET	1	
38	863540	RECLINING MECHANISM ASSY AISLE SIDE	1	
. NS	IS-136	. INSTRUCTION SHEET	1	
39	864116	KNOB HANDLE MECHANISM	1	
40	864114	SEAT BELT AISLE SIDE	1	
. NS	867885	. BUSHING 16MM	1	
41	864115	SEAT BELT WINDOW SIDE	1	
NS	864622	EXTENSION SEAT BELT 30cm	AR	
NS	864623	EXTENSION SEAT BELT 50cm	AR	
42	866019	BUCKLE FEMALE	1	
43	866019	BUCKLE FEMALE	1	
44	Call order desk	SCREW CAP HEX 10x25	4	P
45	865521	SCREW CAP HEX 7/16-20x1 G8	5	
46	Call order desk	BUSHING SAFETY BELT	2	P
47	860294	WASHER	1	
48	860280	SCREW BUT HEXS M10-1.5x50MM	1	
49	865220	TORINO 7/16 CAP	2	
50	866213	LATERAL COVER / AISLE SIDE / CURB SIDE SEAT	1	
51	865154	HINGED ARMREST LH	1	
52	860009	LATERAL COVER / WALL SIDE / CURB SIDE SEAT	1	
53	865155	ARMREST ASSY R.H. SIDE W.C.L.	1	
. NS	864965	. ARMREST COVER	1	
54	Call order desk	LATERAL COVER / WALL SIDE / STREET SIDE SEAT	1	P
55	865156	ARMREST ASSY L.H. SIDE W.C.L.	1	

From G-7275 To M-7767	Date:07/2024	PAGE:X3PLB-1826-70
-----------------------	--------------	--------------------

PASSENGER'S SEAT - "AMAYA" - FLIP-UP HANDICAP WITH 3POINTS

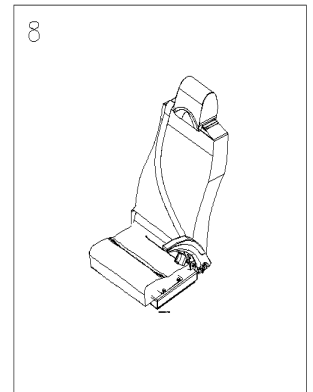
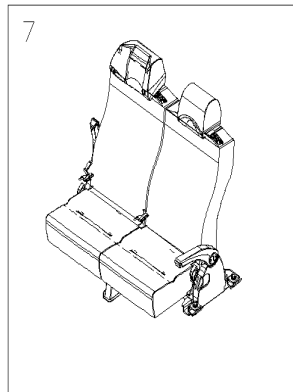
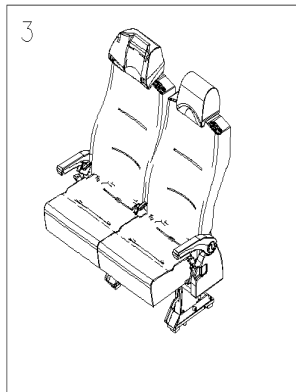
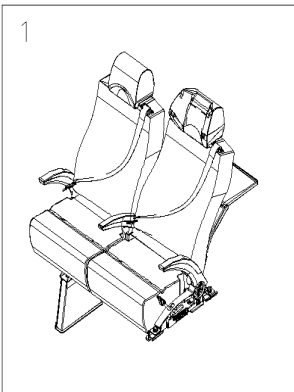
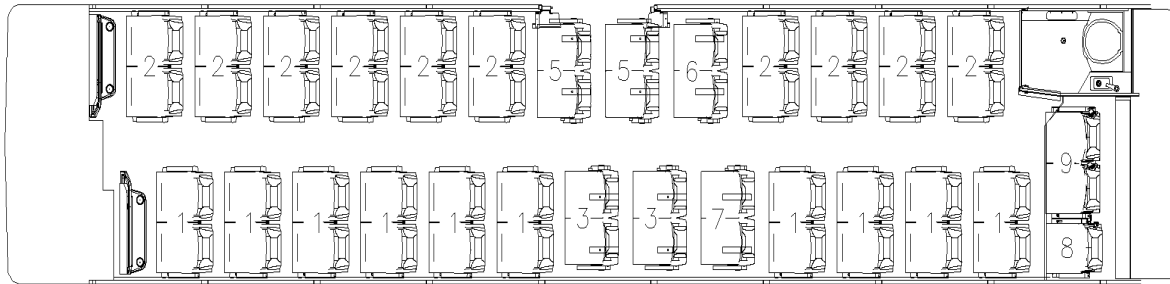
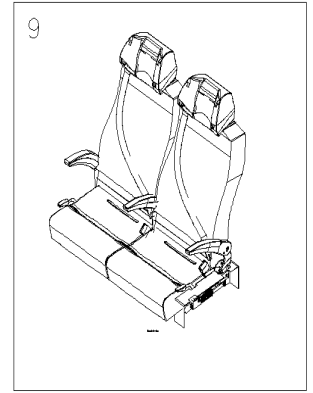
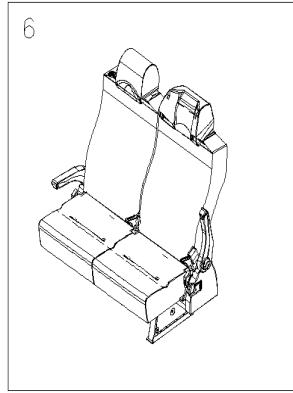
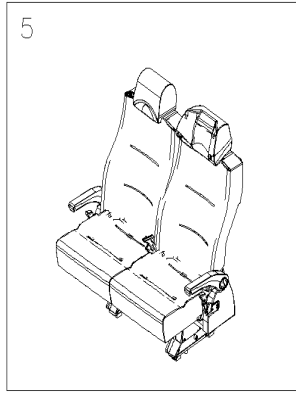
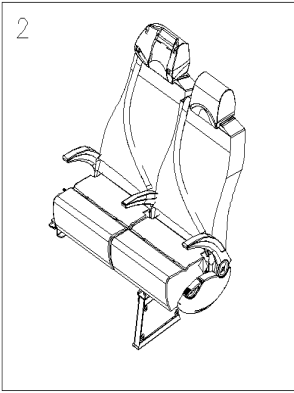
Item#	Part	Description	QTY	Notes
. NS	864965	. ARMREST COVER	1	
56	865157	HINGED ARMREST RH	1	
57	Call order desk	SNAP RING	2	P
58	Call order desk	SCREW CAP FL HEXS M10-1.5X30 G8.8 ZP	1	P
60	X3PLB-1826-40	PASSENGER'S SEAT - "AMAYA" - FOOTREST & PEDESTAL		
		P) CALL ORDER DESK FOR SPECIFIC APPLICATION (V.I.N.)		

From G-7275 To M-7767

Date:07/2024

PAGE:X3PLB-1827-00

PASSENGER'S SEAT INSTALLATION AMAYA "A-2TEN"

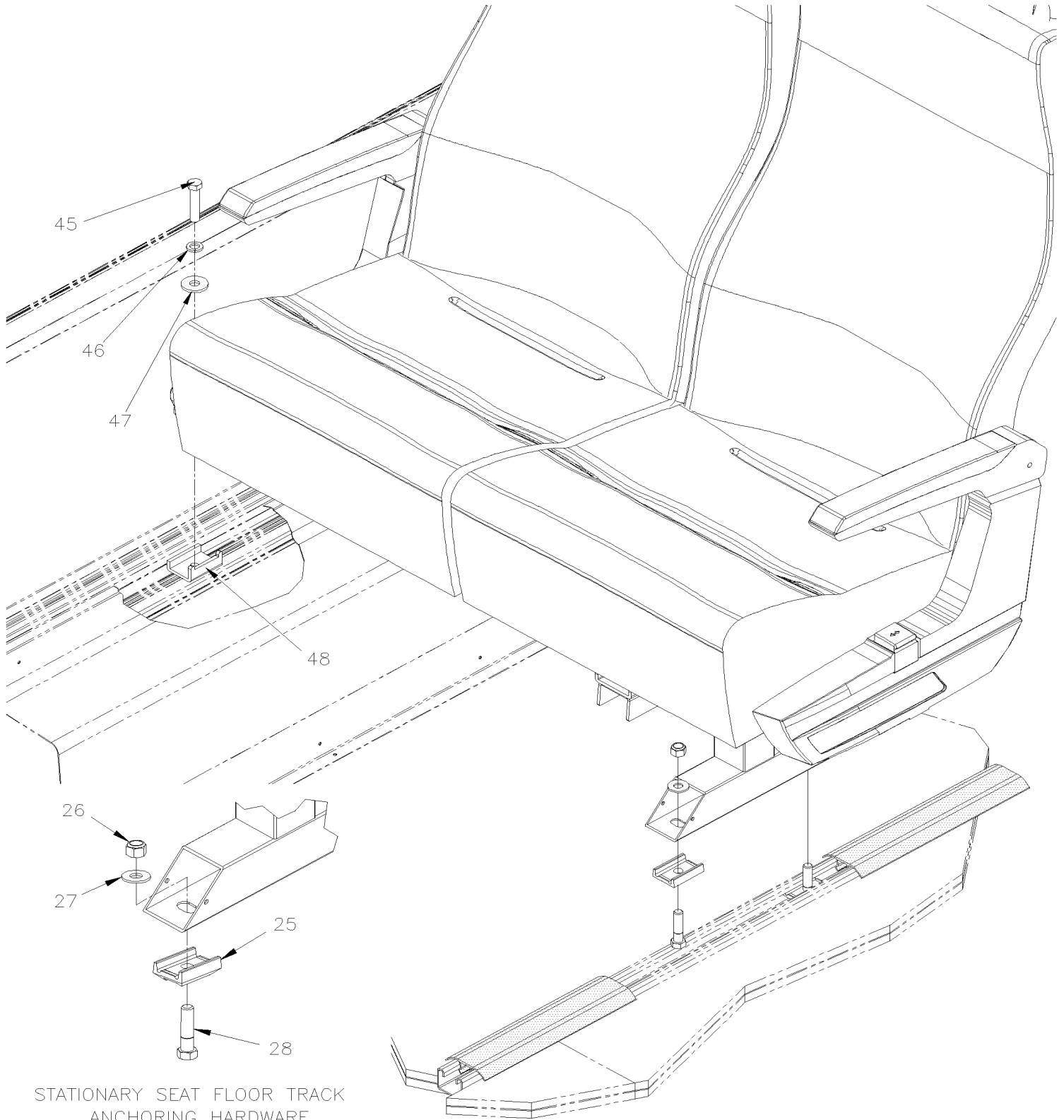


From G-7275 To M-7767

Date:07/2024

PAGE:X3PLB-1827-00

PASSENGER'S SEAT INSTALLATION AMAYA "A-2TEN"



STATIONARY SEAT FLOOR TRACK
ANCHORING HARDWARE

From G-7275 To M-7767	Date:07/2024	PAGE:X3PLB-1827-00
-----------------------	--------------	--------------------

PASSENGER'S SEAT INSTALLATION AMAYA "A-2TEN"

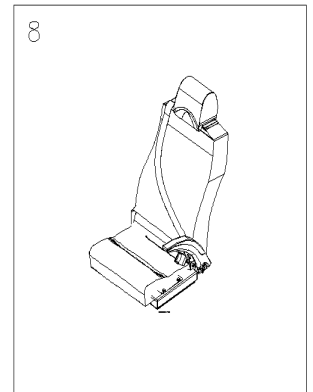
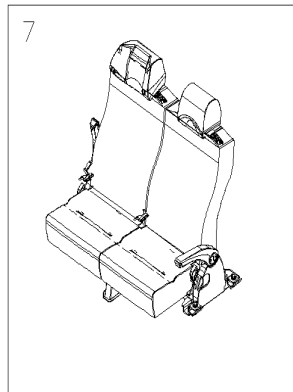
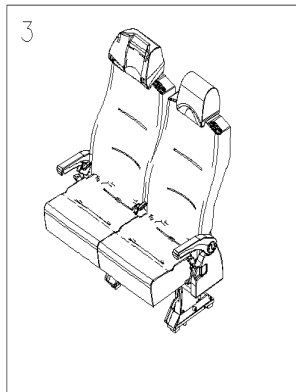
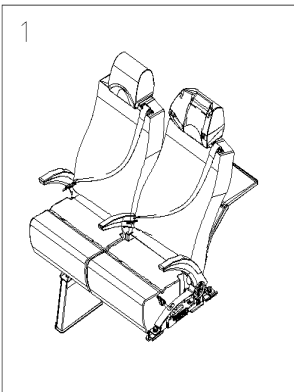
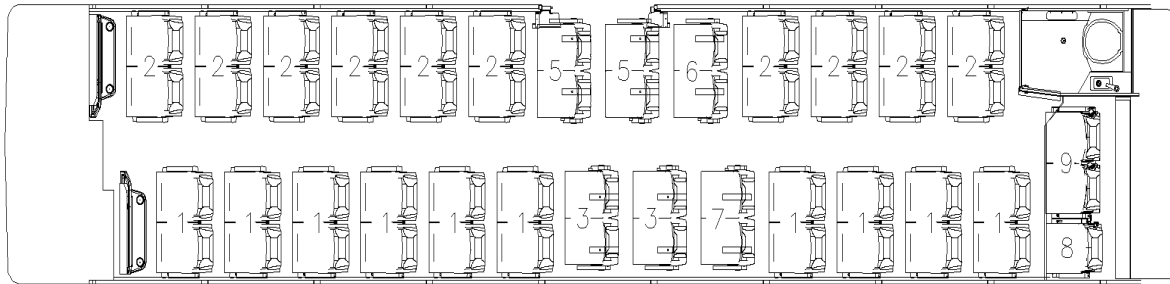
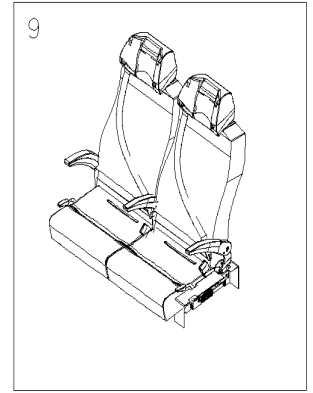
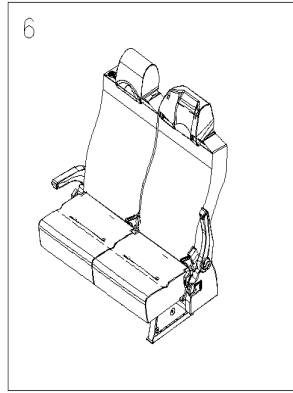
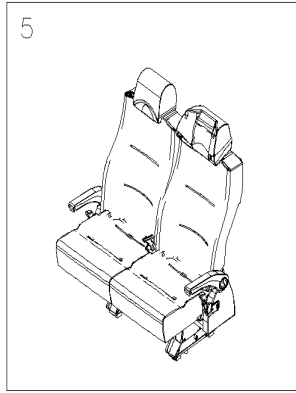
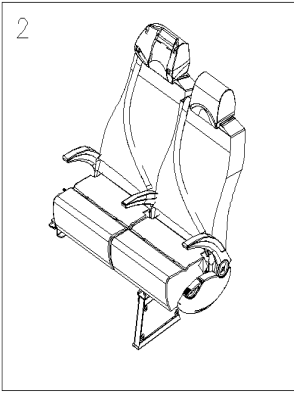
Item#	Part	Description	QTY	Notes
1	X3PLB-1827-10	PASSENGER'S SEAT / STANDARD AMAYA "A-2TEN"	1	
1	Call order desk	. SEAT ASSEMBLY 2 PASSENGER'S STREET SIDE	1	P
1	X3PLB-1827-80	PASSENGER'S SEAT / REVERSIBLE AMAYA "A-2TEN"	1	
1	Call order desk	. SEAT ASSEMBLY 2 PASSENGER'S / REVERSIBLE	1	P
2	X3PLB-1827-10	PASSENGER'S SEAT / STANDARD AMAYA "A-2TEN"	1	
2	Call order desk	. SEAT ASSEMBLY 2 PASSENGER'S CURBSIDE	1	P
3	X3PLB-1827-30	PASSENGER'S SEAT / FLIP-UP / SLIDER AMAYA "A-2TEN"	1	
3	Call order desk	. SEAT ASM 2 PASS CURBSIDE / SLIDER	1	P
5	X3PLB-1827-30	PASSENGER'S SEAT / FLIP-UP / SLIDER AMAYA "A-2TEN"	1	
5	Call order desk	. SEAT ASM 2 PASS STREETSIDE / SLIDER	1	P
6	X3PLB-1827-20	PASSENGER'S SEAT / FLIP-UP/FIXE AMAYA "A-2TEN"	1	
6	Call order desk	. SEAT ASM 2 PASS CURBSIDE / FLIP-UP	1	P
7	X3PLB-1827-20	PASSENGER'S SEAT / FLIP-UP/FIXE AMAYA "A-2TEN"	1	
7	Call order desk	. SEAT ASM 2 PASS STREETSIDE / FLIP-UP	1	P
8	X3PLB-1827-40	PASSENGER'S SEAT / REAR CROSS SEAT AMAYA "A-2TEN"	1	
8	Call order desk	. SEAT ASM 1 PASS	1	P
9	X3PLB-1827-40	PASSENGER'S SEAT / REAR CROSS SEAT AMAYA "A-2TEN"	1	
9	Call order desk	. SEAT ASM 2 PASS	1	P
25	364272	BLOCK ANCHOR / 26.8MM INSIDE / 35MM x 50MM x 19MM Height	AR	
26	5001734	NUT HEX 7/16-20 G8 N500	AR	
27	500897	WASHER FL .437x1.000x.083 N500	AR	
28	5001735	SCREW CAP HEX 7/16-20x1 3/4 G8 G500	AR	
45	865458	SCREW CAP HEX 7/16-20x2 G8	AR	
46	865460	WASHER LO SPT 7/16	AR	
47	865465	WASHER FL / 7/16	AR	
48	861714	ATTACHMENT NUT / "U" SHAPE TO FIX SEAT TO WALL TRACK	AR	
		P) CALL ORDER DESK FOR SPECIFIC APPLICATION (V.I.N.)		

From G-7275 To M-7767

Date:07/2024

PAGE:X3PLB-1827-01

PASSENGER'S SEAT INSTALLATION AMAYA "A-220"

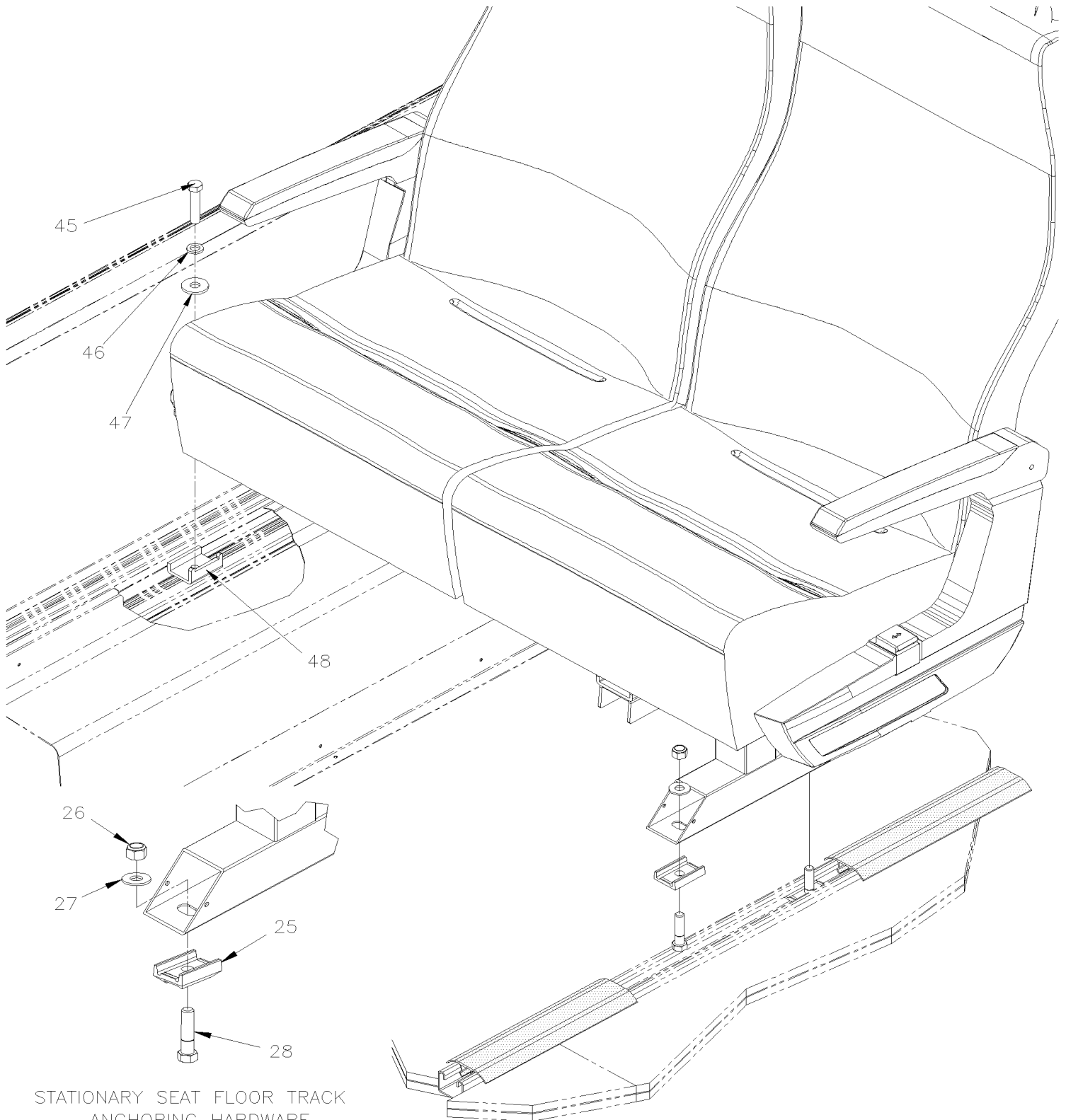


From G-7275 To M-7767

Date:07/2024

PAGE:X3PLB-1827-01

PASSENGER'S SEAT INSTALLATION AMAYA "A-220"



STATIONARY SEAT FLOOR TRACK
ANCHORING HARDWARE

From G-7275 To M-7767	Date:07/2024	PAGE:X3PLB-1827-01
-----------------------	--------------	--------------------

PASSENGER'S SEAT INSTALLATION AMAYA "A-220"

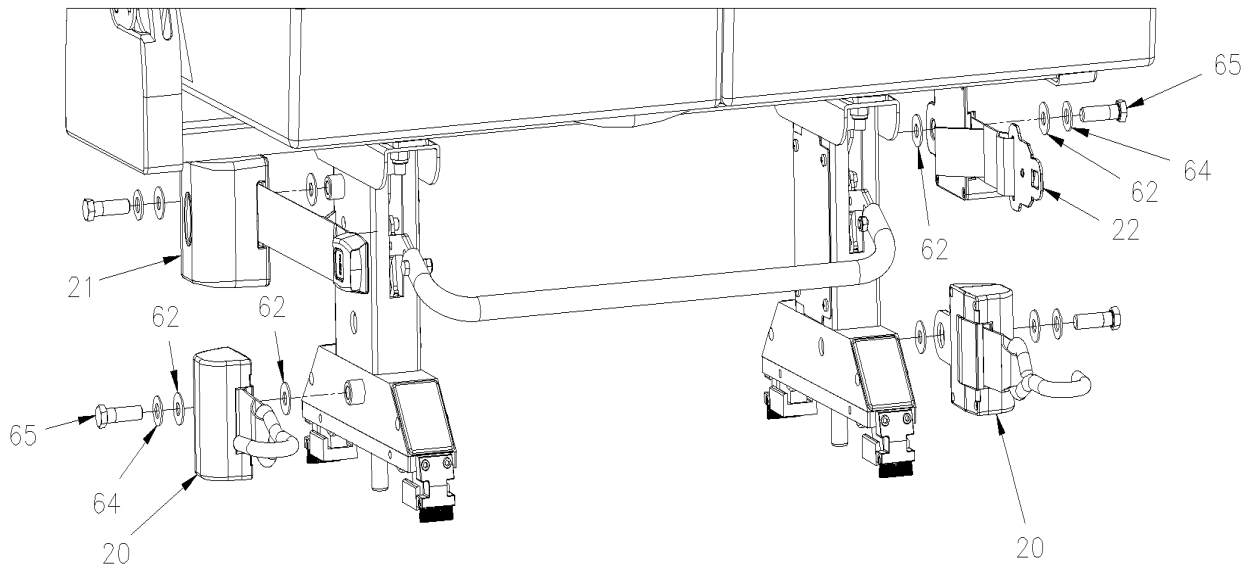
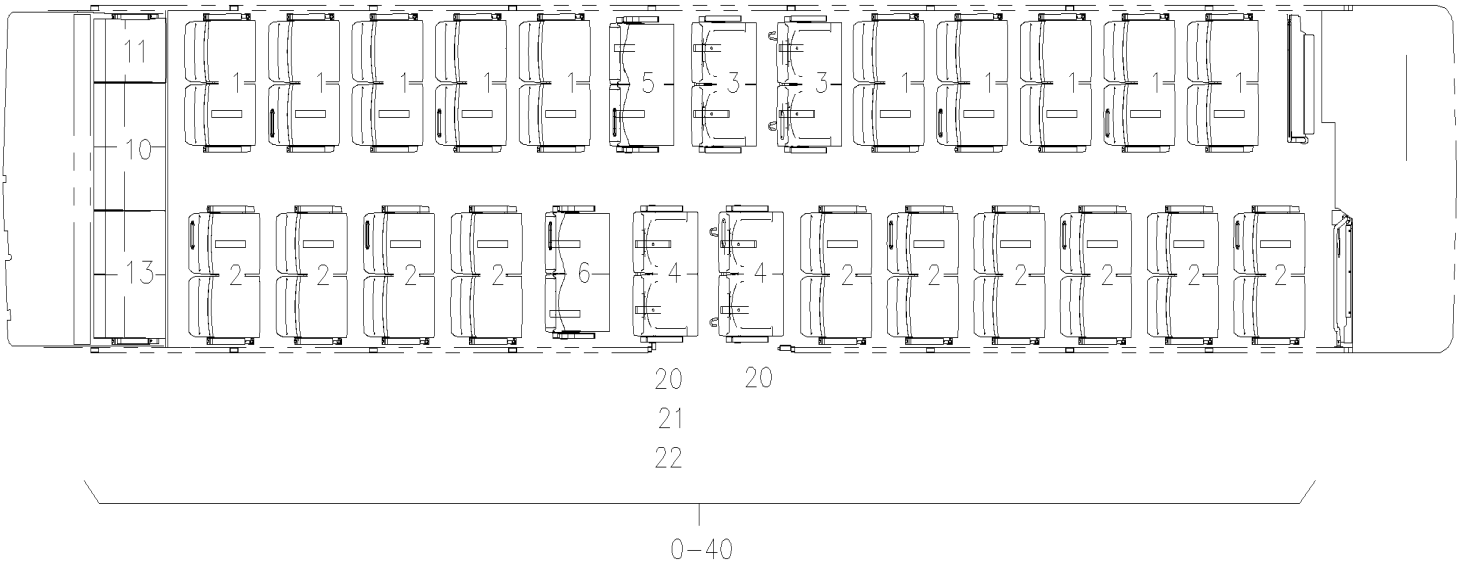
Item#	Part	Description	QTY	Notes
1	X3PLB-1827-11	PASSENGER'S SEAT / STANDARD AMAYA "A-220"		
1	Call order desk	. SEAT ASSEMBLY 2 PASSENGER'S STREET SIDE	9	P
2	X3PLB-1827-11	PASSENGER'S SEAT / STANDARD AMAYA "A-220"		
2	Call order desk	. SEAT ASSEMBLY 2 PASSENGER'S CURB SIDE	9	P
3	X3PLB-1827-31	PASSENGER'S SEAT / FLIP-UP / SLIDER AMAYA "A-220"		
3	Call order desk	. SEAT ASM 2 PASS STREET SIDE / SLIDER	2	P
5	X3PLB-1827-31	PASSENGER'S SEAT / FLIP-UP / SLIDER AMAYA "A-220"		
5	Call order desk	. SEAT ASM 2 PASS CURB SIDE / SLIDER	2	P
6	Call order desk	PASSENGER'S SEAT / FLIP-UP/FIXE AMAYA "A-220"		P
6	Call order desk	. SEAT ASM 2 PASS CURB SIDE / FLIP-UP / FIXE / 1 PEDESTAL	1	P
7	X3PLB-1827-21	PASSENGER'S SEAT / FLIP-UP/FIXE AMAYA "A-220"		
7	Call order desk	. SEAT ASM 2 PASS STREET SIDE / FLIP-UP / FIXE / 2 PEDESTAL	1	P
8	Call order desk	. PASSENGER'S SEAT / REAR CROSS SEAT AMAYA "A-220"	1	P
8	Call order desk	SEAT ASM 2 PASS A-220	1	P
9	Call order desk	. PASSENGER'S SEAT / REAR CROSS SEAT AMAYA "A-220"	1	P
9	Call order desk	SEAT ASM 1 PASS	1	P
25	364272	BLOCK ANCHOR / 26.8MM INSIDE / 35MM x 50MM x 19MM Height	AR	
26	5001734	NUT HEX 7/16-20 G8 N500	AR	
27	500897	WASHER FL .437x1.000x.083 N500	AR	
28	5001735	SCREW CAP HEX 7/16-20x1 3/4 G8 G500	AR	
45	865458	SCREW CAP HEX 7/16-20x2 G8	AR	
46	865460	WASHER LO SPT 7/16	AR	
47	865465	WASHER FL / 7/16	AR	
48	861714	ATTACHMENT NUT / "U" SHAPE TO FIX SEAT TO WALL TRACK	AR	
		P) CALL ORDER DESK FOR SPECIFIC APPLICATION (V.I.N.)		

From G-7275 To M-7767

Date:07/2024

PAGE:X3PLB-1827-03

PASSENGER'S SEAT INSTALLATION AMAYA "GT"



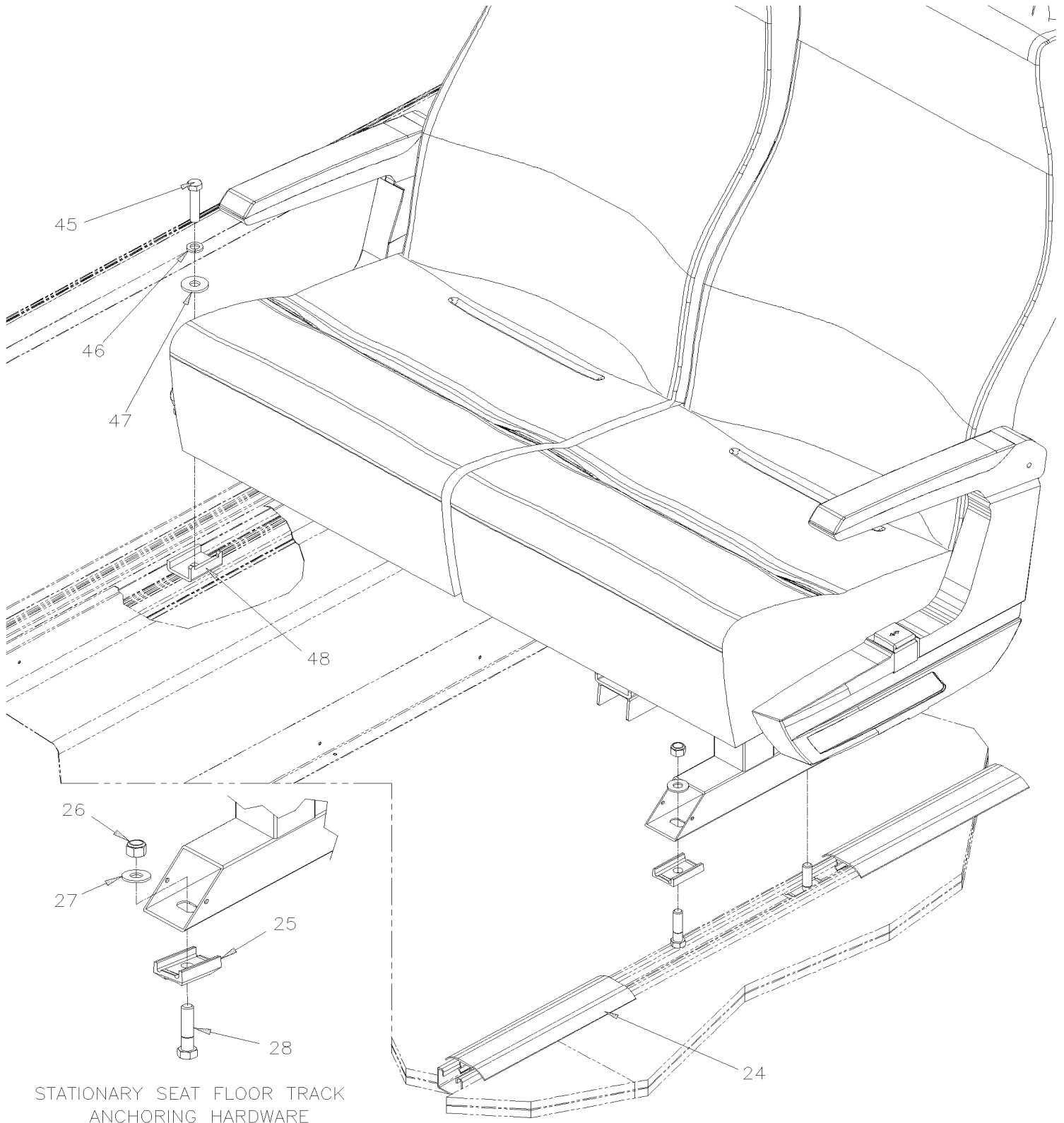
GENERIC BELT CONFIGURATION

From G-7275 To M-7767

Date:07/2024

PAGE:X3PLB-1827-03

PASSENGER'S SEAT INSTALLATION AMAYA "GT"



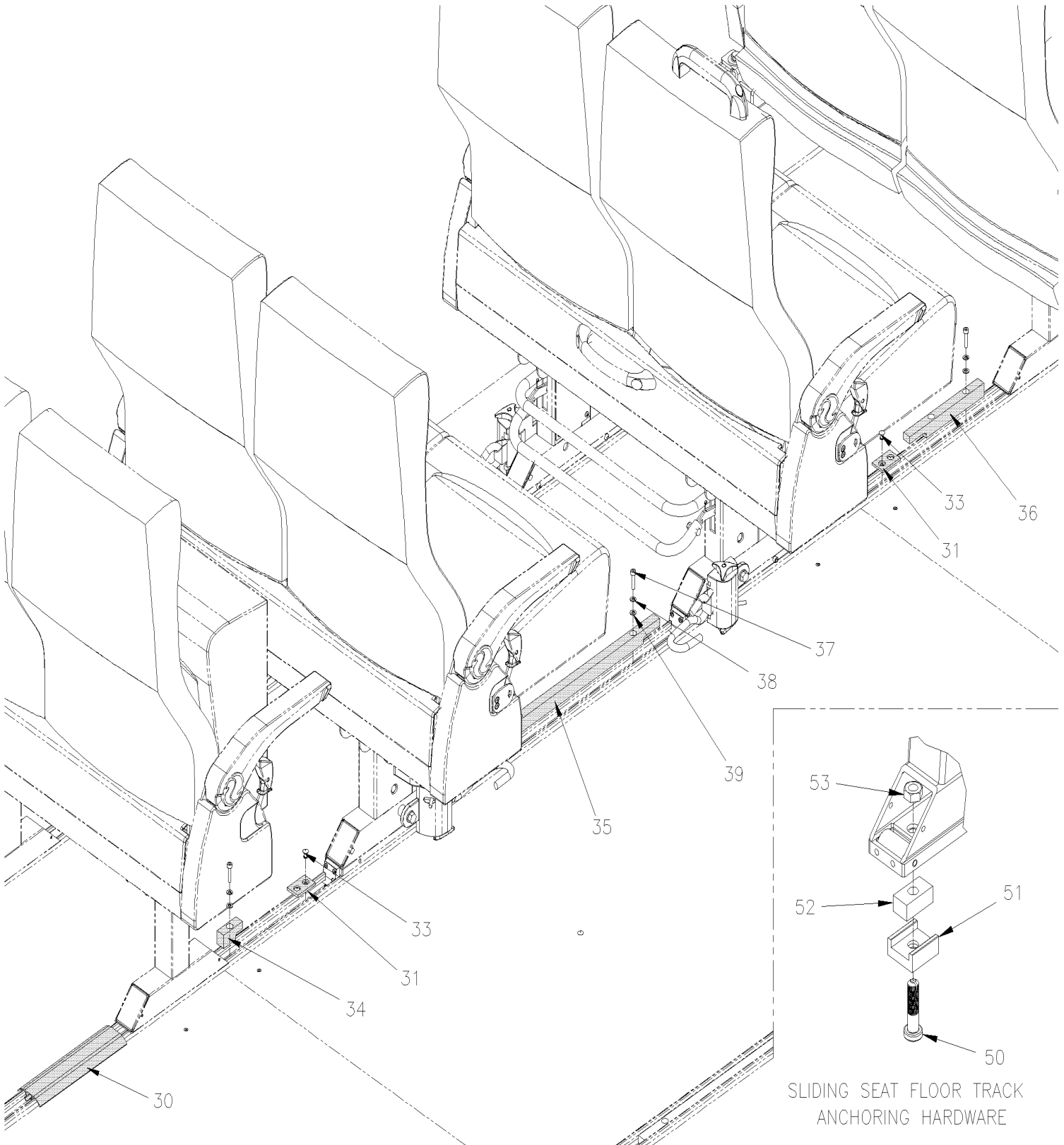
STATIONARY SEAT FLOOR TRACK ANCHORING HARDWARE

From G-7275 To M-7767

Date:07/2024

PAGE:X3PLB-1827-03

PASSENGER'S SEAT INSTALLATION AMAYA "GT"



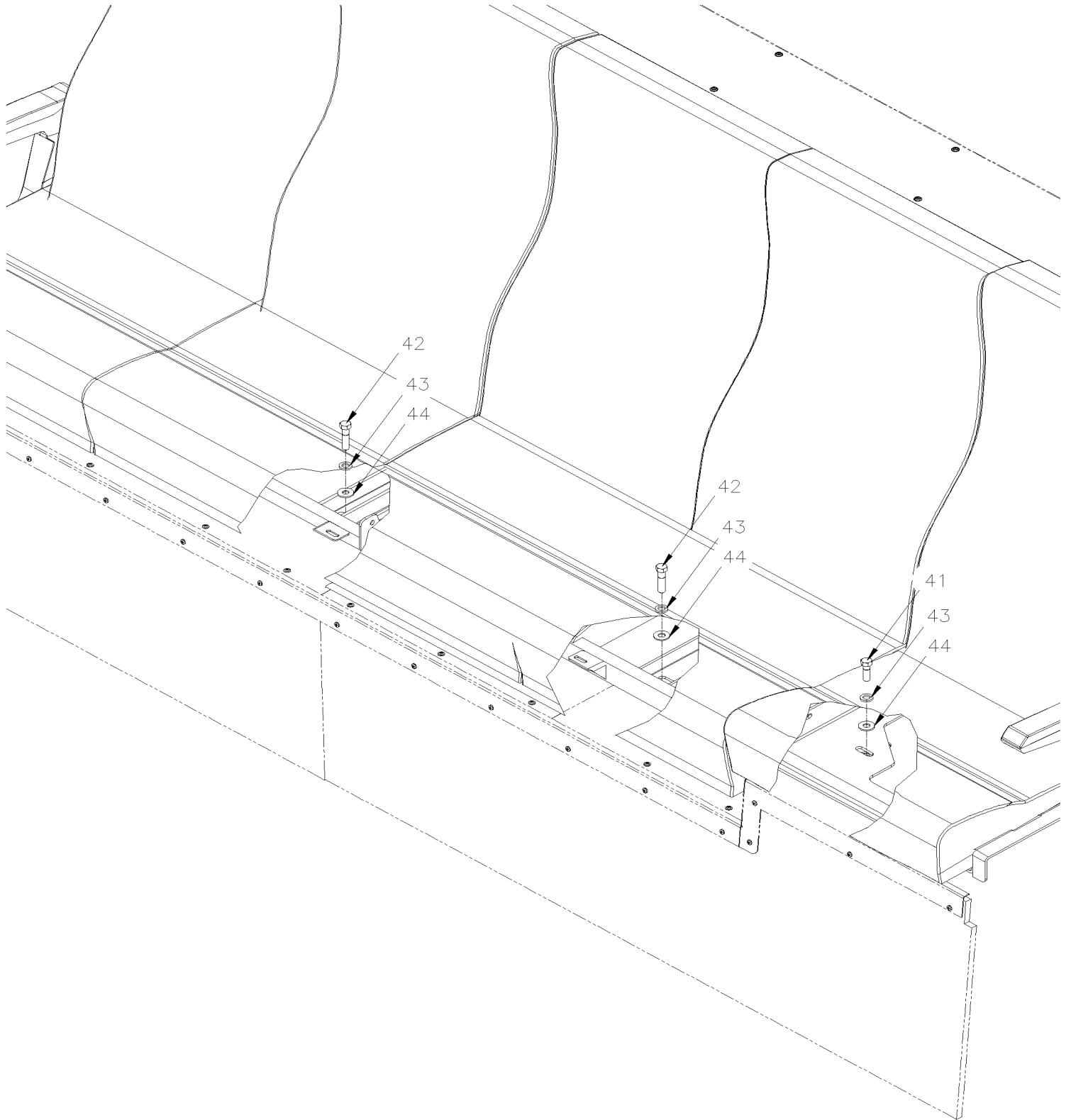
SLIDING SEAT FLOOR TRACK
ANCHORING HARDWARE

From G-7275 To M-7767

Date:07/2024

PAGE:X3PLB-1827-03

PASSENGER'S SEAT INSTALLATION AMAYA "GT"



From G-7275 To M-7767	Date:07/2024	PAGE:X3PLB-1827-03
PASSENGER'S SEAT INSTALLATION AMAYA "GT"		

Item#	Part	Description	QTY	Notes
1	Call order desk	SEAT ASM 2 PASS STREETSIDE / 1 OUTLET AMAYA "GT"		P
2	Call order desk	SEAT ASM 2 PASS CURBSIDE / 1 OUTLET		P
3	Call order desk	SEAT ASM 2 PASS FLIP-UP W/SLIDE CURBSIDE		P
4	Call order desk	SEAT ASM 2 PASS FLIP-UP W/SLIDE STREETSIDE		P
5	Call order desk	SEAT ASM 2 PASS FLIP-UP CURBSIDE W/2 PEDESTAL		P
6	Call order desk	SEAT ASM 2 PASS FLIP-UP STREETSIDE W/2 PEDESTAL		P
7	Call order desk	SEAT ASM 2 PASS STREETSIDE / 2 OUTLET		P
8	Call order desk	SEAT ASM 2 PASS STREETSIDE / 2 OUTLET		P
10	Call order desk	SEAT ASM 3 PASS REAR RECLINING		P
11	Call order desk	SEAT ASM 1 PASS REAR RECLINING		P
13	Call order desk	SEAT ASM 5 PASS REAR RECLINING		P
20	19505511	HOOK SAFETY LOCK	8	
21	N8898811	BELT 2 POINT FEMALE	2	
22	N8898812	BELT 2 POINT MALE	2	
24	329689	SEAT TRACK COVER 12' / EACH SEAT / W/COVERING FLOOR	AR	
25	364272	BLOCK ANCHOR / 26.8MM INSIDE / 35MM x 50MM x 19MM Height	AR	
26	5001734	NUT HEX 7/16-20 G8 N500	AR	
27	500897	WASHER FL .437x1.000x.083 N500	AR	
28	5001735	SCREW CAP HEX 7/16-20x1 3/4 G8 G500	AR	
	Call order desk			P
30	329689	SEAT TRACK COVER 12' / EACH SEAT / W/COVERING FLOOR	AR	
31	329994	SEAT STOPPER 56MM x 31.75MM	14	
31	3200521	SEAT STOPPER 95MM x 31.75MM	2	
33	504459	RIVET MGLP PRDG 1/4x3/8 SS	32	
33	680532	SEALANT SIKA #221 / GREY / 310ml CARTRIDGE	AR	
34	3200626	STOPPER / SEAT POSITION / 55MM	4	
35	3200625	STOPPER / SEAT POSITION / 465MM	4	
36	3200624	STOPPER / SEAT POSITION / 215MM	4	
37	5001611	SCREW CAP HEXS M6-1.0x30 SS BK	20	
38	502570	WASHER LO SPT 6.1x11.8x1.6 SS	20	
39	502573	WASHER FL 6.4x12.5x1.6 SS	20	
40	Call order desk	PEDESTAL ASSY		P
41	500594	SCREW CAP HEX 7/16-20x1 1/4 G8 N500	4	
42	5002067	SCREW CAP HEX 7/16-20x2 1/4 G8 G500	AR	
43	500487	WASHER LO SPT .443x.779x.109 N500	18	
44	500897	WASHER FL .437x1.000x.083 N500	18	
45	865458	SCREW CAP HEX 7/16-20x2 G8	2	
46	865460	WASHER LO SPT 7/16	2	
47	865465	WASHER FL / 7/16	2	
48	865466	ATTACHMENT NUT / "L" SHAPE TO FIX SEAT TO WALL TRACK	2	
50	865064	PIN SUPPORT 7/16x54MM HEAD 19.5MM O.D	AR	

From G-7275 To M-7767	Date:07/2024	PAGE:X3PLB-1827-03
PASSENGER'S SEAT INSTALLATION AMAYA "GT"		

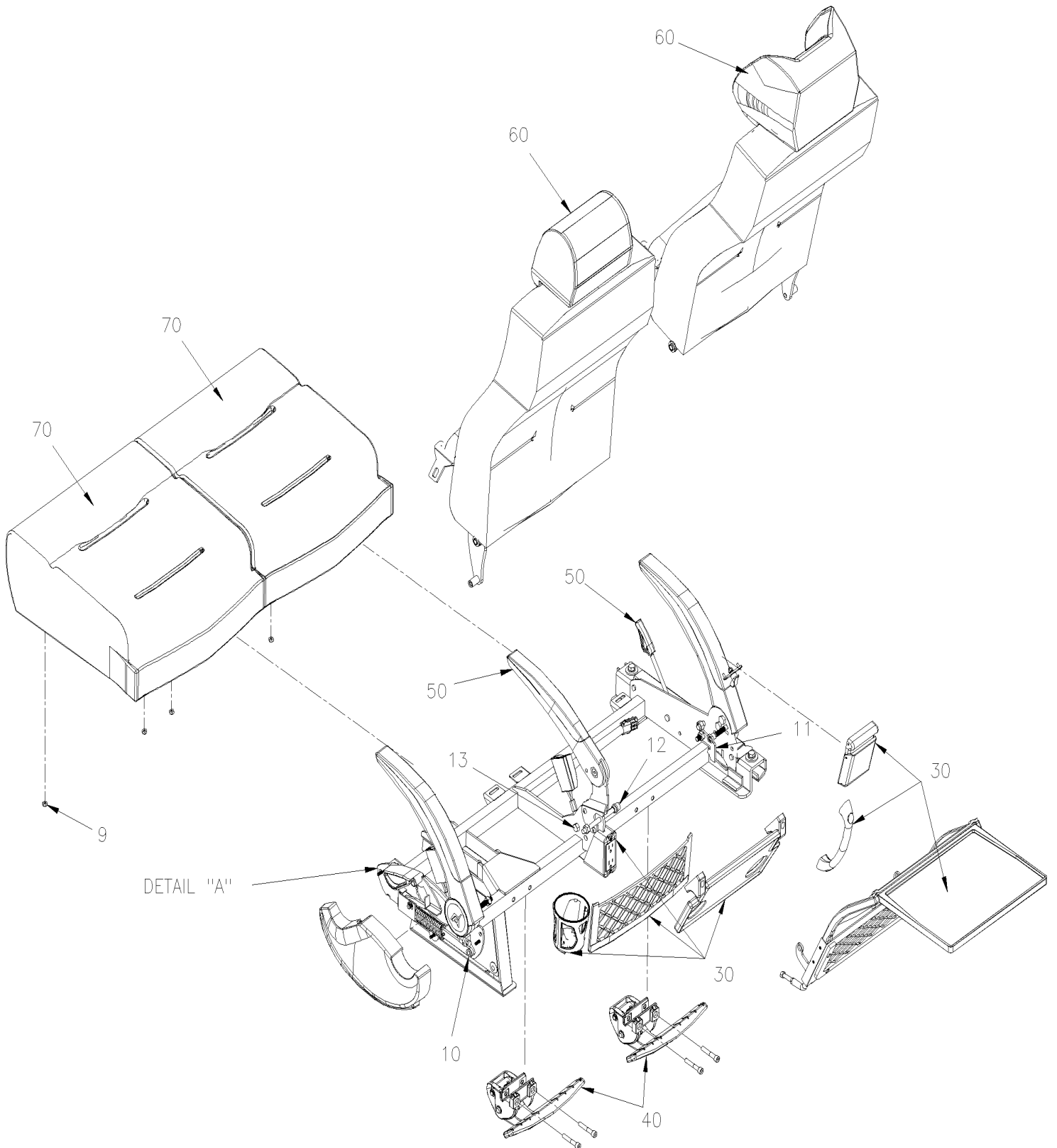
Item#	Part	Description	QTY	Notes
51	865063	INSIDE GUIDE	AR	
52	865062	INSIDE SLIDE	AR	
53	500709	NUT HEX 7/16-20 Z050	AR	
62	865467	WASHER FL NYL	24	
64	865468	WASHER FL 7/16 ZP	12	
65	865469	SCREW CAP HEX 7/16-20x1 1/2 G8	12	
		P) CALL ORDER DESK FOR SPECIFIC APPLICATION (V.I.N.)		

From G-7275 To M-7767

Date:07/2024

PAGE:X3PLB-1827-10

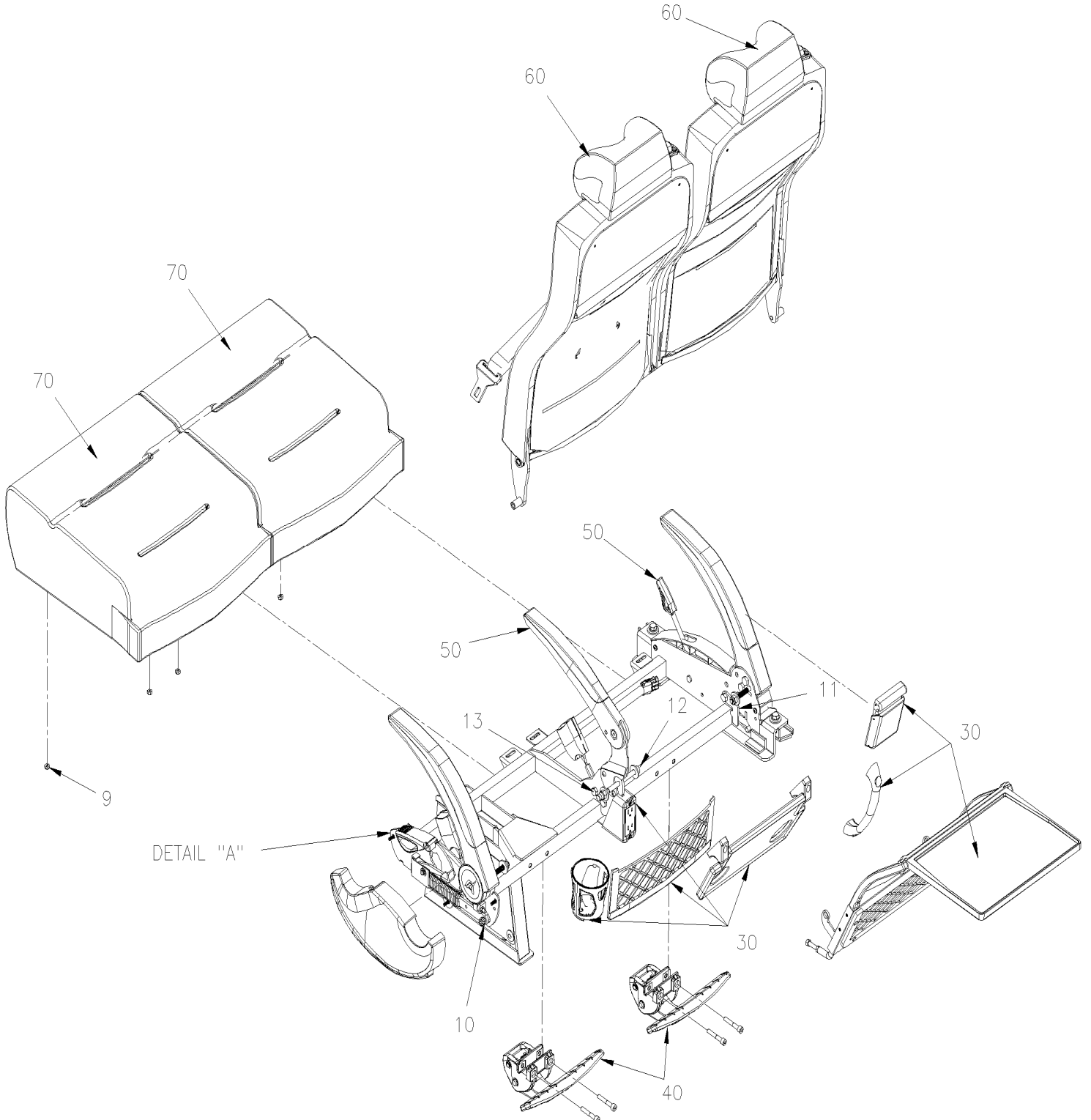
PASSENGER'S SEAT / STANDARD AMAYA "A-2TEN"

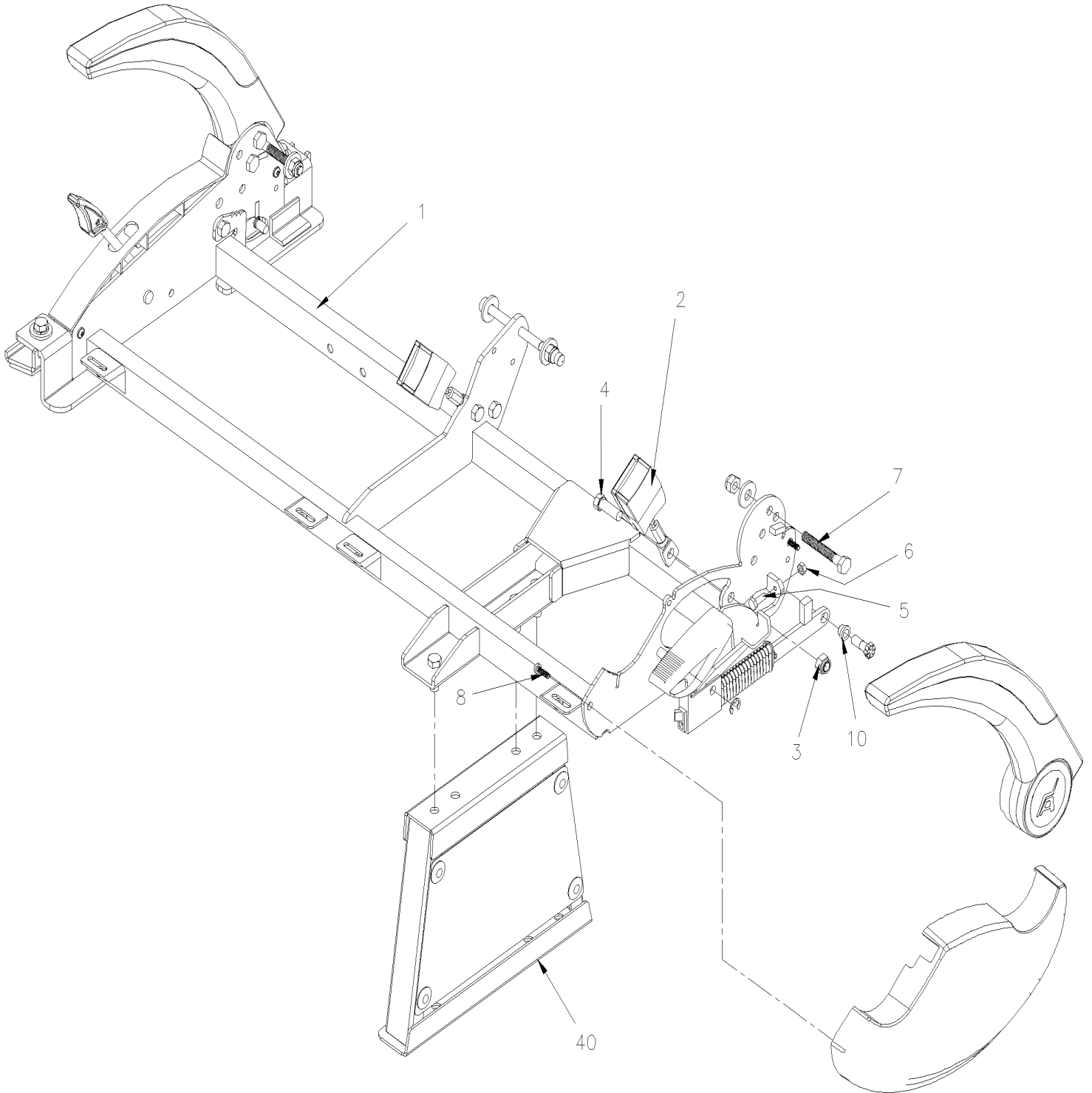


From G-7275 To M-7767	Date:07/2024	PAGE:X3PLB-1827-10
-----------------------	--------------	--------------------

PASSENGER'S SEAT / STANDARD AMAYA "A-2TEN"

Item#	Part	Description	QTY	Notes
	Call order desk	SEAT ASSEMBLY 2 PASSENGER'S CURBSIDE	9	P
	Call order desk	SEAT ASSEMBLY 2 PASSENGER'S STREET SIDE	9	P
1	865442	. SEAT CHASSIS WELDED ASSY CURBSIDE	1	
1	865443	. SEAT CHASSIS WELDED ASSY STREET SIDE	1	
2	864349	. BUCKLE FEMALE	2	
3	865519	. NUT HEX NYRT 7/16-20	5	
4	868271	. SCREW CAP HEX 7/16-20x1 1/4 G8	1	
5	865497	. NUT HEX 1/4	2	
6	865498	. SCREW CAP HEX 1/4-20 x 3/4 LG	2	
7	868401	. SCREW CAP HEX M10-1.5x70MM	2	
8	Call order desk	. SCREW HI-LO M6x20	3	P
9	865490	. NUT HEX JAM NYRT 1/4	4	
10	865215	. BUSHING NYLON	2	
11	7770173	. STOPPER 6" RECLINING (3 pos)	2	
12	Call order desk	. SCREW CAP HEXS M10x120MM	1	P
12	Call order desk	. BUSHING	1	P
12	860005	. NUT HEX STO M10-1.5 ZP	2	
13	865521	. SCREW CAP HEX 7/16-20x1 G8	4	
30	X3PLB-1826-60	. ACCESSORIES PASSENGER'S SEAT - "AMAYA"		
40	X3PLB-1826-40	. PASSENGER'S SEAT - "AMAYA" - FOOTREST & PEDESTAL		
50	X3PLB-1827-50	. ARMREST AMAYA "A-2TEN"		
60	X3PLB-1827-61	. BACKREST AMAYA "A-2TEN"		
70	X3PLB-1827-70	. SEAT CUSHION AMAYA "A-2TEN"		
		P) CALL ORDER DESK FOR SPECIFIC APPLICATION (V.I.N.)		





DETAIL "A"

From G-7275 To M-7767	Date:07/2024	PAGE:X3PLB-1827-11
PASSENGER'S SEAT / STANDARD AMAYA "A-220"		

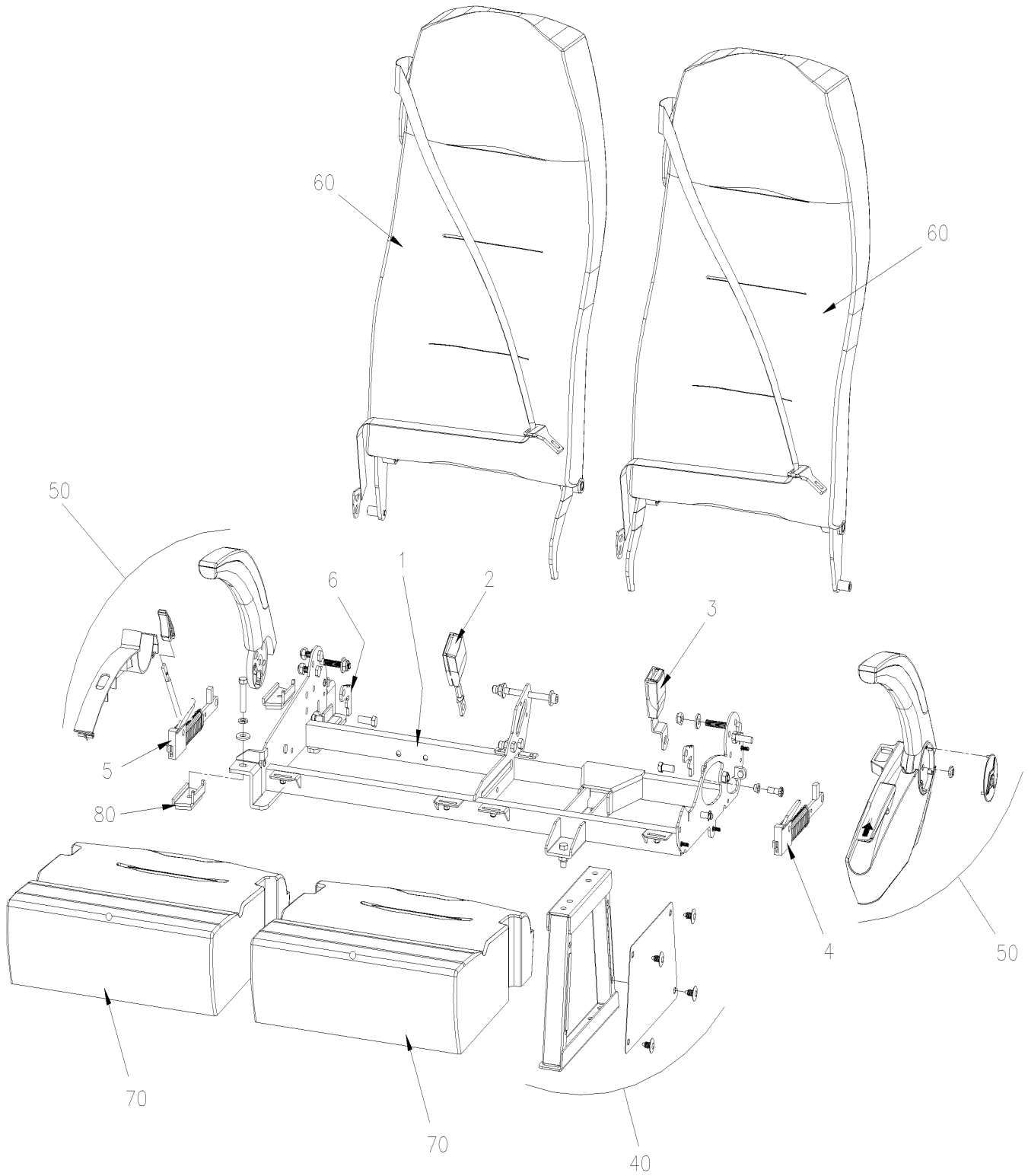
Item#	Part	Description	QTY	Notes
	Call order desk	SEAT ASSEMBLY 2 PASSENGER'S CURB SIDE	9	P
	Call order desk	SEAT ASSEMBLY 2 PASSENGER'S CURB SIDE W/O ACCESSORIES	1	P
	Call order desk	SEAT ASSEMBLY 2 PASSENGER'S STREET SIDE	9	P
	Call order desk	SEAT ASSEMBLY 2 PASSENGER'S STREET SIDE W/O ACCESSORIES	1	P
1	Call order desk	. SEAT CHASSIS WELDED ASSY CURBSIDE	1	P
1	Call order desk	. SEAT CHASSIS WELDED ASSY STREET SIDE	1	P
1	T970095942	. SEAT CHASSIS WELDED ASSY / 2 PEDESTAL	1	
2	866019	. BUCKLE FEMALE	2	
3	865519	. NUT HEX NYRT 7/16-20	5	
NS	868403	. CAP	1	
4	868271	. SCREW CAP HEX 7/16-20x1 1/4 G8	1	
5	865498	. SCREW CAP HEX 1/4-20 x 3/4 LG	2	
6	865497	. NUT HEX 1/4	2	
7	868401	. SCREW CAP HEX M10-1.5x70MM	2	
7	860005	. NUT HEX STO M10-1.5 ZP	2	
8	Call order desk	. SCREW HI-LO M6x20	3	P
9	865490	. NUT HEX JAM NYRT 1/4	4	
10	865215	. BUSHING NYLON	2	
11	7770173	. STOPPER 6" RECLINING (3 pos)	2	
12	868277	. SCREW CAP HEXS M10-1.5x130MM	1	
12	868403	. CAP	1	
12	860005	. NUT HEX STO M10-1.5 ZP	2	
13	865521	. SCREW CAP HEX 7/16-20x1 G8	4	
30	X3PLB-1826-60	. ACCESSORIES PASSENGER'S SEAT - "AMAYA"		
40	X3PLB-1826-40	. PASSENGER'S SEAT - "AMAYA" - FOOTREST & PEDESTAL		
50	X3PLB-1827-51	. ARMREST AMAYA "A-220"		
60	X3PLB-1827-61	. BACKREST AMAYA "A-2TEN"		
70	X3PLB-1827-71	. SEAT CUSHION AMAYA "A-220"		
		P) CALL ORDER DESK FOR SPECIFIC APPLICATION (V.I.N.)		

From G-7275 To M-7767

Date:07/2024

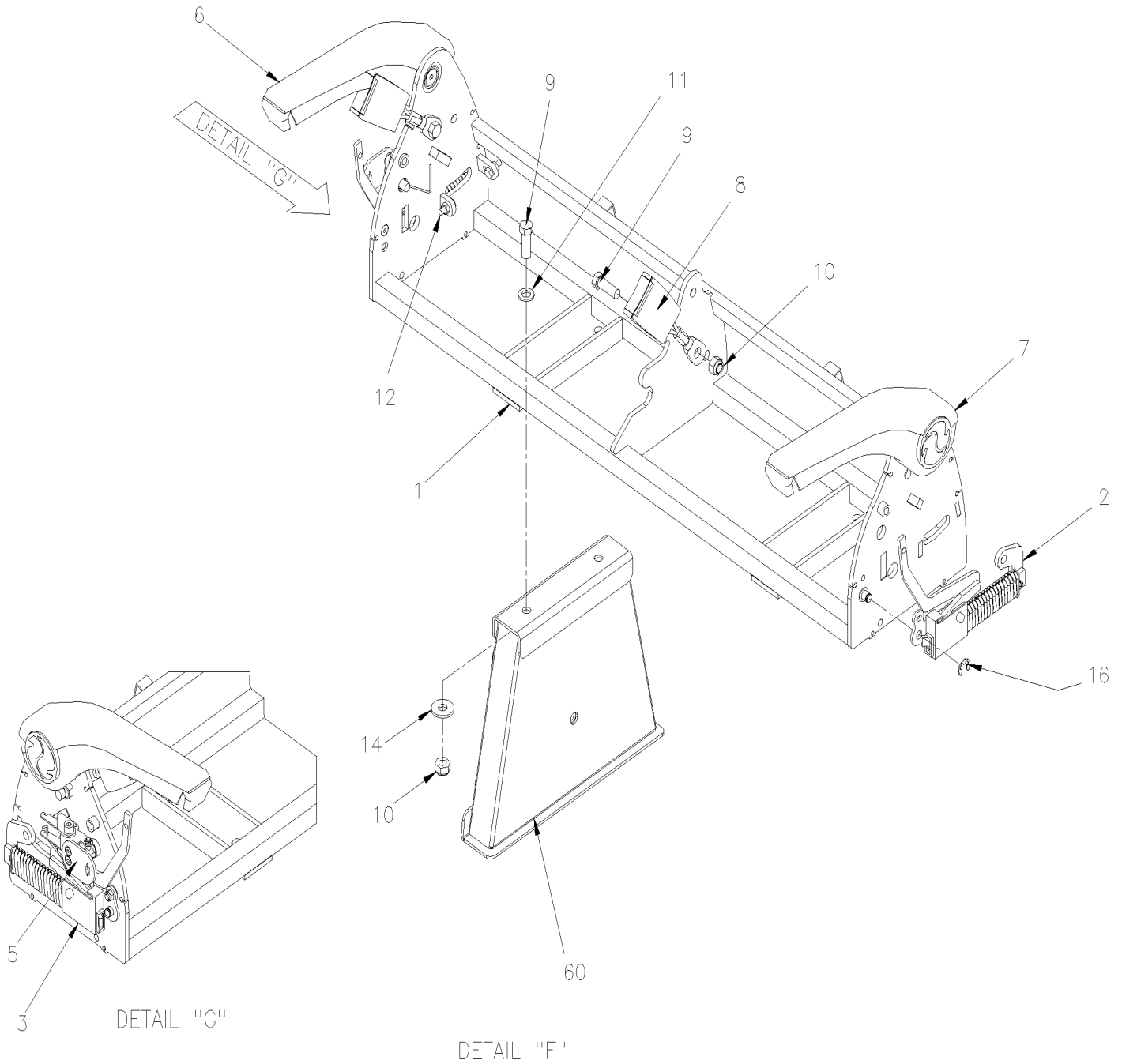
PAGE:X3PLB-1827-13

PASSENGER'S SEAT AMAYA "GT"



From G-7275 To M-7767	Date:07/2024	PAGE:X3PLB-1827-13
PASSENGER'S SEAT AMAYA "GT"		

Item#	Part	Description	QTY	Notes
1	868332	SEAT CHASSIS SUB ASSY W/1 PEDESTAL CURBSIDE	1	
1	868333	SEAT CHASSIS SUB ASSY W/1 PEDESTAL STREET SIDE	1	
1	Call order desk	SEAT CHASSIS SUB ASSY W/2 PEDESTAL	1	P
2	866019	BUCKLE FEMALE	1	
3	868154	BUCKLE FEMALE	1	
4	865086	RECLINING MECHANISM ASSY / "TORINO" AILSE	1	
5	865061	RECLINING MECHANISM ASSY / "TORINO" WINDOW	1	
6	7770173	STOPPER 6" RECLINING (3 pos)	2	
40	X3PLB-1827-43	PASSENGER'S SEAT - "AMAYA" - FOOTREST & PEDESTAL AMAYA "GT", "GT TRANSIT"	1	
50	X3PLB-1827-53	ARMREST AMAYA "GT"	1	
60	X3PLB-1827-63	BACKREST AMAYA "GT"	1	
70	X3PLB-1827-73	SEAT CUSHIONS AMAYA TORINO, "GT" & "GTT"	1	
80	X3PLB-1827-03	PASSENGER'S SEAT INSTALLATION AMAYA "GT"	1	
		P) CALL ORDER DESK FOR SPECIFIC APPLICATION (V.I.N.)		

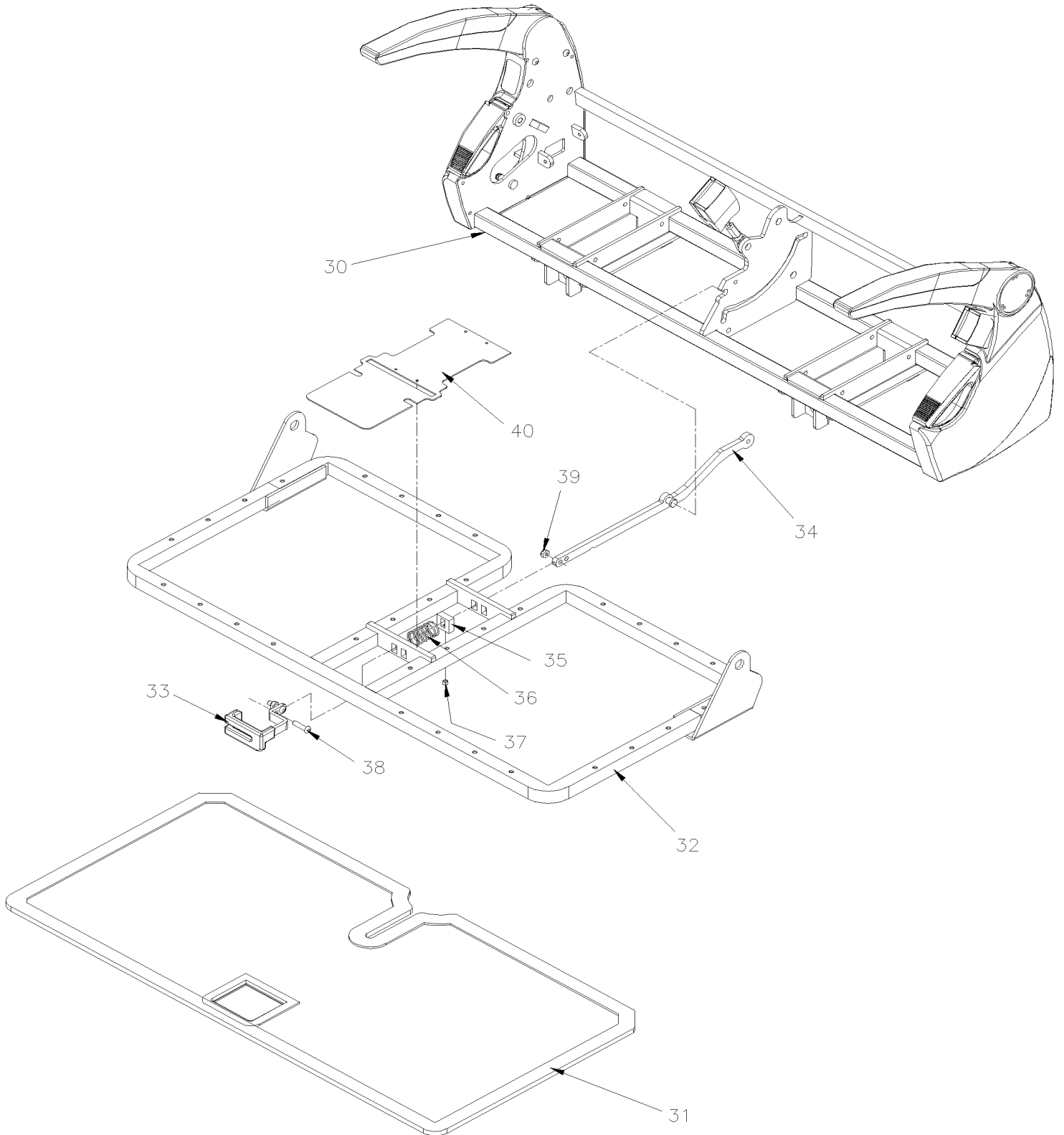


From G-7275 To M-7767

Date:07/2024

PAGE:X3PLB-1827-20

PASSENGER'S SEAT / FLIP-UP/FIXE AMAYA "A-2TEN"



From G-7275 To M-7767	Date:07/2024	PAGE:X3PLB-1827-20
PASSENGER'S SEAT / FLIP-UP/FIXE AMAYA "A-2TEN"		

Item#	Part	Description	QTY	Notes
	Call order desk	SEAT ASM 2 PASS STREETSIDE / FLIP-UP	1	P
	Call order desk	SEAT ASM 2 PASS CURBSIDE / FLIP-UP	1	P
1	868499	. SEAT CHASSIS WELDED / STREET SIDE	1	
1	Call order desk	. SEAT CHASSIS WELDED / CURBSIDE	1	P
2	862546	. RECLINING MECHANISM ASSY WALL SIDE	1	
NS	IS-136	. . INSTRUCTION SHEET	1	
3	19509412	. RECLINING MECHANISM ASSY RH	1	
4	864093	. KNOB RECLINING	2	
5	865500	. MECHANISM HANDLE / RH	1	
6	865157	. HINGED ARMREST RH	1	
7	865154	. HINGED ARMREST LH	1	
8	864349	. BUCKLE FEMALE	2	
9	868271	. SCREW CAP HEX 7/16-20x1 1/4 G8	4	
10	865519	. NUT HEX NYRT 7/16-20	4	
11	865465	. WASHER FL / 7/16	2	
12	865498	. SCREW CAP HEX 1/4-20 x 3/4 LG	1	
14	865520	. WASHER FL 7/16	2	
16	Call order desk	. RETAINING RING	2	P
20	Call order desk	. SCREW CAP HEXS M10x30MM	2	P
21	867923	. BUSHING	2	
22	866279	. LATERAL COVER / AISLE SIDE / STREET SIDE SEAT	1	
22	866213	. LATERAL COVER / AISLE SIDE / CURB SIDE SEAT	1	
23	860010	. LATERAL COVER / WALL SIDE / STREET SIDE SEAT	1	
23	860009	. LATERAL COVER / WALL SIDE / CURB SIDE SEAT	1	
24	Call order desk	. COVER PLATE ASSY	1	P
24A	860124	. . PLUG DOUBLE 110 VAC MURAL / WHITE	1	
24A	860142	. . PLUG DOUBLE 110 VAC MURAL W/2 USB PORT / WHITE	1	
24B	860126	. . FACE PLATE PLUG 110V	1	
24C	Call order desk	. . SCREW #10x1/2	1	P
25	868265	. SCREW CAP HEXS M10x140MM	2	
26	Call order desk	. SCREW CAP HEXS M10x80MM	2	P
27	860005	. NUT HEX STO M10-1.5 ZP	3	
30	Call order desk	SEAT ASM 2 PASS CURBSIDE/ FLIP-UP / 1 PEDESTAL	1	P
30	Call order desk	SEAT ASM 2 PASS STREET SIDE/ FLIP-UP	1	P
31	Call order desk	. PANEL COVER SEAT BOTTOM	1	P
32	Call order desk	. SEAT CUSHION ASSY / 2 PASSENGER'S / FLIP-UP SEAT CURBSIDE SEAT	1	P
32	Call order desk	. SEAT CUSHION ASSY / 2 PASSENGER'S / FLIP-UP SEAT STREET SIDE SEAT	1	P
33	860367	. PULL HANDLE W/PLASTIC COVER ASSY RH	1	
33	860368	. PULL HANDLE W/PLASTIC COVER ASSY LH	1	
33	860369	. . HANDLE FLIPPING SEAT	1	
34	860195	. . MOVING ARM FLIPPING SEAT	1	
NS	867945	. . WASHER	1	

From G-7275 To M-7767	Date:07/2024	PAGE:X3PLB-1827-20
PASSENGER'S SEAT / FLIP-UP/FIXE AMAYA "A-2TEN"		

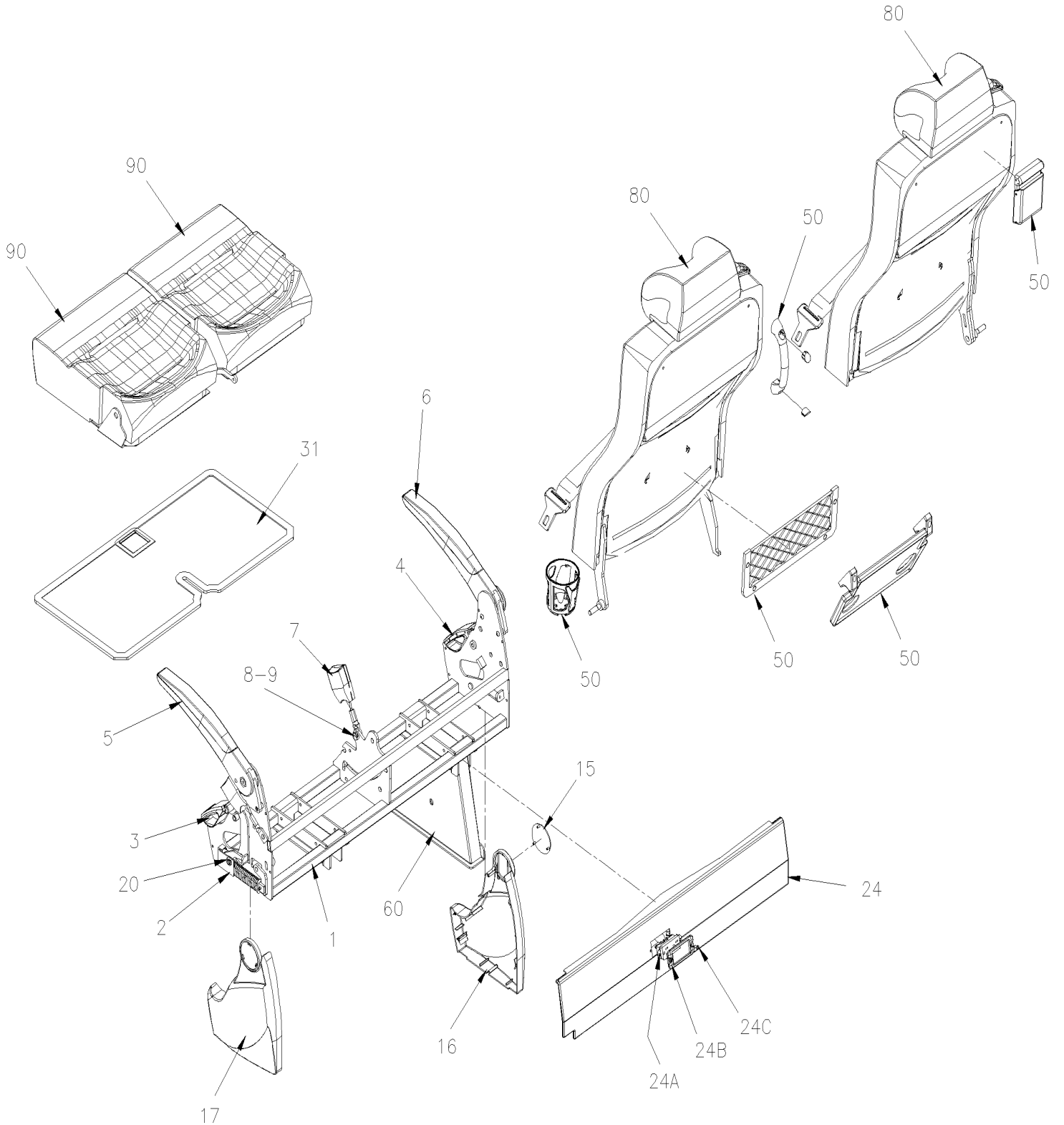
Item#	Part	Description	QTY	Notes
NS	867944	.. SCREW SHR HEXS 5/16-18	1	
NS	867946	.. CAP NUT 5/16-18	1	
35	868130	.. SPRING STOPPER	1	
36	868131	.. SPRING	1	
37	868132	.. SET SCREW 1/4x1/4	1	
38	868195	.. CAP SCREW 10-24 x3/4`	2	
39	868196	.. NUT HEX NYRT #10-24	2	
40	Call order desk	. CLOSING PLATE	1	P
50	X3PLB-1826-60	ACCESSORIES PASSENGER'S SEAT - "AMAYA"		
60	X3PLB-1826-40	PASSENGER'S SEAT - "AMAYA" - FOOTREST & PEDESTAL		
80	X3PLB-1827-61	BACKREST AMAYA "A-2TEN"		
90	X3PLB-1827-70	SEAT CUSHION AMAYA "A-2TEN"		
		P) CALL ORDER DESK FOR SPECIFIC APPLICATION (V.I.N.)		

From G-7275 To M-7767

Date:07/2024

PAGE:X3PLB-1827-21

PASSENGER'S SEAT / FLIP-UP/FIXE AMAYA "A-220"

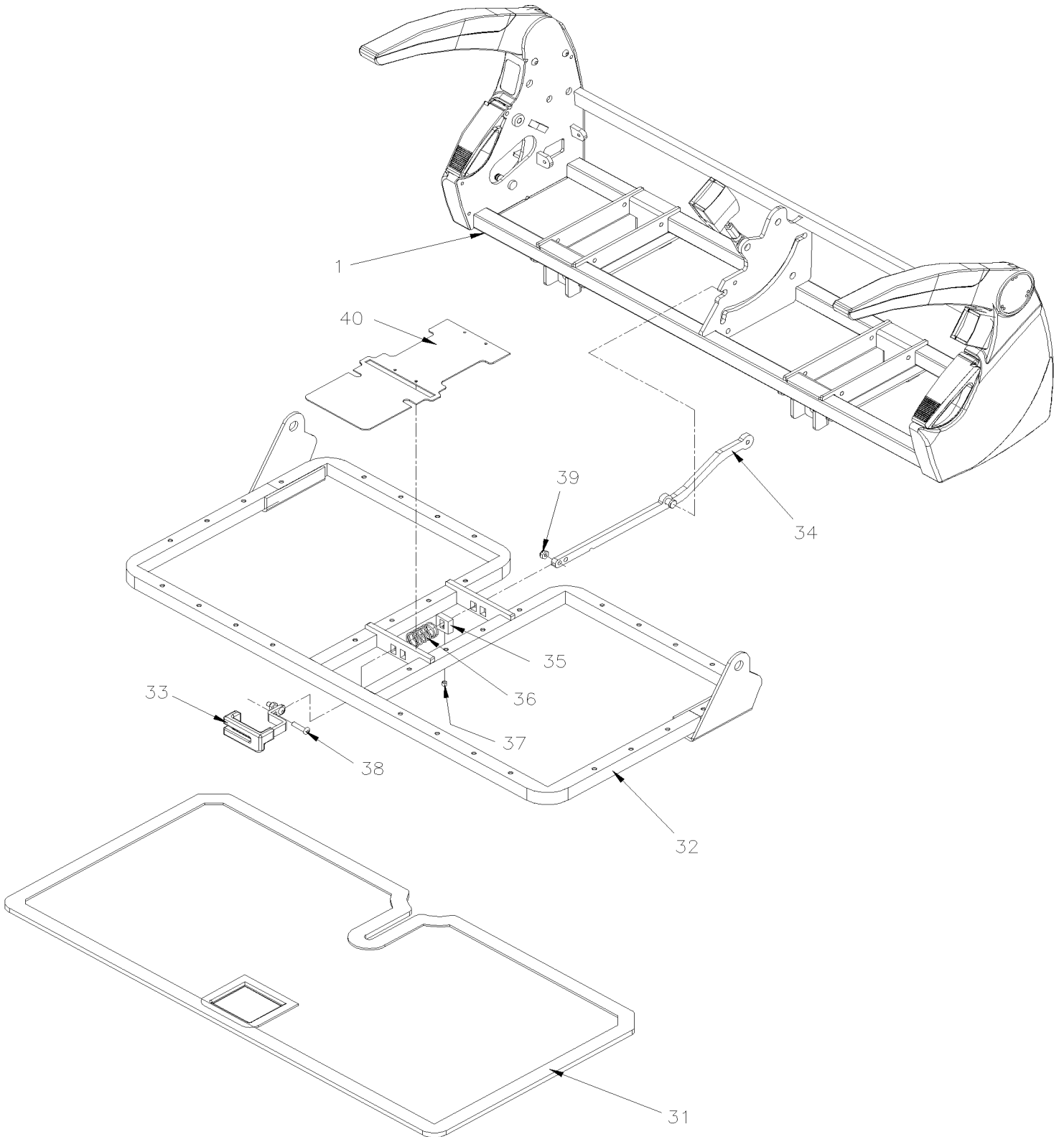


From G-7275 To M-7767

Date:07/2024

PAGE:X3PLB-1827-21

PASSENGER'S SEAT / FLIP-UP/FIXE AMAYA "A-220"



From G-7275 To M-7767	Date:07/2024	PAGE:X3PLB-1827-21
-----------------------	--------------	--------------------

PASSENGER'S SEAT / FLIP-UP/FIXE AMAYA "A-220"

Item#	Part	Description	QTY	Notes
	Call order desk	SEAT ASM 2 PASS CURBSIDE/ FLIP-UP / 1 PEDESTAL	1	P
	Call order desk	SEAT ASM 2 PASS STREET SIDE/ FLIP-UP	1	P
	Call order desk	SEAT ASM 2 PASS CURBSIDE/ FLIP-UP / 2 PEDESTAL	1	P
	Call order desk	SEAT ASM 2 PASS STREET SIDE/ FLIP-UP / 2 PEDESTAL	1	P
1	Call order desk	. SEAT CHASSIS WELDED CURBSIDE / 1 DEPESTAL	1	P
1	Call order desk	SEAT CHASSIS WELDED / CURBSIDE / 2 PEDESTAL	1	P
1	Call order desk	SEAT CHASSIS WELDED / STREET SIDE / 2 PEDESTAL	1	P
2	868523	. RECLINING MECHANISM ASSY / WALL SIDE	1	
NS	868522	. RECLINING MECHANISM ASSY / AISLE SIDE	1	
3	868280	. MECHANISM HANDLE ASSY / RH	1	
4	868281	. MECHANISM HANDLE ASSY / LH	1	
5	867737	. HINGED ARMREST / RH	1	
6	867738	. HINGED ARMREST / LH	1	
7	866019	. BUCKLE FEMALE	2	
8	868271	. SCREW CAP HEX 7/16-20x1 1/4 G8	4	
9	865519	. NUT HEX NYRT 7/16-20	4	
15	860075	. CAP WITH LOGO AMAYA	1	
16	23210438	. LATERAL COVER / AISLE SIDE // RH	1	
16	23210437	. LATERAL COVER / AISLE SIDE // LH	1	
17	868283	. LATERAL COVER / WALL SIDE // STREET SIDE SEAT	1	
17	868282	. LATERAL COVER / WALL SIDE / CURB SIDE SEAT	1	
20	868523	. RECLINING MECHANISM ASSY / WALL SIDE	2	
20	868522	. RECLINING MECHANISM ASSY / AISLE SIDE	1	
24	Call order desk	. COVER PLATE ASSY	1	P
24A	860124	. . PLUG DOUBLE 110 VAC MURAL / WHITE	1	
24A	860142	. . PLUG DOUBLE 110 VAC MURAL W/2 USB PORT / WHITE	1	
24B	860126	. . FACE PLATE PLUG 110V	1	
24C	Call order desk	. . SCREW #10x1/2	1	P
31	Call order desk	. PANEL COVER SEAT BOTTOM	1	P
32	Call order desk	. SEAT CUSHION ASSY / 2 PASSENGER'S / FLIP-UP SEAT CURBSIDE SEAT	1	P
32	Call order desk	. SEAT CUSHION ASSY / 2 PASSENGER'S / FLIP-UP SEAT STREET SIDE SEAT	1	P
33	860367	. PULL HANDLE W/PLASTIC COVER ASSY RH	1	
33	860368	. PULL HANDLE W/PLASTIC COVER ASSY LH	1	
33	860369	. . HANDLE FLIPPING SEAT	1	
34	860195	. . MOVING ARM FLIPPING SEAT	1	
34	867945	. . WASHER	1	
34	867944	. . SCREW SHR HEXS 5/16-18	1	
34	867946	. . CAP NUT 5/16-18	1	
35	868130	. . SPRING STOPPER	1	
36	868131	. . SPRING	1	
37	868132	. . SET SCREW 1/4x1/4	1	

From G-7275 To M-7767	Date:07/2024	PAGE:X3PLB-1827-21
-----------------------	--------------	--------------------

PASSENGER'S SEAT / FLIP-UP/FIXE AMAYA "A-220"

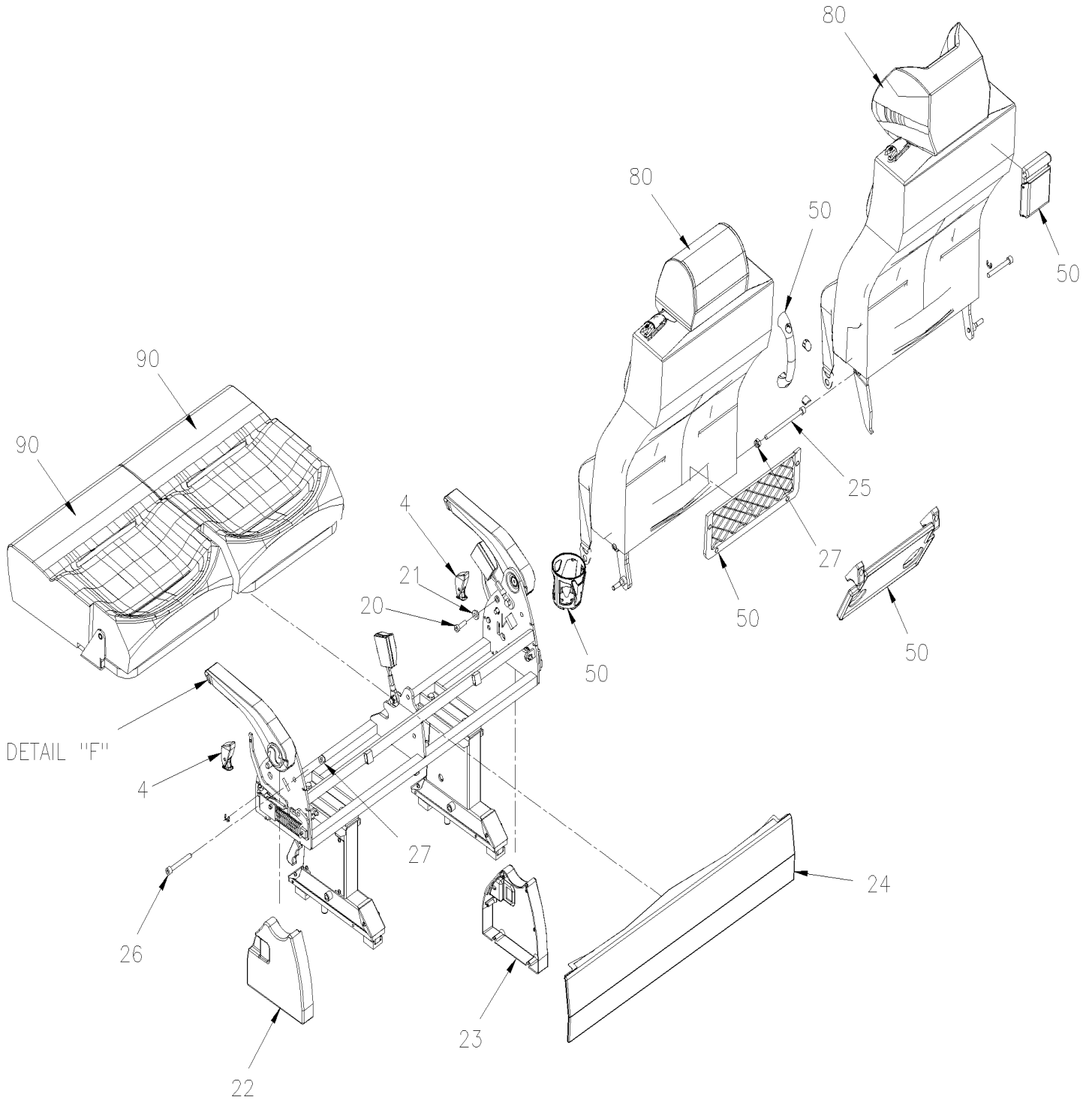
Item#	Part	Description	QTY	Notes
38	868195	. . CAP SCREW 10-24 x3/4"	1	
39	868196	. . NUT HEX NYRT #10-24	1	
40	Call order desk	. CLOSING PLATE	1	P
50	X3PLB-1826-60	. ACCESSORIES PASSENGER'S SEAT - "AMAYA"		
60	X3PLB-1826-40	. PASSENGER'S SEAT - "AMAYA" - FOOTREST & PEDESTAL		
NS	868271	. . SCREW CAP HEX 7/16-20x1 1/4 G8	AR	
NS	865520	. . WASHER FL 7/16	AR	
NS	865519	. . NUT HEX NYRT 7/16-20	AR	
80	X3PLB-1827-62	. BACKREST AMAYA "A-220"		
90	X3PLB-1827-71	. SEAT CUSHION AMAYA "A-220"		
		P) CALL ORDER DESK FOR SPECIFIC APPLICATION (V.I.N.)		

From G-7275 To M-7767

Date:07/2024

PAGE:X3PLB-1827-30

PASSENGER'S SEAT / FLIP-UP / SLIDER AMAYA "A-2TEN"

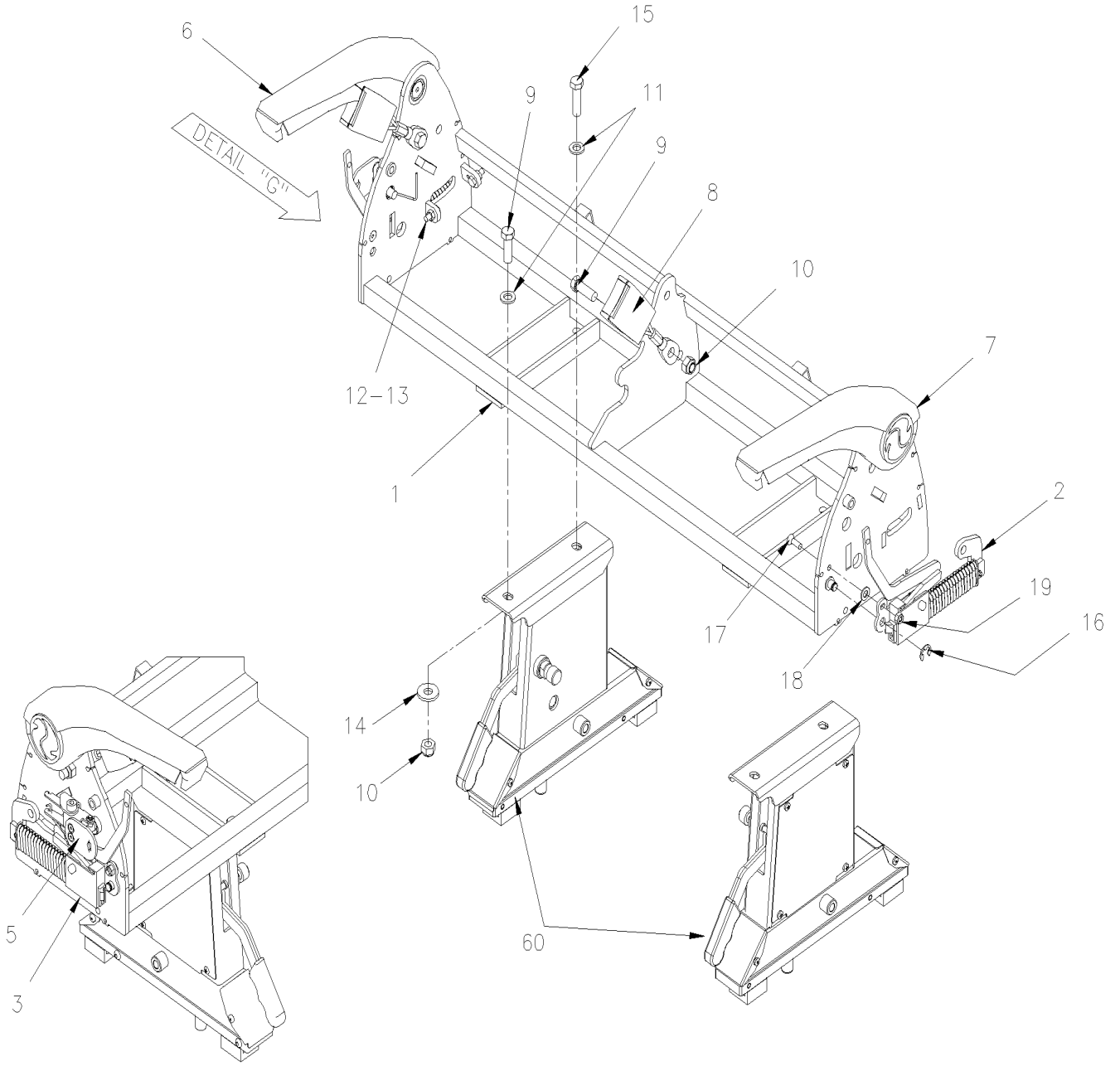


From G-7275 To M-7767

Date:07/2024

PAGE:X3PLB-1827-30

PASSENGER'S SEAT / FLIP-UP / SLIDER AMAYA "A-2TEN"



DETAIL "G"

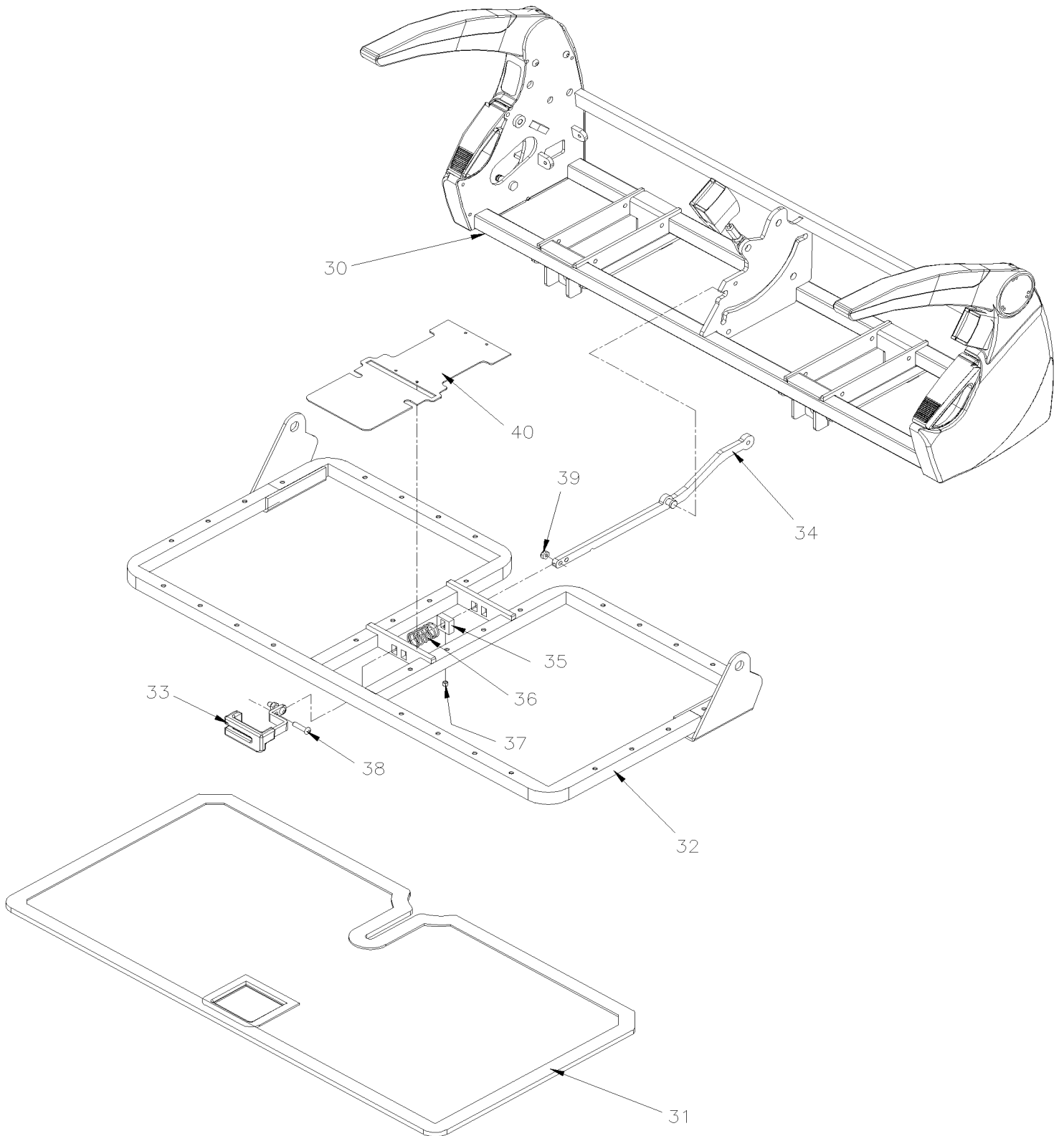
DETAIL "F"

From G-7275 To M-7767

Date:07/2024

PAGE:X3PLB-1827-30

PASSENGER'S SEAT / FLIP-UP / SLIDER AMAYA "A-2TEN"



From G-7275 To M-7767	Date:07/2024	PAGE:X3PLB-1827-30
PASSENGER'S SEAT / FLIP-UP / SLIDER AMAYA "A-2TEN"		

Item#	Part	Description	QTY	Notes
	Call order desk	SEAT ASM 2 PASS STREETSIDE / SLIDER	1	P
	Call order desk	SEAT ASM 2 PASS CURBSIDE / SLIDER	1	P
1	Call order desk	SEAT CHASSIS WELDED / STREET SIDE	1	P
1	Call order desk	SEAT CHASSIS WELDED / CURBSIDE	1	P
2	862546	RECLINING MECHANISM ASSY WALL SIDE	1	
NS	IS-136	INSTRUCTION SHEET	1	
3	19509412	RECLINING MECHANISM ASSY RH	1	
4	864093	KNOB RECLINING	2	
5	865500	MECHANISM HANDLE / RH	1	
6	865157	HINGED ARMREST RH	1	
7	865154	HINGED ARMREST LH	1	
8	864349	BUCKLE FEMALE	2	
9	868271	SCREW CAP HEX 7/16-20x1 1/4 G8	4	
10	865519	NUT HEX NYRT 7/16-20	6	
11	865465	WASHER FL / 7/16	4	
12	865498	SCREW CAP HEX 1/4-20 x 3/4 LG	4	
13	865497	NUT HEX 1/4	4	
14	865520	WASHER FL 7/16	4	
15	Call order desk	SCREW CAP HEX 7/16-20x1 1/2 G8	2	P
16	Call order desk	RETAINING RING	2	P
17	Call order desk	WASHER FL 8.4	2	P
18	865489	SCREW CAP FL HEXS 1/4x3/4	2	
19	865490	NUT HEX JAM NYRT 1/4	2	
20	Call order desk	SCREW CAP HEXS M10x30MM	2	P
21	867923	BUSHING	2	
22	866279	LATERAL COVER / AISLE SIDE / STREET SIDE SEAT	1	
22	866213	LATERAL COVER / AISLE SIDE / CURB SIDE SEAT	1	
23	860010	LATERAL COVER / WALL SIDE / STREET SIDE SEAT	1	
23	860009	LATERAL COVER / WALL SIDE / CURB SIDE SEAT	1	
24	Call order desk	UPHOLSTERED COVER 39in	1	P
25	868265	SCREW CAP HEXS M10x140MM	2	
26	Call order desk	SCREW CAP HEXS M10x80MM	2	P
27	860005	NUT HEX STO M10-1.5 ZP	3	
30	Call order desk	SEAT ASM 2 PASS CURBSIDE/ FLIP-UP / 1 PEDESTAL	1	P
30	Call order desk	SEAT ASM 2 PASS STREET SIDE/ FLIP-UP	1	P
31	Call order desk	PANEL COVER SEAT BOTTOM	1	P
32	Call order desk	SEAT CUSHION ASSY / 2 PASSENGER'S / FLIP-UP SEAT CURBSIDE SEAT	1	P
32	Call order desk	SEAT CUSHION ASSY / 2 PASSENGER'S / FLIP-UP SEAT STREET SIDE SEAT	1	P
33	860367	PULL HANDLE W/PLASTIC COVER ASSY RH	1	
33	860368	PULL HANDLE W/PLASTIC COVER ASSY LH	1	
33	860369	HANDLE FLIPPING SEAT	1	
34	860195	MOVING ARM FLIPPING SEAT	1	

From G-7275 To M-7767	Date:07/2024	PAGE:X3PLB-1827-30
-----------------------	--------------	--------------------

PASSENGER'S SEAT / FLIP-UP / SLIDER AMAYA "A-2TEN"

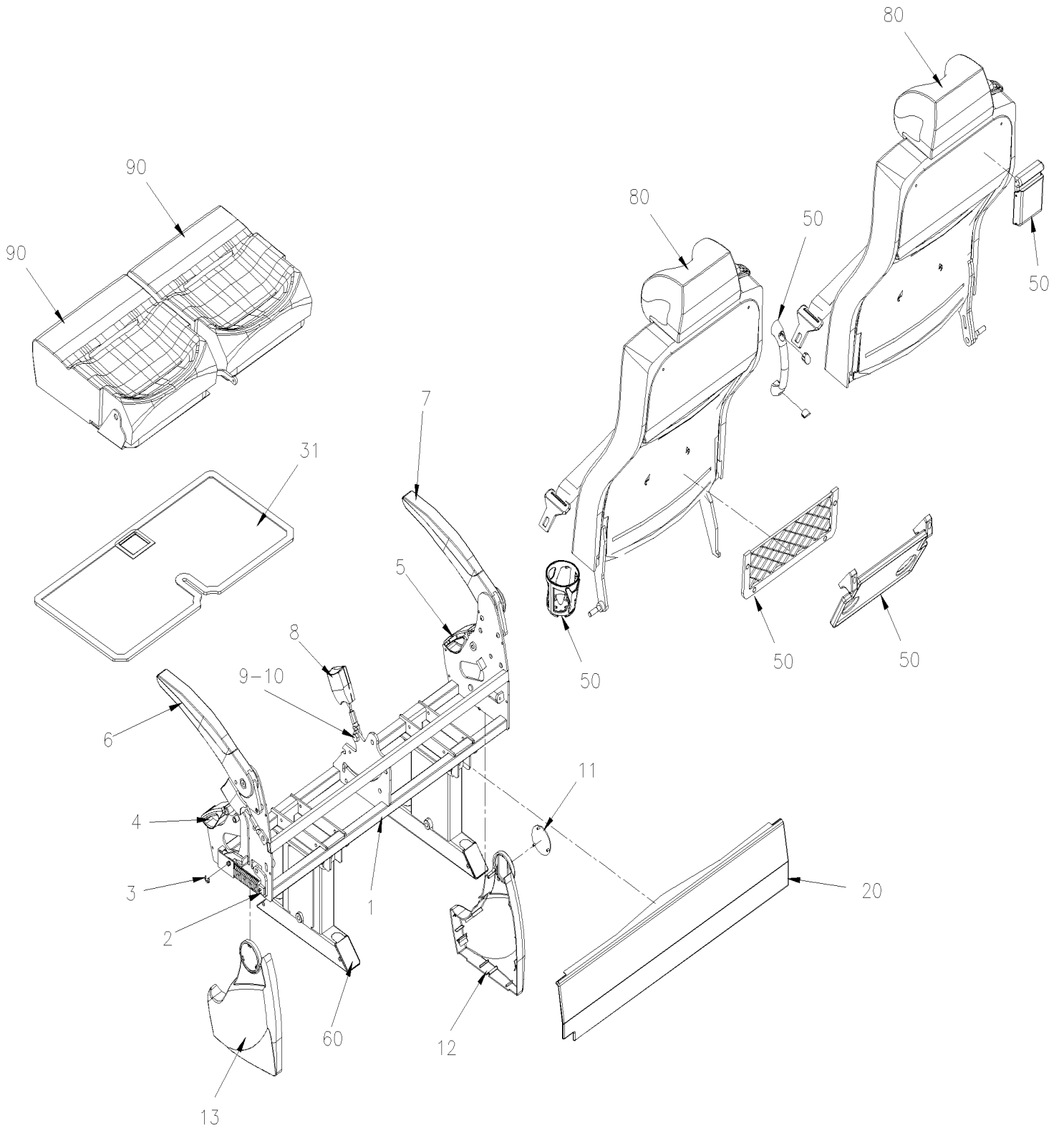
Item#	Part	Description	QTY	Notes
34	867945	.. WASHER	1	
34	867944	.. SCREW SHR HEXS 5/16-18	1	
34	867946	.. CAP NUT 5/16-18	1	
35	868130	.. SPRING STOPPER	1	
36	868131	.. SPRING	1	
37	868132	.. SET SCREW 1/4x1/4	1	
38	868195	.. CAP SCREW 10-24 x3/4"	1	
39	868196	.. NUT HEX NYRT #10-24	1	
40	Call order desk	.. CLOSING PLATE	1	P
50	X3PLB-1826-60	.. ACCESSORIES PASSENGER'S SEAT - "AMAYA"		
60	X3PLB-1826-40	.. PASSENGER'S SEAT - "AMAYA" - FOOTREST & PEDESTAL		
80	X3PLB-1827-61	.. BACKREST AMAYA "A-2TEN"		
90	X3PLB-1827-70	.. SEAT CUSHION AMAYA "A-2TEN"		
		P) CALL ORDER DESK FOR SPECIFIC APPLICATION (V.I.N.)		

From G-7275 To M-7767

Date:07/2024

PAGE:X3PLB-1827-31

PASSENGER'S SEAT / FLIP-UP / SLIDER AMAYA "A-220"

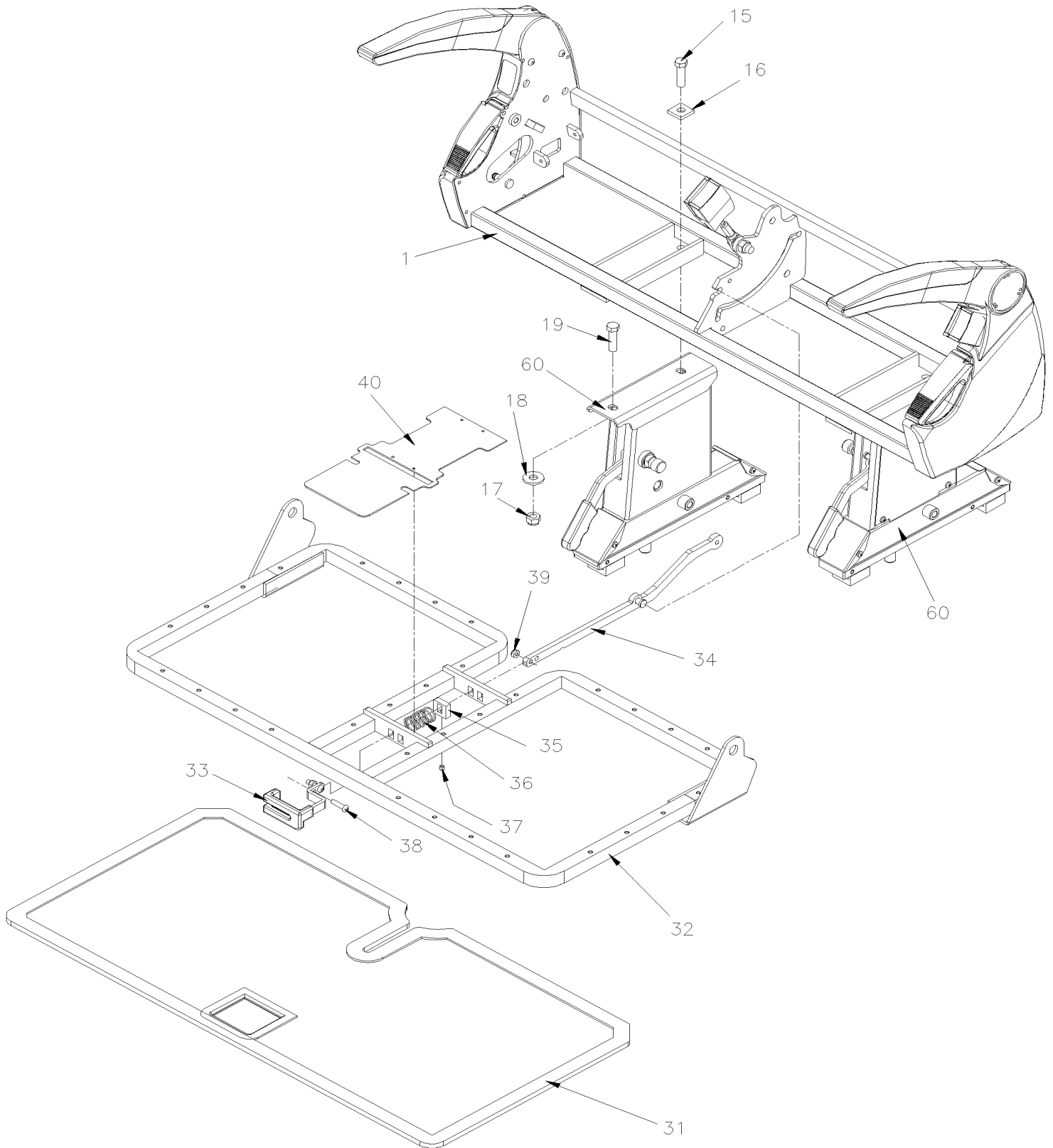


From G-7275 To M-7767

Date:07/2024

PAGE:X3PLB-1827-31

PASSENGER'S SEAT / FLIP-UP / SLIDER AMAYA "A-220"



From G-7275 To M-7767	Date:07/2024	PAGE:X3PLB-1827-31
PASSENGER'S SEAT / FLIP-UP / SLIDER AMAYA "A-220"		

Item#	Part	Description	QTY	Notes
	Call order desk	SEAT ASM 2 PASS STREET SIDE / SLIDER	1	P
	860164	SEAT ASM 2 PASS CURBSIDE / SLIDER CURBSIDE SEAT	1	
1	Call order desk	SEAT CHASSIS WELDED / STREET SIDE / 2 PEDESTAL	1	P
1	Call order desk	SEAT CHASSIS WELDED / CURBSIDE / 2 PEDESTAL	1	P
2	868522	RECLINING MECHANISM ASSY / AISLE SIDE	1	
2	868523	RECLINING MECHANISM ASSY / WALL SIDE	1	
3	Call order desk	RETAINING RING	2	P
4	868280	MECHANISM HANDLE ASSY / RH	1	
5	868281	MECHANISM HANDLE ASSY / LH	1	
6	867737	HINGED ARMREST / RH	1	
7	867738	HINGED ARMREST / LH	1	
8	866019	BUCKLE FEMALE	2	
9	865519	NUT HEX NYRT 7/16-20	2	
10	865521	SCREW CAP HEX 7/16-20x1 G8	2	
11	860075	CAP WITH LOGO AMAYA	1	
12	23210437	LATERAL COVER / AISLE SIDE // LH	1	
13	868282	LATERAL COVER / WALL SIDE / CURB SIDE SEAT	1	
15	Call order desk	SCREW CAP HEX 7/16-20x1 1/2 G8	2	P
16	Call order desk	WASHER, SQUARE SHAPE 7/16	4	P
17	865519	NUT HEX NYRT 7/16-20	4	
18	865520	WASHER FL 7/16	4	
19	868271	SCREW CAP HEX 7/16-20x1 1/4 G8	2	
20	Call order desk	DUST COVER 39 IN	1	P
31	Call order desk	SEAT CUSHION ASSY / 2 PASSENGER'S / FLIP-UP SEAT A220	1	P
32	Call order desk	SEAT CUSHION ASSY / 2 PASSENGER'S / FLIP-UP SEAT CURBSIDE SEAT	1	P
32	Call order desk	SEAT CUSHION ASSY / 2 PASSENGER'S / FLIP-UP SEAT STREET SIDE SEAT	1	P
33	860367	PULL HANDLE W/PLASTIC COVER ASSY RH	1	
33	860368	PULL HANDLE W/PLASTIC COVER ASSY LH	1	
33	860369	HANDLE FLIPPING SEAT	1	
34	860195	MOVING ARM FLIPPING SEAT	1	
34	867945	WASHER	1	
34	867944	SCREW SHR HEXS 5/16-18	1	
34	867946	CAP NUT 5/16-18	1	
35	868130	SPRING STOPPER	1	
36	868131	SPRING	1	
37	868132	SET SCREW 1/4x1/4	1	
38	868195	CAP SCREW 10-24 x3/4"	1	
39	868196	NUT HEX NYRT #10-24	1	
40	Call order desk	CLOSING PLATE	1	P
50	X3PLB-1826-60	ACCESSORIES PASSENGER'S SEAT - "AMAYA"		
60	X3PLB-1826-40	PASSENGER'S SEAT - "AMAYA" - FOOTREST & PEDESTAL		
80	X3PLB-1827-62	BACKREST AMAYA "A-220"		

From G-7275 To M-7767	Date:07/2024	PAGE:X3PLB-1827-31
-----------------------	--------------	--------------------

PASSENGER'S SEAT / FLIP-UP / SLIDER AMAYA "A-220"

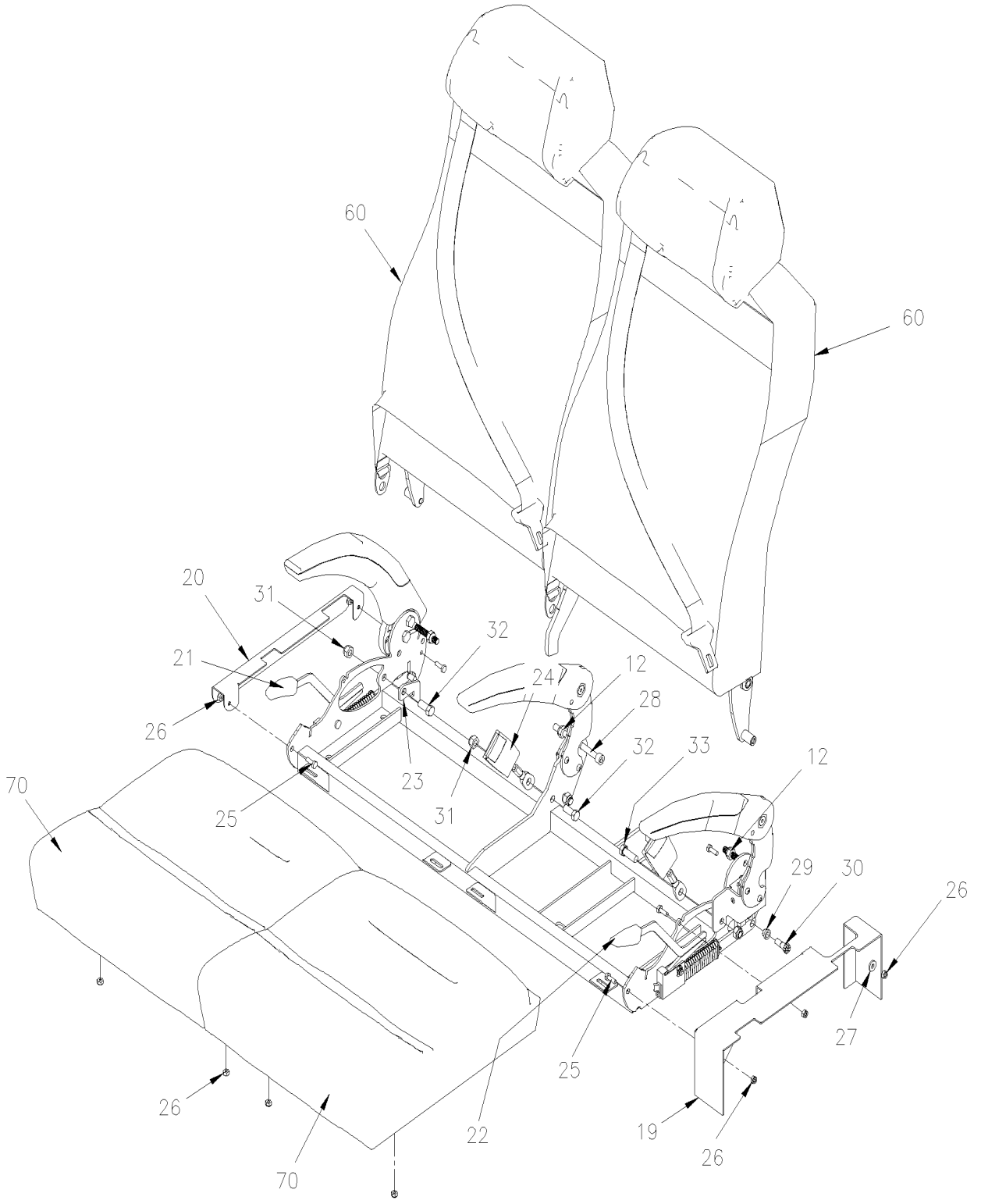
Item#	Part	Description	QTY	Notes
90	X3PLB-1827-71	. SEAT CUSHION AMAYA "A-220"		
		P) CALL ORDER DESK FOR SPECIFIC APPLICATION (V.I.N.)		

From G-7275 To M-7767

Date:07/2024

PAGE:X3PLB-1827-40

PASSENGER'S SEAT / REAR CROSS SEAT AMAYA "A-2TEN"

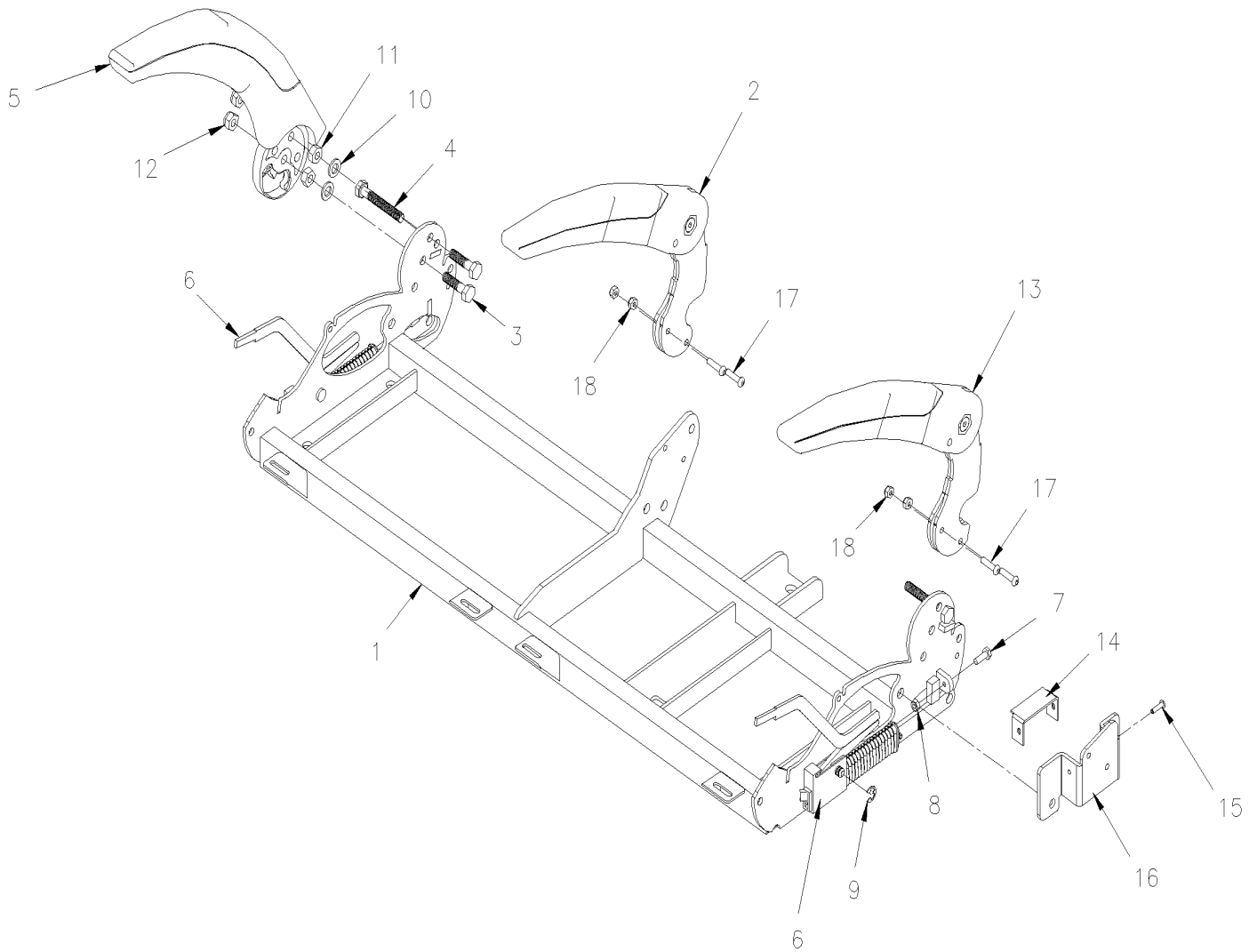


From G-7275 To M-7767

Date:07/2024

PAGE:X3PLB-1827-40

PASSENGER'S SEAT / REAR CROSS SEAT AMAYA "A-2TEN"

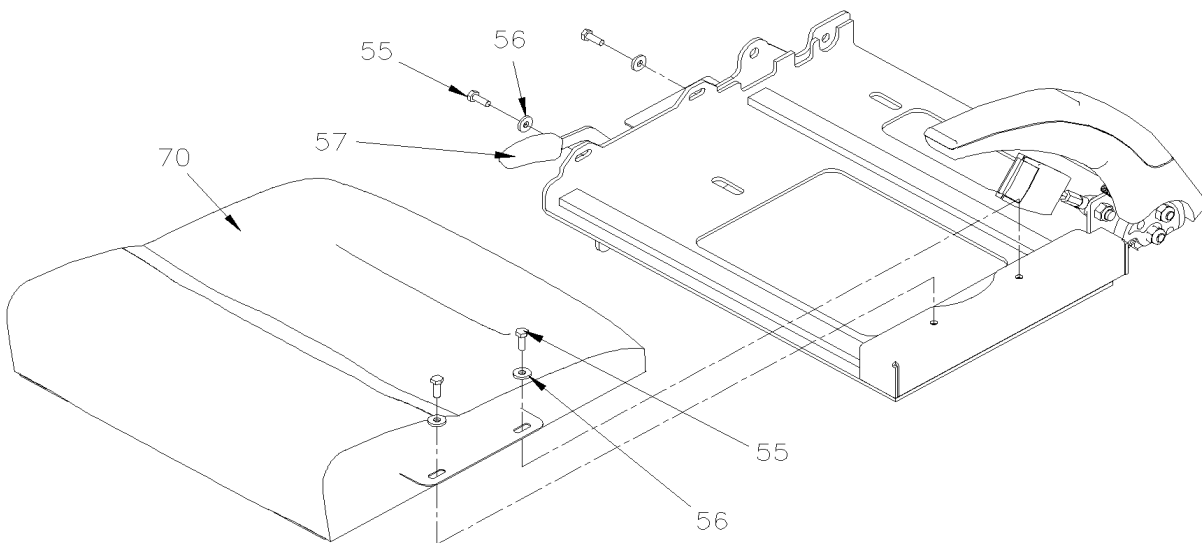
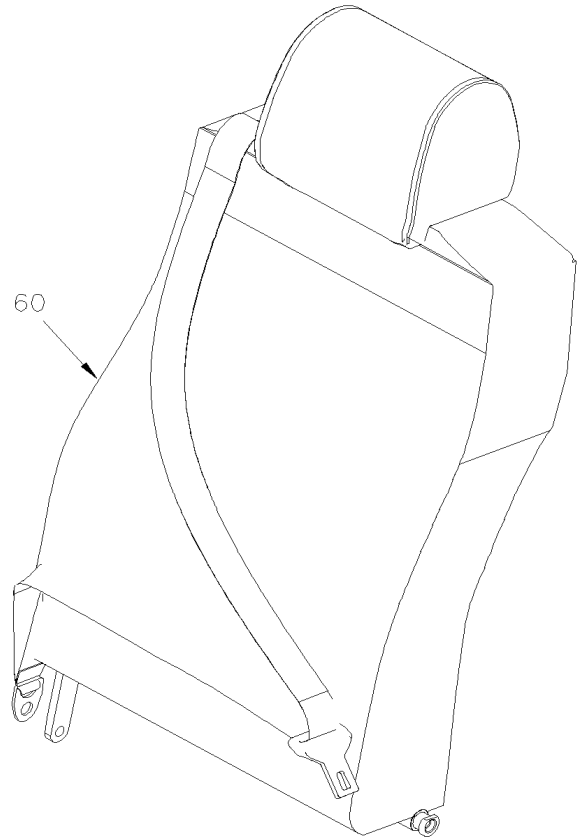


From G-7275 To M-7767

Date:07/2024

PAGE:X3PLB-1827-40

PASSENGER'S SEAT / REAR CROSS SEAT AMAYA "A-2TEN"

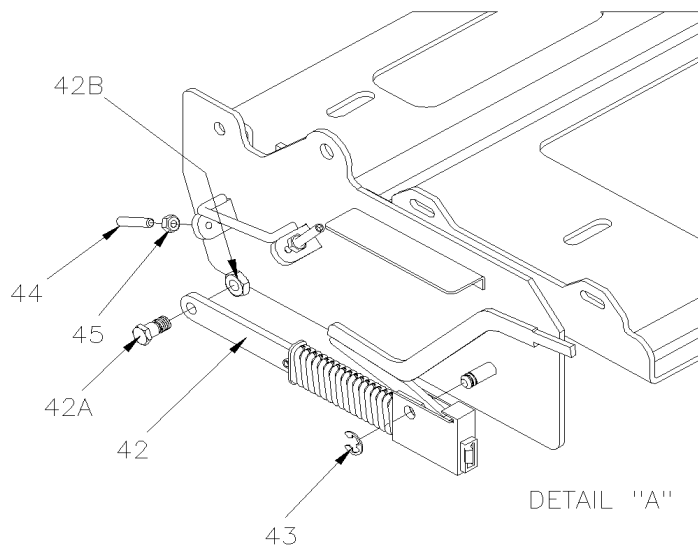
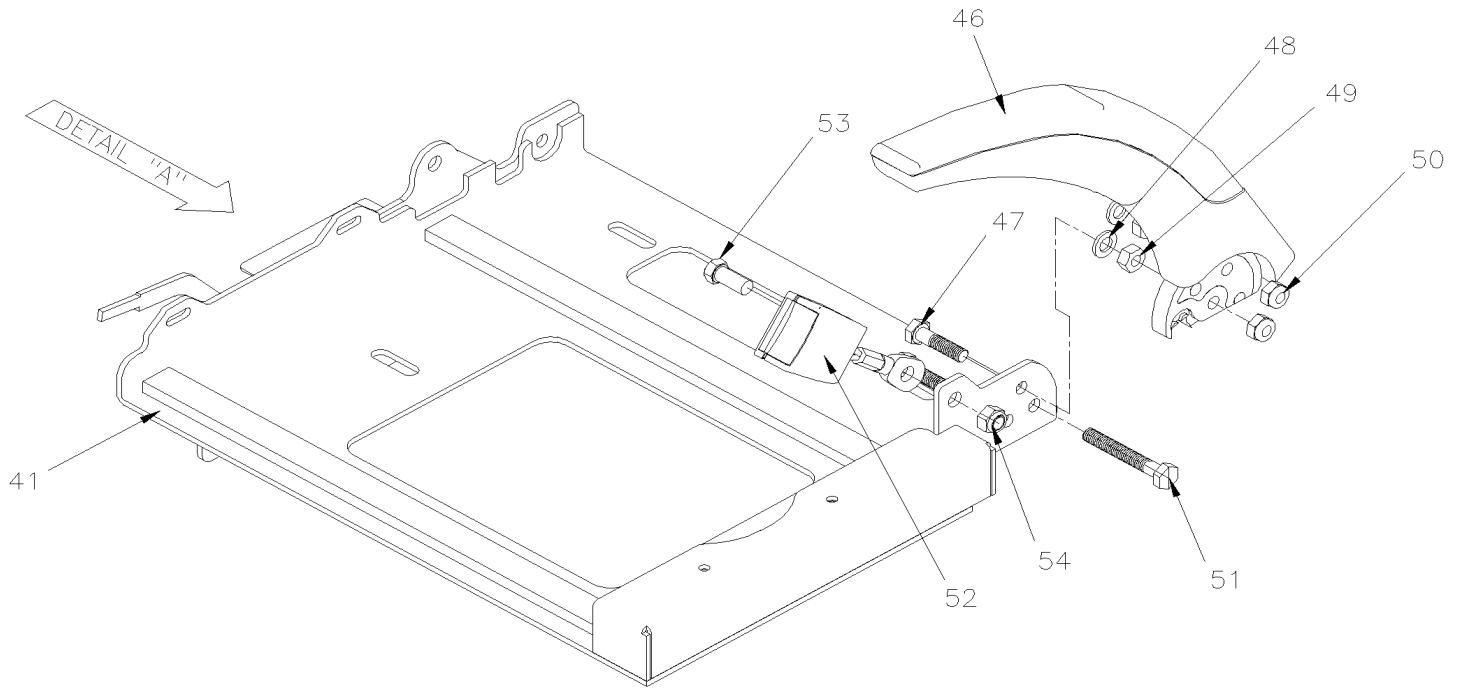


From G-7275 To M-7767

Date:07/2024

PAGE:X3PLB-1827-40

PASSENGER'S SEAT / REAR CROSS SEAT AMAYA "A-2TEN"



From G-7275 To M-7767	Date:07/2024	PAGE:X3PLB-1827-40
PASSENGER'S SEAT / REAR CROSS SEAT AMAYA "A-2TEN"		

Item#	Part	Description	QTY	Notes
	Call order desk	SEAT ASM 2 PASS	1	P
1	Call order desk	. SEAT CHASSIS WELDED / CURBSIDE	1	P
2	865104	. ARMREST CENTRAL ASSY	1	
. NS	866240	. . ARMREST COVERING LIGHT GREY	1	
3	868270	. SCREW CAP HEX M10-1.5x40MM	2	
4	868401	. SCREW CAP HEX M10-1.5x70MM	2	
5	865070	. ARMREST R.H. WINDOW SIDE	1	
6	868407	. RECLINING MECHANISM ASSY	2	
7	865498	. SCREW CAP HEX 1/4-20 x 3/4 LG	2	
8	865497	. NUT HEX 1/4	2	
9	865488	. RETAINING RING	2	
10	865465	. WASHER FL / 7/16	2	
11	868266	. NUT HEX M10-1.5	2	
12	860005	. NUT HEX STO M10-1.5 ZP	5	
13	864072	. ARMREST CENTRAL ASSY / LIGHT GREY	1	
. NS	865995	. . BOLT	1	
. NS	865996	. . BUSHING	1	
. NS	866240	. . ARMREST COVERING LIGHT GREY	1	
14	868398	. COVER BASE ARMREST	1	
15	865496	. RIVET 3/16x3/4	2	
16	Call order desk	. BASE ARMREST	1	P
17	865524	. SCREW CAP BUT HEXS 1/4x1	4	
18	865490	. NUT HEX JAM NYRT 1/4	4	
19	Call order desk	. COVER LH	1	P
20	Call order desk	. COVER RH	1	P
21	863357	. KNOB LEVER R.H. WINDOW	1	
22	863356	. KNOB LEVER L.H. WINDOW	1	
23	7770173	. STOPPER 6" RECLINING (3 pos)	2	
24	864349	. BUCKLE FEMALE	2	
25	865498	. SCREW CAP HEX 1/4-20 x 3/4 LG	5	
26	865490	. NUT HEX JAM NYRT 1/4	9	
27	868261	. WASHER FL 1/4	1	
28	Call order desk	. SCREW CAP HEXS M10x120MM	1	P
29	865215	. BUSHING NYLON	2	
30	860092	. SCREW CAP HEX 3/8" x 1" G8	2	
31	865519	. NUT HEX NYRT 7/16-20	4	
32	865521	. SCREW CAP HEX 7/16-20x1 G8	3	
33	868271	. SCREW CAP HEX 7/16-20x1 1/4 G8	1	
40	Call order desk	SEAT ASM 1 PASS	1	P
41	Call order desk	. SEAT CHASSIS WELDED / STREET SIDE	1	P
42	Call order desk	. RECLINING MECHANISM ASSY	1	P
42A	860207	. SCREW CAP HEX M10x20	1	

From G-7275 To M-7767	Date:07/2024	PAGE:X3PLB-1827-40
PASSENGER'S SEAT / REAR CROSS SEAT AMAYA "A-2TEN"		

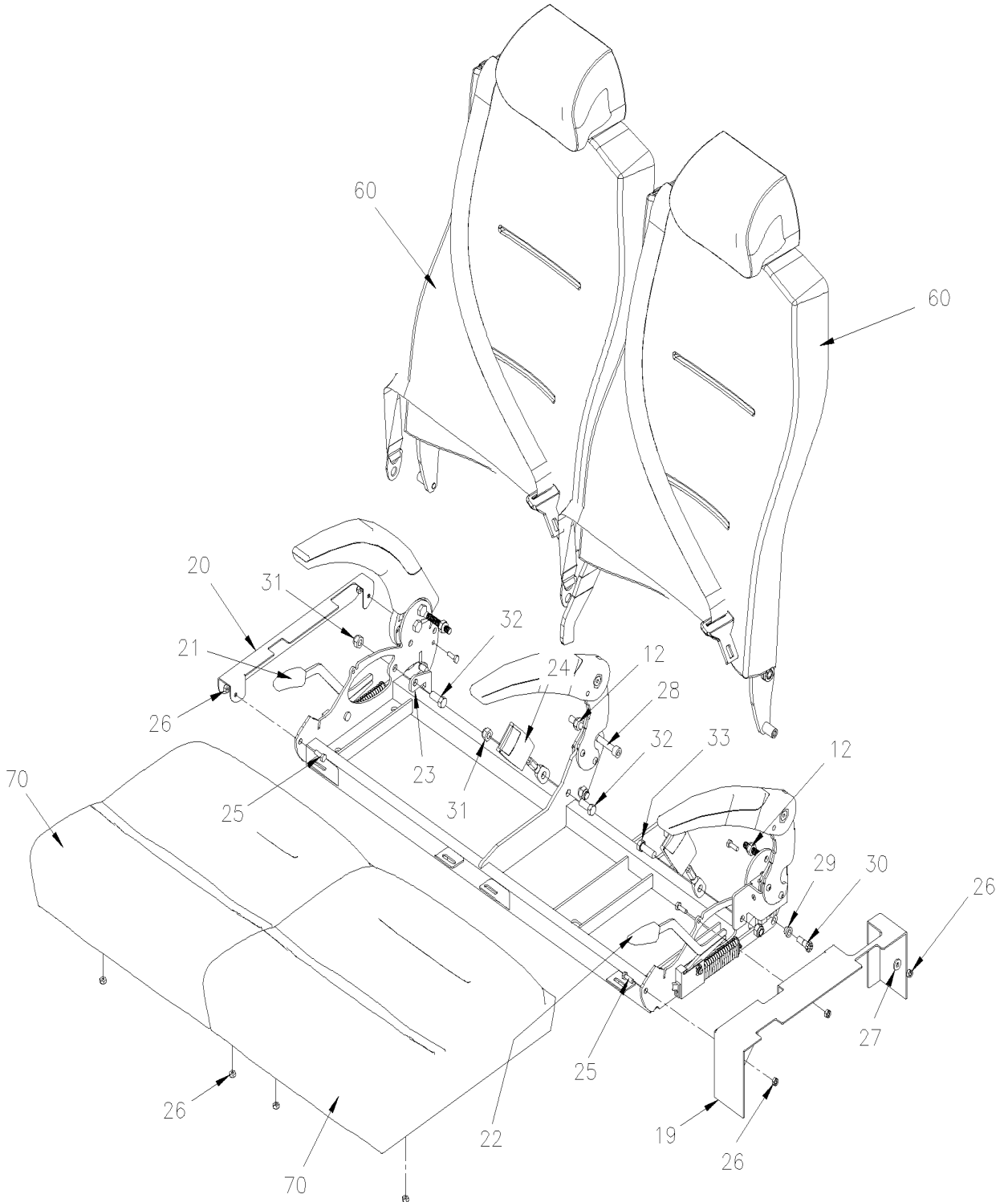
Item#	Part	Description	QTY	Notes
42B	Call order desk	. NUT HEX M10	1	P
43	865488	. RETAINING RING	1	
44	Call order desk	. SCREW SET HEXS FLAT 1/4x1 1/4	2	P
45	865497	. NUT HEX 1/4	2	
46	Call order desk	. ARMREST ASSY	1	P
47	868270	. SCREW CAP HEX M10-1.5x40MM	2	
48	865465	. WASHER FL / 7/16	2	
49	868266	. NUT HEX M10-1.5	2	
50	860005	. NUT HEX STO M10-1.5 ZP	2	
51	868401	. SCREW CAP HEX M10-1.5x70MM	1	
52	864349	. BUCKLE FEMALE	1	
53	865521	. SCREW CAP HEX 7/16-20x1 G8	1	
54	865519	. NUT HEX NYRT 7/16-20	1	
55	865498	. SCREW CAP HEX 1/4-20 x 3/4 LG	4	
56	868261	. WASHER FL 1/4	4	
57	863357	. KNOB LEVER R.H. WINDOW	1	
60	X3PLB-1827-61	. BACKREST AMAYA "A-2TEN"	1	
70	X3PLB-1827-70	. SEAT CUSHION AMAYA "A-2TEN"	1	
		P) CALL ORDER DESK FOR SPECIFIC APPLICATION (V.I.N.)		

From G-7275 To M-7767

Date:07/2024

PAGE:X3PLB-1827-41

PASSENGER'S SEAT / REAR CROSS SEAT AMAYA "A-220"

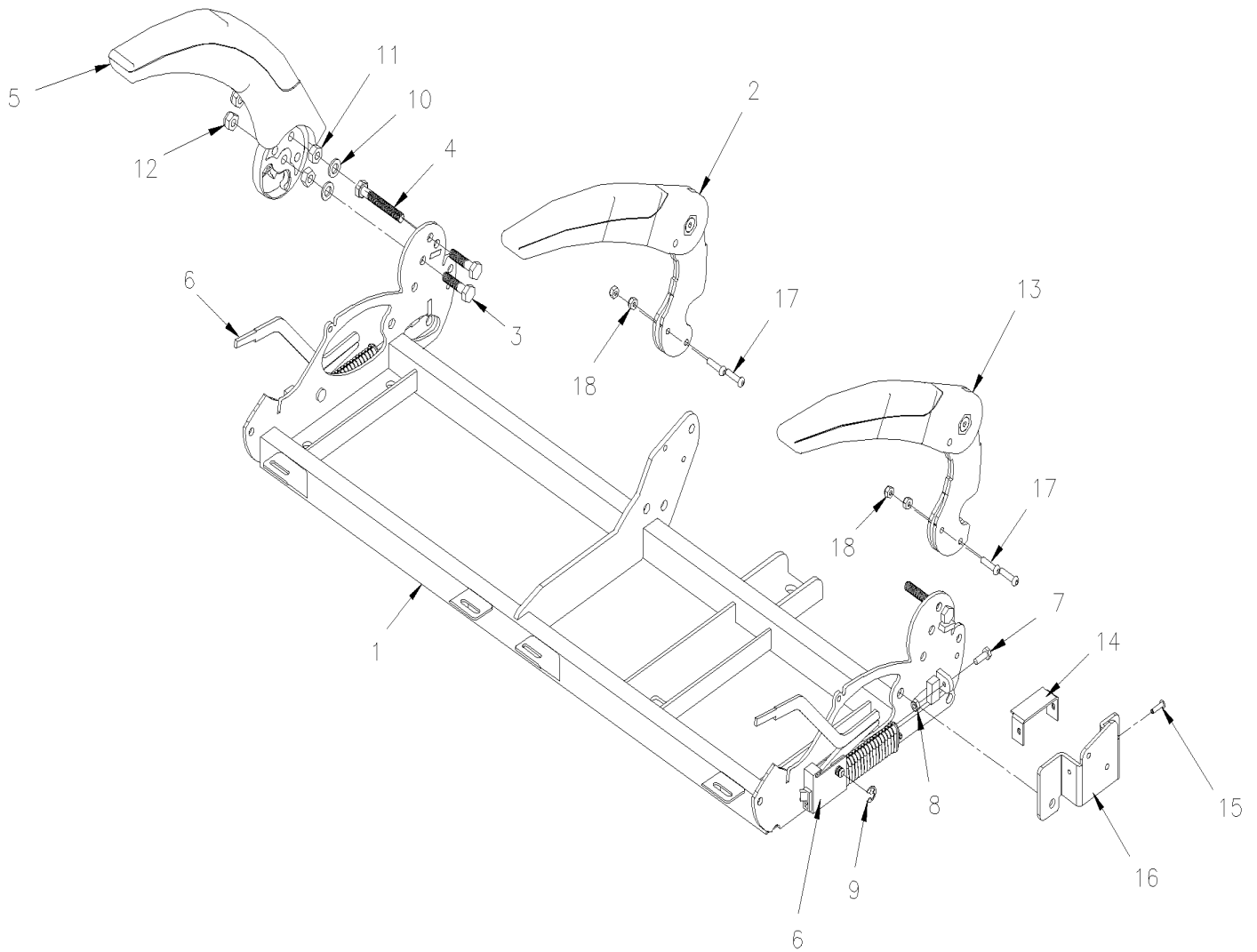


From G-7275 To M-7767

Date:07/2024

PAGE:X3PLB-1827-41

PASSENGER'S SEAT / REAR CROSS SEAT AMAYA "A-220"

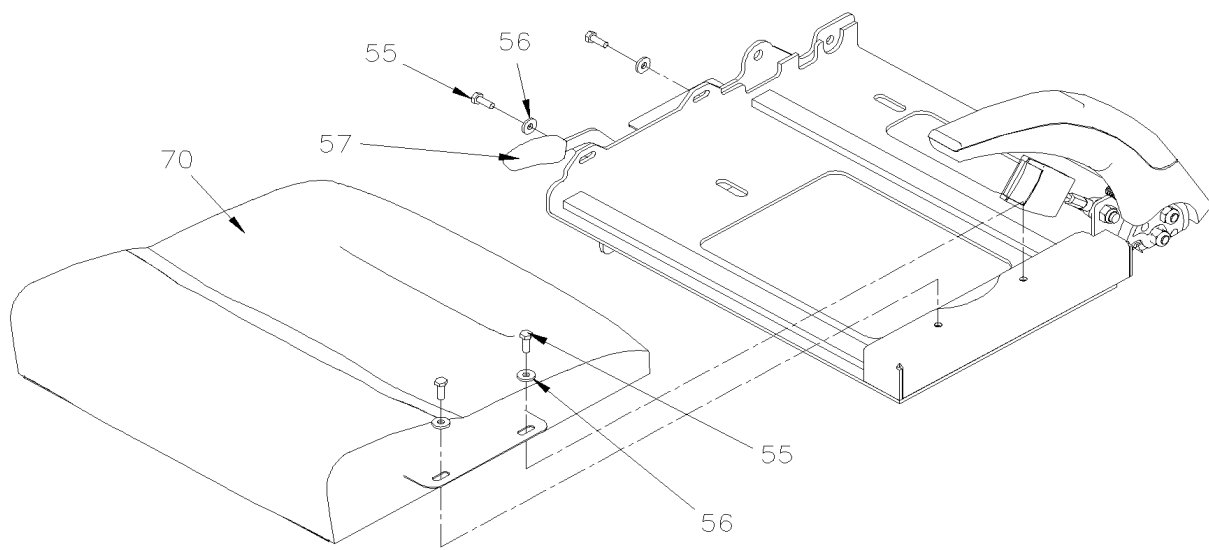
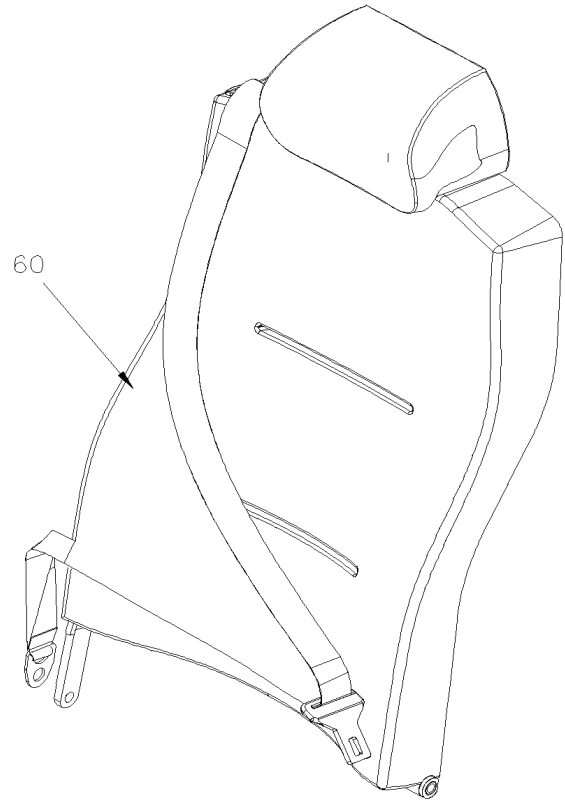


From G-7275 To M-7767

Date:07/2024

PAGE:X3PLB-1827-41

PASSENGER'S SEAT / REAR CROSS SEAT AMAYA "A-220"

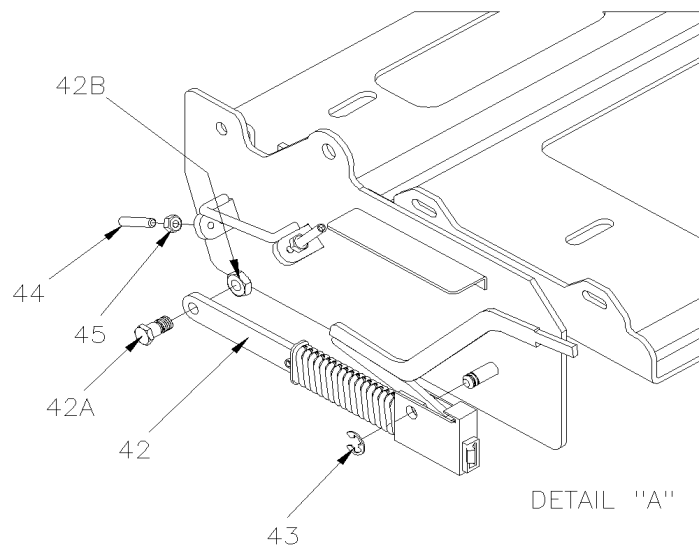
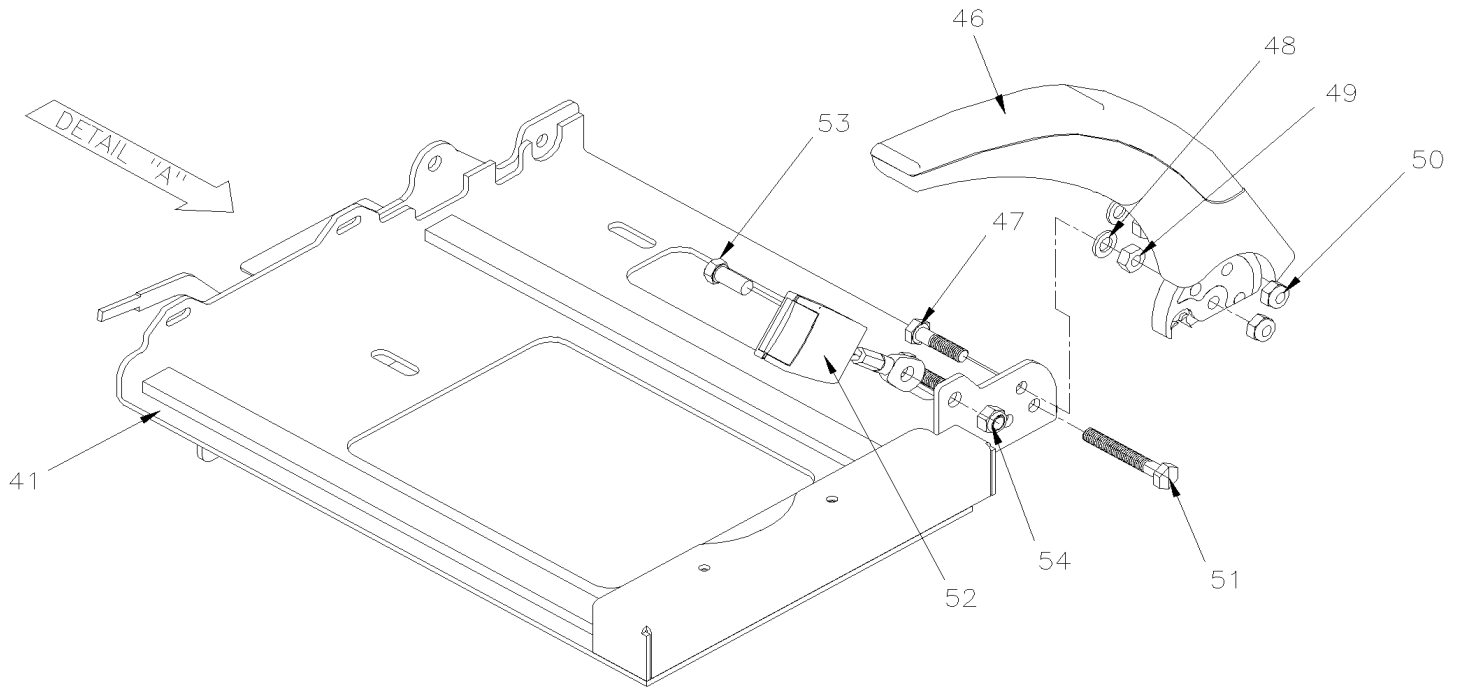


From G-7275 To M-7767

Date:07/2024

PAGE:X3PLB-1827-41

PASSENGER'S SEAT / REAR CROSS SEAT AMAYA "A-220"



From G-7275 To M-7767	Date:07/2024	PAGE:X3PLB-1827-41
PASSENGER'S SEAT / REAR CROSS SEAT AMAYA "A-220"		

Item#	Part	Description	QTY	Notes
	Call order desk	SEAT ASM 2 PASS A-220	1	P
1	Call order desk	. SEAT CHASSIS WELDED / CURBSIDE	1	P
2	865104	. ARMREST CENTRAL ASSY	1	
. NS	866240	. . ARMREST COVERING LIGHT GREY	1	
3	868270	. SCREW CAP HEX M10-1.5x40MM	2	
4	868401	. SCREW CAP HEX M10-1.5x70MM	2	
5	865070	. ARMREST R.H. WINDOW SIDE	1	
6	868407	. RECLINING MECHANISM ASSY	2	
7	865498	. SCREW CAP HEX 1/4-20 x 3/4 LG	2	
8	865497	. NUT HEX 1/4	2	
9	865488	. RETAINING RING	2	
10	865465	. WASHER FL / 7/16	2	
11	868266	. NUT HEX M10-1.5	2	
12	860005	. NUT HEX STO M10-1.5 ZP	5	
13	864072	. ARMREST CENTRAL ASSY / LIGHT GREY	1	
. NS	865995	. . BOLT	1	
. NS	865996	. . BUSHING	1	
. NS	866240	. . ARMREST COVERING LIGHT GREY	1	
14	868398	. COVER BASE ARMREST	1	
15	865496	. RIVET 3/16x3/4	2	
16	Call order desk	. BASE ARMREST	1	P
17	865524	. SCREW CAP BUT HEXS 1/4x1	4	
18	865490	. NUT HEX JAM NYRT 1/4	4	
19	Call order desk	. COVER LH	1	P
20	Call order desk	. COVER RH	1	P
21	863357	. KNOB LEVER R.H. WINDOW	1	
22	863356	. KNOB LEVER L.H. WINDOW	1	
23	7770173	. STOPPER 6" RECLINING (3 pos)	2	
24	866019	. BUCKLE FEMALE	2	
25	865498	. SCREW CAP HEX 1/4-20 x 3/4 LG	5	
26	865490	. NUT HEX JAM NYRT 1/4	9	
27	868261	. WASHER FL 1/4	1	
28	Call order desk	. SCREW CAP HEXS M10x120MM	1	P
29	865215	. BUSHING NYLON	2	
30	860092	. SCREW CAP HEX 3/8" x 1" G8	2	
31	865519	. NUT HEX NYRT 7/16-20	4	
32	865521	. SCREW CAP HEX 7/16-20x1 G8	3	
33	868271	. SCREW CAP HEX 7/16-20x1 1/4 G8	1	
40	Call order desk	SEAT ASM 1 PASS	1	P
41	Call order desk	. SEAT CUSHION ASSY / 1 PASSENGER'S / REAR CROSS SEAT	1	P
42	Call order desk	. RECLINING MECHANISM ASSY	1	P
42A	860207	. SCREW CAP HEX M10x20	1	

From G-7275 To M-7767	Date:07/2024	PAGE:X3PLB-1827-41
PASSENGER'S SEAT / REAR CROSS SEAT AMAYA "A-220"		

Item#	Part	Description	QTY	Notes
42B	Call order desk	. NUT HEX M10	1	P
43	865488	. RETAINING RING	1	
44	Call order desk	. SCREW SET HEXS FLAT 1/4x1 1/4	2	P
45	865497	. NUT HEX 1/4	2	
46	Call order desk	. ARMREST ASSY	1	P
47	868270	. SCREW CAP HEX M10-1.5x40MM	2	
48	865465	. WASHER FL / 7/16	2	
49	868266	. NUT HEX M10-1.5	2	
50	860005	. NUT HEX STO M10-1.5 ZP	2	
51	868401	. SCREW CAP HEX M10-1.5x70MM	1	
52	864349	. BUCKLE FEMALE	1	
53	865521	. SCREW CAP HEX 7/16-20x1 G8	1	
54	865519	. NUT HEX NYRT 7/16-20	1	
55	865498	. SCREW CAP HEX 1/4-20 x 3/4 LG	4	
56	868261	. WASHER FL 1/4	4	
57	863357	. KNOB LEVER R.H. WINDOW	1	
60	X3PLB-1827-62	. BACKREST AMAYA "A-220"	1	
70	X3PLB-1827-71	. SEAT CUSHION AMAYA "A-220"	1	
		P) CALL ORDER DESK FOR SPECIFIC APPLICATION (V.I.N.)		

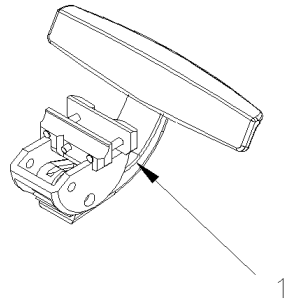
From G-7275 To M-7767

Date:07/2024

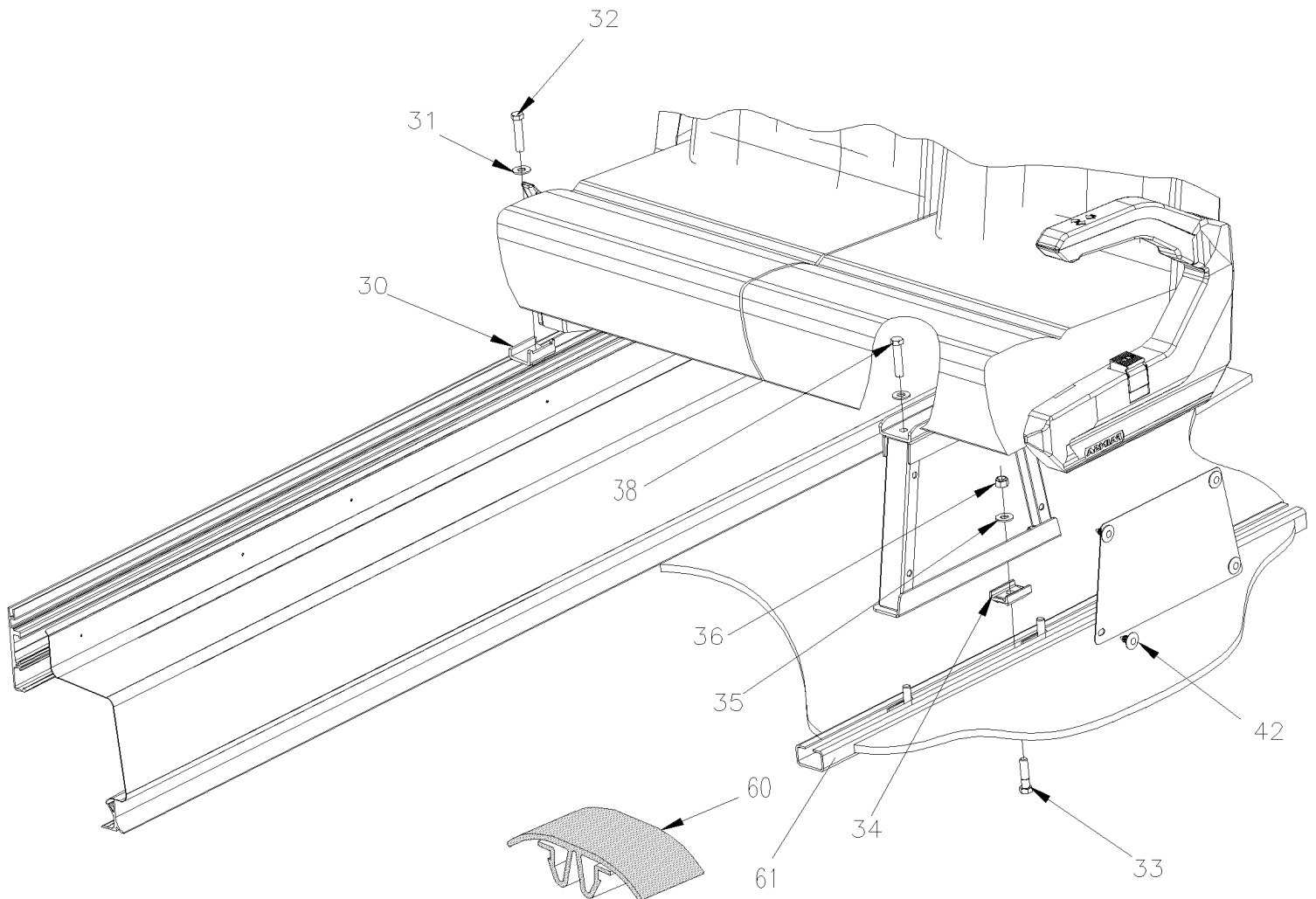
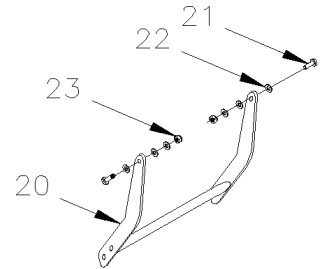
PAGE:X3PLB-1827-43

PASSENGER'S SEAT - "AMAYA" - FOOTREST & PEDESTAL AMAYA "GT", "GT TRANSIT"

FOOTREST WITH SPRING



FOOTREST STANDARD

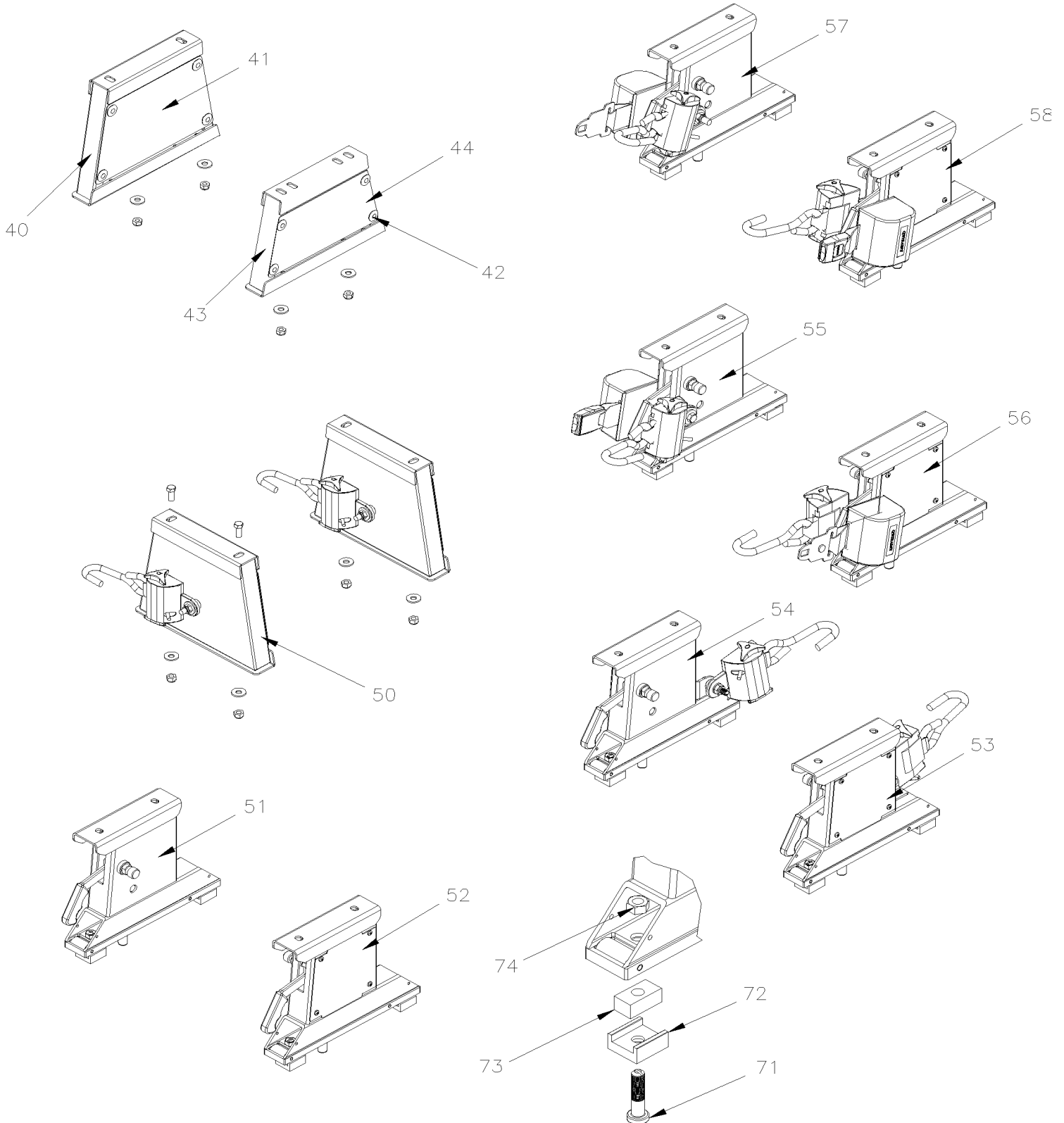


From G-7275 To M-7767

Date:07/2024

PAGE:X3PLB-1827-43

PASSENGER'S SEAT - "AMAYA" - FOOTREST & PEDESTAL AMAYA "GT", "GT TRANSIT"



From G-7275 To M-7767 Date:07/2024 PAGE:X3PLB-1827-43

PASSENGER'S SEAT - "AMAYA" - FOOTREST & PEDESTAL AMAYA "GT", "GT TRANSIT"

Item#	Part	Description	QTY	Notes
1	862224	FOOTREST ASSY W/SPRING / "GAUDI" / ALUMINUM	1	
1	867725	FOOTREST ASSY W/AUTOMATIC RETURN / "STELAM" / PLASTIC	1	
1	863995	FOOTREST ASSY W/SPRING / "GALA" / PLASTIC	1	
1	862714	FOOTREST ASSY W/SPRING / "SIGLIUM" / PLASTIC 608-624N	1	B
	Call order desk			P
20	863814	FOOTREST STANDARD 10" L x 9" U N-1500	1	
20	863982	FOOTREST STANDARD X" L x Y" U H-1500	1	
21	Call order desk	BOLT SPECIAL M8-1.25 x10	2	P
22	500441	WASHER FL .312x.734x.065 Z050	2	
23	500868	NUT HEX NYRT M8-1.25 Z050	2	
30	865466	ATTACHMENT NUT / "L" SHAPE TO FIX SEAT TO WALL TRACK	2	
30	865336	ATTACHMENT NUT / "L" SHAPE TO FIX SEAT TO WALL TRACK TORINO	2	
30	861714	ATTACHMENT NUT / "U" SHAPE TO FIX SEAT TO WALL TRACK	2	
31	866243	PRESSURE WASHER 7/16" 10MM	2	
32	502549	SCREW CAP HEX M10-1.5x35 G8.8 Z050	2	
33	5001735	SCREW CAP HEX 7/16-20x1 3/4 G8 G500	3	
34	364272	BLOCK ANCHOR / 26.8MM INSIDE / 35MM x 50MM x 19MM Height	3	
35	500897	WASHER FL .437x1.000x.083 N500	3	
36	5001734	NUT HEX 7/16-20 G8 N500	3	
38	868271	SCREW CAP HEX 7/16-20x1 1/4 G8 GREYHOUND	2	
38	865465	WASHER FL / 7/16	2	
38	865521	SCREW CAP HEX 7/16-20x1 G8	2	
38	Call order desk	SCREW CAP HEX M10-1.5 x30MM torino rev	2	P
	Call order desk			P
40	868725	PEDESTAL ASSY / W STD SEAT W/ A-2TEN / A-220 / GTT	1	
400	Call order desk	. PEDESTAL / 260MM	1	P
41	865297	COVER PEDESTAL W/"TORINO", A-2TEN, A-220, GTT	1	
42	864368	SCREW 3/8 PLASTIC	4	
43	Call order desk	PEDESTAL ASSY / W REVERSIBLE SEAT	1	P
44	865297	COVER PEDESTAL W/"TORINO", A-2TEN, A-220, GTT	1	
50	Call order desk	PEDESTAL ASSY / STD W/1 SEAT BELT HOOK BACKWARD	2	P
51	865092	PEDESTAL ASSY R.H. TRACK	1	
. NS	865992	. COVER HANDLE RED	1	
51	865066	PEDESTAL ASSY R.H. TRACK W/BRASIL	1	
. NS	865992	. COVER HANDLE RED	1	
51	865069	PEDESTAL ASSY R.H. TRACK W/TORINO G & A-2TEN	1	
. NS	865992	. COVER HANDLE RED	1	
52	865121	PEDESTAL ASSY L.H. TRACK	1	
. NS	865992	. COVER HANDLE RED	1	

From G-7275 To M-7767 Date:07/2024 PAGE:X3PLB-1827-43

PASSENGER'S SEAT - "AMAYA" - FOOTREST & PEDESTAL AMAYA "GT", "GT TRANSIT"

Item#	Part	Description	QTY	Notes
52	865067	PEDESTAL ASSY L.H. TRACK W/BRASIL	1	
. NS	865992	. COVER HANDLE RED	1	
52	865068	PEDESTAL ASSY L.H. TRACK W/TORINO G & A-2TEN	1	
. NS	865992	. COVER HANDLE RED	1	
53	864461	PEDESTAL ASSY L.H. TRACK 1 SEAT BELT HOOK BACKWARD	1	
. NS	865992	. COVER HANDLE RED	1	
54	864698	PEDESTAL ASSY R.H. TRACK 1 SEAT BELT HOOK BACKWARD	1	
. NS	865992	. COVER HANDLE RED	1	
55	864960	PEDESTAL ASSY R.H. TRACK 2 SEATS BELT FORWARD 38"	1	
. NS	865992	. COVER HANDLE RED	1	
56	864621	PEDESTAL ASSY L.H. TRACK 2 SEATS BELT FORWARD 38"	1	
. NS	865992	. COVER HANDLE RED	1	
57	860154	PEDESTAL ASSY R.H. TRACK 2 SEATS BELT FORWARD 40"	1	
. NS	865992	. COVER HANDLE RED	1	
58	860155	PEDESTAL ASSY L.H. TRACK 2 SEATS BELT FORWARD 40"	1	
. NS	865992	. COVER HANDLE RED	1	
NS	322246	SEAT STOPPER BLOCK 100MM x 31.75MM	AR	
NS	319994	SEAT STOPPER BLOCK 50MM x 31.75MM	AR	
NS	329177	SEAT STOPPER BLOCK 275MM x 31.75MM	AR	
60	329689	SEAT TRACK COVER 12' / EACH SEAT / W/COVERING FLOOR	AR	
61	X3PLB-1838-01	FLOOR - BUS	1	
63	5001738	SCREW CAP HEX M8-1.25x30 G8.8 N500	2	
63	502549	SCREW CAP HEX M10-1.5x35 G8.8 Z050	AR	
64	323809	DECAL/ ARROW > SEAT POSITION 25MM x 35MM	1	
66	866243	PRESSURE WASHER 7/16" 10MM	1	
71	865064	PIN SUPPORT 7/16x54MM HEAD 19.5MM O.D	1	
72	865063	INSIDE GUIDE	1	
73	865062	INSIDE SLIDE	1	
74	500709	NUT HEX 7/16-20 Z050	1	
		B) NO ENGLISH DESCRIPTION		
		P) CALL ORDER DESK FOR SPECIFIC APPLICATION (V.I.N.)		

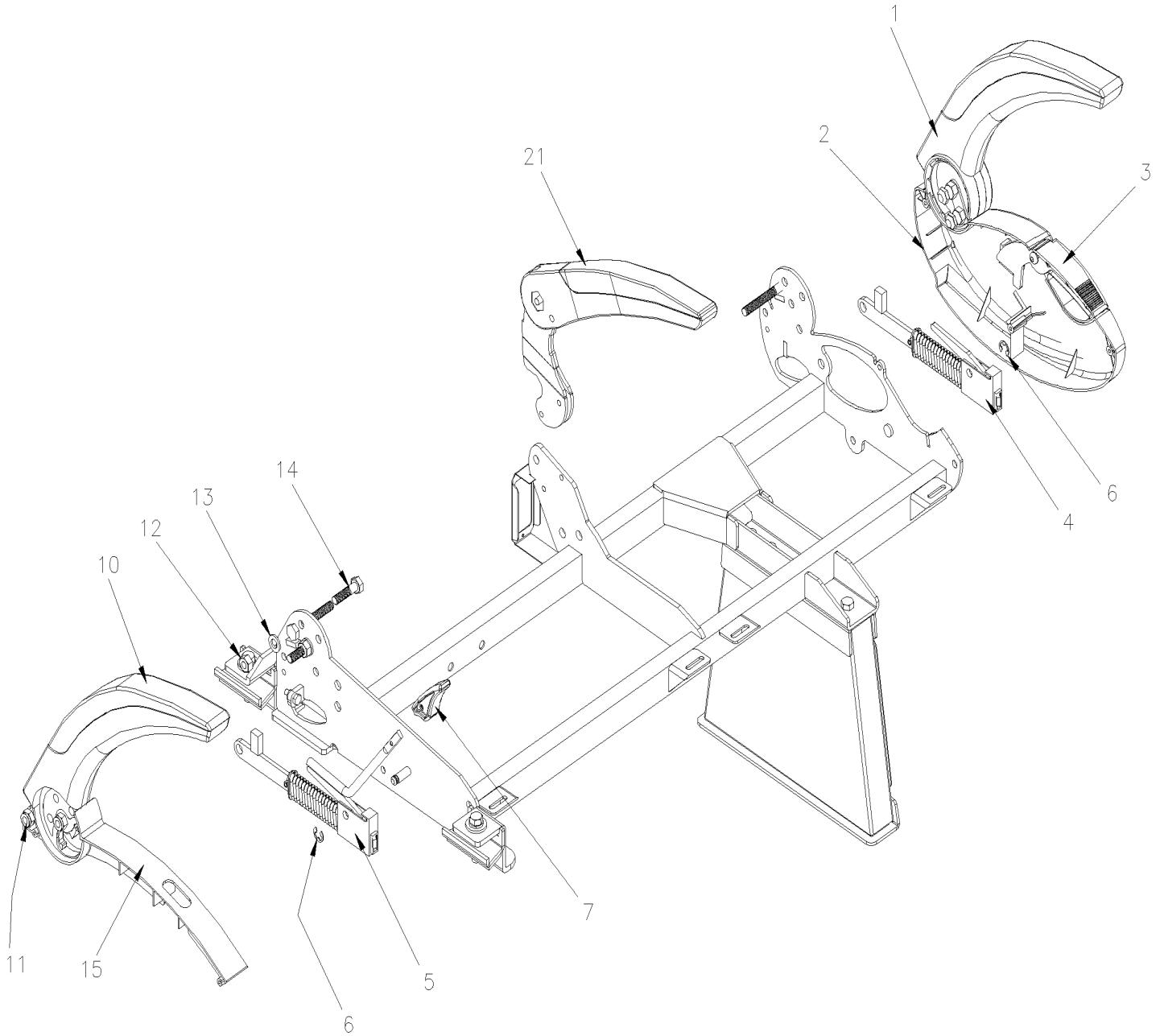
From G-7275 To M-7767

Date:07/2024

PAGE:X3PLB-1827-50

ARMREST AMAYA "A-2TEN"

AISLE SIDE



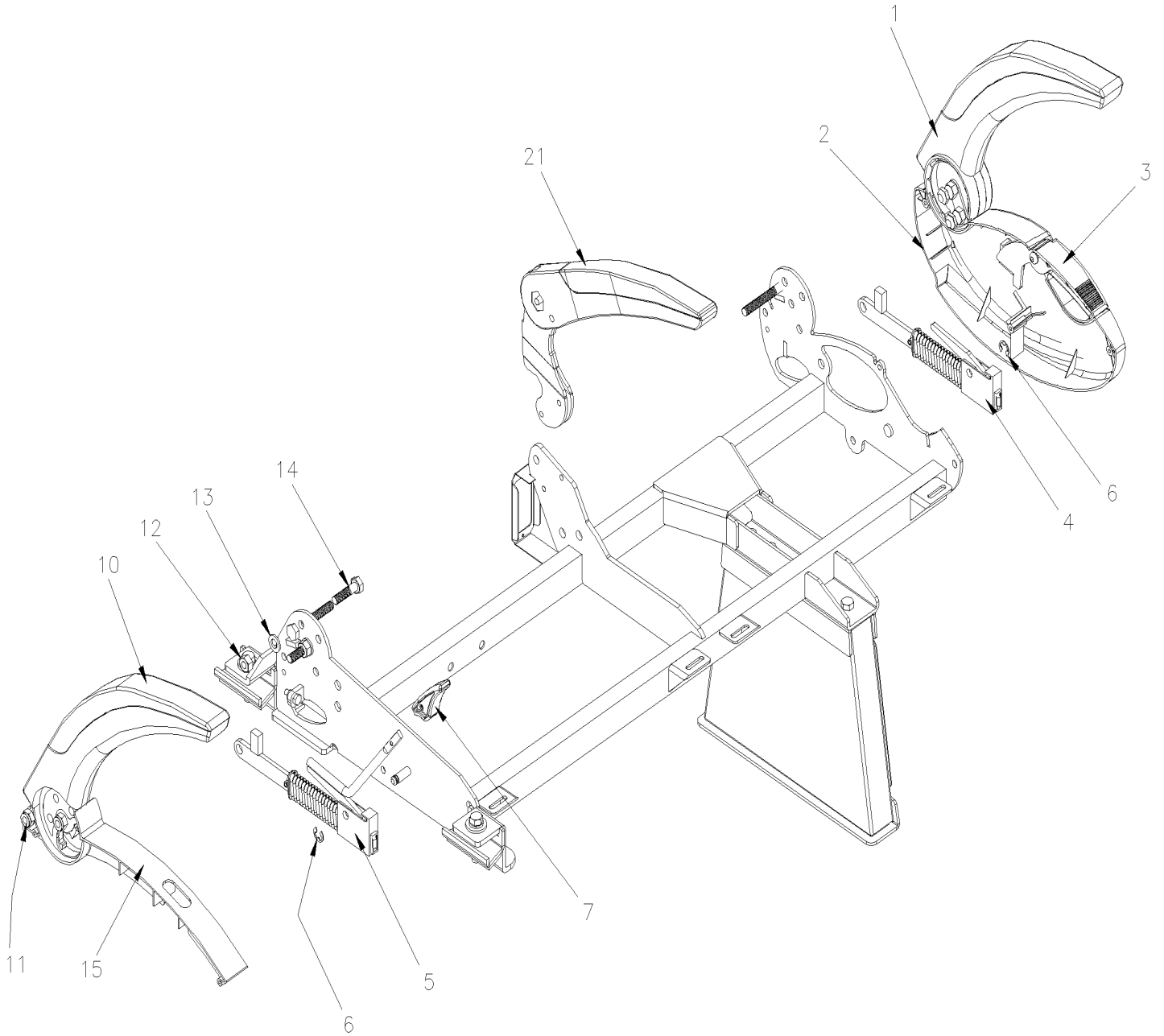
WALL SIDE

From G-7275 To M-7767	Date:07/2024	PAGE:X3PLB-1827-50
ARMREST AMAYA "A-2TEN"		

Item#	Part	Description	QTY	Notes
1	864938	ARMREST L.H.	1	
. NS	Call order desk	. ARMREST COVERING WOOD FINISHING	1	P
. NS	866077	. ARMREST COVERING DARK GREY	1	
. NS	865378	. ARMREST COVERING LIGHT GREY	1	
. NS	860076	. CAP WITH LOGO AMAYA	1	
1	863186	ARMREST R.H.	1	
. NS	Call order desk	. ARMREST COVERING WOOD FINISHING	1	P
. NS	866077	. ARMREST COVERING DARK GREY	1	
. NS	865378	. ARMREST COVERING LIGHT GREY	1	
. NS	860075	. CAP WITH LOGO AMAYA	1	
2	864577	. COVER AISLE R.H.	1	
2	864703	. COVER AISLE SIDE RH SEAT	1	
3	860199	LEVER ASSY R.H.	1	
3	865298	LEVER ASSY L.H.	1	
4	865086	RECLINING MECHANISM ASSY / "TORINO" AISLE	1	
5	865061	RECLINING MECHANISM ASSY / "TORINO" WINDOW	1	
6	865488	RETAINING RING	2	
7	864117	KNOB W/SQUARE ROD INSERT MECHANISM (CURRENT)	1	
10	865070	ARMREST R.H. WINDOW SIDE	1	
11	860005	NUT HEX STO M10-1.5 ZP	2	
12	868266	NUT HEX M10-1.5	2	
13	865465	WASHER FL / 7/16	4	
14	868270	SCREW CAP HEX M10-1.5x40MM	2	
15	Call order desk	MECHANISM FINISHING COVER WALL SIDE	1	P
21	865104	ARMREST CENTRAL ASSY	1	
. NS	866240	. ARMREST COVERING LIGHT GREY	1	
		P) CALL ORDER DESK FOR SPECIFIC APPLICATION (V.I.N.)		
		P) CALL ORDER DESK FOR SPECIFIC APPLICATION (V.I.N.)		

ARMREST AMAYA "A-220"

AISLE SIDE



WALL SIDE

From G-7275 To M-7767	Date:07/2024	PAGE:X3PLB-1827-51
ARMREST AMAYA "A-220"		

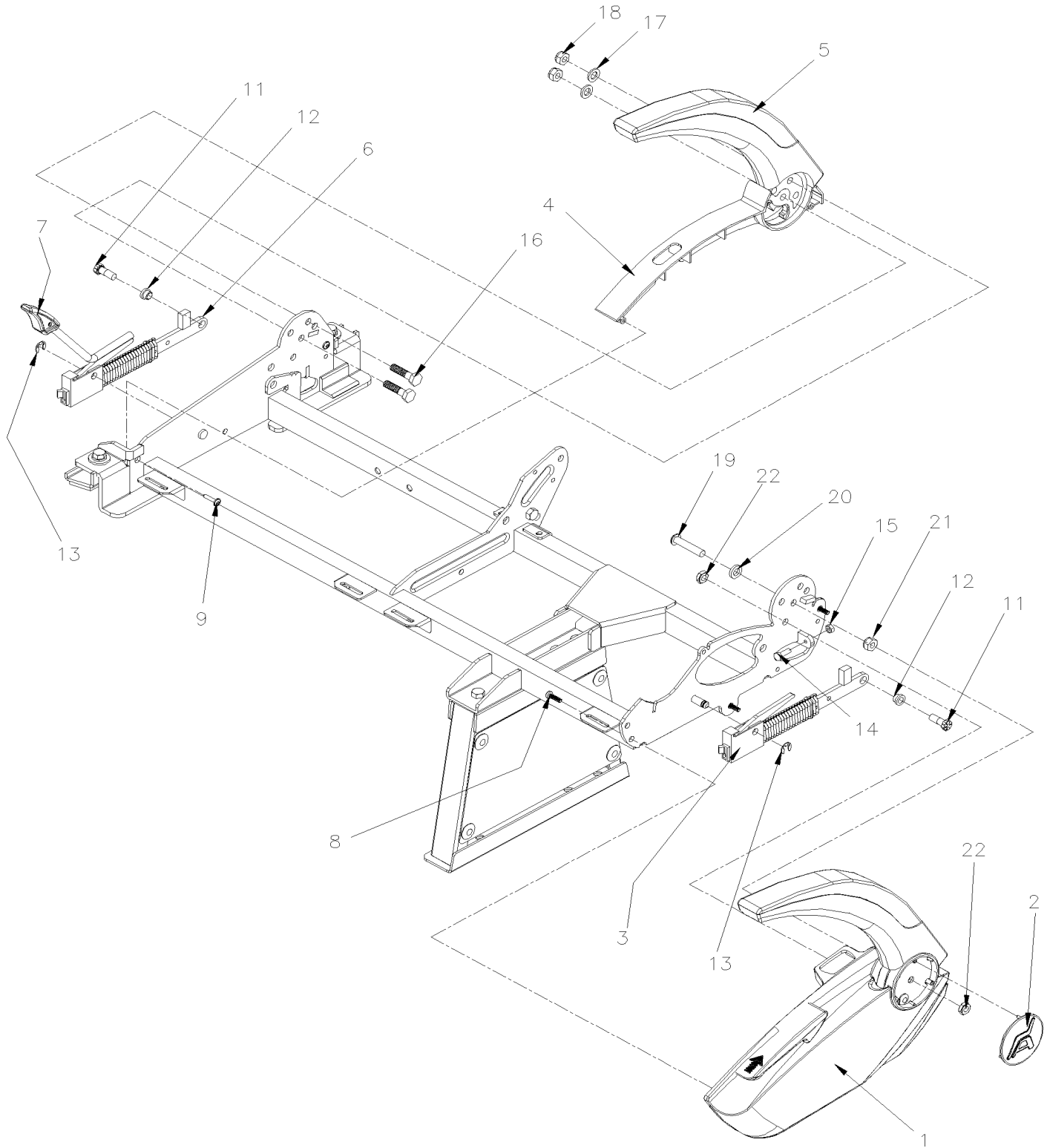
Item#	Part	Description	QTY	Notes
1	864938	ARMREST L.H.	1	
. NS	Call order desk	. ARMREST COVERING WOOD FINISHING	1	P
. NS	866077	. ARMREST COVERING DARK GREY	1	
. NS	865378	. ARMREST COVERING LIGHT GREY	1	
. NS	860076	. CAP WITH LOGO AMAYA	1	
1	863186	ARMREST R.H.	1	
. NS	Call order desk	. ARMREST COVERING WOOD FINISHING	1	P
. NS	866077	. ARMREST COVERING DARK GREY	1	
. NS	865378	. ARMREST COVERING LIGHT GREY	1	
. NS	860075	. CAP WITH LOGO AMAYA	1	
1A	867737	HINGED ARMREST / RH	1	
1A	867738	HINGED ARMREST / LH	1	
		. CHAR(255)	1	
2	864703	. COVER AISLE SIDE RH SEAT	1	
2	860091	. COVER AISLE SIDE LH SEAT	1	
3	860199	LEVER ASSY R.H.	1	
4	865086	RECLINING MECHANISM ASSY / "TORINO" AILSE	1	
5	865061	RECLINING MECHANISM ASSY / "TORINO" WINDOW	1	
6	865488	RETAINING RING	2	
7	864117	KNOB W/SQUARE ROD INSERT MECHANISM (CURRENT)	1	
10	865070	ARMREST R.H. WINDOW SIDE	1	
11	860005	NUT HEX STO M10-1.5 ZP	2	
12	868266	NUT HEX M10-1.5	2	
13	865465	WASHER FL / 7/16	4	
14	868270	SCREW CAP HEX M10-1.5x40MM	2	
15	Call order desk	MECHANISM FINISHING COVER WALL SIDE	1	P
21	865104	ARMREST CENTRAL ASSY	1	
. NS	866240	. ARMREST COVERING LIGHT GREY	1	
		P) CALL ORDER DESK FOR SPECIFIC APPLICATION (V.I.N.)		
		P) CALL ORDER DESK FOR SPECIFIC APPLICATION (V.I.N.)		

From G-7275 To M-7767

Date:07/2024

PAGE:X3PLB-1827-53

ARMREST AMAYA"GT"

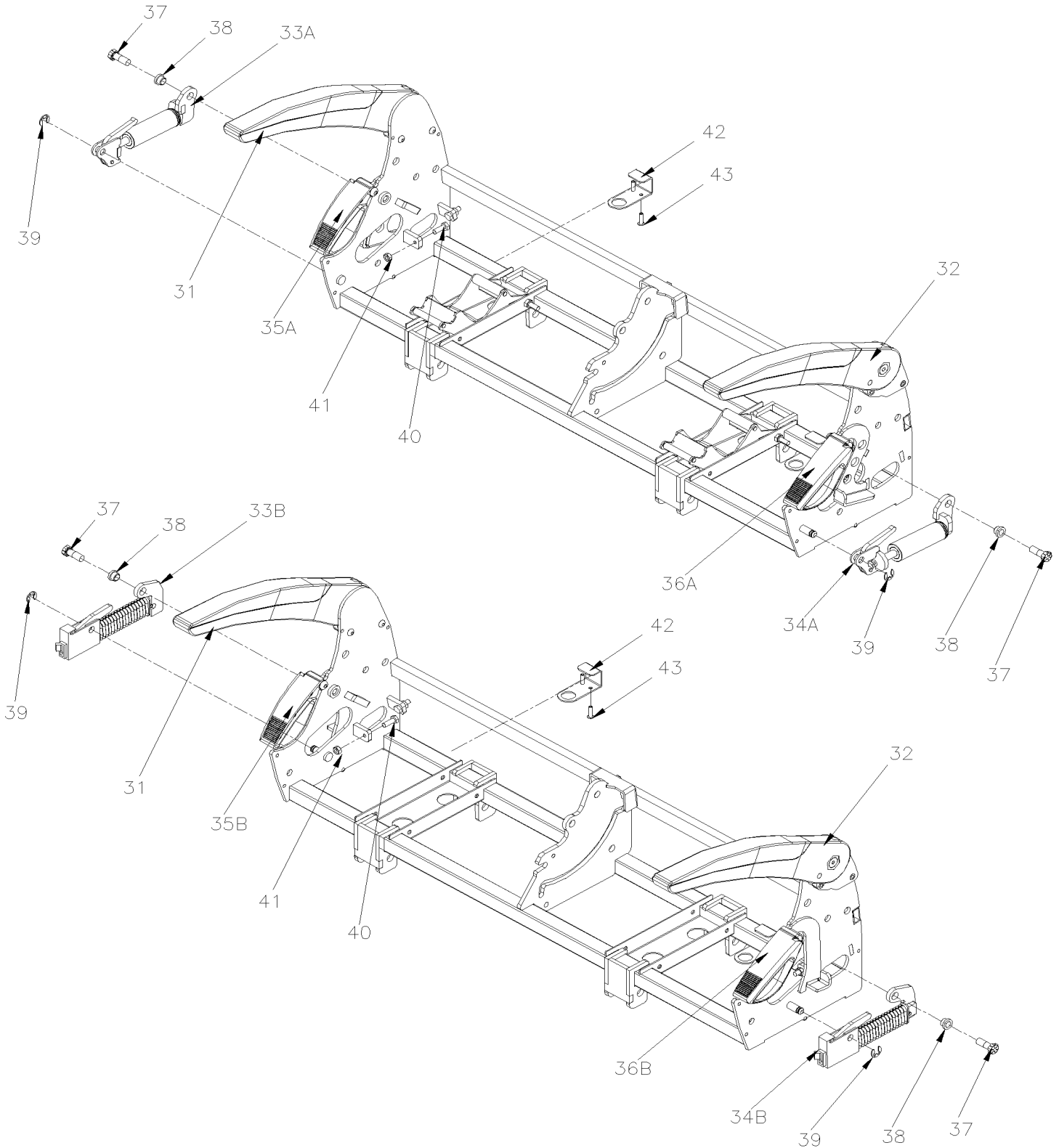


From G-7275 To M-7767

Date:07/2024

PAGE:X3PLB-1827-53

ARMREST AMAYA"GT"



From G-7275 To M-7767	Date:07/2024	PAGE:X3PLB-1827-53
ARMREST AMAYA"GT"		

Item#	Part	Description	QTY	Notes
1	23210423	ARMREST / LH	1	
. NS	868206	. RECLINING LEVER, LH	1	
1	23210425	ARMREST / RH	1	
. NS	868205	. RECLINING LEVER, RH	1	
2	868274	CAP WITH LOGO	1	
3	865086	RECLINING MECHANISM ASSY / "TORINO" AILSE	1	
4	Call order desk	MECHANISM FINISHING COVER WALL SIDE	1	P
5	865070	ARMREST R.H. WINDOW SIDE	1	
6	865061	RECLINING MECHANISM ASSY / "TORINO" WINDOW	1	
7	864117	KNOB W/SQUARE ROD INSERT MECHANISM (CURRENT)	1	
8	868260	SCREW SELF TAPPING M6x20MM	3	
9	868264	SCREW SELF TAPPING #10 x 1"	2	
11	860092	SCREW CAP HEX 3/8" x 1" G8	2	
12	865215	BUSHING NYLON	2	
13	865488	RETAINING RING	2	
14	865498	SCREW CAP HEX 1/4-20 x 3/4 LG	2	
15	865497	NUT HEX 1/4	2	
16	868270	SCREW CAP HEX M10-1.5x40MM	2	
17	865465	WASHER FL / 7/16	2	
18	860005	NUT HEX STO M10-1.5 ZP	2	
19	860280	SCREW BUT HEXS M10-1.5x50MM	1	
20	868297	WASHER FL 7/16	1	
21	868266	NUT HEX M10-1.5	1	
22	868269	NUT HEX / GRIPCO M10-1.5	2	
31	867737	HINGED ARMREST / RH	1	
32	867738	HINGED ARMREST / LH	1	
33A	Call order desk	RECLINING GAS MECHANISM ASSY / RH	1	P A
33B	868318	RECLINING MECHANISM ASSY / RH	1	B
34A	Call order desk	RECLINING GAS MECHANISM ASSY / LH	1	P A
34B	868317	RECLINING MECHANISM ASSY / LH	1	B
35A	Call order desk	MECHANISM HANDLE ASSY / RH	1	P A
35B	868280	MECHANISM HANDLE ASSY / RH	1	B
36A	Call order desk	MECHANISM HANDLE ASSY / LH	1	P A
36B	868281	MECHANISM HANDLE ASSY / LH	1	B
37	860092	SCREW CAP HEX 3/8" x 1" G8	2	
38	865215	BUSHING NYLON	2	
39	865488	RETAINING RING	2	
40	865498	SCREW CAP HEX 1/4-20 x 3/4 LG	4	
41	865497	NUT HEX 1/4	4	
42	868330	BELT SUPPORT HOOK	2	
43	868120	RIVET 3/16 X 3/4 BLACK	4	

From G-7275 To M-7767		Date:07/2024	PAGE:X3PLB-1827-53
-----------------------	--	--------------	--------------------

ARMREST AMAYA"GT"

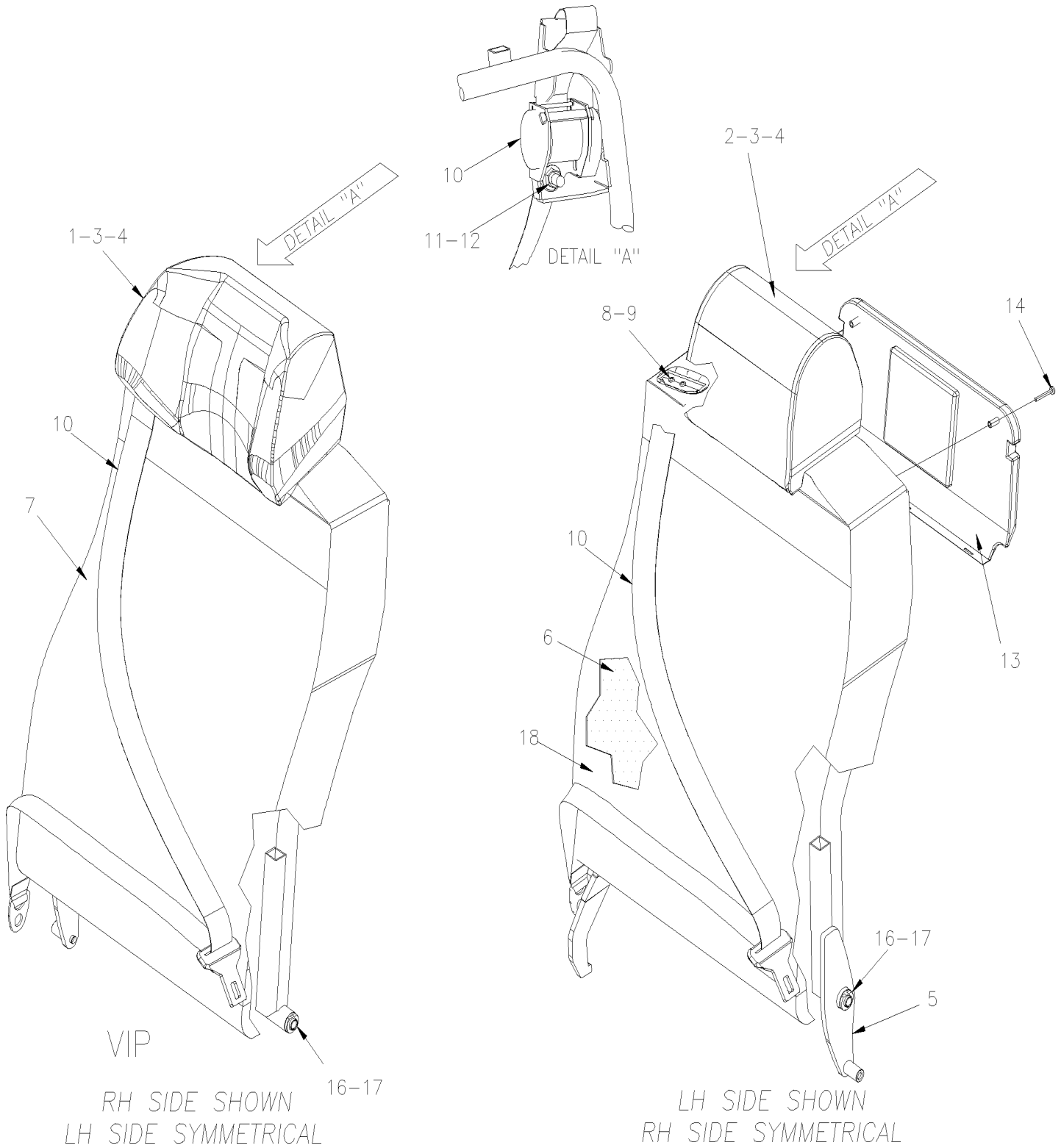
Item#	Part	Description	QTY	Notes
		A) USE WITH FLIP/SLIDING SEAT		
		B) USE WITH FLIP/STATIONNARY SEAT		
		P) CALL ORDER DESK FOR SPECIFIC APPLICATION (V.I.N.)		

From G-7275 To M-7767

Date:07/2024

PAGE:X3PLB-1827-61

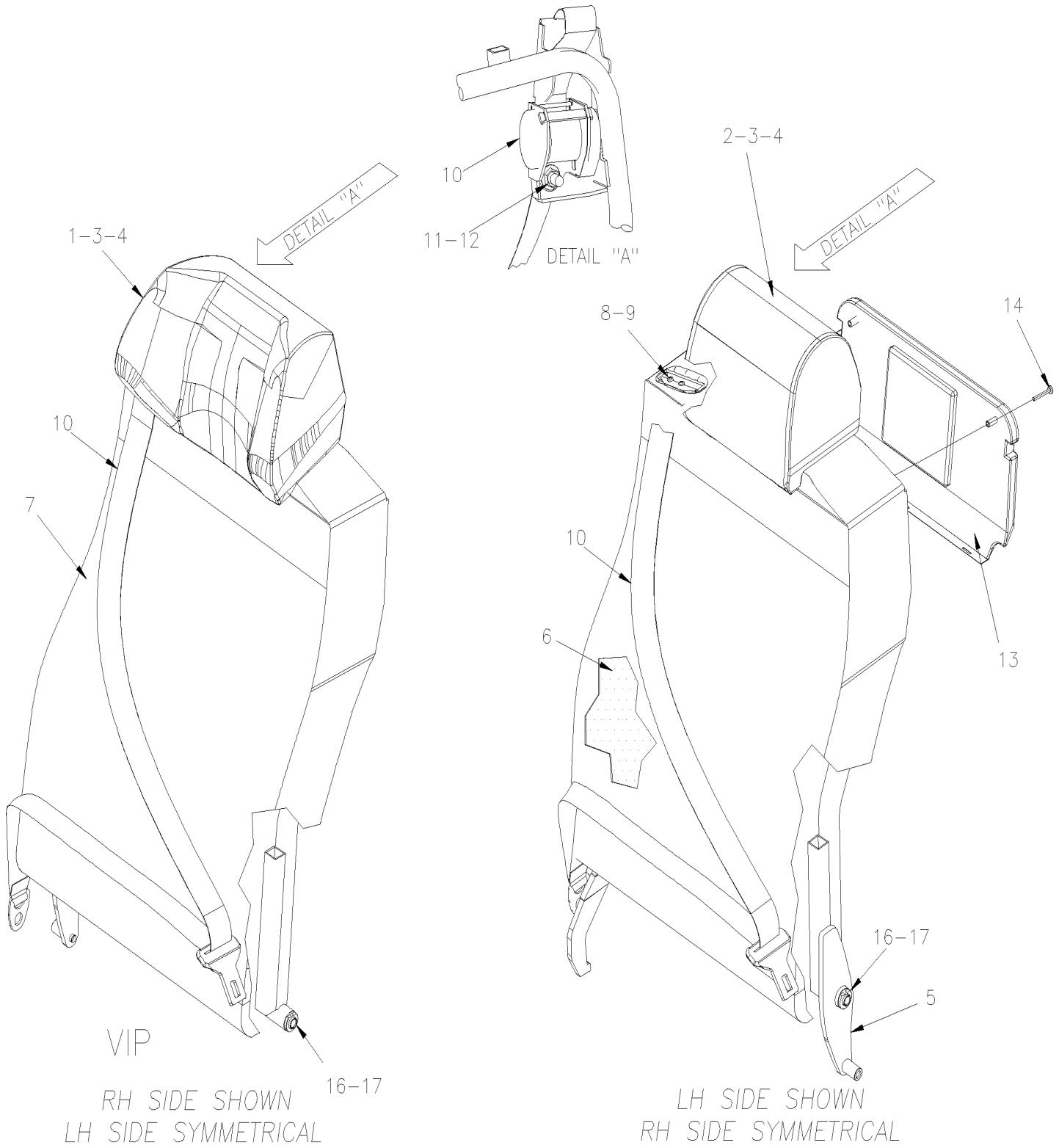
BACKREST AMAYA "A-2TEN"



From G-7275 To M-7767	Date:07/2024	PAGE:X3PLB-1827-61
BACKREST AMAYA "A-2TEN"		

Item#	Part	Description	QTY	Notes
	Call order desk	BACKREST ASSY	1	P
	Call order desk	BACKREST ASSY VIP	1	P
	Call order desk	BACKREST ASSY / FLIP-UP SEAT	1	P
	Call order desk	BACKREST ASSY VIP / FLIP-UP SEAT	1	P
	Call order desk	BACKREST ASSY LH VIP / 2 PASSENGER'S REAR CROSS SEAT	1	P
	Call order desk	BACKREST ASSY LH / 1 PASSENGER'S REAR CROSS SEAT	1	P
	Call order desk	BACKREST ASSY LH VIP / 1 PASSENGER'S REAR CROSS SEAT	1	P
	Call order desk	BACKREST ASSY / ROTATING SEAT	1	P
	Call order desk	BACKREST ASSY VIP / ROTATING SEAT	1	P
1	7775195	. HEADREST ASSY / VIP	1	
2	Call order desk	. HEADREST ASSY	1	P
3	866205	. BUSHING	2	
4	866204	. BACKREST CLIP	2	
5	Call order desk	. BACKREST FRAME ASSY	1	P
5	Call order desk	. BACKREST FRAME ASSY VIP	1	P
5	Call order desk	. BACKREST FRAME ASSY / FLIP-UP SEAT	1	P
5	Call order desk	. BACKREST FRAME ASSY VIP / FLIP-UP SEAT	1	P
5	Call order desk	. BACKREST FRAME LH ASSY / 2 PASSENGER'S REAR CROSS SEAT	1	P
5	Call order desk	. BACKREST FRAME ASSY LH VIP / 2 PASSENGER'S REAR CROSS SEAT	1	P
5	Call order desk	. BACKREST FRAME LH ASSY / 1 PASSENGER'S REAR CROSS SEAT	1	P
5	Call order desk	. BACKREST FRAME ASSY LH VIP / 1 PASSENGER'S REAR CROSS SEAT	1	P
5	Call order desk	. BACKREST FRAME ASSY / ROTATING SEAT	1	P
6	Call order desk	. BACKREST FOAM	1	P
6	Call order desk	. BACKREST FOAM / FLIP-UP SEAT	1	P
6	Call order desk	. BACKREST FOAM VIP / FLIP-UP SEAT	1	P
7	Call order desk	. UPHOLSTERY	1	P
8	860420	. BELT GUIDE	1	
9	Call order desk	. SCREW MA PAN PH	2	P
10	865217	. BELT MULTIPOSITION	1	
10	7775183	. SEAT BELT EXTENSION - PASSENGER SEAT NOT INCLUDE WITH SEAT	1	
11	867945	. WASHER	1	
12	865519	. NUT HEX NYRT 7/16-20	1	
13	Call order desk	. BACKREST COVER ASSY	1	P
14	Call order desk	. SCREW MA PAN PH	2	P
16	Call order desk	. BUSHING	2	P
16	Call order desk	. BUSHING WITH FLIP-UP	2	P
17	Call order desk	. CAP	2	P
		P) CALL ORDER DESK FOR SPECIFIC APPLICATION (V.I.N.)		

BACKREST AMAYA "A-220"



From G-7275 To M-7767	Date:07/2024	PAGE:X3PLB-1827-62
BACKREST AMAYA "A-220"		

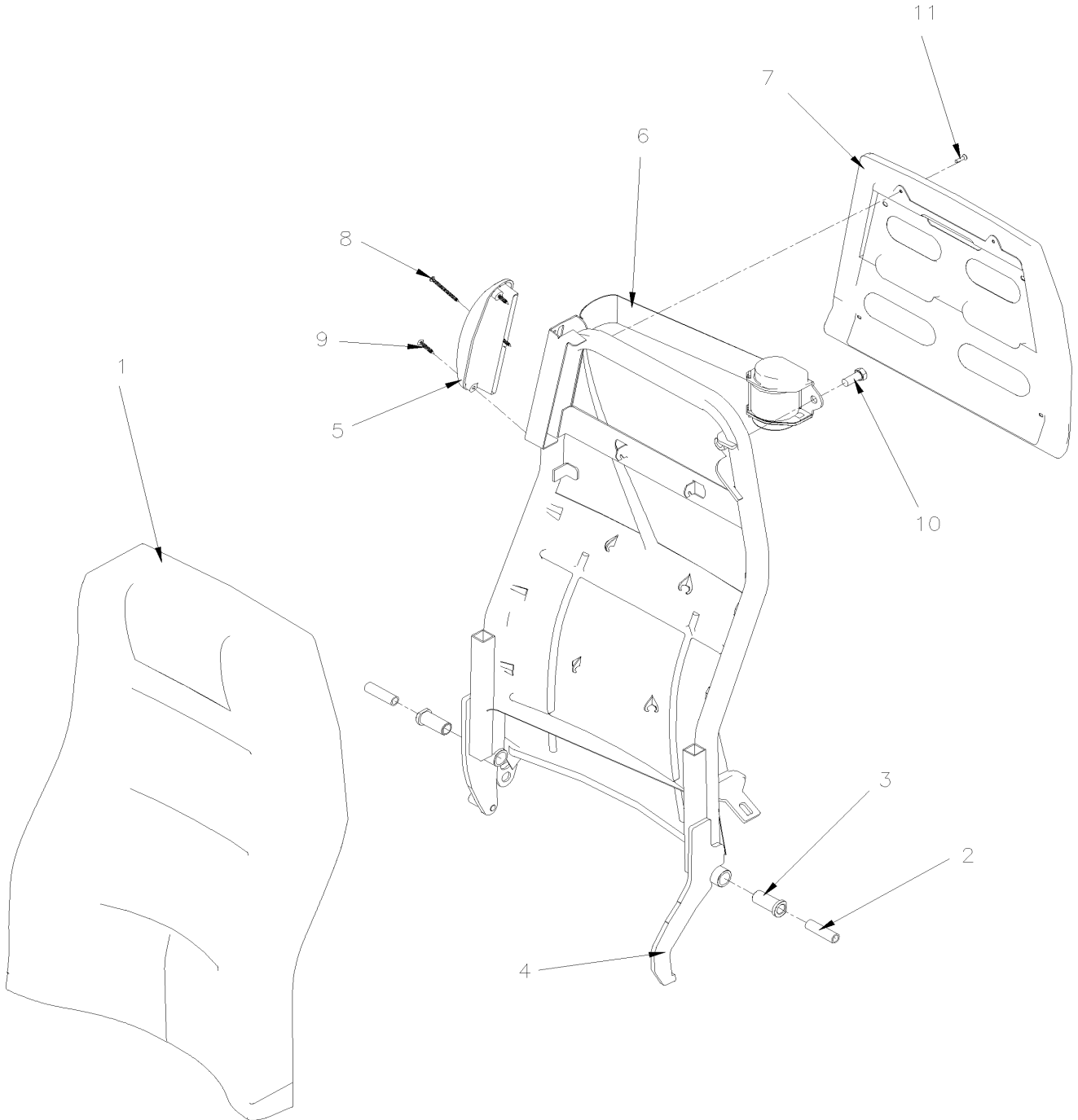
Item#	Part	Description	QTY	Notes
	Call order desk	BACKREST ASSY / LH A-220 STD	1	P
	Call order desk	BACKREST ASSY / RH A-220 STD	1	P
	Call order desk	BACKREST ASSY / LH A-220 /FLIP/ FIXED	1	P
	Call order desk	BACKREST ASSY / RH A-220 /FLIP/ FIXED	1	P
	Call order desk	BACKREST ASSY / LH A-220 SLINDING	1	P
	Call order desk	BACKREST ASSY / RH A-220 SLINDING	1	P
1	7775195	. HEADREST ASSY / VIP	1	
2	Call order desk	. HEADREST ASSY	1	P
3	866205	. BUSHING	2	
4	866204	. BACKREST CLIP	2	
5	Call order desk	. BACKREST FRAME	1	P
6	Call order desk	. FOAM BACKREST	1	P
7	Call order desk	. UPHOLSTERY	1	P
8	860420	. BELT GUIDE	1	
9	Call order desk	. SCREW MA PAN PH	2	P
10	865217	. BELT MULTIPOSITION	1	
10	7775183	. SEAT BELT EXTENSION - PASSENGER SEAT NOT INCLUDE WITH SEAT	1	
11	867945	. WASHER	1	
12	865519	. NUT HEX NYRT 7/16-20	1	
13	Call order desk	. BACKREST COVER ASSY	1	P
14	Call order desk	. SCREW MA PAN PH	2	P
16	868402	. BUSHING 45MM	4	
17	Call order desk	. CAP	2	P
		P) CALL ORDER DESK FOR SPECIFIC APPLICATION (V.I.N.)		

From G-7275 To M-7767

Date:07/2024

PAGE:X3PLB-1827-63

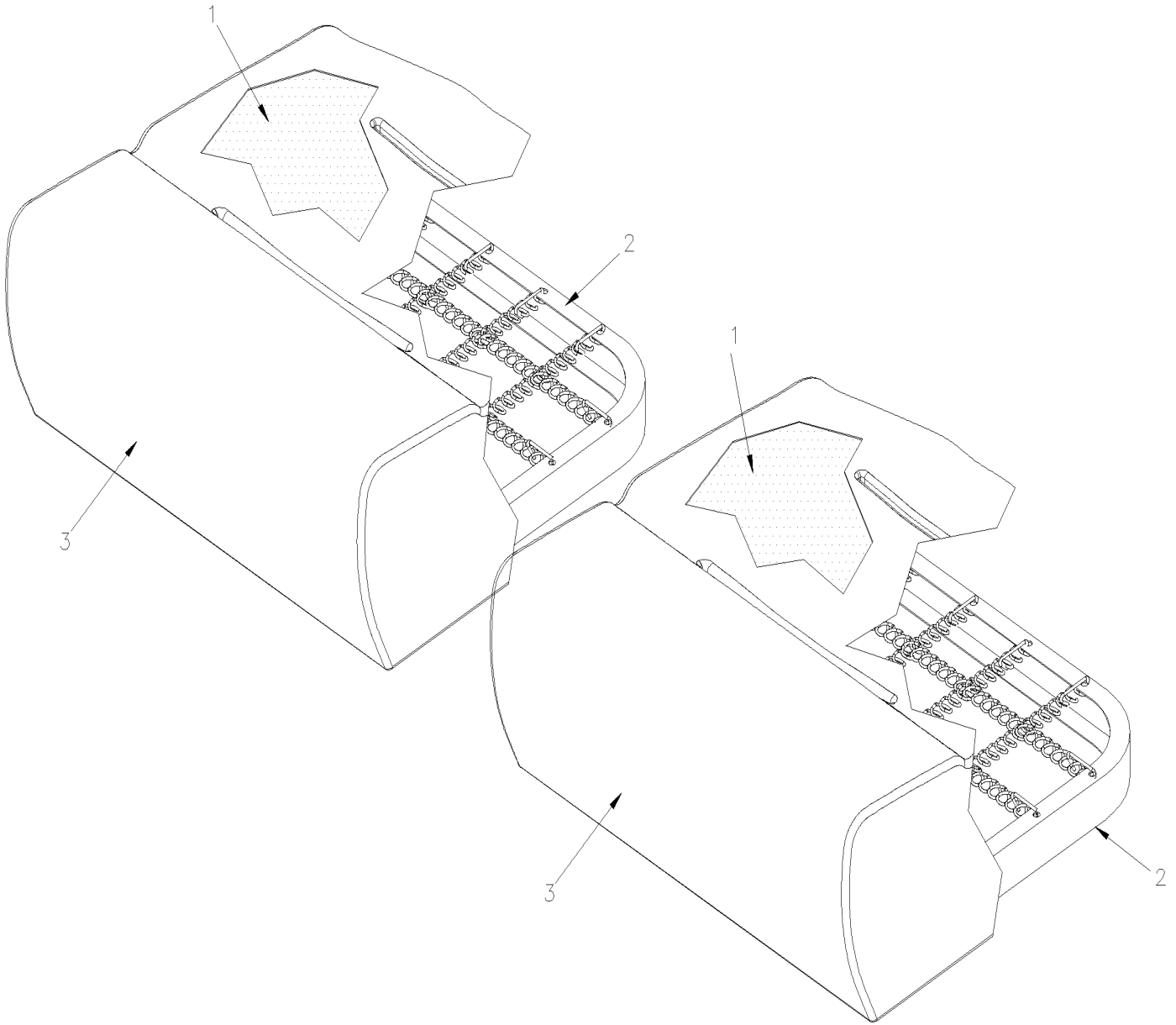
BACKREST AMAYA "GT"



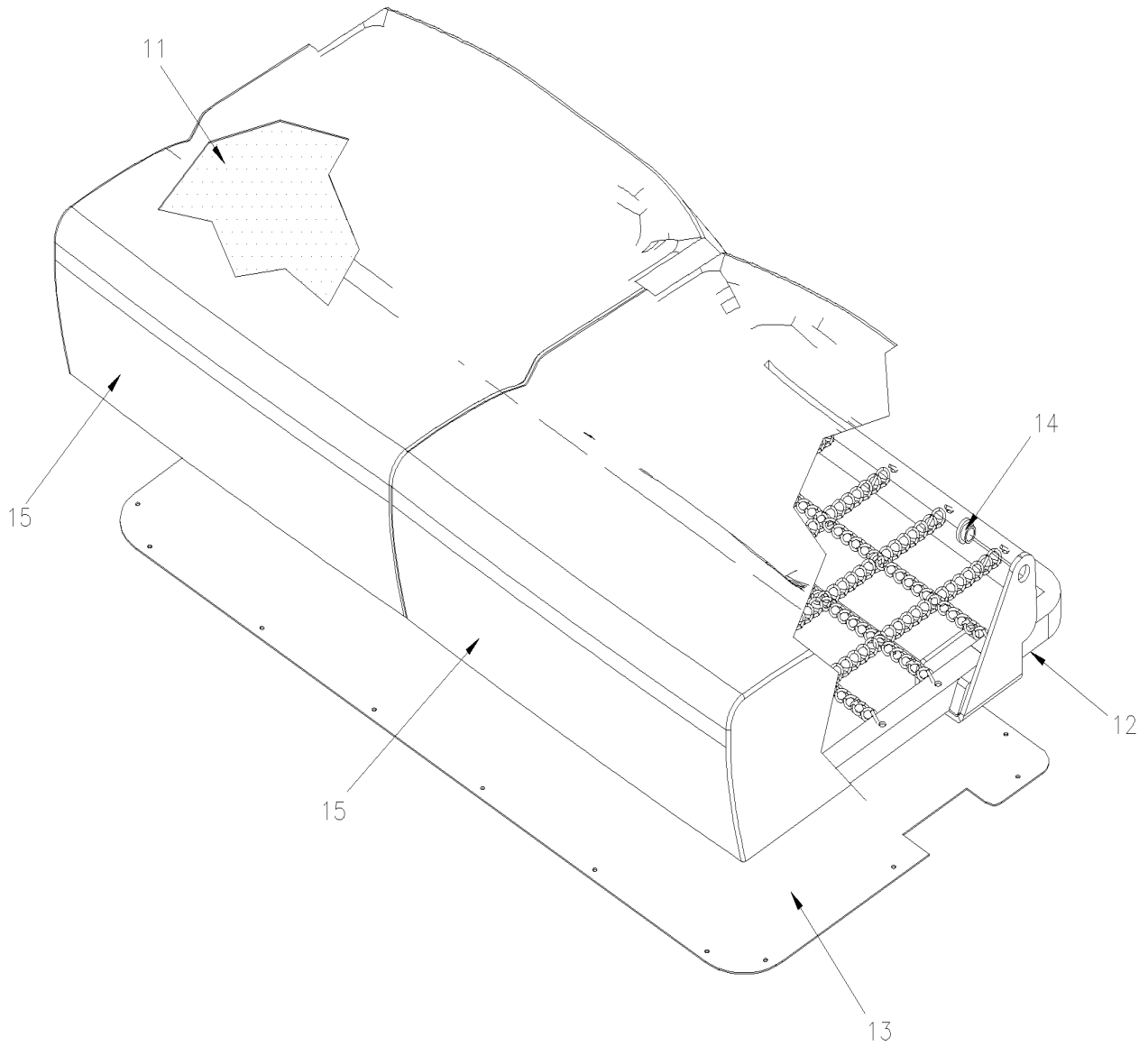
From G-7275 To M-7767	Date:07/2024	PAGE:X3PLB-1827-63
BACKREST AMAYA "GT"		

Item#	Part	Description	QTY	Notes
	868200	BACKREST ASSY RH CURBSIDE	1	
	868199	BACKREST ASSY LH CURBSIDE	1	
	Call order desk	BACKREST ASSY LH STREET SIDE	1	P
	Call order desk	BACKREST ASSY RH STREET SIDE	1	P
	Call order desk	BACKREST ASSY RH	1	P C
	Call order desk	BACKREST ASSY LH	1	P C
1	Call order desk	. BACKREST FOAM	1	P
1	Call order desk	. BACKREST FOAM RH CURB SIDE WINDOWS SIDE	1	P
1	Call order desk	. BACKREST FOAM	1	P
1	Call order desk	. BACKREST FOAM LH STREET SIDE WINDOWS SIDE	1	P
2	865561	. BUSHING 49MM	2	
3	868402	. BUSHING 45MM	2	
4	Call order desk	. BACKREST FRAME RH WINDOWS SIDE	1	P
4	Call order desk	. BACKREST FRAME LH WINDOWS SIDE	1	P
4	Call order desk	. BACKREST FRAME AISLE SIDE STREET SIDE	1	P C
4	Call order desk	. BACKREST FRAME AISLE SIDE CURB SIDE	1	P C
5	868172	. SEAT BELT GUIDE	1	
6	868185	. SEAT BELT /WO/ FEMALE BUCKLE	1	
7	Call order desk	. ENERGY ABSORBER	1	P
8	Call order desk	. VIS PHILLIPS #10 x 1"	2	P
9	Call order desk	. VIS PHILLIPS #8 x 2"	2	P
10	865521	. SCREW CAP HEX 7/16-20x1 G8	1	
11	865603	. SCREW MA BUT PH M8x19	4	
		C) WITH HOOK		
		P) CALL ORDER DESK FOR SPECIFIC APPLICATION (V.I.N.)		

REGULAR SEAT



FLIP-UP/SLIDER SEAT



*LH SIDE SHOWN
RH SIDE SYMMETRICAL*

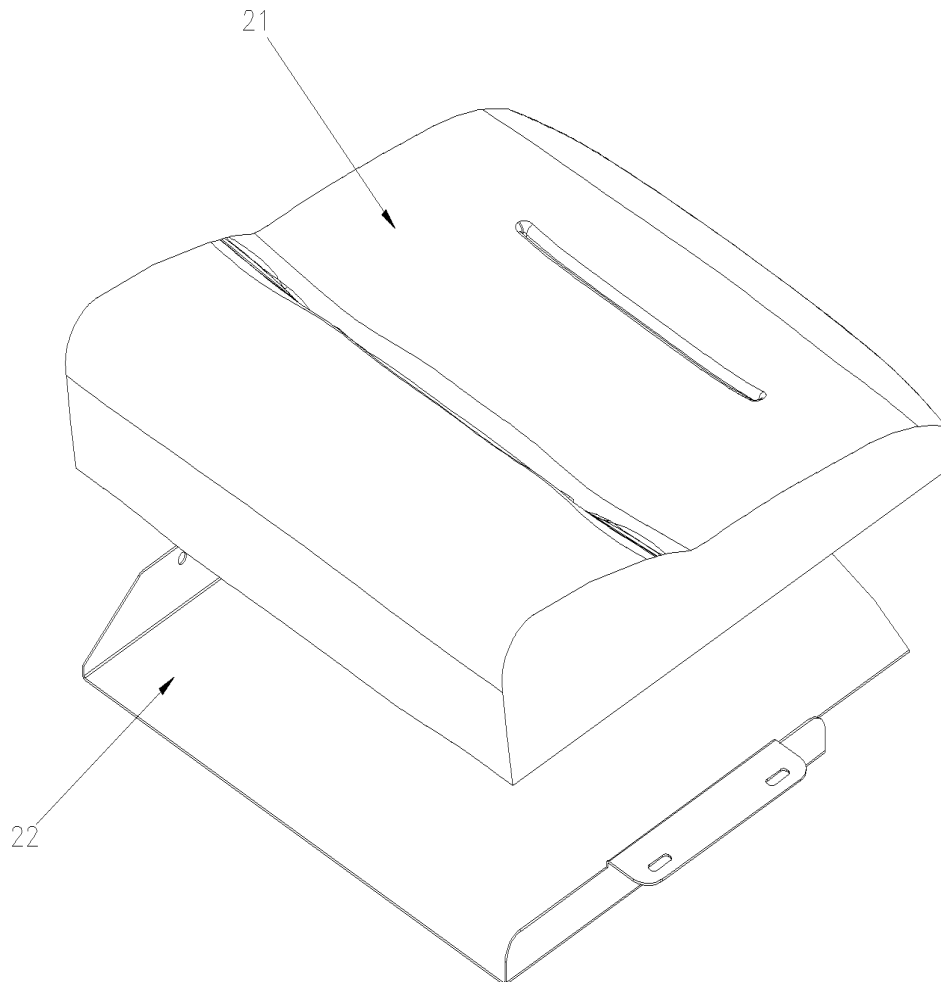
From G-7275 To M-7767

Date:07/2024

PAGE:X3PLB-1827-70

SEAT CUSHION AMAYA "A-2TEN"

1 SEAT REAR CROSS SEAT



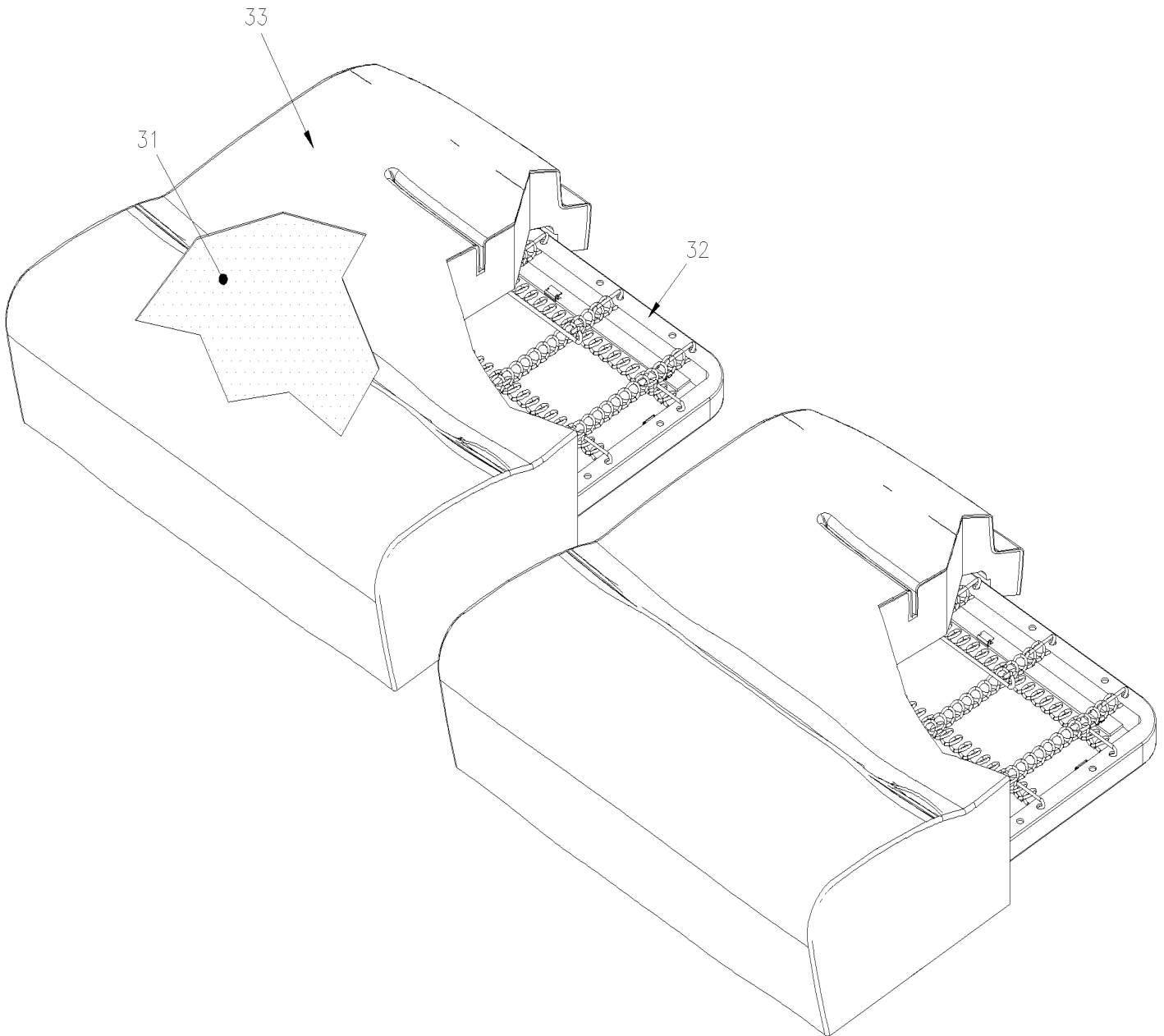
From G-7275 To M-7767

Date:07/2024

PAGE:X3PLB-1827-70

SEAT CUSHION AMAYA "A-2TEN"

2 SEAT REAR CROSS SEAT



From G-7275 To M-7767	Date:07/2024	PAGE:X3PLB-1827-70
SEAT CUSHION AMAYA "A-2TEN"		

Item#	Part	Description	QTY	Notes
	866208	SEAT CUSHION ASSY / 2 PASSENGER'S	1	
1	860260	. SEAT CUSHION FOAM	2	
2	860108	. SEAT CUSHION FRAME	2	
3	Call order desk	. COVER DETAIL	2	P
10	Call order desk	SEAT CUSHION ASSY / 2 PASSENGER'S / FLIP-UP SEAT	1	P
11	Call order desk	. SEAT CUSHION FOAM	2	P
12	Call order desk	. SEAT CUSHION FRAME CURBSIDE	1	P
12	Call order desk	. SEAT CUSHION FRAME STREET SIDE	1	P
13	860178	. PANEL COVER SEAT BOTTOM	1	
14	Call order desk	. BUSHING	2	P
15	Call order desk	. UPHOLSTERY	2	P
20	Call order desk	SEAT CUSHION ASSY / 1 PASSENGER'S / REAR CROSS SEAT	1	P
21	Call order desk	. SEAT CUSHION FOAM	1	P
22	Call order desk	. SEAT CUSHION FRAME	1	P
30	Call order desk	SEAT CUSHION ASSY / 2 PASSENGER'S / REAR CROSS SEAT	2	P
31	Call order desk	. SEAT CUSHION FOAM	1	P
32	Call order desk	. SEAT CUSHION FRAME	1	P
33	Call order desk	. UPHOLSTERY	1	P
		P) CALL ORDER DESK FOR SPECIFIC APPLICATION (V.I.N.)		

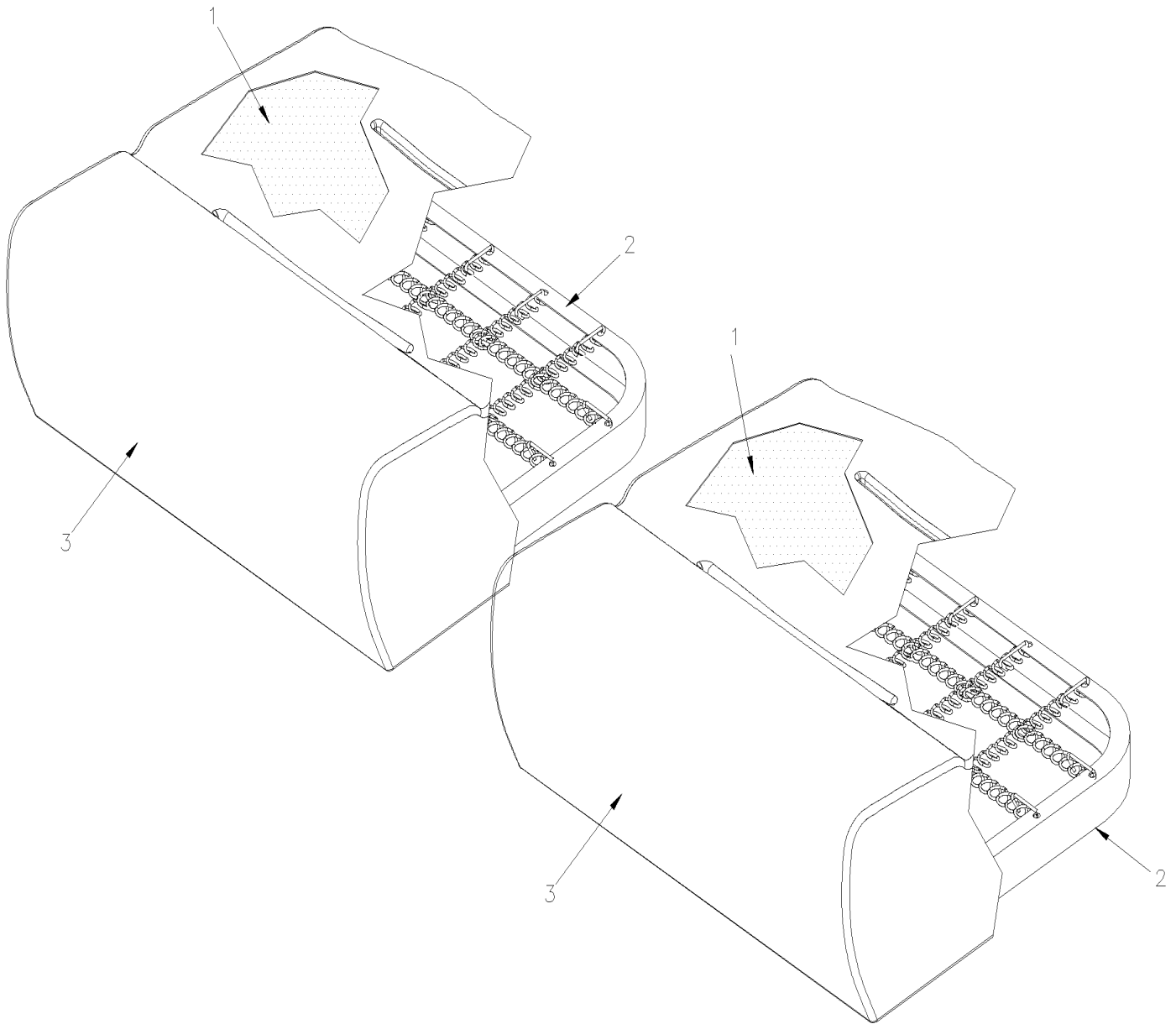
From G-7275 To M-7767

Date:07/2024

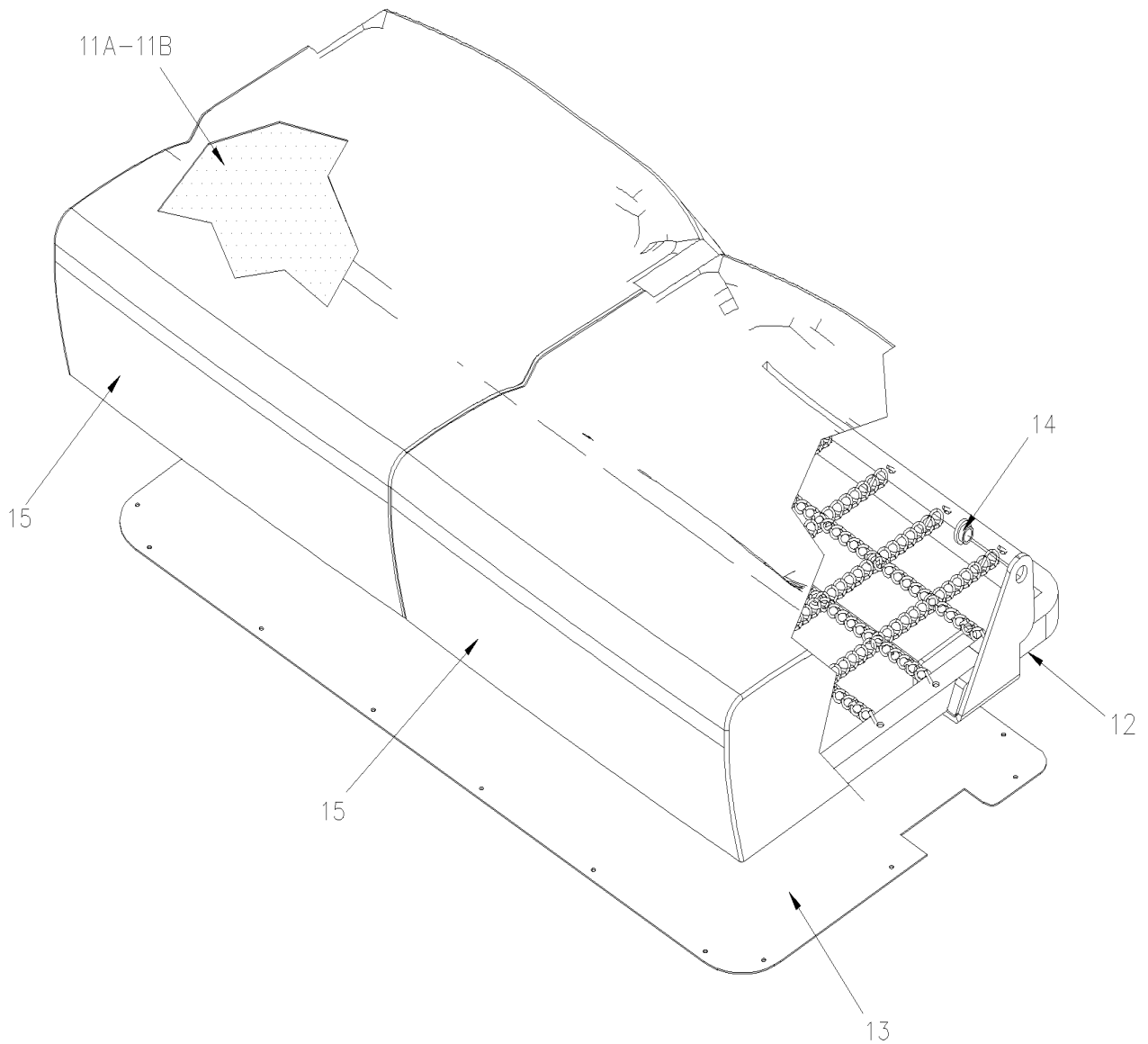
PAGE:X3PLB-1827-71

SEAT CUSHION AMAYA "A-220"

REGULAR SEAT



FLIP-UP/SLIDER SEAT 10



*LH SIDE SHOWN
RH SIDE SYMMETRICAL*

From G-7275 To M-7767	Date:07/2024	PAGE:X3PLB-1827-71
-----------------------	--------------	--------------------

SEAT CUSHION AMAYA "A-220"

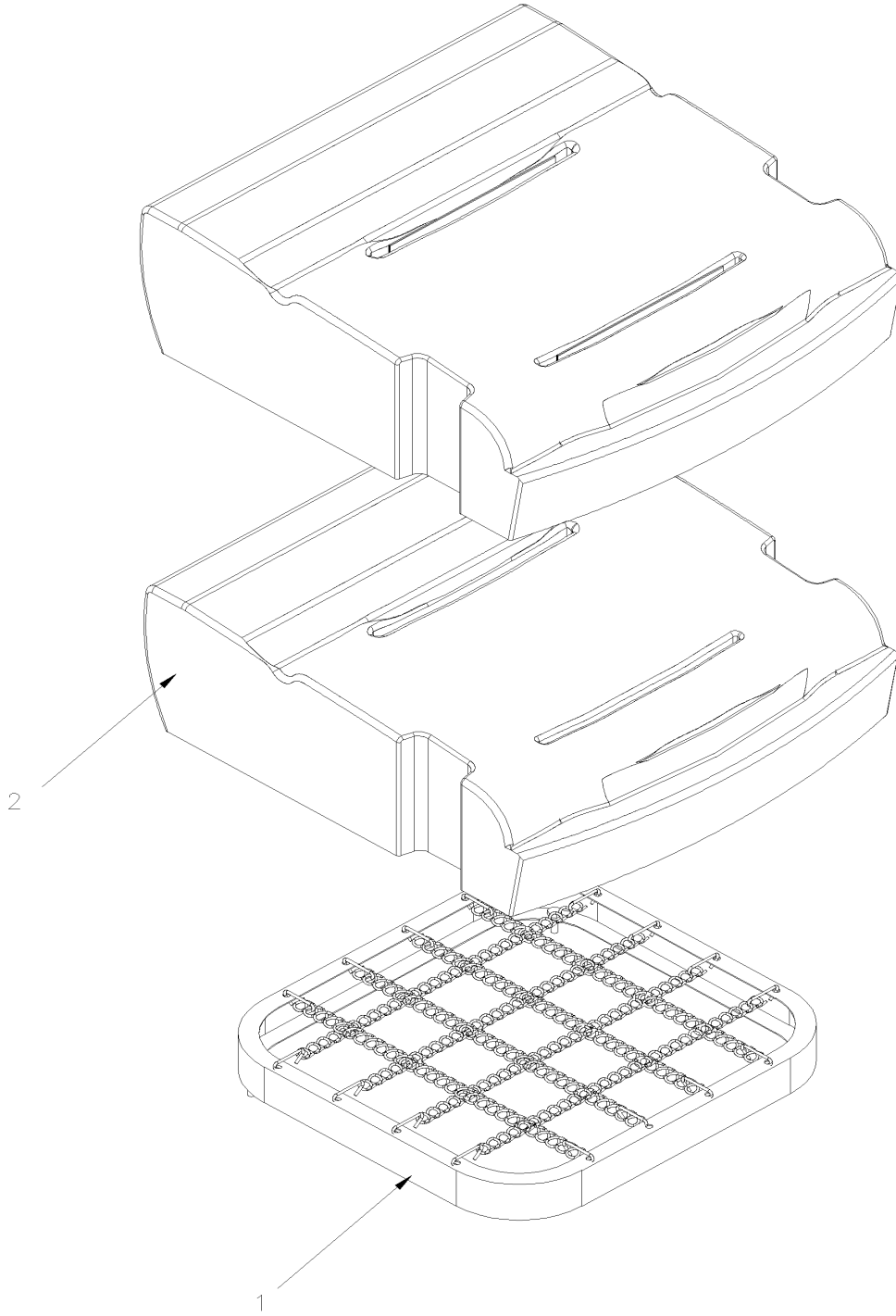
Item#	Part	Description	QTY	Notes
	866208	SEAT CUSHION ASSY / 2 PASSENGER'S	1	
1	860260	. SEAT CUSHION FOAM	2	
2	860108	. SEAT CUSHION FRAME	2	
3	Call order desk	. COVER DETAIL	2	P
10	Call order desk	. SEAT CUSHION ASSY / 2 PASSENGER'S / FLIP-UP SEAT CURBSIDE SEAT	1	P
11A	Call order desk	. SEAT CUSHION CURBSIDE A-220	1	P
11B	Call order desk	. SEAT CUSHION STREET SIDE A-220	1	P
12	Call order desk	. SEAT CUSHION FRAME CURBSIDE A-220	1	P
13	Call order desk	. PANEL COVER SEAT BOTTOM	1	P
14	Call order desk	. BUSHING	2	P
15	Call order desk	. UPHOLSTERY	2	P
		P) CALL ORDER DESK FOR SPECIFIC APPLICATION (V.I.N.)		

From G-7275 To M-7767

Date:07/2024

PAGE:X3PLB-1827-73

SEAT CUSHIONS AMAYA TORINO, "GT" & "GTT"



From G-7275 To M-7767	Date:07/2024	PAGE:X3PLB-1827-73
-----------------------	--------------	--------------------

SEAT CUSHIONS AMAYA TORINO, "GT" & "GTT"

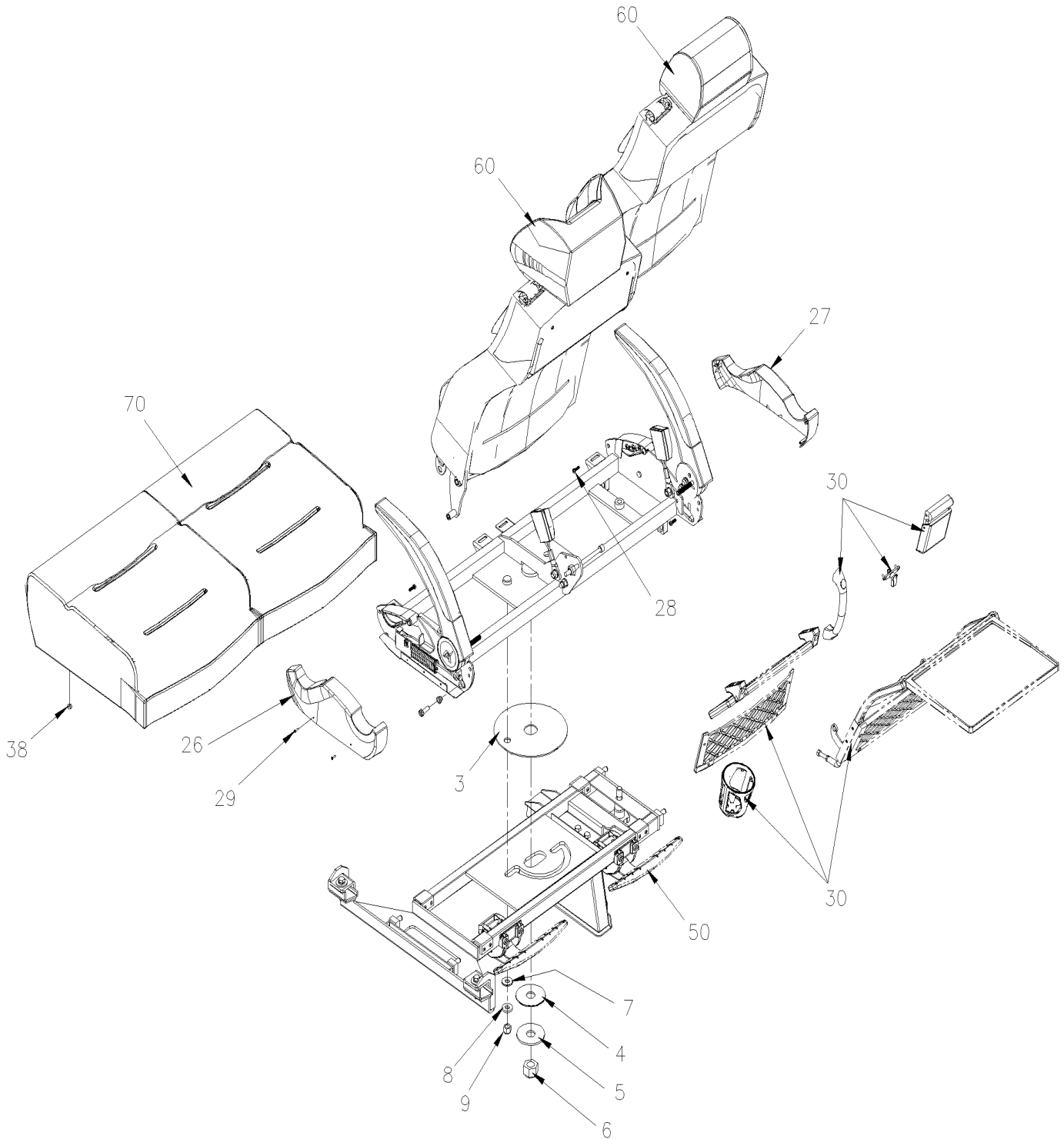
Item#	Part	Description	QTY	Notes
		**** PLEASE ORDER REGARDING YOUR FABRICS COLOR ****		
	860078	UPHOLSTERED CUSHION	1	
1	T470284163	SEATING CUSHION	1	
2	867826	CUSHION FOAM	1	
NS	867931	CLIP FOR CUSHION	1	

From G-7275 To M-7767

Date:07/2024

PAGE:X3PLB-1827-80

PASSENGER'S SEAT / REVERSIBLE AMAYA "A-2TEN"



From G-7275 To M-7767	Date:07/2024	PAGE:X3PLB-1827-80
PASSENGER'S SEAT / REVERSIBLE AMAYA "A-2TEN"		

Item#	Part	Description	QTY	Notes
	Call order desk	SEAT ASSEMBLY 2 PASSENGER'S / REVERSIBLE	1	P
1	Call order desk	. SEAT CHASSIS WELDED / FIXED	1	P
2	Call order desk	. SEAT CHASSIS WELDED / ROTARY	1	P
3	Call order desk	. BASE NYLON RECTAGULAR	1	P
4	Call order desk	. WASHER NYLON ROTATING	1	P
5	Call order desk	. WASHER FLAT ST ROTATING	1	P
6	Call order desk	. NUT SPECIAL CENTER ROTATING	1	P
7	Call order desk	. WASHER NYLON INDEX LOCK	1	P
8	Call order desk	. WASHER FLAT ST INDEX LOCK	1	P
9	Call order desk	. NUT HEX 1/2	1	P
10	864119	. KNOB / ROTATING SEAT	1	
11	Call order desk	. SLIDER W/HARDWARE FRONT	2	P
12	Call order desk	. SLIDER W/HARDWARE BACK	1	P
13	Call order desk	. SLIDER W/HARDWARE BACK	1	P
15	864938	. ARMREST L.H.	1	
. NS	Call order desk	. . ARMREST COVERING WOOD FINISHING	1	P
. NS	866077	. . ARMREST COVERING DARK GREY	1	
. NS	865378	. . ARMREST COVERING LIGHT GREY	1	
. NS	860076	. . CAP WITH LOGO AMAYA	1	
16	863186	. ARMREST R.H.	1	
. NS	Call order desk	. . ARMREST COVERING WOOD FINISHING	1	P
. NS	866077	. . ARMREST COVERING DARK GREY	1	
. NS	865378	. . ARMREST COVERING LIGHT GREY	1	
. NS	860075	. . CAP WITH LOGO AMAYA	1	
17	865086	. RECLINING MECHANISM ASSY / "TORINO" AILSE	2	
18	865488	. RETAINING RING	2	
19	865298	. LEVER ASSY L.H.	1	
20	860199	. LEVER ASSY R.H.	1	
21	865498	. SCREW CAP HEX 1/4-20 x 3/4 LG	2	
22	865497	. NUT HEX 1/4	2	
23	Call order desk	. SCREW CAP HEX M10x65	2	P
24	865215	. BUSHING NYLON	2	
25	860092	. SCREW CAP HEX 3/8" x 1" G8	2	
26	Call order desk	. ARMREST COVER L.H. / "TORINO VT" W/REVERSIBLE SEAT	1	P
27	Call order desk	. ARMREST COVER R.H. / "TORINO VT" W/REVERSIBLE SEAT	1	P
28	Call order desk	. SCREW TC PAN PH M6-20	4	P
29	Call order desk	. RIVET 1/8	4	P
30	X3PLB-1826-60	. ACCESSORIES PASSENGER'S SEAT - "AMAYA"	1	
31	864349	. BUCKLE FEMALE	2	
32	865521	. SCREW CAP HEX 7/16-20x1 G8	2	
33	865519	. NUT HEX NYRT 7/16-20	3	
34	868271	. SCREW CAP HEX 7/16-20x1 1/4 G8	1	

From G-7275 To M-7767	Date:07/2024	PAGE:X3PLB-1827-80
PASSENGER'S SEAT / REVERSIBLE AMAYA "A-2TEN"		

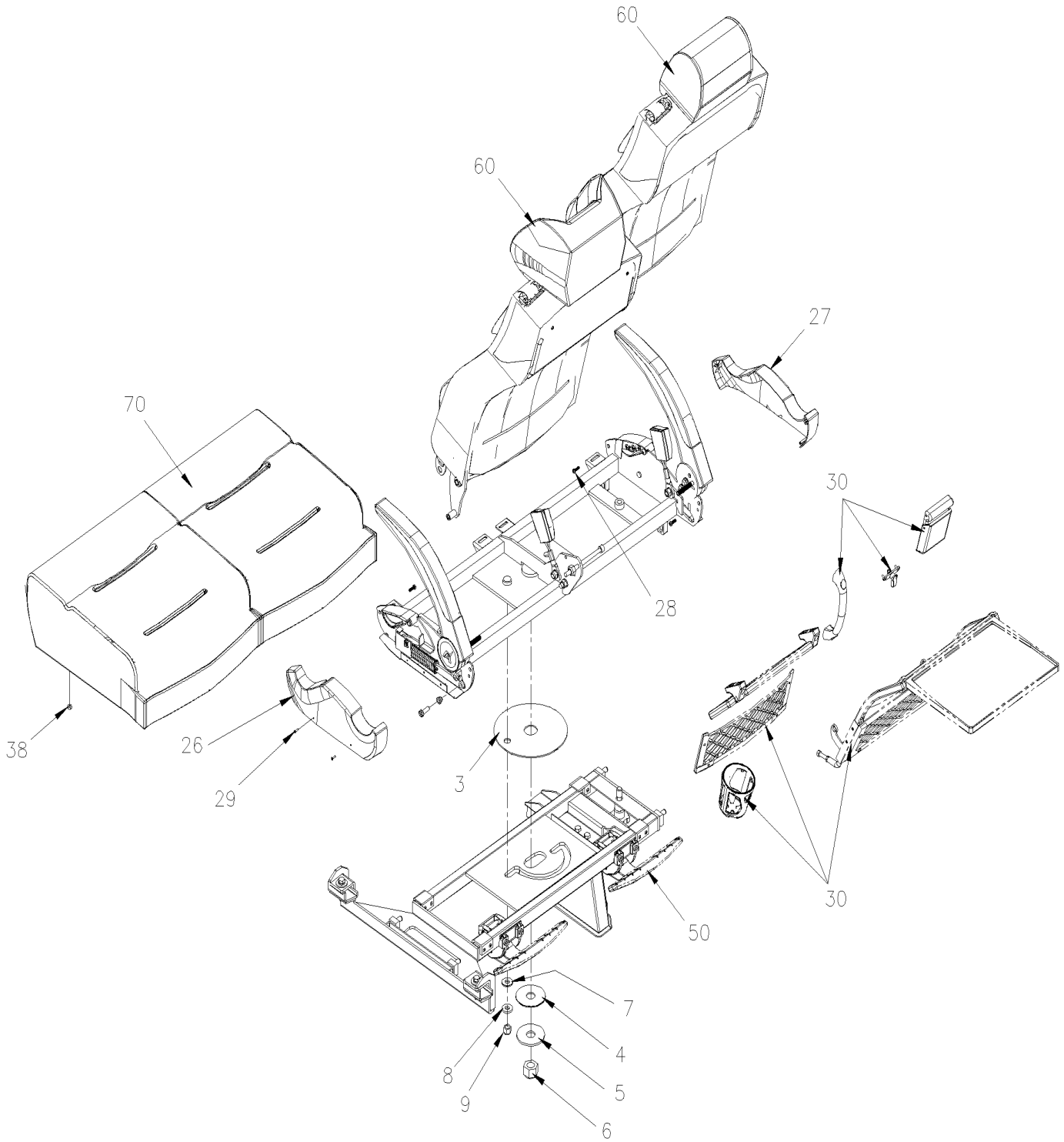
Item#	Part	Description	QTY	Notes
35	7770173	. STOPPER 6" RECLINING (3 pos)	1	
36	868265	. SCREW CAP HEXS M10x140MM	1	
37	868269	. NUT HEX / GRIPCO M10-1.5	3	
38	Call order desk	. NUT HEX / GRIPCO 1/4	4	P
39	865521	. SCREW CAP HEX 7/16-20x1 G8	3	
40	Call order desk	. WASHER FL 7/16	5	P
41	865519	. NUT HEX NYRT 7/16-20	3	
50	X3PLB-1826-40	. PASSENGER'S SEAT - "AMAYA" - FOOTREST & PEDESTAL	1	
60	X3PLB-1827-61	. BACKREST AMAYA "A-2TEN"	1	
70	X3PLB-1827-70	. SEAT CUSHION AMAYA "A-2TEN"	1	
		P) CALL ORDER DESK FOR SPECIFIC APPLICATION (V.I.N.)		
		P) CALL ORDER DESK FOR SPECIFIC APPLICATION (V.I.N.)		

From G-7275 To M-7767

Date:07/2024

PAGE:X3PLB-1827-81

PASSENGER'S SEAT / REVERSIBLE AMAYA "A-220"

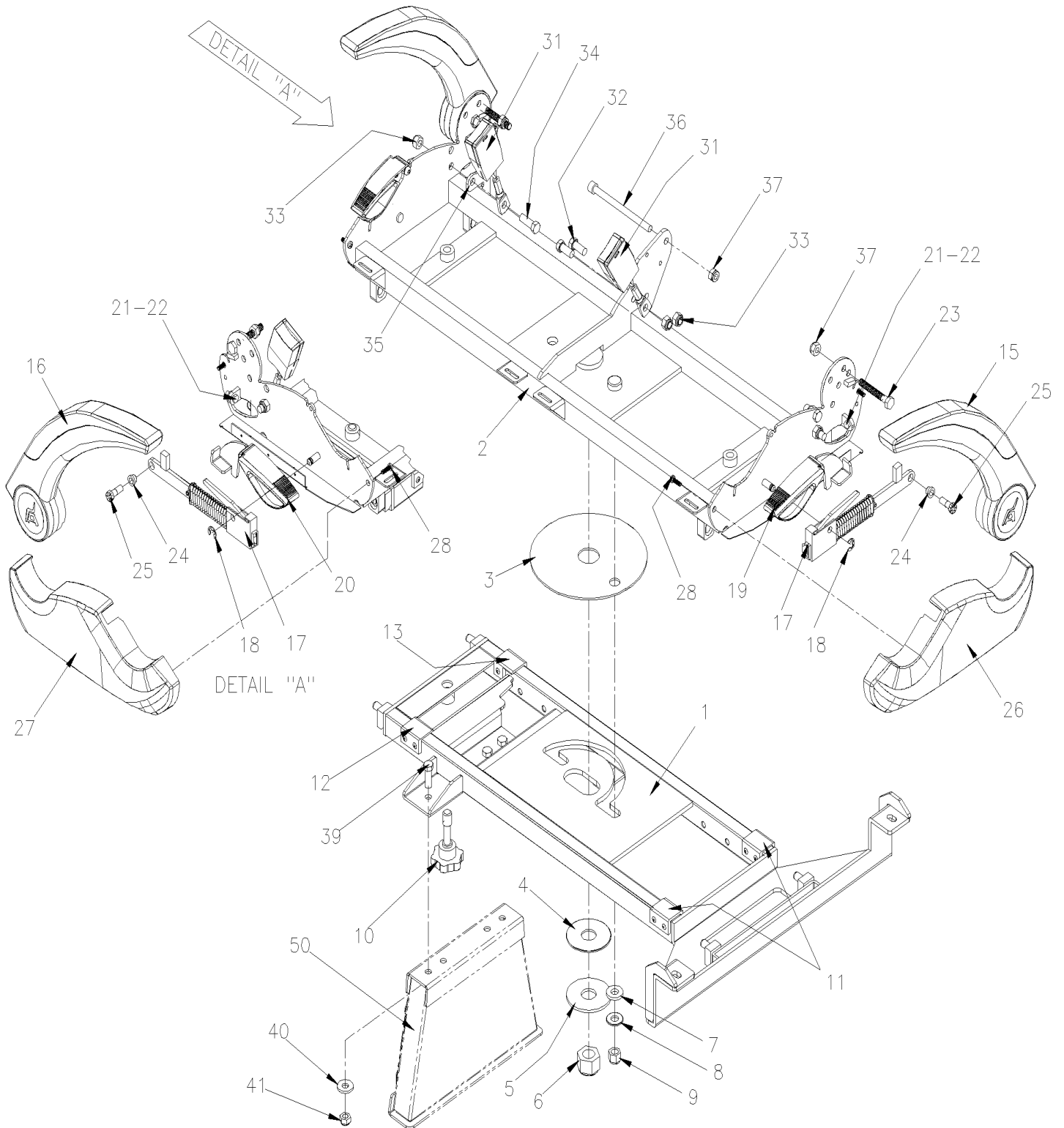


From G-7275 To M-7767

Date:07/2024

PAGE:X3PLB-1827-81

PASSENGER'S SEAT / REVERSIBLE AMAYA "A-220"



From G-7275 To M-7767	Date:07/2024	PAGE:X3PLB-1827-81
PASSENGER'S SEAT / REVERSIBLE AMAYA "A-220"		

Item#	Part	Description	QTY	Notes
	Call order desk	SEAT ASSEMBLY 2 PASSENGER'S / REVERSIBLE	1	P
1	Call order desk	. SEAT CHASSIS WELDED / FIXED	1	P
2	Call order desk	. SEAT CHASSIS WELDED / ROTARY	1	P
3	Call order desk	. BASE NYLON RECTAGULAR	1	P
4	Call order desk	. WASHER NYLON ROTATING	1	P
5	Call order desk	. WASHER FLAT ST ROTATING	1	P
6	Call order desk	. NUT SPECIAL CENTER ROTATING	1	P
7	Call order desk	. WASHER NYLON INDEX LOCK	1	P
8	Call order desk	. WASHER FLAT ST INDEX LOCK	1	P
9	Call order desk	. NUT HEX 1/2	1	P
10	864119	. KNOB / ROTATING SEAT	1	
11	Call order desk	. SLIDER W/HARDWARE FRONT	2	P
12	Call order desk	. SLIDER W/HARDWARE BACK	1	P
13	Call order desk	. SLIDER W/HARDWARE BACK	1	P
15	864938	. ARMREST L.H.	1	
. NS	Call order desk	. . ARMREST COVERING WOOD FINISHING	1	P
. NS	866077	. . ARMREST COVERING DARK GREY	1	
. NS	865378	. . ARMREST COVERING LIGHT GREY	1	
. NS	860076	. . CAP WITH LOGO AMAYA	1	
16	863186	. ARMREST R.H.	1	
. NS	Call order desk	. . ARMREST COVERING WOOD FINISHING	1	P
. NS	866077	. . ARMREST COVERING DARK GREY	1	
. NS	865378	. . ARMREST COVERING LIGHT GREY	1	
. NS	860075	. . CAP WITH LOGO AMAYA	1	
17	865086	. RECLINING MECHANISM ASSY / "TORINO" AILSE	2	
18	865488	. RETAINING RING	2	
19	865298	. LEVER ASSY L.H.	1	
20	860199	. LEVER ASSY R.H.	1	
21	865498	. SCREW CAP HEX 1/4-20 x 3/4 LG	2	
22	865497	. NUT HEX 1/4	2	
23	Call order desk	. SCREW CAP HEX M10x65	2	P
24	865215	. BUSHING NYLON	2	
25	860092	. SCREW CAP HEX 3/8" x 1" G8	2	
26	Call order desk	. ARMREST COVER L.H. / "TORINO VT" W/REVERSIBLE SEAT	1	P
27	Call order desk	. ARMREST COVER R.H. / "TORINO VT" W/REVERSIBLE SEAT	1	P
28	Call order desk	. SCREW TC PAN PH M6-20	4	P
29	Call order desk	. RIVET 1/8	4	P
30	X3PLB-1826-60	. ACCESSORIES PASSENGER'S SEAT - "AMAYA"	1	
31	864349	. BUCKLE FEMALE	2	
32	865521	. SCREW CAP HEX 7/16-20x1 G8	2	
33	865519	. NUT HEX NYRT 7/16-20	3	
34	868271	. SCREW CAP HEX 7/16-20x1 1/4 G8	1	

From G-7275 To M-7767	Date:07/2024	PAGE:X3PLB-1827-81
PASSENGER'S SEAT / REVERSIBLE AMAYA "A-220"		

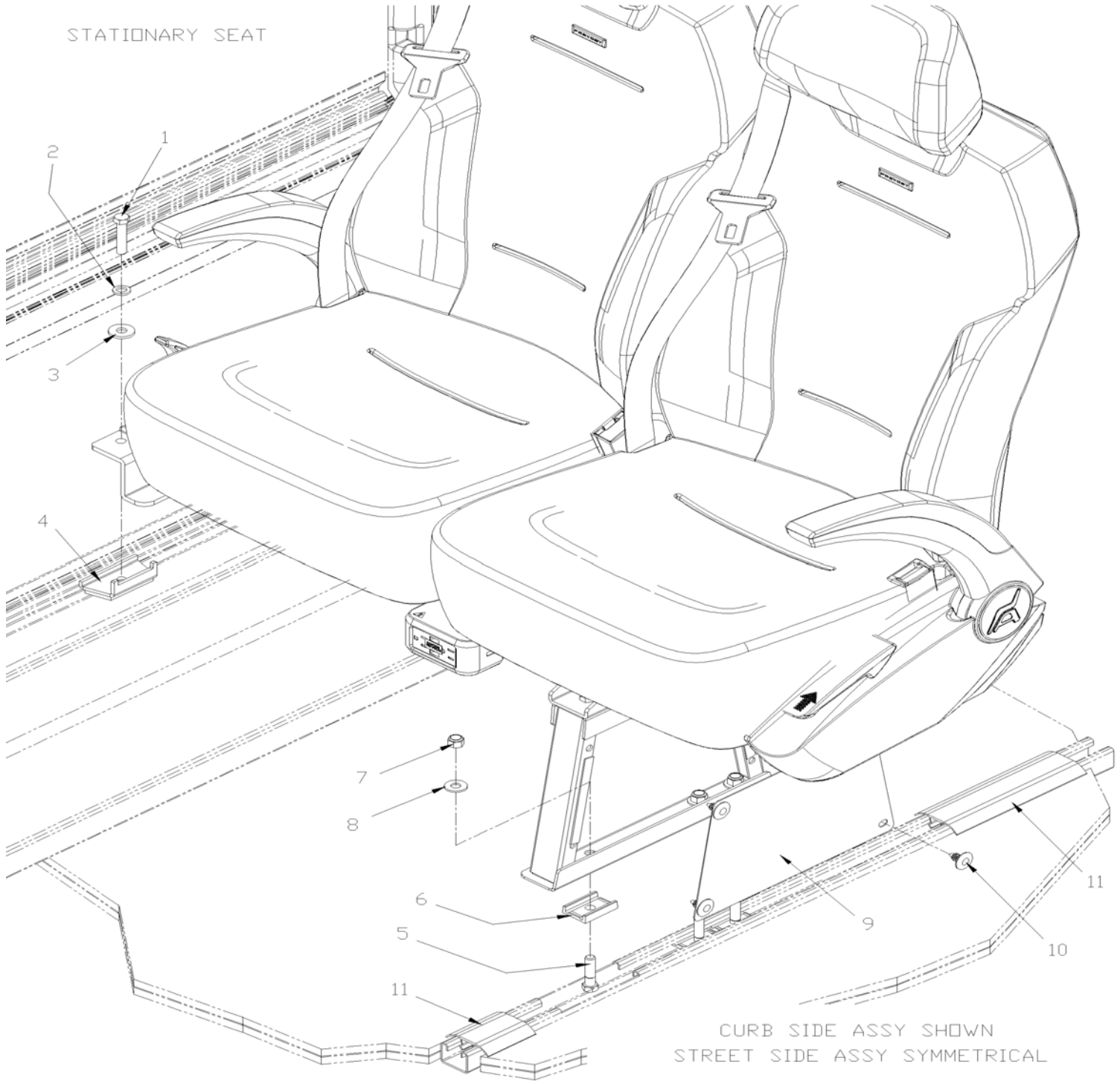
Item#	Part	Description	QTY	Notes
35	7770173	. STOPPER 6" RECLINING (3 pos)	1	
36	868265	. SCREW CAP HEXS M10x140MM	1	
37	868269	. NUT HEX / GRIPCO M10-1.5	3	
38	Call order desk	. NUT HEX / GRIPCO 1/4	4	P
39	865521	. SCREW CAP HEX 7/16-20x1 G8	3	
40	Call order desk	. WASHER FL 7/16	5	P
41	865519	. NUT HEX NYRT 7/16-20	3	
50	X3PLB-1826-40	. PASSENGER'S SEAT - "AMAYA" - FOOTREST & PEDESTAL	1	
60	X3PLB-1827-62	. BACKREST AMAYA "A-220"	1	
70	X3PLB-1827-71	. SEAT CUSHION AMAYA "A-220"	1	
		P) CALL ORDER DESK FOR SPECIFIC APPLICATION (V.I.N.)		
		P) CALL ORDER DESK FOR SPECIFIC APPLICATION (V.I.N.)		

From N-7941 To M-7767

Date:07/2024

PAGE:X3PLB-1828-01

PASSENGER'S SEAT INSTALLATION / CLOUDONE

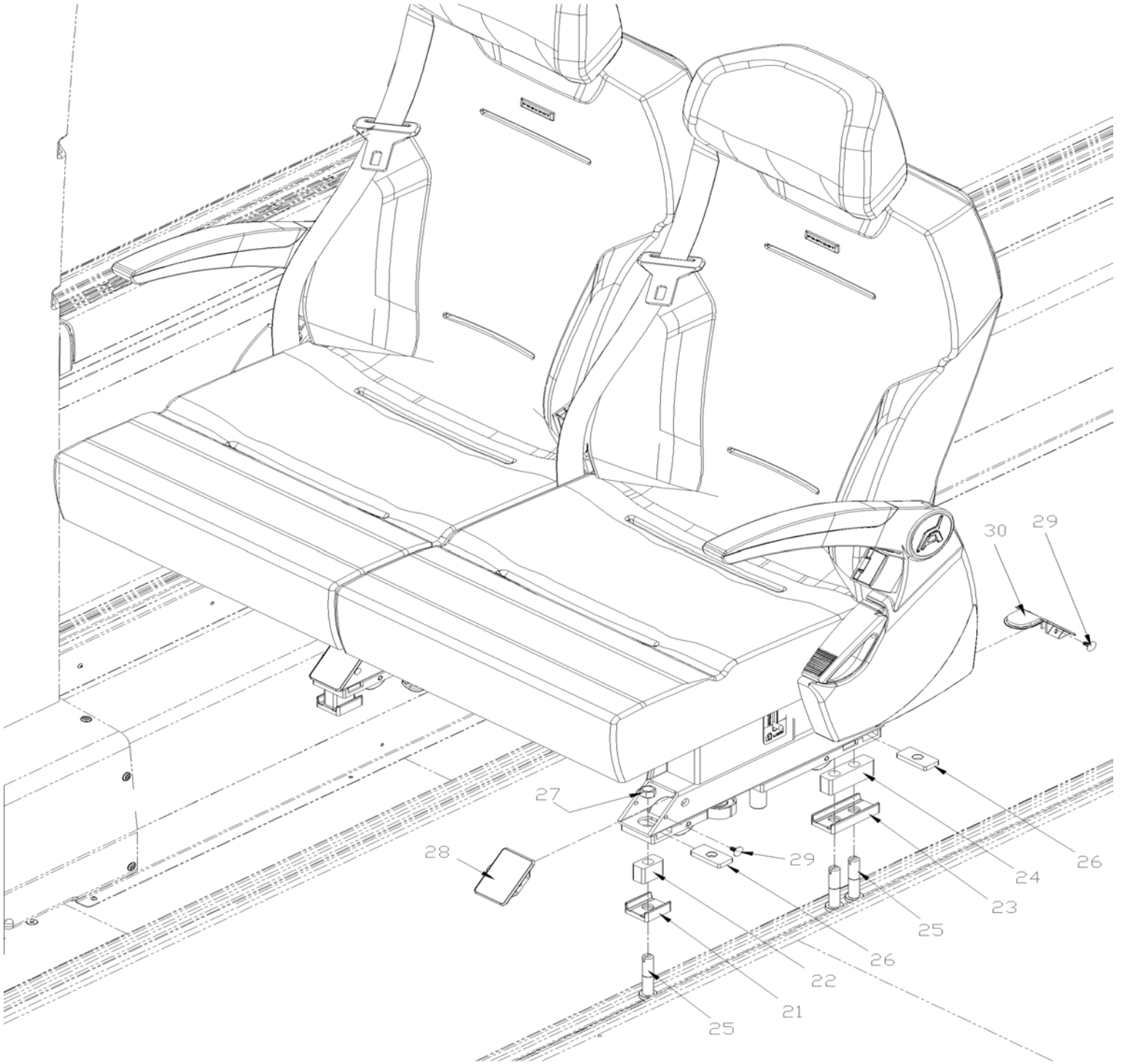


From N-7941 To M-7767

Date:07/2024

PAGE:X3PLB-1828-01

PASSENGER'S SEAT INSTALLATION / CLOUDONE



From N-7941 To M-7767

Date:07/2024

PAGE:X3PLB-1828-01

PASSENGER'S SEAT INSTALLATION / CLOUDONE



From N-7941 To M-7767	Date:07/2024	PAGE:X3PLB-1828-01
PASSENGER'S SEAT INSTALLATION / CLOUDONE		

Item#	Part	Description	QTY	Notes
1	865458	SCREW CAP HEX 7/16-20x2 G8	2	
2	865460	WASHER LO SPT 7/16	2	
3	865520	WASHER FL 7/16	2	
4	861714	ATTACHMENT NUT / "U" SHAPE TO FIX SEAT TO WALL TRACK	2	
5	5001735	SCREW CAP HEX 7/16-20x1 3/4 G8 G500	AR	
6	364272	BLOCK ANCHOR / 26.8MM INSIDE / 35MM x 50MM x 19MM Height	AR	
7	5001734	NUT HEX 7/16-20 G8 N500	AR	
8	500897	WASHER FL .437x1.000x.083 N500	AR	
9	865297	COVER PEDESTAL W/"TORINO", A-2TEN, A-220, GTT	1	
10	864368	SCREW 3/8 PLASTIC	AR	
11	329689	SEAT TRACK COVER 12' / EACH SEAT / W/COVERING FLOOR	AR	
21	868310	FRONT GUIDE BASE	2	
22	868311	REAR GUIDE BASE	2	
23	868306	SHORT INTERIOR SLIDER	2	
24	868307	DOUBLE SLIDER FOR GUIDE	2	
25	868305	GUIDE PIN	6	
26	868275	FLAT FLOATING	6	
27	868279	NUT HEX LOCK 1/2-20	6	
28	865687	PEDESTAL CAP / TORINO	2	
29	864029	CLIP CHRISTMAS TREE / GREY 11MM O.D. x17MM HOLE 4MM	8	
30	867783	REAR PEDESTAL PLUG	2	
51	5002067	SCREW CAP HEX 7/16-20x2 1/4 G8 G500	10	
52	500487	WASHER LO SPT .443x.779x.109 N500	10	
53	500897	WASHER FL .437x1.000x.083 N500	10	

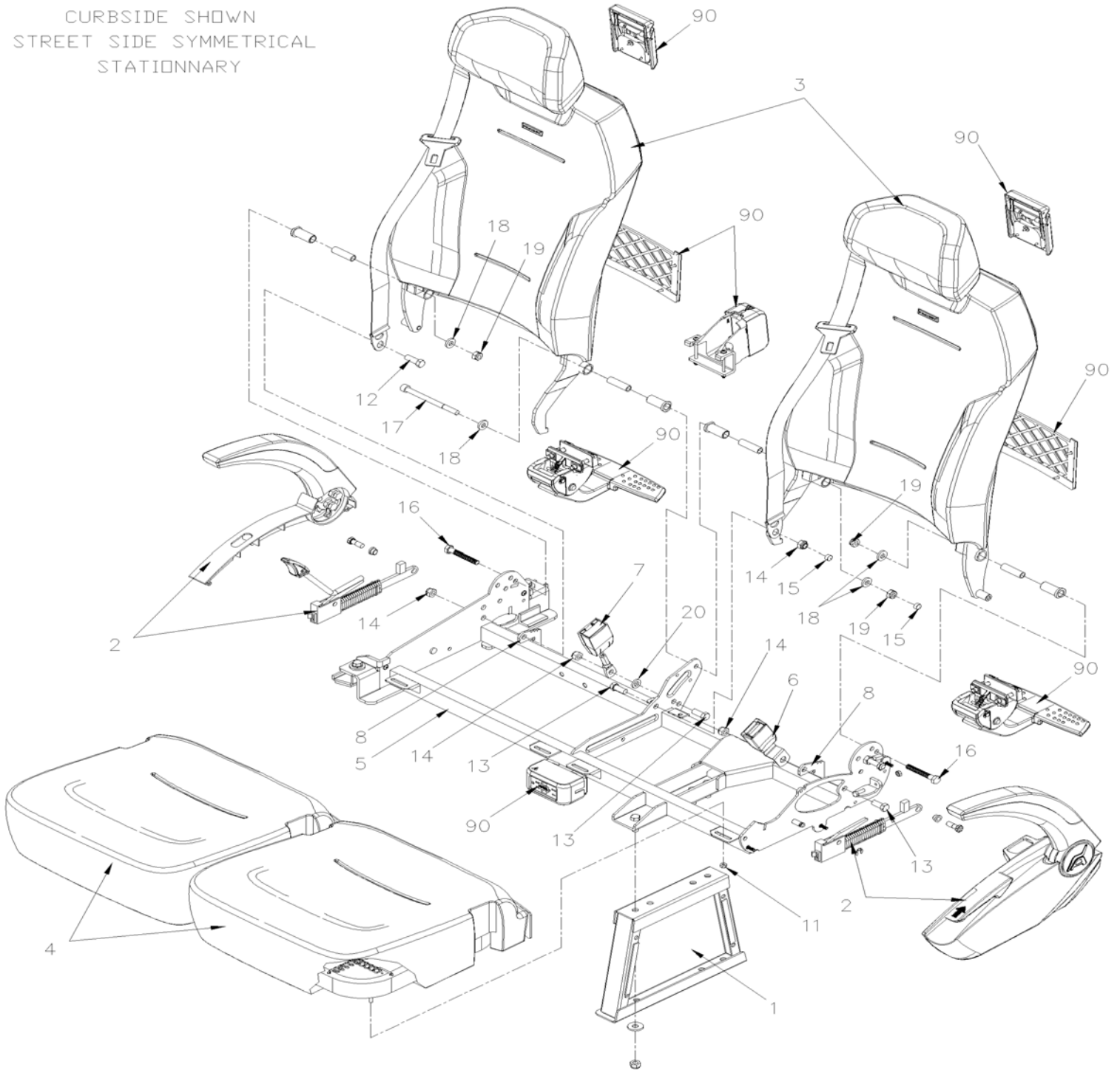
From N-7941 To M-7767

Date:07/2024

PAGE:X3PLB-1828-11

PASSENGER'S SEAT / CLOUDONE

CURBSIDE SHOWN
STREET SIDE SYMMETRICAL
STATIONNARY



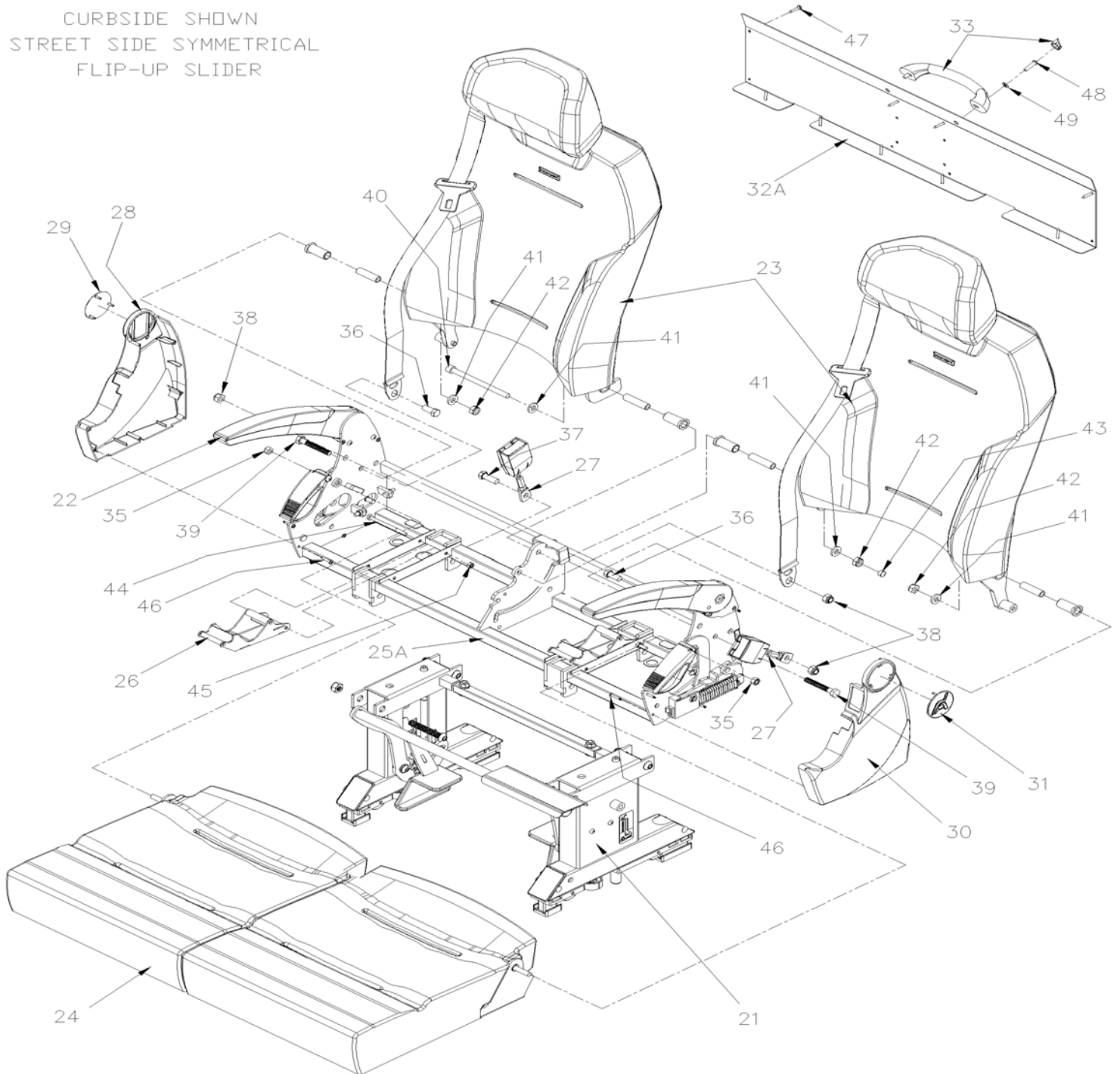
From N-7941 To M-7767

Date:07/2024

PAGE:X3PLB-1828-11

PASSENGER'S SEAT / CLOUDONE

CURBSIDE SHOWN
STREET SIDE SYMMETRICAL
FLIP-UP SLIDER



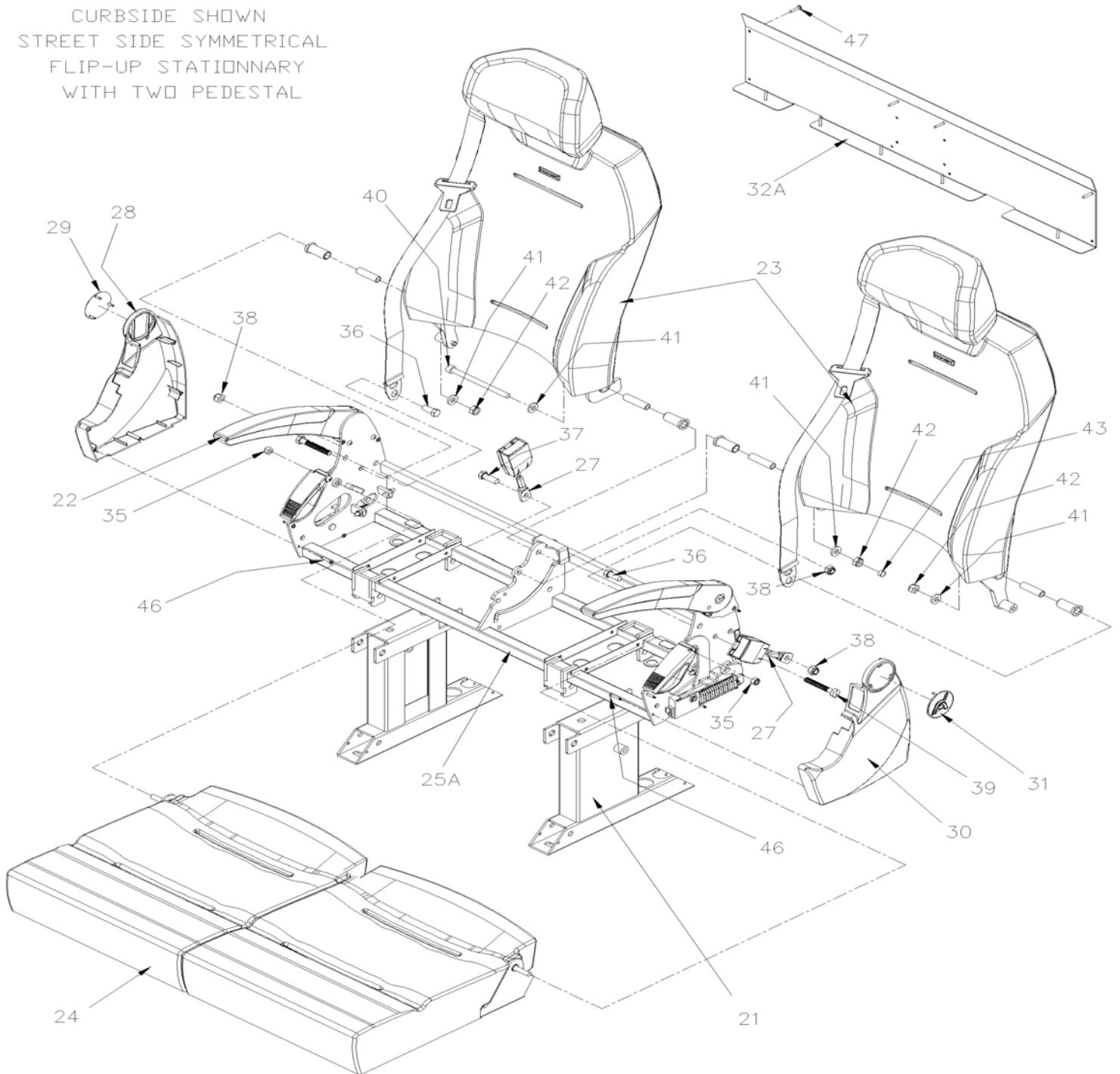
From N-7941 To M-7767

Date:07/2024

PAGE:X3PLB-1828-11

PASSENGER'S SEAT / CLOUDONE

CURBSIDE SHOWN
STREET SIDE SYMMETRICAL
FLIP-UP STATIONNARY
WITH TWO PEDESTAL



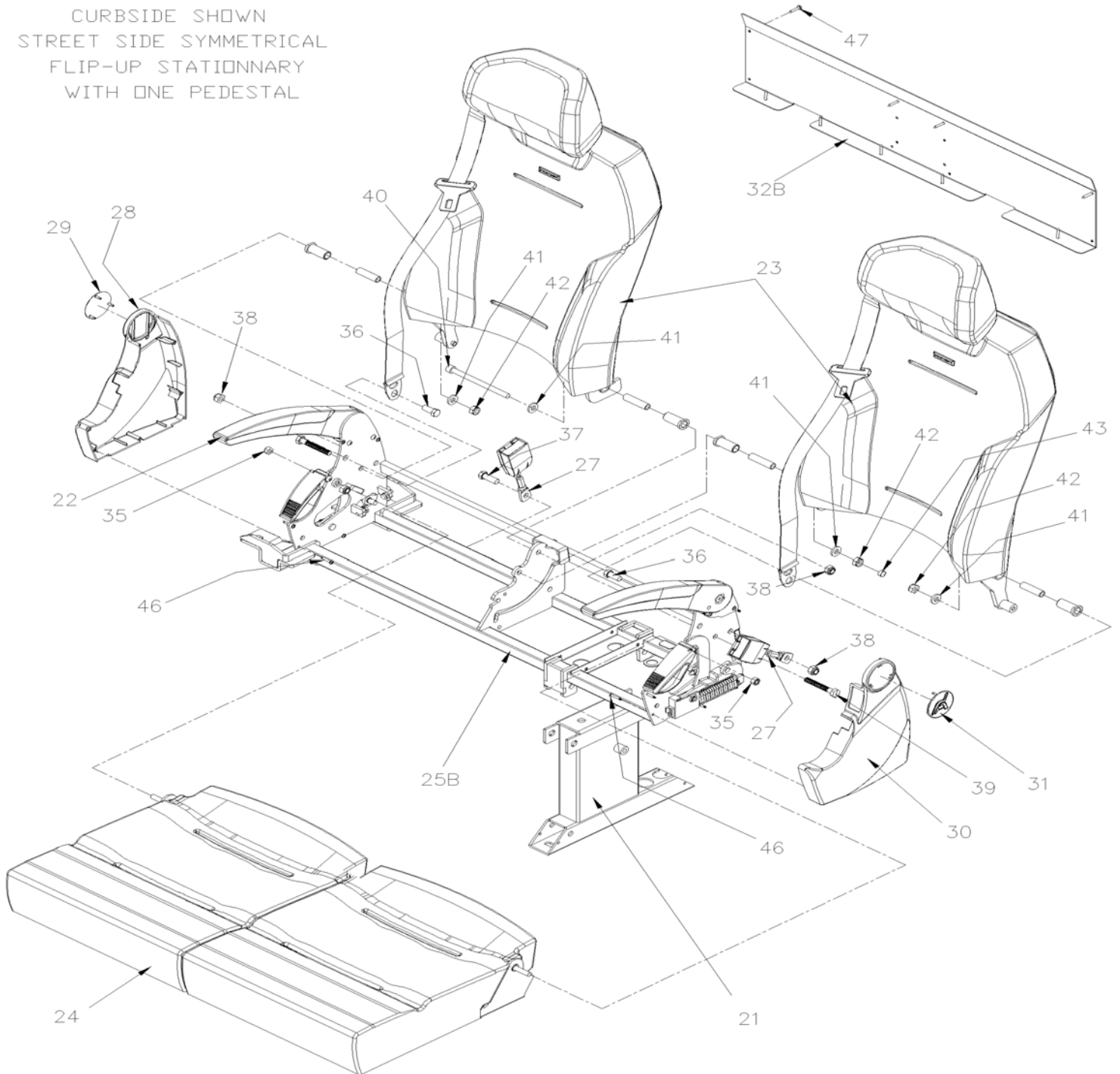
From N-7941 To M-7767

Date:07/2024

PAGE:X3PLB-1828-11

PASSENGER'S SEAT / CLOUDONE

CURBSIDE SHOWN
STREET SIDE SYMMETRICAL
FLIP-UP STATIONNARY
WITH ONE PEDESTAL

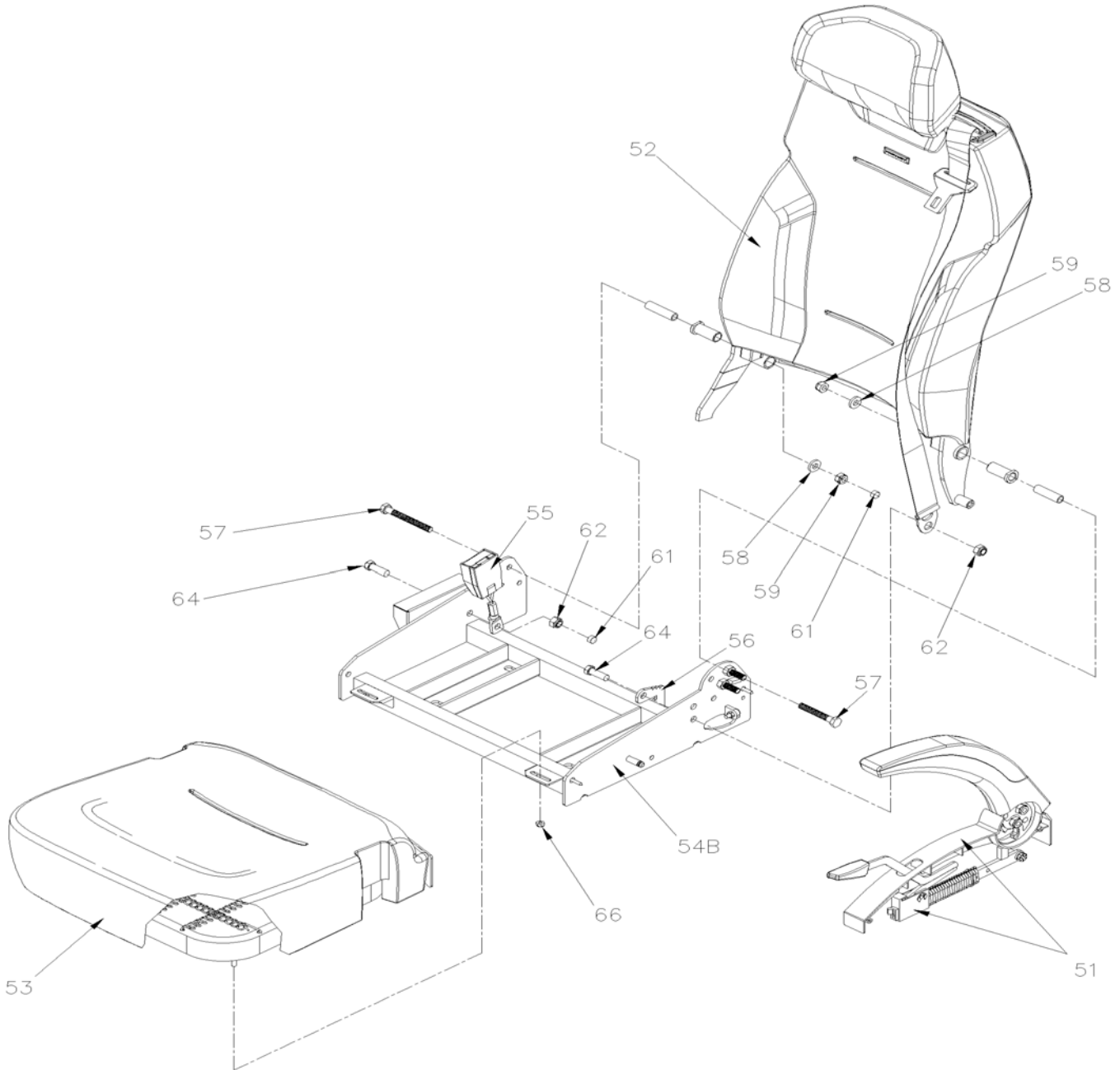


From N-7941 To M-7767

Date:07/2024

PAGE:X3PLB-1828-11

PASSENGER'S SEAT / CLOUDONE



From N-7941 To M-7767	Date:07/2024	PAGE:X3PLB-1828-11
-----------------------	--------------	--------------------

PASSENGER'S SEAT / CLOUDONE

Item#	Part	Description	QTY	Notes
1	X3PLB-1828-41	PEDESTAL INSTALLATION / CLOUDONE	1	
2	X3PLB-1828-51	ARMREST / CLOUDONE	1	
3	X3PLB-1828-61	BACKREST / CLOUDONE	1	
4	X3PLB-1828-71	SEAT CUSHIONS / CLOUDONE	1	
5	868333	SEAT CHASSIS SUB ASSY W/1 PEDESTAL STREET SIDE	1	
5	868332	SEAT CHASSIS SUB ASSY W/1 PEDESTAL CURBSIDE	1	
6	868154	BUCKLE FEMALE AISLE SIDE	1	
7	867842	BUCKLE FEMALE WALL SIDE	1	
8	7770172	RECLINING STOP 2 STEP	2	
11	865479	NUT HEX NYRT 1/4-20	4	
12	868271	SCREW CAP HEX 7/16-20x1 1/4 G8	1	
13	865521	SCREW CAP HEX 7/16-20x1 G8	3	
14	865519	NUT HEX NYRT 7/16-20	4	
15	868403	CAP	2	
16	868401	SCREW CAP HEX M10-1.5x70MM	2	
17	868265	SCREW CAP HEXS M10x140MM	1	
18	868331	WASHER 3/8	4	
19	860005	NUT HEX STO M10-1.5 ZP	3	
21	X3PLB-1828-41	PEDESTAL INSTALLATION / CLOUDONE	1	
22	X3PLB-1828-51	ARMREST / CLOUDONE	1	
23	X3PLB-1828-61	BACKREST / CLOUDONE	1	
24	X3PLB-1828-71	SEAT CUSHIONS / CLOUDONE	1	
25A	868361	CHASSIS RIGHT FLIP/FIX HANDICAP 39" "	1	A
25A	868360	CHASSIS LEFT FLIP/FIX HANDICAP 39" "	1	A
25B	868362	SEAT CHASSIS ASSY 2 PASS CURBSIDE / CLOUDONE	1	B
25B	868363	SEAT CHASSIS ASSY 2 PASS STREET SIDE / CLOUDONE	1	B
26	868359	LATCH	2	C
27	867842	BUCKLE FEMALE	2	
28	868283	LATERAL COVER / WALL SIDE // STREET SIDE SEAT	1	
28	868282	LATERAL COVER / WALL SIDE / CURB SIDE SEAT	1	
29	868299	CAP WITH LOGO / RH	1	
30	23210437	LATERAL COVER / AISLE SIDE // LH	1	
30	23210438	LATERAL COVER / AISLE SIDE // RH	1	
31	868300	CAP WITH LOGO / LH	1	
32A	868356	RIGHT DUST GUARD WITH NUT	1	
32A	868355	LEFT DUST GUARD WITH NUT	1	
32B	868358	LEFT DUST GUARD WITH NUT	1	
32B	868357	RIGHT DUST GUARD WITH NUT	1	
33	865358	HANDLE GREY	1	C

From N-7941 To M-7767	Date:07/2024	PAGE:X3PLB-1828-11
PASSENGER'S SEAT / CLOUDONE		

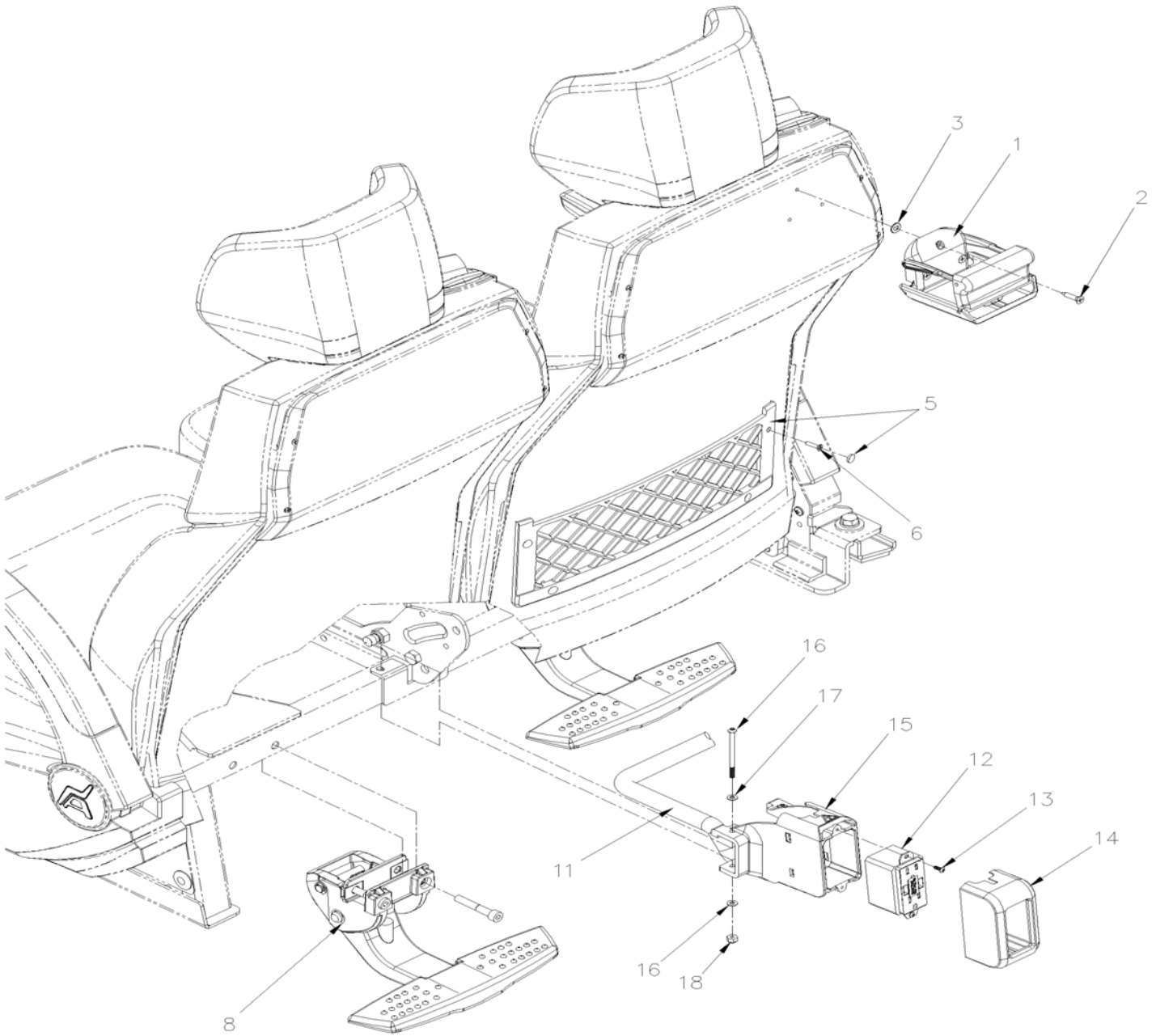
Item#	Part	Description	QTY	Notes
35	868267	NUT HEX NYRT 3/8"	2	
36	865521	SCREW CAP HEX 7/16-20x1 G8	2	
37	868271	SCREW CAP HEX 7/16-20x1 1/4 G8	1	
38	865519	NUT HEX NYRT 7/16-20	3	
39	868401	SCREW CAP HEX M10-1.5x70MM	2	
40	868277	SCREW CAP HEXS M10-1.5x130MM	1	
41	868331	WASHER 3/8	4	
42	860005	NUT HEX STO M10-1.5 ZP	3	
43	868403	CAP	2	
44	868284	SCREW CAP HEX 1/4"X3 1/2	2	C
45	865479	NUT HEX NYRT 1/4-20	2	C
46	868264	SCREW SELF TAPPING #10 x 1"	12	
47	868273	SCREW SELF TAPPING BLACK #10 x 1"	10	
48	865524	SCREW CAP BUT HEXS 1/4x1	2	C
49	868261	WASHER FL 1/4	2	C
51	X3PLB-1828-51	ARMREST / CLOUDONE		
52	X3PLB-1828-61	BACKREST / CLOUDONE		
53	X3PLB-1828-71	SEAT CUSHIONS / CLOUDONE		
54A	868288	SEAT CHASSIS ASSY 2 PASS REAR CROSS	1	
54B	868287	SEAT CHASSIS ASSY 1 PASS	1	
55	867842	BUCKLE FEMALE	3	
56	7770173	STOPPER 6" RECLINING (3 pos)	3	
57	868401	SCREW CAP HEX M10-1.5x70MM	4	
58	868331	WASHER 3/8	6	
59	860005	NUT HEX STO M10-1.5 ZP	5	
60	868265	SCREW CAP HEXS M10x140MM	1	
61	868403	CAP	4	
62	865519	NUT HEX NYRT 7/16-20	6	
63	865521	SCREW CAP HEX 7/16-20x1 G8	3	
64	868271	SCREW CAP HEX 7/16-20x1 1/4 G8	2	
65	868297	WASHER FL 7/16	1	
66	865479	NUT HEX NYRT 1/4-20	6	
90	X3PLB-1828-21	ACCESSORIES PASSENGER'S SEAT / CLOUDONE		
		A) WITH TWO LEGS SEAT ONLY		
		B) WITH FLIP-UP SEAT FIXE TO WALL		
		C) WITH SLIDING AND FLIP-UP SEAT		

From N-7941 To M-7767

Date:07/2024

PAGE:X3PLB-1828-21

ACCESSORIES PASSENGER'S SEAT / CLOUDONE

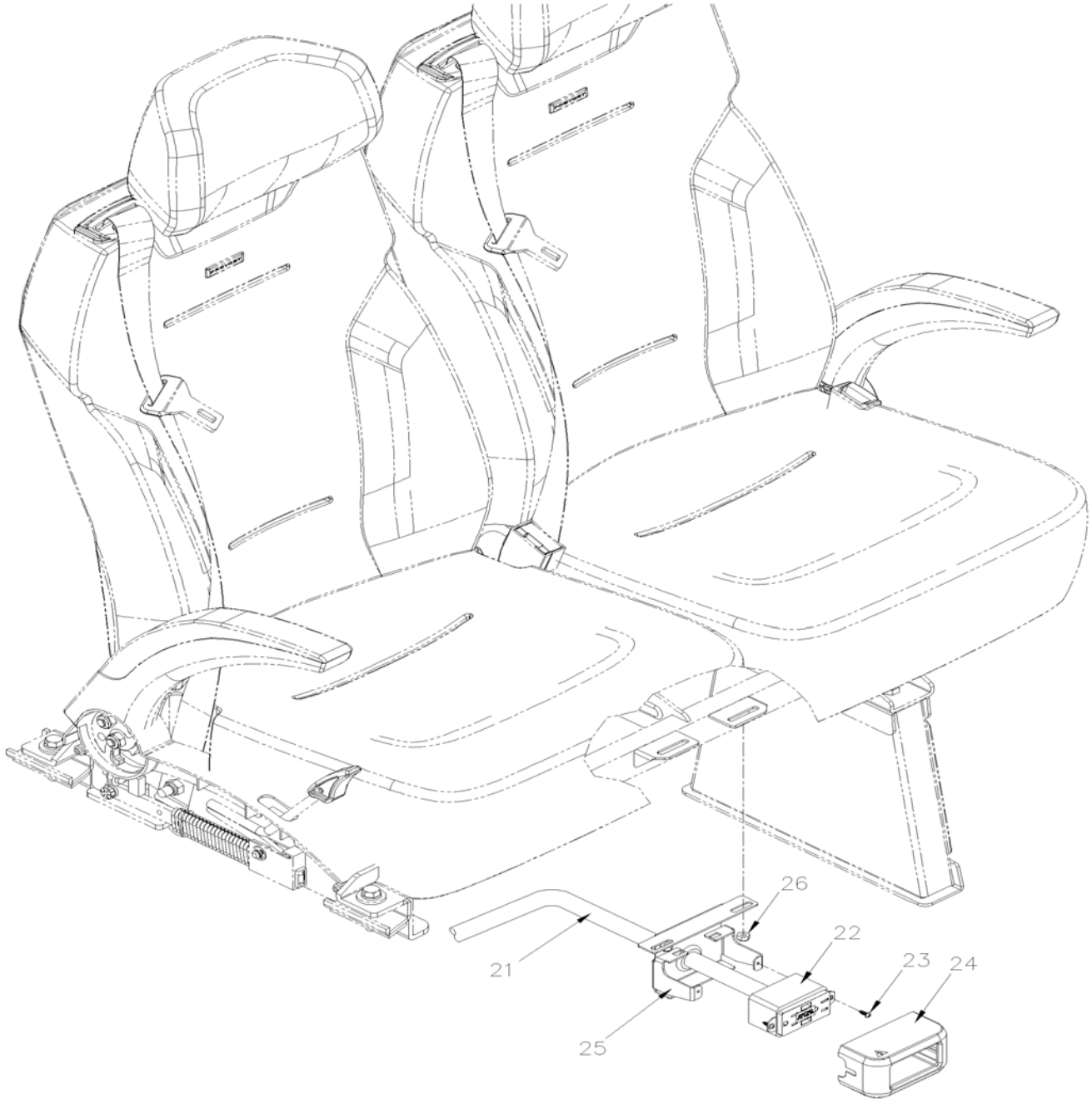


From N-7941 To M-7767

Date:07/2024

PAGE:X3PLB-1828-21

ACCESSORIES PASSENGER'S SEAT / CLOUDONE



From N-7941 To M-7767	Date:07/2024	PAGE:X3PLB-1828-21
ACCESSORIES PASSENGER'S SEAT / CLOUDONE		

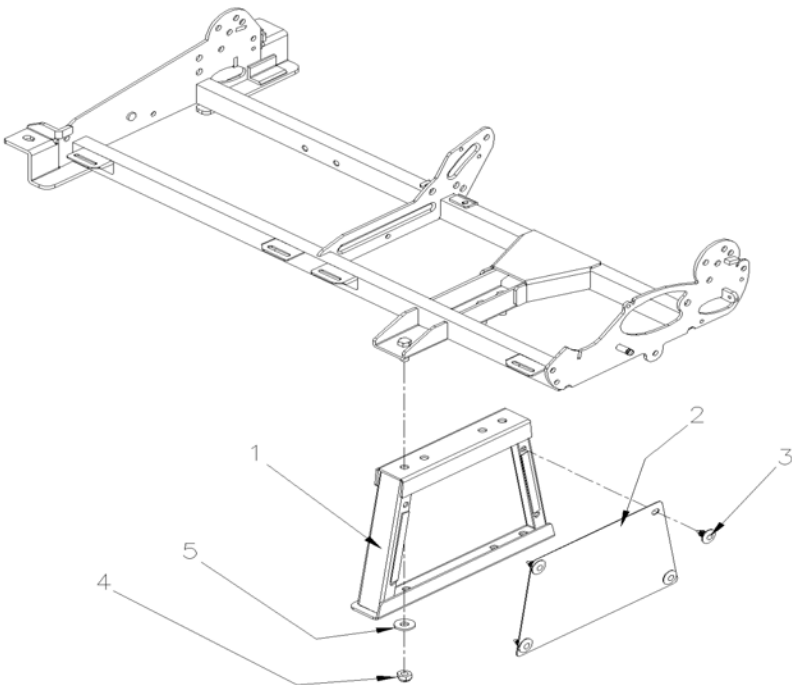
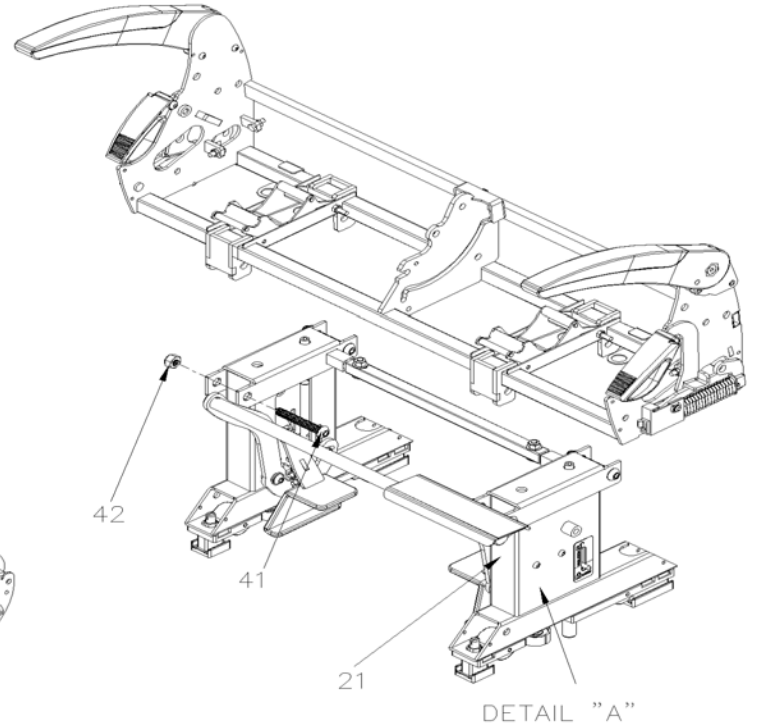
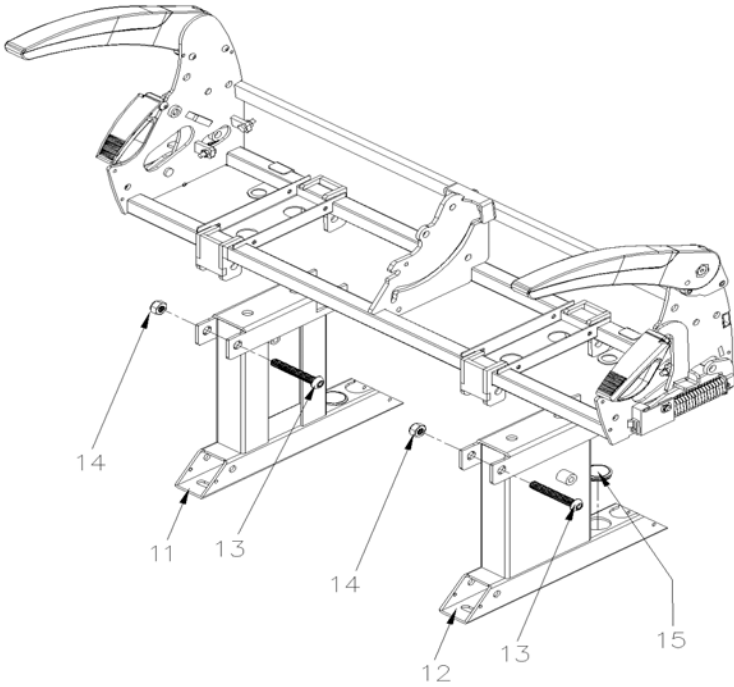
Item#	Part	Description	QTY	Notes
1	862932	GLASS HOLDER / W/"AMAYA" / W/3 HOLES FOR SCREW	2	
2	868285	SCREW TP RND PH W/WASHER #10 x 1"	6	
3	868261	WASHER FL 1/4	2	
5	865278	MAGAZINE NET 14.5" x 5"	2	
6	865603	SCREW MA BUT PH M8x19	8	
8	860141	FOOTREST ASSY W/AUTOMATIC RETURN / "STELAM" STELAM TYPE	2	
11	868293	OUTLET 110 V / USB ASSY	1	
12	860142	PLUG DOUBLE 110 VAC MURAL W/2 USB PORT / WHITE	1	
NS	868404	DECAL WARNING FOR 110V CONNECTOR	1	
13	868289	SCREW TP OV PH #6x1/2"	2	
14	868292	BLACK PLASTIC COVER FOR 110V & USB CURRENT SOCKET	1	
NS	868405	DECAL	1	
15	868291	PLASTIC BACK BRACKET FOR CONNECTOR 110V & USB	1	
16	868294	SCREW BUT HEXS 3/16-24x2 3/4"	2	
17	868304	WASHER FL 3/16	4	
18		NUT HEX NYRT 3/16	1	
21	868296	FRONT CONNECTOR 110V-USB	1	
22	868290	FRONT CONNECTOR 110V-USB	1	
22	868404	DECAL WARNING FOR 110V CONNECTOR	1	
23	868289	SCREW TP OV PH #6x1/2"	2	
24	868292	BLACK PLASTIC COVER FOR 110V & USB CURRENT SOCKET	1	
NS	868406	DECAL	1	
25	868295	BRACKET FOR FRONT CONNECTOR	1	
26	865479	NUT HEX NYRT 1/4-20	1	

From N-7941 To M-7767

Date:07/2024

PAGE:X3PLB-1828-41

PEDESTAL INSTALLATION / CLOUDONE

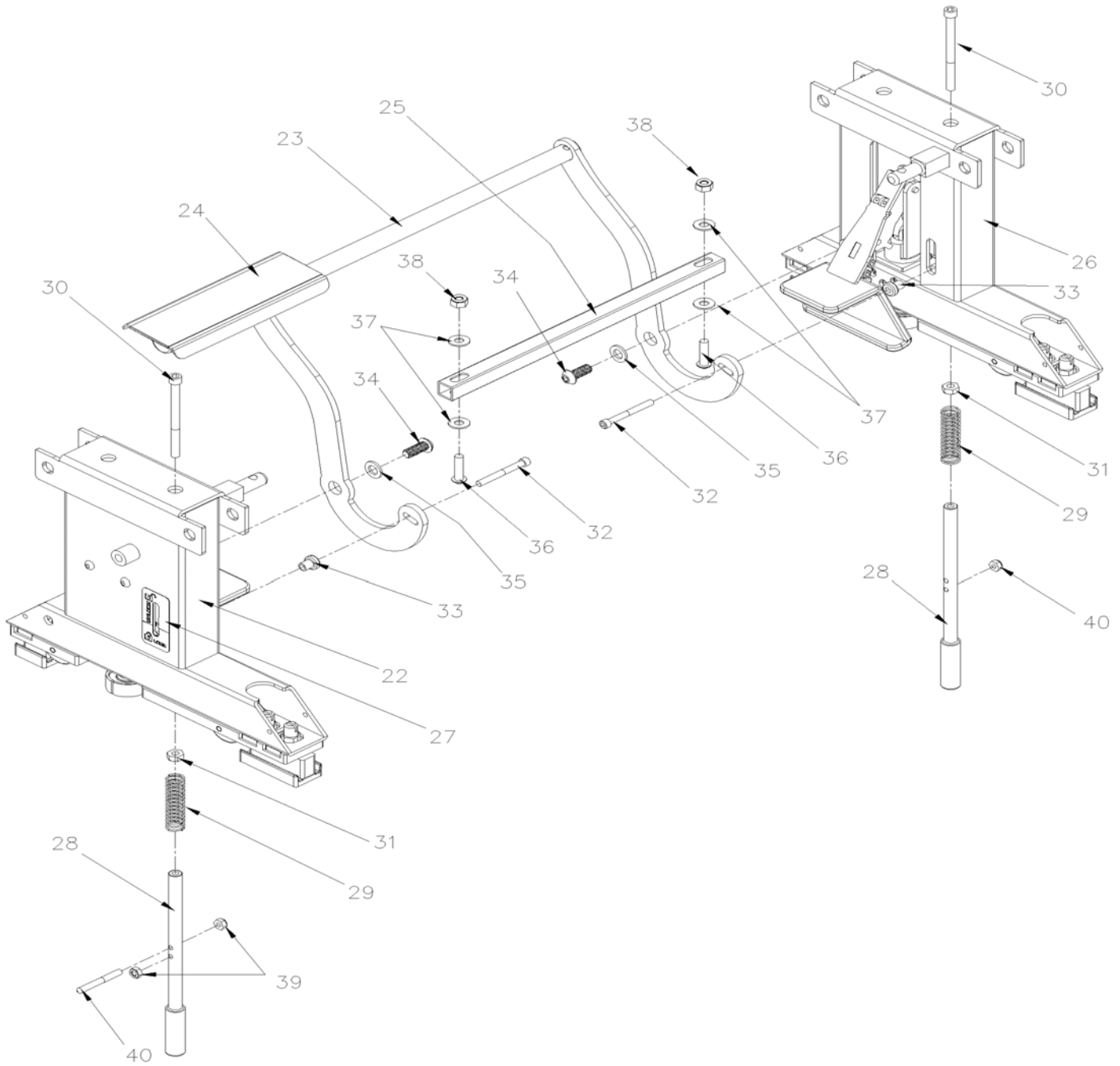


From N-7941 To M-7767

Date:07/2024

PAGE:X3PLB-1828-41

PEDESTAL INSTALLATION / CLOUDONE



DETAIL "A"

From N-7941 To M-7767	Date:07/2024	PAGE:X3PLB-1828-41
-----------------------	--------------	--------------------

PEDESTAL INSTALLATION / CLOUDONE

Item#	Part	Description	QTY	Notes
1	868276	PEDESTAL GREY / CLOUDONE	1	
2	868399	COVER PEDESTAL / CLOUDONE	1	
3	864368	SCREW 3/8 PLASTIC	1	
4	865519	NUT HEX NYRT 7/16-20	2	
5	865520	WASHER FL 7/16	2	
11	868347	PEDESTAL HANDICAP STATIONNARY / RH / CLOUDONE	1	
11	868349	PEDESTAL HANDICAP STATIONNARY FIXED TO WALL / RH / CLOUDONE	1	A
12	868346	PEDESTAL HANDICAP STATIONNARY / LH / CLOUDONE	1	
12	868348	PEDESTAL HANDICAP STATIONNARY FIXED TO WALL / LH / CLOUDONE	1	A
13	868353	SCREW BUT HEXS M12x80mm	4	
14	868354	NUT HEX NYRT M12	4	
15	868303	PLUG	1	
21	868341	PEDESTAL ASSEMBLY CURBSIDE / CLOUDONE	1	
21	868342	PEDESTAL ASSEMBLY STREET SIDE / CLOUDONE	1	
22	868344	. PEDESTAL / LH / CLOUDONE	1	
22	868312	. . SPRING	1	
23	868338	. PEDAL CURBSIDE	1	
23	868339	. PEDAL STREET SIDE	1	
24	868340	. ANTI-SLIP ADHESIVE TAPE	1	
25	868345	. SPACE BAR / CLOUDONE	1	
26	868343	. PEDESTAL / RH / CLOUDONE	1	
26	868312	. . SPRING	1	
27	868309	. DECAL / INDICATOR OF HANDICAP DRIVE	1	
28	868337	. LOCK ASSY	2	
28	Call order desk	. . PIN	1	P
29	868350	. . SPRING	1	
30		. . SCREW CAP HEXS	1	
31		. . NUT HEX	1	
32	868320	. SCREW CAP HEXS 1/4-20x2 1 / 4	2	
33	867904	. PEDAL STOPPER / NYLON	2	
34	868319	. SCREW BUT HEXS M10-1.5 x 25mm SS	2	
35	7770346	. WASHER FL 7/16	2	
36	868313	. SCREW BUT HEXS 5/16" x 1/4" SS	2	
37	868263	. WASHER FL 5/16"	4	
38	868268	. NUT HEX NYRT 5/16"	2	
39	868308	. CLOSE INDICATOR BOLT	1	
40	865479	. NUT HEX NYRT 1/4-20	3	
41	868353	SCREW BUT HEXS M12x80mm	4	
42	868354	NUT HEX NYRT M12	4	

From N-7941 To M-7767		Date:07/2024	PAGE:X3PLB-1828-41
-----------------------	--	--------------	--------------------

PEDESTAL INSTALLATION / CLOUDONE

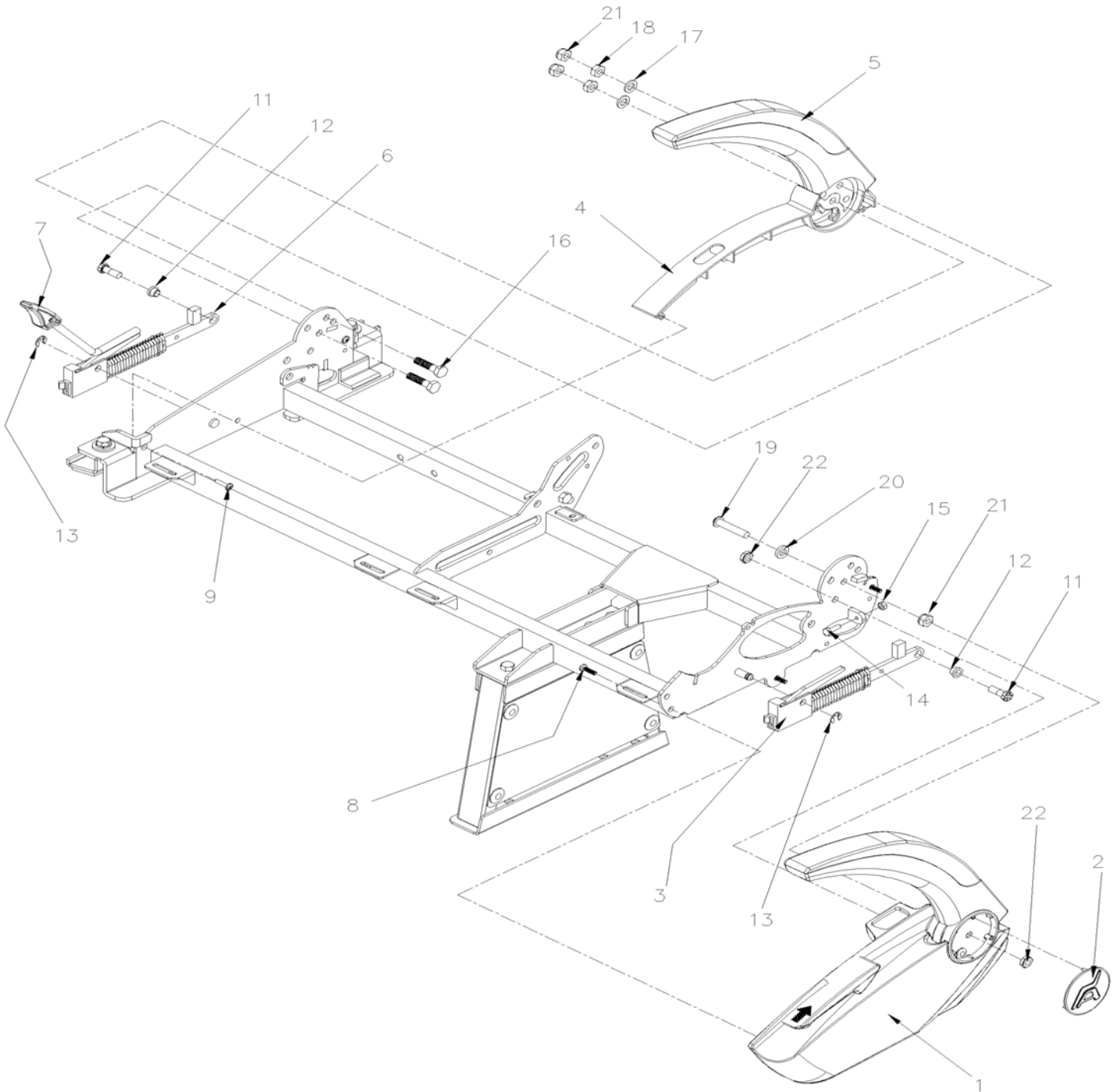
Item#	Part	Description	QTY	Notes
		A) USE ONLY WITH FLIP-UP SEAT FIXE TO THE WALL		
		P) CALL ORDER DESK FOR SPECIFIC APPLICATION (V.I.N.)		

From N-7941 To M-7767

Date:07/2024

PAGE:X3PLB-1828-51

ARMREST / CLOUDONE

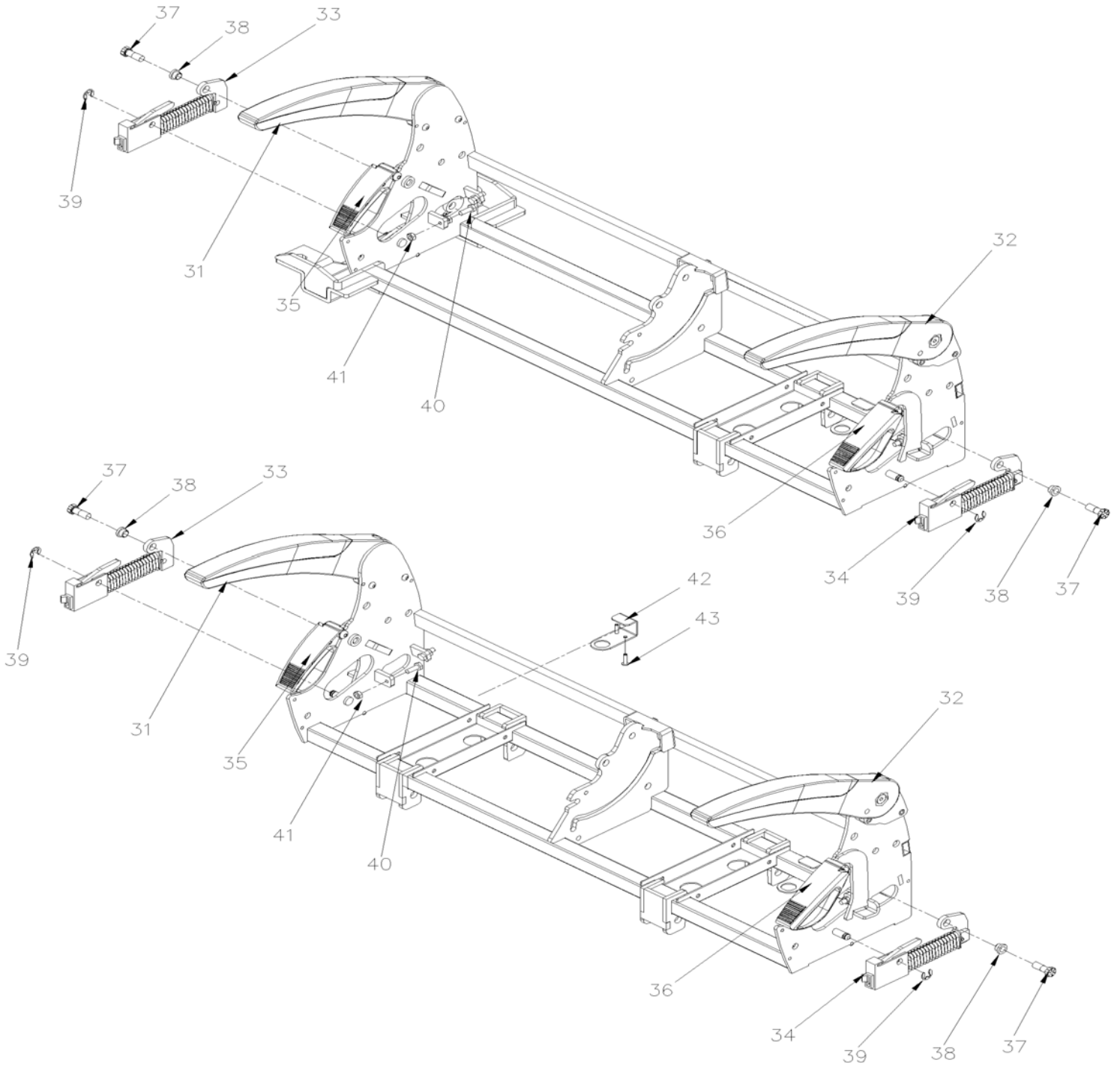


From N-7941 To M-7767

Date:07/2024

PAGE:X3PLB-1828-51

ARMREST / CLOUDONE

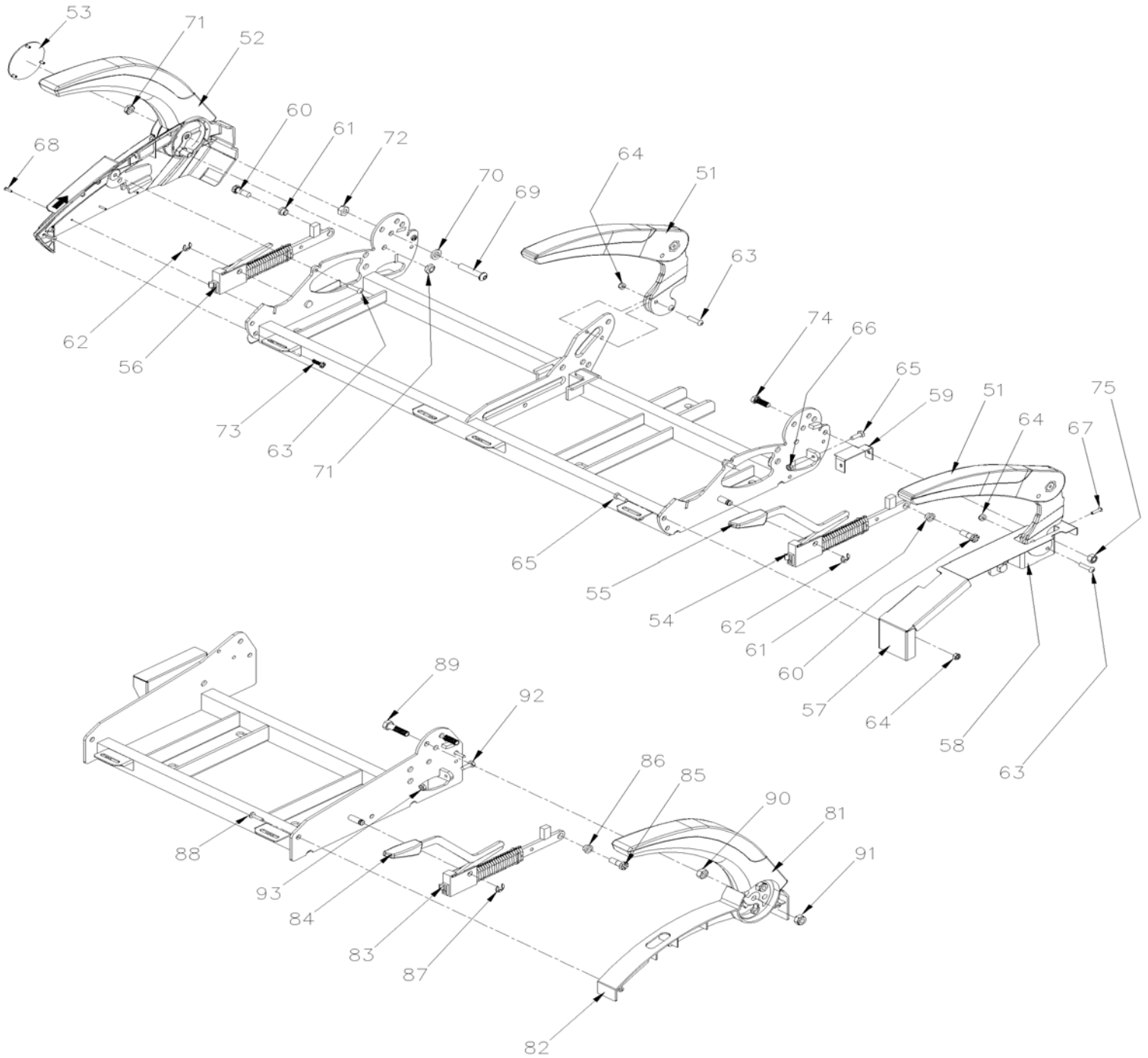


From N-7941 To M-7767

Date:07/2024

PAGE:X3PLB-1828-51

ARMREST / CLOUDONE



From N-7941 To M-7767	Date:07/2024	PAGE:X3PLB-1828-51
ARMREST / CLOUDONE		

Item#	Part	Description	QTY	Notes
1	23210423	ARMREST / LH	1	
. NS	868206	. RECLINING LEVER, LH	1	
1	23210425	ARMREST / RH	1	
. NS	868205	. RECLINING LEVER, RH	1	
2	868274	CAP WITH LOGO	1	
3	865086	RECLINING MECHANISM ASSY / "TORINO" AILSE	1	
4	868301	PLASTIC COVER / CLOUDONE	1	
5	865070	ARMREST R.H. WINDOW SIDE	1	
6	865061	RECLINING MECHANISM ASSY / "TORINO" WINDOW	1	
7	864117	KNOB W/SQUARE ROD INSERT MECHANISM (CURRENT)	1	
8	868260	SCREW SELF TAPPING M6x20MM	3	
9	868264	SCREW SELF TAPPING #10 x 1"	2	
11	860092	SCREW CAP HEX 3/8" x 1" G8	2	
12	865215	BUSHING NYLON	2	
13	865488	RETAINING RING	2	
14	865498	SCREW CAP HEX 1/4-20 x 3/4 LG	2	
15	865497	NUT HEX 1/4	2	
16	868270	SCREW CAP HEX M10-1.5x40MM	2	
17	865465	WASHER FL / 7/16	2	
18	860005	NUT HEX STO M10-1.5 ZP	2	
19	860280	SCREW BUT HEXS M10-1.5x50MM	1	
20	868302	WASHER FL 7/16x2.5MM	1	
21	868266	NUT HEX M10-1.5	3	
22	868269	NUT HEX / GRIPCO M10-1.5	2	
31	867737	HINGED ARMREST / RH	1	
32	867738	HINGED ARMREST / LH	1	
33	868318	RECLINING MECHANISM ASSY / RH	1	
34	868317	RECLINING MECHANISM ASSY / LH	1	
35	868280	MECHANISM HANDLE ASSY / RH	1	
36	868281	MECHANISM HANDLE ASSY / LH	1	
37	860092	SCREW CAP HEX 3/8" x 1" G8	2	
38	865215	BUSHING NYLON	2	
39	865488	RETAINING RING	2	
40	865498	SCREW CAP HEX 1/4-20 x 3/4 LG	4	
41	865497	NUT HEX 1/4	4	
42	868330	BELT SUPPORT HOOK	2	
43	868120	RIVET 3/16 X 3/4 BLACK	4	
51	864072	ARMREST CENTRAL ASSY / LIGHT GREY	2	
. NS	865995	. BOLT	1	
. NS	865996	. BUSHING	1	

From N-7941 To M-7767	Date:07/2024	PAGE:X3PLB-1828-51
ARMREST / CLOUDONE		

Item#	Part	Description	QTY	Notes
. NS	866240	. ARMREST COVERING LIGHT GREY	1	
52	868298	ARMREST RH	1	
53	868274	CAP WITH LOGO	1	
54	868407	RECLINING MECHANISM ASSY	1	
55	863356	KNOB LEVER L.H. WINDOW	1	
56	865086	RECLINING MECHANISM ASSY / "TORINO" AILSE	1	
57	868286	CENTRAL MECHANISM COVER	1	
58	868397	ARMREST CENTRAL BRACKET	1	
59	868398	COVER BASE ARMREST	1	
60	860092	SCREW CAP HEX 3/8" x 1" G8	2	
61	865215	BUSHING NYLON	2	
62	865488	RETAINING RING	2	
63	865524	SCREW CAP BUT HEXS 1/4x1	5	
64	865479	NUT HEX NYRT 1/4-20	6	
65	865498	SCREW CAP HEX 1/4-20 x 3/4 LG	4	
66	865497	NUT HEX 1/4	2	
67	865496	RIVET 3/16x3/4	2	
68	868262	RIVET 1/8	3	
69	860280	SCREW BUT HEXS M10-1.5x50MM	1	
70	868297	WASHER FL 7/16	1	
71	868269	NUT HEX / GRIPCO M10-1.5	2	
72	868266	NUT HEX M10-1.5	1	
73	868260	SCREW SELF TAPPING M6x20MM	2	
74	868259	SCREW CAP HEX 3/8" x 1"	1	
75	868267	NUT HEX NYRT 3/8"	1	
81	865070	ARMREST R.H. WINDOW SIDE	1	
82	868278	PLASTIC COVER	1	
83	868407	RECLINING MECHANISM ASSY	1	
84	863356	KNOB LEVER L.H. WINDOW	1	
85	860092	SCREW CAP HEX 3/8" x 1" G8	1	
86	865215	BUSHING NYLON	1	
87	865488	RETAINING RING	1	
88	868264	SCREW SELF TAPPING #10 x 1"	2	
89	868270	SCREW CAP HEX M10-1.5x40MM	2	
90	868266	NUT HEX M10-1.5	2	
91	860005	NUT HEX STO M10-1.5 ZP	2	
92	865498	SCREW CAP HEX 1/4-20 x 3/4 LG	1	
93	865497	NUT HEX 1/4	1	

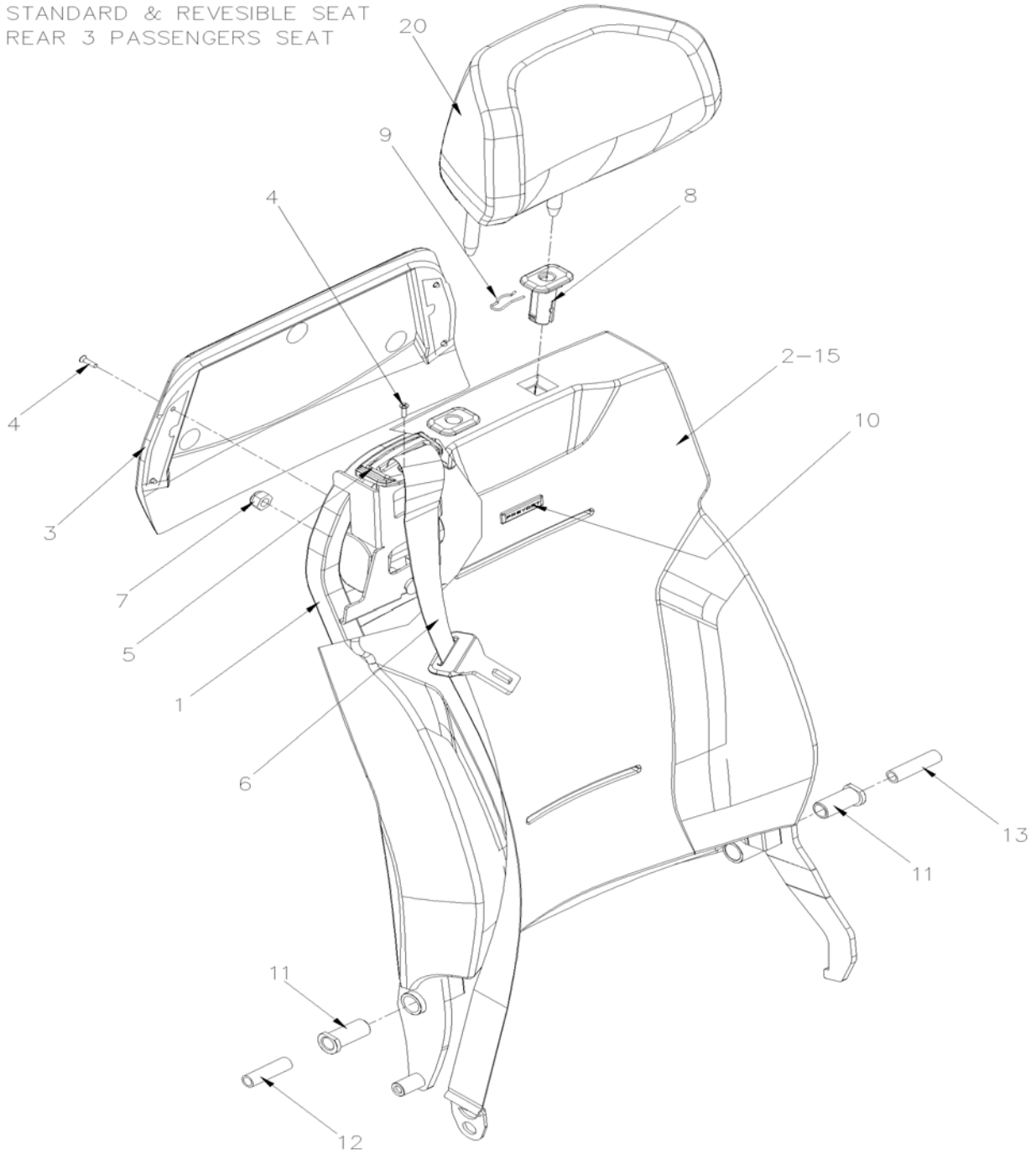
From N-7941 To M-7767

Date:07/2024

PAGE:X3PLB-1828-61

BACKREST / CLOUDONE

WITH STANDARD & REVESIBLE SEAT
WITH REAR 3 PASSENGERS SEAT



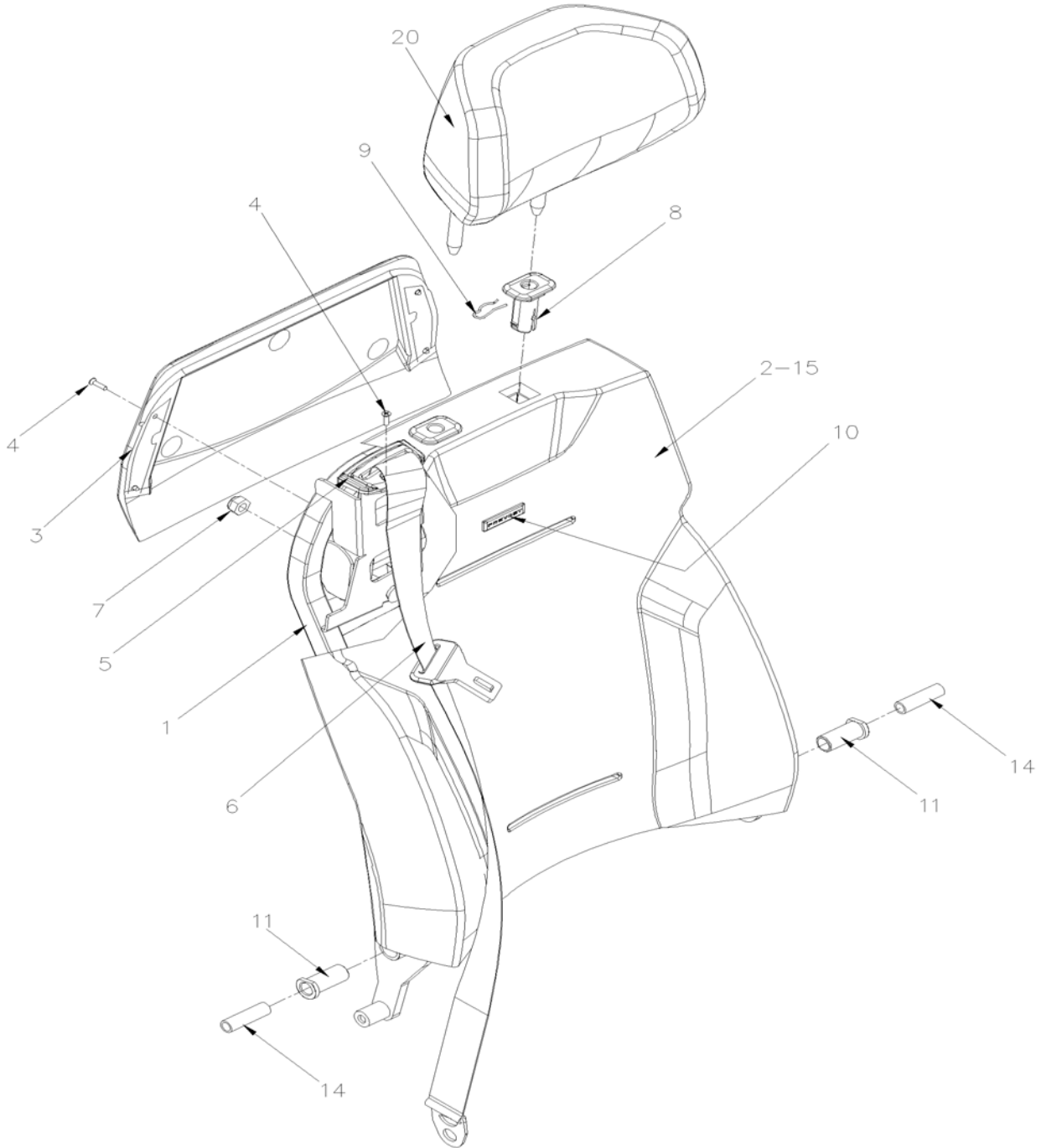
From N-7941 To M-7767

Date:07/2024

PAGE:X3PLB-1828-61

BACKREST / CLOUDONE

WITH FLIP-UP SEAT



From N-7941 To M-7767	Date:07/2024	PAGE:X3PLB-1828-61
BACKREST / CLOUDONE		

Item#	Part	Description	QTY	Notes
	868368	BACKREST ASSY WINDOW SIDE / CURBSIDE / STANDARD / CLOUDONE	1	
	868369	BACKREST ASSY WINDOW SIDE / STREET SIDE / STANDARD / CLOUDONE	1	
	868370	BACKREST ASSY AISLE SIDE / STREET SIDE / STANDARD / CLOUDONE	1	
	868371	BACKREST ASSY AISLE SIDE / CURBSIDE / STANDARD / CLOUDONE	1	
	868378	BACKREST ASSY WINDOW SIDE / CURBSIDE / FLIP-UP / CLOUDONE	1	
	868379	BACKREST ASSY WINDOW SIDE / STREET SIDE / FLIP-UP / CLOUDONE	1	
	868380	BACKREST ASSY AISLE SIDE / CURBSIDE / FLIP-UP / CLOUDONE	1	
	868381	BACKREST ASSY AISLE SIDE / STREET SIDE / FLIP-UP / CLOUDONE	1	
	868388	BACKREST ASSY WINDOW SIDE / CURBSIDE / REVERSIBLE / CLOUDONE	1	
	868389	BACKREST ASSY WINDOW SIDE / STREET SIDE / REVERSIBLE / CLOUDONE	1	
	868390	BACKREST ASSY AISLE SIDE / STREET SIDE / REVERSIBLE / CLOUDONE	1	
	868391	BACKREST ASSY AISLE SIDE / CURBSIDE / REVERSIBLE / CLOUDONE	1	
1	868372	BACKREST FRAME WINDOW SIDE / CURBSIDE / STANDARD / CLOUDONE	1	
1	868373	BACKREST FRAME WINDOW SIDE / STREET SIDE / STANDARD / CLOUDONE	1	
1	868374	BACKREST FRAME AISLE SIDE / STREET SIDE / STANDARD / CLOUDONE	1	
1	868375	BACKREST FRAME AISLE SIDE / CURBSIDE / STANDARD / CLOUDONE	1	
1	868384	BACKREST FRAME WINDOW SIDE / CURBSIDE / FLIP-UP / CLOUDONE	1	
1	868385	BACKREST FRAME WINDOW SIDE / STREET SIDE / FLIP-UP / CLOUDONE	1	
1	868386	BACKREST FRAME AISLE SIDE / CURBSIDE / FLIP-UP / CLOUDONE	1	
1	868387	BACKREST FRAME AISLE SIDE / STREET SIDE / FLIP-UP / CLOUDONE	1	
1	868392	BACKREST FRAME WINDOW SIDE / CURBSIDE / REVERSIBLE / CLOUDONE	1	
1	868393	BACKREST FRAME WINDOW SIDE / STREET SIDE / REVERSIBLE / CLOUDONE	1	
1	868394	BACKREST FRAME AISLE SIDE / STREET SIDE / REVERSIBLE / CLOUDONE	1	
1	868395	BACKREST FRAME AISLE SIDE / CURBSIDE / REVERSIBLE / CLOUDONE	1	
2	868376	BACKREST FOAM RH / STANDARD & REVESIBLE / CLOUDONE	1	
2	868377	BACKREST FOAM LH / STANDARD & REVESIBLE / CLOUDONE	1	
2	868382	BACKREST FOAM RH / FLIP-UP / CLOUDONE	1	
2	868383	BACKREST FOAM LH / FLIP-UP / CLOUDONE	1	
2	868364	VELCRO / STANDARD & REVESIBLE / FLIP-UP	1	
2	868365	VELCRO	1	
3	868335	ENERGY ABSORBER / CURBSIDE	1	
3	868336	ENERGY ABSORBER / STREET SIDE	1	
4	865603	SCREW MA BUT PH M8x19	6	
5	868334	PLASTIC BELT GUIDE	1	
6	867726	SAFETY BELT W/ ALR/ELR	1	
7	865519	NUT HEX NYRT 7/16-20	1	
8	866205	BUSHING	2	
9	866204	BACKREST CLIP	2	
10	868272	LOGO PREVOST	1	
11	868402	BUSHING 45MM	2	
12	868400	BUSHING 55MM	1	
13	865561	BUSHING 49MM	1	

From N-7941 To M-7767	Date:07/2024	PAGE:X3PLB-1828-61
BACKREST / CLOUDONE		

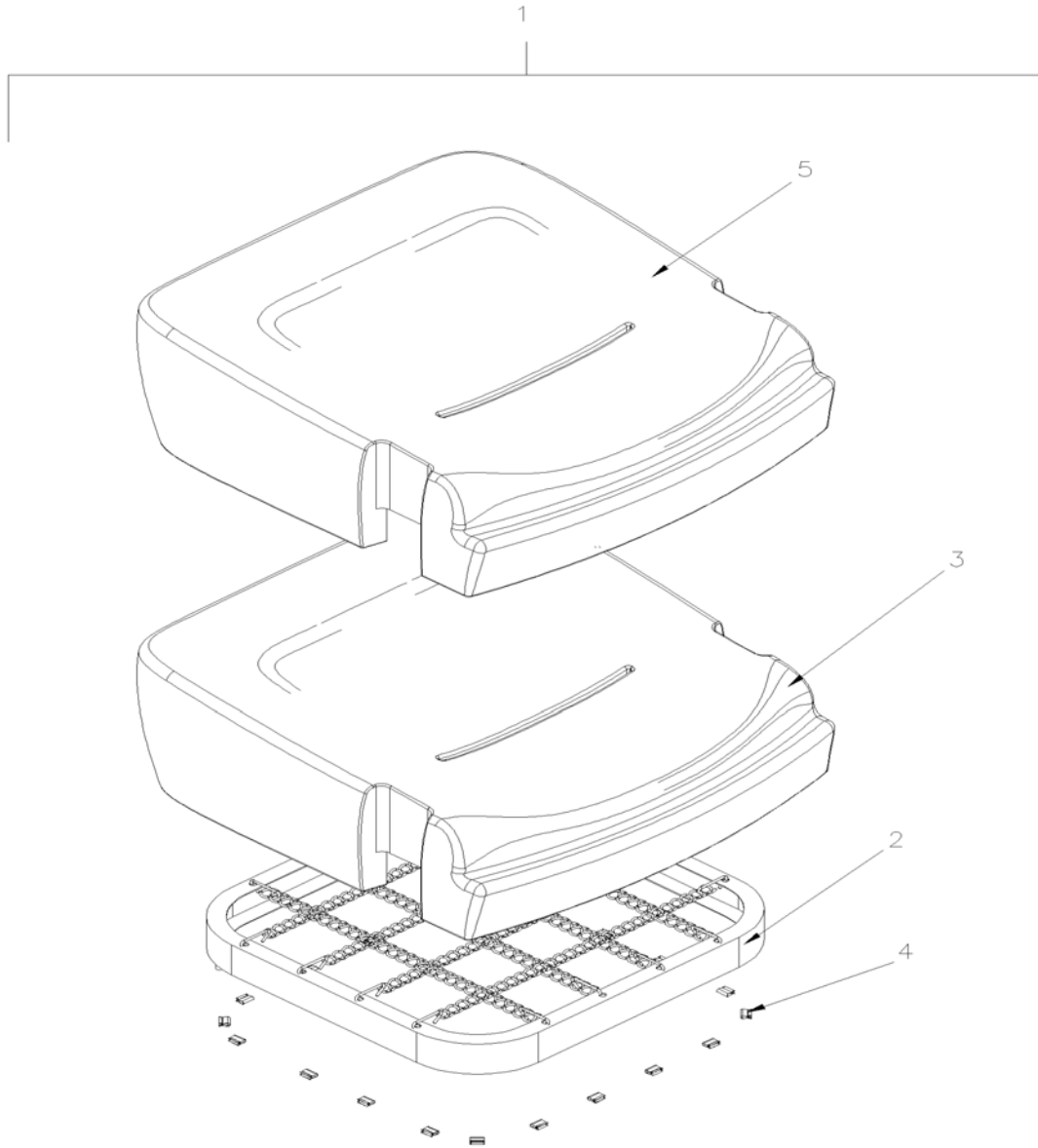
Item#	Part	Description	QTY	Notes
14	865561	BUSHING 49MM	2	
15	Call order desk	COVERING, BACKREST / CLOUDONE	1	P
20	Call order desk	HEADREST ASSY W/COVERING	1	P
20	Call order desk	. HEADREST VIP / CLOUDONE	1	P
20	Call order desk	. COVERING, HEADREST	1	P
		P) CALL ORDER DESK FOR SPECIFIC APPLICATION (V.I.N.)		

From N-7941 To M-7767

Date:07/2024

PAGE:X3PLB-1828-71

SEAT CUSHIONS / CLOUDONE

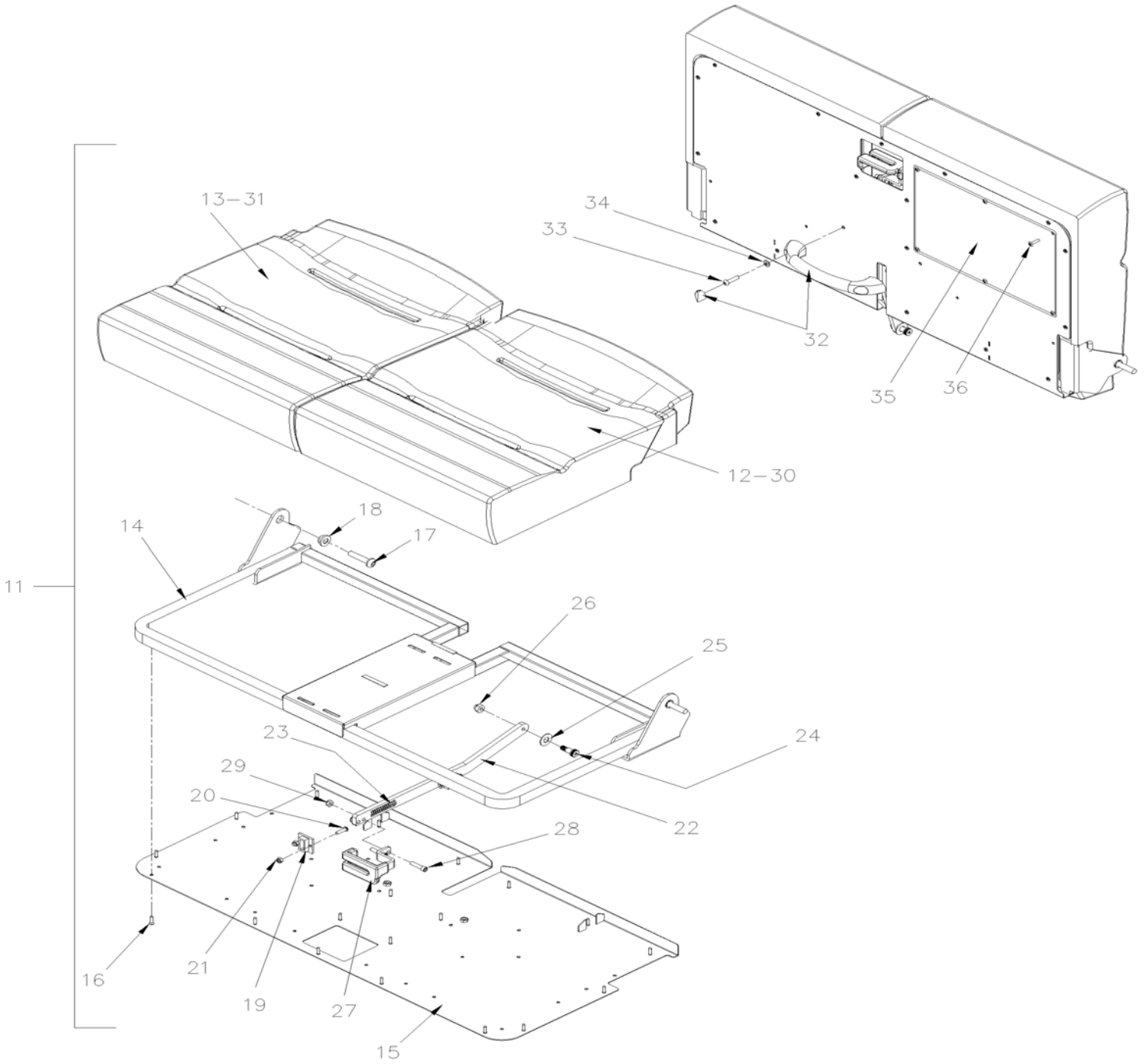


From N-7941 To M-7767

Date:07/2024

PAGE:X3PLB-1828-71

SEAT CUSHIONS / CLOUDONE



From N-7941 To M-7767	Date:07/2024	PAGE:X3PLB-1828-71
SEAT CUSHIONS / CLOUDONE		

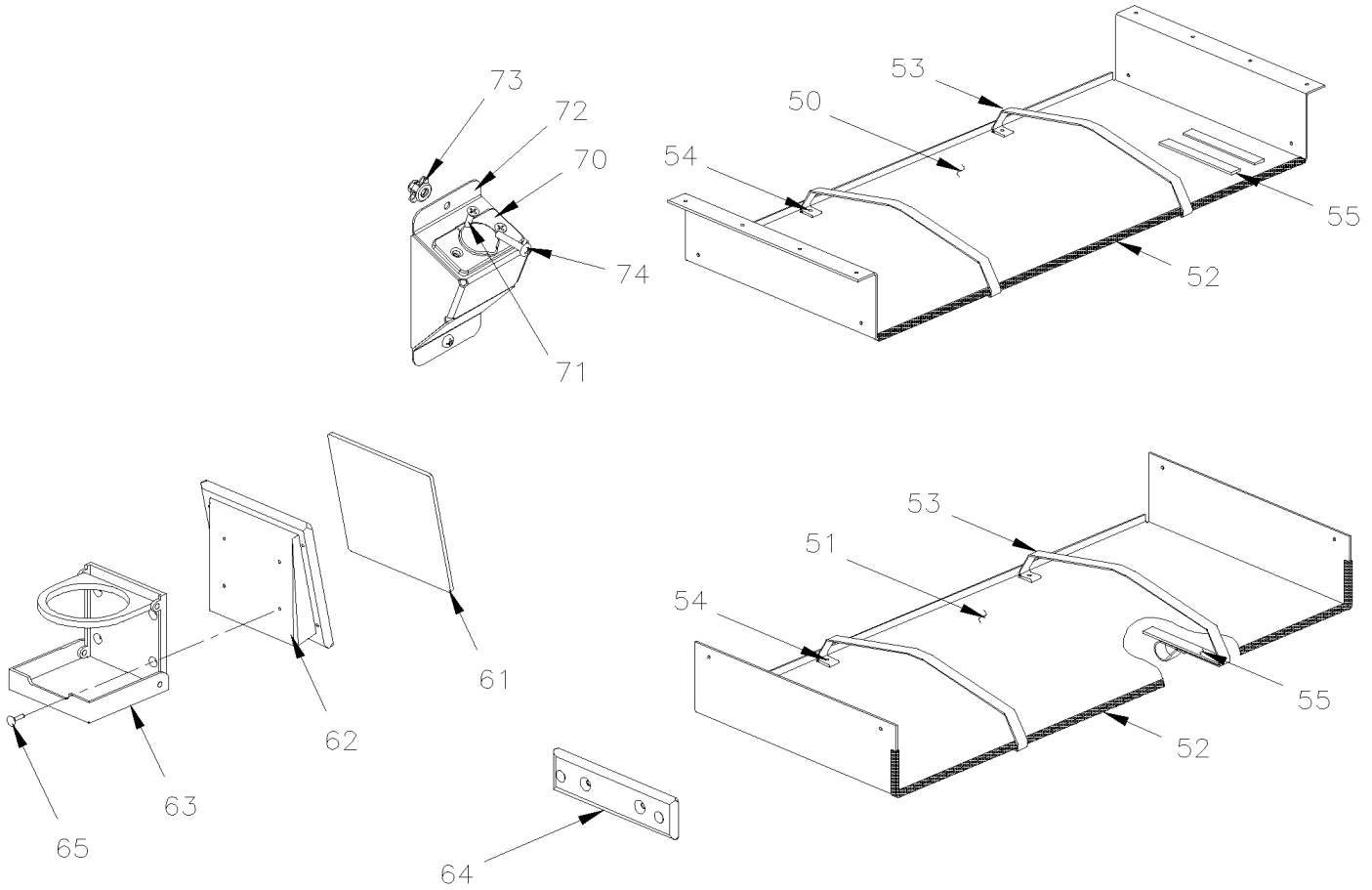
Item#	Part	Description	QTY	Notes
1		CUSHION ASSY WITH COVERING	1	
1	868366	. CUSHION ASSY / CLOUDONE	1	
2	868396	. . FRAME ASSY / CLOUDONE	1	
3	868367	. . FOAM - CUSHION / CLOUDONE	1	
4	867931	. . CLIP FOR CUSHION	15	
5		. COVERING CUSHION	1	
11		CUSHION ASSY WITH COVERING	1	
11	868351	. CUSHION ASSY / FLIP	1	
12	868324	. . FOAM - CUSHION	1	
13	868325	. . FOAM - CUSHION	1	
14	868321	. . FRAME ASSY	1	
15	868352	. . CUSHION COVER ASSEMBLY	1	
16	865603	. . SCREW MA BUT PH M8x19	19	
17	868326	. . SCREW BUT HEXS 3/8-16x1 3/4 SS	2	
18	868323	. . BUSHING	2	
19	868322	. . NYLON BUSHING FOR SLIDE CUSHION MECHANISM	2	
20	868328	. . SCREW BUT HEXS #10-32x3/4	4	
21	868196	. . NUT HEX NYRT #10-24	4	
22	868314	. . CUSHION MECHANISM	1	
22	868316	. . . MOVING ARM FLIPPING SEAT	1	
23	868131	. . . SPRING	1	
24	867944	. . . SCREW SHR HEXS 5/16-18	1	
25	867945	. . . WASHER	1	
26	867946	. . . CAP NUT 5/16-18	1	
27	868315	. . . HANDLE	1	
28	868327	. . . SCREW CAP HEXS 1/4-20x1	1	
29	865479	. . . NUT HEX NYRT 1/4-20	1	
30		. . COVERING CUSHION	1	
31		. . COVERING CUSHION	1	
32	865358	HANDLE GREY	1	
33	865524	SCREW CAP BUT HEXS 1/4x1	2	
33	865479	NUT HEX NYRT 1/4-20	2	
34	868261	WASHER FL 1/4	2	
35	868329	PLATE WITH INSTRUCTION LABEL	1	
36	868120	RIVET 3/16 X 3/4 BLACK	6	

From G-7275 To M-7767

Date:07/2024

PAGE:X3PLB-1829-00

ACCESSORIES PASSENGER'S SEAT - "PREVOST"

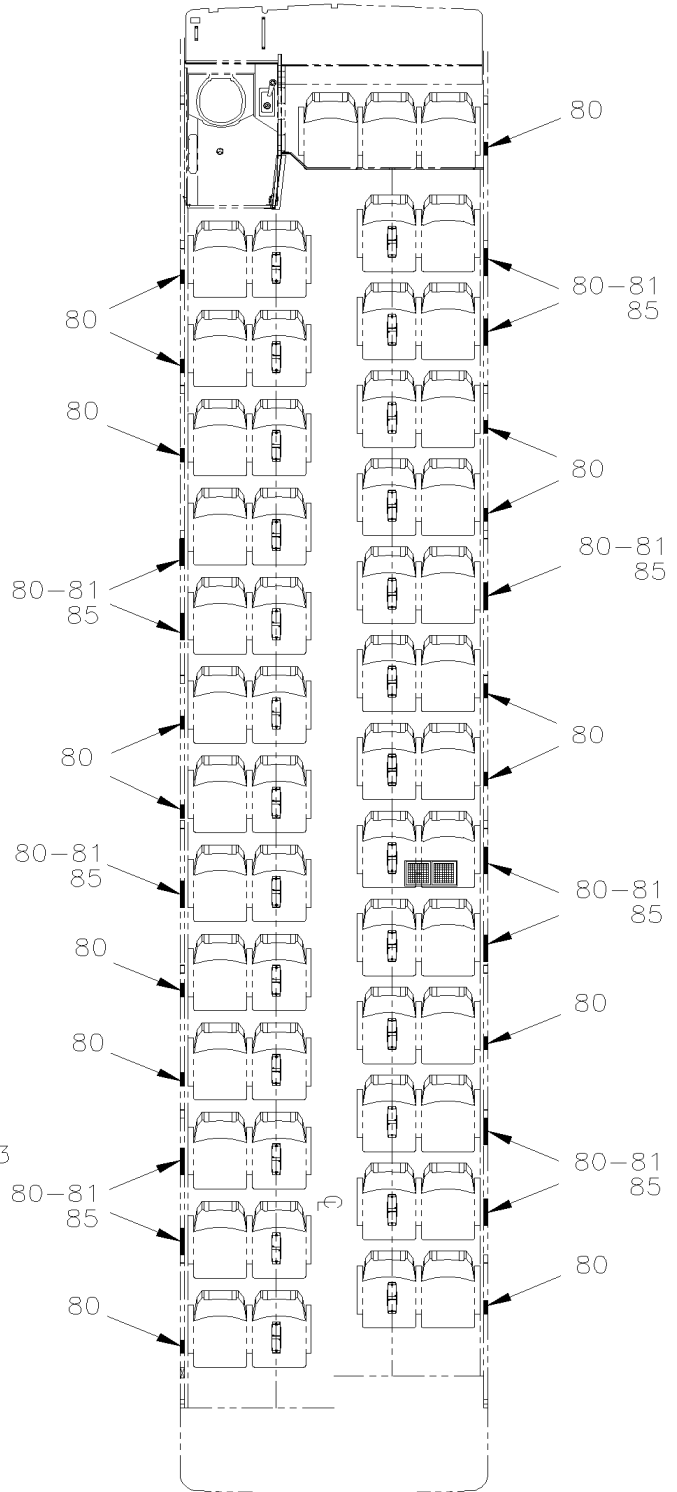
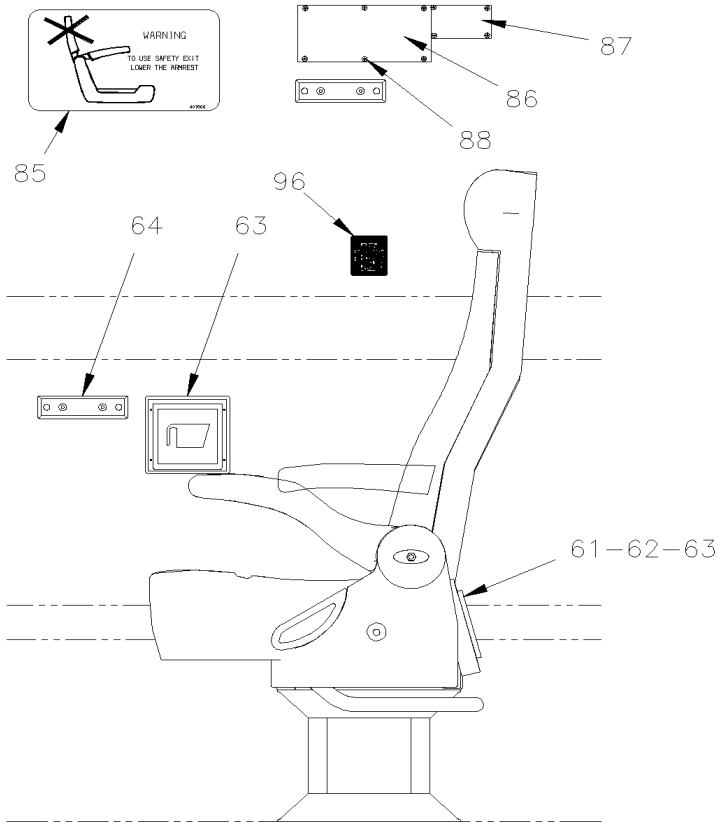
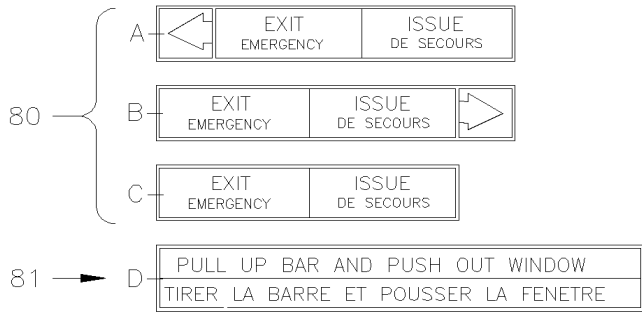


From G-7275 To M-7767

Date:07/2024

PAGE:X3PLB-1829-00

ACCESSORIES PASSENGER'S SEAT - "PREVOST"

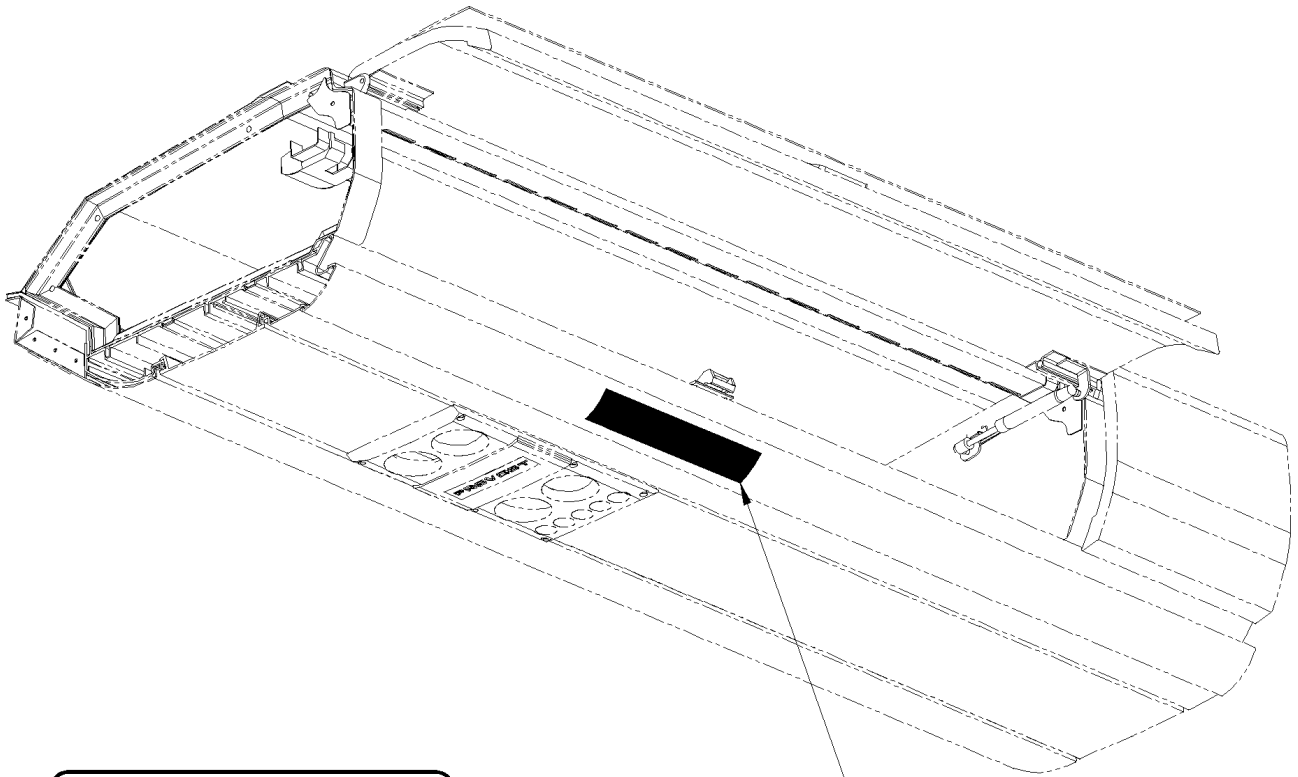


From G-7275 To M-7767

Date:07/2024

PAGE:X3PLB-1829-00

ACCESSORIES PASSENGER'S SEAT - "PREVOST"



1 ↑ ↓ 2

90

90-91-92-93-94-95

1 ↓ ↑ 2

91

3 ↑ ↓ 4

92

3 ↓ ↑ 4

93

1 ↑

2 ↑ ↓ 3

94

ROW 1

95



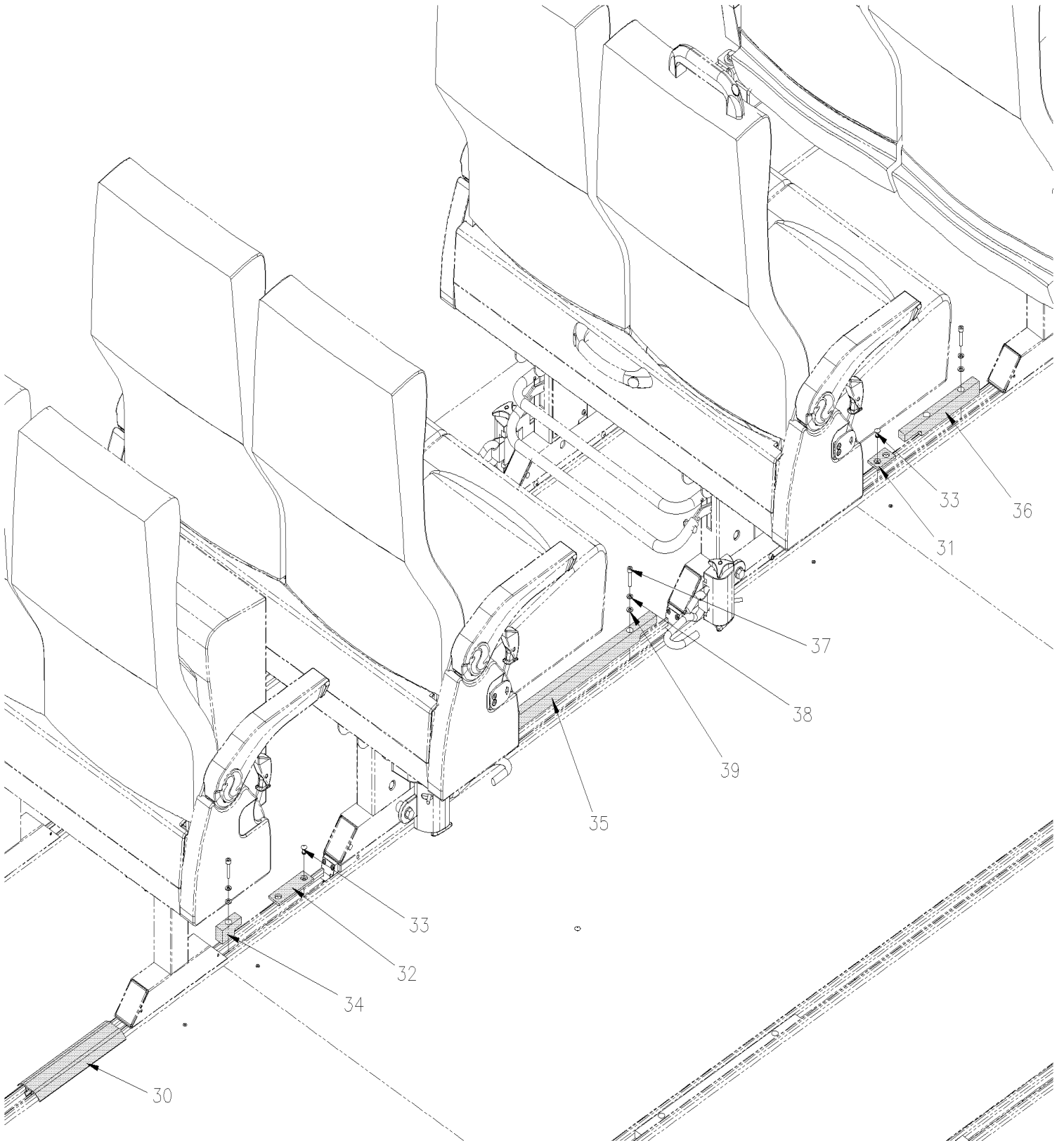
100

From G-7275 To M-7767

Date:07/2024

PAGE:X3PLB-1829-00

ACCESSORIES PASSENGER'S SEAT - "PREVOST"

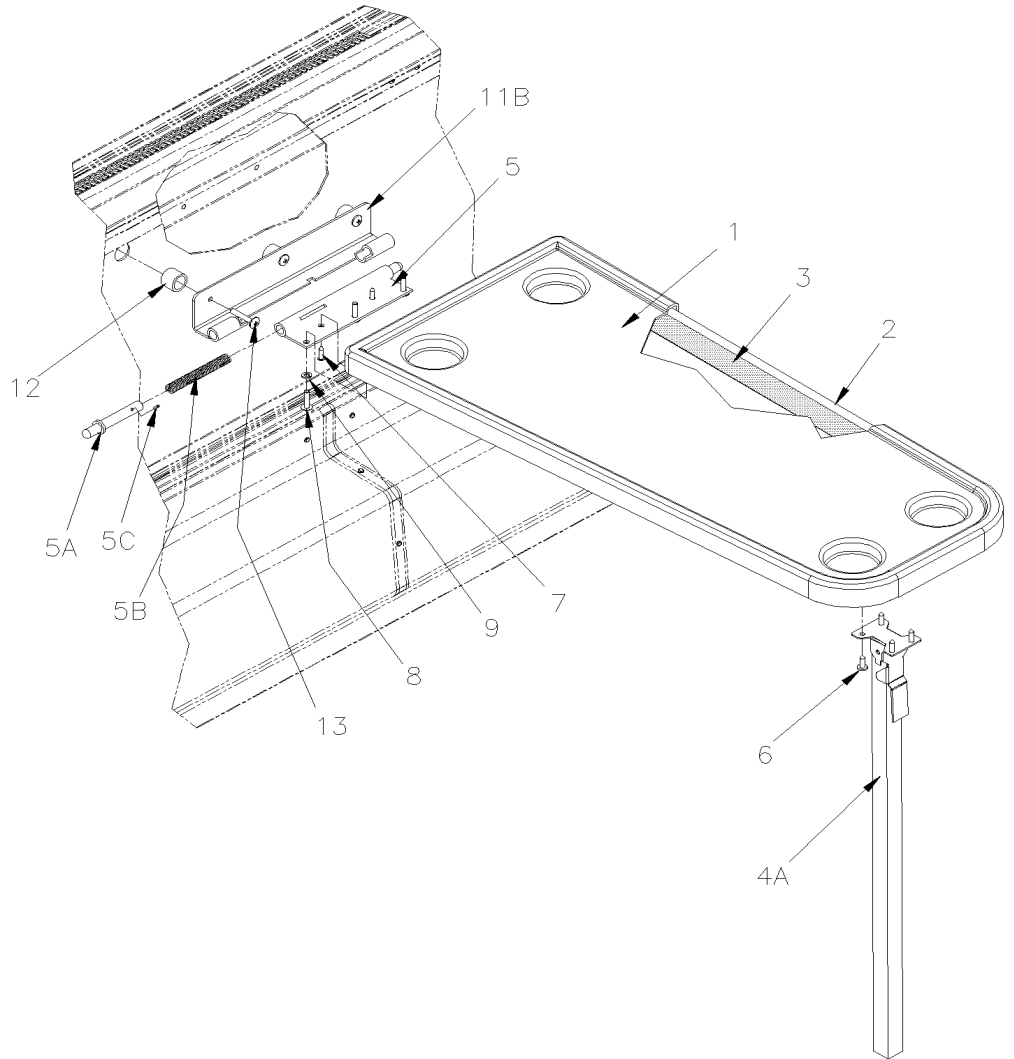


From G-7275 To M-7767

Date:07/2024

PAGE:X3PLB-1829-00

ACCESSORIES PASSENGER'S SEAT - "PREVOST"



From G-7275 To M-7767	Date:07/2024	PAGE:X3PLB-1829-00
-----------------------	--------------	--------------------

ACCESSORIES PASSENGER'S SEAT - "PREVOST"

Item#	Part	Description	QTY	Notes
	364350	TABLE ASSY / GREY ABS COVERING W/4 GLASS 857MM	1	
	364306	TABLE ASSY / GREY ABS COVERING W/4 GLASS 1070MM	1	
1	364157	. COVERING W/4 GLASS HOLDER / MID CHARCOALD 857MM	1	
1	364169	. COVERING W/4 GLASS HOLDER / MEDIUM GREY 1070MM	1	
2	363209	. TABLE BOTTOM 844MM	1	
2	N.S.S.	. TABLE BOTTOM 1056MM	1	1
2	364303	. DECAL "INSTALLATION OF CARD TABLE...." "BILINGUAL"	1	
3	682259	. SEALANT TAPE / CLEAR / 1/32"x1 1/2"x65' / 1795	AR	
4A	865342	. LEG & HINGE ASSY, CARD TABLE / 26 1/2" - 673MM	1	
4A	865343	. LEG & HINGE ASSY, CARD TABLE / 25" - 636MM	1	
5	360255	. HINGE / TABLE SECTION	1	
. A	360620	. . ROD LOCK	1	
. B	363604	. . SPRING COMPRESSION / .500 O.D. x 6.25 x .062	1	
. C	505221	. . SPRING, PIN 1/8 X 3/8	1	
6	500841	. SCREW TP PAN PH #14x3/4 Z050	4	
7	500642	. SCREW TP PAN PH #10x3/4 Z050	2	
8	500556	. SCREW MA TR PH 1/4-20x3/4 SS	3	
9	500473	. WASHER LO SPT .262x.489x.062 Z050	3	
NS	360622	. ENVELOPE ASSY TABLE	1	
11A	364115	HINGE / WALL SECTION 25x33x10 "J"	1	
11B	364140	HINGE / WALL SECTION	1	
12	363002	SPACER 25.4MM O.D x 20MM	3	
13	500559	SCREW MA TR PH 1/4-20x1 1/2 SS EMN	3	
30	329689	SEAT TRACK COVER 12' / EACH SEAT / W/COVERING FLOOR	AR	
31	329994	SEAT STOPPER 56MM x 31.75MM	AR	
31	3200521	SEAT STOPPER 95MM x 31.75MM	AR	
32	322246	SEAT STOPPER BLOCK 100MM x 31.75MM	AR	
33	504459	RIVET MGLP PRDG 1/4x3/8 SS	AR	
33	680532	SEALANT SIKA #221 / GREY / 310ml CARTRIDGE	AR	
34	3200626	STOPPER / SEAT POSITION / 55MM	AR	
35	3200625	STOPPER / SEAT POSITION / 465MM	AR	
36	3200807	STOPPER / SEAT POSITION / 308MM	AR	
36	3200624	STOPPER / SEAT POSITION / 215MM	AR	
37	5001611	SCREW CAP HEXS M6-1.0x30 SS BK	AR	
38	502570	WASHER LO SPT 6.1x11.8x1.6 SS	AR	
39	502573	WASHER FL 6.4x12.5x1.6 SS	AR	
NS	323809	DECAL/ ARROW > SEAT POSITION 25MM x 35MM	AR	
		SEAT PARTITION OPTION		
45	7771098	POLYCARBONATE, WINDOW SIDE LH A210/220 A210/220 AMAYA SEAT	AR	

From G-7275 To M-7767	Date:07/2024	PAGE:X3PLB-1829-00
ACCESSORIES PASSENGER'S SEAT - "PREVOST"		

Item#	Part	Description	QTY	Notes
45	7771099	POLYCARBONATE, AISLE SIDE LH A210/220	AR	
45	7771100	POLYCARBONATE, WINDOW SIDE RH A210/220	AR	
45	7771101	POLYCARBONATE, AISLE SIDE RH A210/220	AR	
45	7771102	DECAL "DO NOT PULL/PUSH.." ENGLISH / FRENCH / SPANISH	AR	
45	504637	CABLE TIE / 3/16" x 13"	AR	
49	364141	KIT FOR RETROFIT TABLE / SPACER WALL AND STRUCTURE	AR	
. NS	IS-91077	. SEE INSTRUCTION SHEET	1	
50	364021	SUPPORT ASSY CARD TABLE UPPER 900MM	1	
. NS	364020	. SUPPORT UPPER	1	
50	364182	SUPPORT UPPER 1133MM	1	
51	364024	SUPPORT ASSY CARD TABLE LOWER 900MM	1	
. NS	364023	. SUPPORT LOWER	1	
51	364023	SUPPORT LOWER	1	
52	506025	RUBBER CHANNEL / 1/18" x 5/16" INT "U" SHAPE / SQUARE C.T.L.	AR	
53	364022	STRAP RETAINER	2	
54	504113	RIVET POP DOME CLE 3/16x1/4 AL	2	
55	506756	VELCRO / LOOP ADHESIF 1" x 75'	AR	
61	363897	PLATE	AR	
62	363518	SUPPORT	AR	
63	900527	GLASS HOLDER	AR	
63	900788	GLASS HOLDER	AR	
NS	860642	GLASS HOLDER / W/"AMAYA" / W/2 HOLES FOR SCREW	1	
64	860875	TRASH BAG, SUPPORT / BLACK FIXED TO WALL	AR	
64	863976	TRASH BAG, SUPPORT / GREY FIXED TO WALL	AR	
NS	861107	TRASH BAG / BOX OF 5000	AR	
65	500353	SCREW TP FL PH #8x3/4 BK	4	
		12 VOLTS POWER OUTLET		
70	562796	12 VOLTS POWER OUTLET	1	
NS	067422	CABLE / 12 VOLTS POWER OUTLET	1	
71	500353	SCREW TP FL PH #8x3/4 BK	2	
72	406241	SUPPORT / 12 VOLTS POWER OUTLET	1	
73	500888	NUT AN JK #10-24	2	
74	500388	SCREW MA RND PH #10-24x1 Z050	2	
80	400543	DECAL, "EMERGENCY EXIT" W/RED ARROW / ENGLISH & FRANCAIS	AR	
80	405627	DECAL, "EMERGENCY EXIT" W/RED ARROW / ENGLISH & SPANISH	AR	
80	403236	DECAL, "EMERGENCY EXIT" / INSTRUCTION / ENGLISH	AR	
80	403237	DECAL, "EMERGENCY EXIT" / INSTRUCTION / ENGLISH & FRANCAIS	AR	

From G-7275 To M-7767	Date:07/2024	PAGE:X3PLB-1829-00
ACCESSORIES PASSENGER'S SEAT - "PREVOST"		

Item#	Part	Description	QTY	Notes
80	408210	DECAL 1.PULL UP BAR 2. PUSH OUT WINDOW" / ENGLISH & SPANISH	AR	
80	407535	DECAL /	AR	
80	408205	DECAL / "EMERGENCY EXIT" : ISSUE DE SECOURS / ENGLISH & FRANCAIS	AR	
80	408206	DECAL / "EMERGENCY EXIT" / ENGLISH	AR	
80	408207	DECAL / "EMERGENCY EXIT" : SALIDA DE EMERGENCIA / ENGLISH & SPANISH	AR	
80	400873	DECAL / "EMERGENCY EXIT" : SALIDA DE EMERGENCIA / ENGLISH & FRANCAIS & ESPAÑOL	AR	
80	403694	DECAL / BRAILLE / EMERGENCY EXIT TO YOUR RIGHT To P-8067	AR	
80	406844	DECAL / BRAILLE / EMERGENCY EXIT TO YOUR RIGHT From P-8068	AR	
80	403695	DECAL / BRAILLE / EMERGENCY EXIT TO YOUR LEFT To P-8067	AR	
80	406845	DECAL / BRAILLE / EMERGENCY EXIT TO YOUR LEFT From P-8068	AR	
80	405775	DECAL / BRAILLE / EMERGENCY EXIT ONLY / ENGLISH & FRANCAIS To P-8067	AR	
80	406847	DECAL / BRAILLE / EMERGENCY EXIT ONLY / ENGLISH & FRENCH From P-8068	AR	
81	408209	DECAL 1.PULL UP BAR 2. PUSH OUT WINDOW" / ENGLISH	AR	
81	408208	DECAL 1.PULL UP BAR 2. PUSH OUT WINDOW" / ENGLISH & FRANCAIS	AR	
81	406098	DECAL 1.PULL UP BAR 2. PUSH OUT WINDOW" / ENGLISH & FRANCAIS w/hole	AR	R
81	400010	DECAL 1.PULL UP BAR 2. PUSH OUT WINDOW" / ENGLISH & FRANCAIS & SPANISH	AR	R
81	403693	DECAL / BRAILLE / PULL UP BAR PUSH OUT WINDOW / ENGLISH To P-8067	AR	
81	406843	DECAL / BRAILLE / PULL UP BAR PUSH OUT WINDOW / ENGLISH From P-8068	AR	
81	403707	DECAL / BRAILLE / TIRER LA BARRE POUSSER LA FENETRE / FRENCH To P-8067	1	
81	406846	DECAL / BRAILLE / TIRER LA BARRE POUSSER LA FENETRE / FRENCH From P-8068	1	
81	504108	RIVET POP DOME OE 1/8x1/2 AL	2	R
81	408203	DECAL EMERGENCY >>>> PICTOGRAPM RIGHT>>>>	AR	
81	400011	DECAL EMERGENCY >>>> PICTOGRAPM RIGHT>>>> ALUMINIUM	AR	R
81	504108	RIVET POP DOME OE 1/8x1/2 AL	2	R
81	408204	DECAL EMERGENCY >>>> PICTOGRAPM LEFT>>>>	AR	
81	400018	DECAL EMERGENCY >>>> PICTOGRAPM LEFT>>>> ALUMINIUM	AR	R
81	400850	DECAL EMERGENCY >>>> OPENING WINDOW >>>> / ENGLISH & FRANCAIS & ESPAÑOL From J-7509	AR	
81	504108	RIVET POP DOME OE 1/8x1/2 AL	2	R
81	406387	DECAL / "ATTENTION À LA MARCHE" / BILINGUAL 13 x 368	1	
81	406386	DECAL / "WATCH YOUR STEP" / "CUINDADO CON EL 13 x 368	1	
85	405211	DECAL / "WARNING ...LOWER THE ARMREST / ENGLISH & FRANCAIS To H-7416	AR	
85	400464	DECAL / "WARNING ...LOWER THE ARMREST / ENGLISH & FRANCAIS From H-7417	AR	
85	405649	DECAL / "WARNING ...LOWER THE ARMREST / ENGLISH & SPANISH To H-7416	AR	
85	400467	DECAL / "WARNING ...LOWER THE ARMREST / ENGLISH & SPANISH From H-7417	AR	
85	407600	DECAL / "WARNING ...LOWER THE ARMREST / ENGLISH To H-7416	AR	
85	400466	DECAL / "WARNING ...LOWER THE ARMREST / ENGLISH From H-7417	AR	
86	409371	DECAL, PRIORITY SEATING / ENGLISH & FRANCAIS To G-7320	1	
. NS	409372	. DECAL, PRIORITY SEATING / ENGLISH & FRANCAIS To G-7320	1	
86	400265	DECAL, PRIORITY SEATING / ENGLISH & FRANCAIS From G-7321	1	
86	409409	DECAL, PRIORITY SEATING / ENGLISH & SPANISH To G-7320	2	
. NS	409408	. DECAL, PRIORITY SEATING / ENGLISH & SPANISH To G-7320	1	
86	400266	DECAL, PRIORITY SEATING / ENGLISH & SPANISH From G-7321	2	

From G-7275 To M-7767	Date:07/2024	PAGE:X3PLB-1829-00
-----------------------	--------------	--------------------

ACCESSORIES PASSENGER'S SEAT - "PREVOST"

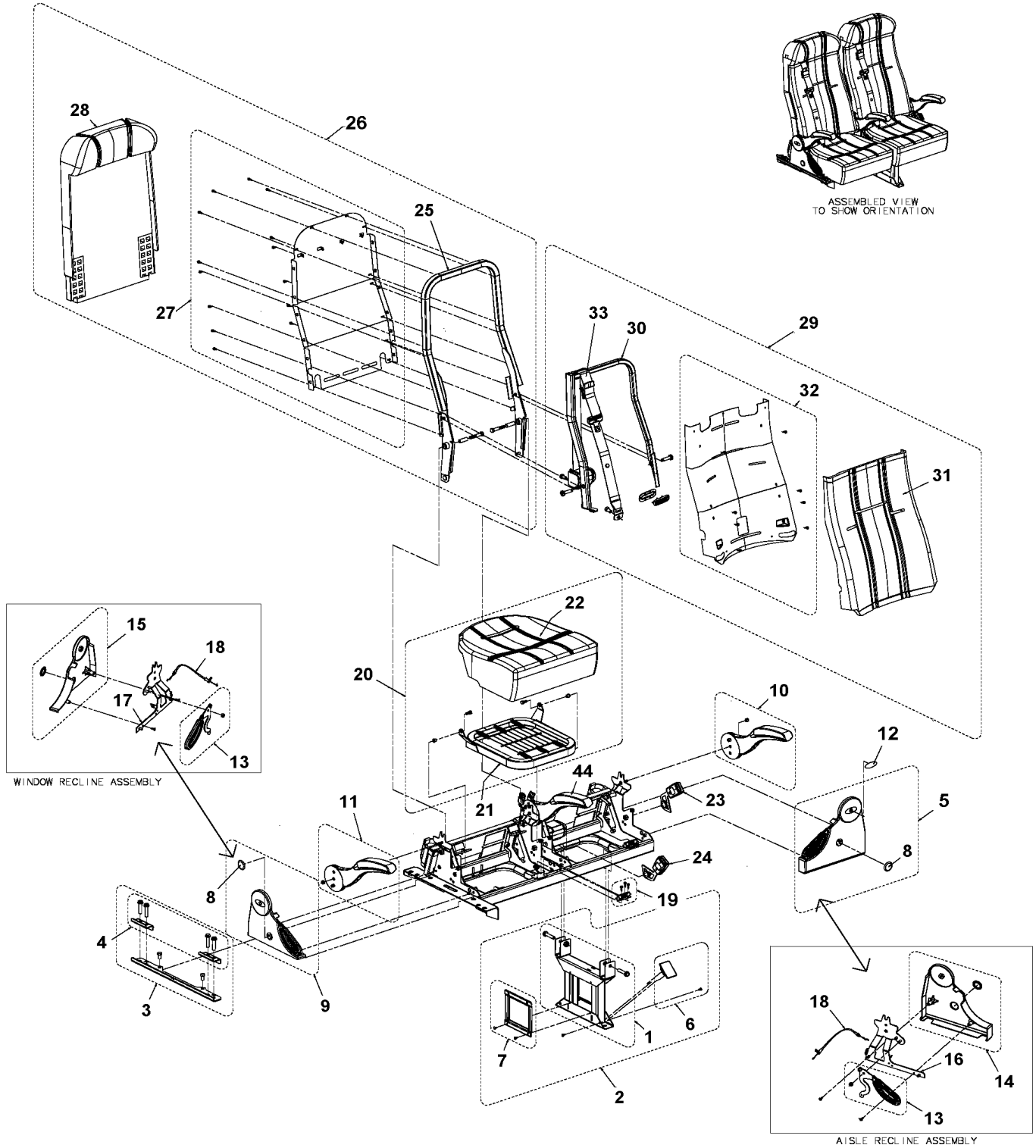
Item#	Part	Description	QTY	Notes
86	400006	DECAL, PRIORITY SEATING / ENGLISH & SPANISH & FRANCAIS To G-7320	2	
86	400267	DECAL, PRIORITY SEATING / ENGLISH & SPANISH & FRANCAIS From G-7321	2	
86	400310	DECAL, PRIORITY SEATING / ENGLISH From G-7321	2	
87	409369	DECAL, PRIORITY SEATING PICTOGAMME To G-7320	2	
88	504108	RIVET POP DOME OE 1/8x1/2 AL To G-7320	20	
NS	500437	WASHER FL .125x.375x.040 Z050 To G-7320	4	
88	504263	RIVET POP DOME OE 1/8x3/8 AL From G-7321	12	
88	5001067	WASHER FL .128x.312x.032 SS From G-7321	4	
90	406603	DECAL SEAT NUMBER 1-2 UP TO 57-58-59 GREY	AR	
91	406605	DECAL SEAT NUMBER 1-2 UP TO 57-58-59 GREY	AR	
92	406604	DECAL SEAT NUMBER 3-4 UP TO 59-60-61 GREY	AR	
93	406606	DECAL SEAT NUMBER 3-4 UP TO 59-60-61 GREY	AR	
94	405958	DECAL V.I.P. SEAT NUMBER GREY	AR	
95	405978	DECAL SEAT / W/ROW NUMBER GREY	AR	
96	406548	DECAL / QR CODE / PASSENGER SEAT	1	
96	408358	DECAL / QR CODE / DRIVER SEAT	1	
100	323811	DECAL / "SEAT BELT PICTOGRAMME" GREY	AR	
100	323557	DECAL / "SEAT BELT PICTOGRAMME" BLUE	AR	
701	363795	. COVERING W/4 GLASS HOLDER / MEDIUM GREY 857MM	1	
702	862955	. LEG 26 1/2" / 673.1MM	1	
702	364300	. LEG 26 1/2" / 673.1MM	1	
702	364299	. SUPPORT TABLE LEG	1	
704	360255	. HINGE / TABLE SECTION	1	
. A	360620	. . ROD LOCK	1	
. B	363604	. . SPRING COMPRESSION / .500 O.D. x 6.25 x .062	1	
. C	505221	. . SPRING, PIN 1/8 X 3/8	1	
NS	500841	. SCREW TP PAN PH #14x3/4 Z050	9	
NS	506006	. TAPE RUB ADH1 CC POL 3/8" x 1 1/4" x 20' / GREY 2520	AR	
NS	364303	. DECAL "INSTALLATION OF CARD TABLE...." "BILINGUAL"	1	
NS	360622	. ENVELOPE ASSY TABLE	1	
705	364115	HINGE / WALL SECTION 25x33x10 "J"	1	
NS	500136	SCREW MA OV PH 1/4-20x1 1/2 SS EMN	3	
		R) FIX WITH RIVET		
		1) NOT SOLD SEPARATELY		

From G-7275 To M-7767

Date:07/2024

PAGE:X3PLB-1830-00

PASSENGER'S SEAT - "AMERICAN" & "IMMI" "PREMIER"&"SAFEGUARD PREMIER"

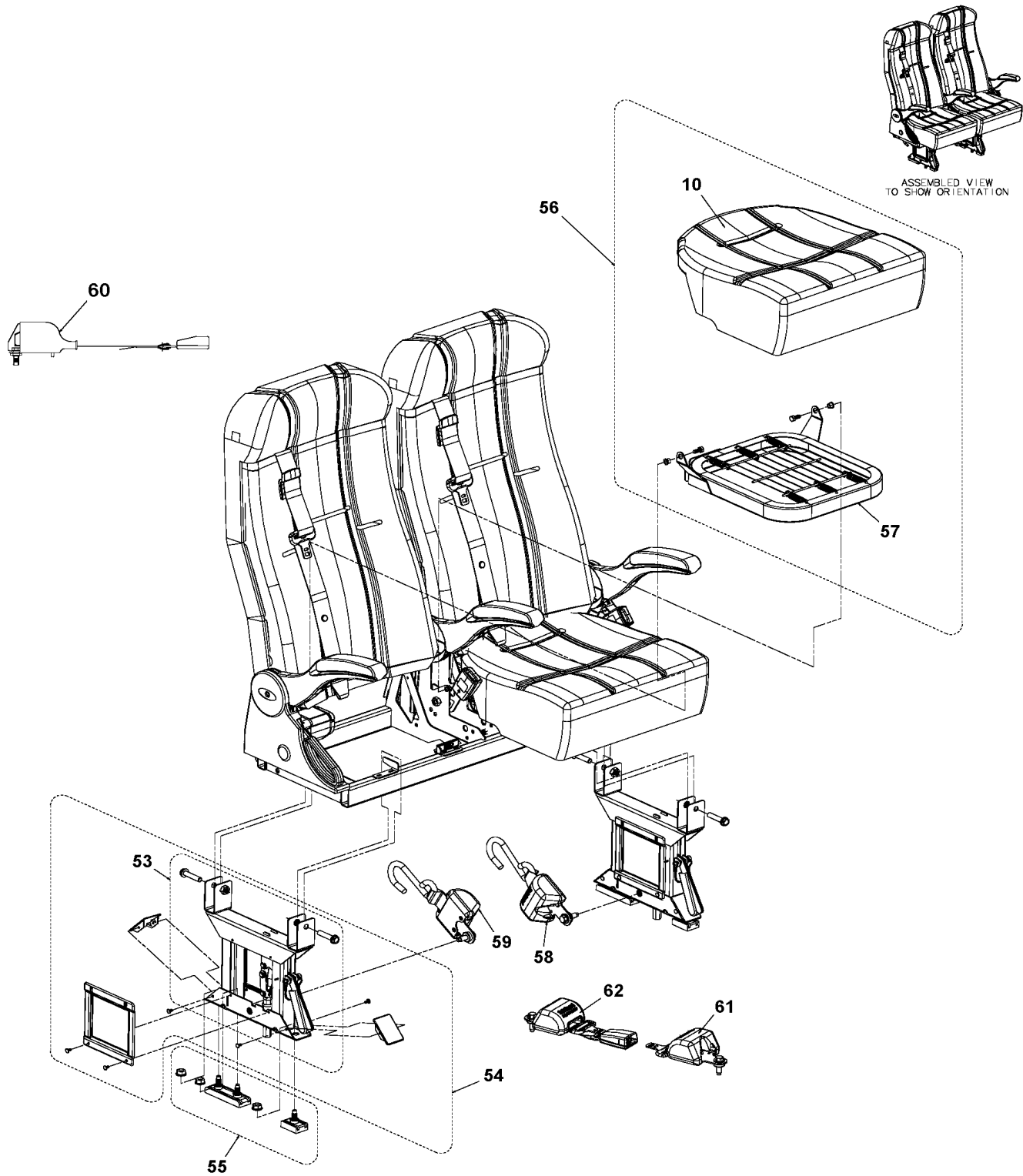


From G-7275 To M-7767

Date:07/2024

PAGE:X3PLB-1830-00

PASSENGER'S SEAT - "AMERICAN" & "IMMI" "PREMIER"&"SAFEGUARD PREMIER"

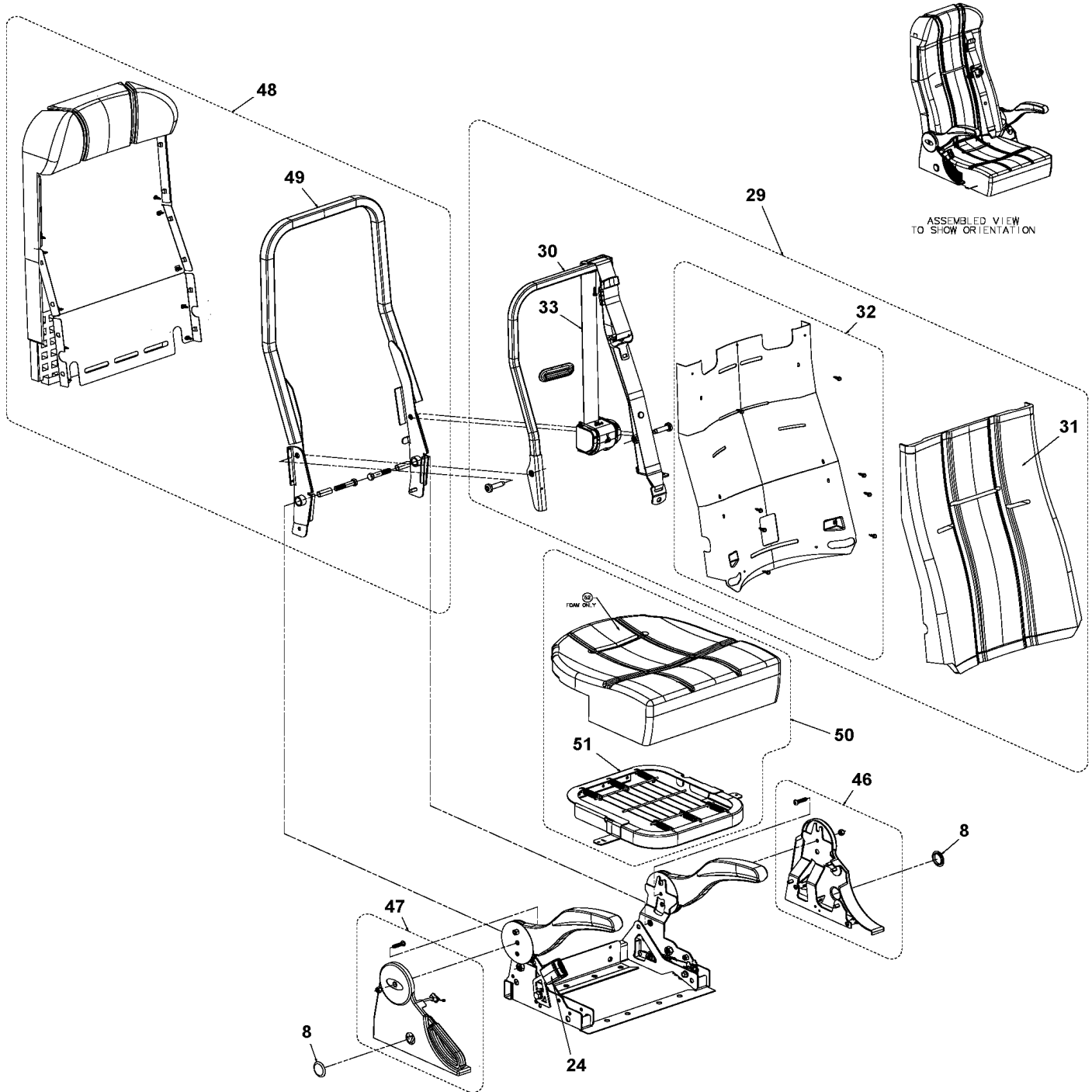


From G-7275 To M-7767

Date:07/2024

PAGE:X3PLB-1830-00

PASSENGER'S SEAT - "AMERICAN" & "IMMI" "PREMIER"&"SAFEGUARD PREMIER"

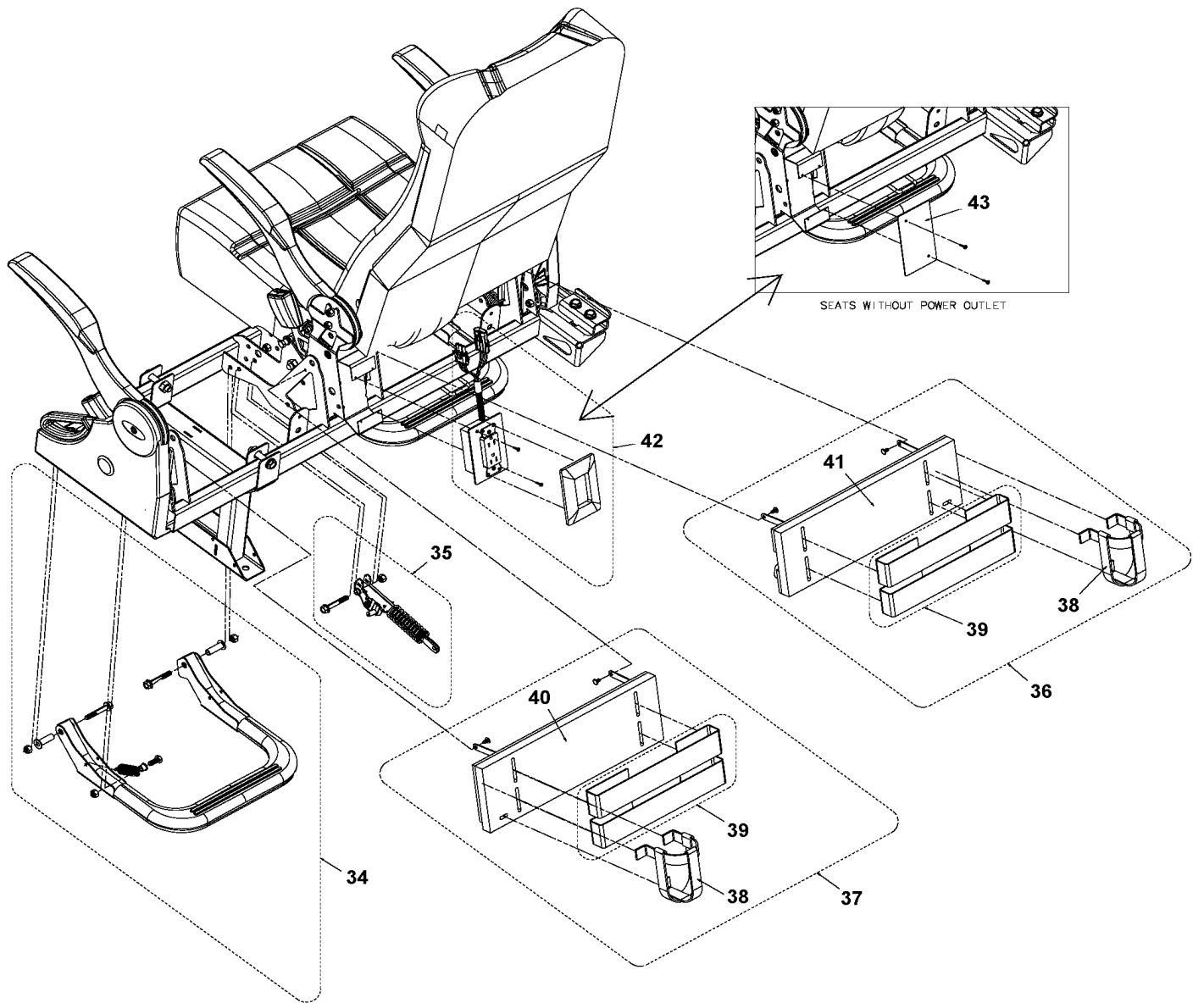
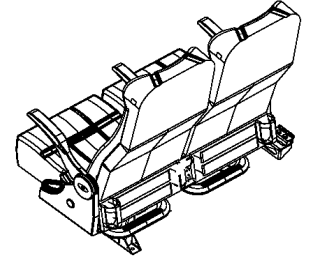


From G-7275 To M-7767

Date:07/2024

PAGE:X3PLB-1830-00

PASSENGER'S SEAT - "AMERICAN" & "IMMI" "PREMIER"&"SAFEGUARD PREMIER"

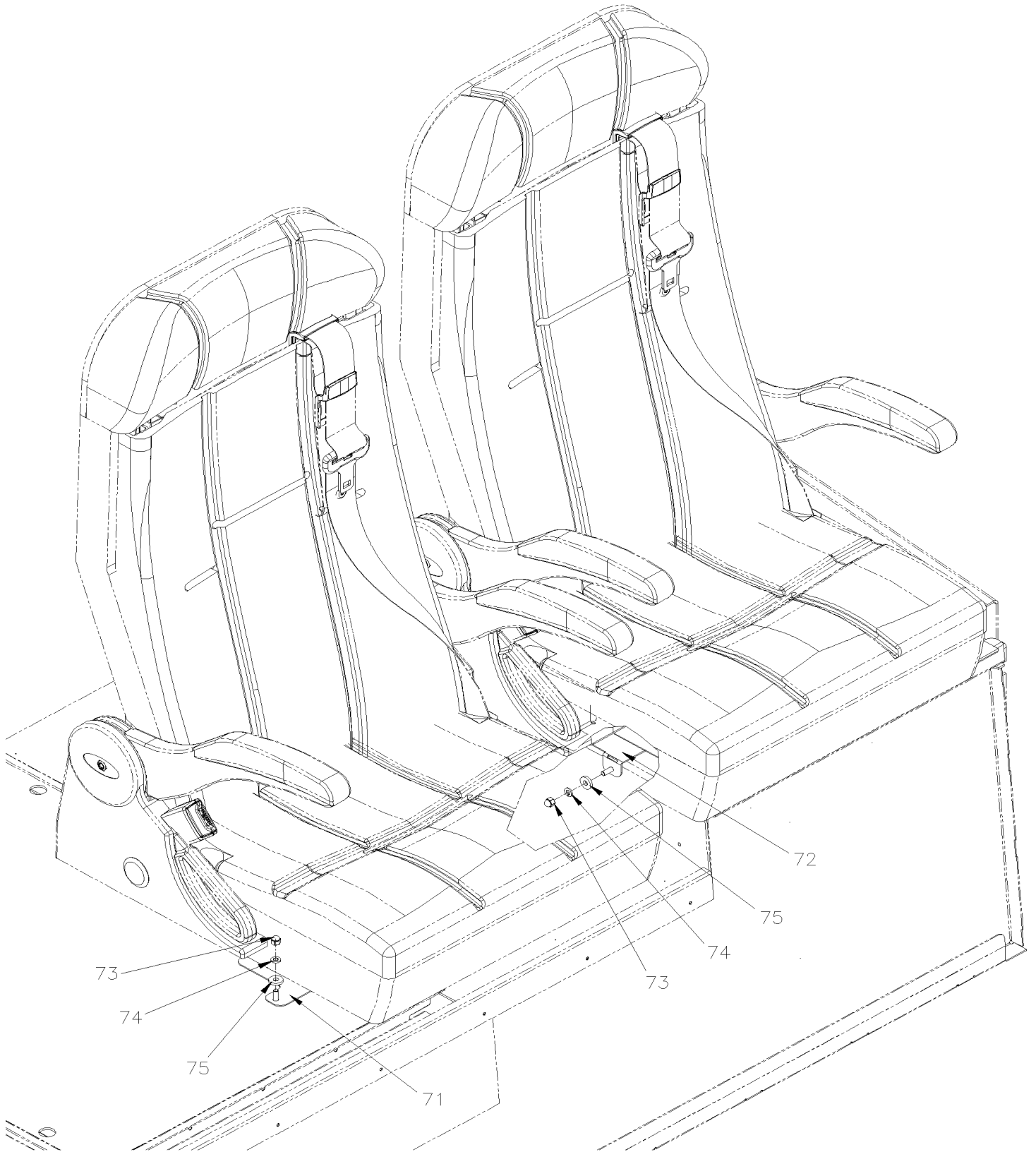


From G-7275 To M-7767

Date:07/2024

PAGE:X3PLB-1830-00

PASSENGER'S SEAT - "AMERICAN" & "IMMI" "PREMIER"&"SAFEGUARD PREMIER"



From G-7275 To M-7767 Date:07/2024 PAGE:X3PLB-1830-00

PASSENGER'S SEAT - "AMERICAN" & "IMMI" "PREMIER"&"SAFEGUARD PREMIER"

Item#	Part	Description	QTY	Notes
	329177	SEAT STOPPER BLOCK 275MM x 31.75MM	AR	
	329994	SEAT STOPPER 56MM x 31.75MM	AR	
	3200521	SEAT STOPPER 95MM x 31.75MM	AR	
	504459	RIVET MGLP PRDG 1/4x3/8 SS	12	
	323809	DECAL/ ARROW > SEAT POSITION 25MM x 35MM	6	
1	Call order desk	PEDESTAL WELDMENT STANDARD / KIT	1	P
2	Call order desk	PEDESTAL, WELDMENT STANDARD / KIT	1	P
2	Call order desk	PEDESTAL, WELDMENT STANDARD (WTOR FIX) / KIT	1	P
3	Call order desk	CLAMP BRACKET WITH TOOTH / KIT	1	P
4	N.S.P.	CLAMP BRACKET	2	2
4	867802	BOLT	4	
5	Call order desk	RECLINE ASSY / CURBE SIDE / KIT	1	P
5	Call order desk	RECLINE ASSY / STREET SIDE / KIT	1	P
6	864431	COVER, TUBE END / KIT	20	
7	866092	COVER, PLASTIC PED SIDE / KIT	20	
8	864432	PLUG, FLUSH MOUNT	8	
9	Call order desk	RECLINE ASSY / CURBE SIDE / KIT	1	P
9	Call order desk	RECLINE ASSY / STREET SIDE / KIT	1	P
10	864433	ROTATE ARMREST ASSY / CURBE SIDE / KIT	1	
10	864434	ROTATE ARMREST ASSY / STREET SIDE / KIT	1	
11	867626	STATIONARY ARMREST ASSY / CURBE SIDE / KIT	1	
11	867627	STATIONARY ARMREST ASSY / STREET SIDE / KIT	1	
12	Call order desk	STICKER, "PREMIER"	10	P
13	864435	RECLINE HANDLE / KIT	1	
14	864436	COVER, AISLE / CURBE SIDE / KIT	1	
14	864437	COVER, AISLE / STREET SIDE / KIT	1	
15	Call order desk	COVER, WINDOW / CURBE SIDE / KIT	1	P
15	Call order desk	COVER, WINDOW / STREET SIDE / KIT	1	P
16	Call order desk	COVER BRACKET ASSY RIGHT / KIT	1	P
17	Call order desk	COVER BRACKET ASSY LEFT / KIT	1	P
18	864438	CABLE	1	
19	861717	SLAM LATCH ASSY / KIT	4	
20	Call order desk	SEAT BUN ASSY / KIT	1	P
21	Call order desk	BUN WELDMENT W/ FLEX-O-LATOR ASSY	1	P
22	Call order desk	BUN FOAM	1	P
23	864439	K-12 NARROW BUCKLE #1 / CURBSIDE	1	
23	864441	K-12 NARROW BUCKLE #2 / STREET SIDE	1	
23	860132	NARROW BUCKLE ASS	1	
24	864440	K-12 NARROW BUCKLE #2 / CURBSIDE	1	
24	864442	K-12 NARROW BUCKLE #1 / STREET SIDE	1	
24	860132	NARROW BUCKLE ASS	1	
25	Call order desk	OUTER FRAME WELDMENT	1	P

From G-7275 To M-7767	Date:07/2024	PAGE:X3PLB-1830-00
-----------------------	--------------	--------------------

PASSENGER'S SEAT - "AMERICAN" & "IMMI" "PREMIER"&"SAFEGUARD PREMIER"

Item#	Part	Description	QTY	Notes
25	868141	. BUSHING ID 0.45xOD 0.8x0.86	2	
26	Call order desk	OUTER FRAME ASSY / KIT	1	P
27	Call order desk	SEAT BACK PAN / KIT	1	P
28	Call order desk	UPPER REAR SEAT FOAM / KIT	1	P
29	Call order desk	INNER MODULE ASSY / CURBE SIDE / KIT	1	P
29	Call order desk	INNER MODULE ASSY / STREET SIDE / KIT	1	P
30	Call order desk	INNER FRAME WELDMENT / CURBE SIDE	1	P
30	Call order desk	INNER FRAME WELDMENT / STREET SIDE	1	P
31	Call order desk	INNER FRAME FOAM	1	P
32	864443	BACK PLASTIC PANEL / KIT / LH	1	
32	864448	BACK PLASTIC PANEL / KIT / RH	1	
33	867837	SEAT BELT ASSY / KIT	1	
33	867679	BEZAL BACK BLACK	1	
33	867680	BEZAL FRONT BLACK	1	
34	Call order desk	FOOTREST WELDMENT / KIT	1	P
35	864444	CLAMPING LEVER ASSY / CURBE SIDE / KIT	1	
35	864445	CLAMPING LEVER ASSY / STREET SIDE / KIT	1	
36	N.S.S.	MAGAZINE W/CUP HOLDER ASSY LH / KIT	1	1
37	N.S.S.	MAGAZINE W/CUP HOLDER ASSY RH / KIT	1	1
38	864890	CUP HOLDER	10	
39	864891	ELASTIC STRAP / KIT	20	
40	N.S.S.	KICK PANEL ASSY REAR SEAT RH / KIT	1	1
41	N.S.S.	KICK PANEL ASSY REAR SEAT LH / KIT	1	1
42	868964	OUTLET PLUG ASSY KIT	1	
42	866247	. FINISHING PLATE - OUTLET PLUG To FORMER	1	
42	868127	. FINISHING PLATE - OUTLET PLUG From CURRENT	1	
43	864449	BLANK COVER / KIT	10	
44	864450	ROTATE ARMREST ASSY / STREET SIDE / KIT	1	
44	864451	ROTATE ARMREST ASSY / CURBE SIDE / KIT	1	
46	Call order desk	RECLINE ASSY LEFT / KIT	1	P
47	Call order desk	RECLINE ASSY RIGHT / KIT	1	P
48	Call order desk	OUTER FRAME ASSY / KIT	1	P
49	Call order desk	OUTER FRAME WELDMENT	1	P
50	Call order desk	SEAT BUN ASSY	1	P
51	Call order desk	SEAT BUN WELDMENT	1	P
52	Call order desk	BUN FOAM	1	P
53	Call order desk	PEDESTAL WELDMENT ASSY - SLIDER / KIT	1	P
54	Call order desk	PEDESTAL WELDMENT ASSY - SLIDER / KIT	1	P
55	864452	BLOCK MOUNT ASSY / KIT / FOWARD	1	
55	864446	BLOCK MOUNT ASSY / KIT / REARWARD	1	
56	Call order desk	SEAT BUN ASSY - SLIDER / KIT	1	P
57	Call order desk	SEAT BUN FRAME ASSY	1	P

From G-7275 To M-7767	Date:07/2024	PAGE:X3PLB-1830-00
PASSENGER'S SEAT - "AMERICAN" & "IMMI" "PREMIER"&"SAFEGUARD PREMIER"		

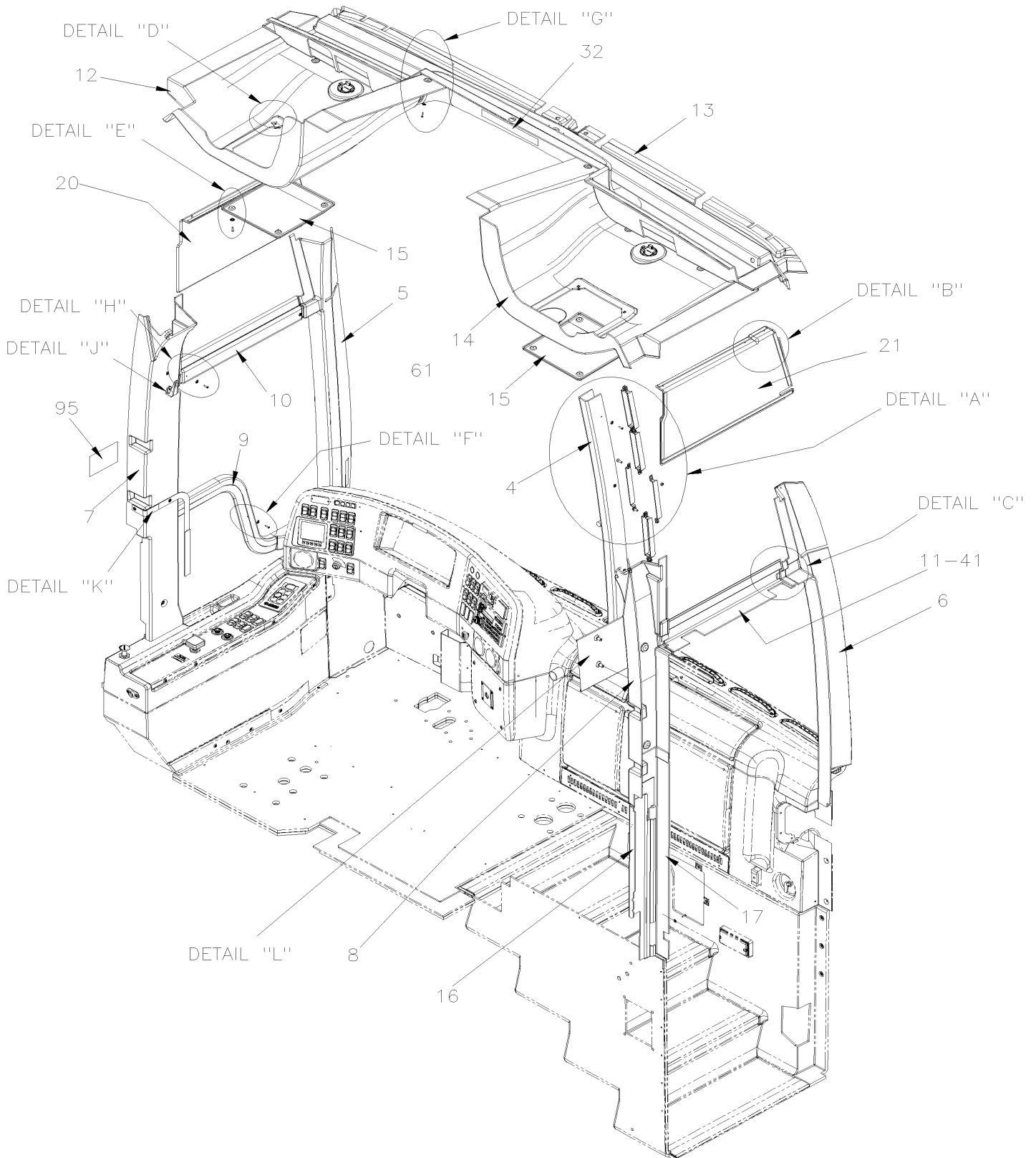
Item#	Part	Description	QTY	Notes
58	863736	TIEDOWN RIGHT	1	
59	863737	TIEDOWN LEFT	1	
60	864453	SHOULDER BELT RETRACTOR	1	
61	864454	PED SHOULDER BELT RETRACTOR	1	
62	864455	RETRACTOR, TONGUE, BUCKLE	1	
NS	Call order desk	CLIP, PUSH-IN	100	P
NS	Call order desk	U-TYPE FASTENER	100	P
NS	Call order desk	SCREW, #10 SELF DRILLING	100	P
71	364379	SUPPORT, REAR CROSS SEAT	1	
72	364382	SUPPORT, REAR CROSS SEAT	1	
73	5001684	NUT HEX CAP M6-1.0 SS	4	
74	502570	WASHER LO SPT 6.1x11.8x1.6 SS	4	
75	5001654	WASHER FL 6.4x17.0x3.0 SS	4	
		1) NOT SOLD SEPARATELY		
		2) NOT SOLD BY PREVOST (SEE MANUFACTURING PART NUMBER AT END OF DESCRIPTION LINE)		
		P) CALL ORDER DESK FOR SPECIFIC APPLICATION (V.I.N.)		

From G-7275 To K-7662

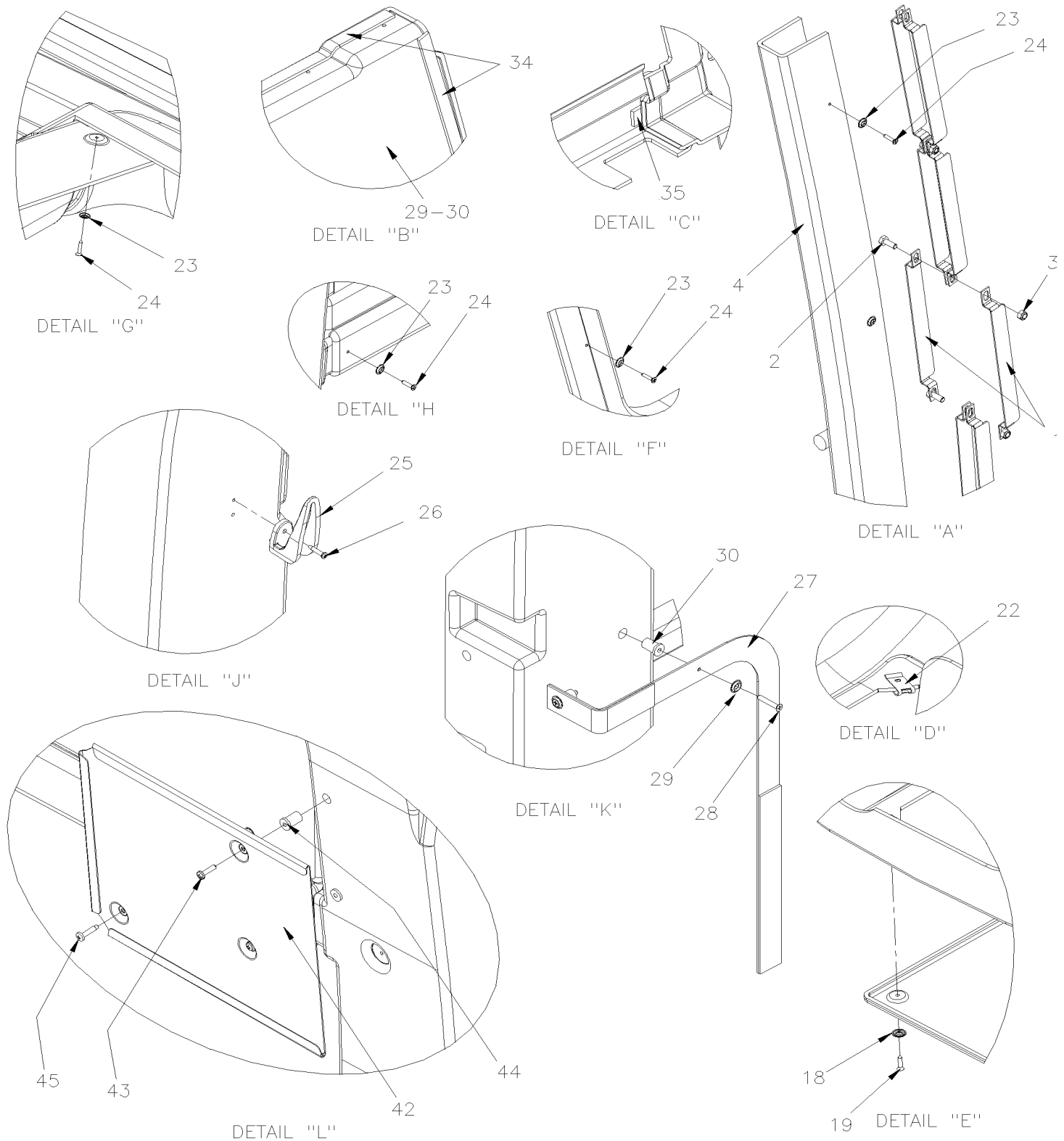
Date:07/2024

PAGE:X3PLB-1832-00

FRONT FINISHING CAP - BUS



FRONT FINISHING CAP - BUS



From G-7275 To K-7662	Date:07/2024	PAGE:X3PLB-1832-00
FRONT FINISHING CAP - BUS		

Item#	Part	Description	QTY	Notes
1	326744	CENTRAL MOULDING SUPPORT	6	
2	502531	SCREW CAP HEX M6-1.0x16 G8.8 Z050	6	
3	502511	NUT HEX NYRT M6-1.0 Z050	6	
4	3201218	CENTER MOULDING	1	
5	327042	FINISHING MOULDING L.H. WINDSHIELD	1	
5	321767	FINISHING MOULDING L.H. WINDSHIELD / W/O UPPER WINDOWS From H-7320	1	W
6	327000	FINISHING MOULDING R.H. WINDSHIELD	1	
6	3202677	FINISHING MOULDING R.H. WINDSHIELD / W/O UPPER WINDOWS From H-7320	1	W
7	327187	L.H. MOULDING	1	
7	321880	L.H. MOULDING / W/O UPPER WINDOWS From H-7320	1	W
8	327186	R.H. MOULDING	1	
8	323154	R.H. MOULDING	1	A
8	321749	R.H. MOULDING / W/O UPPER WINDOWS From H-7320	1	W
8	321570	R.H. MOULDING W/HEARING LOOP	1	IN
NS	500463	WASHER FN CKF .187x.500x.090 BR Z050	AR	
NS	500552	SCREW TP OV PH #6x3/4 Z050	AR	
9	326741	FINISHING MOULDING SERVICE DOOR	1	
10	327681	UPPER MOULDING SERVICE DOOR	1	
10	321127	UPPER MOULDING SERVICE DOOR / W/O UPPER WINDOWS From H-7320	1	W
11	327134	UPPER MOULDING ENTRANCE DOOR	1	
11	321751	UPPER MOULDING ENTRANCE DOOR / W/O UPPER WINDOWS From H-7320	1	W
12	341099	TRANSITION CEILING FRONT LEFT W/HALOGEN	1	
12	341491	TRANSITION CEILING FRONT LEFT W/LED LIGHT From H-7320	1	
13	341101	TRANSITION CEILING PANEL / W/FAN INSTALLATION	1	
13	341221	TRANSITION CEILING PANEL / W/DESTINATION SIGN	1	
14	341100	TRANSITION CEILING FRONT RIGHT W/HALOGEN	1	
14	343593	TRANSITION CEILING FRONT RIGHT W/HALOGEN W/SIGN	1	A
14	341490	TRANSITION CEILING FRONT RIGHT W/LED LIGHT From H-7320	1	
15	341070	ACCESS PANEL CEILING FRONT	2	
NS	500563	NUT SPR U #8-32 .094-.125	8	
16	327214	R.H. MOULDING	1	
16	321567	R.H. MOULDING W/HEARING LOOP	1	IN
17	327213	R.H. MOULDING	1	
18	500463	WASHER FN CKF .187x.500x.090 BR Z050	8	
19	500626	SCREW TP OV PH #8x3/4 Z050	8	
20	321756	CLOSING CAP / STREET SIDE / W/O UPPER WINDOWS 1 From H-7320	1	W
21	3202676	CLOSING CAP / CURBSIDE / W/O UPPER WINDOWS From H-7320	1	W
22	500996	NUT SPR U #6-32 .135-.150	8	
23	500463	WASHER FN CKF .187x.500x.090 BR Z050	AR	
24	500552	SCREW TP OV PH #6x3/4 Z050	AR	
25	900297	HOOK / COAT To J-7433	1	
25	900065	HOOK / COAT From J-7434	1	

From G-7275 To K-7662	Date:07/2024	PAGE:X3PLB-1832-00
FRONT FINISHING CAP - BUS		

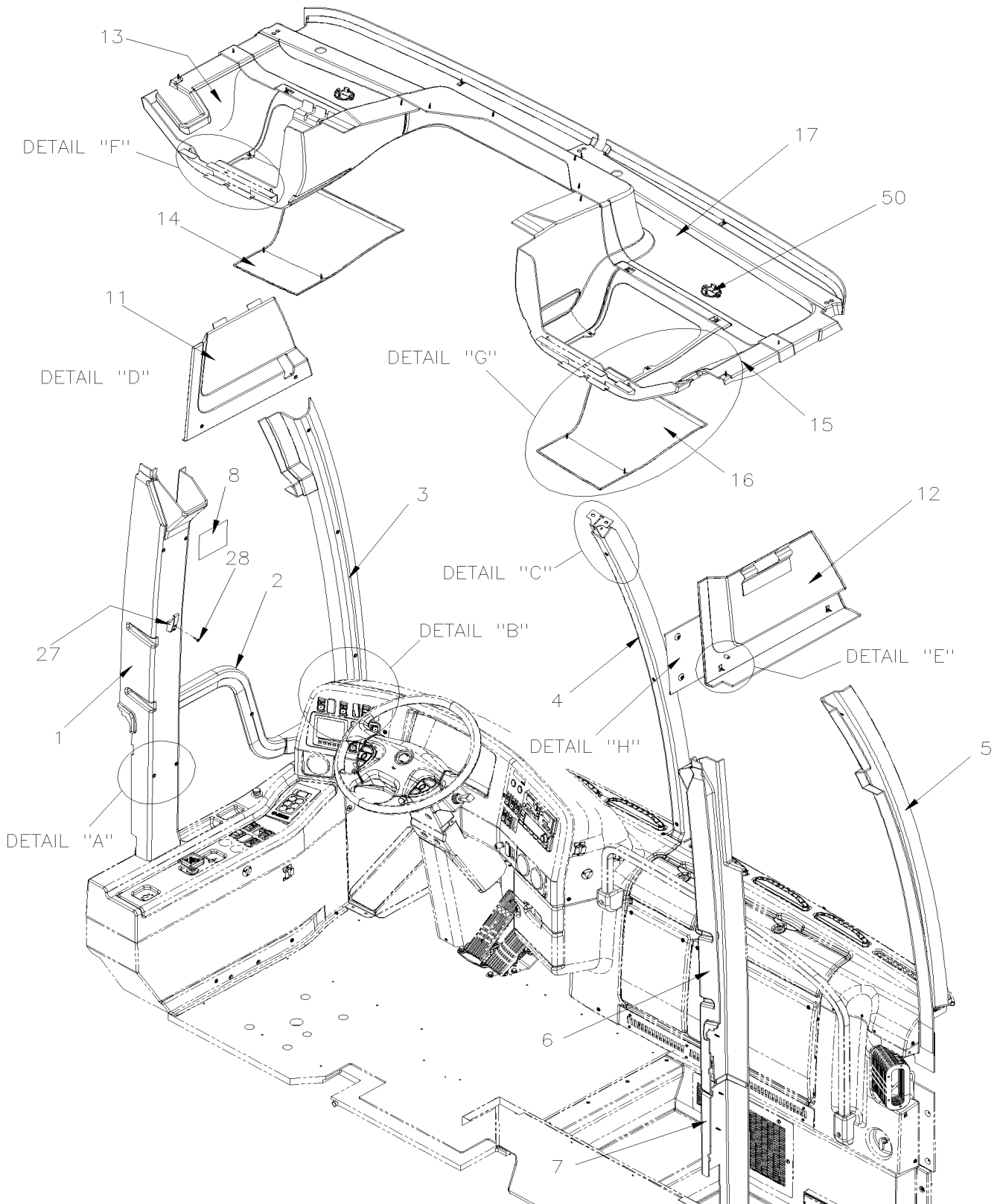
Item#	Part	Description	QTY	Notes
25	900066	CAP, COAT HOOK From J-7434	1	
NS	405052	SUPPORT / REINFORCEMENT REAR OF CAP	1	
NS	504340	RIVET POP DOME OE 1/8x3/16 SS	2	
26	500633	SCREW CAP HEX 5/16-24x7/8 G5 ZP To J-7433	2	
26	5001155	SCREW TP PAN PH #8X3/4 N050 From J-7434	2	
27	409105	STRAP ASSY	1	
28	5001414	SCREW MA FL PH M4-0.7x16 BK	2	
29	500345	WASHER FN CKF .187x.500x.090 BR BK	2	
30	5001055	NUT WELL M4-0.7x14.5 To H-7124	2	
30	500589	NUT WELL M4-0.7x13.5 From H-7125	2	
32	406388	DECAL / "WATCH YOUR STEP" 13 x 368	1	
32	406387	DECAL / "ATTENTION À LA MARCHE" / BILINGUAL 13 x 368	1	
32	406386	DECAL / "WATCH YOUR STEP" / "CUINDADO CON EL 13 x 368	1	
34	506643	TAPE RUB ADH1 CC NEO 1/8" x 1/2" x 60' / BLACK 2011 From H-6104	AR	W
35	790597	RUBBER BLOCK ADJUSTEMENT 20MM x 31.75MM x 4.7 60 DURO	AR	
NS	IS19921	BELT CUTTER INSTALLATION IN THE DRIVER AREA	1	
. NS	860584	. BELT CUTTER	1	
. NS	7770495	. 3M DUAL LOCK VELCRO	1	
. NS	IS-19921	. SEE INSTRUCTION SHEET	1	
. NS	FI-19921	. VOIR FEUILLE D'INSTRUCTION	1	
		WITH "GREYHOUND" OPTION		
41	3200621	UPPER MOULDING ENTRANCE DOOR	1	GR
42	406515	SUPPORT, DRIVER SHEDULE HOLDER	1	GR
43	502698	SCREW MA PAN PH M4-0.7x16 SS BK	2	GR
44	500589	NUT WELL M4-0.7x13.5	2	GR
45	500854	SCREW TC BDG PH #8-32x3/4 N500	1	GR
95	0691001	DECAL EMISSION WARNING CALIFORNIA From K-7600	1	C
		A) USE WITH SIDE SIGN		
		C) REGULATIONS OF CALIFORNIA		
		GR) WITH "GREYHOUND" OPTION		
		IN) INDIAN TRAILS OPTION		
		W) WITH FRONT CAP WITHOUT UPPER WINDOWS		

From L-7663 To M-7767

Date:07/2024

PAGE:X3PLB-1832-01

FRONT FINISHING CAP



From L-7663 To M-7767	Date:07/2024	PAGE:X3PLB-1832-01
FRONT FINISHING CAP		

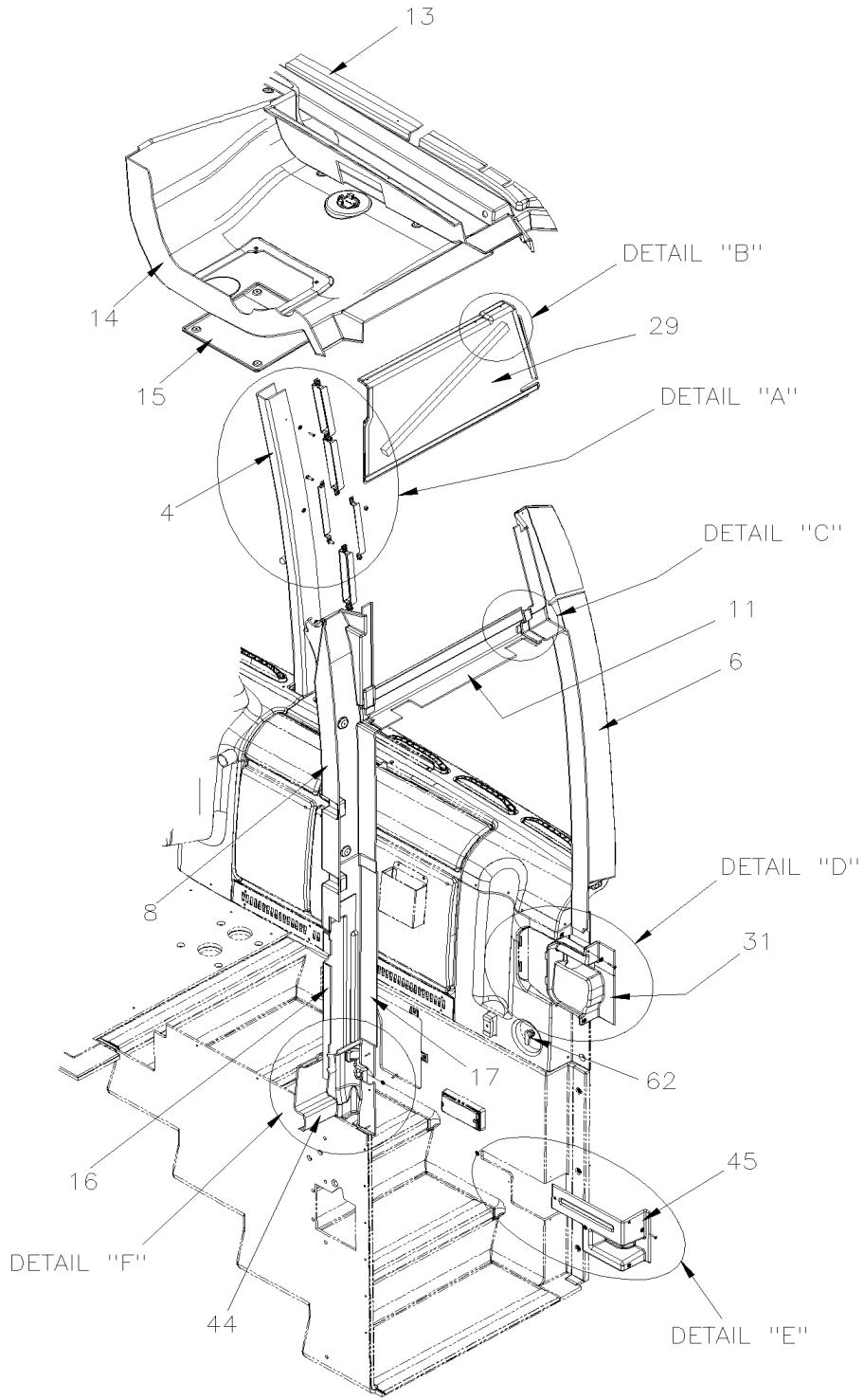
Item#	Part	Description	QTY	Notes
1	3210441	MOULDING,"A"POST LEFT COACH	1	
2	3210320	MOULDING, SERVICE DOOR X3	1	
3	3210288	WINDSHIELD LEFT MOULDING X3	1	
4	3210289	WINDSHIELD CENTRAL MOULDING W/O DEST SIGN	1	
4	3210607	WINDSHIELD CENTRAL MOULDING WITH DEST SIGN	1	
5	3210290	WINDSHIELD RIGHT MOULDING X3	1	
6	3210429	MOULDING "A" POST RIGHT WO/DEST. SIGN	1	
6	3210287	MOULDING "A" POST RIGHT W/DEST. SIGN	1	
7	3210442	MOULDING "A" POST RIGHT DOWN	1	
8	7770449	DECAL, "VEHICLE ANNUAL INSPECTION" DOT ENGLISH From M-7774	1	
11	Call order desk	PANEL CLOSING, FRONT LH ASSY.	1	P
12	Call order desk	PANEL CLOSING, FRONT RH ASSY.	1	P
13	340324	CEILING TRANSITION, FRONT LH	1	
14	Call order desk	PANEL, ACCESS LEFT FRONT ASS	1	P
15	340161	TRANSITION CEILING FRONT RH	1	
16	Call order desk	PANEL, ACCESS RIGHT FRONT ASS	1	P
17	340218	CEILING CENTRAL W/O DEST SIGN & W/O UPPER DEFROSTER To N-8007	1	
17	341414	CEILING CENTRAL W/O DEST SIGN & W/O UPPER DEFROSTER From P-8008	1	
17	340397	CEILING CENTRAL W/O DEST SIGN & W/UPPER DEFROSTER To N-8007	1	
17	341416	CEILING CENTRAL W/O DEST SIGN & W/UPPER DEFROSTER From P-8008	1	
17	340338	CEILING CENTRAL W/DEST SIGN & W/O UPPER DEFROSTER To N-8007	1	
17	341417	CEILING CENTRAL W/DEST SIGN & W/O UPPER DEFROSTER From P-8008	1	
17	340402	CEILING CENTRAL W/DEST SIGN & W/UPPER DEFROSTER To N-8007	1	
17	341419	CEILING CENTRAL W/DEST SIGN & W/UPPER DEFROSTER From P-8008	1	
NS	504534	GROMMET / .875x1.250x.187x.562x1.625	2	
21	5002083	SCREW DR SEMS FN OV PH #8X1 N050	25	
22	500684	NUT SPR U #8A .025-.064	6	
23	5002070	SCREW DR SEMS FN OV PH #8x1 Z050	21	
24	5002071	NUT SPR U #8 .110-.187 BK	8	
25	5001932	NUT HEXF NYRT M6-1.0 G8.8 N500	4	
NS	680108	TAPE RUB ADH2 VHB 1" x .045" x 108'	AR	
27	900065	HOOK / COAT	1	
28	5001155	SCREW TP PAN PH #8X3/4 N050	2	
NS	IS19921	BELT CUTTER INSTALLATION IN THE DRIVER AREA	1	
. NS	860584	. BELT CUTTER	1	
. NS	7770495	. 3M DUAL LOCK VELCRO	1	
. NS	IS-19921	. SEE INSTRUCTION SHEET	1	
. NS	FI-19921	. VOIR FEUILLE D'INSTRUCTION	1	
31	401335	SUPPORT, DRIVER SHEDULE HOLDER	1	GLI

From L-7663 To M-7767		Date:07/2024	PAGE:X3PLB-1832-01
-----------------------	--	--------------	--------------------

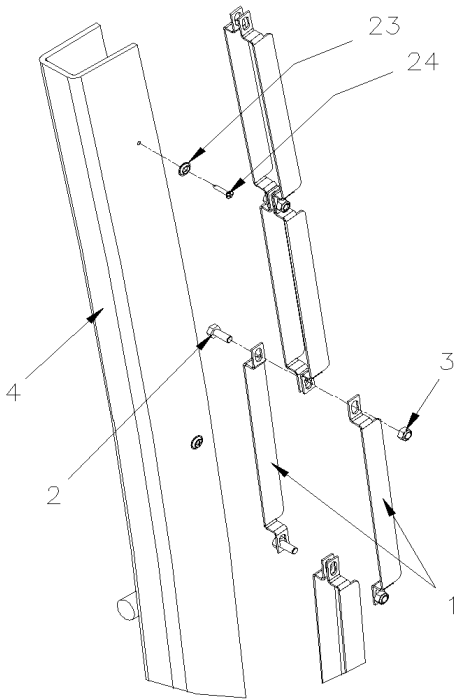
FRONT FINISHING CAP

Item#	Part	Description	QTY	Notes
32	502698	SCREW MA PAN PH M4-0.7x16 SS BK	1	GLI
33	500589	NUT WELL M4-0.7x13.5	1	GLI
50	X3PLB-0655-00	INTERIOR LIGHTING / "LED"	2	
		GLI) GREYHOUND OPTION		
		P) CALL ORDER DESK FOR SPECIFIC APPLICATION (V.I.N.)		

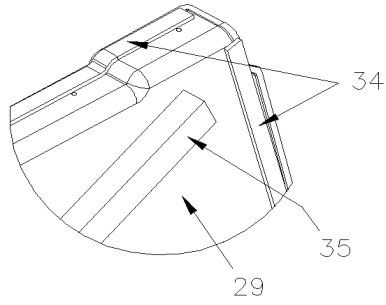
FRONT FINISHING CAP - BUS WITH BY-FOLD DOOR



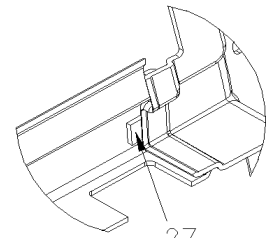
FRONT FINISHING CAP - BUS WITH BY-FOLD DOOR



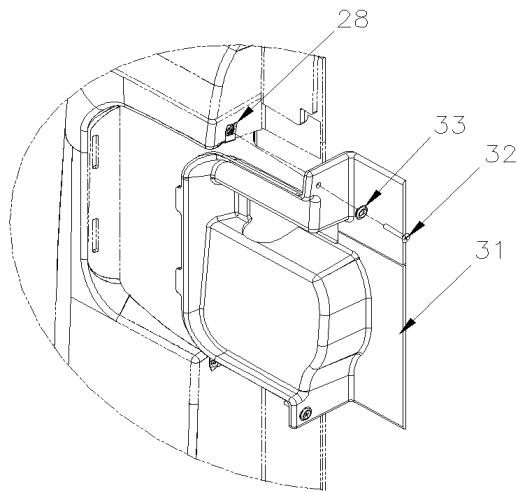
DETAIL "A"



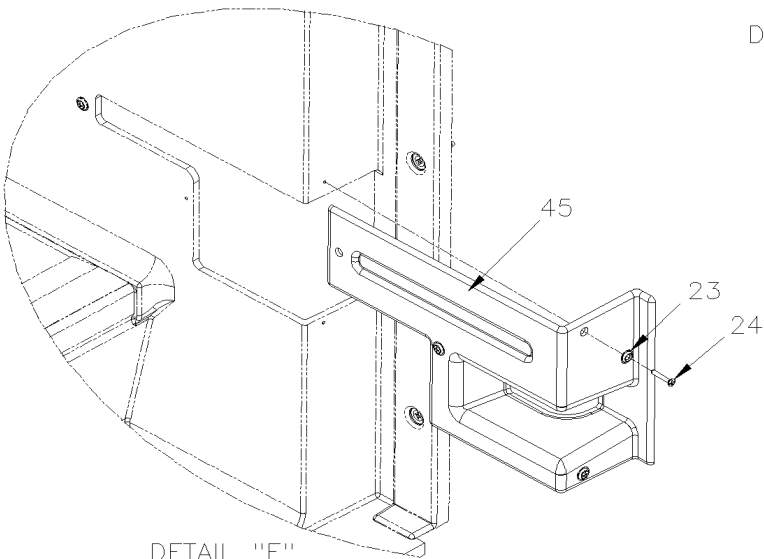
DETAIL "B"



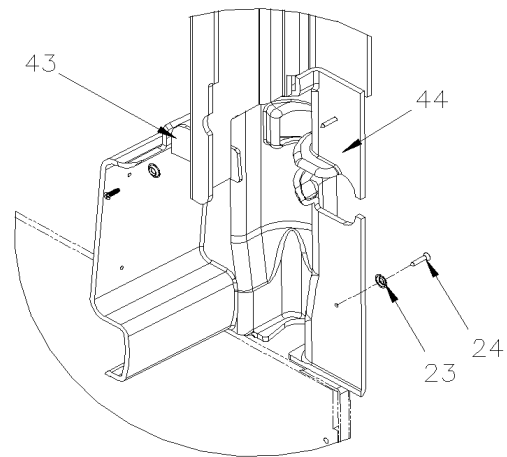
DETAIL "C"



DETAIL "D"



DETAIL "E"

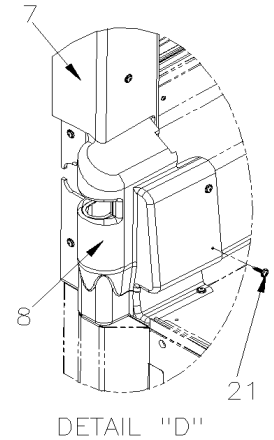
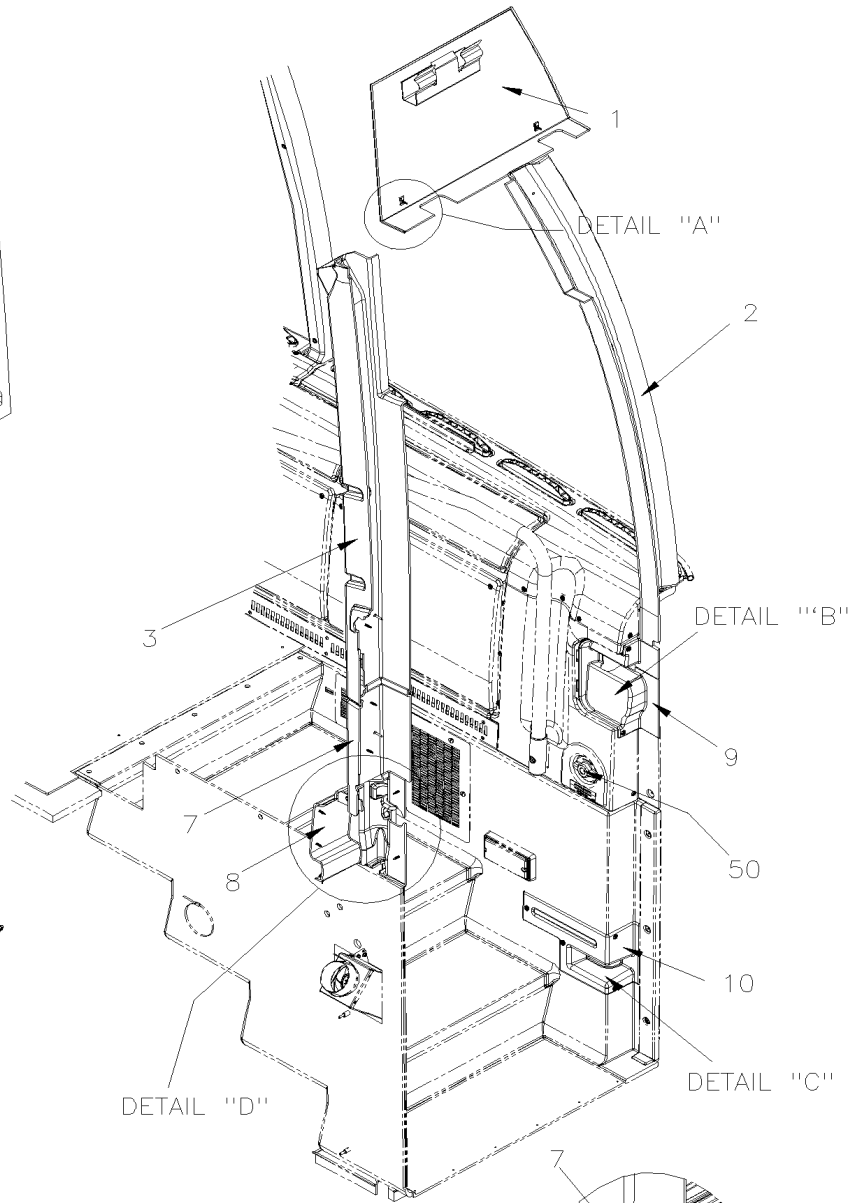
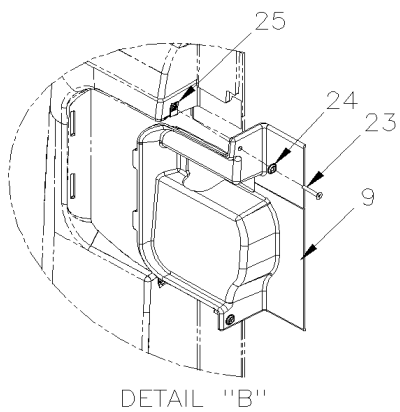
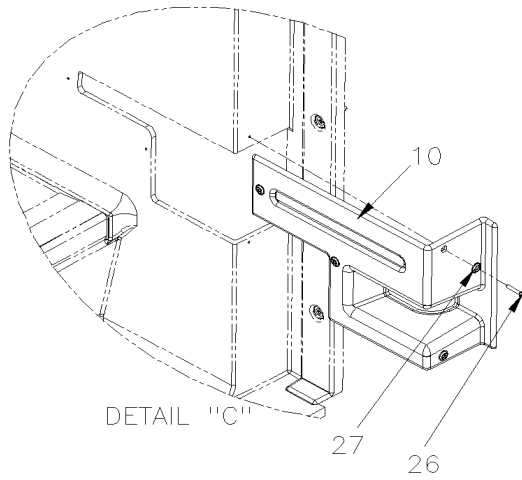
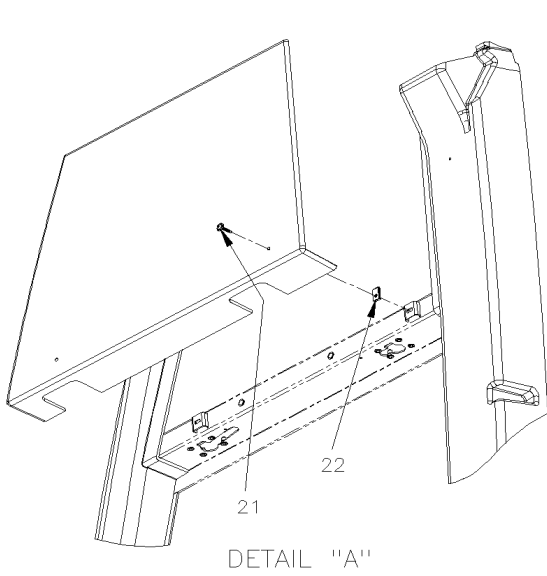


DETAIL "F"

From G-7275 To K-7662	Date:07/2024	PAGE:X3PLB-1832-10
FRONT FINISHING CAP - BUS WITH BY-FOLD DOOR		

Item#	Part	Description	QTY	Notes
1	326744	CENTRAL MOULDING SUPPORT	8	
2	5001744	SCREW CAP HEX M6-1.0x16 G8.8 N500	5	
3	502681	NUT HEX NYRT M6-1.0 N500 G8	5	
4	3201200	CENTER MOULDING	1	
4	506210	TAPE RUB ADH1 URE 1/2" x 3/4" x 20' / GREY 1820	AR	
6	3202677	FINISHING MOULDING R.H. WINDSHIELD / W/O UPPER WINDOWS	1	
8	3200522	R.H. MOULDING / W/O UPPER WINDOWS	1	
11	321128	UPPER MOULDING ENTRANCE DOOR	1	
13	340111	TRANSITION CEILING PANEL	1	
14	341490	TRANSITION CEILING FRONT RIGHT W/LED LIGHT	1	
15	341070	ACCESS PANEL CEILING FRONT	2	
16	3202675	R.H. MOULDING	1	
17	329275	FINISHING MOULDING / R.H. FORWARD 646.8MM	1	
23	500463	WASHER FN CKF .187x.500x.090 BR Z050	AR	
24	500552	SCREW TP OV PH #6x3/4 Z050	AR	
24	500644	SCREW TP OV PH #6x1 ZP	AR	
27	790597	RUBBER BLOCK ADJUSTEMENT 20MM x 31.75MM x 4.7 60 DURO	AR	
28	5001405	NUT SPR U M4-0.7 0.8-4.0x9.5	2	
29	3202676	CLOSING CAP / CURBSIDE / W/O UPPER WINDOWS	1	
31	289595	COVER FOR BI-FOLD DOOR X3 FRONT DOOR	1	
32	5001429	SCREW MA FL PH M4-0.7x25 BK	2	
33	500345	WASHER FN CKF .187x.500x.090 BR BK	2	
34	506643	TAPE RUB ADH1 CC NEO 1/8" x 1/2" x 60' / BLACK 2011	AR	
35	506264	TAPE RUB ADH1 URE 3/4" x 1" x 12.5' / GREY 1820X	AR	
43	3202678	COVER FINISHING, POST	1	
44	287844	COVER, FINISHING	1	
44	506104	TAPE RUB ADH1 URE 1/8" x 1/2" x 75' / GREY 1820	AR	
45	3201177	MOULDING FINISHING	1	
62	X3PLB-1802-00	ENTRANCE DOOR CONTROL		

FRONT FINISHING CAP - BUS WITH BY-FOLD DOOR



From L-7663 To M-7767	Date:07/2024	PAGE:X3PLB-1832-11
FRONT FINISHING CAP - BUS WITH BY-FOLD DOOR		

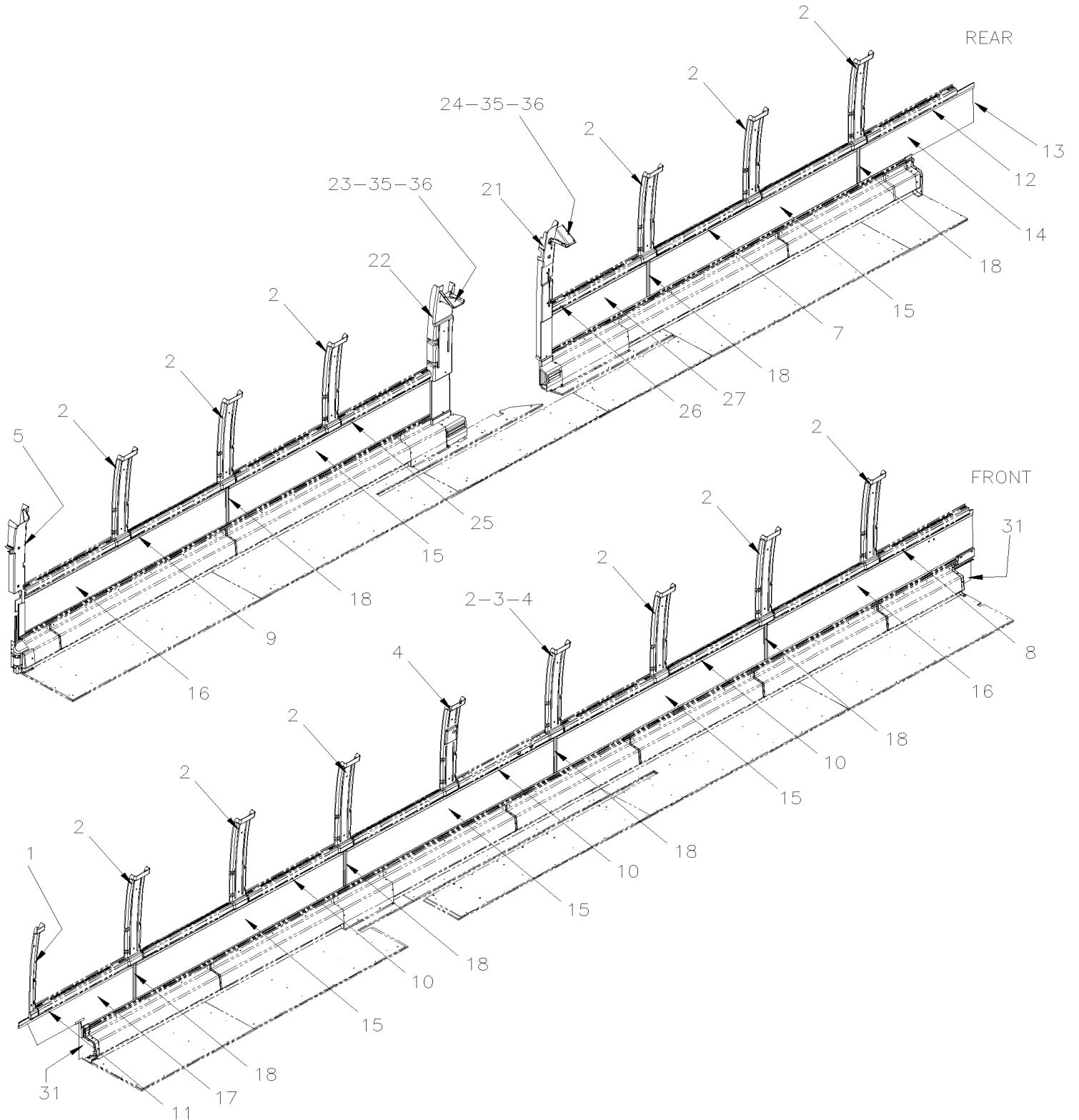
Item#	Part	Description	QTY	Notes
1	3211024	PANEL CLOSING, FRONT RH ASSY.	1	
2	3210971	WINDSHIELD RIGHT MOULDING	1	
3	3210956	R.H. MOULDING / W/O UPPER WINDOWS	1	
7	3210244	MOULDING "A" POST RIGHT DOWN	1	
8	3210453	COVER, FINISHING	1	
9	289595	COVER FOR BI-FOLD DOOR X3 FRONT DOOR	1	
10	3201177	MOULDING FINISHING	1	
21	5002083	SCREW DR SEMS FN OV PH #8X1 N050	AR	
22	500684	NUT SPR U #8A .025-.064	AR	
23	5001429	SCREW MA FL PH M4-0.7x25 BK	2	
24	500345	WASHER FN CKF .187x.500x.090 BR BK	2	
25	5001405	NUT SPR U M4-0.7 0.8-4.0x9.5	2	
26	500644	SCREW TP OV PH #6x1 ZP	AR	
27	500463	WASHER FN CKF .187x.500x.090 BR Z050	AR	
50	X3PLB-1802-10	ENTRANCE DOOR CONTROL WITH BI-FOLD DOOR		

From G-7275 To K-7662

Date:07/2024

PAGE:X3PLB-1833-00

WINDOW FINISHING CAP & WALL

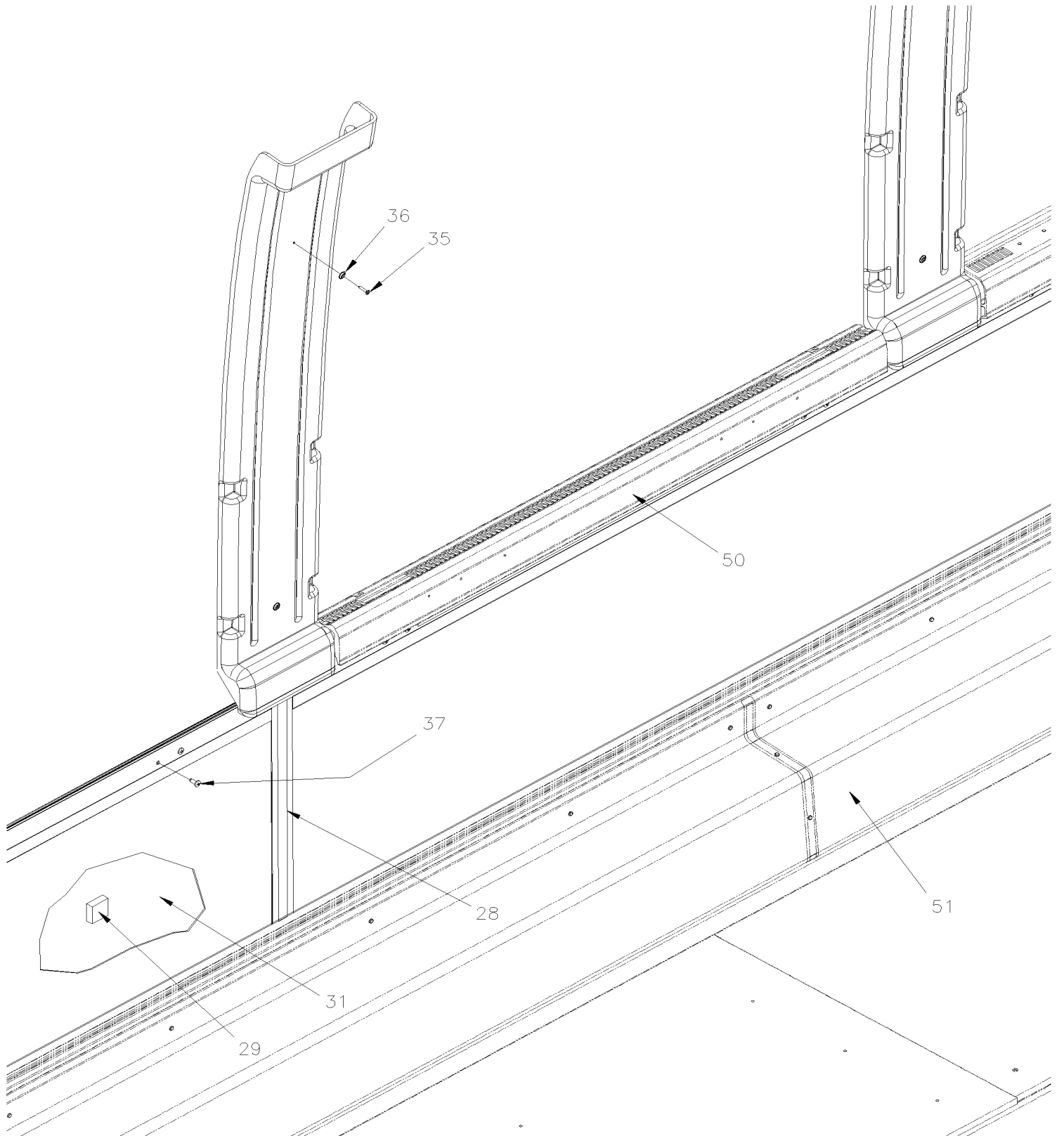


From G-7275 To K-7662

Date:07/2024

PAGE:X3PLB-1833-00

WINDOW FINISHING CAP & WALL



From G-7275 To K-7662	Date:07/2024	PAGE:X3PLB-1833-00
-----------------------	--------------	--------------------

WINDOW FINISHING CAP & WALL

Item#	Part	Description	QTY	Notes
1	3200300	CAP FINISHING / POST / W/S. GLASS & SUN SHADE	1	
1	3200236	CAP FINISHING / POST / W/S. GLASS	1	
1	3200299	CAP FINISHING / POST / W/T. GLASS & SUN SHADE	1	
1	3200237	CAP FINISHING / POST / W/T. GLASS	1	
1	3200558	CAP FINISHING / POST / W/T. GLASS 1097MM W/O LAVATORY	1	
1	323153	CAP FINISHING / POST / W/T. GLASS	1	E
2	327107	CAP FINISHING / POST / W/S. GLASS & SUN SHADE	1	
2	327071	CAP FINISHING / POST / W/S. GLASS	1	
2	327106	CAP FINISHING / POST / W/T. GLASS & SUN SHADE	1	
2	327070	CAP FINISHING / POST / W/T. GLASS	12	
2	328361	CAP FINISHING / POST / W/T. GLASS & SUN SHADE	1	C
3	327111	CAP FINISHING / POST / W/S. GLASS & SUN SHADE	1	A
3	327104	CAP FINISHING / POST / W/T. GLASS	1	A
3	327110	CAP FINISHING / POST / W/T. GLASS & SUN SHADE	1	A
NS	405067	DECAL / BLACK STRIP 3 1/2" x 46"	1	A B
4	320020	CAP FINISHING / POST / W/T. GLASS & SUN SHADE	1	C
4	327171	CAP FINISHING / UPPER POST	1	A
4	454752	CAP FINISHING / UPPER POST	1	A
4	3200945	CAP FINISHING / POST / W/S. GLASS	1	A
4	3200947	CAP FINISHING / POST / W/T. GLASS	1	A
4	3200941	CAP FINISHING / POST / W/S. GLASS	1	A W
4	3200943	CAP FINISHING / POST / W/T. GLASS	1	A W
4	320029	CAP FINISHING / POST / W/T. GLASS	1	W
5	X3PLB-1832-00	FRONT FINISHING CAP - BUS		
7	293293	EXTRUSION, UPPER WALL 2548MM To H-7322	1	
7	290077	EXTRUSION, UPPER WALL 2548MM From H-7323	1	
8	293337	EXTRUSION, UPPER WALL 2527MM	1	
9	293338	EXTRUSION, UPPER WALL 2527MM	1	
10	293293	EXTRUSION, UPPER WALL 2548MM	3	
11	293901	EXTRUSION, UPPER WALL 1403MM	1	
11	290079	EXTRUSION, UPPER WALL / WITH HEARING LOOP 1403MM	1	IN
12	293295	EXTRUSION, UPPER WALL 293MM	1	
13	506035	TAPE RUB ADH1 NEO 1/2" x 1" x 15' / BLACK 1220X	AR	
14	327079P	PANEL LOWER WALL / FABRIC	1	
14	Call order desk	PANEL LOWER WALL / THIN CARPET From H-7402	1	P
14	Call order desk	PANEL LOWER WALL / FABRIC PWT	1	P
14	Call order desk	PANEL LOWER WALL / CARPET	1	P
14	Call order desk	PANEL LOWER WALL / FORMICA	1	P O
15	327078P	PANEL LOWER WALL / FABRIC	6	
15	Call order desk	PANEL LOWER WALL / THIN CARPET From H-7402	6	P
15	Call order desk	PANEL LOWER WALL / CARPET	6	P
15	Call order desk	PANEL LOWER WALL / FORMICA	6	P

From G-7275 To K-7662	Date:07/2024	PAGE:X3PLB-1833-00
-----------------------	--------------	--------------------

WINDOW FINISHING CAP & WALL

Item#	Part	Description	QTY	Notes
16	327263P	PANEL LOWER WALL / FABRIC	2	
16	Call order desk	PANEL LOWER WALL / THIN CARPET From H-7402	2	P
16	Call order desk	PANEL LOWER WALL / CARPET	2	P
16	Call order desk	PANEL LOWER WALL / FORMICA	2	P
17	3200305P	PANEL LOWER WALL / FABRIC	1	
17	Call order desk	PANEL LOWER WALL / THIN CARPET From H-7402	1	P
17	Call order desk	PANEL LOWER WALL / CARPET	1	P
17	Call order desk	PANEL LOWER WALL / FORMICA	1	P
18	327024	EXTRUSION, WALL SEPARATOR 427.5MM	8	
19	3202947	WOOD SPACER 13 MM X 32 MM X 32 MM	AR	
20	329325	CAP FINISHING / POST / W/S. GLASS	1	W
20	329324	CAP FINISHING / POST / W/S. GLASS & SUN SHADE	1	W
20	329327	CAP FINISHING / POST / W/T. GLASS	1	W
20	329326	CAP FINISHING / POST / W/T. GLASS & SUN SHADE	1	W
21	3200311	CAP FINISHING / POST / W/S. GLASS	1	W
21	321025	CAP FINISHING / POST / W/T. GLASS	1	W
21	3200708	CAP FINISHING / POST / W/T. GLASS & SUN SHADE	1	C
21	321600	CAP FINISHING / POST / W/T. GLASS & SUN SHADE / W/HEARING LOOP	1	IN
22	3200310	CAP FINISHING / POST / W/S. GLASS To J-7495	1	W
22	3210005	CAP FINISHING / POST / W/S. GLASS From J-7496	1	W
22	321024	CAP FINISHING / POST / W/T. GLASS To J-7495	1	W
22	3210016	CAP FINISHING / POST / W/T. GLASS From J-7496	1	W
22	321599	CAP FINISHING / POST / W/T. GLASS & SUN SHADE / W/HEARING LOOP	1	IN
22	405143	DECAL / BLACK STRIP W/DOTTED 1117MM x 118MM	1	
23	314470	FINISHING POST UPPER FRONT/W/W.C.L. DOOR TRIANGULAR SHAPE	1	
23	321576	MOLDING CORNER W/HEARING LOOP	1	IN
24	314471	FINISHING POST UPPER REAR/W/W.C.L. DOOR TRIANGULAR SHAPE	1	
24	321591	MOLDING CORNER /W HEARING LOOP	1	IN
25	297293	EXTRUSION, UPPER WALL 2533MM	1	
26	290391	EXTRUSION, UPPER WALL 1235MM	1	
27	327424P	PANEL LOWER WALL / FABRIC	1	
27	Call order desk	PANEL LOWER WALL / THIN CARPET From H-7402	1	P
27	Call order desk	PANEL LOWER WALL / CARPET	1	P
28	500657	SCREW TC TR PH #10-24x1/2 Z050	AR	
29	327078P	PANEL LOWER WALL / FABRIC	1	
29	Call order desk	PANEL LOWER WALL / CARPET	1	P
29	Call order desk	PANEL LOWER WALL / FORMICA	1	P
29	Call order desk	PANEL ASSY / FABRIC A VERIFIER	1	P
29	Call order desk	PANEL LOWER WALL / FABRIC PWT	1	P D
31	850094	WHITE WALL COVERING ADHESIVE / 28 1/2" X 448"	2	
31	684196	PRIMER ELASTOCOL # 593	AR	

From G-7275 To K-7662	Date:07/2024	PAGE:X3PLB-1833-00
-----------------------	--------------	--------------------

WINDOW FINISHING CAP & WALL

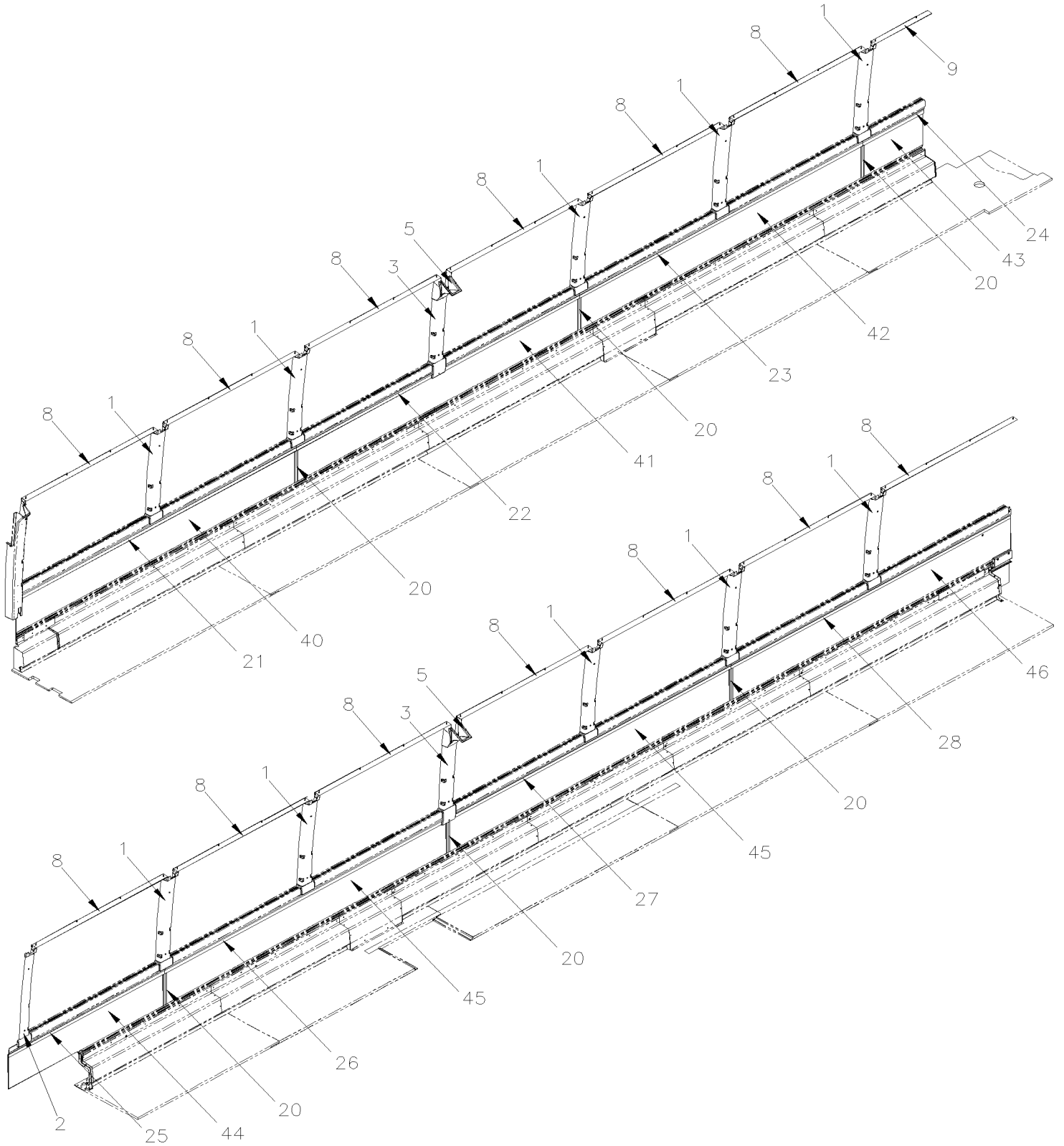
Item#	Part	Description	QTY	Notes
31	320104	INSULATING PLATE / ALUMINUM 18GA / "E" SHAPE 90MM X 102MM	AR	
31	680415	TAPE ADHESIVE 3" WIDE BLUE	AR	
31	685089	TAPE ADHESIVE RED 60MMx60M	AR	
31	850104	WHITE WALL COVERING ADHESIVE 178 x 178 / 56 x 46	AR	
31	850103	WHITE WALL COVERING ADHESIVE 178 x 178 / 56 x 106	AR	
35	500552	SCREW TP OV PH #6x3/4 Z050	AR	
36	500463	WASHER FN CKF .187x.500x.090 BR Z050	AR	
37	500611	SCREW TC PAN PH #10-24x1/2 Z050	AR	
50	X3PLB-1884-00	SIDE WINDOW - BUS		
51	X3PLB-2220-00	UNDER FLOOR AIR DUCTING		
		A) WITH A/C IN PARCEL RACK		
		B) UPPER WINDOW		
		C) WITH FOUR WHEEL CHAIRS OPTION		
		D) WITH WCL LAVATORY		
		E) USE WITH SIDE SIGN		
		IN) INDIAN TRAILS OPTION		
		O) WITHOUT LAVATORY		
		W) WITH W.C.L.		
		P) CALL ORDER DESK FOR SPECIFIC APPLICATION (V.I.N.)		

From L-7663 To M-7767

Date:07/2024

PAGE:X3PLB-1833-01

WINDOW FINISHING CAP & WALL

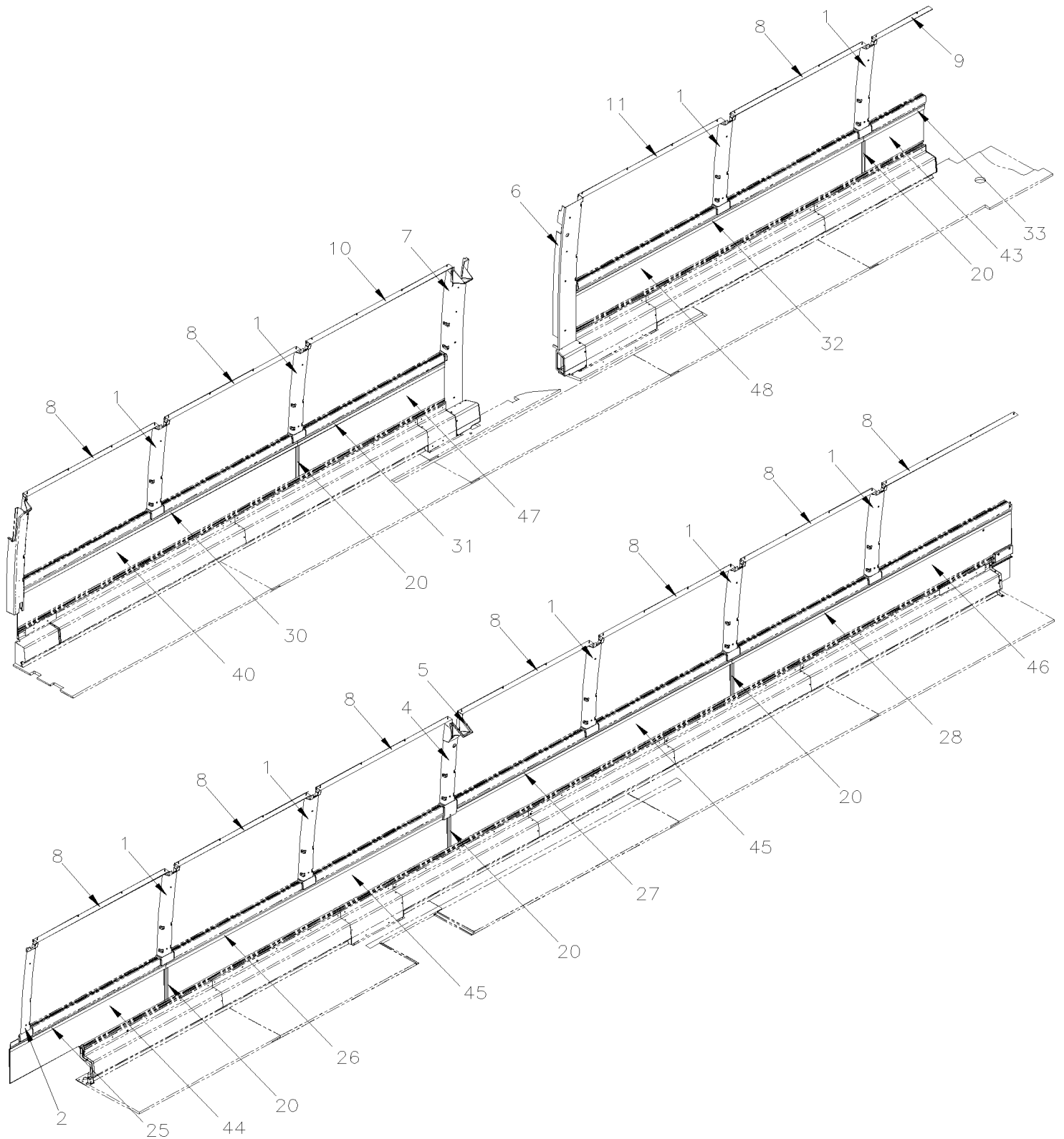


From L-7663 To M-7767

Date:07/2024

PAGE:X3PLB-1833-01

WINDOW FINISHING CAP & WALL

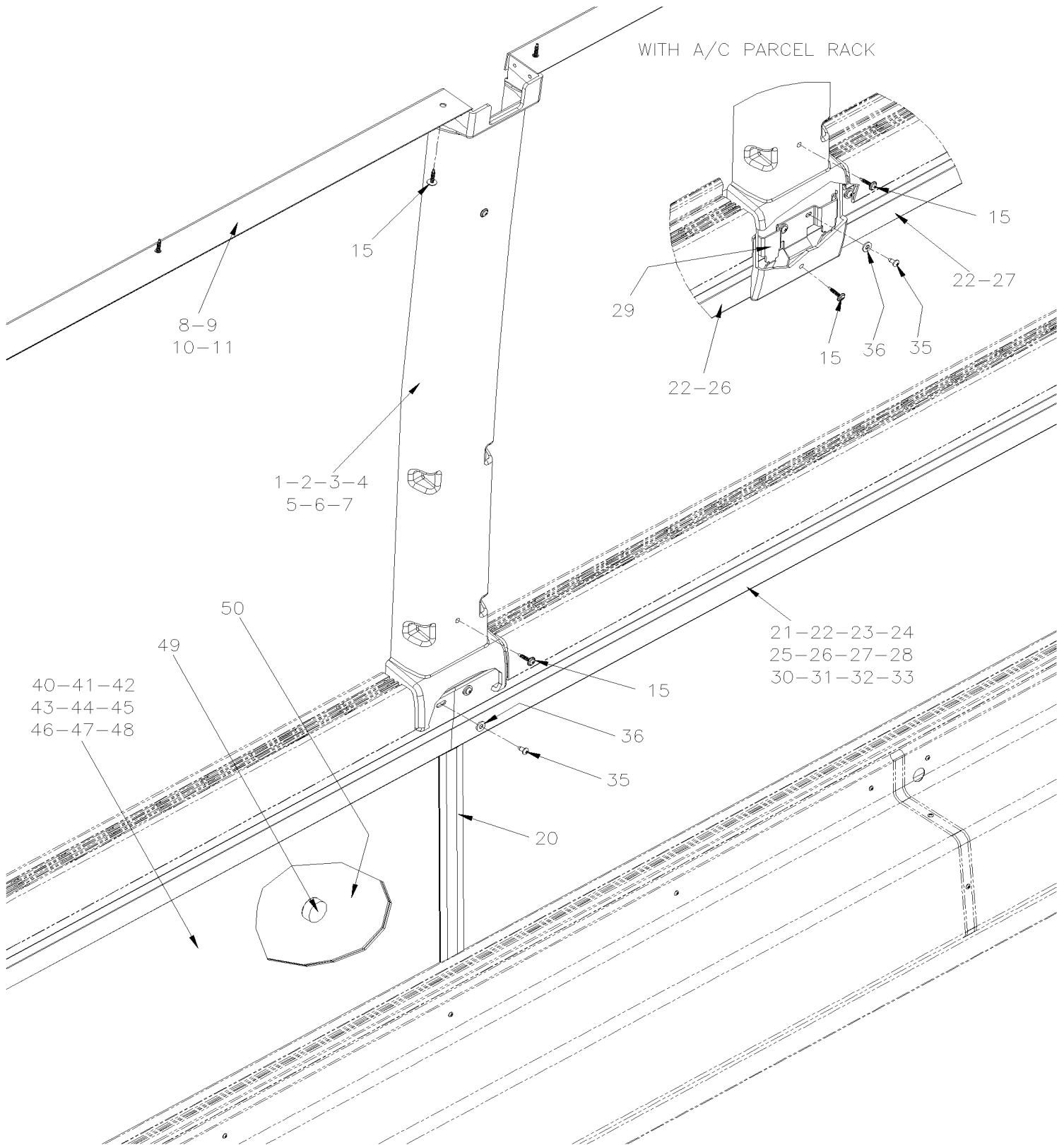


From L-7663 To M-7767

Date:07/2024

PAGE:X3PLB-1833-01

WINDOW FINISHING CAP & WALL



From L-7663 To M-7767	Date:07/2024	PAGE:X3PLB-1833-01
WINDOW FINISHING CAP & WALL		

Item#	Part	Description	QTY	Notes
1	3210291	CAP FINISHING / POST / W/O SUN SHADE	10	
1	Call order desk	CAP FINISHING / POST / W/SUN SHADE	10	P
1	3210291	CAP FINISHING / POST / W/O SUN SHADE	9	W
1	Call order desk	CAP FINISHING / POST / W/SUN SHADE	9	P W
1	3210294	CAP FINISHING / POST / W/O SUN SHADE	1	O
NS	790597	RUBBER BLOCK ADJUSTEMENT 20MM x 31.75MM x 4.7 60 DURO	2	O
2	3210293	CAP FINISHING / POST / W/O SUN SHADE	1	
2	Call order desk	CAP FINISHING / POST / W/SUN SHADE	1	P
NS	790597	RUBBER BLOCK ADJUSTEMENT 20MM x 31.75MM x 4.7 60 DURO	2	
3	3210291	CAP FINISHING / POST / W/O SUN SHADE	2	
3	Call order desk	CAP FINISHING / POST / W/SUN SHADE	2	P
3	3210292	CAP FINISHING / POST / W/A/C PARCEL-RACK	2	A
4	3210312	CAP FINISHING / POST / W/A/C PARCEL-RACK	1	A W
4	3210323	CAP FINISHING / POST / W/O A/C PARCEL-RACK W/O SUN SHADE	1	A W
4	Call order desk	CAP FINISHING / POST / W/O A/C PARCEL-RACK W/SUN SHADE	1	P A W
4	Call order desk	CAP FINISHING / POST / W/O A/C PARCEL-RACK W/SUN SHADE	3	P A C
5	3210319	CAP FINISHING / UPPER POST	2	
5	3210319	CAP FINISHING / UPPER POST	1	W
6	3210395	CAP FINISHING / POST / W/ W.C.L	1	W
7	3210396	CAP FINISHING / POST / W/ W.C.L	1	W
8	3210427	MOULDING FINISHING / UPPER WINDOW	13	B
8	3210427	MOULDING FINISHING / UPPER WINDOW	10	B W
9	3210428	MOULDING FINISHING / UPPER WINDOW	1	B
9	3210427	MOULDING FINISHING / UPPER WINDOW	1	B O
10	3210425	MOULDING FINISHING / UPPER WINDOW	1	B W
11	3210426	MOULDING FINISHING / UPPER WINDOW	1	B W
15	5002083	SCREW DR SEMS FN OV PH #8X1 N050	AR	
20	3210214	EXTRUSION, WALL SEPARATOR 339MM	6	
20	3210214	EXTRUSION, WALL SEPARATOR 339MM	5	W
NS	3210537	WALL STIFFENER	AR	
21	290182	EXTRUSION, UPPER WALL 3277.5MM	1	
22	290178	EXTRUSION, UPPER WALL 3320MM	1	
22	290201	EXTRUSION, UPPER WALL 1586MM	2	A
23	290178	EXTRUSION, UPPER WALL 3320MM	1	
24	290188	EXTRUSION, UPPER WALL 717.7MM	1	
25	290176	EXTRUSION, UPPER WALL 1828MM	1	
25	290575	EXTRUSION, UPPER WALL 1828MM From L-7701	1	SP
26	290178	EXTRUSION, UPPER WALL 3320MM	1	
26	290199	EXTRUSION, UPPER WALL 3248MM	1	A
27	290178	EXTRUSION, UPPER WALL 3320MM	1	

From L-7663 To M-7767	Date:07/2024	PAGE:X3PLB-1833-01
-----------------------	--------------	--------------------

WINDOW FINISHING CAP & WALL

Item#	Part	Description	QTY	Notes
27	290200	EXTRUSION, UPPER WALL 3248MM	1	A
28	290177	EXTRUSION, UPPER WALL 3277.5MM	1	
29	450553	SUPPORT, HOSE A/C	2	A
30	290182	EXTRUSION, UPPER WALL 3277.5MM	1	
31	290183	EXTRUSION, UPPER WALL 1748.6MM	1	
32	290186	EXTRUSION, UPPER WALL 3452.7MM	1	
32	290189	EXTRUSION, UPPER WALL 2952.6MM	1	C
33	290188	EXTRUSION, UPPER WALL 717.7MM	1	
33	290190	EXTRUSION, UPPER WALL 1828MM	1	O
35	500613	SCREW TP PAN PH #10x1/2 Z050	AR	
36	500877	WASHER FL .250x.562x.065 N500	AR	
40	Call order desk	PANEL LOWER WALL / THIN CARPET	1	P
40	Call order desk	PANEL LOWER WALL / CARPET	1	P
40	Call order desk	PANEL LOWER WALL / FABRIC	1	P
40	Call order desk	PANEL LOWER WALL / FORMICA	1	P
41	Call order desk	PANEL LOWER WALL / THIN CARPET	1	P
41	Call order desk	PANEL LOWER WALL / CARPET	1	P
41	Call order desk	PANEL LOWER WALL / FABRIC	1	P
41	Call order desk	PANEL LOWER WALL / FORMICA	1	P
42	Call order desk	PANEL LOWER WALL / THIN CARPET	1	P
42	Call order desk	PANEL LOWER WALL / CARPET	1	P
42	Call order desk	PANEL LOWER WALL / FABRIC	1	P
42	Call order desk	PANEL LOWER WALL / FORMICA	1	P
43	Call order desk	PANEL LOWER WALL / THIN CARPET	1	P
43	Call order desk	PANEL LOWER WALL / CARPET	1	P
43	Call order desk	PANEL LOWER WALL / FABRIC	1	P
43	Call order desk	PANEL LOWER WALL / FORMICA	1	P
43	Call order desk	PANEL LOWER WALL / FORMICA	1	P O
44	Call order desk	PANEL LOWER WALL / THIN CARPET	1	P
44	Call order desk	PANEL LOWER WALL / CARPET	1	P
44	Call order desk	PANEL LOWER WALL / FABRIC	1	P
44	Call order desk	PANEL LOWER WALL / FORMICA	1	P
45	Call order desk	PANEL LOWER WALL / THIN CARPET	2	P
45	Call order desk	PANEL LOWER WALL / CARPET	2	P
45	Call order desk	PANEL LOWER WALL / FABRIC	2	P
45	Call order desk	PANEL LOWER WALL / FORMICA	2	P
46	Call order desk	PANEL LOWER WALL / THIN CARPET	1	P
46	Call order desk	PANEL LOWER WALL / CARPET	1	P
46	Call order desk	PANEL LOWER WALL / FABRIC	1	P
46	Call order desk	PANEL LOWER WALL / FORMICA	1	P

From L-7663 To M-7767	Date:07/2024	PAGE:X3PLB-1833-01
-----------------------	--------------	--------------------

WINDOW FINISHING CAP & WALL

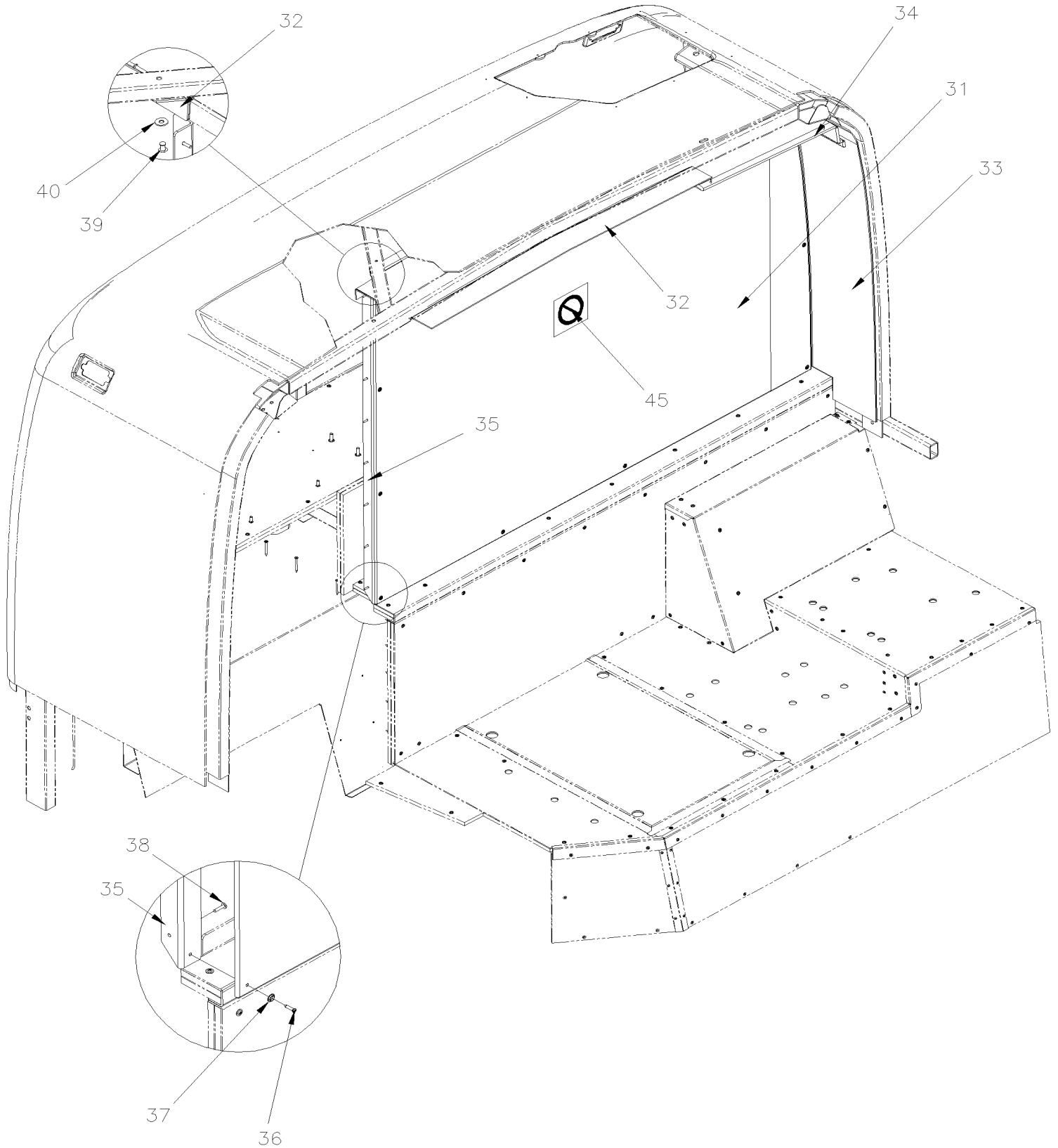
Item#	Part	Description	QTY	Notes
47	Call order desk	PANEL LOWER WALL / THIN CARPET	1	P
47	Call order desk	PANEL LOWER WALL / CARPET	1	P
47	Call order desk	PANEL LOWER WALL / FABRIC	1	P
47	Call order desk	PANEL LOWER WALL / FORMICA	1	P
48	Call order desk	PANEL LOWER WALL / THIN CARPET	1	P
48	Call order desk	PANEL LOWER WALL / CARPET	1	P
48	Call order desk	PANEL LOWER WALL / FABRIC	1	P
48	Call order desk	PANEL LOWER WALL / FORMICA	1	P
48	Call order desk	PANEL LOWER WALL / FABRIC	1	P C
49	370169	SPACER 31MM O.D x 12.7MM	AR	
50	850089	WHITE WALL COVERING ADHESIVE / 32 1/4" X 455"	AR	
50	684196	PRIMER ELASTOCOL # 593	AR	
50	680415	TAPE ADHESIVE 3" WIDE BLUE	AR	
60	X3PLB-1884-01	SIDE WINDOW - BUS		
61	X3PLB-2221-11	DUCTING HEATER & A/C - BUS FLOOR		
62	X3PLB-1832-01	FRONT FINISHING CAP		
		A) WITH A/C IN PARCEL RACK		
		B) USED WITHOUT SUN SHADE		
		C) WITH FOUR WHEEL CHAIRS OPTION		
		O) WITHOUT LAVATORY		
		SP) SPECIAL, WITH HEARING LOOP		
		W) WITH W.C.L.		
		P) CALL ORDER DESK FOR SPECIFIC APPLICATION (V.I.N.)		

From G-7275 To M-7767

Date:07/2024

PAGE:X3PLB-1834-00

REAR FINISHING CAP



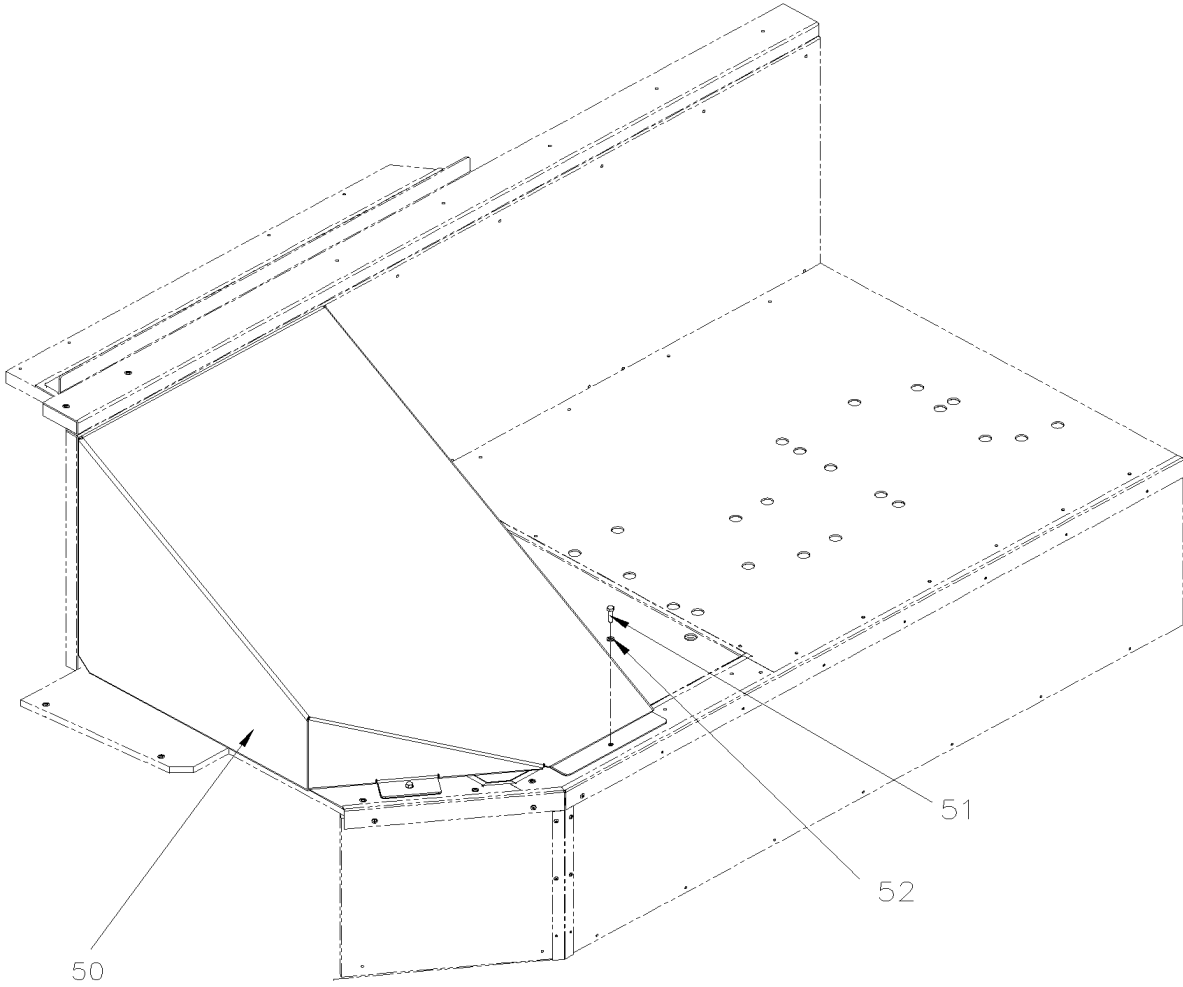
From G-7275 To M-7767

Date:07/2024

PAGE:X3PLB-1834-00

REAR FINISHING CAP

GLI OPTION FROM J-7448



From G-7275 To M-7767	Date:07/2024	PAGE:X3PLB-1834-00
REAR FINISHING CAP		

Item#	Part	Description	QTY	Notes
15	406690	DECAL / "NO SMOKING"	1	
31	Call order desk	CAP, REAR / FIBERGLAS WITH TISSUS To K-7662	1	P
31	Call order desk	CAP, REAR / FIBERGLAS WITH TISSUS From L-7663	1	P
31	Call order desk	CAP, REAR / FIBERGLAS WITH TISSUS WITH LOGO	1	P
31	Call order desk	CAP, REAR / ALUMINUM WITH TISSUS / WITH TRAP, ASSY From J-7448 To K-7662	1	P GR
31	Call order desk	CAP, REAR / ALUMINUM WITH TISSUS / WITH TRAP, ASSY From L-7663	1	P GR
31	Call order desk	. CAP, REAR, PANEL W/FRAME FOR TRAP From J-7448	1	P GR
31	Call order desk	. ACCES PANEL 600 x 500 MM, AL From J-7448	1	P GR
31	5002020	. SCREW CAP BUT HEXS TAMPER M6-1.0x25 NSS From J-7448	8	GR
31	509910	. NUT PUSH RND M6 ZP From J-7448	8	GR
32	Call order desk	REAR ROOF ASSY WITH TISSUS To K-7662	1	P
32	Call order desk	REAR ROOF ASSY WITH TISSUS From L-7663	1	P
33	Call order desk	PANEL REAR FINISHING WITH TISSU ASSY / CURB SIDE To K-7662	1	P
33	Call order desk	PANEL REAR FINISHING WITH TISSU ASSY / STREET SIDE From L-7663	1	P
34	Call order desk	PANEL REAR FINISHING WITH TISSU ASSY / TOP STREET SIDE To K-7662	1	P
34	Call order desk	PANEL REAR FINISHING WITH TISSU ASSY WITH GALLEY From J-7442 To K-7662	1	P A
NS	505538	TAPE DUAL LOCK 1" x 50 YARD / BLACK SJ3551 To K-7662	AR	
35	3200234	SIDE WALL ATTACHMENT 1113MM To K-7662	1	
35	Call order desk	SIDE WALL ATTACHMENT W/TISSUS From L-7663	1	P
36	500333	SCREW TP OV PH #6x3/4 BK To K-7662	17	
36	5001839	SCREW DR TR WASHER PH #8x1 BK From L-7663	12	
37	500345	WASHER FN CKF .187x.500x.090 BR BK To K-7662	17	
38	500641	SCREW TP PAN PH #8x3/4 Z050	8	
39	504459	RIVET MGLP PRDG 1/4x3/8 SS	2	
40	500411	WASHER FL .260x.697x.050 SS	2	
NS	3210327	CLOSURE LEFT WALL BENCH / STREE SIDE From L-7663	1	
NS	850032	. INSULATION PAD NOISE 1" x 48" x 35' / ARMAFLEX POLYURETHANE FOAM From L-7663	1	
45	405177	DECAL "NO SMOKING" ASSY 8 1/4" O.D. / W MOUNTING PLATE	1	
. NS	405178	. MOUNTING PLATE 228MM x 228MM SS	1	
. NS	901027	. DECAL / "NO SMOKING" / 8 1/4" O.D.	1	
45	500952	SCREW TP BDG PH #8x1/2 SS	4	
46	406690	DECAL / "NO SMOKING" From J-7448	2	
50	3210168P	SEAT LOCKER ASS. From J-7448	1	GR
NS	3210140	SEAT LOCKER FIX From J-7448	1	GR
51	5001209	SCREW CAP HEX M6-1.0x25 G8.8 Z050 From J-7448	6	GR
51	5000328	NUT AN INS THREADED M6-1.0x20MM From J-7448	6	GR
52	502570	WASHER LO SPT 6.1x11.8x1.6 SS From J-7448	6	GR
53	500142	WASHER FL 6.6x22.0x2.0 SS From J-7448	6	GR

From G-7275 To M-7767		Date:07/2024	PAGE:X3PLB-1834-00
-----------------------	--	--------------	--------------------

REAR FINISHING CAP

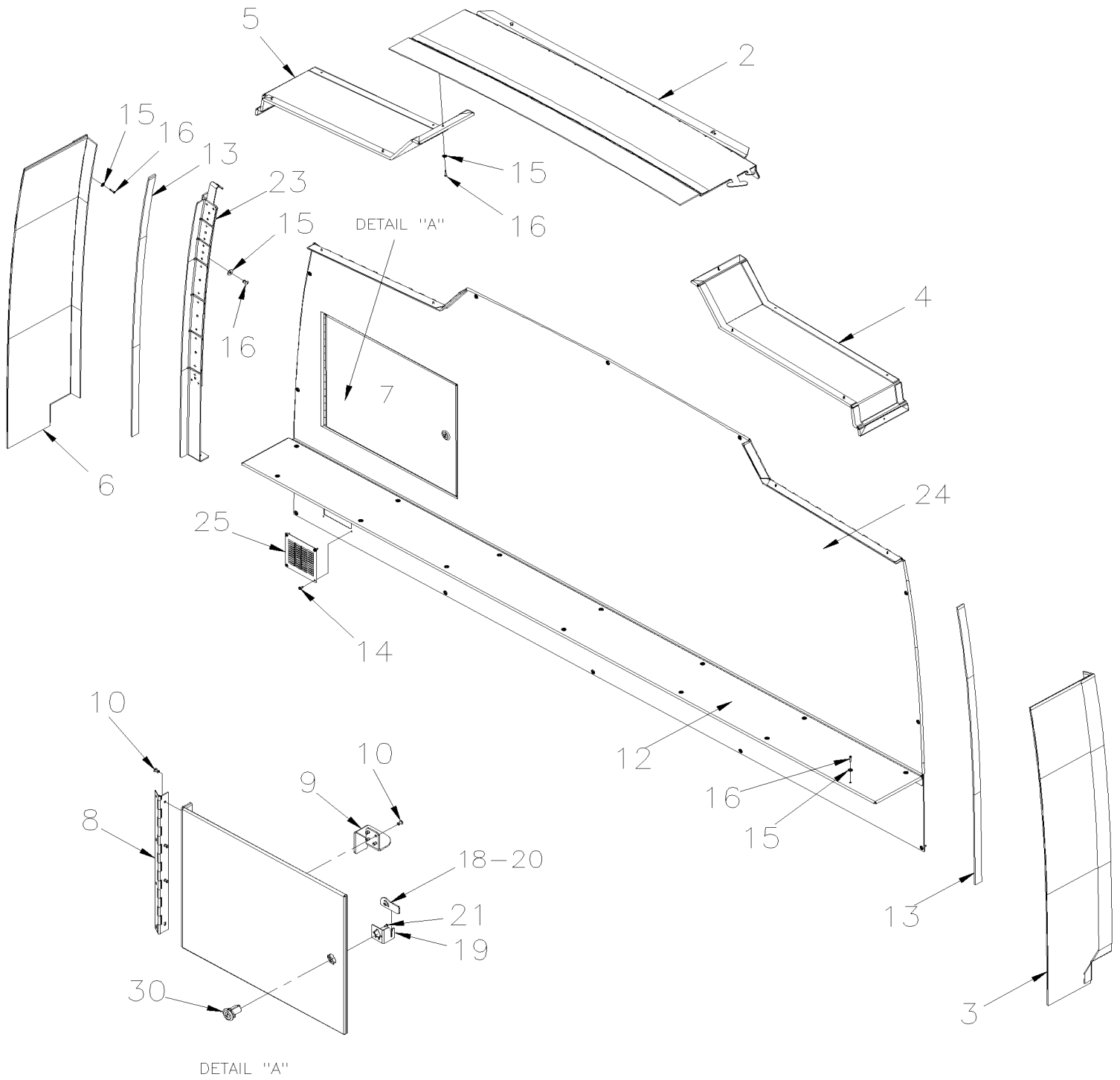
Item#	Part	Description	QTY	Notes
		A) USE WITH GALLEY STREET SIDE		
		GR) GREYHOUND OPTION, 3 INVERTER		
		P) CALL ORDER DESK FOR SPECIFIC APPLICATION (V.I.N.)		

From G-7275 To M-7767

Date:07/2024

PAGE:X3PLB-1834-05

REAR FINISHING CAP / WITHOUT LAVATORY EPA 2010



From G-7275 To M-7767	Date:07/2024	PAGE:X3PLB-1834-05
REAR FINISHING CAP / WITHOUT LAVATORY EPA 2010		

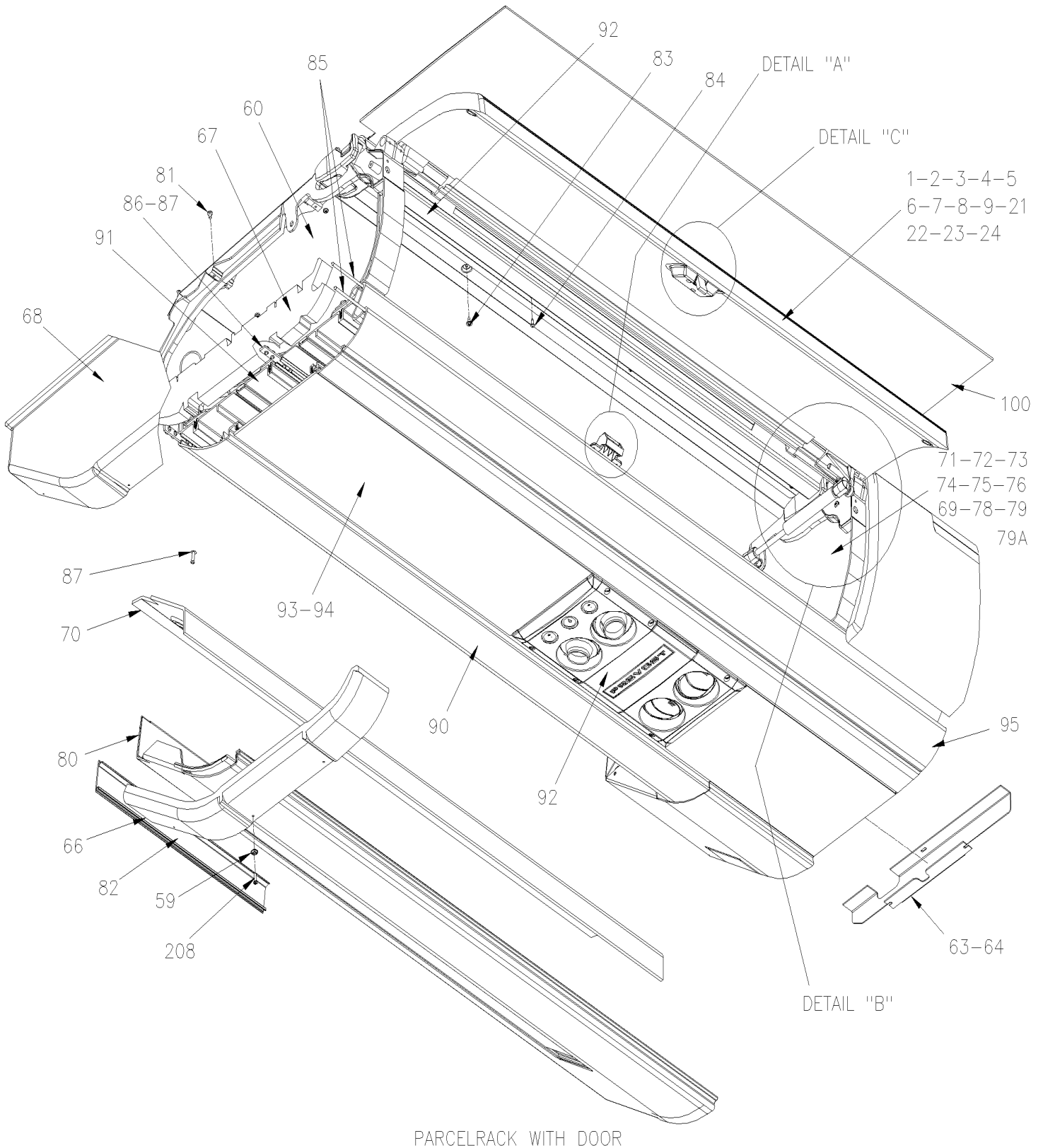
Item#	Part	Description	QTY	Notes
2	Call order desk	PANEL REAR FINISHING WITH TISSU ASSY TOP CENTER To L-7662	1	P
2	Call order desk	PANEL REAR FINISHING WITH TISSU ASSY / TOP CENTER From L-7663	1	P
3	Call order desk	PANEL REAR FINISHING WITH TISSU ASSY / CURB SIDE To L-7662	1	P
3	Call order desk	PANEL REAR FINISHING WITH TISSU ASSY / STREET SIDE From L-7663	1	P
4	Call order desk	PANEL REAR FINISHING WITH TISSU ASSY / TOP STREET SIDE To L-7662	1	P
5	Call order desk	PANEL REAR FINISHING WITH TISSU ASSY / TOP CURB SIDE To L-7662	1	P
5	Call order desk	PANEL REAR FINISHING WITH TISSU ASSY / TOP CURB SIDE From L-7663	1	P
5	3210326	CLOSURE RIGHT WALL BENCH / CURB SIDE From L-7663	1	
6	Call order desk	PANEL REAR FINISHING WITH TISSU ASSY / STREET SIDE To L-7662	1	P
6	Call order desk	PANEL REAR FINISHING WITH TISSU ASSY / CURB SIDE From L-7663	1	P
7	Call order desk	FABRIC / CARPET	1	P
7	3200554	ACCES DOOR WELDED	1	
8	3200512	. HINGE ASSY	1	
9	3200671	. STOPPER, DOOR	1	
10	504118	. RIVET POP DOME OE 3/16x3/8 AL	8	
12	Call order desk	PANEL FINISHING, REAR SEAT ASSY	1	P
13	505538	TAPE DUAL LOCK 1" x 50 YARD / BLACK SJ3551	AR	
14	500592	SCREW TP FL PH #8x1 ZP	4	
15	500345	WASHER FN CKF .187x.500x.090 BR BK	AR	
16	500333	SCREW TP OV PH #6x3/4 BK	AR	
18	3200498	LOCK PLATE	1	
19	3200542	CLAMP FORD LOCK	1	
20	504402	RING RETAINER / EXT .250 x .210 x .025"	1	
21	5001053	SCREW MA PAN PH #4-40x1/4 ZP	1	
23	3200581	ATTACHMENT, REAR WALL ASSY WELDED To L-7662	1	
23	3210261	ATTACHMENT, REAR WALL ASSY WELDED / CURB SIDE From L-7663	1	
24	Call order desk	PANEL REAR FINISHING, ASSY W/O WCL & PARCEL RACK A/C To L-7662	1	P
24	3210286	PANEL REAR FINISHING, ASSY From L-7663	1	
25	452344	. AIR DIFFUSOR	1	
30	X3PLB-1867-00	KEY & CYLINDER CODE "FORD" & "NS"		
		P) CALL ORDER DESK FOR SPECIFIC APPLICATION (V.I.N.)		

From G-7275 To M-7767

Date:07/2024

PAGE:X3PLB-1836-00

PARCEL RACK /WITH LEDS

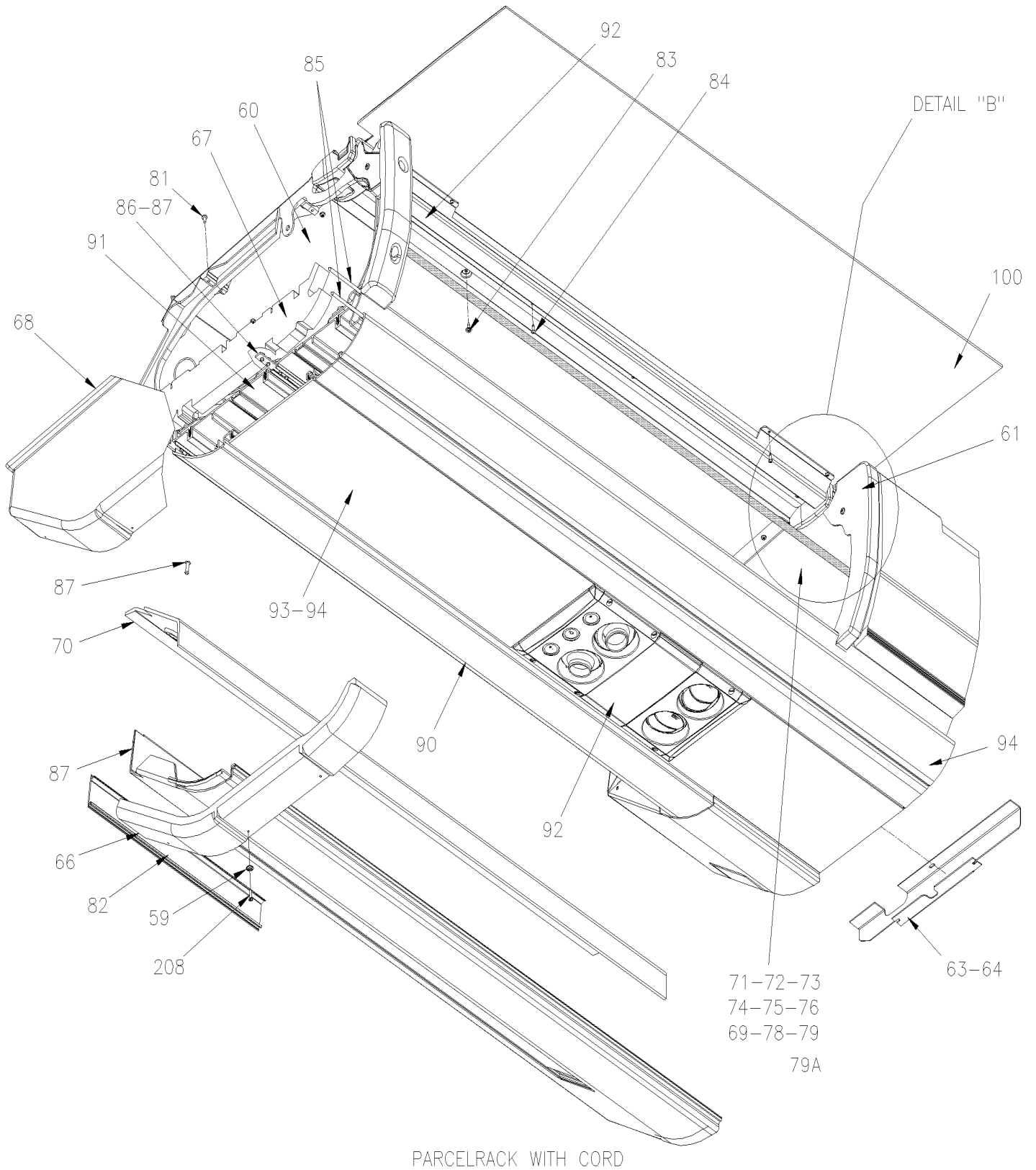


From G-7275 To M-7767

Date:07/2024

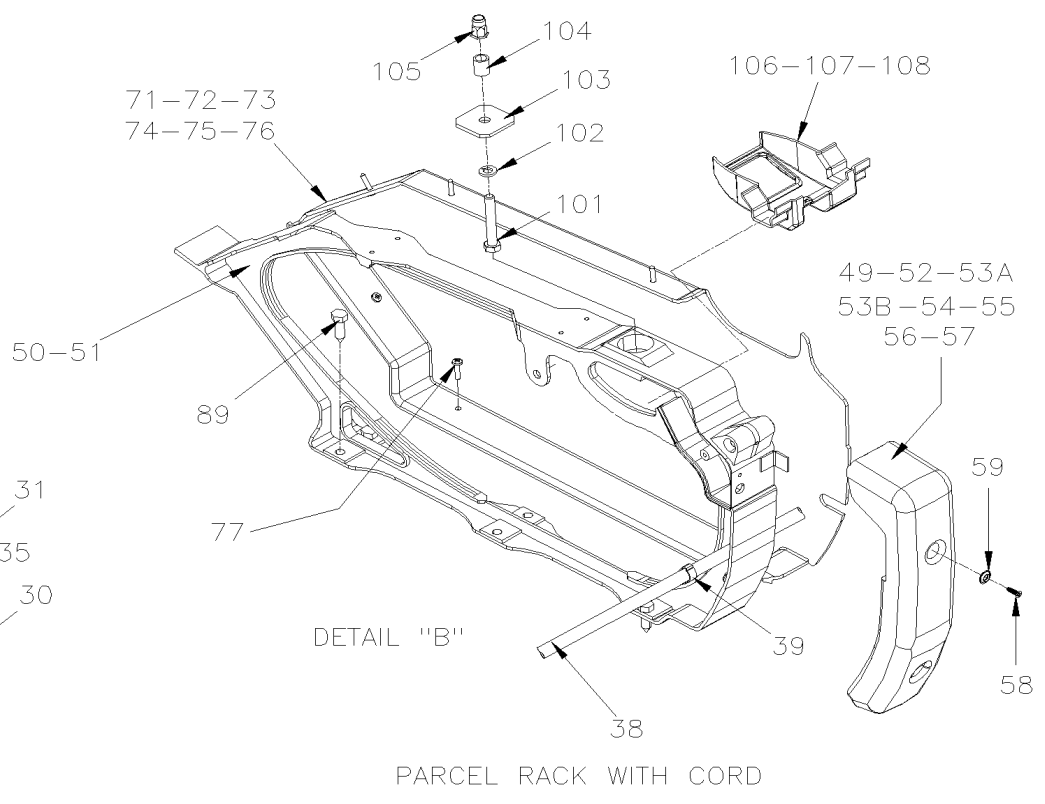
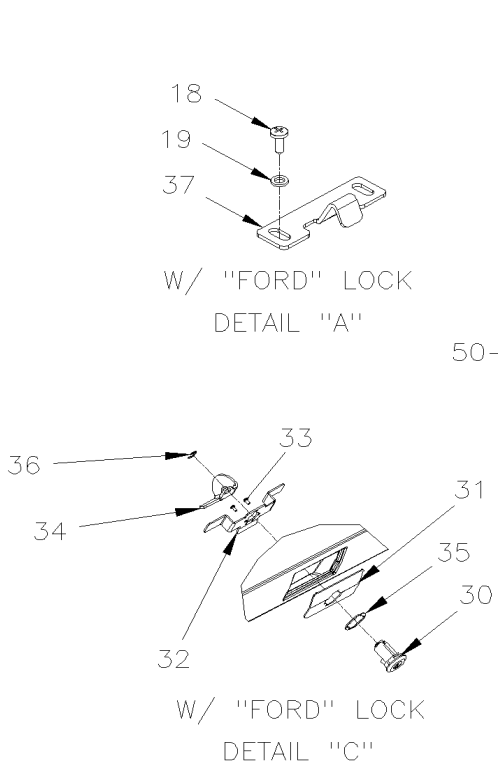
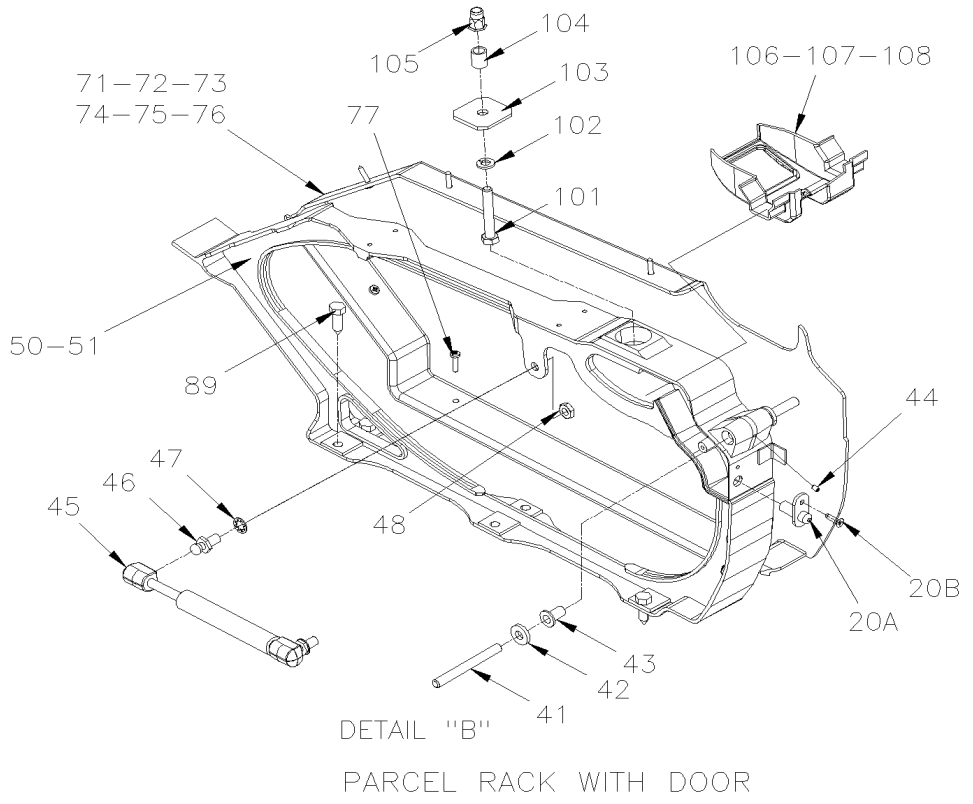
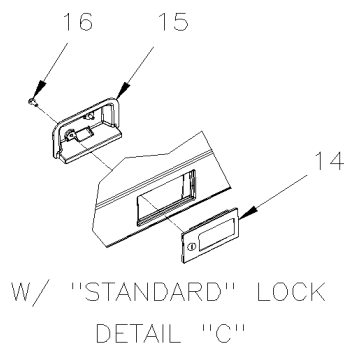
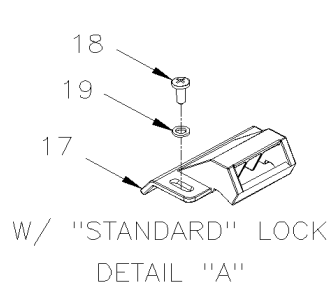
PAGE:X3PLB-1836-00

PARCEL RACK /WITH LEDS

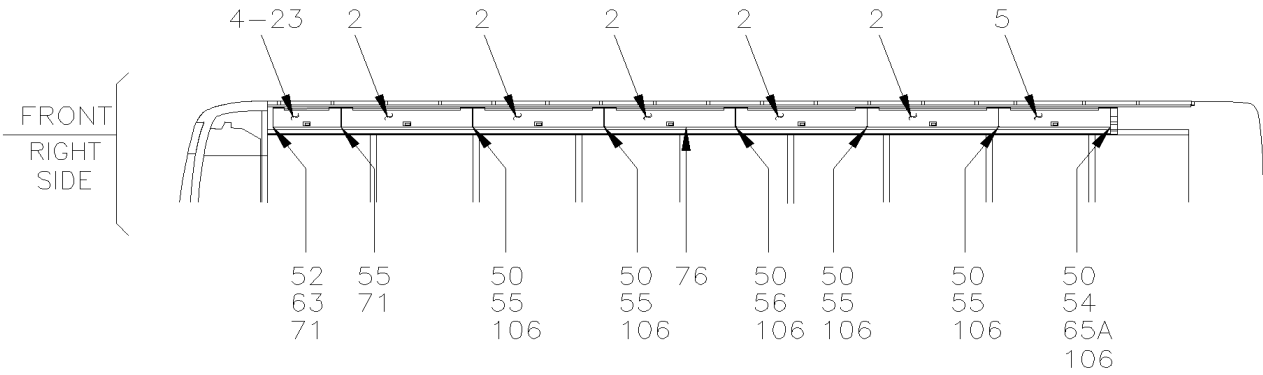
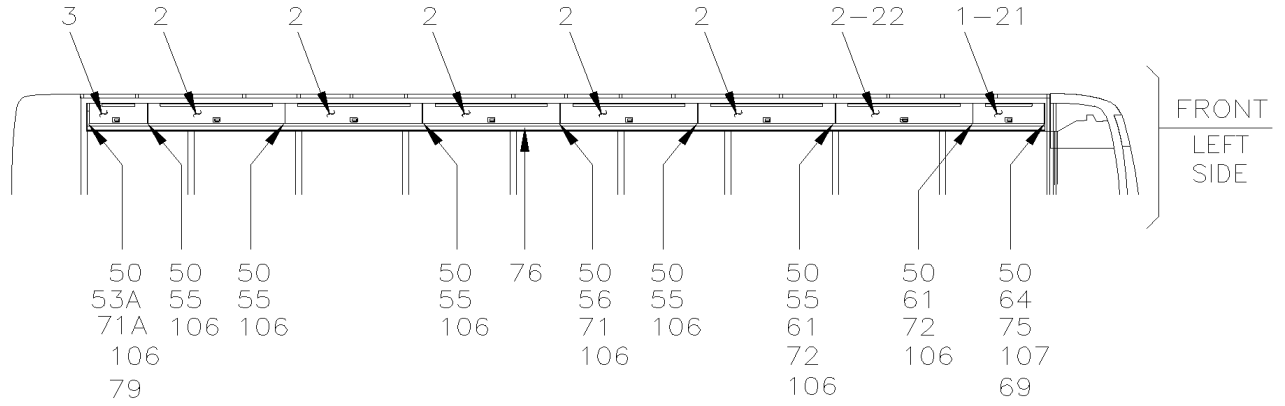


PARCEL RACK WITH CORD

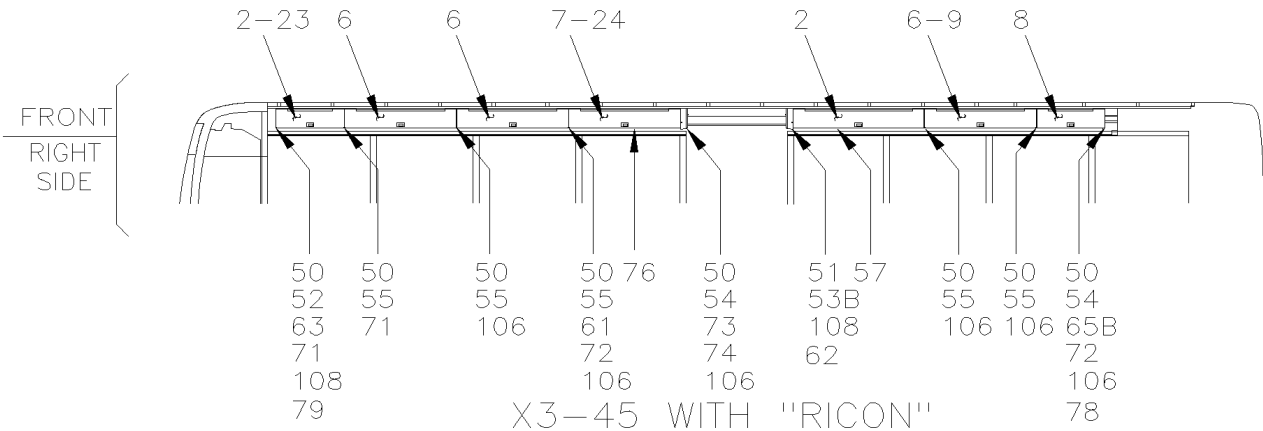
From G-7275 To M-7767	Date:07/2024	PAGE:X3PLB-1836-00
PARCEL RACK /WITH LEDS		



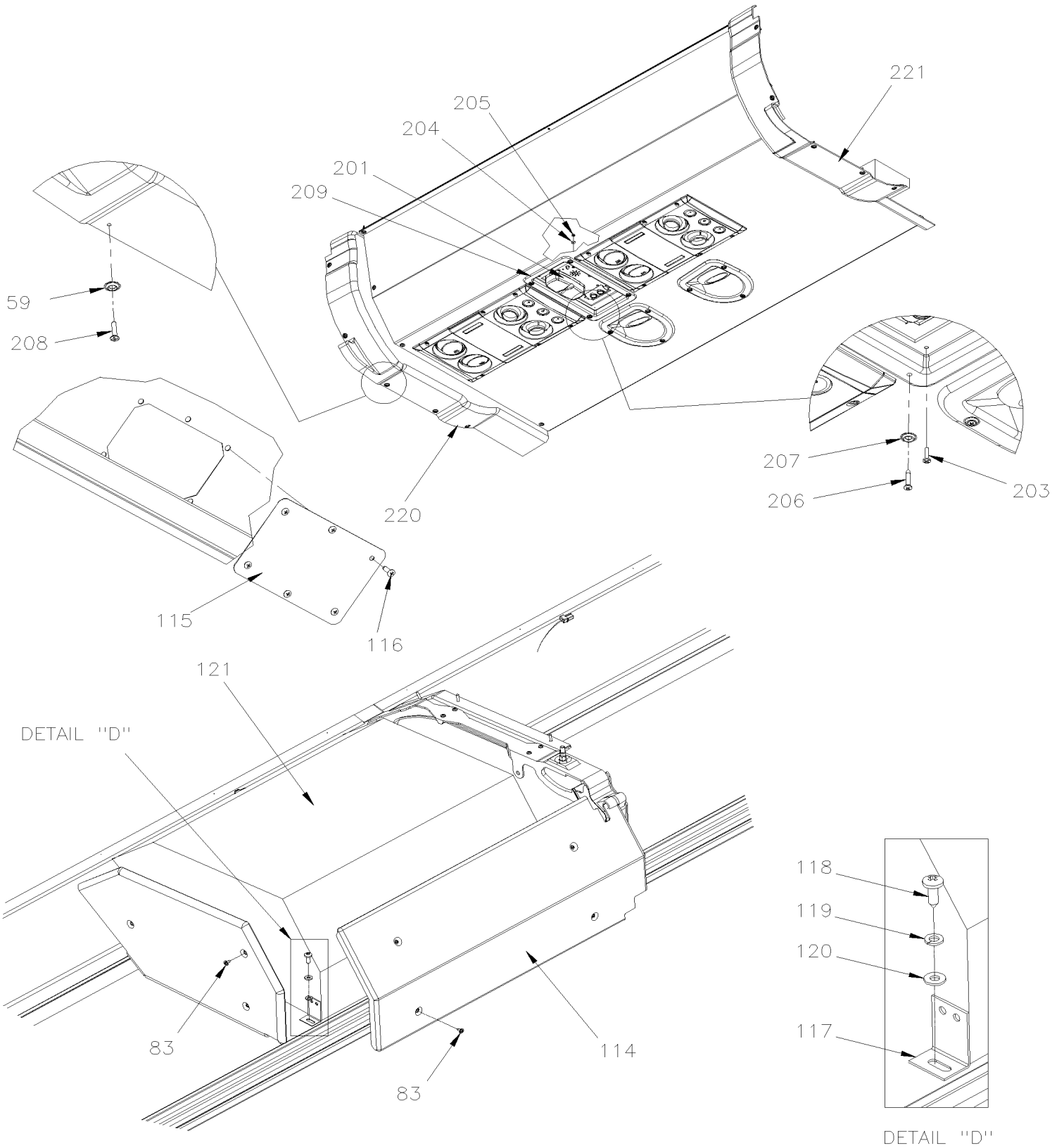
From G-7275 To M-7767	Date:07/2024	PAGE:X3PLB-1836-00
PARCEL RACK /WITH LEDS		



X3-45



PARCEL RACK /WITH LEDS

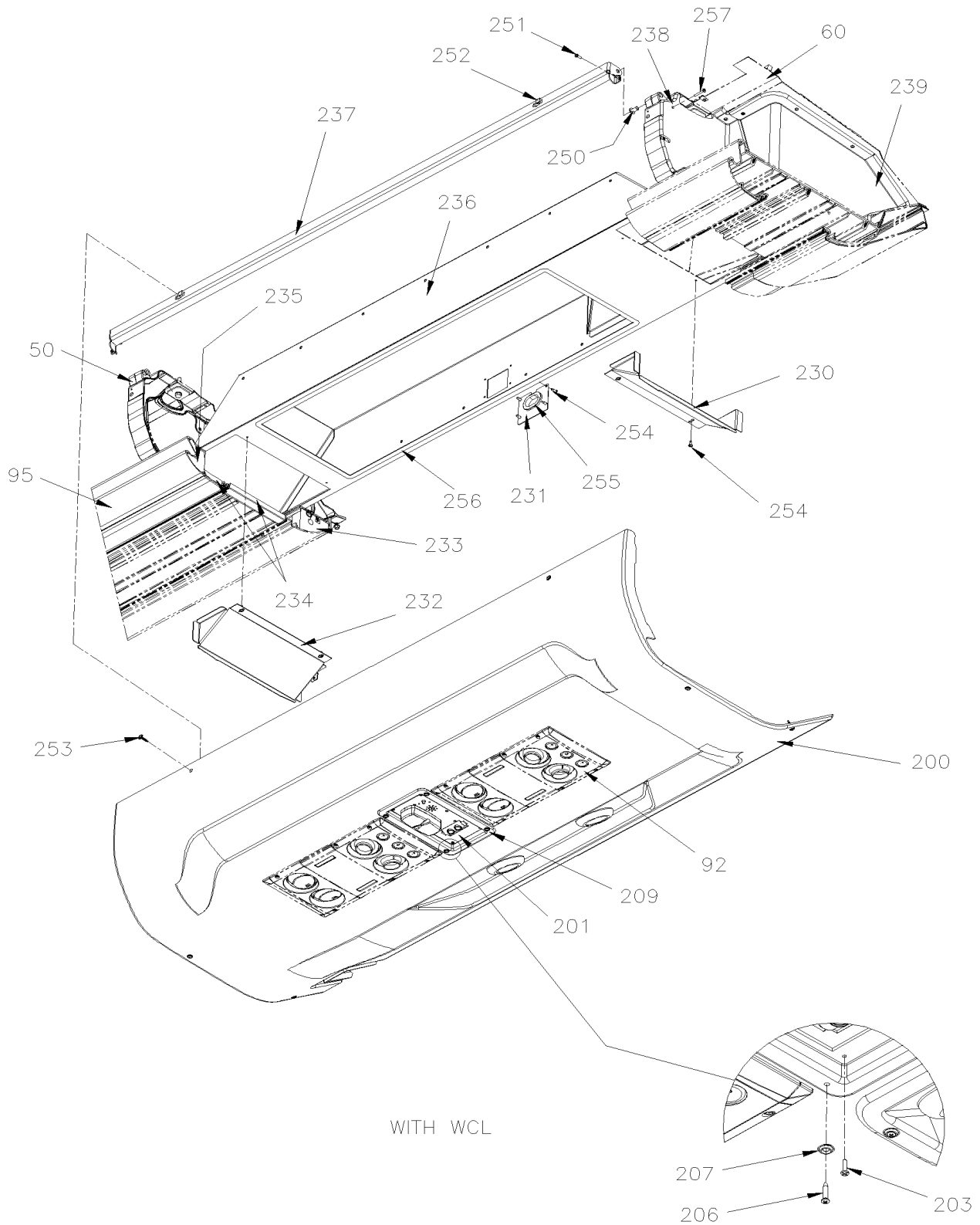


From G-7275 To M-7767

Date:07/2024

PAGE:X3PLB-1836-00

PARCEL RACK /WITH LEDS



From G-7275 To M-7767	Date:07/2024	PAGE:X3PLB-1836-00
PARCEL RACK /WITH LEDS		

Item#	Part	Description	QTY	Notes
1	313508	DOOR, PARCEL RACK / L.H. / W/LOCK / GREY / 860MM To J-7433	AR	
1	310469	DOOR, PARCEL RACK / L.H. / W/LOCK / GREY / 860MM From J-7434 To K-7662	AR	
1	313508-F01	DOOR, PARCEL RACK / L.H. / W/LOCK / WOODGRAIN / 860MM To J-7433	AR	
1	310469-F01	DOOR, PARCEL RACK / L.H. / W/LOCK / WOODGRAIN / 860MM From J-7434 To K-7662	AR	
1	313508-F02	DOOR, PARCEL RACK / L.H. / W/LOCK / GLOSS SILVER / 860MM To J-7433	AR	
1	310469-F02	DOOR, PARCEL RACK / L.H. / W/LOCK / GLOSS SILVER / 860MM From J-7434 To K-7662	AR	
1	313508-F03	DOOR, PARCEL RACK / L.H. / W/LOCK / MATTE SILVER / 860MM To J-7433	AR	
1	310469-F03	DOOR, PARCEL RACK / L.H. / W/LOCK / MATTE SILVER / 860MM From J-7434 To K-7662	AR	
1	310468-F04	DOOR, PARCEL RACK / R.H. / BIRDSEYE / 860MM From J-7434 To K-7662	AR	
1	310581	DOOR, PARCEL RACK / L.H. / W/LOCK / GREY / 1541MM From L-7663	1	
1	310862	DOOR, PARCEL RACK / L.H. ASSY / W/LOCK FORD / 1541MM From L-7663	1	
2	313506	DOOR, PARCEL RACK / GREY / 1654MM To J-7433	AR	
2	310467	DOOR, PARCEL RACK / GREY / 1654MM From J-7434	AR	
2	313506-F01	DOOR, PARCEL RACK / WOODGRAIN / 1654MM To J-7433	AR	
2	310467-F01	DOOR, PARCEL RACK / WOODGRAIN / 1654MM From J-7434	AR	
2	313506-F02	DOOR, PARCEL RACK / GLOSS SILVER / 1654MM To J-7433	AR	
2	310467-F02	DOOR, PARCEL RACK / GLOSS SILVER / 1654MM From J-7434	AR	
2	313506-F03	DOOR, PARCEL RACK / MATTE SILVER / 1654MM To J-7433	AR	
2	310467-F03	DOOR, PARCEL RACK / MATTE SILVER / 1654MM From J-7434	AR	
2	310467-F04	DOOR, PARCEL RACK / BIRDSEYE / 1654MM From J-7434	AR	
2	313510	DOOR, PARCEL RACK / W/LOCK / GREY / 1654MM To J-7433	AR	
2	310471	DOOR, PARCEL RACK / W/LOCK / GREY / 1654MM From J-7434	AR	
2	313510-F01	DOOR, PARCEL RACK / W/LOCK / WOODGRAIN / 1654MM To J-7433	AR	
2	310471-F01	DOOR, PARCEL RACK / W/LOCK / WOODGRAIN / 1654MM From J-7434	AR	
2	313510-F02	DOOR, PARCEL RACK / W/LOCK / GLOSS SILVER / 1654MM To J-7433	AR	
2	310471-F02	DOOR, PARCEL RACK / W/LOCK / GLOSS SILVER / 1654MM From J-7434	AR	
2	313510-F03	DOOR, PARCEL RACK / W/LOCK / MATTE SILVER / 1654MM To J-7433	AR	
2	310471-F03	DOOR, PARCEL RACK / W/LOCK / MATTE SILVER / 1654MM From J-7434	AR	
2	310471-F04	DOOR, PARCEL RACK / W/LOCK / BIRDSEYE / 1654MM From J-7434	AR	
3	313503	DOOR, PARCEL RACK / GREY / 701MM To J-7433	AR	
3	310464	DOOR, PARCEL RACK / GREY / 701MM From J-7434	AR	
3	313503-F01	DOOR, PARCEL RACK / WOODGRAIN / 701MM To J-7433	AR	
3	310464-F01	DOOR, PARCEL RACK / WOODGRAIN / 701MM From J-7434	AR	
3	313503-F02	DOOR, PARCEL RACK / GLOSS SILVER / 701MM To J-7433	AR	
3	310464-F02	DOOR, PARCEL RACK / GLOSS SILVER / 701MM From J-7434	AR	
3	313503-F03	DOOR, PARCEL RACK / MATTE SILVER / 701MM To J-7433	AR	
3	310464-F03	DOOR, PARCEL RACK / MATTE SILVER / 701MM From J-7434	AR	
4	313507	DOOR, PARCEL RACK / R.H. / GREY / 860MM To J-7433	AR	
4	310468	DOOR, PARCEL RACK / R.H. / GREY / 860MM From J-7434 To K-7662	AR	
4	311089	DOOR, PARCEL RACK / R.H. / GREY / 1541MM From L-7663	AR	
4	313507-F01	DOOR, PARCEL RACK / R.H. / WOODGRAIN / 860MM To J-7433	AR	
4	310468-F01	DOOR, PARCEL RACK / R.H. / WOODGRAIN / 860MM From J-7434 To K-7662	AR	

From G-7275 To M-7767	Date:07/2024	PAGE:X3PLB-1836-00
PARCEL RACK /WITH LEDS		

Item#	Part	Description	QTY	Notes
4	313507-F02	DOOR, PARCEL RACK / R.H. / GLOSS SILVER / 860MM To J-7433	AR	
4	310468-F02	DOOR, PARCEL RACK / R.H. / GLOSS SILVER / 860MM From J-7434 To K-7662	AR	
4	313507-F03	DOOR, PARCEL RACK / R.H. / MATTE SILVER / 860MM To J-7433	AR	
4	310468-F03	DOOR, PARCEL RACK / R.H. / MATTE SILVER / 860MM From J-7434 To K-7662	AR	
4	310468-F04	DOOR, PARCEL RACK / R.H. / BIRDSEYE / 860MM From J-7434 To K-7662	AR	
4	313505	DOOR, PARCEL RACK / R.H. W/LOCK / GREY / 860MM To J-7433	AR	
4	310466	DOOR, PARCEL RACK / R.H. W/LOCK / GREY / 860MM From J-7434 To K-7662	AR	
4	310582	DOOR, PARCEL RACK / R.H. W/LOCK / GREY / 1541MM From L-7663	1	
4	313505-F01	DOOR, PARCEL RACK / R.H. W/LOCK / WOODGRAIN / 860MM To J-7433	AR	
4	310466-F01	DOOR, PARCEL RACK / R.H. W/LOCK / WOODGRAIN / 860MM From J-7434 To K-7662	AR	
4	313505-F02	DOOR, PARCEL RACK / R.H. W/LOCK / GLOSS SILVER / 860MM To J-7433	AR	
4	310466-F02	DOOR, PARCEL RACK / R.H. W/LOCK / GLOSS SILVER / 860MM From J-7434 To K-7662	AR	
4	313505-F03	DOOR, PARCEL RACK / R.H. W/LOCK / MATTE SILVER / 860MM To J-7433	AR	
5	313497	DOOR, PARCEL RACK / GREY / 1410MM To J-7433	AR	
5	310451	DOOR, PARCEL RACK / GREY / 1410MM From J-7434	AR	
5	313497-F01	DOOR, PARCEL RACK / WOODGRAIN / 1410MM To J-7433	AR	
5	310451-F01	DOOR, PARCEL RACK / WOODGRAIN / 1410MM From J-7434	AR	
5	310451-F02	DOOR, PARCEL RACK / GLOSS SILVER / 1410MM From J-7434	AR	
6	316399	DOOR, PARCEL RACK / GREY / 1410MM To J-7433	AR	
6	310484	DOOR, PARCEL RACK / GREY / 1410MM From J-7434	AR	
6	316399-F01	DOOR, PARCEL RACK / WOODGRAIN / 1410MM To J-7433	AR	
6	310484-F01	DOOR, PARCEL RACK / WOODGRAIN / 1410MM From J-7434	AR	
6	316399-F02	DOOR, PARCEL RACK / GLOSS SILVER / 1410MM To J-7433	AR	
6	310484-F02	DOOR, PARCEL RACK / GLOSS SILVER / 1410MM From J-7434	AR	
6	316399-F03	DOOR, PARCEL RACK / MATTE SILVER / 1410MM To J-7433	AR	
6	310484-F03	DOOR, PARCEL RACK / MATTE SILVER / 1410MM From J-7434	1	
7	319093	DOOR, PARCEL RACK / W/LOCK / GREY / 1410MM To J-7433	AR	
7	310486	DOOR, PARCEL RACK / W/LOCK / GREY / 1410MM From J-7434	AR	
7	319093-F01	DOOR, PARCEL RACK / W/LOCK / WOODGRAIN / 1410MM To J-7433	AR	
7	310486-F01	DOOR, PARCEL RACK / W/LOCK / WOODGRAIN / 1410MM From J-7434	AR	
7	319093-F02	DOOR, PARCEL RACK / W/LOCK / GLOSS SILVER / 1410MM To J-7433	AR	
7	310486-F02	DOOR, PARCEL RACK / W/LOCK / GLOSS SILVER / 1410MM From J-7434	AR	
7	319093-F03	DOOR, PARCEL RACK / W/LOCK / MATTE SILVER / 1410MM To J-7433	AR	
7	310486-F03	DOOR, PARCEL RACK / W/LOCK / MATTE SILVER / 1410MM From J-7434	AR	
8	316400	DOOR, PARCEL RACK / L.H. / GREY / 860MM To J-7433	AR	
8	310485	DOOR, PARCEL RACK / L.H. / GREY / 860MM From J-7434 To K-7662	AR	
8	310463	DOOR, PARCEL RACK / GREY / 568MM From L-7663	1	
8	316400-F01	DOOR, PARCEL RACK / L.H. / WOODGRAIN / 860MM To J-7433	AR	
8	310485-F01	DOOR, PARCEL RACK / L.H. / WOODGRAIN / 860MM From J-7434 To K-7662	AR	
8	316400-F02	DOOR, PARCEL RACK / L.H. / GLOSS SILVER / 860MM To J-7433	AR	
8	310485-F02	DOOR, PARCEL RACK / L.H. / GLOSS SILVER / 860MM From J-7434 To K-7662	AR	
8	316400-F03	DOOR, PARCEL RACK / L.H. / MATTE SILVER / 860MM To J-7433	AR	

From G-7275 To M-7767	Date:07/2024	PAGE:X3PLB-1836-00
PARCEL RACK /WITH LEDS		

Item#	Part	Description	QTY	Notes
8	310485-F03	DOOR, PARCEL RACK / L.H. / MATTE SILVER / 860MM From J-7434 To K-7662	AR	
8	310463-F04	DOOR, PARCEL RACK / BIRDSEYE / 568MM From L-7663	1	
9	313498	DOOR, PARCEL RACK / GREY / 1151MM To J-7433	AR	
9	310454	DOOR, PARCEL RACK / GREY / 1151MM From J-7434 To K-7662	AR	
9	314845	DOOR, PARCEL RACK / GREY / 1151MM From L-7663	AR	
9	310454-F01	DOOR, PARCEL RACK / WOODGRAIN / 1151MM From J-7434 To K-7662	AR	
9	310454-F02	DOOR, PARCEL RACK / GLOSS SILVER / 1151MM From J-7434 To K-7662	AR	
9	310454-F04	DOOR, PARCEL RACK / BIRDSEYE / 1151MM From J-7434 To K-7662	AR	
NS	406049	DECAL / FOR DRIVER'S USE ONLY / ENGLISH & FRANCAIS	1	
NS	406159	DECAL / FOR DRIVER'S USE ONLY / ENGLISH & SPANISH	1	
NS	400021	DECAL / FOR DRIVER'S USE ONLY / ENGLISH & SPANISH & FRANCAIS	1	
NS	313678	. RUBBER BUMPER	2	
14	810092	. HANDLE	AR	
14	810093	. HANDLE W/LOCK	AR	
. NS	810104	. . KEY (7216)	1	
15	313532	. COVER DOOR HANDLE PARCEL RACK NSS	AR	
16	500557	. SCREW MA PAN PH #8-32x3/8 SS	AR	
17	313667	CATCH GREY	AR	
18	500536	SCREW TP HEXW SLT #14x1 ZP	AR	
19	500855	WASHER FL .188x.438x.049 N500	AR	
20A	561563	SWITCH / S.P.S.T. / N.C.	AR	
20B	500896	SCREW TC FL PH #8-32x5/8 Z050	AR	
21	316186P	DOOR, PARCEL RACK / L.H. ASSY / WLOCK FORD / 860MM	AR	
. NS	316183	. DOOR, PARCEL RACK / L.H. TO USE W/"FORD" OR "GM" / GREY / 860MM	1	
. NS	310481	. DOOR, PARCEL RACK / L.H. TO USE W/"FORD" OR "GM" / GREY / 860MM	1	
21	314398	DOOR, PARCEL RACK / L.H. ASSY / WLOCK FORD / 860MM	AR	
. NS	316183	. DOOR, PARCEL RACK / L.H. TO USE W/"FORD" OR "GM" / GREY / 860MM	1	
. NS	310481	. DOOR, PARCEL RACK / L.H. TO USE W/"FORD" OR "GM" / GREY / 860MM	1	
21	316183	. DOOR, PARCEL RACK / L.H. TO USE W/"FORD" OR "GM" / GREY / 860MM To J-7433	1	
21	310481	. DOOR, PARCEL RACK / L.H. TO USE W/"FORD" OR "GM" / GREY / 860MM From J-7434	1	
21	316183-F01	DOOR, PARCEL RACK / L.H. TO USE W/"FORD" OR "GM" / WOODGRAIN / 860MM To J-7433	1	
21	310481-F01	DOOR, PARCEL RACK / L.H. TO USE W/"FORD" OR "GM" / WOODGRAIN / 860MM From J-7434 To K-7662	1	
21	310481-F02	DOOR, PARCEL RACK / L.H. TO USE W/"FORD" OR "GM" / GLOSS SILVER / 860MM From J-7434 To K-7662	1	
21	310862	DOOR, PARCEL RACK / L.H. ASSY / W/LOCK FORD / 1541MM From L-7663	1	
21	316183-F02	DOOR, PARCEL RACK / L.H. TO USE W/"FORD" OR "GM" / GLOSS SILVER / 860MM To J-7433	1	
21	316183-F03	DOOR, PARCEL RACK / L.H. TO USE W/"FORD" OR "GM" / MATTE SILVER / 860MM To J-7433	1	
22	316202	DOOR, PARCEL RACK / L.H. TO USE W/"FORD" OR "GM" / GREY / 1654MM To J-7433	1	
22	310483	DOOR, PARCEL RACK / L.H. TO USE W/"FORD" OR "GM" / GREY / 1654MM From J-7434	1	
22	316202-F01	DOOR, PARCEL RACK / L.H. TO USE W/"FORD" OR "GM" / WOODGRAIN / 1654MM To J-7433	1	
22	310483-F01	DOOR, PARCEL RACK / L.H. TO USE W/"FORD" OR "GM" / WOODGRAIN / 1654MM From J-7434	1	
22	316202-F02	DOOR, PARCEL RACK / L.H. TO USE W/"FORD" OR "GM" / GLOSS SILVER / 1654MM To J-7433	1	
22	310483-F02	DOOR, PARCEL RACK / L.H. TO USE W/"FORD" OR "GM" / GLOSS SILVER / 1654MM From J-7434	1	

From G-7275 To M-7767	Date:07/2024	PAGE:X3PLB-1836-00
PARCEL RACK /WITH LEDS		

Item#	Part	Description	QTY	Notes
22	316202-F03	DOOR, PARCEL RACK / L.H. TO USE W/"FORD" OR "GM" / MATTE SILVER / 1654MM To J-7433	1	
23	316185P	DOOR, PARCEL RACK / R.H. ASSY / W/LOCK FORD / 860MM To K-7662	AR	
. NS	316184	. DOOR, PARCEL RACK / R.H. TO USE W/"FORD" OR "GM" / GREY / 860MM To K-7662	1	
. NS	310482	. DOOR, PARCEL RACK / R.H. TO USE W/"FORD" OR "GM" / GREY / 860MM To K-7662	1	
23	316184	. DOOR, PARCEL RACK / R.H. TO USE W/"FORD" OR "GM" / GREY / 860MM To J-7433	1	
23	310482	. DOOR, PARCEL RACK / R.H. TO USE W/"FORD" OR "GM" / GREY / 860MM From J-7434 To K-7662	1	
23	316184-F01	DOOR, PARCEL RACK / R.H. TO USE W/"FORD" OR "GM" / WOODGRAIN / 860MM To J-7433	1	
23	316184-F02	DOOR, PARCEL RACK / R.H. TO USE W/"FORD" OR "GM" / GLOSS SILVER / 860MM To J-7433	1	
23	310482-F02	DOOR, PARCEL RACK / R.H. TO USE W/"FORD" OR "GM" / GLOSS SILVER / 860MM From J-7434 To K-7662	1	
23	310855	DOOR, PARCEL RACK / R.H. ASSY / W/LOCK FORD / 1541MM From L-7663	1	
23	310482-F01	DOOR, PARCEL RACK / R.H. TO USE W/"FORD" OR "GM" / WOODGRAIN / 860MM From J-7434 To K-7662	1	
23	316184-F03	DOOR, PARCEL RACK / R.H. TO USE W/"FORD" OR "GM" / MATTE SILVER / 860MM To J-7433	AR	
24	319099	. DOOR, PARCEL RACK / R.H. / TO USE W/"FORD" OR "GM" / GREY / 1410MM To J-7433	1	
24	310487	. DOOR, PARCEL RACK / R.H. / TO USE W/"FORD" OR "GM" / GREY / 1410MM From J-7434	1	
24	319099-F01	DOOR, PARCEL RACK / R.H. / TO USE W/"FORD" OR "GM" / WOODGRAIN / 1410MM To J-7433	1	
24	310487-F01	DOOR, PARCEL RACK / R.H. / TO USE W/"FORD" OR "GM" / WOODGRAIN / 1410MM From J-7434	1	
24	319099-F02	DOOR, PARCEL RACK / R.H. / TO USE W/"FORD" OR "GM" / GLOSS SILVER / 1410MM To J-7433	1	
24	310487-F02	DOOR, PARCEL RACK / R.H. / TO USE W/"FORD" OR "GM" / GLOSS SILVER / 1410MM From J-7434	1	
24	319099-F03	DOOR, PARCEL RACK / R.H. / TO USE W/"FORD" OR "GM" / MATTE SILVER / 1410MM To J-7433	1	
24	319100	DOOR, PARCEL RACK / R.H. ASSY / W/LOCK FORD / 1410MM From L-7663	AR	
. NS	319099	. DOOR, PARCEL RACK / R.H. / TO USE W/"FORD" OR "GM" / GREY / 1410MM From L-7663	1	
. NS	310487	. DOOR, PARCEL RACK / R.H. / TO USE W/"FORD" OR "GM" / GREY / 1410MM From L-7663	1	
30	X3PLB-1867-00	KEY & CYLINDER CODE "FORD" & "NS"		
31	316170	PLATE FRONT FINISHING 85MM x 61.3MM	1	
32	316173	CYLINDER LOCK RETAINER HAT FORM	1	
33	5001053	SCREW MA PAN PH #4-40x1/4 ZP	2	
33	680038	THREAD LOCKER LOCTITE #243 / BLUE / 50ml	AR	
34	316174	PIVOT LOCK	1	
35	2800032	SEAL RUBBER 1/16" TH	1	
36	504402	RING RETAINER / EXT .250 x .210 x .025"	1	
37	316188	CATCH / W/"FORD" CYLINDER KEY	15	
38	506066	. CORD, RUBBER EXTRUSION NEO 7/16" O.D. / C.T.L.	AR	
39	504452	CLAMP "E-Z CLIP" / "TUBE-O" / 7/16" / HC9-7	AR	
41	316591	SHAFT, PIVOT P/R	AR	
42	5001481	SPACER NYLON .323 I.D. X .750 O.D. X .125	AR	
43	5001490	WASHER SHR .312 ID NYL	AR	
44	500587	SCREW SET HEXS CUP M4-0.7x6	AR	
45	980465	CYLINDER GAZ / 225NEWTON (50LBS) To K-7553	AR	
45	980020	CYLINDER GAZ / 244/164MM C/C / 35LBS From K-7554	AR	
45	980021	CYLINDER GAZ / 244/164MM C/C / 20LBS From K-7554	AR	
45	502847	NUT HEX NYRT M8-1.25 N500 From J-7434	AR	F J
45	310056	BRACE To J-7433	AR	WB

From G-7275 To M-7767	Date:07/2024	PAGE:X3PLB-1836-00
PARCEL RACK /WITH LEDS		

Item#	Part	Description	QTY	Notes
45	310058	BRACE To J-7433	AR	WB
46	980015	BALL STUD / W/10 MM X M8-1.25 / 29.18 MM	AR	
46	980027	BALL STUD / W/10 MM X M8-1.25 / 36.5MM From J-7434	AR	F J
47	502509	WASHER LO INT 8.4x15.0x0.8 Z050 To J-7433	AR	
47	502638	WASHER FL .312x.734x.065 N500 From J-7434	AR	F J
48	980016	NUT, CYLINDER RETAINER	AR	
49	980016	NUT, CYLINDER RETAINER From L-7663	AR	
50	315887	SUPPORT, PARCEL RACK GREY	AR	
51	316402	SUPPORT, PARCEL RACK	1	
52	312966	PILAR COVERING L.H.	1	
53A	316637	PILAR COVERING	1	
53B	313626	PILAR COVERING / BACKWARD W.C.L. DOOR To K-7662	AR	
53B	316680	FINISHING CAP L.H. / FRONT OF P.R. / GREY From L-7663	1	
54	313625	PILAR COVERING / FRONT W.C.L. DOOR	1	
55	312648	PILAR COVERING	AR	
55	312938	PILAR COVERING GREY From L-7663	AR	
56	312964	PILAR COVERING GREY	AR	
57	313536	PILAR COVERING To K-7662	AR	
57	312938	PILAR COVERING GREY From L-7663	1	
58	500661	SCREW TC FL PH #6-32x1/2 Z050 To K-7662	AR	
58	5002093	SCREW DR SEMS FN OV PH #8X3/4" Z050 From L-7663	AR	
59	500463	WASHER FN CKF .187x.500x.090 BR Z050 To K-7662	AR	
60	319146	CEILING, PARCEL RACK 701 MM To K-7662	AR	
60	319142	CEILING, PARCEL RACK 839 MM To K-7662	AR	
60	316733	CEILING, PARCEL RACK (WCL) 1151MM To K-7662	1	
60	317034	CEILING, PARCEL RACK 1382MM To K-7662	AR	
60	319145	CEILING, PARCEL RACK 1382 MM To K-7662	AR	
60	319144	CEILING, PARCEL RACK 1654 MM To K-7662	AR	
60	319143	CEILING, PARCEL RACK 1654MM To K-7662	AR	
60	317033	CEILING, PARCEL RACK 1654MM To K-7662	AR	
60	319147	CEILING, PARCEL RACK 1410 MM To K-7662	AR	
60	312243	INSULATING / TOP PANEL & STRUCTURE 1371.6MM	AR	
60	311046	INSULATING / TOP PANEL & STRUCTURE 528MM From L-7663	1	
60	314474	CEILING, PARCEL RACK (WCL) 1707MM To J-7495	1	
60	310343	CEILING, PARCEL RACK (WCL) 1707MM From J-7496 To K-7662	1	
60	314593	CEILING W/ ACCES CUTOUT, PARCEL RACK 1520MM From L-7663	1	
60	310342	CEILING, PARCEL RACK 1654MM / GREY From L-7663	1	
60	310573	CEILING, PARCEL RACK 1654MM / GREY From L-7663	1	
60	314590	CEILING, PARCEL RACK 1654MM / GREY W/ ACCES DOOR From L-7663	1	
60	310521	CEILING PANEL 568MM / GREY From L-7663	1	
60	314589	ACCESS HATCH 616MM From L-7663	2	
60	314592	CEILING PANEL 1495.5 MM / GREY From L-7663	1	

From G-7275 To M-7767	Date:07/2024	PAGE:X3PLB-1836-00
PARCEL RACK /WITH LEDS		

Item#	Part	Description	QTY	Notes
60	314610	CEILING W/ ACCES CUTOUT, PARCEL RACK 1654MM / GREY From L-7663	1	
60	314631	CEILING PANEL 1654MM / GREY From L-7663	1	
60	314467	SPACER	2	
NS	506227	TAPE RUB ADH1 CC POL 1/16" x 3/4" x 100' / GREY 2520	AR	
61	316680	FINISHING CAP L.H. / FRONT OF P.R. / GREY	AR	
62	316408	PIVOT SHAFT HOLDER	1	
NS	500587	SCREW SET HEXS CUP M4-0.7x6	1	
62	504347	RIVET POP DOME OE 3/16x1/4 AL	AR	
63	312904	SUPPORT FRONT R.H. / "C" FORM 390MM	1	
64	312902	SUPPORT FRONT R.H. / "C" FORM 390MM To K-7662	1	
64	310578	SUPPORT FRONT R.H. / "C" FORM 390MM From L-7663	1	
64	310585	SUPPORT FRONT R.H. / "C" FORM 390MM From L-7663	1	
NS	506338	RUBBER CHANNEL / 1/16" x 1/4" INT "U" SHAPE / ROUND C.T.L.	AR	
65A	313401	FINISHING CAP R.H. / FRONT OF P.R.	1	
65B	319084	FINISHING CAP R.H. / FRONT OF P.R.	1	
65B	311263	FINISHING CAP R.H. / FRONT OF P.R. From L-7663	1	
66	313468	FINISHING CAP R.H. / UNDER OF P.R.	1	
67	319161	COVER END CLOSING	2	
NS	503707	HOSE / PVC REINFORCED 1/2" I.D. 100' / S.L.	AR	
NS	564534	CABLE TIE / WITH EDGE CLIP / T50REC5A 10 MM x 200 MM	AR	
68	317093	COVER L.H. END CLOSING	1	
68	317092	COVER L.H. END CLOSING To K-7662	1	
68	310066	COVER L.H. END CLOSING From L-7663	1	
68	317091	COVER R.H. END CLOSING	1	C
69	316623	COVER / PLAIN / W/DOOR GREY	1	
70	Call order desk	PANEL, INTERIOR ASSY 703 MM	1	P
70	312553P	PANEL, INTERIOR ASSY 868 MM To K-7662	3	
70	Call order desk	PANEL, INTERIOR ASSY 1179MM	1	P W
70	Call order desk	PANEL, INTERIOR ASSY 597.6MM From L-7663	1	P W
70	Call order desk	PANEL, INTERIOR ASSY 1657MM From L-7663	1	P W
70	Call order desk	PANEL, INTERIOR ASSY 1179MM	1	P
70	Call order desk	PANEL, INTERIOR ASSY 1411 MM	3	P
70	Call order desk	PANEL, INTERIOR ASSY 1411 MM	1	P
70	Call order desk	PANEL, INTERIOR ASSY 1657 MM	AR	P
70	Call order desk	PANEL, INTERIOR ASSY 1657 MM	AR	P
70	Call order desk	PANEL, INTERIOR ASSY 1549.5 MM From L-7663	1	P
70	Call order desk	PANEL, INTERIOR ASSY / WITH CUT-OUT 1657 MM From H-7417 To K-7662	1	P
70	Call order desk	PANEL, INTERIOR ASSY / WITH CUT-OUT 1657 MM From L-7663	1	P
70	314417	PANEL, INTERIOR ASSY / WITH CONDUIT, WIRE GUIDE STREET SIDE	1	G
70	314429	PANEL, INTERIOR ASSY / WITH CONDUIT, WIRE GUIDE CURBSIDE	1	G
70	314371	CONDUIT, WIRE GUIDE	1	G
70	314545	HOSE SILICONE 1 3/8" x 40MM From K-7448	1	G

From G-7275 To M-7767	Date:07/2024	PAGE:X3PLB-1836-00
PARCEL RACK /WITH LEDS		

Item#	Part	Description	QTY	Notes
71	316664	COVER / PLAIN / W/CORD	AR	
71A	316694	COVER FOR IOB MODULE GREY	1	
. NS	069194	. DECAL "IOB"	1	
72	316667	COVER / PLAIN / W/CORD	AR	
73	316668	COVER R.H. / PLAIN / W/DOOR	1	
73	311506	COVER R.H. / PLAIN / W/CORD From L-7663	1	
74	316668	COVER R.H. / PLAIN / W/DOOR To K-7662	1	
74	310001	COVER R.H. / PLAIN / W/DOOR / GREY From L-7663	1	
75	316671	COVER L.H. ASSY / W/LIGHT & VENT HOLE	1	
. NS	316672	. COVER, PARCEL RACK, VENTILATED	1	
. NS	565889	. LAMP LED	1	
. NS	502752	. SCREW TP RND PH #4x3/4 ZP	2	
. NS	067578	. WIRING HARNESS FRONT JUNCTION BOX / W/MUX	1	
75	317069	COVER L.H. ASSY / W/LIGHT & VENT HOLE	1	G
. NS	316672	. COVER, PARCEL RACK, VENTILATED	1	G
. NS	565889	. LAMP LED	1	G
. NS	502752	. SCREW TP RND PH #4x3/4 ZP	2	G
. NS	067578	. WIRING HARNESS FRONT JUNCTION BOX / W/MUX	1	G
NS	500641	SCREW TP PAN PH #8x3/4 Z050	AR	
NS	068757	DECAL / POWER VIDEO COMPONENTS To H-7416	1	
75	060936	DECAL / POWER VIDEO COMPONENTS From H-7417	1	
75	310367	COVER L.H. ASSY / W/LIGHT & VENT HOLE GREY	1	SP
. NS	310370	. COVER, PARCEL RACK, VENTILATED	1	SP
. NS	565889	. LAMP LED	1	SP
. NS	504448	. CABLE CLIP 1/4" / ADHESIVE	2	SP
. NS	502752	. SCREW TP RND PH #4x3/4 ZP	2	SP
. NS	506755	. VELCRO / HOOK ADHESIF 1" x 75'	AR	SP
. NS	506756	. VELCRO / LOOP ADHESIF 1" x 75'	AR	SP
75	060158	DECAL, O2 EL SOUND/VIDEO SYS P-RACK E To L-7714	1	SP
75	0610354	DECAL, O2 EL SOUND/VIDEO SYS P-RACK E From L-7715	1	SP
75	060157	DECAL, O2 EL MONITOR LAYOUT P-RACK E	1	SP
76	317090	COVER / L.H. SIDE OF VENTILATOR BOX	AR	
77	500461	WASHER SPR BOW .438x.750x.017	AR	
78	316669	COVER ASSY / W/LIGHT / PLAIN	1	
. NS	316670	. COVER, PARCEL RACK	1	
. NS	565889	. LAMP LED	1	
. NS	504448	. CABLE CLIP 1/4" / ADHESIVE	2	
. NS	502752	. SCREW TP RND PH #4x3/4 ZP	2	
79	316662	COVER ASSY / W/LIGHT / PLAIN	1	
. NS	316663	. COVER, PARCEL RACK	1	
. NS	565889	. LAMP LED	1	
. NS	504448	. CABLE CLIP 1/4" / ADHESIVE	2	

From G-7275 To M-7767	Date:07/2024	PAGE:X3PLB-1836-00
PARCEL RACK /WITH LEDS		

Item#	Part	Description	QTY	Notes
. NS	502752	. SCREW TP RND PH #4x3/4 ZP	2	
79	310161	COVER ASSY / W/LIGHT / PLAIN /W/HOLE FOR CABLE GREY	1	
. NS	310160	. COVER, PARCEL RACK	1	
. NS	565889	. LAMP LED	1	
. NS	504448	. CABLE CLIP ¼" / ADHESIVE	2	
. NS	502752	. SCREW TP RND PH #4x3/4 ZP	2	
79A	316673	COVER ASSY / W/LIGHT / PLAIN To H-7416	1	
. NS	316674	. COVER, PARCEL RACK To H-7416	1	
. NS	565889	. LAMP LED To H-7416	1	
. NS	504448	. CABLE CLIP ¼" / ADHESIVE To H-7416	2	
. NS	502752	. SCREW TP RND PH #4x3/4 ZP To H-7416	2	
79A	310287	COVER ASSY / W/LIGHT / PLAIN From H-7417	1	
. NS	316674	. COVER, PARCEL RACK From H-7417	1	
. NS	565889	. LAMP LED From H-7417	1	
. NS	069194	. DECAL "IOB" From H-7417	1	
. NS	502752	. SCREW TP RND PH #4x3/4 ZP From H-7417	2	
80	312427P	PANEL ASSY / W/O SPEAKER #1 L.H & #1 R.H. To K-7662	2	
80	Call order desk	PANEL ASSY / W/O SPEAKER W/ LEATHERETTE 874MM #1 L.H & #1 R.H. To K-7662	2	P L
80	Call order desk	PANEL ASSY 1551MM #1 L.H. From L-7663	1	P
80	Call order desk	PANEL ASSY W/ LEATHERETTE 1551MM #1 L.H. From L-7663	1	P L
80	Call order desk	PANEL ASSY 1551MM #1 R.H. From L-7663	1	P
80	Call order desk	PANEL ASSY W/ LEATHERETTE 1551MM #1 R.H. From L-7663	1	P L
80	Call order desk	PANEL ASSY 1659MM #2,3,4,6,7 L.H. & #2,3,5,6 R.H To K-7662	9	P
80	Call order desk	PANEL ASSY W/ LEATHERETTE 1659MM #2,3,4,6,7 L.H. & #2,3,5,6 R.H To K-7662	9	P L
80	Call order desk	PANEL ASSY 1659MM #2,3,4,6,7 L.H. & #5 R.H To K-7662	6	P WCL
80	Call order desk	PANEL ASSY 1659MM #2,3,5,6 L.H. & #2,4,5,6 R.H From L-7663	8	P
80	Call order desk	PANEL ASSY W/ LEATHERETTE 1659MM #2,3,5,6 L.H. & #2,4,5,6 R.H From L-7663	8	P L
80	Call order desk	PANEL ASSY 1659MM #2,3,5,6 L.H. & #2,6 R.H From L-7663	6	P WCL
80	Call order desk	PANEL ASSY 1414 MM #2,3,6 R.H. To K-7662	3	P WCL
80	317118P	PANEL ASSY 1414MM #4 R.H. To K-7662	1	WCL
80	Call order desk	PANEL ASSY 1707MM #4 R.H From L-7663	1	P WCL
80	Call order desk	PANEL ASSY 1659MM #4 L.H & #5 R.H. To K-7662	2	P B
80	Call order desk	PANEL ASSY W/ LEATHERETTE 1659MM #4 L.H & #5 R.H. To K-7662	2	P B L
80	Call order desk	PANEL ASSY 1660MM #4 L.H & #3 R.H. From L-7663	2	P B
80	Call order desk	PANEL ASSY 1660MM #4 L.H From L-7663 To M-7763	1	P A
80	Call order desk	PANEL ASSY 1660MM #4 L.H From M-7764	1	P A
80	Call order desk	PANEL ASSY 1660MM #4 L.H From L-7663	1	P B WCL
80	Call order desk	PANEL ASSY 1657MM #3 R.H From L-7663	1	P A
80	Call order desk	PANEL ASSY 1707MM #3 R.H From L-7663	1	P B WCL
80	Call order desk	PANEL ASSY 1707MM #3 R.H From L-7663	1	P A WCL
80	311063P	ACCESS DOOR 161MM #4 L.H & #3 R.H. From L-7663	2	A
NS	5002093	SCREW DR SEMS FN OV PH #8X3/4" Z050 From L-7663	AR	A

From G-7275 To M-7767	Date:07/2024	PAGE:X3PLB-1836-00
PARCEL RACK /WITH LEDS		

Item#	Part	Description	QTY	Notes
80	Call order desk	PANEL ASSY 1659MM #5 R.H. To K-7662	1	P WCL
80	Call order desk	PANEL ASSY 1659MM #4 L.H To K-7662	1	P A
80	Call order desk	PANEL ASSY 1659MM #5 R.H. To K-7662	1	P A
80	Call order desk	PANEL ASSY 1182MM #6 R.H. To K-7662	1	P W
80	Call order desk	PANEL ASSY 1684 MM #7 L.H From L-7663	1	P
80	Call order desk	PANEL ASSY W/ LEATHERETTE 1684MM #7 L.H From L-7663	1	P L
80	Call order desk	PANEL ASSY 824MM #7 L.H. To K-7662	1	P E
80	Call order desk	PANEL ASSY 1413MM #7 R.H. To K-7662	1	P
80	Call order desk	PANEL ASSY W/ LEATHERETTE 1413MM #7 R.H. To K-7662	1	P L
80	Call order desk	PANEL ASSY 683MM #7 R.H. From L-7663	1	P
80	Call order desk	PANEL ASSY 977MM #7 R.H. To K-7662	1	P WCL
80	Call order desk	PANEL ASSY 683MM #7 R.H. From L-7663	1	P WCL
80	Call order desk	PANEL ASSY 1659MM #7 R.H To K-7662	1	P C
80	Call order desk	PANEL ASSY W/ LEATHERETTE 1659MM #7 R.H To K-7662	1	P C L
80	Call order desk	PANEL ASSY W/ LEATHERETTE 1684MM #7 R.H From L-7663	1	P C L
80	Call order desk	PANEL ASSY W/ LEATHERETTE 704MM #8 L.H. To K-7662	1	P L
80	Call order desk	PANEL ASSY 704 MM #8 L.H. To K-7662	1	P
80	Call order desk	PANEL ASSY 704MM #8 R.H. To K-7662	1	P C
80	Call order desk	PANEL ASSY W/ LEATHERETTE 704MM #8 R.H. To K-7662	1	P C L
NS	8631155	CABLE TIE / 4.6MM x 200 / CHRISTMAS TREE	AR	
81	500582	SCREW TP PAN PH #8x3/8 Z050	AR	
82	317129	SIDE ACCESS PANEL GREY	AR	
83	5001440	SCREW TP RND PH WSHR HD #8x1/2	AR	
84	500583	SCREW TP PAN PH #6x1/2 Z050	AR	
85	311250	ROD / TO JOINT HAND RAIL EXTRUSION	AR	
86	312511	PLATE, JUNCTION / EXTRUSION RETAINER	AR	
87	504118	RIVET POP DOME OE 3/16x3/8 AL	AR	
88	5002074	SCREW DR HEXF ECOGUARD #12x14 To K-7662	AR	
88	502848	SCREW TC CAP HEXF 1/4-20x3/4 N500 From L-7663	AR	
89	502513	SCREW TP CAP HEX 5/16x1 Z050	AR	
90	316514	EXTRUSION, REAR, ALUMINIUM 2842.5MM To K-7662	1	
90	316271	EXTRUSION, REAR, ALUMINIUM 5115 MM To K-7662	1	
90	313228	EXTRUSION, REAR, ALUMINIUM 5685 MM To K-7662	1	
90	312528	EXTRUSION, REAR, ALUMINIUM 5850MM / S.C.C To K-7662	1	
90	310083	EXTRUSION, REAR, ALUMINIUM 6531 MM / S.C.C From L-7663	1	
90	310084	EXTRUSION, REAR, ALUMINIUM 5005 MM / S.C.C From L-7663	1	
90	311039	EXTRUSION, REAR, ALUMINIUM 4871 MM From L-7663	1	
90	311043	EXTRUSION, REAR, ALUMINIUM 5663 MM From L-7663	1	
91	316513	EXTRUSION, ALUMINIUM 2594MM	1	
91	316275	EXTRUSION, ALUMINIUM 3805 MM	1	
91	316276	EXTRUSION, REAR, ALUMINIUM 4054 MM	1	

From G-7275 To M-7767	Date:07/2024	PAGE:X3PLB-1836-00
PARCEL RACK /WITH LEDS		

Item#	Part	Description	QTY	Notes
91	316270	EXTRUSION, ALUMINIUM 4965 MM	1	
91	312525	EXTRUSION, ALUMINIUM 5850MM / S.C.C To K-7662	2	
91	310080	EXTRUSION, ALUMINIUM 6531MM From L-7663	1	
91	310081	EXTRUSION, ALUMINIUM 5005MM From L-7663	1	
91	311034	EXTRUSION, ALUMINIUM 5663MM From L-7663	1	
91	311038	EXTRUSION, ALUMINIUM 4871MM From L-7663	1	
NS	810087	CARPET (OZITE) SELF ADHESIVE To K-0498	AR	
91	810009	CARPET (OZITE) SELF ADHESIVE From K-0499	AR	
92	X3PLB-0655-00	INTERIOR LIGHTING / "LED"		
93	312971P	PANEL 51MM	1	
93	Call order desk	PANEL 73MM	1	P
93	Call order desk	PANEL 80MM	1	P
93	Call order desk	PANEL 92MM	1	P
93	313682P	PANEL 100MM	1	
93	Call order desk	PANEL 114MM	1	P
93	316197P	PANEL 124MM	1	
93	Call order desk	PANEL 126MM	1	P
93	Call order desk	PANEL 132MM	1	P
93	Call order desk	PANEL 149MM	1	P
93	Call order desk	PANEL 158MM	1	P
93	315936P	PANEL 166MM	1	
93	Call order desk	PANEL 174MM	1	P
93	Call order desk	PANEL 181MM	1	P
93	315913P	PANEL 184MM	1	
93	Call order desk	PANEL 188MM	1	P
93	313330P	PANEL 193MM	1	
93	Call order desk	PANEL 203MM	1	P
93	Call order desk	PANEL W/EMERGENCY LAMP HOLE 203MM From M-7839	1	P H
93	Call order desk	PANEL 213MM	1	P
93	313883P	PANEL 219MM	1	
93	315940P	PANEL 226MM	1	
93	Call order desk	PANEL 231MM	1	P
93	313334P	PANEL 235MM	1	
93	Call order desk	PANEL 243MM	1	P
93	312736P	PANEL 248MM	1	
93	313077P	PANEL 253MM	1	
93	Call order desk	PANEL 256MM	1	P
93	Call order desk	PANEL 264MM	1	P
93	312760P	PANEL 269MM	1	
93	312721P	PANEL 279MM	1	
93	315923P	PANEL 289MM	1	
93	Call order desk	PANEL 292MM	1	P

From G-7275 To M-7767	Date:07/2024	PAGE:X3PLB-1836-00
PARCEL RACK /WITH LEDS		

Item#	Part	Description	QTY	Notes
93	312734P	PANEL 299 MM	1	
93	316018P	PANEL 304MM	1	
93	312762P	PANEL 310MM	1	
93	312761P	PANEL 315MM	1	
93	312764P	PANEL 325MM	1	
93	313075P	PANEL 335MM	1	
93	312724P	PANEL 343MM	1	
93	Call order desk	PANEL 352MM	1	P
93	312729P	PANEL 356MM	1	
93	Call order desk	PANEL 366MM	1	P
93	Call order desk	PANEL 370MM	1	P
93	312839P	PANEL 375MM	1	
93	314644	PANEL 378MM	1	
93	313328P	PANEL 388MM	1	
93	Call order desk	PANEL 391MM	1	P
93	Call order desk	PANEL 396MM	1	P
93	312735P	PANEL 402MM	1	
93	Call order desk	PANEL 405MM	1	P
93	312751P	PANEL 408MM	1	
93	313333P	PANEL 415MM	1	
93	Call order desk	PANEL 418MM	1	P
93	312749P	PANEL 421MM	1	
93	Call order desk	PANEL W/EMERGENCY LAMP HOLE 421MM From M-7839	1	P H
93	Call order desk	PANEL 424MM	1	P
93	Call order desk	PANEL 426MM	1	P
93	312720P	PANEL 427MM	AR	
93	Call order desk	PANEL W/EMERGENCY LAMP HOLE 427MM From M-7839	1	P H
93	312774P	PANEL 431MM	1	
93	Call order desk	PANEL W/EMERGENCY LAMP HOLE 431MM From M-7839	1	P H
93	312946P	PANEL 437MM	1	
93	310617P	PANEL 440MM	1	
93	Call order desk	PANEL 443MM	1	P
93	312733P	PANEL 447MM	1	
93	Call order desk	PANEL W/EMERGENCY LAMP HOLE 447MM From M-7839	1	P H
93	Call order desk	PANEL 448MM	1	P
93	312747P	PANEL 454MM	1	
93	312767P	PANEL 457MM	1	
93	Call order desk	PANEL W/EMERGENCY LAMP HOLE 457MM From M-7839	1	P H
93	Call order desk	PANEL 462MM	1	P
93	312975P	PANEL 465MM	1	
93	Call order desk	PANEL W/EMERGENCY LAMP HOLE 465MM From M-7839	1	P H
93	Call order desk	PANEL 469MM	1	P

From G-7275 To M-7767	Date:07/2024	PAGE:X3PLB-1836-00
PARCEL RACK /WITH LEDS		

Item#	Part	Description	QTY	Notes
93	312745P	PANEL 472MM	1	
93	312835P	PANEL 475MM	1	
93	312730P	PANEL 478MM	1	
93	312752P	PANEL 484MM	1	
93	313076P	PANEL 490MM	1	
93	312771P	PANEL 495MM	1	
93	312728P	PANEL 500MM	1	
93	Call order desk	PANEL 505MM	1	P
93	312725P	PANEL 510MM	1	
93	Call order desk	PANEL 516MM	1	P
93	312723P	PANEL 525MM	1	
93	Call order desk	PANEL 529MM	1	P
93	312741P	PANEL 538MM	1	
93	312737P	PANEL 542MM	1	
93	312739P	PANEL 550MM	1	
93	Call order desk	PANEL 553MM	1	P
93	313335P	PANEL 559MM	1	
93	Call order desk	PANEL 560MM	1	P
93	313125P	PANEL 565MM	1	
93	315952P	PANEL 570MM	1	
93	312756P	PANEL 575MM	1	
93	Call order desk	PANEL 580MM	1	P
93	315884P	PANEL 582MM	1	
93	Call order desk	PANEL 586MM	1	P
93	312766P	PANEL 590MM	1	
93	312757P	PANEL 598MM	1	
93	315945P	PANEL 601MM	1	
93	312722P	PANEL 605MM	1	
93	Call order desk	PANEL 612MM	1	P
93	313414P	PANEL 615MM	1	
93	Call order desk	PANEL 625MM	1	P
93	Call order desk	PANEL 631MM	1	P
93	Call order desk	PANEL 636MM	1	P
93	Call order desk	PANEL 640MM	1	P
93	Call order desk	PANEL 646MM	1	P
93	315983P	PANEL 655MM	1	
93	Call order desk	PANEL 656MM	1	P
93	Call order desk	PANEL 660MM	1	P
93	Call order desk	PANEL 665MM	1	P
93	Call order desk	PANEL 672MM	1	P
93	Call order desk	PANEL 674MM	1	P
93	Call order desk	PANEL 682MM	1	P

From G-7275 To M-7767	Date:07/2024	PAGE:X3PLB-1836-00
PARCEL RACK /WITH LEDS		

Item#	Part	Description	QTY	Notes
93	Call order desk	PANEL 686MM	1	P
93	Call order desk	PANEL 690MM	1	P
93	312748P	PANEL 700MM	1	
93	312746P	PANEL 705MM	1	
93	312759P	PANEL 711MM	1	
93	313079P	PANEL 716MM	1	
93	Call order desk	PANEL 722MM	1	P
93	Call order desk	PANEL 723MM	1	P
93	Call order desk	PANEL 725MM	1	P
93	312765P	PANEL 731MM	1	
93	Call order desk	PANEL 741MM	1	P
93	Call order desk	PANEL 747MM	1	P
93	312840P	PANEL 753MM	1	
93	312770P	PANEL 759MM	1	
93	312742P	PANEL 763MM	1	
93	312738P	PANEL 773MM	1	
93	Call order desk	PANEL 780MM	1	P
93	Call order desk	PANEL 788MM	1	P
93	Call order desk	PANEL 791MM	1	P
93	Call order desk	PANEL 796MM	1	P
93	Call order desk	PANEL 802MM	1	P
93	Call order desk	PANEL 811MM	1	P
93	Call order desk	PANEL 819MM	1	P
93	Call order desk	PANEL 825MM	1	P
93	Call order desk	PANEL 830MM	1	P
93	Call order desk	PANEL 836MM	1	P
93	Call order desk	PANEL 843MM	1	P
93	Call order desk	PANEL 850MM	1	P
93	313617P	PANEL 866MM	1	
93	315929P	PANEL 878MM	1	
93	Call order desk	PANEL 885MM	1	P
93	Call order desk	PANEL 905MM	1	P
93	Call order desk	PANEL 913MM	1	P
93	Call order desk	PANEL 924MM	1	P
93	Call order desk	PANEL 936MM	1	P
93	315904P	PANEL 940MM	1	
93	Call order desk	PANEL 966MM	1	P
93	Call order desk	PANEL 990MM	1	P
93	Call order desk	PANEL 1044MM	1	P
93	Call order desk	PANEL 1096MM	1	P
93	Call order desk	PANEL 1123MM	1	P
93	Call order desk	PANEL 1191MM	1	P

From G-7275 To M-7767	Date:07/2024	PAGE:X3PLB-1836-00
PARCEL RACK /WITH LEDS		

Item#	Part	Description	QTY	Notes
93	Call order desk	PANEL 1212MM	1	P
93	Call order desk	PANEL 1296MM	1	P
93	Call order desk	PANEL 1360MM	1	P
93	Call order desk	PANEL 1379MM	1	P
93	Call order desk	PANEL 1424MM	1	P
93	Call order desk	PANEL 1481MM	1	P
93	Call order desk	PANEL 1549MM	1	P
93	Call order desk	PANEL 1724MM	1	P
93	316485P	PANEL 1571MM	1	
93	Call order desk	PANEL 1921MM	1	P
93	Call order desk	PANEL 310MM / 112MM POSITION SCREEN	1	P
93	Call order desk	PANEL 376MM / 112MM POSITION SCREEN	1	P
93	Call order desk	PANEL 427MM / 315MM POSITION SCREEN	1	P
93	Call order desk	PANEL 457MM / 147MM POSITION SCREEN	1	P
93	Call order desk	PANEL 475MM / 108MM POSITION FLAT MONITOR	1	P
93	Call order desk	PANEL 475MM / 108MM POSITION FLAT MONITOR	1	P
93	Call order desk	PANEL 475MM / 310MM POSITION SCREEN	1	P
93	Call order desk	PANEL 495MM / 310MM POSITION SCREEN	1	P
93	Call order desk	PANEL 500MM / 108MM POSITION SCREEN / LCD SCREEN	1	P
93	Call order desk	PANEL 510MM / 310MM POSITION SCREEN	1	P
93	Call order desk	PANEL 575MM / 265MM POSITION SCREEN	1	P
93	Call order desk	PANEL 601MM / 311MM POSITION SCREEN	1	P
93	Call order desk	PANEL 640MM / 330MM POSITION SCREEN	1	P
93	310654P	PANEL 655MM / 382MM POSITION SCREEN / R.H. W/ LCD SCREEN	1	
93	310653P	PANEL 655MM / 382MM POSITION SCREEN / L.H. W/10" LCD SCREEN	1	
93	316123P	PANEL 655MM / 383MM POSITION SCREEN / W/15" LCD SCREEN	1	
93	Call order desk	PANEL 655MM / 544MM POSITION SCREEN	1	P
93	Call order desk	PANEL 705MM / 544MM POSITION SCREEN	1	P
93	Call order desk	PANEL 760MM / 427MM POSITION SCREEN / L.H. W/10" LCD SCREEN	1	P
93	Call order desk	PANEL 796MM / 486MM POSITION SCREEN	1	P
93	Call order desk	PANEL 800MM / 128MM & 177MM HOLE POSITION / W/12.1" RETRACTABLE SCREEN	1	P
93	Call order desk	PANEL 915MM / 465MM POSITION SCREEN / L.H. W/10" LCD SCREEN	1	P
93	Call order desk	PANEL 980MM / 310MM POSITION SCREEN / LCD SCREEN	1	P
93	314357	PANEL 980MM / 310MM POSITION SCREEN / LCD SCREEN	1	
93	Call order desk	PANEL 980MM / 465MM POSITION SCREEN	1	P
93	Call order desk	PANEL 1015MM / 108MM POSITION SCREEN / L.H. LCD SCREEN	1	P
93	Call order desk	PANEL 1015MM / 440MM POSITION SCREEN / LCD SCREEN	1	P
93	5001368	SCREW TC OV PH #8-32X1/2 BK	AR	
93	5001949	WASHER FN CKF .220x.615 BK	AR	
94	314272-51	WOOD PANEL / COLOR TO BE SPECIFIED 51MM		
94	314272-124	WOOD PANEL / COLOR TO BE SPECIFIED 124MM		

From G-7275 To M-7767	Date:07/2024	PAGE:X3PLB-1836-00
PARCEL RACK /WITH LEDS		

Item#	Part	Description	QTY	Notes
94	314272-126	WOOD PANEL / COLOR TO BE SPECIFIED 126MM		
94	314272-219	WOOD PANEL / COLOR TO BE SPECIFIED 219MM		
94	314272-253	WOOD PANEL / COLOR TO BE SPECIFIED 253MM		
94	314272-264	WOOD PANEL / COLOR TO BE SPECIFIED 264MM		
94	314272-299	WOOD PANEL / COLOR TO BE SPECIFIED 299MM		
94	314272-304	WOOD PANEL / COLOR TO BE SPECIFIED 304MM		
94	314272-315	WOOD PANEL / COLOR TO BE SPECIFIED 315MM		
94	314272-325	WOOD PANEL / COLOR TO BE SPECIFIED 325MM		
94	314272-370	WOOD PANEL / COLOR TO BE SPECIFIED 370MM		
94	314272-375	WOOD PANEL / COLOR TO BE SPECIFIED 375MM		
94	314272-391	WOOD PANEL / COLOR & MONITOR PRESENCE TO BE SPECIFIED 391MM		
94	314272-408	WOOD PANEL / COLOR TO BE SPECIFIED 408MM		
94	314272-421	WOOD PANEL / COLOR & MONITOR PRESENCE TO BE SPECIFIED 421MM		
94	314272-427	WOOD PANEL / COLOR & MONITOR PRESENCE TO BE SPECIFIED 427MM		
94	314272-431	WOOD PANEL / COLOR & MONITOR PRESENCE TO BE SPECIFIED 431MM		
94	314272-447	WOOD PANEL / COLOR & MONITOR PRESENCE TO BE SPECIFIED 447MM		
94	314272-457	WOOD PANEL / COLOR & MONITOR PRESENCE TO BE SPECIFIED 457MM		
94	314272-484	WOOD PANEL / COLOR & MONITOR PRESENCE TO BE SPECIFIED 484MM		
94	314272-490	WOOD PANEL / COLOR & MONITOR PRESENCE TO BE SPECIFIED 490MM		
94	314272-500	WOOD PANEL / COLOR TO BE SPECIFIED 500MM		
94	314272-510	WOOD PANEL / COLOR & MONITOR PRESENCE TO BE SPECIFIED 510MM		
94	314272-646	WOOD PANEL / COLOR TO BE SPECIFIED 646MM		
94	314272-682	WOOD PANEL / COLOR TO BE SPECIFIED 682MM		
94	314272-700	WOOD PANEL / COLOR TO BE SPECIFIED 700MM		
94	314272-753	WOOD PANEL / COLOR TO BE SPECIFIED 753MM		
94	314272-759	WOOD PANEL / COLOR TO BE SPECIFIED 759MM		
94	5001368	SCREW TC OV PH #8-32X1/2 BK	AR	
94	5001949	WASHER FN CKF .220x.615 BK	AR	
95	313555	HAND RAIL / EXTRUSION ASSY W/TISSUS 1660 MM To K-7662	1	
95	316236	EXTRUSION, PARCEL RACK W/O FABRIC 1660 MM To K-7662	1	
95	310955	HAND RAIL / EXTRUSION ASSY W/TISSUS 1660 MM From L-7663	1	
95	316285	HAND RAIL / EXTRUSION ASSY W/TISSUS 2180 MM To K-7662	1	
95	313569	HAND RAIL / EXTRUSION ASSY W/TISSUS 2365 MM To K-7662	1	
95	316237	EXTRUSION, PARCEL RACK W/O FABRIC 2365 MM To K-7662	1	
95	310954	HAND RAIL / EXTRUSION ASSY W/TISSUS 3211 MM From L-7663	1	
95	310953	HAND RAIL / EXTRUSION ASSY W/TISSUS 1782 MM From L-7663	1	WCL
95	310995	HAND RAIL / EXTRUSION ASSY W/TISSUS 3345 MM From L-7663	1	
95	316512	HAND RAIL / EXTRUSION 2842.5MM To K-7662	1	
95	316268	HAND RAIL / EXTRUSION ASSY W/TISSUS 2935 MM To K-7662	1	
95	316305	EXTRUSION, PARCEL RACK W/O FABRIC 3075 MM To K-7662	1	
95	313554	HAND RAIL / EXTRUSION ASSY W/TISSUS 3320 MM To K-7662	1	
95	316235	EXTRUSION, PARCEL RACK W/O FABRIC 3320 MM To K-7662	1	

From G-7275 To M-7767	Date:07/2024	PAGE:X3PLB-1836-00
PARCEL RACK /WITH LEDS		

Item#	Part	Description	QTY	Notes
95	310956	HAND RAIL / EXTRUSION ASSY W/TISSUS 3320 MM From L-7663	1	
95	316273	HAND RAIL / EXTRUSION ASSY W/TISSUS 4054 MM To K-7662	1	
95	313553	HAND RAIL / EXTRUSION ASSY W/TISSUS 4190 MM To K-7662	1	
95	311033	HAND RAIL / EXTRUSION ASSY W/TISSUS 4003 MM From L-7663	1	
95	316234	EXTRUSION, PARCEL RACK W/O FABRIC 4190 MM To K-7662	1	
95	313069	HAND RAIL / EXTRUSION 3075 MM To K-7662	1	C
95	312518	HAND RAIL / EXTRUSION 4190 MM To K-7662	1	C
95	312814	HAND RAIL / EXTRUSION W/HOLE 3320 MM To K-7662	1	C
95	313072	HAND RAIL / EXTRUSION 1660 MM To K-7662	1	C
95	313229	HAND RAIL / EXTRUSION 2365 MM To K-7662	1	C
95	310550	EXTRUSION, PARCEL RACK W/O FABRIC 3211 MM From L-7663	2	C
95	310552	EXTRUSION, PARCEL RACK W/O FABRIC 3320 MM From L-7663	1	C
95	310553	EXTRUSION, PARCEL RACK W/O FABRIC 3345 MM From L-7663	2	C
95	310554	EXTRUSION, PARCEL RACK W/O FABRIC 1666 MM From L-7663	2	C
NS	069316	CABLE ASSY / READING LIGHT STREETSIDE To H-7416	1	
NS	069328	CABLE ASSY / READING LIGHT STREETSIDE From H-7417 To K-7662	1	
NS	069966	CABLE ASSY / READING LIGHT STREETSIDE From L-7663	1	
NS	069314	CABLE ASSY / READING LIGHT CURBSIDE To H-7416	1	
NS	0611002	HARNESS INTERIOR LIGHT ACCESSORIES / SPECIAL From K-7619	1	DO
NS	069790	HARNESS INTERIOR LIGHT ACCESSORIES / SPECIAL From J-7447 To K-7662	1	DO
NS	0610378	HARNESS INTERIOR LIGHT ACCESSORIES / SPECIAL From L-7663	1	DO
NS	069329	CABLE ASSY / READING LIGHT CURBSIDE From H-7417 To J-7495	1	
NS	062238	CABLE ASSY / READING LIGHT CURBSIDE From J-7496 To K-7662	1	
NS	069965	CABLE ASSY / READING LIGHT CURBSIDE From L-7663	1	
NS	565187	CLAMP / "C" SHAPE CHRISTMAS TREE	1	
100	X3PLB-1837-00	CEILING PANELS & MOULDING - BUS		
101	502927	SCREW CAP HEX M8-1.25x50 G8.8 N500	AR	
102	500942	WASHER LO SPT 8.1x14.8x2.0 N500	AR	
103	312367	FIXING PLATE	AR	
104	313003	SPACER	AR	
105	5001337	NUT INS FL HEX M8-1.25 0.5-3.0 Z050	AR	
106	316595	COVER FINISHING PILAR LIGHTING MODULE GREY To K-7662	AR	
106	316595	COVER FINISHING PILAR LIGHTING MODULE GREY From L-7663	14	
106	316594	COVER FINISHING PILAR LIGHTING MODULE	AR	G
107	317083	COVER FINISHING PILAR L.H. LIGHTING MODULE GREY	1	M
107	317084	COVER FINISHING PILAR L.H. LIGHTING MODULE	1	G M
108	317086	COVER FINISHING PILAR R.H. LIGHTING MODULE GREY	1	
108	317087	COVER FINISHING PILAR R.H. LIGHTING MODULE	1	G
114	317089	COVER / FRONT OF VENTILATOR BOX GREY STREET SIDE	1	
114	317089	COVER / FRONT OF VENTILATOR BOX GREY CURBSIDE To J-7508	1	
114	310644	COVER / FRONT OF VENTILATOR BOX CURBSIDE From J-7509	1	
115	317035	PLATE, CLOSING	1	

From G-7275 To M-7767	Date:07/2024	PAGE:X3PLB-1836-00
PARCEL RACK /WITH LEDS		

Item#	Part	Description	QTY	Notes
116	500957	SCREW TP BDG PH #10x3/4 N500	6	
117	373555	RETAINER, AIR BLOWER	6	
118	500841	SCREW TP PAN PH #14x3/4 Z050	6	
119	500473	WASHER LO SPT .262x.489x.062 Z050	6	
120	500877	WASHER FL .250x.562x.065 N500	6	
121	X3PLB-2240-15	BLOWER VENTILATION - PARCEL RACK WITH A/C SYSTEM		
121	X3PLB-2240-20	BLOWER VENTILATION - PARCEL RACK WITHOUT A/C SYSTEM		
NS	316561	ATTACHMENT / PARCEL RACK / 4 HOLES 144MM To K-7662	15	G
NS	316561	ATTACHMENT / PARCEL RACK / 4 HOLES 144MM From L-7663	13	G
NS	314650	ATTACHMENT / PARCEL RACK / FRONT/ 3 HOLES 146.3MM From L-7663	2	G
NS	316562	ATTACHMENT / PARCEL RACK / 3 HOLES 154.5MM To K-7662	2	G
NS	314651	ATTACHMENT / PARCEL RACK / REAR/ 3 HOLES 131.7MM From L-7663	1	G
NS	316563	ATTACHMENT / PARCEL RACK / 3 HOLES 127.5MM To K-7662	1	G
NS	314652	ATTACHMENT / PARCEL RACK / CEILING BEAM 136.5x97.2x46.8MM From L-7663	1	G
NS	5001731	. SCREW CAP HEXF M8-1.25x90 G8.8 N500	1	
125	316625	BRACKET FOR DIVIDER	1	
126	508423	NUT SPR U #6 .025 - .064	2	
127	5002093	SCREW DR SEMS FN OV PH #8X3/4" Z050	2	
128	500463	WASHER FN CKF .187x.500x.090 BR Z050	2	
129	504108	RIVET POP DOME OE 1/8x1/2 AL	2	
200	314477P	CEILING PANEL ASSY W/READING LIGHT W/LED	1	
201	563592	. MODULE ALARM DETECTOR W.C.L. TWU	1	
203	500518	. SCREW MA BDG PH #4-40x1/2 Z050	4	
204	500157	. WASHER FL .125x.375x.032 SS	4	
205	500425	. NUT HEX NYRT #4-40 SS	4	
206	500333	. SCREW TP OV PH #6x3/4 BK	4	
207	500345	. WASHER FN CKF .187x.500x.090 BR BK	4	
208	500552	. SCREW TP OV PH #6x3/4 Z050	AR	
209	341120	. SUPPORT DETECTOR MODULE TWU	1	
210	314476	. REINFORCEMENT, CEILING WCL	1	
210	683621	. TAPE RUB ADH2 ACRYLIC .045" x 1" x 108' / WHITE 4945	AR	
220	314480	COVER R.H. END CLOSING W/WCL To K-7662	1	
221	314479	COVER L.H. END CLOSING W/WCL To K-7662	1	
221	500614	SCREW TP FL PH #6x3/4 Z050 To K-7662	2	
NS	506264	TAPE RUB ADH1 URE 3/4" x 1" x 12.5' / GREY 1820X To K-7662	AR	
NS	316298	AIR DUCT	1	
NS	314473	AIR DUCT	1	
NS	314472	REINFORCEMENT, PARCEL RACK	1	
NS	314468	AIR DUCT	1	
NS	682484	TAPE ALUMINUM ADH1 .005" x 3" x 300' ALUMINUM FSK3"	AR	
NS	314475	AIR DUCT	1	
230	450651	DEFLECTOR,REAR,DUCT WCL DOOR From L-7663	1	

From G-7275 To M-7767	Date:07/2024	PAGE:X3PLB-1836-00
PARCEL RACK /WITH LEDS		

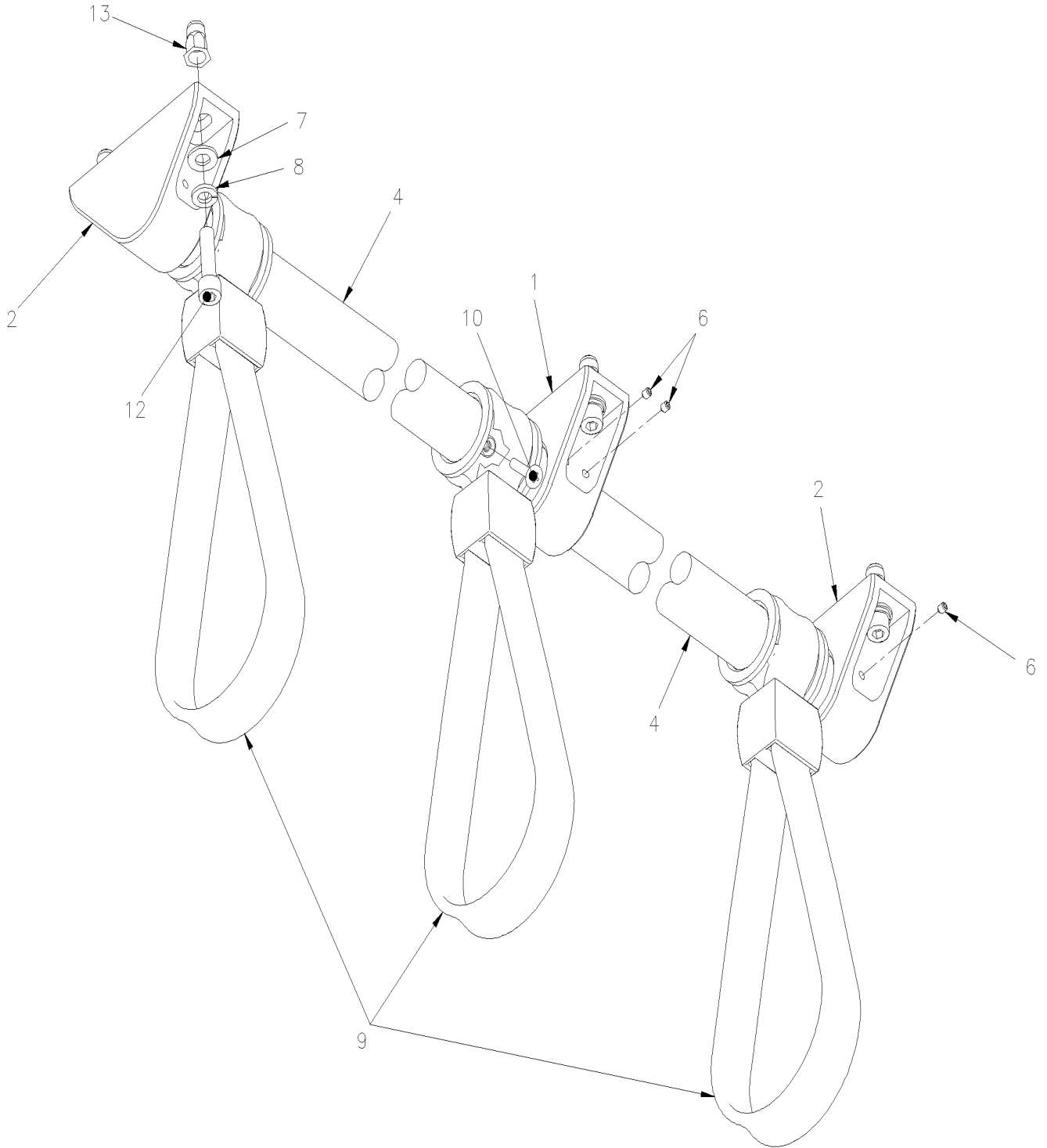
Item#	Part	Description	QTY	Notes
231	450653	PLATE,CLOSING From L-7663	1	
232	450650	DEFLECTOR,FRONT,DUCT WCL DOOR From L-7663	1	
233	311012	CLOSING,PARCEL RACK From L-7663	2	
234	3210276	SIDE WALL AIR DEFLECTOR 178mm From L-7663	1	
234	3210276	SIDE WALL AIR DEFLECTOR 54.5MM From L-7663	1	
235	311013	CLOSING,PARCEL RACK From L-7663	2	
236	450629	DUCT AIR,WCL DOOR ASSY From L-7663	1	
237	311505	WCL ROOF HOLDER From L-7663 To M-7750	1	
237	314817	WCL ROOF HOLDER From M-7751	1	
238	310920	FINISHING CAP PARCEL RACK From L-7663	1	
239	311006	FINISHING CAP PARCEL RACK From L-7663	1	
250	5001490	WASHER SHR .312 ID NYL From L-7663	2	
251	500654	SCREW TC BDG PH #8-32x1/2 Z050 From L-7663 To M-7750	2	
251	5001957	SCREW DR TR PH #10x1 Z050 From M-7751	2	
252	500684	NUT SPR U #8A .025-.064 From L-7663	2	
253	5002093	SCREW DR SEMS FN OV PH #8X3/4" Z050 From L-7663	6	
254	502868	SCREW TC TR PH #10-16x1/2 N500 From L-7663	8	
255	504622	GROMMET / 1.500x1.750x.062x.437x2.125 From L-7663	1	
256	506268	TAPE RUB ADH1 URE 3/8" x 1/2" x 25' / GREY 1820 From L-7663	AR	
257	500575	SCREW TP PAN PH #8x1 1/4 From L-7663	1	
		A) WITH PARCEL RACK A/C SYSTEME		
		B) WITHOUT PARCEL RACK A/C SYSTEME		
		C) WITHOUT LAVATORY		
		DO) DARTMOUTH TRANSPORTATION OPTION		
		E) CONCORD OPTION		
		F) FOR DOOR REPALCEMENT USE 1 EACH: 980027 (BALL STUD) ,502638 (FL WASHER) & 502847 (NUT)		
		G) GREYHOUND OPTION		
		H) CALIFORNIA REGULATIONS		
		J) USE ON THE CYLINDER GAZ DOOR SIDE SUPPORT CYLINDER		
		L) COVERING WITH LEATHERETTE		
		M) FIRST DOOR LH SIDE		
		SP) SPECIAL OPTION AUDIO-VIDEO PLATE SECOND PARCEL-RACK		
		W) WITH WHEEL-CHAIR LAVATORY		
		WB) WARRANTY BULLETIN WB18-01		
		WCL) WITH WHEEL CHAIR LIFT		
		P) CALL ORDER DESK FOR SPECIFIC APPLICATION (V.I.N.)		

From G-7275 To M-7767

Date:07/2024

PAGE:X3PLB-1836-05

GRAB HANDLE RAIL



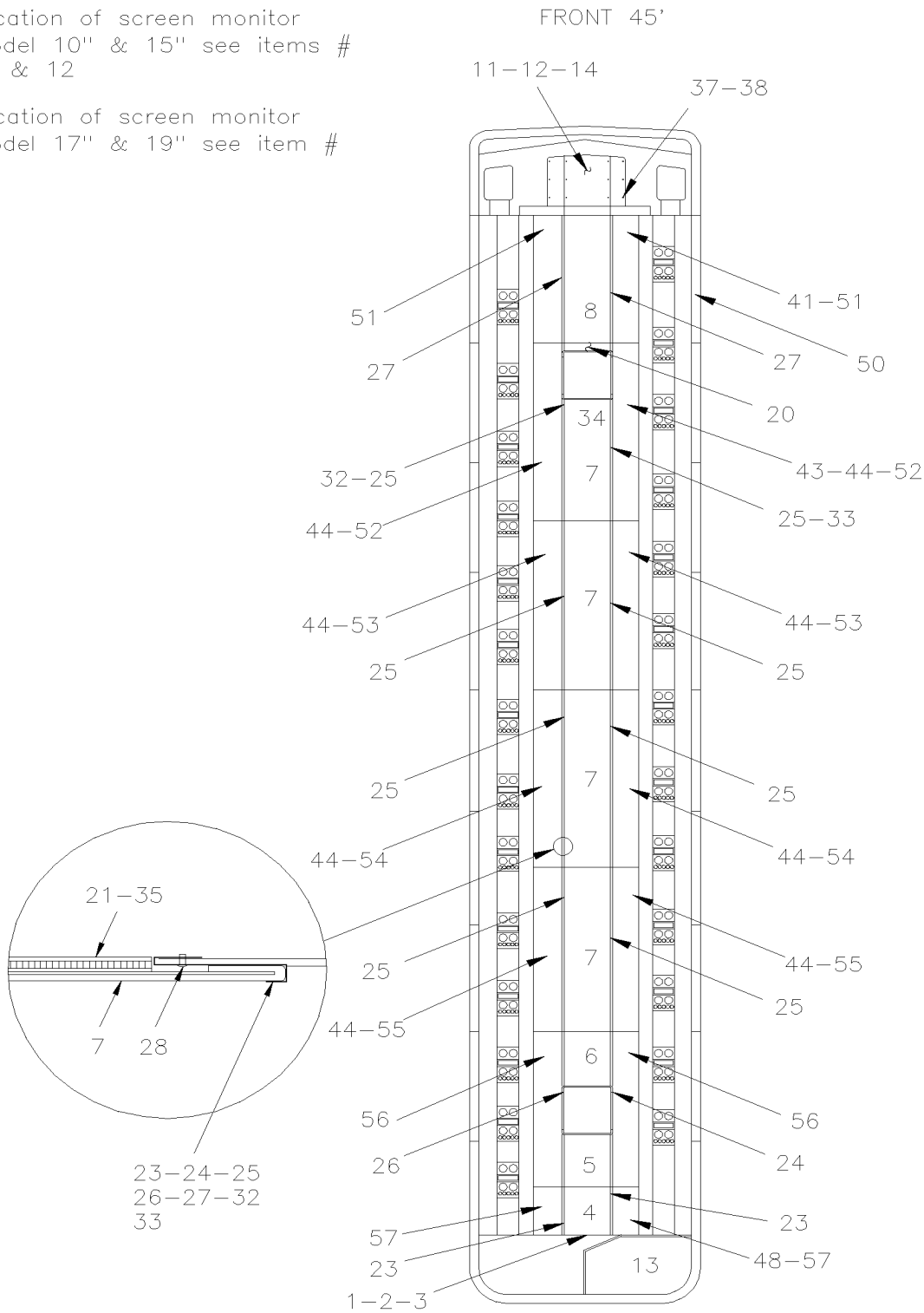
From G-7275 To M-7767	Date:07/2024	PAGE:X3PLB-1836-05
GRAB HANDLE RAIL		

Item#	Part	Description	QTY	Notes
1	406712	TUBE HANGER	7	
2	406713	END TUBE HANGER	2	
4	405789	TUBE ROUND STANLESS 304 1 1/4" O.D. x 5834MM To K-7662	1	
4	405791	TUBE ROUND STANLESS 304 1 1/4" O.D. x 4538MM To K-7662	1	
4	400966	TUBE ROUND STANLESS 304 1 1/4" O.D. x 4984MM From L-7663	2	
6	502682	SCREW SET HEXS CUP #8-32x3/16	16	
7	5001341	WASHER FL 8.4x17.0x1.6 SS	18	
8	5001161	WASHER LO SPT 8.1x14.8x2.0 SS-304	18	
9	405794	GRAB STRAP HANDLE ASSY	16	
9	G5004436	GRAB STRAP HANDLE ASSY	16	
10	500630	SCREW TP OV PH #10x1 Z050	16	
12	5001598	SCREW CAP HEXS M8-1.25x30 SS	18	
NS	680038	THREAD LOCKER LOCTITE #243 / BLUE / 50ml	AR	
13	5001337	NUT INS FL HEX M8-1.25 0.5-3.0 Z050	18	
NS	491116	DECAL "16 STANDEES" / BILINGUAL FRENCH	1	
NS	404625	DECAL "POUR LA SECURITE... BLANCHE" / ASM FRANÇAIS	1	
. NS	404623	. DECAL "POUR LA SECURITE... BLANCHE" FRANÇAIS	1	
. NS	404624	. PLATE SUPPORT DECAL 232MM x 119MM	1	
NS	404626	DECAL "FOR PASSENGER SAFETY....WHITE" / ASSY / ENGLISH	1	
. NS	404622	. DECAL "FOR PASSENGER SAFETY....WHITE" / ENGLISH	1	
. NS	404624	. PLATE SUPPORT DECAL 232MM x 119MM	1	
NS	504107	RIVET POP DOME OE 1/8x5/16 AL	AR	

CEILING PANELS & MOULDING - BUS

Location of screen monitor
model 10" & 15" see items #
11 & 12

Location of screen monitor
model 17" & 19" see item #
8



From G-7275 To K-7662	Date:07/2024	PAGE:X3PLB-1837-00
CEILING PANELS & MOULDING - BUS		

Item#	Part	Description	QTY	Notes
1	341058	FINISHING ANGLE 344MM X 1660MM	1	
1	341059	FINISHING MOULDING W/TISSUS	1	
2	500552	SCREW TP OV PH #6x3/4 Z050	4	
3	500463	WASHER FN CKF .187x.500x.090 BR Z050	4	
4	341004P	CEILING PANEL ASSY	1	
4	343589P	CEILING PANEL ASSY #7 WITH READING LIGHT FOR 3 SEAT	1	R
4	Call order desk	CEILING PANEL ASSY ARBORITE, #7	1	P B
5	341005P	CEILING PANEL ASSY / W/EMERGENCY EXIT	1	
5	Call order desk	CEILING PANEL ASSY / W/EMERGENCY EXIT ARBORITE	1	P
6	341006P	CEILING PANEL ASSY / W/EMERGENCY EXIT	1	
6	Call order desk	CEILING PANEL ASSY / W/EMERGENCY EXIT ARBORITE	1	P
7	Call order desk	CEILING PANEL ASSY #2,3,4 & 5	1	P
7	344235CP	CEILING PANEL ASSY ARBORITE, #2,3,4,&5	1	
8	341008P	CEILING PANEL ASSY #1	1	
8	341188P	CEILING PANEL ASSY #1 / W/FLAT SCREEN 19"	1	
8	Call order desk	CEILING PANEL ASSY ARBORITE #1	1	P
11	Call order desk	CEILING PANEL ASSY / FRONT / 642MM WIDE	1	P
11	Call order desk	CEILING PANEL ASSY / FRONT / ARBORITE / 642MM WIDE	1	P
11	Call order desk	CEILING PANEL ASSY / FRONT / LEATHERETTE / 642MM WIDE	1	P
11	341115P	CEILING PANEL ASSY / FRONT / W/FLAT SCREEN 10" / 642MM WIDE (SLOT 40x190)	1	
11	341193P	CEILING PANEL ASSY / FRONT / W/FLAT SCREEN 15.4" / 642MM WIDE (SLOT 27x266)	1	
11	Call order desk	CEILING PANEL ASSY / FRONT / W/FLAT SCREEN 15.4" / ARBORITE / 642MM WIDE	1	P
11	Call order desk	CEILING PANEL ASSY / FRONT / W/FLAT SCREEN 15" / LEATHERETTE / 642MM WIDE	1	P
11	Call order desk	FINISHING MOULDING W/ARBOTITE	1	P
12	Call order desk	CEILING PANEL ASSY / FRONT / 870MM WIDE	1	P
12	341116P	CEILING PANEL ASSY / FRONT / 870MM WIDE / W/FLAT SCREEN 10" (SLOT 40x100)	1	
12	341194P	CEILING PANEL ASSY / FRONT / 870MM WIDE / W/FLAT SCREEN 15.4" (SLOT 27x266)	1	
12	Call order desk	CEILING PANEL ASSY / FRONT / 870MM WIDE / W/FLAT SCREEN 15.4" LEATHER (SLOT 27x266)	1	P
13	341090P	CEILING PANEL / LAVATORY To G-7260	1	
13	Call order desk	CEILING PANEL / LAVATORY W/HALOGENE LAMP From G-7260 To H-7416	1	P
13	340062P	CEILING PANEL / LAVATORY From H-7417	1	
13	Call order desk	CEILING PANEL / LAVATORY "PWT" 2330MM	1	P
13	Call order desk	CEILING PANEL / LAVATORY W/LED LAMP From H-7313	1	P
14	504107	RIVET POP DOME OE 1/8x5/16 AL	14	
20	340983P	CEILING PANEL ASSY / SMALL W/EMERGENCY EXIT / (USED W/ITEM # 34 ONLY)	1	
NS	313018	CEILING PANEL 222MM x 640MM	1	
20	Call order desk	CEILING PANEL ASSY / SMALL W/EMERGENCY EXIT / ARBORITE	1	P
21	340060	TAPE DUAL LOCK 2" x 530MM / BLACK SJ3551	AR	
23	313653	FINISHING MOULDING "J" GREY / 628MM	2	
24	313652	FINISHING MOULDING "J" W/EMERGENCY / 1943MM	1	
25	313656	FINISHING MOULDING "J" GREY / 1943MM	8	
26	313655	FINISHING MOULDING "J" W/EMERGENCY / 1943MM	1	

From G-7275 To K-7662	Date:07/2024	PAGE:X3PLB-1837-00
CEILING PANELS & MOULDING - BUS		

Item#	Part	Description	QTY	Notes
27	313648	FINISHING MOULDING "J" GREY / 1279MM	2	
28	504339	RIVET POP DOME OE 1/8x3/8 SS	AR	
28	504643	RIVET POP DOME OE 1/8x1/2 SS	AR	
NS	506466	TAPE RUB ADH1 CC POL 1/16" x 1 1/2" x 100 / GREY 2520	AR	
32	313651	FINISHING MOULDING "J" W/EMERGENCY / 1943MM	1	
33	313650	FINISHING MOULDING "J" W/EMERGENCY / 1943MM	1	
34	341019P	CEILING PANEL ASSY	1	A
34	Call order desk	CEILING PANEL ASSY ARBORITE	1	P A
35	340059	TAPE DUAL LOCK 2" x 178MM / BLACK SJ3551	22	
35	506318	TAPE DUAL LOCK 1" x 150' / BLACK SJ3541	AR	
37	313657	FINISHING MOULDING "J" SHAPE	2	
38	504339	RIVET POP DOME OE 1/8x3/8 SS	4	
41	316695	CEILING TRANSITION R.H. W/HANDLE STRAP	1	
NS	316575	REINFORCEMENT	AR	
NS	682525	GLUE, CONTACT ADBOND 8399 (205 LI) 205 LITER	AR	
43	316696	CEILING TRANSITION, W/HANDLE STRAP W/HANDLE STRAP	1	
44	Call order desk	CEILING PANEL ASSY	2	P
44	316697	CEILING TRANSITION W/HANDLE STRAP	1	
44	316698	CEILING TRANSITION W/HANDLE STRAP	1	
44	316699	CEILING TRANSITION W/HANDLE STRAP	1	
48	Call order desk	CEILING PANEL ASSY #7 R.H.	1	P B L
50	X3PLB-1836-00	PARCEL RACK /WITH LEDS		
51	319148P	CEILING PANEL ASSY	2	
52	319149P	CEILING PANEL ASSY	2	
53	319150P	CEILING PANEL ASSY	2	
54	319151P	CEILING PANEL ASSY	2	
55	319152P	CEILING PANEL ASSY	2	
56	319153P	CEILING PANEL ASSY	2	
56	319153P	CEILING PANEL ASSY	1	IN
56	Call order desk	CEILING PANEL ASSY W/ BLUE LAMP LOCATION LAVATORY	1	P IN
57	319154P	CEILING PANEL ASSY	2	
NS	Call order desk	. LEATHER CLOTH 324 X 2000	AR	P L H
NS	Call order desk	. LEATHER CLOTH FRONT 324 X 2000	AR	P L H
NS	Call order desk	. LEATHER CLOTH REAR 324 X 2000	AR	P L H
90	X3PLB-1833-00	WINDOW FINISHING CAP & WALL		
		A) WITH EMERGENCY EXIT		
		B) WITHOUT LAVATORY		
		IN) INDIAN TRAILS OPTION		
		L) WITH LEATHERETTE # 864104		

From G-7275 To K-7662		Date:07/2024	PAGE:X3PLB-1837-00
-----------------------	--	--------------	--------------------

CEILING PANELS & MOULDING - BUS

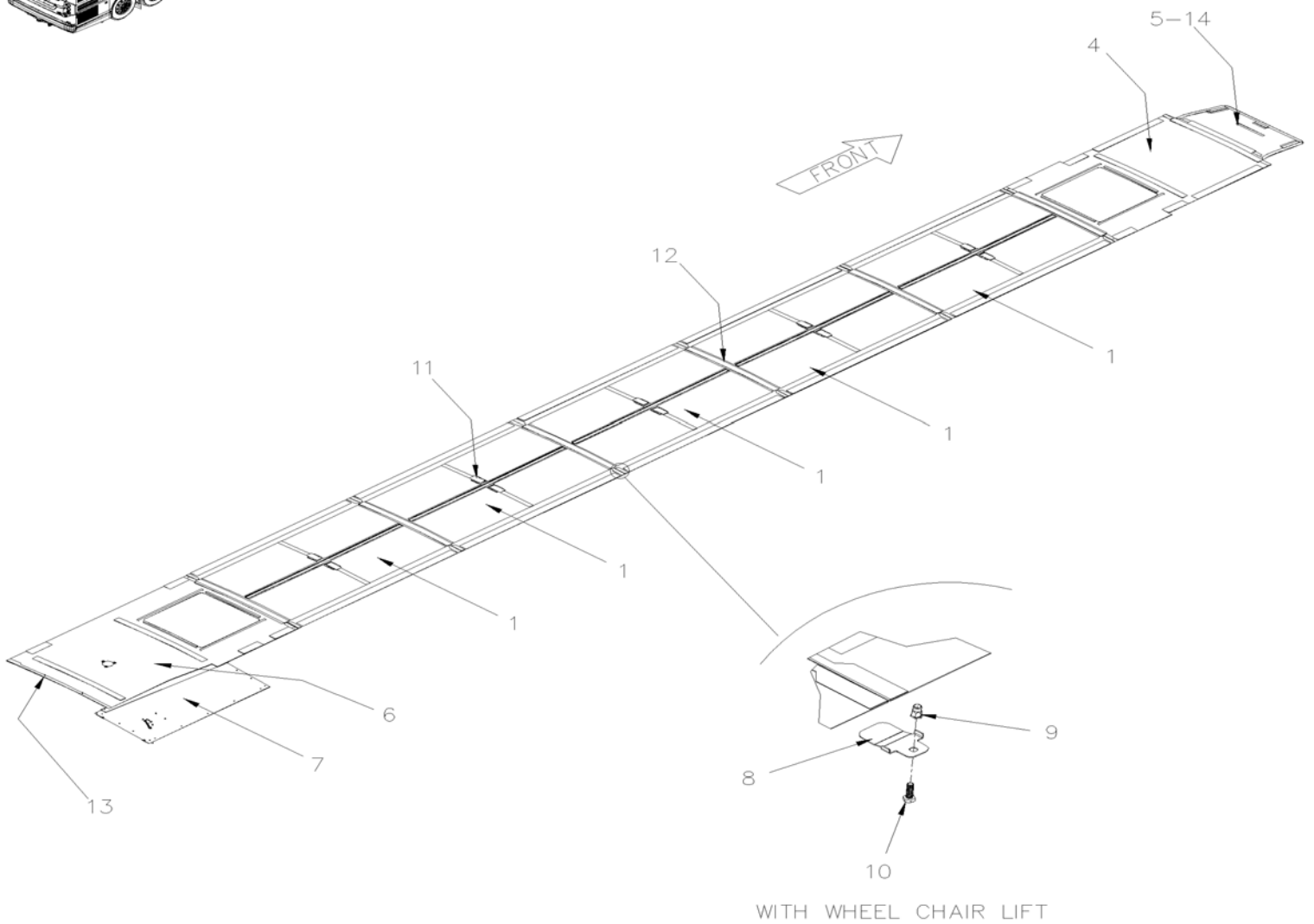
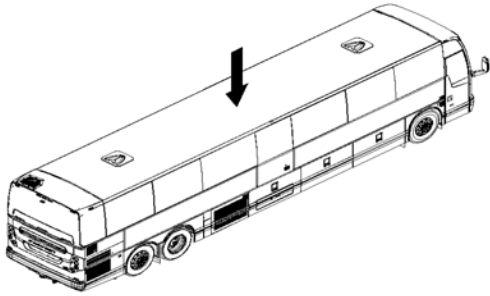
Item#	Part	Description	QTY	Notes
		LH) WITH LEATHERETTE # 864104 WITH GRAB HAND RAIL		
		R) ASSY WITH READING LIGHT FOR REAR LOUNGE SEAT 3 PASSENGER'S		
		P) CALL ORDER DESK FOR SPECIFIC APPLICATION (V.I.N.)		

From L-7663 To M-7767

Date:07/2024

PAGE:X3PLB-1837-01

CEILING PANELS



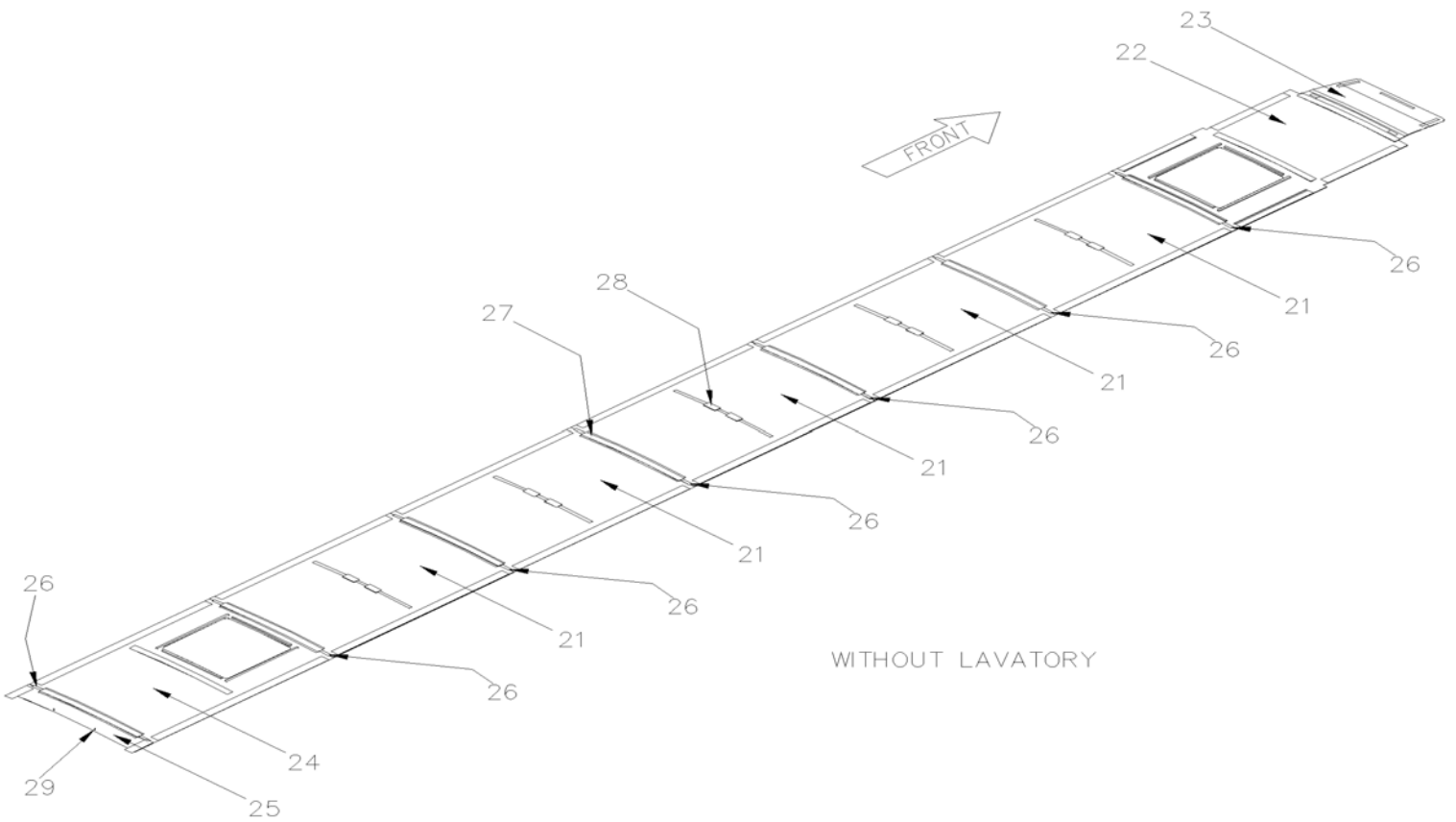
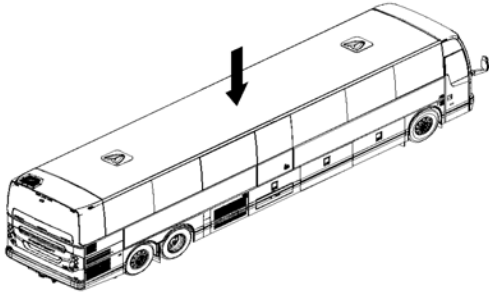
FROM L-7738

From L-7663 To M-7767

Date:07/2024

PAGE:X3PLB-1837-01

CEILING PANELS



From L-7663 To M-7767	Date:07/2024	PAGE:X3PLB-1837-01
CEILING PANELS		

Item#	Part	Description	QTY	Notes
1	340214	CEILING PANEL ASSY / W/FABRIC To L-7737	4	
1	341325	CEILING PANEL ASSY / W/FABRIC From L-7738	5	
1	341342	CEILING PANEL ASSY / W/CARPET From L-7738	5	
1	341376	CEILING PANEL ASSY / W/FABRIC	1	
2	340220	CEILING PANEL ASSY / W/EMERGENCY EXIT / W/FABRIC To L-7737	1	
3	340260	CEILING PANEL ASSY / W/EMERGENCY EXIT / W/FABRIC To L-7737	1	
4	340216	CEILING PANEL ASSY / W/FABRIC To L-7737	1	
4	341326	CEILING PANEL ASSY / W/FABRIC From L-7738	1	
4	340217	CEILING PANEL ASSY / W/FLIP FLAT SCREEN / W/FABRIC To L-7737	1	
4	341329	CEILING PANEL ASSY / W/FLIP FLAT SCREEN / W/FABRIC From L-7738	1	
5	340230	CEILING PANEL ASSY / W/FABRIC	1	
5	340264	CEILING PANEL ASSY / W/FLAT SCREEN / W/FABRIC	1	
5	341214	CEILING PANEL ASSY / W/LEATHER CLOTH	1	
NS	5001406	NUT SPR U M4-0.7 0.8-4.0x13.5 From P-8008	2	
NS	5001411	SCREW MA FL PH M4-0.7x20 BK From P-8008	2	
NS	500345	WASHER FN CKF .187x.500x.090 BR BK From P-8008	2	
6	340255	CEILING PANEL ASSY / W/EMERGENCY EXIT / W/FABRIC To L-7737	1	
6	341332	CEILING PANEL ASSY / W/EMERGENCY EXIT / W/FABRIC From L-7738	1	
6	341378	CEILING PANEL ASSY / W/EMERGENCY EXIT / W/FABRIC	1	
6	340258	CEILING PANEL ASSY / W/EMERGENCY EXIT / WITH LAMP / W/FABRIC To L-7737	1	
6	341338	CEILING PANEL ASSY / W/EMERGENCY EXIT / WITH LAMP / W/FABRIC From L-7738	1	
7	340062P	CEILING PANEL / LAVATORY To L-7737	1	
7	341425	CEILING PANEL / LAVATORY From L-7738	1	
8	340352	ROOF PANEL HOLDER	1	
9	5001337	NUT INS FL HEX M8-1.25 0.5-3.0 Z050	1	
10	5001745	SCREW CAP HEX M8-1.25x25 G8.8 N500	1	
11	340038	TAPE DUAL LOCK 2" x 110MM / BLACK SJ3551	8	
NS	505537	TAPE DUAL LOCK 2" X 50 YARD / BLACK SJ3551	AR	
12	340017	TAPE DUAL LOCK 2" x 900MM / BLACK SJ3551	12	
NS	505537	TAPE DUAL LOCK 2" X 50 YARD / BLACK SJ3551	AR	
13	5001846	SCREW DR TR WASHER PH #10x3/4 Z050	2	
14	505537	TAPE DUAL LOCK 2" X 50 YARD / BLACK SJ3551	AR	
21	341295	CEILING PANEL ASSY / W/ARBORITE	5	
22	341297	CEILING PANEL ASSY / W/ARBORITE	1	
23	340373	CEILING PANEL ASSY / W/ARBORITE	1	
24	341299	CEILING PANEL ASSY / W/ARBORITE	1	
25	340353	CEILING PANEL ASSY / W/ARBORITE	1	
26	341290	MOLDING CEILING	7	
26	341373	MOLDING CEILING SERVICE ONLY	AR	A
27	340017	TAPE DUAL LOCK 2" x 900MM / BLACK SJ3551	11	
NS	505537	TAPE DUAL LOCK 2" X 50 YARD / BLACK SJ3551	AR	
28	340038	TAPE DUAL LOCK 2" x 110MM / BLACK SJ3551	10	

From L-7663 To M-7767	Date:07/2024	PAGE:X3PLB-1837-01
-----------------------	--------------	--------------------

CEILING PANELS

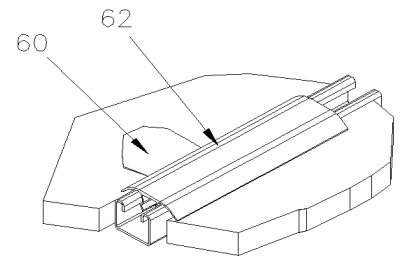
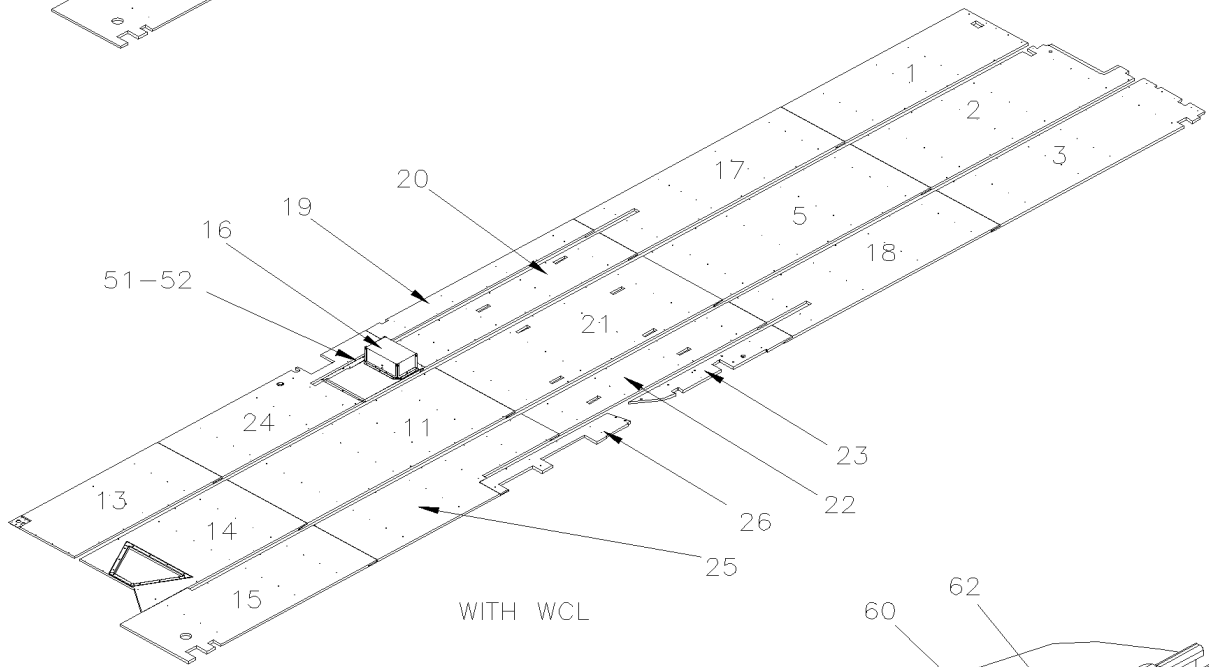
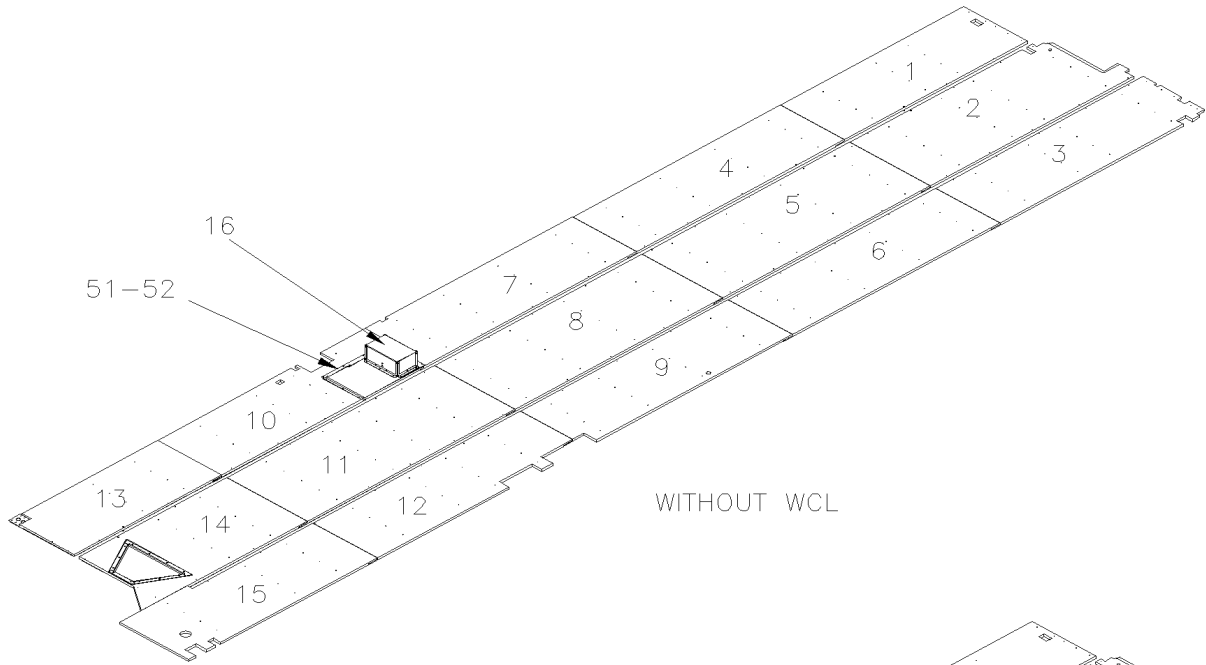
Item#	Part	Description	QTY	Notes
. NS	505537	. TAPE DUAL LOCK 2" X 50 YARD / BLACK SJ3551	AR	
29	5001846	SCREW DR TR WASHER PH #10x3/4 Z050	2	
30	OC2019127	REFERENCE ONLY From L-7738		
		A) ONLY USE WHEN YOU REPLACE A CEILING PANEL		

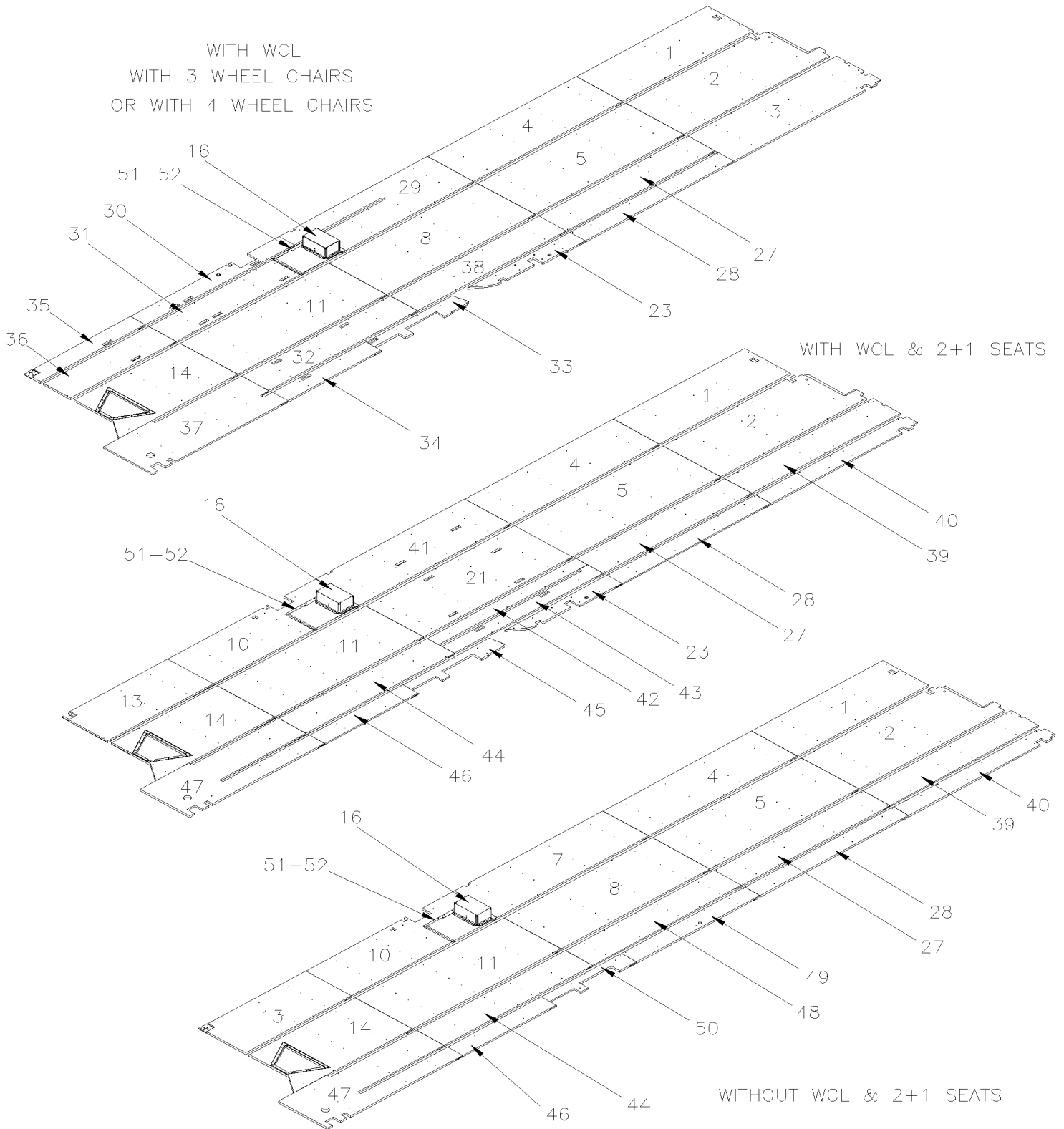
From G-7275 To H-7416

Date:07/2024

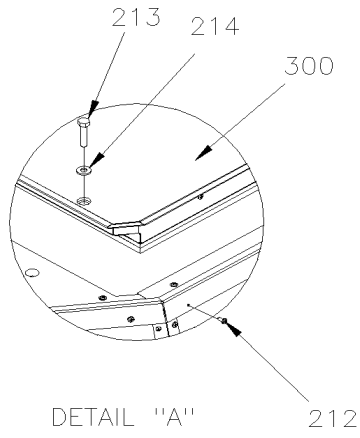
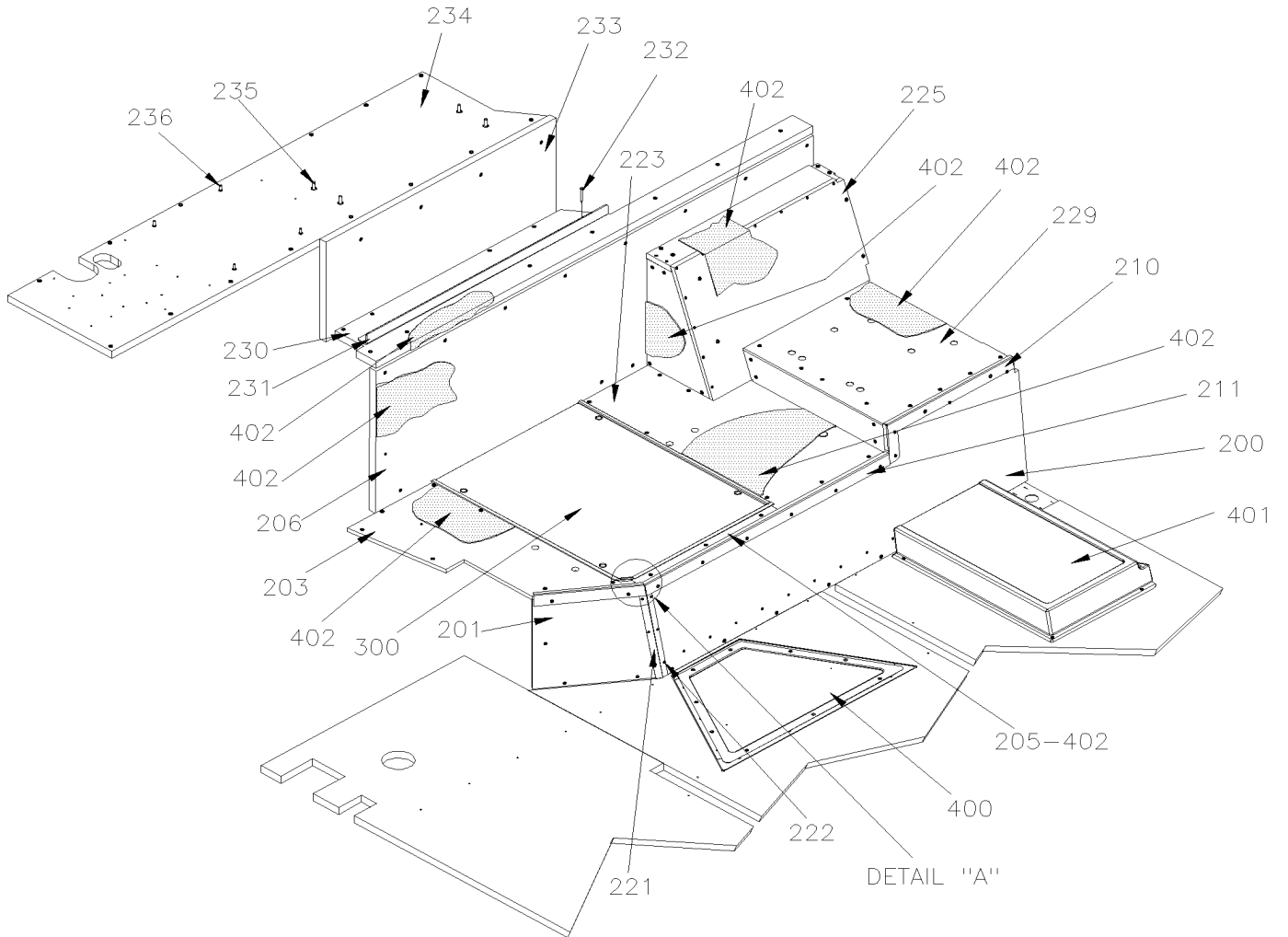
PAGE:X3PLB-1838-00

FLOOR - BUS





FLOOR - BUS

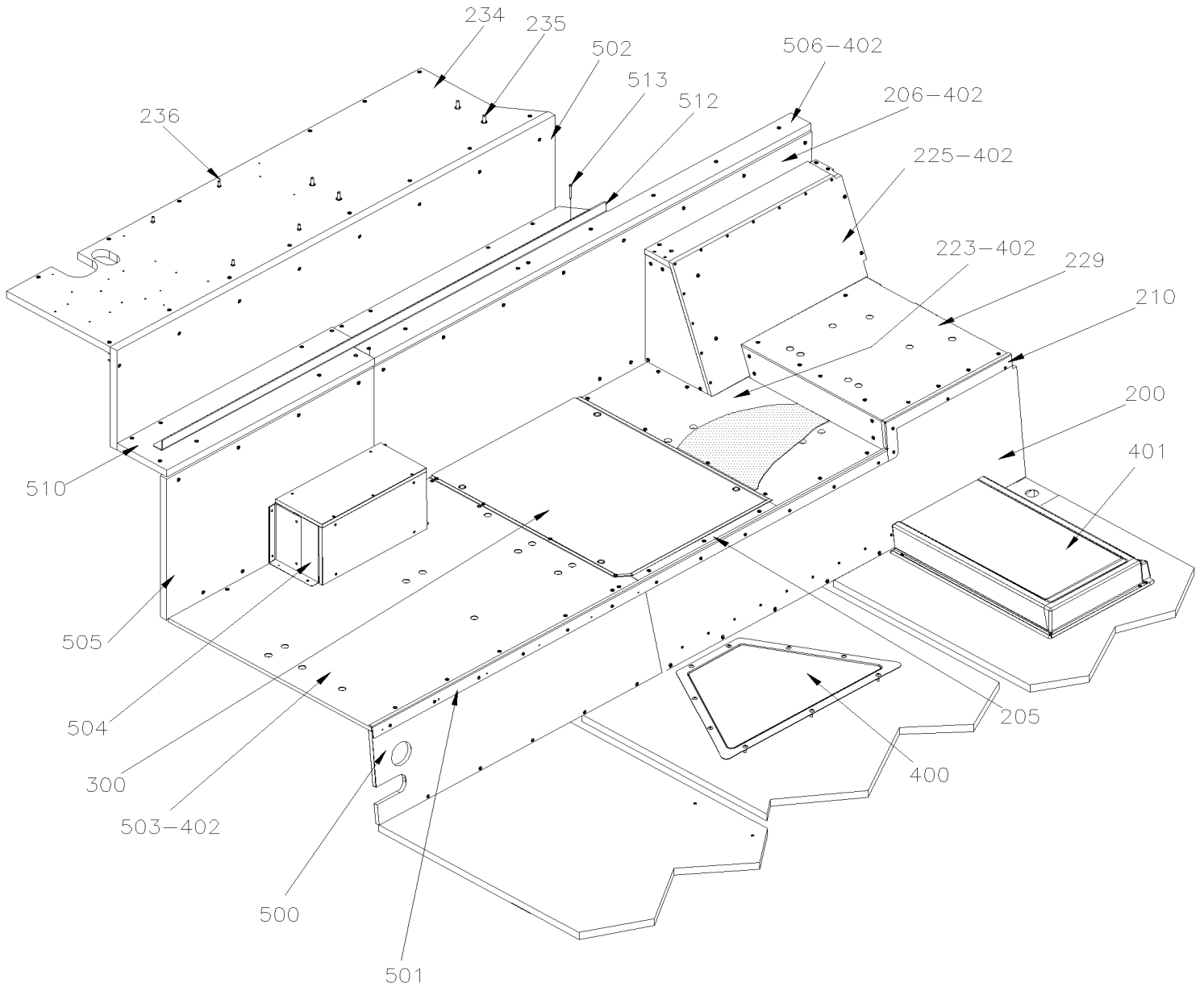


From G-7275 To H-7416

Date:07/2024

PAGE:X3PLB-1838-00

FLOOR - BUS



From G-7275 To H-7416	Date:07/2024	PAGE:X3PLB-1838-00
FLOOR - BUS		

Item#	Part	Description	QTY	Notes
1	3201396	FLOOR / W/STD/ SEAT	1	
2	3201397	FLOOR / W/STD/ SEAT	1	
3	3201398	FLOOR / W/STD/ SEAT	1	
3	3201482	FLOOR / W/STD/ SEAT W 3 WHEEL CHAIR	1	T
3	3202939	FLOOR / W/STD SEAT, EXTINGUISHER PANEL FLOOR, EXTINGUISHER	1	GR
4	3201444	FLOOR / W/STD/ SEAT	1	
5	3201400	FLOOR / W/STD/ SEAT	1	
6	3201468	FLOOR / W/STD/ SEAT	1	
7	3201449	FLOOR / W/STD/ SEAT	1	
8	3201414	FLOOR / W/STD/ SEAT W/O ANCHOR HOLES	1	
9	3201469	FLOOR / W/STD/ SEAT	1	
10	3201448	FLOOR / W/STD/ SEAT	1	
11	3201405	FLOOR / W/STD/ SEAT	1	
12	3201470	FLOOR / W/STD/ SEAT	1	
13	3201412	FLOOR / W/STD/ SEAT	1	
14	3201409	FLOOR / W/STD/ SEAT	1	
14	3201406	FLOOR / W/STD/ SEAT	1	B
15	3201411	FLOOR / W/STD/ SEAT	1	
15	3201431	FLOOR / W/STD/ SEAT	1	B
16	Call order desk	BOX ASSY / AIR RETURN	1	P
17	3201434	FLOOR / W/STD/ SEAT	1	
18	3201401	FLOOR / W/STD/ SEAT W/WHEEL CHAIR	1	
19	3201402	FLOOR / W/STD/ SEAT W/WHEEL CHAIR	1	
20	3201435	FLOOR / W/STD/ SEAT W/WHEEL CHAIR	1	
20	3201438	FLOOR / W/STD/ SEAT WITH ANCHOR HOLES	1	
21	3201439	FLOOR / W/STD/ SEAT, WITH ANCHOR HOLES	1	
21	3201414	FLOOR / W/STD/ SEAT W/O ANCHOR HOLES	1	
22	3201440	FLOOR / W/STD/ SEAT WITH ANCHOR HOLES	1	
22	3202931	FLOOR / W/STD/ SEAT W 4 WHEEL CHAIR	1	F
23	3201403	FLOOR / W/STD/ SEAT W/WHEEL CHAIR	1	
24	3201404	FLOOR / W/STD/ SEAT W/WHEEL CHAIR	1	
25	3201410	FLOOR / W/STD/ SEAT W/WHEEL CHAIR	1	
26	3201407	FLOOR / W/STD/ SEAT W/WHEEL CHAIR	1	
27	3201447	FLOOR / W/STD/ SEAT W/WHEEL CHAIR OR W/2+1 SEAT	1	
28	3201445	FLOOR / W/STD/ SEAT W/WHEEL CHAIR OR W/2+1 SEAT	1	
29	3201484	FLOOR / W/STD/ SEAT W 3 OR 4 WHEEL CHAIR	1	F T
30	3201483	FLOOR / W/STD/ SEAT W 3 OR 4 WHEEL CHAIR	1	F T
31	3201481	FLOOR / W/STD/ SEAT W 3 OR 4 WHEEL CHAIR	1	F T
32	3201485	FLOOR / W/STD/ SEAT W 3 WHEEL CHAIR	1	T
33	3201487	FLOOR / W/STD/ SEAT W 3 WHEEL CHAIR	1	T
33	3202934	FLOOR / W/STD/ SEAT W 4 WHEEL CHAIR	1	F
34	3201486	FLOOR / W/STD/ SEAT W 3 OR 4 WHEEL CHAIR	1	F T

From G-7275 To H-7416	Date:07/2024	PAGE:X3PLB-1838-00
FLOOR - BUS		

Item#	Part	Description	QTY	Notes
35	3201479	FLOOR / W/STD/ SEAT W 3 OR 4 WHEEL CHAIR	1	F T
36	3201478	FLOOR / W/STD/ SEAT W 3 OR 4 WHEEL CHAIR	1	F T
37	3201480	FLOOR / W/STD/ SEAT W 3 OR 4 WHEEL CHAIR	1	F T
38	3201440	FLOOR / W/STD/ SEAT WITH ANCHOR HOLES	1	
38	3202923	FLOOR / W/STD/ SEAT W 4 WHEEL CHAIR	1	F
39	3201452	FLOOR WITHOUT WHEEL CHAIR & W/2+1 SEAT	1	
40	3201453	FLOOR WITHOUT WHEEL CHAIR & W/2+1 SEAT	1	
41	3201459	FLOOR / W/STD/ SEAT W/WHEEL CHAIR & W/2+1 SEAT	1	
42	3201463	FLOOR / W/STD/ SEAT W/WHEEL CHAIR OR W/2+1 SEAT	1	
43	3201462	FLOOR / W/STD/ SEAT W/WHEEL CHAIR OR W/2+1 SEAT	1	
44	3201454	FLOOR WITH WHEEL CHAIR & W/2+1 SEAT	1	
45	3201464	FLOOR / W/STD/ SEAT W/WHEEL CHAIR OR W/2+1 SEAT	1	
46	3201451	FLOOR W OR WITHOUT WHEEL CHAIR & W/2+1 SEAT	1	
47	3201446	FLOOR W OR WITHOUT WHEEL CHAIR & W/2+1 SEAT	1	
48	3201436	FLOOR WITHOUT WHEEL CHAIR & W/2+1 SEAT	1	
49	3201443	FLOOR WITHOUT WHEEL CHAIR & W/2+1 SEAT	1	
50	3201450	FLOOR WITHOUT WHEEL CHAIR & W/2+1 SEAT	1	
51	3200402	MOLDING, AIR RETURN	1	
51	3200161	MOLDING, AIR RETURN W/2+1 SEAT	1	
52	5001119	SCREW TP BDG PH #8x3/4 SS	AR	
NS	5001546	SCREW WO FL PH #8x7/8 Z050	AR	
NS	5001535	SCREW DR WF RO #14x1 3/4 Z050	AR	
NS	5001535	SCREW DR WF RO #14x1 3/4 Z050	AR	
NS	683084	SEALANT SIKA #221 / GREY / 600 ml SAUSAGE	AR	
NS	680123	SEALANT BUTYL ALUM / GREY / 50GI U.S.	AR	
NS	680128	PLASTIC WOOD	AR	
NS	683838	PUTTY	AR	
60	X3PLB-1838-05	FLOOR & COVERING - "R.C.A."		
60	X3PLB-1838-10	FLOOR COVERING - "TARAFLEX"		
62	329689	SEAT TRACK COVER 12' / EACH SEAT / W/COVERING FLOOR	AR	
200	3202805	PANEL FRONT SEAT	1	
201	3202920	PANEL FRONT SEAT	1	
203	Call order desk	PANEL SEAT	1	P
205	Call order desk	PANEL SEAT	1	P
206	3202780P	PANEL SEAT	1	
210	3200503	ANGLE FINISHING	1	
211	3200504	ANGLE FINISHING	1	
212	500638	SCREW TP PAN PH #8x1/2 Z050	AR	
212	5001840	SCREW DR TR WASHER PH #8x1 5/8 BK	AR	
212	5001839	SCREW DR TR WASHER PH #8x1 BK	AR	
212	500618	SCREW TP FL PH #10x1 Z050	AR	

From G-7275 To H-7416	Date:07/2024	PAGE:X3PLB-1838-00
FLOOR - BUS		

Item#	Part	Description	QTY	Notes
213	502836	SCREW CAP HEX M8-1.25x35 G8.8 N500	1	
214	5001736	WASHER FL 8.4x18.0x2.0 N500	1	
221	3200181	ANGLE FINISHING	1	
222	500583	SCREW TP PAN PH #6x1/2 Z050	AR	
223	3202791P	PANEL SEAT	1	
225	Call order desk	PANEL SEAT	1	P
229	3200494	PANEL SEAT	1	
230	3202903	PANEL REAR SEAT	1	
231	3200233	ATTACHMENT / WALL LOWER	1	
232	500957	SCREW TP BDG PH #10x3/4 N500	AR	
233	3202901	PANEL SEAT	1	
234	Call order desk	PANEL SEAT	1	P
235	321236	. ATTACHMENT PLATE	2	
235	500622	. NUT PUSH RND 5/16	4	
236	382251	. ATTACHMENT PLATE	2	
236	509814	. NUT PUSH RND ARC 3/16	4	
300	Call order desk	PANEL ASSY / ENGINE ACCESS	1	P
. NS	485669	. WEATHERSTRIP RUBBER ASSY 480MMx723MM	1	
400	320670P	DOOR ASSY, ENGINE ACCESS W/O COVERING / TRIANGULAR	1	
. NS	320677	. PANEL SS / TOP	1	
. NS	320684	. WEATHERSTRIP RUBBER SEAL ASSY	1	
. . NS	485610	. . WEATHERSTRIP RUBBER / ADH / RAW MATERIAL	AR	
. NS	320693	. INSULATING RETAINER	1	
. NS	5001015	. SCREW TP BDG PH #6x1/2 SS BK	7	
. NS	357406	. INSULATION	1	
400	3202839P	DOOR ASSY, ENGINE ACCESS W/O COVERING	1	
401	Call order desk	FOOT REST ASSY WITH COVERING 3" HIGHT RECT,	1	P
401	329824	. FOOT REST BASE 3" FIBERGLASS RECTANGULAR	1	
401	Call order desk	. COVERING SEE VIN NUMBER	1	P
401	5001119	SCREW TP BDG PH #8x3/4 SS	4	
401	684517	ADHESIVE SIMSON #ISR 70-03 / GREY / 310ml CARTRIDGE	AR	
402	810034	CARPET OZITE / S.L. 12 FT WIDE	AR	
NS	680052	GLUE, CONTACT ADBOND 8399 4 LITER	AR	
500	3202806	PANEL FRONT SEAT W/OUT LAVATORY	1	
501	320490	ANGLE FINISHING W/OUT LAVATORY 1971.8MM	1	
502	3202776	PANEL FRONT SEAT W/OUT LAVATORY	1	
503	Call order desk	PANEL SEAT W/OUT LAVATORY	1	P
504	Call order desk	BOX ASSY / RECIRCULATING (REAR OF SEAT) /	1	P
505	Call order desk	PANEL SEAT W/OUT LAVATORY	1	P
506	Call order desk	PANEL SEAT W/OUT LAVATORY	1	P
506	3202943	PANEL SEAT W/OUT LAVATORY	1	
510	Call order desk	PANEL SEAT W/OUT LAVATORY	1	P

From G-7275 To H-7416	Date:07/2024	PAGE:X3PLB-1838-00
FLOOR - BUS		

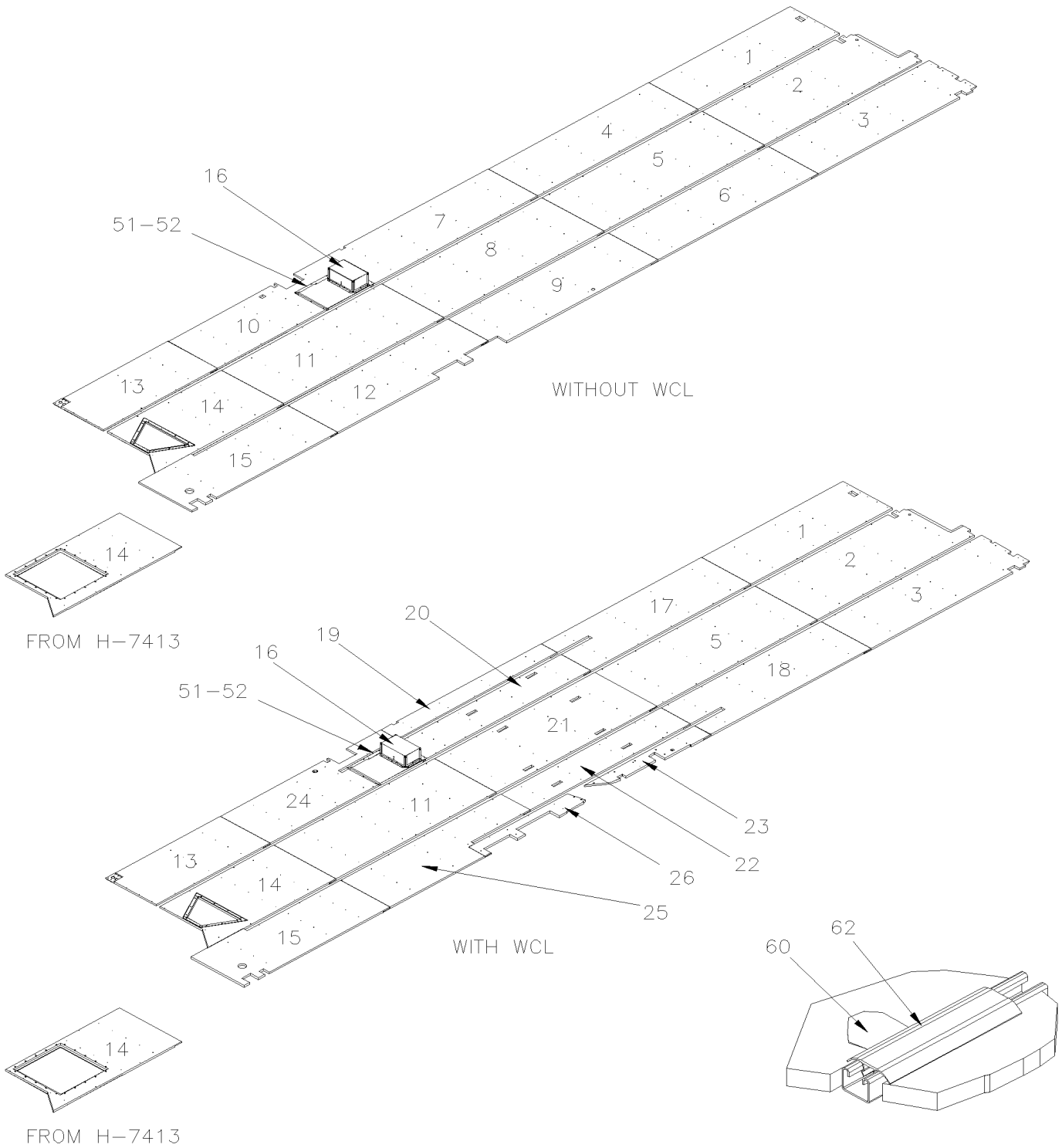
Item#	Part	Description	QTY	Notes
512	320743	ATTACHMENT / WALL LOWER	1	
513	5001840	SCREW DR TR WASHER PH #8x1 5/8 BK	AR	
513	5001839	SCREW DR TR WASHER PH #8x1 BK	AR	
513	500638	SCREW TP PAN PH #8x1/2 Z050	AR	
513	500618	SCREW TP FL PH #10x1 Z050	AR	
		B) WITHOUT LAVATORY		
		F) WITH FOUR WHEEL CHAIRS		
		GR) GREYHOUND OPTION		
		T) WITH THREE WHEEL CHAIR		
		P) CALL ORDER DESK FOR SPECIFIC APPLICATION (V.I.N.)		

From H-7417 To M-7767

Date:07/2024

PAGE:X3PLB-1838-01

FLOOR - BUS

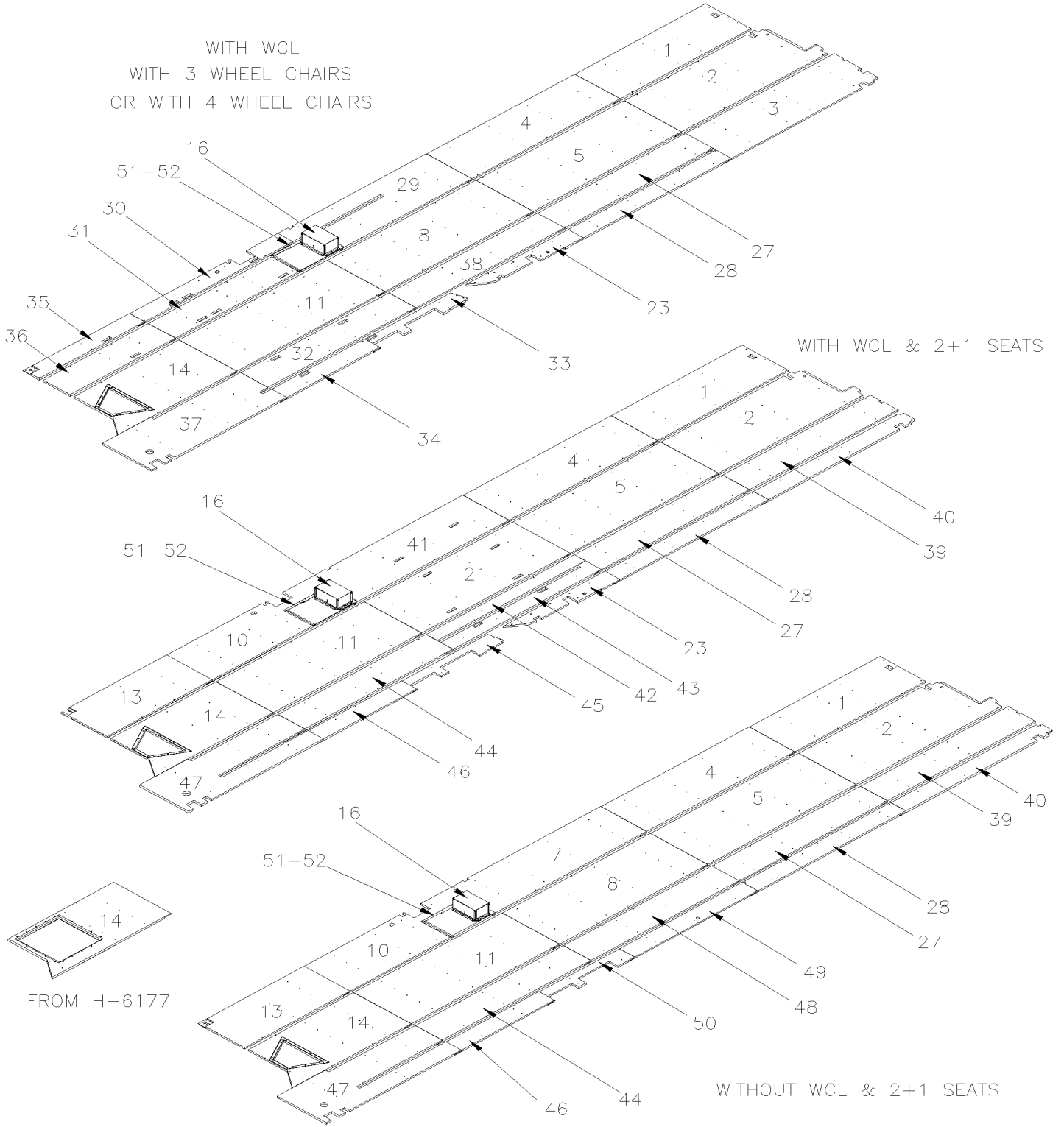


From H-7417 To M-7767

Date:07/2024

PAGE:X3PLB-1838-01

FLOOR - BUS

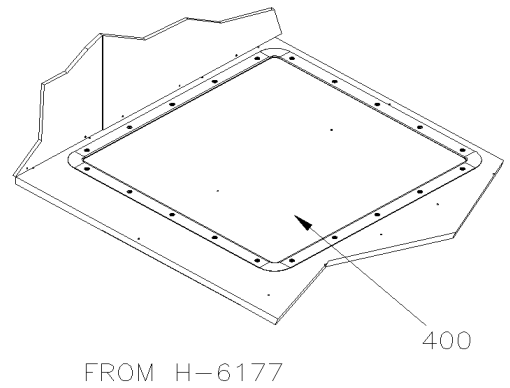
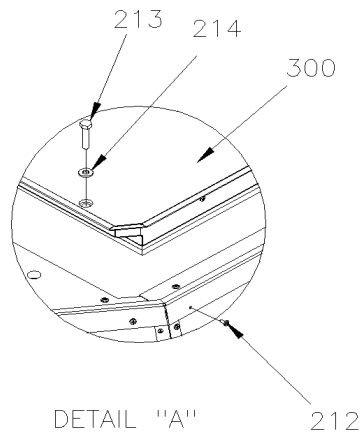
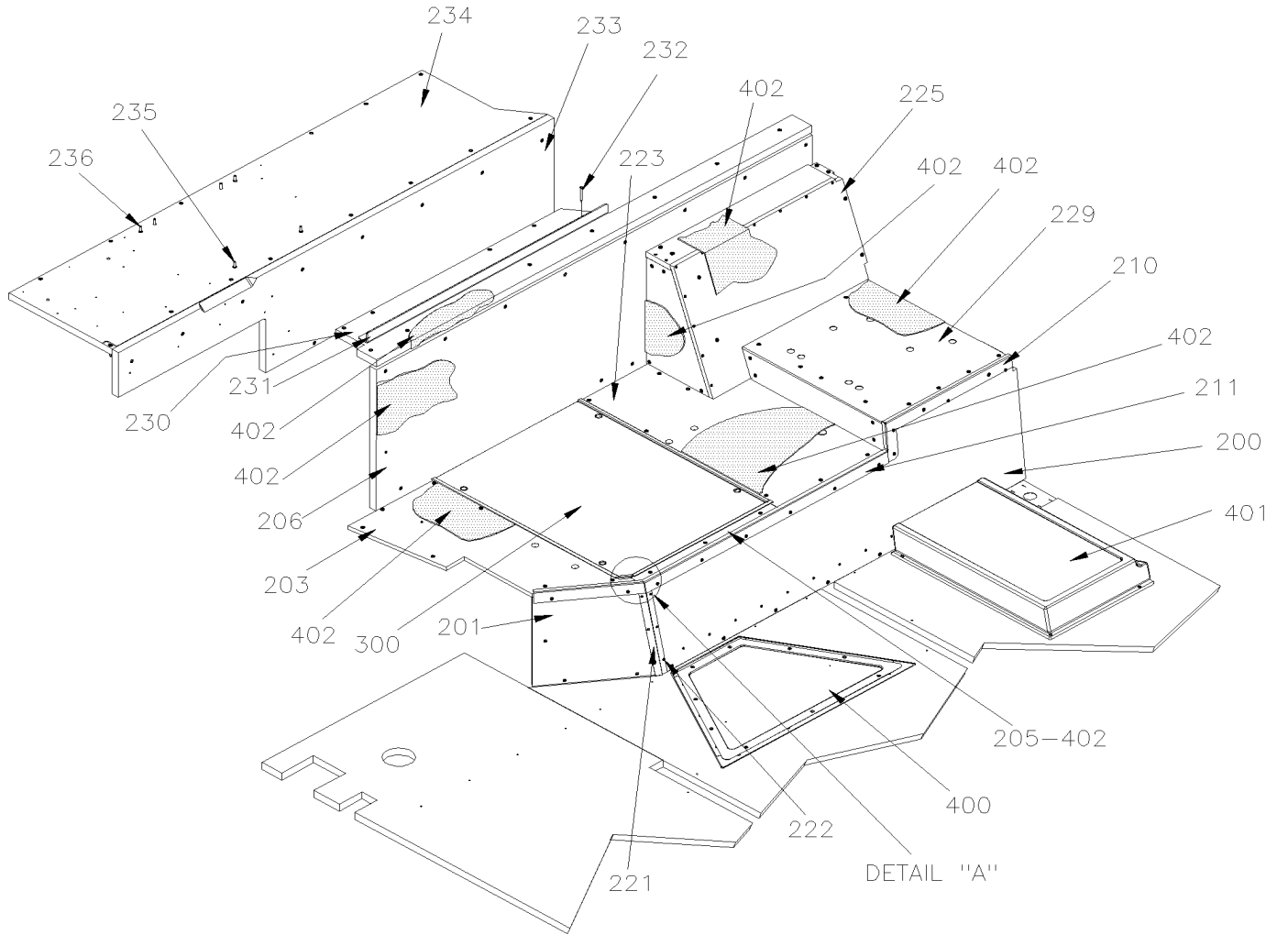


From H-7417 To M-7767

Date:07/2024

PAGE:X3PLB-1838-01

FLOOR - BUS

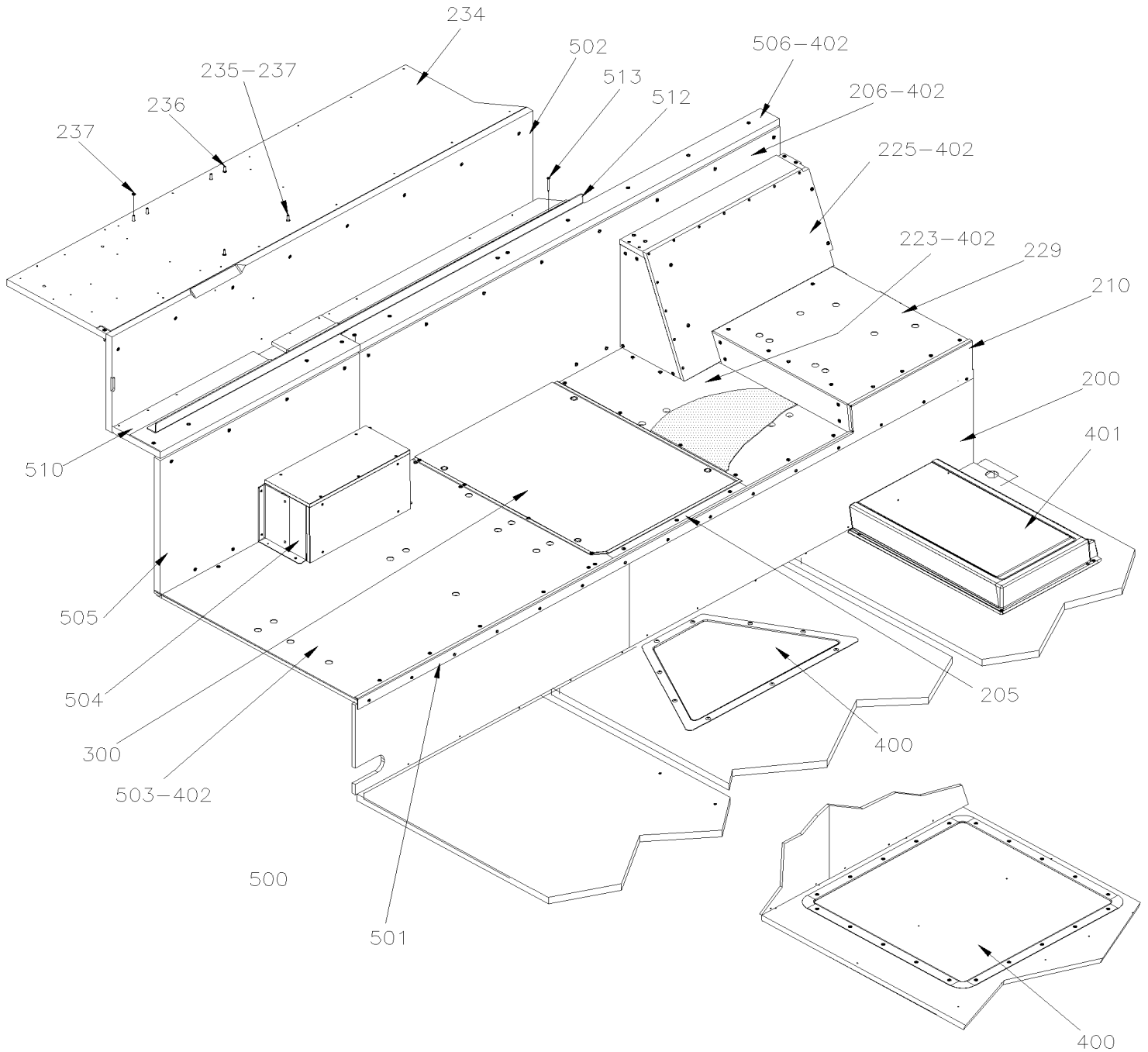


From H-7417 To M-7767

Date:07/2024

PAGE:X3PLB-1838-01

FLOOR - BUS



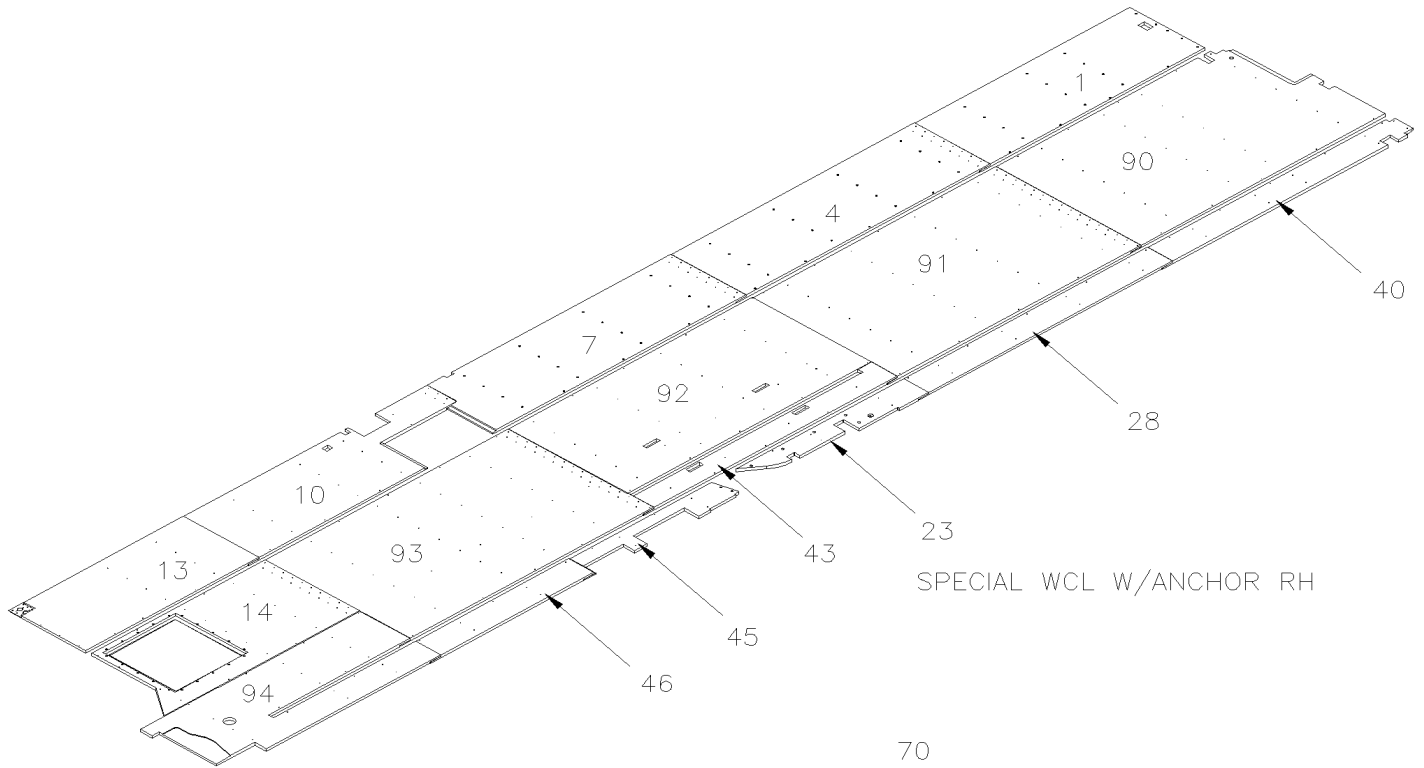
FROM H-6177

From H-7417 To M-7767

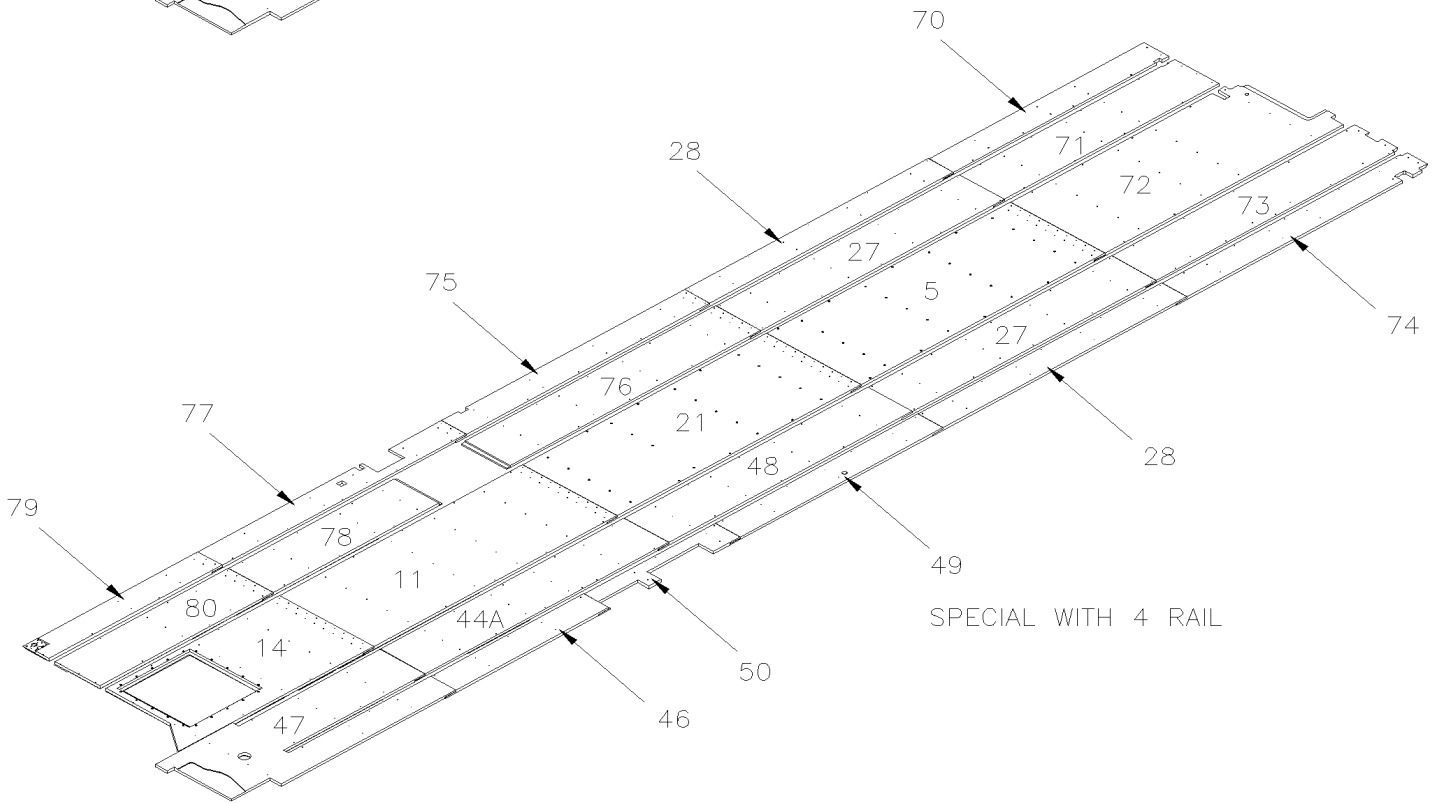
Date:07/2024

PAGE:X3PLB-1838-01

FLOOR - BUS



SPECIAL WCL W/ANCHOR RH



SPECIAL WITH 4 RAIL

From H-7417 To M-7767	Date:07/2024	PAGE:X3PLB-1838-01
FLOOR - BUS		

Item#	Part	Description	QTY	Notes
1	3201396	FLOOR / W/STD/ SEAT To K-7662	1	
1	3210464	FLOOR / W/STD/ SEAT From L-7663	1	
1	3201396	FLOOR / W/STD/ SEAT	1	SP1
2	3201397	FLOOR / W/STD/ SEAT To K-7662	1	
2	3210411	FLOOR / W/STD/ SEAT From L-7663	1	
3	3201398	FLOOR / W/STD/ SEAT To K-7662	1	
3	3210412	FLOOR / W/STD/ SEAT From L-7663	1	
3	3201482	FLOOR / W/STD/ SEAT W 3 WHEEL CHAIR To K-7662	1	T
3	3210547	FLOOR / W/STD/ SEAT W 3 WHEEL CHAIR From L-7663	1	T
3	3202939	FLOOR / W/STD SEAT, EXTINGUISHER PANEL FLOOR, EXTINGUISHER	1	GR
4	3201444	FLOOR / W/STD/ SEAT	1	
5	3201400	FLOOR / W/STD/ SEAT	1	
6	3201468	FLOOR / W/STD/ SEAT	1	
7	3201449	FLOOR / W/STD/ SEAT	1	
8	3201414	FLOOR / W/STD/ SEAT W/O ANCHOR HOLES	1	
9	3201469	FLOOR / W/STD/ SEAT To K-7662	1	
9	3210969	FLOOR / W/STD/ SEAT From L-7663	1	
10	3201448	FLOOR / W/STD/ SEAT	1	
11	3201405	FLOOR / W/STD/ SEAT	1	
12	3201470	FLOOR / W/STD/ SEAT	1	
13	3201412	FLOOR / W/STD/ SEAT	1	
14	3201409	FLOOR / W/STD/ SEAT	1	F T
14	3201409	FLOOR / W/STD/ SEAT To H-7412	1	
14	321316	FLOOR / W/STD/ SEAT From H-7413	1	
14	3201406	FLOOR / W/STD/ SEAT To H-7412	1	B
14	321743	FLOOR / W/STD/ SEAT From H-7413	1	B
14	321316	FLOOR / W/STD/ SEAT	1	SP1
15	320956	FLOOR / W/STD/ SEAT	1	
15	3201431	FLOOR / W/STD/ SEAT	1	B
16	Call order desk	BOX ASSY / AIR RETURN	1	P
17	3201434	FLOOR / W/STD/ SEAT	1	
18	3201401	FLOOR / W/STD/ SEAT W/WHEEL CHAIR	1	
19	3201402	FLOOR / W/STD/ SEAT W/WHEEL CHAIR	1	
20	3201435	FLOOR / W/STD/ SEAT W/WHEEL CHAIR	1	
20	3201438	FLOOR / W/STD/ SEAT WITH ANCHOR HOLES	1	
21	3201439	FLOOR / W/STD/ SEAT, WITH ANCHOR HOLES	1	
21	3201414	FLOOR / W/STD/ SEAT W/O ANCHOR HOLES	1	
22	3201440	FLOOR / W/STD/ SEAT WITH ANCHOR HOLES	1	
22	3202931	FLOOR / W/STD/ SEAT W 4 WHEEL CHAIR	1	F
23	3201403	FLOOR / W/STD/ SEAT W/WHEEL CHAIR To K-7662	1	
23	3210121	FLOOR / W/STD/ SEAT W/WHEEL CHAIR From L-7663		
23	3201403	FLOOR / W/STD/ SEAT W/WHEEL CHAIR	1	SP1

From H-7417 To M-7767	Date:07/2024	PAGE:X3PLB-1838-01
FLOOR - BUS		

Item#	Part	Description	QTY	Notes
24	3201404	FLOOR / W/STD/ SEAT W/WHEEL CHAIR	1	
25	3201410	FLOOR / W/STD/ SEAT W/WHEEL CHAIR To K-7662	1	
25	3210295	FLOOR / W/STD/ SEAT W/WHEEL CHAIR From L-7663	1	
26	3201407	FLOOR / W/STD/ SEAT W/WHEEL CHAIR To K-7662	1	
26	3210122	FLOOR / W/STD/ SEAT W/WHEEL CHAIR From L-7663	1	
27	3201447	FLOOR / W/STD/ SEAT W/WHEEL CHAIR OR W/2+1 SEAT	AR	
28	3201445	FLOOR / W/STD/ SEAT W/WHEEL CHAIR OR W/2+1 SEAT	AR	
29	3201484	FLOOR / W/STD/ SEAT W 3 OR 4 WHEEL CHAIR	1	F T
30	3201483	FLOOR / W/STD/ SEAT W 3 OR 4 WHEEL CHAIR	1	F T
31	3201481	FLOOR / W/STD/ SEAT W 3 OR 4 WHEEL CHAIR	1	F T
32	3201485	FLOOR / W/STD/ SEAT W 3 WHEEL CHAIR	1	T
33	3201487	FLOOR / W/STD/ SEAT W 3 WHEEL CHAIR To K-7662	1	T
33	3210297	FLOOR / W/STD/ SEAT W 3 WHEEL CHAIR From L-7663	1	T
33	3202934	FLOOR / W/STD/ SEAT W 4 WHEEL CHAIR To K-7662	1	F
33	3210296	FLOOR / W/STD/ SEAT W 4 WHEEL CHAIR From L-7663	1	F
34	3201486	FLOOR / W/STD/ SEAT W 3 OR 4 WHEEL CHAIR	1	F T
35	3201479	FLOOR / W/STD/ SEAT W 3 OR 4 WHEEL CHAIR	1	F T
36	3201478	FLOOR / W/STD/ SEAT W 3 OR 4 WHEEL CHAIR	1	F T
37	3201480	FLOOR / W/STD/ SEAT W 3 OR 4 WHEEL CHAIR To H-7416	1	F T
37	320958	FLOOR / W/STD/ SEAT W 3 OR 4 WHEEL CHAIR From H-7417	1	F T
38	3201440	FLOOR / W/STD/ SEAT WITH ANCHOR HOLES	1	
38	3202923	FLOOR / W/STD/ SEAT W 4 WHEEL CHAIR	1	F
39	3201452	FLOOR WITHOUT WHEEL CHAIR & W/2+1 SEAT To K-7662	1	
39	3210545	FLOOR WITHOUT WHEEL CHAIR & W/2+1 SEAT From L-7663	1	
40	3201453	FLOOR WITHOUT WHEEL CHAIR & W/2+1 SEAT To K-7662	1	
40	3210546	FLOOR WITHOUT WHEEL CHAIR & W/2+1 SEAT From L-7663	1	
40	3201453	FLOOR WITHOUT WHEEL CHAIR & W/2+1 SEAT	1	SP1
41	3201459	FLOOR / W/STD/ SEAT W/WHEEL CHAIR & W/2+1 SEAT	1	
42	3201463	FLOOR / W/STD/ SEAT W/WHEEL CHAIR OR W/2+1 SEAT	1	
43	3201462	FLOOR / W/STD/ SEAT W/WHEEL CHAIR OR W/2+1 SEAT	1	
44A	3201454	FLOOR WITH WHEEL CHAIR & W/2+1 SEAT	1	
45	3201464	FLOOR / W/STD/ SEAT W/WHEEL CHAIR OR W/2+1 SEAT To K-7662	1	
45	3210122	FLOOR / W/STD/ SEAT W/WHEEL CHAIR From L-7663	1	
45	3201464	FLOOR / W/STD/ SEAT W/WHEEL CHAIR OR W/2+1 SEAT	1	SP1
46	3201451	FLOOR W OR WITHOUT WHEEL CHAIR & W/2+1 SEAT	1	
47	3201446	FLOOR W OR WITHOUT WHEEL CHAIR & W/2+1 SEAT To H-7416	1	
47	320957	FLOOR W OR WITHOUT WHEEL CHAIR & W/2+1 SEAT From H-7417	1	
48	3201436	FLOOR WITHOUT WHEEL CHAIR & W/2+1 SEAT	1	
49	3201443	FLOOR WITHOUT WHEEL CHAIR & W/2+1 SEAT To K-7662	1	
49	3210962	FLOOR WITHOUT WHEEL CHAIR & W/2+1 SEAT From L-7663	1	
50	3201450	FLOOR WITHOUT WHEEL CHAIR & W/2+1 SEAT	1	
51	3200402	MOLDING, AIR RETURN	1	

From H-7417 To M-7767	Date:07/2024	PAGE:X3PLB-1838-01
FLOOR - BUS		

Item#	Part	Description	QTY	Notes
51	3200161	MOLDING, AIR RETURN W/2+1 SEAT	1	
52	5001119	SCREW TP BDG PH #8x3/4 SS	AR	
NS	5001546	SCREW WO FL PH #8x7/8 Z050	AR	
NS	5001535	SCREW DR WF RO #14x1 3/4 Z050	AR	
NS	5001535	SCREW DR WF RO #14x1 3/4 Z050	AR	
NS	683084	SEALANT SIKA #221 / GREY / 600 ml SAUSAGE	AR	
NS	680123	SEALANT BUTYL ALUM / GREY / 50GI U.S.	AR	
NS	680128	PLASTIC WOOD	AR	
NS	683838	PUTTY	AR	
60	X3PLB-1838-05	FLOOR & COVERING - "R.C.A."		
60	X3PLB-1838-10	FLOOR COVERING - "TARAFLEX"		
62	329689	SEAT TRACK COVER 12' / EACH SEAT / W/COVERING FLOOR	AR	
70	3210611	FLOOR SPECIAL W/ 4 RAILS From K-7582	1	SP
71	3210610	FLOOR SPECIAL W/ 4 RAILS From K-7582	1	SP
72	3210411	FLOOR / W/STD/ SEAT From K-7582	1	SP
73	3210545	FLOOR WITHOUT WHEEL CHAIR & W/2+1 SEAT From K-7582	1	SP
74	3210546	FLOOR WITHOUT WHEEL CHAIR & W/2+1 SEAT From K-7582	1	SP
75	3210613	FLOOR SPECIAL W/ 4 RAILS From K-7582	1	SP
76	3210614	FLOOR SPECIAL W/ 4 RAILS From K-7582	1	SP
77	3210617	FLOOR SPECIAL W/ 4 RAILS From K-7582	1	SP
78	3210615	FLOOR SPECIAL W/ 4 RAILS From K-7582	1	SP
79	3210621	FLOOR SPECIAL W/ 4 RAILS From K-7582	1	SP
80	3210619	FLOOR SPECIAL W/ 4 RAILS From K-7582	1	SP
90	3210804	FLOOR SPECIAL W/ANCHOR RH	1	SP1
91	3210805	FLOOR SPECIAL W/ANCHOR RH	1	SP1
92	3210806	FLOOR SPECIAL W/ANCHOR RH	1	SP1
93	3210808	FLOOR SPECIAL W/ANCHOR RH	1	SP1
94	3210810	FLOOR SPECIAL W/ANCHOR RH	1	SP1
200	3202805	PANEL FRONT SEAT To H-7416	1	
200	3201283	PANEL FRONT SEAT From H-7417	1	
201	3202920	PANEL FRONT SEAT To H-7416	1	
201	3201282	PANEL FRONT SEAT From H-7417 To K-7662	1	
201	3210400	PANEL FRONT SEAT From L-7663	1	
203	Call order desk	PANEL SEAT To H-7416	1	P
203	3201279	PANEL SEAT From H-7417	1	
205	Call order desk	PANEL SEAT To H-7416	1	P
205	3201280	PANEL SEAT From H-7417	1	
206	3202780P	PANEL SEAT To H-7416	1	
206	3201295	PANEL SEAT From H-7417 To K-7662	1	
206	3210338	PANEL SEAT From L-7663	1	
210	3200503	ANGLE FINISHING To H-7416	1	

From H-7417 To M-7767	Date:07/2024	PAGE:X3PLB-1838-01
FLOOR - BUS		

Item#	Part	Description	QTY	Notes
211	3200504	ANGLE FINISHING To H-7416	1	
211	3201286	ANGLE FINISHING From H-7417 To K-7662	1	
211	3210401	ANGLE FINISHING From L-7663	1	
212	500638	SCREW TP PAN PH #8x1/2 Z050	AR	
212	5001840	SCREW DR TR WASHER PH #8x1 5/8 BK	AR	
212	5001839	SCREW DR TR WASHER PH #8x1 BK	AR	
212	500618	SCREW TP FL PH #10x1 Z050	AR	
213	502836	SCREW CAP HEX M8-1.25x35 G8.8 N500	1	
214	5001736	WASHER FL 8.4x18.0x2.0 N500	1	
221	3200181	ANGLE FINISHING To H-7416	1	
221	3201285	ANGLE FINISHING From H-7417	1	
222	500583	SCREW TP PAN PH #6x1/2 Z050	AR	
223	3202791P	PANEL SEAT To H-7416	1	
223	3201281	PANEL SEAT From H-7417	1	
225	Call order desk	PANEL SEAT	1	P
229	3200494	PANEL SEAT To H-7416	1	
230	3202903	PANEL REAR SEAT To K-7662	1	
230	3210340	PANEL REAR SEAT From L-7663	1	
231	3200233	ATTACHMENT / WALL LOWER To K-7662	1	
231	3210402	ATTACHMENT / WALL LOWER From L-7663	1	
232	500957	SCREW TP BDG PH #10x3/4 N500	AR	
233	3202901	PANEL SEAT To H-7416	1	
233	320994	PANEL FRONT SEAT W/OUT LAVATORY From H-7417 To K-7662	1	
233	3210344	PANEL FRONT SEAT W/OUT LAVATORY From L-7663	1	
NS	500957	SCREW TP BDG PH #10x3/4 N500 From J-7509	AR	
NS	504013	TIE MOUNT / 1/4" X 1/4" I.D. From J-7509	AR	
NS	504637	CABLE TIE / 3/16" x 13" From J-7509	AR	
234	Call order desk	PANEL SEAT To H-7416	1	P B
234	Call order desk	PANEL SEAT From H-7417 To K-7662	1	P
234	Call order desk	PANEL SEAT From L-7663	1	P
235	321236	. ATTACHMENT PLATE To H-7416	2	
235	500622	. NUT PUSH RND 5/16 To H-7416	4	
235	380074	. ATTACHMENT PLATE From H-7417	1	
236	382251	. ATTACHMENT PLATE To H-7416	2	
236	382251	. ATTACHMENT PLATE From H-7417	1	
237	509814	. NUT PUSH RND ARC 3/16	4	
300	Call order desk	PANEL ASSY / ENGINE ACCESS	1	P
. NS	485669	. WEATHERSTRIP RUBBER ASSY 480MMx723MM	1	
400	320670P	DOOR ASSY, ENGINE ACCESS W/O COVERING / TRIANGULAR	1	F T
. NS	320677	. PANEL SS / TOP	1	F T
. NS	320684	. WEATHERSTRIP RUBBER SEAL ASSY	1	F T
. . NS	485610	. . WEATHERSTRIP RUBBER / ADH / RAW MATERIAL	AR	F T

From H-7417 To M-7767	Date:07/2024	PAGE:X3PLB-1838-01
FLOOR - BUS		

Item#	Part	Description	QTY	Notes
. NS	320693	. INSULATING RETAINER	1	F T
. NS	5001015	. SCREW TP BDG PH #6x1/2 SS BK	7	F T
. NS	357406	. INSULATION	1	F T
400	320670P	DOOR ASSY, ENGINE ACCESS W/O COVERING / TRIANGULAR To H-7416	1	
. NS	320677	. PANEL SS / TOP To H-7416	1	
. NS	320684	. WEATHERSTRIP RUBBER SEAL ASSY To H-7416	1	
. . NS	485610	. . WEATHERSTRIP RUBBER / ADH / RAW MATERIAL To H-7416	AR	
. NS	320693	. INSULATING RETAINER To H-7416	1	
. NS	5001015	. SCREW TP BDG PH #6x1/2 SS BK To H-7416	7	
. NS	357406	. INSULATION To H-7416	1	
400	3202839P	DOOR ASSY, ENGINE ACCESS W/O COVERING To H-7416	1	B
400	321321P	DOOR ASSY, ENGINE ACCESS W/O COVERING From H-7417	1	
NS	5000324	SCREW MA FL PH #10-24x7/8 SS From H-7417	AR	
NS	500043	NUT AN INS THREADED #10-24x25/32 ZP From H-7417	AR	
401	Call order desk	FOOT REST ASSY WITH COVERING 3" HIGHT RECT,	1	P
401	329824	. FOOT REST BASE 3" FIBERGLASS RECTANGULAR	1	
401	321308	. COVERING SEE VIN NUMBER	1	
401	5001119	SCREW TP BDG PH #8x3/4 SS	4	
401	684517	ADHESIVE SIMSON #ISR 70-03 / GREY / 310ml CARTRIDGE	AR	
402	810034	CARPET OZITE / S.L. 12 FT WIDE	AR	
NS	680052	GLUE, CONTACT ADBOND 8399 4 LITER	AR	
500	3202806	PANEL FRONT SEAT W/OUT LAVATORY To H-7416	1	
500	3201087	PANEL FRONT SEAT W/OUT LAVATORY From H-7417	1	
501	320490	ANGLE FINISHING W/OUT LAVATORY 1971.8MM To H-7416	1	
501	3201100	ANGLE FINISHING W/OUT LAVATORY 2468 MM From H-7417	1	
502	3202776	PANEL FRONT SEAT W/OUT LAVATORY To H-7416	1	
502	320994	PANEL FRONT SEAT W/OUT LAVATORY From H-7417 To K-7662	1	
502	3210344	PANEL FRONT SEAT W/OUT LAVATORY From L-7663	1	
NS	500957	SCREW TP BDG PH #10x3/4 N500 From J-7509	AR	
NS	504013	TIE MOUNT / 1/4" X 1/4" I.D. From J-7509	AR	
NS	504637	CABLE TIE / 3/16" x 13" From J-7509	AR	
503	Call order desk	PANEL SEAT W/OUT LAVATORY To H-7416	1	P
503	Call order desk	PANEL SEAT W/OUT LAVATORY From H-7417 To K-7662	1	P
503	Call order desk	PANEL SEAT From L-7663	P	P
504	Call order desk	BOX ASSY / RECIRCULATING (REAR OF SEAT) / To H-7416	1	P
504	Call order desk	BOX ASSY / RECIRCULATING (REAR OF SEAT) / From H-7417	1	P
505	Call order desk	PANEL SEAT W/OUT LAVATORY To H-7416	1	P
505	Call order desk	PANEL SEAT W/OUT LAVATORY From H-7417 To K-7662	1	P
505	Call order desk	PANEL SEAT W/OUT LAVATORY From L-7663	1	P
506	Call order desk	PANEL SEAT W/OUT LAVATORY To H-7416	1	P
506	3202943	PANEL SEAT W/OUT LAVATORY To H-7416	1	
506	Call order desk	PANEL SEAT W/OUT LAVATORY From H-7417 To K-7662	1	P

From H-7417 To M-7767	Date:07/2024	PAGE:X3PLB-1838-01
FLOOR - BUS		

Item#	Part	Description	QTY	Notes
506	Call order desk	PANEL REAR SEAT From L-7663	1	P
510	Call order desk	PANEL SEAT W/OUT LAVATORY To H-7416	1	P
510	Call order desk	PANEL SEAT W/OUT LAVATORY From H-7417 To K-7662	1	P
510	Call order desk	PANEL SEAT W/OUT LAVATORY From L-7663	1	P
512	320743	ATTACHMENT / WALL LOWER To H-7416	1	
512	3201522	ATTACHMENT / WALL LOWER 1729.7MM From H-7417 To K-7662	1	
512	3210322	ATTACHMENT / WALL LOWER 2360 MM From L-7663	1	
513	5001840	SCREW DR TR WASHER PH #8x1 5/8 BK	AR	
513	5001839	SCREW DR TR WASHER PH #8x1 BK	AR	
513	500638	SCREW TP PAN PH #8x1/2 Z050	AR	
513	500618	SCREW TP FL PH #10x1 Z050	AR	
		B) WITHOUT LAVATORY		
		F) WITH FOUR WHEEL CHAIRS		
		GR) GREYHOUND OPTION		
		SP) SPECIAL OPTION WITH 4 RAILS		
		SP1) SPECIAL OPTION WCL W/ANCHOR RH		
		T) WITH THREE WHEEL CHAIR		
		P) CALL ORDER DESK FOR SPECIFIC APPLICATION (V.I.N.)		

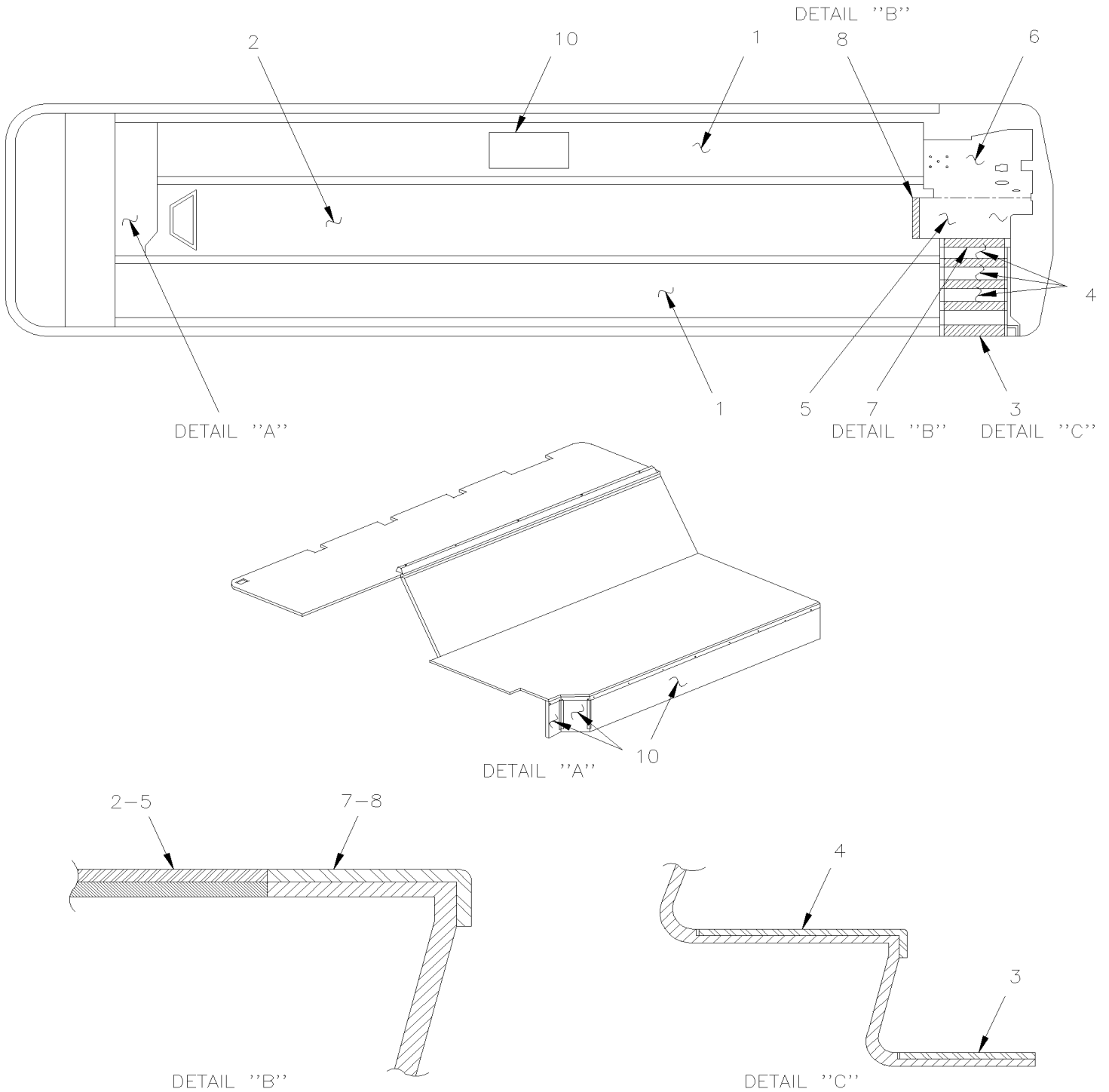
From G-7275 To M-7767

Date:07/2024

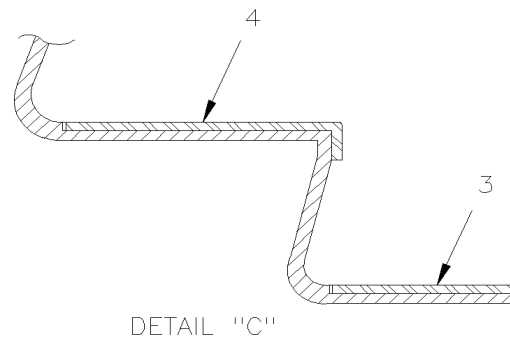
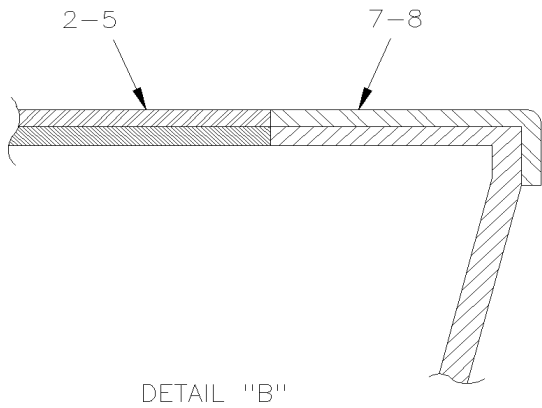
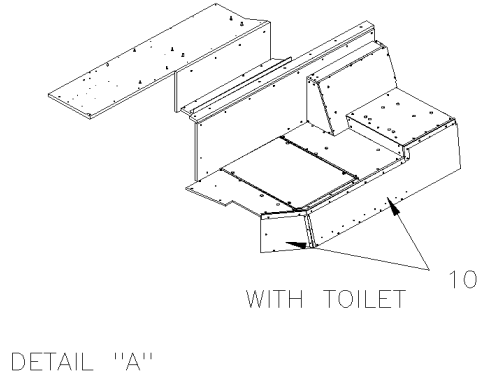
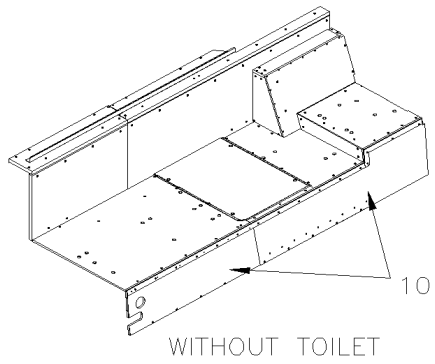
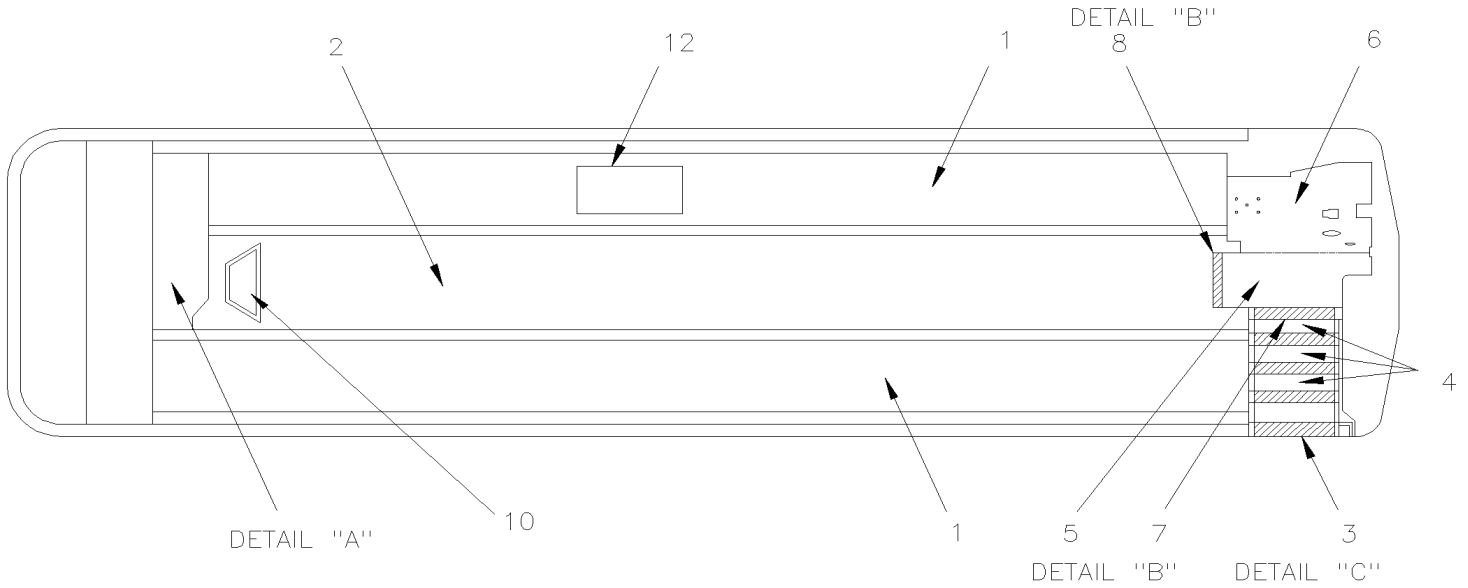
PAGE:X3PLB-1838-05

FLOOR & COVERING - "R.C.A."

UP TO H-7416



FROM H-7417



From G-7275 To M-7767	Date:07/2024	PAGE:X3PLB-1838-05
FLOOR & COVERING - "R.C.A."		

Item#	Part	Description	QTY	Notes
		FLOOR COVERING SIDE SECTION / 25 7/8" X 38'		
1	820230	COVERING / CODE "A" = 702	2	
1	820232	COVERING / CODE "B" = 777	2	
1	820234	COVERING / CODE "C" = 653	2	
1	820236	COVERING / CODE "D" = 747	2	
1	820238	COVERING / CODE "E" = 766	2	
1	820240	COVERING / CODE "F" = 604	2	
1	820242	COVERING / CODE "G" = 758	2	
1	820244	COVERING / CODE "H" = 630	2	
1	820246	COVERING / CODE "I" = 895	2	
1	820248	COVERING / CODE "J" = 466	2	
1	820250	COVERING / CODE "K" = 852	2	
1	820252	COVERING / CODE "L" = 975	2	
1	820254	COVERING / CODE "Q" = 788	2	
1	820256	COVERING / CODE "R" = 411	2	
		FLOOR COVERING AISLE SECTION / 35 3/4" X 38' To H-7416		
		FLOOR COVERING AISLE SECTION / 916MM X 12192MM From H-7417		
2	820231	COVERING / CODE "A" = 702 To H-7416	1	
2	820016A	COVERING / CODE "A" = 702 From H-7417	1	
2	820233	COVERING / CODE "B" = 777 To H-7416	1	
2	820016B	COVERING / CODE "B" = 777 From H-7417	1	
2	820235	COVERING / CODE "C" = 653 To H-7416	1	
2	820016C	COVERING / CODE "C" = 653 From H-7417	1	
2	820237	COVERING / CODE "D" = 747 To H-7416	1	
2	820016D	COVERING / CODE "D" = 747 From H-7417	1	
2	820239	COVERING / CODE "E" = 766 To H-7416	1	
2	820016E	COVERING / CODE "E" = 766 From H-7417	1	
2	820241	COVERING / CODE "F" = 604 To H-7416	1	
2	820016F	COVERING / CODE "F" = 604 From H-7417	1	
2	820243	COVERING / CODE "G" = 758 To H-7416	1	
2	820016G	COVERING / CODE "G" = 758 From H-7417	1	
2	820245	COVERING / CODE "H" = 630 To H-7416	1	
2	820016H	COVERING / CODE "H" = 630 From H-7417	1	
2	820247	COVERING / CODE "I" = 895 To H-7416	1	
2	820016I	COVERING / CODE "I" = 895 From H-7417	1	
2	820249	COVERING / CODE "J" = 466 To H-7416	1	
2	820016J	COVERING / CODE "J" = 466 From H-7417	1	
2	820251	COVERING / CODE "K" = 852 To H-7416	1	
2	820016K	COVERING / CODE "K" = 852 From H-7417	1	

From G-7275 To M-7767	Date:07/2024	PAGE:X3PLB-1838-05
FLOOR & COVERING - "R.C.A."		

Item#	Part	Description	QTY	Notes
2	820253	COVERING / CODE "L" = 975 To H-7416	1	
2	820016L	COVERING / CODE "L" = 975 From H-7417	1	
2	820255	COVERING / CODE "Q" = 788 To H-7416	1	
2	820016Q	COVERING / CODE "Q" = 788 From H-7417	1	
2	820257	COVERING / CODE "R" = 411 To H-7416	1	
2	820016R	COVERING / CODE "R" = 411 From H-7417	1	
		STEP TREAD COVERING 1STEP/ 10"X25"5/8 (UNCUT)		
		AT THE BEGENNING OF		
		PART NUMBER 326936 + SUFFIX CODE "?" LETTER		
3	820563A	STEP TREAD COVERING / CODE "A" = 702 / 10" X 25 1/2"	1	
3	820563B	STEP TREAD COVERING / CODE "B" = 777 / 10" X 25 1/2"	1	
3	820563C	STEP TREAD COVERING / CODE "C" = 653 / 10" X 25 1/2"	1	
3	820563D	STEP TREAD COVERING / CODE "D" = 747 / 10" X 25 1/2"	1	
3	820563E	STEP TREAD COVERING / CODE "E" = 766 / 10" X 25 1/2"	1	
3	820563EY	STEP TREAD COVERING / CODE "E" = 766 WITH YELLOW NOSING	1	GR
3	820563F	STEP TREAD COVERING / CODE "F" = 604 / 10" X 25 1/2"	1	
3	820563G	STEP TREAD COVERING / CODE "G" = 758 / 10" X 25 1/2"	1	
3	820563H	STEP TREAD COVERING / CODE "H" = 630 / 10" X 25 1/2"	1	
3	820563I	STEP TREAD COVERING / CODE "I" = 895 / 10" X 25 1/2"	1	
3	820563J	STEP TREAD COVERING / CODE "J" = 466 / 10" X 25 1/2"	1	
3	820563K	STEP TREAD COVERING / CODE "K" = 852 / 10" X 25 1/2"	1	
3	820563L	STEP TREAD COVERING / CODE "L" = 975 / 10" X 25 1/2"	1	
3	820563Q	STEP TREAD COVERING / CODE "Q" = 788 / 10" X 25 1/2"	1	
3	820563R	STEP TREAD COVERING / CODE "R" = 411 / 10" X 25 1/2"	1	
		STEP TREAD COVERING 2,3,4 STEP / 9"7/8 X 25"5/8		
4	820562A	STEP TREAD COVERING / CODE "A" = 702 / 10" X 25 1/2"	3	
4	820562B	STEP TREAD COVERING / CODE "B" = 777 / 10" X 25 1/2"	3	
4	820562C	STEP TREAD COVERING / CODE "C" = 653 / 10" X 25 1/2"	3	
4	820562D	STEP TREAD COVERING / CODE "D" = 747 / 10" X 25 1/2"	3	
4	820562E	STEP TREAD COVERING / CODE "E" = 766 / 10" X 25 1/2"	3	
4	820562EY	STEP TREAD COVERING / CODE "E" = 766 WITH YELLOW NOSING	3	GR
4	820562F	STEP TREAD COVERING / CODE "F" = 604 / 10" X 25 1/2"	3	
4	820562G	STEP TREAD COVERING / CODE "G" = 758 / 10" X 25 1/2"	3	
4	820562H	STEP TREAD COVERING / CODE "H" = 630 / 10" X 25 1/2"	3	
4	820562I	STEP TREAD COVERING / CODE "I" = 895 / 10" X 25 1/2"	3	
4	820562J	STEP TREAD COVERING / CODE "J" = 466 / 10" X 25 1/2"	3	
4	820562K	STEP TREAD COVERING / CODE "K" = 852 / 10" X 25 1/2"	3	
4	820562L	STEP TREAD COVERING / CODE "L" = 975 / 10" X 25 1/2"	3	

From G-7275 To M-7767	Date:07/2024	PAGE:X3PLB-1838-05
FLOOR & COVERING - "R.C.A."		

Item#	Part	Description	QTY	Notes
4	820562Q	STEP TREAD COVERING / CODE "Q" = 788 / 10" X 25 1/2"	3	
4	820562R	STEP TREAD COVERING / CODE "R" = 411 / 10" X 25 1/2"	3	
4	680502	TAPE ANTISKID ADH / BLACK / 2" X 60' / 5215	AR	B
		FLOOR COVERING UPPER STEPWELL SECTION / 22" X 46" To H-7416		
		FLOOR COVERING UPPER STEPWELL SECTION / 506MM x 1207MM From H-7417		
5	506926	COVERING / CODE "A" = 702 To H-7416	1	
5	820025A	COVERING / CODE "A" = 702 From H-7417	1	
5	506927	COVERING / CODE "B" = 777 To H-7416	1	
5	820025B	COVERING / CODE "B" = 777 From H-7417	1	
5	506928	COVERING / CODE "C" = 653 To H-7416	1	
5	820025C	COVERING / CODE "C" = 653 From H-7417	1	
5	506929	COVERING / CODE "D" = 747 To H-7416	1	
5	820025D	COVERING / CODE "D" = 747 From H-7417	1	
5	506930	COVERING / CODE "E" = 766 To H-7416	1	
5	820025E	COVERING / CODE "E" = 766 From H-7417	1	
5	506931	COVERING / CODE "F" = 604 To H-7416	1	
5	820025F	COVERING / CODE "F" = 604 From H-7417	1	
5	506932	COVERING / CODE "G" = 758 To H-7416	1	
5	820025G	COVERING / CODE "G" = 758 From H-7417	1	
5	5061029	COVERING / CODE "H" = 630 To H-7416	1	
5	820025H	COVERING / CODE "H" = 630 From H-7417	1	
5	506933	COVERING / CODE "I" = 895 To H-7416	1	
5	820025I	COVERING / CODE "I" = 895 From H-7417	1	
5	5061036	COVERING / CODE "J" = 466 To H-7416	1	
5	820025J	COVERING / CODE "J" = 466 From H-7417	1	
5	5060019	COVERING / CODE "K" = 852 To H-7416	1	
5	820025K	COVERING / CODE "K" = 852 From H-7417	1	
5	506934	COVERING / CODE "L" = 975 To H-7416	1	
5	820025L	COVERING / CODE "L" = 975 From H-7417	1	
5	506935	COVERING / CODE "Q" = 788 To H-7416	1	
5	820025Q	COVERING / CODE "Q" = 788 From H-7417	1	
5	5060062	COVERING / CODE "R" = 411 To H-7416	1	
5	820025R	COVERING / CODE "R" = 411 From H-7417	1	
		FLOOR COVERING DRIVER'S SECTION / 29" X 48"½ To H-7416		
6		FLOOR COVERING DRIVER'S SECTION / 775MM x 1230MM From H-7417	1	
6	506898	COVERING / CODE "A" = 702 To H-7416	1	
6	820023A	COVERING / CODE "A" = 702 From H-7417	1	
6	506899	COVERING / CODE "B" = 777 To H-7416	1	

From G-7275 To M-7767	Date:07/2024	PAGE:X3PLB-1838-05
FLOOR & COVERING - "R.C.A."		

Item#	Part	Description	QTY	Notes
6	820023B	COVERING / CODE "B" = 777 From H-7417	1	
6	506900	COVERING / CODE "C" = 653 To H-7416	1	
6	820023C	COVERING / CODE "C" = 653 From H-7417	1	
6	506901	COVERING / CODE "D" = 747 To H-7416	1	
6	820023D	COVERING / CODE "D" = 747 From H-7417	1	
6	506902	COVERING / CODE "E" = 766 To H-7416	1	
6	820023E	COVERING / CODE "E" = 766 From H-7417	1	
6	506903	COVERING / CODE "F" = 604 To H-7416	1	
6	820023F	COVERING / CODE "F" = 604 From H-7417	1	
6	506904	COVERING / CODE "G" = 758 To H-7416	1	
6	820023G	COVERING / CODE "G" = 758 From H-7417	1	
6	5061029	COVERING / CODE "H" = 630 To H-7416	1	
6	820023H	COVERING / CODE "H" = 630 From H-7417	1	
6	506905	COVERING / CODE "I" = 895 To H-7416	1	
6	820023I	COVERING / CODE "I" = 895 From H-7417	1	
6	5061037	COVERING / CODE "J" = 466 To H-7416	1	
6	820023J	COVERING / CODE "J" = 466 From H-7417	1	
6	5060018	COVERING / CODE "K" = 852 To H-7416	1	
6	820023K	COVERING / CODE "K" = 852 From H-7417	1	
6	506906	COVERING / CODE "L" = 975 To H-7416	1	
6	820023L	COVERING / CODE "L" = 975 From H-7417	1	
6	506907	COVERING / CODE "Q" = 788 To H-7416	1	
6	820023Q	COVERING / CODE "Q" = 788 From H-7417	1	
6	5060063	COVERING / CODE "R" = 411 To H-7416	1	
6	820023R	COVERING / CODE "R" = 411 From H-7417	1	
7	820564	STEP NOSING WHITE / 3" X 27 3/8"	1	
7	820565	STEP NOSING YELLOW / 3" X 27 3/8"	1	GR
8	506887	STEP NOSING WHITE / 3" X 22 1/2"	1	
8	820529	STEP NOSING YELLOW / 3" X 22 1/2"	1	GR
		FLOOR COVERING FOR ENGINE TRAP REAR / 30" x 76" To H-7416		
		FLOOR COVERING FOR ENGINE TRAP REAR / 30 1/2 x 47 1/4" To H-7416		
		FLOOR COVERING FOR ENGINE TRAP REAR / 960MM X 737MM From H-7417		
10	5061107	COVERING / CODE "A" = 702 R.C.A. RUBBER To H-7416	1	
10	820167	COVERING / CODE "A" = 702 To H-7416	1	
10	820602A	COVERING / CODE "A" = 702 From H-7417	1	
10	5061108	COVERING / CODE "B" = 777 To H-7416	1	
10	820168	COVERING / CODE "B" = 777 To H-7416	1	
10	820602B	COVERING / CODE "B" = 777 From H-7417	1	
10	5061109	COVERING / CODE "C" = 653 To H-7416	1	

From G-7275 To M-7767	Date:07/2024	PAGE:X3PLB-1838-05
FLOOR & COVERING - "R.C.A."		

Item#	Part	Description	QTY	Notes
10	820169	COVERING / CODE "C" = 653 To H-7416	1	
10	820602C	COVERING / CODE "C" = 653 From H-7417	1	
10	5061110	COVERING / CODE "D" = 747 To H-7416	1	
10	820170	COVERING / CODE "D" = 747 To H-7416	1	
10	820602D	COVERING / CODE "D" = 747 From H-7417	1	
10	5061111	COVERING / CODE "E" = 766 To H-7416	1	
10	820171	COVERING / CODE "E" = 766 To H-7416	1	
10	820602E	COVERING / CODE "E" = 766 From H-7417	1	
10	5061112	COVERING / CODE "F" = 604 To H-7416	1	
10	820172	COVERING / CODE "F" = 604 To H-7416	1	
10	820602F	COVERING / CODE "F" = 604 From H-7417	1	
10	5061113	COVERING / CODE "G" = 758 To H-7416	1	
10	820173	COVERING / CODE "G" = 758 To H-7416	1	
10	820602G	COVERING / CODE "G" = 758 From H-7417	1	
10	5061114	COVERING / CODE "H" = 630 To H-7416	1	
10	820174	COVERING / CODE "H" = 630 To H-7416	1	
10	820602H	COVERING / CODE "H" = 630 From H-7417	1	
10	5061115	COVERING / CODE "I" = 895 To H-7416	1	
10	820175	COVERING / CODE "I" = 895 To H-7416	1	
10	820602I	COVERING / CODE "I" = 895 From H-7417	1	
10	5061116	COVERING / CODE "J" = 466 To H-7416	1	
10	820176	COVERING / CODE "J" = 466 To H-7416	1	
10	820602J	COVERING / CODE "J" = 466 From H-7417	1	
10	5061117	COVERING / CODE "K" = 852 To H-7416	1	
10	820177	COVERING / CODE "K" = 852 To H-7416	1	
10	820602K	COVERING / CODE "K" = 852 From H-7417	1	
10	5061118	COVERING / CODE "L" = 975 To H-7416	1	
10	820178	COVERING / CODE "L" = 975 To H-7416	1	
10	820602L	COVERING / CODE "L" = 975 From H-7417	1	
10	5061119	COVERING / CODE "Q" = 788 To H-7416	1	
10	820179	COVERING / CODE "Q" = 788 To H-7416	1	
10	820602Q	COVERING / CODE "Q" = 788 From H-7417	1	
10	5061120	COVERING / CODE "R" = 411 To H-7416	1	
10	820180	COVERING / CODE "R" = 411 To H-7416	1	
10	820602R	COVERING / CODE "R" = 411 From H-7417	1	
		FLOOR COVERING AIR RETURN SECTION / 700MM X 465MM From H-7417		
12	820018A	COVERING / CODE "A" = 702 From H-7417	1	
12	820018B	COVERING / CODE "B" = 777 From H-7417	1	
12	820018C	COVERING / CODE "C" = 653 From H-7417	1	
12	820018D	COVERING / CODE "D" = 747 From H-7417	1	

From G-7275 To M-7767	Date:07/2024	PAGE:X3PLB-1838-05
FLOOR & COVERING - "R.C.A."		

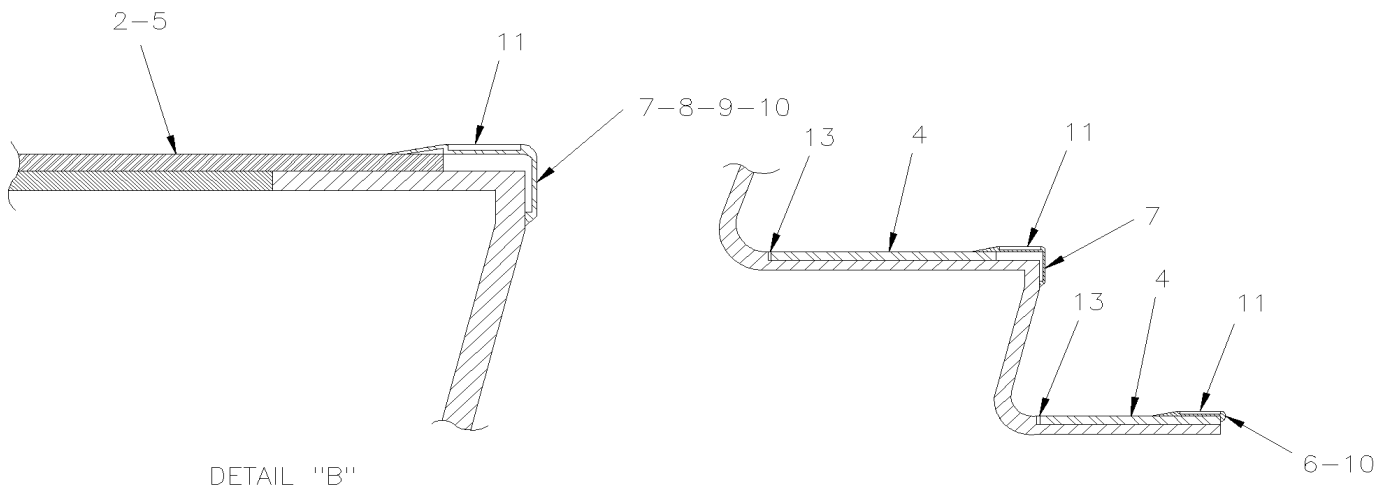
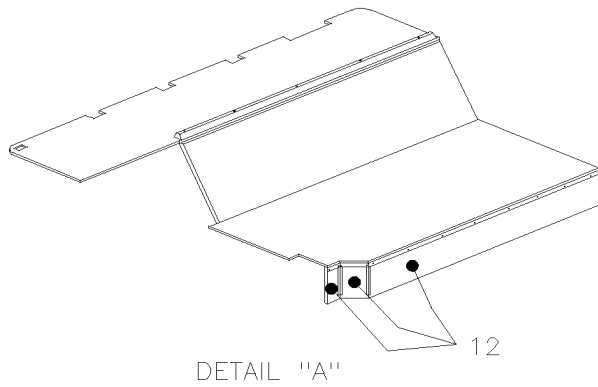
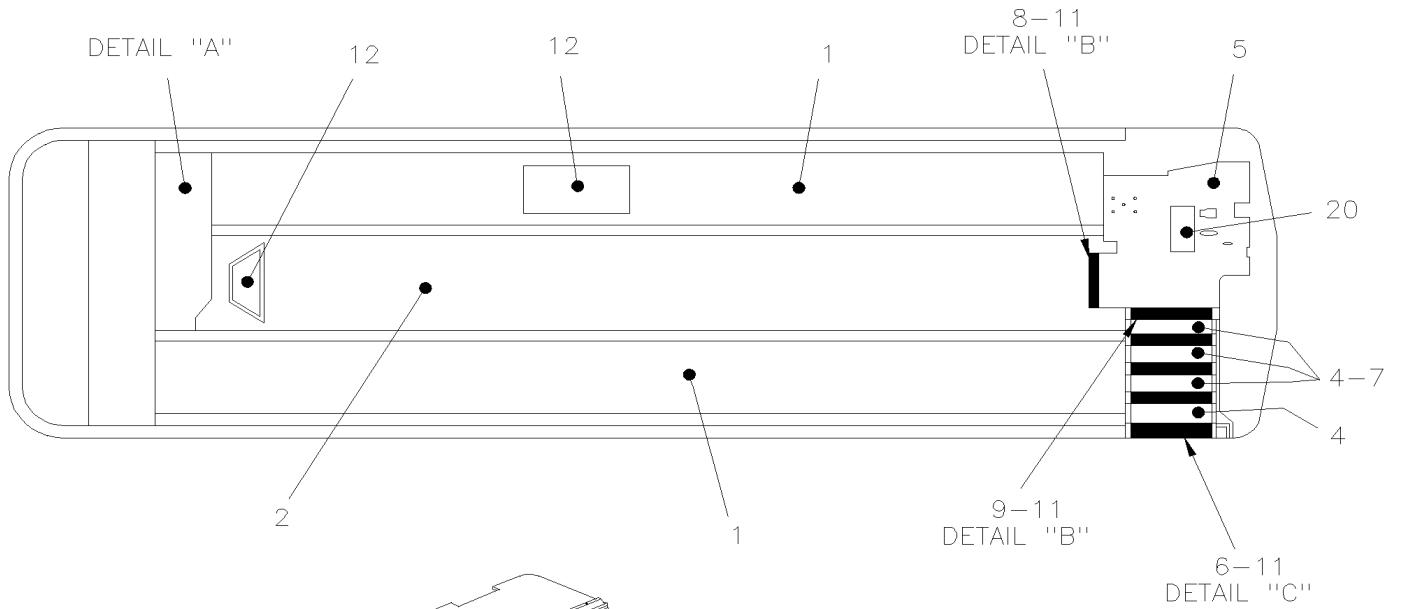
Item#	Part	Description	QTY	Notes
12	820018E	COVERING / CODE "E" = 766 From H-7417	1	
12	820018F	COVERING / CODE "F" = 604 From H-7417	1	
12	820018G	COVERING / CODE "G" = 758 From H-7417	1	
12	820018H	COVERING / CODE "H" = 630 From H-7417	1	
12	820018I	COVERING / CODE "I" = 895 From H-7417	1	
12	820018J	COVERING / CODE "J" = 466 From H-7417	1	
12	820018K	COVERING / CODE "K" = 852 From H-7417	1	
12	820018L	COVERING / CODE "L" = 975 From H-7417	1	
12	820018Q	COVERING / CODE "Q" = 788 From H-7417	1	
12	820018R	COVERING / CODE "R" = 411 From H-7417	1	
NS	688019	GLUE / MAPEI ECO-360 15LITERS	AR	W
NS	684654	GLUE CONTACT "SCOTCH-GRIP" / 3M #1357-NEUTRAL 18.9 LITERS	AR	F
NS	684655	GLUE CONTACT "SCOTCH-GRIP" / 3M #1357-NEUTRAL 3.8 LITERS	AR	F
NS	684685	ADHESIVE SIMSON #ISR 70-03 / 310ml CARTRIDGE	AR	F
14	683621	TAPE RUB ADH2 ACRYLIC .045" x 1" x 108' / WHITE 4945	AR	
15	CODE A	#702 R.C.A. LIGHT BLUE		
15	CODE B	#777 R.C.A. LIGHT CREAM		
15	CODE C	#653 R.C.A. LIGHT GREEN		
15	CODE D	#747 R.C.A. LIGHT BROWN		
15	CODE E	#766 R.C.A. DARK GREY		
15	CODE F	#604 R.C.A. BLACK		
15	CODE G	#758 R.C.A. CREAM		
15	CODE H	#630 R.C.A. BROWN		
15	CODE I	#895 R.C.A. RED		
15	CODE J	#602 R.C.A. ORANGE		
15	CODE K	#650 R.C.A. MAGENTA		
15	CODE L	#975 R.C.A. RED		
15	CODE Q	#788 R.C.A. LIGHT GREY		
15	CODE R	#411 R.C.A. LIGHT GREY		
NS	329657	PLATE ALUMINUM / DIAMOND THREAD 600MM x 250MM	1	
NS	329660	PLATE ASSY W/NUT (UNDER FLOOR TO FIX DIAM..) 600MM x 250MM	1	
NS	5001626	SCREW MA FL PH 1/4-20x1 3/4 SS	6	
		B) VONLANE OPTION		
		F) TO FIX COVERING ON FIBERGLASS		
		GR) WITH GREYHOUND OPTION		
		W) TO FIX COVERING ON WOOD		

From G-7275 To M-7767

Date:07/2024

PAGE:X3PLB-1838-10

FLOOR COVERING - "TARAFLEX"

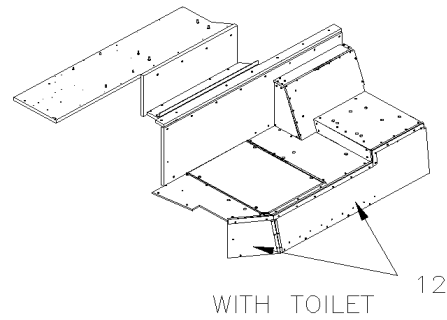
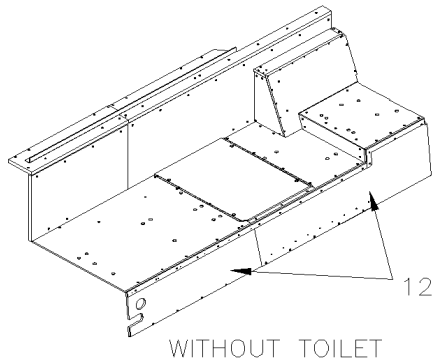
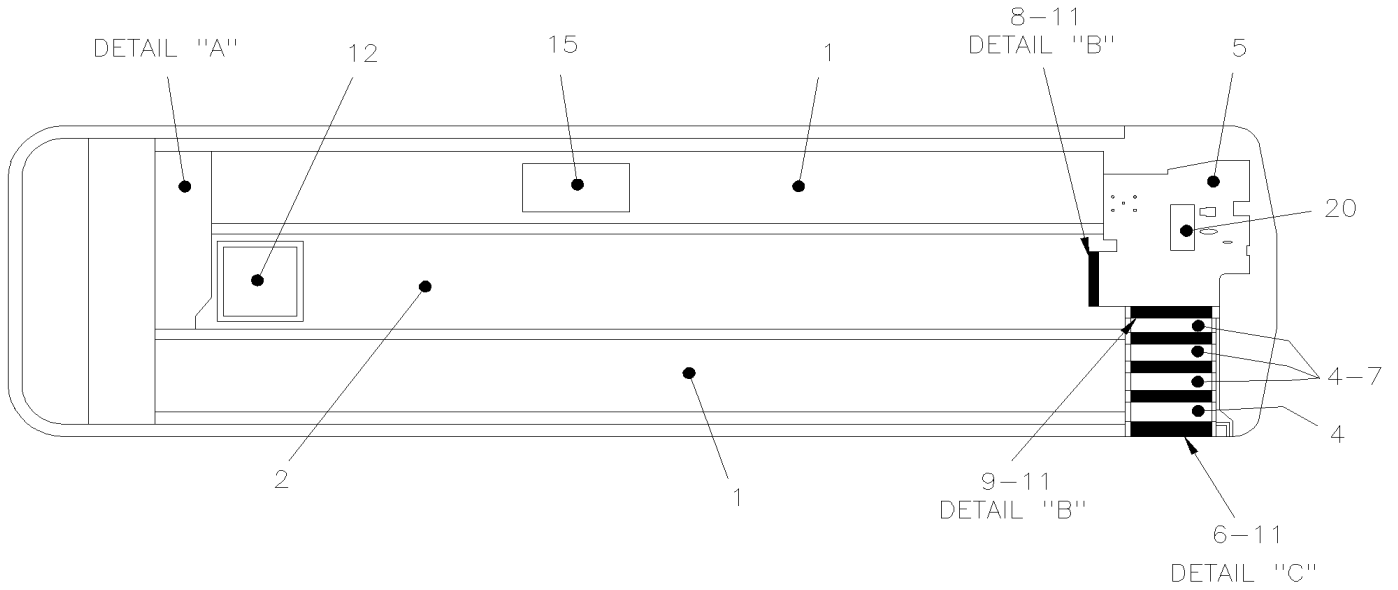


UP TO H-7416

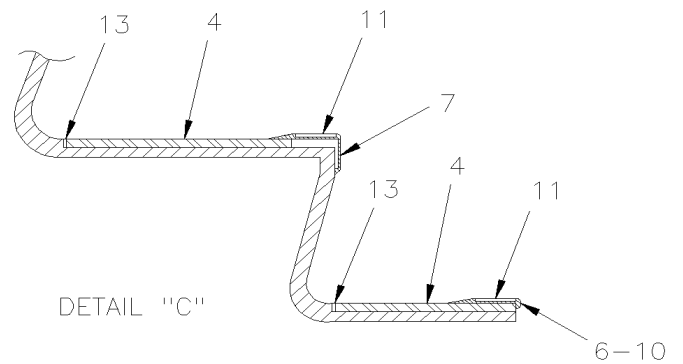
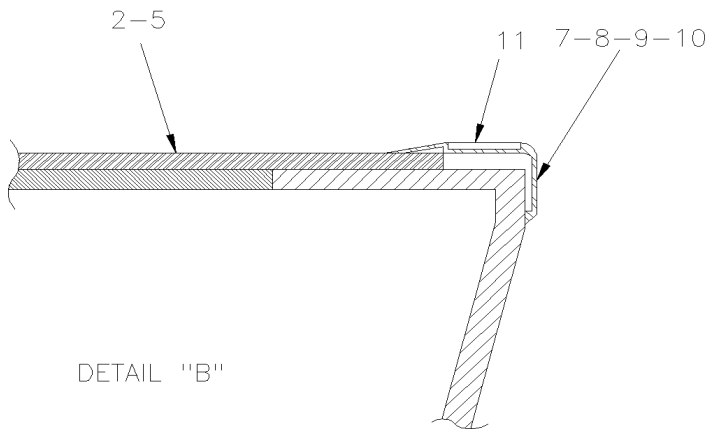
DETAIL "C"

FLOOR COVERING - "TARAFLEX"

FROM H-7417



DETAIL "A"



From G-7275 To M-7767	Date:07/2024	PAGE:X3PLB-1838-10
FLOOR COVERING - "TARAFLEX"		

Item#	Part	Description	QTY	Notes
		FLOOR COVERING SIDE SECTION / 656MM X 11582MM		
1	820206	COVERING DARK GREY #8780 PEGASUS E	2	
1	820216	COVERING RED #6132 RUBIS I	2	
1	820220	COVERING LIGHT GREY #8779 CYGNUS Q To H-7416	2	
1	820222	COVERING BROWN #8311 SWEDEN R To H-7416	2	
1	820224	COVERING GREY #8731 POLAND S To H-7416	2	
1	820226	COVERING BLUE #8414 EGYPT U	2	
1	820192	COVERING BLUE #8423 AQUILIA A To H-7416	2	
1	820196	COVERING DARK GREY TARABUS #8750 TUCUNA B	2	
1	820200	COVERING LIGHT GREY #6768 GRIFFON C To H-7416	2	
1	820210	COVERING DARK GREY #6782 URANUS F To H-7416	2	
1	820214	COVERING DARK GREY #6782 SIRIUS G To H-7416	2	
1	820218	COVERING DARK GREY #8816 SYCAMORE K To H-7416	2	
1	820228	COVERING GREY #8729 NORWAY X To H-7416	2	
1	820194	COVERING MED BLUE #9418 OLYMPE AA To H-7416	2	
1	820198	COVERING DARK GREY #9727 ZEPHIR BB To H-7416	2	
1	820202	COVERING DARK GREY URANUS #6727 ANTHRACITE CC To H-7416	2	
1	820204	COVERING DARK GREY SIRIUS #6727 ANTHRACITE DD To H-7416	2	
1	820208	COVERING GREY HELIOS #8333 SCANDIUM EE To H-7416	2	
1	820212	COVERING BLACK JUPITER #8764 ELARA ROT FF	2	
1	820503	COVERING BLUE #8813 CEDAR / 664MM X 11582MM JJ	2	
1	820544QQ	COVERING ANTICWOOD #0782 MARRON	2	
1	820390	COVERING ANTICWOOD #0658 SOFT BROWN	2	
1	820544SS	COVERING SHIP #0764 NATURE	2	
1	820544TT	COVERING SHIP #0765 EXOTIC	2	
1	820513	COVERING HARMONIA #1455 TULIPWOOD	2	
1	850522	COVERING HARMONIA #1456 ROSEWOOD	1	
1	820544BF	COVERING GAYA MOSAIC #4482 BABEL NT	2	
1	820544BD	COVERING TARABUS LUNA #8729 NORWAY NT / 664MM X 11938MM	2	
1	820544BI	COVERING TARABUS APOLLO #4517 FUJI From H-7417	2	
1	820544BK	COVERING TARABUS GAYA WOOD #4521 YELLOWSTONE	2	
1	820544BP	COVERING TARABUS GAYA WOOD 6057 EVERGLADES	1	
1	820544BQ	COVERING TARABUS GAYA WOOD 8297 YOSEMITE NT	1	
		FLOOR COVERING AISLE SECTION / 906MMX11582MM To H-7416		
		FLOOR COVERING AISLE SECTION / 916MMX12192MM From H-7417		
2	820207	COVERING DARK GREY #8780 PEGASUS E To H-7416	1	
2	820015E	COVERING DARK GREY #8780 PEGASUS From H-7417	1	
2	820217	COVERING RED #6132 RUBIS I To H-7416	1	
2	820015I	COVERING RED #6132 RUBIS From H-7417	1	

From G-7275 To M-7767	Date:07/2024	PAGE:X3PLB-1838-10
FLOOR COVERING - "TARAFLEX"		

Item#	Part	Description	QTY	Notes
2	820221	COVERING LIGHT GREY #8779 CYGNUS Q To H-7416	1	
2	820223	COVERING BROWN #8311 SWEDEN R To H-7416	1	
2	820225	COVERING GREY #8731 POLAND S To H-7416	1	
2	820227	COVERING BLUE #8414 EGYPT U To H-7416	1	
2	820015U	COVERING BLUE #8414 EGYPT From H-7417	1	
2	820193	COVERING BLUE #8423 AQUILIA A To H-7416	1	
2	820197	COVERING DARK GREY TARABUS #8750 TUCUNA B To H-7416	1	
2	820015B	COVERING DARK GREY TARABUS #8750 TUCUNA From H-7417	1	
2	820201	COVERING LIGHT GREY #6768 GRIFFON C To H-7416	1	
2	820211	COVERING DARK GREY #6782 URANUS F To H-7416	1	
2	820215	COVERING DARK GREY #6782 SIRIUS G To H-7416	1	
2	820219	COVERING DARK GREY #8816 SYCAMORE K To H-7416	1	
2	820229	COVERING GREY #8729 NORWAY Q To H-7416	1	
2	820195	COVERING MED BLUE #9418 OLYMPE AA To H-7416	1	
2	820199	COVERING DARK GREY #9727 ZEPHIR BB To H-7416	1	
2	820203	COVERING DARK GREY URANUS #6727 ANTHRACITE CC To H-7416	1	
2	820205	COVERING DARK GREY SIRIUS #6727 ANTHRACITE DD To H-7416	1	
2	820015DD	COVERING DARK GREY SIRIUS #6727 ANTHRACITE DD From H-7417	1	
2	820209	COVERING GREY HELIOS #8333 SCANDIUM EE To H-7416	1	
2	820213	COVERING BLACK JUPITER #8764 ELARA ROT FF To H-7416	1	
2	820015FF	COVERING BLACK JUPITER #8764 ELARA ROT From H-7417	1	
2	820504	COVERING BLUE #8813 CEDAR / 916MM X 11582MM JJ To H-7416	1	
2	820015JJ	COVERING BLUE #8813 CEDAR / 916MM X 12192MM From H-7417	1	
2	820502	COVERING SHIP #0765 EXOTIC TT To H-7416	1	
2	820015TT	COVERING SHIP #0765 EXOTIC From H-7417	1	
2	820499	COVERING ANTICWOOD #0782 MARRON QQ To H-7416	1	
2	820015QQ	COVERING ANTICWOOD #0782 MARRON From H-7417	1	
2	820420	COVERING ANTICWOOD #0658 SOFT BROWN RR To H-7416	1	
2	820500	COVERING ANTICWOOD #0658 SOFT BROWN RR To H-7416	1	
2	820015RR	COVERING ANTICWOOD #0658 SOFT BROWN From H-7417	1	
2	820501	COVERING SHIP #0764 NATURE SS To H-7416	1	
2	820431	COVERING ANTICWOOD #0782 MARRON QQ To H-7416	1	
2	820015SS	COVERING SHIP #0764 NATURE From H-7417	1	
2	820514	COVERING HARMONIA #1455 TULIPWOOD To H-7416	1	
2	820523	COVERING HARMONIA #1456 ROSEWOOD To H-7416	1	
2	820547BD	COVERING TARABUS LUNA #8729 NORWAY NT To H-7416	1	
2	820015BD	COVERING TARABUS LUNA #8729 NORWAY NT / 916MM X 12192MM From H-7417	1	
2	820547BF	COVERING GAYA MOSAIC #4482 BABEL NT To H-7416	1	
2	820015BF	COVERING GAYA MOSAIC #4482 BABEL NT From H-7417	1	
2	820015BI	COVERING TARABUS APOLLO #4517 FUJI From H-7417	1	
2	820547BK	COVERING TARABUS GAYA WOOD #4521 YELLOWSTONE To H-7416	1	
2	820015BK	COVERING TARABUS GAYA WOOD #4521 YELLOWSTONE From H-7417	1	

From G-7275 To M-7767	Date:07/2024	PAGE:X3PLB-1838-10
FLOOR COVERING - "TARAFLEX"		

Item#	Part	Description	QTY	Notes
2	820015BP	COVERING TARABUS GAYA WOOD 6057 EVERGLADES From H-7417	1	
2	820015BQ	COVERING GAYA WOOD #8297 YOSEMITE NT From H-7417	1	
		FLOOR COVERING STEP / 246MM X 654MM		
4	506939	COVERING DARK GREY #8780 PEGASUS	4	
4	506943	COVERING RED #6132 RUBIS	4	
4	506947	COVERING LIGHT GREY #8779 CYGNUS	4	
4	820561E	COVERING DARK GREY #8780 PEGASUS / 246MM X 649MM	4	
4	820561I	COVERING RED #6132 RUBIS / 246MM X 649MM	1	
4	506948	COVERING LIGHT GREY #8779 CYGNUS To H-7416	4	
4	5061054	COVERING BROWN #8311 SWEDEN To H-7416	4	
4	5061061	COVERING GREY #8731 POLAND To H-7416	4	
4	820561U	COVERING BLUE #8414 EGYPT / 246MM X 649MM	1	
4	5060023	COVERING BLUE #8423 AQUILIA To H-7416	4	
4	820561B	COVERING DARK GREY TARABUS #8750 TUCUNA / 246MM X 649MM	4	
4	5060009	COVERING LIGHT GREY #6768 GRIFFON To H-7416	4	
4	5060041	COVERING DARK GREY #6782 URANUS To H-7416	4	
4	5060051	COVERING DARK GREY #6782 SIRIUS To H-7416	4	
4	820075	COVERING DARK GREY #8816 SYCAMORE To H-7416	4	
4	5061089	COVERING GREY #8729 NORWAY To H-7416	4	
4	820086	COVERING MED BLUE #9418 OLYMPE To H-7416	4	
4	820091	COVERING DARK GREY #9727 ZEPHIR To H-7416	4	
4	820098	COVERING DARK GREY URANUS #6727 ANTHRACITE To H-7416	4	
4	820106	COVERING DARK GREY SIRIUS #6727 ANTHRACITE To H-7416	4	
4	820114	COVERING GREY HELIOS #8333 SCANDIUM To H-7416	4	
4	820561FF	COVERING BLACK JUPITER #8764 ELARA ROT / 246MM X 649MM	1	
4	820183	COVERING DARK GREY #8820 KOREA	4	
4	820561NN	COVERING LIGHT GREY #1136 CEMENT / 246MM X 649MM	1	
4	820561PP	COVERING BLUE #0321 CEMENT / 246MM X 649MM	1	
4	820561QQ	COVERING ANTICWOOD #0782 MARRON / 246MM X 649MM	4	
4	820561RR	COVERING ANTICWOOD #0658 SOFT BROWN / 246MM X 649MM	4	
4	820561SS	COVERING SHIP #0764 NATURE / 246MM X 649MM	4	
4	820561TT	COVERING SHIP #0765 EXOTIC / 246MM X 649MM	4	
4	820561JJ	COVERING BLUE #8813 CEDAR / 246MM X 649MM	4	
4	820515	COVERING HARMONIA #1455 TULIPWOOD	4	
4	820524	COVERING HARMONIA #1456 ROSEWOOD	4	
4	820561BD	COVERING TARABUS LUNA #8729 NORWAY NT / 246MM X 649MM	4	
4	820561BF	COVERING GAYA MOSAIC #4482 BABEL NT / 246MM X 649MM	4	
4	820561BI	COVERING TARABUS APOLLO #4517 FUJI / 246MM X 649MM	4	
4	820561BK	COVERING TARABUS GAYA WOOD #4521 YELLOWSTONE / 246MM X 649MM	4	
4	820561BP	COVERING TARABUS GAYA WOOD 6057 EVERGLADES / 246MM X 649MM	4	

From G-7275 To M-7767	Date:07/2024	PAGE:X3PLB-1838-10
FLOOR COVERING - "TARAFLEX"		

Item#	Part	Description	QTY	Notes
4	820561BQ	COVERING GAYA WOOD #8297 YOSEMITE NT / 246MM X 649MM	1	
4	820534	COVERING BLUE #8813 CEDAR / 210MM X 651MM	4	A
4	820354BD	COVERING GREY #8729 NORWAY / 210MM X 651MM	4	A
		FLOOR COVERING UPPER STEPWELL / 1230MM X 1345MM		
5	506942	COVERING DARK GREY #8780 PEGASUS To H-7416	1	
5	820599E	COVERING DARK GREY #8780 PEGASUS From H-7417	1	
5	506946	COVERING RED #6132 RUBIS To H-7416	1	
5	820599I	COVERING RED #6132 RUBIS From H-7417	1	
5	506950	COVERING LIGHT GREY #8779 CYGNUS To H-7416	1	
5	5061055	COVERING BROWN #8311 SWEDEN To H-7416	1	
5	5061062	COVERING GREY #8731 POLAND To H-7416	1	
5	5061076	COVERING BLUE #8414 EGYPT To H-7416	1	
5	820599U	COVERING BLUE #8414 EGYPT From H-7417	1	
5	5060024	COVERING BLUE #8423 AQUILIA To H-7416	1	
5	328256	COVERING DARK GREY TARABUS #8750 TUCUNA To H-7416	1	
5	820599B	COVERING DARK GREY TARABUS #8750 TUCUNA From H-7417	1	
5	5060010	COVERING LIGHT GREY #6768 GRIFFON To H-7416	1	
5	5060042	COVERING DARK GREY #6782 URANUS To H-7416	1	
5	5060052	COVERING DARK GREY #6782 SIRIUS To H-7416	1	
5	5061090	COVERING GREY #8729 NORWAY To H-7416	1	
5	820087	COVERING MED BLUE #9418 OLYMPE To H-7416	1	
5	820092	COVERING DARK GREY #9727 ZEPHIR To H-7416	1	
5	820099	COVERING DARK GREY URANUS #6727 ANTHRACITE To H-7416	1	
5	820107	COVERING DARK GREY SIRIUS #6727 ANTHRACITE To H-7416	1	
5	820115	COVERING GREY HELIOS #8333 SCANDIUM To H-7416	1	
5	820123	COVERING BLACK JUPITER #8764 ELARA ROT To H-7416	1	
5	820599FF	COVERING BLACK JUPITER #8764 ELARA ROT From H-7417	1	
5	820184	COVERING DARK GREY #8820 KOREA To H-7416	1	
5	820431	COVERING ANTICWOOD #0782 MARRON To H-7416	1	
5	820599QQ	COVERING ANTICWOOD #0782 MARRON From H-7417	1	
5	820432	COVERING ANTICWOOD #0658 SOFT BROWN To H-7416	1	
5	820599RR	COVERING ANTICWOOD #0658 SOFT BROWN From H-7417	1	
5	820433	COVERING SHIP #0764 NATURE To H-7416	1	
5	820599SS	COVERING SHIP #0764 NATURE From H-7417	1	
5	820434	COVERING SHIP #0765 EXOTIC To H-7416	1	
5	820599TT	COVERING SHIP #0765 EXOTIC From H-7417	1	
5	820506	COVERING BLUE #8813 CEDAR / 1230MM X 1355MM To H-7416	1	
5	820599JJ	COVERING BLUE #8813 CEDAR From H-7417	1	
5	820516	COVERING HARMONIA #1455 TULIPWOOD To H-7416	1	
5	820549BD	COVERING TARABUS LUNA #8729 NORWAY NT To H-7416	1	

From G-7275 To M-7767	Date:07/2024	PAGE:X3PLB-1838-10
FLOOR COVERING - "TARAFLEX"		

Item#	Part	Description	QTY	Notes
5	820599BD	COVERING TARABUS LUNA #8729 NORWAY NT From H-7417	1	
5	820549BF	COVERING GAYA MOSAIC #4482 BABEL NT To H-7416	1	
5	820599BF	COVERING GAYA MOSAIC #4482 BABEL NT From H-7417	1	
5	820599BI	COVERING TARABUS APOLLO #4517 FUJI From H-7417	1	
5	820549BK	COVERING TARABUS GAYA WOOD #4521 YELLOWSTONE To H-7416	1	
5	820599BK	COVERING TARABUS GAYA WOOD #4521 YELLOWSTONE From H-7417	1	
5	820506BD	COVERING TARABUS LUNA #8729 NORWAY NT / 1230MM X 1355MM To H-7416	1	
5	820600BD	COVERING TARABUS LUNA #8729 NORWAY NT From H-7417	1	
5	820599BG	COVERING TARABUS HELIOS #8805 PALLADIUM NT	1	
5	820599BP	COVERING TARABUS GAYA WOOD 6057 EVERGLADES	1	
5	820599BQ	COVERING GAYA WOOD #8297 YOSEMITE NT	1	
5	820599BS	COVERING TARABUS HARMONIA SHIP #0766 TROPICAL	1	
6	3201190	EXTRUSION "STEPBUS" 650MM	1	
7	3201188	EXTRUSION "STEPBUS" 650MM	3	
8	506938	EXTRUSION "STEPBUS" 565MM	1	
9	3201189	EXTRUSION "STEPBUS" 694MM	1	
10	500614	SCREW TP FL PH #6x3/4 Z050	AR	
11	506808	WHITE STRIP "STEPBUS" 34MM x 1490MM / BOX OF 20	1	
11	5061033	WHITE STRIP "STEPBUS" 34MM x 1490MM / BOX OF 20	1	
11	5061280	WHITE STRIP "STEPBUS" 34MM x 1490MM / EACH	1	
11	506088	WHITE STRIP "STEPBUS" 34MM x 565MM	AR	
11	820530	YELLOW STRIP "STEPBUS" 34MM x 1490MM	1	
11	680502	TAPE ANTISKID ADH / BLACK / 2" X 60' / 5215	AR	B
		FLOOR COVERING To H-7416		
		FLOOR COVERING / 960MM X 737MM From H-7417		
12	5061100	COVERING LIGHT GREY #8779 CYGNUS To H-7416	1	
12	5061096	COVERING DARK GREY #8780 PEGASUS To H-7416	1	
12	820139E	COVERING DARK GREY #8780 PEGASUS From H-7417	1	
12	5061099	COVERING RED #6132 RUBIS To H-7416	1	
12	820139I	COVERING RED #6132 RUBIS From H-7417	1	
12	5061101	COVERING BROWN #8311 SWEDEN To H-7416	1	
12	5061102	COVERING GREY #8731 POLAND To H-7416	1	
12	5061103	COVERING GREEN #8525 CHINA To H-7416	1	
12	5061104	COVERING BLUE #8414 EGYPT To H-7416	1	
12	820139U	COVERING BLUE #8414 EGYPT From H-7417	1	
12	5061105	COVERING POUPRE #8720 RUSSIA To H-7416	1	
12	5061094	COVERING BLUE #8423 AQUILIA To H-7416	1	
12	820052	COVERING DARK GREY TARABUS #8750 TUCUNA To H-7416	1	
12	820139B	COVERING DARK GREY TARABUS #8750 TUCUNA From H-7417	1	

From G-7275 To M-7767	Date:07/2024	PAGE:X3PLB-1838-10
FLOOR COVERING - "TARAFLEX"		

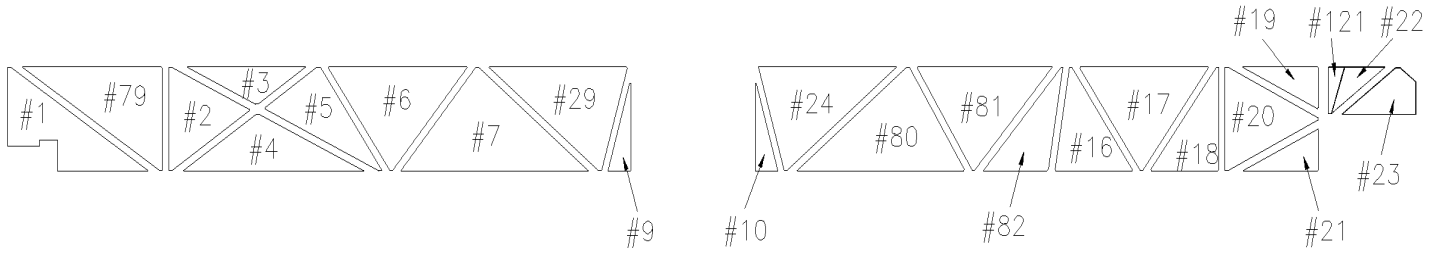
Item#	Part	Description	QTY	Notes
12	5061095	COVERING LIGHT GREY #6768 GRIFFON To H-7416	1	
12	5061097	COVERING DARK GREY #6782 URANUS To H-7416	1	
12	5061098	COVERING DARK GREY #6782 SIRIUS To H-7416	1	
12	5061106	COVERING GREY #8729 NORWAY To H-7416	1	
12	820088	COVERING MED BLUE #9418 OLYMPE To H-7416	1	
12	820093	COVERING DARK GREY #9727 ZEPHIR To H-7416	1	
12	820100	COVERING DARK GREY URANUS #6727 ANTHRACITE To H-7416	1	
12	820108	COVERING DARK GREY SIRIUS #6727 ANTHRACITE To H-7416	1	
12	820139DD	COVERING DARK GREY SIRIUS #6727 ANTHRACITE From H-7417	1	
12	820116	COVERING GREY HELIOS #8333 SCANDIUM To H-7416	1	
12	820124	COVERING BLACK JUPITER #8764 ELARA ROT To H-7416	1	
12	820139FF	COVERING BLACK JUPITER #8764 ELARA ROT From H-7417	1	
12	820185	COVERING DARK GREY #8820 KOREA To H-7416	1	
12	820435	COVERING LIGHT GREY #1136 CEMENT To H-7416	1	
12	820436	COVERING BLUE #0321 CEMENT To H-7416	1	
12	820437	COVERING ANTICWOOD #0782 MARRON To H-7416	1	
12	820139QQ	COVERING ANTICWOOD #0782 MARRON From H-7417	1	
12	820438	COVERING ANTICWOOD #0658 SOFT BROWN To H-7416	1	
12	820139RR	COVERING ANTICWOOD #0658 SOFT BROWN From H-7417	1	
12	820439	COVERING SHIP #0764 NATURE To H-7416	1	
12	820139SS	COVERING SHIP #0764 NATURE From H-7417	1	
12	820440	COVERING SHIP #0765 EXOTIC To H-7416	1	
12	820139TT	COVERING SHIP #0765 EXOTIC From H-7417	1	
12	820507	COVERING BLUE #8813 CEDAR To H-7416	1	
12	820139JJ	COVERING BLUE #8813 CEDAR From H-7417	1	
12	820517	COVERING HARMONIA #1455 TULIPWOOD To H-7416	1	
12	820526	COVERING HARMONIA #1456 ROSEWOOD To H-7416	1	
12	820552	COVERING TARABUS LUNA #8729 NORWAY NT To H-7416	1	
12	820550BD	COVERING TARABUS LUNA #8729 NORWAY NT To H-7416	1	
12	820139BD	COVERING TARABUS LUNA #8729 NORWAY NT From H-7417	1	
12	Call order desk	COVERING GAYA MOSAIC #4482 BABEL NT To H-7416	1	P
12	820550BK	COVERING GERFLOR #4521	1	
12	820139FF	COVERING BLACK JUPITER #8764 ELARA ROT From H-7417	1	
12	820139BF	COVERING GAYA MOSAIC #4482 BABEL NT From H-7417	1	
12	820139BG	COVERING TARABUS HELIOS #8805 PALLADIUM NT From H-7417	1	
12	820139BI	COVERING TARABUS APOLLO #4517 FUJI From H-7417	1	
12	820139BS	COVERING TARABUS HARMONIA SHIP #0766 TROPICAL From H-7417	1	
12	820139BP	COVERING TARABUS GAYA WOOD 6057 EVERGLADES From H-7417	1	
12	820139BQ	COVERING GAYA WOOD #8297 YOSEMITE NT From H-7417	1	
12	820601BD	COVERING TARABUS LUNA #8729 NORWAY NT / 860MM X 1116MM From H-7417	1	
13	684517	ADHESIVE SIMSON #ISR 70-03 / GREY / 310ml CARTRIDGE	AR	

From G-7275 To M-7767	Date:07/2024	PAGE:X3PLB-1838-10
-----------------------	--------------	--------------------

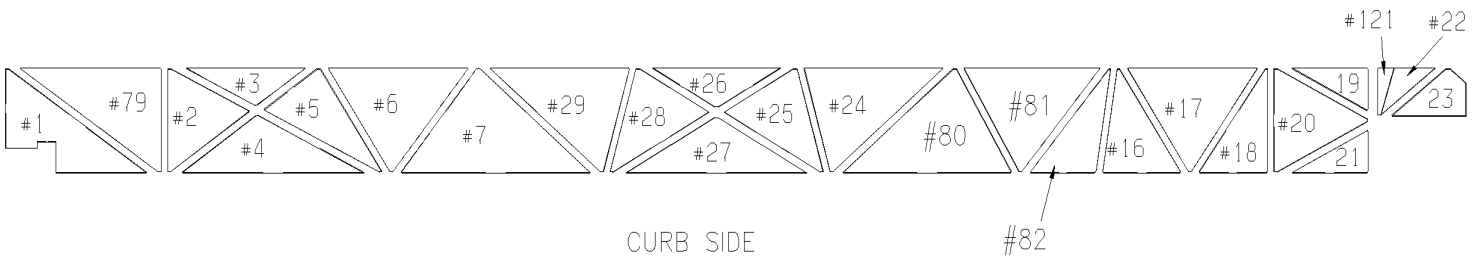
FLOOR COVERING - "TARAFLEX"

Item#	Part	Description	QTY	Notes
		FLOOR COVERING AIR RETURN SECTION / 700 X 465 MM From H-7417		
15	820017B	COVERING DARK GREY TARABUS #8750 TUCUNA From H-7417	1	
15	820017E	COVERING DARK GREY #8780 PEGASUS From H-7417	1	
15	820017I	COVERING RED #6132 RUBIS From H-7417	1	
15	820017U	COVERING BLUE #8414 EGYPT From H-7417	1	
15	820017BD	COVERING TARABUS LUNA #8729 NORWAY NT / 700MM X 465MM From H-7417	1	
15	820017BK	COVERING TARABUS GAYA WOOD #4521 YELLOWSTONE From H-7417	1	
15	820017DD	COVERING DARK GREY SIRIUS #6727 ANTHRACITE From H-7417	1	
15	820017FF	COVERING BLACK JUPITER #8764 ELARA ROT From H-7417	1	
15	820017JJ	COVERING BLUE #8813 CEDAR / 700MM X 465MM From H-7417	1	
15	820017QQ	COVERING ANTICWOOD #0782 MARRON From H-7417	1	
15	820017RR	COVERING ANTICWOOD #0658 SOFT BROWN From H-7417	1	
15	820017SS	COVERING SHIP #0764 NATURE From H-7417	1	
15	820017TT	COVERING SHIP #0765 EXOTIC From H-7417	1	
15	820017BG	COVERING TARABUS HELIOS #8805 PALLADIUM NT From H-7417	1	
15	820017BI	COVERING TARABUS APOLLO #4517 FUJI From H-7417	1	
15	820017BP	COVERING TARABUS GAYA WOOD 6057 EVERGLADES From H-7417	1	
15	820017BQ	COVERING GAYA WOOD #8297 YOSEMITE NT From H-7417	1	
15	820017BS	COVERING TARABUS HARMONIA SHIP #0766 TROPICAL From H-7417	1	
NS	680031	GLUE / 1LITER	1	W
18	688019	GLUE / MAPEI ECO-360 15LITERS	1	W
NS	684654	GLUE CONTACT "SCOTCH-GRIP" / 3M #1357-NEUTRAL 18.9 LITERS	AR	F
NS	684655	GLUE CONTACT "SCOTCH-GRIP" / 3M #1357-NEUTRAL 3.8 LITERS	AR	F
NS	684685	ADHESIVE SIMSON #ISR 70-03 / 310ml CARTRIDGE	AR	F
NS	684517	ADHESIVE SIMSON #ISR 70-03 / GREY / 310ml CARTRIDGE	4	
NS	680096	SEALANT BUTYL ALUM / GREY / 310ml CARTRIDGE	AR	
20	329657	PLATE ALUMINUM / DIAMOND THREAD 600MM x 250MM	1	
NS	329660	PLATE ASSY W/NUT (UNDER FLOOR TO FIX DIAM..) 600MM x 250MM	1	
NS	5001626	SCREW MA FL PH 1/4-20x1 3/4 SS	6	
		A) USE WITH BI-FOLD DOOR		
		B) VONLANE OPTION		
		F) TO FIX COVERING ON FIBERGLASS		
		W) TO FIX COVERING ON WOOD		
		P) CALL ORDER DESK FOR SPECIFIC APPLICATION (V.I.N.)		

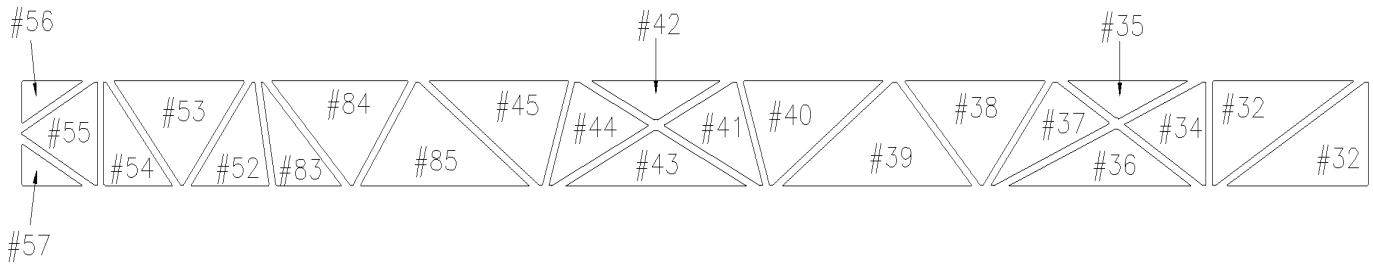
From G-7275 To H-7416	Date:07/2024	PAGE:X3PLB-1839-00
INSULATING SIDE WALL - LOWER PANEL		



CURB SIDE
WITH W.C.L



CURB SIDE



STREET SIDE

FROM E-5597

From G-7275 To H-7416	Date:07/2024	PAGE:X3PLB-1839-00
-----------------------	--------------	--------------------

INSULATING SIDE WALL - LOWER PANEL

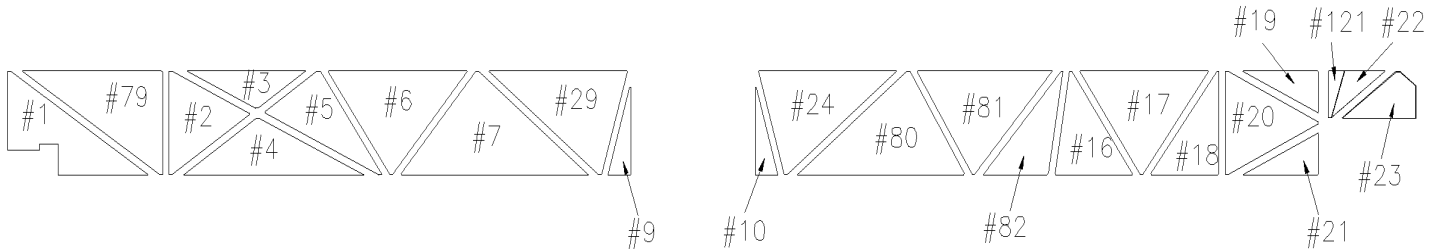
Item#	Part	Description	QTY	Notes
	352215	KIT INSULATING PANEL L.H. WALL	1	
	352182	KIT INSULATING PANEL R.H. WALL / WW.C.L.	1	
	352206	KIT INSULATING PANEL R.H. WALL		
1	352183	SIDE INSULATION PANEL	1	
2	352184	SIDE INSULATION PANEL	1	
3	352185	SIDE INSULATION PANEL	1	
4	352186	SIDE INSULATION PANEL	1	
5	352187	SIDE INSULATION PANEL	1	
6	352188	SIDE INSULATION PANEL	1	
7	352189	SIDE INSULATION PANEL	1	
9	352191	SIDE INSULATION PANEL	1	
10	352192	SIDE INSULATION PANEL	1	
16	352198	SIDE INSULATION PANEL	1	
17	352199	SIDE INSULATION PANEL	1	
18	352200	SIDE INSULATION PANEL	1	
19	352201	SIDE INSULATION PANEL	1	
20	352202	SIDE INSULATION PANEL	1	
21	352203	SIDE INSULATION PANEL	1	
22	352204	SIDE INSULATION PANEL	1	
23	352205	SIDE INSULATION PANEL	1	
24	352207	SIDE INSULATION PANEL	1	
25	352208	SIDE INSULATION PANEL	1	
26	352209	SIDE INSULATION PANEL	1	
27	352210	SIDE INSULATION PANEL	1	
28	352211	SIDE INSULATION PANEL	1	
29	352212	SIDE INSULATION PANEL	1	
32	352216	SIDE INSULATION PANEL	2	
34	352218	SIDE INSULATION PANEL	1	
35	352219	SIDE INSULATION PANEL	1	
36	352220	SIDE INSULATION PANEL	1	
37	352221	SIDE INSULATION PANEL	1	
38	352222	SIDE INSULATION PANEL	1	
39	352223	SIDE INSULATION PANEL	1	
40	352224	SIDE INSULATION PANEL	1	
41	352225	SIDE INSULATION PANEL	1	
42	352226	SIDE INSULATION PANEL	1	
43	352227	SIDE INSULATION PANEL	1	
44	352228	SIDE INSULATION PANEL	1	
45	352229	SIDE INSULATION PANEL	1	
52	352236	SIDE INSULATION PANEL	1	
53	352237	SIDE INSULATION PANEL	1	
54	352238	SIDE INSULATION PANEL	1	

From G-7275 To H-7416	Date:07/2024	PAGE:X3PLB-1839-00
-----------------------	--------------	--------------------

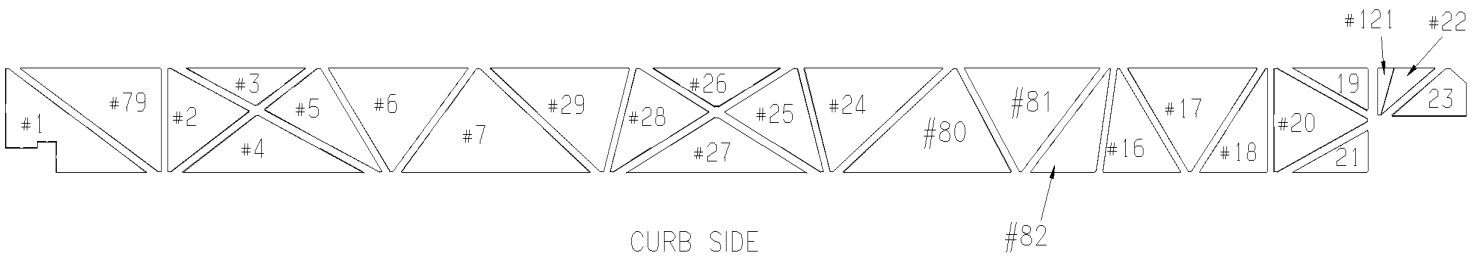
INSULATING SIDE WALL - LOWER PANEL

Item#	Part	Description	QTY	Notes
55	352239	SIDE INSULATION PANEL	1	
56	352240	SIDE INSULATION PANEL	1	
57	352241	SIDE INSULATION PANEL	1	
80	352773	SIDE INSULATION PANEL	1	
81	352774	SIDE INSULATION PANEL	1	
82	352775	SIDE INSULATION PANEL	1	
83	352772	SIDE INSULATION PANEL	1	
84	352771	SIDE INSULATION PANEL	1	
85	352770	SIDE INSULATION PANEL	1	
NS	850094	WHITE WALL COVERING ADHESIVE / 28 1/2" X 448"	2	
NS	684196	PRIMER ELASTOCOL # 593	AR	
NS	320104	INSULATING PLATE / ALUMINUM 18GA / "E" SHAPE 90MM X 102MM	AR	

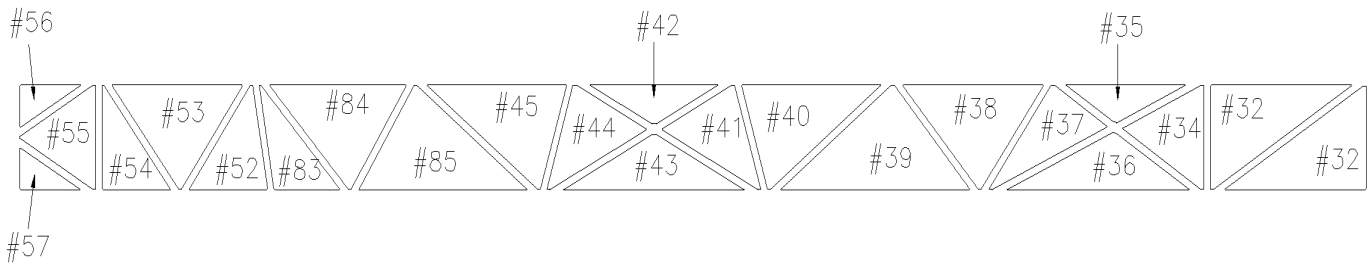
From H-7417 To M-7767	Date:07/2024	PAGE:X3PLB-1839-01
INSULATING SIDE WALL - LOWER PANEL		



CURB SIDE
WITH W.C.L



CURB SIDE



STREET SIDE

From H-7417 To M-7767	Date:07/2024	PAGE:X3PLB-1839-01
-----------------------	--------------	--------------------

INSULATING SIDE WALL - LOWER PANEL

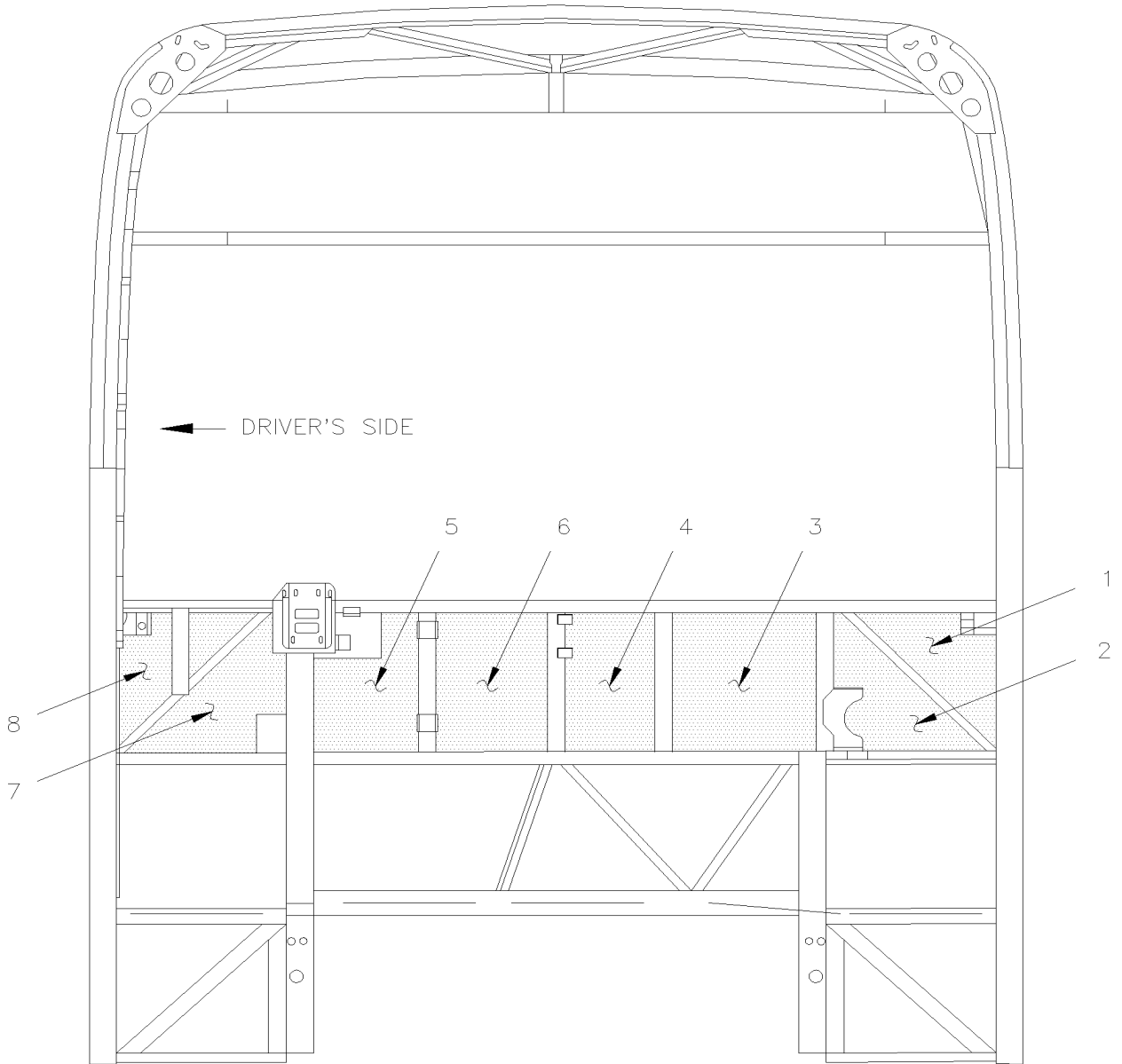
Item#	Part	Description	QTY	Notes
	352878	KIT INSULATING PANEL R.H. WALL / W/W.C.L. To K-7662	1	
	353194	KIT INSULATING PANEL R.H. WALL / W/W.C.L. From L-7663	1	
	352877	KIT INSULATING PANEL R.H. WALL To K-7662	1	
	353193	KIT INSULATING PANEL R.H. WALL From L-7663	1	
	353512	KIT INSULATING PANEL R.H. REAR From L-7663	1	
	352830	KIT INSULATING PANEL L.H. WALL To K-7662	1	
	353192	KIT INSULATING PANEL L.H. WALL From L-7663	1	
	353461	KIT INSULATING PANEL L.H. REAR From L-7663	1	

From G-7275 To M-7767

Date:07/2024

PAGE:X3PLB-1839-05

INSULATING FRONT - BUS

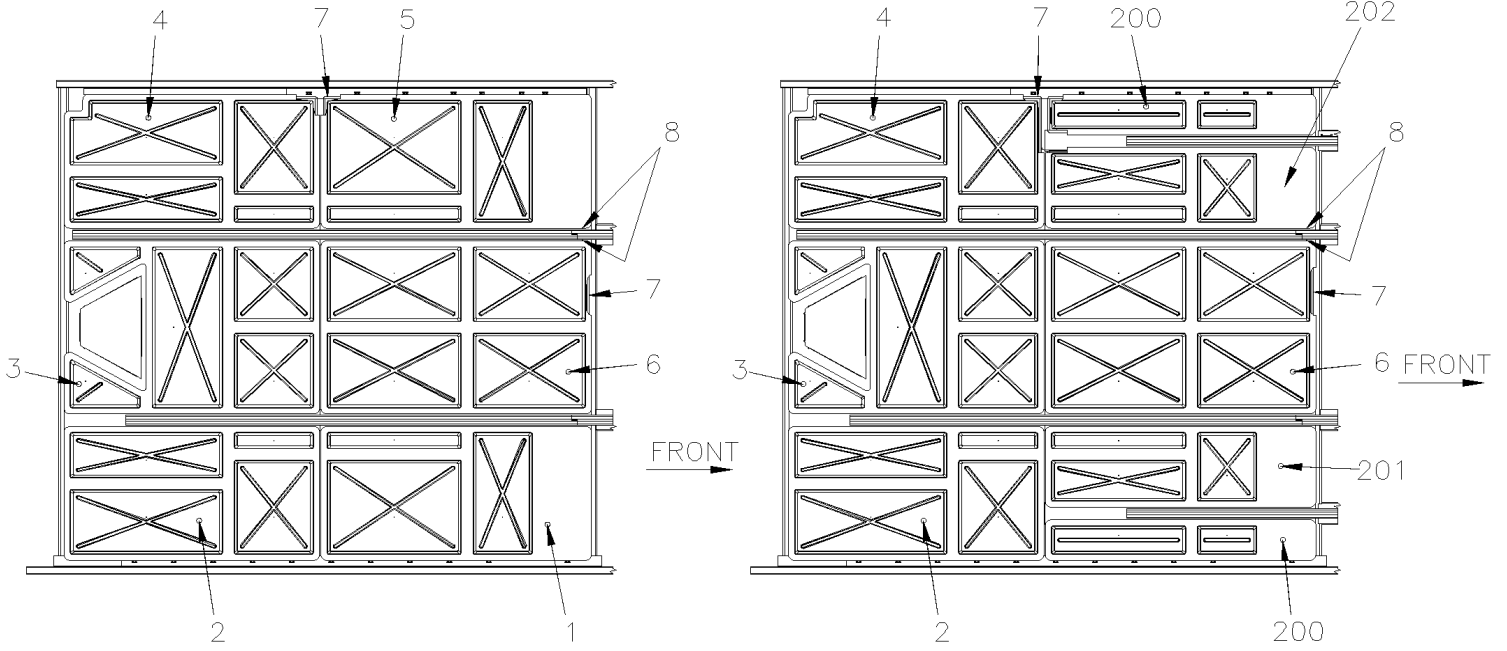


VIEW FROM INSIDE

From G-7275 To M-7767	Date:07/2024	PAGE:X3PLB-1839-05
INSULATING FRONT - BUS		

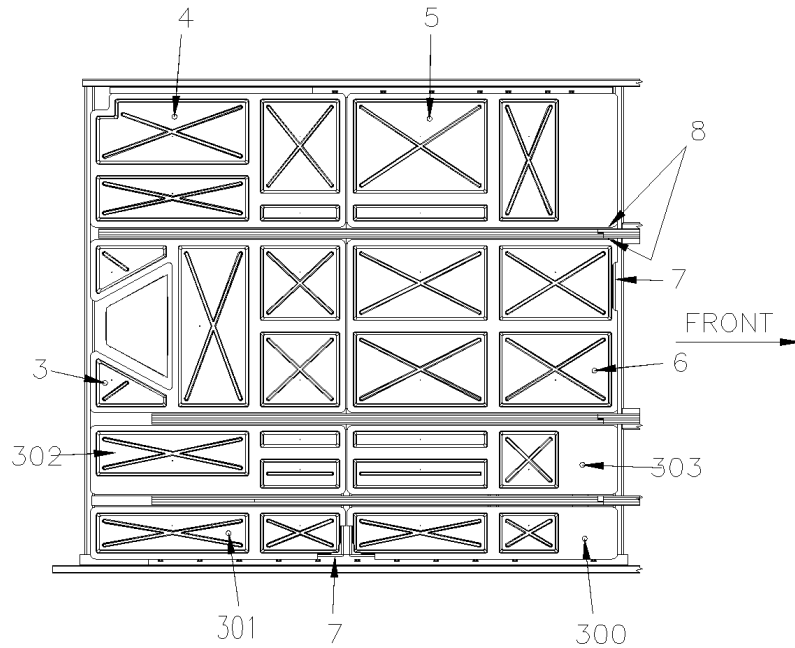
Item#	Part	Description	QTY	Notes
1	350929	INSULATING PANEL To H-7347	1	
1	351689	INSULATING PANEL From H-7348	1	
1	352826	INSULATING PANEL From H-7348	1	
1	850032	. INSULATION PAD NOISE 1" x 48" x 35' / ARMAFLEX POLYURETHANE FOAM	AR	
2	350930	INSULATING PANEL	1	
2	850032	. INSULATION PAD NOISE 1" x 48" x 35' / ARMAFLEX POLYURETHANE FOAM	AR	
3	350931	INSULATING PANEL	1	
3	850032	. INSULATION PAD NOISE 1" x 48" x 35' / ARMAFLEX POLYURETHANE FOAM	AR	
4	350932	INSULATING PANEL	1	
4	850032	. INSULATION PAD NOISE 1" x 48" x 35' / ARMAFLEX POLYURETHANE FOAM	AR	
5	350933	INSULATING PANEL	1	
5	850032	. INSULATION PAD NOISE 1" x 48" x 35' / ARMAFLEX POLYURETHANE FOAM	AR	
6	350934	INSULATING PANEL	1	
6	850032	. INSULATION PAD NOISE 1" x 48" x 35' / ARMAFLEX POLYURETHANE FOAM	AR	
7	350935	INSULATING PANEL	1	
7	850032	. INSULATION PAD NOISE 1" x 48" x 35' / ARMAFLEX POLYURETHANE FOAM	AR	
8	357412	INSULATING PANEL	1	
8	357413	INSULATING PANEL	1	
8	850032	. INSULATION PAD NOISE 1" x 48" x 35' / ARMAFLEX POLYURETHANE FOAM	AR	
NS	680397	CONTACT GLUE / AEROSOL 17oz	AR	

INSULATING FLOOR REAR AXLE



WITHOUT W.C.L.

WITH W.C.L.



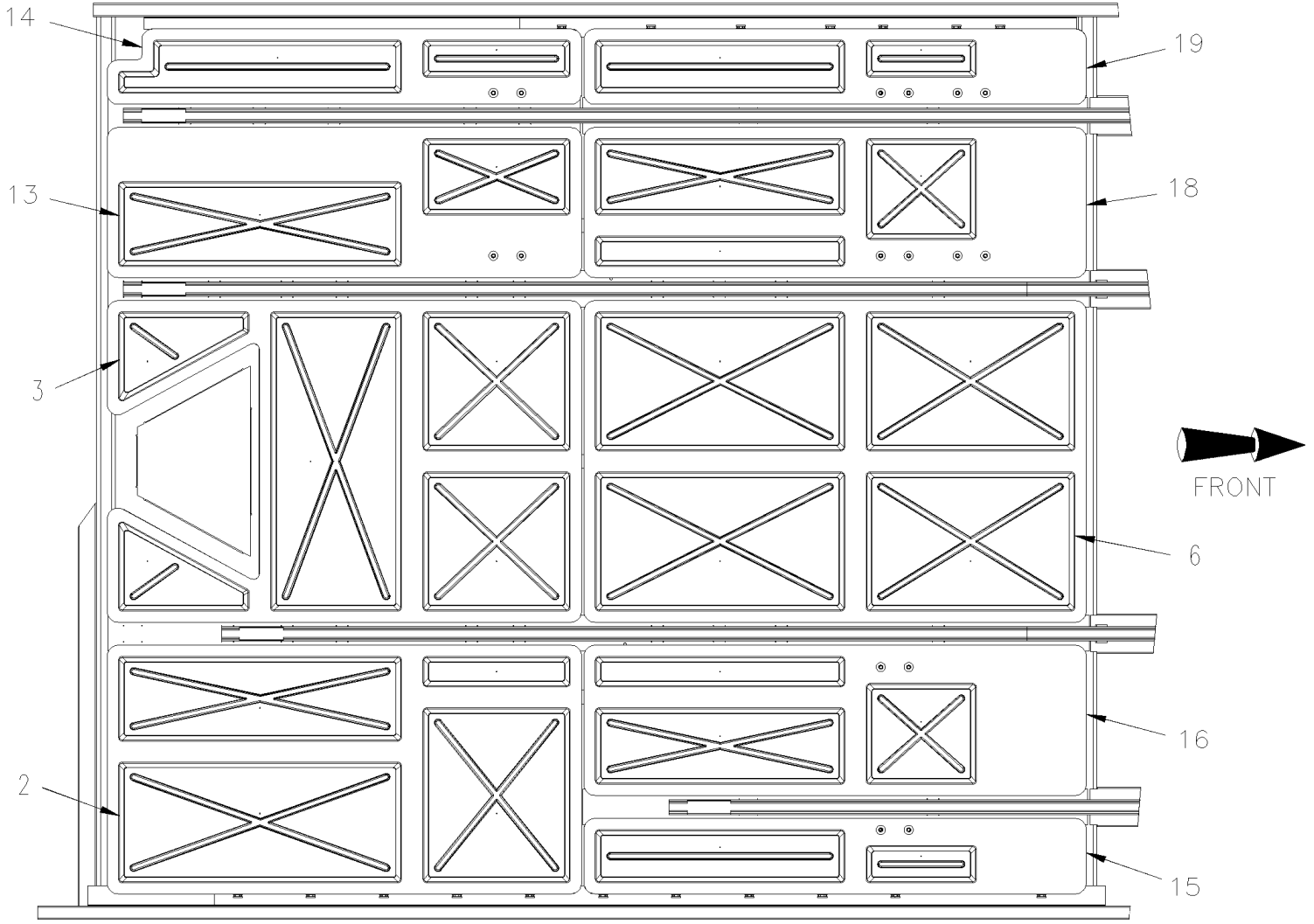
WITH 2+1 SEAT SET

From G-7275 To H-7416

Date:07/2024

PAGE:X3PLB-1839-10

INSULATING FLOOR REAR AXLE



WITH "WCL" "PWT"

From G-7275 To H-7416	Date:07/2024	PAGE:X3PLB-1839-10
-----------------------	--------------	--------------------

INSULATING FLOOR REAR AXLE

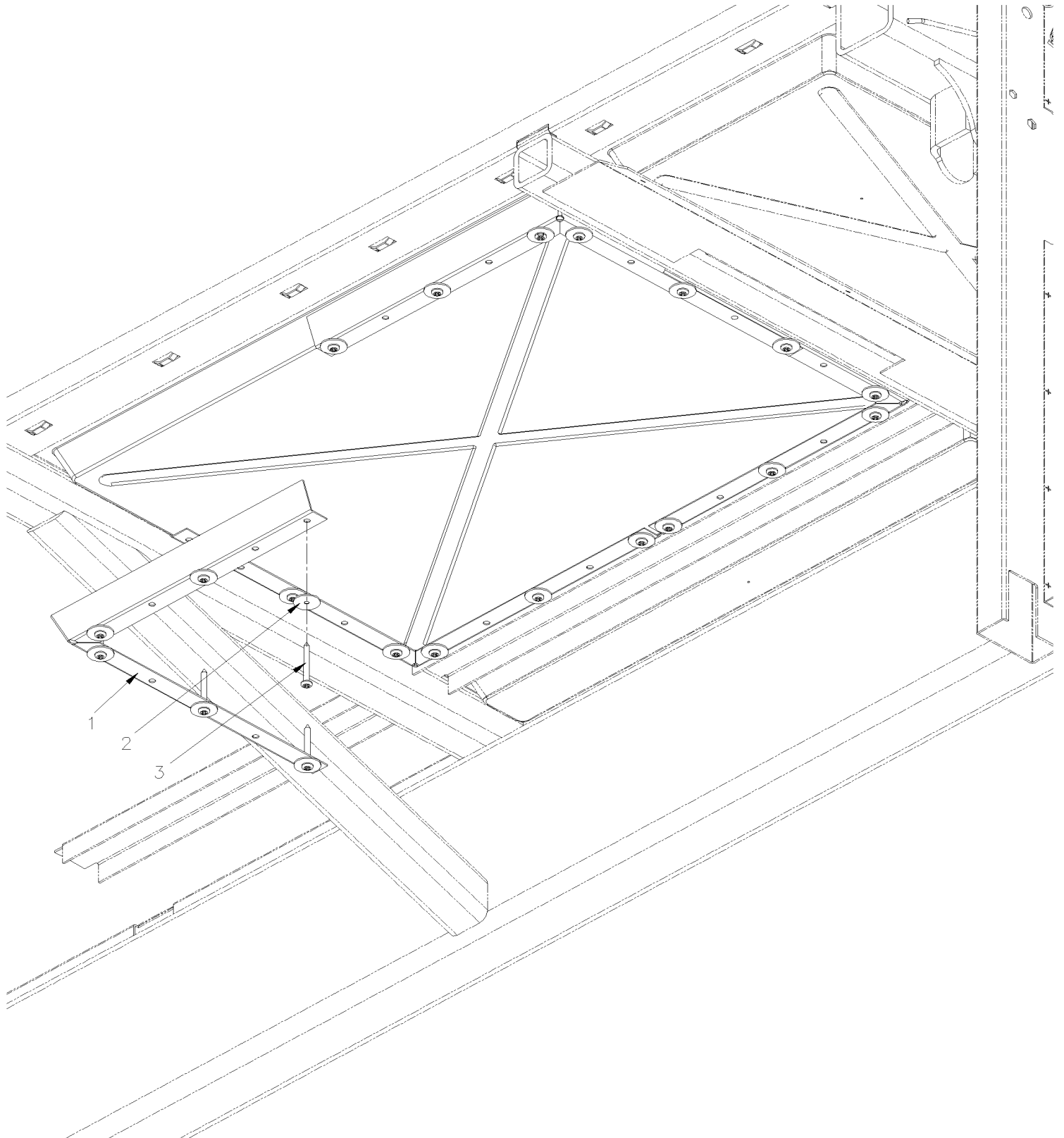
Item#	Part	Description	QTY	Notes
		IN SERVICE FOR REPLACEMNT OF INSULATING PAD		
		WE DO NOT HAVE A SEPARATE PARTS NUMBER		
		FOR INSULATED PAD PLEASE ASK # 329069		
1	3200853	INSULATING HOLDER	1	
2	3200855	INSULATING HOLDER # 2	1	
3	3200857	INSULATING HOLDER	1	
4	3200856	INSULATING HOLDER # 3	1	
5	3200852	INSULATING HOLDER	1	
6	3200854	INSULATING HOLDER	1	
7	680092	SEALANT TAPE BUTYL / GREY / 1/16"x3/4x50' / 71011V1760	AR	
13	3200932	INSULATING HOLDER # 13	1	
14	3200934	INSULATING HOLDER # 14	1	
15	3200873	INSULATING HOLDER # 15	1	
16	3200872	INSULATING HOLDER # 16	1	
18	3200874	INSULATING HOLDER # 18	1	
19	3200933	INSULATING HOLDER # 19	1	
40	3200407	KIT, INSULATION OLDER SUPPORT		A
300	3200869	INSULATING HOLDER	1	
301	3200867	INSULATING HOLDER	1	
302	3200866	INSULATING HOLDER # 302	1	
303	3200868	INSULATING HOLDER	1	
400	356185	REAR FRAME INSULATION PANELS KIT	1	
400	356205	REAR FRAME INSULATION PANELS KIT / W/SEAT 2 + 1	1	
NS	329069	. INSULATING PAD 48" X 48" / CUT TO FIT	AR	
		A) ONLY USE IF YOU HAVE A PROBLEM WITH INSULATING HOLDER FALLING DURING EXTREMELY COLD TEMPERATURE		

From G-7275 To H-7416

Date:07/2024

PAGE:3200407

KIT, INSULATION OLDER SUPPORT



From G-7275 To H-7416		Date:07/2024	PAGE:3200407
-----------------------	--	--------------	--------------

KIT, INSULATION OLDER SUPPORT

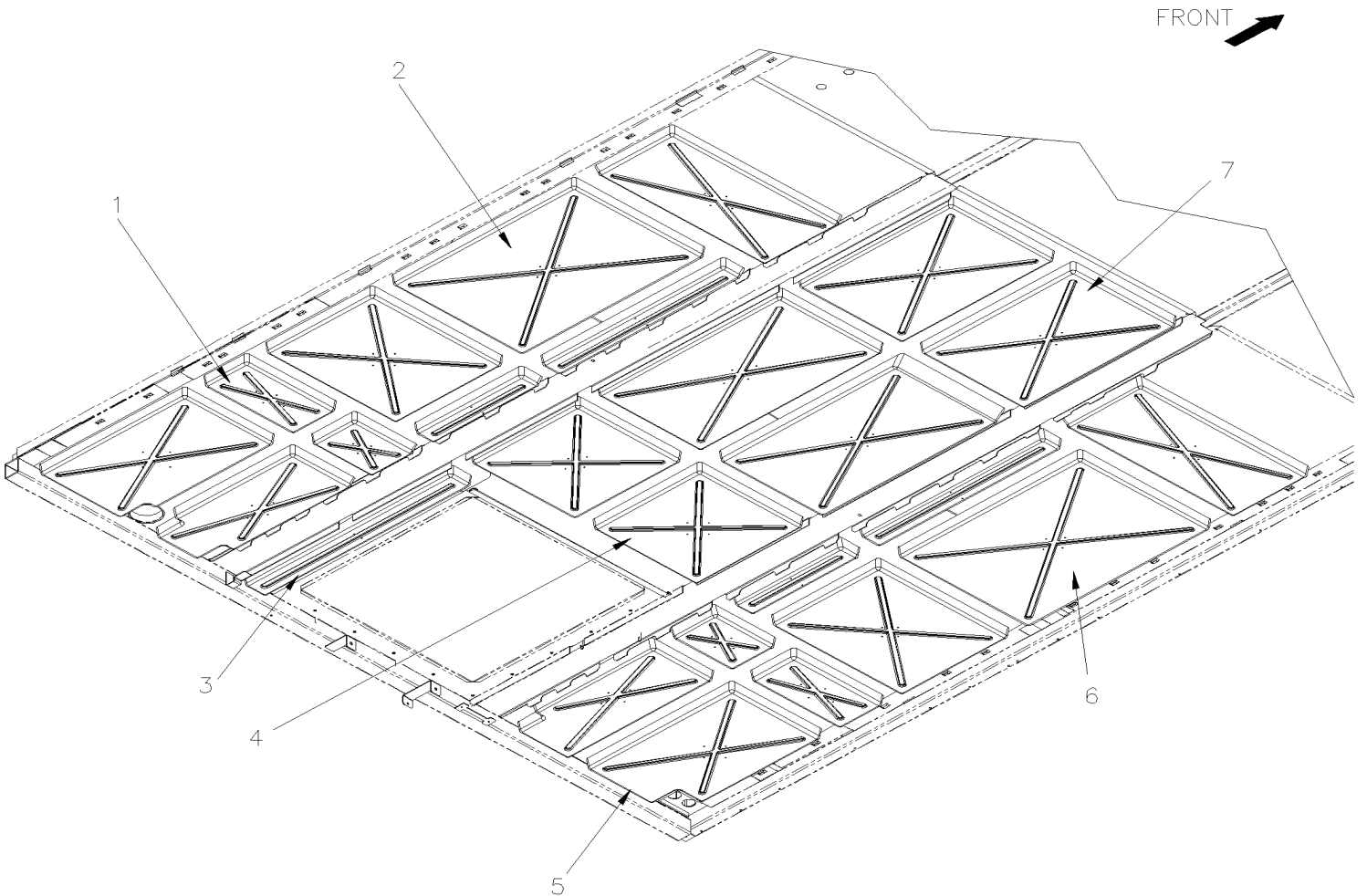
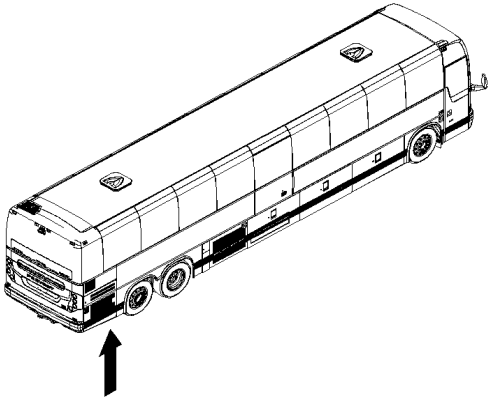
Item#	Part	Description	QTY	Notes
1	3200439	SUPPORT / INSULATION SUPPORT	1	
2	5001228	WASHER FL .189x1.000x.064 NYL	34	
3	500596	SCREW TP BDG PH #12x2 ZP	34	

From H-7417 To M-7767

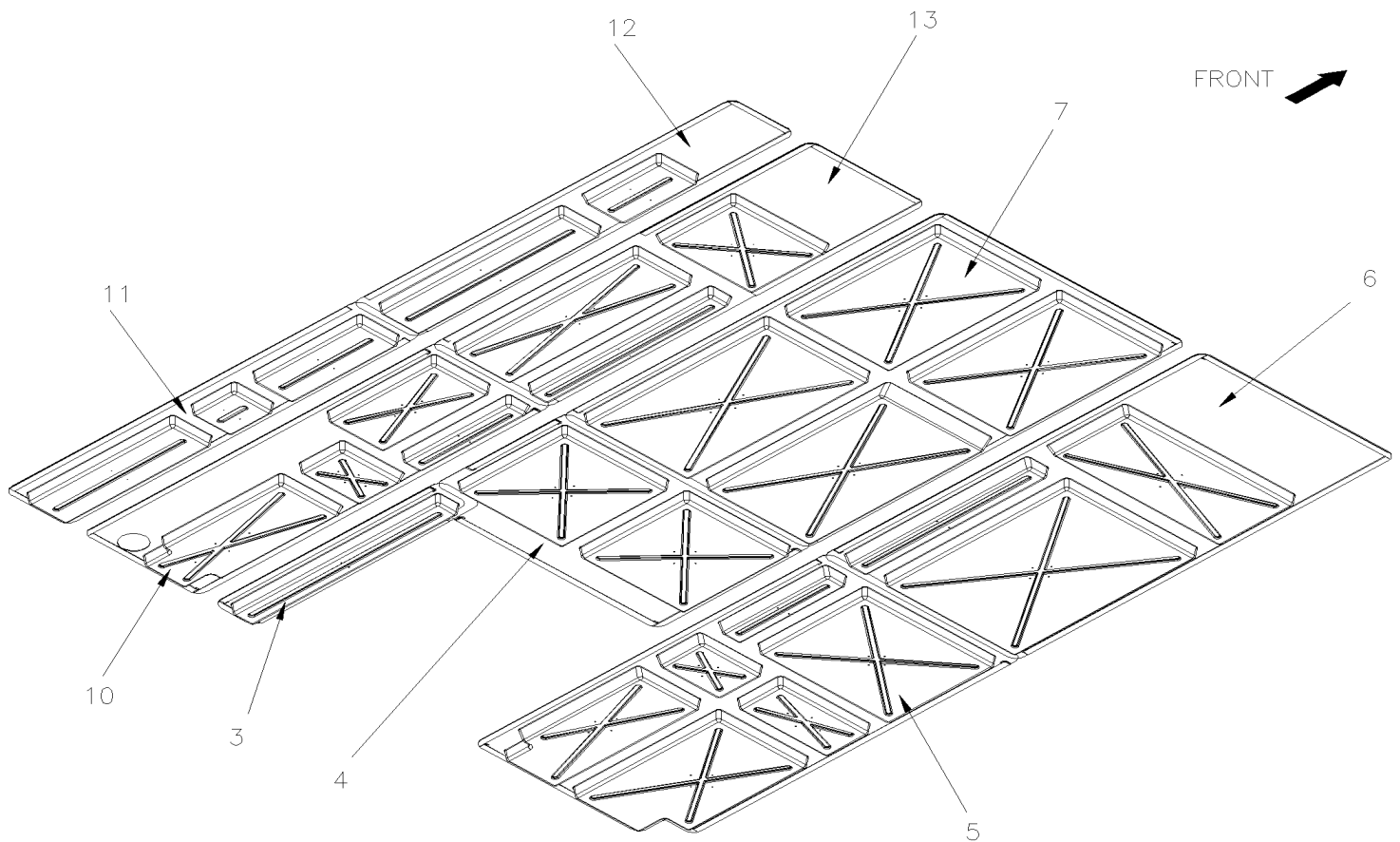
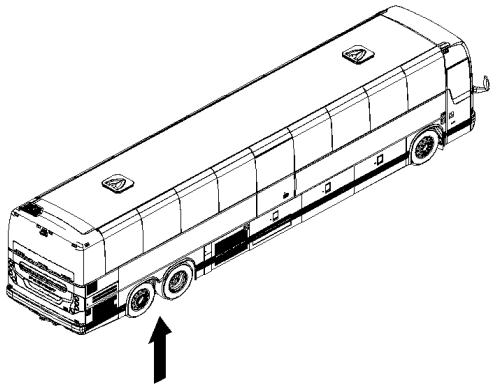
Date:07/2024

PAGE:X3PLB-1839-11

INSULATING FLOOR REAR AXLE GHG17



From H-7417 To M-7767	Date:07/2024	PAGE:X3PLB-1839-11
INSULATING FLOOR REAR AXLE GHG17		



FOR SERVICE: ISOLATION KIT NOT SOLD SEPARATELY, ASK PART NUMBER 352977

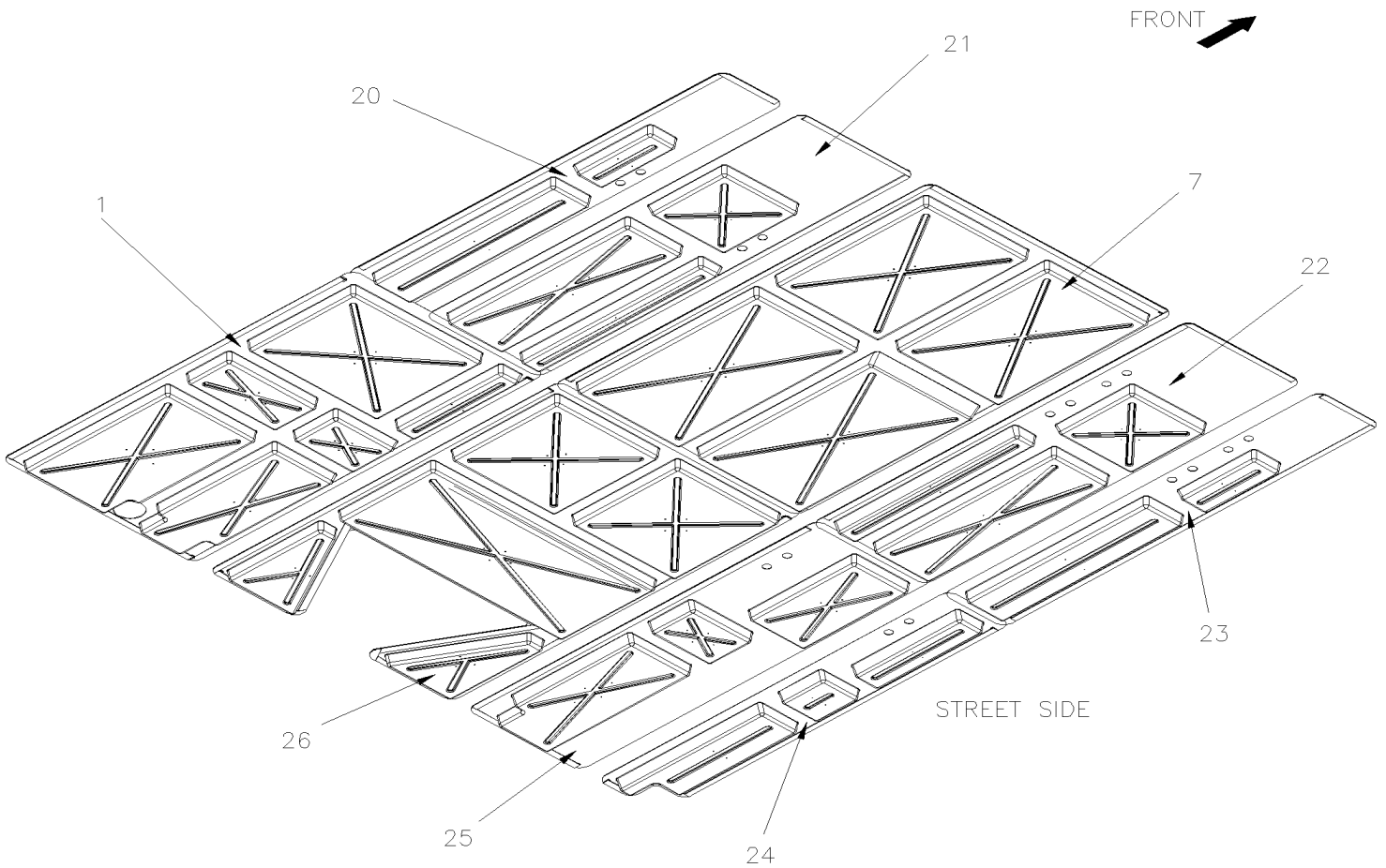
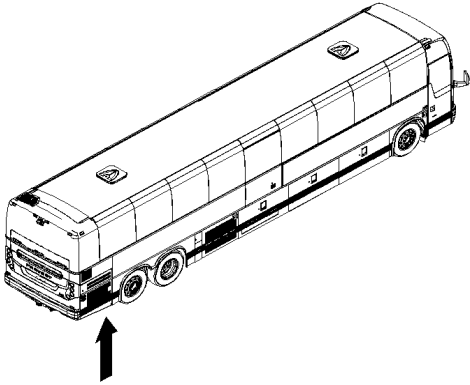
W/OUT WLC SEAT 2+1 RH (3 RAILS)

From H-7417 To M-7767

Date:07/2024

PAGE:X3PLB-1839-11

INSULATING FLOOR REAR AXLE GHG17



WITH "WCL" "PWT"

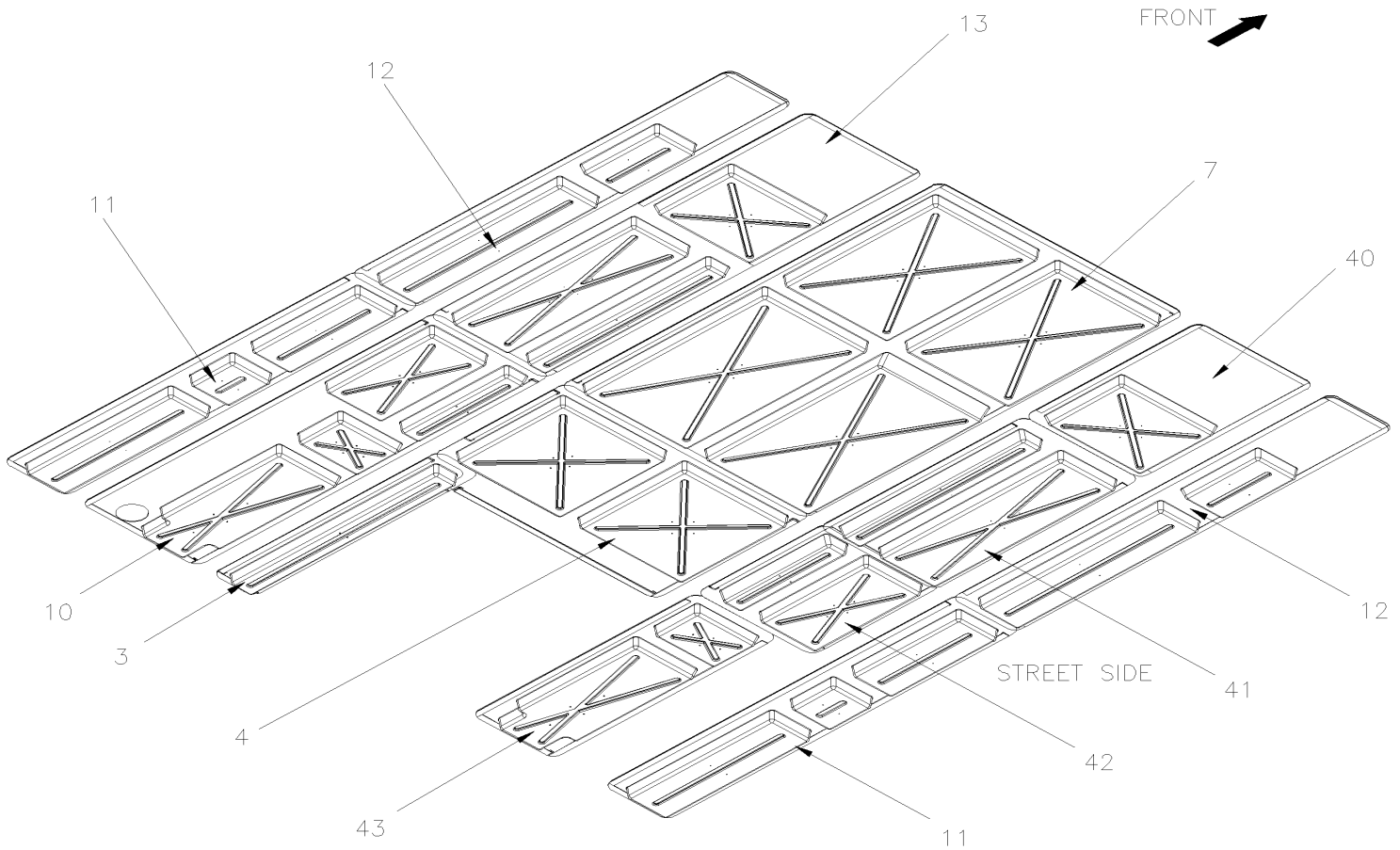
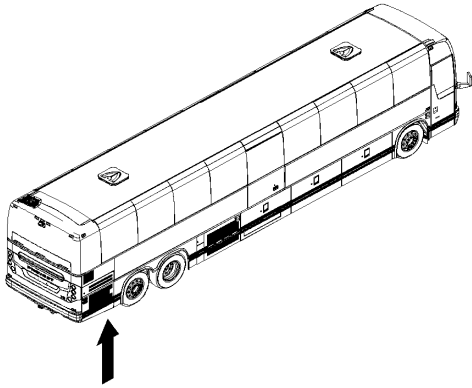
FOR SERVICE: ISOLATION KIT NOT SOLD SEPARATELY, ASK PART NUMBER 352885

From H-7417 To M-7767

Date:07/2024

PAGE:X3PLB-1839-11

INSULATING FLOOR REAR AXLE GHG17



FOR SERVICE: ISOLATION KIT NOT SOLD SEPARATELY, ASK PART NUMBER 353733

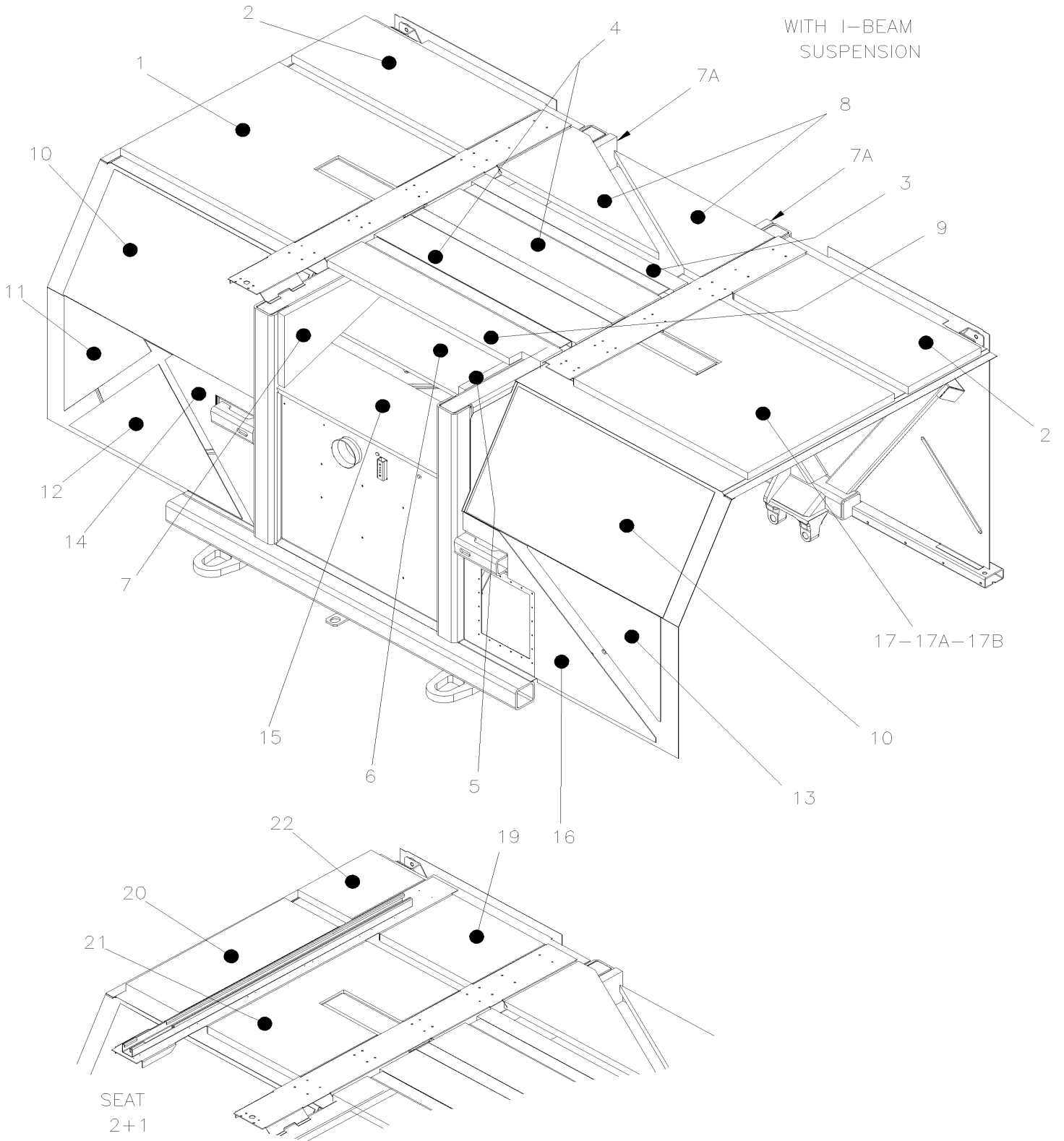
SPECIAL OPTION WITH 4 RAIL

From H-7417 To M-7767	Date:07/2024	PAGE:X3PLB-1839-11
-----------------------	--------------	--------------------

INSULATING FLOOR REAR AXLE GHG17

Item#	Part	Description	QTY	Notes
		FOR REPLACEMENT INSULATING PAD KIT PLEASE ASK FOR PART NUMBER		
	352976	REAR FRAME INSULATION PANELS KIT	1	
1	320984	INSULATING HOLDER	1	
2	3200854	INSULATING HOLDER	1	
3	321352	INSULATING HOLDER	1	
4	321351	INSULATING HOLDER	1	
5	3200853	INSULATING HOLDER	1	
6	3200855	INSULATING HOLDER # 2	1	
7	3200857	INSULATING HOLDER	1	
10	320985	INSULATING HOLDER	1	
11	Call order desk	INSULATING HOLDER	AR	P
12	3200869	INSULATING HOLDER	AR	
13	3200868	INSULATING HOLDER	1	
NS	352977	REAR FRAME INSULATION PANELS KIT	1	A
20	3200873	INSULATING HOLDER # 15	1	B
21	3200872	INSULATING HOLDER # 16	1	B
22	3200874	INSULATING HOLDER # 18	1	B
23	3200933	INSULATING HOLDER # 19	1	B
24	3200934	INSULATING HOLDER # 14	1	B
25	3200932	INSULATING HOLDER # 13	1	B
26	3200856	INSULATING HOLDER # 3	1	B
NS	352885	REAR FRAME INSULATION PANELS KIT	1	B
40	3210626	INSULATING HOLDER From K-7582	1	SP
41	3210624	INSULATING HOLDER From K-7582	1	SP
42	3210633	INSULATING HOLDER From K-7582	1	SP
43	3210628	INSULATING HOLDER From K-7582	1	SP
NS	353733	REAR FRAME INSULATION PANELS KIT From K-7582	1	SP
NS	680092	SEALANT TAPE BUTYL / GREY / 1/16"x3/4x50' / 71011V1760	AR	
		A) W/OUT WCL, 2+1 SEATS RH		
		B) OPTION 3 OR 4 WCL, PWT,		
		SP) SPECIAL OPTION WITH 4 RAIL		
		P) CALL ORDER DESK FOR SPECIFIC APPLICATION (V.I.N.)		

INSULATING FRONT - SUBFRAME



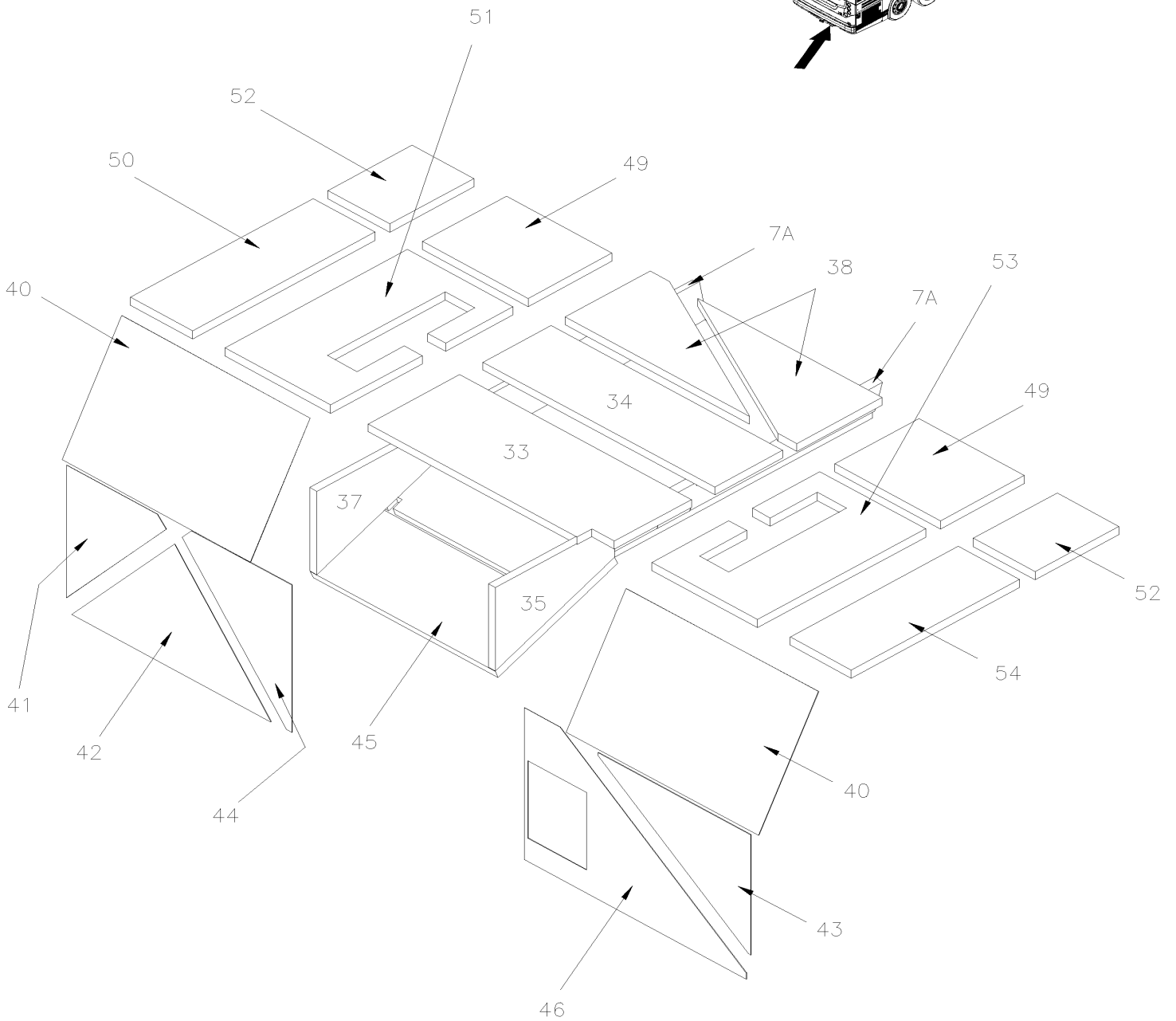
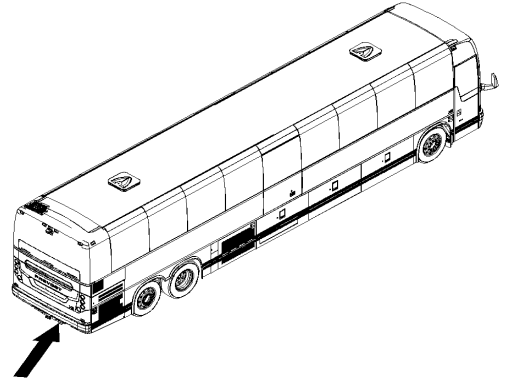
From G-7275 To M-7767

Date:07/2024

PAGE:X3PLB-1839-15

INSULATING FRONT - SUBFRAME

SPECIAL OPTION WITH 4 RAIL



From G-7275 To M-7767	Date:07/2024	PAGE:X3PLB-1839-15
INSULATING FRONT - SUBFRAME		

Item#	Part	Description	QTY	Notes
1	352619	INSULATING PAD 1"1/16	1	
2	352027	INSULATING PAD 1"1/16	2	
3	328777	INSULATING PAD NOISE 1"	1	
4	325323	INSULATING PAD NOISE 1"	2	
5	3201197	INSULATING PAD NOISE 1"	1	
6	3201195	INSULATING PAD 1"1/16	1	
7	3201199	INSULATING PAD NOISE 1"	1	
7A	3201196	INSULATING PAD	2	
8	325023	INSULATING PAD NOISE 1"	2	
9	328749	INSULATING PAD NOISE 1"	1	
10	326981	INSULATING PAD NOISE 1/16"	2	
11	352622	INSULATING PAD NOISE 1/16"	1	
12	352623	INSULATING PAD NOISE 1/16"	1	
13	352625	INSULATING PAD NOISE 1/16"	1	
14	352624	INSULATING PAD NOISE 1/16"	1	
15	326520	INSULATING PAD 1"1/16	1	
16	356282	INSULATING PAD NOISE 1/16"	1	
17	352621	INSULATING PAD 1"1/16	1	
17A	353729	INSULATING PAD 1"1/16 From K-7582	1	SP
17B	353730	INSULATING PAD 1"1/16 From K-7582	1	SP
19	352116	INSULATING PAD 1"1/16	1	A
20	352117	INSULATING PAD 1"1/16	1	A
21	352620	INSULATING PAD 1"1/16	1	A
22	352115	INSULATING PAD 1"1/16	1	A
31	3200773	INSULATING PAD 1"1/16	1	
32	352027	INSULATING PAD 1"1/16	2	
33	3200771	INSULATING PAD 1"1/16	1	
34	3200663	INSULATING PAD NOISE 1"	1	
35	3201198	INSULATING PAD NOISE 1"	1	
36	3201195	INSULATING PAD 1"1/16	1	
37	3201199	INSULATING PAD NOISE 1"	1	
38	325023	INSULATING PAD NOISE 1"	2	
40	327223	INSULATING PAD NOISE 1/16"	2	
41	352622	INSULATING PAD NOISE 1/16"	1	
42	352623	INSULATING PAD NOISE 1/16"	1	
43	352625	INSULATING PAD NOISE 1/16"	1	
44	356280	INSULATING PAD	1	
45	326520	INSULATING PAD 1"1/16	1	
46	356281	INSULATING PAD 1"1/16 (27MM) To H-7336	1	
46	353091	INSULATING PAD From H-7337	1	
46	356281	INSULATING PAD 1"1/16 (27MM) From K-7582	1	SP
47	3200772	INSULATING PAD 1"1/16	1	

From G-7275 To M-7767	Date:07/2024	PAGE:X3PLB-1839-15
-----------------------	--------------	--------------------

INSULATING FRONT - SUBFRAME

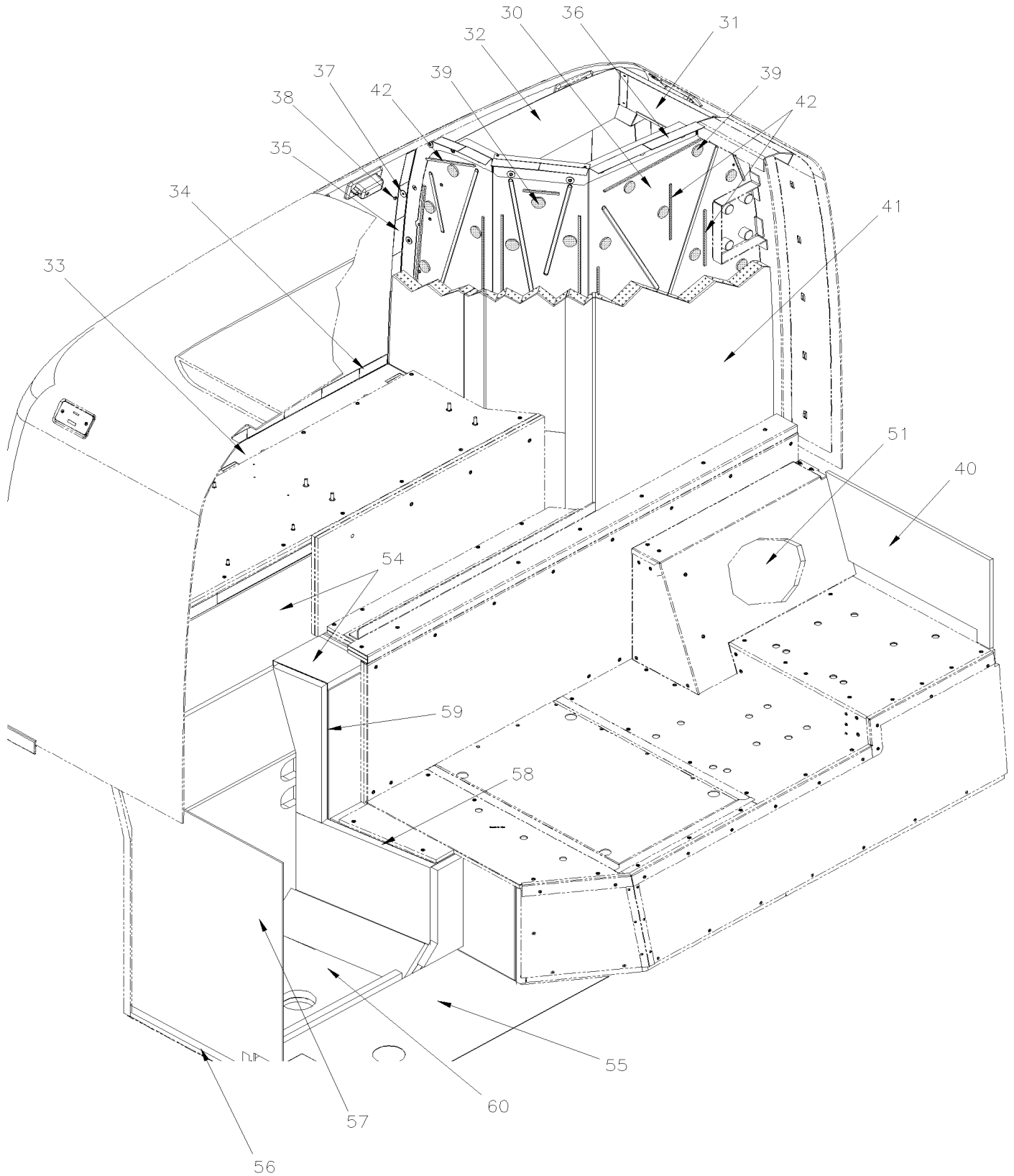
Item#	Part	Description	QTY	Notes
49	352116	INSULATING PAD 1"1/16	1	A
50	352117	INSULATING PAD 1"1/16	1	A
51	3200774	INSULATING PAD 1"1/16	1	A
52	352115	INSULATING PAD 1"1/16	1	A
53	3210653	INSULATING PAD 1"1/16 (27MM) From K-7582	1	SP
54	3210654	INSULATING PAD 1"1/16 (27MM) From K-7582	1	SP
NS	850061	SOUND INSULATION 1"1/16X36X54	AR	
NS	850026	INSULATING PAD NOISE ADH1 1" x 54" x 50"	AR	
NS	850030	INSULATING PAD NOISE ADH1 1" x 54" x 72"	AR	
NS	850024	INSULATING PAD NOISE ADH1 1/16" x 40" x 54"	AR	
NS	850059	INSULATING PAD NOISE ADH1 5/16" X 40" X 54"	AR	
		A) WITH PASSENGER SEAT 2+1		
		SP) SPECIAL OPTION WITH 4 RAIL		

From G-7275 To H-7416

Date:07/2024

PAGE:X3PLB-1839-25

INSULATING - REAR SCR FILTER



From G-7275 To H-7416	Date:07/2024	PAGE:X3PLB-1839-25
INSULATING - REAR SCR FILTER		

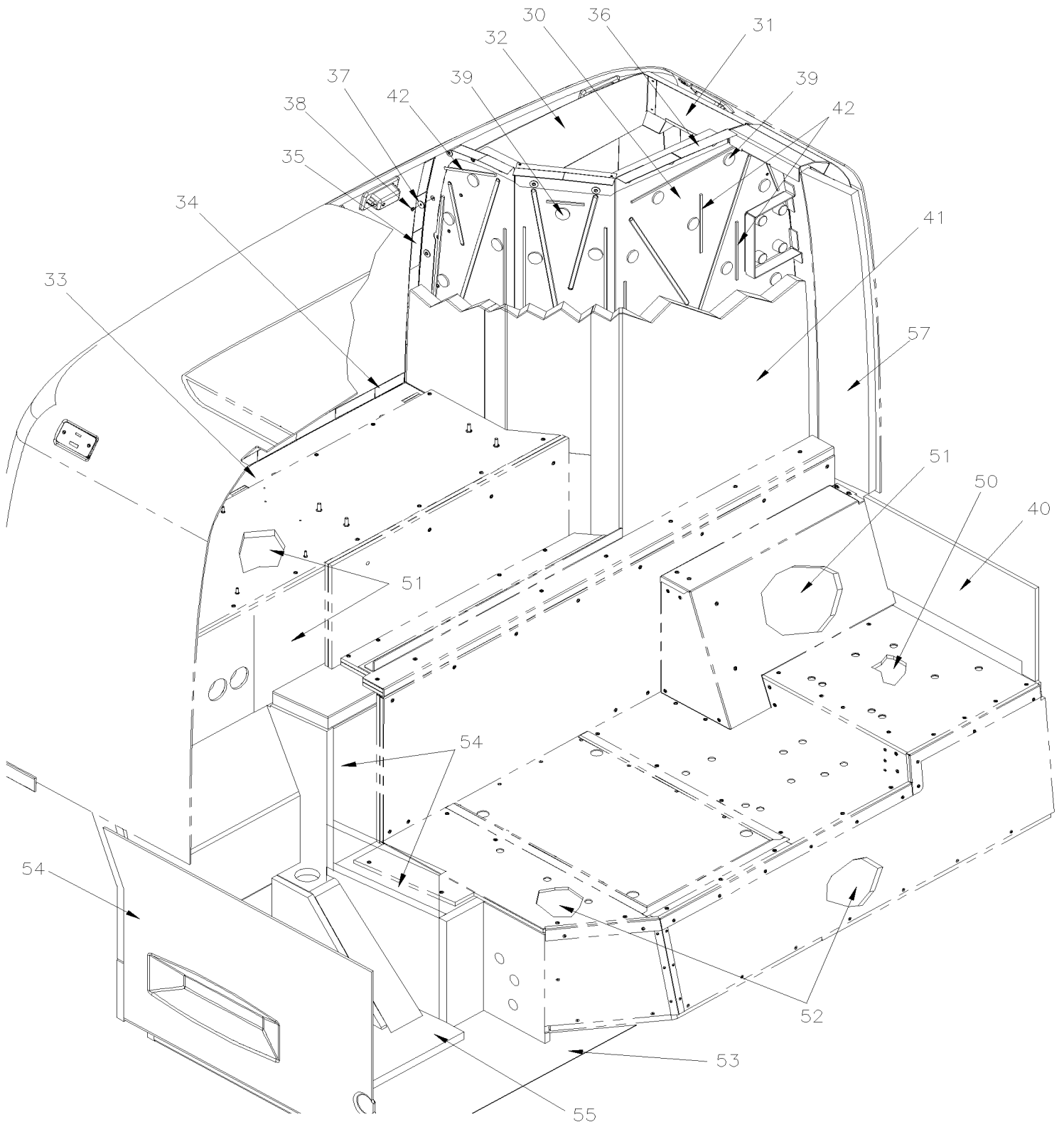
Item#	Part	Description	QTY	Notes
30	261208	WALL SHEET PANEL	1	
31	352034	PANEL, REAR FIRE WALL	1	
32	352035	PANEL, REAR FIRE WALL	1	
33	356117	ANGLE RETAINER	1	
34	356118	ANGLE RETAINER	1	
35	356119	ANGLE RETAINER	1	
36	356120	ANGLE RETAINER	1	
NS	790392	RUBBER BLOCK ADJUSTEMENT 1" x 5/16" x 1/8" 80DURO	8	
37	500989	WASHER FL .219x.875x.062 Z050	AR	
38	504488	RIVET MGLP PRDG 3/16x17/64 SS	AR	
39	684517	ADHESIVE SIMSON #ISR 70-03 / GREY / 310ml CARTRIDGE	AR	
40	328639	INSULATING PANEL INTERIOR STREETSIDE	1	
41	352032	KIT INSULATING PANEL	1	
42	507000	TAPE RUB ADH2 POL 3/16" x 1/4" x 50' / BLACK V2206	AR	
51	352602	KIT INSULATING PANEL	1	
NS	850030	INSULATING PAD NOISE ADH1 1" x 54" x 72"	AR	
NS	850055	INSULATING AC AD1 URE FOAM 3/4"x36"x54	AR	
NS	850061	SOUND INSULATION 1"1/16X36X54	AR	
NS	850079	INSULATING PAD NOISE ADH1 1 5/8" x 36" x 48"	AR	
54	356091	KIT INSULATING PANEL	1	
55	320687	INSULATING PANEL	1	
55	3201350	INSULATING PANEL	1	S
55	3201351	INSULATING PANEL	1	S
56	324788	INSULATING PANEL	1	
57	326993	INSULATING PANEL	1	
58	328611	INSULATING PANEL	1	
59	328638	INSULATING PANEL	1	
60	356115	KIT INSULATING PANEL / LAVATORY	1	
		S) WITH DUST ABATEMENT SYSTEM		

From H-7417 To M-7767

Date:07/2024

PAGE:X3PLB-1839-26

INSULATING - REAR SCR FILTER / GHG17



From H-7417 To M-7767	Date:07/2024	PAGE:X3PLB-1839-26
INSULATING - REAR SCR FILTER / GHG17		

Item#	Part	Description	QTY	Notes
30	261208	WALL SHEET PANEL To K-7662	1	
30	260121	WALL SHEET PANEL From L-7663	1	
31	352034	PANEL, REAR FIRE WALL	1	
32	352035	PANEL, REAR FIRE WALL	1	
33	356117	ANGLE RETAINER To K-7662	1	
33	353142	ANGLE, SEALING From L-7663	1	
33	353381	ANGLE, SEALING From L-7663	1	
33	353921	INSULATING PANEL From L-7663	1	
34	356118	ANGLE RETAINER To K-7662	1	
34	353385	ANGLE, SEALING From L-7663	1	
34	353141	ANGLE, SEALING From L-7663	1	
34	353922	INSULATING PANEL From L-7663	1	
35	356119	ANGLE RETAINER To K-7662	1	
35	353386	ANGLE, SEALING From L-7663	1	
35	353143	ANGLE, SEALING From L-7663	1	
35	353334	PLATE, SEALING From L-7663	2	
36	356169	ANGLE RETAINER To K-7662	1	
36	353144	ANGLE, SEALING From L-7663	1	
NS	790392	RUBBER BLOCK ADJUSTEMENT 1" x 5/16" x 1/8" 80DURO To K-7662	8	
37	500805	WASHER FL .218x.875x.062 N500	AR	
38	504488	RIVET MGLP PRDG 3/16x17/64 SS	AR	
39	684517	ADHESIVE SIMSON #ISR 70-03 / GREY / 310ml CARTRIDGE	AR	
40	328639	INSULATING PANEL INTERIOR STREETSIDE	1	
41	352032	KIT INSULATING PANEL To K-7662	1	
41	353400	KIT INSULATING PANEL From L-7663	1	
42	507000	TAPE RUB ADH2 POL 3/16" x 1/4" x 50' / BLACK V2206	AR	
50	352790	KIT INSULATING PANEL	1	
. NS	850079	. INSULATING PAD NOISE ADH1 1 5/8" x 36" x 48"	1	
51	352800	KIT INSULATING PANEL To K-7662	1	
. NS	850019	. INSULATION PAD NOISE 1/4" x 15' x 54" / BLACK / BARYMAT (324183) To K-7662	AR	
51	353446	KIT INSULATING PANEL From L-7663	1	
52	352890	KIT INSULATING PANEL	1	
. NS	850061	. SOUND INSULATION 1"1/16X36X54	1	
53	321180	INSULATING PANEL To K-7638	1	
53	3210720	INSULATING PANEL From K-7639	1	
54	352820	KIT INSULATING PANEL To K-7662	1	
54	353449	KIT INSULATING PANEL From L-7663	1	
55	321194	INSULATING PANEL To K-7638	1	
55	3210719	INSULATING PANEL From K-7639	1	
57	353725	INSULATING PANEL From L-7663	1	

From G-7275 To K-7662	Date:07/2024	PAGE:X3PLB-1839-30
-----------------------	--------------	--------------------

INSULATING ROOF PANELS

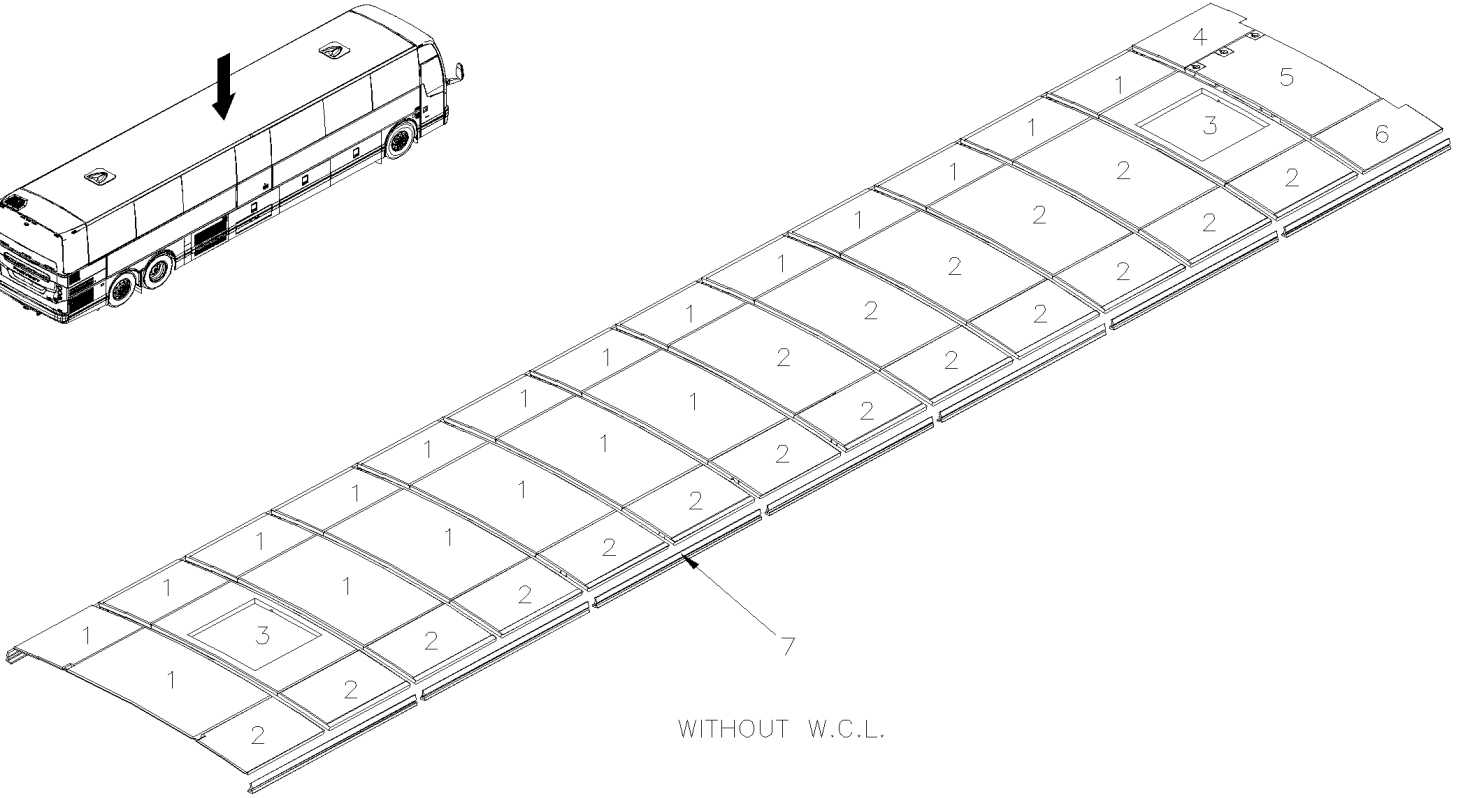
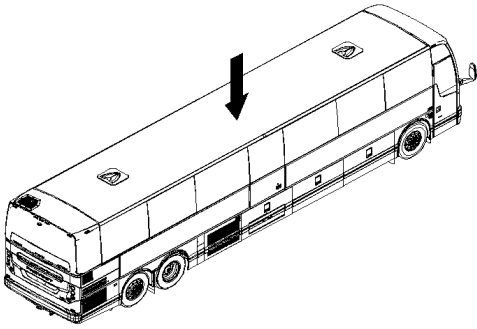
Item#	Part	Description	QTY	Notes
	356177	KIT INSULATING ROOF PANEL	1	
	354331	KIT INSULATING ROOF PANEL	1	
	352979	KIT INSULATING ROOF PANEL / W/CAMERA	1	C
	352893	KIT INSULATING ROOF PANEL / W/LOCATION TOILET LIGHT	1	L
	352397	KIT INSULATING ROOF PANEL / W/HOSE THREAD PASS	1	GR
	352601	KIT ROOF SIDE INSULATING PANEL	1	
1	356172	. INSULATING PANEL	24	
2	356171	. INSULATING PANEL	4	
3	356173	. INSULATING PANEL	4	
5	356174	. INSULATING PANEL	4	
83	356289	. INSULATING PANEL / W/CAMERA	1	C
84	356288	. INSULATING PANEL / W/CAMERA	1	C
85	352891	. INSULATING PANEL W/LOCATION TOILET LIGHT	1	L
86	352892	. INSULATING PANEL W/LOCATION TOILET LIGHT	1	L
87	352482	. INSULATING PANEL / W/HOSE THREAD PASS	1	GR
88	352480	. INSULATING PANEL / W/HOSE THREAD PASS	1	GR
89	352481	. INSULATING PANEL / W/HOSE THREAD PASS	1	GR
90	350713	. INSULATING PANEL	12	
91	350714	. INSULATING PANEL	23	
92	350715	. INSULATING PANEL	2	
95	350719	. INSULATING PANEL	3	
97	350734	. INSULATING PANEL	4	
98	350738	. INSULATING PANEL/ W/EMERGENCY EXIT	2	
101	356150	. INSULATING PANEL	1	
102	356073	. INSULATING PANEL	1	
216	352477	. INSULATING PANEL	1	
217	351811	. INSULATING PANEL	1	
		C) WITH CAMERA		
		GR) "GREYHOUND" OPTION		
		L) WITH LOCATION TOILET LIGHT		

From L-7663 To M-7767

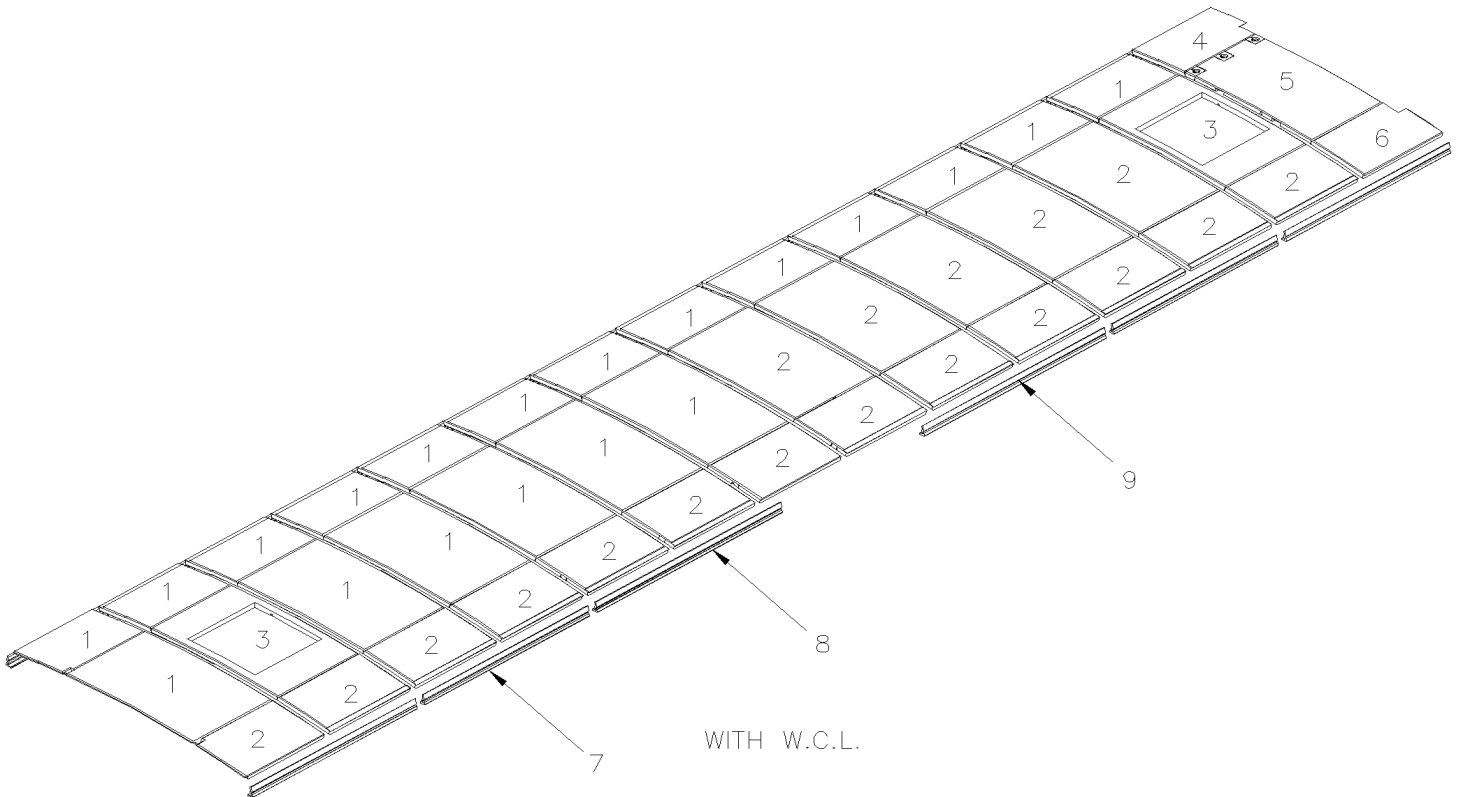
Date:07/2024

PAGE:X3PLB-1839-31

INSULATING ROOF PANELS



WITHOUT W.C.L.



WITH W.C.L.

From L-7663 To M-7767	Date:07/2024	PAGE:X3PLB-1839-31
-----------------------	--------------	--------------------

INSULATING ROOF PANELS

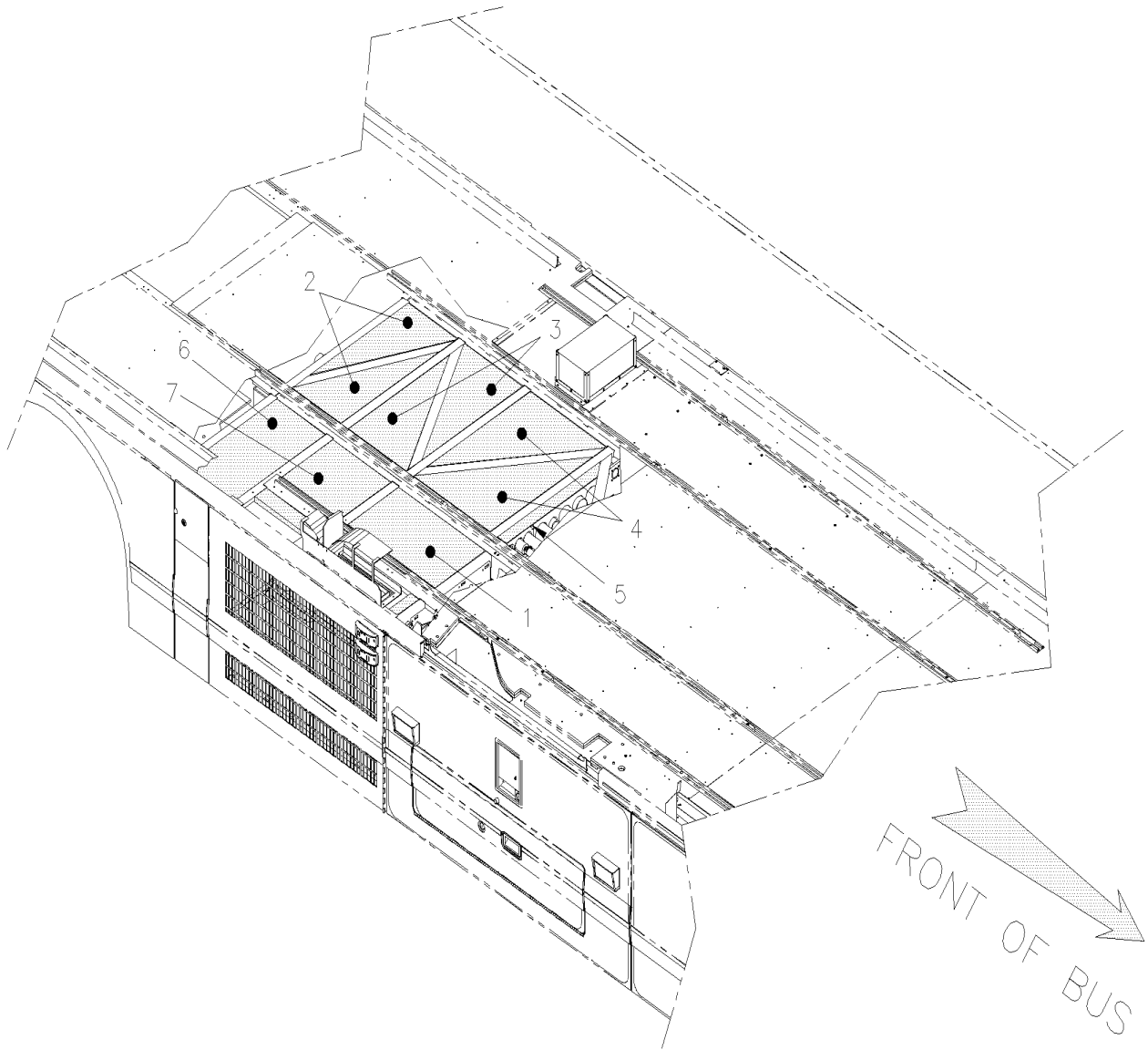
Item#	Part	Description	QTY	Notes
1	353223	KIT INSULATING ROOF PANEL To M-7897	1	
1	354048	KIT INSULATING ROOF PANEL From M-7898 To N-7929	1	
1	354260	KIT INSULATING ROOF PANEL From N-7930	1	
1	354134	KIT INSULATING ROOF PANEL To N-7929	1	A
1	354306	KIT INSULATING ROOF PANEL From N-7930	1	A
2	353384	KIT INSULATING ROOF PANEL To N-7929	1	
2	354259	KIT INSULATING ROOF PANEL From N-7930	1	
2	354135	KIT INSULATING ROOF PANEL To N-7929	1	A
2	354307	KIT INSULATING ROOF PANEL From N-7930	1	A
3	353231	INSULATING PANEL/ W/EMERGENCY EXIT To N-7929	2	
3	354254	INSULATING PANEL/ W/EMERGENCY EXIT From N-7930	2	
4	353254	INSULATING PANEL To N-7929	1	
4	354261	INSULATING PANEL From N-7930	1	
5	353239	INSULATING PANEL To N-7929	1	
5	354264	INSULATING PANEL From N-7930	1	
6	353238	INSULATING PANEL To N-7929	1	
6	354263	INSULATING PANEL From N-7930	1	
7	353772	INSULATING PANEL	14	
7	353772	INSULATING PANEL	11	WCL
8	353774	INSULATING PANEL	1	WCL
9	353776	INSULATING PANEL	1	WCL
NS	683084	SEALANT SIKA #221 / GREY / 600 ml SAUSAGE	AR	
		A) WITH 4 WHEEL CHAIRS		
		WCL) WITH WHEEL CHAIR LIFT		

From G-7275 To M-7767

Date:07/2024

PAGE:X3PLB-1839-40

INSULATING FLOOR PANELS



From G-7275 To M-7767	Date:07/2024	PAGE:X3PLB-1839-40
-----------------------	--------------	--------------------

INSULATING FLOOR PANELS

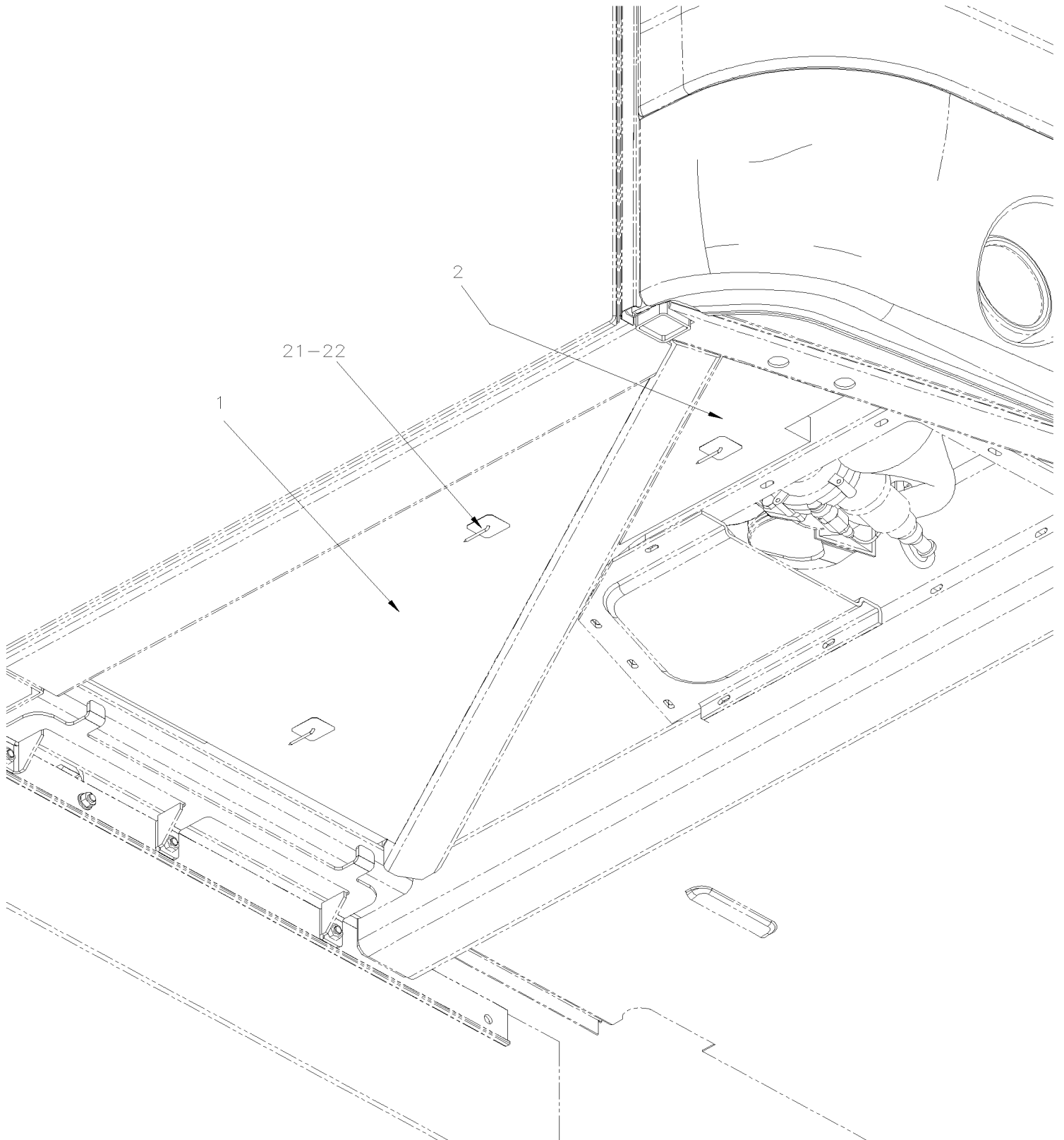
Item#	Part	Description	QTY	Notes
	352616	KIT INSULATION, FLOOR W/2 WHEEL CHAIR	1	
	352282	KIT INSULATION, FLOOR W/2+1 SEAT	1	
	352615	KIT INSULATION, FLOOR W/2+1 SEAT W/2 WHEEL CHAIR	1	
	352614	KIT INSULATION, FLOOR W/O WHEEL CHAIR	1	
	352838	KIT INSULATION, FLOOR W/3 WHEEL CHAIR	1	TWCL
	352780	KIT INSULATION, FLOOR W/4 WHEEL CHAIR	1	FWCL
1	351541	. INSULATING PANEL W/O WHEEL CHAIR	1	
1	351543	. INSULATING PANEL W/2 WHEEL CHAIR	1	
1	351542	. INSULATING PANEL W/2+1 SEAT W/2 WHEEL CHAIR	1	
1	352782	. INSULATING PANEL W/4 WHEEL CHAIR	1	FWCL
1	351543	. INSULATING PANEL W/2 WHEEL CHAIR	1	TWCL
2	352268	. INSULATING PANEL	2	
3	352269	. INSULATING PANEL	2	
4	352270	. INSULATING PANEL	2	
5	352271	. INSULATING PANEL	1	
6	352272	. INSULATING PANEL	1	
6	352370	. INSULATING PANEL W/2+1 SEAT	1	
6	352370	. INSULATING PANEL W/2+1 SEAT	1	TWCL
6	352370	. INSULATING PANEL W/2+1 SEAT	1	FWCL
7	352618	. INSULATING PANEL W/2 WHEEL CHAIR	1	
7	352781	. INSULATING PANEL W/4 WHEEL CHAIR	1	FWCL
7	352781	. INSULATING PANEL W/4 WHEEL CHAIR	1	TWCL
7	352280	. INSULATING PANEL W/2+1 SEAT	1	
7	352617	. INSULATING PANEL W/O WHEEL CHAIR	1	
NS	352479	INSULATING PANEL, SUPPORT	14	
NS	680532	SEALANT SIKA #221 / GREY / 310ml CARTRIDGE	AR	
NS	680257	TAPE ALUMINUM ADH1 .005" x 2" x 300' TRM425-2	AR	
		FWCL) FOUR WHEELCHAIR		
		TWCL) THREE WHEELCHAIR		

From G-7275 To M-7767

Date:07/2024

PAGE:X3PLB-1839-60

INSULATING STAIRWELL



From G-7275 To M-7767	Date:07/2024	PAGE:X3PLB-1839-60
-----------------------	--------------	--------------------

INSULATING STAIRWELL

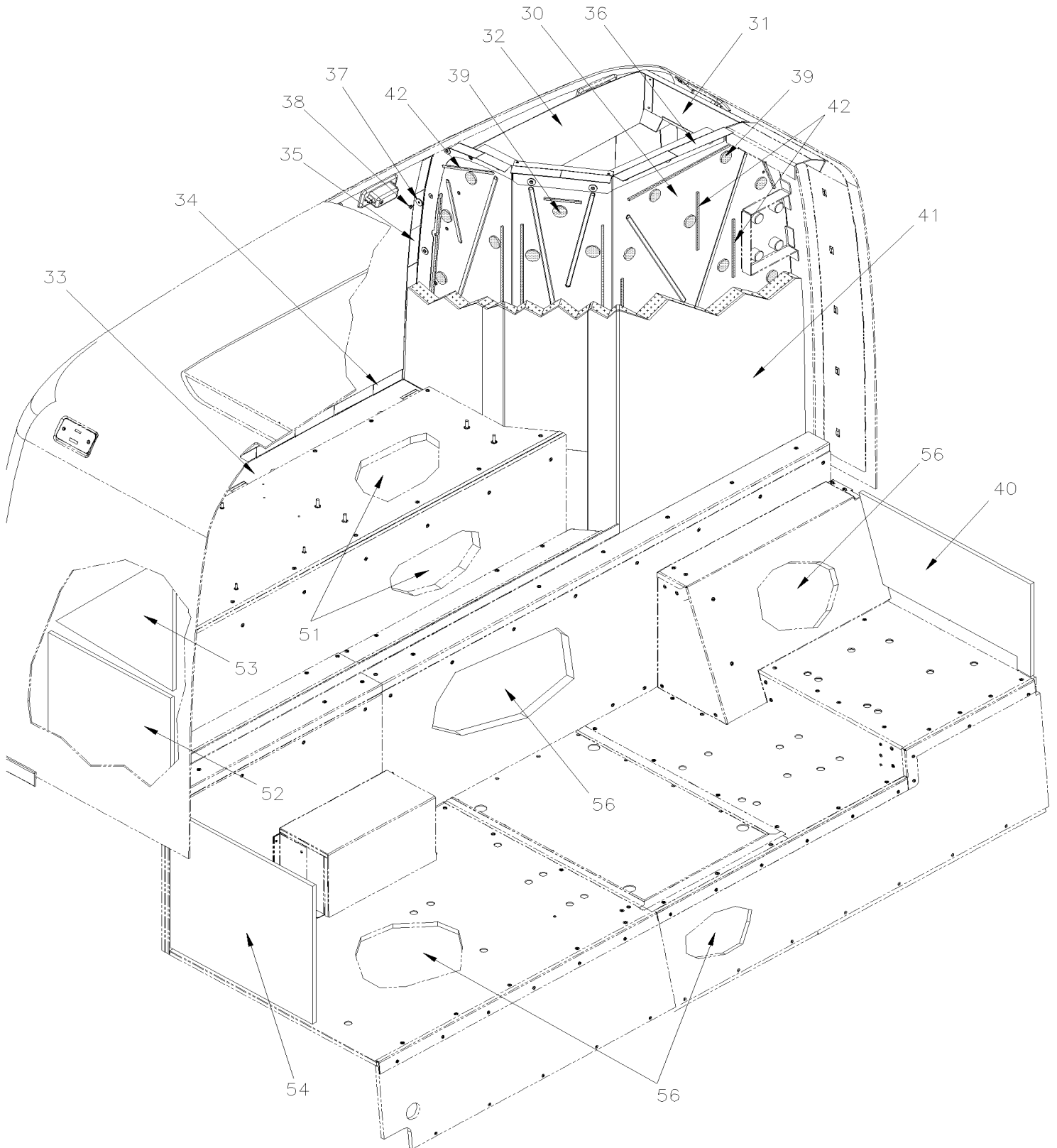
Item#	Part	Description	QTY	Notes
1	356304	. INSULATING PANEL / BACKWARD / UNDER STEPWELL	1	
1	356297	. INSULATION PANEL / BACKWARD / UNDER STEPWELL WITH BY-FOLD DOOR	1	
2	356305	. INSULATING PANEL / FORWARD / UNDER STEPWELL	1	
2	356286	. INSULATION PANEL / FORWARD / UNDER STEPWELL WITH BY-FOLD DOOR	1	
21	500748	WASHER INSU G.10x1.125x1.250 Z050	3	
22	505319	ANCHOR SELF-STICK 2 1/2" GAL	3	
NS	683084	SEALANT SIKA #221 / GREY / 600 ml SAUSAGE	AR	

From G-7275 To H-7416

Date:07/2024

PAGE:X3PLB-1839-65

INSULATING - REAR SCR FILTER - WITHOUT LAVATORY



From G-7275 To H-7416	Date:07/2024	PAGE:X3PLB-1839-65
INSULATING - REAR SCR FILTER - WITHOUT LAVATORY		

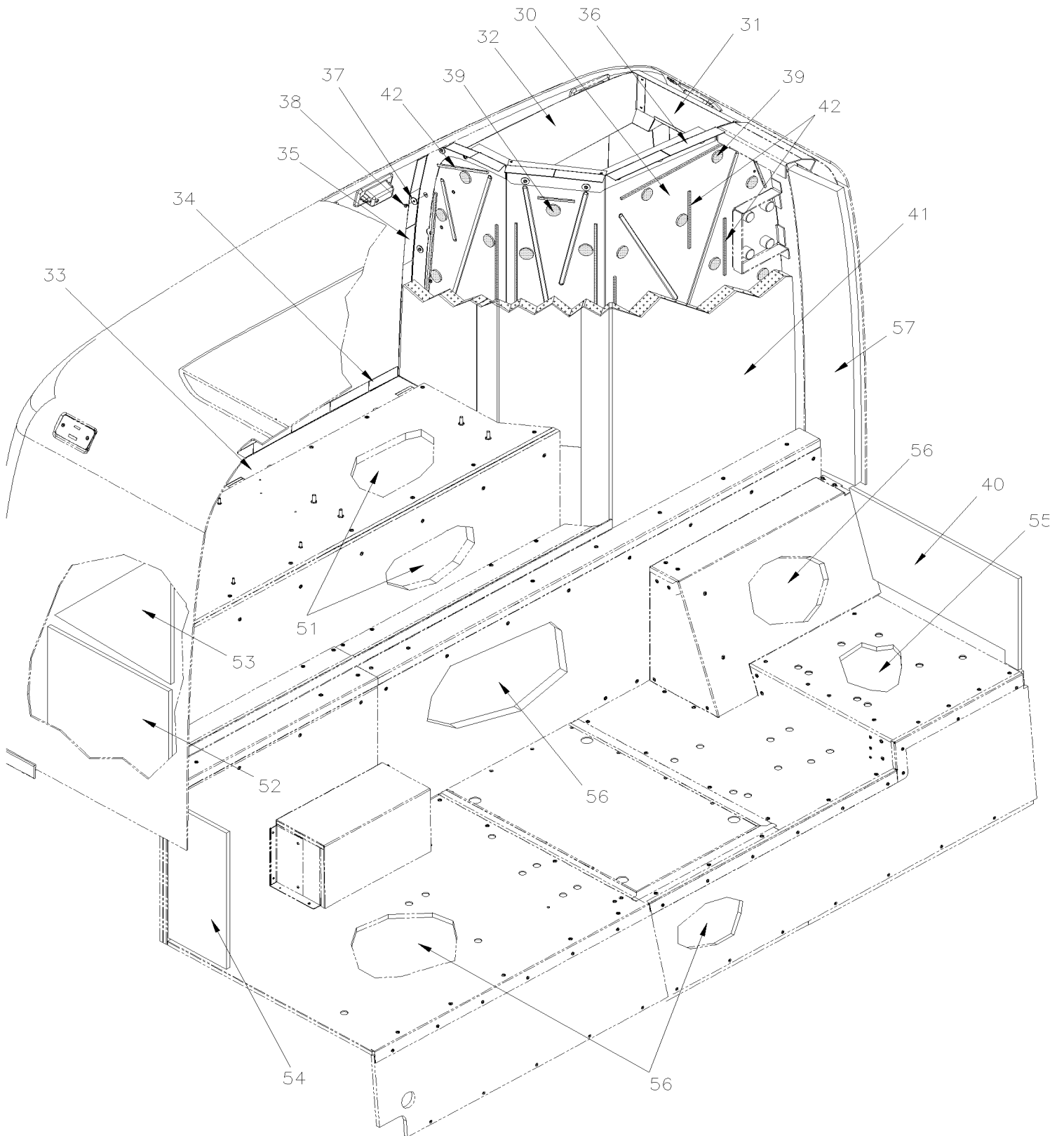
Item#	Part	Description	QTY	Notes
30	261208	WALL SHEET PANEL	1	
31	352034	PANEL, REAR FIRE WALL	1	
32	352035	PANEL, REAR FIRE WALL	1	
33	356117	ANGLE RETAINER	1	
34	356118	ANGLE RETAINER	1	
35	356119	ANGLE RETAINER	1	
36	356169	ANGLE RETAINER	1	
NS	790392	RUBBER BLOCK ADJUSTEMENT 1" x 5/16" x 1/8" 80DURO	8	
37	500805	WASHER FL .218x.875x.062 N500	AR	
38	504488	RIVET MGLP PRDG 3/16x17/64 SS	AR	
39	684517	ADHESIVE SIMSON #ISR 70-03 / GREY / 310ml CARTRIDGE	AR	
40	328639	INSULATING PANEL INTERIOR STREETSIDE	1	
41	352032	KIT INSULATING PANEL	1	
42	507000	TAPE RUB ADH2 POL 3/16" x 1/4" x 50' / BLACK V2206	AR	
51	352178	KIT INSULATING PANEL	1	
52	352408	INSULATING PANEL	1	
NS	504793	RIVET MNB OE LARGE HEAD 3/16x7/16 SS	AR	
NS	504013	TIE MOUNT / 1/4" X 1/4" I.D.	AR	
53	352407	INSULATING PANEL	1	
54	352181	INSULATING PANEL	1	
56	352757	KIT INSULATING PANEL	1	
. NS	850030	. INSULATING PAD NOISE ADH1 1" x 54" x 72"	AR	
. NS	850055	. INSULATING AC AD1 URE FOAM 3/4"x36"x54	AR	
. NS	850079	. INSULATING PAD NOISE ADH1 1 5/8" x 36" x 48"	AR	
. NS	850061	. SOUND INSULATION 1"1/16X36X54	AR	

From H-7417 To M-7767

Date:07/2024

PAGE:X3PLB-1839-66

INSULATING - REAR SCR FILTER - WITHOUT LAVATORY GHG17



From H-7417 To M-7767	Date:07/2024	PAGE:X3PLB-1839-66
INSULATING - REAR SCR FILTER - WITHOUT LAVATORY GHG17		

Item#	Part	Description	QTY	Notes
30	261208	WALL SHEET PANEL To K-7662	1	
30	260121	WALL SHEET PANEL From L-7663	1	
31	352034	PANEL, REAR FIRE WALL	1	
32	352035	PANEL, REAR FIRE WALL	1	
33	356117	ANGLE RETAINER To K-7662	1	
33	353142	ANGLE, SEALING From L-7663	1	
33	353381	ANGLE, SEALING From L-7663	1	
33	353921	INSULATING PANEL From L-7663	1	
34	356118	ANGLE RETAINER To K-7662	1	
34	353385	ANGLE, SEALING From L-7663	1	
34	353141	ANGLE, SEALING From L-7663	1	
34	353922	INSULATING PANEL From L-7663	1	
35	356119	ANGLE RETAINER To K-7662	1	
35	353386	ANGLE, SEALING From L-7663	1	
35	353143	ANGLE, SEALING From L-7663	1	
35	353334	PLATE, SEALING From L-7663	2	
36	356169	ANGLE RETAINER To K-7662	1	
36	353144	ANGLE, SEALING From L-7663	1	
NS	790392	RUBBER BLOCK ADJUSTEMENT 1" x 5/16" x 1/8" 80DURO To K-7662	8	
37	500805	WASHER FL .218x.875x.062 N500	AR	
38	504488	RIVET MGLP PRDG 3/16x17/64 SS	AR	
39	684517	ADHESIVE SIMSON #ISR 70-03 / GREY / 310ml CARTRIDGE	AR	
40	328639	INSULATING PANEL INTERIOR STREETSIDE	1	
41	352032	KIT INSULATING PANEL To K-7662	1	
41	353400	KIT INSULATING PANEL From L-7663	1	
42	507000	TAPE RUB ADH2 POL 3/16" x 1/4" x 50' / BLACK V2206	AR	
51	352844	KIT INSULATING PANEL To K-7662	1	
51	353390	KIT INSULATING PANEL From L-7663	1	
52	352408	INSULATING PANEL To K-7662	1	
52	353413	INSULATING PANEL From L-7663	1	
53	352407	INSULATING PANEL To K-7662	1	
53	353412	INSULATING PANEL From L-7663	1	
54	352879	INSULATING PANEL	1	
55	352843	KIT INSULATING PANEL	1	
NS	850079	INSULATING PAD NOISE ADH1 1 5/8" x 36" x 48"	AR	
56	352889	KIT INSULATING PANEL	1	
57	353725	INSULATING PANEL From L-7663	1	

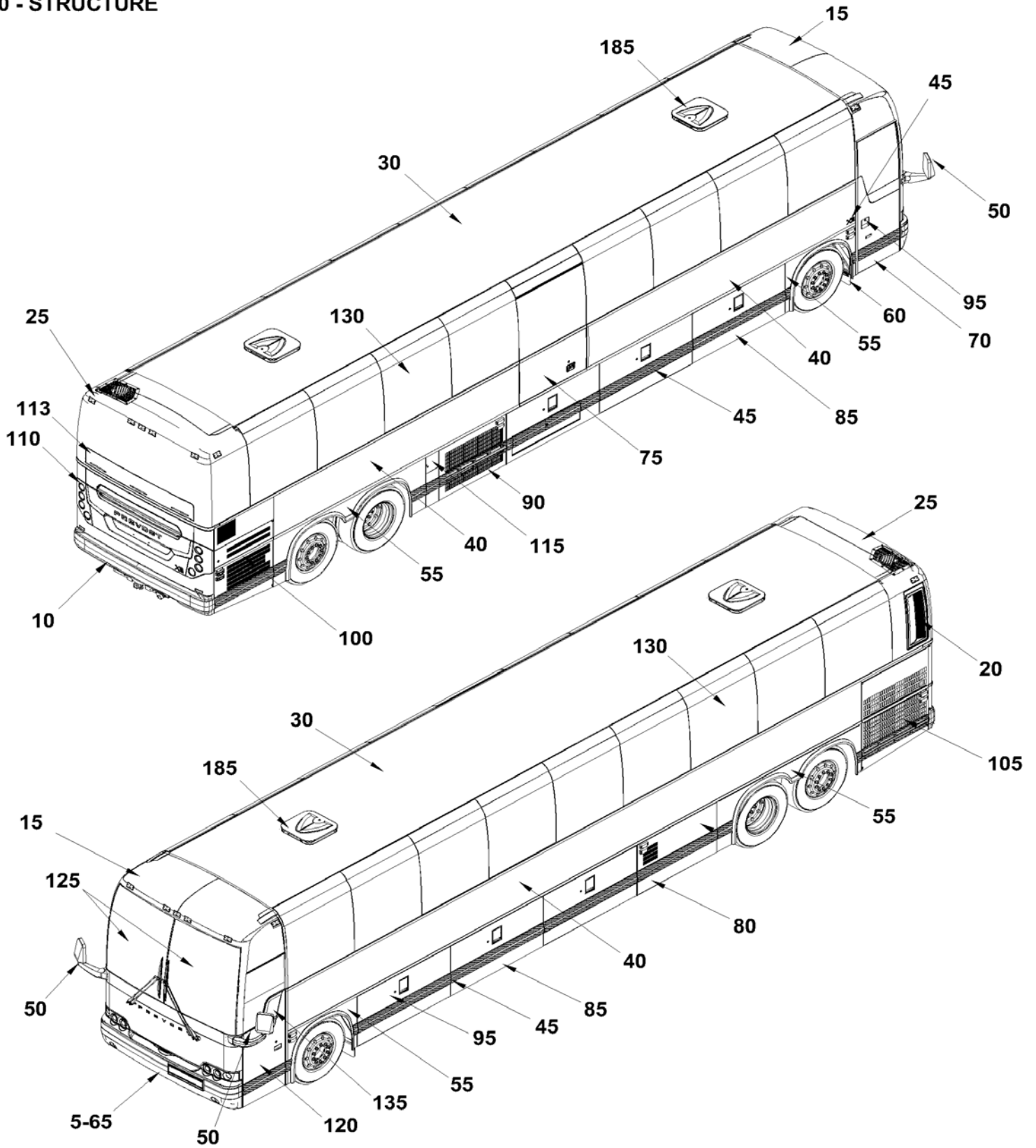
From G-7275 To M-7767

Date:07/2024

PAGE:X3PLB-18-EXT

BODY EXTERIOR

140 - STRUCTURE



From G-7275 To M-7767	Date:07/2024	PAGE:X3PLB-18-EXT
BODY EXTERIOR		

Item#	Part	Description	QTY	Notes
5	X3PLB-1850-00	BUMPER FRONT From G-7275 To K-7662		
5	X3PLB-1850-01	BUMPER FRONT From L-7663 To M-7767		
10	X3PLB-1850-10	BUMPER REAR From G-7275 To M-7767		
10	X3PLB-1850-15	BUMPER REAR - BUS "OPTION" / "ROMEO RIM" From G-7275 To M-7767		
15	X3PLB-1851-00	FRONT CAP - INSTALLATION From G-7275 To K-7662		
15	X3PLB-1851-01	FRONT CAP - INSTALLATION From L-7663 To M-7767		
20	X3PLB-1851-05	REAR CAP - DOOR DPF & SCR From G-7275 To K-7662		
20	X3PLB-1851-06	REAR CAP - DOOR DPF & SCR From L-7663 To M-7767		
25	X3PLB-1851-20	REAR CAP - INSTALLATION From G-7275 To K-7662		
25	X3PLB-1851-21	REAR CAP - INSTALLATION From L-7663 To M-7767		
30	X3PLB-1852-00	ROOF PANEL From G-7275 To K-7662		
30	X3PLB-1852-01	ROOF PANEL From L-7663 To M-7767		
40	X3PLB-1854-00	SIDE FLAT PANEL From G-7275 To H-7416		
40	X3PLB-1854-01	SIDE FLAT PANEL From H-7417 To K-7662		
40	X3PLB-1854-02	SIDE FLAT PANEL From L-7663 To M-7767		
45	X3PLB-1855-00	RUB RAIL - EXTERIOR CREST & TRIMS From G-7275 To M-7767		
50	X3PLB-1856-15	MIRROR "RAMCO" FLAT GLASS / BLACK PAINTED GLI From G-7275 To M-7767		
50	X3PLB-1856-20	MIRROR "RAMCO" FLAT GLASS / BLACK PAINTED From G-7275 To M-7767		
50	X3PLB-1856-21	MIRROR "RAMCO" FLAT GLASS / SILVER PAINTED From G-7275 To M-7767		
50	X3PLB-1856-25	MIRROR "RAMCO" FLAT GLASS / BLACK PAINTED WITH DIRECTIONAL From G-7275 To M-7767		
50	X3PLB-1856-30	MIRROR "RAMCO" 2 GLASSES / SILVER PAINTED From G-7275 To K-7662		
50	X3PLB-1856-35	MIRROR "RAMCO" 2 GLASSES / BLACK PAINTED From G-7275 To M-7767		
50	X3PLB-1856-50	MIRROR "RAMCO" FLAT GLASS / CHROME From G-7275 To M-7767		
50	X3PLB-1856-55	MIRROR "RAMCO" FLAT GLASS / CHROME WITH DIRECTIONAL From G-7275 To M-7767		
50	X3PLB-1856-70	MIRROR - EXTERIOR - INSTALLATION / HEATED - WITH BY-FOLD DOOR From G-7275 To K-7662		
50	X3PLB-1856-71	MIRROR - EXTERIOR - INSTALLATION / HEATED - WITH BY-FOLD DOOR From L-7663 To M-7767		
55	X3PLB-1857-00	FENDERS L.H. - BUS W/FLAT PANELING From G-7275 To H-7416		
55	X3PLB-1857-01	FENDERS L.H. - BUS W/FLAT PANELING VOLVO D13 - GHG17 From H-7417 To M-7767		
55	X3PLB-1857-05	FENDERS R.H. - BUS W/FLAT PANELING From G-7275 To H-7416		
55	X3PLB-1857-06	FENDERS R.H. - BUS W/FLAT PANELING / GHG17 From H-7417 To M-7767		
60	X3PLB-1859-00	SPLASH GUARD - FRONT & REAR From G-7275 To H-7416		
60	X3PLB-1859-01	SPLASH GUARD - FRONT & REAR VOLVO D13 - GHG17 From H-7417 To M-7767		
65	X3PLB-1860-10	SPARE WHEEL DOOR ASSY From G-7275 To M-7767		
70	X3PLB-1862-00	ENTRANCE DOOR ASSY - BUS From G-7275 To K-7662		
70	X3PLB-1862-01	ENTRANCE DOOR ASSY - BUS From L-7663 To M-7767		
70	X3PLB-1862-60	ENTRANCE DOOR FRAME - INSTALLATION From G-7275 To M-7767		
70	X3PLB-1862-65	ENTRANCE DOOR INSTALLATION BY-FOLD DOOR From G-7275 To M-7767		
70	X3PLB-1862-70	ENTRANCE DOOR ASSY - FRONT SECTION BY-FOLD DOOR From G-7275 To K-7662		
70	X3PLB-1862-71	ENTRANCE DOOR ASSY - FRONT SECTION WITH FORD LOCK From L-7663 To M-7767		
70	X3PLB-1862-75	ENTRANCE DOOR ASSY - REAR SECTION BY-FOLD DOOR From G-7275 To K-7662		
70	X3PLB-1862-76	ENTRANCE DOOR ASSY - REAR SECTION BY-FOLD DOOR From L-7663 To M-7767		
75	X3PLB-1862-80	ENTRANCE DOOR SLIDING - WCL From G-7275 To J-7495		

From G-7275 To M-7767	Date:07/2024	PAGE:X3PLB-18-EXT
BODY EXTERIOR		

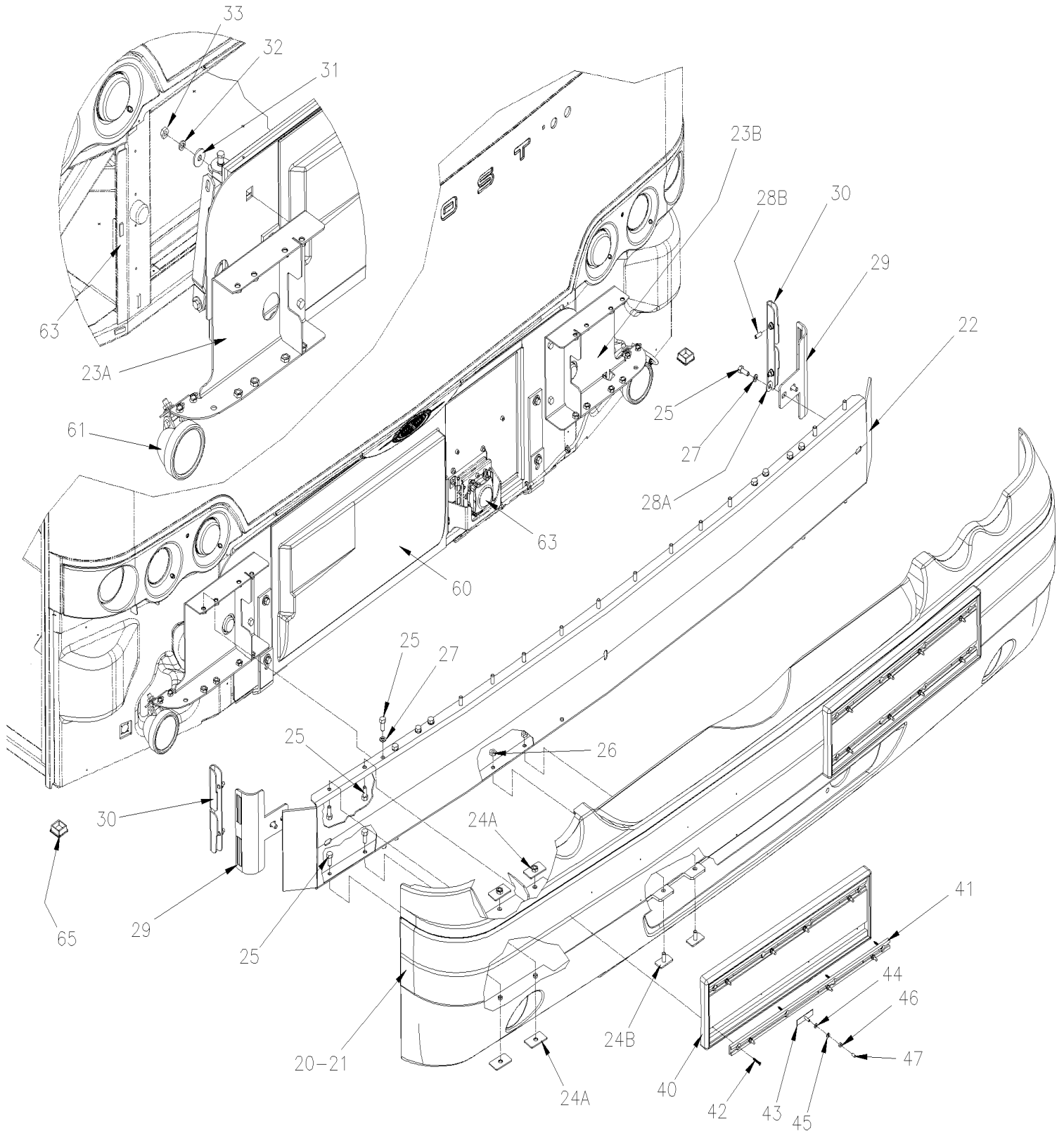
Item#	Part	Description	QTY	Notes
75	X3PLB-1862-81	ENTRANCE DOOR SLIDING - WCL From J-7496 To K-7662		
75	X3PLB-1862-82	ENTRANCE DOOR SLIDING - WCL From L-7663 To M-7767		
75	X3PLB-1862-85	ENTRANCE DOOR SLIDING - INSTALLATION - W.C.L. From G-7275 To J-7495		
75	X3PLB-1862-86	ENTRANCE DOOR SLIDING - INSTALLATION - W.C.L. From J-7496 To K-7662		
75	X3PLB-1862-87	ENTRANCE DOOR SLIDING - INSTALLATION - W.C.L. From L-7663 To M-7767		
80	X3PLB-1866-00	EVAPORATOR DOOR ASSY From G-7275 To H-7344		
80	X3PLB-1866-01	EVAPORATOR DOOR ASSY From H-7345 To M-7767		
85	X3PLB-1864-00	BAGGAGE DOOR ASSY From G-7275 To M-7767		
85	X3PLB-1864-70	BAGGAGE DOOR ASSY / W.C.L. From G-7275 To K-7662		
85	X3PLB-1864-71	BAGGAGE DOOR ASSY / W.C.L. From L-7663 To M-7767		
85	X3PLB-1864-80	W.C.L. DOOR - BAGGAGE DOOR From G-7275 To M-7767		
85	X3PLB-1864-85	W.C.L. DOOR - BAGGAGE DOOR MANUAL LOCK WITHOUT KEY From G-7275 To K-7662		
86	X3PLB-1865-00	FLOOR BAGGAGE COMPARTMENT - BUS From G-7275 To M-7767		
87	X3PLB-1865-10	SEPARATOR PANEL - BAGGAGE COMPARTMENT - BUS From G-7275 To M-7767		
87	X3PLB-1865-20	EVAPORATOR & CONDENSOR WALL INSTALLATION From G-7275 To H-7416		
87	X3PLB-1865-21	EVAPORATOR & CONDENSOR WALL INSTALLATION / GHG17 From H-7417 To M-7767		
90	X3PLB-1863-00	CONDENSOR DOOR ASSY - BUS From G-7275 To M-7767		
95	X3PLB-1867-00	KEY & CYLINDER CODE "FORD" & "NS" From G-7275 To K-7662		
95	X3PLB-1867-01	KEY & CYLINDER CODE "FORD" From L-7663 To M-7767		
100	X3PLB-1868-00	A/C COMPRESSOR DOOR ASSY From G-7275 To H-7416		
100	X3PLB-1868-01	A/C COMPRESSOR DOOR ASSY GHG17 From H-7417 To L-7694		
100	X3PLB-1868-02	A/C COMPRESSOR DOOR ASSY From L-7695 To M-7767		
105	X3PLB-1869-00	RADIATOR DOOR ASSY From G-7275 To H-7416		
105	X3PLB-1869-01	RADIATOR DOOR ASSY VOLVO D13 - GHG17 From H-7417 To M-7767		
110	X3PLB-1870-00	ENGINE DOOR ASSY From G-7275 To M-7767		
110	X3PLB-1870-10	ENGINE DOOR ASSY - INSTALLATION From G-7275 To M-7767		
113	X3PLB-1870-20	REAR ENGINE UPPER DOOR From G-7275 To K-7662		
113	X3PLB-1870-21	REAR ENGINE UPPER DOOR From L-7663 To M-7767		
115	X3PLB-1875-00	FUEL TANK & UREA FILLING DOOR From G-7275 To M-7767		
120	X3PLB-1879-00	FRONT SERVICE DOOR ASSY From G-7275 To M-7767		
120	X3PLB-1879-10	FRONT SERVICE DOOR - INSTALLATION From G-7275 To M-7767		
125	X3PLB-1880-00	WINDSHIELD & CHANNEL From G-7275 To K-7662		
125	X3PLB-1880-01	WINDSHIELD & CHANNEL From L-7663 To M-7767		
130	X3PLB-1884-00	SIDE WINDOW - BUS From G-7275 To K-7662		
130	X3PLB-1884-01	SIDE WINDOW - BUS From L-7663 To M-7767		
135	X3PLB-1886-00	POWER WINDOW - ELECTRICAL INSTALLATION From G-7275 To M-7767		
140	X3PLB-189X-XX	STRUCTURE / CALL ORDER DESK From G-7275 To M-7767		
185	X3PLB-1898-00	ESCAPE HATCH - INSTALLATION From G-7275 To M-7767		
185	X3PLB-1898-10	ESCAPE HATCH - INSTALLATION - VENTILATION "OPTION" From G-7275 To M-7767		

From G-7275 To K-7662

Date:07/2024

PAGE:X3PLB-1850-00

BUMPER FRONT



From G-7275 To K-7662	Date:07/2024	PAGE:X3PLB-1850-00
BUMPER FRONT		

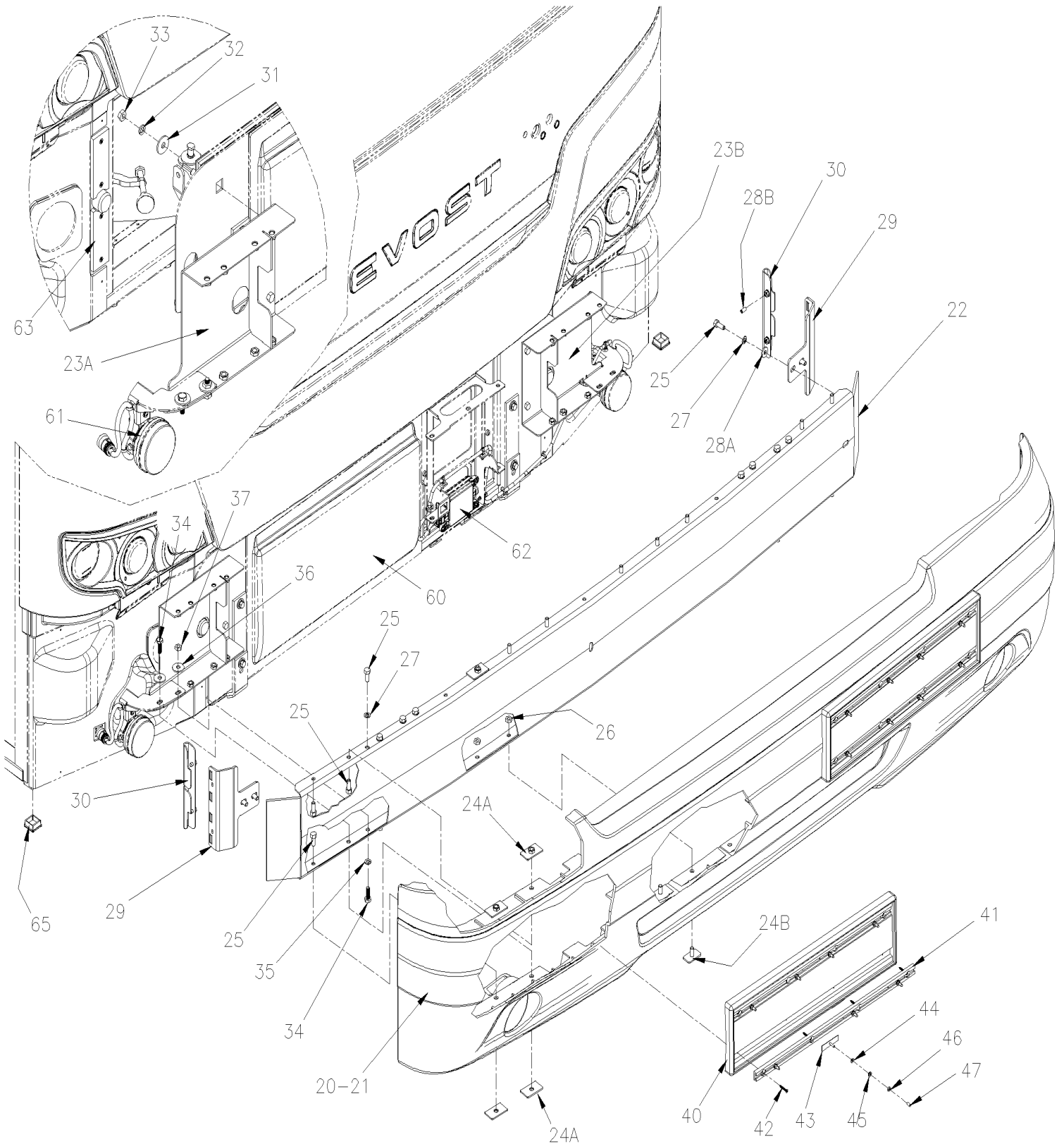
Item#	Part	Description	QTY	Notes
20	411089	BUMPER ASSY / FRONT To K-7610	1	
20	411474	BUMPER ASSY / FRONT From K-7611	1	
20	416903	BUMPER ASSY / FRONT ADAPTIVE CRUISE CONTROL To K-7610	1	
20	411475	BUMPER ASSY / FRONT ADAPTIVE CRUISE CONTROL From K-7611	1	
21	411238	. BUMPER SKIN, FRONT BUS & MTH ENT	1	
21	411365	. BUMPER SKIN, FRONT BUS & MTH ENT ADAPTIVE CRUISE CONTROL	1	
22	411209	. BUMPER REINFORCEMENT	1	
23A	411025	. SUPPORT CUBRE SIDE To K-7610	1	
23A	410101	. SUPPORT CUBRE SIDE From K-7611	1	
23B	411026	. SUPPORT STREET SIDE To K-7610	1	
23B	410105	. SUPPORT STREET SIDE From K-7611	1	
24A	410878	. ANCHOR NUT / M10-1.5	AR	
24B	411232	. ANCHOR BOLT / M10-1.5	8	
25	502655	. SCREW CAP HEX M10-1.5x25 SS BK	AR	
26	502567	. NUT HEX M10-1.5 SS	8	
27	502616	WASHER LO SPT 10.2x18.1x2.2 SS	20	
28A	5001443	WASHER FL 10.3x38.0x3.0 SS	4	
28B	5001900	SCREW SET HEXS CONE M8-1.25x20 SS	4	
29	411211	BRACKET	2	
30	411055	ATTACHMENT "U" SHAPE W/NUT	2	
31	5001417	WASHER FL 11.0x34.0x3.0 SS	4	
32	502616	WASHER LO SPT 10.2x18.1x2.2 SS	4	
33	502567	NUT HEX M10-1.5 SS	4	
40	410817	MOULDING / PLATE HOLDER	1	
41	410818	TRACK / LICENCE PLATE HOLDER 630MM	2	
42	502742	SCREW TP FL PH #8x1 1/4 SS410	8	
43	504286	T SCREW 10-24 X 3/4" / SS / PLATE HOLDER	8	
44	5001137	WASHER FL .203x.438x.050 SS	8	
45	502570	WASHER LO SPT 6.1x11.8x1.6 SS	8	
46	500787	NUT HEX #10-24 SS	8	
47	507333	PROTECTOR CAP / BLACK / .172 I.D. x .500	8	
60	X3PLB-1860-10	SPARE WHEEL DOOR ASSY		
61	X3PLB-0661-00	FOG LAMP To K-7610		
61	X3PLB-0661-01	FOG LAMP / LED From K-7611		
62	X3PLB-0675-05	SYSTEM - ADAPTIVE CRUISE CONTROL ACB - "BENDIX FLR20 & FLR21		
63	X3PLB-189X-XX	STRUCTURE / CALL ORDER DESK		
65	508394	GLIDE SQUARE END 1.5 X 1.5 TUBE 14GA / P	2	
65	684685	ADHESIVE SIMSON #ISR 70-03 / 310ml CARTRIDGE	AR	

From L-7663 To M-7767

Date:07/2024

PAGE:X3PLB-1850-01

BUMPER FRONT



From L-7663 To M-7767	Date:07/2024	PAGE:X3PLB-1850-01
BUMPER FRONT		

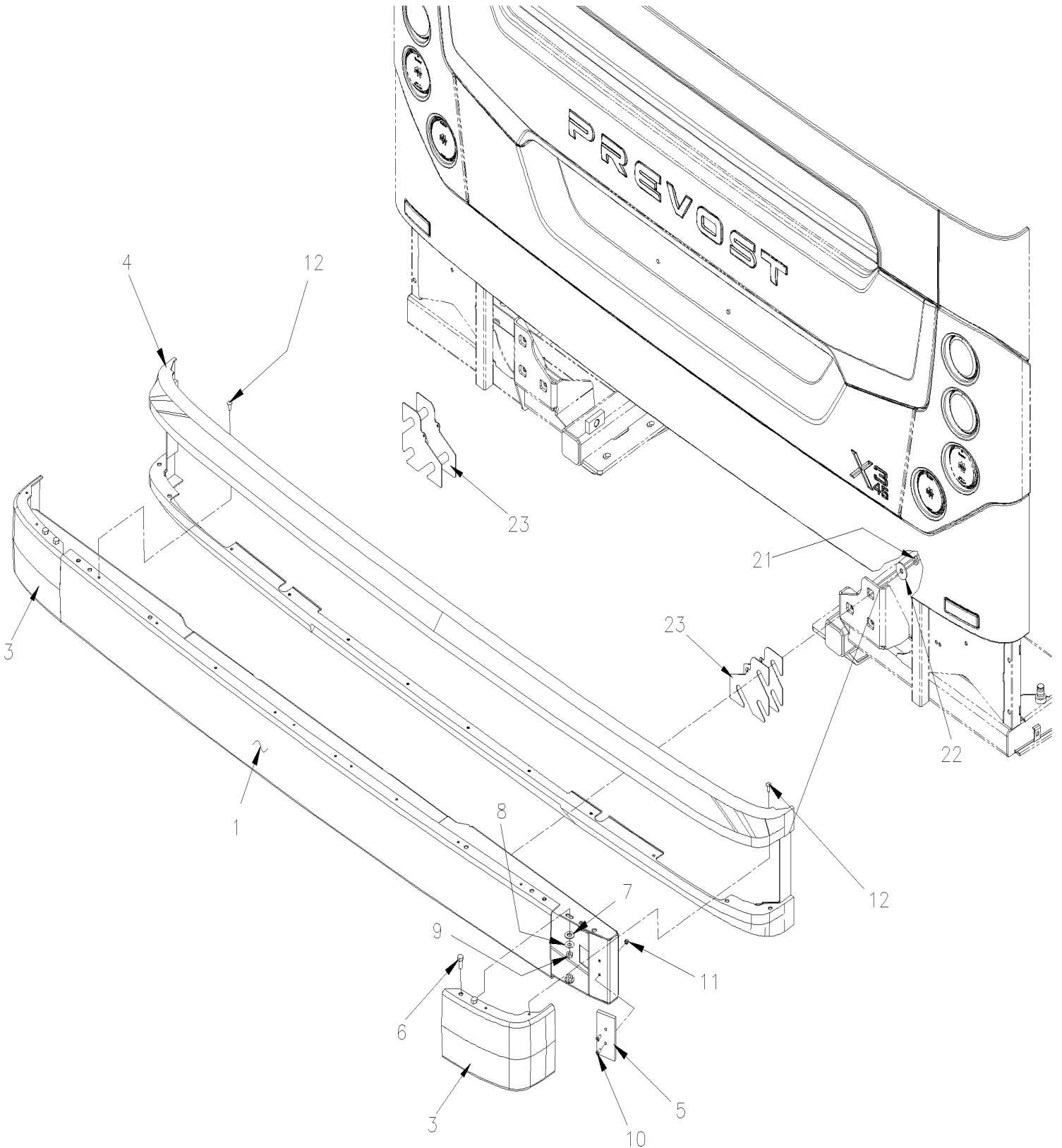
Item#	Part	Description	QTY	Notes
20	410006	BUMPER ASSY / FRONT	1	
20	410005	BUMPER ASSY / FRONT ADAPTIVE CRUISE CONTROL	1	
21	410048	. BUMPER SKIN, FRONT	1	
21	410046	. BUMPER SKIN, FRONT ADAPTIVE CRUISE CONTROL	1	
22	411209	. BUMPER REINFORCEMENT	1	
23A	410101	. SUPPORT CUBRE SIDE	1	
23B	410105	. SUPPORT STREET SIDE	1	
24A	410878	. ANCHOR NUT / M10-1.5	AR	
24B	411232	. ANCHOR BOLT / M10-1.5	8	
25	502655	. SCREW CAP HEX M10-1.5x25 SS BK	AR	
26	502567	. NUT HEX M10-1.5 SS	8	
27	502616	WASHER LO SPT 10.2x18.1x2.2 SS	20	
28A	5001443	WASHER FL 10.3x38.0x3.0 SS	4	
28B	5001900	SCREW SET HEXS CONE M8-1.25x20 SS	4	
29	410099	BRACKET	2	
30	410050	CLIPPING BRACKET	2	
31	5001417	WASHER FL 11.0x34.0x3.0 SS	4	
32	502616	WASHER LO SPT 10.2x18.1x2.2 SS	4	
33	502567	NUT HEX M10-1.5 SS	4	
34	509856	SCREW CAP HEX M10-1.5x30 SS XLN BK	4	
35	502616	WASHER LO SPT 10.2x18.1x2.2 SS	2	
36	5001417	WASHER FL 11.0x34.0x3.0 SS	4	
37	502567	NUT HEX M10-1.5 SS	2	
40	410817	MOULDING / PLATE HOLDER	1	
41	410818	TRACK / LICENCE PLATE HOLDER 630MM	2	
42	502742	SCREW TP FL PH #8x1 1/4 SS410	8	
43	504286	T SCREW 10-24 X 3/4" / SS / PLATE HOLDER	8	
44	5001137	WASHER FL .203x.438x.050 SS	8	
45	502570	WASHER LO SPT 6.1x11.8x1.6 SS	8	
46	500787	NUT HEX #10-24 SS	8	
47	507333	PROTECTOR CAP / BLACK / .172 I.D. x .500	8	
60	X3PLB-1860-10	SPARE WHEEL DOOR ASSY		
61	X3PLB-0661-01	FOG LAMP / LED		
62	X3PLB-0675-05	SYSTEM - ADAPTIVE CRUISE CONTROL ACB - "BENDIX FLR20 & FLR21		
63	X3PLB-189X-XX	STRUCTURE / CALL ORDER DESK		
65	508394	GLIDE SQUARE END 1.5 X 1.5 TUBE 14GA / P	2	
65	684685	ADHESIVE SIMSON #ISR 70-03 / 310ml CARTRIDGE	AR	

From G-7275 To M-7767

Date:07/2024

PAGE:X3PLB-1850-10

BUMPER REAR



From G-7275 To M-7767	Date:07/2024	PAGE:X3PLB-1850-10
BUMPER REAR		

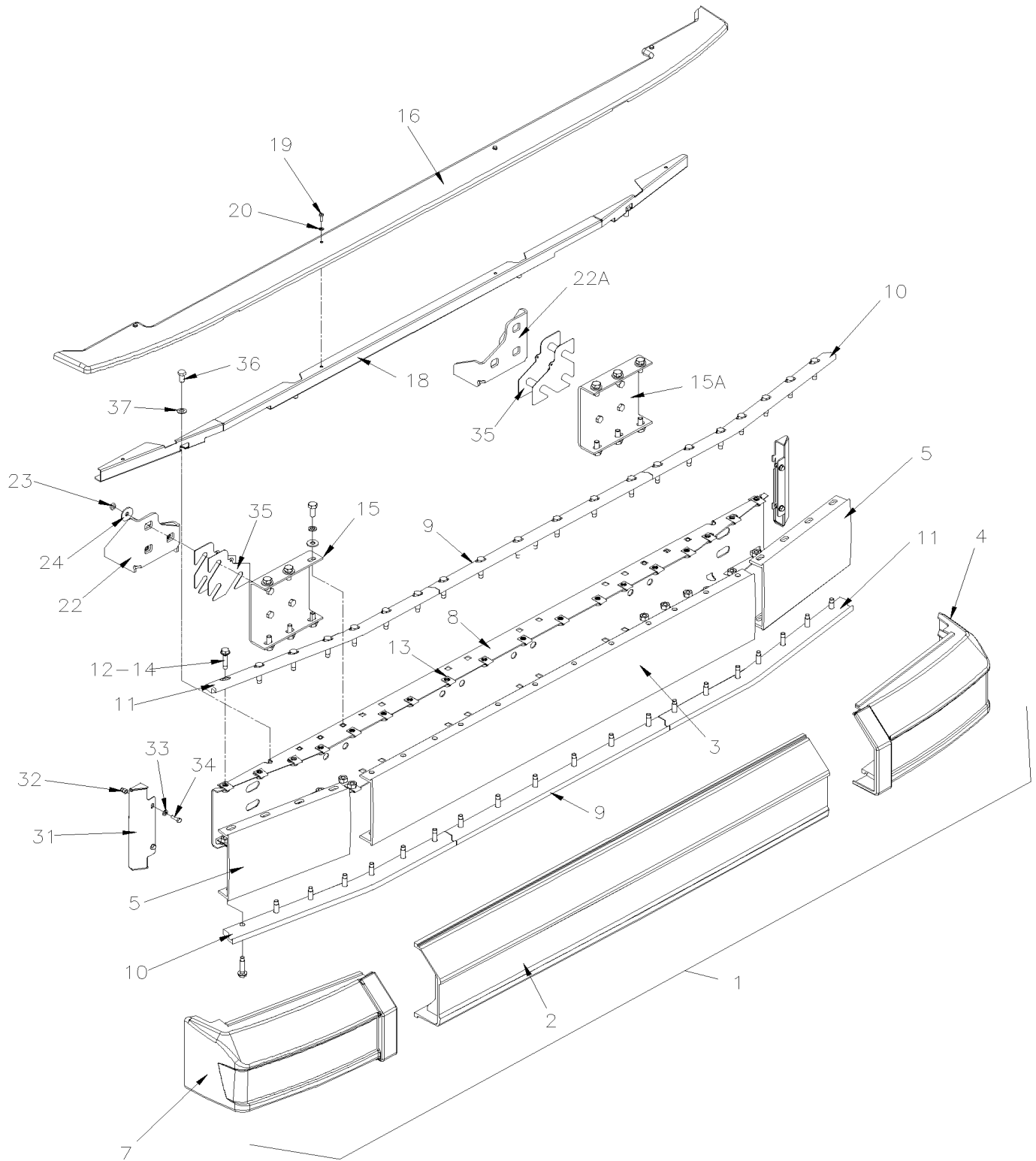
Item#	Part	Description	QTY	Notes
	411314P	BUMPER ASSY REAR BLACK	1	
	411317P	BUMPER ASSY REAR BLACK / W/TRAILER HITCH	1	A
1	411315	. BUMPER REAR CENTER / BLACK To J-7440	1	
1	410031	. BUMPER REAR CENTER / BLACK From J-7441	1	
3	410748	. BUMPER / CORNER / BLACK	2	
4	478975	. TRIM REAR BUMPER / W/O TRAILER HITCH	1	
4	478976	. TRIM REAR BUMPER / W/TRAILER HITCH	1	A
4	478977	. TRIM REAR BUMPER / W/TRAILER GLANDHAND	1	B
5	410737	. STOPPER	2	
6	502655	. SCREW CAP HEX M10-1.5x25 SS BK	8	
7	5001443	. WASHER FL 10.3x38.0x3.0 SS	8	
8	502616	. WASHER LO SPT 10.2x18.1x2.2 SS	8	
9	502567	. NUT HEX M10-1.5 SS	8	
10	5001198	. SCREW MA FL PH M6-1.0x16 Z050 To J-7510	4	
10	5001961	. SCREW MA FL PH M6-1.0x20 Z050 From J-7512	4	
11	5001182	. NUT HEX NYRT M6-1.0 SS	4	
12	5001438	. RIVET DRV TR 1/4x3/4 NYL	24	
21	502567	NUT HEX M10-1.5 SS	6	
22	284447	WASHERS BELLEVILLE	6	
23	411399	SHIM / REAR BUMPER	4	
23	483730	SHIM 14GA 73.2MM x 38.1MM SS	AR	
50	X3PLB-1870-10	ENGINE DOOR ASSY - INSTALLATION		
		A) THIS BUMPER ARE ASSY WITH TRIM FOR TRAILER HITCH RECESS		
		B) THIS BUMPER ASSY ARE ASSY WITH TRIM FOR TRAILER CONNECTION RECESS		

From G-7275 To M-7767

Date:07/2024

PAGE:X3PLB-1850-15

BUMPER REAR - BUS "OPTION" / "ROMEO RIM"



From G-7275 To M-7767	Date:07/2024	PAGE:X3PLB-1850-15
BUMPER REAR - BUS "OPTION" / "ROMEO RIM"		

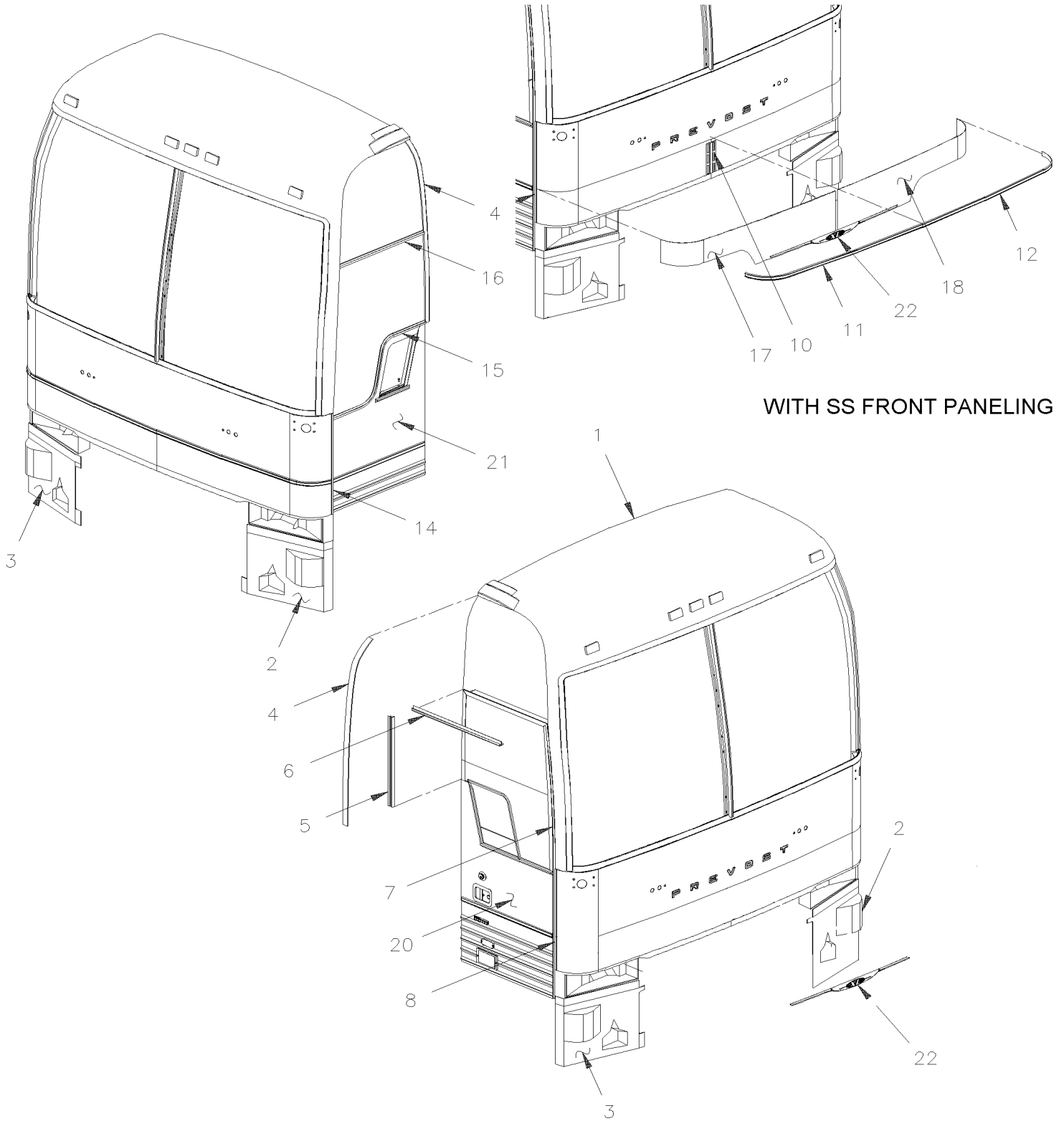
Item#	Part	Description	QTY	Notes
1	411429	BUMPER ASSY	1	
2	910010	. MODULE CENTER	1	
3	910013	. PLATE BACK / CENTER	1	
4	910044	. MODULE END / R.H.	1	
5	910016	. PLATE BACK / L.H. & R.H.	2	
NS	910015	. SPACER PLASTIC	1	
7	910043	. MODULE END / L.H.	1	
8	910007	. STRUCTURE BACK-UP	1	
9	910014	. CLAMP CENTER	2	
10	910029	. CLAMP END / L.H. TOP & R.H. BOTTOM	2	
11	910028	. CLAMP END / R.H. TOP & L.H. BOTTOM	2	
12	910023	. SCREW CAP HEXF 1/2-13x2 1/4 BKC	38	
13	910024	. NUT RETAINER SPRING	34	
13	910025	. NUT HEXF 1/2-13 BK / 2 EACH CORNER	4	
14	502525	. WASHER FL .484x.750x.031 Z050	42	
15	910045	. LH SUPPORT W/3 BOLTS	1	
15A	910046	. RH SUPPORT W/3 BOLTS	1	
16	411426	PANEL / BLACK PAINT	1	
18	411428	HOLDER REAR BUMPER	1	
19	502622	SCREW CAP HEX M6-1.0x20 SS BK	4	
20	502573	WASHER FL 6.4x12.5x1.6 SS	4	
20	500877	WASHER FL .250x.562x.065 N500	AR	
22	261451	BRACKET BUMPER L.H. WELD ON STRUCTURE To H-7416	1	
22	261632	BRACKET BUMPER L.H. WELD ON STRUCTURE From H-7417	1	
22A	261431	BRACKET BUMPER R.H. WELD ON STRUCTURE To H-7416	1	
22A	261702	BRACKET BUMPER R.H. WELD ON STRUCTURE From H-7417	1	
23	5002001	NUT HEX NYRT 1/2-13 SS BK	AR	
24	5002006	WASHER FL .531x2.000x.150 N500	AR	
25	289372	ATTACHMENT & STOPPER LH ENGINE DOOR / BOLTED TO BUMPER	1	
31	411306	BUMPER, REAR DEFLECTOR	2	
32	5001692	NUT INS FL HEX M8-1.25 0.5-3.0 SS	4	
33	5001868	WASHER BEL SPR 8.4x18x2 SS	4	
34	502780	SCREW CAP HEX M8-1.25x25 SS BK	4	
35	411399	SHIM / REAR BUMPER	4	
36	5001565	SCREW CAP HEX 1/2-13x1 G5 N500	AR	
37	5001877	WASHER BEL SPR .512x1.000x.073 SS	AR	

From G-7275 To K-7662

Date:07/2024

PAGE:X3PLB-1851-00

FRONT CAP - INSTALLATION



From G-7275 To K-7662	Date:07/2024	PAGE:X3PLB-1851-00
FRONT CAP - INSTALLATION		

Item#	Part	Description	QTY	Notes
1	478632	FRONT CAP BUS 80" To H-7399	1	
. NS	477411	. HALF FRONT CAP BUS / LOWER SECTION ONLY To H-7399	1	
1	478428	FRONT CAP BUS 80" From H-7400	1	
. NS	477411	. HALF FRONT CAP BUS / LOWER SECTION ONLY From H-7400	1	
1	478637	FRONT CAP BUS 80" / W/BY-FOLD DOOR To H-7399	1	
1	470633	FRONT CAP BUS 80" / W/BY-FOLD DOOR From H-7400	1	
1	470497	FRONT CAP BUS 80" / W/O UPPER WINDOWS To H-7399	1	
1	478427	FRONT CAP BUS 80" / W/O UPPER WINDOWS From H-7400	1	
. NS	477411	. HALF FRONT CAP BUS / LOWER SECTION ONLY From H-7400	1	
2	478535	. PANEL LOWER L.H.	1	
2	478534	. PANEL LOWER L.H. / WITHOUT HEAD LAMP WASHER	1	
3	478532	. PANEL LOWER R.H.	1	
3	478533	. PANEL LOWER R.H. / WITHOUT HEAD LAMP WASHER	1	
NS	504787	RIVET CHY MONOLOK PRDG 1/4x5/8 ZP	36	
NS	500426	SCREW TP PAN PH #8x1 SS	6	
NS	506769	TAPE RUB ADH2 CC POL 1/8" x 1/4" x 60' / BLACK H1CC-N#14	AR	
NS	506785	TAPE RUB ADH2 CC POL 1/16" X 1/4" X 200' / BLACK I1C-N-A	AR	
NS	475704	KIT STONE PROTECTOR / VINYL FILM 2x25"x120 + 1x8"x120"	1	
4	474952	FINISHING MOULDING 1219.5MM	2	
NS	506769	TAPE RUB ADH2 CC POL 1/8" x 1/4" x 60' / BLACK H1CC-N#14	AR	
NS	687957	GLUE MS POLYMER TEROSON MS 9399 / 400ml CARTRIDGE	AR	
5	474137	MOULDING SUPPORT 645MM / MTH 83" & BUS / S.B.	1	
6	474082	DRIP MOULDING OVER ENTRANCE DOOR / S.B.	1	
7	478625	FINISHING MOULDING ENTRANCE DOOR / 1031MM / B.A.	1	
8	478626	FINISHING MOULDING ENTRANCE DOOR / 1304MM / S.B.	1	
NS	504339	RIVET POP DOME OE 1/8x3/8 SS	AR	
10	477473	FINISHING CENTER SS / S.B.	1	
11	473611	MOULDING SS R.H. / S.B.	1	
12	473752	MOULDING SS L.H. / S.B.	1	
14	477480	FINISHING MOULDING SERVIR DOOR / 1296MM / S.B.	1	
15	286448	DRIP MOULDING "S" BUS & MTH83"	1	
NS	790392	RUBBER BLOCK ADJUSTEMENT 1" x 5/16" x 1/8" 80DURO	AR	
16	286454	DRIP MOULDING OVER DRIVER'S WINDOW	1	
17	477470	PANEL SS / CURBSIDE / S.B.	1	
18	477469	PANEL SS / STREETSIDE / S.B.	1	
20	X3PLB-1862-00	ENTRANCE DOOR ASSY - BUS		
21	X3PLB-1879-00	FRONT SERVICE DOOR ASSY		
22	X3PLB-1855-00	RUB RAIL - EXTERIOR CREST & TRIMS		
25	681092	ADHESIVE SIKA #255FC / BLACK / 310ml CARTRIDGE	AR	
NS	683083	ADHESIVE SIKA #252 / BLACK / 600 ml SAUSAGE	AR	
NS	687957	GLUE MS POLYMER TEROSON MS 9399 / 400ml CARTRIDGE	AR	

From G-7275 To K-7662		Date:07/2024	PAGE:X3PLB-1851-00
-----------------------	--	--------------	--------------------

FRONT CAP - INSTALLATION

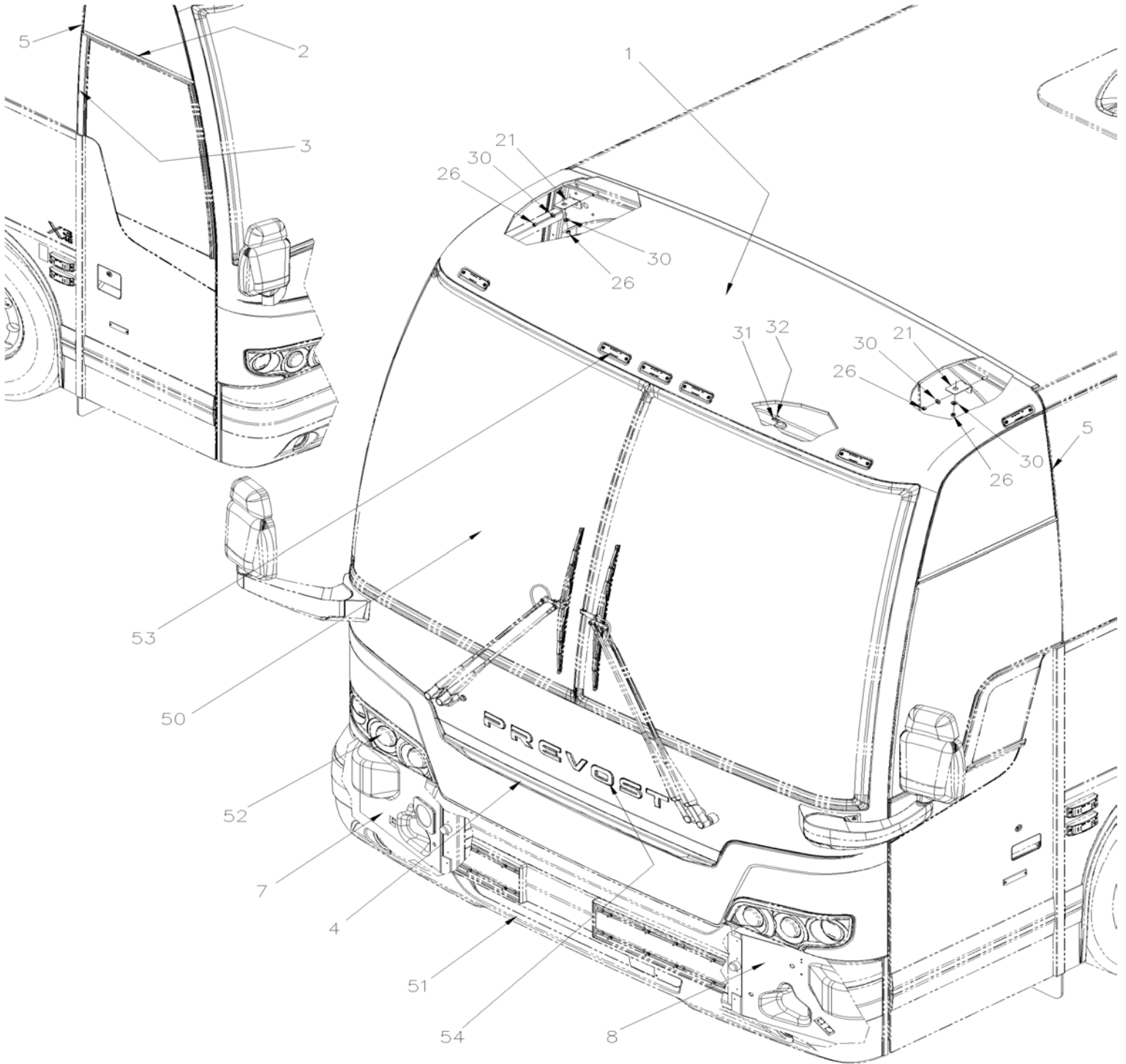
Item#	Part	Description	QTY	Notes
NS	687961	GLUE MS POLYMER TEROSON MS 9399 / "A" 21 Liters	AR	
NS	687962	GLUE MS POLYMER TEROSON MS 9399 / "B" 21 Liters	AR	
NS	684685	ADHESIVE SIMSON #SR 70-03 / 310ml CARTRIDGE	AR	
NS	685124	ADHESIVE SIMSON #SR 70-03 / BLACK / 600ml SAUSAGE	AR	
NS	684517	ADHESIVE SIMSON #SR 70-03 / GREY / 310ml CARTRIDGE	AR	

From L-7663 To M-7767

Date:07/2024

PAGE:X3PLB-1851-01

FRONT CAP - INSTALLATION

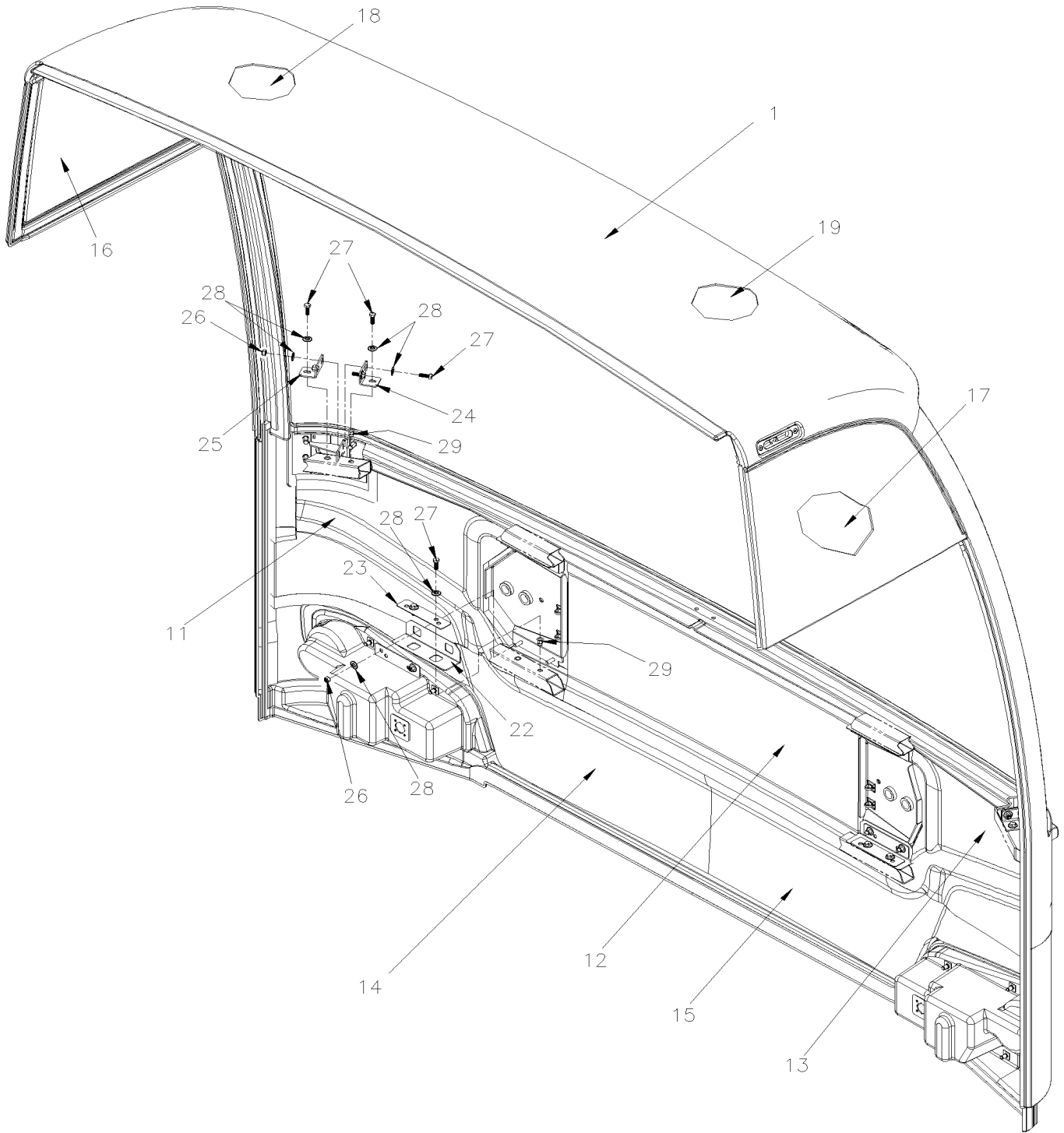


From L-7663 To M-7767

Date:07/2024

PAGE:X3PLB-1851-01

FRONT CAP - INSTALLATION



From L-7663 To M-7767	Date:07/2024	PAGE:X3PLB-1851-01
FRONT CAP - INSTALLATION		

Item#	Part	Description	QTY	Notes
1	471003	FRONT CAP	1	
NS	687961	GLUE MS POLYMER TEROSON MS 9399 / "A" 21 Liters To M-7792	AR	
NS	685385	GLUE MS POLYMER TEROSON MS 9399 / "A" 14.8 Liters From M-7793	AR	
NS	687962	GLUE MS POLYMER TEROSON MS 9399 / "B" 21 Liters To M-7792	AR	
NS	685386	GLUE MS POLYMER TEROSON MS 9399 / "B" 14.8 Liters From M-7793	AR	
NS	687957	GLUE MS POLYMER TEROSON MS 9399 / 400ml CARTRIDGE To M-7792	AR	
NS	685387	GLUE MS POLYMER TEROSON MS 9399 / 400ml CARTRIDGE From M-7793	AR	
NS	684517	ADHESIVE SIMSON #ISR 70-03 / GREY / 310ml CARTRIDGE	AR	
NS	685124	ADHESIVE SIMSON #ISR 70-03 / BLACK / 600ml SAUSAGE	AR	
2	280656	HORIZONTAL GUTTER	1	
NS	680796	TAPE RUB ADH2 ACRYLIQUE 3/4x.045x36YARD	AR	
3	470697	MOLDING, FINISHING	1	
NS	506769	TAPE RUB ADH2 CC POL 1/8" x 1/4" x 60' / BLACK H1CC-N#14	AR	
NS	683083	ADHESIVE SIKA #252 / BLACK / 600 ml SAUSAGE	AR	
NS	506785	TAPE RUB ADH2 CC POL 1/16" X 1/4" X 200' / BLACK I1C-N-A	AR	
4	478747	MOULDING "U" SS CHOME FINISH / HEADLAMP 1332MM	1	
NS	506790	TAPE RUB ADH2 CC POL 1/16" x 1/2" x 200' / BLACK I1C-N-A	AR	
NS	684685	ADHESIVE SIMSON #ISR 70-03 / 310ml CARTRIDGE	AR	
5	290394	SEAL, VERTICAL WINDOW 1103MM To M-7767	2	
5	290644	SEAL VERTICAL WINDOW 1103MM From M-7768	2	
7	471607	PANEL LOWER R.H.	1	
7	471608	PANEL LOWER R.H. / WITHOUT HEAD LAMP WASHER	1	
NS	790392	RUBBER BLOCK ADJUSTEMENT 1" x 5/16" x 1/8" 80DURO	AR	
NS	685124	ADHESIVE SIMSON #ISR 70-03 / BLACK / 600ml SAUSAGE	AR	
8	471600	PANEL LOWER L.H. To M-7767	1	
8	479971	PANEL LOWER L.H. From M-7768	1	
8	471606	PANEL LOWER L.H. / WITHOUT HEAD LAMP WASHER To M-7767	1	
8	479968	PANEL LOWER L.H. / WITHOUT HEAD LAMP WASHER From M-7768	1	
NS	790392	RUBBER BLOCK ADJUSTEMENT 1" x 5/16" x 1/8" 80DURO	AR	
NS	685124	ADHESIVE SIMSON #ISR 70-03 / BLACK / 600ml SAUSAGE	AR	
9	471602	MOULDING LEFT	1	
NS	684685	ADHESIVE SIMSON #ISR 70-03 / 310ml CARTRIDGE	AR	
NS	506769	TAPE RUB ADH2 CC POL 1/8" x 1/4" x 60' / BLACK H1CC-N#14	AR	
10	471603	MOULDING RIGHT	1	
NS	684685	ADHESIVE SIMSON #ISR 70-03 / 310ml CARTRIDGE	AR	
NS	506769	TAPE RUB ADH2 CC POL 1/8" x 1/4" x 60' / BLACK H1CC-N#14	AR	
11	353701	INSULATION FRONT CAP	1	
12	353702	INSULATION FRONT CAP	1	
13	353704	INSULATION FRONT CAP	1	
14	353720	INSULATION FRONT CAP	1	
15	353721	INSULATION FRONT CAP	1	
16	353289	INSULATION FRONT CAP	1	

From L-7663 To M-7767	Date:07/2024	PAGE:X3PLB-1851-01
-----------------------	--------------	--------------------

FRONT CAP - INSTALLATION

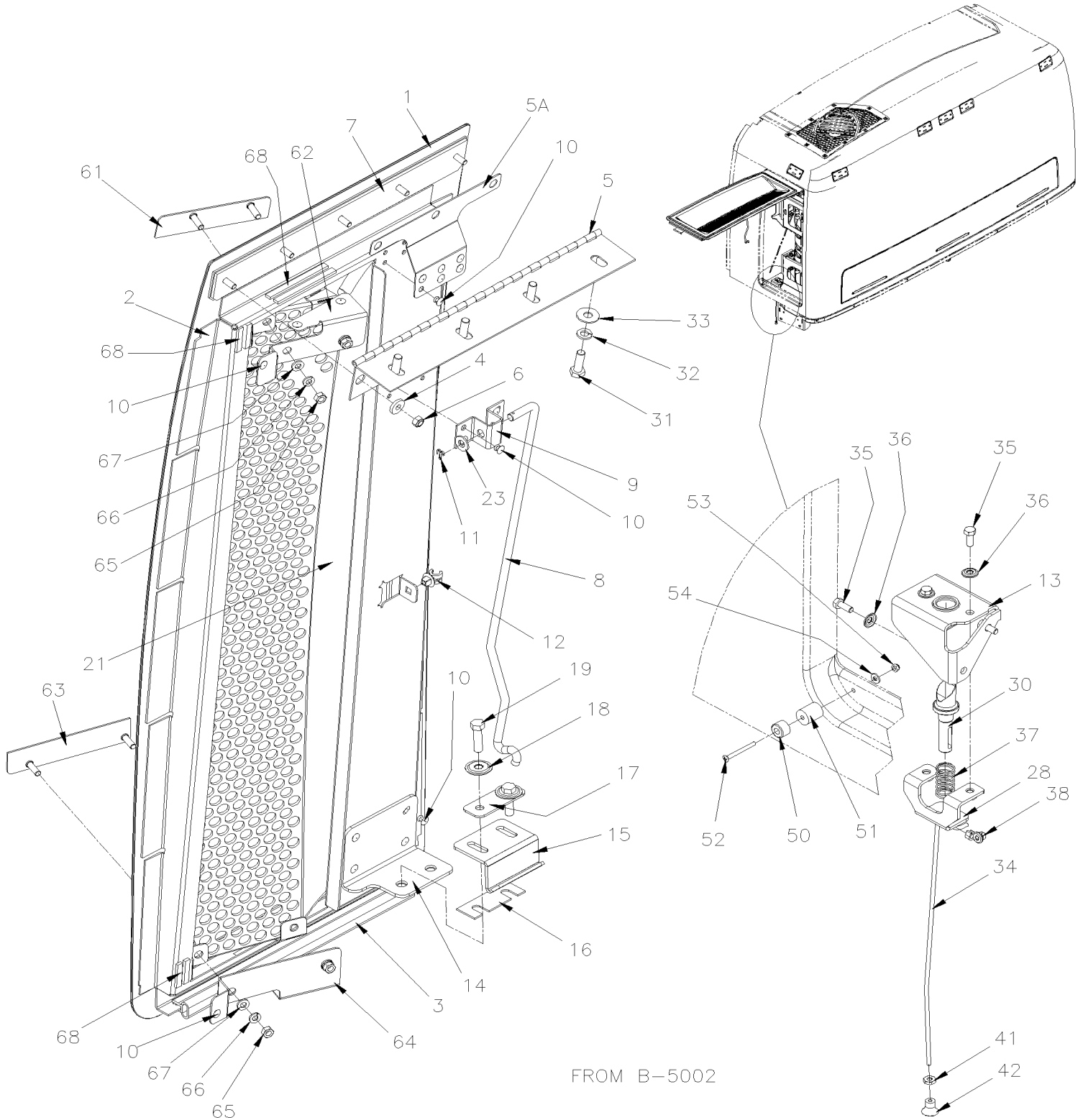
Item#	Part	Description	QTY	Notes
17	353580	INSULATION FRONT CAP	1	
18	353290	INSULATION FRONT CAP	1	
19	353287	INSULATION FRONT CAP	1	
21	471034	BONDING BRACKET To N-7997	2	
21	4710284	BONDING BRACKET From N-7998	2	
22	300178	WIPER ANCHOR PLATE	4	
23	300188	WIPER PLATE	8	
24	300055	ANCHOR PLATE MIRROR	2	
25	300051	ANCHOR PLATE MIRROR	2	
26	5001983	NUT HEX NYRT M8-1.25 SS SS BK	16	
27	5001745	SCREW CAP HEX M8-1.25x25 G8.8 N500	16	
28	5001699	WASHER BEL SPR 8.2x22x1.4 N500	28	
29	5001692	NUT INS FL HEX M8-1.25 0.5-3.0 SS	AR	
30	5001699	WASHER BEL SPR 8.2x22x1.4 N500 To N-7997	4	
30	5001849	WASHER FL 8.4x24.0x2.0 SS From N-7998	4	
31	562679	4 WAY ADH. BACKED MOUNTS 1.000 x 1.000 x .160	6	
NS	509815	TIE MOUNT / ATTACHMENT W/TREE MOUNT	2	
32	504637	CABLE TIE / 3/16" x 13"	AR	
50	X3PLB-1880-01	WINDSHIELD & CHANNEL		
51	X3PLB-1850-01	BUMPER FRONT		
52	X3PLB-0660-01	HEADLAMP & FRONT DIRECTIONAL LAMPS		
53	X3PLB-0662-01	CLEARANCE & MARKER LIGHT		
54	X3PLB-1855-00	RUB RAIL - EXTERIOR CREST & TRIMS		

From G-7275 To K-7662

Date:07/2024

PAGE:X3PLB-1851-05

REAR CAP - DOOR DPF & SCR



From G-7275 To K-7662	Date:07/2024	PAGE:X3PLB-1851-05
REAR CAP - DOOR DPF & SCR		

Item#	Part	Description	QTY	Notes
	478567	DOOR PANEL ASSY WITH HINGE	1	
1	479169	DOOR PANEL	1	
2	478967	FRAME DOOR	1	
3	506303	RUBBER SEAL EXTRUSION	8	
4	5001654	WASHER FL 6.4x17.0x3.0 SS	4	
5	479170	HINGE 338MM	1	
5A	479244	ATTACHMENT PLATE "T" SHAPE	1	
NS	506191	TAPE RUB ADH1 CC POL 1/8" x 1/4" x 50' / GREY 2520X	AR	
6	502681	NUT HEX NYRT M6-1.0 N500 G8	4	
7	478258	ATTACHMENT PLATE ASSY W/STUD 5	1	
8	478269	ROD 442MM	1	
9	478218	ATTACHMENT ROD LOCK	1	
NS	506191	TAPE RUB ADH1 CC POL 1/8" x 1/4" x 50' / GREY 2520X	AR	
10	504379	RIVET POP DOME OE 3/16x1/4 SS	AR	
11	502094	PIN, COTTER 1/16 x 1/2 SS	1	
12	504734	ATTACHMENT ROD	1	
NS	680066	ADHESIVE / ADBOND #5014 / 23.6ML BOTTLE	AR	
13	479274	STOPPER CATCH PIN	1	
14	479273	ATTACHMENT LOCK	1	
NS	506191	TAPE RUB ADH1 CC POL 1/8" x 1/4" x 50' / GREY 2520X	AR	
15	288087	CATCH PIN / RETAINER 49.8MMx36.5MM 90°	1	
16	287452	SHIM SPACER 70MM X 25 X 14GA	AR	
17	288088	PLATE RETAINER 66MM X 25.4MM	1	
18	5001699	WASHER BEL SPR 8.2x22x1.4 N500	2	
19	502780	SCREW CAP HEX M8-1.25x25 SS BK	2	
NS	684743	GLUE METHACRYLATE PLEXUS MA832GB 380 ml	AR	
22	478289	GRILLE FIBERGLASS / AIR INLET / PAINTED	1	
NS	478278	GRILLE FIBERGLASS / AIR INLET	1	
23	5001341	WASHER FL 8.4x17.0x1.6 SS	1	
NS	506236	TAPE RUB ADH1 CC POL 1/16" x 1/2" x 100' / GREY 2520	AR	
28	288061	SUPPORT CATCH PIN	1	
30	2801056	CATCH PIN BLACK ACETAL	1	
31	502780	SCREW CAP HEX M8-1.25x25 SS BK	7	
32	5001161	WASHER LO SPT 8.1x14.8x2.0 SS-304	7	
33	5001448	WASHER FL .343x.875x.062 SS18-8	7	
34	478274	ROD OPENING 311.5MM To J-7512	1	
34	471165	ROD OPENING 190MM From J-7513	1	
34	504069	GROMMET / .281x.375x.062x.250x.562 From J-7513	1	
35	5001744	SCREW CAP HEX M6-1.0x16 G8.8 N500	4	
36	500356	WASHER LO SERR 6.1x16.0x0.9 N500	4	
37	502910	SPRING COMPRESSION / .720 O.D. 1.75 x .055	1	
38	780340	CLIP, RETAINER ROD To J-7512	1	

From G-7275 To K-7662	Date:07/2024	PAGE:X3PLB-1851-05
REAR CAP - DOOR DPF & SCR		

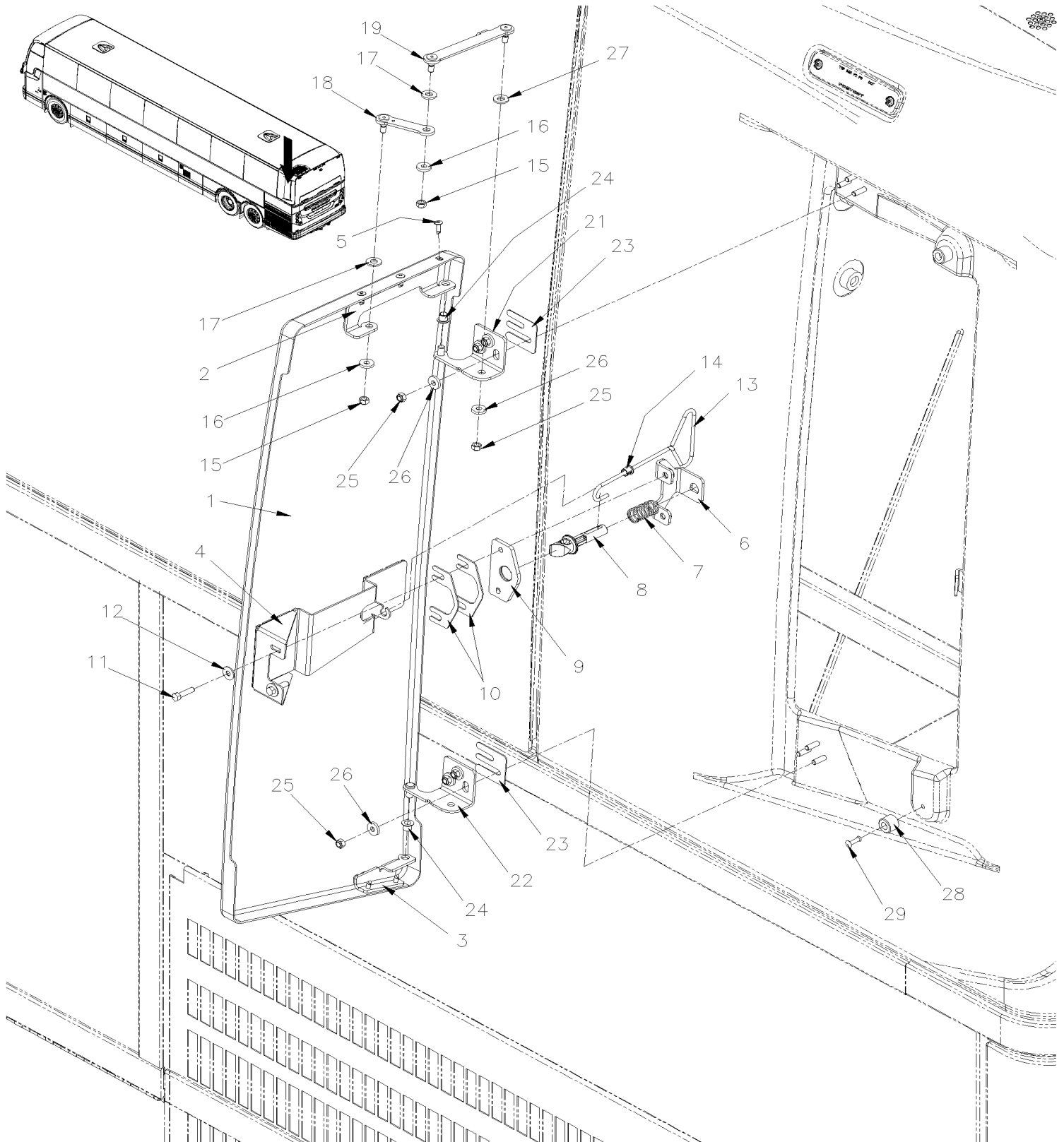
Item#	Part	Description	QTY	Notes
41	500986	NUT HEX #8-32 N500	1	
42	505504	KNOB, PULL / 8-32	1	
50	504334	BUMPER RUBBER / .625 OD x .406 TH x .156 HOLE To J-7533	AR	
50	5002025	BUMPER NEOPRENE / .625 OD x .406 TH x .156 HOLE From J-7534	R	
51	479222	SPACER ACETAL BLACK 4.37 I.D.x 17 O.D. x 20MM	AR	
52	502530	SCREW MA OV PH M4-0.7x40 SS	AR	
53	502557	NUT HEX NYRT M4-0.7 SS	AR	
54	504357	WASHER FL .187x.437x.050 SS	AR	
61	478968	UPPER PLATE	1	
63	478969	LOWER PLATE	1	
65	502681	NUT HEX NYRT M6-1.0 N500 G8	4	
66	502570	WASHER LO SPT 6.1x11.8x1.6 SS	4	
67	500877	WASHER FL .250x.562x.065 N500	4	
68	506191	TAPE RUB ADH1 CC POL 1/8" x 1/4" x 50' / GREY 2520X	AR	

From L-7663 To M-7767

Date:07/2024

PAGE:X3PLB-1851-06

REAR CAP - DOOR DPF & SCR



From L-7663 To M-7767	Date:07/2024	PAGE:X3PLB-1851-06
REAR CAP - DOOR DPF & SCR		

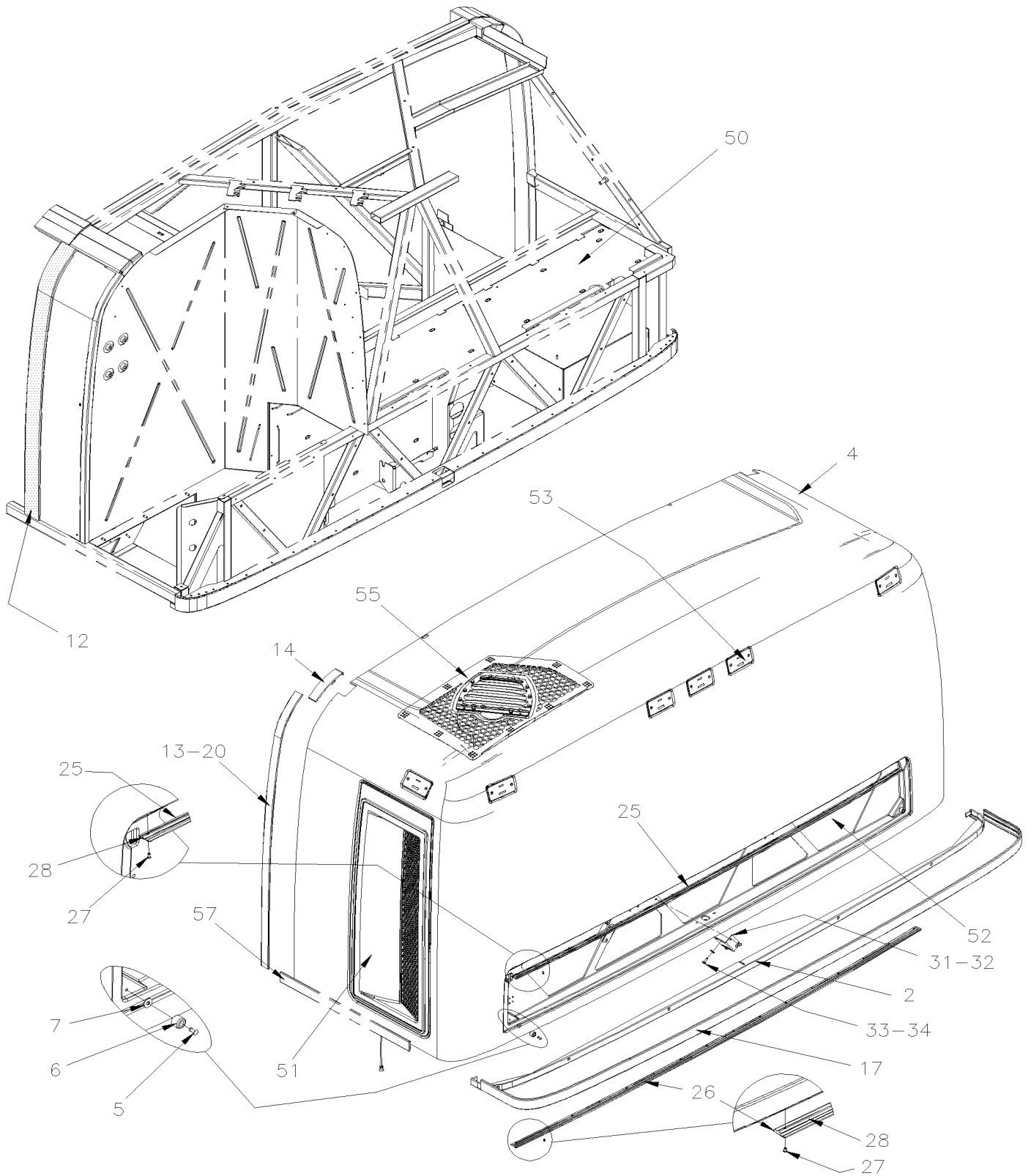
Item#	Part	Description	QTY	Notes
1	2810261	DOOR ACCESS, ASS	1	
2	283341	. SUPPORT, TOP HINGE	1	
NS	687957	. GLUE MS POLYMER TEROSON MS 9399 / 400ml CARTRIDGE To M-7792	AR	
NS	685387	. GLUE MS POLYMER TEROSON MS 9399 / 400ml CARTRIDGE From M-7793	AR	
NS	506785	. TAPE RUB ADH2 CC POL 1/16" X 1/4" X 200' / BLACK I1C-N-A	AR	
3	283288	. SUPPORT, BOTTOM HINGE	1	
NS	687957	. GLUE MS POLYMER TEROSON MS 9399 / 400ml CARTRIDGE To M-7792	AR	
NS	685387	. GLUE MS POLYMER TEROSON MS 9399 / 400ml CARTRIDGE From M-7793	AR	
NS	506785	. TAPE RUB ADH2 CC POL 1/16" X 1/4" X 200' / BLACK I1C-N-A	AR	
4	283078	. SUPPORT, DOOR LATCH	1	
NS	687957	. GLUE MS POLYMER TEROSON MS 9399 / 400ml CARTRIDGE To M-7792	AR	
NS	685387	. GLUE MS POLYMER TEROSON MS 9399 / 400ml CARTRIDGE From M-7793	AR	
NS	506785	. TAPE RUB ADH2 CC POL 1/16" X 1/4" X 200' / BLACK I1C-N-A	AR	
5	504379	. RIVET POP DOME OE 3/16x1/4 SS	5	
6	283223	. SUPPORT, LATCH	1	
7	502910	. SPRING COMPRESSION / .720 O.D. 1.75 x .055	1	
8	2801056	. CATCH PIN BLACK ACETAL	1	
9	283126	. GUIDE, LATCH	1	
10	287878	. SHIM	2	
11	502737	. SCREW CAP HEX M6-1.0x25 SS BK	2	
12	5001833	. WASHER BEL SPR 6.1x18x1.27 SS	2	
13	283287	. ROD, DOOR OPENING	1	
14	504083	. SNAP BUSHING / .250x.468.406	1	
15	5001182	. NUT HEX NYRT M6-1.0 SS	2	
16	5001654	. WASHER FL 6.4x17.0x3.0 SS	2	
17	5001850	. WASHER FL 8.4 x 18 x 2 NYL	2	
18	283401	. ARM, LOCKING (SHORT) ASSY.	1	
19	283399	. ARM, LOCKING (LONG) ASSY.	1	
21	283352	HINGE, TOP	1	
22	283353	HINGE, BOTTOM	1	
23	283396	SHIM	2	
24	507378	BUSHING W/SHOULDER	2	
25	5001182	NUT HEX NYRT M6-1.0 SS	7	
26	5001654	WASHER FL 6.4x17.0x3.0 SS	7	
27	5001850	WASHER FL 8.4 x 18 x 2 NYL	1	
28	5002023	BUMPER NEOPRENE / .750 OD x .562 TH x .187 HOLE	2	
29	504416	RIVET POP DOME OE 3/16x5/8 SS	2	
31	471140	LATCH, DOOR 1	1	
NS	687957	GLUE MS POLYMER TEROSON MS 9399 / 400ml CARTRIDGE To M-7792	AR	
NS	506785	TAPE RUB ADH2 CC POL 1/16" X 1/4" X 200' / BLACK I1C-N-A	AR	

From G-7275 To K-7662

Date:07/2024

PAGE:X3PLB-1851-20

REAR CAP - INSTALLATION



From G-7275 To K-7662	Date:07/2024	PAGE:X3PLB-1851-20
REAR CAP - INSTALLATION		

Item#	Part	Description	QTY	Notes
2	479308	MOULDING FIBER GLASS To H-7317	1	
2	470231	MOULDING FIBER GLASS From H-7318	1	
3	500353	SCREW TP FL PH #8x3/4 BK	6	
4	479260	REAR CAP ASSY / BUS To H-7317	1	
. NS	479298	. ATTACHMENT PLATE W/2 NUTS/ REAR LOWER DOOR 116MMx 38MM To H-7317	2	
4	470247	REAR CAP ASSY / BUS From H-7318 To H-7399	1	
4	470517	REAR CAP ASSY / BUS From H-7400	1	
4	478415	REAR CAP ASSY / WITH REAR SIGN To H-7317	1	A
4	470272	REAR CAP ASSY / WITH REAR SIGN From H-7318 To H-7399	1	A
4	470642	REAR CAP ASSY / WITH REAR SIGN From H-7400	1	A
5	500414	SCREW TP BDG PH #10x3/4 SS	2	
6	5001168	BUMPER RUBBER / .750 OD x .562 TH x .187 HOLE To J-7533	2	
6	5002023	BUMPER NEOPRENE / .750 OD x .562 TH x .187 HOLE From J-7534	2	
7	500411	WASHER FL .260x.697x.050 SS	2	
12	293135	RUBBER SEAL 1315MM / W/83"	2	
13	474067	FINISHING MOULDING BUS & MTH 83" 1264MM	2	
14	293712	UPPER EXTRUSION 38MM	2	
17	474359	FINISHING MOULDING PLASTIC 2800MM	1	
. NS	506785	. TAPE RUB ADH2 CC POL 1/16" X 1/4" X 200' / BLACK I1C-N-A	AR	
. NS	506769	. TAPE RUB ADH2 CC POL 1/8" x 1/4" x 60' / BLACK H1CC-N-#14	AR	
20	506759	TAPE RUB ADH2 CC POL 1/8" x 1/2" x 100' / BLACK I1C-N-A	AR	
NS	687955	PRIMER PLEXUS #PC-120 / 944ml	AR	
NS	687957	GLUE MS POLYMER TEROSON MS 9399 / 400ml CARTRIDGE	AR	
NS	687958	MIXER QUADRO 10.7MM W/"V" ADAPTOR / "B"	AR	
NS	687959	PRIMER TEROSTAT 450 1000ml	AR	
NS	687960	MIXER INTEGRATOR / MS13-24	AR	
NS	687961	GLUE MS POLYMER TEROSON MS 9399 / "A" 21 Liters	AR	
NS	687962	GLUE MS POLYMER TEROSON MS 9399 / "B" 21 Liters	AR	
25	470151	DRIP EDGE UPPER 1982MM From H-7318	1	
26	470152	DRIP EDGE LOWER 2082MM From H-7318	1	
27	504643	RIVET POP DOME OE 1/8x1/2 SS From H-7318	AR	
28	506869	TAPE RUB ADH2 POL .031" X 1/4" X 300' / BLACK From H-7318	AR	
31	478765	FIXING PLATE	2	
32	504459	RIVET MGLP PRDG 1/4x3/8 SS	4	
33	502848	SCREW TC CAP HEXF 1/4-20x3/4 N500	4	
34	5001833	WASHER BEL SPR 6.1x18x1.27 SS	4	
50	X3PLB-189X-XX	STRUCTURE / CALL ORDER DESK		
51	X3PLB-1851-05	REAR CAP - DOOR DPF & SCR		
52	X3PLB-1870-20	REAR ENGINE UPPER DOOR		

From G-7275 To K-7662	Date:07/2024	PAGE:X3PLB-1851-20
REAR CAP - INSTALLATION		

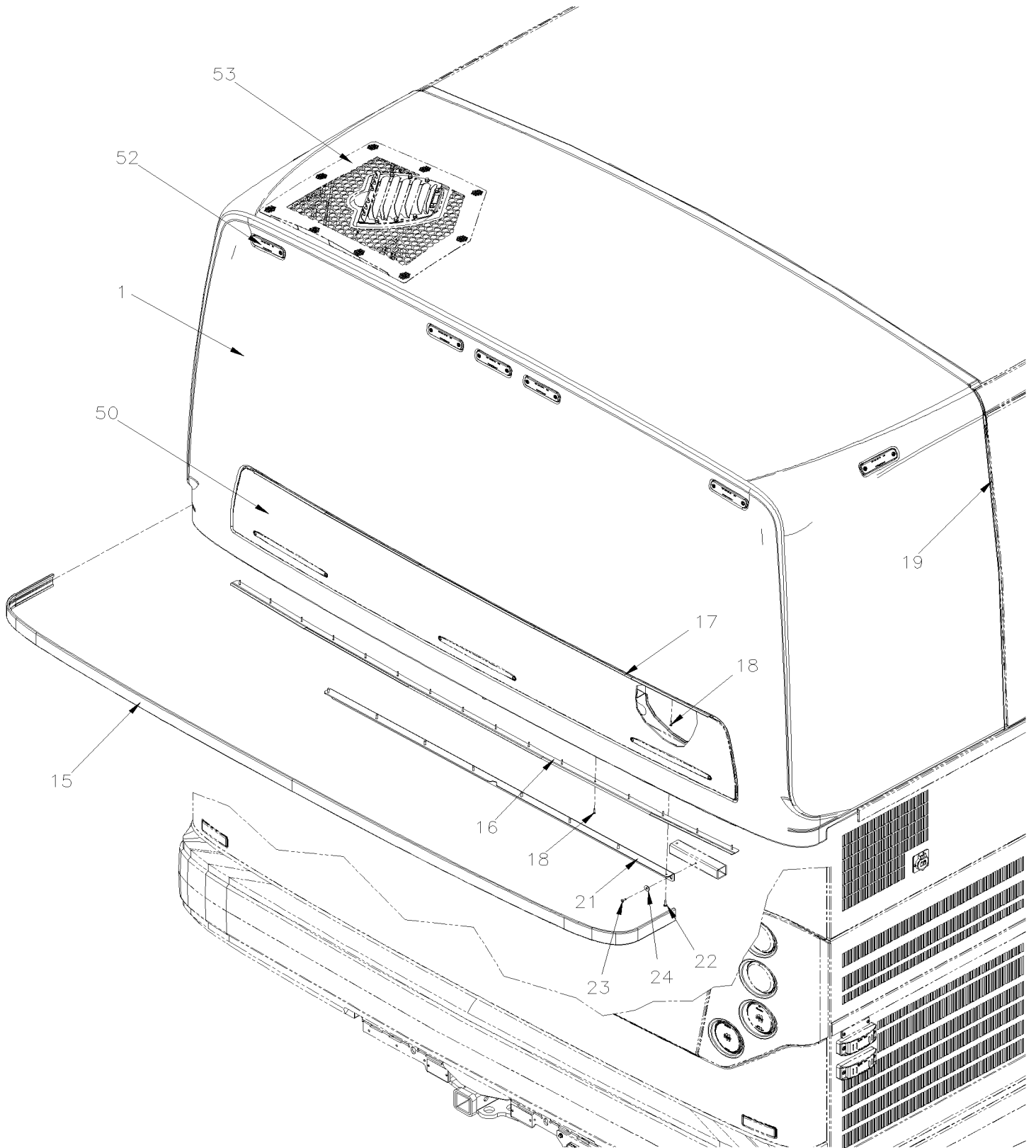
Item#	Part	Description	QTY	Notes
53	X3PLB-0662-00	CLEARANCE & MARKER LIGHT		
55	X3PLB-0405-00	MUFFLER - INSTALLATION WITH DPF & SCR WITH VOLVO D13		
57	X3PLB-1854-00	SIDE FLAT PANEL To H-7416		
57	X3PLB-1854-01	SIDE FLAT PANEL From H-7417		
		A) USE WITH REAR SIGN		

From L-7663 To M-7767

Date:07/2024

PAGE:X3PLB-1851-21

REAR CAP - INSTALLATION

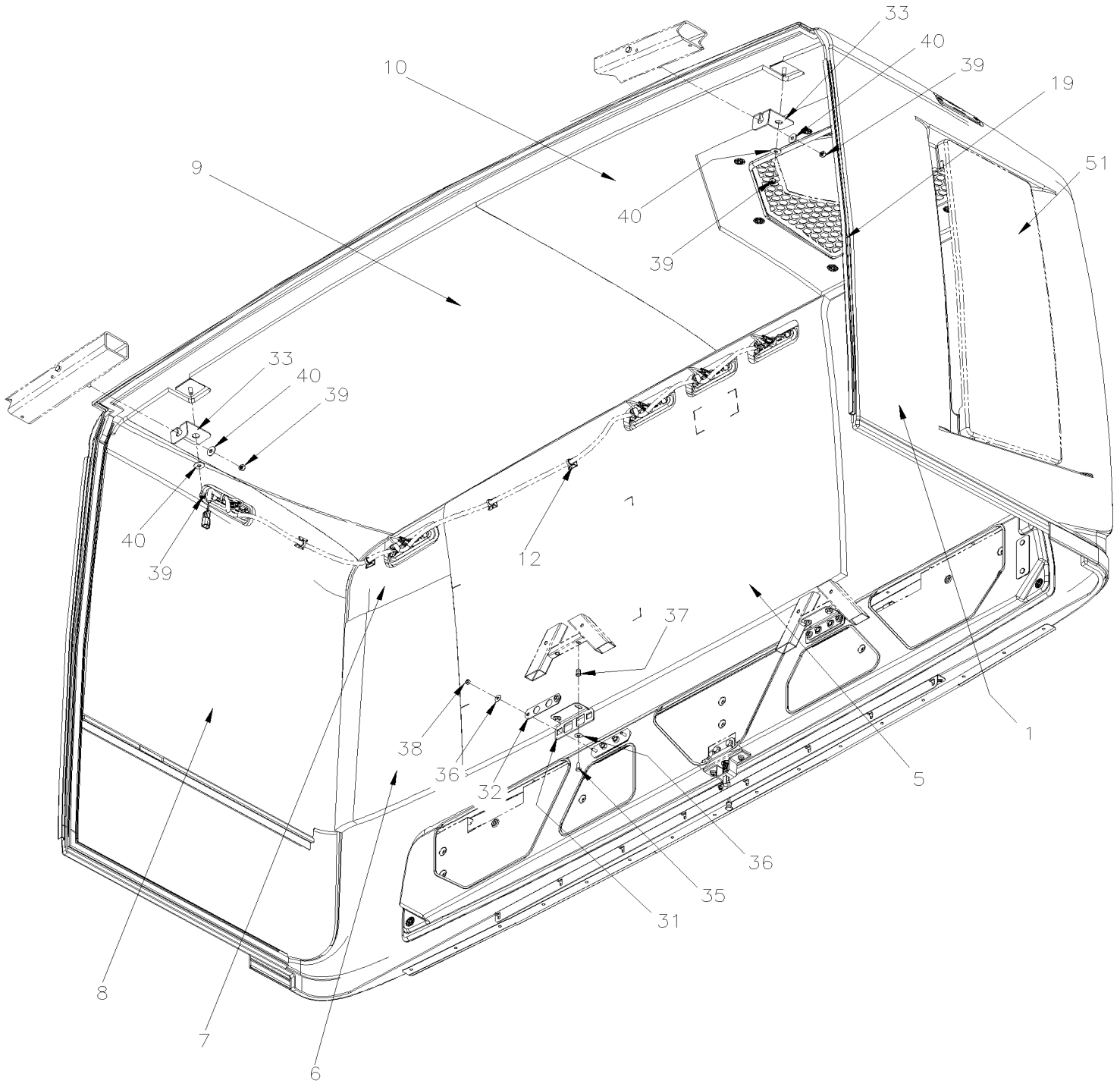


From L-7663 To M-7767

Date:07/2024

PAGE:X3PLB-1851-21

REAR CAP - INSTALLATION



From L-7663 To M-7767	Date:07/2024	PAGE:X3PLB-1851-21
-----------------------	--------------	--------------------

REAR CAP - INSTALLATION

Item#	Part	Description	QTY	Notes
1	471346	REAR CAP ASSY / BUS	1	
1	471037	REAR CAP ASSY / WITH REAR SIGN	1	
NS	687957	GLUE MS POLYMER TEROSON MS 9399 / 400ml CARTRIDGE To M-7792	AR	
NS	685387	GLUE MS POLYMER TEROSON MS 9399 / 400ml CARTRIDGE From M-7793	AR	
NS	685124	ADHESIVE SIMSON #ISR 70-03 / BLACK / 600ml SAUSAGE	AR	
5	353692	INSULATION, REAR CAP	1	
6	353693	INSULATION, REAR CAP	1	
7	353705	INSULATION, REAR CAP	1	
8	353694	INSULATION, REAR CAP	1	
9	353695	INSULATION, REAR CAP	1	
10	353696	INSULATION, REAR CAP	1	
NS	684978	SPRAY URETHANE HILTI CAN	AR	
12	562679	4 WAY ADH. BACKED MOUNTS 1.000 x 1.000 x .160	4	
15	474359	FINISHING MOULDING PLASTIC 2800MM	1	
NS	506785	TAPE RUB ADH2 CC POL 1/16" X 1/4" X 200' / BLACK I1C-N-A	AR	
NS	506769	TAPE RUB ADH2 CC POL 1/8" x 1/4" x 60' / BLACK H1CC-N-#14	AR	
15	683083	ADHESIVE SIKA #252 / BLACK / 600 ml SAUSAGE	AR	
16	420031	DRIP, ENGINE DOOR	1	
16	506869	TAPE RUB ADH2 POL .031" X 1/4" X 300' / BLACK	AR	
17	420026	DRIP, REAR ACCESS DOOR	1	
17	506869	TAPE RUB ADH2 POL .031" X 1/4" X 300' / BLACK	AR	
18	504643	RIVET POP DOME OE 1/8x1/2 SS	30	
19	290394	SEAL, VERTICAL WINDOW 1103MM To M-7767	2	
19	290644	SEAL VERTICAL WINDOW 1103MM From M-7768	2	
21	471163	ANGULAR, FIXING	1	
22	500414	SCREW TP BDG PH #10x3/4 SS	8	
23	504379	RIVET POP DOME OE 3/16x1/4 SS	8	
24	508401	WASHER FL .218x.875x.062 SS XL BK	8	
31	471336	REINFORCEMENT	2	
32	471340	PLATE, MOUNTING	2	
33	471034	BONDING BRACKET To N-7997	2	
33	4710284	BONDING BRACKET From N-7998	2	
35	5001697	SCREW CAP HEX M6-1.0x16 SS BK	4	
36	5001833	WASHER BEL SPR 6.1x18x1.27 SS	8	
37	5001344	NUT INS FL HEX M6-1.0 0.5-3.0 SS	4	
38	5001851	NUT HEX M6-1.0 SS BK	4	
39	5001983	NUT HEX NYRT M8-1.25 SS SS BK	4	
40	5001849	WASHER FL 8.4x24.0x2.0 SS	4	

From L-7663 To M-7767	Date:07/2024	PAGE:X3PLB-1851-21
-----------------------	--------------	--------------------

REAR CAP - INSTALLATION

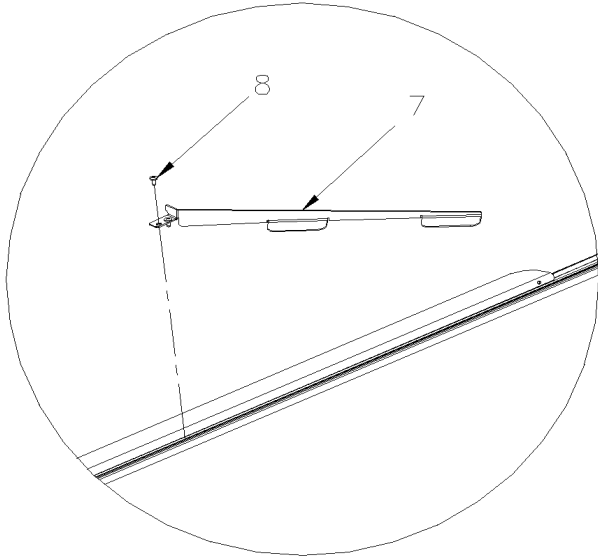
Item#	Part	Description	QTY	Notes
50	X3PLB-1870-21	REAR ENGINE UPPER DOOR	1	
51	X3PLB-1851-06	REAR CAP - DOOR DPF & SCR	1	
52	X3PLB-0662-01	CLEARANCE & MARKER LIGHT	1	
53	X3PLB-0405-00	MUFFLER - INSTALLATION WITH DPF & SCR WITH VOLVO D13	1	

From G-7275 To K-7662

Date:07/2024

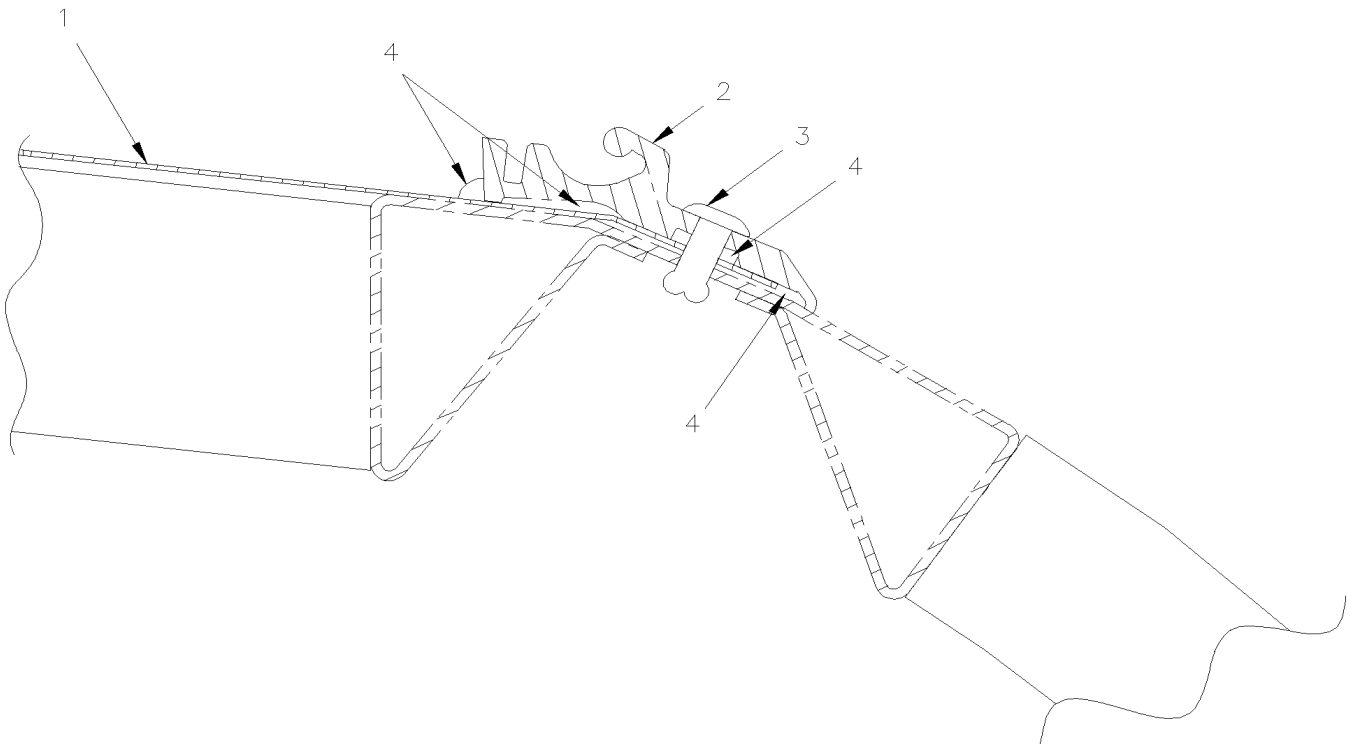
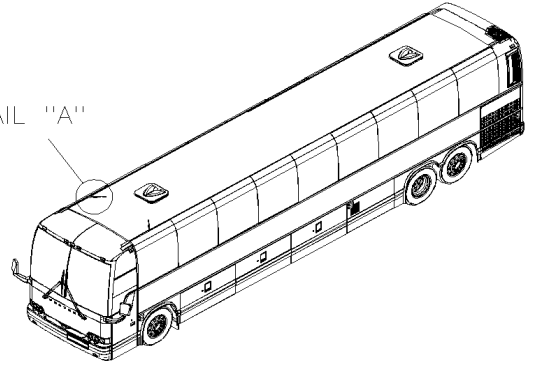
PAGE:X3PLB-1852-00

ROOF PANEL



DETAIL "A"

DETAIL "A"



From G-7275 To K-7662	Date:07/2024	PAGE:X3PLB-1852-00
-----------------------	--------------	--------------------

ROOF PANEL

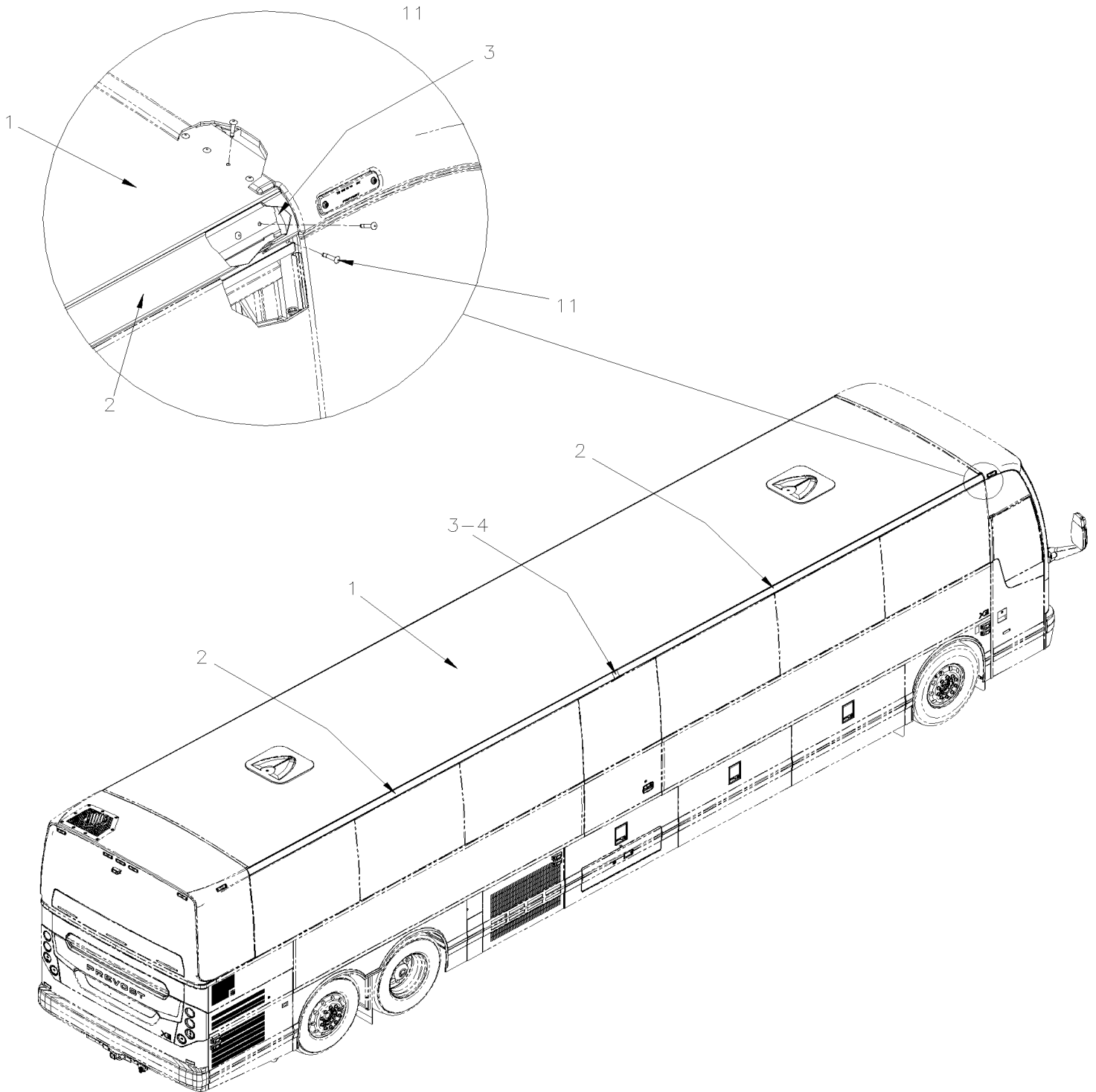
Item#	Part	Description	QTY	Notes
1	970324	ALUMINUM SHEET 5052 WHITE 18GAX82 1/4"	1	
2	294124	EXTRUSION, ALUMINUM 5870MM (231.1")	4	
3	504787	RIVET CHY MONOLOK PRDG 1/4x5/8 ZP	AR	
4	684517	ADHESIVE SIMSON #ISR 70-03 / GREY / 310ml CARTRIDGE	AR	
NS	506790	TAPE RUB ADH2 CC POL 1/16" x 1/2" x 200' / BLACK I1C-N-A	AR	
5	474057P	KIT, ROOF PANELING XL SERIES	1	
6	Call order desk	DEFLECTOR, ROOF		P
. NS	IS-12024	. SEE INSTRUCTION SHEET	1	
7	294115	. DEFLECTOR R.H.	1	
NS	294116	. DEFLECTOR L.H.	1	
8	500393	. SCREW TC PAN PH #10-24x3/8 Z050	4	
NS	5001076	. WASHER FL RET 4.6x15.4x1.37 NYL BK	4	
		P) CALL ORDER DESK FOR SPECIFIC APPLICATION (V.I.N.)		

From L-7663 To M-7767

Date:07/2024

PAGE:X3PLB-1852-01

ROOF PANEL



From L-7663 To M-7767	Date:07/2024	PAGE:X3PLB-1852-01
ROOF PANEL		

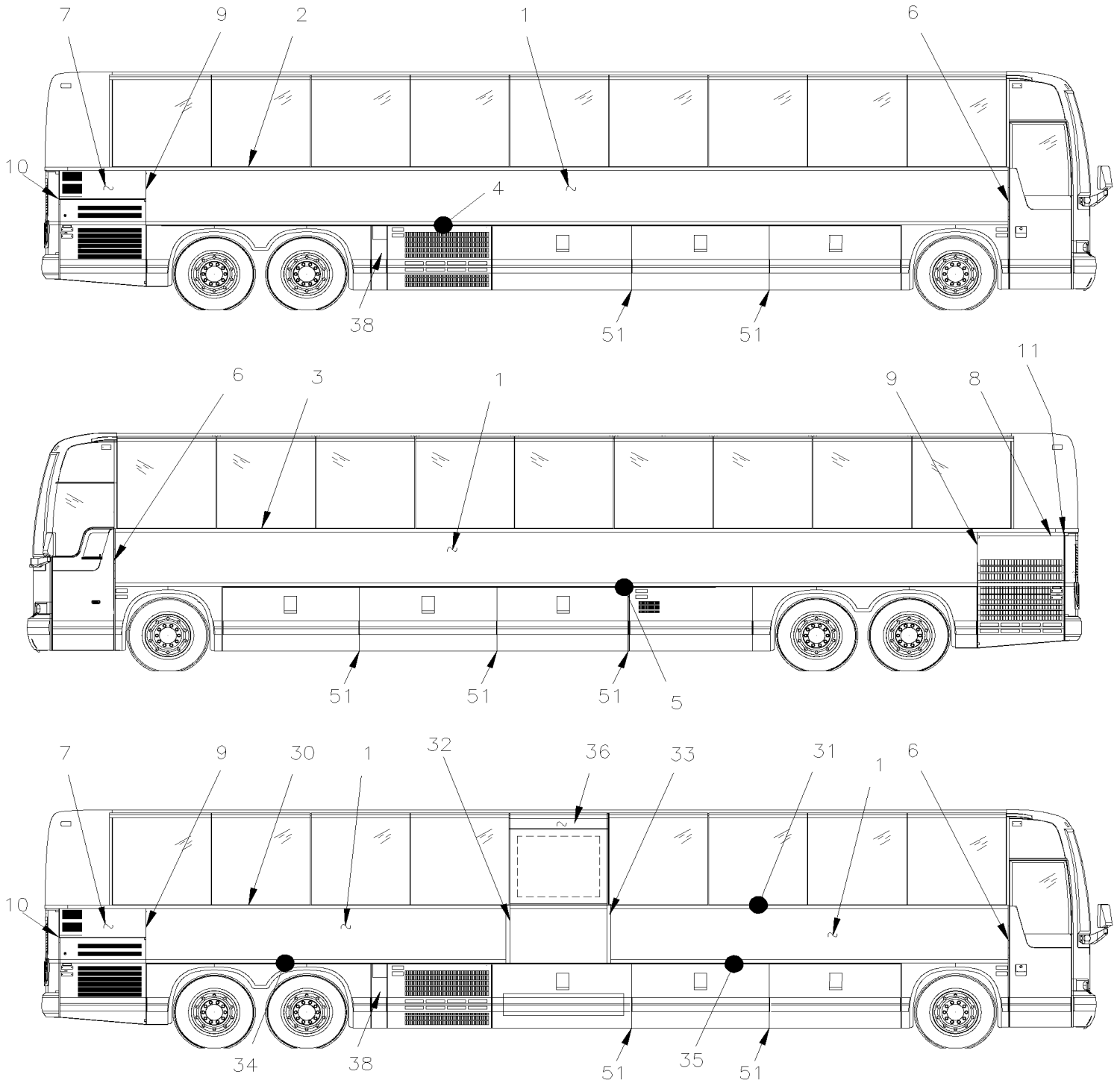
Item#	Part	Description	QTY	Notes
1	970003	ALUMINUM SHEET 5052 WHITE 18GA X 94 1/2"	AR	
2	290114	EXTRUSTION ROOF To M-7772	4	
2	290779	EXTRUSTION ROOF From M-7773	4	
3	290255	PLUG	8	
4	479765	ROOF EXTRUSION SEAL MOLDING To M-7772	2	
. NS	290256	. ROOF EXTRUSION SEAL MOLDING To M-7772	1	
. NS	506869	. TAPE RUB ADH2 POL .031" X 1/4" X 300' / BLACK To M-7772	AR	
4	4710185	ROOF EXTRUSION SEAL MOLDING From M-7773	2	
. NS	290786	. ROOF EXTRUSION SEAL MOLDING From M-7773	1	
. NS	506869	. TAPE RUB ADH2 POL .031" X 1/4" X 300' / BLACK From M-7773	AR	
NS	506869	TAPE RUB ADH2 POL .031" X 1/4" X 300' / BLACK	AR	
11	504787	RIVET CHY MONOLOK PRDG 1/4x5/8 ZP	AR	
NS	687961	GLUE MS POLYMER TEROSON MS 9399 / "A" 21 Liters To M-7792	AR	
NS	685385	GLUE MS POLYMER TEROSON MS 9399 / "A" 14.8 Liters From M-7793	AR	
NS	687962	GLUE MS POLYMER TEROSON MS 9399 / "B" 21 Liters To M-7792	AR	
NS	685386	GLUE MS POLYMER TEROSON MS 9399 / "B" 14.8 Liters From M-7793	AR	
NS	687957	GLUE MS POLYMER TEROSON MS 9399 / 400ml CARTRIDGE To M-7792	AR	
NS	685387	GLUE MS POLYMER TEROSON MS 9399 / 400ml CARTRIDGE From M-7793	AR	
NS	685124	ADHESIVE SIMSON #ISR 70-03 / BLACK / 600ml SAUSAGE	AR	
NS	680066	ADHESIVE / ADBOND #5014 / 23.6ML BOTTLE	AR	
NS	683084	SEALANT SIKA #221 / GREY / 600 ml SAUSAGE	AR	

From G-7275 To H-7416

Date:07/2024

PAGE:X3PLB-1854-00

SIDE FLAT PANEL



From G-7275 To H-7416	Date:07/2024	PAGE:X3PLB-1854-00
SIDE FLAT PANEL		

Item#	Part	Description	QTY	Notes
1	970271	STAINLESS STEEL SHEET 759MM X 11392MM	1	
1	970315	STAINLESS STEEL SHEET 759MM X 11240MM	1	
2	474514	FINISHING MOULDING UPPER R.H. 12253MM	1	
. NS	506785	. TAPE RUB ADH2 CC POL 1/16" X 1/4" X 200' / BLACK I1C-N-A	AR	
. NS	506790	. TAPE RUB ADH2 CC POL 1/16" x 1/2" x 200' / BLACK I1C-N-A	AR	
3	474515	FINISHING MOULDING UPPER L.H. 12253MM	1	
. NS	506785	. TAPE RUB ADH2 CC POL 1/16" X 1/4" X 200' / BLACK I1C-N-A	AR	
. NS	506790	. TAPE RUB ADH2 CC POL 1/16" x 1/2" x 200' / BLACK I1C-N-A	AR	
4	478582	FINISHING MOULDING LOWER R.H. 11239MM	1	
. NS	506785	. TAPE RUB ADH2 CC POL 1/16" X 1/4" X 200' / BLACK I1C-N-A	AR	
. NS	506869	. TAPE RUB ADH2 POL .031" X 1/4" X 300' / BLACK	AR	
5	478581	FINISHING MOULDING LOWER L.H. 11086MM	1	
. NS	506785	. TAPE RUB ADH2 CC POL 1/16" X 1/4" X 200' / BLACK I1C-N-A	AR	
. NS	506869	. TAPE RUB ADH2 POL .031" X 1/4" X 300' / BLACK	AR	
6	474388	FINISHING MOULDING S.S.	2	
NS	504473	RIVET POP DOME OE 1/8x1/4 SS	12	
7	478418	PANEL SUB ASSY AIR INTAKE R.H.	1	
7	478984	PANEL SUB ASSY W/O AIR INTAKE R.H.	1	A
8	479162	PANEL 58MM X 1292MM / UPPER / RADIATOR DOOR	1	
9	474409	FINISHING MOULDING ALUMINUM 713MM	2	
10	474387	FINISHING MOULDING SS 400MM	1	
11	479165	FINISHING MOULDING 31MM SS	1	
30	477287	FINISHING MOULDING UPPER R.H. 5771.1MM	1	
. NS	506785	. TAPE RUB ADH2 CC POL 1/16" X 1/4" X 200' / BLACK I1C-N-A	AR	
. NS	506790	. TAPE RUB ADH2 CC POL 1/16" x 1/2" x 200' / BLACK I1C-N-A	AR	
31	477288	FINISHING MOULDING UPPER R.H. 5176.9MM	1	
. NS	506790	. TAPE RUB ADH2 CC POL 1/16" x 1/2" x 200' / BLACK I1C-N-A	AR	
32	477380	FINISHING MOULDING / SS / BACKWARD W.C.L. DOOR	1	
33	477381	FINISHING MOULDING / SS / FORWARD W.C.L. DOOR	1	
34	478586	FINISHING MOULDING LOWER R.H. 4782MM	1	
. NS	506785	. TAPE RUB ADH2 CC POL 1/16" X 1/4" X 200' / BLACK I1C-N-A	AR	
35	478585	FINISHING MOULDING LOWER R.H. 5202MM	1	
. NS	506869	. TAPE RUB ADH2 POL .031" X 1/4" X 300' / BLACK	AR	
. NS	506785	. TAPE RUB ADH2 CC POL 1/16" X 1/4" X 200' / BLACK I1C-N-A	AR	
36	X3PLB-1862-85	ENTRANCE DOOR SLIDING - INSTALLATION - W.C.L.		
38	477293	PANEL CURBSIDE 246.4MM	1	
NS	506869	TAPE RUB ADH2 POL .031" X 1/4" X 300' / BLACK	AR	
NS	506790	TAPE RUB ADH2 CC POL 1/16" x 1/2" x 200' / BLACK I1C-N-A	AR	
NS	506769	TAPE RUB ADH2 CC POL 1/8" x 1/4" x 60' / BLACK H1CC-N-#14	AR	
NS	506785	TAPE RUB ADH2 CC POL 1/16" X 1/4" X 200' / BLACK I1C-N-A	AR	
NS	506759	TAPE RUB ADH2 CC POL 1/8" x 1/2" x 100' / BLACK I1C-N-A	AR	
NS	506648	TAPE RUB ADH1 CC POL 1/8" x 1/2"x 50' / GREY 2542	AR	

From G-7275 To H-7416	Date:07/2024	PAGE:X3PLB-1854-00
SIDE FLAT PANEL		

Item#	Part	Description	QTY	Notes
NS	683097	CLEANER SIKA #205 / CLEAR / 1000ml	AR	
NS	683916	PRIMER SIKA #215 / CLEAR / 1000ml	AR	
NS	683083	ADHESIVE SIKA #252 / BLACK / 600 ml SAUSAGE	AR	
41	684517	ADHESIVE SIMSON #SR 70-03 / GREY / 310ml CARTRIDGE	AR	
42	685126	ADHESIVE SIMSON #SR 70-03 / GREY / 600ml SAUSAGE	AR	
51	221777	ANTI-SPLASH	5	
51	507030	RIVET POP DOME LARGE HEAD 3/16x1.2" SS	AR	
		A) USE WITH ROOF AIR INTAKE		

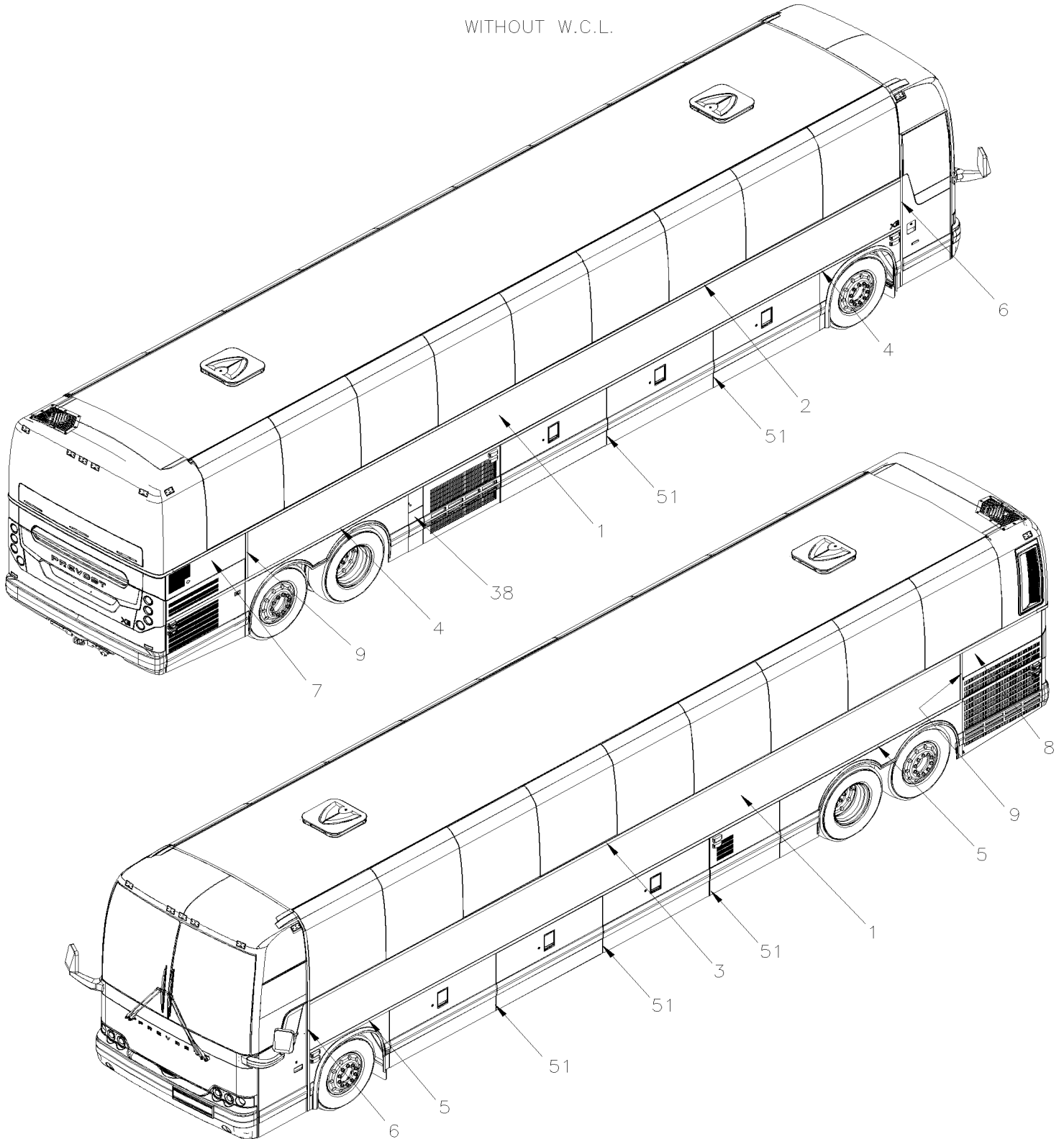
From H-7417 To K-7662

Date:07/2024

PAGE:X3PLB-1854-01

SIDE FLAT PANEL

WITHOUT W.C.L.



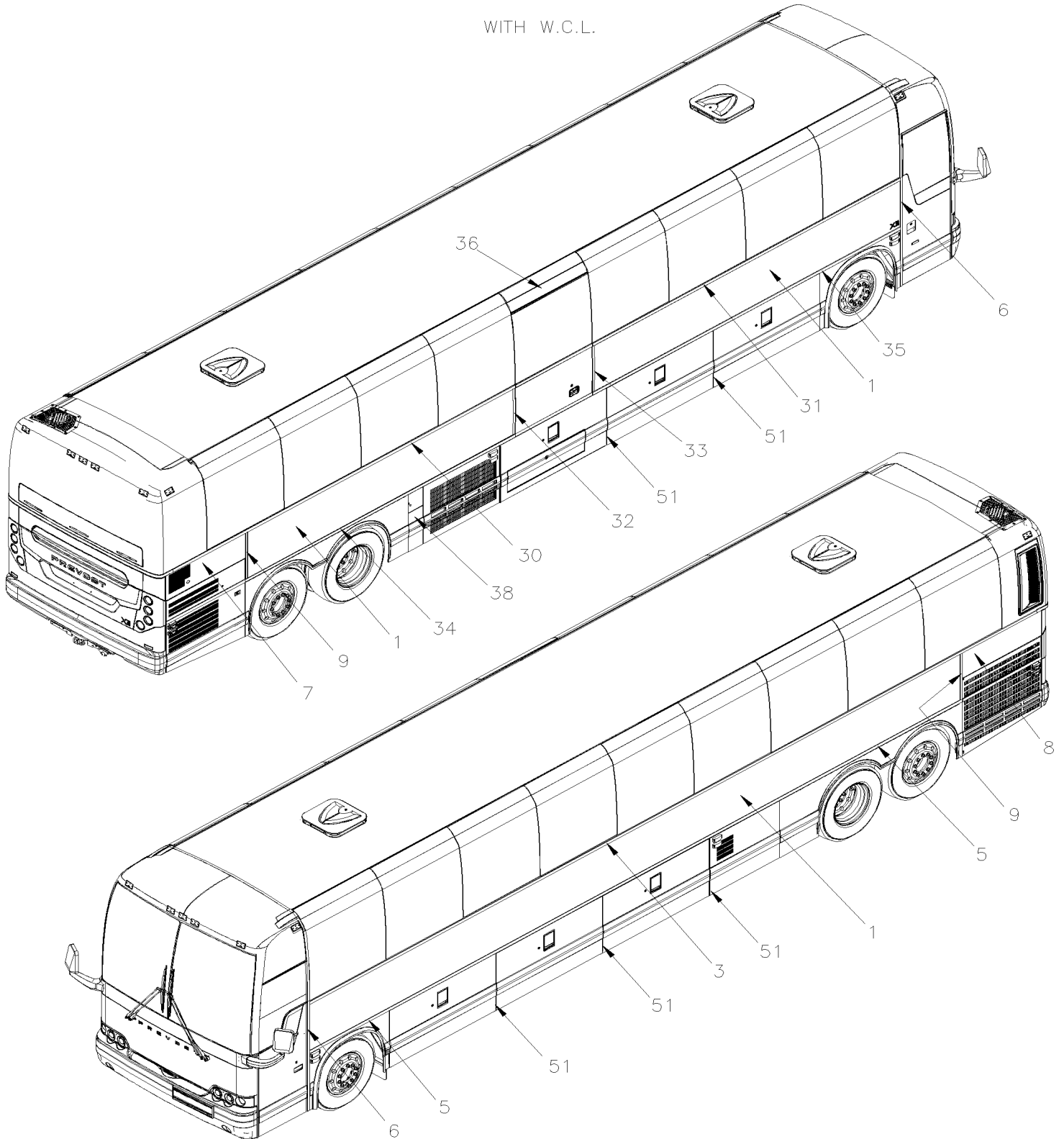
From H-7417 To K-7662

Date:07/2024

PAGE:X3PLB-1854-01

SIDE FLAT PANEL

WITH W.C.L.



From H-7417 To K-7662	Date:07/2024	PAGE:X3PLB-1854-01
SIDE FLAT PANEL		

Item#	Part	Description	QTY	Notes
1	970271	STAINLESS STEEL SHEET 759MM X 11392MM	1	
1	970315	STAINLESS STEEL SHEET 759MM X 11240MM	1	
2	474514	FINISHING MOULDING UPPER R.H. 12253MM	1	
. NS	506785	. TAPE RUB ADH2 CC POL 1/16" X 1/4" X 200' / BLACK I1C-N-A	AR	
. NS	506790	. TAPE RUB ADH2 CC POL 1/16" x 1/2" x 200' / BLACK I1C-N-A	AR	
3	474515	FINISHING MOULDING UPPER L.H. 12253MM	1	
. NS	506785	. TAPE RUB ADH2 CC POL 1/16" X 1/4" X 200' / BLACK I1C-N-A	AR	
. NS	506790	. TAPE RUB ADH2 CC POL 1/16" x 1/2" x 200' / BLACK I1C-N-A	AR	
4	478582	FINISHING MOULDING LOWER R.H. 11239MM	1	
. NS	506785	. TAPE RUB ADH2 CC POL 1/16" X 1/4" X 200' / BLACK I1C-N-A	AR	
. NS	506869	. TAPE RUB ADH2 POL .031" X 1/4" X 300' / BLACK	AR	
5	479616	FINISHING MOULDING LOWER L.H. 11045MM	1	
. NS	506785	. TAPE RUB ADH2 CC POL 1/16" X 1/4" X 200' / BLACK I1C-N-A	AR	
. NS	506869	. TAPE RUB ADH2 POL .031" X 1/4" X 300' / BLACK	AR	
. NS	5060124	. TAPE RUB ADH2 CC POL 3/16" x 1/4" x 50'	AR	
6	474388	FINISHING MOULDING S.S.	2	
NS	504473	RIVET POP DOME OE 1/8x1/4 SS	12	
7	478984	PANEL SUB ASSY W/O AIR INTAKE R.H.	1	A
7	479628	PANEL SUB ASSY AIR INTAKE R.H. WITH PLUG BATTERY CHARGER	1	CH
7	470477	PANEL SUB ASSY AIR INTAKE R.H. W/O PLUG BATTERY CHARGER	1	NCH
8	479612	PANEL 418MM X 1338MM / UPPER / RADIATOR DOOR	1	
9	474409	FINISHING MOULDING ALUMINUM 713MM	2	
30	477287	FINISHING MOULDING UPPER R.H. 5771.1MM	1	
. NS	506785	. TAPE RUB ADH2 CC POL 1/16" X 1/4" X 200' / BLACK I1C-N-A	AR	
. NS	506790	. TAPE RUB ADH2 CC POL 1/16" x 1/2" x 200' / BLACK I1C-N-A	AR	
31	477288	FINISHING MOULDING UPPER R.H. 5176.9MM	1	
. NS	506790	. TAPE RUB ADH2 CC POL 1/16" x 1/2" x 200' / BLACK I1C-N-A	AR	
32	477380	FINISHING MOULDING / SS / BACKWARD W.C.L. DOOR	1	
33	477381	FINISHING MOULDING / SS / FORWARD W.C.L. DOOR	1	
34	479650	FINISHING MOULDING LOWER R.H. 4538MM	1	
35	478585	FINISHING MOULDING LOWER R.H. 5202MM	1	
. NS	506869	. TAPE RUB ADH2 POL .031" X 1/4" X 300' / BLACK	AR	
. NS	506785	. TAPE RUB ADH2 CC POL 1/16" X 1/4" X 200' / BLACK I1C-N-A	AR	
36	X3PLB-1862-85	ENTRANCE DOOR SLIDING - INSTALLATION - W.C.L. To J-7495		
36	X3PLB-1862-86	ENTRANCE DOOR SLIDING - INSTALLATION - W.C.L. From J-7496		
38	477293	PANEL CURBSIDE 246.4MM	1	
NS	506869	TAPE RUB ADH2 POL .031" X 1/4" X 300' / BLACK	AR	
NS	506785	TAPE RUB ADH2 CC POL 1/16" X 1/4" X 200' / BLACK I1C-N-A	AR	
NS	506790	TAPE RUB ADH2 CC POL 1/16" x 1/2" x 200' / BLACK I1C-N-A	AR	
NS	506227	TAPE RUB ADH1 CC POL 1/16" x 3/4" x 100' / GREY 2520	AR	
NS	506769	TAPE RUB ADH2 CC POL 1/8" x 1/4" x 60' / BLACK H1CC-N#14	AR	
NS	506759	TAPE RUB ADH2 CC POL 1/8" x 1/2" x 100' / BLACK I1C-N-A	AR	

From H-7417 To K-7662	Date:07/2024	PAGE:X3PLB-1854-01
-----------------------	--------------	--------------------

SIDE FLAT PANEL

Item#	Part	Description	QTY	Notes
NS	506648	TAPE RUB ADH1 CC POL 1/8" x 1/2"x 50' / GREY 2542	AR	
NS	5060038	TAPE RUB ADH1 CC POL 1/4" x 1" x 35' / BLACK H1C	AR	
NS	684517	ADHESIVE SIMSON #ISR 70-03 / GREY / 310ml CARTRIDGE	AR	
NS	685126	ADHESIVE SIMSON #ISR 70-03 / GREY / 600ml SAUSAGE	AR	
NS	683083	ADHESIVE SIKA #252 / BLACK / 600 ml SAUSAGE	AR	
NS	683097	CLEANER SIKA #205 / CLEAR / 1000ml	AR	
NS	683916	PRIMER SIKA #215 / CLEAR / 1000ml	AR	
51	221777	ANTI-SPLASH	5	
51	507030	RIVET POP DOME LARGE HEAD 3/16x1.2" SS	AR	
		A) USE WITH ROOF AIR INTAKE		
		CH) WITH BATTERY CHARGER PLUG		
		NCH) NO BATTERY CHARGER PLUG		

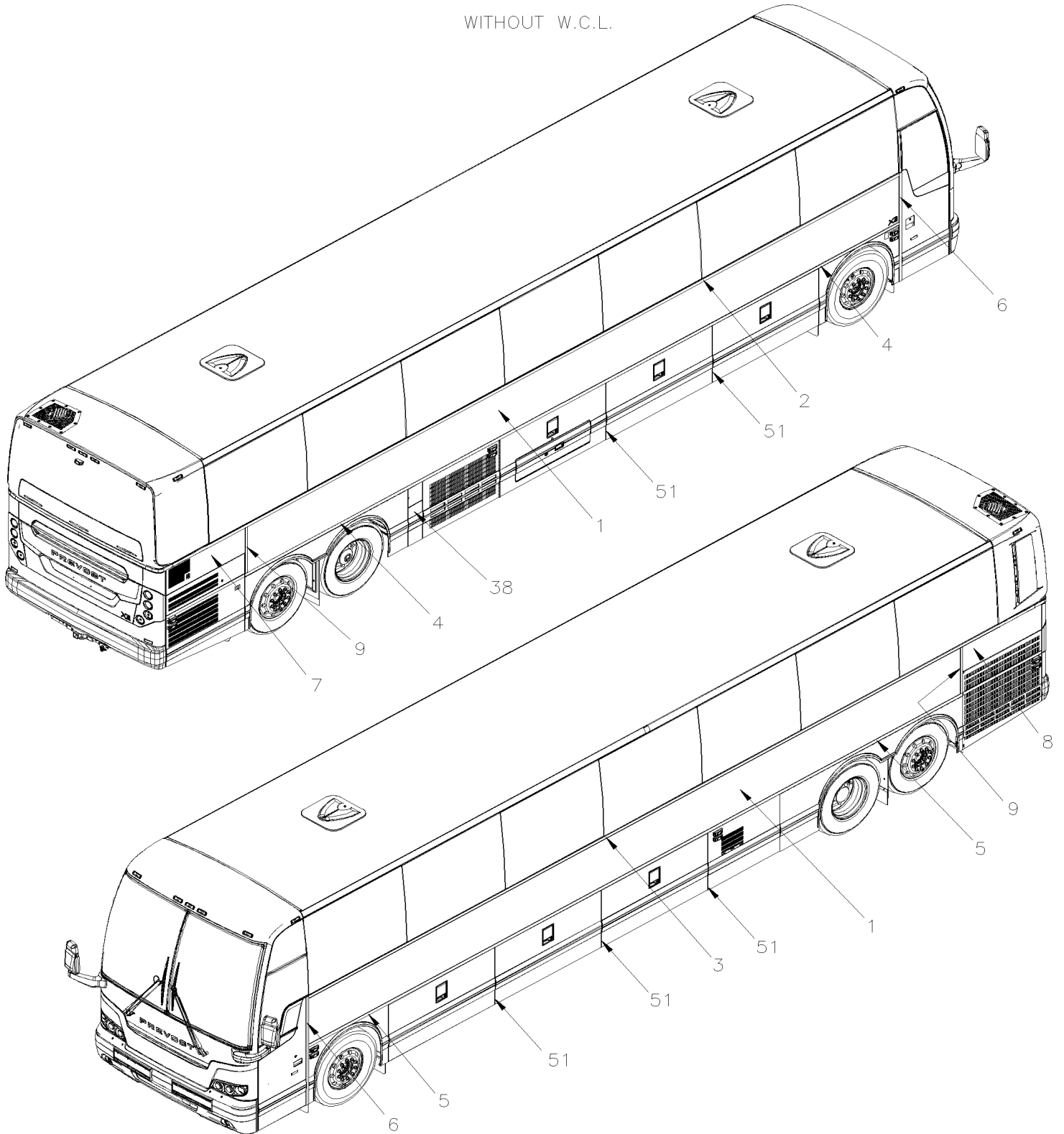
From L-7663 To M-7767

Date:07/2024

PAGE:X3PLB-1854-02

SIDE FLAT PANEL

WITHOUT W.C.L.



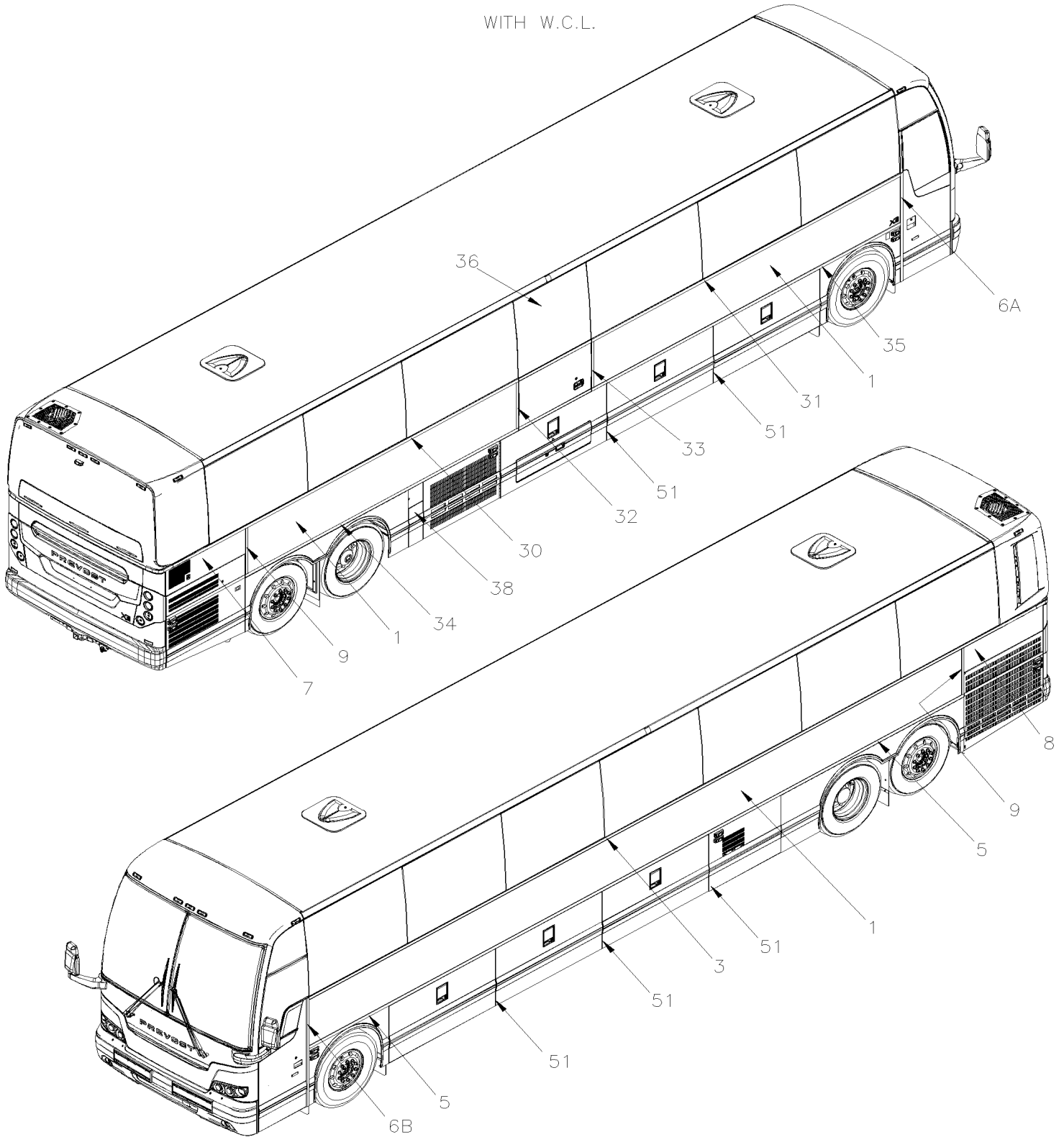
From L-7663 To M-7767

Date:07/2024

PAGE:X3PLB-1854-02

SIDE FLAT PANEL

WITH W.C.L.



From L-7663 To M-7767	Date:07/2024	PAGE:X3PLB-1854-02
SIDE FLAT PANEL		

Item#	Part	Description	QTY	Notes
1	970330	STAINLESS STEEL SHEET 759MM X 11195MM To L-7734	2	
1	4710006	STAINLESS STEEL SHEET 759MM X 11195MM From L-7735	2	
2	470644	FINISHING MOULDING UPPER 12250MM	1	
. NS	506785	. TAPE RUB ADH2 CC POL 1/16" X 1/4" X 200' / BLACK I1C-N-A	AR	
3	470644	FINISHING MOULDING UPPER 12250MM	1	
. NS	506785	. TAPE RUB ADH2 CC POL 1/16" X 1/4" X 200' / BLACK I1C-N-A	AR	
4	479629	FINISHING MOULDING LOWER R.H. 11045MM	1	
. NS	506785	. TAPE RUB ADH2 CC POL 1/16" X 1/4" X 200' / BLACK I1C-N-A	AR	
. NS	506869	. TAPE RUB ADH2 POL .031" X 1/4" X 300' / BLACK	AR	
. NS	5060124	. TAPE RUB ADH2 CC POL 3/16" x 1/4" x 50'	AR	
5	479616	FINISHING MOULDING LOWER L.H. 11045MM	1	
. NS	506785	. TAPE RUB ADH2 CC POL 1/16" X 1/4" X 200' / BLACK I1C-N-A	AR	
. NS	506869	. TAPE RUB ADH2 POL .031" X 1/4" X 300' / BLACK	AR	
. NS	5060124	. TAPE RUB ADH2 CC POL 3/16" x 1/4" x 50'	AR	
6A	471590	FINISHING MOULDING	1	
6A	471590	FINISHING MOULDING	1	
6A	4710134	FINISHING MOULDING	1	B
NS	504104	RIVET POP DOME OE 1/8x1/8 SS	3	
NS	504104	RIVET POP DOME OE 1/8x1/8 SS	3	
6B	471590	FINISHING MOULDING	1	
6B	471590	FINISHING MOULDING	1	
NS	504104	RIVET POP DOME OE 1/8x1/8 SS	3	
NS	504104	RIVET POP DOME OE 1/8x1/8 SS	3	
7	479628	PANEL SUB ASSY AIR INTAKE R.H. WITH PLUG BATTERY CHARGER	1	CH
7	470477	PANEL SUB ASSY AIR INTAKE R.H. W/O PLUG BATTERY CHARGER	1	NCH
7	478984	PANEL SUB ASSY W/O AIR INTAKE R.H.	1	A
8	479612	PANEL 418MM X 1338MM / UPPER / RADIATOR DOOR	1	
9	474409	FINISHING MOULDING ALUMINUM 713MM	2	
30	4780001	FINISHING MOULDING UPPER R.H. 5825MM	1	
. NS	506785	. TAPE RUB ADH2 CC POL 1/16" X 1/4" X 200' / BLACK I1C-N-A	AR	
31	4780002	FINISHING MOULDING UPPER R.H. 5205MM	1	
. NS	506785	. TAPE RUB ADH2 CC POL 1/16" X 1/4" X 200' / BLACK I1C-N-A	AR	
32	471343	FINISHING MOULDING / SS / BACKWARD W.C.L. DOOR	1	
33	471342	FINISHING MOULDING / SS / FORWARD W.C.L. DOOR	1	
34	471345	FINISHING MOULDING LOWER R.H. 4605MM	1	
. NS	506785	. TAPE RUB ADH2 CC POL 1/16" X 1/4" X 200' / BLACK I1C-N-A	AR	
. NS	5060124	. TAPE RUB ADH2 CC POL 3/16" x 1/4" x 50'	AR	
35	471344	FINISHING MOULDING LOWER R.H. 5205MM	1	
. NS	506785	. TAPE RUB ADH2 CC POL 1/16" X 1/4" X 200' / BLACK I1C-N-A	AR	
. NS	5060124	. TAPE RUB ADH2 CC POL 3/16" x 1/4" x 50'	AR	
. NS	506869	. TAPE RUB ADH2 POL .031" X 1/4" X 300' / BLACK	AR	
36	X3PLB-1862-87	ENTRANCE DOOR SLIDING - INSTALLATION - W.C.L.		

From L-7663 To M-7767	Date:07/2024	PAGE:X3PLB-1854-02
SIDE FLAT PANEL		

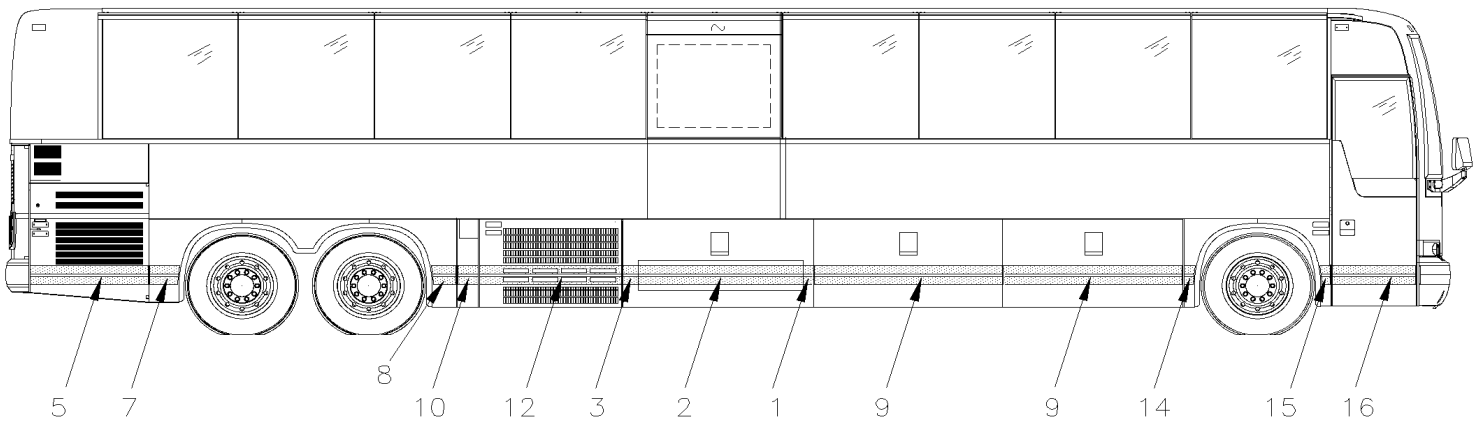
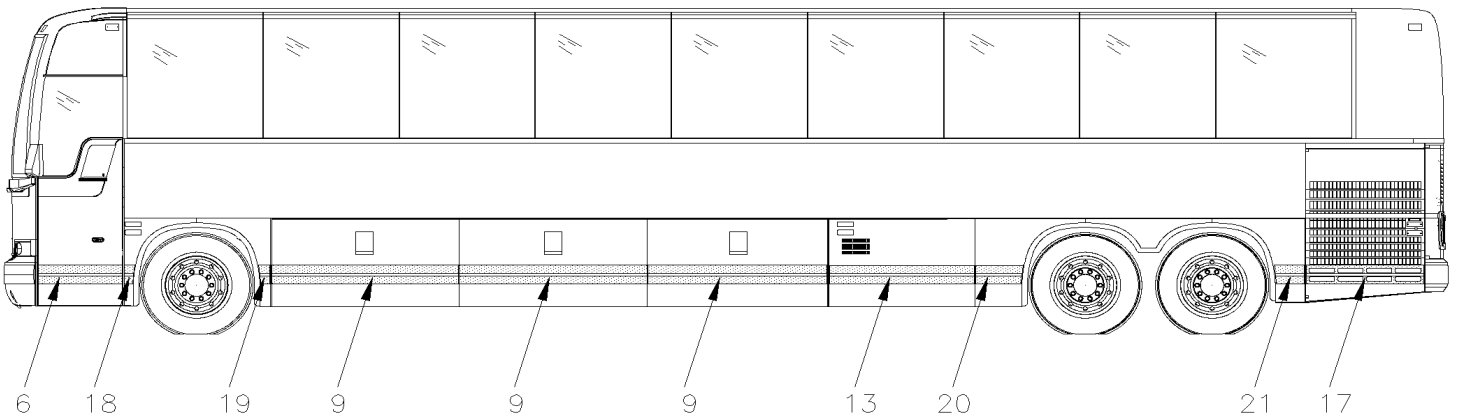
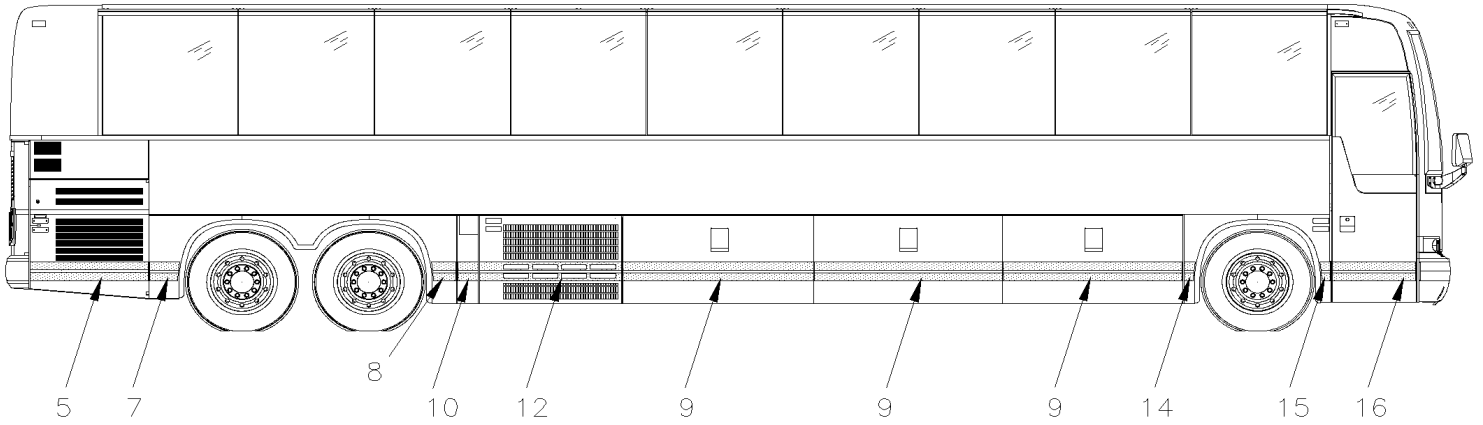
Item#	Part	Description	QTY	Notes
38	477293	PANEL CURBSIDE 246.4MM	1	
NS	506227	TAPE RUB ADH1 CC POL 1/16" x 3/4" x 100' / GREY 2520	AR	
NS	506071	TAPE RUB ADH1 CC POL 1/8" x 1/2" x 50' / GREY 2520X	AR	
NS	5060038	TAPE RUB ADH1 CC POL 1/4" x 1" x 35' / BLACK H1C	AR	
NS	506869	TAPE RUB ADH2 POL .031" X 1/4" X 300' / BLACK	AR	
NS	506785	TAPE RUB ADH2 CC POL 1/16" X 1/4" X 200' / BLACK I1C-N-A	AR	
NS	506769	TAPE RUB ADH2 CC POL 1/8" x 1/4" x 60' / BLACK H1CC-N#14	AR	
NS	5061289	TAPE RUB ADH2 CC POL 1/8" x 3/8" x 100' / BLACK I1C-NGL-1	AR	
NS	506759	TAPE RUB ADH2 CC POL 1/8" x 1/2" x 100' / BLACK I1C-N-A	AR	
NS	684517	ADHESIVE SIMSON #ISR 70-03 / GREY / 310ml CARTRIDGE	AR	
NS	685126	ADHESIVE SIMSON #ISR 70-03 / GREY / 600ml SAUSAGE	AR	
NS	683083	ADHESIVE SIKA #252 / BLACK / 600 ml SAUSAGE	AR	
NS	683084	SEALANT SIKA #221 / GREY / 600 ml SAUSAGE	AR	
NS	683097	CLEANER SIKA #205 / CLEAR / 1000ml	AR	
NS	683916	PRIMER SIKA #215 / CLEAR / 1000ml	AR	
NS	687957	GLUE MS POLYMER TEROSON MS 9399 / 400ml CARTRIDGE To M-7792	AR	
NS	685387	GLUE MS POLYMER TEROSON MS 9399 / 400ml CARTRIDGE From M-7793	AR	
51	221777	ANTI-SPLASH	5	
51	507030	RIVET POP DOME LARGE HEAD 3/16x1.2" SS	AR	
		A) USE WITH ROOF AIR INTAKE		
		B) WITH BI-FOLD DOOR		
		CH) WITH BATTERY CHARGER PLUG		
		NCH) NO BATTERY CHARGER PLUG		

From G-7275 To M-7767

Date:07/2024

PAGE:X3PLB-1855-00

RUB RAIL - EXTERIOR CREST & TRIMS



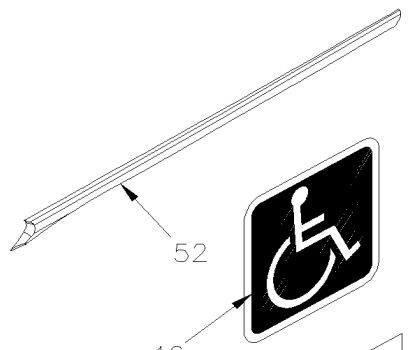
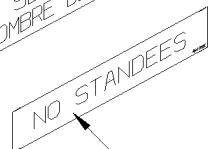
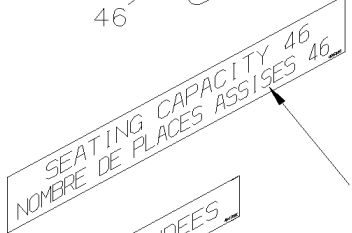
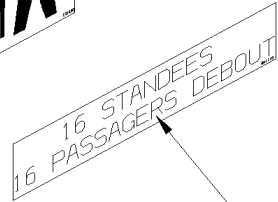
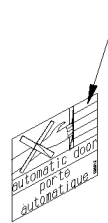
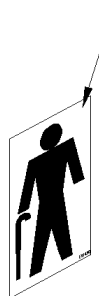
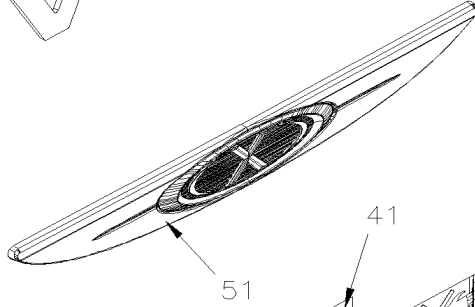
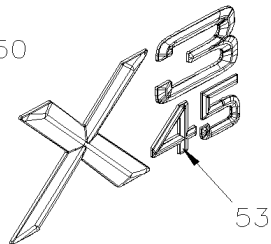
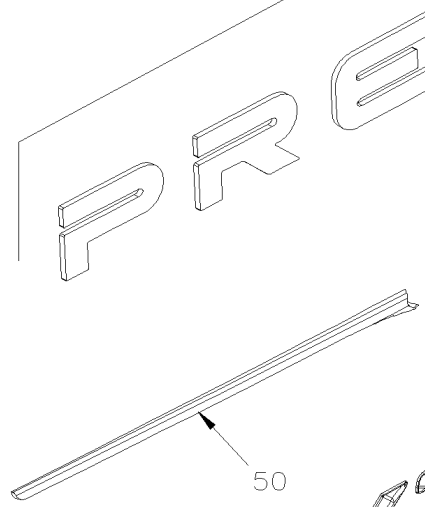
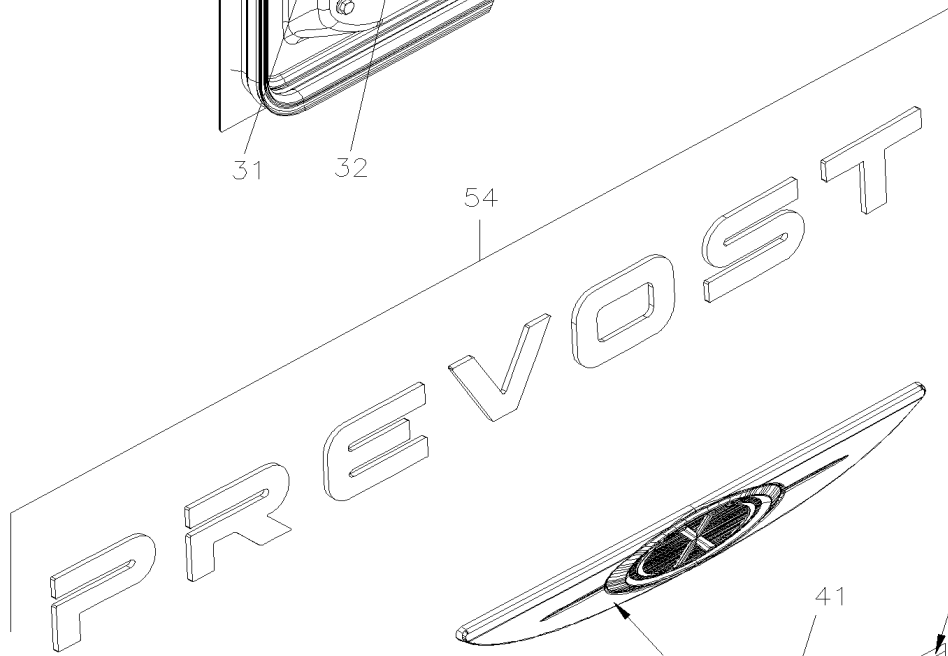
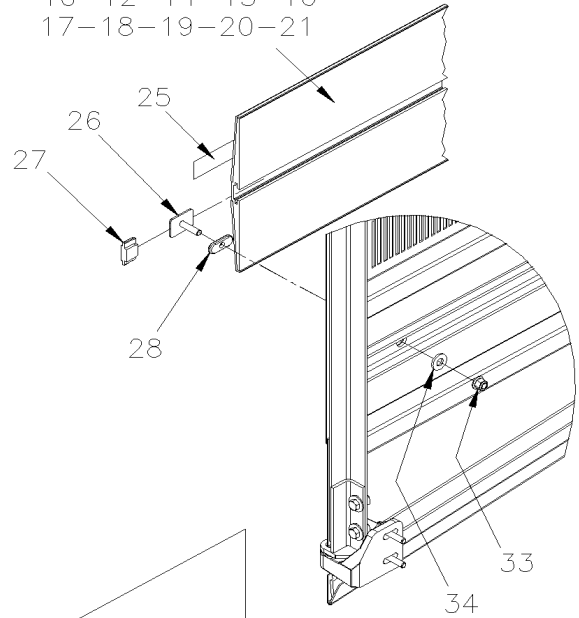
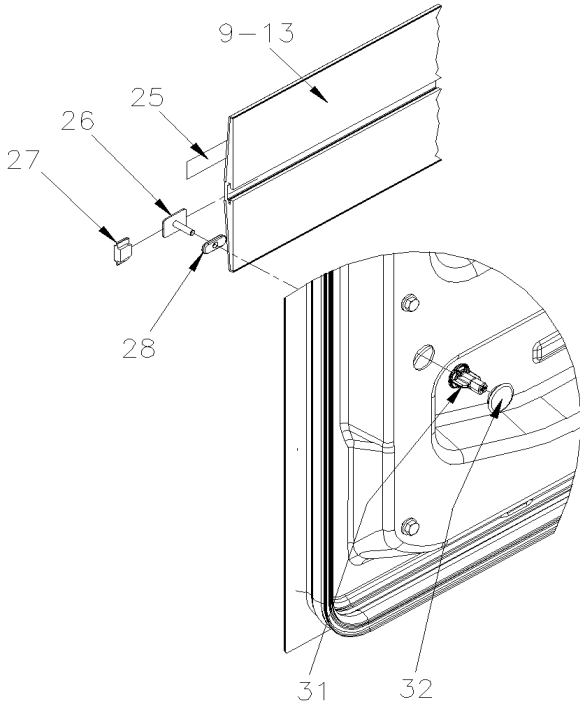
From G-7275 To M-7767

Date:07/2024

PAGE:X3PLB-1855-00

RUB RAIL - EXTERIOR CREST & TRIMS

1-2-3-5-6-7-8
10-12-14-15-16
17-18-19-20-21



From G-7275 To M-7767	Date:07/2024	PAGE:X3PLB-1855-00
RUB RAIL - EXTERIOR CREST & TRIMS		

Item#	Part	Description	QTY	Notes
1	479392	RUB RAIL ASSY / 328MM F/WCL To K-7662	1	W
1	471385	RUB RAIL ASSY / 256MM From L-7663	1	W
2	479393	RUB RAIL ASSY / 1247MM C/WCL	1	W
3	479394	RUB RAIL ASSY / 185MM R/WCL To K-7662	1	W
3	471385	RUB RAIL ASSY / 256MM From L-7663	1	W
5	479378	RUB RAIL ASSY / 1115MM To H-7416	1	
5	479648	RUB RAIL ASSY / 1310MM From H-7417	1	
6	479391	RUB RAIL ASSY / 794MM	1	
7	479379	RUB RAIL ASSY / 279MM To H-7416	1	
7	479649	RUB RAIL ASSY / 84MM From H-7417	1	
8	479380	RUB RAIL ASSY / 318MM	1	
9	479377	RUB RAIL ASSY / 1780MM	6	
10	479381	RUB RAIL ASSY / 240MM	1	
12	479382	RUB RAIL ASSY / 1277.3MM PERFORATED	1	
13	479383	RUB RAIL ASSY / 1204.5MM	1	
14	479388	RUB RAIL ASSY / 115MM	1	
15	479385	RUB RAIL ASSY / 96MM	1	
16	479376	RUB RAIL ASSY / 794MM	1	
17	479386	RUB RAIL ASSY / 1267.4MM PERFORATED To H-7416	1	
17	479614	RUB RAIL ASSY / 1310.8MM PERFORATED From H-7417	1	
18	479387	RUB RAIL ASSY / 96MM	1	
19	479384	RUB RAIL ASSY / 115MM	1	
20	479389	RUB RAIL ASSY / 652MM	1	
21	479390	RUB RAIL ASSY / 126MM To H-7416	1	
21	479615	RUB RAIL ASSY / 84MM From H-7417	1	
25	920010	. STRIPE, REFLECTIVE BLACK / 22MM X 150'	AR	
26	5001903	. CLIP / RUB RAIL M6-1.0	AR	
27	479375	. END CAP / RUB RAIL	AR	
28	479374	. SPACER / RUB RAIL	AR	
NS	506790	. TAPE RUB ADH2 CC POL 1/16" x 1/2" x 200' / BLACK I1C-N-A	AR	
31	491237	NUT WING / PLASTIC M6-1.0 x 23	AR	
32	504433	SNAP-IN PLUG / 1.090 O.D.	AR	
33	5001932	NUT HEXF NYRT M6-1.0 G8.8 N500	AR	
34	5001850	WASHER FL 8.4 x 18 x 2 NYL	AR	
41	131490	DECAL "FRONT KNEELING" / BLACK ON ALUMINIUM	1	
42	285813	DECAL / "AUTOMATIC DOOR" / HAND OFF / ALU / ENGLISH & FRANCAIS	1	
42	288198	DECAL / "AUTOMATIC DOOR" / HAND OFF / WHITE / ENGLISH & SPANISH	1	
43	491068	DECAL "NO STANDEES" / W/"NEW-JERSEY"	1	
44	406284	DECAL / SEATING CAPACITY 50 / ENGLISH & SPANISH	1	
44	406328	DECAL / SEATING CAPACITY 50 / ENGLISH & FRANCAIS	1	

From G-7275 To M-7767	Date:07/2024	PAGE:X3PLB-1855-00
RUB RAIL - EXTERIOR CREST & TRIMS		

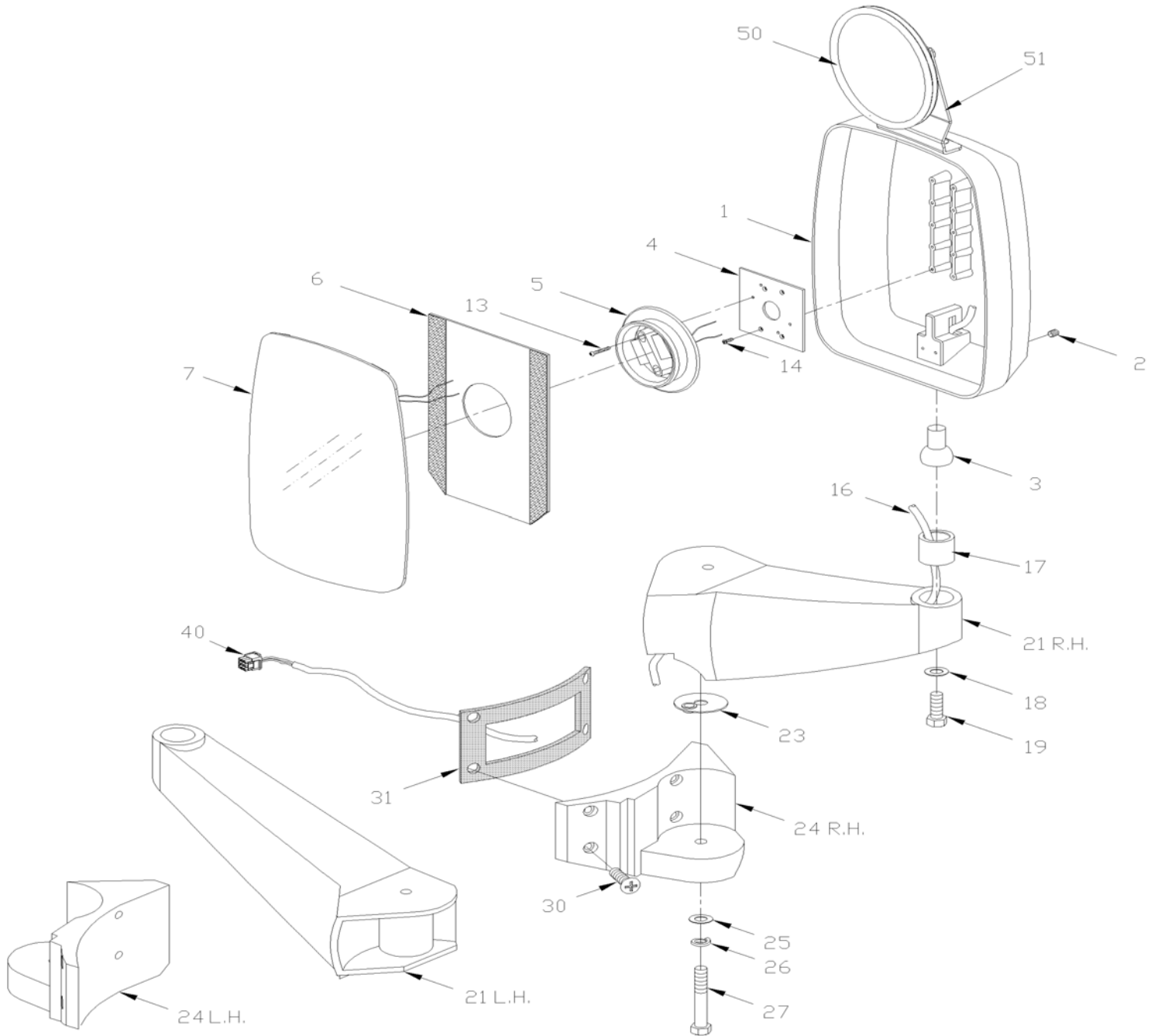
Item#	Part	Description	QTY	Notes
44	406380	DECAL / SEATING CAPACITY 46 / ENGLISH & FRANCAIS	1	
45	491116	DECAL "16 STANDEES" / BILINGUAL FRENCH	1	
46	400003	DECAL / BLUE W/CHAIR / 150MM x 150MM	1	
50	491015	CREST "XL-II" & X3-45 / CURBSIDE WING PART	1	
51	491069	CREST "X3" / CENTER PART	1	
52	491016	CREST "XL-II" & X3-45 / STREETSIDE WING PART	1	
53	491070	CREST "X3-45"	1	
54	491484	CREST "PREVOST" BLACK	1	
54	491167	CREST "PREVOST" CHROME From L-7663	1	
		W) WITH W.C.L. BAGGAGE DOOR		

From G-7275 To M-7767

Date:07/2024

PAGE:X3PLB-1856-15

MIRROR "RAMCO" FLAT GLASS / BLACK PAINTED GLI

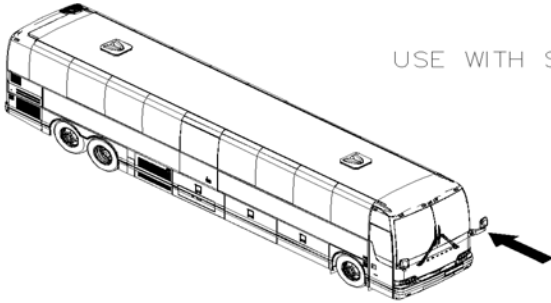


From G-7275 To M-7767

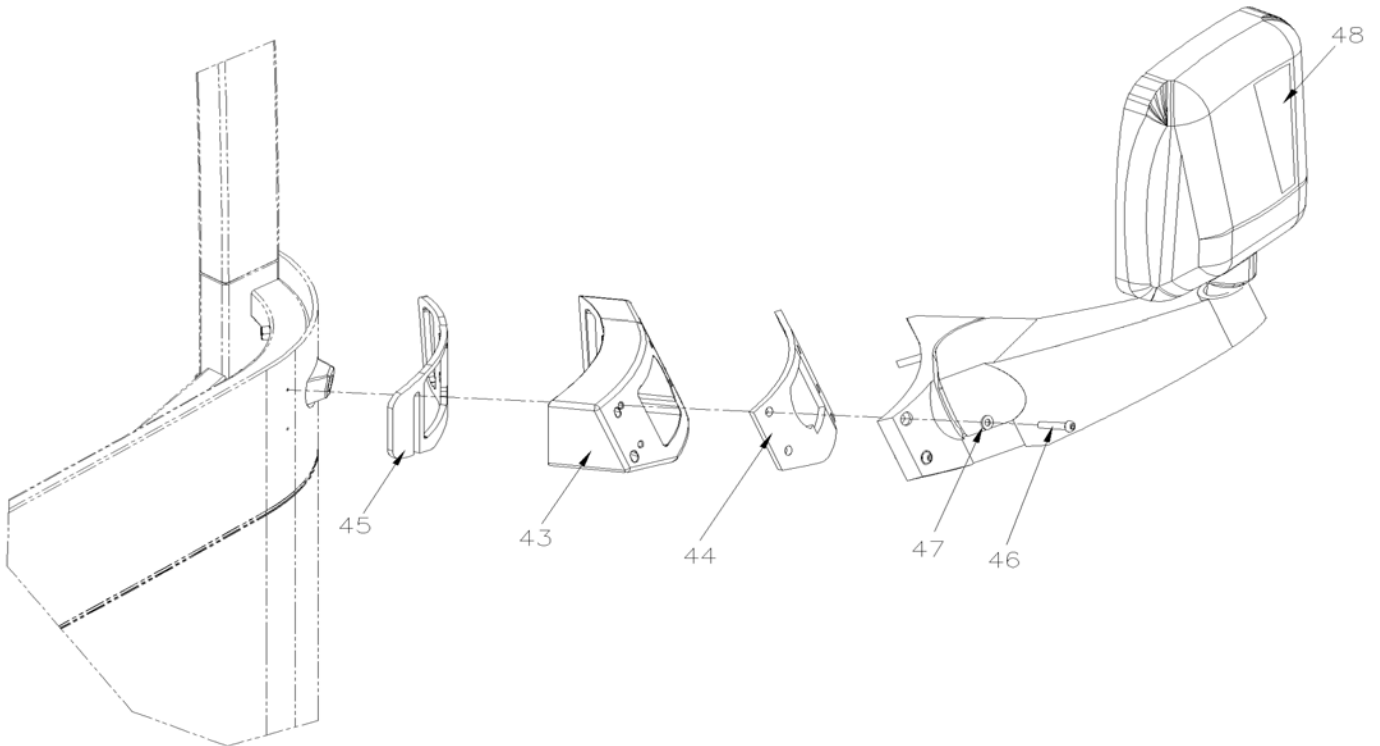
Date:07/2024

PAGE:X3PLB-1856-15

MIRROR "RAMCO" FLAT GLASS / BLACK PAINTED GLI



STREET SIDE INSTALLATION
USE WITH SPECIAL MEXICO "GREYHOUND" OPTION



From G-7275 To M-7767	Date:07/2024	PAGE:X3PLB-1856-15
MIRROR "RAMCO" FLAT GLASS / BLACK PAINTED GLI		

Item#	Part	Description	QTY	Notes
	990496	MIRROR ASSY, R.H. / MANUAL / W/9 PINS CONNECTOR To J-7441	1	
	990525	MIRROR ASSY, R.H. / MANUAL / W/9 PINS CONNECTOR From J-7442 To K-7662	1	
	990553	MIRROR ASSY, R.H. / MANUAL / W/9 PINS CONNECTOR From L-7663	1	
	990497	MIRROR ASSY, L.H. / MANUAL / W/9 PINS CONNECTOR To J-7441	1	
	990526	MIRROR ASSY, L.H. / MANUAL / W/9 PINS CONNECTOR From J-7442 To K-7662	1	
	990554	MIRROR ASSY, L.H. / MANUAL / W/9 PINS CONNECTOR From L-7663	1	
	990496	MIRROR ASSY, R.H. / MANUAL / W/9 PINS CONNECTOR INSTALL ON CURBSIDE To J-7441	1	M
	990525	MIRROR ASSY, R.H. / MANUAL / W/9 PINS CONNECTOR INSTALL ON CURBSIDE From J-7442 To K-7662	1	M
	990496	MIRROR ASSY, R.H. / MANUAL / W/9 PINS CONNECTOR INSTALL ON STREET SIDE To J-7441	1	M
	990525	MIRROR ASSY, R.H. / MANUAL / W/9 PINS CONNECTOR INSTALL ON STREET SIDE From J-7442 To K-7662	1	M
1	19507782	. HEAD ASSY / MANUAL R.H. / W/9 PINS CONNECTOR To K-7662	1	
1	990557	. HEAD ASSY / MANUAL / W/9 PINS CONNECTOR From L-7663	1	
1	19507783	. HEAD ASSY / MANUAL L.H. / W/9 PINS CONNECTOR To K-7662	1	
1	990557	. HEAD ASSY / MANUAL / W/9 PINS CONNECTOR From L-7663	1	
1	19507782	. HEAD ASSY / MANUAL R.H. / W/9 PINS CONNECTOR INSTALL ON CURBSIDE To K-7662	1	M
1	19507782	. HEAD ASSY / MANUAL R.H. / W/9 PINS CONNECTOR INSTALL ON STREET SIDE To K-7662	1	M
2	502812	. . SCREW SET HEXS CUP 3/8-16X3/8 SS	1	
3	990478	. . STUD, BALL	1	
4	990502	. . PLATE, ADAPTOR	1	
5	990501	. . MANUAL MECHANISM, MEDIUM	1	
6	990268	. . VELCRO PLATE / 8" X 8"	1	
7	990199	. . GLASS ASSY W/HEATER 12V	1	
13	N.P.N.	. . SCREW TC FL PAN PH ZP 6-32 X 1 1/8"	1	4
16	0610607	. . CABLE ASSY, W/CONNECTOR 8PIN To K-7662	1	
16	060776	. . CABLE ASSY / W/CONNECTOR 9PIN 54" From L-7663	1	
17	990379	. . CUP, BALL STUD RETAINER / ONE PIECE	1	
18	500270	. . WASHER FL .406x1.000x.063 SS	1	
19	N.P.N.	. . SCREW CAP HEX SS 3/8-24 X 1.250	1	4
21	990308	. ARM, R.H.	1	
21	990392	. ARM, L.H. / DIRTY FREE	1	
21	990308	. ARM, R.H. INSTALL ON CURBSIDE To K-7662	1	M
21	990308	. ARM, R.H. INSTALL ON STREET SIDE To K-7662	1	M
23	990265	. WASHER ALUMINUM / 2 " O.D.	1	
NS	504082	. . SNAP BUSHING / .125x.312x.312	1	
24	990305	. BRACKET, MOUNTING R.H. To K-7662	1	
24	990537	. BRACKET, MOUNTING R.H. From L-7663	1	
24	990306	. BRACKET, MOUNTING L.H. To K-7662	1	
24	990540	. BRACKET, MOUNTING L.H. From L-7663	1	
25	500958	. WASHER FL .531x1.062x.095 SS	1	
26	500035	. WASHER LO SPT .317x.586x.078 SS	1	
27	990500	. SCREW 1/2-13x2 HHCS SS	1	

From G-7275 To M-7767	Date:07/2024	PAGE:X3PLB-1856-15
-----------------------	--------------	--------------------

MIRROR "RAMCO" FLAT GLASS / BLACK PAINTED GLI

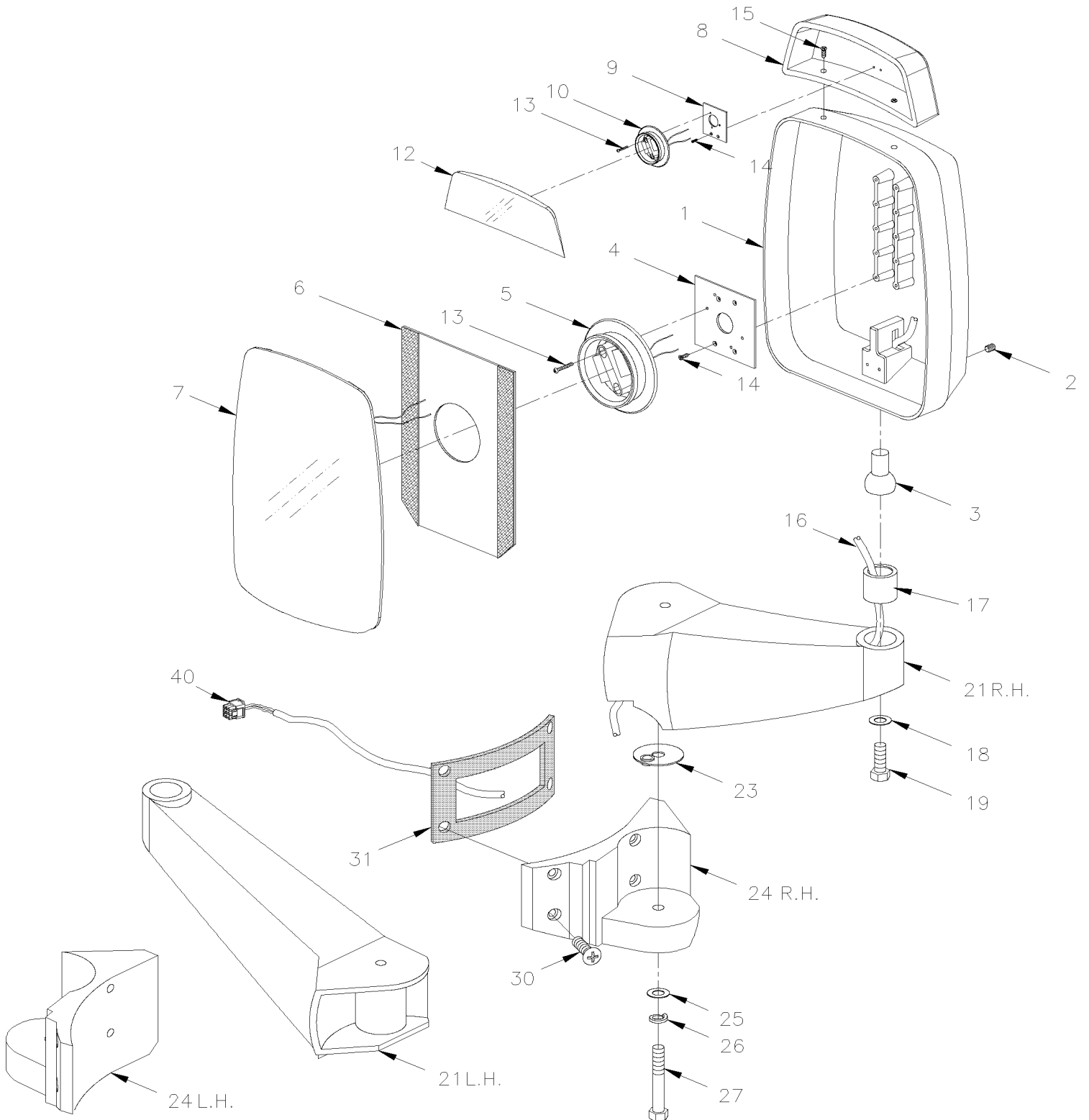
Item#	Part	Description	QTY	Notes
30	5001461	SCREW MA FL PH M8-1.25x40 SS To K-7662	2	
30	5002124	SCREW MA FL PH M8-1.25x45 SS From L-7663	2	
30	5001581	SCREW CAP BUT HEXS M8-1.25x40 SS	2	
NS	5001341	WASHER FL 8.4x17.0x1.6 SS	2	
31	490873	GASKET, RH	1	
31	490894	GASKET, LH	1	
31	490873	GASKET, RH INSTALL ON CURBSIDE To K-7662	1	M
31	490873	GASKET, RH INSTALL ON STREET SIDE To K-7662	1	M
40	563802	CONNECTOR / W 45" CABLE ASSY / PH 9C	2	
41	563801	CONNECTOR / MULTI CON X / SH 9C / CONXALL 4280-9SG-300 From A-9873	2	B
NS	562511	SOCKET TERMINAL / 20 / CONXALL 586SG	AR	B
43	491490	MIRROR BRACKET INSTALL ON STREET SIDE To K-7662	1	M
44	491490	MIRROR BRACKET INSTALL ON STREET SIDE To K-7662	1	M
45	490873	GASKET, RH INSTALL ON STREET SIDE To K-7662	1	M
46	5001581	SCREW CAP BUT HEXS M8-1.25x40 SS INSTALL ON STREET SIDE To K-7662	4	M
46	680098	THREAD SEALANT LOCTITE #567 / WHITE / 250ml INSTALL ON STREET SIDE To K-7662	AR	M
47	5001341	WASHER FL 8.4x17.0x1.6 SS INSTALL ON STREET SIDE To K-7662	4	M
48	491422	DECAL / MIRROR REFLECTING INSTALL ON CURBSIDE To K-7662	AR	M
48	491422	DECAL / MIRROR REFLECTING INSTALL ON STREET SIDE To K-7662	AR	M
50	990715	MIRROR CONVEX 8" O.D.	1	
50	990968	MIRROR, ROUND CONVEX 6" BLACK	1	
51	990716	BRACKET TO FIX MIRROR OVER HEAD USE WITH 8" MIRROR	1	
51	990969	BRACKET & HARDWARE KIT, MIRROR USE WITH 6" MIRROR	1	
		B) THIS CONNECTOR IT USED ON CABLE HARNESS FROM INSIDE OF VEHICULE		
		M) USE WITH SPECIAL MEXICO "GREYHOUND" OPTION		
		4) NO PARTS NUMBER		

From G-7275 To M-7767

Date:07/2024

PAGE:X3PLB-1856-20

MIRROR "RAMCO" FLAT GLASS / BLACK PAINTED



From G-7275 To M-7767	Date:07/2024	PAGE:X3PLB-1856-20
MIRROR "RAMCO" FLAT GLASS / BLACK PAINTED		

Item#	Part	Description	QTY	Notes
	990431	MIRROR ASSY, R.H. / W/CONVEX ELECTRIC / W/9 PINS CONNECTOR To J-7441	1	
	990021	MIRROR ASSY, R.H. / W/CONVEX ELECTRIC / W/9 PINS CONNECTOR From J-7442 To K-7662	1	
	990543	MIRROR ASSY, R.H. / W/CONVEX ELECTRIC / W/9 PINS CONNECTOR From L-7663	1	
	990452	MIRROR ASSY, L.H. / W/CONVEX ELECTRIC / W/9 PINS CONNECTOR To J-7441	1	
	990462	MIRROR ASSY, L.H. / W/CONVEX ELECTRIC / W/9 PINS CONNECTOR From J-7442 To K-7662	1	
	990548	MIRROR ASSY, L.H. / W/CONVEX ELECTRIC / W/9 PINS CONNECTOR From L-7663	1	
1	990443	. HEAD ASSY / W/CONVEX ELECTRIC / W/9 PINS CONNECTOR To J-7441	1	
1	990515	. HEAD ASSY / W/CONVEX ELECTRIC / W/9 PINS CONNECTOR From J-7442	1	
. NS	060776	. . CABLE ASSY / W/CONNECTOR 9PIN 54" From J-7442	1	
2	502812	. . SCREW SET HEXS CUP 3/8-16X3/8 SS	1	
3	990478	. . STUD, BALL	1	
4	990272	. . NOTCHED BACK MOUNTING PLATE (2" X 3")	1	
5	990349	. . MOTOR 12V / MEDIUM / BLACK / 108MM / 4 1/4" O.D.	1	
. NS	564494	. . . TAB TERMINAL / 20-16 / AMP 63138-1	4	
6	990268	. . VELCRO PLATE / 8" X 8"	1	
7	990199	. . GLASS ASSY W/HEATER 12V	1	
8	990297	. MIRROR ASSY / CONVEX ELECTRIC	1	
9	990295	. . PLATE, TOP MOTOR MOUNTING	1	
10	990219	. . MOTOR 12V / SMALL / BLACK / 85MM / 3 5/16" O.D.	1	
. NS	564494	. . . TAB TERMINAL / 20-16 / AMP 63138-1	4	
12	990339	. . GLASS CONVEX ASSY W/HEATER 12V	1	
13	N.P.N.	. . SCREW TC FL PH ZP 6-32 X 1 1/8"	3	4
14	500660	. . SCREW TC FL PH #6-32x3/8 Z050	2	
15	990530	. . SCREW CAP HEX #10-24x1" SS	2	
NS	500787	. . NUT HEX #10-24 SS	2	
16	060776	. . CABLE ASSY / W/CONNECTOR 9PIN 54"	1	
17	990379	. . CUP, BALL STUD RETAINER / ONE PIECE	1	
18	500270	. . WASHER FL .406x1.000x.063 SS	1	
19	N.P.N.	. . SCREW CAP HEX SS 3/8-24 X 1.250	1	4
21	990308	. ARM, R.H.	1	
21	990392	. ARM, L.H. / DIRTY FREE	1	
23	990265	. WASHER ALUMINUM / 2 " O.D.	1	
NS	504082	. . SNAP BUSHING / .125x.312x.312	1	
24	990305	. BRACKET, MOUNTING R.H. To K-7662	1	
24	990537	. BRACKET, MOUNTING R.H. From L-7663	1	
24	990306	. BRACKET, MOUNTING L.H. To K-7662	1	
24	990540	. BRACKET, MOUNTING L.H. From L-7663	1	
25	500958	. WASHER FL .531x1.062x.095 SS	1	
26	500035	. WASHER LO SPT .317x.586x.078 SS	1	
27	990500	. SCREW 1/2-13x2 HHCS SS	1	
30	5001461	SCREW MA FL PH M8-1.25x40 SS To K-7662	2	
30	5002124	SCREW MA FL PH M8-1.25x45 SS From L-7663	2	

From G-7275 To M-7767	Date:07/2024	PAGE:X3PLB-1856-20
MIRROR "RAMCO" FLAT GLASS / BLACK PAINTED		

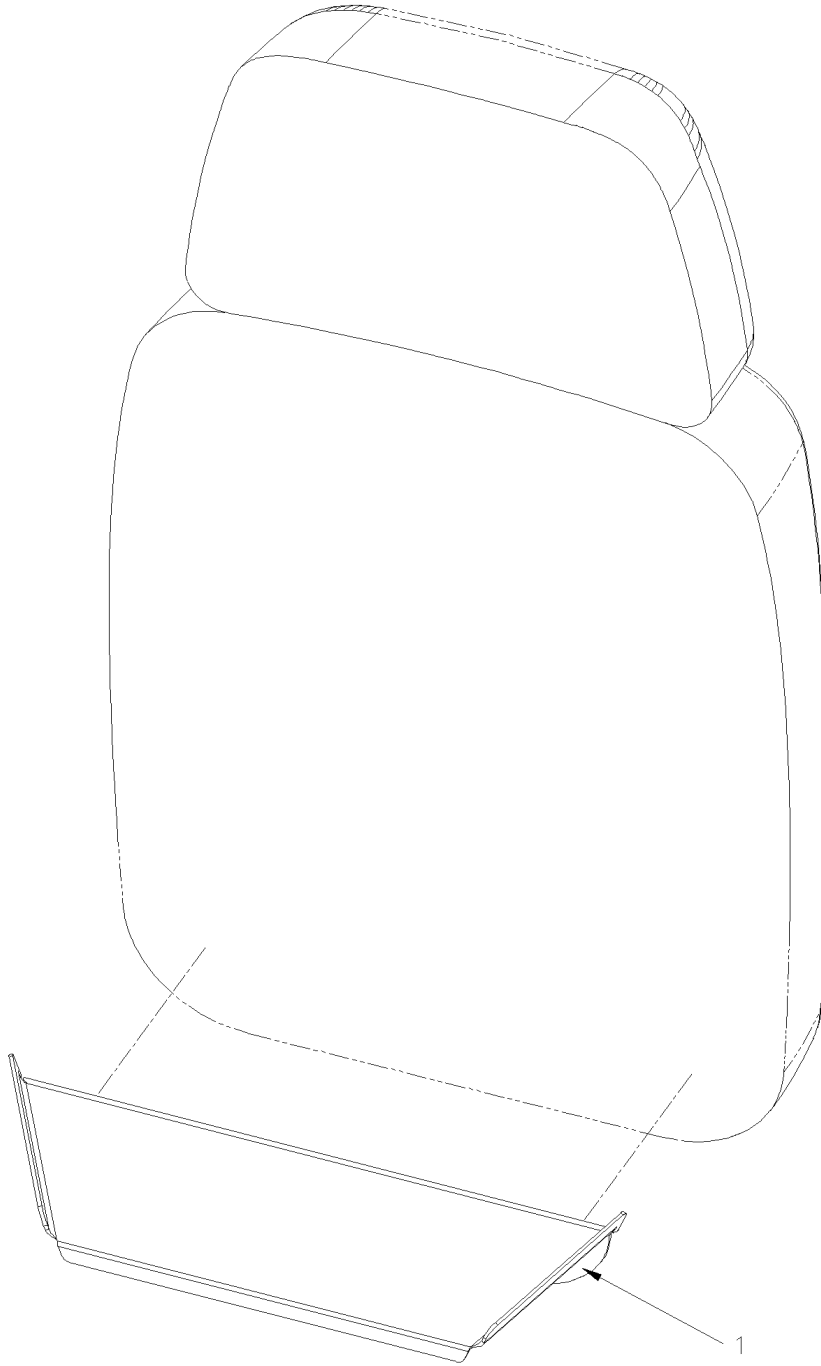
Item#	Part	Description	QTY	Notes
30	5001581	SCREW CAP BUT HEXS M8-1.25x40 SS	2	
NS	5001341	WASHER FL 8.4x17.0x1.6 SS	2	
31	490873	GASKET, RH	1	
31	490894	GASKET, LH	1	
40	563802	CONNECTOR / W 45" CABLE ASSY / PH 9C	2	
41	563801	CONNECTOR / MULTI CON X / SH 9C / CONXALL 4280-9SG-300	2	B
NS	562511	SOCKET TERMINAL / 20 / CONXALL 586SG	AR	B
NS	MI16-28	DRIP EDGE ADDITION ON FRONT MIRRORS / PRODUCT IMPROVMENT	1	
		B) THIS CONNECTOR IT USED ON CABLE HARNESS FROM INSIDE OF VEHICULE		
		4) NO PARTS NUMBER		

From G-7275 To M-7767

Date:07/2024

PAGE:MI16-28

DRIP EDGE ADDITION ON FRONT MIRRORS / PRODUCT IMPROVMENT



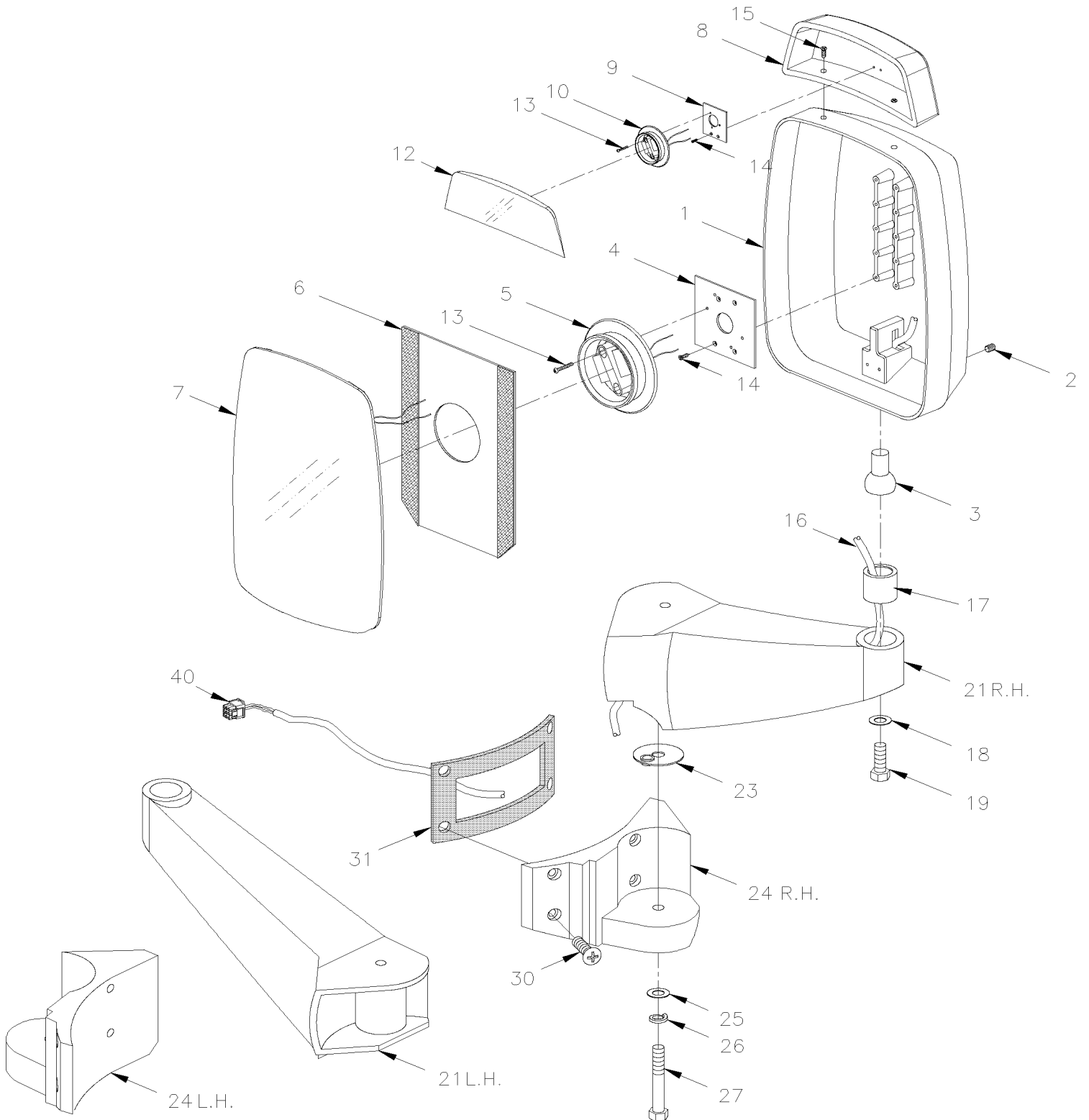
From G-7275 To M-7767		Date:07/2024	PAGE:MI16-28	
DRIP EDGE ADDITION ON FRONT MIRRORS / PRODUCT IMPROVMENT				
Item#	Part	Description	QTY	Notes
1	491507	MIRROR EXT. DRIP MOLDING ASSY	2	
2		MAINTENANCE INFORMATION	1	

From G-7275 To M-7767

Date:07/2024

PAGE:X3PLB-1856-21

MIRROR "RAMCO" FLAT GLASS / SILVER PAINTED



From G-7275 To M-7767	Date:07/2024	PAGE:X3PLB-1856-21
MIRROR "RAMCO" FLAT GLASS / SILVER PAINTED		

Item#	Part	Description	QTY	Notes
	990453	MIRROR ASSY, L.H. / W/CONVEX ELECTRIC / W/9 PINS CONNECTOR To J-7441	1	
	990465	MIRROR ASSY, L.H. / W/CONVEX ELECTRIC / W/9 PINS CONNECTOR From J-7442 To K-7662	1	
	990550	MIRROR ASSY, L.H. / W/CONVEX ELECTRIC / W/9 PINS CONNECTOR From L-7663	1	
	990451	MIRROR ASSY, R.H. / W/CONVEX ELECTRIC / W/9 PINS CONNECTOR To J-7441	1	
	990025	MIRROR ASSY, R.H. / W/CONVEX ELECTRIC / W/9 PINS CONNECTOR From J-7442 To K-7662	1	
	990545	MIRROR ASSY, R.H. / W/CONVEX ELECTRIC / W/9 PINS CONNECTOR From L-7663	1	
1	990450	. HEAD ASSY / W/CONVEX ELECTRIC / W/9 PINS CONNECTOR To J-7441	1	
1	990517	. HEAD ASSY / W/CONVEX ELECTRIC / W/9 PINS CONNECTOR From J-7442	1	
. NS	060776	. . CABLE ASSY / W/CONNECTOR 9PIN 54" From J-7442	1	
2	502812	. . SCREW SET HEXS CUP 3/8-16X3/8 SS	1	
3	990478	. . STUD, BALL	1	
4	990272	. . NOTCHED BACK MOUNTING PLATE (2" X 3")	1	
5	990349	. . MOTOR 12V / MEDIUM / BLACK / 108MM / 4 1/4" O.D.	1	
. NS	564494	. . . TAB TERMINAL / 20-16 / AMP 63138-1	4	
6	990268	. . VELCRO PLATE / 8" X 8"	1	
7	990199	. . GLASS ASSY W/HEATER 12V	1	
8	990346	. . HEAD ASSY / W/CONVEX ELECTRIC / W/8 PINS CONNECTOR	1	
9	990295	. . . PLATE, TOP MOTOR MOUNTING	1	
10	990300	. . . MOTOR 12V / SMALL / BLACK / 85MM / 3 5/16" O.D.	1	
. NS	564494	. . . TAB TERMINAL / 20-16 / AMP 63138-1	4	
12	990339	. . . GLASS CONVEX ASSY W/HEATER 12V	1	
13	N.P.N.	. . SCREW TC PAN PH ZP 6-32 X 1 1/8"	3	4
14	500660	. . SCREW TC FL PH #6-32x3/8 Z050	3	
15	990530	. . SCREW CAP HEX #10-24x1" SS	2	
NS	500787	. . NUT HEX #10-24 SS	2	
16	060776	. . CABLE ASSY / W/CONNECTOR 9PIN 54"	1	
17	990379	. . CUP, BALL STUD RETAINER / ONE PIECE	1	
18	500270	. . WASHER FL .406x1.000x.063 SS	1	
19		. . SCREW CAP HEX SS 3/8-24 X 1.250	1	
21	990315	. ARM, R.H.	1	
21	990393	. ARM, L.H. / DIRTY FREE	1	
23	990265	. WASHER ALUMINUM / 2 " O.D.	1	
23	504082	. . SNAP BUSHING / .125x.312x.312	1	
24	990309	. BRACKET, MOUNTING R.H. To K-7662	1	
24	990538	. BRACKET, MOUNTING R.H. From L-7663	1	
24	990311	. BRACKET, MOUNTING L.H. To K-7662	1	
24	990541	. BRACKET, MOUNTING L.H. From L-7663	1	
25	500958	. WASHER FL .531x1.062x.095 SS	1	
26	500035	. WASHER LO SPT .317x.586x.078 SS	1	
27	990500	. SCREW 1/2-13x2 HHCS SS	1	
30	5001461	SCREW MA FL PH M8-1.25x40 SS To K-7662	2	
30	5002124	SCREW MA FL PH M8-1.25x45 SS From L-7663	2	

From G-7275 To M-7767	Date:07/2024	PAGE:X3PLB-1856-21
-----------------------	--------------	--------------------

MIRROR "RAMCO" FLAT GLASS / SILVER PAINTED

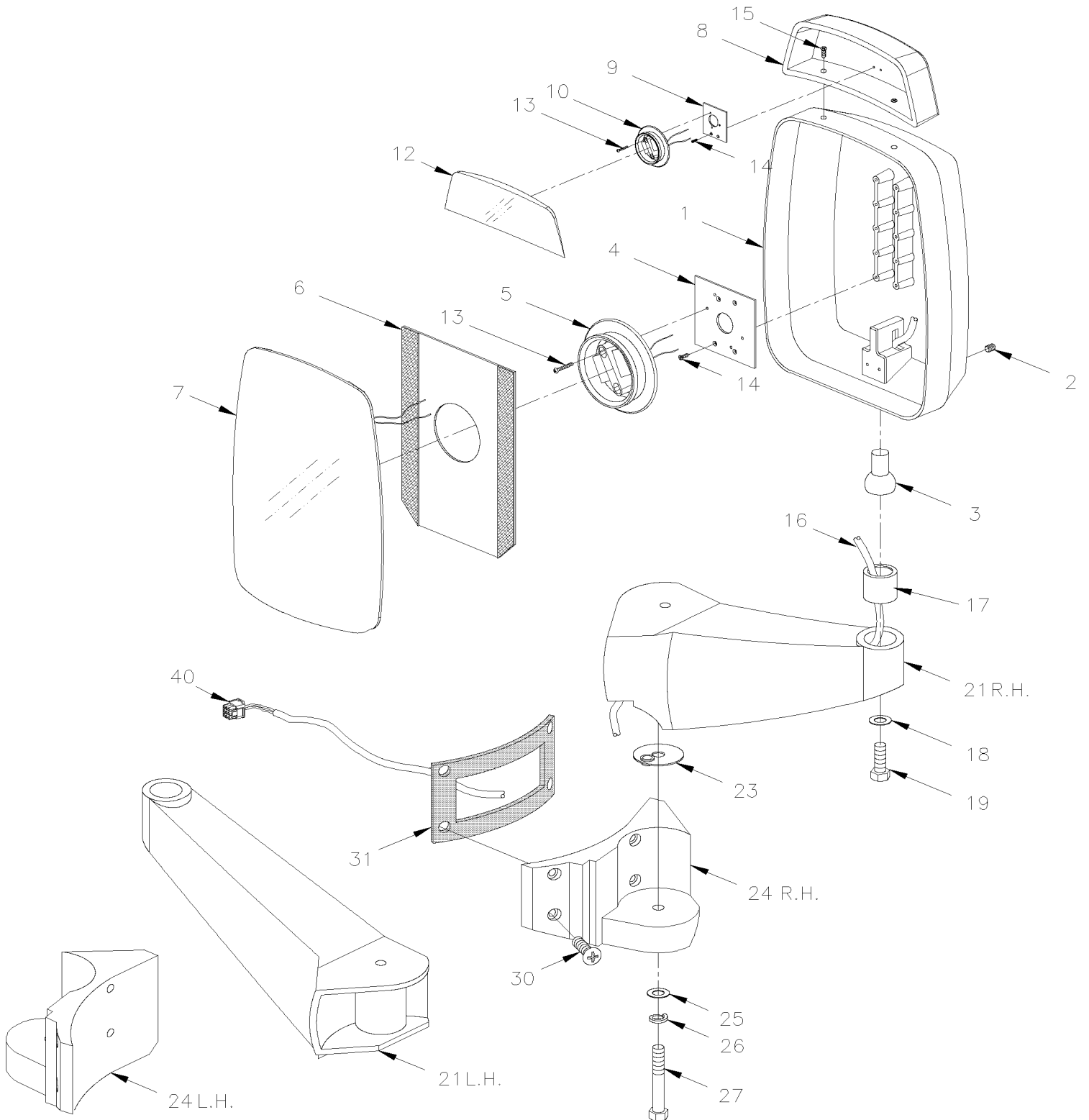
Item#	Part	Description	QTY	Notes
30	5001581	SCREW CAP BUT HEXS M8-1.25x40 SS	2	
NS	5001341	WASHER FL 8.4x17.0x1.6 SS	2	
31	490873	GASKET, RH	2	
31	490894	GASKET, LH	1	
40	563802	CONNECTOR / W 45" CABLE ASSY / PH 9C	2	
41	563801	CONNECTOR / MULTI CON X / SH 9C / CONXALL 4280-9SG-300	2	B
NS	562511	SOCKET TERMINAL / 20 / CONXALL 586SG	AR	B
NS	MI16-28	DRIP EDGE ADDITION ON FRONT MIRRORS / PRODUCT IMPROVMENT	1	
		B) THIS CONNECTOR IT USED ON CABLE HARNESS FROM INSIDE OF VEHICULE		
		4) NO PARTS NUMBER		

From G-7275 To M-7767

Date:07/2024

PAGE:X3PLB-1856-25

MIRROR "RAMCO" FLAT GLASS / BLACK PAINTED WITH DIRECTIONAL



From G-7275 To M-7767	Date:07/2024	PAGE:X3PLB-1856-25
-----------------------	--------------	--------------------

MIRROR "RAMCO" FLAT GLASS / BLACK PAINTED WITH DIRECTIONAL

Item#	Part	Description	QTY	Notes
	990455	MIRROR ASSY, L.H. / DIRECTIONAL / W/CONVEX / W/9 PINS CONNECTOR To J-7441	1	
	990472	MIRROR ASSY, L.H. / DIRECTIONAL / W/CONVEX / W/9 PINS CONNECTOR From J-7434 To K-7662	1	
	990549	MIRROR ASSY, L.H. / DIRECTIONAL / W/CONVEX / W/9 PINS CONNECTOR From L-7663	1	
	990438	MIRROR ASSY, R.H. / DIRECTIONAL / W/CONVEX / W/9 PINS CONNECTOR To J-7441	1	
	990469	MIRROR ASSY, R.H. / DIRECTIONAL / W/CONVEX / W/9 PINS CONNECTOR From J-7442 To K-7662	1	
	990544	MIRROR ASSY, R.H. / DIRECTIONAL / W/CONVEX / W/9 PINS CONNECTOR From L-7663	1	
1	990717	. HEAD ASSY / ELECTRIC L.H. / W/9 PINS CONNECTOR To J-7441	1	
1	990521	. HEAD ASSY / ELECTRIC L.H. / W/9 PINS CONNECTOR From J-7442	1	
. NS	060776	. . CABLE ASSY / W/CONNECTOR 9PIN 54" From J-7442	1	
1	990718	. HEAD ASSY / ELECTRIC R.H. / W/9 PINS CONNECTOR To J-7441	1	
1	990519	. HEAD ASSY / ELECTRIC R.H. / W/9 PINS CONNECTOR From J-7442	1	
. NS	060776	. . CABLE ASSY / W/CONNECTOR 9PIN 54" From J-7442	1	
2	502812	. . SCREW SET HEXS CUP 3/8-16X3/8 SS	1	
3	990478	. . STUD, BALL	1	
4	990272	. . NOTCHED BACK MOUNTING PLATE (2" X 3")	1	
5	990349	. . MOTOR 12V / MEDIUM / BLACK / 108MM / 4 1/4" O.D.	1	
. NS	564494	. . . TAB TERMINAL / 20-16 / AMP 63138-1	4	
6	990474	. . VELCRO PLATE / 8" X 8" / W/RECESS FOR FLASHER	1	
7	990427	. . GLASS ASSY W/DIRECTIONAL ARROW L.H.	1	
7	990428	. . GLASS ASSY W/DIRECTIONAL ARROW R.H.	1	
8	990297	. MIRROR ASSY / CONVEX ELECTRIC	1	
9	990295	. . PLATE, TOP MOTOR MOUNTING	1	
10	990219	. . MOTOR 12V / SMALL / BLACK / 85MM / 3 5/16" O.D.	1	
. NS	564494	. . . TAB TERMINAL / 20-16 / AMP 63138-1	4	
12	990339	. . GLASS CONVEX ASSY W/HEATER 12V	1	
13	N.P.N.	. . SCREW TC FL PH ZP 6-32 X 1 1/8"	3	4
14	500660	. . SCREW TC FL PH #6-32x3/8 Z050	2	
15	990530	. . SCREW CAP HEX #10-24x1" SS	2	
NS	500787	. . NUT HEX #10-24 SS	2	
16	060776	. . CABLE ASSY / W/CONNECTOR 9PIN 54"	1	
17	990379	. . CUP, BALL STUD RETAINER / ONE PIECE	1	
18	500270	. . WASHER FL .406x1.000x.063 SS	1	
19	N.P.N.	. . SCREW CAP HEX SS 3/8-24 X 1.250	1	4
21	990392	. ARM, L.H. / DIRTY FREE	1	
21	990308	. ARM, R.H.	1	
23	990265	. WASHER ALUMINUM / 2 " O.D.	1	
NS	504082	. . SNAP BUSHING / .125x.312x.312	1	
24	990305	. BRACKET, MOUNTING R.H. To K-7662	1	
24	990537	. BRACKET, MOUNTING R.H. From L-7663	1	
24	990306	. BRACKET, MOUNTING L.H. To K-7662	1	
24	990540	. BRACKET, MOUNTING L.H. From L-7663	1	
25	500958	. WASHER FL .531x1.062x.095 SS	1	

From G-7275 To M-7767	Date:07/2024	PAGE:X3PLB-1856-25
-----------------------	--------------	--------------------

MIRROR "RAMCO" FLAT GLASS / BLACK PAINTED WITH DIRECTIONAL

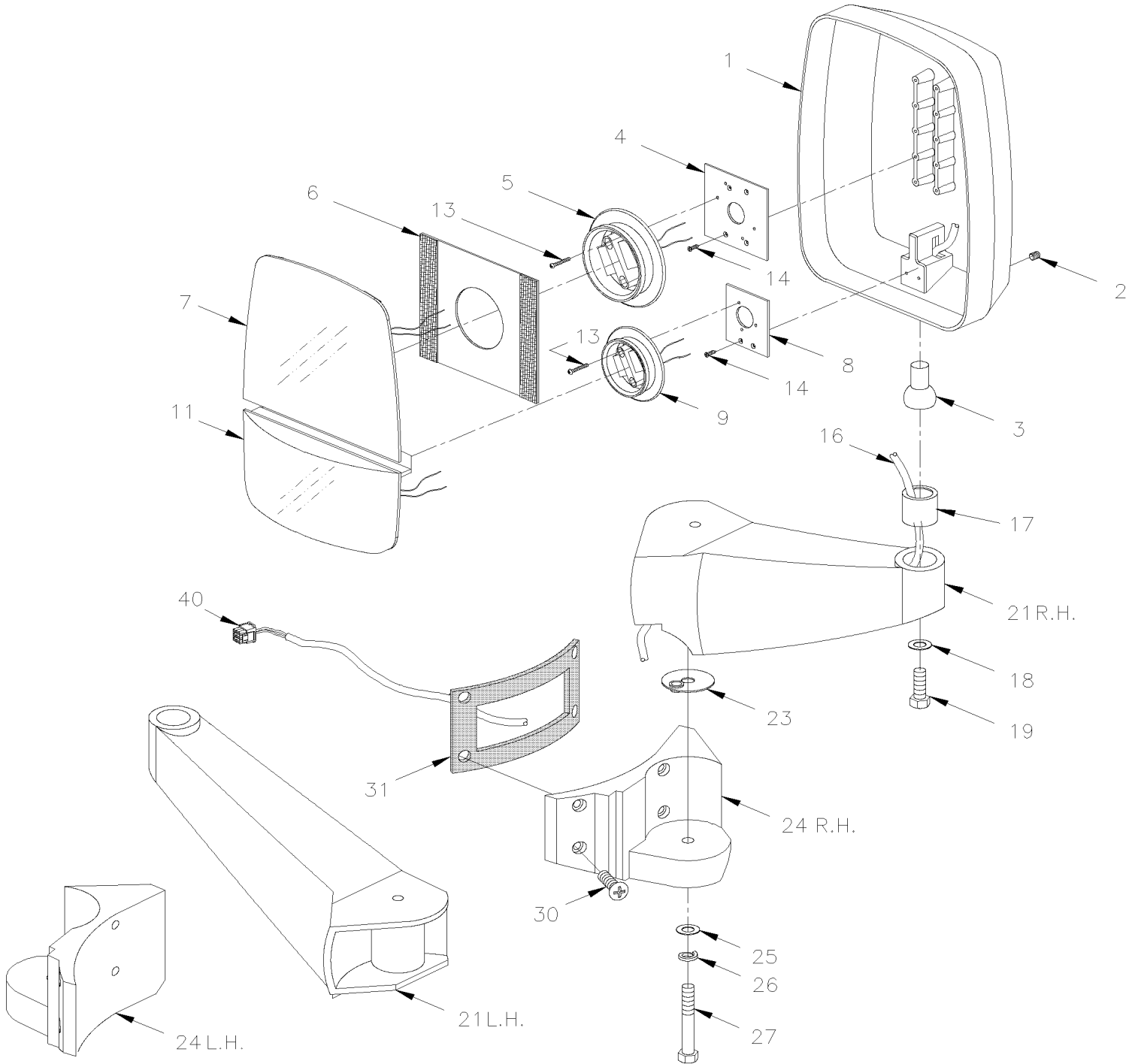
Item#	Part	Description	QTY	Notes
26	500035	. WASHER LO SPT .317x.586x.078 SS	1	
27	990500	. SCREW 1/2-13x2 HHCS SS	1	
30	5001461	SCREW MA FL PH M8-1.25x40 SS To K-7662	2	
30	5002124	SCREW MA FL PH M8-1.25x45 SS From L-7663	2	
30	5001581	SCREW CAP BUT HEXS M8-1.25x40 SS	2	
NS	5001341	WASHER FL 8.4x17.0x1.6 SS	2	
31	490873	GASKET, RH	1	
31	490894	GASKET, LH	1	
40	563802	CONNECTOR / W 45" CABLE ASSY / PH 9C	2	
41	563801	CONNECTOR / MULTI CON X / SH 9C / CONXALL 4280-9SG-300	2	B
NS	562511	SOCKET TERMINAL / 20 / CONXALL 586SG	AR	B
NS	MI16-28	DRIP EDGE ADDITION ON FRONT MIRRORS / PRODUCT IMPROVMENT	1	
		B) THIS CONNECTOR IT USED ON CABLE HARNESS FROM INSIDE OF VEHICULE		
		4) NO PARTS NUMBER		

From G-7275 To K-7662

Date:07/2024

PAGE:X3PLB-1856-30

MIRROR "RAMCO" 2 GLASSES / SILVER PAINTED



From G-7275 To K-7662	Date:07/2024	PAGE:X3PLB-1856-30
MIRROR "RAMCO" 2 GLASSES / SILVER PAINTED		

Item#	Part	Description	QTY	Notes
	990447	MIRROR ASSY, R.H. / ELECTRIC / W/9 PINS CONNECTOR To J-7441	1	
	990509	MIRROR ASSY, R.H. / ELECTRIC / W/9 PINS CONNECTOR From J-7442	1	
	990449	MIRROR ASSY, L.H. / ELECTRIC / W/9 PINS CONNECTOR To J-7441	1	
	990514	MIRROR ASSY, L.H. / ELECTRIC / W/9 PINS CONNECTOR From J-7442	1	
1	990491	. HEAD ASSY / ELECTRIC / W/9 PINS CONNECTOR To J-7441	1	
1	990523	. HEAD ASSY / ELECTRIC / W/9 PINS CONNECTOR From J-7442	1	
. NS	060776	. . CABLE ASSY / W/CONNECTOR 9PIN 54" From J-7442	1	
2	502812	. . SCREW SET HEXS CUP 3/8-16X3/8 SS	1	
3	990478	. . STUD, BALL	1	
4	990272	. . NOTCHED BACK MOUNTING PLATE (2" X 3")	1	
5	990349	. . MOTOR 12V / MEDIUM / BLACK / 108MM / 4 1/4" O.D.	1	
. NS	564494	. . . TAB TERMINAL / 20-16 / AMP 63138-1	4	
6	990266	. . VELCRO PLATE / 6" X 7"	1	
7	990182	. . FLAT GLASS ASSY W/HEATER 12V	1	
8	990273	. . POWER CONVEX MOTOR BASE PLATE	1	
9	990219	. . MOTOR 12V / SMALL / BLACK / 85MM / 3 5/16" O.D.	1	
. NS	564494	. . . TAB TERMINAL / 20-16 / AMP 63138-1	4	
11	990338	. . CONVEX GLASS ASSY W/HEATER 12V	1	
13	N.P.N.	. . SCREW TC FL PH ZP 6-32 X 1 1/8"	3	4
14	500660	. . SCREW TC FL PH #6-32x3/8 Z050	2	
16	N.P.N.	. . CABLE ASSY / W/CONNECTOR 8 PIN / SEE ITEM # 40	1	4
16	N.P.N.	. . CABLE ASSY / W/CONNECTOR 5 PIN / SEE ITEM # 40	1	4
17	990379	. . CUP, BALL STUD RETAINER / ONE PIECE	1	
18	500270	. . WASHER FL .406x1.000x.063 SS	1	
19	N.P.N.	. . SCREW CAP HEX SS 3/8-24 X 1.250	1	4
21	990393	. ARM, L.H. / DIRTY FREE	1	
21	990315	. ARM, R.H.	1	
23	990265	. WASHER ALUMINUM / 2 " O.D.	1	
NS	504082	. . SNAP BUSHING / .125x.312x.312	1	
24	990309	. BRACKET, MOUNTING R.H.	1	
24	990311	. BRACKET, MOUNTING L.H.	1	
25	500958	. WASHER FL .531x1.062x.095 SS	1	
26	500035	. WASHER LO SPT .317x.586x.078 SS	1	
27	990500	. SCREW 1/2-13x2 HHCS SS	1	
30	5001461	SCREW MA FL PH M8-1.25x40 SS	2	
30	5001581	SCREW CAP BUT HEXS M8-1.25x40 SS	2	
NS	5001341	WASHER FL 8.4x17.0x1.6 SS	2	
31	490873	GASKET, RH	1	
31	490894	GASKET, LH	1	
40	563802	CONNECTOR / W 45" CABLE ASSY / PH 9C	2	
41	563801	CONNECTOR / MULTI CON X / SH 9C / CONXALL 4280-9SG-300	2	B
NS	562511	SOCKET TERMINAL / 20 / CONXALL 586SG	AR	B

From G-7275 To K-7662		Date:07/2024	PAGE:X3PLB-1856-30
-----------------------	--	--------------	--------------------

MIRROR "RAMCO" 2 GLASSES / SILVER PAINTED

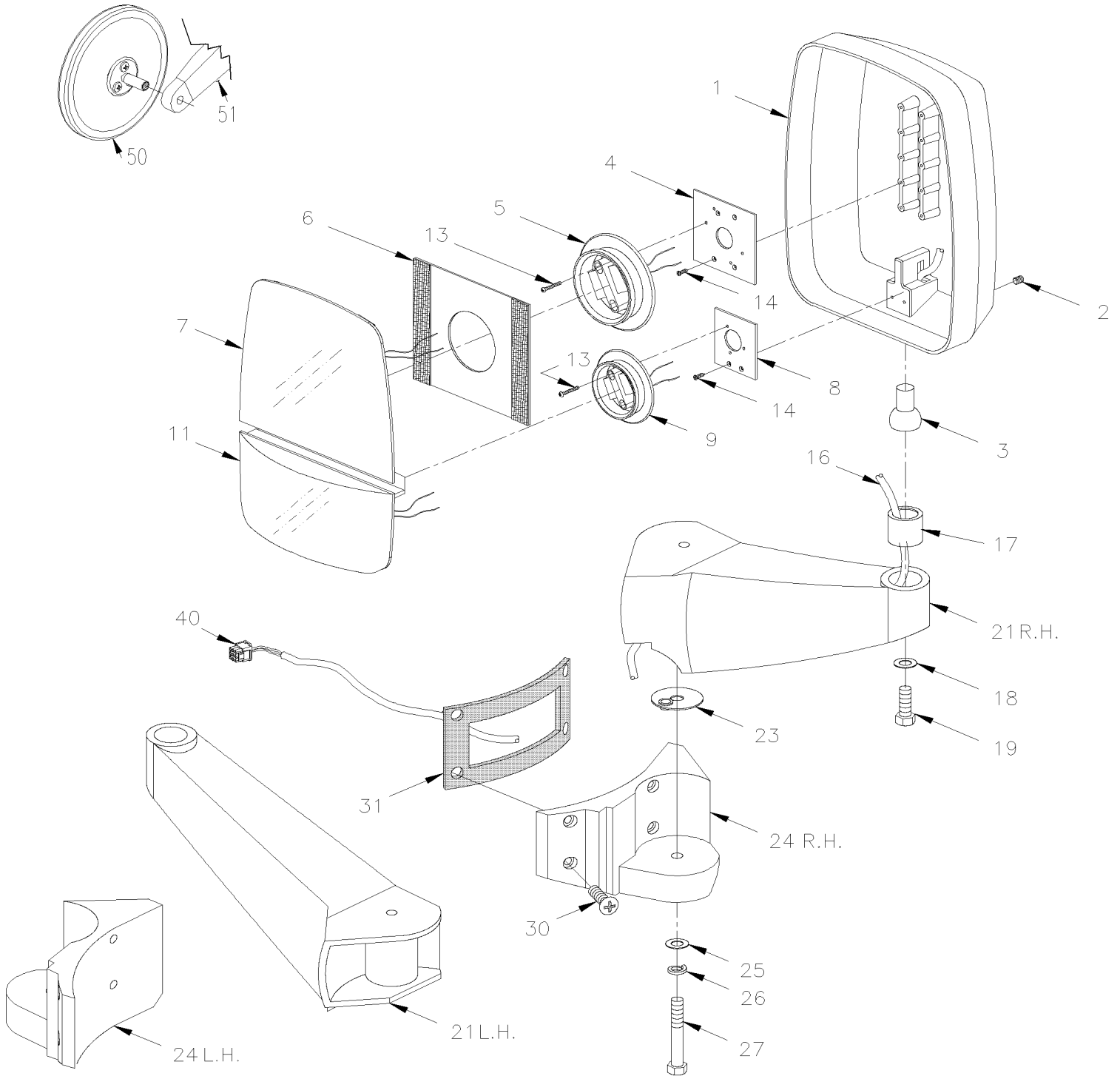
Item#	Part	Description	QTY	Notes
		B) THIS CONNECTOR IT USED ON CABLE HARNESS FROM INSIDE OF VEHICULE		
		4) NO PARTS NUMBER		

From G-7275 To M-7767

Date:07/2024

PAGE:X3PLB-1856-35

MIRROR "RAMCO" 2 GLASSES / BLACK PAINTED

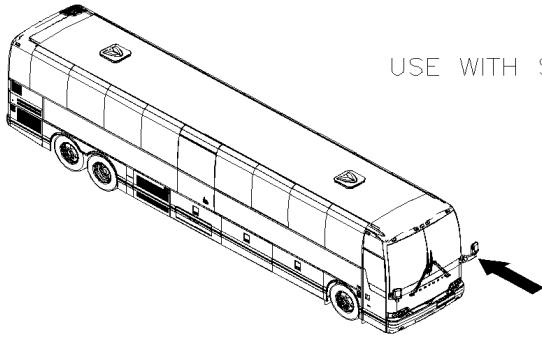


From G-7275 To M-7767

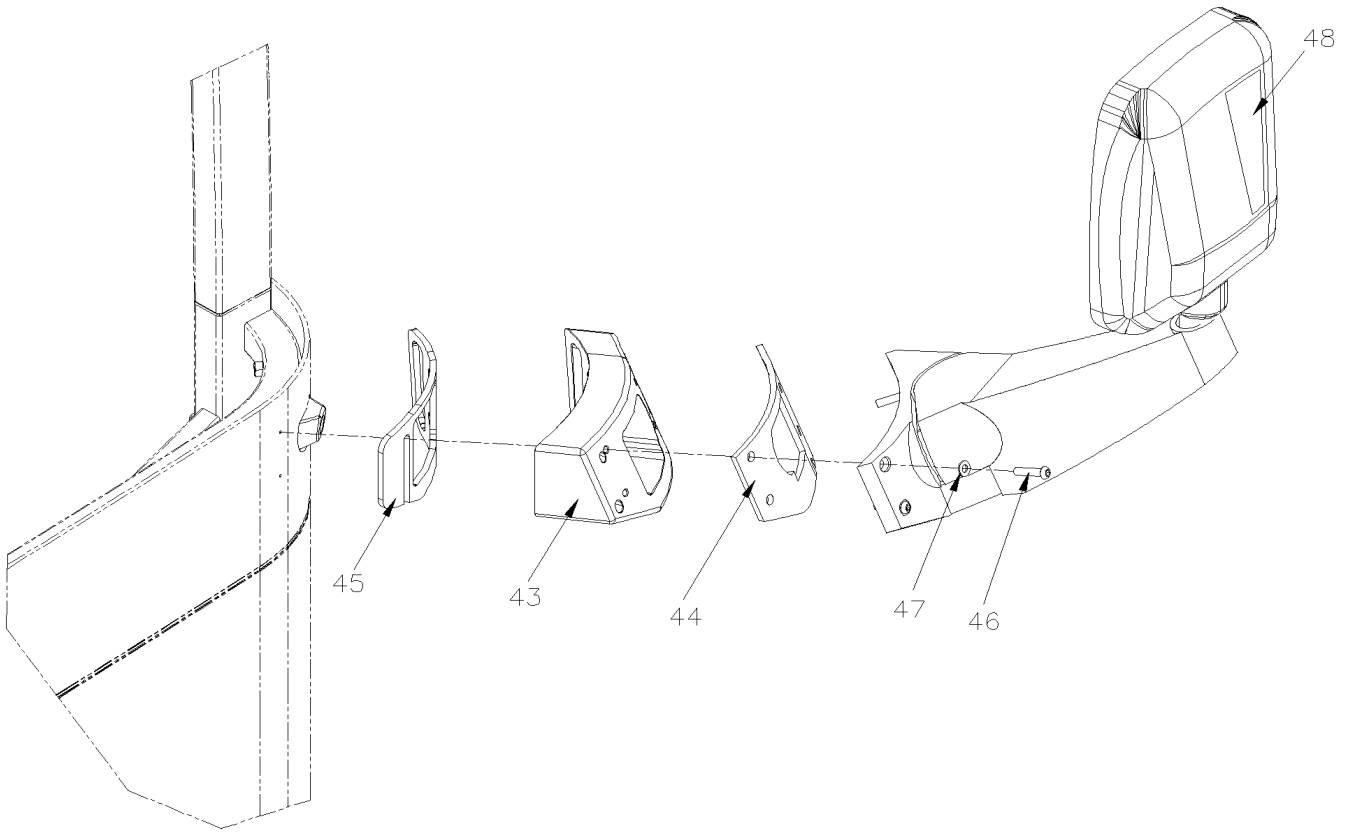
Date:07/2024

PAGE:X3PLB-1856-35

MIRROR "RAMCO" 2 GLASSES / BLACK PAINTED



STREET SIDE INSTALLATION
USE WITH SPECIAL MEXICO "GREYHOUND" OPTION



From G-7275 To M-7767	Date:07/2024	PAGE:X3PLB-1856-35
MIRROR "RAMCO" 2 GLASSES / BLACK PAINTED		

Item#	Part	Description	QTY	Notes
	990496	MIRROR ASSY, R.H. / MANUAL / W/9 PINS CONNECTOR To J-7441	1	GR
	990525	MIRROR ASSY, R.H. / MANUAL / W/9 PINS CONNECTOR From J-7442 To K-7662	1	GR
	990553	MIRROR ASSY, R.H. / MANUAL / W/9 PINS CONNECTOR From L-7663	1	GR
	990497	MIRROR ASSY, L.H. / MANUAL / W/9 PINS CONNECTOR To J-7441	1	GR
	990526	MIRROR ASSY, L.H. / MANUAL / W/9 PINS CONNECTOR From J-7442 To K-7662	1	GR
	990554	MIRROR ASSY, L.H. / MANUAL / W/9 PINS CONNECTOR From L-7663	1	GR
1	19507782	. HEAD ASSY / MANUAL R.H. / W/9 PINS CONNECTOR To J-7441	1	GR
1	19507782	. HEAD ASSY / MANUAL R.H. / W/9 PINS CONNECTOR From J-7442 To K-7662	1	GR
1	990557	. HEAD ASSY / MANUAL / W/9 PINS CONNECTOR From L-7663	1	GR
1	19507783	. HEAD ASSY / MANUAL L.H. / W/9 PINS CONNECTOR To J-7441	1	GR
1	19507783	. HEAD ASSY / MANUAL L.H. / W/9 PINS CONNECTOR From J-7443 To K-7662	1	GR
2	502812	. . SCREW SET HEXS CUP 3/8-16X3/8 SS	1	
3	990478	. . STUD, BALL	1	
4	990272	. . NOTCHED BACK MOUNTING PLATE (2" X 3")	1	
5	990349	. . MOTOR 12V / MEDIUM / BLACK / 108MM / 4 1/4" O.D.	1	
. NS	564494	. . . TAB TERMINAL / 20-16 / AMP 63138-1	4	
6	990266	. . . VELCRO PLATE / 6" X 7"	1	
7	990182	. . FLAT GLASS ASSY W/HEATER 12V	1	
8	990273	. . POWER CONVEX MOTOR BASE PLATE	1	
9	990219	. . MOTOR 12V / SMALL / BLACK / 85MM / 3 5/16" O.D.	1	
. NS	564494	. . . TAB TERMINAL / 20-16 / AMP 63138-1	4	
11	990338	. . CONVEX GLASS ASSY W/HEATER 12V	1	
12	990282	. . CABLE ASSY W/2 WIRES HEATER ELEMENT	1	
13	N.P.N.	. . SCREW TC FL PAN PH ZP 6-32 X 1 1/8"	7	4
14	500660	. . SCREW TC FL PH #6-32x3/8 Z050	2	
16	060776	. . CABLE ASSY / W/CONNECTOR 9PIN 54"	1	
17	990379	. . CUP, BALL STUD RETAINER / ONE PIECE	1	
18	500270	. . WASHER FL .406x1.000x.063 SS	1	
19	N.P.N.	. . SCREW CAP HEX SS 3/8-24 X 1.250	1	4
21	990392	. ARM, L.H. / DIRTY FREE	1	
NS	990308	. ARM, R.H.	1	
21	990308	. ARM, R.H. INSTALL ON CURBSIDE	1	
21	990308	. ARM, R.H. INSTALL ON STREET SIDE	1	
23	990265	. WASHER ALUMINUM / 2 " O.D.	1	
NS	504082	. . SNAP BUSHING / .125x.312x.312	1	
24	990305	. BRACKET, MOUNTING R.H. To K-7662	1	
24	990537	. BRACKET, MOUNTING R.H. From L-7663	1	
24	990306	. BRACKET, MOUNTING L.H. To K-7662	1	
24	990540	. BRACKET, MOUNTING L.H. From L-7663	1	
25	500958	. WASHER FL .531x1.062x.095 SS	1	
26	500035	. WASHER LO SPT .317x.586x.078 SS	1	
27	990500	. SCREW 1/2-13x2 HHCS SS	1	

From G-7275 To M-7767	Date:07/2024	PAGE:X3PLB-1856-35
MIRROR "RAMCO" 2 GLASSES / BLACK PAINTED		

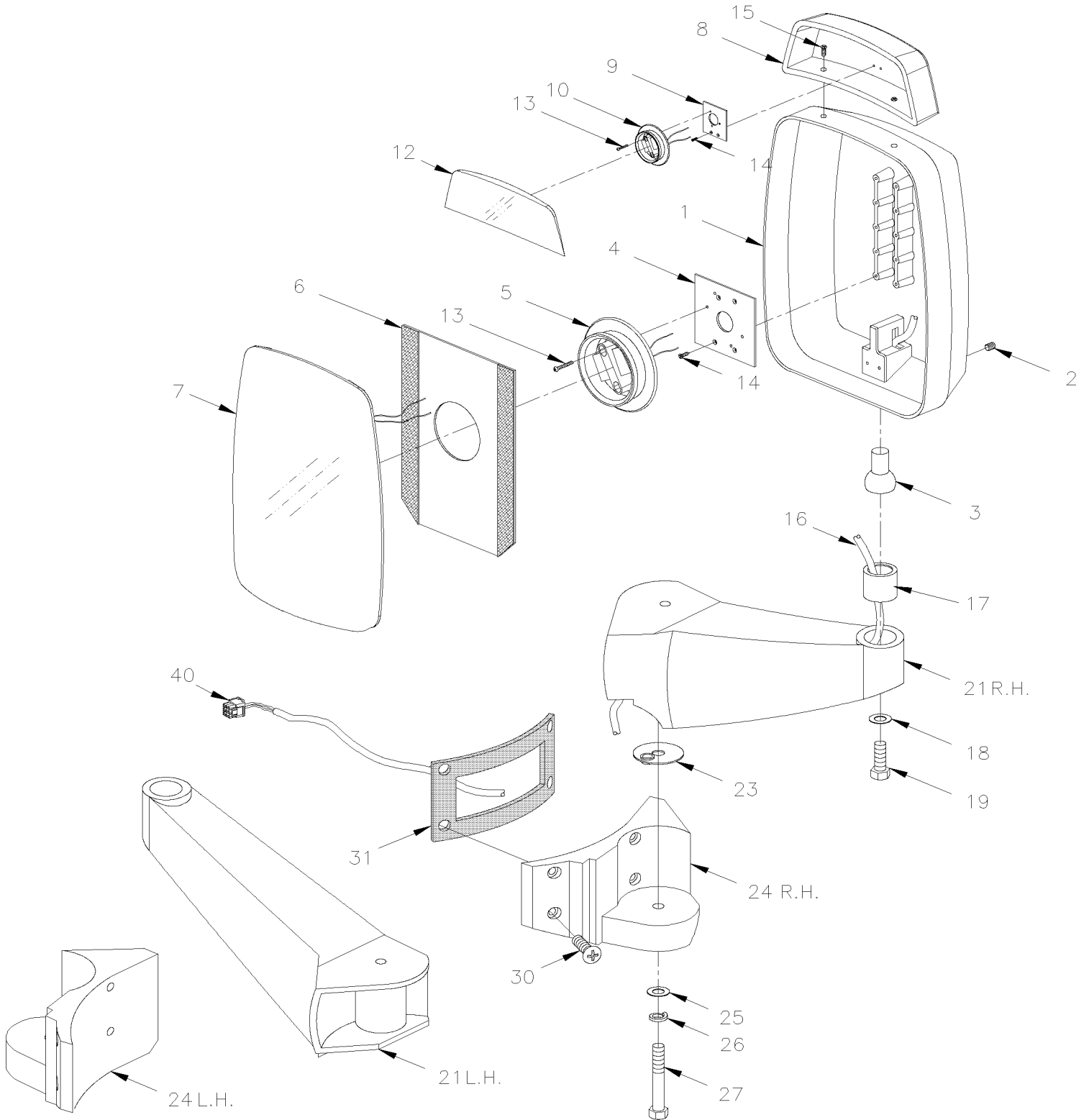
Item#	Part	Description	QTY	Notes
30	5001461	SCREW MA FL PH M8-1.25x40 SS To K-7662	2	
30	5002124	SCREW MA FL PH M8-1.25x45 SS From L-7663	2	
30	5001581	SCREW CAP BUT HEXS M8-1.25x40 SS	2	
NS	5001341	WASHER FL 8.4x17.0x1.6 SS	2	
31	490873	GASKET, RH	1	
31	490894	GASKET, LH INSTALL ON CURBSIDE	1	
NS	506646	PAD RUB ADH1 CC POL 1/4" x 16" x 24" / BLACK 2542	AR	
40	563802	CONNECTOR / W 45" CABLE ASSY / PH 9C	2	
NS	563801	CONNECTOR / MULTI CON X / SH 9C / CONXALL 4280-9SG-300	2	B
NS	562511	SOCKET TERMINAL / 20 / CONXALL 586SG	AR	B
		NEXT "OPTION" USE WITH "GREYHOUNG		
50	990715	MIRROR CONVEX 8" O.D.	1	GR
50	990968	MIRROR, ROUND CONVEX 6" BLACK	1	GR
51	990716	BRACKET TO FIX MIRROR OVER HEAD USE WITH 8" MIRROR	1	GR
51	990969	BRACKET & HARDWARE KIT, MIRROR USE WITH 6" MIRROR	1	GR
		B) THIS CONNECTOR IT USED ON CABLE HARNESS FROM INSIDE OF VEHICULE		
		GR) "GREYHOUND" OPTION		
		4) NO PARTS NUMBER		

From G-7275 To M-7767

Date:07/2024

PAGE:X3PLB-1856-50

MIRROR "RAMCO" FLAT GLASS / CHROME



From G-7275 To M-7767	Date:07/2024	PAGE:X3PLB-1856-50
MIRROR "RAMCO" FLAT GLASS / CHROME		

Item#	Part	Description	QTY	Notes
	990454	MIRROR ASSY, L.H. / W/CONVEX ELECTRIC / W/9 PINS CONNECTOR To J-7441	1	
	990466	MIRROR ASSY, L.H. / W/CONVEX ELECTRIC / W/9 PINS CONNECTOR From J-7442 To K-7662	1	
	990551	MIRROR ASSY, L.H. / W/CONVEX ELECTRIC / W/9 PINS CONNECTOR From L-7663	1	
	990433	MIRROR ASSY, R.H. / W/CONVEX ELECTRIC / W/9 PINS CONNECTOR To J-7441	1	
	990022	MIRROR ASSY, R.H. / W/CONVEX ELECTRIC / W/9 PINS CONNECTOR From J-7442 To K-7662	1	
	990546	MIRROR ASSY, R.H. / W/CONVEX ELECTRIC / W/9 PINS CONNECTOR From L-7663	1	
1	990444	. HEAD ASSY / W/CONVEX ELECTRIC / W/9 PINS CONNECTOR To J-7441	1	
1	990516	. HEAD ASSY / W/CONVEX ELECTRIC / W/9 PINS CONNECTOR From J-7442	1	
. NS	060776	. . CABLE ASSY / W/CONNECTOR 9PIN 54" From J-7442	1	
2	502812	. . SCREW SET HEXS CUP 3/8-16X3/8 SS	1	
3	990478	. . STUD, BALL	1	
4	990272	. . NOTCHED BACK MOUNTING PLATE (2" X 3")	1	
5	990349	. . MOTOR 12V / MEDIUM / BLACK / 108MM / 4 1/4" O.D.	1	
. NS	564494	. . . TAB TERMINAL / 20-16 / AMP 63138-1	4	
6	990268	. . VELCRO PLATE / 8" X 8"	1	
7	990199	. . GLASS ASSY W/HEATER 12V	1	
8	990302	. MIRROR ASSY / CONVEX ELECTRIC	1	
9	990295	. . PLATE, TOP MOTOR MOUNTING	1	
10	990219	. . MOTOR 12V / SMALL / BLACK / 85MM / 3 5/16" O.D.	1	
. NS	564494	. . . TAB TERMINAL / 20-16 / AMP 63138-1	4	
12	990339	. . GLASS CONVEX ASSY W/HEATER 12V	1	
13	N.P.N.	. . SCREW TC FL PH ZP 6-32 X 1 1/8"	3	4
14	500660	. . SCREW TC FL PH #6-32x3/8 Z050	2	
15	990530	. . SCREW CAP HEX #10-24x1" SS	2	
NS	500787	. . NUT HEX #10-24 SS	2	
16	060776	. . CABLE ASSY / W/CONNECTOR 9PIN 54"	1	
17	990379	. . CUP, BALL STUD RETAINER / ONE PIECE	1	
18	500270	. . WASHER FL .406x1.000x.063 SS	1	
19	N.P.N.	. . SCREW CAP HEX SS 3/8-24 X 1.250	1	4
21	990316	. ARM, R.H.	1	
21	990394	. ARM, L.H. / DIRTY FREE	1	
23	990265	. WASHER ALUMINUM / 2 " O.D.	1	
NS	504082	. . SNAP BUSHING / .125x.312x.312	1	
24	990310	. BRACKET, MOUNTING R.H. To K-7662	1	
24	990539	. BRACKET, MOUNTING R.H. From L-7663	1	
24	990312	. BRACKET, MOUNTING L.H. To K-7662	1	
24	990542	. BRACKET, MOUNTING L.H. From L-7663	1	
25	500958	. WASHER FL .531x1.062x.095 SS	1	
26	500035	. WASHER LO SPT .317x.586x.078 SS	1	
27	990500	. SCREW 1/2-13x2 HHCS SS	1	
30	5001461	SCREW MA FL PH M8-1.25x40 SS To K-7662	2	
30	5002124	SCREW MA FL PH M8-1.25x45 SS From L-7663	2	

From G-7275 To M-7767	Date:07/2024	PAGE:X3PLB-1856-50
MIRROR "RAMCO" FLAT GLASS / CHROME		

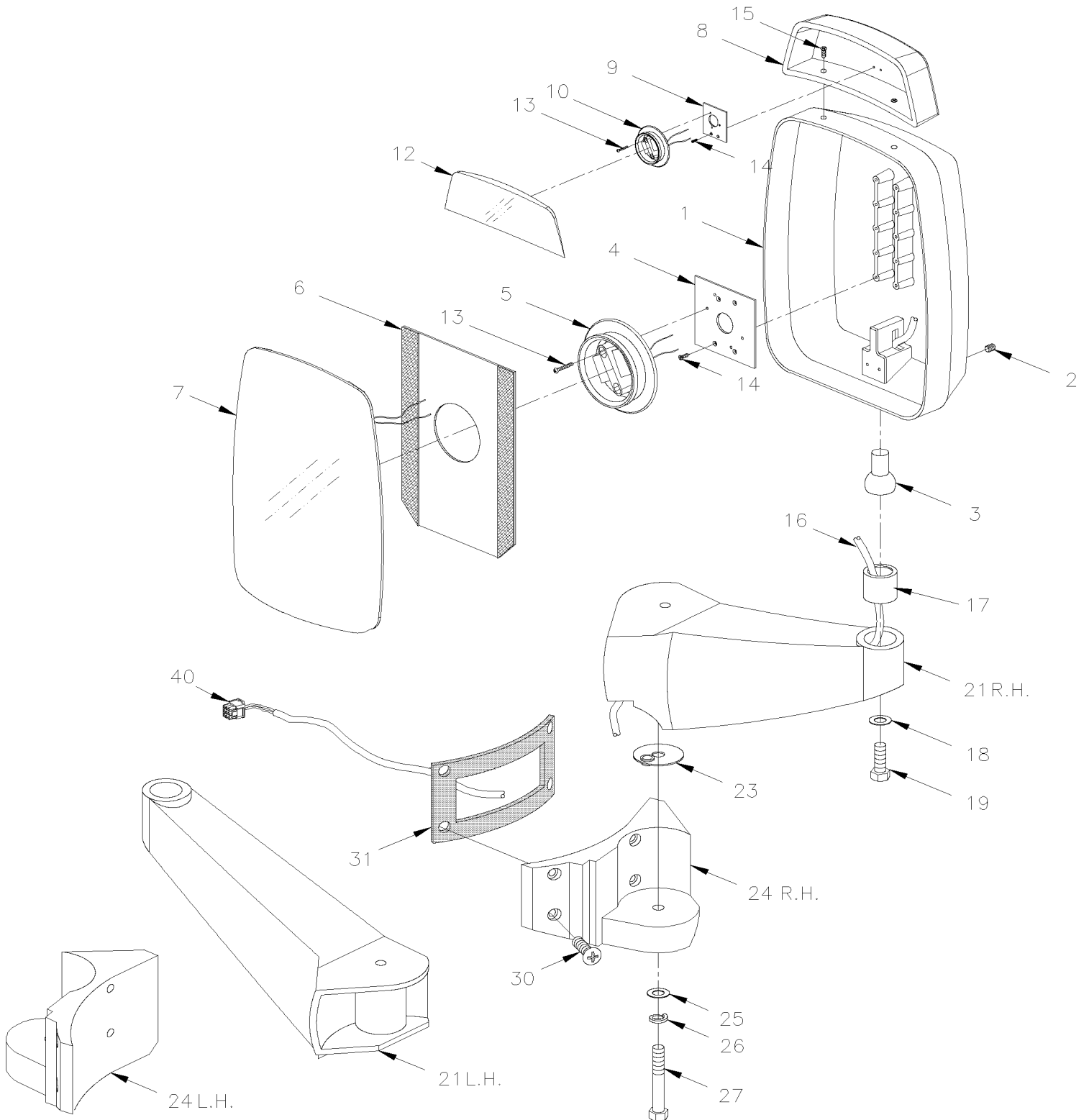
Item#	Part	Description	QTY	Notes
30	5001581	SCREW CAP BUT HEXS M8-1.25x40 SS	2	
NS	5001341	WASHER FL 8.4x17.0x1.6 SS	2	
31	490873	GASKET, RH	1	
31	490894	GASKET, LH	1	
40	563802	CONNECTOR / W 45" CABLE ASSY / PH 9C	2	
NS	563801	CONNECTOR / MULTI CON X / SH 9C / CONXALL 4280-9SG-300	2	B
NS	562511	SOCKET TERMINAL / 20 / CONXALL 586SG	AR	B
NS	MI16-28	DRIP EDGE ADDITION ON FRONT MIRRORS / PRODUCT IMPROVMENT	1	
		B) THIS CONNECTOR IT USED ON CABLE HARNESS FROM INSIDE OF VEHICULE		
		4) NO PARTS NUMBER		

From G-7275 To M-7767

Date:07/2024

PAGE:X3PLB-1856-55

MIRROR "RAMCO" FLAT GLASS / CHROME WITH DIRECTIONAL



From G-7275 To M-7767	Date:07/2024	PAGE:X3PLB-1856-55
-----------------------	--------------	--------------------

MIRROR "RAMCO" FLAT GLASS / CHROME WITH DIRECTIONAL

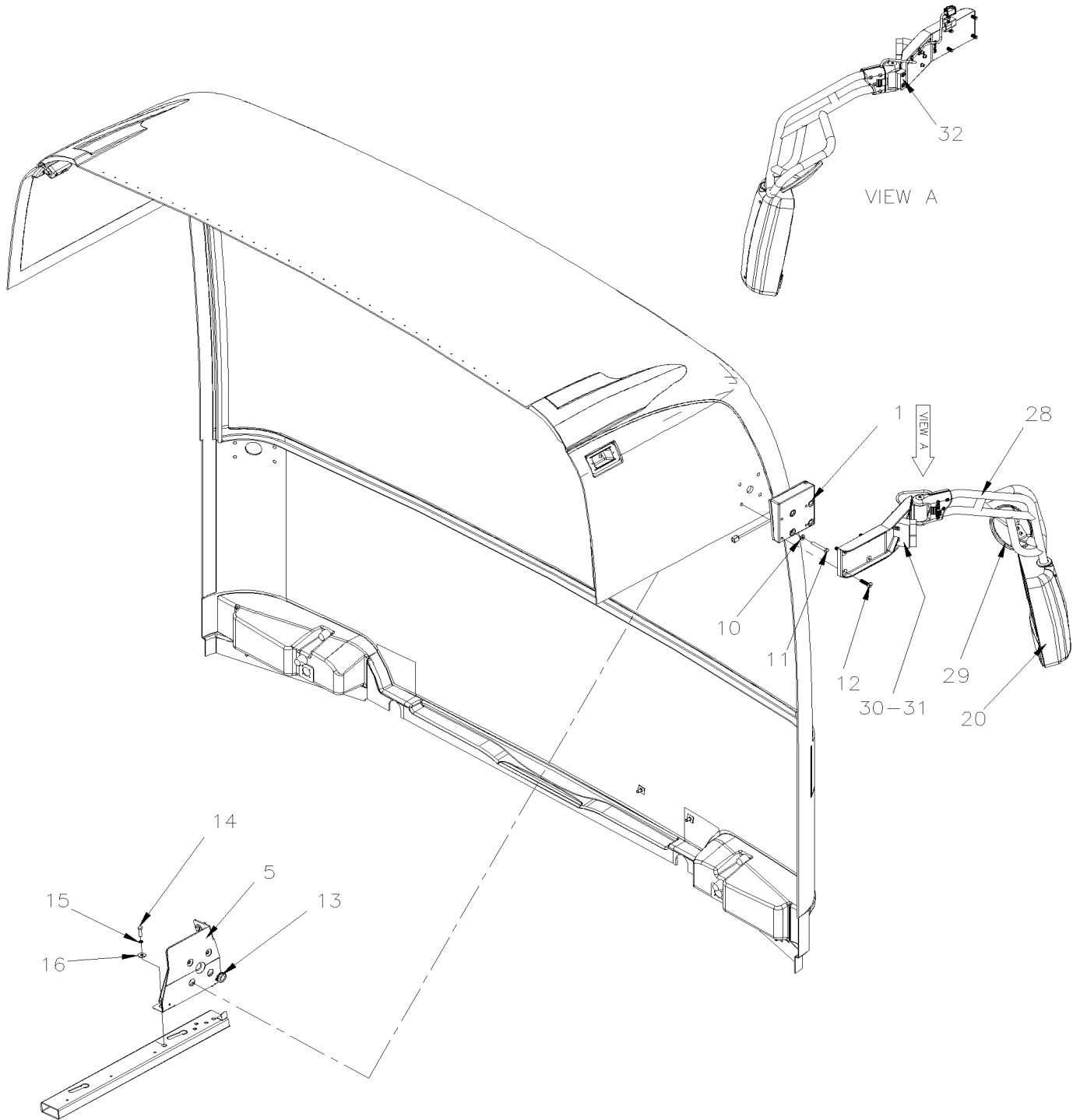
Item#	Part	Description	QTY	Notes
	990456	MIRROR ASSY, L.H. / DIRECTIONAL / W/CONVEX / W/9 PINS CONNECTOR To J-7441	1	
	990507	MIRROR ASSY, L.H. / DIRECTIONAL / W/CONVEX / W/9 PINS CONNECTOR From J-7442 To K-7662	1	
	990552	MIRROR ASSY, L.H. / DIRECTIONAL / W/CONVEX / W/9 PINS CONNECTOR From L-7663	1	
	990436	MIRROR ASSY, R.H. / DIRECTIONAL / W/CONVEX / W/9 PINS CONNECTOR To J-7441	1	
	990467	MIRROR ASSY, R.H. / DIRECTIONAL / W/CONVEX / W/9 PINS CONNECTOR From J-7442 To K-7662	1	
	990547	MIRROR ASSY, R.H. / DIRECTIONAL / W/CONVEX / W/9 PINS CONNECTOR From L-7663	1	
1	990495	. HEAD ASSY / ELECTRIC L.H. / W/9 PINS CONNECTOR To J-7441	1	
1	990520	. HEAD ASSY / ELECTRIC L.H. / W/9 PINS CONNECTOR From J-7442	1	
. NS	060776	. . CABLE ASSY / W/CONNECTOR 9PIN 54" From J-7442	1	
1	990494	. HEAD ASSY / ELECTRIC R.H. / W/9 PINS CONNECTOR To J-7441	1	
1	990518	. HEAD ASSY / ELECTRIC R.H. / W/9 PINS CONNECTOR From J-7442	1	
. NS	060776	. . CABLE ASSY / W/CONNECTOR 9PIN 54" From J-7442	1	
2	502812	. . SCREW SET HEXS CUP 3/8-16X3/8 SS	1	
3	990478	. . STUD, BALL	1	
4	990272	. . NOTCHED BACK MOUNTING PLATE (2" X 3")	1	
5	990349	. . MOTOR 12V / MEDIUM / BLACK / 108MM / 4 1/4" O.D.	1	
. NS	564494	. . . TAB TERMINAL / 20-16 / AMP 63138-1	4	
6	990474	. . VELCRO PLATE / 8" X 8" / W/RECESS FOR FLASHER	1	
7	990427	. . GLASS ASSY W/DIRECTIONAL ARROW L.H.	1	
7	990428	. . GLASS ASSY W/DIRECTIONAL ARROW R.H.	1	
8	990302	. MIRROR ASSY / CONVEX ELECTRIC	1	
9	990295	. . PLATE, TOP MOTOR MOUNTING	1	
10	990219	. . MOTOR 12V / SMALL / BLACK / 85MM / 3 5/16" O.D.	1	
. NS	564494	. . . TAB TERMINAL / 20-16 / AMP 63138-1	4	
12	990339	. . GLASS CONVEX ASSY W/HEATER 12V	1	
13	N.P.N.	. . SCREW TC FL PH ZP 6-32 X 1 1/8"	3	4
14	500660	. . SCREW TC FL PH #6-32x3/8 Z050	2	
15	990530	. . SCREW CAP HEX #10-24x1" SS	2	
NS	500787	. . NUT HEX #10-24 SS	2	
16	060776	. . CABLE ASSY / W/CONNECTOR 9PIN 54"	1	
17	990379	. . CUP, BALL STUD RETAINER / ONE PIECE	1	
18	500270	. . WASHER FL .406x1.000x.063 SS	1	
19	N.P.N.	. . SCREW CAP HEX SS 3/8-24 X 1.250	1	4
21	990316	. ARM, R.H.	1	
21	990394	. ARM, L.H. / DIRTY FREE	1	
23	990265	. WASHER ALUMINUM / 2 " O.D.	1	
NS	504082	. . SNAP BUSHING / .125x.312x.312	1	
24	990310	. BRACKET, MOUNTING R.H. To K-7662	1	
24	990539	. BRACKET, MOUNTING R.H. From L-7663	1	
24	990312	. BRACKET, MOUNTING L.H. To K-7662	1	
24	990542	. BRACKET, MOUNTING L.H. From L-7663	1	
25	500958	. WASHER FL .531x1.062x.095 SS	1	

From G-7275 To M-7767	Date:07/2024	PAGE:X3PLB-1856-55
-----------------------	--------------	--------------------

MIRROR "RAMCO" FLAT GLASS / CHROME WITH DIRECTIONAL

Item#	Part	Description	QTY	Notes
26	500035	. WASHER LO SPT .317x.586x.078 SS	1	
27	990500	. SCREW 1/2-13x2 HHCS SS	1	
30	5001461	SCREW MA FL PH M8-1.25x40 SS To K-7662	2	
30	5002124	SCREW MA FL PH M8-1.25x45 SS From L-7663	2	
30	5001581	SCREW CAP BUT HEXS M8-1.25x40 SS	2	
NS	5001341	WASHER FL 8.4x17.0x1.6 SS	2	
31	490873	GASKET, RH	1	
31	490894	GASKET, LH	1	
40	563802	CONNECTOR / W 45" CABLE ASSY / PH 9C	2	
NS	563801	CONNECTOR / MULTI CON X / SH 9C / CONXALL 4280-9SG-300	2	B
NS	562511	SOCKET TERMINAL / 20 / CONXALL 586SG	AR	B
NS	MI16-28	DRIP EDGE ADDITION ON FRONT MIRRORS / PRODUCT IMPROVMENT	1	
		B) THIS CONNECTOR IT USED ON CABLE HARNESS FROM INSIDE OF VEHICULE		
		4) NO PARTS NUMBER		

From G-7275 To K-7662	Date:07/2024	PAGE:X3PLB-1856-70
MIRROR - EXTERIOR - INSTALLATION / HEATED - WITH BY-FOLD DOOR		

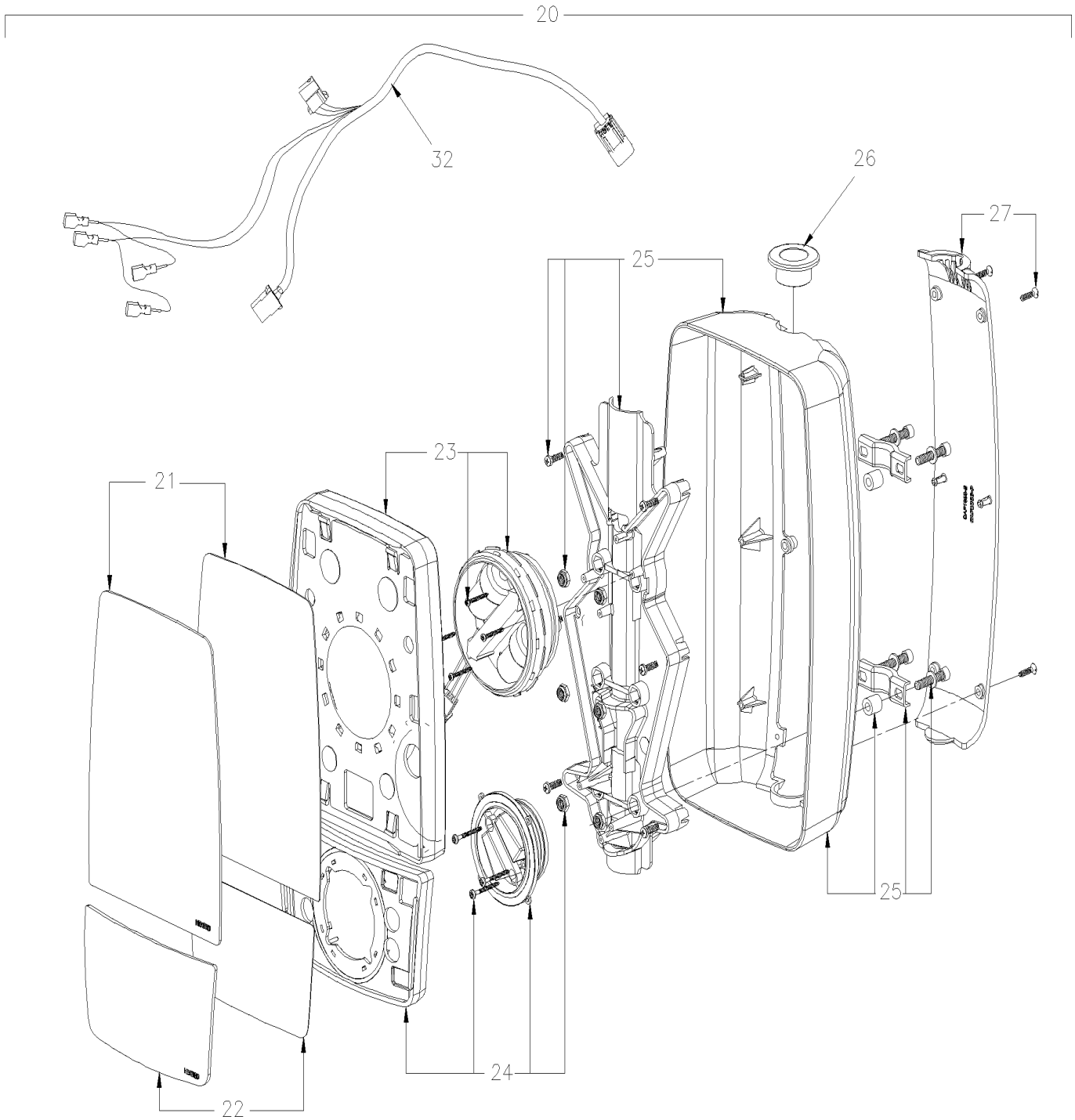


From G-7275 To K-7662

Date:07/2024

PAGE:X3PLB-1856-70

MIRROR - EXTERIOR - INSTALLATION / HEATED - WITH BY-FOLD DOOR



From G-7275 To K-7662	Date:07/2024	PAGE:X3PLB-1856-70
MIRROR - EXTERIOR - INSTALLATION / HEATED - WITH BY-FOLD DOOR		

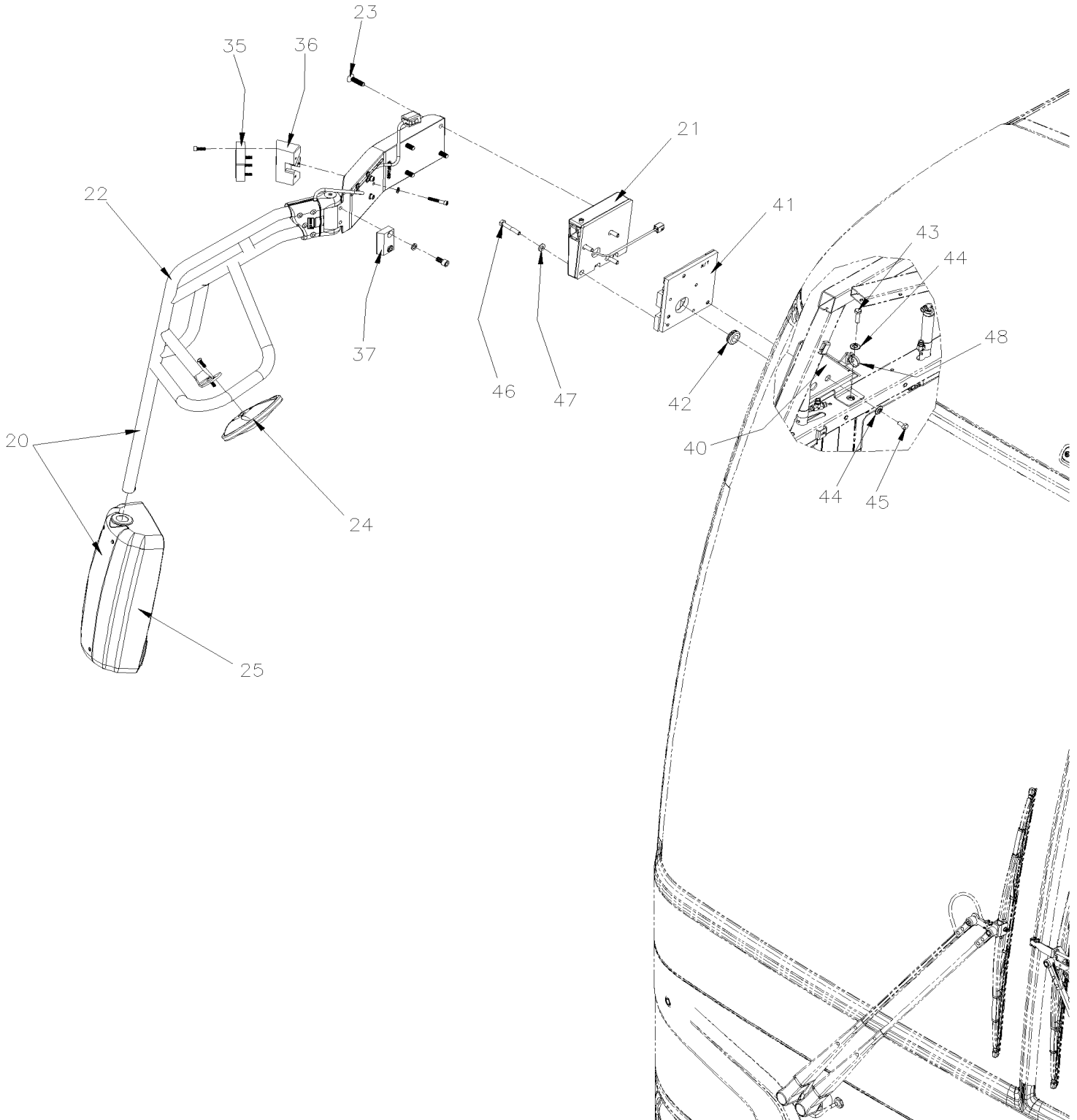
Item#	Part	Description	QTY	Notes
1	990477	BASE, RIGHT MIRROR	1	
5	251245	PLATE SUPPORT MIRROR ASSY	1	
NS	790392	RUBBER BLOCK ADJUSTEMENT 1" x 5/16" x 1/8" 80DURO	4	
NS	504013	TIE MOUNT / 1/4" X 1/4" I.D.	1	
NS	500209	SCREW TC BDG PH #10-24x3/8 N500	1	
NS	504637	CABLE TIE / 3/16" x 13"	1	
6	687957	GLUE MS POLYMER TEROSON MS 9399 / 400ml CARTRIDGE	AR	
6	680038	THREAD LOCKER LOCTITE #243 / BLUE / 50ml	AR	
10	5001736	WASHER FL 8.4x18.0x2.0 N500	4	
11	5001178	SCREW CAP HEX M8-1.25x60 SS BK	3	
11	502927	SCREW CAP HEX M8-1.25x50 G8.8 N500	1	
12	5001880	SCREW CAP FL HEXS 3/8-16x1 1/2 BK	4	
13	504671	GROMMET / .687x1.000x.125x.437x1.312	1	
14	5001738	SCREW CAP HEX M8-1.25x30 G8.8 N500	3	
15	500942	WASHER LO SPT 8.1x14.8x2.0 N500	3	
16	500381	WASHER FL 8.4x25.0x2.0 N500	3	
20	990503	MIROR HEATED, RH W/ PROTECTION	1	
20	990981	. MIRROR HEAD ASSY HEATED	1	
21	990973	. . FLAT MIRROR GLASS, HEATED / 7" X 9.5"	1	
22	990975	. . CONVEX MIRROR GLASS, HEATED / 7" X 4"	1	
23	990974	. . FLAT MIRROR CARRIER AND MOTOR ASSY / 7" X 9.5"	1	
24	990976	. . CONVEX MIRROR CARRIER AND MOTOR ASSY / 7" X 4"	1	
25	990977	. . 815 OVERHANG HOUSING (w/ INTERNAL SPINE/CLAMPS)	1	
26	990979	. . GROMMET	1	
27	990978	. . REAR ACCESS COVER FOR 815 MIRROR HEAD, OVERHANG OR UPRIGHT MOUNT	1	
28	990980	. MIRROR ARM	1	
29	990489	. MIRROR, FIX MOUNT CONVEX ROUND	1	
30	990504	BUMPER / MIRROR ARM	1	
31	990506	SUPPORT	1	
32	990505	BUMPER / MIRROR ARM	1	
NS	069381	HARNES MIRROR	1	

From L-7663 To M-7767

Date:07/2024

PAGE:X3PLB-1856-71

MIRROR - EXTERIOR - INSTALLATION / HEATED - WITH BY-FOLD DOOR

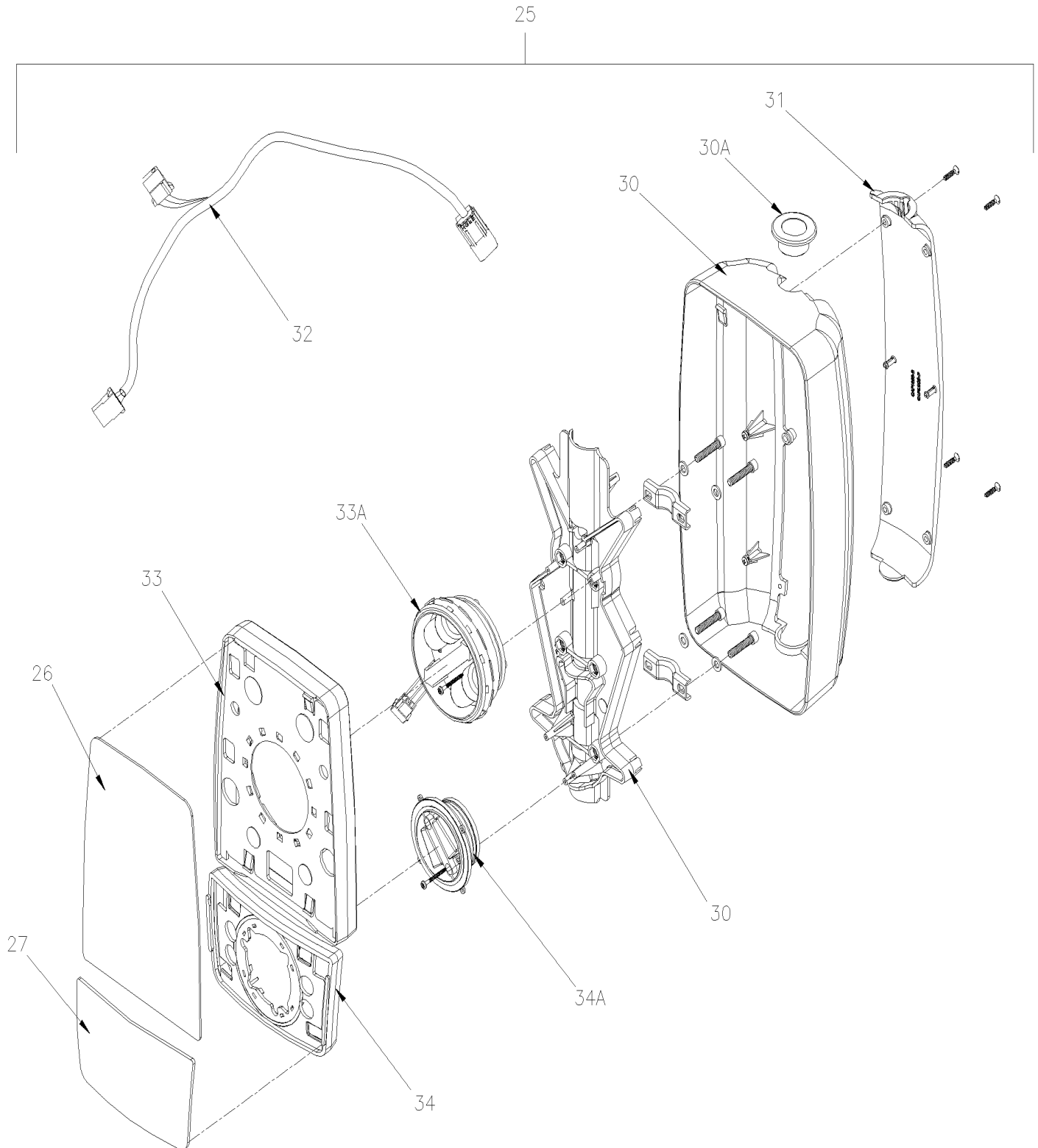


From L-7663 To M-7767

Date:07/2024

PAGE:X3PLB-1856-71

MIRROR - EXTERIOR - INSTALLATION / HEATED - WITH BY-FOLD DOOR



From L-7663 To M-7767	Date:07/2024	PAGE:X3PLB-1856-71
MIRROR - EXTERIOR - INSTALLATION / HEATED - WITH BY-FOLD DOOR		

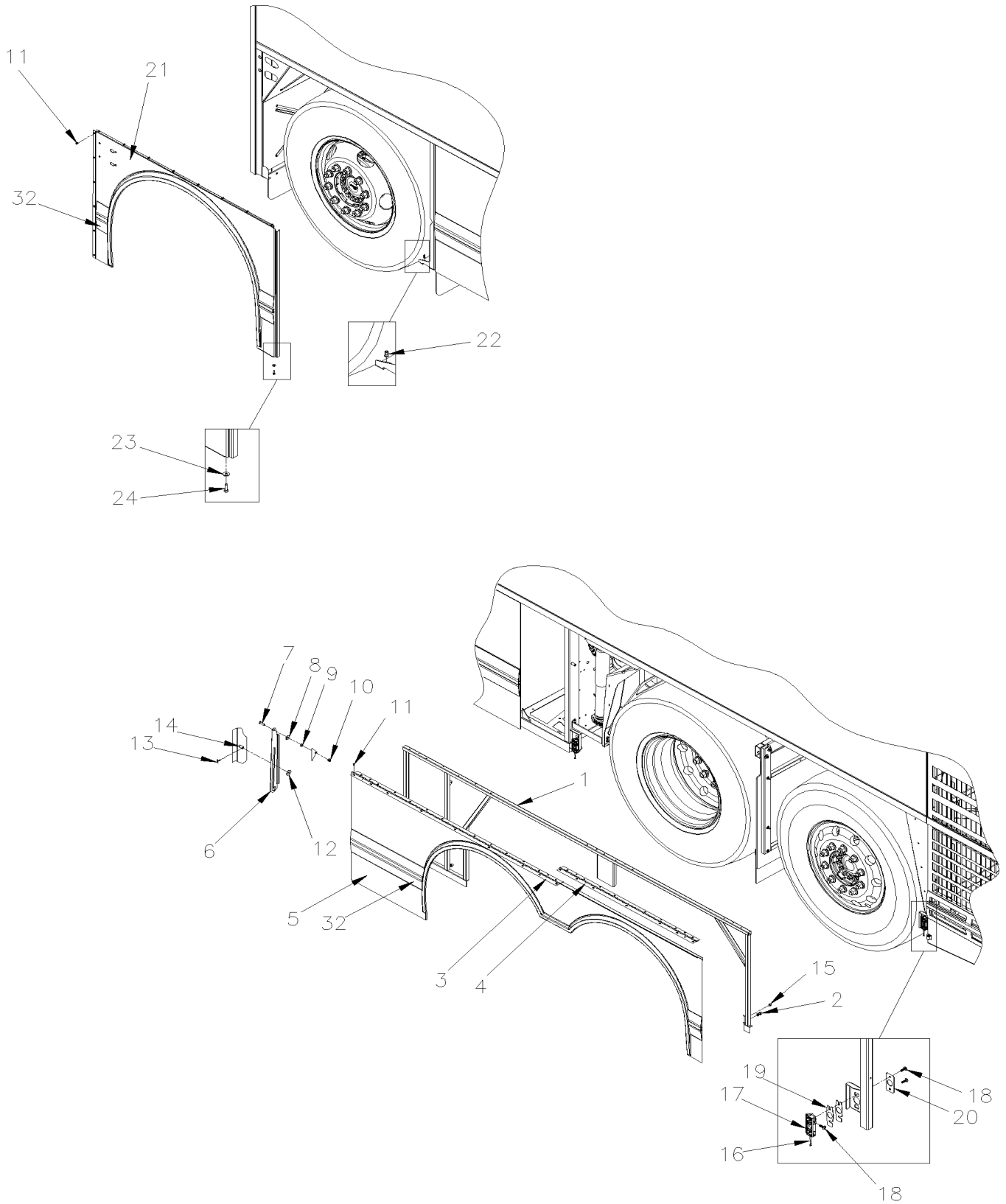
Item#	Part	Description	QTY	Notes
20	990503	MIROR HEATED, RH W/ PROTECTION	1	
20	990571	MIRROR, EXTERIOR RIGHT / HEATED HEATED	1	
21	990477	. BASE, RIGHT MIRROR	1	
21	990484	. . GASKET BASE MIRROR	1	
22	990629	ARM MIRROR RH	1	
23	5001880	. SCREW CAP FL HEXS 3/8-16x1 1/2 BK	4	
24	990489	. MIRROR, FIX MOUNT CONVEX ROUND	1	
25	990981	. MIRROR HEAD ASSY HEATED	1	
26	990973	. . FLAT MIRROR GLASS, HEATED / 7" X 9.5"	1	
27	990975	. . CONVEX MIRROR GLASS, HEATED / 7" X 4"	1	
30	990490	. . SHELL W/ CLAMPS, SCREWS	1	
30A	990979	. . . GROMMET	1	
31	990485	. . BACKPLATE COVER	1	
32	990486	. . HARNESS	1	
33	990983	. . SUPPORT MIRROR W/MOTOR 7"X9.5" UPPER	1	
33A	N.S.S.	. . . ACTUATOR UPPER	1	1
34	990982	. . SUPPORT MIRROR W/MOTOR 7"X4" LOWER	1	
34A	N.S.S.	. . . ACTUATOR LOWER	1	1
35	990504	. BUMPER / MIRROR ARM	1	
36	990506	. SUPPORT	1	
37	990505	. BUMPER / MIRROR ARM	1	
40	251303	SUPPORT, MIRROR	1	
NS	509558	WEATHERSEAL SNAP-ON 1/8" / SINGLE LIP / WH / C.T.L.	AR	
41	251304	PLATE SUPPORT MIRROR	1	
NS	790392	RUBBER BLOCK ADJUSTEMENT 1" x 5/16" x 1/8" 80DURO	4	
NS	687957	GLUE MS POLYMER TEROSON MS 9399 / 400ml CARTRIDGE To M-7793	AR	
NS	685387	GLUE MS POLYMER TEROSON MS 9399 / 400ml CARTRIDGE From M-7793	AR	
NS	506210	TAPE RUB ADH1 URE 1/2" x 3/4" x 20' / GREY 1820	AR	
42	504671	GROMMET / .687x1.000x.125x.437x1.312	1	
43	5001499	SCREW CAP HEX M8-1.25x30 SS	3	
44	502780	SCREW CAP HEX M8-1.25x25 SS BK	6	
45	5001527	SCREW CAP HEX M8-1.25x16 SS BK	3	
46	502927	SCREW CAP HEX M8-1.25x50 G8.8 N500	4	
NS	680038	THREAD LOCKER LOCTITE #243 / BLUE / 50ml	AR	
47	5001736	WASHER FL 8.4x18.0x2.0 N500	4	
48	504013	TIE MOUNT / 1/4" X 1/4" I.D.	1	
48	504379	RIVET POP DOME OE 3/16x1/4 SS	1	
48	504637	CABLE TIE / 3/16" x 13"	1	
		1) NOT SOLD SEPARATELY		

From G-7275 To H-7416

Date:07/2024

PAGE:X3PLB-1857-00

FENDERS L.H. - BUS W/FLAT PANELING



From G-7275 To H-7416	Date:07/2024	PAGE:X3PLB-1857-00
FENDERS L.H. - BUS W/FLAT PANELING		

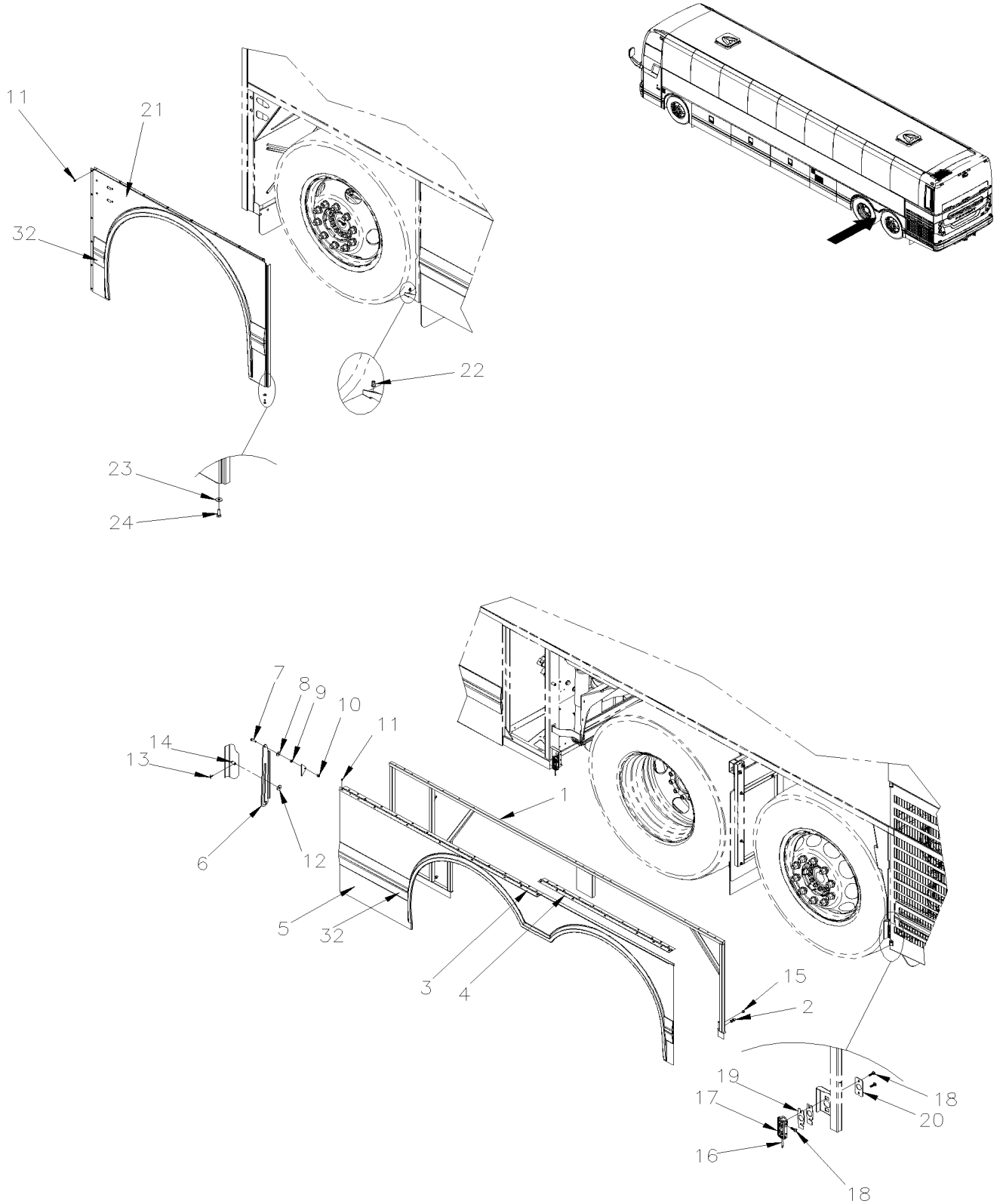
Item#	Part	Description	QTY	Notes
	464761	REAR FENDER ASSY L.H.	1	
1	460690	. FRAME REAR FENDER L.H.	1	
2	460694	. . STOPPER	1	
3	464757	. HINGE ASSY 1829MM	1	
4	464759	. HINGE ASSY 1213MM	1	
5	476766	. REAR FENDER L.H.	1	
NS	506785	. TAPE RUB ADH2 CC POL 1/16" X 1/4" X 200' / BLACK I1C-N-A	AR	
NS	687957	. GLUE MS POLYMER TEROSON MS 9399 / 400ml CARTRIDGE	AR	
NS	685124	. ADHESIVE SIMSON #ISR 70-03 / BLACK / 600ml SAUSAGE	AR	
6	460695	LEVER / FOR LOCK	1	
7	5001912	SCREW CAP HEX M8-1.25x30 SS BK	1	
8	471119	SEAL WASHER / RUB RAIL & PANEL	1	
9	5001852	NUT HEX M8-1.25 SS BK	1	
10	5001787	NUT HEX NYRT M8-1.25 SS	1	
11	504488	. RIVET MGLP PRDG 3/16x17/64 SS	AR	
12	5001233	WASHER FL .500x1.250x.062 NYL	1	
13	502111	PIN, COTTER 1/8 x 1 1/2 SS	1	
14	218654	SHAFT	1	
15	504527	BUMPER PLUG / .625ODx.312THx.250HOLEx.125	2	
16	472830	SPRING GUIDE HOLDER	2	
17	477399	RECEPTACLE	2	
18	5001630	SCREW TP BUTF TORX M6x20 SS	6	
19	464765	ADJUSTMENT PLATE	4	
20	460708	ADJUSTMENT PLATE	2	
21	476768	FRONT FENDER LH	1	
21	685126	ADHESIVE SIMSON #ISR 70-03 / GREY / 600ml SAUSAGE	AR	
22	5001344	NUT INS FL HEX M6-1.0 0.5-3.0 SS	2	
23	5001833	WASHER BEL SPR 6.1x18x1.27 SS	2	
24	502622	SCREW CAP HEX M6-1.0x20 SS BK	2	
32	X3PLB-1855-00	RUB RAIL - EXTERIOR CREST & TRIMS		

From H-7417 To M-7767

Date:07/2024

PAGE:X3PLB-1857-01

FENDERS L.H. - BUS W/FLAT PANELING VOLVO D13 - GHG17



From H-7417 To M-7767	Date:07/2024	PAGE:X3PLB-1857-01
FENDERS L.H. - BUS W/FLAT PANELING VOLVO D13 - GHG17		

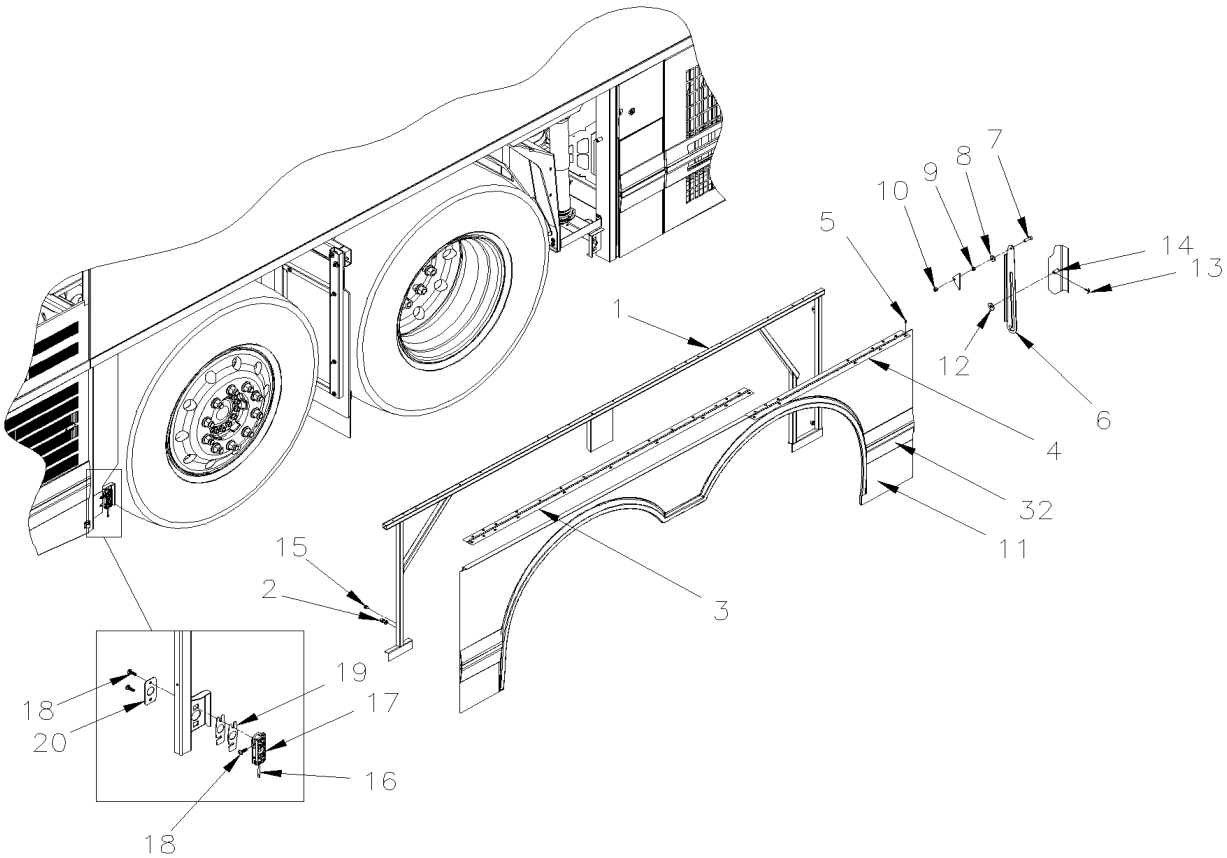
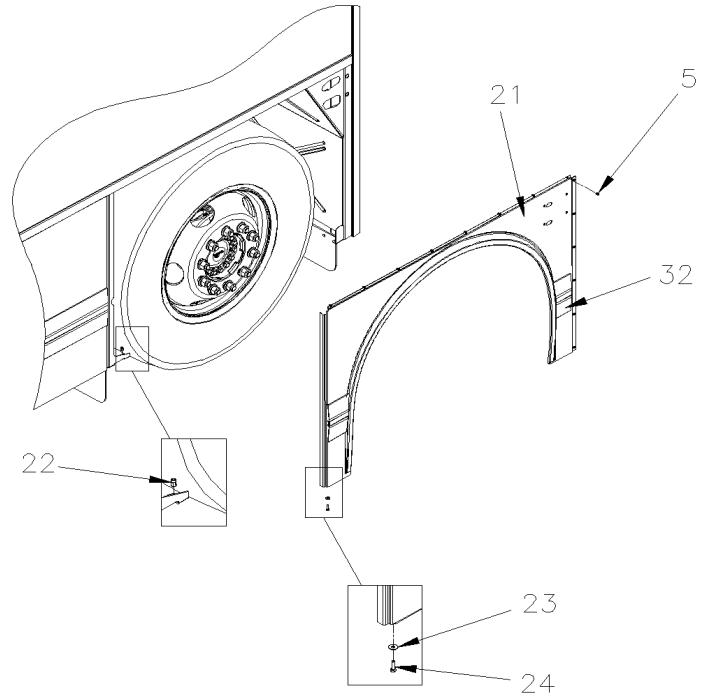
Item#	Part	Description	QTY	Notes
	464791	REAR FENDER ASSY L.H.	1	
1	464792	. FRAME REAR FENDER L.H.	1	
2	460694	. . STOPPER	2	
3	464757	. HINGE ASSY 1829MM	1	
4	464793	. HINGE ASSY 1168 MM	1	
5	479611	. REAR FENDER L.H.	1	
NS	506785	. TAPE RUB ADH2 CC POL 1/16" X 1/4" X 200' / BLACK I1C-N-A	AR	
NS	687957	. GLUE MS POLYMER TEROSON MS 9399 / 400ml CARTRIDGE To M-7792	AR	
NS	685387	. GLUE MS POLYMER TEROSON MS 9399 / 400ml CARTRIDGE From M-7793	AR	
NS	685124	. ADHESIVE SIMSON #ISR 70-03 / BLACK / 600ml SAUSAGE	AR	
6	460695	LEVER / FOR LOCK	1	
7	5001912	SCREW CAP HEX M8-1.25x30 SS BK	1	
8	471119	SEAL WASHER / RUB RAIL & PANEL	1	
9	5001852	NUT HEX M8-1.25 SS BK	1	
10	5001787	NUT HEX NYRT M8-1.25 SS	1	
11	504488	. RIVET MGLP PRDG 3/16x17/64 SS	AR	
12	5001233	WASHER FL .500x1.250x.062 NYL	1	
13	502111	PIN, COTTER 1/8 x 1 1/2 SS	1	
14	218654	SHAFT	1	
15	504527	BUMPER PLUG / .625ODx.312THx.250HOLEx.125	3	
16	472830	SPRING GUIDE HOLDER	2	
17	477399	RECEPTACLE	2	
18	5001630	SCREW TP BUTF TORX M6x20 SS	6	
19	464765	ADJUSTMENT PLATE	4	
20	460708	ADJUSTMENT PLATE	2	
21	476768	FRONT FENDER LH To K-7662	1	
21	471609	FRONT FENDER LH From L-7663	1	
21	685126	ADHESIVE SIMSON #ISR 70-03 / GREY / 600ml SAUSAGE	AR	
22	5001344	NUT INS FL HEX M6-1.0 0.5-3.0 SS	2	
23	5001833	WASHER BEL SPR 6.1x18x1.27 SS	2	
24	502622	SCREW CAP HEX M6-1.0x20 SS BK	2	
32	X3PLB-1855-00	RUB RAIL - EXTERIOR CREST & TRIMS		

From G-7275 To H-7416

Date:07/2024

PAGE:X3PLB-1857-05

FENDERS R.H. - BUS W/FLAT PANELING



From G-7275 To H-7416	Date:07/2024	PAGE:X3PLB-1857-05
-----------------------	--------------	--------------------

FENDERS R.H. - BUS W/FLAT PANELING

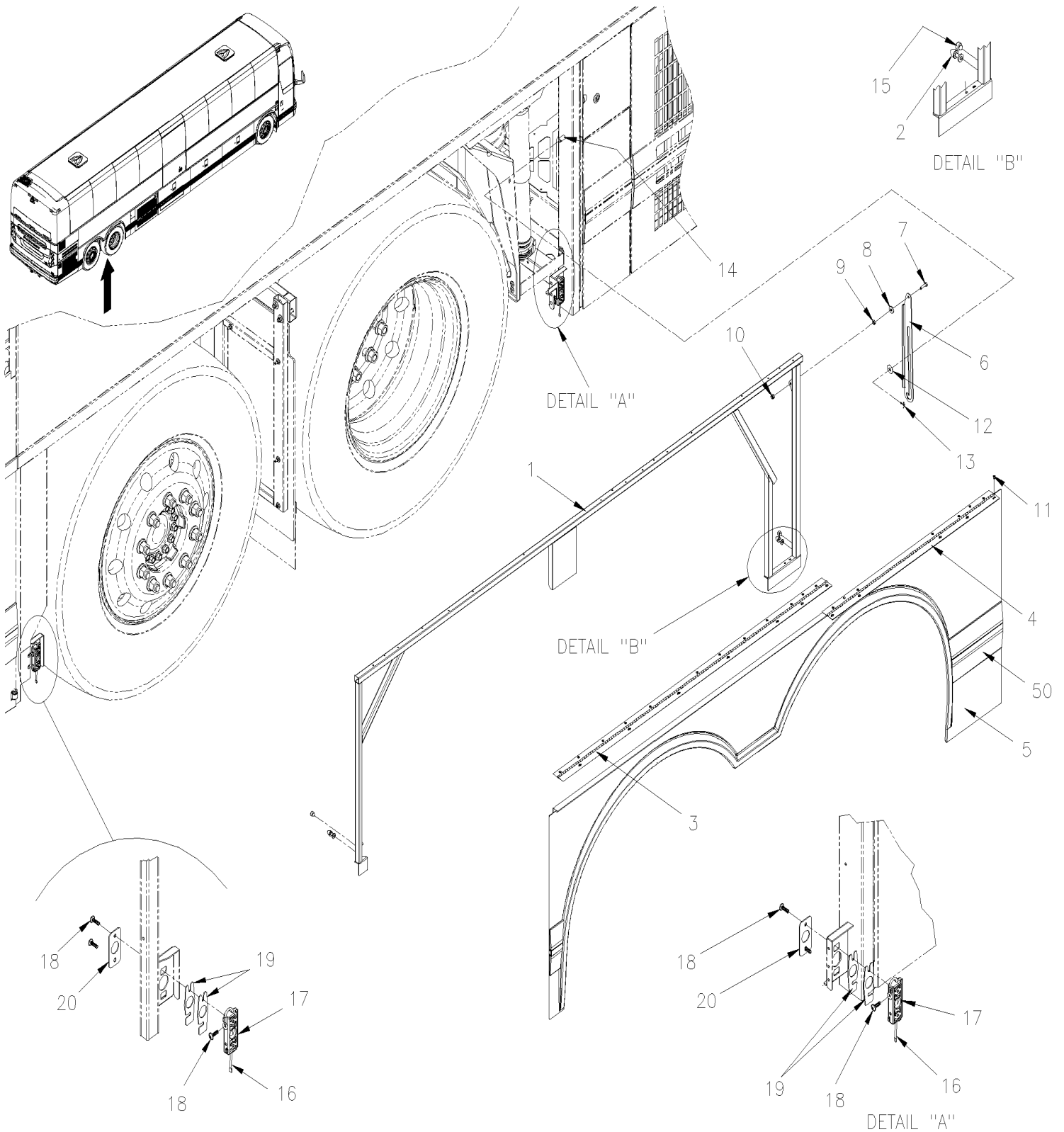
Item#	Part	Description	QTY	Notes
	464762	REAR FENDER ASSY R.H.	1	
	464779	REAR FENDER ASSY R.H. WITH LIGHT	1	A
1	460689	. FRAME REAR FENDER R.H.	1	
1	464780	. FRAME REAR FENDER R.H. WITH LIGHT	1	A
2	460694	. . STOPPER	1	
3	464757	. HINGE ASSY 1829MM	1	
4	464758	. HINGE ASSY 1013MM	1	
5	476767	. REAR FENDER R.H.	1	
5	479552	. REAR FENDER R.H. WITH LIGHT	1	A
5	X3PLB-0663-00	. DOCK & CORNERING LIGHT		A
NS	506785	. TAPE RUB ADH2 CC POL 1/16" X 1/4" X 200' / BLACK I1C-N-A	AR	
NS	687957	. GLUE MS POLYMER TEROSON MS 9399 / 400ml CARTRIDGE	AR	
NS	685124	. ADHESIVE SIMSON #ISR 70-03 / BLACK / 600ml SAUSAGE	AR	
6	460707	LEVER / FOR LOCK	1	
7	5001912	SCREW CAP HEX M8-1.25x30 SS BK	1	
8	471119	SEAL WASHER / RUB RAIL & PANEL	1	
9	5001852	NUT HEX M8-1.25 SS BK	1	
10	5001787	NUT HEX NYRT M8-1.25 SS	1	
11	504488	RIVET MGLP PRDG 3/16x17/64 SS	AR	
12	5001233	WASHER FL .500x1.250x.062 NYL	1	
13	502111	PIN, COTTER 1/8 x 1 1/2 SS	1	
14	218654	SHAFT	1	
15	504527	BUMPER PLUG / .625ODx.312THx.250HOLEx.125	2	
16	472830	SPRING GUIDE HOLDER	2	
17	477399	RECEPTACLE	2	
18	5001630	SCREW TP BUTF TORX M6x20 SS	6	
19	464765	ADJUSTMENT PLATE	4	
20	460708	ADJUSTMENT PLATE	2	
21	476769	FRONT FENDER RH	1	
21	685126	ADHESIVE SIMSON #ISR 70-03 / GREY / 600ml SAUSAGE	AR	
22	5001344	NUT INS FL HEX M6-1.0 0.5-3.0 SS	2	
23	5001833	WASHER BEL SPR 6.1x18x1.27 SS	2	
24	502622	SCREW CAP HEX M6-1.0x20 SS BK	2	
32	X3PLB-1855-00	RUB RAIL - EXTERIOR CREST & TRIMS		
		A) ONLY W/ FENDER LIGHTING"SEULEMENT		

From H-7417 To M-7767

Date:07/2024

PAGE:X3PLB-1857-06

FENDERS R.H. - BUS W/FLAT PANELING / GHG17

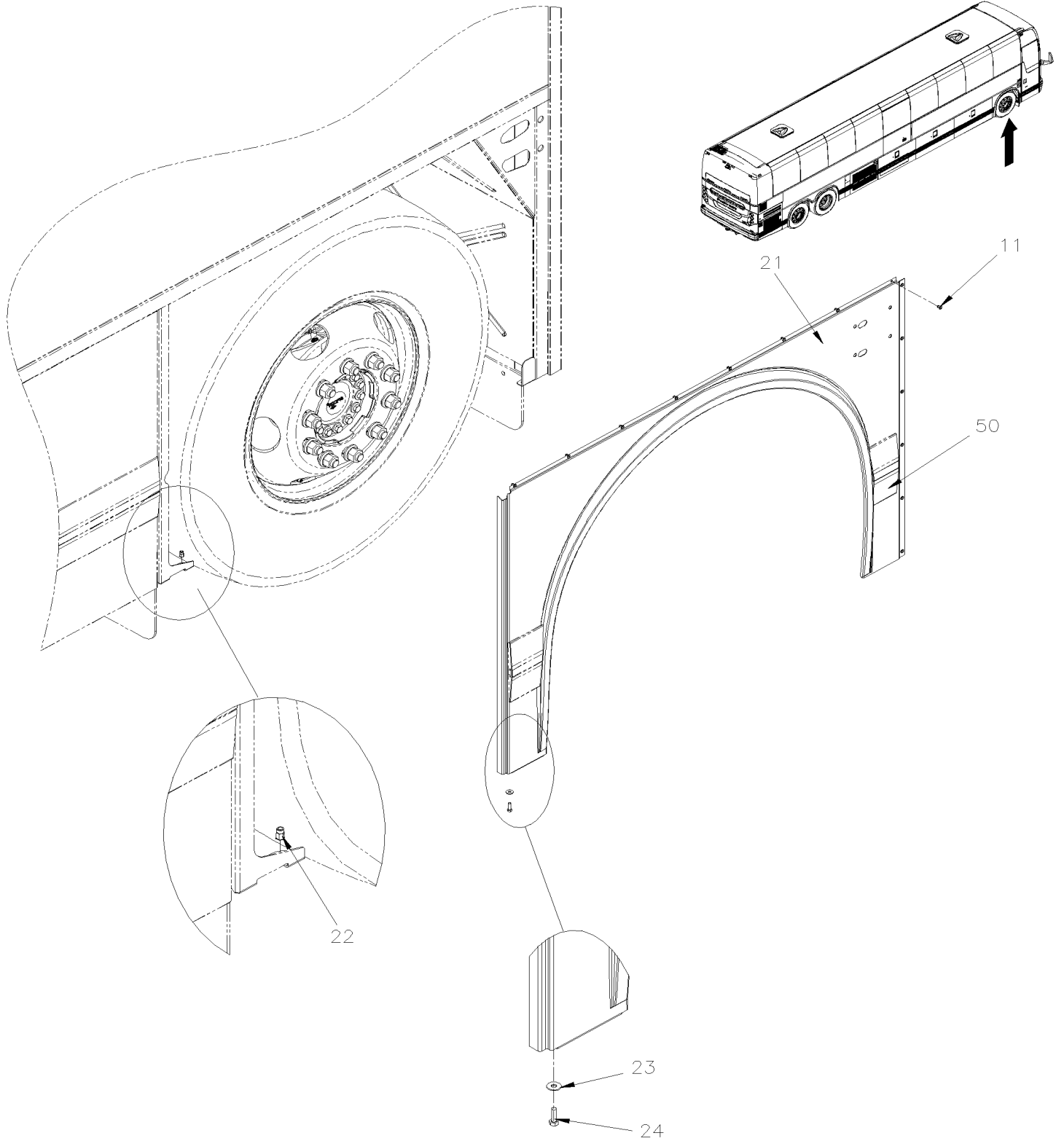


From H-7417 To M-7767

Date:07/2024

PAGE:X3PLB-1857-06

FENDERS R.H. - BUS W/FLAT PANELING / GHG17



From H-7417 To M-7767	Date:07/2024	PAGE:X3PLB-1857-06
FENDERS R.H. - BUS W/FLAT PANELING / GHG17		

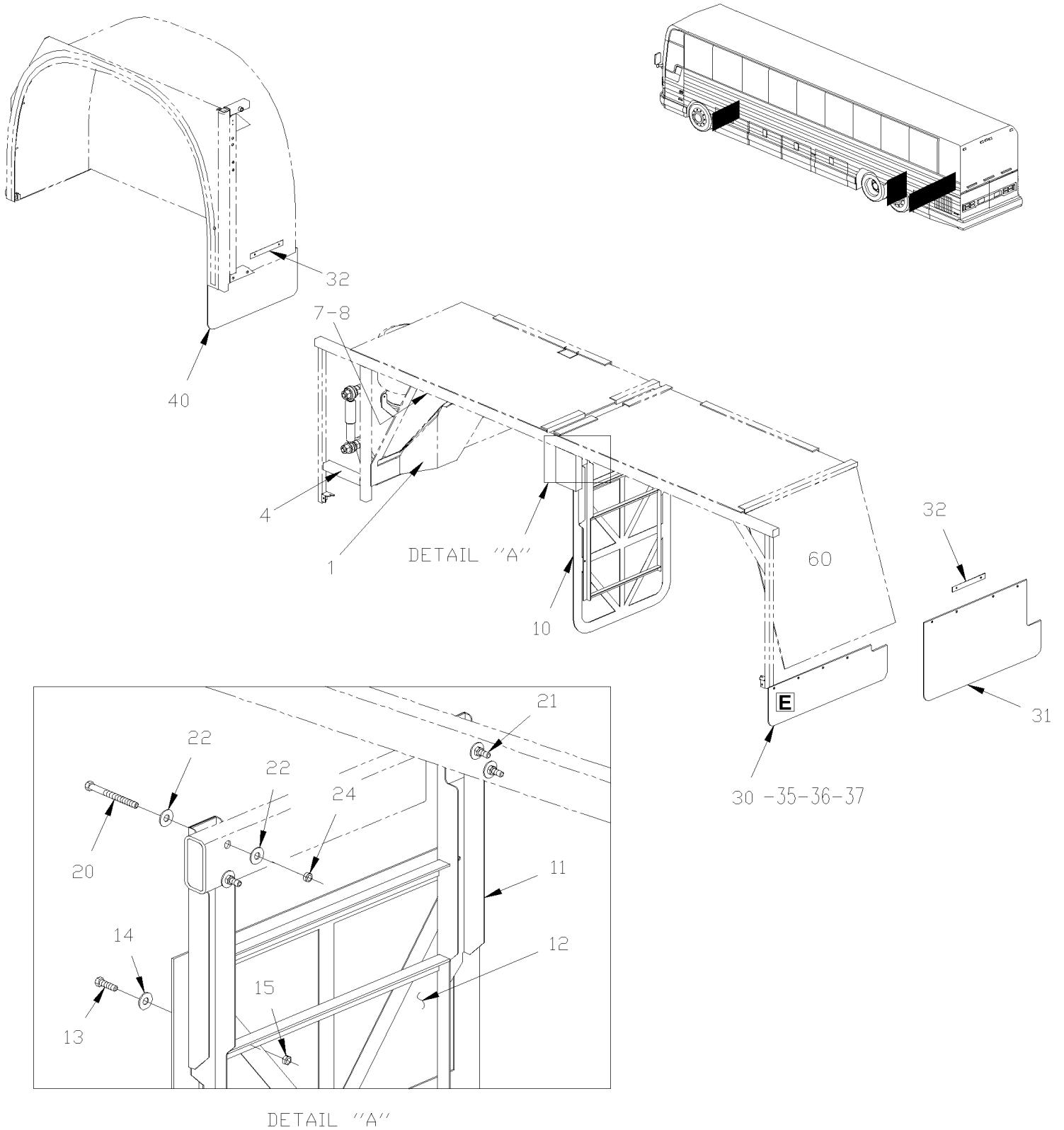
Item#	Part	Description	QTY	Notes
	464800	REAR FENDER ASSY R.H.	1	
1	464801	. FRAME REAR FENDER R.H.	1	
2	460694	. . STOPPER	1	
3	464802	. HINGE ASSY 1632MM	1	
4	464758	. HINGE ASSY 1013MM	1	
5	479627	. REAR FENDER R.H.	1	
NS	506785	. TAPE RUB ADH2 CC POL 1/16" X 1/4" X 200' / BLACK I1C-N-A	AR	
NS	687957	. GLUE MS POLYMER TEROSON MS 9399 / 400ml CARTRIDGE To M-7792	AR	
NS	685387	. GLUE MS POLYMER TEROSON MS 9399 / 400ml CARTRIDGE From M-7793	AR	
NS	685124	. ADHESIVE SIMSON #ISR 70-03 / BLACK / 600ml SAUSAGE	AR	
6	460707	LEVER / FOR LOCK	1	
7	5001912	SCREW CAP HEX M8-1.25x30 SS BK	1	
8	471119	SEAL WASHER / RUB RAIL & PANEL	1	
9	5001852	NUT HEX M8-1.25 SS BK	1	
10	5001787	NUT HEX NYRT M8-1.25 SS	1	
11	504488	RIVET MGLP PRDG 3/16x17/64 SS	AR	
12	5001233	WASHER FL .500x1.250x.062 NYL	1	
13	502111	PIN, COTTER 1/8 x 1 1/2 SS	1	
14	218654	SHAFT	1	
15	504527	BUMPER PLUG / .625ODx.312THx.250HOLEx.125	2	
16	472830	SPRING GUIDE HOLDER	2	
17	477399	RECEPTACLE	2	
18	5001630	SCREW TP BUTF TORX M6x20 SS	6	
19	464765	ADJUSTMENT PLATE	4	
20	460708	ADJUSTMENT PLATE	2	
21	476769	FRONT FENDER RH To K-7662	1	
21	471610	FRONT FENDER RH From L-7663	1	
21	685126	ADHESIVE SIMSON #ISR 70-03 / GREY / 600ml SAUSAGE	AR	
22	5001344	NUT INS FL HEX M6-1.0 0.5-3.0 SS	2	
23	5001833	WASHER BEL SPR 6.1x18x1.27 SS	2	
24	502622	SCREW CAP HEX M6-1.0x20 SS BK	2	
50	X3PLB-1855-00	RUB RAIL - EXTERIOR CREST & TRIMS		

From G-7275 To H-7416

Date:07/2024

PAGE:X3PLB-1859-00

SPLASH GUARD - FRONT & REAR

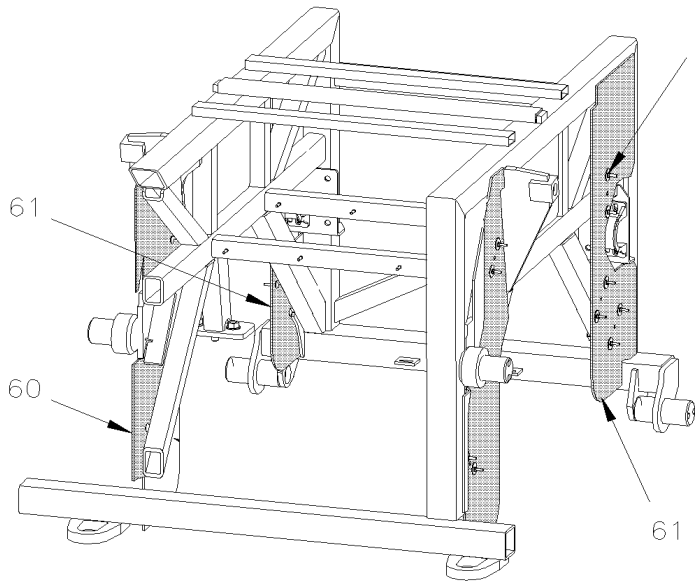
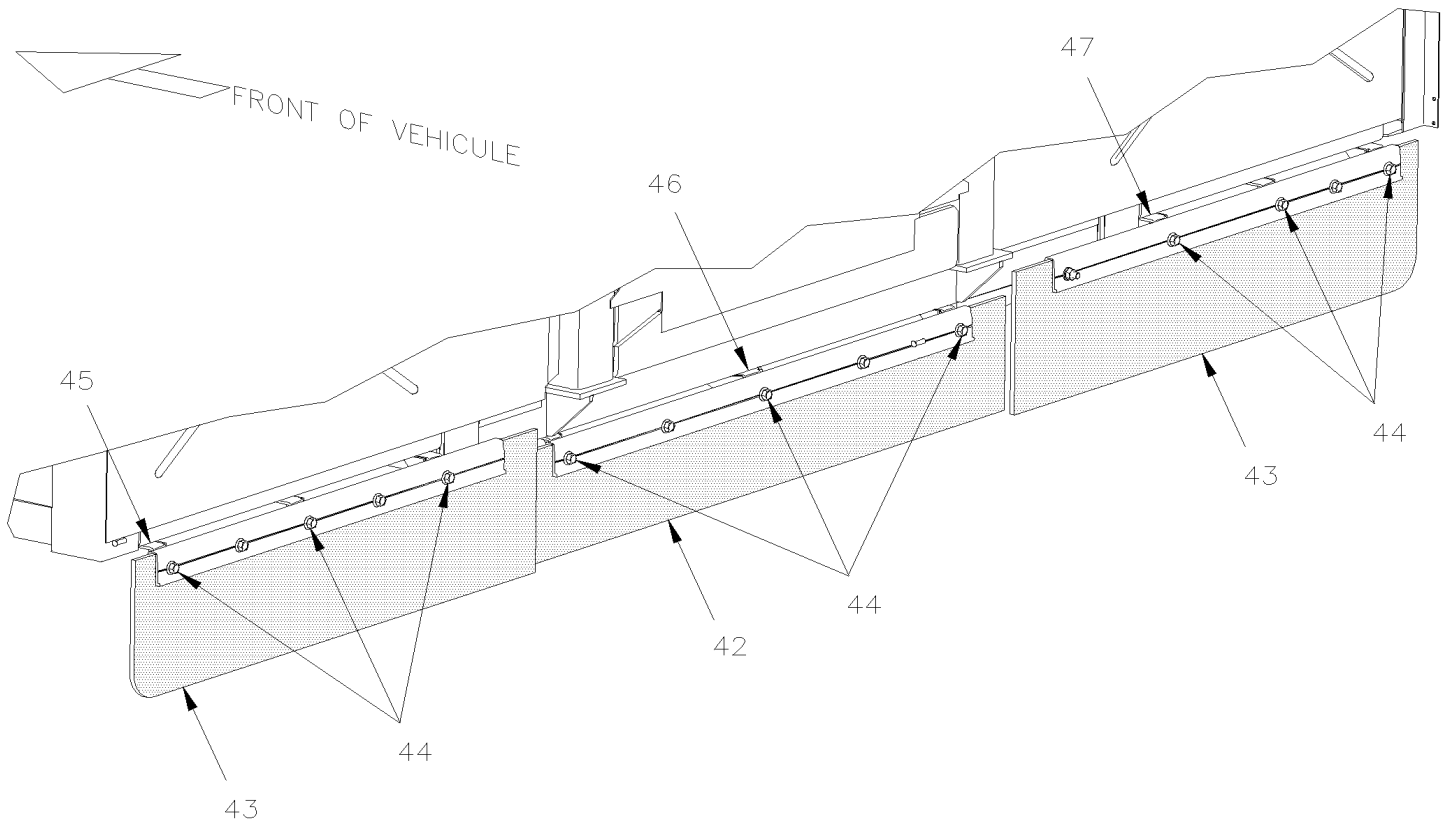


From G-7275 To H-7416

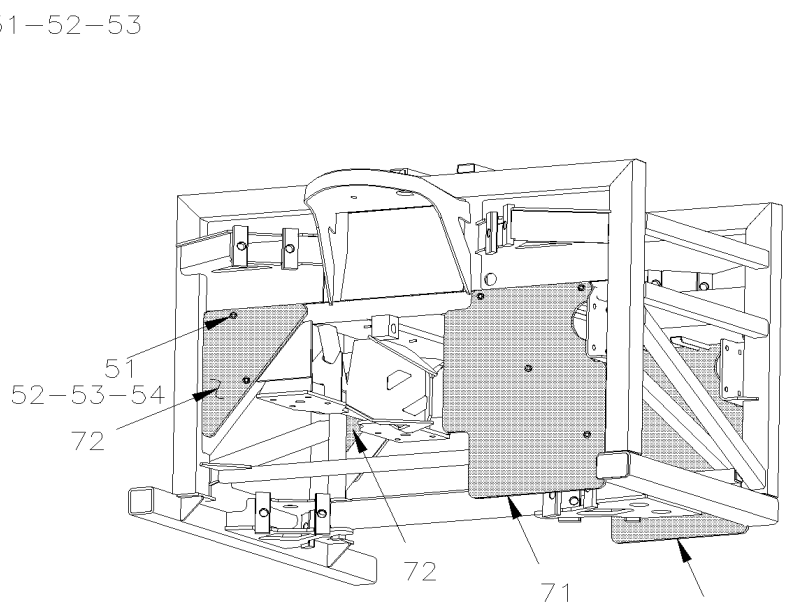
Date:07/2024

PAGE:X3PLB-1859-00

SPLASH GUARD - FRONT & REAR



RIGID SUSP.



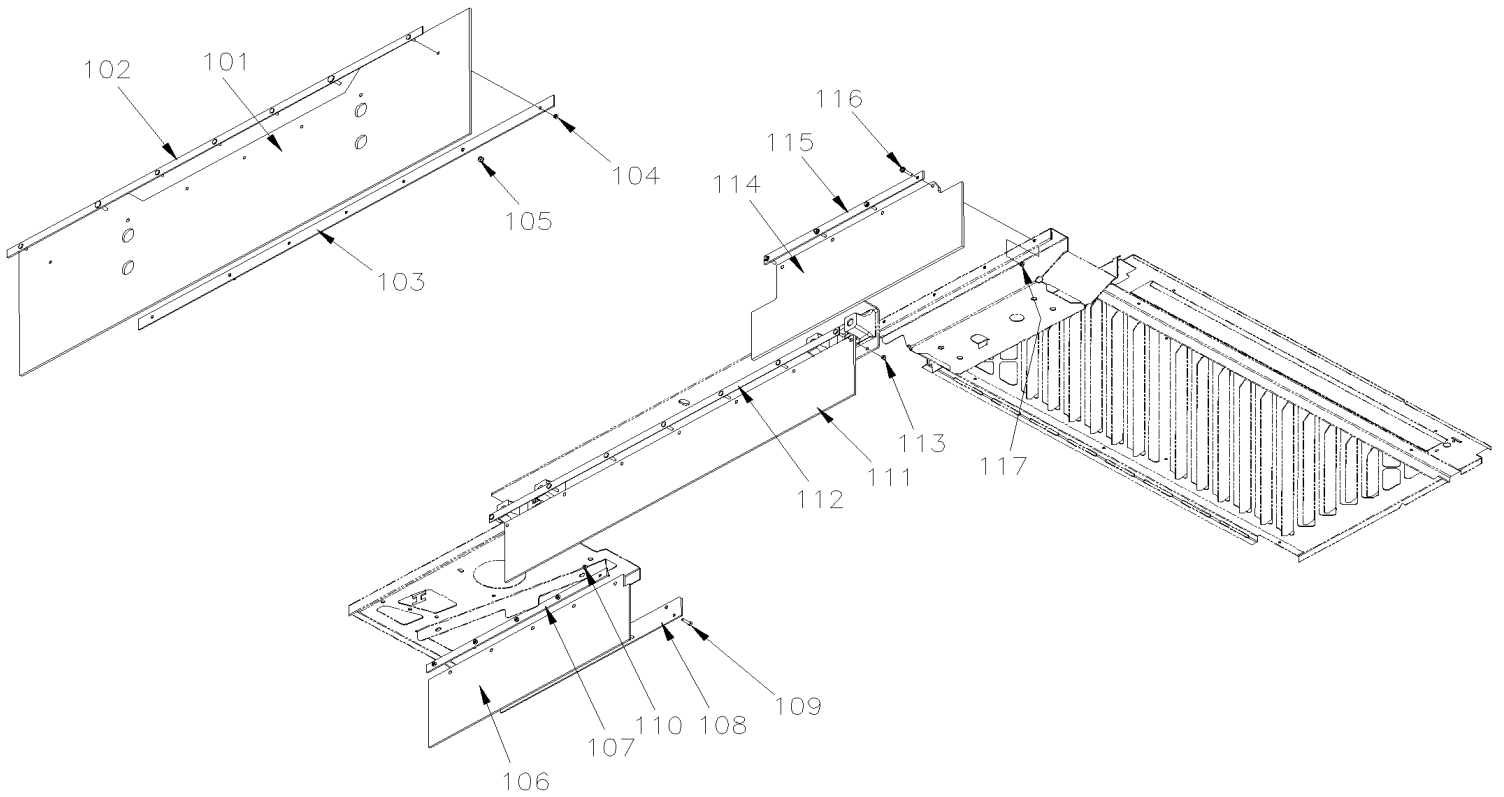
IND. SUSP. FROM

From G-7275 To H-7416

Date:07/2024

PAGE:X3PLB-1859-00

SPLASH GUARD - FRONT & REAR



From G-7275 To H-7416	Date:07/2024	PAGE:X3PLB-1859-00
SPLASH GUARD - FRONT & REAR		

Item#	Part	Description	QTY	Notes
1	464755	SPLASH GUARD / DRIVE	2	
4	460716	SUPPORT STREET SIDE	1	
4	460710	SUPPORT CURBSIDE	1	
7	5001169	SCREW TP CAP HEXW #12x3/4 SS410	7	
8	500441	WASHER FL .312x.734x.065 Z050	7	
10	460565P	SPLASH GUARD / L.H. DRIVE & TAG	1	
10	460566P	SPLASH GUARD / R.H. DRIVE & TAG	1	
11	460638	. SUPPORT L.H. & R.H.	1	
11	460561	. SUPPORT L.H. & R.H.	1	
12	460562	. PAD L.H. & R.H. 749MM x 762MM	1	
NS	460563	. PAD LOWER 749MM x 237MM	1	
NS	460564	. REINFORCMENT STRIP SS 749MM x 38MM	1	
13	5001636	. SCREW CAP HEX M6-1.0x50 SS BK	8	
13	502686	. SCREW CAP HEX M6-1.0x30 SS BK	3	
14	500411	. WASHER FL .260x.697x.050 SS	16	
15	5001182	. NUT HEX NYRT M6-1.0 SS	8	
16	502565	. NUT HEX M6-1.0 SS	8	
20	5001185	SCREW CAP HEX M8-1.25x80 SS BK	4	
21	5001186	SCREW CAP HEX M8-1.25x90 SS BK	4	
22	500270	WASHER FL .406x1.000x.063 SS	8	
24	966171	NUT HEX NYRT M8x1.25 SS	4	
30	460397	SPLASH GUARD / BEHIND TAG AXLE STREETSIDE 730MM x 273MM	1	
30	460533	SPLASH GUARD / BEHIND TAG AXLE STREETSIDE 740MM x 200MM	1	
31	460671	SPLASH GUARD / BEHIND TAG AXLE CURBSIDE 725MM x 295MM	1	
31	460535	SPLASH GUARD / BEHIND TAG AXLE CURBSIDE 725MM x 390MM	1	W
32	460189	STRIP, FIXATION / SS 203MM W/2 HOLES	4	
32	460672	STRIP, FIXATION / SS 380MM W/3 HOLES	1	
32	460673	STRIP, FIXATION / SS 188MM W/2 HOLES / OFFSET	1	
NS	504610	RIVET MGLP PRDG 1/4x5/8 SS	AR	
NS	955920	WASHER LO SPT 6.5x11.5x1.6 ZP	AR	
35	071509	PLATE ASSY W/DECAL "EDGE"	2	WW
. NS	071507	. PLATE SS 200MM x 133MM	1	WW
. NS	071508	. DECAL / "EDGE" - TRANS ALLISON	1	WW
36	504339	RIVET POP DOME OE 1/8x3/8 SS	4	
37	5001067	WASHER FL .128x.312x.032 SS	4	
40	490081	SPLASH GUARD / BEHIND FRONT AXLE 9" X 22"	2	
NS	500165	SCREW CAP HEX 1/4-20x1 G5 Z050	8	
NS	500473	WASHER LO SPT .262x.489x.062 Z050	8	
NS	500769	NUT HEX 1/4-20 Z050	8	
NS	507335	PROTECTOR CAP / BLACK / .234 I.D. x .500	8	
41	460443	AIR SHIELD DEFLECTOR	1	
41	464731	STRIP DEFELECTOR 645MM	1	

From G-7275 To H-7416	Date:07/2024	PAGE:X3PLB-1859-00
SPLASH GUARD - FRONT & REAR		

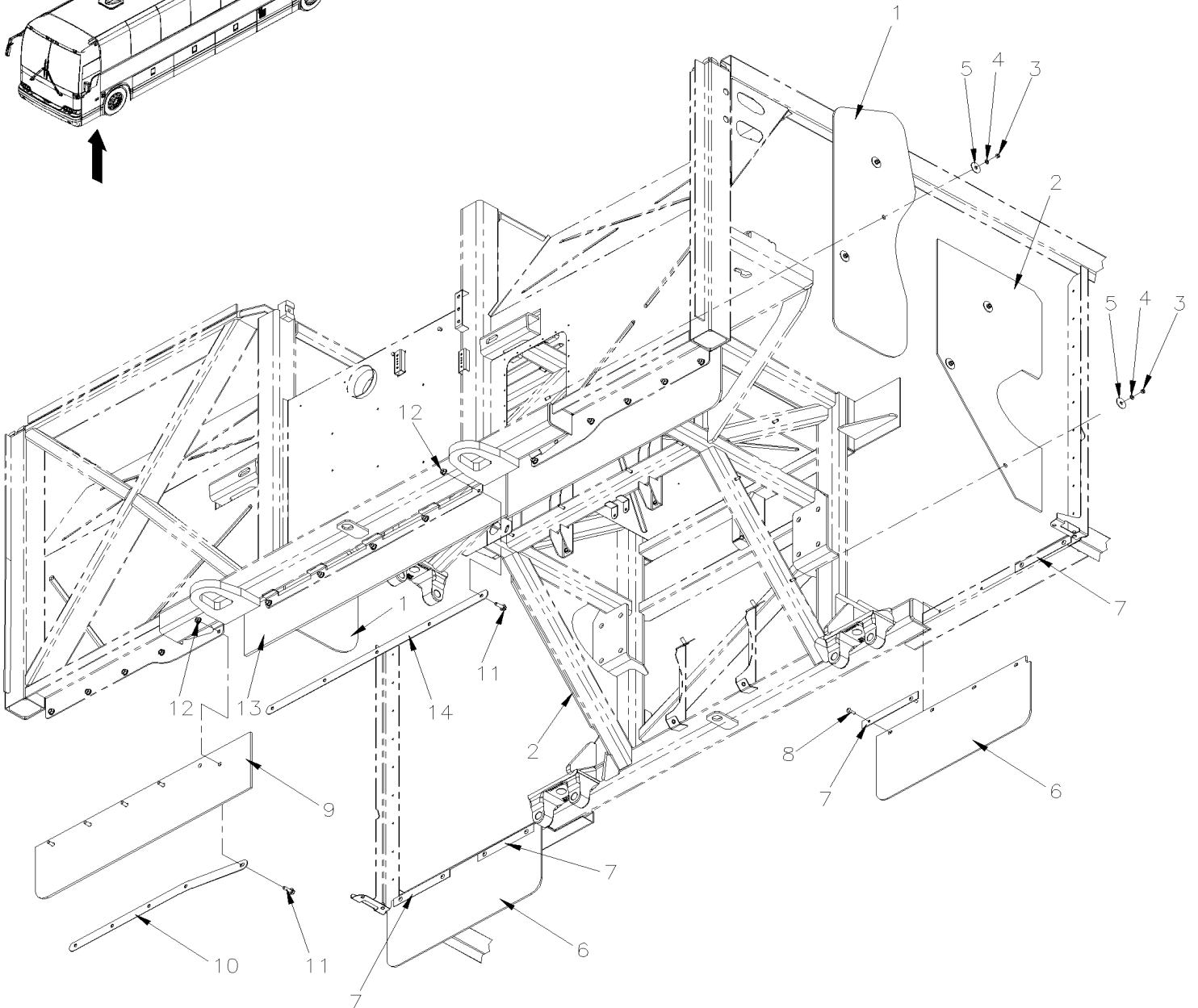
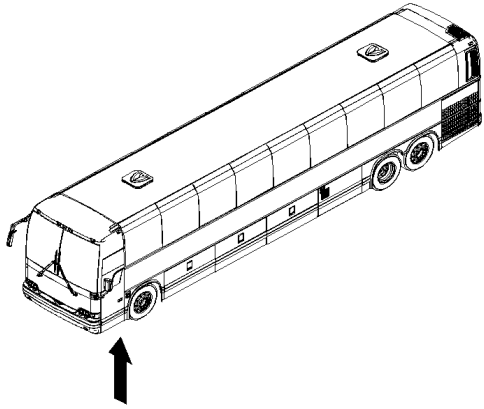
Item#	Part	Description	QTY	Notes
42	460444	AIR SHIELD DEFLECTOR / CENTER	1	
42	464732	STRIP DEFELECTOR 804MM	1	
43	460443	AIR SHIELD DEFLECTOR	1	
43	464731	STRIP DEFELECTOR 645MM	1	
44	502912	SCREW CAP HEXF M8-1.25x25 SS BK	AR	
44	502911	NUT HEXF M8-1.25 SS	AR	
45	460682	SUPPORT / AIR SHIELD	1	
46	460681	SUPPORT / AIR SHIELD / CENTER	1	
47	460682	SUPPORT / AIR SHIELD	1	
51	502565	NUT HEX M6-1.0 SS	AR	
52	502570	WASHER LO SPT 6.1x11.8x1.6 SS	AR	
53	5001467	WASHER FL .343x1.250x.062 SS18-8	AR	
54	502810	SCREW TP CAP HEXW FL M6.3-1.81x30 PHC	8	
60	464767	PANEL, DEFLECT. FRONT	2	
61	464766	PANEL, DEFLECT. REAR	2	
70	X3PLB-189X-XX	STRUCTURE / CALL ORDER DESK		
71	460001	DEFLECTOR, INDEPENDENT FRONT SUSPENSION	2	
72	460456	DEFLECTOR, FRONT	2	
101	460228	SPLASH GUARD / BETWEEN DRIVE AXLE & TAG AXLE	1	A
102	460227	STRIP, FIXATION / SS	1	A
103	460226	STRIP, FIXATION / SS	1	A
104	502681	NUT HEX NYRT M6-1.0 N500 G8	5	A
105	502847	NUT HEX NYRT M8-1.25 N500	2	A
106	464744	SPLASH GUARD / UNDER HEATER & EVAPORATOR COMP	1	A
107	464742	STRIP, FIXATION / SS 630MM W/5 HOLES	1	A
108	464738	STRIP, FIXATION / SS	1	A
109	502737	SCREW CAP HEX M6-1.0x25 SS BK	5	A
110	5001182	NUT HEX NYRT M6-1.0 SS	5	A
111	460222	SPLASH GUARD / UNDER FUEL TANK	1	A
112	460223	STRIP, FIXATION / SS	1	A
113	502681	NUT HEX NYRT M6-1.0 N500 G8	7	A
114	464741	SPLASH GUARD	1	A
115	464743	STRIP, FIXATION / SS 564MM W/4 HOLES	1	A
116	5001815	SCREW CAP HEXF M6-1.0x30 G 8.8 N500	4	A
117	5001182	NUT HEX NYRT M6-1.0 SS	4	A
		A) PACIFIC WESTERN OPTION		
		W) WITH WATER HEATER EXHAUST		
		WW) WITH "WORLD" TRANS ONLY		

From H-7417 To M-7767

Date:07/2024

PAGE:X3PLB-1859-01

SPLASH GUARD - FRONT & REAR VOLVO D13 - GHG17

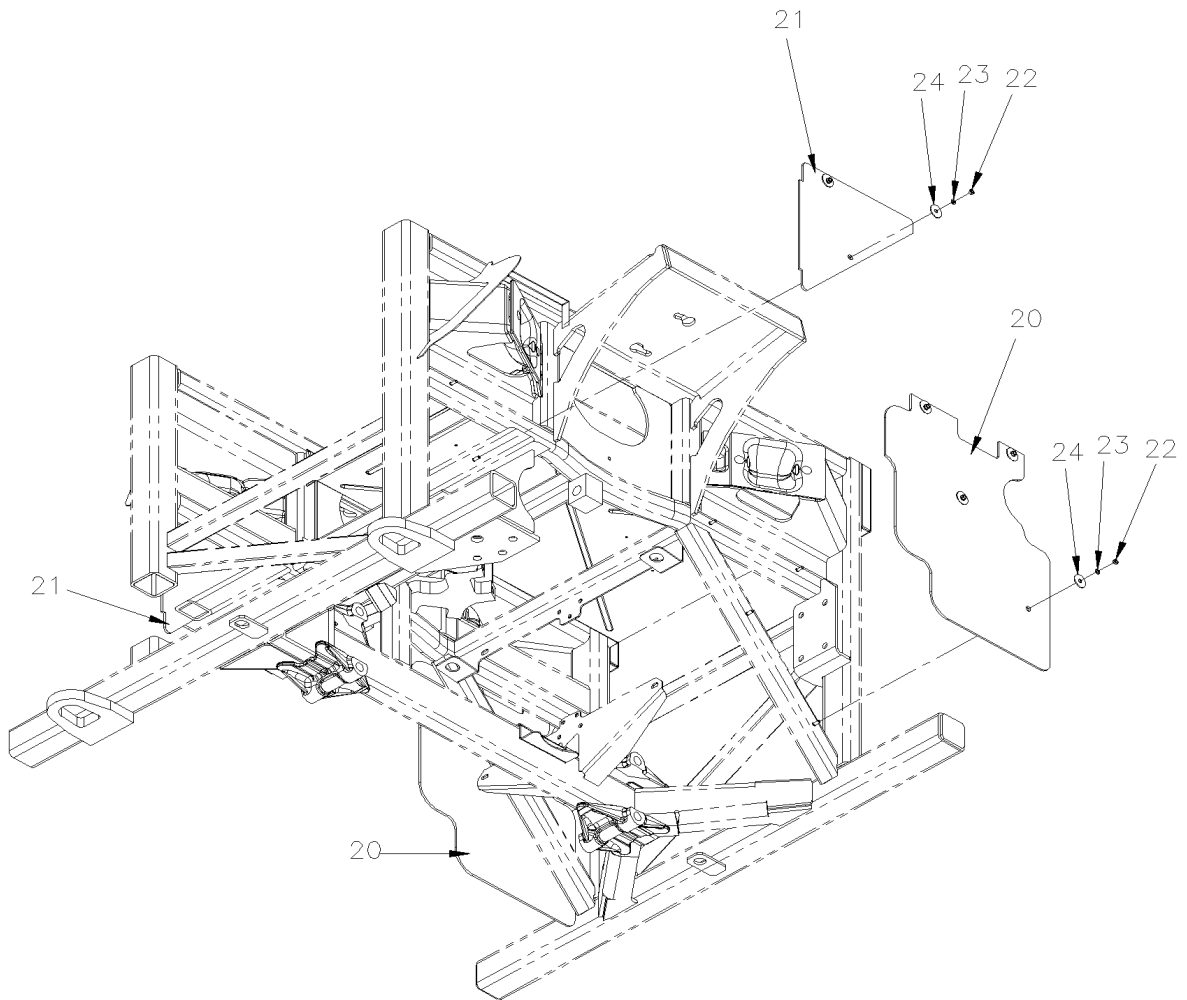
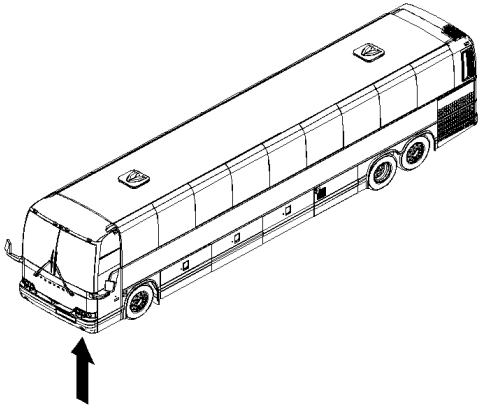


From H-7417 To M-7767

Date:07/2024

PAGE:X3PLB-1859-01

SPLASH GUARD - FRONT & REAR VOLVO D13 - GHG17



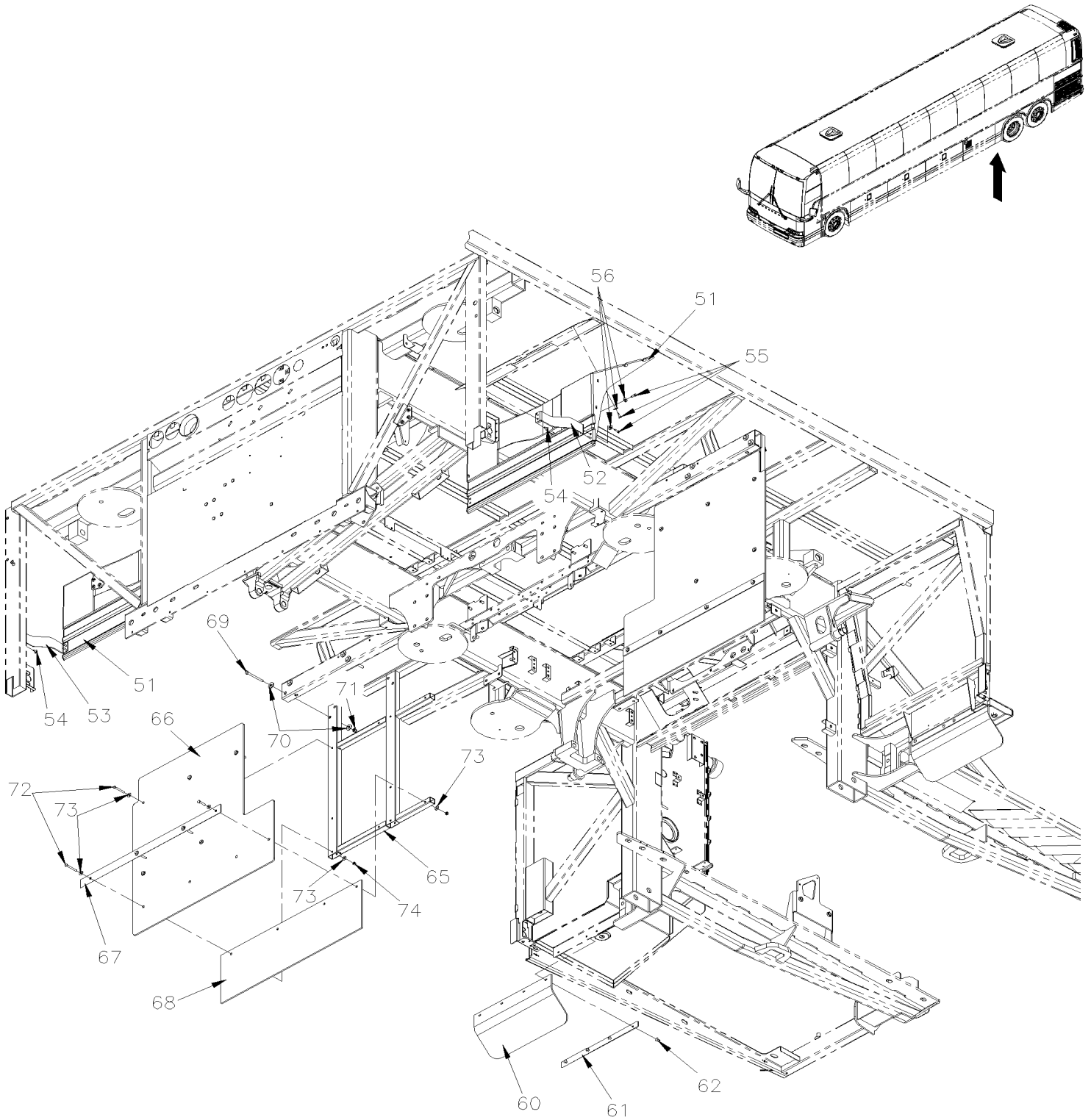
INDEPENDENT SUSPENSION

From H-7417 To M-7767

Date:07/2024

PAGE:X3PLB-1859-01

SPLASH GUARD - FRONT & REAR VOLVO D13 - GHG17

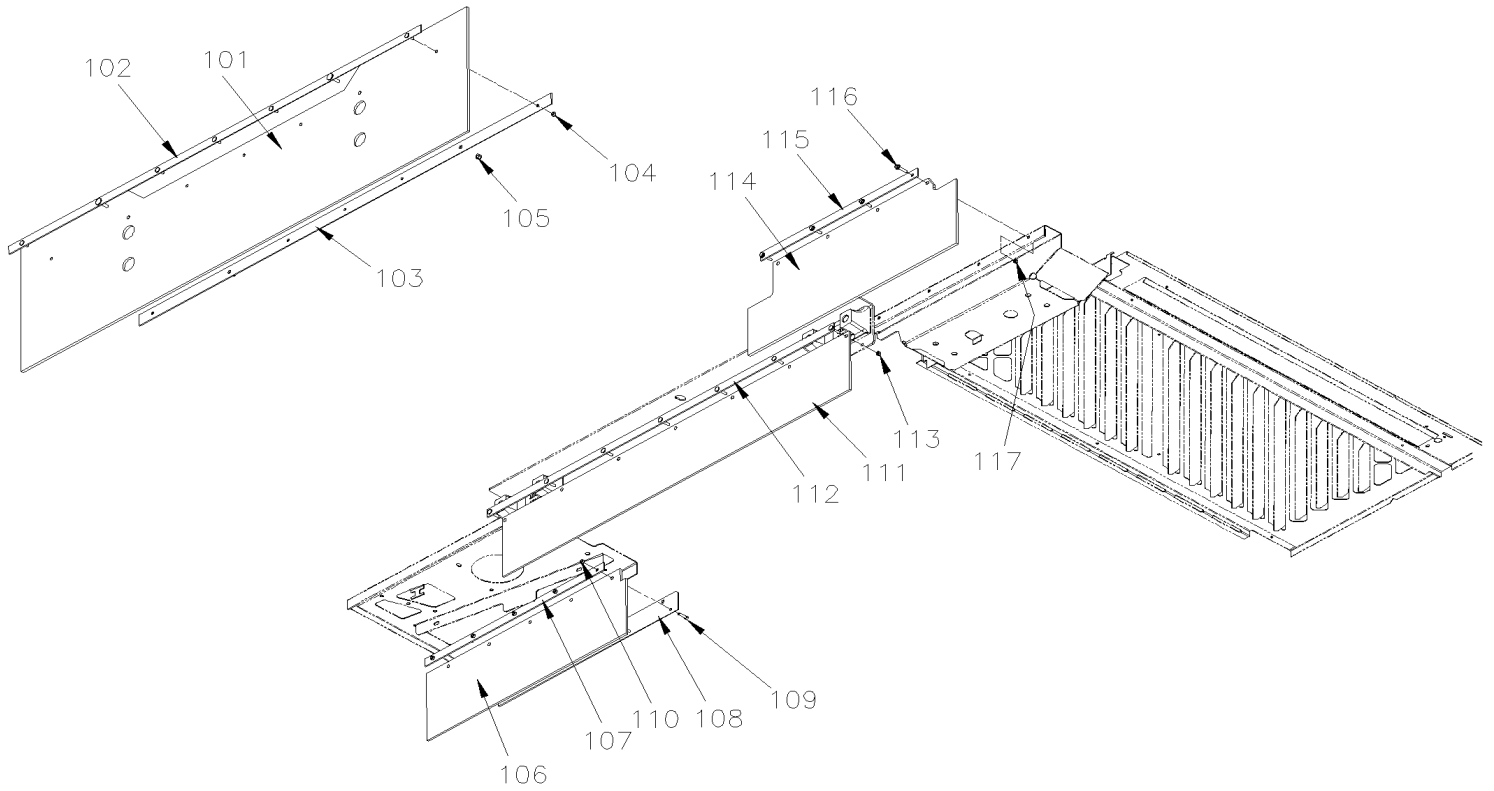
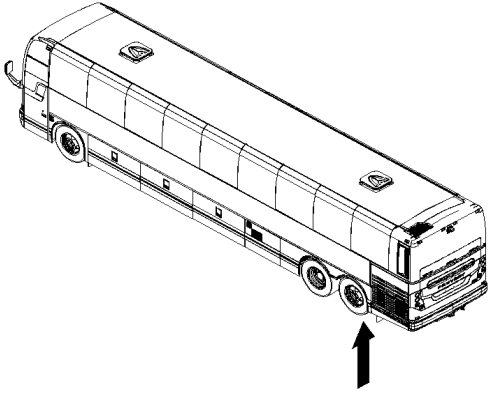


From H-7417 To M-7767

Date:07/2024

PAGE:X3PLB-1859-01

SPLASH GUARD - FRONT & REAR VOLVO D13 - GHG17



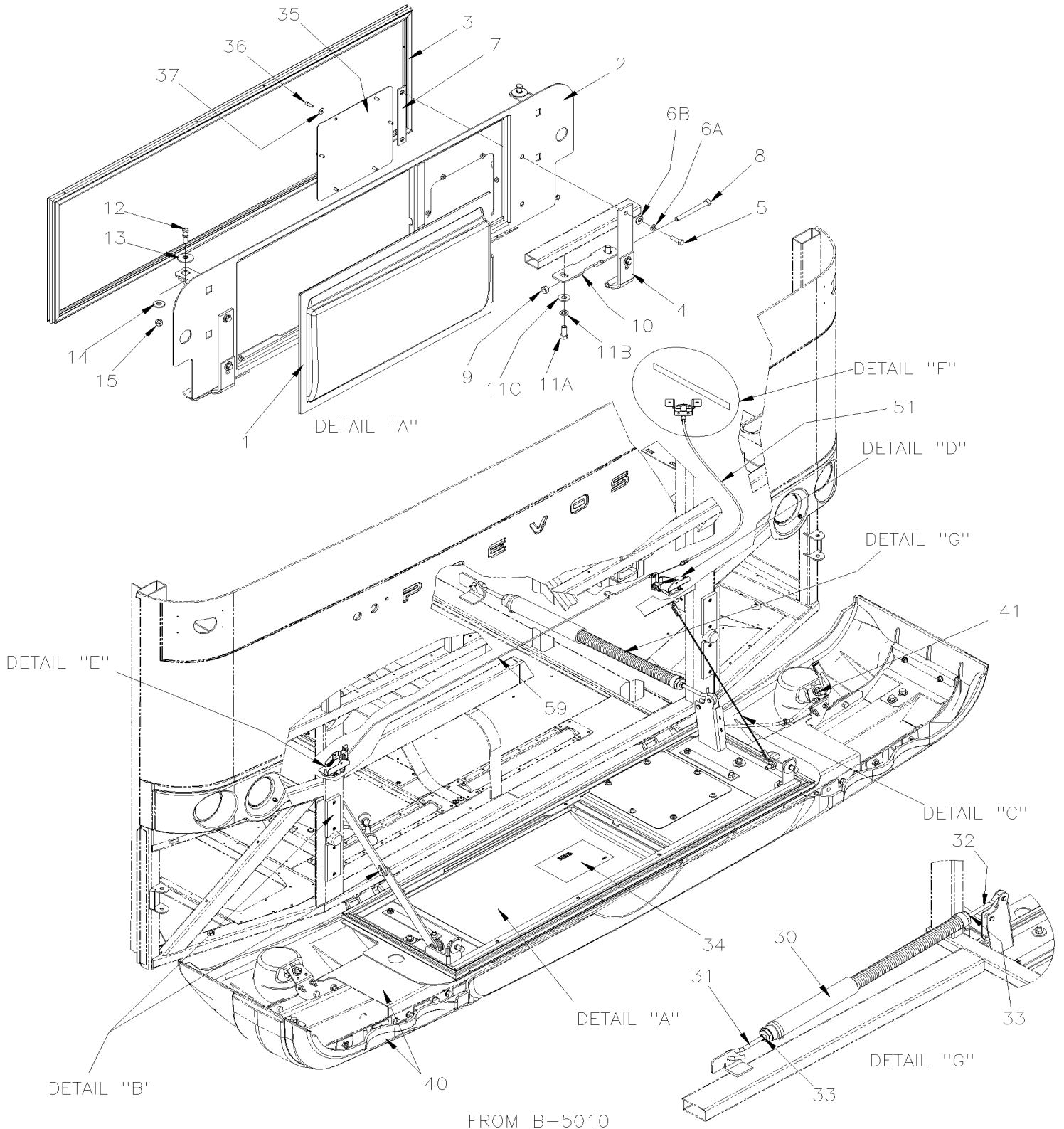
From H-7417 To M-7767	Date:07/2024	PAGE:X3PLB-1859-01
SPLASH GUARD - FRONT & REAR VOLVO D13 - GHG17		

Item#	Part	Description	QTY	Notes
1	464767	PANEL, DEFLECT. FRONT	2	
2	464766	PANEL, DEFLECT. REAR	2	
3	502565	NUT HEX M6-1.0 SS To L-7715	12	A
3	5001182	NUT HEX NYRT M6-1.0 SS From L-7716	12	A
3	502565	NUT HEX M6-1.0 SS	12	B
4	502570	WASHER LO SPT 6.1x11.8x1.6 SS To L-7715	12	A
4	502570	WASHER LO SPT 6.1x11.8x1.6 SS	12	B
5	5001467	WASHER FL .343x1.250x.062 SS18-8	12	
6	490081	SPLASH GUARD / BEHIND FRONT AXLE 9" X 22" To M-7831	2	
6	460112	SPLASH GUARD / BEHIND FRONT AXLE 9" X 22" From M-7832	2	
7	460189	STRIP, FIXATION / SS 203MM W/2 HOLES To M-7831	4	
7	460114	STRIP, FIXATION / SS 203MM W/2 HOLES From M-7832	4	
8	504610	RIVET MGLP PRDG 1/4x5/8 SS To M-7831	8	
8	504416	RIVET POP DOME OE 3/16x5/8 SS From M-7832	8	
9	460443	AIR SHIELD DEFLECTOR	2	
10	464731	STRIP DEFELECTOR 645MM	2	
11	502912	SCREW CAP HEXF M8-1.25x25 SS BK	15	
12	502911	NUT HEXF M8-1.25 SS	15	
13	460444	AIR SHIELD DEFLECTOR / CENTER	1	
14	464732	STRIP DEFELECTOR 804MM	1	
20	460001	DEFLECTOR, INDEPENDENT FRONT SUSPENSION	2	
21	460456	DEFLECTOR, FRONT	2	
22	502565	NUT HEX M6-1.0 SS	12	
23	502570	WASHER LO SPT 6.1x11.8x1.6 SS	12	
24	5001467	WASHER FL .343x1.250x.062 SS18-8	12	
51	464755	SPLASH GUARD / DRIVE	2	
52	460716	SUPPORT STREET SIDE	1	
53	460710	SUPPORT CURBSIDE	1	
54	504793	RIVET MNB OE LARGE HEAD 3/16x7/16 SS	4	
55	5001169	SCREW TP CAP HEXW #12x3/4 SS410	14	
56	500411	WASHER FL .260x.697x.050 SS	14	
60	466964	SPLASH GUARD TAG To M-7831	2	
60	460109	SPLASH GUARD TAG From M-7832	2	
61	460030	PLATE REINFORCEMENT 380MM W/4 HOLES To M-7831	2	
61	460118	PLATE REINFORCEMENT 380MM W/4 HOLES From M-7832	2	
62	504459	RIVET MGLP PRDG 1/4x3/8 SS To M-7831	8	
62	504416	RIVET POP DOME OE 3/16x5/8 SS From M-7832	8	
65	460561	SUPPORT L.H. & R.H.	2	
66	460562	PAD L.H. & R.H. 749MM x 762MM	1	
67	460564	REINFORCMENT STRIP SS 749MM x 38MM	2	
68	460563	PAD LOWER 749MM x 237MM	1	
69	5001185	SCREW CAP HEX M8-1.25x80 SS BK	8	

From H-7417 To M-7767	Date:07/2024	PAGE:X3PLB-1859-01
SPLASH GUARD - FRONT & REAR VOLVO D13 - GHG17		

Item#	Part	Description	QTY	Notes
70	500270	WASHER FL .406x1.000x.063 SS	16	
71	5001787	NUT HEX NYRT M8-1.25 SS	8	
72	5001636	SCREW CAP HEX M6-1.0x50 SS BK	8	
73	500411	WASHER FL .260x.697x.050 SS	18	
74	5001182	NUT HEX NYRT M6-1.0 SS	18	
101	460228	SPLASH GUARD / BETWEEN DRIVE AXLE & TAG AXLE	1	
102	460227	STRIP, FIXATION / SS	1	
103	460226	STRIP, FIXATION / SS	1	
104	502681	NUT HEX NYRT M6-1.0 N500 G8	5	
105	502847	NUT HEX NYRT M8-1.25 N500	2	
106	464744	SPLASH GUARD / UNDER HEATER & EVAPORATOR COMP	1	
107	464742	STRIP, FIXATION / SS 630MM W/5 HOLES	1	
108	464738	STRIP, FIXATION / SS	1	
109	502737	SCREW CAP HEX M6-1.0x25 SS BK	5	
110	5001182	NUT HEX NYRT M6-1.0 SS	5	
111	460119	SPLASH GUARD / UNDER FUEL TANK From M-7832	1	
111	464742	STRIP, FIXATION / SS 630MM W/5 HOLES From M-7832	2	
111	502737	SCREW CAP HEX M6-1.0x25 SS BK From M-7832	12	
111	5001182	NUT HEX NYRT M6-1.0 SS From M-7832	12	
111	500142	WASHER FL 6.6x22.0x2.0 SS From M-7832	2	
111	460222	SPLASH GUARD / UNDER FUEL TANK To K-7662	1	
111	460106	SPLASH GUARD / UNDER FUEL TANK From L-7663 To M-7831	1	
111	460107	SUPPORT, CENTER PROTECTOR From L-7663 To M-7831	2	
112	470123	STRIP, FIXATION / SS From M-7832	1	
112	460223	STRIP, FIXATION / SS To K-7662	1	
112	460105	STRIP, FIXATION / SS From L-7663 To M-7831	1	
113	502681	NUT HEX NYRT M6-1.0 N500 G8 From M-7832	6	
113	502681	NUT HEX NYRT M6-1.0 N500 G8 To M-7831	7	
114	460125	SPLASH GUARD From M-7832	1	
114	464741	SPLASH GUARD To M-7831	1	
115	464743	STRIP, FIXATION / SS 564MM W/4 HOLES	1	
116	5001815	SCREW CAP HEXF M6-1.0x30 G 8.8 N500	4	
		A) WITH I-BEAM SUSPENSION		
		B) WITH INDEPENDANT SUSPENSION		

SPARE WHEEL DOOR ASSY

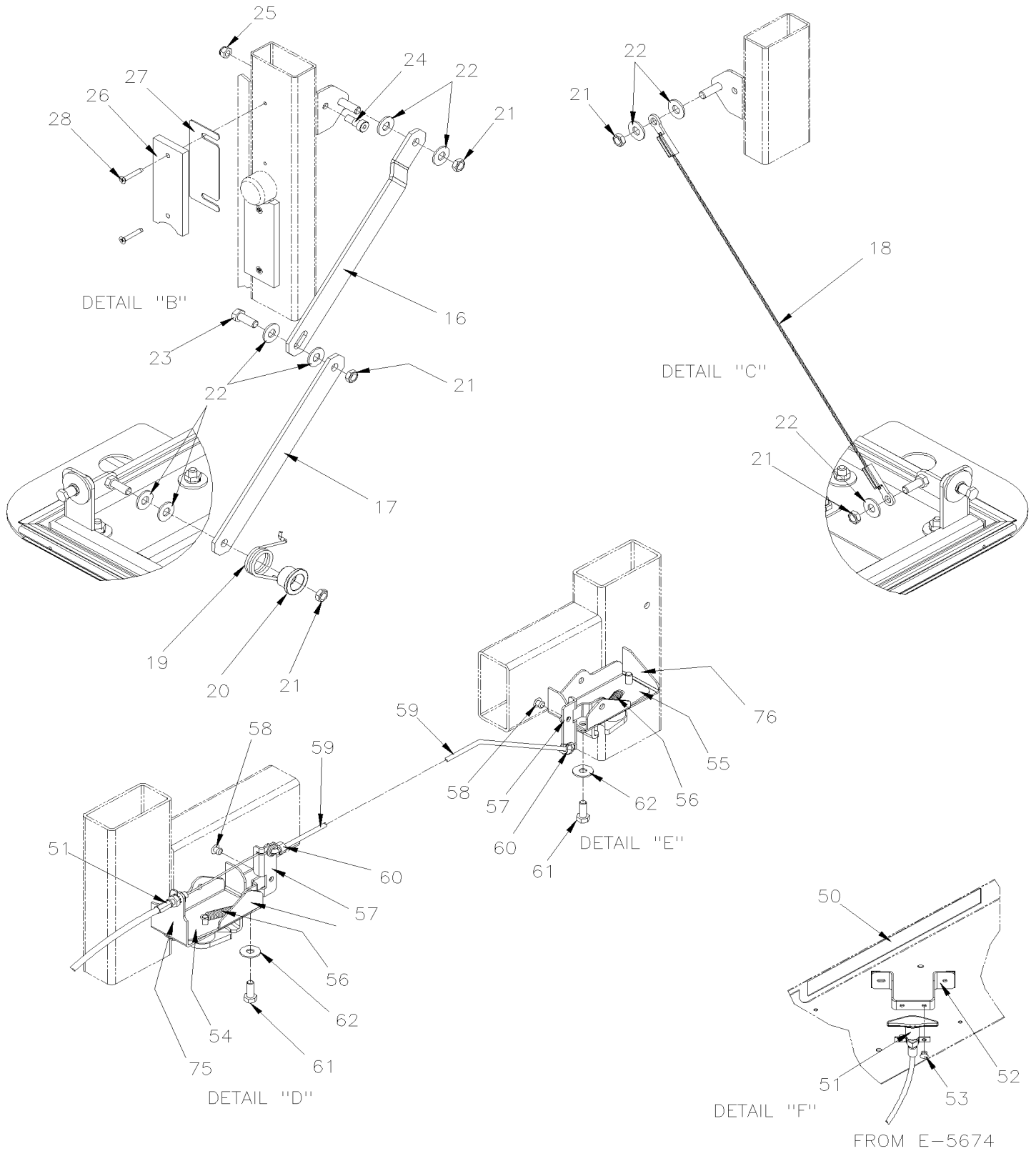


From G-7275 To M-7767

Date:07/2024

PAGE:X3PLB-1860-10

SPARE WHEEL DOOR ASSY



From G-7275 To M-7767	Date:07/2024	PAGE:X3PLB-1860-10
SPARE WHEEL DOOR ASSY		

Item#	Part	Description	QTY	Notes
	287331	SPARE WHEEL DOOR ASSY / W/HINGE	1	
1	411330	. PANEL, PLASTIC / WITH SPARE WHEEL CENTRAL	1	
1	506785	. TAPE RUB ADH2 CC POL 1/16" X 1/4" X 200' / BLACK I1C-N-A	AR	
1	684685	. ADHESIVE SIMSON #ISR 70-03 / 310ml CARTRIDGE	AR	
2	2800890	. FRAME ASSY	1	
3	2800124	. RUBBER SEAL EXTRUSION / SPARE WHEEL DOOR	1	
4	288564	. HINGE UPPER SECTION	2	
5	5001748	. SCREW CAP HEX 3/8-16x1 1/4 G5 N500	4	
6A	502616	. WASHER LO SPT 10.2x18.1x2.2 SS	4	
6B	500897	. WASHER FL .437x1.000x.083 N500	4	
7	287383	. RETAINING PLATE W/NUT / 195MM X 30MM	2	
8	500696	. SCREW CAP HEX 7/16-20x4 1/2 G5 N500	2	
9	502661	. NUT HEX STO 7/16-20 N500	2	
10	288563	. HINGE LOWER SECTION	2	
11A	5001866	. SCREW CAP HEX M12-1.75x30 G10.9 N500	4	
11B	500944	. WASHER LO SPT .506x.873x.125 N500	4	
11C	500211	. WASHER FL .531x1.250x.125 N500	4	
12	284438	. PIN STRIKER	2	
13	500494	. WASHER BEL SPR .470x1.680x.125 N500	2	
14	500211	. WASHER FL .531x1.250x.125 N500	2	
15	502883	. NUT HEX 7/16-14 N500	2	
16	2800999	ARM, TIRE DOOR SUPPORT SUPERIOR	1	
17	2801002	ARM, TIRE DOOR SUPPORT INFERIOR	1	
18	287284	CABLE DOOR ASSY 550MM	1	
19	2800945	SPRING TORSION	1	
20	2800536	BUSHING, BUMPER SPRING	1	
21	500208	NUT HEX STO 3/8-16 N500	5	
22	500897	WASHER FL .437x1.000x.083 N500	8	
23	500197	SCREW CAP HEX 3/8-16x1 G5 N500	1	
24	5001285	SCREW SHR HEXS 3/8x3/8 {5/16-18	1	
25	500685	NUT HEX NYRT 5/16-18 SS	1	
26	287258	RUBBER BUMPER 126MM X 48MM	4	
26	684655	GLUE CONTACT "SCOTCH-GRIP" / 3M #1357-NEUTRAL 3.8 LITERS	AR	
27	411084	SHIM SPACER	AR	
28	502903	SCREW TC FL PH #10-24x1 1/4 N500	8	
30	411267P	SPRING ASSY	1	
31	5001238	SCREW HOOK 3/8-16x5 ZP	1	
32	5001239	SCREW HOOK 3/8-16x5 LH ZP	1	
33	500102	NUT HEX 3/8-16 SS	2	
34	150795	DECAL "WARNING SPARE TIRE...." BILINGUAL / ENGLISH & SPANISH	1	
34	150796	DECAL "WARNING SPARE TIRE...." BILINGUAL / ENGLISH & FRANCAIS	1	
35	2800893	PLATE CLOSING W/"ACB" OR W/OUT "ACB"	1	

From G-7275 To M-7767	Date:07/2024	PAGE:X3PLB-1860-10
SPARE WHEEL DOOR ASSY		

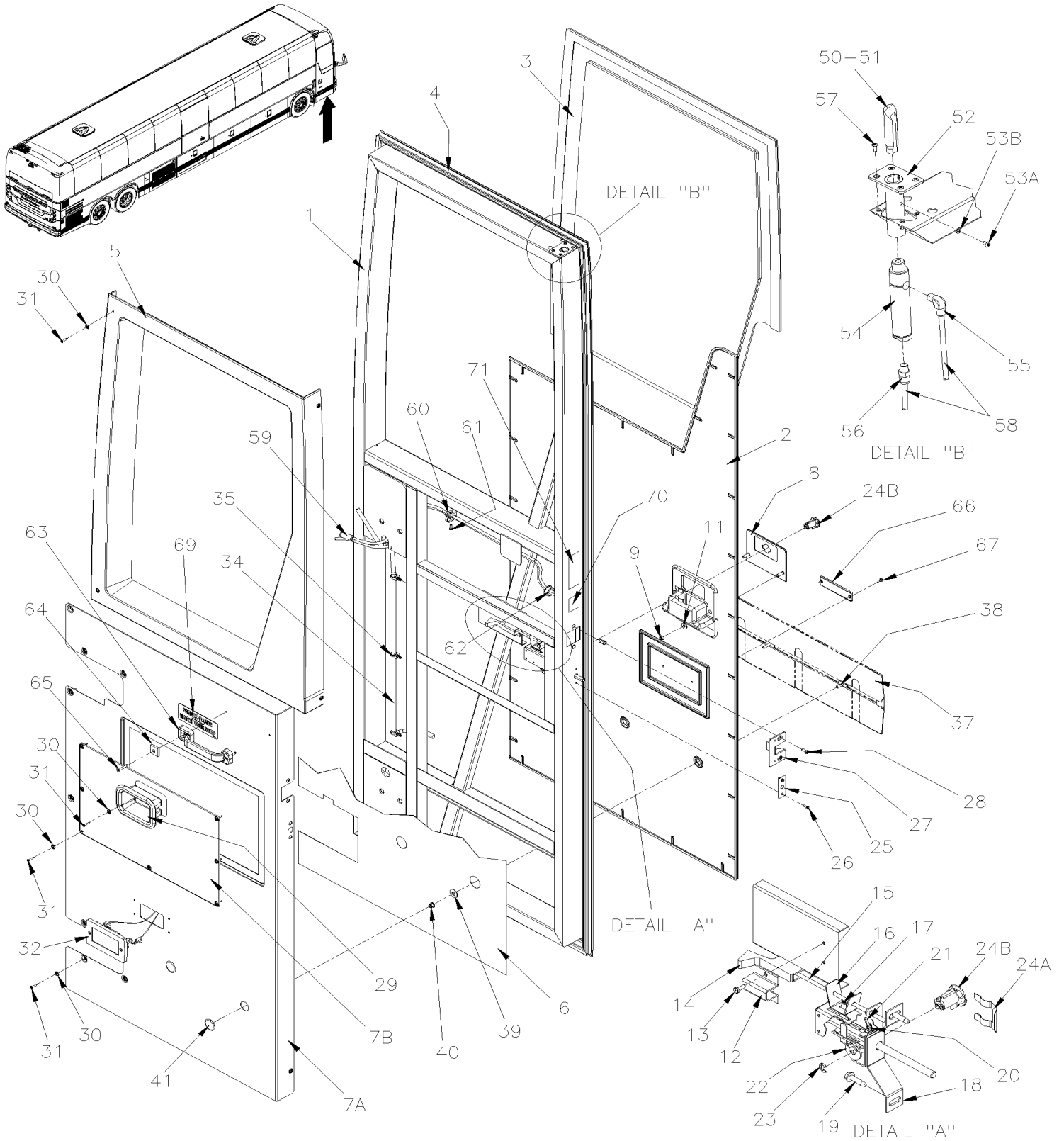
Item#	Part	Description	QTY	Notes
36	5001648	SCREW CAP HEXS M6-1.0x18 SS BK	6	
37	5001833	WASHER BEL SPR 6.1x18x1.27 SS	6	
40	X3PLB-1850-00	BUMPER FRONT To K-7662		
40	X3PLB-1850-01	BUMPER FRONT From L-7663		
41	X3PLB-0661-00	FOG LAMP To K-7610		
41	X3PLB-0661-01	FOG LAMP / LED From K-7611	1	
50	287290	DECAL / "UNLATCH FRONT BUMPER" / ENGLISH & FRANCAIS	1	
50	288199	DECAL / "UNLATCH FRONT BUMPER" / ENGLISH & SPANISH	1	
51	289495	CABLE HANDLE ASSY	1	
52	411347	SUPPORT / HANDLE / WELDED	1	
53	504379	RIVET POP DOME OE 3/16x1/4 SS	2	
54	780653	LOCK SPAGNOLET R.H. / W/G-FITTING	1	
. NS	780340	. CLIP, RETAINER ROD	1	
. NS	507607	. GREASE FITTING / M6-1.00	1	
54	680739	GREASE SYNTHETIC / RED 20KG	AR	
55	780652	LOCK SPAGNOLET L.H. / W/G-FITTING	1	
. NS	780340	. CLIP, RETAINER ROD	1	
. NS	507607	. GREASE FITTING / M6-1.00	1	
55	680739	GREASE SYNTHETIC / RED 20KG	AR	
56	284914	SPRING EXTENSION / .305 O.D. x 1.562 x .051	2	
57	289496	LEVER PIVOT	2	
58	504379	RIVET POP DOME OE 3/16x1/4 SS	2	
59	287424	ROD	1	
60	780340	CLIP, RETAINER ROD	2	
61	5001744	SCREW CAP HEX M6-1.0x16 G8.8 N500	4	
62	5001833	WASHER BEL SPR 6.1x18x1.27 SS To H-7423	4	
62	5002015	WASHER BEL SPR 6.65x17.4x0.9 SS From H-7424	4	
NS	680739	GREASE SYNTHETIC / RED 20KG	AR	
75	289497	SUPPORT SPAGNOLET	1	
76	287423	SUPPORT SPAGNOLET	1	
86	161301	DECAL "WARNING SPARE TIRE...." BILINGUAL 315/80/R22.5 Tag & Dr125	1	

From G-7275 To K-7662

Date:07/2024

PAGE:X3PLB-1862-00

ENTRANCE DOOR ASSY - BUS



From G-7275 To K-7662	Date:07/2024	PAGE:X3PLB-1862-00
ENTRANCE DOOR ASSY - BUS		

Item#	Part	Description	QTY	Notes
		ALL DOORS ASSY DO NOT INCLUDE		
		RUB-RAIL PLEASE ORDER SEPARATELY		
	289209	ENTRANCE DOOR ASSY	1	
1	287108P	ENTRANCE DOOR FRAME	1	
2	286516	PANEL FIBERGLASS	1	
2	288626	PANEL FIBERGLASS WITH LIGHT	1	
2	X3PLB-0663-00	DOCK & CORNERING LIGHT		
NS	687957	GLUE MS POLYMER TEROSON MS 9399 / 400ml CARTRIDGE	AR	
NS	506769	TAPE RUB ADH2 CC POL 1/8" x 1/4" x 60' / BLACK H1CC-N#14	AR	
NS	506790	TAPE RUB ADH2 CC POL 1/16" x 1/2" x 200' / BLACK I1C-N-A	AR	
3	286463	ENTRANCE DOOR WINDOW	1	
NS	506769	TAPE RUB ADH2 CC POL 1/8" x 1/4" x 60' / BLACK H1CC-N#14	AR	
NS	687957	GLUE MS POLYMER TEROSON MS 9399 / 400ml CARTRIDGE	AR	
NS	684685	ADHESIVE SIMSON #ISR 70-03 / 310ml CARTRIDGE	AR	
4	2800126	RUBBER SEAL EXTRUSION // ENTRANCE DOOR	1	
5	289204	INTERIOR WINDOW MOULDING	1	
6	286660	ENTRANCE DOOR INSULATING	1	
NS	506790	TAPE RUB ADH2 CC POL 1/16" x 1/2" x 200' / BLACK I1C-N-A	AR	
7A	2800911	INTERIOR PANEL To K-7599	1	
7A	2810122	INTERIOR PANEL From K-7600	1	
7B	2800910	ACCESS PANEL To K-7599	1	
7B	2810121	ACCESS PANEL From K-7600	1	
8	286531	ENTRANCE DOOR HANDLE	1	
9	5001182	NUT HEX NYRT M6-1.0 SS	2	
11	500411	WASHER FL .260x.697x.050 SS	2	
12	780483	CLAMP	1	
13	500654	SCREW TC BDG PH #8-32x1/2 Z050	2	
14	284127	BUTTON	1	
15	286753	ROD ASSY ENTRANCE DOOR	1	
16	286661	LOCK	1	
17	507331	PROTECTOR CAP / BLACK / .137 I.D. x .500	1	
18	286555	LOCK SUPPORT ASSY	1	
19	500948	SCREW TC CAP HEX 1/4-20x1 Z050	2	
NS	502582	WASHER LO SERR 6.1x16.2x0.9 Z050	2	
20	502151	SPRING COMPRESSION / .300 O.D. x 1 x .032	2	
21	481564	ROD GUIDE	2	
22	286553	PIVOT LOCK 18.7MM OFFSET	1	
23	504402	RING RETAINER / EXT .250 x .210 x .025"	1	
24A	780887	RETAINER CLIP, GM DOOR LOCK CYLINDER "U SHAPE"	1	
24B	X3PLB-1867-00	KEY & CYLINDER CODE "FORD" & "NS"		

From G-7275 To K-7662	Date:07/2024	PAGE:X3PLB-1862-00
ENTRANCE DOOR ASSY - BUS		

Item#	Part	Description	QTY	Notes
25	289202	FINISHING PLATE	1	
26	500654	SCREW TC BDG PH #8-32x1/2 Z050	2	
27	289200	STRIKING PLATE ASSY	1	
28	5001198	SCREW MA FL PH M6-1.0x16 Z050	2	
29	2800863	LOCK HOUSING	1	
NS	506785	TAPE RUB ADH2 CC POL 1/16" X 1/4" X 200' / BLACK I1C-N-A	AR	
NS	283769	DECAL / "LOCK"	1	
30	500345	WASHER FN CKF .187x.500x.090 BR BK	AR	
30	500463	WASHER FN CKF .187x.500x.090 BR Z050	4	
31	5001097	SCREW TC OV PH #6-32x3/4 SS410 BK	AR	
31	500289	SCREW TC OV PH #6-32x3/4 SS410	4	
32	830197	LAMP ASSY 24V LEDS	1	
34	068141	CABLE ENTRANCE DOOR To H-7416	1	
34	060038	CABLE ENTRANCE DOOR From H-7417	1	
35	509815	TIE MOUNT / ATTACHMENT W/TREE MOUNT	3	
35	504637	CABLE TIE / 3/16" x 13"	3	
37	X3PLB-1855-00	RUB RAIL - EXTERIOR CREST & TRIMS		
38	5001903	CLIP / RUB RAIL M6-1.0	3	
38	479374	SPACER / RUB RAIL	3	
39	5001850	WASHER FL 8.4 x 18 x 2 NYL	3	
40	5001932	NUT HEXF NYRT M6-1.0 G8.8 N500	3	
41	504433	SNAP-IN PLUG / 1.090 O.D.	3	
50	287012	UPPER LOCK ASSY	1	
51	282383	. CATCH	1	
52	287011	. PLATE MOUNTING	1	
NS	685371	. GREASE / GREY BLACK MOBIL XHP 222 SPECIAL 400 g	AR	
53A	500560	. SCREW MA PAN PH M4-0.7x6 Z050	1	
53B	502636	. WASHER LO SPT 4.1x7.6x0.9 Z050	1	
54	641983	. CYLINDER 7/8" X 1" STROKE / DOUBLE ACTION	1	
55	641369	. MALE ELBOW 90° NON-SWIVEL / PUSH-IN FITTING / #4x1/8NPT-M BR	1	
56	641242	. MALE CONNECTOR / PUSH-IN FITTING / #4x1/8NPT-M BR	1	
57	502725	SCREW MA OV PH M4-0.7x10 SS EMN	4	
NS	680038	THREAD LOCKER LOCTITE #243 / BLUE / 50ml	AR	
58	503402	TUBE, NYLON 1/4 O.D. / BLACK S.L.	AR	
59	641907	UNION / PUSH-IN FITTING / #4x#4 BR	1	
60	504013	TIE MOUNT / 1/4" X 1/4" I.D.	3	
60	504637	CABLE TIE / 3/16" x 13"	3	
61	500654	SCREW TC BDG PH #8-32x1/2 Z050	3	
62	504500	SNAP BUSHING / .766x1.125x.453	1	
63	860422	HANDLE	1	
64	284049	PLUG / SQUARE / BLACK	1	
65	500360	SCREW TP FL PH #8x1 1/4 BK	2	

From G-7275 To K-7662	Date:07/2024	PAGE:X3PLB-1862-00
ENTRANCE DOOR ASSY - BUS		

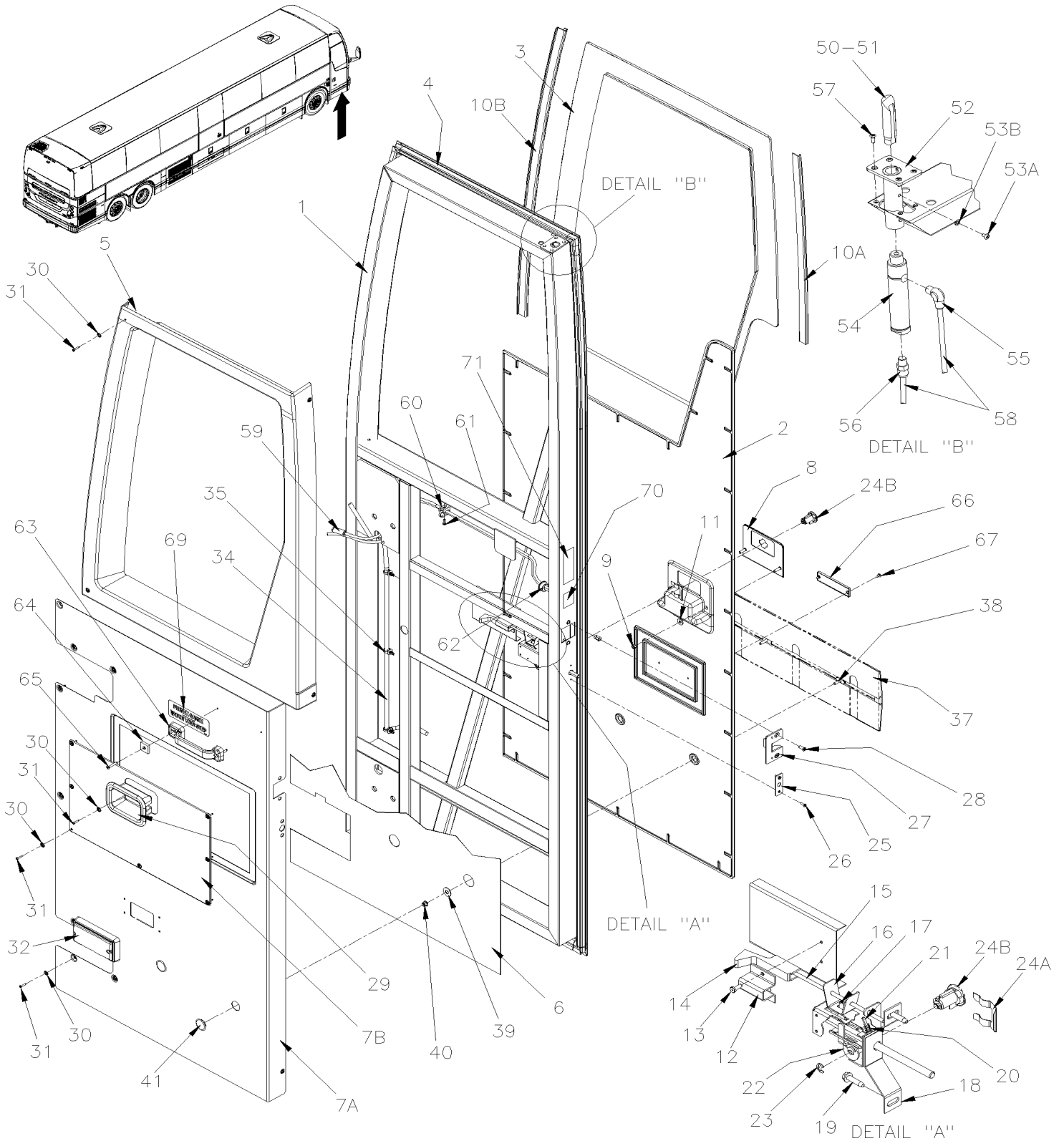
Item#	Part	Description	QTY	Notes
66	930212	REFLECTOR AMBER 1 1/8" x 4 3/8"	1	
67	500124	SCREW TP TR PH #8x1/2 SS	2	
69	400095	DECAL / "WATCH YOUR STEP" / ENGLISH & FRANCAIS	1	
69	408278	DECAL / "WATCH YOUR STEP" / ENGLISH & FRANCAIS	1	
69	408279	DECAL / "WATCH YOUR STEP" / "CUINDADO CON EL / ENGLISH & SPANISH	1	
69	400009	DECAL / "WATCH YOUR STEP" / "CUINDADO CON EL / ENGLISH & SPANISH & FRANCAIS	1	
69	400297	DECAL / "WATCH YOUR STEP" / ENGLISH	1	
70	406050	DECAL / "C.W.A." & "T.C.A."	1	
71	157729	DECAL / WALL TO WALL TURNING DIAM 90' 3" WITH VIN #	1	
NS	157730	DECAL / WALL TO WALL TURNING DIAM 90' 3" W/OUT VIN RAW MATERIAL	1	
NS	506769	TAPE RUB ADH2 CC POL 1/8" x 1/4" x 60' / BLACK H1CC-N-#14	AR	
NS	506790	TAPE RUB ADH2 CC POL 1/16" x 1/2" x 200' / BLACK I1C-N-A	AR	
NS	684517	ADHESIVE SIMSON #ISR 70-03 / GREY / 310ml CARTRIDGE	AR	
NS	687957	GLUE MS POLYMER TEROSON MS 9399 / 400ml CARTRIDGE	AR	
NS	687958	MIXER QUADRO 10.7MM W/"V" ADAPTOR / "B"	1	

From L-7663 To M-7767

Date:07/2024

PAGE:X3PLB-1862-01

ENTRANCE DOOR ASSY - BUS

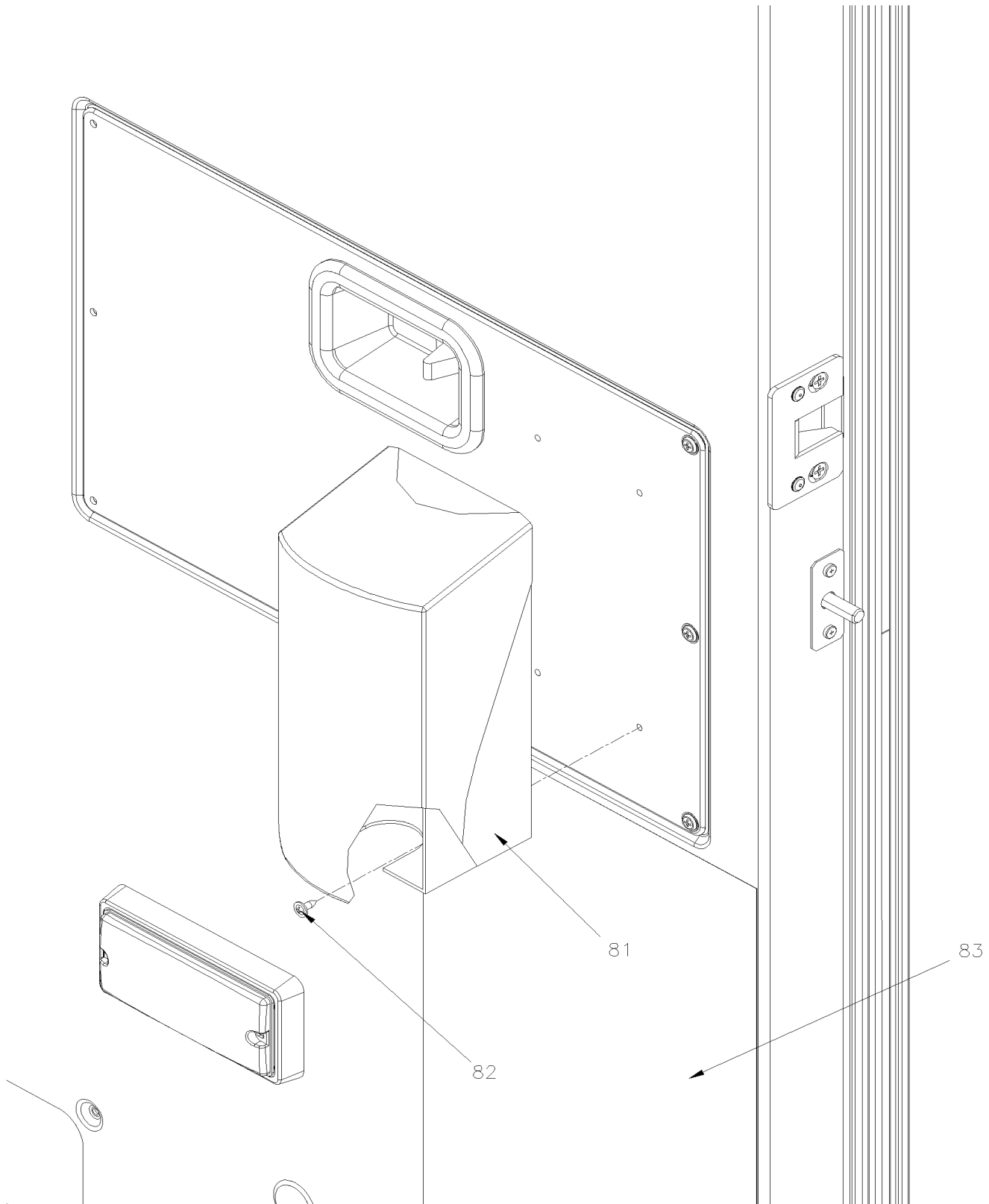


From L-7663 To M-7767

Date:07/2024

PAGE:X3PLB-1862-01

ENTRANCE DOOR ASSY - BUS



From L-7663 To M-7767	Date:07/2024	PAGE:X3PLB-1862-01
ENTRANCE DOOR ASSY - BUS		

Item#	Part	Description	QTY	Notes
		ALL DOORS ASSY DO NOT INCLUDE		
		RUB-RAIL PLEASE ORDER SEPARATELY		
	2810253	ENTRANCE DOOR ASSY	1	
1	280693	ENTRANCE DOOR FRAME	1	
2	280691	PANEL FIBERGLASS	1	
NS	687957	GLUE MS POLYMER TEROSON MS 9399 / 400ml CARTRIDGE To M-7792	AR	
NS	685387	GLUE MS POLYMER TEROSON MS 9399 / 400ml CARTRIDGE From M-7793	AR	
NS	506769	TAPE RUB ADH2 CC POL 1/8" x 1/4" x 60' / BLACK H1CC-N#14	AR	
NS	506790	TAPE RUB ADH2 CC POL 1/16" x 1/2" x 200' / BLACK I1C-N-A	AR	
3	280692	ENTRANCE DOOR WINDOW	1	
NS	506769	TAPE RUB ADH2 CC POL 1/8" x 1/4" x 60' / BLACK H1CC-N#14	AR	
NS	687957	GLUE MS POLYMER TEROSON MS 9399 / 400ml CARTRIDGE To M-7792	AR	
NS	685387	GLUE MS POLYMER TEROSON MS 9399 / 400ml CARTRIDGE From M-7793	AR	
NS	684685	ADHESIVE SIMSON #ISR 70-03 / 310ml CARTRIDGE	AR	
4	280710	RUBBER SEAL EXTRUSION	1	
5	280712	INTERIOR WINDOW MOULDING	1	
6	286660	ENTRANCE DOOR INSULATING	1	
NS	506790	TAPE RUB ADH2 CC POL 1/16" x 1/2" x 200' / BLACK I1C-N-A	AR	
7A	2810122	INTERIOR PANEL	1	
7B	2810121	ACCESS PANEL	1	
8	286531	ENTRANCE DOOR HANDLE	1	
9	5001182	NUT HEX NYRT M6-1.0 SS	2	
10A	2810095	ENTRANCE DOOR WINDOW GUTTER	1	
10A	680914	TAPE RUB ADH2 ACRYLIQUE 1/2x.045x36YARD	AR	
10A	680914	TAPE RUB ADH2 ACRYLIQUE 1/2x.045x36YARD	AR	
10B	2910093	ENTRANCE DOOR WINDOW GUTTER	1	
10B	680914	TAPE RUB ADH2 ACRYLIQUE 1/2x.045x36YARD	AR	
10B	680914	TAPE RUB ADH2 ACRYLIQUE 1/2x.045x36YARD	AR	
11	500411	WASHER FL .260x.697x.050 SS	2	
12	780483	CLAMP	1	
13	500654	SCREW TC BDG PH #8-32x1/2 Z050	2	
14	284127	BUTTON	1	
15	286753	ROD ASSY ENTRANCE DOOR	1	
16	286661	LOCK	1	
17	507331	PROTECTOR CAP / BLACK / .137 I.D. x .500	1	
18	286555	LOCK SUPPORT ASSY	1	
19	500948	SCREW TC CAP HEX 1/4-20x1 Z050	2	
NS	502582	WASHER LO SERR 6.1x16.2x0.9 Z050	2	
20	502151	SPRING COMPRESSION / .300 O.D. x 1 x .032	2	
21	481564	ROD GUIDE	2	

From L-7663 To M-7767	Date:07/2024	PAGE:X3PLB-1862-01
ENTRANCE DOOR ASSY - BUS		

Item#	Part	Description	QTY	Notes
22	286553	PIVOT LOCK 18.7MM OFFSET	1	
23	504402	RING RETAINER / EXT .250 x .210 x .025"	1	
24A	780887	RETAINER CLIP, GM DOOR LOCK CYLINDER "U SHAPE"	1	
24B	X3PLB-1867-01	KEY & CYLINDER CODE "FORD"		
25	289202	FINISHING PLATE	1	
26	500654	SCREW TC BDG PH #8-32x1/2 Z050	2	
27	289200	STRIKING PLATE ASSY	1	
28	5001198	SCREW MA FL PH M6-1.0x16 Z050	2	
29	2800863	LOCK HOUSING	1	
NS	506785	TAPE RUB ADH2 CC POL 1/16" X 1/4" X 200' / BLACK I1C-N-A	AR	
NS	283769	DECAL / "LOCK"	1	
30	500345	WASHER FN CKF .187x.500x.090 BR BK	AR	
31	5001097	SCREW TC OV PH #6-32x3/4 SS410 BK	AR	
32	830197	LAMP ASSY 24V LEDS	1	
NS	502903	SCREW TC FL PH #10-24x1 1/4 N500	4	
34	060038	CABLE ENTRANCE DOOR	1	
35	509815	TIE MOUNT / ATTACHMENT W/TREE MOUNT	3	
35	504637	CABLE TIE / 3/16" x 13"	3	
37	X3PLB-1855-00	RUB RAIL - EXTERIOR CREST & TRIMS		
38	5001903	CLIP / RUB RAIL M6-1.0	3	
38	479374	SPACER / RUB RAIL	3	
39	5001850	WASHER FL 8.4 x 18 x 2 NYL	3	
40	5001932	NUT HEXF NYRT M6-1.0 G8.8 N500	3	
41	504433	SNAP-IN PLUG / 1.090 O.D.	3	
50	287012	UPPER LOCK ASSY To L-7712	1	
50	2810371	UPPER LOCK ASSY From L-7713	1	
51	282383	. CATCH To L-7712	1	
51	2810361	. CATCH From L-7713	1	
52	287011	. PLATE MOUNTING	1	
NS	685371	. GREASE / GREY BLACK MOBIL XHP 222 SPECIAL 400 g	AR	
53A	500560	. SCREW MA PAN PH M4-0.7x6 Z050	1	
53B	502636	. WASHER LO SPT 4.1x7.6x0.9 Z050	1	
54	641983	. CYLINDER 7/8" X 1" STROKE / DOUBLE ACTION	1	
55	641369	. MALE ELBOW 90° NON-SWIVEL / PUSH-IN FITTING / #4x1/8NPT-M BR	1	
56	641242	. MALE CONNECTOR / PUSH-IN FITTING / #4x1/8NPT-M BR	1	
57	502725	SCREW MA OV PH M4-0.7x10 SS EMN	4	
NS	680038	THREAD LOCKER LOCTITE #243 / BLUE / 50ml	AR	
58	503402	TUBE, NYLON 1/4 O.D. / BLACK S.L.	AR	
59	641907	UNION / PUSH-IN FITTING / #4x#4 BR	1	
60	504013	TIE MOUNT / 1/4" X 1/4" I.D.	3	
60	504637	CABLE TIE / 3/16" x 13"	3	
61	500654	SCREW TC BDG PH #8-32x1/2 Z050	3	

From L-7663 To M-7767	Date:07/2024	PAGE:X3PLB-1862-01
ENTRANCE DOOR ASSY - BUS		

Item#	Part	Description	QTY	Notes
62	504500	SNAP BUSHING / .766x1.125x.453	1	
63	860422	HANDLE	1	
64	284049	PLUG / SQUARE / BLACK	1	
65	500360	SCREW TP FL PH #8x1 1/4 BK	2	
66	930212	REFLECTOR AMBER 1 1/8" x 4 3/8"	1	
67	500124	SCREW TP TR PH #8x1/2 SS	2	
69	408278	DECAL / "WATCH YOUR STEP" / ENGLISH & FRANCAIS	1	
69	408279	DECAL / "WATCH YOUR STEP" / "CUINDADO CON EL / ENGLISH & SPANISH	1	
69	400009	DECAL / "WATCH YOUR STEP" / "CUINDADO CON EL / ENGLISH & SPANISH & FRANCAIS	1	
69	400297	DECAL / "WATCH YOUR STEP" / ENGLISH	1	
70	406050	DECAL / "C.W.A." & "T.C.A."	1	
71	157729	DECAL / WALL TO WALL TURNING DIAM 90' 3" WITH VIN #	1	
NS	157730	DECAL / WALL TO WALL TURNING DIAM 90' 3" W/OUT VIN RAW MATERIAL	1	
NS	506769	TAPE RUB ADH2 CC POL 1/8" x 1/4" x 60' / BLACK H1CC-N#14	AR	
NS	506790	TAPE RUB ADH2 CC POL 1/16" x 1/2" x 200' / BLACK I1C-N-A	AR	
NS	684517	ADHESIVE SIMSON #ISR 70-03 / GREY / 310ml CARTRIDGE	AR	
NS	687957	GLUE MS POLYMER TEROSON MS 9399 / 400ml CARTRIDGE To M-7792	AR	
NS	685387	GLUE MS POLYMER TEROSON MS 9399 / 400ml CARTRIDGE From M-7793	AR	
NS	687958	MIXER QUADRO 10.7MM W/"V" ADAPTOR / "B"	1	
81	900088	DISPENSER / SOAP	1	
82	5001440	SCREW TP RND PH WSHR HD #8x1/2	4	
83	402168	INTERIOR DOOR PROTECTION FILM	1	

From G-7275 To M-7767	Date:07/2024	PAGE:X3PLB-1862-60
-----------------------	--------------	--------------------

ENTRANCE DOOR FRAME - INSTALLATION

Item#	Part	Description	QTY	Notes
1	326604	CAP COVER LOWER	1	
2	500345	WASHER FN CKF .187x.500x.090 BR BK	12	
3	500333	SCREW TP OV PH #6x3/4 BK	12	
4	326727	CAP COVER UPPER	1	
5	285492	BELLOWS / RUBBER To N-8002	1	
5	2810577	BELLOWS / RUBBER From N-8003	1	
6	285491	PLATE BELLOW RETAINER	2	
7	500964	WASHER FL .203x.500x.047 Z050	8	
8	502841	NUT HEX NYRT M5-0.8 N500	8	
10	287471	HINGE UPPER To H-7347	1	
10	2800608	HINGE UPPER From H-7348	1	
11	5002009	SCREW SHR HEXS 10x25 {M8-1.25 SS From H-7348	1	
12	507693	BUSHING 10x11.6x10x15 NYL From H-7348	2	
13	280303	SLEEVE From H-7348	1	
14	502638	WASHER FL .312x.734x.065 N500 From H-7348	1	
15	287341	HINGE	1	
16	326228	COVER HINGE LOWER / PLASTIC	1	
16	506790	TAPE RUB ADH2 CC POL 1/16" x 1/2" x 200' / BLACK I1C-N-A	AR	
16	684685	ADHESIVE SIMSON #ISR 70-03 / 310ml CARTRIDGE	AR	
17	326227	PANEL FINISHING LOWER	1	
20	502890	SCREW CAP HEX M10-1.5x90 G8.8 N500 To R-4047	6	
20	5000017	SCREW CAP HEX M10-1.5X90 G10.9 N500 From R-4048	6	
21	5001737	WASHER LO SPT 10.2x18.1x2.2 N500	2	
22	507326	BEARING FLANGE	4	
23	287337	SPACER / BEARING FLANGE	2	
23	680739	GREASE SYNTHETIC / RED 20KG	AR	
24	502859	NUT HEX NYRT M10-1.5 N500	4	
25	500897	WASHER FL .437x1.000x.083 N500	8	
30	284040	ATTACHMENT	2	
31	286998	SUPPORT PLATE 134MM X 48MM	2	
32	500747	WASHER LO SPT 12.2x21.1x2.5 N500	4	
33	5001589	SCREW CAP HEXS M12-1.75x40 G8.8 Z050	4	
34	5002010	SCREW SHR HEXS 8x10 {M6-1.0 STL From H-7348	1	
35	281304	PIVOT SLEEVE From H-7348	1	
36	280022	PIVOT ASSY From H-7348 To J-7482	1	
36	282509	PIVOT ASSY From J-7483	1	
37	281303	SPACER From H-7348	1	
38	502255	SPRING EXTENSION / .814 O.D. x 3.14 x .148 From H-7348	1	
43	287008	DOOR STOPPER ASSY	1	
44	502806	SCREW MA FL PH M6-1.0x10 Z050	2	
50	X3PLB-189X-XX	STRUCTURE / CALL ORDER DESK		
93	251083	HINGE SUPPORT / UPPER To H-7347	1	

From G-7275 To M-7767		Date:07/2024	PAGE:X3PLB-1862-60
-----------------------	--	--------------	--------------------

ENTRANCE DOOR FRAME - INSTALLATION

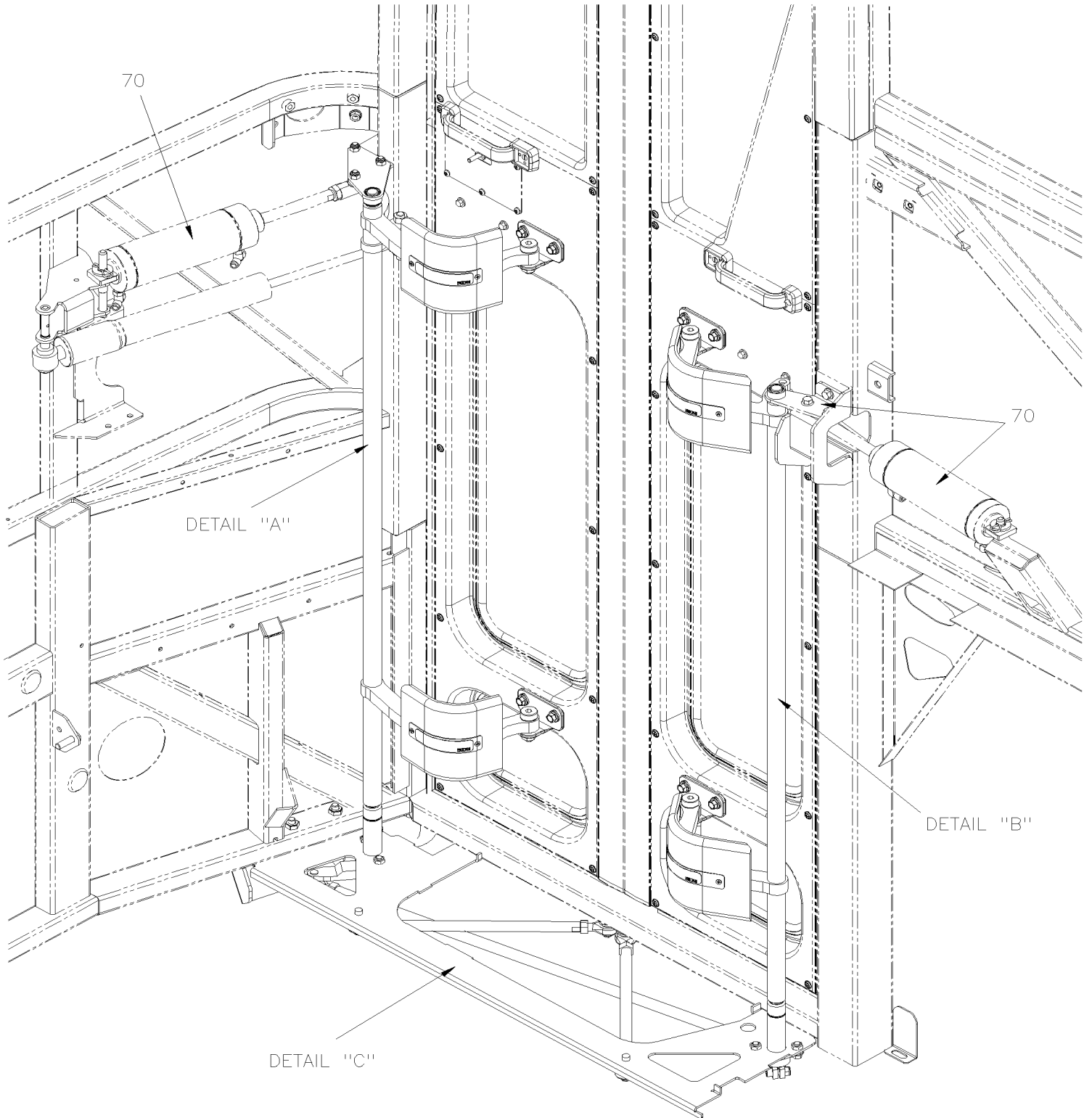
Item#	Part	Description	QTY	Notes
93	250051	HINGE SUPPORT / UPPER From H-7348	1	
94	251613	HINGE SUPPORT / LOWER	1	

From G-7275 To M-7767

Date:07/2024

PAGE:X3PLB-1862-65

ENTRANCE DOOR INSTALLATION BY-FOLD DOOR

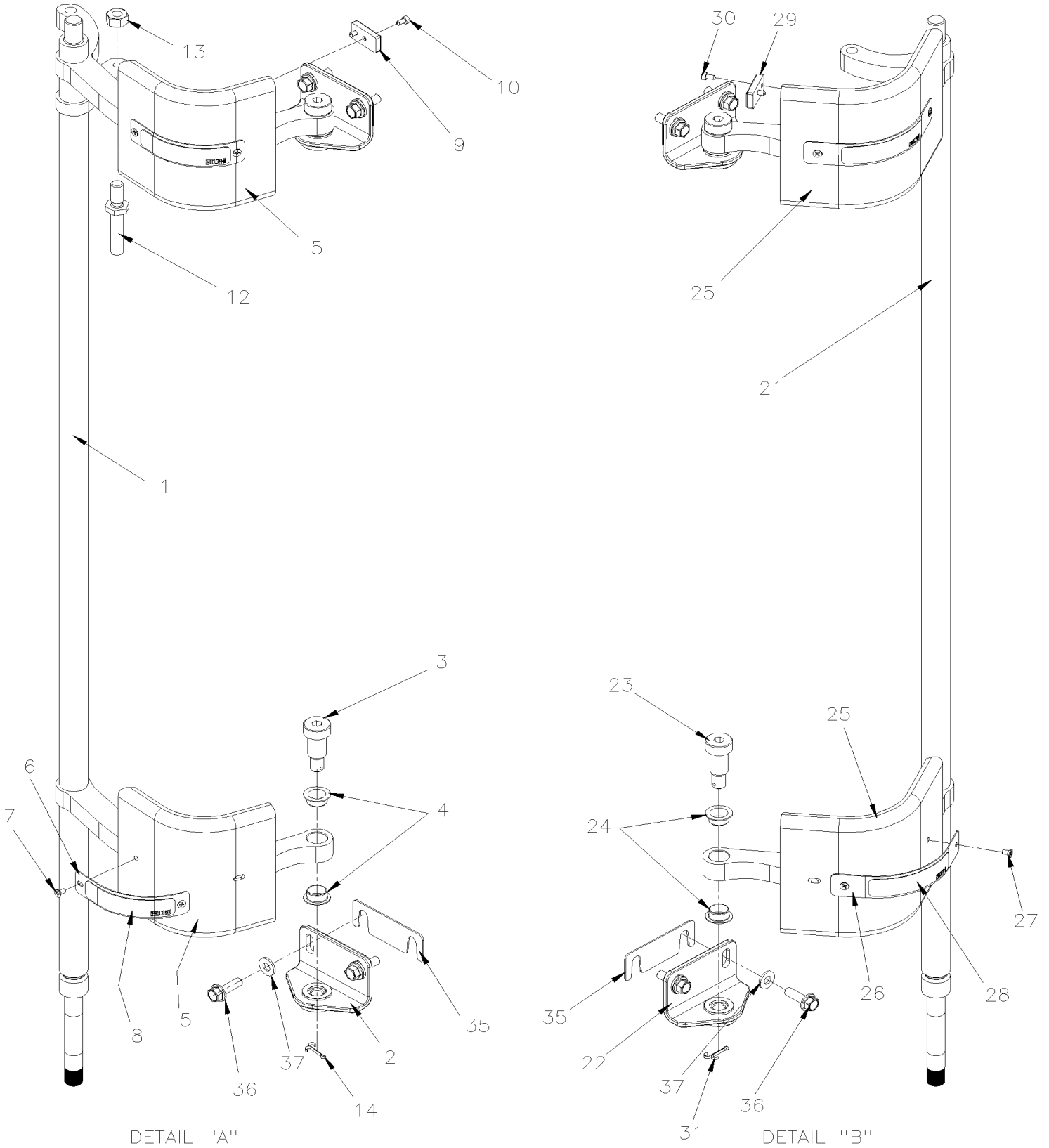


From G-7275 To M-7767

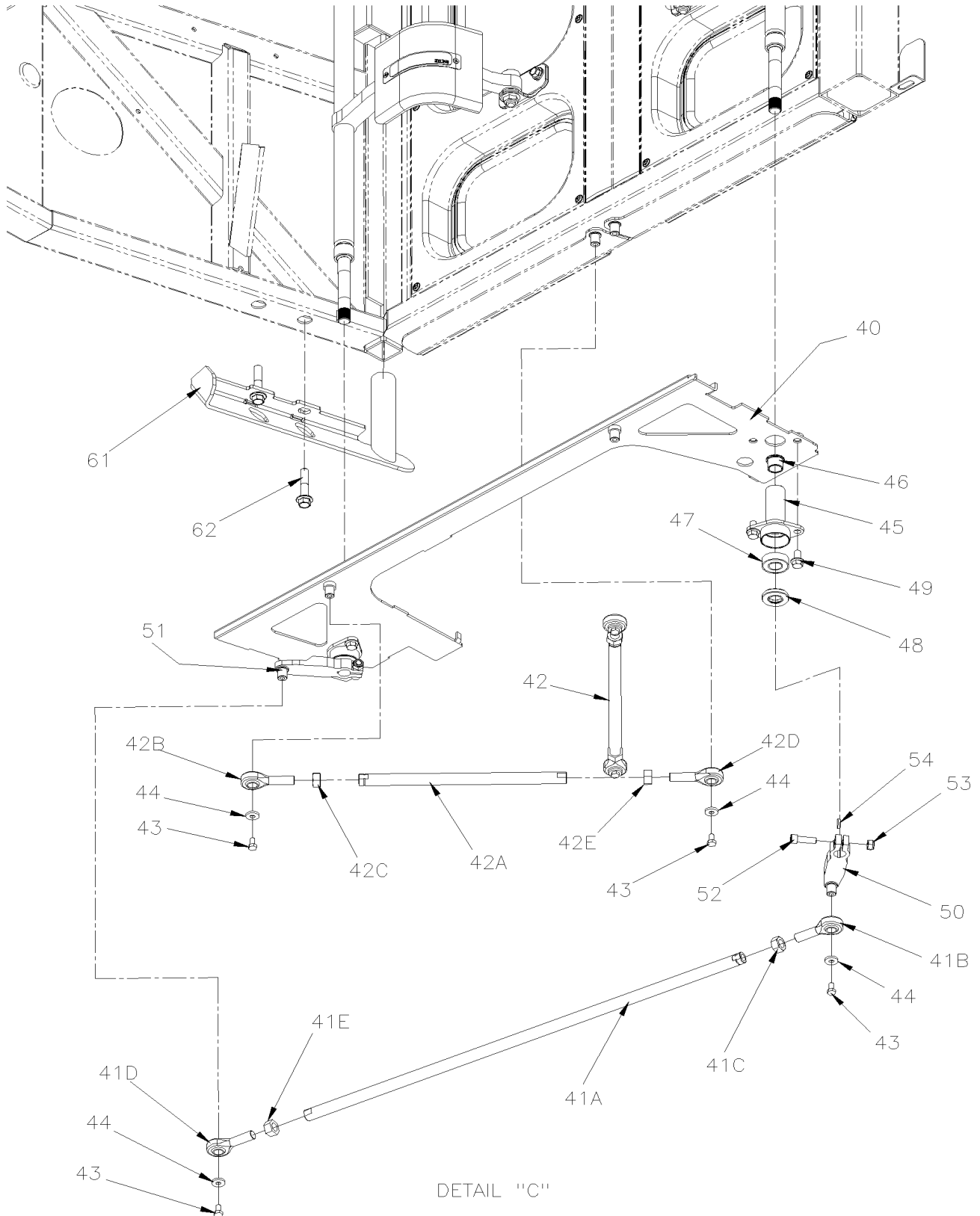
Date:07/2024

PAGE:X3PLB-1862-65

ENTRANCE DOOR INSTALLATION BY-FOLD DOOR



ENTRANCE DOOR INSTALLATION BY-FOLD DOOR



From G-7275 To M-7767	Date:07/2024	PAGE:X3PLB-1862-65
ENTRANCE DOOR INSTALLATION BY-FOLD DOOR		

Item#	Part	Description	QTY	Notes
1	280966P	SHAFT DOOR ASSY W/END & BEARING FRONT DOOR	1	
1	280968	. SHAFT FRONT DOOR	1	
2	2800898	. ANGLE ATTACHMENT ARM	2	
3	2800984	. SCREW SHR HEXS 16x25 {M12-1.75	2	
3	683652	. GREASE SYNTHETIC / RED BOX 50 TUBE	AR	
4	507386	. BUSHING 16MM x 18MM x 9MM	4	
5	288687	. COVER PROTECTOR FRONT DOOR	2	
6	281338	. PLATE WARNING, FRONT DOOR	2	
7	5001996	. SCREW MA PAN PH M4-0.7x12 N500	4	
7	680038	. THREAD LOCKER LOCTITE #243 / BLUE / 50ml	AR	
8	281340	. DECAL "KEEP HANDS OFF"	AR	
8	281341	. DECAL "ATTENTION A VOS MAINS"	AR	
9	281296	. STOPPER / DOOR To L-7750	1	
9	2810571	. STOPPER / DOOR From M-7751	1	
10	5001670	. SCREW CAP HEXS M4-0.7x8 G8.8 Z050	2	
12	285433	. PIVOT STUD 7/16-14 X 80MM LG	1	
13	502883	. NUT HEX 7/16-14 N500	1	
14	5001958	. PIN, COTTER 2.5MM x 25MM SS	1	
21	280967P	SHAFT DOOR ASSY W/END & BEARING REAR DOOR	1	
21	280969	. SHAFT REAR DOOR	1	
22	2800898	. ANGLE ATTACHMENT ARM	1	
23	2800984	. SCREW SHR HEXS 16x25 {M12-1.75	1	
23	683652	. GREASE SYNTHETIC / RED BOX 50 TUBE	AR	
24	507386	. BUSHING 16MM x 18MM x 9MM	4	
25	288686	. COVER PROTECTOR REAR DOOR	2	
26	281339	. PALTE WARNING, REAR DOOR	2	
27	5001996	. SCREW MA PAN PH M4-0.7x12 N500	4	
27	680038	. THREAD LOCKER LOCTITE #243 / BLUE / 50ml	AR	
28	281340	. DECAL "KEEP HANDS OFF"	AR	
28	281341	DECAL "ATTENTION A VOS MAINS"	AR	
29	281296	. STOPPER / DOOR To L-7750	1	
29	2810571	. STOPPER / DOOR From M-7751	1	
30	5001670	. SCREW CAP HEXS M4-0.7x8 G8.8 Z050	2	
31	5001958	. PIN, COTTER 2.5MM x 25MM SS	1	
35	280931	SPACER	4	
36	5001643	SCREW CAP HEXF M8-1.25x25 G8.8 G500	8	
37	5001736	WASHER FL 8.4x18.0x2.0 N500	8	
40	2800887	PLATE, BI-FOLD DOOR PIVOT	1	
41	281131P	ROD ASSEMBLY	1	
. A	281134	. ROD 679.2MM / WFEMALE THREAD M12-1.75 R.H.x M12.1.75 L.H.	1	
. B	502252	. ROD END MALE M12-1.75 / 12MM I.D.	1	
. C	5001757	. NUT HEX M12-1.75 N500	1	

From G-7275 To M-7767	Date:07/2024	PAGE:X3PLB-1862-65
ENTRANCE DOOR INSTALLATION BY-FOLD DOOR		

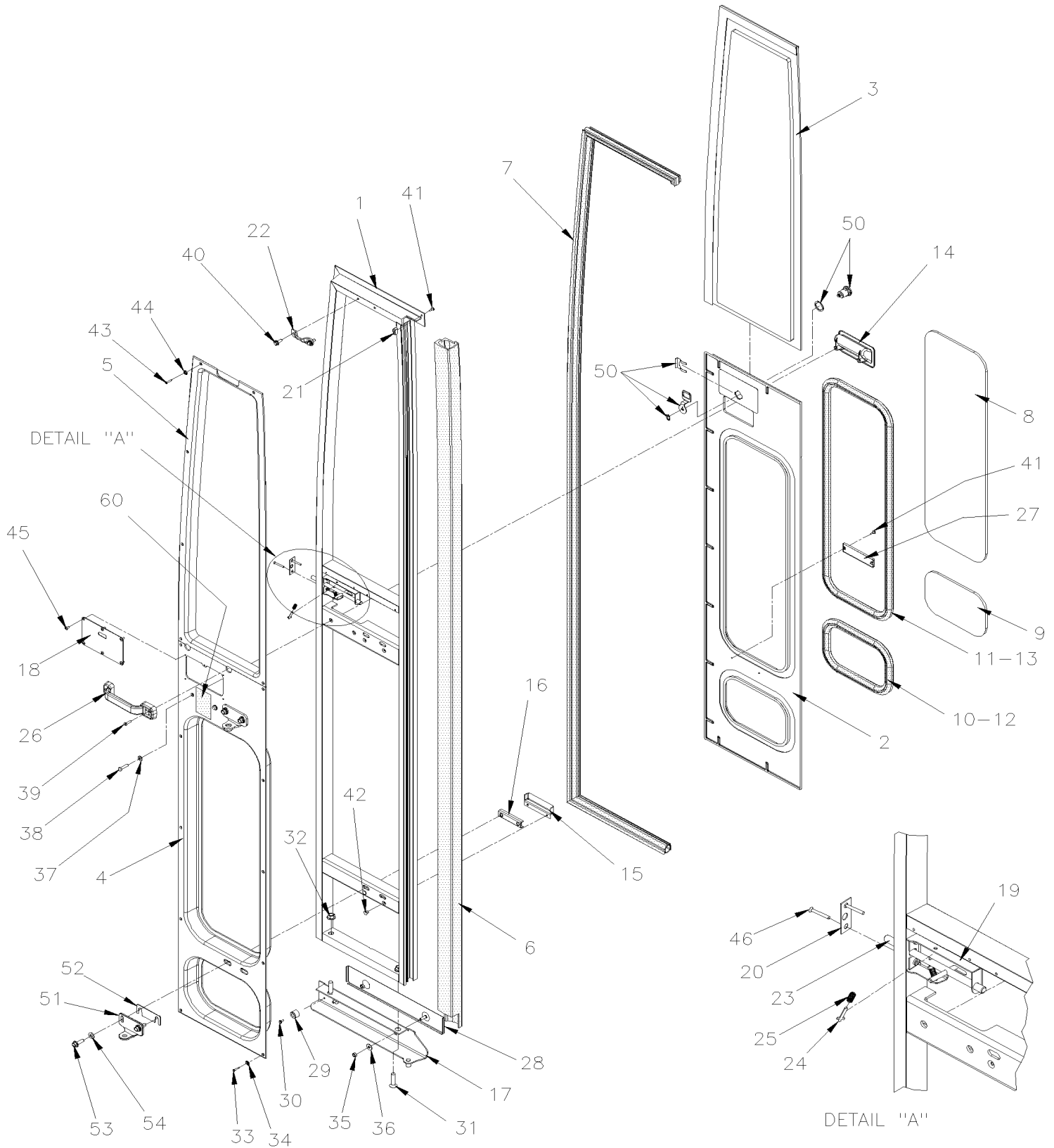
Item#	Part	Description	QTY	Notes
. D	502253	. ROD END MALE L.H. M12-1.75-L.HH / 12MM I.D.	1	
. E	5001466	. NUT HEX LH M12-1.75 N500	1	
42	281146P	ROD ASSEMBLY	2	
. A	281155	. ROD 268.6MM / WFEMALE THREAD M12-1.75 R.H.x M12.1.75 L.H.	1	
. B	502252	. ROD END MALE M12-1.75 / 12MM I.D.	1	
. C	5001757	. NUT HEX M12-1.75 N500	1	
. D	502253	. ROD END MALE L.H. M12-1.75-L.HH / 12MM I.D.	1	
. E	5001466	. NUT HEX LH M12-1.75 N500	1	
43	5001181	SCREW CAP HEX M6-1.0x12 SS	6	
43	680038	THREAD LOCKER LOCTITE #243 / BLUE / 50ml	AR	
43	680335	ANTIGRIP MIXTURE	AR	
44	5001654	WASHER FL 6.4x17.0x3.0 SS	6	
45	281250	INFERIOR PIVOT, BI-FOLD DOOR	2	
46	507382	BUSHING FLANGE 16I.D.x200.D.x16MM BRASS	2	
47	507668	BALL BEARING .625x 1.375x.437	2	
48	507669	OIL SEAL .625x 1.375x.250"	2	
49	5001780	SCREW CAP HEXF M8-1.25x16 G8.8 N500	4	
50	281043	LEVER LOWER REAR DOOR 107MMx 75MM C/C	2	
51	281032	LEVER LOWER FRONT DOOR 113MMx 81MM C/C	1	
52	5001775	SCREW CAP HEXS M8-1.25x25 G8.8 G500	2	
53	502847	NUT HEX NYRT M8-1.25 N500	2	
54	505077	KEY, WOODRUFF #405 / 1/8" X 5/8"	2	
61	251601	PROTECTOR LOWER DOOR MECHANISM	1	
62	5001752	SCREW CAP HEXF M10-1.5x50 G8.8 N500	2	
70	X3PLB-1802-10	ENTRANCE DOOR CONTROL WITH BI-FOLD DOOR	1	

From G-7275 To K-7662

Date:07/2024

PAGE:X3PLB-1862-70

ENTRANCE DOOR ASSY - FRONT SECTION BY-FOLD DOOR



From G-7275 To K-7662	Date:07/2024	PAGE:X3PLB-1862-70
-----------------------	--------------	--------------------

ENTRANCE DOOR ASSY - FRONT SECTION BY-FOLD DOOR

Item#	Part	Description	QTY	Notes
	281262P	BI-FOLD DOOR ASSY FRONT DOOR / WITH FORD LOCK FRONT	1	
1	281080	. STRUCTURE DOOR FRONT DOOR	1	
2	288682	. PANEL FIBERGLASS EXTERIOR FRONT DOOR	1	
2	684685	. ADHESIVE SIMSON #ISR 70-03 / 310ml CARTRIDGE	AR	
2	687957	. GLUE MS POLYMER TEROSON MS 9399 / 400ml CARTRIDGE	AR	
2	506769	. TAPE RUB ADH2 CC POL 1/8" x 1/4" x 60' / BLACK H1CC-N-#14	AR	
3	288685	. ENTRANCE DOOR WINDOW FRONT DOOR	1	
4	281206	. INTERIOR WINDOW MOULDING / LOWER FRONT DOOR	1	
5	281207	. INTERIOR WINDOW MOULDING / UPPER FRONT DOOR	1	
6	289581	. RUBBER SEAL CENTER / FRONT DOOR 2252MM	1	
6	288949	. RUBBER SEAL PLUG	1	
7	2800133	. RUBBER SEAL EXTRUSION / FRONT DOOR / 2256MMx373MM	1	
8	281209	. GLASS CENTER DOOR WINDOW 220MM x 700MM	2	
9	281211	. GLASS LOWER DOOR WINDOW 219MM x 141MM	2	
10	281259P	. RUBBER GLASS CHANNEL ASSY W/LOCKING STRIP LOWER DOOR WINDOW 670	2	
10	5061259	. . RUBBER GLASS CHANNEL	AR	
10	680042	. . GLUE LOCTITE 430 BOTTLE 1OZ	AR	
11	281260P	. RUBBER GLASS CHANNEL ASSY W/LOCKING STRIP CENTER DOOR WINDOW 1780	2	
11	5061259	. . RUBBER GLASS CHANNEL	AR	
11	680042	. . GLUE LOCTITE 430 BOTTLE 1OZ	AR	
12	281292P	. STRIP, LOCKING 670MM	1	
12	5061260	. . STRIP, LOCKING / S.L. RAW MATERIAL ONLY	AR	
13	281293P	. STRIP, LOCKING 1780MM	1	
13	5061260	. . STRIP, LOCKING / S.L. RAW MATERIAL ONLY	AR	
14	780812	. ENTRANCE DOOR HANDLE BLACK	1	
15	281041	. SUPPORT DOUBLE DOOR	1	
16	281047	. ATTACHMENT PLATE W/2 NUTS "U" SHAPE 2xM8-1.25x 60MM C/C	2	
17	281052	. SUPPORT LOWER FRONT DOOR	1	
18	281216	. CLOSING PLATE CHARCOALD 91MM x148MM	1	
19	281222	. SUPPORT ROD LOCK	1	
20	281223	. SUPPORT GUIDE PIN	1	
21	281227	. STOPPER	1	
22	281240	. CATCH PENE DOOR	1	
23	281258	. ROD LOCK ASSY (CROSS) 180MM	1	
24	481564	. ROD GUIDE	2	
25	502934	. SPRING COMPRESSION / .300 O.D. x 1 x .026	2	
26	860422	. HANDLE	1	
NS	284049	. PLUG / SQUARE / BLACK	1	
27	930212	. REFLECTOR AMBER 1 1/8" x 4 3/8"	1	
28	280912	. GUARD, DOOR	1	
29	5001168	. BUMPER RUBBER / .750 OD x .562 TH x .187 HOLE To J-7533	1	
29	5002023	. BUMPER NEOPRENE / .750 OD x .562 TH x .187 HOLE From J-7534	1	

From G-7275 To K-7662	Date:07/2024	PAGE:X3PLB-1862-70
ENTRANCE DOOR ASSY - FRONT SECTION BY-FOLD DOOR		

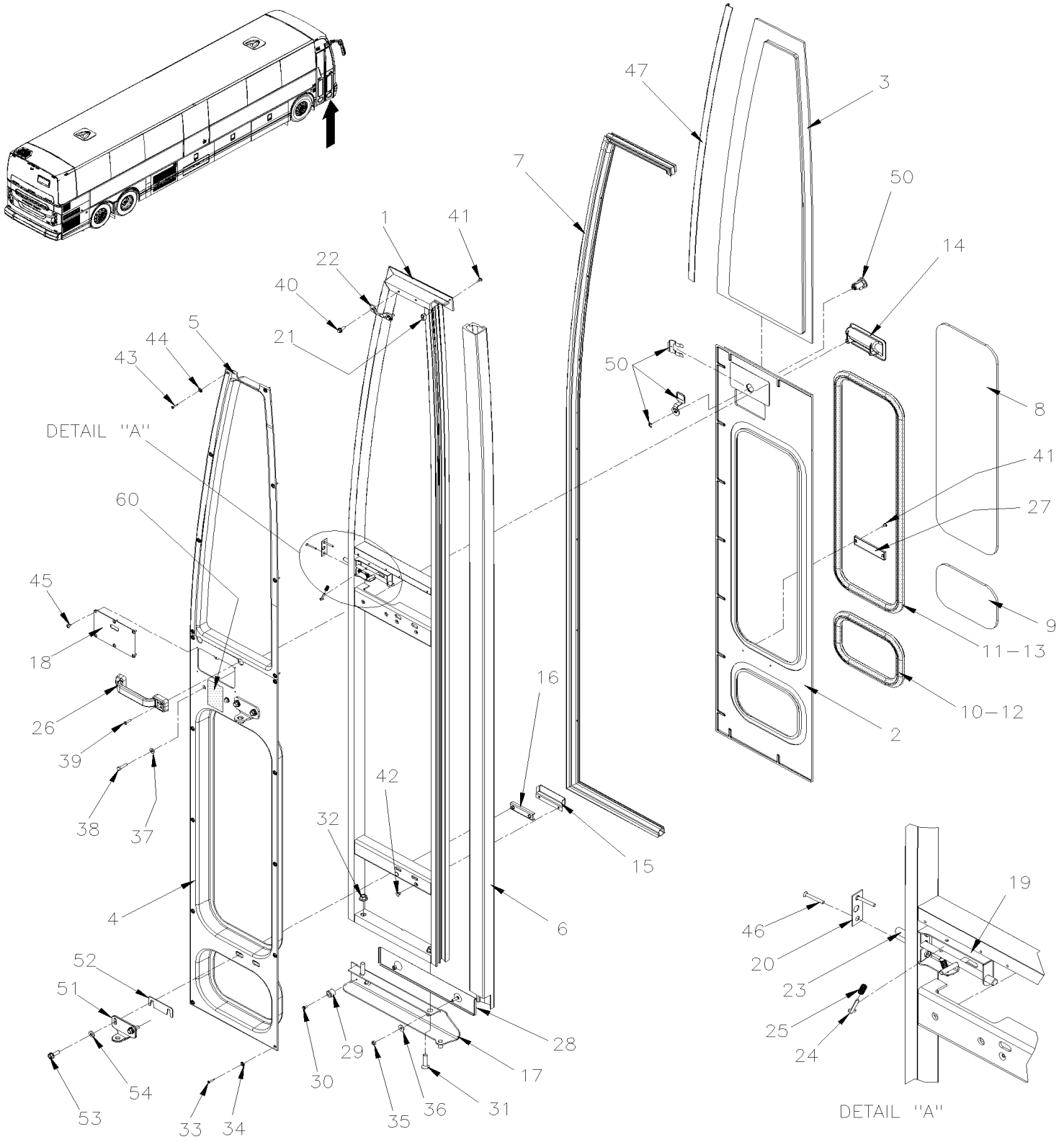
Item#	Part	Description	QTY	Notes
30	500557	. SCREW MA PAN PH #8-32x3/8 SS	1	
31	5001796	. SCREW CAP FL HEXS M10-1.5x40 GR10.9 N500	2	
32	5001084	. NUT HEXF M10-1.5 G500	2	
33	5001097	. SCREW TC OV PH #6-32x3/4 SS410 BK	10	
34	500345	. WASHER FN CKF .187x.500x.090 BR BK	10	
35	5001851	. NUT HEX M6-1.0 SS BK	2	
36	5001833	. WASHER BEL SPR 6.1x18x1.27 SS	2	
37	502737	. SCREW CAP HEX M6-1.0x25 SS BK	2	
38	500877	. WASHER FL .250x.562x.065 N500	2	
39	5001411	. SCREW MA FL PH M4-0.7x20 BK	2	
40	5001730	. SCREW CAP HEXF M6-1.0x16 G10.9 N500	2	
41	500124	. SCREW TP TR PH #8x1/2 SS	3	
42	504256	. RIVET POP CK OE 3/16x1/4 AL	4	
43	500289	. SCREW TC OV PH #6-32x3/4 SS410	8	
44	500463	. WASHER FN CKF .187x.500x.090 BR Z050	8	
45	500799	. SCREW TC PAN PH #8-32x3/8 N500	6	
46	5001712	. SCREW MA FL PH M4-0.7x30 SS	2	
50	X3PLB-1867-00	KEY & CYLINDER CODE "FORD" & "NS"		
51	2800898	ANGLE ATTACHMENT ARM	4	
52	280931	SPACER	2	
53	5001643	SCREW CAP HEXF M8-1.25x25 G8.8 G500	4	
54	5001736	WASHER FL 8.4x18.0x2.0 N500	4	
60	406050	DECAL / "C.W.A." & "T.C.A."	1	

From L-7663 To M-7767

Date:07/2024

PAGE:X3PLB-1862-71

ENTRANCE DOOR ASSY - FRONT SECTION WITH FORD LOCK



From L-7663 To M-7767	Date:07/2024	PAGE:X3PLB-1862-71
ENTRANCE DOOR ASSY - FRONT SECTION WITH FORD LOCK		

Item#	Part	Description	QTY	Notes
	2810255	BI-FOLD DOOR ASSY FRONT DOOR / WITH FORD LOCK	1	
1	281018	. STRUCTURE DOOR FRONT DOOR	1	
2	288682	. PANEL FIBERGLASS EXTERIOR FRONT DOOR	1	
NS	684685	. ADHESIVE SIMSON #ISR 70-03 / 310ml CARTRIDGE	AR	
NS	687957	. GLUE MS POLYMER TEROSON MS 9399 / 400ml CARTRIDGE To M-7792	AR	
NS	685387	. GLUE MS POLYMER TEROSON MS 9399 / 400ml CARTRIDGE From M-7793	AR	
NS	506769	. TAPE RUB ADH2 CC POL 1/8" x 1/4" x 60' / BLACK H1CC-N-#14	AR	
3	280604	. ENTRANCE DOOR WINDOW FRONT DOOR	1	
4	281206	. INTERIOR WINDOW MOULDING / LOWER FRONT DOOR	1	
5	281284	. INTERIOR WINDOW MOULDING / UPPER FRONT DOOR	1	
6	288949	. RUBBER SEAL PLUG	1	
7	280849	. RUBBER SEAL EXTRUSION / FRONT DOOR	1	
8	281209	. GLASS CENTER DOOR WINDOW 220MM x 700MM	2	
9	281211	. GLASS LOWER DOOR WINDOW 219MM x 141MM	2	
10	281259P	. RUBBER GLASS CHANNEL ASSY W/LOCKING STRIP LOWER DOOR WINDOW 670	2	
10	5061259	. . RUBBER GLASS CHANNEL	AR	
10	680042	. . GLUE LOCTITE 430 BOTTLE 1OZ	AR	
11	281260P	. RUBBER GLASS CHANNEL ASSY W/LOCKING STRIP CENTER DOOR WINDOW 1780	2	
11	5061259	. . RUBBER GLASS CHANNEL	AR	
11	680042	. . GLUE LOCTITE 430 BOTTLE 1OZ	AR	
12	281292P	. STRIP, LOCKING 670MM	1	
12	5061260	. . STRIP, LOCKING / S.L. RAW MATERIAL ONLY	AR	
13	281293P	. STRIP, LOCKING 1780MM	1	
13	5061260	. . STRIP, LOCKING / S.L. RAW MATERIAL ONLY	AR	
14	780812	. ENTRANCE DOOR HANDLE BLACK	1	
15	281041	. SUPPORT DOUBLE DOOR	1	
16	281047	. ATTACHMENT PLATE W/2 NUTS "U" SHAPE 2xM8-1.25x 60MM C/C	2	
17	281052	. SUPPORT LOWER FRONT DOOR	1	
18	281216	. CLOSING PLATE CHARCOALD 91MM x148MM	1	
19	281222	. SUPPORT ROD LOCK	1	
20	281223	. SUPPORT GUIDE PIN	1	
21	281227	. STOPPER	1	
22	281240	. CATCH PENE DOOR	1	
23	281258	. ROD LOCK ASSY (CROSS) 180MM	1	
24	481564	. ROD GUIDE	2	
25	502934	. SPRING COMPRESSION / .300 O.D. x 1 x .026	2	
26	860422	. HANDLE	1	
27	930212	. REFLECTOR AMBER 1 1/8" x 4 3/8"	1	
28	280912	. GUARD, DOOR	1	
29	5001168	. BUMPER RUBBER / .750 OD x .562 TH x .187 HOLE	1	
30	500557	. SCREW MA PAN PH #8-32x3/8 SS	1	
31	5001796	. SCREW CAP FL HEXS M10-1.5x40 GR10.9 N500	2	

From L-7663 To M-7767	Date:07/2024	PAGE:X3PLB-1862-71
ENTRANCE DOOR ASSY - FRONT SECTION WITH FORD LOCK		

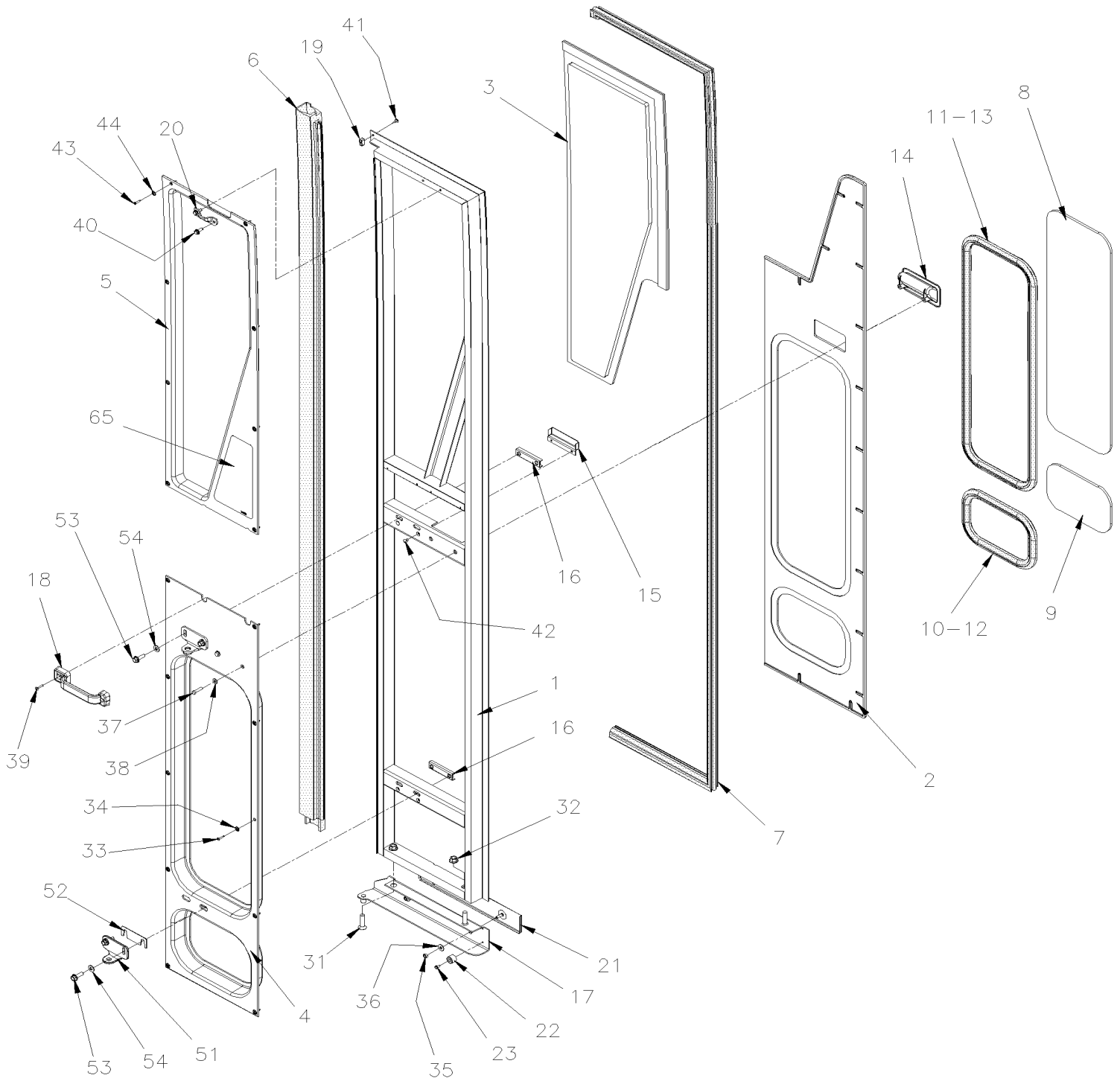
Item#	Part	Description	QTY	Notes
32	5001084	. NUT HEXF M10-1.5 G500	2	
33	5001097	. SCREW TC OV PH #6-32x3/4 SS410 BK	10	
34	500345	. WASHER FN CKF .187x.500x.090 BR BK	10	
35	5001851	. NUT HEX M6-1.0 SS BK	2	
36	5001833	. WASHER BEL SPR 6.1x18x1.27 SS	2	
37	502737	. SCREW CAP HEX M6-1.0x25 SS BK	2	
38	500877	. WASHER FL .250x.562x.065 N500	2	
39	5001411	. SCREW MA FL PH M4-0.7x20 BK	2	
40	5001730	. SCREW CAP HEXF M6-1.0x16 G10.9 N500	2	
41	500124	. SCREW TP TR PH #8x1/2 SS	3	
42	504256	. RIVET POP CK OE 3/16x1/4 AL	4	
43	5001097	. SCREW TC OV PH #6-32x3/4 SS410 BK	8	
44	500345	. WASHER FN CKF .187x.500x.090 BR BK	8	
45	500799	. SCREW TC PAN PH #8-32x3/8 N500	6	
46	5001712	. SCREW MA FL PH M4-0.7x30 SS	2	
47	2810096	. MOLDING ENTRANCE DOOR FRONT	1	
47	680914	. TAPE RUB ADH2 ACRYLIQUE 1/2x.045x36YARD	1	
50	X3PLB-1867-01	KEY & CYLINDER CODE "FORD"		
51	2800898	ANGLE ATTACHMENT ARM	4	
52	280931	SPACER	2	
53	5001643	SCREW CAP HEXF M8-1.25x25 G8.8 G500	4	
54	5001736	WASHER FL 8.4x18.0x2.0 N500	4	
60	406050	DECAL / "C.W.A." & "T.C.A."	1	

From G-7275 To K-7662

Date:07/2024

PAGE:X3PLB-1862-75

ENTRANCE DOOR ASSY - REAR SECTION BY-FOLD DOOR



From G-7275 To K-7662	Date:07/2024	PAGE:X3PLB-1862-75
ENTRANCE DOOR ASSY - REAR SECTION BY-FOLD DOOR		

Item#	Part	Description	QTY	Notes
	281263P	BI-FOLD DOOR ASSY REAR	1	
1	281081	. STRUCTURE DOOR REAR DOOR	1	
2	288683	. PANEL FIBERGLASS EXTERIOR REAR DOOR	1	
2	684685	. ADHESIVE SIMSON #ISR 70-03 / 310ml CARTRIDGE	AR	
2	506769	. TAPE RUB ADH2 CC POL 1/8" x 1/4" x 60' / BLACK H1CC-N-#14	AR	
2	687957	. GLUE MS POLYMER TEROSON MS 9399 / 400ml CARTRIDGE	AR	
3	288684	. ENTRANCE DOOR WINDOW REAR DOOR	1	
4	281202	. INTERIOR WINDOW MOULDING / LOWER REAR DOOR	1	
5	281205	. INTERIOR WINDOW MOULDING / UPPER REAR DOOR	1	
6	289584	. RUBBER SEAL CENTER / REAR DOOR 2252MM	1	
6	288949	. RUBBER SEAL PLUG	1	
7	2800132	. RUBBER SEAL EXTRUSION / REAR DOOR / 2252MMx374MM	1	
8	281209	. GLASS CENTER DOOR WINDOW 220MM x 700MM	1	
9	281211	. GLASS LOWER DOOR WINDOW 219MM x 141MM	1	
10	281259P	. RUBBER GLASS CHANNEL ASSY W/LOCKING STRIP LOWER DOOR WINDOW 670	1	
10	5061259	. . RUBBER GLASS CHANNEL	AR	
10	680042	. . GLUE LOCTITE 430 BOTTLE 1OZ	AR	
11	281260P	. RUBBER GLASS CHANNEL ASSY W/LOCKING STRIP CENTER DOOR WINDOW 1780	1	
11	5061259	. . RUBBER GLASS CHANNEL	AR	
11	680042	. . GLUE LOCTITE 430 BOTTLE 1OZ	AR	
12	281292P	. STRIP, LOCKING 670MM	1	
12	5061260	. . STRIP, LOCKING / S.L. RAW MATERIAL ONLY	AR	
13	281293P	. STRIP, LOCKING 1780MM	1	
13	5061260	. . STRIP, LOCKING / S.L. RAW MATERIAL ONLY	AR	
14	780812	. ENTRANCE DOOR HANDLE BLACK	1	
15	281041	. SUPPORT DOUBLE DOOR	2	
16	281047	. ATTACHMENT PLATE W/2 NUTS "U" SHAPE 2xM8-1.25x 60MM C/C	2	
17	281063	. SUPPORT LOWER REAR DOOR	1	
18	860422	. HANDLE	1	
NS	284049	. PLUG / SQUARE / BLACK	1	
19	281227	. STOPPER	1	
20	281240	. CATCH PENE DOOR	1	
21	280912	. GUARD, DOOR	1	
22	5001168	. BUMPER RUBBER / .750 OD x .562 TH x .187 HOLE To J-7533	1	
22	5002023	. BUMPER NEOPRENE / .750 OD x .562 TH x .187 HOLE From J-7534	1	
23	500557	. SCREW MA PAN PH #8-32x3/8 SS	1	
31	5001796	. SCREW CAP FL HEXS M10-1.5x40 GR10.9 N500	2	
32	5001084	. NUT HEXF M10-1.5 G500	2	
33	5001097	. SCREW TC OV PH #6-32x3/4 SS410 BK	10	
34	500345	. WASHER FN CKF .187x.500x.090 BR BK	10	
35	5001851	. NUT HEX M6-1.0 SS BK	2	
36	5001833	. WASHER BEL SPR 6.1x18x1.27 SS	2	

From G-7275 To K-7662	Date:07/2024	PAGE:X3PLB-1862-75
ENTRANCE DOOR ASSY - REAR SECTION BY-FOLD DOOR		

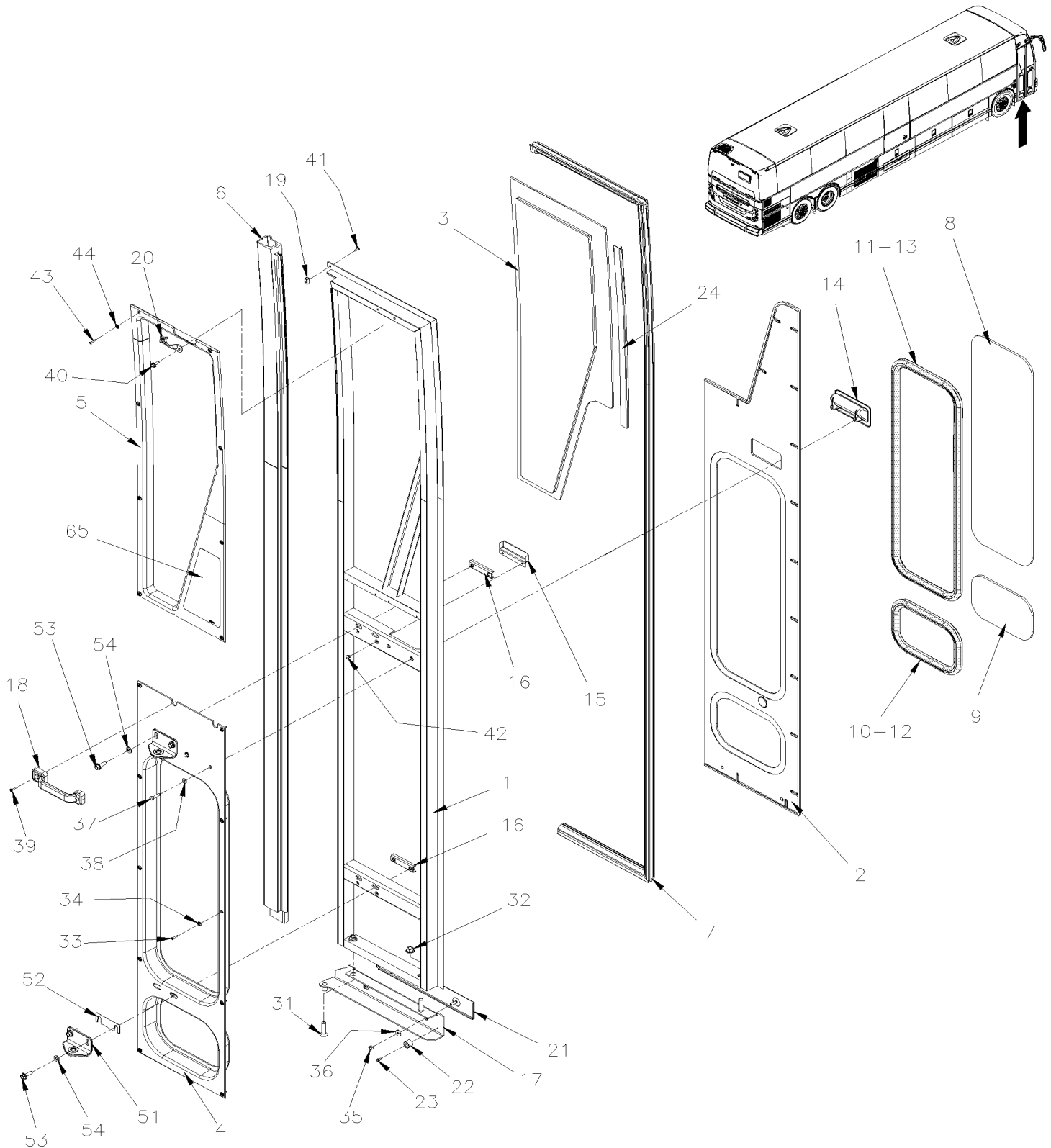
Item#	Part	Description	QTY	Notes
37	502737	. SCREW CAP HEX M6-1.0x25 SS BK	2	
38	500877	. WASHER FL .250x.562x.065 N500	2	
39	5001411	. SCREW MA FL PH M4-0.7x20 BK	2	
40	5001730	. SCREW CAP HEXF M6-1.0x16 G10.9 N500	2	
41	500124	. SCREW TP TR PH #8x1/2 SS	1	
42	504256	. RIVET POP CK OE 3/16x1/4 AL	4	
43	500289	. SCREW TC OV PH #6-32x3/4 SS410	8	
44	500463	. WASHER FN CKF .187x.500x.090 BR Z050	8	
51	2800898	ANGLE ATTACHMENT ARM	4	
52	280931	SPACER	1	
53	5001643	SCREW CAP HEXF M8-1.25x25 G8.8 G500	4	
54	5001736	WASHER FL 8.4x18.0x2.0 N500	4	
65	289102	DECAL "EMERGENCY EXIT PROCEDURE"	1	

From L-7663 To M-7767

Date:07/2024

PAGE:X3PLB-1862-76

ENTRANCE DOOR ASSY - REAR SECTION BY-FOLD DOOR



From L-7663 To M-7767	Date:07/2024	PAGE:X3PLB-1862-76
-----------------------	--------------	--------------------

ENTRANCE DOOR ASSY - REAR SECTION BY-FOLD DOOR

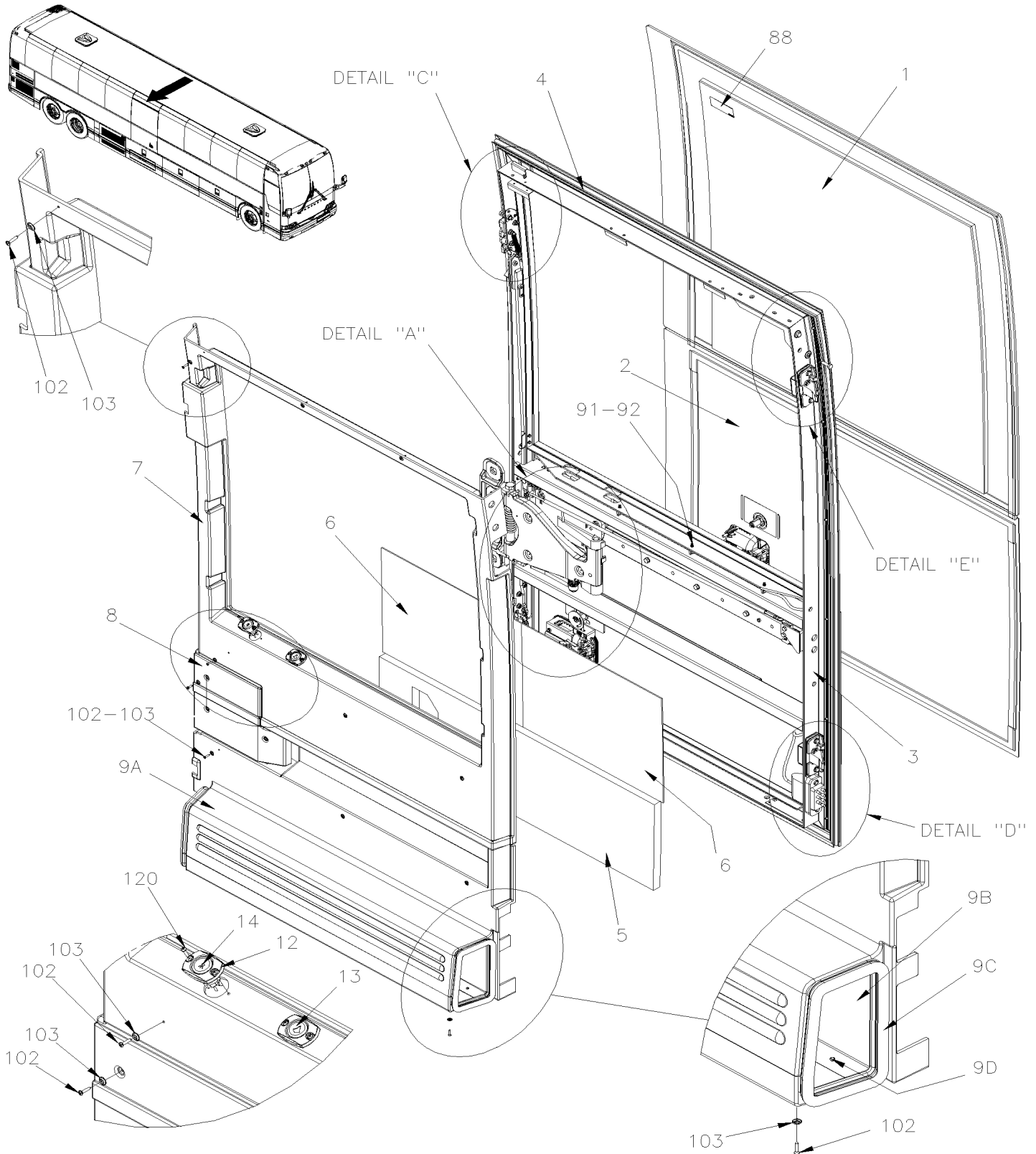
Item#	Part	Description	QTY	Notes
	2810254	BI-FOLD DOOR ASSY REAR	1	
1	281198	. STRUCTURE DOOR REAR DOOR	1	
2	288683	. PANEL FIBERGLASS EXTERIOR REAR DOOR	1	
NS	684685	. ADHESIVE SIMSON #ISR 70-03 / 310ml CARTRIDGE	AR	
NS	506769	. TAPE RUB ADH2 CC POL 1/8" x 1/4" x 60' / BLACK H1CC-N-#14	AR	
NS	687957	. GLUE MS POLYMER TEROSON MS 9399 / 400ml CARTRIDGE To M-7792	AR	
NS	685387	. GLUE MS POLYMER TEROSON MS 9399 / 400ml CARTRIDGE From M-7793	AR	
3	280384	. ENTRANCE DOOR WINDOW REAR DOOR	1	
4	281202	. INTERIOR WINDOW MOULDING / LOWER REAR DOOR	1	
5	281253	INTERIOR WINDOW MOULDING / UPPER REAR DOOR	1	
6	289584	. RUBBER SEAL CENTER / REAR DOOR 2252MM	1	
6	288949	. RUBBER SEAL PLUG	1	
7	2800132	. RUBBER SEAL EXTRUSION / REAR DOOR / 2252MMx374MM	1	
8	281209	. GLASS CENTER DOOR WINDOW 220MM x 700MM	1	
9	281211	. GLASS LOWER DOOR WINDOW 219MM x 141MM	1	
10	281259P	. RUBBER GLASS CHANNEL ASSY W/LOCKING STRIP LOWER DOOR WINDOW 670	1	
10	5061259	. . RUBBER GLASS CHANNEL	AR	
10	680042	. . GLUE LOCTITE 430 BOTTLE 1OZ	AR	
11	281260P	. RUBBER GLASS CHANNEL ASSY W/LOCKING STRIP CENTER DOOR WINDOW 1780	1	
11	5061259	. . RUBBER GLASS CHANNEL	AR	
11	680042	. . GLUE LOCTITE 430 BOTTLE 1OZ	AR	
12	281292P	. STRIP, LOCKING 670MM	1	
12	5061260	. . STRIP, LOCKING / S.L. RAW MATERIAL ONLY	AR	
13	281293P	. STRIP, LOCKING 1780MM	1	
13	5061260	. . STRIP, LOCKING / S.L. RAW MATERIAL ONLY	AR	
14	780812	. ENTRANCE DOOR HANDLE BLACK	1	
15	281041	. SUPPORT DOUBLE DOOR	2	
16	281047	. ATTACHMENT PLATE W/2 NUTS "U" SHAPE 2xM8-1.25x 60MM C/C	2	
17	281063	. SUPPORT LOWER REAR DOOR	1	
18	860422	. HANDLE	1	
19	281227	. STOPPER	1	
NS	284049	. PLUG / SQUARE / BLACK	1	
20	281240	. CATCH PENE DOOR	1	
21	280912	. GUARD, DOOR	1	
22	5002023	. BUMPER NEOPRENE / .750 OD x .562 TH x .187 HOLE	1	
23	500557	. SCREW MA PAN PH #8-32x3/8 SS	1	
24	2810093	. MOLDING ENTRANCE DOOR REAR	1	
24	680914	. TAPE RUB ADH2 ACRYLIQUE 1/2x.045x36YARD	AR	
31	5001796	. SCREW CAP FL HEXS M10-1.5x40 GR10.9 N500	2	
32	5001084	. NUT HEXF M10-1.5 G500	2	
33	5001097	. SCREW TC OV PH #6-32x3/4 SS410 BK	10	
34	500345	. WASHER FN CKF .187x.500x.090 BR BK	10	

From L-7663 To M-7767	Date:07/2024	PAGE:X3PLB-1862-76
-----------------------	--------------	--------------------

ENTRANCE DOOR ASSY - REAR SECTION BY-FOLD DOOR

Item#	Part	Description	QTY	Notes
35	5001851	. NUT HEX M6-1.0 SS BK	2	
36	5001833	. WASHER BEL SPR 6.1x18x1.27 SS	2	
37	502737	. SCREW CAP HEX M6-1.0x25 SS BK	2	
38	500877	. WASHER FL .250x.562x.065 N500	2	
39	5001411	. SCREW MA FL PH M4-0.7x20 BK	2	
40	5001730	. SCREW CAP HEXF M6-1.0x16 G10.9 N500	2	
41	500124	. SCREW TP TR PH #8x1/2 SS	1	
42	504256	. RIVET POP CK OE 3/16x1/4 AL	4	
43	5001097	. SCREW TC OV PH #6-32x3/4 SS410 BK	8	
44	500345	. WASHER FN CKF .187x.500x.090 BR BK	8	
51	2800898	ANGLE ATTACHMENT ARM	2	
52	280931	SPACER	2	
53	5001643	SCREW CAP HEXF M8-1.25x25 G8.8 G500	4	
54	5001736	WASHER FL 8.4x18.0x2.0 N500	4	
65	289102	DECAL "EMERGENCY EXIT PROCEDURE"	1	
65	2810048	DECAL "EMERGENCY EXIT PROCEDURE" ENG / SP	1	

ENTRANCE DOOR SLIDING - WCL

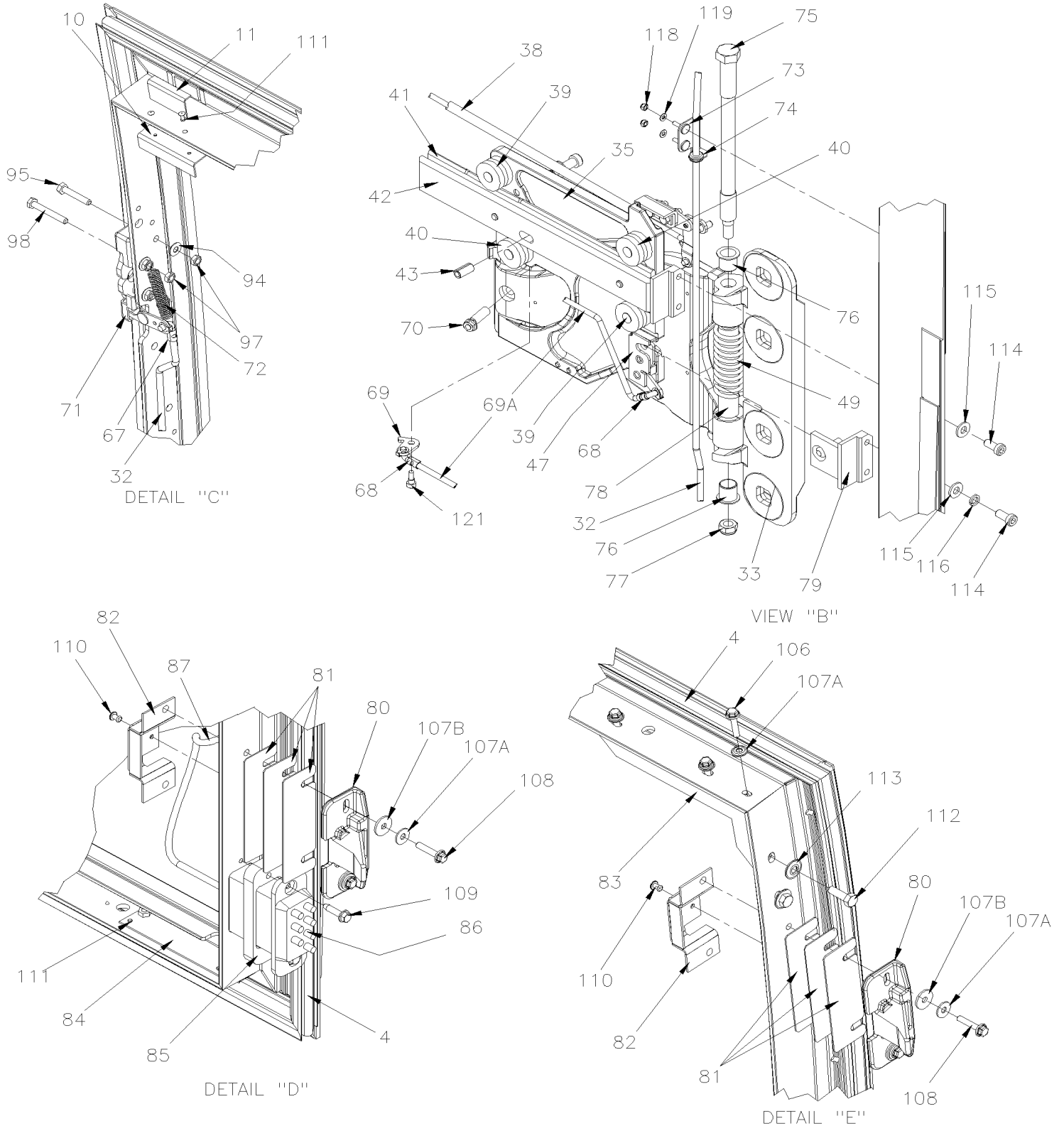


From G-7275 To J-7495

Date:07/2024

PAGE:X3PLB-1862-80

ENTRANCE DOOR SLIDING - WCL



From G-7275 To J-7495	Date:07/2024	PAGE:X3PLB-1862-80
ENTRANCE DOOR SLIDING - WCL		

Item#	Part	Description	QTY	Notes
	289095	DOOR S ASSY W.C.L. DOOR SLIDING To H-7416	1	
	289096	DOOR S ASSY W.C.L. DOOR SLIDING From H-7417	1	
1	2800041	GLASS, THERMOS 13% W.C.L. DOOR SLIDING 1286.4MM x 1068.52MM	1	
1	506769	TAPE RUB ADH2 CC POL 1/8" x 1/4" x 60' / BLACK H1CC-N#14	AR	
1	687957	GLUE MS POLYMER TEROSON MS 9399 / 400ml CARTRIDGE	AR	
1	684685	ADHESIVE SIMSON #ISR 70-03 / 310ml CARTRIDGE	AR	
2	2800042	PANEL LOWER 1286.4MM x 784MM	1	
2	506769	TAPE RUB ADH2 CC POL 1/8" x 1/4" x 60' / BLACK H1CC-N#14	AR	
2	687957	GLUE MS POLYMER TEROSON MS 9399 / 400ml CARTRIDGE	AR	
3	2800482	STRUCTURE DOOR	1	
4	2800159	RUBBER SEAL EXTRUSION / 1777MM X 1127MM	1	
5	280895	INSULATING LOWER	1	
6	280896	INSULATING UPPER	2	
7	2800220	CAP FINISHING	1	
7	287792	CAP FINISHING	1	A
NS	506466	TAPE RUB ADH1 CC POL 1/16" x 1 1/2" x 100 / GREY 2520 From H-7400	AR	
8	3200786	CAP FINISHING	1	
9	X3PLB-2221-80	AIR DUCT W.C.L. DOOR "RICON" WITH SLIDING DOOR		
9A	3200784	DUCT DOOR / PLASTIC	1	
NS	506869	TAPE RUB ADH2 POL .031" X 1/4" X 300' / BLACK	AR	
9A	2800261	PLATE REINFORCMENT SS LOZANGE 148MM x 114MM	1	
NS	684743	GLUE METHACRYLATE PLEXUS MA832GB 380 ml	AR	
9B	280242	PANEL ANGLE / ALUMINUM 1055MM x 350MM x 4000	1	
9C	329615	SEAL DUCT 600MM	1	
NS	5061011	RUBBER EXTRUSION TRIM SEAL / GRIP .090/.120 / 5/8" HOLLOW BULB C.T.L.	AR	
NS	680066	ADHESIVE / ADBOND #5014 / 23.6ML BOTTLE	AR	
9D	504113	RIVET POP DOME CLE 3/16x1/4 AL	3	
10	288648	ANGLE 18MM x 18MM x 76MM	3	
11	068192	PLATE ANGLE 50MM x 25MM	1	
11	506785	TAPE RUB ADH2 CC POL 1/16" X 1/4" X 200' / BLACK I1C-N-A	AR	
11	684685	ADHESIVE SIMSON #ISR 70-03 / 310ml CARTRIDGE	AR	
12	409259	PROTECTOR SWITCH / CAP	2	
NS	288728	REINFORCMENT FOR SCREW PROTECTOR CAP	1	
13	563826	SWITCH / MOM-ON / STOP REQUEST	1	
14	830158	SWITCH / OFF-ON / S.P.S.T. / READING LIGHT	1	
15	280169	HANDLE ASSY	1	
15A	2800060	PLATE, SEALING HANDLE	1	
16	280174	GASKET ADH2 33.5 I.D x 43.5 O.D. x 1/32"	1	
17	280199	PLATE RETAINING / LOCK CYLINDER KEY	1	
17	506869	TAPE RUB ADH2 POL .031" X 1/4" X 300' / BLACK	AR	
17	684743	GLUE METHACRYLATE PLEXUS MA832GB 380 ml	AR	

From G-7275 To J-7495	Date:07/2024	PAGE:X3PLB-1862-80
ENTRANCE DOOR SLIDING - WCL		

Item#	Part	Description	QTY	Notes
18	780887	RETAINER CLIP, GM DOOR LOCK CYLINDER "U SHAPE"	1	
19	2800060	PLATE, SEALING HANDLE	1	
20	280128	PIVOT LOCK ROD / W/W.C.L. DOOR 54MM O.D.	1	
21	504402	RING RETAINER / EXT .250 x .210 x .025"	1	
22	481564	ROD GUIDE	2	
23	502934	SPRING COMPRESSION / .300 O.D. x 1 x .026	2	
24	280126	ACTUATOR LEVER	1	
25	289322	SPACER W/SHOULDER FOR BE	1	
26	280206	ROD ASSY W/ACTUATOR 83MM C/C	1	
27	780787	SUPPORT HANDLE	1	
28	289314	ROD LOWER 123MM	1	
29	289910	PIVOT ASSY	1	
30	289922	ROD LOWER 152MM	1	
31	289916	LOCK LOWER / FORWARD	1	
32	280171	ROD UPPER 1228.8MM	1	
33	289982	HINGE / POST SECTION / MACHINED	1	
33	2800194	HINGE / POST SECTION / MACHINED ONE PIECE CASTING	1	
34	2800193	HINGE / MOVABLE SECTION ONE PIECE CASTING	1	
35	289996	HINGE / RAIL SECTION ONE PIECE CASTING	1	
36	289913	PIVOT ASSY	1	
37	289924	ATTACHMENT PLATE	1	
38	289920	ROD UPPER 937MM	1	
NS	560785	SHRINK TUBING / .375" - .187" / BLACK / ALPHA FIT-300-3/8-4B From H-7400	AR	
39	780782	WHEEL "V"	2	
40	780783	WHEEL "V" W/ECCENTRIC	2	
41	285614	RAIL TRACK	1	
42	280213	SUPPORT RAIL SLIDING / FIXED AT DOOR FRAME	1	
43	504719	SPRING, PIN M10 X 20	2	
44	289901	BUMPER PIN	1	
45	502181	SPRING COMPRESSION / .720 O.D. x 3 x .067	1	
46	505513	SPRING, PIN M3 x 24 SS	1	
47	780778	LOCK L.H.	2	
48	285576	BUSHING 12.7 O.D. x 6.6 I.D. x 24MM	1	
49	2800348	SPRING, TORSION / 1.061" I.D. x 3.23 x .162	1	
50	X3PLB-1867-00	KEY & CYLINDER CODE "FORD" & "NS"		
51	289325	BUMPER ANGLE	1	
52	504718	RIVET DRV BDG 1/4X1/2 NYL	1	
53	289324	PLUNGER	1	
54	289326	SPRING , COMPRESSION	1	
55	289323	PLATE SLIDING DOOR	1	
56	505221	SPRING, PIN 1/8 X 3/8	1	
57	288499	STOPPER BUMPER	1	

From G-7275 To J-7495	Date:07/2024	PAGE:X3PLB-1862-80
ENTRANCE DOOR SLIDING - WCL		

Item#	Part	Description	QTY	Notes
58	5001178	SCREW CAP HEX M8-1.25x60 SS BK	1	
59	500332	WASHER FL .328x.875x.062 N500	1	
60	507379	BUSHING FLANGE 14MM I.D. x 16MM O.D. x 6MM L x SHOULDER 22MM O.D.	2	
61	286237	SPRING, TORSION / 25MM I.D. x 25.2 x .068	1	
62	288498	BUSHING 8MM ID x 14MM OD x 20MM OD	1	
63	507374	NEEDLES BEARING 5/8 I.D. x 13/16 O.D. x 3/4	2	
64	507377	WASHER 5/8x1 1/8x.0585	2	
65	286524	AXE 178MM	1	
66	780779	BOLT, STRIKER ASSY.	1	
67	504243	CLIP ROD 1/4" L.H.	6	
68	504541	CLIP ROD 1/4" R.H.	5	
69	289923	PIVOT	1	
69A	289917	ROD CARRIER 188MM	1	
70	280028	KEY DRAW	1	
70	5001835	NUT HEXF M6-1.0 SS	1	
71	780776	LOCK UPPER / FORWARD	1	
72	502156	SPRING EXTENSION / .437 O.D. x 2 x .041	1	
73	2800056	GUIDE	1	
74	504069	GROMMET / .281x.375x.062x.250x.562	1	
75	286151	AXE BOLT SPECIAL 250MM	1	
76	507376	BUSHING FLANGE	2	
77	502859	NUT HEX NYRT M10-1.5 N500	1	
78	287520	BUSHING 16MM I.D. x 21MM O.D. x 122MM	1	
79	289926	ATTACHMENT	1	
80	289825	CATCH SLIDING DOOR	2	
81	2800296	SPACER 44MM x 132MM x 24GA	AR	
82	477732	REINFORCMENT	2	
83	2800215	PLATE UPPER SLIDING DOOR	1	
84	288470	PLATE ATTACHMENT 136MM x 35MM	1	
85	288610	SPACER ALUMINUM	1	
86	563433	DOOR PLUNGER SWITCH 8C / PED 15409888	1	
87	069305	CABLE ASSY / WWCL To H-7416		
87	060569	CABLE ASSY / WWCL From H-7417	1	
90	502565	NUT HEX M6-1.0 SS	2	
91	509815	TIE MOUNT / ATTACHMENT W/TREE MOUNT	3	
92	504637	CABLE TIE / 3/16" x 13"	3	
93	502830	SCREW CAP HEX M6-1.0x20 G8.8 N500	4	
94	5001833	WASHER BEL SPR 6.1x18x1.27 SS	12	
95	502888	SCREW CAP HEX M6-1.0x35 G8.8 N500	7	
96	500877	WASHER FL .250x.562x.065 N500	11	
97	502854	NUT HEX M6-1.0 N500	11	

From G-7275 To J-7495	Date:07/2024	PAGE:X3PLB-1862-80
ENTRANCE DOOR SLIDING - WCL		

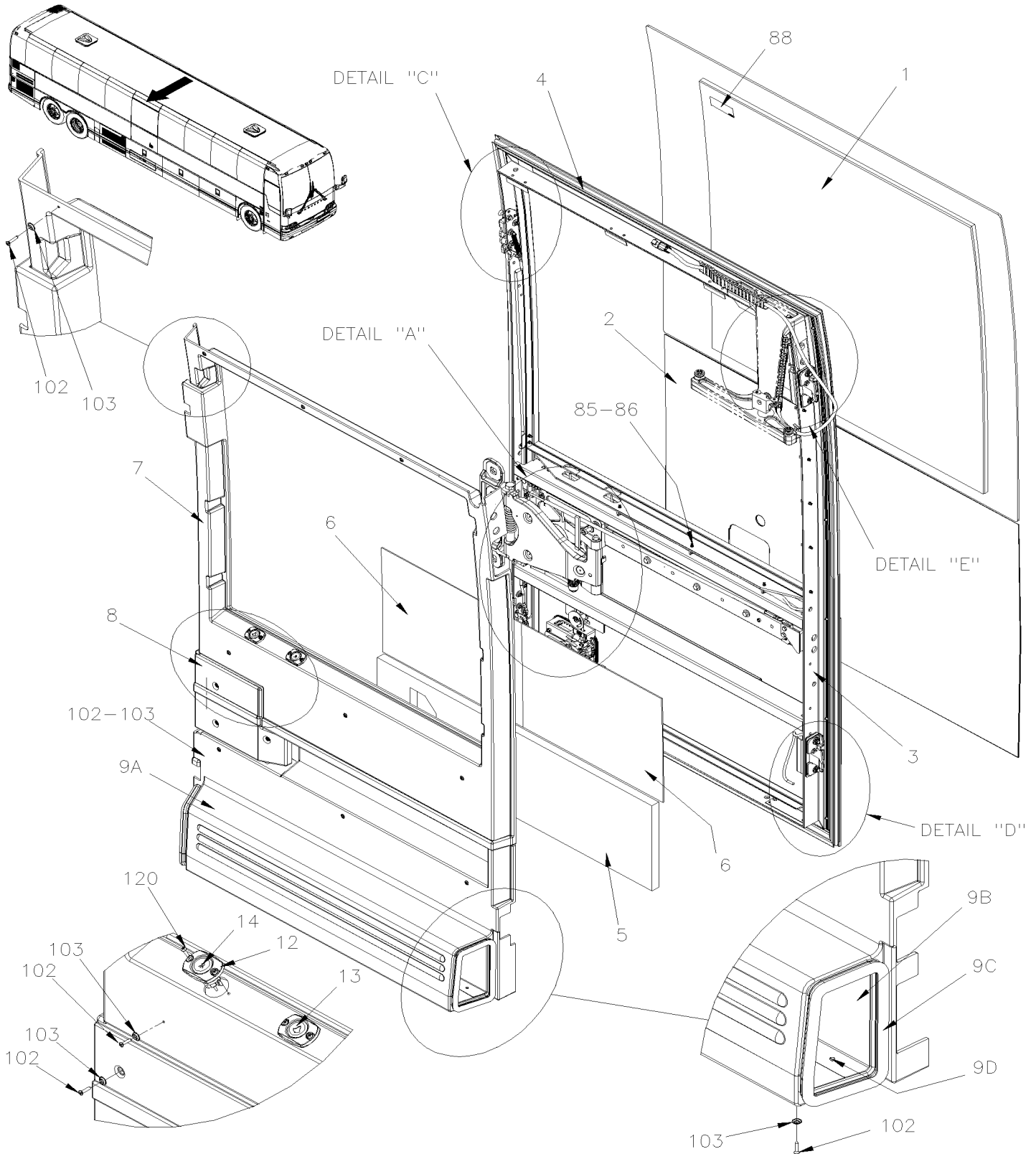
Item#	Part	Description	QTY	Notes
98	502843	SCREW CAP HEX M6-1.0x45 G8.8 N500	1	
99	502862	SCREW CAP HEX M8-1.25x20 G8.8 N500	6	
100	5001848	WASHER BEL SPR .827 x .331 x .098 th SS To G-7307	6	
100	5001161	WASHER LO SPT 8.1x14.8x2.0 SS-304 From G-7308	6	
101	500896	SCREW TC FL PH #8-32x5/8 Z050	3	
102	500552	SCREW TP OV PH #6x3/4 Z050	12	
103	500463	WASHER FN CKF .187x.500x.090 BR Z050	15	
104	5001746	SCREW CAP HEX 1/4-20x3/4 G5 N500	4	
105	5001749	WASHER LO SPT 6.5x11.5x1.6 N500	4	
106	5001815	SCREW CAP HEXF M6-1.0x30 G 8.8 N500	5	
107A	5001833	WASHER BEL SPR 6.1x18x1.27 SS	9	
107B	500142	WASHER FL 6.6x22.0x2.0 SS	4	
107C	5001749	WASHER LO SPT 6.5x11.5x1.6 N500	2	
107D	500877	WASHER FL .250x.562x.065 N500	2	
108	5001815	SCREW CAP HEXF M6-1.0x30 G 8.8 N500	4	
109	500266	SCREW TC CAP HEX 1/4-20x1 N500	2	
110	504581	RIVET MGLP PRDG 3/16x7/16 SS BK	2	
111	504339	RIVET POP DOME OE 1/8x3/8 SS	8	
112	5001745	SCREW CAP HEX M8-1.25x25 G8.8 N500	2	
113	5001848	WASHER BEL SPR .827 x .331 x .098 th SS	2	
114	5001573	SCREW CAP HEXS M8-1.25x18 G8.8	6	
115	5001736	WASHER FL 8.4x18.0x2.0 N500	6	
116	502889	WASHER LO SPT 8.1x12.7x2.0 N500	2	
118	500539	NUT HEX NYRT M4-0.7 N500	2	
119	502556	WASHER FL 4.3x9.0x0.8 SS	2	
120	500814	SCREW TP BDG PH #6x3/4 BK	4	
121	5001606	SCREW SHR HEXS 1/4x3/16 {#10-24 SS	1	
122	500965	SCREW TC BDG PH #8-32x1/2 N500	1	
123	502834	WASHER LO SPT 4.1x7.6x0.9 N500	1	
124	504357	WASHER FL .187x.437x.050 SS	1	
NS	680038	THREAD LOCKER LOCTITE #243 / BLUE / 50ml	AR	
NS	680122	TUBE, LUBRIPLATE 10 OZ.	AR	
NS	680397	CONTACT GLUE / AEROSOL 17oz	AR	
NS	680739	GREASE SYNTHETIC / RED 20KG	AR	
		A) WITH FOUR WHEEL CHAIRS OPTION		

From J-7496 To K-7662

Date:07/2024

PAGE:X3PLB-1862-81

ENTRANCE DOOR SLIDING - WCL



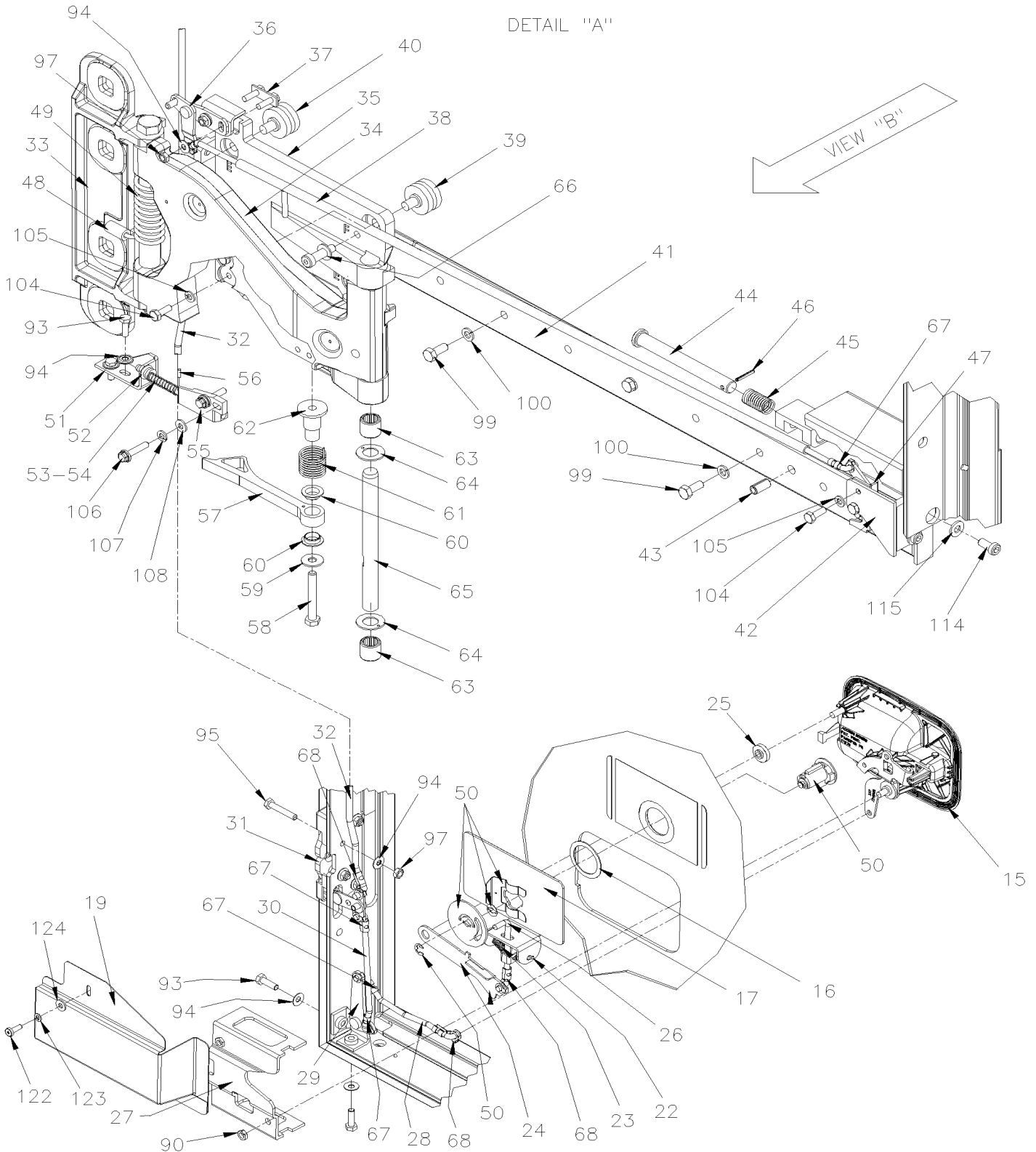
From J-7496 To K-7662

Date:07/2024

PAGE:X3PLB-1862-81

ENTRANCE DOOR SLIDING - WCL

DETAIL "A"

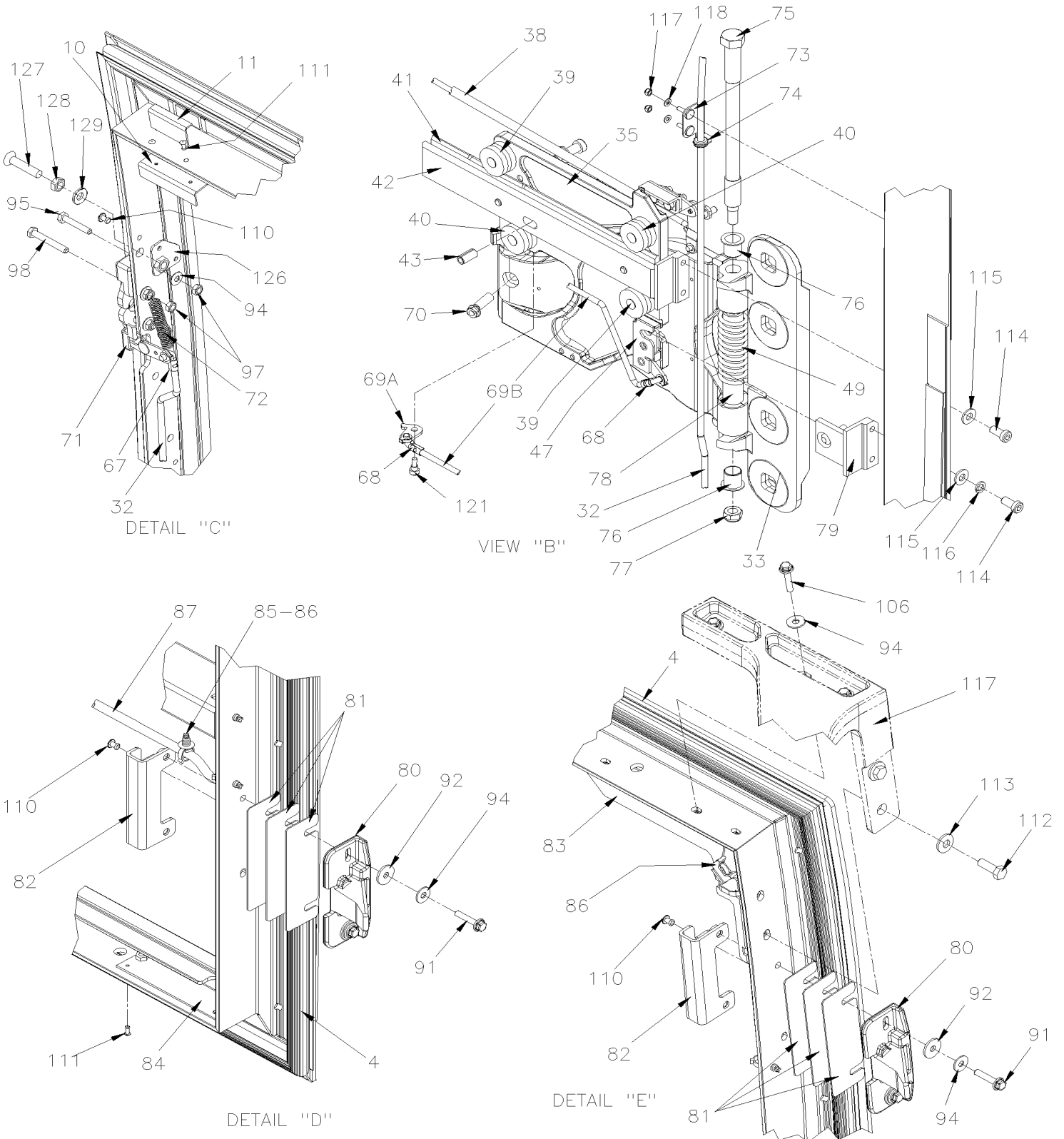


From J-7496 To K-7662

Date:07/2024

PAGE:X3PLB-1862-81

ENTRANCE DOOR SLIDING - WCL



From J-7496 To K-7662	Date:07/2024	PAGE:X3PLB-1862-81
ENTRANCE DOOR SLIDING - WCL		

Item#	Part	Description	QTY	Notes
	2810534	DOOR S ASSY W.C.L. DOOR SLIDING		
1	2800041	GLASS, THERMOS 13% W.C.L. DOOR SLIDING 1286.4MM x 1068.52MM	1	
1	506769	TAPE RUB ADH2 CC POL 1/8" x 1/4" x 60' / BLACK H1CC-N#14	AR	
1	687957	GLUE MS POLYMER TEROSON MS 9399 / 400ml CARTRIDGE	AR	
1	684685	ADHESIVE SIMSON #ISR 70-03 / 310ml CARTRIDGE	AR	
2	2800266	PANEL LOWER 1286.4MM x 786.2MM	1	
2	506769	TAPE RUB ADH2 CC POL 1/8" x 1/4" x 60' / BLACK H1CC-N#14	AR	
2	687957	GLUE MS POLYMER TEROSON MS 9399 / 400ml CARTRIDGE	AR	
3	280093	STRUCTURE DOOR	1	
4	2800159	RUBBER SEAL EXTRUSION / 1777MM X 1127MM	1	
5	280895	INSULATING LOWER	1	
6	280896	INSULATING UPPER	2	
7	3201587	CAP FINISHING	1	
7	3210023	CAP FINISHING	1	A
7	506466	TAPE RUB ADH1 CC POL 1/16" x 1 1/2" x 100 / GREY 2520	AR	
8	3200786	CAP FINISHING	1	
9	Call order desk	DUCT DOOR / PLASTIC ASSY		P
9A	3201589	. DUCT DOOR / PLASTIC	1	
NS	506869	. TAPE RUB ADH2 POL .031" X 1/4" X 300' / BLACK	AR	
NS	2800261	. PLATE REINFORCMENT SS LOZANGE 148MM x 114MM	1	
NS	684743	. GLUE METHACRYLATE PLEXUS MA832GB 380 ml	AR	
9B	280242	. PANEL ANGLE / ALUMINUM 1055MM x 350MM x 4000	1	
9C	329615	. SEAL DUCT 600MM	1	
. NS	5061011	. . RUBBER EXTRUSION TRIM SEAL / GRIP .090/.120 / 5/8" HOLLOW BULB C.T.L.	AR	
NS	680066	. ADHESIVE / ADBOND #5014 / 23.6ML BOTTLE	AR	
9D	504113	. RIVET POP DOME CLE 3/16x1/4 AL	3	
10	288648	ANGLE 18MM x 18MM x 76MM	3	
11	068192	PLATE ANGLE 50MM x 25MM	1	
11	506785	TAPE RUB ADH2 CC POL 1/16" X 1/4" X 200' / BLACK I1C-N-A	AR	
11	684685	ADHESIVE SIMSON #ISR 70-03 / 310ml CARTRIDGE	AR	
12	409259	PROTECTOR SWITCH / CAP	2	
. NS	288728	. REINFORCMENT FOR SCREW PROTECTOR CAP	1	
13	830159	SWITCH / OFF-M/ON / S.P.S.T. / CHIME	1	
14	830158	SWITCH / OFF-ON / S.P.S.T. / READING LIGHT	1	
15	280169	HANDLE ASSY	1	
16	280174	GASKET ADH2 33.5 I.D x 43.5 O.D. x 1/32"	1	
17	280199	PLATE RETAINING / LOCK CYLINDER KEY	1	
17	506869	TAPE RUB ADH2 POL .031" X 1/4" X 300' / BLACK	AR	
17	684743	GLUE METHACRYLATE PLEXUS MA832GB 380 ml	AR	
19	2800060	PLATE, SEALING HANDLE	1	
19	684685	ADHESIVE SIMSON #ISR 70-03 / 310ml CARTRIDGE	AR	
19	506004	TAPE RUB ADH1 CC POL 3/8" x 1/2" x 20' / GREY 2520X	AR	

From J-7496 To K-7662	Date:07/2024	PAGE:X3PLB-1862-81
ENTRANCE DOOR SLIDING - WCL		

Item#	Part	Description	QTY	Notes
19	506001	TAPE RUB ADH1 CC POL 1/8" x 3/4" x 50' / GREY 2520X	AR	
22	481564	ROD GUIDE	2	
23	502934	SPRING COMPRESSION / .300 O.D. x 1 x .026	2	
24	280126	ACTUATOR LEVER	1	
25	289322	SPACER W/SHOULDER FOR BE	1	
26	280206	ROD ASSY W/ACTUATOR 83MM C/C	1	
27	780787	SUPPORT HANDLE	1	
28	289314	ROD LOWER 123MM	1	
29	289910	PIVOT ASSY	1	
30	289922	ROD LOWER 152MM	1	
31	289916	LOCK LOWER / FORWARD	1	
32	280171	ROD UPPER 1228.8MM	1	
33	2800194	HINGE / POST SECTION / MACHINED ONE PIECE CASTING	1	
34	2800193	HINGE / MOVABLE SECTION ONE PIECE CASTING	1	
35	289996	HINGE / RAIL SECTION ONE PIECE CASTING	1	
36	289913	PIVOT ASSY	1	
37	289924	ATTACHMENT PLATE	1	
38	289920	ROD UPPER 937MM	1	
NS	560785	SHRINK TUBING / .375" - .187" / BLACK / ALPHA FIT-300-3/8-4B	AR	
39	780782	WHEEL "V"	2	
40	780783	WHEEL "V" W/ECCENTRIC	2	
41	285614	RAIL TRACK	1	
42	280213	SUPPORT RAIL SLIDING / FIXED AT DOOR FRAME	1	
43	504719	SPRING, PIN M10 X 20	2	
44	289901	BUMPER PIN	1	
45	502181	SPRING COMPRESSION / .720 O.D. x 3 x .067	1	
46	505513	SPRING, PIN M3 x 24 SS	1	
47	780778	LOCK L.H.	2	
48	285576	BUSHING 12.7 O.D. x 6.6 I.D. x 24MM	1	
49	2800348	SPRING, TORSION / 1.061" I.D. x 3.23 x .162	1	
50	X3PLB-1867-00	KEY & CYLINDER CODE "FORD" & "NS"		
51	289325	BUMPER ANGLE	1	
52	504718	RIVET DRV BDG 1/4X1/2 NYL	1	
53	289324	PLUNGER	1	
54	289326	SPRING , COMPRESSION	1	
55	289323	PLATE SLIDING DOOR	1	
56	505221	SPRING, PIN 1/8 X 3/8	1	
57	288499	STOPPER BUMPER	1	
58	5001178	SCREW CAP HEX M8-1.25x60 SS BK	1	
59	500332	WASHER FL .328x.875x.062 N500	1	
60	507379	BUSHING FLANGE 14MM I.D. x 16MM O.D. x 6MM L x SHOULDER 22MM O.D.	2	
61	286237	SPRING, TORSION / 25MM I.D. x 25.2 x .068	1	

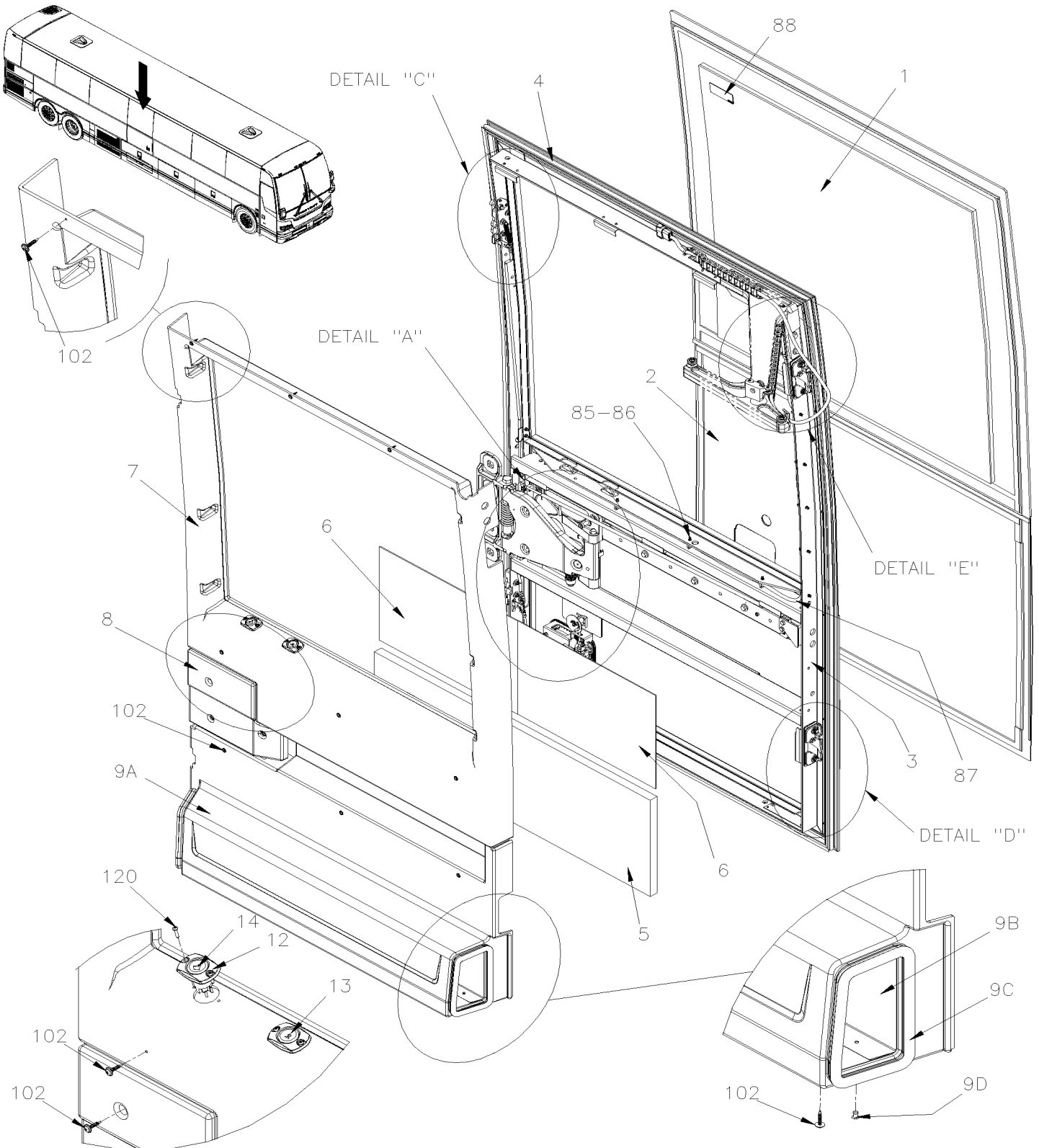
From J-7496 To K-7662	Date:07/2024	PAGE:X3PLB-1862-81
ENTRANCE DOOR SLIDING - WCL		

Item#	Part	Description	QTY	Notes
62	288498	BUSHING 8MM ID x 14MM OD x 20MM OD	1	
63	507374	NEEDLES BEARING 5/8 I.D. x 13/16 O.D. x 3/4	2	
64	507377	WASHER 5/8x1 1/8x.0585	2	
65	286524	AXE 178MM	1	
66	780779	BOLT, STRIKER ASSY.	1	
67	504243	CLIP ROD 1/4" L.H.	6	
68	504541	CLIP ROD 1/4" R.H.	5	
69A	289923	PIVOT	1	
69B	289917	ROD CARRIER 188MM	1	
70	280028	KEY DRAW	1	
70	5001835	NUT HEXF M6-1.0 SS	1	
71	780776	LOCK UPPER / FORWARD	1	
72	502156	SPRING EXTENSION / .437 O.D. x 2 x .041	1	
73	2800056	GUIDE	1	
74	504069	GROMMET / .281x.375x.062x.250x.562	1	
75	286151	AXE BOLT SPECIAL 250MM	1	
76	507376	BUSHING FLANGE	2	
77	502859	NUT HEX NYRT M10-1.5 N500	1	
78	287520	BUSHING 16MM I.D. x 21MM O.D. x 122MM	1	
79	289926	ATTACHMENT	1	
80	289825	CATCH SLIDING DOOR	2	
81	2800296	SPACER 44MM x 132MM x 24GA	AR	
81	288588	SPACER 44MM x 132MM x 18GA	AR	
82	470568	REINFORCMENT	2	
83	280481	PLATE UPPER SLIDING DOOR	1	
83	504013	TIE MOUNT / 1/4" X 1/4" I.D.	1	
83	504379	RIVET POP DOME OE 3/16x1/4 SS	1	
83	5001377	SCREW MA PAN PH M5-0.8x8 SS	1	
83	5001587	NUT HEX NYRT M5-0.8 SS	1	
84	288470	PLATE ATTACHMENT 136MM x 35MM	1	
85	509815	TIE MOUNT / ATTACHMENT W/TREE MOUNT	AR	
86	504637	CABLE TIE / 3/16" x 13"	AR	
87	060569	CABLE ASSY / W/WCL To J-7495	1	
87	069818	CABLE ASSY / W/WCL From J-7496 To K-7799	1	
87	069997	WCL RICON SLIDING DOOR HARNESS / W/WCL From K-7600	1	
. NS	560768	. CHAIN SYSTEM MICRO From K-7600	AR	
88	408203	DECAL EMERGENCY >>>> PICTOGRAPM RIGHT>>>>	1	
90	502565	NUT HEX M6-1.0 SS	2	
91	5001815	SCREW CAP HEXF M6-1.0x30 G 8.8 N500	4	
92	500142	WASHER FL 6.6x22.0x2.0 SS	4	
93	502830	SCREW CAP HEX M6-1.0x20 G8.8 N500	4	
94	5001833	WASHER BEL SPR 6.1x18x1.27 SS	21	

From J-7496 To K-7662	Date:07/2024	PAGE:X3PLB-1862-81
ENTRANCE DOOR SLIDING - WCL		

Item#	Part	Description	QTY	Notes
95	502888	SCREW CAP HEX M6-1.0x35 G8.8 N500	7	
97	502854	NUT HEX M6-1.0 N500	11	
98	502843	SCREW CAP HEX M6-1.0x45 G8.8 N500	1	
99	502862	SCREW CAP HEX M8-1.25x20 G8.8 N500	6	
100	5001848	WASHER BEL SPR .827 x .331 x .098 th SS	6	
102	500552	SCREW TP OV PH #6x3/4 Z050	15	
103	500463	WASHER FN CKF .187x.500x.090 BR Z050	15	
104	5001746	SCREW CAP HEX 1/4-20x3/4 G5 N500	4	
105	5001749	WASHER LO SPT 6.5x11.5x1.6 N500	4	
106	5001815	SCREW CAP HEXF M6-1.0x30 G 8.8 N500	5	
107	5001749	WASHER LO SPT 6.5x11.5x1.6 N500	2	
107	506004	TAPE RUB ADH1 CC POL 3/8" x 1/2" x 20' / GREY 2520X	AR	
108	500877	WASHER FL .250x.562x.065 N500	2	
110	504581	RIVET MGLP PRDG 3/16x7/16 SS BK	8	
111	504339	RIVET POP DOME OE 1/8x3/8 SS	8	
112	5001745	SCREW CAP HEX M8-1.25x25 G8.8 N500	2	
113	5001848	WASHER BEL SPR .827 x .331 x .098 th SS	2	
114	5001573	SCREW CAP HEXS M8-1.25x18 G8.8	6	
115	5001736	WASHER FL 8.4x18.0x2.0 N500	6	
116	500942	WASHER LO SPT 8.1x14.8x2.0 N500	2	
117	500539	NUT HEX NYRT M4-0.7 N500	2	
118	502556	WASHER FL 4.3x9.0x0.8 SS	2	
120	500814	SCREW TP BDG PH #6x3/4 BK	4	
121	5001606	SCREW SHR HEXS 1/4x3/16 {#10-24 SS	1	
122	500965	SCREW TC BDG PH #8-32x1/2 N500	1	
123	502834	WASHER LO SPT 4.1x7.6x0.9 N500	1	
124	504357	WASHER FL .187x.437x.050 SS	1	
126	479570	WELD PLATE NUT ASSY	1	
127	500117	SCREW CAP FL HEXS M8-1.25x40 GR10.9 BK	1	
128	5001188	NUT HEX M8-1.25 SS	1	
129	5001868	WASHER BEL SPR 8.4x18x2 SS	1	
NS	680038	THREAD LOCKER LOCTITE #243 / BLUE / 50ml	AR	
NS	680122	TUBE, LUBRIPLATE 10 OZ.	AR	
NS	680397	CONTACT GLUE / AEROSOL 17oz	AR	
NS	680739	GREASE SYNTHETIC / RED 20KG	AR	
		A) WITH FOUR WHEEL CHAIRS OPTION		
		P) CALL ORDER DESK FOR SPECIFIC APPLICATION (V.I.N.)		

ENTRANCE DOOR SLIDING - WCL



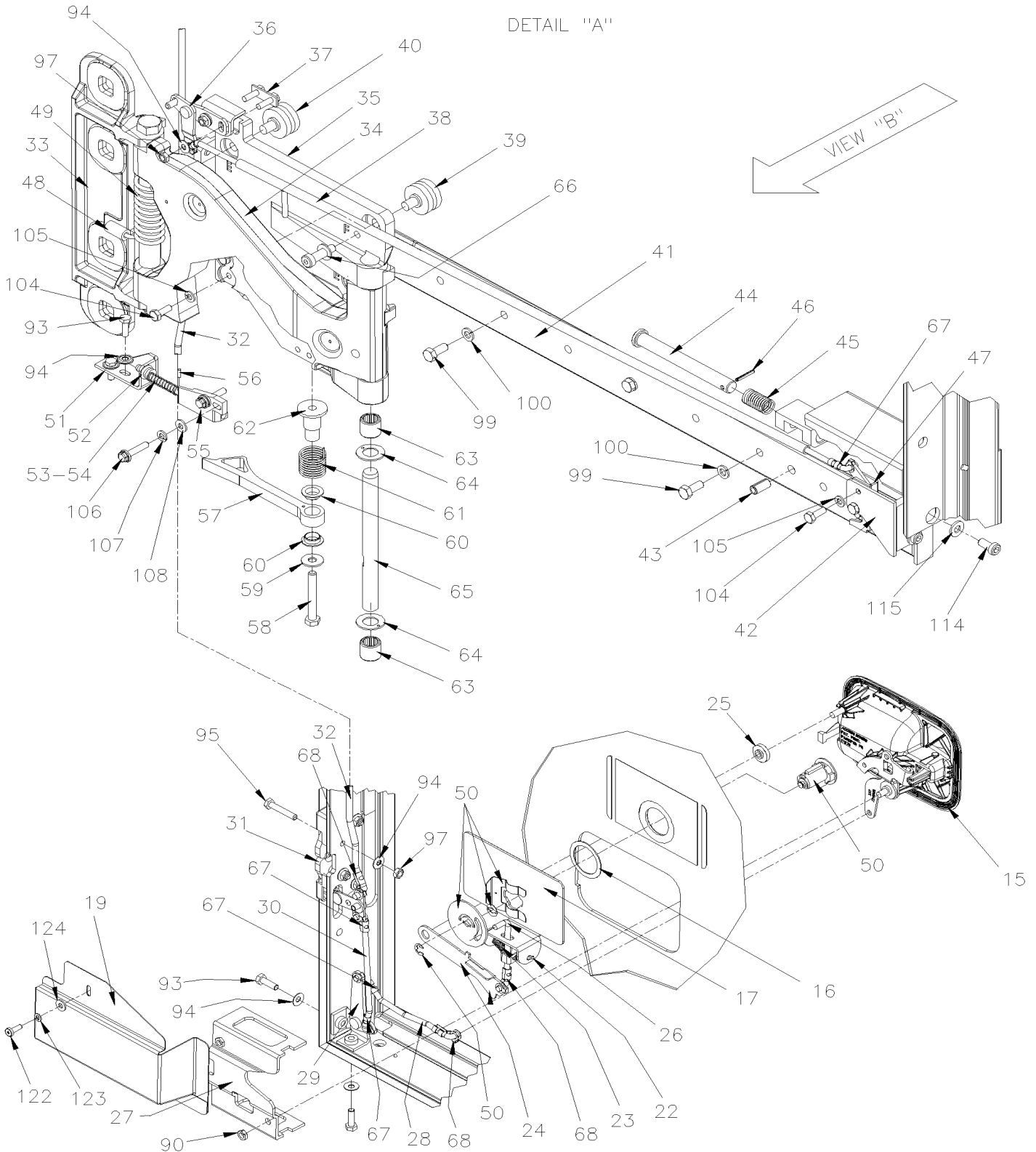
From L-7663 To M-7767

Date:07/2024

PAGE:X3PLB-1862-82

ENTRANCE DOOR SLIDING - WCL

DETAIL "A"

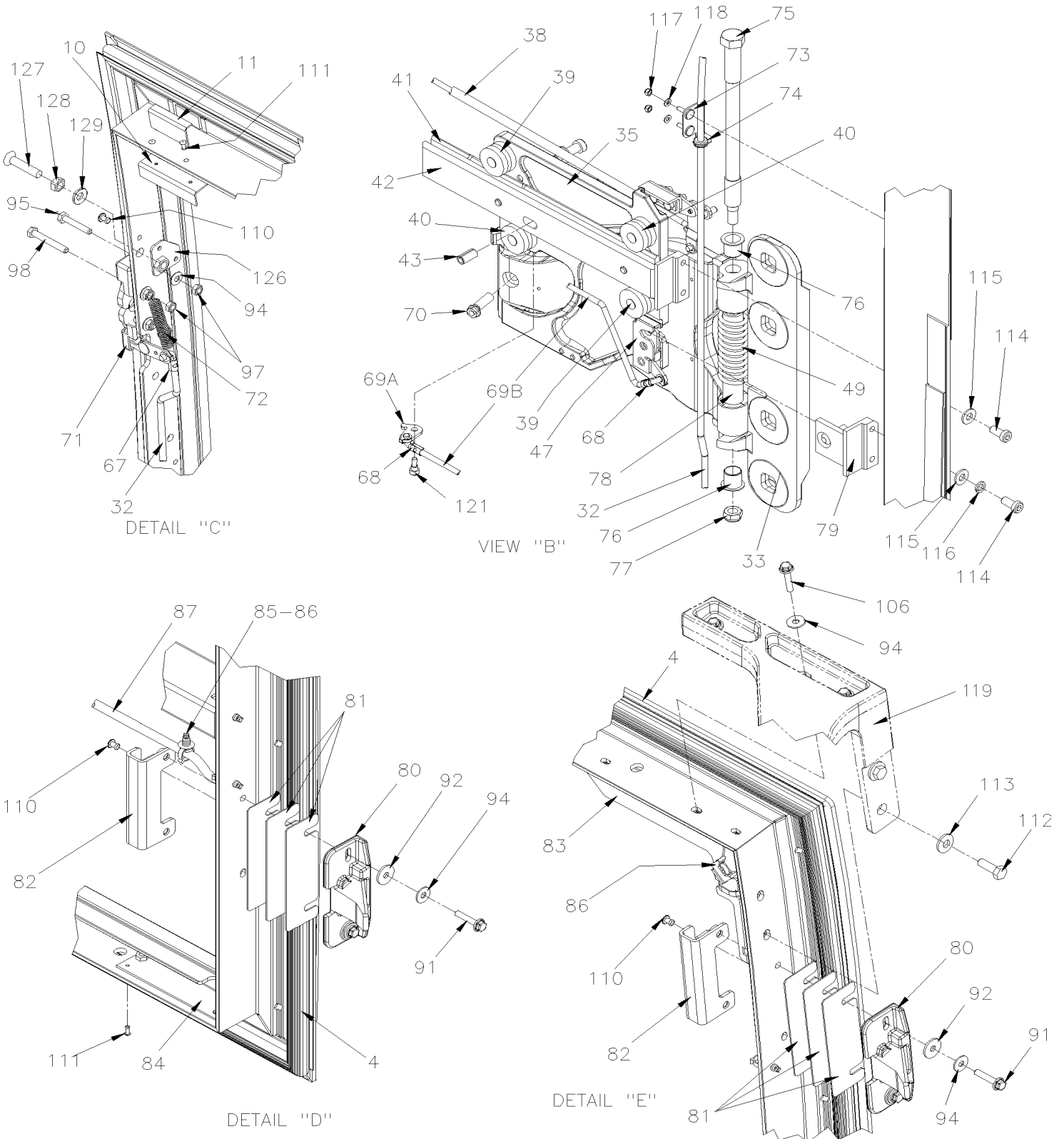


From L-7663 To M-7767

Date:07/2024

PAGE:X3PLB-1862-82

ENTRANCE DOOR SLIDING - WCL



From L-7663 To M-7767	Date:07/2024	PAGE:X3PLB-1862-82
ENTRANCE DOOR SLIDING - WCL		

Item#	Part	Description	QTY	Notes
	2810283	DOOR S ASSY W.C.L. DOOR SLIDING	1	
1	281576	GLASS, THERMOS 13% W.C.L. DOOR SLIDING 1214.4MM x 1100MM	1	
NS	506769	TAPE RUB ADH2 CC POL 1/8" x 1/4" x 60' / BLACK H1CC-N#14	AR	
NS	687957	GLUE MS POLYMER TEROSON MS 9399 / 400ml CARTRIDGE To M-7792	AR	
NS	685387	GLUE MS POLYMER TEROSON MS 9399 / 400ml CARTRIDGE From M-7793	AR	
NS	684685	ADHESIVE SIMSON #ISR 70-03 / 310ml CARTRIDGE	AR	
2	289456	PANEL LOWER 1212.3MM x 807.5MM	1	
NS	506769	TAPE RUB ADH2 CC POL 1/8" x 1/4" x 60' / BLACK H1CC-N#14	AR	
NS	687957	GLUE MS POLYMER TEROSON MS 9399 / 400ml CARTRIDGE To M-7792	AR	
NS	685387	GLUE MS POLYMER TEROSON MS 9399 / 400ml CARTRIDGE From M-7793	AR	
NS	506785	TAPE RUB ADH2 CC POL 1/16" X 1/4" X 200' / BLACK I1C-N-A	AR	
3	280776	STRUCTURE DOOR To L-7747	1	
3	2810399	STRUCTURE DOOR From L-7748	1	
4	289127	RUBBER SEAL EXTRUSION / 1844MM x 1123MM	1	
5	280847	INSULATING LOWER	1	
6	280896	INSULATING UPPER	2	
7	280826	CAP FINISHING	1	
7	3210311	CAP FINISHING	1	A
NS	506466	TAPE RUB ADH1 CC POL 1/16" x 1 1/2" x 100 / GREY 2520	1	
8	3210359	CAP FINISHING	1	
9	Call order desk	DUCT DOOR / PLASTIC ASSY		P
9A	3210120	. DUCT DOOR / PLASTIC	1	
NS	506869	. TAPE RUB ADH2 POL .031" X 1/4" X 300' / BLACK	AR	
NS	2800261	. PLATE REINFORCMENT SS LOZANGE 148MM x 114MM	1	
NS	684743	. GLUE METHACRYLATE PLEXUS MA832GB 380 ml	AR	
9B	280848	. PANEL ANGLE / ALUMINUM 1047MM x 381.9MM	1	
9C	329615	. SEAL DUCT 600MM	1	
. NS	5061011	. . RUBBER EXTRUSION TRIM SEAL / GRIP .090/.120 / 5/8" HOLLOW BULB C.T.L.	AR	
NS	680066	. ADHESIVE / ADBOND #5014 / 23.6ML BOTTLE	AR	
9D	504113	. RIVET POP DOME CLE 3/16x1/4 AL	3	
10	289166	ANGLE	6	
11	068192	PLATE ANGLE 50MM x 25MM To P-8041	1	
11	0610617	PLATE ANGLE 50MM x 31MM From P-8042	1	
11	506785	TAPE RUB ADH2 CC POL 1/16" X 1/4" X 200' / BLACK I1C-N-A	AR	
11	684685	ADHESIVE SIMSON #ISR 70-03 / 310ml CARTRIDGE	AR	
12	409259	PROTECTOR SWITCH / CAP	2	
. NS	288728	. REINFORCMENT FOR SCREW PROTECTOR CAP	1	
13	830159	SWITCH / OFF-M/ON / S.P.S.T. / CHIME	1	
14	830158	SWITCH / OFF-ON / S.P.S.T. / READING LIGHT	1	
15	280169	HANDLE ASSY	1	
16	280174	GASKET ADH2 33.5 I.D x 43.5 O.D. x 1/32"	1	

From L-7663 To M-7767	Date:07/2024	PAGE:X3PLB-1862-82
ENTRANCE DOOR SLIDING - WCL		

Item#	Part	Description	QTY	Notes
17	280199	PLATE RETAINING / LOCK CYLINDER KEY	1	
17	506869	TAPE RUB ADH2 POL .031" X 1/4" X 300' / BLACK	AR	
17	684743	GLUE METHACRYLATE PLEXUS MA832GB 380 ml	AR	
19	2800060	PLATE, SEALING HANDLE	1	
19	684685	ADHESIVE SIMSON #ISR 70-03 / 310ml CARTRIDGE	AR	
19	506004	TAPE RUB ADH1 CC POL 3/8" x 1/2" x 20' / GREY 2520X	AR	
19	506001	TAPE RUB ADH1 CC POL 1/8" x 3/4" x 50' / GREY 2520X	AR	
22	481564	ROD GUIDE	2	
23	502934	SPRING COMPRESSION / .300 O.D. x 1 x .026	2	
24	280126	ACTUATOR LEVER	1	
25	289322	SPACER W/SHOULDER FOR BE	1	
26	280206	ROD ASSY W/ACTUATOR 83MM C/C	1	
27	780787	SUPPORT HANDLE	1	
28	289314	ROD LOWER 123MM	1	
29	289910	PIVOT ASSY	1	
30	289165	ROD LOWER 199MM	1	
31	289916	LOCK LOWER / FORWARD	1	
32	289919	ROD UPPER 1229MM	1	
33	2800194	HINGE / POST SECTION / MACHINED ONE PIECE CASTING	1	
34	289852	HINGE / MOVABLE SECTION ONE PIECE CASTING	1	
35	289996	HINGE / RAIL SECTION ONE PIECE CASTING	1	
36	289913	PIVOT ASSY	1	
37	289924	ATTACHMENT PLATE	1	
38	289920	ROD UPPER 937MM	1	
NS	560785	SHRINK TUBING / .375" - .187" / BLACK / ALPHA FIT-300-3/8-4B	AR	
39	780782	WHEEL "V"	2	
40	780783	WHEEL "V" W/ECCENTRIC	2	
41	285614	RAIL TRACK	1	
42	280213	SUPPORT RAIL SLIDING / FIXED AT DOOR FRAME	1	
43	504719	SPRING, PIN M10 X 20	2	
44	289901	BUMPER PIN	1	
45	502181	SPRING COMPRESSION / .720 O.D. x 3 x .067	1	
46	505513	SPRING, PIN M3 x 24 SS	1	
47	780778	LOCK L.H.	2	
48	285576	BUSHING 12.7 O.D. x 6.6 I.D. x 24MM	1	
49	2800348	SPRING, TORSION / 1.061" I.D. x 3.23 x .162	1	
50	X3PLB-1867-01	KEY & CYLINDER CODE "FORD"		
51	289325	BUMPER ANGLE	1	
52	504718	RIVET DRV BDG 1/4X1/2 NYL	1	
53	289324	PLUNGER	1	
54	289326	SPRING , COMPRESSION	1	
55	289323	PLATE SLIDING DOOR	1	

From L-7663 To M-7767	Date:07/2024	PAGE:X3PLB-1862-82
ENTRANCE DOOR SLIDING - WCL		

Item#	Part	Description	QTY	Notes
56	505221	SPRING, PIN 1/8 X 3/8	1	
57	288499	STOPPER BUMPER	1	
58	5001178	SCREW CAP HEX M8-1.25x60 SS BK	1	
59	500332	WASHER FL .328x.875x.062 N500	1	
60	507379	BUSHING FLANGE 14MM I.D. x 16MM O.D. x 6MM L x SHOULDER 22MM O.D.	2	
61	286237	SPRING, TORSION / 25MM I.D. x 25.2 x .068	1	
62	288498	BUSHING 8MM ID x 14MM OD x 20MM OD	1	
63	507374	NEEDLES BEARING 5/8 I.D. x 13/16 O.D. x 3/4	2	
64	507377	WASHER 5/8x1 1/8x.0585	2	
65	286524	AXE 178MM	1	
66	780779	BOLT, STRIKER ASSY.	1	
67	504243	CLIP ROD 1/4" L.H.	6	
68	504541	CLIP ROD 1/4" R.H.	5	
69A	289923	PIVOT	1	
69B	289917	ROD CARRIER 188MM	1	
70	280028	KEY DRAW	1	
70	5001835	NUT HEXF M6-1.0 SS	1	
71	780776	LOCK UPPER / FORWARD	1	
72	502156	SPRING EXTENSION / .437 O.D. x 2 x .041	1	
73	2800056	GUIDE	1	
74	504069	GROMMET / .281x.375x.062x.250x.562	1	
75	286151	AXE BOLT SPECIAL 250MM	1	
76	507376	BUSHING FLANGE	2	
77	502859	NUT HEX NYRT M10-1.5 N500	1	
78	287520	BUSHING 16MM I.D. x 21MM O.D. x 122MM	1	
79	289926	ATTACHMENT	1	
80	289825	CATCH SLIDING DOOR	2	
81	2800296	SPACER 44MM x 132MM x 24GA	AR	
81	288588	SPACER 44MM x 132MM x 18GA	AR	
82	471210	REINFORCMENT	2	
83	280481	PLATE UPPER SLIDING DOOR	1	
83	504013	TIE MOUNT / 1/4" X 1/4" I.D.	1	
83	5001377	SCREW MA PAN PH M5-0.8x8 SS	1	
83	5001587	NUT HEX NYRT M5-0.8 SS	1	
84	288470	PLATE ATTACHMENT 136MM x 35MM	1	
85	509815	TIE MOUNT / ATTACHMENT W/TREE MOUNT	AR	
86	504637	CABLE TIE / 3/16" x 13"	AR	
87	069997	WCL RICON SLIDING DOOR HARNESS / W/WCL	1	
. NS	560768	. CHAIN SYSTEM MICRO	AR	
88	408203	DECAL EMERGENCY >>>> PICTOGRAPM RIGHT>>>>	1	
90	502565	NUT HEX M6-1.0 SS	2	
91	5001815	SCREW CAP HEXF M6-1.0x30 G 8.8 N500	4	

From L-7663 To M-7767	Date:07/2024	PAGE:X3PLB-1862-82
ENTRANCE DOOR SLIDING - WCL		

Item#	Part	Description	QTY	Notes
92	500142	WASHER FL 6.6x22.0x2.0 SS	4	
93	502830	SCREW CAP HEX M6-1.0x20 G8.8 N500	4	
94	5001833	WASHER BEL SPR 6.1x18x1.27 SS	21	
95	502888	SCREW CAP HEX M6-1.0x35 G8.8 N500	7	
97	502854	NUT HEX M6-1.0 N500	11	
98	502843	SCREW CAP HEX M6-1.0x45 G8.8 N500	1	
99	502862	SCREW CAP HEX M8-1.25x20 G8.8 N500	6	
100	5001848	WASHER BEL SPR .827 x .331 x .098 th SS	6	
102	5002083	SCREW DR SEMS FN OV PH #8X1 N050	15	
104	5001746	SCREW CAP HEX 1/4-20x3/4 G5 N500	4	
105	5001749	WASHER LO SPT 6.5x11.5x1.6 N500	4	
106	5001815	SCREW CAP HEXF M6-1.0x30 G 8.8 N500	5	
107	5001749	WASHER LO SPT 6.5x11.5x1.6 N500	2	
107	506004	TAPE RUB ADH1 CC POL 3/8" x 1/2" x 20' / GREY 2520X	AR	
108	500877	WASHER FL .250x.562x.065 N500	2	
110	504581	RIVET MGLP PRDG 3/16x7/16 SS BK	8	
111	504339	RIVET POP DOME OE 1/8x3/8 SS	8	
112	5001745	SCREW CAP HEX M8-1.25x25 G8.8 N500	2	
113	5001848	WASHER BEL SPR .827 x .331 x .098 th SS	2	
114	5001573	SCREW CAP HEXS M8-1.25x18 G8.8	6	
115	5001736	WASHER FL 8.4x18.0x2.0 N500	6	
116	500942	WASHER LO SPT 8.1x14.8x2.0 N500	2	
117	500539	NUT HEX NYRT M4-0.7 N500	2	
118	502556	WASHER FL 4.3x9.0x0.8 SS	2	
119	X3PLB-1862-87	ENTRANCE DOOR SLIDING - INSTALLATION - W.C.L.		
120	500814	SCREW TP BDG PH #6x3/4 BK	4	
121	5001606	SCREW SHR HEXS 1/4x3/16 {#10-24 SS	1	
122	500965	SCREW TC BDG PH #8-32x1/2 N500	1	
123	502834	WASHER LO SPT 4.1x7.6x0.9 N500	1	
124	504357	WASHER FL .187x.437x.050 SS	1	
126	479570	WELD PLATE NUT ASSY	1	
127	500117	SCREW CAP FL HEXS M8-1.25x40 GR10.9 BK	1	
128	5001188	NUT HEX M8-1.25 SS	1	
129	5001868	WASHER BEL SPR 8.4x18x2 SS	1	
NS	680038	THREAD LOCKER LOCTITE #243 / BLUE / 50ml	AR	
NS	680122	TUBE, LUBRIPLATE 10 OZ.	AR	
NS	680397	CONTACT GLUE / AEROSOL 17oz	AR	
NS	680739	GREASE SYNTHETIC / RED 20KG	AR	
		A) WITH FOUR WHEEL CHAIRS OPTION		

From L-7663 To M-7767		Date:07/2024	PAGE:X3PLB-1862-82	
ENTRANCE DOOR SLIDING - WCL				
Item#	Part	Description	QTY	Notes
		P) CALL ORDER DESK FOR SPECIFIC APPLICATION (V.I.N.)		

From G-7275 To J-7495	Date:07/2024	PAGE:X3PLB-1862-85
ENTRANCE DOOR SLIDING - INSTALLATION - W.C.L.		

Item#	Part	Description	QTY	Notes
1	2800015	STEP PROTECTOR	1	
2	2800088	DOOR SUPPORT	1	
3	2800235	TRACK UPPER ASSY	1	
4	288489	SUPPORT	1	
5	286421	SPACER "U" 54MM X 66MM X 14GA	AR	
6	288482	TRACK LOWER ASSY	1	
7	2800197	LOWER ARM ASSY	1	
7A	288460	WHEEL ASSY W/BEARING	1	
7A	288468	RIVET	1	
8	288471	SPACER 22MM x 146MM x 16GA	AR	
10	479359P	PANEL ASSY / UPPER W.C.L. DOOR	1	
. NS	479358	. PANEL / UPPER W.C.L. DOOR	1	
. NS	2800012	. DRIP MOULDING ALUM	1	
. NS	506785	. TAPE RUB ADH2 CC POL 1/16" X 1/4" X 200' / BLACK I1C-N-A	AR	
. NS	684685	. ADHESIVE SIMSON #ISR 70-03 / 310ml CARTRIDGE	AR	
NS	685124	ADHESIVE SIMSON #ISR 70-03 / BLACK / 600ml SAUSAGE	AR	
NS	687957	GLUE MS POLYMER TEROSON MS 9399 / 400ml CARTRIDGE	AR	
12	287793	INSULATION	1	
13	280897	DRIP MOULDIND 1286.4MM SS	1	
NS	506785	TAPE RUB ADH2 CC POL 1/16" X 1/4" X 200' / BLACK I1C-N-A	AR	
NS	684685	ADHESIVE SIMSON #ISR 70-03 / 310ml CARTRIDGE	AR	
14	293281	RUBBER SEAL EXTRUSION / ADHESIVE / LOWER WINDOW	AR	
16	280080	CATCH	2	
17	563432	DOOR PLATE SWITCH 8C / PED 15355305	1	
18	500494	WASHER BEL SPR .470x1.680x.125 N500	6	
19	780809	STRIKER PIN .675 O.D. x 1.715 -7/16-14	2	
19	500496	WASHER FL .437x.750x.054 Z050	2	A
21	479360	FINISHING MOULDING UPPER W.C.L. DOOR 1286MM	1	
. NS	506785	. TAPE RUB ADH2 CC POL 1/16" X 1/4" X 200' / BLACK I1C-N-A	AR	
. NS	506769	. TAPE RUB ADH2 CC POL 1/8" x 1/4" x 60' / BLACK H1CC-N-#14	AR	
NS	683083	ADHESIVE SIKA #252 / BLACK / 600 ml SAUSAGE	AR	
22	478587	FINISHING MOULDING LOWER W.C.L. DOOR 1286MM	1	
NS	683083	ADHESIVE SIKA #252 / BLACK / 600 ml SAUSAGE	AR	
25	289699	TRAY, SLIDING DOOR	1	
NS	680532	SEALANT SIKA #221 / GREY / 310ml CARTRIDGE	AR	
26	409038	GASKET	1	
27	900280	THRU HULL, CONNECTOR / PLASTIC	1	
29	900220	TUBE PVC / 5/8" I.D. / S.L.	AR	
NS	455982	SUPPORT / HOSE	1	
NS	504637	CABLE TIE / 3/16" x 13"	1	
30	504018	HOSE CLAMP / 7/16"-1" SS / HS-8	1	
31	590286	DRAIN BOOT 1 1/4" I.D. X 4" / FLAT	1	

From G-7275 To J-7495	Date:07/2024	PAGE:X3PLB-1862-85
ENTRANCE DOOR SLIDING - INSTALLATION - W.C.L.		

Item#	Part	Description	QTY	Notes
32	504774	HOLE PLUG BUTTON / 2.000 O.D. BLACK	1	
33	504776	GROMMET / .875x1.250x.062x.437x1.625	2	
NS	509815	TIE MOUNT / ATTACHMENT W/TREE MOUNT	1	
39	2800282	UP CARRIAGE DOOR ASSY	1	
. A	288479	. CARRIER ASSY	1	
. B	288469	. RIVET W/DOUBLE SHOULDER	3	
. C	288460	. WHEEL ASSY W/BEARING	3	
41	2800202	ARM ASSY (CASTING)	1	
41	2800201	. ARM ONE PIECE CASTING	1	C
41	2800025	. AXLE PIN RIVET W/SHOULDER 55.6MM x 7.4 O.D. & M6-1.0	2	
42	287053	CARRIER ASSY W/3 BEARINGS	1	
. NS	288460	. WHEEL ASSY W/BEARING	3	
. NS	281410	. CARRIER ASSY	1	
. NS	288469	. RIVET W/DOUBLE SHOULDER	3	
. NS	500877	. WASHER FL .250x.562x.065 N500	1	
. NS	507378	. BUSHING W/SHOULDER	2	
. NS	502681	. NUT HEX NYRT M6-1.0 N500 G8	1	
42	288479	. CARRIER ASSY	1	
43	507378	. BUSHING W/SHOULDER	2	
44	500877	. WASHER FL .250x.562x.065 N500	1	
45	502681	. NUT HEX NYRT M6-1.0 N500 G8	1	
46	288469	. RIVET W/DOUBLE SHOULDER	3	
47	288460	. WHEEL ASSY W/BEARING	3	
48	288460	WHEEL ASSY W/BEARING	2	
49	502681	NUT HEX NYRT M6-1.0 N500 G8	2	
50	X3PLB-1862-80	ENTRANCE DOOR SLIDING - WCL		
60	5001833	WASHER BEL SPR 6.1x18x1.27 SS	3	
61	5001626	SCREW MA FL PH 1/4-20x1 3/4 SS	7	
62	502638	WASHER FL .312x.734x.065 N500	10	
63	502874	NUT HEX NYRT 1/4-20 N500	7	
64	5001308	SCREW CAP HEXF M10-1.5x40 G10.9 N500	8	
65A	502644	WASHER FL 10.5x30.0x2.5 Z050	4	
65B	5001834	WASHER BEL SPR 10.5X23X2.5 N500	4	
66	502830	SCREW CAP HEX M6-1.0x20 G8.8 N500	8	
67	502853	WASHER LO SPT 6.1x11.8x1.6 N500	3	
68	500468	WASHER FL .281x1.250x.065 Z050	3	
69	5001738	SCREW CAP HEX M8-1.25x30 G8.8 N500	4	
70A	5001467	WASHER FL .343x1.250x.062 SS18-8	2	
70B	5001848	WASHER BEL SPR .827 x .331 x .098 th SS	4	
70C	2800242	REINFORCEMENT PLATE	1	
72	500855	WASHER FL .188x.438x.049 N500	4	
73	5001833	WASHER BEL SPR 6.1x18x1.27 SS	2	

From G-7275 To J-7495	Date:07/2024	PAGE:X3PLB-1862-85
ENTRANCE DOOR SLIDING - INSTALLATION - W.C.L.		

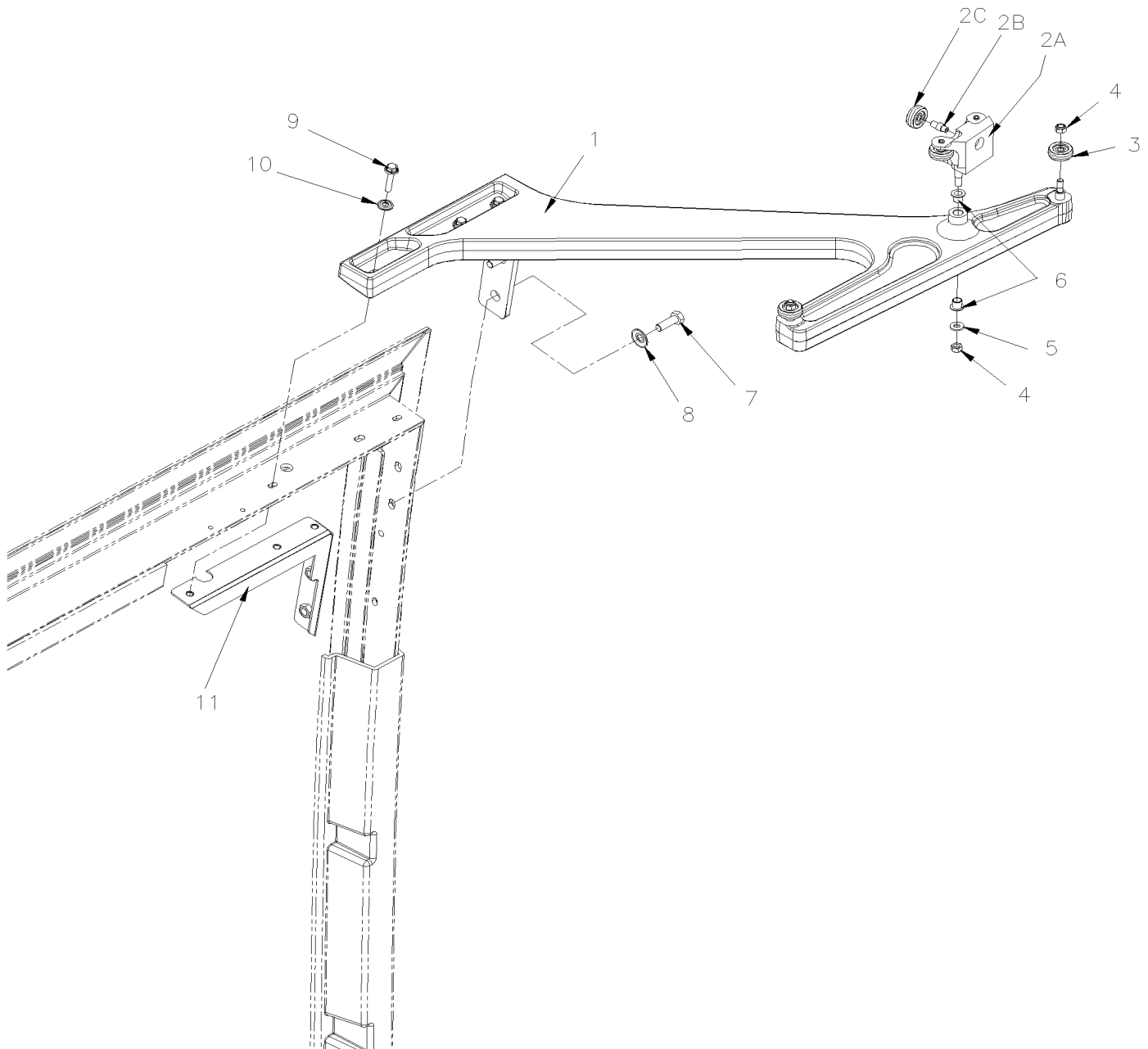
Item#	Part	Description	QTY	Notes
74	500965	SCREW TC BDG PH #8-32x1/2 N500	3	
75	500855	WASHER FL .188x.438x.049 N500	3	
76	504013	TIE MOUNT / 1/4" X 1/4" I.D.	1	
76	500545	SCREW TP PAN PH #10x1/2 N500	1	
76	500804	WASHER FL .203x.500x.047 N500	1	
77	502896	SCREW TC BDG PH #12-24x3/4 N500	1	
78	504581	RIVET MGLP PRDG 3/16x7/16 SS BK	4	
79	504637	CABLE TIE / 3/16" x 13"	3	
NS	685126	ADHESIVE SIMSON #ISR 70-03 / GREY / 600ml SAUSAGE	AR	
81	563464	SWITCH / S.P.S.T. / N.C. / W/RUBBER BOOT	1	
82	500623	SCREW TC PAN PH #10-24x3/4 N500	1	
83	500240	WASHER LO EXT .195x.410x.025 Z050	1	
84	0689942	SUPPORT SWITCH / SWITCH	1	
85	502817	SCREW MA PAN PH M6-1.0x16 N500	2	
86	502853	WASHER LO SPT 6.1x11.8x1.6 N500	2	
87	500877	WASHER FL .250x.562x.065 N500	2	
89	068358	PROXIMITY SENSOR, NO ENTRANCE DOOR ASS.	1	
. NS	564163	. SWITCH PROXIMITY / S.P.D.T. / W/3 WIRES	1	
. NS	564099	. TAPE ADHESIF ELECTRICAL TISSUS / BLACK 838MM	1	
. NS	562387	. CONVOLUTED TUBING / SLIT / BLACK / .250"	1	
. NS	562477	. CONNECTOR / DT SERIES / SH 4C / GRAY / DEUTSCH DT06-4S	1	
. NS	562478	. SECONDARY LOCK / DT SERIES / SH 4C / DEUTSCH W4S	1	
. NS	561608	. SOCKET TERMINAL / 18-16 / DEUTSCH 0462-201-16141	3	
. NS	563606	. SEALING PLUG TYPE 20 / DEUTSCH 0413-204-2005	1	
89	067617	HARNESS, UPPER WCL DOOR To H-7416	1	
89	069347	HARNESS, UPPER WCL DOOR From H-7417	1	
90	068417	BRACKET, PROXIMITY SENSOR	1	
91	504793	RIVET MNB OE LARGE HEAD 3/16x7/16 SS	2	
95	2800281	ARM REPLACEMENT KIT	1	
. NS	D280303	. DIAGRAM RETROFIT ARM UP DOOR	1	
		A) USE TO SHIM THE STRIKER PIN IF NECESSAIRY		
		C) FOR PRODUCT IMPROVEMENT ASK FOR KIT #2800281		

From G-7275 To J-7495

Date:07/2024

PAGE:2800281

ARM REPLACEMENT KIT



From G-7275 To J-7495	Date:07/2024	PAGE:2800281
ARM REPLACEMENT KIT		

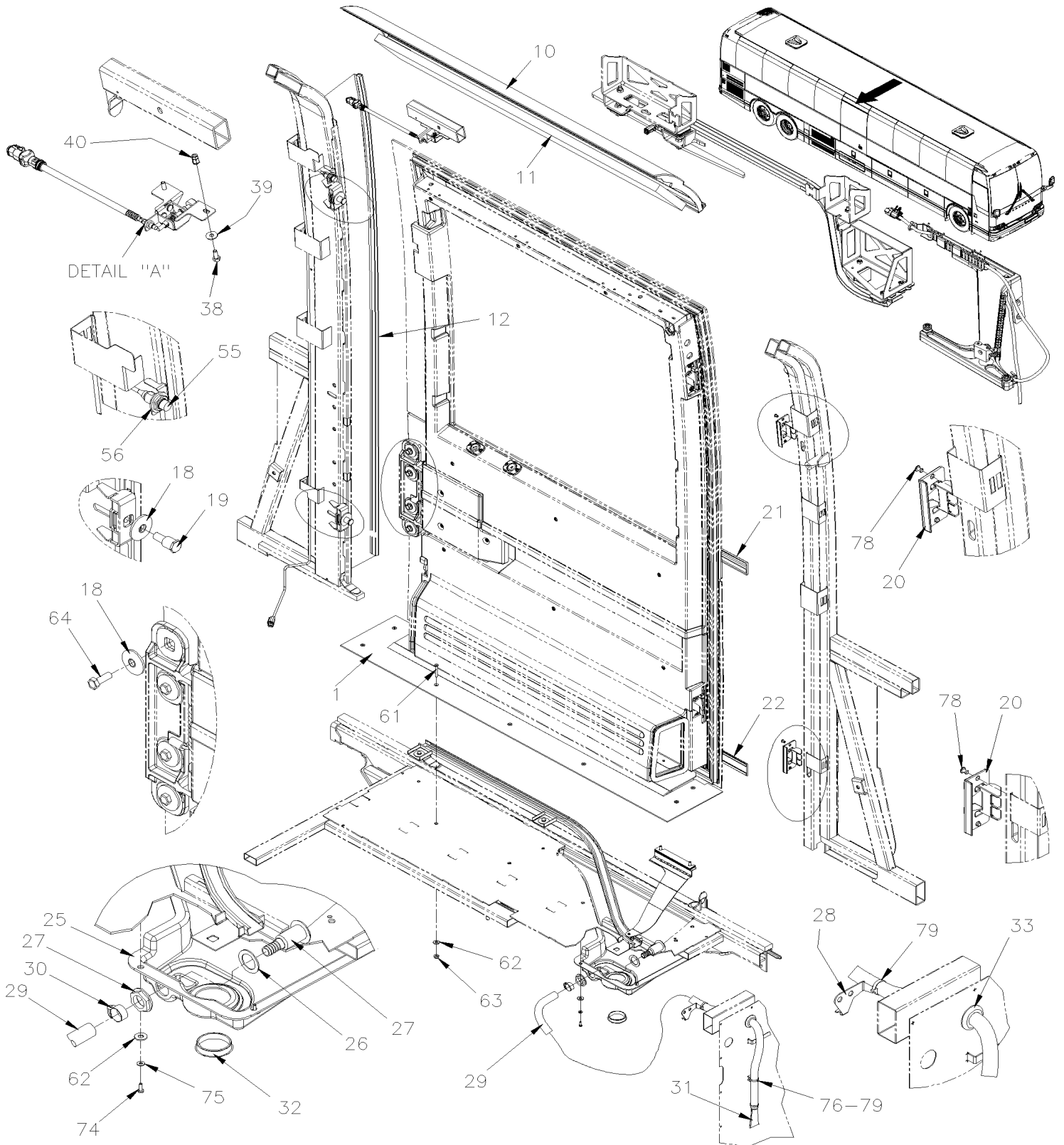
Item#	Part	Description	QTY	Notes
1	2800202	ARM ASSY (CASTING)	1	
2	2800282	UP CARRIAGE DOOR ASSY To J-6827	1	
. A	288479	. CARRIER ASSY To J-6827	1	
. B	288469	. RIVET W/DOUBLE SHOULDER To J-6827	3	
. C	288460	. WHEEL ASSY W/BEARING To J-6827	3	
2	281454	UP CARRIAGE DOOR ASSY From J-6828	1	
. A	281410	. CARRIER ASSY From J-6828	1	
. B	288469	. RIVET W/DOUBLE SHOULDER From J-6828	3	
. C	288460	. WHEEL ASSY W/BEARING From J-6828	3	
3	288460	WHEEL ASSY W/BEARING	2	
4	502681	NUT HEX NYRT M6-1.0 N500 G8	3	
5	500877	WASHER FL .250x.562x.065 N500	1	
6	507378	BUSHING W/SHOULDER	2	
7	502780	SCREW CAP HEX M8-1.25x25 SS BK	2	
8	5001699	WASHER BEL SPR 8.2x22x1.4 N500	2	
9	5001815	SCREW CAP HEXF M6-1.0x30 G 8.8 N500	3	
10	500356	WASHER LO SERR 6.1x16.0x0.9 N500	3	
11	2800215	PLATE UPPER SLIDING DOOR	1	

From J-7496 To K-7662

Date:07/2024

PAGE:X3PLB-1862-86

ENTRANCE DOOR SLIDING - INSTALLATION - W.C.L.

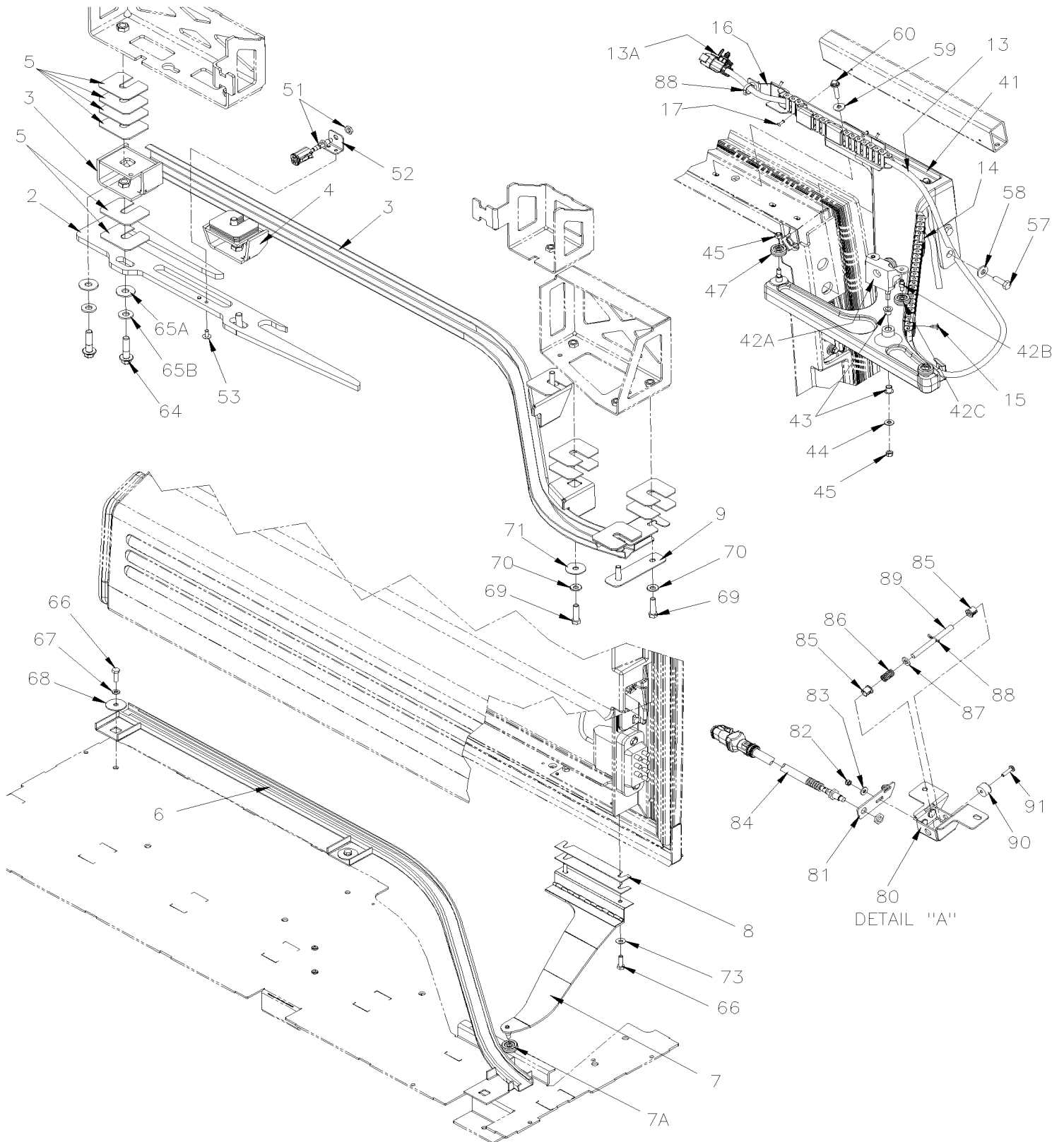


From J-7496 To K-7662

Date:07/2024

PAGE:X3PLB-1862-86

ENTRANCE DOOR SLIDING - INSTALLATION - W.C.L.



From J-7496 To K-7662	Date:07/2024	PAGE:X3PLB-1862-86
ENTRANCE DOOR SLIDING - INSTALLATION - W.C.L.		

Item#	Part	Description	QTY	Notes
1	2800015	STEP PROTECTOR	1	
2	2800088	DOOR SUPPORT	1	
3	2800235	TRACK UPPER ASSY	1	
4	288489	SUPPORT	1	
5	286421	SPACER "U" 54MM X 66MM X 14GA	AR	
6	288482	TRACK LOWER ASSY	1	
7	2800197	LOWER ARM ASSY	1	
7A	288460	WHEEL ASSY W/BEARING	1	
7A	288468	RIVET	1	
8	288471	SPACER 22MM x 146MM x 16GA	AR	
9	2800242	REINFORCEMENT PLATE	1	
10	479359P	PANEL ASSY / UPPER W.C.L. DOOR	1	
. NS	479358	. PANEL / UPPER W.C.L. DOOR	1	
. NS	2800012	. DRIP MOULDING ALUM	1	
. NS	506785	. TAPE RUB ADH2 CC POL 1/16" X 1/4" X 200' / BLACK I1C-N-A	AR	
. NS	684685	. ADHESIVE SIMSON #ISR 70-03 / 310ml CARTRIDGE	AR	
NS	685124	ADHESIVE SIMSON #ISR 70-03 / BLACK / 600ml SAUSAGE	AR	
11	287793	INSULATION	1	
12	5060103	RUBBER SEAL 6.56FT LONG	AR	
13	060569	CABLE ASSY / W/WCL To J-7495	1	
13	069818	CABLE ASSY / W/WCL From J-7496 To K-7599	1	
13	069997	WCL RICON SLIDING DOOR HARNESS / W/WCL From K-7600	1	
. NS	560768	. CHAIN SYSTEM MICRO From K-7600	AR	
13A	564108	SELF MOUNTING STUD // DEUTSCH 1011-310-0205	1	
14	280461	RAIL SUPPORT ON ARM To K-7599	3	
14	2810007	RAIL SUPPORT ON ARM From K-7600	3	
15	5001440	SCREW TP RND PH WSHR HD #8x1/2 To K-7566	5	
15	500654	SCREW TC BDG PH #8-32x1/2 Z050 From K-7567	4	
16	280460	CABLE PAST BRACKET To K-7599	1	
16	2810011	CABLE PAST BRACKET From K-7600	1	
17	504339	RIVET POP DOME OE 1/8x3/8 SS	4	
18	500494	WASHER BEL SPR .470x1.680x.125 N500	6	
19	780809	STRIKER PIN .675 O.D. x 1.715 -7/16-14	2	
19	500496	WASHER FL .437x.750x.054 Z050	2	A
20	280080	CATCH	2	
21	479360	FINISHING MOULDING UPPER W.C.L. DOOR 1286MM	1	
. NS	506785	. TAPE RUB ADH2 CC POL 1/16" X 1/4" X 200' / BLACK I1C-N-A	AR	
. NS	506769	. TAPE RUB ADH2 CC POL 1/8" x 1/4" x 60' / BLACK H1CC-N-#14	AR	
NS	683083	ADHESIVE SIKA #252 / BLACK / 600 ml SAUSAGE	AR	
22	478587	FINISHING MOULDING LOWER W.C.L. DOOR 1286MM	1	
NS	683083	ADHESIVE SIKA #252 / BLACK / 600 ml SAUSAGE	AR	
25	289699	TRAY, SLIDING DOOR	1	

From J-7496 To K-7662	Date:07/2024	PAGE:X3PLB-1862-86
ENTRANCE DOOR SLIDING - INSTALLATION - W.C.L.		

Item#	Part	Description	QTY	Notes
NS	680532	SEALANT SIKA #221 / GREY / 310ml CARTRIDGE	AR	
26	409038	GASKET	1	
27	900280	THRU HULL, CONNECTOR / PLASTIC	1	
28	455982	SUPPORT / HOSE	1	
29	900220	TUBE PVC / 5/8" I.D. / S.L.	AR	
30	504018	HOSE CLAMP / 7/16"-1" SS / HS-8	1	
31	590286	DRAIN BOOT 1 1/4" I.D. X 4" / FLAT	1	
31	504637	CABLE TIE / 3/16" x 13"	1	
32	504774	HOLE PLUG BUTTON / 2.000 O.D. BLACK	1	
33	504776	GROMMET / .875x1.250x.062x.437x1.625	2	
NS	685124	ADHESIVE SIMSON #ISR 70-03 / BLACK / 600ml SAUSAGE	AR	
NS	680397	CONTACT GLUE / AEROSOL 17oz	AR	
NS	506785	TAPE RUB ADH2 CC POL 1/16" X 1/4" X 200' / BLACK I1C-N-A	AR	
38	5001697	SCREW CAP HEX M6-1.0x16 SS BK	2	
39	5001833	WASHER BEL SPR 6.1x18x1.27 SS	2	
40	5001344	NUT INS FL HEX M6-1.0 0.5-3.0 SS	2	
41	280491	ARM ASSY (CASTING)	1	
41	280498	. ARM ONE PIECE CASTING	1	C
41	2800025	. AXLE PIN RIVET W/SHOULDER 55.6MM x 7.4 O.D. & M6-1.0	2	
42	2800282	UP CARRIAGE DOOR ASSY To J-7468	1	
. A	288479	. CARRIER ASSY To J-7468	1	
. B	288469	. RIVET W/DOUBLE SHOULDER To J-7468	3	
. C	288460	. WHEEL ASSY W/BEARING To J-7468	3	
42	281454	UP CARRIAGE DOOR ASSY From J-7469	1	
. A	281410	. CARRIER ASSY From J-7469	1	
. B	288469	. RIVET W/DOUBLE SHOULDER From J-7469	3	
. C	288460	. WHEEL ASSY W/BEARING From J-7469	3	
43	507378	BUSHING W/SHOULDER	2	
44	500877	WASHER FL .250x.562x.065 N500	1	
45	502681	NUT HEX NYRT M6-1.0 N500 G8	3	
47	288460	WHEEL ASSY W/BEARING	2	
50	X3PLB-1862-81	ENTRANCE DOOR SLIDING - WCL		
51	068358	PROXIMITY SENSOR, NO ENTRANCE DOOR ASS.	1	
. NS	564163	. SWITCH PROXIMITY / S.P.D.T. / W/3 WIRES	1	
. NS	564099	. TAPE ADHESIF ELECTRICAL TISSUS / BLACK 838MM	1	
. NS	562387	. CONVOLUTED TUBING / SLIT / BLACK / .250"	1	
. NS	562477	. CONNECTOR / DT SERIES / SH 4C / GRAY / DEUTSCH DT06-4S	1	
. NS	562478	. SECONDARY LOCK / DT SERIES / SH 4C / DEUTSCH W4S	1	
. NS	561608	. SOCKET TERMINAL / 18-16 / DEUTSCH 0462-201-16141	3	
. NS	563606	. SEALING PLUG TYPE 20 / DEUTSCH 0413-204-2005	1	

From J-7496 To K-7662	Date:07/2024	PAGE:X3PLB-1862-86
ENTRANCE DOOR SLIDING - INSTALLATION - W.C.L.		

Item#	Part	Description	QTY	Notes
51	069347	HARNESS, UPPER WCL DOOR To J-7495	1	
51	062240	HARNESS, UPPER WCL DOOR From J-7496	1	
52	068417	BRACKET, PROXIMITY SENSOR	1	
53	504793	RIVET MNB OE LARGE HEAD 3/16x7/16 SS	2	
55	068991	PROXIMITY SWITCH ASSY	1	
56	500126	WASHER FL 19.0x34.0x3.0 SS	1	
57	5001745	SCREW CAP HEX M8-1.25x25 G8.8 N500	2	
58	5001848	WASHER BEL SPR .827 x .331 x .098 th SS	2	
59	5001833	WASHER BEL SPR 6.1x18x1.27 SS	3	
60	5001815	SCREW CAP HEXF M6-1.0x30 G 8.8 N500	2	
61	5001626	SCREW MA FL PH 1/4-20x1 3/4 SS	7	
62	502638	WASHER FL .312x.734x.065 N500	11	
63	502874	NUT HEX NYRT 1/4-20 N500	7	
64	5001308	SCREW CAP HEXF M10-1.5x40 G10.9 N500	8	
65A	502644	WASHER FL 10.5x30.0x2.5 Z050	4	
65B	5001834	WASHER BEL SPR 10.5X23X2.5 N500	4	
66	502830	SCREW CAP HEX M6-1.0x20 G8.8 N500	5	
67	502853	WASHER LO SPT 6.1x11.8x1.6 N500	3	
68	500913	WASHER FL .281x1.250x.065 N500	3	
69	5001738	SCREW CAP HEX M8-1.25x30 G8.8 N500	4	
70	5001848	WASHER BEL SPR .827 x .331 x .098 th SS	4	
71	5001467	WASHER FL .343x1.250x.062 SS18-8	2	
73	5001833	WASHER BEL SPR 6.1x18x1.27 SS	2	
74	500965	SCREW TC BDG PH #8-32x1/2 N500	4	
75	500855	WASHER FL .188x.438x.049 N500	4	
76	504013	TIE MOUNT / 1/4" X 1/4" I.D.	1	
76	500545	SCREW TP PAN PH #10x1/2 N500	1	
76	500804	WASHER FL .203x.500x.047 N500	1	
78	504581	RIVET MGLP PRDG 3/16x7/16 SS BK	4	
79	504637	CABLE TIE / 3/16" x 13"	3	
80	Call order desk	DETECTOR WCL DOOR ASSEMBLY	1	P
80	060599	. SUPPORT SWITCH	1	
81	060928	. SUPPORT PLATE SWITCH	1	
82	500539	. NUT HEX NYRT M4-0.7 N500	2	
83	500855	. WASHER FL .188x.438x.049 N500	2	
84	068076	. SWITCH PROXIMITY WITH LED ASSY	1	
. NS	564176	. . SWITCH PROXIMITY / S.P.D.T. / W/3 WIRES W/LED	1	
85	504083	. SNAP BUSHING / .250x.468.406	2	
86	5021001	. SPRING COMPRESSION / .360 O.D. x 1.5 x .038	1	
87	502573	. WASHER FL 6.4x12.5x1.6 SS	1	
88	5001860	. PIN HITCH CLIP .054 x 3/4 SS	1	
89	060600	. SWITCH ROD	1	

From J-7496 To K-7662	Date:07/2024	PAGE:X3PLB-1862-86
-----------------------	--------------	--------------------

ENTRANCE DOOR SLIDING - INSTALLATION - W.C.L.

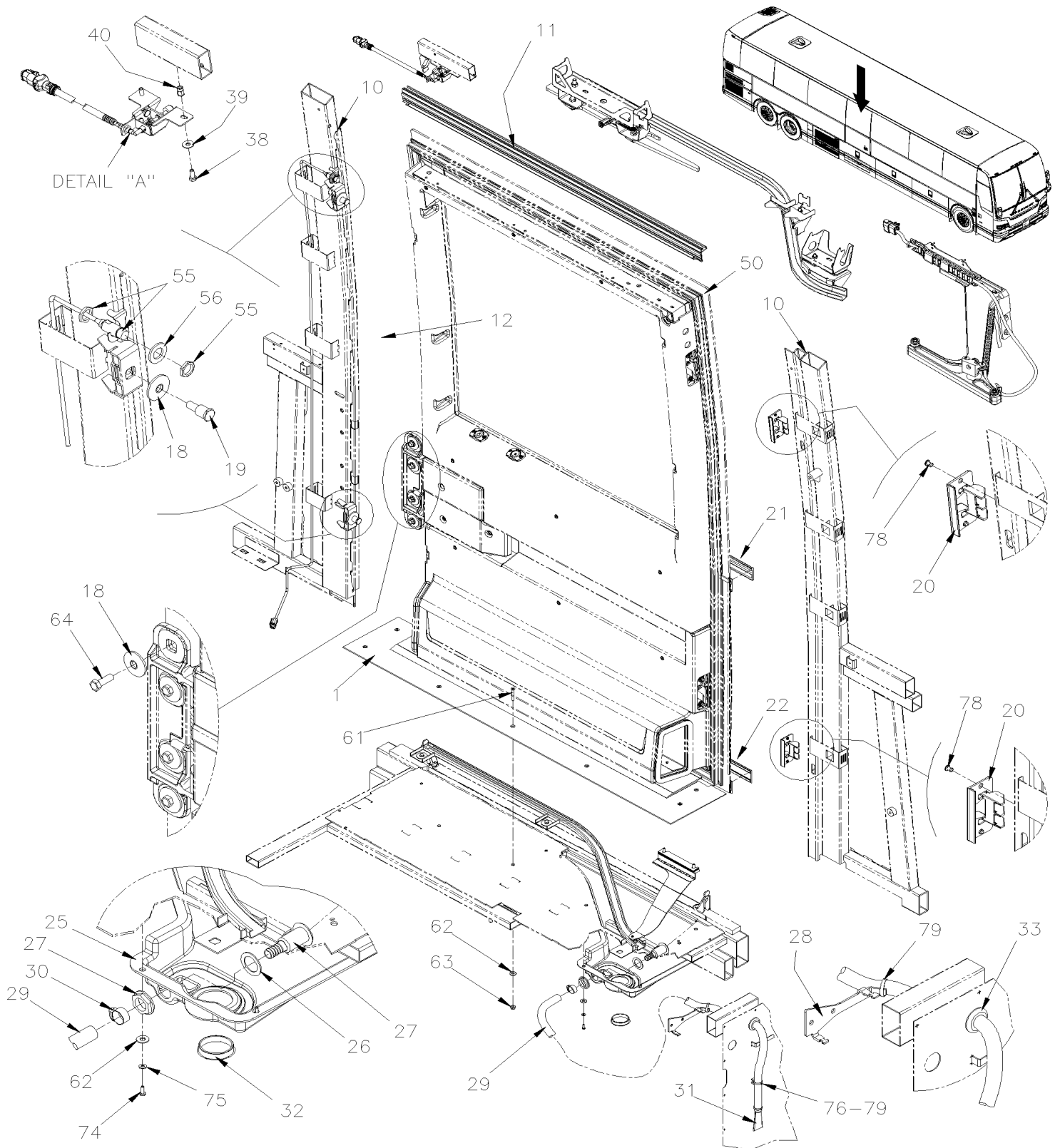
Item#	Part	Description	QTY	Notes
90	504334	. BUMPER RUBBER / .625 OD x .406 TH x .156 HOLE To J-7533	1	
90	5002025	. BUMPER NEOPRENE / .625 OD x .406 TH x .156 HOLE From J-7534	1	
91	502698	. SCREW MA PAN PH M4-0.7x16 SS BK	2	
NS	X3PLB-0621-80	MODULE WCL ASSY	1	
		A) USE TO SHIM THE STRIKER PIN IF NECESSAIRY		
		C) FOR PRODUCT IMPROVEMENT ASK FOR KIT #2800281		
		P) CALL ORDER DESK FOR SPECIFIC APPLICATION (V.I.N.)		

From L-7663 To M-7767

Date:07/2024

PAGE:X3PLB-1862-87

ENTRANCE DOOR SLIDING - INSTALLATION - W.C.L.



From L-7663 To M-7767	Date:07/2024	PAGE:X3PLB-1862-87
ENTRANCE DOOR SLIDING - INSTALLATION - W.C.L.		

Item#	Part	Description	QTY	Notes
1	281462	STEP PROTECTOR	1	
2	2800088	DOOR SUPPORT	1	
3	280811	TRACK UPPER ASSY	1	
4	282997	SUPPORT	1	
5	286421	SPACER "U" 54MM X 66MM X 14GA	AR	
6	288482	TRACK LOWER ASSY	1	
7	280782P	LOWER ARM ASSY	1	
8	288460	. WHEEL ASSY W/BEARING	1	
8	288468	. RIVET	1	
9	288471	SPACER 22MM x 146MM x 16GA	AR	
10	685124	ADHESIVE SIMSON #ISR 70-03 / BLACK / 600ml SAUSAGE	AR	
11	420039	GUTTER, DOOR WCL	1	
11	684685	ADHESIVE SIMSON #ISR 70-03 / 310ml CARTRIDGE	AR	
11	506785	TAPE RUB ADH2 CC POL 1/16" X 1/4" X 200' / BLACK I1C-N-A	AR	
12	069997	WCL RICON SLIDING DOOR HARNESS / W/WCL	1	
. NS	560768	. CHAIN SYSTEM MICRO	AR	
13	564108	SELF MOUNTING STUD // DEUTSCH 1011-310-0205	1	
14	2810007	RAIL SUPPORT ON ARM	3	
15	500654	SCREW TC BDG PH #8-32x1/2 Z050	4	
16	281355	CABLE PAST BRACKET	1	
17	504339	RIVET POP DOME OE 1/8x3/8 SS	4	
18	500494	WASHER BEL SPR .470x1.680x.125 N500	6	
19	780809	STRIKER PIN .675 O.D. x 1.715 -7/16-14	2	
19	500496	WASHER FL .437x.750x.054 Z050 To L-7707	2	A
19	5000106	WASHER FL .454X.913X.106 ECOGUARD From L-7708	2	A
20	280080	CATCH	2	
21	471351	FINISHING MOULDING UPPER W.C.L. DOOR 1214MM	1	
. NS	506785	. TAPE RUB ADH2 CC POL 1/16" X 1/4" X 200' / BLACK I1C-N-A	AR	
. NS	506790	. TAPE RUB ADH2 CC POL 1/16" x 1/2" x 200' / BLACK I1C-N-A	AR	
NS	683083	ADHESIVE SIKA #252 / BLACK / 600 ml SAUSAGE	AR	
22	471352	FINISHING MOULDING LOWER W.C.L. DOOR 1214MM	1	
. NS	506785	. TAPE RUB ADH2 CC POL 1/16" X 1/4" X 200' / BLACK I1C-N-A	AR	
22	683083	ADHESIVE SIKA #252 / BLACK / 600 ml SAUSAGE	AR	
25	289699	TRAY, SLIDING DOOR	1	
25	680532	SEALANT SIKA #221 / GREY / 310ml CARTRIDGE	AR	
26	409038	GASKET	1	
27	900280	THRU HULL, CONNECTOR / PLASTIC	1	
28	287873	ATTACH CYLINDER ARM WCL	1	
29	900220	TUBE PVC / 5/8" I.D. / S.L.	AR	
30	504018	HOSE CLAMP / 7/16"-1" SS / HS-8	1	
31	590286	DRAIN BOOT 1 1/4" I.D. X 4" / FLAT	1	
31	504637	CABLE TIE / 3/16" x 13"	1	

From L-7663 To M-7767	Date:07/2024	PAGE:X3PLB-1862-87
ENTRANCE DOOR SLIDING - INSTALLATION - W.C.L.		

Item#	Part	Description	QTY	Notes
32	504774	HOLE PLUG BUTTON / 2.000 O.D. BLACK	1	
33	504776	GROMMET / .875x1.250x.062x.437x1.625	2	
35	068358	PROXIMITY SENSOR, NO ENTRANCE DOOR ASS.	1	
. NS	564163	. SWITCH PROXIMITY / S.P.D.T. / W/3 WIRES	1	
. NS	564099	. TAPE ADHESIF ELECTRICAL TISSUS / BLACK 838MM	1	
. NS	562387	. CONVOLUTED TUBING / SLIT / BLACK / .250"	1	
. NS	562477	. CONNECTOR / DT SERIES / SH 4C / GRAY / DEUTSCH DT06-4S	1	
. NS	562478	. SECONDARY LOCK / DT SERIES / SH 4C / DEUTSCH W4S	1	
. NS	561608	. SOCKET TERMINAL / 18-16 / DEUTSCH 0462-201-16141	3	
. NS	563606	. SEALING PLUG TYPE 20 / DEUTSCH 0413-204-2005	1	
35	069773	HARNESS, UPPER WCL DOOR	1	
36	068417	BRACKET, PROXIMITY SENSOR	1	
37	504793	RIVET MNB OE LARGE HEAD 3/16x7/16 SS	2	
38	5001697	SCREW CAP HEX M6-1.0x16 SS BK To M-6657	2	
38	500526	SCREW TP CAP HEXW #12x3/4 N500 From M-6658	2	
39	5001833	WASHER BEL SPR 6.1x18x1.27 SS	2	
40	5001344	NUT INS FL HEX M6-1.0 0.5-3.0 SS	2	
41	280491	ARM ASSY (CASTING)	1	
41	2800025	. AXLE PIN RIVET W/SHOULDER 55.6MM x 7.4 O.D. & M6-1.0	2	
42	281454	UP CARRIAGE DOOR ASSY From J-6268	1	
. A	281410	. CARRIER ASSY From J-6268	1	
. B	288469	. RIVET W/DOUBLE SHOULDER From J-6268	3	
. C	288460	. WHEEL ASSY W/BEARING From J-6268	3	
43	507378	BUSHING W/SHOULDER	2	
44	500877	WASHER FL .250x.562x.065 N500	1	
45	502681	NUT HEX NYRT M6-1.0 N500 G8	3	
47	288460	WHEEL ASSY W/BEARING	2	
50	X3PLB-1862-82	ENTRANCE DOOR SLIDING - WCL		
54	5001440	SCREW TP RND PH WSHR HD #8x1/2 To M-7758	1	
54	500564	SCREW MA RND PH #8-32x3/4 Z050 From M-7759	1	
55	068991	PROXIMITY SWITCH ASSY	1	
56	500126	WASHER FL 19.0x34.0x3.0 SS	1	
57	5001745	SCREW CAP HEX M8-1.25x25 G8.8 N500	2	
58	5001848	WASHER BEL SPR .827 x .331 x .098 th SS	2	
59	5001833	WASHER BEL SPR 6.1x18x1.27 SS	3	
60	5001815	SCREW CAP HEXF M6-1.0x30 G 8.8 N500	3	
61	5001626	SCREW MA FL PH 1/4-20x1 3/4 SS To M-7750	7	
61	5002159	SCREW MA FL TORX TAMPER 1/4-20x1 3/4 SS From M-7751	1	
62	502638	WASHER FL .312x.734x.065 N500	11	
63	502874	NUT HEX NYRT 1/4-20 N500	7	

From L-7663 To M-7767	Date:07/2024	PAGE:X3PLB-1862-87
ENTRANCE DOOR SLIDING - INSTALLATION - W.C.L.		

Item#	Part	Description	QTY	Notes
64	5001308	SCREW CAP HEXF M10-1.5x40 G10.9 N500	8	
65A	502644	WASHER FL 10.5x30.0x2.5 Z050	4	
65B	5001834	WASHER BEL SPR 10.5X23X2.5 N500	4	
66	502830	SCREW CAP HEX M6-1.0x20 G8.8 N500	5	
67	502853	WASHER LO SPT 6.1x11.8x1.6 N500	3	
68	500913	WASHER FL .281x1.250x.065 N500	3	
69	5001738	SCREW CAP HEX M8-1.25x30 G8.8 N500	3	
70	5001848	WASHER BEL SPR .827 x .331 x .098 th SS	3	
71	5001467	WASHER FL .343x1.250x.062 SS18-8	3	
73	5001833	WASHER BEL SPR 6.1x18x1.27 SS	2	
74	500965	SCREW TC BDG PH #8-32x1/2 N500	4	
75	500855	WASHER FL .188x.438x.049 N500	4	
76	504013	TIE MOUNT / 1/4" X 1/4" I.D.	1	
76	500545	SCREW TP PAN PH #10x1/2 N500	1	
76	500804	WASHER FL .203x.500x.047 N500	1	
77	509815	TIE MOUNT / ATTACHMENT W/TREE MOUNT	1	
78	504581	RIVET MGLP PRDG 3/16x7/16 SS BK	4	
79	504637	CABLE TIE / 3/16" x 13"	AR	
80	Call order desk	DETECTOR WCL DOOR ASSEMBLY To M-6657		P
80	Call order desk	DETECTOR WCL DOOR ASSEMBLY From M-6658	1	P
80	060599	. SUPPORT SWITCH To M-6657	1	
80	0610396	. SUPPORT SWITCH From M-6658	1	
81	060928	. SUPPORT PLATE SWITCH	1	
82	500539	. NUT HEX NYRT M4-0.7 N500	2	
83	500855	. WASHER FL .188x.438x.049 N500	2	
84	068076	. SWITCH PROXIMITY WITH LED ASSY	1	
. NS	564176	. . SWITCH PROXIMITY / S.P.D.T. / W/3 WIRES W/LED	1	
85	504083	. SNAP BUSHING / .250x.468.406	2	
86	5021001	. SPRING COMPRESSION / .360 O.D. x 1.5 x .038	1	
87	502573	. WASHER FL 6.4x12.5x1.6 SS	1	
88	5001860	. PIN HITCH CLIP .054 x 3/4 SS	1	
89	060600	. SWITCH ROD To P-8041	1	
89	0610619	. SERVICE KIT WCL DOOR SENSOR To P-8041	1	
. NS	0610617	. . PLATE ANGLE 50MM x 31MM To P-8041	1	
. NS	5002025	. . BUMPER NEOPRENE / .625 OD x .406 TH x .156 HOLE To P-8041	1	
. NS	500142	. . WASHER FL 6.6x22.0x2.0 SS To P-8041	1	
89	0610618	. SWITCH ROD From P-8042	1	
90	5002025	. BUMPER NEOPRENE / .625 OD x .406 TH x .156 HOLE	1	
91	502698	. SCREW MA PAN PH M4-0.7x16 SS BK	2	
NS	509815	. TIE MOUNT / ATTACHMENT W/TREE MOUNT From M-6658	1	

From L-7663 To M-7767	Date:07/2024	PAGE:X3PLB-1862-87
-----------------------	--------------	--------------------

ENTRANCE DOOR SLIDING - INSTALLATION - W.C.L.

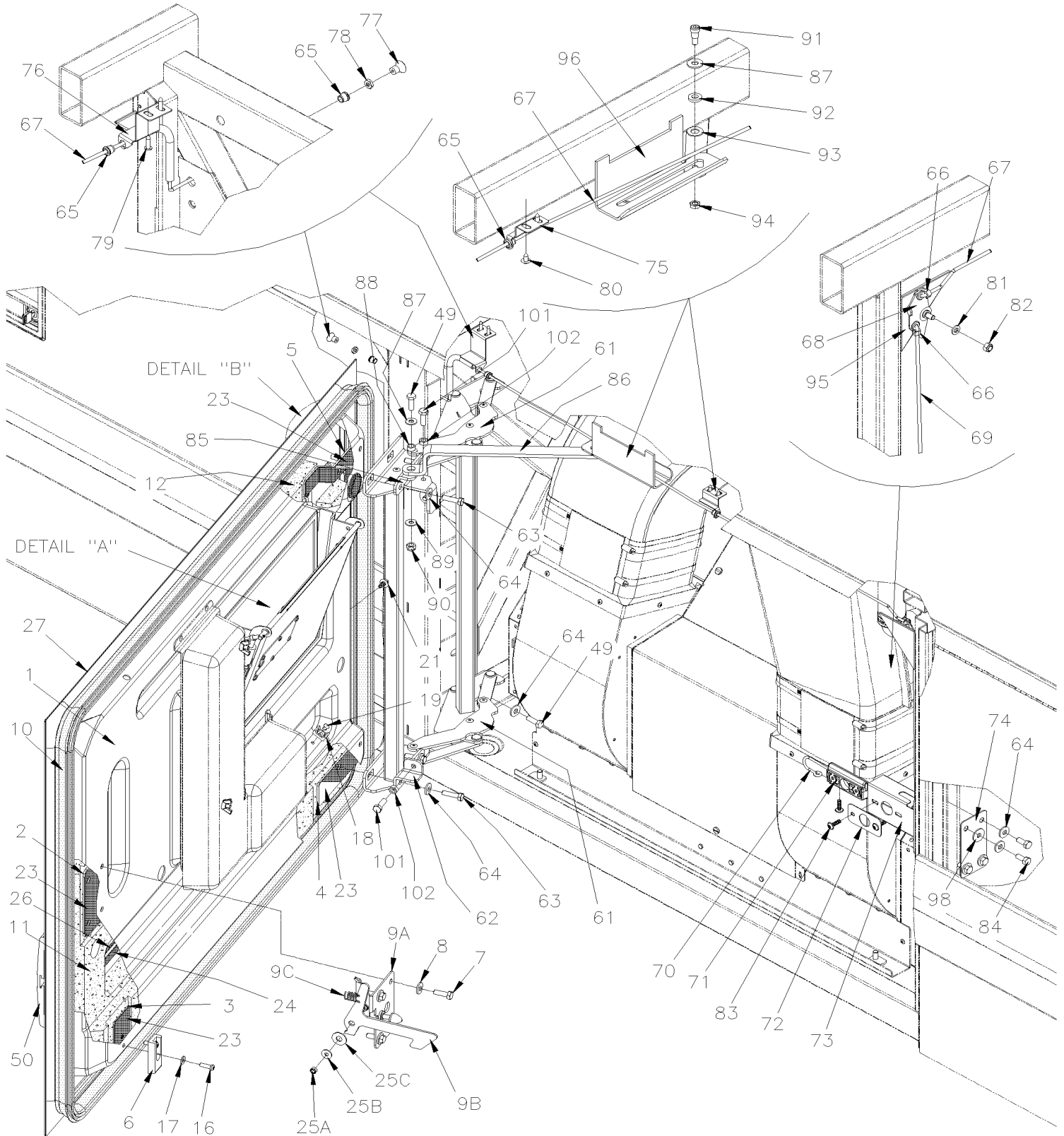
Item#	Part	Description	QTY	Notes
95	X3PLB-0621-80	MODULE WCL ASSY	1	
		A) USE TO SHIM THE STRIKER PIN IF NECESSAIRY		
		P) CALL ORDER DESK FOR SPECIFIC APPLICATION (V.I.N.)		

From G-7275 To H-7344

Date:07/2024

PAGE:X3PLB-1866-00

EVAPORATOR DOOR ASSY

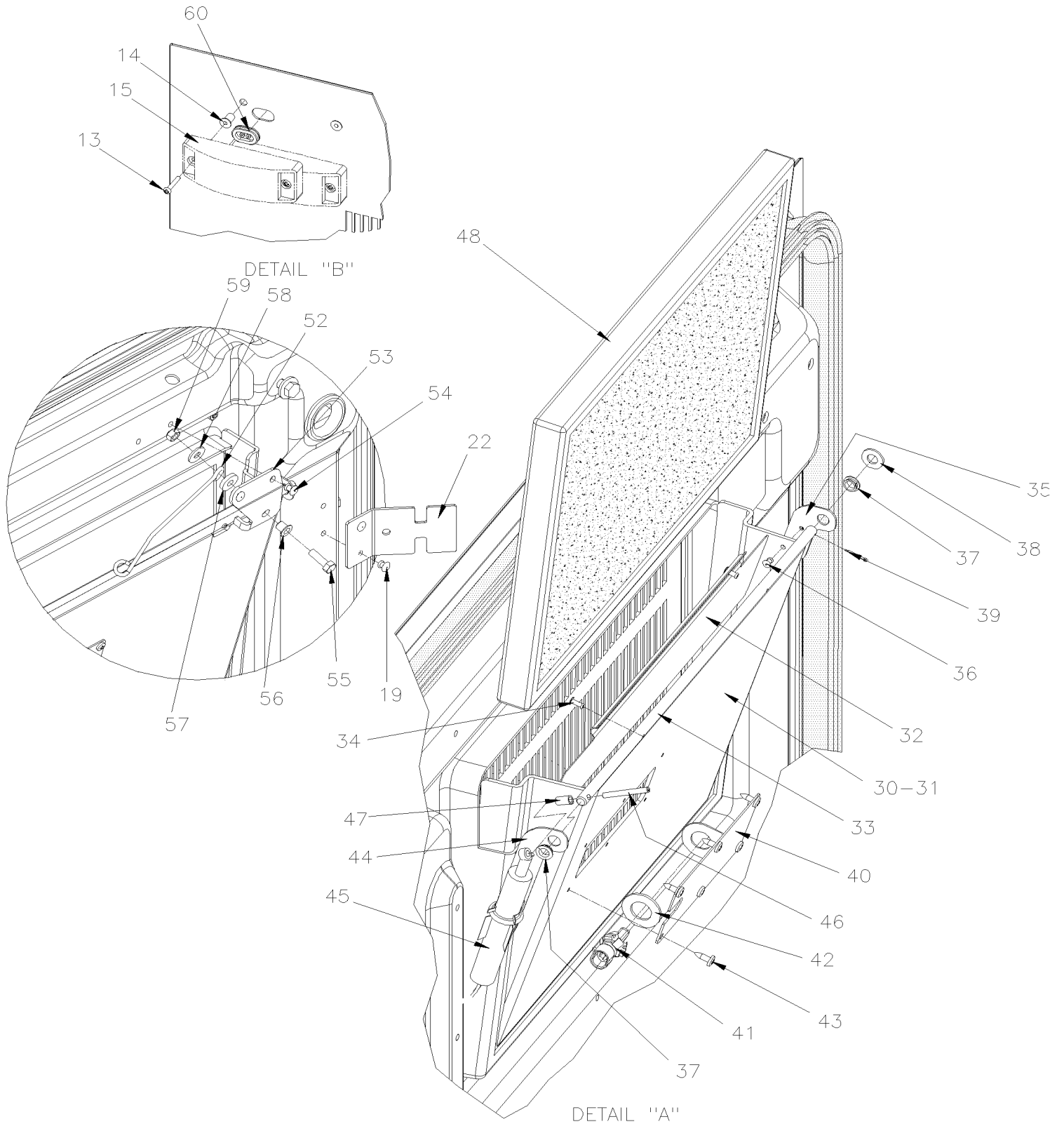


From G-7275 To H-7344

Date:07/2024

PAGE:X3PLB-1866-00

EVAPORATOR DOOR ASSY



From G-7275 To H-7344	Date:07/2024	PAGE:X3PLB-1866-00
EVAPORATOR DOOR ASSY		

Item#	Part	Description	QTY	Notes
	485719	EVAPORATOR DOOR ASSY / WITH AIR INTAKE	1	
	485718	EVAPORATOR DOOR ASSY / WITHOUT AIR INTAKE	1	PWT
1	2800600	. DOOR FRAME	1	
2	2800250	. ATTACH, PENE	1	
3	2800251	. ATTACH, SKID	1	
4	2800252	. ATTACH, DOWN HINGE	1	
5	2800253	. ATTACH, UPPER HINGE	1	
6	2800234	. GUIDE, HINGE DOOR	1	
7	5001912	. SCREW CAP HEX M8-1.25x30 SS BK	4	
8	500321	. WASHER BEL SPR .331x.827x.098 N500	4	
9A	2800389	. PENE ASSY	1	
9B	2800388	. LATCH	1	
9C	502245	. SPRING COMPRESSION / .600 O.D. x 1.25 x .059	1	
10	2800422	. WEATHERSTRIP / EVAPORATOR DOOR	1	
11	352595	. INSULATION, EVAPORATOR DOOR	1	
11	352606	. INSULATION WITHOUT FRESH AIR HOLES	1	PWT
12	352596	. INSULATION, EVAPORATOR DOOR	1	
13	5001042	. SCREW MA RND PH #10-32x1 1/4 SS	4	
14	502774	. NUT WELL #10-32x.625	4	
15	X3PLB-0662-00	. CLEARANCE & MARKER LIGHT		
16	502626	. SCREW MA PAN PH M6-1.0x20 N500	2	
17	500877	. WASHER FL .250x.562x.065 N500	2	
18	504013	. TIE MOUNT / 1/4" X 1/4" I.D.	4	
19	504114	. RIVET POP DOME OE 3/16x1/4 AL	AR	
21	509815	. TIE MOUNT / ATTACHMENT W/TREE MOUNT	AR	
21	504637	. CABLE TIE / 3/16" x 13"	AR	
21	504273	. CABLE TIE / 1/8" X 3"1/2	AR	
22	060998	. SUPPORT CABLAGE A/C	1	
23	684743	. GLUE METHACRYLATE PLEXUS MA832GB 380 ml	AR	
24	687961	. GLUE MS POLYMER TEROSON MS 9399 / "A" 21 Liters	AR	
24	687962	. GLUE MS POLYMER TEROSON MS 9399 / "B" 21 Liters	AR	
25A	5001182	. NUT HEX NYRT M6-1.0 SS	1	
25B	5001833	. WASHER BEL SPR 6.1x18x1.27 SS	1	
25C	500270	. WASHER FL .406x1.000x.063 SS	1	
26	685126	. ADHESIVE SIMSON #ISR 70-03 / GREY / 600ml SAUSAGE	AR	
27	484322	. ONE PIECE PANEL EVAPORATOR / FLAT / ALUMINIUM	1	
27	484328	. ONE PIECE PANEL EVAPORATOR / FLAT WITHOUT FRESH AIR HOLES	1	PWT
27	484326	. . LOWER PANEL / FLAT / ALUMINIUM	1	
30	374707P	. INTAKE FRESH AIR ASSY	1	
30	684685	. ADHESIVE SIMSON #ISR 70-03 / 310ml CARTRIDGE	AR	
31	374706	. AIR DEFLECTOR	1	
32	374713	. FLAP	1	

From G-7275 To H-7344	Date:07/2024	PAGE:X3PLB-1866-00
EVAPORATOR DOOR ASSY		

Item#	Part	Description	QTY	Notes
33	374714	. PIVOT , FLAP	1	
34	504339	. RIVET POP DOME OE 1/8x3/8 SS	2	
35	374708	. SUPPORT, FRESH AIR FLAP	1	
36	504340	. RIVET POP DOME OE 1/8x3/16 SS	5	
37	507309	. BUSHING NYLINED .312x.375x.078x.500	2	
38	5001341	. WASHER FL 8.4x17.0x1.6 SS	1	
39	502094	. PIN, COTTER 1/16 x 1/2 SS	1	
40	374710	. SENSOR SUPPORT ASSY	1	
41	563335	. SENSOR THERMISTOR ASSY / OUTSIDE // PED 15416387	1	
42	5001460	. WASHER FL .640x1.188x0.073 SS	1	
43	500952	. SCREW TP BDG PH #8x1/2 SS	6	
44	374709	. SUPPORT, ACTUATOR	1	
45	871180	. ACTUATOR W/BOOT	1	G
. NS	871452	. . CLIP MOUTING ACTUATOR	1	G
. NS	N.S.S.	. . ACTUATOR	1	1 G
. NS	N.S.S.	. . BOOT	1	1 G
45	870135	. ACTUATOR W/BOOT W/E-COAT PROTECTION	1	
. NS	871452	. . CLIP MOUTING ACTUATOR	1	
46	502243	. SPRING PIN	1	
47	503402	. TUBE, NYLON 1/4 O.D. / BLACK S.L.	1	
48	871448	AIR FILTER 1" x 10 7/8" x 15 1/2"	1	
49	502780	SCREW CAP HEX M8-1.25x25 SS BK	5	
50	X3PLB-1855-00	RUB RAIL - EXTERIOR CREST & TRIMS		
52	374777	SPRING RETAINER	1	
53	374778	SUPPORT, SPRING	1	
54	504113	RIVET POP DOME CLE 3/16x1/4 AL	2	
55	502622	SCREW CAP HEX M6-1.0x20 SS BK	1	
56	507381	BUSHING W/SHOULDER 1/4" I,D,	1	
57	5001481	SPACER NYLON .323 I.D. X .750 O.D. X .125	1	
58	5001114	WASHER FL .260x.687x.060 NYL	1	
59	5001182	NUT HEX NYRT M6-1.0 SS	1	
60	478900	GROMMET, MARKER LIGHT	1	
61	2800494	HINGE ASSY	1	
62	2800588	PLATE ADJUSTMENT BOTTOM	1	
63	5001912	SCREW CAP HEX M8-1.25x30 SS BK	4	
64	500321	WASHER BEL SPR .331x.827x.098 N500	12	
65	504083	SNAP BUSHING / .250x.468.406	3	
66	780340	CLIP, RETAINER ROD	2	
67	484313	ROD OPENING 1200MM	1	
68	484309	PIVOT LATCH	1	
69	484310	ROD OPENING 381MM	1	
70	478577	SPRING HOLDER	1	

From G-7275 To H-7344	Date:07/2024	PAGE:X3PLB-1866-00
EVAPORATOR DOOR ASSY		

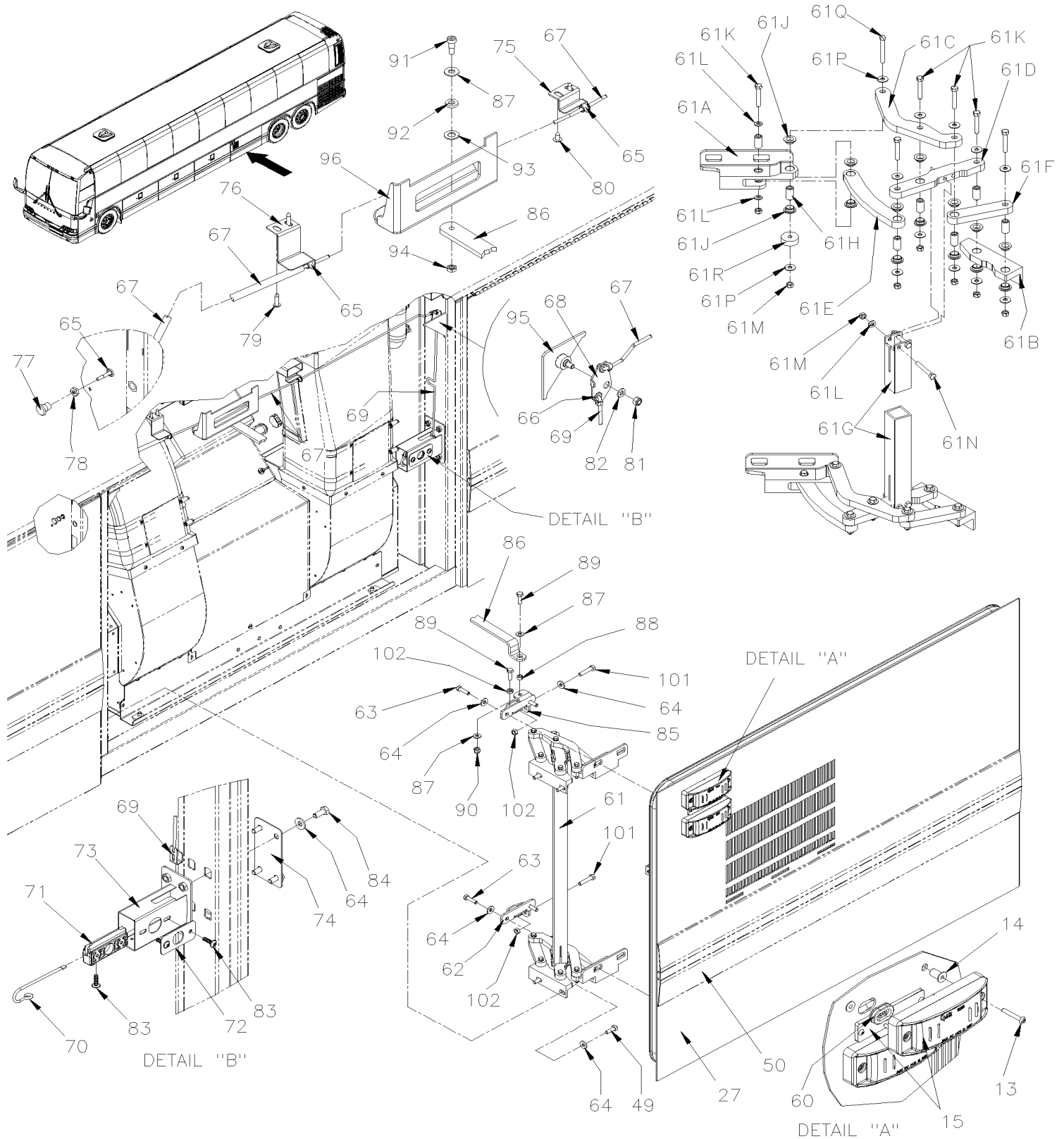
Item#	Part	Description	QTY	Notes
71	477399	RECEPTACLE	1	
72	460708	ADJUSTMENT PLATE	1	
73	2800228	SUPPORT, RECEPTACLE ASSY	1	
74	484319	FIXATION PLATE	1	
75	484321	ROD SUPPOPRT	1	
76	484320	ROD SUPPOPRT	1	
77	505504	KNOB, PULL / 8-32	1	
78	500986	NUT HEX #8-32 N500	1	
79	500957	SCREW TP BDG PH #10x3/4 N500	2	
80	500657	SCREW TC TR PH #10-24x1/2 Z050	2	
81	502573	WASHER FL 6.4x12.5x1.6 SS	1	
82	5001182	NUT HEX NYRT M6-1.0 SS	1	
83	5001630	SCREW TP BUTF TORX M6x20 SS	3	
84	502862	SCREW CAP HEX M8-1.25x20 G8.8 N500	4	
85	2800590	PLATE ADJUSTMENT UPPER	1	
86	2800223	ARM STOPPER	1	
87	502638	WASHER FL .312x.734x.065 N500	2	
88	283770	SPACER / TO FIX RETAINING ARM	1	
89	502638	WASHER FL .312x.734x.065 N500	1	
90	5001787	NUT HEX NYRT M8-1.25 SS	1	
91	5001560	SCREW SHR HEXS 5/16x3/8 {1/4-20 SS	1	
92	502768	WASHER FL RUB .312x.625x.125 NEO	1	
93	502723	WASHER FL .386x.750x.050 NYL	1	
94	500384	NUT HEX JAM 1/4-20 G500	1	
95	221894	SUPPORT PIVOT / DOOR GUIDE M6-1.0 W/SHOULDER 10M	1	
96	2800231	GUIDE, ARM STOPPER	1	
97	068966	EVAPORATOR HARNESS	1	
. NS	504398	. GROMMET / 1.000x1.375x.062x.437x1.750	1	
. NS	478900	. GROMMET, MARKER LIGHT	AR	
98	500381	WASHER FL 8.4x25.0x2.0 N500	1	
NS	680038	THREAD LOCKER LOCTITE #243 / BLUE / 50ml	AR	
101	502780	SCREW CAP HEX M8-1.25x25 SS BK	1	
102	5001852	NUT HEX M8-1.25 SS BK	3	
103	5001912	SCREW CAP HEX M8-1.25x30 SS BK	2	
NS	684472	GREASE CLEAR SPRAY BOTTLE 350GR	AR	
		G) FOR PRODUCT IMPROVEMENT ASK FOR 8701351		
		PWT) WITH PACIFIC WESTERN OPTION WITHOUT AIR INTAKE		
		1) NOT SOLD SEPARATELY		

From H-7345 To M-7767

Date:07/2024

PAGE:X3PLB-1866-01

EVAPORATOR DOOR ASSY

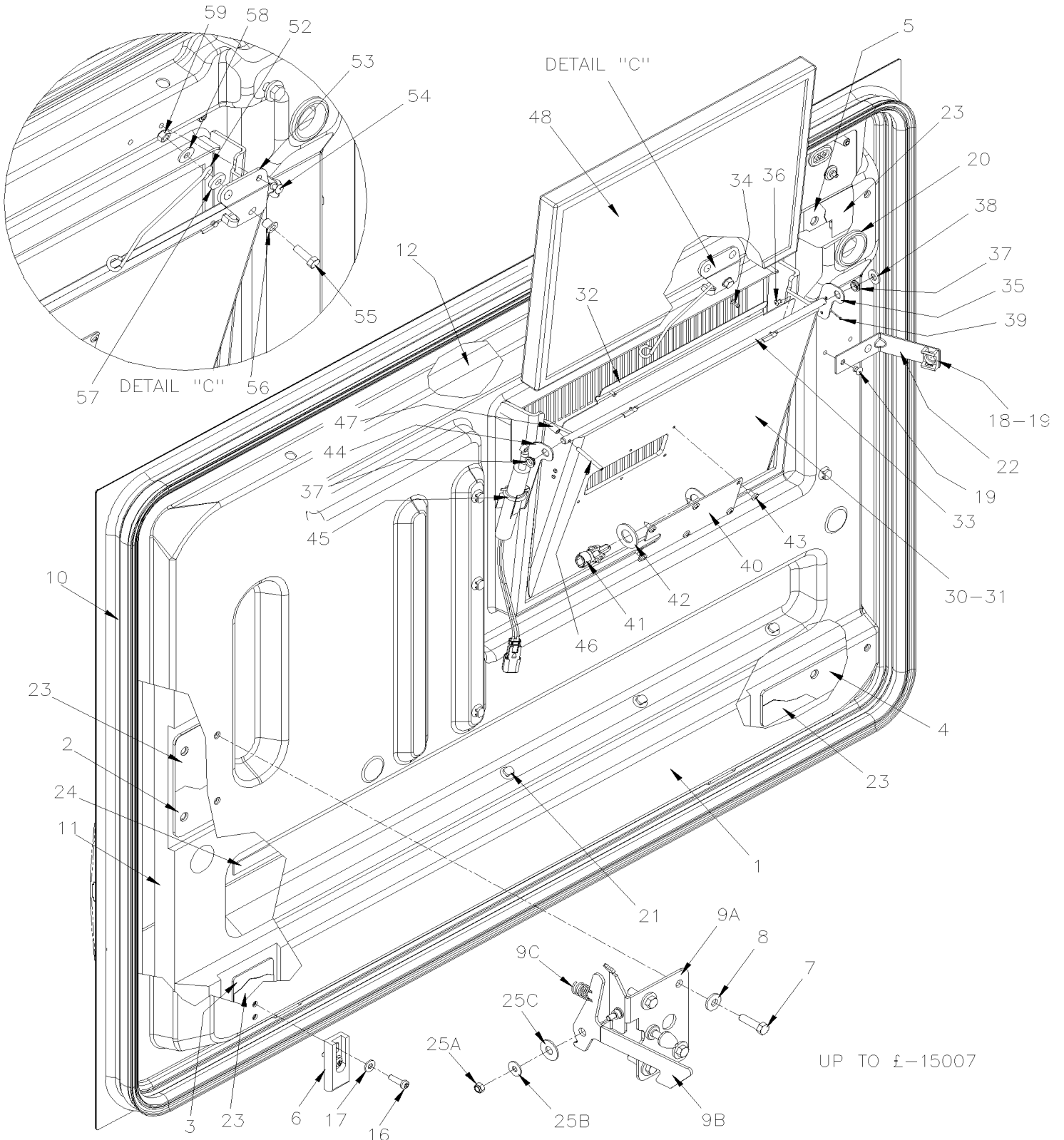


From H-7345 To M-7767

Date:07/2024

PAGE:X3PLB-1866-01

EVAPORATOR DOOR ASSY



UP TO £-15007

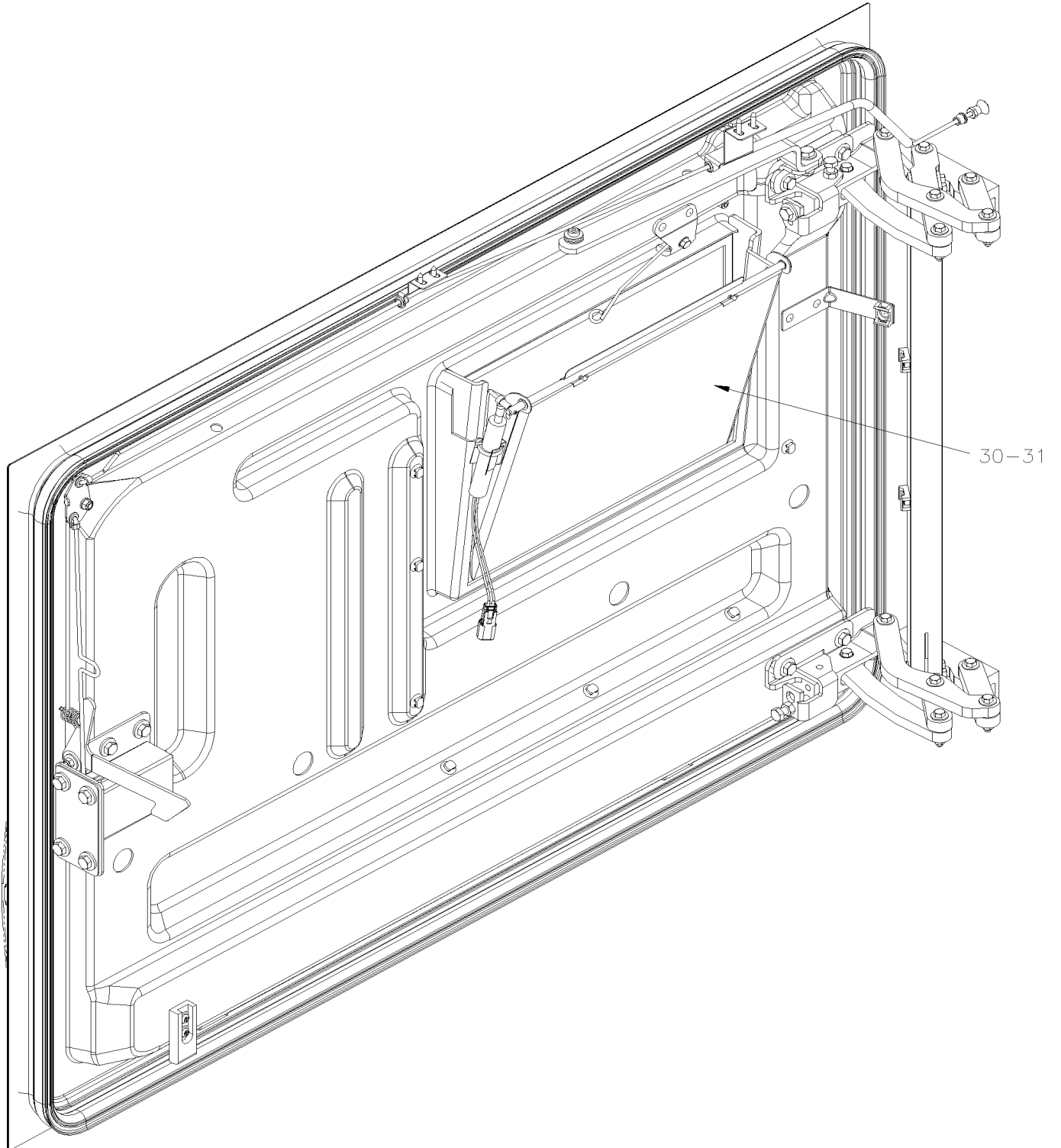
From H-7345 To M-7767

Date:07/2024

PAGE:X3PLB-1866-01

EVAPORATOR DOOR ASSY

FROM £-15007



From H-7345 To M-7767	Date:07/2024	PAGE:X3PLB-1866-01
EVAPORATOR DOOR ASSY		

Item#	Part	Description	QTY	Notes
	485719	EVAPORATOR DOOR ASSY / WITH AIR INTAKE	1	
	485718	EVAPORATOR DOOR ASSY / WITHOUT AIR INTAKE	1	PWT
1	2800600	. DOOR FRAME	1	
2	2800250	. ATTACH, PENE	1	
3	2800251	. ATTACH, SKID	1	
4	2800252	. ATTACH, DOWN HINGE	1	
5	2800253	. ATTACH, UPPER HINGE	1	
6	2800234	. GUIDE, HINGE DOOR	1	
7	5001912	. SCREW CAP HEX M8-1.25x30 SS BK	4	
8	500321	. WASHER BEL SPR .331x.827x.098 N500 To H-7413	4	
8	5001848	WASHER BEL SPR .827 x .331 x .098 th SS From H-7414	1	
9A	2800389	. PENE ASSY	1	
9B	2800388	. LATCH	1	
9C	502245	. SPRING COMPRESSION / .600 O.D. x 1.25 x .059	1	
10	2800422	. WEATHERSTRIP / EVAPORATOR DOOR	1	
11	352595	. INSULATION, EVAPORATOR DOOR	1	
11	352606	. INSULATION WITHOUT FRESH AIR HOLES	1	PWT
12	352596	. INSULATION, EVAPORATOR DOOR	1	
13	X3PLB-0662-00	. CLEARANCE & MARKER LIGHT To K-7662		
13	X3PLB-0662-01	. CLEARANCE & MARKER LIGHT From L-7663	1	
14	5001042	. . SCREW MA RND PH #10-32x1 1/4 SS To J-7441	4	
14	5002021	. . SCREW MA TR PH #10-32x1 1/4 SS From J-7442	4	
15	502774	. . NUT WELL #10-32x.625	4	
16	502626	. SCREW MA PAN PH M6-1.0x20 N500	2	
17	500877	. WASHER FL .250x.562x.065 N500	2	
18	504013	TIE MOUNT / 1/4" X 1/4" I.D.	1	
19	504788	. RIVET POP DOME OE 3/16x1/4 AL	AR	
20	504398	. GROMMET / 1.000x1.375x.062x.437x1.750	1	
21	509815	. TIE MOUNT / ATTACHMENT W/TREE MOUNT	AR	
21	504637	. CABLE TIE / 3/16" x 13"	AR	
21	504273	. CABLE TIE / 1/8" X 3"1/2	AR	
22	069008	. SUPPORT CABLE	1	
23	684743	. GLUE METHACRYLATE PLEXUS MA832GB 380 ml	AR	
24	687957	. GLUE MS POLYMER TEROSON MS 9399 / 400ml CARTRIDGE To M-7792	AR	
24	685387	. GLUE MS POLYMER TEROSON MS 9399 / 400ml CARTRIDGE From M-7793	AR	
24	506785	. TAPE RUB ADH2 CC POL 1/16" X 1/4" X 200' / BLACK I1C-N-A	AR	
24	685126	. ADHESIVE SIMSON #ISR 70-03 / GREY / 600ml SAUSAGE	AR	
25A	5001182	. NUT HEX NYRT M6-1.0 SS	1	
25B	5001833	. WASHER BEL SPR 6.1x18x1.27 SS	1	
25C	500270	. WASHER FL .406x1.000x.063 SS	1	
27	484322	. ONE PIECE PANEL EVAPORATOR / FLAT / ALUMINIUM	1	
27	484328	. ONE PIECE PANEL EVAPORATOR / FLAT WITHOUT FRESH AIR HOLES	1	PWT

From H-7345 To M-7767	Date:07/2024	PAGE:X3PLB-1866-01
EVAPORATOR DOOR ASSY		

Item#	Part	Description	QTY	Notes
27	484326	. . LOWER PANEL / FLAT / ALUMINIUM	1	
30	374707P	. INTAKE FRESH AIR ASSY To H-7416	1	
30	370108P	. INTAKE FRESH AIR ASSY From H-7417	1	
30	684685	. ADHESIVE SIMSON #ISR 70-03 / 310ml CARTRIDGE	AR	
31	374706	. AIR DEFLECTOR To H-7416	1	
31	370107	. AIR DEFLECTOR From H-7417	1	
32	374713	. FLAP	1	
33	374714	. PIVOT , FLAP	1	
34	504339	. RIVET POP DOME OE 1/8x3/8 SS	2	
35	374708	. SUPPORT, FRESH AIR FLAP	1	
36	504340	. RIVET POP DOME OE 1/8x3/16 SS	5	
37	507309	. BUSHING NYLINED .312x.375x.078x.500	2	
38	5001341	. WASHER FL 8.4x17.0x1.6 SS	1	
39	502094	. PIN, COTTER 1/16 x 1/2 SS	1	
40	374710	. SENSOR SUPPORT ASSY To H-7416	1	
41	563335	. SENSOR THERMISTOR ASSY / OUTSIDE // PED 15416387 To H-7416	1	
42	5001460	. WASHER FL .640x1.188x0.073 SS To H-7416	1	
43	500952	. SCREW TP BDG PH #8x1/2 SS To H-7416	6	
44	374709	. SUPPORT, ACTUATOR	1	
45	871180	. ACTUATOR W/BOOT	1	G
. NS	871452	. . CLIP MOUTING ACTUATOR	1	G
. NS	N.S.S.	. . ACTUATOR	1	1 G
. NS	N.S.S.	. . BOOT	1	1 G
45	870135	. ACTUATOR W/BOOT W/E-COAT PROTECTION	1	
. NS	871452	. . CLIP MOUTING ACTUATOR	1	
NS	562486	. CONNECTOR / DT SERIES / PH 2C / GRAY / DEUTSCH DT04-2P	1	
NS	562286	. PIN TERMINAL / 18-16 / DEUTSCH 0460-202-16141	2	
NS	562487	. SECONDARY LOCK / DT SERIES / PH 2C / DEUTSCH W2P	1	
46	502243	. SPRING PIN	1	
47	503402	. TUBE, NYLON 1/4 O.D. / BLACK S.L.	1	
48	871448	AIR FILTER 1" x 10 7/8" x 15 1/2"	1	
49	502780	SCREW CAP HEX M8-1.25x25 SS BK	4	
50	X3PLB-1855-00	RUB RAIL - EXTERIOR CREST & TRIMS		
52	374777	SPRING RETAINER	1	
53	374778	SUPPORT, SPRING	1	
54	504113	RIVET POP DOME CLE 3/16x1/4 AL	2	
55	502622	SCREW CAP HEX M6-1.0x20 SS BK	1	
56	507381	BUSHING W/SHOULDER 1/4" I,D,	1	
57	5001481	SPACER NYLON .323 I.D. X .750 O.D. X .125	1	
58	5001114	WASHER FL .260x.687x.060 NYL	1	
59	5001182	NUT HEX NYRT M6-1.0 SS	1	
60	478900	GROMMET, MARKER LIGHT	1	

From H-7345 To M-7767	Date:07/2024	PAGE:X3PLB-1866-01
EVAPORATOR DOOR ASSY		

Item#	Part	Description	QTY	Notes
61	280272P	HINGE ASSY	1	
61	504013	. TIE MOUNT / 1/4" X 1/4" I.D.	2	
61	504114	. RIVET POP DOME OE 3/16x1/4 AL	2	
61A	280102	. BRACKET DOOR, HINGE	1	
61B	280097	. BRACKET STRUCTURE, HINGE	1	
61C	280100	. PIVOT, HINGE To J-7493	1	
61C	281683	. PIVOT, HINGE From J-7494	1	
61D	280099	. PIVOT, HINGE To J-7493	1	
61D	281686	. PIVOT, HINGE From J-7494	1	
61E	280101	. PIVOT, HINGE To J-7493	1	
61E	281690	. PIVOT, HINGE From J-7494	1	
61F	280098	. PIVOT, HINGE	1	
61G	280106	. TUBE	1	
61H	280105	. SLEEVE, HINGE 7 PIVOTS	14	
61J	507013	. BEARING FLANGE 12MM I.D. X 14MM O.D. X 6MM	28	
61K	5000310	. SCREW CAP HEX M6-1.0x40 BK	12	
61L	502573	. WASHER FL 6.4x12.5x1.6 SS	8	
61M	5001182	. NUT HEX NYRT M6-1.0 SS	18	
61N	5001923	. SCREW CAP HEX M6-1.0x45 SS BK To J-7439	4	
61N	5000310	. SCREW CAP HEX M6-1.0x40 BK From J-7440	4	
61P	500411	. WASHER FL .260x.697x.050 SS	24	
61Q	5001636	. SCREW CAP HEX M6-1.0x50 SS BK	2	
61R	281874	. STOPPER, HINGE	2	
62	280103	PLATE ADJUSTMENT	1	
63	5001912	SCREW CAP HEX M8-1.25x30 SS BK	4	
64	500321	WASHER BEL SPR .331x.827x.098 N500 To H-7413	13	
64	5001848	WASHER BEL SPR .827 x .331 x .098 th SS From H-7414	AR	
65	504083	SNAP BUSHING / .250x.468.406	3	
66	780340	CLIP, RETAINER ROD	2	
67	480032	ROD OPENING 1200MM	1	
68	484309	PIVOT LATCH	1	
69	484310	ROD OPENING 381MM	1	
70	478577	SPRING HOLDER	1	
71	477399	RECEPTACLE	1	
72	460708	ADJUSTMENT PLATE	1	
73	2800228	SUPPORT, RECEPTACLE ASSY	1	
74	484319	FIXATION PLATE	1	
75	484321	ROD SUPPOPRT	1	
76	484320	ROD SUPPOPRT	1	
77	505504	KNOB, PULL / 8-32	1	
78	500986	NUT HEX #8-32 N500	1	
79	500957	SCREW TP BDG PH #10x3/4 N500	2	

From H-7345 To M-7767	Date:07/2024	PAGE:X3PLB-1866-01
EVAPORATOR DOOR ASSY		

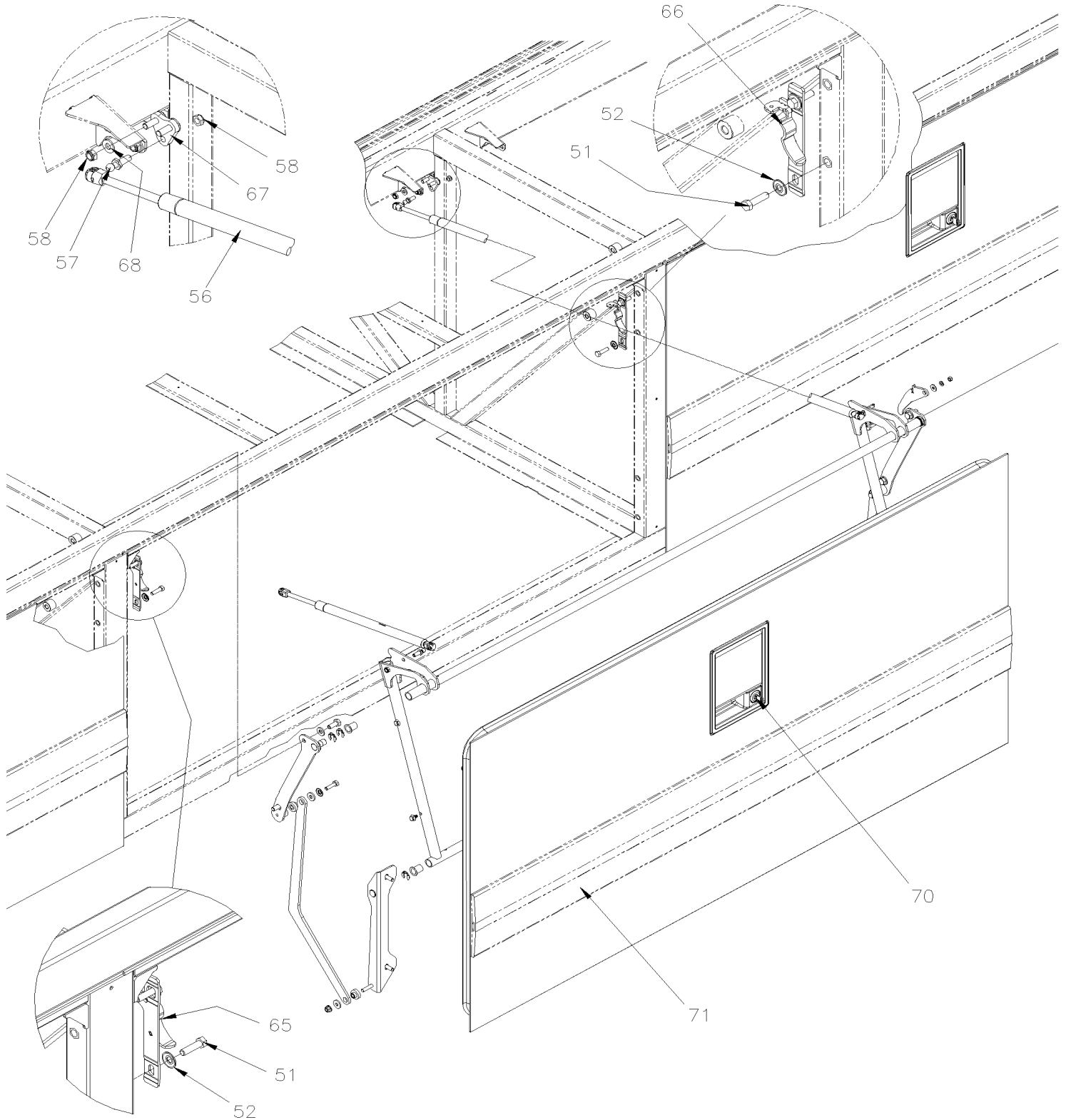
Item#	Part	Description	QTY	Notes
80	500657	SCREW TC TR PH #10-24x1/2 Z050 To H-7413	2	
80	5001966	SCREW TC BDG PH #10-24x1/2 SS410 ZINC From H-7414	2	
81	502573	WASHER FL 6.4x12.5x1.6 SS	1	
82	5001182	NUT HEX NYRT M6-1.0 SS	1	
83	5001630	SCREW TP BUTF TORX M6x20 SS	3	
84	502862	SCREW CAP HEX M8-1.25x20 G8.8 N500	4	
85	280273	PLATE ADJUSTMENT UPPER	1	
86	280551	ARM STOPPER To J-7493	1	
86	2800223	ARM STOPPER From J-7494 To J-7494	1	
86	280551	ARM STOPPER From J-7494	1	
87	502638	WASHER FL .312x.734x.065 N500 To H-7413	3	
87	5001341	WASHER FL 8.4x17.0x1.6 SS From H-7414	3	
88	283770	SPACER / TO FIX RETAINING ARM	1	
89	502780	SCREW CAP HEX M8-1.25x25 SS BK	2	
90	5001787	NUT HEX NYRT M8-1.25 SS	1	
91	5001560	SCREW SHR HEXS 5/16x3/8 {1/4-20 SS	1	
92	502768	WASHER FL RUB .312x.625x.125 NEO	1	
93	502723	WASHER FL .386x.750x.050 NYL	1	
94	500384	NUT HEX JAM 1/4-20 G500	1	
95	221894	SUPPORT PIVOT / DOOR GUIDE M6-1.0 W/SHOULDER 10M	1	
96	2800231	GUIDE, ARM STOPPER	1	
NS	068966	EVAPORATOR HARNESS To H-7416	1	
. NS	504398	. GROMMET / 1.000x1.375x.062x.437x1.750 To H-7416	1	
. NS	478900	. GROMMET, MARKER LIGHT To H-7416	AR	
NS	060556	EVAPORATOR HARNESS From H-7417	1	
. NS	504398	. GROMMET / 1.000x1.375x.062x.437x1.750 From H-7417	1	
. NS	478900	. GROMMET, MARKER LIGHT From H-7417	1	
NS	680038	THREAD LOCKER LOCTITE #243 / BLUE / 50ml	AR	
101	5001989	SCREW CAP HEX M8-1.25x40 BK	1	
102	5001852	NUT HEX M8-1.25 SS BK	3	
NS	684472	GREASE CLEAR SPRAY BOTTLE 350GR	AR	
		G) FOR PRODUCT IMPROVEMENT ASK FOR 8701351		
		PWT) WITH PACIFIC WESTERN OPTION WITHOUT AIR INTAKE		
		1) NOT SOLD SEPARATELY		

From G-7275 To M-7767

Date:07/2024

PAGE:X3PLB-1864-00

BAGGAGE DOOR ASSY

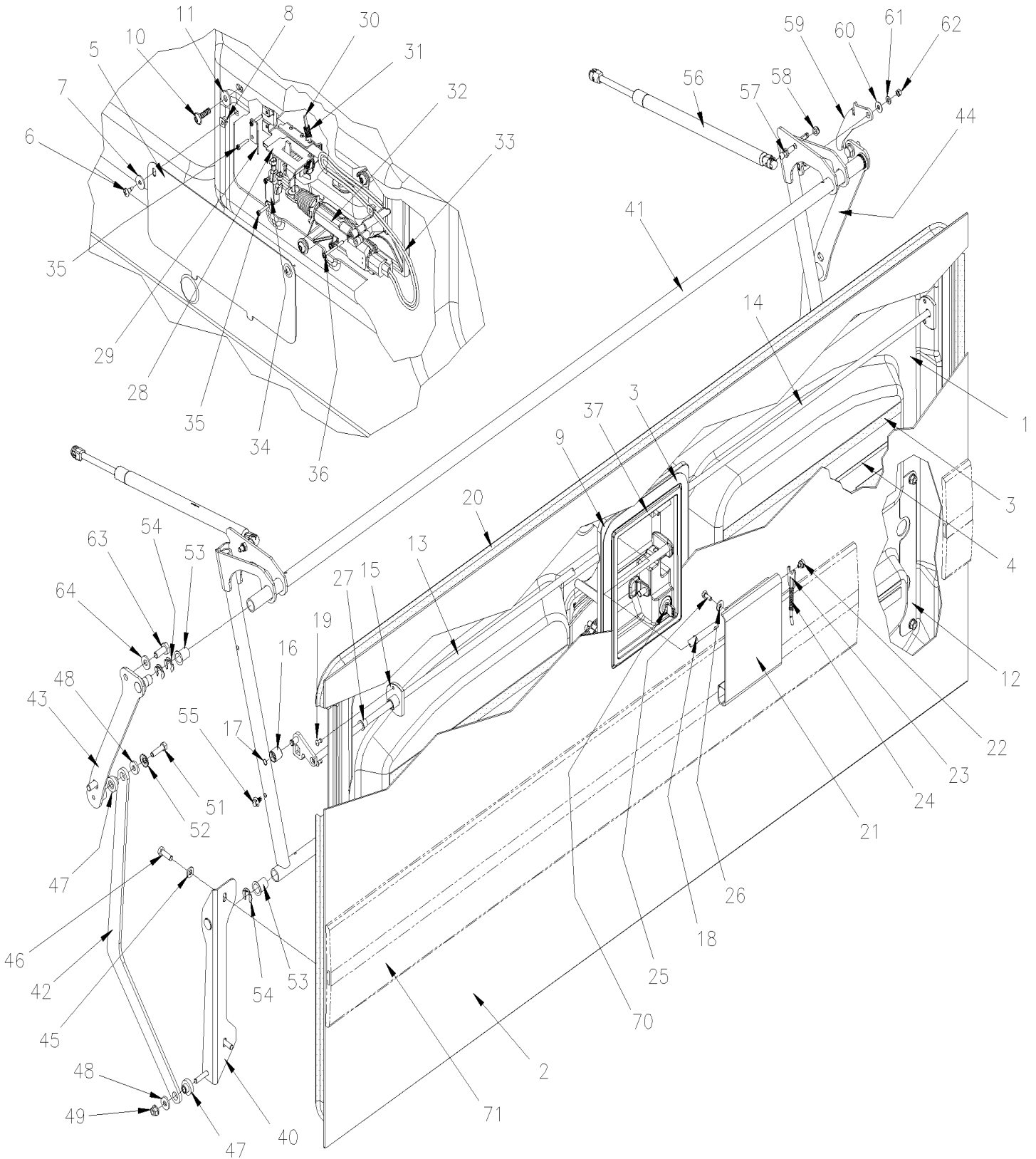


From G-7275 To M-7767

Date:07/2024

PAGE:X3PLB-1864-00

BAGGAGE DOOR ASSY



From G-7275 To M-7767	Date:07/2024	PAGE:X3PLB-1864-00
BAGGAGE DOOR ASSY		

Item#	Part	Description	QTY	Notes
	2800366	DOOR ASSY 70" / W/FLAT PANEL / ALUMINIUM	1	
	2800365	DOOR ASSY 70" / W/FLAT PANEL / ELECTRICAL LOCK / ALUMINIUM	1	
	2800591	DOOR ASSY 70" / W/FLAT PANEL / 3RD CURBSIDE ONLY / ELECTRICAL LOCK / ALUMINIUM	1	
	2810420	DOOR ASSY 70" / W/FLAT PANEL W/LAMP / ELECTRICAL LOCK / ALUMINIUM	1	L
1	2800597	. FRAME 70" / ALUMINIUM	1	
1	280041	. FRAME 70"- W/ LAMP / ALUMINIUM	1	L
2	288733	. ONE PIECE PANEL / FLAT 70" / ALUMINIUM	1	
2	2800295	. . LOWER PANEL / FLAT - W/O W.C.L. / 70" / ALUMINIUM	1	
2	280040	. ONE PIECE PANEL / FLAT W/ LAMP 70" / ALUMINIUM	1	L
NS	X3PLB-0663-00	. DOCK & CORNERING LIGHT		L
3	687961	. GLUE MS POLYMER TEROSON MS 9399 / "A" 21 Liters To M-7792	AR	
3	685385	. GLUE MS POLYMER TEROSON MS 9399 / "A" 14.8 Liters From M-7793	AR	
3	687962	. GLUE MS POLYMER TEROSON MS 9399 / "B" 21 Liters To M-7792	AR	
3	685386	. GLUE MS POLYMER TEROSON MS 9399 / "B" 14.8 Liters From M-7793	AR	
3	687957	. GLUE MS POLYMER TEROSON MS 9399 / 400ml CARTRIDGE To M-7792	AR	
3	685387	. GLUE MS POLYMER TEROSON MS 9399 / 400ml CARTRIDGE From M-7793	AR	
3	684517	. ADHESIVE SIMSON #ISR 70-03 / GREY / 310ml CARTRIDGE	AR	
4	506785	. TAPE RUB ADH2 CC POL 1/16" X 1/4" X 200' / BLACK I1C-N-A	AR	
5	2800265	. PANEL ACCESS 10 3/4" x 4 3/8"	1	
6	500124	. SCREW TP TR PH #8x1/2 SS	2	
7	5001076	. WASHER FL RET 4.6x15.4x1.37 NYL BK	2	
8	502741	. NUT AN #8 NYL	2	
9	289062	. SEALING BOX / W/FORD LOCK	1	
10	5001630	. SCREW TP BUTF TORX M6x20 SS	5	
11	5001114	. WASHER FL .260x.687x.060 NYL	5	
12	2800053	. ATTACH, HINGE	2	
13	2800237	. LOCKING ROD L.H. 793MM	1	
14	2800238	. LOCKING ROD R.H. 793MM	1	
15	2800269	. LOCKING ROD GUIDE	2	
16	2800270	. ROLLER CATCH	2	
17	504318	. RING RETAINER / EXT .375 x .352 x .025	2	
18	507644	. O-RING 10MM I.D. X 2MM	2	
19	504120	. RIVET POP DOME CLE 3/16x1/2 AL	4	
20	2800423	. RUBBER SEAL EXTRUSION / W/70" DOOR	1	
21	2800297	. HANDLE ASSY / BAGAGE DOOR To P-8014	1	
21	2800675	. HANDLE ASSY / BAGAGE DOOR From P-8015	1	
22	287271	. . RIVET SHR FL 9.95x3.6(4.8x4.8 SS	1	
23	289068	. PIN HANDLE RELEASE	1	
24	289070	. SPRING COMPRESSION / .355 O.D. 2.755 x .063	1	
25	5001697	. SCREW CAP HEX M6-1.0x16 SS BK	2	
26	5001833	. WASHER BEL SPR 6.1x18x1.27 SS	2	
27	507141	. BUSHING, NYLINER W/SHOULDER (7-L-7-F)	2	

From G-7275 To M-7767	Date:07/2024	PAGE:X3PLB-1864-00
BAGGAGE DOOR ASSY		

Item#	Part	Description	QTY	Notes
28	289065	. PIN LATCH To K-7561	1	B
28	289862	. PIN LATCH From K-7562	1	
29	289064	. STOP PLATE LATCH	1	
30	481564	. ROD GUIDE	2	
31	502934	. SPRING COMPRESSION / .300 O.D. x 1 x .026	2	
32	2800049	. LOCK ACTUATOR / 12V To K-7561	1	
32	289877	. LOCK ACTUATOR / 12V From K-7562	1	
33	068617	. CABLE ASSY / DOOR LOCK To H-7416	1	
33	069551	. CABLE ASSY / DOOR LOCK From H-7417	1	
NS	504637	. CABLE TIE / 3/16" x 13"	AR	
33	509815	. TIE MOUNT / ATTACHMENT W/TREE MOUNT	2	N
33	504273	. CABLE TIE / 1/8" X 3"1/2	2	N
34	562096	. MICRO SWITCH	1	
35	5001888	. SCREW TP CAP TORX M3X18 SS	4	
36	5001887	. SCREW TP PAN WSHR TORX M3X35 SS	2	
37	289063	. FINISHING FRAME PLASTIC / AROUND HANDLE BLACK	1	
NS	684685	. ADHESIVE SIMSON #ISR 70-03 / 310ml CARTRIDGE	AR	
40	288735	BRACKET LOWER LH	1	
40	288734	BRACKET LOWER RH	1	
41	2800107	ARM PANTOGRAPH	1	
42	2800307	ARM LOWER L.H.	1	
42	2800104	ARM LOWER R.H.	1	
43	288737	ARM UPPER L.H.	1	
44	288736	ARM UPPER R.H.	1	
45	5001868	WASHER BEL SPR 8.4x18x2 SS	4	
46	502780	SCREW CAP HEX M8-1.25x25 SS BK	4	
47	286716	SPACER BUSHING FLANGE / AUX. ARM & SUPPORT ACETAL 8.3MM I.D.	4	
48	500401	WASHER FL .343x.875x.125 N500	4	
49	502837	NUT HEXF STO M8-1.25 N500	2	
51	5001738	SCREW CAP HEX M8-1.25x30 G8.8 N500	6	
52	5001699	WASHER BEL SPR 8.2x22x1.4 N500	6	
53	507299	BUSHING NYLINER	4	
54	508398	RING RETAINER / EXT .625 x .500 x .050" / SS	6	
55	509815	TIE MOUNT / ATTACHMENT W/TREE MOUNT	2	
56	980030	CYLINDER GAZ / 669/409MM C/C / 210LBS	2	
57	980027	BALL STUD / W/10 MM X M8-1.25 / 36.5MM	4	
58	502847	NUT HEX NYRT M8-1.25 N500	8	
59	2800310	HOOK, BAGGAGE DOOR	1	
NS	2800309	SPRING TENSION	1	
60	5001833	WASHER BEL SPR 6.1x18x1.27 SS To H-7416	1	
60	5001976	WASHER FL .266x.718x.060 SS From H-7417	1	
61	502573	WASHER FL 6.4x12.5x1.6 SS To H-7416	1	

From G-7275 To M-7767	Date:07/2024	PAGE:X3PLB-1864-00
BAGGAGE DOOR ASSY		

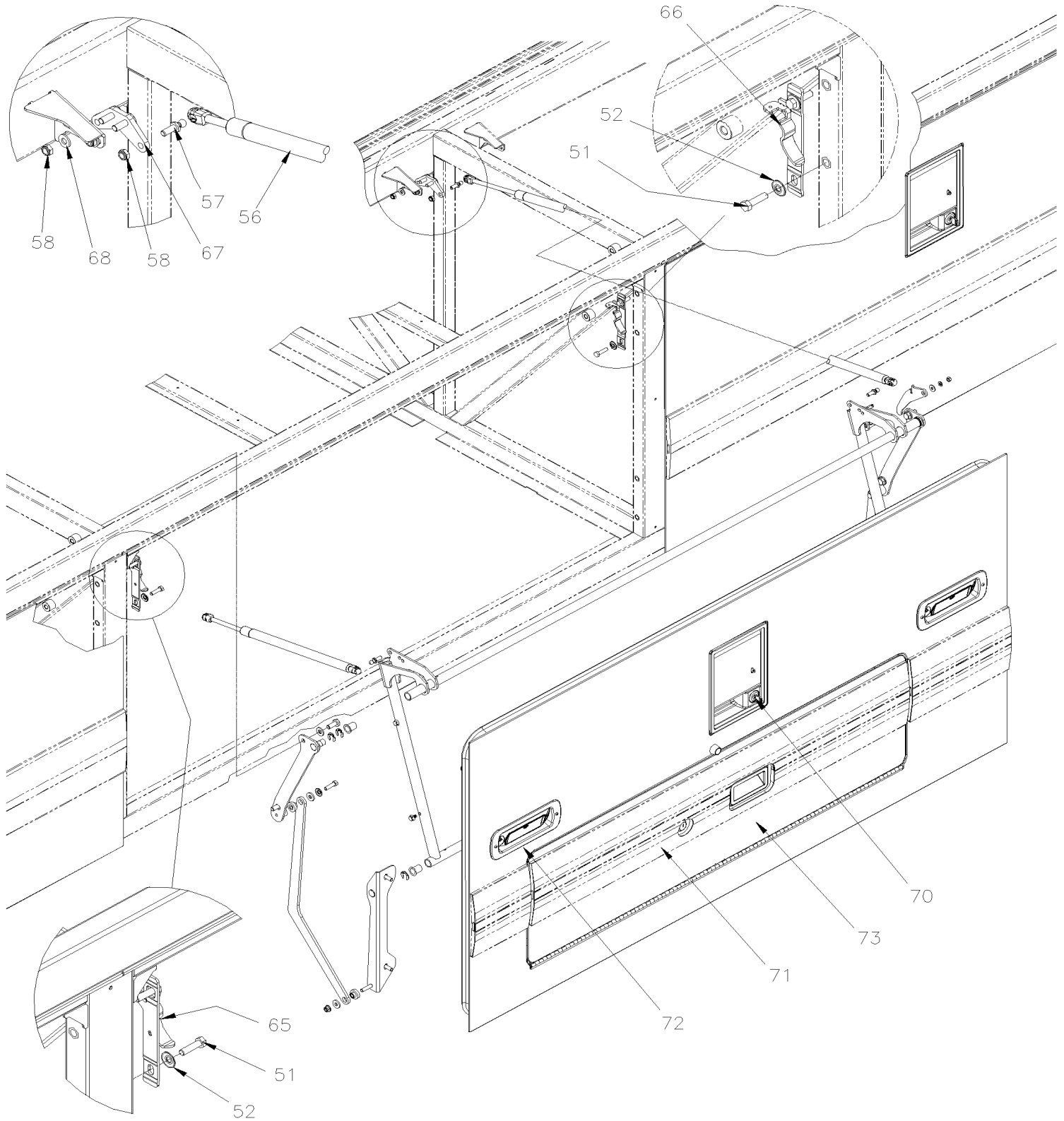
Item#	Part	Description	QTY	Notes
62	5001182	NUT HEX NYRT M6-1.0 SS	1	
63	502804	SCREW CAP HEX M10-1.5x25 G8.8 N500	4	
64	5001834	WASHER BEL SPR 10.5X23X2.5 N500	4	
65	2800528	LOCKING GUIDE L.H. ASSY To K-7607	1	
65	2800321	LOCKING GUIDE L.H. ASSY From K-7608	1	
66	2800531	LOCKING GUIDE R.H. ASSY To K-7607	1	
66	2800667	LOCKING GUIDE R.H. ASSY From K-7608	1	
67	2800306	ATTACHMENT / DOOR CYLINDER	2	
68	5001736	WASHER FL 8.4x18.0x2.0 N500	4	
70	X3PLB-1867-00	KEY & CYLINDER CODE "FORD" & "NS" To K-7662		
70	X3PLB-1867-01	KEY & CYLINDER CODE "FORD" From L-7663		
71	X3PLB-1855-00	RUB RAIL - EXTERIOR CREST & TRIMS		
		B) ONLY USE WITH ELECTRICAL LOCK, WHEN YOU REPLACE THE PIN LATCH 289065 BY THE NEW 289862 YOU HAVE TO REPLACE THE ACTUATOR 2800049 BY NEW 289877		
		L) WITH DOOR CURB LIGHT		
		N) W/O ELECTRIC LOCK		

From G-7275 To K-7662

Date:07/2024

PAGE:X3PLB-1864-70

BAGGAGE DOOR ASSY / W.C.L.

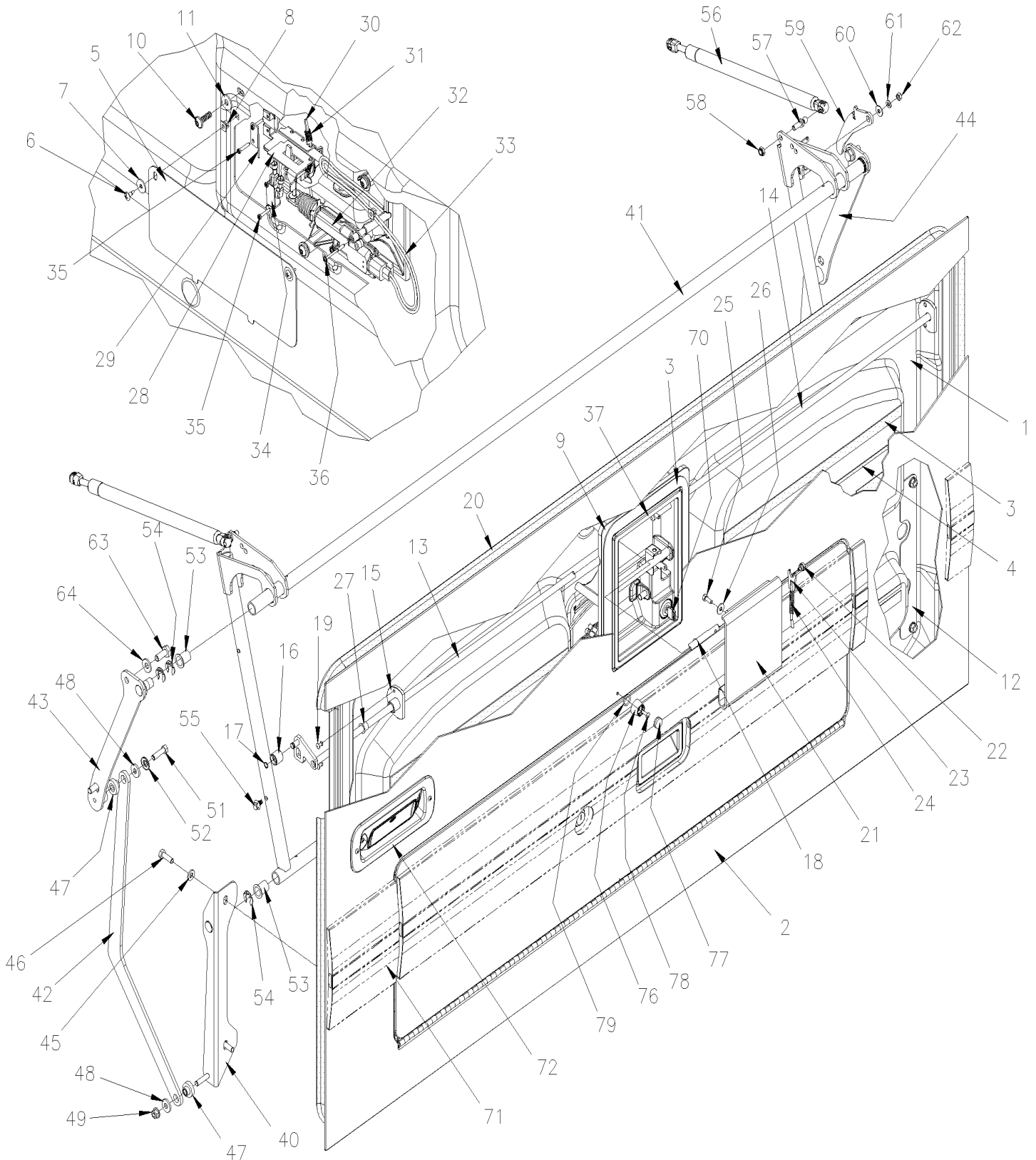


From G-7275 To K-7662

Date:07/2024

PAGE:X3PLB-1864-70

BAGGAGE DOOR ASSY / W.C.L.



From G-7275 To K-7662	Date:07/2024	PAGE:X3PLB-1864-70
BAGGAGE DOOR ASSY / W.C.L.		

Item#	Part	Description	QTY	Notes
	289553	DOOR ASSY 70" / W/FLAT PANEL - W/W.C.L.	1	
	289554	DOOR ASSY 70" / W/FLAT PANEL - W/W.C.L. / ELECTRICAL LOCK / ALUMINIUM	1	
1	2800598	. FRAME 70" - W/ W.C.L. / ALUMINIUM	1	
2	2800103	. ONE PIECE PANEL / FLAT - W/W.C.L. 70" / ALUMINIUM	1	
2	2800896	. ONE PIECE PANEL / FLAT - W/W.C.L. W/LAMP 70" / ALUMINIUM	1	L
3	687961	. GLUE MS POLYMER TEROSON MS 9399 / "A" 21 Liters	AR	
3	687962	. GLUE MS POLYMER TEROSON MS 9399 / "B" 21 Liters	AR	
3	684517	. ADHESIVE SIMSON #ISR 70-03 / GREY / 310ml CARTRIDGE	AR	
4	506785	. TAPE RUB ADH2 CC POL 1/16" X 1/4" X 200' / BLACK I1C-N-A	AR	
5	2800265	. PANEL ACCESS 10 3/4" x 4 3/8"	1	
6	500124	. SCREW TP TR PH #8x1/2 SS	2	
7	5001076	. WASHER FL RET 4.6x15.4x1.37 NYL BK	2	
8	502741	. NUT AN #8 NYL	2	
9	289062	. SEALING BOX / W/FORD LOCK	1	
10	5001630	. SCREW TP BUTF TORX M6x20 SS	5	
11	5001114	. WASHER FL .260x.687x.060 NYL	5	
12	2800053	. ATTACH, HINGE	2	
13	2800237	. LOCKING ROD L.H. 793MM	1	
14	2800238	. LOCKING ROD R.H. 793MM	1	
15	2800269	. LOCKING ROD GUIDE	2	
16	2800270	. ROLLER CATCH	2	
17	504318	. RING RETAINER / EXT .375 x .352 x .025	2	
18	507644	. O-RING 10MM I.D. X 2MM	2	
19	504120	. RIVET POP DOME CLE 3/16x1/2 AL	4	
20	2800423	. RUBBER SEAL EXTRUSION / W/70" DOOR	1	
21	2800297	. HANDLE ASSY / BAGAGE DOOR	1	
22	287271	. . RIVET SHR FL 9.95x3.6(4.8x4.8 SS	1	
23	289068	. PIN HANDLE RELEASE	1	
24	289070	. SPRING COMPRESSION / .355 O.D. 2.755 x .063	1	
25	5001697	. SCREW CAP HEX M6-1.0x16 SS BK	2	
26	5001833	. WASHER BEL SPR 6.1x18x1.27 SS	2	
27	507141	. BUSHING, NYLINER W/SHOULDER (7-L-7-F)	2	
28	289065	. PIN LATCH To K-7561	1	B
28	289862	. PIN LATCH From K-7562	1	
29	289064	. STOP PLATE LATCH	1	
30	481564	. ROD GUIDE	2	
31	502934	. SPRING COMPRESSION / .300 O.D. x 1 x .026	2	
32	2800049	. LOCK ACTUATOR / 12V To K-7561	1	
32	289877	. LOCK ACTUATOR / 12V From K-7562	1	
33	068726	. CABLE ASSY / DOOR LOCK / W/W.C.L. To H-7416	1	
33	068726	. CABLE ASSY / DOOR LOCK / W/W.C.L. To H-7416	1	A
33	069339	. CABLE ASSY / DOOR LOCK / W/W.C.L. From H-7417	1	

From G-7275 To K-7662	Date:07/2024	PAGE:X3PLB-1864-70
BAGGAGE DOOR ASSY / W.C.L.		

Item#	Part	Description	QTY	Notes
NS	504637	. CABLE TIE / 3/16" x 13"	AR	
33	509815	. TIE MOUNT / ATTACHMENT W/TREE MOUNT	2	N
33	504273	. CABLE TIE / 1/8" X 3"1/2	2	N
34	562096	. MICRO SWITCH	1	
35	5001888	. SCREW TP CAP TORX M3X18 SS	4	
36	5001887	. SCREW TP PAN WSHR TORX M3X35 SS	2	
37	289063	. FINISHING FRAME PLASTIC / AROUND HANDLE BLACK	1	
NS	684685	. ADHESIVE SIMSON #ISR 70-03 / 310ml CARTRIDGE	AR	
40	288735	BRACKET LOWER LH	1	
40	288734	BRACKET LOWER RH	1	
41	2800283	ARM PANTOGRAPH / W/W.C.L.	1	
42	2800307	ARM LOWER L.H.	1	
42	2800104	ARM LOWER R.H.	1	
43	288737	ARM UPPER L.H.	1	
44	288736	ARM UPPER R.H.	1	
45	5001868	WASHER BEL SPR 8.4x18x2 SS	4	
46	502780	SCREW CAP HEX M8-1.25x25 SS BK	4	
47	286716	SPACER BUSHING FLANGE / AUX. ARM & SUPPORT ACETAL 8.3MM I.D.	4	
48	500401	WASHER FL .343x.875x.125 N500	4	
49	502837	NUT HEXF STO M8-1.25 N500	2	
51	5001738	SCREW CAP HEX M8-1.25x30 G8.8 N500	6	
52	5001699	WASHER BEL SPR 8.2x22x1.4 N500	6	
53	507299	BUSHING NYLINER	4	
54	508398	RING RETAINER / EXT .625 x .500 x .050" / SS	6	
55	509815	TIE MOUNT / ATTACHMENT W/TREE MOUNT	2	
56	980030	CYLINDER GAZ / 669/409MM C/C / 210LBS	2	
57	980027	BALL STUD / W/10 MM X M8-1.25 / 36.5MM	4	
58	502847	NUT HEX NYRT M8-1.25 N500	8	
59	2800310	HOOK, BAGGAGE DOOR	1	
NS	2800309	SPRING TENSION	1	
60	5001833	WASHER BEL SPR 6.1x18x1.27 SS To H-7416	1	
60	5001976	WASHER FL .266x.718x.060 SS From H-7417	1	
61	502573	WASHER FL 6.4x12.5x1.6 SS To H-7416	1	
62	5001182	NUT HEX NYRT M6-1.0 SS	1	
63	502804	SCREW CAP HEX M10-1.5x25 G8.8 N500	4	
64	5001834	WASHER BEL SPR 10.5X23X2.5 N500	4	
65	2800528	LOCKING GUIDE L.H. ASSY To K-7607	1	
65	2800321	LOCKING GUIDE L.H. ASSY From K-7608	1	
66	2800531	LOCKING GUIDE R.H. ASSY To K-7607	1	
66	2800667	LOCKING GUIDE R.H. ASSY From K-7608	1	
67	2800319	ATTACHMENT / DOOR CYLINDER / W/W.C.L.	2	
68	5001736	WASHER FL 8.4x18.0x2.0 N500	4	

From G-7275 To K-7662	Date:07/2024	PAGE:X3PLB-1864-70
BAGGAGE DOOR ASSY / W.C.L.		

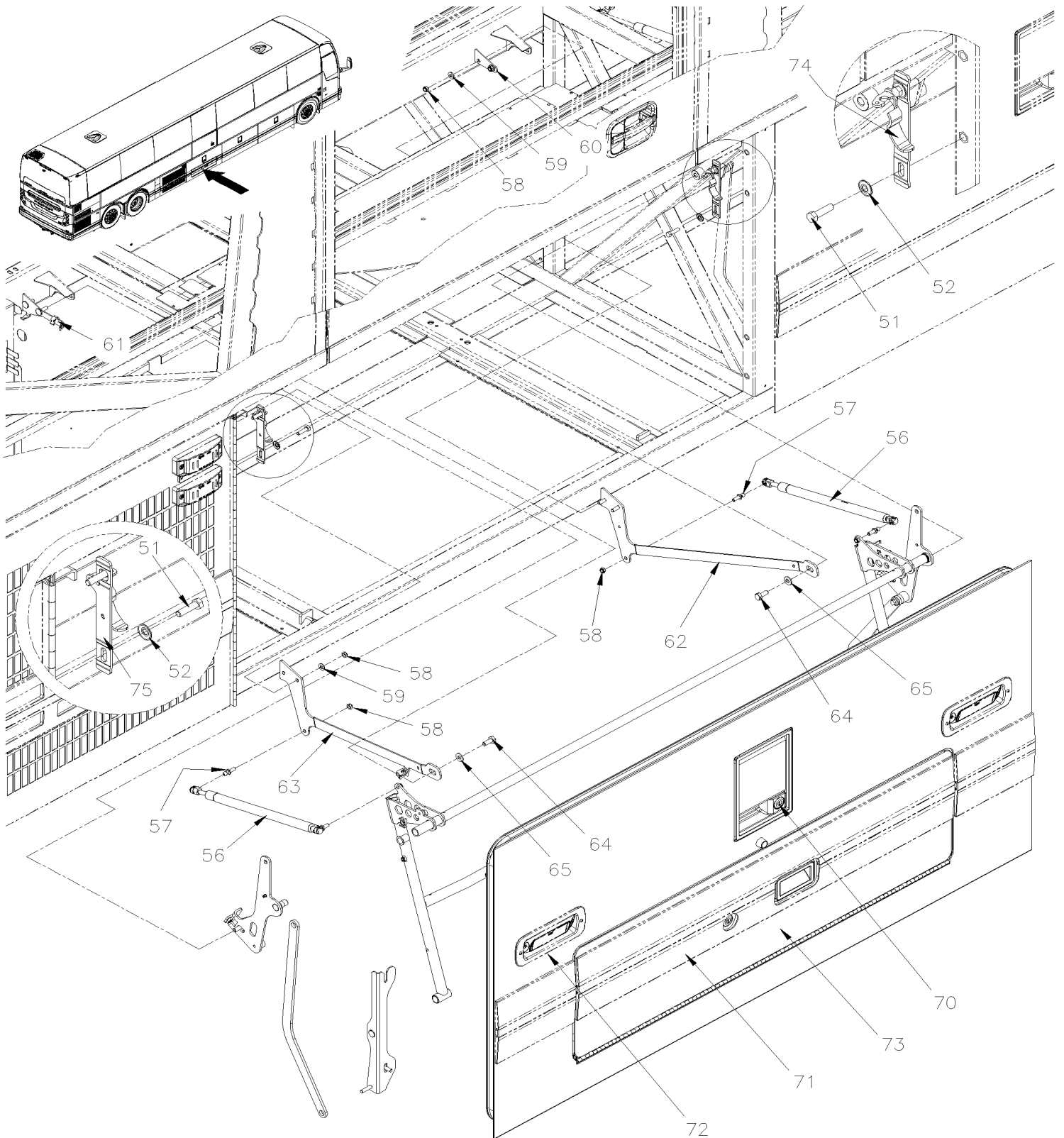
Item#	Part	Description	QTY	Notes
70	X3PLB-1867-00	KEY & CYLINDER CODE "FORD" & "NS"		
71	X3PLB-1855-00	RUB RAIL - EXTERIOR CREST & TRIMS		
72	X3PLB-0663-80	. LIGHT / W.C.L. BAGGAGE DOOR		L
73	X3PLB-1864-80	W.C.L. DOOR - BAGGAGE DOOR	1	
73	X3PLB-1864-85	W.C.L. DOOR - BAGGAGE DOOR MANUAL LOCK WITHOUT KEY	1	
76	2800369	STOPPER / W.C.L. DOOR	1	
77	2800377	CAP / W.C.L. DOOR	1	
77	504127	RIVET POP DOME OE 3/16x3/4 AL	1	
78	507214	O-RING	1	
		A) ALSO USE WITH 3RD DOOR CURBSIDE		
		B) ONLY USE WITH ELECTRICAL LOCK, WHEN YOU REPLACE THE PIN LATCH 289065 BY THE NEW 289862 YOU HAVE TO REPLACE THE ACTUATOR 2800049 BY NEW 289877		
		L) WITH DOOR CURB LIGHT		
		N) W/O ELECTRIC LOCK		

From L-7663 To M-7767

Date:07/2024

PAGE:X3PLB-1864-71

BAGGAGE DOOR ASSY / W.C.L.

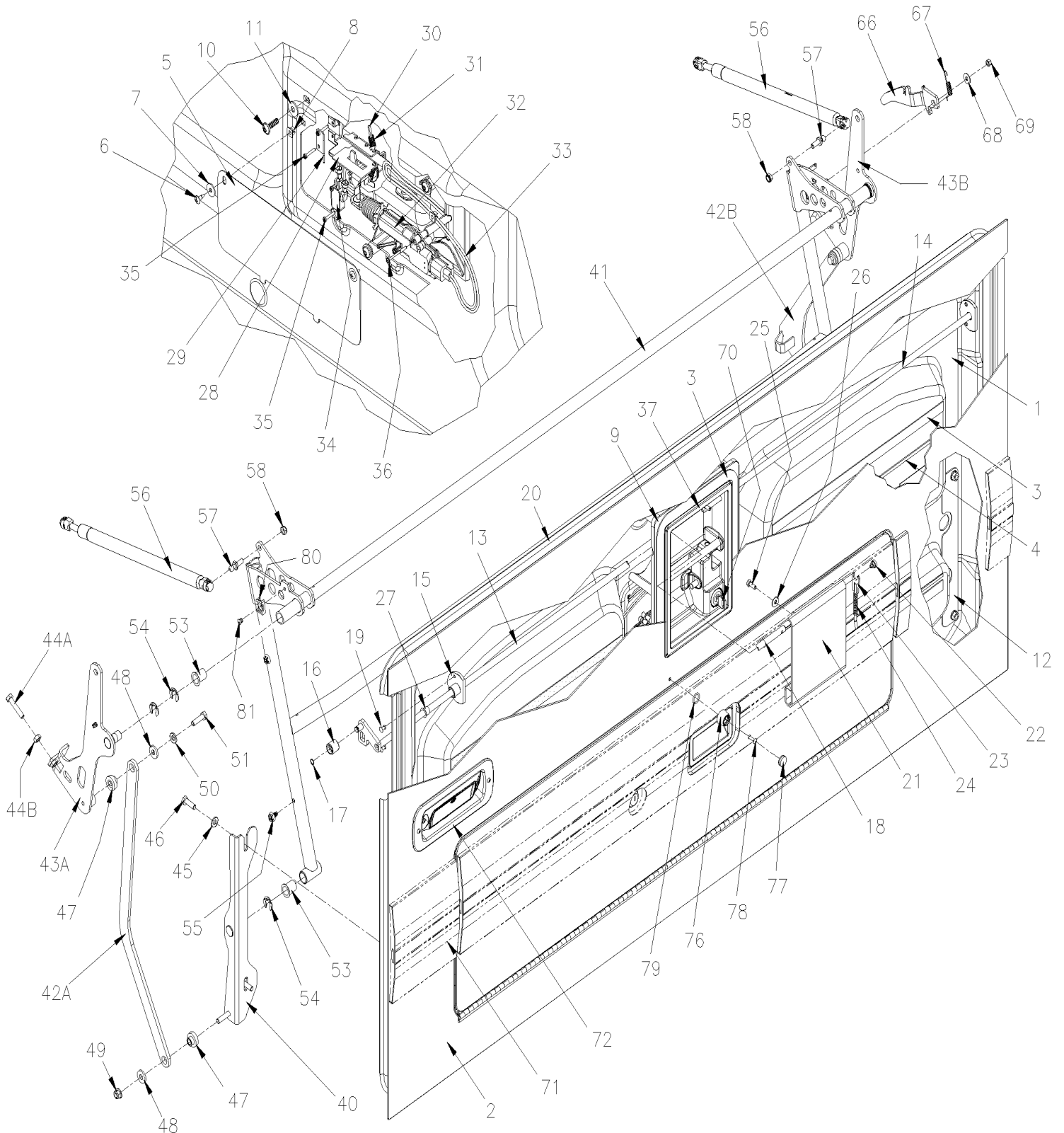


From L-7663 To M-7767

Date:07/2024

PAGE:X3PLB-1864-71

BAGGAGE DOOR ASSY / W.C.L.



From L-7663 To M-7767	Date:07/2024	PAGE:X3PLB-1864-71
BAGGAGE DOOR ASSY / W.C.L.		

Item#	Part	Description	QTY	Notes
	2810277	DOOR ASSY 70" / W/FLAT PANEL - W/W.C.L.	1	
	2810276	DOOR ASSY 70" / W/FLAT PANEL - W/W.C.L. / ELECTRICAL LOCK / ALUMINIUM	1	
	2810274	DOOR ASSY 70" / W/FLAT PANEL - W/W.C.L. / W/LAMP	1	L
	2810275	DOOR ASSY 70" / W/FLAT PANEL - W/W.C.L. / W/LAMP / ELECTRICAL LOCK / ALUMINIUM	1	L
1	280850	. FRAME 70" - W/ W.C.L. 70" / ALUMINIUM	1	
2	280905	. ONE PIECE PANEL / FLAT - W/W.C.L. 70" / ALUMINIUM	1	
2	280851	. ONE PIECE PANEL / FLAT - W/W.C.L. W/LAMP 70" / ALUMINIUM	1	L
3	687961	. GLUE MS POLYMER TEROSON MS 9399 / "A" 21 Liters To M-7792	AR	
3	685385	. GLUE MS POLYMER TEROSON MS 9399 / "A" 14.8 Liters From M-7793	AR	
3	687962	. GLUE MS POLYMER TEROSON MS 9399 / "B" 21 Liters To M-7792	AR	
3	685386	. GLUE MS POLYMER TEROSON MS 9399 / "B" 14.8 Liters From M-7793	AR	
3	687957	. GLUE MS POLYMER TEROSON MS 9399 / 400ml CARTRIDGE To M-7792	AR	
3	685387	. GLUE MS POLYMER TEROSON MS 9399 / 400ml CARTRIDGE From M-7793	AR	
3	684517	. ADHESIVE SIMSON #ISR 70-03 / GREY / 310ml CARTRIDGE	AR	
4	506785	. TAPE RUB ADH2 CC POL 1/16" X 1/4" X 200' / BLACK I1C-N-A	AR	
5	2800265	. PANEL ACCESS 10 3/4" x 4 3/8"	1	
6	500124	. SCREW TP TR PH #8x1/2 SS	2	
7	5001076	. WASHER FL RET 4.6x15.4x1.37 NYL BK	2	
8	502741	. NUT AN #8 NYL	2	
9	289062	. SEALING BOX / W/FORD LOCK	1	
10	5001630	. SCREW TP BUTF TORX M6x20 SS	5	
11	5001114	. WASHER FL .260x.687x.060 NYL	5	
12	2800053	. ATTACH, HINGE	2	
13	2800237	. LOCKING ROD L.H. 793MM	1	
14	2800238	. LOCKING ROD R.H. 793MM	1	
15	2800269	. LOCKING ROD GUIDE	2	
16	2800270	. ROLLER CATCH	2	
17	504318	. RING RETAINER / EXT .375 x .352 x .025	2	
18	507644	. O-RING 10MM I.D. X 2MM	2	
19	504120	. RIVET POP DOME CLE 3/16x1/2 AL	4	
20	2800423	. RUBBER SEAL EXTRUSION / W/70" DOOR	1	
21	2800297	. HANDLE ASSY / BAGAGE DOOR To P-8014	1	
21	2800675	. HANDLE ASSY / BAGAGE DOOR From P-8015	1	
22	287271	. . RIVET SHR FL 9.95x3.6(4.8x4.8 SS	1	
23	289068	. PIN HANDLE RELEASE	1	
24	289070	. SPRING COMPRESSION / .355 O.D. 2.755 x .063	1	
25	5001697	. SCREW CAP HEX M6-1.0x16 SS BK	2	
26	5001833	. WASHER BEL SPR 6.1x18x1.27 SS	2	
27	507141	. BUSHING, NYLINER W/SHOULDER (7-L-7-F)	2	
28	289862	. PIN LATCH	1	
29	289064	. STOP PLATE LATCH	1	
30	481564	. ROD GUIDE	2	

From L-7663 To M-7767	Date:07/2024	PAGE:X3PLB-1864-71
BAGGAGE DOOR ASSY / W.C.L.		

Item#	Part	Description	QTY	Notes
31	502934	. SPRING COMPRESSION / .300 O.D. x 1 x .026	2	
32	289877	. LOCK ACTUATOR / 12V	1	
33	069339	. CABLE ASSY / DOOR LOCK / W/W.C.L.	1	
33	504273	. CABLE TIE / 1/8" X 3"1/2	2	N
34	562096	. MICRO SWITCH	1	
35	5001888	. SCREW TP CAP TORX M3X18 SS	4	
36	5001887	. SCREW TP PAN WSHR TORX M3X35 SS	2	
37	289063	. FINISHING FRAME PLASTIC / AROUND HANDLE BLACK	1	
NS	684685	. ADHESIVE SIMSON #ISR 70-03 / 310ml CARTRIDGE	AR	
40	280880	BRACKET LOWER LH	1	
40	280869	BRACKET LOWER RH	1	
41	281326	ARM PANTOGRAPH / W/W.C.L.	1	
42A	280883	ARM LOWER L.H.	1	
42B	280882	ARM LOWER R.H.	1	
43A	280868	ARM UPPER L.H.	1	
43B	280862	ARM UPPER R.H.	1	
44A	502927	SCREW CAP HEX M8-1.25x50 G8.8 N500	2	
44B	5001852	NUT HEX M8-1.25 SS BK	2	
45	5001868	WASHER BEL SPR 8.4x18x2 SS	4	
46	502780	SCREW CAP HEX M8-1.25x25 SS BK	4	
47	286716	SPACER BUSHING FLANGE / AUX. ARM & SUPPORT ACETAL 8.3MM I.D.	4	
48	500401	WASHER FL .343x.875x.125 N500	4	
49	502837	NUT HEXF STO M8-1.25 N500	2	
50	5001868	WASHER BEL SPR 8.4x18x2 SS	2	
51	5001738	SCREW CAP HEX M8-1.25x30 G8.8 N500	6	
52	5001699	WASHER BEL SPR 8.2x22x1.4 N500	4	
53	507299	BUSHING NYLINER	4	
54	508398	RING RETAINER / EXT .625 x .500 x .050" / SS	6	
55	509815	TIE MOUNT / ATTACHMENT W/TREE MOUNT	3	
NS	504637	CABLE TIE / 3/16" x 13"	3	
56	980030	CYLINDER GAZ / 669/409MM C/C / 210LBS	2	
57	980027	BALL STUD / W/10 MM X M8-1.25 / 36.5MM	4	
58	502847	NUT HEX NYRT M8-1.25 N500	8	
59	5001736	WASHER FL 8.4x18.0x2.0 N500	4	
60	287874	PLATE REINFORCEMENT	1	
61	287873	ATTACH CYLINDER ARM WCL	1	
62	287868	ANCHOR PLATE R.H. LUGGAGE DOOR / WCL	1	
63	281328	ANCHOR PLATE L.H. LUGGAGE DOOR / WCL	1	
64	502804	SCREW CAP HEX M10-1.5x25 G8.8 N500	4	
65	5001834	WASHER BEL SPR 10.5X23X2.5 N500	4	
66	282547	HOOK, BAGGAGE DOOR	1	
67	2800309	SPRING TENSION	1	

From L-7663 To M-7767	Date:07/2024	PAGE:X3PLB-1864-71
BAGGAGE DOOR ASSY / W.C.L.		

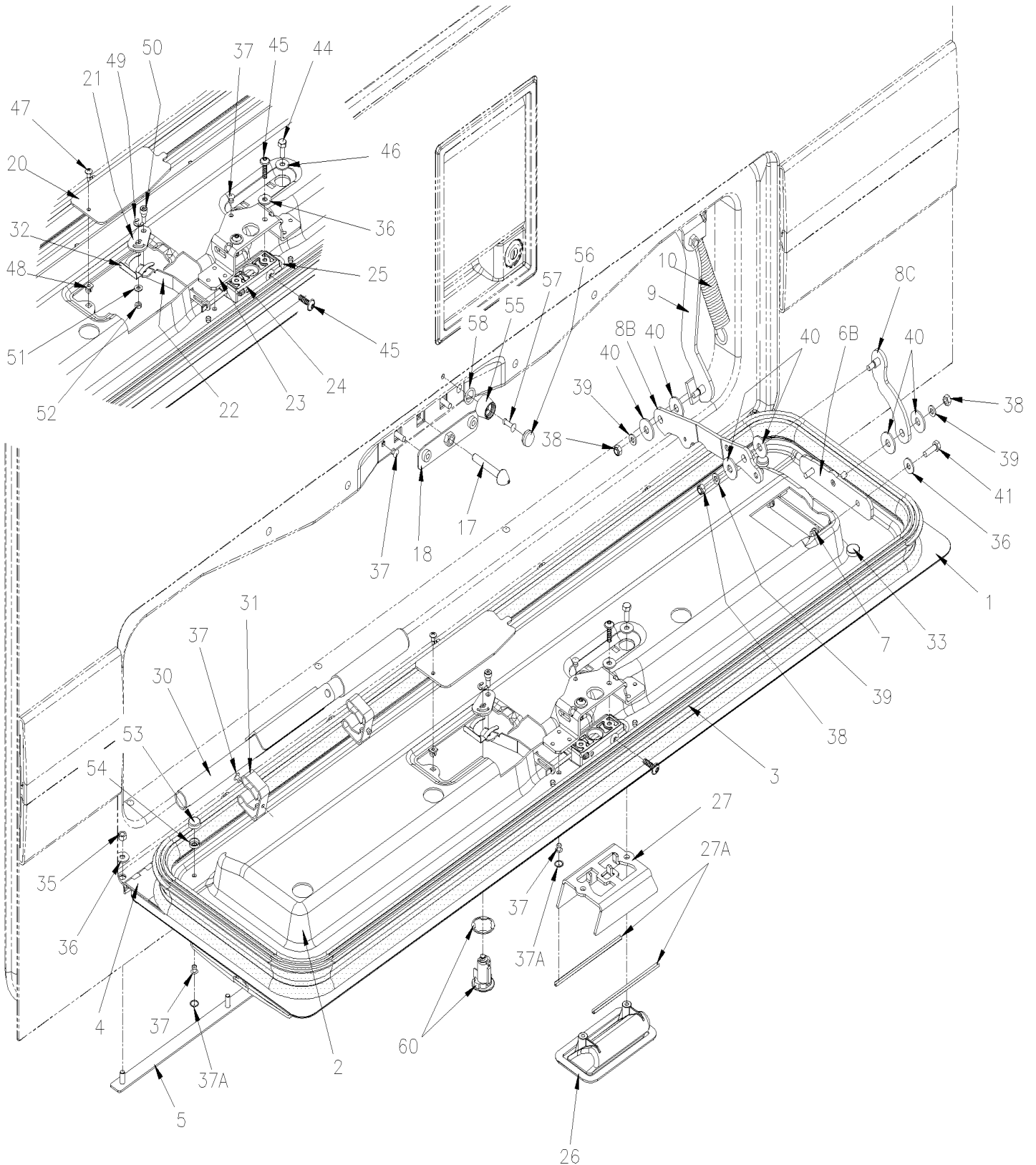
Item#	Part	Description	QTY	Notes
68	5001976	WASHER FL .266x.718x.060 SS	1	
69	5001182	NUT HEX NYRT M6-1.0 SS	1	
70	X3PLB-1867-01	KEY & CYLINDER CODE "FORD"		
71	X3PLB-1855-00	RUB RAIL - EXTERIOR CREST & TRIMS		
72	X3PLB-0663-80	LIGHT / W.C.L. BAGGAGE DOOR		L
73	X3PLB-1864-80	W.C.L. DOOR - BAGGAGE DOOR		
74	281604	LOCKING GUIDE R.H. ASSY	1	
75	281609	LOCKING GUIDE L.H. ASSY	1	
76	2800369	STOPPER / W.C.L. DOOR	1	
77	2800377	CAP / W.C.L. DOOR	1	
77	684685	ADHESIVE SIMSON #ISR 70-03 / 310ml CARTRIDGE	AR	
78	504127	RIVET POP DOME OE 3/16x3/4 AL	1	
79	507214	O-RING	1	
80	504013	TIE MOUNT / 1/4" X 1/4" I.D.	2	
80	504637	CABLE TIE / 3/16" x 13"	2	
81	504379	RIVET POP DOME OE 3/16x1/4 SS	2	
		L) WITH DOOR CURB LIGHT		
		N) W/O ELECTRIC LOCK		

From G-7275 To M-7767

Date:07/2024

PAGE:X3PLB-1864-80

W.C.L. DOOR - BAGGAGE DOOR

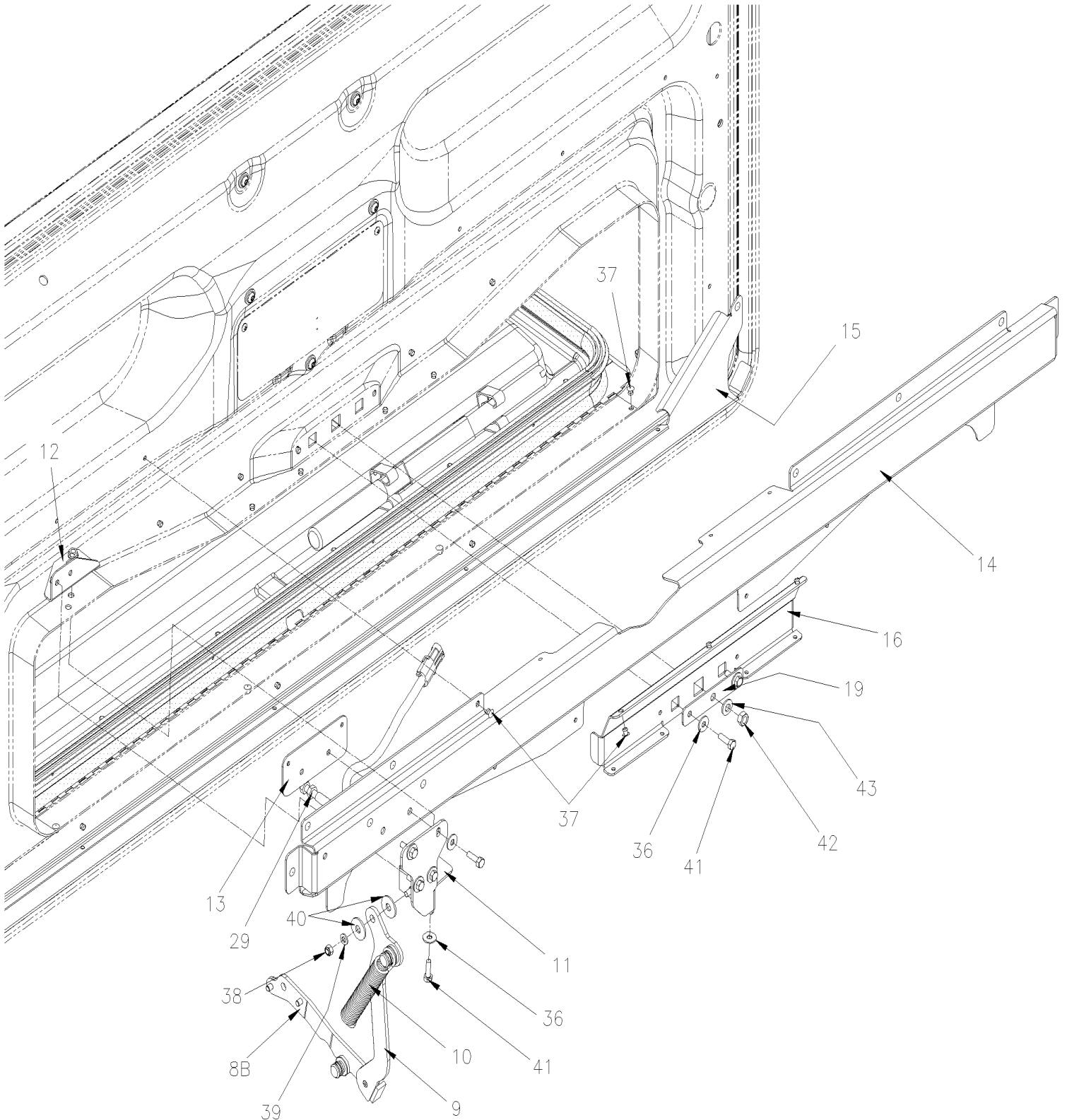


From G-7275 To M-7767

Date:07/2024

PAGE:X3PLB-1864-80

W.C.L. DOOR - BAGGAGE DOOR



From G-7275 To M-7767	Date:07/2024	PAGE:X3PLB-1864-80
W.C.L. DOOR - BAGGAGE DOOR		

Item#	Part	Description	QTY	Notes
		NOTE FOR OTHERS COMPONENT SEE PAGE X3-1864-02		
		ALLS ITEMS IN THIS PAGE ARE INCLUSE		
		WITH DOOR		
		AS SHOWN AT PAGE X3-1864-02		
	281776	DOOR ASSY / SMALL	1	
1	2800183	PANEL - W.C.L. DOOR W/FORD LOCK	1	
NS	684517	ADHESIVE SIMSON #ISR 70-03 / GREY / 310ml CARTRIDGE	AR	
NS	684743	GLUE METHACRYLATE PLEXUS MA832GB 380 ml	AR	
NS	687961	GLUE MS POLYMER TEROSON MS 9399 / "A" 21 Liters To M-7792	AR	
NS	685385	GLUE MS POLYMER TEROSON MS 9399 / "A" 14.8 Liters From M-7793	AR	
NS	687962	GLUE MS POLYMER TEROSON MS 9399 / "B" 21 Liters To M-7792	AR	
NS	685386	GLUE MS POLYMER TEROSON MS 9399 / "B" 14.8 Liters From M-7793	AR	
NS	687957	GLUE MS POLYMER TEROSON MS 9399 / 400ml CARTRIDGE To M-7792	AR	
NS	685387	GLUE MS POLYMER TEROSON MS 9399 / 400ml CARTRIDGE From M-7793	AR	
2	2800599	FRAME - W.C.L. DOOR	1	
NS	990527	DECAL "MAX LOAD" WCL /FRENCH , ENGLISH ,SPANISH From J-7448	1	G
3	2800424	RUBBER SEAL EXTRUSION - W.C.L. DOOR	1	
4	2800312	HINGE 1231.7MM	1	
4	5001910	TAPE RUB ADH1 CC POL 1/32" X 3/4" X48.5"	AR	
4	506785	TAPE RUB ADH2 CC POL 1/16" X 1/4" X 200' / BLACK I1C-N-A	AR	
NS	5001076	WASHER FL RET 4.6x15.4x1.37 NYL BK	9	C
5	2800314	SUPPORT HINGE	1	
6B	2800859	SUPPORT - W.C.L. DOOR	1	
7	2800320	ANCHOR PLATE	1	
8B	2800854	ARM - W.C.L. DOOR	1	
8C	2800857	ARM - W.C.L. DOOR	1	
9	2800334	ARM - W.C.L. DOOR	1	
10	2800308	SPRING EXTENSION / W.C.L. DOOR	1	
11	2800336	SUPPORT / ARM - W.C.L. DOOR	1	
12	2800328	REINFORCEMENT / W.C.L. DOOR	1	
13	2800329	INSERT FOR SUPPORT / W.C.L. DOOR	1	
14	2800331	REINFORCEMENT UPPER / W.C.L. DOOR To K-7662	1	
14	280859	REINFORCEMENT UPPER / W.C.L. DOOR From L-7663	1	
15	2800332	REINFORCEMENT LOWER / W.C.L. DOOR To K-7662	1	
15	280861	REINFORCEMENT LOWER / W.C.L. DOOR From L-7663	1	
16	2800333	REINFORCEMENT STOPPER / W.C.L. DOOR	1	
17	2800846	STOPPING ROD M8X67MM	1	
18	2800845	ADJUSTMENT PLATE	1	
19	2800847	ADJUSTMENT PLATE	1	
20	2800843	COVER / MECANISME	1	

From G-7275 To M-7767	Date:07/2024	PAGE:X3PLB-1864-80
W.C.L. DOOR - BAGGAGE DOOR		

Item#	Part	Description	QTY	Notes
21	2800850	PIVOT LOCK	1	
22	2800849	LEVER	1	
23	2800844	COVER / RECEPTACLE	1	
24	477399	RECEPTACLE	1	
25	472830	SPRING GUIDE HOLDER	1	
26	780812	ENTRANCE DOOR HANDLE BLACK	1	
27	2800848	SUPPORT HANDLE	1	
27A	564099	TAPE ADHESIF ELECTRICAL TISSUS / BLACK 838MM From J-7448	AR	
29	065011	SWITCH PROXIMITY ASSY	1	
. NS	562950	. SWITCH PROXIMITY / S.P.D.T. / W/3 WIRES	1	
. NS	561566	. CONNECTOR / WEATHER PACK / PH 2C / BLACK / PED 12010973	1	
29	502768	WASHER FL RUB .312x.625x.125 NEO	2	
30	464678	HANDLE-MANUAL BACKUP PUMP	1	
NS	506339	TAPE RUB ADH1 NIT 1/4" x 1" x 35' / BLACK 1220 To M-7750	AR	
NS	506035	TAPE RUB ADH1 NEO 1/2" x 1" x 15' / BLACK 1220X From M-7751	AR	
31	504585	SPRING CLIP 3/4" To L-7674	2	D
31	504201	LOC CLAMP WITH FIR TREE From L-7675	2	
31	500950	WASHER FL .187x.625x.094 RUB To L-7674	2	D
31	502768	WASHER FL RUB .312x.625x.125 NEO From L-7675	2	
31	IS19071	WHEELCHAIR LIFT (WCL) HANDLE CLAMPS REPLACEMENT KIT To L-7674	1	
. NS	504201	. LOC CLAMP WITH FIR TREE To L-7674	2	
. NS	502768	. WASHER FL RUB .312x.625x.125 NEO To L-7674	2	
. NS	IS-19071	. SEE INSTRUCTION SHEET To L-7674	1	
. NS	FI-19071	. VOIR FEUILLE D'INSTRUCTION To L-7674	1	
32	780887	RETAINER CLIP, GM DOOR LOCK CYLINDER "U SHAPE"	1	
33	562949	MAGNET ROUND .200x.700 DIA	1	
34	5001137	WASHER FL .203x.438x.050 SS	2	
35	5001851	NUT HEX M6-1.0 SS BK	7	
36	5001833	WASHER BEL SPR 6.1x18x1.27 SS	17	
37	504788	RIVET POP DOME OE 3/16x1/4 AL	AR	
37	504379	RIVET POP DOME OE 3/16x1/4 SS	AR	
37A	505016	ISOLATION RING From J-7448	AR	
38	5001182	NUT HEX NYRT M6-1.0 SS	3	
39	502573	WASHER FL 6.4x12.5x1.6 SS	3	
40	5001911	WASHER FL .341x1.000x.080 NYL	6	
41	502622	SCREW CAP HEX M6-1.0x20 SS BK	10	
42	5001868	WASHER BEL SPR 8.4x18x2 SS	1	
43	5001852	NUT HEX M8-1.25 SS BK	1	
44	5001697	SCREW CAP HEX M6-1.0x16 SS BK	2	
45	5001630	SCREW TP BUTF TORX M6x20 SS	3	
46	5001114	WASHER FL .260x.687x.060 NYL	2	
47	500124	SCREW TP TR PH #8x1/2 SS	1	

From G-7275 To M-7767	Date:07/2024	PAGE:X3PLB-1864-80
W.C.L. DOOR - BAGGAGE DOOR		

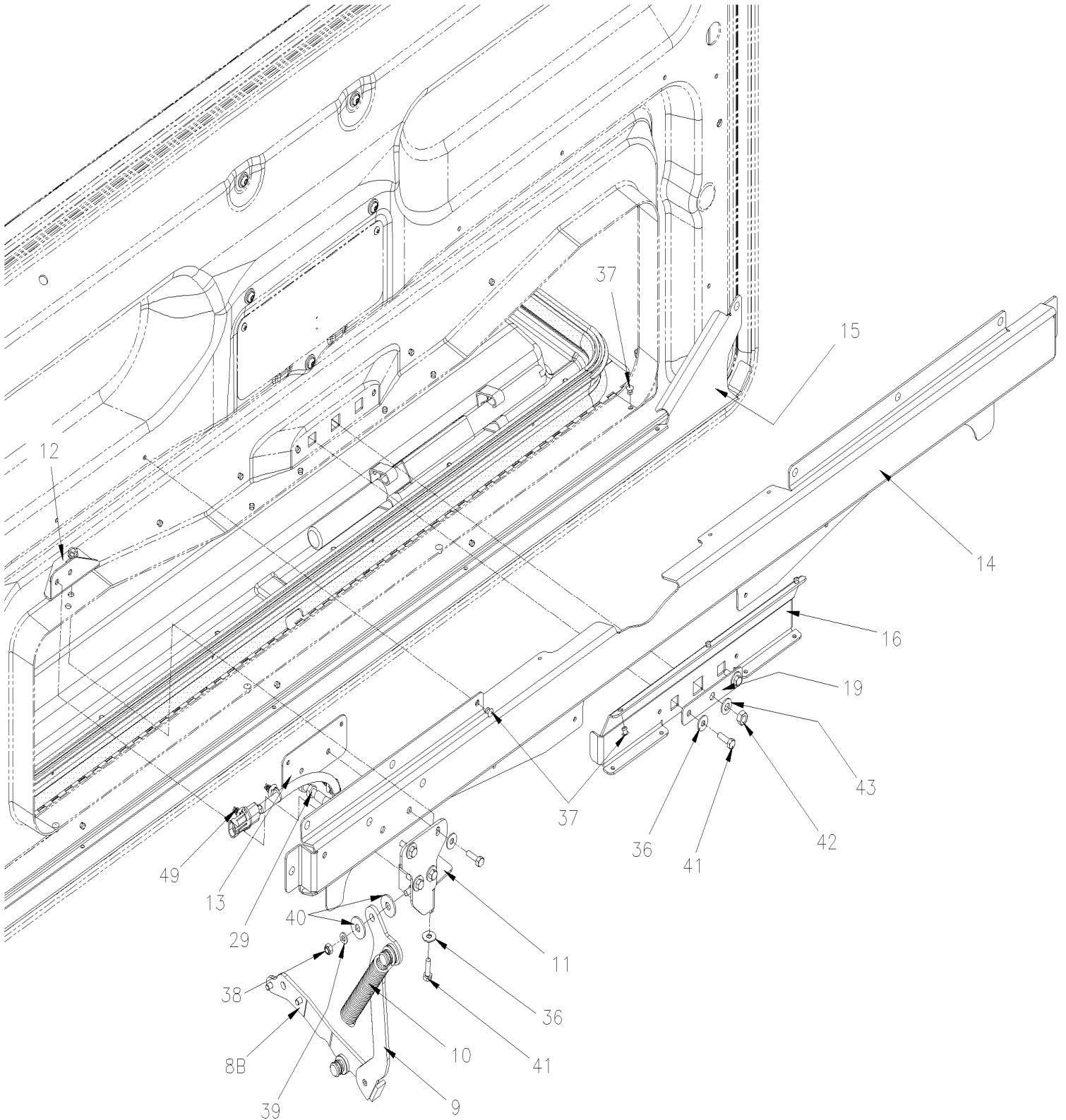
Item#	Part	Description	QTY	Notes
48	502741	NUT AN #8 NYL	1	
49	504402	RING RETAINER / EXT .250 x .210 x .025"	1	
50	5001606	SCREW SHR HEXS 1/4x3/16 (#10-24 SS	1	
51	5001137	WASHER FL .203x.438x.050 SS	1	
52	5001180	NUT HEX NYRT #10-24 SS	1	
53	504400	SNAP CAP #10 FINISHING BLACK	6	
54	504399	WASHER RETAINER SNAP CAP #10	6	
55	2800369	STOPPER / W.C.L. DOOR	1	
56	2800377	CAP / W.C.L. DOOR	1	
56	684685	ADHESIVE SIMSON #ISR 70-03 / 310ml CARTRIDGE	AR	
57	504127	RIVET POP DOME OE 3/16x3/4 AL To H-7425	1	
57	504119	RIVET POP DOME OE 3/16x1/2 AL From H-7426	1	
58	507214	O-RING	1	
60	X3PLB-1867-00	KEY & CYLINDER CODE "FORD" & "NS" To K-7662		
60	X3PLB-1867-00	KEY & CYLINDER CODE "FORD" & "NS" From L-7663		
61	X3PLB-1864-70	BAGGAGE DOOR ASSY / W.C.L. To K-7662		
61	X3PLB-1864-71	BAGGAGE DOOR ASSY / W.C.L. From L-7663		
NS	409452	DECAL / MANUAL OPERATING INSTRUCTION... / ENGLISH & FRANCAIS & SPANISH From J-7448	1	
NS	990528	DECAL MAX LOAD WCL 800 LBS. / ENGLISH & FRANCAIS From J-7448	1	
		C) IF NEED IT		
		D) FOR PRODUCT IMPROVMENT ASK FOR KIT IS19071		
		G) GREYHOUND OPTION		

From G-7275 To K-7662

Date:07/2024

PAGE:X3PLB-1864-85

W.C.L. DOOR - BAGGAGE DOOR MANUAL LOCK WITHOUT KEY



From G-7275 To K-7662	Date:07/2024	PAGE:X3PLB-1864-85
W.C.L. DOOR - BAGGAGE DOOR MANUAL LOCK WITHOUT KEY		

Item#	Part	Description	QTY	Notes
	Call order desk	DOOR ASSY / SMALL	1	P
1	280476	. PANEL - W.C.L. DOOR / W/MANUEL LOCK W/O KEY	1	
1	684517	. ADHESIVE SIMSON #ISR 70-03 / GREY / 310ml CARTRIDGE	AR	
1	684743	. GLUE METHACRYLATE PLEXUS MA832GB 380 ml	AR	
1	687961	. GLUE MS POLYMER TEROSON MS 9399 / "A" 21 Liters	AR	
1	687962	. GLUE MS POLYMER TEROSON MS 9399 / "B" 21 Liters	AR	
2	2800599	. FRAME - W.C.L. DOOR	1	
3	2800424	. RUBBER SEAL EXTRUSION - W.C.L. DOOR	1	
4	2800312	. HINGE 1231.7MM	1	
4	5001910	. TAPE RUB ADH1 CC POL 1/32" X 3/4" X48.5"	AR	
4	506785	. TAPE RUB ADH2 CC POL 1/16" X 1/4" X 200' / BLACK I1C-N-A	AR	
NS	5001076	. WASHER FL RET 4.6x15.4x1.37 NYL BK	9	C
5	2800314	. SUPPORT HINGE	1	
6B	2800859	. SUPPORT - W.C.L. DOOR	1	
7	2800320	. ANCHOR PLATE	1	
8B	2800854	. ARM - W.C.L. DOOR	1	
8C	2800857	. ARM - W.C.L. DOOR	1	
9	2800334	. ARM - W.C.L. DOOR	1	
10	2800308	. SPRING EXTENSION / W.C.L. DOOR	1	
11	2800336	. SUPPORT / ARM - W.C.L. DOOR	1	
12	2800328	. REINFORCEMENT / W.C.L. DOOR	1	
13	2800329	. INSERT FOR SUPPORT / W.C.L. DOOR	1	
14	2800331	. REINFORCEMENT UPPER / W.C.L. DOOR	1	
15	2800332	. REINFORCEMENT LOWER / W.C.L. DOOR	1	
16	2800333	. REINFORCEMENT STOPPER / W.C.L. DOOR	1	
17	2800846	. STOPPING ROD M8X67MM	1	
18	2800845	. ADJUSTMENT PLATE	1	
19	2800847	. ADJUSTMENT PLATE	1	
20	2800843	. COVER / MECANISME	1	
22	2800849	. LEVER	1	
23	2800844	. COVER / RECEPTACLE	1	
24	477399	. RECEPTACLE	1	
25	472830	. SPRING GUIDE HOLDER	1	
26	780812	. ENTRANCE DOOR HANDLE BLACK	1	
27	2800848	. SUPPORT HANDLE	1	
27A	564099	. TAPE ADHESIF ELECTRICAL TISSUS / BLACK 838MM	AR	
28A	280473	. HANDLE, MANUEL LOCK	1	
28B	507016	. O-RING 1/4 I.D. X 3/8 O.D. #2-010 BUNA	1	
28C	280474	. GUIDE, MANUEL LOCK	1	
28D	280477	. SEAL, MANUAL LOCK	2	
28E	5000351	. NUT HEX JAM THN M20-1.5x10 SS	1	
28F	5000350	. WASHER BEL CONT 21x30x2.5 SS	1	

From G-7275 To K-7662	Date:07/2024	PAGE:X3PLB-1864-85
W.C.L. DOOR - BAGGAGE DOOR MANUAL LOCK WITHOUT KEY		

Item#	Part	Description	QTY	Notes
28G	280475	. LEVER, MANUAL LOCK	1	
28H	5001137	. WASHER FL .203x.438x.050 SS	1	
28J	5001544	. WASHER LO EXT .195x.410x.025 SS	1	
28K	5001377	. SCREW MA PAN PH M5-0.8x8 SS	1	
29	065011	SWITCH PROXIMITY ASSY	1	
. NS	562950	. SWITCH PROXIMITY / S.P.D.T. / W/3 WIRES	1	
. NS	561566	. CONNECTOR / WEATHER PACK / PH 2C / BLACK / PED 12010973	1	
29	502768	WASHER FL RUB .312x.625x.125 NEO	2	
30	464678	HANDLE-MANUAL BACKUP PUMP	1	
NS	506339	TAPE RUB ADH1 NIT 1/4" x 1" x 35' / BLACK 1220 From L-7663 To M-7750	AR	
NS	506035	TAPE RUB ADH1 NEO 1/2" x 1" x 15' / BLACK 1220X From M-7751	AR	
31	504585	SPRING CLIP 3/4"	2	
32	5001076	WASHER FL RET 4.6x15.4x1.37 NYL BK	1	
33	562949	MAGNET ROUND .200x.700 DIA	1	
34	500950	WASHER FL .187x.625x.094 RUB	2	
35	5001851	NUT HEX M6-1.0 SS BK	7	
36	5001833	WASHER BEL SPR 6.1x18x1.27 SS	17	
37	504788	RIVET POP DOME OE 3/16x1/4 AL	AR	
37	504379	RIVET POP DOME OE 3/16x1/4 SS	AR	
37A	505016	ISOLATION RING	1	
38	5001182	NUT HEX NYRT M6-1.0 SS	3	
39	502573	WASHER FL 6.4x12.5x1.6 SS	3	
40	5001911	WASHER FL .341x1.000x.080 NYL	6	
41	502622	SCREW CAP HEX M6-1.0x20 SS BK	10	
42	5001868	WASHER BEL SPR 8.4x18x2 SS	1	
43	5001852	NUT HEX M8-1.25 SS BK	1	
44	5001697	SCREW CAP HEX M6-1.0x16 SS BK	2	
45	5001630	SCREW TP BUTF TORX M6x20 SS	3	
46	5001114	WASHER FL .260x.687x.060 NYL	2	
47	500124	SCREW TP TR PH #8x1/2 SS	1	
48	502741	NUT AN #8 NYL	1	
49	509815	TIE MOUNT / ATTACHMENT W/TREE MOUNT	AR	
49	504273	CABLE TIE / 1/8" X 3"1/2	AR	
50	5001606	SCREW SHR HEXS 1/4x3/16 {#10-24 SS	1	
51	5001137	WASHER FL .203x.438x.050 SS	1	
52	5001180	NUT HEX NYRT #10-24 SS	1	
53	504400	SNAP CAP #10 FINISHING BLACK	6	
54	504399	WASHER RETAINER SNAP CAP #10	6	
55	2800369	STOPPER / W.C.L. DOOR	1	
56	2800377	CAP / W.C.L. DOOR	1	
56	684685	ADHESIVE SIMSON #ISR 70-03 / 310ml CARTRIDGE	AR	
57	504119	RIVET POP DOME OE 3/16x1/2 AL	1	

From G-7275 To K-7662	Date:07/2024	PAGE:X3PLB-1864-85
W.C.L. DOOR - BAGGAGE DOOR MANUAL LOCK WITHOUT KEY		

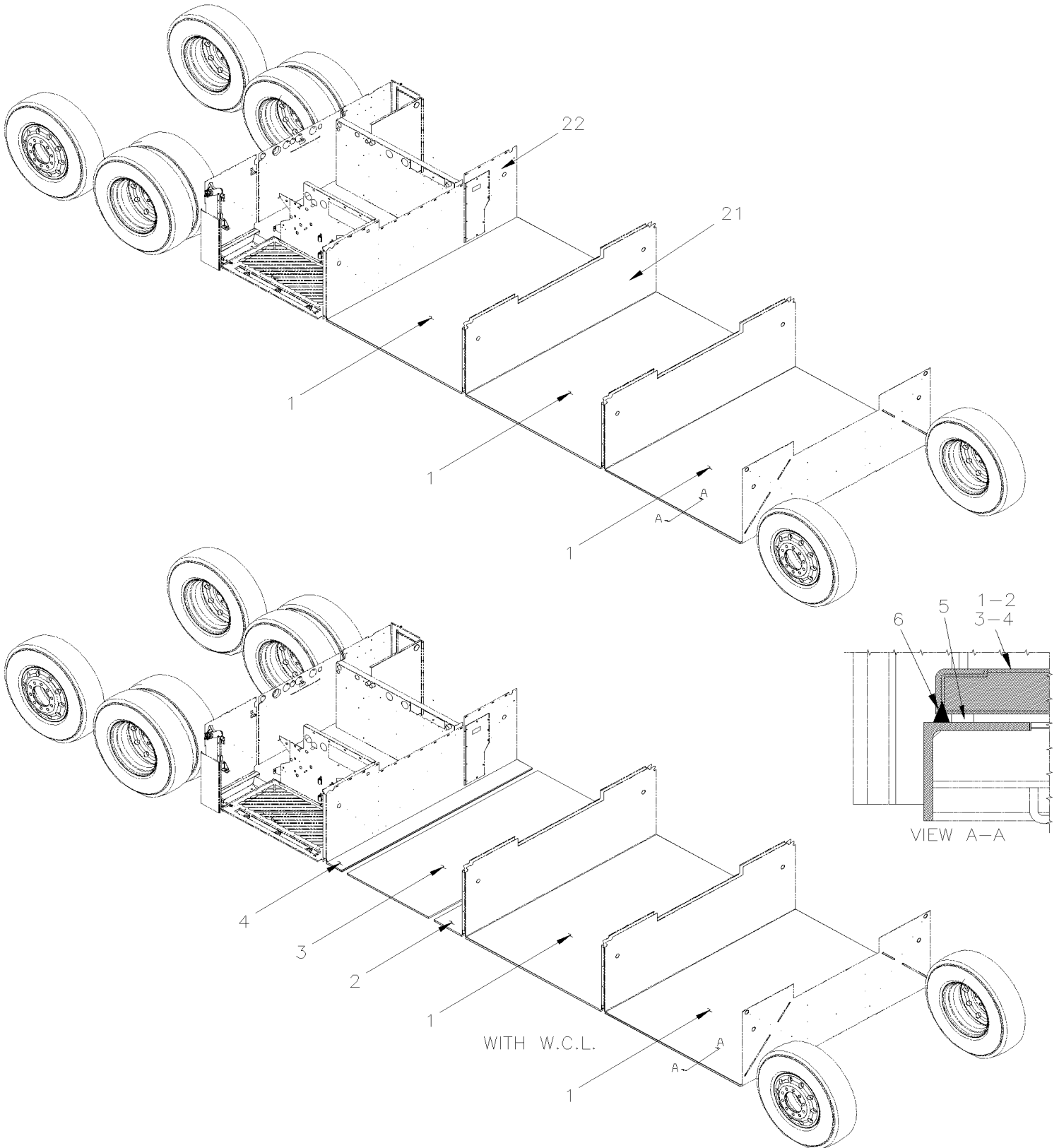
Item#	Part	Description	QTY	Notes
58	507214	O-RING	1	
59	409452	DECAL / MANUAL OPERATING INSTRUCTION... / ENGLISH & FRANCAIS & SPANISH	1	
60	X3PLB-1867-00	KEY & CYLINDER CODE "FORD" & "NS"		
61	X3PLB-1864-70	BAGGAGE DOOR ASSY / W.C.L.		
62	X3PLB-0663-80	LIGHT / W.C.L. BAGGAGE DOOR		
63	405747	DECAL / RICON W.C.L. OPERATING INSTRUCTION ENTER / ENGLISH	1	
64	405749	DECAL / RICON W.C.L. OPERATING INSTRUCTION EXIT / ENGLISH	1	
65	409451	DECAL / W.C.L. REMOTE LOCATION	1	
		C) IF NEED IT		
		P) CALL ORDER DESK FOR SPECIFIC APPLICATION (V.I.N.)		

From G-7275 To M-7767

Date:07/2024

PAGE:X3PLB-1865-00

FLOOR BAGGAGE COMPARTMENT - BUS



From G-7275 To M-7767	Date:07/2024	PAGE:X3PLB-1865-00
-----------------------	--------------	--------------------

FLOOR BAGGAGE COMPARTMENT - BUS

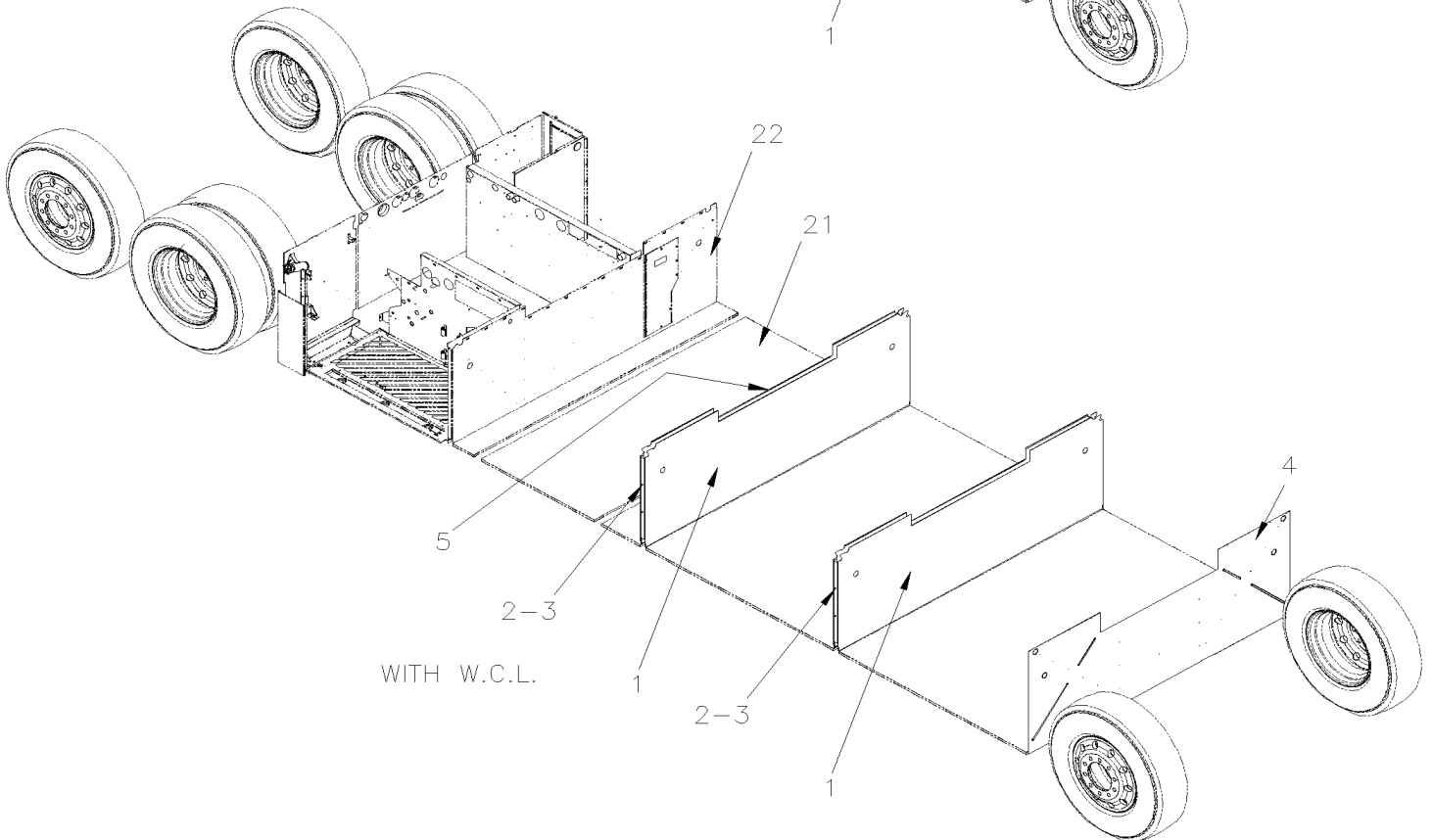
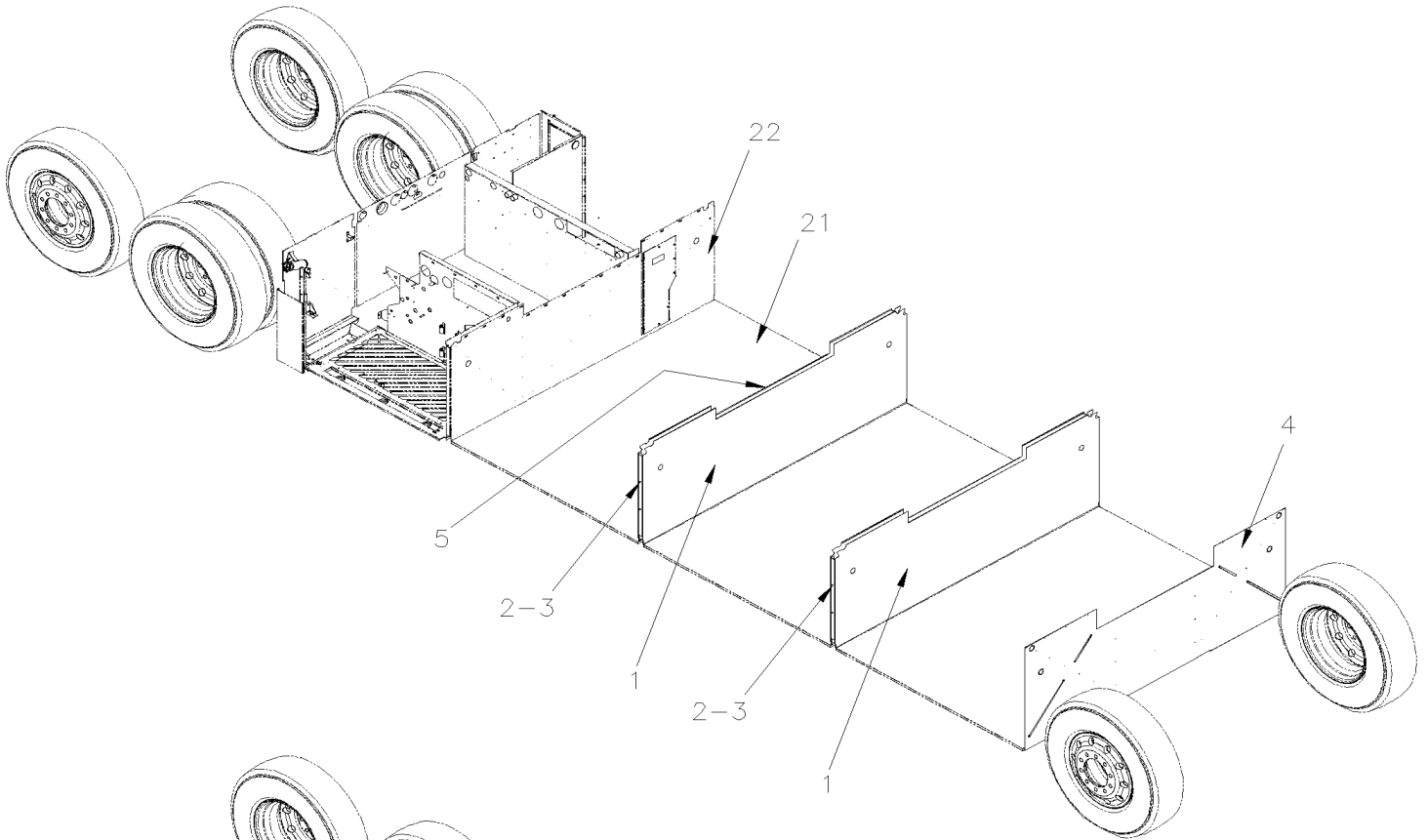
Item#	Part	Description	QTY	Notes
1	485691	BAGGAGE FLOOR PANEL 1742.6MM	3	
2	485698	BAGGAGE FLOOR PANEL 360.9MM / W/ W.C.L. To K-7662	1	W
2	480109	BAGGAGE FLOOR PANEL 286.5MM / W/ W.C.L. From L-7663	1	W
3	485699	BAGGAGE FLOOR PANEL 1048.9MM / W/W.C.L.	1	W
4	485700	BAGGAGE FLOOR PANEL 195MM / W/W.C.L. To K-7662	1	W
4	480097	BAGGAGE FLOOR PANEL 269.4MM / W/W.C.L. From L-7663	1	W
5	790392	RUBBER BLOCK ADJUSTMENT 1" x 5/16" x 1/8" 80DURO	AR	
6	685126	ADHESIVE SIMSON #ISR 70-03 / GREY / 600ml SAUSAGE	AR	
6	680532	SEALANT SIKA #221 / GREY / 310ml CARTRIDGE	AR	
NS	684459	PAINT GREY FOR BAGGAGE FLOOR	AR	
20	X3PLB-189X-XX	STRUCTURE / CALL ORDER DESK		
21	X3PLB-1865-10	SEPARATOR PANEL - BAGGAGE COMPARTMENT - BUS	1	
22	X3PLB-1865-20	EVAPORATOR & CONDENSOR WALL INSTALLATION	1	
		W) WITH W.C.L. ONLY		

From G-7275 To M-7767

Date:07/2024

PAGE:X3PLB-1865-10

SEPARATOR PANEL - BAGGAGE COMPARTMENT - BUS

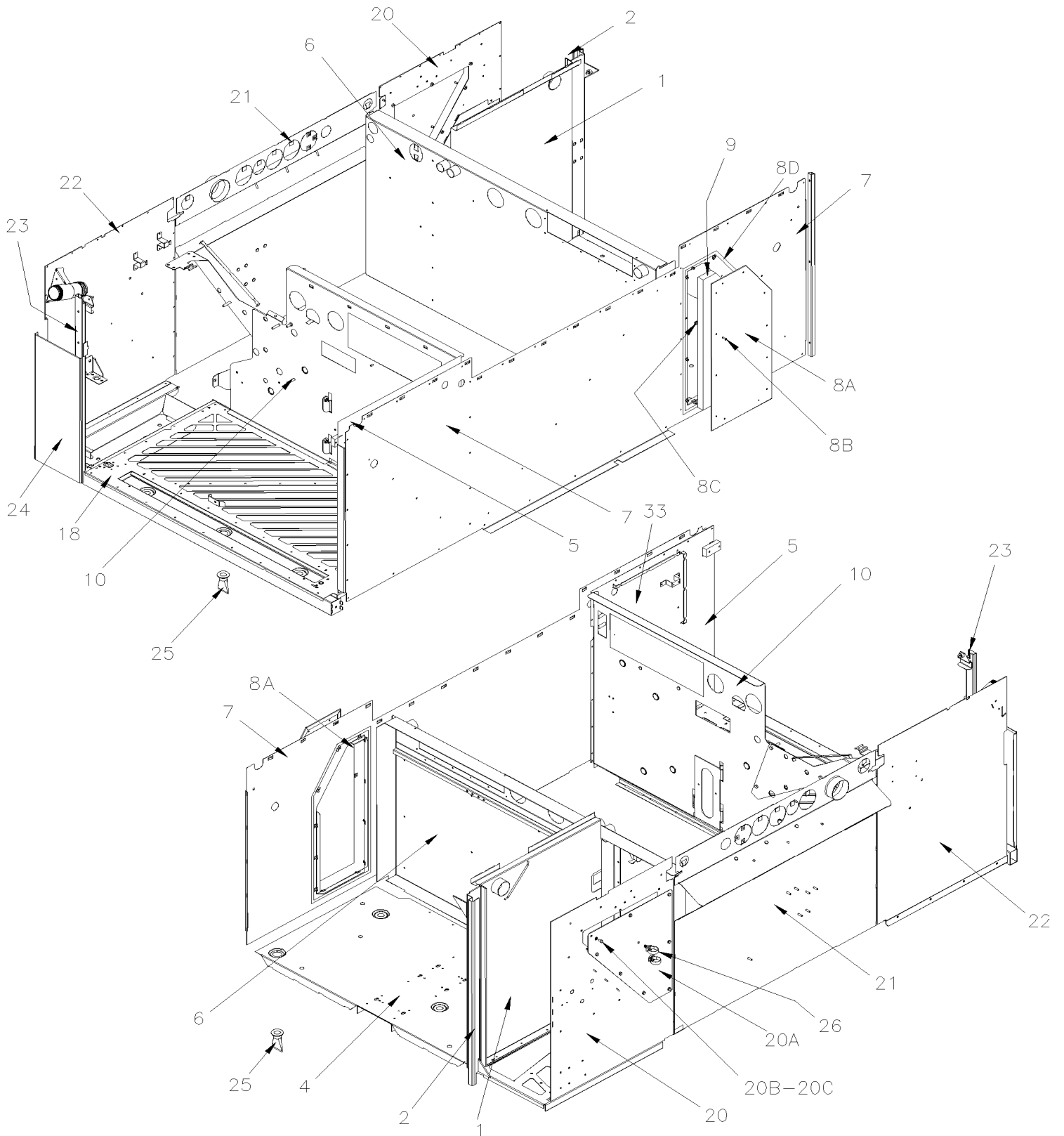


From G-7275 To M-7767	Date:07/2024	PAGE:X3PLB-1865-10
-----------------------	--------------	--------------------

SEPARATOR PANEL - BAGGAGE COMPARTMENT - BUS

Item#	Part	Description	QTY	Notes
1	485680	PANEL SIDE WALL COVERING	3	
2	485681	PANEL HOLDER 635MM x 38MM x 30MM	4	
3	504379	RIVET POP DOME OE 3/16x1/4 SS	1	
4	217095	PANEL BACKWARD FRONT FENDER / ONE PIECE	1	R
4	216687	PANEL BACKWARD FRONT FENDER / ONE PIECE	1	I
5	485680	PANEL SIDE WALL COVERING To K-7662	1	
5	480117	PANEL SIDE WALL COVERING From L-7663	1	
NS	506785	TAPE RUB ADH2 CC POL 1/16" X 1/4" X 200' / BLACK I1C-N-A	AR	
NS	685126	ADHESIVE SIMSON #ISR 70-03 / GREY / 600ml SAUSAGE	AR	
21	X3PLB-1865-00	FLOOR BAGGAGE COMPARTMENT - BUS		
22	X3PLB-1865-20	EVAPORATOR & CONDENSOR WALL INSTALLATION To H-7416		
22	X3PLB-1865-21	EVAPORATOR & CONDENSOR WALL INSTALLATION / GHG17 From H-7417		
		I) WITH INDENDANTE SUSPENSION		
		R) WITH "I-BEAM" SUSPENSION		

EVAPORATOR & CONDENSOR WALL INSTALLATION



From G-7275 To H-7416	Date:07/2024	PAGE:X3PLB-1865-20
-----------------------	--------------	--------------------

EVAPORATOR & CONDENSOR WALL INSTALLATION

Item#	Part	Description	QTY	Notes
1	217125	PANEL BACKWARD EVAPORATOR COMPARTMENT	1	
2	217134	POST / EVAPORATOR DOOR	1	
3	216945	CLOSING PLATE	1	
4	217121	PANEL ASSY / EVAPORATOR FLOOR	1	
5	216852	PANEL ASSY / INTERIOR EVAPORATOR	1	
6	218715	REAR VERTICAL PANEL EVAPORATOR	1	
NS	374178	INSULATED BOARD	1	
NS	503550	ANCHOR SELF-STICK 2" SS	AR	
NS	500748	WASHER INSU G.10x1.125x1.250 Z050	AR	
7	217024	PANEL FRONT ONE PIECE	1	
8A	374682	PANEL DOOR	1	
8B	500957	SCREW TP BDG PH #10x3/4 N500	12	
8C	502904	NUT SPR J #10A .035-.050 N500	12	
8D	506268	TAPE RUB ADH1 URE 3/8" x 1/2" x 25' / GREY 1820	AR	
9	374701	INSULATION	1	
10	219094	REAR VERTICAL PANEL CONDENSOR	1	
18	217072	PANEL CONDENSOR FLOOR ASSY W/LOUVER To H-7319	1	
. NS	216677	. GRILL FLOOR To H-7319	1	
. NS	221709	. SUPPORT UREA To H-7319	1	
. NS	216678	. ANGLE REINFORCMENT FLOOR 1290MM To H-7319	1	
. NS	216679	. ANGLE "Z" REINFORCMENT FLOOR 1287MM To H-7319	1	
. NS	223941	. ANGLE REINFORCMENT FLOOR 748MM To H-7319	1	
. NS	216671	. TUBE ASSY COND PIVOT 127MM To H-7319	1	
. NS	480081	. DRAIN RECEPTACLE To H-7319	1	
. NS	216724	. STOPPER CONDENSOR DOOR To H-7319	1	
18	210006	PANEL CONDENSOR FLOOR ASSY W/LOUVER From H-7320	1	
. NS	216677	. GRILL FLOOR From H-7320	1	
. NS	210007	. SUPPORT UREA From H-7320	1	
. NS	216678	. ANGLE REINFORCMENT FLOOR 1290MM From H-7320	1	
. NS	216679	. ANGLE "Z" REINFORCMENT FLOOR 1287MM From H-7320	1	
. NS	223941	. ANGLE REINFORCMENT FLOOR 748MM From H-7320	1	
. NS	216671	. TUBE ASSY COND PIVOT 127MM From H-7320	1	
. NS	480081	. DRAIN RECEPTACLE From H-7320	1	
. NS	216724	. STOPPER CONDENSOR DOOR From H-7320	1	
20	217181	PANEL REAR STREET SIDE	1	
. A	217185	. ACCESS PANEL	1	
. B	5001833	. WASHER BEL SPR 6.1x18x1.27 SS	8	
. C	5001982	. SCREW CAP HEX M6-1.0x12 SS BK	8	
20	219939	PANEL REAR STREET SIDE W/ PROHEAT	1	
. A	217185	. ACCESS PANEL	1	
. B	5001749	. WASHER LO SPT 6.5x11.5x1.6 N500	12	

From G-7275 To H-7416	Date:07/2024	PAGE:X3PLB-1865-20
-----------------------	--------------	--------------------

EVAPORATOR & CONDENSOR WALL INSTALLATION

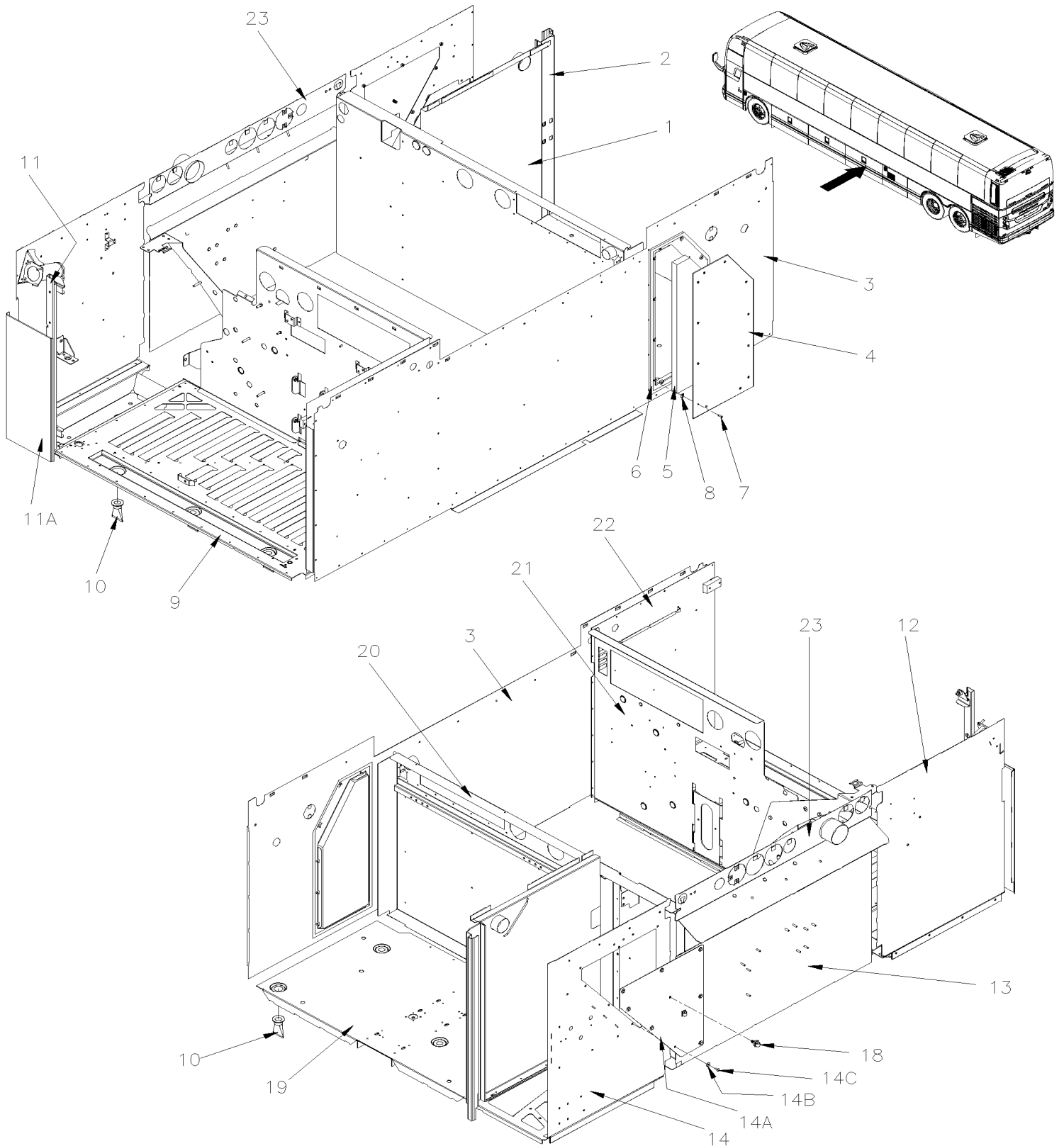
Item#	Part	Description	QTY	Notes
. C	5001743	. SCREW CAP HEX M6-1.0x12 G8.8 N500	12	
. NS	219941	. TRAP DOOR, REAR LEFT	1	
21	173926	PANEL REAR CENTER	1	
. NS	173790	. PANEL REAR CENTER	1	
. NS	173925	. SUPPORT, SEPARATEUR HUILE SUPPORT, SEPARATEUR HUILE	1	
22	221825	PANEL REAR CURBSIDE	1	
23	221916	POST ASSY FORWARD FUEL DOOR ASSY W/REINFORCMENT PANEL	1	
. NS	221921	. PANEL REINFORCMENT LOWER FUEL DOOR 244.4MM x 508.6MM	1	
. NS	221896	. ATTACH PIVOT LATCH	1	
. NS	221917	. TUBE, FUEL DOOR / 895MM LG.	1	
. NS	221918	. STOPPER, CONDENSOR DOOR, UPPER	1	
. NS	221919	. SUPPORT, CONDENSOR DOOR, LATCH	1	
. NS	221920	. STOPPER, CONDENSOR DOOR	1	
24	221921	. PANEL REINFORCMENT LOWER FUEL DOOR 244.4MM x 508.6MM	1	
25	453981	DRAIN BOOT 1" I.D. W/GROOVE 1.5 x 35MM I.D. x 62MM	3	
26	504750	CABLE TIE / 1/2" x 15" / CHRISTMAS TREE	2	
33	689948	HOLE PLUG / 1.25OD X .125 NYL BK	1	
41	033988	PROTECTIVE SHEET, UREA TANK	1	O
42	5001697	SCREW CAP HEX M6-1.0x16 SS BK	8	O
43	5001833	WASHER BEL SPR 6.1x18x1.27 SS	8	O
44	033989	PROTECTIVE SHEET, UREA TANK	1	O
45	500957	SCREW TP BDG PH #10x3/4 N500	AR	O
46	5001890	SCREW TP PAN PH #8x1 3/4" SS	3	O
47	506002	TAPE RUB ADH1 CC POL 3/16" x 1/2" x 40' / GREY 2520	AR	O
48	033990	CLOSING PLATE	1	O
49	5060120	GROMMET EDGING ADHESIVE .036-.062	AR	O
		O) SPECIAL OPTION		

From H-7417 To M-7767

Date:07/2024

PAGE:X3PLB-1865-21

EVAPORATOR & CONDENSOR WALL INSTALLATION / GHG17

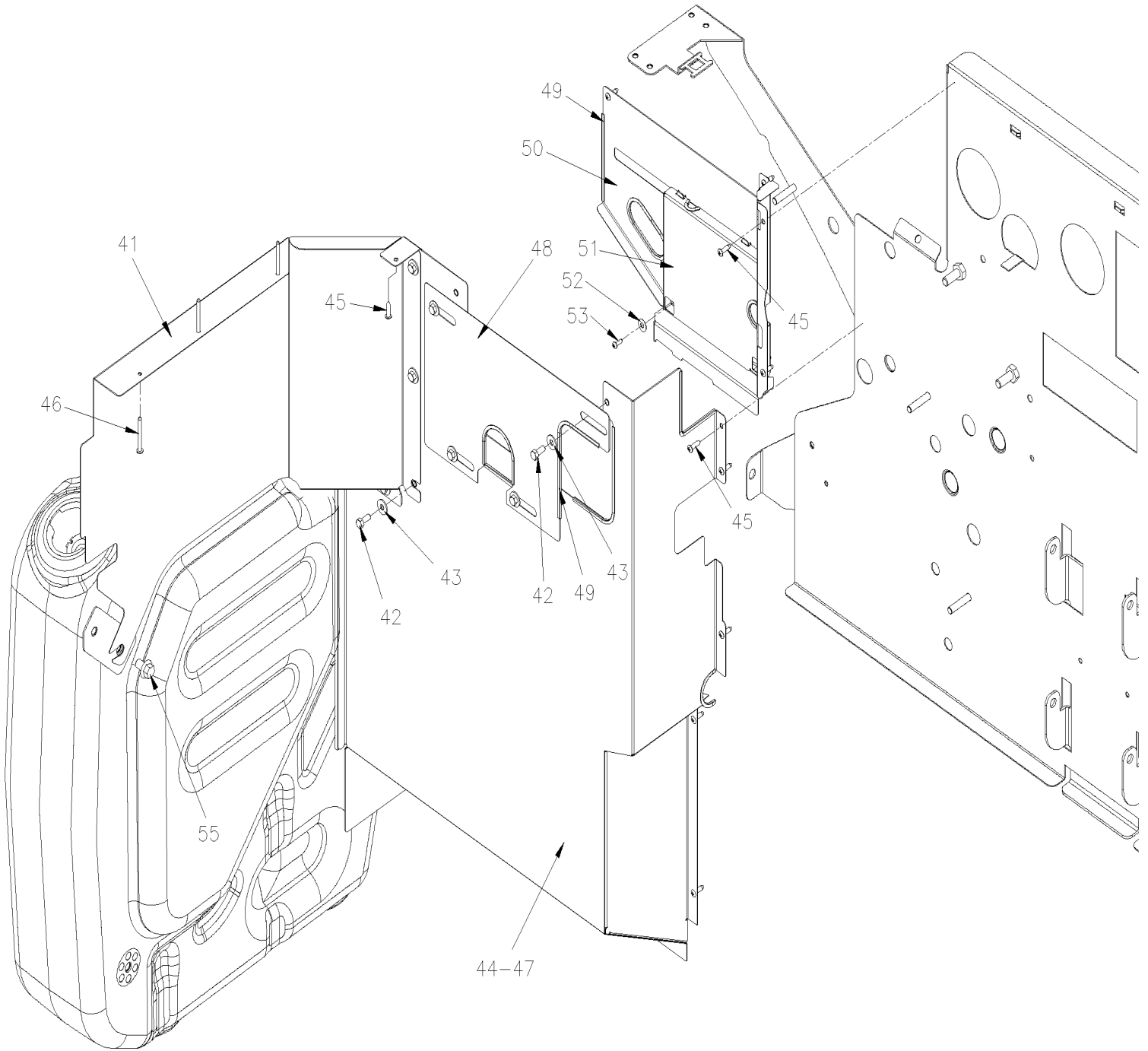


From H-7417 To M-7767

Date:07/2024

PAGE:X3PLB-1865-21

EVAPORATOR & CONDENSOR WALL INSTALLATION / GHG17



From H-7417 To M-7767	Date:07/2024	PAGE:X3PLB-1865-21
EVAPORATOR & CONDENSOR WALL INSTALLATION / GHG17		

Item#	Part	Description	QTY	Notes
1	217125	PANEL BACKWARD EVAPORATOR COMPARTMENT	1	
NS	216945	CLOSING PLATE	1	
2	217134	POST / EVAPORATOR DOOR	1	
3	224001	PANEL, REAR LUGGAGE COMPT.	1	
4	374682	PANEL DOOR	1	
5	374701	INSULATION	1	
NS	370063	INSULATION	1	
6	506268	TAPE RUB ADH1 URE 3/8" x 1/2" x 25' / GREY 1820	1	
7	500957	SCREW TP BDG PH #10x3/4 N500	AR	
8	502904	NUT SPR J #10A .035-.050 N500	AR	
9	210019	FLOOR CONDENSOR, WELDED	1	
NS	210007	SUPPORT UREA	1	
NS	210020	PANEL, CONDENSOR FLOOR	1	
NS	216671	TUBE ASSY COND PIVOT 127MM	1	
NS	216678	ANGLE REINFORCMENT FLOOR 1290MM	1	
NS	216679	ANGLE "Z" REINFORCMENT FLOOR 1287MM	1	
NS	216724	STOPPER CONDENSOR DOOR	1	
NS	223941	ANGLE REINFORCMENT FLOOR 748MM	1	
NS	480081	DRAIN RECEPTACLE	1	
10	414654	DRAIN BOOT 1" I.D. W/GROOVE 1.5 x 35MM I.D. x 85MM	AR	
11	221916	POST ASSY FORWARD FUEL DOOR ASSY W/REINFORCMENT PANEL	1	
NS	221921	PANEL REINFORCMENT LOWER FUEL DOOR 244.4MM x 508.6MM	1	
NS	221896	ATTACH PIVOT LATCH	1	
NS	221917	TUBE, FUEL DOOR / 895MM LG.	1	
NS	221918	STOPPER, CONDENSOR DOOR, UPPER	1	
NS	221919	SUPPORT, CONDENSOR DOOR, LATCH	1	
NS	221920	STOPPER, CONDENSOR DOOR	1	
11A	221921	PANEL REINFORCMENT LOWER FUEL DOOR 244.4MM x 508.6MM	1	
12	221825	PANEL REAR CURBSIDE	1	
13	175277	PANEL REAR CENTER	1	
NS	5001678	SCREW WD M6-1.0X20 SS	AR	
14	217181	PANEL REAR STREET SIDE To J-7495	1	
A	217185	ACCESS PANEL To J-7495	1	
B	5001833	WASHER BEL SPR 6.1x18x1.27 SS To J-7495	8	
C	5001982	SCREW CAP HEX M6-1.0x12 SS BK To J-7495	8	
14	210797	PANEL REAR STREET SIDE From J-7496	1	
NS	217183	SUPPORT From J-7496	1	
14	219939	PANEL REAR STREET SIDE W/ PROHEAT	1	PH
A	217185	ACCESS PANEL	1	PH
B	5001749	WASHER LO SPT 6.5x11.5x1.6 N500	12	PH
C	5001743	SCREW CAP HEX M6-1.0x12 G8.8 N500	12	PH
NS	219941	TRAP DOOR, REAR LEFT	1	PH

From H-7417 To M-7767	Date:07/2024	PAGE:X3PLB-1865-21
EVAPORATOR & CONDENSOR WALL INSTALLATION / GHG17		

Item#	Part	Description	QTY	Notes
18	504750	CABLE TIE / 1/2" x 15" / CHRISTMAS TREE	2	
19	210104	FLOR EVAPAPORATOR, WELDED To J-7495	1	
. NS	210105	. PANEL, FLOOR EVAPORATOR To J-7495	1	
. NS	210106	. SUPPORT, EVAPORATOR MODULE SUPPORT, MODULE EVAPORATEUR To J-7495	1	
. NS	217123	. SUPPORT, WATER-HEATER SUPPORT, CHAUFFE-EAU To J-7495	1	
19	211014	FLOR EVAPAPORATOR, WELDED From J-7496	1	
. NS	210105	. PANEL, FLOOR EVAPORATOR From J-7496	1	
. NS	210106	. SUPPORT, EVAPORATOR MODULE SUPPORT, MODULE EVAPORATEUR From J-7496	1	
. NS	211015	. SUPPORT, WATER HEATER From J-7496	1	
20	218715	REAR VERTICAL PANEL EVAPORATOR To J-7431		
20	210533	REAR VERTICAL PANEL EVAPORATOR From J-7432 To L-7680	1	
20	218034	REAR VERTICAL PANEL EVAPORATOR From L-7681 To M-7831	1	
20	218310	REAR VERTICAL PANEL EVAPORATOR From M-7832	1	
NS	505319	ANCHOR SELF-STICK 2 1/2" GAL To K-7542	1	
NS	505307	ANCHOR SELF-STICK From K-7543	1	
21	210042	VERTICAL PANEL CONDENSOR To L-7662	1	
21	217585	VERTICAL PANEL CONDENSOR From L-7663 To N-8007	1	
21	218945	VERTICAL PANEL CONDENSOR From P-8008	1	
22	221754	PANEL ASSY / INTERIOR EVAPORATOR	1	
23	178875	CLOSING PANEL, ASSY	1	
. NS	170064	. TUBE	1	
. NS	178874	. CLOSING PANEL	1	
41	033988	PROTECTIVE SHEET, UREA TANK	1	O
42	5001697	SCREW CAP HEX M6-1.0x16 SS BK	8	O
43	5001833	WASHER BEL SPR 6.1x18x1.27 SS	8	O
44	033989	PROTECTIVE SHEET, UREA TANK	1	O
45	502868	SCREW TC TR PH #10-16x1/2 N500	AR	O
46	5001890	SCREW TP PAN PH #8x1 3/4" SS	3	O
47	506002	TAPE RUB ADH1 CC POL 3/16" x 1/2" x 40' / GREY 2520	AR	O
48	033990	CLOSING PLATE	1	O
49	5060120	GROMMET EDGING ADHESIVE .036-.062	AR	O
50	030137	PROTECTION PLATE	1	O
51	030148	CLOSING PLATE	1	O
52	5001608	WASHER BEL SPR 6.2x15.0x0.7 G500	2	O
53	500344	SCREW MA RND PH M4-0.7x12 Z050	2	O
55	5001780	SCREW CAP HEXF M8-1.25x16 G8.8 N500	1	
		O) SPECIAL OPTION		
		PH) USED WITH PROHEAT M80		

From G-7275 To M-7767	Date:07/2024	PAGE:X3PLB-1863-00
CONDENSOR DOOR ASSY - BUS		

Item#	Part	Description	QTY	Notes
		THIS DOOR ASSY DO NOT INCLUDE RUB-RAIL		
		PLEASE ORDER SEPARATELY		
	485717	CONDENSOR DOOR ASSY / W/FLAT PANEL	1	
1	484334	. FRAME ASSY / 1285MM	1	
1A	484163	. . HINGE	1	
2	484330	. ONE PIECE PANEL CONDENSOR / FLAT "OEM" UPPER & LOWER	1	
3	484166	. . PANEL, LOWER	1	
4	506303	. RUBBER SEAL EXTRUSION	12	
5	287051	. CATCH PIN / RETAINER 52MM x 70MM	1	
6	502780	. SCREW CAP HEX M8-1.25x25 SS BK	4	
7	5001868	. WASHER BEL SPR 8.4x18x2 SS	AR	
8	484167	DOOR LATCH ADJUSTABLE	1	
9	X3PLB-0662-00	CLEARANCE & MARKER LIGHT To K-7662		
9	X3PLB-0662-01	CLEARANCE & MARKER LIGHT From L-7663	1	
10	5001042	. SCREW MA RND PH #10-32x1 1/4 SS To J-7441	2	
10	5002021	. SCREW MA TR PH #10-32x1 1/4 SS From J-7442	2	
11	502774	. NUT WELL #10-32x.625	2	
12	5001393	. BUMPER RUBBER / .625 OD x .281 TH x .125 HOLE To J-7533	2	
12	5002024	. BUMPER NEOPRENE / .625 OD x .281 TH x .125 HOLE From J-7534	2	
13	504340	. RIVET POP DOME OE 1/8x3/16 SS	2	
14	2800374	. GUIDE LOWER COND DOOR PLASTIC	1	
15	286658	. STOPPER BUMPER	1	
15	680042	. GLUE LOCTITE 430 BOTTLE 1OZ	AR	
16	5001966	. SCREW TC BDG PH #10-24x1/2 SS410 ZINC	2	
21	505507	STRAP NYLON 1" WIDE / S.L.	AR	
NS	452813	SUPPORT STRAP RETAINER W/2 SLOTS & 2 HOLES	1	
NS	285476	SUPPORT STRAP RETAINER W/2 SLOTS & 1 HOLE (WELDED AT DOOR STRUCTURE)	1	
22	284439	PLATE, STRAP RETAINING / OBLONG 16.5MM x 25.4MM W/2 HOLES	1	
23	504793	RIVET MNB OE LARGE HEAD 3/16x7/16 SS	2	
26	485721	ROD OPENING To H-7356	1	
26	480015	ROD OPENING From H-7357	1	
27	484216	HANDLE	1	
28	289674	SUPPORT CATCH PIN W/OUT PIVOT	1	
29	2801055	CATCH PIN BLACK ACETAL	1	
30	502910	SPRING COMPRESSION / .720 O.D. 1.75 x .055	1	
32	484168	PIVOT ROD OPENING	1	
33	780340	CLIP, RETAINER ROD	2	
36	5001182	NUT HEX NYRT M6-1.0 SS	1	
37	502573	WASHER FL 6.4x12.5x1.6 SS	1	
38	504083	SNAP BUSHING / .250x.468.406	4	

From G-7275 To M-7767	Date:07/2024	PAGE:X3PLB-1863-00
CONDENSOR DOOR ASSY - BUS		

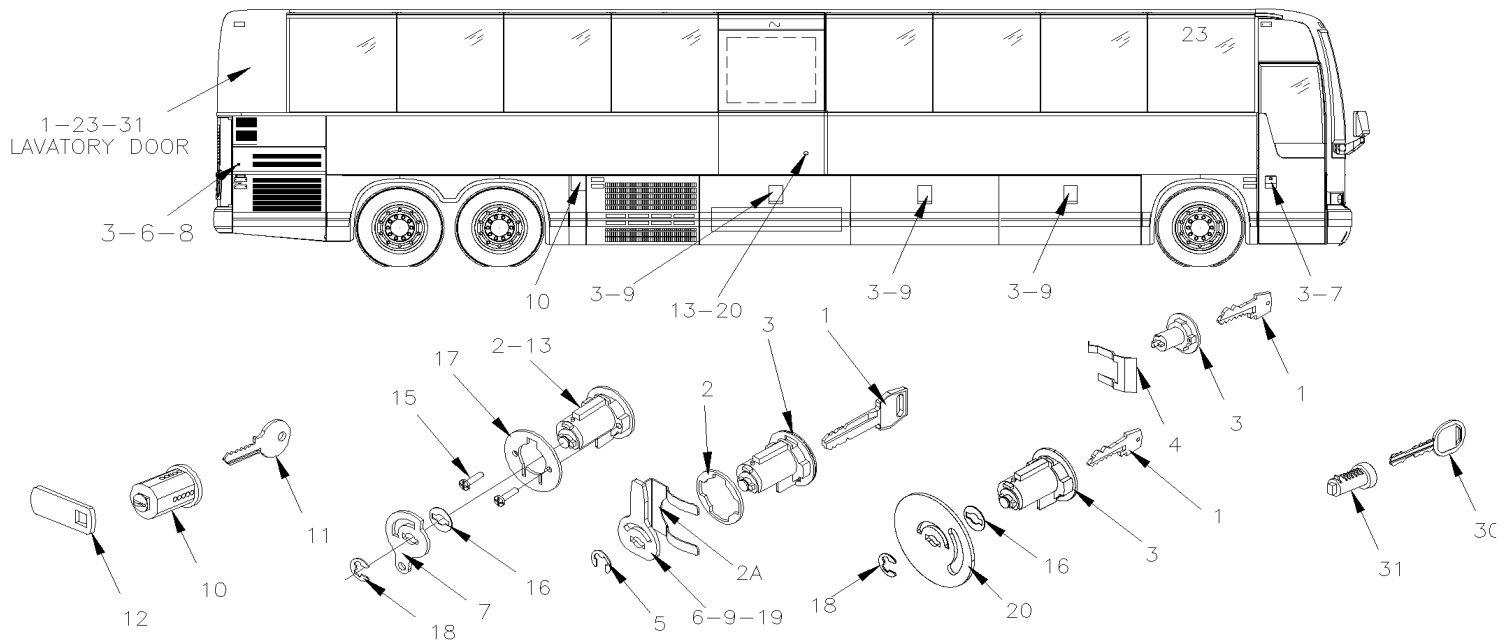
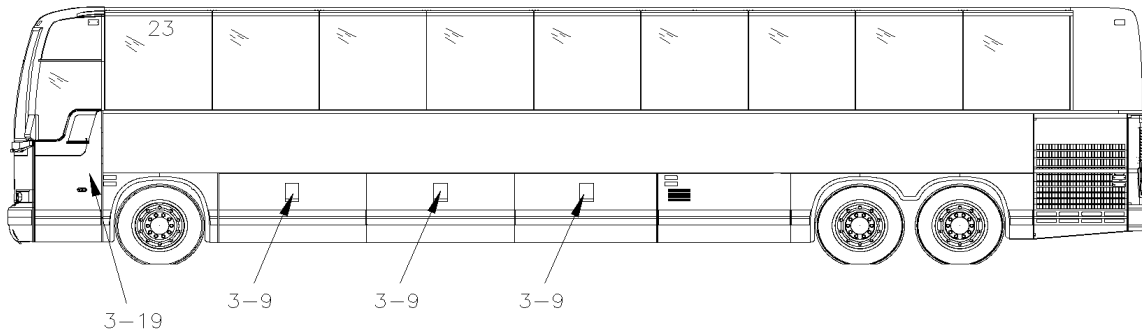
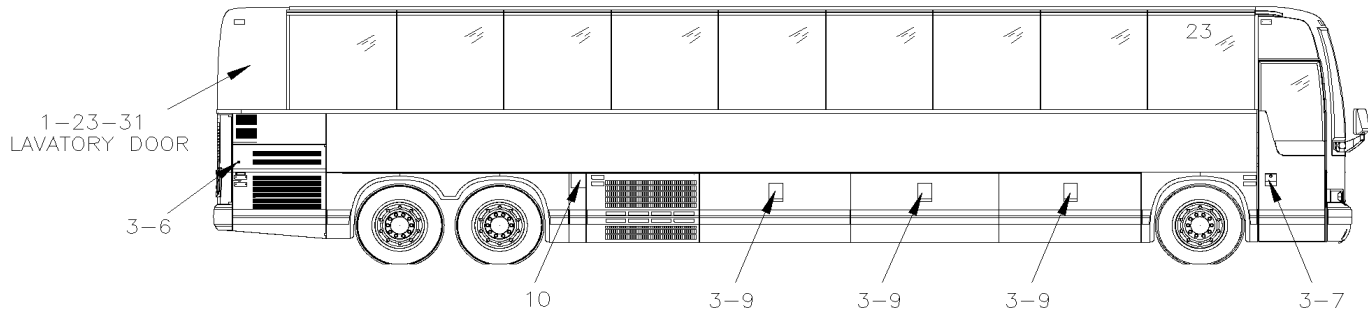
Item#	Part	Description	QTY	Notes
39	505504	KNOB, PULL / 8-32	1	
40	500764	NUT HEX #8-32 Z050	1	
41	5001697	SCREW CAP HEX M6-1.0x16 SS BK	6	
42	504379	RIVET POP DOME OE 3/16x1/4 SS	2	
43	500411	WASHER FL .260x.697x.050 SS To L-7690	6	
43	500411	WASHER FL .260x.697x.050 SS From L-7691	2	
43	504206	WASHER FL .312X.750X.050 ss From L-7691	4	
50	223938	SUPPORT PIVOT / DOOR GUIDE M-1.0 W/SHOULDER 10MM (WELD)	1	
51	223939	SUPPORT ROD UPPER (WELDED AT STRUCTURE)	1	
51	223956	SUPPORT ROD UPPER FIXED W/SCREWS	1	
52	221916	POST ASSY FORWARD FUEL DOOR ASSY W/REINFORCMENT PANEL	1	
. NS	221921	. PANEL REINFORCMENT LOWER FUEL DOOR 244.4MM x 508.6MM	1	
. NS	221896	. ATTACH PIVOT LATCH	1	
. NS	221917	. TUBE, FUEL DOOR / 895MM LG.	1	
. NS	221918	. STOPPER, CONDENSOR DOOR, UPPER	1	
. NS	221919	. SUPPORT, CONDENSOR DOOR, LATCH	1	
. NS	221920	. STOPPER, CONDENSOR DOOR	1	
60	X3PLB-1855-00	RUB RAIL - EXTERIOR CREST & TRIMS		
61	X3PLB-2255-00	CONDENSOR - INSTALLATION To H-7416		
61	X3PLB-2255-01	CONDENSOR - INSTALLATION VOLVO D13 - GHG17 From H-7417		

From G-7275 To K-7662

Date:07/2024

PAGE:X3PLB-1867-00

KEY & CYLINDER CODE "FORD" & "NS"



From G-7275 To K-7662	Date:07/2024	PAGE:X3PLB-1867-00
-----------------------	--------------	--------------------

KEY & CYLINDER CODE "FORD" & "NS"

Item#	Part	Description	QTY	Notes
	780238	KEY BLANK UNCUT	AR	
1	282295	KEY CODE / CODE A / FA 0000	1	
1	282296	KEY CODE / CODE B / FA 0050	1	
1	282297	KEY CODE / CODE C / FA 0100	1	
1	282298	KEY CODE / CODE D / FA 0221	1	
1	282299	KEY CODE / CODE E / FA 0225	1	
1	282300	KEY CODE / CODE F / FA 0300	1	
1	282301	KEY CODE / CODE G / FA 0400	1	
1	282302	KEY CODE / CODE H / FA 0500	1	
1	282303	KEY CODE / CODE I / FA 0600	1	
1	282304	KEY CODE / CODE J / FA 0800	1	
1	287663	KEY CODE / CODE K / FA 1212	1	
1	287630	KEY CODE / CODE L / FA 0329 "GREYHOUND"	1	GR
1	287402	KEY CODE / CODE M / FA 0013	1	
1	2800164	KEY CODE / CODE N / FA 0020	1	
1	287319	KEY CODE / CODE O / FA 0028	1	
1	287336	KEY CODE / CODE P / FA 0055	1	
1	2800165	KEY CODE / CODE Q / FA 0107	1	
1	287461	KEY CODE / CODE R / FA 0109	1	
1	287101	KEY CODE / CODE S / FA 0113	1	
1	285726	KEY CODE / CODE T / FA 0261	1	
1	285022	KEY CODE / CODE U / FA 0169	1	
1	285947	KEY CODE / CODE V / FA 0190	1	
1	284514	KEY CODE / CODE W / FA 0199	1	
1	2800166	KEY CODE / CODE X / FA 0206	1	
1	288155	KEY CODE / CODE Y / FA 0208	1	
1	287206	KEY CODE / CODE Z / FA 0268	1	
1	285585	KEY CODE / CODE AA / FA 0368	1	
1	2800167	KEY CODE / CODE AB / FA 0443	1	
1	286461	KEY CODE / CODE AC / FA 0506	1	
1	286984	KEY CODE / CODE AD / FA 0528	1	
1	285671	KEY CODE / CODE AE / FA 0532	1	
1	2800168	KEY CODE / CODE AF / FA 0563	1	
1	2800169	KEY CODE / CODE AG / FA 0625	1	
1	2800170	KEY CODE / CODE AH / FA 0648	1	
1	2800171	KEY CODE / CODE AI / FA 0668	1	
1	287921	KEY CODE / CODE AJ / FA 0692	1	
1	287248	KEY CODE / CODE AK / FA 0704	1	
1	287343	KEY CODE / CODE AL / FA 0714	1	
1	2800172	KEY CODE / CODE AM / FA 0721	1	

From G-7275 To K-7662	Date:07/2024	PAGE:X3PLB-1867-00
KEY & CYLINDER CODE "FORD" & "NS"		

Item#	Part	Description	QTY	Notes
1	289393	KEY CODE / CODE AN / FA 0726	1	
1	2800173	KEY CODE / CODE AO / FA 1116	1	
1	286050	KEY CODE / CODE AP / FA 1252	1	
1	2800174	KEY CODE / CODE AQ / FA 1316	1	
1	287658	KEY CODE / CODE AR / FA 1320	1	
1	287251	KEY CODE / CODE AS / FA 1343	1	
1	2800175	KEY CODE / CODE AT / FA 1486	1	
1	287660	KEY CODE / CODE AU / FA 1549	1	
1	287642	KEY CODE / CODE AV / FA 0890	1	
1	287650	KEY CODE / CODE AW / FA 1465	1	
1	287700	KEY CODE / CODE AX / FA 0899	1	
1	287737	KEY CODE / CODE AY / FA 0150	1	
1	287745	KEY CODE / CODE AZ / FA 1509	1	
1	2800163	KEY CODE / CODE BA / FA 0001	1	
1	287797	KEY CODE / CODE BB / FA 0144	1	
1	2800273	KEY CODE / CODE BC / FA 1513	1	
1	2800503	KEY CODE / CODE BD / FA 1363	1	
1	287820	KEY CODE / CODE BE / FA 1093	1	
1	280448	KEY CODE / CODE BF / FA 1864	1	
1	280823	KEY CODE / CODE BG / FA 0231	1	
2	2800032	SEAL RUBBER 1/16" TH	AR	
2A	780887	RETAINER CLIP, GM DOOR LOCK CYLINDER "U SHAPE"	1	
3	282285	CYLINDER LOCK / CODE A / FA 0000	1	
3	282286	CYLINDER LOCK / CODE B / FA 0050	1	
3	282287	CYLINDER LOCK / CODE C / FA 0100	1	
3	282288	CYLINDER LOCK / CODE D / FA 0221	1	
3	282289	CYLINDER LOCK / CODE E / FA 0225	1	
3	282290	CYLINDER LOCK / CODE F / FA 0300	1	
3	282291	CYLINDER LOCK / CODE G / FA 0400	1	
3	282292	CYLINDER LOCK / CODE H / FA 0500	1	
3	282293	CYLINDER LOCK / CODE I / FA 0600	1	
3	282294	CYLINDER LOCK / CODE J / FA 0800	1	
3	287662	CYLINDER LOCK / CODE K / FA 1212	1	
3	287629	CYLINDER LOCK / CODE L & CODE BH CODE FA 0329 FA 0325 "GREYHOUND"	1	GR
3	286156	CYLINDER LOCK / CODE M / FA 0013	1	
3	287125	CYLINDER LOCK / CODE N / FA 0020	1	
3	287079	CYLINDER LOCK / CODE O / FA 0028	1	
3	287335	CYLINDER LOCK / CODE P / FA 0055	1	
3	287926	CYLINDER LOCK / CODE Q / FA 0107	1	
3	287460	CYLINDER LOCK / CODE R / FA 0109	1	
3	287100	CYLINDER LOCK / CODE S / FA 0113	1	
3	285604	CYLINDER LOCK / CODE T / FA 0261	1	

From G-7275 To K-7662	Date:07/2024	PAGE:X3PLB-1867-00
KEY & CYLINDER CODE "FORD" & "NS"		

Item#	Part	Description	QTY	Notes
3	285021	CYLINDER LOCK / CODE U / FA 0169	1	
3	285946	CYLINDER LOCK / CODE V / FA 0190	1	
3	284513	CYLINDER LOCK / CODE W / FA 0199	1	
3	287138	CYLINDER LOCK / CODE X / FA 0206	1	
3	288154	CYLINDER LOCK / CODE Y / FA 0208	1	
3	285496	CYLINDER LOCK / CODE Z / FA 0268	1	
3	285584	CYLINDER LOCK / CODE AA / FA 0368	1	
3	285264	CYLINDER LOCK / CODE AB / FA 0443	1	
3	286459	CYLINDER LOCK / CODE AC / FA 0506	1	
3	286983	CYLINDER LOCK / CODE AD / FA 0528	1	
3	285670	CYLINDER LOCK / CODE AE / FA 0532	1	
3	288640	CYLINDER LOCK / CODE AF / FA 0563	1	
3	285545	CYLINDER LOCK / CODE AG / FA 0625	1	
3	284373	CYLINDER LOCK / CODE AH / FA 0648	1	
3	285276	CYLINDER LOCK / CODE AI / FA 0668	1	
3	287920	CYLINDER LOCK / CODE AJ / FA 0692	1	
3	287247	CYLINDER LOCK / CODE AK / FA 0704	1	
3	286418	CYLINDER LOCK / CODE AL / FA 0714	1	
3	285861	CYLINDER LOCK / CODE AM / FA 0721	1	
3	289392	CYLINDER LOCK / CODE AN / FA 0726	1	
3	284935	CYLINDER LOCK / CODE AO / FA 1116	1	
3	286049	CYLINDER LOCK / CODE AP / FA 1252	1	
3	285572	CYLINDER LOCK / CODE AQ / FA 1316	1	
3	287657	CYLINDER LOCK / CODE AR / FA 1320	1	
3	287250	CYLINDER LOCK / CODE AS / FA 1343	1	
3	285066	CYLINDER LOCK / CODE AT / FA 1486	1	
3	287659	CYLINDER LOCK / CODE AU / FA 1549	1	
3	287641	CYLINDER LOCK / CODE AV / FA 0890	1	
3	287649	CYLINDER LOCK / CODE AW / FA 1465	1	
3	287699	CYLINDER LOCK / CODE AX / FA 0899	1	
3	287736	CYLINDER LOCK / CODE AY / FA 0150	1	
3	287744	CYLINDER LOCK / CODE AZ / FA 1509	1	
3	287379	CYLINDER LOCK / CODE BA / FA 0001	1	
3	287795	CYLINDER LOCK / CODE BB / FA 0144	1	
3	2800272	CYLINDER LOCK / CODE BC / FA 1513	1	
3	2800502	CYLINDER LOCK / CODE BD / FA 1363	1	
3	287819	CYLINDER LOCK / CODE BE / FA 1093	1	
3	280445	CYLINDER LOCK / CODE BF / FA 1864	1	
3	280822	CYLINDER LOCK / CODE BG / FA 0231	1	
4	780887	. RETAINER CLIP, GM DOOR LOCK CYLINDER "U SHAPE"	1	
5	504477	. RING RETAINER / EXT 14.0 X 13.4 X 1.0MM	1	
6	287406	PIVOT LOCK 9.5MM OFFSET	1	

From G-7275 To K-7662	Date:07/2024	PAGE:X3PLB-1867-00
KEY & CYLINDER CODE "FORD" & "NS"		

Item#	Part	Description	QTY	Notes
7	286553	PIVOT LOCK 18.7MM OFFSET	1	
7	281090	PIVOT LOCK 20.1MM OFFSET "FORD"	1	A
7	2800032	SEAL RUBBER 1/16" TH	1	A
7	780887	RETAINER CLIP, GM DOOR LOCK CYLINDER "U SHAPE"	1	A
7	504402	RING RETAINER / EXT .250 x .210 x .025"	1	A
8	280368	PIVOT LOCK From H-7417	1	
9	289071	PIVOT LOCK	1	
10	780806	LOCK CYLINDER W/KEY / "VIRO"	AR	
. NS	780501	. KEY	1	
11	780501	. KEY	AR	
12		. LEVER INCLUDE WITH KIT #780180	AR	
12	289549	PIVOT LOCK ACTUATOR 42.4MM / W/11MM OFFSET	AR	S
12	408291	PIVOT LOCK ACTUATOR 44MM / W/21MM OFFSET	1	
		NEXT CYLINDER LOCK ARE		
		USE ON "W.C.L." PASSENGER'S SIDE DOOR		
		SEE PAGE X3-1862-80		
13	282285	CYLINDER LOCK / CODE A / FA 0000		
13	282286	CYLINDER LOCK / CODE B / FA 0050		
13	282287	CYLINDER LOCK / CODE C / FA 0100		
13	282288	CYLINDER LOCK / CODE D / FA 0221		
13	282289	CYLINDER LOCK / CODE E / FA 0225		
13	282290	CYLINDER LOCK / CODE F / FA 0300		
13	282291	CYLINDER LOCK / CODE G / FA 0400		
13	282292	CYLINDER LOCK / CODE H / FA 0500		
13	282293	CYLINDER LOCK / CODE I / FA 0600		
13	282294	CYLINDER LOCK / CODE J / FA 0800		
13	287662	CYLINDER LOCK / CODE K / FA 1212		
13	287629	CYLINDER LOCK / CODE L & CODE BH CODE FA 0329 FA 0325 "GREYHOUND"		GR
13	286156	CYLINDER LOCK / CODE M / FA 0013		
13	287079	CYLINDER LOCK / CODE O / FA 0028		
13	287335	CYLINDER LOCK / CODE P / FA 0055		
13	287460	CYLINDER LOCK / CODE R / FA 0109		
13	287100	CYLINDER LOCK / CODE S / FA 0113		
13	285604	CYLINDER LOCK / CODE T / FA 0261		
13	285021	CYLINDER LOCK / CODE U / FA 0169		
13	285946	CYLINDER LOCK / CODE V / FA 0190		
13	284513	CYLINDER LOCK / CODE W / FA 0199		
13	288154	CYLINDER LOCK / CODE Y / FA 0208		
13	285496	CYLINDER LOCK / CODE Z / FA 0268		
13	285584	CYLINDER LOCK / CODE AA / FA 0368		

From G-7275 To K-7662	Date:07/2024	PAGE:X3PLB-1867-00
KEY & CYLINDER CODE "FORD" & "NS"		

Item#	Part	Description	QTY	Notes
13	286459	CYLINDER LOCK / CODE AC / FA 0506		
13	286983	CYLINDER LOCK / CODE AD / FA 0528		
13	285670	CYLINDER LOCK / CODE AE / FA 0532		
13	287920	CYLINDER LOCK / CODE AJ / FA 0692		
13	287247	CYLINDER LOCK / CODE AK / FA 0704		
13	286418	CYLINDER LOCK / CODE AL / FA 0714		
13	289392	CYLINDER LOCK / CODE AN / FA 0726		
13	284935	CYLINDER LOCK / CODE AO / FA 1116		
13	286049	CYLINDER LOCK / CODE AP / FA 1252		
13	287657	CYLINDER LOCK / CODE AR / FA 1320		
13	287250	CYLINDER LOCK / CODE AS / FA 1343		
13	287659	CYLINDER LOCK / CODE AU / FA 1549		
13	287649	CYLINDER LOCK / CODE AW / FA 1465		
13	287699	CYLINDER LOCK / CODE AX / FA 0899		
13	287736	CYLINDER LOCK / CODE AY / FA 0150		
13	287744	CYLINDER LOCK / CODE AZ / FA 1509		
13	287795	CYLINDER LOCK / CODE BB / FA 0144	1	
13	2800272	CYLINDER LOCK / CODE BC / FA 1513		
13	287819	CYLINDER LOCK / CODE BE / FA 1093		
13	280445	CYLINDER LOCK / CODE BF / FA 1864	1	
13	280822	CYLINDER LOCK / CODE BG / FA 0231	1	
15	500518	SCREW MA BDG PH #4-40x1/2 Z050	2	
16	283853	SPACER / WASHER 9/16" O.D. X 1/4" I.D.	1	
17	285811	WASHER / CYLINDER LOCK RETAINER	1	
18	504402	RING RETAINER / EXT .250 x .210 x .025"	1	
19	287087	PIVOT	1	
20	280128	PIVOT LOCK ROD / W/W.C.L. DOOR 54MM O.D.	1	
		NEXT CYLINDER LOCK ARE MODIFIED		
		WITH 2 THREADED HOLES SCREW 4-40		
		USE ON LAVATORY DOOR & PARCEL RACK DOOR WITH FORD		
23	289467	CYLINDER LOCK MODIFIED / WITH 2 HOLES #4-40 / CODE A / FA 0000		
23	289468	CYLINDER LOCK MODIFIED / WITH 2 HOLES #4-40 / CODE B / FA 0050		
23	289469	CYLINDER LOCK MODIFIED / WITH 2 HOLES #4-40 / CODE C / FA 0100		
23	289470	CYLINDER LOCK MODIFIED / WITH 2 HOLES #4-40 / CODE D / FA 0221		
23	289471	CYLINDER LOCK MODIFIED / WITH 2 HOLES #4-40 / CODE E / FA 0225		
23	289472	CYLINDER LOCK MODIFIED / WITH 2 HOLES #4-40 / CODE F / FA 0300		
23	289473	CYLINDER LOCK MODIFIED / WITH 2 HOLES #4-40 / CODE G / FA 0400		
23	289474	CYLINDER LOCK MODIFIED / WITH 2 HOLES #4-40 / CODE H / FA 0500		
23	289475	CYLINDER LOCK MODIFIED / WITH 2 HOLES #4-40 / CODE I / FA 0600		
23	289476	CYLINDER LOCK MODIFIED / WITH 2 HOLES #4-40 / CODE J / FA 0800		

From G-7275 To K-7662	Date:07/2024	PAGE:X3PLB-1867-00
KEY & CYLINDER CODE "FORD" & "NS"		

Item#	Part	Description	QTY	Notes
23	289477	CYLINDER LOCK MODIFIED / WITH 2 HOLES #4-40 / CODE K / FA 1212		
23	287633	CYLINDER LOCK MODIFIED / WITH 2 HOLES #4-40 / CODE L / FA 0329		
23	2800006	CYLINDER LOCK MODIFIED / WITH 2 HOLES #4-40 / CODE M / FA 0013		
23	2800004	CYLINDER LOCK MODIFIED / WITH 2 HOLES #4-40 / CODE O / FA 0028		
23	289492	CYLINDER LOCK MODIFIED / WITH 2 HOLES #4-40 / CODE P / FA 0055		
23	2800007	CYLINDER LOCK MODIFIED / WITH 2 HOLES #4-40 / CODE R / FA 0109		
23	289489	CYLINDER LOCK MODIFIED / WITH 2 HOLES #4-40 / CODE S / FA 0113		
23	289466	CYLINDER LOCK MODIFIED / WITH 2 HOLES #4-40 / CODE T / FA 0261		
23	289478	CYLINDER LOCK MODIFIED / WITH 2 HOLES #4-40 / CODE U / FA 0169		
23	289485	CYLINDER LOCK MODIFIED / WITH 2 HOLES #4-40 / CODE V / FA 0190		
23	289479	CYLINDER LOCK MODIFIED / WITH 2 HOLES #4-40 / CODE W / FA 0199		
23	2800008	CYLINDER LOCK MODIFIED / WITH 2 HOLES #4-40 / CODE Y / FA 0208		
23	2800002	CYLINDER LOCK MODIFIED / WITH 2 HOLES #4-40 / CODE Z / FA 0268		
23	289482	CYLINDER LOCK MODIFIED / WITH 2 HOLES #4-40 / CODE AA / FA 0368		
23	289487	CYLINDER LOCK MODIFIED / WITH 2 HOLES #4-40 / CODE AC / FA 0506		
23	289488	CYLINDER LOCK MODIFIED / WITH 2 HOLES #4-40 / CODE AD / FA 0528		
23	289483	CYLINDER LOCK MODIFIED / WITH 2 HOLES #4-40 / CODE AE / FA 0532		
23	289493	CYLINDER LOCK MODIFIED / WITH 2 HOLES #4-40 / CODE AJ / FA 0692		
23	289490	CYLINDER LOCK MODIFIED / WITH 2 HOLES #4-40 / CODE AK / FA 0704		
23	2800005	CYLINDER LOCK MODIFIED / WITH 2 HOLES #4-40 / CODE AL / FA 0714		
23	287654	CYLINDER LOCK MODIFIED / WITH 2 HOLES #4-40 / CODE AN / FA 0726		
23	2800003	CYLINDER LOCK MODIFIED / WITH 2 HOLES #4-40 / CODE AO / FA 1116		
23	289486	CYLINDER LOCK MODIFIED / WITH 2 HOLES #4-40 / CODE AP / FA 1252		
23	289481	CYLINDER LOCK MODIFIED / WITH 2 HOLES #4-40 / CODE AR / FA 1320		
23	289491	CYLINDER LOCK MODIFIED / WITH 2 HOLES #4-40 / CODE AS / FA 1343		
23	289480	CYLINDER LOCK MODIFIED / WITH 2 HOLES #4-40 / CODE AU / FA 1549		
23	287653	CYLINDER LOCK MODIFIED / WITH 2 HOLES #4-40 / CODE AW / FA 1465		
23	287701	CYLINDER LOCK MODIFIED / WITH 2 HOLES #4-40 / CODE AX / FA 0899		
23	287738	CYLINDER LOCK MODIFIED / WITH 2 HOLES #4-40 / CODE AY / FA 0150		
23	287746	CYLINDER LOCK MODIFIED / WITH 2 HOLES #4-40 / CODE AZ / FA 1509		
23	287796	CYLINDER LOCK MODIFIED / WITH 2 HOLES #4-40 / CODE BB / FA 0144		
23	2800274	CYLINDER LOCK MODIFIED / WITH 2 HOLES #4-40 / CODE BC / FA 1513		
23	2800506	CYLINDER LOCK MODIFIED / WITH 2 HOLES #4-40 / CODE BD / FA 1363		
23	287821	CYLINDER LOCK MODIFIED / WITH 2 HOLES #4-40 / CODE BE / FA 1093		
23	280444	CYLINDER LOCK MODIFIED / WITH 2 HOLES #4-40 / CODE BF / FA 1864		
23	280824	CYLINDER LOCK MODIFIED / WITH 2 HOLES #4-40 / CODE BG / FA 0231		
30	780780	KEY, UNCUT / NS SERIE NS SERIES	AR	
30	780660	KEY / NS 8888	AR	
31	780801	CYLINDER LOCK / NS 8888	AR	
. NS	780660	. KEY / NS 8888	2	

From G-7275 To K-7662		Date:07/2024	PAGE:X3PLB-1867-00
-----------------------	--	--------------	--------------------

KEY & CYLINDER CODE "FORD" & "NS"

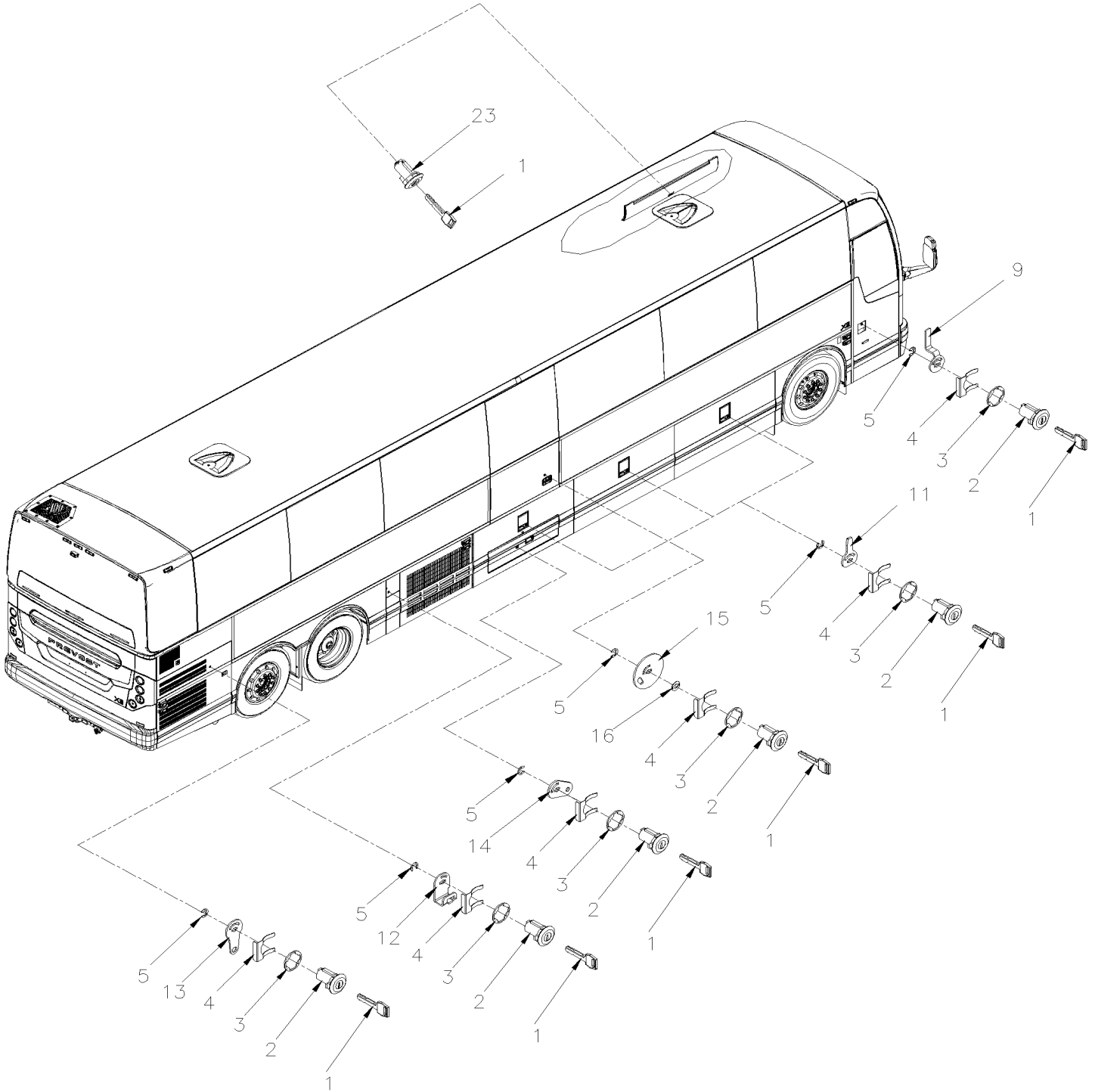
Item#	Part	Description	QTY	Notes
		A) USED WITH BY-FOLD DOOR		
		GR) WITH OPTION "GREYHOUND"		
		S) REQUIERED ONLY IN SERVICE IF YOU NEED TO CHANGE YOUR OLD CYLINDER LOCK # 780180 BEFORE VIN # 9-XXXX		

From L-7663 To M-7767

Date:07/2024

PAGE:X3PLB-1867-01

KEY & CYLINDER CODE "FORD"

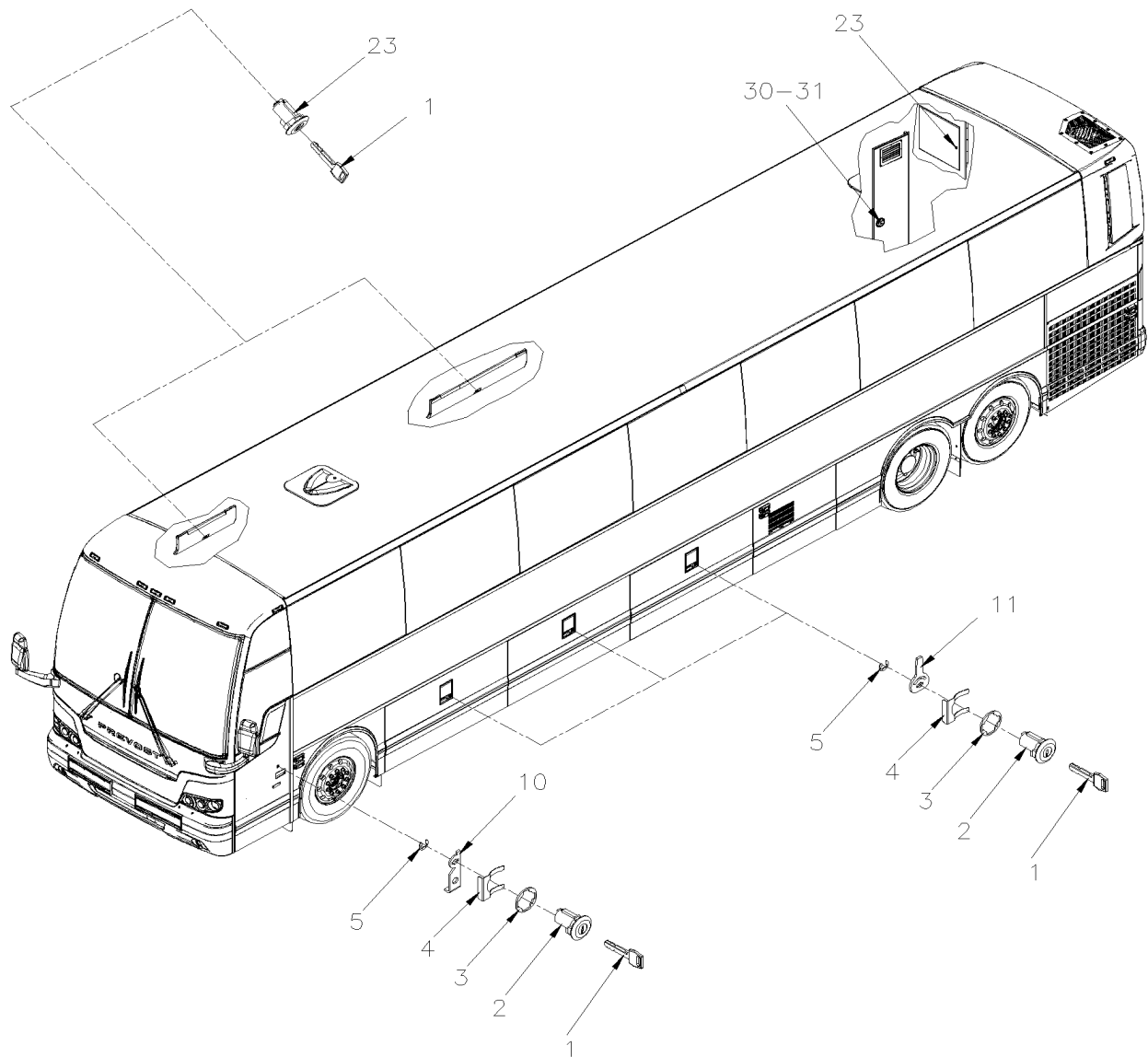


From L-7663 To M-7767

Date:07/2024

PAGE:X3PLB-1867-01

KEY & CYLINDER CODE "FORD"



From L-7663 To M-7767	Date:07/2024	PAGE:X3PLB-1867-01
KEY & CYLINDER CODE "FORD"		

Item#	Part	Description	QTY	Notes
	780238	KEY BLANK UNCUT	AR	
1	282295	KEY CODE / CODE A / FA 0000	1	
1	282296	KEY CODE / CODE B / FA 0050	1	
1	282297	KEY CODE / CODE C / FA 0100	1	
1	282298	KEY CODE / CODE D / FA 0221	1	
1	282299	KEY CODE / CODE E / FA 0225	1	
1	282300	KEY CODE / CODE F / FA 0300	1	
1	282301	KEY CODE / CODE G / FA 0400	1	
1	282302	KEY CODE / CODE H / FA 0500	1	
1	282303	KEY CODE / CODE I / FA 0600	1	
1	282304	KEY CODE / CODE J / FA 0800	1	
1	287663	KEY CODE / CODE K / FA 1212	1	
1	287630	KEY CODE / CODE L / FA 0329 "GREYHOUND"	1	GR
1	287402	KEY CODE / CODE M / FA 0013	1	
1	2800164	KEY CODE / CODE N / FA 0020	1	
1	287319	KEY CODE / CODE O / FA 0028	1	
1	287336	KEY CODE / CODE P / FA 0055	1	
1	2800165	KEY CODE / CODE Q / FA 0107	1	
1	287461	KEY CODE / CODE R / FA 0109	1	
1	287101	KEY CODE / CODE S / FA 0113	1	
1	285726	KEY CODE / CODE T / FA 0261	1	
1	285022	KEY CODE / CODE U / FA 0169	1	
1	285947	KEY CODE / CODE V / FA 0190	1	
1	284514	KEY CODE / CODE W / FA 0199	1	
1	2800166	KEY CODE / CODE X / FA 0206	1	
1	288155	KEY CODE / CODE Y / FA 0208	1	
1	287206	KEY CODE / CODE Z / FA 0268	1	
1	285585	KEY CODE / CODE AA / FA 0368	1	
1	2800167	KEY CODE / CODE AB / FA 0443	1	
1	286461	KEY CODE / CODE AC / FA 0506	1	
1	286984	KEY CODE / CODE AD / FA 0528	1	
1	285671	KEY CODE / CODE AE / FA 0532	1	
1	2800168	KEY CODE / CODE AF / FA 0563	1	
1	2800169	KEY CODE / CODE AG / FA 0625	1	
1	2800170	KEY CODE / CODE AH / FA 0648	1	
1	2800171	KEY CODE / CODE AI / FA 0668	1	
1	287921	KEY CODE / CODE AJ / FA 0692	1	
1	287248	KEY CODE / CODE AK / FA 0704	1	
1	287343	KEY CODE / CODE AL / FA 0714	1	
1	2800172	KEY CODE / CODE AM / FA 0721	1	

From L-7663 To M-7767	Date:07/2024	PAGE:X3PLB-1867-01
KEY & CYLINDER CODE "FORD"		

Item#	Part	Description	QTY	Notes
1	289393	KEY CODE / CODE AN / FA 0726	1	
1	2800173	KEY CODE / CODE AO / FA 1116	1	
1	286050	KEY CODE / CODE AP / FA 1252	1	
1	2800174	KEY CODE / CODE AQ / FA 1316	1	
1	287658	KEY CODE / CODE AR / FA 1320	1	
1	287251	KEY CODE / CODE AS / FA 1343	1	
1	2800175	KEY CODE / CODE AT / FA 1486	1	
1	287660	KEY CODE / CODE AU / FA 1549	1	
1	287642	KEY CODE / CODE AV / FA 0890	1	
1	287650	KEY CODE / CODE AW / FA 1465	1	
1	287700	KEY CODE / CODE AX / FA 0899	1	
1	287737	KEY CODE / CODE AY / FA 0150	1	
1	287745	KEY CODE / CODE AZ / FA 1509	1	
1	2800163	KEY CODE / CODE BA / FA 0001	1	
1	287797	KEY CODE / CODE BB / FA 0144	1	
1	2800273	KEY CODE / CODE BC / FA 1513	1	
1	2800503	KEY CODE / CODE BD / FA 1363	1	
1	287820	KEY CODE / CODE BE / FA 1093	1	
1	280448	KEY CODE / CODE BF / FA 1864	1	
1	280823	KEY CODE / CODE BG / FA 0231	1	
1	281575	KEY CODE / CODE BH / FA 0325 & FA 0329 "GREYHOUND"	1	
1	2810309	KEY CODE / CODE BJ / FA 1315	1	
2	282285	CYLINDER LOCK / CODE A / FA 0000	1	
2	282286	CYLINDER LOCK / CODE B / FA 0050	1	
2	282287	CYLINDER LOCK / CODE C / FA 0100	1	
2	282288	CYLINDER LOCK / CODE D / FA 0221	1	
2	282289	CYLINDER LOCK / CODE E / FA 0225	1	
2	282290	CYLINDER LOCK / CODE F / FA 0300	1	
2	282291	CYLINDER LOCK / CODE G / FA 0400	1	
2	282292	CYLINDER LOCK / CODE H / FA 0500	1	
2	282293	CYLINDER LOCK / CODE I / FA 0600	1	
2	282294	CYLINDER LOCK / CODE J / FA 0800	1	
2	287662	CYLINDER LOCK / CODE K / FA 1212	1	
2	287629	CYLINDER LOCK / CODE L & CODE BH CODE FA 0329 FA 0325 "GREYHOUND"	1	GR
2	286156	CYLINDER LOCK / CODE M / FA 0013	1	
2	287125	CYLINDER LOCK / CODE N / FA 0020	1	
2	287079	CYLINDER LOCK / CODE O / FA 0028	1	
2	287335	CYLINDER LOCK / CODE P / FA 0055	1	
2	287926	CYLINDER LOCK / CODE Q / FA 0107	1	
2	287460	CYLINDER LOCK / CODE R / FA 0109	1	
2	287100	CYLINDER LOCK / CODE S / FA 0113	1	

From L-7663 To M-7767	Date:07/2024	PAGE:X3PLB-1867-01
KEY & CYLINDER CODE "FORD"		

Item#	Part	Description	QTY	Notes
2	285604	CYLINDER LOCK / CODE T / FA 0261	1	
2	285021	CYLINDER LOCK / CODE U / FA 0169	1	
2	285946	CYLINDER LOCK / CODE V / FA 0190	1	
2	284513	CYLINDER LOCK / CODE W / FA 0199	1	
2	287138	CYLINDER LOCK / CODE X / FA 0206	1	
2	288154	CYLINDER LOCK / CODE Y / FA 0208	1	
2	285496	CYLINDER LOCK / CODE Z / FA 0268	1	
2	285584	CYLINDER LOCK / CODE AA / FA 0368	1	
2	285264	CYLINDER LOCK / CODE AB / FA 0443	1	
2	286459	CYLINDER LOCK / CODE AC / FA 0506	1	
2	286983	CYLINDER LOCK / CODE AD / FA 0528	1	
2	285670	CYLINDER LOCK / CODE AE / FA 0532	1	
2	288640	CYLINDER LOCK / CODE AF / FA 0563	1	
2	285545	CYLINDER LOCK / CODE AG / FA 0625	1	
2	284373	CYLINDER LOCK / CODE AH / FA 0648	1	
2	285276	CYLINDER LOCK / CODE AI / FA 0668	1	
2	287920	CYLINDER LOCK / CODE AJ / FA 0692	1	
2	287247	CYLINDER LOCK / CODE AK / FA 0704	1	
2	286418	CYLINDER LOCK / CODE AL / FA 0714	1	
2	285861	CYLINDER LOCK / CODE AM / FA 0721	1	
2	289392	CYLINDER LOCK / CODE AN / FA 0726	1	
2	284935	CYLINDER LOCK / CODE AO / FA 1116	1	
2	286049	CYLINDER LOCK / CODE AP / FA 1252	1	
2	285572	CYLINDER LOCK / CODE AQ / FA 1316	1	
2	287657	CYLINDER LOCK / CODE AR / FA 1320	1	
2	287250	CYLINDER LOCK / CODE AS / FA 1343	1	
2	285066	CYLINDER LOCK / CODE AT / FA 1486	1	
2	287659	CYLINDER LOCK / CODE AU / FA 1549	1	
2	287641	CYLINDER LOCK / CODE AV / FA 0890	1	
2	287649	CYLINDER LOCK / CODE AW / FA 1465	1	
2	287699	CYLINDER LOCK / CODE AX / FA 0899	1	
2	287736	CYLINDER LOCK / CODE AY / FA 0150	1	
2	287744	CYLINDER LOCK / CODE AZ / FA 1509	1	
2	287379	CYLINDER LOCK / CODE BA / FA 0001	1	
2	287795	CYLINDER LOCK / CODE BB / FA 0144	1	
2	2800272	CYLINDER LOCK / CODE BC / FA 1513	1	
2	2800502	CYLINDER LOCK / CODE BD / FA 1363	1	
2	287819	CYLINDER LOCK / CODE BE / FA 1093	1	
2	280445	CYLINDER LOCK / CODE BF / FA 1864	1	
2	280822	CYLINDER LOCK / CODE BG / FA 0231	1	
2	2810311	CYLINDER LOCK / CODE BJ / FA 1315	1	

From L-7663 To M-7767	Date:07/2024	PAGE:X3PLB-1867-01
KEY & CYLINDER CODE "FORD"		

Item#	Part	Description	QTY	Notes
3	2800032	SEAL RUBBER 1/16" TH	AR	
4	780887	RETAINER CLIP, GM DOOR LOCK CYLINDER "U SHAPE"	1	
5	504402	RING RETAINER / EXT .250 x .210 x .025"	1	
6	287406	PIVOT LOCK 9.5MM OFFSET	1	
9	286553	PIVOT LOCK 18.7MM OFFSET	1	
9	281090	PIVOT LOCK 20.1MM OFFSET "FORD"	1	A
9	2800032	SEAL RUBBER 1/16" TH	1	A
9	780887	RETAINER CLIP, GM DOOR LOCK CYLINDER "U SHAPE"	1	A
9	504402	RING RETAINER / EXT .250 x .210 x .025"	1	A
10	287087	PIVOT	1	
11	289071	PIVOT LOCK	1	
12	484218	PIVOT LOCK / CURBSIDE	1	
13	280368	PIVOT LOCK	1	
14	2800850	PIVOT LOCK	1	
15	280128	PIVOT LOCK ROD / W/W.C.L. DOOR 54MM O.D.	1	
16	283853	SPACER / WASHER 9/16" O.D. X 1/4" I.D.	1	
		NEXT CYLINDER LOCK ARE MODIFIED		
		WITH 2 THREADED HOLES SCREW 4-40		
		USE ON LAVATORY DOOR & PARCEL RACK DOOR WITH FORD		
23	289467	CYLINDER LOCK MODIFIED / WITH 2 HOLES #4-40 / CODE A / FA 0000		
23	289468	CYLINDER LOCK MODIFIED / WITH 2 HOLES #4-40 / CODE B / FA 0050		
23	289469	CYLINDER LOCK MODIFIED / WITH 2 HOLES #4-40 / CODE C / FA 0100		
23	289470	CYLINDER LOCK MODIFIED / WITH 2 HOLES #4-40 / CODE D / FA 0221		
23	289471	CYLINDER LOCK MODIFIED / WITH 2 HOLES #4-40 / CODE E / FA 0225		
23	289472	CYLINDER LOCK MODIFIED / WITH 2 HOLES #4-40 / CODE F / FA 0300		
23	289473	CYLINDER LOCK MODIFIED / WITH 2 HOLES #4-40 / CODE G / FA 0400		
23	289474	CYLINDER LOCK MODIFIED / WITH 2 HOLES #4-40 / CODE H / FA 0500		
23	289475	CYLINDER LOCK MODIFIED / WITH 2 HOLES #4-40 / CODE I / FA 0600		
23	289476	CYLINDER LOCK MODIFIED / WITH 2 HOLES #4-40 / CODE J / FA 0800		
23	289477	CYLINDER LOCK MODIFIED / WITH 2 HOLES #4-40 / CODE K / FA 1212		
23	287633	CYLINDER LOCK MODIFIED / WITH 2 HOLES #4-40 / CODE L / FA 0329		
23	2800006	CYLINDER LOCK MODIFIED / WITH 2 HOLES #4-40 / CODE M / FA 0013		
23	2800004	CYLINDER LOCK MODIFIED / WITH 2 HOLES #4-40 / CODE O / FA 0028		
23	289492	CYLINDER LOCK MODIFIED / WITH 2 HOLES #4-40 / CODE P / FA 0055		
23	2800007	CYLINDER LOCK MODIFIED / WITH 2 HOLES #4-40 / CODE R / FA 0109		
23	289489	CYLINDER LOCK MODIFIED / WITH 2 HOLES #4-40 / CODE S / FA 0113		
23	289466	CYLINDER LOCK MODIFIED / WITH 2 HOLES #4-40 / CODE T / FA 0261		
23	289478	CYLINDER LOCK MODIFIED / WITH 2 HOLES #4-40 / CODE U / FA 0169		
23	289485	CYLINDER LOCK MODIFIED / WITH 2 HOLES #4-40 / CODE V / FA 0190		
23	289479	CYLINDER LOCK MODIFIED / WITH 2 HOLES #4-40 / CODE W / FA 0199		

From L-7663 To M-7767	Date:07/2024	PAGE:X3PLB-1867-01
KEY & CYLINDER CODE "FORD"		

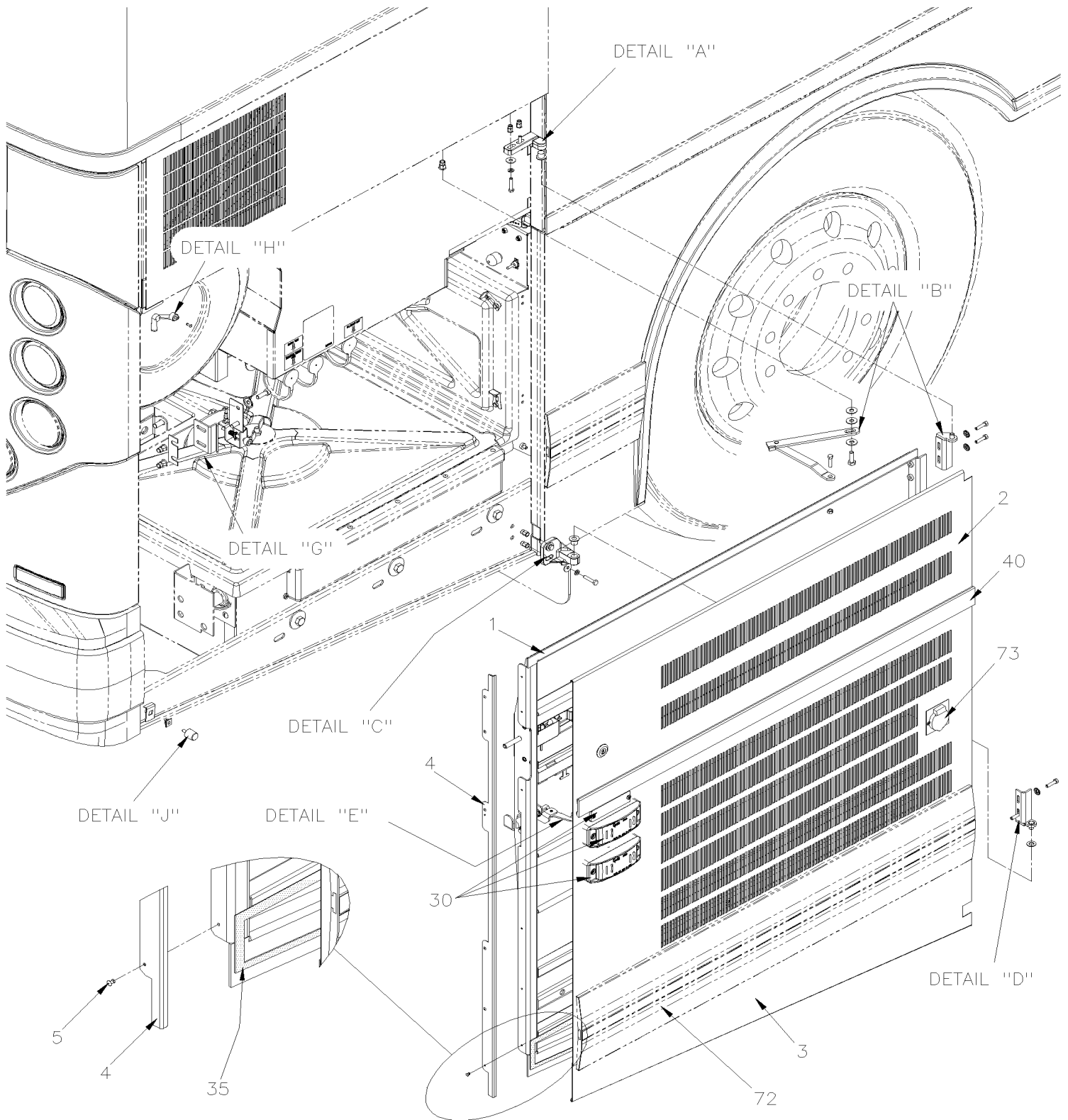
Item#	Part	Description	QTY	Notes
23	2800008	CYLINDER LOCK MODIFIED / WITH 2 HOLES #4-40 / CODE Y / FA 0208		
23	2800002	CYLINDER LOCK MODIFIED / WITH 2 HOLES #4-40 / CODE Z / FA 0268		
23	289482	CYLINDER LOCK MODIFIED / WITH 2 HOLES #4-40 / CODE AA / FA 0368		
23	289487	CYLINDER LOCK MODIFIED / WITH 2 HOLES #4-40 / CODE AC / FA 0506		
23	289488	CYLINDER LOCK MODIFIED / WITH 2 HOLES #4-40 / CODE AD / FA 0528		
23	289483	CYLINDER LOCK MODIFIED / WITH 2 HOLES #4-40 / CODE AE / FA 0532		
23	289493	CYLINDER LOCK MODIFIED / WITH 2 HOLES #4-40 / CODE AJ / FA 0692		
23	289490	CYLINDER LOCK MODIFIED / WITH 2 HOLES #4-40 / CODE AK / FA 0704		
23	2800005	CYLINDER LOCK MODIFIED / WITH 2 HOLES #4-40 / CODE AL / FA 0714		
23	287654	CYLINDER LOCK MODIFIED / WITH 2 HOLES #4-40 / CODE AN / FA 0726		
23	2800003	CYLINDER LOCK MODIFIED / WITH 2 HOLES #4-40 / CODE AO / FA 1116		
23	289486	CYLINDER LOCK MODIFIED / WITH 2 HOLES #4-40 / CODE AP / FA 1252		
23	289481	CYLINDER LOCK MODIFIED / WITH 2 HOLES #4-40 / CODE AR / FA 1320		
23	289491	CYLINDER LOCK MODIFIED / WITH 2 HOLES #4-40 / CODE AS / FA 1343		
23	289480	CYLINDER LOCK MODIFIED / WITH 2 HOLES #4-40 / CODE AU / FA 1549		
23	287653	CYLINDER LOCK MODIFIED / WITH 2 HOLES #4-40 / CODE AW / FA 1465		
23	287701	CYLINDER LOCK MODIFIED / WITH 2 HOLES #4-40 / CODE AX / FA 0899		
23	287738	CYLINDER LOCK MODIFIED / WITH 2 HOLES #4-40 / CODE AY / FA 0150		
23	287746	CYLINDER LOCK MODIFIED / WITH 2 HOLES #4-40 / CODE AZ / FA 1509		
23	287796	CYLINDER LOCK MODIFIED / WITH 2 HOLES #4-40 / CODE BB / FA 0144		
23	2800274	CYLINDER LOCK MODIFIED / WITH 2 HOLES #4-40 / CODE BC / FA 1513		
23	2800506	CYLINDER LOCK MODIFIED / WITH 2 HOLES #4-40 / CODE BD / FA 1363		
23	287821	CYLINDER LOCK MODIFIED / WITH 2 HOLES #4-40 / CODE BE / FA 1093		
23	280444	CYLINDER LOCK MODIFIED / WITH 2 HOLES #4-40 / CODE BF / FA 1864		
23	280824	CYLINDER LOCK MODIFIED / WITH 2 HOLES #4-40 / CODE BG / FA 0231		
23	2810310	CYLINDER LOCK MODIFIED / WITH 2 HOLES #4-40 / CODE BJ / FA 1315	1	
30	780660	KEY / NS 8888	AR	
30	780780	KEY, UNCUT / NS SERIE NS SERIES	AR	
31	780801	CYLINDER LOCK / NS 8888	1	
. NS	780660	. KEY / NS 8888	2	
		A) ONLY USE WITH BY-FOLD DOOR		
		GR) WITH OPTION "GREYHOUND"		

From G-7275 To H-7416

Date:07/2024

PAGE:X3PLB-1868-00

A/C COMPRESSOR DOOR ASSY

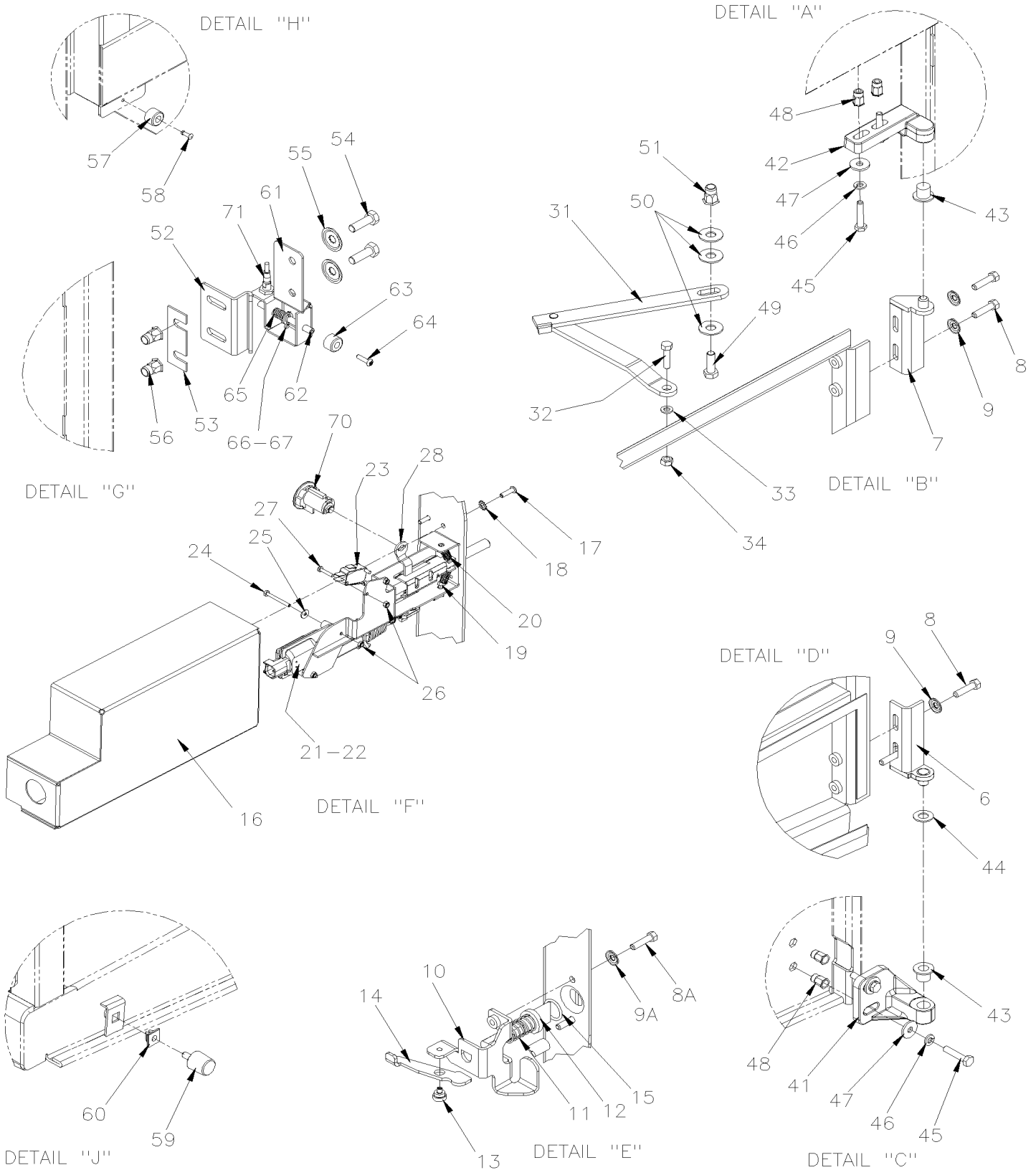


From G-7275 To H-7416

Date:07/2024

PAGE:X3PLB-1868-00

A/C COMPRESSOR DOOR ASSY



From G-7275 To H-7416	Date:07/2024	PAGE:X3PLB-1868-00
A/C COMPRESSOR DOOR ASSY		

Item#	Part	Description	QTY	Notes
		ALL COMPRESSOR DOORS ASSY DO NOT INCLUDE		
		RUB-RAIL PLEASE ORDER SEPARATELY		
	282941	COMPRESSOR DOOR ASSY / W/FLAT PANEL	1	
	283171	COMPRESSOR DOOR ASSY / W/FLAT PANEL	1	A
	283231	COMPRESSOR DOOR ASSY / W/FLAT PANEL/ AND ELECTRICAL LOCK	1	
	283285	COMPRESSOR DOOR ASSY / W/FLAT PANEL/ AND ELECTRICAL LOCK	1	A
1	287811	. FRAME ASSY / COMPRESSOR DOOR	1	
. NS	287812	. . SUPPORT ACTUATOR / WELDED AT FRAME CURRENT ACTUATOR 780814	1	
2	477375	. PANEL, UPPER / FLAT	1	
2	477383	. PANEL, UPPER / FLAT / W/HOLE 110V OUTLET	1	A
3	478456	. PANEL, LOWER	1	
NS	687962	. GLUE MS POLYMER TEROSON MS 9399 / "B" 21 Liters	AR	
NS	687961	. GLUE MS POLYMER TEROSON MS 9399 / "A" 21 Liters	AR	
NS	506071	. TAPE RUB ADH1 CC POL 1/8" x 1/2" x 50' / GREY 2520X	AR	
4	286225	. FINISHING MOULDING 1110MM	1	
5	504340	. RIVET POP DOME OE 1/8x3/16 SS	6	
6	289150	. ARM ASSY	1	
7	289149	. ARM ASSY	1	
8	5001697	. SCREW CAP HEX M6-1.0x16 SS BK	4	
8	5001697	. SCREW CAP HEX M6-1.0x16 SS BK	4	
8A	5001697	. SCREW CAP HEX M6-1.0x16 SS BK	2	
8A	5001697	. SCREW CAP HEX M6-1.0x16 SS BK	2	
9	5001833	. WASHER BEL SPR 6.1x18x1.27 SS	4	
9	5001833	. WASHER BEL SPR 6.1x18x1.27 SS	4	
9A	5001833	. WASHER BEL SPR 6.1x18x1.27 SS	2	
9A	5001833	. WASHER BEL SPR 6.1x18x1.27 SS	2	
10	288006	. GUIDE PIN HOLDER	1	
11	502910	. SPRING COMPRESSION / .720 O.D. 1.75 x .055	1	
12	289585	. CATCH PIN ACETAL / 90MM	1	
13	287271	. RIVET SHR FL 9.95x3.6{4.8x4.8 SS	1	
14	286612	. PIVOT	1	
15	507212	. O-RING	1	
15	680739	. GREASE SYNTHETIC / RED 20KG	AR	
16	288990	. COVER / ACTUATOR PROTECTOR	1	
17	502698	. SCREW MA PAN PH M4-0.7x16 SS BK	4	
18	5001544	. WASHER LO EXT .195x.410x.025 SS	4	
19	481564	. ROD GUIDE	2	
20	502934	. SPRING COMPRESSION / .300 O.D. x 1 x .026	2	
21	2800049	. LOCK ACTUATOR / 12V	1	
22	068080	. CABLE ASSY / DOOR LOCK	1	

From G-7275 To H-7416	Date:07/2024	PAGE:X3PLB-1868-00
A/C COMPRESSOR DOOR ASSY		

Item#	Part	Description	QTY	Notes
NS	504637	. CABLE TIE / 3/16" x 13"	4	
NS	504273	. CABLE TIE / 1/8" X 3"1/2	2	
23	562096	. MICRO SWITCH	1	
24	5001100	. SCREW CAP HEX M3-0.5x30 G8.8 ZP	2	
25	500437	. WASHER FL .125x.375x.040 Z050	2	
26	5001408	. NUT HEX STO M3-0.5 ZP	4	
27	502577	. SCREW MA PAN PH M3-0.5x16 ZP	2	
28	287406	. PIVOT LOCK 9.5MM OFFSET	1	
30	X3PLB-0662-00	. CLEARANCE & MARKER LIGHT		
31	288031	. GUIDE ASSY / R.H. DOOR To H-7337	1	
31	2801083	GUIDE ASSY / R.H. DOOR From H-7338	1	
32	502737	. SCREW CAP HEX M6-1.0x25 SS BK	1	
33	502573	. WASHER FL 6.4x12.5x1.6 SS	1	
34	5001182	. NUT HEX NYRT M6-1.0 SS	1	
35	680065	TAPE COMPOUND / BLACK / 1/32" X 1" X 33' / L163-2400	AR	
35	684517	ADHESIVE SIMSON #ISR 70-03 / GREY / 310ml CARTRIDGE	AR	
40	478584	FINISHING MOULDING PLASTIC 1123MM	1	
40	683083	ADHESIVE SIKA #252 / BLACK / 600 ml SAUSAGE	AR	
41	288945	LOWER HINGE To H-7416	1	C
41	280552	LOWER HINGE From H-7417	1	C
42	286085	HINGE / UPPER	1	C
42	SP17-12	COMPRESSOR DOOR HINGE IMPROVEMENT	1	
43	284607	BUSHING, NYLON / (NOT INCLUDE W/HINGE)	2	
44	502723	WASHER FL .386x.750x.050 NYL	1	
45	502686	SCREW CAP HEX M6-1.0x30 SS BK	4	
46	502570	WASHER LO SPT 6.1x11.8x1.6 SS	4	
47	430406	WASHER FLAT	4	
48	5001344	NUT INS FL HEX M6-1.0 0.5-3.0 SS	4	
49	502780	SCREW CAP HEX M8-1.25x25 SS BK	1	
49	680038	THREAD LOCKER LOCTITE #243 / BLUE / 50ml	AR	
50	5001448	WASHER FL .343x.875x.062 SS18-8	3	
51	5001337	NUT INS FL HEX M8-1.25 0.5-3.0 Z050	1	
52	287286	CATCH PIN / RETAINER 45MMx21MM 90°	1	
53	287452	SHIM SPACER 70MM X 25 X 14GA	AR	
54	502780	SCREW CAP HEX M8-1.25x25 SS BK	2	
55	5001868	WASHER BEL SPR 8.4x18x2 SS	2	
56	5001337	NUT INS FL HEX M8-1.25 0.5-3.0 Z050	2	
57	504334	BUMPER RUBBER / .625 OD x .406 TH x .156 HOLE	1	
58	504339	RIVET POP DOME OE 1/8x3/8 SS	1	
59	504454	BUMPER RUBBER BOLT / 20MM ODx20MM TH X M6X15MM STUD	1	
60	502939	NUT AN 1/4 NYL	1	
61	2800874	SUPPORT SWITCH	1	

From G-7275 To H-7416	Date:07/2024	PAGE:X3PLB-1868-00
A/C COMPRESSOR DOOR ASSY		

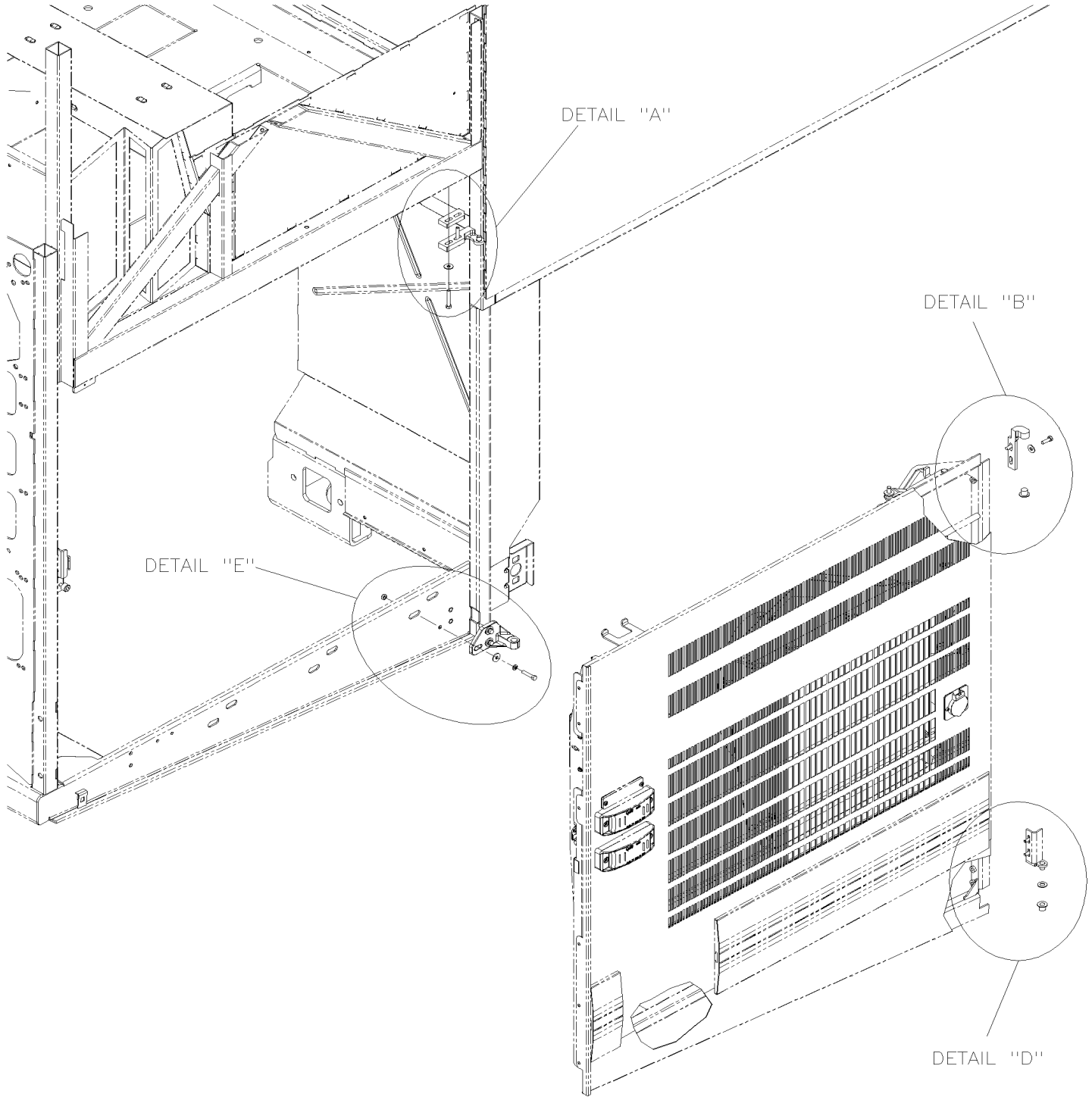
Item#	Part	Description	QTY	Notes
62	2800875	ROD / SWITCH	1	
63	504334	BUMPER RUBBER / .625 OD x .406 TH x .156 HOLE	1	
64	502698	SCREW MA PAN PH M4-0.7x16 SS BK	1	
65	5021001	SPRING COMPRESSION / .360 O.D. x 1.5 x .038	1	
66	502573	WASHER FL 6.4x12.5x1.6 SS	1	
67	5001860	PIN HITCH CLIP .054 x 3/4 SS	1	
70	X3PLB-1867-00	KEY & CYLINDER CODE "FORD" & "NS"		
71	X3PLB-0665-10	SWITCHES, LIGHTS, AJAR - UNDER FLOOR		
72	X3PLB-1855-00	RUB RAIL - EXTERIOR CREST & TRIMS		
73	X3PLB-0670-10	BATTERIES CHARGER - INSTALLATION		
		A) BUS WITH "OPTION" 110 VOLT OUTLET RECEPTACLE		
		C) COMPRESSOR DOOR HINGES IMPROVMENT SEE SP17-12		

From G-7275 To H-7416

Date:07/2024

PAGE:SP17-12

COMPRESSOR DOOR HINGE IMPROVEMENT

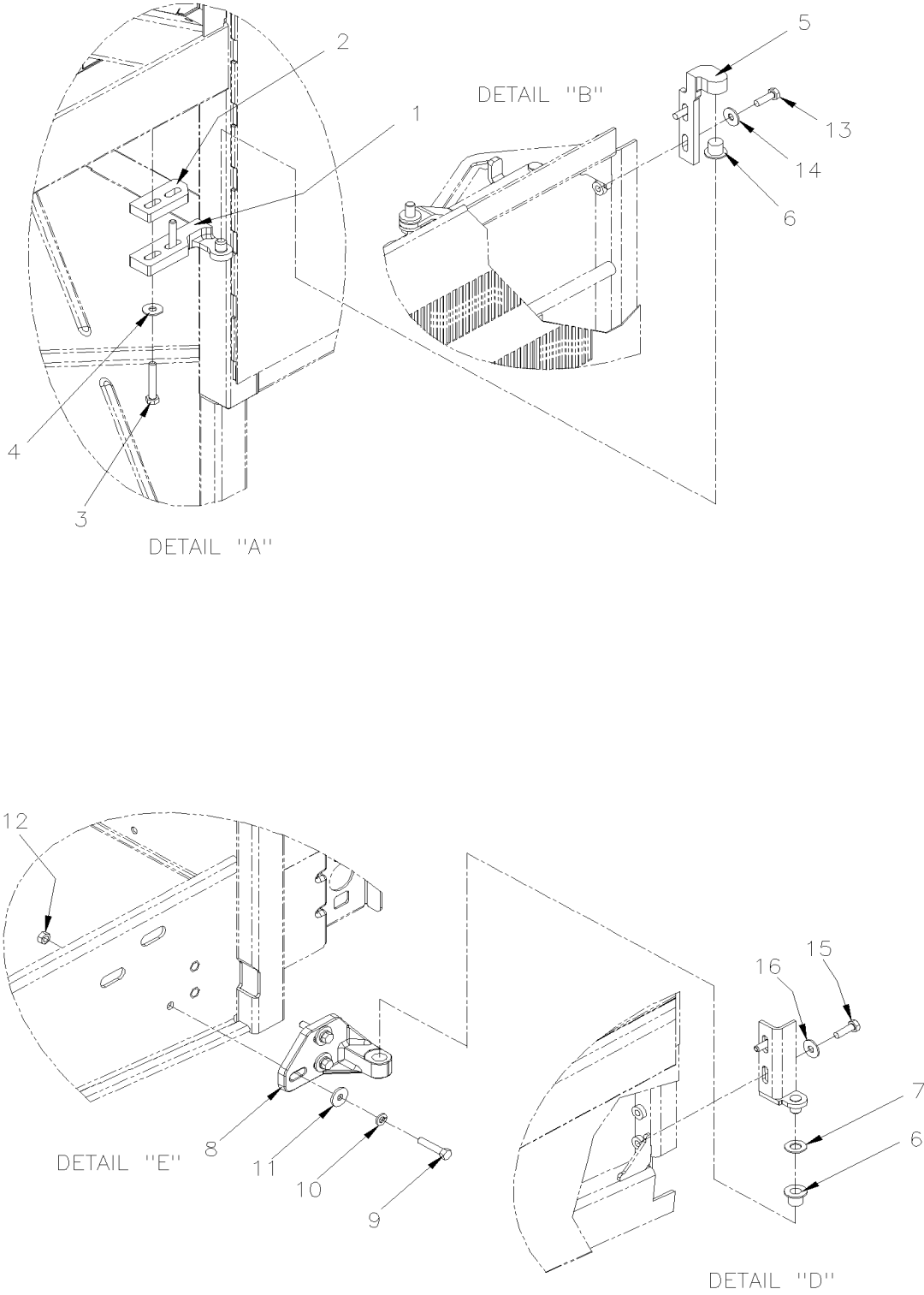


From G-7275 To H-7416

Date:07/2024

PAGE:SP17-12

COMPRESSOR DOOR HINGE IMPROVEMENT



From G-7275 To H-7416	Date:07/2024	PAGE:SP17-12
COMPRESSOR DOOR HINGE IMPROVEMENT		

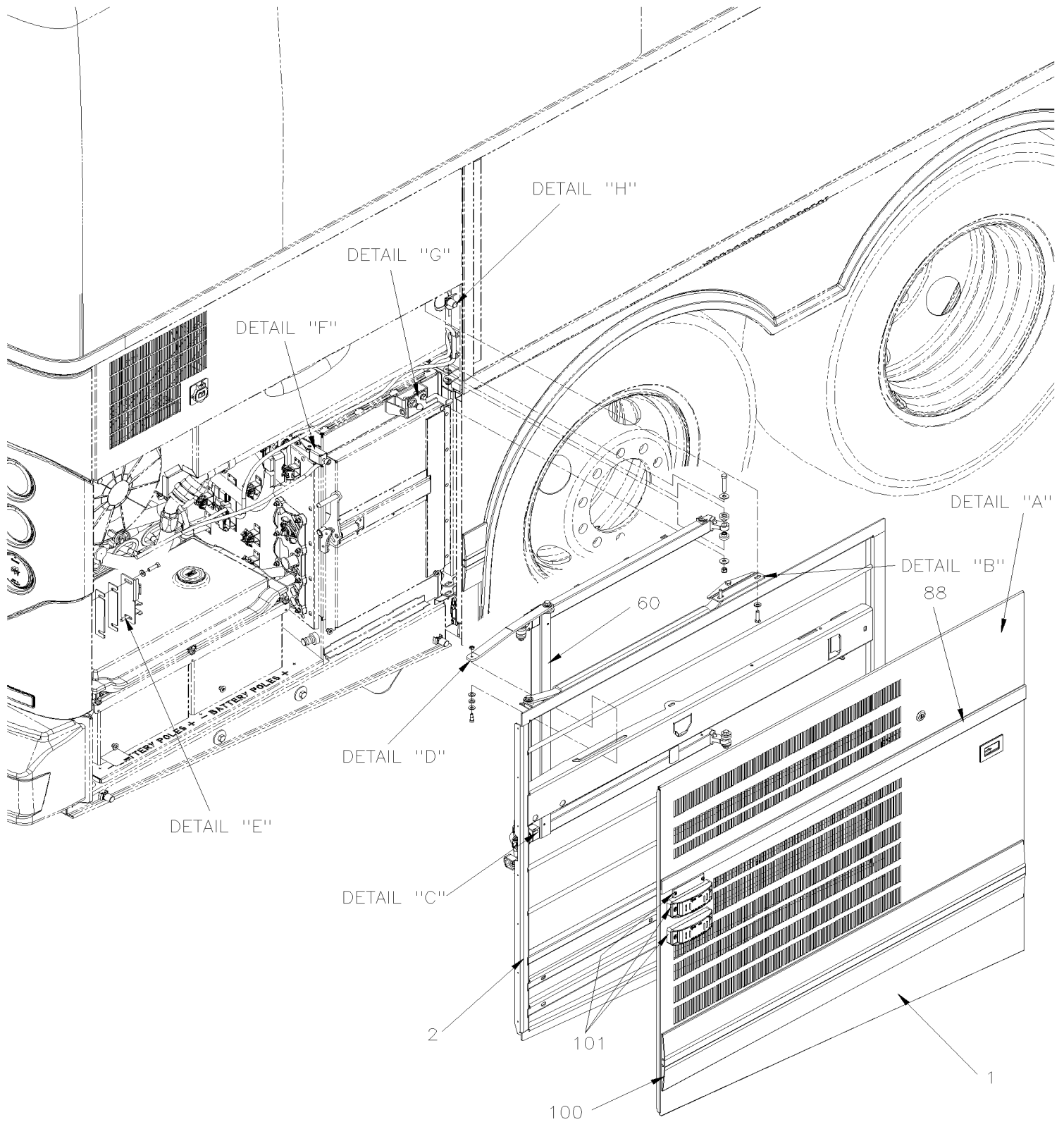
Item#	Part	Description	QTY	Notes
1	280549	HNGE / UPPER	1	
2	280610	SHIM 9.5MM	1	
3	5000310	SCREW CAP HEX M6-1.0x40 BK	2	
4	5001833	WASHER BEL SPR 6.1x18x1.27 SS	2	
5	280504	ARM ASSY	1	
6	284607	BUSHING, NYLON / (NOT INCLUDE W/HINGE)	2	
7	502723	WASHER FL .386x.750x.050 NYL	1	
8	281409	LOWER HINGE	1	
9	502686	SCREW CAP HEX M6-1.0x30 SS BK	3	
10	502570	WASHER LO SPT 6.1x11.8x1.6 SS	3	
11	430406	WASHER FLAT	3	
12	5001851	NUT HEX M6-1.0 SS BK	1	
13	502622	SCREW CAP HEX M6-1.0x20 SS BK	2	
14	5001833	WASHER BEL SPR 6.1x18x1.27 SS	2	
15	5001697	SCREW CAP HEX M6-1.0x16 SS BK	2	
16	5001833	WASHER BEL SPR 6.1x18x1.27 SS	2	

From H-7417 To L-7694

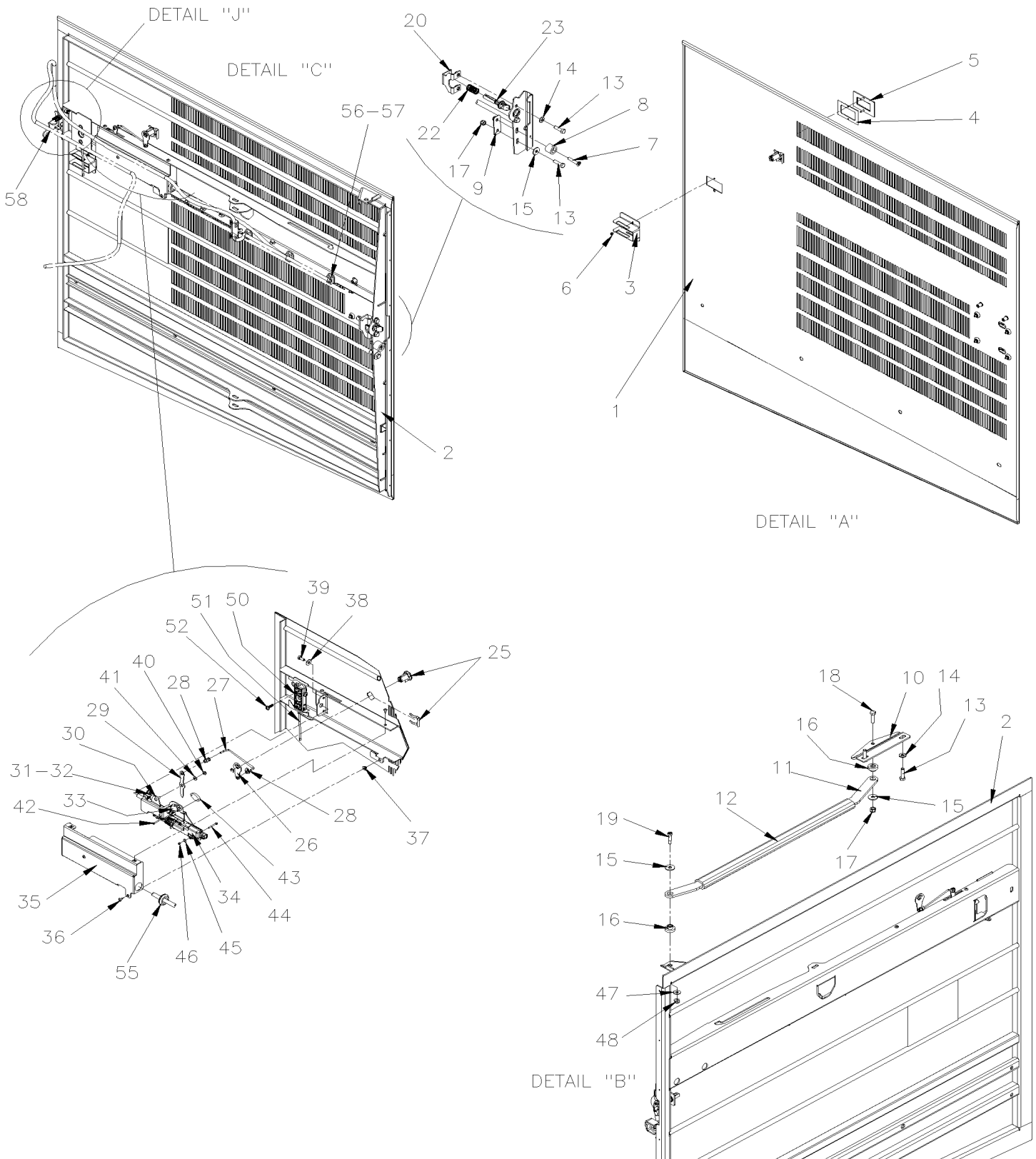
Date:07/2024

PAGE:X3PLB-1868-01

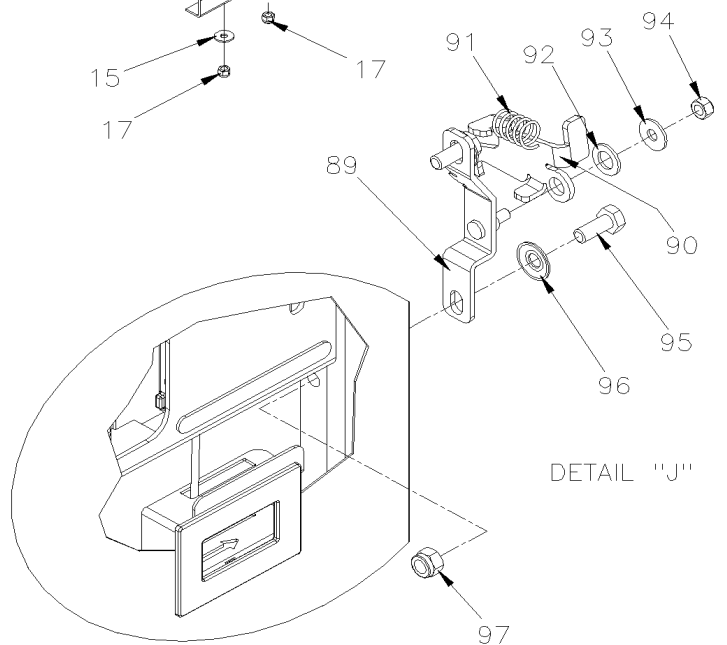
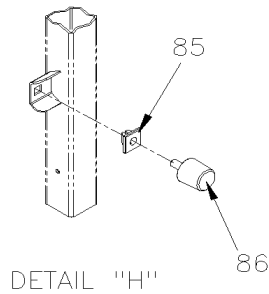
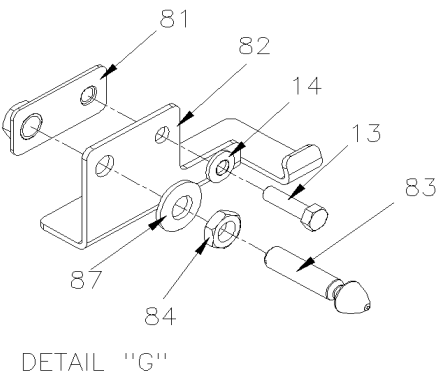
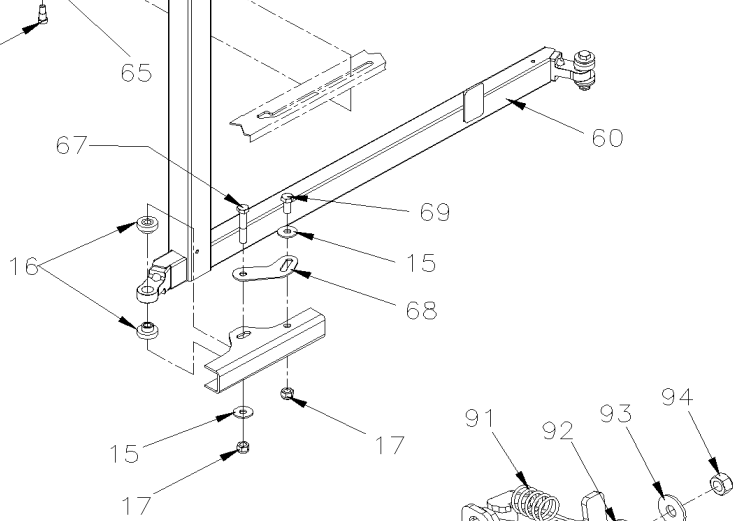
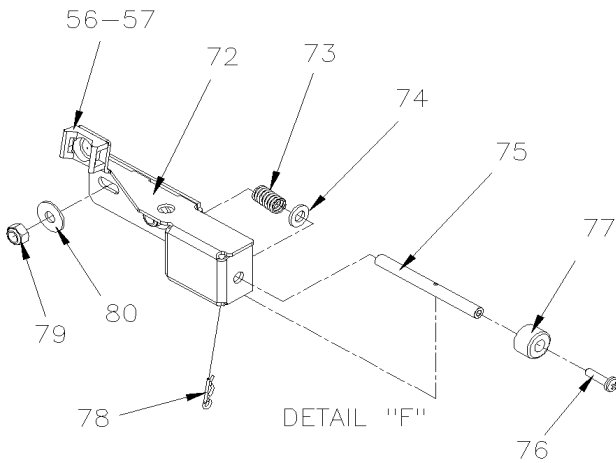
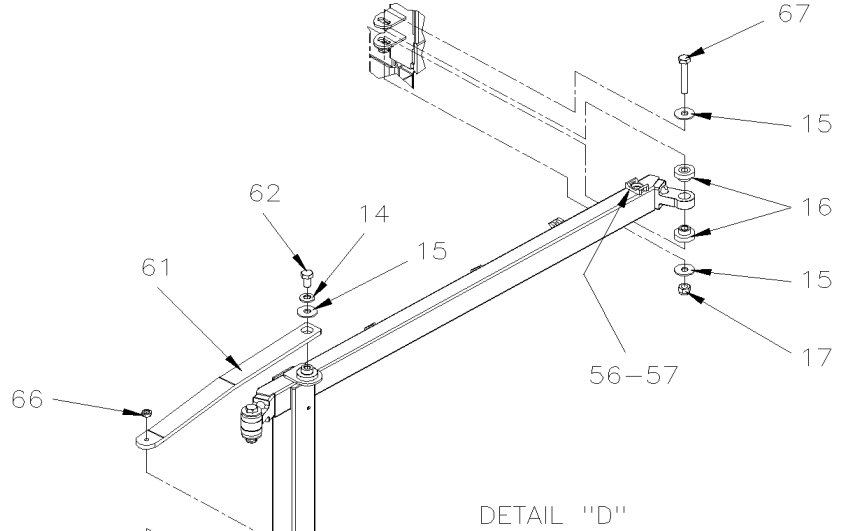
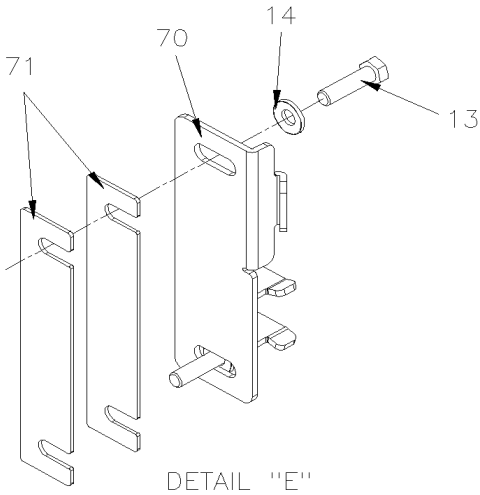
A/C COMPRESSOR DOOR ASSY GHG17



A/C COMPRESSOR DOOR ASSY GHG17



From H-7417 To L-7694	Date:07/2024	PAGE:X3PLB-1868-01
A/C COMPRESSOR DOOR ASSY GHG17		



From H-7417 To L-7694	Date:07/2024	PAGE:X3PLB-1868-01
A/C COMPRESSOR DOOR ASSY GHG17		

Item#	Part	Description	QTY	Notes
		ALL COMPRESSOR DOORS ASSY DO NOT INCLUDE	1	
		RUB-RAIL PLEASE ORDER SEPARATELY	1	
	287882	COMPRESSOR DOOR ASSY	1	
	287883	COMPRESSOR DOOR ASSY / W/ELECTRICAL LOCK	1	
1	479690	. PANEL, / FLAT	1	
. NS	4710301	. . BOTTOM PANEL, COMPRESSOR DOOR	1	
NS	506071	. TAPE RUB ADH1 CC POL 1/8" x 1/2" x 50' / GREY 2520X	AR	
NS	684517	. ADHESIVE SIMSON #ISR 70-03 / GREY / 310ml CARTRIDGE	AR	
NS	687961	. GLUE MS POLYMER TEROSON MS 9399 / "A" 21 Liters	AR	
NS	687962	. GLUE MS POLYMER TEROSON MS 9399 / "B" 21 Liters	AR	
2	2801023	. WELDED FRAME, COMPRESSOR DOOR To K-7578	1	
2	2810064	. WELDED FRAME, COMPRESSOR DOOR From K-7579	1	
3	280271	. GUIDE FOR SPRING	1	
4	280454	. SPACER	1	
5	280378	. FINISHING PLATE ASSY	1	
6	500539	. NUT HEX NYRT M4-0.7 N500	2	
7	5001461	. SCREW MA FL PH M8-1.25x40 SS	1	
8	280589	. ROLLER	1	
9	280588	. RETAINING PLATE	1	
10	280270	. PIVOT BRACKET	1	
11	280086	. HORIZONTAL LINK	1	
12	503523	. HOSE SILICONE 1PLY 3/4" I.D. x 100' / S.L.	AR	
13	5001912	. SCREW CAP HEX M8-1.25x30 SS BK	AR	
14	5001868	. WASHER BEL SPR 8.4x18x2 SS	AR	
15	5001849	. WASHER FL 8.4x24.0x2.0 SS	AR	
16	286716	. SPACER BUSHING FLANGE / AUX. ARM & SUPPORT ACETAL 8.3MM I.D.	AR	
17	5001787	. NUT HEX NYRT M8-1.25 SS	AR	
18	5001499	. SCREW CAP HEX M8-1.25x30 SS	1	
19	500631	. SCREW SHR HEXS 5/16x3/4 {1/4-20 SS	1	
20	287856	. LATCH GUIDE	1	
22	502910	. SPRING COMPRESSION / .720 O.D. 1.75 x .055	1	
23	2801055	. CATCH PIN BLACK ACETAL	1	
25	X3PLB-1867-00	. KEY & CYLINDER CODE "FORD" & "NS" To K-7662		
25	X3PLB-1867-01	. KEY & CYLINDER CODE "FORD" From L-7663		
26	280368	. PIVOT LOCK	1	
27	280382	. LOCK ROD COMPRESSOR DOOR / 124MM	1	
28	780340	. CLIP, RETAINER ROD	2	
29	280383	. LOCK LEVER 94MM	1	
30	2801036	. SUPPORT DOOR LOCK ASSY WELDED 232x90x37MM	1	
31	481564	. ROD GUIDE	2	

From H-7417 To L-7694	Date:07/2024	PAGE:X3PLB-1868-01
A/C COMPRESSOR DOOR ASSY GHG17		

Item#	Part	Description	QTY	Notes
32	502934	. SPRING COMPRESSION / .300 O.D. x 1 x .026	2	
33	562096	. MICRO SWITCH	1	E
34	2800049	. LOCK ACTUATOR / 12V	1	E
35	280411	. CLOSING COVER	1	
36	500124	. SCREW TP TR PH #8x1/2 SS	4	
37	502741	. NUT AN #8 NYL	4	
38	5001833	. WASHER BEL SPR 6.1x18x1.27 SS	2	
39	5001697	. SCREW CAP HEX M6-1.0x16 SS BK	2	
40	5001587	. NUT HEX NYRT M5-0.8 SS	1	
41	500804	. WASHER FL .203x.500x.047 N500	1	
42	5001888	. SCREW TP CAP TORX M3X18 SS	2	E
43	2801045	. RETAINING BLOCK	1	E
44	5001100	. SCREW CAP HEX M3-0.5x30 G8.8 ZP	2	E
45	500437	. WASHER FL .125x.375x.040 Z050	2	E
46	5001408	. NUT HEX STO M3-0.5 ZP	2	E
47	5001976	. WASHER FL .266x.718x.060 SS	1	
48	5001251	. NUT HEX NYRT 1/4-20 SS	1	
50	477399	. RECEPTACLE	1	
51	470481	. SPRING 191MM	1	
52	5001630	. SCREW TP BUTF TORX M6x20 SS	3	
55	504397	. GROMMET / .750x1.062x.062x.375x1.375	1	E
NS	504433	. SNAP-IN PLUG / 1.090 O.D.	1	N
56	504013	. TIE MOUNT / 1/4" X 1/4" I.D.	AR	
57	504379	. RIVET POP DOME OE 3/16x1/4 SS	AR	
58	060778	CABLE ASSY / DOOR LOCK	1	
60	2801041	PANTOGRAPH FRAME WELDED	1	
61	2801062	RETAINING ARM	1	
62	5001527	SCREW CAP HEX M8-1.25x16 SS BK	1	
63	5001560	SCREW SHR HEXS 5/16x3/8 {1/4-20 SS	1	
64	5001341	WASHER FL 8.4x17.0x1.6 SS	2	
65	502768	WASHER FL RUB .312x.625x.125 NEO	1	
66	5001980	NUT HEX JAM 1/4-20 SS BK	1	
67	5001981	SCREW CAP HEX M8-1.25x50 SS BK	4	
68	2810051	PLATE From K-7579	1	
69	5001594	SCREW CAP HEX M8-1.25x20 SS From K-7579	2	
70	280567	CATCH PIN / RETAINER	1	
71	280599	SHIM SPACER / 150MM X 32 X 14GA	2	
72	280274	SWITCH HOLDER	1	
73	5021001	SPRING COMPRESSION / .360 O.D. x 1.5 x .038	1	
74	502573	WASHER FL 6.4x12.5x1.6 SS	1	
75	2800875	ROD / SWITCH	1	
76	502698	SCREW MA PAN PH M4-0.7x16 SS BK	1	

From H-7417 To L-7694	Date:07/2024	PAGE:X3PLB-1868-01
A/C COMPRESSOR DOOR ASSY GHG17		

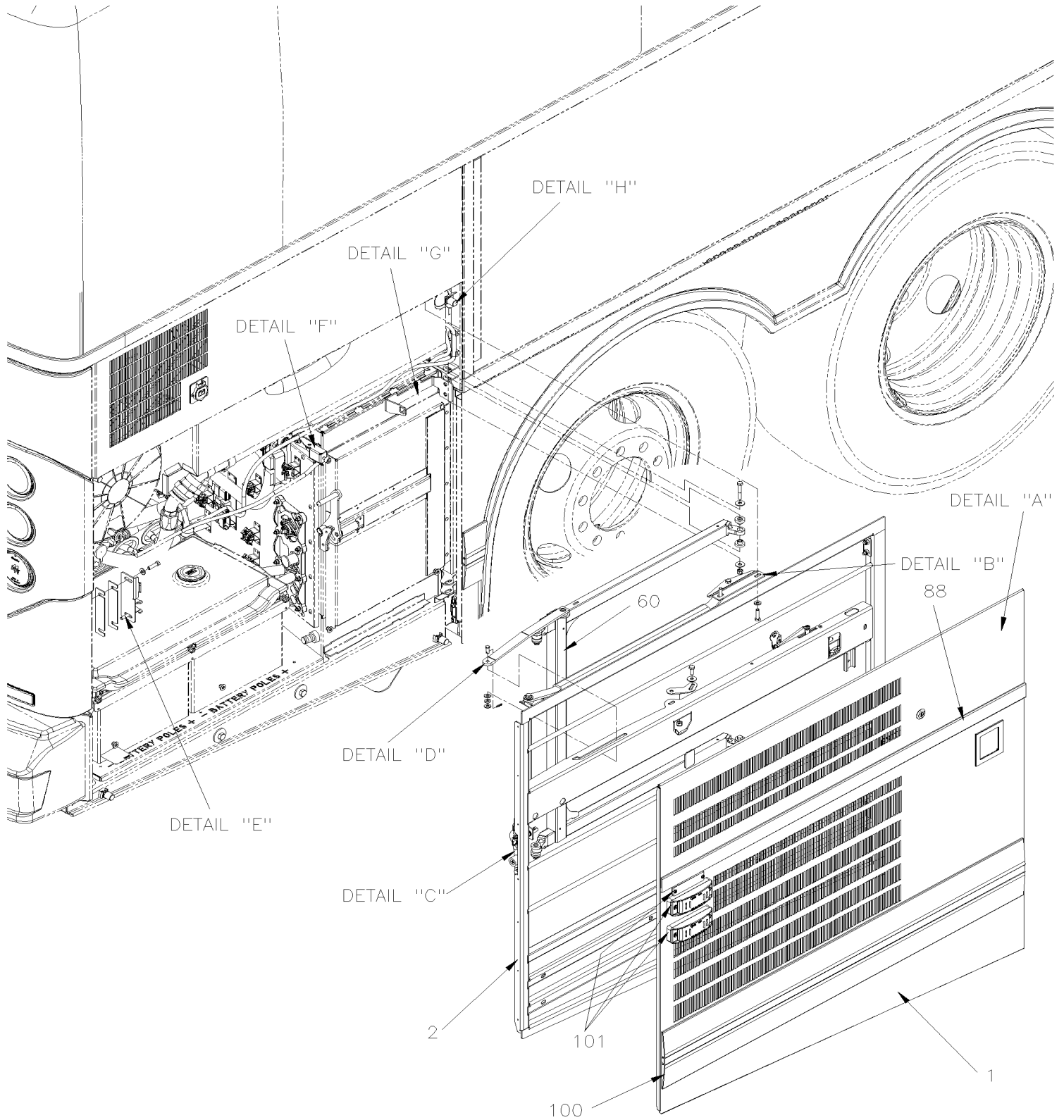
Item#	Part	Description	QTY	Notes
77	504334	BUMPER RUBBER / .625 OD x .406 TH x .156 HOLE To J-7533	1	
77	5002025	BUMPER NEOPRENE / .625 OD x .406 TH x .156 HOLE From J-7534	1	
78	5001860	PIN HITCH CLIP .054 x 3/4 SS	1	
79	502681	NUT HEX NYRT M6-1.0 N500 G8	2	
80	500411	WASHER FL .260x.697x.050 SS	2	
81	2801030	RETAINING PLATE ASSY 65X25MM	1	
82	2801031	PLATE 65X25MM To K-7578	1	
82	2810057	RETAINING PLATE From K-7579	1	
83	280590	STOPPING ROD M12 X 52	1	
84	5001623	NUT HEX JAM M12x1.75 SS	1	
85	5001009	NUT AN 1/4 NYL	4	
86	504454	BUMPER RUBBER BOLT / 20MM ODx20MM TH X M6X15MM STUD	4	
87	5000358	WASHER BEL SPR 13.0x29x3 SS	1	
88	479617	MOULDING, FINISHING 1323MM	1	
89	2810059	STOPPER ASSY From K-7579	1	
90	2810056	LATCH From K-7579	1	
91	502245	SPRING COMPRESSION / .600 O.D. x 1.25 x .059 From K-7579	1	
92	5001935	WASHER FL 10.5x18.0x1.6 SS From K-7579	1	
93	5001833	WASHER BEL SPR 6.1x18x1.27 SS From K-7579	1	
94	5001182	NUT HEX NYRT M6-1.0 SS From K-7579	1	
95	5001594	SCREW CAP HEX M8-1.25x20 SS From K-7579	2	
96	5001849	WASHER FL 8.4x24.0x2.0 SS From K-7579	2	
97	5001787	NUT HEX NYRT M8-1.25 SS From K-7579	2	
100	X3PLB-1855-00	RUB RAIL - EXTERIOR CREST & TRIMS	1	
101	X3PLB-0662-00	CLEARANCE & MARKER LIGHT To K-7662	1	
101	X3PLB-0662-01	CLEARANCE & MARKER LIGHT From L-7663	1	
		E) WITH ELECTRICAL DOOR LOCK		
		N) NO ELECTRICAL DOOR LOCK		

From L-7695 To M-7767

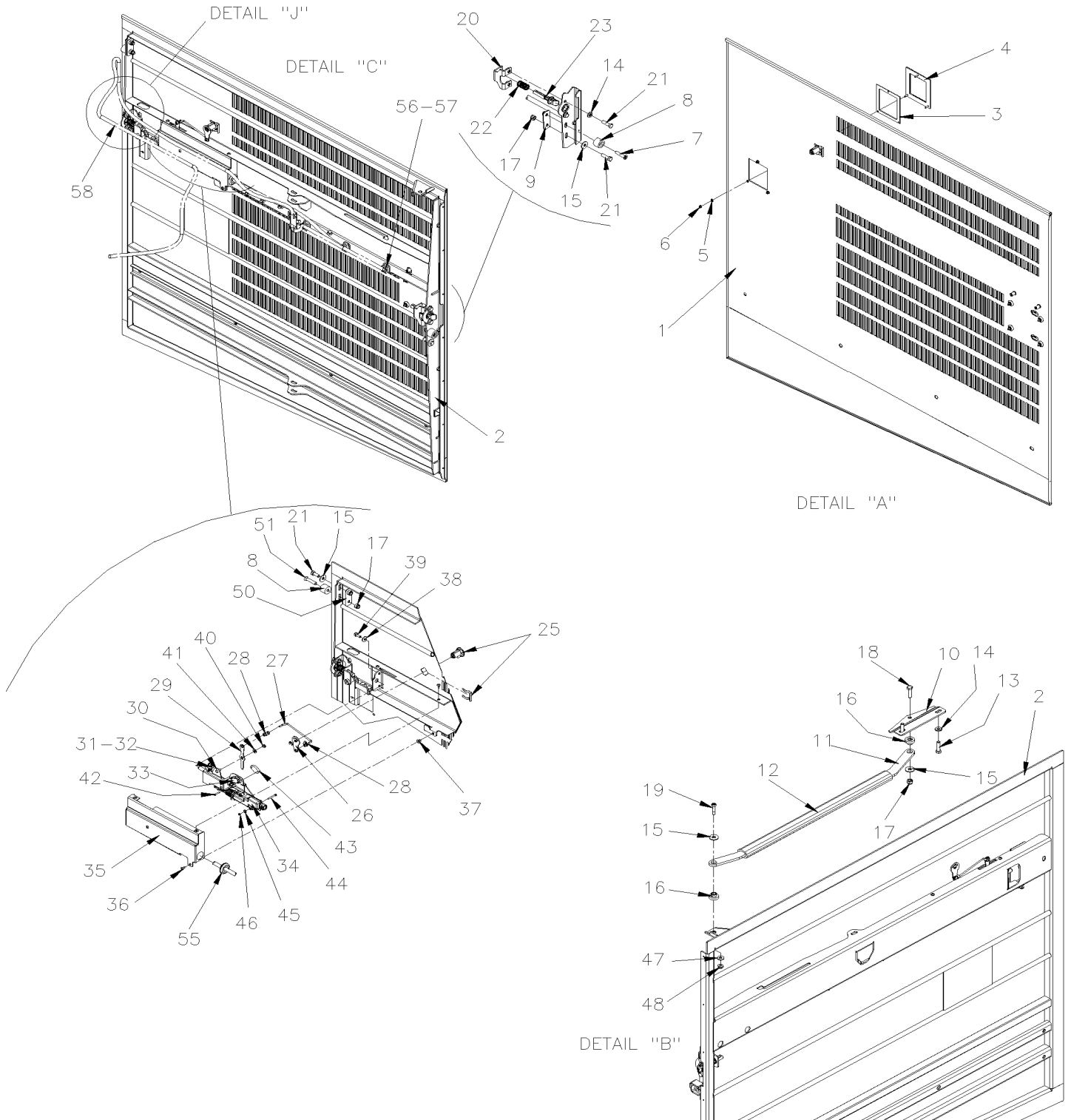
Date:07/2024

PAGE:X3PLB-1868-02

A/C COMPRESSOR DOOR ASSY



A/C COMPRESSOR DOOR ASSY

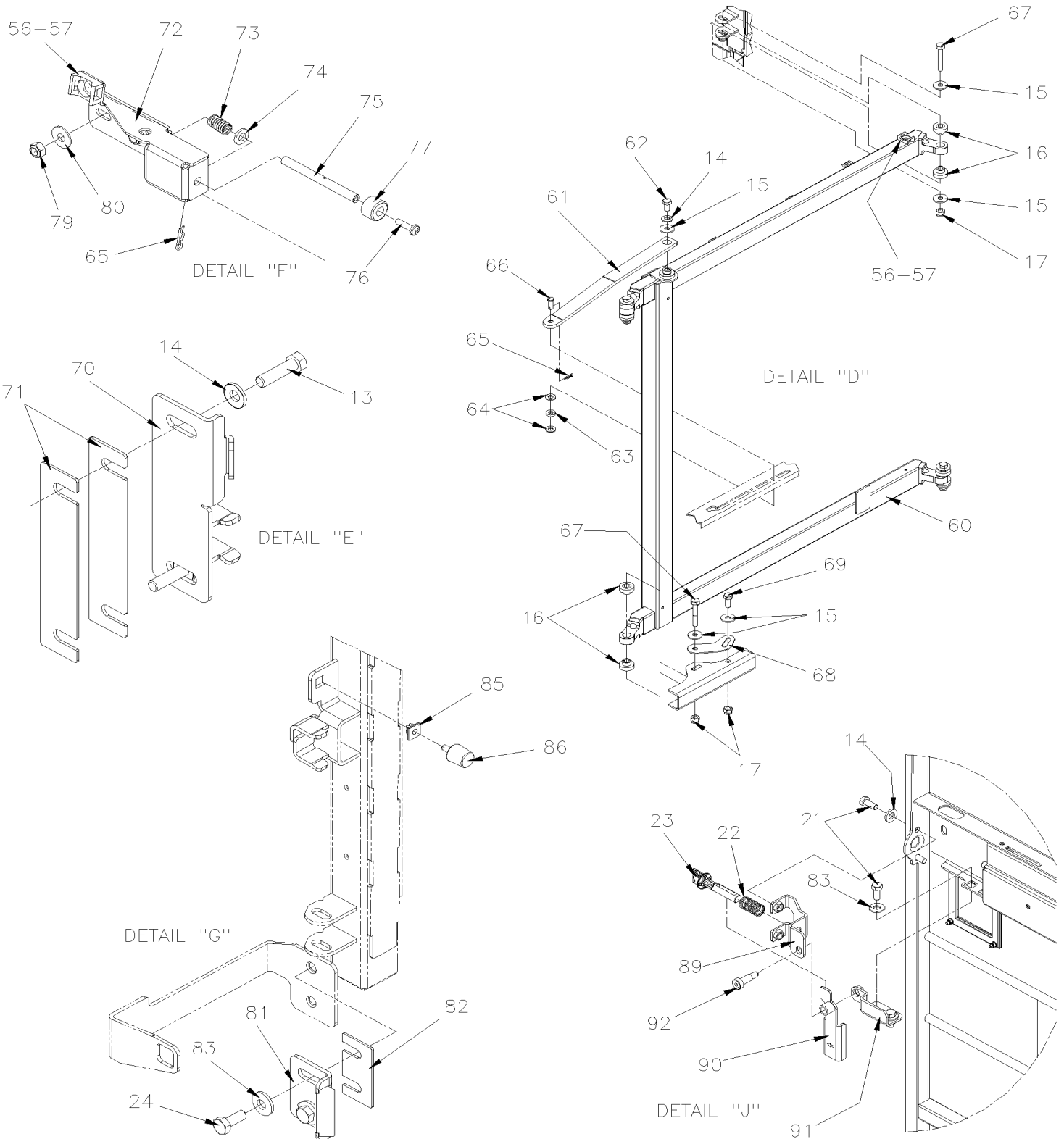


From L-7695 To M-7767

Date:07/2024

PAGE:X3PLB-1868-02

A/C COMPRESSOR DOOR ASSY



From L-7695 To M-7767	Date:07/2024	PAGE:X3PLB-1868-02
A/C COMPRESSOR DOOR ASSY		

Item#	Part	Description	QTY	Notes
		ALL COMPRESSOR DOORS ASSY DO NOT INCLUDE	1	
		RUB-RAIL PLEASE ORDER SEPARATELY	1	
	2810438	COMPRESSOR DOOR ASSY	1	
	2810439	COMPRESSOR DOOR ASSY / W/ELECTRICAL LOCK	1	
1	478998	. PANEL, / FLAT	1	
. NS	4710301	. . BOTTOM PANEL, COMPRESSOR DOOR	1	
NS	506071	. TAPE RUB ADH1 CC POL 1/8" x 1/2" x 50' / GREY 2520X	AR	
NS	684517	. ADHESIVE SIMSON #ISR 70-03 / GREY / 310ml CARTRIDGE	AR	
NS	687961	. GLUE MS POLYMER TEROSON MS 9399 / "A" 21 Liters To M-7792	AR	
NS	685385	. GLUE MS POLYMER TEROSON MS 9399 / "A" 14.8 Liters From M-7793	AR	
NS	687962	. GLUE MS POLYMER TEROSON MS 9399 / "B" 21 Liters To M-7792	AR	
NS	685386	. GLUE MS POLYMER TEROSON MS 9399 / "B" 14.8 Liters From M-7793	AR	
NS	687957	. GLUE MS POLYMER TEROSON MS 9399 / 400ml CARTRIDGE To M-7792	AR	
NS	685387	. GLUE MS POLYMER TEROSON MS 9399 / 400ml CARTRIDGE From M-7793	AR	
2	2810230	. WELDED FRAME, COMPRESSOR DOOR To M-7767	1	
2	2810576	. WELDED FRAME, COMPRESSOR DOOR From M-7768	1	
3	2810159	. SPACER	1	
4	2810162	. FINISHING PLATE	1	
4	2810288	. HOLDING PLATE From M-7751	1	
5	502556	. WASHER FL 4.3x9.0x0.8 SS	3	
6	500539	. NUT HEX NYRT M4-0.7 N500	3	
7	5001461	. SCREW MA FL PH M8-1.25x40 SS	2	
8	280589	. ROLLER	2	
9	280588	. RETAINING PLATE To M-7767	1	
9	2810149	. RETAINING PLATE From M-7768	1	
10	280270	. PIVOT BRACKET	1	
11	280086	. HORIZONTAL LINK	1	
12	503523	. HOSE SILICONE 1PLY 3/4" I.D. x 100' / S.L.	AR	
13	5001912	. SCREW CAP HEX M8-1.25x30 SS BK	AR	
14	5001868	. WASHER BEL SPR 8.4x18x2 SS	AR	
15	5001849	. WASHER FL 8.4x24.0x2.0 SS	AR	
16	286716	. SPACER BUSHING FLANGE / AUX. ARM & SUPPORT ACETAL 8.3MM I.D.	AR	
17	5001787	. NUT HEX NYRT M8-1.25 SS	AR	
18	5001499	. SCREW CAP HEX M8-1.25x30 SS	1	
19	500631	. SCREW SHR HEXS 5/16x3/4 {1/4-20 SS	1	
20	287856	. LATCH GUIDE	1	
21	500119	. SCREW CAP HEX M8X1.25X20 BK	AR	
22	502910	. SPRING COMPRESSION / .720 O.D. 1.75 x .055	1	
23	2801055	. CATCH PIN BLACK ACETAL	1	
24	502780	SCREW CAP HEX M8-1.25x25 SS BK From M-7751	2	

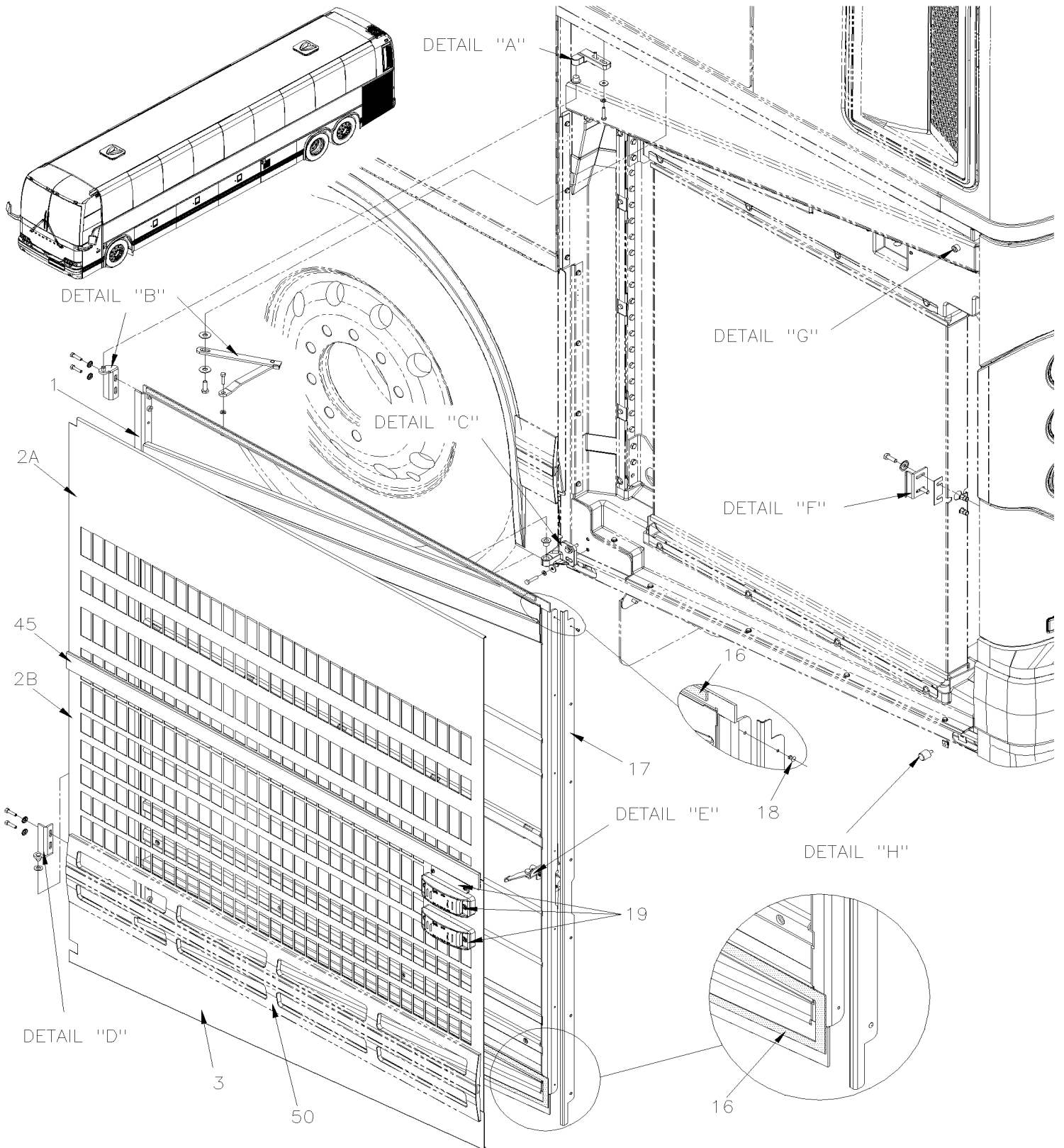
From L-7695 To M-7767	Date:07/2024	PAGE:X3PLB-1868-02
A/C COMPRESSOR DOOR ASSY		

Item#	Part	Description	QTY	Notes
25	X3PLB-1867-01	. KEY & CYLINDER CODE "FORD"		
26	280368	. PIVOT LOCK	1	
27	280382	. LOCK ROD COMPRESSOR DOOR / 124MM	1	
28	780340	. CLIP, RETAINER ROD	2	
29	280383	. LOCK LEVER 94MM	1	
30	2801036	. SUPPORT DOOR LOCK ASSY WELDED 232x90x37MM	1	
31	481564	. ROD GUIDE	2	
32	502934	. SPRING COMPRESSION / .300 O.D. x 1 x .026	2	
33	562096	. MICRO SWITCH	1	E
34	2800049	. LOCK ACTUATOR / 12V	1	E
35	280411	. CLOSING COVER	1	
36	500124	. SCREW TP TR PH #8x1/2 SS	4	
37	502741	. NUT AN #8 NYL	4	
38	5001833	. WASHER BEL SPR 6.1x18x1.27 SS	2	
39	5001697	. SCREW CAP HEX M6-1.0x16 SS BK	2	
40	5001587	. NUT HEX NYRT M5-0.8 SS	1	
41	500804	. WASHER FL .203x.500x.047 N500	1	
42	5001888	. SCREW TP CAP TORX M3X18 SS	2	E
43	2801045	. RETAINING BLOCK	1	E
44	5001100	. SCREW CAP HEX M3-0.5x30 G8.8 ZP	2	E
45	500437	. WASHER FL .125x.375x.040 Z050	2	E
46	5001408	. NUT HEX STO M3-0.5 ZP	2	E
47	5001976	. WASHER FL .266x.718x.060 SS	1	
48	5001251	. NUT HEX NYRT 1/4-20 SS	1	
50	2810149	. RETAINING PLATE	1	
51	5001416	. BUMPER RUBBER / 11/16x1/2x3/32	1	
55	504397	. GROMMET / .750x1.062x.062x.375x1.375	1	E
NS	504433	. SNAP-IN PLUG / 1.090 O.D.	1	N
56	504013	. TIE MOUNT / 1/4" X 1/4" I.D.	AR	
57	504379	. RIVET POP DOME OE 3/16x1/4 SS	AR	
58	060778	CABLE ASSY / DOOR LOCK	1	
60	2810320	PANTOGRAPH FRAME WELDED	1	
61	2810346	RETAINING ARM	1	
62	5001527	SCREW CAP HEX M8-1.25x16 SS BK	1	
63	502768	WASHER FL RUB .312x.625x.125 NEO	1	
64	5001341	WASHER FL 8.4x17.0x1.6 SS	2	
65	5001860	PIN HITCH CLIP .054 x 3/4 SS	2	
66	5002122	PIN, CLEVIS 5/16 x 19/32 x 3/4 SS	1	
67	5001981	SCREW CAP HEX M8-1.25x50 SS BK	4	
68	2810051	PLATE	2	
69	5001594	SCREW CAP HEX M8-1.25x20 SS	2	
70	280567	CATCH PIN / RETAINER	1	

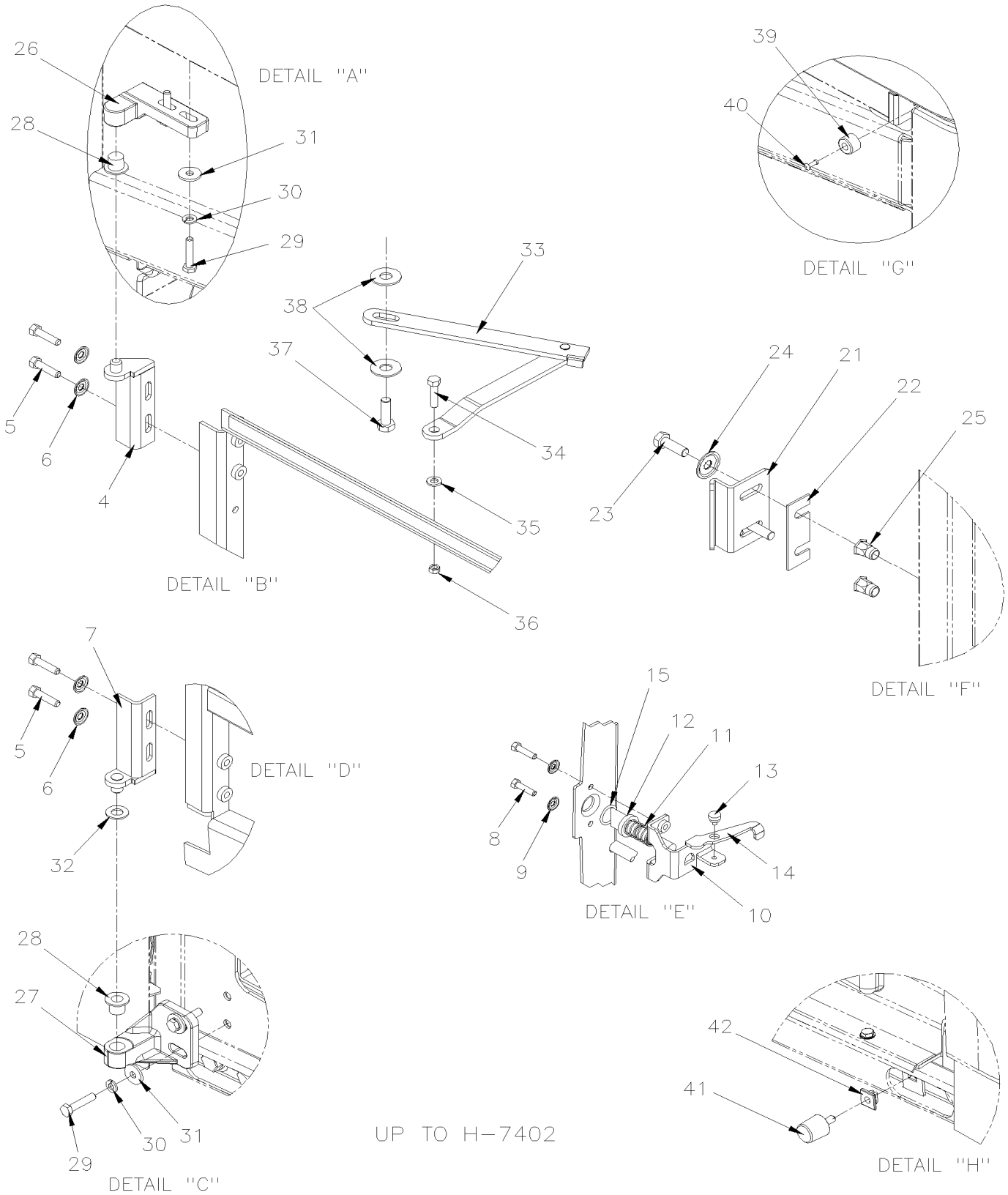
From L-7695 To M-7767	Date:07/2024	PAGE:X3PLB-1868-02
A/C COMPRESSOR DOOR ASSY		

Item#	Part	Description	QTY	Notes
71	280599	SHIM SPACER / 150MM X 32 X 14GA	2	
72	280274	SWITCH HOLDER	1	
73	5021001	SPRING COMPRESSION / .360 O.D. x 1.5 x .038	1	
74	502573	WASHER FL 6.4x12.5x1.6 SS	1	
75	2800875	ROD / SWITCH	1	
76	502698	SCREW MA PAN PH M4-0.7x16 SS BK	1	
77	5002025	BUMPER NEOPRENE / .625 OD x .406 TH x .156 HOLE	1	
79	502681	NUT HEX NYRT M6-1.0 N500 G8	2	
80	500411	WASHER FL .260x.697x.050 SS	2	
81	2810232	STRIKE, COMPRESSOR DOOR	1	
82	2810233	BACK PLATE	1	
83	5001848	WASHER BEL SPR .827 x .331 x .098 th SS	3	
84	5001623	NUT HEX JAM M12x1.75 SS	1	
85	5001009	NUT AN 1/4 NYL	4	
86	504454	BUMPER RUBBER BOLT / 20MM ODx20MM TH X M6X15MM STUD	4	
88	479617	MOULDING, FINISHING 1323MM	1	
89	2810156	LATCH ASSY COMPRESSOR DOOR	1	
90	2810302	LEVER, LATCH DOOR RAD	1	
91	2810342	SUPPORT, HANDLE	1	
92	5002148	SCREW SHR HEXS 10x20 (M8-1.25 SS	1	
100	X3PLB-1855-00	RUB RAIL - EXTERIOR CREST & TRIMS	1	
101	X3PLB-0662-01	CLEARANCE & MARKER LIGHT	1	
		E) WITH ELECTRICAL DOOR LOCK		
		N) NO ELECTRICAL DOOR LOCK		

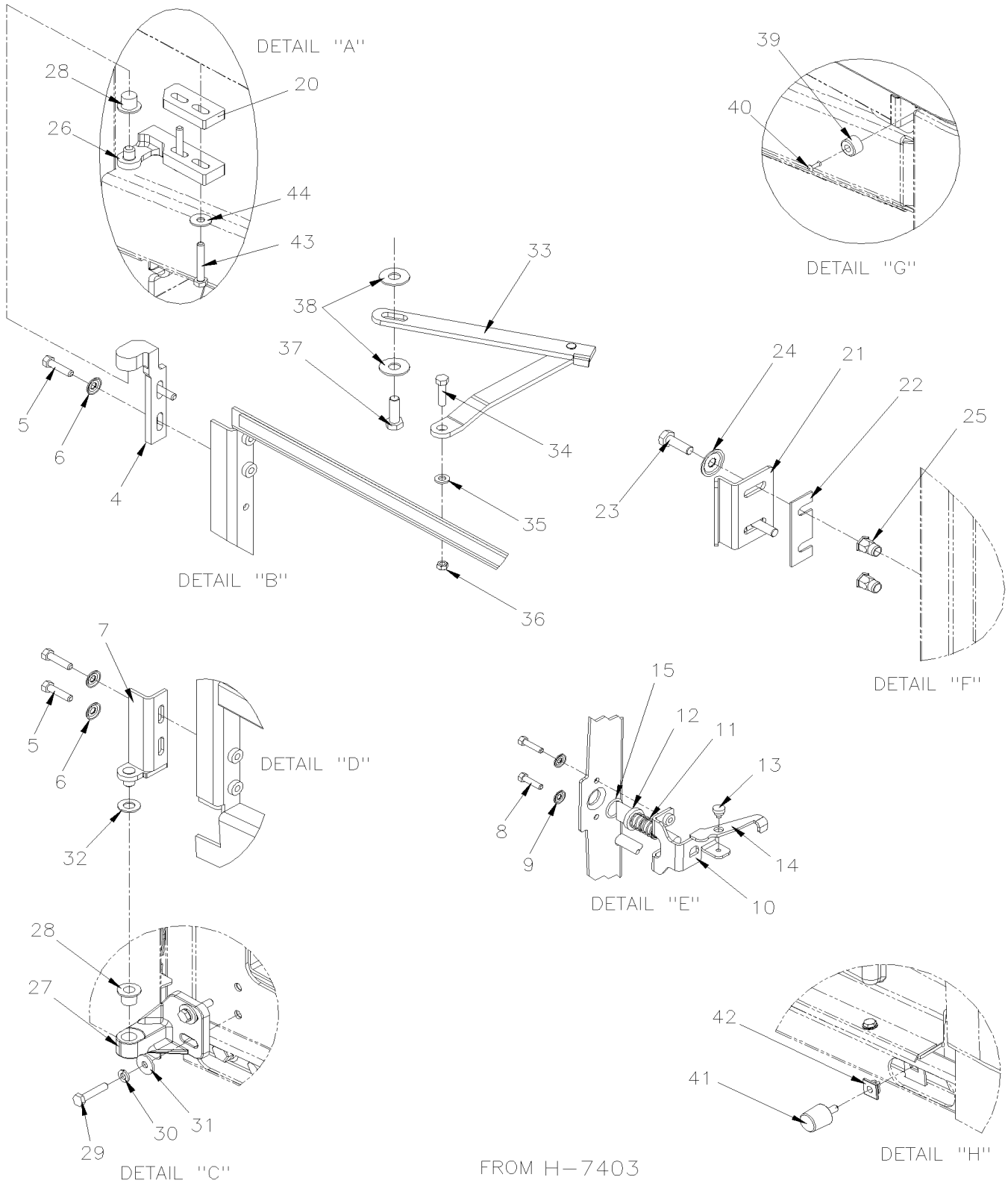
RADIATOR DOOR ASSY



RADIATOR DOOR ASSY



RADIATOR DOOR ASSY



FROM H-7403

From G-7275 To H-7416	Date:07/2024	PAGE:X3PLB-1869-00
RADIATOR DOOR ASSY		

Item#	Part	Description	QTY	Notes
		ALL RADIATOR DOORS ASSY DO NOT INCLUDE		
		RUB-RAIL PLEASE ORDER SEPARATELY		
	289550	RADIATOR DOOR ASSY / W/FLAT PANEL To H-7416	1	
	Call order desk	RADIATOR DOOR ASSY / W/FLAT PANEL From H-7417	1	P
1	281294	. FRAME ASSY / RADIATOR DOOR	1	
2A	470346	. PANEL, UPPER / W/FLAT UPPER MOULDING	1	
2B	477376	. PANEL, CENTER / W/FLAT LOWER MOULDING	1	
3	478457	. PANEL, LOWER	1	R
NS	687961	. GLUE MS POLYMER TEROSON MS 9399 / "A" 21 Liters	1	
NS	687962	. GLUE MS POLYMER TEROSON MS 9399 / "B" 21 Liters	1	
NS	684517	. ADHESIVE SIMSON #ISR 70-03 / GREY / 310ml CARTRIDGE	1	
4	289150	. ARM ASSY To H-7416	1	
4	280602	. ARM ASSY From H-7417	1	
5	5001697	. SCREW CAP HEX M6-1.0x16 SS BK To H-7416	4	
5	502737	. SCREW CAP HEX M6-1.0x25 SS BK From H-7417	4	
6	5001833	. WASHER BEL SPR 6.1x18x1.27 SS	4	
7	289149	. ARM ASSY	1	
8	5001697	. SCREW CAP HEX M6-1.0x16 SS BK	2	
9	5001833	. WASHER BEL SPR 6.1x18x1.27 SS	2	
10	288006	. GUIDE PIN HOLDER	1	
11	502910	. SPRING COMPRESSION / .720 O.D. 1.75 x .055	1	
12	289585	. CATCH PIN ACETAL / 90MM	1	
13	287271	. RIVET SHR FL 9.95x3.6{4.8x4.8 SS	1	
14	286612	. PIVOT	1	
15	507212	. O-RING	1	
15	680739	. GREASE SYNTHETIC / RED 20KG	AR	
16	506071	. TAPE RUB ADH1 CC POL 1/8" x 1/2" x 50' / GREY 2520X	1	
17	289412	. FINISHING MOULDING 1476MM PRIMER	1	
18	504340	. RIVET POP DOME OE 1/8x3/16 SS	7	
19	X3PLB-0662-00	. CLEARANCE & MARKER LIGHT		
20	280610	SHIM 9.5MM From H-7417	1	
21	287286	CATCH PIN / RETAINER 45MMx21MM 90°	1	
22	287452	SHIM SPACER 70MM X 25 X 14GA	AR	
23	502780	SCREW CAP HEX M8-1.25x25 SS BK	2	
24	5001868	WASHER BEL SPR 8.4x18x2 SS	2	
25	5001337	NUT INS FL HEX M8-1.25 0.5-3.0 Z050	2	
26	286129	HINGE / UPPER To H-7416	1	C
26	SP17-13	RADIATOR DOOR UPPER HINGE REPLACEMENT To H-7416		
26	280609	UPPER HINGE From H-7417	1	
27	288827	LOWER HINGE	1	

From G-7275 To H-7416	Date:07/2024	PAGE:X3PLB-1869-00
RADIATOR DOOR ASSY		

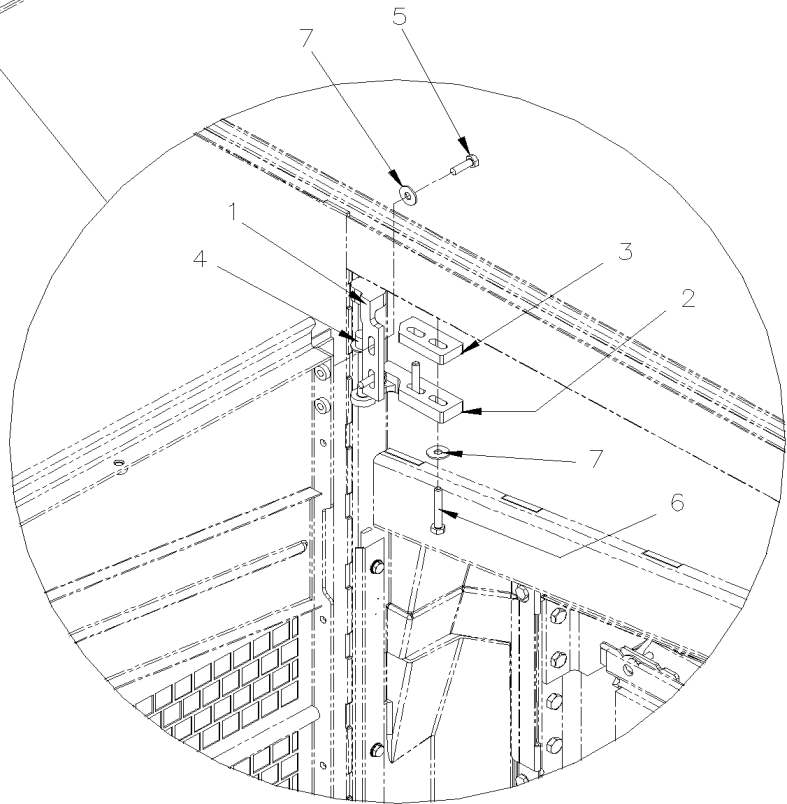
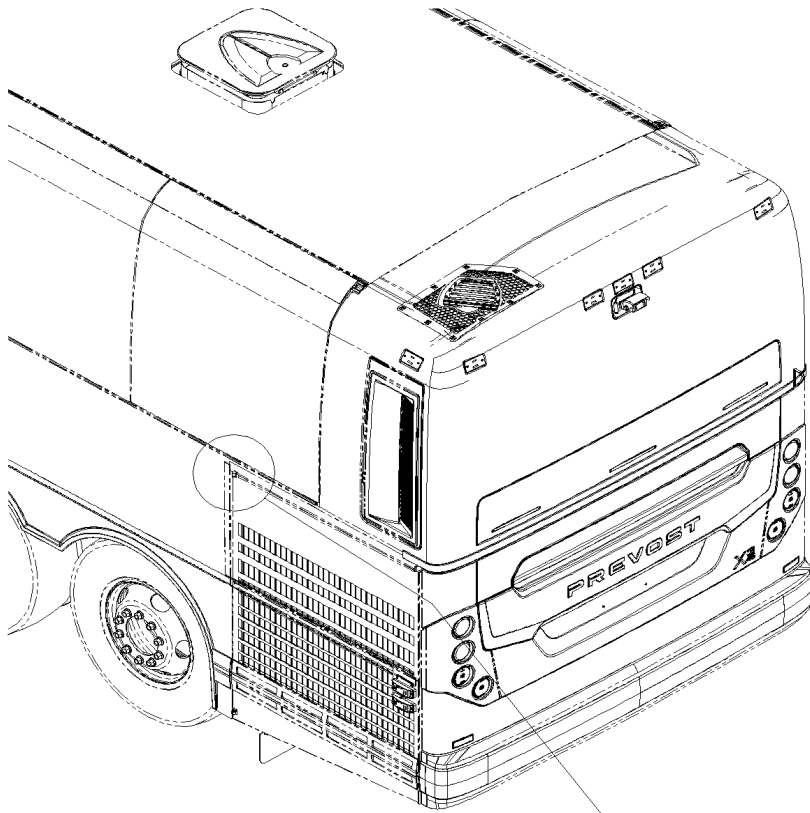
Item#	Part	Description	QTY	Notes
28	284607	BUSHING, NYLON / (NOT INCLUDE W/HINGE)	2	
29	502686	SCREW CAP HEX M6-1.0x30 SS BK To H-7416	4	
29	502686	SCREW CAP HEX M6-1.0x30 SS BK From H-7417	2	
30	502570	WASHER LO SPT 6.1x11.8x1.6 SS To H-7416	4	
30	502570	WASHER LO SPT 6.1x11.8x1.6 SS From H-7417	2	
31	430406	WASHER FLAT To H-7416	4	
31	430406	WASHER FLAT From H-7417	2	
32	502723	WASHER FL .386x.750x.050 NYL	1	
33	281912	GUIDE ASSY / L.H. DOOR To H-7337	1	
33	2801079	GUIDE ASSY / L.H. DOOR From H-7338	1	
34	502737	SCREW CAP HEX M6-1.0x25 SS BK	1	
34	5001610	SCREW CAP HEXS M6-1.0x25 SS EMN	1	GR
35	502573	WASHER FL 6.4x12.5x1.6 SS	1	
36	5001182	NUT HEX NYRT M6-1.0 SS	1	
37	502780	SCREW CAP HEX M8-1.25x25 SS BK	1	
37	680038	THREAD LOCKER LOCTITE #243 / BLUE / 50ml	AR	
38	500270	WASHER FL .406x1.000x.063 SS	2	
39	504334	BUMPER RUBBER / .625 OD x .406 TH x .156 HOLE	1	
40	504339	RIVET POP DOME OE 1/8x3/8 SS	1	
41	504454	BUMPER RUBBER BOLT / 20MM ODx20MM TH X M6X15MM STUD	1	
42	502939	NUT AN 1/4 NYL	1	
43	5000310	SCREW CAP HEX M6-1.0x40 BK From H-7417	2	
44	5001833	WASHER BEL SPR 6.1x18x1.27 SS From H-7417	2	
45	478583	FINISHING MOULDING PLASTIC 1276MM	1	
.A	506769	. TAPE RUB ADH2 CC POL 1/8" x 1/4" x 60' / BLACK H1CC-N-#14	AR	
NS	683083	ADHESIVE SIKA #252 / BLACK / 600 ml SAUSAGE	AR	
50	X3PLB-1855-00	RUB RAIL - EXTERIOR CREST & TRIMS		
		C) RADIATOR DOOR HINGES IMPROVMENT SEE SP17-133		
		GR) WITH GREYHOUND OPTION		
		R) THIS PANEL ARE FIXED WITHOUT RIVETS		
		P) CALL ORDER DESK FOR SPECIFIC APPLICATION (V.I.N.)		

From G-7275 To H-7416

Date:07/2024

PAGE:SP17-13

RADIATOR DOOR UPPER HINGE REPLACEMENT



From G-7275 To H-7416	Date:07/2024	PAGE:SP17-13
-----------------------	--------------	--------------

RADIATOR DOOR UPPER HINGE REPLACEMENT

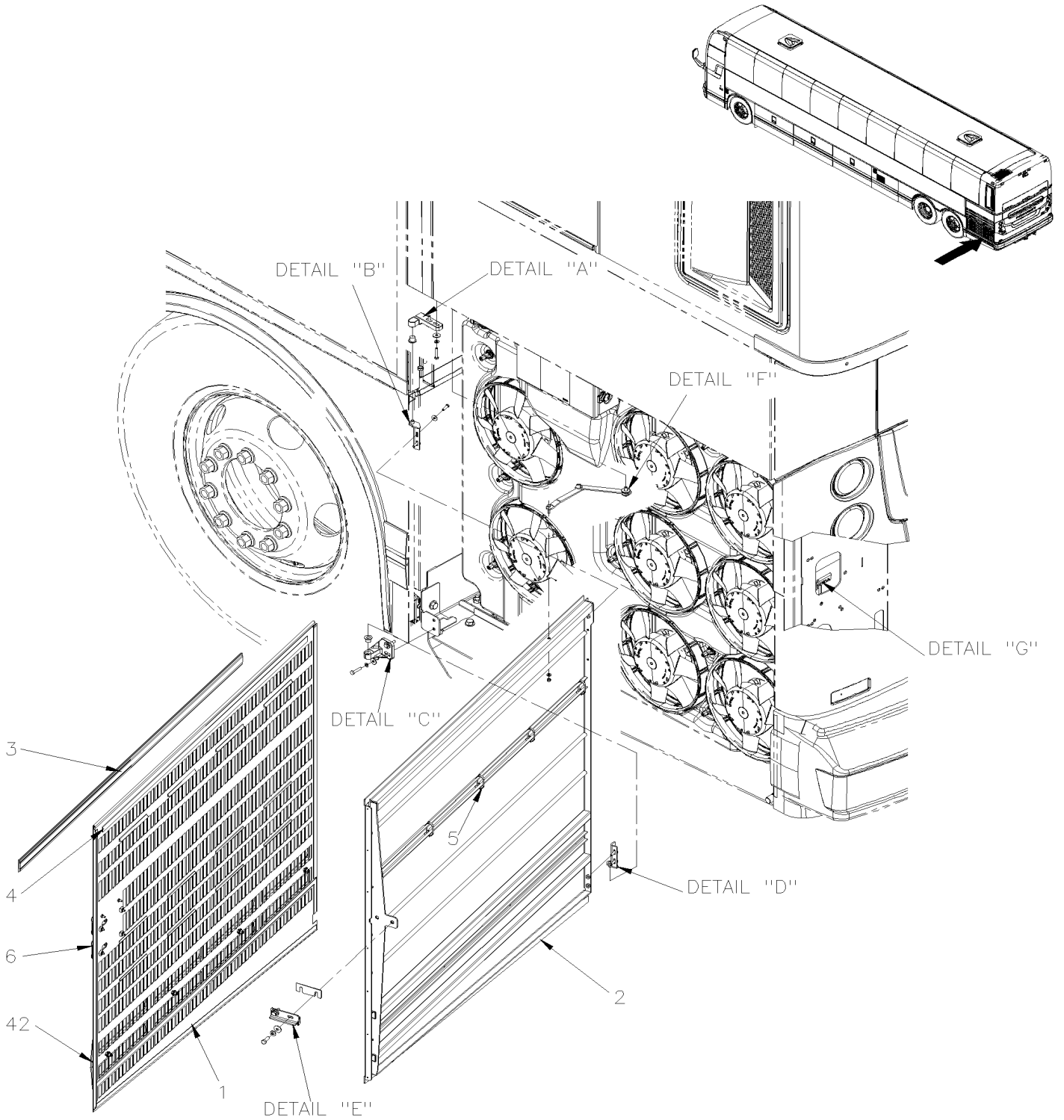
Item#	Part	Description	QTY	Notes
1	280602	ARM ASSY	1	
2	280609	UPPER HINGE	1	
3	280610	SHIM 9.5MM	1	
4	284607	BUSHING, NYLON / (NOT INCLUDE W/HINGE)	1	
5	502622	SCREW CAP HEX M6-1.0x20 SS BK	2	
6	5000310	SCREW CAP HEX M6-1.0x40 BK	2	
7	5001833	WASHER BEL SPR 6.1x18x1.27 SS	4	

From H-7417 To M-7767

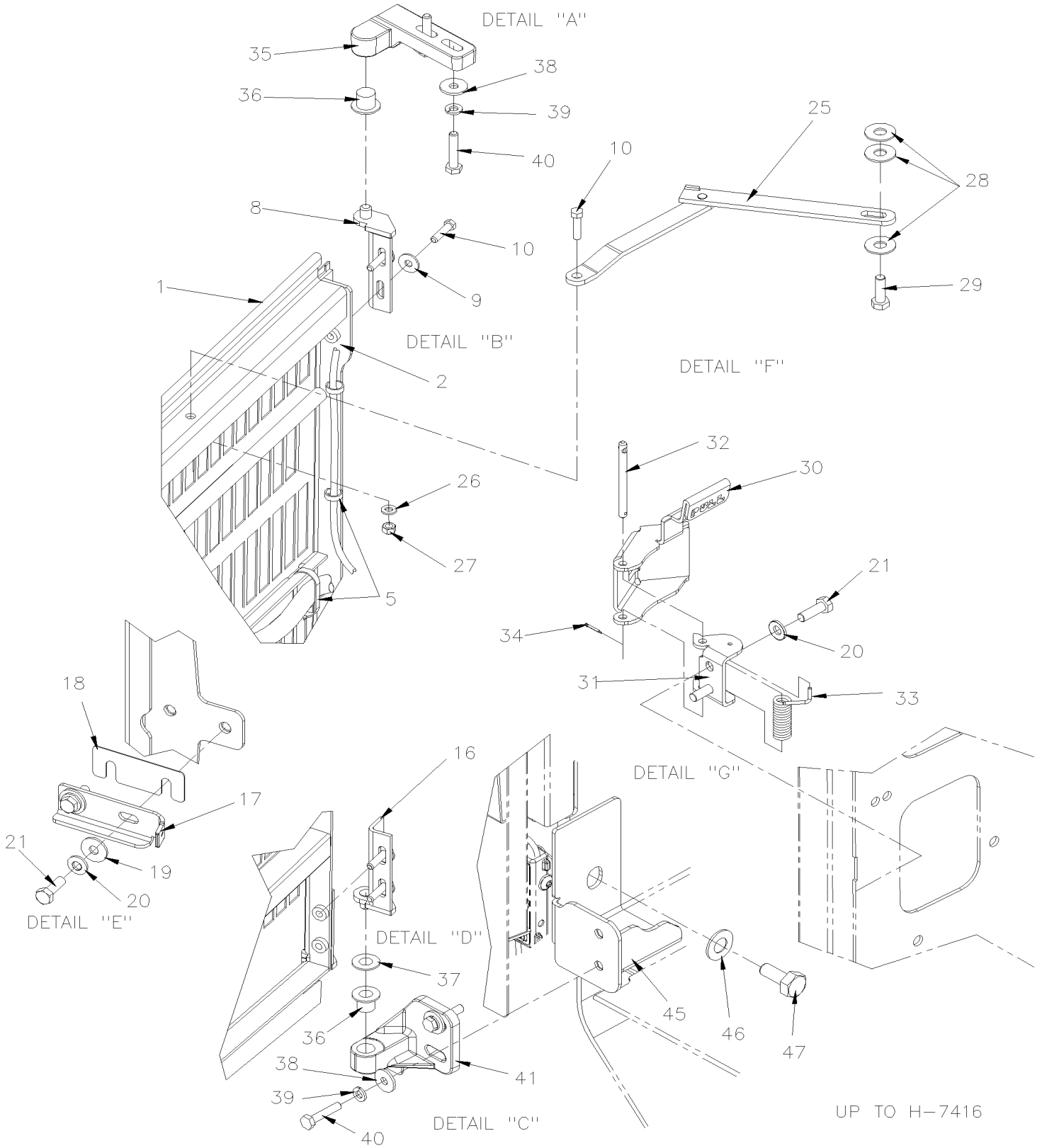
Date:07/2024

PAGE:X3PLB-1869-01

RADIATOR DOOR ASSY VOLVO D13 - GHG17



RADIATOR DOOR ASSY VOLVO D13 - GHG17



From H-7417 To M-7767	Date:07/2024	PAGE:X3PLB-1869-01
RADIATOR DOOR ASSY VOLVO D13 - GHG17		

Item#	Part	Description	QTY	Notes
		ALL RADIATOR DOORS ASSY DO NOT INCLUDE	1	
		RUB-RAIL PLEASE ORDER SEPARATELY	1	
	287881	RADIATOR DOOR ASSY	1	
1	479618	. FLAT PANEL / RADIATOR DOOR	1	
. NS	4710300	. . BOTTOM PANEL, RADIATOR DOOR	1	
2	2800974	. FRAME ASSY / RADIATOR'S DOOR	1	
NS	687961	. GLUE MS POLYMER TEROSON MS 9399 / "A" 21 Liters To M-7792	1	
NS	685385	. GLUE MS POLYMER TEROSON MS 9399 / "A" 14.8 Liters From M-7793	1	
NS	687962	. GLUE MS POLYMER TEROSON MS 9399 / "B" 21 Liters To M-7792	1	
NS	685386	. GLUE MS POLYMER TEROSON MS 9399 / "B" 14.8 Liters From M-7793	1	
NS	687957	. GLUE MS POLYMER TEROSON MS 9399 / 400ml CARTRIDGE To M-7792	1	
NS	685387	. GLUE MS POLYMER TEROSON MS 9399 / 400ml CARTRIDGE From M-7793	1	
NS	684517	. ADHESIVE SIMSON #ISR 70-03 / GREY / 310ml CARTRIDGE	1	
3	479617	. MOULDING, FINISHING 1323MM	1	
4	506071	. TAPE RUB ADH1 CC POL 1/8" x 1/2" x 50' / GREY 2520X	1	
5	504637	. CABLE TIE / 3/16" x 13"	AR	
6	X3PLB-0662-00	. CLEARANCE & MARKER LIGHT To K-7662	1	
6	X3PLB-0662-01	. CLEARANCE & MARKER LIGHT From L-7663	1	
8	289150	. ARM ASSY To H-7416	1	
8	280602	. ARM ASSY From H-7417	1	
9	5001833	. WASHER BEL SPR 6.1x18x1.27 SS	4	
10	502737	. SCREW CAP HEX M6-1.0x25 SS BK	6	
16	289149	. ARM ASSY	1	
17	2800961	. DOOR'S LATCH	1	
18	2800985	. SPACER PLATE	1	
19	5001849	. WASHER FL 8.4x24.0x2.0 SS	2	
20	5001868	. WASHER BEL SPR 8.4x18x2 SS	4	
21	502780	. SCREW CAP HEX M8-1.25x25 SS BK	4	
25	281912	. GUIDE ASSY / L.H. DOOR To H-7337	1	
25	2801079	. GUIDE ASSY / L.H. DOOR From H-7338 To H-7416	1	
25	280682	. GUIDE ASSY / L.H. DOOR From H-7417	1	
26	502573	. WASHER FL 6.4x12.5x1.6 SS	1	
27	5001182	. NUT HEX NYRT M6-1.0 SS	1	
28	500270	WASHER FL .406x1.000x.063 SS To H-7416	3	
28	5001833	WASHER BEL SPR 6.1x18x1.27 SS From H-7417	1	
29	502780	SCREW CAP HEX M8-1.25x25 SS BK To H-7416	1	
29	5000310	SCREW CAP HEX M6-1.0x40 BK From H-7417	1	
NS	680038	THREAD LOCKER LOCTITE #243 / BLUE / 50ml	1	
30	2800962	LOCK LEVER	1	
31	2800960	LOCK HOLDER	1	

From H-7417 To M-7767	Date:07/2024	PAGE:X3PLB-1869-01
RADIATOR DOOR ASSY VOLVO D13 - GHG17		

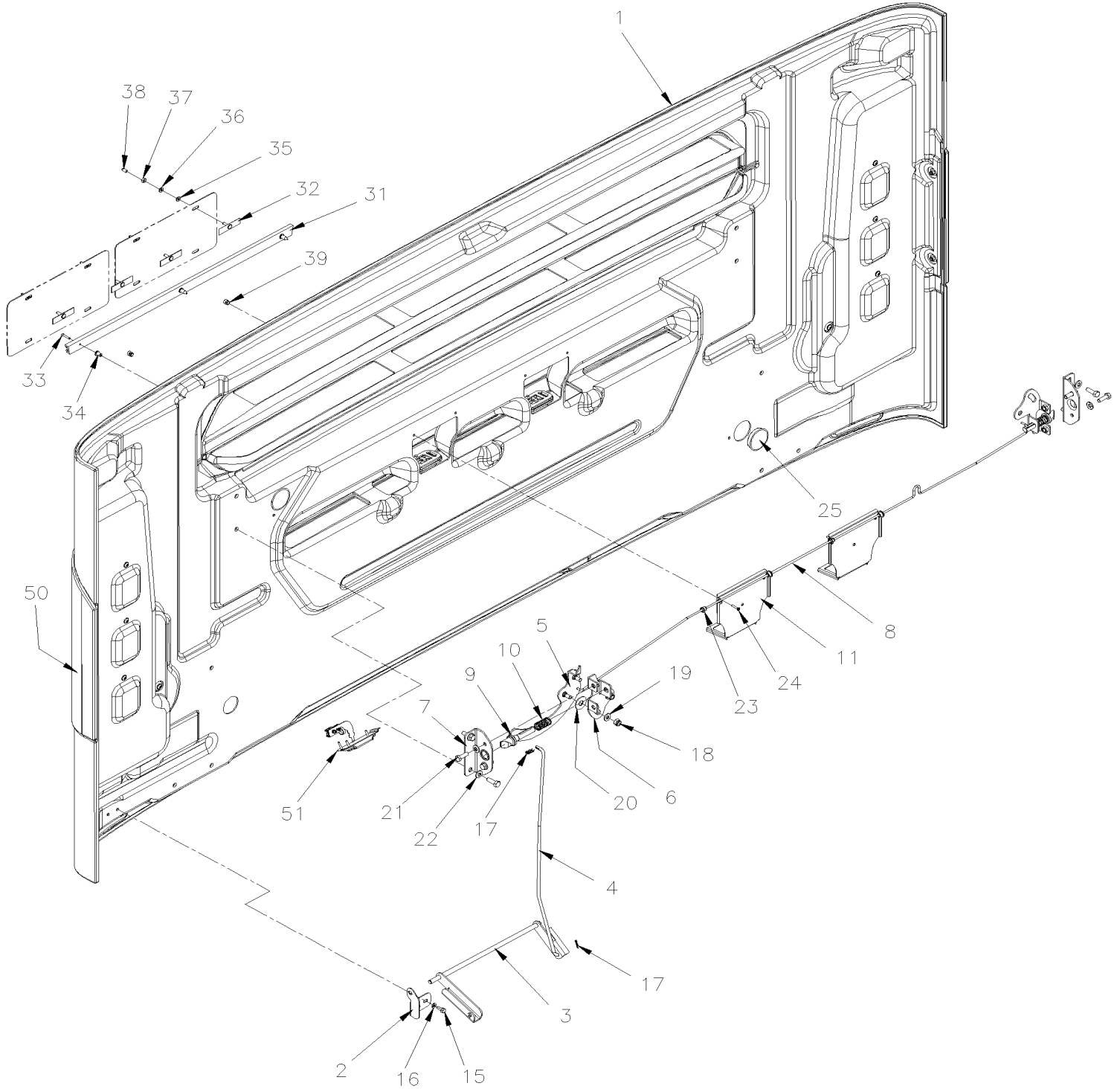
Item#	Part	Description	QTY	Notes
32	2800963	PIN	1	
33	780815	SPRING, TORSION	1	
34	502094	PIN, COTTER 1/16 x 1/2 SS	1	
35	286129	HINGE / To H-7416	1	
35	280609	UPPER HINGE From H-7417	1	
36	284607	BUSHING, NYLON / (NOT INCLUDE W/HINGE)	2	
37	502723	WASHER FL .386x.750x.050 NYL	1	
38	430406	WASHER FLAT To H-7416	4	
38	430406	WASHER FLAT From H-7417	2	
39	502570	WASHER LO SPT 6.1x11.8x1.6 SS To H-7416	4	
39	502570	WASHER LO SPT 6.1x11.8x1.6 SS From H-7417	2	
40	502686	SCREW CAP HEX M6-1.0x30 SS BK To H-7416	4	
40	502686	SCREW CAP HEX M6-1.0x30 SS BK From H-7417	2	
41	288827	LOWER HINGE To J-7478	1	
41	280548	LOWER HINGE From J-7479	1	
42	X3PLB-1855-00	RUB RAIL - EXTERIOR CREST & TRIMS	1	
43	5000310	SCREW CAP HEX M6-1.0x40 BK From H-7417	2	
44	5001833	WASHER BEL SPR 6.1x18x1.27 SS From H-7417	2	
45	2800950	PENTURE HOLDER	1	
46	5001868	WASHER BEL SPR 8.4x18x2 SS	2	
47	5001912	SCREW CAP HEX M8-1.25x30 SS BK	2	
NS	680098	THREAD SEALANT LOCTITE #567 / WHITE / 250ml	AR	
48	280610	SHIM 9.5MM From H-7417	1	
49	5001976	WASHER FL .266x.718x.060 SS From H-7417	1	
50	280680	BUSHING WITH FLANGE From H-7417	1	

From G-7275 To M-7767

Date:07/2024

PAGE:X3PLB-1870-00

ENGINE DOOR ASSY



From G-7275 To M-7767	Date:07/2024	PAGE:X3PLB-1870-00
ENGINE DOOR ASSY		

Item#	Part	Description	QTY	Notes
	2800452P	REAR ENGINE DOOR ASSY W/LIGHTS	1	
1	2800304	. DOOR MOULDED / FIBERGLASS	1	
2	2800440	. SUPPORT, HANDLE	1	
3	2800441	. LEVER ASSY	1	
4	2800436	. ROD	1	
5	2800448	. HANDLE ASSY / ENGINE DOOR	1	
6	2800408	. SUPPORT	2	
7	2800409	. BRACKET FOR LATCH	2	
8	2800419	. ROD FOR LATCH	1	
9	2801055	. CATCH PIN BLACK ACETAL	2	
10	502910	. SPRING COMPRESSION / .720 O.D. 1.75 x .055	2	
11	2800462	. LICENSE PLATE LAMP HOLDER	2	
NS	509815	. TIE MOUNT / ATTACHMENT W/TREE MOUNT	2	
NS	504637	. CABLE TIE / 3/16" x 13"	2	
15	502622	. SCREW CAP HEX M6-1.0x20 SS BK	2	
16	5001833	. WASHER BEL SPR 6.1x18x1.27 SS	2	
17	5001860	. PIN HITCH CLIP .054 x 3/4 SS	3	
18	5001787	. NUT HEX NYRT M8-1.25 SS	2	
19	5001850	. WASHER FL 8.4 x 18 x 2 NYL	3	
20	5001233	. WASHER FL .500x1.250x.062 NYL	2	
21	502780	. SCREW CAP HEX M8-1.25x25 SS BK	8	
22	5001868	. WASHER BEL SPR 8.4x18x2 SS	8	
23	504083	. SNAP BUSHING / .250x.468.406	4	
24	5001040	. SCREW TC PAN PH #6-32x3/4 SS	4	
25	504774	. HOLE PLUG BUTTON / 2.000 O.D. BLACK	2	
31	289655	. TRACK / LICENCE PLATE HOLDER 678.1 MM To J-7453	1	A
31	491388	. TRACK / LICENCE PLATE HOLDER 678.1 MM From J-7454	1	A
32	504286	. T SCREW 10-24 X 3/4" / SS / PLATE HOLDER	4	
33	502666	. SCREW MA FL PH #6-32x3/4 SS BK	3	
34	500286	. NUT WELL #6-32	3	
35	5001137	WASHER FL .203x.438x.050 SS	4	
36	502570	WASHER LO SPT 6.1x11.8x1.6 SS	4	
37	500787	NUT HEX #10-24 SS	4	
38	507333	PROTECTOR CAP / BLACK / .172 I.D. x .500	4	
39	504498	BUMPER PLUG / .406ODx.218THx.250HOLEx.125	2	
40	280722	KIT LICENSE HOLDER - IMPROVMENT	1	
. NS	280616	. LICENCE SUPPORT ALUMINIUM	1	
. NS	5001955	. SCREW MA RND PH #6-32x1/2 SS	3	
. NS	502556	. WASHER FL 4.3x9.0x0.8 SS	3	
50	X3PLB-0664-00	. REAR EXTERIOR LIGHTS & PLATE HOLDER	1	

From G-7275 To M-7767		Date:07/2024	PAGE:X3PLB-1870-00
-----------------------	--	--------------	--------------------

ENGINE DOOR ASSY

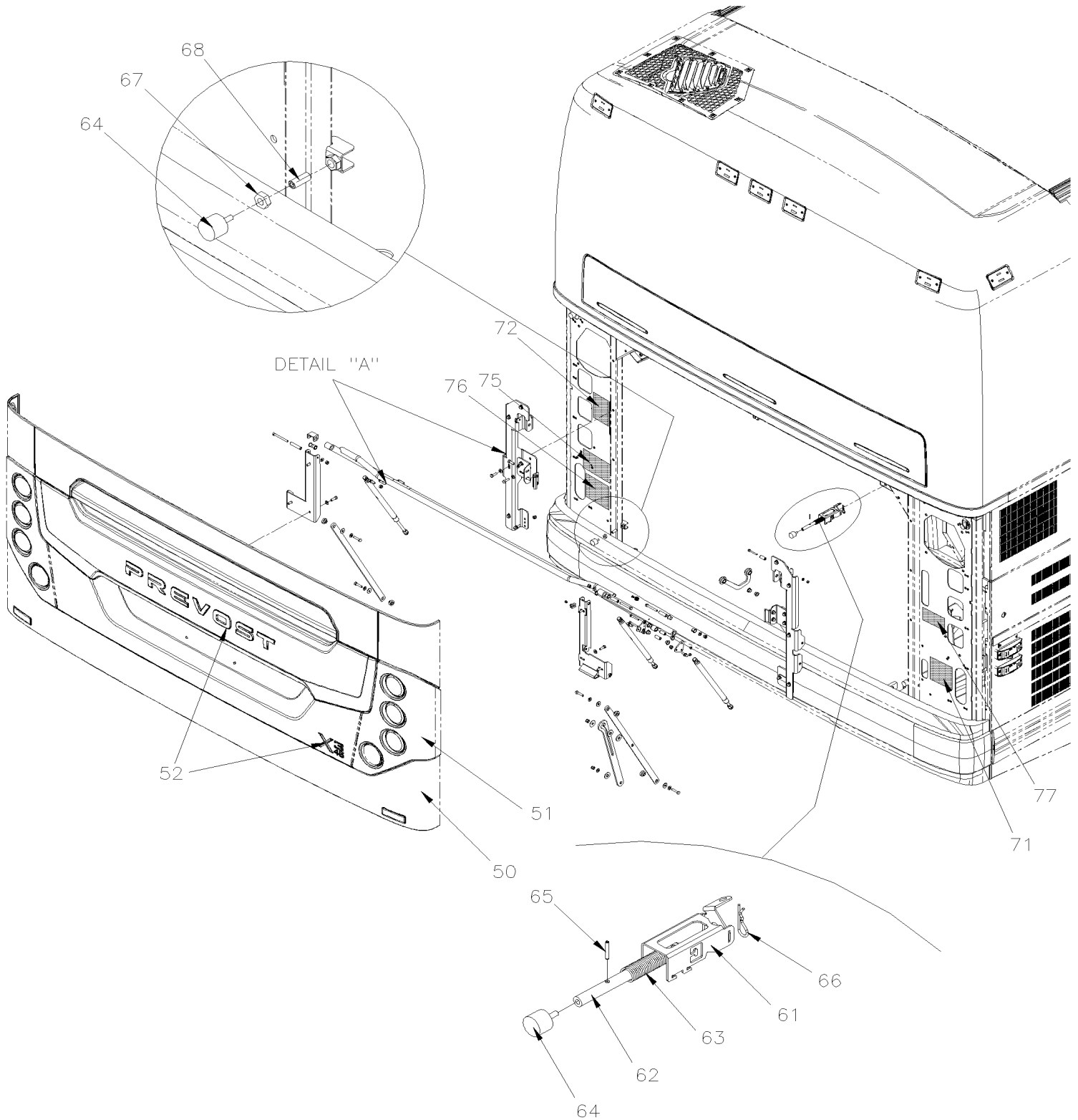
Item#	Part	Description	QTY	Notes
51	X3PLB-0665-10	. SWITCHES, LIGHTS, AJAR - UNDER FLOOR	1	
		A) FOR PRODUCT IMPROVMENT ASK KIT#280722		

From G-7275 To M-7767

Date:07/2024

PAGE:X3PLB-1870-10

ENGINE DOOR ASSY - INSTALLATION



From G-7275 To M-7767	Date:07/2024	PAGE:X3PLB-1870-10
ENGINE DOOR ASSY - INSTALLATION		

Item#	Part	Description	QTY	Notes
1	2800434	PANTOGRAPH ARM ASSY	1	
2	2800522	SUPPORT STREET SIDE	1	
3	2800521	SUPPORT CURBSIDE	1	
4	2800412	BACKING PLATE STREET SIDE	1	
5	2800410	BACKING PLATE CURBSIDE	1	
6	2800523	ARM STABILIZER 610MM C/C	1	
7	2800525	ARM STABILIZER 610MM C/C	1	
8	2800532	SECURITY ARM ASSY	1	
9	2800442	ARM ASSY	1	
10	2800444	LEVER	1	
11	2800445	LEVER	1	
12	2800435	GUIDE	2	
13	2800425	CARRIER LOCK	2	
14	2800407	LATCH BRACKET	2	
15	2800519	REINFORCEMENT PLATE	2	
21	5001185	SCREW CAP HEX M8-1.25x80 SS BK	2	
22	2800417	SPACER 12.7MM O.D.x59.5MM	2	
23	507142	BUSHING, NYLINER W/SHOULDER (8-L-8-F)	8	
24	5001341	WASHER FL 8.4x17.0x1.6 SS	4	
25	5001787	NUT HEX NYRT M8-1.25 SS	10	
26	502780	SCREW CAP HEX M8-1.25x25 SS BK	22	
27	5001868	WASHER BEL SPR 8.4x18x2 SS	26	
28	5001559	SCREW CAP HEX M8-1.25x35 SS BK	4	
29	5001849	WASHER FL 8.4x24.0x2.0 SS	4	
30	286716	SPACER BUSHING FLANGE / AUX. ARM & SUPPORT ACETAL 8.3MM I.D.	4	
31	5001850	WASHER FL 8.4 x 18 x 2 NYL	1	
32	5001467	WASHER FL .343x1.250x.062 SS18-8	1	
33	5001233	WASHER FL .500x1.250x.062 NYL	3	
34	5001178	SCREW CAP HEX M8-1.25x60 SS BK	2	
35	2800416	SPACER 12.7MM O.D.x40MM	2	
36	5001923	SCREW CAP HEX M6-1.0x45 SS BK	3	
37	2800446	BUSHING 12.4MM O.D.x29MM	3	
38	507217	FLANGE BEARING 12MM I.D. 20MM O.D. X 10MM	6	
39	5001182	NUT HEX NYRT M6-1.0 SS	3	
40	502573	WASHER FL 6.4x12.5x1.6 SS	1	
41	504013	TIE MOUNT / 1/4" X 1/4" I.D.	3	
42	504637	CABLE TIE / 3/16" x 13"	5	
43	504379	RIVET POP DOME OE 3/16x1/4 SS	5	
44	504428	TIE MOUNT / 3/16" #10 SCREW / TA1S10-C	2	
45	980030	CYLINDER GAZ / 669/409MM C/C / 210LBS	3	
45	980006	CYLINDER GAZ / 670/410MM C/C / 225LBS	1	S
46	980015	BALL STUD / W/10 MM X M8-1.25 / 29.18 MM	2	

From G-7275 To M-7767	Date:07/2024	PAGE:X3PLB-1870-10
ENGINE DOOR ASSY - INSTALLATION		

Item#	Part	Description	QTY	Notes
46	980027	BALL STUD / W/10 MM X M8-1.25 / 36.5MM	4	
46	980008	BALL STUD / M8	2	T
46	680038	THREAD LOCKER LOCTITE #243 / BLUE / 50ml	AR	
47	2800463	NUT M8-1.25x27.3MM	1	
47	680038	THREAD LOCKER LOCTITE #243 / BLUE / 50ml	AR	
50	X3PLB-1870-00	ENGINE DOOR ASSY		
51	X3PLB-0664-00	REAR EXTERIOR LIGHTS & PLATE HOLDER		
52	X3PLB-1855-00	RUB RAIL - EXTERIOR CREST & TRIMS		
61	287709	GUIDE PIN REMOVABLE To L-7766	1	
61	2810510	GUIDE PIN REMOVABLE From L-7767	1	
NS	507034	CLIP BEARING 1/2" DIA From L-7767	2	
62	289662	STOPPER 155MM	1	
63	502940	SPRING COMPRESSION / .720 O.D. x 6 x .067 SS	1	
64	504790	BUMPER RUBBER BOLT / 25.5MM ODx20MM TH M6X18MM STUD	5	
64	688910	THREAD LOCKER LOCTITE #262 / RED / 250ml	AR	
65	505513	SPRING, PIN M3 x 24 SS	1	
66	502180	PIN HITCH CLIP 3/32 x 1/2 Z050	1	
67	502567	NUT HEX M10-1.5 SS	4	
68	287803	ROD, ADJUSTMENT ENGINE DOOR STOPPER	4	
71	405730	DECAL THIS VEHICULE EQUIPED ... FIRE SUPPRES / ENGLISH & FRANCAIS	1	
71	405729	DECAL THIS VEHICULE EQUIPED ... FIRE SUPPRES / ENGLISH	1	
71	405731	DECAL THIS VEHICULE EQUIPED ... FIRE SUPPRES / ENGLISH & SPANISH	1	
72	071687	DECAL "TranSynd OIL ONLY" / ENGLISH & FRANCAIS	1	
72	071688	DECAL "TranSynd OIL ONLY" / ENGLISH & SPANISH	1	
73	050332	DECAL "COOLANT" / ENGLISH & SPANISH From L-7707	1	
73	050335	DECAL COOLANT" / ENGLISH From L-7707	1	
75	012880	DECAL / "BELT ROUTING" To H-7416	1	
75	010060	DECAL / "BELT ROUTING" From H-7417	1	
75	010111	DECAL / "BELT ROUTING" W/REMY From K-7590	1	R
75	010049	DECAL / "BELT ROUTING" W/LARGE AC 2 ALT RH From K-7582	1	A
76	066596	DECAL / "CAUTION" BEFORE WELDING...." // ENGLISH & FRANCAIS To H-7416	1	
76	066436	DECAL / "CAUTION" BEFORE WELDING...." // ENGLISH To H-7416	1	
76	067067	DECAL / "CAUTION" BEFORE WELDING...." // ENGLISH & SPANISH To H-7416	1	
77	453066	DECAL R134A / NOMINAL CHARGE 24 LBS // ENGLISH & FRANCAIS	1	
77	453244	DECAL R134A / NOMINAL CHARGE 26 LBS // ENGLISH & FRANCAIS	1	
77	450028	DECAL R134A / NOMINAL CHARGE 26 LBS // ENGLISH & SPANISH	1	
78	011230P	DECAL "VEHICLE EMISSION INFORMATION" / US / ENGLISH To L-7690	1	
78	Call order desk	DECAL "VEHICLE EMISSION INFORMATION" / US / ENGLISH From L-7691	1	P
79	040011	DECAL "CLEAN IDLE EXEMPTION" From H-7310	1	

From G-7275 To M-7767		Date:07/2024	PAGE:X3PLB-1870-10
-----------------------	--	--------------	--------------------

ENGINE DOOR ASSY - INSTALLATION

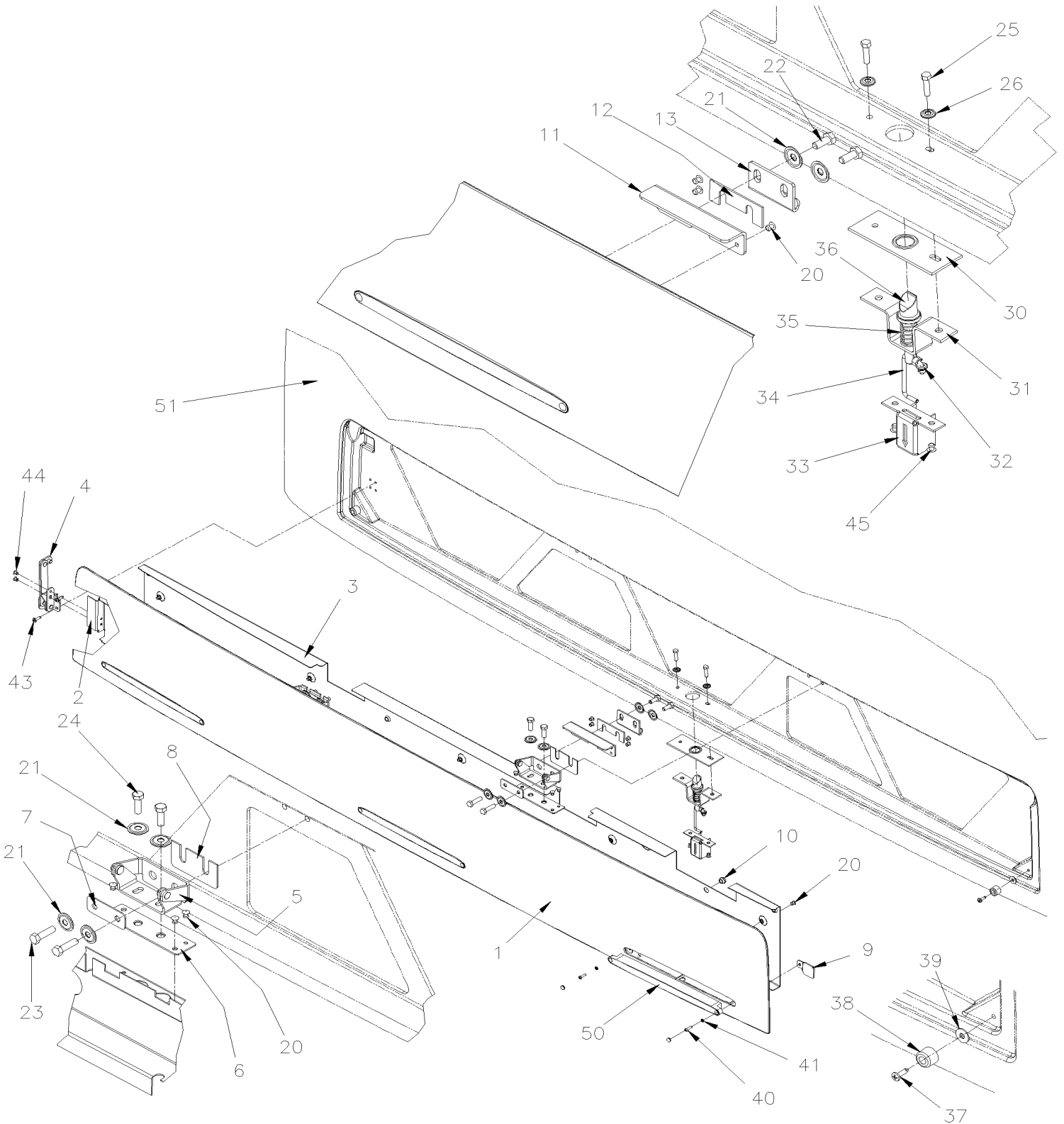
Item#	Part	Description	QTY	Notes
		A) FOR PRODUCT IMPROVMENT ASK KIT#280722		
		R) WITH REMY ALTERNATOR		
		S) LEFT SIDE ONLY / HEAVY DUTY CYLINDER / USE WITH PART: 980008		
		T) USE ONLY WITH HEAVY DUTY CYLINDER: 980006		
		P) CALL ORDER DESK FOR SPECIFIC APPLICATION (V.I.N.)		

From G-7275 To K-7662

Date:07/2024

PAGE:X3PLB-1870-20

REAR ENGINE UPPER DOOR



From G-7275 To K-7662	Date:07/2024	PAGE:X3PLB-1870-20
REAR ENGINE UPPER DOOR		

Item#	Part	Description	QTY	Notes
	2800074	REAR ENGINE UPPER DOOR ASSY	1	
1	479267	DOOR PANEL ALUMINUM To H-7317	1	
1	470270	DOOR PANEL ALUMINUM From H-7318	1	
NS	684743	GLUE METHACRYLATE PLEXUS MA832GB 380 ml	AR	
NS	506869	TAPE RUB ADH2 POL .031" X 1/4" X 300' / BLACK	AR	
2	479271	FRAME DOOR	1	
3	479314	PANEL INSULATING ALUMINUM	1	
4	479323	ARM ASSY To H-7331	1	
4	470458	ARM ASSY From H-7332	1	
5	479268	HINGE ASSY	2	
6	479275	ATTACHMENT PLATE W/2 NUTS 131MMx35MM / 40MM C/C	2	
7	288088	PLATE RETAINER 66MM X 25.4MM	2	
NS	506869	TAPE RUB ADH2 POL .031" X 1/4" X 300' / BLACK	AR	
8	479299	SHIM SPACER 40MM x 80MM x 14GA	1	
9	479300	ATTACHMENT LAMPS 32MMx32MM	6	
10	504559	GROMMET / .469X.078X.375X.594	8	
11	479283	ATTACHMENT ANGLE W/2 NUTS 131MMx35MM / 40MM C/C	1	
12	479301	SHIM SPACER 28MM x 78MM x 14GA	1	
13	479288	CATCH PIN / RETAINER 125X45	1	
20	504379	RIVET POP DOME OE 3/16x1/4 SS	24	
21	5001699	WASHER BEL SPR 8.2x22x1.4 N500	10	
22	502862	SCREW CAP HEX M8-1.25x20 G8.8 N500	2	
23	5001738	SCREW CAP HEX M8-1.25x30 G8.8 N500	4	
24	502780	SCREW CAP HEX M8-1.25x25 SS BK	4	
25	502737	SCREW CAP HEX M6-1.0x25 SS BK	2	
26	500356	WASHER LO SERR 6.1x16.0x0.9 N500	2	
28	780340	CLIP, RETAINER ROD	1	
30	479280	GUIDE PIN PLATE 125MMx 45MM	1	
31	479282	SUPPORT CATCH PIN	1	
32	780340	CLIP, RETAINER ROD	1	
33	479482	COVER, MECANISME	1	
34	479307	ROD "J" FORM 61MMx31MMx15MM	1	
35	502910	SPRING COMPRESSION / .720 O.D. 1.75 x .055	1	
36	2801055	CATCH PIN BLACK ACETAL	1	
37	504416	RIVET POP DOME OE 3/16x5/8 SS	2	
38	5001168	BUMPER RUBBER / .750 OD x .562 TH x .187 HOLE To J-7533	2	
38	5002023	BUMPER NEOPRENE / .750 OD x .562 TH x .187 HOLE From J-7534	2	
39	500411	WASHER FL .260x.697x.050 SS	2	
40	5001332	SCREW MA PAN PH M4-0.7x16 SS	6	
41	502834	WASHER LO SPT 4.1x7.6x0.9 N500	6	
NS	504637	CABLE TIE / 3/16" x 13"	8	

From G-7275 To K-7662	Date:07/2024	PAGE:X3PLB-1870-20
-----------------------	--------------	--------------------

REAR ENGINE UPPER DOOR

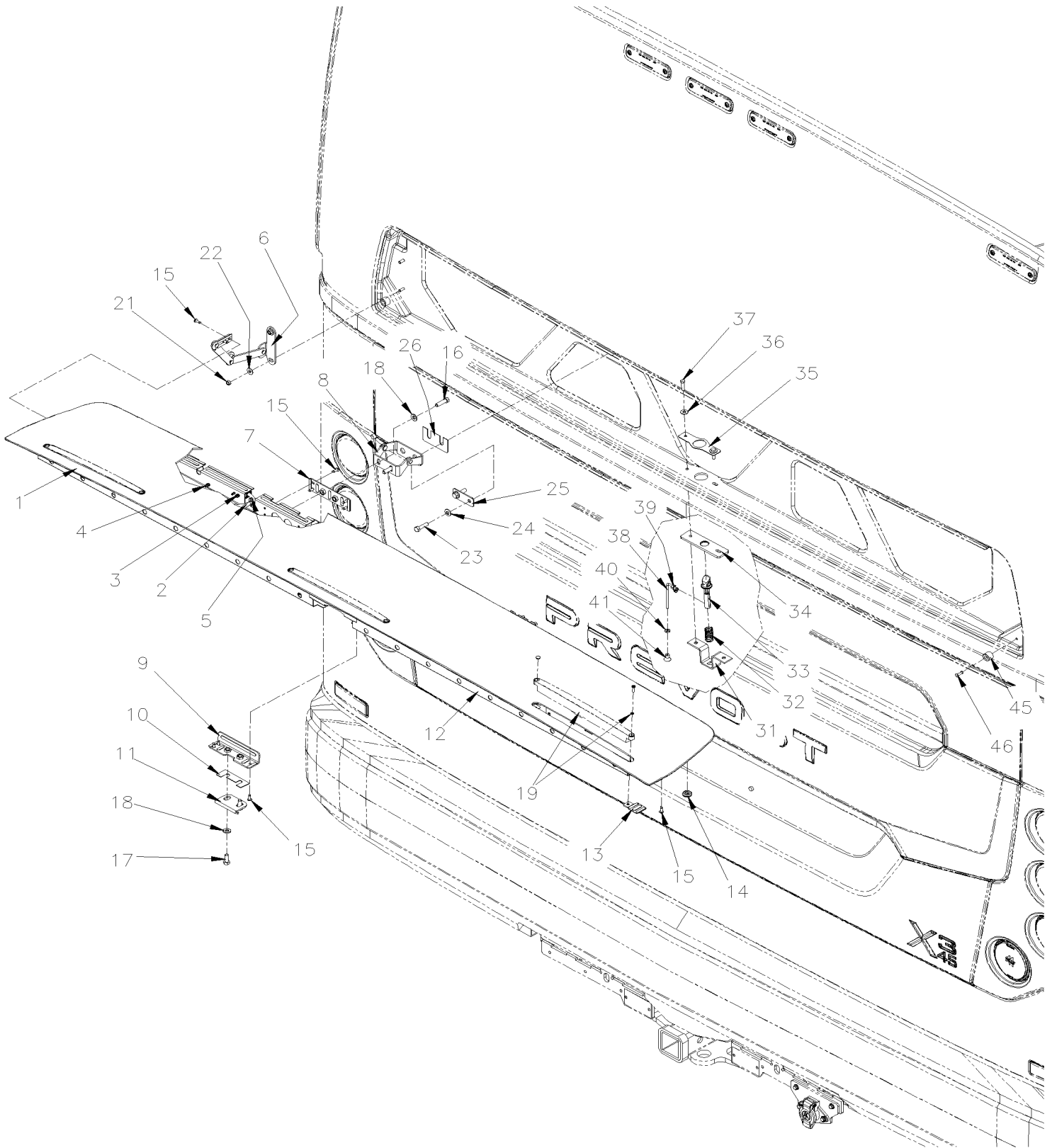
Item#	Part	Description	QTY	Notes
NS	067665	CABLE ASSY DPF DOOR 3 LIGHTS To H-7416	1	
NS	060037	CABLE ASSY DPF DOOR 3 LIGHTS From H-7417	1	
NS	5001719	SNAP-IN PLUG / .6875 O.D	9	
NS	504448	CABLE CLIP 1/4" / ADHESIVE	1	
43	504610	RIVET MGLP PRDG 1/4x5/8 SS	4	
44	504793	RIVET MNB OE LARGE HEAD 3/16x7/16 SS	2	
45	504487	RIVET MGLP PRDG 3/16x7/16 SS	2	
50	X3PLB-0664-00	REAR EXTERIOR LIGHTS & PLATE HOLDER		
51	X3PLB-1851-20	REAR CAP - INSTALLATION		

From L-7663 To M-7767

Date:07/2024

PAGE:X3PLB-1870-21

REAR ENGINE UPPER DOOR



From L-7663 To M-7767	Date:07/2024	PAGE:X3PLB-1870-21
REAR ENGINE UPPER DOOR		

Item#	Part	Description	QTY	Notes
1	2810260	REAR ENGINE UPPER DOOR WITH LAMPS ASSY	1	
2	060037	. CABLE ASSY DPF DOOR 3 LIGHTS	1	
3	564108	. SELF MOUNTING STUD // DEUTSCH 1011-310-0205	1	
4	509815	. TIE MOUNT / ATTACHMENT W/TREE MOUNT	1	
5	504637	. CABLE TIE / 3/16" x 13"	AR	
6	471157	. ARM, RETAINING ASSY	1	
6	506869	. TAPE RUB ADH2 POL .031" X 1/4" X 300' / BLACK	AR	
7	479275	. ATTACHMENT PLATE W/2 NUTS 131MMx35MM / 40MM C/C	2	
7	506869	. TAPE RUB ADH2 POL .031" X 1/4" X 300' / BLACK	AR	
7	684743	. GLUE METHACRYLATE PLEXUS MA832GB 380 ml	AR	
8	479268	. HINGE ASSY	2	
9	479283	. ATTACHMENT ANGLE W/2 NUTS 131MMx35MM / 40MM C/C	1	
9	506869	. TAPE RUB ADH2 POL .031" X 1/4" X 300' / BLACK	AR	
9	684743	. GLUE METHACRYLATE PLEXUS MA832GB 380 ml	AR	
10	479301	. SHIM SPACER 28MM x 78MM x 14GA	1	
11	479288	. CATCH PIN / RETAINER 125X45	1	
12	479314	. PANEL INSULATING ALUMINUM	1	
13	479300	. ATTACHMENT LAMPS 32MMx32MM To R-6969	6	
13	506869	. TAPE RUB ADH2 POL .031" X 1/4" X 300' / BLACK To R-6969	AR	
13	684743	. GLUE METHACRYLATE PLEXUS MA832GB 380 ml To R-6969	1	
13	4705229	. ATTACHMENT LAMPS 51MMx63.7MM From R-6970	1	
14	504496	. GROMMET 2 HOLESx.062x.625x.062x.312x.875x.031 x.375	10	
15	504379	. RIVET POP DOME OE 3/16x1/4 SS	23	
16	5001912	. SCREW CAP HEX M8-1.25x30 SS BK	4	
17	5001868	. WASHER BEL SPR 8.4x18x2 SS	6	
18	500119	. SCREW CAP HEX M8X1.25X20 BK	2	
19	X3PLB-0662-01	. CLEARANCE & MARKER LIGHT		
21	5001851	NUT HEX M6-1.0 SS BK	2	
22	5001833	WASHER BEL SPR 6.1x18x1.27 SS	2	
23	5001912	SCREW CAP HEX M8-1.25x30 SS BK	4	
24	5001868	WASHER BEL SPR 8.4x18x2 SS	4	
25	288088	PLATE RETAINER 66MM X 25.4MM	2	
26	479299	SHIM SPACER 40MM x 80MM x 14GA	2	
31	479282	SUPPORT CATCH PIN	1	
32	502910	SPRING COMPRESSION / .720 O.D. 1.75 x .055	1	
33	2801055	CATCH PIN BLACK ACETAL	1	
34	479280	GUIDE PIN PLATE 125MMx 45MM	1	
35	471155	PLATE	1	
36	5001833	WASHER BEL SPR 6.1x18x1.27 SS	2	
37	502737	SCREW CAP HEX M6-1.0x25 SS BK	2	

From L-7663 To M-7767	Date:07/2024	PAGE:X3PLB-1870-21
-----------------------	--------------	--------------------

REAR ENGINE UPPER DOOR

Item#	Part	Description	QTY	Notes
38	471156	ROD, REAR ACCESS DOOR	1	
39	780340	CLIP, RETAINER ROD	1	
40	500986	NUT HEX #8-32 N500	1	
41	505504	KNOB, PULL / 8-32	1	
45	5002023	BUMPER NEOPRENE / .750 OD x .562 TH x .187 HOLE	2	
46	504416	RIVET POP DOME OE 3/16x5/8 SS To L-7672	2	
46	504200	RIVET POP DOME OE 3/16x3/4 SS From L-7673	2	

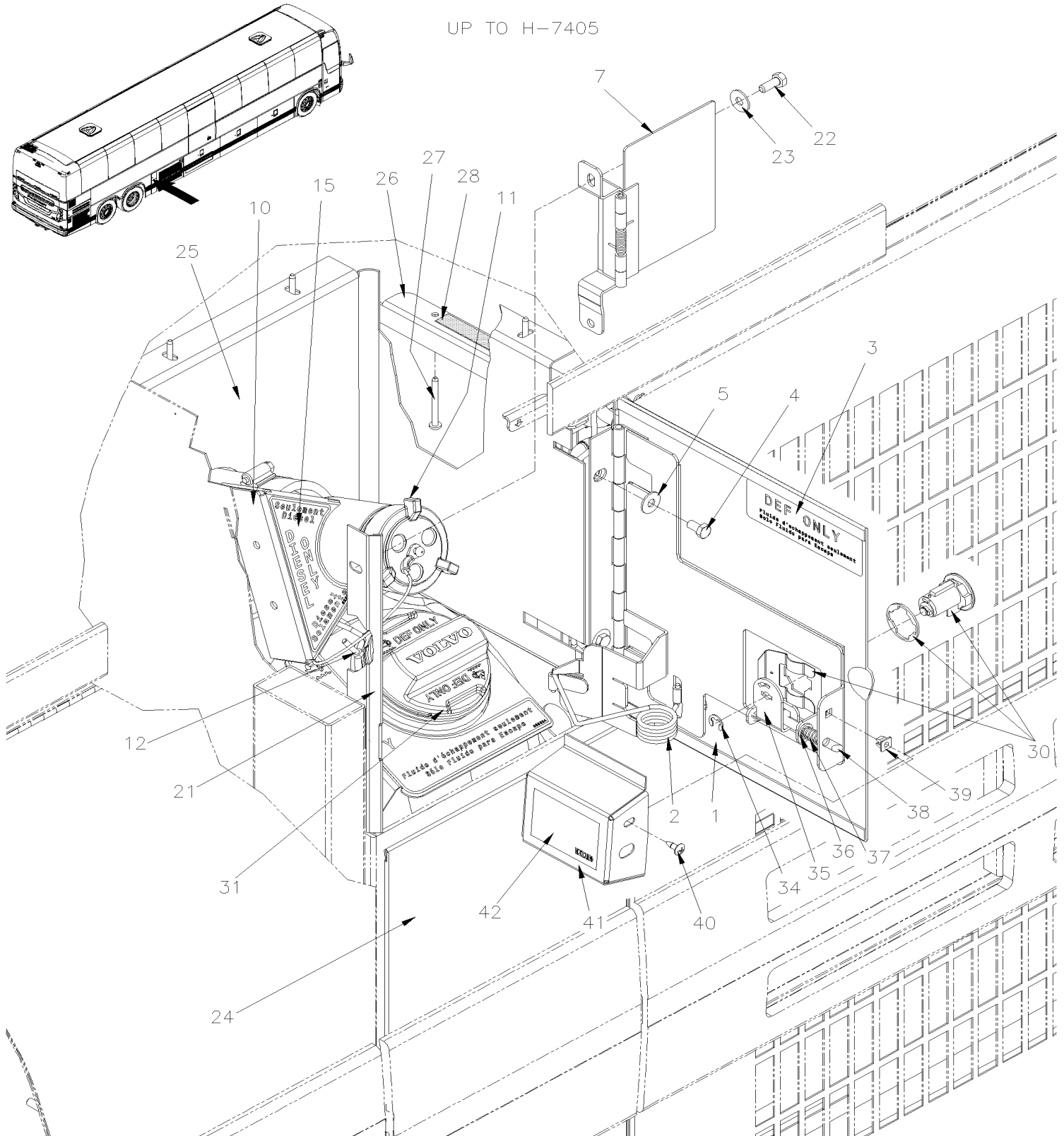
From G-7275 To M-7767

Date:07/2024

PAGE:X3PLB-1875-00

FUEL TANK & UREA FILLING DOOR

UP TO H-7405

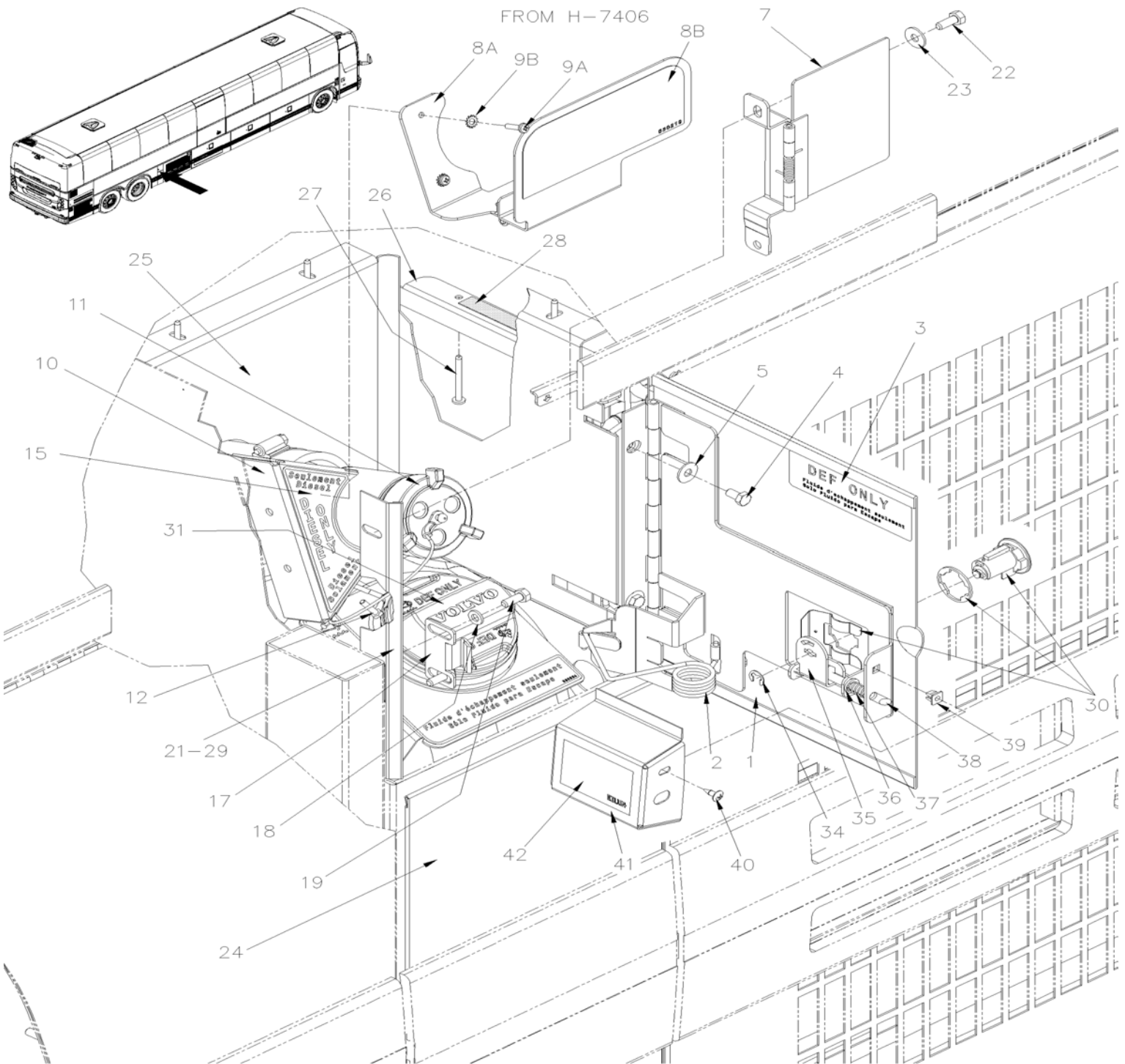


From G-7275 To M-7767

Date:07/2024

PAGE:X3PLB-1875-00

FUEL TANK & UREA FILLING DOOR



From G-7275 To M-7767	Date:07/2024	PAGE:X3PLB-1875-00
FUEL TANK & UREA FILLING DOOR		

Item#	Part	Description	QTY	Notes
1	2800581P	DOOR ASSY, R.H. / W/LOCK	1	
1	2800582P	DOOR ASSY, R.H.	1	
2	2800538	SPRING, TORSION /	1	
3	21467930	DECAL, UREA FILLING To H-7333	1	
3	400137	DECAL / DIESEL FUEL BLACK	1	
NS	400001	DECAL / DIESEL FUEL WHITE	1	
NS	400050	DECAL / INSTRUCTION FOR FILLING TANK /203 GAL WHITE	1	
NS	400051	DECAL / INSTRUCTION FOR FILLING TANK /203 GAL BLACK	1	
NS	032824	DECAL / ULTRA LOW SULFURE DIESEL / ENGLISH	1	
NS	21298228	DECAL / ULTRA LOW SULFURE DIESEL (ULSD) / ENGLISH & SPANISH	1	
NS	21298562	DECAL / ULTRA LOW SULFURE DIESEL / ENGLISH & FRANCAIS	1	
4	5001697	SCREW CAP HEX M6-1.0x16 SS BK	2	
5	5001833	WASHER BEL SPR 6.1x18x1.27 SS	4	
NS	484278	SHIM SS / DOOR HINGE 20MM x 220MM x 24GA	AR	
7	033215	SPRING FLAP X3 W/O LOCK ASSY To L-7742	1	O
7	030183	SPRING FLAP X3 W/O LOCK ASSY From L-7743 To N-7939	1	O
7	IS18910-3	FLAP, TANK FEELING PROTECTION To N-7939	1	
7	033219	SPRING FLAP X3 OR WE W/ LOCK ASSY To L-7742	1	O
7	030182	SPRING FLAP WITH LOCK ASSY From L-7743 To N-7939	1	O
7	IS18910-2	FLAP, TANK FEELING PROTECTION To N-7939	1	
8A	030098	DIESEL FILLING FLAP From N-7940	1	O
8B	030217	DECAL "DIESEL ONLY..." From N-7940	1	O
8B	030219	DECAL "DEF ONLY..." From N-7940	1	O
9A	502698	SCREW MA PAN PH M4-0.7x16 SS BK From N-7940	2	O
9B	5001544	WASHER LO EXT .195x.410x.025 SS From N-7940	2	O
10	032932	FILLING CAP ASSY / CURB-SIDE	1	
11	531424	FUEL FILLING CAP / SCREW TYPE CAP	1	
NS	530133	REPLACEMENT GASKET FOR 2" FEMALE CAP	1	
12	502799	SCREW CAP HEX M4-0.7X16 G8.8 N500	1	
15	030035	DECAL "DIESEL ONLY" From H-7334	1	
17	460031	STOPPER DOOR From H-7417	1	
18	5001697	SCREW CAP HEX M6-1.0x16 SS BK From H-7417	2	
19	502573	WASHER FL 6.4x12.5x1.6 SS From H-7417	2	
21	477240	CATCH PLATE To H-7416	1	
21	470549	CATCH PLATE From H-7417	1	
22	5001697	SCREW CAP HEX M6-1.0x16 SS BK To N-7939	2	O
23	5001833	WASHER BEL SPR 6.1x18x1.27 SS To N-7939	2	O
24	477293	PANEL CURBSIDE 246.4MM	1	
25	033979	MUD FLAP / UREA TANK, PROTECTOR, FILLING To H-7356	1	
25	033030	MUD FLAP / UREA TANK, PROTECTOR, FILLING From H-7357	1	
26	032962	SUPPORT / MUD FLAP / UREA TANK	1	
27	5001890	SCREW TP PAN PH #8x1 3/4" SS	4	

From G-7275 To M-7767	Date:07/2024	PAGE:X3PLB-1875-00
FUEL TANK & UREA FILLING DOOR		

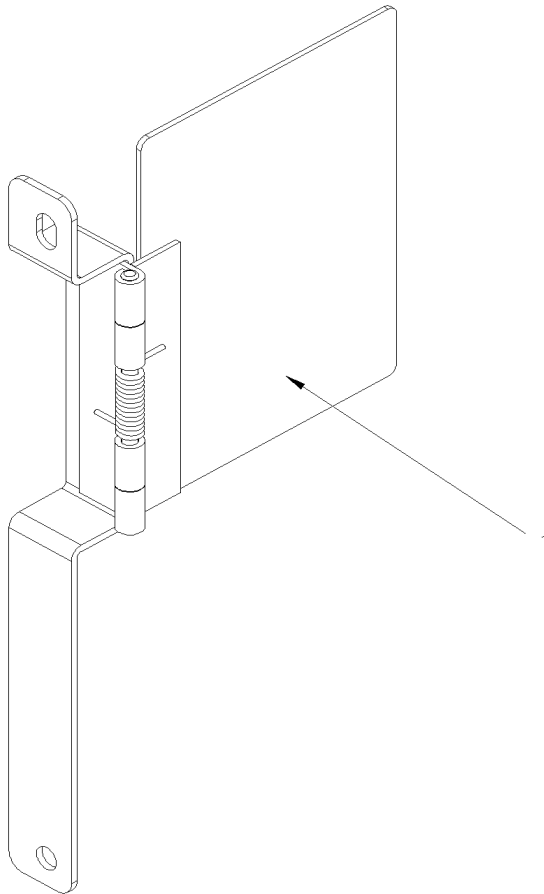
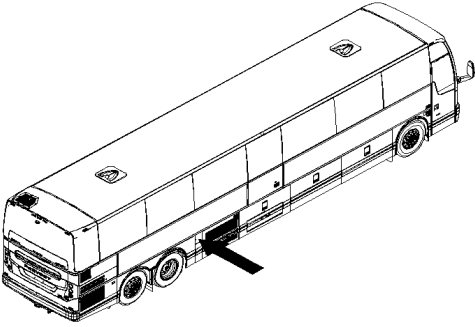
Item#	Part	Description	QTY	Notes
28	680453	SEALANT TAPE / CLEAR / 1/32"x1/2"x65' / 1795	AR	
29	4705100	SPACER FRAME From J-7537	1	
30	X3PLB-1867-00	KEY & CYLINDER CODE "FORD" & "NS" To K-7662		
30	X3PLB-1867-01	KEY & CYLINDER CODE "FORD" From L-7663	1	
31	X3PLB-0410-00	UREA RESERVOIR ASSY		
34	504402	RING RETAINER / EXT .250 x .210 x .025"	1	
35	484218	PIVOT LOCK / CURBSIDE	1	
36	502573	WASHER FL 6.4x12.5x1.6 SS	1	
37	474008	SPRING COMPRESSION / .360 O.D. x .625 x .035 To K-7596	1	
37	471755	SPRING COMPRESSION / .360 O.D. x .750 x .035 From K-7597	1	
38	289800	ROD	1	
NS	5001860	PIN HITCH CLIP .054 x 3/4 SS	1	
39	502741	NUT AN #8 NYL	1	
40	500124	SCREW TP TR PH #8x1/2 SS	1	
41	2800579	PROTECTOR BOX / CURBSIDE	1	
41	506225	TAPE RUB ADH1 CC POL 1/16" x 1/4" x 100' / GREY 2520	AR	
42	031164	DECAL / CERTIFICATION	1	
		O) OPTION		

From G-7275 To M-7767

Date:07/2024

PAGE:IS18910-3

FLAP, TANK FEELING PROTECTION



From G-7275 To M-7767		Date:07/2024	PAGE:IS18910-3
-----------------------	--	--------------	----------------

FLAP, TANK FEELING PROTECTION

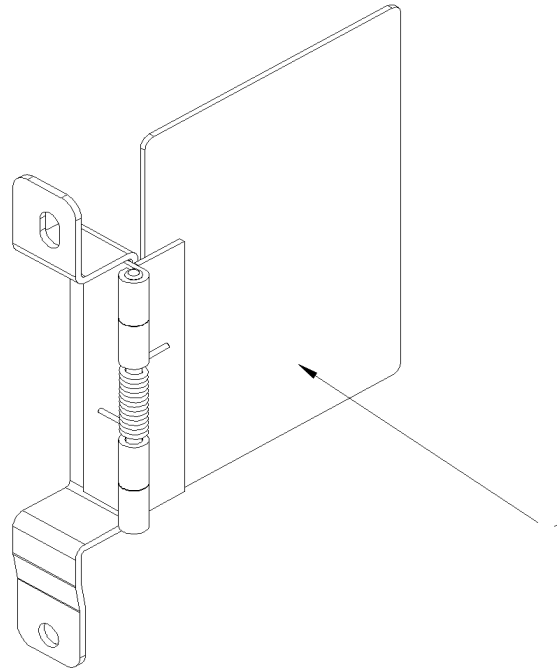
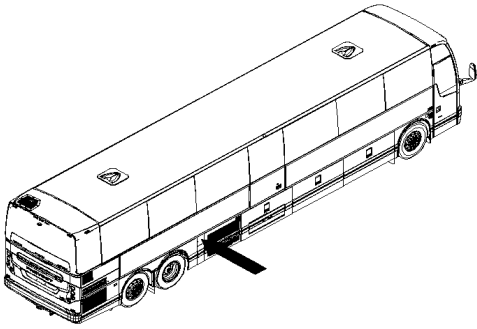
Item#	Part	Description	QTY	Notes
1	033215	SPRING FLAP X3 W/O LOCK ASSY FORMER	1	
1	030183	SPRING FLAP X3 W/O LOCK ASSY CURRENT	1	
100	IS-18910	SEE INSTRUCTION SHEET	1	

From G-7275 To M-7767

Date:07/2024

PAGE:IS18910-2

FLAP, TANK FEELING PROTECTION

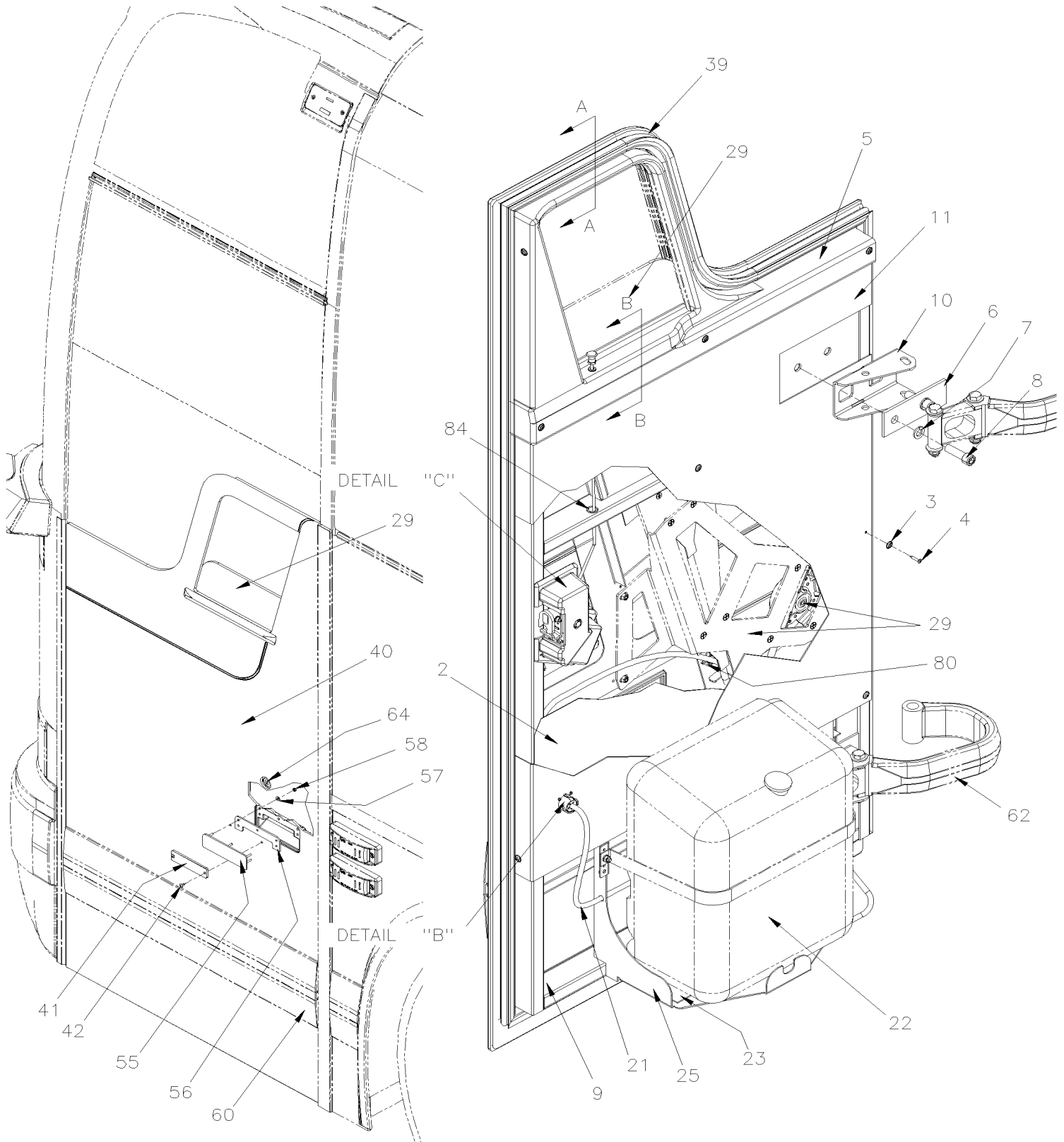


From G-7275 To M-7767		Date:07/2024	PAGE:IS18910-2
------------------------------	--	---------------------	-----------------------

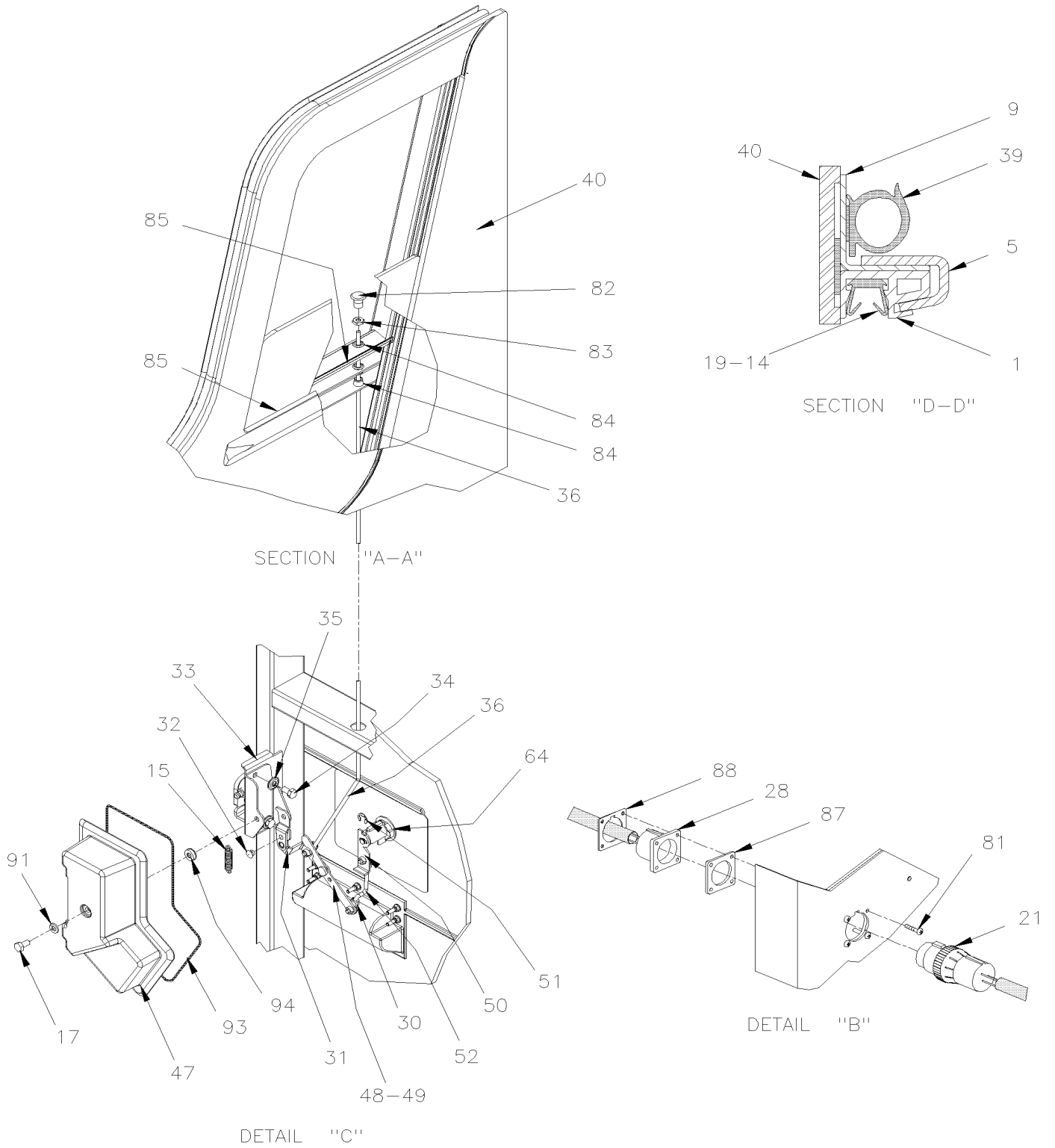
FLAP, TANK FEELING PROTECTION

Item#	Part	Description	QTY	Notes
1	033219	SPRING FLAP X3 OR WE W/ LOCK ASSY FORMER	1	
1	030182	SPRING FLAP WITH LOCK ASSY CURRENT	1	
100	IS-18910	SEE INSTRUCTION SHEET	1	

FRONT SERVICE DOOR ASSY



FRONT SERVICE DOOR ASSY



From G-7275 To M-7767	Date:07/2024	PAGE:X3PLB-1879-00
FRONT SERVICE DOOR ASSY		

Item#	Part	Description	QTY	Notes
		ALL FRONT SERVICE DOORS DO NOT INCLUDE		
		RUB-RAIL PLEASE ORDER SEPARATELY		
	286614P	FRONT SERVICE DOOR ASSY To K-7662	1	
	2810257	FRONT SERVICE DOOR ASSY From L-7663	1	
1	285983	WINDOW TRACK	1	
2	286606	INSULATING / COACH	1	
2	2801010	INSULATING / W/FRONT BLOCK HEATER PLUG	1	T
2	2810040	INSULATING / W/FRONT BLOCK HEATER PLUG & BATTERY CHARGER PLUG From L-7663	1	S
3	500345	WASHER FN CKF .187x.500x.090 BR BK	AR	
4	5001097	SCREW TC OV PH #6-32x3/4 SS410 BK	AR	
5	286451	INTERIOR FINISHING / 83"	1	
6	286998	SUPPORT PLATE 134MM X 48MM	2	
7	5001589	SCREW CAP HEXS M12-1.75x40 G8.8 Z050	4	
8	500747	WASHER LO SPT 12.2x21.1x2.5 N500	4	
9	286605P	DOOR FRAME ASSY / COACH	1	
10	286014	HINGE SUPPORT	2	
11	286607	INTERIOR PANEL / COACH	1	
11	2801009	INTERIOR PANEL / W/FRONT BLOCK HEATER PLUG	1	T
11	2810041	INTERIOR PANEL / W/FRONT BLOCK HEATER PLUG & BATTERY CHARGER PLUG From L-7663	1	S
NS	506790	TAPE RUB ADH2 CC POL 1/16" x 1/2" x 200' / BLACK I1C-N-A	4	
14	286440	FELT SLIDING 677MM	1	
15	284914	SPRING EXTENSION / .305 O.D. x 1.562 x .051	1	
17	5001433	SCREW CAP HEX M6-1.0x25 SS	1	
19	286439	FELT SLIDING 930MM	1	
21	067947	CABLE ASSY / WINDSHIELD WASHER PUMP To H-7416	1	
21	069554	CABLE ASSY / WINDSHIELD WASHER PUMP From H-7417	1	
22	X3PLB-2305-20	WINDSHIELD WASHER - INSTALLATION		
23	506339	TAPE RUB ADH1 NIT 1/4" x 1" x 35' / BLACK 1220	1	
25	286422	SUPPORT / WINDSHIELD WASHER TANK / WELDED TO STRUCTURE	1	
28	067181	WIRING HARNESS SERVICE DOOR To H-7416	1	
28	060068	WIRING HARNESS SERVICE DOOR From H-7417	1	
29	X3PLB-1886-00	POWER WINDOW - ELECTRICAL INSTALLATION		
30	780340	CLIP, RETAINER ROD	3	
31	288008	PIVOT	1	
32	504379	RIVET POP DOME OE 3/16x1/4 SS	1	
33	780652	LOCK SPAGNOLET L.H. / W/G-FITTING	1	
. NS	780340	. CLIP, RETAINER ROD	1	
. NS	507607	. GREASE FITTING / M6-1.00	1	
34	502563	SCREW CAP HEX M6-1.0x12 G8.8 Z050	2	
35	502582	WASHER LO SERR 6.1x16.2x0.9 Z050	2	

From G-7275 To M-7767	Date:07/2024	PAGE:X3PLB-1879-00
FRONT SERVICE DOOR ASSY		

Item#	Part	Description	QTY	Notes
36	287084	OPENING ROD / COACH	1	
39	2800125	RUBBER SEAL EXTRUSION / SERVICE DOOR	1	
40	281020	PANEL FIBERGLASS / COACH To K-7662	1	
40	280620	PANEL FIBERGLASS / COACH From L-7663	1	
40	2801008	PANEL FIBERGLASS / W/FRONT BLOCK HEATER PLUG To K-7662	1	T
40	280647	PANEL FIBERGLASS / W/FRONT BLOCK HEATER PLUG From L-7663	1	T
40	2810039	PANEL FIBERGLASS / W/FRONT BLOCK HEATER PLUG & BATTERY CHARGER PLUG From L-7663	1	S
41	930212	REFLECTOR AMBER 1 1/8" x 4 3/8"	1	
42	500124	SCREW TP TR PH #8x1/2 SS	2	
47	286456	LOCK CAP	1	
48	504542	RIVET SHR FL 9/32x3/32 STL	1	
49	287073	ROD	1	
50	287087	PIVOT	1	
51	504402	RING RETAINER / EXT .250 x .210 x .025"	1	
52	286709	ROD	1	
55	283956	HANDLE ASSY / W/5 STUDS	1	
56	283954	GASKET / HANDLE & BODY	1	
57	500855	WASHER FL .188x.438x.049 N500	5	
58	500539	NUT HEX NYRT M4-0.7 N500	5	
60	X3PLB-1855-00	RUB RAIL - EXTERIOR CREST & TRIMS		
62	X3PLB-1879-10	FRONT SERVICE DOOR - INSTALLATION		
64	X3PLB-1867-00	KEY & CYLINDER CODE "FORD" & "NS" To K-7662		
64	X3PLB-1867-01	KEY & CYLINDER CODE "FORD" From L-7663		
71	063160	DECAL / WARNING DONOT USE THIS CONNECTION / ENGLISH & FRANCAIS	1	
71	066061	DECAL / WARNING DONOT USE THIS CONNECTION / ENGLISH & SPANISH	1	
72	067072	DECAL / "CAUTION" BEFORE WELDING...." // ENGLISH To H-7416	1	
72	066436	DECAL / "CAUTION" BEFORE WELDING...." // ENGLISH To H-7416	1	
NS	066596	DECAL / "CAUTION" BEFORE WELDING...." // ENGLISH & FRANCAIS To H-7416	1	
72	067067	DECAL / "CAUTION" BEFORE WELDING...." // ENGLISH & SPANISH To H-7416	1	
73	180232	DECAL "FRONT LUBRICATION..." / BILINGUAL / W/INDEPENDANTE SUSPENSION / ENGLISH & FRANCAIS	1	
73	180231	DECAL "FRONT LUBRICATION..." / BILINGUAL / W/RIGIDE SUSPENSION / ENGLISH & FRANCAIS	1	
73	180261	DECAL "FRONT LUBRICATION..." / BILINGUAL / W/RIGIDE SUSPENSION / ENGLISH & SPANISH	1	
73	180005	DECAL "FRONT LUBRICATION..." / BILINGUAL / W/INDEPENDANTE SUSPENSION / ENGLISH & SPANISH	1	
74	160295	DECAL / "IT FORBIDDEN TO STOCK ANYTING IN TH. / ENGLISH & FRANCAIS	1	
74	161191	DECAL / "IT FORBIDDEN TO STOCK ANYTING IN TH. / ENGLISH & SPANISH	1	
75	180246	DECAL / VEHICULE WHEELHOUSING....TREATED / ENGLISH & FRANCAIS	1	
75	180252	DECAL / VEHICULE WHEELHOUSING....TREATED / ENGLISH & SPANISH	1	
76	161182	DECAL "WARNING SPARE TIRE...." BILINGUAL 315/80/R22.5 Tag & Frt	1	
76	150795	DECAL "WARNING SPARE TIRE...." BILINGUAL / ENGLISH & SPANISH	1	
76	150796	DECAL "WARNING SPARE TIRE...." BILINGUAL / ENGLISH & FRANCAIS	1	
77	142617	DECAL "CAUTION... THIS VEHICLE EQUIPPED...ELECTRONIC STABILITY...." / ENGLISH & FRANCAIS	1	
77	142639	DECAL "CAUTION... THIS VEHICLE EQUIPPED...ELECTRONIC STABILITY...." / ENGLISH	1	

From G-7275 To M-7767	Date:07/2024	PAGE:X3PLB-1879-00
FRONT SERVICE DOOR ASSY		

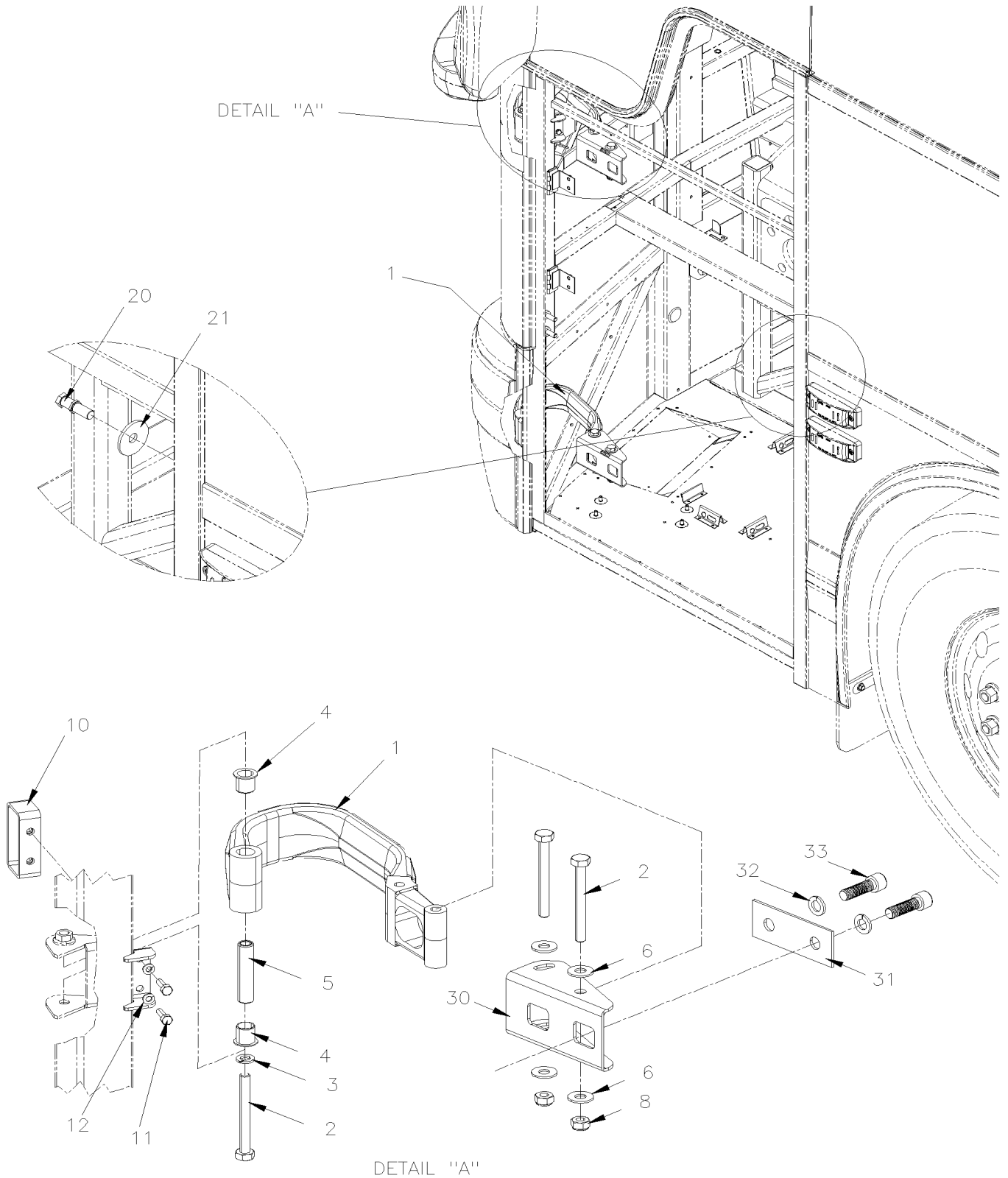
Item#	Part	Description	QTY	Notes
78	145209	DECAL / COLOR CODE / PNEUMATIC SYSTEM / ENGLISH & FRANCAIS To J-7456	1	
78	140095	DECAL / COLOR CODE / PNEUMATIC SYSTEM / ENGLISH & FRANCAIS From J-7457	1	
78	145268	DECAL / COLOR CODE / PNEUMATIC SYSTEM / ENGLISH & SPANISH To J-7456	1	
78	140096	DECAL / COLOR CODE / PNEUMATIC SYSTEM / ENGLISH & SPANISH From J-7457	1	
NS	287290	DECAL / "UNLATCH FRONT BUMPER" / ENGLISH & FRANCAIS	1	
79	288199	DECAL / "UNLATCH FRONT BUMPER" / ENGLISH & SPANISH	1	
80	562679	4 WAY ADH. BACKED MOUNTS 1.000 x 1.000 x .160	2	
80	504637	CABLE TIE / 3/16" x 13"	2	
81	5001454	SCREW MA BDG PH #4-40x1/2 SS	4	
82	505504	KNOB, PULL / 8-32	1	
83	500764	NUT HEX #8-32 Z050	1	
84	504083	SNAP BUSHING / .250x.468.406	3	
NS	901243	PLUG CAP / GREY OVER SCREW 9.31MM O.D.	1	C
85	286419	FLAP SEAL / 25MM x 260MM	2	
87	562946	GASKET MOUNTING / HD10 SERIES / 5C / DEUTSCH HD10-5-GKT	1	
88	561820	NUT, RING #13 / 1.125" I.D. W/4 4-40	1	
91	502570	WASHER LO SPT 6.1x11.8x1.6 SS	1	
93	506002	TAPE RUB ADH1 CC POL 3/16" x 1/2" x 40' / GREY 2520	AR	
94	504399	WASHER RETAINER SNAP CAP #10	1	
NS	684517	ADHESIVE SIMSON #ISR 70-03 / GREY / 310ml CARTRIDGE	AR	
NS	687957	GLUE MS POLYMER TEROSON MS 9399 / 400ml CARTRIDGE To M-7792	AR	
NS	685387	GLUE MS POLYMER TEROSON MS 9399 / 400ml CARTRIDGE From M-7793	AR	
		C) COACH W/OUT ROD OPENING SYSTEM		
		S) TRANSDEV OPTION WITH FRONT BLOCK HEATER PLUG & BATTERY CHARGER PLUG		
		T) TRANSDEV OPTION WITH FRONT BLOCK HEATER PLUG		

From G-7275 To M-7767

Date:07/2024

PAGE:X3PLB-1879-10

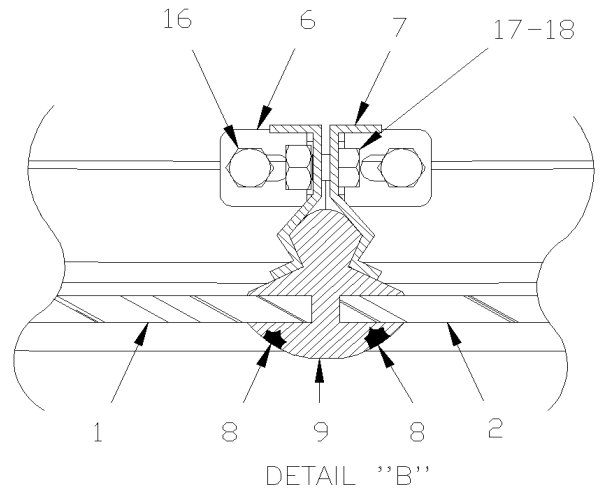
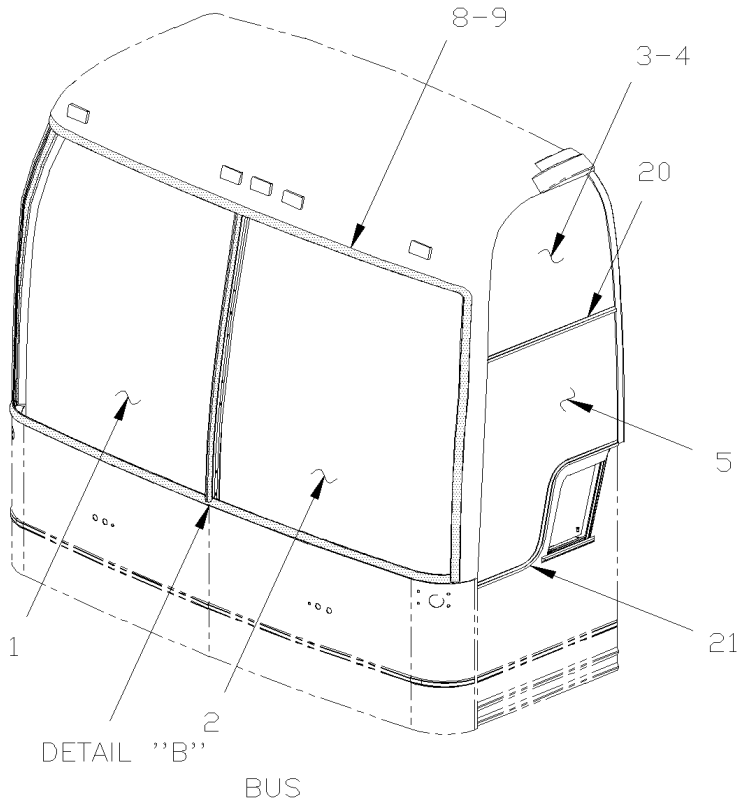
FRONT SERVICE DOOR - INSTALLATION



From G-7275 To M-7767	Date:07/2024	PAGE:X3PLB-1879-10
FRONT SERVICE DOOR - INSTALLATION		

Item#	Part	Description	QTY	Notes
1	287341	HINGE	2	
2	502890	SCREW CAP HEX M10-1.5x90 G8.8 N500 To R-4047	6	
2	5000017	SCREW CAP HEX M10-1.5X90 G10.9 N500 From R-4048	6	
3	5001737	WASHER LO SPT 10.2x18.1x2.2 N500	2	
4	507326	BEARING FLANGE	2	
5	287337	SPACER / BEARING FLANGE	1	
NS	680739	GREASE SYNTHETIC / RED 20KG	AR	
6	500897	WASHER FL .437x1.000x.083 N500	8	
8	502859	NUT HEX NYRT M10-1.5 N500	1	
10	251186	STOPPER SERVICE DOOR	1	
11	502622	SCREW CAP HEX M6-1.0x20 SS BK	2	
12	502570	WASHER LO SPT 6.1x11.8x1.6 SS	2	
20	284438	PIN STRIKER	1	
21	284447	WASHERS BELLEVILLE	1	
30	286014	HINGE SUPPORT	2	
31	286998	SUPPORT PLATE 134MM X 48MM	2	
32	500747	WASHER LO SPT 12.2x21.1x2.5 N500	4	
33	5001589	SCREW CAP HEXS M12-1.75x40 G8.8 Z050	4	

WINDSHIELD & CHANNEL



From G-7275 To K-7662	Date:07/2024	PAGE:X3PLB-1880-00
WINDSHIELD & CHANNEL		

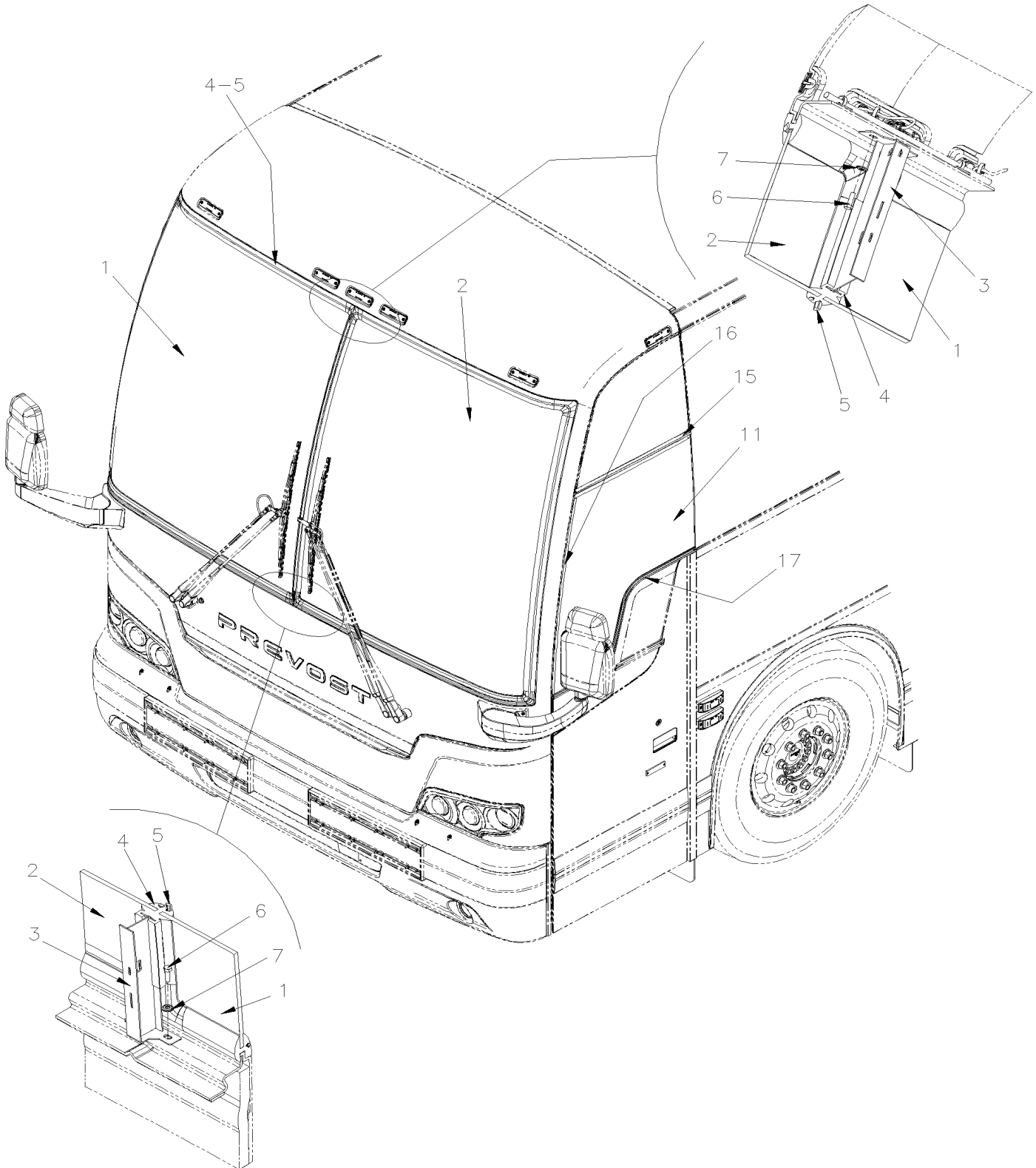
Item#	Part	Description	QTY	Notes
1	300476	WINDSHIELD R.H.	1	
2	300475	WINDSHIELD L.H.	1	
3	293241	GLASS UPPER L.H. THERMOS	1	
3	293242	GLASS UPPER L.H. SINGLE	1	
4	293240	GLASS UPPER R.H. THERMOS	1	
4	293239	GLASS UPPER R.H. SINGLE	1	
5	293076	GLASS DRIVER'S WINDOW	1	
5	506962	RUB POL 1/4 X 7/16 X 1 LG	AR	
6	293070	POST R.H. WINDSHIELD / WITH LARGE	1	
7	293689	POST L.H. WINDSHIELD / WITH LARGE	1	
8	293059	STRIP, LOCKING / S.L.	70FT	
9	293393	WINDSHIELD RUBBER SEAL / WITH LARGE / DOUBLE LOCK	1	
. NS	MI03-22	. SEE MAINTENANCE INFORMATION	1	
16	500948	SCREW TC CAP HEX 1/4-20x1 Z050	4	
17	5001106	SCREW CAP HEX M6-1.0x10 G8.8 Z050	8	
18	502570	WASHER LO SPT 6.1x11.8x1.6 SS	8	
20	286454	DRIP MOULDING OVER DRIVER'S WINDOW	1	
21	286448	DRIP MOULDING "S" BUS & MTH83"	1	
NS	293842	HANDLE ASSY (TO FIX FRONT GLASS CHANNEL)	1	
. NS	293843	. END TIP "PRÉVOST"	AR	
NS	684685	ADHESIVE SIMSON #ISR 70-03 / 310ml CARTRIDGE	AR	
NS	800355	LUBRICANT CLEAR LUBE 32A / 20 LITER	AR	
NS	689819	LUBRICANT CLEAR LUBE 32A / 2 LBS	AR	
NS	800356	LUBRICANT CLEAR LUBE 32A / 430 Gr	AR	
NS	687957	GLUE MS POLYMER TEROSON MS 9399 / 400ml CARTRIDGE	AR	

From L-7663 To M-7767

Date:07/2024

PAGE:X3PLB-1880-01

WINDSHIELD & CHANNEL



From L-7663 To M-7767	Date:07/2024	PAGE:X3PLB-1880-01
WINDSHIELD & CHANNEL		

Item#	Part	Description	QTY	Notes
1	300043	WINDSHIELD R.H. To M-7767	1	
1	300723	WINDSHIELD R.H. From M-7768	1	
1	G37276	TEMPLATE, CAMERA POSITION MARKINGS X3	1	A
2	300041	WINDSHIELD L.H.	1	
3	290222	CENTRAL POST	1	
4	300040	WINDSHIELD RUBBER SEAL	1	
5	296264	STRIP, LOCKING / S.L.	36FT	
6	502830	SCREW CAP HEX M6-1.0x20 G8.8 N500	4	
7	502582	WASHER LO SERR 6.1x16.2x0.9 Z050	4	
11	290102	GLASS DRIVER'S WINDOW	1	
11	5060044	TAPE RUB ADH2 CC POL 1/4" X 1/4" X 50' / BLACK I1C-N-A	AR	
15	2810083	HORIZONTAL GUTTER DRIVER'S WINDOW	1	
15	280656	HORIZONTAL GUTTER ENTRANCE DOOR	1	
15	680796	TAPE RUB ADH2 ACRYLIQUE 3/4x.045x36YARD	AR	
16	2810084	VERTICAL GUTTER DRIVER'S WINDOW	1	
16	680914	TAPE RUB ADH2 ACRYLIQUE 1/2x.045x36YARD	AR	
17	280661	GUTTER "S" SHAPE	1	
NS	506769	TAPE RUB ADH2 CC POL 1/8" x 1/4" x 60' / BLACK H1CC-N#14	AR	
NS	687957	GLUE MS POLYMER TEROSON MS 9399 / 400ml CARTRIDGE To M-7792	AR	
NS	685387	GLUE MS POLYMER TEROSON MS 9399 / 400ml CARTRIDGE From M-7793	AR	
NS	293842	HANDLE ASSY (TO FIX FRONT GLASS CHANNEL)	1	
NS	293843	END TIP "PRÉVOST"	AR	
NS	684685	ADHESIVE SIMSON #ISR 70-03 / 310ml CARTRIDGE	AR	
NS	800355	LUBRICANT CLEAR LUBE 32A / 20 LITER	AR	
NS	689819	LUBRICANT CLEAR LUBE 32A / 2 LBS	AR	
NS	800356	LUBRICANT CLEAR LUBE 32A / 430 Gr	AR	
NS	687957	GLUE MS POLYMER TEROSON MS 9399 / 400ml CARTRIDGE To M-7792	AR	
NS	685387	GLUE MS POLYMER TEROSON MS 9399 / 400ml CARTRIDGE From M-7793	AR	
		A) USE IF WINDSHIELD DOESN'T ALREADY HAVE POSITION MARKINGS		

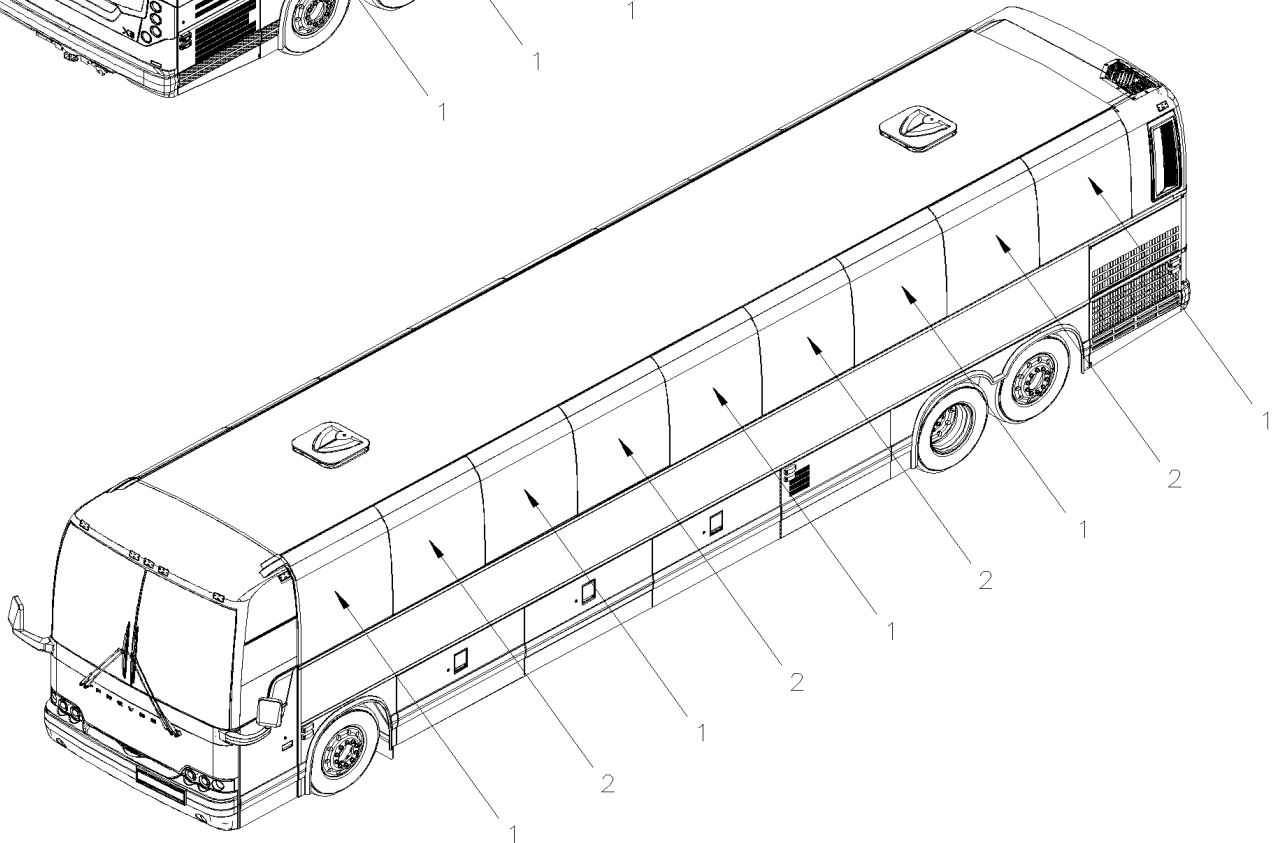
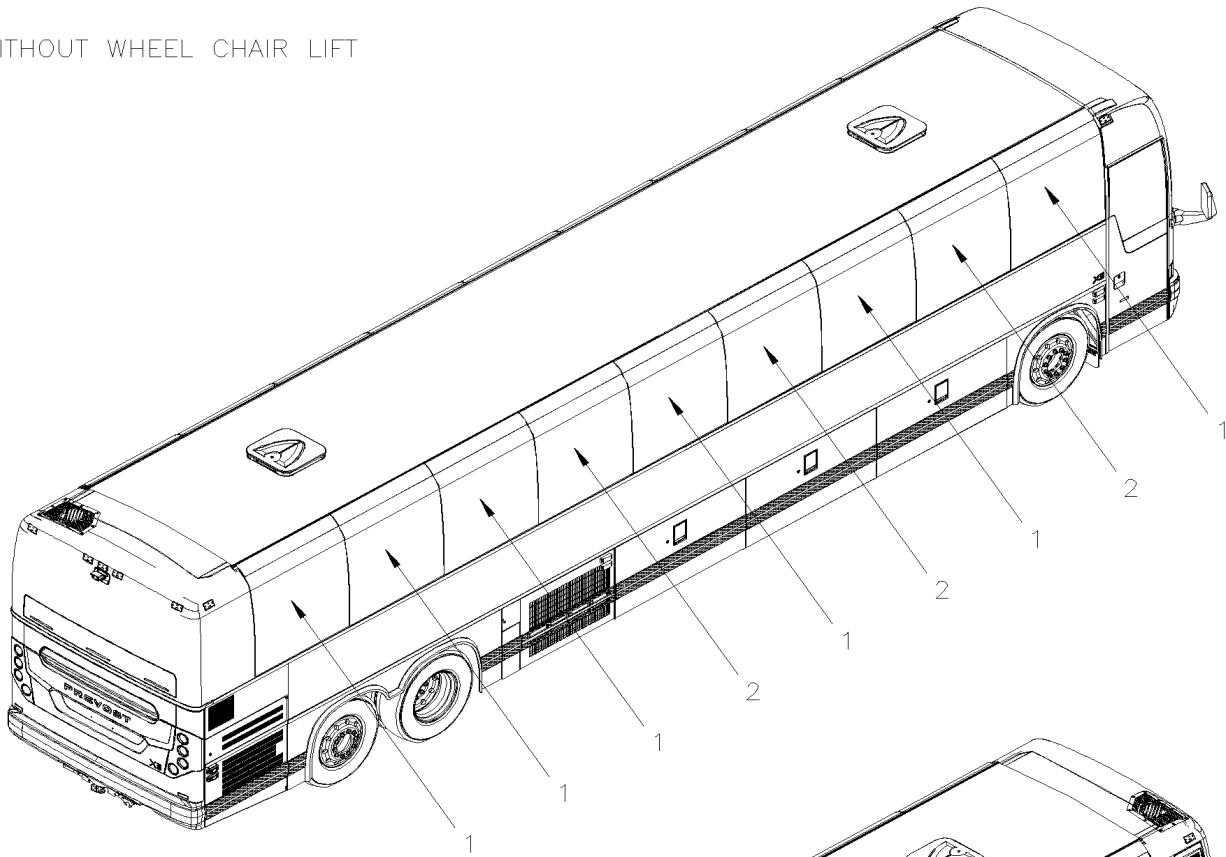
From G-7275 To K-7662

Date:07/2024

PAGE:X3PLB-1884-00

SIDE WINDOW - BUS

WITHOUT WHEEL CHAIR LIFT



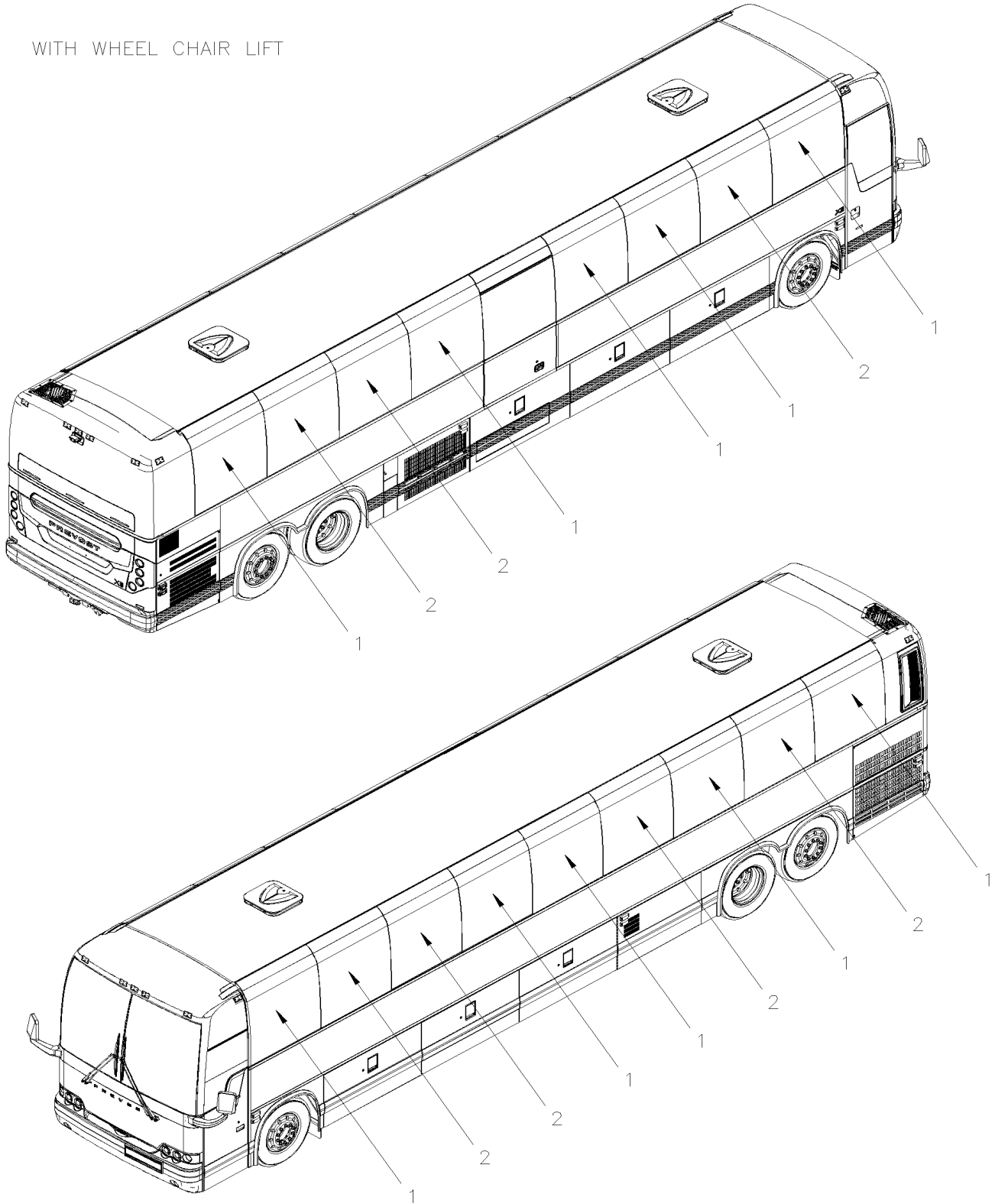
From G-7275 To K-7662

Date:07/2024

PAGE:X3PLB-1884-00

SIDE WINDOW - BUS

WITH WHEEL CHAIR LIFT



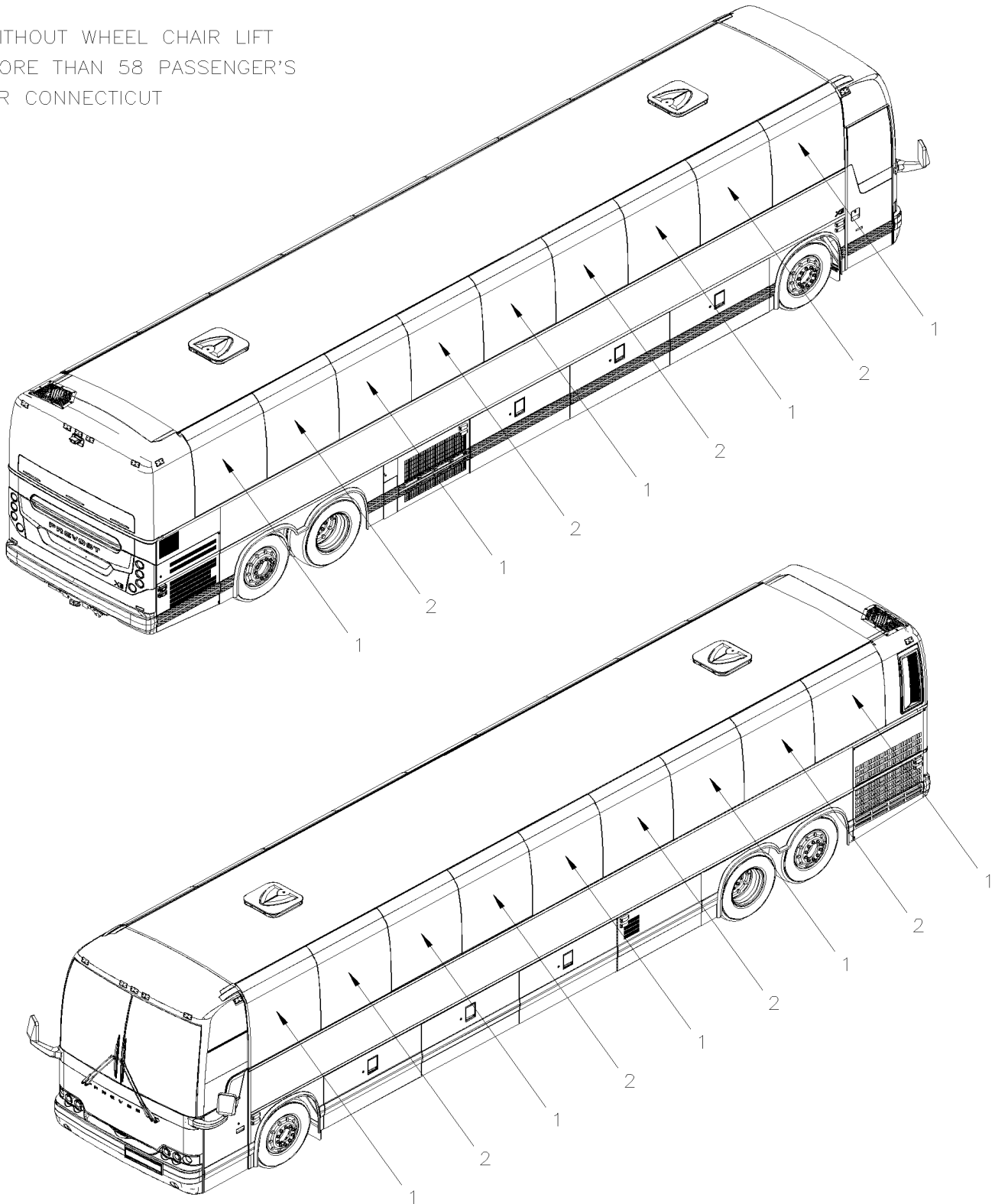
From G-7275 To K-7662

Date:07/2024

PAGE:X3PLB-1884-00

SIDE WINDOW - BUS

WITHOUT WHEEL CHAIR LIFT
MORE THAN 58 PASSENGER'S
OR CONNECTICUT



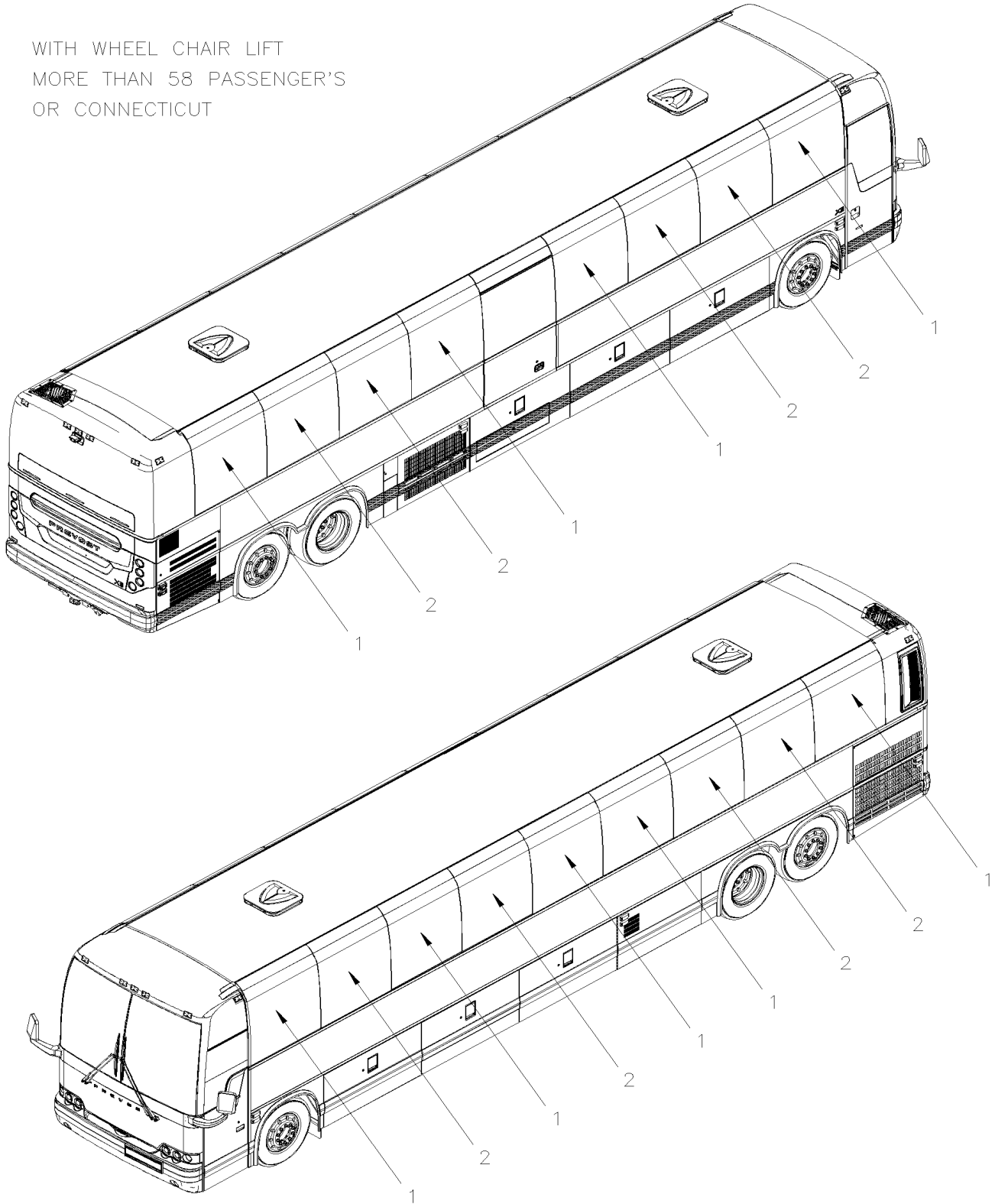
From G-7275 To K-7662

Date:07/2024

PAGE:X3PLB-1884-00

SIDE WINDOW - BUS

WITH WHEEL CHAIR LIFT
MORE THAN 58 PASSENGER'S
OR CONNECTICUT



From G-7275 To K-7662	Date:07/2024	PAGE:X3PLB-1884-00
SIDE WINDOW - BUS		

Item#	Part	Description	QTY	Notes
		"WARNING" - "WARNING" -"WARNING" - "WARNING"		
		MORE THAN 58 PASSENGER'S WE INSTALL		
		8 OPENING WINDOW STYLE TYPE		
		OR CONNECTICUT		
1	293711	GLASS ASSY, SINGLE 13% / FIX TYPE / PRODUCTION ONLY / 1287.4MM	11	
1	293829	GLASS ASSY, SINGLE 13% / FIX TYPE / SERVICE ONLY / 1287.4MM	11	
1	293706	GLASS ASSY, THERMOS 13% / FIX TYPE / PRODUCTION ONLY / 1287.4MM	11	
1	297082	GLASS ASSY, THERMOS 13% / FIX TYPE / SERVICE ONLY / 1287.4MM	11	
NS	329290	INSULATING PAD ADHESIVE 905MM x 1280MM	1	F
NS	850026	INSULATING PAD NOISE ADH1 1" x 54" x 50"	3	F
2	293827	GLASS ASSY, SINGLE 13% / OPEN TYPE / 1287.4MM	7	
2	294072	GLASS ASSY, THERMOS 13% / OPEN TYPE / 1287.4MM	7	
NS	293290	STRAP NYLON 108MM	2	C
NS	293290	STRAP NYLON 108MM	2	C
NS	5001889	SCREW TC FL PH #12-24x1/2 ZP	2	C
NS	502573	WASHER FL 6.4x12.5x1.6 SS	2	C
NS	405143	DECAL / BLACK STRIP W/DOTTED 1117MM x 118MM	1	B
NS	405067	DECAL / BLACK STRIP 3 1/2" x 46"	1	B
3	293124	STOPPER BLOCK	4	
3	293125	STOPPER BLOCK SEPARATOR / 2 GLASS	16	
4	500657	SCREW TC TR PH #10-24x1/2 Z050	AR	
5	293250	RUBBER SEAL 1292MM / EACH WINDOW	16	
5	293135	RUBBER SEAL 1315MM / W/83"	2	
NS	507000	TAPE RUB ADH2 POL 3/16" x 1/4" x 50' / BLACK V2206	AR	
NS	507087	TAPE RUB ADH1 NEO BLACK 1/4"X3/8"X1/2"LG	AR	
6	299091P	FRAME W/WINDOW SEAL ASSY / WITH OPEN TYPE ONLY	7	
NS	299090	FRAME FIBERGLASS SEAL SUPPORT	1	
NS	297267	WINDOW SEAL / WITH OPEN TYPE ONLY 1249MM X 1219MM	1	
NS	506643	TAPE RUB ADH1 CC NEO 1/8" x 1/2" x 60' / BLACK 2011	AR	
NS	684743	GLUE METHACRYLATE PLEXUS MA832GB 380 ml	AR	
NS	685124	ADHESIVE SIMSON #ISR 70-03 / BLACK / 600ml SAUSAGE	AR	
NS	684517	ADHESIVE SIMSON #ISR 70-03 / GREY / 310ml CARTRIDGE	AR	
NS	680459	ADHESIVE CYANOACRYLATE LOCTITE 404 Quick Set(TM)	AR	
10	293286	HANDLES FIXE WINDOW W/SINGLE GLASS / 1098MM	10	
10	293285	HANDLES FIXE WINDOW W/THERMOS GLASS / 1098MM	10	
10	293314	HANDLES FIXE WINDOW W/SINGLE GLASS / 227MM	1	
10	293313	HANDLES FIXE WINDOW W/THERMOS GLASS / 227MM	1	
10	293512	HANDLES FIXE WINDOW W/THERMOS GLASS / 292.8MM / P.W.T.	1	A D
10	299086	HANDLES FIXE WINDOW W/SINGLE GLASS / W.C.L. SEAT LOCATION / 1098MM	1	
10	299085	HANDLES FIXE WINDOW W/THERMOS GLASS / W.C.L. SEAT LOCATION / 1098MM	1	A D
10	293387	HANDLES FIXE WINDOW W/THERMOS GLASS / 1098MM / P.W.T.	1	A

From G-7275 To K-7662	Date:07/2024	PAGE:X3PLB-1884-00
SIDE WINDOW - BUS		

Item#	Part	Description	QTY	Notes
NS	409259	PROTECTOR SWITCH / CAP	AR	
NS	288728	REINFORCMENT FOR SCREW PROTECTOR CAP	1	
NS	500814	SCREW TP BDG PH #6x3/4 BK	AR	
11	293276	SUPPORT MOULDING	21	
12	504249	RIVET CHY Q PRDG 3/16x3/8 SS	84	
13	683097	CLEANER SIKA #205 / CLEAR / 1000ml	AR	
13	683446	PRIMER SIKA #206 / BLACK / 1000ml	AR	
13	684685	ADHESIVE SIMSON #ISR 70-03 / 310ml CARTRIDGE	AR	
13	683083	ADHESIVE SIKA #252 / BLACK / 600 ml SAUSAGE	AR	
13	687957	GLUE MS POLYMER TEROSON MS 9399 / 400ml CARTRIDGE	AR	
13	687958	MIXER QUADRO 10.7MM W/"V" ADAPTOR / "B"	AR	
20	293284	HANDLE WINDOW OPENING 1098MM	7	
21	791007	SUPPORT W/STOPPER (ONE PIECE)	14	
22	293235	SUPPORT To H-7383	14	
22	290080	SUPPORT From H-7384	14	
22	504454	BUMPER RUBBER BOLT / 20MM ODx20MM TH X M6X15MM STUD	AR	E
23	292837	CUSHION 2.0MM TH / BLACK PLASTIC	14	S
23	298215	CUSHION / BLACK PLASTIC / 1.5MM TH	AR	L
23	298225	CUSHION / BLACK PLASTIC / 2.5MM TH	AR	M
NS	680066	ADHESIVE / ADBOND #5014 / 23.6ML BOTTLE	AR	
24	293299	PROTECTOR	14	
30	293281	RUBBER SEAL EXTRUSION / ADHESIVE / LOWER WINDOW	AR	
NS	680459	ADHESIVE CYANOACRYLATE LOCTITE 404 Quick Set(TM)	AR	
31	X3PLB-1833-00	WINDOW FINISHING CAP & WALL		
41	064679	MAGNET SENSOR ASSY W/TAPE DUAL LOCK	7	
42	064678	SWITCH MAGNETIC ASSY W/TAPE DUAL LOCK	7	
NS	293345	SUPPORT / SWITCH MAGNETIC	7	
NS	504793	RIVET MNB OE LARGE HEAD 3/16x7/16 SS	14	
NS	504273	CABLE TIE / 1/8" X 3"1/2	14	
44	293647	INSILATING STRIP ASSY / ALUMINUM "OPTION"	7	O
45	5060037	TAPE RUB ADH1 CC POL 1/4" x 1/2" x 35' / BLACK H1C	AR	O
50	X3PLB-1829-00	ACCESSORIES PASSENGER'S SEAT - "PREVOST"		
		A) USE WITH WCL LAVATORY		
		B) THIS ITEM IS LOCATED ON SIDE WINDOW FORWARD W.C.L. DOOR		
		C) OPEN TYPE ONLY		
		D) USE WITH 3 OR 4 WHEEL CHAIR		
		E) USE IF NEED IT		

From G-7275 To K-7662	Date:07/2024	PAGE:X3PLB-1884-00
-----------------------	--------------	--------------------

SIDE WINDOW - BUS

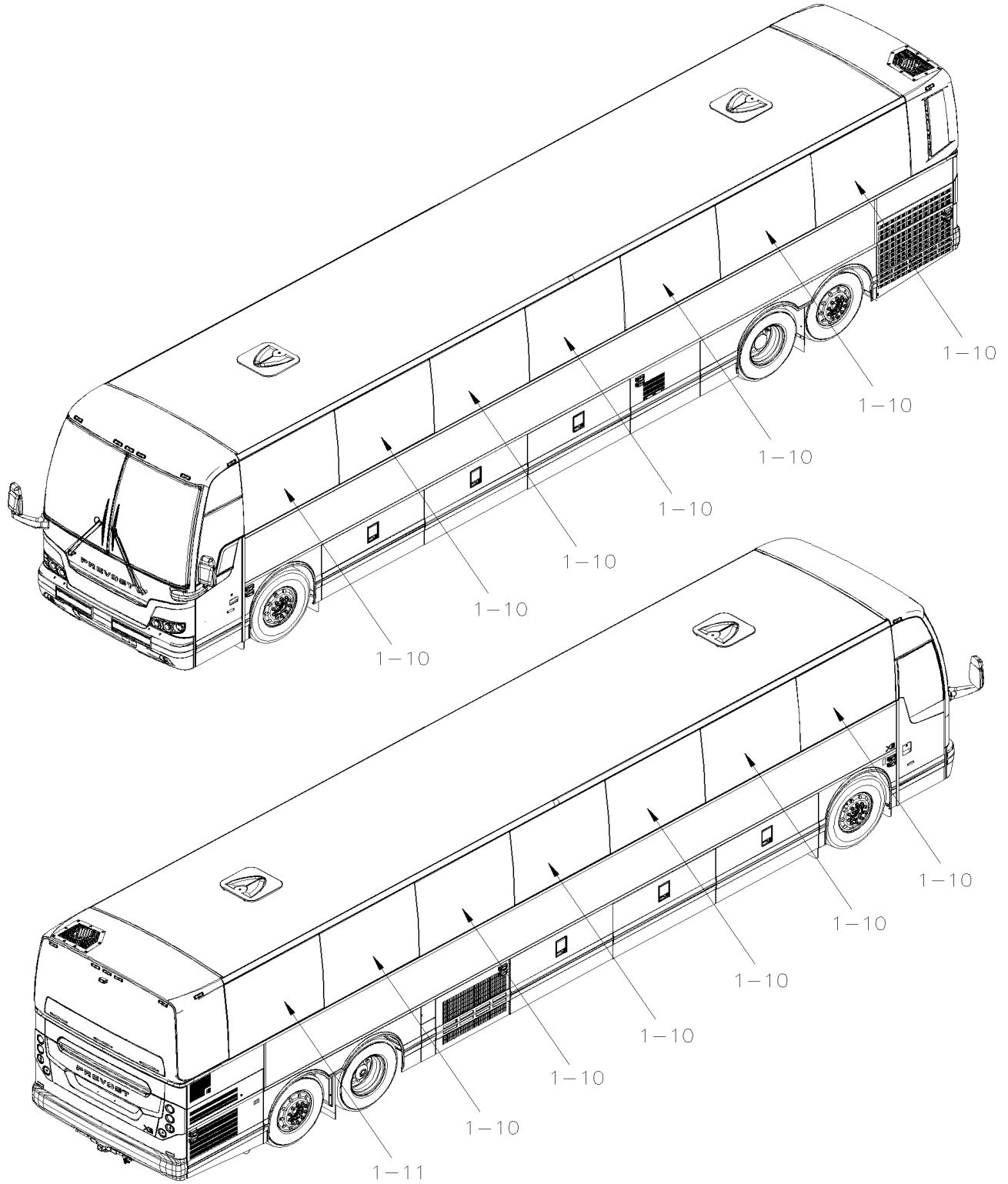
Item#	Part	Description	QTY	Notes
		F) FIXED ON LAVATORY WINDOW		
		L) LESS TENSION		
		M) MORE TENSION		
		O) "OPTION" UPPER WINDOW		
		S) STANDARD TENSION		

From L-7663 To M-7767

Date:07/2024

PAGE:X3PLB-1884-01

SIDE WINDOW - BUS

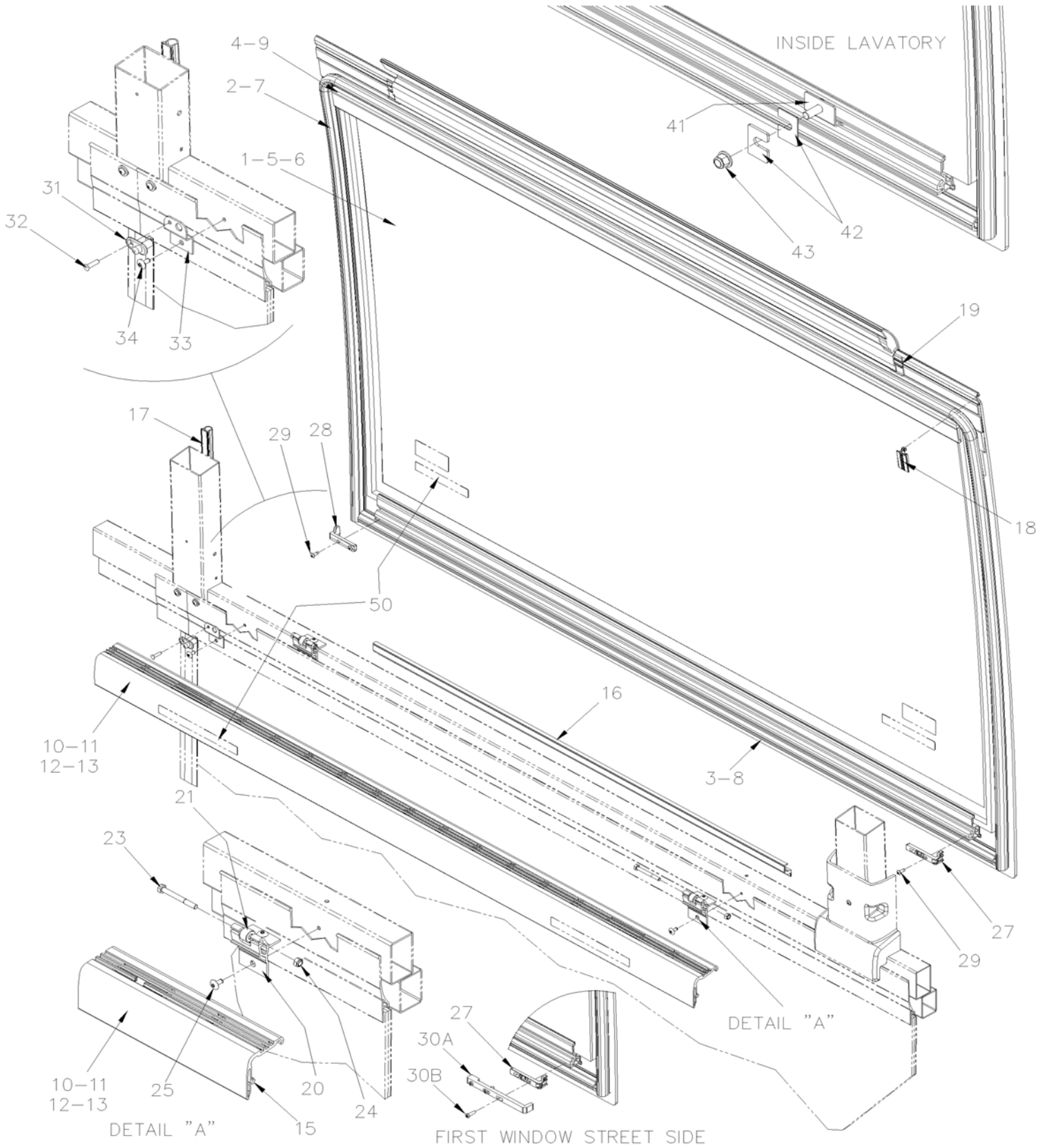


From L-7663 To M-7767

Date:07/2024

PAGE:X3PLB-1884-01

SIDE WINDOW - BUS



From L-7663 To M-7767	Date:07/2024	PAGE:X3PLB-1884-01
SIDE WINDOW - BUS		

Item#	Part	Description	QTY	Notes
1	290125	WINDOW, THERMOS 13% ASSY. 1651MM	11	WCL
1	290125	WINDOW, THERMOS 13% ASSY. 1651MM	14	
2	290258	. SEAL, RUBBER 3775MM	1	
3	290259	. SEAL, RUBBER 1584MM	1	
4	506040	. TAPE RUB ADH1 CC EPDM 5/16" x 3/4" x 25' / BLACK OR GREY 144X	AR	
5	290087	WINDOW, THERMOS 13% ASSY. 1869MM	1	WCL
6	290131	WINDOW, THERMOS 13% ASSY. 1869MM	1	WCL
7	290260	. SEAL, RUBBER 3920MM	1	WCL
8	290262	. SEAL, RUBBER 1784MM	1	WCL
9	506040	. TAPE RUB ADH1 CC EPDM 5/16" x 3/4" x 25' / BLACK OR GREY 144X	AR	WCL
10	290167	HANDLE 1494MM	10	WCL
10	290167	HANDLE 1494MM	10	WCL
10	290167	HANDLE 1494MM	13	
10	290167	HANDLE 1494MM	13	
11	290243	HANDLE, W/LAVATORY 635MM	1	
11	290167	HANDLE 1494MM	1	L
NS	290558	STOPPER, RIGHT, LAVATORY WALL	1	
NS	500611	SCREW TC PAN PH #10-24x1/2 Z050	2	
12	290240	HANDLE W/WCL 1620MM	2	WCL
13	290245	HANDLE W/WCL LAVATORY 1072MM	1	PWT
15	506191	TAPE RUB ADH1 CC POL 1/8" x 1/4" x 50' / GREY 2520X	AR	
16	290535	SEAL, LOW WINDOW To M-7834	AR	
16	290592	SEAL, LOW WINDOW 3048MM From M-7835 To P-8013	8	
16	290849	SEAL, LOW WINDOW 3048MM From P-8014	8	
17	290465	SEAL, RUBBER 1105MM	12	
17	290283	SEAL, RUBBER 1106MM	2	A
18	290180	WINDOW STOPPER	AR	
19	290254	WINDOW LOCK	AR	
20	290156	HOLDER WITH LOCK	AR	
21	504091	NYLON ROUND SPACER 1/4 X 5/8OD X 7/16	AR	
23	5001710	SCREW CAP HEX M6-1.0x55 SS	AR	
24	502681	NUT HEX NYRT M6-1.0 N500 G8	AR	
25	504793	RIVET MNB OE LARGE HEAD 3/16x7/16 SS	AR	
27	290494	STOPPER, R.H.	13	
28	290495	STOPPER, L.H.	13	
29	500611	SCREW TC PAN PH #10-24x1/2 Z050	AR	
30A	290984	STOPPER, L.H. FRONT WINDOW From P-8042	1	B
30B	502526	SCREW TC BDG PH #12-24x3/4 Z050 From P-8042	3	B

From L-7663 To M-7767	Date:07/2024	PAGE:X3PLB-1884-01
SIDE WINDOW - BUS		

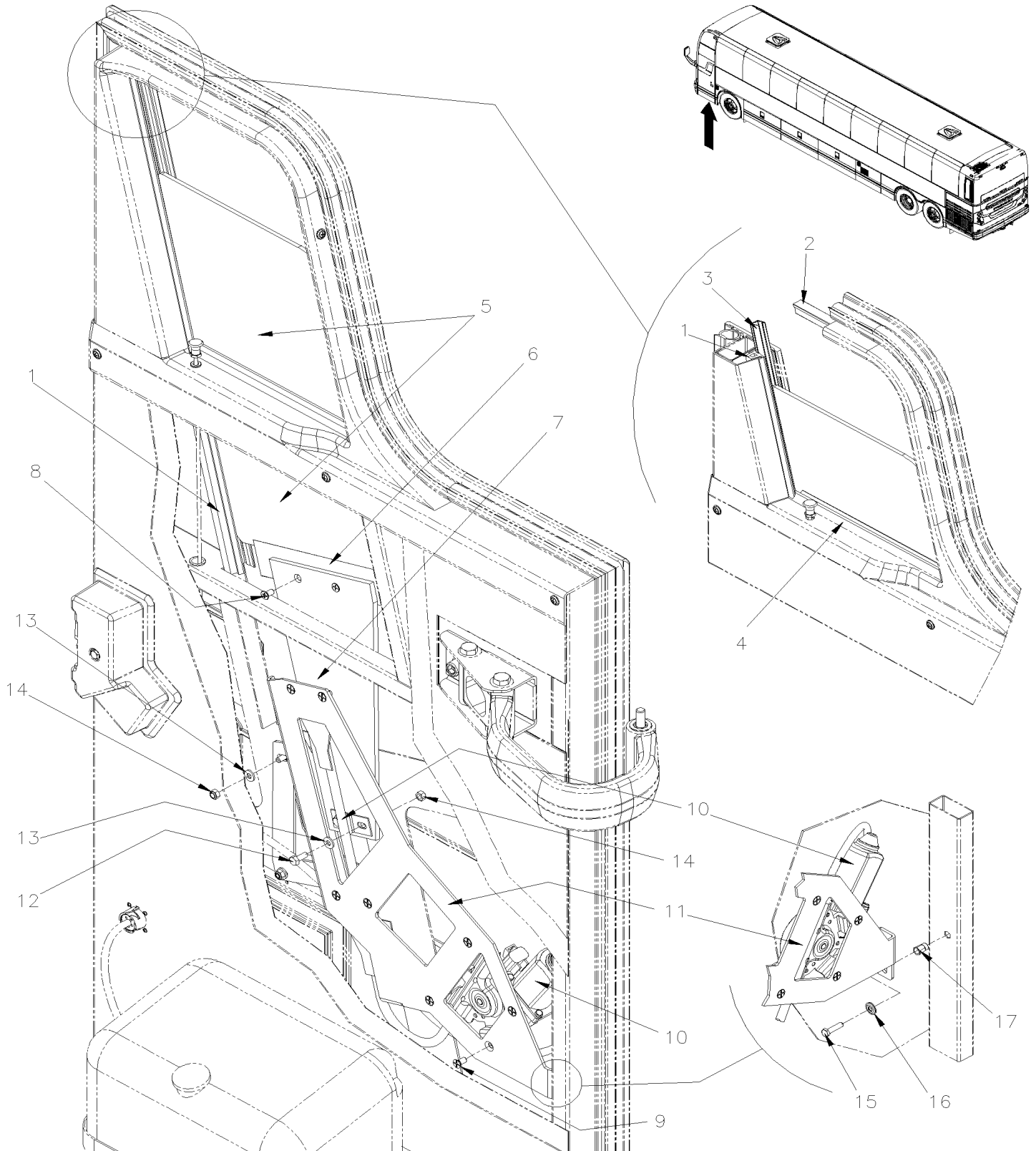
Item#	Part	Description	QTY	Notes
31	561563	SWITCH / S.P.S.T. / N.C.	7	
32	5001360	RIVET POP CK OE 3/16x1/2 AL	7	
33	290496	HOLDER WINDOW SENSOR	7	
34	504793	RIVET MNB OE LARGE HEAD 3/16x7/16 SS	7	
NS	069968	CABLE / EMERGENCY LIGHT AND WINDOW AJAR LH	1	
NS	069967	CABLE / EMERGENCY LIGHT AND WINDOW AJAR RH	1	
NS	504273	CABLE TIE / 1/8" X 3"1/2	AR	
35	509815	TIE MOUNT / ATTACHMENT W/TREE MOUNT	AR	
41	290208	FIX BRACE	1	
42	505193	SHIM 1/8" THICK	1	
42	505213	SHIM 1/16" THICK	1	
43	5001930	NUT HEXF NYRT M10-1.5 N500 G10.9	1	
50	X3PLB-1829-00	ACCESSORIES PASSENGER'S SEAT - "PREVOST"		
		A) SIDE OF WHEEL CHAIR DOOR		
		B) ONLY USE ON FIRST STREET SIDE WINDOWS		
		L) WIHTOUT LAVATORY		
		PWT) WITH WCL LAVATORY		
		WCL) WITH WHEEL CHAIR LIFT		

From G-7275 To M-7767

Date:07/2024

PAGE:X3PLB-1886-00

POWER WINDOW - ELECTRICAL INSTALLATION



From G-7275 To M-7767	Date:07/2024	PAGE:X3PLB-1886-00
POWER WINDOW - ELECTRICAL INSTALLATION		

Item#	Part	Description	QTY	Notes
1	285983	WINDOW TRACK	1	
2	286440	FELT SLIDING 677MM	1	
3	286439	FELT SLIDING 930MM	1	
4	286419	FLAP SEAL / 25MM x 260MM	2	
5	286212	GLASS ASSY W/SUPPORT	1	
6	293194	. SUPPORT ASSY	1	
7	293852	SUPPORT TRANSITION PLASTIC	1	
8	5001633	SCREW MA FL PH M6-1.0x12 Z050	2	
9	500541	SCREW MA FL PH 1/4-20x1/2 SS BK	8	
10	790500	MOTOR & REGULATOR ASSY / SERIES "XL-II"	1	
11	293856	SUPPORT MOTOR SERVICE DOOR / BUS	1	
12	5001744	SCREW CAP HEX M6-1.0x16 G8.8 N500	2	
13	500877	WASHER FL .250x.562x.065 N500	4	
14	5001182	NUT HEX NYRT M6-1.0 SS	4	
15	5001433	SCREW CAP HEX M6-1.0x25 SS	1	
16	502582	WASHER LO SERR 6.1x16.2x0.9 Z050	1	
17	5001344	NUT INS FL HEX M6-1.0 0.5-3.0 SS	1	
NS	680066	ADHESIVE / ADBOND #5014 / 23.6ML BOTTLE	AR	
NS	685072	THREAD LOCKER LOCTITE #243 / BLUE / 5ml	AR	
NS	563664	CONNECTOR "MUNCY"	1	
NS	563623	BUTT SPLICE / 16-14 / BLUE / W/THERMORETRAC / PANDUIT BSH14-Q	2	

From G-7275 To M-7767	Date:07/2024	PAGE:X3PLB-1898-00
-----------------------	--------------	--------------------

ESCAPE HATCH - INSTALLATION

Item#	Part	Description	QTY	Notes
	950468	HATCH ASSY / 23" X 23" GREY / LOW PROFILE GREY / ENG & FRENCH To P-8096	1	
	950396	HATCH ASSY / 23" X 23" GREY / LOW PROFILE GREY / ENG & FRENCH From P-8097	1	
	950469	HATCH ASSY / 23" X 23" GREY / LOW PROFILE GREY / ENGLISH ONLY To H-7420	1	A
	950556	HATCH ASSY / 23" X 23" GREY / LOW PROFILE GREY / ENGLISH ONLY From H-7421 To P-8096	1	
	950637	HATCH ASSY / 23" X 23" GREY / LOW PROFILE GREY / ENGLISH ONLY From P-8097	1	
	950538	HATCH ASSY / 23" X 23" GREY / LOW PROFILE GREY / ENGLISH & SPANISH To P-8096	1	
	950638	HATCH ASSY / 23" X 23" GREY / LOW PROFILE GREY / ENGLISH & SPANISH From P-8097	1	
1	790436	. LINK & LEVER ASSY	4	
2	950069	. SEAL, GASKET KIT	1	
3	790663	. RELEASE KNOB W/SCREW / RED	1	
4	790664	. RELEASE HANDLE ASSY GREY	1	
4	790371	. HANDLE, RELEASE W/SPRING / GREY	1	
5	N8893808	. RELEASE HINGE SHIELD ASSY GREY	1	
6	950690	. DECAL KIT INSTRUCTION / ENGLISH & FRANCAIS	1	
NS	N8898772	. DECAL KIT INSTRUCTION / ENGLISH & SPANISH	1	
6	950698	. DECAL KIT INSTRUCTION / ENGLISH	1	
NS	403651	. DECAL, "EMEREGENCY... JAPAN"	AR	
NS	405775	. DECAL / BRAILLE / EMERGENCY EXIT ONLY / ENGLISH & FRANCAIS To P-8067	AR	
6	406847	. DECAL / BRAILLE / EMERGENCY EXIT ONLY / ENGLISH & FRENCH From P-8068	1	
6	500373	. SCREW TP BDG PH #6x1/2 N500	2	
6	406161	. DECAL / DO NOT OPEN... MOTION / ENGLISH & SPANISH	1	
6	406329	. DECAL / DO NOT OPEN... MOTION / ENGLISH & FRANCAIS	1	
7	950205	. FRAME ASSY, EXTERIOR FIBERGLASS / 23" X 23" GREY	1	
8	950478	. COVER ASSY / LOW PROFILE / THIN GREY ENGLISH & FRENCH To P-8096	1	B
8	950464	. COVER ASSY / LOW PROFILE / GREY ENGLISH & FRENCH From P-8097	1	B
8	950480	. COVER ASSY / LOW PROFILE / THIN / GREY ENGLISH ONLY To P-8096	1	B
8	950653	. COVER ASSY / LOW PROFILE / GREY / ENGLISH ONLY From P-8097	1	B
8	950658	. COVER ASSY / LOW PROFILE / THIN / GREY ENGLISH & SPANISH To P-8096	1	B
8	950654	. COVER ASSY / LOW PROFILE / GREY ENGLISH & SPANISH From P-8097	1	B
9A	790372	. SCREW SHR HEXS 7/16x3/16 {5/16-18	2	
9A	790372	. SCREW SHR HEXS 7/16x3/16 {5/16-18	2	
9A	950449	. SCREW CAP BUT TORX 5/16-18x3/4 BK G8	2	
9A	950450	. SPACER BUSHING 5/16I.D.x 7/16O.D.x 3/16TH	2	
9B	790372	. SCREW SHR HEXS 7/16x3/16 {5/16-18	2	
9B	790372	. SCREW SHR HEXS 7/16x3/16 {5/16-18	2	
9B	N8893673	. SCREW SHR HEXS (USE WITH CABLE) To H-7420	2	A
9C	N8893672	. CABLE RETENTION To H-7420	2	A
9D	N8893674	. SCREW MA PAN PH #6-32x5/16 SS To H-7420	2	A
10	790449	. SPRING COMPRESSION / .549 O.D. x 2.590 x .078	4	
11	N.S.S.	. HINGE COVER SECTION	1	1
12	950479	. HINGE COVER GREY	1	
13	790375	. HINGE, RELEASE / GREY	1	

From G-7275 To M-7767	Date:07/2024	PAGE:X3PLB-1898-00
-----------------------	--------------	--------------------

ESCAPE HATCH - INSTALLATION

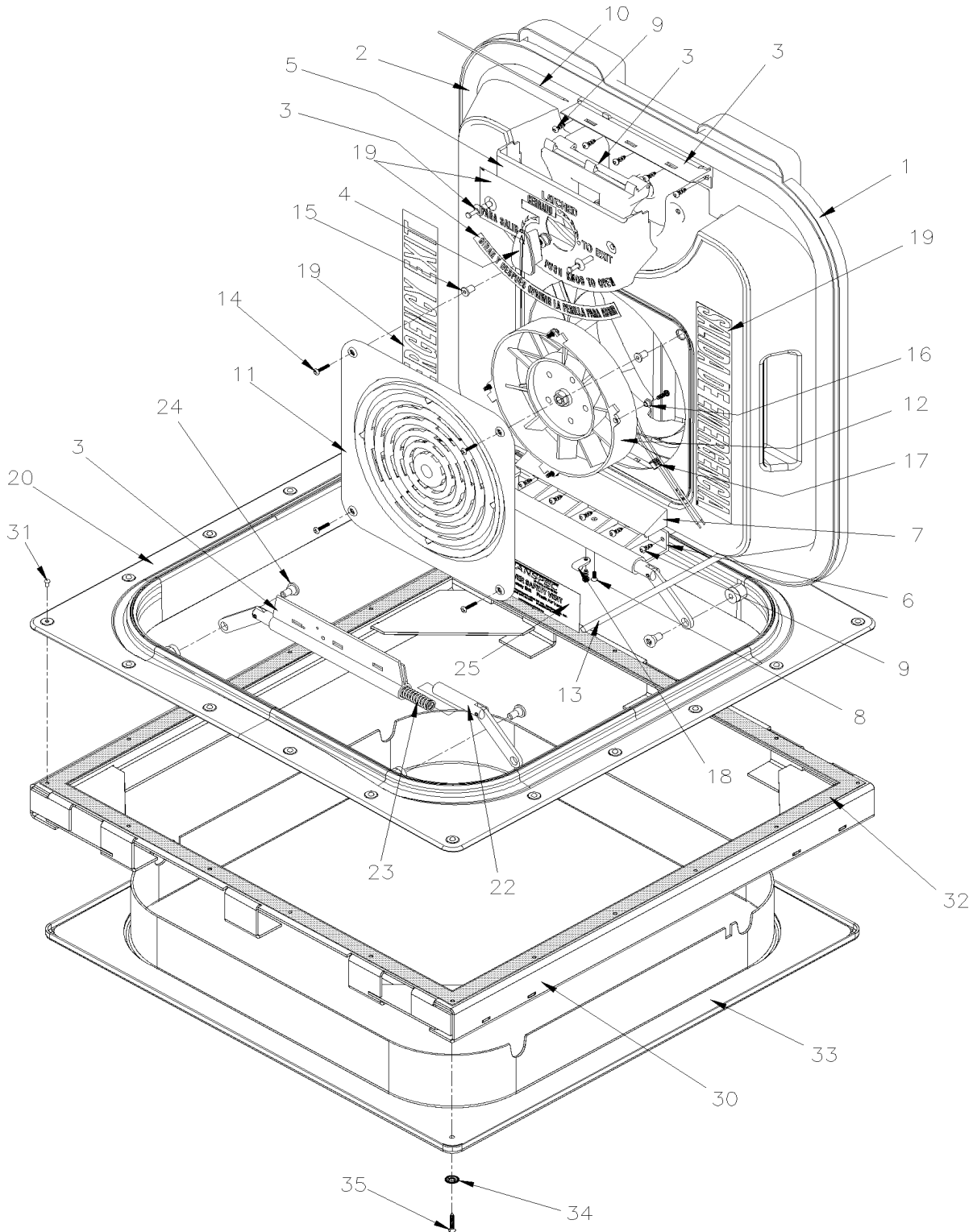
Item#	Part	Description	QTY	Notes
14	6982866	. HANDLE BASE	1	
15	N8880007	. SPECIAL TORX SCREW #10 x 1/2 SS	10	
16	7775130	. SCREW FL PH #8 x 1/2 SS	1	
17	950693	. HINGE PIN SS	1	
18	N8891500	DECAL PURPOSE SAFETY VENT	1	
30	292398	FRAME ASSY, MOUNTING 23" X 23"	1	
NS	680532	SEALANT SIKA #221 / GREY / 310ml CARTRIDGE	1	
31	504787	RIVET CHY MONOLOK PRDG 1/4x5/8 ZP To H-7412	20	
31	504058	RIVET CHY MONOLOK PRDG 1/4x5/8 AL From H-7413	20	
32	680093	SEALANT TAPE BUTYL / GREY / 1/16"x1 1/2"x50' /71079B11760	AR	
33	291720	MOULDING, INTERIOR 23" X 23" GREY	1	
33	340591	INSULATION FIBERGLASS	AR	
34	500464	WASHER FN CKF .210x.540 SS	4	
35	500629	SCREW TP OV PH #8x1 Z050	4	
36	297090	DECAL / "PARA SALIR" / SPANISH	1	
36	297089	DECAL / "CERRADO" / SPANISH	1	
36	297091	DECAL / "GIRE Y EMPUHE EL BUTON.." / SPANISH	1	
36	297092	DECAL / "EMERGENCY..." / ENGLISH & SPANISH	1	
36	400019	DECAL / "EMERGENCY..." / ENGLISH & SPANISH & FRANCAIS	1	
36	406161	DECAL / DO NOT OPEN... MOTION / ENGLISH & SPANISH	1	
36	400020	DECAL / DO NOT OPEN... MOTION / ENGLISH & SPANISH & FRANCAIS	1	
		A) USE WITH CABLE RETENTION		
		B) INCLUDED ITEMS 2-3-4-5-6-8-11-12-15-16-17		
		1) NOT SOLD SEPARATELY		

From G-7275 To M-7767

Date:07/2024

PAGE:X3PLB-1898-10

ESCAPE HATCH - INSTALLATION - VENTILATION "OPTION"



From G-7275 To M-7767	Date:07/2024	PAGE:X3PLB-1898-10
ESCAPE HATCH - INSTALLATION - VENTILATION "OPTION"		

Item#	Part	Description	QTY	Notes
	950583	HATCH ASSY / 23" X 23" GREY / W/VENTILATION / ENGLISH	1	
	950558	HATCH ASSY / 23" X 23" GREY / W/VENTILATION / ENGLISH & SPANISH	1	
	950587	HATCH ASSY / 23" X 23" GREY / W/VENTILATION / ENGLISH / FRENCH	1	
1	950684	. LID POWER VENT GREY / ENGLISH	1	A
1	950685	. LID POWER VENT GREY / ENGLISH / FRENCH	1	A
1	950686	. LID POWER VENT GREY / ENGLISH / SPANISH	1	A
2	N8889278	. SEAL, GASKET KIT	1	
3	790373	. BASE, RELEASE / GREY	1	
4	790663	. RELEASE KNOB W/SCREW / RED	1	
5	790662	. RELEASE HINGE SHIELD ASSY GREY	1	
6	N.S.S.	. HINGE FIXED	1	1
7	950479	. HINGE COVER GREY	1	
8	7775130	. SCREW FL PH #8 x 1/2 SS	1	
9	N8880007	. SPECIAL TORX SCREW #10 x 1/2 SS	14	
10	950693	. HINGE PIN SS	1	
11	951085	. GRILL-POWER VENT GREY	1	
12	950701	. FAN 8" 24V	1	
13	951086	. CORD ASSEMBLY- W/ INSUL. TERMINALS	1	
14	950703	. SCREW MA RND PH #6-32x3/4 SS	4	
15	950702	. NUT WELL #6-32	4	
16	950694	. WASHER NYLON	4	
17	950704	. INSULATING BUSHING	1	
18	950697	. CLAMP 5/16"	2	
19	950698	. DECAL KIT INSTRUCTION / ENGLISH	1	
19	950690	. DECAL KIT INSTRUCTION / ENGLISH & FRANCAIS	1	
19	N8898772	. DECAL KIT INSTRUCTION / ENGLISH & SPANISH	1	
20	950205	. FRAME ASSY, EXTERIOR FIBERGLASS / 23" X 23" GREY	1	
22	790436	. LINK & LEVER ASSY	4	
23	790449	. SPRING COMPRESSION / .549 O.D. x 2.590 x .078	4	
24	790372	. SCREW SHR HEXS 7/16x3/16 {5/16-18	4	
25	950700	. DECAL "POWER SAFETY VENT"	1	
NS	N8893675	. DECAL- "FRONT OF VEHICLE"	1	
30	292398	FRAME ASSY, MOUNTING 23" X 23"	1	
30	680532	SEALANT SIKA #221 / GREY / 310ml CARTRIDGE	AR	
31	504787	RIVET CHY MONOLOK PRDG 1/4x5/8 ZP To H-7412	AR	
31	504058	RIVET CHY MONOLOK PRDG 1/4x5/8 AL From H-7413	AR	
32	680093	SEALANT TAPE BUTYL / GREY / 1/16"x1 1/2"x50' /71079B11760	AR	
33	291720	MOULDING, INTERIOR 23" X 23" GREY	1	
33	340591	INSULATION FIBERGLASS	AR	
34	500464	WASHER FN CKF .210x.540 SS	4	
35	500629	SCREW TP OV PH #8x1 Z050	4	

From G-7275 To M-7767	Date:07/2024	PAGE:X3PLB-1898-10
-----------------------	--------------	--------------------

ESCAPE HATCH - INSTALLATION - VENTILATION "OPTION"

Item#	Part	Description	QTY	Notes
NS	067350	WIRING HARNESS ROOF HATCH REAR & FAN To H-7400	1	C
NS	061396	WIRING HARNESS ROOF HATCH REAR & FAN From H-7401	1	C
NS	0610000	WIRING HARNESS ROOF HATCH REAR & FAN To L-7710	1	B
NS	0611106	WIRING HARNESS ROOF HATCH REAR & FAN From L-7711	1	B
NS	067352	WIRING HARNESS ROOF HATCH & FAN FJB DASH To H-7400	1	C
NS	061395	WIRING HARNESS ROOF HATCH & FAN FJB DASH From H-7401	1	C
NS	0610003	WIRING HARNESS ROOF HATCH & FAN FJB DASH	1	B
NS	562697	SWITCH / ON-ON / D.P.D.T. / CH-OVER / W/RED & GREEN LED	1	
NS	562716	CAP / DRIVER'S LAMP	1	
50	IS-18907_2	INSTALLATION OF HATCHES WITH FAN ON X3 MODELS GREY To H-7394	1	
50	IS-18907_2	INSTALLATION OF HATCHES WITH FAN ON X3 MODELS GREY From H-7395	1	
		A) INCLUDE ITEM 1 TO 19		
		B) WITH ONE SWITCH		
		C) WITH TWO SWITCHS		
		1) NOT SOLD SEPARATELY		

From G-7275 To M-7767	Date:07/2024	X3PLB-22
-----------------------	--------------	----------

HEATING & AIR CONDITIONING

Item#	Part	Description	QTY	Notes
	X3PLB-2200-00	AIR CONDITIONING SYSTEM From G-7275 To M-7767		
	X3PLB-2200-05	HEATING SYSTEM From G-7275 To M-7767		
5	X3PLB-2205-00	HEATER & EVAPORATOR COIL - INSTALLATION From G-7275 To M-7767		
10	X3PLB-2206-00	WATER PUMP #874297 AMETEK From G-7275 To M-7767		
15	X3PLB-2207-00	WATER VALVE - MAIN HEATER From G-7275 To M-7767		
15	X3PLB-2207-05	WATER VALVE - HEATER From G-7275 To M-7767		
20	X3PLB-2208-00	A/C EXPANSION VALVE From G-7275 To K-7627		
20	X3PLB-2208-01	A/C EXPANSION VALVE From K-7628 To M-7767		
25	X3PLB-2208-10	REFRIGERANT SOLENOID VALVE From G-7275 To H-7416		
25	X3PLB-2208-11	REFRIGERANT SOLENOID VALVE W/O A/C PARCEL RACK From H-7417 To M-7767		
25	X3PLB-2208-30	REFRIGERANT SOLENOID VALVE WITH A/C PARCEL RACK From G-7275 To H-7416		
25	X3PLB-2208-31	REFRIGERANT SOLENOID VALVE WITH A/C PARCEL RACK - "GHG17" From H-7417 To M-7767		
30	X3PLB-2210-00	HEATER & EVAPORATOR BLOWER - INSTALLATION From G-7275 To M-7767		
35	X3PLB-2210-10	WATER PUMP - INSTALLATION VOLVO D13 From G-7275 To H-7416		
35	X3PLB-2210-11	WATER PUMP - INSTALLATION VOLVO D13 - GHG17 From H-7417 To M-7767		
45	X3PLB-2220-00	UNDER FLOOR AIR DUCTING From G-7275 To M-7767		
55	X3PLB-2221-05	UNDER FLOOR AIR FILTERS From G-7275 To M-7767		
60	X3PLB-2221-10	DUCTING HEATER & A/C - BUS FLOOR From G-7275 To K-7662		
60	X3PLB-2221-11	DUCTING HEATER & A/C - BUS FLOOR From L-7663 To M-7767		
60	X3PLB-2221-15	DUCTING HEATER & A/C - BUS FLOOR BY-FOLD DOOR From G-7275 To K-7662		
65	X3PLB-2221-20	ENTRANCE STEP DE-ICER From G-7275 To M-7767		
65	X3PLB-2221-30	ENTRANCE STEP DE-ICER WITH BI-FOLD DOOR From G-7275 To M-7767		
70	X3PLB-2221-80	AIR DUCT W.C.L. DOOR "RICON" WITH SLIDING DOOR From G-7275 To M-7767		
80	X3PLB-2222-05	HEATER LINE REAR SECTION VOLVO D13 From G-7275 To H-7416		
80	X3PLB-2222-06	HEATER LINE REAR SECTION VOLVO D13 - GHG17 From H-7417 To M-7767		
85	X3PLB-2222-10	A/C & HEATING LINE FRONT SECTION From G-7275 To H-7416		
85	X3PLB-2222-11	A/C & HEATING LINE FRONT SECTION VOLVO D13 - GHG17 From H-7417 To M-7767		
90	X3PLB-2222-15	A/C LINE REAR SECTION W/ "BITZER" From G-7275 To H-7416		
90	X3PLB-2222-16	A/C LINE REAR SECTION W/ "BITZER" VOLVO D13 - GHG17 From H-7417 To K-7662		

From G-7275 To M-7767	Date:07/2024	X3PLB-22
-----------------------	--------------	----------

HEATING & AIR CONDITIONING

Item#	Part	Description	QTY	Notes
90	X3PLB-2222-17	A/C LINE REAR SECTION From L-7663 To M-7767		
95	X3PLB-2222-30	A/C LINE REAR SECTION W/O LAVATORY W/ "BITZER" From G-7275 To H-7416		
95	X3PLB-2222-31	A/C LINE REAR SECTION W/O LAVATORY W/ "BITZER" VOLVO D13 - GHG17 From H-7417 To M-7767		
100	X3PLB-2225-00	DRIVER'S HEATER & DEFROSTER ASSY From G-7275 To J-7501		
100	X3PLB-2225-01	DRIVER'S HEATER & DEFROSTER ASSY From J-7502 To M-7767		
105	X3PLB-2230-00	DEFROSTER - INSTALLATION From G-7275 To K-7542		
105	X3PLB-2230-01	DEFROSTER - INSTALLATION From K-7543 To M-7767		
115	870844	BLOWER & MOTOR ASSY - "M.C.C." "CW" / FAN END From G-7275 To M-7767		L
115	871360	BLOWER & MOTOR ASSY - "M.C.C." "CCW" / FAN END From G-7275 To M-7767		D
120	X3PLB-2240-10	UPPER WINDSHIELD FAN - INSTALLATION From G-7275 To M-7767		
125	X3PLB-2240-15	BLOWER VENTILATION - PARCEL RACK WITH A/C SYSTEM From G-7275 To M-7767		
125	X3PLB-2240-20	BLOWER VENTILATION - PARCEL RACK WITHOUT A/C SYSTEM From G-7275 To M-7767		
130	X3PLB-2240-25	BLOWER ASSY - PARCEL RACK From G-7275 To M-7767		
135	X3PLB-2245-00	A/C COMPRESSOR "BITZER" - INSTALLATION From G-7275 To H-7416		
135	X3PLB-2245-01	A/C COMPRESSOR "BITZER" - INSTALLATION From H-7417 To M-7767		
135	X3PLB-2245-20	A/C COMPRESSOR "BOCK" - INSTALLATION From N-8011 To M-7767		
145	X3PLB-2245-30	A/C AUXILIARY LINE / PARCEL RACK From G-7275 To K-7662		
145	X3PLB-2245-31	A/C AUXILIARY LINE / PARCEL RACK From L-7663 To M-7767		
150	X3PLB-2246-00	A/C CLUTCH - WITH "BITZER" COMPRESSOR From G-7275 To M-7767		
150	X3PLB-2246-20	A/C CLUTCH - WITH "BOCK" COMPRESSOR From N-8011 To M-7767		
155	X3PLB-2250-00	A/C COMPRESSOR "BITZER" 4NFCY From G-7275 To M-7767		
155	X3PLB-2250-20	A/C COMPRESSOR "BOCK" From N-8011 To M-7767		
160	X3PLB-2250-15	A/C ELECTRIC UNLOADER - WITH "BITZER" COMPRESSOR From G-7275 To M-7767		
160	X3PLB-2250-35	A/C ELECTRIC UNLOADER - WITH "BOCK" COMPRESSOR From N-8011 To M-7767		
170	X3PLB-2255-00	CONDENSOR - INSTALLATION From G-7275 To H-7416		
170	X3PLB-2255-01	CONDENSOR - INSTALLATION VOLVO D13 - GHG17 From H-7417 To M-7767		
175	X3PLB-2260-00	CONDENSOR FANS - INSTALLATION From G-7275 To M-7750		
175	X3PLB-2260-01	CONDENSOR FANS - INSTALLATION From M-7751 To M-7767		
185	X3PLB-2265-00	MOTOR - EVAPORATOR BRUSHLESS From G-7275 To M-7767		

From G-7275 To M-7767	Date:07/2024	X3PLB-22
-----------------------	--------------	----------

HEATING & AIR CONDITIONING

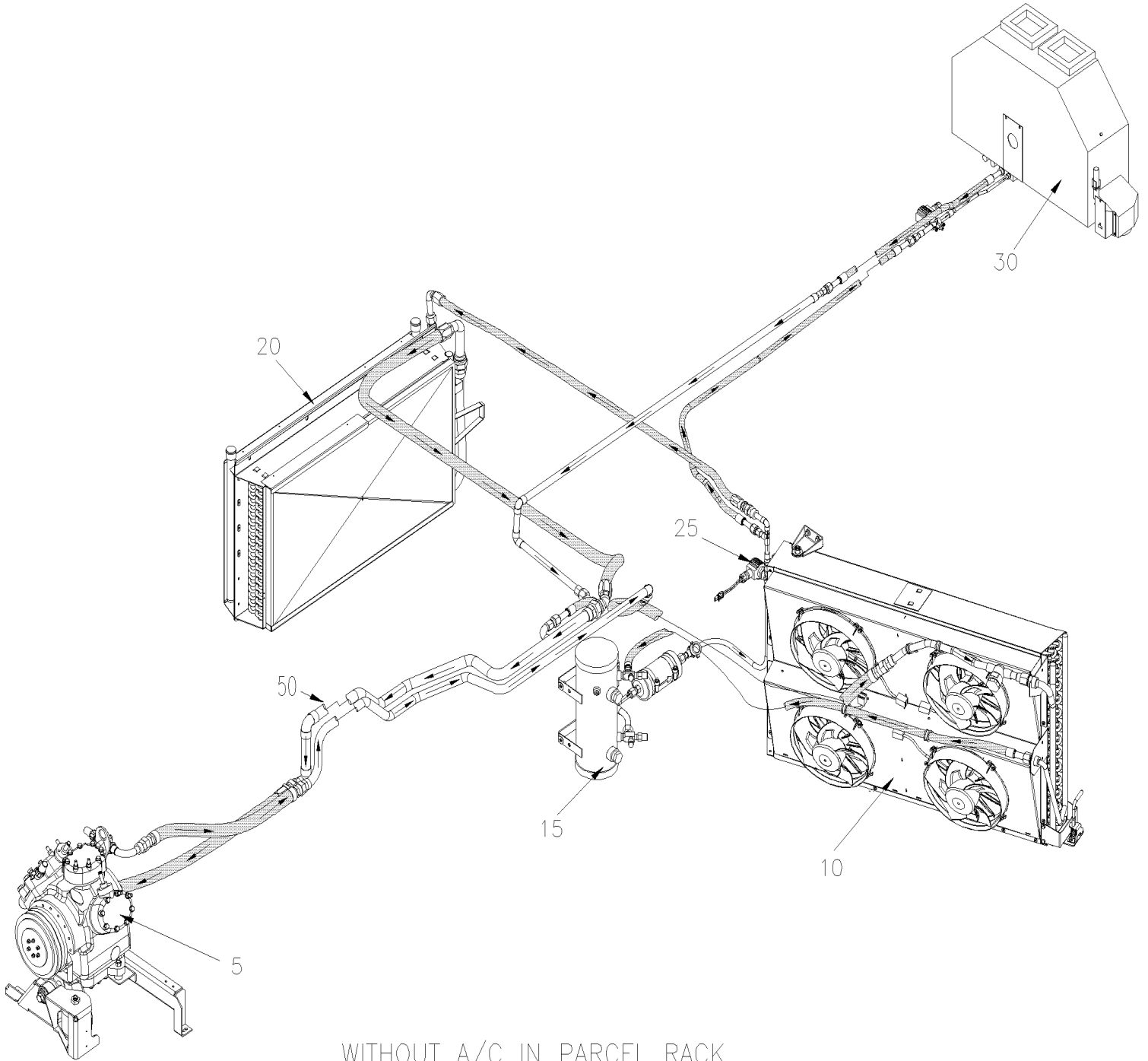
Item#	Part	Description	QTY	Notes
190	X3PLB-2270-00	RECEIVER TANK & FILTER DRYER From G-7275 To H-7416		
190	X3PLB-2270-01	RECEIVER TANK & FILTER DRYER W/O A/C PARCEL RACK VOLVO D13 - GHG17 From H-7417 To M-7767		
190	X3PLB-2270-10	RECEIVER TANK & FILTER DRYER WITH A/C PARCEL RACK GHG17 From H-7417 To K-7662		
190	X3PLB-2270-11	RECEIVER TANK & FILTER DRYER WITH A/C PARCEL RACK From L-7663 To M-7767		
		D) USE WITH FRONT DEFROSTER		
		L) USE WITH LAVATORY FAN		

From G-7275 To M-7767

Date:07/2024

PAGE:X3PLB-2200-00

AIR CONDITIONING SYSTEM

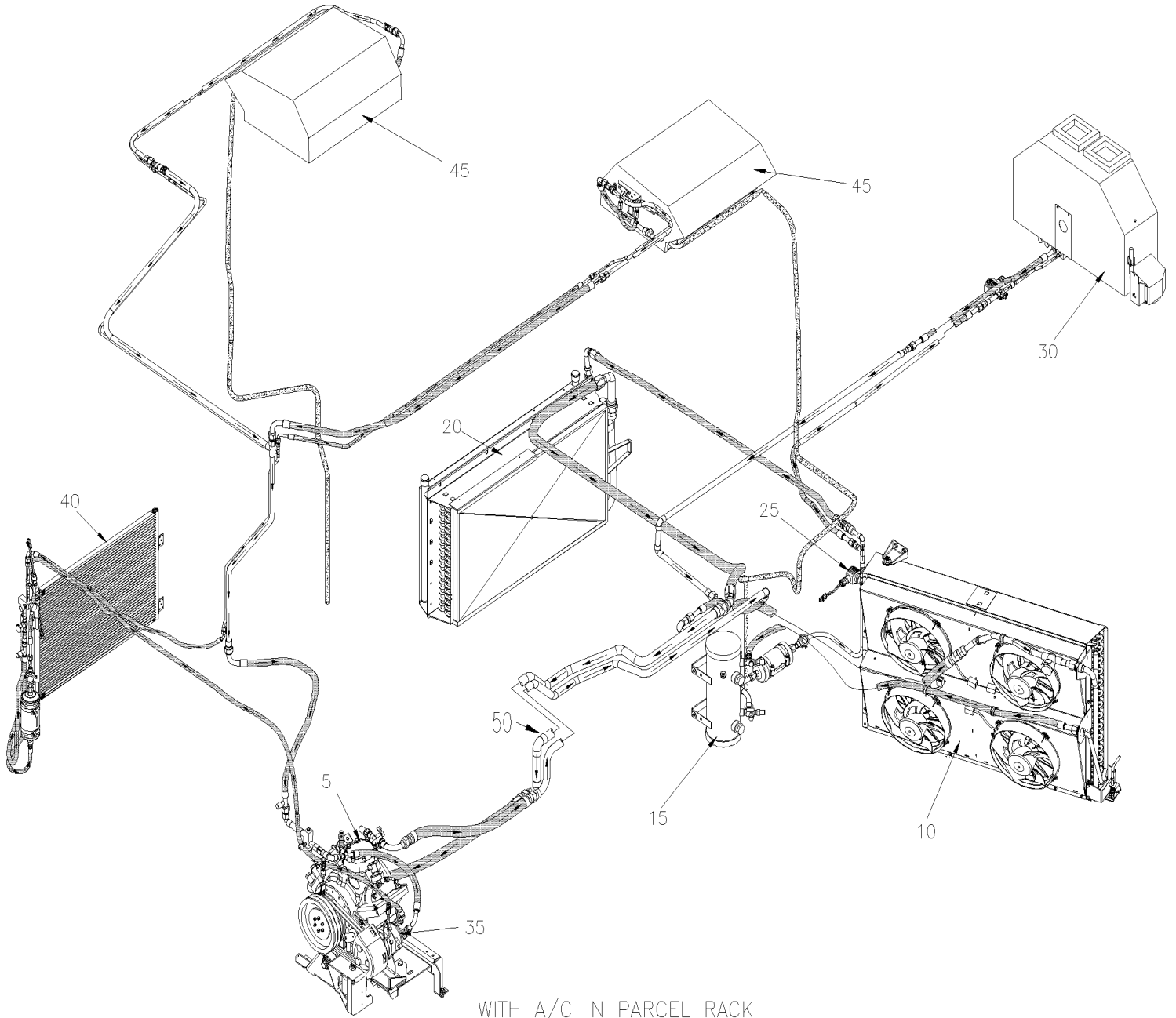


From G-7275 To M-7767

Date:07/2024

PAGE:X3PLB-2200-00

AIR CONDITIONING SYSTEM

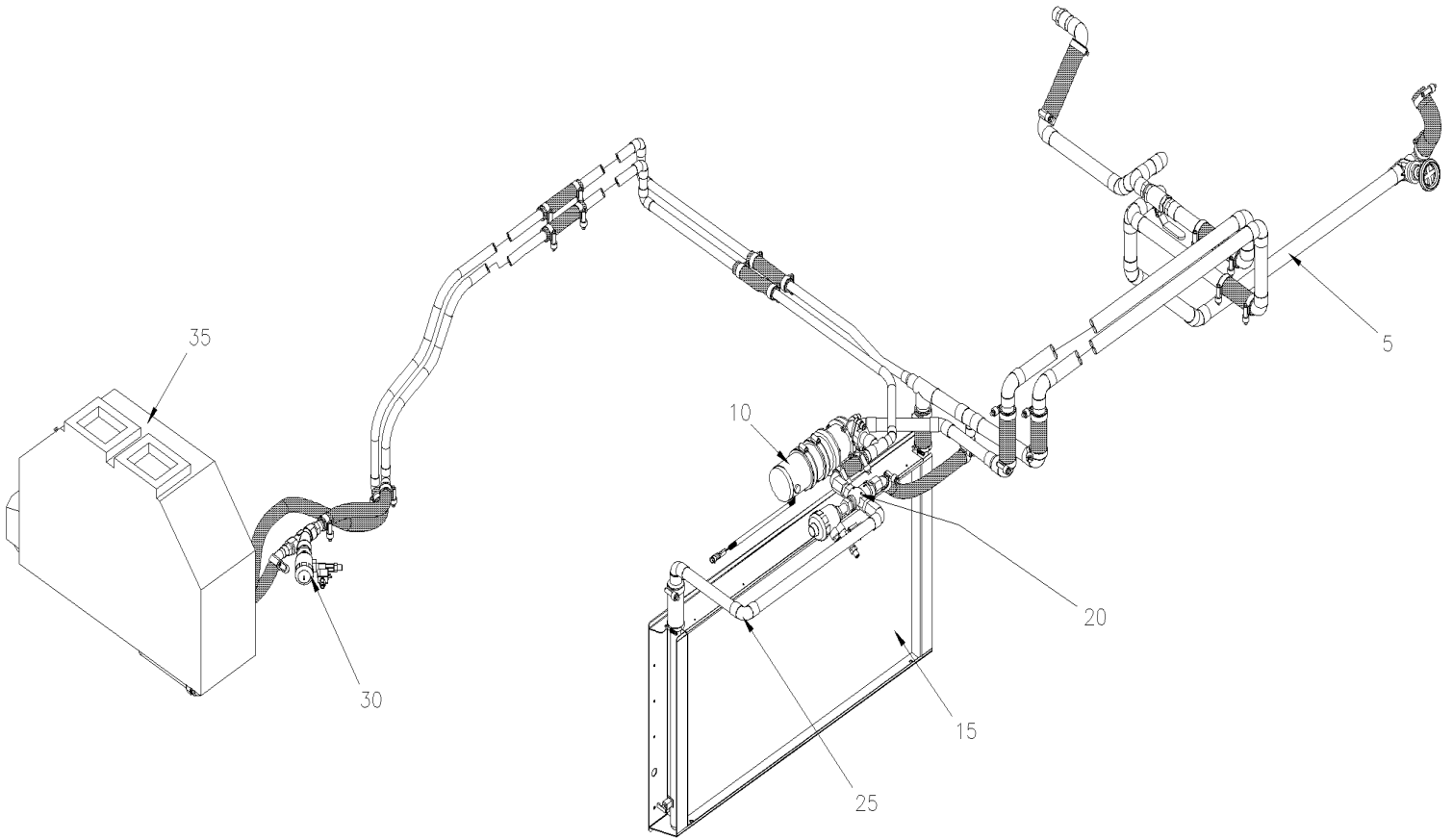


From G-7275 To M-7767	Date:07/2024	PAGE:X3PLB-2200-00
AIR CONDITIONING SYSTEM		

Item#	Part	Description	QTY	Notes
5	X3PLB-2245-00	A/C COMPRESSOR "BITZER" - INSTALLATION From G-7275 To H-7416		
5	X3PLB-2245-01	A/C COMPRESSOR "BITZER" - INSTALLATION From H-7417		
5	X3PLB-2245-20	A/C COMPRESSOR "BOCK" - INSTALLATION From N-8011		
5	X3PLB-2250-00	A/C COMPRESSOR "BITZER" 4NFCY From G-7275		
5	X3PLB-2250-20	A/C COMPRESSOR "BOCK" From N-8011		
10	X3PLB-2255-00	CONDENSOR - INSTALLATION From G-7275 To H-7416		
10	X3PLB-2255-01	CONDENSOR - INSTALLATION VOLVO D13 - GHG17 From H-7417		
10	X3PLB-2260-00	CONDENSOR FANS - INSTALLATION From G-7275 To M-7750		
10	X3PLB-2260-01	CONDENSOR FANS - INSTALLATION From M-7751		
15	X3PLB-2270-00	RECEIVER TANK & FILTER DRYER From G-7275 To H-7416		
15	X3PLB-2270-01	RECEIVER TANK & FILTER DRYER W/O A/C PARCEL RACK VOLVO D13 - GHG17 From H-7417		
15	X3PLB-2270-10	RECEIVER TANK & FILTER DRYER WITH A/C PARCEL RACK GHG17 From H-7417		
20	X3PLB-2205-00	HEATER & EVAPORATOR COIL - INSTALLATION From G-7275		
25	X3PLB-2208-10	REFRIGERANT SOLENOID VALVE From G-7275 To H-7416		
25	X3PLB-2208-11	REFRIGERANT SOLENOID VALVE W/O A/C PARCEL RACK From H-7417		
25	X3PLB-2208-30	REFRIGERANT SOLENOID VALVE WITH A/C PARCEL RACK From G-7275 To H-7416		
25	X3PLB-2208-31	REFRIGERANT SOLENOID VALVE WITH A/C PARCEL RACK - "GHG17" From H-7417		
30	X3PLB-2225-00	DRIVER'S HEATER & DEFROSTER ASSY From G-7275		
40	X3PLB-2245-30	A/C AUXILIARY LINE / PARCEL RACK From G-7275		
45	X3PLB-2240-15	BLOWER VENTILATION - PARCEL RACK WITH A/C SYSTEM From G-7275		
45	X3PLB-2240-20	BLOWER VENTILATION - PARCEL RACK WITHOUT A/C SYSTEM From G-7275		
50	X3PLB-2222-15	A/C LINE REAR SECTION W/ "BITZER" From G-7275 To H-7416		
50	X3PLB-2222-16	A/C LINE REAR SECTION W/ "BITZER" VOLVO D13 - GHG17 From H-7417 To K-7662		
50	X3PLB-2222-17	A/C LINE REAR SECTION From L-7663		
50	X3PLB-2222-30	A/C LINE REAR SECTION W/O LAVATORY W/ "BITZER" From G-7275 To H-7416		
50	X3PLB-2222-31	A/C LINE REAR SECTION W/O LAVATORY W/ "BITZER" VOLVO D13 - GHG17 From H-7417		

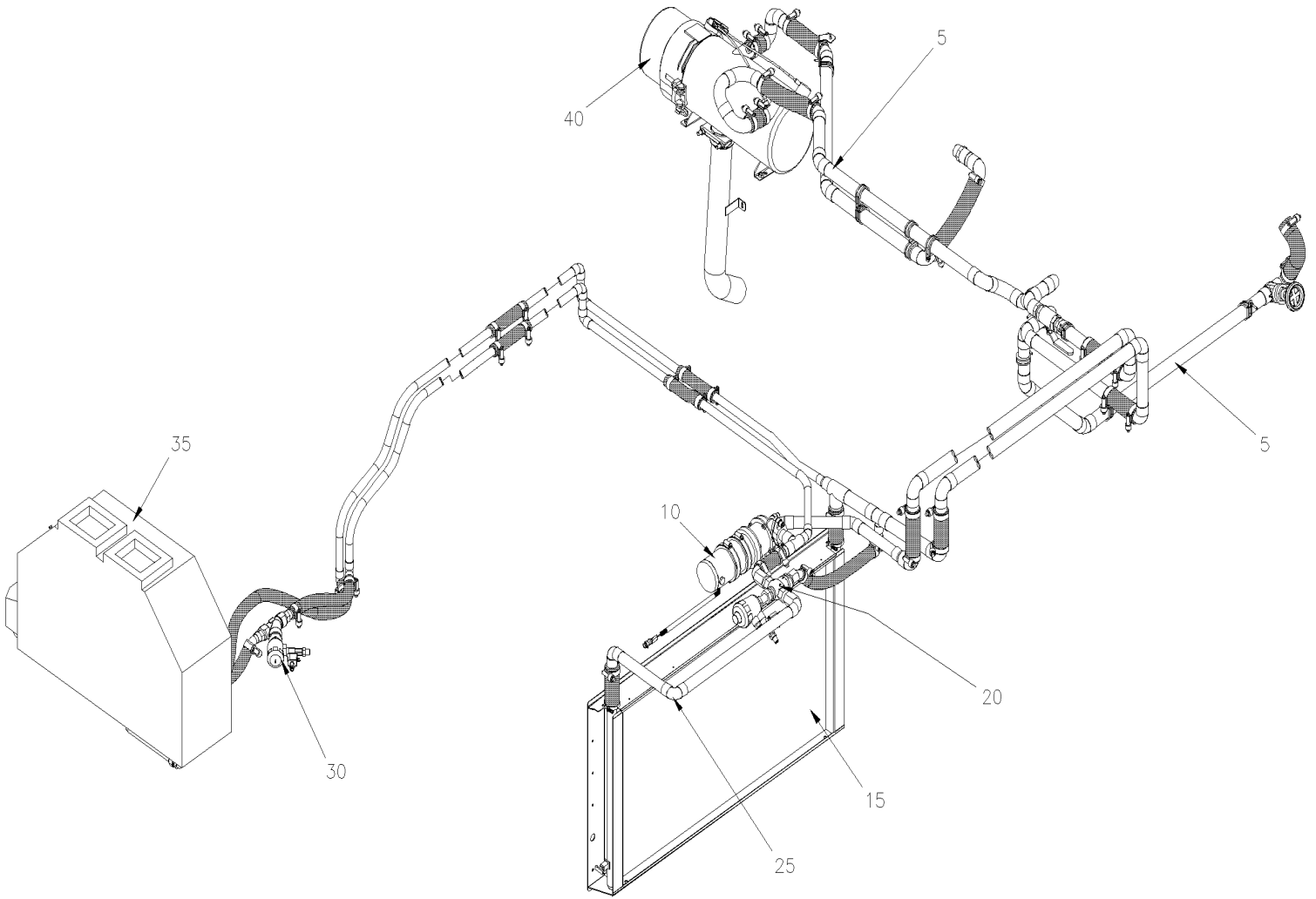
HEATING SYSTEM

WITHOUT WATER HEATER



HEATING SYSTEM

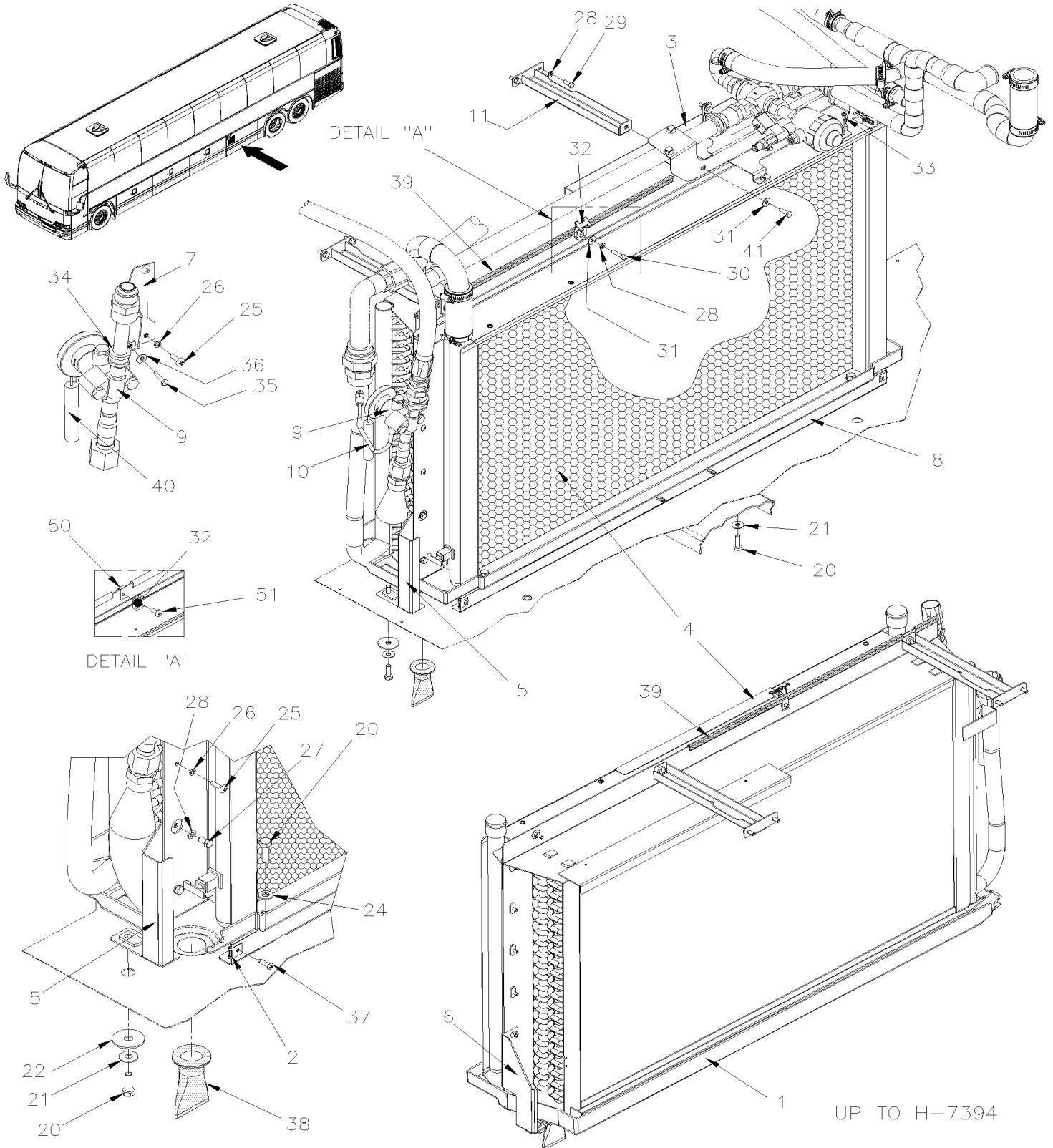
WITH WATER HEATER



From G-7275 To M-7767	Date:07/2024	PAGE:X3PLB-2200-05
HEATING SYSTEM		

Item#	Part	Description	QTY	Notes
5	X3PLB-2222-05	HEATER LINE REAR SECTION VOLVO D13 From G-7275 To H-7416		
5	X3PLB-2222-06	HEATER LINE REAR SECTION VOLVO D13 - GHG17 From H-7417		
10	X3PLB-2206-00	WATER PUMP #874297 AMETEK From G-7275		
15	X3PLB-2205-00	HEATER & EVAPORATOR COIL - INSTALLATION From G-7275		
15	X3PLB-2210-00	HEATER & EVAPORATOR BLOWER - INSTALLATION From G-7275		
20	X3PLB-2207-00	WATER VALVE - MAIN HEATER From G-7275		
25	X3PLB-2210-10	WATER PUMP - INSTALLATION VOLVO D13 From G-7275 To H-7416		
25	X3PLB-2210-11	WATER PUMP - INSTALLATION VOLVO D13 - GHG17 From H-7417		
30	X3PLB-2207-05	WATER VALVE - HEATER From G-7275		
35	X3PLB-2230-00	DEFROSTER - INSTALLATION From G-7275		
40	X3PLB-2350-10	WATER HEATER - INSTALLATION From G-7275		
40	871202	WATER HEATER - "SPHEROS" 100,000 B.T.U. From G-7275		

HEATER & EVAPORATOR COIL - INSTALLATION

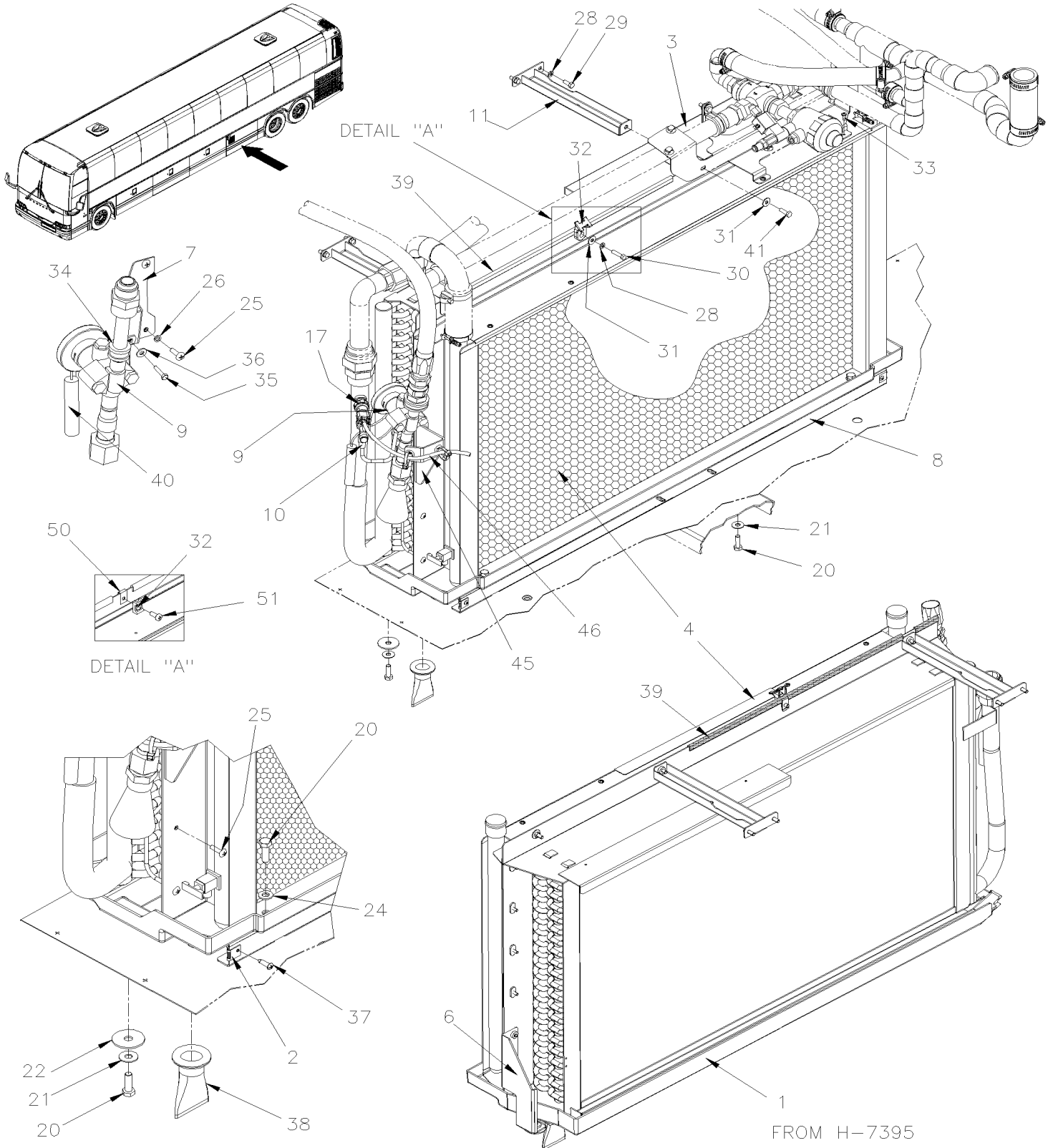


From G-7275 To M-7767

Date:07/2024

PAGE:X3PLB-2205-00

HEATER & EVAPORATOR COIL - INSTALLATION



From G-7275 To M-7767	Date:07/2024	PAGE:X3PLB-2205-00
-----------------------	--------------	--------------------

HEATER & EVAPORATOR COIL - INSTALLATION

Item#	Part	Description	QTY	Notes
1	453994	DRAIN PAN	1	
2	481249	NUT To H-7375	2	
2	500981	NUT SPR U #10-23/32x5/8 From H-7376	2	
3	950390	COIL EVAPORATOR To H-7394	1	
NS	501829	O-RING / ORS FITTING / #12 NEO To H-7394	1	
NS	501803	O-RING / ORS FITTING / #20 NEO To H-7394	1	
3	950547	COIL EVAPORATOR From H-7395 To J-7491	1	
NS	501829	O-RING / ORS FITTING / #12 NEO From H-7395 To J-7491	1	
NS	501803	O-RING / ORS FITTING / #20 NEO From H-7395 To J-7491	1	
3	950584	COIL EVAPORATOR From J-7492 To P-8096	1	
NS	501829	O-RING / ORS FITTING / #12 NEO From J-7492 To P-8096	1	
NS	501803	O-RING / ORS FITTING / #20 NEO From J-7492 To P-8096	1	
3	950650	COIL EVAPORATOR From P-8097	1	
NS	501829	O-RING / ORS FITTING / #12 NEO From P-8097	1	
NS	501803	O-RING / ORS FITTING / #20 NEO From P-8097	1	
4	871372	COIL HEATER To K-7544	1	
4	871465	COIL HEATER From K-7545	1	
NS	870125	DRAIN COCK 1/4 From K-7545	1	
5	453983	SUPPORT EVAPORATOR / FORWARD To H-7416	1	
6	453984	SUPPORT EVAPORATOR / BACKWARD	1	
7	454700	SUPPORT VALVE EXPANSION To K-7627	1	
7	450971	SUPPORT VALVE EXPANSION From K-7628	1	
8	453982	SUPPORT HEATER CORE	1	
9	X3PLB-2208-00	A/C EXPANSION VALVE To K-7627	1	
9	X3PLB-2208-01	A/C EXPANSION VALVE From K-7628	1	
10	454753	TUBE STABILISATOR A/C PRESSURE To H-7394	1	
10	450078	TUBE STABILISATOR A/C PRESSURE From H-7395 To K-7634	1	
NS	501058	SWIVEL NUT ELBOW 90° / SAE 45° FITTING / #4FL-Fx#4FLC-M BR To H-7315	1	
NS	501001	SWIVEL NUT FEMALE BRANCH TEE WITH CAP / SAE 45° FITTING / #4JIC-Mx#4JIC-Mx#4JIC-F STL From H-7316 To H-7394	1	
NS	501058	SWIVEL NUT ELBOW 90° / SAE 45° FITTING / #4FL-Fx#4FLC-M BR From H-7395 To H-7416	1	
NS	501069	SWIVEL NUT ELBOW 90° / SAE 45° FITTING / WITH SCHRADER VALVE #4FL-Fx#4FLC-M BR W-VALVE From H-7417 To K-7627	1	
10	680869	THREAD SEALANT LOCTITE #554 / REFRIG. / 250ml To K-7627	1	
11	374812	SUPPORT / EVAPORATOR 253.5MM	2	
17	950546	SENSOR,COMBINED PRESSURE-TEMPERATURE From H-7395	1	
20	5001527	SCREW CAP HEX M8-1.25x16 SS BK	AR	
21	5001448	WASHER FL .343x.875x.062 SS18-8	4	
22	500462	WASHER FL .343x1.500x.083 SS	AR	
24	5001848	WASHER BEL SPR .827 x .331 x .098 th SS	2	
25	500510	SCREW MA BDG PH #10-32x3/4 SS EMN	7	
26	500914	WASHER LO SPT .193x.334x.047 N500	7	
27	5001744	SCREW CAP HEX M6-1.0x16 G8.8 N500	4	
28	502853	WASHER LO SPT 6.1x11.8x1.6 N500	AR	

From G-7275 To M-7767	Date:07/2024	PAGE:X3PLB-2205-00
HEATER & EVAPORATOR COIL - INSTALLATION		

Item#	Part	Description	QTY	Notes
29	5001744	SCREW CAP HEX M6-1.0x16 G8.8 N500	4	
30	502737	SCREW CAP HEX M6-1.0x25 SS BK	3	
30	502830	SCREW CAP HEX M6-1.0x20 G8.8 N500	AR	
31	500411	WASHER FL .260x.697x.050 SS	AR	
31	5001833	WASHER BEL SPR 6.1x18x1.27 SS	1	
32	504013	TIE MOUNT / 1/4" X 1/4" I.D.	1	
33	502868	SCREW TC TR PH #10-16x1/2 N500	4	
34	952639	CLAMP / 1"1/4 I.D. To K-7627	1	
34	952631	CLAMP / 3/4" I.D. From K-7628	1	
35	500588	SCREW CAP HEX M4-0.7x20 G8.8 Z050	1	
36	500964	WASHER FL .203x.500x.047 Z050	1	
37	500957	SCREW TP BDG PH #10x3/4 N500	2	
38	414654	DRAIN BOOT 1" I.D. W/GROOVE 1.5 x 35MM I.D. x 85MM	5	
39	506337	RUBBER CHANNEL / 3/32" x 11/32" INT "U" SHAPE / ROUND C.T.L. To H-7325	AR	
39	506338	RUBBER CHANNEL / 1/16" x 1/4" INT "U" SHAPE / ROUND C.T.L. From H-7326	AR	
40	680091	TAPE INSULATING / 1/8" x 2" x 30' / BLACK PT-1	AR	
41	502737	SCREW CAP HEX M6-1.0x25 SS BK	2	
45	370155	SUPPORT,SENSOR HARNESS From J-7438 To K-7634	1	
NS	500510	SCREW MA BDG PH #10-32x3/4 SS EMN From J-7438 To K-7634	2	
NS	509815	TIE MOUNT / ATTACHMENT W/TREE MOUNT From J-7438 To K-7634	AR	
NS	504637	CABLE TIE / 3/16" x 13" From J-7438 To K-7634	AR	
46	060540	HVAC CONTROL HARNESS From J-7438 To K-7662	1	
46	069981	HVAC CONTROL HARNESS From L-7663	1	
50	5001965	NUT SPR U M6-1.0 0.6-4.0 N500 To N-7940	1	
51	502817	SCREW MA PAN PH M6-1.0x16 N500 To N-7940	1	
51	502868	SCREW TC TR PH #10-16x1/2 N500 From N-7941	1	

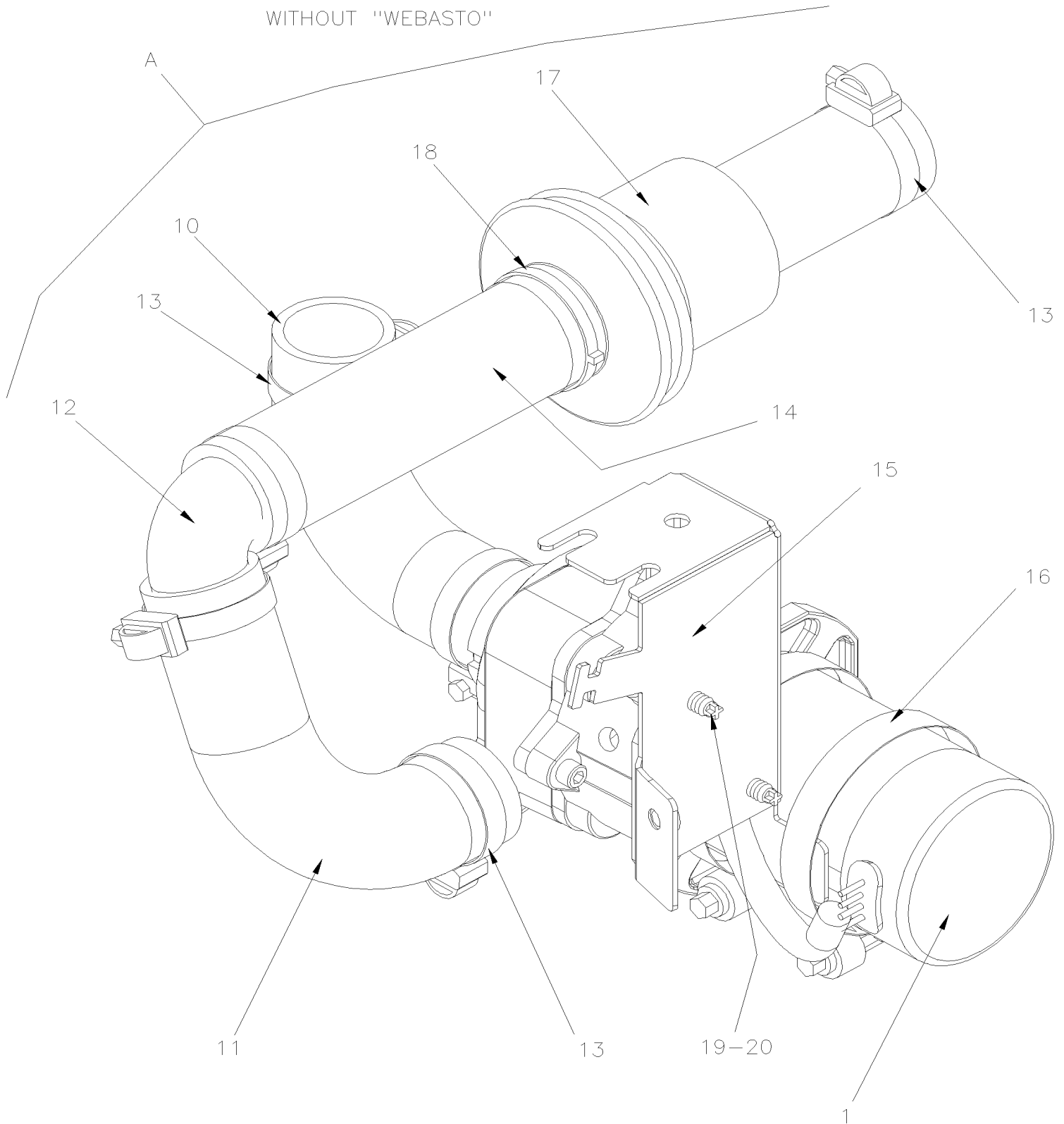
From G-7275 To M-7767

Date:07/2024

PAGE:X3PLB-2206-00

WATER PUMP #874297 AMETEK

WITHOUT "WEBASTO"

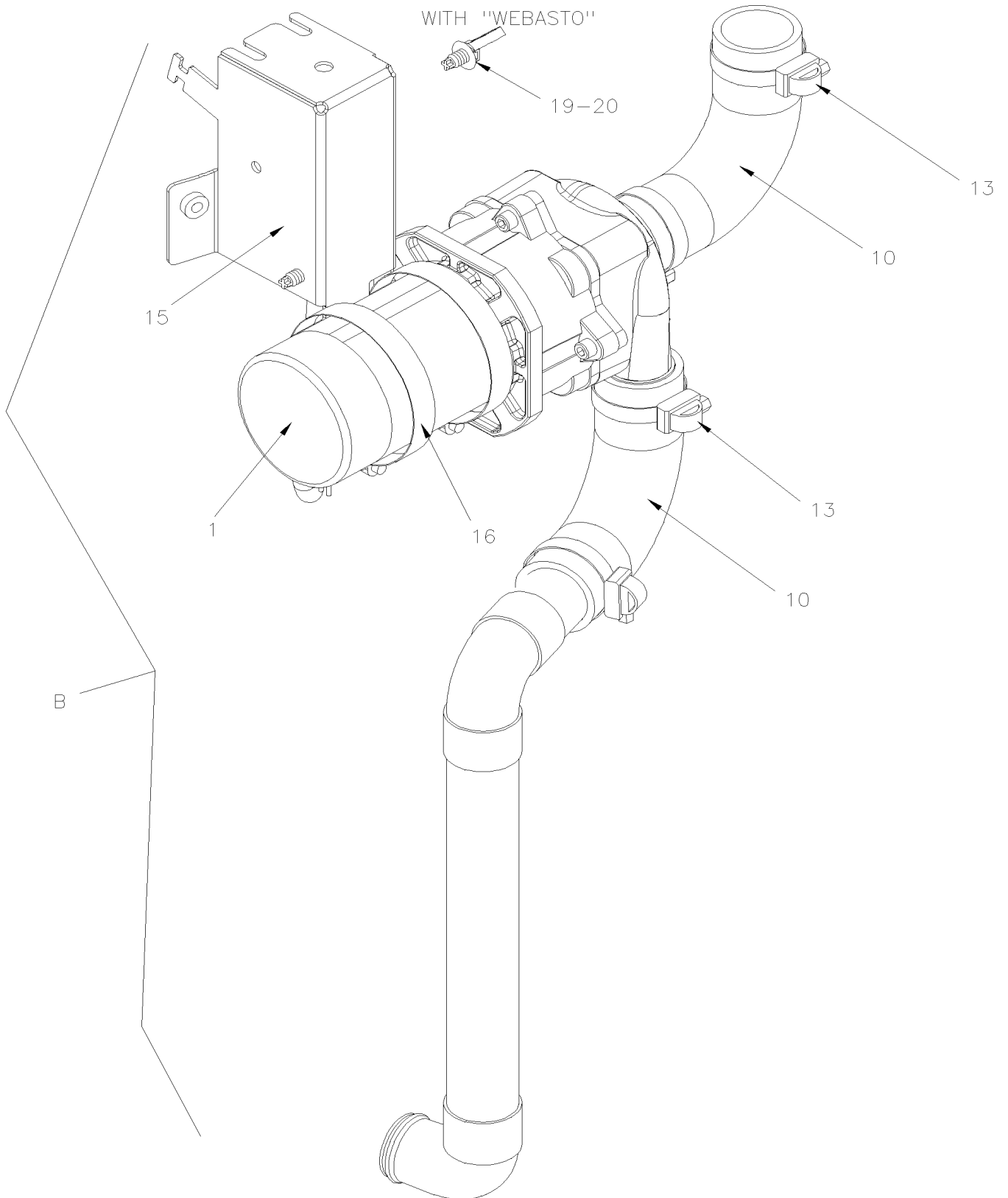


From G-7275 To M-7767

Date:07/2024

PAGE:X3PLB-2206-00

WATER PUMP #874297 AMETEK



From G-7275 To M-7767	Date:07/2024	PAGE:X3PLB-2206-00
WATER PUMP #874297 AMETEK		

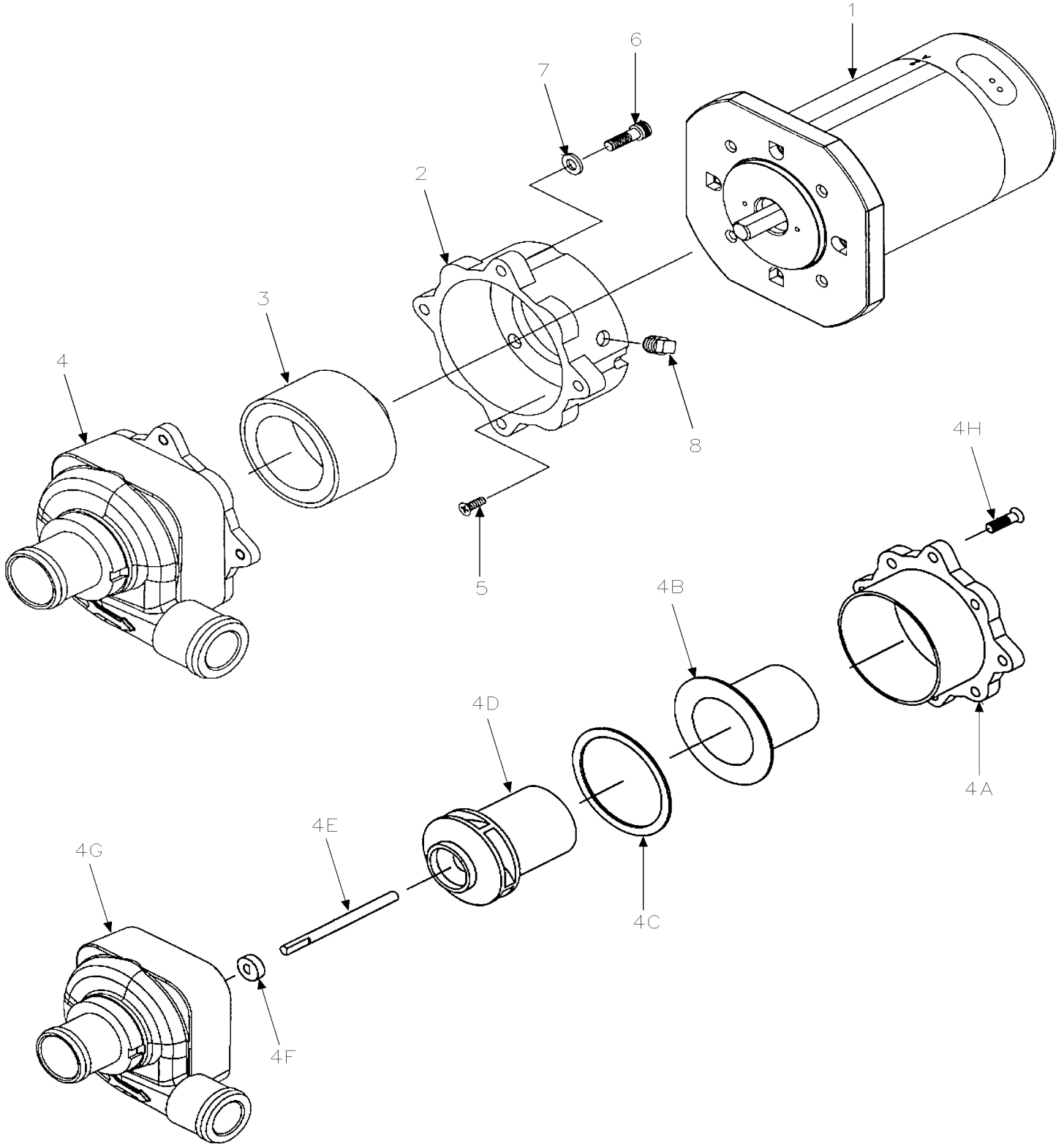
Item#	Part	Description	QTY	Notes
1	874297	WATER PUMP "AMETEK" / SEALLESS & BRUSHLESS	1	
NS	561781	CONNECTOR / WEATHER PACK / PH 3C / BLACK / PED 12010717	1	
NS	561568	PIN TERMINAL / 16-14 / PED 12089305	2	
NS	561786	CABLE SEAL / GRAY / PED 15324980	2	
NS	561783	SEAL PLUG CAVITY / GREEN / PED 12010300	1	
NS	680319	TAPE ADHESIF ELECTRIC / BLACK 3/4"	AR	
NS	562387	CONVOLUTED TUBING / SLIT / BLACK / .250"	AR	
10	378923	ELBOW 90° X 1 3/8" I.D. / 88MM x 150MM C/C / SILICONE 4 PLY	2	
11	378922	ELBOW 90° X 1 3/8" I.D. / 88MM x 128MM C/C / SILICONE 4 PLY	1	
12	373804	ELBOW 90° / W/BEAD	1	
13	992086	HOSE CLAMP / 32MM/52MM	6	
14	503783	HOSE SILICONE 4PLY / NOMEX-ARAMID 34MM I.D. x 6'	AR	
15	374649	SUPPORT / WATER PUMP To J-7495	1	
15	370164	SUPPORT / WATER PUMP From J-7496	1	
16	504026	HOSE CLAMP / 2"13/16-3"3/4 SS / HS-52	2	
17	504385	CUFF END BELLOW / 1 1/2" I.D. x 2 1/2" x 4"	1	
18	504637	CABLE TIE / 3/16" x 13"	1	
19	509815	TIE MOUNT / ATTACHMENT W/TREE MOUNT	2	
20	504637	CABLE TIE / 3/16" x 13"	2	
A	Call order desk	WATER PUMP ASSY WITH PIPE / W/O "WEBASTO"	1	P
B	Call order desk	WATER PUMP ASSY WITH PIPE / WITH "WEBASTO"	1	P
NS	378934	. PIPE ASSY, WATER PUMP OUTPUT To J-7495	1	
NS	370135	. PIPE ASSY, WATER PUMP OUTPUT From J-7496 To N-7940	1	
B	370412	. PIPE ASSY, WATER PUMP OUTPUT From N-7941	1	
		P) CALL ORDER DESK FOR SPECIFIC APPLICATION (V.I.N.)		

From G-7275 To M-7767

Date:07/2024

PAGE:874297

WATER PUMP "AMETEK" / SEALLESS & BRUSHLESS



From G-7275 To M-7767	Date:07/2024	PAGE:874297
WATER PUMP "AMETEK" / SEALLESS & BRUSHLESS		

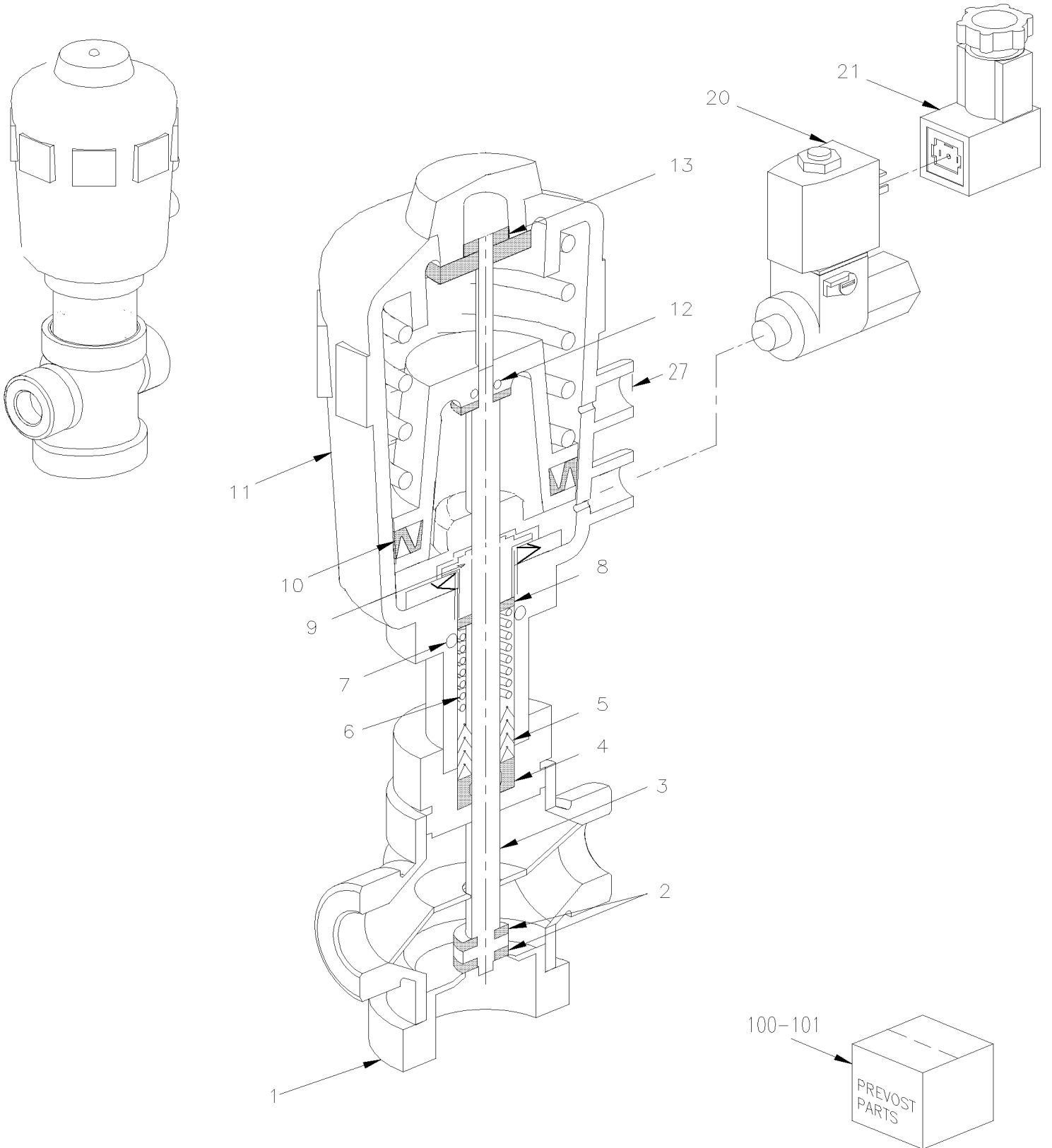
Item#	Part	Description	QTY	Notes
1	N.P.N.	MOTOR ASSEMBLY WITHOUT BASEPLATE	1	4
2	N8896645	CONNECTING HOUSING	1	
3	N8896646	DRIVE MAGNET	1	
4	19517742	HOUSING	1	
4A	G1091780	. HOUSING CONNECTOR RING	1	
4B	G1091781	. IMPELLER HOUSING	1	
4C	G1091782	. GASKET ROUND	1	
4D	G1091783	. IMPELLER ASSY	1	
4E	G1091785	. IMPELLER SHAFT	1	
4F	G1091784	. THRUST WASHER	1	
4G	870074	. PUMP HOUSING BRASS	1	
4H	19508912	. SCREW FLAT HEAD	4	
5	N.P.N.	SCREW FLAT HEAD	4	4
6	N8896647	SCREW SOCKET HEAD	4	
7	N8896640	FLAT WASHER	4	
8	195971	PLUG, TREATED	1	
		4) NO PARTS NUMBER		

From G-7275 To M-7767

Date:07/2024

PAGE:X3PLB-2207-00

WATER VALVE - MAIN HEATER

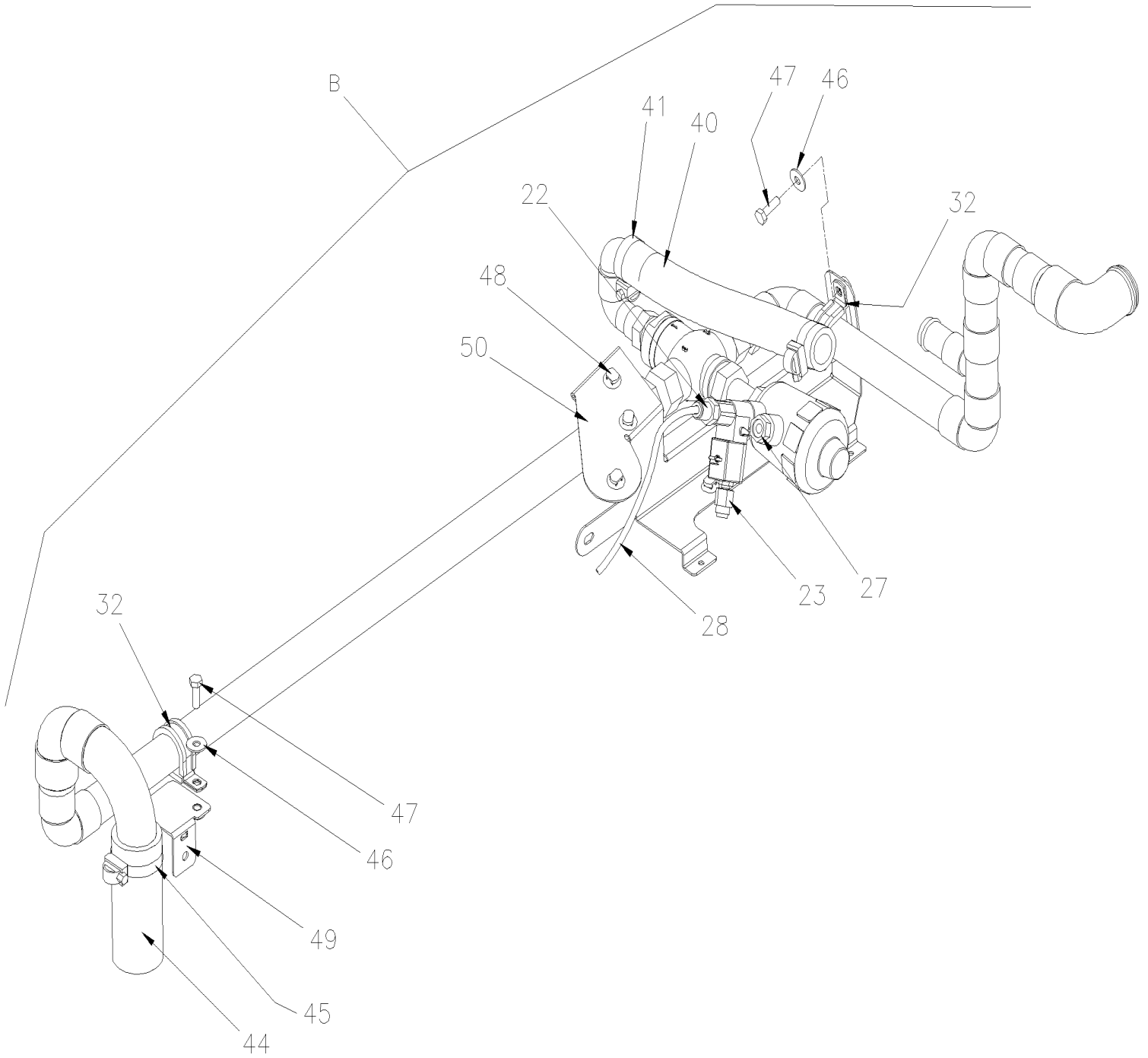


From G-7275 To M-7767

Date:07/2024

PAGE:X3PLB-2207-00

WATER VALVE - MAIN HEATER



From G-7275 To M-7767	Date:07/2024	PAGE:X3PLB-2207-00
WATER VALVE - MAIN HEATER		

Item#	Part	Description	QTY	Notes
	871430	WATER VALVE ASSY / 24V / 3/WAY 3/4" NPT To L-7748	1	
	870136	WATER VALVE ASSY / 24V / 3/WAY 3/4" NPT From L-7749	1	
1	N.S.S.	. BODY	1	1
2	N.S.S.	. SEAL	1	1
3	N.S.S.	. SPINDLE	1	1
4	N.S.S.	. WIPER	1	1
5	N.S.S.	. V-SEAL	3	1
6	N.S.S.	. SPRING	1	1
7	N.S.S.	. O-RING	1	1
8	N.S.S.	. LIP SEAL	1	1
9	N.S.S.	. SCREW PISTON	1	1
10	N.S.S.	. CYLINDER SEAL	1	1
11	N.S.S.	. ACTUATOR CASING	1	1
12	N.S.S.	. O-RING.	1	1
13	N.S.S.	. LIP SEAL	1	1
14	N.S.S.	. CONE GLAND 1/8"	2	1
20	871390	. SOLENOID VALVE / 24V 4 WATTS	1	
. NS	871391	. . COIL 24V 4 WATTS	1	
21	563204	. CONNECTOR / SOCKET HOUSING ASSY 4C / BURKET 303148	1	
22	641332	MALE CONNECTOR / PUSH-IN FITTING / #4x1/4NPT-M BR	1	
23	871374	MUFFLER M5 PLASTIC To J-7456	1	
23	642028	MALE CONNECTOR / PUSH-IN FITTING / 6MM x M5-0.8 BR From J-7457	1	
23	503040	TUBE, NYLON 6MM O.D. / WHITE S.L. From J-7457	AR	
24	500588	SCREW CAP HEX M4-0.7x20 G8.8 Z050	2	
25	500438	WASHER FL .187x.437x.050 Z050	2	
26	500590	NUT HEX NYRT M4-0.7 Z050	2	
27	641926	SILENCER / MUFFLER / 1/4NPT-M	1	
NS	142087	RESTRICTION / ALU. TUBE 10MM x 4.14MM O.D. W/0.79" HOLE / W/FLANGE To L-7749	1	
NS	140262	RESTRICTION / ALU. TUBE 13.5MM x 4.14MM O.D. W/0.79" HOLE / W/FLANGE From L-7750 To N-7954	1	
27	140485	RESTRICTION W/0.80" HOLE / W/FLANGE From N-7955	1	
27	501312	BUSHING REDUCER / PIPE FITTING / 1/4NTP-Mx1/8NPT-F BR From N-7955	1	
28	503747	TUBE, NYLON 6MM O.D. / BLACK S.L.	AR	
32	952637	CLAMP / 1"1/16 I.D.	1	
33	952639	CLAMP / 1"1/4 I.D.	1	
40	503797	HOSE SILICONE 4 PLY / NOMEX-ARAMID 7/8" I.D. x 6'	1	
41	992084	HOSE CLAMP / 23MM/35MM	2	
42	503796	HOSE SILICONE 2 PLY / NOMEX-ARAMID 1 1/8" I.D. x 6'	AR	
43	504782	HOSE CLAMP / 1 3/16-1 13/16 SS / C.T. W.S.	1	
44	503783	HOSE SILICONE 4PLY / NOMEX-ARAMID 34MM I.D. x 6'	AR	
45	992086	HOSE CLAMP / 32MM/52MM	1	
46	5001833	WASHER BEL SPR 6.1x18x1.27 SS	3	
47	502830	SCREW CAP HEX M6-1.0x20 G8.8 N500	3	

From G-7275 To M-7767	Date:07/2024	PAGE:X3PLB-2207-00
WATER VALVE - MAIN HEATER		

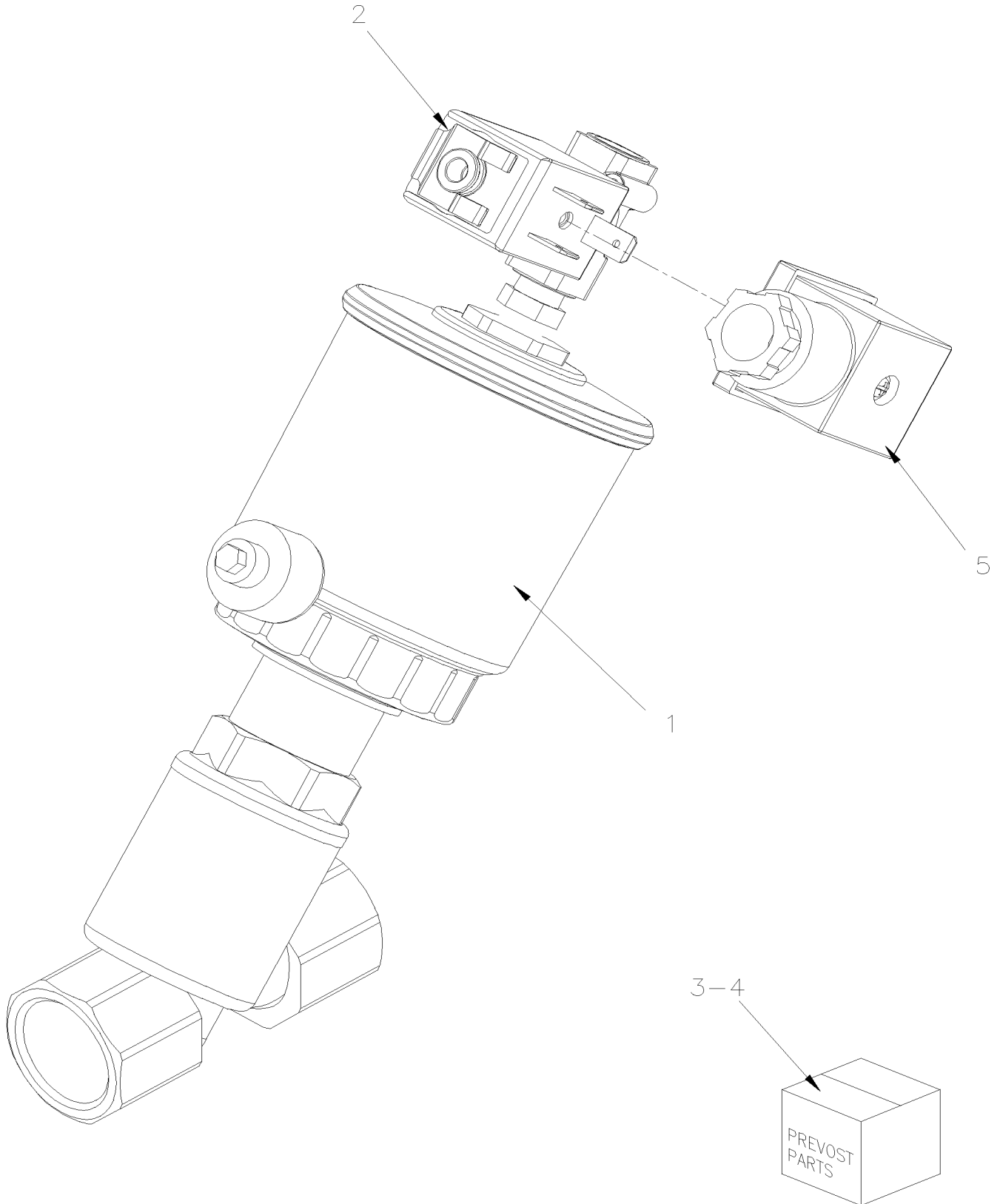
Item#	Part	Description	QTY	Notes
48	509815	TIE MOUNT / ATTACHMENT W/TREE MOUNT	3	
49	374673	SUPPORT WATER VALVE FORWARD To N-7940	1	
49	370364	SUPPORT WATER VALVE FORWARD From N-7941	1	
50	374674	SUPPORT WATER VALVE BACKWARD	1	
100	871389	SEAL KIT / WATER SIDE	1	
101	871388	SEAL KIT / AIR PISTON SIDE	1	
102	870241	VALVE SET SERVICE KIT From L-7749	1	
B	374688	WATER VALVE ASSY W/PIPE & SUPPORT To J-7456	1	
B	370147	WATER VALVE ASSY W/PIPE & SUPPORT From J-7457 To L-7748	1	
B	370030	WATER VALVE ASSY W/PIPE & SUPPORT From L-7750 To N-7940	1	
B	370362	WATER VALVE ASSY W/PIPE & SUPPORT From N-7941 To N-7954	1	
B	370485	WATER VALVE ASSY W/PIPE & SUPPORT From N-7955 To P-8080	1	
B	370508	WATER VALVE ASSY W/PIPE & SUPPORT From P-8081	1	
		1) NOT SOLD SEPARATELY		

From G-7275 To M-7767

Date:07/2024

PAGE:X3PLB-2207-05

WATER VALVE - HEATER

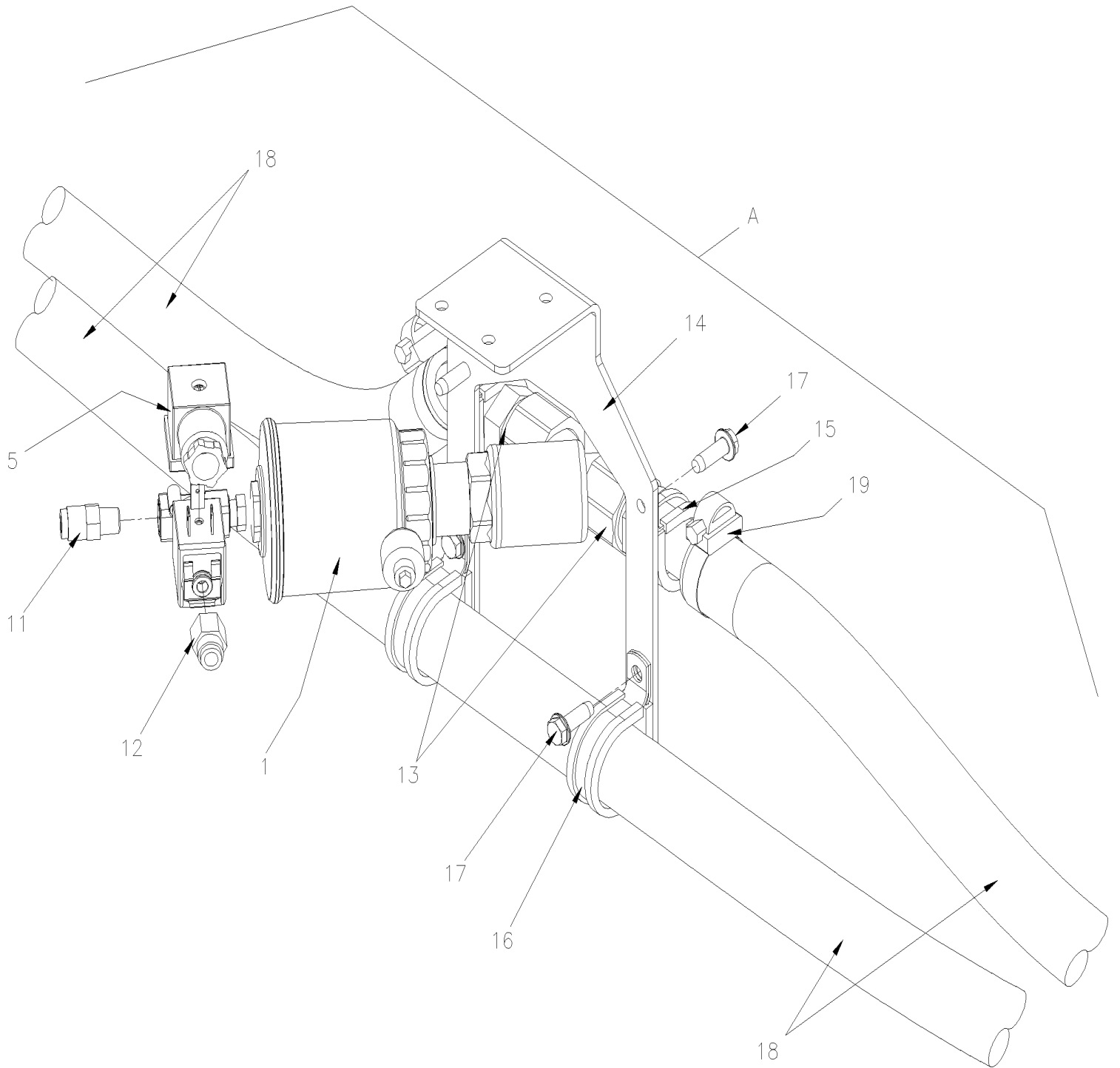


From G-7275 To M-7767

Date:07/2024

PAGE:X3PLB-2207-05

WATER VALVE - HEATER



From G-7275 To M-7767	Date:07/2024	PAGE:X3PLB-2207-05
WATER VALVE - HEATER		

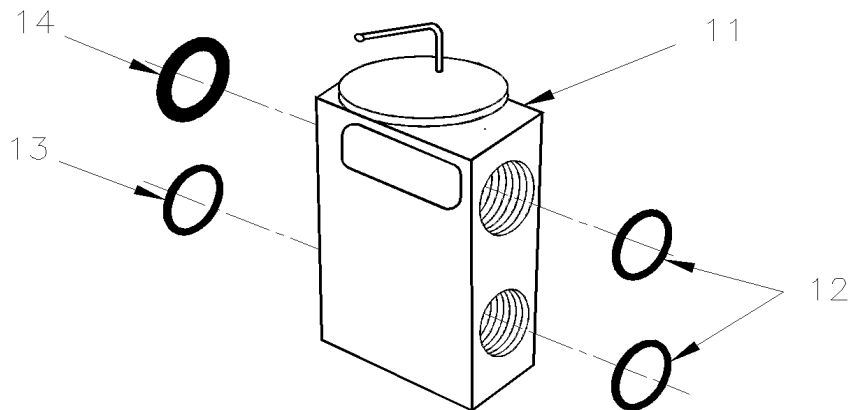
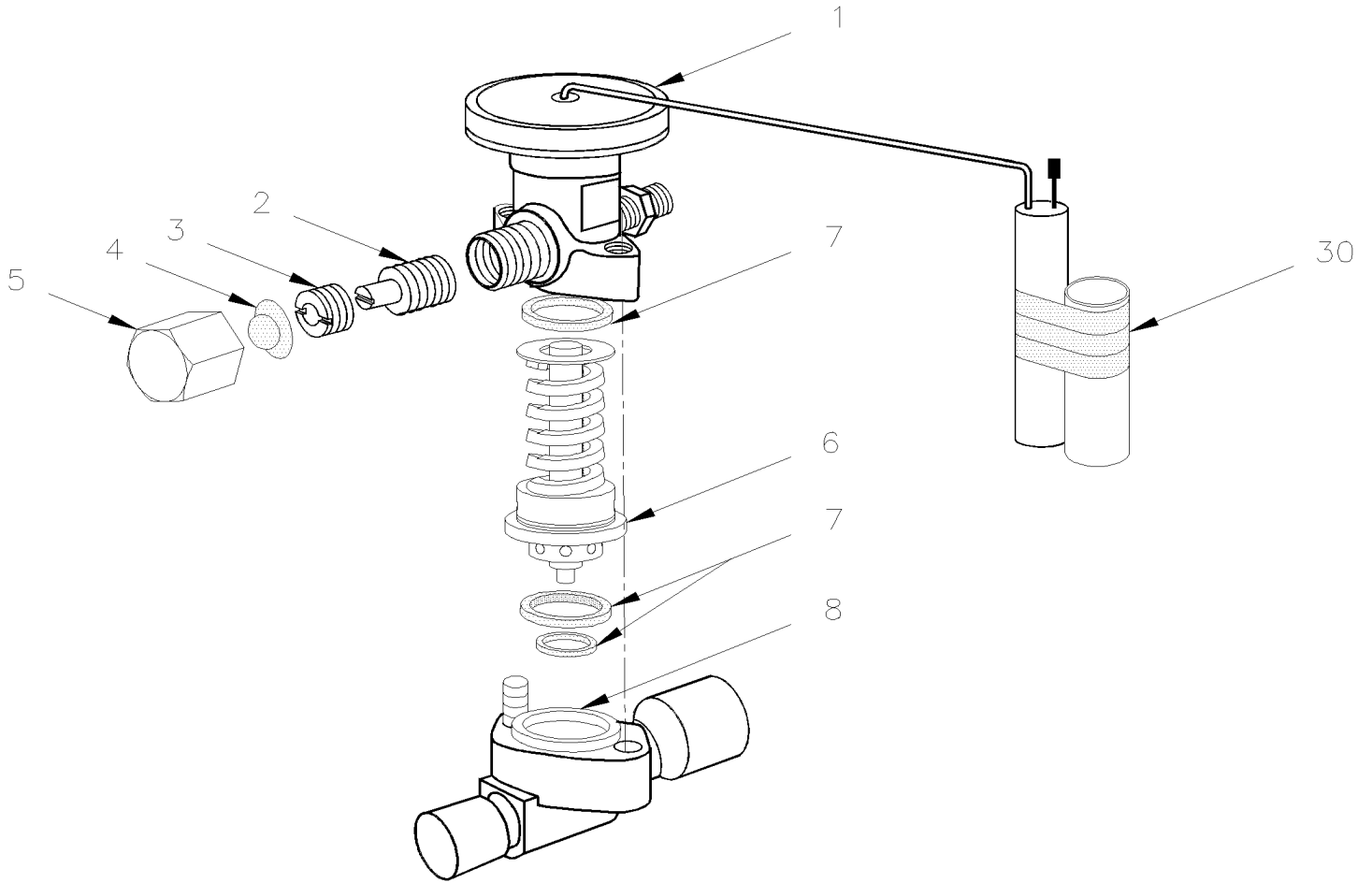
Item#	Part	Description	QTY	Notes
1	871454	WATER VALVE ASSY / 24V	1	
2	871458	. VALVE PILOT	1	
3	871459	. VALVE PSITON SERVICE KIT	1	
. NS	N.S.S.	. . VALVE PSITON SERVICE KIT	1	1
. NS	N.S.S.	. . WASHER	1	1
. NS	N.S.S.	. . WASHER	1	1
. NS	N.S.S.	. . SEAL	1	1
4	871460	. CONNECTOR KIT	1	
5	641385	CONNECTOR / SOCKET HOUSING ASSY 3C / PNEUMAC 54934-01	1	
11	641242	MALE CONNECTOR / PUSH-IN FITTING / #4x1/8NPT-M BR	1	
12	871374	MUFFLER M5 PLASTIC To J-7456	1	
12	642028	MALE CONNECTOR / PUSH-IN FITTING / 6MM x M5-0.8 BR From J-7457	1	
12	503040	TUBE, NYLON 6MM O.D. / WHITE S.L. From J-7457	AR	
13	680098	THREAD SEALANT LOCTITE #567 / WHITE / 250ml	AR	
14	374840	SUPPORT WATER VALVE	1	
15	952635	CLAMP / 1" I.D.	2	
16	952639	CLAMP / 1"1/4 I.D.	2	
17	502848	SCREW TC CAP HEXF 1/4-20x3/4 N500	4	
18	503797	HOSE SILICONE 4 PLY / NOMEX-ARAMID 7/8" I.D. x 6'	AR	
19	992084	HOSE CLAMP / 23MM/35MM	2	
A	374839	WATER VALVE ASSY W/PIPE & SUPPORT To J-7456	1	A
A	370146	WATER VALVE ASSY W/PIPE & SUPPORT From J-7457 To N-7940	1	A
A	Call order desk	WATER VALVE ASSY W/PIPE & SUPPORT From N-7941 To P-8080	1	P
. NS	370430	. PIPE, VALVE ASSY 45DEG From N-7941 To P-8080	1	
. NS	370417	. PIPE, VALVE ASSY From N-7941 To P-8080	1	
A	Call order desk	WATER VALVE ASSY W/PIPE & SUPPORT From P-8081	1	P
. NS	370521	. WATER VALVE, FRONT ASSY From P-8081	1	
. . NS	871454	. . WATER VALVE ASSY / 24V From P-8081	1	
		A) IN SPARE COMPARTMENT		
		P) CALL ORDER DESK FOR SPECIFIC APPLICATION (V.I.N.)		
		1) NOT SOLD SEPARATELY		

From G-7275 To K-7627

Date:07/2024

PAGE:X3PLB-2208-00

A/C EXPANSION VALVE

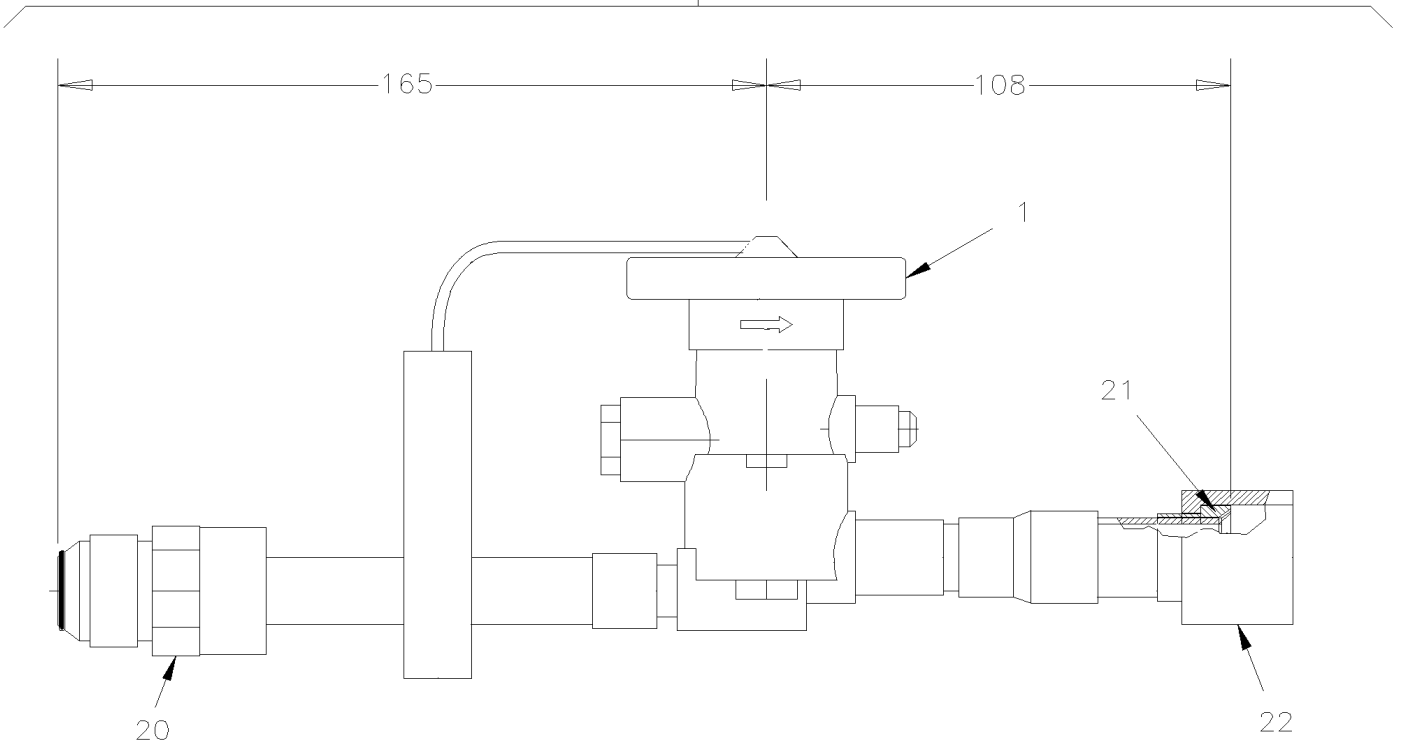
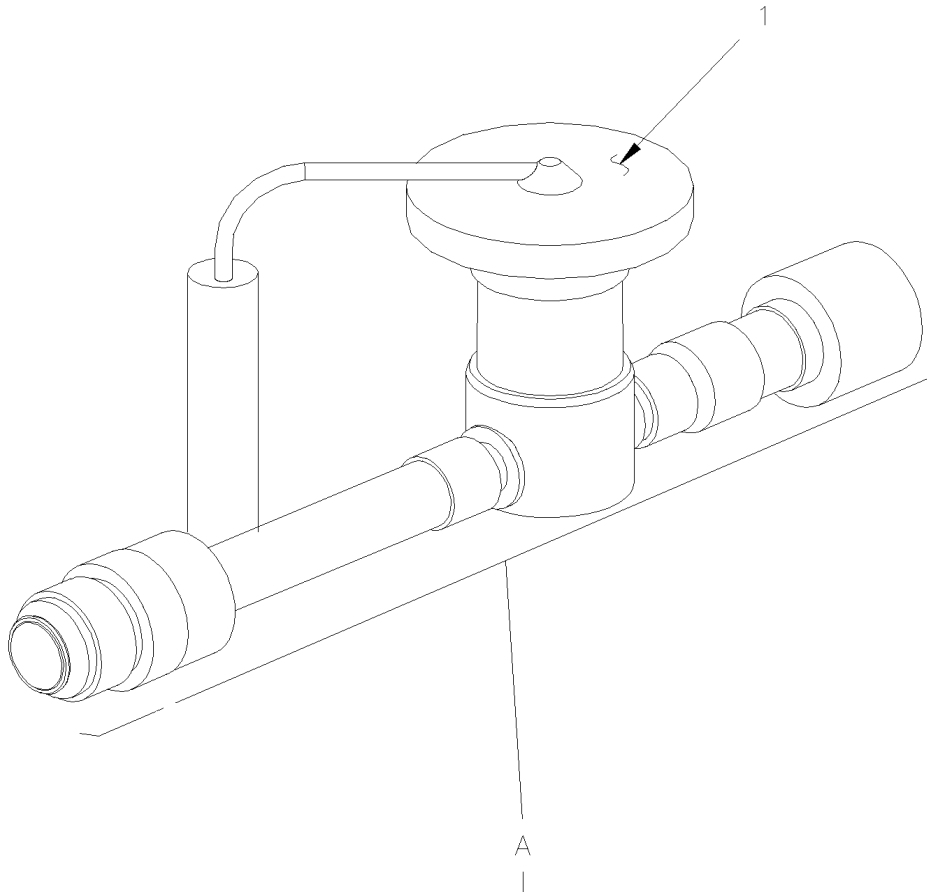


From G-7275 To K-7627

Date:07/2024

PAGE:X3PLB-2208-00

A/C EXPANSION VALVE



From G-7275 To K-7627	Date:07/2024	PAGE:X3PLB-2208-00
A/C EXPANSION VALVE		

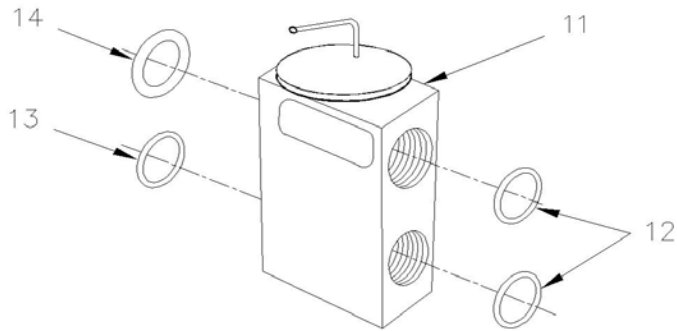
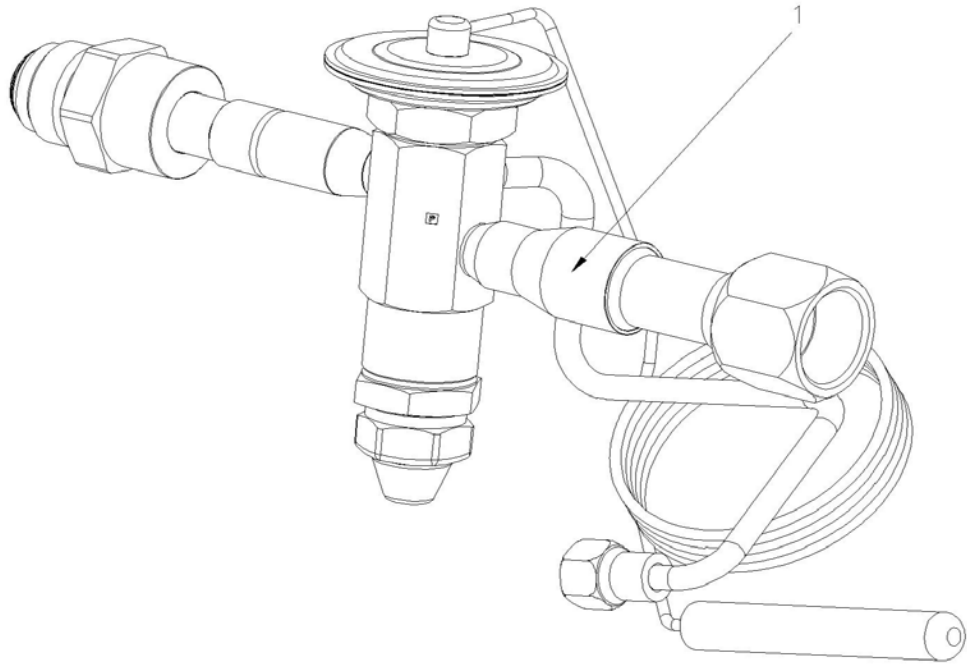
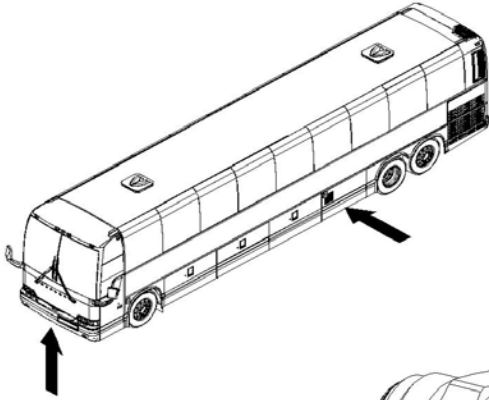
Item#	Part	Description	QTY	Notes
	950320	VALVE, EXPANSION 5 1/2 TON	1	
1	950241	. ELEMENT POWER R134A	1	
2	870622	. ADJUSTING STEM & PACKING ASSY	1	
3	870621	. NUT PACKING	1	
4	N.S.S.	. SEAL	1	1
5	870619	. NUT CAP	1	
6	950317	. CAGE ASSY & SPRING / B6B	1	
7	870709	. SET GASKET	1	
8	N.S.S.	. FLANGE BODY	1	1
8	504634	T-CLIP / 7/8" - 1"	1	
8	504637	CABLE TIE / 3/16" x 13"	1	
11	950221	VALVE, EXPANSION / DRIVER'S W/R134A	1	
12	507279	O-RING / ORS FITTING / #8 NEO	1	
13	507278	O-RING / ORS FITTING / #4 NEO	1	
14	507344	O-RING / ORS FITTING / #10 NEO	1	
20	507525	ADAPTER JIC @ BRAZE W/O-RING // #12JIC-Mx#10BRAZE-F BR	1	
. NS	501829	. O-RING / ORS FITTING / #12 NEO	1	
21	507518	SLEEVE / JIC 37° FITTING / #12 STL	1	
22	507519	NUT / JIC 37° FITTING / #12JIC-F STL	1	
30	680091	TAPE INSULATING / 1/8" x 2" x 30' / BLACK PT-1	1	
A	454699	VALVE, EXPANSION ASSY / WITH PIPE	1	
		1) NOT SOLD SEPARATELY		

From K-7628 To M-7767

Date:07/2024

PAGE:X3PLB-2208-01

A/C EXPANSION VALVE



From K-7628 To M-7767	Date:07/2024	PAGE:X3PLB-2208-01
-----------------------	--------------	--------------------

A/C EXPANSION VALVE

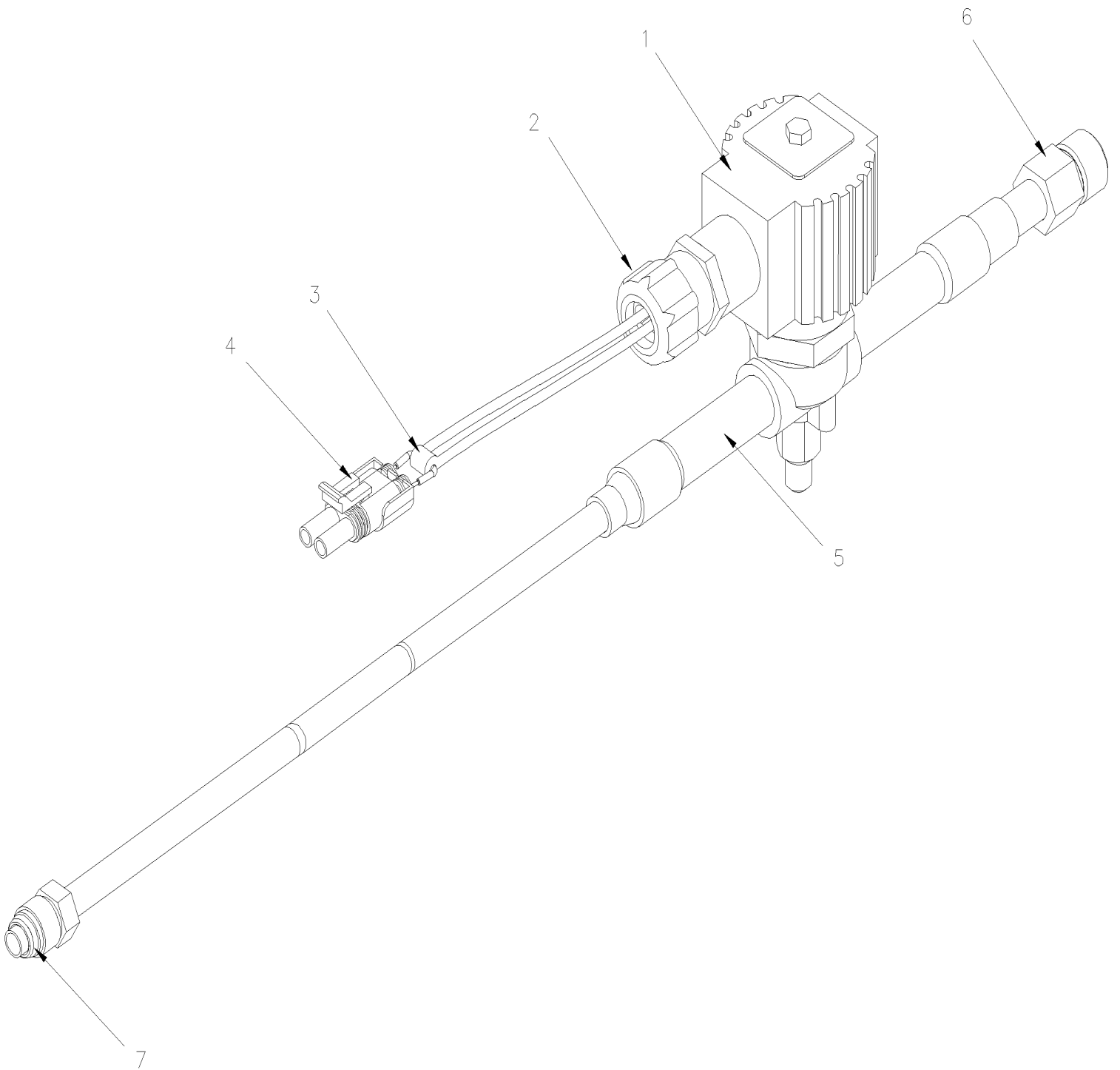
Item#	Part	Description	QTY	Notes
1	950588	VALVE, EXPANSION ASSY / WITH PIPE	1	
. NS	501829	. O-RING / ORS FITTING / #12 NEO	AR	
11	950221	VALVE, EXPANSION / DRIVER'S W/R134A	1	
12	507343	O-RING / ORS FITTING / #8 NEO	2	
13	507278	O-RING / ORS FITTING / #4 NEO	1	
14	507344	O-RING / ORS FITTING / #10 NEO	1	

From G-7275 To H-7416

Date:07/2024

PAGE:X3PLB-2208-10

REFRIGERANT SOLENOID VALVE



From G-7275 To H-7416	Date:07/2024	PAGE:X3PLB-2208-10
-----------------------	--------------	--------------------

REFRIGERANT SOLENOID VALVE

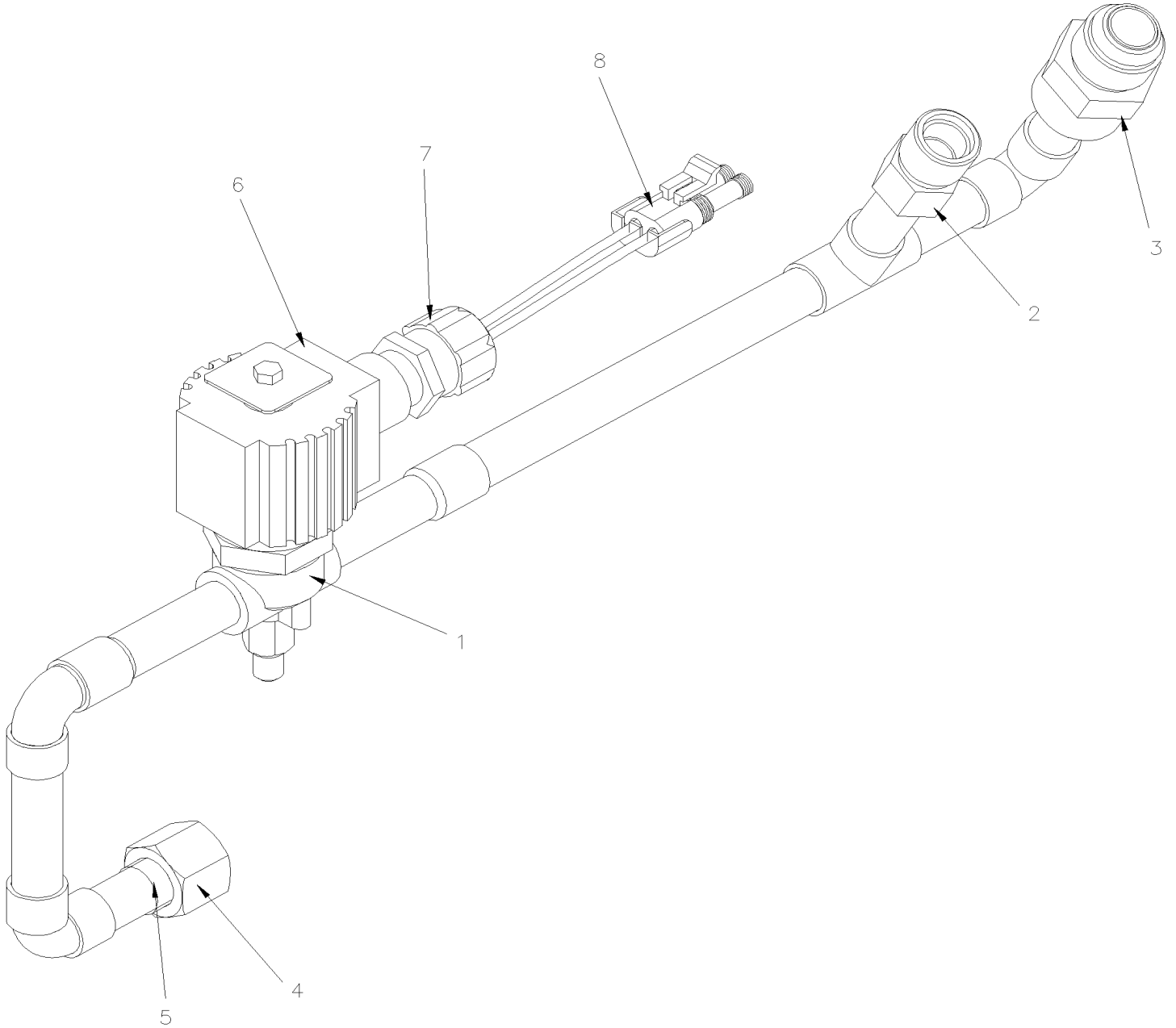
Item#	Part	Description	QTY	Notes
	454951P	VALVE ASSY / REFRIGERANT SOLENOID	1	
1	457708	. SOLENOID ASSY	1	
1	950953	.. COIL 24V / SERVICE	1	
2	560434	.. CONNECTOR 1/2" PIPE	1	
3	560931	.. DIODE / 3AMPS	1	
3	562499	.. SHRINK TUBING / .250" - .125" / CLEAR / ALPHA FIT 221-1/4	AR	
4	561565	.. CABLE SEAL / GREEN / PED 15324982	2	
4	561578	.. SOCKET TERMINAL / 16-14 / PED 12010182	2	
4	561690	.. CONNECTOR / WEATHER PACK / SH 2C / BLACK / PED 12015792	1	
5	Call order desk	. VALVE ASSY	1	P
5	950951	.. VALVE REFRIGERANT SOLENOID	1	
6	5011077	.. ADAPTER "TUBE-O" @ BRAZE / #8TUBE-O-Fx#8 BR	1	
7	507278	. O-RING / ORS FITTING / #4 NEO	1	
		P) CALL ORDER DESK FOR SPECIFIC APPLICATION (V.I.N.)		

From H-7417 To M-7767

Date:07/2024

PAGE:X3PLB-2208-11

REFRIGERANT SOLENOID VALVE W/O A/C PARCEL RACK



From H-7417 To M-7767	Date:07/2024	PAGE:X3PLB-2208-11
REFRIGERANT SOLENOID VALVE W/O A/C PARCEL RACK		

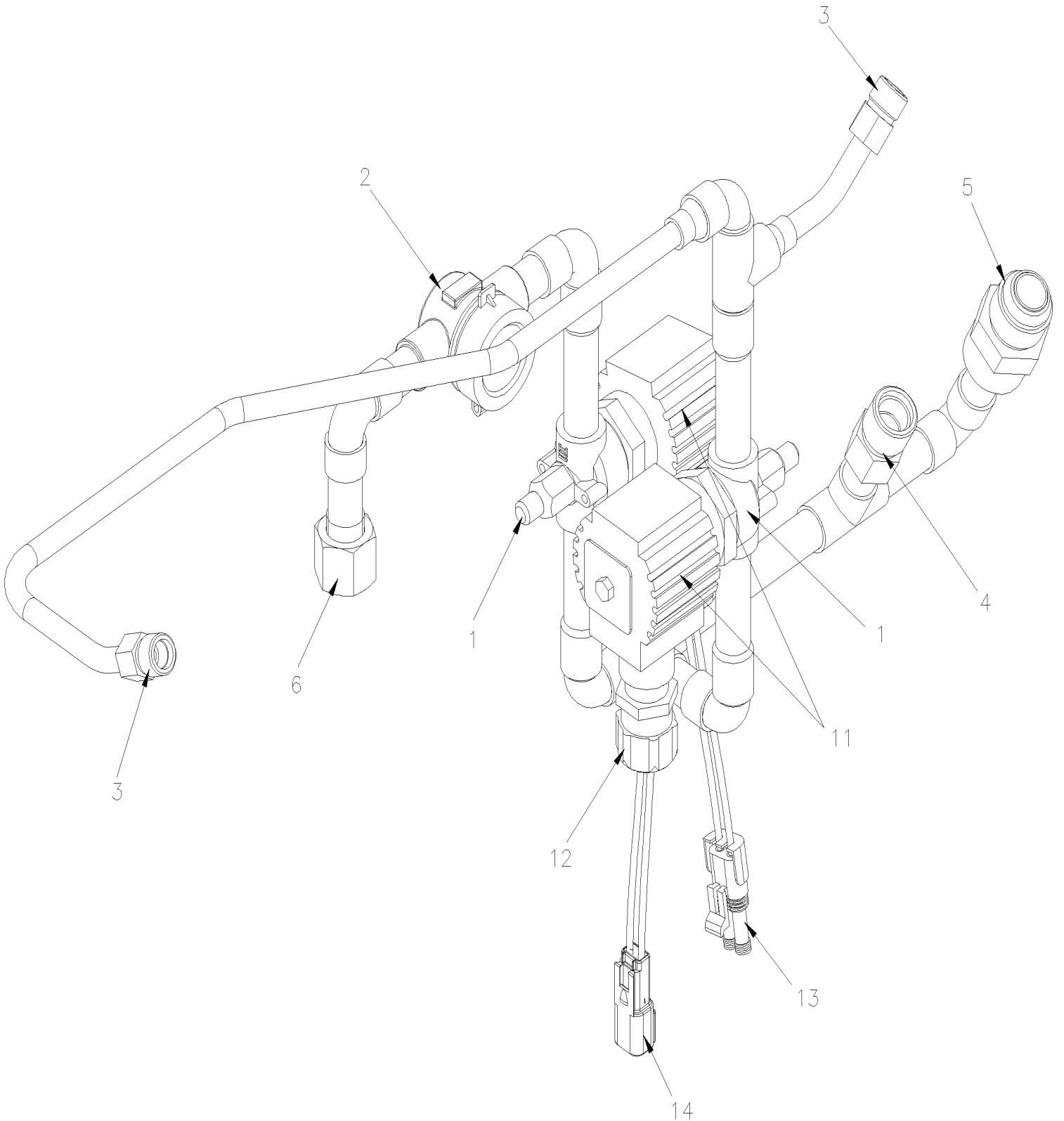
Item#	Part	Description	QTY	Notes
	450041	VALVE ASSY / REFRIGERANT WITHOUT SOLENOID To K-7662	1	
NS	501829	O-RING / ORS FITTING / #12 NEO To K-7662	1	
	450709	VALVE ASSY / REFRIGERANT WITHOUT SOLENOID From L-7663	1	
NS	501829	O-RING / ORS FITTING / #12 NEO From L-7663	1	
1	950951	VALVE REFRIGERANT SOLENOID	1	
2	5011072	ADAPTER "TUBE-O" @ BRAZE / #10TUBE-O-Fx#10 BR	1	
3	507525	ADAPTER JIC @ BRAZE W/O-RING // #12JIC-Mx#10BRAZE-F BR	AR	
NS	501829	O-RING / ORS FITTING / #12 NEO	1	
4	507528	NUT / JIC 37° FITTING / #10JIC-F STL	2	
5	507527	SLEEVE / JIC 37° FITTING / #10 STL	1	
6	950953	COIL 24V / SERVICE	1	
7	560434	CONNECTOR 1/2" PIPE	1	
8	561690	CONNECTOR / WEATHER PACK / SH 2C / BLACK / PED 12015792	1	
NS	561578	SOCKET TERMINAL / 16-14 / PED 12010182	2	
NS	561565	CABLE SEAL / GREEN / PED 15324982	2	

From G-7275 To H-7416

Date:07/2024

PAGE:X3PLB-2208-30

REFRIGERANT SOLENOID VALVE WITH A/C PARCEL RACK



From G-7275 To H-7416	Date:07/2024	PAGE:X3PLB-2208-30
REFRIGERANT SOLENOID VALVE WITH A/C PARCEL RACK		

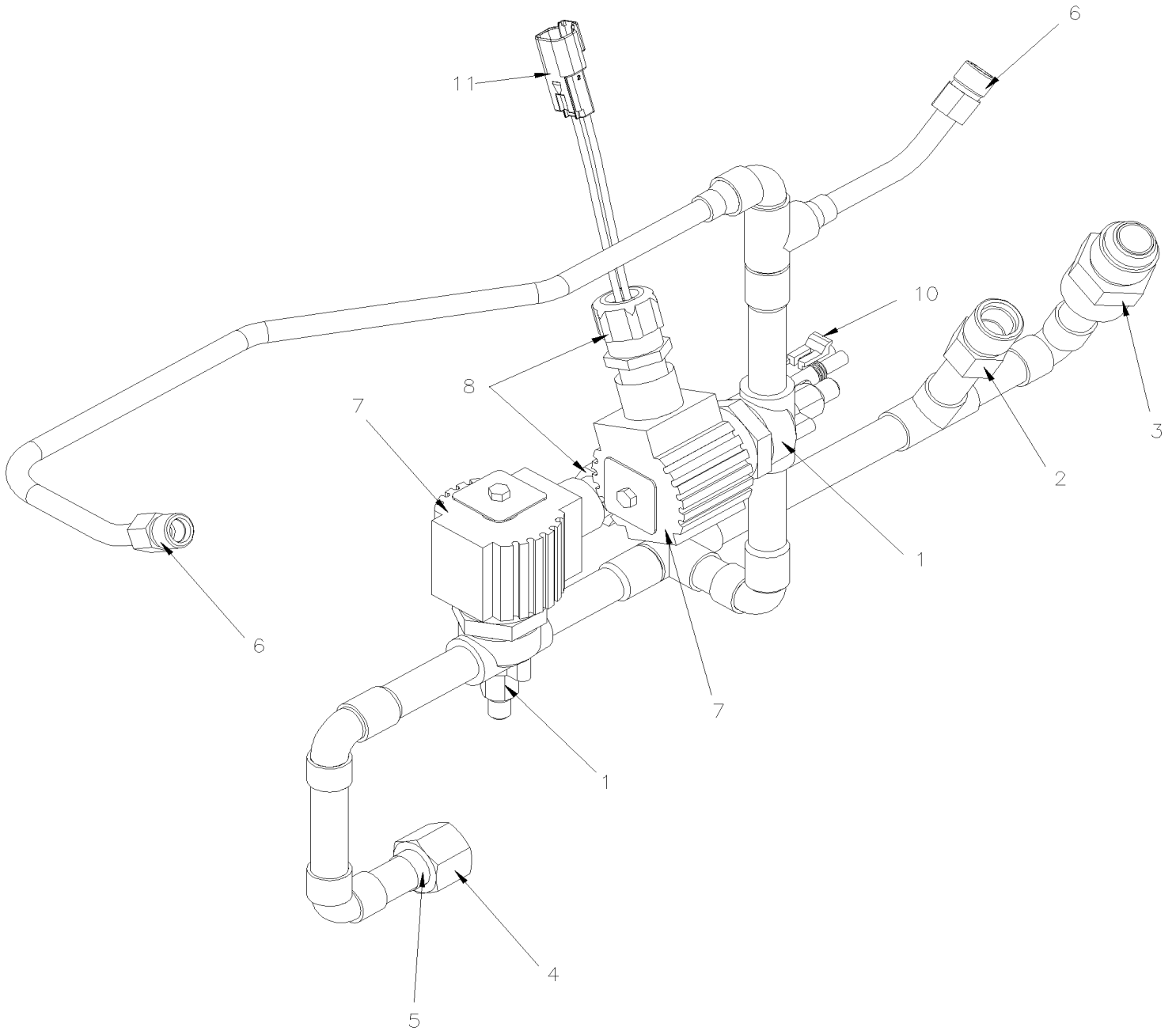
Item#	Part	Description	QTY	Notes
	454935P	VALVE ASSY / REFRIGERANT WITHOUT SOLENOID	1	
1	950951	. VALVE REFRIGERANT SOLENOID	2	
2	950333	. MOISTURE INDICATOR	1	
. NS	950711	. . LENS ASSY KIT MOISTURE INDICATOR	1	
. . NS	950712	. . . O-RING MOISTURE INDICATOR	1	
2	950029	. CAP, MOISTURE INDICATOR	1	
3	5011071	. ADAPTER "TUBE-O" @ BRAZE / #6TUBE-O-Fx#6 BR	2	
4	5011072	. ADAPTER "TUBE-O" @ BRAZE / #10TUBE-O-Fx#10 BR	1	
5	507525	. ADAPTER JIC @ BRAZE W/O-RING // #12JIC-Mx#10BRAZE-F BR	1	
. NS	501829	. . O-RING / ORS FITTING / #12 NEO	1	
6	507528	. NUT / JIC 37° FITTING / #10JIC-F STL	1	
6	507527	. SLEEVE / JIC 37° FITTING / #10 STL	1	
11	950953	COIL 24V / SERVICE	2	
12	560434	CONNECTOR 1/2" PIPE	2	
13	561690	CONNECTOR / WEATHER PACK / SH 2C / BLACK / PED 12015792	1	
13	561565	CABLE SEAL / GREEN / PED 15324982	2	
13	561578	SOCKET TERMINAL / 16-14 / PED 12010182	2	
14	562486	CONNECTOR / DT SERIES / PH 2C / GRAY / DEUTSCH DT04-2P	1	
14	562286	PIN TERMINAL / 18-16 / DEUTSCH 0460-202-16141	2	
14	562487	SECONDARY LOCK / DT SERIES / PH 2C / DEUTSCH W2P	1	

From H-7417 To M-7767

Date:07/2024

PAGE:X3PLB-2208-31

REFRIGERANT SOLENOID VALVE WITH A/C PARCEL RACK - "GHG17"



From H-7417 To M-7767	Date:07/2024	PAGE:X3PLB-2208-31
-----------------------	--------------	--------------------

REFRIGERANT SOLENOID VALVE WITH A/C PARCEL RACK - "GHG17"

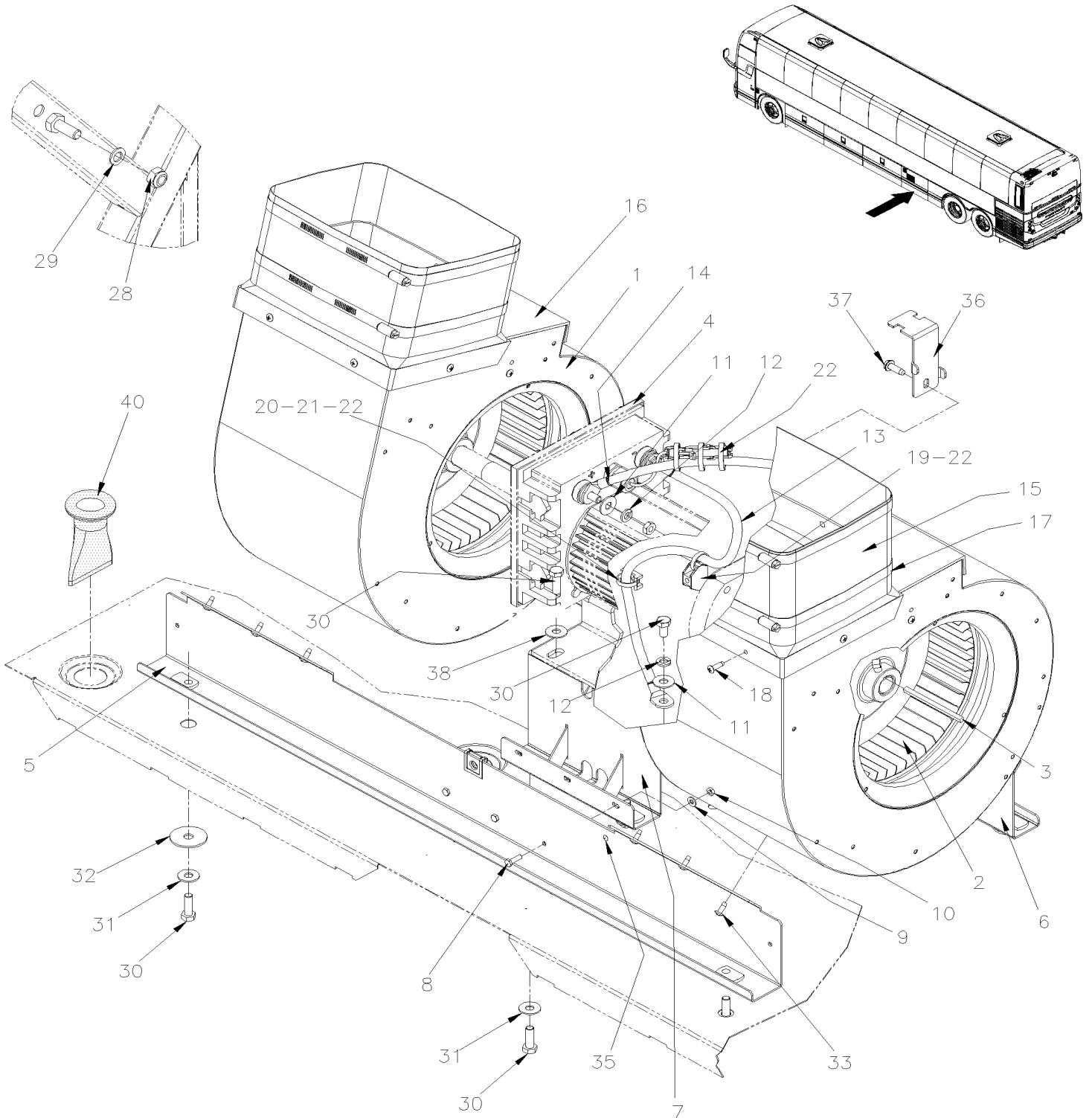
Item#	Part	Description	QTY	Notes
	450043	VALVE ASSY / REFRIGERANT WITHOUT SOLENOID	1	
1	950951	. VALVE REFRIGERANT SOLENOID	2	
2	5011072	. ADAPTER "TUBE-O" @ BRAZE / #10TUBE-O-Fx#10 BR	1	
3	507525	. ADAPTER JIC @ BRAZE W/O-RING // #12JIC-Mx#10BRAZE-F BR	1	
. NS	501829	. . O-RING / ORS FITTING / #12 NEO	1	
4	507528	. NUT / JIC 37° FITTING / #10JIC-F STL	1	
5	507527	. SLEEVE / JIC 37° FITTING / #10 STL	1	
6	5011071	. ADAPTER "TUBE-O" @ BRAZE / #6TUBE-O-Fx#6 BR	2	
7	950953	. COIL 24V / SERVICE	2	
8	560434	. CONNECTOR 1/2" PIPE	1	
NS	562499	. SHRINK TUBING / .250" - .125" / CLEAR / ALPHA FIT 221-1/4	AR	
10	561690	. CONNECTOR / WEATHER PACK / SH 2C / BLACK / PED 12015792	1	
10	561578	. . SOCKET TERMINAL / 16-14 / PED 12010182	1	
10	561565	. . CABLE SEAL / GREEN / PED 15324982	1	
11	562486	. CONNECTOR / DT SERIES / PH 2C / GRAY / DEUTSCH DT04-2P	1	
NS	562286	. . PIN TERMINAL / 18-16 / DEUTSCH 0460-202-16141	2	
NS	562487	. . SECONDARY LOCK / DT SERIES / PH 2C / DEUTSCH W2P	1	

From G-7275 To M-7767

Date:07/2024

PAGE:X3PLB-2210-00

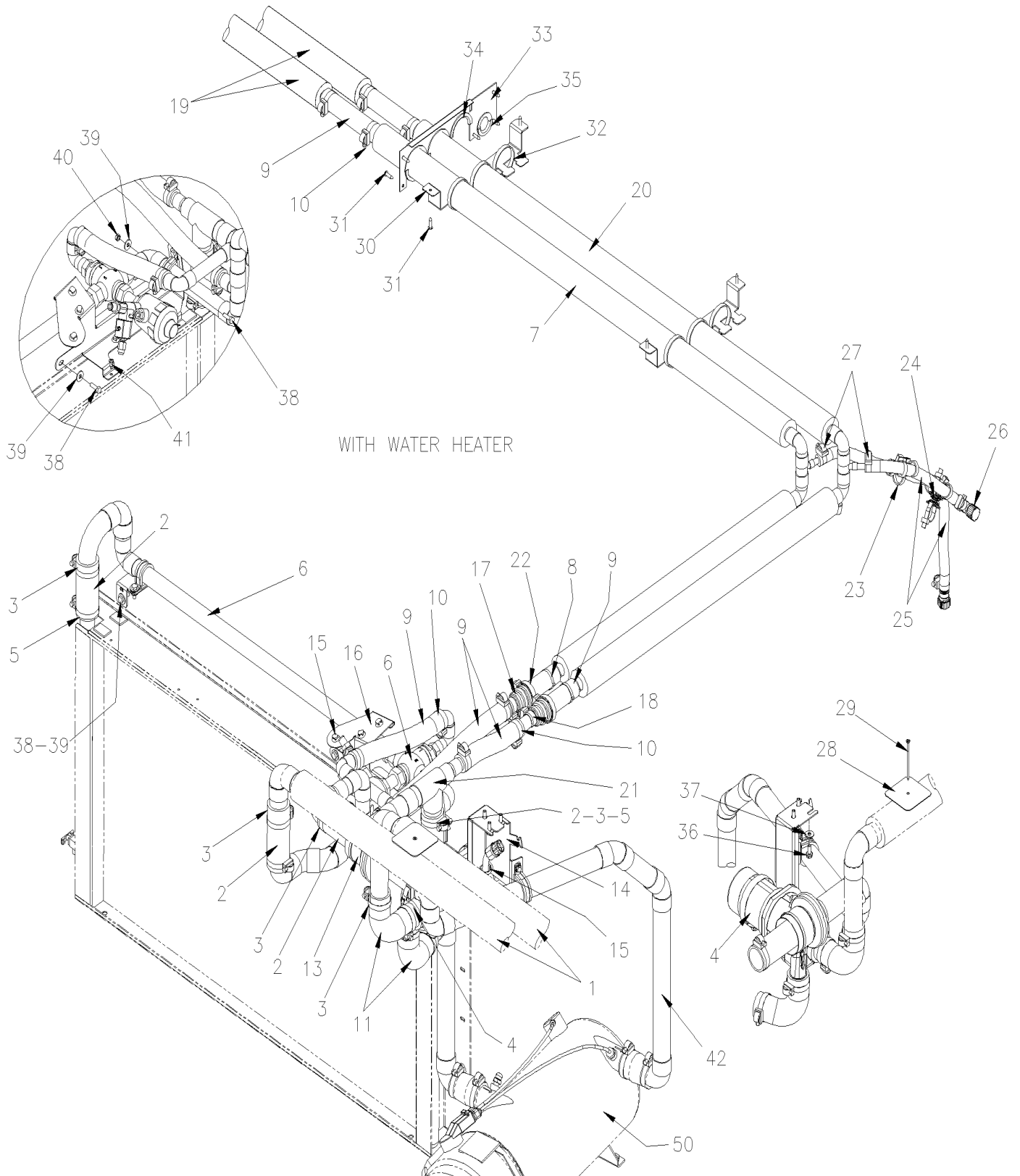
HEATER & EVAPORATOR BLOWER - INSTALLATION



From G-7275 To M-7767	Date:07/2024	PAGE:X3PLB-2210-00
HEATER & EVAPORATOR BLOWER - INSTALLATION		

Item#	Part	Description	QTY	Notes
1	871306	HOUSING ASSY W/BLOWER WHEEL	2	
1	871308	. HOUSING ASSY, GALVANISED	1	
2	870956	. BLOWER WHEEL	1	
3	452085	KEY 3/16 X 82 MM	2	
4	X3PLB-2265-00	MOTOR - EVAPORATOR BRUSHLESS		
5	457568	SUPPORT To H-7344	1	
5	450103	SUPPORT From H-7345	1	
6	453995	SUPPORT	1	
7	457414	BASE SUB ASSY	1	
8	5001447	SCREW CAP HEX #10-24x5/8 PT SS BK	6	
9	5001137	WASHER FL .203x.438x.050 SS	6	
10	5001180	NUT HEX NYRT #10-24 SS	6	
11	5001448	WASHER FL .343x.875x.062 SS18-8 From H-7417	2	
12	500035	WASHER LO SPT .317x.586x.078 SS From H-7417	1	
13	060527	EVAPORATOR POWER HARNESS GROUND From H-7417	1	
14	060529	EVAPORATOR POWER HARNESS From H-7417	1	
15	453986	FLEXIBLE DUCT / HEIGHT 140MM	2	
16	453992	TRANSITION ADAPTOR FLEXIBLE DUCT	2	
17	504729	CLAMP HOSE SS/CR 203-279	2	
18	500957	SCREW TP BDG PH #10x3/4 N500	10	
19	509492	CABLE TIE MOUNT FOR THREADED STUD 1/4	1	
20	504637	CABLE TIE / 3/16" x 13"	1	
21	504379	RIVET POP DOME OE 3/16x1/4 SS	1	
22	504637	CABLE TIE / 3/16" x 13"	AR	
28	5002028	NUT HEX NYRT M10-1.5 SS	1	
29	5001935	WASHER FL 10.5x18.0x1.6 SS	1	
30	5001527	SCREW CAP HEX M8-1.25x16 SS BK	AR	
31	5001448	WASHER FL .343x.875x.062 SS18-8	AR	
32	500462	WASHER FL .343x1.500x.083 SS	AR	
33	502868	SCREW TC TR PH #10-16x1/2 N500	AR	
35	504112	RIVET POP DOME OE 1/8x1/8 AL	2	
36	068359	SUPPORT WIRING HARNESS	1	
37	502848	SCREW TC CAP HEXF 1/4-20x3/4 N500	1	
38	5001848	WASHER BEL SPR .827 x .331 x .098 th SS	4	
40	453981	DRAIN BOOT 1" I.D. W/GROOVE 1.5 x 35MM I.D. x 62MM	4	
40	414654	DRAIN BOOT 1" I.D. W/GROOVE 1.5 x 35MM I.D. x 85MM	5	G
		G) WITH GREYHOUND VEHICLE		

WATER PUMP - INSTALLATION VOLVO D13



From G-7275 To H-7416	Date:07/2024	PAGE:X3PLB-2210-10
WATER PUMP - INSTALLATION VOLVO D13		

Item#	Part	Description	QTY	Notes
1	X3PLB-2222-05	HEATER LINE REAR SECTION VOLVO D13		
2	503783	HOSE SILICONE 4PLY / NOMEX-ARAMID 34MM I.D. x 6'	AR	
3	992086	HOSE CLAMP / 32MM/52MM	AR	
4	X3PLB-2206-00	WATER PUMP #874297 AMETEK		
5	992086	HOSE CLAMP / 32MM/52MM	2	
6	X3PLB-2207-00	WATER VALVE - MAIN HEATER		
7	Call order desk	PIPE ASSY / INLET	1	P
8	504637	CABLE TIE / 3/16" x 13"	AR	
9	503797	HOSE SILICONE 4 PLY / NOMEX-ARAMID 7/8" I.D. x 6'	AR	
10	992084	HOSE CLAMP / 23MM/35MM	AR	
11	378923	ELBOW 90° X 1 3/8" I.D. / 88MM x 150MM C/C / SILICONE 4 PLY	1	
12	378922	ELBOW 90° X 1 3/8" I.D. / 88MM x 128MM C/C / SILICONE 4 PLY	1	
13	504385	CUFF END BELLOW / 1 1/2" I.D. x 2 1/2" x 4"	1	
13	504637	CABLE TIE / 3/16" x 13"	1	
14	374649	SUPPORT / WATER PUMP	1	
15	509815	TIE MOUNT / ATTACHMENT W/TREE MOUNT	AR	
15	504637	CABLE TIE / 3/16" x 13"	AR	
16	374674	SUPPORT WATER VALVE BACKWARD	1	
17	504383	CUFF END BELLOW / 7/8" I.D. x 1 1/2" x 2 1/4"	2	
18	992084	HOSE CLAMP / 23MM/35MM	2	
19	378928	PIPE ASSY / CENTRAL SECTION 4342MM	2	
20	Call order desk	PIPE ASSY / OUTLET	1	P
21	Call order desk	PIPE ASSY / OUTLET	1	P
22	992086	HOSE CLAMP / 32MM/52MM	2	
23	504768	CABLE TIE / 3/16" 14.7" / DOUBLE LOOP HEAD	3	
24	8631155	CABLE TIE / 4.6MM x 200 / CHRISTMAS TREE	AR	
25	503821	HOSE SILICONE 4 PLY / NOMEX-ARAMID 3/8" x 144"	AR	
26	20805110	QUICK CONNECTOR 90° 10MM	2	
27	992081	HOSE CLAMP / 12MM/22MM	4	
28	374364	SUPPORT, PIPE	1	
29	500502	SCREW WO FL PH #8x3 Z050	1	
30	457712	SUPPORT	6	
31	500957	SCREW TP BDG PH #10x3/4 N500	AR	
32	504016	CABLE TIE / 5/16" X 14"1/2	AR	
33	221674	CLOSING PLATE ASS	1	
34	5060120	. GROMMET EDGING ADHESIVE .036-.062	AR	
35	506338	RUBBER CHANNEL / 1/16" x 1/4" INT "U" SHAPE / ROUND C.T.L.	AR	
35	684517	ADHESIVE SIMSON #ISR 70-03 / GREY / 310ml CARTRIDGE	AR	
36	5001730	SCREW CAP HEXF M6-1.0x16 G10.9 N500	3	
37	5001833	WASHER BEL SPR 6.1x18x1.27 SS	3	
38	502830	SCREW CAP HEX M6-1.0x20 G8.8 N500	3	
39	5001833	WASHER BEL SPR 6.1x18x1.27 SS	3	

From G-7275 To H-7416	Date:07/2024	PAGE:X3PLB-2210-10
WATER PUMP - INSTALLATION VOLVO D13		

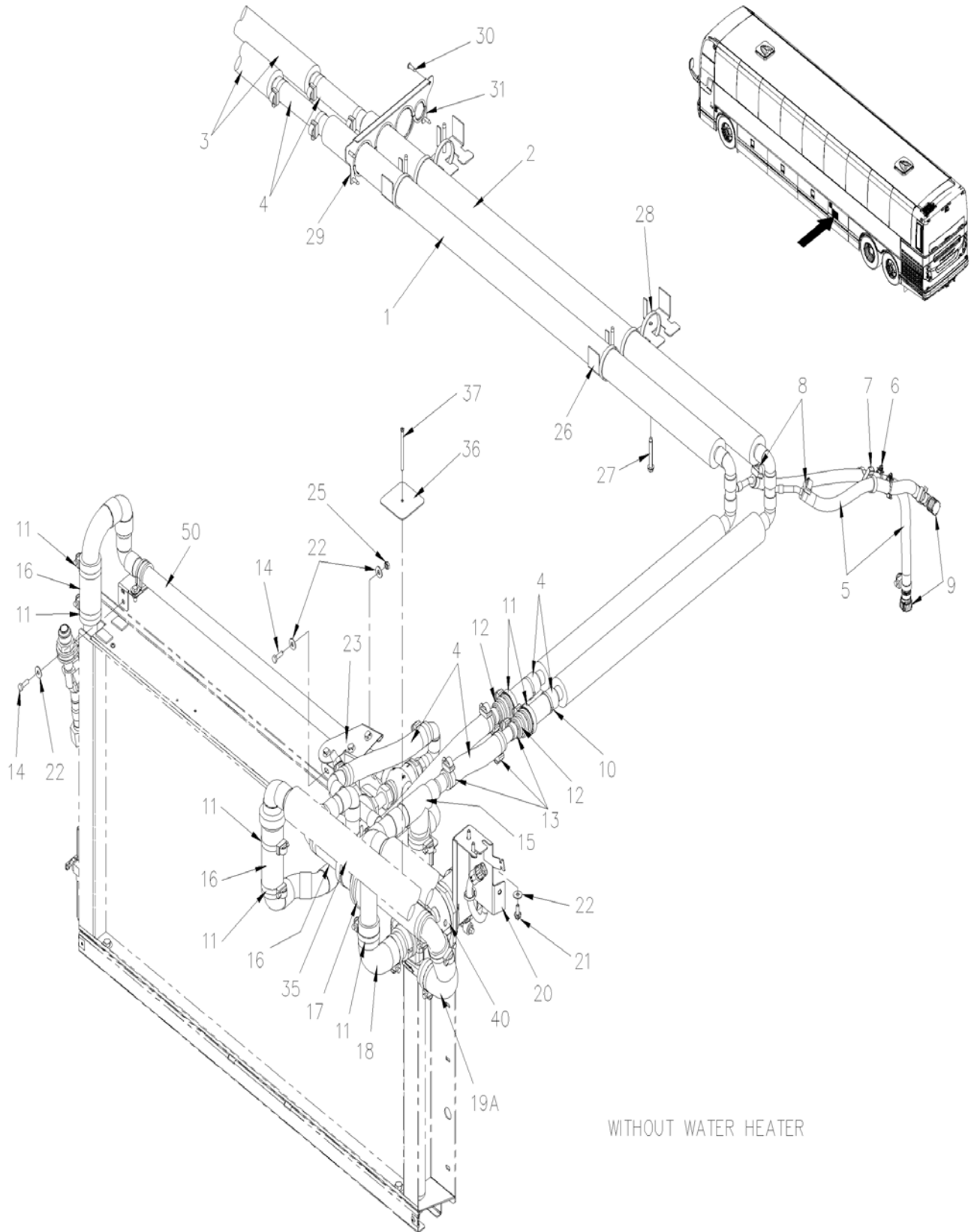
Item#	Part	Description	QTY	Notes
40	502854	NUT HEX M6-1.0 N500	1	
41	502868	SCREW TC TR PH #10-16x1/2 N500	2	
42	Call order desk	PIPE ASSY BYPASS	1	P
50	X3PLB-2350-10	WATER HEATER - INSTALLATION		
NS	680532	SEALANT SIKA #221 / GREY / 310ml CARTRIDGE	AR	
NS	684978	SPRAY URETHANE HILTI CAN	AR	
		P) CALL ORDER DESK FOR SPECIFIC APPLICATION (V.I.N.)		

From H-7417 To M-7767

Date:07/2024

PAGE:X3PLB-2210-11

WATER PUMP - INSTALLATION VOLVO D13 - GHG17



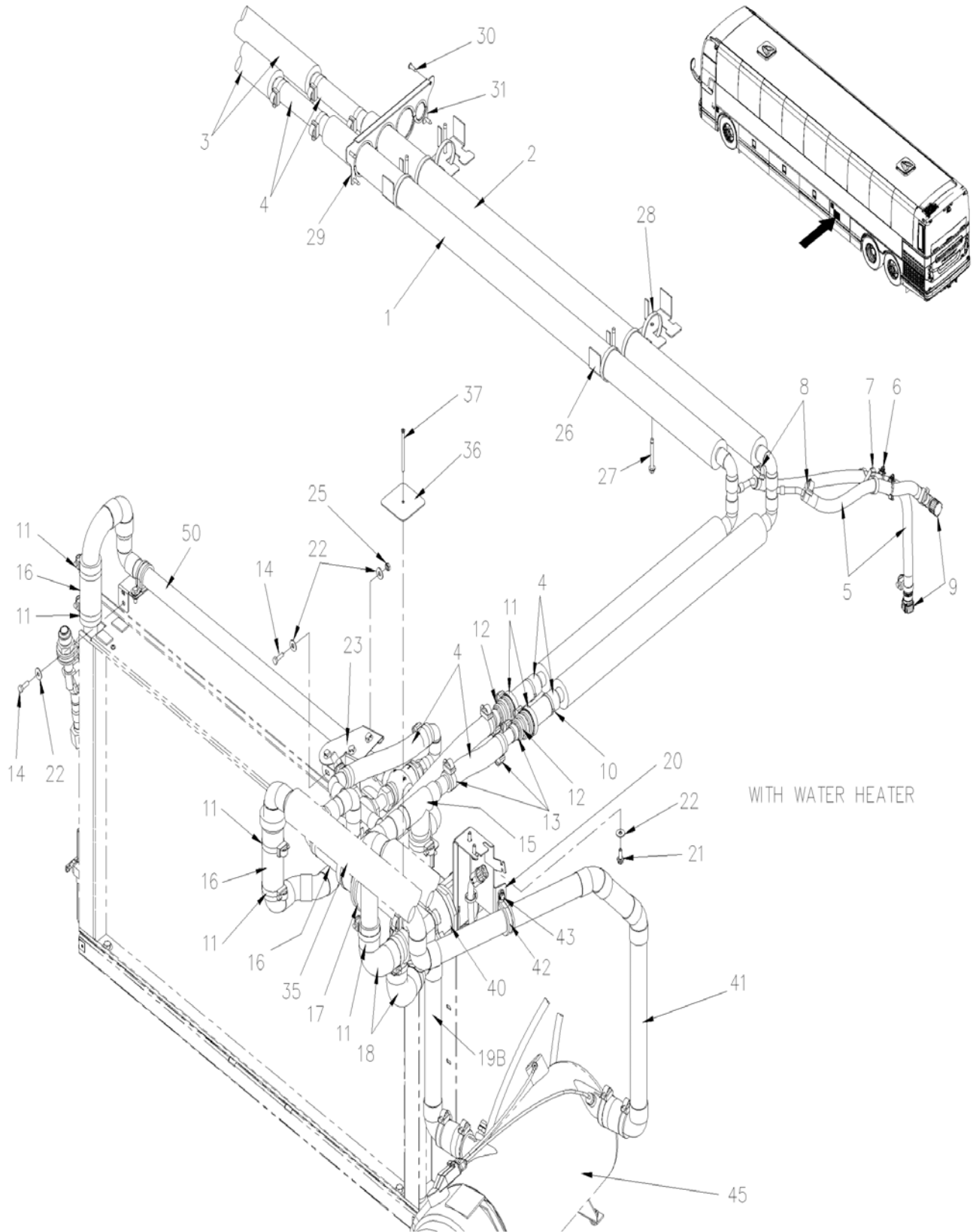
WITHOUT WATER HEATER

From H-7417 To M-7767

Date:07/2024

PAGE:X3PLB-2210-11

WATER PUMP - INSTALLATION VOLVO D13 - GHG17



From H-7417 To M-7767	Date:07/2024	PAGE:X3PLB-2210-11
WATER PUMP - INSTALLATION VOLVO D13 - GHG17		

Item#	Part	Description	QTY	Notes
1	374881	PIPE ASSY / INLET	1	
2	374880	PIPE ASSY / OUTLET	1	
3	378928	PIPE ASSY / CENTRAL SECTION 4342MM	2	
4	503797	HOSE SILICONE 4 PLY / NOMEX-ARAMID 7/8" I.D. x 6'	2	
5	503821	HOSE SILICONE 4 PLY / NOMEX-ARAMID 3/8" x 144"	AR	
6	8631155	CABLE TIE / 4.6MM x 200 / CHRISTMAS TREE	AR	
7	504768	CABLE TIE / 3/16" 14.7" / DOUBLE LOOP HEAD	AR	
8	992081	HOSE CLAMP / 12MM/22MM	AR	
9	20805110	QUICK CONNECTOR 90° 10MM	AR	
10	504637	CABLE TIE / 3/16" x 13"	AR	
11	992086	HOSE CLAMP / 32MM/52MM	AR	
12	504383	CUFF END BELLOW / 7/8" I.D. x 1 1/2" x 2 1/4"	2	
13	992084	HOSE CLAMP / 23MM/35MM	AR	
14	502830	SCREW CAP HEX M6-1.0x20 G8.8 N500	AR	
15	374689	PIPE ASSY / OUTLET To N-7940	1	
15	370047	PIPE ASSY / OUTLET From N-7941	1	
16	503783	HOSE SILICONE 4PLY / NOMEX-ARAMID 34MM I.D. x 6'	AR	
17	504385	CUFF END BELLOW / 1 1/2" I.D. x 2 1/2" x 4"	1	
NS	504637	CABLE TIE / 3/16" x 13"	1	
18	378923	ELBOW 90° X 1 3/8" I.D. / 88MM x 150MM C/C / SILICONE 4 PLY	1	
19A	378922	ELBOW 90° X 1 3/8" I.D. / 88MM x 128MM C/C / SILICONE 4 PLY	1	
19B	370412	PIPE ASSY, WATER PUMP OUTPUT	1	
20	374649	SUPPORT / WATER PUMP To J-7495	1	
20	370164	SUPPORT / WATER PUMP From J-7496	1	
NS	509815	TIE MOUNT / ATTACHMENT W/TREE MOUNT	1	
NS	504637	CABLE TIE / 3/16" x 13"	1	
21	5001730	SCREW CAP HEXF M6-1.0x16 G10.9 N500	AR	
22	5001833	WASHER BEL SPR 6.1x18x1.27 SS	AR	
23	374674	SUPPORT WATER VALVE BACKWARD	1	
25	502854	NUT HEX M6-1.0 N500	AR	
26	370062	SUPPORT, HVAC PIPE 211MM	AR	
27	500625	SCREW TC CAP HEXW 1/4-20x2 Z050		
28	504016	CABLE TIE / 5/16" X 14"1/2	AR	
29	374886	CLOSING PLATE W/LARGE A/C	AR	
. NS	506338	. RUBBER CHANNEL / 1/16" x 1/4" INT "U" SHAPE / ROUND C.T.L.	AR	
. NS	680066	. ADHESIVE / ADBOND #5014 / 23.6ML BOTTLE	ar	
NS	506338	RUBBER CHANNEL / 1/16" x 1/4" INT "U" SHAPE / ROUND C.T.L.	AR	
30	500957	SCREW TP BDG PH #10x3/4 N500	AR	
31	5060120	GROMMET EDGING ADHESIVE .036-.062	AR	
35	X3PLB-2222-06	HEATER LINE REAR SECTION VOLVO D13 - GHG17		
36	374364	SUPPORT, PIPE	AR	
37	500502	SCREW WO FL PH #8x3 Z050	2	

From H-7417 To M-7767	Date:07/2024	PAGE:X3PLB-2210-11
-----------------------	--------------	--------------------

WATER PUMP - INSTALLATION VOLVO D13 - GHG17

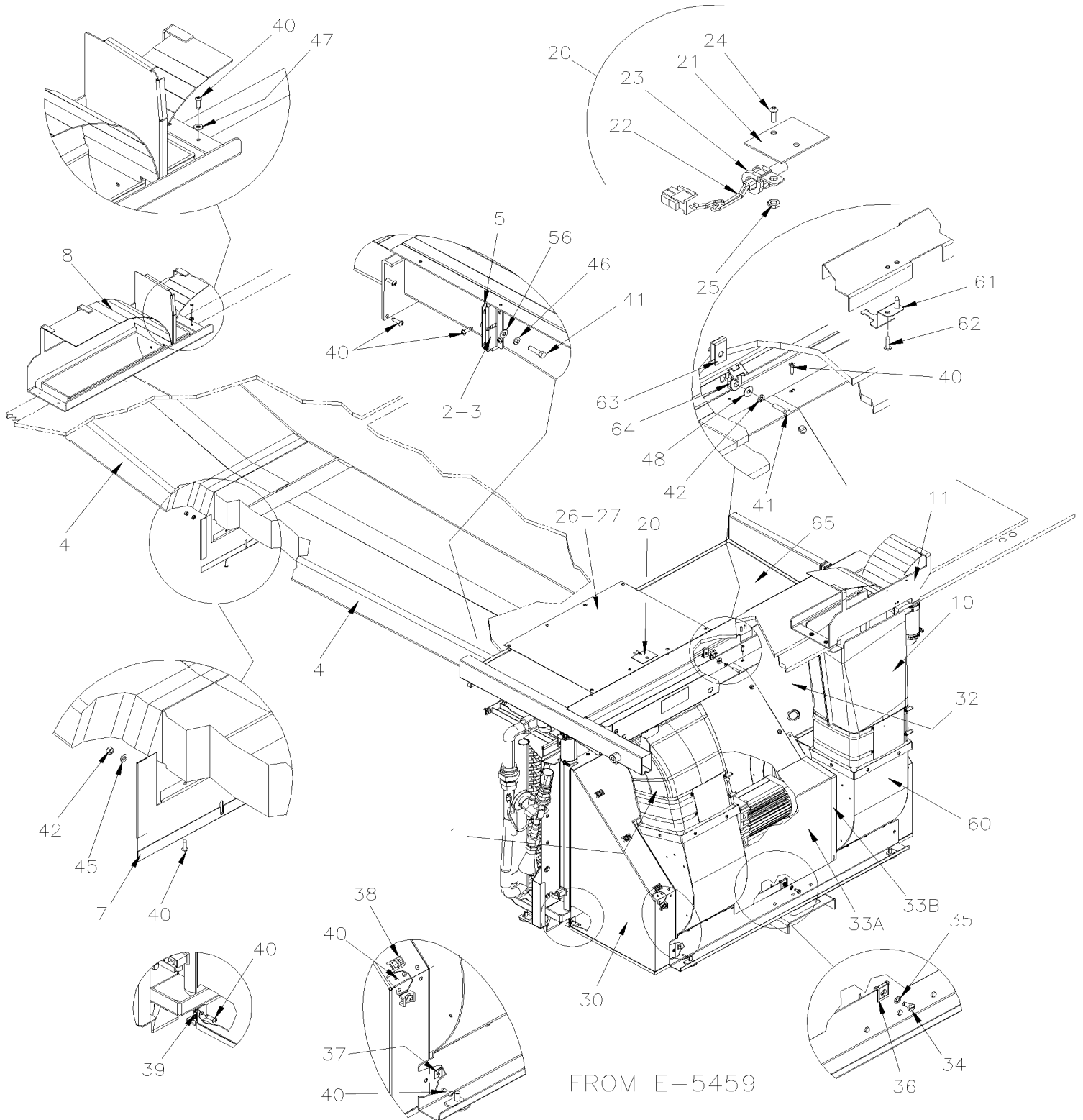
Item#	Part	Description	QTY	Notes
40	X3PLB-2206-00	WATER PUMP #874297 AMETEK		
41	374598	PIPE ASSY BYPASS To J-7495	1	
41	370136	PIPE ASSY BYPASS From J-7496 To N-7940	1	
41	370054	PIPE ASSY BYPASS From N-7941	1	
42	952641	CLAMP P STL ZP RUB 34.9 ID	1	
43	5001730	SCREW CAP HEXF M6-1.0x16 G10.9 N500	1	
45	X3PLB-2350-10	WATER HEATER - INSTALLATION		
50	X3PLB-2207-00	WATER VALVE - MAIN HEATER		

From G-7275 To M-7767

Date:07/2024

PAGE:X3PLB-2220-00

UNDER FLOOR AIR DUCTING



From G-7275 To M-7767	Date:07/2024	PAGE:X3PLB-2220-00
UNDER FLOOR AIR DUCTING		

Item#	Part	Description	QTY	Notes
1	Call order desk	DUCT, L.H. OUTLET EVAPORATOR FAN	1	P
1	453978	. DUCT	1	
2	454236	. ATTACHMENT	2	
3	453997	. GASKET	1	
4	Call order desk	DUCT UNDER FLOOR ASSY	1	P
4	454668	. DUCT UNDER FLOOR ASSY	1	
5	454235	. ATTACHMENT W/NUT	1	
NS	500957	. SCREW TP BDG PH #10x3/4 N500	4	
NS	506268	. TAPE RUB ADH1 URE 3/8" x 1/2" x 25' / GREY 1820	AR	
7	455414	PLATE SEALING	1	
8	374506	DEFLECTOR ASSY CONDENSOR SIDE To K-7662	1	
8	370177	DEFLECTOR ASSY CONDENSOR SIDE From L-7663	1	
8	374851	DEFLECTOR ASSY CONDENSOR SIDE W/W.C.L.	1	
8	684517	ADHESIVE SIMSON #ISR 70-03 / GREY / 310ml CARTRIDGE	AR	
8	684162	CORD ETHAFOAM 3/4"	AR	
10	453979	DUCT, R,H, OUTLET EVAPORATOR FAN	1	
11	374854	DEFLECTOR ASSY EVAPORATOR SIDE	1	
11	680532	SEALANT SIKA #221 / GREY / 310ml CARTRIDGE DAC #22627	AR	
20	329898P	BOX ASSY / AIR RETURN	1	
21	3200735	. GRILL / AIR RETURN BOX	1	
22	563063	. SENSOR THERMISTOR ASSY / TEMPERATURE / ("DELPHI")	1	
23	3200730	. SUPPORT / TEMPERATURE SENSOR	1	
24	504107	. RIVET POP DOME OE 1/8x5/16 AL	AR	
25	952624	. CLAMP / 1/4" I.D.	1	
26	500387	. SCREW MA RND PH #10-24x3/4 Z050	1	
27	500786	. NUT HEX #10-24 Z050	1	
28	500638	SCREW TP PAN PH #8x1/2 Z050	2	
30	457563P	PLENUM FORWARD SECTION To H-7344	1	
30	Call order desk	PLENUM FORWARD SECTION From H-7345 To H-7416	1	P
30	Call order desk	PLENUM FORWARD SECTION From H-7417	1	P
31	453991	REINFORCMENT	2	
32	457564P	PLENUM BACKWARD SECTION To H-7416	1	
32	Call order desk	PLENUM BACKWARD SECTION From H-7417	1	P
NS	504574	. GROMMET / 1.125x1.312x.062x.312x1.56 To H-7416	1	
32	504356	. GROMMET / .625x.875x.062x.312x1.125 From H-7417 To J-7522	1	
32	504264	. GROMMET / .750x1.250x.062x.250x1.625 From J-7523	1	
33A	457562P	PLENUM CENTRAL SECTION	1	
33B	457569	SUPPORT PLENUM CENTRAL SECTION	1	
34	504681	STUD 6MM (DZUS)	5	
35	504604	FASTENER	5	
36	504605	RECEPTACLE 6 MM	5	
37	502904	NUT SPR J #10A .035-.050 N500	2	

From G-7275 To M-7767	Date:07/2024	PAGE:X3PLB-2220-00
UNDER FLOOR AIR DUCTING		

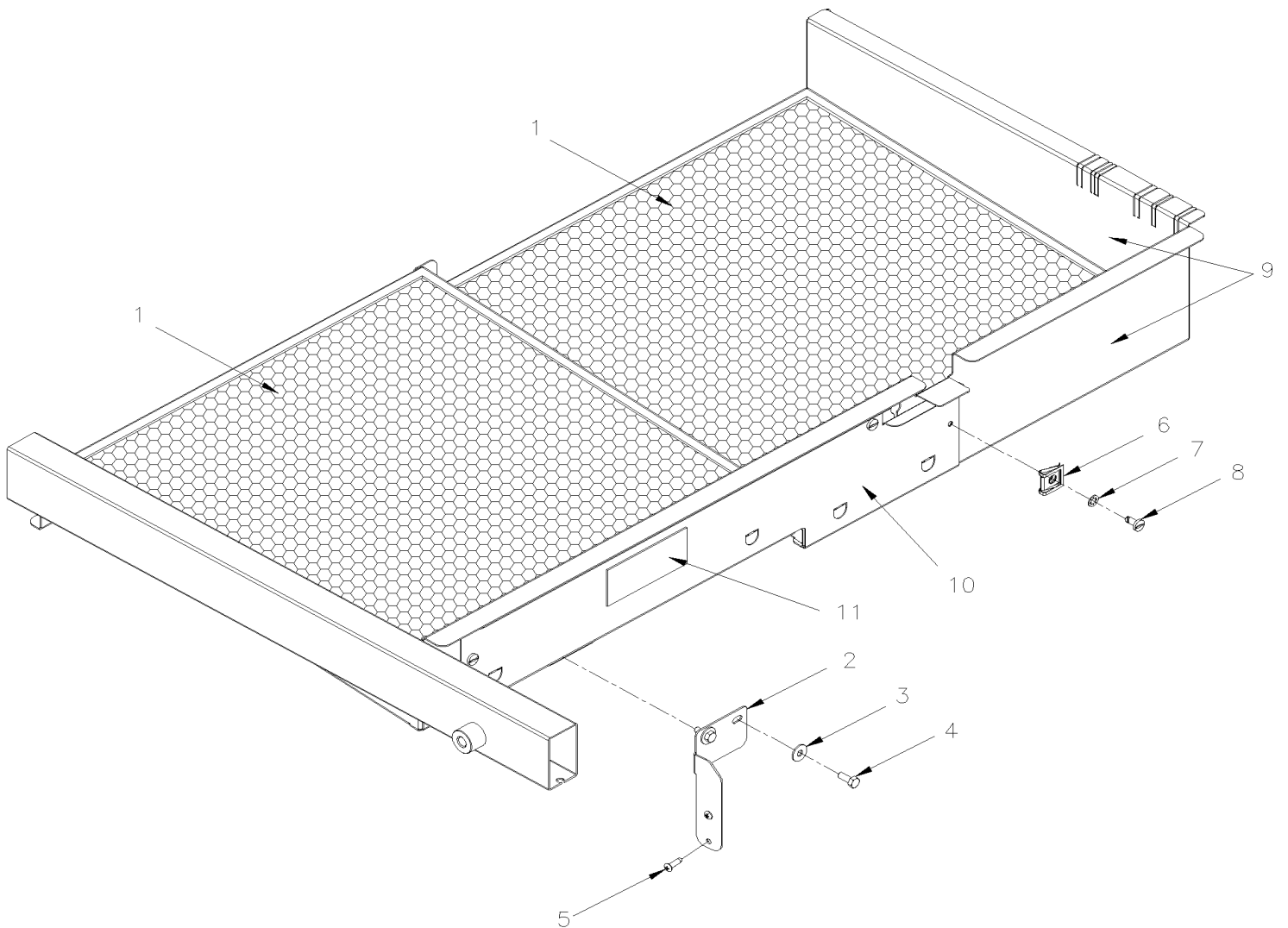
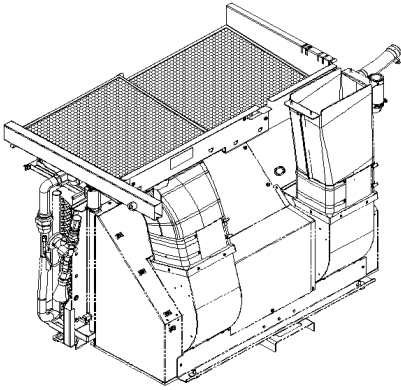
Item#	Part	Description	QTY	Notes
38	504013	TIE MOUNT / 1/4" X 1/4" I.D.	AR	
39	481249	NUT To H-7375	2	
39	500981	NUT SPR U #10-23/32x5/8 From H-7376	2	
40	500414	SCREW TP BDG PH #10x3/4 SS	17	
41	502737	SCREW CAP HEX M6-1.0x25 SS BK	2	
42	502681	NUT HEX NYRT M6-1.0 N500 G8	2	
43	500642	SCREW TP PAN PH #10x3/4 Z050	9	
44	502737	SCREW CAP HEX M6-1.0x25 SS BK	2	
45	502573	WASHER FL 6.4x12.5x1.6 SS	2	
46	502853	WASHER LO SPT 6.1x11.8x1.6 N500	6	
47	500804	WASHER FL .203x.500x.047 N500	4	
48	500411	WASHER FL .260x.697x.050 SS	4	
49	502868	SCREW TC TR PH #10-16x1/2 N500	16	
50	457420	SUPPORT RETURN AIR FILTER / "SPECIAL OPTION" HYDRO QC	1	
51	871377	FILTER ASSY RECIRCULATING 1/4" X 6" X 27 1/8" / "SPECIAL OPTION" HYDRO QC	2	
52	871378	FILTER ASSY RECIRCULATING 1/4" X9 3/8" X 17 3/4 / "SPECIAL OPTION" HYDRO QC	1	
56	500877	WASHER FL .250x.562x.065 N500	2	
60	X3PLB-2210-00	HEATER & EVAPORATOR BLOWER - INSTALLATION	1	
61	374821	SUPPORT WIRING	1	
61	509815	TIE MOUNT / ATTACHMENT W/TREE MOUNT	1	
62	500957	SCREW TP BDG PH #10x3/4 N500	2	
63	5001965	NUT SPR U M6-1.0 0.6-4.0 N500	1	
64	507383	TIE MOUNT HOLE 3/8"	1	
65	X3PLB-2221-05	UNDER FLOOR AIR FILTERS	1	
NS	IS20929	UV LIGHTS INSTALLATION IN AC COMPARTMENT	1	
. NS	7771178	. UVC LIGHT KIT	1	
. NS	N91098	. CABLE TIE / .135" X 8" / BLEU	20	
. NS	IS-20929	. SEE INSTRUCTION SHEET	1	
. NS	FI-20929	. VOIR FEUILLE D'INSTRUCTION	1	
		P) CALL ORDER DESK FOR SPECIFIC APPLICATION (V.I.N.)		

From G-7275 To M-7767

Date:07/2024

PAGE:X3PLB-2221-05

UNDER FLOOR AIR FILTERS

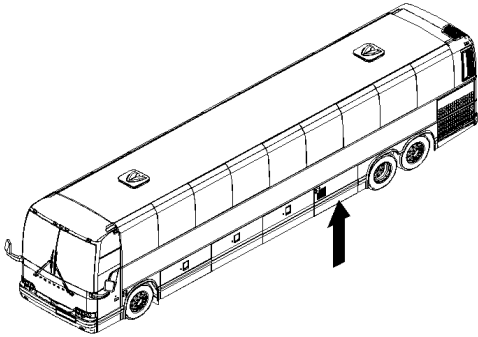


From G-7275 To M-7767

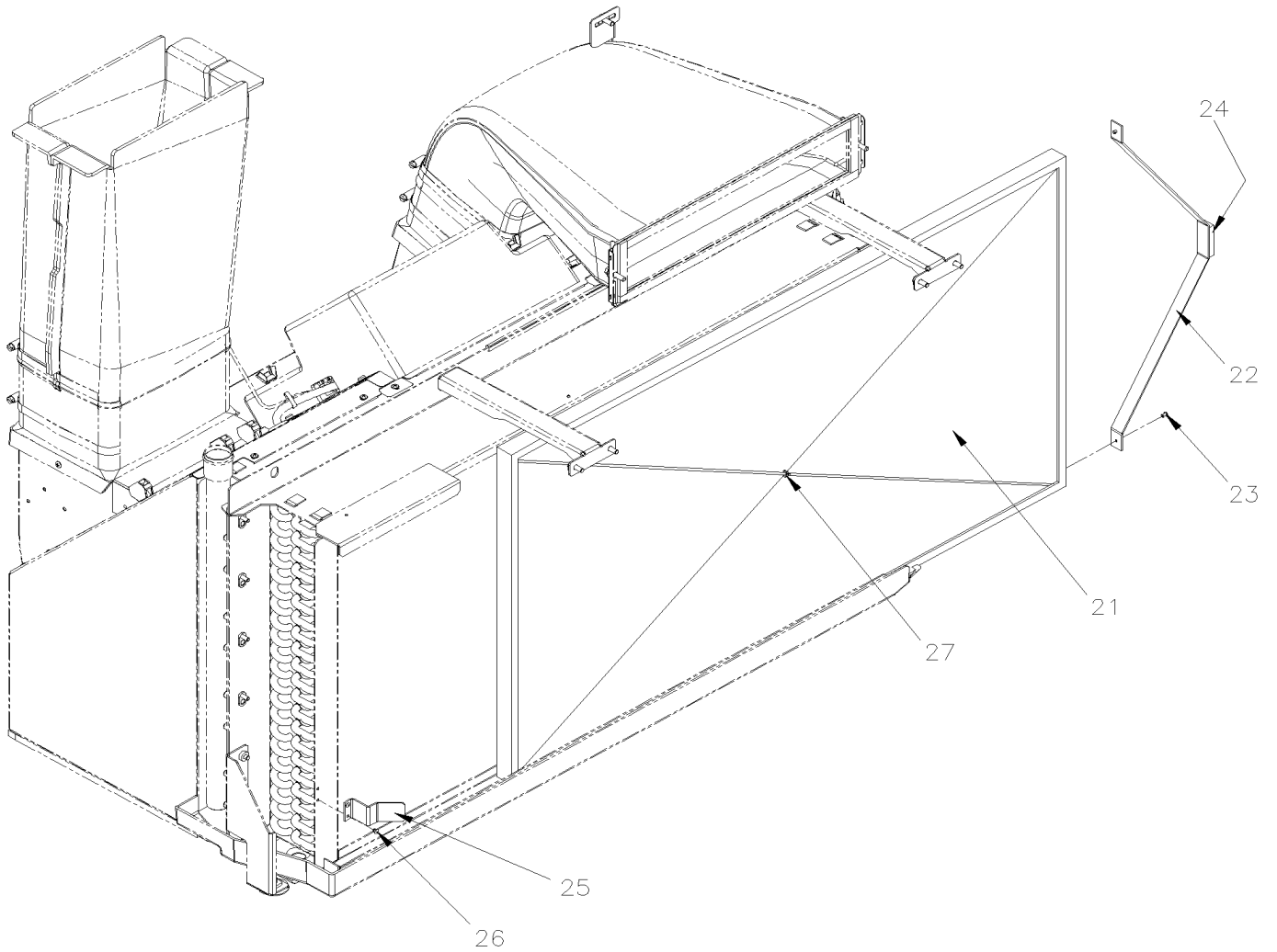
Date:07/2024

PAGE:X3PLB-2221-05

UNDER FLOOR AIR FILTERS



FROM J-7481
PWT OPTION

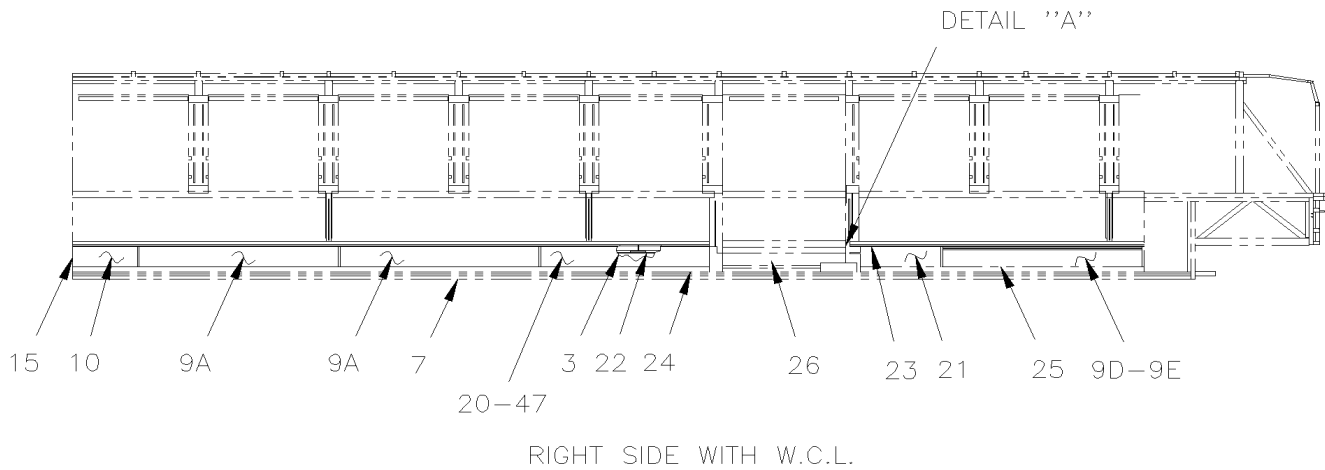
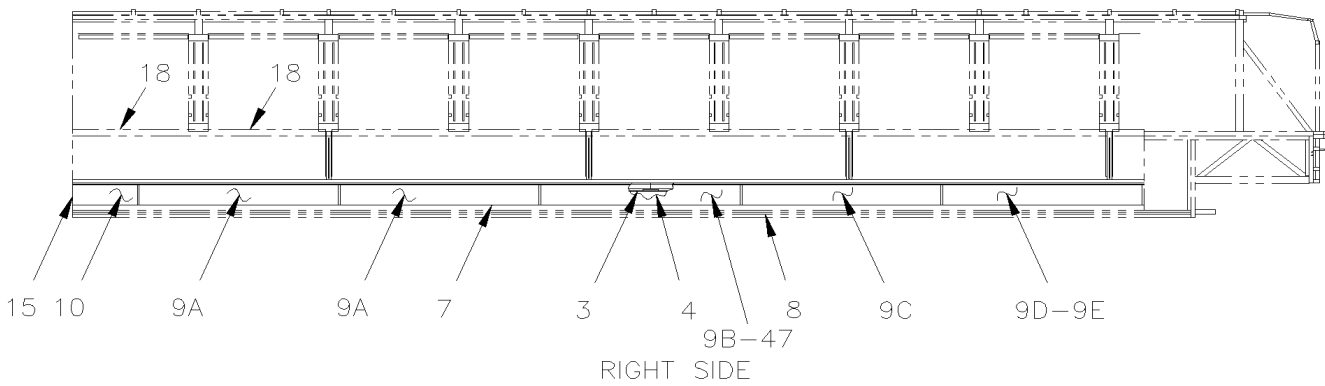
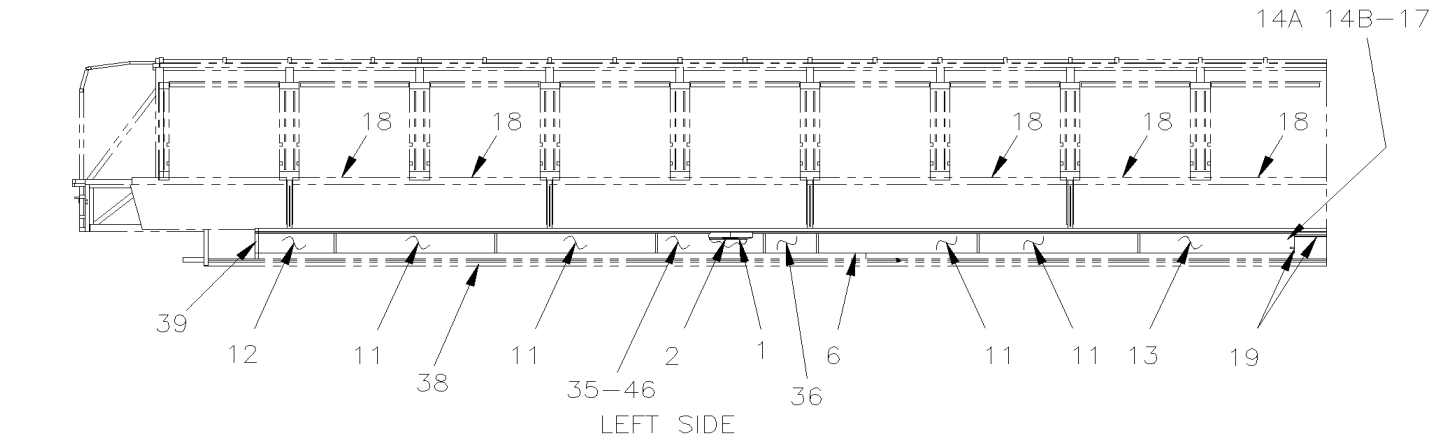


From G-7275 To M-7767	Date:07/2024	PAGE:X3PLB-2221-05
-----------------------	--------------	--------------------

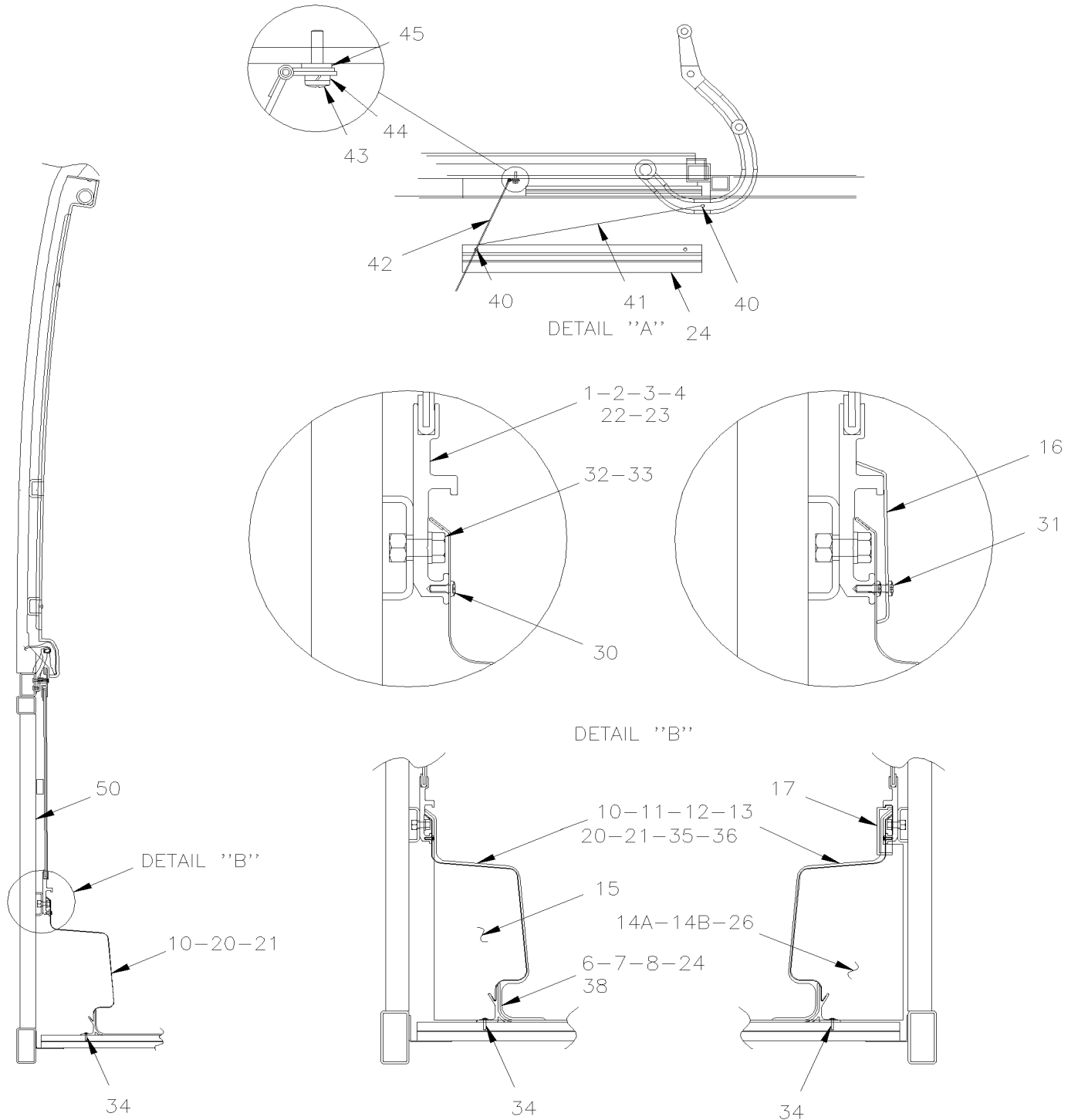
UNDER FLOOR AIR FILTERS

Item#	Part	Description	QTY	Notes
1	871447	FILTER 1" x 19 1/2" X 19 1/2"	2	
1	871449	FILTER 1" x 19 1/2" X 19 1/2"	2	GR
1	871450	FILTER / PLEATED MEVR8 1" x 19 1/2" X 19 1/2"	2	A
1	870143	FILTER / PLEATED MEVR13 1" x 19 1/2" X 19 1/2"	2	A
2	374684	SUPPORT, EVAPORATOR DUCT WO/ SLIDE-OUT	1	
3	5001833	WASHER BEL SPR 6.1x18x1.27 SS	2	
4	5001744	SCREW CAP HEX M6-1.0x16 G8.8 N500	2	
5	500957	SCREW TP BDG PH #10x3/4 N500	2	
6	504605	RECEPTACLE 6 MM	AR	
7	504604	FASTENER	AR	
8	504681	STUD 6MM (DZUS)	AR	
9	217063	SUPPORT FILTER, FRONT PANEL ASSY	1	
10	374681	CLOSING, FILTER	1	
11	374798	DECAL "AIR FILTER"	1	
21	874272	FILTER 1" x 38" X 21" From J-7481	1	PWT
. NS	874273	. FILTER ROLL POLYESTER C.T.L. 1" x 60" x 90' From J-7481	1	PWT
. . NS	374406	. . FILTER ROLL POLYESTER C.T.L. 8 filters 1" X 60" 10' From J-7481	9	PWT
22	379060	HANDLE 20" x 6" From J-7481	1	PWT
23	504340	RIVET POP DOME OE 1/8x3/16 SS From J-7481	2	PWT
24	506040	TAPE RUB ADH1 CC EPDM 5/16" x 3/4" x 25' / BLACK OR GREY 144X From J-7481	AR	PWT
25	374232	SUPPORT LOWER GUIDE From J-7481	1	PWT
26	504104	RIVET POP DOME OE 1/8x1/8 SS From J-7481	2	PWT
27	504273	CABLE TIE / 1/8" X 3"1/2 From J-7481	1	PWT
		A) OPTION FILTER / PLEATED MEVR13		
		GR) WITH GREYHOUND OPTION		
		PWT) PACIFIC WESTERN TRANSPORTATION OPTION		

DUCTING HEATER & A/C - BUS FLOOR



DUCTING HEATER & A/C - BUS FLOOR



From G-7275 To K-7662	Date:07/2024	PAGE:X3PLB-2221-10
DUCTING HEATER & A/C - BUS FLOOR		

Item#	Part	Description	QTY	Notes
1	3200322	EXTRUSION, LOWER WALL / GREY 5536MM	1	
2	3200323	EXTRUSION, LOWER WALL / 5429MM	1	
3	3200436	EXTRUSION, LOWER WALL / GREY 5540MM		
4	3200437	EXTRUSION, LOWER WALL / GREY 5078.6MM	1	
6	3200324	EXTRUSION, FLOOR 2502.4MM	1	
7	321019	EXTRUSION, FLOOR 5110MM	1	
8	326653	EXTRUSION, FLOOR 4272MM	1	
9A	323356	DUCT, AIR 2187MM / GREY	2	
9B	3200435	DUCT, AIR 2084MM / GREY	1	
9C	3200162	DUCT, AIR 615 MM/ GREY	1	
9D	327688	DUCT, AIR 2000 MM / GREY	1	
9D	3200692	DUCT, AIR 2078MM / GREY	1	A
9E	321028	DUCT, AIR 1326MM / GREY	1	
10	323387	DUCT, AIR 375MM / GREY	1	
11	321029	DUCT, AIR 1615MM / GREY	1	
12	321031	DUCT, AIR 1545MM / GREY	1	
13	321030	DUCT, AIR 2259MM / GREY	1	
14A	326841	CAP CLOSING / L.H. FRONT DUCT	1	
14B	3210116	DUCT CLOSING FOAM / FOAM 1" TH. From J-7440	1	
15	327345	CAP CLOSING / R.H. FRONT DUCT	1	
16	329521	MOULDING, COVER CABLE / GREY / 203MM	1	
16	329522	MOULDING, COVER CABLE / GREY / 330MM	1	
16	329518	MOULDING, COVER CABLE / GREY / 360MM	1	
16	329519	MOULDING, COVER CABLE / GREY / 390MM	1	
16	329520	MOULDING, COVER CABLE / GREY / 465MM	1	
16	329517	MOULDING, COVER CABLE / GREY / 530MM	1	
17	327269	FINISHING MOULDING / PLASTIC CAP 200MM x 88MM	1	
18	454799	RESTRICTION AIR DIFFUSOR / "U" SHAPE 757MM	7	
18	454713	RESTRICTION AIR DIFFUSOR / "U" SHAPE 143MM	AR	
18	454789	RESTRICTION AIR DIFFUSOR / "U" SHAPE 118MM	AR	
18	454798	RESTRICTION AIR DIFFUSOR / "U" SHAPE 753MM	AR	
19	506035	TAPE RUB ADH1 NEO 1/2" x 1" x 15' / BLACK 1220X	AR	
20	Call order desk	DUCT, AIR 468MM / GREY	1	P
NS	506264	TAPE RUB ADH1 URE 3/4" x 1" x 12.5' / GREY 1820X	AR	
21	3200334	DUCT, AIR 898MM / GREY	1	
22	327771	EXTRUSION, LOWER WALL / GREY 775MM	1	
23	3200315	EXTRUSION, LOWER WALL / GREY 4094MM	1	
23	3200694	EXTRUSION, LOWER WALL / GREY 2890MM	1	A
23	3200573	EXTRUSION, LOWER WALL / GREY 5408MM To H-7416	1	B
23	3201573	EXTRUSION, LOWER WALL / GREY 5396MM From H-7417	1	B
24	328764	EXTRUSION, LOWER WALL / GREY 367MM	1	
25	3200321	EXTRUSION, FLOOR 3282MM	1	

From G-7275 To K-7662	Date:07/2024	PAGE:X3PLB-2221-10
DUCTING HEATER & A/C - BUS FLOOR		

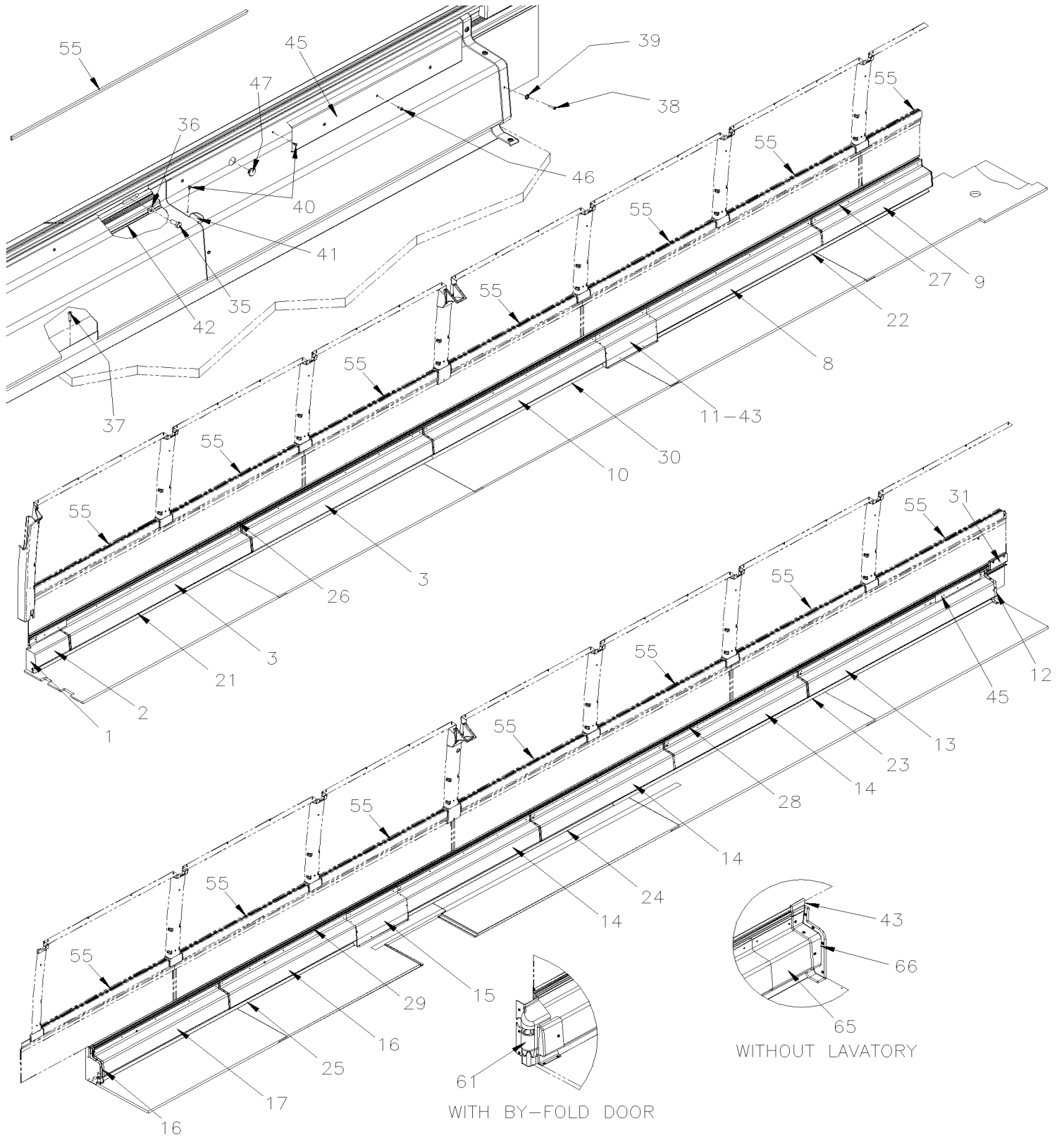
Item#	Part	Description	QTY	Notes
25	3200693	EXTRUSION, FLOOR 2054MM	1	A
26	X3PLB-2221-80	AIR DUCT W.C.L. DOOR "RICON" WITH SLIDING DOOR		
30	500417	SCREW TP PAN PH #6x3/8 Z050	84	
31	500583	SCREW TP PAN PH #6x1/2 Z050	56	
32	5001473	SCREW CAP HEXS 5/16-18x3/4 NYRT	20	
33	500441	WASHER FL .312x.734x.065 Z050	20	
34	500505	SCREW WO PAN PH #10x1 Z050	34	
NS	500463	WASHER FN CKF .187x.500x.090 BR Z050	34	
35	321028	DUCT, AIR 1326MM / GREY	1	
36	3200162	DUCT, AIR 615 MM/ GREY	1	
38	3200544	EXTRUSION, FLOOR 3028MM	1	
39	3200552	CLOSING DUCT / PLASTIC RIGHT / 80.2MM TOP WIDE	1	
39	3200552	CLOSING DUCT / PLASTIC RIGHT / 80.2MM TOP WIDE To H-7416	1	B
39	3201086	CLOSING DUCT / PLASTIC RIGHT / 50.2MM WIDE From H-7417	1	B
40	504106	RIVET POP DOME OE 1/8x1/4 AL	1	
41	327522	WIRE ASSY	1	
42	328888	DUCT CLOSING TRAP ASSY	1	
43	500658	SCREW TC PAN PH #10-24x3/4 Z050	1	
44	500470	WASHER LO SPT .193x.334x.047 Z050	1	
45	5001137	WASHER FL .203x.438x.050 SS	1	
46	374546	AIR DEFLECTOR / STREET SIDE	1	
NS	500957	SCREW TP BDG PH #10x3/4 N500	6	
47	374545	AIR DEFLECTOR / CURBSIDE	1	
47	500957	SCREW TP BDG PH #10x3/4 N500	1	
50	850073	ALUMINUM WALL COVERING ADHESIVE / 28 1/2" X 448"	2	
		A) USE WITH WHEEL CHAIR LAVATORY		
		B) WITHOUT LAVATORY		
		P) CALL ORDER DESK FOR SPECIFIC APPLICATION (V.I.N.)		

From L-7663 To M-7767

Date:07/2024

PAGE:X3PLB-2221-11

DUCTING HEATER & A/C - BUS FLOOR

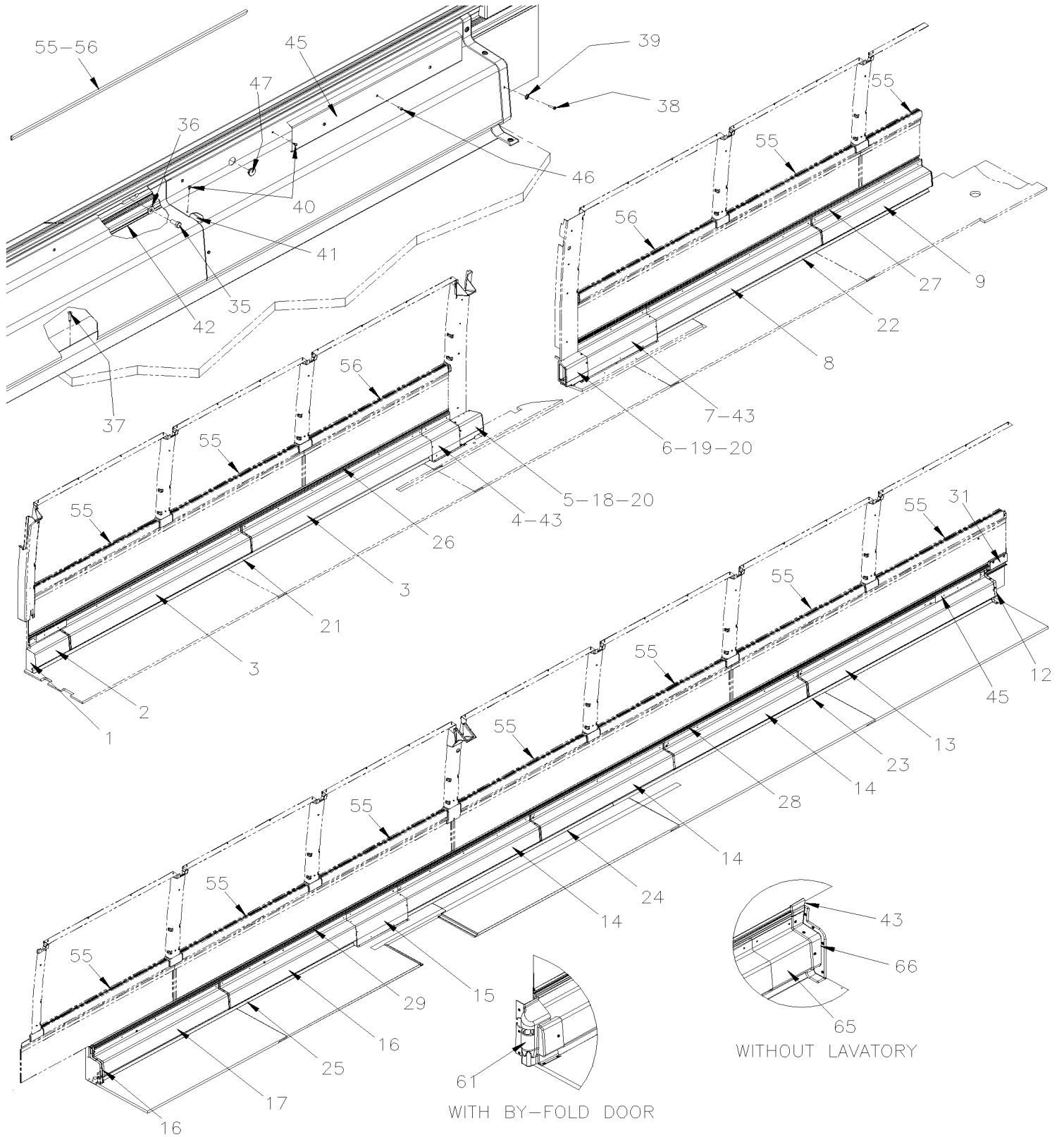


From L-7663 To M-7767

Date:07/2024

PAGE:X3PLB-2221-11

DUCTING HEATER & A/C - BUS FLOOR



From L-7663 To M-7767	Date:07/2024	PAGE:X3PLB-2221-11
DUCTING HEATER & A/C - BUS FLOOR		

Item#	Part	Description	QTY	Notes
1	328961	INSULATING PANEL / DUCT END	1	
2	3210415	DUCT, AIR 420MM / GREY	1	
2	323387	DUCT, AIR 375MM / GREY	1	A
3	323356	DUCT, AIR 2187MM / GREY	2	
4	3210142	DUCT, AIR 396MM / GREY	1	
4	3200362	DEFLECTOR	1	
4	504347	RIVET POP DOME OE 3/16x1/4 AL	2	
5	3210329	DUCT END FOWARD AIR DUCT	1	
6	3210328	DUCT END BACKWARD AIR DUCT	1	
7	3210143	DUCT, AIR 937MM / GREY	1	
8	327688	DUCT, AIR 2000 MM / GREY	1	
8	3200692	DUCT, AIR 2078MM / GREY	1	B
9	321028	DUCT, AIR 1326MM / GREY	1	
9	506338	RUBBER CHANNEL / 1/16" x 1/4" INT "U" SHAPE / ROUND C.T.L.	AR	
10	3200435	DUCT, AIR 2084MM / GREY	1	
11	3200162	DUCT, AIR 615 MM/ GREY	1	
12	326841	CAP CLOSING / L.H. FRONT DUCT	1	
13	321030	DUCT, AIR 2259MM / GREY	1	
14	321029	DUCT, AIR 1615MM / GREY	3	
15	3200162	DUCT, AIR 615 MM/ GREY	1	
16	321031	DUCT, AIR 1545MM / GREY	2	
17	3201064	CLOSING DUCT / PLASTIC LEFT / 50.2MM WIDE	1	
18	3210298	CLOSING PANEL FOWARD AIR DUCT	1	
19	3210346	CLOSING PANEL BACKWARD AIR DUCT	1	
20	504105	RIVET POP DOME OE 1/8x3/16 AL	AR	
21	3210414	EXTRUSION, FLOOR 4764MM	1	
22	3200321	EXTRUSION, FLOOR 3282MM	1	
22	3200571	EXTRUSION, FLOOR 3578MM	1	O
22	3200693	EXTRUSION, FLOOR 2054MM	1	B
23	326648	EXTRUSION, FLOOR 4512MM	1	
24	3200324	EXTRUSION, FLOOR 2502.4MM	1	
25	3201065	EXTRUSION, FLOOR 3077MM	1	
26	3210019	EXTRUSION, LOWER WALL / 4903MM	1	
26	3210025	EXTRUSION, LOWER WALL / 5025MM	1	W
27	3210020	EXTRUSION, LOWER WALL / 5718MM	1	
27	3210021	EXTRUSION, LOWER WALL / 4152MM	1	W
27	3210022	EXTRUSION, LOWER WALL / 2924	1	B
27	3210249	EXTRUSION, LOWER WALL / 6017MM	1	O
28	3210019	EXTRUSION, LOWER WALL / 4903MM	1	
29	3210249	EXTRUSION, LOWER WALL / 6017MM	1	
30	3200434	EXTRUSION, FLOOR 2045MM	1	
31	3210564	FINISHING MOULDING / PLASTIC CAP 200MM	1	

From L-7663 To M-7767	Date:07/2024	PAGE:X3PLB-2221-11
DUCTING HEATER & A/C - BUS FLOOR		

Item#	Part	Description	QTY	Notes
35	5001473	SCREW CAP HEXS 5/16-18x3/4 NYRT	AR	
36	502638	WASHER FL .312x.734x.065 N500 To M-7822	AR	
36	5001848	WASHER BEL SPR .827 x .331 x .098 th SS From M-7823	AR	
37	500879	SCREW TP PAN PH #10x1 Z050	AR	
38	500552	SCREW TP OV PH #6x3/4 Z050	AR	
39	500463	WASHER FN CKF .187x.500x.090 BR Z050	AR	
40	500417	SCREW TP PAN PH #6x3/8 Z050	AR	
40	500640	SCREW TP PAN PH #6x3/4 Z050	AR	
41	506104	TAPE RUB ADH1 URE 1/8" x 1/2" x 75' / GREY 1820	AR	
42	506191	TAPE RUB ADH1 CC POL 1/8" x 1/4" x 50' / GREY 2520X	AR	
43	506264	TAPE RUB ADH1 URE 3/4" x 1" x 12.5' / GREY 1820X	AR	
45	329521	MOULDING, COVER CABLE / GREY / 203MM To P-8010	AR	
45	3211708	MOULDING, COVER CABLE / GREY / 300MM From P-8011	AR	
45	329522	MOULDING, COVER CABLE / GREY / 330MM	AR	
45	329518	MOULDING, COVER CABLE / GREY / 360MM	AR	
45	329519	MOULDING, COVER CABLE / GREY / 390MM	AR	
45	329520	MOULDING, COVER CABLE / GREY / 465MM	AR	
45	329517	MOULDING, COVER CABLE / GREY / 530MM	AR	
46	500583	SCREW TP PAN PH #6x1/2 Z050	AR	
47	504075	PLUG BUTTON / .625 O.D. / NICKEL	AR	
50	X3PLB-1833-01	WINDOW FINISHING CAP & WALL		
55	3210281	SIDE WALL AIR DEFLECTOR 1560MM	14	
55	3210281	SIDE WALL AIR DEFLECTOR 1560MM	11	W
56	3210276	SIDE WALL AIR DEFLECTOR	2	W
61	3210453	COVER, FINISHING	1	A
NS	3211072	COVER	1	A
65	3200570	DUCT, AIR 301MM / GREY W/O LAVATORY	1	O
66	3201086	CLOSING DUCT / PLASTIC RIGHT / 50.2MM WIDE W/O LAVATORY	1	O
		A) WITH BY FOLD DOOR		
		B) WITH FOUR WHEEL CHAIRS OPTION		
		O) WITHOUT LAVATORY		
		W) WITH WHEEL CHAIR LIFT		

From G-7275 To K-7662	Date:07/2024	PAGE:X3PLB-2221-15
DUCTING HEATER & A/C - BUS FLOOR BY-FOLD DOOR		

Item#	Part	Description	QTY	Notes
1	287844	COVER, FINISHING	1	
2	323387	DUCT, AIR 375MM / GREY	1	
3	323356	DUCT, AIR 2187MM / GREY	2	
4	3200341	DUCT, AIR 506MM / GREY	1	
4	3200362	DEFLECTOR	1	
4	504347	RIVET POP DOME OE 3/16x1/4 AL	2	
5	3201013	DUCT END FOWARD AIR DUCT	1	
6	3200328	DUCT END BACKWARD AIR DUCT	1	
7	3200334	DUCT, AIR 898MM / GREY	1	
8	327688	DUCT, AIR 2000 MM / GREY	1	
9	321028	DUCT, AIR 1326MM / GREY	1	
10	3200570	DUCT, AIR 301MM / GREY W/O LAVATORY & WCL	1	
11	3200552	CLOSING DUCT / PLASTIC RIGHT / 80.2MM TOP WIDE W/O LAVATORY & WCL To H-7416	1	
11	3201086	CLOSING DUCT / PLASTIC RIGHT / 50.2MM WIDE W/O LAVATORY & WCL From H-7417	1	
12A	326841	CAP CLOSING / L.H. FRONT DUCT	1	
12B	3210116	DUCT CLOSING FOAM / FOAM 1" TH. From J-7440	1	
13	3201032	DUCT, AIR 945MM	1	
14	3201031	DUCT, AIR 1545MM	6	
15	3200162	DUCT, AIR 615 MM/ GREY	1	
16	3200216	CLOSING DUCT / PLASTIC LEFT / 80.2MM TOP WIDE	1	
17	3201015	CLOSING PANEL FOWARD AIR DUCT	1	
18	3200843	CLOSING PANEL BACKWARD AIR DUCT	1	
19	504105	RIVET POP DOME OE 1/8x3/16 AL	AR	
21	321019	EXTRUSION, FLOOR 5110MM	1	
22	3200571	EXTRUSION, FLOOR 3578MM	1	
23	326648	EXTRUSION, FLOOR 4512MM	1	
24	3200324	EXTRUSION, FLOOR 2502.4MM	1	
25	3200544	EXTRUSION, FLOOR 3028MM	1	
26	321018	EXTRUSION, LOWER WALL / GREY 5100MM	1	
28	3200322	EXTRUSION, LOWER WALL / GREY 5536MM	1	
29	3200323	EXTRUSION, LOWER WALL / 5429MM	1	
30	327269	FINISHING MOULDING / PLASTIC CAP 200MM x 88MM	1	
35	5001473	SCREW CAP HEXS 5/16-18x3/4 NYRT	AR	
36	502638	WASHER FL .312x.734x.065 N500 To M-7822	AR	
36	5001848	WASHER BEL SPR .827 x .331 x .098 th SS From M-7823	AR	
37	500879	SCREW TP PAN PH #10x1 Z050	AR	
38	500552	SCREW TP OV PH #6x3/4 Z050	AR	
39	500463	WASHER FN CKF .187x.500x.090 BR Z050	AR	
40	500417	SCREW TP PAN PH #6x3/8 Z050	AR	
40	500640	SCREW TP PAN PH #6x3/4 Z050	AR	

From G-7275 To K-7662		Date:07/2024	PAGE:X3PLB-2221-15
DUCTING HEATER & A/C - BUS FLOOR BY-FOLD DOOR			

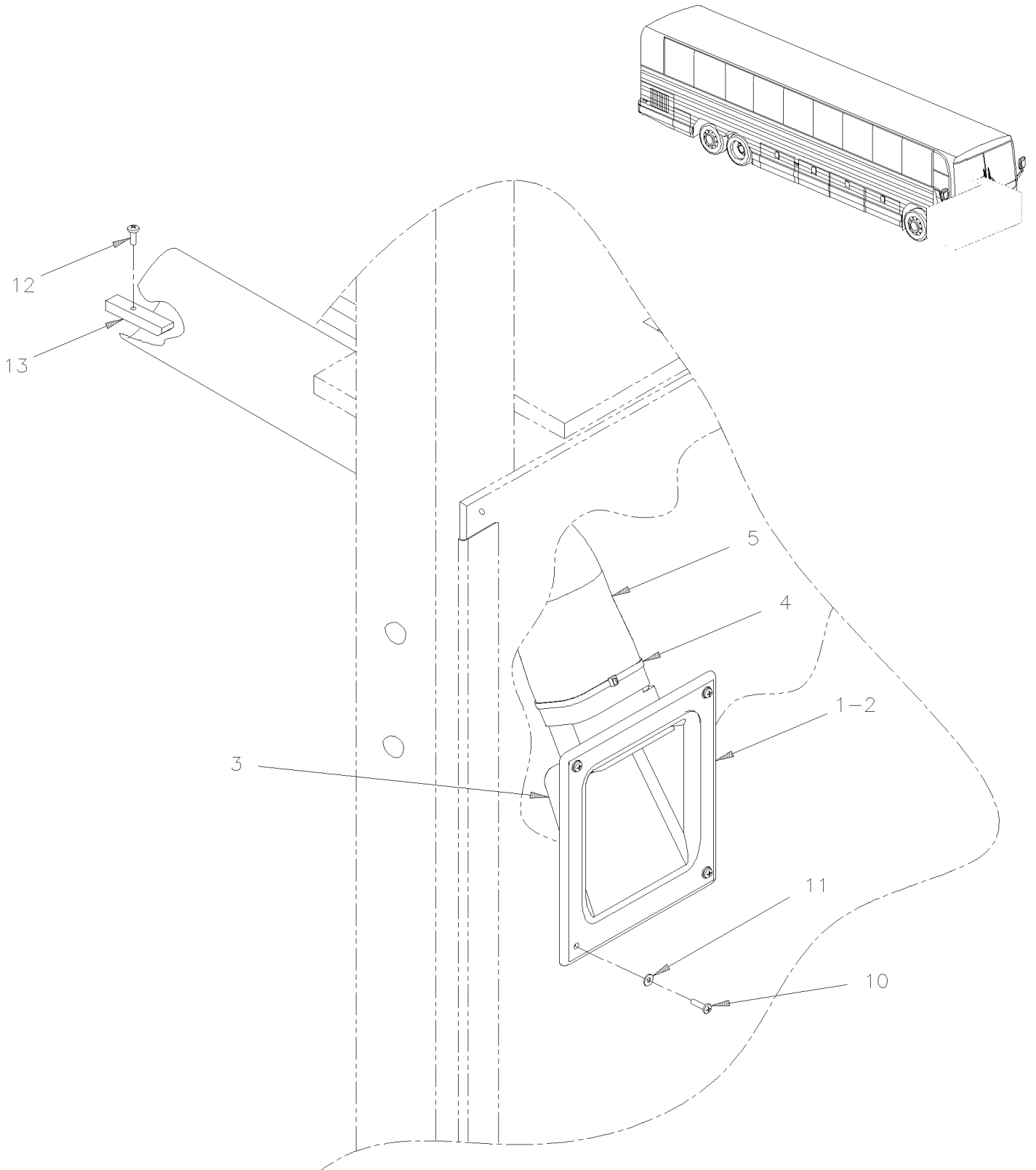
Item#	Part	Description	QTY	Notes
41	506104	TAPE RUB ADH1 URE 1/8" x 1/2" x 75' / GREY 1820	AR	
42	506191	TAPE RUB ADH1 CC POL 1/8" x 1/4" x 50' / GREY 2520X	AR	
43	506264	TAPE RUB ADH1 URE 3/4" x 1" x 12.5' / GREY 1820X	AR	
51	454798	RESTRICTION AIR DIFFUSOR / "U" SHAPE 753MM	8	
52	454713	RESTRICTION AIR DIFFUSOR / "U" SHAPE 143MM	4	
53	454789	RESTRICTION AIR DIFFUSOR / "U" SHAPE 118MM	2	
54	504106	RIVET POP DOME OE 1/8x1/4 AL	AR	

From G-7275 To M-7767

Date:07/2024

PAGE:X3PLB-2221-20

ENTRANCE STEP DE-ICER



From G-7275 To M-7767	Date:07/2024	PAGE:X3PLB-2221-20
-----------------------	--------------	--------------------

ENTRANCE STEP DE-ICER

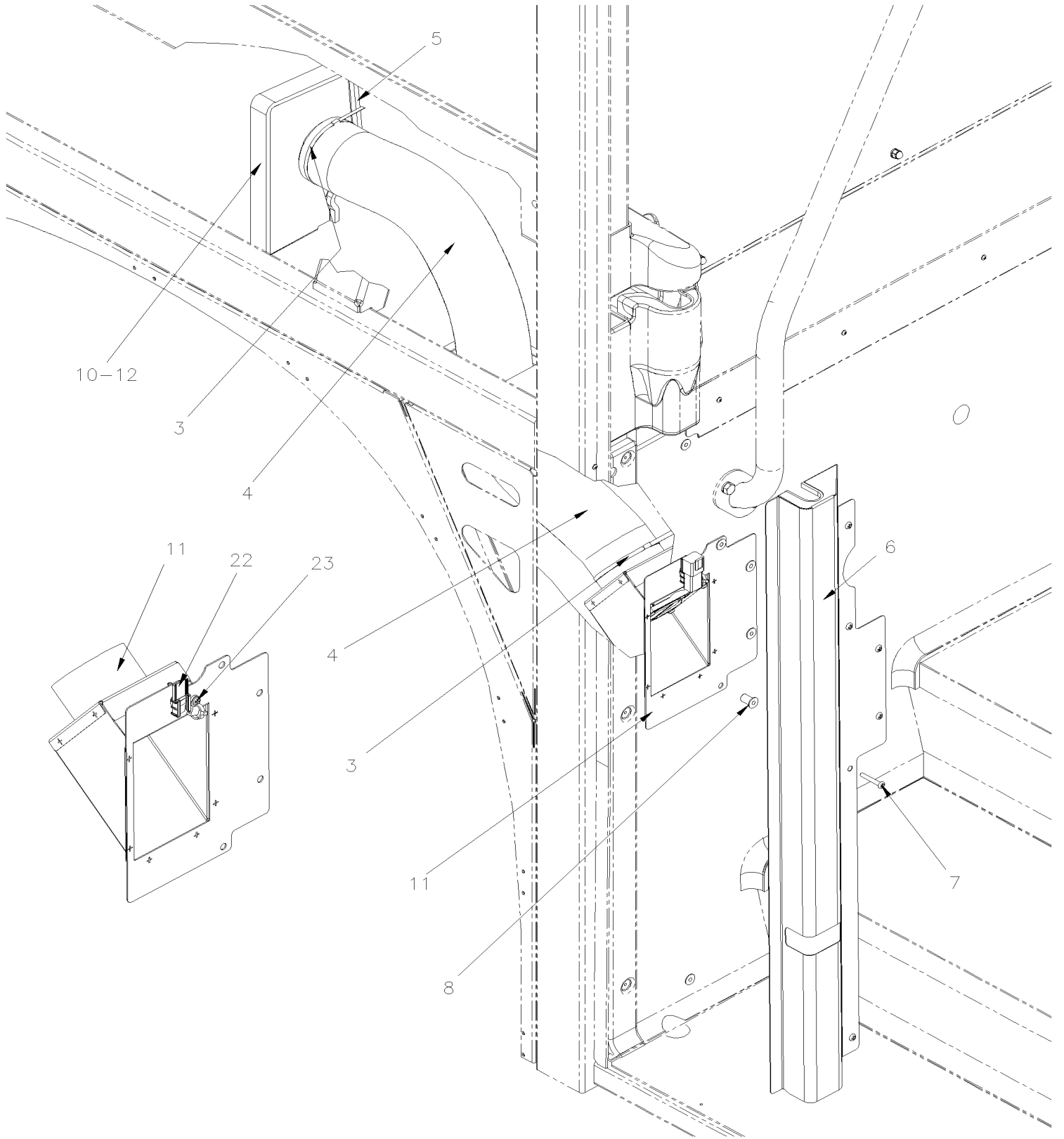
Item#	Part	Description	QTY	Notes
1	378918	DIFFUSOR ASSY	1	
2	378917	. SUPPORT, DIFFUSOR	1	
3	871106	. LOUVER, ADJUSTABLE	1	
4	504637	. CABLE TIE / 3/16" x 13"	1	
NS	680319	. TAPE ADHESIF ELECTRIC / BLACK 3/4"	AR	
5	373697	. HOSE 3" I.D. X 550MM	1	
NS	503695	. HOSE FLEXIBLE / AIR DUCT 3" I.D. X 25' / PLASTIC	AR	
10	502774	NUT WELL #10-32x.625	4	
11	5001042	SCREW MA RND PH #10-32x1 1/4 SS	4	
12	500432	SCREW TC PAN PH #8-32x3/4 Z050	1	
13	372343	HOSE RETAINER	1	

From G-7275 To M-7767

Date:07/2024

PAGE:X3PLB-2221-30

ENTRANCE STEP DE-ICER WITH BI-FOLD DOOR



From G-7275 To M-7767	Date:07/2024	PAGE:X3PLB-2221-30
ENTRANCE STEP DE-ICER WITH BI-FOLD DOOR		

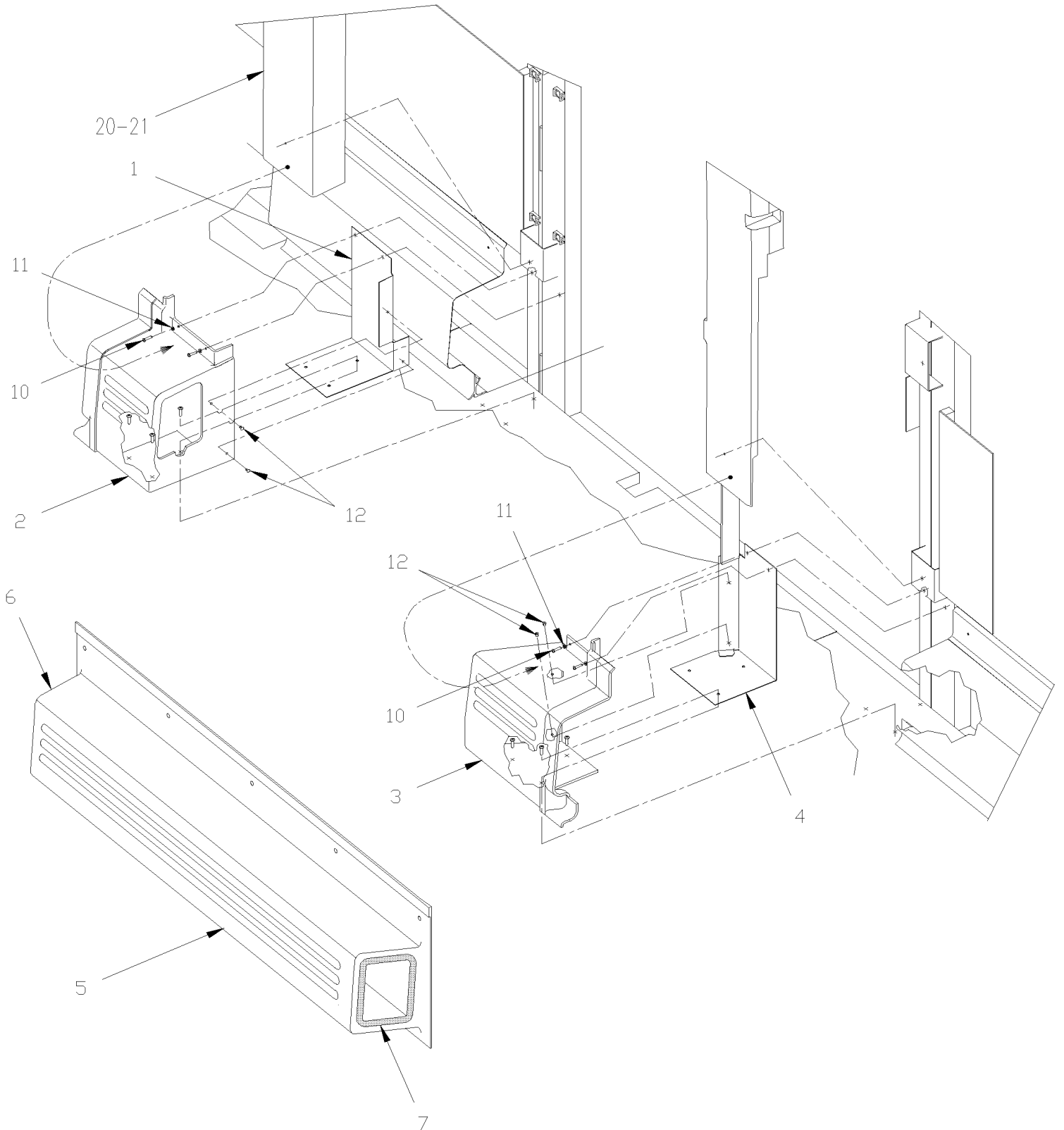
Item#	Part	Description	QTY	Notes
3	504637	CABLE TIE / 3/16" x 13"	2	
4	503695	HOSE FLEXIBLE / AIR DUCT 3" I.D. X 25' / PLASTIC	AR	
5	506210	TAPE RUB ADH1 URE 1/2" x 3/4" x 20' / GREY 1820	AR	
6	3201216	POST COVER WITH GRILL ASSY To K-7662	1	
6	3210641	POST COVER WITH GRILL ASSY From L-7663	1	
6	3201140	. POST COVER WITH GRILL To K-7662	1	
6	3210631	. POST COVER WITH GRILL From L-7663	1	
6	3201194	. INSULATION	1	
6	680052	. GLUE, CONTACT ADBOND 8399 4 LITER	AR	
7	5001042	SCREW MA RND PH #10-32x1 1/4 SS	6	
7	5001119	SCREW TP BDG PH #8x3/4 SS From L-7663	2	
8	502774	NUT WELL #10-32x.625	6	
10	374435	PLATE ADAPTOR, HEATING DUCT	1	
11	374817	DIFFUSOR ASSY	1	
12	500641	SCREW TP PAN PH #8x3/4 Z050	2	
22	564108	SELF MOUNTING STUD // DEUTSCH 1011-310-0205	1	
23	8631155	CABLE TIE / 4.6MM x 200 / CHRISTMAS TREE	1	
NS	680319	TAPE ADHESIF ELECTRIC / BLACK 3/4"	AR	

From G-7275 To M-7767

Date:07/2024

PAGE:X3PLB-2221-80

AIR DUCT W.C.L. DOOR "RICON" WITH SLIDING DOOR



From G-7275 To M-7767	Date:07/2024	PAGE:X3PLB-2221-80
AIR DUCT W.C.L. DOOR "RICON" WITH SLIDING DOOR		

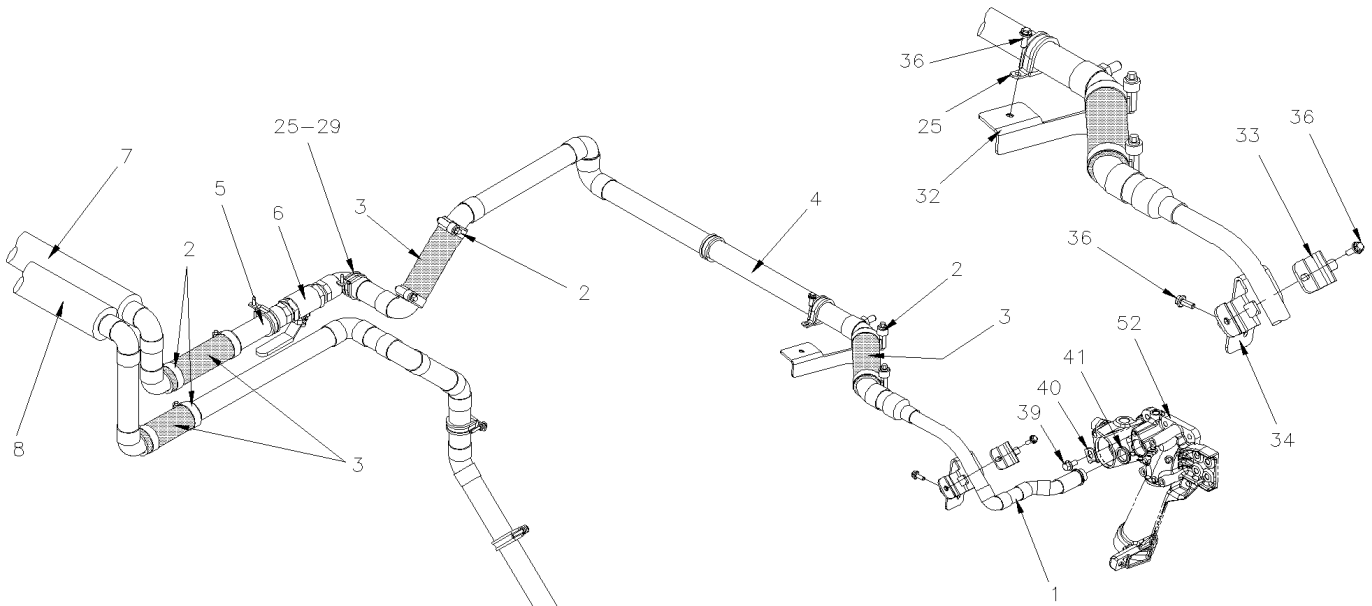
Item#	Part	Description	QTY	Notes
1	3200788	CLOSING PANEL FORWARD AIR DUCT	1	
2	3200785	DUCT END FORWARD AIR DUCT	1	
3	3200328	DUCT END BACKWARD AIR DUCT	1	
4	3200843	CLOSING PANEL BACKWARD AIR DUCT	1	
5	3200784	DUCT DOOR / PLASTIC	1	
NS	280242	PANEL ANGLE / ALUMINUM 1055MM x 350MM x 4000	1	
NS	2800261	PLATE REINFORCMENT SS LOZANGE 148MM x 114MM	1	
6	329615	SEAL DUCT 600MM	1	
. NS	5061011	. RUBBER EXTRUSION TRIM SEAL / GRIP .090/.120 / 5/8" HOLLOW BULB C.T.L.	AR	
7	329615	SEAL DUCT 600MM	1	
. NS	5061011	. RUBBER EXTRUSION TRIM SEAL / GRIP .090/.120 / 5/8" HOLLOW BULB C.T.L.	AR	
10	500552	SCREW TP OV PH #6x3/4 Z050	AR	
11	500463	WASHER FN CKF .187x.500x.090 BR Z050	AR	
12	504105	RIVET POP DOME OE 1/8x3/16 AL	AR	
20	X3PLB-1833-00	WINDOW FINISHING CAP & WALL		
21	X3PLB-1862-80	ENTRANCE DOOR SLIDING - WCL To J-7495		
22	X3PLB-1862-81	ENTRANCE DOOR SLIDING - WCL From J-7496		

From G-7275 To H-7416

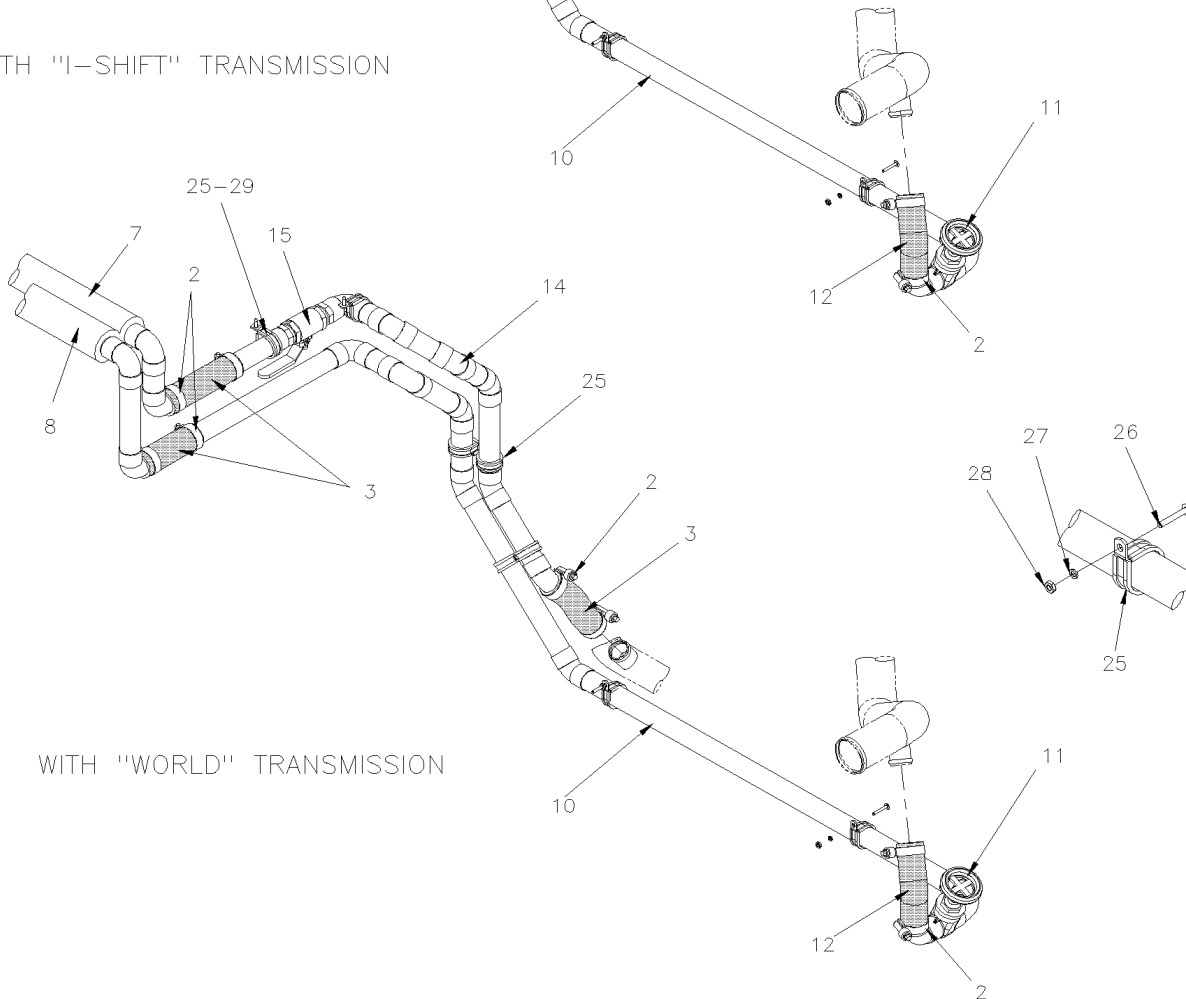
Date:07/2024

PAGE:X3PLB-2222-05

HEATER LINE REAR SECTION VOLVO D13



WITH "I-SHIFT" TRANSMISSION



WITH "WORLD" TRANSMISSION

From G-7275 To H-7416	Date:07/2024	PAGE:X3PLB-2222-05
HEATER LINE REAR SECTION VOLVO D13		

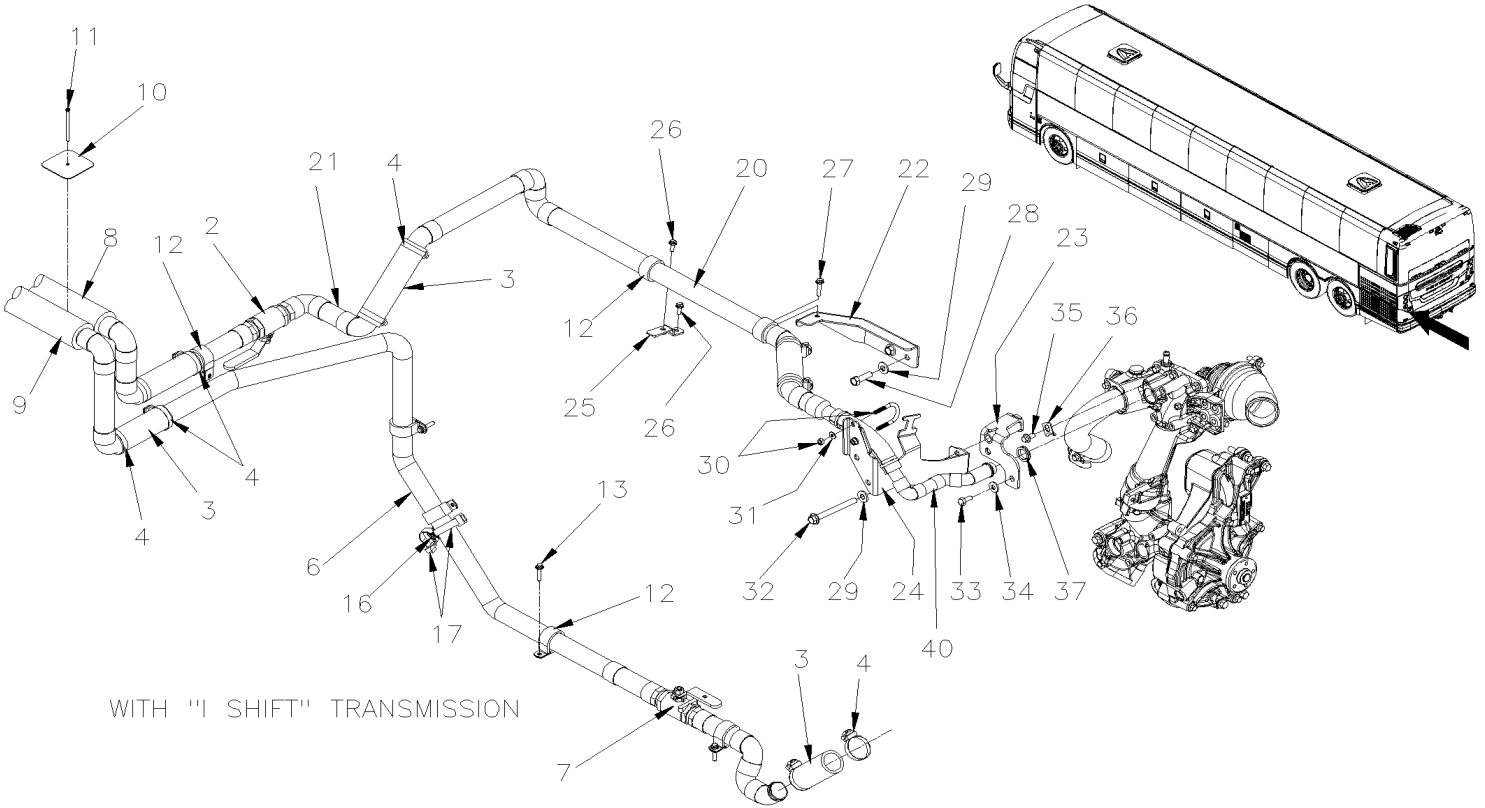
Item#	Part	Description	QTY	Notes
1	374443P	PIPE ASSY HEATING / FEED LINE / LOWER SECTION W/"I-SHIFT TRANS	1	
. NS	503803	. HOSE SILICONE 1 PLY / NOMEX-ARAMID 7/8" I.D. x 100' / S.L.	AR	
. NS	504637	. CABLE TIE / 3/16" x 13"	2	
2	992086	HOSE CLAMP / 32MM/52MM	AR	
3	503783	HOSE SILICONE 4PLY / NOMEX-ARAMID 34MM I.D. x 6'	AR	
4	Call order desk	PIPE ASSY HEATING / FEED LINE / MIDDLE SECTION W/"I-SHIFT TRANS	1	P
5	Call order desk	PIPE ASSY HEATING / FEED LINE / UPPER SECTION W/"I-SHIFT TRANS	1	P
6	871419	. BALL VALVE 1" NPT-F	1	
6	501997	. ADAPTER / COPPER @ PIPE / 1 1/4Fx1NPT-M	2	
7	374664	PIPE ASSY HEATING / FEED LINE	1	
8	374665	PIPE ASSY HEATING / RETURN LINE	1	
NS	507610	FOAM LOW EXPANSION	AR	
10	378919	PIPE ASSY HEATING / RETURN LINE	1	
11	871419	. BALL VALVE 1" NPT-F	1	
11	501997	. ADAPTER / COPPER @ PIPE / 1 1/4Fx1NPT-M	2	
NS	680098	. THREAD SEALANT LOCTITE #567 / WHITE / 250ml	AR	
12	374616	ELBOW 35° X 1 3/8" I.D. / 80MM x 80MM C/C / SILICONE / NOMEX	1	
14	374824	PIPE ASSY HEATING / FEED LINE / LOWER SECTION W/"WORLD" TRANS	1	
15	871419	. BALL VALVE 1" NPT-F	1	
15	501997	. ADAPTER / COPPER @ PIPE / 1 1/4Fx1NPT-M	2	
25	952641	CLAMP P STL ZP RUB 34.9 ID	AR	
26	500574	SCREW MA TR PH #10-24x1 1/4 SS	AR	
27	500914	WASHER LO SPT .193x.334x.047 N500	AR	
28	502882	NUT HEX #10-24 N500	AR	
29	500557	SCREW MA PAN PH #8-32x3/8 SS	AR	
32	374796	SUPPORT	1	
33	374446	ATTACHMENT HEATING TUBE	1	
34	374523	SUPPORT TUBE HEATING	1	
36	5001730	SCREW CAP HEXF M6-1.0x16 G10.9 N500	AR	
39	946440	SCREW CAP HEXF M12-1.75x140 G8.8 MAGNI 565	1	
40	1546531	ANGLE RETAINER 13MM I.D.	1	
41	1547252	RUBBER JOINT 21MM I.D.	1	
52	Refer To Volvo	SEE IMPACT OR CALL ORDER DESK		V
NS	684517	ADHESIVE SIMSON #ISR 70-03 / GREY / 310ml CARTRIDGE	AR	
NS	684978	SPRAY URETHANE HILTI CAN	AR	
		P) CALL ORDER DESK FOR SPECIFIC APPLICATION (V.I.N.)		
		V) SEE IMPACT OR CALL ORDER DESK		

From H-7417 To M-7767

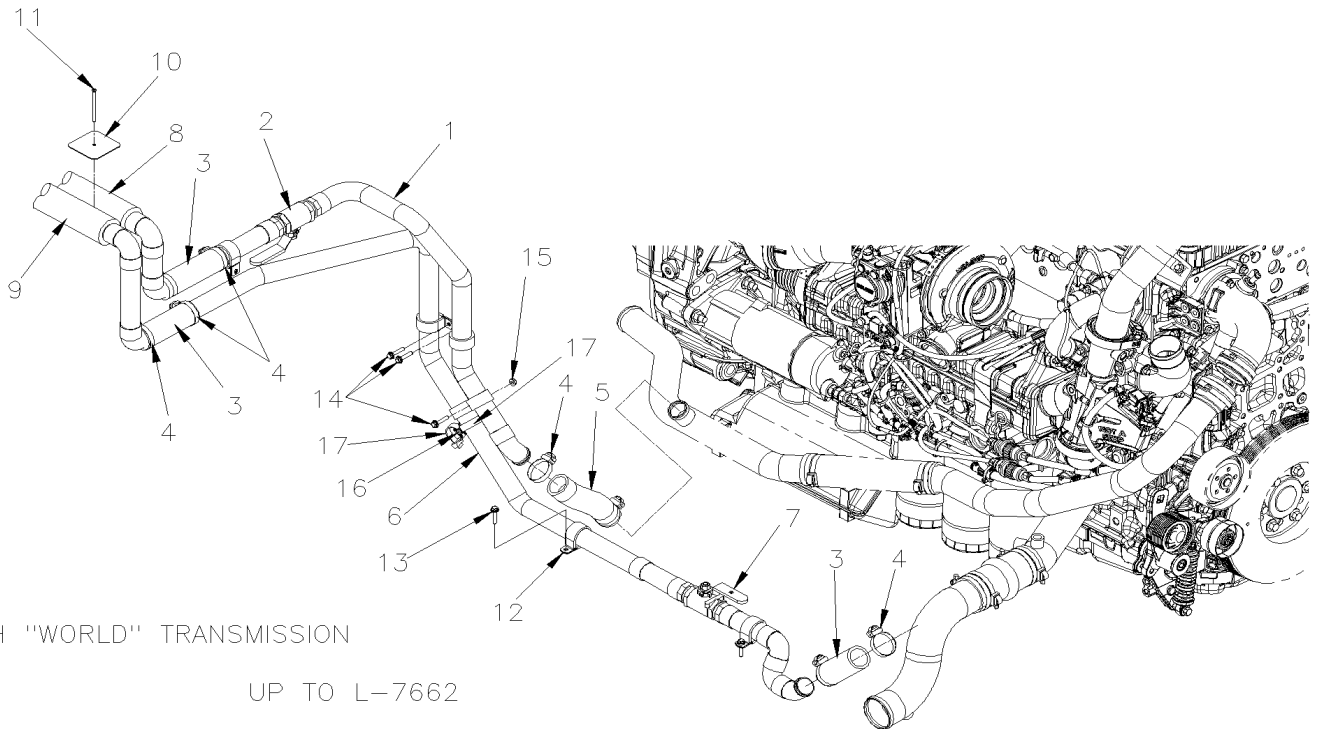
Date:07/2024

PAGE:X3PLB-2222-06

HEATER LINE REAR SECTION VOLVO D13 - GHG17



WITH "I" SHIFT" TRANSMISSION



WITH "WORLD" TRANSMISSION

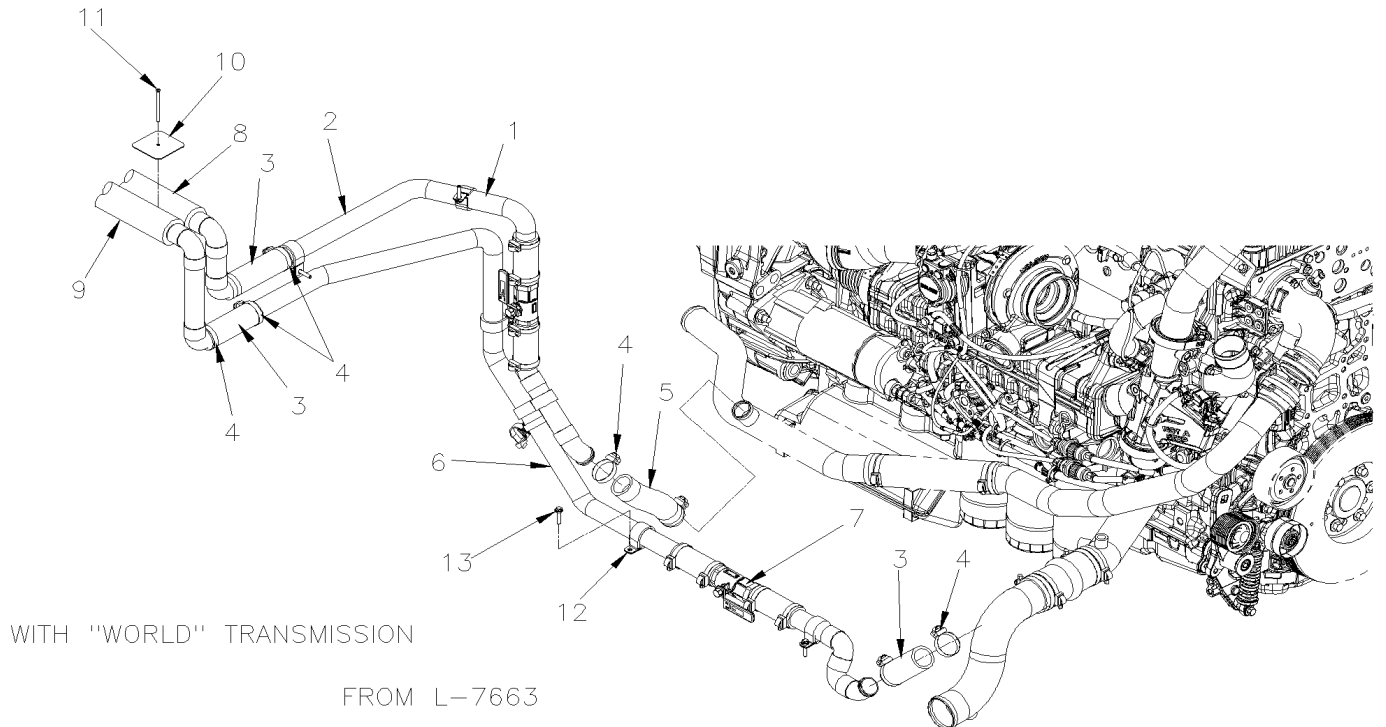
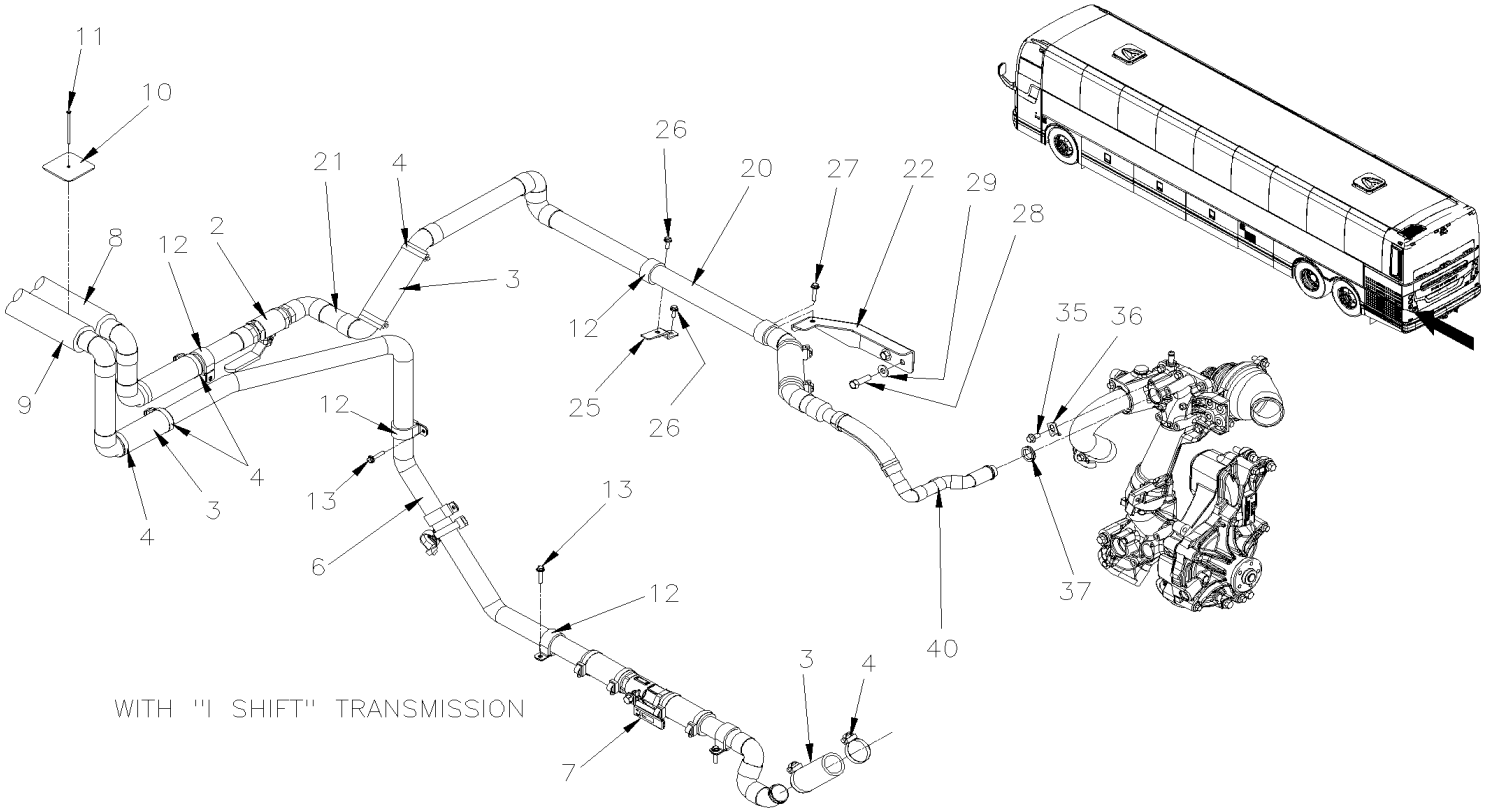
UP TO L-7662

From H-7417 To M-7767

Date:07/2024

PAGE:X3PLB-2222-06

HEATER LINE REAR SECTION VOLVO D13 - GHG17



From H-7417 To M-7767	Date:07/2024	PAGE:X3PLB-2222-06
HEATER LINE REAR SECTION VOLVO D13 - GHG17		

Item#	Part	Description	QTY	Notes
1	370078	PIPE ASSY HEATING / FEED LINE / LOWER SECTION W/"WORLD" TRANS To L-7662	1	
1	370304	PIPE ASSY HEATING / FEED LINE / LOWER SECTION W/"WORLD" TRANS From L-7663	1	
2	871419	. BALL VALVE 1" NPT-F To L-7662	1	
2	501997	. ADAPTER / COPPER @ PIPE / 1 1/4Fx1NPT-M To L-7662	2	
NS	680098	. THREAD SEALANT LOCTITE #567 / WHITE / 250ml To L-7662	AR	
2	870115	. BALL VALVE 1 3/8 HOSE From L-7663	1	
3	503783	HOSE SILICONE 4PLY / NOMEX-ARAMID 34MM I.D. x 6'	AR	
4	992086	HOSE CLAMP / 32MM/52MM	AR	
5	370126	HOSE 1 3/8" I.D. X 170MM	1	
6	370076	PIPE ASSY HEATING / RETURN LINE/LOWER SECTION To L-7662	1	
6	370294	PIPE ASSY HEATING / RETURN LINE/LOWER SECTION From L-7663 To P-8096	1	
6	370489	PIPE ASSY HEATING / RETURN LINE/LOWER SECTION From P-8097	1	
7	871419	. BALL VALVE 1" NPT-F To L-7662	1	
7	501997	. ADAPTER / COPPER @ PIPE / 1 1/4Fx1NPT-M To L-7662	2	
NS	680098	. THREAD SEALANT LOCTITE #567 / WHITE / 250ml To L-7662	AR	
7	870115	. BALL VALVE 1 3/8 HOSE From L-7663	1	
8	374664	PIPE ASSY HEATING / FEED LINE	1	
9	374665	PIPE ASSY HEATING / RETURN LINE	1	
10	374364	SUPPORT, PIPE	2	
11	500502	SCREW WO FL PH #8x3 Z050	2	
12	504779	CLAMP / SS / SILICONE RUBBER / 1 3/8" I.D. x .281 HOLE	AR	
NS	500957	SCREW TP BDG PH #10x3/4 N500	1	
13	502622	SCREW CAP HEX M6-1.0x20 SS BK	AR	
14	5001815	SCREW CAP HEXF M6-1.0x30 G 8.8 N500	AR	
15	5001857	NUT HEXF M6-1.0 N500	AR	
16	500914	WASHER LO SPT .193x.334x.047 N500	AR	
17	504751	ROTATIF SPACER DOUBLE / SMALL	AR	
20	370079	PIPE ASSY HEATING / FEED LINE / MIDDLE SECTION	1	I
21	370080	PIPE ASSY HEATING / FEED LINE / UPPER SECTION	1	I
22	370077	SUPPORT	1	
23	053485	ATTACHMENT ENGINE BLOCK To J-6305	1	
24	053038	BRACKET, HOSE & DIPSTICK To J-6305	1	
NS	5001307	SCREW CAP HEXF M10-1.5x20 8.8 N500 To J-6305	1	
NS	5001834	WASHER BEL SPR 10.5X23X2.5 N500 To J-6305	1	
25	374809	SUPPORT	1	
26	5001730	SCREW CAP HEXF M6-1.0x16 G10.9 N500	AR	
27	5001815	SCREW CAP HEXF M6-1.0x30 G 8.8 N500	AR	
28	5001754	SCREW CAP HEX M10-1.5x35 G8.8 N500	2	
29	5001834	WASHER BEL SPR 10.5X23X2.5 N500	2	
30	504809	U-BOLT 1" I.D. x 2 x 1/4-20 GLV To J-6305	1	
31	500877	WASHER FL .250x.562x.065 N500 To J-6305	2	
32	5001785	SCREW CAP HEXF M10-1.5x100 G10.9 N500 To J-6305	1	

From H-7417 To M-7767	Date:07/2024	PAGE:X3PLB-2222-06
HEATER LINE REAR SECTION VOLVO D13 - GHG17		

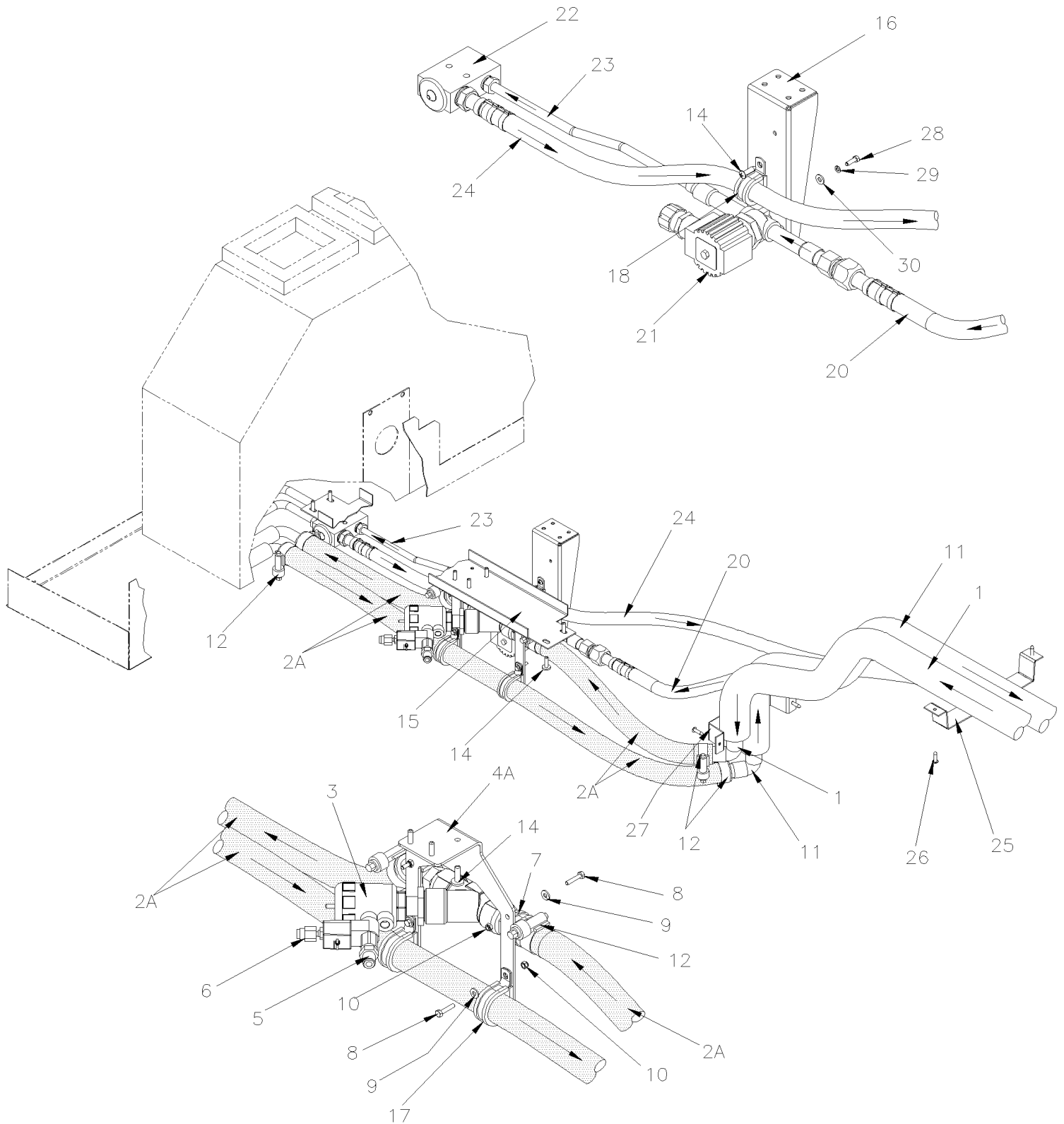
Item#	Part	Description	QTY	Notes
33	502862	SCREW CAP HEX M8-1.25x20 G8.8 N500 To J-6305	2	
34	500321	WASHER BEL SPR .331x.827x.098 N500 To J-6305	2	
35	946440	SCREW CAP HEXF M12-1.75x140 G8.8 MAGNI 565	1	
36	1546531	ANGLE RETAINER 13MM I.D.	1	
37	1547252	RUBBER JOINT 21MM I.D.	1	
40	374443P	PIPE ASSY HEATING / FEED LINE / LOWER SECTION W/"I-SHIFT TRANS To L-7662	1	I
. NS	503803	. HOSE SILICONE 1 PLY / NOMEX-ARAMID 7/8" I.D. x 100' / S.L. To L-7662	AR	I
. NS	504637	. CABLE TIE / 3/16" x 13" To L-7662	2	I
40	374908	PIPE ASSY HEATING / FEED LINE / LOWER SECTION W/"I-SHIFT TRANS From L-7663 To N-7940	1	I
. NS	503803	. HOSE SILICONE 1 PLY / NOMEX-ARAMID 7/8" I.D. x 100' / S.L. From L-7663 To N-7940	AR	I
. NS	504637	. CABLE TIE / 3/16" x 13" From L-7663 To N-7940	2	I
40	370034	PIPE ASSY HEATING / FEED LINE / LOWER SECTION W/"I-SHIFT TRANS From N-7941	1	
. NS	503803	. HOSE SILICONE 1 PLY / NOMEX-ARAMID 7/8" I.D. x 100' / S.L. From N-7941	AR	
. NS	504637	. CABLE TIE / 3/16" x 13" From N-7941	2	
41	053726	SUPPORT WATER PIPE From L-7663	1	
42	504809	U-BOLT 1" I.D. x 2 x 1/4-20 GLV From L-7663	1	
		I) WITH "I-SHIFT" TRANSMISSION		

From G-7275 To H-7416

Date:07/2024

PAGE:X3PLB-2222-10

A/C & HEATING LINE FRONT SECTION



From G-7275 To H-7416	Date:07/2024	PAGE:X3PLB-2222-10
A/C & HEATING LINE FRONT SECTION		

Item#	Part	Description	QTY	Notes
1	378931	PIPE ASSY / FORWARD SECTION	1	
2A	503797	HOSE SILICONE 4 PLY / NOMEX-ARAMID 7/8" I.D. x 6'	AR	
3	374839	WATER VALVE ASSY W/PIPE & SUPPORT	1	
3	X3PLB-2207-05	. WATER VALVE - HEATER		
4A	374840	. SUPPORT WATER VALVE	1	
5	641332	. MALE CONNECTOR / PUSH-IN FITTING / #4x1/4NPT-M BR	1	
6	642028	. MALE CONNECTOR / PUSH-IN FITTING / 6MM x M5-0.8 BR	1	
7	952635	. CLAMP / 1" I.D.	2	
8	500588	. SCREW CAP HEX M4-0.7x20 G8.8 Z050	4	
9	500438	. WASHER FL .187x.437x.050 Z050	4	
10	500590	. NUT HEX NYRT M4-0.7 Z050	4	
11	378932	PIPE ASSY / 4352MM / FORWARD SECTION	1	
12	992084	HOSE CLAMP / 23MM/35MM	6	
14	502526	SCREW TC BDG PH #12-24x3/4 Z050	AR	
15	373686	SUPPORT / VALVE	1	
16	453315	SUPPORT / A/C VALVE	1	
17	952639	CLAMP / 1"1/4 I.D.	2	
18	952633	CLAMP / 7/8" I.D.	1	
19	504586	WASHER FL SPACER .450x.625x.875 NYL	2	
19	504637	CABLE TIE / 3/16" x 13"	AR	
20	457693	HOSE ASSY / #8 2140MM	1	
. NS	507343	. O-RING / ORS FITTING / #8 NEO	2	
20	Call order desk	PIPE ASSY #8 4594MM	1	P
21	X3PLB-2208-10	REFRIGERANT SOLENOID VALVE		
22	X3PLB-2208-00	A/C EXPANSION VALVE		
23	453422	VALVE ASSY / REFRIGERANT SOLENOID	1	
24	457694	HOSE ASSY / #10 2666MM To H-7346	1	
. NS	507344	. O-RING / ORS FITTING / #10 NEO To H-7346	2	
24	450138	HOSE ASSY / #10 2666MM From H-7347	1	
. NS	507344	. O-RING / ORS FITTING / #10 NEO From H-7347	2	
24	Call order desk	PIPE ASSY #10 4048MM	1	P
24	504751	ROTATIF SPACER DOUBLE / SMALL	1	
24	504637	CABLE TIE / 3/16" x 13"	2	
25	454675	SUPPORT	AR	
26	500957	SCREW TP BDG PH #10x3/4 N500	AR	
27	452906	SUPPORT	1	
28	5001689	SCREW CAP HEX #8-32x1/2 SS	2	
29	502636	WASHER LO SPT 4.1x7.6x0.9 Z050	2	
30	500438	WASHER FL .187x.437x.050 Z050	2	

From G-7275 To H-7416		Date:07/2024	PAGE:X3PLB-2222-10
-----------------------	--	--------------	--------------------

A/C & HEATING LINE FRONT SECTION

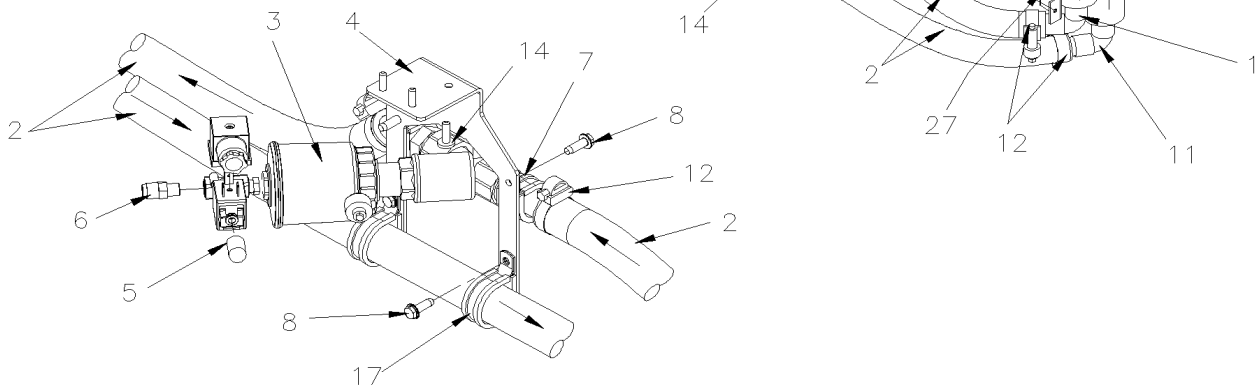
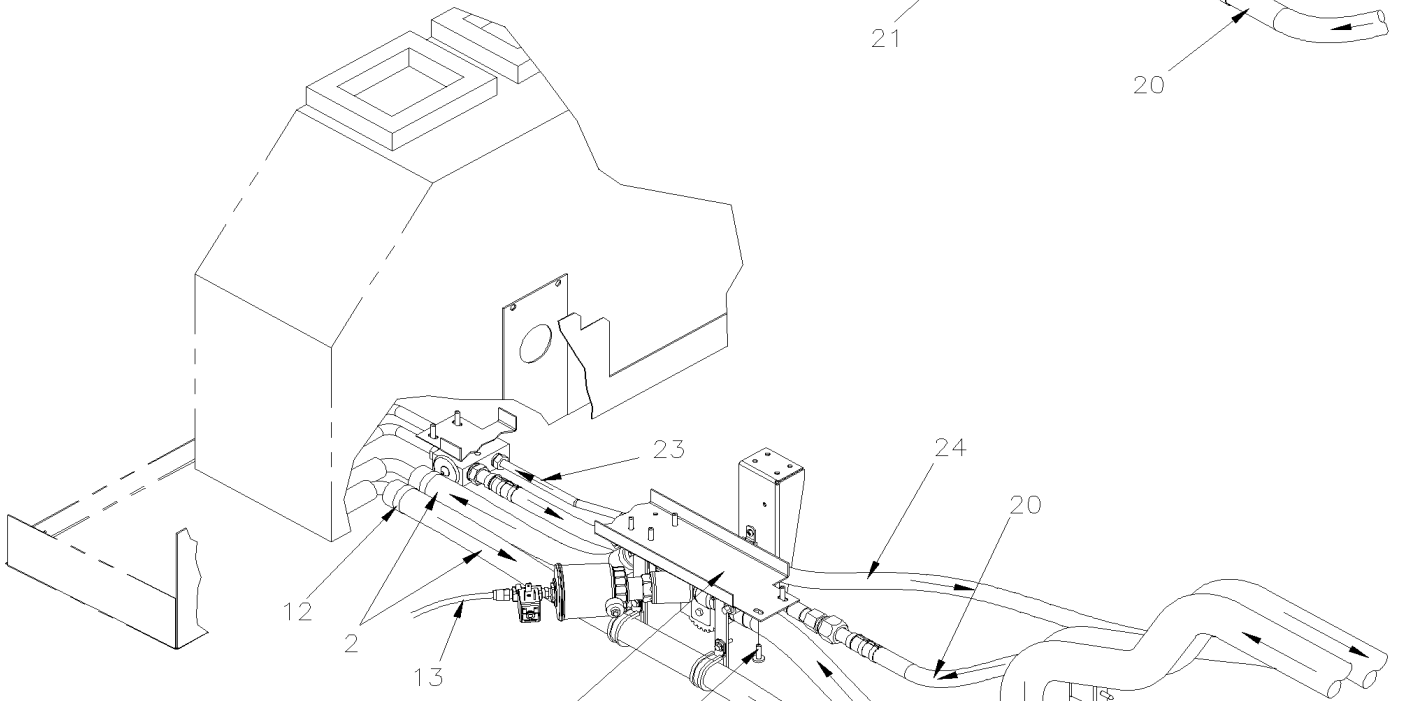
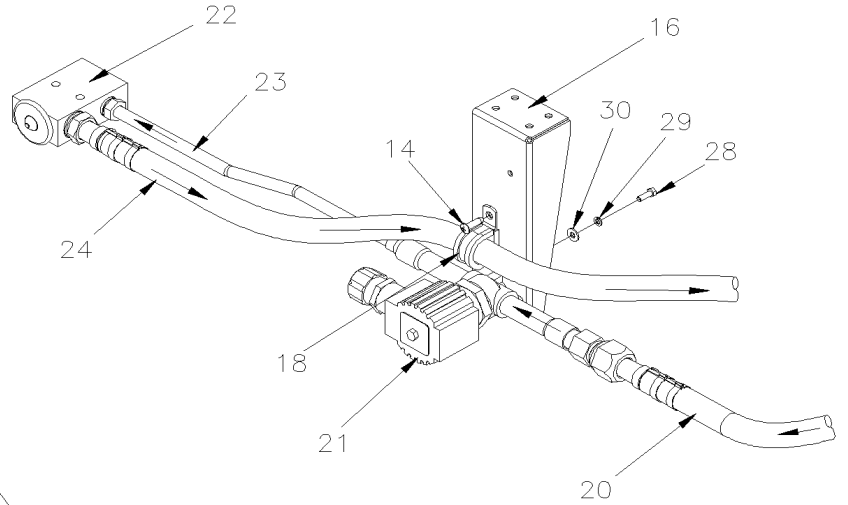
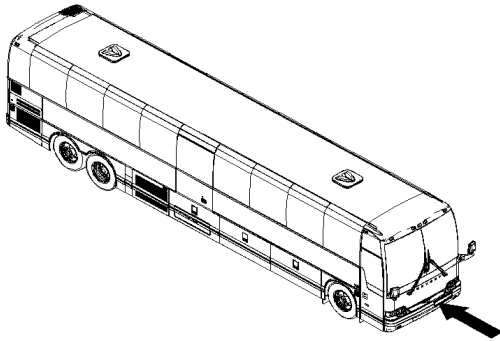
Item#	Part	Description	QTY	Notes
		P) CALL ORDER DESK FOR SPECIFIC APPLICATION (V.I.N.)		

From H-7417 To M-7767

Date:07/2024

PAGE:X3PLB-2222-11

A/C & HEATING LINE FRONT SECTION VOLVO D13 - GHG17



From H-7417 To M-7767	Date:07/2024	PAGE:X3PLB-2222-11
A/C & HEATING LINE FRONT SECTION VOLVO D13 - GHG17		

Item#	Part	Description	QTY	Notes
1	374882	PIPE ASSY / FORWARD SECTION	1	
2	503797	HOSE SILICONE 4 PLY / NOMEX-ARAMID 7/8" I.D. x 6'	AR	
3	374839	WATER VALVE ASSY W/PIPE & SUPPORT To J-7456	1	
3	370146	WATER VALVE ASSY W/PIPE & SUPPORT From J-7457 To N-7940	1	
3	Call order desk	WATER VALVE ASSY W/PIPE & SUPPORT From N-7941 To P-8080	1	P
. NS	370430	. PIPE, VALVE ASSY 45DEG From N-7941 To P-8080	1	
. NS	370417	. PIPE, VALVE ASSY From N-7941 To P-8080	1	
3	Call order desk	WATER VALVE ASSY W/PIPE & SUPPORT From P-8081	1	P
. NS	370521	. WATER VALVE, FRONT ASSY From P-8081	1	
. . NS	871454	. . WATER VALVE ASSY / 24V From P-8081	1	
3	X3PLB-2207-05	. WATER VALVE - HEATER		
4	374840	. SUPPORT WATER VALVE	1	
5	871374	. MUFFLER M5 PLASTIC To J-7456	1	
5	642028	. MALE CONNECTOR / PUSH-IN FITTING / 6MM x M5-0.8 BR From J-7457	1	
6	642028	. MALE CONNECTOR / PUSH-IN FITTING / 6MM x M5-0.8 BR To J-7456	1	
6	641242	. MALE CONNECTOR / PUSH-IN FITTING / #4x1/8NPT-M BR From J-7457	1	
6	680098	. THREAD SEALANT LOCTITE #567 / WHITE / 250ml	AR	
7	952635	. CLAMP / 1" I.D.	2	
8	502848	. SCREW TC CAP HEXF 1/4-20x3/4 N500	4	
11	374883	PIPE ASSY / xxxxMM / FORWARD SECTION	1	
12	992084	HOSE CLAMP / 23MM/35MM	6	
13	503402	TUBE, NYLON 1/4 O.D. / BLACK S.L.	AR	
14	502526	SCREW TC BDG PH #12-24x3/4 Z050	AR	
15	373686	SUPPORT / VALVE	1	
16	453315	SUPPORT / A/C VALVE	1	
17	952639	CLAMP / 1"1/4 I.D.	2	
18	952633	CLAMP / 7/8" I.D.	1	
20	457693	HOSE ASSY / #8 2140MM	1	
. NS	507343	. O-RING / ORS FITTING / #8 NEO	2	
20	457698	PIPE ASSY #8 4594MM	1	
21	X3PLB-2208-10	REFRIGERANT SOLENOID VALVE		
21	X3PLB-2208-11	REFRIGERANT SOLENOID VALVE W/O A/C PARCEL RACK		
22	X3PLB-2208-00	A/C EXPANSION VALVE To K-7627		
22	X3PLB-2208-01	A/C EXPANSION VALVE From K-7628		
23	454954	VALVE ASSY	1	
24	450138	HOSE ASSY / #10 2666MM	1	
. NS	507344	. O-RING / ORS FITTING / #10 NEO	2	
24	457697	PIPE ASSY #10 4048MM	1	
24	504751	ROTATIF SPACER DOUBLE / SMALL	1	
24	504637	CABLE TIE / 3/16" x 13"	2	
27	452906	SUPPORT	1	
28	5001689	SCREW CAP HEX #8-32x1/2 SS	2	

From H-7417 To M-7767	Date:07/2024	PAGE:X3PLB-2222-11
-----------------------	--------------	--------------------

A/C & HEATING LINE FRONT SECTION VOLVO D13 - GHG17

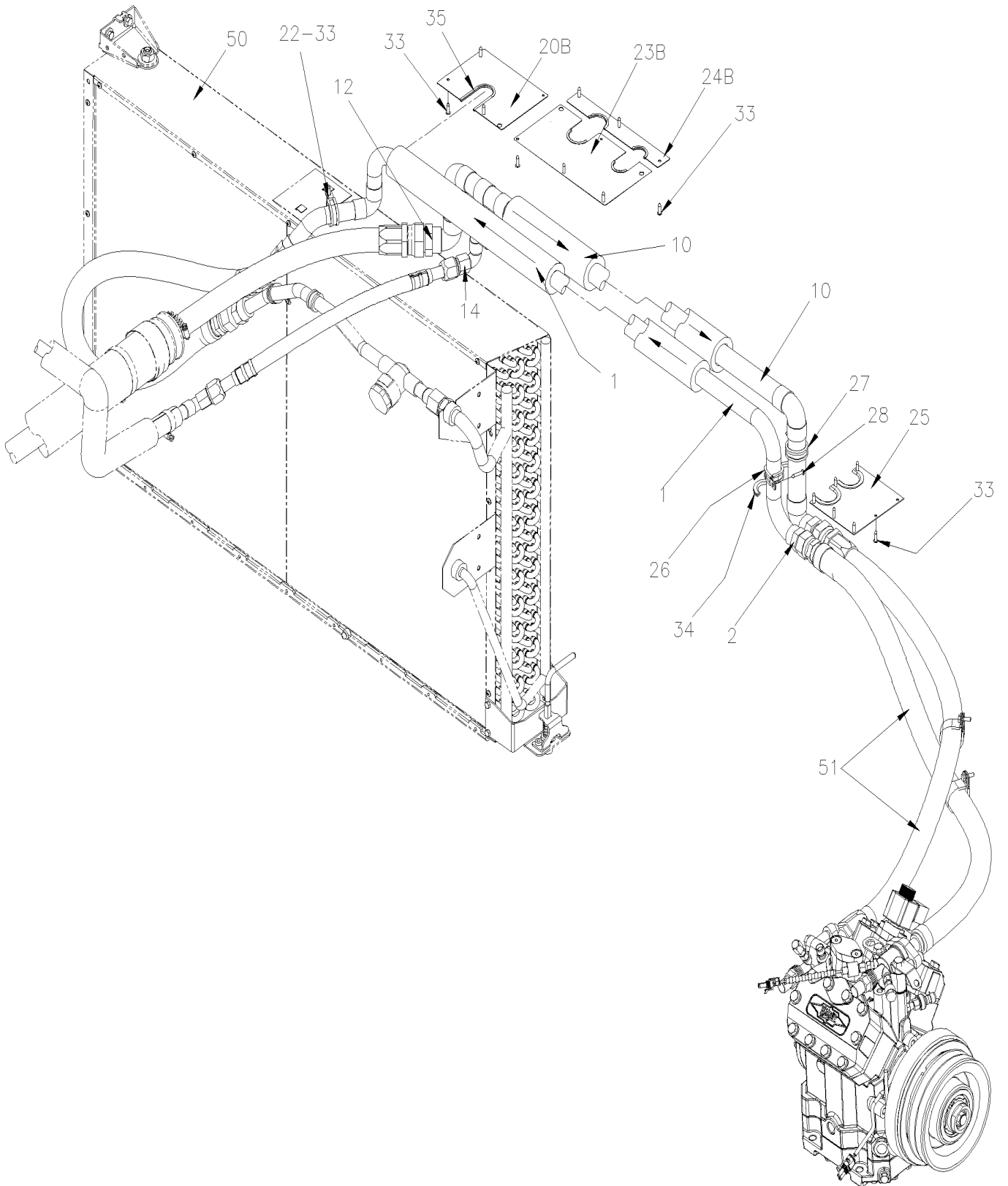
Item#	Part	Description	QTY	Notes
29	502636	WASHER LO SPT 4.1x7.6x0.9 Z050	2	
30	500855	WASHER FL .188x.438x.049 N500	2	
		P) CALL ORDER DESK FOR SPECIFIC APPLICATION (V.I.N.)		

From G-7275 To H-7416

Date:07/2024

PAGE:X3PLB-2222-15

A/C LINE REAR SECTION W/ "BITZER"



From G-7275 To H-7416	Date:07/2024	PAGE:X3PLB-2222-15
A/C LINE REAR SECTION W/ "BITZER"		

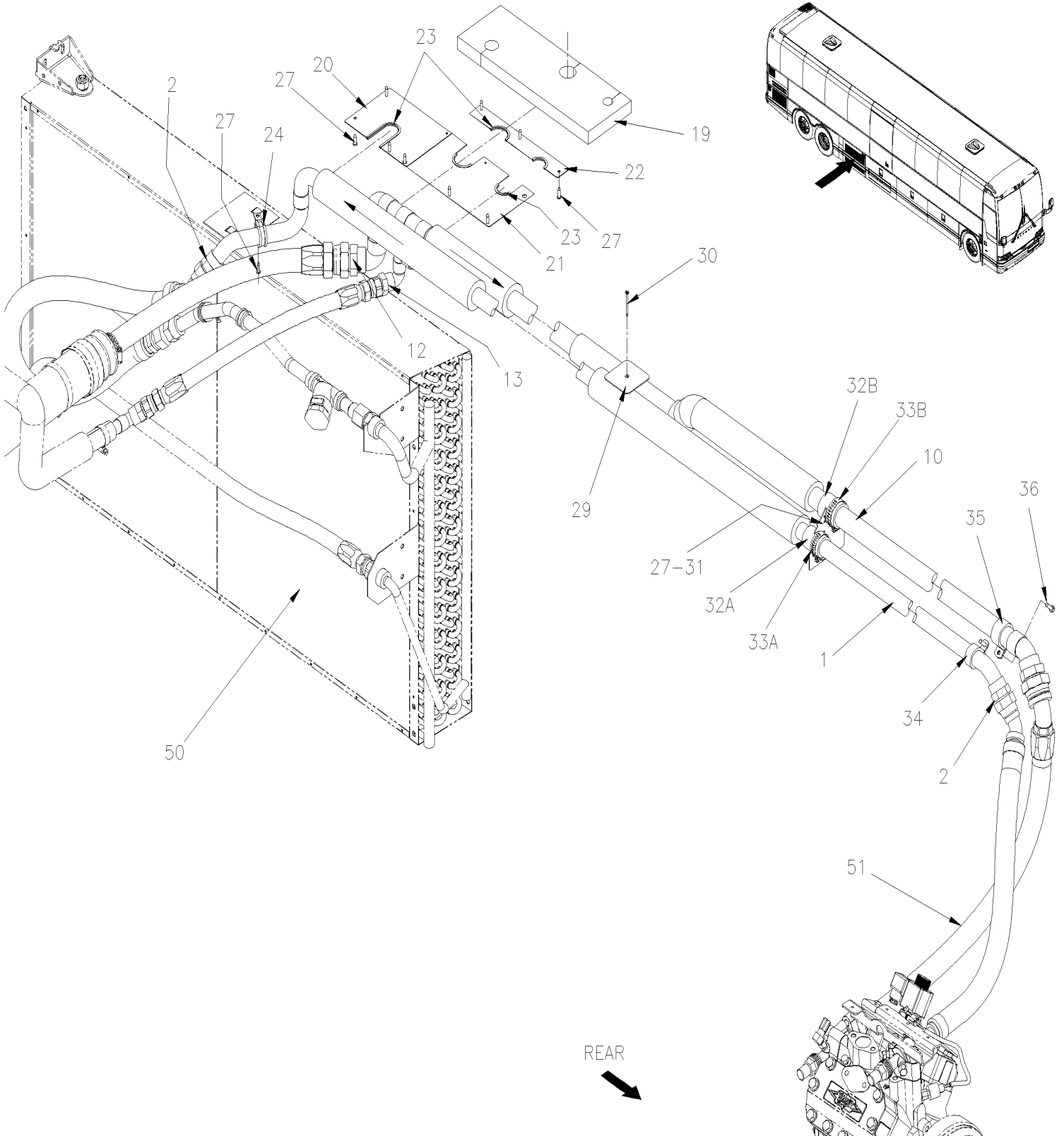
Item#	Part	Description	QTY	Notes
1	455374	TUBE ASSY, PRESSURE / A/C COMPRESSOR	1	
2	501718	. ADAPTER JIC @ BRAZE W/O-RING // #16JIC-Mx#18BRAZE-F BR	1	
. NS	501802	. . O-RING / ORS FITTING / #16 NEO	1	
10	Call order desk	TUBE ASSY, VACUUM / A/C COMPRESSOR	1	P A
10	Call order desk	TUBE ASSY, VACUUM / A/C COMPRESSOR	1	P B
12	501717	. ADAPTER JIC @ BRAZE W/O-RING // #20JIC-Mx#22BRAZE-F BR	1	
. NS	501803	. . O-RING / ORS FITTING / #20 NEO	1	
14	5011099	. ADAPTER "TUBE-O" @ BRAZE / #12TUBE-O-Mx#14 BR	1	
NS	374859	INSULATION PANEL	1	
NS	684517	ADHESIVE SIMSON #ISR 70-03 / GREY / 310ml CARTRIDGE	AR	
20B	454805	PLATE CLOSING AROUND PIPE / 180MMx132MM	1	A
20B	454802	PLATE CLOSING AROUND PIPE / 180MMx132MM	1	C
20B	454803	PLATE CLOSING AROUND PIPE / 180MMx132MM	1	D
22	952637	CLAMP / 1"1/16 I.D.	1	
23B	454804	PLATE CLOSING AROUND PIPE / 255MMx132MM	1	
24B	454806	PLATE CLOSING AROUND PIPE / 255MMx34.5MM	1	
25	455398	PLATE CLOSING AROUND PIPE	1	
26	952637	CLAMP / 1"1/16 I.D.	1	
27	952641	CLAMP P STL ZP RUB 34.9 ID	1	
28	500608	SCREW TP BDG PH #10x1 N500	2	
33	500957	SCREW TP BDG PH #10x3/4 N500	AR	
34	506338	RUBBER CHANNEL / 1/16" x 1/4" INT "U" SHAPE / ROUND C.T.L.	AR	
35	5060120	GROMMET EDGING ADHESIVE .036-.062	AR	
50	X3PLB-2270-00	RECEIVER TANK & FILTER DRYER		
51	X3PLB-2245-00	A/C COMPRESSOR "BITZER" - INSTALLATION		
		A) WITH A/C PARCEL RACK		
		B) WITHOUT A/C PARCEL RACK		
		C) WITH A/C PARCEL RACK & W.C.L.		
		D) WITH A/C PARCEL RACK & WITHOUT W.C.L.		
		P) CALL ORDER DESK FOR SPECIFIC APPLICATION (V.I.N.)		

From H-7417 To K-7662

Date:07/2024

PAGE:X3PLB-2222-16

A/C LINE REAR SECTION W/ "BITZER" VOLVO D13 - GHG17



From H-7417 To K-7662	Date:07/2024	PAGE:X3PLB-2222-16
A/C LINE REAR SECTION W/ "BITZER" VOLVO D13 - GHG17		

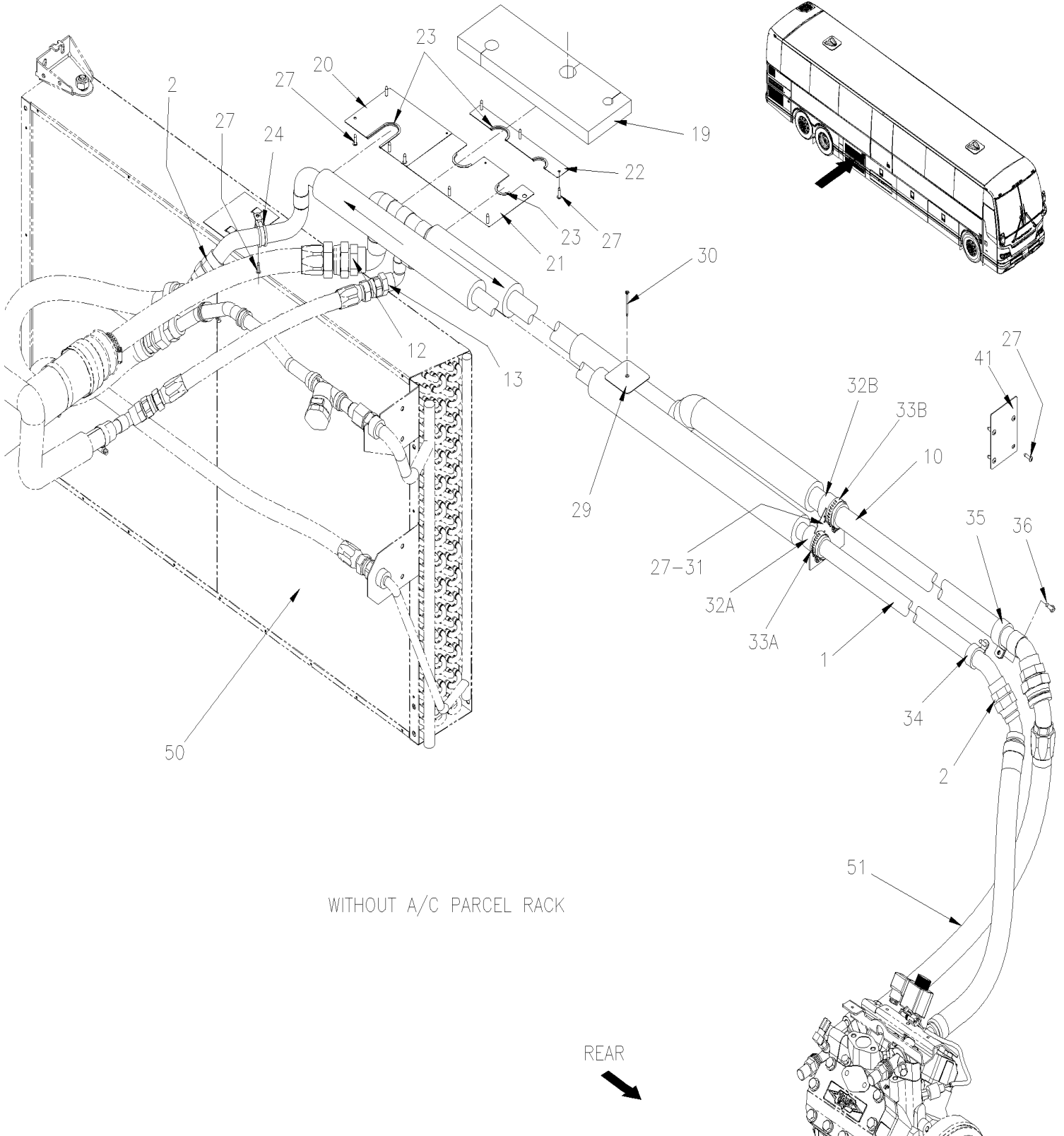
Item#	Part	Description	QTY	Notes
1	450006	TUBE ASSY, PRESSURE / A/C COMPRESSOR	1	
2	501718	. ADAPTER JIC @ BRAZE W/O-RING // #16JIC-Mx#18BRAZE-F BR	2	
. NS	501802	. . O-RING / ORS FITTING / #16 NEO	1	
10	450010	TUBE ASSY, VACUUM / A/C COMPRESSOR	1	A
10	450011	TUBE ASSY, VACUUM / A/C COMPRESSOR	1	B
12	501717	. ADAPTER JIC @ BRAZE W/O-RING // #20JIC-Mx#22BRAZE-F BR	2	
. NS	501803	. . O-RING / ORS FITTING / #20 NEO	1	
13	5011015	. ADAPTER JIC @ BRAZE W/O-RING // #12JIC-Mx#14BRAZE-F BR	1	
. NS	501829	. . O-RING / ORS FITTING / #12 NEO	1	
15	374364	SUPPORT, PIPE	1	
16	500502	SCREW WO FL PH #8x3 Z050	1	
19	374860	INSULATION PANEL	1	
20	454805	PLATE CLOSING AROUND PIPE / 180MMx132MM	1	
21	454804	PLATE CLOSING AROUND PIPE / 255MMx132MM	1	
22	454806	PLATE CLOSING AROUND PIPE / 255MMx34.5MM	1	
23	5060120	GROMMET EDGING ADHESIVE .036-.062	AR	
24	952637	CLAMP / 1"1/16 I.D.	1	
27	500957	SCREW TP BDG PH #10x3/4 N500	AR	
29	374364	SUPPORT, PIPE	1	
30	500502	SCREW WO FL PH #8x3 Z050	1	
31	450408	PLATE CLOSING AROUND PIPE /	1	
32A	503796	HOSE SILICONE 2 PLY / NOMEX-ARAMID 1 1/8" I.D. x 6'	AR	
32B	503392	HOSE SILICONE 4PLY 1 3/8" I.D. x 4' To K-7594	AR	
32B	503783	HOSE SILICONE 4PLY / NOMEX-ARAMID 34MM I.D. x 6' From K-7595	AR	
33A	504022	HOSE CLAMP / 3/4"-1"3/4 SS / HS-20	1	
33B	504413	HOSE CLAMP / 1"1/16-2" SS / HAS-24	1	
34	504778	CLAMP / SS / SILICONE RUBBER / 1 1/8" I.D. x .281 HOLE	1	
35	504779	CLAMP / SS / SILICONE RUBBER / 1 3/8" I.D. x .281 HOLE	1	
36	5001815	SCREW CAP HEXF M6-1.0x30 G 8.8 N500	2	
50	X3PLB-2270-01	RECEIVER TANK & FILTER DRYER W/O A/C PARCEL RACK VOLVO D13 - GHG17		
51	X3PLB-2245-01	A/C COMPRESSOR "BITZER" - INSTALLATION		
		A) WITHOUT A/C PARCEL RACK		
		B) WITH A/C PARCEL RACK		

From L-7663 To M-7767

Date:07/2024

PAGE:X3PLB-2222-17

A/C LINE REAR SECTION



WITHOUT A/C PARCEL RACK

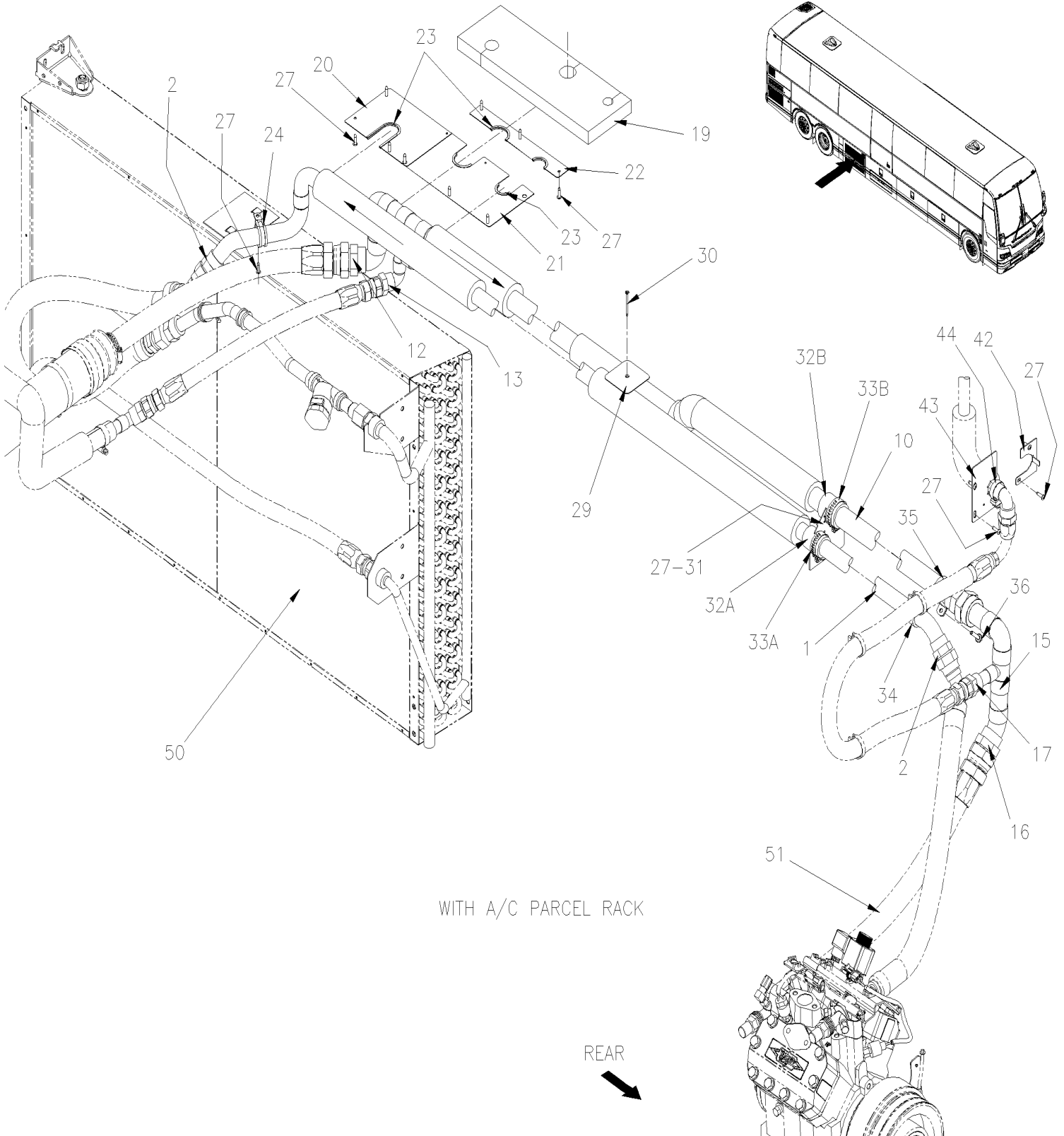
REAR

From L-7663 To M-7767

Date:07/2024

PAGE:X3PLB-2222-17

A/C LINE REAR SECTION



From L-7663 To M-7767	Date:07/2024	PAGE:X3PLB-2222-17
A/C LINE REAR SECTION		

Item#	Part	Description	QTY	Notes
1	450006	TUBE ASSY, PRESSURE / A/C COMPRESSOR	1	
2	501718	. ADAPTER JIC @ BRAZE W/O-RING // #16JIC-Mx#18BRAZE-F BR	2	
. NS	501802	. . O-RING / ORS FITTING / #16 NEO	1	
10	450010	TUBE ASSY, VACUUM / A/C COMPRESSOR To N-7940	1	A
10	454378	TUBE ASSY, VACUUM / A/C COMPRESSOR From N-7941	1	A
10	450676	TUBE ASSY, VACUUM / A/C COMPRESSOR To N-7940	1	B
10	454377	TUBE ASSY, VACUUM / A/C COMPRESSOR From N-7941	1	B
10	454756	TUBE ASSY, VACUUM / A/C COMPRESSOR To N-7940	1	C
10	454379	TUBE ASSY, VACUUM / A/C COMPRESSOR From N-7941	1	C
12	501717	. ADAPTER JIC @ BRAZE W/O-RING // #20JIC-Mx#22BRAZE-F BR	2	
. NS	501803	. . O-RING / ORS FITTING / #20 NEO	1	
13	5011015	. ADAPTER JIC @ BRAZE W/O-RING // #12JIC-Mx#14BRAZE-F BR	1	
. NS	501829	. . O-RING / ORS FITTING / #12 NEO	1	
15	450674	PIPE,SUCTION COMPRESSOR ASSY.	1	B
16	501717	. ADAPTER JIC @ BRAZE W/O-RING // #20JIC-Mx#22BRAZE-F BR	1	B
. NS	501803	. . O-RING / ORS FITTING / #20 NEO	1	B
17	5011015	. ADAPTER JIC @ BRAZE W/O-RING // #12JIC-Mx#14BRAZE-F BR	1	B
. NS	501829	. . O-RING / ORS FITTING / #12 NEO	1	B
19	374860	INSULATION PANEL	1	
20	454805	PLATE CLOSING AROUND PIPE / 180MMx132MM	1	
21	454804	PLATE CLOSING AROUND PIPE / 255MMx132MM	1	
22	454806	PLATE CLOSING AROUND PIPE / 255MMx34.5MM	1	
23	5060120	GROMMET EDGING ADHESIVE .036-.062	AR	
24	952637	CLAMP / 1"1/16 I.D.	1	
27	500957	SCREW TP BDG PH #10x3/4 N500	AR	
29	374364	SUPPORT, PIPE To P-8051	1	
29	374364	SUPPORT, PIPE From P-8052	2	
30	500502	SCREW WO FL PH #8x3 Z050 To P-8051	1	
30	500502	SCREW WO FL PH #8x3 Z050 From P-8052	2	
31	450408	PLATE CLOSING AROUND PIPE /	1	
31	450589	PLATE CLOSING AROUND PIPE /	1	C
31	450991	PLATE CLOSING AROUND PIPE /	1	C
32A	503796	HOSE SILICONE 2 PLY / NOMEX-ARAMID 1 1/8" I.D. x 6'	AR	
32B	503783	HOSE SILICONE 4PLY / NOMEX-ARAMID 34MM I.D. x 6'	AR	
33A	504022	HOSE CLAMP / 3/4"-1"3/4 SS / HS-20	1	
33B	504413	HOSE CLAMP / 1"1/16-2" SS / HAS-24	1	
34	504778	CLAMP / SS / SILICONE RUBBER / 1 1/8" I.D. x .281 HOLE	1	
35	504779	CLAMP / SS / SILICONE RUBBER / 1 3/8" I.D. x .281 HOLE	1	
36	5001815	SCREW CAP HEXF M6-1.0x30 G 8.8 N500	2	
41	450958	CLOSING PLATE	1	A
42	450707	CLOSING PLATE	1	B
43	450706	CLOSING PLATE	1	B

From L-7663 To M-7767	Date:07/2024	PAGE:X3PLB-2222-17
A/C LINE REAR SECTION		

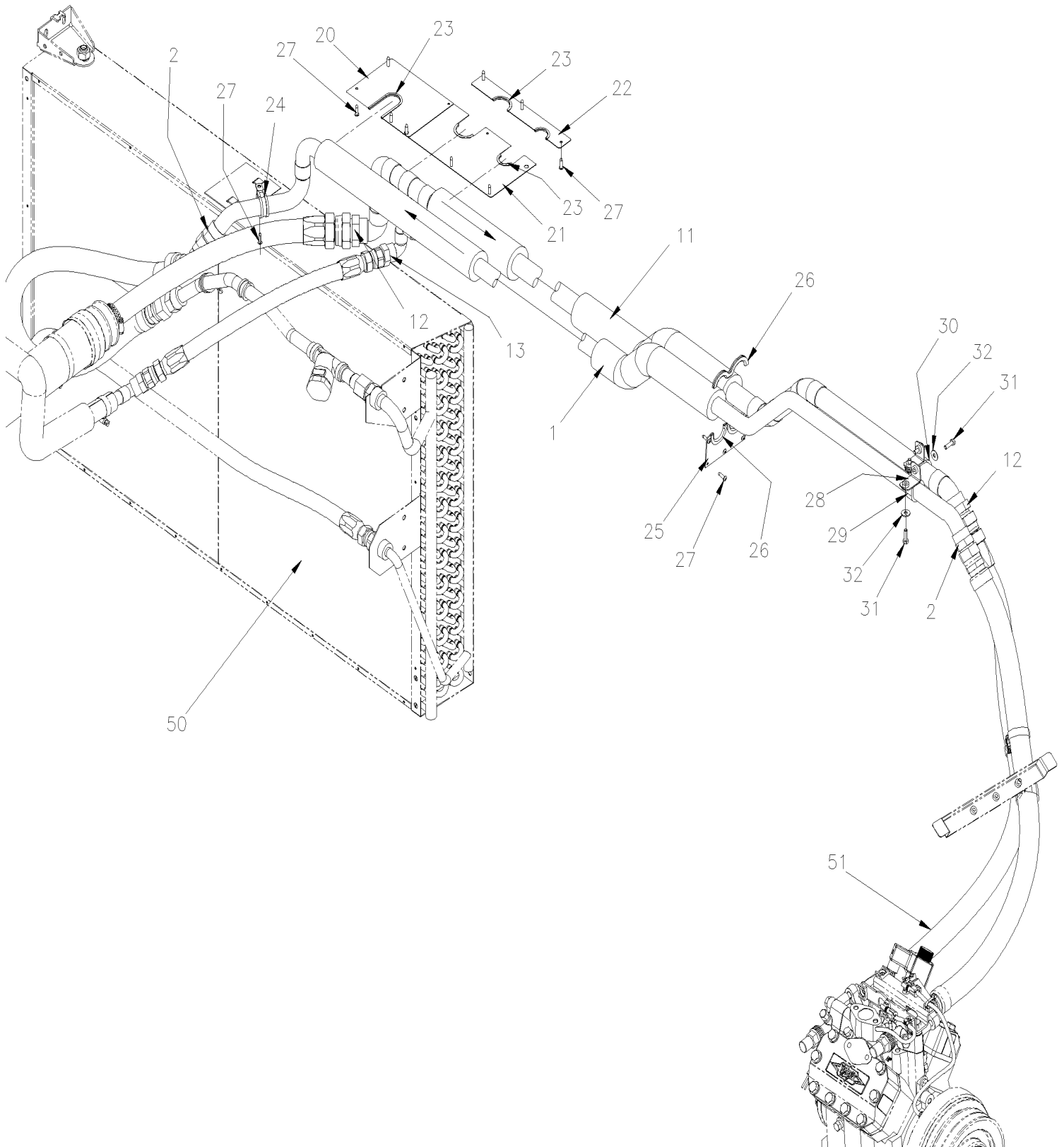
Item#	Part	Description	QTY	Notes
44	992084	HOSE CLAMP / 23MM/35MM	1	B
50	X3PLB-2270-01	RECEIVER TANK & FILTER DRYER W/O A/C PARCEL RACK VOLVO D13 - GHG17		
51	X3PLB-2245-00	A/C COMPRESSOR "BITZER" - INSTALLATION		
51	X3PLB-2245-20	A/C COMPRESSOR "BOCK" - INSTALLATION From N-8011	1	
		A) WITHOUT A/C PARCEL RACK		
		B) WITH A/C PARCEL RACK		
		C) WITHOUT LAVATORY		

From G-7275 To H-7416

Date:07/2024

PAGE:X3PLB-2222-30

A/C LINE REAR SECTION W/O LAVATORY W/ "BITZER"



From G-7275 To H-7416	Date:07/2024	PAGE:X3PLB-2222-30
A/C LINE REAR SECTION W/O LAVATORY W/ "BITZER"		

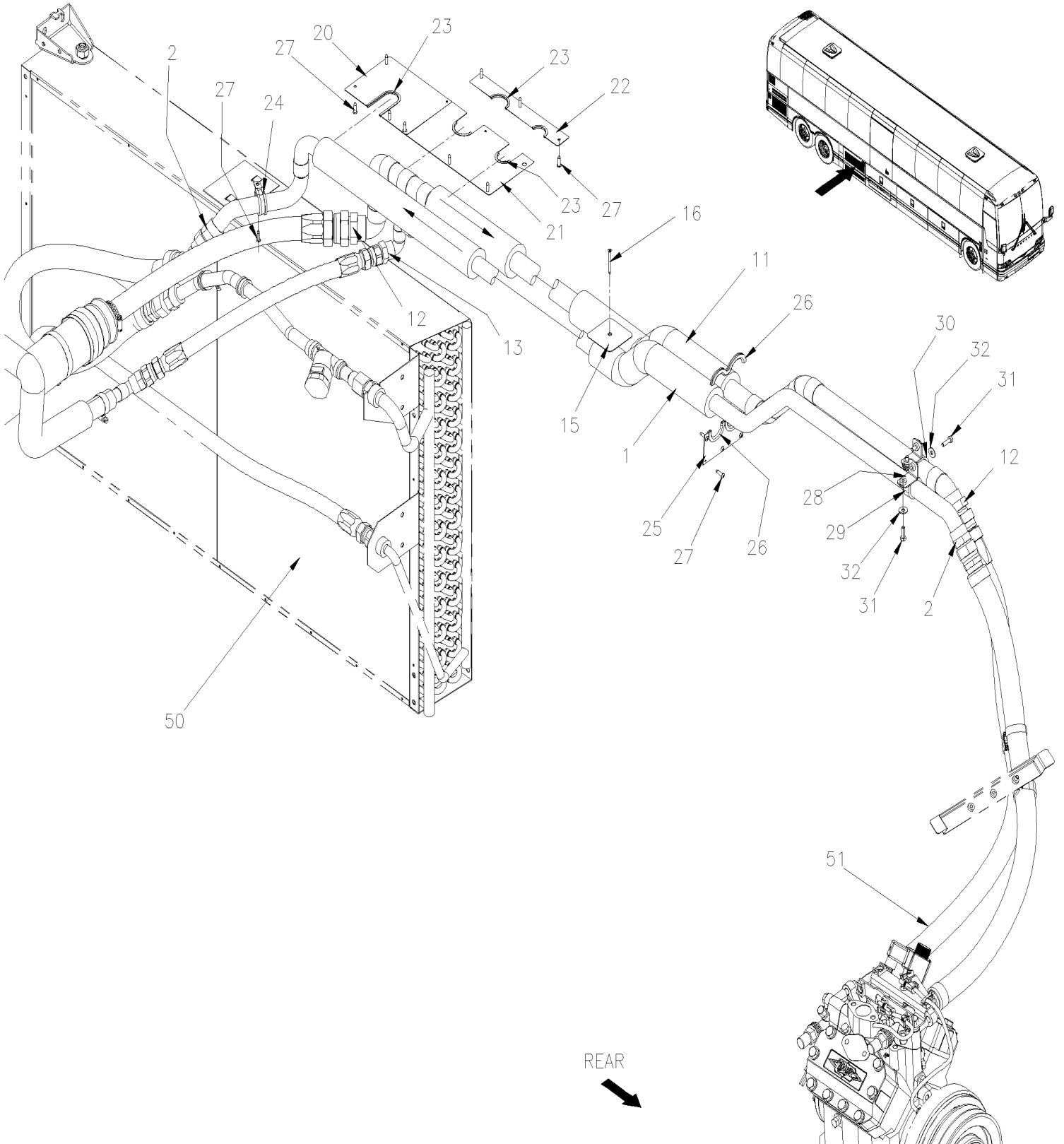
Item#	Part	Description	QTY	Notes
1	454930	TUBE ASSY, PRESSURE / A/C COMPRESSOR	1	
2	501718	. ADAPTER JIC @ BRAZE W/O-RING // #16JIC-Mx#18BRAZE-F BR	1	
. NS	501802	. . O-RING / ORS FITTING / #16 NEO	1	
11	Call order desk	TUBE ASSY, VACUUM / A/C COMPRESSOR	1	P
12	501717	. ADAPTER JIC @ BRAZE W/O-RING // #20JIC-Mx#22BRAZE-F BR	2	
. NS	501803	. . O-RING / ORS FITTING / #20 NEO	1	
13	5011015	. ADAPTER JIC @ BRAZE W/O-RING // #12JIC-Mx#14BRAZE-F BR	1	
. NS	501829	. . O-RING / ORS FITTING / #12 NEO	1	
20	454805	PLATE CLOSING AROUND PIPE / 180MMx132MM	1	
21	454804	PLATE CLOSING AROUND PIPE / 255MMx132MM	1	
22	454806	PLATE CLOSING AROUND PIPE / 255MMx34.5MM	1	
23	5060120	GROMMET EDGING ADHESIVE .036-.062	AR	
24	952637	CLAMP / 1"1/16 I.D.	1	
25	483041	PLATE CLOSING AROUND PIPE	1	
26	5060120	GROMMET EDGING ADHESIVE .036-.062	AR	
27	500957	SCREW TP BDG PH #10x3/4 N500	AR	
28	454932	SUPPORT	2	
29	504778	CLAMP / SS / SILICONE RUBBER / 1 1/8" I.D. x .281 HOLE	1	
30	504779	CLAMP / SS / SILICONE RUBBER / 1 3/8" I.D. x .281 HOLE	1	
31	502830	SCREW CAP HEX M6-1.0x20 G8.8 N500	4	
32	5001833	WASHER BEL SPR 6.1x18x1.27 SS	4	
50	X3PLB-2270-00	RECEIVER TANK & FILTER DRYER		
51	X3PLB-2245-00	A/C COMPRESSOR "BITZER" - INSTALLATION		
		P) CALL ORDER DESK FOR SPECIFIC APPLICATION (V.I.N.)		

From H-7417 To M-7767

Date:07/2024

PAGE:X3PLB-2222-31

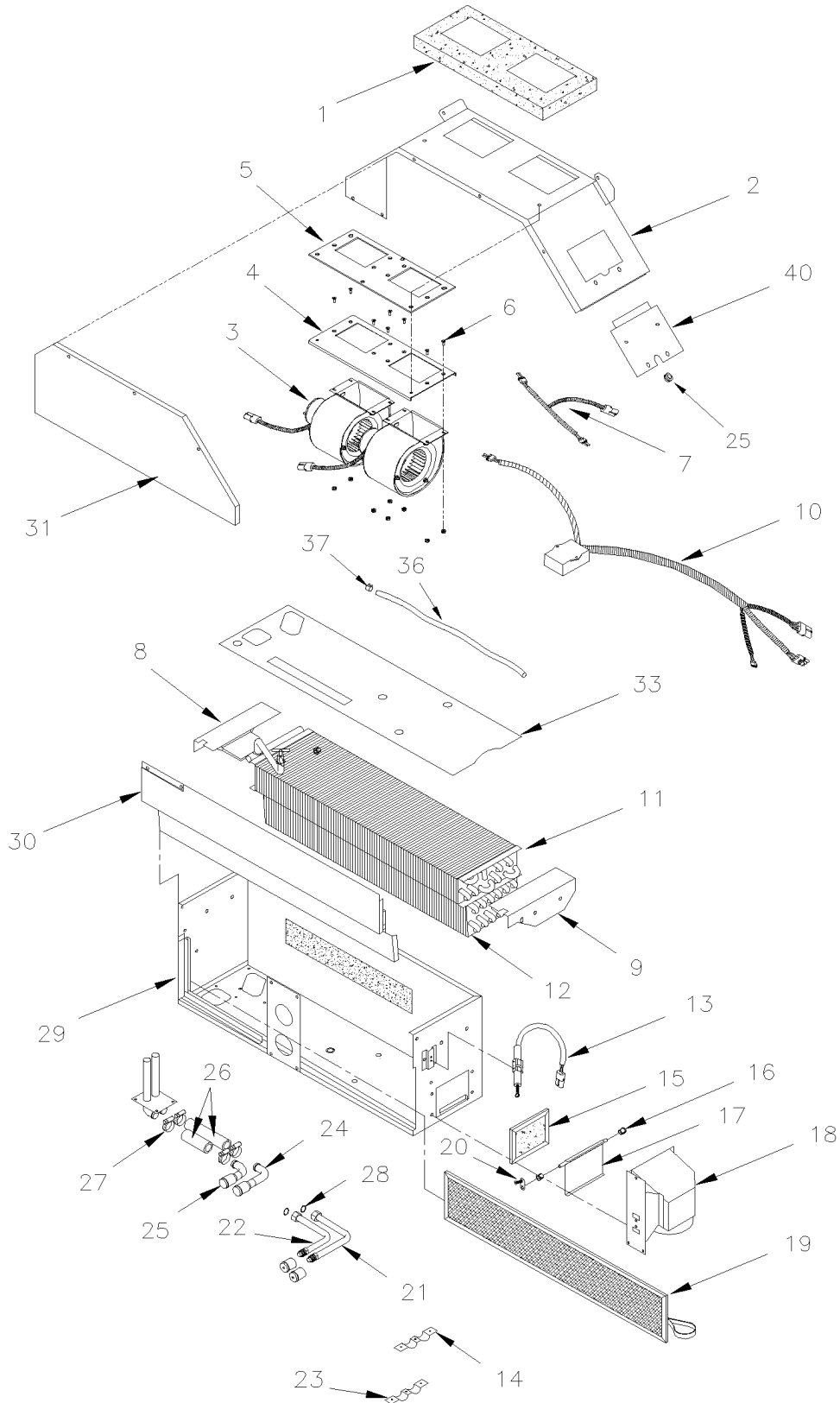
A/C LINE REAR SECTION W/O LAVATORY W/ "BITZER" VOLVO D13 - GHG17



From H-7417 To M-7767	Date:07/2024	PAGE:X3PLB-2222-31
A/C LINE REAR SECTION W/O LAVATORY W/ "BITZER" VOLVO D13 - GHG17		

Item#	Part	Description	QTY	Notes
1	454755	TUBE ASSY, PRESSURE / A/C COMPRESSOR	1	
2	501718	. ADAPTER JIC @ BRAZE W/O-RING // #16JIC-Mx#18BRAZE-F BR	2	
. NS	501802	. . O-RING / ORS FITTING / #16 NEO	1	
11	454756	TUBE ASSY, VACUUM / A/C COMPRESSOR To N-7940	1	A
11	454379	TUBE ASSY, VACUUM / A/C COMPRESSOR From N-7941	1	A
11	454757	TUBE ASSY, VACUUM / A/C COMPRESSOR	1	B
12	501717	. ADAPTER JIC @ BRAZE W/O-RING // #20JIC-Mx#22BRAZE-F BR	2	
. NS	501803	. . O-RING / ORS FITTING / #20 NEO	1	
13	5011015	. ADAPTER JIC @ BRAZE W/O-RING // #12JIC-Mx#14BRAZE-F BR	1	
. NS	501829	. . O-RING / ORS FITTING / #12 NEO	1	
15	374364	SUPPORT, PIPE To P-8051	1	
15	374364	SUPPORT, PIPE From P-8052	2	
16	500502	SCREW WO FL PH #8x3 Z050 To P-8051	1	
16	500502	SCREW WO FL PH #8x3 Z050 From P-8052	2	
20	454805	PLATE CLOSING AROUND PIPE / 180MMx132MM	1	
21	454804	PLATE CLOSING AROUND PIPE / 255MMx132MM	1	
22	454806	PLATE CLOSING AROUND PIPE / 255MMx34.5MM	1	
23	5060120	GROMMET EDGING ADHESIVE .036-.062	AR	
24	952637	CLAMP / 1"1/16 I.D.	1	
25	454761	PLATE CLOSING AROUND PIPE	1	
26	506338	RUBBER CHANNEL / 1/16" x 1/4" INT "U" SHAPE / ROUND C.T.L.	AR	
27	500957	SCREW TP BDG PH #10x3/4 N500	AR	
28	454932	SUPPORT To H-7385	2	
28	450002	SUPPORT, COMPRESSOR HOSE From H-7386	1	
29	504778	CLAMP / SS / SILICONE RUBBER / 1 1/8" I.D. x .281 HOLE	1	
30	504779	CLAMP / SS / SILICONE RUBBER / 1 3/8" I.D. x .281 HOLE	1	
31	502830	SCREW CAP HEX M6-1.0x20 G8.8 N500	4	
32	5001833	WASHER BEL SPR 6.1x18x1.27 SS	4	
50	X3PLB-2270-01	RECEIVER TANK & FILTER DRYER W/O A/C PARCEL RACK VOLVO D13 - GHG17		
50	X3PLB-2270-10	RECEIVER TANK & FILTER DRYER WITH A/C PARCEL RACK GHG17		
51	X3PLB-2245-01	A/C COMPRESSOR "BITZER" - INSTALLATION		
51	X3PLB-2245-20	A/C COMPRESSOR "BOCK" - INSTALLATION From N-8011	1	
		A) WITHOUT A/C PARCEL RACK		
		B) WITH A/C PARCEL RACK		

DRIVER'S HEATER & DEFROSTER ASSY



From G-7275 To J-7501	Date:07/2024	PAGE:X3PLB-2225-00
-----------------------	--------------	--------------------

DRIVER'S HEATER & DEFROSTER ASSY

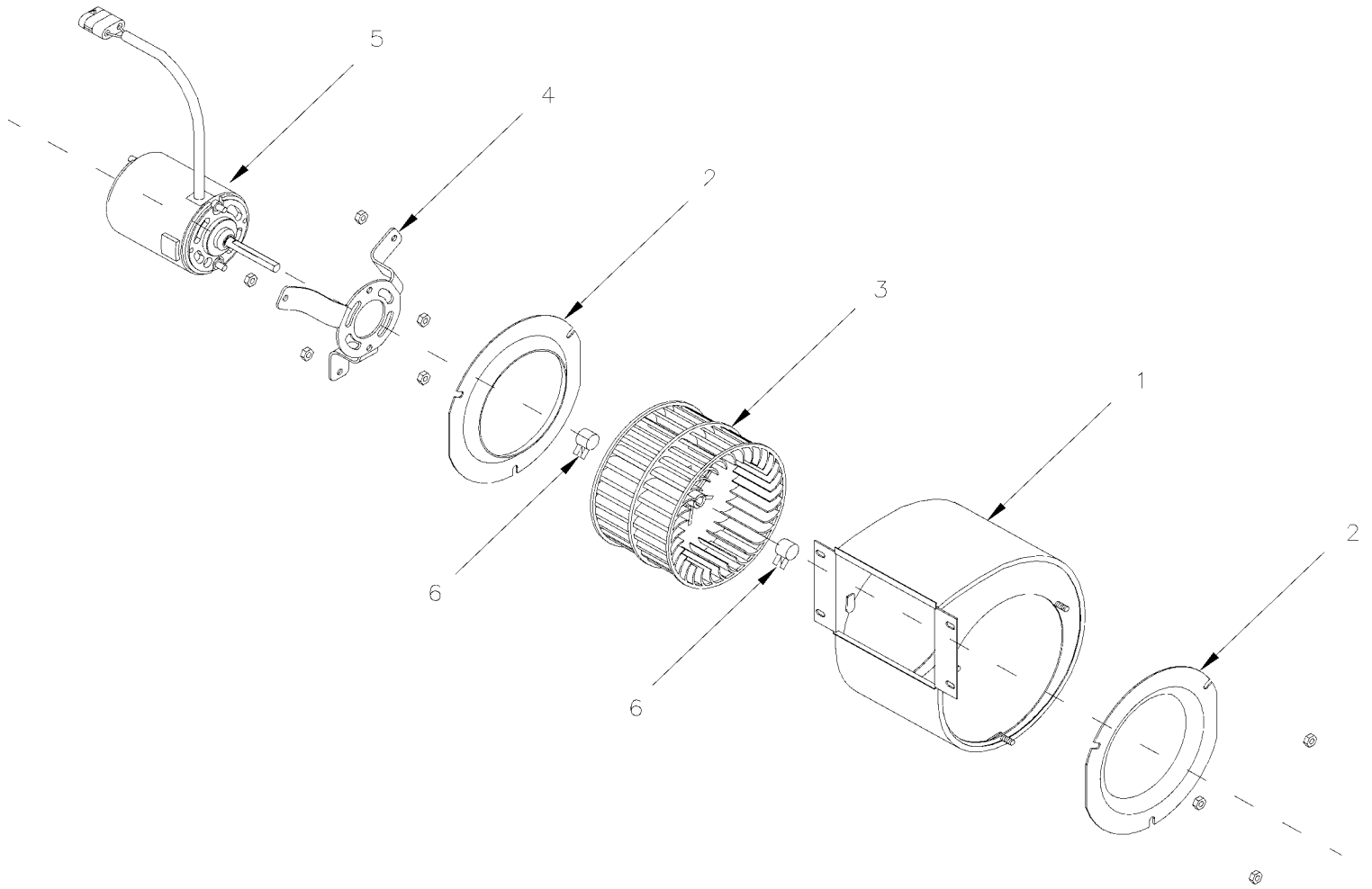
Item#	Part	Description	QTY	Notes
	871384	DEFROSTER & A/C UNIT ASSY	1	
1	871129	. SEAL	2	
2	871400	. TOP COVER	1	
3	871359	. BLOWER ASSY 24V / W/DOUBLE MOTOR MOUNT	1	
3	871360	. . BLOWER & MOTOR ASSY - "M.C.C." "CCW" / FAN END	2	
4	871410	. . PLATE MOUNTING	1	
5	871411	. . FOAM ASSY	1	
6	684605	. . SCREW CAP HEXS #10-32x1/2	8	
6	500423	. . NUT HEX NYRT #10-32 SS	8	
7	871364	. . CABLE HARNESS	1	
8	871137	. BRACKET L.H.	1	
9	871138	. BRACKET R.H.	1	
10	871353	. MODULE CONTROL FAN SPEED / W/DOUBLE MOTOR	1	
11	871140	. HEATER COIL	1	
. NS	870127	. . DRAIN VALVE ROBINET VIDANGE	1	
12	871141	. EVAPORATOR COIL	1	
13	871142	. ACTUATOR, THERMAL	1	
14	871406	. TUBE SUPPORT	1	
15	871144	. FILTER / FRESH AIR 1/4" x 3 5/8" x 5 1/4"	1	
16	871025	. BUSHING / CABLE PIVOT	2	
17	871145	. DAMPER TRAP	1	
18	871146	. BOX, FRESH AIR	1	
19	871147	. FILTER / RECIRCULATING 1/4" x 6 1/4" x 28"	1	
20	871148	. LEVER , F/A DAMPER	1	
21	871149	. TUBE, A/C	1	
22	871150	. TUBE, A/C	1	
23	871404	. TUBE SUPPORT	1	
24	871152	. TUBE HEATER	1	
25	871153	. TUBE HEATER	1	
26	871442	. HOSE SILICONE 4 PLY 5/8 OD x 4"	AR	
27	871443	. HOSE CLAMP /	4	
28	507279	. O-RING / ORS FITTING / #8 NEO	2	
28	X3PLB-2208-00	. A/C EXPANSION VALVE		
28	X3PLB-2208-01	. A/C EXPANSION VALVE		
29	871397	. CASING	1	
30	871401	. COVER	1	
31	871403	. COVER / BLOWER ACCESS	1	
33	871413	. INSULATION	1	
36	8860148	. TUBE, NYLON 5/16 O.D. / BLACK S.L.	1	
37	N8888160	. SPRING CLIP	1	
40	871407	. HARNESS COVER	1	
41	N8889852	. GROMMET	1	

From G-7275 To J-7501

Date:07/2024

PAGE:871360

BLOWER & MOTOR ASSY - "M.C.C." "CCW" / FAN END



From G-7275 To J-7501	Date:07/2024	PAGE:871360
-----------------------	--------------	-------------

BLOWER & MOTOR ASSY - "M.C.C." "CCW" / FAN END

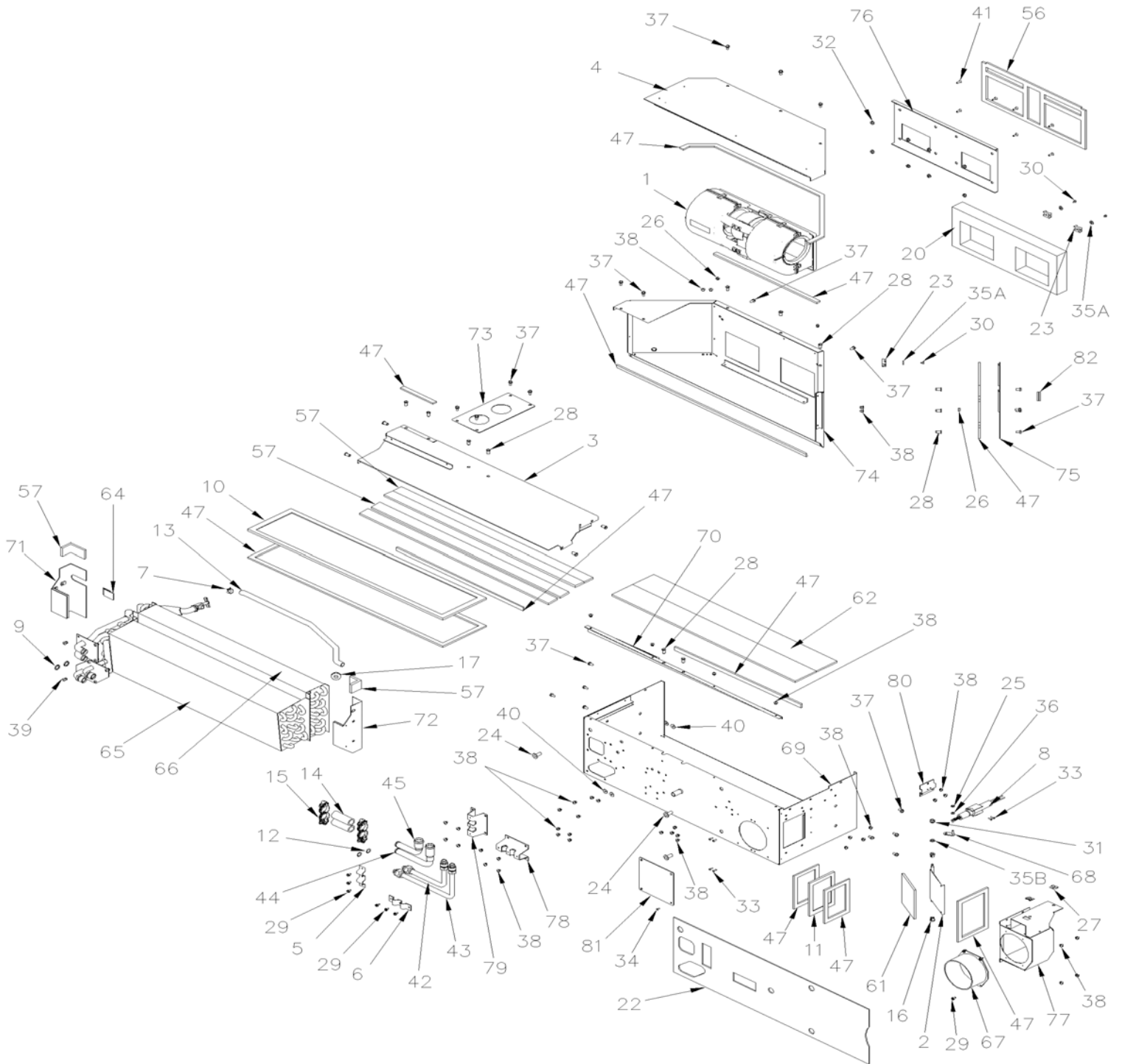
Item#	Part	Description	QTY	Notes
		BLOWER ASSY 24V / CCW	1	
1	871365	. BLOWER HOUSING	1	
2	N8889479	. VENTURY	2	
3	871133	. BLOWER WHEEL / PLASTIC 5 1/8" x 3 1/2" x 5/16" x I.D.	1	
4	N8890530	. MOUNTING MOTOR BRACKET	1	
5	871366	. MOTOR ASSY 24V / CCW	1	
6	N8888160	. SPRING CLIP	2	

From J-7502 To M-7767

Date:07/2024

PAGE:X3PLB-2225-01

DRIVER'S HEATER & DEFROSTER ASSY



From J-7502 To M-7767	Date:07/2024	PAGE:X3PLB-2225-01
-----------------------	--------------	--------------------

DRIVER'S HEATER & DEFROSTER ASSY

Item#	Part	Description	QTY	Notes
	870007	DEFROSTER & A/C UNIT ASSY To N-7963	1	
	870152	DEFROSTER & A/C UNIT ASSY From N-7964	1	
1	19519329	. BLOWER ASSY 24V / W/BRUSHLESS MOTOR	1	
2	871145	. DAMPER TRAP	1	
3	871401	. COVER	1	
4	871403	. COVER / BLOWER ACCESS	1	
5	871404	. TUBE SUPPORT	1	
6	871406	. TUBE SUPPORT	1	
7	N8888160	. SPRING CLIP	1	
8	871142	. ACTUATOR, THERMAL	1	
9	N8887060	. INSULATION TAPE	2	
10	871147	. FILTER / RECIRCULATING 1/4" x 6 1/4" x 28"	1	
11	871144	. FILTER / FRESH AIR 1/4" x 3 5/8" x 5 1/4"	1	
12	N8887061	. O-RING #8	2	
13	8860534	. TUBE, NYLON 1/2 O.D. / BLACK S.L.	1	
14	N8903249	. HOSE SILICONE 5/8"	2	
15	N8903248	. CLAMP 5/8"	4	
16	871025	. BUSHING / CABLE PIVOT	2	
17	N8889483	. GROMMET	1	
20	871129	. SEAL	1	
22	871413	. INSULATION	1	
23	870059	. TIE MOUNT	3	
24	870154	. RIVNUT 5/16"-18 AL	3	
25	N8895769	. NUT M4 To N-7963	1	
25	870155	HEX LOCKNUT M4 X 0.7 SS From N-7964	1	
26	N8889858	. NUT M5	3	
27	871429	. SPRING NUT	2	
28	870050	. RIVET NUT M5	16	
29	N8889859	. SCREW #8x3/8"	10	
30	870054	. SCREW MA PAN PH #6x1/4" To N-7963	3	
30	N8893405	POP RIVET 1/8" X .390 From N-7964	3	
31	N8890452	. LOCKNUT 1/4-28	1	
32	N8894865	. LOCK NUT #8-32	8	
33	N8893405	. POP RIVET 1/8" X .390	6	
34	N8890513	. POP RIVET 1/8"x.265"	4	
35A	N8890477	. WASHER FL M6 To N-7963	3	
35A	N8890477	. WASHER FL M6 To N-7963	3	
35A	N8893407	FLAT WASHER #4 From N-7964	6	
35B	N8890477	. WASHER FL M6	1	
35B	N8890477	. WASHER FL M6	1	
36	N8889863	. WASHER M5	1	
37	N8889857	. SCREW CAP HEX M5x10	23	

From J-7502 To M-7767	Date:07/2024	PAGE:X3PLB-2225-01
DRIVER'S HEATER & DEFROSTER ASSY		

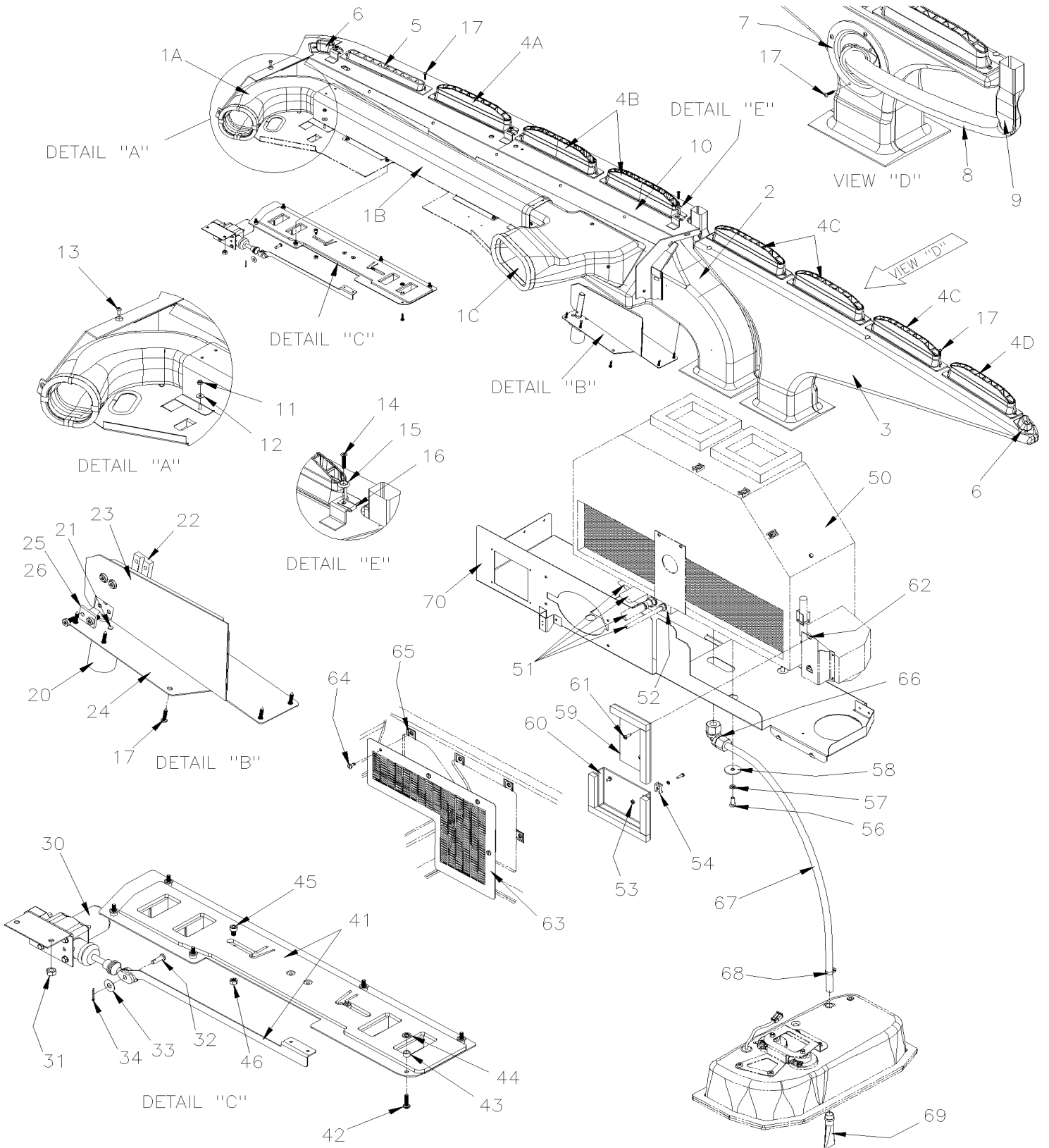
Item#	Part	Description	QTY	Notes
38	870047	. POP RIVET 3/16"x.345"	43	
39	870046	. POP RIVET 3/16"	8	
40	N8892502	. WASHER FL #10 To N-7963	4	
41	870156	. SCREW #8-32 X 1/2" S.S.	8	
42	871232	. TUBE, A/C	1	
43	871233	. TUBE, A/C	1	
44	870157	. TUBE, HEATER	1	
45	870158	. TUBE, HEATER	1	
47	N8889679	. FOAM / 3/16"x1 /2"	AR	
56	N8909945	. FOAM TAPE 3/16"x5/8 To N-7963	AR	
56	N8889679	FOAM / 3/16"x1 /2" From N-7964	AR	
57	N8895172	. FOAM / 1/4"x1 1 /4"	AR	
61	N8889678	. FOAM TAPE 1/4"x3 3/4"	AR	
62	N8893438	. FOAM / 3/16"x3"	AR	
64	N8893469	. FOAM / 1/16"x1" To N-7963	AR	
64	N8887060	. INSULATION TAPE From N-7964	AR	
65	870038	. EVAPORATOR COIL	1	
66	870041	. HEATER COIL	1	
67	870160	. HOSE ADAPTER 4"	1	
68	870042	. LEVER , F/A DAMPER	1	
69	870028	. CASING	1	
69	Call order desk	. CASING From N-7964	1	P
70	870019	. BRACKET	1	
71	870032	. BRACKET L.H.	1	
72	870033	. BRACKET R.H.	1	
73	870043	. PLATE	1	
74	870060	. TOP COVER	1	
75	Call order desk	. HARNESS COVER	1	P
76	870247	. BLOWER PLATE	1	
77	Call order desk	. BOX, FRESH AIR	1	P
78	Call order desk	. TUBES SUPPORT To N-7963	1	P
79	Call order desk	. TUBES SUPPORT To N-7963	1	P
80	Call order desk	. ACTUATOR BRACKET	1	P
81	Call order desk	. COVER To N-7963	1	P
81	Call order desk	. COVER From N-7964	1	P
82	870150	. CABLE HARNESS	1	
		P) CALL ORDER DESK FOR SPECIFIC APPLICATION (V.I.N.)		

From G-7275 To K-7542

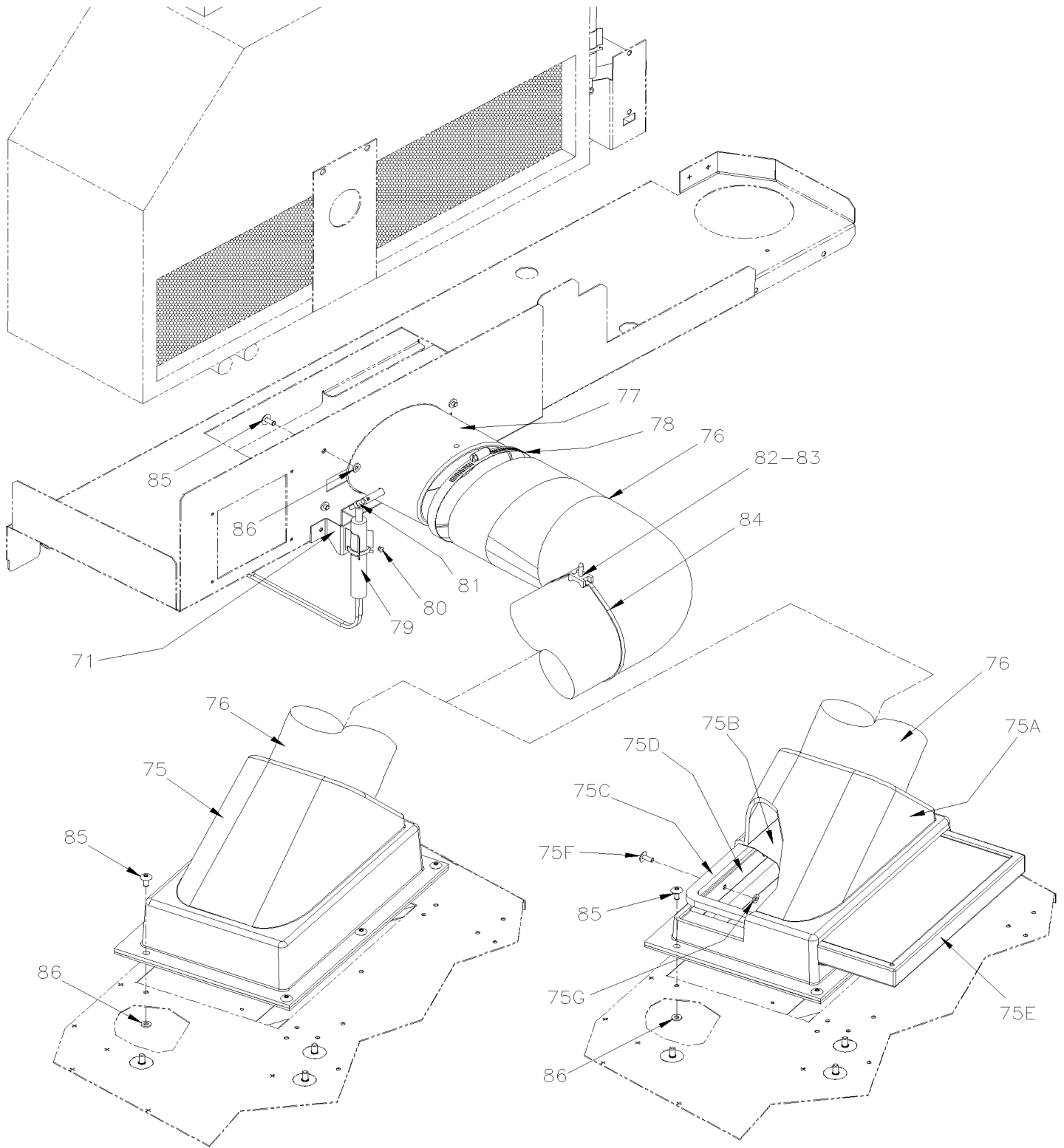
Date:07/2024

PAGE:X3PLB-2230-00

DEFROSTER - INSTALLATION



DEFROSTER - INSTALLATION



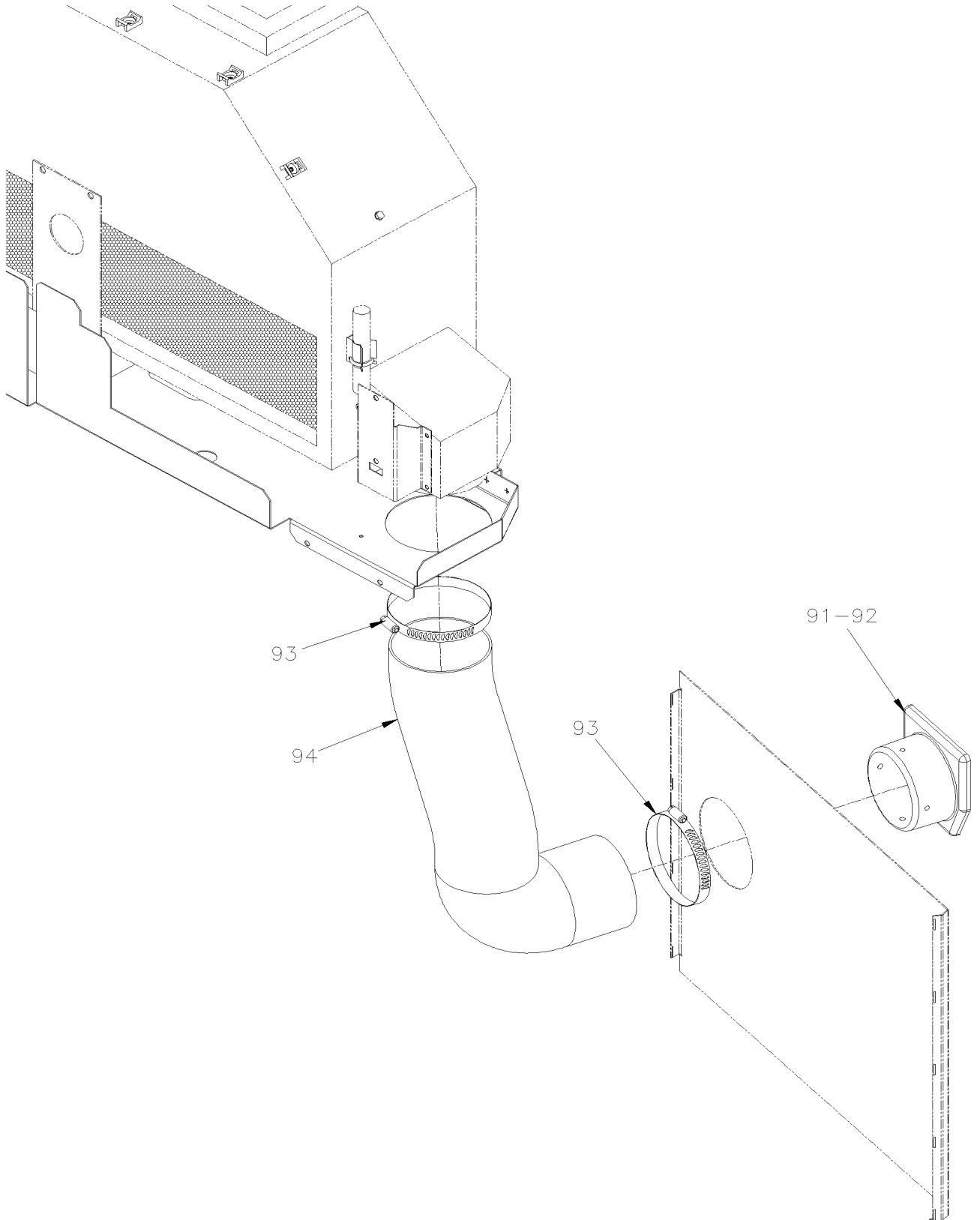
"PWT" OPTION

From G-7275 To K-7542

Date:07/2024

PAGE:X3PLB-2230-00

DEFROSTER - INSTALLATION



From G-7275 To K-7542	Date:07/2024	PAGE:X3PLB-2230-00
DEFROSTER - INSTALLATION		

Item#	Part	Description	QTY	Notes
1A	392211	DUCT DRIVER LH SECTION	1	
1B	392488	DUCT DRIVER CENTER SECTION	1	
1C	392212	DUCT DRIVER RH SECTION	1	
. NS	391003	. SEAL DUCT	1	
NS	392064	SUPPORT	1	
NS	392085	. DEFLECTOR (INSIDE DUCT)	1	
2	392044	DEFROSTER DUCT STREETSIDE To K-7662	1	
2	390929	DEFROSTER DUCT STREETSIDE From L-7663	1	
3	392049	DEFROSTER DUCT CURBSIDE	1	
NS	392268	DEFLECTOR	1	
4A	392517	LOUVER, HIGH SHAPE	1	
4B	392520	LOUVER	2	
4C	392276	LOUVER	3	
4D	392045	LOUVER	1	
5	392519	LOUVER, LOW SHAPE	1	
6	392046	LOUVER CORNER	2	
7	453585	HOSE ADAPTOR / CURBSIDE DUCT	1	C
8	453588	HOSE 510MM	1	C
NS	504637	CABLE TIE / 3/16" x 13"	1	
9	453584	HOSE ADAPTOR / WINDSHIELD	1	C
9	392534	TY-RAP	1	
10	392160	SUPPORT / DEFROSTER DUCT	1	
11	502557	NUT HEX NYRT M4-0.7 SS	6	
12	5001971	WASHER FL 4.3x12.0x1.6 ZP	6	
13	5001036	SCREW MA PAN PH M4-0.7x10 Z050	4	
14	5001411	SCREW MA FL PH M4-0.7x20 BK	3	
15	500345	WASHER FN CKF .187x.500x.090 BR BK	3	
16	5001406	NUT SPR U M4-0.7 0.8-4.0x13.5	3	
17	890014	SCREW TP PAN PH ST3.9x16 BKP	AR	
20	392540	DAMPER ASSY	1	
20	871424	. MOTOR	1	
21	5001398	. SCREW MA CHE PH M3-0.5x10 SS	3	
21	5001407	. WASHER LO EXT 3.2x6.0x0.4 SS	3	
	N.P.N.	. CHAR(255)	1	4
22	390040	. FIXING PLATE DAMPER	1	
	N.P.N.	. CHAR(255)	1	4
23	390994	. TRAP ASSY	1	
	N.P.N.	. CHAR(255)	1	4
24	390024	. BASE DAMPER MOTOR	1	
25	390046	. SPACER FIXING DAMPER	1	
26	890020	. SCREW MA PAN TORX M5-0.8x12	4	
NS	563429	SWITCH MAGNETIC ASSY	1	

From G-7275 To K-7542	Date:07/2024	PAGE:X3PLB-2230-00
DEFROSTER - INSTALLATION		

Item#	Part	Description	QTY	Notes
. NS	562641	. MAGNET	1	
30	890009	LOCK ACTUATOR / 12V	1	
. NS	562076	. CONNECTOR / PACK-CON I / FEMALE HOUSING / 2C / PED 8911772	1	
31	5001182	NUT HEX NYRT M6-1.0 SS	2	
32	502263	PIN, CLEVIS 3/16 x 5/8	1	
33	5001972	WASHER FL .200x.625x.062 SS	1	
34	502095	PIN, COTTER 1/16 x 3/4 ZP	1	
41	392063	DAMPER, FOOT ASSY	1	
42	5001410	. SCREW MA CHE PH M4-0.7x16 SS	6	
43	890016	. SPACER 3/16IDx5/16ODx3/16	6	
44	5001968	. WASHER FL RET .198 X .328 X .031 NYL	6	
45	5001969	. SCREW CAP HEXS M5-0.8x8 SS	2	
46	502782	. NUT HEX NYRT M5-0.8 Z050	2	
50	X3PLB-2225-00	DRIVER'S HEATER & DEFROSTER ASSY		
51	X3PLB-2222-10	A/C & HEATING LINE FRONT SECTION To H-7416		
51	X3PLB-2222-11	A/C & HEATING LINE FRONT SECTION VOLVO D13 - GHG17 From H-7417		
52	X3PLB-2208-00	A/C EXPANSION VALVE		
53	500623	SCREW TC PAN PH #10-24x3/4 N500	2	
53	500914	WASHER LO SPT .193x.334x.047 N500	2	
53	502882	NUT HEX #10-24 N500	2	
54	504013	TIE MOUNT / 1/4" X 1/4" I.D.	2	
54	504637	CABLE TIE / 3/16" x 13"	2	
56	500836	SCREW CAP HEX 5/16-18x3/4 G5 N500	3	
57	500942	WASHER LO SPT 8.1x14.8x2.0 N500	3	
58	500462	WASHER FL .343x1.500x.083 SS	3	
59	453430	DEFLECTOR, UPPER	1	
60	453431	DEFLECTOR, LOWER	1	
61	502761	SCREW TP BDG PH #10x3/4 SS BK	4	
62	500803	NUT SPR J #10A .035-.050	4	
63	457701	GRILL AIR / FRONT STEPWELL / RETURN	1	
64	504681	STUD 6MM (DZUS)	4	
64	504604	FASTENER	4	
65	504605	RECEPTACLE 6 MM	4	
66	641418	ELBOW UNION 90° / COMPRESSION FITTING / #10x#10 PLAS WHITE To J-7526	1	
66	640014	ELBOW UNION 90° / COMPRESSION FITTING / #8x#6 PLAS WHITE From J-7527	1	
67	503666	HOSE 1/2" I.D. 100' / S.L.	AR	
68	504014	HOSE CLAMP / 1/4"-5/8" SS / HM-4	2	
68	504356	GROMMET / .625x.875x.062x.312x1.125	1	
69	590286	DRAIN BOOT 1 1/4" I.D. X 4" / FLAT	1	
69	504637	CABLE TIE / 3/16" x 13"	1	

From G-7275 To K-7542	Date:07/2024	PAGE:X3PLB-2230-00
DEFROSTER - INSTALLATION		

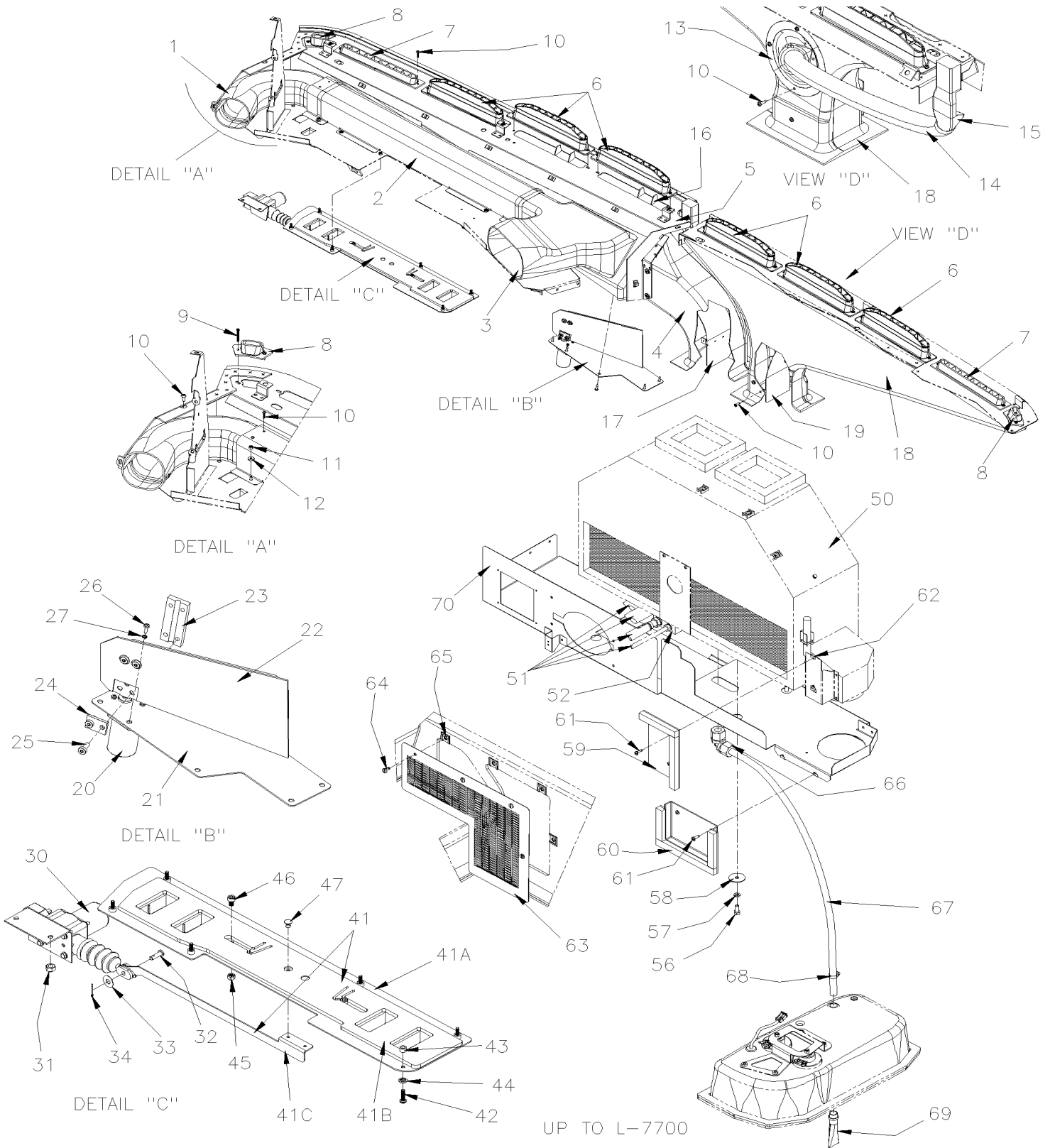
Item#	Part	Description	QTY	Notes
70	173737	SUPPORT / DEFROST & A/C UNIT	1	
71	172780	. SUPPORT / ACTUATOR	1	
75	373990	AIR INLET ASSY	1	
. NS	373952	. AIR INLET	1	
. NS	373989	. SCREEN 171MM X 284MM SS	1	
75A	374862P	AIR INLET ASSY	1	PWT
75A	378926	. AIR INLET	1	PWT
75B	373989	. SCREEN 171MM X 284MM SS	1	PWT
75C	506004	. TAPE RUB ADH1 CC POL 3/8" x 1/2" x 20' / GREY 2520X	AR	PWT
75C	684685	. ADHESIVE SIMSON #ISR 70-03 / 310ml CARTRIDGE	AR	PWT
75D	378927	. FILTER BRACKET	1	PWT
75E	874298	. AIR FILTER 11 1/8" x 7" x 1"	1	PWT
75F	504793	. RIVET MNB OE LARGE HEAD 3/16x7/16 SS	4	PWT
75G	5001137	. WASHER FL .203x.438x.050 SS	4	PWT
NS	506001	TAPE RUB ADH1 CC POL 1/8" x 3/4" x 50' / GREY 2520X	AR	PWT
76	373993	HOSE 5" I.D. 1600MM	1	
. NS	503741	. HOSE FLEXIBLE / AIR DUCT 5" I.D. X 12' / PLASTIC	AR	
77	373984	AIR INLET ASSY W/ DAMPER	1	
. NS	373969	. AIR INLET	1	
. NS	453954	. DAMPER TRAP	1	
. NS	453953	. SHAFT	1	
78	504324	HOSE CLAMP / 4"1/2-6"1/2 SS / HS-96	1	
79	373415	ACTUATOR ASSY	1	
80	504104	RIVET POP DOME OE 1/8x1/8 SS	2	
81	374021	TUBE NYLON #4 12MM	1	
81	503402	. TUBE, NYLON 1/4 O.D. / BLACK S.L.	AR	
82	500957	SCREW TP BDG PH #10x3/4 N500	1	
83	504013	TIE MOUNT / 1/4" X 1/4" I.D.	1	
84	504637	CABLE TIE / 3/16" x 13"	4	
85	504793	RIVET MNB OE LARGE HEAD 3/16x7/16 SS	9	
86	5001137	WASHER FL .203x.438x.050 SS	9	
91	374580	FRAME AIR INTAKE	1	
92	373933	GRILLE 111MM X 111MM	1	
93	504235	HOSE CLAMP / 3"9/16"-4"1/2 SS / HS-64	2	
94	373955	HOSE 4" I.D. X 500MM	1	
94	503688	. HOSE FLEXIBLE / AIR DUCT 4" I.D. X 25' / RUBBER	AR	

From G-7275 To K-7542		Date:07/2024	PAGE:X3PLB-2230-00
-----------------------	--	--------------	--------------------

DEFROSTER - INSTALLATION

Item#	Part	Description	QTY	Notes
		C) FEED AIR TO CENTER POST WINDSHIELD		
		PWT) PACIFIC WESTERN TRANSPORTATION OPTION		
		4) NO PARTS NUMBER		

DEFROSTER - INSTALLATION

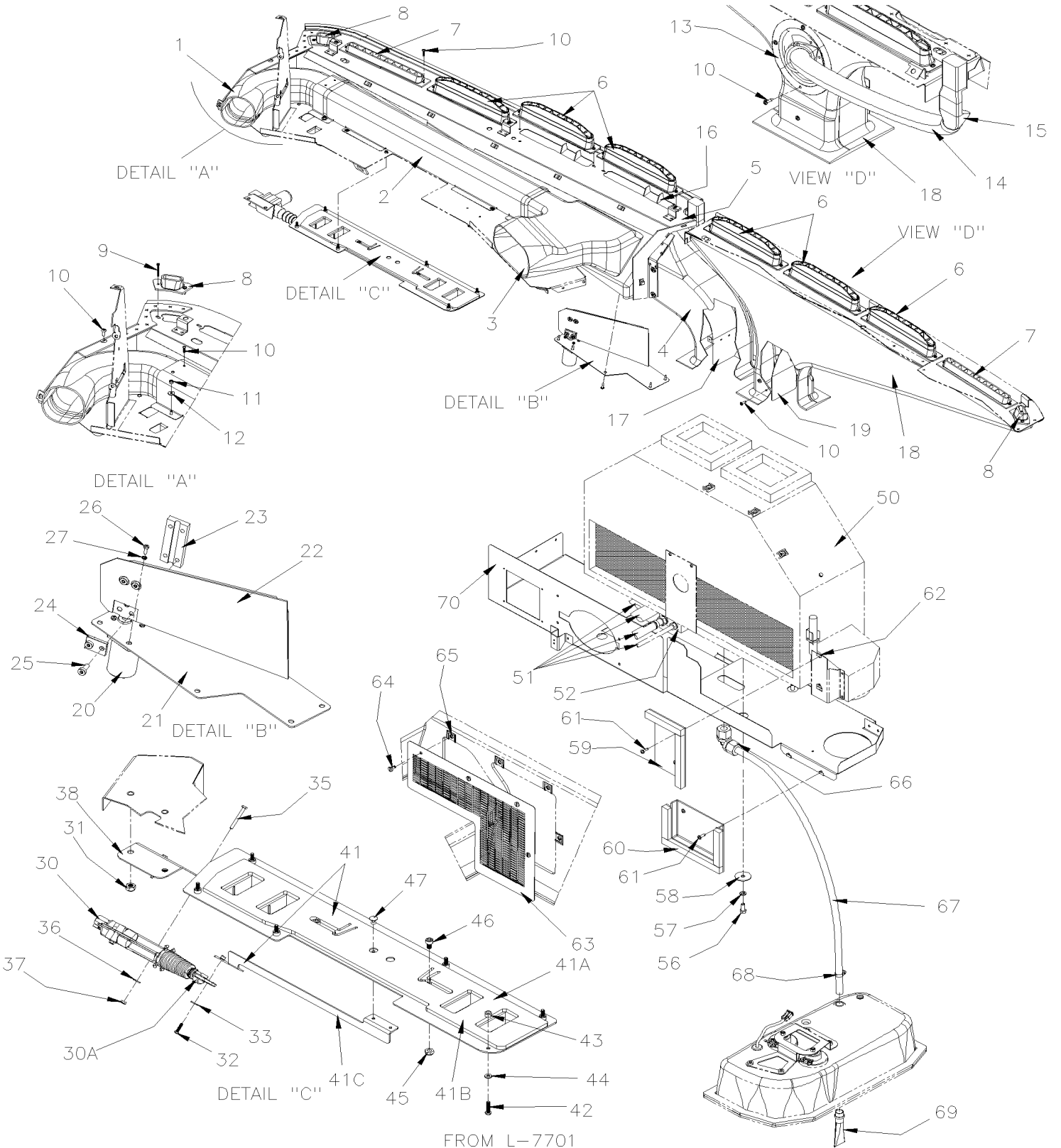


From K-7543 To M-7767

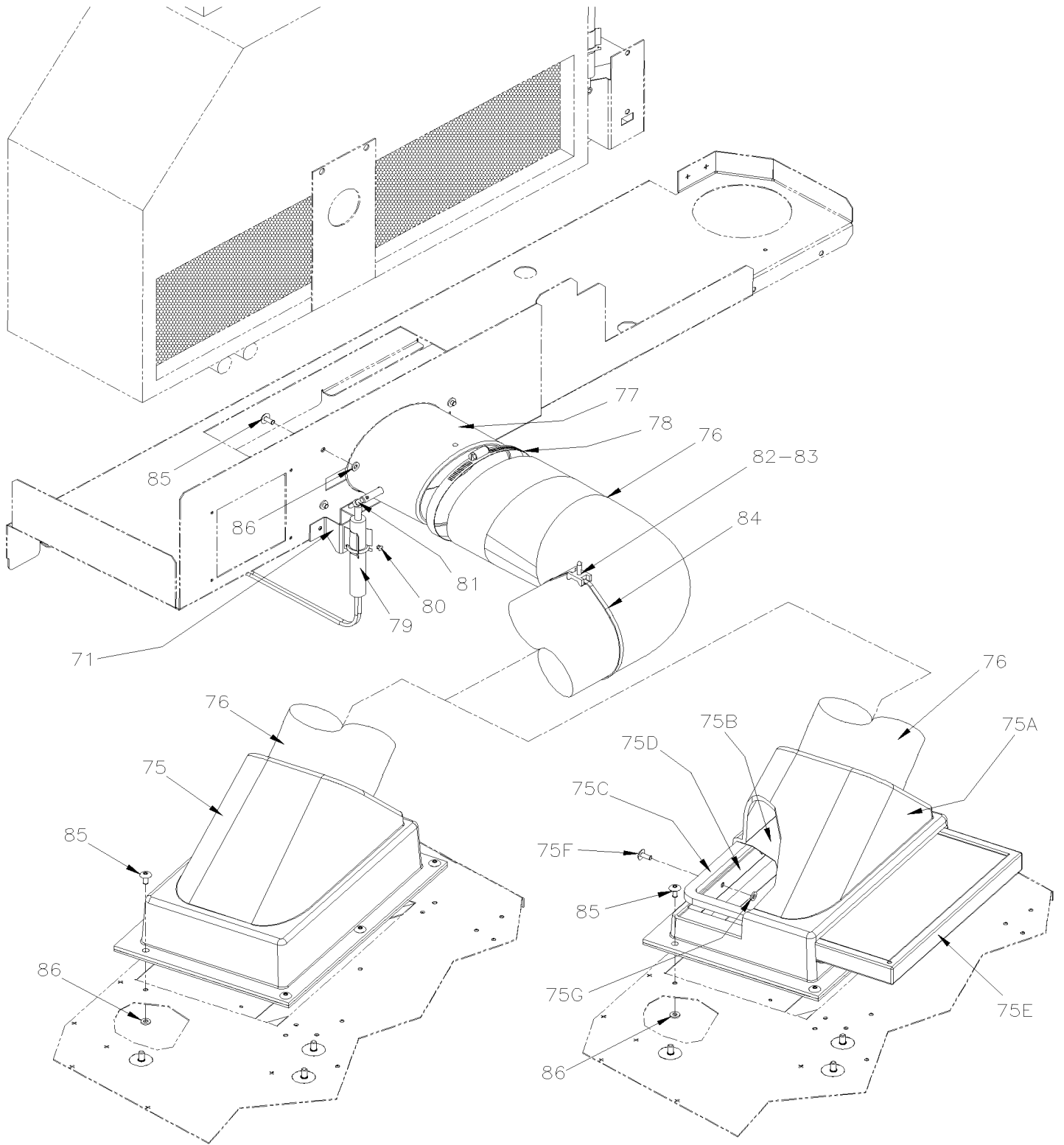
Date:07/2024

PAGE:X3PLB-2230-01

DEFROSTER - INSTALLATION



DEFROSTER - INSTALLATION



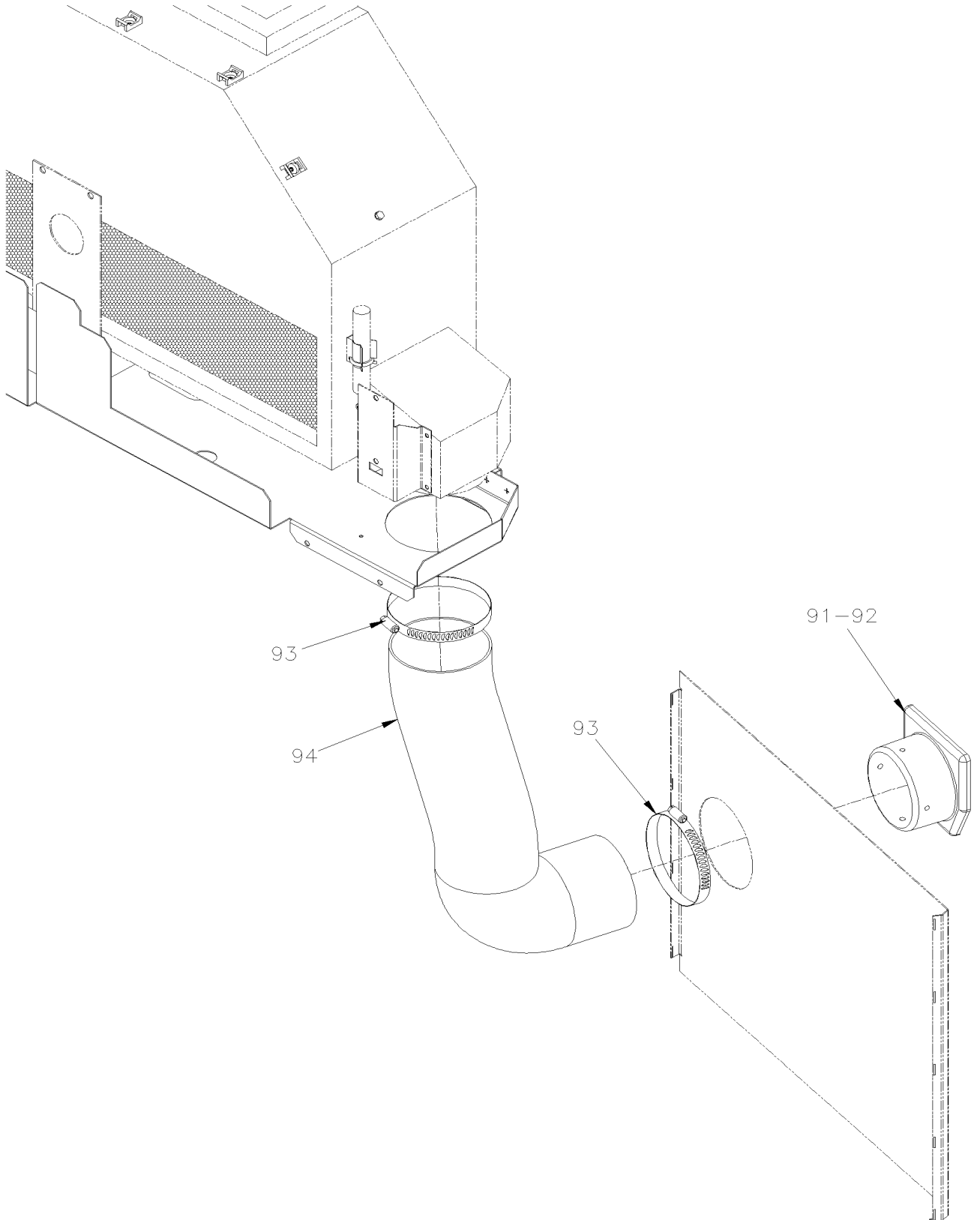
"PWT" OPTION

From K-7543 To M-7767

Date:07/2024

PAGE:X3PLB-2230-01

DEFROSTER - INSTALLATION



From K-7543 To M-7767	Date:07/2024	PAGE:X3PLB-2230-01
DEFROSTER - INSTALLATION		

Item#	Part	Description	QTY	Notes
1	390369	DUCT DRIVER LH SECTION	1	
2	392488	DUCT DRIVER CENTER SECTION	1	
3	390370	DUCT DRIVER RH SECTION	1	
. NS	505029	. SEAL DUCT	1	
. NS	390067	. DEFLECTOR HEATER CONDUIT	1	
. NS	5002047	. SCREW TP PAN PH ST3 .9X16 Z050	2	
4	390929	DEFROSTER DUCT STREETSIDE	1	
NS	690258	SCREW MA PAN PH M5-0.8x16 ZP	2	
5	392160	SUPPORT / DEFROSTER DUCT To K-7662	1	
5	390382	SUPPORT / DEFROSTER DUCT From L-7663	1	
6	392517	LOUVER, HIGH SHAPE	6	
7	392519	LOUVER, LOW SHAPE	2	
8	392046	LOUVER CORNER	2	
9	5002036	SCREW MA PAN PH M4-0.7x35 Z050	1	
NS	5001971	WASHER FL 4.3x12.0x1.6 ZP	1	
NS	5002040	NUT HEX NYRT M4x0.7 SS NSS	1	
10	5002047	SCREW TP PAN PH ST3 .9X16 Z050	AR	
11	5002040	NUT HEX NYRT M4x0.7 SS NSS	AR	
12	5001971	WASHER FL 4.3x12.0x1.6 ZP	AR	
13	453585	HOSE ADAPTOR / CURBSIDE DUCT To K-7662	1	
14	503062	HOSE 1.25IDx25 To K-7662	AR	
NS	504637	CABLE TIE / 3/16" x 13" To K-7662	1	
15	453584	HOSE ADAPTOR / WINDSHIELD To K-7662	1	
16	390076	DEFLECTOR, CENTRAL CONSOLE	4	
17	390071	DEFLECTOR LEFT, RIGHT CONSOLE	1	
NS	390074	DEFLECTOR UPPER LEFT, RIGHT CONSOLE	1	
NS	504101	RIVET POP DOME OE 1/8x1/8 AL	2	
18	392049	DEFROSTER DUCT CURBSIDE	1	
18	690258	SCREW MA PAN PH M5-0.8x16 ZP	2	
18	5002033	WASHER FL 5.3x10.0x1.0 Z050	2	
18	502841	NUT HEX NYRT M5-0.8 N500	2	
19	390070	DEFLECTOR	1	
20	Call order desk	DAMPER ASSY	1	P
20	390084	MOTOR	1	
21	390024	BASE DAMPER MOTOR	1	
22	Call order desk	TRAP ASSY	1	P
NS	390069	TRAP	1	
23	390040	FIXING PLATE DAMPER	1	
24	390046	SPACER FIXING DAMPER	1	
25	5002051	SCREW MA PAN TORX M5-0.8x12 SS	4	
26	5001398	SCREW MA CHE PH M3-0.5x10 SS	3	
27	5001407	WASHER LO EXT 3.2x6.0x0.4 SS	3	

From K-7543 To M-7767	Date:07/2024	PAGE:X3PLB-2230-01
DEFROSTER - INSTALLATION		

Item#	Part	Description	QTY	Notes
30	890009	LOCK ACTUATOR / 12V To L-7700	1	
. NS	562076	. CONNECTOR / PACK-CON I / FEMALE HOUSING / 2C / PED 8911772 To L-7700	1	
30	392814	KIT ACTUATOR VENTILATION TRAP DASH BOARD To L-7700	1	
30	780814	LOCK ACTUATOR / 12V From L-7701	1	
. NS	562076	. CONNECTOR / PACK-CON I / FEMALE HOUSING / 2C / PED 8911772 From L-7701	1	
30A	780883	END EFFECTOR PADDLE From L-7701	1	
31	5001182	NUT HEX NYRT M6-1.0 SS To L-7700	2	
31	5002044	NUT HEX NYRT M6-1.0 SS NSS From L-7701	2	
32	502263	PIN, CLEVIS 3/16 x 5/8 To L-7700	1	
32	5001399	SCREW MA CHE PH M3-0.5x12 SS From L-7701	1	
33	5001972	WASHER FL .200x.625x.062 SS To L-7700	1	
33	500437	WASHER FL .125x.375x.040 Z050 From L-7701	1	
34	502095	PIN, COTTER 1/16 x 3/4 ZP To L-7700	1	
35	5001100	SCREW CAP HEX M3-0.5x30 G8.8 ZP From L-7701	2	
36	500437	WASHER FL .125x.375x.040 Z050 From L-7701	2	
37	5001408	NUT HEX STO M3-0.5 ZP From L-7701	2	
38	392792	SUPPORT, TRAP ACTUATOR From L-7701	1	
41	Call order desk	DAMPER, FOOT ASSY To L-7700	1	P GR
41	392063	DAMPER, FOOT ASSY To L-7700	1	
41	Call order desk	DAMPER, FOOT ASSY From L-7701	1	P
41A	390077	. CLUSTER SLIDING PLATE	1	
41B	390048	. VENTILATION SUPPORT PLATE	1	
41C	390045	. ARM, VENTILATION TRAP To L-7700	1	
41C	392793	. ARM, VENTILATION TRAP From L-7701	1	
42	5002035	. SCREW MA PAN PH M4X0.7 X12 Z050	6	
43	505026	. SPACER 3/16IDx5/16ODx3/16	6	
44	5001968	. WASHER FL RET .198 X .328 X .031 NYL	6	
45	502841	. NUT HEX NYRT M5-0.8 N500	2	
46	5001969	. SCREW CAP HEXS M5-0.8x8 SS	2	
47	504097	. RIVET POP DOME LARGE HEAD 1/8x1/4 N050	2	
50	X3PLB-2225-00	DRIVER'S HEATER & DEFROSTER ASSY		
51	X3PLB-2222-11	A/C & HEATING LINE FRONT SECTION VOLVO D13 - GHG17		
52	X3PLB-2208-00	A/C EXPANSION VALVE To K-7627		
52	X3PLB-2208-01	A/C EXPANSION VALVE From K-7628		
56	500836	SCREW CAP HEX 5/16-18x3/4 G5 N500	3	
57	500942	WASHER LO SPT 8.1x14.8x2.0 N500	3	
58	500462	WASHER FL .343x1.500x.083 SS	3	
59	453430	DEFLECTOR, UPPER	1	
60	453431	DEFLECTOR, LOWER	1	
61	502761	SCREW TP BDG PH #10x3/4 SS BK	4	
62	500803	NUT SPR J #10A .035-.050	4	
63	457701	GRILL AIR / FRONT STEPWELL / RETURN	1	

From K-7543 To M-7767	Date:07/2024	PAGE:X3PLB-2230-01
DEFROSTER - INSTALLATION		

Item#	Part	Description	QTY	Notes
64	504681	STUD 6MM (DZUS)	4	
NS	504604	FASTENER	4	
65	504605	RECEPTACLE 6 MM	4	
66	640014	ELBOW UNION 90° / COMPRESSION FITTING / #8x#6 PLAS WHITE	1	
67	503666	HOSE 1/2" I.D. 100' / S.L.	AR	
68	504014	HOSE CLAMP / 1/4"-5/8" SS / HM-4	2	
NS	504356	GROMMET / .625x.875x.062x.312x1.125	1	
69	590286	DRAIN BOOT 1 1/4" I.D. X 4" / FLAT	1	
NS	504637	CABLE TIE / 3/16" x 13"	1	
70	173737	SUPPORT / DEFROST & A/C UNIT	1	
71	172780	. SUPPORT / ACTUATOR	1	
75	373990	AIR INLET ASSY	1	
. NS	373952	. AIR INLET	1	
. NS	373989	. SCREEN 171MM X 284MM SS	1	
75A	374862P	AIR INLET ASSY	1	PWT
75A	378926	. AIR INLET	1	PWT
75B	373989	. SCREEN 171MM X 284MM SS	1	PWT
75C	5060037	. TAPE RUB ADH1 CC POL 1/4" x 1/2" x 35' / BLACK H1C	AR	PWT
75C	684685	. ADHESIVE SIMSON #ISR 70-03 / 310ml CARTRIDGE	AR	PWT
75D	378927	. FILTER BRACKET	1	PWT
75E	874298	. AIR FILTER 11 1/8" x 7" x 1"	1	PWT
75F	504793	. RIVET MNB OE LARGE HEAD 3/16x7/16 SS	4	PWT
75G	5001137	. WASHER FL .203x.438x.050 SS	4	PWT
NS	506001	. TAPE RUB ADH1 CC POL 1/8" x 3/4" x 50' / GREY 2520X	AR	PWT
76	374629	HOSE / 5" I.D. 1300MM	1	
76	503741	. HOSE FLEXIBLE / AIR DUCT 5" I.D. X 12' / PLASTIC	AR	
77	373984	AIR INLET ASSY W/ DAMPER	1	
. NS	373969	. AIR INLET	1	
. NS	453954	. DAMPER TRAP	1	
. NS	453953	. SHAFT	1	
78	504324	HOSE CLAMP / 4"1/2-6"1/2 SS / HS-96	1	
79	373415	ACTUATOR ASSY	1	
80	504104	RIVET POP DOME OE 1/8x1/8 SS	2	
81	374021	TUBE NYLON #4 12MM	1	
81	503402	. TUBE, NYLON 1/4 O.D. / BLACK S.L.	AR	
82	500957	SCREW TP BDG PH #10x3/4 N500	1	
83	504013	TIE MOUNT / 1/4" X 1/4" I.D.	1	
84	504637	CABLE TIE / 3/16" x 13"	4	
85	504793	RIVET MNB OE LARGE HEAD 3/16x7/16 SS	9	
86	5001137	WASHER FL .203x.438x.050 SS	9	
91	373930	HOSE ADAPTOR 4"	1	

From K-7543 To M-7767	Date:07/2024	PAGE:X3PLB-2230-01
-----------------------	--------------	--------------------

DEFROSTER - INSTALLATION

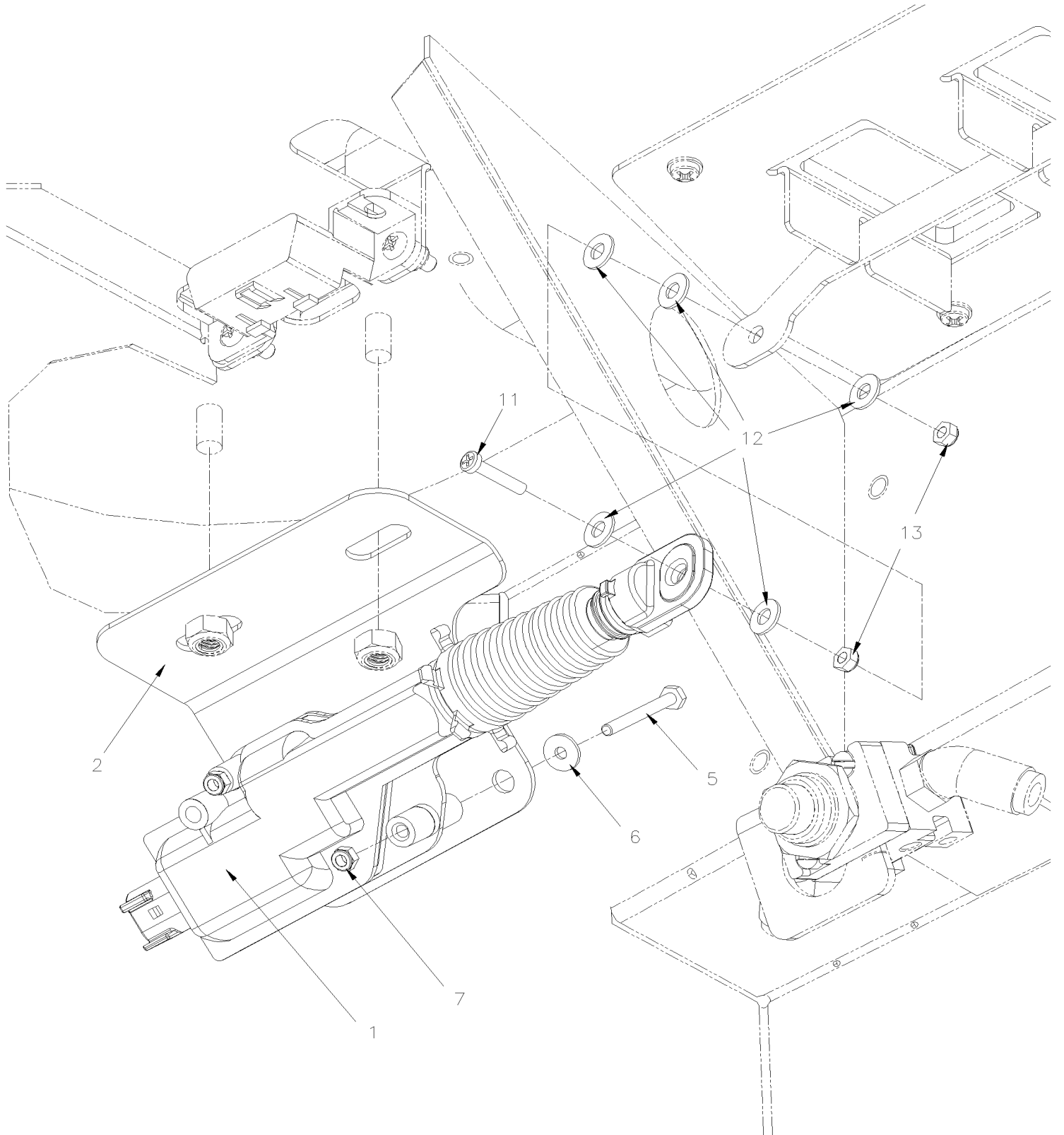
Item#	Part	Description	QTY	Notes
92	373933	GRILLE 111MM X 111MM	1	
93	504235	HOSE CLAMP / 3"9/16"-4"1/2 SS / HS-64	2	
94	373955	HOSE 4" I.D. X 500MM	1	
94	503688	HOSE FLEXIBLE / AIR DUCT 4" I.D. X 25' / RUBBER	AR	
		GR) GREYHOUND		
		PWT) PWT OPTION		
		P) CALL ORDER DESK FOR SPECIFIC APPLICATION (V.I.N.)		

To L-7700

Date:07/2024

PAGE:392814

KIT ACTUATOR VENTILATION TRAP DASH BOARD



To L-7700	Date:07/2024	PAGE:392814
-----------	--------------	-------------

KIT ACTUATOR VENTILATION TRAP DASH BOARD

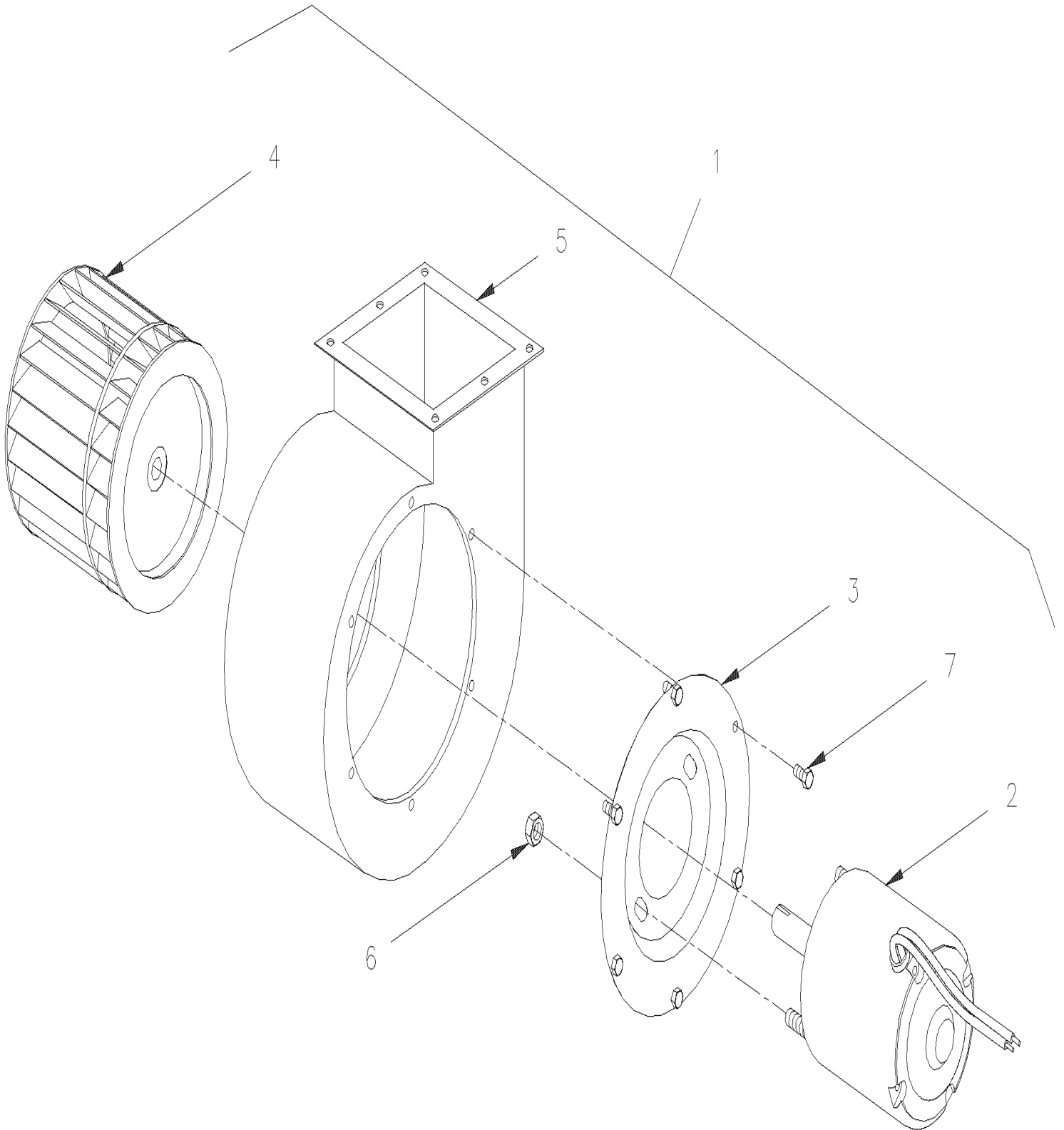
Item#	Part	Description	QTY	Notes
1	392816	ACTUATOR VENTILATION TRAP DASH ASSY	1	
1	068011	CABLE INTERFACE DOOR LOCK ACTUATOR (780428 vs 2800049)	1	
2	392783	SUPPORT, ACTUATOR	1	
5	5001100	SCREW CAP HEX M3-0.5x30 G8.8 ZP	2	
6	500437	WASHER FL .125x.375x.040 Z050	2	
7	5001408	NUT HEX STO M3-0.5 ZP	2	
11	502577	SCREW MA PAN PH M3-0.5x16 ZP	1	
12	5001310	WASHER FL RET .173x.375x.031 NYL BK	5	
13	5001408	NUT HEX STO M3-0.5 ZP	2	

From G-7275 To M-7767

Date:07/2024

PAGE:870844

BLOWER & MOTOR ASSY - "M.C.C." "CW" / FAN END



From G-7275 To M-7767	Date:07/2024	PAGE:870844
-----------------------	--------------	-------------

BLOWER & MOTOR ASSY - "M.C.C." "CW" / FAN END

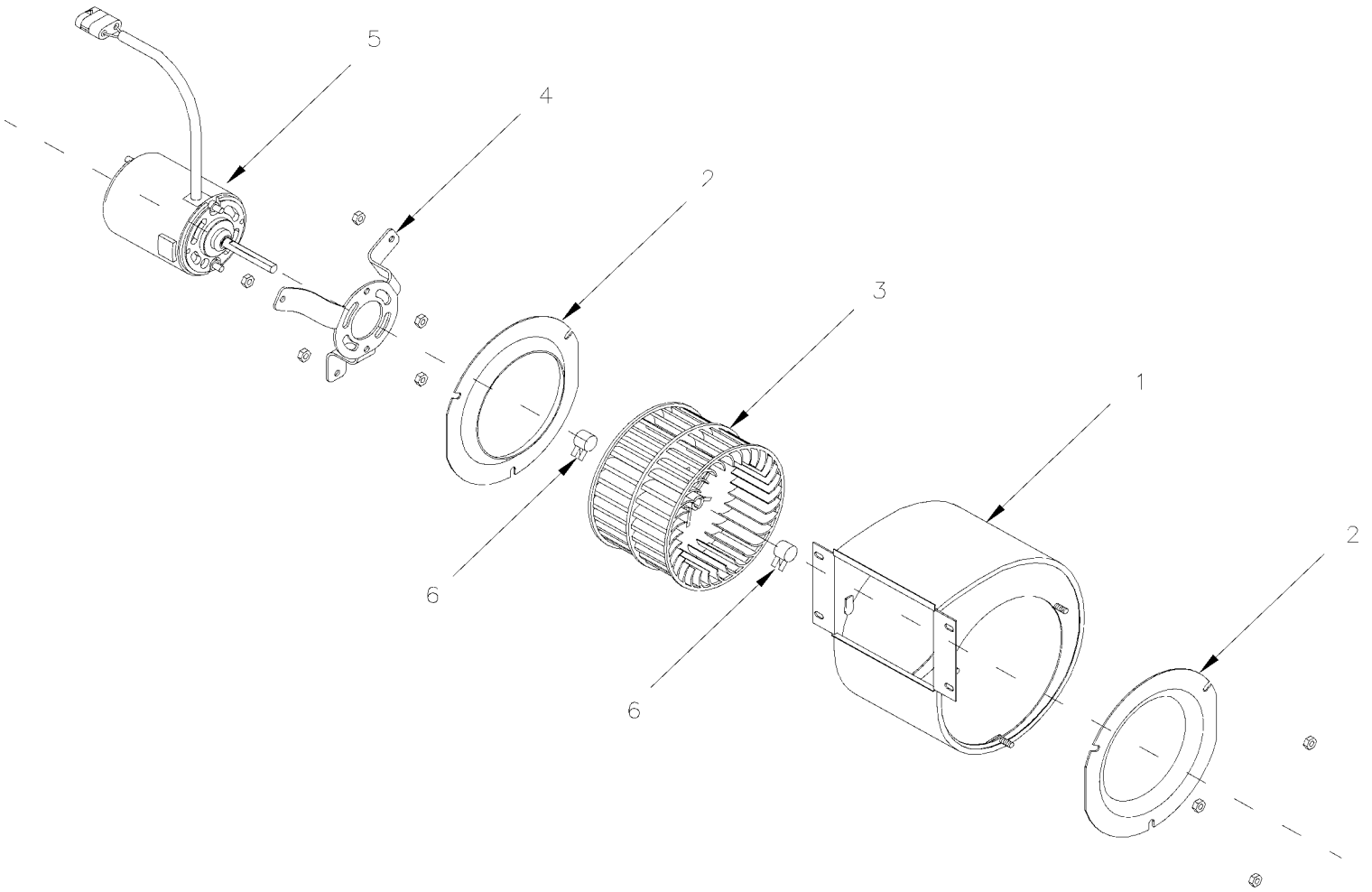
Item#	Part	Description	QTY	Notes
1		BLOWER ASSY 24V / CW	1	
2	562167	. MOTOR ASSY / 24V	1	
3	871020	. PLATE MOUNTING / MOTOR	1	
4	871017	. BLOWER WHEEL / STEEL	1	
5	871440	. HOUSING BLOWER	1	
6	500786	. NUT HEX #10-24 Z050	2	
7	500978	. SCREW CAP HEX #10-24x3/4 Z050	6	

From G-7275 To M-7767

Date:07/2024

PAGE:871360

BLOWER & MOTOR ASSY - "M.C.C." "CCW" / FAN END



From G-7275 To M-7767	Date:07/2024	PAGE:871360
-----------------------	--------------	-------------

BLOWER & MOTOR ASSY - "M.C.C." "CCW" / FAN END

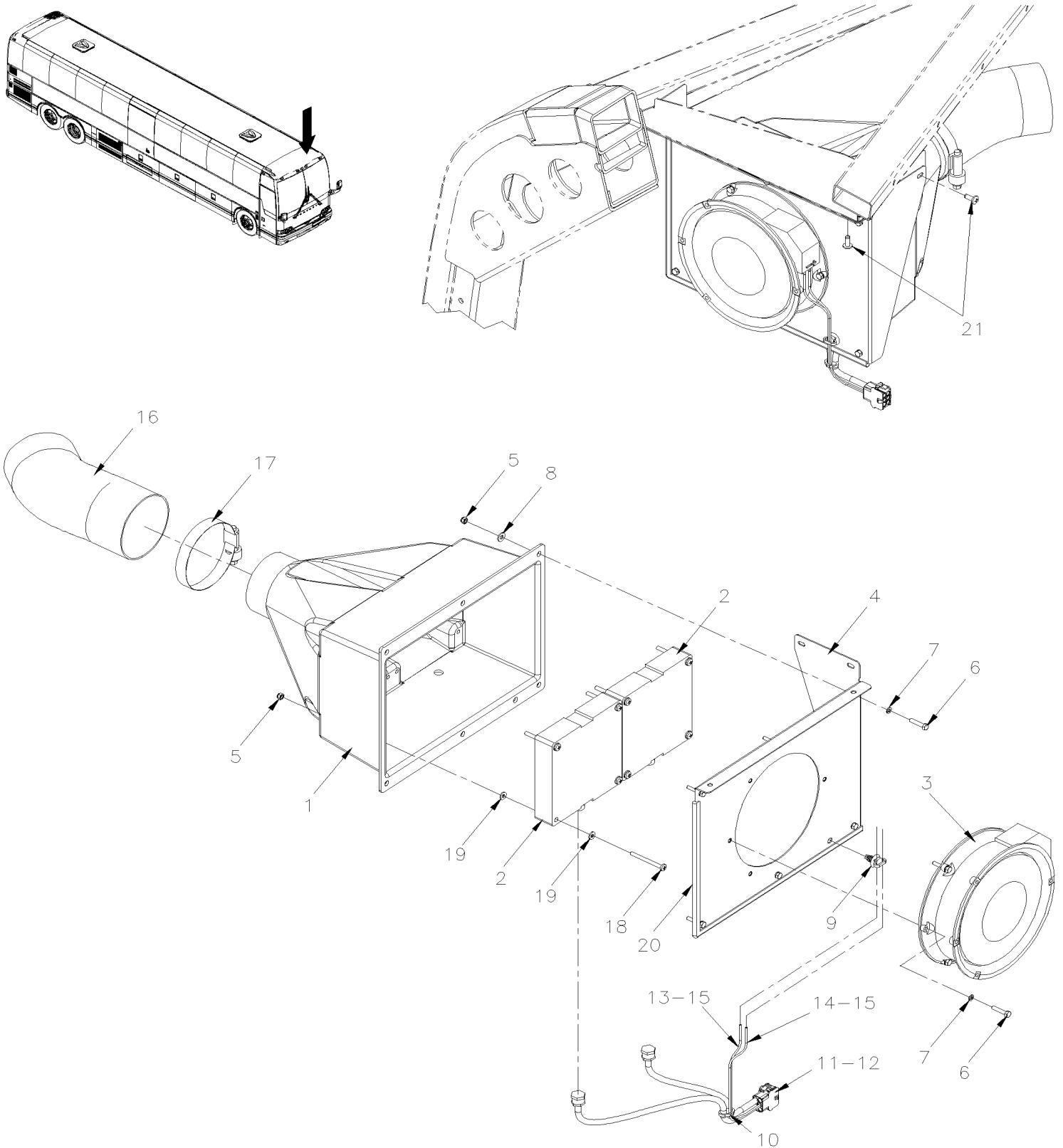
Item#	Part	Description	QTY	Notes
		BLOWER ASSY 24V / CCW	1	
1	871365	. BLOWER HOUSING	1	
2	N8889479	. VENTURY	2	
3	871133	. BLOWER WHEEL / PLASTIC 5 1/8" x 3 1/2" x 5/16" x I.D.	1	
4	N8890530	. MOUNTING MOTOR BRACKET	1	
5	871366	. MOTOR ASSY 24V / CCW	1	
6	N8888160	. SPRING CLIP	2	

From G-7275 To M-7767

Date:07/2024

PAGE:X3PLB-2240-10

UPPER WINDSHIELD FAN - INSTALLATION



From G-7275 To M-7767	Date:07/2024	PAGE:X3PLB-2240-10
UPPER WINDSHIELD FAN - INSTALLATION		

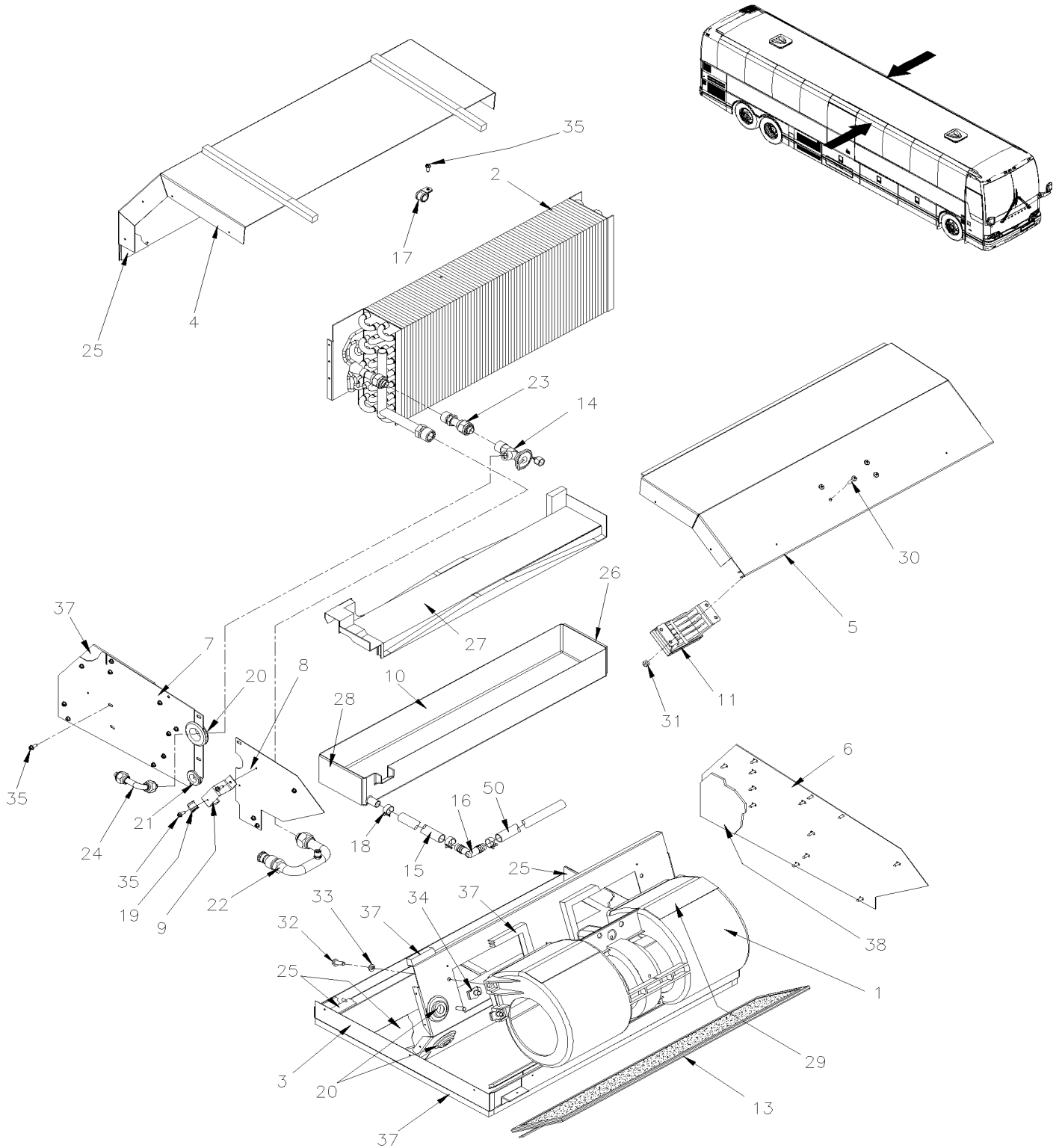
Item#	Part	Description	QTY	Notes
	373936P	HEATER FAN ASS To K-7662	1	
	Call order desk	HEATER FAN ASS From L-7663	1	P
1	373938	. SHROUD	1	
2	871324	. HEATER COIL 300W	2	
3	871326	. FAN AXIAL 12/28V 230CFM To £-21109	1	
3	870161	FAN From £-21109	1	
4	373939	. SUPPORT, FAN TOP WINDSHIELD To K-7662	1	
4	370262	. SUPPORT, FAN TOP WINDSHIELD From L-7663	1	
5	500539	. NUT HEX NYRT M4-0.7 N500	14	
6	500588	. SCREW CAP HEX M4-0.7x20 G8.8 Z050	10	
7	502636	. WASHER LO SPT 4.1x7.6x0.9 Z050	10	
8	500855	. WASHER FL .188x.438x.049 N500	6	
9	509815	. TIE MOUNT / ATTACHMENT W/TREE MOUNT	AR	
10	504637	. CABLE TIE / 3/16" x 13"	AR	
11	561552	. CONNECTOR / UNIVERSAL MATE-N-LOK / PH 6C / AMP 1-480705-0	1	
12	562122	. PIN TERMINAL / 20-14 / AMP 350547-1	6	
13	562588	. WIRE CABLE 14 / RED / TXL	AR	
14	562585	. WIRE CABLE 14 / BLACK / TXL	AR	
15	561625	. TAB RECEPTACLE TERMINAL INSUL. NYLON / 16-1 / AMP 3-520125-2	2	
16	373941	. HOSE 200MM X 3" I.D. To K-7662	1	
16	370273	. HOSE 120MM X 3" I.D. From L-7663	1	
16	503695	. . HOSE FLEXIBLE / AIR DUCT 3" I.D. X 25' / PLASTIC	1	
17	504026	. HOSE CLAMP / 2"13/16-3"3/4 SS / HS-52	1	
18	502921	. SCREW MA PAN PH M4-0.7x45 Z050	8	
19	500855	. WASHER FL .188x.438x.049 N500	16	
20	506338	. RUBBER CHANNEL / 1/16" x 1/4" INT "U" SHAPE / ROUND C.T.L.	AR	
21	500642	SCREW TP PAN PH #10x3/4 Z050 To K-7662	4	
21	5002027	SCREW CAP HEXF AD M6-1.0x16 G10.9 N500 From L-7663	3	
		P) CALL ORDER DESK FOR SPECIFIC APPLICATION (V.I.N.)		

From G-7275 To M-7767

Date:07/2024

PAGE:X3PLB-2240-15

BLOWER VENTILATION - PARCEL RACK WITH A/C SYSTEM



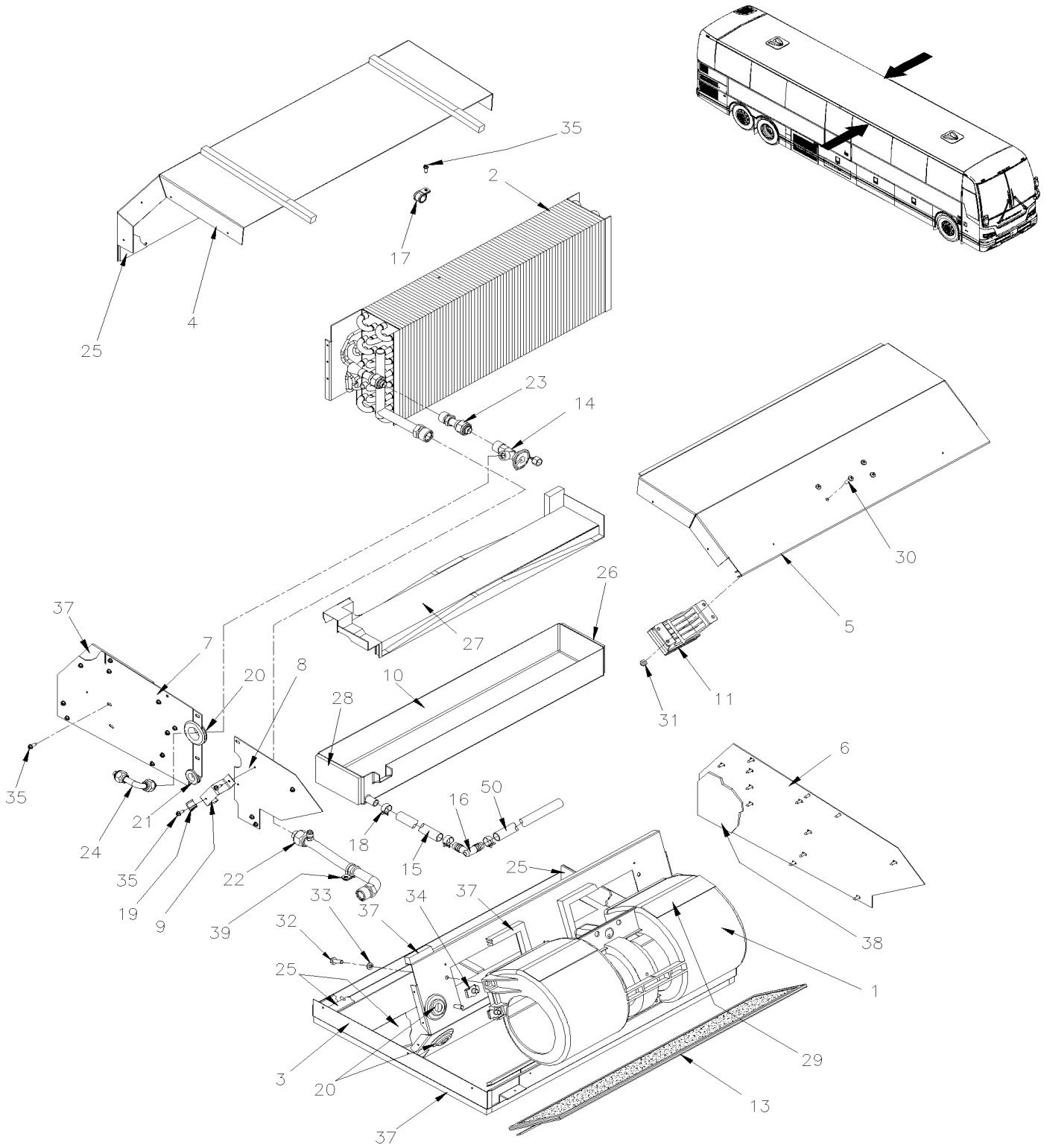
UP TO ?-15142

From G-7275 To M-7767

Date:07/2024

PAGE:X3PLB-2240-15

BLOWER VENTILATION - PARCEL RACK WITH A/C SYSTEM



FROM ?-15142

From G-7275 To M-7767	Date:07/2024	PAGE:X3PLB-2240-15
BLOWER VENTILATION - PARCEL RACK WITH A/C SYSTEM		

Item#	Part	Description	QTY	Notes
	950526	VENTILATION UNIT ASSY W/A/C SYSTEM To K-7662	1	
	950595	VENTILATION UNIT ASSY W/A/C SYSTEM From L-7663	1	
1	X3PLB-2240-25	BLOWER ASSY - PARCEL RACK		A B C
2	950321	EVAPORATOR COIL	1	
3	871266	BASE PLATE ASSY	1	
4	871189	TOP COVER	1	
4	870140	FOAM / 1/2"x1 /2"	AR	
5	871268	BLOWER COVER	1	
6	871267	LEFT SIDE PANEL	1	
7	871278	RIGHT SIDE PANEL FRONT	1	
8	871279	RIGHT SIDE PANEL REAR	1	
9	950569	BRACKET	1	
10	950568	DRAIN PAN	1	
11	871453	MODULE RESISTOR 100 WATT	1	
NS	871264	WIRE HARNESS	1	
13	871159	FILTER 1/4" x 5 3/4" x 23"	1	
NS	N8889679	FOAM / 3/16"x1 /2"	AR	
14	871277	EXPANSION VALVE	1	
NS	N8887061	O-RING #8	1	
15	503707	HOSE / PVC REINFORCED 1/2" I.D. 100' / S.L.	2	
16	5011230	UNION ELBOW 90° / HOSE BARB FITTING / #8x#8 PLAS	1	
17	950567	CLAMP #8	1	
18	950530	HOSE CLAMP 1/2"	3	
19	N8895767	CLAMP / 3/8"	1	
20	G5009550	GROMMET 5/8"	3	
21	N8889852	GROMMET	1	
22	871276	LO-SIDE TAIL PIPE ELBOW To K-7662	1	
22	870122	LO-SIDE TAIL PIPE From L-7663	1	
NS	871444	O-RING #10	1	
NS	N8887059	CLAMP From L-7663	1	
23	871275	HARDLINE - TXV TO COIL	1	
24	950566	HARDLINE - TXV TO SOLENOID	1	
NS	N8907328	O-RING #6	1	
25	506644	TAPE RUB ADH1 CC NEO 1/8" x 21" x 25" / BLACK 1220SC	AR	
26	506644	TAPE RUB ADH1 CC NEO 1/8" x 21" x 25" / BLACK 1220SC To K-7662	AR	
26	Call order desk	FOAM / 1/4" From L-7663	AR	P
27	950529	INSERT / DRAIN PAN	1	
28	506644	TAPE RUB ADH1 CC NEO 1/8" x 21" x 25" / BLACK 1220SC To K-7662	AR	
28	Call order desk	FOAM / 1/2" From L-7663	AR	P
29	Call order desk	FOAM / 1/16"	AR	P
30	N8890509	SCREW MA PAN PH #10-32x3/4 ZP	4	
31	950528	NUT HEX NYRT #10-32 ZP	4	

From G-7275 To M-7767	Date:07/2024	PAGE:X3PLB-2240-15
-----------------------	--------------	--------------------

BLOWER VENTILATION - PARCEL RACK WITH A/C SYSTEM

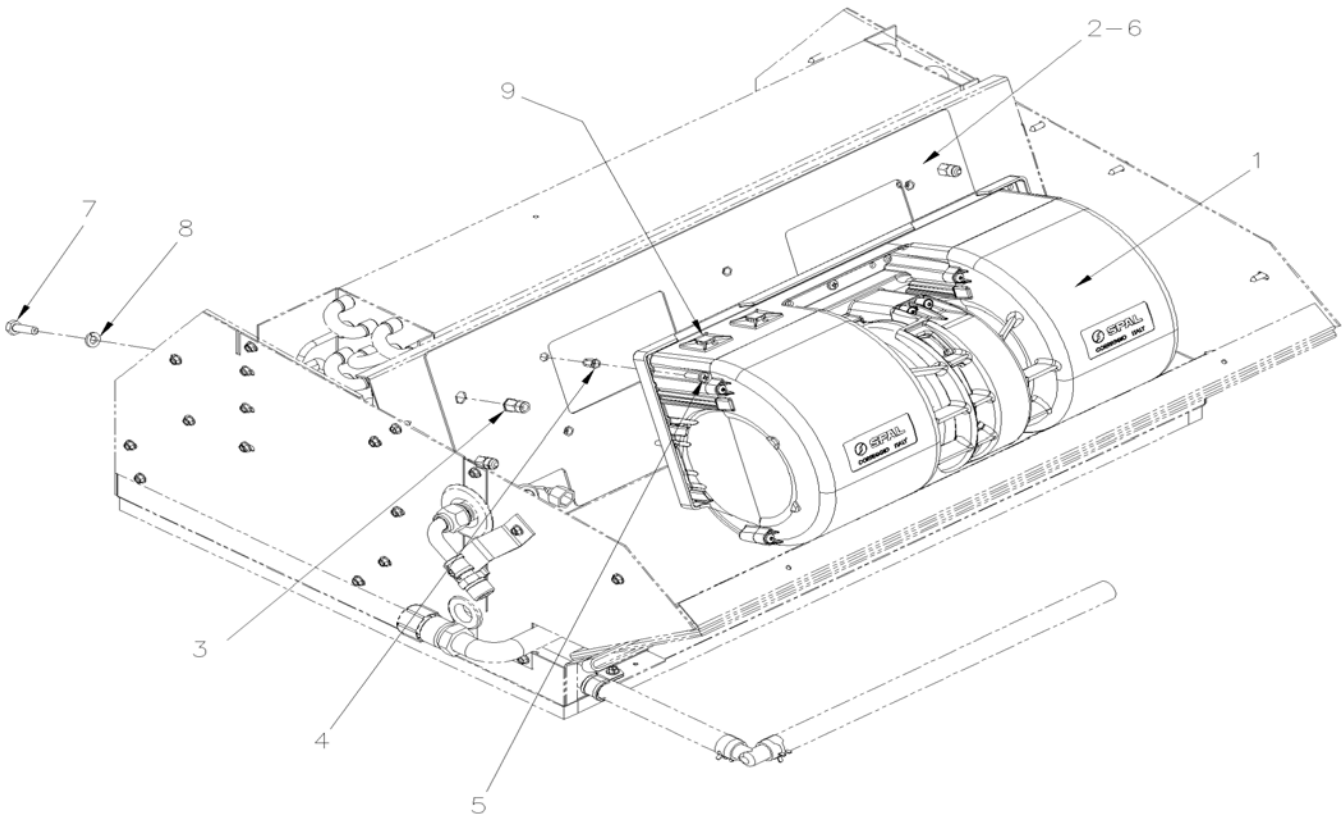
Item#	Part	Description	QTY	Notes
32	500163	. SCREW CAP HEX 1/4-20x3/4 G5 Z050	4	
33	500473	. WASHER LO SPT .262x.489x.062 Z050	4	
34	950527	. NUT SPR U 1/4-20	4	
35	950531	. SCREW TC CAP HEXW SLT #8-32 X 1/2"	AR	
37	Call order desk	. FOAM / 1/8"	AR	P
38	Call order desk	. FOAM / 1/8"	AR	P
39	N8887164	. CLAMP / #10 From L-7663	1	
NS	316410	DEFLECTOR To K-7662	1	WCL
NS	504347	RIVET POP DOME OE 3/16x1/4 AL To K-7662	2	
NS	067567	HARNESS, PARCEL RACK FAN CURBSIDE To H-7416	1	
NS	068787	HARNESS, PARCEL RACK FAN STREET SIDE To H-7416	1	
50	X3PLB-2245-30	A/C AUXILIARY LINE / PARCEL RACK To K-7662		
50	X3PLB-2245-31	A/C AUXILIARY LINE / PARCEL RACK From L-7663		
NS	IS20004-2	PARCEL RACK BRUSHLESS FAN KIT / GROUP 2 To H-7322	1	
NS	IS20004-3	PARCEL RACK BRUSHLESS FAN KIT / GROUP 3 From H-7323 To H-7416	1	
NS	IS20004-4	PARCEL RACK BRUSHLESS FAN KIT / GROUP 4 From H-7417	1	
		A) FOR PRODUCT IMPROVMENT ASK FOR KIT IS20004-2 ONLY FOR VEHICLE UP TO H-7322		
		B) FOR PRODUCT IMPROVMENT ASK FOR KIT IS20004-3 ONLY FOR VEHICLE FROM H-7323 UP TO H-7416		
		C) FOR PRODUCT IMPROVMENT ASK FOR KIT IS20004-4 ONLY FOR VEHICLE FROM H-7417		
		WCL) WITH WCL		
		P) CALL ORDER DESK FOR SPECIFIC APPLICATION (V.I.N.)		

To H-7322

Date:07/2024

PAGE:IS20004-2

PARCEL RACK BRUSHLESS FAN KIT / GROUP 2



To H-7322	Date:07/2024	PAGE:IS20004-2
PARCEL RACK BRUSHLESS FAN KIT / GROUP 2		

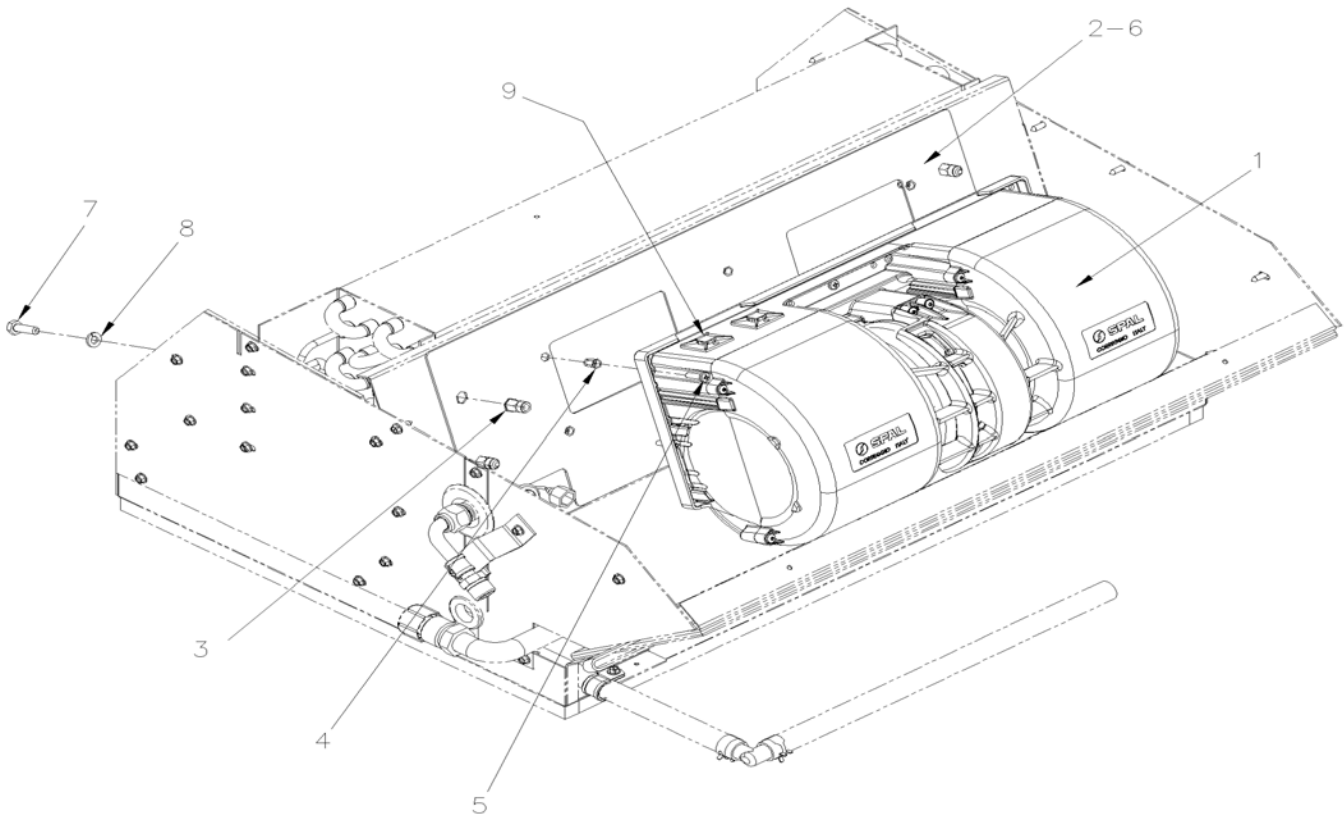
Item#	Part	Description	QTY	Notes
1	950623	BLOWER 24V	2	
2	453961	TRANSITION PLATE	2	
3	5001344	. NUT INS FL HEX M6-1.0 0.5-3.0 SS	4	
4	504726	. NUT INS FL HEX M4-0.7 0.5-2.0 DP	5	
5	502698	SCREW MA PAN PH M4-0.7x16 SS BK	10	
5	502636	WASHER LO SPT 4.1x7.6x0.9 Z050	10	
5	500591	WASHER FL 4.3x9.0x0.8 Z050	10	
6	506071	TAPE RUB ADH1 CC POL 1/8" x 1/2" x 50' / GREY 2520X	AR	
7	502622	SCREW CAP HEX M6-1.0x20 SS BK	8	
8	502853	WASHER LO SPT 6.1x11.8x1.6 N500	8	
9	562679	4 WAY ADH. BACKED MOUNTS 1.000 x 1.000 x .160	4	
9	504637	CABLE TIE / 3/16" x 13"	15	
NS	0610572	HARNESS PARCEL RACK FAN	2	
NS	560587	RING TERMINAL .250 / 18-14 / INSULATED / AMP 160337-2	1	
NS	562953	BUTT SPLICE / 16-14 / BLUE / AMP 55825-1	4	
NS	560784	SHRINK TUBING / .250" - .080" / BLACK / ALPHA FIT-300-1/4-4B	AR	
NS	IS-20004	SEE INSTRUCTION SHEET		
NS	FI-20004	VOIR FEUILLE D'INSTRUCTION		

From H-7323 To H-7416

Date:07/2024

PAGE:IS20004-3

PARCEL RACK BRUSHLESS FAN KIT / GROUP 3



From H-7323 To H-7416	Date:07/2024	PAGE:IS20004-3
PARCEL RACK BRUSHLESS FAN KIT / GROUP 3		

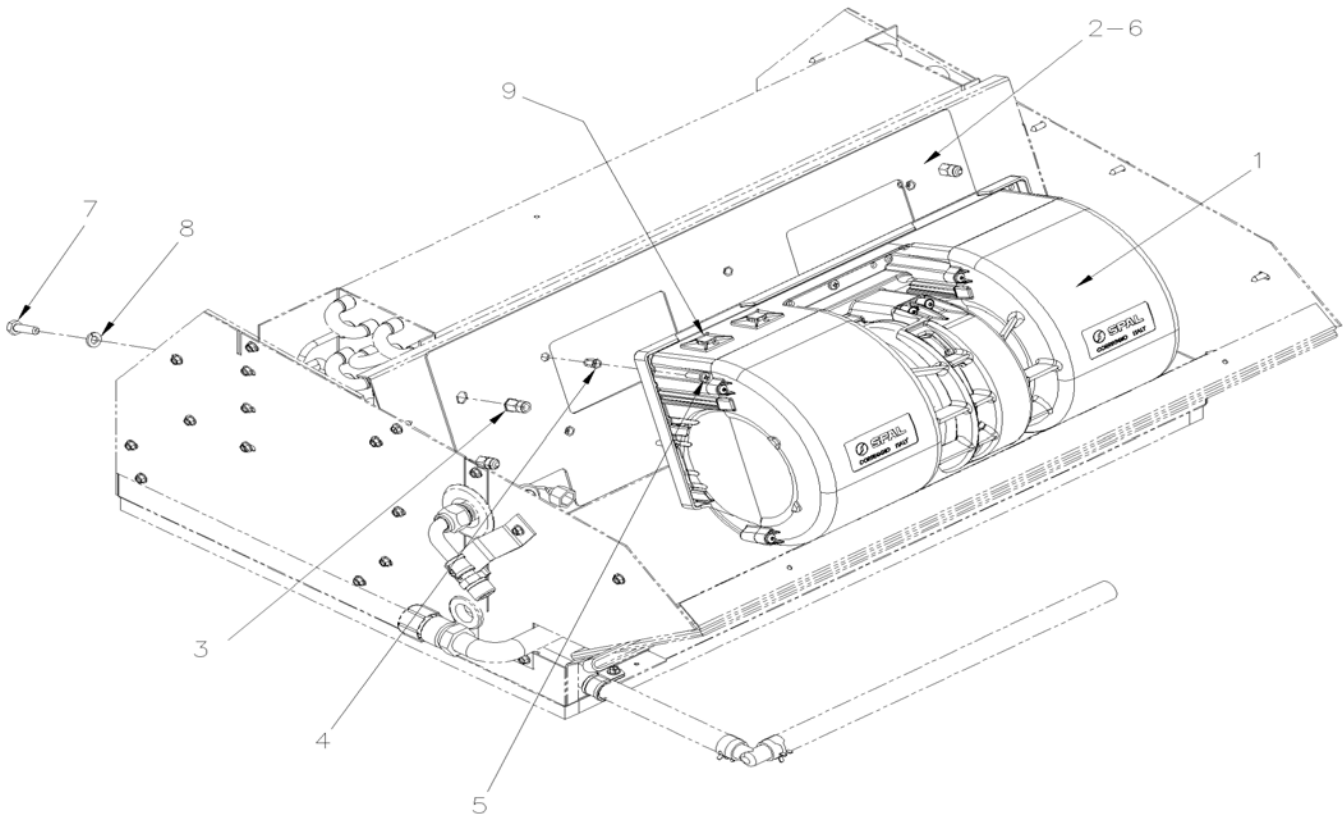
Item#	Part	Description	QTY	Notes
1	950623	BLOWER 24V	2	
2	453961	TRANSITION PLATE	2	
3	5001344	. NUT INS FL HEX M6-1.0 0.5-3.0 SS	4	
4	504726	. NUT INS FL HEX M4-0.7 0.5-2.0 DP	5	
5	502698	SCREW MA PAN PH M4-0.7x16 SS BK	10	
5	502636	WASHER LO SPT 4.1x7.6x0.9 Z050	10	
5	500591	WASHER FL 4.3x9.0x0.8 Z050	10	
6	506071	TAPE RUB ADH1 CC POL 1/8" x 1/2" x 50' / GREY 2520X	AR	
7	502622	SCREW CAP HEX M6-1.0x20 SS BK	8	
8	502853	WASHER LO SPT 6.1x11.8x1.6 N500	8	
9	562679	4 WAY ADH. BACKED MOUNTS 1.000 x 1.000 x .160	4	
9	504637	CABLE TIE / 3/16" x 13"	15	
NS	0610573	HARNESS PARCEL RACK FAN	1	
NS	0610582	HARNESS PARCEL RACK FAN G3 & 4 SAV PIN OUT	2	
NS	560587	RING TERMINAL .250 / 18-14 / INSULATED / AMP 160337-2	1	
NS	562953	BUTT SPLICE / 16-14 / BLUE / AMP 55825-1	4	
NS	560784	SHRINK TUBING / .250" - .080" / BLACK / ALPHA FIT-300-1/4-4B	AR	
NS	IS-20004	SEE INSTRUCTION SHEET		
NS	FI-20004	VOIR FEUILLE D'INSTRUCTION		

From H-7417

Date:07/2024

PAGE:IS20004-4

PARCEL RACK BRUSHLESS FAN KIT / GROUP 4



From H-7417	Date:07/2024	PAGE:IS20004-4
PARCEL RACK BRUSHLESS FAN KIT / GROUP 4		

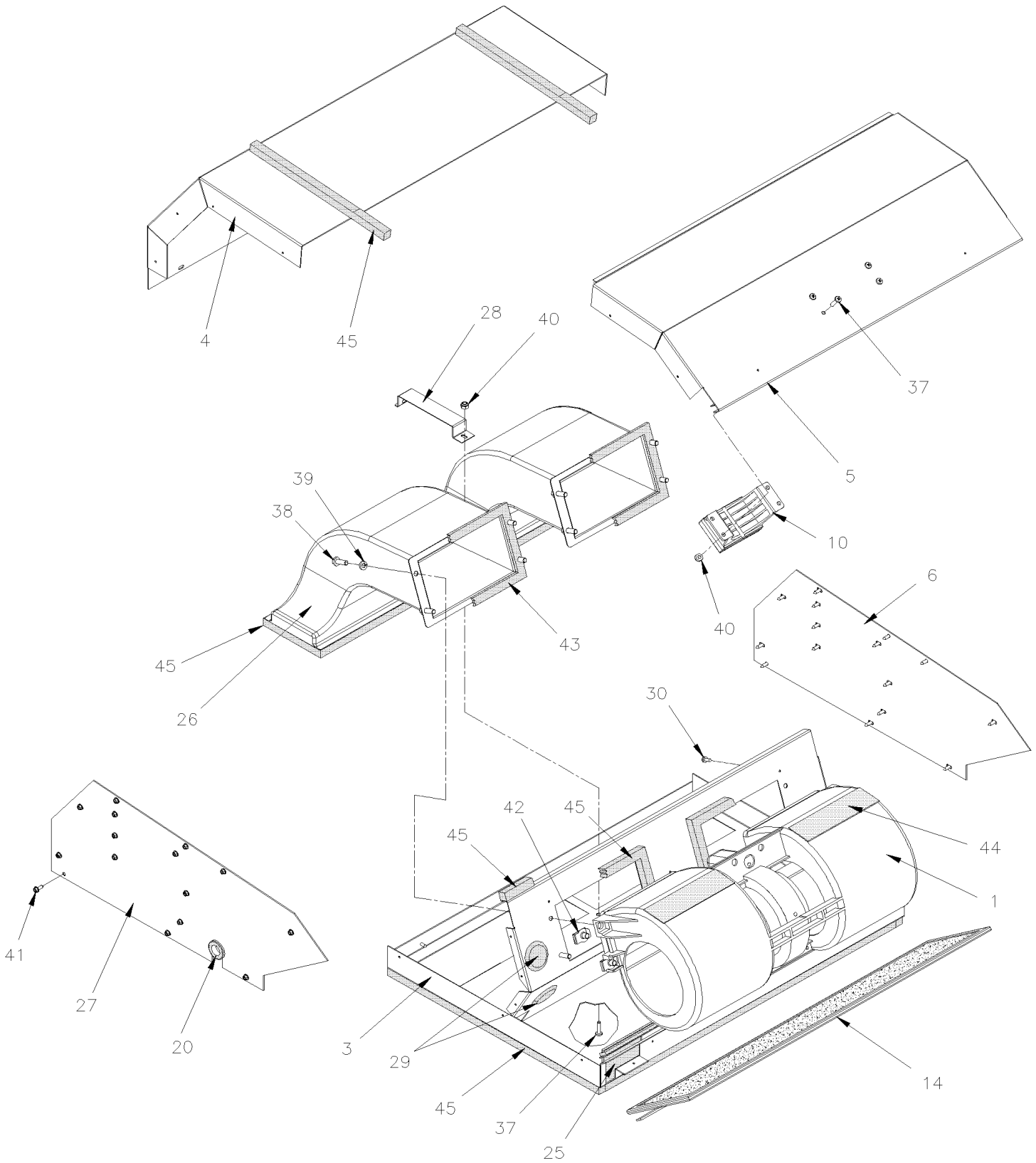
Item#	Part	Description	QTY	Notes
1	950623	BLOWER 24V	2	
2	453961	TRANSITION PLATE	2	
3	5001344	. NUT INS FL HEX M6-1.0 0.5-3.0 SS	4	
4	504726	. NUT INS FL HEX M4-0.7 0.5-2.0 DP	5	
5	502698	SCREW MA PAN PH M4-0.7x16 SS BK	10	
5	502636	WASHER LO SPT 4.1x7.6x0.9 Z050	10	
5	500591	WASHER FL 4.3x9.0x0.8 Z050	10	
6	506071	TAPE RUB ADH1 CC POL 1/8" x 1/2" x 50' / GREY 2520X	AR	
7	502622	SCREW CAP HEX M6-1.0x20 SS BK	8	
8	502853	WASHER LO SPT 6.1x11.8x1.6 N500	8	
9	562679	4 WAY ADH. BACKED MOUNTS 1.000 x 1.000 x .160	4	
9	504637	CABLE TIE / 3/16" x 13"	15	
NS	0610518	HARNESS PARCEL RACK FAN	1	
NS	0610582	HARNESS PARCEL RACK FAN G3 & 4 SAV PIN OUT	2	
NS	560587	RING TERMINAL .250 / 18-14 / INSULATED / AMP 160337-2	1	
NS	562953	BUTT SPLICE / 16-14 / BLUE / AMP 55825-1	4	
NS	560784	SHRINK TUBING / .250" - .080" / BLACK / ALPHA FIT-300-1/4-4B	AR	
NS	IS-20004	SEE INSTRUCTION SHEET		
NS	FI-20004	VOIR FEUILLE D'INSTRUCTION		

From G-7275 To M-7767

Date:07/2024

PAGE:X3PLB-2240-20

BLOWER VENTILATION - PARCEL RACK WITHOUT A/C SYSTEM



From G-7275 To M-7767	Date:07/2024	PAGE:X3PLB-2240-20
-----------------------	--------------	--------------------

BLOWER VENTILATION - PARCEL RACK WITHOUT A/C SYSTEM

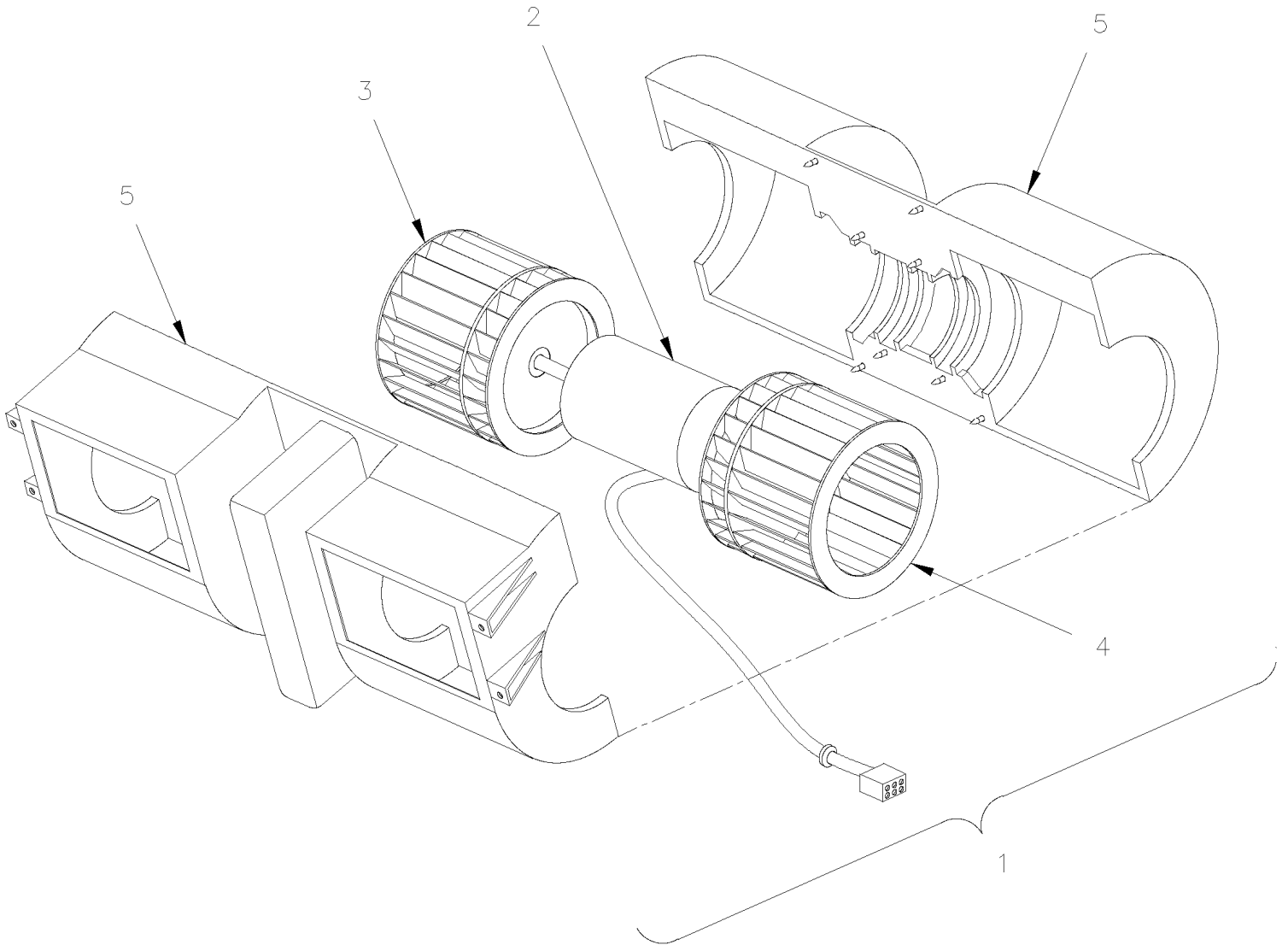
Item#	Part	Description	QTY	Notes
	871173	VENTILLATION UNIT ASSY	1	
1	X3PLB-2240-25	. BLOWER ASSY - PARCEL RACK		A B C
3	871266	. BASE PLATE ASSY	1	
4	871189	. TOP COVER	1	
5	871268	. BLOWER COVER	1	
6	871267	. LEFT SIDE PANEL	1	
10	871453	. MODULE RESISTOR 100 WATT	1	
14	871159	. FILTER 1/4" x 5 3/4" x 23"	1	
20	N8889852	. GROMMET	1	
25	Call order desk	. NEOPRENE / 1/8"	AR	P
26	871262	. DUCT ASSY	2	
27	871265	. RIGHT SIDE PANEL	1	
28	Call order desk	. BRACKET	1	P
29	Call order desk	. HOLE PLUG 1 1/4"	2	P
30	Call order desk	. SCREW TP PAN PH #8x1/2	4	P
37	N8890509	. SCREW MA PAN PH #10-32x3/4 ZP	4	
38	Call order desk	. SCREW CAP HEX 1/4-20x3/4	4	P
39	N8892465	. WASHER LO SPT 1/4	4	
40	Call order desk	. NUT HEX NYRT #10-32	4	P
41	Call order desk	. SCREW TC CAP HEXW SLT #8-32 X 1/2"	35	P
42	Call order desk	. NUT SPR U 1 /4-20	4	P
43	N8889679	. FOAM / 3/16"x1 /2"	AR	
44	Call order desk	. FOAM / 1/16"x5"	AR	P
45	Call order desk	. FOAM / 1/2"x1/2"	AR	P
NS	068787	HARNESS, PARCEL RACK FAN	2	
NS	0610572	HARNESS PARCEL RACK FAN To H-7322	1	
NS	0610573	HARNESS PARCEL RACK FAN From H-7323 To H-7416	1	
NS	0610518	HARNESS PARCEL RACK FAN From H-7417	1	
		A) FOR PRODUCT IMPROVMENT ASK FOR KIT IS20004-2 ONLY FOR VEHICLE UP TO H-7322		
		B) FOR PRODUCT IMPROVMENT ASK FOR KIT IS20004-3 ONLY FOR VEHICLE FROM H-7323 UP TO H-7416		
		C) FOR PRODUCT IMPROVMENT ASK FOR KIT IS20004-4 ONLY FOR VEHICLE FROM H-7417		
		P) CALL ORDER DESK FOR SPECIFIC APPLICATION (V.I.N.)		

From G-7275 To M-7767

Date:07/2024

PAGE:X3PLB-2240-25

BLOWER ASSY - PARCEL RACK



From G-7275 To M-7767	Date:07/2024	PAGE:X3PLB-2240-25
-----------------------	--------------	--------------------

BLOWER ASSY - PARCEL RACK

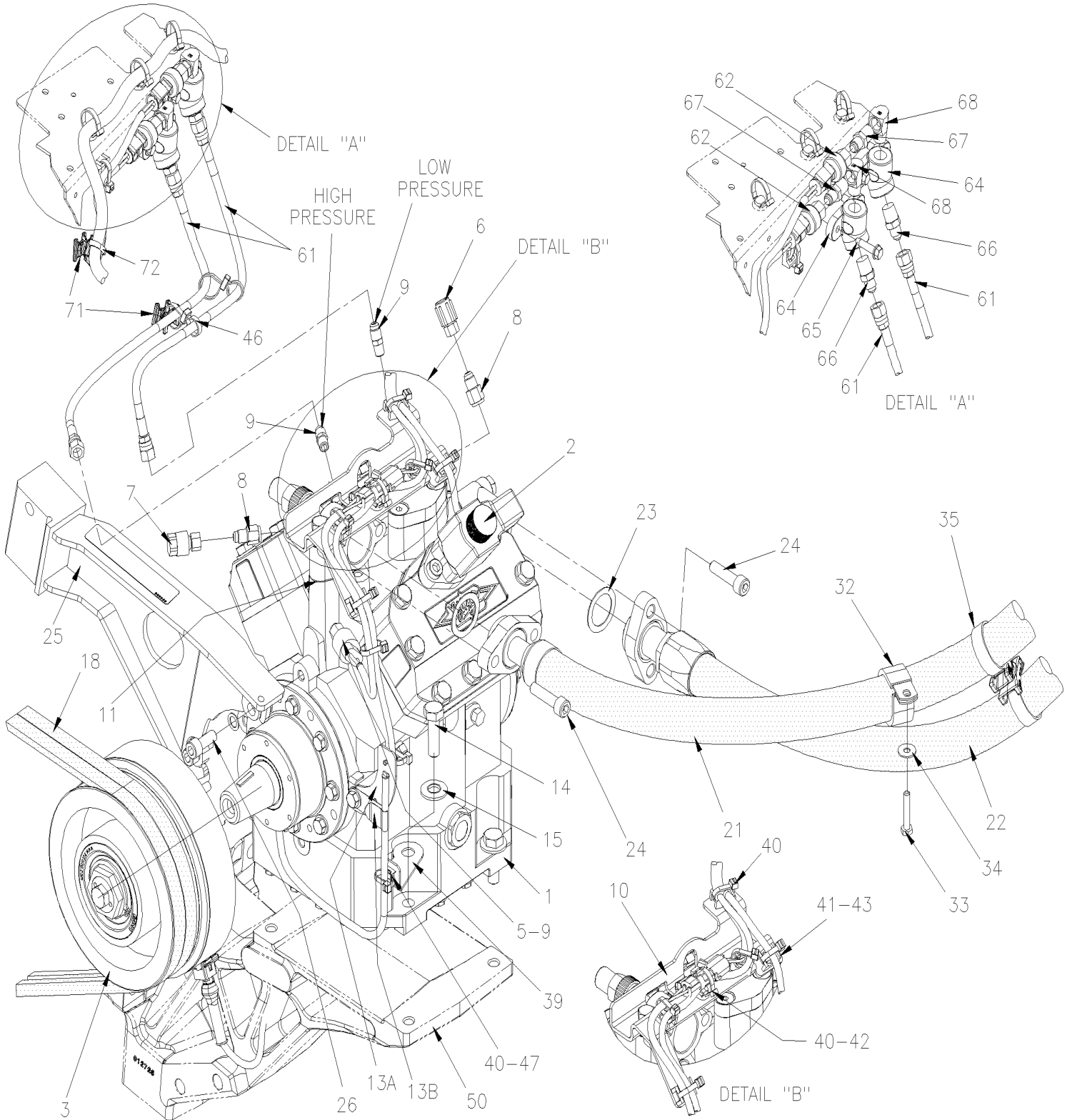
Item#	Part	Description	QTY	Notes
1	871157	BLOWER ASSY 24V	2	
2	N.P.N.	. MOTOR 24V	1	4
3	N.P.N.	. BLOWER WHEEL	1	4
4	N.P.N.	. BLOWER WHEEL	1	4
5	N.P.N.	. HOUSING	1	4
		4) NO PARTS NUMBER		

From G-7275 To H-7416

Date:07/2024

PAGE:X3PLB-2245-00

A/C COMPRESSOR "BITZER" - INSTALLATION



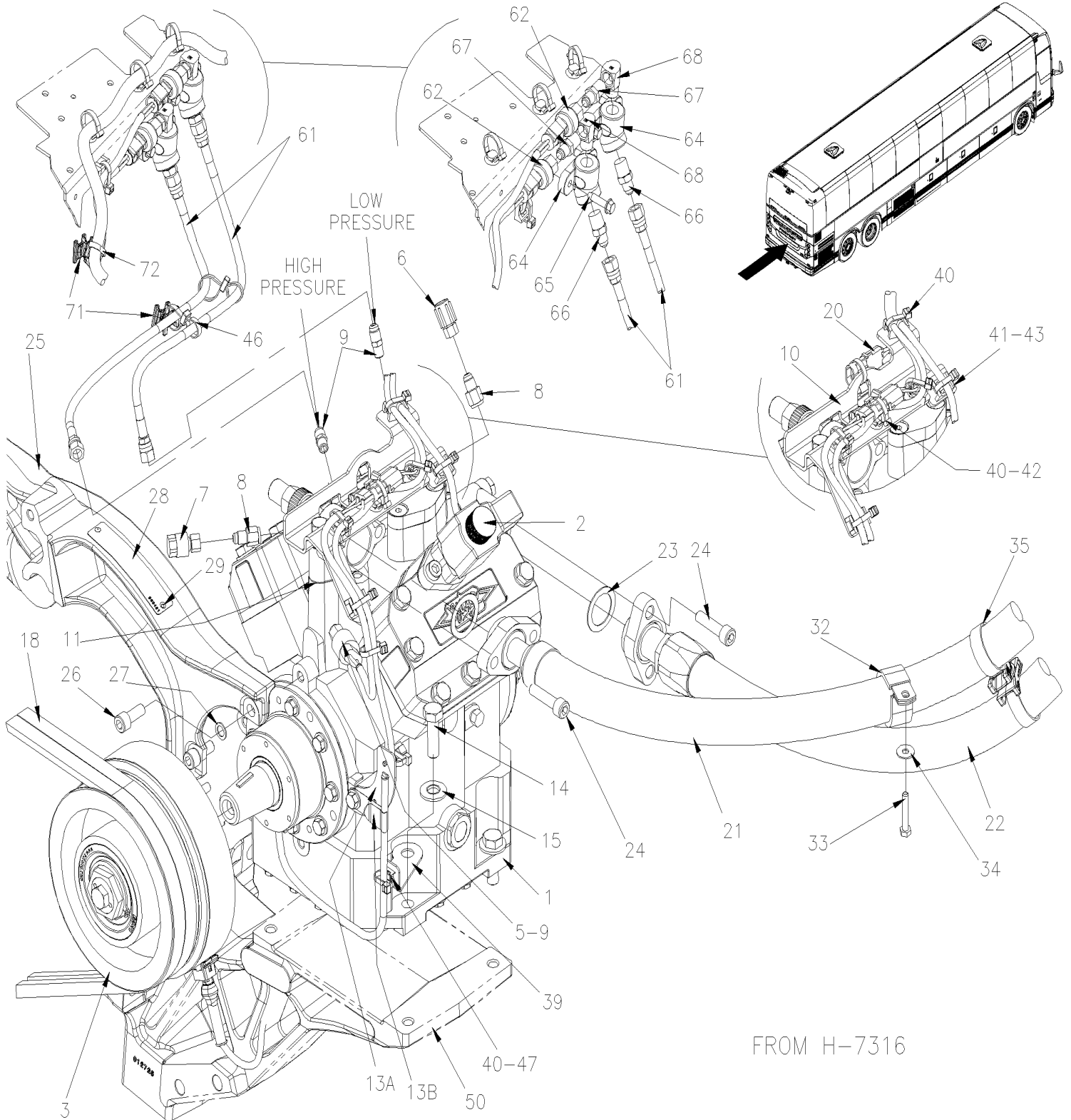
UP TO H-7315

From G-7275 To H-7416

Date:07/2024

PAGE:X3PLB-2245-00

A/C COMPRESSOR "BITZER" - INSTALLATION



From G-7275 To H-7416	Date:07/2024	PAGE:X3PLB-2245-00
A/C COMPRESSOR "BITZER" - INSTALLATION		

Item#	Part	Description	QTY	Notes
	950580	A/C COMPRESSOR ASSY 4 CYLINDERS W/O CLUTCH - "BITZER"	1	
	5001775	SCREW CAP HEXS M8-1.25x25 G8.8 G500	4	C
	950494	A/C COMPRESSOR ASSY 4 CYLINDERS W/O CLUTCH W/O VALVES - "BITZER"	1	
. NS	680801	. OIL, BITZER COMPRESSOR, POE 134A 1 GALLON	AR	
1	X3PLB-2250-00	. A/C COMPRESSOR "BITZER" 4NFCY		
2	X3PLB-2250-15	. A/C ELECTRIC UNLOADER - WITH "BITZER" COMPRESSOR		
3	X3PLB-2246-00	. A/C CLUTCH - WITH "BITZER" COMPRESSOR		
5	950498	. PRESSURE SWITCH ASSY	1	
. NS	561690	. . CONNECTOR / WEATHER PACK / SH 2C / BLACK / PED 12015792	1	
. NS	561567	. . PIN TERMINAL / 20-18 / PED 12089040	2	
. NS	561786	. . CABLE SEAL / GRAY / PED 15324980	2	
6	950499	. ADAPTOR 7/16-20 x R134 13MM	1	
7	950500	. ADAPTOR 7/16-20 x R134 16MM	1	
8	950466	. ADAPTOR 7/16-20-F x 7/16-20-M	2	
9	950502	. ADAPTOR / SHRADER FITTING / 1/8NPT-M	3	
10	069449	. BRACKET WIRIING HARNESS COMPRESSOR	1	
11	950503	. MUFFLER 14MM / 56MM C/C	1	
13A	069450	. BRACKET WIRIING HARNESS COMPRESSOR	1	
13B	950532	. BRACKET OIL TUBING	1	
13B	950975	. HOSE	1	
14	5001885	SCREW CAP HEX M12-1.75X40 G10.9 N500	4	
15	500967	WASHER BEL SPR .512x1.142x.098 N500	4	
16	069492	CABLE ASSY / A/C COMPRESSOR W/LARGE SYSTEM	1	
18	5060134	V-BELT / BX-71 / SET OF 2	1	
21	950492	HOSE ASSY / DISCHARGE / #16 / 1185MM	1	
21	950525	HOSE ASSY / DISCHARGE / #16 / 980MM	1	L
22	457685	HOSE ASSY / SUCTION / #20 / 1075MM	1	
22	454933	HOSE ASSY / SUCTION / #20 / 910MM	1	L
23	950957	GASKET	2	
24	950488	SCREW CAP HEXS M10-1.5x40 G10.9	4	
25	457675	SUPPORT, TENSIONNER WELDED To H-7315	1	
25	069356	DECAL "DO NOT POWER WASH ALTERNATORS" ENGLISH To H-7315	1	
25	457750	SUPPORT, TENSIONNER CASTING From H-7316	1	
26	5001616	SCREW CAP HEXS M10-1.5X25 G10.9 DP	2	
27	502867	WASHER FL .406x.625x.040 N500	2	
28	069421	DECAL "DO NOT POWER WASH ALTERNATORS" From H-7316	1	
29	504339	RIVET POP DOME OE 1/8x3/8 SS From H-7316	2	
NS	680038	THREAD LOCKER LOCTITE #243 / BLUE / 50ml	AR	
NS	680098	THREAD SEALANT LOCTITE #567 / WHITE / 250ml	1	
32	504785	CLAMP / SS / SILICONE RUBBER / 1 1/2" I.D. x .281 HOLE	1	
33	5001833	WASHER BEL SPR 6.1x18x1.27 SS	1	
34	502888	SCREW CAP HEX M6-1.0x35 G8.8 N500	1	

From G-7275 To H-7416	Date:07/2024	PAGE:X3PLB-2245-00
A/C COMPRESSOR "BITZER" - INSTALLATION		

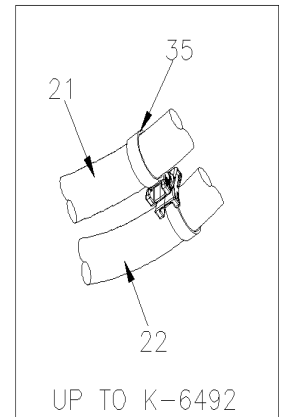
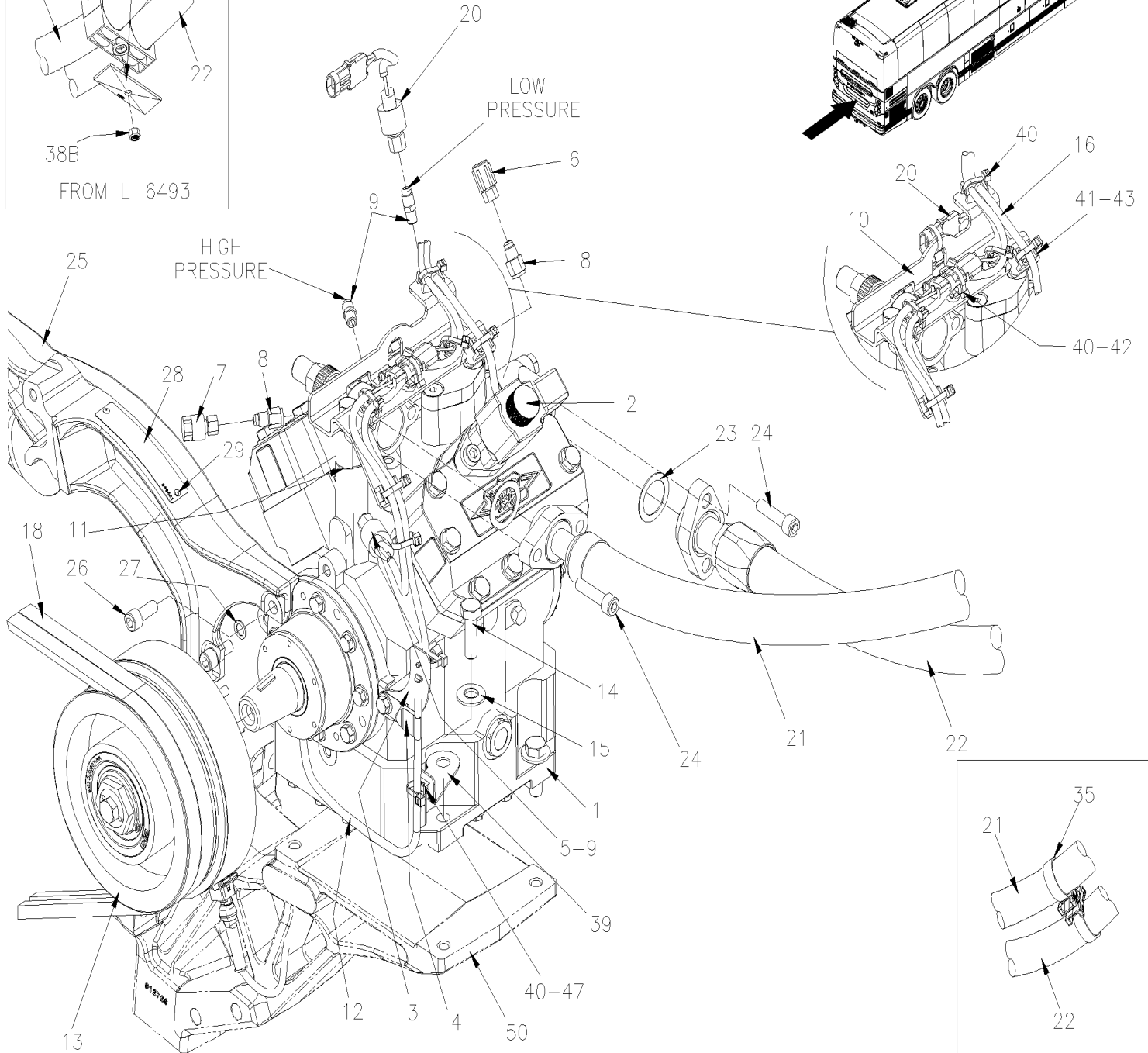
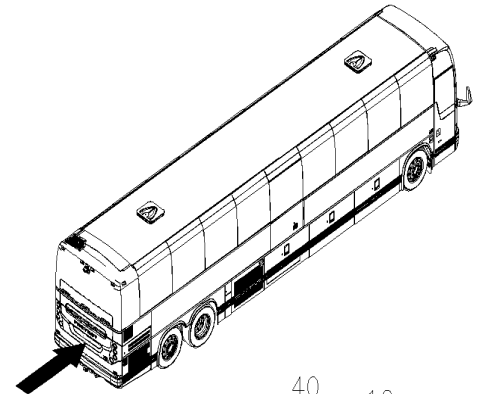
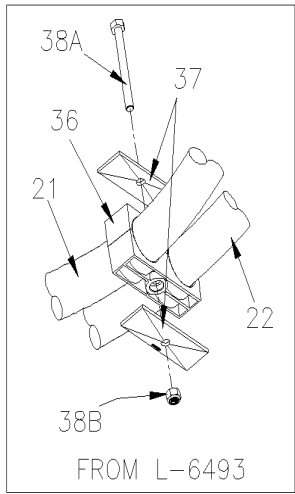
Item#	Part	Description	QTY	Notes
35	504752	ROTATIF SPACER DOUBLE / LARGE	1	
35	509491	CABLE TIE / 13MM x 383MM	2	
39	069481	BRACKET WIRIING HARNESS COMPRESSOR	1	
40	504637	CABLE TIE / 3/16" x 13"	AR	
41	504379	RIVET POP DOME OE 3/16x1/4 SS	5	
42	509815	TIE MOUNT / ATTACHMENT W/TREE MOUNT	1	
43	504013	TIE MOUNT / 1/4" X 1/4" I.D.	5	
46	507664	CABLE TIE / 3/16" 11" / DOUBLE LOOP HEAD	AR	
47	504810	TIE MOUNT / #8	2	
47	504340	RIVET POP DOME OE 1/8x3/16 SS	2	
50	X3PLB-0150-00	ENGINE CRADLE - WITH VOLVO D13		
61	457772	HOSE ASSY / #4 / 425MM	2	
62	950504	TRANSDUCER 0-500 PSIG	2	
64	640643	ANCHOR ELBOW / PIPE FITTING / 1/4NPT-Fx1/4NPT-F STL	2	
65	500266	SCREW TC CAP HEX 1/4-20x1 N500	4	
66	501027	MALE CONNECTOR / SAE 45° FITTING / #4FL-Mx1/4NPT-M BR	2	
67	950249	SCHRADER VALVE 1/4NPT-M	2	
68	501332	STREET ELBOW 90° / PIPE FITTING / 1/4NPT-Mx1/4NPT-F BR	2	
71	504751	ROTATIF SPACER DOUBLE / SMALL	4	
72	504637	CABLE TIE / 3/16" x 13"	AR	
		C) USE TO FIX THE CLUTCH TO THE COMPRESSOR		
		L) WITHOUT LAVATORY		

From H-7417 To M-7767

Date:07/2024

PAGE:X3PLB-2245-01

A/C COMPRESSOR "BITZER" - INSTALLATION



From H-7417 To M-7767	Date:07/2024	PAGE:X3PLB-2245-01
A/C COMPRESSOR "BITZER" - INSTALLATION		

Item#	Part	Description	QTY	Notes
	950580	A/C COMPRESSOR ASSY 4 CYLINDERS W/O CLUTCH - "BITZER"	1	
	5001775	SCREW CAP HEXS M8-1.25x25 G8.8 G500	4	C
	950494	A/C COMPRESSOR ASSY 4 CYLINDERS W/O CLUTCH W/O VALVES - "BITZER"	1	
NS	680801	OIL, BITZER COMPRESSOR, POE 134A 1 GALLON	AR	
1	X3PLB-2250-00	A/C COMPRESSOR "BITZER" 4NFCY		
2	X3PLB-2250-15	A/C ELECTRIC UNLOADER - WITH "BITZER" COMPRESSOR		
3	069450	BRACKET WIRIING HARNESS COMPRESSOR	1	
4	950532	BRACKET OIL TUBING	1	
5	950498	PRESSURE SWITCH ASSY	1	
NS	561690	CONNECTOR / WEATHER PACK / SH 2C / BLACK / PED 12015792	1	
NS	561567	PIN TERMINAL / 20-18 / PED 12089040	2	
NS	561786	CABLE SEAL / GRAY / PED 15324980	2	
6	950499	ADAPTOR 7/16-20 x R134 13MM	1	
7	950500	ADAPTOR 7/16-20 x R134 16MM	1	
8	950466	ADAPTOR 7/16-20-F x 7/16-20-M	2	
9	950502	ADAPTOR / SHRADER FITTING / 1/8NPT-M	3	
10	069449	BRACKET WIRIING HARNESS COMPRESSOR	1	
11	950503	MUFFLER 14MM / 56MM C/C	1	
12	950975	HOSE	1	
13	X3PLB-2246-00	A/C CLUTCH - WITH "BITZER" COMPRESSOR		
14	5001885	SCREW CAP HEX M12-1.75X40 G10.9 N500 To N-8010	4	
14	5001582	SCREW CAP HEX M12-1.75x50 G10.9 DP From N-8011	4	
15	500967	WASHER BEL SPR .512x1.142x.098 N500 To N-8010	4	
15	5001877	WASHER BEL SPR .512x1.000x.073 SS From N-8011	4	
16	060040	CABLE ASSY / WITH "ALISSON" TRANSMISSION To J-7445	1	
16	061434	CABLE ASSY / WITH "ALISSON" TRANSMISSION From J-7446 To N-8010	1	
16	0610557	CABLE ASSY / WITH "ALISSON" TRANSMISSION From N-8011	1	
16	060118	CABLE ASSY / WITH "I-SHIFT" TRANSMISSION To J-7445	1	
16	061475	CABLE ASSY / WITH "I-SHIFT" TRANSMISSION From J-7446 To N-8010	1	
16	0610558	CABLE ASSY / WITH "I-SHIFT" TRANSMISSION From N-8011	1	
16	061482	CABLE ASSY / A/C COMPRESSOR W/LARGE SYSTEM From N-8011	1	
18	5060134	V-BELT / BX-71 / SET OF 2 To K-7578	1	
18	5060142	V-BELT / BX-71 From K-7579 To K-7651	2	
18	5060134	V-BELT / BX-71 / SET OF 2 From K-7652 To M-7767	1	
18	5060137	SUPER V-BELT / 5VX740 From M-7768	2	
20	452831	PRESSURE SWITCH N.O. 30-5 20SP001MA030C005C From J-7446	1	
21	950536	HOSE ASSY / DISCHARGE / #16 / 780MM To J-7522	1	
21	950591	HOSE ASSY / DISCHARGE / #16 / 755MM From J-7523 To N-8010	1	
21	950640	HOSE ASSY / DISCHARGE / #16 / 780MM From N-8011	1	
21	950525	HOSE ASSY / DISCHARGE / #16 / 980MM	1	L

From H-7417 To M-7767	Date:07/2024	PAGE:X3PLB-2245-01
A/C COMPRESSOR "BITZER" - INSTALLATION		

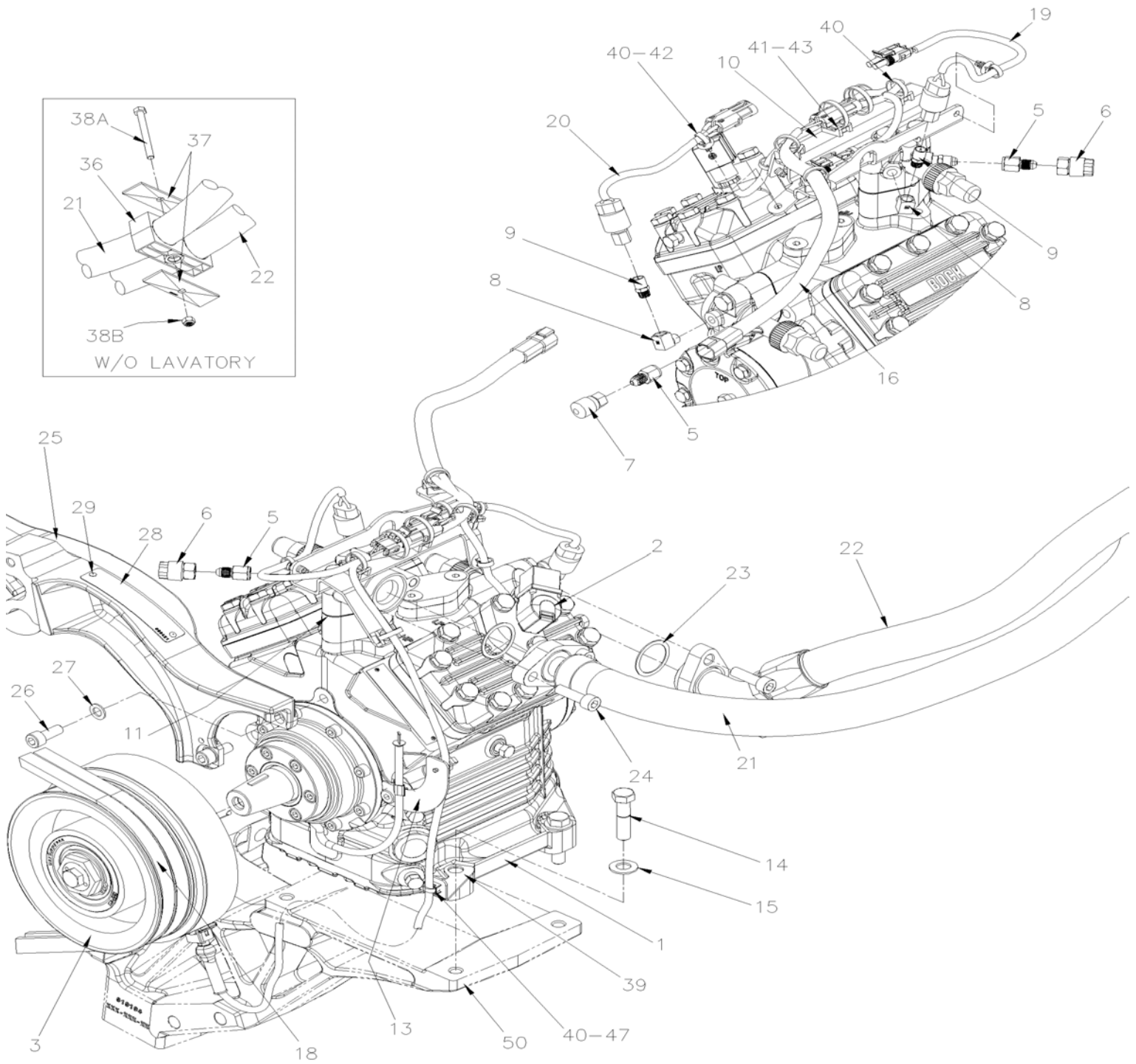
Item#	Part	Description	QTY	Notes
22	950535	HOSE ASSY / SUCTION / #20 / 860MM To K-7662	1	
22	950535	HOSE ASSY / SUCTION / #20 / 860MM From L-7663	1	A
22	950592	HOSE ASSY / SUCTION / #20 / 900MM From L-7663	1	B
22	454933	HOSE ASSY / SUCTION / #20 / 910MM	1	L
23	950957	GASKET	2	
24	950488	SCREW CAP HEXS M10-1.5x40 G10.9	4	
25	457750	SUPPORT, TENSIONNER CASTING To K-7607	1	
25	450580	SUPPORT, TENSIONNER CASTING From K-7608 To N-8010	1	
25	454767	SUPPORT, TENSIONNER CASTING From N-8011	1	
26	5001616	SCREW CAP HEXS M10-1.5X25 G10.9 DP	2	
27	502867	WASHER FL .406x.625x.040 N500 To N-8010	2	
27	5001935	WASHER FL 10.5x18.0x1.6 SS From N-8011	2	
28	069421	DECAL "DO NOT POWER WASH ALTERNATORS"	1	
29	504339	RIVET POP DOME OE 1/8x3/8 SS	2	
31	680098	THREAD SEALANT LOCTITE #567 / WHITE / 250ml	AR	
NS	680038	THREAD LOCKER LOCTITE #243 / BLUE / 50ml	AR	
35	504752	ROTATIF SPACER DOUBLE / LARGE To K-7662	1	L
35	509491	CABLE TIE / 13MM x 383MM To K-7662	2	L
36	504181	CLAMP DOUBLE ASS / SPLIT BLOC / 40MM/40MM x 106MM POLYA From L-7663	1	L
37	504160	PLATE RETAINER 102MM SS From L-7663	2	L
38A	5001185	SCREW CAP HEX M8-1.25x80 SS BK From L-7663	1	L
38B	5001983	NUT HEX NYRT M8-1.25 SS SS BK From L-7663	1	L
39	069481	BRACKET WIRIING HARNESS COMPRESSOR	1	
40	504637	CABLE TIE / 3/16" x 13"	AR	
41	504379	RIVET POP DOME OE 3/16x1/4 SS	5	
42	509815	TIE MOUNT / ATTACHMENT W/TREE MOUNT To J-7445	1	
42	509815	TIE MOUNT / ATTACHMENT W/TREE MOUNT From J-7446	3	
43	504013	TIE MOUNT / 1/4" X 1/4" I.D.	5	
NS	507664	CABLE TIE / 3/16" 11" / DOUBLE LOOP HEAD	AR	
47	504810	TIE MOUNT / #8	2	
47	504340	RIVET POP DOME OE 1/8x3/16 SS	2	
50	X3PLB-0150-01	ENGINE CRADLE - WITH VOLVO D13 - GHG17		
		A) WITHOUT A/C PARCEL-RACK		
		B) WITH A/C PARCEL-RACK		
		C) USE TO FIX THE CLUTCH TO THE COMPRESSOR		
		L) WITHOUT LAVATORY		

From N-8011 To M-7767

Date:07/2024

PAGE:X3PLB-2245-20

A/C COMPRESSOR "BOCK" - INSTALLATION



From N-8011 To M-7767	Date:07/2024	PAGE:X3PLB-2245-20
-----------------------	--------------	--------------------

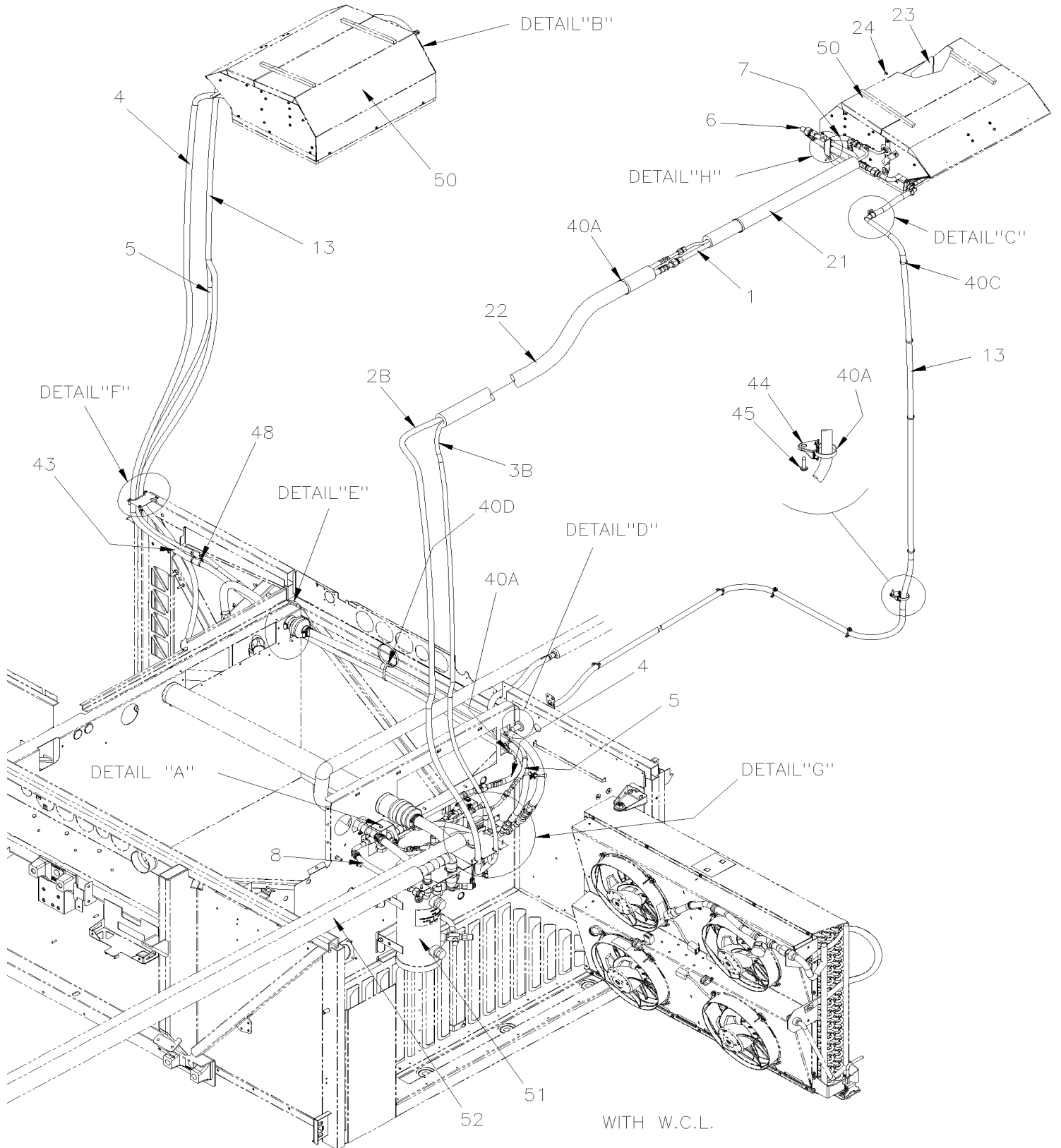
A/C COMPRESSOR "BOCK" - INSTALLATION

Item#	Part	Description	QTY	Notes
	950612	A/C COMPRESSOR ASSY 4 CYLINDERS W/CLUTCH - "BOCK" FK40/655K	1	
NS	680801	OIL, BITZER COMPRESSOR, POE 134A 1 GALLON	AR	
1	X3PLB-2250-20	. A/C COMPRESSOR "BOCK"		
2	X3PLB-2250-35	. A/C ELECTRIC UNLOADER - WITH "BOCK" COMPRESSOR		
3	X3PLB-2246-20	. A/C CLUTCH - WITH "BOCK" COMPRESSOR		
5	950501	ADAPTOR 7/16-20-F x 7/16-20-M	2	
6	950500	ADAPTOR 7/16-20 x R134 16MM	1	
7	950499	ADAPTOR 7/16-20 x R134 13MM	1	
8	501331	STREET ELBOW 90° / PIPE FITTING / 1/8NPT-Mx1/8NPT-F BR	2	
9	950030	SCHRADER VALVE 1/8NPT-M	2	
10	0610598	BRACKET WIRIING HARNESS COMPRESSOR	1	
11	950642	GASKET- VALVE FLANGE	2	
13	0610265	BRACKET WIRIING HARNESS COMPRESSOR	1	
14	5001582	SCREW CAP HEX M12-1.75x50 G10.9 DP	4	
15	5001877	WASHER BEL SPR .512x1.000x.073 SS	4	
16	0610550	CABLE ASSY / A/C COMPRESSOR W/LARGE SYSTEM	1	
18	5060134	V-BELT / BX-71 / SET OF 2 To M-7767	1	
18	5060137	SUPER V-BELT / 5VX740 From M-7768	2	
19	950498	PRESSURE SWITCH ASSY	1	
. NS	561690	. CONNECTOR / WEATHER PACK / SH 2C / BLACK / PED 12015792	1	
. NS	561567	. PIN TERMINAL / 20-18 / PED 12089040	2	
. NS	561786	. CABLE SEAL / GRAY / PED 15324980	2	
20	452831	PRESSURE SWITCH N.O. 30-5 20SP001MA030C005C	1	
21	950640	HOSE ASSY / DISCHARGE / #16 / 780MM	1	
21	950525	HOSE ASSY / DISCHARGE / #16 / 980MM	1	L
22	950535	HOSE ASSY / SUCTION / #20 / 860MM	1	B
22	950592	HOSE ASSY / SUCTION / #20 / 900MM	1	A
22	454933	HOSE ASSY / SUCTION / #20 / 910MM	1	L
23	950643	GASKET RING	2	
24	5001620	SCREW CAP HEXS M10-1.5X35 G10.9 G500	4	
25	454767	SUPPORT, TENSIONNER CASTING	1	
26	5001616	SCREW CAP HEXS M10-1.5X25 G10.9 DP	2	
27	5001935	WASHER FL 10.5x18.0x1.6 SS	2	
28	069421	DECAL "DO NOT POWER WASH ALTERNATORS"	1	
29	504339	RIVET POP DOME OE 1/8x3/8 SS	2	
NS	680038	THREAD LOCKER LOCTITE #243 / BLUE / 50ml	AR	
NS	680098	THREAD SEALANT LOCTITE #567 / WHITE / 250ml	AR	
36	504181	CLAMP DOUBLE ASS / SPLIT BLOC / 40MM/40MM x 106MM POLYA	1	L
37	504160	PLATE RETAINER 102MM SS	2	L
38A	5001185	SCREW CAP HEX M8-1.25x80 SS BK	1	L
38B	5001983	NUT HEX NYRT M8-1.25 SS SS BK	1	L
39	0610264	BRACKET WIRIING HARNESS COMPRESSOR	1	

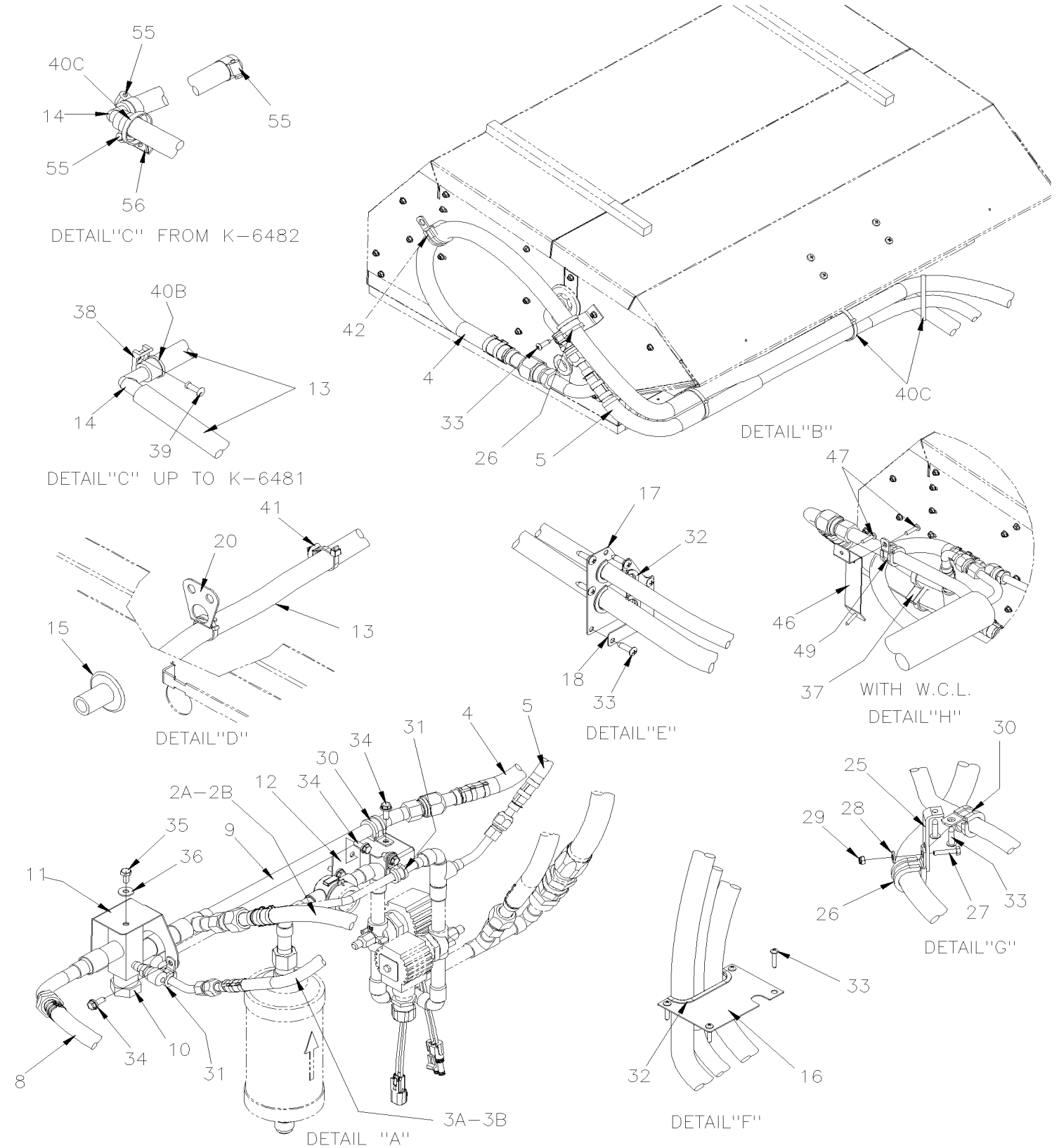
From N-8011 To M-7767	Date:07/2024	PAGE:X3PLB-2245-20
A/C COMPRESSOR "BOCK" - INSTALLATION		

Item#	Part	Description	QTY	Notes
40	504637	CABLE TIE / 3/16" x 13"	AR	
41	504379	RIVET POP DOME OE 3/16x1/4 SS	5	
42	509815	TIE MOUNT / ATTACHMENT W/TREE MOUNT	5	
43	504013	TIE MOUNT / 1/4" X 1/4" I.D.	5	
47	504810	TIE MOUNT / #8	2	
47	504340	RIVET POP DOME OE 1/8x3/16 SS	2	
50	X3PLB-0150-01	ENGINE CRADLE - WITH VOLVO D13 - GHG17		
253	OC2020029	REFERENCE ONLY £-20029 From M-7768	1	
		A) WITH A/C PARCEL-RACK		
		B) WITHOUT A/C PARCEL-RACK		
		L) WITHOUT LAVATORY		

A/C AUXILIARY LINE / PARCEL RACK



A/C AUXILIARY LINE / PARCEL RACK



From G-7275 To K-7662	Date:07/2024	PAGE:X3PLB-2245-30
A/C AUXILIARY LINE / PARCEL RACK		

Item#	Part	Description	QTY	Notes
1	454747P	PIPE ASSY A/C CURBSIDE PARCEL RACK W/WCL	1	
2A	454740	HOSE ASSY / #10 5125MM	1	
. NS	507344	. O-RING / ORS FITTING / #10 NEO	2	
2B	454800	HOSE ASSY / #10 4475MM	1	B
. NS	507344	. O-RING / ORS FITTING / #10 NEO	1	B
3A	454928	HOSE ASSY / #6 4710MM	1	
. NS	507278	. O-RING / ORS FITTING / #4 NEO	2	
3B	454801	HOSE ASSY / #6 4300MM	1	B
. NS	507278	. O-RING / ORS FITTING / #4 NEO	1	B
4	454743	HOSE ASSY / #10 5175MM	1	
. NS	507344	. O-RING / ORS FITTING / #10 NEO	2	
. NS	505110	. COIL PROTECTOR / PLASTIC / #12	AR	
5	454953	HOSE ASSY / #6 4720MM	1	
. NS	507278	. O-RING / ORS FITTING / #4 NEO	2	
. NS	505181	. COIL PROTECTOR / PLASTIC / #8	AR	
6	454783	HOSE ASSY / #10 310MM	1	B
. NS	507344	. O-RING / ORS FITTING / #10 NEO	2	B
7	454707	HOSE ASSY / #6 465MM	1	B
. NS	507278	. O-RING / ORS FITTING / #4 NEO	2	B
8	454745	HOSE ASSY / #10 445MM	1	
. NS	507344	. O-RING / ORS FITTING / #10 NEO	1	
9	454742P	VALVE SUCTION ASS	1	
10	950950	. VALVE SERVICE LOW PRESSURE	1	
. NS	950235	. . GAUGE ADAPTOR ASSY / W/BBLUE CAP FOR R-134A / SUCTION SIDE (ALUMINUM)	1	
11	454781	SUPPORT / VALVE SUCTION ASS	1	
12	454782	SUPPORT / VALVE SUCTION ASS	1	
13	503707	HOSE / PVC REINFORCED 1/2" I.D. 100' / S.L.	AR	
14	5011230	UNION ELBOW 90° / HOSE BARB FITTING / #8x#8 PLAS	2	
15	504264	GROMMET / .750x1.250x.062x.250x1.625	2	
16	454788	CLOSING PLATE FLOOR	1	
17	457518	CLOSING PLATE	1	
18	457519	CLOSING PLATE	1	
19	454713	RESTRICTION AIR DIFFUSOR / "U" SHAPE 143MM	1	
19	454789	RESTRICTION AIR DIFFUSOR / "U" SHAPE 118MM	1	
19	454798	RESTRICTION AIR DIFFUSOR / "U" SHAPE 753MM	1	
19	504106	RIVET POP DOME OE 1/8x1/4 AL	2	
20	455983	SUPPORT HOSE	1	
21	506276	PIPE INSULATING / 7/8" I.D. X 1/2" TH. X 72 / APT07812	AR	
22	506242	PIPE INSULATING / 1 3/8" I.D. X 1/2" TH. X 72 / APT13812	AR	
23	316410	DEFLECTOR	1	
24	504347	RIVET POP DOME OE 3/16x1/4 AL	2	
25	450488	SUPPORT PIPE	1	

From G-7275 To K-7662	Date:07/2024	PAGE:X3PLB-2245-30
A/C AUXILIARY LINE / PARCEL RACK		

Item#	Part	Description	QTY	Notes
26	952633	CLAMP / 7/8" I.D.	2	
27	500588	SCREW CAP HEX M4-0.7x20 G8.8 Z050	1	
28	500855	WASHER FL .188x.438x.049 N500	1	
29	500539	NUT HEX NYRT M4-0.7 N500	1	
30	952629	CLAMP / 5/8" I.D.	2	
31	952625	CLAMP / 3/8" I.D.	2	
32	5060120	GROMMET EDGING ADHESIVE .036-.062	AR	
33	500957	SCREW TP BDG PH #10x3/4 N500	AR	
34	5001730	SCREW CAP HEXF M6-1.0x16 G10.9 N500	7	
35	502772	SCREW CAP HEX 1/4-20x1/2 G5 N500	1	
36	5001833	WASHER BEL SPR 6.1x18x1.27 SS	1	
37	504768	CABLE TIE / 3/16" 14.7" / DOUBLE LOOP HEAD	1	
38	504013	TIE MOUNT / 1/4" X 1/4" I.D.	6	
39	504114	RIVET POP DOME OE 3/16x1/4 AL	AR	
39	504118	RIVET POP DOME OE 3/16x3/8 AL	AR	
40A	504016	CABLE TIE / 5/16" X 14"1/2	AR	
40B	504273	CABLE TIE / 1/8" X 3"1/2	AR	
40C	504637	CABLE TIE / 3/16" x 13"	AR	
40D	504737	CABLE TIE / .300" X 30"1/2	AR	
41	8631155	CABLE TIE / 4.6MM x 200 / CHRISTMAS TREE	AR	
42	454746	CLAMP MODIFIED / 5/8" I.D.	1	
42	5001744	SCREW CAP HEX M6-1.0x16 G8.8 N500	1	
42	500877	WASHER FL .250x.562x.065 N500	2	
42	502681	NUT HEX NYRT M6-1.0 N500 G8	1	
43	509815	TIE MOUNT / ATTACHMENT W/TREE MOUNT	1	
43	504637	CABLE TIE / 3/16" x 13"	1	
44	504772	ATTACHMENT USE WITH CABLE TIE 5/16 BOLT	1	
45	502706	SCREW TP PAN PH #14x1 SS	1	
NS	684517	ADHESIVE SIMSON #ISR 70-03 / GREY / 310ml CARTRIDGE	AR	
45	682259	SEALANT TAPE / CLEAR / 1/32"x1 1/2"x65' / 1795	AR	
NS	682436	REFRIGERANT R134A. (56.7KG)	AR	
46	454920	BRACKET / A/C PIPE	1	
47	500641	SCREW TP PAN PH #8x3/4 Z050	3	
48	507664	CABLE TIE / 3/16" 11" / DOUBLE LOOP HEAD	1	
49	952629	CLAMP / 5/8" I.D.	2	
50	X3PLB-2240-15	BLOWER VENTILATION - PARCEL RACK WITH A/C SYSTEM		
51	X3PLB-2270-00	RECEIVER TANK & FILTER DRYER To H-7411		
51	X3PLB-2270-01	RECEIVER TANK & FILTER DRYER W/O A/C PARCEL RACK VOLVO D13 - GHG17 From H-7417		
51	X3PLB-2270-10	RECEIVER TANK & FILTER DRYER WITH A/C PARCEL RACK GHG17 From H-7417		
52	X3PLB-2222-15	A/C LINE REAR SECTION W/ "BITZER" To H-7416		
52	X3PLB-2222-16	A/C LINE REAR SECTION W/ "BITZER" VOLVO D13 - GHG17 From H-7417		
55	504230	HOSE CLAMP / 3/8"-7/8" SS / HS-6 From K-7650	4	

From G-7275 To K-7662		Date:07/2024	PAGE:X3PLB-2245-30
-----------------------	--	--------------	--------------------

A/C AUXILIARY LINE / PARCEL RACK

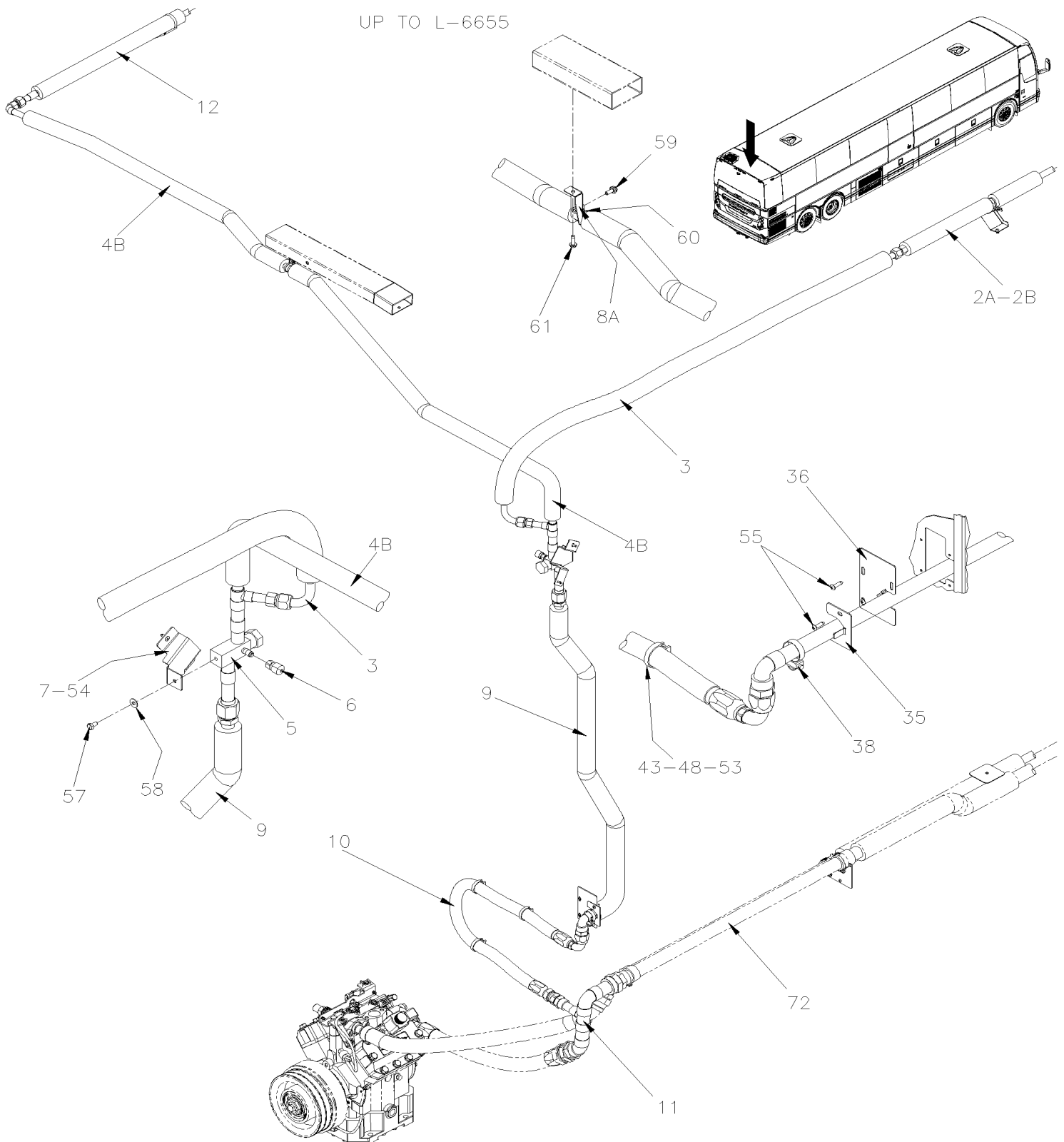
Item#	Part	Description	QTY	Notes
56	562679	4 WAY ADH. BACKED MOUNTS 1.000 x 1.000 x .160 From K-7650	2	
		B) WITH WCL		

From L-7663 To M-7767

Date:07/2024

PAGE:X3PLB-2245-31

A/C AUXILIARY LINE / PARCEL RACK

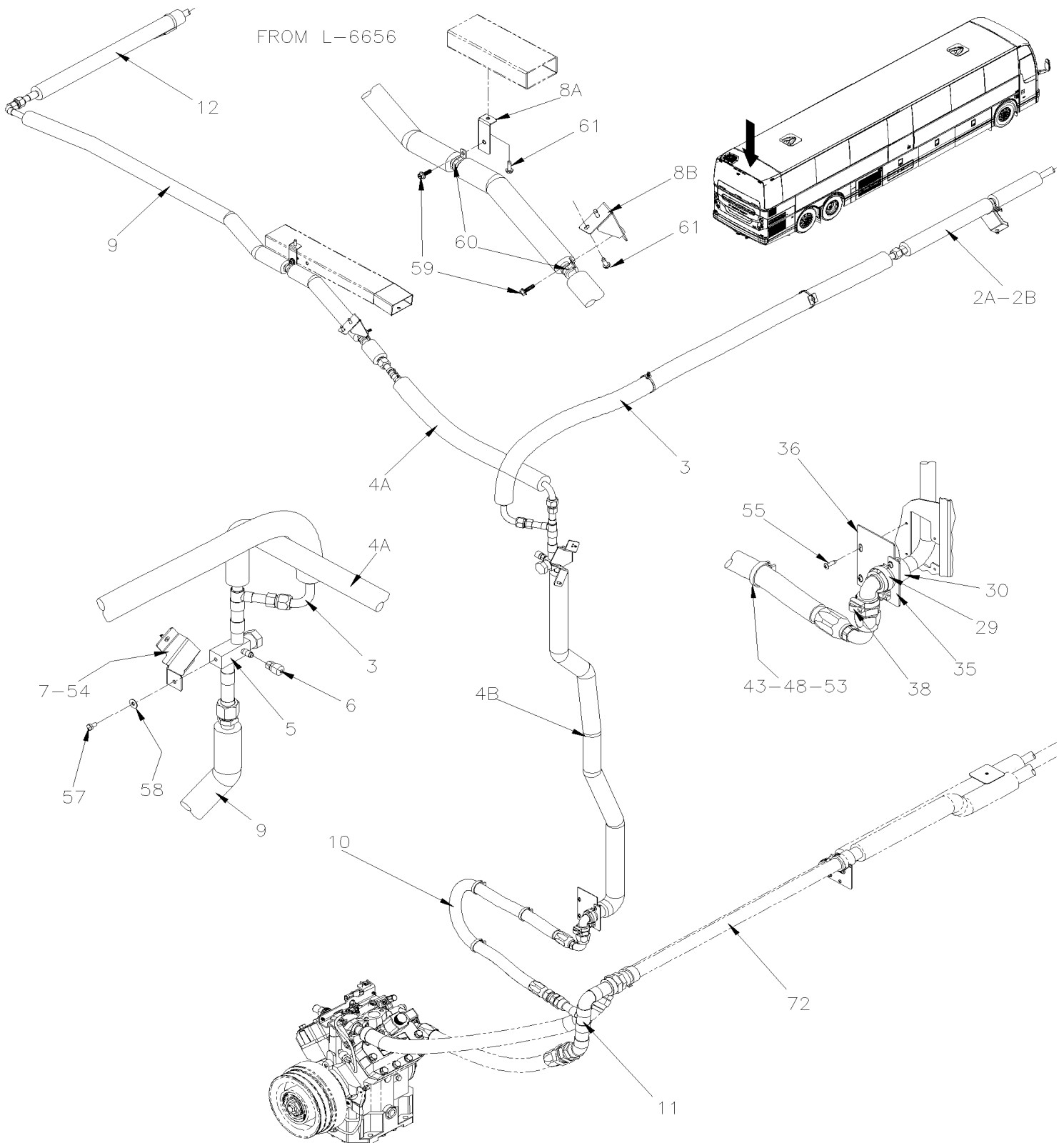


From L-7663 To M-7767

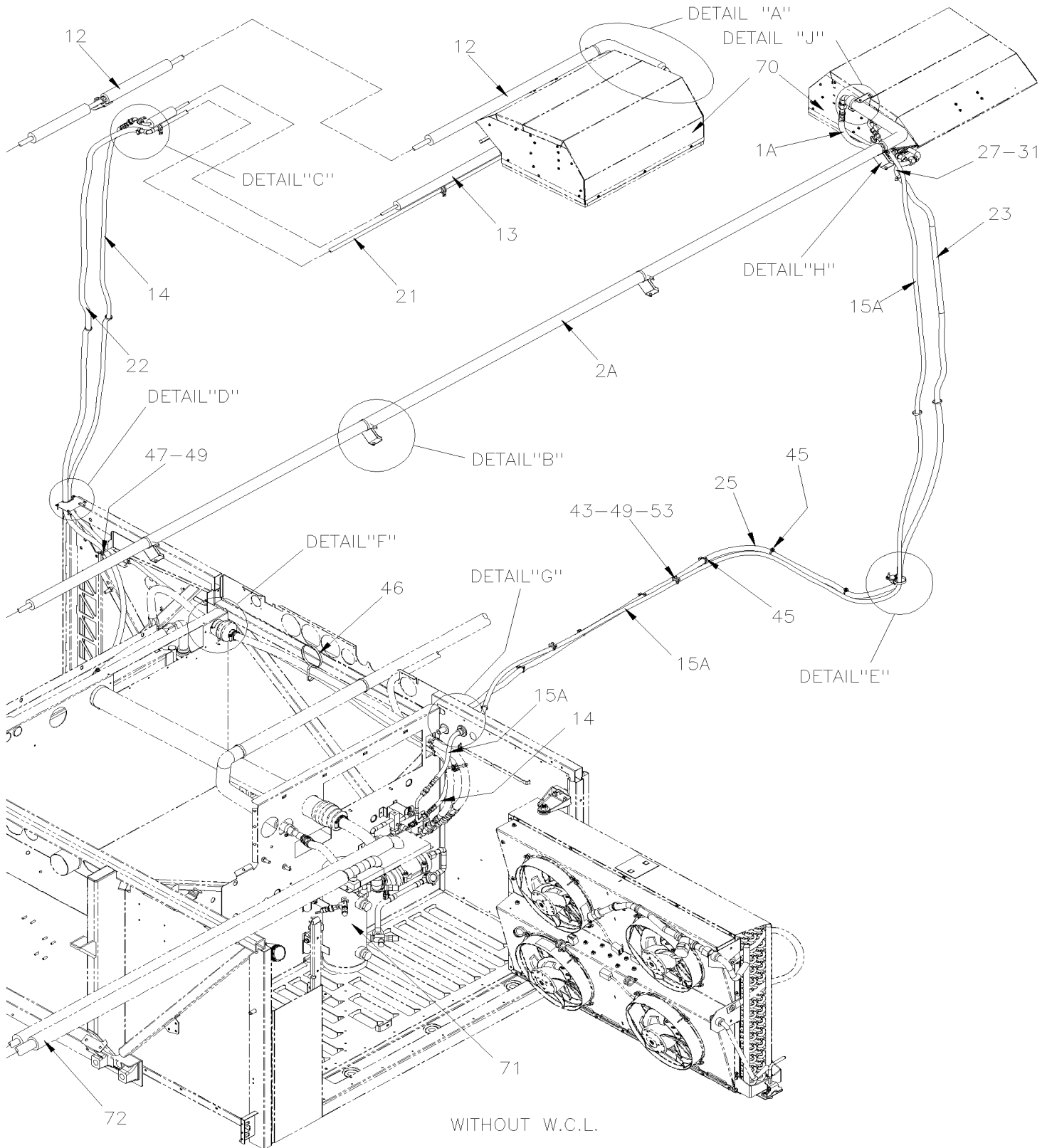
Date:07/2024

PAGE:X3PLB-2245-31

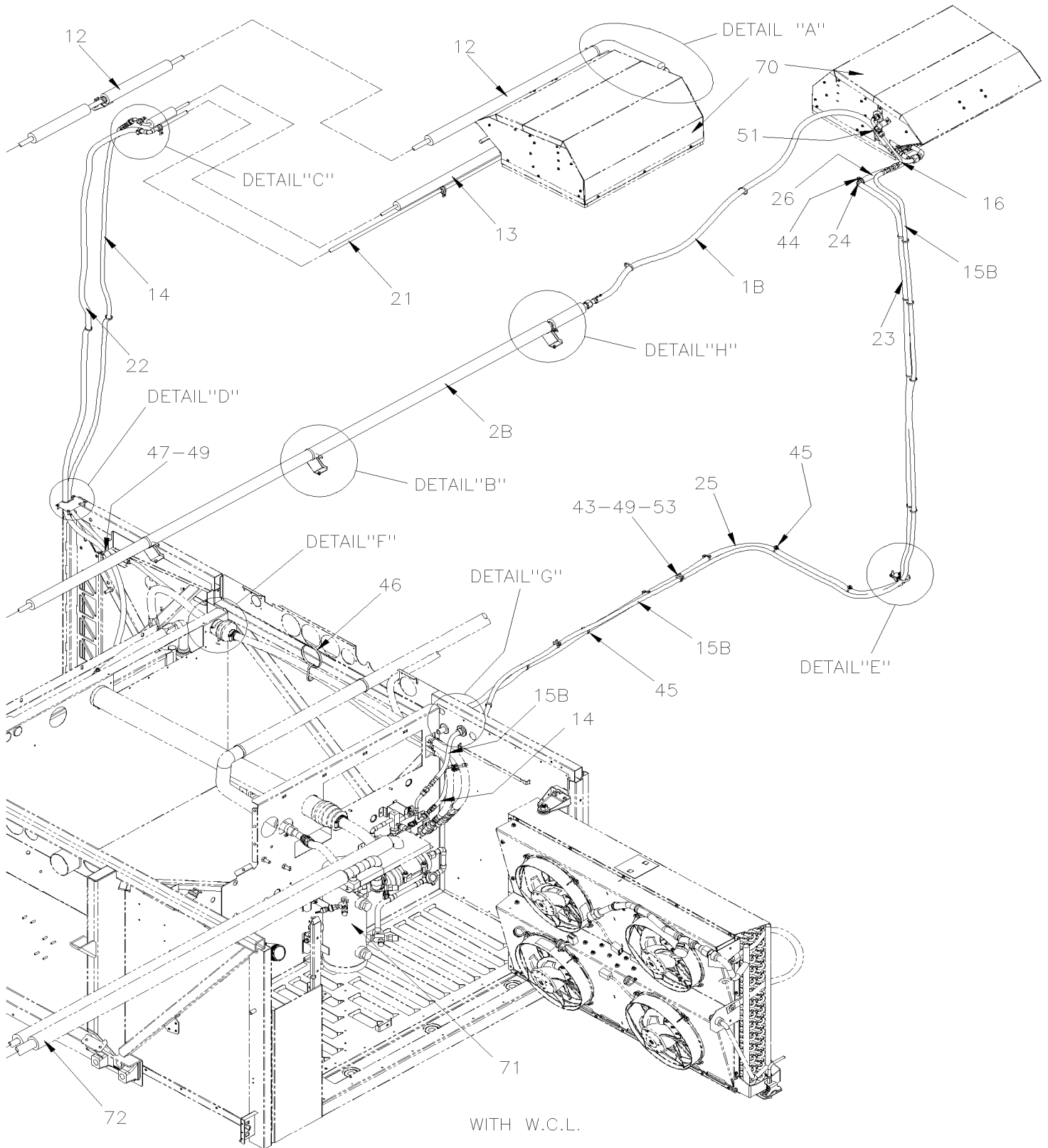
A/C AUXILIARY LINE / PARCEL RACK



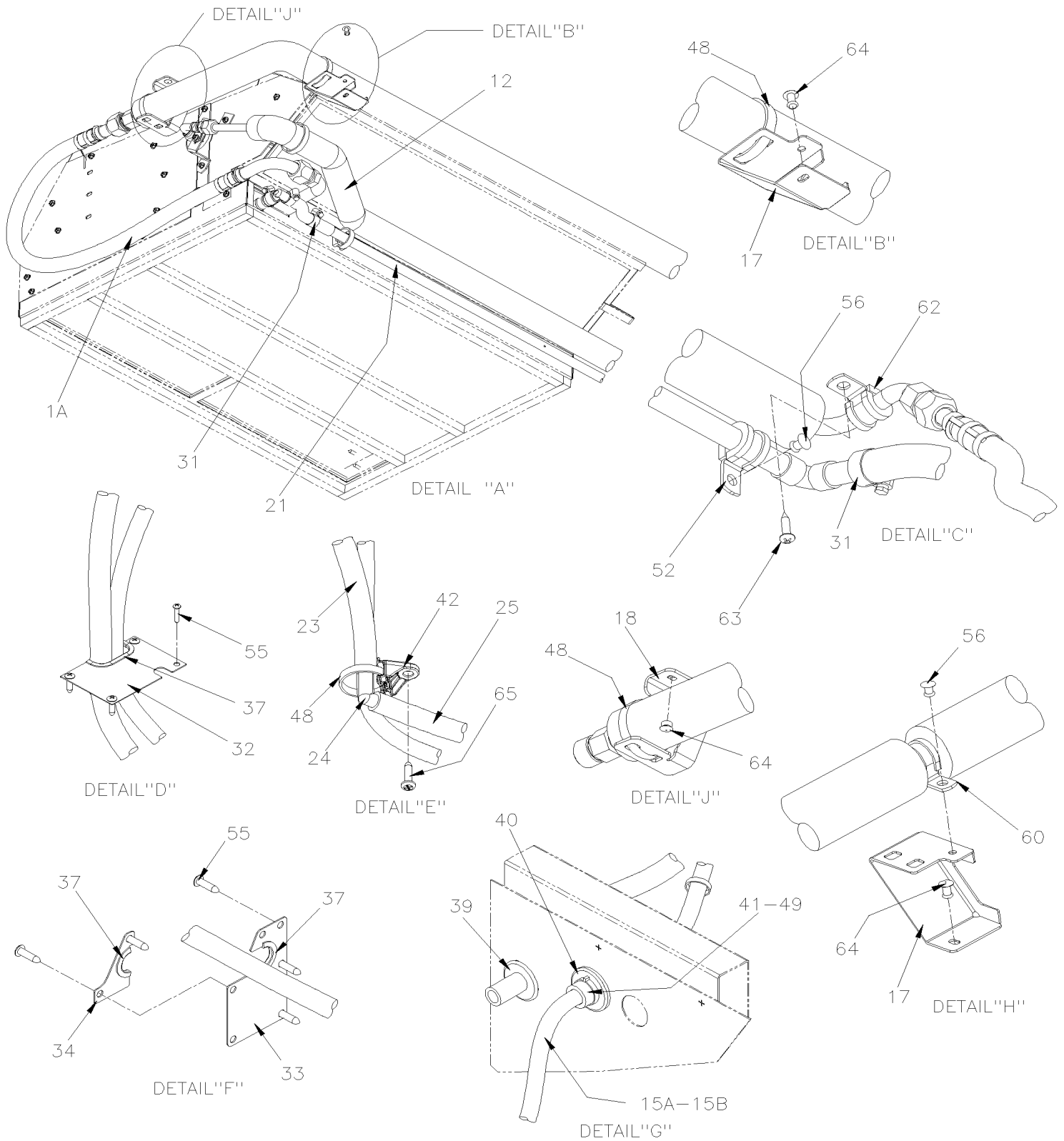
A/C AUXILIARY LINE / PARCEL RACK



A/C AUXILIARY LINE / PARCEL RACK



A/C AUXILIARY LINE / PARCEL RACK



From L-7663 To M-7767	Date:07/2024	PAGE:X3PLB-2245-31
A/C AUXILIARY LINE / PARCEL RACK		

Item#	Part	Description	QTY	Notes
1A	450571	HOSE ASSY / #10 315MM To M-7763	2	A
1A	454389	HOSE ASSY / #10 650MM From M-7764	2	A
1A	450571	HOSE ASSY / #10 315MM To M-7763	1	B
1A	454389	HOSE ASSY / #10 650MM From M-7764	1	B
1B	450566	HOSE ASSY / #10 1800MM	1	B
2A	450555	PIPE,SUCTION PARCEL RACK WO/WCL ASSY. To M-7763	1	A
2A	454388	PIPE,SUCTION PARCEL RACK WO/WCL ASSY. From M-7764	1	A
2B	450554	PIPE,SUCTION PARCEL RACK W/WCL ASSY.	1	B
3	450563	HOSE ASSY / #10 1565MM	1	
4A	453675	HOSE ASSY / #10 580MM From M-7764	1	
4B	450556	PIPE, SUCTION REAR WALL ASSY. To M-7763	1	
4B	453956	PIPE, SUCTION REAR WALL ASSY. From M-7764 To N-8001	1	
4B	454975	PIPE, SUCTION REAR WALL ASSY. From N-8002	1	
5	950950	. VALVE SERVICE LOW PRESSURE To N-8001	1	
. NS	950235	. . GAUGE ADAPTOR ASSY / W/BLUE CAP FOR R-134A / SUCTION SIDE (ALUMINUM) To N-8001	1	
5	950660	. VALVE SERVICE LOW PRESSURE From N-8002	1	
6	950499	. ADAPTOR 7/16-20 x R134 13MM	1	
7	450565	SUPPORT,SUCTION SERVICE VALVE To N-8001	1	
7	454967	SUPPORT,SUCTION SERVICE VALVE From N-8002	1	
8A	450560	SUPPORT TUYAU A/C RETOUR ASS.	1	
8B	453738	SUPPORT TUYAU A/C RETOUR ASS. From M-7764	1	
9	450693	PIPE, SUCTION REAR WALL ASSY. To M-7763	1	
9	453947	PIPE, SUCTION REAR WALL ASSY. From M-7764	1	
10	450689	HOSE ASSY / #12 900MM	1	
11	450674	PIPE,SUCTION COMPRESSOR ASSY.	1	
12	450552	PIPE,SUCTION LEFT PARCEL RACK ASSY. To M-7763	1	
12	454387	PIPE,SUCTION LEFT PARCEL RACK ASSY. From M-7764	1	
13	450994	PIPE, DISCHARGE PARCEL RACK ASSY. To M-7763	1	
13	453928	PIPE, DISCHARGE PARCEL RACK ASSY. From M-7764	1	
14	450564	HOSE ASSY / #6 3975MM	1	
15A	450567	HOSE ASSY / #6 4435MM	1	A
15A	450567	HOSE ASSY / #6 4435MM	1	A
NS	2810396	ATTACH,CYLINDER ARM WITHOUT/WCL	1	A
15B	450567	HOSE ASSY / #6 4435MM	1	B
15B	450567	HOSE ASSY / #6 4435MM	1	B
16	450716	CONNECTION PILOT TUBE 3/8 OD	1	B
17	450672	SUPPORT	10	A
17	450672	SUPPORT	9	B
18	314929	BRACKET PIPE From M-7764	2	A
18	314929	BRACKET PIPE From M-7764	1	B
21	450652	PIPE,DRAIN LEFT PARCEL RACK ASSY.	1	

From L-7663 To M-7767	Date:07/2024	PAGE:X3PLB-2245-31
A/C AUXILIARY LINE / PARCEL RACK		

Item#	Part	Description	QTY	Notes
NS	504013	TIE MOUNT / 1/4" X 1/4" I.D.	1	
NS	504118	RIVET POP DOME OE 3/16x3/8 AL	1	
NS	504016	CABLE TIE / 5/16" X 14"1/2	1	
22	Call order desk	HOSE 2855MM	1	P
22	503707	. HOSE / PVC REINFORCED 1/2" I.D. 100' / S.L.	AR	
23	Call order desk	HOSE 1900MM	1	P A
23	Call order desk	HOSE 1900MM	1	P B
23	503707	. HOSE / PVC REINFORCED 1/2" I.D. 100' / S.L.	AR	
24	5011230	UNION ELBOW 90° / HOSE BARB FITTING / #8x#8 PLAS	1	A
24	5011230	UNION ELBOW 90° / HOSE BARB FITTING / #8x#8 PLAS	3	B
25	Call order desk	HOSE 2215MM	1	P
25	503707	. HOSE / PVC REINFORCED 1/2" I.D. 100' / S.L.	AR	
26	450714	HOSE 212MM	1	B
26	503707	. HOSE / PVC REINFORCED 1/2" I.D. 100' / S.L.	AR	
27	450715	PIPE, DRAIN RIGHT PARCEL RACK To N-7940	1	A
27	454367	PIPE, DRAIN RIGHT PARCEL RACK From N-7941	1	A
29	992086	HOSE CLAMP / 32MM/52MM From M-7764	1	
30	453741	HOSE SLIT 50MM From M-7764	1	
30	503788	. HOSE SILICONE 4 PLY / NOMEX-ARAMID 1" I.D. x 54" From M-7764	AR	
31	504230	HOSE CLAMP / 3/8"-7/8" SS / HS-6	4	
32	450666	CLOSING PLATE	1	
33	450658	CLOSING PLATE	1	
34	450662	CLOSING PLATE	1	
35	450707	CLOSING PLATE To M-7763	1	
35	453739	CLOSING PLATE From M-7764	1	
36	450706	CLOSING PLATE To M-7763	1	
36	453740	CLOSING PLATE From M-7764	1	
37	5060120	GROMMET EDGING ADHESIVE .036-.062	AR	
38	992084	HOSE CLAMP / 23MM/35MM	1	
39	504264	GROMMET / .750x1.250x.062x.250x1.625	2	
40	504398	GROMMET / 1.000x1.375x.062x.437x1.750	2	
41	450657	HOSE SLIT 80MM	1	
42	504772	ATTACHMENT USE WITH CABLE TIE 5/16 BOLT	1	
43	504013	TIE MOUNT / 1/4" X 1/4" I.D.	AR	
44	564534	CABLE TIE / WITH EDGE CLIP / T50REC5A 10 MM x 200 MM	1	
45	8631155	CABLE TIE / 4.6MM x 200 / CHRISTMAS TREE	6	
46	504737	CABLE TIE / .300" X 30"1/2	2	
47	509815	TIE MOUNT / ATTACHMENT W/TREE MOUNT	1	
48	504016	CABLE TIE / 5/16" X 14"1/2	AR	
49	504637	CABLE TIE / 3/16" x 13"	AR	
51	952631	CLAMP / 3/4" I.D.	1	

From L-7663 To M-7767	Date:07/2024	PAGE:X3PLB-2245-31
-----------------------	--------------	--------------------

A/C AUXILIARY LINE / PARCEL RACK

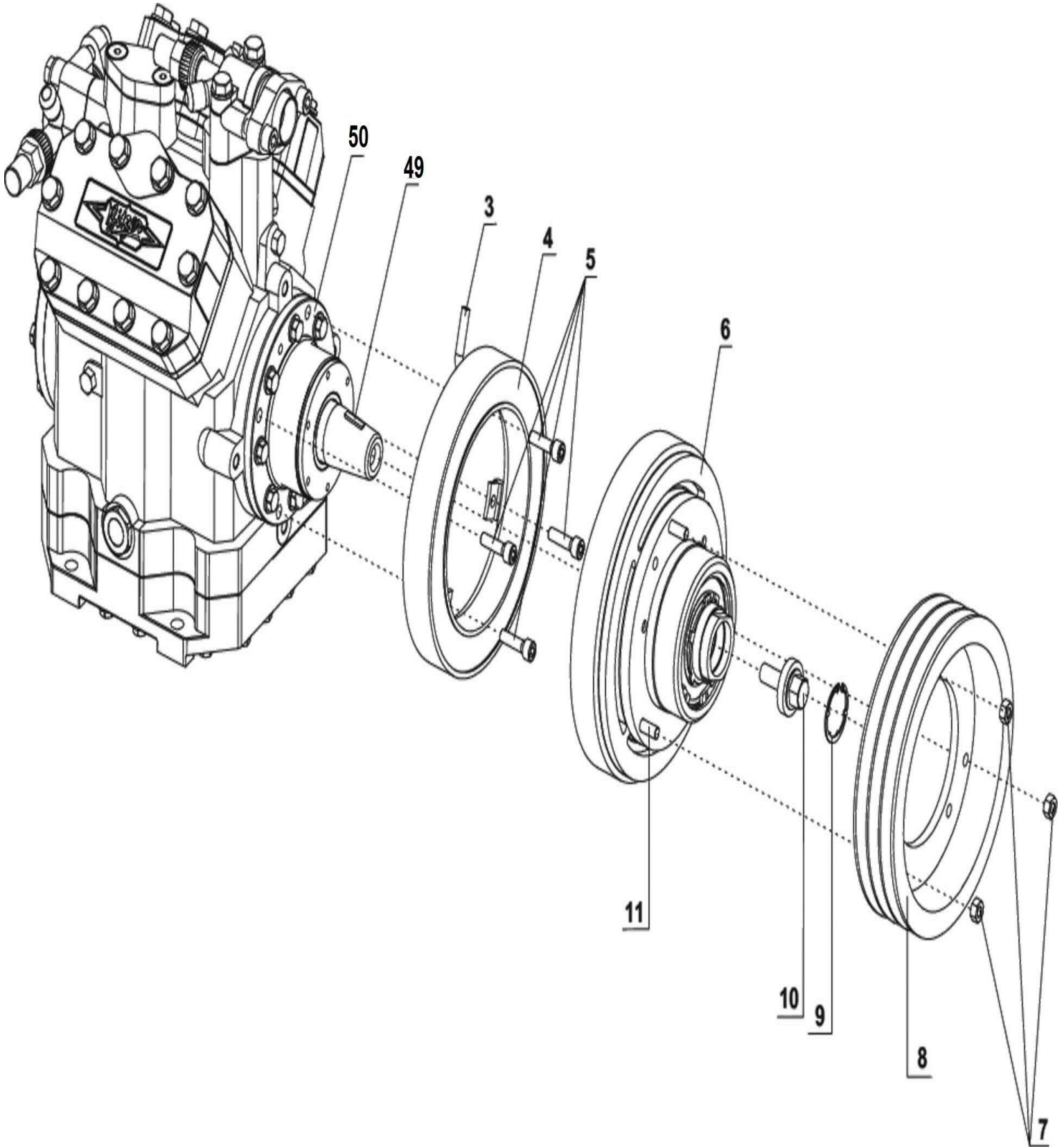
Item#	Part	Description	QTY	Notes
52	952627	CLAMP / 1/2" I.D.	1	
53	504488	RIVET MGLP PRDG 3/16x17/64 SS	2	
54	504379	RIVET POP DOME OE 3/16x1/4 SS	2	
55	500957	SCREW TP BDG PH #10x3/4 N500	AR	
56	504114	RIVET POP DOME OE 3/16x1/4 AL	AR	
57	502772	SCREW CAP HEX 1/4-20x1/2 G5 N500	1	
58	5001833	WASHER BEL SPR 6.1x18x1.27 SS To N-8001	1	
58	500142	WASHER FL 6.6x22.0x2.0 SS To N-8001	1	
59	5001730	SCREW CAP HEXF M6-1.0x16 G10.9 N500 To N-8001	1	
59	5002105	SCREW CAP HEXF M6-1.0x20 G10.9 N500 From N-8002	1	
60	952629	CLAMP / 5/8" I.D.	AR	
61	502848	SCREW TC CAP HEXF 1/4-20x3/4 N500	1	
61	502848	SCREW TC CAP HEXF 1/4-20x3/4 N500	3	
62	952625	CLAMP / 3/8" I.D.	1	
63	500641	SCREW TP PAN PH #8x3/4 Z050	1	
64	504118	RIVET POP DOME OE 3/16x3/8 AL	AR	
65	502706	SCREW TP PAN PH #14x1 SS	1	
70	X3PLB-2240-15	BLOWER VENTILATION - PARCEL RACK WITH A/C SYSTEM		
71	X3PLB-2270-11	RECEIVER TANK & FILTER DRYER WITH A/C PARCEL RACK		
72	X3PLB-2222-17	A/C LINE REAR SECTION		
		A) WITHOUT W.C.L.		
		B) WITH WCL		
		P) CALL ORDER DESK FOR SPECIFIC APPLICATION (V.I.N.)		

From G-7275 To M-7767

Date:07/2024

PAGE:X3PLB-2246-00

A/C CLUTCH - WITH "BITZER" COMPRESSOR



From G-7275 To M-7767

Date:07/2024

PAGE:X3PLB-2246-00

A/C CLUTCH - WITH "BITZER" COMPRESSOR



From G-7275 To M-7767	Date:07/2024	PAGE:X3PLB-2246-00
-----------------------	--------------	--------------------

A/C CLUTCH - WITH "BITZER" COMPRESSOR

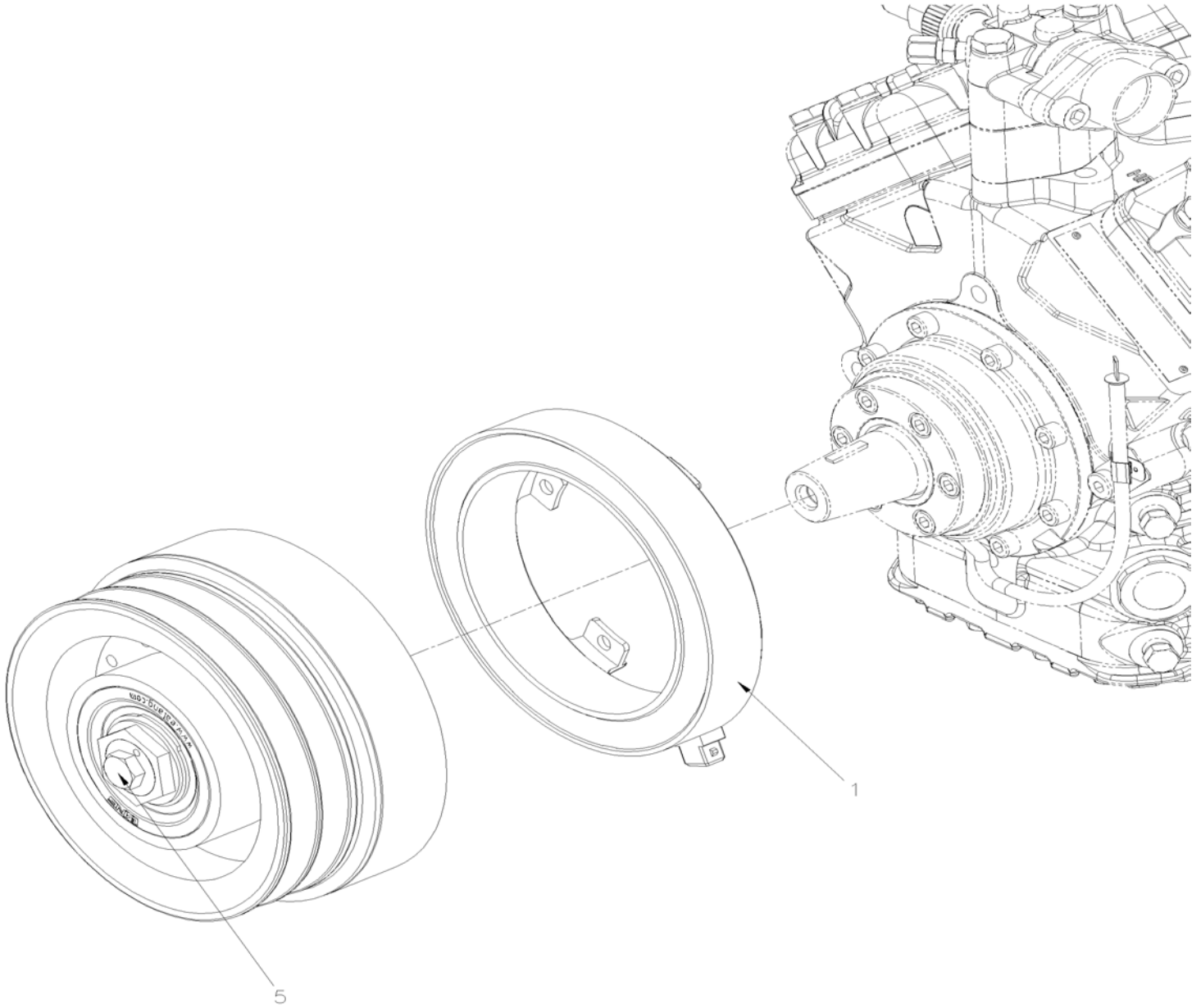
Item#	Part	Description	QTY	Notes
	950034	CLUTCH ASSY 24V To H-7416	1	
NS	950561	BALL BEARING 50MM X 90MM X 30.2MM To H-7416	1	
	950603	CLUTCH ASSY 24V To H-7416	1	
	950539	CLUTCH ASSY 24V From H-7417 To K-7612	1	
	950601	CLUTCH ASSY 24V From K-7613	1	
NS	950561	BALL BEARING 50MM X 90MM X 30.2MM	1	
3	N.S.S.	CABLE	1	1
4	950534	MAGNET / W/CONNECTOR To K-7612	1	
4	950604	MAGNET / W/CONNECTOR From K-7613	1	
5	5001775	SCREW CAP HEXS M8-1.25x25 G8.8 G500	4	
6	N.S.S.	ROTOR	1	1
7	N.S.S.	NUT HEX M8-1.25	1	1
8	N.S.S.	PULLEY	1	1
9	N.S.S.	CIRCLIP	1	1
10	N.S.S.	SCREW STRAINING	1	1
10	502875	SCREW CAP HEX M12-1.75x40 G8.8 N50	1	
11	N.S.S.	STUD M8-1.25x20	1	1
49	950520	WOODRUFF KEY 5 x 9	1	
50	X3PLB-2250-00	A/C COMPRESSOR "BITZER" 4NFCY		
NS	680888	TOOL M16-2.0x70MM PLAIN FIN HEX CAP SCREW WITH LANG CLUTCH	1	
		1) NOT SOLD SEPARATELY		

From N-8011 To M-7767

Date:07/2024

PAGE:X3PLB-2246-20

A/C CLUTCH - WITH "BOCK" COMPRESSOR



From N-8011 To M-7767	Date:07/2024	PAGE:X3PLB-2246-20
-----------------------	--------------	--------------------

A/C CLUTCH - WITH "BOCK" COMPRESSOR

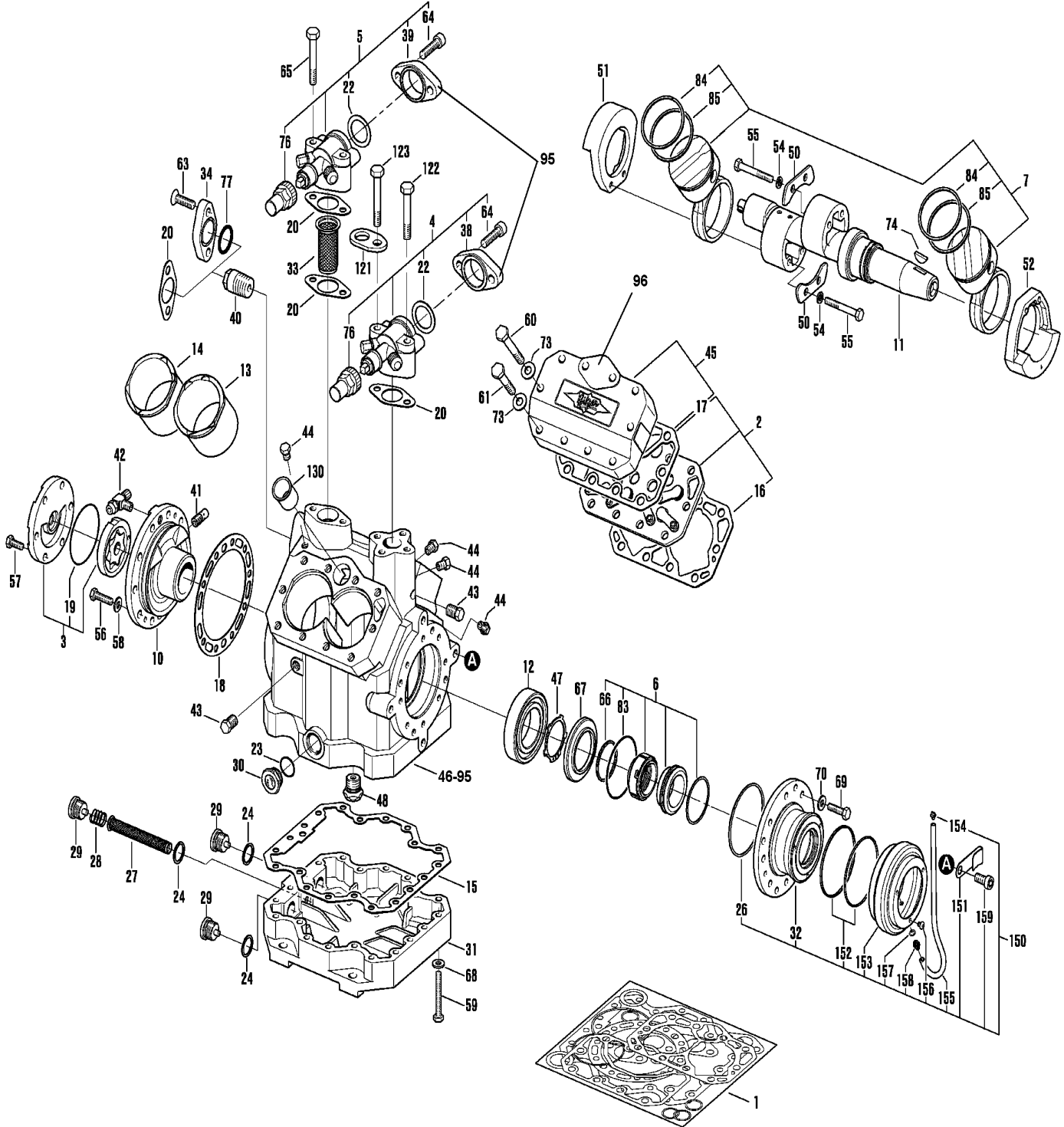
Item#	Part	Description	QTY	Notes
	950601	CLUTCH ASSY 24V	1	
1	950604	. MAGNET / W/CONNECTOR	1	
NS	950561	. BALL BEARING 50MM X 90MM X 30.2MM	1	
5	Call order desk	SET TO FIX CLUTCH ON SHAFT	1	P
		P) CALL ORDER DESK FOR SPECIFIC APPLICATION (V.I.N.)		

From G-7275 To M-7767

Date:07/2024

PAGE:X3PLB-2250-00

A/C COMPRESSOR "BITZER" 4NFCY



From G-7275 To M-7767	Date:07/2024	PAGE:X3PLB-2250-00
A/C COMPRESSOR "BITZER" 4NFCY		

Item#	Part	Description	QTY	Notes
	950494	A/C COMPRESSOR ASSY 4 CYLINDERS W/O CLUTCH W/O VALVES - "BITZER"	1	
NS	680801	OIL, BITZER COMPRESSOR, POE 134A 1 GALLON	AR	
1	950510	KIT GASKET	1	A
2	950517	VALVE COMPLET WITH GASKET	3	B
3	950518	OIL PUMP W/ O-RING	1	C
4	950956	DISCHARGE & SUCTION SHUT-OFF VALVE	1	D
NS	950557	GASKET KIT FOR VALVE	1	D
20	950506	GASKET	3	D
22	950957	GASKET	2	D
5	950956	DISCHARGE & SUCTION SHUT-OFF VALVE	1	D
NS	950557	GASKET KIT FOR VALVE	1	D
20	950506	GASKET	3	D
22	950957	GASKET	2	D
6	950509	SHAFT SEAL COMPLETE	1	E
7	950627	CONNECTING ROD W/PISTON COMPLETE	4	F
8	N.S.S.	PISTON STD	4	1
9	N.S.S.	CONNECTING ROD	4	1
10	950541	BEARING COVER	1	G
11	950628	ECCENTRIC SHAFT	1	H
12	950585	CYLINDRIC ROLLER BEARING	1	
13	Call order desk	CYLINDER LINER RIGHT	3	P
14	Call order desk	CYLINDER LINER LEFT	3	P
15	N.S.S.	GASKET	1	1
16	950516	GASKET	3	
17	950625	GASKET	2	
18	950542	GASKET	1	
19	950519	O-RING 74 x 2	1	
20	950506	GASKET	3	
22	950957	GASKET	2	
23	950515	O-RING 23.5 x 1.8	2	
24	950544	GASKET RING ALUMINUM	1	
26	950626	O-RING 85 x 3.53 MM	1	
27	951082	OIL FILTER	1	
28	950600	PRESSURE SPRING	1	
29	950545	MAGNETIC SCREW M22-1.5	3	
30	950514	SIGHT GLASS	2	
31	Call order desk	BOTTOM PLATE	1	P
32	950605	SHAFT SEAL COVER	1	
33	950973	SUCTION GAS FILTER	2	
34	950644	BLIND FLANGE 80x44.5x15	1	
38	Call order desk	COMPANION FLANGE 35 (1 3/8")	1	P

From G-7275 To M-7767	Date:07/2024	PAGE:X3PLB-2250-00
A/C COMPRESSOR "BITZER" 4NFCY		

Item#	Part	Description	QTY	Notes
39	Call order desk	. COMPANION FLANGE 35 (1 3/8")	2	P
40	Call order desk	. PRESSURE RELIEF VALVE	2	P
41	Call order desk	. OIL PRESSURE RELIEF VALVE	1	P
42	950540	. SCHRADER VALVE 7/16 UNF	1	
43	Call order desk	. SEALING PLUG	2	P
44	Call order desk	. SEALING PLUG	2	P
45	Call order desk	. CYLINDER HEAD	2	P J
45	950511	. CYLINDER HEAD W/MUFFLER	2	J
45	Call order desk	. GASKET CYLINDER HEAD	1	P
46	Call order desk	. HOUSING	1	P
47	950970	. RETAINING RING W/LUGS	1	
48	Call order desk	. GAS EQUALISING VALVE	1	P
50	Call order desk	. THRUST SEGMENT	2	P
51	Call order desk	. BALANCE WEIGHT	1	P
52	Call order desk	. BALANCE WEIGHT	1	P
54	Call order desk	. WASHER A 8 DIN 134	4	P
55	Call order desk	. SCREW CAP HEX M8-1.25x60 G10.9 ZP	4	P
56	Call order desk	. SCREW CAP HEX M8-1.25x30 G10.9 FT	10	P
57	Call order desk	. SCREW CAP HEX M8-1.25x20 G10.9 FT	6	P
58	Call order desk	. WASHER A 8 DIN 134	16	P
59	Call order desk	. SCREW CAP HEX M8-1.25x60 G10.9 FT	20	P
60	Call order desk	. SCREW CAP HEX M10-1.5x75 G10.9	18	P
61	Call order desk	. SCREW CAP HEX M10-1.5x55 G10.9	8	P
63	Call order desk	. SCREW CAP CK HEXS M10-1.5x35 G10.9	1	P
64	950488	. SCREW CAP HEXS M10-1.5x40 G10.9	4	
65	950641	. SCREW CAP HEX M10-1.5x65 G10.9	2	
66	Call order desk	. GASKET	1	P
67	950565	. BLANKING PLATE	1	
68	Call order desk	. WASHER A 8 DIN 134	20	P
69	Call order desk	. SCREW CAP HEX M8-1.25x30 G10.9 FT	8	P
70	Call order desk	. WASHER A 8 DIN 134	8	P
73	Call order desk	. WASHER A10 DIN 134	20	P
74	950520	. WOODRUFF KEY 5 x 9	1	
NS	950634	. SPIRAL PIN 3 x 20	1	
76	950564	. PROTECTIVE CAP	3	
77	950645	. O RING 33x3.5	1	
83	950519	. O-RING 74 x 2	1	
84	Call order desk	. GROOVE # 1 COMPRESSION RING	4	P
85	Call order desk	. GROOVE # 2 COMPRESSION RING	4	P
NS	Call order desk	. FLANGE KIT INTERMEDIATE	1	P
NS	Call order desk	. CROSS FLANGE KIT	1	P
NS	Call order desk	. SEALING SCREW M36 x 1.5	2	P

From G-7275 To M-7767	Date:07/2024	PAGE:X3PLB-2250-00
A/C COMPRESSOR "BITZER" 4NFCY		

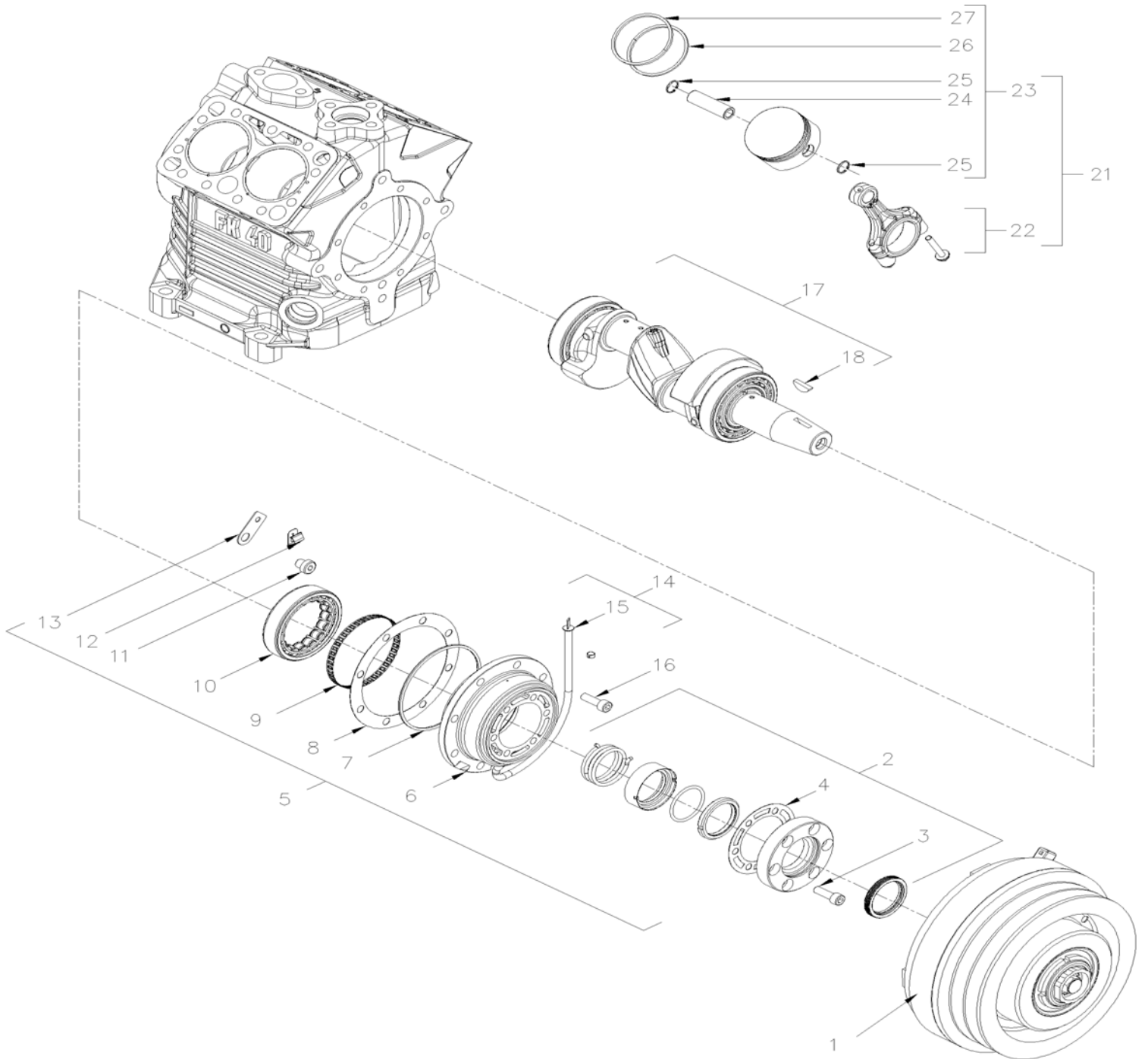
Item#	Part	Description	QTY	Notes
NS	Call order desk	. GASKET RING	2	P
95	X3PLB-2245-00	. A/C COMPRESSOR "BITZER" - INSTALLATION To H-7416		
95	X3PLB-2245-01	. A/C COMPRESSOR "BITZER" - INSTALLATION From H-7417		
95	X3PLB-2246-00	. A/C CLUTCH - WITH "BITZER" COMPRESSOR		
96	X3PLB-2250-15	. A/C ELECTRIC UNLOADER - WITH "BITZER" COMPRESSOR		
121	950505	. LIFTING LUG	1	
122	950641	. SCREW CAP HEX M10-1.5x65 G10.9	1	
123	950646	. SCREW CAP HEX M10-1.5x70 G10.9	1	
130	Call order desk	. BUSHING DRAIN INSERT	1	P
150	950968	. RETROFIT KIT OF SEALING COVER	1	
151	950532	. . BRACKET OIL TUBING	1	
152	950969	. . O RING 85x2	2	
153	950713	. . OIL COLLECTION CHAMBER	1	
154	950507	. . SEALING PLUG	1	
155	950975	. . HOSE	1	
156	950555	. . SCREW MA BUT M5x6	1	
157	950560	. . GASKET 9.5	1	
158	951087	. . CONNECTION PIECE M6	1	
159	Call order desk	. . SCREW CAP HEXS M10x16 G10.9	1	P
200	680801	OIL, BITZER COMPRESSOR, POE 134A 1 GALLON	AR	
		A) INCLUDE ITEMS # 15 to 26 + 66,77,83,94 & 266		
		B) INCLUDE ITEMS # 16 & 17		
		C) INCLUDE ITEM # 19		
		D) INCLUDE ITEMS # 22, 35, 38, 64 & 76		
		E) INCLUDE ITEMS # 26, 66, 83, 152 & 156		
		F) INCLUDE ITEMS # 8, 9, 84, 85		
		G) INCLUDE ITEM # 105		
		H) INCLUDE ITEM # 75		
		J) INCLUDE ITEM # 17		
		1) NOT SOLD SEPARATELY		
		P) CALL ORDER DESK FOR SPECIFIC APPLICATION (V.I.N.)		

From N-8011 To M-7767

Date:07/2024

PAGE:X3PLB-2250-20

A/C COMPRESSOR "BOCK"

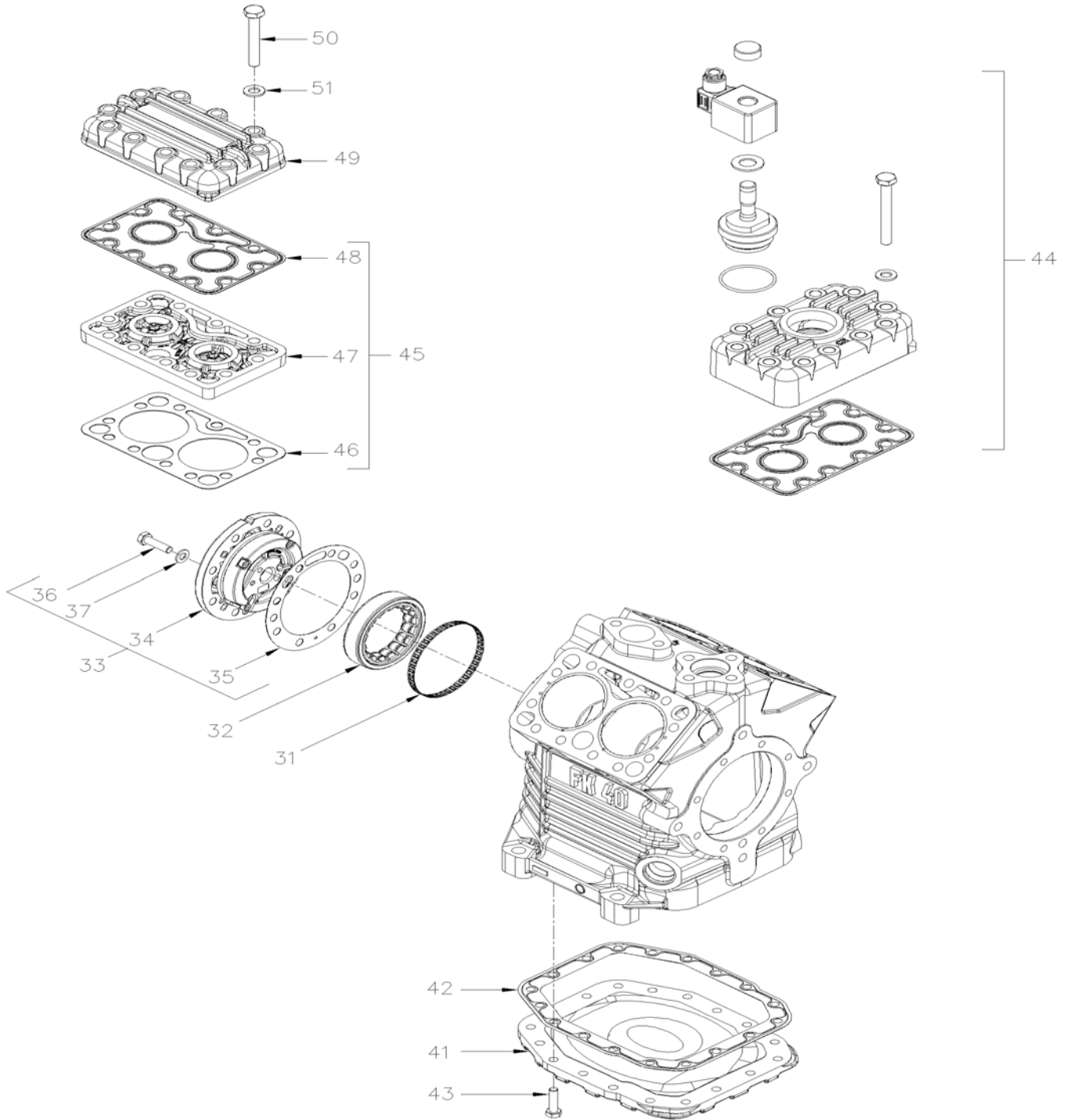


From N-8011 To M-7767

Date:07/2024

PAGE:X3PLB-2250-20

A/C COMPRESSOR "BOCK"

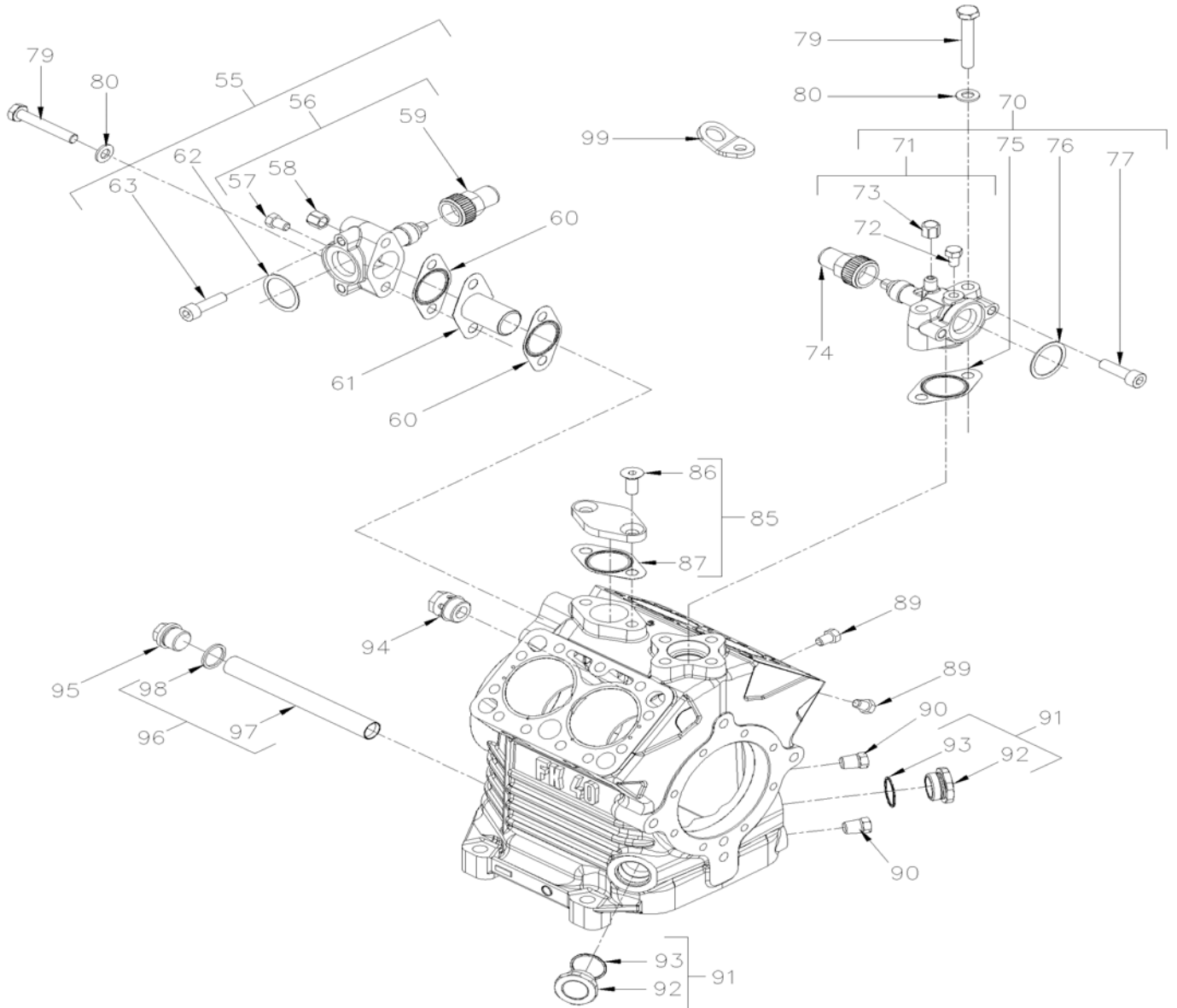


From N-8011 To M-7767

Date:07/2024

PAGE:X3PLB-2250-20

A/C COMPRESSOR "BOCK"



From N-8011 To M-7767	Date:07/2024	PAGE:X3PLB-2250-20
A/C COMPRESSOR "BOCK"		

Item#	Part	Description	QTY	Notes
	950612	A/C COMPRESSOR ASSY 4 CYLINDERS W/CLUTCH - "BOCK" FK40/655K	1	
1	X3PLB-2246-20	. A/C CLUTCH - WITH "BOCK" COMPRESSOR		
2	950613	. SET-SHAFT SEAL W/ESTER OIL	1	
3	Call order desk	. . SCREW CAP HEXS M8X25	6	P
4	Call order desk	. . GASKET-SHAFT SEAL COVER	1	P
5	Call order desk	. SET-FRONT BEARING FLANGE	1	P
6	Call order desk	. . FRONT BEARING FLANGE	1	P
7	Call order desk	. . O-RING 101,19X3,53	1	P
8	Call order desk	. . GASKET-FRONT BEARING FLANGE	1	P
9	Call order desk	. . TOLERANCE RING FOR BEARING DIA 90	1	P
10	Call order desk	. . SET-CYLINDRICAL ROLLER BEARING	1	P
11	Call order desk	. . SCREW CAP HEXS M10X10	1	P
12	Call order desk	. . HOSE CLAMP	1	P
13	Call order desk	. . CABLE/HOSE HOLDER	1	P
14	Call order desk	. . SET-OIL DRAIN HOSE	1	P
15	Call order desk	. . . HAFT PLUG DIA 5 BLACK	1	P
16	Call order desk	. . SCREW CAP HEXS M8X25	8	P
17	Call order desk	. SET-CRANKSHAFT	1	P
18	Call order desk	. . KEY WOODRUFF A5X9	1	P
21	Call order desk	. SET-PISTON, CONNECTNG ROD W/RINGS	4	P
22	Call order desk	. . SET-CONNECTING ROD	4	P
23	Call order desk	. . SET-PISTON	4	P
24	Call order desk	. . . PIN PISTON 15X10X50	4	P
25	Call order desk	. . . CIRCLIP 15X1	8	P
26	Call order desk	. . . OIL SCRAPER RING	4	P
27	Call order desk	. . . COMPRESSION RING	4	P
31	Call order desk	. TOLERANCE RING FOR BEARING DIA 90	1	P
32	Call order desk	. SET-CYLINDRICAL ROLLER BEARING	1	P
33	Call order desk	. SET-OIL PUMP	1	P
34	Call order desk	. . OIL PUMP COMPLETE	1	P
35	Call order desk	. . GASKET	1	P
36	Call order desk	. . SCREW CAP HEX M8X30	8	P
37	Call order desk	. . WASHER A8,4	8	P
41	Call order desk	. BASE PLATE	1	P
42	Call order desk	. GASKET-BASE PLATE	1	P
43	Call order desk	. SCREW CAP HEX M8X30	18	P
44	X3PLB-2250-35	. A/C ELECTRIC UNLOADER - WITH "BOCK" COMPRESSOR		
45	950754	. SET-VALVE PLATE	2	
46	950755	. . GASKET-LOWER VALVE PLATE, DIA 65	2	
47	950756	. . VALVE PLATE COUPLING, DIA 50/55/60/65	2	
48	950757	. . GASKET-UPPER VALVE PLATE	2	
49	Call order desk	. CYLINDER COVER	2	P

From N-8011 To M-7767	Date:07/2024	PAGE:X3PLB-2250-20
A/C COMPRESSOR "BOCK"		

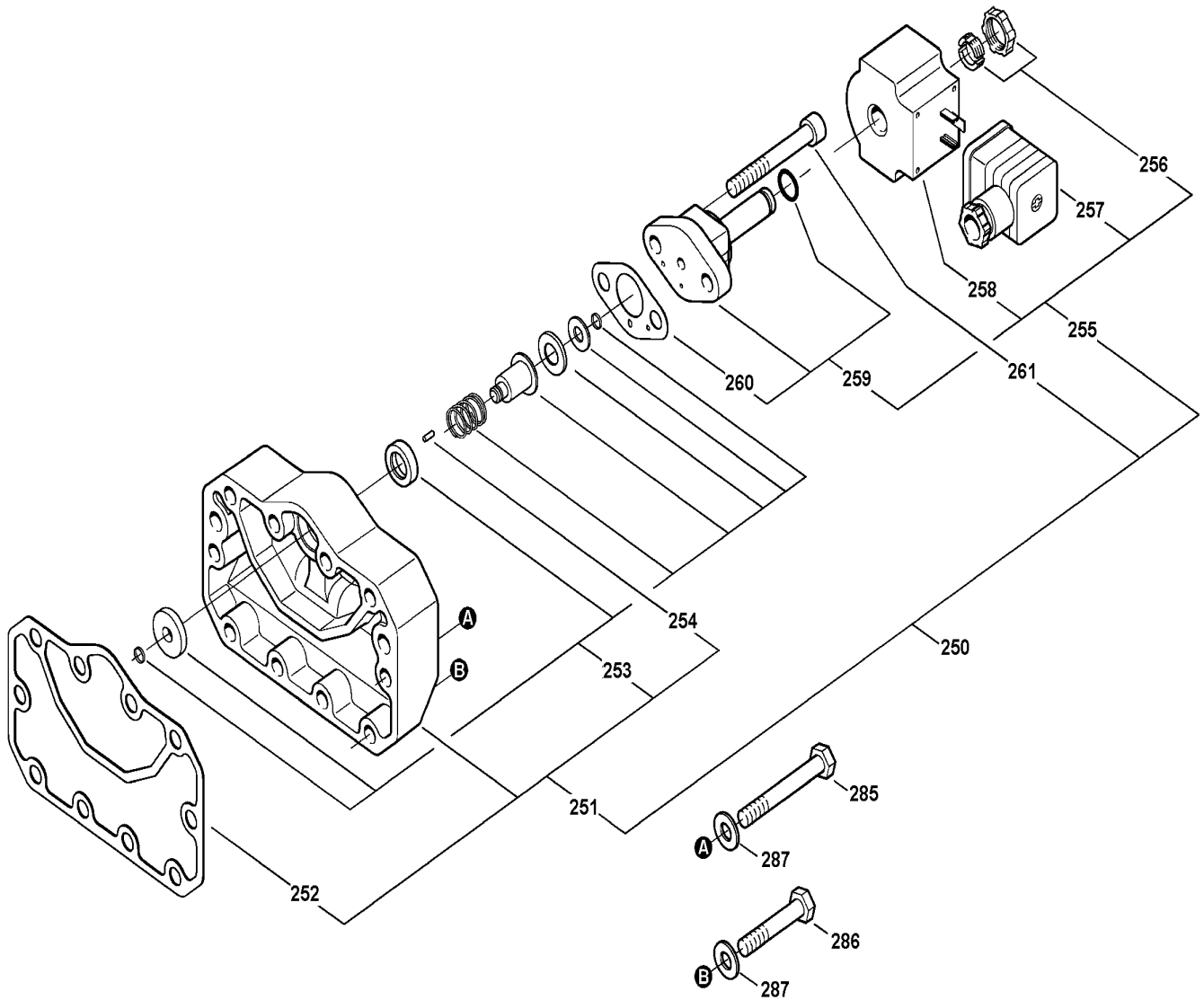
Item#	Part	Description	QTY	Notes
50	Call order desk	. SCREW CAP HEX M10X70	11	P
51	Call order desk	. WASHER A10,5	11	P
55	950734	. SET-SHUT-OFF VALVE	1	
56	950735	. . SHUT-OFF VALVE	1	
57	Call order desk	. . . LOCKING SCREW 1/8"NPT	1	P
58	Call order desk	. . . NUT HEX CAP 7/16"UNF	1	P
59	950710	. . . NUT HEX CAP M22X1,5	1	
60	Call order desk	. . GASKET-VALVE FLANGE	2	P
61	Call order desk	. . FILTER SUCTION SIDE	1	P
62	Call order desk	. . GASKET RING 42X34X1	1	P
63	Call order desk	. . SCREW CAP HEXS M10X35	2	P
70	Call order desk	. SET-SHUT-OFF VALVE	1	P
71	Call order desk	. . SHUT-OFF VALVE	1	P
72	Call order desk	. . . LOCKING SCREW 1/8"NPT	1	P
73	Call order desk	. . . NUT HEX CAP 7/16"UNF	1	P
74	950710	. . . NUT HEX CAP M22X1,5	1	
75	Call order desk	. . GASKET-VALVE FLANGE	1	P
76	Call order desk	. . GASKET RING 42X34X1	1	P
77	Call order desk	. . SCREW CAP HEXS M10X35	2	P
79	Call order desk	. SCREW CAP HEX M10X65	4	P
80	Call order desk	. WASHER A10,5	3	P
85	Call order desk	. SET-BLANK FLANGE 9MM	1	P
86	Call order desk	. . SCREW CAP FL HEXS M10X25	2	P
87	Call order desk	. . GASKET-VALVE FLANGE	1	P
89	Call order desk	. LOCKING SCREW 1/8"NPT	2	P
90	Call order desk	. LOCKING SCREW 1/4"NPT	2	P
91	Call order desk	. SET-SIGHT GLASS DIA 22	2	P
92	Call order desk	. . SIGHT GLASS-INSERT DIA 22	2	P
93	Call order desk	. . O-RING 28,30X1,78	2	P
94	Call order desk	. DECOMPRESSION VALVE M24X1,5	1	P
95	Call order desk	. LOCKING SCREW M22X1,5	1	P
96	Call order desk	. SET-OIL STRAINER	1	P
97	Call order desk	. . OIL STRAINER	1	P
98	Call order desk	. . SEAL RING 27x22x2	1	P
99	Call order desk	. TRANSPORT BRACKET	1	P
NS	Call order desk	. SET-GASKETS	1	P
		P) CALL ORDER DESK FOR SPECIFIC APPLICATION (V.I.N.)		

From G-7275 To M-7767

Date:07/2024

PAGE:X3PLB-2250-15

A/C ELECTRIC UNLOADER - WITH "BITZER" COMPRESSOR



From G-7275 To M-7767	Date:07/2024	PAGE:X3PLB-2250-15
A/C ELECTRIC UNLOADER - WITH "BITZER" COMPRESSOR		

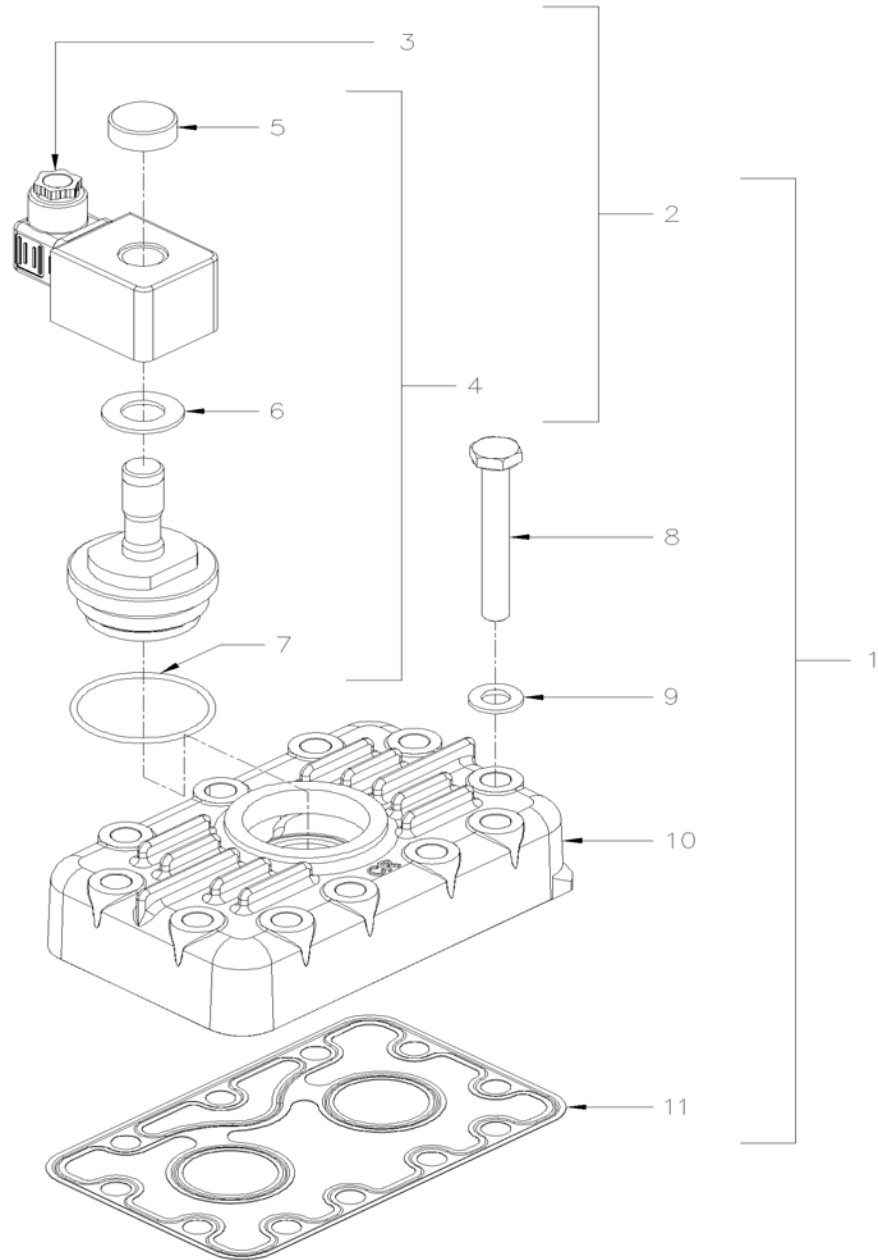
Item#	Part	Description	QTY	Notes
250	950513	CAPACITY REGULATOR COMPLETE 24 VOLT	1	
251	950512	. CYLINDER HEAD W/PISTON "CR"	1	
252	950625	. . GASKET	1	
253	Call order desk	. . CONTROL PISTON COMPLETE	1	P
254	Call order desk	. . HALF LENGHT RESERVE TAPER GROVE DOWEL PIN 3 x 8	1	P
255	950521	. SOLONOID VALVE COMPLET 24VOLT	1	
256	950563	. . COIL FIXATION	1	
257	950971	. . ELECTRICAL CONNECTOR ASSY	1	
258	950576	. . COIL 24 VOLT W/CONNECTOR	1	
258	950577	. . O-RING	1	
259	950522	. . SOLONOID VALVE W/OUT COIL	1	
260	950965	. . . GASKET	1	
261	950721	. SCREW CAP HEXS M10 x 80 GR 10.9	1	
285	Call order desk	SCREW CAP HEX M10x75 G10.9	4	P
286	Call order desk	SCREW CAP HEX M10x55 G10.9	4	P
287	Call order desk	WASHER 10	8	P
		P) CALL ORDER DESK FOR SPECIFIC APPLICATION (V.I.N.)		

From N-8011 To M-7767

Date:07/2024

PAGE:X3PLB-2250-35

A/C ELECTRIC UNLOADER - WITH "BOCK" COMPRESSOR



From N-8011 To M-7767	Date:07/2024	PAGE:X3PLB-2250-35
A/C ELECTRIC UNLOADER - WITH "BOCK" COMPRESSOR		

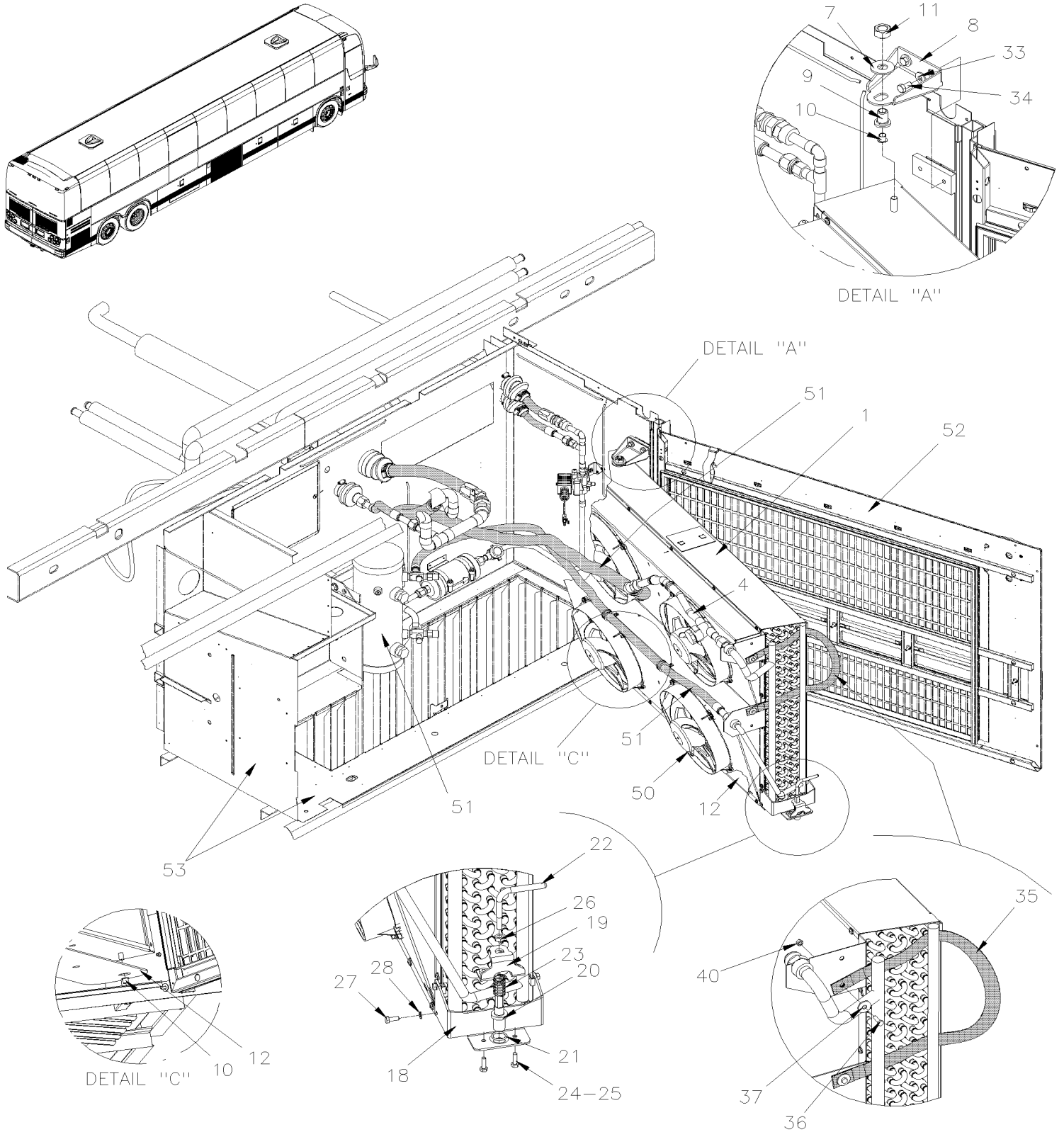
Item#	Part	Description	QTY	Notes
1	950760	SET-CAPACITY REGULATOR W/COVER 24V	1	
2	950708	. SET-CAPACITY REGULATOR 24V	1	
3	950745	. . SOLENOID COIL 24V	1	
4	Call order desk	. . VALVE BODY	1	P
5	Call order desk	. . . KNURLED NUT M15X1 W/O-RING	1	P
6	Call order desk	. . . WASHER 30X16X2,0	1	P
7	Call order desk	. . . O-RING 48,0X2,5 GREEN	1	P
8	Call order desk	. SCREW CAP HEX M10X85	11	P
9	Call order desk	. WASHER A10,5	11	P
10	Call order desk	. CYLINDER COVER	1	P
11	950757	. GASKET-UPPER VALVE PLATE	1	
		P) CALL ORDER DESK FOR SPECIFIC APPLICATION (V.I.N.)		

From G-7275 To H-7416

Date:07/2024

PAGE:X3PLB-2255-00

CONDENSOR - INSTALLATION



From G-7275 To H-7416	Date:07/2024	PAGE:X3PLB-2255-00
CONDENSOR - INSTALLATION		

Item#	Part	Description	QTY	Notes
1	950010	CONDENSOR COPPER To H-7319	1	
. NS	501802	. O-RING / ORS FITTING / #16 NEO To H-7319	1	
. NS	501829	. O-RING / ORS FITTING / #12 NEO To H-7319	1	
1	950064	CONDENSOR COPPER From H-7320	1	
. NS	501802	. O-RING / ORS FITTING / #16 NEO From H-7320	1	
. NS	501829	. O-RING / ORS FITTING / #12 NEO From H-7320	1	
1	454964	CONDENSER PIVOT REINFORCEMENT PLATE / UPPER	1	A
1	454965	CONDENSER PIVOT REINFORCEMENT PLATE / LOWER	1	A
4	454712	PIPE ASSY WITH CHECK VALVE	1	
. NS	951081	. CHECK VALVE	1	
. NS	950537	. GASKET, COPPER	1	
. NS	501802	. O-RING / ORS FITTING / #16 NEO	1	
7	500449	WASHER FL .625x1.500 SS	1	
8	483999	SUPPORT UPPER To H-7319	1	
8	480007	SUPPORT UPPER From H-7320	1	
9	485452	PIVOT UPPER	1	
10	507260	BUSHING NYLINER W/SHOULDER .375x.437x.375x.594	2	
11	5001646	NUT HEX M16-1.5 G500	1	
12	485672	PLATE / SUPPORT GREY PLASTIC 1105MM x 147MM	1	
NS	506790	TAPE RUB ADH2 CC POL 1/16" x 1/2" x 200' / BLACK I1C-N-A	AR	
NS	684517	ADHESIVE SIMSON #ISR 70-03 / GREY / 310ml CARTRIDGE	AR	
18	454294	SUPPORT LOCK	1	
19	454293	LOCK	1	
20	454295	CATCH PIN	1	
21	507212	O-RING	1	
22	454296	HANDLE CATCH PIN	1	
23	502910	SPRING COMPRESSION / .720 O.D. 1.75 x .055	1	
24	502622	SCREW CAP HEX M6-1.0x20 SS BK	AR	
25	500356	WASHER LO SERR 6.1x16.0x0.9 N500	AR	
26	502851	NUT HEX M8-1.25 N500	1	
27	955271	SCREW CAP HEX M6-1.0x16 G8.8 ZG603	4	
28	502570	WASHER LO SPT 6.1x11.8x1.6 SS	AR	
NS	504527	BUMPER PLUG / .625ODx.312THx.250HOLEx.125	1	
33	500321	WASHER BEL SPR .331x.827x.098 N500	2	
34	507637	SCREW CAP HEXF M8-1.25x20 G10.9 PHC	2	
35	455502	STRAP, CONDENSER	1	
. NS	505507	. STRAP NYLON 1" WIDE / S.L.	AR	
36	5001697	SCREW CAP HEX M6-1.0x16 SS BK	2	
37	5001849	WASHER FL 8.4x24.0x2.0 SS	2	
40	502681	NUT HEX NYRT M6-1.0 N500 G8	2	
50	X3PLB-2260-00	CONDENSOR FANS - INSTALLATION		

From G-7275 To H-7416	Date:07/2024	PAGE:X3PLB-2255-00
-----------------------	--------------	--------------------

CONDENSOR - INSTALLATION

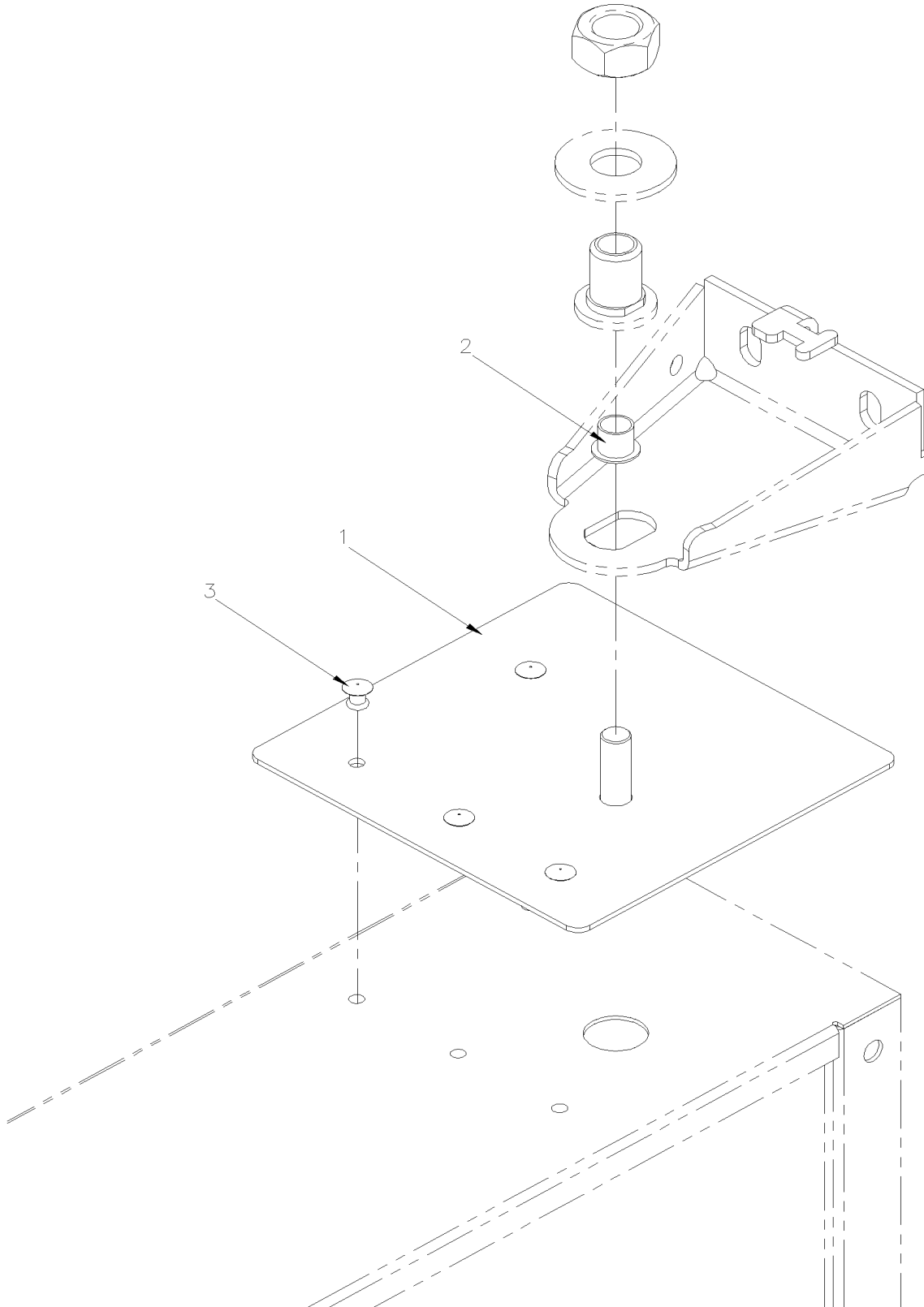
Item#	Part	Description	QTY	Notes
51	X3PLB-2270-00	RECEIVER TANK & FILTER DRYER		
52	X3PLB-1863-00	CONDENSOR DOOR ASSY - BUS		
53	X3PLB-1865-20	EVAPORATOR & CONDENSOR WALL INSTALLATION		
		A) USE ONLY IF THE CONDENSOR PIVOT PIN BROKE		

From G-7275 To H-7416

Date:07/2024

PAGE:454964

CONDENSER PIVOT REINFORCEMENT PLATE / UPPER



From G-7275 To H-7416	Date:07/2024	PAGE:454964
-----------------------	--------------	-------------

CONDENSER PIVOT REINFORCEMENT PLATE / UPPER

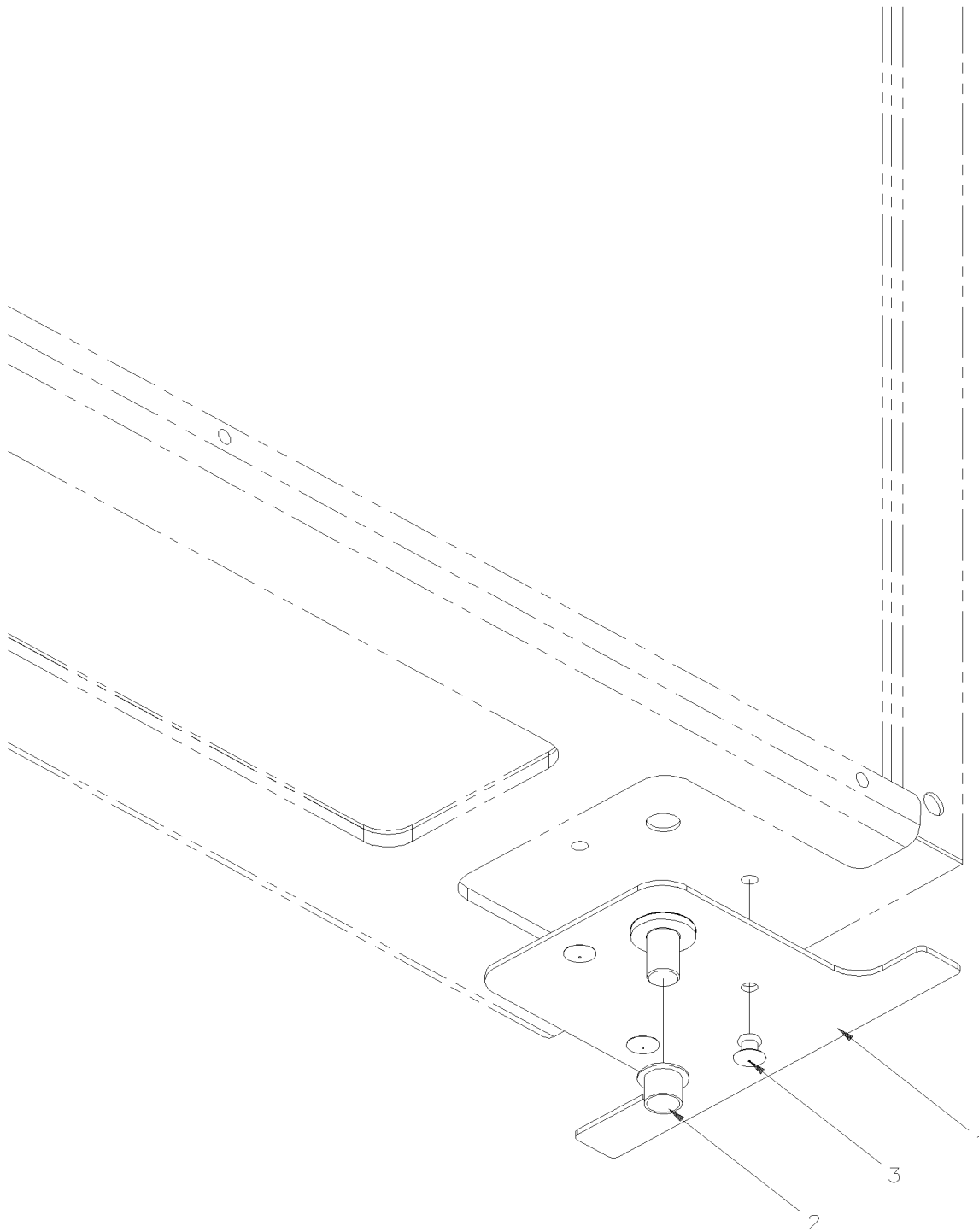
Item#	Part	Description	QTY	Notes
1	454956	REINFORCEMENT PLATE UPPER	1	
2	507260	BUSHING NYLINER W/SHOULDER .375x.437x.375x.594	1	
3	504379	RIVET POP DOME OE 3/16x1/4 SS	4	
NS	504637	CABLE TIE / 3/16" x 13"	AR	
NS	IS-14904	SEE INSTRUCTION SHEET	1	

From G-7275 To H-7416

Date:07/2024

PAGE:454965

CONDENSER PIVOT REINFORCEMENT PLATE / LOWER



From G-7275 To H-7416	Date:07/2024	PAGE:454965
-----------------------	--------------	-------------

CONDENSER PIVOT REINFORCEMENT PLATE / LOWER

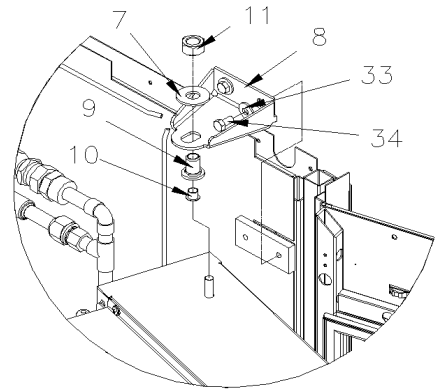
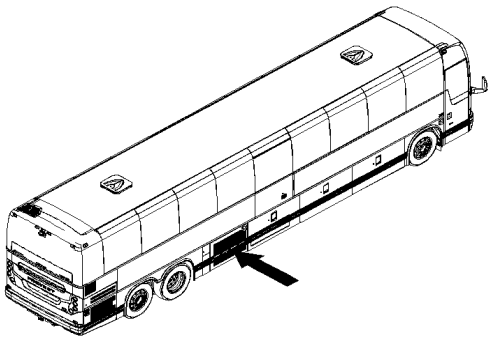
Item#	Part	Description	QTY	Notes
1	454959	REINFORCEMENT PLATE LOWER	1	
2	507260	BUSHING NYLINER W/SHOULDER .375x.437x.375x.594	1	
3	504379	RIVET POP DOME OE 3/16x1/4 SS	4	

From H-7417 To M-7767

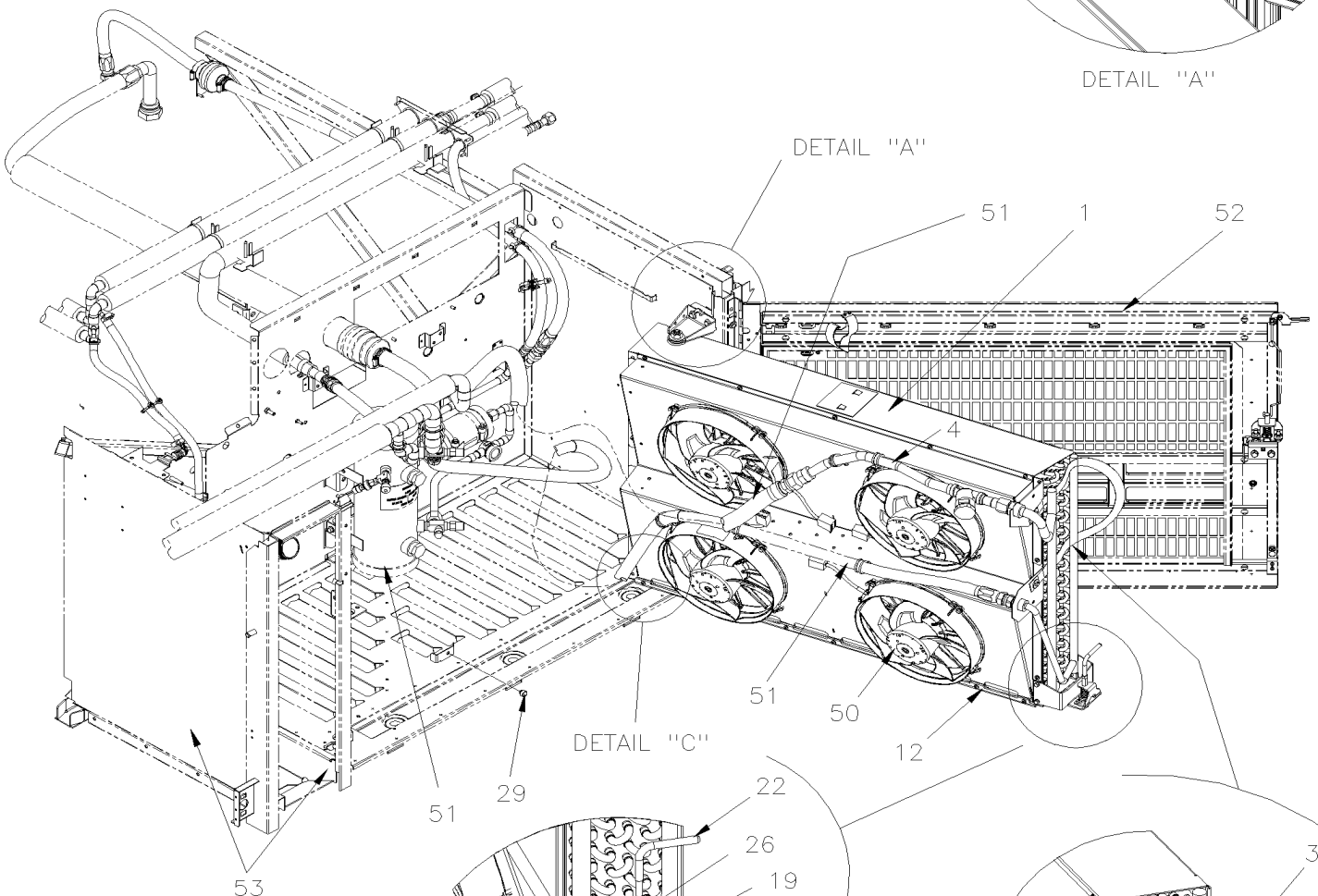
Date:07/2024

PAGE:X3PLB-2255-01

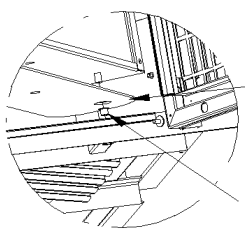
CONDENSOR - INSTALLATION VOLVO D13 - GHG17



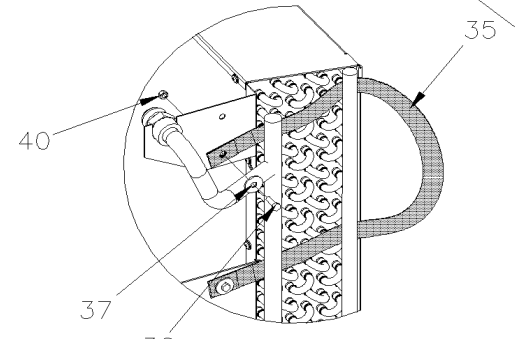
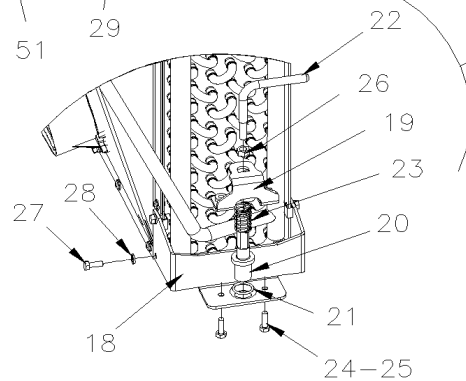
DETAIL "A"



DETAIL "C"



DETAIL "C"



From H-7417 To M-7767	Date:07/2024	PAGE:X3PLB-2255-01
CONDENSOR - INSTALLATION VOLVO D13 - GHG17		

Item#	Part	Description	QTY	Notes
1	950064	CONDENSOR COPPER To M-7749	1	
. NS	501802	. O-RING / ORS FITTING / #16 NEO To M-7749	1	
. NS	501829	. O-RING / ORS FITTING / #12 NEO To M-7749	1	
1	950620	CONDENSOR COPPER From M-7750 To N-6766	1	
. NS	501802	. O-RING / ORS FITTING / #16 NEO From M-7750 To N-6766	1	
. NS	501829	. O-RING / ORS FITTING / #12 NEO From M-7750 To N-6766	1	
1	950648	CONDENSOR COPPER From N-6767 To P-6807	1	
. NS	501802	. O-RING / ORS FITTING / #16 NEO From N-6767 To P-6807	1	
. NS	501829	. O-RING / ORS FITTING / #12 NEO From N-6767 To P-6807	1	
1	950620	CONDENSOR COPPER From £-23096	1	
. NS	501802	. O-RING / ORS FITTING / #16 NEO From £-23096	1	
. NS	501829	. O-RING / ORS FITTING / #12 NEO From £-23096	1	
1	454965	CONDENSER PIVOT REINFORCEMENT PLATE / LOWER	1	
4	454712	PIPE ASSY WITH CHECK VALVE To L-7674	1	
. NS	951081	. CHECK VALVE To L-7674	1	
. NS	950537	. GASKET, COPPER To L-7674	1	
. NS	501802	. O-RING / ORS FITTING / #16 NEO To L-7674	1	
4	451027	PIPE ASSY WITH CHECK VALVE From L-7675	1	
. NS	950609	. CHECK VALVE From L-7675	1	
. NS	501031	. . SEAL / JIC 37° FITTING / #8 From L-7675	1	
. NS	501802	. O-RING / ORS FITTING / #16 NEO From L-7675	1	
7	502901	WASHER FL .625x1.469x.109 N500	1	
8	480007	SUPPORT UPPER	1	
9	485452	PIVOT UPPER	1	
10	507260	BUSHING NYLINER W/SHOULDER .375x.437x.375x.594	2	
11	5001646	NUT HEX M16-1.5 G500	1	
12	485672	PLATE / SUPPORT GREY PLASTIC 1105MM x 147MM	1	
12	506790	TAPE RUB ADH2 CC POL 1/16" x 1/2" x 200' / BLACK I1C-N-A	AR	
18	454294	SUPPORT LOCK	1	
19	454293	LOCK	1	
20	454295	CATCH PIN	1	
21	507212	O-RING	1	
22	454296	HANDLE CATCH PIN	1	
23	502910	SPRING COMPRESSION / .720 O.D. 1.75 x .055	1	
24	5001697	SCREW CAP HEX M6-1.0x16 SS BK	AR	
25	502570	WASHER LO SPT 6.1x11.8x1.6 SS	AR	
26	502851	NUT HEX M8-1.25 N500	1	
27	5001697	SCREW CAP HEX M6-1.0x16 SS BK	4	
28	502570	WASHER LO SPT 6.1x11.8x1.6 SS	AR	
29	504527	BUMPER PLUG / .625ODx.312THx.250HOLEx.125	1	
33	500321	WASHER BEL SPR .331x.827x.098 N500	2	

From H-7417 To M-7767	Date:07/2024	PAGE:X3PLB-2255-01
CONDENSOR - INSTALLATION VOLVO D13 - GHG17		

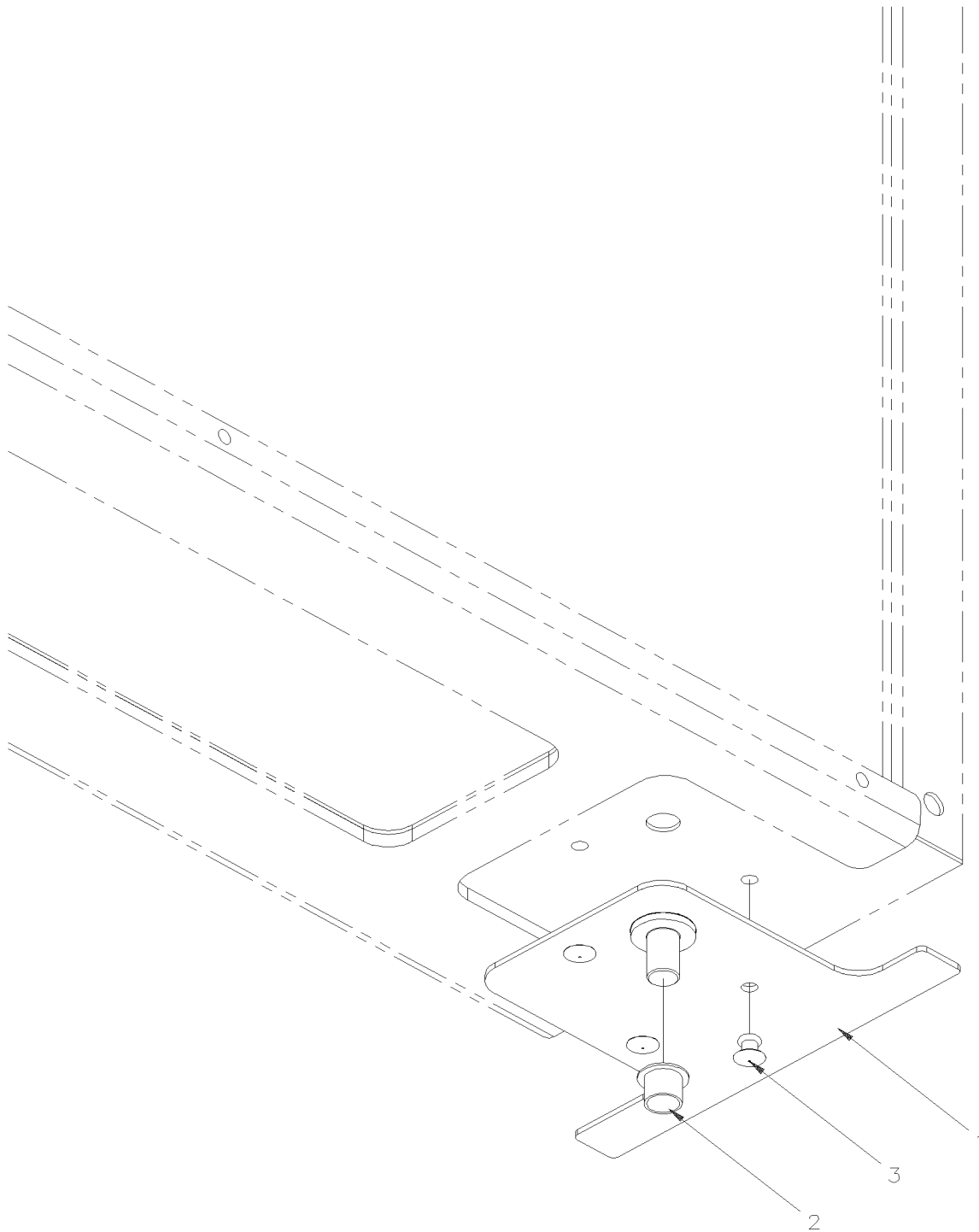
Item#	Part	Description	QTY	Notes
34	500820	SCREW CAP HEX M8-1.25x16 G10.9 N500	2	
35	455502	STRAP, CONDENSER	1	
NS	505507	STRAP NYLON 1" WIDE / S.L.	AR	
36	5001697	SCREW CAP HEX M6-1.0x16 SS BK	2	
37	5001849	WASHER FL 8.4x24.0x2.0 SS	2	
40	502681	NUT HEX NYRT M6-1.0 N500 G8	2	
50	X3PLB-2260-00	CONDENSOR FANS - INSTALLATION To M-7750		
50	X3PLB-2260-01	CONDENSOR FANS - INSTALLATION From M-7751	1	
51	X3PLB-2270-01	RECEIVER TANK & FILTER DRYER W/O A/C PARCEL RACK VOLVO D13 - GHG17		
51	X3PLB-2270-10	RECEIVER TANK & FILTER DRYER WITH A/C PARCEL RACK GHG17		
52	X3PLB-1863-00	CONDENSOR DOOR ASSY - BUS		
53	X3PLB-1865-00	FLOOR BAGGAGE COMPARTMENT - BUS		

From H-7417 To M-7767

Date:07/2024

PAGE:454965

CONDENSER PIVOT REINFORCEMENT PLATE / LOWER



From H-7417 To M-7767	Date:07/2024	PAGE:454965
-----------------------	--------------	-------------

CONDENSER PIVOT REINFORCEMENT PLATE / LOWER

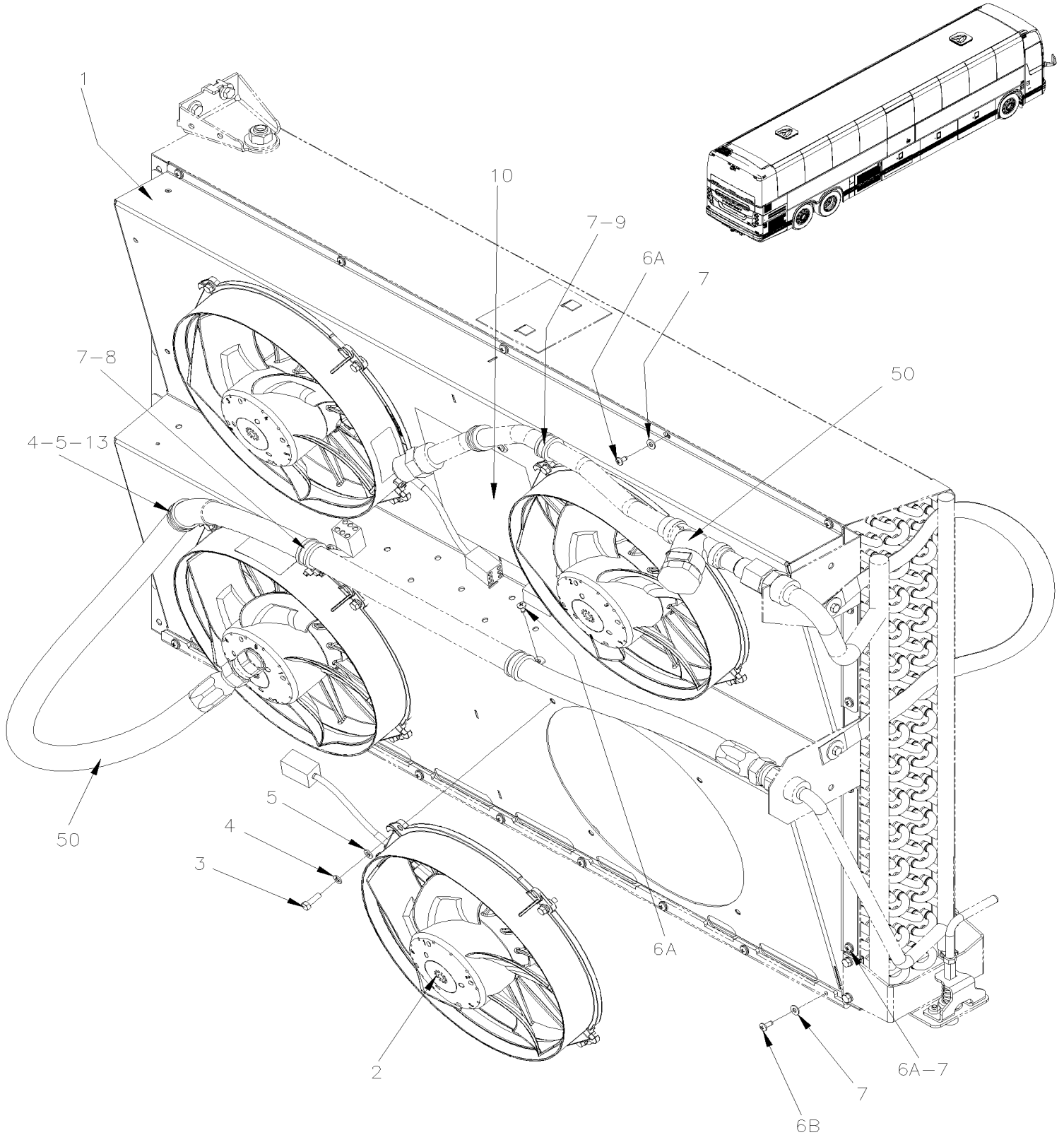
Item#	Part	Description	QTY	Notes
1	454959	REINFORCEMENT PLATE LOWER	1	
2	507260	BUSHING NYLINER W/SHOULDER .375x.437x.375x.594	1	
3	504379	RIVET POP DOME OE 3/16x1/4 SS	4	

From G-7275 To M-7750

Date:07/2024

PAGE:X3PLB-2260-00

CONDENSOR FANS - INSTALLATION



From G-7275 To M-7750	Date:07/2024	PAGE:X3PLB-2260-00
-----------------------	--------------	--------------------

CONDENSOR FANS - INSTALLATION

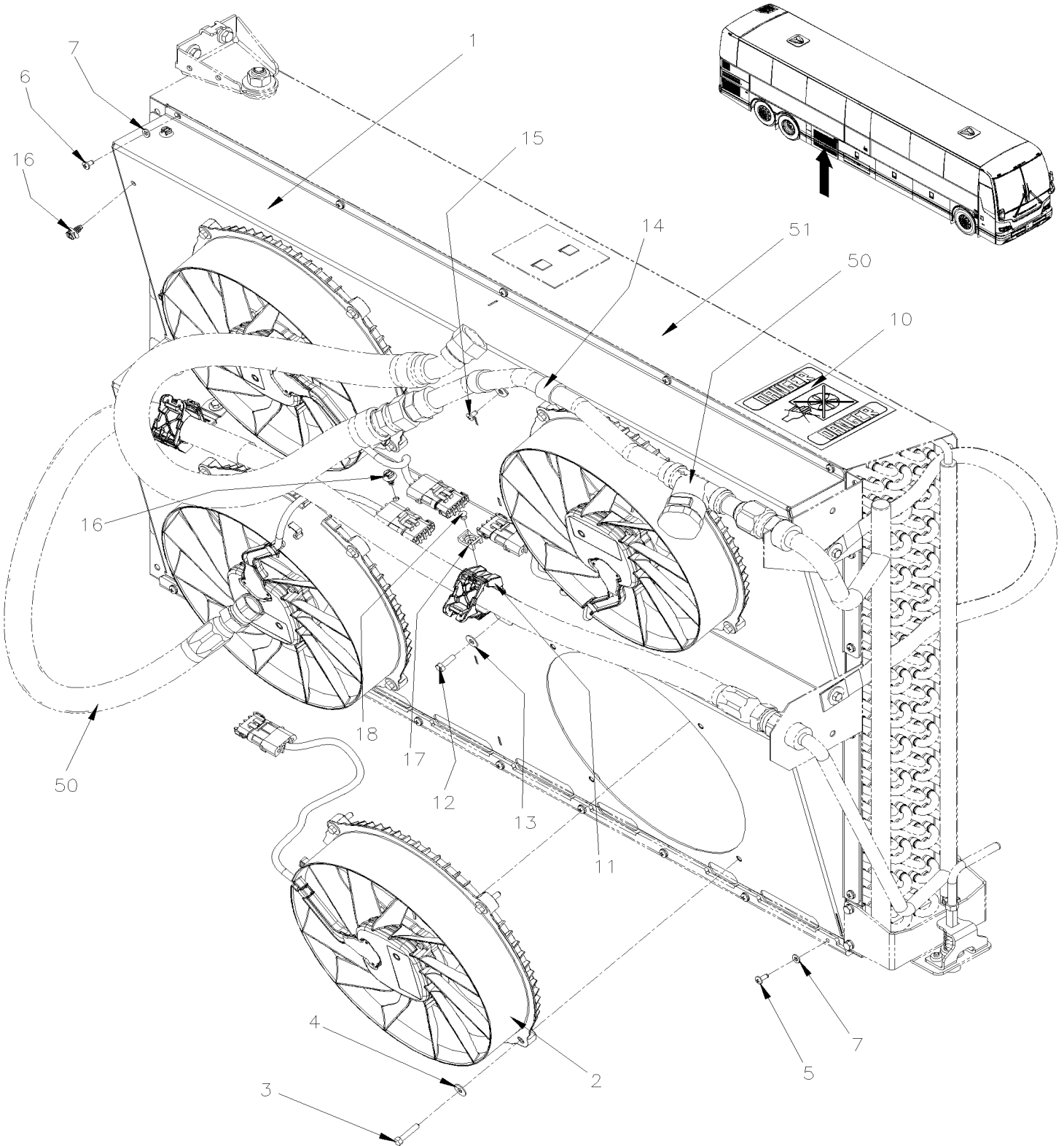
Item#	Part	Description	QTY	Notes
1	454697	SHROUD FAN	1	
2	565881	CONDENSOR FAN ASSY 24V	4	
. NS	563691	. CONNECTOR / JUNIOR POWER TIMER / SH 6C / AMP 1-963212-1	1	
NS	060377	CABLE CONDENSOR FANS From H-7417	1	
3	502622	SCREW CAP HEX M6-1.0x20 SS BK	16	
4	502570	WASHER LO SPT 6.1x11.8x1.6 SS	16	
5	502573	WASHER FL 6.4x12.5x1.6 SS To H-7416	16	
5	5001833	WASHER BEL SPR 6.1x18x1.27 SS From H-7417	AR	
6A	5001975	SCREW TC BDG PH #10-24x3/8 SS410 ZINC	AR	
6B	5001966	SCREW TC BDG PH #10-24x1/2 SS410 ZINC	9	
7	500804	WASHER FL .203x.500x.047 N500	AR	
8	952635	CLAMP / 1" I.D.	2	
9	952633	CLAMP / 7/8" I.D.	2	
10	402792	DECAL / "DANGER" SHUT DOWN A/C BEFORE SERVI. / ENGLISH & FRANCAIS	1	
10	405637	DECAL / "DANGER" SHUT DOWN A/C BEFORE SERVI. / ENGLISH & SPANISH	1	
NS	504013	TIE MOUNT / 1/4" X 1/4" I.D.	A5	
11	504379	RIVET POP DOME OE 3/16x1/4 SS	AR	
NS	504016	CABLE TIE / 5/16" X 14"1/2	AR	
13	952637	CLAMP / 1"1/16 I.D.	1	
NS	509815	TIE MOUNT / ATTACHMENT W/TREE MOUNT	AR	
50	X3PLB-2270-00	RECEIVER TANK & FILTER DRYER To H-7416		
50	X3PLB-2270-01	RECEIVER TANK & FILTER DRYER W/O A/C PARCEL RACK VOLVO D13 - GHG17 From H-7417		
50	X3PLB-2270-10	RECEIVER TANK & FILTER DRYER WITH A/C PARCEL RACK GHG17 From H-7417		

From M-7751 To M-7767

Date:07/2024

PAGE:X3PLB-2260-01

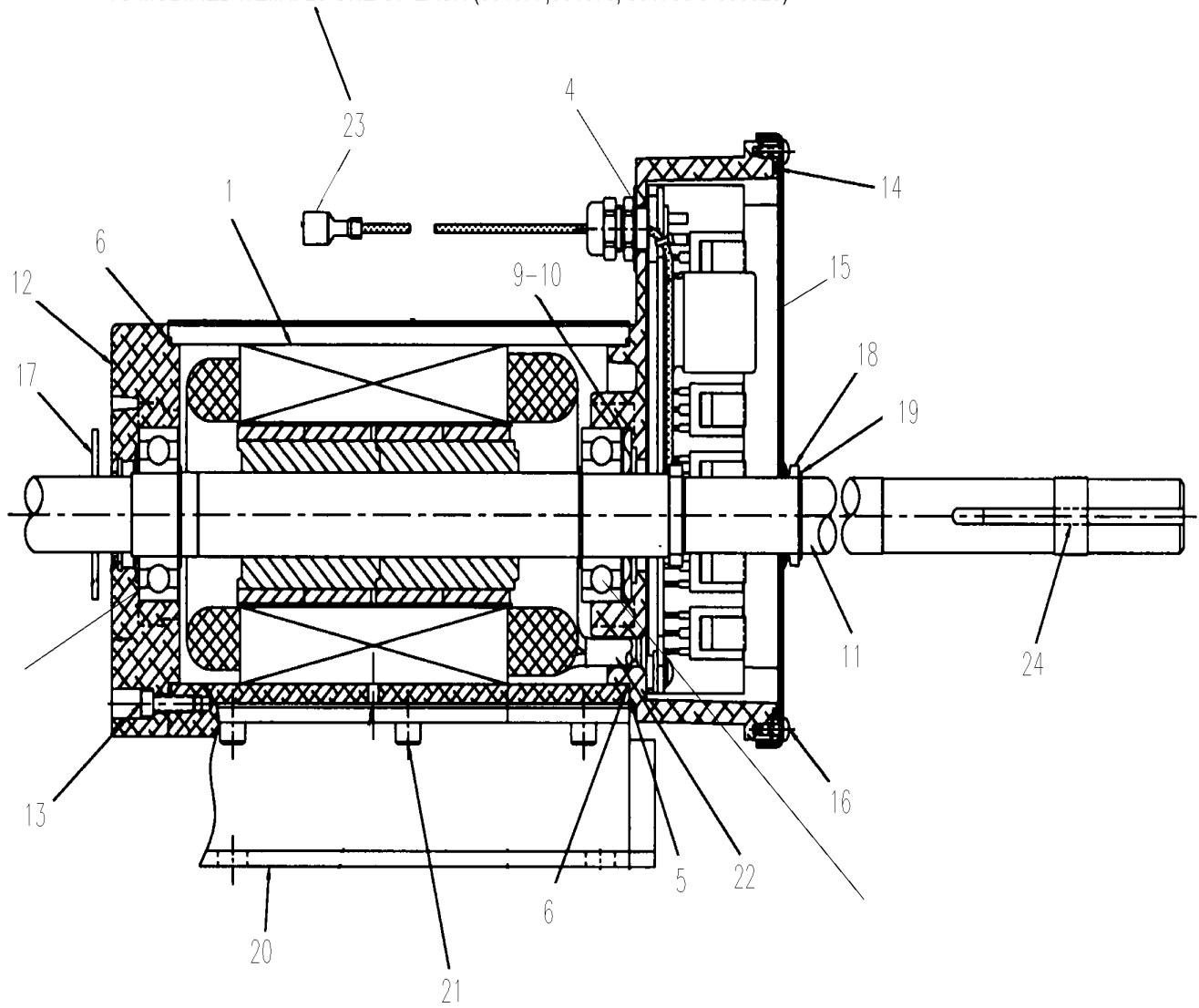
CONDENSOR FANS - INSTALLATION



From M-7751 To M-7767	Date:07/2024	PAGE:X3PLB-2260-01
CONDENSOR FANS - INSTALLATION		

Item#	Part	Description	QTY	Notes
1	450754	SHROUD FAN	1	
2	870011	CONDENSOR FAN ASSY 24V To R-4000	4	
2	870246	CONDENSOR FAN ASSY 24V From R-4001	1	
2	0610237	CABLE CONDENSOR FANS	1	
3	502686	SCREW CAP HEX M6-1.0x30 SS BK	16	
4	5001833	WASHER BEL SPR 6.1x18x1.27 SS	16	
5	5001966	SCREW TC BDG PH #10-24x1/2 SS410 ZINC	AR	
6	5001975	SCREW TC BDG PH #10-24x3/8 SS410 ZINC	AR	
7	5001137	WASHER FL .203x.438x.050 SS	AR	
10	402792	DECAL / "DANGER" SHUT DOWN A/C BEFORE SERVI. / ENGLISH & FRANCAIS	1	
11	504187	CLAMP P SS PA 19.4-36 ID	2	
12	502622	SCREW CAP HEX M6-1.0x20 SS BK	2	
13	5001833	WASHER BEL SPR 6.1x18x1.27 SS	2	
14	504209	CLAMP / SS / SILICONE RUBBER / 7/8" I.D. x .281 HOLE	2	
15	5001975	SCREW TC BDG PH #10-24x3/8 SS410 ZINC	2	
16	509815	TIE MOUNT / ATTACHMENT W/TREE MOUNT	7	
17	504013	TIE MOUNT / 1/4" X 1/4" I.D.	4	
18	504379	RIVET POP DOME OE 3/16x1/4 SS	4	
NS	504637	CABLE TIE / 3/16" x 13"	AR	
50	X3PLB-2270-01	RECEIVER TANK & FILTER DRYER W/O A/C PARCEL RACK VOLVO D13 - GHG17		
50	X3PLB-2270-11	RECEIVER TANK & FILTER DRYER WITH A/C PARCEL RACK		
51	X3PLB-2255-01	CONDENSOR - INSTALLATION VOLVO D13 - GHG17		

NOTE.: IN REPLACEMENT OF FORMER MOTOR MODEL YOU REQUIRE THOSE PARTS
TO MODIFIED ITEM # 23 ONE OF EACH (561577,561578, 561786 & 563623)



From G-7275 To M-7767	Date:07/2024	PAGE:X3PLB-2265-00
MOTOR - EVAPORATOR BRUSHLESS		

Item#	Part	Description	QTY	Notes
	564216	MOTOR EVAPORATOR BRUSHLESS / 2 SPEEDS	1	
	565898	MOTOR EVAPORATOR BRUSHLESS / 3 SPEEDS From H-7417	1	A
	561577	CONNECTOR / WEATHER PACK / SH 1C / BLACK / PED 12015791 From H-7417	1	A
	561578	SOCKET TERMINAL / 16-14 / PED 12010182 From H-7417	1	A
	561786	CABLE SEAL / GRAY / PED 15324980 From H-7417	1	A
		"WARNING" - "WARNING" -"WARNING" - "WARNING"		
		IF YOU CHANGE MOTOR T-17 (563008) WITH THE BRUSHLESS ONE (563586) YOU HAVE TO ORDER PLENUM CENTRAL SECTION 454671P AND 454648		
		THE FOLLOWING PARTS NUMBER ARE NOT "PREVOST" NUMBER AND IT NOT IN S.A.P. SYSTEM THEY ARE O.E.M. MFG NUMBER		
1	Call order desk	. MOTOR ASSY / COMPLETE	1	P
4	564621	. CONTROLLER ASSEMBLY	1	
5	Call order desk	. GASKET	1	P
6	Call order desk	. O-RING 3.989" x .070"	1	P
7	Call order desk	. SCREW MA PAN 8-32 x ?	1	P
8	Call order desk	. HEAT-SHRINK TUBING	1	P
9	Call order desk	. WAVE SPRING	1	P
10	Call order desk	. SHIM	1	P
11	Call order desk	. SHAFT / ROTOR ASSY W/KEYS	1	P
12	Call order desk	. ENDBELL	1	P
13	Call order desk	. SCREW MA PAN 8-32 x .875"	1	P
14	Call order desk	. O-RING SEAL	1	P
15	Call order desk	. COVER	1	P
16	Call order desk	. SCREW MA PAN #6-32	1	P
17	Call order desk	. SLINGER	1	P
18	Call order desk	. V-SEAL	1	P
19	Call order desk	. EXTERNAL RETAINING RING	1	P
20	Call order desk	. BASE PLATE	1	P
21	Call order desk	. SCREW CAP HEXS 1/4-20 x ?	1	P
22	Call order desk	. TUBING	1	P
23	Call order desk	. TERMINAL (0.032 X 0.25)	1	P
24	Call order desk	. KEY SQUARE 3/16" x 3"	1	P

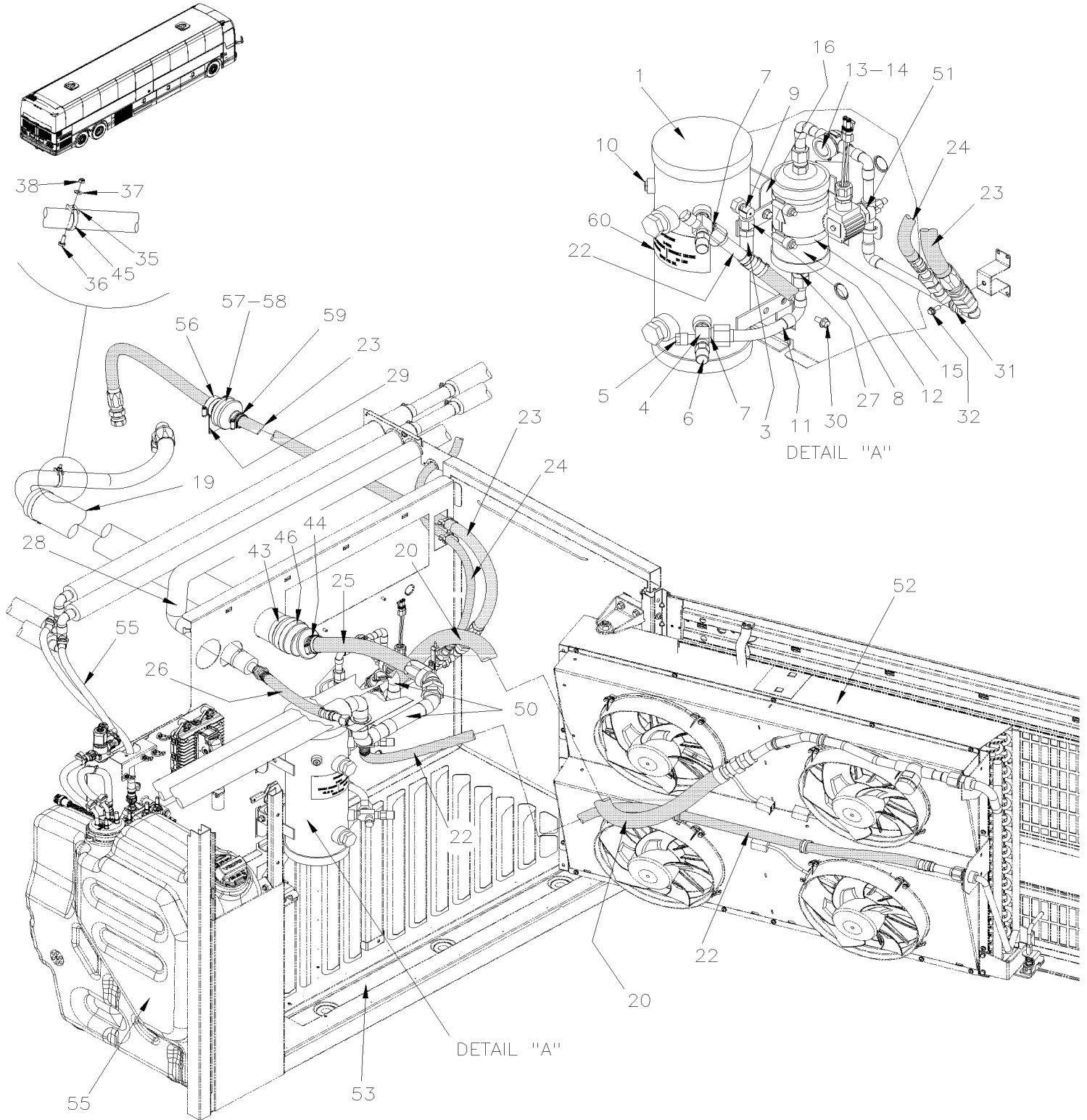
From G-7275 To M-7767		Date:07/2024	PAGE:X3PLB-2265-00	
MOTOR - EVAPORATOR BRUSHLESS				
Item#	Part	Description	QTY	Notes
		A) PREHEAT SYSTEM EVAPORATOR 3 SPEEDS		
		P) CALL ORDER DESK FOR SPECIFIC APPLICATION (V.I.N.)		

From G-7275 To H-7416

Date:07/2024

PAGE:X3PLB-2270-00

RECEIVER TANK & FILTER DRYER



From G-7275 To H-7416	Date:07/2024	PAGE:X3PLB-2270-00
RECEIVER TANK & FILTER DRYER		

Item#	Part	Description	QTY	Notes
	Call order desk	RECEIVER TANK & FILTER DRYER ASSY	1	P
1	950261	RECEIVER TANK ASSY	1	
. NS	950428	. SIGHTGLASS / W/BALL 1NPT-M (FORMER)	1	
. NS	951198	. SIGHTGLASS / W/BALL 1 1/4NPT-F (CURRENT)	1	
3	870890	VALVE, SAFETY 450 PSI	1	
4	950228	VALVE ASSY / SERVICE / INLET & OUTLET	2	
. NS	950284	. CAP / PROTECTOR / FOR GAUGE	1	
. NS	507169	. O-RING 1/2 I.D.	1	
5	950285	. CAP VALVE / PROTECTOR / PLASTIC	1	
6	950284	. CAP / PROTECTOR / FOR GAUGE	1	
7	507169	O-RING 1/2 I.D.	2	
8	501311	ADAPTER / PIPE FITTING / 3/8NPT-Fx1/4NPT-M BR	1	
9	501332	STREET ELBOW 90° / PIPE FITTING / 1/4NPT-Mx1/4NPT-F BR	1	
10	501449	PLUG HEXS / PIPE FITTING / 3/8NPT-M STL To H-7346	1	
10	501338	MALE RUN TEE / PIPE FITTING / 1/4NPT-Mx1/4NPT-Fx1/4NPT-F BR From H-7347	1	
10	501027	MALE CONNECTOR / SAE 45° FITTING / #4FL-Mx1/4NPT-M BR From H-7347	1	
10	950500	ADAPTOR 7/16-20 x R134 16MM From H-7347	2	
10	501314	BUSHING REDUCER / PIPE FITTING / 3/8NPT-Mx1/4NPT-F BR From H-7347	1	
11	455673P	PIPE ASSY	1	
12	950332	. FILTER DRYER	1	
. NS	507370	. . O-RING #10	1	U
13	950333	. MOISTURE INDICATOR	1	
. NS	950711	. . LENS ASSY KIT MOISTURE INDICATOR	1	
. . NS	950712	. . . O-RING MOISTURE INDICATOR	1	
14	950029	. . CAP, MOISTURE INDICATOR	1	
15	504026	HOSE CLAMP / 2"13/16-3"3/4 SS / HS-52	2	
16	455411	SUPPORT / FILTER DRYER	1	
19	454672	TUBE / PVC PIPE / 3"x1160MM WHITE PVC	1	
NS	684517	ADHESIVE SIMSON #ISR 70-03 / GREY / 310ml CARTRIDGE	AR	
19	504025	HOSE CLAMP / 2"5/16-3"1/4 SS / HS-44	1	
20	455343	HOSE ASSY / PIPE TO COND / #16 1143MM / SS BELLOW	1	
NS	501802	. O-RING / ORS FITTING / #16 NEO	1	
NS	507169	. O-RING 1/2 I.D.	1	
22	457683	HOSE ASSY / #12 1576MM	1	
NS	505110	. COIL PROTECTOR / PLASTIC / #12	AR	
NS	501829	O-RING / ORS FITTING / #12 NEO	1	
23	457682	HOSE ASSY / #12 1978MM	1	
. NS	505182	. COIL PROTECTOR / PLASTIC / #16	AR	
24	457692	HOSE ASSY / #10 878MM	1	
. NS	507344	. O-RING / ORS FITTING / #10 NEO	2	
25	454762	HOSE ASSY / #20 2415MM	1	
. NS	501803	. O-RING / ORS FITTING / #20 NEO	1	

From G-7275 To H-7416	Date:07/2024	PAGE:X3PLB-2270-00
RECEIVER TANK & FILTER DRYER		

Item#	Part	Description	QTY	Notes
26	457684	HOSE ASSY / #12 431MM	1	
. NS	501829	. O-RING / ORS FITTING / #12 NEO	1	
27	507370	O-RING #10	2	
28	Call order desk	PIPE ASSY	1	P
29	457520	CLOSING, EVAPORATOR	1	
29	500957	SCREW TP BDG PH #10x3/4 N500	6	
30	5001780	SCREW CAP HEXF M8-1.25x16 G8.8 N500	4	
31	952629	CLAMP / 5/8" I.D.	1	
32	5001730	SCREW CAP HEXF M6-1.0x16 G10.9 N500	1	
33	216725	SUPPORT RECEIVER TANK / WELDED TO STRUCTURE	1	
35	504013	TIE MOUNT / 1/4" X 1/4" I.D.	1	
36	502817	SCREW MA PAN PH M6-1.0x16 N500	1	
37	500877	WASHER FL .250x.562x.065 N500	1	
38	502684	RIVET NUT FL OKS 1/4-20 .119-.179	1	
40	504022	HOSE CLAMP / 3/4"-1"3/4 SS / HS-20	5	
41	504026	HOSE CLAMP / 2"13/16-3"3/4 SS / HS-52	3	
42	504384	CUFF END BELLOW / 1 1/4" I.D. x 1 3/4" x 4"	4	
43	451075	PROTECTOR HOSE SPLIT / 7/8" O.D. x 3"	2	
44	504024	HOSE CLAMP / 1"13/16"-2"3/4 SS / HS-36	4	
45	504016	CABLE TIE / 5/16" X 14"1/2	AR	
46	504442	CUFF END BELLOW / 1 1/4" I.D. x 3 1/2" x 4 1/2"	1	
50	X3PLB-2222-15	A/C LINE REAR SECTION W/ "BITZER"		
51	X3PLB-2208-10	REFRIGERANT SOLENOID VALVE		
52	X3PLB-2255-00	CONDENSOR - INSTALLATION		
53	X3PLB-1865-20	EVAPORATOR & CONDENSOR WALL INSTALLATION		
55	X3PLB-0410-00	UREA RESERVOIR ASSY		
56	504024	HOSE CLAMP / 1"13/16"-2"3/4 SS / HS-36	1	
57	504384	CUFF END BELLOW / 1 1/4" I.D. x 1 3/4" x 4"	1	
58	374643	PROTECTOR HOSE SPLIT / 7/8" x 200MM	1	
59	504026	HOSE CLAMP / 2"13/16-3"3/4 SS / HS-52	1	
60	453066	DECAL R134A / NOMINAL CHARGE 24 LBS // ENGLISH & FRANCAIS	1	
60	454180	DECAL R134A / NOMINAL CHARGE 24 LBS // ENGLISH & SPANISH	1	
60	453244	DECAL R134A / NOMINAL CHARGE 26 LBS // ENGLISH & FRANCAIS	1	
60	454181	DECAL R134A / 26LBS / W/A/C PARCEL RACK / ENGLISH & SPANISH	1	
60	450028	DECAL R134A / NOMINAL CHARGE 26 LBS // ENGLISH & SPANISH	1	
61	Call order desk	RECEIVER TANK & FILTER DRYER ASSY	1	P
61	950261	RECEIVER TANK ASSY	1	A
. NS	950428	. SIGHTGLASS / W/BALL 1NPT-M (FORMER)	1	A
. NS	951198	. SIGHTGLASS / W/BALL 1 1/4NPT-F (CURRENT)	1	A
62	453066	DECAL R134A / NOMINAL CHARGE 24 LBS // ENGLISH & FRANCAIS	1	A
63	501449	PLUG HEXS / PIPE FITTING / 3/8NPT-M STL To H-7346	1	A
63	501338	MALE RUN TEE / PIPE FITTING / 1/4NPT-Mx1/4NPT-Fx1/4NPT-F BR From H-7347	1	

From G-7275 To H-7416	Date:07/2024	PAGE:X3PLB-2270-00
RECEIVER TANK & FILTER DRYER		

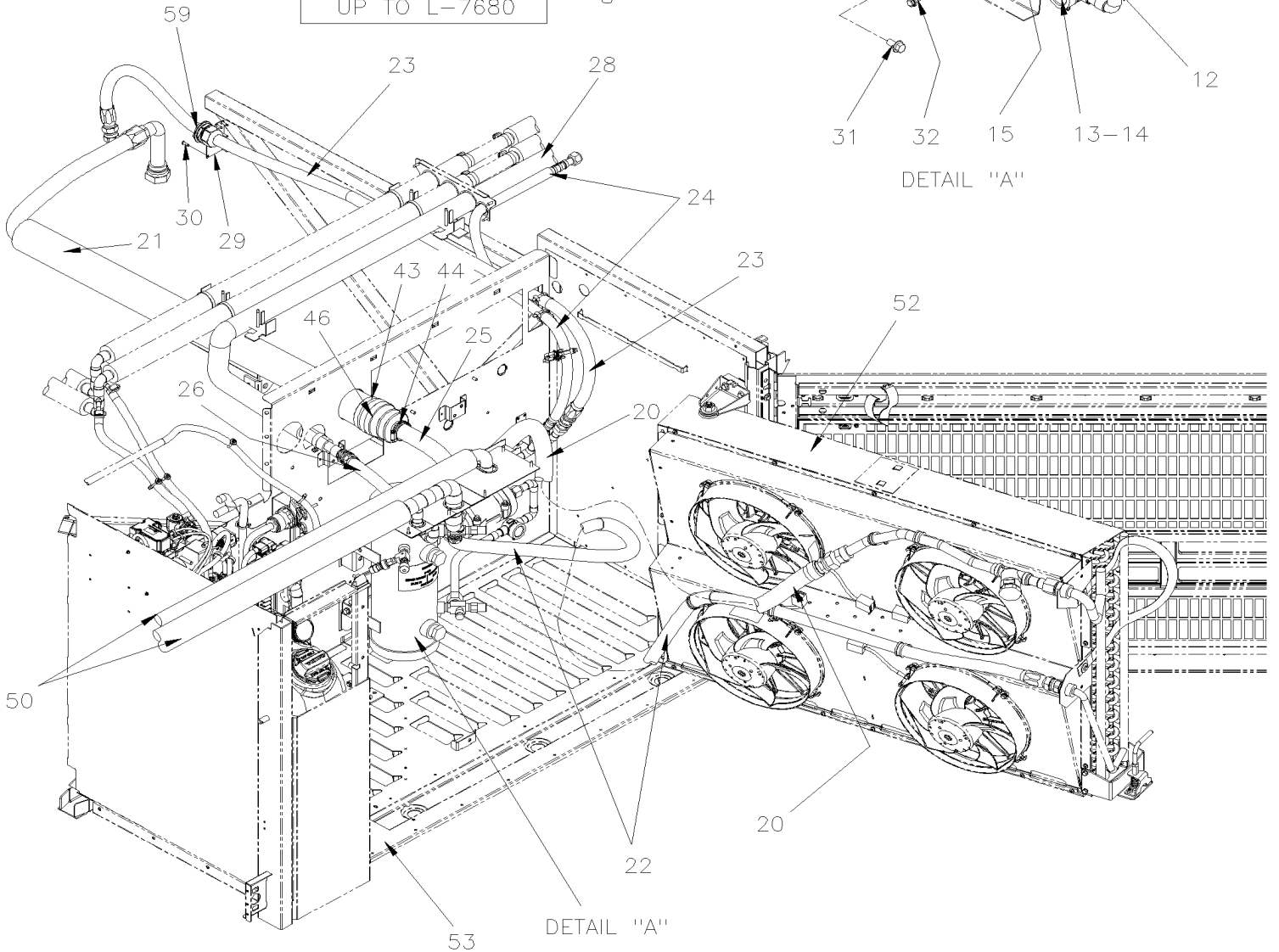
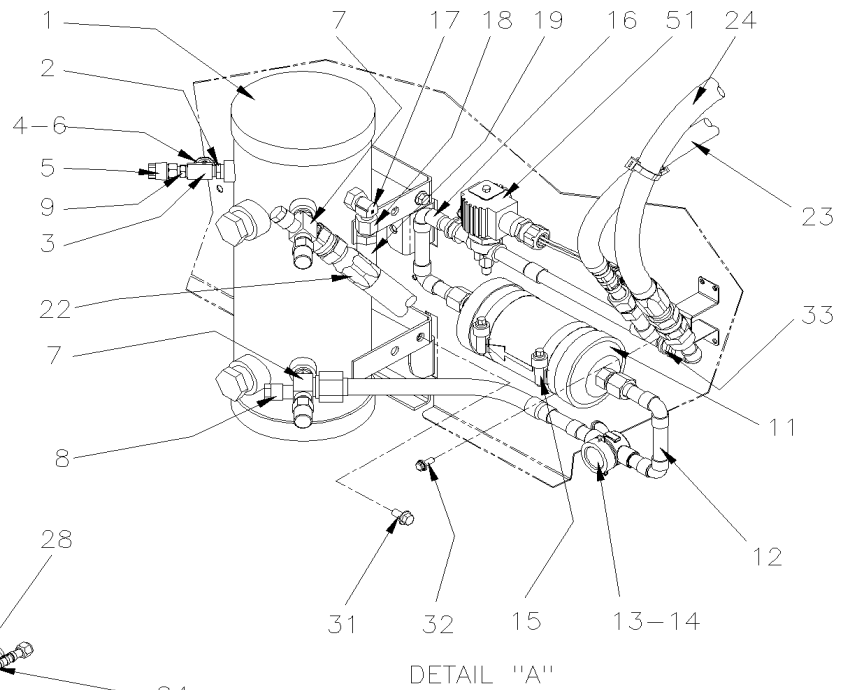
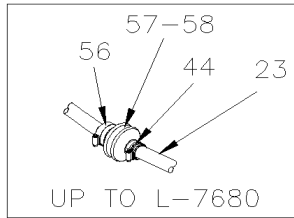
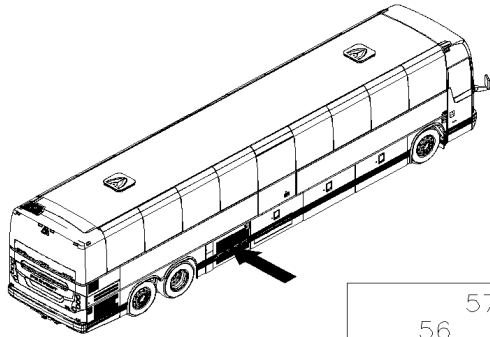
Item#	Part	Description	QTY	Notes
63	501027	MALE CONNECTOR / SAE 45° FITTING / #4FL-Mx1/4NPT-M BR From H-7347	2	
63	950500	ADAPTOR 7/16-20 x R134 16MM From H-7347	2	
63	501314	BUSHING REDUCER / PIPE FITTING / 3/8NTP-Mx1/4NPT-F BR	1	
64	952625	CLAMP / 3/8" I.D.	2	A
65	455411	SUPPORT / FILTER DRYER	1	A
66	507527	SLEEVE / JIC 37° FITTING / #10 STL	2	A
67	507528	NUT / JIC 37° FITTING / #10JIC-F STL	2	A
68	950332	FILTER DRYER	1	A
. NS	507370	. O-RING #10	1	U A
69	504026	HOSE CLAMP / 2"13/16-3"3/4 SS / HS-52	2	A
70	950333	MOISTURE INDICATOR	1	A
. NS	950711	. LENS ASSY KIT MOISTURE INDICATOR	1	A
. . NS	950712	. . O-RING MOISTURE INDICATOR	1	A
71	950029	CAP, MOISTURE INDICATOR	1	A
72	X3PLB-2208-30	REFRIGERANT SOLENOID VALVE WITH A/C PARCEL RACK		A
73	504016	CABLE TIE / 5/16" X 14"1/2	1	A
74	507525	ADAPTER JIC @ BRAZE W/O-RING // #12JIC-Mx#10BRAZE-F BR	1	A
. NS	501829	. O-RING / ORS FITTING / #12 NEO	1	A
75	5011072	ADAPTER "TUBE-O" @ BRAZE / #10TUBE-O-Fx#10 BR	1	A
76	5011071	ADAPTER "TUBE-O" @ BRAZE / #6TUBE-O-Fx#6 BR	2	A
77	501332	STREET ELBOW 90° / PIPE FITTING / 1/4NPT-Mx1/4NPT-F BR	1	A
78	501311	ADAPTER / PIPE FITTING / 3/8NPT-Fx1/4NPT-M BR	1	A
79	870890	VALVE, SAFETY 450 PSI	1	A
80	950228	VALVE ASSY / SERVICE / INLET & OUTLET	2	A
. NS	950284	. CAP / PROTECTOR / FOR GAUGE	1	A
. NS	507169	. O-RING 1/2 I.D.	1	A
81	950285	CAP VALVE / PROTECTOR / PLASTIC	1	A
82	950284	CAP / PROTECTOR / FOR GAUGE	1	A
83	507169	O-RING 1/2 I.D.	2	A
84	507519	NUT / JIC 37° FITTING / #12JIC-F STL	1	A
85	507518	SLEEVE / JIC 37° FITTING / #12 STL	1	A
86	5001780	SCREW CAP HEXF M8-1.25x16 G8.8 N500	6	A
NS	680869	THREAD SEALANT LOCTITE #554 / REFRIG. / 250ml	AR	
		A) WITH PARCEL RACK A/C SYSTEM		
		P) CALL ORDER DESK FOR SPECIFIC APPLICATION (V.I.N.)		
		U) UNDER CONSTRUCTION		

From H-7417 To M-7767

Date:07/2024

PAGE:X3PLB-2270-01

RECEIVER TANK & FILTER DRYER W/O A/C PARCEL RACK VOLVO D13 - GHG17



From H-7417 To M-7767	Date:07/2024	PAGE:X3PLB-2270-01
RECEIVER TANK & FILTER DRYER W/O A/C PARCEL RACK VOLVO D13 - GHG17		

Item#	Part	Description	QTY	Notes
1	950261	RECEIVER TANK ASSY	1	
. NS	950428	. SIGHTGLASS / W/BALL 1NPT-M (FORMER)	1	
. NS	951198	. SIGHTGLASS / W/BALL 1 1/4NPT-F (CURRENT)	1	
1	454180	DECAL R134A / NOMINAL CHARGE 24 LBS // ENGLISH & SPANISH	1	
1	453066	DECAL R134A / NOMINAL CHARGE 24 LBS // ENGLISH & FRANCAIS	1	
NS	5001745	SCREW CAP HEX M8-1.25x25 G8.8 N500	1	
NS	509894	TIE MOUNT HOLE 7.8MM	1	
NS	502847	NUT HEX NYRT M8-1.25 N500	1	
2	501314	BUSHING REDUCER / PIPE FITTING / 3/8NPT-Mx1/4NPT-F BR	1	
3	501338	MALE RUN TEE / PIPE FITTING / 1/4NPT-Mx1/4NPT-Fx1/4NPT-F BR	1	
4	950249	SCHRADER VALVE 1/4NPT-M	2	
5	950234	GAUGE ADAPTOR ASSY / W/RED CAP FOR R-134A / DISCHARGE SIDE (ALUMINUM)	1	
6	950504	TRANSDUCER 0-500 PSIG	1	
7	950228	VALVE ASSY / SERVICE / INLET & OUTLET	2	
. NS	950284	. CAP / PROTECTOR / FOR GAUGE	1	
. NS	507169	. O-RING 1/2 I.D.	1	
NS	680869	THREAD SEALANT LOCTITE #554 / REFRIG. / 250ml	AR	
8	950285	. CAP VALVE / PROTECTOR / PLASTIC	1	
9	501027	MALE CONNECTOR / SAE 45° FITTING / #4FL-Mx1/4NPT-M BR	1	
11	950332	FILTER DRYER	1	
. NS	507370	. O-RING #10	1	U
12	450401	PIPE,OUTLET RECEIVER TANK ASSY To K-7662	1	
12	450656	PIPE,OUTLET RECEIVER TANK ASSY From L-7663	1	
13	950333	. MOISTURE INDICATOR	1	
. NS	950711	. . LENS ASSY KIT MOISTURE INDICATOR	1	
. . NS	950712	. . . O-RING MOISTURE INDICATOR	1	
13	950029	. CAP, MOISTURE INDICATOR	1	
15	504026	HOSE CLAMP / 2"13/16-3"3/4 SS / HS-52	2	
16	450041	VALVE ASSY / REFRIGERANT WITHOUT SOLENOID To K-7662	1	S
. NS	501829	. O-RING / ORS FITTING / #12 NEO To K-7662	1	S
16	450709	VALVE ASSY / REFRIGERANT WITHOUT SOLENOID From L-7663	1	S
. NS	501829	. O-RING / ORS FITTING / #12 NEO From L-7663	1	S
16	950951	. VALVE REFRIGERANT SOLENOID	1	
17	501332	STREET ELBOW 90° / PIPE FITTING / 1/4NPT-Mx1/4NPT-F BR	1	
18	501311	ADAPTER / PIPE FITTING / 3/8NPT-Fx1/4NPT-M BR	1	
19	870890	VALVE, SAFETY 450 PSI	1	
20	455343	HOSE ASSY / PIPE TO COND / #16 1143MM / SS BELLOW	1	
21	454672	TUBE / PVC PIPE / 3"x1160MM WHITE PVC	1	
22	457683	HOSE ASSY / #12 1576MM	1	
NS	501829	O-RING / ORS FITTING / #12 NEO	1	
23	457682	HOSE ASSY / #12 1978MM To L-7680	1	
. NS	505182	. COIL PROTECTOR / PLASTIC / #16 To L-7680	AR	

From H-7417 To M-7767	Date:07/2024	PAGE:X3PLB-2270-01
RECEIVER TANK & FILTER DRYER W/O A/C PARCEL RACK VOLVO D13 - GHG17		

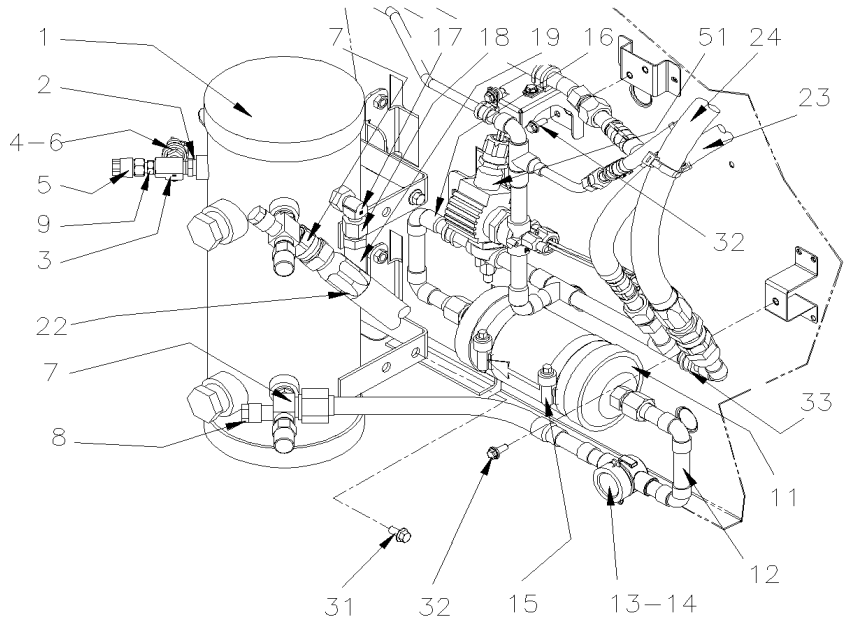
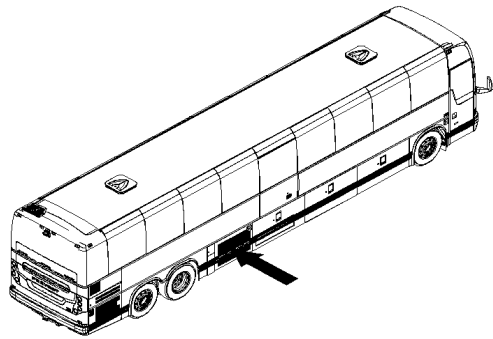
Item#	Part	Description	QTY	Notes
23	450992	HOSE ASSY / #12 1978MM From L-7681	1	
. NS	505110	. COIL PROTECTOR / PLASTIC / #12 From L-7681	AR	
24	454759	HOSE ASSY / #10 985MM	1	
. NS	507344	. O-RING / ORS FITTING / #10 NEO	1	
25	454762	HOSE ASSY / #20 2415MM	1	
. NS	501803	. O-RING / ORS FITTING / #20 NEO	1	
26	457684	HOSE ASSY / #12 431MM	1	
. NS	501829	. O-RING / ORS FITTING / #12 NEO	1	
28	454758	PIPE ASSY	1	
29	457520	CLOSING, EVAPORATOR	1	
30	500957	SCREW TP BDG PH #10x3/4 N500	5	
31	5001780	SCREW CAP HEXF M8-1.25x16 G8.8 N500	3	
32	5001730	SCREW CAP HEXF M6-1.0x16 G10.9 N500	2	
33	952629	CLAMP / 5/8" I.D.	2	
43	504026	HOSE CLAMP / 2"13/16-3"3/4 SS / HS-52	1	
44	504022	HOSE CLAMP / 3/4"-1"3/4 SS / HS-20 To L-7680	2	
46	504442	CUFF END BELLOW / 1 1/4" I.D. x 3 1/2" x 4 1/2"	1	
NS	680470	CAP PLUG ID 1.364 OD 1.423	1	
NS	680532	SEALANT SIKA #221 / GREY / 310ml CARTRIDGE	AR	
50	X3PLB-2222-16	A/C LINE REAR SECTION W/ "BITZER" VOLVO D13 - GHG17 To K-7662		
50	X3PLB-2222-17	A/C LINE REAR SECTION From L-7663		
51	X3PLB-2208-10	REFRIGERANT SOLENOID VALVE To H-7416		
51	X3PLB-2208-11	REFRIGERANT SOLENOID VALVE W/O A/C PARCEL RACK From H-7417		
51	X3PLB-2208-30	REFRIGERANT SOLENOID VALVE WITH A/C PARCEL RACK From H-7417		
52	X3PLB-2255-01	CONDENSOR - INSTALLATION VOLVO D13 - GHG17		
53	X3PLB-1865-21	EVAPORATOR & CONDENSOR WALL INSTALLATION / GHG17		
56	504024	HOSE CLAMP / 1"13/16"-2"3/4 SS / HS-36 To L-7680	1	
57	504384	CUFF END BELLOW / 1 1/4" I.D. x 1 3/4" x 4" To L-7680	1	
58	374643	PROTECTOR HOSE SPLIT / 7/8" x 200MM To L-7680	1	
59	501125	CABLE-GLAND M40 X 1.5 From L-7681	1	
59	505110	COIL PROTECTOR / PLASTIC / #12 From L-7681	AR	
		S) VALVE W/O A/C PARCEL RACK		
		U) UNDER CONSTRUCTION		

From H-7417 To K-7662

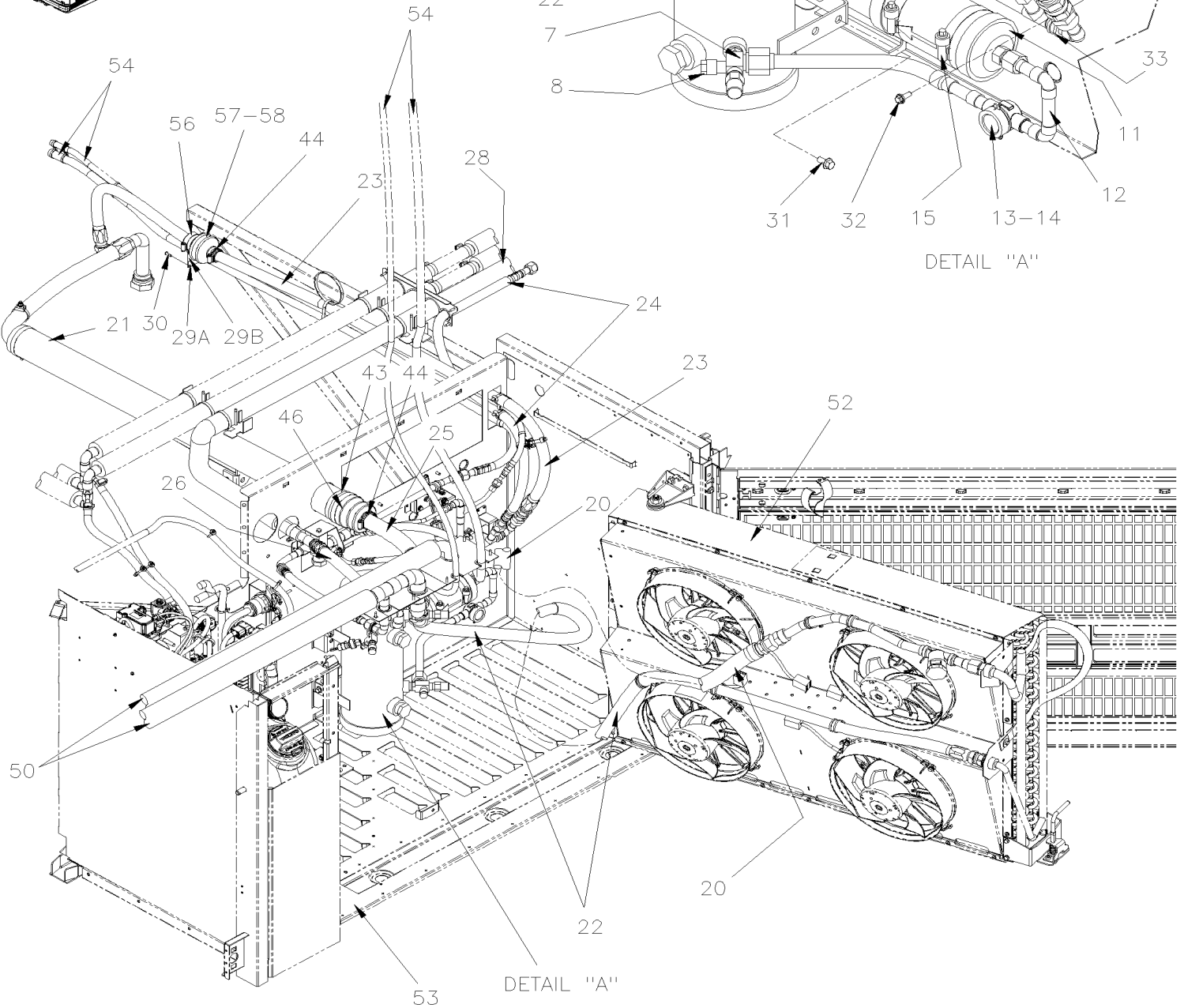
Date:07/2024

PAGE:X3PLB-2270-10

RECEIVER TANK & FILTER DRYER WITH A/C PARCEL RACK GHG17



DETAIL "A"



DETAIL "A"

From H-7417 To K-7662	Date:07/2024	PAGE:X3PLB-2270-10
-----------------------	--------------	--------------------

RECEIVER TANK & FILTER DRYER WITH A/C PARCEL RACK GHG17

Item#	Part	Description	QTY	Notes
1	950261	RECEIVER TANK ASSY	1	
. NS	950428	. SIGHTGLASS / W/BALL 1NPT-M (FORMER)	1	
. NS	951198	. SIGHTGLASS / W/BALL 1 1/4NPT-F (CURRENT)	1	
1	453244	DECAL R134A / NOMINAL CHARGE 26 LBS // ENGLISH & FRANCAIS	1	
1	450028	DECAL R134A / NOMINAL CHARGE 26 LBS // ENGLISH & SPANISH	1	
1	5001745	SCREW CAP HEX M8-1.25x25 G8.8 N500	1	
NS	509894	TIE MOUNT HOLE 7.8MM	1	
NS	502847	NUT HEX NYRT M8-1.25 N500	1	
2	501314	BUSHING REDUCER / PIPE FITTING / 3/8NTP-Mx1/4NPT-F BR	1	
3	501338	MALE RUN TEE / PIPE FITTING / 1/4NPT-Mx1/4NPT-Fx1/4NPT-F BR	1	
4	950249	SCHRADER VALVE 1/4NPT-M	1	
5	950234	GAUGE ADAPTOR ASSY / W/RED CAP FOR R-134A / DISCHARGE SIDE (ALUMINUM)	1	
6	950504	TRANSDUCER 0-500 PSIG	1	
7	950228	VALVE ASSY / SERVICE / INLET & OUTLET	2	
. NS	950284	. CAP / PROTECTOR / FOR GAUGE	1	
. NS	507169	. O-RING 1/2 I.D.	1	
NS	680869	THREAD SEALANT LOCTITE #554 / REFRIG. / 250ml	AR	
8	950285	. CAP VALVE / PROTECTOR / PLASTIC	1	
9	501027	MALE CONNECTOR / SAE 45° FITTING / #4FL-Mx1/4NPT-M BR	1	
11	950332	FILTER DRYER	1	
. NS	507370	. O-RING #10	1	U
12	450401	PIPE,OUTLET RECEIVER TANK ASSY	1	
13	950333	. MOISTURE INDICATOR	1	
. NS	950711	. . LENS ASSY KIT MOISTURE INDICATOR	1	
. . NS	950712	. . . O-RING MOISTURE INDICATOR	1	
13	950029	. CAP, MOISTURE INDICATOR	1	
15	504026	HOSE CLAMP / 2"13/16-3"3/4 SS / HS-52	2	
16	450043	VALVE ASSY / REFRIGERANT WITHOUT SOLENOID	1	S
16	950951	. VALVE REFRIGERANT SOLENOID	1	
17	501332	STREET ELBOW 90° / PIPE FITTING / 1/4NPT-Mx1/4NPT-F BR	1	
18	501311	ADAPTER / PIPE FITTING / 3/8NPT-Fx1/4NPT-M BR	1	
19	870890	VALVE, SAFETY 450 PSI	1	
20	455343	HOSE ASSY / PIPE TO COND / #16 1143MM / SS BELLOW	1	
21	454672	TUBE / PVC PIPE / 3"x1160MM WHITE PVC	1	
22	457683	HOSE ASSY / #12 1576MM	1	
NS	501829	O-RING / ORS FITTING / #12 NEO	1	
23	457682	HOSE ASSY / #12 1978MM	1	
. NS	505182	. COIL PROTECTOR / PLASTIC / #16	AR	
24	454759	HOSE ASSY / #10 985MM	1	
. NS	507344	. O-RING / ORS FITTING / #10 NEO	1	
25	454762	HOSE ASSY / #20 2415MM	1	
. NS	501803	. O-RING / ORS FITTING / #20 NEO	1	

From H-7417 To K-7662	Date:07/2024	PAGE:X3PLB-2270-10
-----------------------	--------------	--------------------

RECEIVER TANK & FILTER DRYER WITH A/C PARCEL RACK GHG17

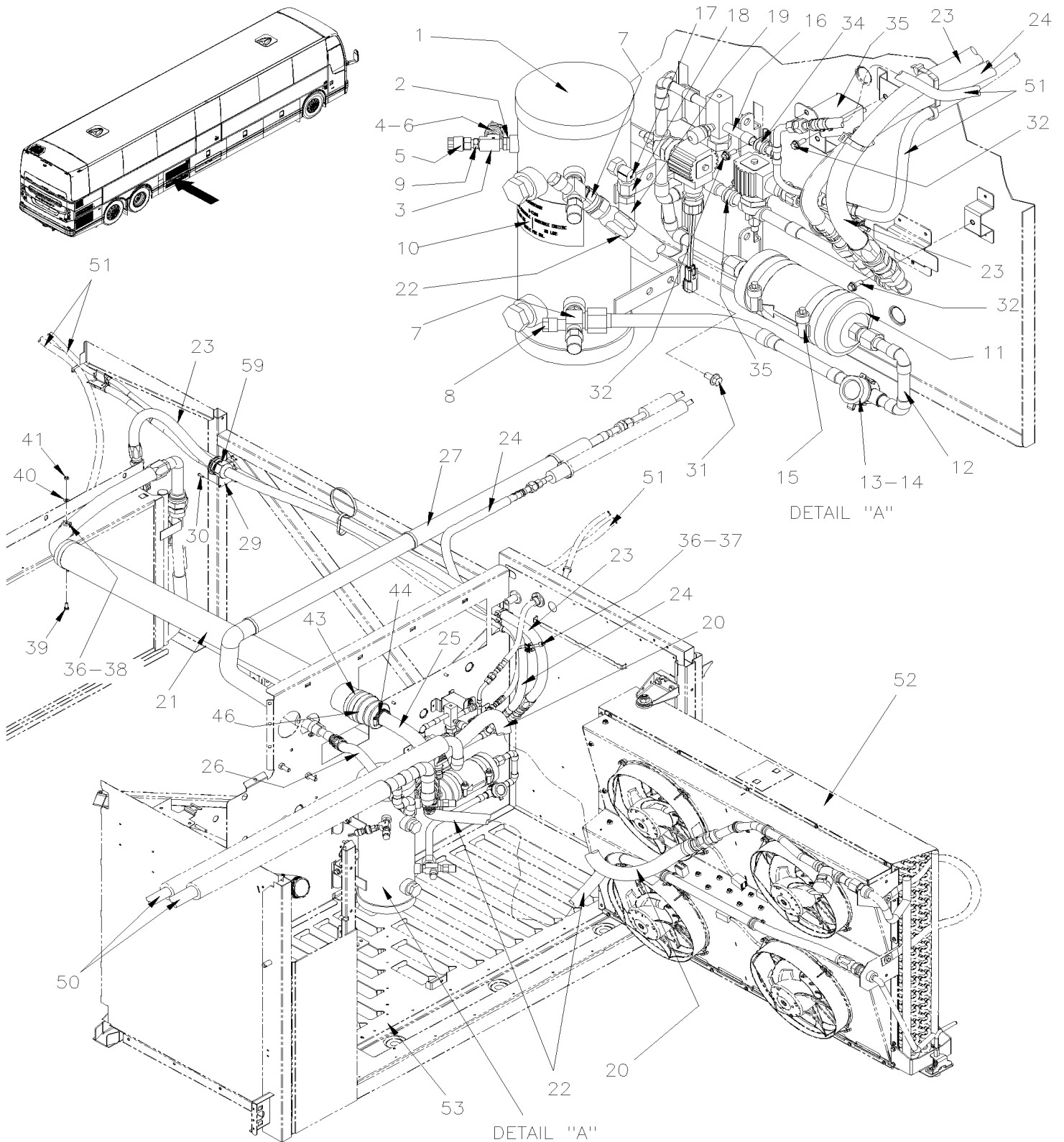
Item#	Part	Description	QTY	Notes
26	457684	HOSE ASSY / #12 431MM	1	
NS	501829	O-RING / ORS FITTING / #12 NEO	1	
28	454758	PIPE ASSY	1	
29A	457518	CLOSING PLATE	1	
29B	457519	CLOSING PLATE	1	
30	500957	SCREW TP BDG PH #10x3/4 N500	4	
31	5001780	SCREW CAP HEXF M8-1.25x16 G8.8 N500	3	
32	5001730	SCREW CAP HEXF M6-1.0x16 G10.9 N500	2	
33	952629	CLAMP / 5/8" I.D.	2	
43	504026	HOSE CLAMP / 2"13/16-3"3/4 SS / HS-52	1	
44	504022	HOSE CLAMP / 3/4"-1"3/4 SS / HS-20	2	
46	504442	CUFF END BELLOW / 1 1/4" I.D. x 3 1/2" x 4 1/2"	1	
50	X3PLB-2222-16	A/C LINE REAR SECTION W/ "BITZER" VOLVO D13 - GHG17		
51	X3PLB-2208-31	REFRIGERANT SOLENOID VALVE WITH A/C PARCEL RACK - "GHG17"		
52	X3PLB-2255-01	CONDENSOR - INSTALLATION VOLVO D13 - GHG17		
53	X3PLB-1865-21	EVAPORATOR & CONDENSOR WALL INSTALLATION / GHG17		
54	X3PLB-2245-30	A/C AUXILIARY LINE / PARCEL RACK		
56	504024	HOSE CLAMP / 1"13/16"-2"3/4 SS / HS-36	1	
57	504384	CUFF END BELLOW / 1 1/4" I.D. x 1 3/4" x 4"	1	
58	374643	PROTECTOR HOSE SPLIT / 7/8" x 200MM	1	
		S) VALVE W/O A/C PARCEL RACK		
		U) UNDER CONSTRUCTION		

From L-7663 To M-7767

Date:07/2024

PAGE:X3PLB-2270-11

RECEIVER TANK & FILTER DRYER WITH A/C PARCEL RACK



From L-7663 To M-7767	Date:07/2024	PAGE:X3PLB-2270-11
RECEIVER TANK & FILTER DRYER WITH A/C PARCEL RACK		

Item#	Part	Description	QTY	Notes
1	950261	RECEIVER TANK ASSY	1	
. NS	950428	. SIGHTGLASS / W/BALL 1NPT-M (FORMER)	1	
. NS	951198	. SIGHTGLASS / W/BALL 1 1/4NPT-F (CURRENT)	1	
NS	5001745	SCREW CAP HEX M8-1.25x25 G8.8 N500	1	
NS	509894	TIE MOUNT HOLE 7.8MM	1	
NS	502847	NUT HEX NYRT M8-1.25 N500	1	
2	501314	BUSHING REDUCER / PIPE FITTING / 3/8NPT-Mx1/4NPT-F BR	1	
3	501338	MALE RUN TEE / PIPE FITTING / 1/4NPT-Mx1/4NPT-Fx1/4NPT-F BR	1	
4	950249	SCHRADER VALVE 1/4NPT-M	1	
5	950234	GAUGE ADAPTOR ASSY / W/RED CAP FOR R-134A / DISCHARGE SIDE (ALUMINUM)	1	
6	950504	TRANSDUCER 0-500 PSIG	1	
7	950228	VALVE ASSY / SERVICE / INLET & OUTLET	2	
. NS	950284	. CAP / PROTECTOR / FOR GAUGE	1	
. NS	507169	. O-RING 1/2 I.D.	1	
NS	680869	THREAD SEALANT LOCTITE #554 / REFRIG. / 250ml	AR	
8	950285	. CAP VALVE / PROTECTOR / PLASTIC	1	
9	501027	MALE CONNECTOR / SAE 45° FITTING / #4FL-Mx1/4NPT-M BR	1	
10	453244	DECAL R134A / NOMINAL CHARGE 26 LBS // ENGLISH & FRANCAIS	1	
10	450028	DECAL R134A / NOMINAL CHARGE 26 LBS // ENGLISH & SPANISH	1	
11	950332	FILTER DRYER	1	
. NS	507370	. O-RING #10	1	U
12	450656	PIPE,OUTLET RECEIVER TANK ASSY	1	
13	950333	. MOISTURE INDICATOR	1	
. NS	950711	. . LENS ASSY KIT MOISTURE INDICATOR	1	
. . NS	950712	. . . O-RING MOISTURE INDICATOR	1	
13	950029	. CAP, MOISTURE INDICATOR	1	
15	504026	HOSE CLAMP / 2"13/16-3"3/4 SS / HS-52	2	
16	450655	VALVE ASSY / REFRIGERANT WITHOUT SOLENOID To N-8001	1	
16	454903	VALVE ASSY / REFRIGERANT WITHOUT SOLENOID From N-8002	1	
16	X3PLB-2208-32	REFRIGERANT SOLENOID VALVE WITH A/C PARCEL RACK	1	
17	501332	STREET ELBOW 90° / PIPE FITTING / 1/4NPT-Mx1/4NPT-F BR	1	
18	501311	ADAPTER / PIPE FITTING / 3/8NPT-Fx1/4NPT-M BR	1	
19	870890	VALVE, SAFETY 450 PSI	1	
20	455343	HOSE ASSY / PIPE TO COND / #16 1143MM / SS BELLOW	1	
21	454672	TUBE / PVC PIPE / 3"x1160MM WHITE PVC	1	
22	457683	HOSE ASSY / #12 1576MM	1	
22	501829	O-RING / ORS FITTING / #12 NEO	1	
23	457682	HOSE ASSY / #12 1978MM	1	
. NS	505182	. COIL PROTECTOR / PLASTIC / #16	AR	
24	454759	HOSE ASSY / #10 985MM	1	
. NS	507344	. O-RING / ORS FITTING / #10 NEO	1	
25	454762	HOSE ASSY / #20 2415MM	1	

From L-7663 To M-7767	Date:07/2024	PAGE:X3PLB-2270-11
-----------------------	--------------	--------------------

RECEIVER TANK & FILTER DRYER WITH A/C PARCEL RACK

Item#	Part	Description	QTY	Notes
. NS	501803	. O-RING / ORS FITTING / #20 NEO	1	
26	457684	HOSE ASSY / #12 431MM	1	
. NS	501829	. O-RING / ORS FITTING / #12 NEO	1	
27	454758	PIPE ASSY	1	
29	457520	CLOSING, EVAPORATOR	1	
30	500957	SCREW TP BDG PH #10x3/4 N500	5	
31	5001780	SCREW CAP HEXF M8-1.25x16 G8.8 N500	4	
32	5001730	SCREW CAP HEXF M6-1.0x16 G10.9 N500	5	
33	952629	CLAMP / 5/8" I.D.	2	
34	952625	CLAMP / 3/8" I.D.	1	
35	450654	SUPPORT, SUCTION VALVE ASSY. To N-8001	1	
35	454948	SUPPORT, SUCTION VALVE ASSY. From N-8002	1	
36	504751	ROTATIF SPACER DOUBLE / SMALL	1	
37	504016	CABLE TIE / 5/16" X 14"1/2	AR	
38	504013	TIE MOUNT / 1/4" X 1/4" I.D.	1	
39	502817	SCREW MA PAN PH M6-1.0x16 N500	1	
40	500877	WASHER FL .250x.562x.065 N500	1	
41	502681	NUT HEX NYRT M6-1.0 N500 G8	1	
43	504026	HOSE CLAMP / 2"13/16-3"3/4 SS / HS-52	1	
46	504442	CUFF END BELLOW / 1 1/4" I.D. x 3 1/2" x 4 1/2"	1	
50	X3PLB-2222-17	A/C LINE REAR SECTION		
51	X3PLB-2245-31	A/C AUXILIARY LINE / PARCEL RACK		
52	X3PLB-2255-01	CONDENSOR - INSTALLATION VOLVO D13 - GHG17		
53	X3PLB-1865-21	EVAPORATOR & CONDENSOR WALL INSTALLATION / GHG17		
59	501125	CABLE-GLAND M40 X 1.5	1	
NS	505110	COIL PROTECTOR / PLASTIC / #12	AR	
		U) UNDER CONSTRUCTION		

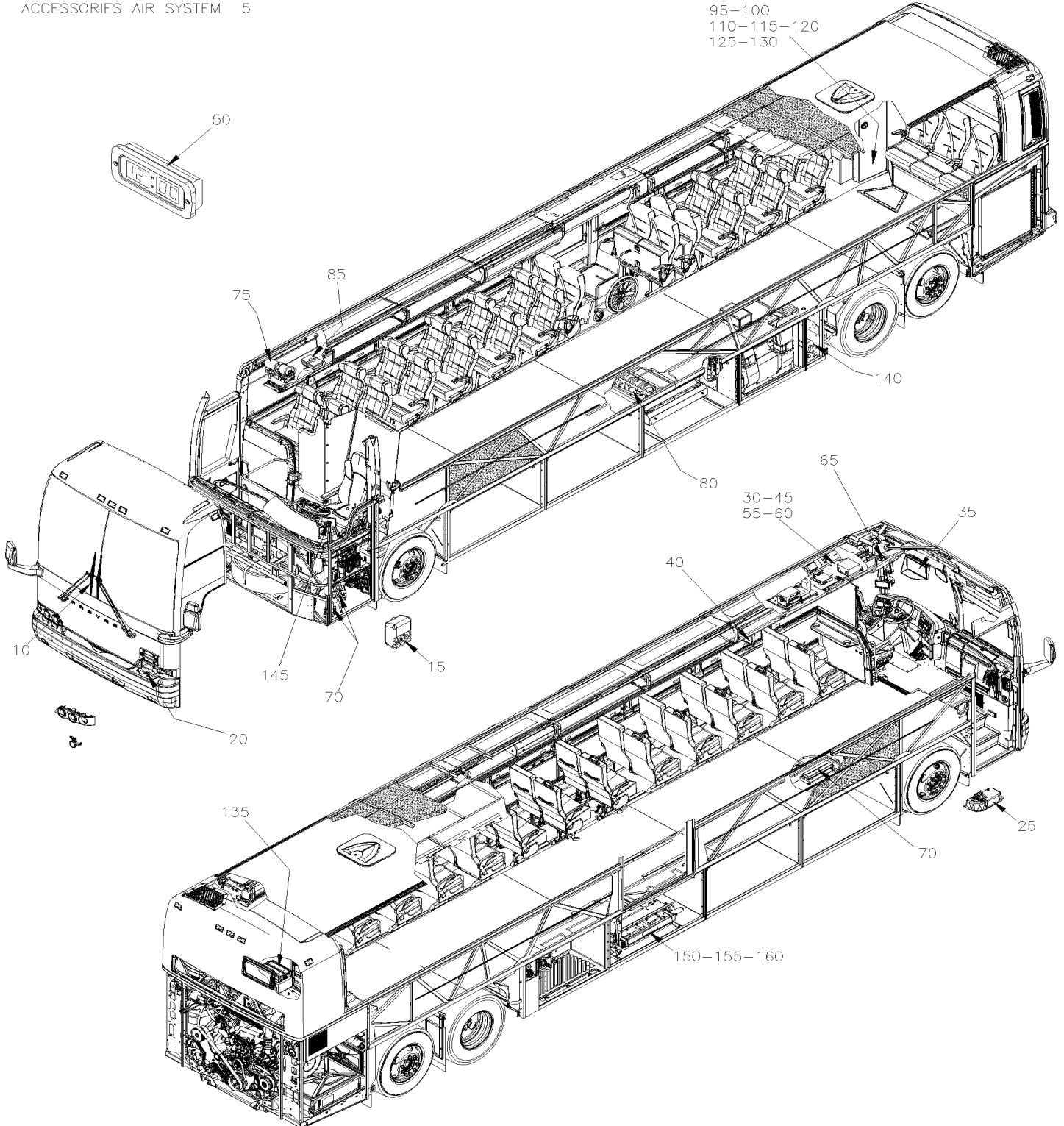
From G-7275 To M-7767

Date:07/2024

X3PLB-23

ACCESSORIES

ACCESSORIES AIR SYSTEM 5



From G-7275 To M-7767	Date:07/2024	X3PLB-23
-----------------------	--------------	----------

ACCESSORIES

Item#	Part	Description	QTY	Notes
5	X3PLB-2300-00	ACCESSORIES AIR SYSTEM From G-7275 To M-7767		
10	X3PLB-2305-00	LOWER WINDSHIELD WIPER From G-7275 To M-7767		
10	X3PLB-2305-05	LOWER WINDSHIELD WIPER - INSTALLATION From G-7275 To K-7662		
10	X3PLB-2305-06	LOWER WINDSHIELD WIPER - INSTALLATION From L-7663 To M-7767		
15	X3PLB-2305-20	WINDSHIELD WASHER - INSTALLATION From G-7275 To M-7767		
20	X3PLB-2305-25	HEAD LAMP CLEANING WASHER TANK From G-7275 To M-7767		
25	X3PLB-2310-00	HORN - INSTALLATION From G-7275 To M-7767		
30	X3PLB-2315-00	SOUND SYSTEM & ACCESSORIES From G-7275 To M-7767		
30	X3PLB-2315-01	SOUND SYSTEM & ACCESSORIES W/HHED From H-7417 To M-7767		HHED
30	X3PLB-2315-05	"USB" & "VGA" & "RCA" CABLE & CONVERTER From G-7275 To M-7767		
30	X3PLB-2315-06	"USB" & "RCA" CABLE & CONVERTER & 12 VOLTS W/HHED From H-7417 To M-7767		HHED
30	X3PLB-2315-10	WIRING HARNESS - AUDIO SYSTEM From G-7275 To M-7767		
30	X3PLB-2315-15	SUBWOOFER - INSTALLATION From G-7275 To M-7767		
30	X3PLB-2315-20	INDIVIDUAL STATIONS - "R.E.I." From G-7275 To M-7767		
30	X3PLB-2315-21	INDIVIDUAL STATIONS - "R.E.I." W/HHED From H-7417 To M-7767		HHED
35	X3PLB-2317-00	FRONT MONITOR FLAT SCREEN From G-7275 To M-7767		
40	X3PLB-2317-10	SIDE MONITOR FLAT SCREEN - VIDEO -"R.E.I." From G-7275 To M-7767		
45	X3PLB-2317-20	DVD PLAYER - INSTALLATION From G-7275 To M-7767		
45	X3PLB-2317-21	SCREEN VIDEO & POWER - INSTALLATION W/HHED From H-7417 To M-7767		HHED
45	X3PLB-2317-25	"WI-FI" MODULE - INSTALLTION From G-7275 To M-7767		
45	X3PLB-2317-26	"WI-FI" MODULE / "CADEC" MODULE / "DRIVECAM" - INSTALLTION From G-7275 To M-7767		GR
45	X3PLB-2317-27	HEARING LOOP SYSTEM From G-7300 To M-7767		IN
45	X3PLB-2317-30	VIDEO & AUDIO SYSTEM - INSTALLATION From G-7275 To M-7767		
45	X3PLB-2317-31	VIDEO & AUDIO SYSTEM - INSTALLATION W/HHED From H-7417 To M-7767		HHED
45	X3PLB-2317-35	"WI-FI" MODULE MOOVBOX From G-7313 To M-7767		GR
45	X3PLB-2317-36	"WI-FI" MODULE WAAV From K-7609 To M-7767		BU
45	X3PLB-2317-40	AUDIO PLATE WITH ADDITIONAL VEC / GREYHOUND OPTION From H-7364 To M-7767		GR
45	X3PLB-2317-45	ITS SYSTEM - "SAUCON" / GREYHOUND OPTION From H-7364 To M-7767		GR
45	X3PLB-2317-50	MEDIA PLAYER From H-7330 To M-7767		S

From G-7275 To M-7767	Date:07/2024	X3PLB-23
-----------------------	--------------	----------

ACCESSORIES

Item#	Part	Description	QTY	Notes
45	X3PLB-2317-60	"WI-FI" ICOMERA X CUBED OPTION GLI From J-7448 To M-7767		GR
45	X3PLB-2317-61	"WI-FI" ICOMERA X CUBED From K-7548 To M-7767		
50	X3PLB-2318-00	CLOCK (DIGITAL) From G-7275 To M-7767		
55	X3PLB-2318-10	RADIO "CB" INSTALLATION From G-7275 To M-7767		
60	X3PLB-2319-00	VOLVO LINK ANTENNA - INSTALLATION From G-7275 To M-7767		
65	X3PLB-2319-30	CAMERA SYSTEM INSTALLATION - "SAUCON" From H-7320 To M-7767		
65	X3PLB-2319-31	CAMERA SYSTEM - "SAUCON" 4 CAMERAS POSITION 1-2-3-4 From K-7550 To M-7767		
65	X3PLB-2319-40	CAMERA SYSTEM INSTALLATION - "SAFETY-VISION" From H-7325 To M-7767		
65	X3PLB-2319-50	CAMERA SYSTEM INSTALLATION - "BRIGADE" From L-7663 To M-7767		
65	X3PLB-2319-60	CAMERA SYSTEM INSTALLATION - "REI" From J-7483 To M-7767		
65	X3PLB-2319-70	CAMERA SYSTEM INSTALLATION - "APOLLO" From H-7414 To M-7767		
70	X3PLB-2320-00	JACK & FLARE KIT - INSTALLATION From G-7275 To M-7767		
75	X3PLB-2320-30	EXTINGUISHER - INSTALLATION From G-7275 To M-7767		
80	X3PLB-2320-35	FIRE PROTECTION SYSTEM BUS INSTALLATION / 3RD BAGGAGE COMPARTMENT From G-7275 To M-7767		
85	X3PLB-2320-40	FIRST AID KIT & AXE - INSTALLATION From G-7275 To M-7767		
95	X3PLB-2325-00	LAVATORY - ACCESSORIES From G-7275 To M-7767		
100	X3PLB-2326-00	TOILET PUMP ASSY From G-7275 To H-7416		
100	X3PLB-2326-01	TOILET PUMP ASSY GHG17 From H-7417 To M-7767		
110	X3PLB-2328-00	LAVATORY WALL - INSTALLATION From G-7275 To M-7767		
115	X3PLB-2329-00	LAVATORY DOOR LOCK & SWITCH From G-7275 To M-7767		
120	X3PLB-2330-00	SUMP TANK SYSTEM - INSTALLATION From G-7275 To H-7416		
120	X3PLB-2330-01	SUMP TANK SYSTEM - INSTALLATION GHG17 From H-7417 To M-7767		
125	X3PLB-2337-00	LAVATORY FAN - INSTALLATION From G-7275 To H-7416		
125	X3PLB-2337-01	LAVATORY FAN - INSTALLATION GHG17 From H-7417 To M-7767		
130	X3PLB-2337-10	FAN - INSTALLATION WITHOUT LAVATORY From G-7275 To M-7767		
133	X3PLB-2340-00	PLASMA CLUSTER IONS AIR SANITIZER - ENVIROCARE From M-7877 To M-7767		
135	X3PLB-2345-40	POWERVERTER - 24/110 VOLTS - 1800 WATTS From G-7275 To M-7767		
135	X3PLB-2345-45	110 VOLT - OUTLET From G-7275 To M-7767		
135	X3PLB-2345-46	3 POWERVERTERS - 24/110 VOLTS - 1800 WATTS WITH RELAY From J-7448 To M-7767		

From G-7275 To M-7767	Date:07/2024	X3PLB-23
-----------------------	--------------	----------

ACCESSORIES

Item#	Part	Description	QTY	Notes
135	X3PLB-2345-99	110 VOLT - OUTLET / RETROFIT From G-7275 To M-7767		
140	X3PLB-2350-10	WATER HEATER - INSTALLATION From G-7275 To M-7767		
145	X3PLB-2355-10	FRONT CAMERA - INSTALLATION From G-7275 To M-7767		
145	X3PLB-2355-15	FRONT CAMERA & SCREEN SPECIAL OPTION From H-7387 To M-7767		
145	X3PLB-2355-20	BACK-UP CAMERA & MONITOR - INSTALLATION From G-7275 To M-7767		
150	X3PLB-2360-00	YELLOW STEP STORAGE / "GREYHOUND" From H-7406 To M-7767		
155	X3PLB-2370-10	W.C.L. - DECAL From G-7275 To M-7767		
155	X3PLB-2370-20	W.C.L. SEAT BELTS From G-7275 To M-7767		
155	X3PLB-2370-25	W.C.L. SEAT BELTS "SAFEGUARD" (IMMI) From G-7275 To M-7767		
160	X3PLB-2380-00	W.C.L. "RICON" REMOVABLE MODEL "F9TF" From G-7275 To M-7767		
160	X3PLB-2380-05	W.C.L. "RICON" REMOVABLE MODEL "F9TF" From G-7275 To M-7767		
160	X3PLB-2380-06	W.C.L. "RICON" REMOVABLE MODEL "F9TH" From J-7448 To M-7767		GR
160	X3PLB-2380-10	W.C.L. "RICON" - LIFT ENCLOSURE ASSY MODEL "F9TF" From G-7275 To M-7767		
160	X3PLB-2380-11	W.C.L. "RICON" - LIFT ENCLOSURE ASSY MODEL "F9TH" From J-7448 To M-7767		GR
160	X3PLB-2380-20	W.C.L. "RICON" - PLATFORM ASSY MODEL "F9TF" From G-7275 To M-7767		
160	X3PLB-2380-21	W.C.L. "RICON" - PLATFORM ASSY MODEL "F9TH" From J-7448 To M-7767		GR
160	X3PLB-2380-30	W.C.L. "RICON" - TRAVELING FRAME ASSY MODEL "F9TF" From G-7275 To M-7767		
160	X3PLB-2380-31	W.C.L. "RICON" - TRAVELING FRAME ASSY MODEL "F9TH" From J-7448 To M-7767		GR
160	X3PLB-2380-40	W.C.L. "RICON" - CARRIAGE ASSY MODEL "F9TF" From G-7275 To M-7767		
160	X3PLB-2380-41	W.C.L. "RICON" - CARRIAGE ASSY MODEL "F9TH" From J-7448 To M-7767		GR
160	X3PLB-2380-50	W.C.L. "RICON" - BRIDGE PLATE ASSY MODEL "F9TF" From G-7275 To M-7767		
160	X3PLB-2380-51	W.C.L. "RICON" - BRIDGE PLATE ASSY MODEL "F9TH" From J-7448 To M-7767		GR
160	X3PLB-2380-60	W.C.L. "RICON" - PUMP INSTALLATION MODEL "F9TF" From G-7275 To M-7767		
160	X3PLB-2380-61	W.C.L. "RICON" - PUMP INSTALLATION MODEL "F9TH" From J-7448 To M-7767		GR
160	X3PLB-2380-65	W.C.L. "RICON" - PUMP ASSY MODEL "F9TF" From G-7275 To M-7767		
160	X3PLB-2380-66	W.C.L. "RICON" - PUMP ASSY MODEL "F9TH" From J-7448 To M-7767		GR

From G-7275 To M-7767		Date:07/2024	X3PLB-23
-----------------------	--	--------------	----------

ACCESSORIES

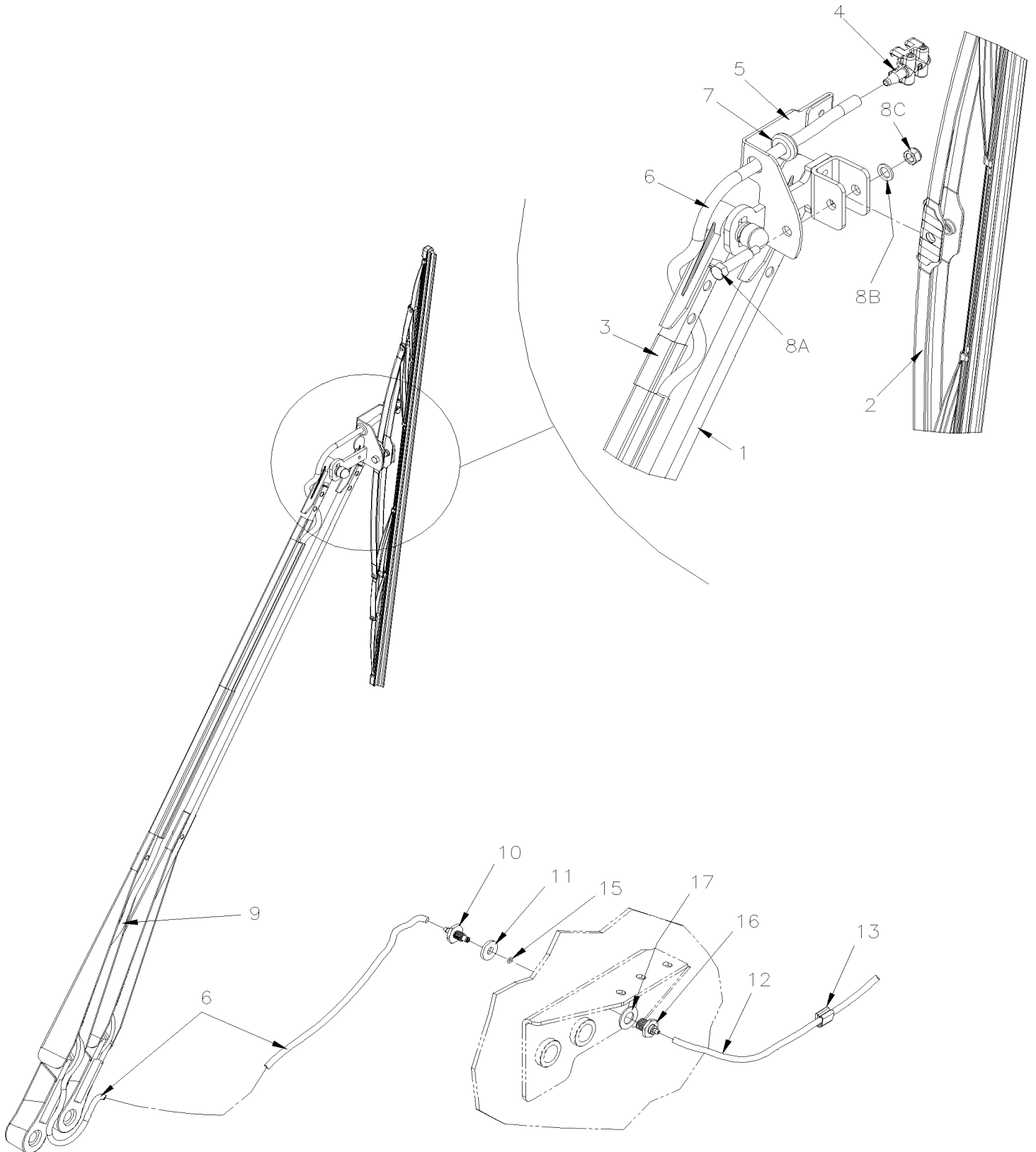
Item#	Part	Description	QTY	Notes
		BU) BURLINGTON STAGE LINE OPTION		
		GR) GREYHOUND "OPTION"		
		HHED) USE WITH OPTION HHED		
		IN) INDIAN TRAILS OPTION		
		S) SILVERADO STAGE OPTION		

From G-7275 To M-7767

Date:07/2024

PAGE:X3PLB-2305-00

LOWER WINDSHIELD WIPER



From G-7275 To M-7767	Date:07/2024	PAGE:X3PLB-2305-00
LOWER WINDSHIELD WIPER		

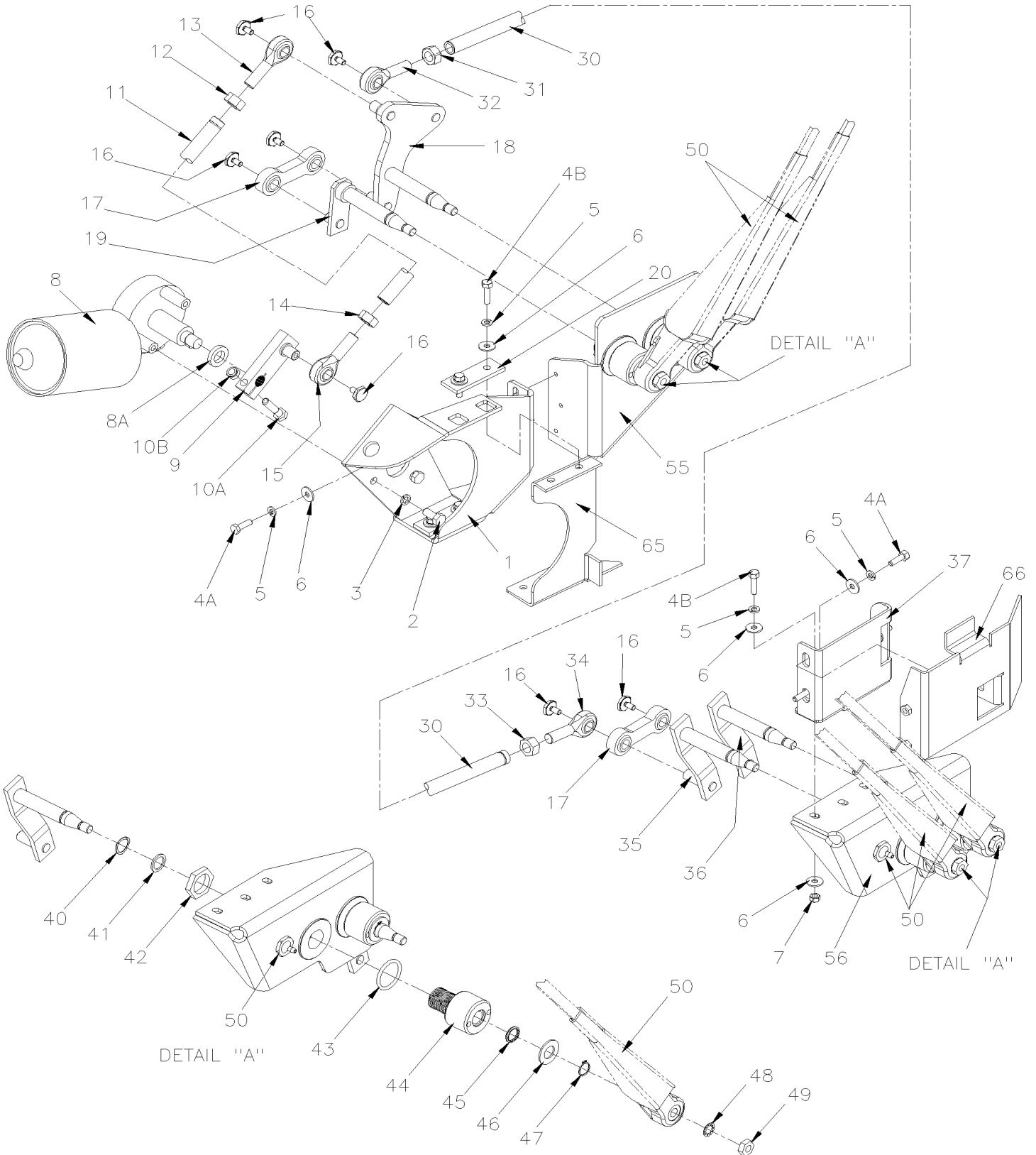
Item#	Part	Description	QTY	Notes
1	800354	ARM WIPER ASSY To L-7676	1	
. NS	800362	. CAP CLOSING LOWER MAIN ARM To L-7676	2	
1	800216	ARM WIPER ASSY From L-7677	1	
. NS	800362	. CAP CLOSING LOWER MAIN ARM From L-7677	2	
2	800378	WIPER BLADE 700MM	1	
3	300642	HOLDER HOSE	1	
4	800361	NOZZLE, WINDSHIELD WASHER "DOGA"	1	
5	300552	NOZZLE SUPPORT / DRIVER'S SIDE To N-8002	1	
5	300730	NOZZLE SUPPORT From N-8003	1	
5	502799	SCREW CAP HEX M4-0.7X16 G8.8 N500 From N-8003	1	
5	500539	NUT HEX NYRT M4-0.7 N500 From N-8003	1	
6	Call order desk	HOSE 1400MM 1/8" I.D	1	P
6	503011	. HOSE / RUBBER 3MM I.D.	AR	
7	504529	GROMMET / .250x.375x.062x.281x.625	1	
8A	800345	SCREW SHR CAP HEX M6X25 [M4-0.7	1	
8A	680038	THREAD LOCKER LOCTITE #243 / BLUE / 50ml	AR	
8C	502557	NUT HEX NYRT M4-0.7 SS	1	
9	948702	TIE CABLE BK 85 X 2.5	1	
10	300645	ADAPTOR HOSE #3 / WET ARM M10-1.5 x 36MM	2	
11	502220	WASHER FL .375x1.000x.125 RUB	2	
12	503002	HOSE / EPDM 5/32" I.D. / S.L.	AR	
NS	561681	CONVOLUTED TUBING / SLIT / BLACK & GRAY / .350"	AR	
13	504536	CABLE CLIP 1/2" / ADHESIVE	AR	
NS	504273	CABLE TIE / 1/8" X 3"1/2	AR	
NS	504637	CABLE TIE / 3/16" x 13"	AR	
15	507198	O RING 3/16I.D. x 5/16O.D. x 1/16	2	
16	300644	ADAPTOR HOSE #3 / WET ARM	2	
17	5001460	WASHER FL .640x1.188x0.073 SS	2	
		P) CALL ORDER DESK FOR SPECIFIC APPLICATION (V.I.N.)		

From G-7275 To K-7662

Date:07/2024

PAGE:X3PLB-2305-05

LOWER WINDSHIELD WIPER - INSTALLATION



From G-7275 To K-7662	Date:07/2024	PAGE:X3PLB-2305-05
LOWER WINDSHIELD WIPER - INSTALLATION		

Item#	Part	Description	QTY	Notes
1	300415	SUPPORT ELECTRIC MOTOR	1	
1	300543	SHIM 20GA	1	
1	300544	SHIM 24GA	1	
2	5001217	SCREW CAP HEX M8-1.25x20 G10.9	3	
3	500942	WASHER LO SPT 8.1x14.8x2.0 N500	3	
4A	502830	SCREW CAP HEX M6-1.0x20 G8.8 N500	6	
4B	5001209	SCREW CAP HEX M6-1.0x25 G8.8 Z050	7	
5	502564	WASHER LO SPT 6.1x11.8x1.6 Z050	13	
6	5001462	WASHER FL 6.4x18.0x1.6 Z050	16	
7	502681	NUT HEX NYRT M6-1.0 N500 G8	3	
8	800380	MOTOR WIPER ASSY / 24V / BOSCH	1	
8A	300424	WASHER	1	
9	300445	CRANK ARM	1	
10A	502651	. SCREW CAP HEX M8-1.25x35 G8.8 Z050	1	
10B	500868	. NUT HEX NYRT M8-1.25 Z050	1	
11	300363	ROD ASSY 254MM C/C	1	
11	300344	. ROD 179MM	1	
12	5001466	. NUT HEX LH M12-1.75 N500	1	
13	502253	. ROD END MALE L.H. M12-1.75-L.HH / 12MM I.D.	1	
14	5001757	. NUT HEX M12-1.75 N500	1	
15	502252	. ROD END MALE M12-1.75 / 12MM I.D.	1	
16	507613	SCREW CAP HEX M6-1.0x12 / W/17MM HEAD ZP	7	
17	502256	DOUBLE LINK 60MM	2	
18	300515	COUPLING PLATE ASSY	1	
19	300519	DRIVE LEVER ASSY EXT	1	
20	300426	PLATE 25MMx70MM	2	
30	300362	ROD ASSY 1168MM C/C	1	
30	300332	. ROD 1093MM	1	
31	5001757	. NUT HEX M12-1.75 N500	1	
32	502252	. ROD END MALE M12-1.75 / 12MM I.D.	1	
33	5001466	. NUT HEX LH M12-1.75 N500	1	
34	502253	. ROD END MALE L.H. M12-1.75-L.HH / 12MM I.D.	1	
35	300524	DRIVE LEVER ASSY INT.	1	
36	300521	DRIVE LEVER ASSY EXT.	1	
37	300336	TRANSITION SUPPORT	1	
40	5001471	WASHER SPR WAVE .855x.650x.015	4	
41	5001459	WASHER SPR WAVE 16.0x22.0x1.5	4	
42	5001463	NUT HEX JAM 1-14 Z050	4	
43	507366	O-RING	4	
44	300333	CAP-HOUSING	4	
. NS	5001455	. BUSHING BRASS 16X20X20	2	
NS	680739	GREASE SYNTHETIC / RED 20KG	AR	

From G-7275 To K-7662	Date:07/2024	PAGE:X3PLB-2305-05
LOWER WINDSHIELD WIPER - INSTALLATION		

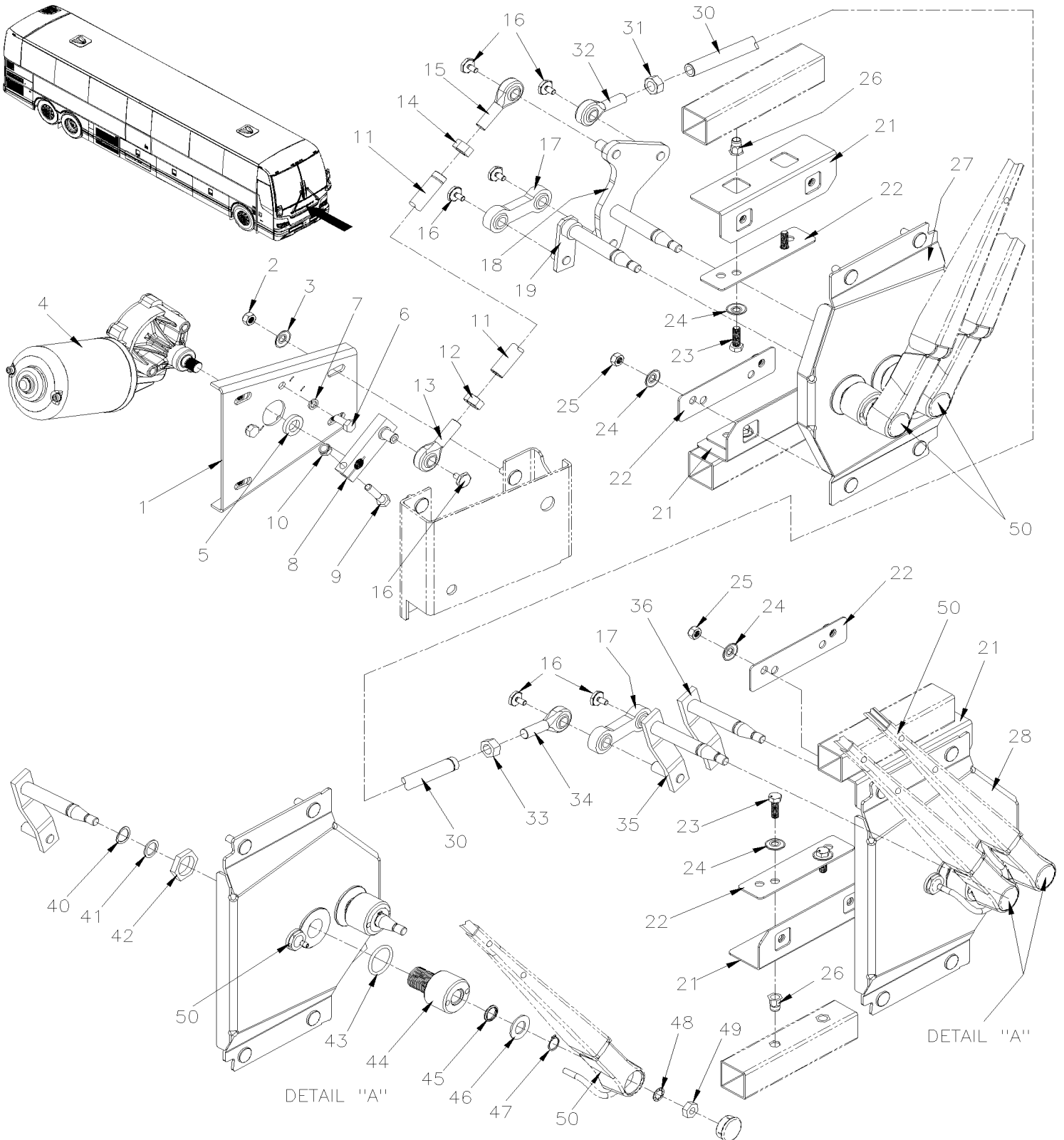
Item#	Part	Description	QTY	Notes
45	507369	O-RING W/BACKING	4	
46	5001460	WASHER FL .640x1.188x0.073 SS	4	
47	504691	RING RETAINER / EXT .625 x .588 x .035" / SS	4	
48	500823	WASHER LO INT 10.5x18.0x0.9 BK	4	
49	502567	NUT HEX M10-1.5 SS	4	
NS	680038	THREAD LOCKER LOCTITE #243 / BLUE / 50ml	AR	
50	X3PLB-2305-00	LOWER WINDSHIELD WIPER		
55	N.S.S.	SUPPORT R.H.	1	1 A
56	N.S.S.	SUPPORT L.H.	1	1 A
65	251087	SUPPORT WIPER R.H.	1	
66	251086	SUPPORT WIPER L.H.	1	
		A) THIS PART IS FIXED IN FRONT FIBERGLASS CAP		
		1) NOT SOLD SEPARATELY		

From L-7663 To M-7767

Date:07/2024

PAGE:X3PLB-2305-06

LOWER WINDSHIELD WIPER - INSTALLATION



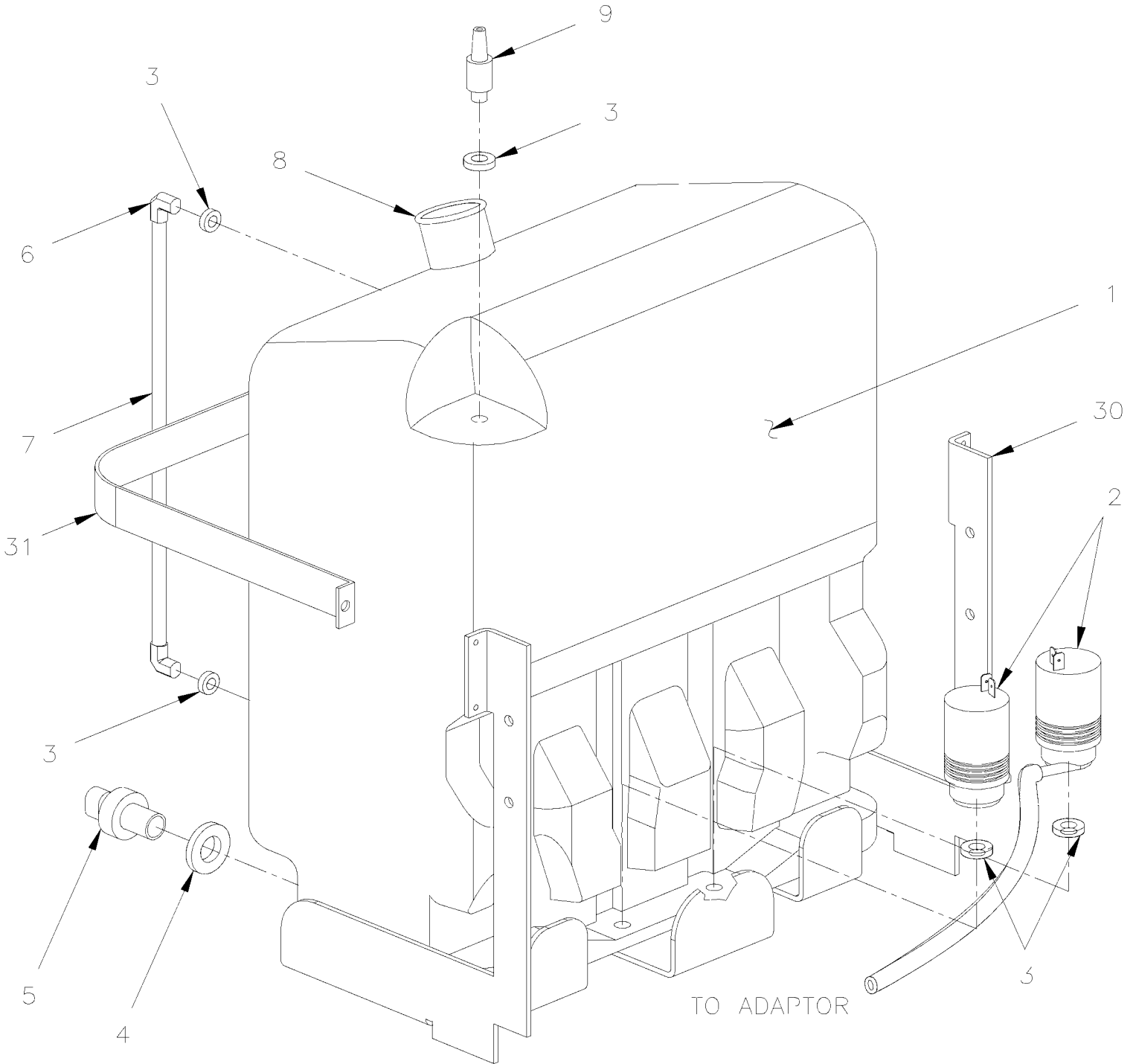
From L-7663 To M-7767	Date:07/2024	PAGE:X3PLB-2305-06
LOWER WINDSHIELD WIPER - INSTALLATION		

Item#	Part	Description	QTY	Notes
1	300057	WIPER MOTOR SUPPORT To P-8096	1	
1	300743	WIPER MOTOR SUPPORT From P-8097	1	
2	5001983	NUT HEX NYRT M8-1.25 SS SS BK	4	
3	5001699	WASHER BEL SPR 8.2x22x1.4 N500	4	
4	800380	MOTOR WIPER ASSY / 24V / BOSCH To P-8096	1	
4	800401	MOTOR WIPER ASSY / 24V / DOGA From P-8097	1	
5	300424	WASHER	1	
6	5001217	SCREW CAP HEX M8-1.25x20 G10.9	3	
7	500942	WASHER LO SPT 8.1x14.8x2.0 N500	3	
8	300445	CRANK ARM	1	
9	502651	. SCREW CAP HEX M8-1.25x35 G8.8 Z050	1	
10	500868	. NUT HEX NYRT M8-1.25 Z050	1	
11	300363	ROD ASSY 254MM C/C	1	
11	300344	. ROD 179MM	1	
12	5001757	. NUT HEX M12-1.75 N500	1	
13	502252	. ROD END MALE M12-1.75 / 12MM I.D.	1	
14	5001466	. NUT HEX LH M12-1.75 N500	1	
15	502253	. ROD END MALE L.H. M12-1.75-L.HH / 12MM I.D.	1	
16	507613	SCREW CAP HEX M6-1.0x12 / W/17MM HEAD ZP	7	
17	502256	DOUBLE LINK 60MM	2	
18	300515	COUPLING PLATE ASSY	1	
19	300519	DRIVE LEVER ASSY EXT	1	
21	300178	WIPER ANCHOR PLATE	4	
22	300188	WIPER PLATE	8	
23	5001745	SCREW CAP HEX M8-1.25x25 G8.8 N500	8	
24	5001699	WASHER BEL SPR 8.2x22x1.4 N500	16	
25	5001983	NUT HEX NYRT M8-1.25 SS SS BK	8	
26	5001692	NUT INS FL HEX M8-1.25 0.5-3.0 SS	8	
27	300058	ANCHOR PLATE RH	1	
28	300060	ANCHOR PLATE LH	1	
30	300362	ROD ASSY 1168MM C/C	1	
30	300332	. ROD 1093MM	1	
31	5001757	. NUT HEX M12-1.75 N500	1	
32	502252	. ROD END MALE M12-1.75 / 12MM I.D.	1	
33	5001466	. NUT HEX LH M12-1.75 N500	1	
34	502253	. ROD END MALE L.H. M12-1.75-L.HH / 12MM I.D.	1	
35	300668	DRIVE LEVER ASSY INT.	1	
36	300667	DRIVE LEVER ASSY EXT.	1	
40	5001471	WASHER SPR WAVE .855x.650x.015	4	

From L-7663 To M-7767	Date:07/2024	PAGE:X3PLB-2305-06
LOWER WINDSHIELD WIPER - INSTALLATION		

Item#	Part	Description	QTY	Notes
41	5001459	WASHER SPR WAVE 16.0x22.0x1.5	4	
42	5001463	NUT HEX JAM 1-14 Z050	4	
43	507366	O-RING	4	
44	300333	CAP-HOUSING	4	
. NS	5001455	. BUSHING BRASS 16X20X20	2	
NS	680739	GREASE SYNTHETIC / RED 20KG	AR	
45	507369	O-RING W/BACKING	4	
46	5001460	WASHER FL .640x1.188x0.073 SS	4	
47	504691	RING RETAINER / EXT .625 x .588 x .035" / SS	4	
48	500823	WASHER LO INT 10.5x18.0x0.9 BK	4	
49	502567	NUT HEX M10-1.5 SS	4	
NS	680038	THREAD LOCKER LOCTITE #243 / BLUE / 50ml	AR	
50	X3PLB-2305-00	LOWER WINDSHIELD WIPER		

WINDSHIELD WASHER - INSTALLATION



From G-7275 To M-7767	Date:07/2024	PAGE:X3PLB-2305-20
WINDSHIELD WASHER - INSTALLATION		

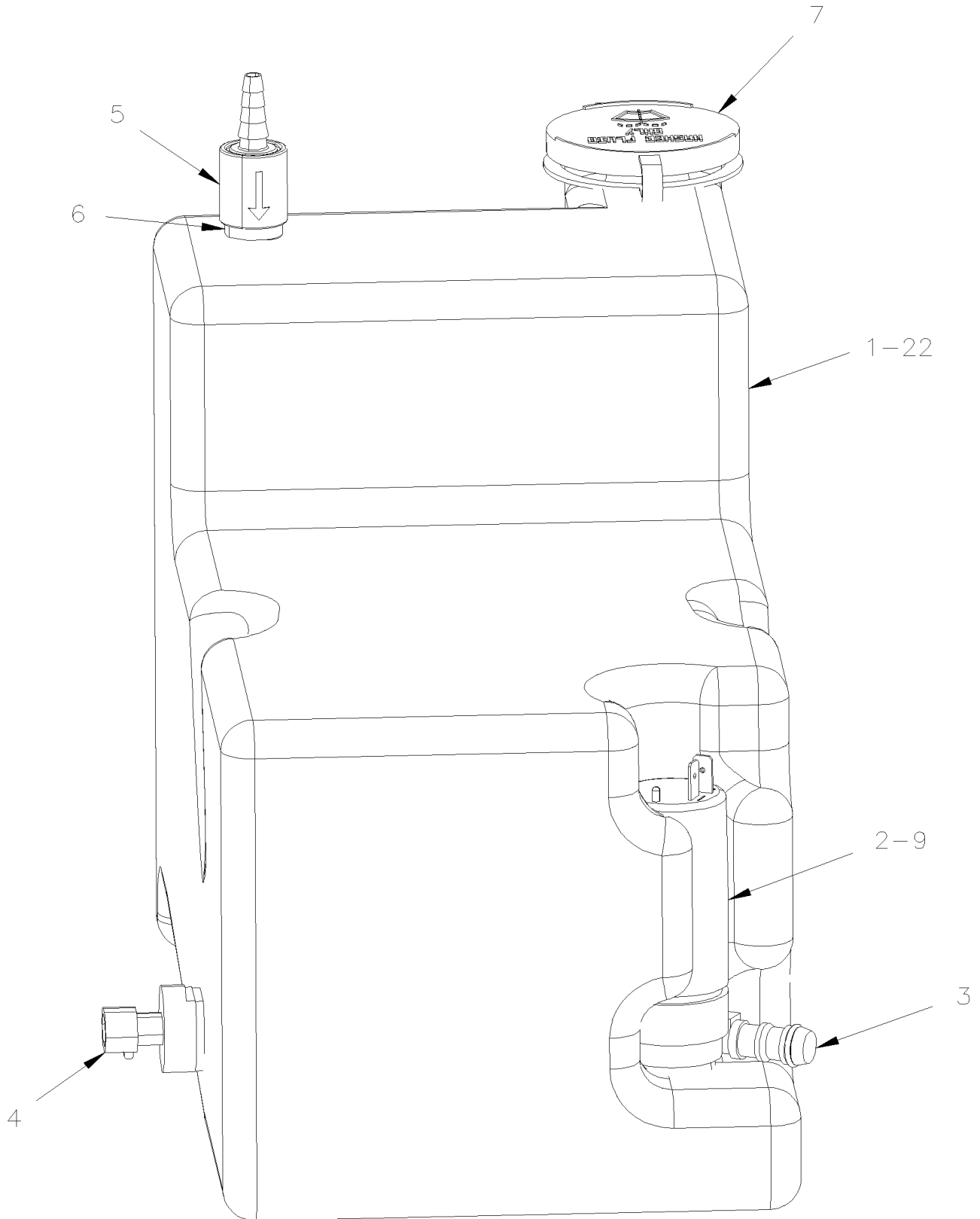
Item#	Part	Description	QTY	Notes
1	800379	WINDSHIELD WASHER TANK	1	
2	800346	. PUMP WINDSHIELD WASHER 24V	2	
3	800348	. SEAL RETAINER	5	
4	800349	. SEAL RETAINER	1	
5	800364	. SENSOR LEVEL-LOW	1	
. NS	563409	. . CONNECTOR / SUPERSEAL 1.5 SERIES / SH 2C / AMP 282080-1	1	
. NS	562607	. . SOCKET TERMINAL / 20-16 / AMP 183025-1	2	
6	800352	. ELBOW 90°	2	
7	560382	. PLASTIC TUBING / 1/4" / CLEAR	AR	
8	800350	. COVER WASHER RESERVOIR	1	
9	800351	. CHECK VALVE	1	
20	503002	HOSE / EPDM 5/32" I.D. / S.L.	AR	
30	286422	SUPPORT / WINDSHIELD WASHER TANK / WELDED TO STRUCTURE	1	
31	287097	STRAP RETAINING SS / 330MM x 196MM	1	
31	502854	NUT HEX M6-1.0 N500	2	
31	502570	WASHER LO SPT 6.1x11.8x1.6 SS	2	
32	800364	SENSOR LEVEL-LOW	1	
. NS	563409	. CONNECTOR / SUPERSEAL 1.5 SERIES / SH 2C / AMP 282080-1	1	
. NS	562607	. SOCKET TERMINAL / 20-16 / AMP 183025-1	2	
33	066561	CABLE ASSY / ADAPTOR / FORMER LEVEL & NEW LEVEL (SERVICE ONLY)	1	
35	067948	CABLE ASSY / ADAPTOR / NEW LEVEL (SERVICE ONLY)	1	

From G-7275 To M-7767

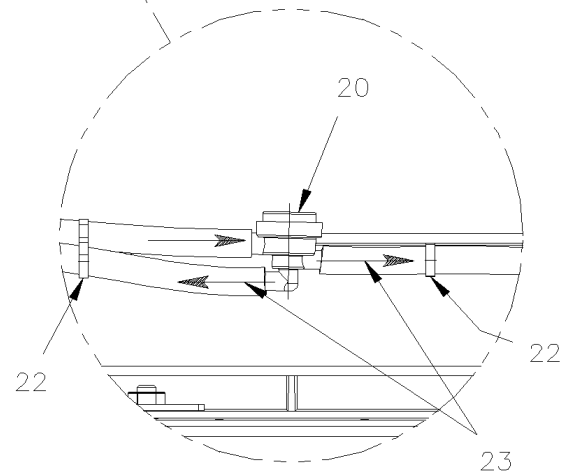
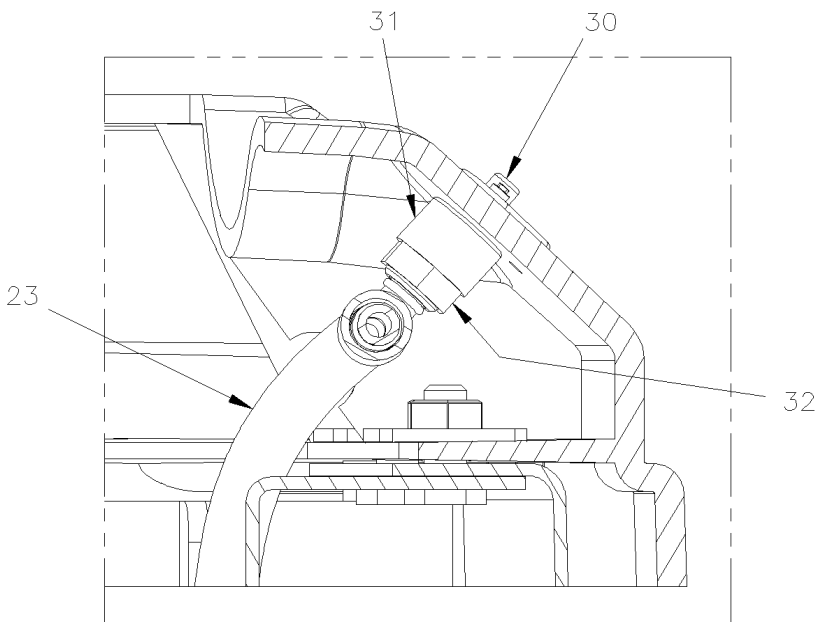
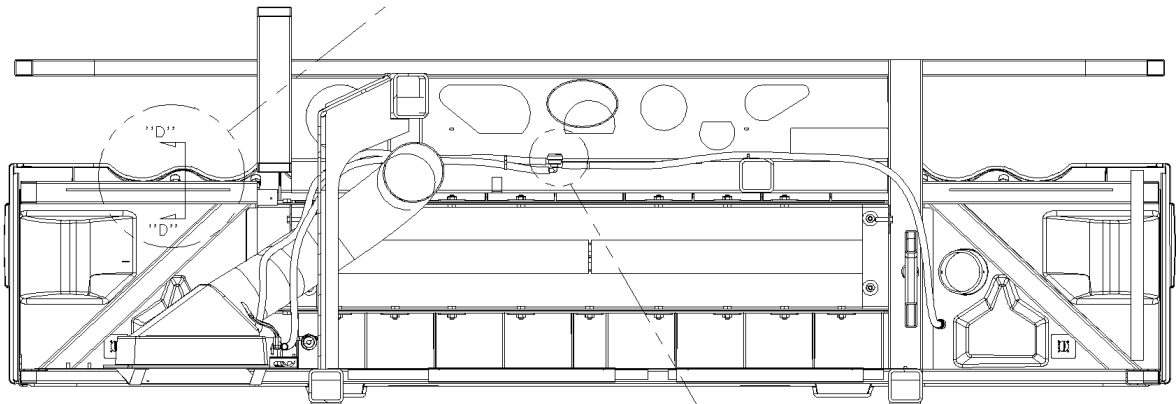
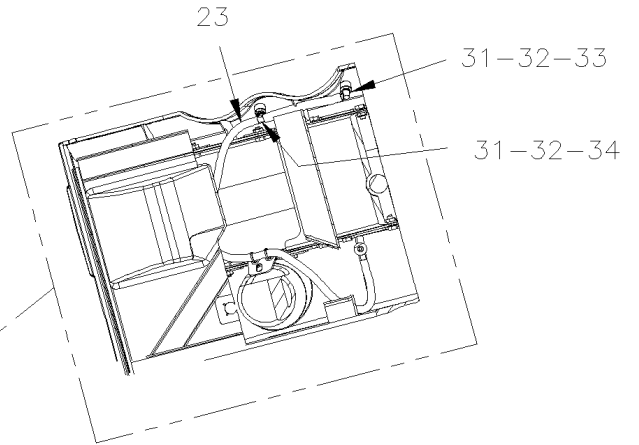
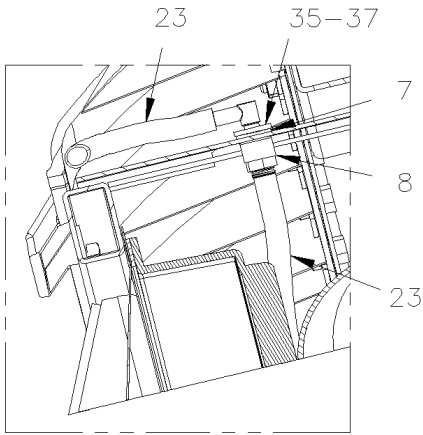
Date:07/2024

PAGE:X3PLB-2305-25

HEAD LAMP CLEANING WASHER TANK



HEAD LAMP CLEANING WASHER TANK



SECTION D-D

From G-7275 To M-7767	Date:07/2024	PAGE:X3PLB-2305-25
HEAD LAMP CLEANING WASHER TANK		

Item#	Part	Description	QTY	Notes
	300573P	HEADLAMP WASHER TANK ASSY	1	
1	300577P	. HEADLAMP WASHER TANK	1	
2	800367	. PUMP SEALBEAM WASHER	1	
3	800368	. GROMMET PUMP	1	
4	800364	. SENSOR LEVEL-LOW	1	
. NS	563409	. . CONNECTOR / SUPERSEAL 1.5 SERIES / SH 2C / AMP 282080-1	1	
. NS	562607	. . SOCKET TERMINAL / 20-16 / AMP 183025-1	2	
5	800351	. CHECK VALVE	1	
6	800348	. SEAL RETAINER	1	
7	20462640	. COVER WASHER RESERVOIR	1	
7	300621	. GASKET / COVER WASHER RESERVOIR	1	
8	800373	NUT NOZZLE ADAPTOR	4	
9	068330	CABLE ASSY/ HEADLAMP WASHER To H-7416	1	
9	060076	CABLE ASSY/ HEADLAMP WASHER From H-7417	1	
20	800371	VALVE CENTRAL	1	
21	504731	TIE RUBBER BELT, W/HOOK 15"	1	
22	504637	CABLE TIE / 3/16" x 13"	1	
23	800376	HOSE HEADLAMP WASHER / 5M	AR	
30	800372	NOZZLE SEALBEAM WASHER	4	
NS	800377	TOOL, ALIGNMENT NOZZLE HEADLAMP	AR	
31	800374	SPACER NOZZLE WASHER	4	
32	502881	NUT HEX JAM THN 5/8-18x3/8 N500	4	
33	800369	ELBOW NOZZLE ADAPTOR	6	
34	800370	TEE CONNECTOR	2	
35	800375	ADAPTOR WALL / FRONT FACE	2	
36	800373	NUT NOZZLE ADAPTOR	2	
37	507214	O-RING	2	
NS	300563	RESERVOIR SUPPORT FOR HOOK / HEADLAMP WASH.	2	
NS	300570	RESERVOIR SUPPORT SIDE	4	
NS	509815	TIE MOUNT / ATTACHMENT W/TREE MOUNT	4	
NS	430632	RETROFIT KIT, HEADLAMP WASHER / SERIES "XLII" & "X3"	1	

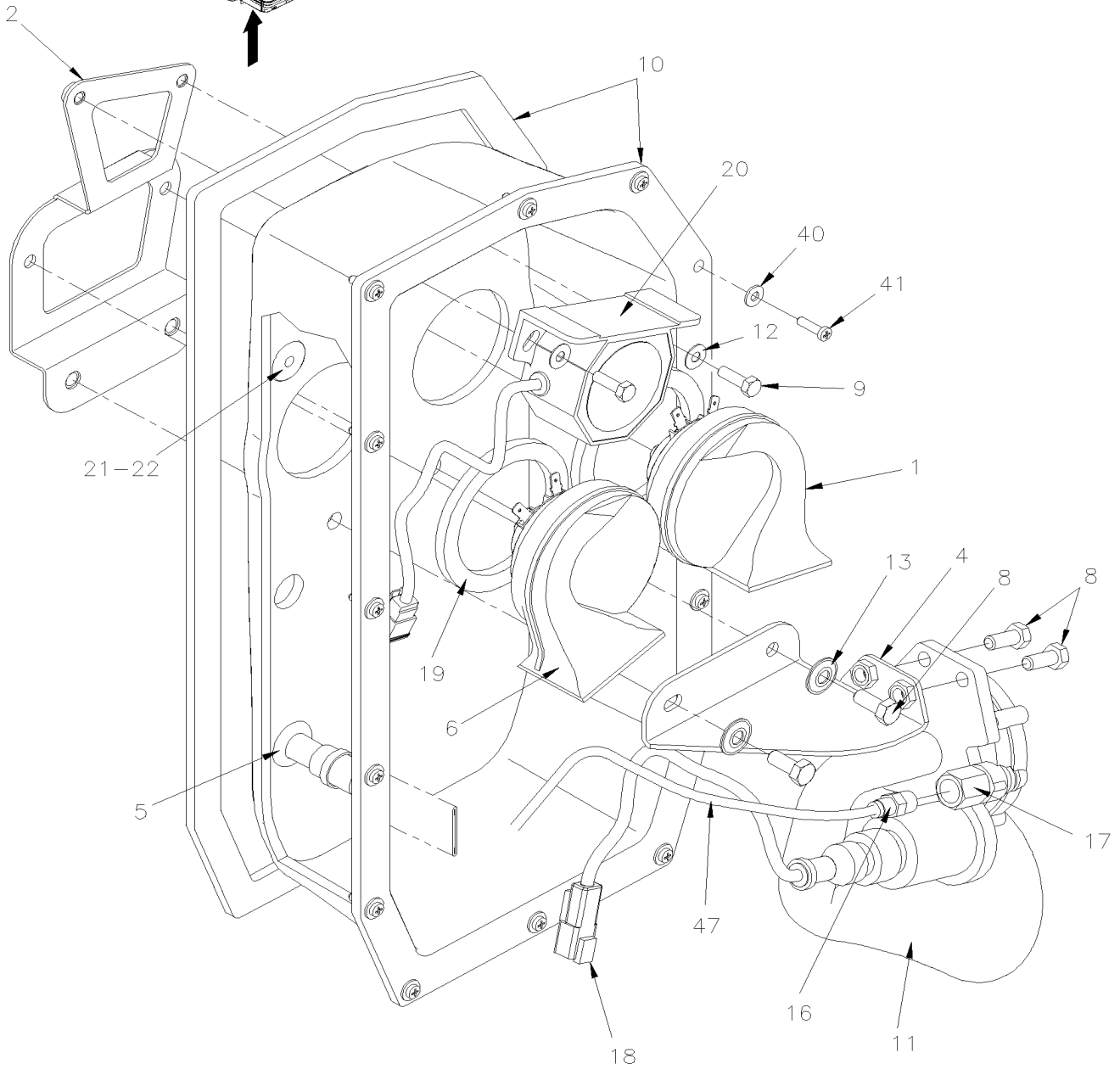
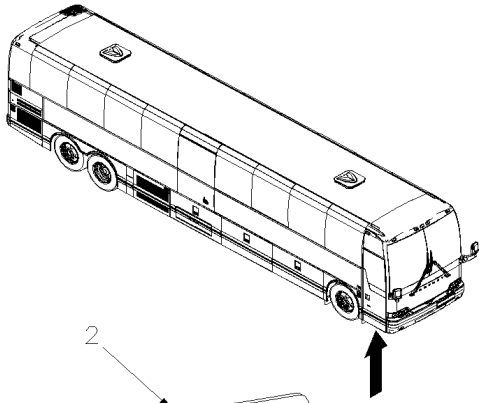
From G-7275 To M-7767

Date:07/2024

PAGE:X3PLB-2310-00

HORN - INSTALLATION

UP TO K-7578



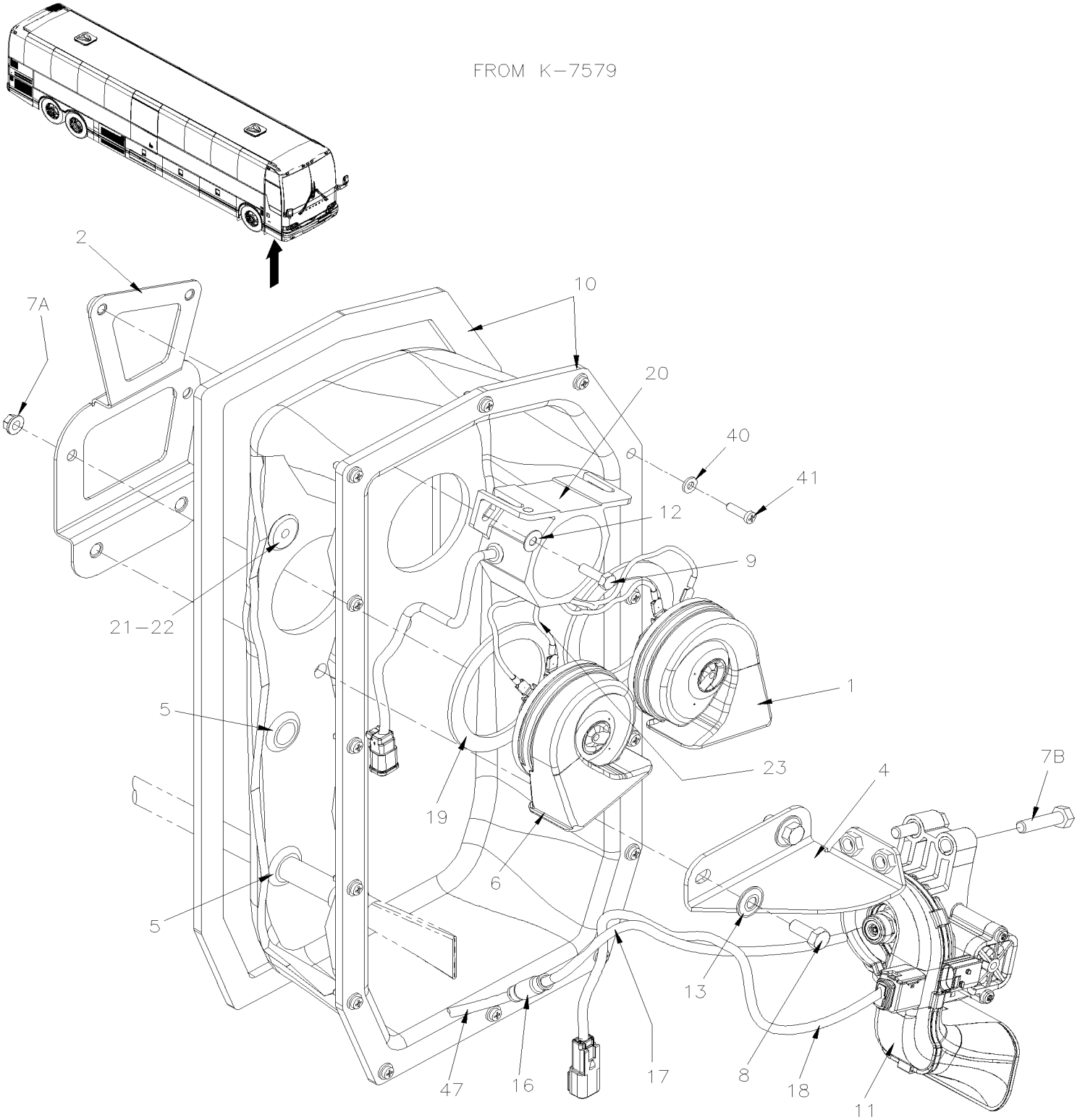
From G-7275 To M-7767

Date:07/2024

PAGE:X3PLB-2310-00

HORN - INSTALLATION

FROM K-7579



From G-7275 To M-7767	Date:07/2024	PAGE:X3PLB-2310-00
HORN - INSTALLATION		

Item#	Part	Description	QTY	Notes
	143290	HORNS BOX ASSY AIR & ELECTRIC To K-7585	1	
	142440	HORNS BOX ASSY AIR & ELECTRIC From K-7586	1	
1	563015	. HORN, ELECTRIC / LOW 405HZ / 12V "FIAM" SERVICE To J-7514	1	
1	560624	. HORN, ELECTRIC / LOW 405HZ / 12V "FIAM" SERVICE From J-7515	1	
NS	5001835	. NUT HEXF M6-1.0 SS To K-7585	1	
2	140034	. SUPPORT, HORN ASSY. To J-7514	1	
2	140022	. SUPPORT, HORN ASSY. From J-7515	1	
4	142828	. SUPPORT AIR HORN To K-7585	1	
4	142852	. SUPPORT AIR HORN From K-7586	1	
5	504421	. GROMMET / .625x.875x.187x.437x1.125	1	
6	563023	. HORN, ELECTRIC / HIGH 485HZ / 12V "FIAM" SERVICE To J-7514	1	
6	560625	. HORN, ELECTRIC / HIGH 485HZ / 12V "FIAM" SERVICE From J-7515	1	
NS	5001835	. NUT HEXF M6-1.0 SS To K-7585	1	
NS	680111	. GREASE PROTECTIVE / NYK77 (8 oz)	AR	
7A	5001835	. NUT HEXF M6-1.0 SS From K-7586	2	
7B	502836	. SCREW CAP HEX M8-1.25x35 G8.8 N500 From K-7586	2	
8	502862	. SCREW CAP HEX M8-1.25x20 G8.8 N500 To K-7585	4	
8	502862	. SCREW CAP HEX M8-1.25x20 G8.8 N500 From K-7586	2	
9	502830	. SCREW CAP HEX M6-1.0x20 G8.8 N500	2	
10	145607	. PLASTIC BOX, HORN	1	
10	501580	. SEAL, HORN BOX	1	
11	21246652	. HORN AIR To K-7585	1	A
11	23150684	. HORN AIR From K-7586	1	
12	5001608	. WASHER BEL SPR 6.2x15.0x0.7 G500	2	
13	5001699	. WASHER BEL SPR 8.2x22x1.4 N500	2	
14	680025	. CAULKING STRIP 3/16" O.D. X 14'	AR	
15	680066	. ADHESIVE / ADBOND #5014 / 23.6ML BOTTLE	AR	
16	641332	. MALE CONNECTOR / PUSH-IN FITTING / #4x1/4NPT-M BR To K-7585	1	
16	641507	. UNION / PUSH-IN FITTING / #4 x 6MM NP From K-7586	1	
17	5011304	. FEMALE CONNECTOR / PIPE @ ORB / 1/4NPT-FxM12-1.5 ORB-M To K-7585	1	
17	503040	. TUBE, NYLON 6MM O.D. / WHITE S.L. From K-7586	AR	
18	067321	. CABLE ASSY To H-7416	2	
18	060077	. CABLE ASSY / AIR HORN From H-7417 To K-7585	1	
18	0610004	. CABLE ASSY / AIR HORN From K-7586	1	
19	142869	. INSULATING PAD To J-7514	2	
19	140100	. INSULATING PAD From J-7515	2	
20	065593	. ALARM "KNEELING"	1	
. NS	563164	. . ALARM "KNEELING"	1	
21	504625	GROMMET / .250x.750x.250x.437x1.000	1	
22	504076	PLUG BUTTON / .750 O.D. / NICKEL W/OUT "KNEELING"	1	
23	066540	HARNESS / HORN & CONNECTOR To H-7416	1	
23	060074	HARNESS / HORN & CONNECTOR From H-7417	1	

From G-7275 To M-7767	Date:07/2024	PAGE:X3PLB-2310-00
-----------------------	--------------	--------------------

HORN - INSTALLATION

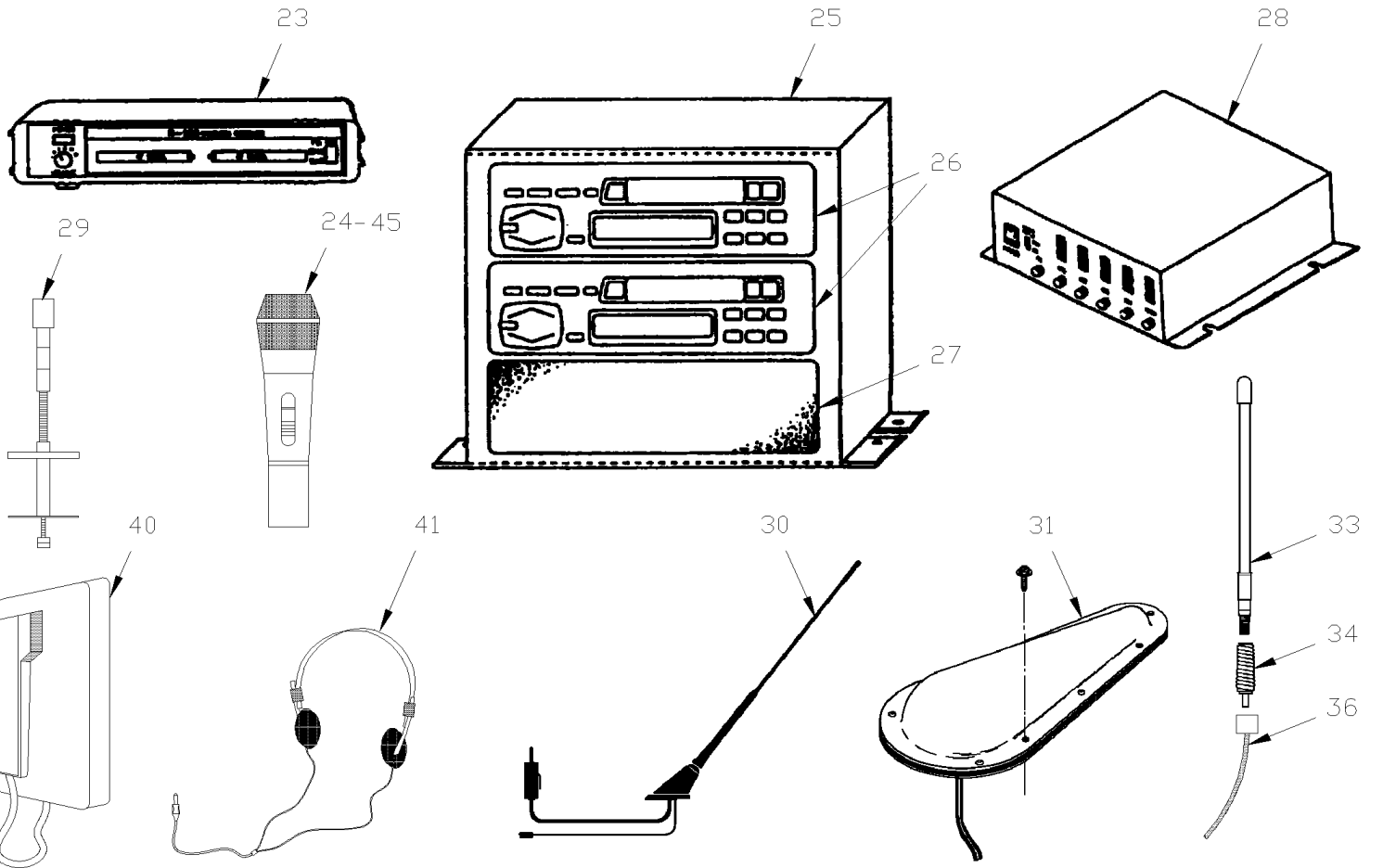
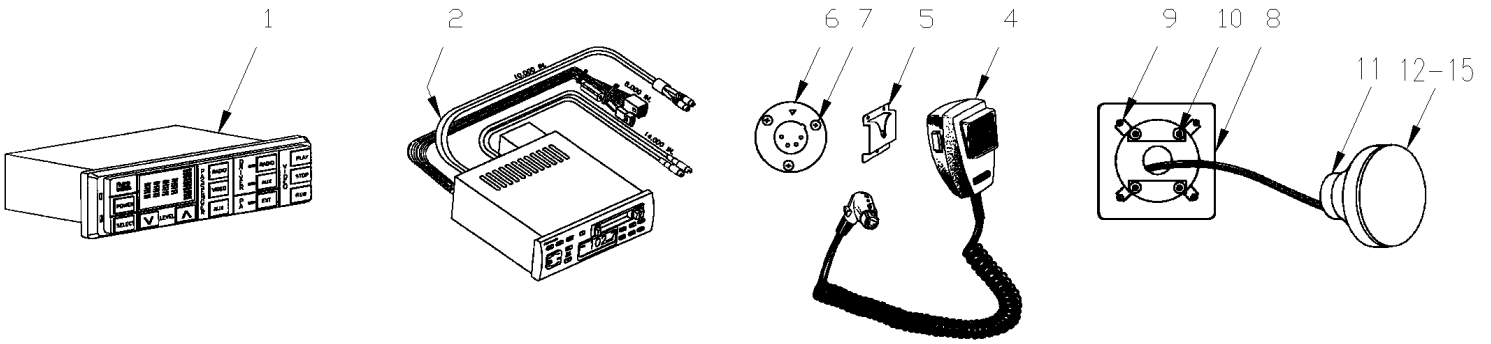
Item#	Part	Description	QTY	Notes
40	5001137	WASHER FL .203x.438x.050 SS	14	
41	500623	SCREW TC PAN PH #10-24x3/4 N500	14	
45	641907	UNION / PUSH-IN FITTING / #4x#4 BR	1	
47	503402	TUBE, NYLON 1/4 O.D. / BLACK S.L.	AR	
		A) WHEN YOU REPLACE THE HORN BY THE NEW 23150684 YOU ALSO NEED HARNESS 0610004 , TUBE 145591, ADAPTER 641507, SUPPORT 142852 & SCREW 2X 502836		

From G-7275 To M-7767

Date:07/2024

PAGE:X3PLB-2315-00

SOUND SYSTEM & ACCESSORIES



From G-7275 To M-7767	Date:07/2024	PAGE:X3PLB-2315-00
SOUND SYSTEM & ACCESSORIES		

Item#	Part	Description	QTY	Notes
1	21516503	CONTROL HEAD / "VOLVO" (VSS-05) To J-7503	1	
. NS	21251311	. REMOTE CONTROL / CONTROL HEAD VOLVO / VSS05 To J-7503	1	
1	900238	CONTROL HEAD / "VOLVO" (VSS-05A) From J-7504	1	
. NS	21251311	. REMOTE CONTROL / CONTROL HEAD VOLVO / VSS05 From J-7504	1	
1	900803	CONTROL HEAD / "R.E.I." SYSTEM 2000	1	R
. NS	563064	. BULB (CONTROL HEAD GREEN) / 12VOLTS / 2700	1	R
2	901437	RADIO "PREVOST" AM/FM/CD & MP3 BLUETOOTH (DELPHI / PANA PACIFIC) To H-7416	1	
2	23000462	RADIO "PREVOST" AM/FM/CD & MP3 BLUETOOTH (PANA PACIFIC) From H-7417	1	
2	901439	RADIO "PREVOST" AM/FM/CD & MP3 BLUETOOTH & XM (DELPHI / PANA PACIFIC) To H-7416	1	
2	23000444	RADIO "PREVOST" AM/FM/CD & MP3 BLUETOOTH & XM & SIRIUS (PANA PACIFIC) From H-7417	1	
2	901438	RADIO "PREVOST" AM/FM/CD & MP3 BLUETOOTH SIRIUS (DELPHI / PANA PACIFIC) To H-7416	1	
2	23000444	RADIO "PREVOST" AM/FM/CD & MP3 BLUETOOTH & XM & SIRIUS (PANA PACIFIC) From H-7417	1	
2	390021	REPLACEMENT OF RADIO #901437 BY #23000462 To H-7416	1	
. NS	23000444	. RADIO "PREVOST" AM/FM/CD & MP3 BLUETOOTH & XM & SIRIUS (PANA PACIFIC) To H-7416	1	
. NS	061010	. JUMPER HARNESS FOR DEA5XX RADIO To H-7416	1	
. NS	563962	. CONNECTOR / JUNIOR POWER TIMER / SH 8C / AMP 962191-1 To H-7416	1	
. NS	IS16100	. SEE INSTRUCTION SHEET To H-7416	1	
2	390023	REPLACEMENT OF RADIO #901438 & #901439 BY #23000444 To H-7416	1	
. NS	23000444	. RADIO "PREVOST" AM/FM/CD & MP3 BLUETOOTH & XM & SIRIUS (PANA PACIFIC) To H-7416	1	
. NS	061010	. JUMPER HARNESS FOR DEA5XX RADIO To H-7416	1	
. NS	563962	. CONNECTOR / JUNIOR POWER TIMER / SH 8C / AMP 962191-1 To H-7416	1	
. NS	IS16100	. SEE INSTRUCTION SHEET To H-7416	1	
2	406440	ATTACHMENT / RADIO	1	
2	500989	WASHER FL .219x.875x.062 Z050	1	
2	500470	WASHER LO SPT .193x.334x.047 Z050	1	
2	502816	NUT HEX M5-0.8 N500	1	
4	900808	MICROPHONE / W/6' CORD / "REI" TYPE C.B.	1	
. NS	900721	. CONNECTOR MICROPHONE 90° / R4F	1	
4	900829	MICROPHONE / W/10' CORD / "REI" TYPE C.B.	1	
. NS	900721	. CONNECTOR MICROPHONE 90° / R4F	1	
. NS	900900	. CABLE MICROPHONE 10' / "REI"	1	
4	901286	MICROPHONE / W/10' CORD / "REI" TYPE C.B.	1	
. NS	900721	. CONNECTOR MICROPHONE 90° / R4F	1	
. NS	900900	. CABLE MICROPHONE 10' / "REI"	1	
4	7770304	HANDS FREE MICROPHONE	1	
5	900859	BRACKET, MOUNTING / MICROPHONE	AR	
5	500583	SCREW TP PAN PH #6x1/2 Z050	AR	
6	404226	OUTLET, MICROPHONE / 12" W/CONNECTOR	AR	
6	404300	CABLE ASSY / MICRO M/F / 60'	1	A
6	066870	CABLE MICRO / MODESTY PANEL & PLATE AUDIO	1	
7	500798	SCREW TP PAN PH #4-3/8 ZP	AR	

From G-7275 To M-7767	Date:07/2024	PAGE:X3PLB-2315-00
SOUND SYSTEM & ACCESSORIES		

Item#	Part	Description	QTY	Notes
8	X3PLB-1812-00	MODESTY PANEL L.H.		
9	502811	NUT SPR J #8A-B .168-.198	4	
NS	500364	SCREW MA FL SLT 1/4-20x3/4 ZP	8	
10	500643	SCREW TP PAN PH #12x3/4 Z050	4	
11	901195	SPEAKER COAXIAL	1	D
12	901261	GRILLE / SPEAKER NO STAMPED	1	D
12	067127	CABLE ASSY / DASH & PARCEL RACK	1	
12	067516	CABLE ASSY / DASH & PARCEL RACK	1	R
15	901194	SPEAKER DUAL CONE	1	P
15	901195	SPEAKER COAXIAL	1	P
NS	500235	SCREW TP BDG PH #6x3/4 N500	4	P
23	901201	RECEIVER WIRELESS MICROPHONE / 16 CHANNEL To H-7402	1	
23	901657	RECEIVER WIRELESS MICROPHONE / 200 CHANNEL From H-7403	1	
23	900050	BRACKET RECEIVER WIRELESS MIC To H-7402	2	
24	900954	MICROPHONE, WIRELESS / 16 CHANNEL To H-7402	1	
NS	685199	BATTERY 1.5V / TYPE "AA" / RECHARGEABLE To H-7402	AR	
24	901640	MICROPHONE, WIRELESS / 100 CHANNEL From H-7403	1	
NS	900953	STATION WIRELESS BATTERY CHARGING 16 CHANNEL To H-7402	1	
NS	901639	STATION WIRELESS BATTERY CHARGING 100 CHANNEL From H-7403	1	
25	406361	SUPPORT, RADIO (3 RADIO) & DVD REI To K-7547	1	
25	400651	SUPPORT, RADIO (4 RADIO) & DVD REI From K-7548	1	
25	406360	SUPPORT, RADIO (1RADIO) & DVD REI To K-7662	1	
25	401259	SUPPORT, RADIO (1RADIO) & DVD SUPP. From L-7663	1	
26	901437	RADIO "PREVOST" AM/FM/CD & MP3 BLUETOOTH (DELPHI / PANA PACIFIC) To H-7416	1	
26	23000462	RADIO "PREVOST" AM/FM/CD & MP3 BLUETOOTH (PANA PACIFIC) From H-7417	1	
26	901439	RADIO "PREVOST" AM/FM/CD & MP3 BLUETOOTH & XM (DELPHI / PANA PACIFIC) To H-7416	1	
26	23000444	RADIO "PREVOST" AM/FM/CD & MP3 BLUETOOTH & XM & SIRIUS (PANA PACIFIC) From H-7417	1	
26	901438	RADIO "PREVOST" AM/FM/CD & MP3 BLUETOOTH SIRIUS (DELPHI / PANA PACIFIC) To H-7416	1	
26	23000444	RADIO "PREVOST" AM/FM/CD & MP3 BLUETOOTH & XM & SIRIUS (PANA PACIFIC) From H-7417	1	
26	390021	REPLACEMENT OF RADIO #901437 BY #23000462 To H-7416	1	
NS	23000444	RADIO "PREVOST" AM/FM/CD & MP3 BLUETOOTH & XM & SIRIUS (PANA PACIFIC) To H-7416	1	
NS	061010	JUMPER HARNESS FOR DEA5XX RADIO To H-7416	1	
NS	563962	CONNECTOR / JUNIOR POWER TIMER / SH 8C / AMP 962191-1 To H-7416	1	
NS	IS16100	SEE INSTRUCTION SHEET To H-7416	1	
26	390023	REPLACEMENT OF RADIO #901438 & #901439 BY #23000444 To H-7416	1	
NS	23000444	RADIO "PREVOST" AM/FM/CD & MP3 BLUETOOTH & XM & SIRIUS (PANA PACIFIC) To H-7416	1	
NS	061010	JUMPER HARNESS FOR DEA5XX RADIO To H-7416	1	
NS	563962	CONNECTOR / JUNIOR POWER TIMER / SH 8C / AMP 962191-1 To H-7416	1	
NS	IS16100	SEE INSTRUCTION SHEET To H-7416	1	
26	406440	ATTACHMENT / RADIO	1	
26	500989	WASHER FL .219x.875x.062 Z050	1	
26	500470	WASHER LO SPT .193x.334x.047 Z050	1	

From G-7275 To M-7767	Date:07/2024	PAGE:X3PLB-2315-00
SOUND SYSTEM & ACCESSORIES		

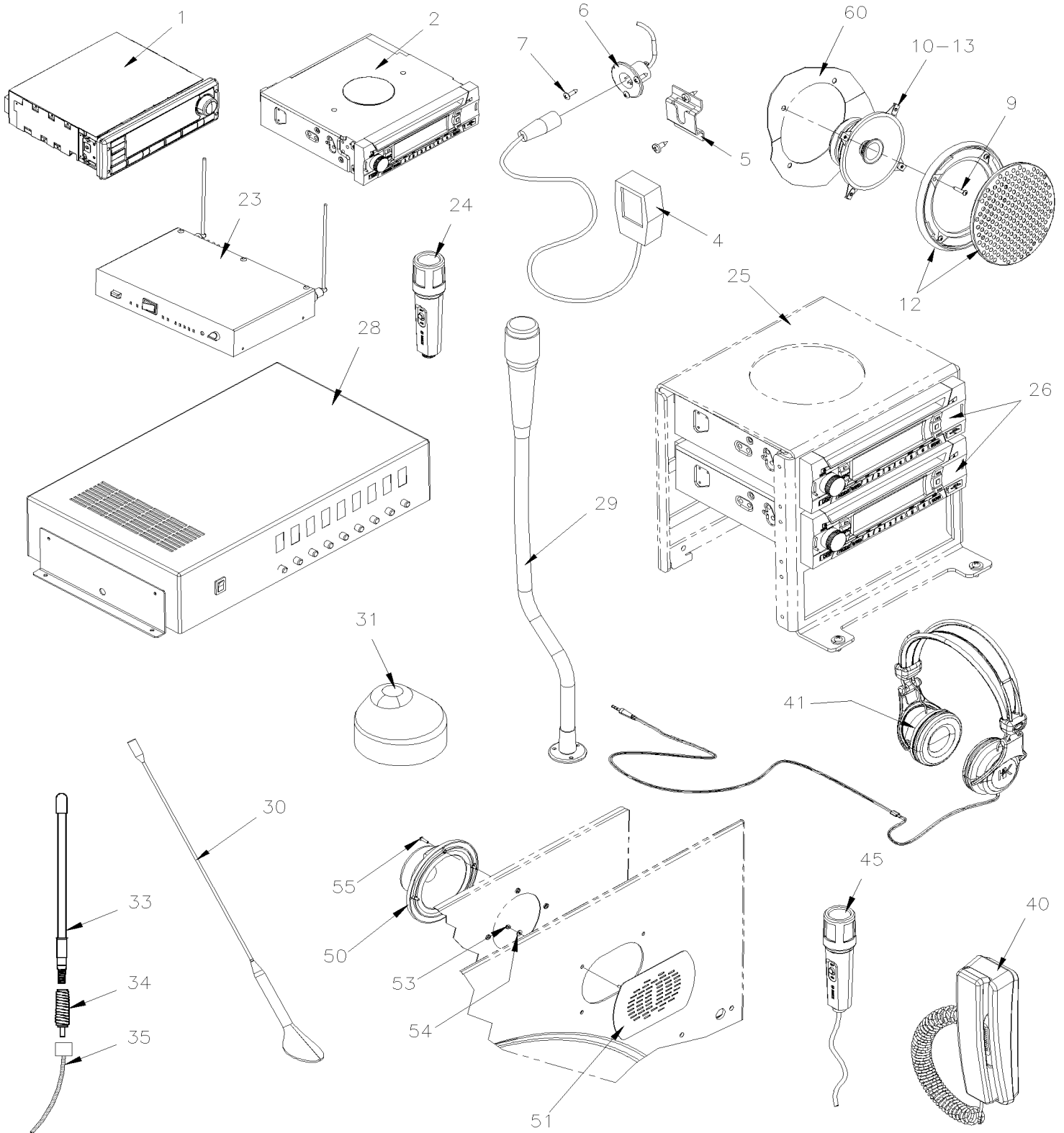
Item#	Part	Description	QTY	Notes
26	502816	NUT HEX M5-0.8 N500	1	
27	900849	PLATE RADIO "DUMMY"	AR	
NS	067853	CABLE CONVERTISSOR AUDIO / AUXILIARY	1	
28	X3PLB-2315-20	INDIVIDUAL STATIONS - "R.E.I."		
29	901045	MICROPHONE / W/GOOSE NECK 36"	1	
NS	504234	SPRING CLIP 5/16" To K-7662	2	
29	504234	SPRING CLIP 5/16" From L-7663	1	
NS	500409	SCREW TP PAN PH #8x1/2 BK To K-7662	2	
29	5001155	SCREW TP PAN PH #8X3/4 N050 From L-7663	1	
NS	500862	SCREW TC PAN PH #6-32x3/4 Z050	3	
30	901371	ANTENNA, RADIO / W/AMPLIFIER To K-7662	1	
30	23037107	ANTENNA AM/FM/DAB W/SPRING 200MM From L-7663	1	
30	22571367	ANTENNA AM/FM/DAB 200MM From L-7663	1	
30	22472986	ANTENNA AM/FM/DAB FLEXABLE From L-7663	1	
30	901252	EXTENSION CABLE FOR RADIO ANTENNA 25' To H-7416	1	
30	900060	EXTENSION CABLE FOR RADIO ANTENNA 20' From H-7417 To K-7662	1	
30	901728	CABLE RG58 AM-FM ANTENNA FAKRA B FEM WHT 25' From L-7663	1	
NS	901219	ANTENNA ROOF "XM" & SIRIUS"	1	
NS	901220	CABLE, ANTENNA EXTENSION / "XM & SIRIUS"	1	
NS	900775	Y RADIO ANTENNA CABLE / TO USE W/2 RADIOS	AR	
NS	900663	ADAPTOR / RADIO & ANTENNA CABLE / MOTOROLA MALE to EURO FEMA	AR	
30	901372	CABLE ADAPTOR / RADIO & ANTENNA CABLE / MOTOROLA / M TO EURO / F	1	
31	901124	ANTENNA ASSY / CELLULAR	1	
33	900888	ANTENNA ASSY / C.B. / 12"	1	
34	900895	SPRING EXTENSION / .828 O.D. x 3.010 X .104 W/3/8	1	
36	900889	CABLE, ANTENNA 22' / 511386	1	
NS	5001242	WASHER SHR .375x.110 NYL	2	
NS	403488	WASHER	1	
NS	685126	ADHESIVE SIMSON #ISR 70-03 / GREY / 600ml SAUSAGE	AR	
40	901446	INTERCOM SYS. DUAL HANDSET AT-406B	1	
40	901447	POWER ADAPTER 120VAC TO 6VDC	1	
41	900881	HEAD SET EARPHONE	AR	
NS	900882	FOAM CUSHION PAD / (SET OF 2) / FOR 900881	1	
45	900745	MICROPHONE / W/10' CORD / "SHURE" / TYPE ENTERTAINER	1	
NS	900900	CABLE MICROPHONE 10' / "REI"	1	
		A) CABLE BETWEEN FRONT AND REAR INSIDE OF PARCEL RACK NEAR LAVATORY		
		D) DRIVER'S SPEAKER		
		P) PASSENGER'S SPEAKER		
		R) USE ONLY WITH "OPTION" R.E.I. CONTROL HEAD FROM 8-9312		

From H-7417 To M-7767

Date:07/2024

PAGE:X3PLB-2315-01

SOUND SYSTEM & ACCESSORIES W/HHD



From H-7417 To M-7767	Date:07/2024	PAGE:X3PLB-2315-01
SOUND SYSTEM & ACCESSORIES W/HHED		

Item#	Part	Description	QTY	Notes
1	21516503	CONTROL HEAD / "VOLVO" (VSS-05) To J-7503	1	
. NS	21251311	. REMOTE CONTROL / CONTROL HEAD VOLVO / VSS05 To J-7503	1	
1	900238	CONTROL HEAD / "VOLVO" (VSS-05A) From J-7504 To P-8047	1	
. NS	21251311	. REMOTE CONTROL / CONTROL HEAD VOLVO / VSS05 From J-7504 To P-8047	1	
1	563856	CONTROL HEAD / "VOLVO" (VSS-06) From P-8048	1	
. NS	21251311	. REMOTE CONTROL / CONTROL HEAD VOLVO / VSS05 From P-8048	1	
2	901437	RADIO "PREVOST" AM/FM/CD & MP3 BLUETOOTH (DELPHI / PANA PACIFIC) To H-7416	1	
2	23000462	RADIO "PREVOST" AM/FM/CD & MP3 BLUETOOTH (PANA PACIFIC) From H-7417 To P-8047	1	
2	901882	RADIO AM/FM SD CARD USB DEA710 (PANA PACIFIC) From P-8048	1	
2	901439	RADIO "PREVOST" AM/FM/CD & MP3 BLUETOOTH & XM (DELPHI / PANA PACIFIC) To H-7416	1	
2	23000444	RADIO "PREVOST" AM/FM/CD & MP3 BLUETOOTH & XM & SIRIUS (PANA PACIFIC) From H-7417 To P-8047	1	
2	901883	RADIO "PREVOST" AM/FM/CD & MP3 BLUETOOTH & XM & SIRIUS (PANA PACIFIC) From P-8048	1	
2	901438	RADIO "PREVOST" AM/FM/CD & MP3 BLUETOOTH SIRIUS (DELPHI / PANA PACIFIC) To H-7416	1	
2	23000444	RADIO "PREVOST" AM/FM/CD & MP3 BLUETOOTH & XM & SIRIUS (PANA PACIFIC) From H-7417 To P-8047	1	
2	901883	RADIO "PREVOST" AM/FM/CD & MP3 BLUETOOTH & XM & SIRIUS (PANA PACIFIC) From P-8048	1	
2	390021	REPLACEMENT OF RADIO #901437 BY #23000462 To H-7416	1	
. NS	23000444	. RADIO "PREVOST" AM/FM/CD & MP3 BLUETOOTH & XM & SIRIUS (PANA PACIFIC) To H-7416	1	
. NS	061010	. JUMPER HARNESS FOR DEA5XX RADIO To H-7416	1	
. NS	563962	. CONNECTOR / JUNIOR POWER TIMER / SH 8C / AMP 962191-1 To H-7416	1	
. NS	IS16100	. SEE INSTRUCTION SHEET To H-7416	1	
2	390023	REPLACEMENT OF RADIO #901438 & #901439 BY #23000444 To H-7416	1	
. NS	23000444	. RADIO "PREVOST" AM/FM/CD & MP3 BLUETOOTH & XM & SIRIUS (PANA PACIFIC) To H-7416	1	
. NS	061010	. JUMPER HARNESS FOR DEA5XX RADIO To H-7416	1	
. NS	563962	. CONNECTOR / JUNIOR POWER TIMER / SH 8C / AMP 962191-1 To H-7416	1	
. NS	IS16100	. SEE INSTRUCTION SHEET To H-7416	1	
NS	406440	ATTACHMENT / RADIO	AR	
NS	500989	WASHER FL .219x.875x.062 Z050	AR	
NS	500470	WASHER LO SPT .193x.334x.047 Z050	AR	
NS	502816	NUT HEX M5-0.8 N500	AR	
4	900808	MICROPHONE / W/6' CORD / "REI" TYPE C.B.	1	
. NS	900721	. CONNECTOR MICROPHONE 90° / R4F	1	
4	900829	MICROPHONE / W/10' CORD / "REI" TYPE C.B.	1	
. NS	900721	. CONNECTOR MICROPHONE 90° / R4F	1	
. NS	900900	. CABLE MICROPHONE 10' / "REI"	1	
4	901286	MICROPHONE / W/10' CORD / "REI" TYPE C.B.	1	
. NS	900721	. CONNECTOR MICROPHONE 90° / R4F	1	
. NS	900900	. CABLE MICROPHONE 10' / "REI"	1	
4	7770304	HANDS FREE MICROPHONE	1	
5	900859	BRACKET, MOUNTING / MICROPHONE	AR	
NS	500583	SCREW TP PAN PH #6x1/2 Z050	AR	
6	404226	OUTLET, MICROPHONE / 12" W/CONNECTOR	AR	
7	500798	SCREW TP PAN PH #4-3/8 ZP	AR	

From H-7417 To M-7767	Date:07/2024	PAGE:X3PLB-2315-01
SOUND SYSTEM & ACCESSORIES W/HHED		

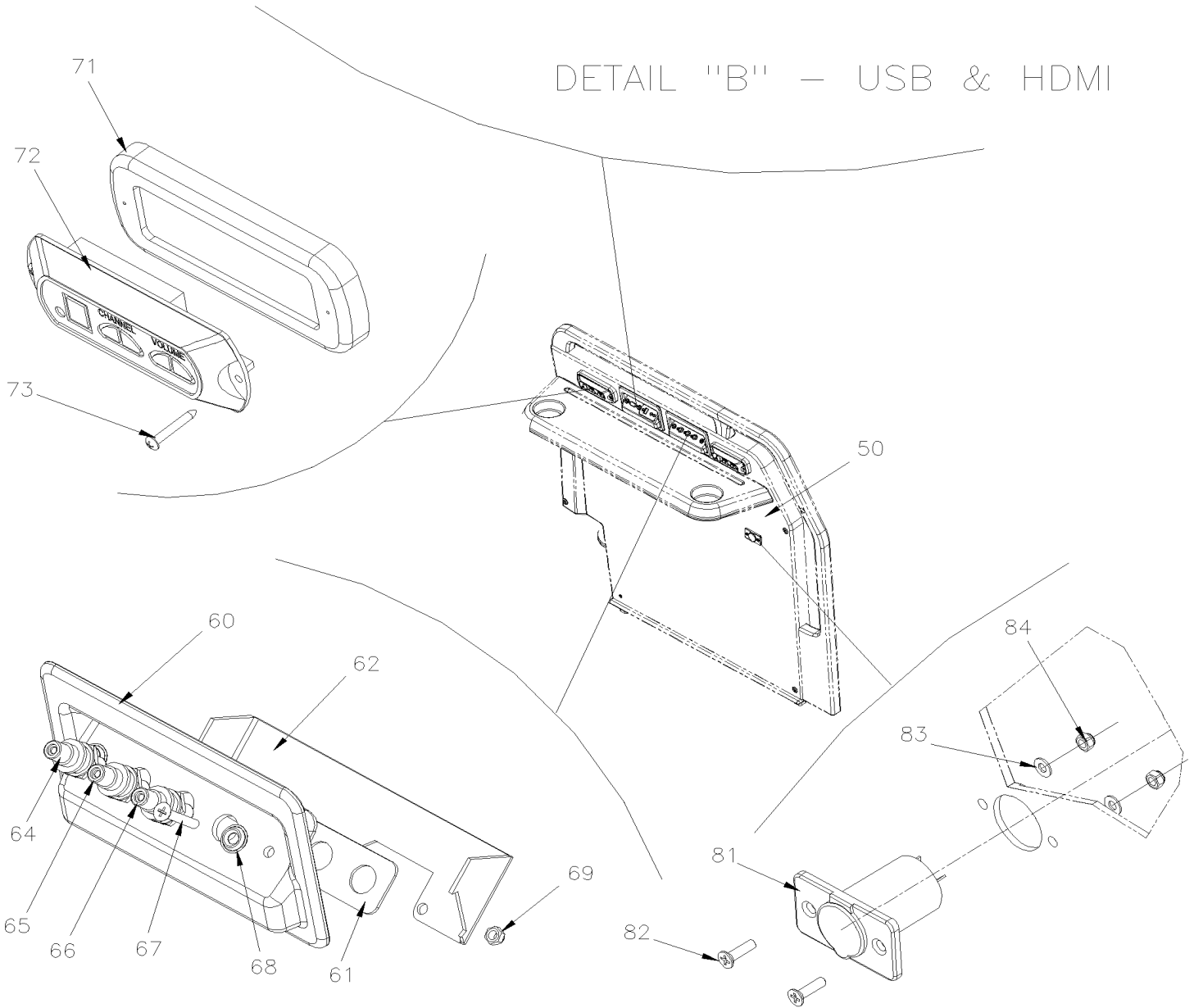
Item#	Part	Description	QTY	Notes
9	500814	SCREW TP BDG PH #6x3/4 BK	4	
10	500996	NUT SPR U #6-32 .135-.150	4	
12	901195	SPEAKER COAXIAL	1	
12	901261	GRILLE / SPEAKER NO STAMPED	1	
13	066704	CABLE SPEAKER / JCT & LH & RH	1	
23	901201	RECEIVER WIRELESS MICROPHONE / 16 CHANNEL To H-7402	1	
23	901657	RECEIVER WIRELESS MICROPHONE / 200 CHANNEL From H-7403 To K-7613	1	
23	901702	RECEIVER WIRELESS MICROPHONE / 200 CHANNEL From K-7612	1	
NS	500799	SCREW TC PAN PH #8-32x3/8 N500	4	
24	900954	MICROPHONE, WIRELESS / 16 CHANNEL To H-7402	1	
NS	685199	BATTERY 1.5V / TYPE "AA" / RECHARGEABLE To H-7402	AR	
24	901640	MICROPHONE, WIRELESS / 100 CHANNEL From H-7403 To K-7613	1	
24	901701	MICROPHONE, WIRELESS / 100 CHANNEL From K-7612	1	
NS	685199	BATTERY 1.5V / TYPE "AA" / RECHARGEABLE From K-7612	2	
NS	900953	STATION WIRELESS BATTERY CHARGING 16 CHANNEL To H-7402	1	
NS	901639	STATION WIRELESS BATTERY CHARGING 100 CHANNEL From H-7403	1	
25	X3PLB-2317-21	SCREEN VIDEO & POWER - INSTALLATION W/HHED		
26	23000444	RADIO "PREVOST" AM/FM/CD & MP3 BLUETOOTH & XM & SIRIUS (PANA PACIFIC) To P-8047	1	
26	901883	RADIO "PREVOST" AM/FM/CD & MP3 BLUETOOTH & XM & SIRIUS (PANA PACIFIC) From P-8048	1	
26	23000462	RADIO "PREVOST" AM/FM/CD & MP3 BLUETOOTH (PANA PACIFIC) To P-8047	1	
26	901882	RADIO AM/FM SD CARD USB DEA710 (PANA PACIFIC) From P-8048	1	
29	901045	MICROPHONE / W/GOOSE NECK 36"	1	
NS	504234	SPRING CLIP 5/16" To K-7662	2	
29	504234	SPRING CLIP 5/16" From L-7663	1	
NS	500409	SCREW TP PAN PH #8x1/2 BK To K-7662	2	
29	5001155	SCREW TP PAN PH #8X3/4 N050 From L-7663	1	
NS	500862	SCREW TC PAN PH #6-32x3/4 Z050	3	
30	901371	ANTENNA, RADIO / W/AMPLIFIER To K-7662	1	
30	22571367	ANTENNA AM/FM/DAB 200MM From L-7663	1	
30	23037107	ANTENNA AM/FM/DAB W/SPRING 200MM From L-7663	1	
30	22472986	ANTENNA AM/FM/DAB FLEXABLE From L-7663	1	
30	901252	EXTENSION CABLE FOR RADIO ANTENNA 25' To H-7416	1	
30	900060	EXTENSION CABLE FOR RADIO ANTENNA 20' From H-7417 To K-7662	1	
30	901728	CABLE RG58 AM-FM ANTENNA FAKRA B FEM WHT 25' From L-7663	1	
NS	901219	ANTENNA ROOF "XM" & SIRIUS"	1	
NS	901220	CABLE, ANTENNA EXTENSION / "XM & SIRIUS"	1	
30	901372	CABLE ADAPTOR / RADIO & ANTENNA CABLE / MOTOROLA / M TO EURO / F	1	
NS	900663	ADAPTOR / RADIO & ANTENNA CABLE / MOTOROLA MALE to EURO FEMA	AR	
NS	900775	Y RADIO ANTENNA CABLE / TO USE W/2 RADIOS	AR	
30	901371	ANTENNA, RADIO / W/AMPLIFIER	1	O
30	900060	EXTENSION CABLE FOR RADIO ANTENNA 20'	1	O

From H-7417 To M-7767	Date:07/2024	PAGE:X3PLB-2315-01
SOUND SYSTEM & ACCESSORIES W/HHED		

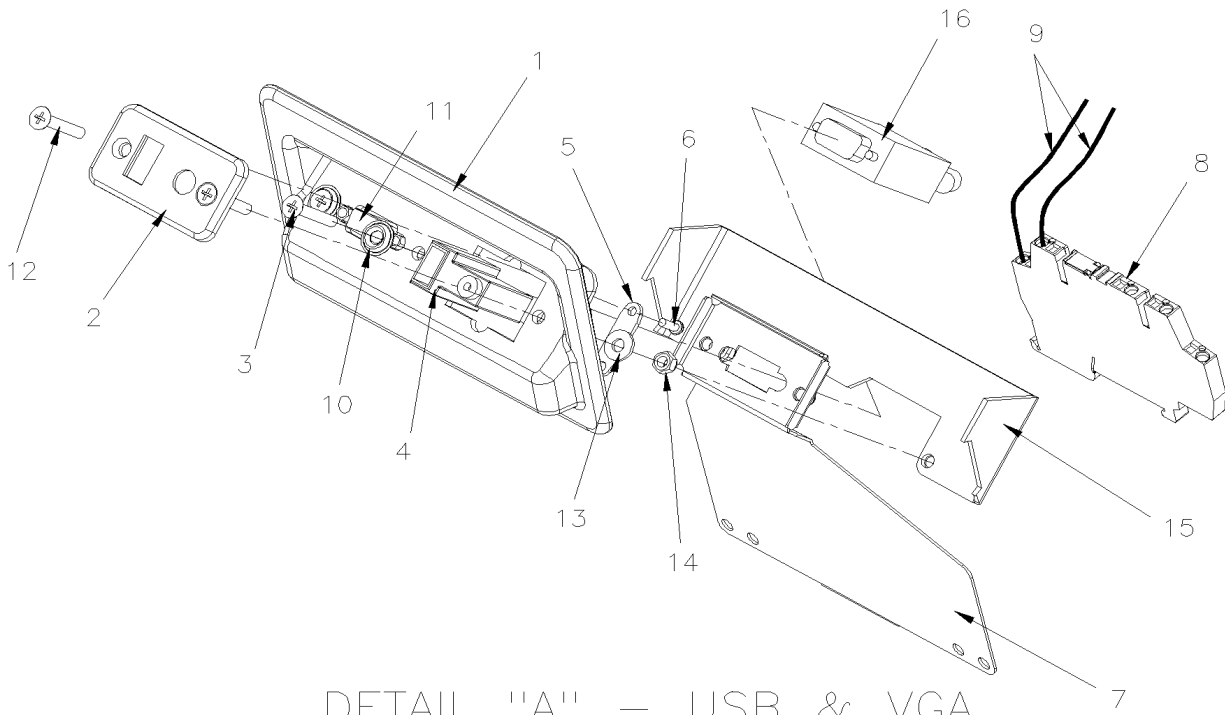
Item#	Part	Description	QTY	Notes
31	901124	ANTENNA ASSY / CELLULAR	1	
33	900888	ANTENNA ASSY / C.B. / 12"	1	
33	901563	ANTENNA ASSY 170MM	1	
34	900895	SPRING EXTENSION / .828 O.D. x 3.010 X .104 W/3/8	1	
35	900889	CABLE, ANTENNA 22' / 511386	1	
NS	5001242	WASHER SHR .375x.110 NYL	2	
NS	403488	WASHER	1	
NS	685126	ADHESIVE SIMSON #ISR 70-03 / GREY / 600ml SAUSAGE	AR	
40	901446	INTERCOM SYS. DUAL HANDSET AT-406B	1	
40	901447	POWER ADAPTER 120VAC TO 6VDC	1	
41	900881	HEAD SET EARPHONE	AR	
. NS	900882	. FOAM CUSHION PAD / (SET OF 2) / FOR 900881	1	
41	900882	. FOAM CUSHION PAD / (SET OF 2) / FOR 900881	AR	
45	900745	MICROPHONE / W/10' CORD / "SHURE" / TYPE ENTERTAINER	1	
. NS	900900	. CABLE MICROPHONE 10' / "REI"	1	
50	563011	SPEAKER / EXTERIOR / PIONEER	1	B
51	491474	GRILLE SS / SPEAKER / EXTERIOR 200MM X 130	1	B
53	502557	NUT HEX NYRT M4-0.7 SS	4	B
54	504357	WASHER FL .187x.437x.050 SS	4	B
55	502698	SCREW MA PAN PH M4-0.7x16 SS BK	4	B
60	X3PLB-1812-00	MODESTY PANEL L.H.		
		B) WITH EXTERIOR SPEAKER FIXED FRONT FENDER PANEL		
		O) WITH INDIVIDUAL HEAD SET		

DETAIL "A" - USB & VGA

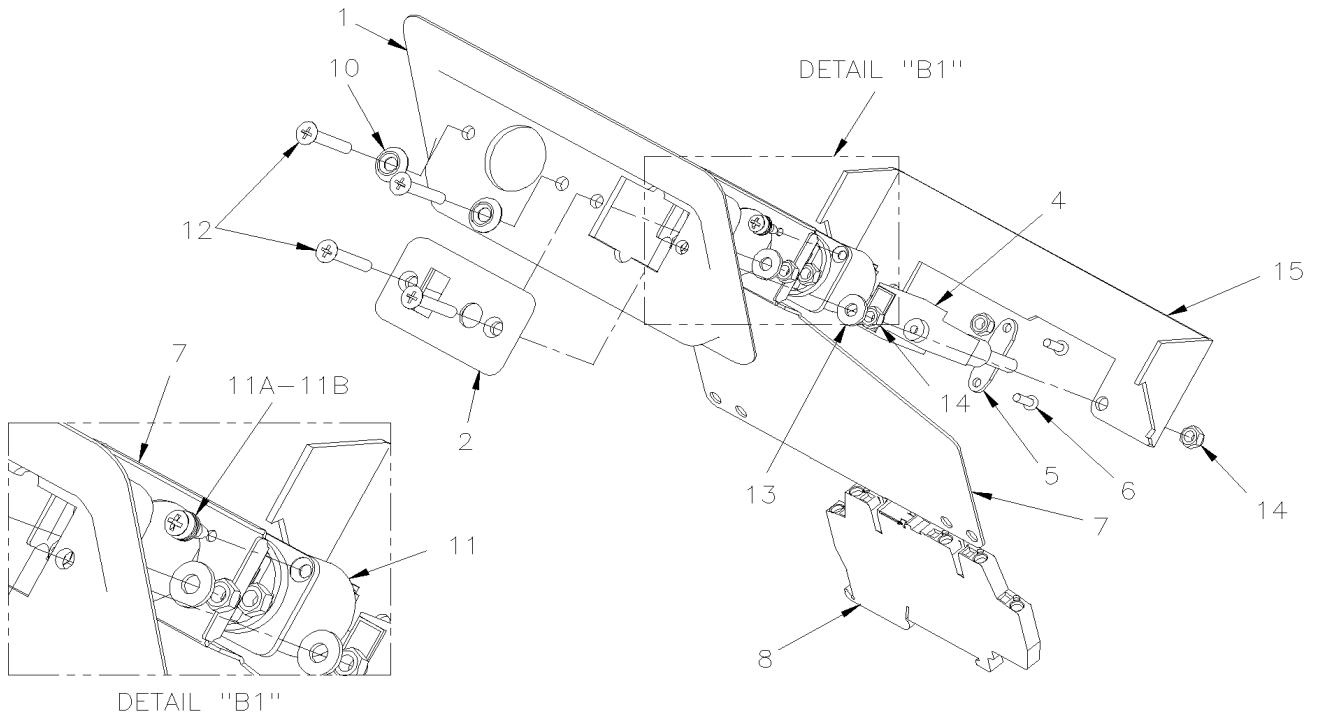
DETAIL "B" - USB & HDMI



"USB" & "VGA" & "RCA" CABLE & CONVERTER



DETAIL "A" - USB & VGA



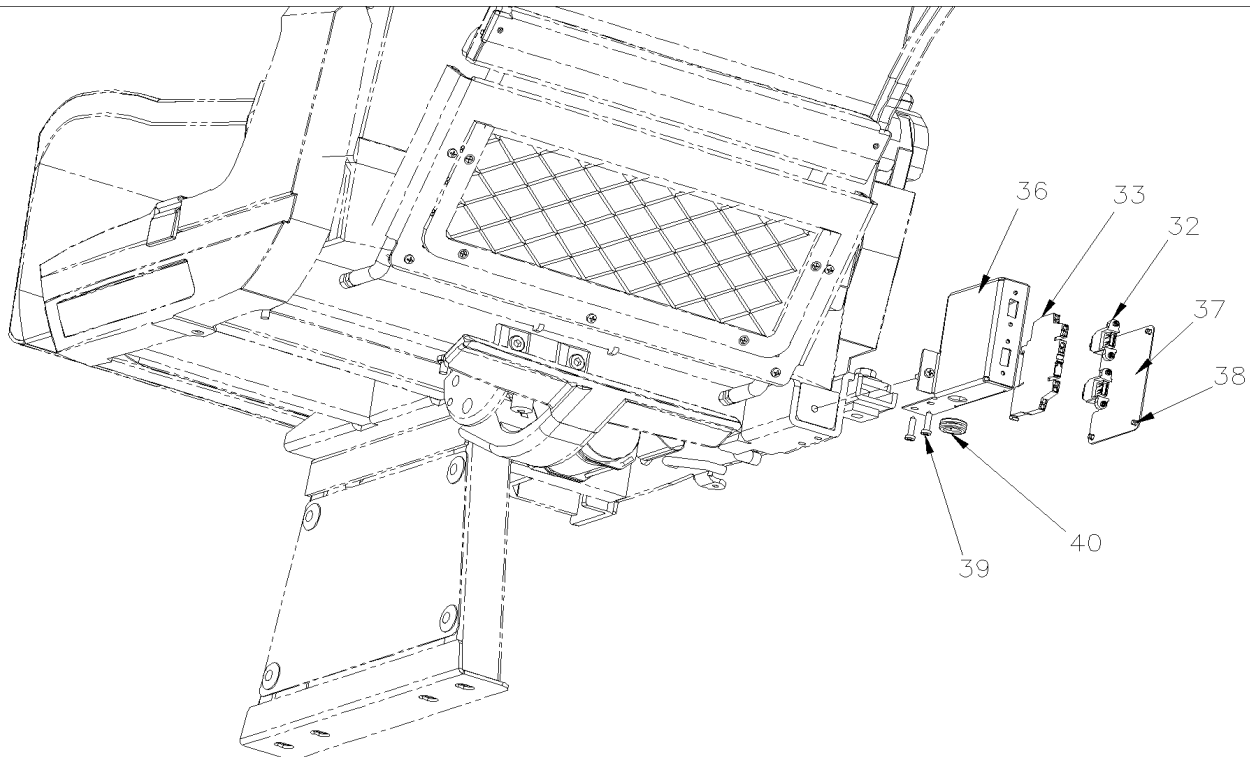
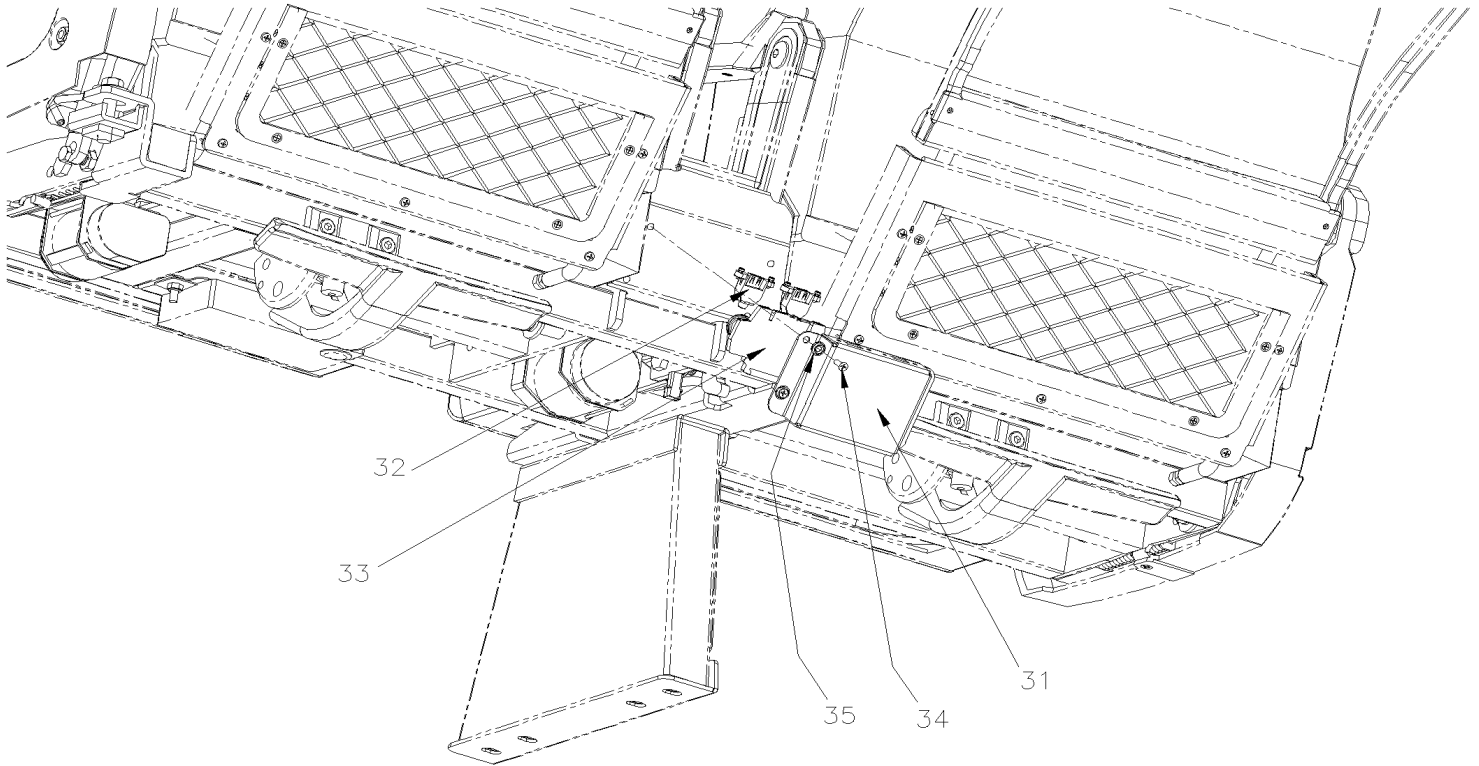
DETAIL "B" - USB & HDMI

From G-7275 To M-7767

Date:07/2024

PAGE:X3PLB-2315-05

"USB" & "VGA" & "RCA" CABLE & CONVERTER

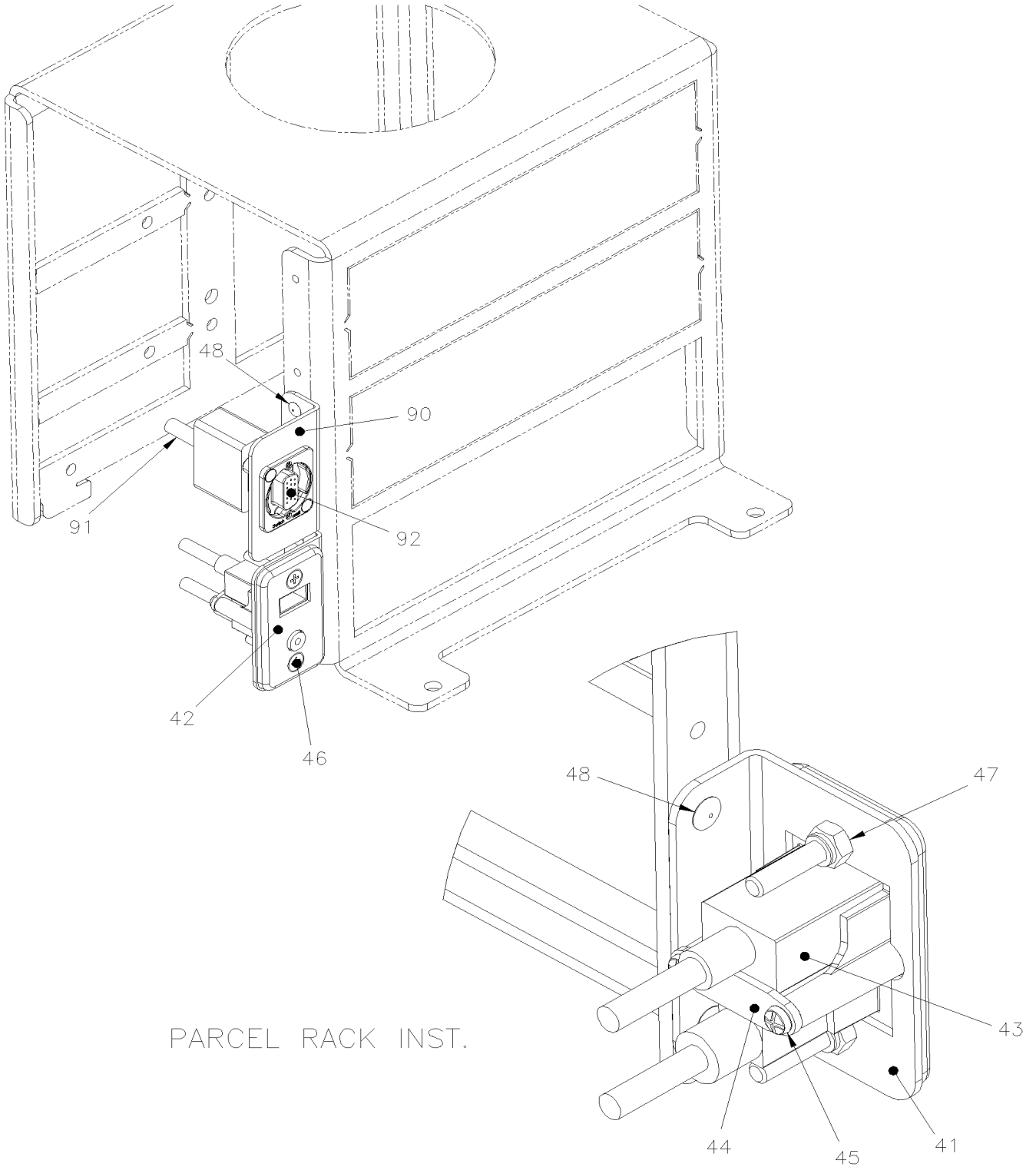


From G-7275 To M-7767

Date:07/2024

PAGE:X3PLB-2315-05

"USB" & "VGA" & "RCA" CABLE & CONVERTER



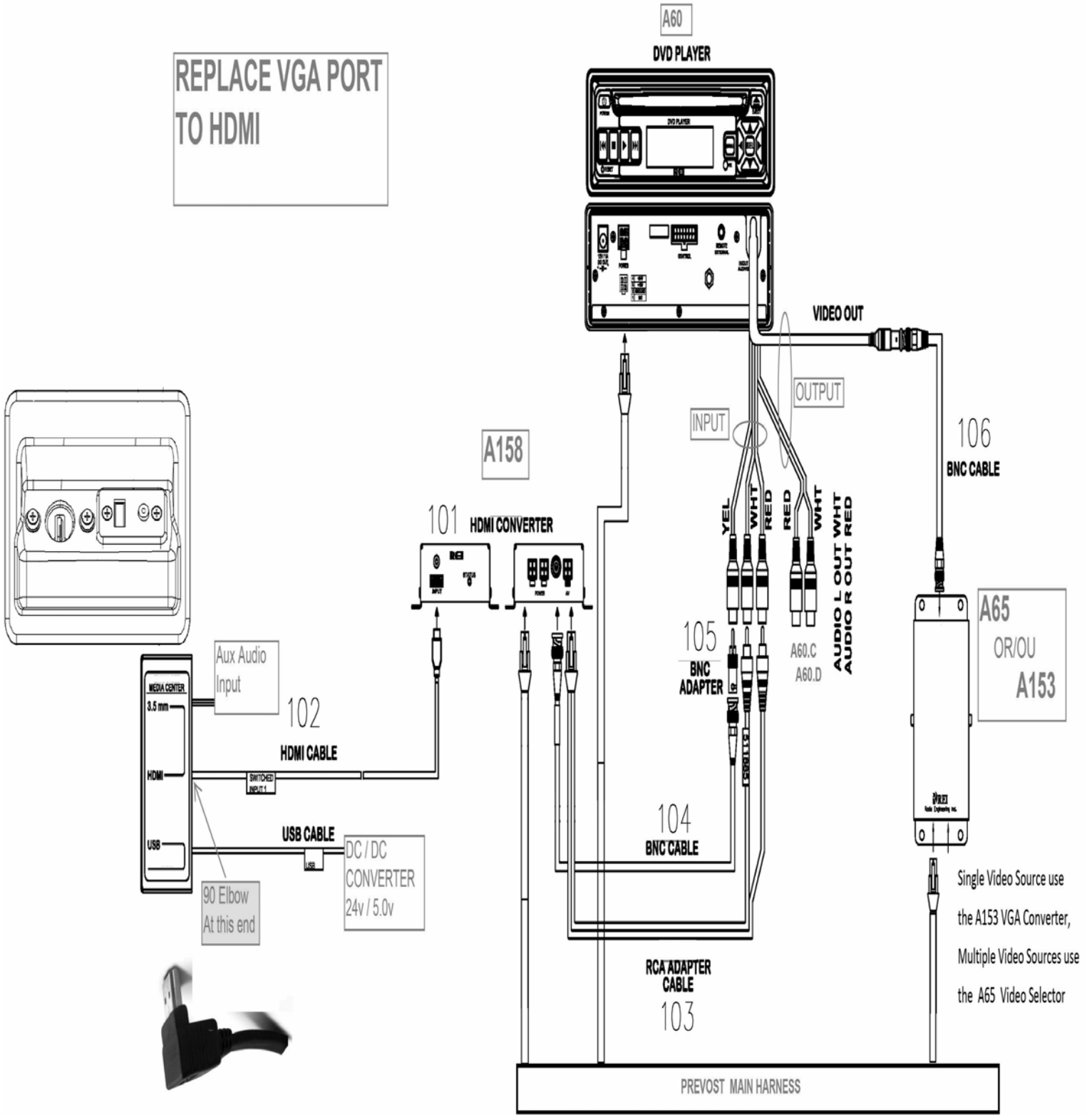
From G-7275 To M-7767

Date:07/2024

PAGE:X3PLB-2315-05

"USB" & "VGA" & "RCA" CABLE & CONVERTER

REPLACE VGA PORT
TO HDMI



Single Video Source use
the A153 VGA Converter,
Multiple Video Sources use
the A65 Video Selector

From G-7275 To M-7767	Date:07/2024	PAGE:X3PLB-2315-05
"USB" & "VGA" & "RCA" CABLE & CONVERTER		

Item#	Part	Description	QTY	Notes
	Call order desk	CONVERTER VGA & "USB" PLUG ASSY	1	P
	Call order desk	CONVERTER & "USB" / MP3 PLUG ASSY	1	P
	409317P	CONVERTER & "USB" / MP3 PLUG ASSY	1	
	Call order desk	CONVERTER & HDMI / USB PLUG ASSY	1	P
1	406384	. COVER CONVERTER MODULE "USB" & "VGA"	1	
1	406399	. COVER CONVERTER MODULE "USB" / MP3	1	
2	406413	. SUPPORT "USB" CONNECTOR	1	
3	5001429	. SCREW MA FL PH M4-0.7x25 BK	4	
4	901349	. CABLE USB ASSY W/2 RESISTORS 870MM	1	
5	406414	. PLATE RETAINER "USB" CONECTOR	1	
6	500798	. SCREW TP PAN PH #4-3/8 ZP	2	
7	406385	. SUPPORT PANEL "VGA" SOCKET ALUMINUM	1	
7	406700	. PANEL, HDMI OUTLET	1	
8	901345	. REGULATOR 5 Volt 500ma	1	
NS	504273	. CABLE TIE / 1/8" X 3"1/2	2	
9	068007	. CABLE HARNESS "USB" 5 Volt To H-7416	1	
9	060660	. CABLE HARNESS "USB" 5 Volt From H-7417	1	
10	500345	. WASHER FN CKF .187x.500x.090 BR BK	2	
11	901351	. ADAPTOR "VGA" / DB15 / FEMALE-FEMALE	1	
11	901506	. CONN., HDMI PANEL MOUNT BLACK / NEUTRIK	1	
11A	500672	. SCREW TP OV PH #6x1/2 N500	2	
11B	400041	. SPACER	1	
12	5001429	. SCREW MA FL PH M4-0.7x25 BK	4	
13	500855	. WASHER FL .188x.438x.049 N500	2	
14	500539	. NUT HEX NYRT M4-0.7 N500	6	
15	406406	BRACKET MODULE RETAINER REAR OF PANEL	1	
16	901350	CABLE VGA VGA 6 FT / MALE-MALE	1	
16	901348	CABLE VGA VGA 15 FT / MALE-MALE	1	
16	Call order desk	CABLE ASSY USB/MP3 TO / VSS @ MODESTY PANEL L.H. MODESTY PANEL L.H.	1	P
16	Call order desk	CABLE ASSY USB/MP3 TO / VSS @ MODESTY PANEL R.H. MODESTY PANEL R.H.	1	P
16	901314	CABLE VGA VGA 25 FT / MALE-FEMALE	1	
NS	901310	CONVERTER VGA to S-Video & RCA	1	
NS	901311	CABLE RCA / 1M/1M / 5'	1	
NS	901135	CABLE RCA / 3M/3M / 3'	1	
NS	901136	CABLE RCA / 3M/3M / 20'	1	
NS	901537	CONVERTISSOR VGA/ COMPOSITE	1	
NS	901352	CABLE EXTENSION 3.5MM 3 FT / MALE-MALE	1	
NS	21280133	CABLE USB / (DRAWER TO RADIO) / I-POD CONECTOR	1	
31	409351	BOX USB WITH 2+1 SEATSET (SEAT 2 PASS)	1	
32	901041	CABLE USB, TYPE A, FEMALE, 12"	2	

From G-7275 To M-7767	Date:07/2024	PAGE:X3PLB-2315-05
"USB" & "VGA" & "RCA" CABLE & CONVERTER		

Item#	Part	Description	QTY	Notes
33	901345	REGULATOR 5 Volt 500ma	1	
34	500345	WASHER FN CKF .187x.500x.090 BR BK	4	
35	500353	SCREW TP FL PH #8x3/4 BK	4	
36	409352	BOX USB WITH 2+1 SEATSET (SEAT 1 PASS)	1	
37	409353	COVER BOX USB WITH 2+1 SEATSET (SEAT 1 PASS)	1	
38	504104	RIVET POP DOME OE 1/8x1/8 SS	4	
39	500623	SCREW TC PAN PH #10-24x3/4 N500	3	
40	504496	GROMMET 2 HOLESx.062x.625x.062x.312x.875x.031 x.375	1	
NS	065615	CABLE ASSY POWER 24v to 5v TO USB UNDER SEAT	1	
41	406501	SUPPORT "USB" CONECTOR	1	
42	406413	SUPPORT "USB" CONNECTOR	1	
43	21280133	CABLE USB / (DRAWER TO RADIO) / I-POD CONECTOR	1	
44	406414	PLATE RETAINER "USB" CONECTOR	1	
45	500798	SCREW TP PAN PH #4-3/8 ZP	2	
46	5001429	SCREW MA FL PH M4-0.7x25 BK	2	
47	500539	NUT HEX NYRT M4-0.7 N500	2	
48	504105	RIVET POP DOME OE 1/8x3/16 AL	2	
50	X3PLB-1810-00	MODESTY PANEL R.H.		
50	X3PLB-1812-00	MODESTY PANEL L.H.		
60	409996	CASE, RCA OUTLET	1	
61	406503	REINFORCEMENT, RCA OUTLET	1	
62	406406	BRACKET MODULE RETAINER REAR OF PANEL	1	
64	901404	ADAPTOR FEMALE / FEMALE JOINT / NUT / RED / RCA	1	
65	901405	ADAPTOR FEMALE / FEMALE JOINT / NUT / WHITE / RCA	1	
66	901406	ADAPTOR FEMALE / FEMALE JOINT / NUT / YELLOW / RCA	1	
67	5001429	SCREW MA FL PH M4-0.7x25 BK	2	
68	500345	WASHER FN CKF .187x.500x.090 BR BK	2	
69	500539	NUT HEX NYRT M4-0.7 N500	2	
71	405199	RECEPTACLE BOX / PLASTIC	2	
72	901006	SELECTOR HEAD SET MODULE	2	
73	5001145	SCREW TP BDG PH #6x1 BK	4	
81	562796	12 VOLTS POWER OUTLET	1	
NS	561566	CONNECTOR / WEATHER PACK / PH 2C / BLACK / PED 12010973	1	
NS	561568	PIN TERMINAL / 16-14 / PED 12089305	2	
NS	561690	CONNECTOR / WEATHER PACK / SH 2C / BLACK / PED 12015792	1	
NS	561578	SOCKET TERMINAL / 16-14 / PED 12010182	2	
NS	561539	TAB RECEPTACLE TERMINAL INSUL. NYLON / 16 / AMP 3-520141-2	2	
NS	562229	BUTT SPLICE / 22-16 / AMP 31818	2	
NS	562585	WIRE CABLE 14 / BLACK / TXL	AR	
NS	562591	WIRE CABLE 14 / YELLOW / TXL	AR	
NS	560784	SHRINK TUBING / .250" - .080" / BLACK / ALPHA FIT-300-1/4-4B	AR	
NS	561681	CONVOLUTED TUBING / SLIT / BLACK & GRAY / .350"	AR	

From G-7275 To M-7767	Date:07/2024	PAGE:X3PLB-2315-05
-----------------------	--------------	--------------------

"USB" & "VGA" & "RCA" CABLE & CONVERTER

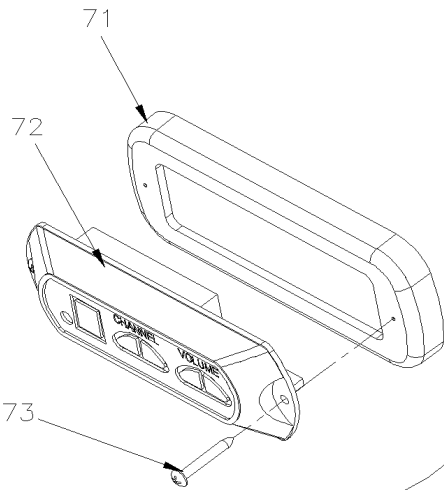
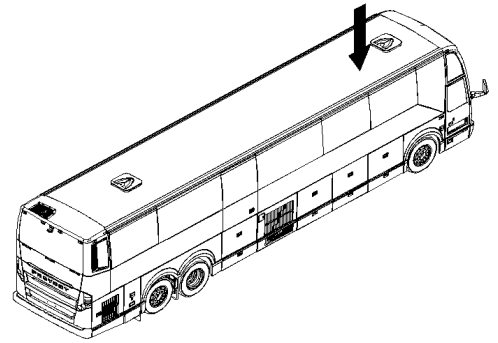
Item#	Part	Description	QTY	Notes
NS	504637	CABLE TIE / 3/16" x 13"	AR	
82	5001414	SCREW MA FL PH M4-0.7x16 BK	2	
83	502690	WASHER FL 4.3x9.0x0.8 Z050	2	
84	500539	NUT HEX NYRT M4-0.7 N500	2	
NS	069187	DECAL, VGA OUTLET / P-RACK	1	
90	409999	BRACKET, VGA PLUG	1	
91	901543	VGA CABLE, MALE-MALE 3FT	1	
92	901541	CONNECTOR, VGA P-MOUNT	1	
NS	901542	VGA CABLE, MALE-MALE W/ AUDIO 10FT	1	
101	901567	CONVERTER HDMI-COMPOSITE 12/24V	1	
101	500654	SCREW TC BDG PH #8-32x1/2 Z050	4	
102	901495	CABLE, HDMI W/LOCK W/90 ELBOW - 20 FT	1	
103	901565	HARNESS, AUDIO BETWEEN CONV AND DVD	1	
104	901347	CABLE ASSY / W/2 BNC FEMALE/ FEMALE 1"	1	
105	901564	ADAPTOR, RCA MALE TO BNC FEMALE	1	
106	901157	CABLE COAXIAL 3' BNC	1	
		P) CALL ORDER DESK FOR SPECIFIC APPLICATION (V.I.N.)		

From H-7417 To M-7767

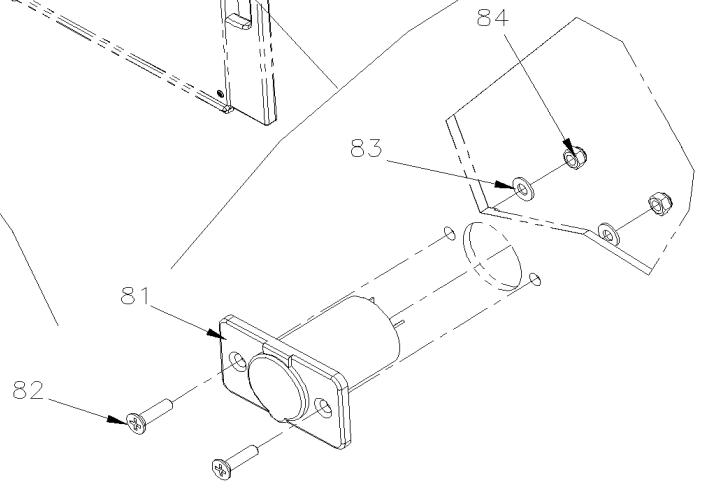
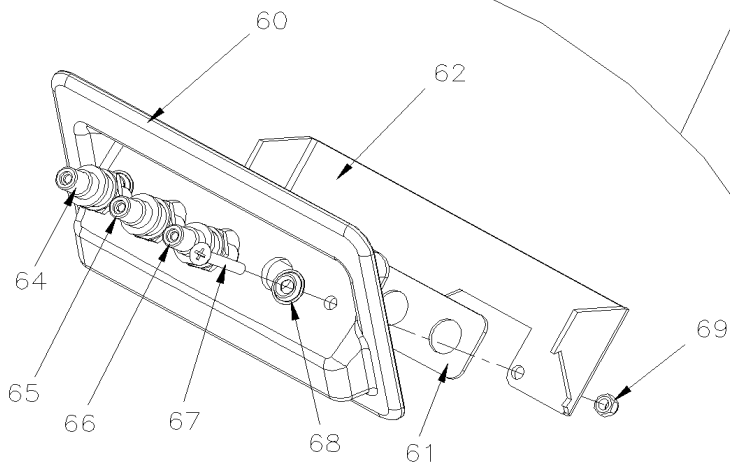
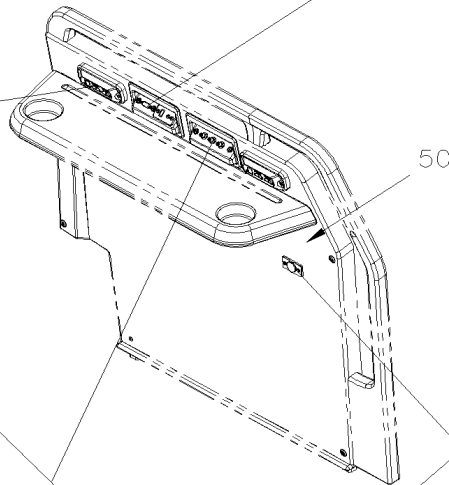
Date:07/2024

PAGE:X3PLB-2315-06

"USB" & "RCA" CABLE & CONVERTER & 12 VOLTS W/HED



DETAIL "A"

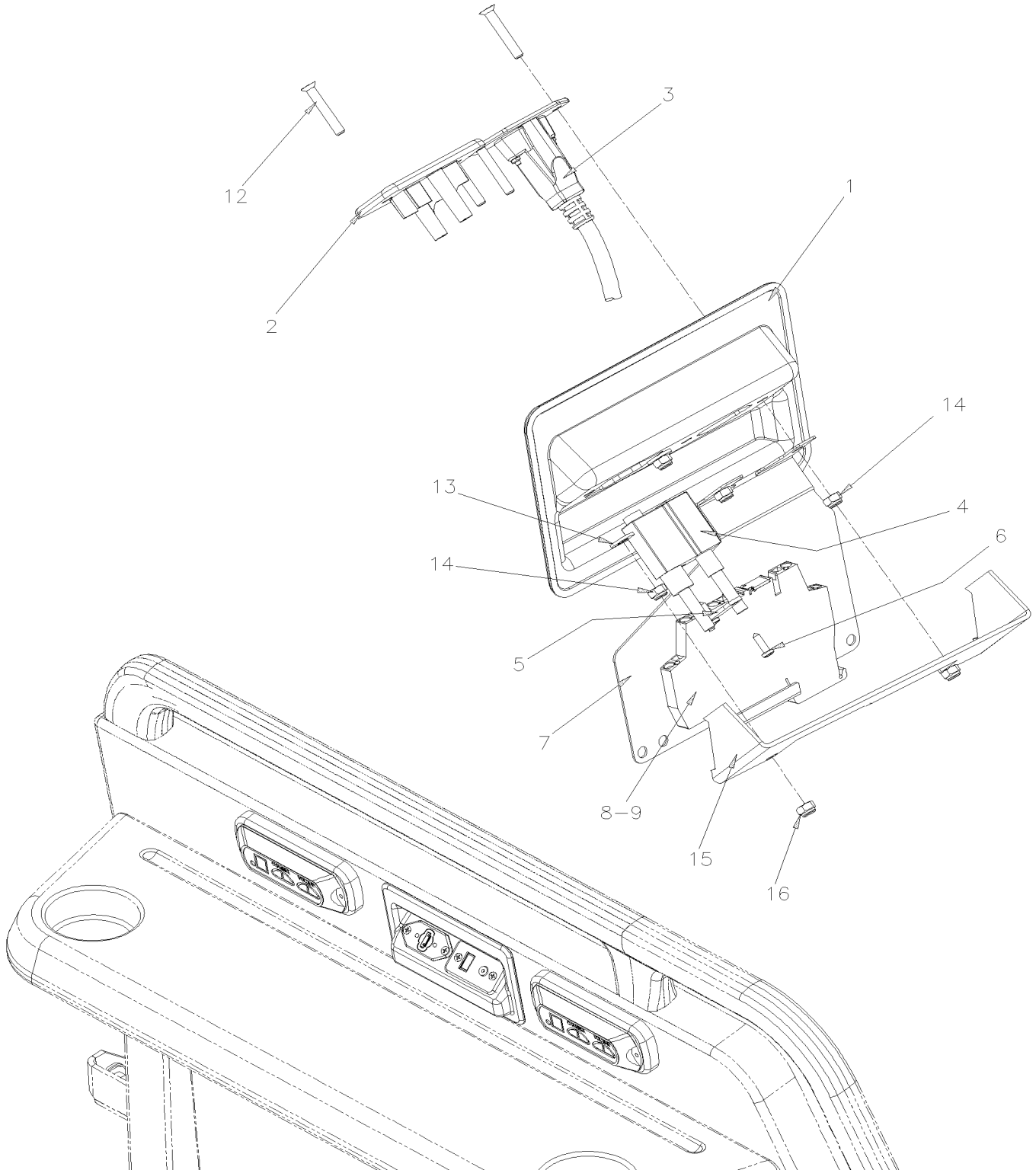


From H-7417 To M-7767

Date:07/2024

PAGE:X3PLB-2315-06

"USB" & "RCA" CABLE & CONVERTER & 12 VOLTS W/HHD

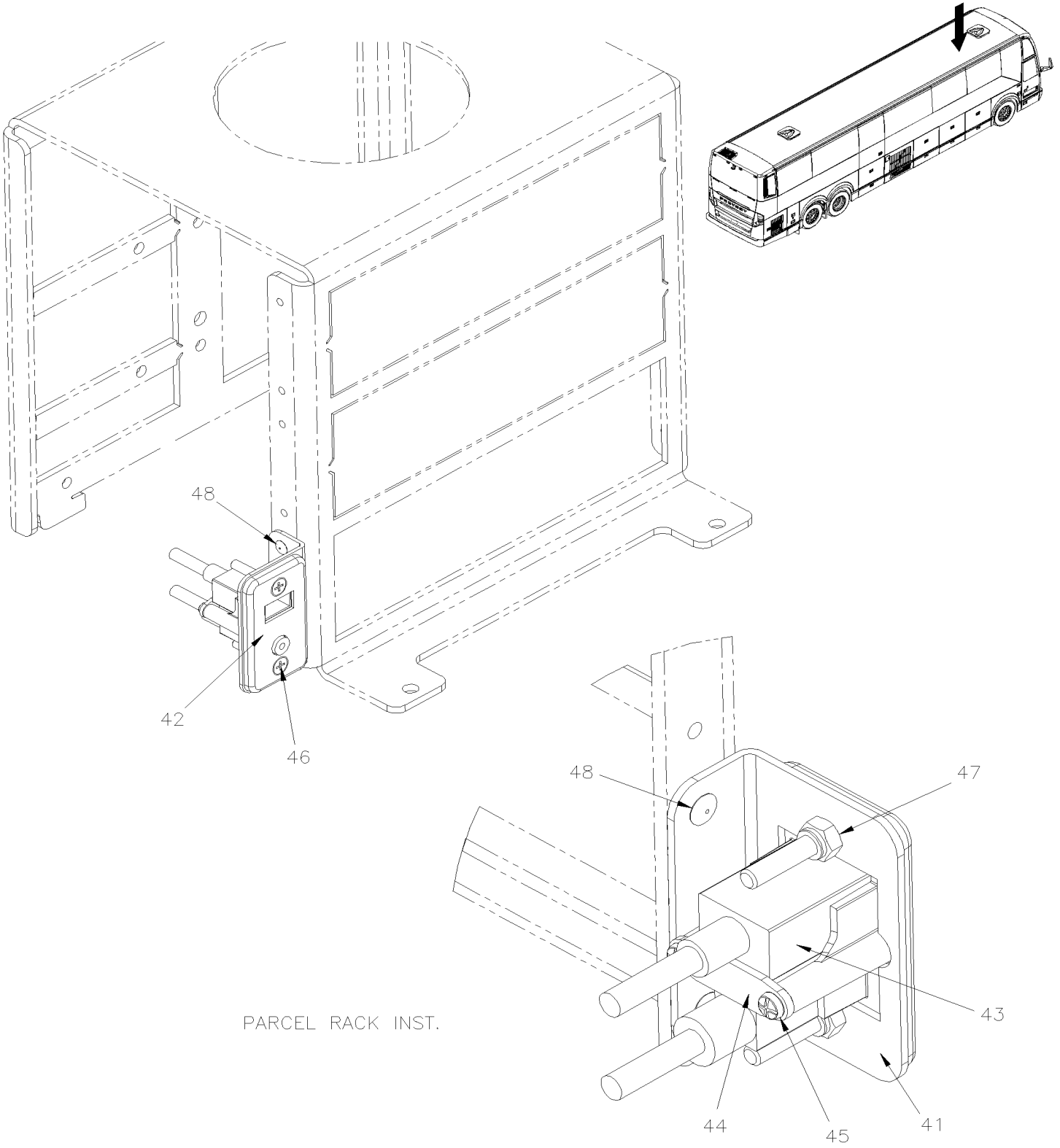


From H-7417 To M-7767

Date:07/2024

PAGE:X3PLB-2315-06

"USB" & "RCA" CABLE & CONVERTER & 12 VOLTS W/HED



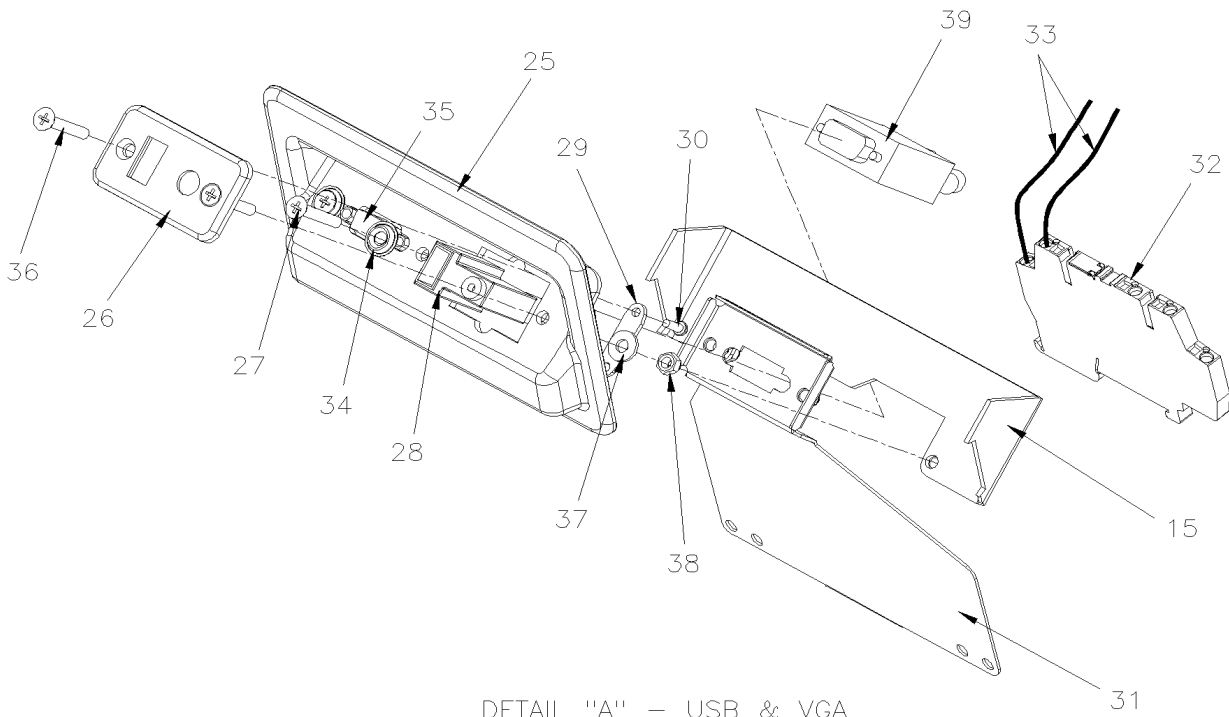
PARCEL RACK INST.

From H-7417 To M-7767

Date:07/2024

PAGE:X3PLB-2315-06

"USB" & "RCA" CABLE & CONVERTER & 12 VOLTS W/HHD



DETAIL "A" - USB & VGA

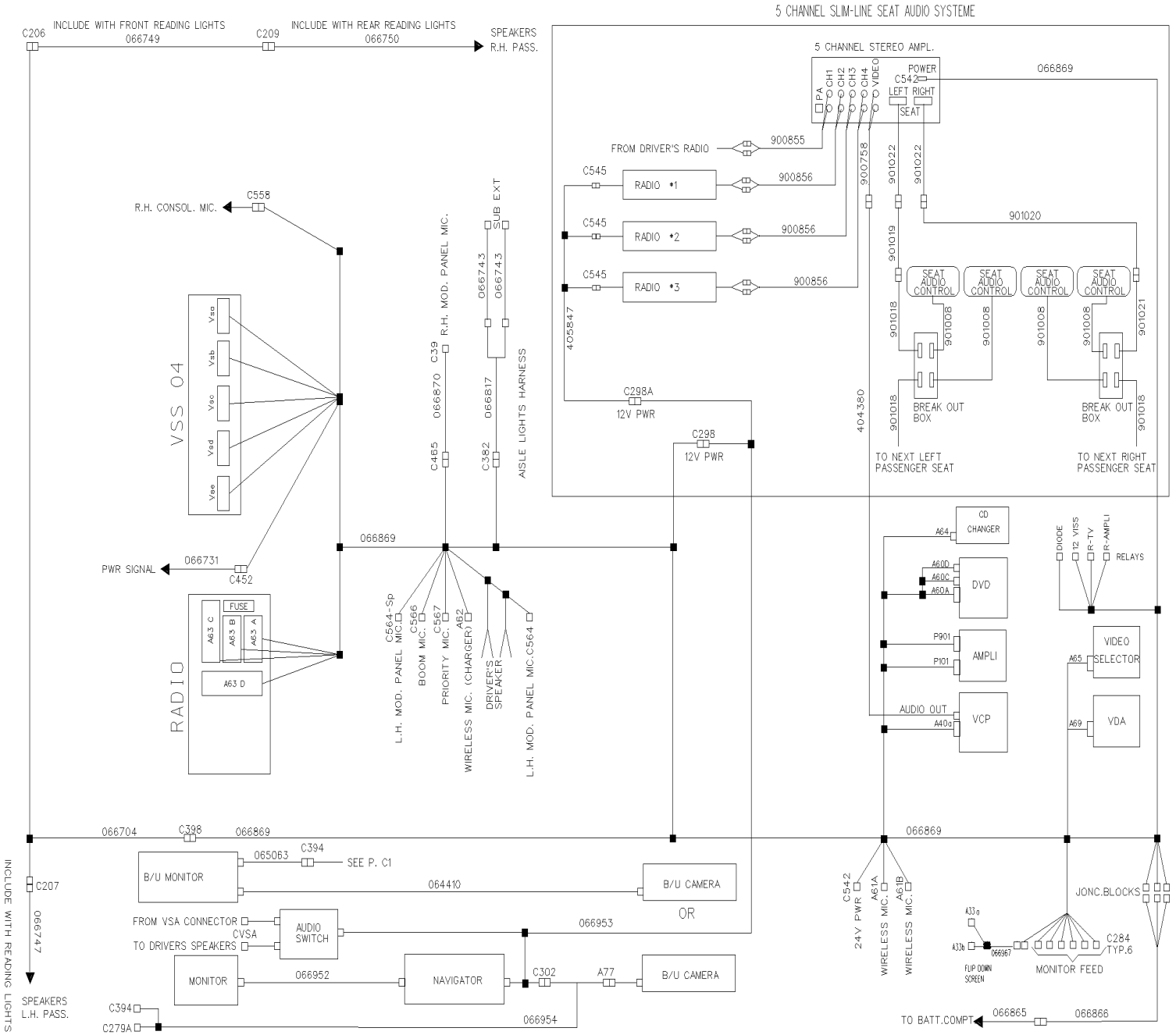
From H-7417 To M-7767	Date:07/2024	PAGE:X3PLB-2315-06
"USB" & "RCA" CABLE & CONVERTER & 12 VOLTS W/HHD		

Item#	Part	Description	QTY	Notes
	400183P	CONVERTER & HDMI / USB PLUG ASSY	1	
1	400185	. COVER CONVERTER MODULE "HDMI" / "USB"	1	
2	406413	. SUPPORT "USB" CONNECTOR	1	
3	900053	. HDMI CONNECTOR ASSY	1	
4	901349	. CABLE USB ASSY W/2 RESISTORS 870MM	1	
5	406414	. PLATE RETAINER "USB" CONECTOR	1	
6	500798	. SCREW TP PAN PH #4-3/8 ZP	2	
7	400184	. PANEL, HDMI OUTLET	1	
8	901345	. REGULATOR 5 Volt 500ma	1	
9	060660	. CABLE HARNESS "USB" 5 Volt	1	
12	5001429	. SCREW MA FL PH M4-0.7x25 BK	4	
13	500855	. WASHER FL .188x.438x.049 N500	2	
14	500539	. NUT HEX NYRT M4-0.7 N500	4	
15	406406	BRACKET MODULE RETAINER REAR OF PANEL	1	
16	500539	NUT HEX NYRT M4-0.7 N500	2	
NS	901352	CABLE EXTENSION 3.5MM 3 FT / MALE-MALE	1	
NS	900034	CABLE HDMI E / 15'	1	
NS	900047	CABLE HDMI E / 25'	1	
NS	069182	POWER CABLE USB OPTION	1	
24	409993P	CONVERTER VGA & "USB" PLUG ASSY	1	
24	409317P	CONVERTER & "USB" / MP3 PLUG ASSY	1	
25	406384	. COVER CONVERTER MODULE "USB" & "VGA"	1	
25	406399	. COVER CONVERTER MODULE "USB" / MP3	1	
26	406413	. SUPPORT "USB" CONNECTOR	1	
27	5001429	. SCREW MA FL PH M4-0.7x25 BK	4	
28	901349	. CABLE USB ASSY W/2 RESISTORS 870MM	1	
29	406414	. PLATE RETAINER "USB" CONECTOR	1	
30	500798	. SCREW TP PAN PH #4-3/8 ZP	2	
31	406385	. SUPPORT PANEL "VGA" SOCKET ALUMINUM	1	
32	901345	. REGULATOR 5 Volt 500ma	1	
32	504273	. CABLE TIE / 1/8" X 3"1/2	2	
33	068007	. CABLE HARNESS "USB" 5 Volt		
33	060660	. CABLE HARNESS "USB" 5 Volt	1	
34	500345	. WASHER FN CKF .187x.500x.090 BR BK	2	
35	901351	. ADAPTOR "VGA" / DB15 / FEMALE-FEMALE	1	
36	5001429	. SCREW MA FL PH M4-0.7x25 BK	4	
37	500855	. WASHER FL .188x.438x.049 N500	2	
38	500539	. NUT HEX NYRT M4-0.7 N500	6	
39	068301	WIRING HARNESS SOUND SYSTEM BELL HORIZON	1	
41	406501	SUPPORT "USB" CONECTOR	1	
42	406413	SUPPORT "USB" CONNECTOR	1	
43	21280133	CABLE USB / (DRAWER TO RADIO) / I-POD CONECTOR	1	

From H-7417 To M-7767	Date:07/2024	PAGE:X3PLB-2315-06
"USB" & "RCA" CABLE & CONVERTER & 12 VOLTS W/HHED		

Item#	Part	Description	QTY	Notes
44	406414	PLATE RETAINER "USB" CONECTOR	1	
45	500798	SCREW TP PAN PH #4-3/8 ZP	2	
46	5001429	SCREW MA FL PH M4-0.7x25 BK	2	
47	500539	NUT HEX NYRT M4-0.7 N500	2	
48	504105	RIVET POP DOME OE 1/8x3/16 AL	AR	
50	X3PLB-1810-00	MODESTY PANEL R.H.		
50	X3PLB-1812-00	MODESTY PANEL L.H.		
60	409996	CASE, RCA OUTLET	1	
61	406503	REINFORCEMENT, RCA OUTLET	1	
62	406406	BRACKET MODULE RETAINER REAR OF PANEL	1	
64	901404	ADAPTOR FEMALE / FEMALE JOINT / NUT / RED / RCA	1	
65	901405	ADAPTOR FEMALE / FEMALE JOINT / NUT / WHITE / RCA	1	
66	901406	ADAPTOR FEMALE / FEMALE JOINT / NUT / YELLOW / RCA	1	
67	5001429	SCREW MA FL PH M4-0.7x25 BK	2	
68	500345	WASHER FN CKF .187x.500x.090 BR BK	2	
69	500539	NUT HEX NYRT M4-0.7 N500	2	
71	405199	RECEPTACLE BOX / PLASTIC	2	
72	901006	SELECTOR HEAD SET MODULE	2	
73	5001145	SCREW TP BDG PH #6x1 BK	4	
		12 VOLTS POWER OUTLET PARCEL RACK INSTALLATION		
76	382598	12 VOLTS POWER OUTLET ASSY	1	
NS	562796	12 VOLTS POWER OUTLET	1	
81	562796	12 VOLTS POWER OUTLET	1	
NS	561566	CONNECTOR / WEATHER PACK / PH 2C / BLACK / PED 12010973	1	
NS	561568	PIN TERMINAL / 16-14 / PED 12089305	2	
NS	561690	CONNECTOR / WEATHER PACK / SH 2C / BLACK / PED 12015792	1	
NS	561578	SOCKET TERMINAL / 16-14 / PED 12010182	2	
NS	561539	TAB RECEPTACLE TERMINAL INSUL. NYLON / 16 / AMP 3-520141-2	2	
NS	562229	BUTT SPLICE / 22-16 / AMP 31818	2	
NS	562585	WIRE CABLE 14 / BLACK / TXL	AR	
NS	562591	WIRE CABLE 14 / YELLOW / TXL	AR	
NS	560784	SHRINK TUBING / .250" - .080" / BLACK / ALPHA FIT-300-1/4-4B	AR	
NS	561681	CONVOLUTED TUBING / SLIT / BLACK & GRAY / .350"	AR	
NS	504637	CABLE TIE / 3/16" x 13"	AR	
82	5001414	SCREW MA FL PH M4-0.7x16 BK	2	
83	502690	WASHER FL 4.3x9.0x0.8 Z050	2	
84	500539	NUT HEX NYRT M4-0.7 N500	2	

WIRING HARNESS - AUDIO SYSTEM



From G-7275 To M-7767	Date:07/2024	PAGE:X3PLB-2315-10
WIRING HARNESS - AUDIO SYSTEM		

Item#	Part	Description	QTY	Notes
1	21516503	CONTROL HEAD / "VOLVO" (VSS-05) To J-7503	1	
. NS	21251311	. REMOTE CONTROL / CONTROL HEAD VOLVO / VSS05 To J-7503	1	
1	900238	CONTROL HEAD / "VOLVO" (VSS-05A) From J-7504	1	
. NS	21251311	. REMOTE CONTROL / CONTROL HEAD VOLVO / VSS05 From J-7504	1	
2	X3PLB-1806-00	CENTRAL DASHBOARD PANEL To K-7542	1	
2	X3PLB-1806-01	CENTRAL DASHBOARD PANEL From K-7543	1	
3	067127	CABLE ASSY / DASH & PARCEL RACK	1	
4	066704	CABLE SPEAKER / JCT & LH & RH	1	
5	066744	CABLE HARNESS / SPEAKER STREETSIDE / 16 SP	1	
5	067996	CABLE ASSY / READING LIGHT STREETSIDE	1	
6	066745	CABLE HARNESS / SPEAKER CURBSIDE FRT / W/W.C.L. / 10	1	
6	068596	CABLE HARNESS / READING LIGHT CURBSIDE FRONT / W/W.C.L.	1	
7	066746	CABLE HARNESS / SPEAKER CURBSIDE RR / W/W.C.L. / 7 SP	1	
7	068597	CABLE HARNESS / READING LIGHT CURBSIDE REAR / W/W.C.L.	1	
8	066762	CABLE MICRO / MODESTY PANEL & PLATE AUDIO	1	
8	066870	CABLE MICRO / MODESTY PANEL & PLATE AUDIO	1	
9	066817	CABLE ASSY W/SUBWOOFER / SERIES "XL"	1	
10	066743	CABLE EXTENSION 2M / SUBWOOFER To H-7416	2	
10	061918	CABLE EXTENSION 2M / SUBWOOFER From H-7417	2	
20	066748	CABLE POWER AUDIO	1	
20	066865	CABLE POWER AUDIO	1	R
21	066708	CABLE POWER	1	
21	066866	CABLE POWER	1	R
22	405847	CABLE ASSY ENTERTAINER MODULE POWER To L-7662	1	
22	401420	CABLE ASSY ENTERTAINER MODULE POWER From L-7663	1	
23	068003	CABLE ASSY / SCREEN	1	
30	900855	CABLE RCA / 2M/2M / 20'	1	
31	900856	CABLE RCA / 2M/2M / 3'	3	
32	900758	ADAPTOR "Y" RCA / 1F/2M / 9"	1	
32	901283	ADAPTOR "Y" RCA / 1M/2F / 6"	1	
33	901022	CABLE SEAT AUDIO	2	
34	901019	CABLE ASSY / ENTERTAINMENT MODULE LEFT SEAT	1	
35	901018	CABLE ASSY / 2 JCT BOX MODULES	AR	
36	901020	CABLE ASSY / ENTERTAINMENT MODULE RIGHT SEAT	1	
37	901008	CABLE SEAT ASSY / JCT BOX & CHANNEL SELECTOR	AR	
38	901021	CABLE ASSY	1	
39	404380	CABLE ASSY RCA / M/M / USE WITH 2 VIDEOS / 510300	1	
40	065063	CABLE ASSY / BACK-UP MONITOR	1	
. NS	990335	. CABLE MONITOR "CLARION"	1	
. NS	560851	. CONNECTOR / COM. MATE-N-LOCK / PH 4C / AMP 1-480426-0	1	
. NS	504397	. GROMMET / .750x1.062x.062x.375x1.375	1	
. NS	N.P.N.	. CABLE ASSY / BACK-UP MONITOR	AR	4

From G-7275 To M-7767	Date:07/2024	PAGE:X3PLB-2315-10
-----------------------	--------------	--------------------

WIRING HARNESS - AUDIO SYSTEM

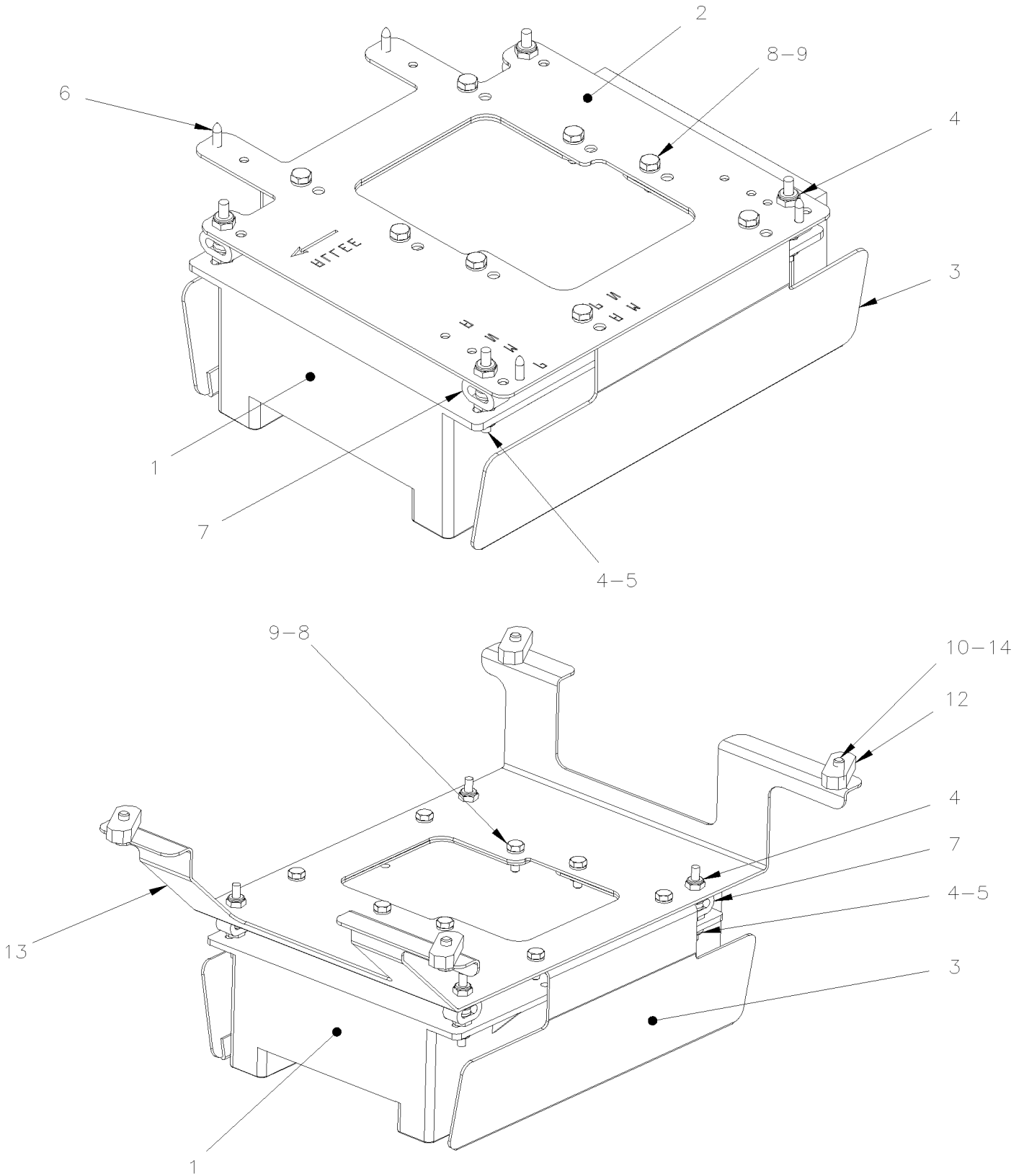
Item#	Part	Description	QTY	Notes
41	064410	CABLE ASSY / BACK-UP CAMERA VIDEO / CAMERA & MONITOR B&W / 60'	1	
. NS	990288	. CABLE BACK-UP CAMERA 60'	1	
. NS	561681	. CONVOLUTED TUBING / SLIT / BLACK & GRAY / .350"	25	
42	066953	CABLE ASSY NAVIGATOR W/MINI DIN CONNECTOR S/VIDEO	1	
43	066952	CABLE ASSY NAVIGATOR RCA & BNC	1	
44	066954	CABLE INTERFACE W/CAMERA CLARION BLK& WHITE	1	
		R) WITH "R.I.E." SYSTEM		
		4) NO PARTS NUMBER		

From G-7275 To M-7767

Date:07/2024

PAGE:X3PLB-2315-15

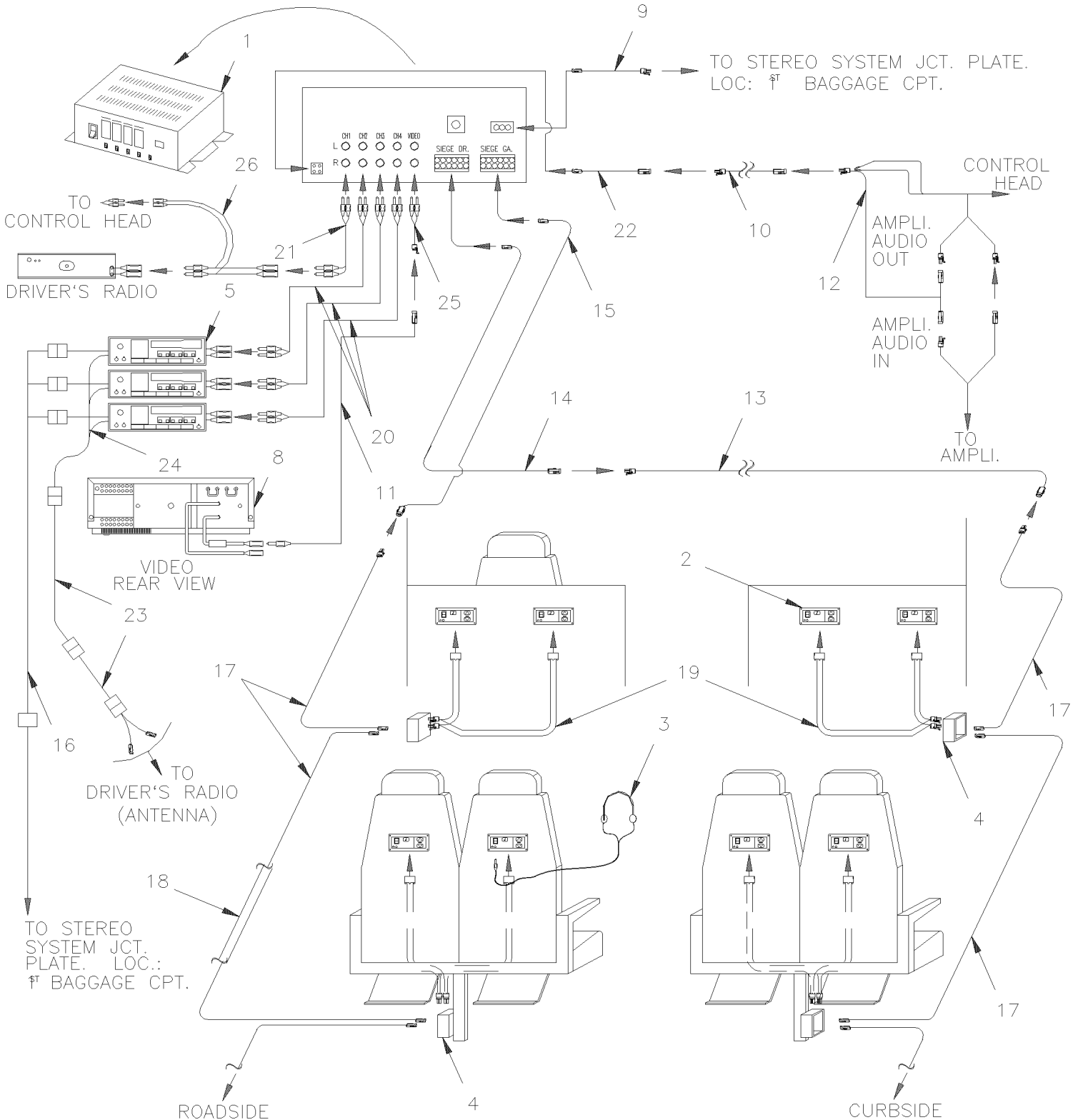
SUBWOOFER - INSTALLATION



From G-7275 To M-7767	Date:07/2024	PAGE:X3PLB-2315-15
SUBWOOFER - INSTALLATION		

Item#	Part	Description	QTY	Notes
1	901193	SUBWOOFER ASSY	1	
2	405780	PLATE MOUNTING	1	
2	406292	PLATE MOUNTING "IMMI" SEATING ONLY" W/3 POINTS SAFETY BELT	1	
2	406293	PLATE MOUNTING "AMAYA SEATING ONLY" W/3 POINTS SAFETY BELT	1	
3	405829	DEFLECTOR SPEAKER	2	
3	406302	DEFLECTOR SPEAKER "IMMI" SEATING ONLY" W/3 POINTS SAFETY BELT	2	
4	502874	NUT HEX NYRT 1/4-20 N500	8	
5	500877	WASHER FL .250x.562x.065 N500	8	
6	500526	SCREW TP CAP HEXW #12x3/4 N500	4	
7	5060076	RUBBER CUSHION ABSORBANT	4	
8	500163	SCREW CAP HEX 1/4-20x3/4 G5 Z050	16	
9	500473	WASHER LO SPT .262x.489x.062 Z050	16	
10	500942	WASHER LO SPT 8.1x14.8x2.0 N500	4	A
12	5001642	T NUT 5/16-18	4	A
13	405787	PLATE MOUNTING "AMERICAN SEATING ONLY"	1	A
13	406293	PLATE MOUNTING "AMAYA SEATING ONLY" W/3 POINTS SAFETY BELT	1	B
14	500179	SCREW CAP HEX 5/16-18x3/4 G5 Z050	4	
NS	405846	KIT , SUBWOOFER ASSY / SERIES "H"	1	
NS	405851	KIT , SUBWOOFER ASSY / SERIES "XL"	1	
NS	066743	CABLE EXTENSION 2M / SUBWOOFER To H-7416	2	
22	061918	CABLE EXTENSION 2M / SUBWOOFER From H-7417	2	
NS	066817	CABLE ASSY W/SUBWOOFER / SERIES "XL"	1	
		A) USE ONLY WITH "AMERICAN SEATING" ONLY		
		B) USE ONLY WITH "AMAYA SEATING" ONLY		

INDIVIDUAL STATIONS - "R.E.I."



NOTE: RADIOS, ITEM #1, ARE LOCATED IN THE PARCEL RACK ON LEFT SIDE (2 DOOR).

From G-7275 To M-7767	Date:07/2024	PAGE:X3PLB-2315-20
INDIVIDUAL STATIONS - "R.E.I."		

Item#	Part	Description	QTY	Notes
1	901102	8 CHANNEL AMPLIFIER MODULE	1	
NS	404542	SIDE PANEL FINISHING	2	
NS	500443	SCREW TP PAN PH #8x1/2 N500	4	
2	901006	SELECTOR HEAD SET MODULE	AR	
NS	363644	HEADREST REINFORCEMENT	AR	B
3	900881	HEAD SET EARPHONE	AR	
NS	900882	FOAM CUSHION PAD / (SET OF 2) / FOR 900881	1	
4	901007	JUNCTION BOX MODULE SINGLE	AR	
NS	405197	SUPPORT CONTROLE AUDIO	AR	
NS	502631	SCREW CAP HEX M6-1.0x20 G8.8 Z050	4	
NS	5001432	WASHER LO INT .256x.478x.028 SS 410	4	
NS	502511	NUT HEX NYRT M6-1.0 Z050	4	
NS	504622	GROMMET / 1.500x1.750x.062x.437x2.125	1	
NS	952624	CLAMP / 1/4" I.D.	1	
5	901190	RADIO AM-FM-CD-CDX / "PREVOST" MP3 VR-300	1	
5	901339	DVD PLAYER 12V To J-7539	1	
NS	901377	REMOTE CONTROL / DVD R.E.I. To J-7539	1	
5	901436	DVD PLAYER 12V From J-7540	1	
NS	901264	REMOTE CONTROL / DVD REI From J-7540	1	
5	406361	SUPPORT, RADIO (3 RADIO) & DVD REI To K-7547	1	
5	400651	SUPPORT, RADIO (4 RADIO) & DVD REI From K-7548	1	
5	406360	SUPPORT, RADIO (1RADIO) & DVD REI To K-7662	1	
5	401259	SUPPORT, RADIO (1RADIO) & DVD SUPP. From L-7663	1	
5	900849	PLATE RADIO "DUMMY"	AR	
NS	502698	SCREW MA PAN PH M4-0.7x16 SS BK	1	
NS	500022	WASHER LO INT .168x.340x.023 Z050	1	
8	901057	CD CHARGER / 8 DISCS / "PANASONIC" CX-DP88 / MODIFIED	1	
8	X3PLB-2317-20	DVD PLAYER - INSTALLATION	1	
9	064486	CABLE ASSY 24V POWER / ENT MODULE / 33.5'	1	
10	404302	CABLE ASSY 20' / 510520 /	1	
11	404288	CABLE ASSY / "Y" 9" CONTROL HEAD & ENTERTAINMENT MODULE	1	
11	901058	CABLE ASSY CD / DIN / 280"	1	
11	901059	CABLE RCA / 2M/2M / 23'	1	
12	404380	CABLE ASSY RCA / M/M / USE WITH 2 VIDEOS / 510300	1	
13	901021	CABLE ASSY	1	
14	901020	CABLE ASSY / ENTERTAINMENT MODULE RIGHT SEAT	1	
15	901019	CABLE ASSY / ENTERTAINMENT MODULE LEFT SEAT	1	
17	901018	CABLE ASSY / 2 JCT BOX MODULES	1	
17	065567	CABLE ASSY / 2 JCT BOX MODULES	1	
18	325056	PROTECTOR MOULDING	1	
19	901008	CABLE SEAT ASSY / JCT BOX & CHANNEL SELECTOR	1	
19	404501	CABLE SEAT ASSY / JCT BOX & CHANNEL SELECTOR CHANNEL SELECTOR	1	A

From G-7275 To M-7767	Date:07/2024	PAGE:X3PLB-2315-20
INDIVIDUAL STATIONS - "R.E.I."		

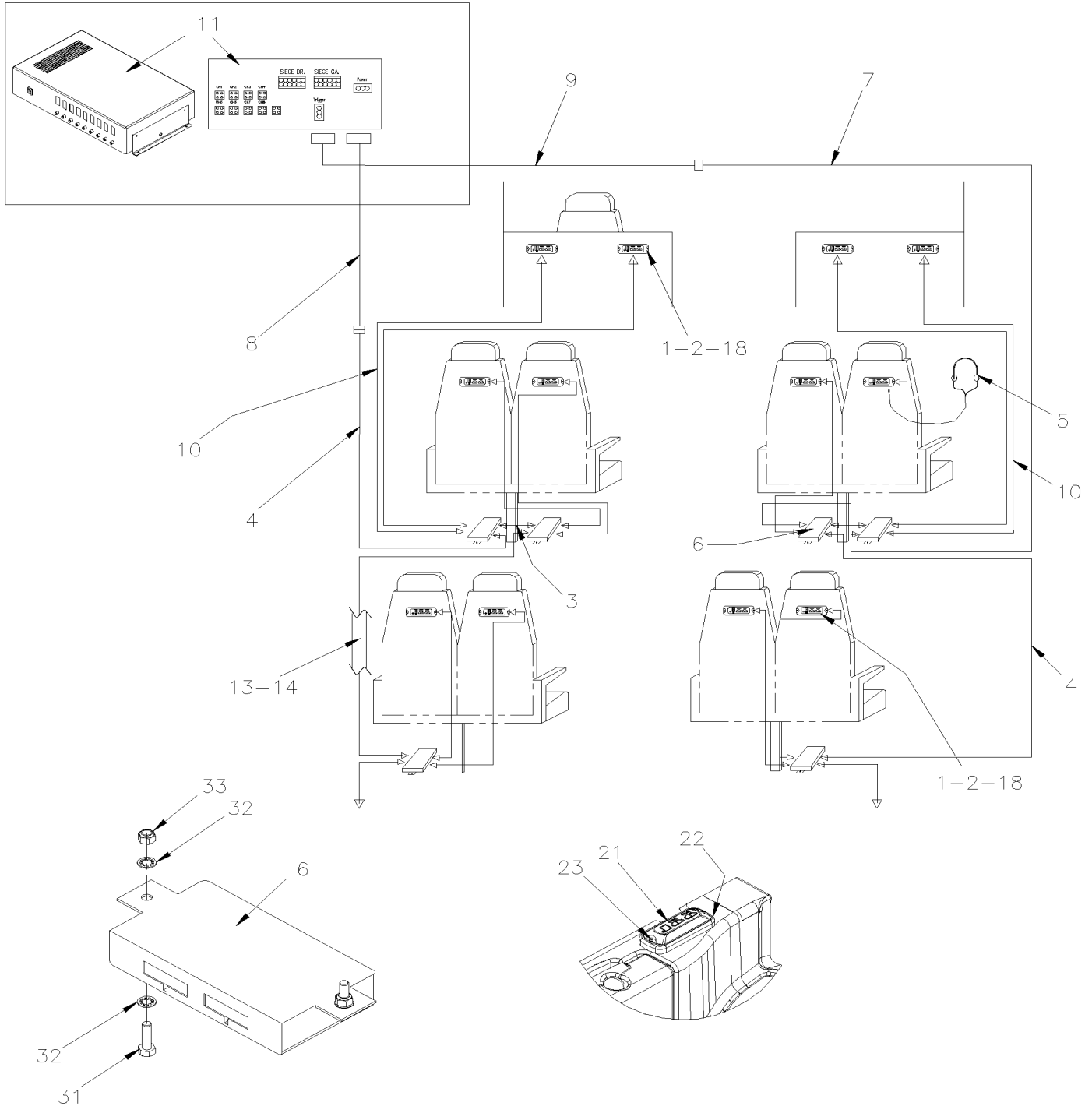
Item#	Part	Description	QTY	Notes
20	901107	CABLE ADAPTOR RCA TO MOLEX / 4"	1	
21	900855	CABLE RCA / 2M/2M / 20'	1	
22	404498	CABLE ADAPTOR INTER. MODULE / 511211	1	
23	900774	CABLE, ANTENNA EXTENSION / 12'	1	
24	900775	Y RADIO ANTENNA CABLE / TO USE W/2 RADIOS	AR	
25	900758	ADAPTOR "Y" RCA / 1F/2M / 9"	1	
26	900671	ADAPTOR "Y" RCA / 1M/2F / 4"	1	
NS	404525	INSULATING, NOISE	1	
30	430669	KIT, REPLACEMENT DVD "VOLVO" TO "REI"	1	
. NS	409294	. CABLE INTERFACE DVD "VOLVO" to DVD "REI" 4 CONN. to 6 CONN.	1	
. NS	901436	. DVD PLAYER 12V	1	
. . NS	901264	. . REMOTE CONTROL / DVD REI	1	
. NS	901347	. CABLE ASSY / W/2 BNC FEMALE/ FEMALE 1"	1	
. NS	IS-09048	. SEE INSTRUCTION SHEET	1	
NS	562218	CONVOLUTED TUBING / UNSLIT / BLACK & GRAY / 1.000"	AR	
		A) USE WITH SINGLE SEAT ONLY		
		B) USE WITH SELECTOR HEAD SET MODULE FIX ON THE HEADREST		

From H-7417 To M-7767

Date:07/2024

PAGE:X3PLB-2315-21

INDIVIDUAL STATIONS - "R.E.I." W/HHD



From H-7417 To M-7767	Date:07/2024	PAGE:X3PLB-2315-21
-----------------------	--------------	--------------------

INDIVIDUAL STATIONS - "R.E.I." W/HHED

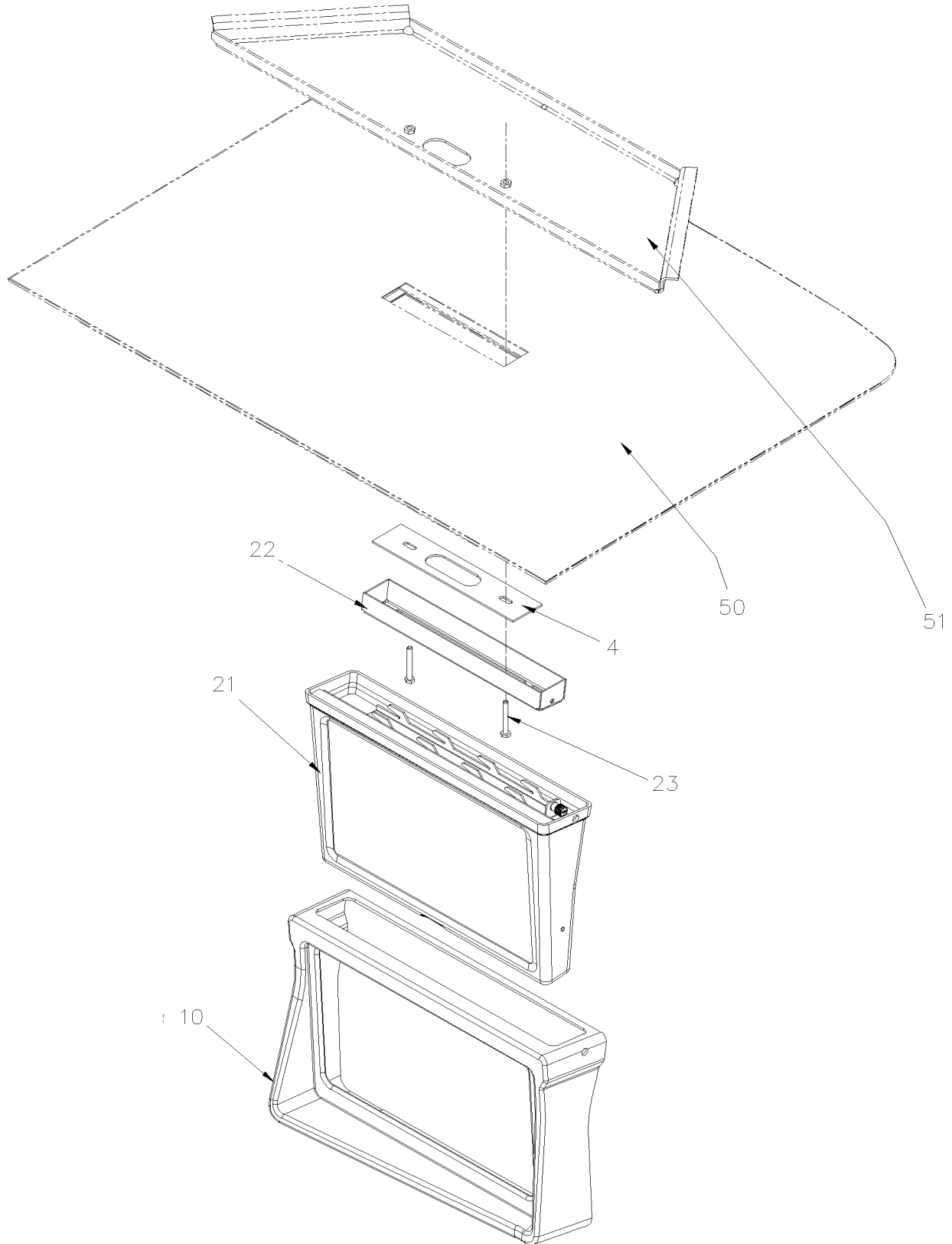
Item#	Part	Description	QTY	Notes
1	405199	RECEPTACLE BOX / PLASTIC	1	
2	901006	SELECTOR HEAD SET MODULE	AR	
3	065567	CABLE ASSY / 2 JCT BOX MODULES	AR	
4	901018	CABLE ASSY / 2 JCT BOX MODULES	1	
5	900881	HEAD SET EARPHONE	AR	
NS	900882	FOAM CUSHION PAD / (SET OF 2) / FOR 900881	1	
6	901094	MODULE, 8CH AUDIO SEAT	AR	
NS	408270	SUPPORT	AR	
NS	502830	SCREW CAP HEX M6-1.0x20 G8.8 N500	AR	
NS	5001432	WASHER LO INT .256x.478x.028 SS 410	AR	
NS	502681	NUT HEX NYRT M6-1.0 N500 G8	AR	
7	901021	CABLE ASSY	1	
8	901019	CABLE ASSY / ENTERTAINMENT MODULE LEFT SEAT	1	
9	901020	CABLE ASSY / ENTERTAINMENT MODULE RIGHT SEAT	1	
10	564575	CABLE, MODULAR TELEPHONE 4 COND.	1	
11	901102	8 CHANNEL AMPLIFIER MODULE	1	
NS	500564	SCREW MA RND PH #8-32x3/4 Z050	4	
NS	500914	WASHER LO SPT .193x.334x.047 N500	4	
NS	500855	WASHER FL .188x.438x.049 N500	4	
13	329517	MOULDING, COVER CABLE / GREY / 530MM	1	
14	329521	MOULDING, COVER CABLE / GREY / 203MM To P-8010	1	
14	3211708	MOULDING, COVER CABLE / GREY / 300MM From P-8011	1	
18	500814	SCREW TP BDG PH #6x3/4 BK	4	
18	5001145	SCREW TP BDG PH #6x1 BK	4	
21	901006	SELECTOR HEAD SET MODULE	1	
22	405199	RECEPTACLE BOX / PLASTIC	1	
23	5001145	SCREW TP BDG PH #6x1 BK	2	
31	502830	SCREW CAP HEX M6-1.0x20 G8.8 N500	4	
32	5001432	WASHER LO INT .256x.478x.028 SS 410	4	
33	502681	NUT HEX NYRT M6-1.0 N500 G8	4	

From G-7275 To M-7767

Date:07/2024

PAGE:X3PLB-2317-00

FRONT MONITOR FLAT SCREEN

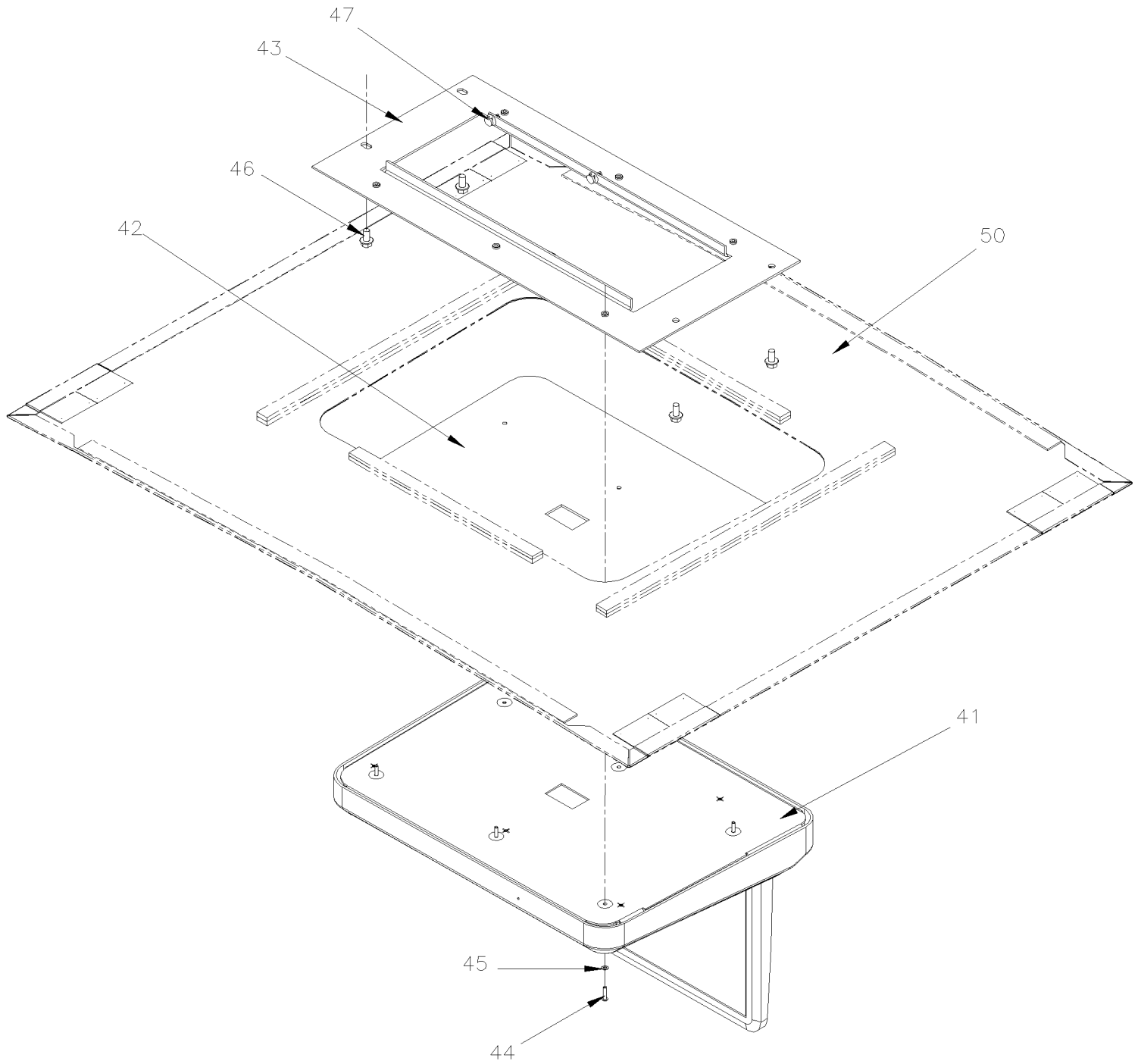


From G-7275 To M-7767

Date:07/2024

PAGE:X3PLB-2317-00

FRONT MONITOR FLAT SCREEN



From G-7275 To M-7767	Date:07/2024	PAGE:X3PLB-2317-00
-----------------------	--------------	--------------------

FRONT MONITOR FLAT SCREEN

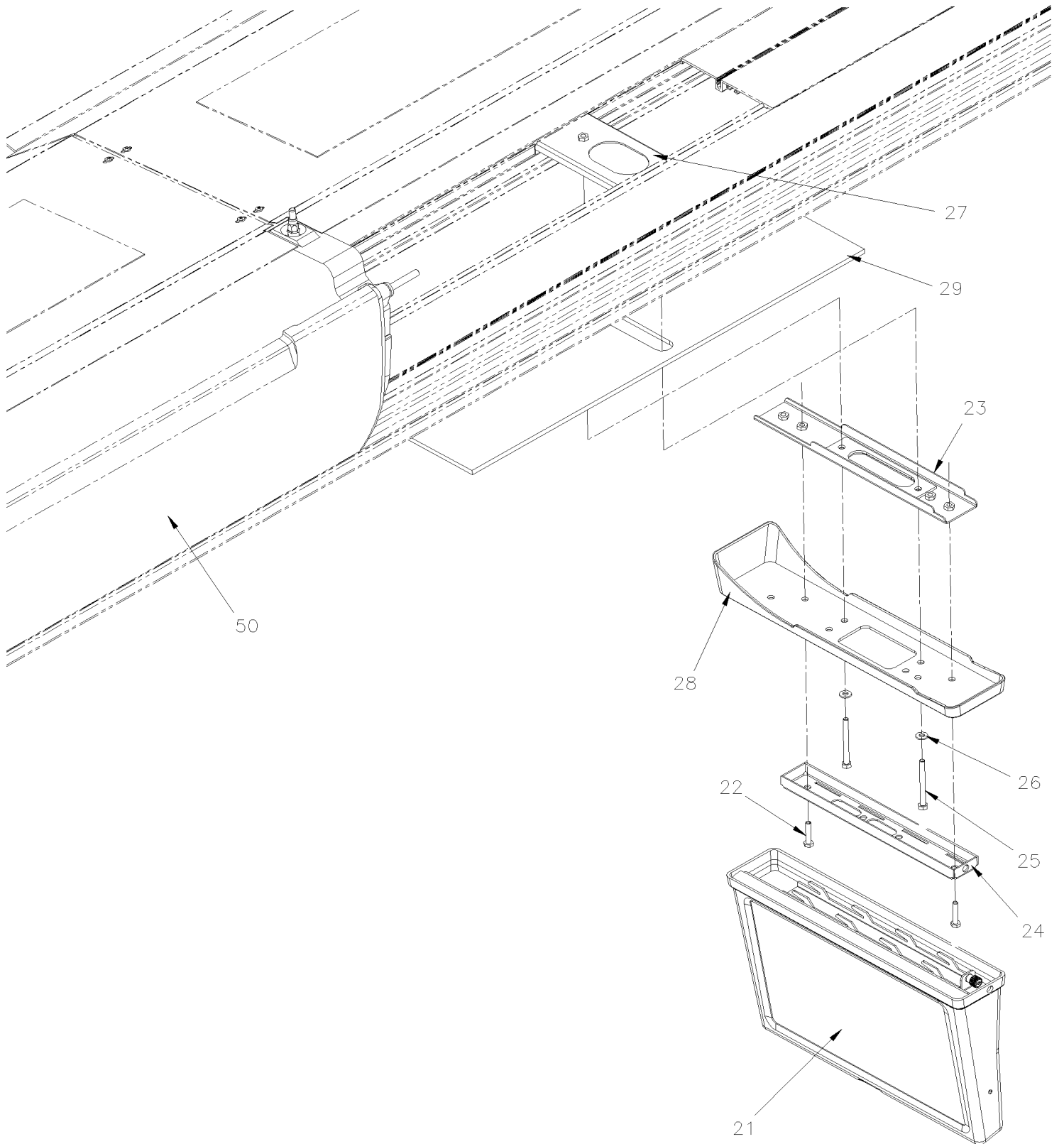
Item#	Part	Description	QTY	Notes
4	341192	SHIM	1	
10	406388	DECAL / "WATCH YOUR STEP" 13 x 368	1	
NS	406429	DECAL / "WATCH YOUR STEP" 53 x 272	1	
10	406386	DECAL / "WATCH YOUR STEP" / "CUINDADO CON EL 13 x 368	1	
NS	406387	DECAL / "ATTENTION À LA MARCHE" / BILINGUAL 13 x 368	1	
NS	406428	DECAL / "ATTENTION À LA MARCHE" / BILINGUAL 72 x 272	1	
NS	400015	DECAL / "ATTENTION À LA MARCHE" // ENGLISH & SPANISH & FRANCAIS	1	
NS	406430	DECAL / "WATCH YOUR STEP" / "CUINDADO CON EL 72 x 272	1	
		FOLLOWING ITEMS ARE RELATED ONLY WITH		
		15.6" CENTRAL MONITOR		
21	900021	MONITOR 15.6" LCD 24V W/ DEFLECTOR	1	
22	901358	SUPPORT MONITOR 15.4" 16/9 SCREEN	1	
23	502843	SCREW CAP HEX M6-1.0x45 G8.8 N500 To K-7662	2	
23	502686	SCREW CAP HEX M6-1.0x30 SS BK From L-7663	2	
		PARTS RELATED WITH 19" CENTRAL MONITOR		
		ELECTRICAL RETRACTABLE MODEL 16 : 9		
41	901336	MONITOR 19" LCD 24V	1	
NS	069346	CABLE ASSY / FLIP SCREEN To H-7416	1	
41	060099	CABLE ASSY / FLIP SCREEN From H-7417 To K-7662	1	
41	0610043	CABLE ASSY / FLIP SCREEN From L-7663	1	
42	406417	PANEL TRANSITION 460MM x 275MM To K-7662	1	
42	406335	BOX RECEPTACLE From L-7663	1	
43	407624	PLATE SUPPORT W/19" MONITOR To K-7662	1	
43	409274	PLATE SUPPORT W/19" MONITOR From L-7663	1	
44	5001305	SCREW MA RND PH #8-32X3/4 SS	6	
45	500834	WASHER LO INT .168x.340x.023 N500	6	
46	5001780	SCREW CAP HEXF M8-1.25x16 G8.8 N500	4	
47	509815	TIE MOUNT / ATTACHMENT W/TREE MOUNT	4	
50	X3PLB-1837-00	CEILING PANELS & MOULDING - BUS		
51	X3PLB-189X-XX	STRUCTURE / CALL ORDER DESK		
NS	564183	REMOTE CONTROL / CENTERING SCREEN PLAY TOOL	1	

From G-7275 To M-7767

Date:07/2024

PAGE:X3PLB-2317-10

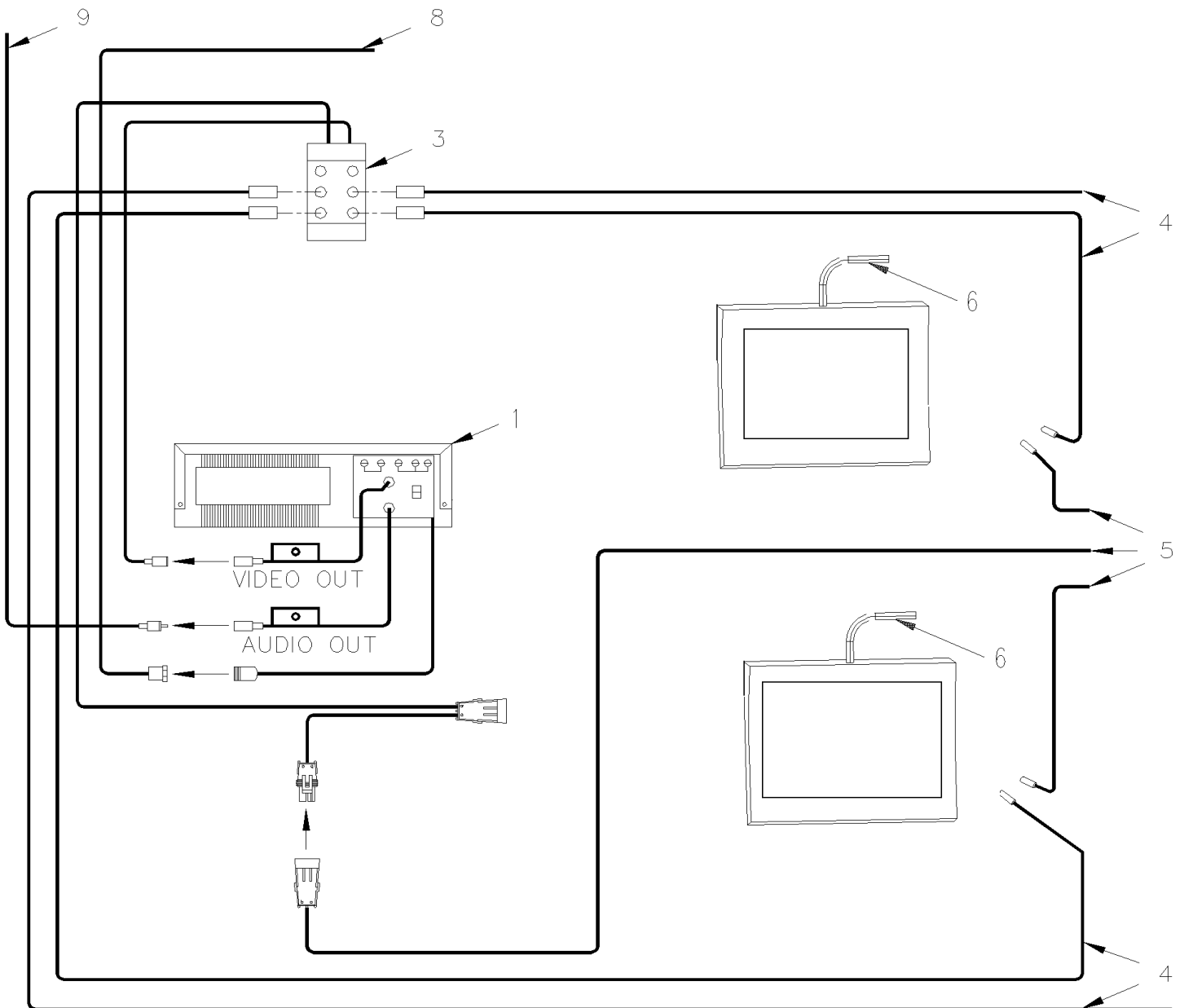
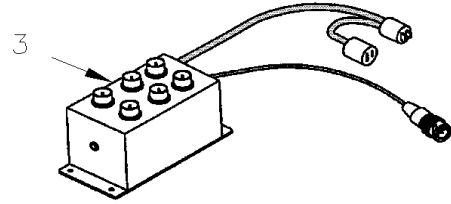
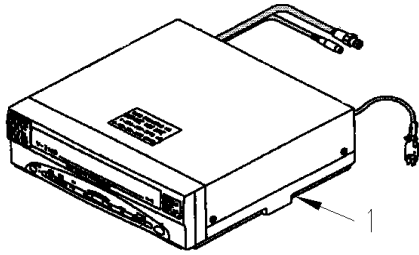
SIDE MONITOR FLAT SCREEN - VIDEO - "R.E.I."



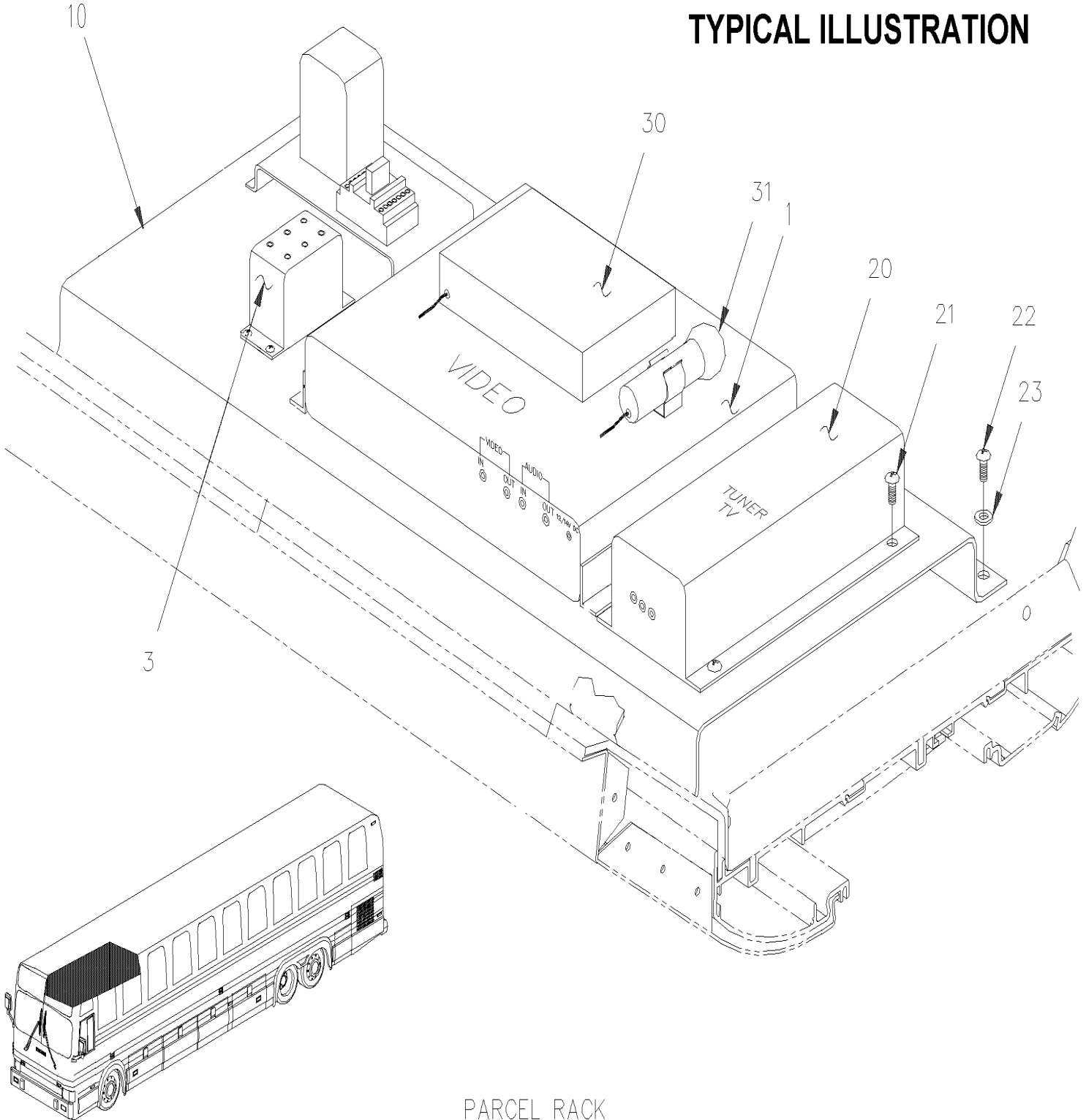
From G-7275 To M-7767	Date:07/2024	PAGE:X3PLB-2317-10
SIDE MONITOR FLAT SCREEN - VIDEO -"R.E.I."		

Item#	Part	Description	QTY	Notes
		FOLLOWING ITEMS ARE RELATED ONLY WITH		
		FLAT SCREEN 15.6" MONITOR 16/9		
21	900016	MONITOR 15.6" LCD 24V	1	
NS	562387	CONVOLUTED TUBING / SLIT / BLACK / .250"	AR	
NS	561681	CONVOLUTED TUBING / SLIT / BLACK & GRAY / .350"	AR	
22	5002235	SCREW CAP HEXF M6-1.0x30 G10.9 N500 AD	2	
22	680038	THREAD LOCKER LOCTITE #243 / BLUE / 50ml	AR	
23	406332	SUPPORT MONITOR	1	
23	401100	SUPPORT MONITOR	1	B
24	901358	SUPPORT MONITOR 15.4" 16/9 SCREEN	1	
25	502541	SCREW CAP HEX M6-1.0x65 G8.8 Z050	2	
26	500877	WASHER FL .250x.562x.065 N500	2	
27	402823	SUPPORT MONITOR	1	
28	900013	FINISHING CAP W/15.6" MONITOR	1	
28	400042	FINISHING CAP W/15.6" MONITOR	1	B
29	Call order desk	PANEL 376MM / 112MM POSITION SCREEN	1	P
29	Call order desk	PANEL 475MM / 310MM POSITION SCREEN	1	P
29	Call order desk	PANEL 495MM / 310MM POSITION SCREEN	1	P
29	Call order desk	PANEL 500MM / 108MM POSITION SCREEN / LCD SCREEN	1	P
29	Call order desk	PANEL 510MM / 310MM POSITION SCREEN	1	P
29	Call order desk	PANEL 655MM / 310MM POSITION SCREEN / LCD SCREEN	1	P
29	Call order desk	PANEL 705MM / 544MM POSITION SCREEN	1	P
29	Call order desk	PANEL 1015MM / 465MM POSITION SCREEN / LCD SCREEN	1	P
29	Call order desk	PANEL 1015MM / 535MM POSITION SCREEN / LCD SCREEN	1	P GLI
50	X3PLB-1836-00	PARCEL RACK /WITH LEDS		
51	X3PLB-2317-20	DVD PLAYER - INSTALLATION		
		B) USE WITH COMPLETE DRIVER PLEXIGLASS		
		GLI) WITH FIRST MONITOR STREET SIDE WITH GREYHOUND DRIVER PARTITION		
		P) CALL ORDER DESK FOR SPECIFIC APPLICATION (V.I.N.)		

DVD PLAYER - INSTALLATION



TYPICAL ILLUSTRATION



PARCEL RACK

From G-7275 To M-7767	Date:07/2024	PAGE:X3PLB-2317-20
DVD PLAYER - INSTALLATION		

Item#	Part	Description	QTY	Notes
1	901339	DVD PLAYER 12V To J-7539	1	
NS	901377	REMOTE CONTROL / DVD R.E.I. To J-7539	1	
1	901436	DVD PLAYER 12V From J-7540	1	
NS	901264	REMOTE CONTROL / DVD REI From J-7540	1	
3	901403	VIDEO DISTRIBUTION AMPLI W/BNC	1	
NS	900777	CONNECTOR BNC PLUG TO RCA ADAPTOR / ELEC 21-142-0	AR	
NS	901157	CABLE COAXIAL 3' BNC	1	A
NS	404380	CABLE ASSY RCA / M/M / USE WITH 2 VIDEOS / 510300	1	
3	901430	CABLE IN "Y" 24VDC POWER	1	C
3	506318	TAPE DUAL LOCK 1" x 150' / BLACK SJ3541	AR	C
3	901429	CABLE 12 VDC POWER - DVD	1	B
4	901146	CABLE ASSY COAX / RG-59 / 7'	AR	
4	404232	CABLE ASSY COAX / RG-59 / 10' / 510443	AR	
4	404233	CABLE ASSY COAX / RG-59 / 15' / 511062	AR	
4	404234	CABLE ASSY COAX / RG-59 / 20' / 510407	AR	
4	404235	CABLE ASSY COAX / RG-59 / 24' / 510414	AR	
4	404236	CABLE ASSY COAX / RG-59 / 33' / 510928	AR	
4	404237	CABLE ASSY COAX / RG-59 / 44' / 510929	AR	
5	409287	CABLE ASSY / 24V POWER / 10' To K-7662	AR	R
5	400836	CABLE ASSY / 24V POWER / 10' From L-7663	AR	
5	409288	CABLE ASSY / 24V POWER / 15' To K-7662	AR	R
5	400837	CABLE ASSY / 24V POWER / 15' From L-7663	AR	
5	409289	CABLE ASSY / 24V POWER / 20' To K-7662	AR	R
5	400838	CABLE ASSY / 24V POWER / 20' From L-7663	AR	
5	409290	CABLE ASSY / 24V POWER / 25' To K-7662	AR	R
5	400839	CABLE ASSY / 24V POWER / 25' From L-7663	AR	
5	409291	CABLE ASSY / 24V POWER / 30' To K-7662	AR	R
5	400840	CABLE ASSY / 24V POWER / 30' From L-7663	AR	
5	409292	CABLE ASSY / 24V POWER / 35' To K-7662	AR	R
5	400841	CABLE ASSY / 24V POWER / 35' From L-7663	AR	
5	409293	CABLE ASSY / 24V POWER / 45' To K-7662	AR	R
5	400842	CABLE ASSY / 24V POWER / 45' From L-7663	AR	
6	X3PLB-2317-10	SIDE MONITOR FLAT SCREEN - VIDEO -"R.E.I."		
10	409125	MOUNTING PLATE	1	
20	901054	TUNER TV 24V	1	
21	500654	SCREW TC BDG PH #8-32x1/2 Z050	4	
22	500841	SCREW TP PAN PH #14x3/4 Z050	5	
NS	504503	BUSHING, NYLON 5/16 DIA.	5	
23	500441	WASHER FL .312x.734x.065 Z050	5	
30	901201	RECEIVER WIRELESS MICROPHONE / 16 CHANNEL To H-7402	1	
30	901657	RECEIVER WIRELESS MICROPHONE / 200 CHANNEL From H-7403 To K-7612	1	
30	901702	RECEIVER WIRELESS MICROPHONE / 200 CHANNEL From K-7613	1	

From G-7275 To M-7767	Date:07/2024	PAGE:X3PLB-2317-20
DVD PLAYER - INSTALLATION		

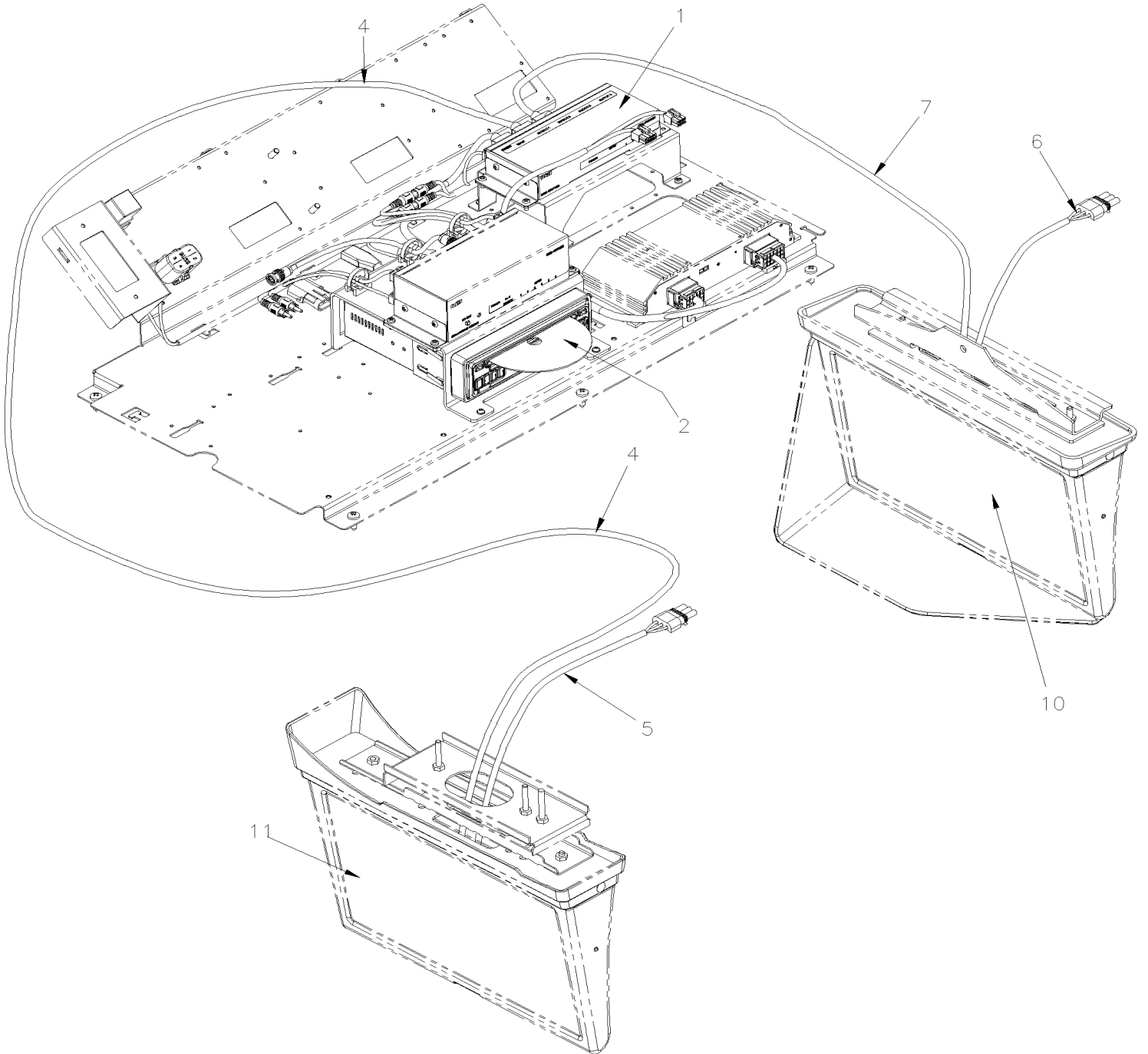
Item#	Part	Description	QTY	Notes
NS	500799	SCREW TC PAN PH #8-32x3/8 N500	4	
30	900050	BRACKET RECEIVER WIRELESS MIC To H-7402	2	
31	900954	MICROPHONE, WIRELESS / 16 CHANNEL To H-7402	1	
NS	685199	BATTERY 1.5V / TYPE "AA" / RECHARGEABLE To H-7402	AR	
31	901640	MICROPHONE, WIRELESS / 100 CHANNEL From H-7403 To K-7612	1	
31	901701	MICROPHONE, WIRELESS / 100 CHANNEL From K-7613	1	
NS	685199	BATTERY 1.5V / TYPE "AA" / RECHARGEABLE From K-7613	2	
NS	900953	STATION WIRELESS BATTERY CHARGING 16 CHANNEL To H-7402	1	
NS	901639	STATION WIRELESS BATTERY CHARGING 100 CHANNEL From H-7403	1	
35	430669	KIT, REPLACEMENT DVD "VOLVO" TO "REI"	1	
NS	409294	CABLE INTERFACE DVD "VOLVO" to DVD "REI" 4 CONN. to 6 CONN.	1	
NS	901436	DVD PLAYER 12V	1	
NS	901264	REMOTE CONTROL / DVD REI	1	
NS	901347	CABLE ASSY / W/2 BNC FEMALE/ FEMALE 1"	1	
NS	IS-09048	SEE INSTRUCTION SHEET	1	
		A) WITH VHS VIDEO - "OPTIONAL"		
		B) USE WITH DVD IN SECOND DOOR PARCEL RACK		
		C) WITH OPTION 8 MONITORS		
		R) CABLE W/R.E.I. MONITOR USE W/CON 1 # 563071 & 3 TERM # 562483		

From H-7417 To M-7767

Date:07/2024

PAGE:X3PLB-2317-21

SCREEN VIDEO & POWER - INSTALLATION W/HHED



From H-7417 To M-7767	Date:07/2024	PAGE:X3PLB-2317-21
SCREEN VIDEO & POWER - INSTALLATION W/HHED		

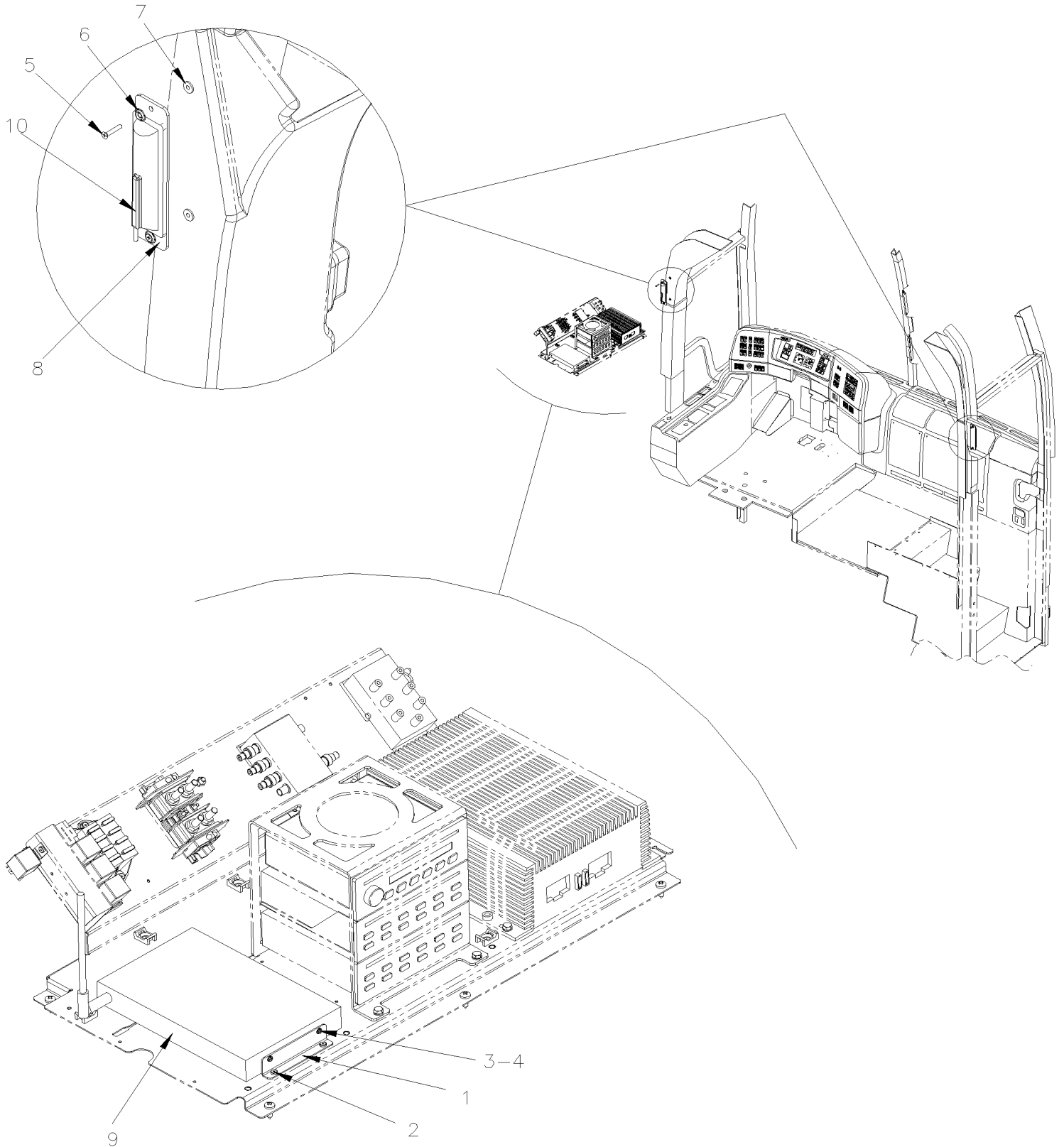
Item#	Part	Description	QTY	Notes
1	900027	MODULE HDMI VIDEO SPLITTER To J-7480	1	
1	900208	MODULE HDMI VIDEO SPLITTER From J-7481	1	
2	901339	DVD PLAYER 12V To J-7539	1	
. NS	901377	. REMOTE CONTROL / DVD R.E.I. To J-7539	1	
2	901436	DVD PLAYER 12V From J-7540	1	
. NS	901264	. REMOTE CONTROL / DVD REI From J-7540	1	
NS	900029	POWER CABLE ON REI SWITCH AND SPLITTER	1	
4	900031	CABLE HDMI E / 3'	AR	
4	900032	CABLE HDMI E / 7'	AR	
4	900033	CABLE HDMI E / 10'	AR	
4	900034	CABLE HDMI E / 15'	AR	
4	900036	CABLE HDMI E / 20'	AR	
4	900037	CABLE HDMI E / 35'	AR	
4	900047	CABLE HDMI E / 25'	AR	
4	900048	CABLE HDMI E / 30'	AR	
5	409287	CABLE ASSY / 24V POWER / 10' To K-7662	AR	
5	400836	CABLE ASSY / 24V POWER / 10' From L-7663	AR	
5	409288	CABLE ASSY / 24V POWER / 15' To K-7662	AR	
5	400837	CABLE ASSY / 24V POWER / 15' From L-7663	AR	
5	409289	CABLE ASSY / 24V POWER / 20' To K-7662	AR	
5	400838	CABLE ASSY / 24V POWER / 20' From L-7663	AR	
5	409290	CABLE ASSY / 24V POWER / 25' To K-7662	AR	
5	400839	CABLE ASSY / 24V POWER / 25' From L-7663	AR	
5	409291	CABLE ASSY / 24V POWER / 30' To K-7662	AR	
5	400840	CABLE ASSY / 24V POWER / 30' From L-7663	AR	
5	409292	CABLE ASSY / 24V POWER / 35' To K-7662	AR	
5	400841	CABLE ASSY / 24V POWER / 35' From L-7663	AR	
5	409293	CABLE ASSY / 24V POWER / 45' To K-7662	AR	
5	400842	CABLE ASSY / 24V POWER / 45' From L-7663	AR	
6	405732	CABLE ASSY / 24V POWER / 6' To K-7662	1	A
6	406835	CABLE ASSY / 24V POWER From L-7663	1	A
6	901146	CABLE ASSY COAX / RG-59 / 7'	1	A
6	069346	CABLE ASSY / FLIP SCREEN	1	B
7	900032	CABLE HDMI E / 7'	1	
10	X3PLB-2317-00	FRONT MONITOR FLAT SCREEN		
11	X3PLB-2317-10	SIDE MONITOR FLAT SCREEN - VIDEO -"R.E.I."		
		A) WITH FIXE MONITOR		
		B) WITH FLIP MONITOR		

From G-7275 To M-7767

Date:07/2024

PAGE:X3PLB-2317-25

"WI-FI" MODULE - INSTALLTION



From G-7275 To M-7767	Date:07/2024	PAGE:X3PLB-2317-25
"WI-FI" MODULE - INSTALLTION		

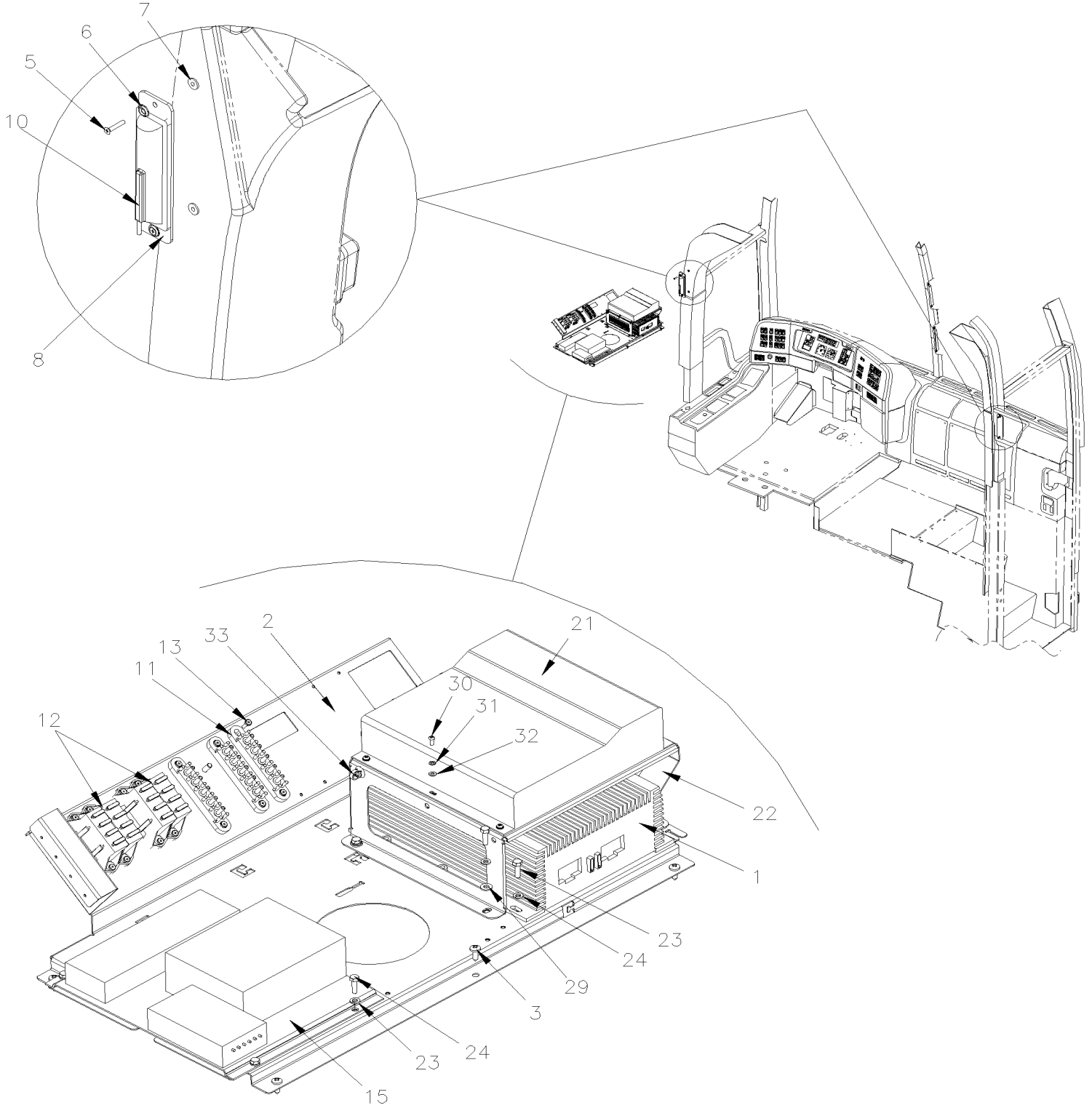
Item#	Part	Description	QTY	Notes
1	406175	ANGLE SUPPORT INTERNET MODULE 25MM x 15MM x 110MM	2	
2	500654	SCREW TC BDG PH #8-32x1/2 Z050	4	
3	500498	SCREW MA BDG PH #4-40x1/2 N500	4	
4	502834	WASHER LO SPT 4.1x7.6x0.9 N500	4	
5	502666	SCREW MA FL PH #6-32x3/4 SS BK	4	
6	500286	NUT WELL #6-32	4	
7	500345	WASHER FN CKF .187x.500x.090 BR BK	4	
8	406230	PLATE INTERNET ANTENA 160MM x 40MM	2	
9	N.S.P.	INTERNET MODULE	1	2
10	N.S.P.	ANTENA INTERNET MODULE	1	2
		2) NOT SOLD BY PREVOST (SEE MANUFACTURING PART NUMBER AT END OF DESCRIPTION LINE)		

From G-7275 To M-7767

Date:07/2024

PAGE:X3PLB-2317-26

"WI-FI" MODULE / "CADEC" MODULE / "DRIVECAM" - INSTALLTION

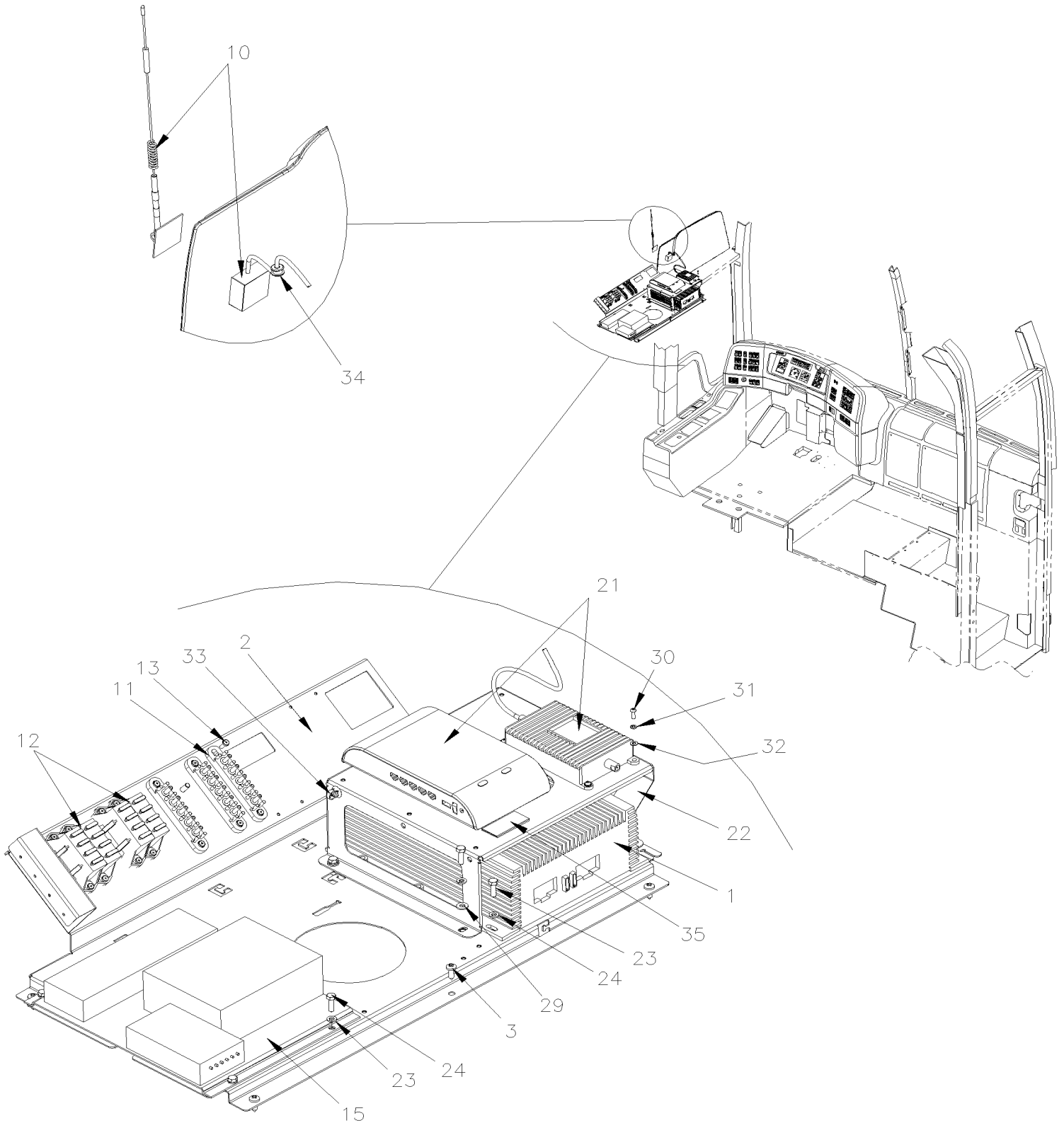


From G-7275 To M-7767

Date:07/2024

PAGE:X3PLB-2317-26

"WI-FI" MODULE / "CADEC" MODULE / "DRIVECAM" - INSTALLTION

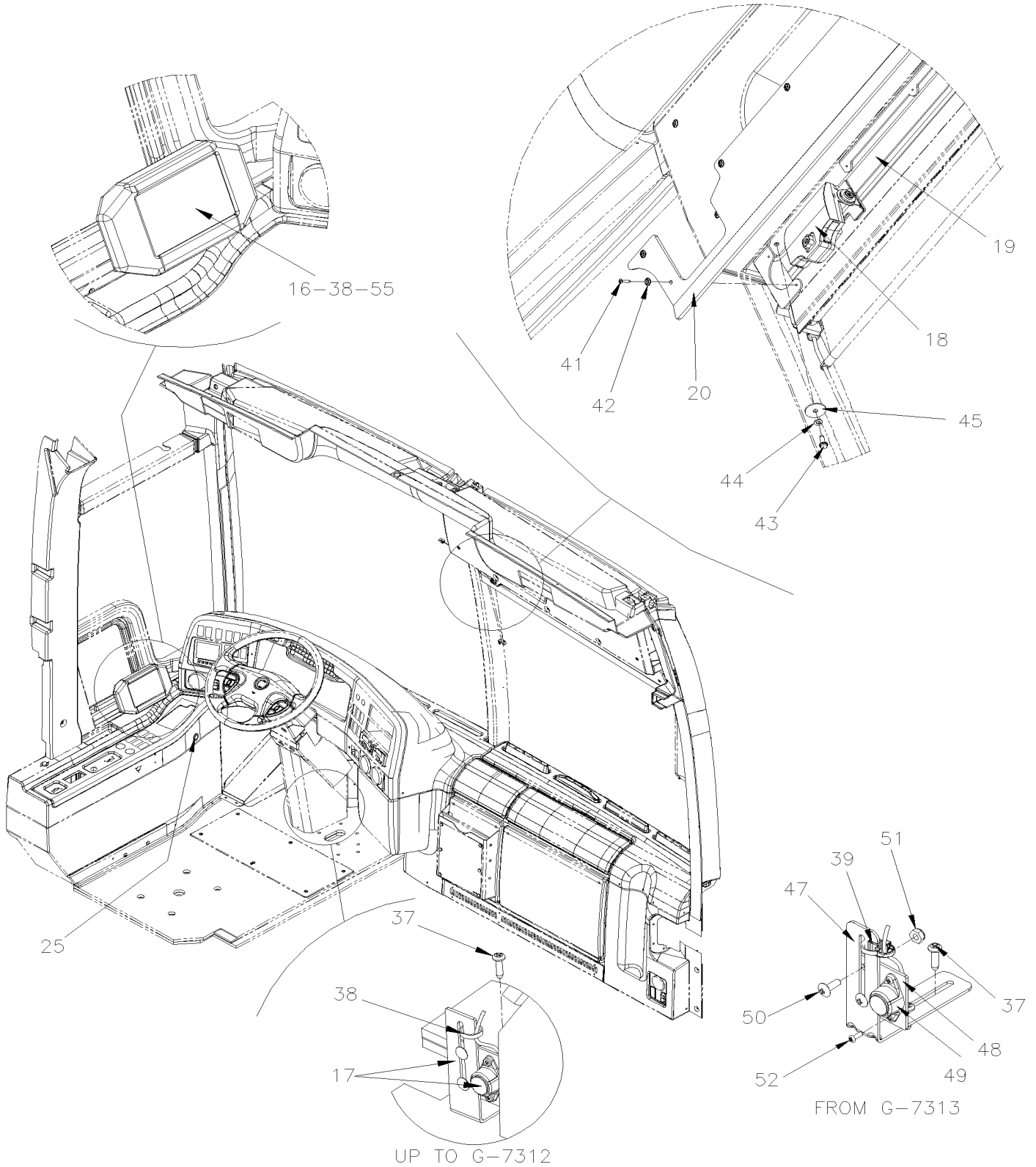


From G-7275 To M-7767

Date:07/2024

PAGE:X3PLB-2317-26

"WI-FI" MODULE / "CADEC" MODULE / "DRIVECAM" - INSTALLTION



From G-7275 To M-7767	Date:07/2024	PAGE:X3PLB-2317-26
-----------------------	--------------	--------------------

"WI-FI" MODULE / "CADEC" MODULE / "DRIVECAM" - INSTALLTION

Item#	Part	Description	QTY	Notes
1	901538	AMPLIFICATOR AUDIO / 400 WATTS / FISCHER To P-8061	1	
1	901907	AMPLIFICATOR AUDIO / 400 WATTS / FISCHER From P-8062	1	
2	408338	PLATE SUPPORT MAIN SYSTEM	1	
3	500641	SCREW TP PAN PH #8x3/4 Z050	6	
5	502666	SCREW MA FL PH #6-32x3/4 SS BK	4	
6	500286	NUT WELL #6-32	4	
7	500345	WASHER FN CKF .187x.500x.090 BR BK	4	
8	406230	PLATE INTERNET ANTENA 160MM x 40MM	2	
10	N.S.P.	ANTENNA "WI-FI" MODULE	1	2 S
11	563218	JUNCTION BLOCK W/5 STUDS	3	
12	563535	FUSE BLOCK W/4 LEDS & WIRES	2	
. NS	381960	. PROTECTOR COVER FUSE HOLDER 49MM x 62MM "OPTION SPECIAL"	AR	
12	562598	FUSE / ATO 2 AMPS GREY	AR	
12	562407	FUSE / ATO 10 AMPS RED	AR	
12	562396	FUSE / ATO 30 AMPS GREEN	AR	
12	562605	FUSE / ATO 20 AMPS YELLOW	AR	
13	500654	SCREW TC BDG PH #8-32x1/2 Z050	AR	
15	N.S.P.	"CADEC SYSTEM"	1	2 S
15	068851	CABLE "CADEC SYSTEM" To G-7312	1	
15	069641	CABLE "CADEC SYSTEM" From G-7313 To H-7416	1	
15	060097	CABLE "CADEC SYSTEM" From H-7417	1	
15	N.S.P.	ANTENNA "CADEC SYSTEM"	1	2 S
16	N.S.P.	DISPLAY KIT "CADEC SYSTEM"	1	2 S
16	N.S.P.	CABLE / DISPLAY "CADEC SYSTEM"	1	2 S
17	N.S.P.	PANIC SWITCH PUSH BUTTON KIT "CADEC SYSTEM" To G-7312	1	2 S
18	901578	"DRIVECAM" / COMPLET KIT To J-7508	1	
18	901678	"DRIVECAM" / COMPLET KIT From J-7509	1	
18	069644	CABLE / "DRIVECAM" To G-7312	1	
18	680453	SEALANT TAPE / CLEAR / 1/32"x1/2"x65' / 1795	AR	
18	504637	CABLE TIE / 3/16" x 13"	AR	
18	562479	CONNECTOR / DT SERIES / PH 4C / GRAY / DEUTSCH DT04-4P-C015 From G-7313	1	
18	562480	SECONDARY LOCK / DT SERIES / PH 4C / DEUTSCH W4P From G-7313	1	
18	562286	PIN TERMINAL / 18-16 / DEUTSCH 0460-202-16141 From G-7313	3	
18	563622	BUTT SPLICE / 22-18 / RED / W/THERMORETRAC / PANDUIT BSH18-Q From G-7313	1	
18	563623	BUTT SPLICE / 16-14 / BLUE / W/THERMORETRAC / PANDUIT BSH14-Q From G-7313	1	
19	407688	SUPPORT / "DRIVECAM" To J-7508	1	
19	407204	SUPPORT / "DRIVECAM" From J-7509 To K-7662	1	
19	401322	SUPPORT / "DRIVECAM" From L-7663	1	
19	8631155	CABLE TIE / 4.6MM x 200 / CHRISTMAS TREE	2	
20	407689	PLEXIGLASS TINTED / "DRIVECAM" To J-7508	1	
20	407205	PLEXIGLASS TINTED / "DRIVECAM" From J-7509	1	
21	N.S.P.	"WI-FI" MODULE	1	2 S

From G-7275 To M-7767	Date:07/2024	PAGE:X3PLB-2317-26
"WI-FI" MODULE / "CADEC" MODULE / "DRIVECAM" - INSTALLTION		

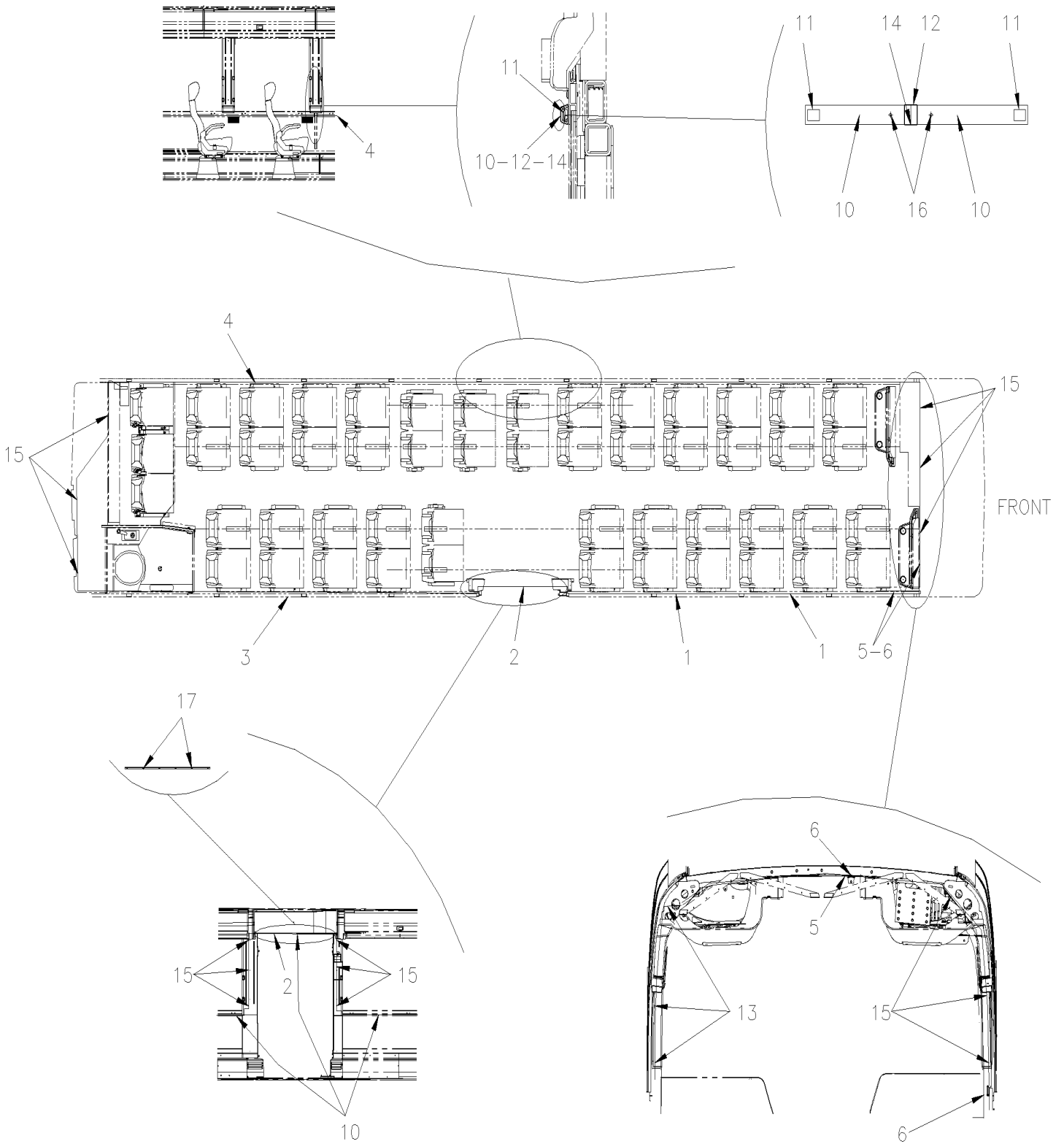
Item#	Part	Description	QTY	Notes
22	408331	PLATE SUPPORT MAIN SYSTEM	1	
23	502830	SCREW CAP HEX M6-1.0x20 G8.8 N500	12	
24	502564	WASHER LO SPT 6.1x11.8x1.6 Z050	12	
25	901579	REMOTE BUTTON AND CABLE, DRIVECAM To J-7508	1	
25	901679	REMOTE BUTTON AND CABLE, DRIVECAM From J-7509	1	
29	500440	WASHER FL .250x.562x.065 Z050	4	
30	500344	SCREW MA RND PH M4-0.7x12 Z050	6	
31	502636	WASHER LO SPT 4.1x7.6x0.9 Z050	6	
32	500591	WASHER FL 4.3x9.0x0.8 Z050	6	
33	8631155	CABLE TIE / 4.6MM x 200 / CHRISTMAS TREE	1	
34	504593	GROMMET / .250x.437x.250x.375x.625	1	
35	506755	VELCRO / HOOK ADHESIF 1" x 75'	AR	
35	506756	VELCRO / LOOP ADHESIF 1" x 75'	AR	
36	068577	DECAL WIRIING CADEC / PREVOST	1	F
37	502706	SCREW TP PAN PH #14x1 SS	2	
38	504637	CABLE TIE / 3/16" x 13"	AR	
39	564204	CABLE TIE / WITH EDGE CLIP / T50REC4A 10MMx200MM From G-7313	1	
41	5001097	SCREW TC OV PH #6-32x3/4 SS410 BK	8	
42	500345	WASHER FN CKF .187x.500x.090 BR BK	8	
43	502848	SCREW TC CAP HEXF 1/4-20x3/4 N500	2	
44	5001749	WASHER LO SPT 6.5x11.5x1.6 N500	2	
45	500913	WASHER FL .281x1.250x.065 N500	2	
47	400388	BRACKET "L" SHAPE , PANIC SWITCH From G-7313	1	
48	400391	BRACKET, PANIC SWITCH From G-7313	1	
49	560355	SWITCH, MOMENTARY BLACK (PANIC) From G-7313	1	
50	500556	SCREW MA TR PH 1/4-20x3/4 SS From G-7313	2	
51	5001251	NUT HEX NYRT 1/4-20 SS From G-7313	2	
52	5001996	SCREW MA PAN PH M4-0.7x12 N500 From G-7313	2	
55	500772	NUT HEX CAP 1/4-20 NP	4	
55	680038	THREAD LOCKER LOCTITE #243 / BLUE / 50ml	AR	
		F) FIX ON PARCEL RACK DOOR		
		S) SUPPLY BY THE CUSTOMER		
		2) NOT SOLD BY PREVOST (SEE MANUFACTURING PART NUMBER AT END OF DESCRIPTION LINE)		

From G-7300 To M-7767

Date:07/2024

PAGE:X3PLB-2317-27

HEARING LOOP SYSTEM

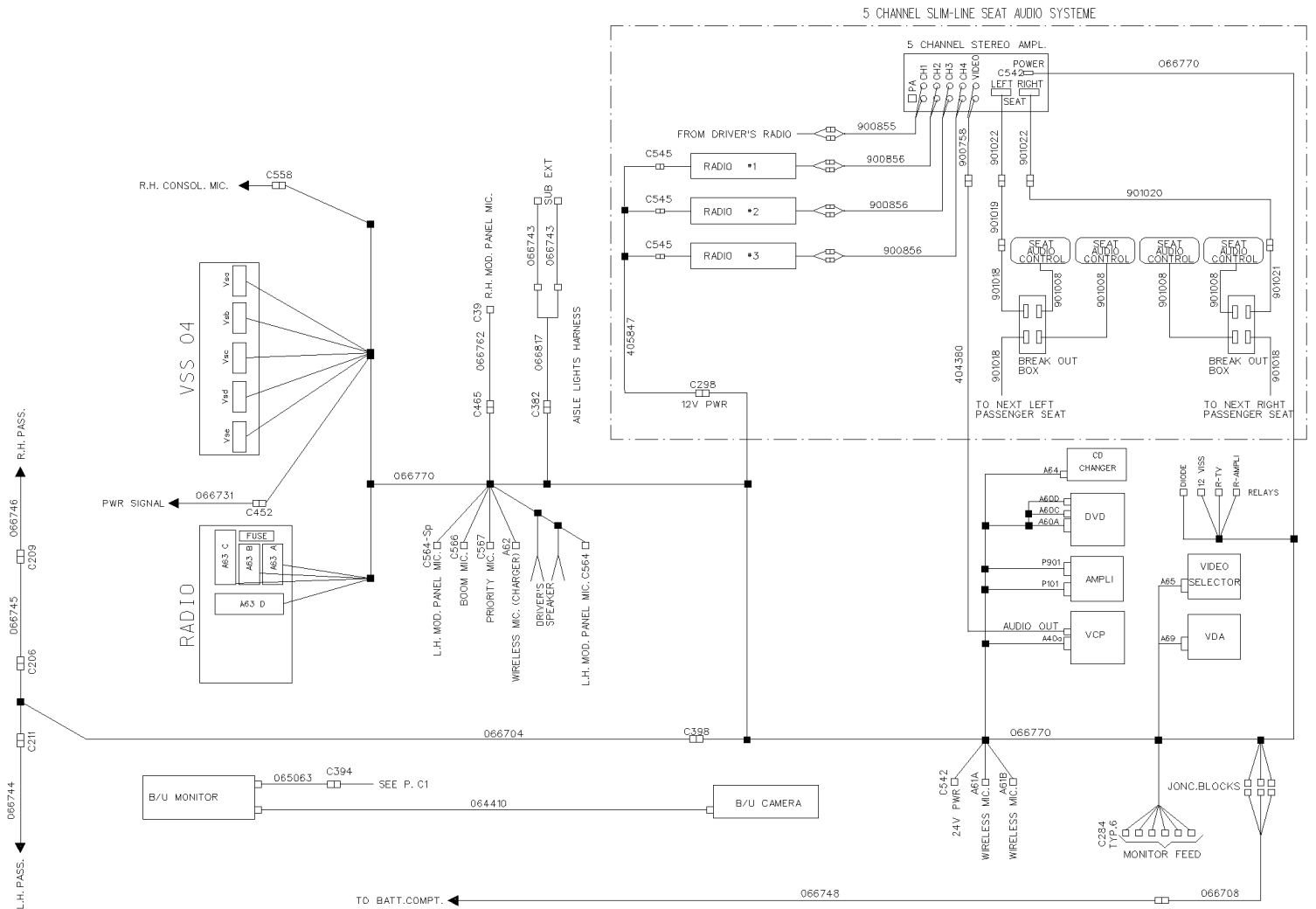


From G-7300 To M-7767	Date:07/2024	PAGE:X3PLB-2317-27
-----------------------	--------------	--------------------

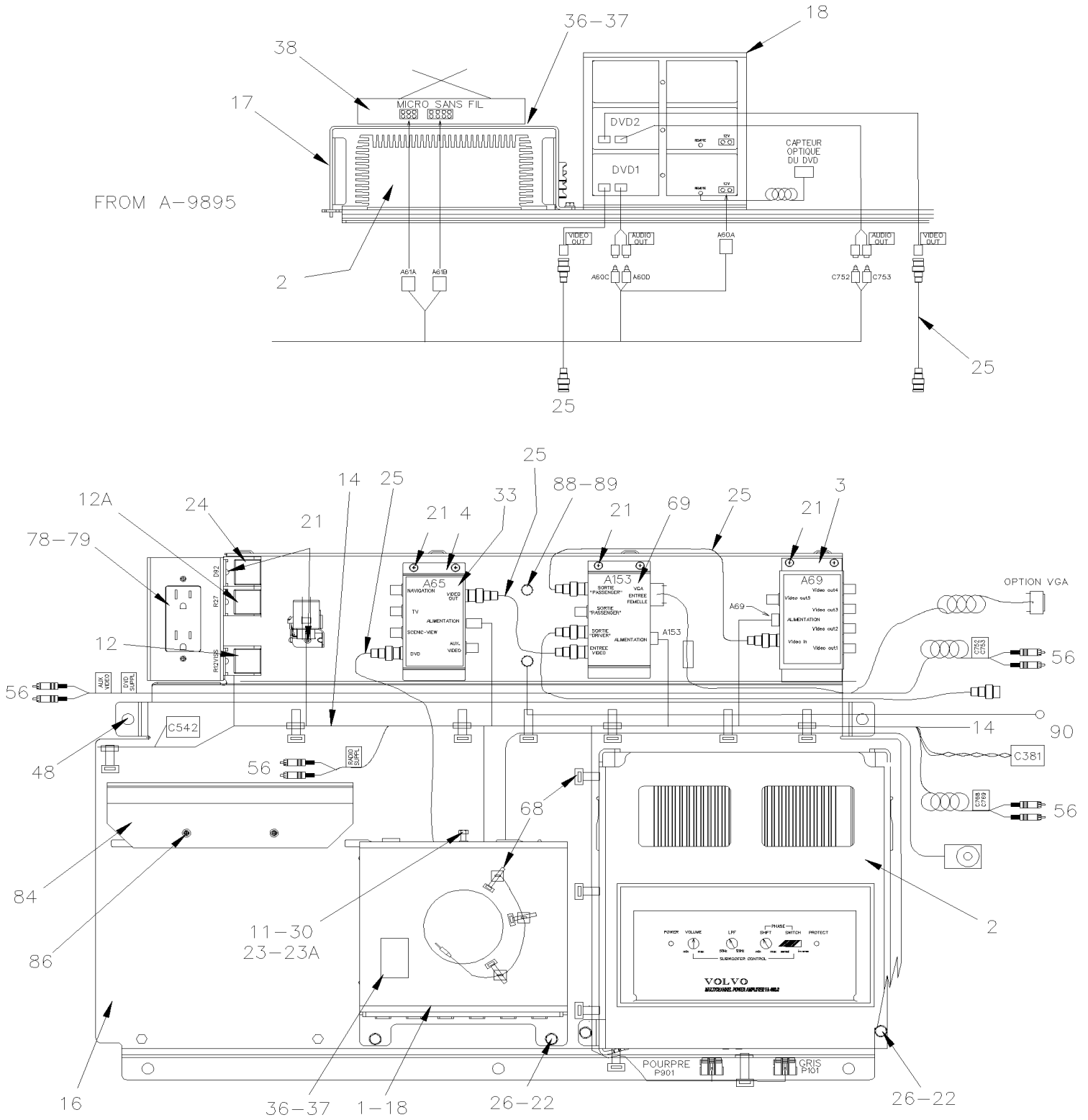
HEARING LOOP SYSTEM

Item#	Part	Description	QTY	Notes
1	069616	CABLE HARNESS , HEARING LOOP OPTION / RH PARCEL-RACK	1	
2	069625	CABLE HARNESS , HEARING LOOP OPTION / WCL DOOR	1	
3	069617	CABLE HARNESS , HEARING LOOP OPTION / REAR SECTION	1	
4	069618	CABLE HARNESS , HEARING LOOP OPTION / LH PARCEL-RACK	1	
5	069619	CABLE HARNESS , HEARING LOOP OPTION / FRONT SECTION	1	
6	069615	CABLE HARNESS 24VDC FOR HEARING LOOP OPTION To G-7309	1	
6	0610309	CABLE HARNESS 24VDC FOR HEARING LOOP OPTION From L-7701	1	
10	560040	RACEWAY BASE & COVER / PVC IVORY	AR	
10	564302	RACEWAY BASE & COVER / PVC GREY From L-7734	AR	
11	560044	RACEWAY WIRE CLIP / PVC IVORY	AR	
12	560046	RACEWAY COVER CLIP / PVC IVORY	12	
12	564303	RACEWAY COVER CLIP / PVC GREY From L-7734	12	
13	680453	SEALANT TAPE / CLEAR / 1/32"x1/2"x65' / 1795	AR	
14	680042	GLUE LOCTITE 430 BOTTLE 1OZ	AR	
15	504637	CABLE TIE / 3/16" x 13"	AR	
16	504263	RIVET POP DOME OE 1/8x3/8 AL	AR	
17	504112	RIVET POP DOME OE 1/8x1/8 AL	AR	

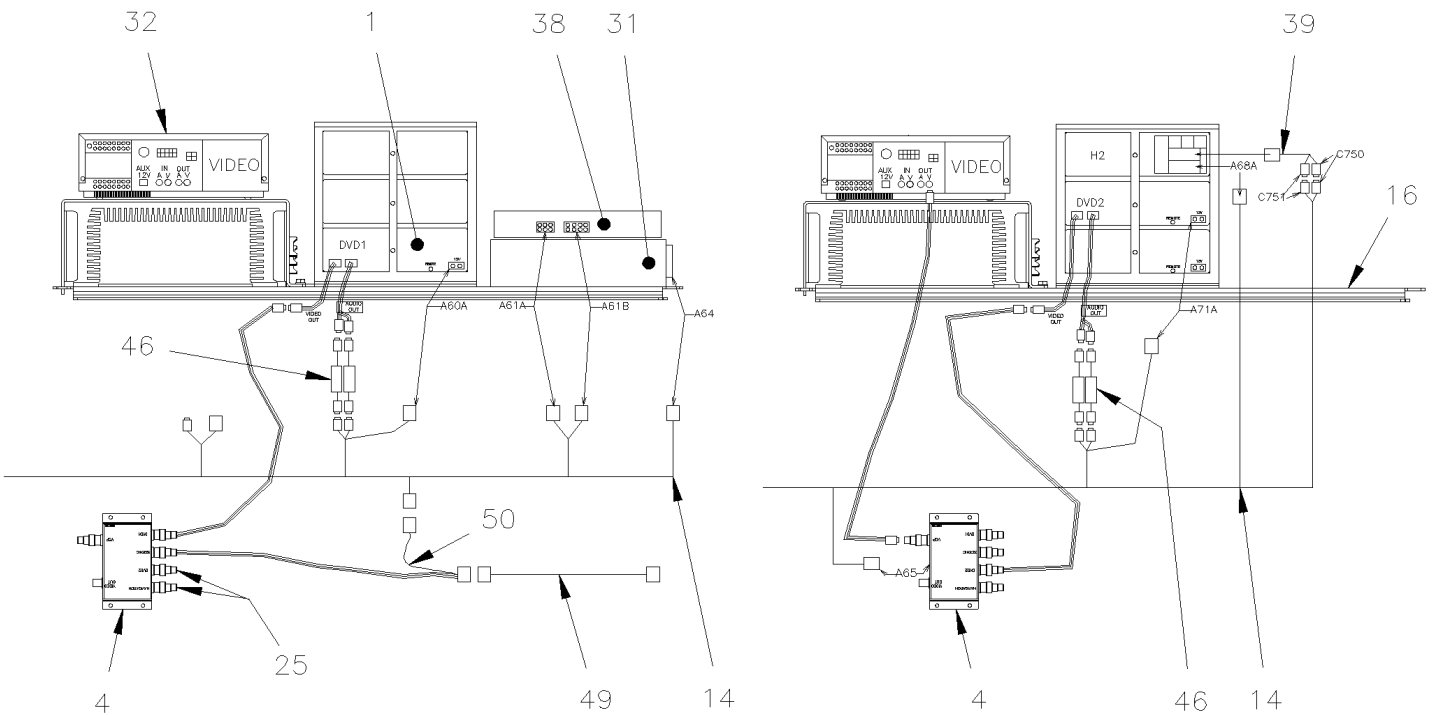
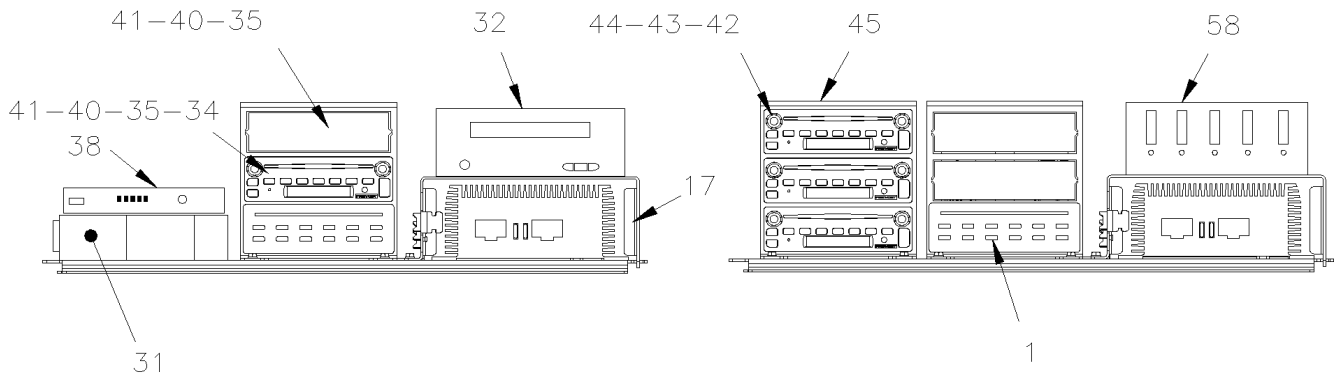
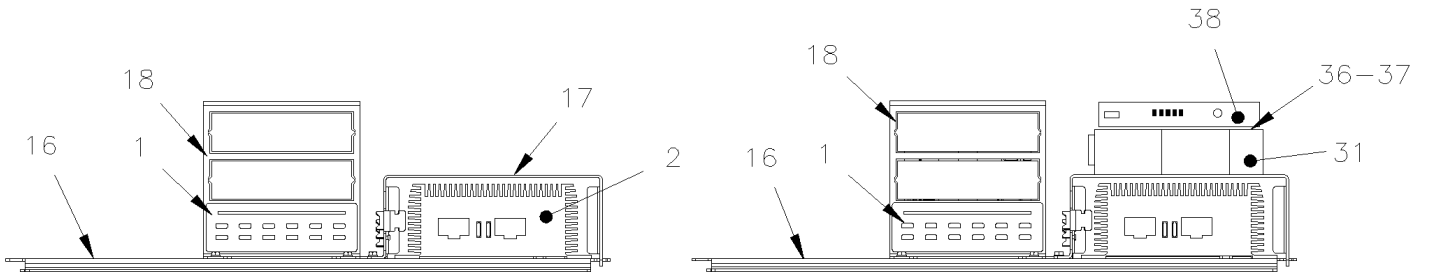
VIDEO & AUDIO SYSTEM - INSTALLATION



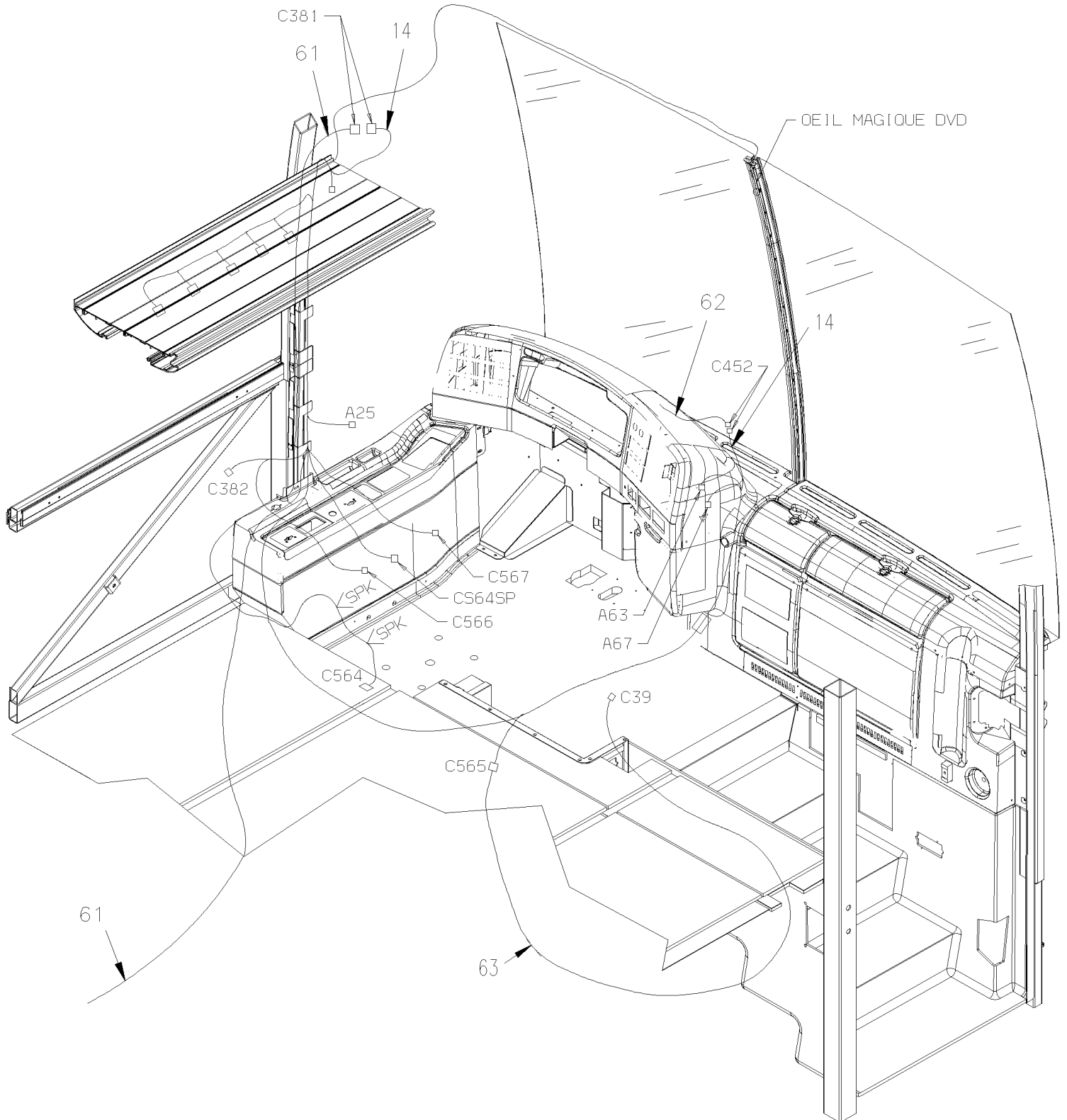
VIDEO & AUDIO SYSTEM - INSTALLATION



VIDEO & AUDIO SYSTEM - INSTALLATION



VIDEO & AUDIO SYSTEM - INSTALLATION

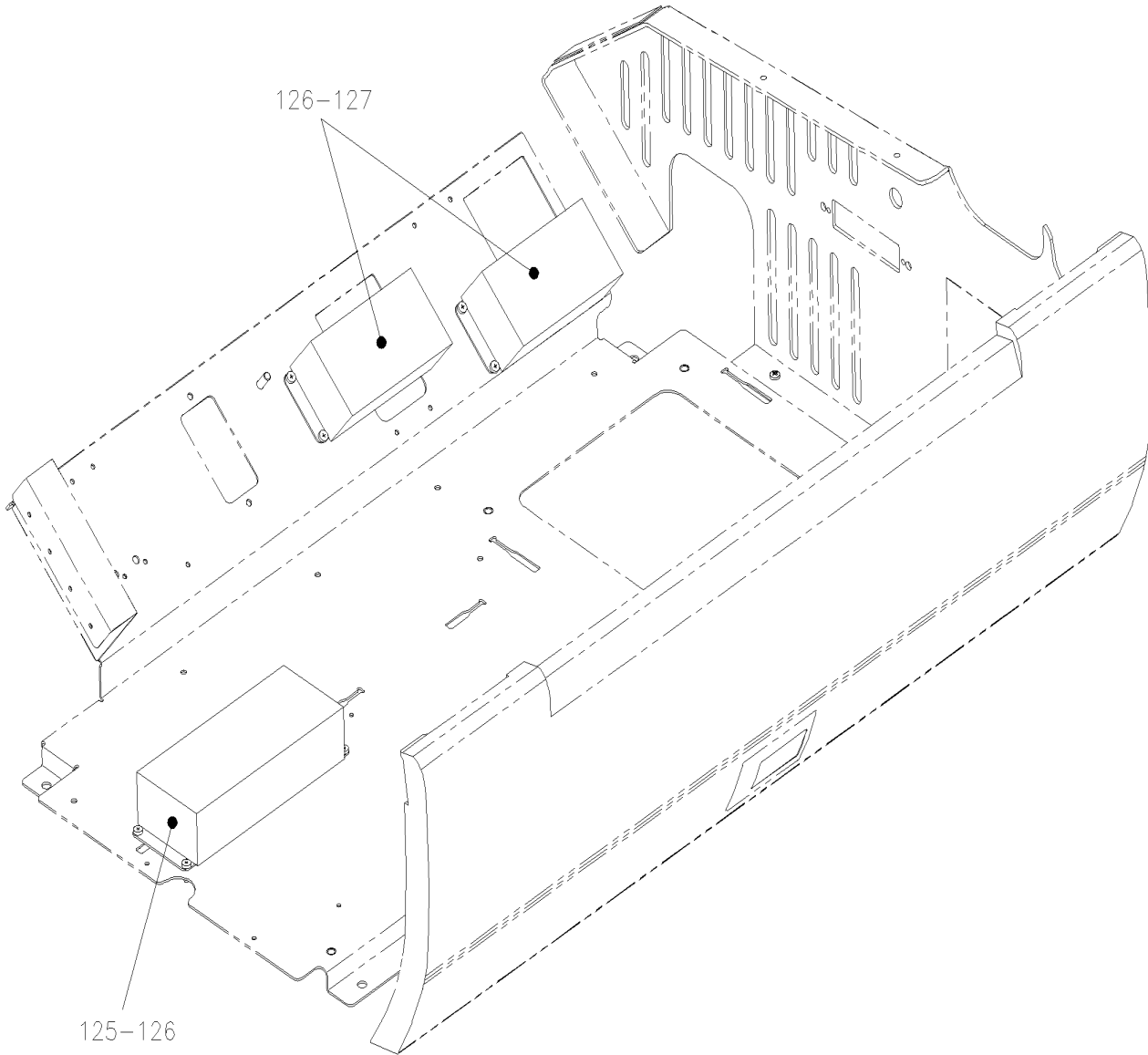


From G-7275 To M-7767

Date:07/2024

PAGE:X3PLB-2317-30

VIDEO & AUDIO SYSTEM - INSTALLATION

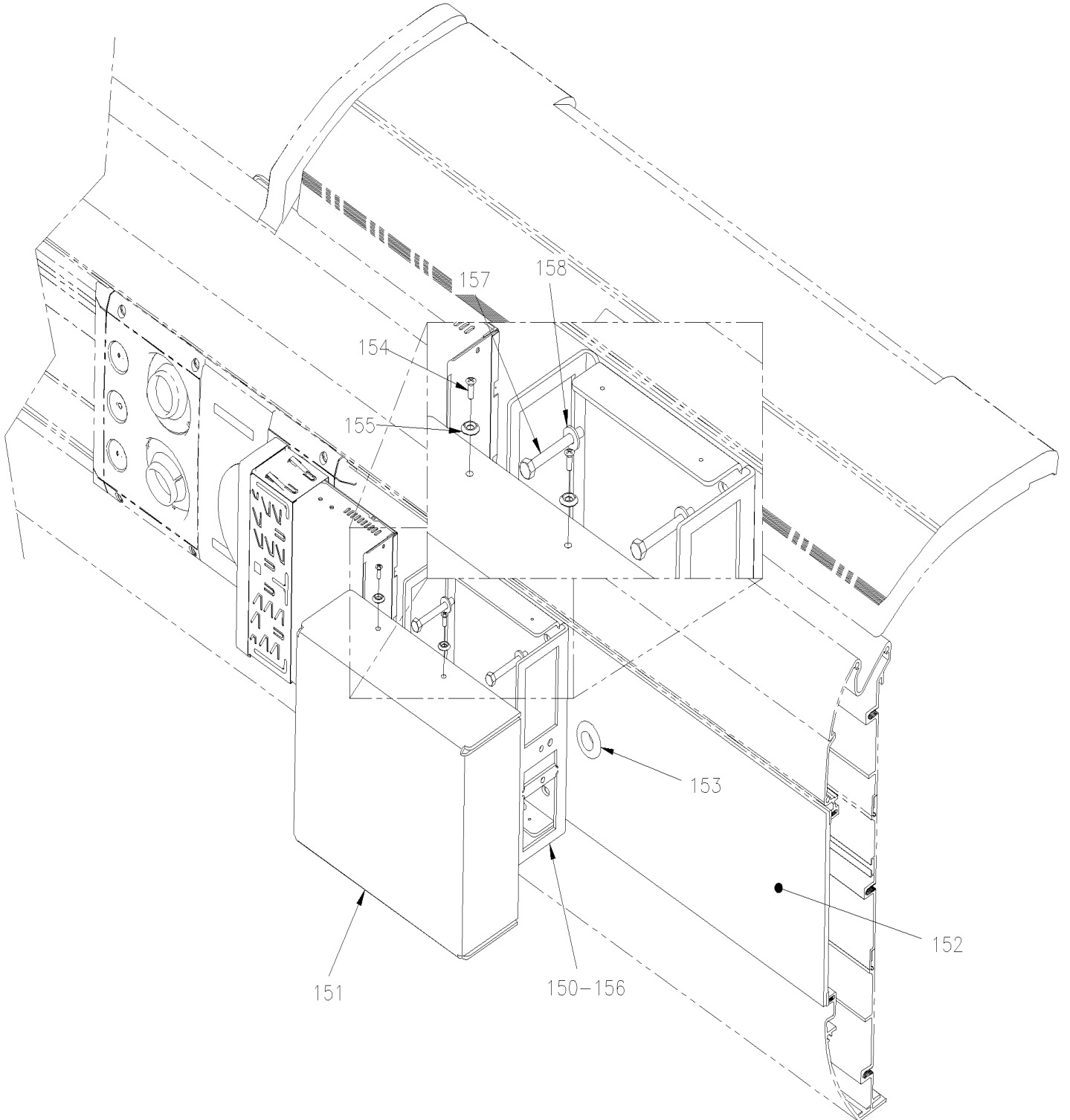


From G-7275 To M-7767

Date:07/2024

PAGE:X3PLB-2317-30

VIDEO & AUDIO SYSTEM - INSTALLATION



From G-7275 To M-7767	Date:07/2024	PAGE:X3PLB-2317-30
VIDEO & AUDIO SYSTEM - INSTALLATION		

Item#	Part	Description	QTY	Notes
	Call order desk	PLATE AUDIO ASSY WITH COMPONENTS	1	P
1	901339	. DVD PLAYER 12V To J-7539	1	
. NS	901377	. . REMOTE CONTROL / DVD R.E.I. To J-7539	1	
1	901436	. DVD PLAYER 12V From J-7540	1	
. NS	901264	. . REMOTE CONTROL / DVD REI From J-7540	1	
2	901538	. AMPLIFICATOR AUDIO / 400 WATTS / FISCHER To P-8073	1	
2	901907	AMPLIFICATOR AUDIO / 400 WATTS / FISCHER From P-8074	1	
3	901403	. VIDEO DISTRIBUTION AMPLI W/BNC	1	
4	901199	. SCREEN PLAY SELECTOR	1	
5	561726	. BLOCK JUNCTION	1	
6	562645	. STOPPER "U" RAIL	2	
7	382184	. RAIL SUPPORT "U" SHAPE 112MM	1	
8	562598	. FUSE / ATO 2 AMPS GREY	1	
8	562407	. FUSE / ATO 10 AMPS RED	4	
9	562396	. FUSE / ATO 30 AMPS GREEN	1	
10	562605	. FUSE / ATO 20 AMPS YELLOW	1	
11	500470	. WASHER LO SPT .193x.334x.047 Z050	1	
12	563337	. RELAY 12V S.P.D.T. W/RESISTOR /	2	
12A	563332	. RELAY 24V S.P.D.T. W/RESISTOR / "VOLVO" (20374662)	1	
13	561991	. RELAY 24V S.P.S.T. / 70 AMPS N.O.	1	
14	069306	. CABLE ASSY / DASH & PARCEL RACK To H-7416	1	
14	060549	. CABLE ASSY / DASH & PARCEL RACK From H-7417 To J-7447	1	
14	061437	. CABLE ASSY / DASH & PARCEL RACK From J-7448 To L-7662	1	
14	0611114	. CABLE ASSY / DASH & PARCEL RACK From L-7663	1	
14	069183	. CABLE ASSY / DASH & PARCEL RACK / SECOND PARCEL RACK To H-7416	1	
14	069673	. CABLE ASSY / DASH & PARCEL RACK / SECOND PARCEL RACK From H-7417 To J-7448	1	
14	069858	. CABLE ASSY / DASH & PARCEL RACK / SECOND PARCEL RACK From J-7448	1	
15	066866	. CABLE POWER	1	
15	061443	. CABLE POWER From J-7448	1	GR
NS	069296	. CABLE ASSY POWER SOUND SYSTEM From J-7448	1	GR
16	406630	. PLATE SUPPORT MAIN SYSTEM	1	
16	408338	. PLATE SUPPORT MAIN SYSTEM	1	GR
17	400066	. SUPPORT VIDEO ON AMPLIFICATOR	1	
18	406361	. SUPPORT, RADIO (3 RADIO) & DVD REI To K-7547	1	
18	400651	. SUPPORT, RADIO (4 RADIO) & DVD REI From K-7548	1	
18	406360	. SUPPORT, RADIO (1RADIO) & DVD REI To K-7662	1	
18	401259	. SUPPORT, RADIO (1RADIO) & DVD SUPP. From L-7663	1	
18	407639	. SUPPORT, DVD	1	C
19	504013	. TIE MOUNT / 1/4" X 1/4" I.D.	9	
20	504347	. RIVET POP DOME OE 3/16x1/4 AL	9	
21	500564	. SCREW MA RND PH #8-32x3/4 Z050	16	
22	500588	. SCREW CAP HEX M4-0.7x20 G8.8 Z050	AR	

From G-7275 To M-7767	Date:07/2024	PAGE:X3PLB-2317-30
-----------------------	--------------	--------------------

VIDEO & AUDIO SYSTEM - INSTALLATION

Item#	Part	Description	QTY	Notes
23	502816	. NUT HEX M5-0.8 N500	1	
23A	406440	. ATTACHMENT / RADIO	1	
24	901200	. DIODE BLOCK ON RELAY BASE	1	
25	901347	. CABLE ASSY / W/2 BNC FEMALE/ FEMALE 1"	1	
26	500855	. WASHER FL .188x.438x.049 N500	AR	
27	562024	. COVER / PROTECTOR / 3 BLOCKS	1	
28	561731	. COVER SUPPORT	2	
29	561727	. JUNCTION BLOCK	2	
30	5001146	. SCREW CAP HEX M5-0.8x20 SS BK	1	
NS	067001	DECAL	1	
31	901116	DVD REI / MP3	1	
. NS	901264	. REMOTE CONTROL / DVD REI	1	
31	901196	CD PLAYER 6 DISC "VOLVO"	1	
33	066733	. DECAL "VIDEO DISTRIBUTION"	1	
34	901339	DVD PLAYER 12V To J-7539	1	
. NS	901377	. REMOTE CONTROL / DVD R.E.I. To J-7539	1	
34	901436	DVD PLAYER 12V From J-7540	1	
. NS	901264	. REMOTE CONTROL / DVD REI From J-7540	1	
35	901190	RADIO AM-FM-CD-CDX / "PRÉVOST" MP3 VR-300	1	
36	506755	VELCRO / HOOK ADHESIF 1" x 75'	AR	
37	506756	VELCRO / LOOP ADHESIF 1" x 75'	AR	
38	901201	RECEIVER WIRELESS MICROPHONE / 16 CHANNEL To H-7402	1	
38	901657	RECEIVER WIRELESS MICROPHONE / 200 CHANNEL From H-7403	1	
38	900050	BRACKET RECEIVER WIRELESS MIC To H-7402	2	
39	066804	ADAPTOR AUDIO SIRIUS SH 8C x 2F RCA	1	
. NS	903217	. CONVERTISSOR AUDIO	1	
40	901209	RADIO "PREVOST" AM-FM-CD / "XM" READY (DELPHI)	1	
41	901218	RADIO "PREVOST" AM-FM-CD / "SIRIUS" READY (DELPHI)	1	
42	901190	RADIO AM-FM-CD-CDX / "PRÉVOST" MP3 VR-300	1	
43	901218	RADIO "PREVOST" AM-FM-CD / "SIRIUS" READY (DELPHI)	1	
44	901209	RADIO "PREVOST" AM-FM-CD / "XM" READY (DELPHI)	1	
45	N.P.N.	BOX	1	4
46	901106	. AUDIO FILTER	2	
47	901106	AUDIO FILTER	1	
48	500841	SCREW TP PAN PH #14x3/4 Z050 To H-7330	5	
48	502513	SCREW TP CAP HEX 5/16x1 Z050 From H-7331	5	
48	500942	WASHER LO SPT 8.1x14.8x2.0 N500 From H-7331	5	
48	500401	WASHER FL .343x.875x.125 N500 From H-7331	5	
49	900912	CABLE ASSY / FRONT CAMERA	1	
50	066822	CABLE ASSY / VIDEO & FRONT CAMERA	1	
53	900856	CABLE RCA / 2M/2M / 3'	1	
54	900775	Y RADIO ANTENNA CABLE / TO USE W/2 RADIOS	AR	

From G-7275 To M-7767	Date:07/2024	PAGE:X3PLB-2317-30
VIDEO & AUDIO SYSTEM - INSTALLATION		

Item#	Part	Description	QTY	Notes
55	900774	CABLE, ANTENNA EXTENSION / 12'	AR	
NS	066863	CABLE GROUND	1	
56	901110	CABLE RCA / 2M/2M / 25'	1	
57	900671	ADAPTOR "Y" RCA / 1M/2F / 4"	AR	
58	901102	8 CHANNEL AMPLIFIER MODULE	1	
NS	500443	SCREW TP PAN PH #8x1/2 N500	4	
59	900671	ADAPTOR "Y" RCA / 1M/2F / 4"	AR	
61	066865	CABLE POWER AUDIO	1	
62	X3PLB-1806-00	CENTRAL DASHBOARD PANEL To K-7542	1	
62	X3PLB-1806-01	CENTRAL DASHBOARD PANEL From K-7543	1	
63	Call order desk	CABLE EXTENSION MICRO MODESTY PANEL R.H.	1	P
64	066870	CABLE MICRO / MODESTY PANEL & PLATE AUDIO	1	
65	066863	CABLE GROUND	1	
65	066989	CABLE GROUND / SECOND PARCEL RACK	1	
68	504637	CABLE TIE / 3/16" x 13"	AR	
69	901537	CONVERTISSOR VGA/ COMPOSITE	1	
70	066704	CABLE SPEAKER / JCT & LH & RH	1	
71	066745	CABLE HARNESS / SPEAKER CURBSIDE FRT / W/W.C.L. / 10	1	
72	066744	CABLE HARNESS / SPEAKER STREETSIDE / 16 SP	1	
73	066746	CABLE HARNESS / SPEAKER CURBSIDE RR / W/W.C.L. / 7 SP	1	
76	066817	CABLE ASSY W/SUBWOOFER / SERIES "XL"	1	
77	066743	CABLE EXTENSION 2M / SUBWOOFER To H-7416	2	
77	061918	CABLE EXTENSION 2M / SUBWOOFER From H-7417	2	
78	504273	CABLE TIE / 1/8" X 3"1/2	AR	
79	564507	PLUG DOUBLE 110 VAC MURAL W/2 USB PORT GREY NYLON "DECORA"	1	
79	680319	TAPE ADHESIF ELECTRIC / BLACK 3/4"	AR	
80	067071	CABLE ASSY / BACK-UP CAMERA VIDEO / CAMERA & MONITOR LCD / 60'	1	
NS	901268	CABLE BACK-UP CAMERA "COLOR"	1	
NS	561681	CONVOLUTED TUBING / SLIT / BLACK & GRAY / .350"	25	
84	405924	PROTECTOR COVER ALLUMINUM / OVER FUSE HOLDER / BLACK	1	
85	068851	CABLE "CADEC SYSTEM" To G-7312	1	GR
85	069641	CABLE "CADEC SYSTEM" From G-7313 To H-7416	1	GR
85	060097	CABLE "CADEC SYSTEM" From H-7417	1	GR
85	408331	PLATE SUPPORT MAIN SYSTEM	1	GR
86	500654	SCREW TC BDG PH #8-32x1/2 Z050	2	
88	068086	CABLE, NSS GROUND To K-7662	1	
88	069776	CABLE, NSS GROUND From L-7663	1	
89	502573	WASHER FL 6.4x12.5x1.6 SS	2	
89	5001182	NUT HEX NYRT M6-1.0 SS	2	
90	X3PLB-2315-05	"USB" & "VGA" & "RCA" CABLE & CONVERTER		
105	430669	KIT, REPLACEMENT DVD "VOLVO" TO "REI"	1	
NS	409294	CABLE INTERFACE DVD "VOLVO" to DVD "REI" 4 CONN. to 6 CONN.	1	

From G-7275 To M-7767	Date:07/2024	PAGE:X3PLB-2317-30
-----------------------	--------------	--------------------

VIDEO & AUDIO SYSTEM - INSTALLATION

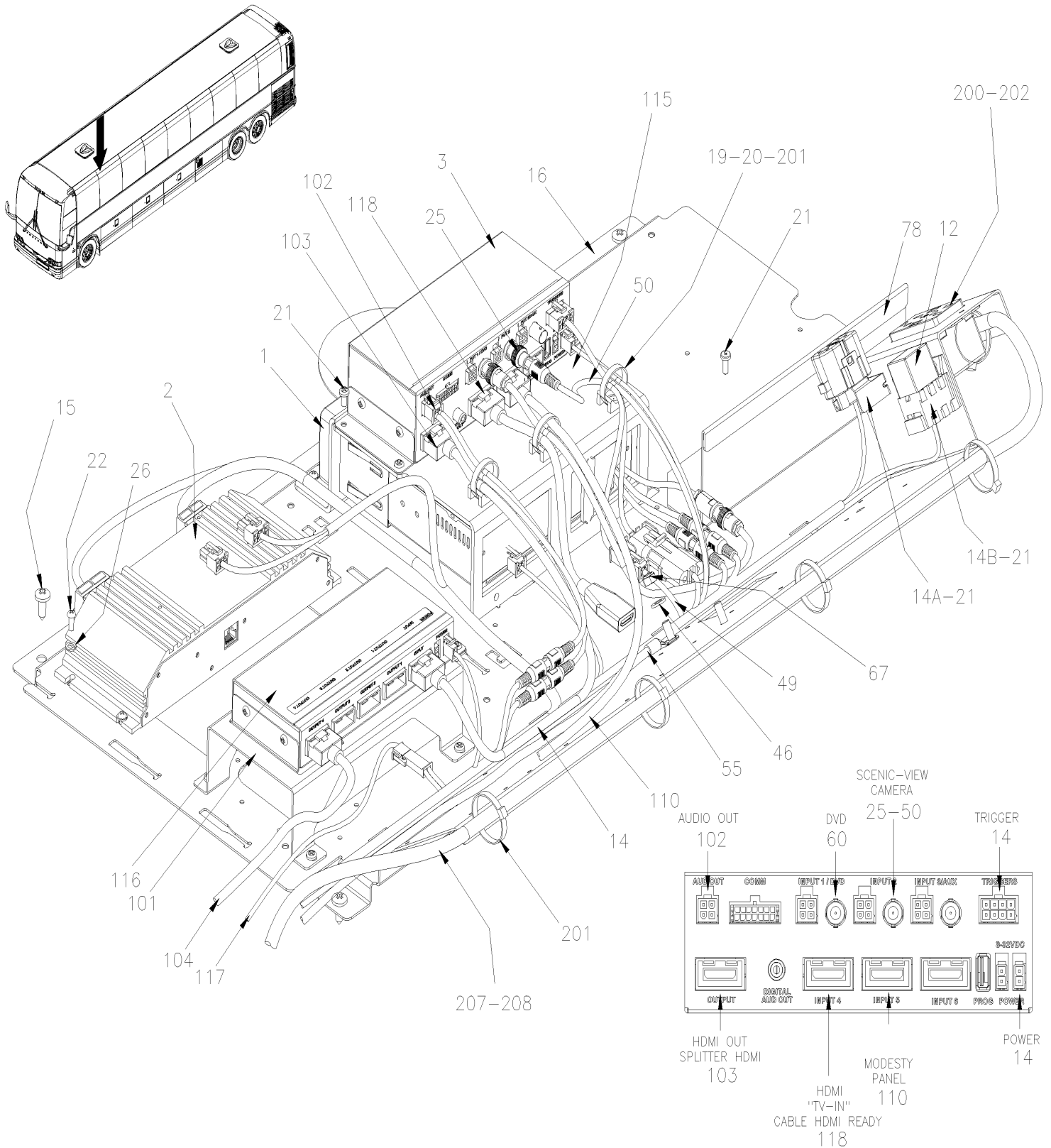
Item#	Part	Description	QTY	Notes
. NS	901436	. DVD PLAYER 12V	1	
. . NS	901264	. . REMOTE CONTROL / DVD REI	1	
. NS	901347	. CABLE ASSY / W/2 BNC FEMALE/ FEMALE 1"	1	
. NS	IS-09048	. SEE INSTRUCTION SHEET	1	
125	901494	MODULE 4X1 HDMI SW. W/AUDIO OUT	1	
126	500654	SCREW TC BDG PH #8-32x1/2 Z050	12	
127	901493	MODULE REI, HDMI VIDEO SPLITTER	2	
150	408369	DVD, SUPPORT	1	
151	408370	DVD, COVER	1	
152	316717	DVD, FINISHING PANEL	1	
153	504671	GROMMET / .687x1.000x.125x.437x1.312	1	
154	500686	SCREW TP OV PH #6x1/2 BK	4	
155	500345	WASHER FN CKF .187x.500x.090 BR BK	4	
156	402823	SUPPORT MONITOR	2	
157	502656	SCREW CAP HEX M6-1.0x50 SS	4	
158	500877	WASHER FL .250x.562x.065 N500	4	
		C) WITH PLATER AUDIO INSIDE SECOND PARCEL RACK DOOR		
		GR) WITH "GREYHOUND" OPTION		
		4) NO PARTS NUMBER		
		P) CALL ORDER DESK FOR SPECIFIC APPLICATION (V.I.N.)		

From H-7417 To M-7767

Date:07/2024

PAGE:X3PLB-2317-31

VIDEO & AUDIO SYSTEM - INSTALLATION W/HHD

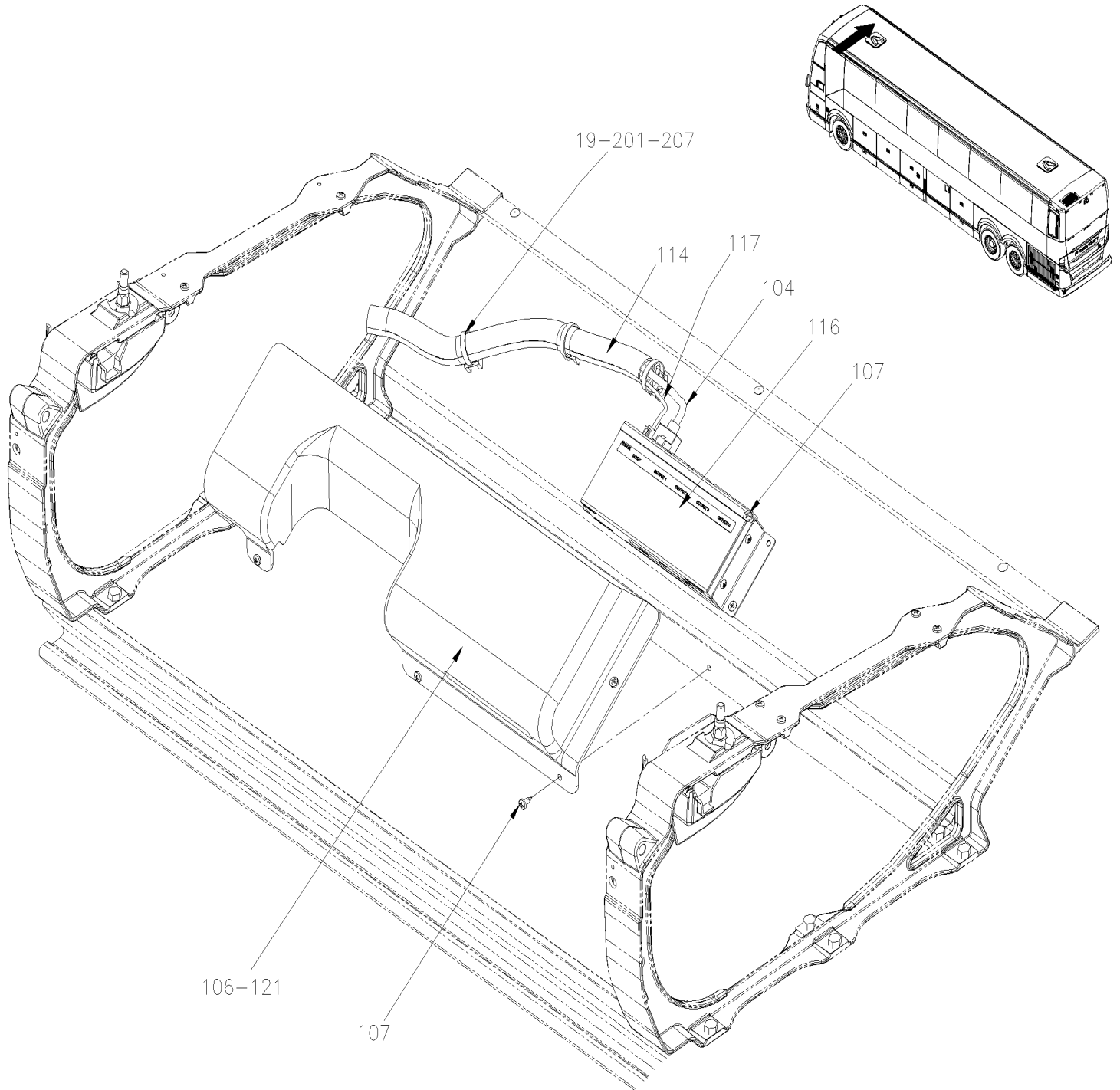


From H-7417 To M-7767

Date:07/2024

PAGE:X3PLB-2317-31

VIDEO & AUDIO SYSTEM - INSTALLATION W/HHD

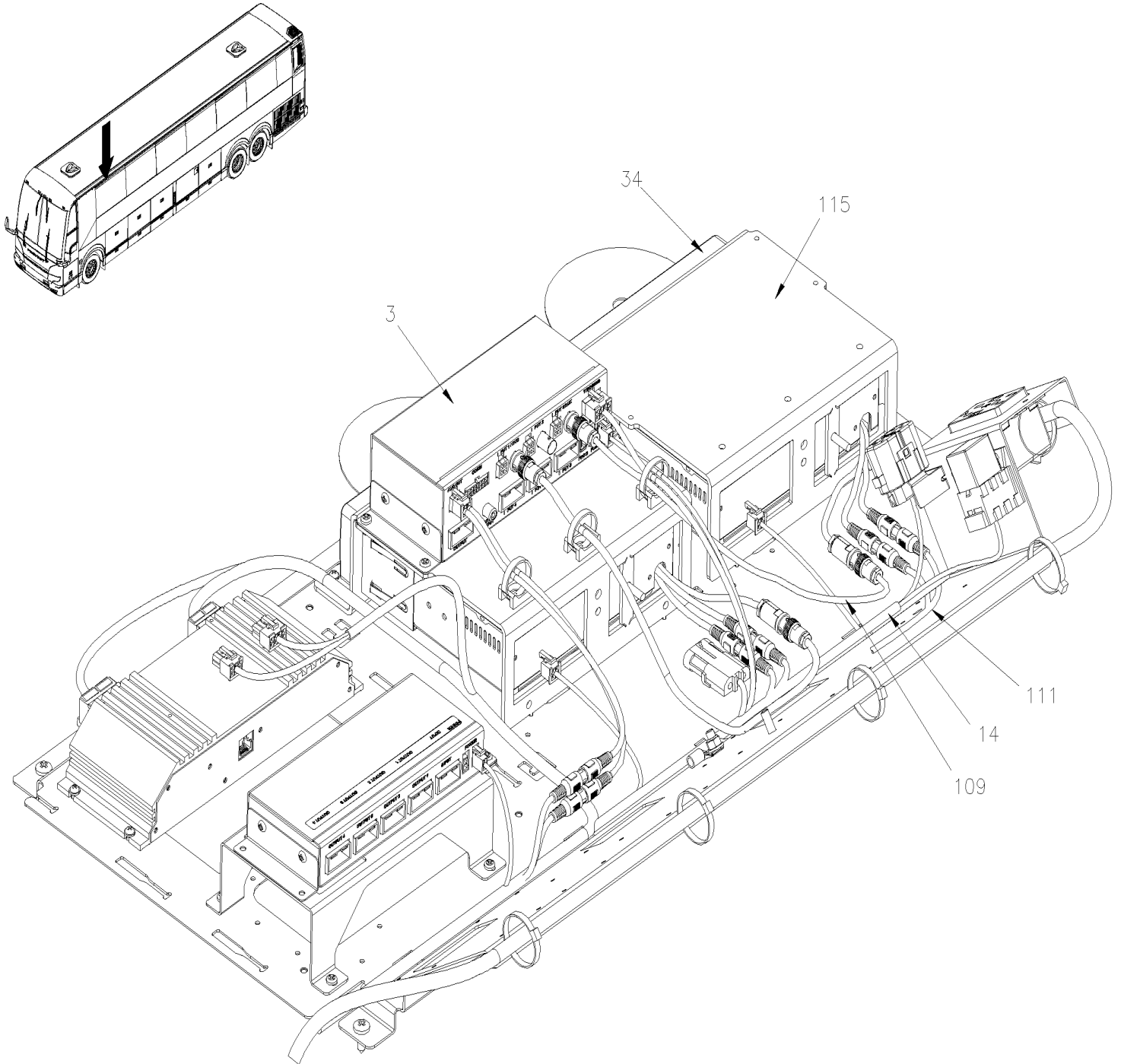


From H-7417 To M-7767

Date:07/2024

PAGE:X3PLB-2317-31

VIDEO & AUDIO SYSTEM - INSTALLATION W/HHD

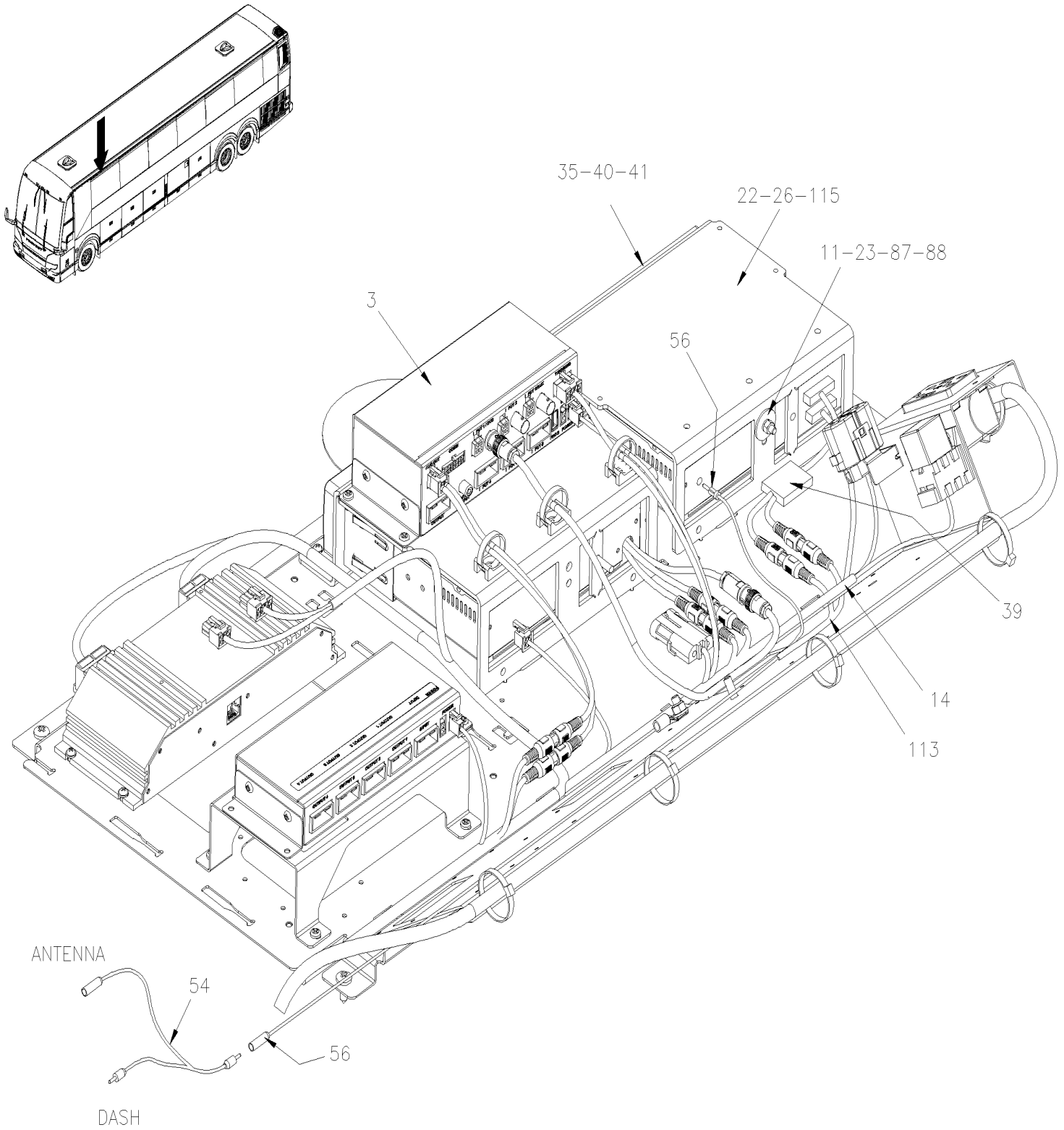


From H-7417 To M-7767

Date:07/2024

PAGE:X3PLB-2317-31

VIDEO & AUDIO SYSTEM - INSTALLATION W/HHD

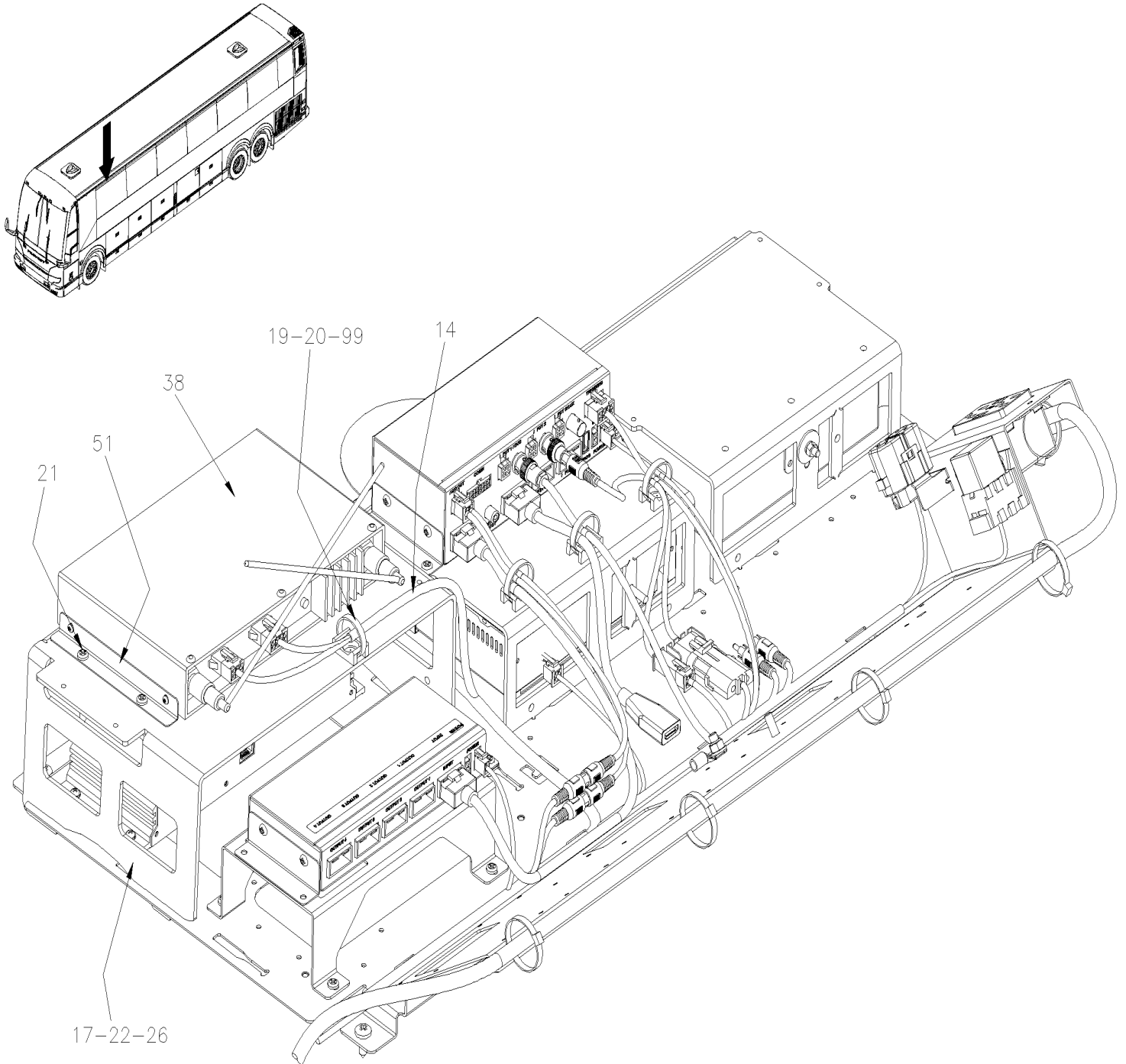


From H-7417 To M-7767

Date:07/2024

PAGE:X3PLB-2317-31

VIDEO & AUDIO SYSTEM - INSTALLATION W/HHED

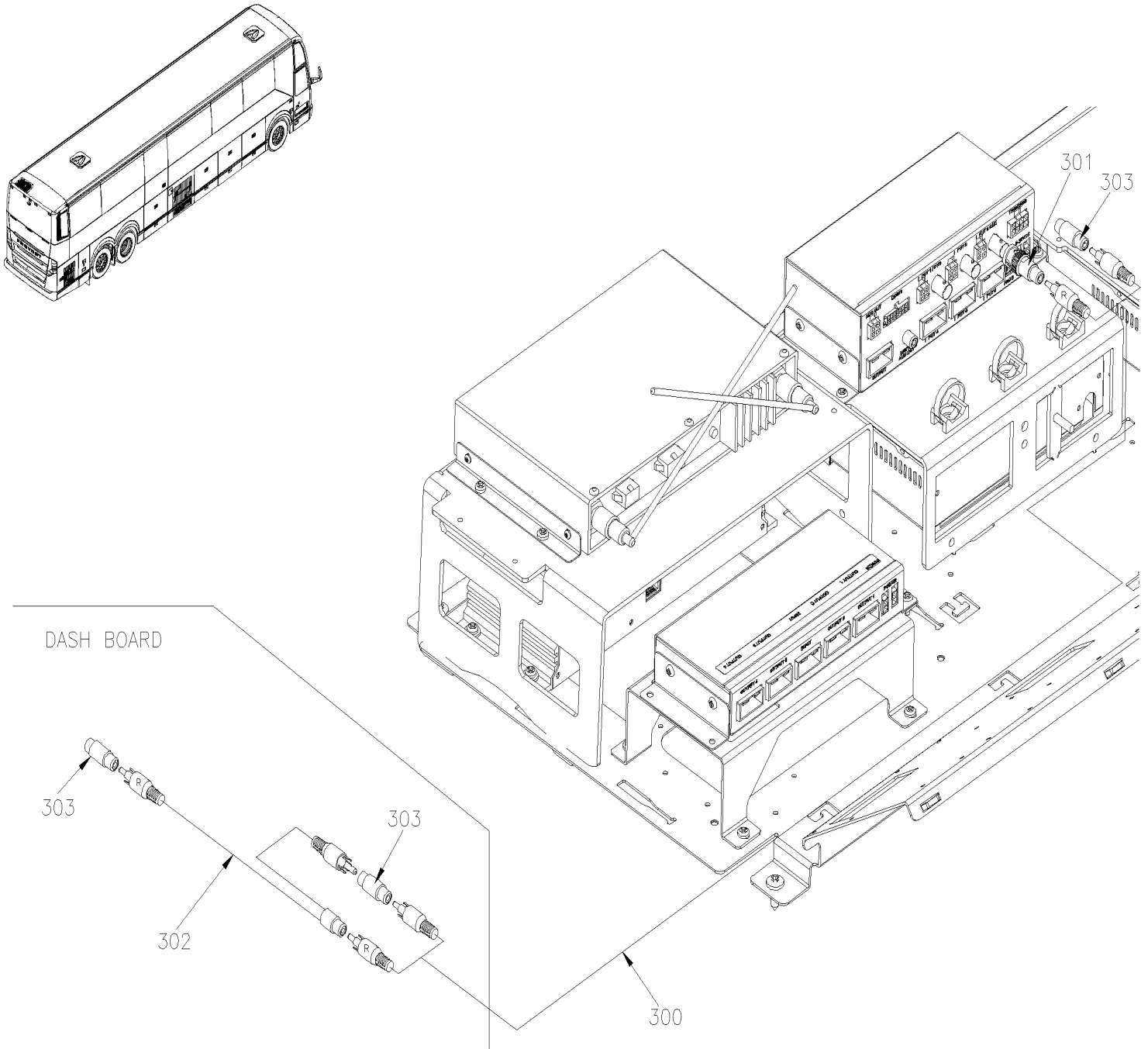


From H-7417 To M-7767

Date:07/2024

PAGE:X3PLB-2317-31

VIDEO & AUDIO SYSTEM - INSTALLATION W/HHD



From H-7417 To M-7767	Date:07/2024	PAGE:X3PLB-2317-31
VIDEO & AUDIO SYSTEM - INSTALLATION W/HHD		

Item#	Part	Description	QTY	Notes
1	901339	DVD PLAYER 12V To J-7539	1	
. NS	901377	. REMOTE CONTROL / DVD R.E.I. To J-7539	1	
1	901436	DVD PLAYER 12V From J-7540	1	
. NS	901264	. REMOTE CONTROL / DVD REI From J-7540	1	
NS	506755	VELCRO / HOOK ADHESIF 1" x 75'	AR	
NS	506756	VELCRO / LOOP ADHESIF 1" x 75'	AR	
2	901538	AMPLIFICATOR AUDIO / 400 WATTS / FISCHER To P-8073	1	
2	901907	AMPLIFICATOR AUDIO / 400 WATTS / FISCHER From P-8074	1	
3	900026	MODULE HDMI SWITCH To J-7480	1	
3	900204	MODULE HDMI SWITCH From J-7481 To J-6353	1	
3	900398	MODULE HDMI SWITCH From J-7540	1	
NS	562697	SWITCH / ON-ON / D.P.D.T. / CH-OVER / W/RED & GREEN LED	1	B
NS	565925	CAP / "MONITOR"	1	B
NS	068338	WIRING HARNESS SWITCH FRONT MONITOR	1	B
11	500470	WASHER LO SPT .193x.334x.047 Z050	2	
12	563337	RELAY 12V S.P.D.T. W/RESISTOR /	1	
14	060643	HARNESS, SOUND SYSTEM To J-7510	1	
14	069565	HARNESS, SOUND SYSTEM From J-7511 To L-7662	1	
14	0611105	HARNESS, SOUND SYSTEM To L-7662	1	
14	0610203	HARNESS, SOUND SYSTEM From L-7663 To P-8047	1	
14	0610514	HARNESS, SOUND SYSTEM From P-8048	1	
15	502513	SCREW TP CAP HEX 5/16x1 Z050	5	
15	500942	WASHER LO SPT 8.1x14.8x2.0 N500	5	
15	500401	WASHER FL .343x.875x.125 N500	5	
16	406630	PLATE SUPPORT MAIN SYSTEM To K-7547	1	
16	400682	PLATE SUPPORT MAIN SYSTEM From K-7548 To L-7662	1	
16	401365	VIDEO PLATE From L-7663 To M-7767	1	
16	406772	VIDEO PLATE From M-7768	1	
17	400066	SUPPORT VIDEO ON AMPLIFICATOR	1	
19	504013	TIE MOUNT / 1/4" X 1/4" I.D.	AR	
20	504347	RIVET POP DOME OE 3/16x1/4 AL	AR	
21	500799	SCREW TC PAN PH #8-32x3/8 N500	AR	
22	500344	SCREW MA RND PH M4-0.7x12 Z050	AR	
23	502816	NUT HEX M5-0.8 N500	AR	
25	900777	CONNECTOR BNC PLUG TO RCA ADAPTOR / ELEC 21-142-0	1	
26	500914	WASHER LO SPT .193x.334x.047 N500	2	
30	5001146	SCREW CAP HEX M5-0.8x20 SS BK	1	
32	901372	CABLE ADAPTOR / RADIO & ANTENNA CABLE / MOTOROLA / M TO EURO / F	1	
34	901339	DVD PLAYER 12V To J-7539	1	
. NS	901377	. REMOTE CONTROL / DVD R.E.I. To J-7539	1	
34	901436	DVD PLAYER 12V From J-7540	1	
. NS	901264	. REMOTE CONTROL / DVD REI From J-7540	1	

From H-7417 To M-7767	Date:07/2024	PAGE:X3PLB-2317-31
VIDEO & AUDIO SYSTEM - INSTALLATION W/HHD		

Item#	Part	Description	QTY	Notes
NS	506755	VELCRO / HOOK ADHESIF 1" x 75'	1	
NS	506756	VELCRO / LOOP ADHESIF 1" x 75'	1	
35	23000462	RADIO "PREVOST" AM/FM/CD & MP3 BLUETOOTH (PANA PACIFIC) To P-8047	1	
35	901882	RADIO AM/FM SD CARD USB DEA710 (PANA PACIFIC) From P-8048	1	
35	901881	JUMPER HARNESS FOR DEA5XX RADIO From P-8048	1	
38	901201	RECEIVER WIRELESS MICROPHONE / 16 CHANNEL To H-7402	1	
38	901657	RECEIVER WIRELESS MICROPHONE / 200 CHANNEL From H-7403	1	
39	066804	ADAPTOR AUDIO SIRIUS SH 8C x 2F RCA To J-7510	1	
NS	903217	CONVERTISSOR AUDIO To J-7510	1	
39	069811	AUDIO OUTPUT CONVERTER SH 8C x 2F RCA From J-7511	1	
NS	903217	CONVERTISSOR AUDIO From J-7511	1	
40	23000444	RADIO "PREVOST" AM/FM/CD & MP3 BLUETOOTH & XM & SIRIUS (PANA PACIFIC) To P-8047	1	
40	901883	RADIO "PREVOST" AM/FM/CD & MP3 BLUETOOTH & XM & SIRIUS (PANA PACIFIC) From P-8048	1	
NS	901881	JUMPER HARNESS FOR DEA5XX RADIO From P-8048	1	
41	23000444	RADIO "PREVOST" AM/FM/CD & MP3 BLUETOOTH & XM & SIRIUS (PANA PACIFIC) To P-8047	1	
41	901883	RADIO "PREVOST" AM/FM/CD & MP3 BLUETOOTH & XM & SIRIUS (PANA PACIFIC) From P-8048	1	
NS	901881	JUMPER HARNESS FOR DEA5XX RADIO From P-8048	1	
42	23000462	RADIO "PREVOST" AM/FM/CD & MP3 BLUETOOTH (PANA PACIFIC) To P-8047	1	
42	901882	RADIO AM/FM SD CARD USB DEA710 (PANA PACIFIC) From P-8048	1	
NS	901881	JUMPER HARNESS FOR DEA5XX RADIO From P-8048	1	
43	23000444	RADIO "PREVOST" AM/FM/CD & MP3 BLUETOOTH & XM & SIRIUS (PANA PACIFIC) To P-8047	1	
43	901883	RADIO "PREVOST" AM/FM/CD & MP3 BLUETOOTH & XM & SIRIUS (PANA PACIFIC) From P-8048	1	
NS	901881	JUMPER HARNESS FOR DEA5XX RADIO From P-8048	1	
44	23000444	RADIO "PREVOST" AM/FM/CD & MP3 BLUETOOTH & XM & SIRIUS (PANA PACIFIC) To P-8047	1	
44	901883	RADIO "PREVOST" AM/FM/CD & MP3 BLUETOOTH & XM & SIRIUS (PANA PACIFIC) From P-8048	1	
NS	901881	JUMPER HARNESS FOR DEA5XX RADIO From P-8048	1	
45	406361	SUPPORT, RADIO (3 RADIO) & DVD REI To K-7547	1	
45	400651	SUPPORT, RADIO (4 RADIO) & DVD REI From K-7548 To P-8047	1	
45	402235	SUPPORT, RADIO (4 RADIO) & DVD From P-8048	1	
NS	500654	SCREW TC BDG PH #8-32x1/2 Z050 From K-7548	4	
NS	500591	WASHER FL 4.3x9.0x0.8 Z050 From K-7548	4	
NS	506769	TAPE RUB ADH2 CC POL 1/8" x 1/4" x 60' / BLACK H1CC-N-#14 From K-7548	AR	
46	502573	WASHER FL 6.4x12.5x1.6 SS	2	
49	900912	CABLE ASSY / FRONT CAMERA	1	
50	066822	CABLE ASSY / VIDEO & FRONT CAMERA To L-7662	1	
50	0611107	CABLE ASSY / VIDEO & FRONT CAMERA From L-7663	1	
51	900050	BRACKET RECEIVER WIRELESS MIC To H-7402	2	
54	900775	Y RADIO ANTENNA CABLE / TO USE W/2 RADIOS	1	
55	068086	CABLE, NSS GROUND To K-7662	1	
55	069776	CABLE, NSS GROUND From L-7663	1	
56	900774	CABLE, ANTENNA EXTENSION / 12'	1	
57	901283	ADAPTOR "Y" RCA / 1M/2F / 6"	2	

From H-7417 To M-7767	Date:07/2024	PAGE:X3PLB-2317-31
VIDEO & AUDIO SYSTEM - INSTALLATION W/HHD		

Item#	Part	Description	QTY	Notes
58	901102	8 CHANNEL AMPLIFIER MODULE	1	
NS	500443	SCREW TP PAN PH #8x1/2 N500 To K-7547	4	
NS	500564	SCREW MA RND PH #8-32x3/4 Z050 From K-7548	1	
NS	500914	WASHER LO SPT .193x.334x.047 N500 From K-7548	1	
NS	500855	WASHER FL .188x.438x.049 N500 From K-7548	1	
59	400649	SUPPORT AMPLIFIER 8 CHANNEL From K-7548 To P-8047	1	
59	402236	SUPPORT AMPLIFIER From P-8048 To M-7767	1	
59	406773	SUPPORT AMPLIFIER 8 CHANNEL From M-7768	1	
59	502513	SCREW TP CAP HEX 5/16x1 Z050 From K-7548	1	
59	500942	WASHER LO SPT 8.1x14.8x2.0 N500 From K-7548	1	
59	500401	WASHER FL .343x.875x.125 N500 From K-7548	1	
60	901347	CABLE ASSY / W/2 BNC FEMALE/ FEMALE 1" To P-8047	1	
60	900045	CABLE HDMI E / 1' From P-8048	1	
61	901019	CABLE ASSY / ENTERTAINMENT MODULE LEFT SEAT	1	
62	901020	CABLE ASSY / ENTERTAINMENT MODULE RIGHT SEAT	1	
63	901107	CABLE ADAPTOR RCA TO MOLEX / 4"	6	
67	5001182	NUT HEX NYRT M6-1.0 SS	2	
78	405924	PROTECTOR COVER ALLUMINUM / OVER FUSE HOLDER / BLACK	1	
87	406440	ATTACHMENT / RADIO	1	
88	500805	WASHER FL .218x.875x.062 N500	1	
91	901062	CABLE RCA / 2M/2F / 23'	1	
99	504637	CABLE TIE / 3/16" x 13"	AR	
101	400056	BRACKET HDMI VIDEO SPLITTER	1	
102	901565	HARNESS, AUDIO BETWEEN CONV AND DVD	1	
103	900031	CABLE HDMI E / 3'	1	
104	900034	CABLE HDMI E / 15'	1	
105	066804	ADAPTOR AUDIO SIRIUS SH 8C x 2F RCA To J-7510	1	
NS	903217	CONVERTISSOR AUDIO To J-7510	1	
105	069811	AUDIO OUTPUT CONVERTER SH 8C x 2F RCA From J-7511	1	
NS	903217	CONVERTISSOR AUDIO From J-7511	1	
106	310353	COVER MODULE HDMI VIDEO SPLITTER GREY To K-7645	1	
106	314540	COVER MODULE HDMI VIDEO SPLITTER GREY From K-7646	1	
107	500638	SCREW TP PAN PH #8x1/2 Z050	7	
109	901347	CABLE ASSY / W/2 BNC FEMALE/ FEMALE 1" To P-8047	1	
109	900045	CABLE HDMI E / 1' From P-8048	1	
110	900034	CABLE HDMI E / 15'	1	
111	901110	CABLE RCA / 2M/2M / 25' To P-8047	1	
112	405847	CABLE ASSY ENTERTAINER MODULE POWER To L-7662	1	
112	401420	CABLE ASSY ENTERTAINER MODULE POWER From L-7663	1	
113	901110	CABLE RCA / 2M/2M / 25'	1	
114	561451	CONVOLUTED TUBING / SLIT / GRAY / .750	AR	
115	406360	SUPPORT, RADIO (1RADIO) & DVD REI To L-7662	1	

From H-7417 To M-7767	Date:07/2024	PAGE:X3PLB-2317-31
VIDEO & AUDIO SYSTEM - INSTALLATION W/HHED		

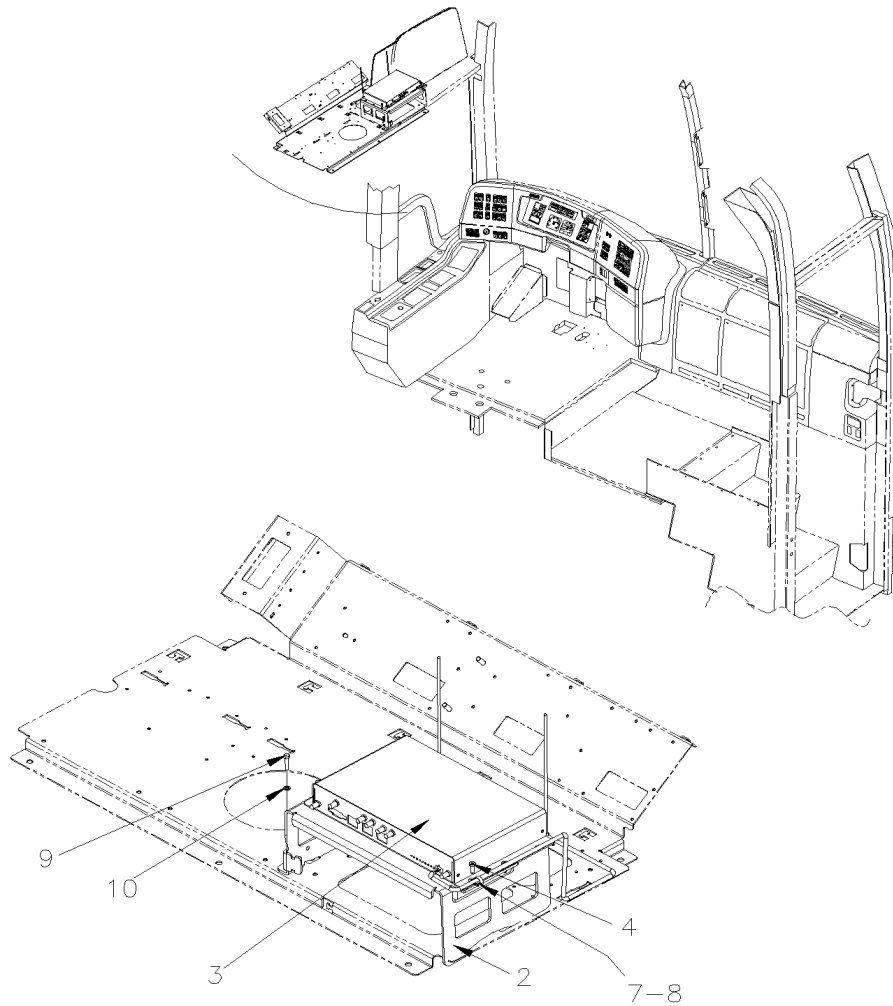
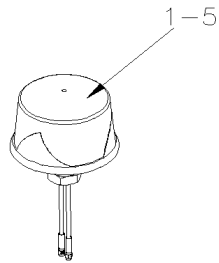
Item#	Part	Description	QTY	Notes
115	401259	SUPPORT, RADIO (1RADIO) & DVD SUPP. From L-7663	1	
115	400679	SUPPORT, RADIO (1RADIO) & DVD SIRIUS From K-7548 To L-7662	1	O
NS	500914	WASHER LO SPT .193x.334x.047 N500 From K-7548 To L-7662	2	O
NS	500344	SCREW MA RND PH M4-0.7x12 Z050 From K-7548 To L-7662	2	O
115	401261	SUPPORT, RADIO (1RADIO) & DVD SIRIUS From L-7663	1	O
115	500799	SCREW TC PAN PH #8-32x3/8 N500 From L-7663	1	O
116	900027	MODULE HDMI VIDEO SPLITTER To J-7480	1	
116	900208	MODULE HDMI VIDEO SPLITTER From J-7481	1	
117	409057	HARNESS, POWER RH HDMI SPLITTER To H-7416	1	
117	060654	HARNESS, POWER RH HDMI From H-7417	1	
118	900030	CABLE HDMI ADAPTER E RECEP. TO A PLUG	1	
NS	900027	MODULE HDMI VIDEO SPLITTER To J-7480	1	
NS	900208	MODULE HDMI VIDEO SPLITTER From J-7481	1	
121	060157	DECAL, O2 EL MONITOR LAYOUT P-RACK E	1	
122	507661	PROTECTOR, VINYL / , .437x1.500	1	
200	565200	PLUG DOUBLE 110 VAC MURAL W/2 USB PORT / GREY	1	
201	504637	CABLE TIE / 3/16" x 13"	AR	
202	680319	TAPE ADHESIF ELECTRIC / BLACK 3/4"	AR	
207	068339	CABLE / 120VAC / PARCEL RACK OUTLET	1	
208	560784	SHRINK TUBING / .250" - .080" / BLACK / ALPHA FIT-300-1/4-4B	AR	
NS	X3PLB-2315-06	"USB" & "RCA" CABLE & CONVERTER & 12 VOLTS W/HHED		
300	901110	CABLE RCA / 2M/2M / 25'	1	A
301	900777	CONNECTOR BNC PLUG TO RCA ADAPTOR / ELEC 21-142-0	1	A
302	900758	ADAPTOR "Y" RCA / 1F/2M / 9"	1	A
303	562652	ADAPTOR FEMALE / FEMALE JOINT / RCA	3	A
304	680319	TAPE ADHESIF ELECTRIC / BLACK 3/4"	AR	A
		A) USE WITH GPS INSTALLATION		
		B) USE WITH FRONT CENTRAL MONITOR SWITCH OPTION		
		C) USE ONLY WITH SYSTEM INSTALL IN SECOND DOOR OF PARCEL RACK		
		O) OPTIONAL		

From G-7313 To M-7767

Date:07/2024

PAGE:X3PLB-2317-35

"WI-FI" MODULE MOOVBOX



From G-7313 To M-7767	Date:07/2024	PAGE:X3PLB-2317-35
"WI-FI" MODULE MOOVBOX		

Item#	Part	Description	QTY	Notes
1	901508	ROOF ANTENNA (LTE-LTE-GPS) CABLE 15'	1	
1	900200	ROOF ANTENNA (LTE-GPS) CABLE 17' From J-7448	1	
2	400066	SUPPORT VIDEO ON AMPLIFICATOR	1	
3	901591	SYSTEM WIFI / MOOVBOX M310	1	
3	901577	SYSTEM WIFI / MOOVBOX M320	1	
4	500654	SCREW TC BDG PH #8-32x1/2 Z050	4	
5	685126	ADHESIVE SIMSON #ISR 70-03 / GREY / 600ml SAUSAGE	AR	
6	069125	CABLE ALIMENTATION MODULE WIFI	1	
7	504637	CABLE TIE / 3/16" x 13"	AR	
8	504428	TIE MOUNT / 3/16" #10 SCREW / TA1S10-C	1	
9	500588	SCREW CAP HEX M4-0.7x20 G8.8 Z050	1	
10	500470	WASHER LO SPT .193x.334x.047 Z050	1	

From K-7609 To M-7767

Date:07/2024

PAGE:X3PLB-2317-36

"WI-FI" MODULE WAAV

- = AirBox XA configured with one modem and one WiFi module
- = Can be upgraded to full XA to support 2 WiFi and 2 or 3 modems
- = Uses MiniPCle Slot for Embedded Cellular LTE-A modem
- = 3G/4G LTE-A/LTE/HSPA/HSPA+/UMTS/EDGE capable
- = 2x External Cellular SMA Antenna Connectors
- = Supports 4G LTE MIMO on each modem
- = 1x External GPS SMA Antenna Connector
- = 1x 802.11ac dual-band (2.4/5GHz) WiFi with 2x2 MIMO
- = 2x External WiFi RP-SMA Antenna Connectors for MIMO
- = 1x External RS-232 Serial Port
- = 2x External Locking USB 3.0 Ports
- = 3x Gigabit Ethernet Ports
- = 6-Pin Molex locking power connector
- = Connection Persistence
- = Dead-Link Detection
- = VPN Pass-through
- = Web Configuration Interface
- = Remote Configuration Optional
- = Temp -20 - 70 C
- = Configurable Splash Screen w/ Terms Acceptance Button
- = Content Filtering
- = Proportional Bandwidth QOS
- = 2x Dual-band (2.4/5GHz) RP-SMA WiFi antennas included
- = 12' Hardwired DC connection cable included
- = Mounting Hardware Kit included
- = Cellular/GPS Antennas NOT included
- = Cellular Modem NOT included



From K-7609 To M-7767	Date:07/2024	PAGE:X3PLB-2317-36
-----------------------	--------------	--------------------

"WI-FI" MODULE WAAV

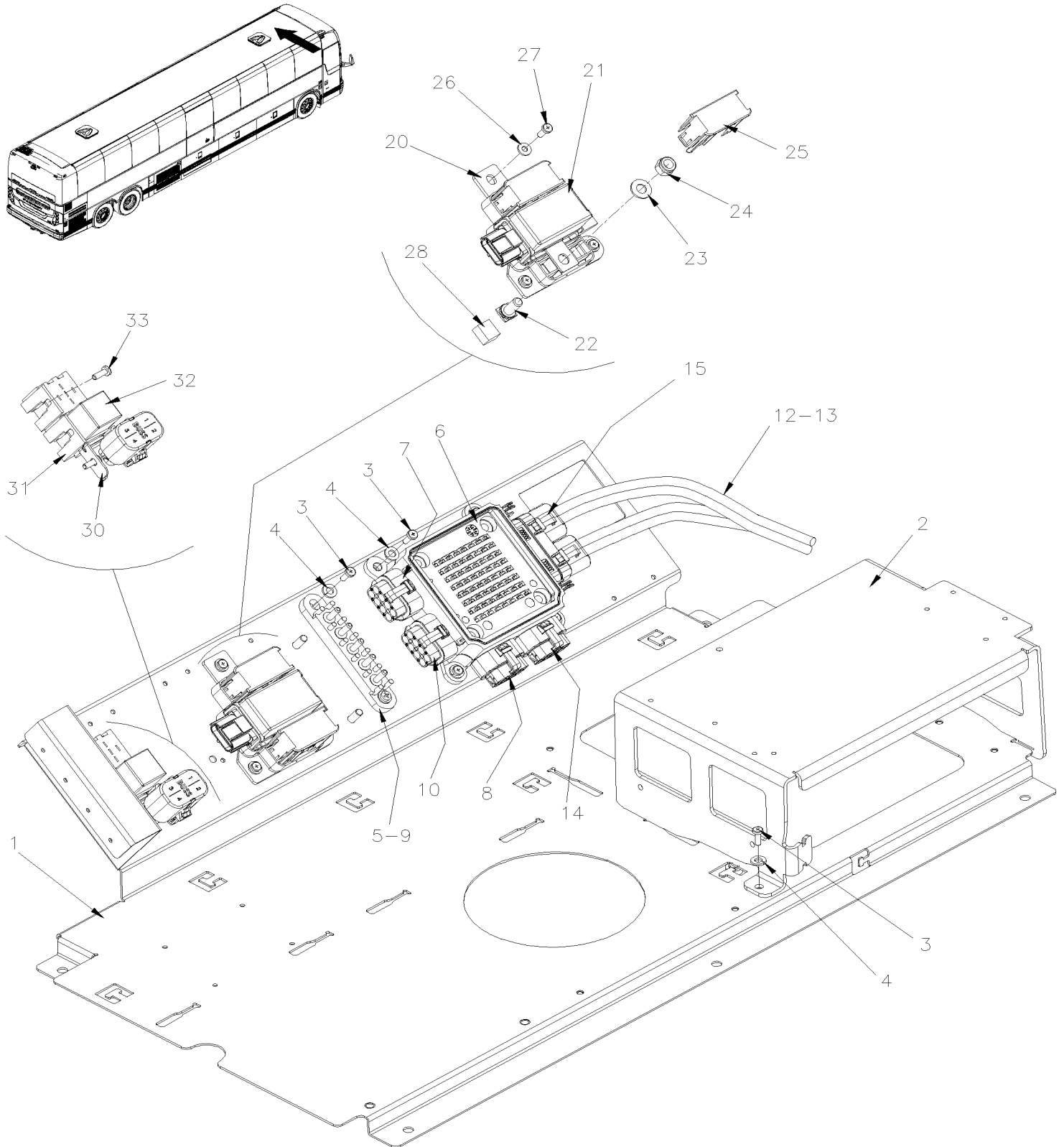
Item#	Part	Description	QTY	Notes
1	405921	SUPPORT VIDEO OVER AMPLI	1	
2	901696	WIFI MODULE WAAV	1	
3	500588	SCREW CAP HEX M4-0.7x20 G8.8 Z050	1	
4	500470	WASHER LO SPT .193x.334x.047 Z050	1	
5	500654	SCREW TC BDG PH #8-32x1/2 Z050	4	
NS	685126	ADHESIVE SIMSON #ISR 70-03 / GREY / 600ml SAUSAGE	AR	
NS	504637	CABLE TIE / 3/16" x 13"	AR	
NS	504428	TIE MOUNT / 3/16" #10 SCREW / TA1S10-C	1	

From H-7364 To M-7767

Date:07/2024

PAGE:X3PLB-2317-40

AUDIO PLATE WITH ADDITIONAL VEC / GREYHOUND OPTION



From H-7364 To M-7767	Date:07/2024	PAGE:X3PLB-2317-40
AUDIO PLATE WITH ADDITIONAL VEC / GREYHOUND OPTION		

Item#	Part	Description	QTY	Notes
1	408338	PLATE SUPPORT MAIN SYSTEM	1	
2	400066	SUPPORT VIDEO ON AMPLIFICATOR To J-7447	1	
2	400605	SUPPORT VIDEO ON AMPLIFICATER XCUBED From J-7448	1	
3	500623	SCREW TC PAN PH #10-24x3/4 N500	7	
4	502564	WASHER LO SPT 6.1x11.8x1.6 Z050	7	
5	563218	JUNCTION BLOCK W/5 STUDS	1	
6	566016	VEC DISTRIBUTION MODULE / AUDIO PLAT To J-7447	1	
6	560502	VEC DISTRIBUTION MODULE From J-7448	1	
7	563715	CONNECTOR / SH 8C / SEALED / BLACK / BUSSMANN 32006-A12	1	
8	563718	CONNECTOR / SH 8C / SEALED / BLUE / BUSSMANN 32006-D12	1	
9	500765	NUT HEX #10-32 BR	5	
10	563716	CONNECTOR / SH 8C / SEALED / GREY / BUSSMANN 32006-B12	1	
12	504637	CABLE TIE / 3/16" x 13"	10	
13	069714	CABLE "CADEC SYSTEM"	1	
14	563714	CONNECTOR / SH 8C / SEALED / GREEN / BUSSMANN 32006-C12 To J-7447	1	
15	566022	LOCK CONNECTOR POSITION ASSURANCE / BUSSMANN 32004-CP	2	
20	560529	BASE FOR LACTHING RELAY BDS-A 24V From J-7448	1	
21	560493	LACTHING RELAY BDS-A 24V From J-7448	1	
22	560539	SCREW FOR LACTHING RELAY BDS-A 24V / M8 From J-7448	2	
23	5001341	WASHER FL 8.4x17.0x1.6 SS From J-7448	2	
24	5001787	NUT HEX NYRT M8-1.25 SS From J-7448	2	
25	560538	COVER RELAY From J-7448	2	
26	500855	WASHER FL .188x.438x.049 N500 From J-7448	AR	
27	500965	SCREW TC BDG PH #8-32x1/2 N500 From J-7448	AR	
28	506004	TAPE RUB ADH1 CC POL 3/8" x 1/2" x 20' / GREY 2520X From J-7448	AR	
30	061437	CABLE ASSY / DASH & PARCEL RACK From J-7448 To L-7662	1	
30	0611114	CABLE ASSY / DASH & PARCEL RACK From L-7663	1	
30	564560	. FUSE HOLDER / SHORT / BUSSMANN CFH-ASE From J-7448	1	
31	564496	. CONNECTOR / METRI-PACK 630 / SH 5C / PED 12033871 From J-7448	2	
32	563332	. RELAY 24V S.P.D.T. W/RESISTOR / "VOLVO" (20374662) From J-7448	1	
33	500654	SCREW TC BDG PH #8-32x1/2 Z050 From J-7448	AR	
50	061492	DECAL, VIDEO PARCEL RACK From J-7448	1	

From H-7364 To M-7767

Date:07/2024

PAGE:X3PLB-2317-45

ITS SYSTEM - "SAUCON" / GREYHOUND OPTION

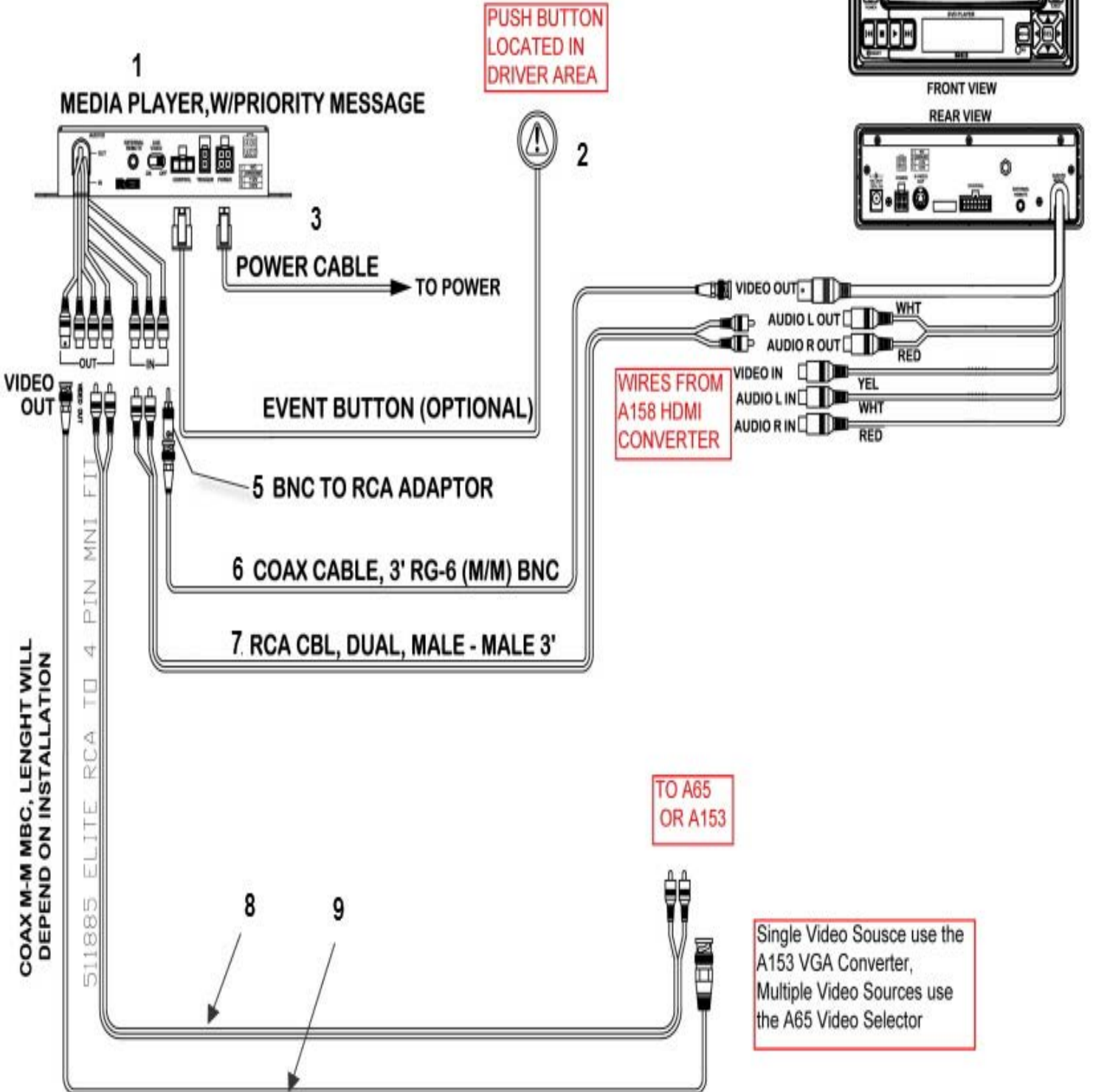
NO DRAWING

From H-7364 To M-7767	Date:07/2024	PAGE:X3PLB-2317-45
ITS SYSTEM - "SAUCON" / GREYHOUND OPTION		

Item#	Part	Description	QTY	Notes
1	901610	KIT ITS SAUCON FOR GLI	1	
. A	Call order desk	. SAUCONE TOUCH DISPLAY / SAUCON	1	P
. B	Call order desk	. PROX STANDARD / SAUCON	1	P
. C	CHASSISPREVOST	. S-CHASSIS PREVOST	1	
2	900061	WIRING HARNESS INTERFACE PA TO VSS / ITS SAUCON	1	
3	504637	CABLE TIE / 3/16" x 13"	AR	
4	506318	TAPE DUAL LOCK 1" x 150' / BLACK SJ3541 To J-7447	AR	
10	901660	ELECTRONIC LOGGING DEVICE SAUCON (ELD) From J-7448	1	
11	901661	CABLE ELECT. LOGGING DEVICE SAUCON (ELD) From J-7448	1	
		P) CALL ORDER DESK FOR SPECIFIC APPLICATION (V.I.N.)		

MEDIA PLAYER

4 DVD PLAYER, SYSTEM, 12/24V



From H-7330 To M-7767	Date:07/2024	PAGE:X3PLB-2317-50
MEDIA PLAYER		

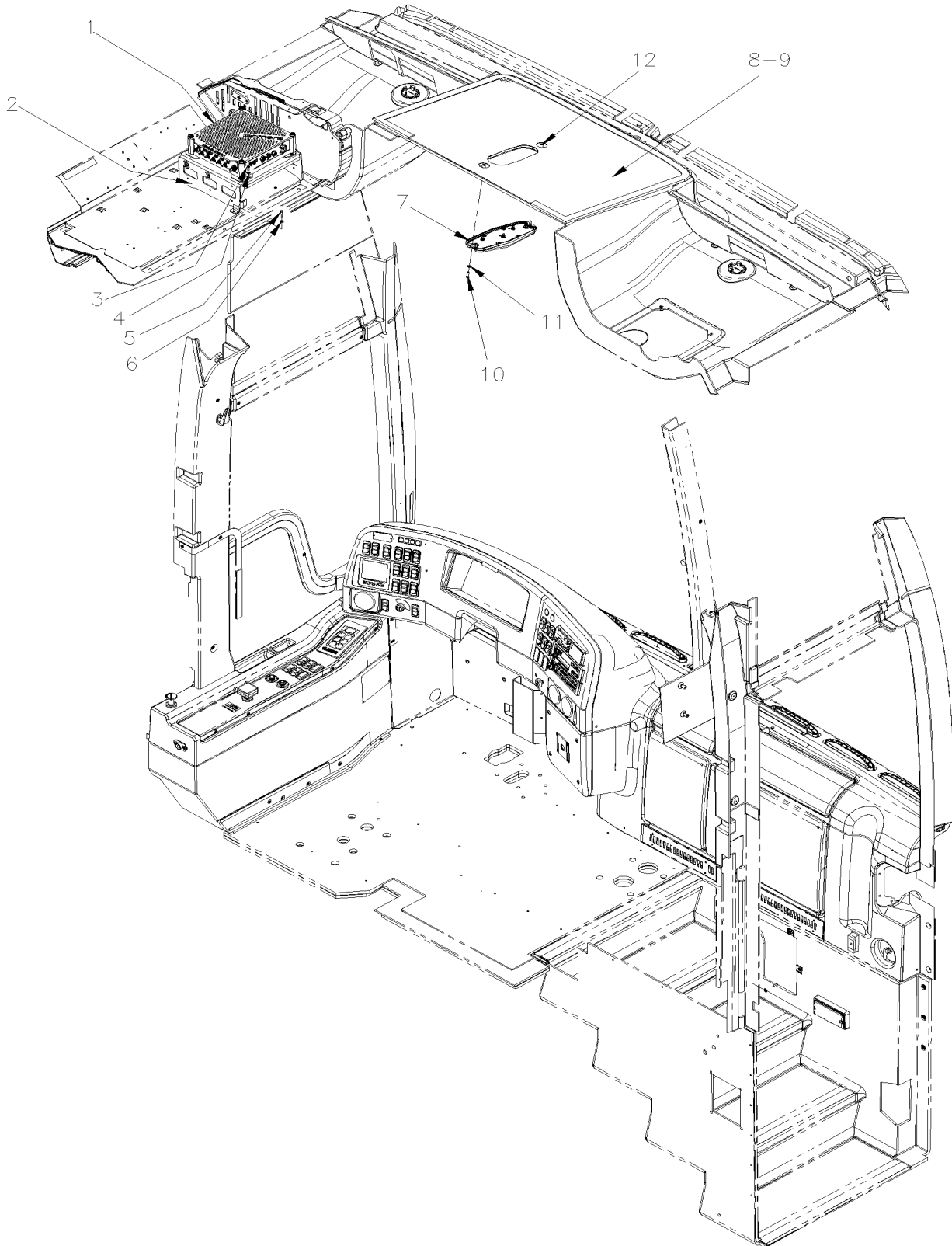
Item#	Part	Description	QTY	Notes
1	901575	MULTIMEDIA PLAYER MP1000 To L-7744	1	
1	901807	MULTIMEDIA PLAYER MP1200 From L-7745	1	
1	500654	SCREW TC BDG PH #8-32x1/2 Z050	4	
2	901576	CABLE AND PUSH BUTTON / MULTIMEDIA PLAYER MP1000 To L-7744	1	
2	901810	CABLE AND PUSH BUTTON / MULTIMEDIA PLAYER MP1200 From L-7745	1	
2	901809	ADAPTER CABLE MEDIA PLAYER MP1200 From L-7745	1	
3	901079	CABLE POWER DVD ADAPTOR / 6'	1	
4	901339	DVD PLAYER 12V To J-7539	1	
. NS	901377	. REMOTE CONTROL / DVD R.E.I. To J-7539	1	
4	901436	DVD PLAYER 12V From J-7540	1	
. NS	901264	. REMOTE CONTROL / DVD REI From J-7540	1	
5	901564	ADAPTOR, RCA MALE TO BNC FEMALE	1	
6	901157	CABLE COAXIAL 3' BNC	1	
7	900052	CABLE RCA / DUAL / MALE-MALE 3'	1	
8	901565	HARNESS, AUDIO BETWEEN CONV AND DVD	1	
9	901347	CABLE ASSY / W/2 BNC FEMALE/ FEMALE 1"	1	
10	506493	TAPE DUAL LOCK 1/2" x 150' / BLACK SJ3541	AR	
NS	900012	ADAPTOR, RCA MALE TO RCA MALE	1	

From J-7448 To M-7767

Date:07/2024

PAGE:X3PLB-2317-60

"WI-FI" ICOMERA X CUBED OPTION GLI



From J-7448 To M-7767	Date:07/2024	PAGE:X3PLB-2317-60
-----------------------	--------------	--------------------

"WI-FI" ICOMERA X CUBED OPTION GLI

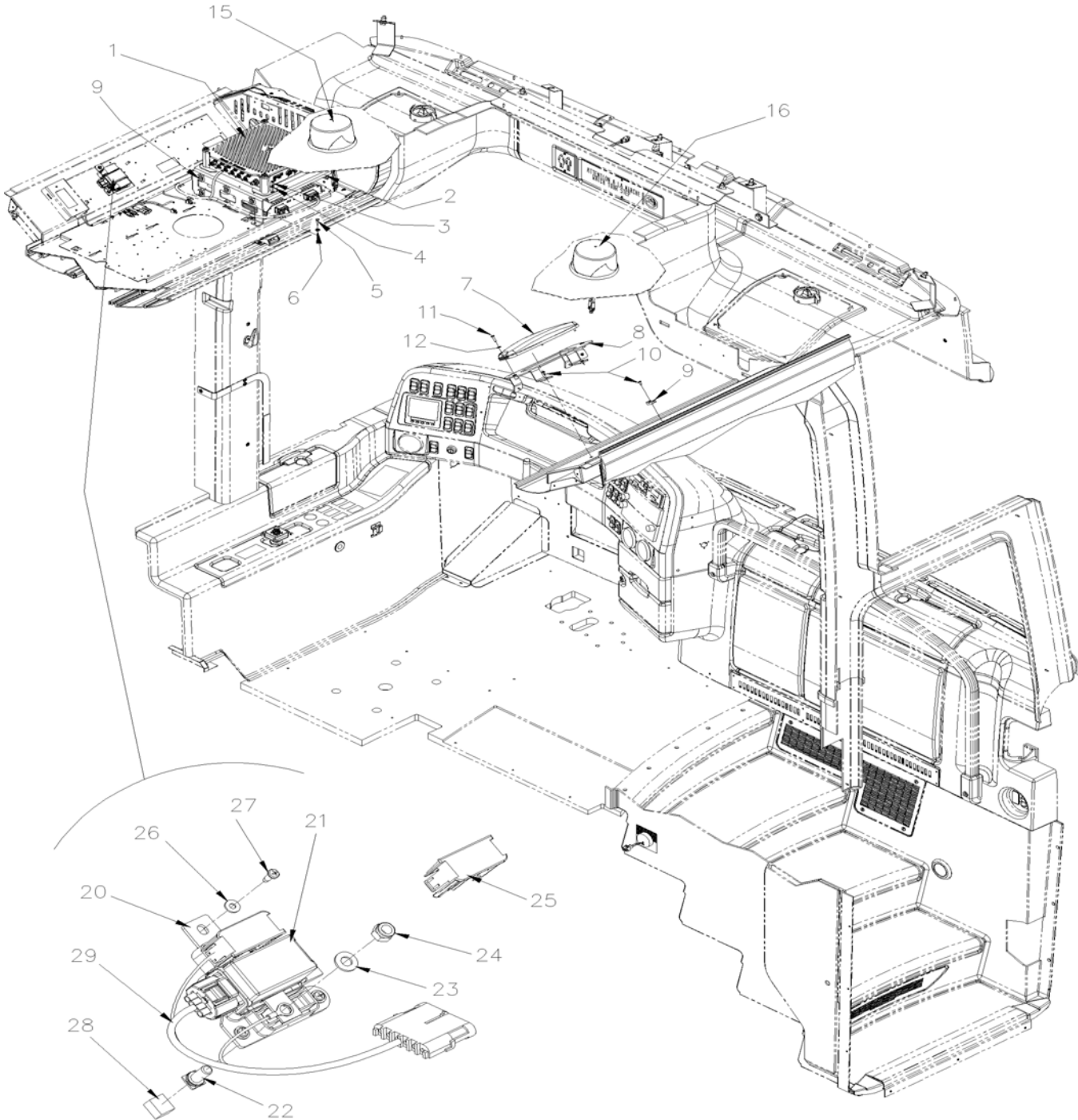
Item#	Part	Description	QTY	Notes
1	900218	MODULE ICOMERA X3 ADVANCED / 1 TB	1	
2	400605	SUPPORT VIDEO ON AMPLIFICATER XCUBED To K-7547	1	G
2	400662	SUPPORT VIDEO ON AMPLIFICATER XCUBED From K-7548	1	
3	500965	SCREW TC BDG PH #8-32x1/2 N500	4	
4	500855	WASHER FL .188x.438x.049 N500	4	
5	500588	SCREW CAP HEX M4-0.7x20 G8.8 Z050	1	
6	502564	WASHER LO SPT 6.1x11.8x1.6 Z050	1	
7	900223	ANTENNA WIFI HS SENSITY MIMO / 2.4-5GHZ	1	
7	061515	CABLE WIFI TO CHASSIS GROUND	1	
NS	900226	ANTENNA WIFI CABLE RFC CAT2 / 3M	1	
NS	504637	CABLE TIE / 3/16" x 13"	3	
NS	504428	TIE MOUNT / 3/16" #10 SCREW / TA1S10-C	1	
NS	561513	PIN TERMINAL / 20-14 / AMP 350538-3	1	
8	Call order desk	CEILING, CENTRAL, FRONT ASS.	1	P
9	Call order desk	FINITION SHEET METAL, FRONT CEILING	1	P
10	5001299	SCREW MA PAN PH #10-32x3/4 SS	2	
11	500964	WASHER FL .203x.500x.047 Z050	2	
12	500519	NUT WELL #10-32x.518	2	
NS	900224	ANTENNA DUAL LTE,WIFI, GPS M-BAND / 17'	1	
NS	900225	ANTENNA DUAL LTE, MULTIBAND / 17'	1	
		G) GLI ONLY		
		P) CALL ORDER DESK FOR SPECIFIC APPLICATION (V.I.N.)		

From K-7548 To M-7767

Date:07/2024

PAGE:X3PLB-2317-61

"WI-FI" ICOMERA X CUBED



From K-7548 To M-7767	Date:07/2024	PAGE:X3PLB-2317-61
"WI-FI" ICOMERA X CUBED		

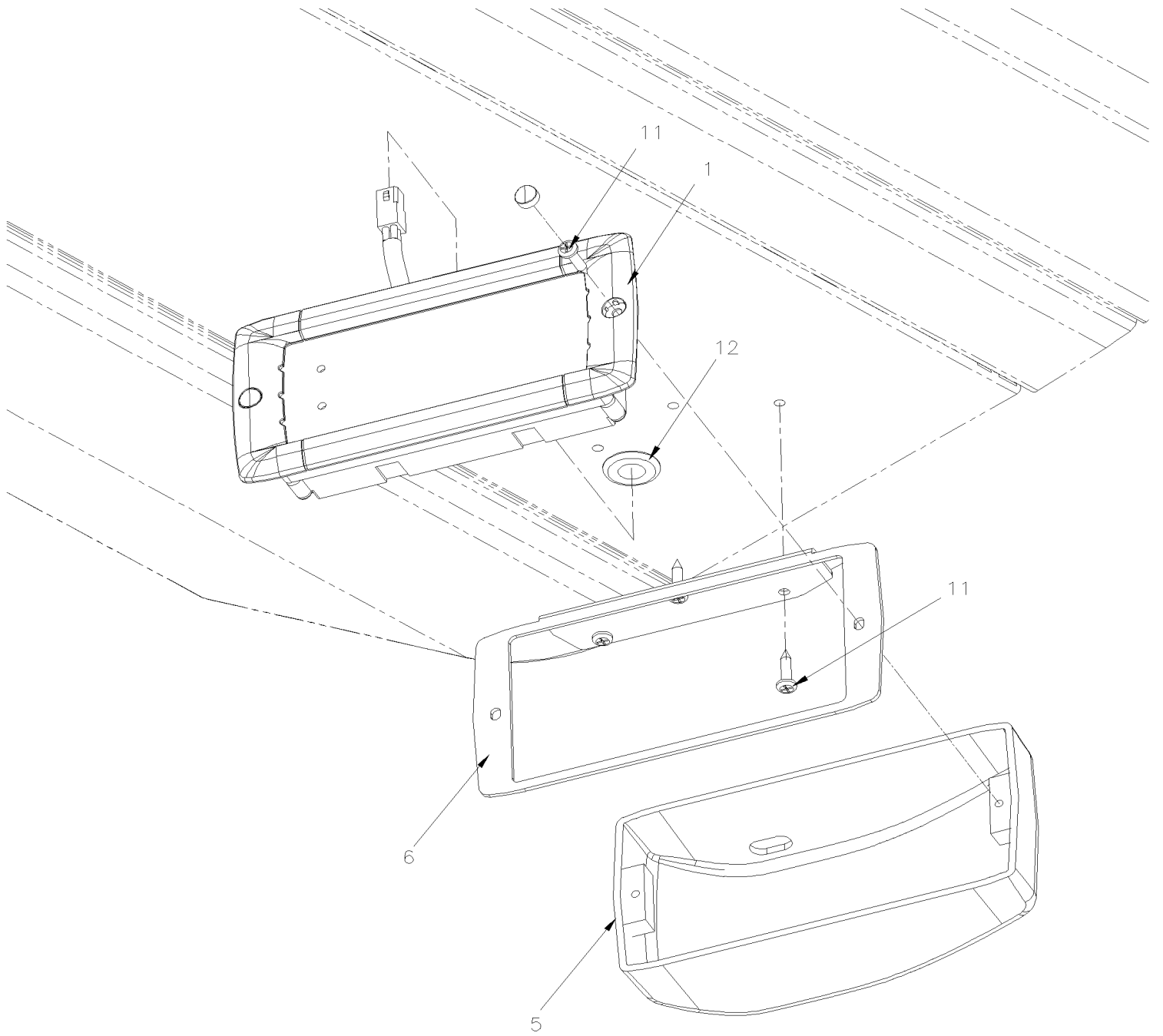
Item#	Part	Description	QTY	Notes
1	900240	MODULE ICOMERA X CUBE ADVANCED / 1 TB	1	
NS	900268	HARNESS POWER MODULE ICOMERA X-CUBED	1	
NS	069925	CABLE WIFI TO CHASSIS GROUND	1	
NS	900401	CABLE ANTENNA WIFI RFC CAT2 5M (PORT 1)	1	
2	400662	SUPPORT VIDEO ON AMPLIFICATER XCUBED To M-7767	1	
2	401608	SUPPORT VIDEO ON AMPLIFICATER From M-7768	1	
3	500965	SCREW TC BDG PH #8-32x1/2 N500	4	
4	500855	WASHER FL .188x.438x.049 N500	4	
5	500344	SCREW MA RND PH M4-0.7x12 Z050	2	
6	500914	WASHER LO SPT .193x.334x.047 N500	2	
7	900223	ANTENNA WIFI HS SENSITY MIMO / 2.4-5GHZ	1	
8	400648	SUPPORT ANTENNA	1	
NS	509815	TIE MOUNT / ATTACHMENT W/TREE MOUNT	1	
NS	504637	CABLE TIE / 3/16" x 13"	AR	
9	504013	TIE MOUNT / 1/4" X 1/4" I.D.	10	
10	500638	SCREW TP PAN PH #8x1/2 Z050	5	
11	5001299	SCREW MA PAN PH #10-32x3/4 SS	2	
12	500964	WASHER FL .203x.500x.047 Z050	2	
15	900274	ANTENNA 2X LTE,2X WIFI, GPS, 90DEG / 6'	1	
16	900275	ANTENNA 4X LTE, 90DEG CONN. / 15'	1	
NS	900402	CABLE ANTENNA WIFI RFC CAT2 5M (PORT 2)	1	
NS	900403	CABLE ANTENNA WIFI RFC CAT2 5M (PORT 3)	1	
20	560529	BASE FOR LACTHING RELAY BDS-A 24V	1	
21	560493	LACTHING RELAY BDS-A 24V	1	
22	560539	SCREW FOR LACTHING RELAY BDS-A 24V / M8	2	
23	5001341	WASHER FL 8.4x17.0x1.6 SS	2	
24	5001787	NUT HEX NYRT M8-1.25 SS	2	
25	560538	COVER RELAY	2	
26	500855	WASHER FL .188x.438x.049 N500	3	
27	500965	SCREW TC BDG PH #8-32x1/2 N500	3	
28	506004	TAPE RUB ADH1 CC POL 3/8" x 1/2" x 20' / GREY 2520X	AR	
29	0610200	WIR. HARN. ISM RELAY P-RACK	1	

From G-7275 To M-7767

Date:07/2024

PAGE:X3PLB-2318-00

CLOCK (DIGITAL)



From G-7275 To M-7767	Date:07/2024	PAGE:X3PLB-2318-00
-----------------------	--------------	--------------------

CLOCK (DIGITAL)

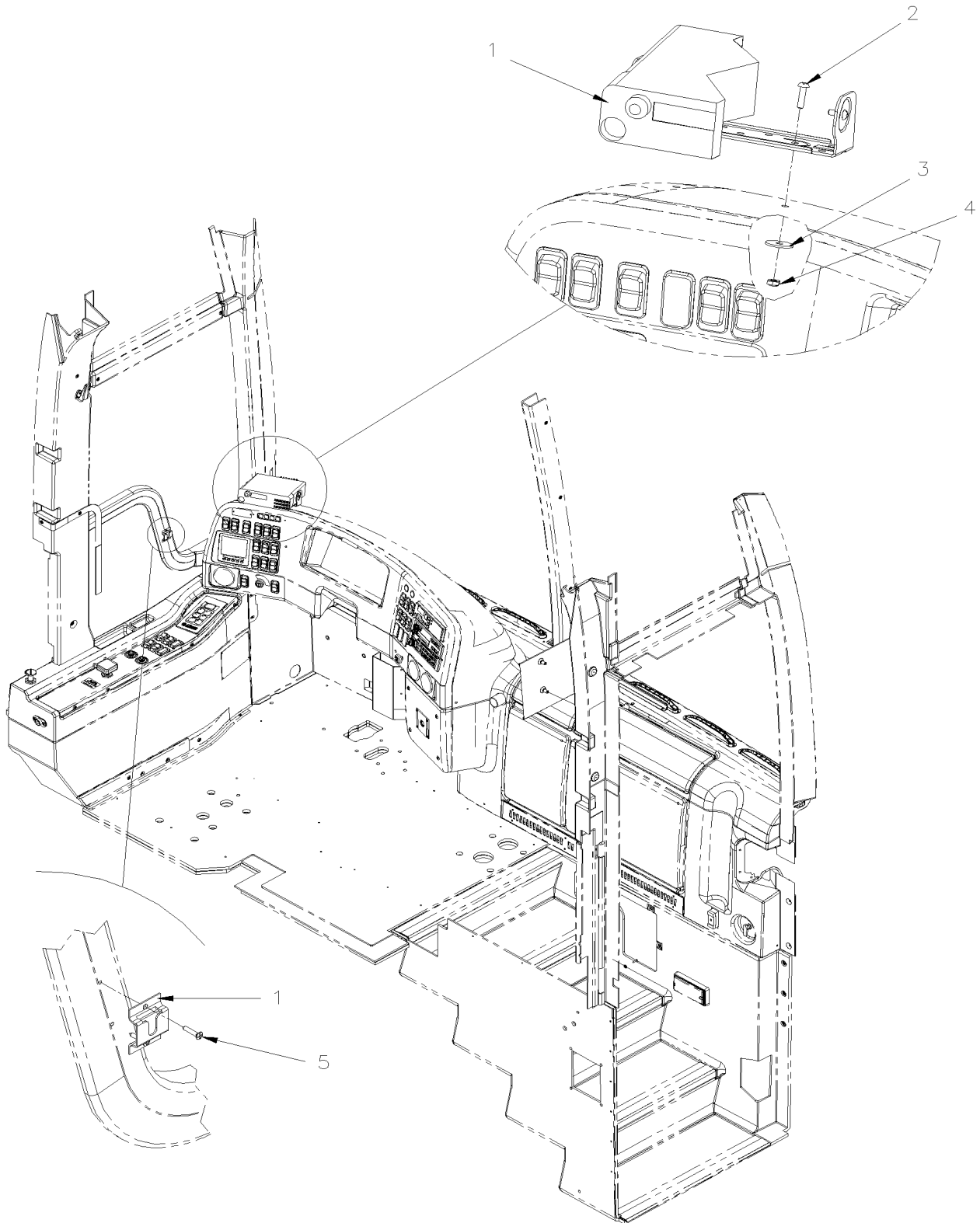
Item#	Part	Description	QTY	Notes
1	901569	DIGITAL CLOCK, GREEN LEDS - 12H	1	
1	901570	DIGITAL CLOCK, GREEN LEDS - 24H	1	
1	066206	CABLE ASSY TO DIGITAL CLOCK To H-7416	1	
1	061296	CABLE ASSY TO DIGITAL CLOCK From H-7417	1	
5	400236	COVER DIGITAL CLOCK	1	
6	400133	SUPPORT DIGITAL CLOCK / STREET SIDE	1	
11	5001155	SCREW TP PAN PH #8X3/4 N050	5	
12	504568	GROMMET / .437x.687x.250x.500x1.000	1	

From G-7275 To M-7767

Date:07/2024

PAGE:X3PLB-2318-10

RADIO "CB" INSTALLATION



From G-7275 To M-7767	Date:07/2024	PAGE:X3PLB-2318-10
-----------------------	--------------	--------------------

RADIO "CB" INSTALLATION

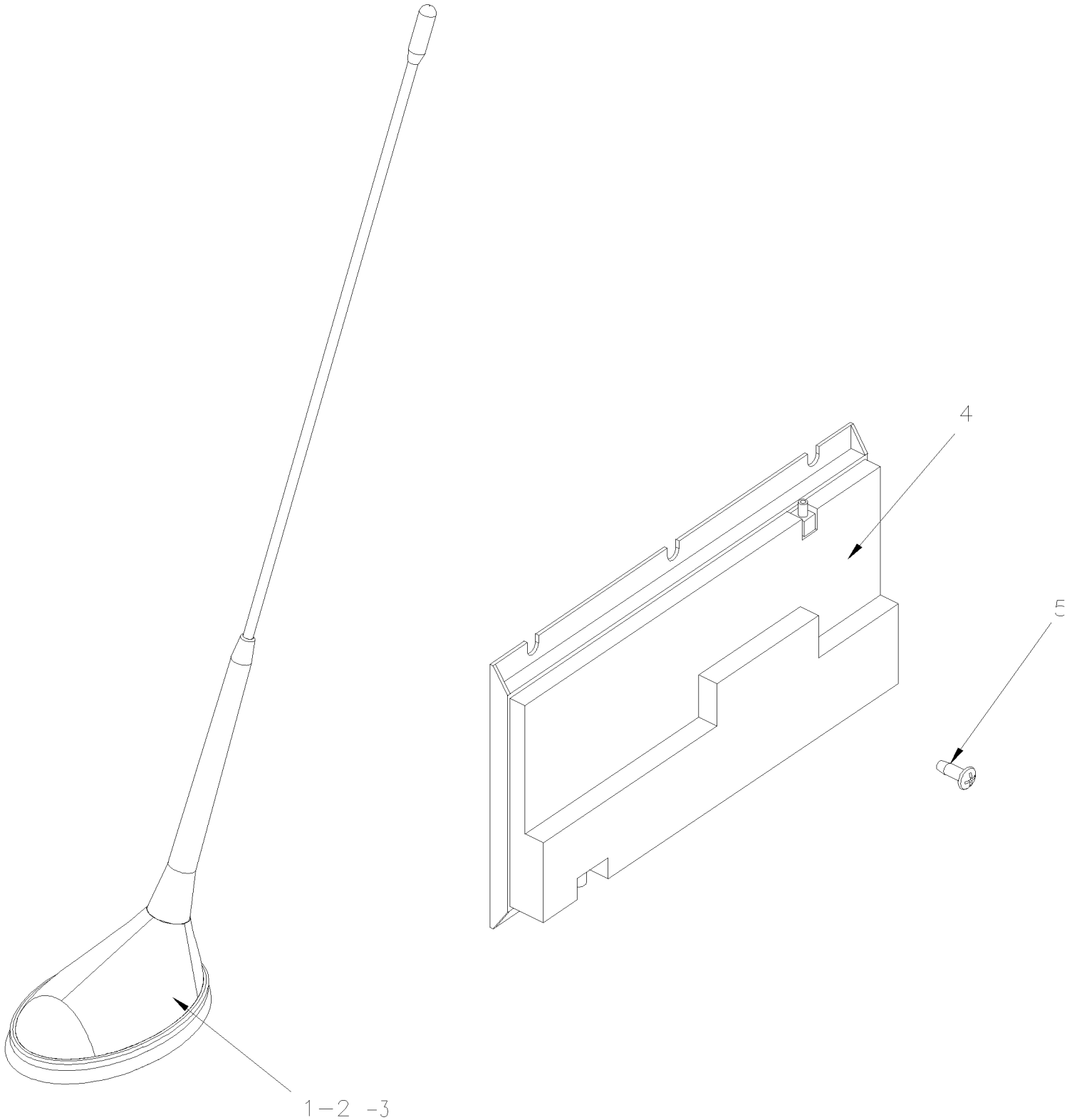
Item#	Part	Description	QTY	Notes
1	900160PC	RADIO "CB" MOTOROLA	1	
2	500387	SCREW MA RND PH #10-24x3/4 Z050	2	
3	500805	WASHER FL .218x.875x.062 N500	2	
4	500767	NUT HEX #10-24 Z050	2	
5	500552	SCREW TP OV PH #6x3/4 Z050	2	
NS	504421	GROMMET / .625x.875x.187x.437x1.125	1	

From G-7275 To M-7767

Date:07/2024

PAGE:X3PLB-2319-00

VOLVO LINK ANTENNA - INSTALLATION



From G-7275 To M-7767	Date:07/2024	PAGE:X3PLB-2319-00
VOLVO LINK ANTENNA - INSTALLATION		

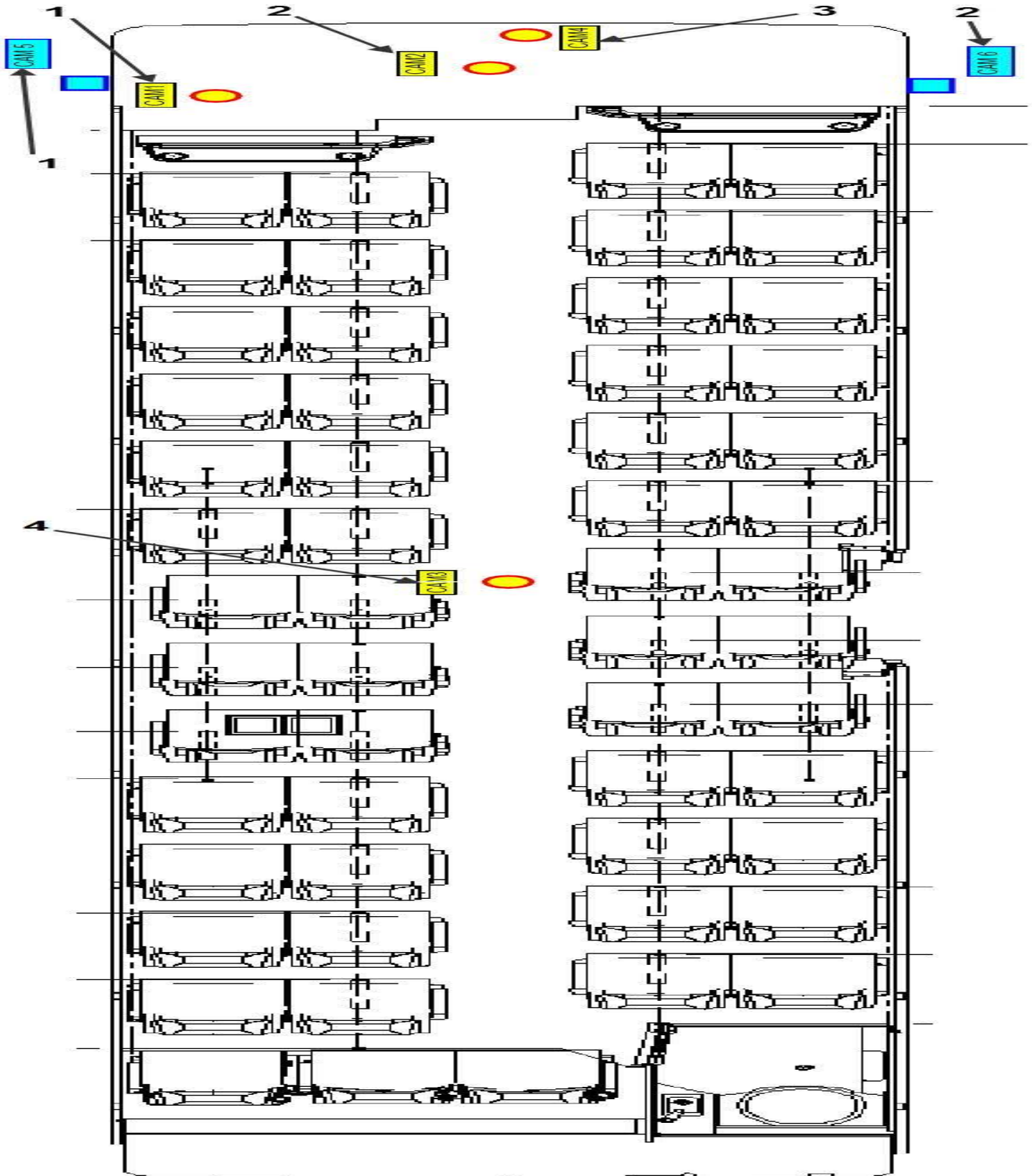
Item#	Part	Description	QTY	Notes
1	21705662	ANTENNA (VOLVO LINK) From D-5457 To K-7588	1	
1	22472979	ANTENNA (VOLVO LINK) From K-7589	1	
1	880050	WASHER FL 19X24.4X3.2 RUB	1	
NS	685126	ADHESIVE SIMSON #ISR 70-03 / GREY / 600ml SAUSAGE	AR	
2	903230	NUT RETAINER ANTENNA	1	
3	21385255	CABLE ANTENNA (RF-in VOLVO LINK) From C-5275 To K-7588	1	
3	560762	CABLE, 4G TGW ANTENNA (ANTENNA TO JUNCT) From K-7589 To M-7750	1	
3	563913	CABLE, 4G TGW ANTENNA (ANTENNA TO JUNCT) From M-7751	1	
3	560764	CABLE, 4G TGW ANTENNA (JUNCT TO TGW ECU) From K-7589 To M-7750	1	
3	563914	CABLE, 4G TGW ANTENNA (JUNCT TO TGW ECU) From M-7751	1	
3	684517	ADHESIVE SIMSON #ISR 70-03 / GREY / 310ml CARTRIDGE To L-7720	1	
3	684685	ADHESIVE SIMSON #ISR 70-03 / 310ml CARTRIDGE From L-7721	1	
4	22357675	ECU VOLVO LINK MODULE From F-5872 To J-7436	1	
4	22861158	ECU VOLVO LINK MODULE From J-7437 To K-7648	1	
4	23359380	ECU VOLVO LINK MODULE From K-7649 To L-7720	1	
4	23593814	ECU VOLVO LINK MODULE From L-7721	1	
4	21443469	SIM CARD VOLVO LINK MODULE From C-5275 To J-7427	1	
4	22990242	SIM CARD VOLVO LINK MODULE FOR SERVICE From J-7428	1	
5	502868	SCREW TC TR PH #10-16x1/2 N500	2	
NS	562679	4 WAY ADH. BACKED MOUNTS 1.000 x 1.000 x .160	AR	
NS	504637	CABLE TIE / 3/16" x 13"	AR	
NS	504671	GROMMET / .687x1.000x.125x.437x1.312	1	

From H-7320 To M-7767

Date:07/2024

PAGE:X3PLB-2319-30

CAMERA SYSTEM INSTALLATION - "SAUCON"

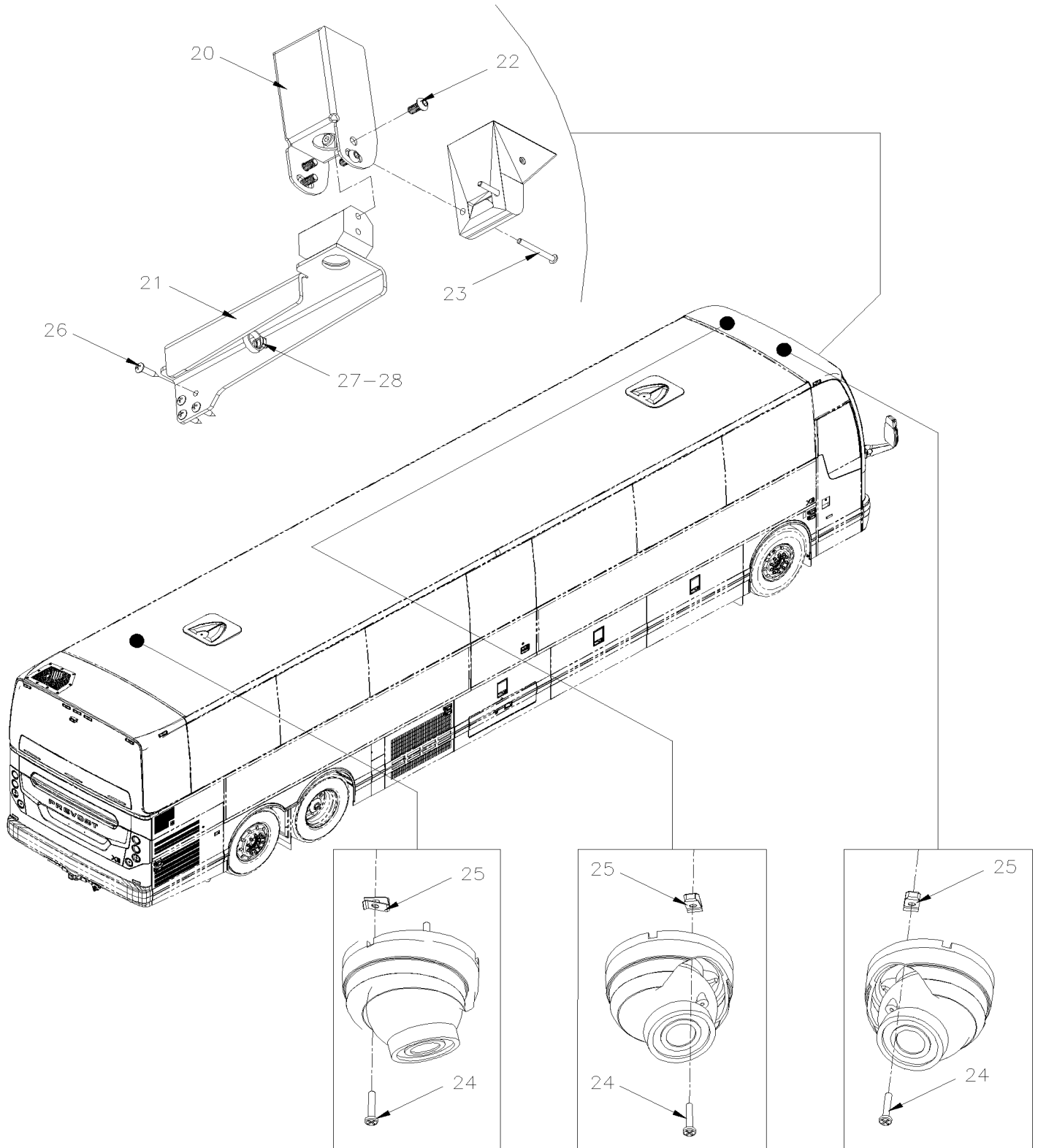


From H-7320 To M-7767

Date:07/2024

PAGE:X3PLB-2319-30

CAMERA SYSTEM INSTALLATION - "SAUCON"



From H-7320 To M-7767	Date:07/2024	PAGE:X3PLB-2319-30
CAMERA SYSTEM INSTALLATION - "SAUCON"		

Item#	Part	Description	QTY	Notes
	N.S.P.	ONBOARD VIDEO RECORDING SYS. SAUCON To L-7682	1	2
	N.S.P.	KIT AUCON ITS PROX, CAMERAS, WIFI From L-7683	1	2
	N.S.P.	MONITOR DISPLAY SAUCON	1	2
	N.S.P.	WIFI ROUTER SAUCON To L-7682	1	2
	N.S.P.	KIT SAUCON WIFI ROUTER (AT&T) W/ CABLE From L-7683	1	2
	N.S.P.	INTERNAL CAMERAS, KIT SAUCON	1	2
	N.S.P.	EXTERNAL CAMERAS, KIT SAUCON	1	2
	061488	CONNECTOR C-700 BYPASSED (CTGI)	1	
. NS	562637	. HEAT DETECTOR SENSOR 2500MM	1	
. NS	561240	. SOCKET TERMINAL / 18-16 / SIGNAL CONTACT / AMP 66101-2	4	
. NS	561653	. CABLE CLAMP / CPC / #13 / AMP 206966-1	1	
. NS	562593	. WIRE CABLE 18 / YELLOW / TXL	1	
. NS	563623	. BUTT SPLICE / 16-14 / BLUE / W/THERMORETRAC / PANDUIT BSH14-Q	1	
NS	069652	CABLE, PWR FOR SAUCON SYS. To L-7682	1	
1	901601	CAMERA CABLE, SAUCON SYS 10FT To L-7682	2	
1	901690	ETHERNET CABLE CAT5E RJ45 BLUE 10' From L-7683	2	
2	901602	CAMERA CABLE, SAUCON SYS 20FT To L-7682	2	
2	901691	HARNESS / CAMERA "SAUCON" 15' From L-7683	1	
3	901603	CAMERA CABLE, SAUCON SYS 30FT To L-7682	1	
3	901692	HARNESS / CAMERA "SAUCON" 20' From L-7683	2	
4	901605	CAMERA CABLE, SAUCON SYS 50FT To L-7682	1	
4	901695	HARNESS / CAMERA "SAUCON" 50' BLUE From L-7683	1	
NS	504637	CABLE TIE / 3/16" x 13"	AR	
10	901680	BASIC KIT, ITS SUCON (PROX & DISPLAY)	1	
11	Call order desk	. PROX / "SAUCON"	1	P
12	901688	. DISPLAY TOUCH / "SAUCON"	1	
13	901627	. ARM DISPLAY / "SAUCON"	1	
14	Call order desk	. DISPLAY CABLE	1	P
15	901629	. DISPLAY CABLE 25 FT / "SAUCON"	1	
16	901630	. ANTENNA GPS / "SAUCON"	1	
17	Call order desk	. INTERFACE HARNESS	1	P
20	400595	SUPPORT FOR CAMERA	1	
21	401522	BRACKET, SAUCON CAMERA WINDSHIELD	1	
22	5000353	SCREW CAP BUT HEXS M6-1.0x12 N500	4	
23	5001694	SCREW MA PAN PH M4-0.7x40 SS BK	2	
24	5001040	SCREW TC PAN PH #6-32x3/4 SS	AR	
25	500385	NUT SPR U #6-32 .135-.150 N500	AR	
26	500854	SCREW TC BDG PH #8-32x3/4 N500	4	
27	504637	CABLE TIE / 3/16" x 13"	AR	
28	509815	TIE MOUNT / ATTACHMENT W/TREE MOUNT	AR	

From H-7320 To M-7767		Date:07/2024	PAGE:X3PLB-2319-30
-----------------------	--	--------------	--------------------

CAMERA SYSTEM INSTALLATION - "SAUCON"

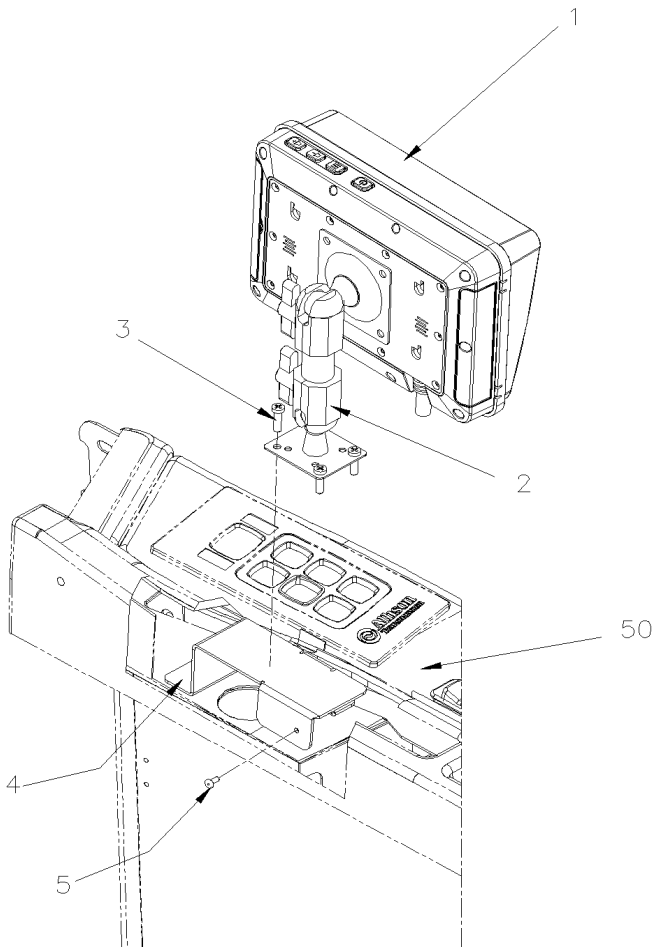
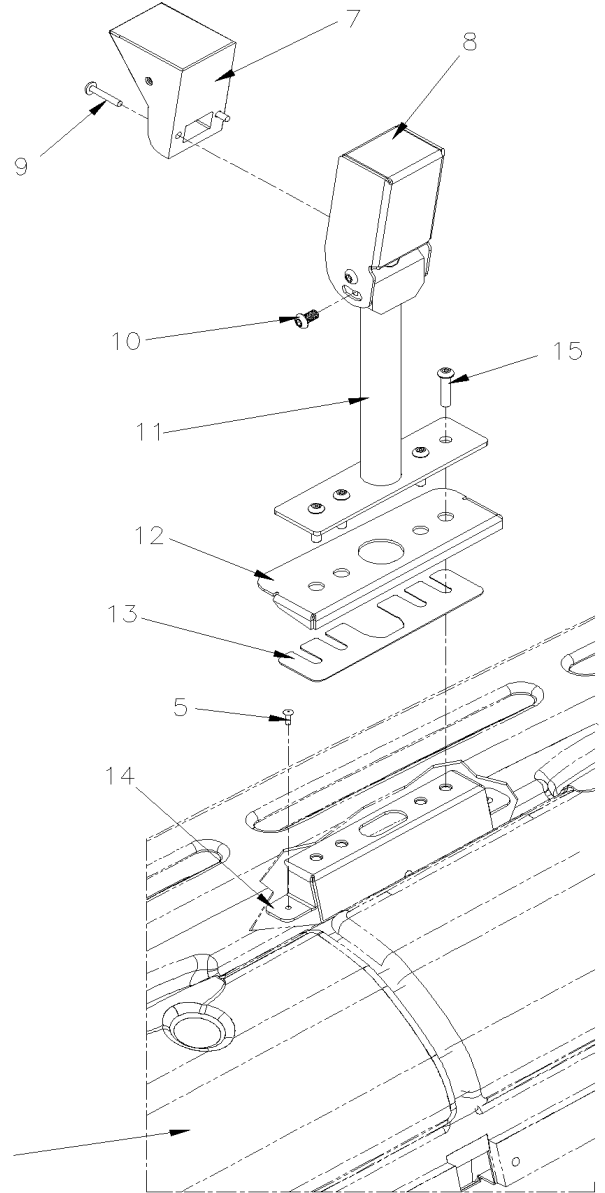
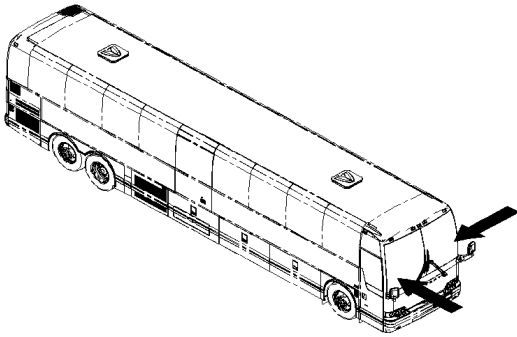
Item#	Part	Description	QTY	Notes
		2) NOT SOLD BY PREVOST (SEE MANUFACTURING PART NUMBER AT END OF DESCRIPTION LINE)		
		P) CALL ORDER DESK FOR SPECIFIC APPLICATION (V.I.N.)		

From K-7550 To M-7767

Date:07/2024

PAGE:X3PLB-2319-31

CAMERA SYSTEM - "SAUCON" 4 CAMERAS POSITION 1-2-3-4



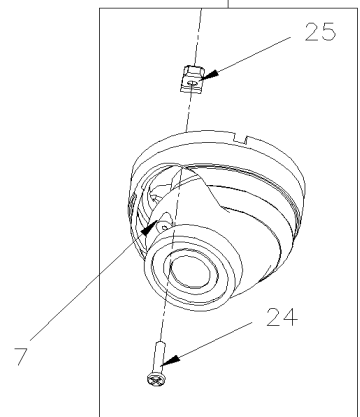
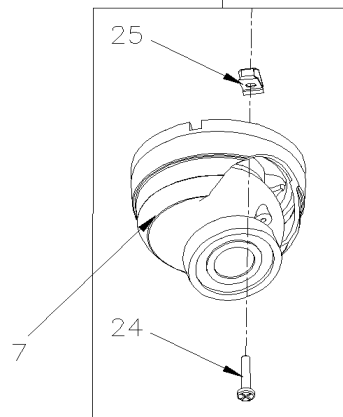
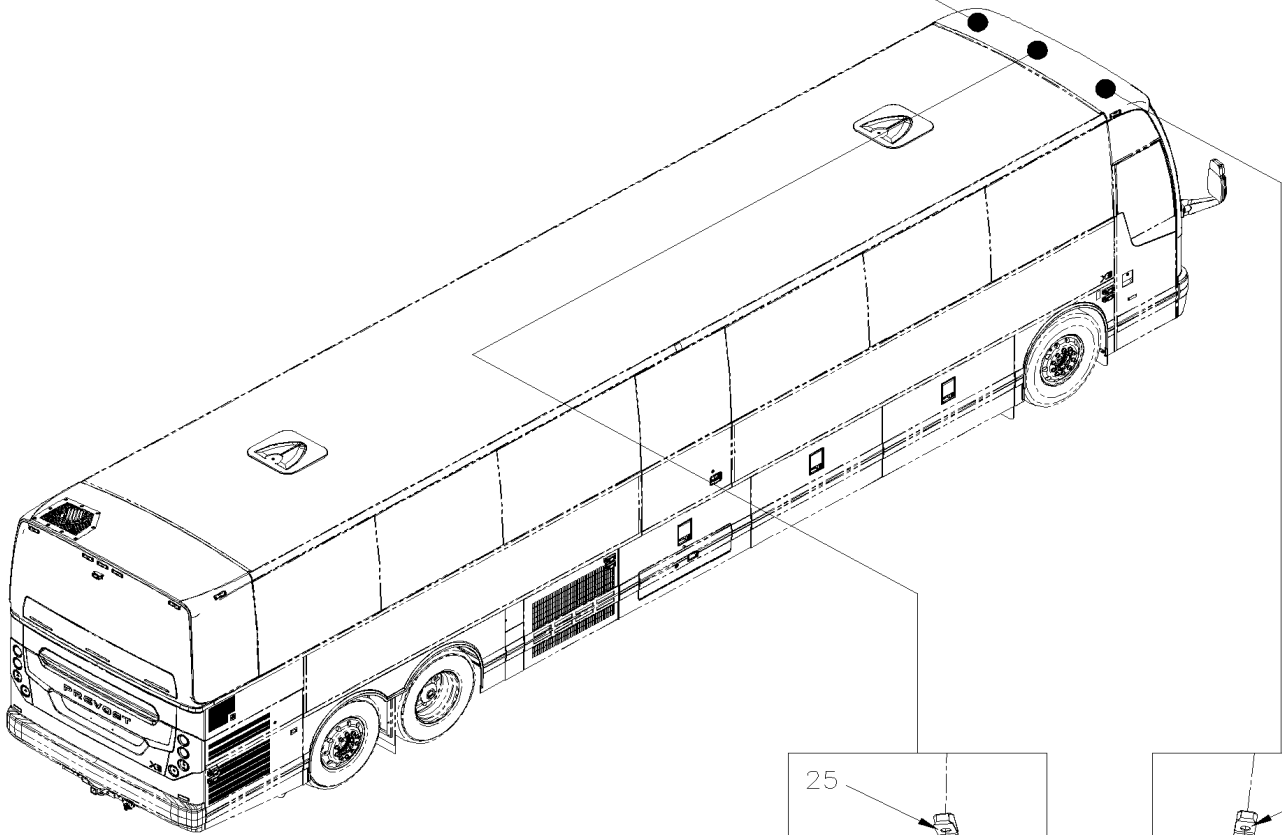
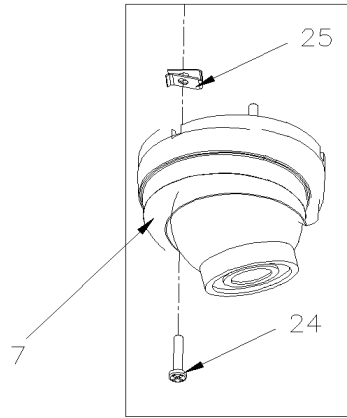
51

From K-7550 To M-7767

Date:07/2024

PAGE:X3PLB-2319-31

CAMERA SYSTEM - "SAUCON" 4 CAMERAS POSITION 1-2-3-4



From K-7550 To M-7767	Date:07/2024	PAGE:X3PLB-2319-31
CAMERA SYSTEM - "SAUCON" 4 CAMERAS POSITION 1-2-3-4		

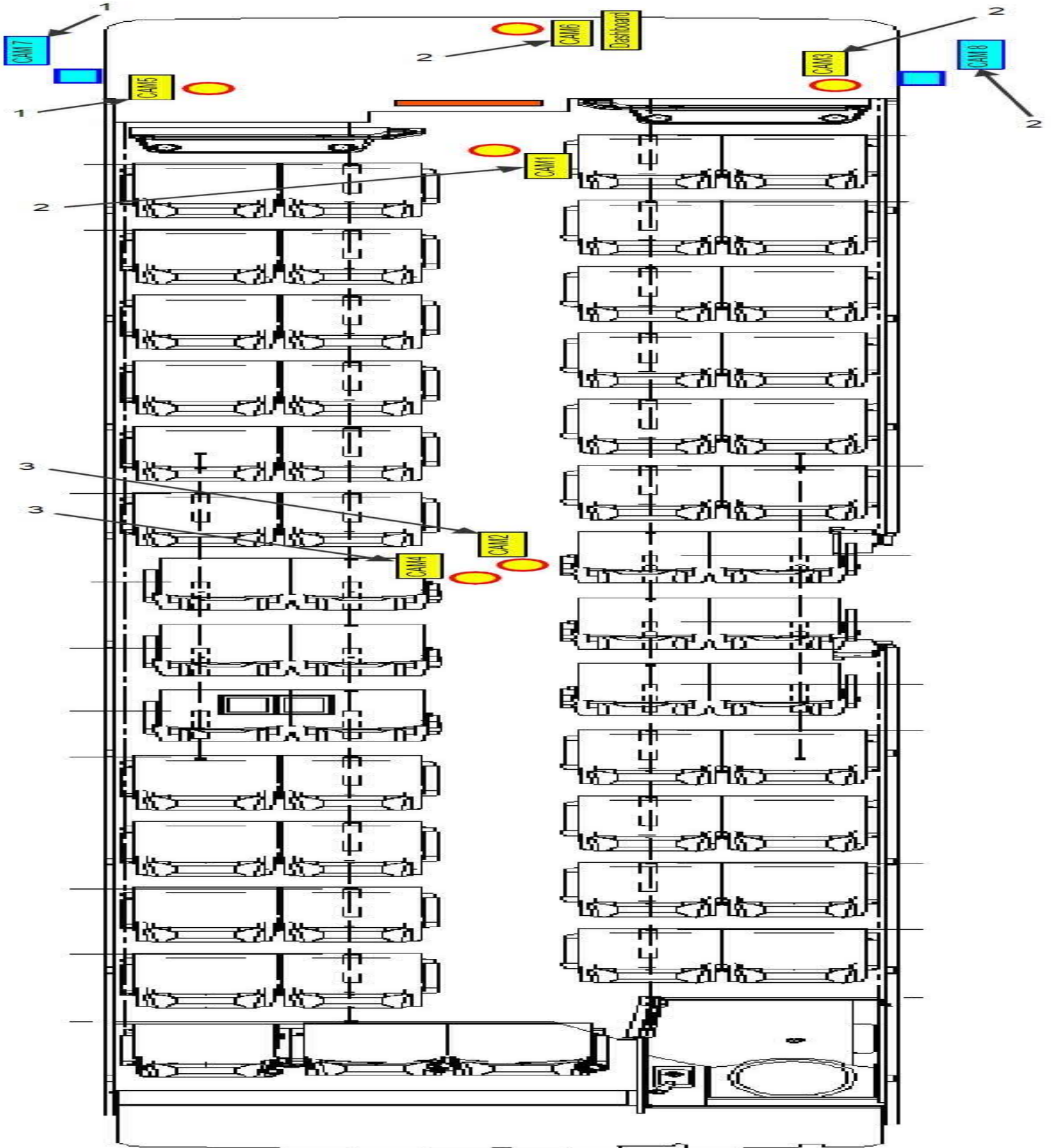
Item#	Part	Description	QTY	Notes
1	901628	DISPLAY TOUCH / "SAUCON"	1	
2	901627	ARM DISPLAY / "SAUCON"	1	
3	500623	SCREW TC PAN PH #10-24x3/4 N500	4	
4	390037	SCREEN SUPPORT	1	
5	504106	RIVET POP DOME OE 1/8x1/4 AL	AR	
7	Call order desk	KIT SAUCON ITS W/4CAM. RECORDER	1	P
. NS	901626	. INTERFACE MAIN HARNESS PREVOST / "SAUCON"	1	
. NS	901629	. DISPLAY CABLE 25 FT / "SAUCON"	1	
. NS	901628	. DISPLAY TOUCH / "SAUCON"	1	
. NS	901627	. ARM DISPLAY / "SAUCON"	1	
. NS	901630	. ANTENNA GPS / "SAUCON"	1	
. NS	Call order desk	. ANTENNA CELL	1	P
. NS	Call order desk	. PROX VIDEO 4 CAMERA	1	P
. NS	Call order desk	. S-VIDEO USB 6FT / "SAUCON"	1	P
. NS	901633	. USB STICK 64GB / "SAUCON"	1	
. NS	Call order desk	. WIDE ANGLE CAMERA	3	P
NS	504637	CABLE TIE / 3/16" x 13"	AR	
8	400595	SUPPORT FOR CAMERA	1	
9	5001694	SCREW MA PAN PH M4-0.7x40 SS BK	2	
10	5000353	SCREW CAP BUT HEXS M6-1.0x12 N500	4	
11	400594	FOOT FOR CAMERA	1	
12	390033	CAMERA BRACKET	1	
13	390034	CAMERA BRACKET SHIM	1	
14	390031	TOP PLATE	1	
15	5002020	SCREW CAP BUT HEXS TAMPER M6-1.0x25 NSS	4	
24	5001040	SCREW TC PAN PH #6-32x3/4 SS	9	
25	500385	NUT SPR U #6-32 .135-.150 N500	9	
		P) CALL ORDER DESK FOR SPECIFIC APPLICATION (V.I.N.)		
		P) CALL ORDER DESK FOR SPECIFIC APPLICATION (V.I.N.)		

From H-7325 To M-7767

Date:07/2024

PAGE:X3PLB-2319-40

CAMERA SYSTEM INSTALLATION - "SAFETY-VISION"



From H-7325 To M-7767 Date:07/2024 PAGE:X3PLB-2319-40

CAMERA SYSTEM INSTALLATION - "SAFETY-VISION"

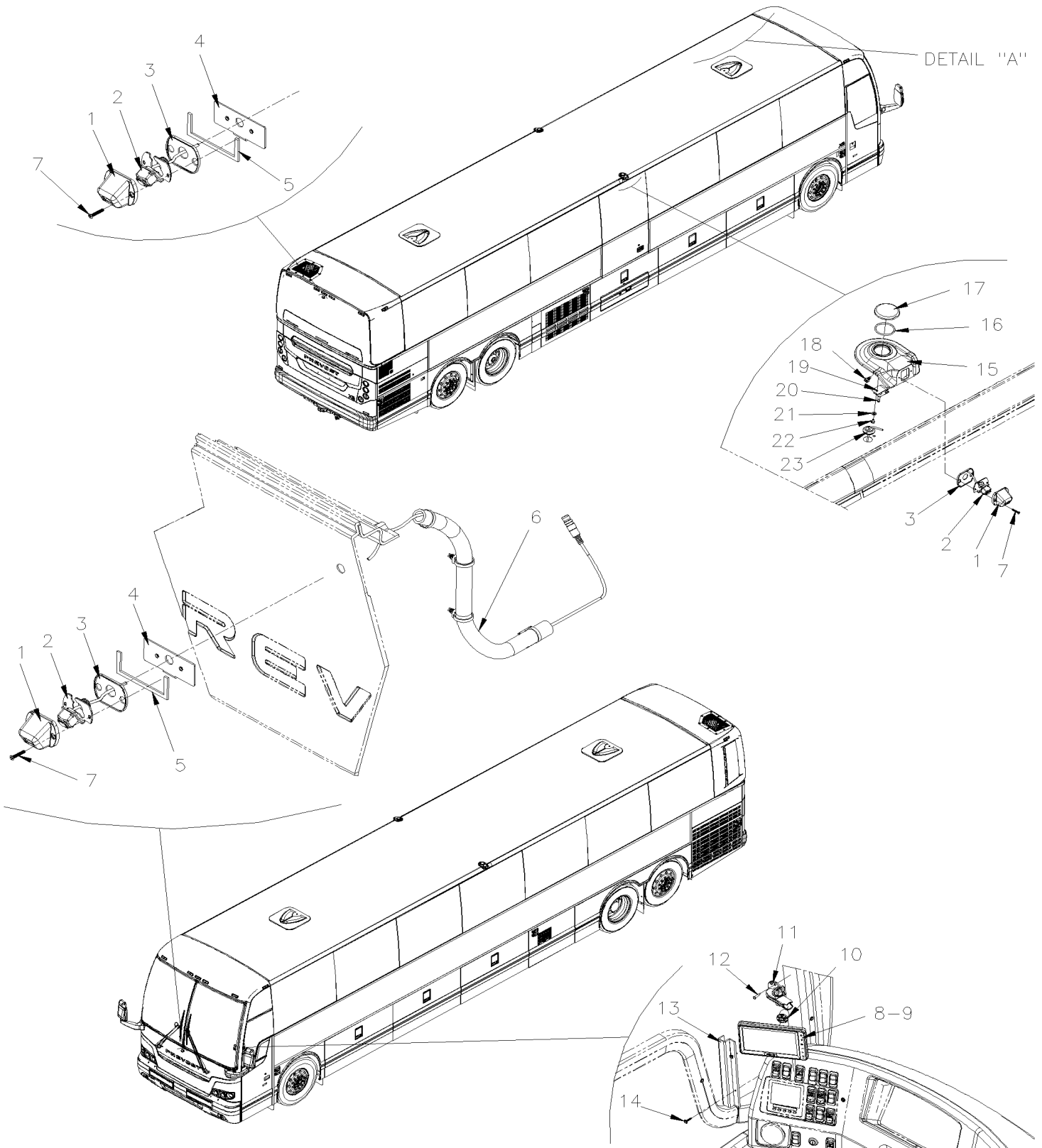
Item#	Part	Description	QTY	Notes
	N.S.P.	KIT DVR VIDEO SECURITY & CAMS S-VISION	1	2
1	901593	CAMERA CABLE, SAFETY VISION SYS 16FT	2	
2	901594	CAMERA CABLE, SAFETY VISION SYS 33FT	4	
3	901595	CAMERA CABLE, SAFETY VISION SYS 49FT	2	
NS	504637	CABLE TIE / 3/16" x 13"	AR	
		2) NOT SOLD BY PREVOST (SEE MANUFACTURING PART NUMBER AT END OF DESCRIPTION LINE)		

From L-7663 To M-7767

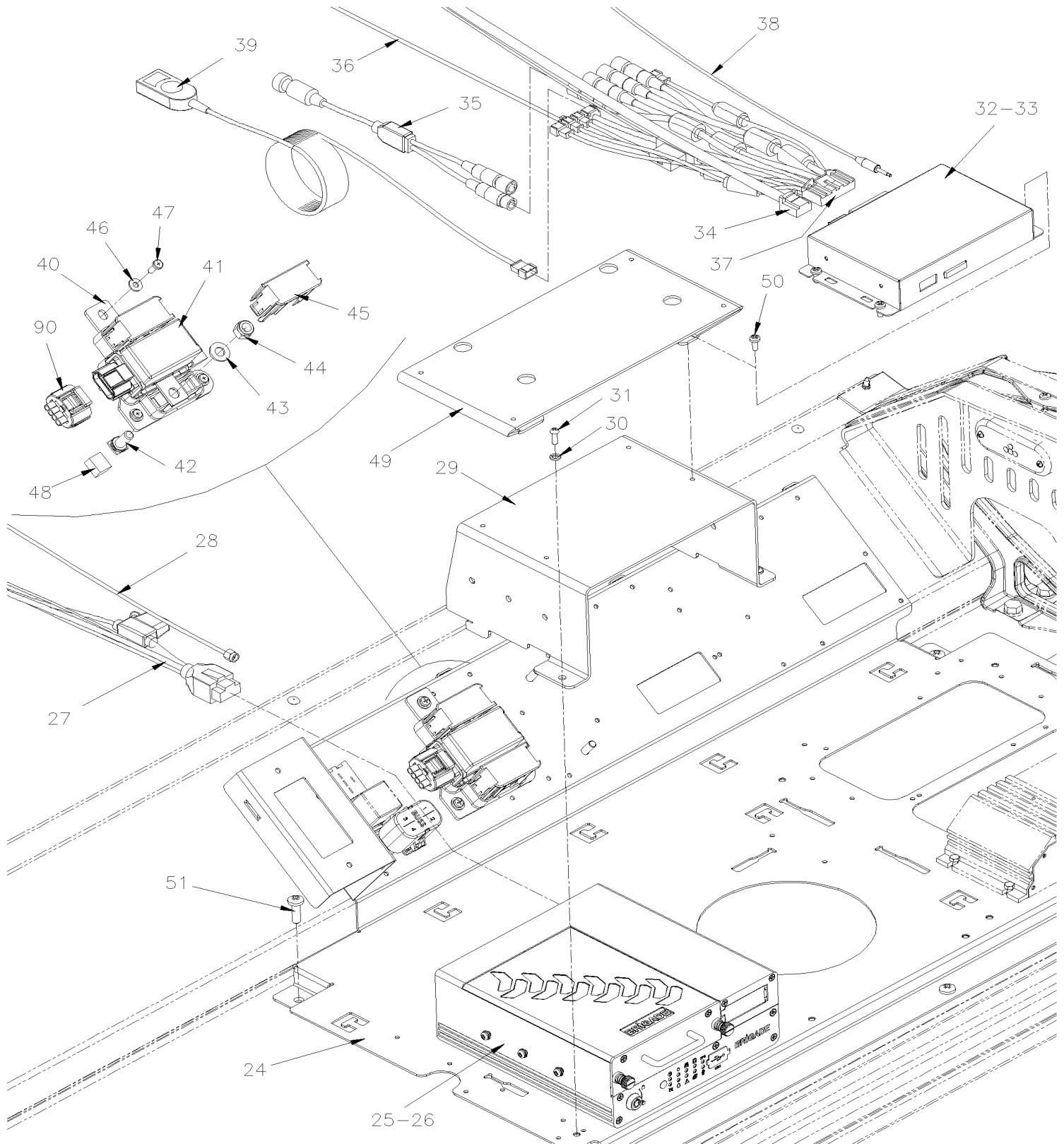
Date:07/2024

PAGE:X3PLB-2319-50

CAMERA SYSTEM INSTALLATION - "BRIGADE"



CAMERA SYSTEM INSTALLATION - "BRIGADE"



From L-7663 To M-7767	Date:07/2024	PAGE:X3PLB-2319-50
CAMERA SYSTEM INSTALLATION - "BRIGADE"		

Item#	Part	Description	QTY	Notes
1	990001	HOUSING, SURROUNDING CAMERA "BRIGADE"	4	
2	990565	SURROUNDING CAMERA "BRIGADE"	4	
3	990575	GASKET, BLK SURROUNDING CAMERA "BRIGADE"	4	
NS	684685	ADHESIVE SIMSON #ISR 70-03 / 310ml CARTRIDGE	AR	
4	471605	PLATE, ANCHOR M4	2	
5	506769	TAPE RUB ADH2 CC POL 1/8" x 1/4" x 60' / BLACK H1CC-N#14	AR	
6	900220	TUBE PVC / 5/8" I.D. / S.L.	AR	
NS	504637	CABLE TIE / 3/16" x 13"	3	
NS	562679	4 WAY ADH. BACKED MOUNTS 1.000 x 1.000 x .160	1	
NS	509815	TIE MOUNT / ATTACHMENT W/TREE MOUNT	2	
7	505011	SCREW MA FL PH M4-0.7X25 SS NSS	AR	
8	901735	KIT MONITOR, 7" LDC, SURR. CAM. "BRIGADE"	1	
NS	901707	. HARN. ASSY. MONITOR PWR & SIGN. "BRIGADE"	1	
NS	562479	. . CONNECTOR / DT SERIES / PH 4C / GRAY / DEUTSCH DT04-4P-C015	1	
NS	504637	CABLE TIE / 3/16" x 13"	AR	
9	901708	. MONITOR, 7" DIG. LDC, SURR. CAM. "BRIGADE"	1	
. NS	901904	. . MONITOR	1	
. NS	901911	. . CABLE ADAPTER	1	
10	901736	. MONITOR BACK "T" SLOT TO BALL MOUNT	1	
11	901737	. MONITOR MOUNT, WITH 3" ARM FOR BRIGADE	1	
12	500608	. SCREW TP BDG PH #10x1 N500	3	
13	3210563	MOULDING, HIDING WIRE	1	
14	5002083	SCREW DR SEMS FN OV PH #8X1 N050	2	
15	491847	SUPPORT, SURROUNDING CAMERA	2	
NS	684685	ADHESIVE SIMSON #ISR 70-03 / 310ml CARTRIDGE	AR	
NS	687957	GLUE MS POLYMER TEROSON MS 9399 / 400ml CARTRIDGE To M-7792	AR	
NS	685387	GLUE MS POLYMER TEROSON MS 9399 / 400ml CARTRIDGE From M-7793	AR	
16	507022	O-RING 1.984 ID x 2.262 OD x 0.139 W	2	
17	491549	PLUG, SUPPORT ACCESS " BRIGADE"	2	
18	509815	TIE MOUNT / ATTACHMENT W/TREE MOUNT	2	
19	491848	RETAINING STRAP	2	
20	504787	RIVET CHY MONOLOK PRDG 1/4x5/8 ZP	2	
21	502573	WASHER FL 6.4x12.5x1.6 SS	2	
22	5001377	SCREW MA PAN PH M5-0.8x8 SS	2	
23	504066	GROMMET / .687x1.000x.062x.375x1.312	2	
24	401365	VIDEO PLATE To M-7767	1	
24	406772	VIDEO PLATE From M-7768	1	
25	901730	KIT MOBILE DIGIT.RECORDER ACC., "BRIGADE"	1	
26	901704	. MOBILE DIGITAL RECORDER 500 SERIES 8 CH.	1	
. NS	901824	. . SECURITY KEY	1	
. NS	902025	. . MDR-500 CADDY UNIT, 2TB SSD (GEN 2)	1	
27	901703	. WIR. HARN. ASSY PWR & VIDEO MDR "BRIGADE"	1	

From L-7663 To M-7767	Date:07/2024	PAGE:X3PLB-2319-50
CAMERA SYSTEM INSTALLATION - "BRIGADE"		

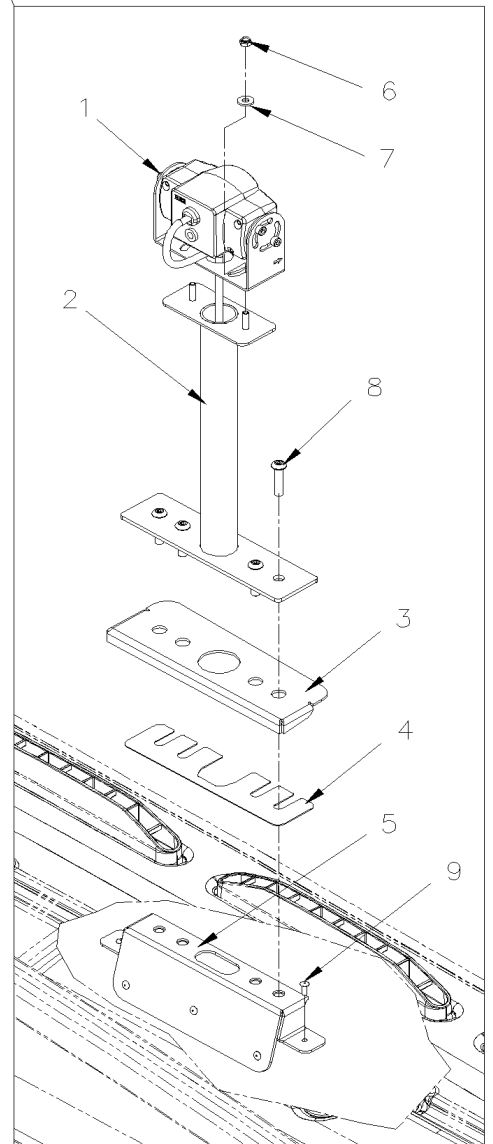
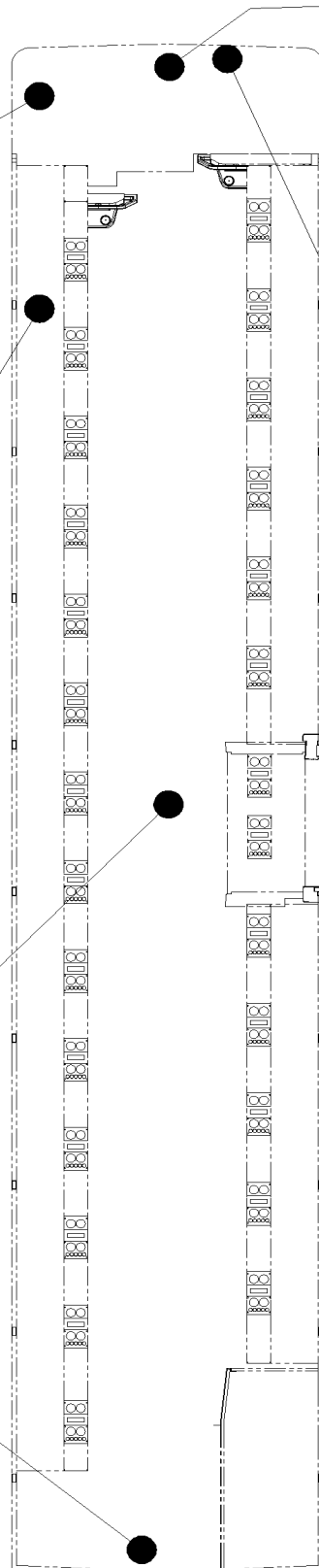
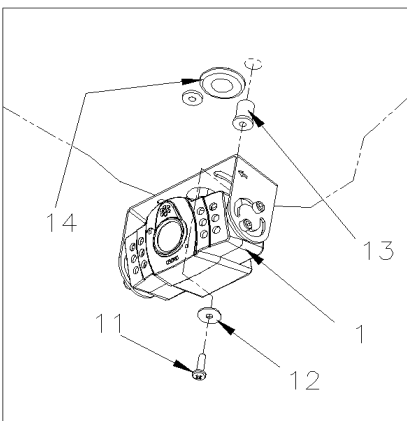
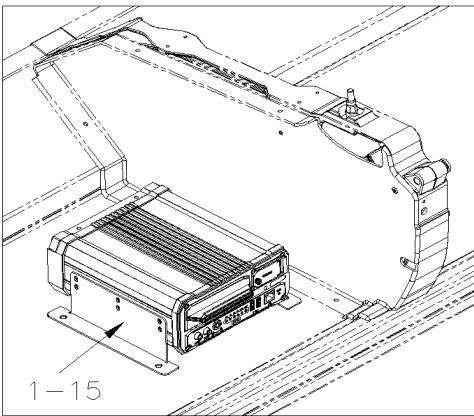
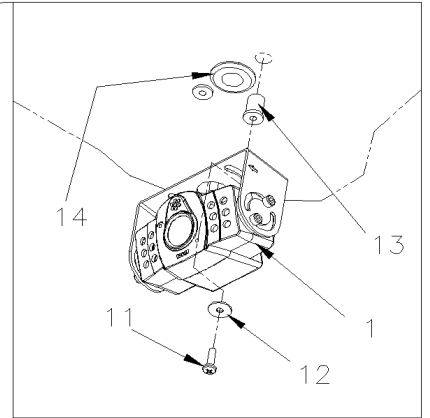
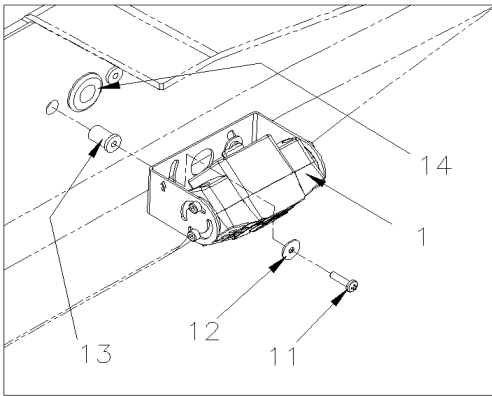
Item#	Part	Description	QTY	Notes
NS	562479	CONNECTOR / DT SERIES / PH 4C / GRAY / DEUTSCH DT04-4P-C015	1	
28	901709	. ANTENNA GPS FOR MDR "BRIGADE"	1	
29	401271	. STAND MDR_ECU "BRIGADE" To M-7767	1	
29	406774	STAND MDR_ECU From M-7768	1	
30	500914	WASHER LO SPT .193x.334x.047 N500	2	
31	500344	SCREW MA RND PH M4-0.7x12 Z050	2	
32	901733	KIT PERIF. CAMERAS SYSTEM W/ACCESSORIES	1	
NS	901715	. CABLE VBV-L ECU TO MONITOR 5M, BRIGADE	1	
NS	901738	. REMOTE CONTROL FOR CAMERAS SYSTEM	1	
33	901706	. ELECTRONIC MODULE ECU PERIF.CAM. "BRIGADE"	1	
34	901705	. WIR. HARN. ASSY. ECU 360 PWR "BRIGADE"	1	
35	901710	. CABLE Y SPLITTER SURROUND. CAM, "BRIGADE"	1	
36	901714	. CABLE VIDEO VBV-L ECU TO MONITOR, "BRIGADE"	1	
37	901716	. CABLE INTERFACE CAMERAS TO ECU, "BRIGADE"	1	
38	901717	. CABLE FOR IR REMOTE SENSOR, "BRIGADE"	1	
39	901718	. BUTTON SELECT/ADJUST. W/WIRE, "BRIGADE"	1	
40	560529	BASE FOR LACTHING RELAY BDS-A 24V	1	
41	560493	LACTHING RELAY BDS-A 24V	1	
42	560539	SCREW FOR LACTHING RELAY BDS-A 24V / M8	2	
43	5001341	WASHER FL 8.4x17.0x1.6 SS	2	
44	5001787	NUT HEX NYRT M8-1.25 SS	2	
45	560538	COVER RELAY	2	
46	500855	WASHER FL .188x.438x.049 N500	3	
47	500965	SCREW TC BDG PH #8-32x1/2 N500	3	
48	506004	TAPE RUB ADH1 CC POL 3/8" x 1/2" x 20' / GREY 2520X	0	
49	401269	WIRELESS MICROPHONE STAND	1	
50	500799	SCREW TC PAN PH #8-32x3/8 N500	4	
51	500841	SCREW TP PAN PH #14x3/4 Z050	AR	
NS	901712	HARNESS / CAMERA "BRIGADE" 10M	2	
NS	901713	HARNESS / CAMERA "BRIGADE" 15M	1	
NS	504637	CABLE TIE / 3/16" x 13"	AR	
90	0610200	WIR. HARN. ISM RELAY P-RACK	1	
NS	560076	RING TERMINAL .3125 / 16-14 / INSULATED / PANDUIT PN14-56R	2	

From J-7483 To M-7767

Date:07/2024

PAGE:X3PLB-2319-60

CAMERA SYSTEM INSTALLATION - "REI"



From J-7483 To M-7767	Date:07/2024	PAGE:X3PLB-2319-60
-----------------------	--------------	--------------------

CAMERA SYSTEM INSTALLATION - "REI"

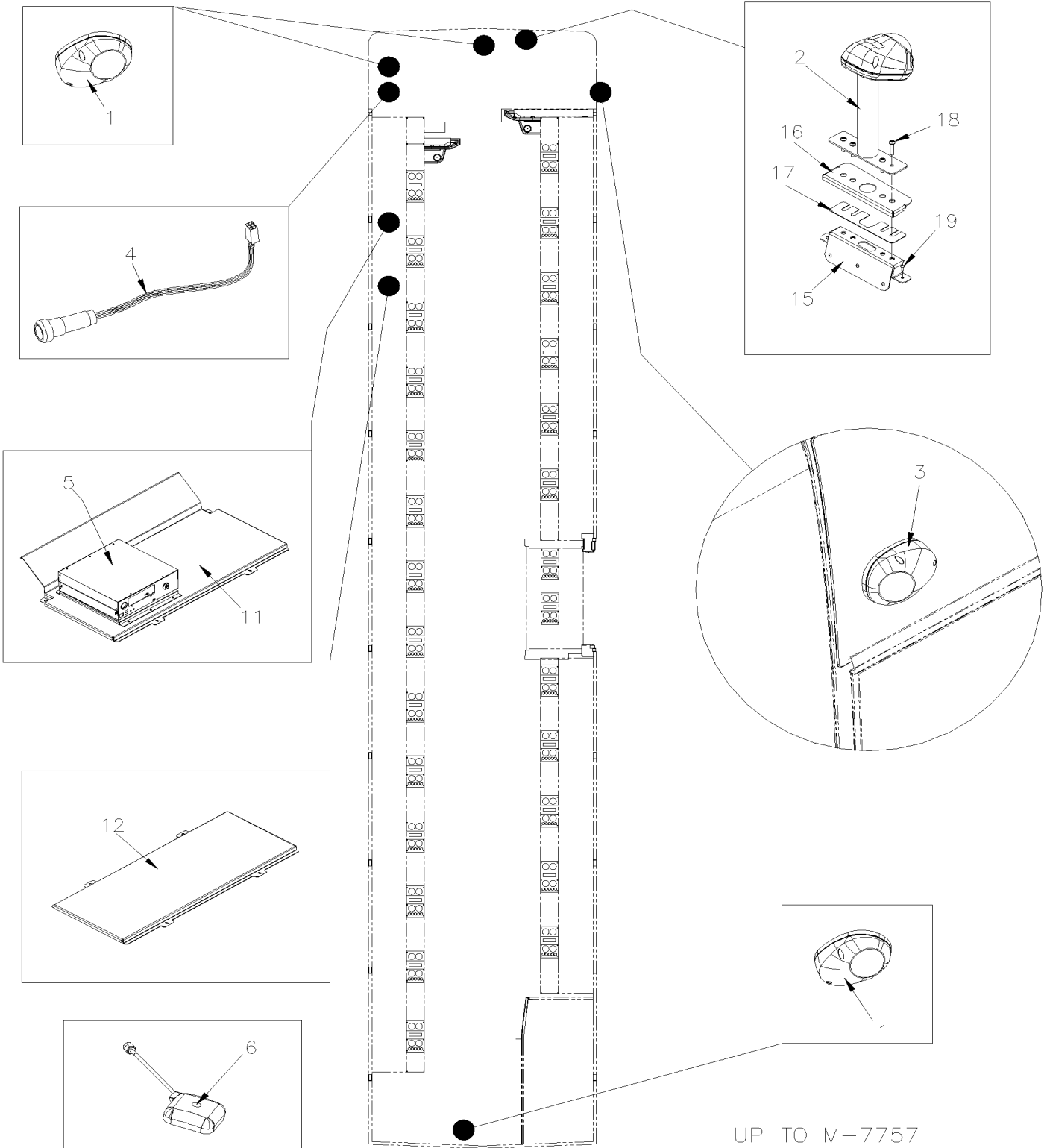
Item#	Part	Description	QTY	Notes
1	N.S.P.	CAMERA SYSTEM REI	1	2 A
2	400754	FOOT FOR CAMERA	1	
3	390033	CAMERA BRACKET	1	
4	390034	CAMERA BRACKET SHIM	1	
5	390031	TOP PLATE	1	
6	500539	NUT HEX NYRT M4-0.7 N500	2	
7	500855	WASHER FL .188x.438x.049 N500	2	
8	5002020	SCREW CAP BUT HEXS TAMPER M6-1.0x25 NSS	4	
9	504106	RIVET POP DOME OE 1/8x1/4 AL	5	
11	502698	SCREW MA PAN PH M4-0.7x16 SS BK	8	
12	5001750	WASHER FL 4.3x14.0x1.0 N500	8	
13	500589	NUT WELL M4-0.7x13.5	8	
14	504068	GROMMET / .500x.750x.062x.312x1.062	4	
15	069826	HARNESS, REI DVR POWER	1	
15	504637	CABLE TIE / 3/16" x 13"	40	
		A) SUPPLY BY CUSTOMER		
		2) NOT SOLD BY PREVOST (SEE MANUFACTURING PART NUMBER AT END OF DESCRIPTION LINE)		

From H-7414 To M-7767

Date:07/2024

PAGE:X3PLB-2319-70

CAMERA SYSTEM INSTALLATION - "APOLLO"



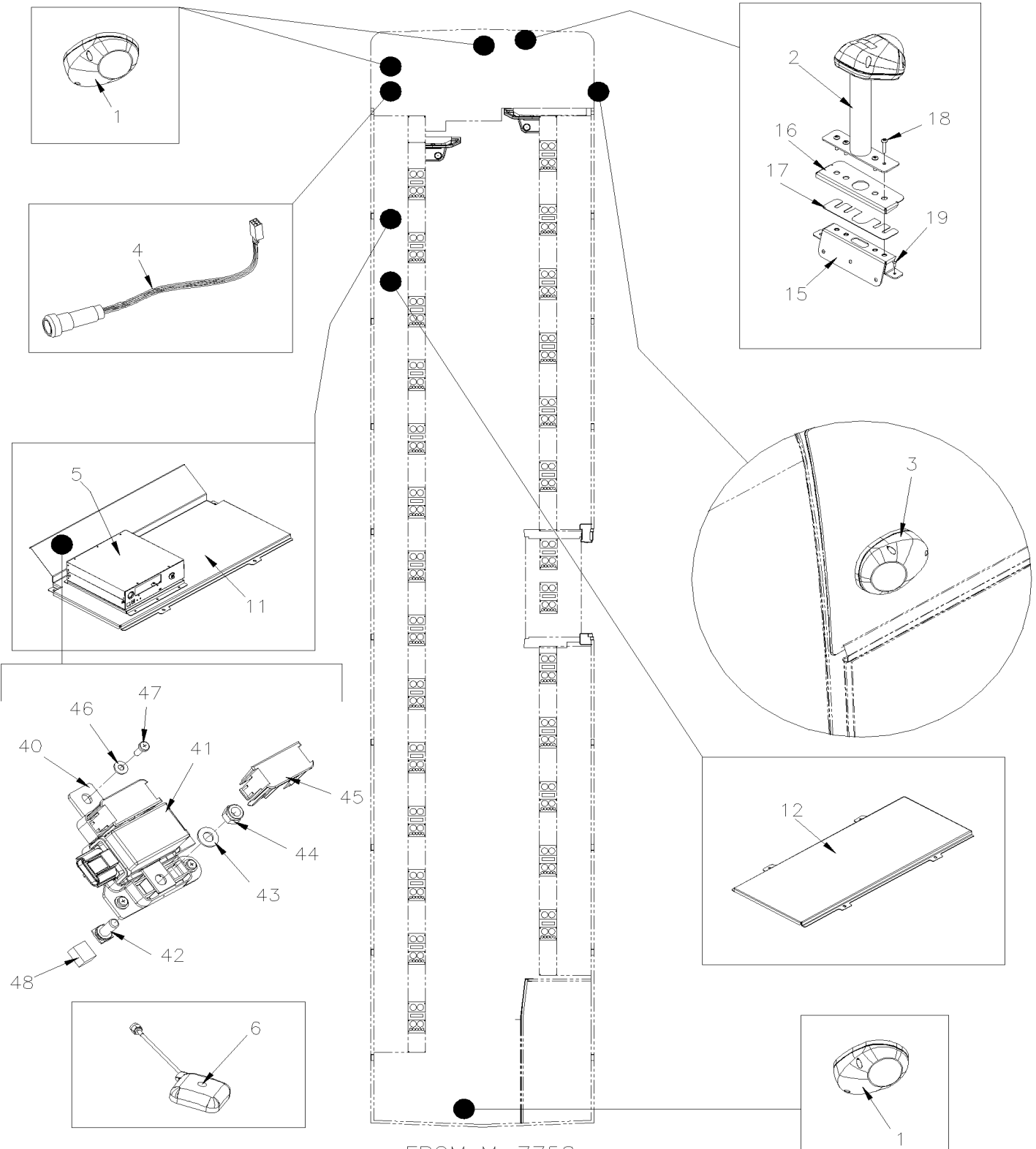
UP TO M-7757

From H-7414 To M-7767

Date:07/2024

PAGE:X3PLB-2319-70

CAMERA SYSTEM INSTALLATION - "APOLLO"



FROM M-7758

From H-7414 To M-7767	Date:07/2024	PAGE:X3PLB-2319-70
CAMERA SYSTEM INSTALLATION - "APOLLO"		

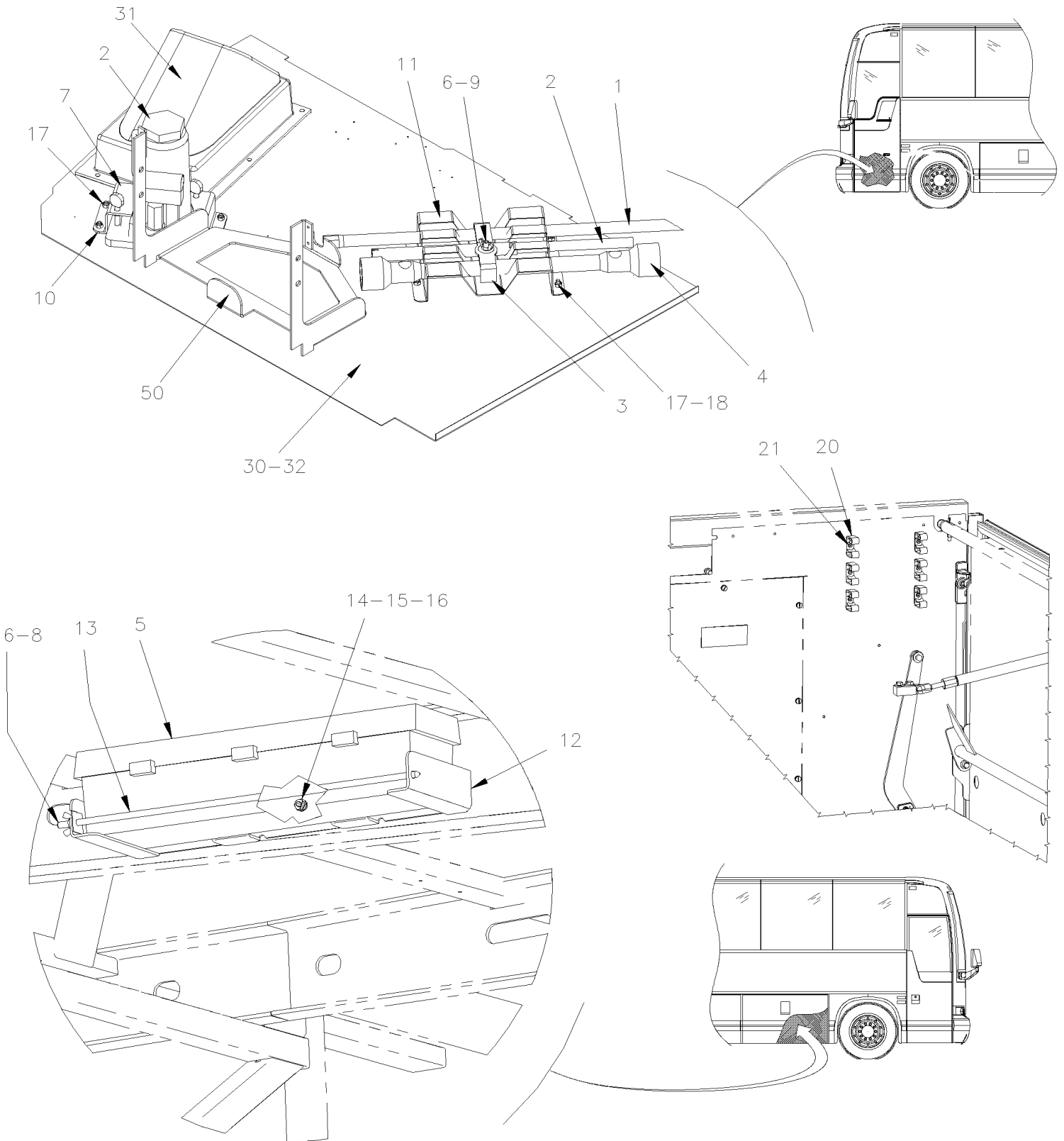
Item#	Part	Description	QTY	Notes
	061004	HARNESS, APOLLO CAMERAS To M-7757	1	
	0610420	SIGNALS AND POWER CAMERA HARNESS From M-7758	1	
1	900172	CAMERA / INSIDE / "APOLLO"	3	
2	900171	CAMERA / FIXED FORWARD FACING / INSIDE / "APOLLO"	1	
3	900173	CAMERA / OUTSIDE / "APOLLO"	1	
4	900160	SWITCH, PUSH BUTTON W/LED N.O. / "APOLLO"	1	
NS	900161	CABLE, EVENT SWITCH EXTENSION	1	
5	900079	DIGITAL VIDEO RECORDER / "APOLLO"	1	
6	900199	GPS, ACTIVE, 28DB, WITH CABLE / "APOLLO"	1	
NS	900174	CABLE, PATCH, CAT6, MOLDED, BLACK, 10' To M-7757	1	
NS	900190	CABLE, PATCH, CAT6, MOLDED, BROWN, 15' To M-7757	2	
NS	900190	CABLE, PATCH, CAT6, MOLDED, BROWN, 15' From M-7758	3	
NS	900163	CABLE, PATCH, CAT6, MOLDED, YELLOW, 25' To M-7757	2	
NS	900163	CABLE, PATCH, CAT6, MOLDED, YELLOW, 25' From M-7758	1	
NS	900192	CABLE, PATCH, CAT6, MOLDED, VIOLET, 55'	1	
NS	900164	HARNESS, RRHD 1'	1	
NS	900170	CONNECTOR, 5 PINS RELAY SOCKET To M-7757	3	
NS	900166	CONNECTOR, BUTTSPLICE 14-16AWG W/HSHRINK To M-7757	12	
NS	900169	RELAY, 12VDC 30A SPDT W/DIODE To M-7757	3	
11	400501	PLATE VIDEO	1	
12	400500	PLATE VIDEO	1	
15	390031	TOP PLATE	1	
16	390033	CAMERA BRACKET	1	
17	390034	CAMERA BRACKET SHIM	1	
18	5002020	SCREW CAP BUT HEXS TAMPER M6-1.0x25 NSS	4	
19	504106	RIVET POP DOME OE 1/8x1/4 AL	5	
40	560529	BASE FOR LACTHING RELAY BDS-A 24V From M-7758	1	
41	560493	LACTHING RELAY BDS-A 24V From M-7758	1	
42	560539	SCREW FOR LACTHING RELAY BDS-A 24V / M8 From M-7758	2	
43	5001341	WASHER FL 8.4x17.0x1.6 SS From M-7758	2	
44	5001787	NUT HEX NYRT M8-1.25 SS From M-7758	2	
45	560538	COVER RELAY From M-7758	2	
46	500855	WASHER FL .188x.438x.049 N500 From M-7758	3	
47	500965	SCREW TC BDG PH #8-32x1/2 N500 From M-7758	3	
48	506004	TAPE RUB ADH1 CC POL 3/8" x 1/2" x 20' / GREY 2520X From M-7758	AR	

From G-7275 To M-7767

Date:07/2024

PAGE:X3PLB-2320-00

JACK & FLARE KIT - INSTALLATION



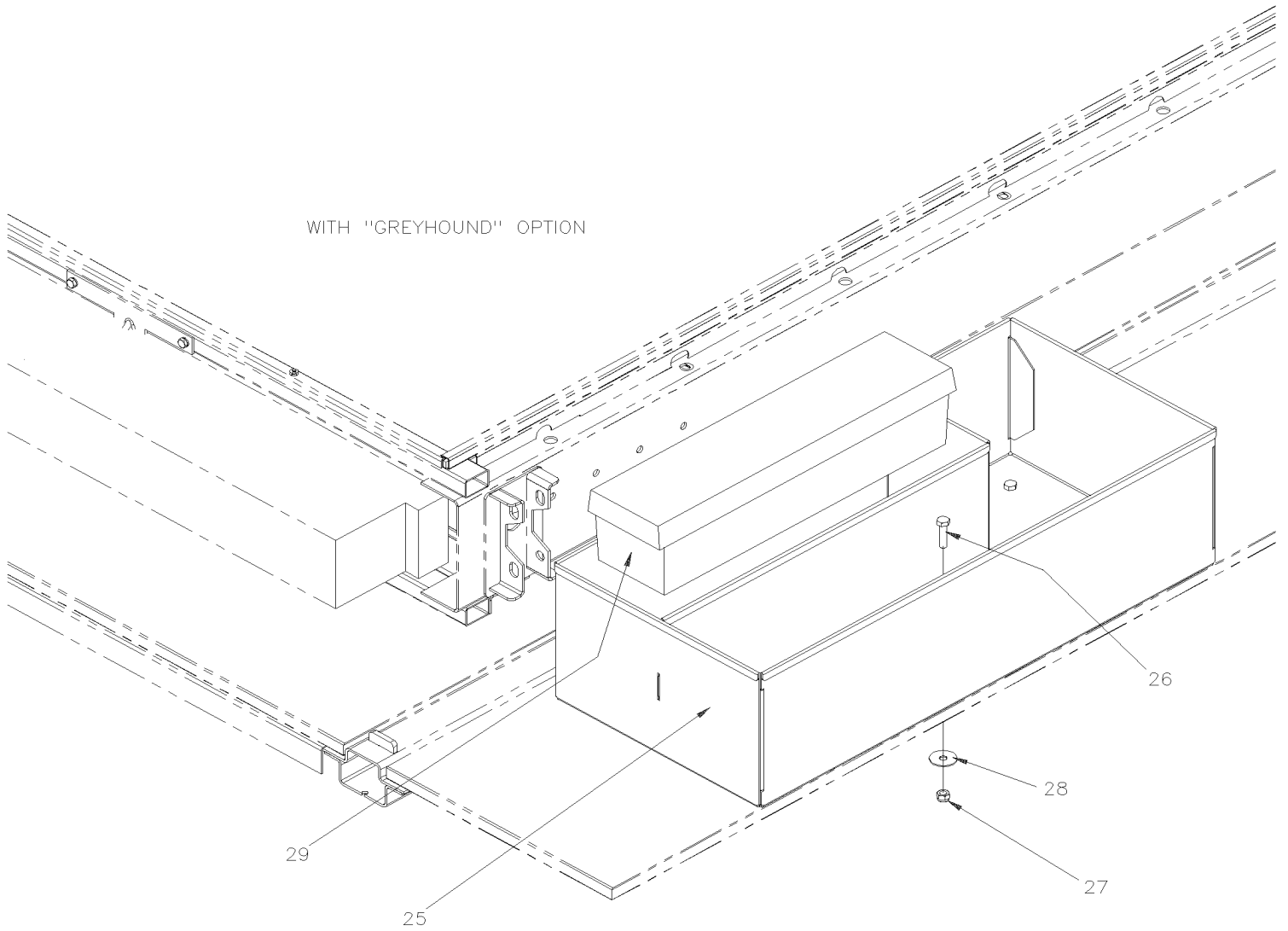
From G-7275 To M-7767

Date:07/2024

PAGE:X3PLB-2320-00

JACK & FLARE KIT - INSTALLATION

WITH "GREYHOUND" OPTION



From G-7275 To M-7767	Date:07/2024	PAGE:X3PLB-2320-00
JACK & FLARE KIT - INSTALLATION		

Item#	Part	Description	QTY	Notes
1	690002	HANDLE, W/WRENCH WHEEL NUT	1	
2	505505	JACK, 12TONS To L-7707	1	
2	690426	JACK, 12TONS From L-7708	1	
3	411398	KEY (FOR FRONT BUMPER NUT)	1	
4	690005	WRENCH, WHEEL 33 MM	1	
4	690001	WRENCH, WHEEL NUT 1 1/2" & 13/16 SQUARE	AR	
5	930442	FLARE KIT, TRIANGULAR To M-7808	1	
5	930045	FLARE KIT, TRIANGULAR From M-7809	1	
NS	010032	TOOL KEY 1 1/2" / TENSIONER RELEASE	1	I
NS	3211637	KIT, EMERGENCY WARNING TRIANGLE To M-7808	1	
6	500782	NUT WING 5/16-18 Z050	2	
7	5001012	SCREW TH 5/16-18x1 1/2 BZC	2	
8	502584	WASHER LO SERR 8.2x26.3x1.8 Z050	2	
9	5001699	WASHER BEL SPR 8.2x22x1.4 N500	1	
10	251226	SUPPORT, JACK / WELDED TO STRUCTURE	1	
11	251698	ATTACHMENT / HANDLE & WRENCH	1	
12	211220	SUPPORT, FLARE KIT / BOLTED TO STRUCTURE To M-7808	1	
12	218892	SUPPORT, FLARE KIT / BOLTED TO STRUCTURE From M-7809	1	
NS	506282	TAPE RUB ADH1 CC POL 3/8" x 1" x 20' / GREY 2520 From J-7438	AR	
13	210280	ROD, RETAINING / FLARE KIT To M-7808	1	
13	218894	ROD, RETAINING / FLARE KIT From M-7809	1	
14	500877	WASHER FL .250x.562x.065 N500	3	
15	5001190	SCREW CAP HEX 1/4-20x3/4 SS BK	3	
16	500771	NUT HEX 1/4-20 SS	3	
17	502681	NUT HEX NYRT M6-1.0 N500 G8	8	
18	500877	WASHER FL .250x.562x.065 N500	4	
20	504585	SPRING CLIP 3/4"	6	C
21	500653	SCREW TC PAN PH #8-32x1/4 Z050 To H-7319	6	C
21	500799	SCREW TC PAN PH #8-32x3/8 N500 From H-7320	6	C
25	484287	BOX, TIRE CHAIN To K-7662	1	GR
25	480147	BOX, TIRE CHAIN From L-7663	1	GR
26	5001559	SCREW CAP HEX M8-1.25x35 SS BK	3	GR
NS	684517	ADHESIVE SIMSON #ISR 70-03 / GREY / 310ml CARTRIDGE	AR	GR
27	5001787	NUT HEX NYRT M8-1.25 SS	3	GR
28	5001467	WASHER FL .343x1.250x.062 SS18-8	3	GR
29	930442	FLARE KIT, TRIANGULAR	1	GR
30	251591	FLOOR PANEL STEERING COMPARTMENT / STREETSIDE	1	F
30	251592	FLOOR PANEL STEERING COMPARTMENT / STREETSIDE	1	D
30	251229	FLOOR PANEL STEERING COMPARTMENT / STREETSIDE	1	E
31	X3PLB-2230-00	DEFROSTER - INSTALLATION		
32	X3PLB-189X-XX	STRUCTURE / CALL ORDER DESK		

From G-7275 To M-7767	Date:07/2024	PAGE:X3PLB-2320-00
-----------------------	--------------	--------------------

JACK & FLARE KIT - INSTALLATION

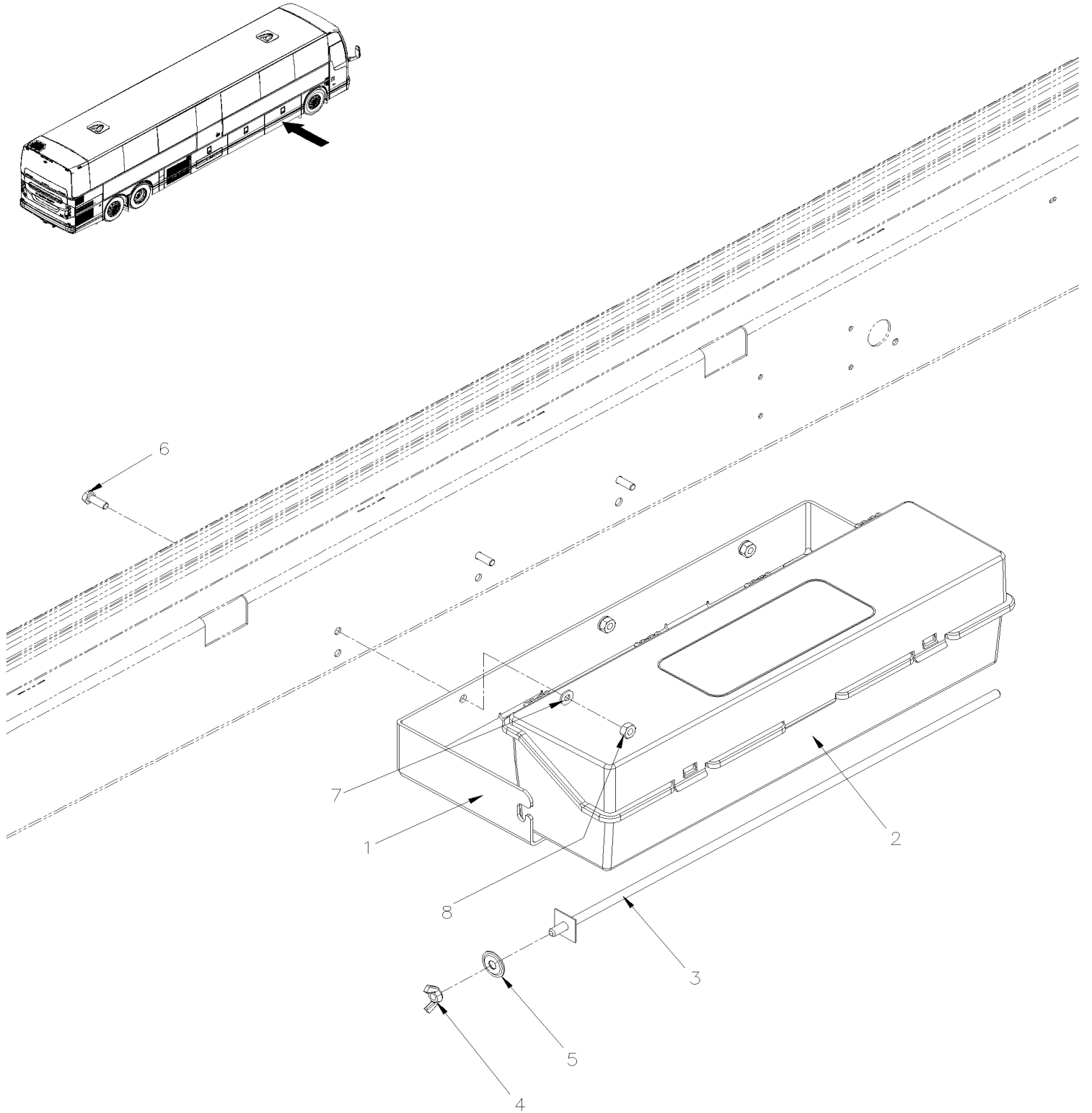
Item#	Part	Description	QTY	Notes
50	X3PLB-2305-20	WINDSHIELD WASHER - INSTALLATION		
		C) COACH WITH FLARE KIT & TORCH		
		D) WITH "OPTION" SEAL BEAM WASHER		
		E) WITH FLARE KIT SUPPORT & W/OUT HEAD LAMP WASHER		
		F) WITHOUT HEAD LAMP WASHER		
		GR) WITH "GREYHOUND" OPTION		
		I) STORAGE INSIDE OF FLARE KIT BOX BUT NOT INCLUDE		

To M-7808

Date:07/2024

PAGE:3211637

KIT, EMERGENCY WARNING TRIANGLE



To M-7808	Date:07/2024	PAGE:3211637
-----------	--------------	--------------

KIT, EMERGENCY WARNING TRIANGLE

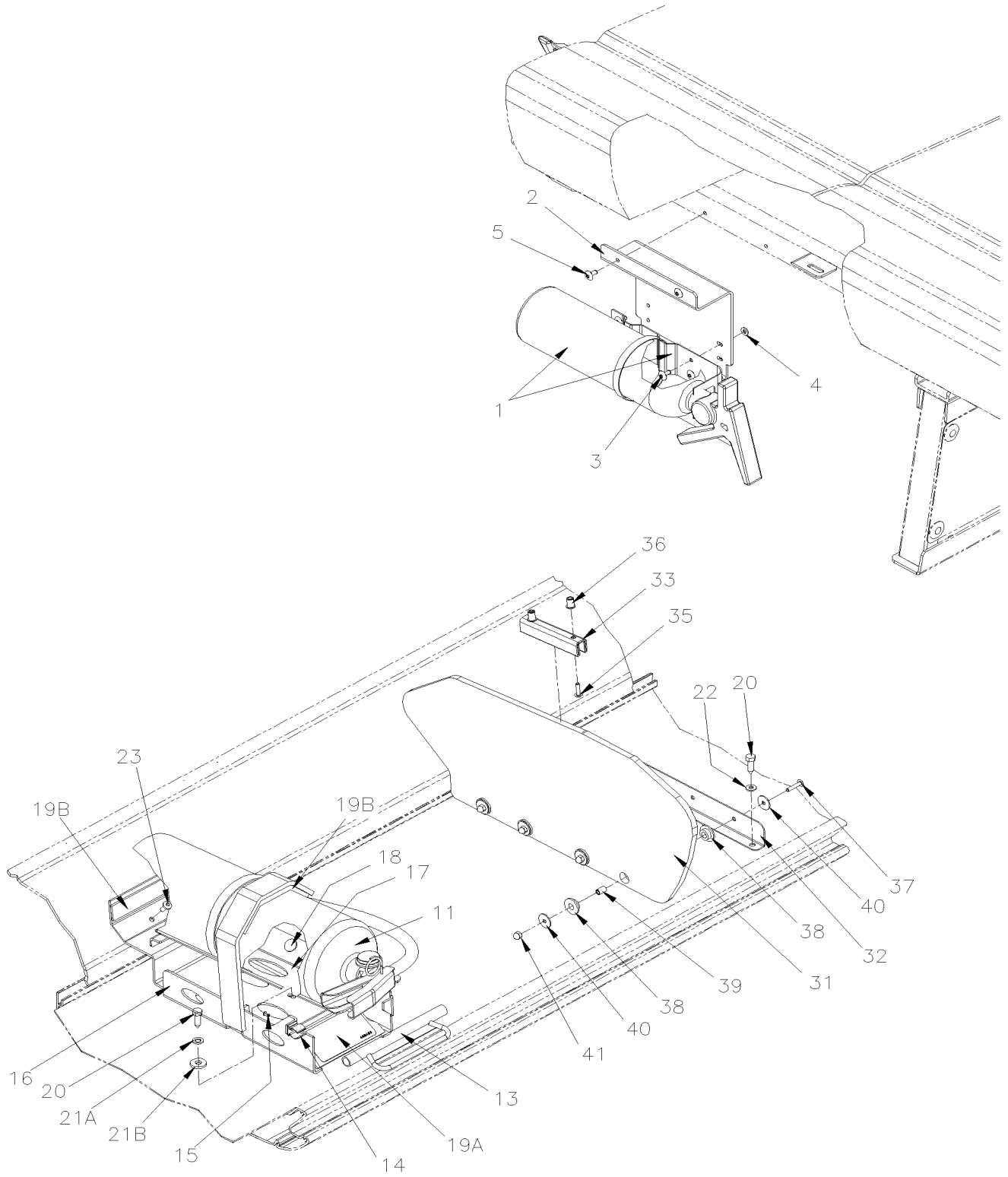
Item#	Part	Description	QTY	Notes
1	218892	SUPPORT, FLARE KIT / BOLTED TO STRUCTURE	1	
2	930045	FLARE KIT, TRIANGULAR	1	
3	218894	ROD, RETAINING / FLARE KIT	1	
4	500782	NUT WING 5/16-18 Z050	1	
5	502584	WASHER LO SERR 8.2x26.3x1.8 Z050	1	
6	5001190	SCREW CAP HEX 1/4-20x3/4 SS BK	3	
7	500877	WASHER FL .250x.562x.065 N500	3	
8	500771	NUT HEX 1/4-20 SS	3	

From G-7275 To M-7767

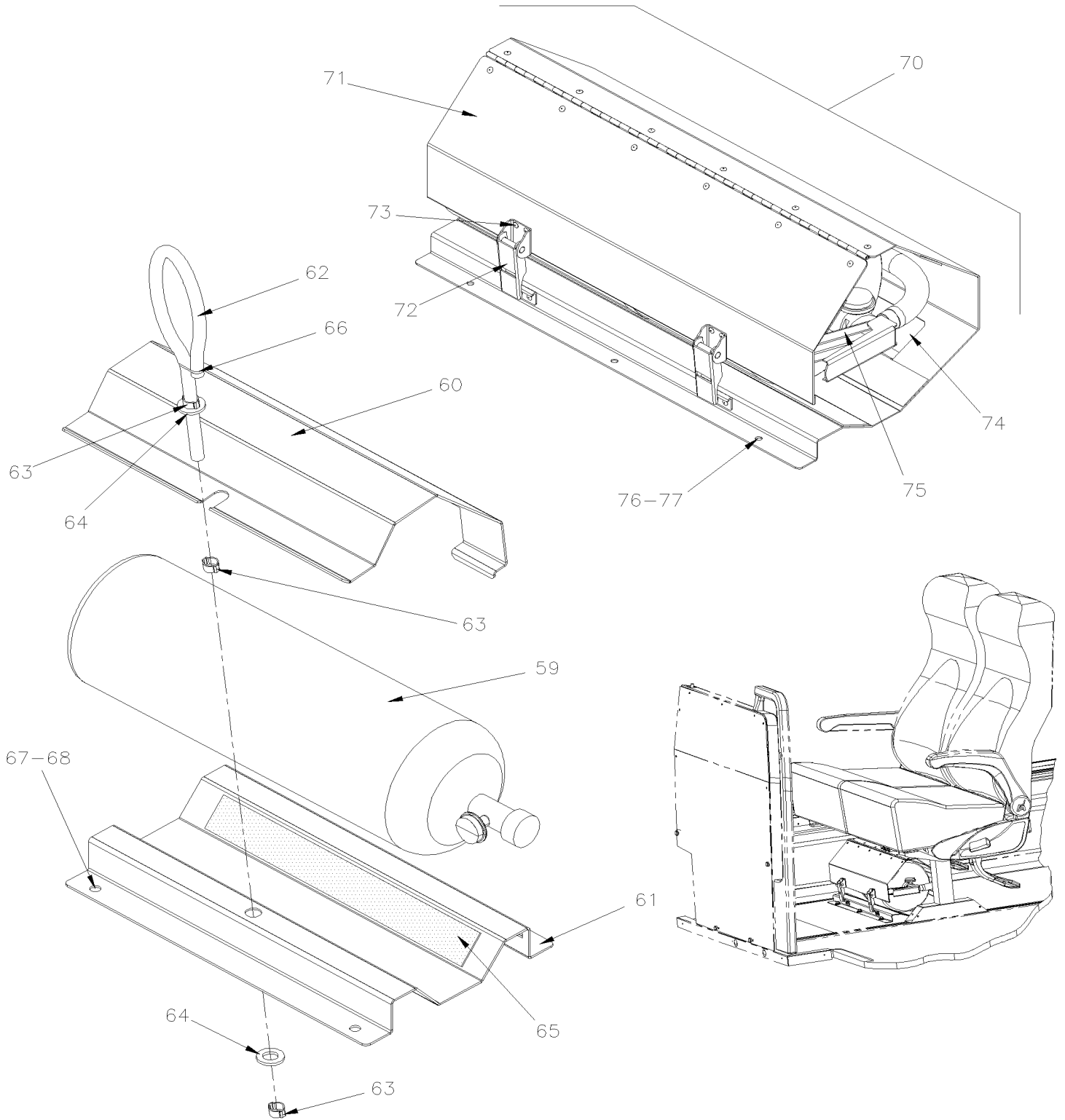
Date:07/2024

PAGE:X3PLB-2320-30

EXTINGUISHER - INSTALLATION



EXTINGUISHER - INSTALLATION

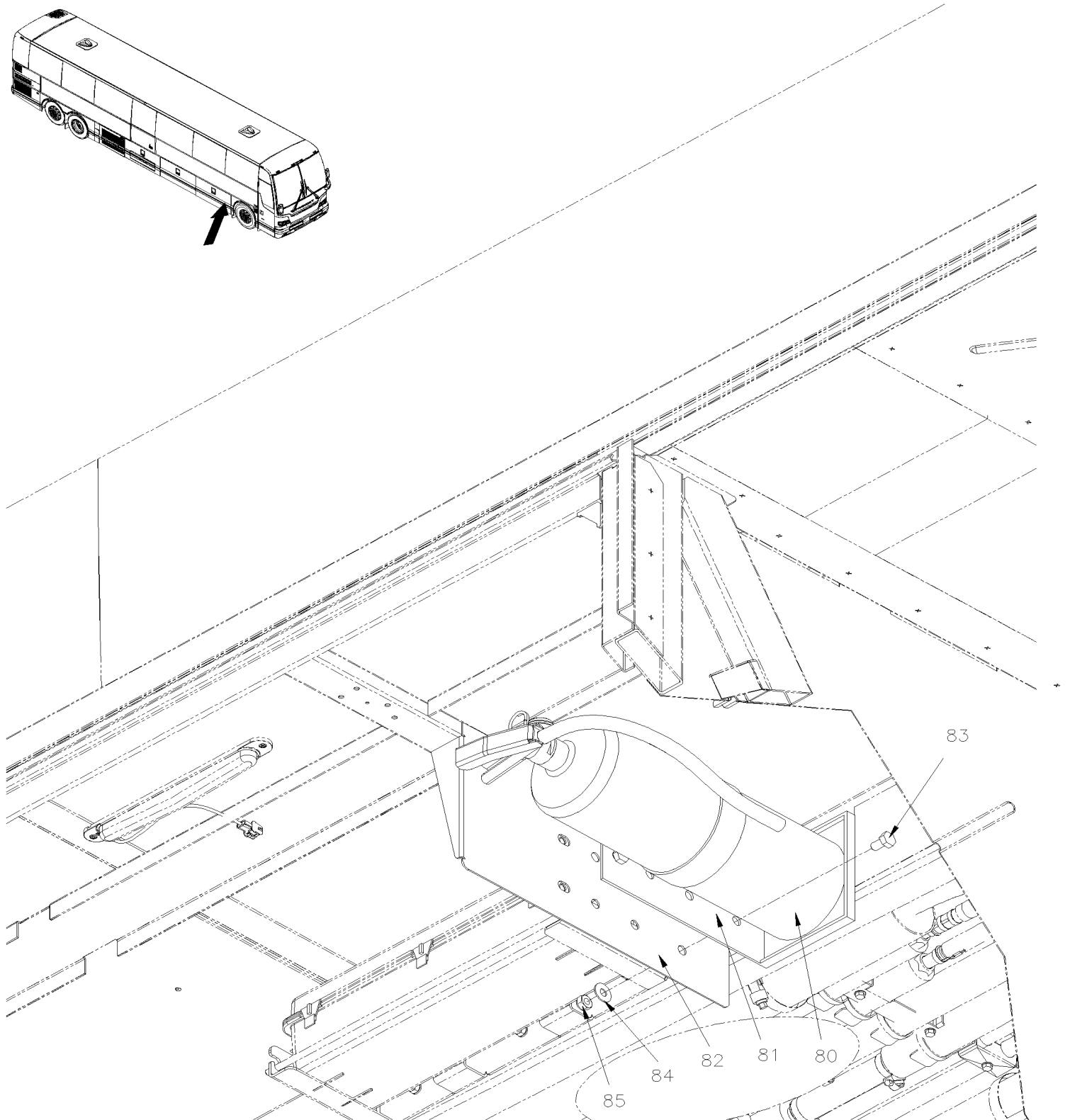
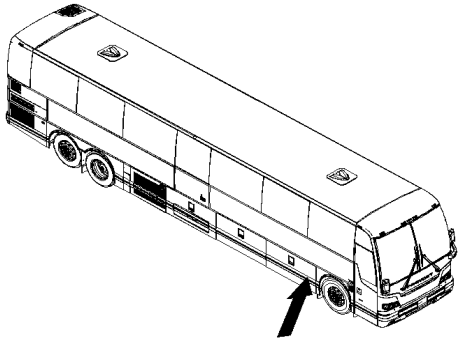


From G-7275 To M-7767

Date:07/2024

PAGE:X3PLB-2320-30

EXTINGUISHER - INSTALLATION



From G-7275 To M-7767	Date:07/2024	PAGE:X3PLB-2320-30
EXTINGUISHER - INSTALLATION		

Item#	Part	Description	QTY	Notes
		UNDER PASSENGER'S SEAT / EXTINGUISHER 2.5 LBS		
1	901001	EXTINGUISHER 2.5 LBS / W/METAL HANDLE To J-7505	2	
1	901360	EXTINGUISHER 2.5 LBS / W/PLASTIC HANDLE To J-7505	2	
1	901414	EXTINGUISHER 2.5 LBS / W/STEEL HANDLE From J-7506 To L-7746	2	
1	900267	EXTINGUISHER 2.5 LBS / W/METAL HANDLE From L-7747	2	
1	901361	SUPPORT ASSY / EXTINGUISHER From L-7747	2	
2	324349	SUPPORT ASSY / EXTINGUISHER	1	
3	504793	RIVET MNB OE LARGE HEAD 3/16x7/16 SS	4	
4	5001137	WASHER FL .203x.438x.050 SS	4	
5	504793	RIVET MNB OE LARGE HEAD 3/16x7/16 SS	4	
NS	402763	DECAL / UNDER SEAT EXTINGUISHER	2	
		INSIDE PARCEL RACK / EXTINGUISHER 10 LBS		
11	900449	EXTINGUISHER 10 LBS	1	
NS	900618	SUPPORT	1	
11	900618	SUPPORT	1	
12	403581	SUPPORT ASSY / 10 LBS INTINGUISHER / IN PARCEL RACK	1	
13	408406	HANDLE ASSY / TILTING SUPPORT	1	
14	402571	CLIP, SPRING To N-7984	2	
14	504815	CLIP, SPRING 5/8 From N-7985	2	
15	504105	RIVET POP DOME OE 1/8x3/16 AL	1	
16	408408	BRACKET ASSY / TILTING SUPPORT	1	
17	505188	PIN, SPRING 1/4" X 7/8"	1	
18	470949	SPACER RUBBER 3/4" O.D. / S.Q.	6	
19A	408405	DECAL / FIRE EXTINGUISHER	1	
19B	506035	TAPE RUB ADH1 NEO 1/2" x 1" x 15' / BLACK 1220X	AR	
20	502513	SCREW TP CAP HEX 5/16x1 Z050	6	
21A	500877	WASHER FL .250x.562x.065 N500 To H-7318	2	
21A	5001736	WASHER FL 8.4x18.0x2.0 N500 From H-7319 To H-7330	2	
21A	500942	WASHER LO SPT 8.1x14.8x2.0 N500 From H-7331	2	
21B	500401	WASHER FL .343x.875x.125 N500 From H-7331	2	
22	500942	WASHER LO SPT 8.1x14.8x2.0 N500	3	
23	502513	SCREW TP CAP HEX 5/16x1 Z050 To H-7330	1	
23	5001736	WASHER FL 8.4x18.0x2.0 N500 To H-7330	1	
23	500841	SCREW TP PAN PH #14x3/4 Z050 From H-7331	1	
NS	402763	DECAL / UNDER SEAT EXTINGUISHER	1	
31	404645	GUARD, PLEXIGLASS	1	
32	404644	FIXTURE, LOWER	1	
33	402555	FIXTURE, UPPER	2	

From G-7275 To M-7767	Date:07/2024	PAGE:X3PLB-2320-30
EXTINGUISHER - INSTALLATION		

Item#	Part	Description	QTY	Notes
35	500510	SCREW MA BDG PH #10-32x3/4 SS EMN	4	
36	500519	NUT WELL #10-32x.518	4	
37	500607	SCREW MA TR PH #10-24x1 SS	4	
38	900251	BUSHING, RUBBER	8	
39	505539	SPACER 5/16 O.D. x 17/32" x 18GA	4	
40	500805	WASHER FL .218x.875x.062 N500	8	
41	500891	NUT HEX CAP #10-24 Z050	4	
NS	323290	DECAL / FIRE EXTINGUISHER	1	
NS	402763	DECAL / UNDER SEAT EXTINGUISHER	1	
NS	327523	DECAL / FIRE EXTINGUISHER / (PARCEL RACK DOOR	1	
		UNDER PASSENGER'S SEAT / EXTINGUISHER 10 LBS		
59	900449	EXTINGUISHER 10 LBS	1	
NS	900618	SUPPORT	1	
60	405273	COVER, EXTINGUISHER 10 LBS	1	
61	405274	BASE SUPPORT EXTINGUISHER 10LBS	1	
62	405276	CORD, RUBBER 370MM	1	
NS	506066	CORD, RUBBER EXTRUSION NEO 7/16" O.D. / C.T.L.	AR	
63	504452	CLAMP "E-Z CLIP" / "TUBE-O" / 7/16" / HC9-7	3	
64	5001458	WASHER FL 12.0x24.0x2.5 NYL	2	
65	506466	TAPE RUB ADH1 CC POL 1/16" x 1 1/2" x 100 / GREY 2520	AR	
66	504637	CABLE TIE / 3/16" x 13"	1	
67	502706	SCREW TP PAN PH #14x1 SS	4	
68	500411	WASHER FL .260x.697x.050 SS	4	
NS	402763	DECAL / UNDER SEAT EXTINGUISHER	1	
		UNDER PASSENGER'S SEAT / EXTINGUISHER 20 LBS "GREYHOUND" OR "INDIAN TRAILS"		
70	406145P	BOX ASSY / USED W/20LBS INSTINGUISHER	1	
70	406146	BOX ASSY	1	
71	406147	COVER	1	
71	405839	HINGE	1	
72	504749	LOCK SS	2	
73	504104	RIVET POP DOME OE 1/8x1/8 SS	AR	
74	506466	TAPE RUB ADH1 CC POL 1/16" x 1 1/2" x 100 / GREY 2520	AR	
75	900651	EXTINGUISHER 20 LBS	1	
76	502656	SCREW CAP HEX M6-1.0x50 SS	6	GR
76	500477	WASHER LO SPT .262x.489x.062 SS	6	GR
76	500411	WASHER FL .260x.697x.050 SS	6	GR
76	500070	SCREW MA TR PH AD #10-24x3/4 SS	6	IN

From G-7275 To M-7767	Date:07/2024	PAGE:X3PLB-2320-30
-----------------------	--------------	--------------------

EXTINGUISHER - INSTALLATION

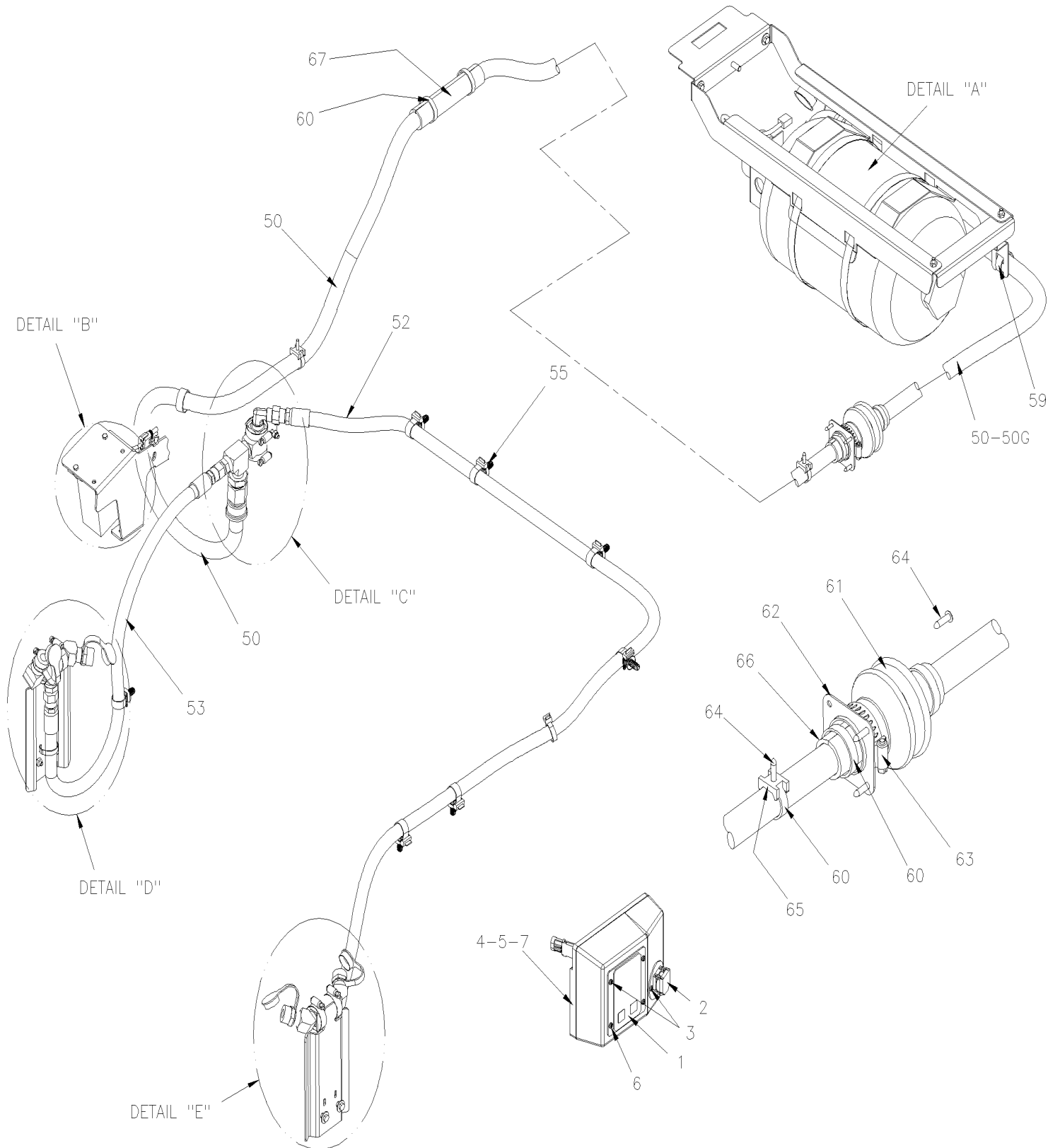
Item#	Part	Description	QTY	Notes
76	500411	WASHER FL .260x.697x.050 SS	6	IN
77	216414	ANCHOR STRIP UNDER FLOOR 150.7MM LG	1	GR
77	216413	ANCHOR STRIP UNDER FLOOR 303.9MM LG	1	GR
77	216412	ANCHOR STRIP UNDER FLOOR 456.7MM LG	1	GR
77	216415	ANCHOR STRIP UNDER FLOOR 543.4MM LG	1	GR
77	500043	NUT AN INS THREADED #10-24x25/32 ZP	6	IN
NS	402763	DECAL / UNDER SEAT EXTINGUISHER	1	
79		***EXTINGUISHER 10 LBS. INSIDE FIRST LUGGAGE COMPARTMENT RH***	1	
80	900449	EXTINGUISHER 10 LBS	1	SP
NS	900618	SUPPORT	1	SP
81	405287	EXTINGUISHER HOLDER	1	SP
82	405288	BRAKET SUPPORT EXTINGUISHER WELDED ON FRAME	1	SP
83	502719	SCREW CAP HEX M10-1.5x20 SS EMN	4	SP
84	5001628	NUT HEX NYRT M10-1.5 SS	4	SP
85	500270	WASHER FL .406x1.000x.063 SS	4	SP
		GR) GREYHOUND OPTION		
		IN) INDIAN TRAILS OPTION		
		SP) SPECIAL OPTION		

From G-7275 To M-7767

Date:07/2024

PAGE:X3PLB-2320-35

FIRE PROTECTION SYSTEM BUS INSTALLATION / 3RD BAGGAGE COMPARTMENT

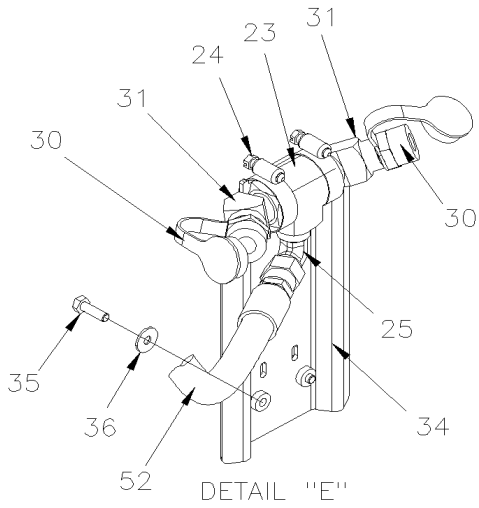


From G-7275 To M-7767

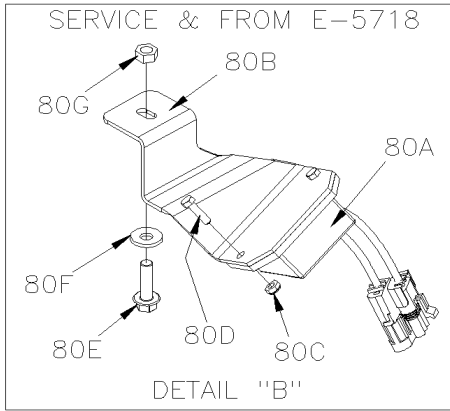
Date:07/2024

PAGE:X3PLB-2320-35

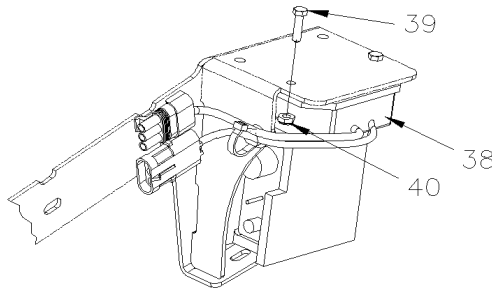
FIRE PROTECTION SYSTEM BUS INSTALLATION / 3RD BAGGAGE COMPARTMENT



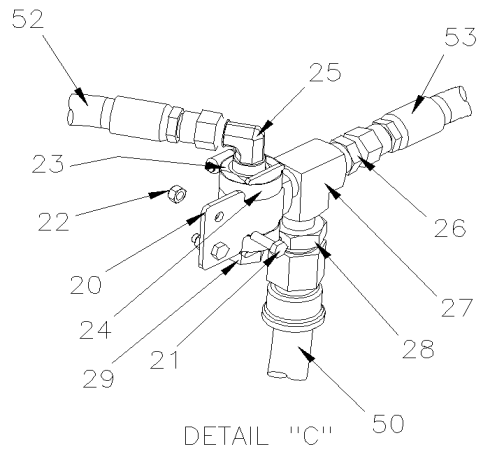
DETAIL "E"



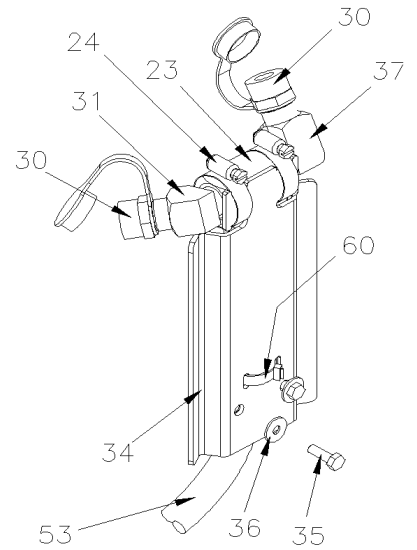
DETAIL "B"



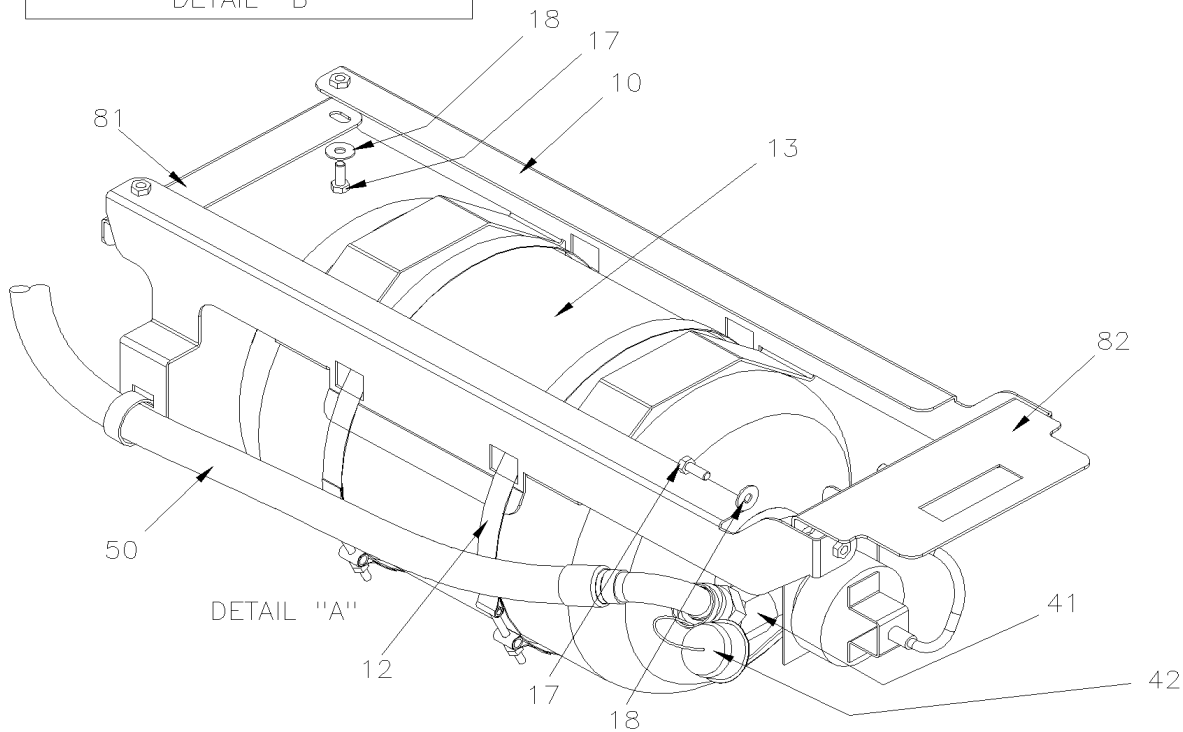
DETAIL "B"
UP TO E-5717



DETAIL "C"



DETAIL "D"



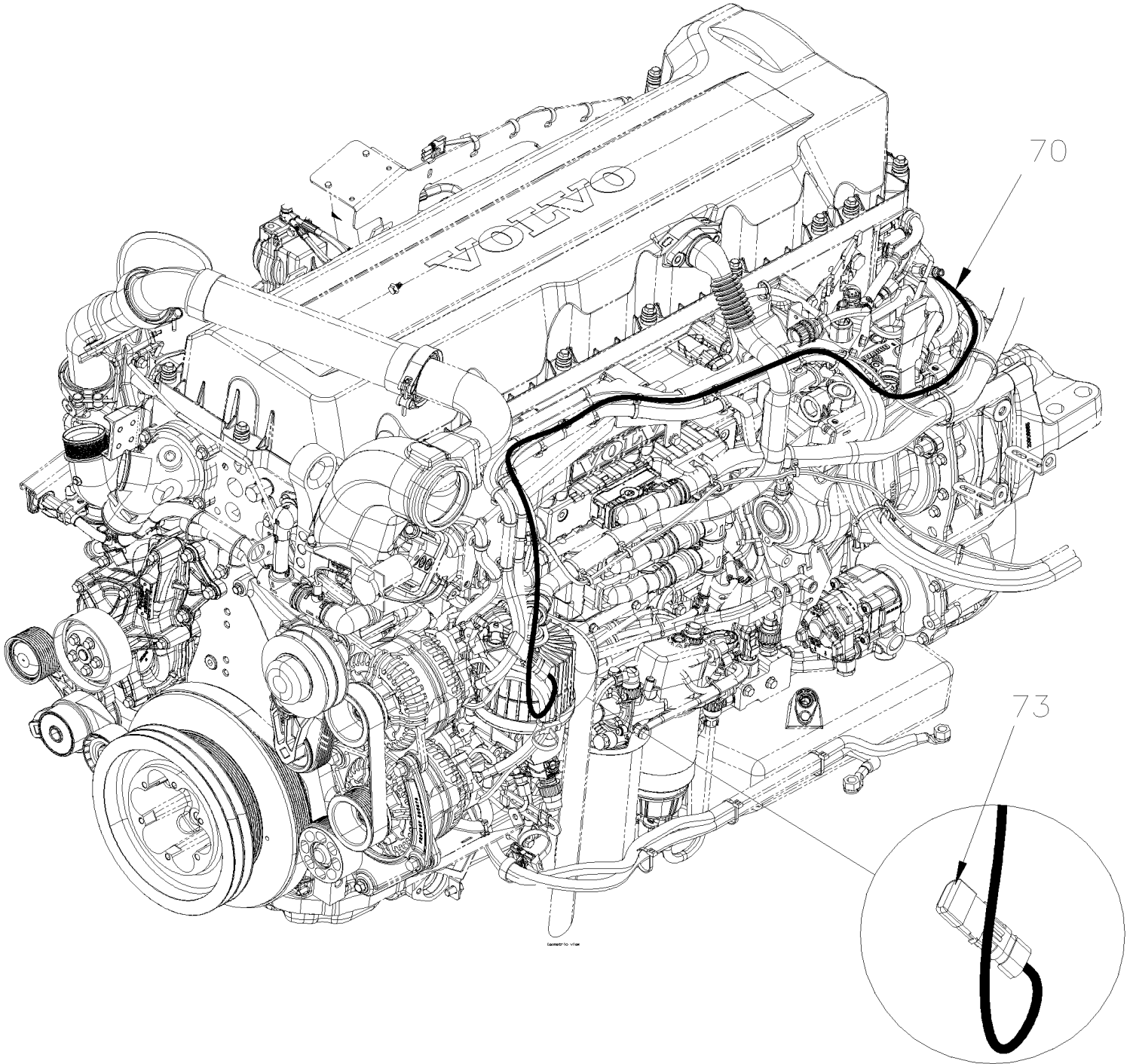
DETAIL "A"

From G-7275 To M-7767

Date:07/2024

PAGE:X3PLB-2320-35

FIRE PROTECTION SYSTEM BUS INSTALLATION / 3RD BAGGAGE COMPARTMENT

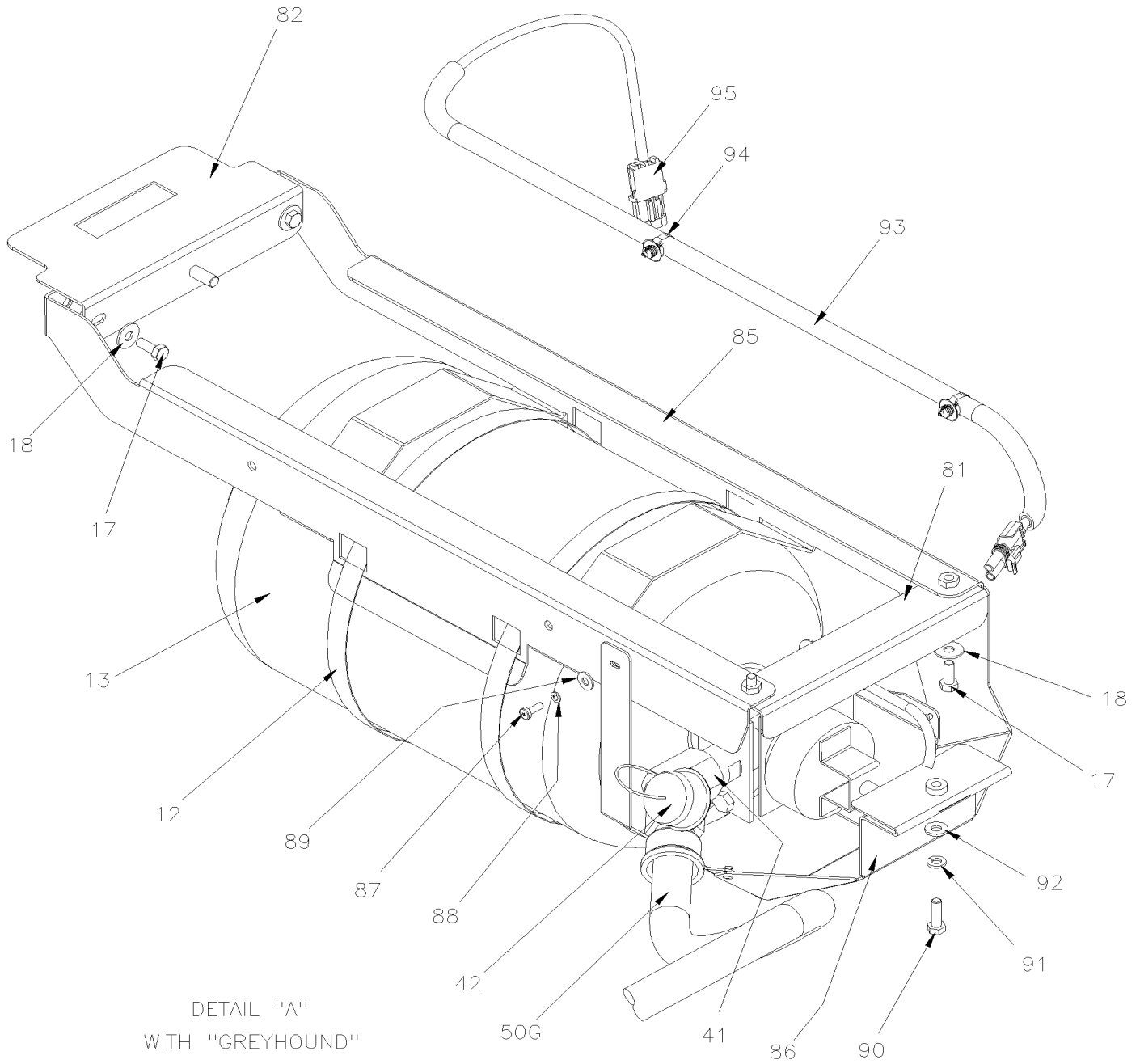


From G-7275 To M-7767

Date:07/2024

PAGE:X3PLB-2320-35

FIRE PROTECTION SYSTEM BUS INSTALLATION / 3RD BAGGAGE COMPARTMENT



From G-7275 To M-7767	Date:07/2024	PAGE:X3PLB-2320-35
-----------------------	--------------	--------------------

FIRE PROTECTION SYSTEM BUS INSTALLATION / 3RD BAGGAGE COMPARTMENT

Item#	Part	Description	QTY	Notes
1	563455	PANEL FIRE PROTECTOR DISPLAY	1	
1	405725	DECAL / "IN CASE OF FIRE..." / ENGLISH & FRANCAIS To N-7951	1	
1	402941	DECAL / "IN CASE OF FIRE..." / ENGLISH & FRANCAIS From N-7952	1	
1	405724	DECAL / "IN CASE OF FIRE..." / ENGLISH To N-7951	1	
1	402784	DECAL / "IN CASE OF FIRE..." / ENGLISH From N-7952	1	
1	400032	DECAL / "IN CASE OF FIRE..." / ENGLISH & FRANCAIS & SPANISH To N-7951	1	
1	402940	DECAL / "IN CASE OF FIRE..." / ENGLISH & FRANCAIS & SPANISH From N-7952	1	
2	563456	BUTTON FIRE / MANUAL OPERATING To M-7782	1	
. NS	563462	. SEAL BUTTON FIRE / MANUAL OPERATING To M-7782	1	
2	564346	BUTTON FIRE / MANUAL OPERATING From M-7783	1	
. NS	564392	. TAMPER SEAL BUTTON From M-7783	1	
. NS	564349	. TAMPER SEAL FOR BUTTON From M-7783	1	
. . NS	564392	. . TAMPER SEAL BUTTON From M-7783	1	
3	5001155	SCREW TP PAN PH #8X3/4 N050	4	
4	329655	SUPPORT PANEL FRONT	1	
5	329644	COVER PANEL To G-7311	1	
5	321137	COVER PANEL From G-7312 To K-7662	1	
5	3210566	COVER PANEL From L-7663	1	
6	509916	SCREW TP PAN PH #8x3 1/2" BK	2	
7	509815	TIE MOUNT / ATTACHMENT W/TREE MOUNT	2	
10	406708	SUPPORT EXTINGUISHER 25 LBS To J-7447	1	
10	400541	SUPPORT EXTINGUISHER 25 LBS From J-7448 To M-7750	1	
10	401717	SERVICE KIT EXTINGUISHER From J-7448 To M-7750	1	D
10	401696	SUPPORT EXTINGUISHER 25 LBS From M-7751	1	
12	509951	T-BOLT BAND CLAMP/ 9.19" ID To J-7447	2	
12	509955	T-BOLT BAND CLAMP/ 8.56" ID From J-7448	2	
13	901125	EXTINGUISHER 25 LBS To J-7447	1	
. NS	901299	. KIT REPAIR, FIRE EXTINGUISHER SYSTEM To J-7447	1	
13	900211	EXTINGUISHER 25 LBS From J-7448 To M-7885	1	
. NS	N8900111	. REBUILT KIT From J-7448 To M-7885	1	
13	901743	EXTINGUISHER 22 LBS From M-7886	1	
. NS	501026	. MALE CONNECTOR / SAE 45° FITTING / #4FL-Mx1/8NPT-M BR From M-7886	1	
. NS	561566	. CONNECTOR / WEATHER PACK / PH 2C / BLACK / PED 12010973 From M-7886	1	
. NS	950483	. SEAL CAP, SHRADER VALVE From M-7886	1	
. NS	990559	. CYLINDER, V25 ABC W/PRESSURE SWITCH From M-7886	1	
17	5001744	SCREW CAP HEX M6-1.0x16 G8.8 N500 To M-7750	4	
17	5002027	SCREW CAP HEXF AD M6-1.0x16 G10.9 N500 From M-7751	6	
18	5001833	WASHER BEL SPR 6.1x18x1.27 SS To M-7750	4	
20	400057	SUPPORT HOSE	1	
21	502830	SCREW CAP HEX M6-1.0x20 G8.8 N500 To J-7447	2	
21	502622	SCREW CAP HEX M6-1.0x20 SS BK From J-7448	2	
22	5001932	NUT HEXF NYRT M6-1.0 G8.8 N500	2	

From G-7275 To M-7767 Date:07/2024 PAGE:X3PLB-2320-35

FIRE PROTECTION SYSTEM BUS INSTALLATION / 3RD BAGGAGE COMPARTMENT

Item#	Part	Description	QTY	Notes
23	501472	FEMALE UNION TEE / PIPE FITTING / 1/2NPT-Fx1/2NPT-Fx1/2NPT-F BR	3	
24	992084	HOSE CLAMP / 23MM/35MM	6	
25	501612	MALE ELBOW 90° / SAE 45° FITTING / #8FL-Mx1/2NPT-M BR	2	
26	501616	MALE CONNECTOR / SAE 45° FITTING / #8FL-Mx1/2NPT-M BR	2	
27	501473	MALE RUN TEE / PIPE FITTING / 1/2NPT-Mx1/2NPT-Fx1/2NPT-F BR	1	
28	501600	MALE CONNECTOR / JIC 37° FITTING / #12JIC-Mx1/2NPT-M STL	1	
29	501966	PLUG HEXS / PIPE FITTING / 1/2NPT-M STL	1	B
30	901128	NOZZLE DRY CHEMICAL	4	
NS	901184	CAP PROTECTOR NOZZLE	1	
31	501528	STREET ELBOW 45° / PIPE FITTING / 1/2NPT-Mx1/2NPT-F BR	3	
33	504021	HOSE CLAMP / 11/16"-1"1/2 SS / HS-16	1	
34	406403	SUPPORT NOZZLE	2	
35	502830	SCREW CAP HEX M6-1.0x20 G8.8 N500 To J-7447	4	
35	502622	SCREW CAP HEX M6-1.0x20 SS BK From J-7448	4	
36	5001833	WASHER BEL SPR 6.1x18x1.27 SS	4	
37	507557	STREET ELBOW 90° / PIPE FITTING / 1/2NPT-Mx1/2NPT-F BR	1	
40	502841	NUT HEX NYRT M5-0.8 N500	2	
41	5011305	FEMALE ELBOW 45° / JIC 37° FITTING / #12JIC-Mx3/4NPT-F STL To J-7447	1	
41	501841	MALE ELBOW 90° / JIC 37° FITTING / #12JIC-Mx3/4NPT-M STL From J-7448	1	
41	501564	ADAPTER / PIPE FITTING / 3/4NPT-Fx1NPT-M BR From J-7448	1	
42	680470	CAP PLUG ID 1.364 OD 1.423	1	
43	504637	CABLE TIE / 3/16" x 13"	AR	
50	406517P	HOSE ASSY / #12 7360MM To H-7319	1	
50	400055	HOSE ASSY / #12 7360MM From H-7320 To J-7447	1	
50	400564	HOSE ASSY / #12 7577 MM From J-7448	1	
50G	406466P	HOSE ASSY / #8 6750MM To H-7319	1	GR
50G	400104	HOSE ASSY / #8 6750MM From H-7320 To J-7447	1	GR
50G	400561	HOSE ASSY / #8 6887 MM From J-7448	1	
50G	504013	TIE MOUNT / 1/4" X 1/4" I.D.	AR	
NS	504379	RIVET POP DOME OE 3/16x1/4 SS	AR	
50G	502896	SCREW TC BDG PH #12-24x3/4 N500	1	
50G	504016	CABLE TIE / 5/16" X 14"1/2	AR	
52	406715P	HOSE ASSY / #8 1965MM To H-7319	1	
52	400101	HOSE ASSY / #8 1965MM From H-7320	1	
53	406422P	HOSE ASSY / #8 665MM To H-7319	1	
53	400094	HOSE ASSY / #8 665MM From H-7320	1	
55	504750	CABLE TIE / 1/2" x 15" / CHRISTMAS TREE	AR	
NS	504751	ROTATIF SPACER DOUBLE / SMALL	AR	
59	509491	CABLE TIE / 13MM x 383MM	2	
60	504016	CABLE TIE / 5/16" X 14"1/2	AR	

From G-7275 To M-7767 Date:07/2024 PAGE:X3PLB-2320-35

FIRE PROTECTION SYSTEM BUS INSTALLATION / 3RD BAGGAGE COMPARTMENT

Item#	Part	Description	QTY	Notes
61	504384	CUFF END BELLOW / 1 1/4" I.D. x 1 3/4" x 4"	1	
62	406518	SUPPORT	1	
63	504022	HOSE CLAMP / 3/4"-1"3/4 SS / HS-20	1	
64	500957	SCREW TP BDG PH #10x3/4 N500	AR	
65	504013	TIE MOUNT / 1/4" X 1/4" I.D.	AR	
66	451075	PROTECTOR HOSE SPLIT / 7/8" O.D. x 3" To H-7319	2	
66	503651	HOSE SILICONE 2PLY 7/8" I.D. x 3' To H-7319	AR	
66	374643	PROTECTOR HOSE SPLIT / 7/8" x 200MM From H-7320	2	GR
67	503803	HOSE SILICONE 1 PLY / NOMEX-ARAMID 7/8" I.D. x 100' / S.L.	AR	
70	069062	CABLE THERMO DETECTOR (LINEAR FIRE CABLE) / 1.6M / 168C/180C // 334F/356F To H-7416	1	E
70	069738	CABLE THERMO DETECTOR (LINEAR FIRE CABLE) / 2.46M / 168C/180C // 334F/356F From H-7417 To L-7669	1	E
70	0610154	FIRE WIRE LTD RED From L-7670	1	E
70	0600387	SERVICE KIT FIRE WIRE LTD From L-7670	1	E
NS	0600386	WHITE WIRE FIRE EXTENTION HARNESS From L-7670	1	E
NS	902005	FIRE WIRE LTD WHITE From L-7670	1	E
NS	504300	GROMMET LTD From L-7670	36	E
NS	507664	CABLE TIE / 3/16" 11" / DOUBLE LOOP HEAD From L-7670	42	E
70	067676	CABLE THERMO DETECTOR (LINEAR FIRE CABLE) / 1M / 168C/180C // 334F/356F	1	W
NS	563587	MODULE DETECTOR / END CIRCUIT	1	W
70	069041	CABLE THERMO DETECTOR (LINEAR FIRE CABLE) / 1.5M / 168C/180C // 334F/356F	1	A C
70	504637	CABLE TIE / 3/16" x 13"	AR	A C
72	068646	CABLE ASSY / FIRE DETECTOR FRT JCT BOX To H-7416	1	F
72	060042	CABLE ASSY / FIRE DETECTOR FRT JCT BOX From H-7417	1	F
73	563587	MODULE DETECTOR / END CIRCUIT	1	
NS	060436	HARNESS EXTENSION, FLAME DETECTOR From H-7417	1	
75	19500355	TEST KIT EXTINGUISHER 25LBS / WSIMULATOR & POWER CABLE	1	
NS	685536	POWER CABLE / USED W 24VOLT	1	
NS	685537	SOURCE SIMILATOR	1	
NS	901301	TEST KIT EXTINGUISHER 25LBS	1	
NS	685128	VALVE SIMULATOR / EXTINGUISHER 25LBS	1	
NS	685129	TEST SWITCH W/CABLE 48" / EXTINGUISHER 25LBS	1	
NS	N.P.N.	STORAGE CASE	1	4
75	901301	TEST KIT EXTINGUISHER 25LBS	1	
NS	685128	VALVE SIMULATOR / EXTINGUISHER 25LBS	1	
NS	685129	TEST SWITCH W/CABLE 48" / EXTINGUISHER 25LBS	1	
NS	N.P.N.	STORAGE CASE	1	4
80A	563457	FIRE SENSOR PM-3M	1	G

From G-7275 To M-7767 Date:07/2024 PAGE:X3PLB-2320-35

FIRE PROTECTION SYSTEM BUS INSTALLATION / 3RD BAGGAGE COMPARTMENT

Item#	Part	Description	QTY	Notes
80B	406701	SUPPORT / FIRE SENSOR To G-7233	1	G
80B	406985	SUPPORT / FIRE SENSOR From G-7234 To H-7416	1	G
80B	060483	SUPPORT / FIRE SENSOR From H-7417 To L-7669	1	
80B	0610190	SUPPORT / FIRE SENSOR From L-7670	1	
80C	502841	NUT HEX NYRT M5-0.8 N500	2	G
80D	5001146	SCREW CAP HEX M5-0.8x20 SS BK	2	G
80E	5001742	SCREW CAP HEXF M8-1.25x30 G8.8 N500 To H-7416	1	G
80E	502780	SCREW CAP HEX M8-1.25x25 SS BK From H-7417	2	
80F	500321	WASHER BEL SPR .331x.827x.098 N500 To H-7416	1	G
80F	5001868	WASHER BEL SPR 8.4x18x2 SS From H-7417	2	
80G	502851	NUT HEX M8-1.25 N500	1	G
81	216992	SUPPORT, EXTINGUISHER / WELD STRUCTURE	1	
82	216993	SUPPORT, EXTINGUISHER / WELD STRUCTURE To M-7750	1	
82	218280	SUPPORT, EXTINGUISHER / WELD STRUCTURE From M-7751	1	
85	409404	SUPPORT, EXTINGUISHER ASSY To J-7447	1	GR
85	400542	SUPPORT, EXTINGUISHER ASSY From J-7448	1	GR
86	409403	PROTECTOR, EXTINGUISHER To J-7447	1	GR
86	400560	PROTECTOR, EXTINGUISHER From J-7448	1	GR
87	500965	SCREW TC BDG PH #8-32x1/2 N500	2	GR
88	502834	WASHER LO SPT 4.1x7.6x0.9 N500	2	GR
89	500804	WASHER FL .203x.500x.047 N500	2	GR
90	502830	SCREW CAP HEX M6-1.0x20 G8.8 N500	1	GR
91	502853	WASHER LO SPT 6.1x11.8x1.6 N500	1	GR
92	500877	WASHER FL .250x.562x.065 N500	1	GR
93	561681	CONVOLUTED TUBING / SLIT / BLACK & GRAY / .350"	AR	GR
94	8631155	CABLE TIE / 4.6MM x 200 / CHRISTMAS TREE	2	GR
95	061292	WIRING HARN. FIRE EXTING. TANK From J-7448	1	
		A) USE WHEN YOU DO NOT HAVE A FIRE SUPPRESSIONS SYSTEM		
		B) WITHOUT WATER HEATER		
		C) FIX TO THE PANEL OVER THE ENGINE		
		D) FOR PRODUCT IMPROVMENT ASK FOR 401717		
		E) INSTALL ON THE ENGINE		
		F) LOCATED IN FRONT JCT BOX PANEL		
		G) RELOCATION OF FIRE SENSOR		

From G-7275 To M-7767	Date:07/2024	PAGE:X3PLB-2320-35
-----------------------	--------------	--------------------

FIRE PROTECTION SYSTEM BUS INSTALLATION / 3RD BAGGAGE COMPARTMENT

Item#	Part	Description	QTY	Notes
		GR) GREYHOUND OPTION		
		W) INSTALL WITH WATER HEATER		
		4) NO PARTS NUMBER		

From J-7448 To M-7750		Date:07/2024	PAGE:401717
-----------------------	--	--------------	-------------

SERVICE KIT EXTINGUISHER

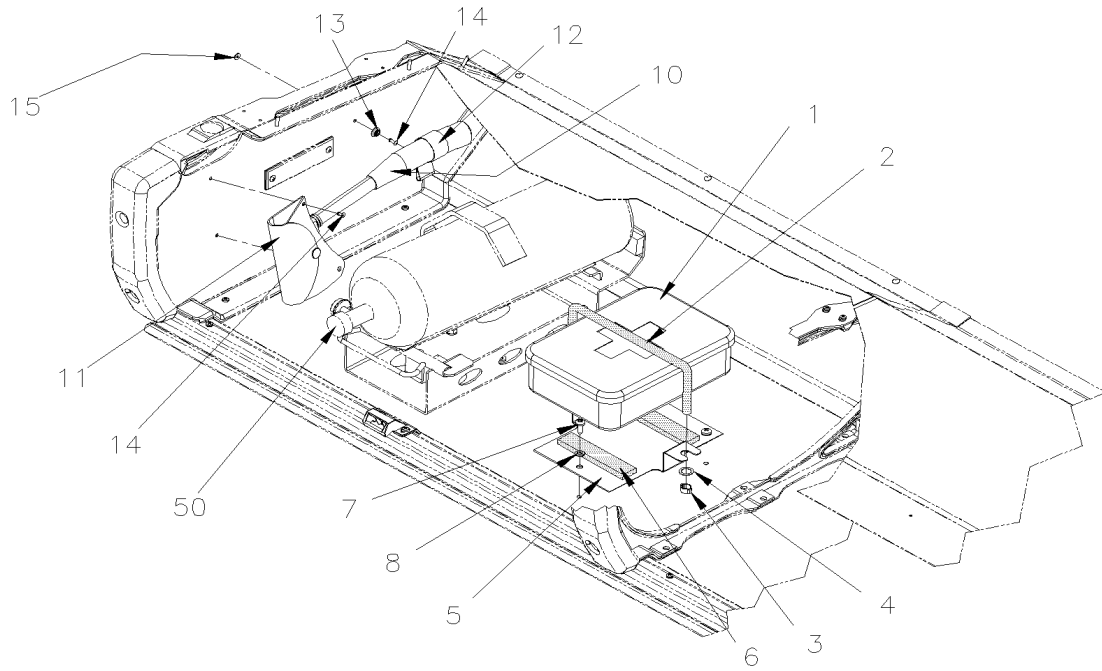
Item#	Part	Description	QTY	Notes
1	401696	SUPPORT EXTINGUISHER 25 LBS	1	
2	218280	SUPPORT, EXTINGUISHER / WELD STRUCTURE	1	
5	5002027	SCREW CAP HEXF AD M6-1.0x16 G10.9 N500	1	

From G-7275 To M-7767

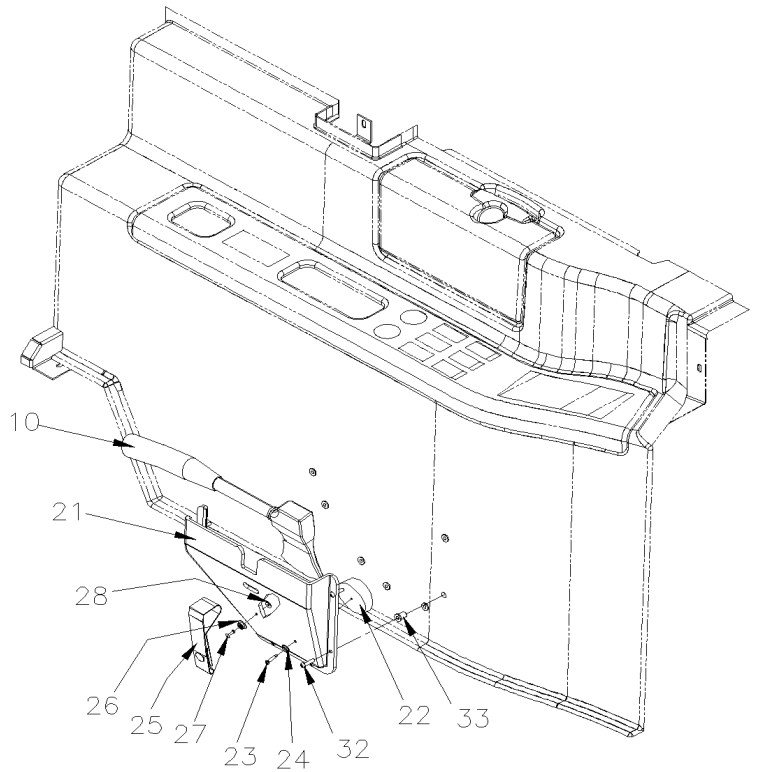
Date:07/2024

PAGE:X3PLB-2320-40

FIRST AID KIT & AXE - INSTALLATION



FRONT CURBSIDE PARCEL RACK



From G-7275 To M-7767	Date:07/2024	PAGE:X3PLB-2320-40
FIRST AID KIT & AXE - INSTALLATION		

Item#	Part	Description	QTY	Notes
1	900014	KIT, FIRST AID (SMALL)	1	
1	900767	KIT, FIRST AID (EXTRA LARGE) / W / W.C.L.	1	
1	900990	KIT, FIRST AID / SASKATCHEWAN MODEL	1	
1	900991	KIT, FIRST AID / MANITOBA & N-BRUNSWICK MODEL	1	
1	900992	KIT, FIRST AID / NOVA-SCOTIA MODEL	1	
1	901388	KIT, FIRST AID / ALBERTA MODEL	1	
1	900994	KIT, FIRST AID / NEWFUNLAND MODEL	1	
1	900995	KIT, FIRST AID / QUEBEC & BRI. COLUMBIA MODEL	1	
1	900996	KIT, FIRST AID / ONTARIO, I.P.E. & USA MODEL	1	
NS	323292	DECAL / FIRST AID	1	
NS	327524	DECAL / FIRST AID / (PARCEL RACK DOOR)	1	
NS	195889	KIT "EMERGENCY CLEANING" BIOHAZARD CASE OF 25	1	
NS	19503251	KIT "EMERGENCY CLEANING" STANDARD	1	
2	506066	CORD, RUBBER EXTRUSION NEO 7/16" O.D. / C.T.L.	1	
3	504452	CLAMP "E-Z CLIP" / "TUBE-O" / 7/16" / HC9-7	1	
4	502525	WASHER FL .484x.750x.031 Z050	1	
5	312807	SUPPORT ASSY / W/FIRST AID KIT (SMALL) / 139MM	1	
5	312806	SUPPORT ASSY / W/FIRST AID KIT (LARGE) / 205MM	1	
6	506007	TAPE RUB ADH1 CC NEO 3/4" x 1" x 10' / BLACK 1220	AR	
7	500841	SCREW TP PAN PH #14x3/4 Z050 To H-7339	4	
7	502513	SCREW TP CAP HEX 5/16x1 Z050 From H-7340	3	
8	500473	WASHER LO SPT .262x.489x.062 Z050 To H-7339	4	
8	500942	WASHER LO SPT 8.1x14.8x2.0 N500 From H-7340	3	
8	500401	WASHER FL .343x.875x.125 N500 From H-7340	3	
10	901132	FIRE AXE	1	
NS	323291	DECAL / AXE	1	
11	901134	FIRE AXE CASE LEATHER	1	
12	403582	STRAP / TO FIX AXE	1	
NS	506235	TAPE RUB ADH1 PVC.NITRIL 1/2" x 1" x 15' / BLACK 1210	AR	
13	504003	FASTENER RIVET BASE	1	
14	504107	RIVET POP DOME OE 1/8x5/16 AL	3	
15	500157	WASHER FL .125x.375x.032 SS	1	
21	405180	SUPPORT ASSY W/BUMPER	1	A B
21	505115	. SUPPORT	1	A B
22	405179	. PROTECTOR, BOTTOM	1	A B
23	500333	. SCREW TP OV PH #6x3/4 BK	1	A B
24	500345	. WASHER FN CKF .187x.500x.090 BR BK	1	A B
25	406626	. STRAP TO FIXE AXE ASSY	1	A
26	504003	. FASTENER RIVET BASE	1	A
27	504339	. RIVET POP DOME OE 1/8x3/8 SS	1	A
28	500157	. WASHER FL .125x.375x.032 SS	1	A
32	500873	SCREW MA RND PH #8-32x3/4 SS BK	7	A

From G-7275 To M-7767	Date:07/2024	PAGE:X3PLB-2320-40
FIRST AID KIT & AXE - INSTALLATION		

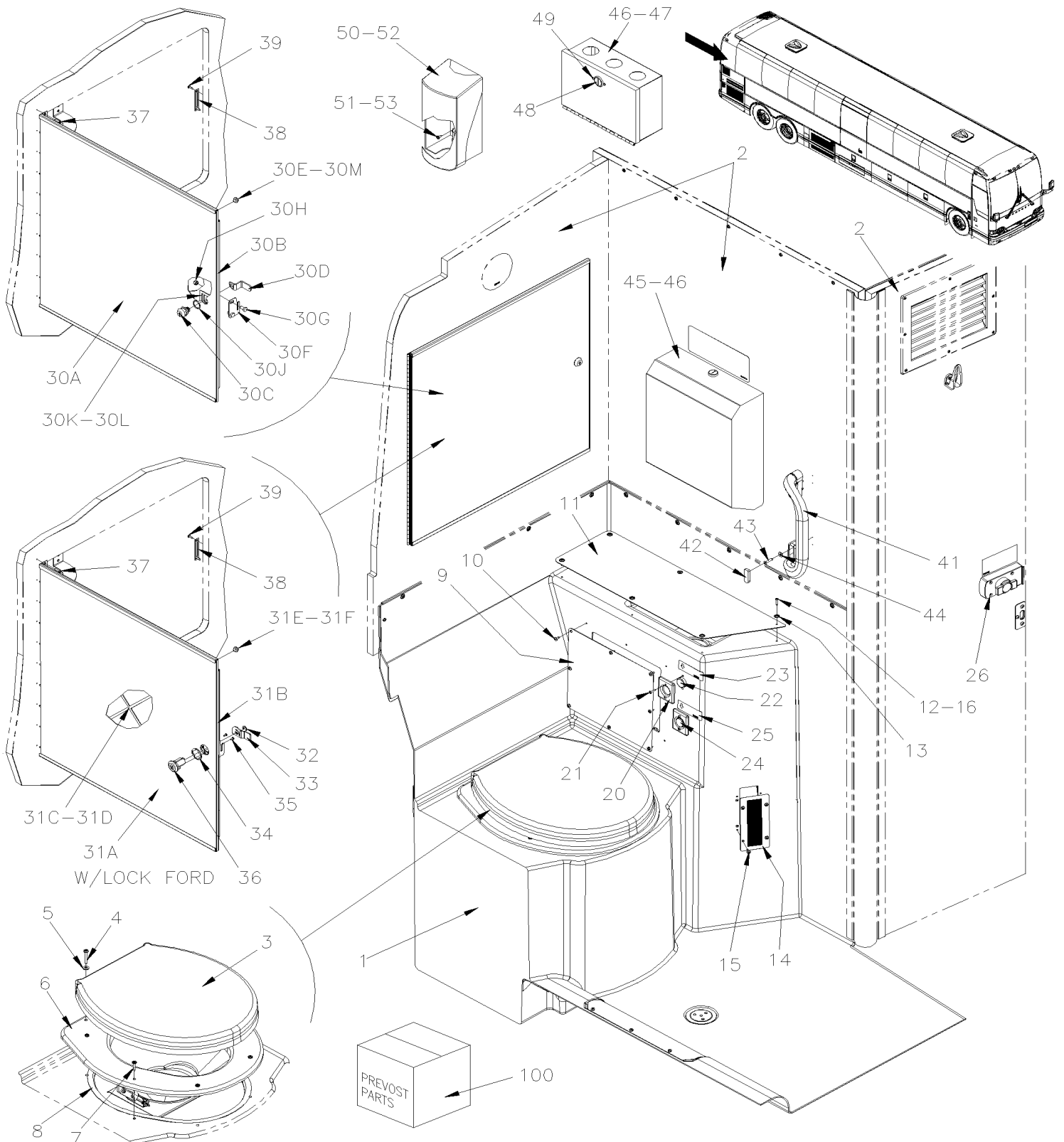
Item#	Part	Description	QTY	Notes
33	500678	NUT WELL #8-32x.450	7	A
50	X3PLB-2320-30	EXTINGUISHER - INSTALLATION		
		A) COACH WITH AXE INSTALLATION REAR DRIVER'S SEAT		
		B) COACH WITH AXE INSTALLATION LEFT DRIVER'S CONSOLE		

From G-7275 To M-7767

Date:07/2024

PAGE:X3PLB-2325-00

LAVATORY - ACCESSORIES

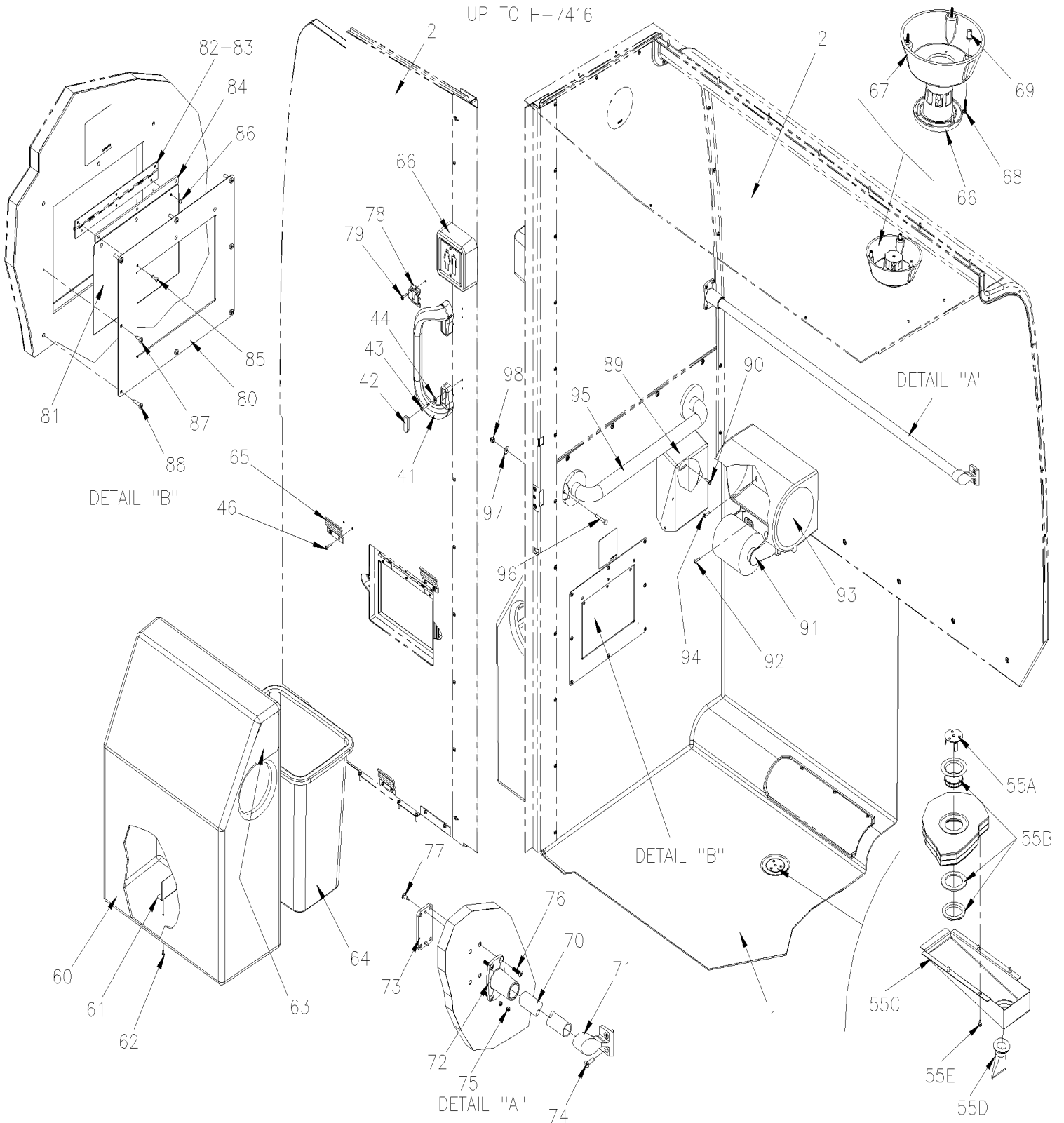


From G-7275 To M-7767

Date:07/2024

PAGE:X3PLB-2325-00

LAVATORY - ACCESSORIES



From G-7275 To M-7767	Date:07/2024	PAGE:X3PLB-2325-00
LAVATORY - ACCESSORIES		

Item#	Part	Description	QTY	Notes
1	400058	LAVATORY, FIBERGLASS To H-7416	1	
. NS	562679	. 4 WAY ADH. BACKED MOUNTS 1.000 x 1.000 x .160 To H-7416	7	
1	409483	LAVATORY, FIBERGLASS From H-7417 To K-7638	1	
. NS	562679	. 4 WAY ADH. BACKED MOUNTS 1.000 x 1.000 x .160 From H-7417 To K-7638	AR	
1	401238	LAVATORY, FIBERGLASS From K-7639 To K-7662	1	
. NS	562679	. 4 WAY ADH. BACKED MOUNTS 1.000 x 1.000 x .160 From K-7639 To K-7662	AR	
1	400776	LAVATORY, FIBERGLASS From L-7663	1	
. NS	562679	. 4 WAY ADH. BACKED MOUNTS 1.000 x 1.000 x .160 From L-7663	AR	
1	401936	LAVATORY, FIBERGLASS / WCL / "PWT" To H-7416	1	
1	400369	LAVATORY, FIBERGLASS / WCL / "PWT" From H-7417	1	
NS	506466	TAPE RUB ADH1 CC POL 1/16" x 1 1/2" x 100 / GREY 2520	AR	
2	X3PLB-2328-00	LAVATORY WALL - INSTALLATION		
3	901279	SEAT & COVER ASSY, TOILET / "CENTOCO"	1	
4	500865	SCREW TP PAN PH #12x1 1/2 Z050 To M-7847	2	
4	501128	SCREW TP PAN PH #12x1 1/2 SS From M-7848	2	
5	5001462	WASHER FL 6.4x18.0x1.6 Z050 To M-7847	2	
5	500411	WASHER FL .260x.697x.050 SS From M-7848	2	
6	409191P	BOWL ASSY, TOILET / GREY WITH PIPE & TRAP	1	
. NS	409186	. BOWL ASSY, TOILET / GREY	1	
. NS	409184	. TRAP	1	
. NS	900759	. SPRING / TRAP	1	
. NS	405362	. PIPE ASSY	1	
. NS	952633	. CLAMP / 7/8" I.D.	1	
. NS	5001491	. SCREW TC PAN PH #8-32x3/4 SS	3	
. NS	405361	. SUPPORT	1	
. NS	5001491	. SCREW TC PAN PH #8-32x3/4 SS	2	
. NS	790602	. RUBBER BLOCK ADJUSTEMENT 1/2" x 1/2" x 1/8" 80DURO	1	
. NS	506228	. TAPE RUB ADH1 CC POL 1/4" x 1/2" x 37.5' / GREY 2520X	AR	
7	500293	SCREW TP PAN PH #10x1 SS	6	
8	506236	TAPE RUB ADH1 CC POL 1/16" x 1/2" x 100' / GREY 2520	AR	
9	400807	PLATE, CLOSING	1	
10	500952	SCREW TP BDG PH #8x1/2 SS To H-7416	8	
10	5001119	SCREW TP BDG PH #8x3/4 SS From H-7417	10	
11	406526	PLATE COVERING, WASHBASIN To H-7416	1	
11	404197	PLATE COVERING, WASHBASIN S.S. To H-7416	1	GR
12	500552	SCREW TP OV PH #6x3/4 Z050	6	
13	500465	WASHER FN CKF .278x.729x.119 SS	6	
14	405700	GRILLE 160MM X 70MM SS	1	
15	500952	SCREW TP BDG PH #8x1/2 SS	4	
16	507331	PROTECTOR CAP / BLACK / .137 I.D. x .500	6	
NS	069994	LAVATORY SWITCH HARNESS From L-7663	1	
20	403040	PROTECTOR / EMERGENCY SWITCH / PLASTIC GREY / 44MM X 54MM	1	

From G-7275 To M-7767	Date:07/2024	PAGE:X3PLB-2325-00
LAVATORY - ACCESSORIES		

Item#	Part	Description	QTY	Notes
21	5001955	SCREW MA RND PH #6-32x1/2 SS	2	
22	563326	PUSH BUTTON / OPERATOR / BLACK	1	
23	406613	DECAL / LAVATORY PUMP FLUSH / ENGLISH	1	
23	406611	DECAL / LAVATORY PUMP FLUSH / ENGLISH & FRANCAIS	1	
23	406617	DECAL / LAVATORY PUMP FLUSH / ENGLISH & SPANISH	1	
23	400008	DECAL / LAVATORY PUMP FLUSH / ENGLISH & SPANISH & FRANCAIS	1	
24	561676	BUTTON / EMERGENCY	1	
25	406614	DECAL / "EMERGENCY CALL" / ENGLISH	1	
25	406612	DECAL / "EMERGENCY CALL" / ENGLISH & FRANCAIS	1	
25	406618	DECAL / "EMERGENCY CALL" / ENGLISH & SPANISH	1	
25	400013	DECAL / "EMERGENCY CALL" / ENGLISH & SPANISH & FRANCAIS	1	
26	X3PLB-2329-00	LAVATORY DOOR LOCK & SWITCH		
27	X3PLB-2330-00	SUMP TANK SYSTEM - INSTALLATION To H-7416		
27	X3PLB-2330-01	SUMP TANK SYSTEM - INSTALLATION GHG17 From H-7417		
30	408334P	MIRROR ASSY / REAR WALL WITH CYLINDER LOCK	1	
. A	408288	. MIRROIR GLASS WITH CYLINDER LOCK HOLE	1	
. B	408332	. SUPPORT MIRROIR ASSY	1	
. C	780538	. LOCK	1	
. . NS	780539	. . KEY / (CH751)	1	
. D	408335	. PIVOT LOCK ACTUATOR 44MM / W/21MM OFFSET	1	
. E	313678	. RUBBER BUMPER	2	
. F	408336	. LOCK REINFORCEMENT	1	
. G	5001181	. SCREW CAP HEX M6-1.0x12 SS	2	
. H	502681	. NUT HEX NYRT M6-1.0 N500 G8	2	
. J	5001856	. WASHER FL 19.0x23.0x1.0 FIB	1	
. K	506785	. TAPE RUB ADH2 CC POL 1/16" X 1/4" X 200' / BLACK I1C-N-A	AR	
. L	506225	. TAPE RUB ADH1 CC POL 1/16" x 1/4" x 100' / GREY 2520	AR	
. M	680066	. ADHESIVE / ADBOND #5014 / 23.6ML BOTTLE	AR	
. NS	068254	. DECAL "POWER DISTRIBUTION"	1	
. NS	680038	. THREAD LOCKER LOCTITE #243 / BLUE / 50ml	AR	
31	499384	MIRROR ASSY / REAR WALL WITH CYLINDER LOCK FORD	1	GR F
. A	407623	. MIRROR GLASS	1	GR F
. B	407621	. SUPPORT MIRROIR ASSY	1	GR F
. C	506785	. TAPE RUB ADH2 CC POL 1/16" X 1/4" X 200' / BLACK I1C-N-A	AR	GR F
. D	506225	. TAPE RUB ADH1 CC POL 1/16" x 1/4" x 100' / GREY 2520	AR	GR F
. E	313678	. RUBBER BUMPER	2	GR F
. F	680066	. ADHESIVE / ADBOND #5014 / 23.6ML BOTTLE	AR	GR F
. NS	068254	. DECAL "POWER DISTRIBUTION"	1	GR F
32	504402	RING RETAINER / EXT .250 x .210 x .025"	1	GR F
33	3200546	PIVOT LOCK ACTUATOR 44MM / W/21MM OFFSET	1	GR F
34	2800032	SEAL RUBBER 1/16" TH	1	GR F
35	5001053	SCREW MA PAN PH #4-40x1/4 ZP	2	GR F

From G-7275 To M-7767	Date:07/2024	PAGE:X3PLB-2325-00
LAVATORY - ACCESSORIES		

Item#	Part	Description	QTY	Notes
36	X3PLB-1867-00	KEY & CYLINDER CODE "FORD" & "NS" To K-7662		GR F
36	X3PLB-1867-01	KEY & CYLINDER CODE "FORD" From L-7663		GR F
37	500614	SCREW TP FL PH #6x3/4 Z050	10	
38	402737	REINFORCEMENT / DOOR LOCK	1	
39	500120	SCREW TP BDG PH #6x1/2 SS To H-7418	2	
39	500124	SCREW TP TR PH #8x1/2 SS From H-7419	2	
41	901459	HANDLE To H-7342	2	
41	900054	HANDLE From H-7343 To H-7386	2	
41	901459	HANDLE From H-7387	2	
42	900490	CAP / W/HANDLE To H-7342	4	
42	N.S.S.	CAP / W/HANDLE From H-7343 To H-7386	4	1
42	900490	CAP / W/HANDLE From H-7387	4	
43	500879	SCREW TP PAN PH #10x1 Z050 To H-7400	8	
43	5001545	SCREW TP PAN PH #10x7/8 Z050 From H-7401 To K-7662	8	
43	5001610	SCREW CAP HEXS M6-1.0x25 SS EMN From L-7663	8	
44	500964	WASHER FL .203x.500x.047 Z050 To K-7662	8	
45	900327	DISPENSER / PAPER TOWELS	1	
. NS	900494	. KEY, PAPER BOX	1	
. NS	901290	. LOCK, PAPER BOX	1	
NS	900328	TOWEL, PAPER	AR	
45	500552	SCREW TP OV PH #6x3/4 Z050	3	
46	500641	SCREW TP PAN PH #8x3/4 Z050 To H-7351	AR	
46	500642	SCREW TP PAN PH #10x3/4 Z050 From H-7350	AR	
47	404999	DISPENSER SS / WET TOWELS	1	
47	402026	. BOX	1	
48	901051	. LOCK	1	
48	N.S.S.	. . KEY	1	1
49	500525	. SCREW MA RND SLT #5-40x1/2 SS	2	
49	500555	. NUT HEX #5-40 SS	2	
49	502649	. WASHER LO EXT .141x.320x.022 Z050	2	
49	502556	. WASHER FL 4.3x9.0x0.8 SS	4	
50	900088	DISPENSER / SOAP	1	
50	901385	HAND SANITIZER WATERLESS BOX OF 12/800ml	1	
50	19503185	HAND SANITIZER WATERLESS NON-ALCOHOLIC SCREWABLE BOTTLE	AR	
50	19503186	HAND SANITIZER WATERLESS ALCOHOLIC SCREWABLE BOTTLE	AR	
50	19503187	HAND & FACE REFRESHER TOWELLETES	AR	
51	500641	SCREW TP PAN PH #8x3/4 Z050 To H-7351	4	
51	500642	SCREW TP PAN PH #10x3/4 Z050 From H-7350	4	
52	900148	DISPENSER, GEL, PURELL ANTISEPTIC	1	
52	N.S.P.	DISPENSER FRESHENER	1	2
53	500855	WASHER FL .188x.438x.049 N500 To H-7351	4	
55A	401927	GRILLE ASSY, STRAINER	1	

From G-7275 To M-7767	Date:07/2024	PAGE:X3PLB-2325-00
LAVATORY - ACCESSORIES		

Item#	Part	Description	QTY	Notes
55B	900219	STRAINER ASSY, FLOOR	1	
55B	684517	ADHESIVE SIMSON #ISR 70-03 / GREY / 310ml CARTRIDGE	AR	
55C	406418	GUTTER, TOILET FLOOR To H-7416	1	
55C	680532	SEALANT SIKA #221 / GREY / 310ml CARTRIDGE To H-7416	AR	
55D	414654	DRAIN BOOT 1" I.D. W/GROOVE 1.5 x 35MM I.D. x 85MM To H-7416	1	
55E	500443	SCREW TP PAN PH #8x1/2 N500 To H-7416	4	
55F	501847	MALE CONNECTOR / JIC 37° FITTING / #12JIC-Mx1NPT-M STL From H-7417	1	
55F	680098	THREAD SEALANT LOCTITE #567 / WHITE / 250ml	AR	
55G	5011207	FEMALE CONNECTOR SWIVEL / JIC 37° FITTING / #12JIC-Fx#12 STL From H-7417	1	
55H	5011206	SLEEVE / #12 STL From H-7417	1	
55I	503376	HOSE TEFLON #12 / S.L. From H-7417	AR	
55J	504013	TIE MOUNT / 1/4" X 1/4" I.D. From H-7417	1	
55J	504488	RIVET MGLP PRDG 3/16x17/64 SS From H-7417	1	
55J	504637	CABLE TIE / 3/16" x 13" From H-7417	1	
55K	590286	DRAIN BOOT 1 1/4" I.D. X 4" / FLAT From H-7417	1	
55L	400258	COVER 502 x 85 x 58 SS From H-7417	1	
55M	502570	WASHER LO SPT 6.1x11.8x1.6 SS From H-7417	8	
55N	500283	SCREW TC TR PH #10-24x3/4 SS From H-7417	8	
60	407710	COVER, BASKET	1	
60	406319	SIDE CLOSING PLATE / BASKET	2	PWT
60	504106	RIVET POP DOME OE 1/8x1/4 AL	8	PWT
60	500437	WASHER FL .125x.375x.040 Z050	8	PWT
61	407717	. ANGLE	1	
62	504106	. RIVET POP DOME OE 1/8x1/4 AL	2	
63	405713	DECAL / "TRASH DEPOSIT" PICTOGRAM / PHOTOLUMINESCENT	1	
64	900605	TRASH CAN / BLACK PLASTIC	1	
65	404459	BRACKET, RETAINING / TO FIX CONTAINER TO WALL	2	
66	X3PLB-0655-00	INTERIOR LIGHTING / "LED"		
67	409270	LAMP SUPPORT / LAVATORY GREY PLATINE	1	
68	500564	SCREW MA RND PH #8-32x3/4 Z050	3	
69	500678	NUT WELL #8-32x.450	3	
70	407709	TUBE 980MM	1	
71	900334	BRACKET / TO FIX GRAB HANDLE	1	
71	506466	TAPE RUB ADH1 CC POL 1/16" x 1 1/2" x 100 / GREY 2520	AR	
72	900331	BRACKET, MOUNTING / FRONT WALL HANDRAIL TUBE	1	
73	407701	PLATE, FIXING	1	
74	500616	SCREW TP FL PH #10x3/4 Z050	2	
75	500870	SCREW SET HEXS CUP 1/4-28x3/16	2	
76	5002011	SCREW MA OV PH #10-32x3/4 Z050	4	
77	500638	SCREW TP PAN PH #8x1/2 Z050	2	
78	900859	BRACKET, MOUNTING / MICROPHONE	1	
79	500641	SCREW TP PAN PH #8x3/4 Z050	2	

From G-7275 To M-7767	Date:07/2024	PAGE:X3PLB-2325-00
LAVATORY - ACCESSORIES		

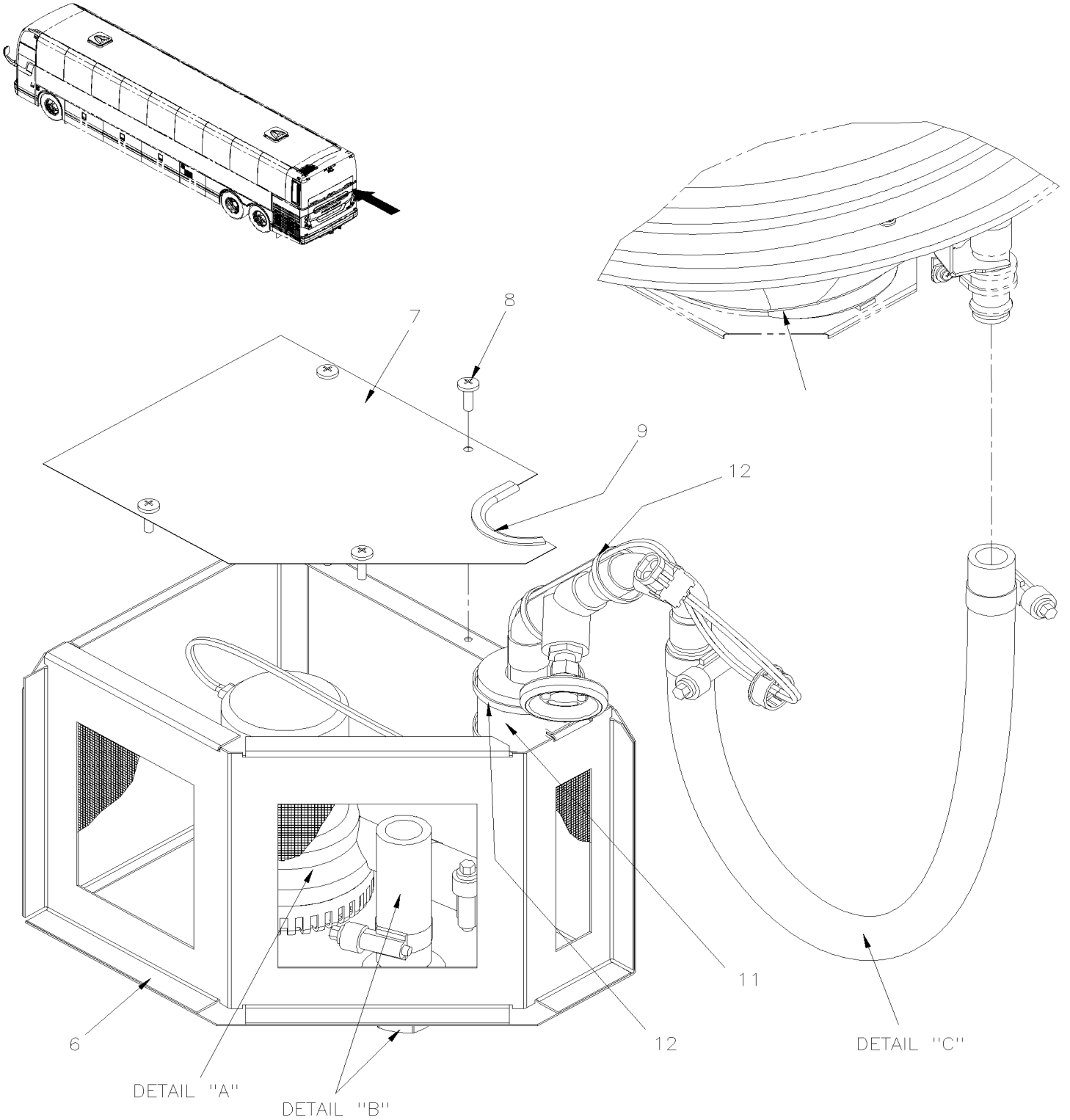
Item#	Part	Description	QTY	Notes
80	407711	TRAPDOOR, LAVATORY TRASH CAN ASSY	1	
80	407712	. FRAME, TRASH CAN TRAPDOOR	1	
81	407713	. TRAPDOOR, TRASH CAN	1	
81	506225	. TAPE RUB ADH1 CC POL 1/16" x 1/4" x 100' / GREY 2520	AR	
82	407715	. HINGE	1	
83	400739	. SPRING, TORSION / .375 I.D. x .437 x .032	2	
84	407714	. SHIM	1	
85	504717	. RIVET POP DOME OE 1/8x1/4 SS	3	
86	504104	. RIVET POP DOME OE 1/8x1/8 SS	3	
87	500952	SCREW TP BDG PH #8x1/2 SS	2	
88	5001119	SCREW TP BDG PH #8x3/4 SS	6	
89	900083	DISPENSER / TOILET PAPER / (CHROME)	1	
89	900085	PAPER, TOILET / BOX OF 96 PACK	AR	
90	500641	SCREW TP PAN PH #8x3/4 Z050	3	
91	900656	DISPENSER / TOILET PAPER ASSY (TO USE W/STD) ROLL)	1	
91	900657	PAPER, TOILET / ROLL S.Q.	AR	
92	500642	SCREW TP PAN PH #10x3/4 Z050	2	
93	901409	DISPENSER / TOILET PAPER ASSY / TRANSLUCENT BLUE	1	GR
. NS	901425	. KEY, DISPENSER	1	GR
93	901545	DISPENSER / TOILET PAPER ASSY / TRANSLUCENT SMOKE	1	
. NS	901425	. KEY, DISPENSER	1	
93	900049	DISPENSER / TOILET PAPER ASSY / TRANSLUCENT WHITE	1	IN
. NS	901425	. KEY, DISPENSER	1	IN
94	500641	SCREW TP PAN PH #8x3/4 Z050	4	
95	901408	GRAB HANDLE, LAVATORY, 18"	1	
96	502888	SCREW CAP HEX M6-1.0x35 G8.8 N500	4	
96	680038	THREAD LOCKER LOCTITE #243 / BLUE / 50ml	AR	
97	502709	WASHER FL .260x.687x.050 XLN BK	4	
98	5001684	NUT HEX CAP M6-1.0 SS	4	
	 NEXT PACKS ARE NO-FORMALDEHYDE		
100	900329	CHEMICAL PACK / "INCA GOLD" / S.Q.	AR	
100	900654	CHEMICAL PACK / "INCA" FORMULE 104 / S.Q.	AR	
100	900655	CHEMICAL PACK / "TIMSEN-AIR" / (BOX OF 960)	AR	
100	403678	CHEMICAL PACK / "TIMSEN-AIR" / (BOX OF 40)	AR	
100	900893	CHEMICAL PACK / "CELESTE INDUSTRIE" / S.Q.	AR	
100	900894	CHEMICAL PACK / "CELESTE INDUSTRIE" / (BOX OF 100)	AR	
		F) WITH FORD LOCK		

From G-7275 To M-7767		Date:07/2024	PAGE:X3PLB-2325-00
-----------------------	--	--------------	--------------------

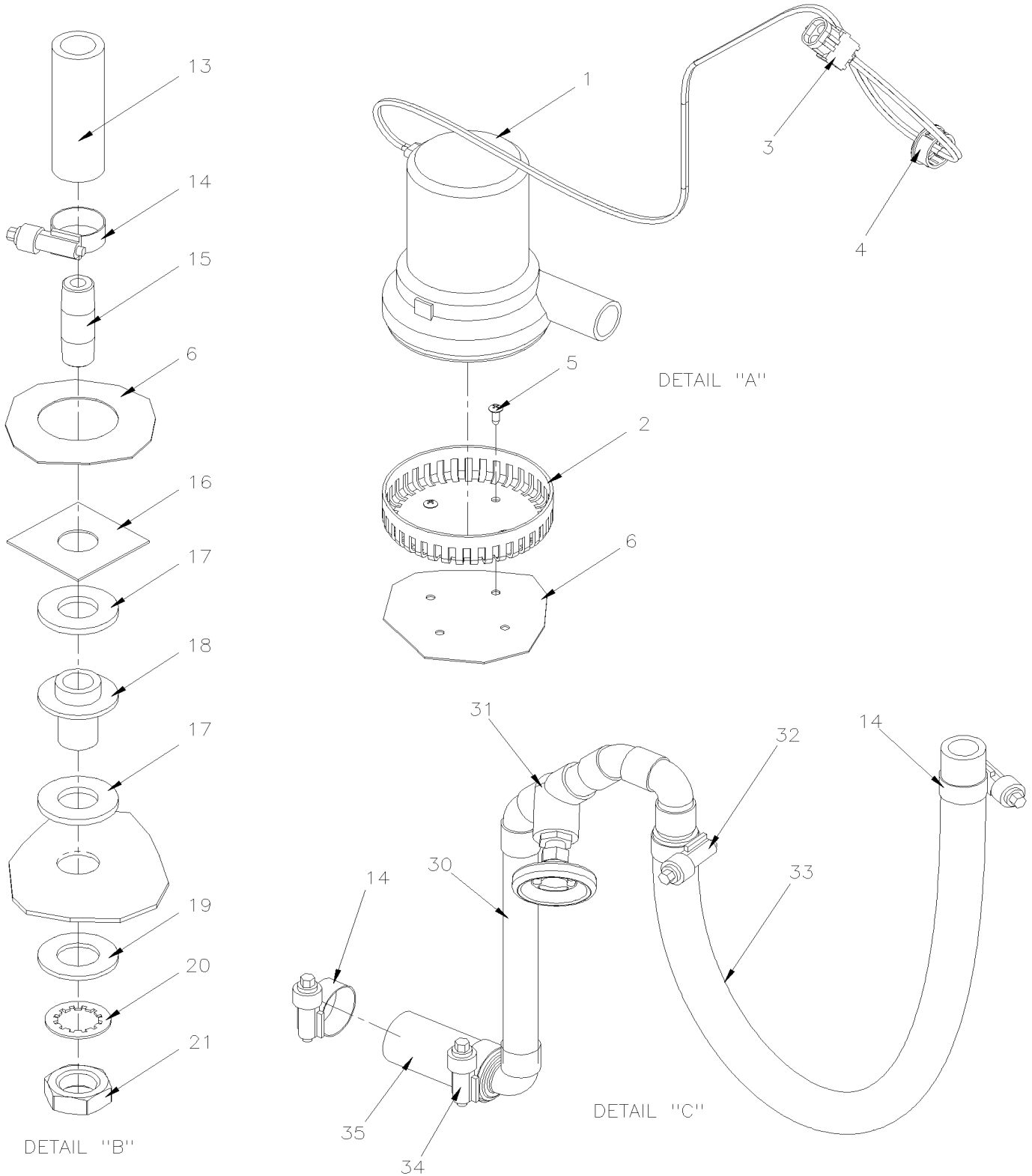
LAVATORY - ACCESSORIES

Item#	Part	Description	QTY	Notes
		GR) WITH OPTION "GREYHOUND"		
		IN) INDIAN TRAILS OPTION		
		PWT) USE WITH WCL LAVATORY		
		1) NOT SOLD SEPARATELY		
		2) NOT SOLD BY PREVOST (SEE MANUFACTURING PART NUMBER AT END OF DESCRIPTION LINE)		

From G-7275 To H-7416	Date:07/2024	PAGE:X3PLB-2326-00
TOILET PUMP ASSY		



TOILET PUMP ASSY



From G-7275 To H-7416	Date:07/2024	PAGE:X3PLB-2326-00
TOILET PUMP ASSY		

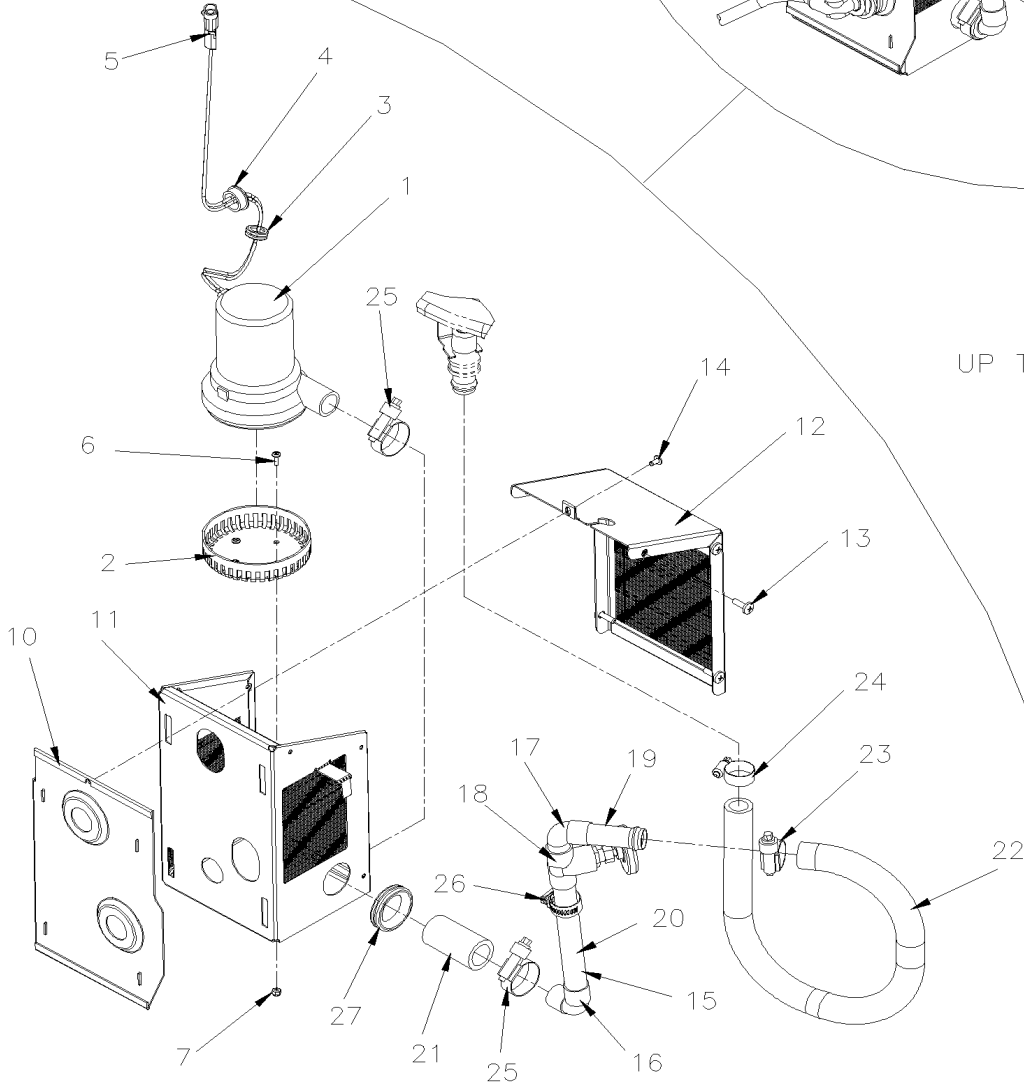
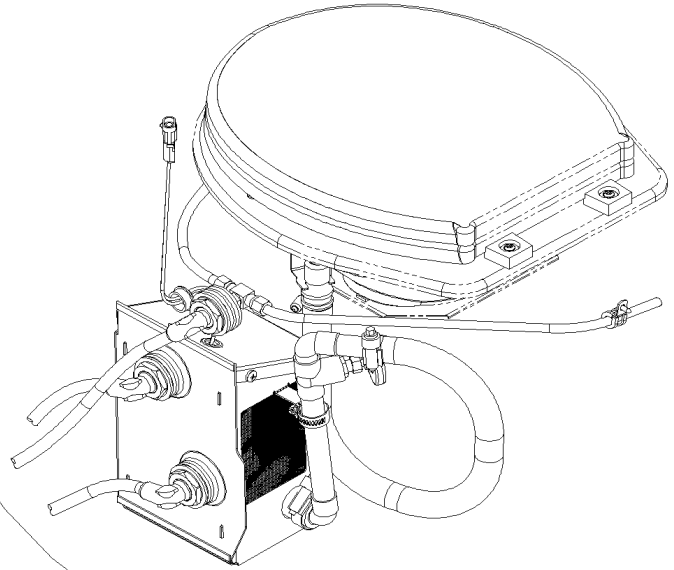
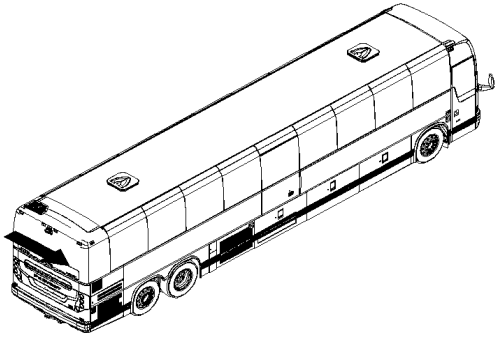
Item#	Part	Description	QTY	Notes
1	405703	PUMP TOILET ASSY	1	
1	900960	. PUMP TOILET	1	
2	901421	. . BASE, STRAINER	1	
3	561566	. CONNECTOR / WEATHER PACK / PH 2C / BLACK / PED 12010973	1	
3	561568	. PIN TERMINAL / 16-14 / PED 12089305	2	
3	561786	. CABLE SEAL / GRAY / PED 15324980	2	
3	563623	. BUTT SPLICE / 16-14 / BLUE / W/THERMORETRAC / PANDUIT BSH14-Q	1	
3	560669	. WIRE CABLE 16 / RED / GXL	1	
3	560673	. WIRE CABLE 16 / BLACK / GXL	1	
4	564630	. CABLE SEAL / BLUE / ITT 121668-0033	1	
5	5001087	SCREW TP BDG PH #10x1/2 SS	4	
6	404915	BOX	1	
7	404133	COVER ASSY	1	
8	502896	SCREW TC BDG PH #12-24x3/4 N500	1	
9	506338	RUBBER CHANNEL / 1/16" x 1/4" INT "U" SHAPE / ROUND C.T.L.	AR	
9	680096	SEALANT BUTYL ALUM / GREY / 310ml CARTRIDGE	AR	
11	402653	SEAL, RUBBER / TUBE & COVER	1	
12	504637	CABLE TIE / 3/16" x 13"	AR	
13	503455	HOSE RADIATOR / 7/8" I.D. X 3' / "GREEN STRIPE"	AR	
14	504319	HOSE CLAMP / 1"-1"1/2 SS / E.T. 16	3	
15	501426	NIPPLE / PIPE FITTING / 1/2NPT-Mx1/2NPT-Mx2 1/2 STL	1	
16	402652	SEAL, RUBBER / LEVEL TUBE / 1/16" THICK / S.D.	1	
17	400296	SEAL NEOPRENE	2	
18	408251	FLANGE ASSY	1	
19	500456	WASHER FL 1.062x2.000x.134 Z050	1	
20	500491	WASHER LO INT 1.019x1.637x.067 Z050	1	
21	5001709	NUT HEX JAM LH 1-14 ZP	1	
30	402377	TUBE ASSY W/GATE VALVE	1	
31	501958	. GATE VALVE 7/8" (WELDED)	1	
32	504319	. HOSE CLAMP / 1"-1"1/2 SS / E.T. 16	1	
33	503523	. HOSE SILICONE 1PLY 3/4" I.D. x 100' / S.L.	1	
34	504291	. HOSE CLAMP / 1"1/8-1"3/4 SS / E.T. 20	1	
35	050937	. HOSE / W/O BYPASS VALVE / 1 1/8" I.D. X 3"	1	
NS	X3PLB-2325-00	LAVATORY - ACCESSORIES		

From H-7417 To M-7767

Date:07/2024

PAGE:X3PLB-2326-01

TOILET PUMP ASSY GHG17



UP TO J-7481

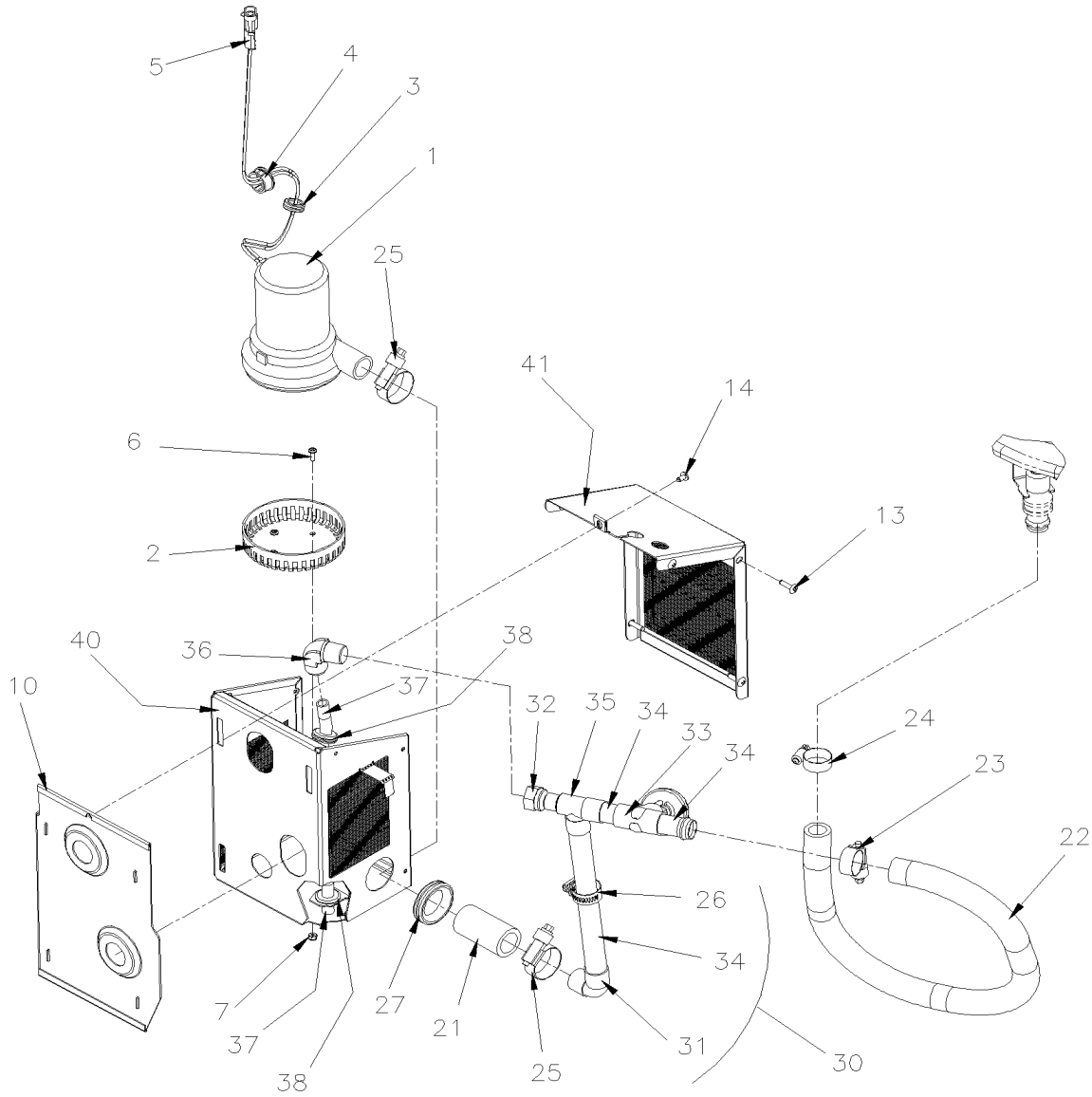
From H-7417 To M-7767

Date:07/2024

PAGE:X3PLB-2326-01

TOILET PUMP ASSY GHG17

OPTION GLI FROM J-6245
UP TO J-7481



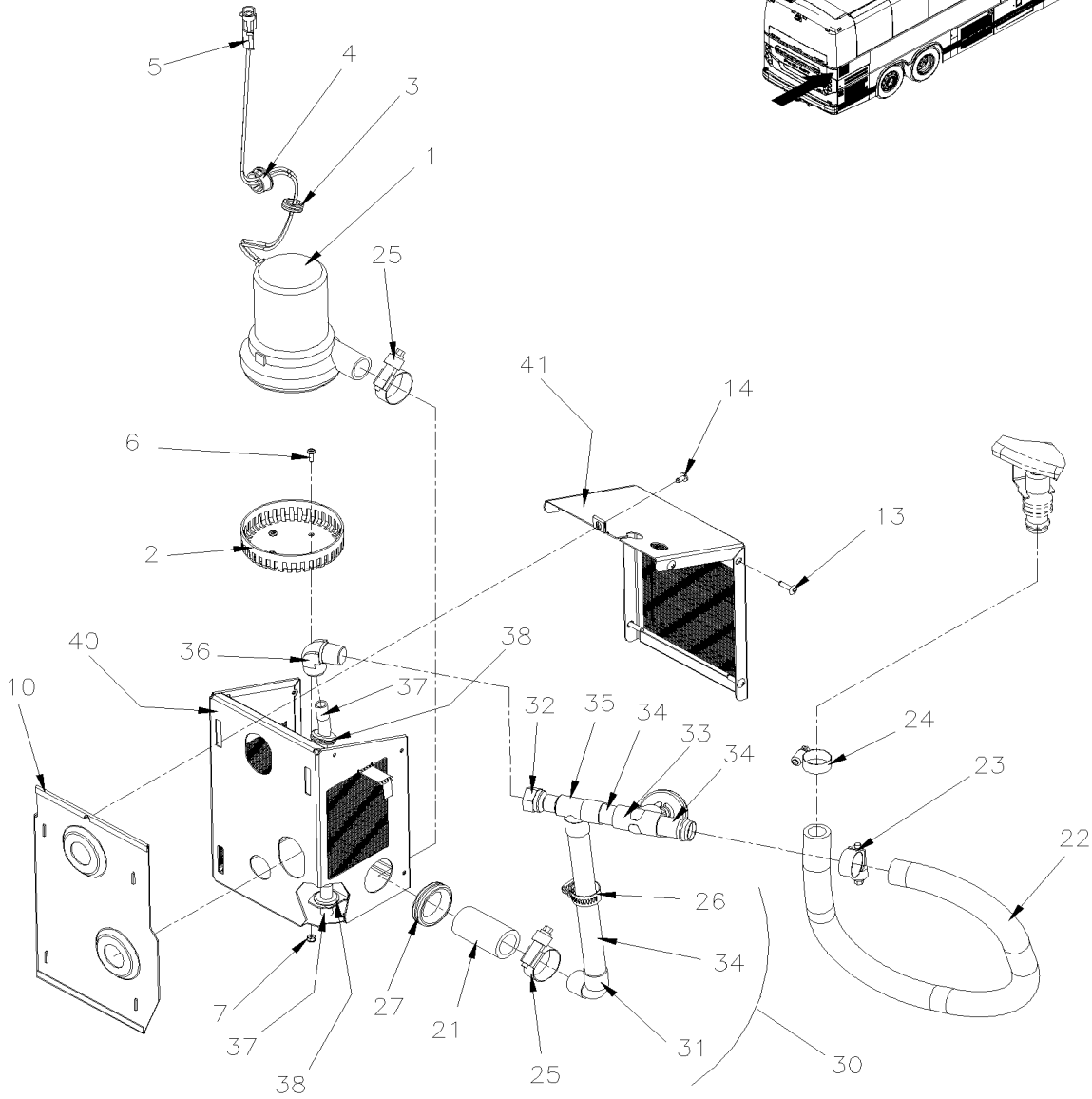
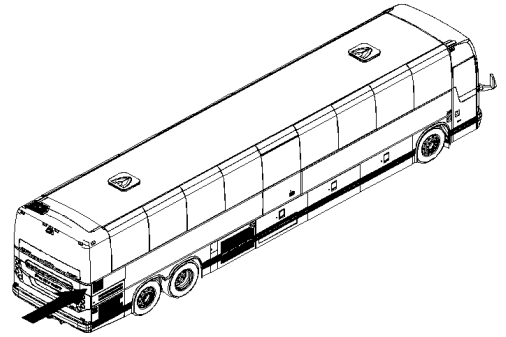
From H-7417 To M-7767

Date:07/2024

PAGE:X3PLB-2326-01

TOILET PUMP ASSY GHG17

FROM J-7482



From H-7417 To M-7767	Date:07/2024	PAGE:X3PLB-2326-01
TOILET PUMP ASSY GHG17		

Item#	Part	Description	QTY	Notes
	400191P	BOX AND PUMP ASSY To J-7481	1	
	Call order desk	BOX AND PUMP ASSY From J-7482	1	P
1	400201	. PUMP TOILET ASSY	1	
1	900960	. . PUMP TOILET	1	
2	901421	. . . BASE, STRAINER	1	
3	504496	. . GROMMET 2 HOLESx.062x.625x.062x.312x.875x.031 x.375	1	
4	504500	. . SNAP BUSHING / .766x1.125x.453 To J-7437	1	
4	504630	. . SNAP BUSHING / .812x1.218x.453 From J-7438	1	
5	561566	. . CONNECTOR / WEATHER PACK / PH 2C / BLACK / PED 12010973	1	
5	561568	. . . PIN TERMINAL / 16-14 / PED 12089305	2	
5	561786	. . . CABLE SEAL / GRAY / PED 15324980	2	
6	5011209	. SCREW MA PAN PH #8-32x1/2 SS	4	
7	5001480	. NUT HEX NYRT #8-32 SS	4	
10	400206	. SUPPORT PUMP BOX	1	
11	400192	. BOX ASSY/ WELDED To J-7481	1	
12	400193	. BOX COVER To J-7481	1	
13	500283	. SCREW TC TR PH #10-24x3/4 SS	6	
14	500209	. SCREW TC BDG PH #10-24x3/8 N500	1	
15	400202	. TUBE ASSY W/GATE VALVE To J-7481	1	
16	501395	. . FEMALE ELBOW 90° SHORT RADIUS / COPPER TUBE / 3/4Fx3/4F To J-7481	1	
17	501217	. . STREET ELBOW 90° SHORT RADIUS / COPPER TUBE / 3/4Mx3/4F To J-7481	1	
18	501958	. . GATE VALVE 7/8" (WELDED) To J-7481	1	
19	503198	. . COPPER TUBE .875" O.D. x .045" x 240" To J-7481	AR	
20	503198	. . COPPER TUBE .875" O.D. x .045" x 240" To J-7481	AR	
21	503579	. HOSE 1" I.D. X 50' / "GREEN STRIPE"	AR	
22	503523	. HOSE SILICONE 1PLY 3/4" I.D. x 100' / S.L.	AR	
23	504021	. HOSE CLAMP / 11/16"-1"1/2 SS / HS-16 To M-7847	1	
23	504417	. HOSE CLAMP / 11/16"-1"1/2 SS / HAS-16 From M-7848 To P-8008	1	
23	504281	. HOSE CLAMP / 13MM-32MM SS From P-8009	1	
24	504319	. HOSE CLAMP / 1"-1"1/2 SS / E.T. 16 To M-7847	1	
24	504417	. HOSE CLAMP / 11/16"-1"1/2 SS / HAS-16 From M-7848 To P-8008	1	
24	504281	. HOSE CLAMP / 13MM-32MM SS From P-8009	1	
25	504291	. HOSE CLAMP / 1"1/8-1"3/4 SS / E.T. 20 To M-7847	2	
25	504413	. HOSE CLAMP / 1"1/16-2" SS / HAS-24 From M-7848 To P-8008	2	
25	504417	. HOSE CLAMP / 11/16"-1"1/2 SS / HAS-16 From P-8009	2	
26	504020	. HOSE CLAMP / 9/16"-1"1/4 SS / HS-12 To M-7847	1	
26	504417	. HOSE CLAMP / 11/16"-1"1/2 SS / HAS-16 From M-7848 To P-8008	1	
26	504281	. HOSE CLAMP / 13MM-32MM SS From P-8009	1	
27	504496	. GROMMET 2 HOLESx.062x.625x.062x.312x.875x.031 x.375	1	
30	400546	. TUBE ASSY W/GATE VALVE From J-7448 To J-7481	1	GR
30	400546	. TUBE ASSY W/GATE VALVE From J-7482 To N-7940	1	
30	402169	. TUBE ASSY W/GATE VALVE From N-7941	1	

From H-7417 To M-7767	Date:07/2024	PAGE:X3PLB-2326-01
TOILET PUMP ASSY GHG17		

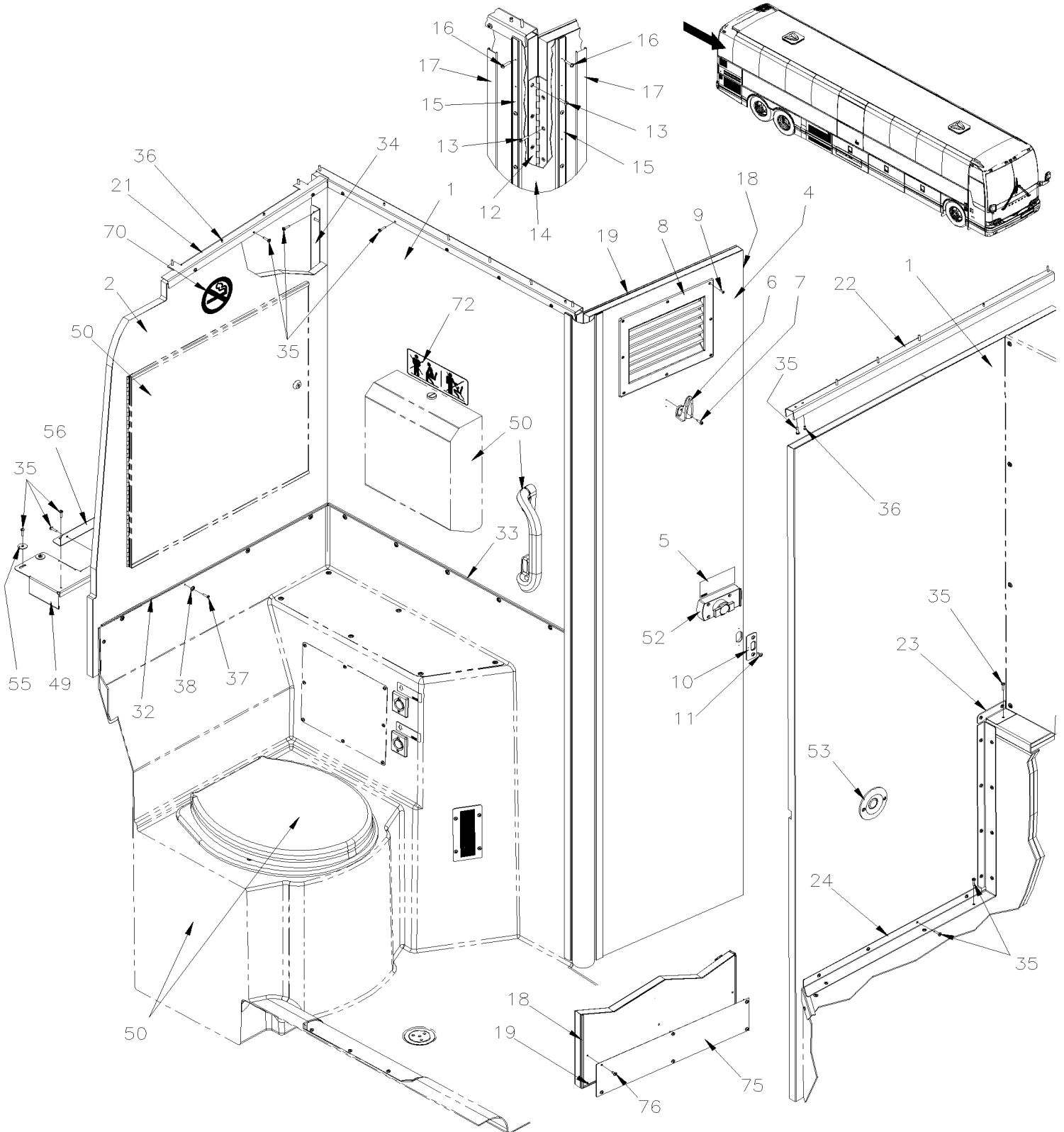
Item#	Part	Description	QTY	Notes
31	501395	. . FEMALE ELBOW 90° SHORT RADIUS / COPPER TUBE / 3/4Fx3/4F From J-7448 To J-7481	1	
31	501395	. . FEMALE ELBOW 90° SHORT RADIUS / COPPER TUBE / 3/4Fx3/4F From J-7482 To N-7940	1	
32	501576	. . ADAPTER / COPPER @ PIPE / 1/2Fx1/2NPT-F From J-7448 To J-7481	1	
32	501576	. . ADAPTER / COPPER @ PIPE / 1/2Fx1/2NPT-F From J-7482	1	
33	501958	. . GATE VALVE 7/8" (WELDED) From J-7448 To J-7481	1	
33	501958	. . GATE VALVE 7/8" (WELDED) From J-7482	1	
34	503198	. . COPPER TUBE .875" O.D. x .045" x 240" From J-7448 To J-7481	AR	
34	503198	. . COPPER TUBE .875" O.D. x .045" x 240" From J-7482	AR	
35	501870	. . UNION TEE / COPPER TUBE / 3/4Fx1/2Fx3/4F From J-7448 To J-7481	1	
35	501870	. . UNION TEE / COPPER TUBE / 3/4Fx1/2Fx3/4F From J-7482 To N-7940	1	
36	641378	. MALE ELBOW 90° / PUSH-IN FITTING / #8x1/2NPT-M BRASS From J-7448 To J-7481	1	GR
36	641378	. MALE ELBOW 90° / PUSH-IN FITTING / #8x1/2NPT-M BRASS From J-7482	1	
37	503488	. TUBE, NYLON 1/2 O.D. / BLACK S.L./ From J-7448 To J-7481	AR	GR
37	503488	. TUBE, NYLON 1/2 O.D. / BLACK S.L./ From J-7482	AR	
38	504068	. GROMMET / .500x.750x.062x.312x1.062 From J-7448 To J-7481	2	GR
38	504068	. GROMMET / .500x.750x.062x.312x1.062 From J-7482	2	
40	400549	. BOX ASSY / WELDED From J-7448 To J-7481	1	GR
40	400549	. BOX ASSY / WELDED From J-7482 To N-7940	1	
40	402170	. BOX ASSY / WELDED From N-7941	1	
41	400547	. BOX COVER From J-7448 To J-7481	1	GR
41	400547	. BOX COVER From J-7482	1	
		GR) GREYHOUND OPTION		
		P) CALL ORDER DESK FOR SPECIFIC APPLICATION (V.I.N.)		

From G-7275 To M-7767

Date:07/2024

PAGE:X3PLB-2328-00

LAVATORY WALL - INSTALLATION

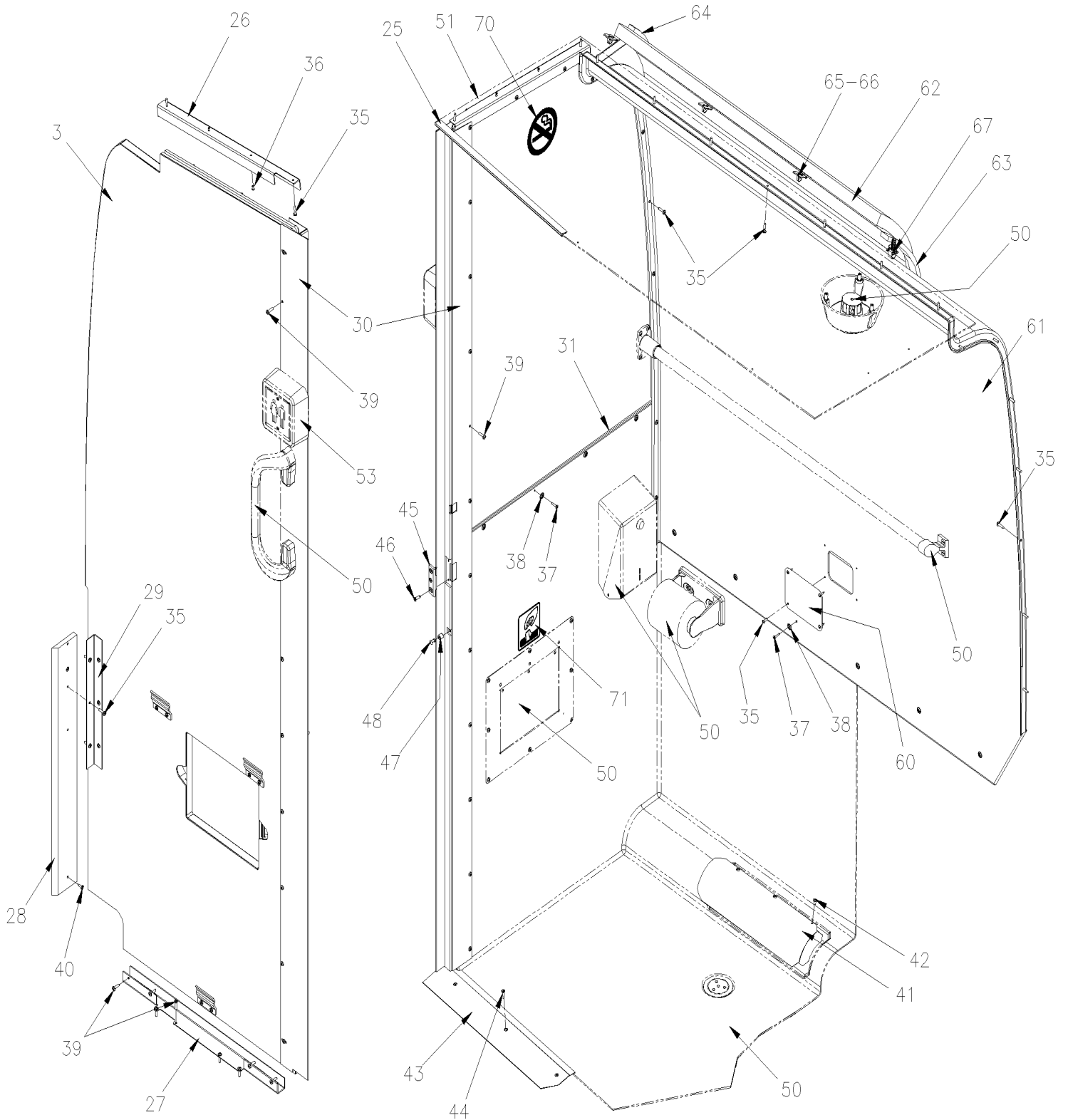


From G-7275 To M-7767

Date:07/2024

PAGE:X3PLB-2328-00

LAVATORY WALL - INSTALLATION



From G-7275 To M-7767	Date:07/2024	PAGE:X3PLB-2328-00
LAVATORY WALL - INSTALLATION		

Item#	Part	Description	QTY	Notes
1	Call order desk	WALL ASSY, SIDE / SPECIFY COLOR CODE To K-7662	1	P E
1	Call order desk	WALL ASSY, SIDE / SPECIFY COLOR CODE From L-7663	1	P E
1	Call order desk	WALL ASSY, SIDE / SPECIFY COLOR CODE To K-7662	1	P F
1	406822	WALL ASSY, SIDE / SPECIFY COLOR CODE From L-7663	1	F
2	Call order desk	WALL ASSY, REAR SIDE / SPECIFY COLOR CODE To H-7416	1	P
. NS	900810	. MOULDING PLASTIC To H-7416	AR	
2	Call order desk	WALL ASSY, REAR SIDE WITH MIRROR / SPECIFY COLOR CODE From H-7417 To K-7662	1	P
. NS	900810	. MOULDING PLASTIC From H-7417 To K-7662	AR	
2	406824	WALL ASSY, REAR SIDE WITH MIRROR / SPECIFY COLOR CODE From L-7663	1	
. NS	900810	. MOULDING PLASTIC From L-7663	AR	
3	Call order desk	WALL ASSY, FRONT / SPECIFY COLOR CODE To K-7662	1	P
. NS	900810	. MOULDING PLASTIC To K-7662	AR	
3	Call order desk	WALL ASSY, FRONT / SPECIFY COLOR CODE From L-7663	1	P
. NS	900810	. MOULDING PLASTIC From L-7663	AR	
3	Call order desk	WALL ASSY, FRONT / SPECIFY COLOR CODE To J-7447	1	P G
. NS	900810	. MOULDING PLASTIC To J-7447	AR	G
3	Call order desk	WALL ASSY, FRONT / SPECIFY COLOR CODE From J-7448 To K-7662	1	P G
. NS	900810	. MOULDING PLASTIC From J-7448 To K-7662	1	G
3	Call order desk	WALL ASSY, FRONT / SPECIFY COLOR CODE From L-7663	1	P G
4	405282	LAVATORY DOOR ASSY / CARPET / SPECIFY COLOR CODE To H-7416	1	
4	Call order desk	LAVATORY DOOR ASSY / CARPET / SPECIFY COLOR CODE From H-7417 To K-7662	1	P
4	Call order desk	LAVATORY DOOR ASSY / CARPET / SPECIFY COLOR CODE From L-7663	1	P
4	405284	LAVATORY DOOR ASSY / TISSUS / SPECIFY COLOR CODE To H-7416	1	
4	Call order desk	LAVATORY DOOR ASSY / TISSUS / SPECIFY COLOR CODE From H-7417 To K-7662	1	P
4	406823	LAVATORY DOOR ASSY / TISSUS / SPECIFY COLOR CODE From L-7663	1	
4	408356	LAVATORY DOOR ASSY / LOCK "FORD" / CARPET / SPECIFY COLOR CODE To H-7416	1	
4	Call order desk	LAVATORY DOOR ASSY / LOCK "FORD" / CARPET / SPECIFY COLOR CODE From H-7417 To K-7662	1	P
4	Call order desk	LAVATORY DOOR ASSY / LOCK "FORD" / CARPET / SPECIFY COLOR CODE From L-7663	1	P
4	Call order desk	LAVATORY DOOR ASSY / LOCK "FORD" / TISSUS / SPECIFY COLOR CODE To H-7416	1	P
4	400491	LAVATORY DOOR ASSY / LOCK "FORD" / TISSUS / SPECIFY COLOR CODE From H-7417 To K-7662	1	
4	406840	LAVATORY DOOR ASSY / LOCK "FORD" / TISSUS / SPECIFY COLOR CODE From L-7663	1	
5	405222	DECAL / LAVATORY OPEN / LOCK / ENGLISH To H-7416	1	
5	400315	DECAL / LAVATORY OPEN / LOCK / ENGLISH From H-7417	1	
5	403820	DECAL / LAVATORY OPEN / LOCK FOR LIGHTING / ENGLISH & FRANCAIS To H-7416	1	
5	400314	DECAL / LAVATORY OPEN / LOCK / ENGLISH & FRANCAIS From H-7417	1	
5	405642	DECAL / LAVATORY OPEN / LOCK FOR LIGHTING / ENGLISH & SPANISH To H-7416	1	
5	400313	DECAL / LAVATORY OPEN / LOCK / ENGLISH & SPANISH From H-7417	1	
5	406982	DECAL / LAVATORY OPEN / LOCK FOR LIGHTING / ENGLISH & SPANISH & FRANCAIS To H-7416	1	
51	400324	DECAL / LAVATORY OPEN / LOCK / ENGLISH & SPANISH & FRANCAIS From H-7417	1	
6	900297	HOOK / COAT To J-7433	1	
6	900065	HOOK / COAT From J-7434	1	
6	900066	CAP, COAT HOOK From J-7434	1	

From G-7275 To M-7767	Date:07/2024	PAGE:X3PLB-2328-00
LAVATORY WALL - INSTALLATION		

Item#	Part	Description	QTY	Notes
7	500626	SCREW TP OV PH #8x3/4 Z050 To J-7433	2	
7	5001155	SCREW TP PAN PH #8X3/4 N050 From J-7434	2	
8	405065	GRILL, VENT / MED GREY	2	
9	500624	SCREW TP OV PH #6x1/2 Z050	16	
10	405518	PLATE RETAINING DOOR / 76MM X 31MM	1	
11	500124	SCREW TP TR PH #8x1/2 SS	3	
12	780134	HINGE NP .040 X 3/4 X 3/4 X 72"	1	
13	500614	SCREW TP FL PH #6x3/4 Z050	AR	
14	407705	LEATHERETTE GREY / 125MM X 1985MM To H-7416	1	
14	400181	LEATHERETTE GREY / 125MM X 1980MM From H-7417 To K-7650	1	
14	401375	LEATHERETTE GREY / 125MM X 1980MM From K-7651	1	
14	400832	LEATHERETTE GREY / 125MM X 1970MM To K-7650	1	
14	401376	LEATHERETTE GREY / 125MM X 1970MM From K-7651	1	
15	404971	MOULDING RETAINER / 1980MM To K-7662	2	
15	400830	MOULDING RETAINER / 1970M From L-7663	2	
16	500614	SCREW TP FL PH #6x3/4 Z050	AR	
17	407704	MOULDING CAP / SS 2100MM To K-7662	2	
17	400831	MOULDING CAP / SS 1970M From L-7663	2	
18	405006	MOULDING "J" FORM / 1985MM / A/A	1	C
18	405005	MOULDING "J" FORM / 1985MM / A/A	1	D
19	401490	MOULDING "J" FORM / 463MM (18 1/4") / A/A	1	C
19	401309	MOULDING "J" FORM / 463MM (18 1/4") / A/A	1	D
21	341268	MOULDING / "U" SHAPE 529MM To H-7416	1	
21	340064	MOULDING / "U" SHAPE From H-7417 To K-7662	1	
21	340243	MOULDING / "U" SHAPE 532MM From L-7663	1	
22	341269	MOULDING / "U" SHAPE 863MM To H-7416	1	
22	400045	MOULDING / "U" SHAPE 733MM From H-7417 To K-7662	1	
22	340253	MOULDING / From L-7663	1	
22	340239	MOULDING, REINFORCEMENT From L-7663	1	
23	408286	ANGLE 92.2MM To K-7662	1	
23	400812	ANGLE From L-7663	1	
24	408277	ANGLE 623.2MM X 518.2MM To H-7416	1	
24	408386	ANGLE 623.2MM X 503.2MM From H-7417 To K-7662	1	
24	400808	ANGLE From L-7663	1	
25	341285	MOULDING / "J" SHAPE 489MM	1	
NS	680437	TAPE TRANSFER ADH2 CLEAR 12.7MM x 55M / TRM950-0500	AR	
26	341284	MOULDING / "U" SHAPE 465MM To H-7416	1	
26	340065	MOULDING / "U" SHAPE 465MM From H-7417 To K-7662	1	
26	340252	MOULDING / "U" SHAPE From L-7663	1	
27	407702	MOULDING / "U" SHAPE 531MM	1	
28	400727	ANGLE, RETAINING 23"	1	
29	401173	ANGLE, RETAINING 12" To K-7662	1	

From G-7275 To M-7767	Date:07/2024	PAGE:X3PLB-2328-00
LAVATORY WALL - INSTALLATION		

Item#	Part	Description	QTY	Notes
29	401441	ANGLE, RETAINING 12" From L-7663	1	
30	407703	MOULDING DOOR 1995MM To K-7662	1	
30	400771	MOULDING DOOR 1981MM From L-7663	1	
NS	504397	GROMMET / .750x1.062x.062x.375x1.375	1	
NS	506003	TAPE RUB ADH1 CC POL 3/16" x 3/4" x 40' / GREY 2520X	AR	
31	407708	MOULDING "J" FORM / 635MM	1	
32	407707	MOULDING "J" FORM / 750MM	1	
33	400886	MOULDING "J" FORM / 788MM (31") / A/A To H-7416	1	
33	400346	MOULDING "J" FORM / 665MM From H-7417	1	
34	407700	ANGLE 670MM To H-7416	2	
34	407700	ANGLE 670MM From H-7417	1	
35	500641	SCREW TP PAN PH #8x3/4 Z050	AR	
36	504105	RIVET POP DOME OE 1/8x3/16 AL	AR	
37	500552	SCREW TP OV PH #6x3/4 Z050 To K-7662	AR	
37	5002070	SCREW DR SEMS FN OV PH #8x1 Z050 From L-7663	AR	
38	500463	WASHER FN CKF .187x.500x.090 BR Z050 To K-7662	AR	
39	5001119	SCREW TP BDG PH #8x3/4 SS	AR	
40	500434	SCREW TP FL PH #8x3/4 Z050	2	
41	400874	PLATE, ACCESS / TOILET HEATING TUBE To H-7416	1	
42	500952	SCREW TP BDG PH #8x1/2 SS To H-7416	3	
43	407706	PROTECTOR, FLOOR 480MM	1	
44	5001845	SCREW TP FL PH #8x3/4 SS410	3	
45	405295	CATCH PLATE	1	
46	500353	SCREW TP FL PH #8x3/4 BK	3	
47	502712	WASHER FL .194x.375x.375 NYL	1	
48	504120	RIVET POP DOME CLE 3/16x1/2 AL	1	
49	400048	ANGLE REAR LAVATORY WALL 750x53x27.7MM From H-7417 To K-7662	1	
49	400773	ANGLE REAR LAVATORY WALL From L-7663 To M-7763	1	
49	401497	ANGLE REAR LAVATORY WALL From M-7764	1	
50	X3PLB-2325-00	LAVATORY - ACCESSORIES		
51	X3PLB-1837-00	CEILING PANELS & MOULDING - BUS		
52	X3PLB-2329-00	LAVATORY DOOR LOCK & SWITCH		
53	X3PLB-0655-00	INTERIOR LIGHTING / "LED"	1	
55	500805	WASHER FL .218x.875x.062 N500	4	
56	400105	ANGLE 670MM To K-7662	1	
56	401334	ANGLE 645MM From L-7663	1	
60	400795	PLATE, CLOSURE From L-7663	1	
61	320909	WALL FIBERGLASS PANEL LAVATORY To H-7416	1	
61	3201532	WALL FIBERGLASS PANEL LAVATORY From H-7417 To K-7662	1	
61	3210384	WALL FIBERGLASS PANEL LAVATORY From L-7663	1	
NS	340261	MOLDING, FIBRER WALL FIXING From L-7663	1	
NS	340238	MOULDING, REINFORCEMENT From L-7663	1	

From G-7275 To M-7767	Date:07/2024	PAGE:X3PLB-2328-00
LAVATORY WALL - INSTALLATION		

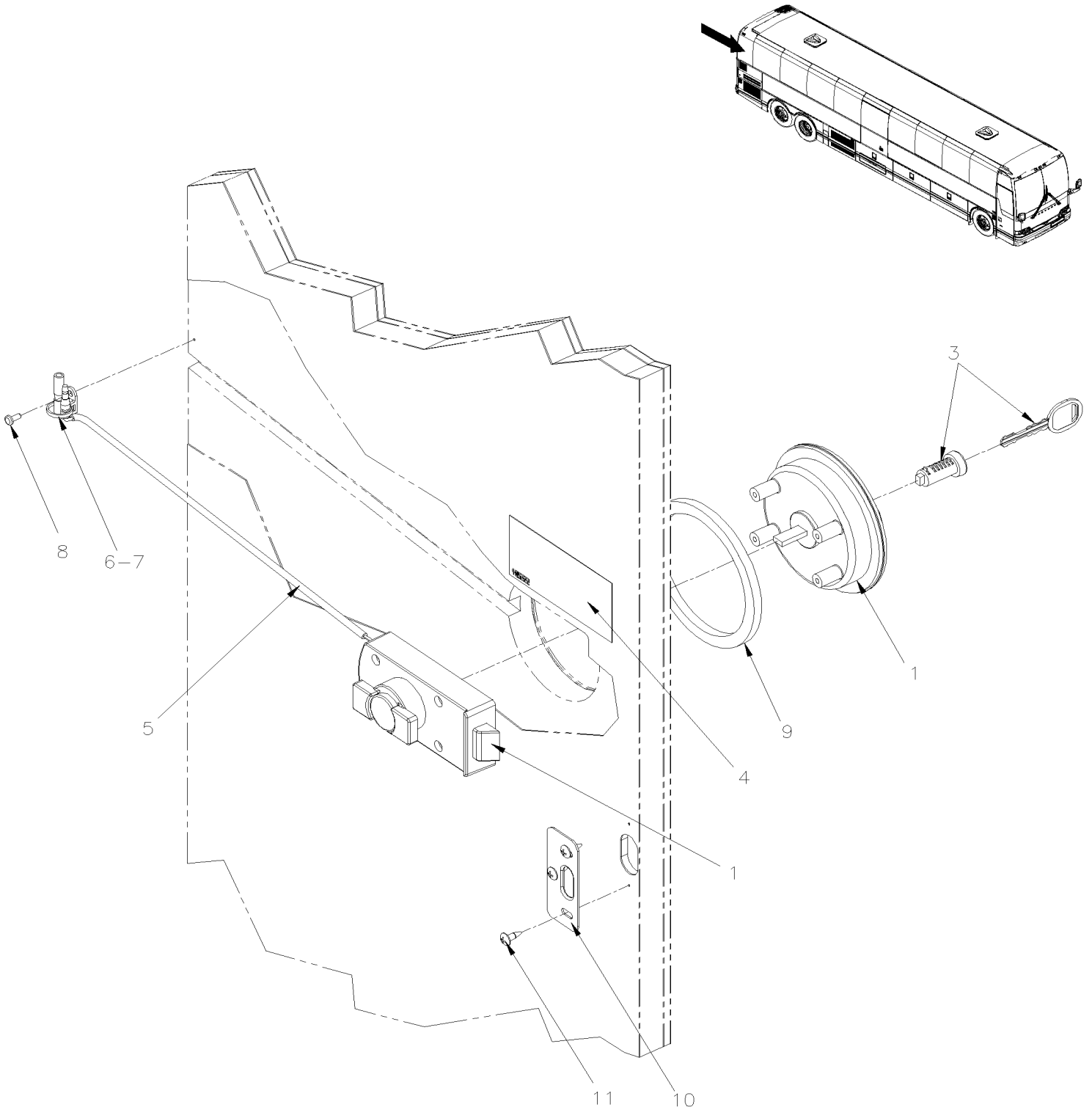
Item#	Part	Description	QTY	Notes
NS	506466	TAPE RUB ADH1 CC POL 1/16" x 1 1/2" x 100 / GREY 2520	AR	
NS	506225	TAPE RUB ADH1 CC POL 1/16" x 1/4" x 100' / GREY 2520	AR	
62	320929	INSULATING PAD ADHESIVE 900MM x 1225MM To K-7662	1	
62	3210418	INSULATING PAD ADHESIVE 911MM x 841.5MM From L-7663	1	
63	506282	TAPE RUB ADH1 CC POL 3/8" x 1" x 20' / GREY 2520	AR	
64	506264	TAPE RUB ADH1 URE 3/4" x 1" x 12.5' / GREY 1820X	AR	
65	562679	4 WAY ADH. BACKED MOUNTS 1.000 x 1.000 x .160	AR	
66	504637	CABLE TIE / 3/16" x 13"	AR	
67	504750	CABLE TIE / 1/2" x 15" / CHRISTMAS TREE	1	
70	406690	DECAL / "NO SMOKING"	2	
70	400014	DECAL / NO SMOKING / DRINKING INTOXICANTS.... / ENGLISH & SPANISH & FRANCAIS From J-7509	2	G
71	406616	DECAL / "TRASH"	1	
72	406610	DECAL "NO FOREIGN MATERIAL..."	1	
75	405126	PROTECTOR PANEL 460MM x 100MM SS	1	
76	500952	SCREW TP BDG PH #8x1/2 SS	6	
		C) USE WITH DOOR WITH CARPET		
		D) USE WITH DOOR WITH TISSUS		
		E) USE WITH 2 SEATING PLACE REAR PASSENGER'S WITHOUT READING LIGHT		
		F) USE WITH 3 SEATING PLACE REAR PASSENGER'S WITH READING LIGHT		
		G) WITH "GREYHOUND" BUS		
		P) CALL ORDER DESK FOR SPECIFIC APPLICATION (V.I.N.)		

From G-7275 To M-7767

Date:07/2024

PAGE:X3PLB-2329-00

LAVATORY DOOR LOCK & SWITCH



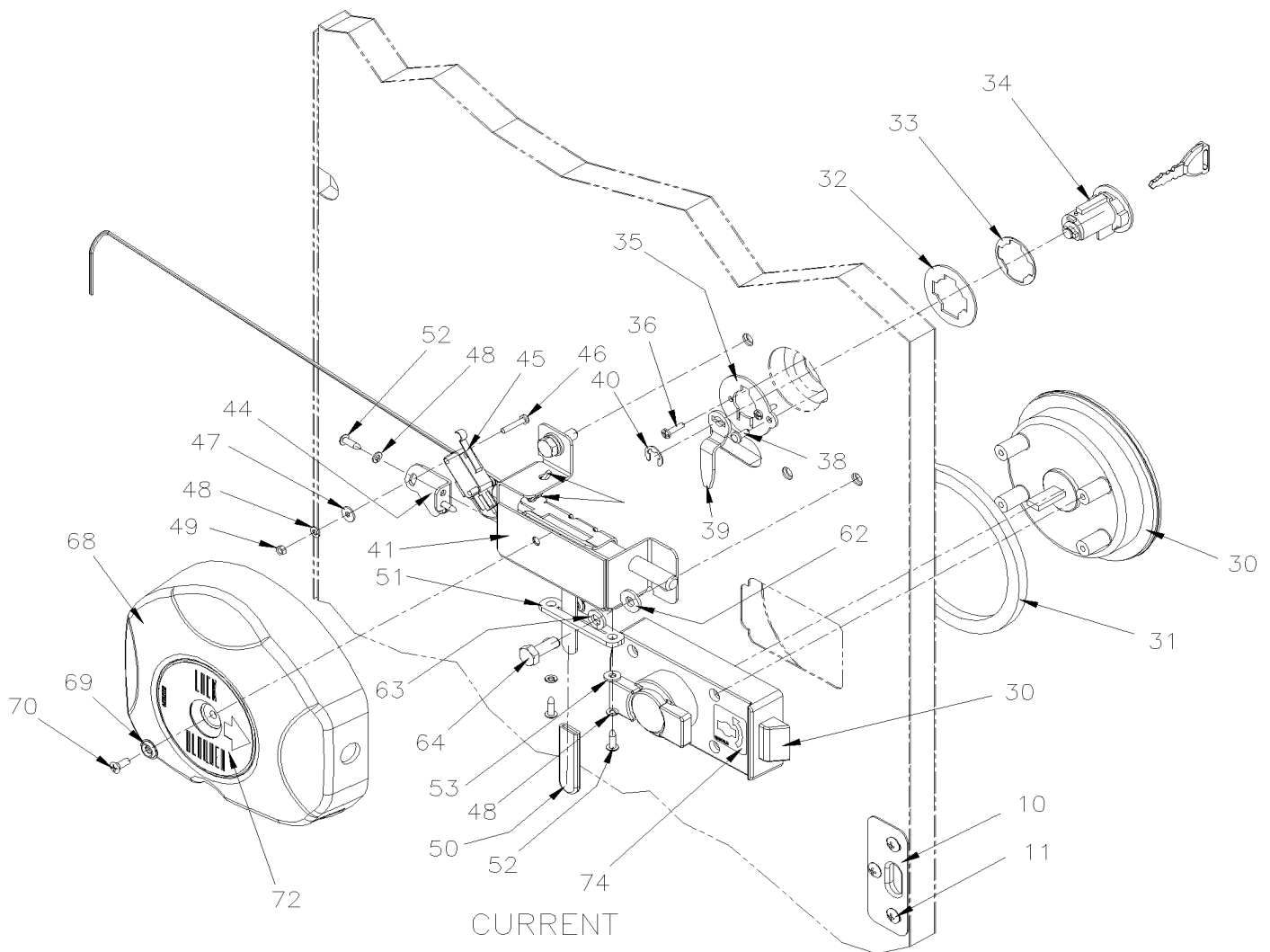
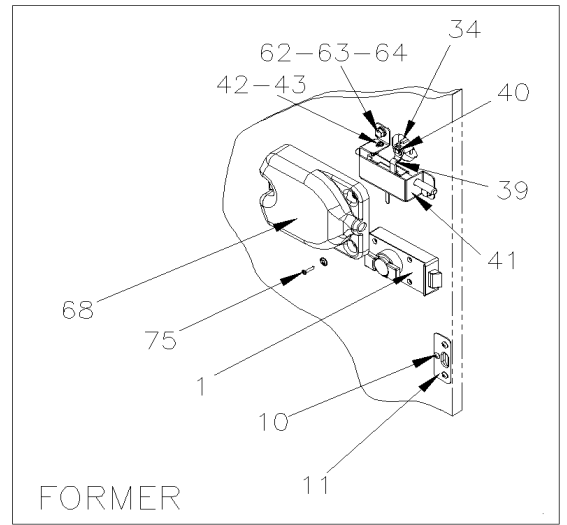
From G-7275 To M-7767

Date:07/2024

PAGE:X3PLB-2329-00

LAVATORY DOOR LOCK & SWITCH

DOOR LOCK "FORD"



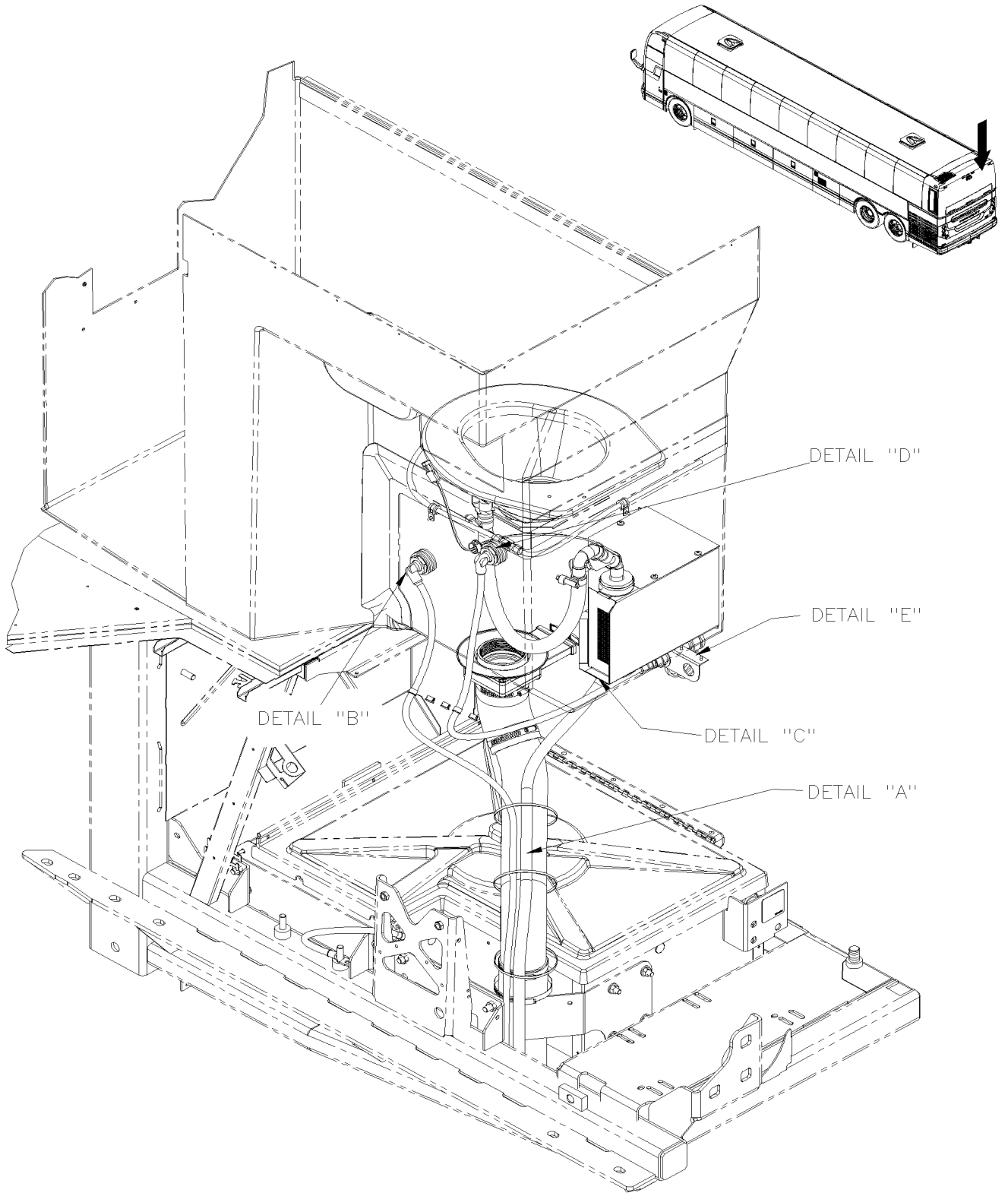
From G-7275 To M-7767	Date:07/2024	PAGE:X3PLB-2329-00
LAVATORY DOOR LOCK & SWITCH		

Item#	Part	Description	QTY	Notes
1	901114	LOCK ASSY, DOOR	1	
1	563097	. MICRO SWITCH / N.C.	1	
3	780801	CYLINDER LOCK / NS 8888	1	
. NS	780660	. KEY / NS 8888	2	
4	405222	DECAL / LAVATORY OPEN / LOCK / ENGLISH To H-7416	1	
4	400315	DECAL / LAVATORY OPEN / LOCK / ENGLISH From H-7417	1	
4	403820	DECAL / LAVATORY OPEN / LOCK FOR LIGHTING / ENGLISH & FRANCAIS To H-7416	1	
4	400314	DECAL / LAVATORY OPEN / LOCK / ENGLISH & FRANCAIS From H-7417	1	
4	405642	DECAL / LAVATORY OPEN / LOCK FOR LIGHTING / ENGLISH & SPANISH To H-7416	1	
4	400313	DECAL / LAVATORY OPEN / LOCK / ENGLISH & SPANISH From H-7417	1	
4	406982	DECAL / LAVATORY OPEN / LOCK FOR LIGHTING / ENGLISH & SPANISH & FRANCAIS To H-7416	1	
4	400324	DECAL / LAVATORY OPEN / LOCK / ENGLISH & SPANISH & FRANCAIS From H-7417	1	
5	064372	WIRING HARNESS LAVATORY DOOR	1	
6	504531	TIE MOUNT / 3/16" #10 SCREW / TA1S8-C	1	
7	504273	CABLE TIE / 1/8" X 3"1/2	1	
8	500417	SCREW TP PAN PH #6x3/8 Z050	1	
9	405216	SPACER	1	
10	405518	PLATE RETAINING DOOR / 76MM X 31MM	1	
11	500124	SCREW TP TR PH #8x1/2 SS	3	
		LAVATORY DOOR WITH LOCK "FORD"		
30	406311	LOCK ASSY, DOOR	1	
31	405216	SPACER	1	
32	406280	WASHER SPACER CYLINDER "FORD" 18GA	1	
33	2800032	SEAL RUBBER 1/16" TH	1	
34	X3PLB-1867-00	KEY & CYLINDER CODE "FORD" & "NS" To K-7662		
34	X3PLB-1867-01	KEY & CYLINDER CODE "FORD" From L-7663	1	
35	406279	WASHER / CYLINDER LOCK RETAINER	1	
36	500518	SCREW MA BDG PH #4-40x1/2 Z050	2	
38	500417	SCREW TP PAN PH #6x3/8 Z050	2	
39	287406	PIVOT LOCK 9.5MM OFFSET	1	
40	504402	RING RETAINER / EXT .250 x .210 x .025"	1	
41	406309	SECONDARY LATCH ASSY "FORD"	1	
41	406276	. SECONDARY LATCH ASSY "FORD"	1	
NS	684007	. GREASE WHITE / SPRAY BOTTLE 290GR	AR	
42	481564	. ROD GUIDE	2	
43	502934	. SPRING COMPRESSION / .300 O.D. x 1 x .026	2	
44	406303	. SUPPORT MICRO SWITCH To H-7416	1	C
45	562096	. MICRO SWITCH To H-7416	1	C
46	502577	. SCREW MA PAN PH M3-0.5x16 ZP To H-7416	2	
47	500437	. WASHER FL .125x.375x.040 Z050 To H-7416	1	

From G-7275 To M-7767	Date:07/2024	PAGE:X3PLB-2329-00
LAVATORY DOOR LOCK & SWITCH		

Item#	Part	Description	QTY	Notes
48	502691	. WASHER LO SPT 3.6x6.7x0.8 Z050	AR	
49	502826	. NUT HEX M3-0.5 N500 To H-7416	2	
50	406306	. CAP DOOR HANDLE	1	C
NS	680042	. GLUE LOCTITE 430 BOTTLE 1OZ	AR	C
51	406308	. GUIDE DOOR HANDLE	1	C
52	500583	. SCREW TP PAN PH #6x1/2 Z050	AR	
53	502630	. WASHER FL .156x.375x.049 Z050	2	
62	500440	WASHER FL .250x.562x.065 Z050	3	
63	500473	WASHER LO SPT .262x.489x.062 Z050	3	
64	500163	SCREW CAP HEX 1/4-20x3/4 G5 Z050	3	
NS	500453	NUT TEE 1/4-20 To L-7742	3	
NS	5002144	NUT AN INS THREADED 1/4-20x.516 From L-7743	3	
66	064372	WIRING HARNESS LAVATORY DOOR	1	F
66	067838	WIRING HARNESS LAVATORY DOOR W/DOOR LOCK "FORD"	1	C
NS	504531	TIE MOUNT / 3/16" #10 SCREW / TA1S8-C	1	C
NS	504273	CABLE TIE / 1/8" X 3"1/2	1	C
NS	500417	SCREW TP PAN PH #6x3/8 Z050	1	C
68	406304	COVER LATCH / PLASTIC	1	C
68	320434	COVER LATCH / PLASTIC	1	F
69	502725	SCREW MA OV PH M4-0.7x10 SS EMN	1	C
70	500345	WASHER FN CKF .187x.500x.090 BR BK	1	C
71	500333	SCREW TP OV PH #6x3/4 BK	1	
72	406305	DECAL / LAVATORY LOCK, ENGLISH & SPANISH	1	
72	406325	DECAL / LAVATORY LOCK, ENGLISH & FRENCH	1	
72	400007	DECAL / LAVATORY LOCK, ENGLISH & SPANISH & FRENCH	1	
74	406315	DECAL / LAVATORY LOCK	1	
75	500552	SCREW TP OV PH #6x3/4 Z050	3	F
75	500463	WASHER FN CKF .187x.500x.090 BR Z050	3	F
		C) CURRENT		
		F) FORMER		

SUMP TANK SYSTEM - INSTALLATION

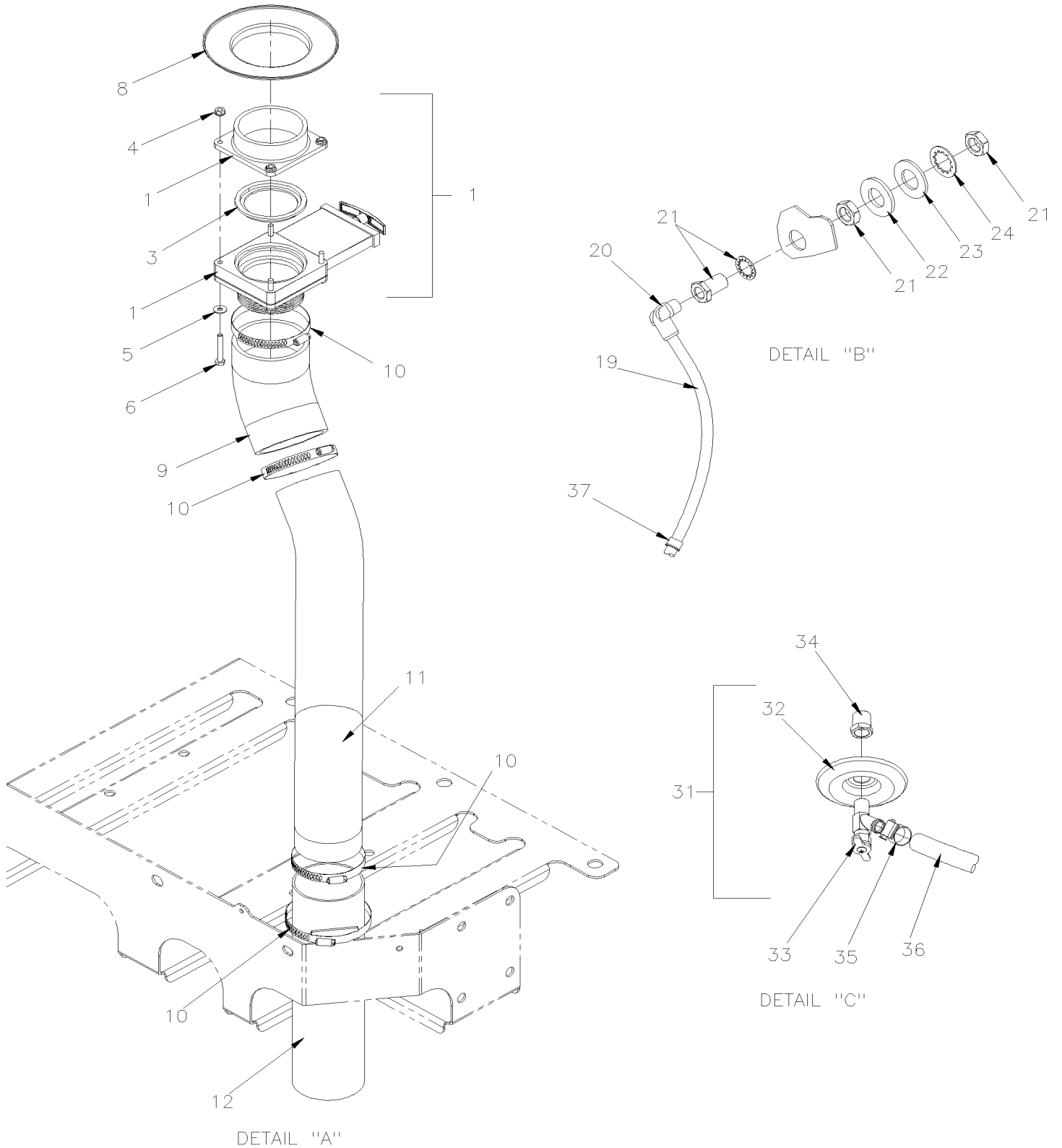


From G-7275 To H-7416

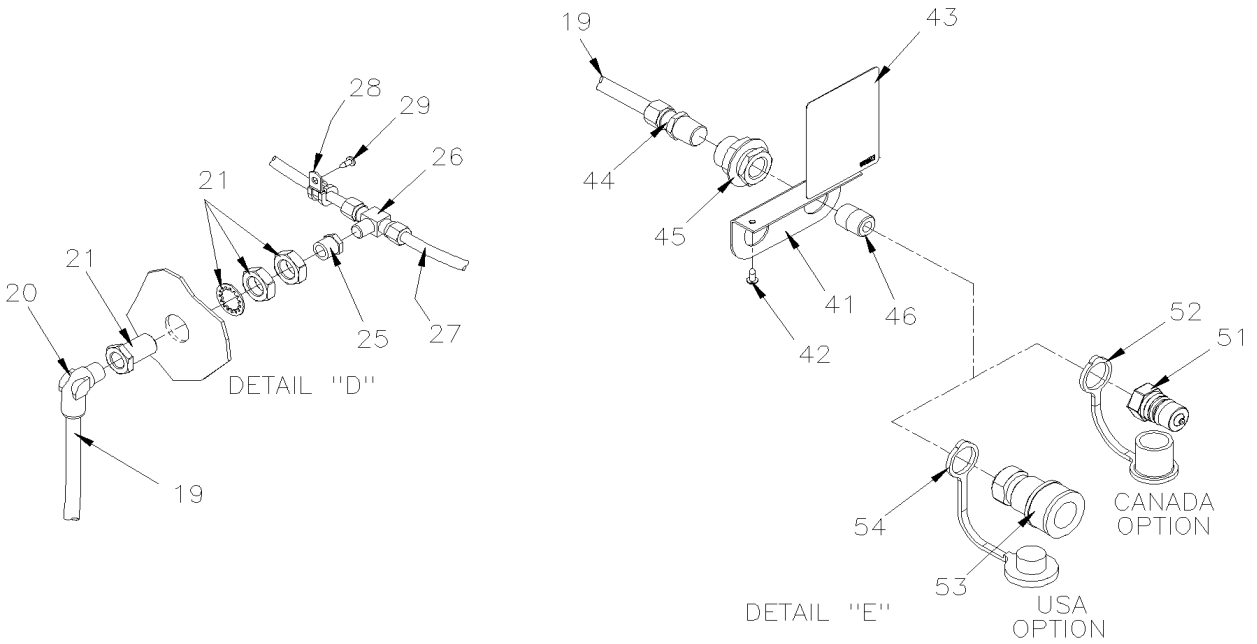
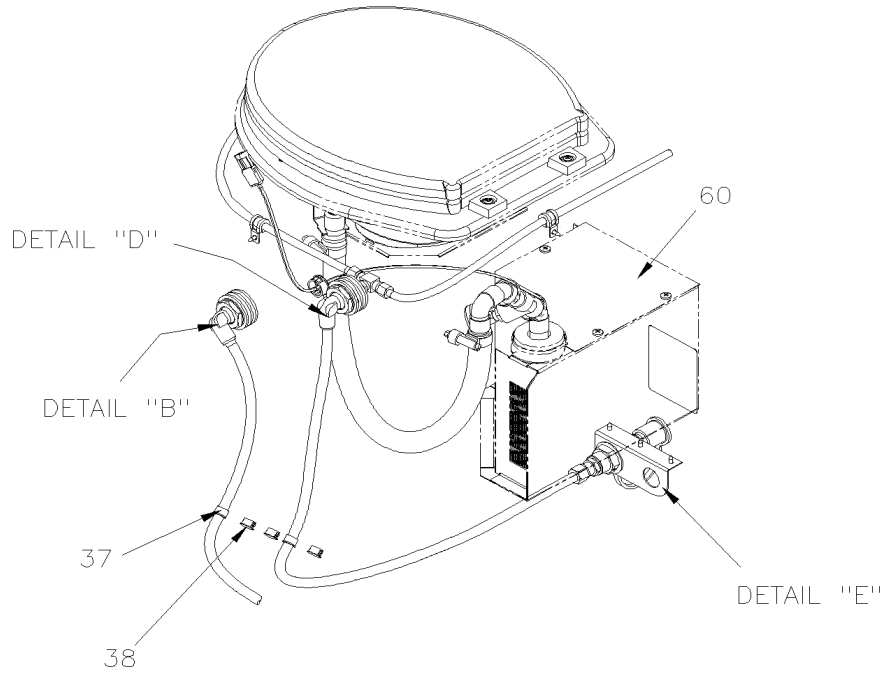
Date:07/2024

PAGE:X3PLB-2330-00

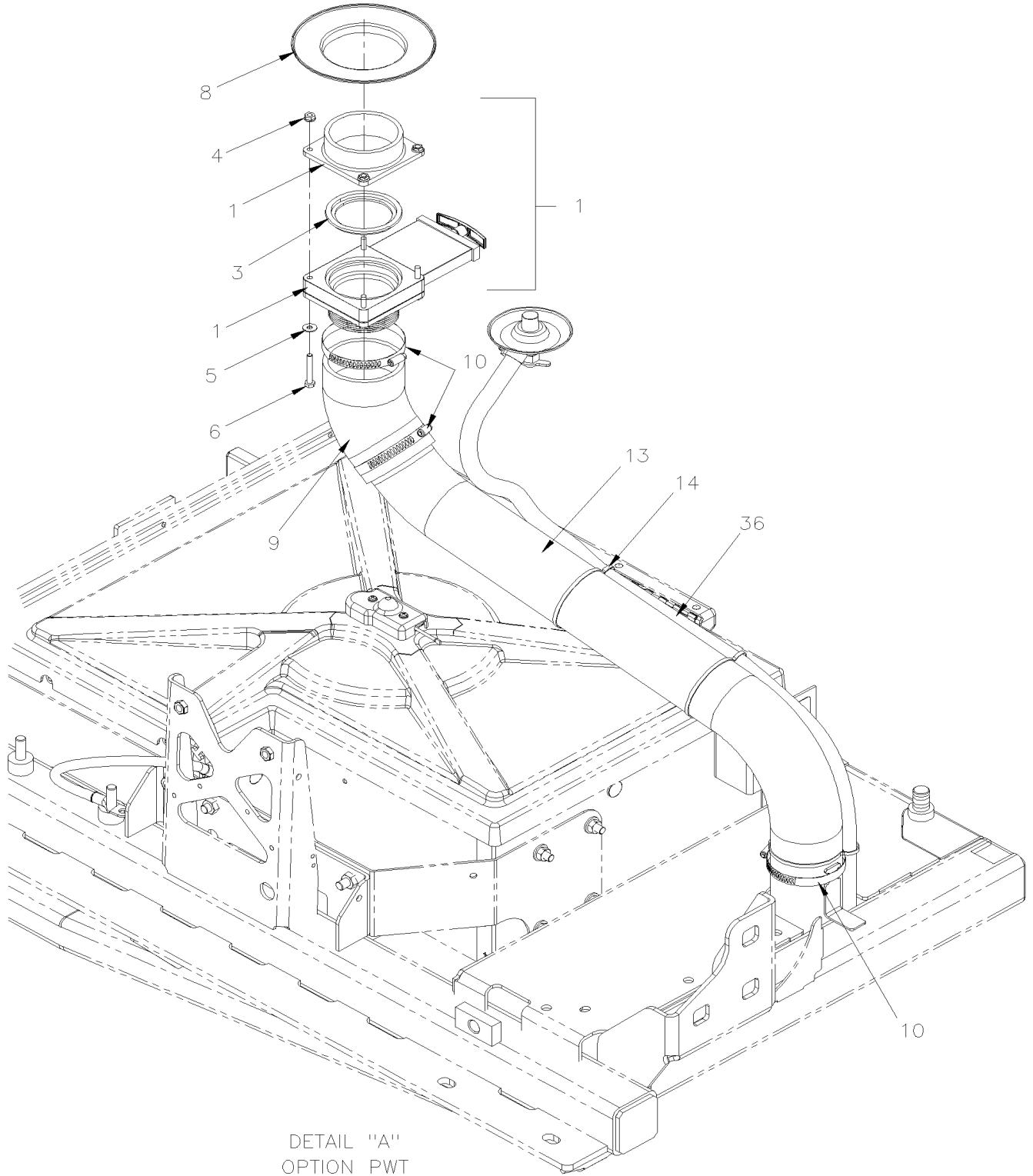
SUMP TANK SYSTEM - INSTALLATION



SUMP TANK SYSTEM - INSTALLATION



SUMP TANK SYSTEM - INSTALLATION



DETAIL "A"
OPTION PWT

From G-7275 To H-7416	Date:07/2024	PAGE:X3PLB-2330-00
SUMP TANK SYSTEM - INSTALLATION		

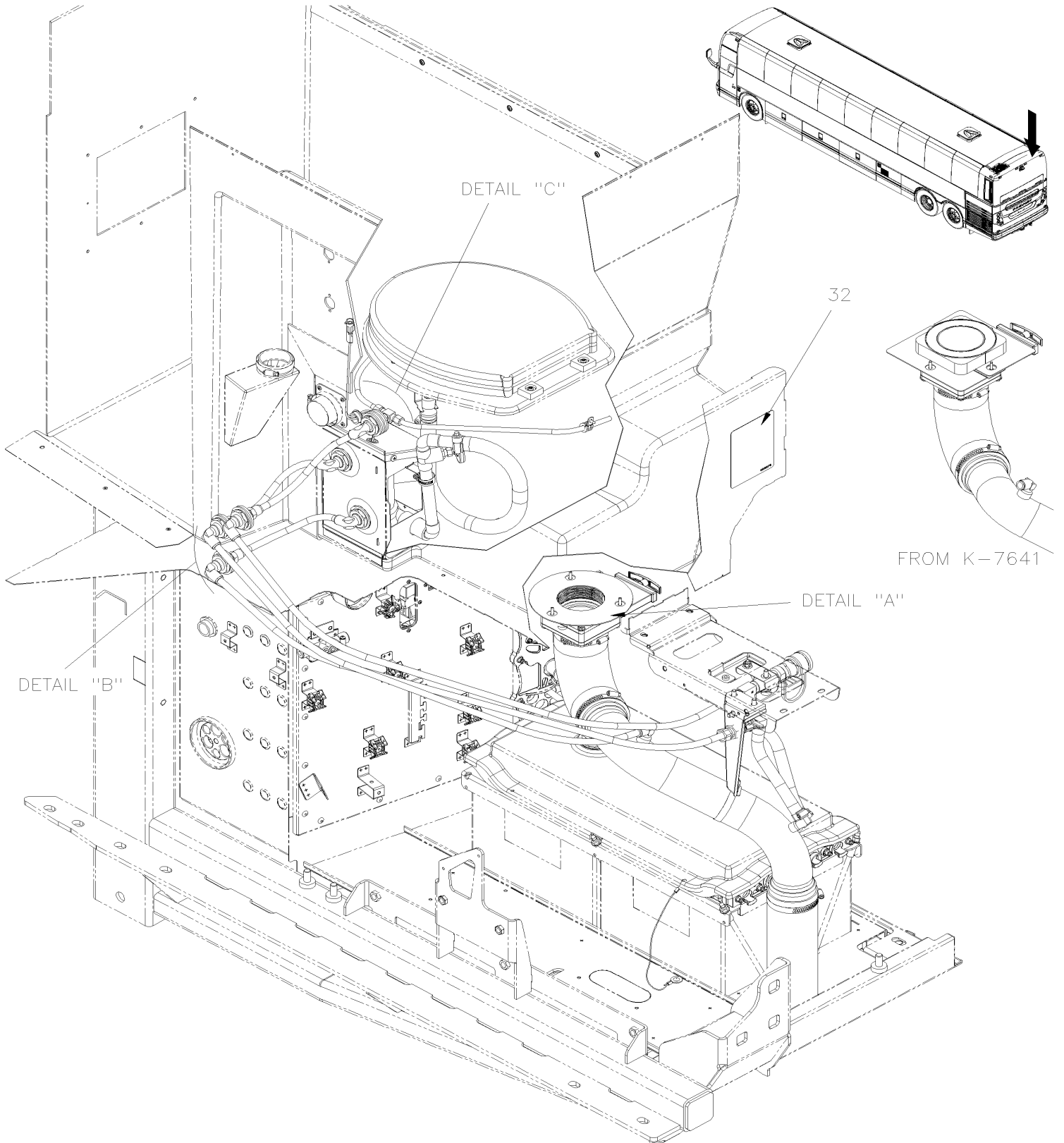
Item#	Part	Description	QTY	Notes
1	900195	THREADED VALVE ASSY W/HANDLE	1	
3	900330	. SEAL	2	
4	500769	. NUT HEX 1/4-20 Z050	4	
5	500411	. WASHER FL .260x.697x.050 SS	4	
6	500994	. SCREW CAP HEX 1/4-20x1 3/4 G5 PT Z050	4	
8	404325	SEAL PLASTIC 4" I.D. / PIPE & FLOOR	1	
9	530211	ELBOW 45° X 3 1/2" I.D. RUBBER	1	
10	504235	HOSE CLAMP / 3"9/16"-4"1/2 SS / HS-64	4	
11	403715	TUBE DRAIN "S" SHAPE 3 1/2" O.D. SS	1	
12	401298	HOSE 13 1/2"	1	
12	503039	. HOSE FLEXIBLE / 3 1/2" I.D. X 10'	AR	
13	409455	TUBE DRAIN "S" SHAPE	1	PWT
14	504637	CABLE TIE / 3/16" x 13"	3	PWT
19	503488	TUBE, NYLON 1/2 O.D. / BLACK S.L./	AR	
20	641376	MALE ELBOW 90° NON-SWIVEL / PUSH-IN FITTING / #8x3/8NPT-M BR	2	
21	640863	BULKHEAD COUPLING / PIPE FITTING / 3/8NPT-Fx3/8NPT-F STL	2	
22	400296	SEAL NEOPRENE	1	
23	500456	WASHER FL 1.062x2.000x.134 Z050	1	
24	500491	WASHER LO INT 1.019x1.637x.067 Z050	1	
25	501314	BUSHING REDUCER / PIPE FITTING / 3/8NPT-Mx1/4NPT-F BR	1	
26	501626	MALE BRANCH TEE/ COMPRESSION FITTING / #6x#6x1/4NPT-M BR	1	
27	503404	TUBE, NYLON 3/8 O.D. / BLACK S.L.	2	
27	503405	INSERT / NTA FITTING / #6 SS	1	
28	952625	CLAMP / 3/8" I.D.	2	
29	500952	SCREW TP BDG PH #8x1/2 SS	2	
31	405784	DRAIN VALVE ASSY / WATER TANK	1	
32	401253	. SEAL, PLASTIC 3/4" I.D.	1	
33	501531	. DRAIN VALVE 3/8 NPT M x 5/8 HOSE	1	
34	501534	. BUSHING REDUCER / PIPE FITTING / 1/2NPT-Mx3/8NPT-F BR	1	
35	504019	HOSE CLAMP / 9/16"-1"1/16 SS / HS-10	1	
36	900220	TUBE PVC / 5/8" I.D. / S.L.	AR	
37	504085	SNAP BUSHING / .500x.718x.406	AR	
38	504422	HOLE PLUG BUTTON / .625 O.D. WHITE	AR	
41	400378	SUPPORT	1	
42	500613	SCREW TP PAN PH #10x1/2 Z050	3	
43	409023	DECAL / "SEPTIC TANK" / ENGLISH & FRANCAIS	1	
43	409065	DECAL / "SEPTIC TANK" / ENGLISH & SPANISH	1	
44	640992	MALE CONNECTOR / NTA FITTING / #8x1/2NPT-M BR	1	
45	501796	BULKHEAD COUPLING / PIPE FITTING / 1/2NPT-Fx1/2NPT-Fx1 1/2 BR	1	
46	501424	NIPPLE / PIPE FITTING / 1/2NPT-Mx1/2NPT-Mx1 1/8 BR	1	
51	900323	NIPPLE / QUICK DISCONNECT "B SERIES" / #10x1/2NPT-F BR	1	A
52	900326	DUST CAP / QUICK DISCONNECT "B SERIES" / #10 VINYL	1	A

From G-7275 To H-7416	Date:07/2024	PAGE:X3PLB-2330-00
-----------------------	--------------	--------------------

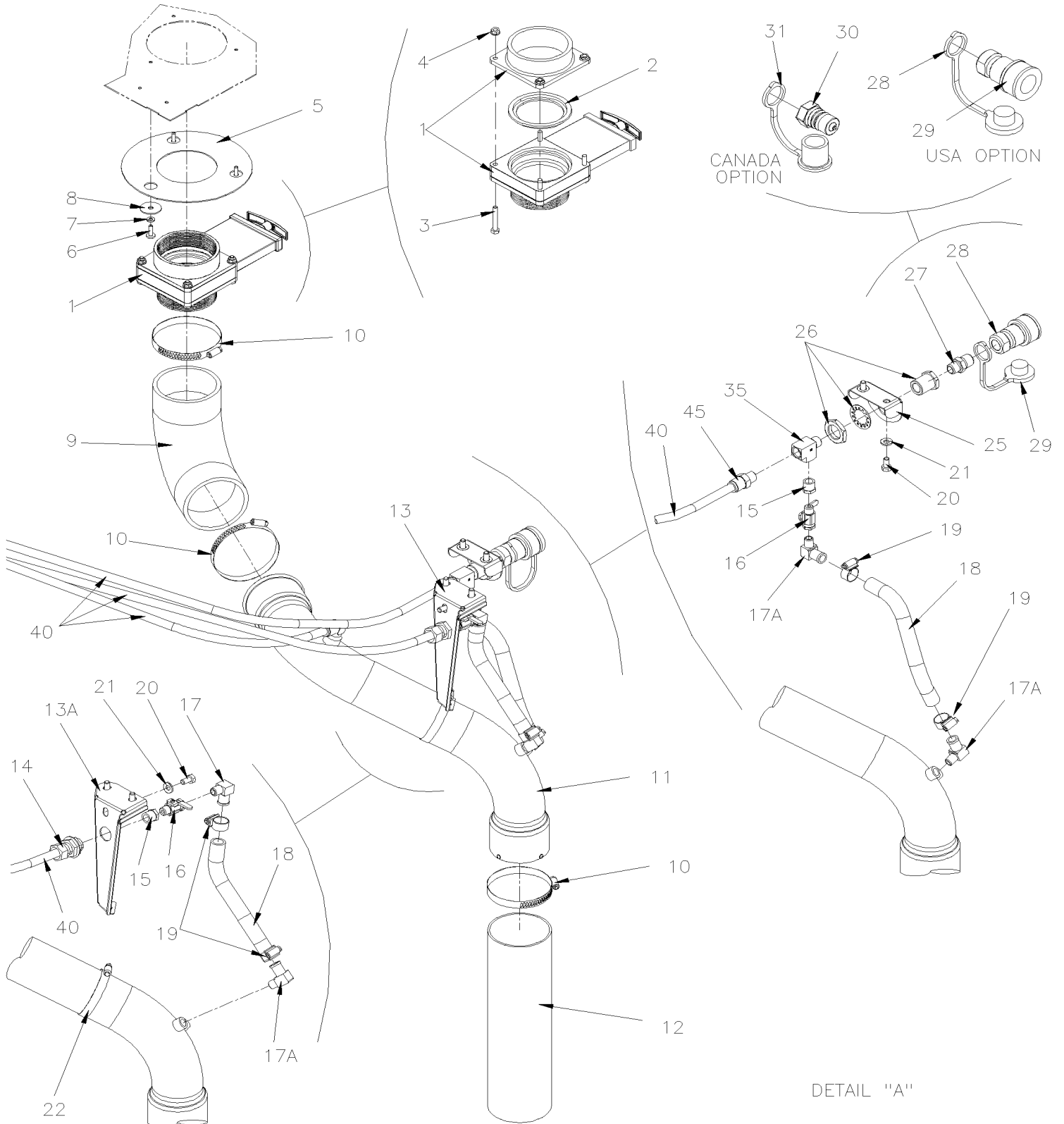
SUMP TANK SYSTEM - INSTALLATION

Item#	Part	Description	QTY	Notes
53	900324	COUPLER / QUICK DISCONNECT "B SERIES" / #8x1/2NPT-F BR	1	B
54	900325	DUST PLUG / QUICK DISCONNECT "B SERIES" / #8 VINYL	1	B
60	X3PLB-2326-00	TOILET PUMP ASSY		
100	401294	VALVE SERVICE KIT	1	
. NS	900195	. THREADED VALVE ASSY W/HANDLE	1	
. NS	401296	. ADAPTER S.STEEL	1	
. NS	5000310	. SCREW CAP HEX M6-1.0x40 BK	3	
. NS	5001833	. WASHER BEL SPR 6.1x18x1.27 SS	4	
. NS	680098	. THREAD SEALANT LOCTITE #567 / WHITE / 250ml	AR	
. NS	684685	. ADHESIVE SIMSON #ISR 70-03 / 310ml CARTRIDGE	AR	
. NS	IS-18158	. INSTRUCTION SHEET	1	
		A) CANADA OPTION		
		B) USA OPTION		
		PWT) PACIFIC WESTERN OPTION		

SUMP TANK SYSTEM - INSTALLATION GHG17



SUMP TANK SYSTEM - INSTALLATION GHG17



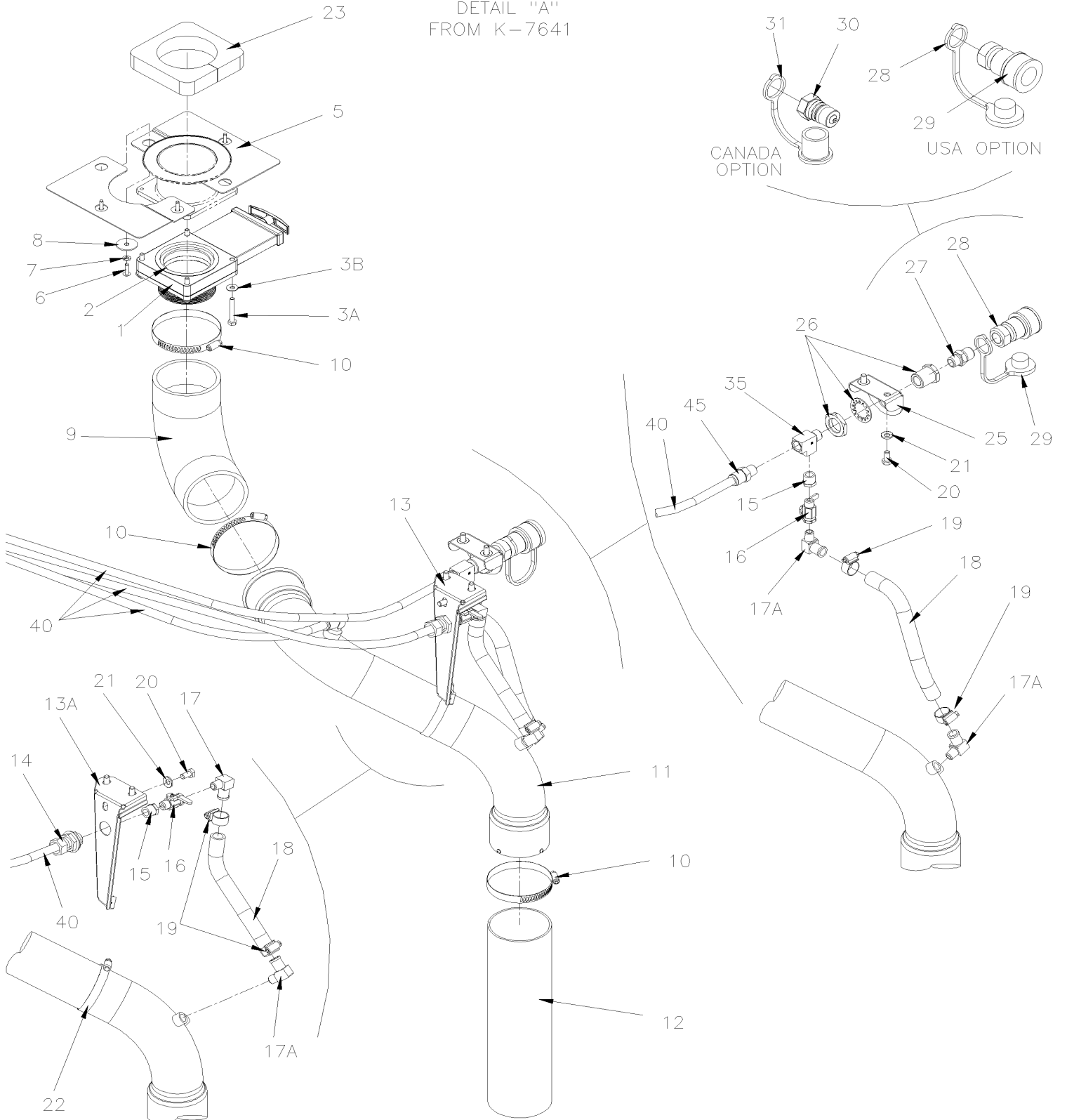
From H-7417 To M-7767

Date:07/2024

PAGE:X3PLB-2330-01

SUMP TANK SYSTEM - INSTALLATION GHG17

DETAIL "A"
FROM K-7641

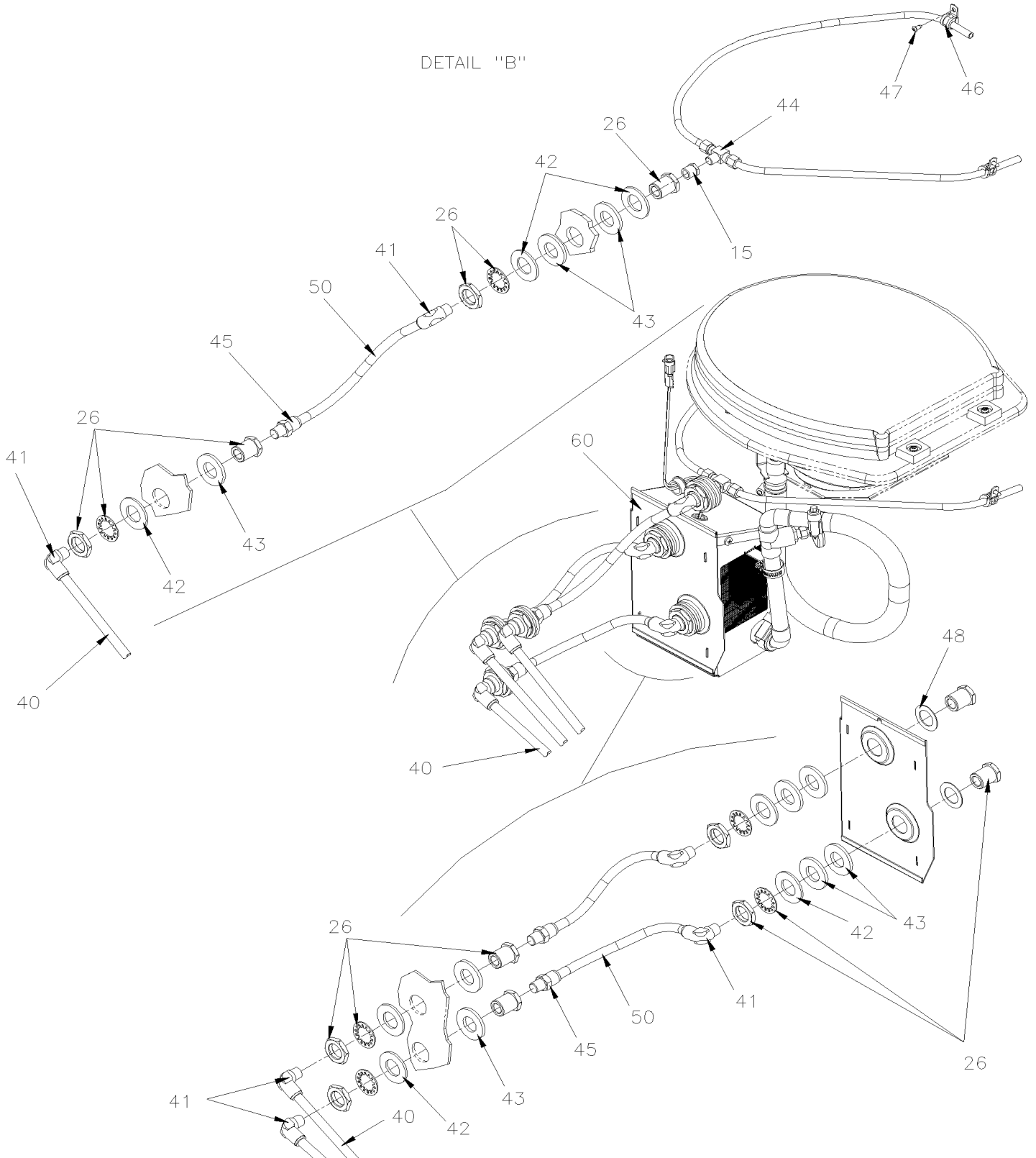


From H-7417 To M-7767

Date:07/2024

PAGE:X3PLB-2330-01

SUMP TANK SYSTEM - INSTALLATION GHG17



From H-7417 To M-7767	Date:07/2024	PAGE:X3PLB-2330-01
SUMP TANK SYSTEM - INSTALLATION GHG17		

Item#	Part	Description	QTY	Notes
1	900195	THREADED VALVE ASSY W/HANDLE	1	
2	900330	. SEAL	1	
3	500994	. SCREW CAP HEX 1/4-20x1 3/4 G5 PT Z050 To K-7638	4	
3A	5000310	SCREW CAP HEX M6-1.0x40 BK From K-7639	4	
3B	5001833	WASHER BEL SPR 6.1x18x1.27 SS From K-7639	4	
4	500769	. NUT HEX 1/4-20 Z050 To K-7638	4	
5	400240	FIRE STOP PLATE To K-7638	1	
5	401241	FIRE STOP PLATE From K-7639	1	
5	684685	ADHESIVE SIMSON #ISR 70-03 / 310ml CARTRIDGE From K-7639	AR	
6	500283	SCREW TC TR PH #10-24x3/4 SS	AR	
7	502570	WASHER LO SPT 6.1x11.8x1.6 SS	AR	
8	500913	WASHER FL .281x1.250x.065 N500	AR	
9	530002	ELBOW 90° X 3 1/2" I.D. RUBBER 3 1/2"	1	
10	504235	HOSE CLAMP / 3"9/16"-4"1/2 SS / HS-64	3	
11	400093	TUBE DRAIN "S" SHAPE 3 1/2" O.D. SS	1	
11	401373	TUBE DRAIN "S" SHAPE 3 1/2" O.D. SS 304	1	C
12	401298	HOSE 13 1/2"	1	
13	400239	DRAIN VALVE ASSY / WATER TANK	1	
13A	400269	. BRACKET	1	
14	641012	. BULKHEAD UNION / NTA FITTING / #8x3/8NPT-M BR	1	
15	501314	. BUSHING REDUCER / PIPE FITTING / 3/8NTP-Mx1/4NPT-F BR	1	
16	642194	. BALL VALVE 1/4 NPT M x 1/4 NPT F	1	
17	5011025	. MALE ELBOW 90° / BEADED HOSE BARB / #10x1/4NPT-M	1	
17	5011025	. MALE ELBOW 90° / BEADED HOSE BARB / #10x1/4NPT-M	1	
NS	680098	. THREAD SEALANT LOCTITE #567 / WHITE / 250ml	AR	
17A	5011025	MALE ELBOW 90° / BEADED HOSE BARB / #10x1/4NPT-M	3	
17A	5011025	MALE ELBOW 90° / BEADED HOSE BARB / #10x1/4NPT-M	3	
18	900220	TUBE PVC / 5/8" I.D. / S.L.	AR	
19	504019	HOSE CLAMP / 9/16"-1"1/16 SS / HS-10	AR	
20	5001527	SCREW CAP HEX M8-1.25x16 SS BK	AR	
21	5001868	WASHER BEL SPR 8.4x18x2 SS	AR	
22	504026	HOSE CLAMP / 2"13/16-3"3/4 SS / HS-52	1	
23	3210750	FLOOR INSULATOR PANEL From K-7639	1	
25	400233	SUPPORT	1	
26	640863	BULKHEAD COUPLING / PIPE FITTING / 3/8NPT-Fx3/8NPT-F STL	3	
27	5011151	NIPPLE REDUCER HEX / PIPE FITTING / 1/2NPT-Mx3/8NPT-Mx1 5/8 BR	1	
28	900324	COUPLER / QUICK DISCONNECT "B SERIES" / #8x1/2NPT-F BR	1	
29	900325	DUST PLUG / QUICK DISCONNECT "B SERIES" / #8 VINYL	1	
30	900323	NIPPLE / QUICK DISCONNECT "B SERIES" / #10x1/2NPT-F BR	1	
31	900326	DUST CAP / QUICK DISCONNECT "B SERIES" / #10 VINYL	1	
32	400278	DECAL / "SEPTIC TANK" / ENGLISH & FRANCAIS	1	
32	400290	DECAL / "SEPTIC TANK" / ENGLISH & SPANISH	1	

From H-7417 To M-7767	Date:07/2024	PAGE:X3PLB-2330-01
SUMP TANK SYSTEM - INSTALLATION GHG17		

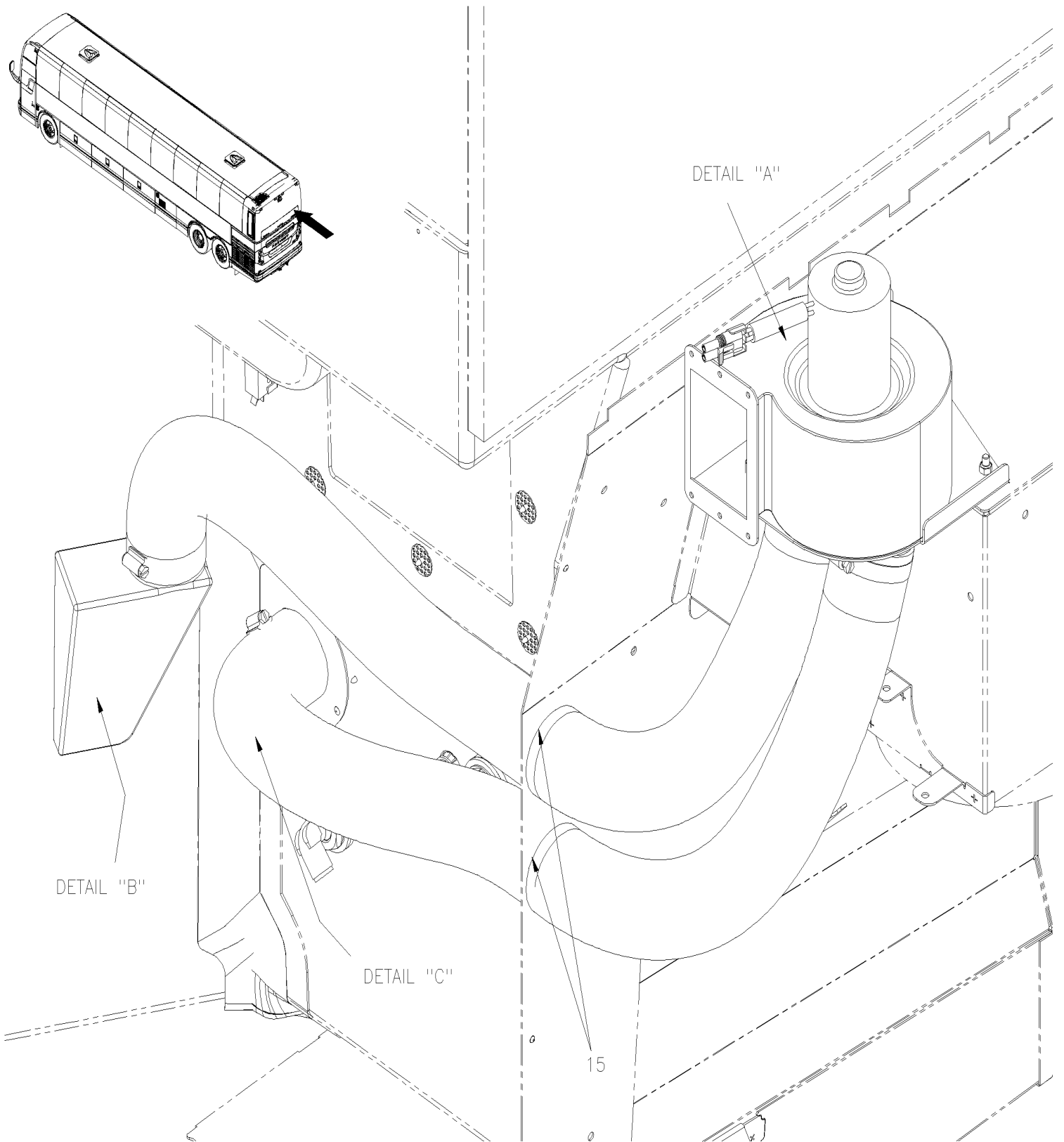
Item#	Part	Description	QTY	Notes
35	501699	MALE RUN TEE / PIPE FITTING / 3/8NPT-Mx3/8NPT-Fx3/8NPT-F BR	1	
40	503488	TUBE, NYLON 1/2 O.D. / BLACK S.L./	AR	
41	641376	MALE ELBOW 90° NON-SWIVEL / PUSH-IN FITTING / #8x3/8NPT-M BR	6	
42	500456	WASHER FL 1.062x2.000x.134 Z050	AR	
43	400296	SEAL NEOPRENE	6	
44	641007	MALE BRANCH TEE / NTA FITTING / #6x#6x1/4NPT-M BR To H-7418	1	
44	641040	MALE ELBOW 90° / NTA FITTING / #8x3/8NPT-M BR From H-7419	1	
45	641381	MALE CONNECTOR / PUSH-IN FITTING / #8x3/8NPT-M BR	3	
46	952625	CLAMP / 3/8" I.D.	2	
47	5001087	SCREW TP BDG PH #10x1/2 SS To H-7418	2	
48	400255	WASHER FL 26.0x44.0x1.27 SS To H-7418	2	
50	503406	TUBE, NYLON 1/2 O.D. / GREEN S.L.	AR	
NS	680098	THREAD SEALANT LOCTITE #567 / WHITE / 250ml	AR	
60	X3PLB-2326-01	TOILET PUMP ASSY GHG17		
100	401294	VALVE SERVICE KIT	1	
. NS	900195	. THREADED VALVE ASSY W/HANDLE	1	
. NS	401296	. ADAPTER S.STEEL	1	
. NS	5000310	. SCREW CAP HEX M6-1.0x40 BK	3	
. NS	5001833	. WASHER BEL SPR 6.1x18x1.27 SS	4	
. NS	680098	. THREAD SEALANT LOCTITE #567 / WHITE / 250ml	AR	
. NS	684685	. ADHESIVE SIMSON #ISR 70-03 / 310ml CARTRIDGE	AR	
. NS	IS-18158	. INSTRUCTION SHEET	1	
		C) SPECIAL OPTION SS304		

From G-7275 To H-7416

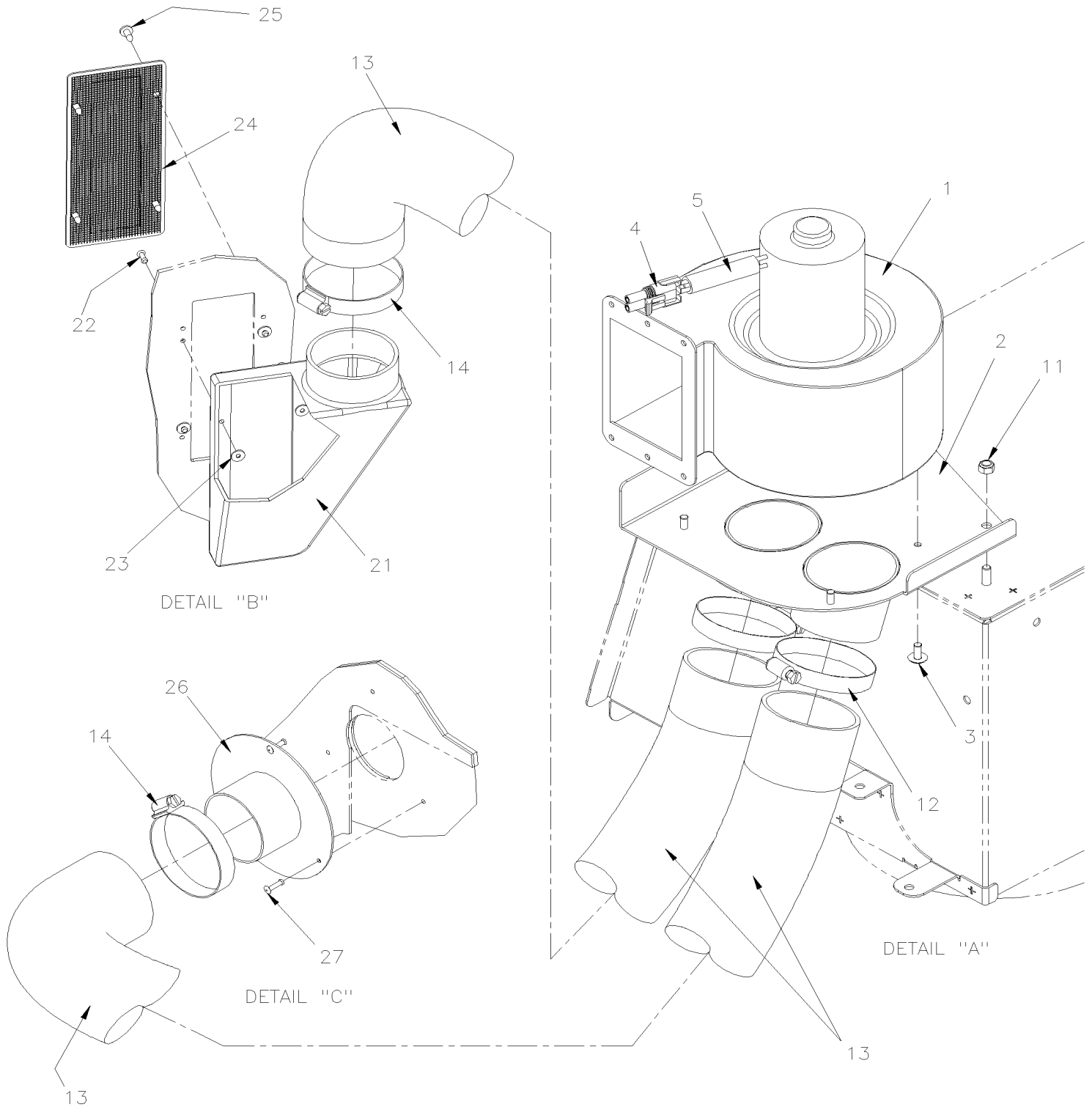
Date:07/2024

PAGE:X3PLB-2337-00

LAVATORY FAN - INSTALLATION



LAVATORY FAN - INSTALLATION



From G-7275 To H-7416	Date:07/2024	PAGE:X3PLB-2337-00
-----------------------	--------------	--------------------

LAVATORY FAN - INSTALLATION

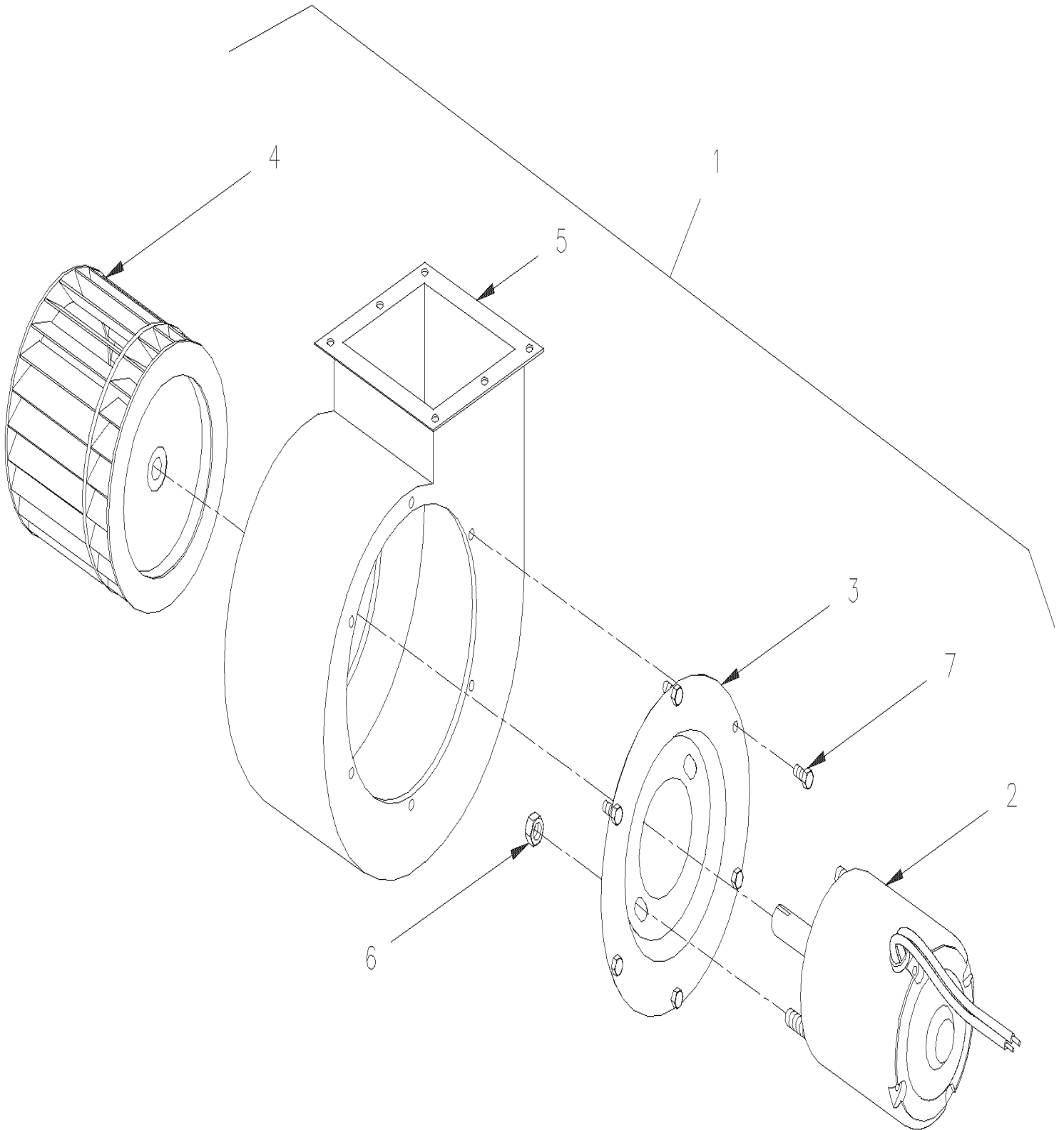
Item#	Part	Description	QTY	Notes
	457748	BLOWER ASSY LAVATORY	1	
1	870844	. BLOWER & MOTOR ASSY - "M.C.C." "CW" / FAN END	1	
2	457716	. SUPPORT, FAN	1	
3	504793	. RIVET MNB OE LARGE HEAD 3/16x7/16 SS	4	
4	561690	. CONNECTOR / WEATHER PACK / SH 2C / BLACK / PED 12015792	1	
4	561578	. SOCKET TERMINAL / 16-14 / PED 12010182	2	
4	561786	. CABLE SEAL / GRAY / PED 15324980	2	
5	561681	. CONVOLUTED TUBING / SLIT / BLACK & GRAY / .350"	2	
5	564099	. TAPE ADHESIF ELECTRICAL TISSUS / BLACK 838MM	AR	
11	502681	NUT HEX NYRT M6-1.0 N500 G8	3	
12	504025	HOSE CLAMP / 2"5/16-3"1/4 SS / HS-44	2	
13	503031	HOSE FLEXIBLE / AIR DUCT 2 1/2" I.D. X 12' / RUBBER	AR	
14	504024	HOSE CLAMP / 1"13/16"-2"3/4 SS / HS-36	2	
15	680532	SEALANT SIKA #221 / GREY / 310ml CARTRIDGE	AR	
21	372366	BOX ASSY	1	
22	504006	RIVET POP CK OE 1/8x5/16 AL	4	
23	500437	WASHER FL .125x.375x.040 Z050	4	
24	405700	GRILLE 160MM X 70MM SS	1	
25	500952	SCREW TP BDG PH #8x1/2 SS	4	
26	400632	FLANGE HOSE ADAPTOR / FIXED TO LAVATORY	1	
27	504108	RIVET POP DOME OE 1/8x1/2 AL	3	

From G-7275 To H-7416

Date:07/2024

PAGE:870844

BLOWER & MOTOR ASSY - "M.C.C." "CW" / FAN END

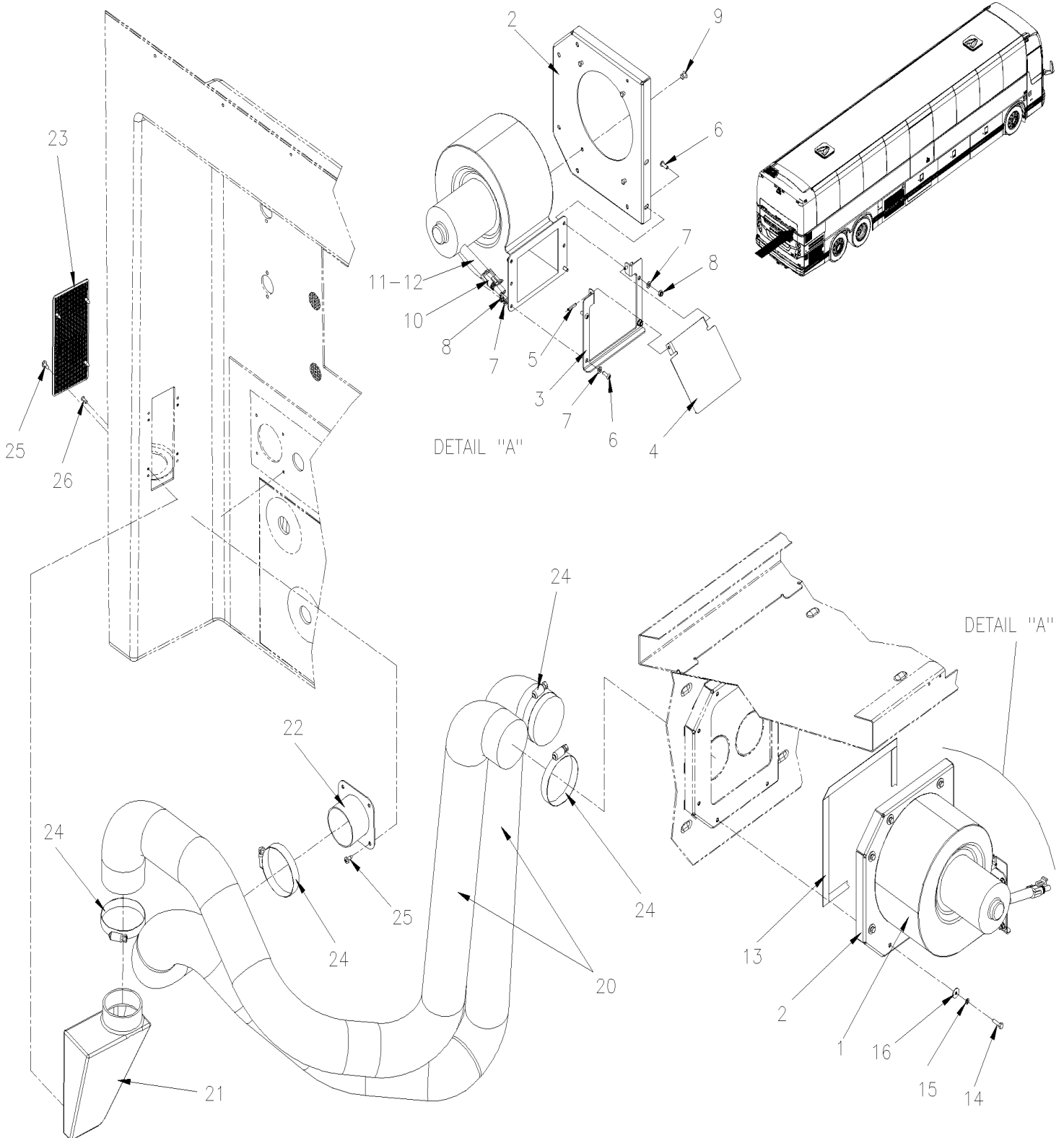


From G-7275 To H-7416	Date:07/2024	PAGE:870844
-----------------------	--------------	-------------

BLOWER & MOTOR ASSY - "M.C.C." "CW" / FAN END

Item#	Part	Description	QTY	Notes
1		BLOWER ASSY 24V / CW	1	
2	562167	. MOTOR ASSY / 24V	1	
3	871020	. PLATE MOUNTING / MOTOR	1	
4	871017	. BLOWER WHEEL / STEEL	1	
5	871440	. HOUSING BLOWER	1	
6	500786	. NUT HEX #10-24 Z050	2	
7	500978	. SCREW CAP HEX #10-24x3/4 Z050	6	

LAVATORY FAN - INSTALLATION GHG17



From H-7417 To M-7767	Date:07/2024	PAGE:X3PLB-2337-01
LAVATORY FAN - INSTALLATION GHG17		

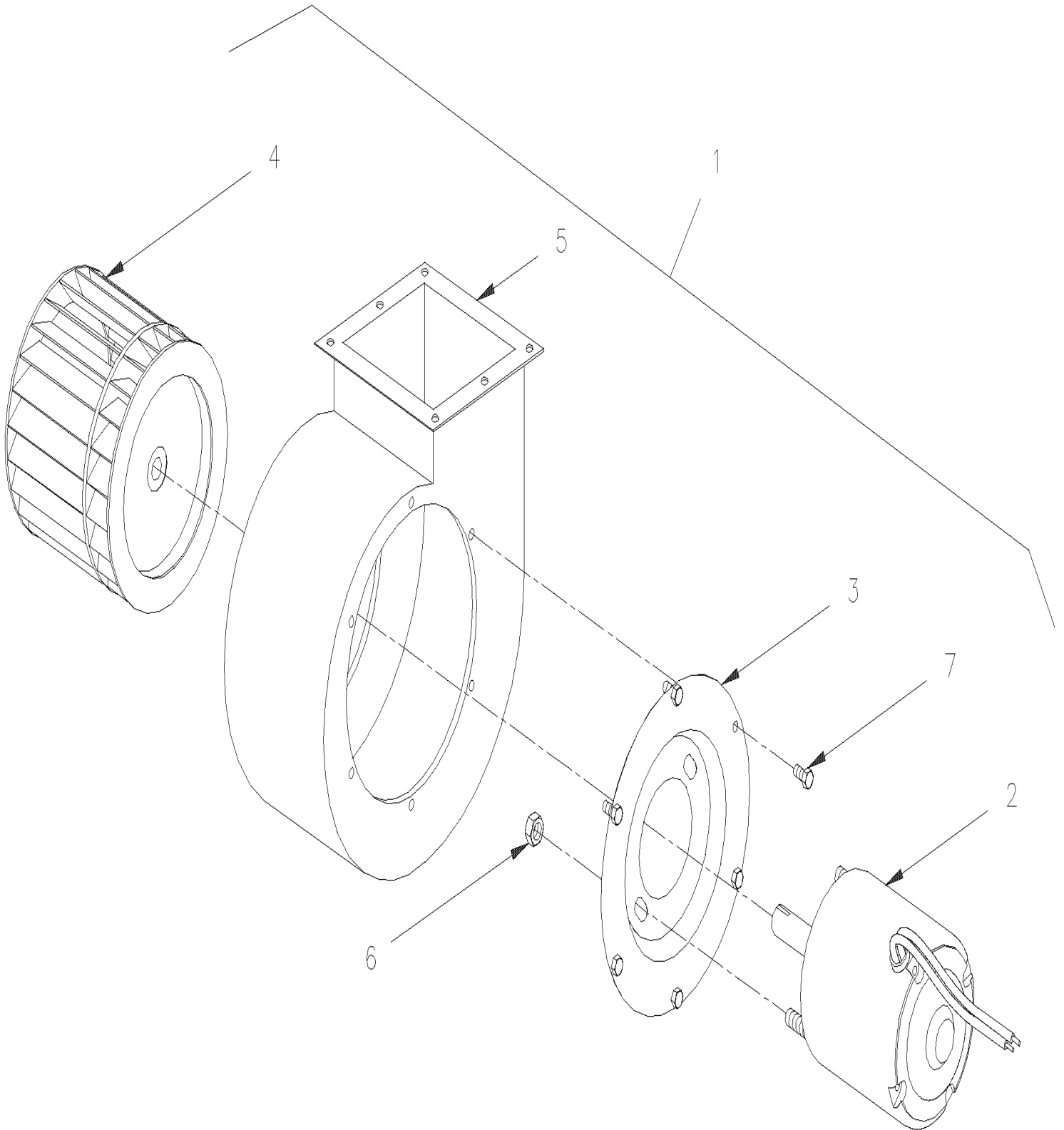
Item#	Part	Description	QTY	Notes
	Call order desk	BLOWER ASSY LAVATORY	1	P
1	870844	. BLOWER & MOTOR ASSY - "M.C.C." "CW" / FAN END	1	S
2	450024	. SUPPORT, FAN	1	
3	450025	. SUPPORT FLAPGATE	1	
4	450026	. FLAPGATE	1	
5	505421	. SPRING, PIN M3 x 18	2	
6	5001996	. SCREW MA PAN PH M4-0.7x12 N500	4	
7	502556	. WASHER FL 4.3x9.0x0.8 SS	6	
8	500539	. NUT HEX NYRT M4-0.7 N500	4	
9	504379	. RIVET POP DOME OE 3/16x1/4 SS	4	
10	561690	. CONNECTOR / WEATHER PACK / SH 2C / BLACK / PED 12015792	1	
NS	561578	. SOCKET TERMINAL / 16-14 / PED 12010182	2	
NS	561786	. CABLE SEAL / GRAY / PED 15324980	2	
11	561681	. CONVOLUTED TUBING / SLIT / BLACK & GRAY / .350"	1	
12	564099	. TAPE ADHESIF ELECTRICAL TISSUS / BLACK 838MM	AR	
13	506236	. TAPE RUB ADH1 CC POL 1/16" x 1/2" x 100' / GREY 2520	AR	
14	502799	. SCREW CAP HEX M4-0.7X16 G8.8 N500	6	
15	502834	. WASHER LO SPT 4.1x7.6x0.9 N500	1	
16	5001750	. WASHER FL 4.3x14.0x1.0 N500	6	
NS	455051	SERVICE KIT FAN LAVATORY	1	
20	503031	HOSE FLEXIBLE / AIR DUCT 2 1/2" I.D. X 12' / RUBBER	AR	
21	372366	BOX ASSY	1	
22	400205	FLANGE, ASSY	1	
23	405700	GRILLE 160MM X 70MM SS	1	
24	504025	HOSE CLAMP / 2"5/16-3"1/4 SS / HS-44	4	
25	500952	SCREW TP BDG PH #8x1/2 SS	8	
26	504006	RIVET POP CK OE 1/8x5/16 AL	4	
		S) FOR BRUSHLESS FAN ALTERNATIVE SEE SERVICE KIT 455051		
		P) CALL ORDER DESK FOR SPECIFIC APPLICATION (V.I.N.)		

From H-7417 To M-7767

Date:07/2024

PAGE:870844

BLOWER & MOTOR ASSY - "M.C.C." "CW" / FAN END



From H-7417 To M-7767	Date:07/2024	PAGE:870844
-----------------------	--------------	-------------

BLOWER & MOTOR ASSY - "M.C.C." "CW" / FAN END

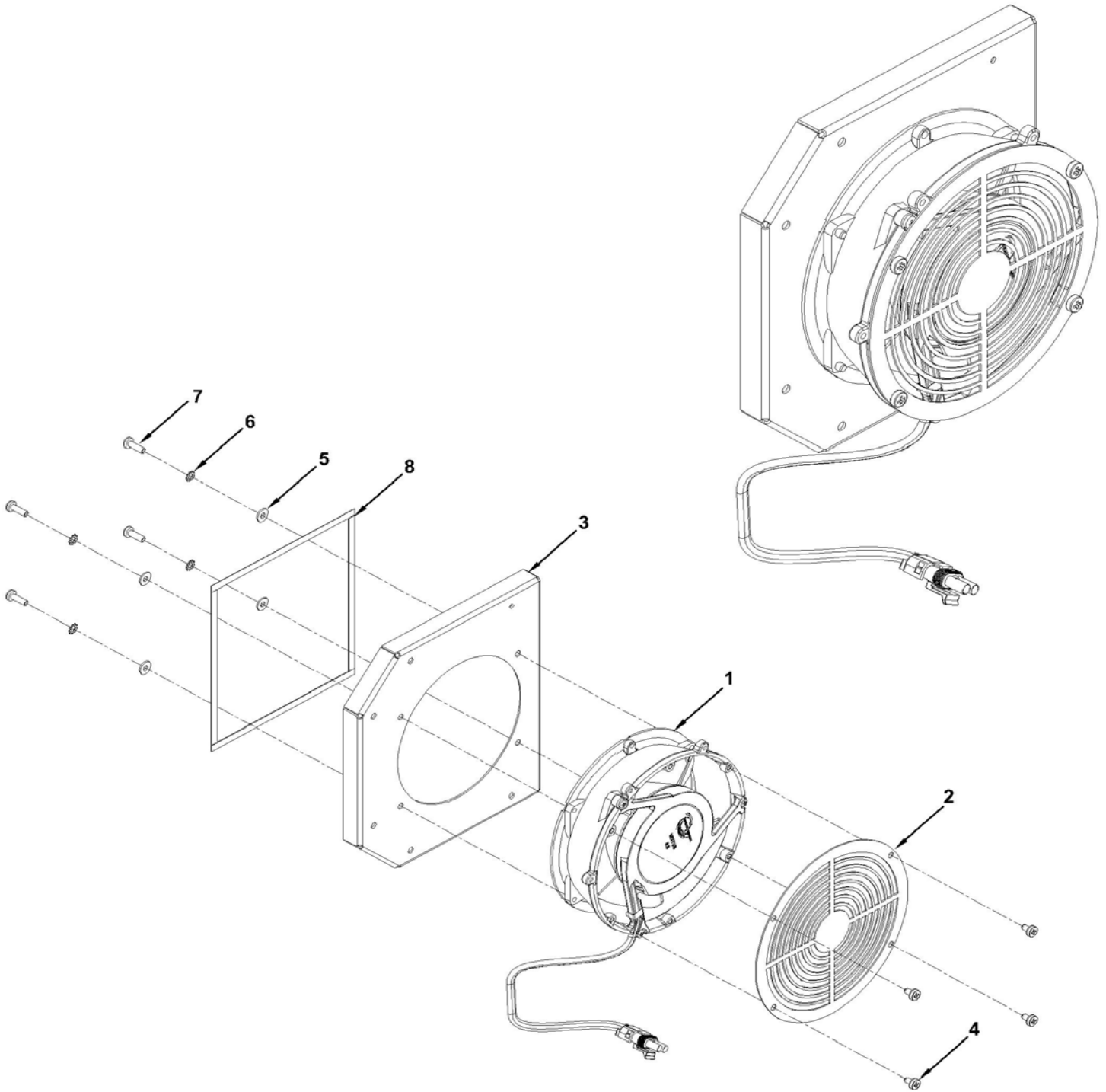
Item#	Part	Description	QTY	Notes
1		BLOWER ASSY 24V / CW	1	
2	562167	. MOTOR ASSY / 24V	1	
3	871020	. PLATE MOUNTING / MOTOR	1	
4	871017	. BLOWER WHEEL / STEEL	1	
5	871440	. HOUSING BLOWER	1	
6	500786	. NUT HEX #10-24 Z050	2	
7	500978	. SCREW CAP HEX #10-24x3/4 Z050	6	

From H-7417 To M-7767

Date:07/2024

PAGE:455051

SERVICE KIT FAN LAVATORY



From H-7417 To M-7767	Date:07/2024	PAGE:455051
-----------------------	--------------	-------------

SERVICE KIT FAN LAVATORY

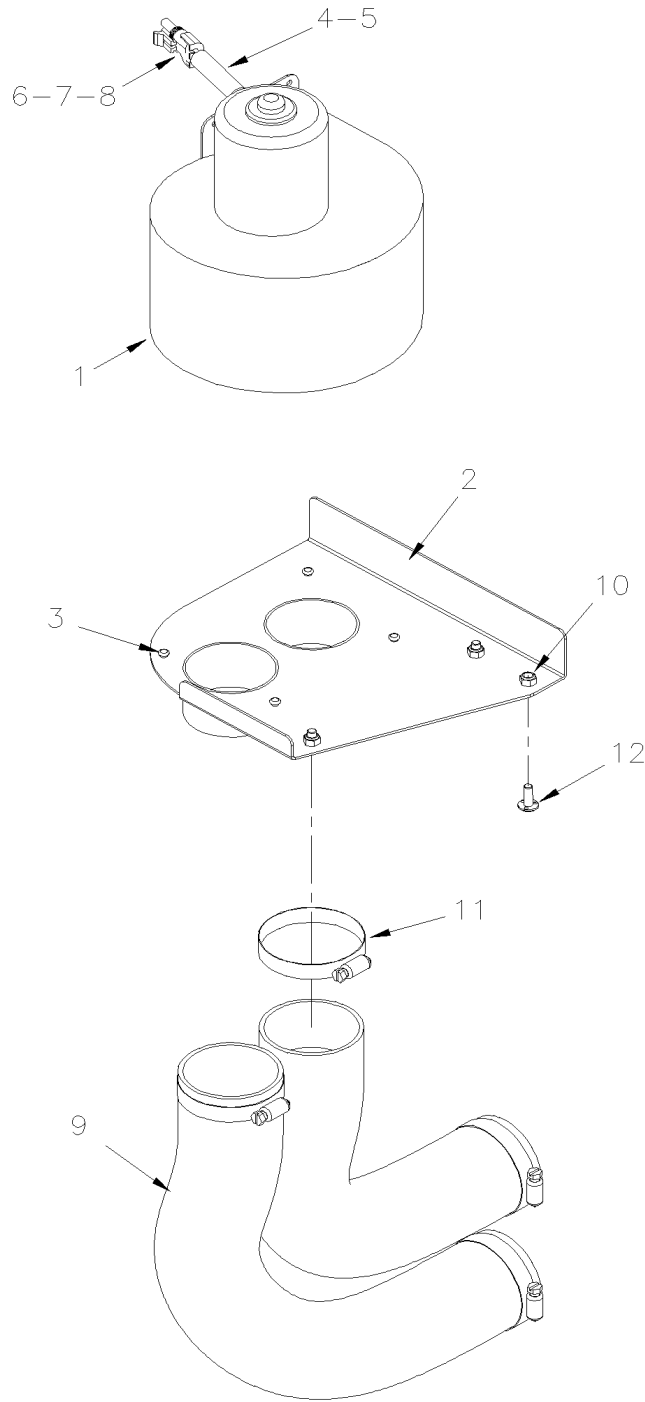
Item#	Part	Description	QTY	Notes
1	950707	FAN BRUSHLESS	1	
2	455048	FAN GRILL	1	
3	455052	SUPPORT LAVATORY FAN	1	
4	5001337	NUT INS FL HEX M8-1.25 0.5-3.0 Z050	4	
4	5001137	WASHER FL .203x.438x.050 SS	4	
5	500804	WASHER FL .203x.500x.047 N500	4	
6	5001378	WASHER LO EXT 5.3x10x0.6 Z050	4	
7	502653	SCREW MA PAN PH M5-0.8x16 SS	4	
8	506225	TAPE RUB ADH1 CC POL 1/16" x 1/4" x 100' / GREY 2520	AR	

From G-7275 To M-7767

Date:07/2024

PAGE:X3PLB-2337-10

FAN - INSTALLATION WITHOUT LAVATORY



From G-7275 To M-7767	Date:07/2024	PAGE:X3PLB-2337-10
FAN - INSTALLATION WITHOUT LAVATORY		

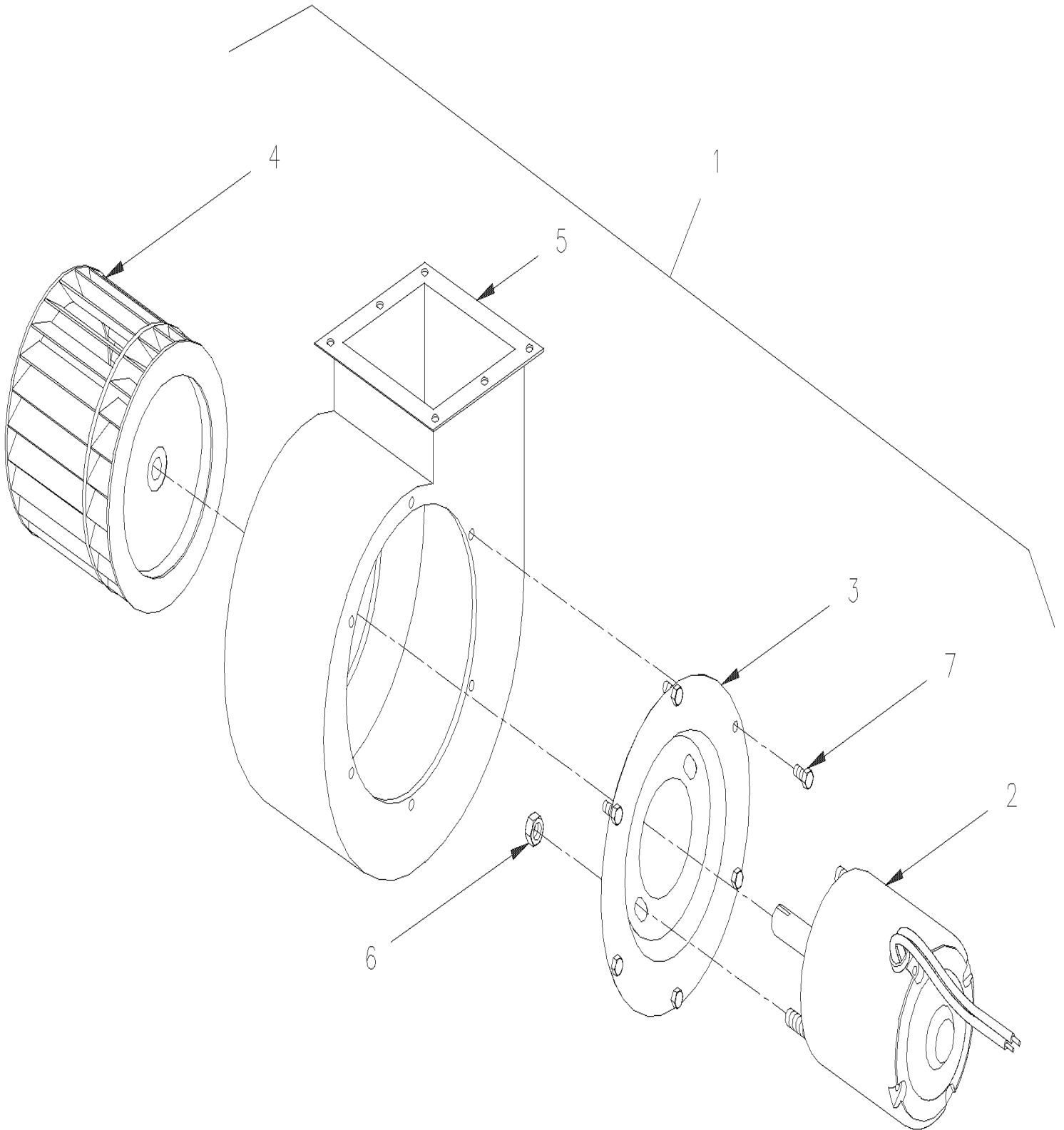
Item#	Part	Description	QTY	Notes
	457748	BLOWER ASSY LAVATORY	1	
1	870844	. BLOWER & MOTOR ASSY - "M.C.C." "CW" / FAN END	1	
2	457716	. SUPPORT, FAN	1	
3	504793	. RIVET MNB OE LARGE HEAD 3/16x7/16 SS	4	
4	561681	. CONVOLUTED TUBING / SLIT / BLACK & GRAY / .350"	AR	
5	564099	. TAPE ADHESIF ELECTRICAL TISSUS / BLACK 838MM	AR	
6	561690	. CONNECTOR / WEATHER PACK / SH 2C / BLACK / PED 12015792	1	
7	561578	. SOCKET TERMINAL / 16-14 / PED 12010182	2	
8	561786	. CABLE SEAL / GRAY / PED 15324980	2	
9	503031	HOSE FLEXIBLE / AIR DUCT 2 1/2" I.D. X 12' / RUBBER	AR	
10	502681	NUT HEX NYRT M6-1.0 N500 G8	3	
11	504025	HOSE CLAMP / 2"5/16-3"1/4 SS / HS-44	4	
12	5001649	SCREW WD M6-1.0x16 SS	3	

From G-7275 To M-7767

Date:07/2024

PAGE:870844

BLOWER & MOTOR ASSY - "M.C.C." "CW" / FAN END



From G-7275 To M-7767	Date:07/2024	PAGE:870844
-----------------------	--------------	-------------

BLOWER & MOTOR ASSY - "M.C.C." "CW" / FAN END

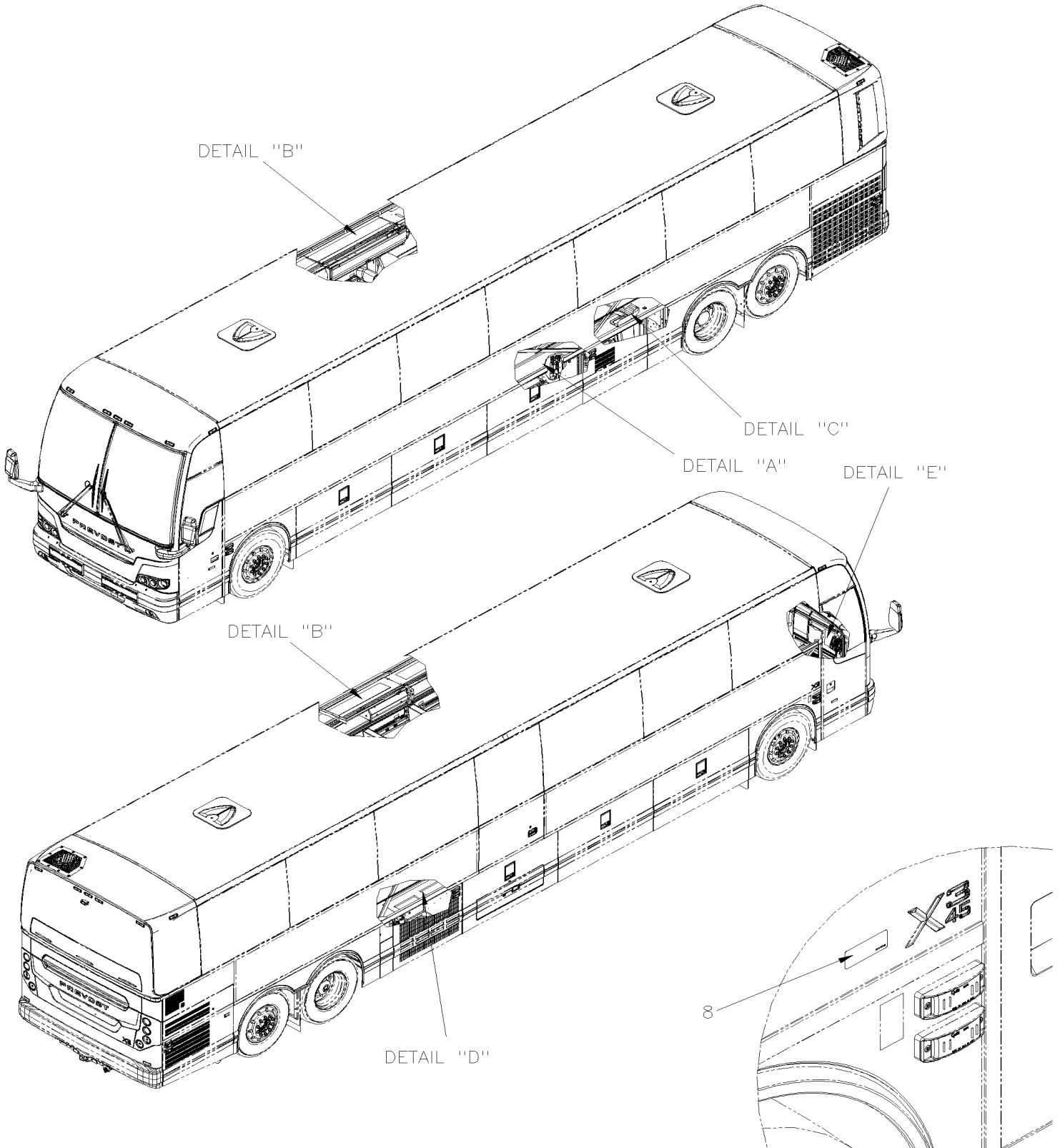
Item#	Part	Description	QTY	Notes
1		BLOWER ASSY 24V / CW	1	
2	562167	. MOTOR ASSY / 24V	1	
3	871020	. PLATE MOUNTING / MOTOR	1	
4	871017	. BLOWER WHEEL / STEEL	1	
5	871440	. HOUSING BLOWER	1	
6	500786	. NUT HEX #10-24 Z050	2	
7	500978	. SCREW CAP HEX #10-24x3/4 Z050	6	

From M-7877 To M-7767

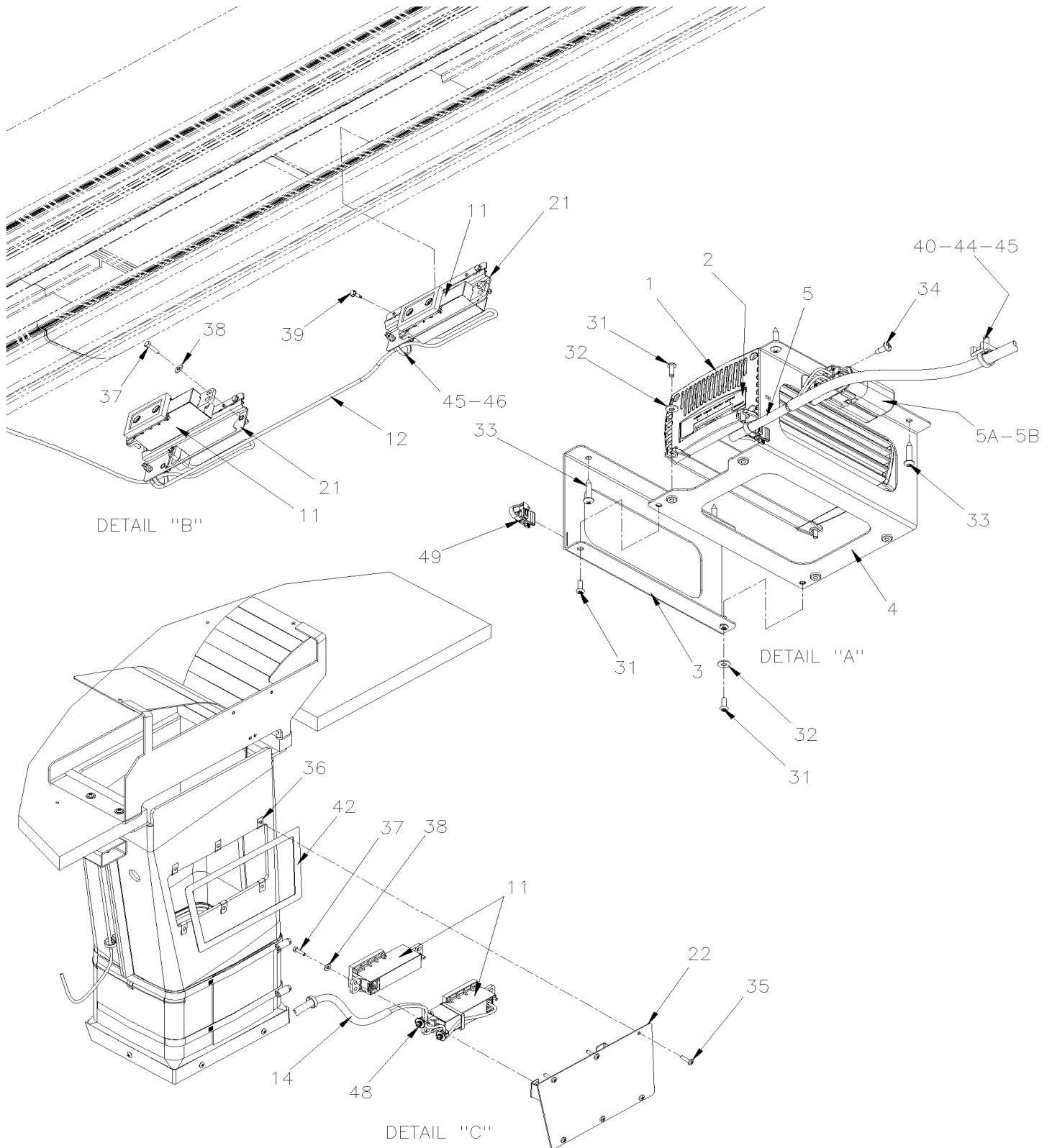
Date:07/2024

PAGE:X3PLB-2340-00

PLASMA CLUSTER IONS AIR SANITIZER - ENVIROCARE



PLASMA CLUSTER IONS AIR SANITIZER - ENVIROCARE

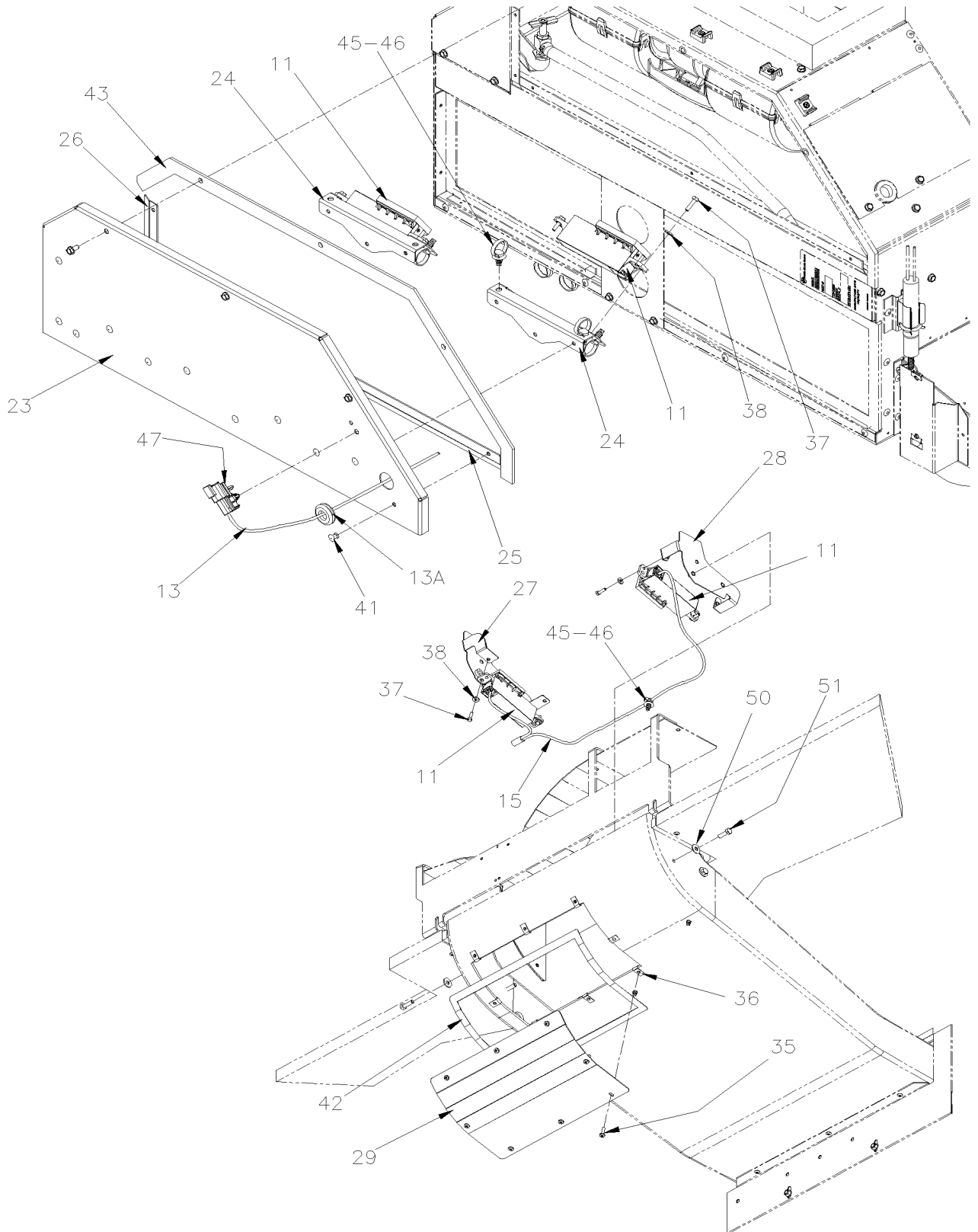


From M-7877 To M-7767

Date:07/2024

PAGE:X3PLB-2340-00

PLASMA CLUSTER IONS AIR SANITIZER - ENVIROCARE



From M-7877 To M-7767	Date:07/2024	PAGE:X3PLB-2340-00
PLASMA CLUSTER IONS AIR SANITIZER - ENVIROCARE		

Item#	Part	Description	QTY	Notes
	0611017	SERVICE KIT ENVIROCARE, X3	1	
1	564288	. DC/DC (24/12V) CONVERTER	1	
2	0610547	. DECAL CONVERTER DC-DC	2	
3	0610510	. SUPPORT CONVERTER DC-DC	1	
4	0610511	. SUPPORT CONVERTER DC-DC	1	
5	0610535	. HARNESS, PLASMA CLUSTER DCDC	1	
. A	564238	. . FUSE HOLDER / LONG / BUSSMANN CFH-ALE	1	
. B	563280	. . FUSE / ATM 5 AMPS AMBER	1	
8	0611019	. DECAL "PREVOST ENVIROCARE" / ENGLISH	1	
8	0610528	. DECAL "PREVOST ENVIROCARE" / ENGLISH / FRENCH	1	
11	0610449	. PLASMACLUSTER	10	
12	0610505	. WIRING, PLASMA CLUSTER PARCEL RACK	1	
13	0610503	. WIRING, PLASMA CLUSTER DRIVER	1	
13A	504555	. . GROMMET / .500x.812x.125x.344x1.062x.031	1	
14	0610536	. WIRING, PLASMA CLUSTER EVAPORATOR X3	1	
15	0610534	. WIRING, PLASMA CLUSTER CONDENSOR X3	1	
21	314937	. PLASMACLUSTER BRACKET, PARCEL RACK	4	
22	454770	. SUPPORT PLASMACLUSTER, EVAPORATOR DUCT ASSY	1	
22	454775	. CUTTING TEMPLATE 454770	1	
23	370482	. PLASMACLUSTER PANEL, DEFROST UNIT	1	
24	370377	. PLASMACLUSTER BRACKET, DEFROST UNIT	2	
25	370483	. PLASMACLUSTER PANEL ANGULAR	1	
26	370484	. PLASMACLUSTER PANEL ANGULAR	1	
27	454854	. SUPPORT ASSY	1	
28	454853	. SUPPORT ASSY	1	
29	454774	. CLOSING, CONDENSOR DUCT	1	
29	454776	. CUTTING TEMPLATE 454774	1	
31	5001996	. SCREW MA PAN PH M4-0.7x12 N500	6	
32	500855	. WASHER FL .188x.438x.049 N500	5	
33	500608	. SCREW TP BDG PH #10x1 N500	4	
34	502868	. SCREW TC TR PH #10-16x1/2 N500	1	
35	500244	. SCREW TP BDG PH #8x3/4 N500	14	
36	5002071	. NUT SPR U #8 .110-.187 BK	14	
37	502799	. SCREW CAP HEX M4-0.7X16 G8.8 N500	20	
38	500855	. WASHER FL .188x.438x.049 N500	20	
39	5002209	. SCREW DR HEXW #6-20x1/2 Z050	8	
40	500957	. SCREW TP BDG PH #10x3/4 N500	1	
41	504335	. RIVET POP DOME CLE 3/16x1/4 AL	11	

From M-7877 To M-7767	Date:07/2024	PAGE:X3PLB-2340-00
PLASMA CLUSTER IONS AIR SANITIZER - ENVIROCARE		

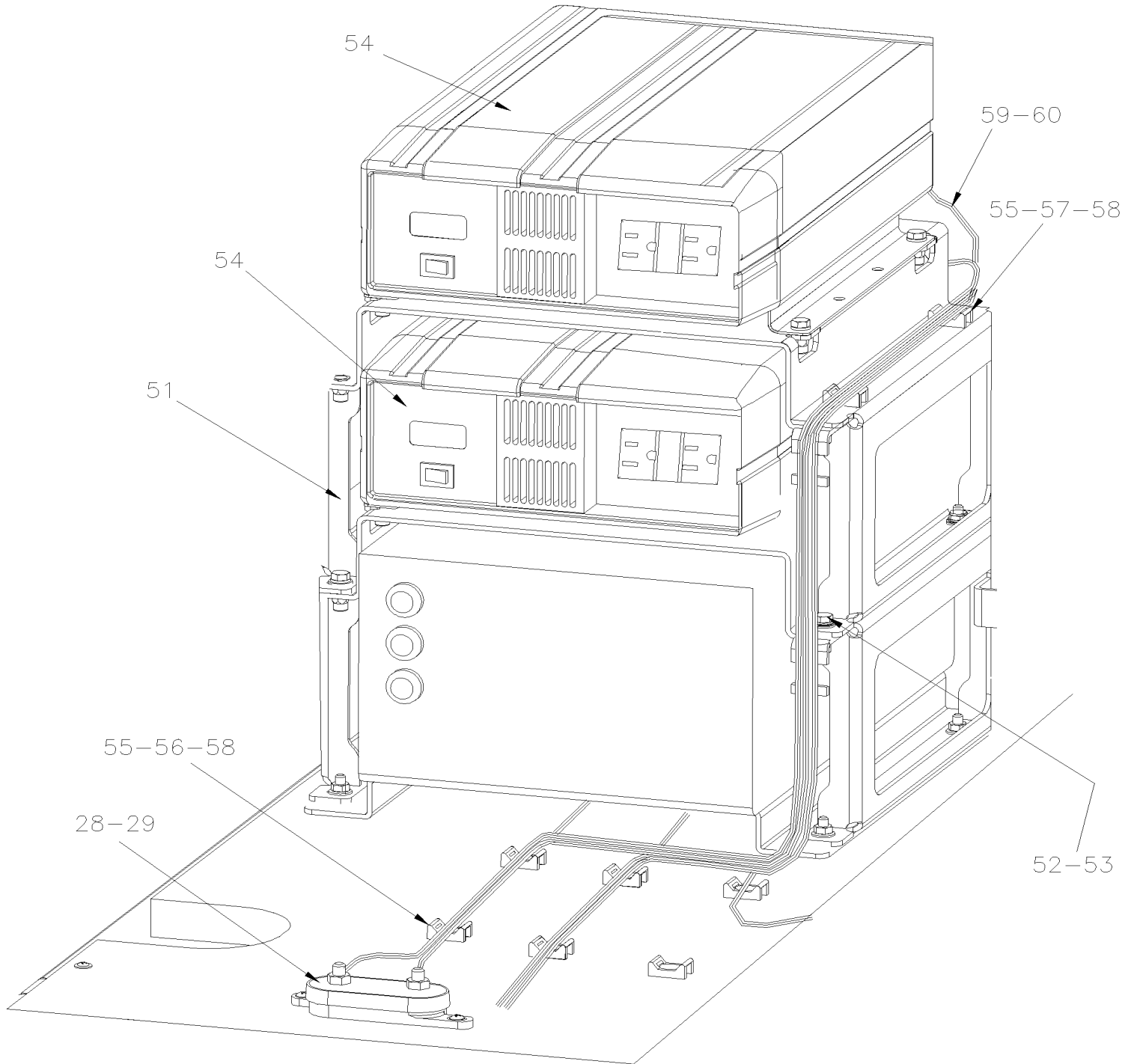
Item#	Part	Description	QTY	Notes
42	506268	. TAPE RUB ADH1 URE 3/8" x 1/2" x 25' / GREY 1820	QR	
43	506001	. TAPE RUB ADH1 CC POL 1/8" x 3/4" x 50' / GREY 2520X	QR	
44	504013	. TIE MOUNT / 1/4" X 1/4" I.D.	4	
45	504637	. CABLE TIE / 3/16" x 13"	12	
46	509815	. TIE MOUNT / ATTACHMENT W/TREE MOUNT	8	
47	564108	. SELF MOUNTING STUD // DEUTSCH 1011-310-0205	1	
48	8631155	. CABLE TIE / 4.6MM x 200 / CHRISTMAS TREE	2	
49	564204	. CABLE TIE / WITH EDGE CLIP / T50REC4A 10MMx200MM	2	
50	502830	. SCREW CAP HEX M6-1.0x20 G8.8 N500	4	
51	5001833	. WASHER BEL SPR 6.1x18x1.27 SS	4	
55	IS-20932	SEE INSTRUCTION SHEET	1	
55	FI-20932	VOIR FEUILLE D'INSTRUCTION	1	
60	7771197	ION COUNTER TESTING DEVICE	1	

From G-7275 To M-7767

Date:07/2024

PAGE:X3PLB-2345-40

POWERVERTER - 24/110 VOLTS - 1800 WATTS



From G-7275 To M-7767	Date:07/2024	PAGE:X3PLB-2345-40
POWERVERTER - 24/110 VOLTS - 1800 WATTS		

Item#	Part	Description	QTY	Notes
24	065018	CABLE ASSY W/LIGHT SWITCH	1	A
24	065705	CABLE ASSY / W/REAR GALLEY RELAY	1	B
25	563332	RELAY 24V S.P.D.T. W/RESISTOR / "VOLVO" (20374662)	3	
27	560422	BLOCK, TERMINAL / 1 STUD 3/8-16 / BLACK	2	
28	563750	FUSEHOLDER W/RED COVER / MEGA FUSE /	1	
29	068169	BUS BAR / W/2 HOLES From J-7438	1	
		FIXED OVER THE BATTERIE CHARGER BESIDE LAVATORY		
51	068897	SUPPORT "HAT" CHANNEL To H-7416	2	
NS	5001344	NUT INS FL HEX M6-1.0 0.5-3.0 SS To H-7416	8	
51	060588	SUPPORT "HAT" CHANNEL From H-7417	2	
52	5001743	SCREW CAP HEX M6-1.0x12 G8.8 N500	12	
53	502853	WASHER LO SPT 6.1x11.8x1.6 N500	12	
54	563082	POWERVERTER ASSY / 24/110 V 1800 WATTS W/DISPLAY ON INVERTER	2	
54	564636	POWERVERTER ASSY / 24/110 V 1800 WATTS W/REMOTE DISPLAY	2	
55	504013	TIE MOUNT / 1/4" X 1/4" I.D.	10	
56	500957	SCREW TP BDG PH #10x3/4 N500	10	
57	5001975	SCREW TC BDG PH #10-24x3/8 SS410 ZINC	4	
58	504637	CABLE TIE / 3/16" x 13"	10	
59	068252	CABLE GROUND INVERTER To J-7437	1	
59	060018	CABLE GROUND INVERTER From J-7438	1	
60	068253	CABLE POSITIF INVERTER To J-7437	1	
60	069040	BUS BAR From J-7438	1	
63	065542	CABLE ASSY #4 x 1750MM	1	
63	067835	CABLE ALT POWER HARNESS W/VOLVO	1	
63	068136	CABLE INVERTER To H-7416	1	
63	069526	CABLE INVERTER /24V From H-7417	1	
		NEXT PARTS USE WITH 110V OUTLET		
		INSTALL INSIDE THE FIRST STREET SIDE PARCEL RACK		
NS	564507	PLUG DOUBLE 110 VAC MURAL W/2 USB PORT GREY NYLON "DECORA"	1	
NS	068295	CABLE / 120VAC / PARCEL RACK OUTLET To L-7734	1	
NS	068339	CABLE / 120VAC / PARCEL RACK OUTLET From L-7735	1	
NS	504016	CABLE TIE / 5/16" X 14"1/2	1	
NS	504768	CABLE TIE / 3/16" 14.7" / DOUBLE LOOP HEAD	8	
		A) WITH ICE BOX		

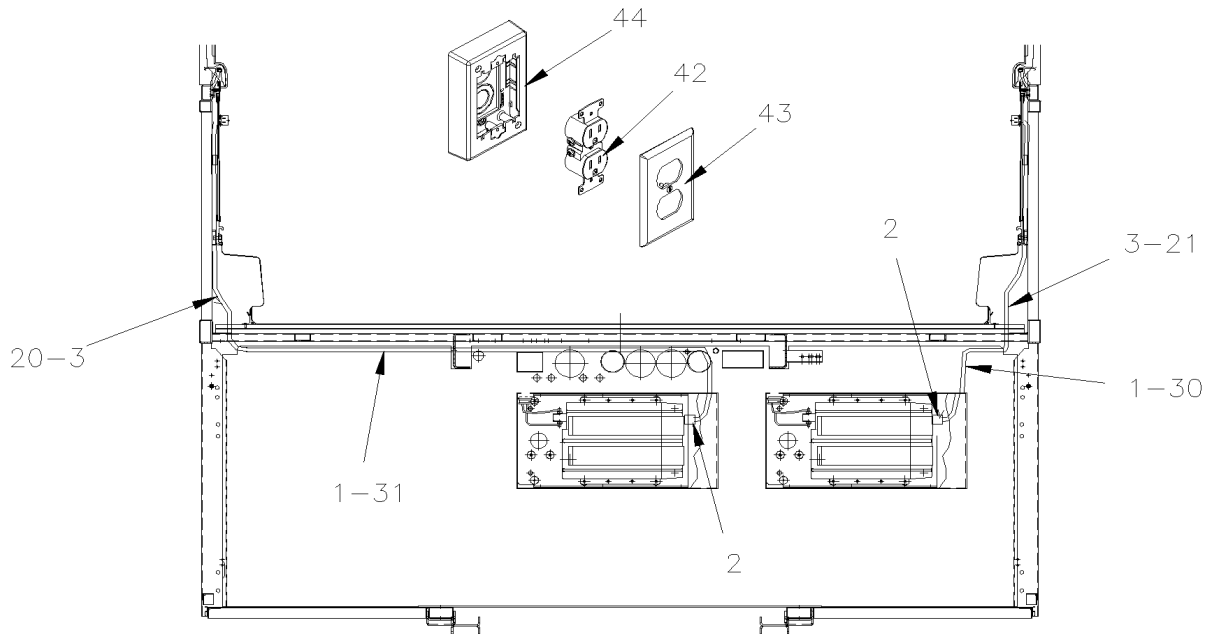
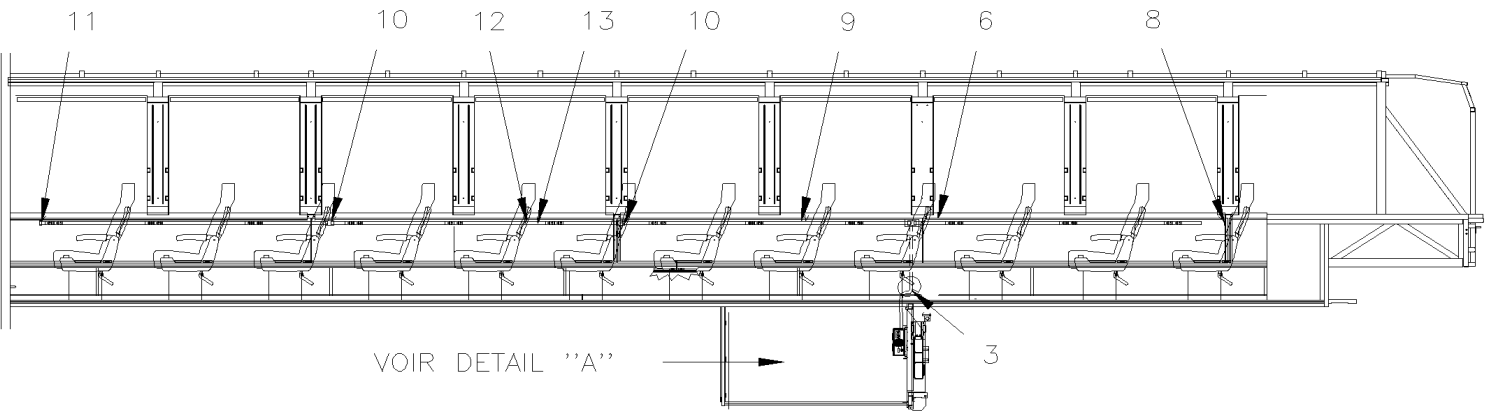
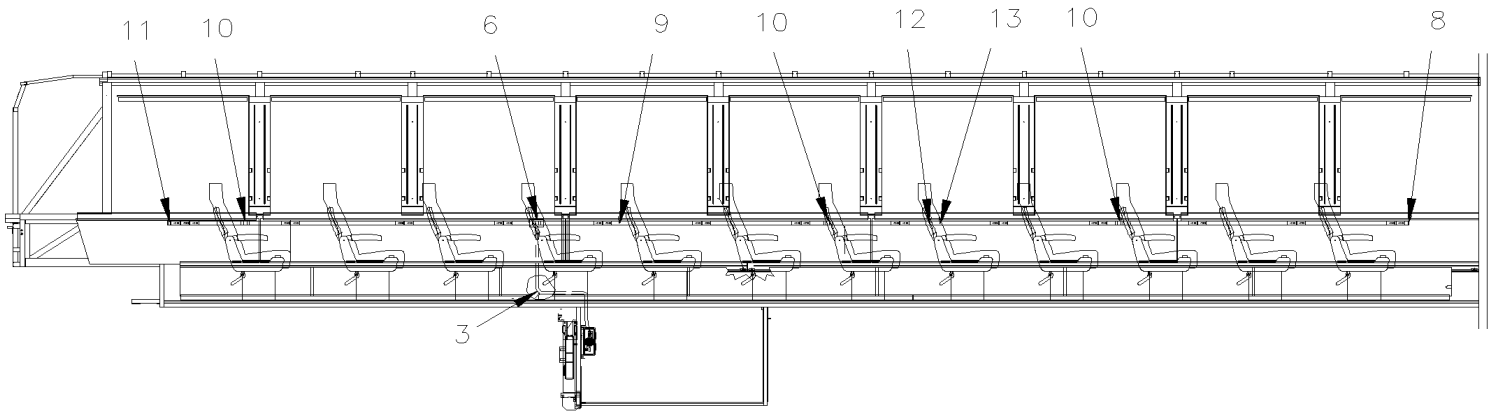
From G-7275 To M-7767		Date:07/2024	PAGE:X3PLB-2345-40	
POWERVERTER - 24/110 VOLTS - 1800 WATTS				
Item#	Part	Description	QTY	Notes
		B) WITH FRIGO		

From G-7275 To M-7767

Date:07/2024

PAGE:X3PLB-2345-45

110 VOLT - OUTLET



DETAIL "A"

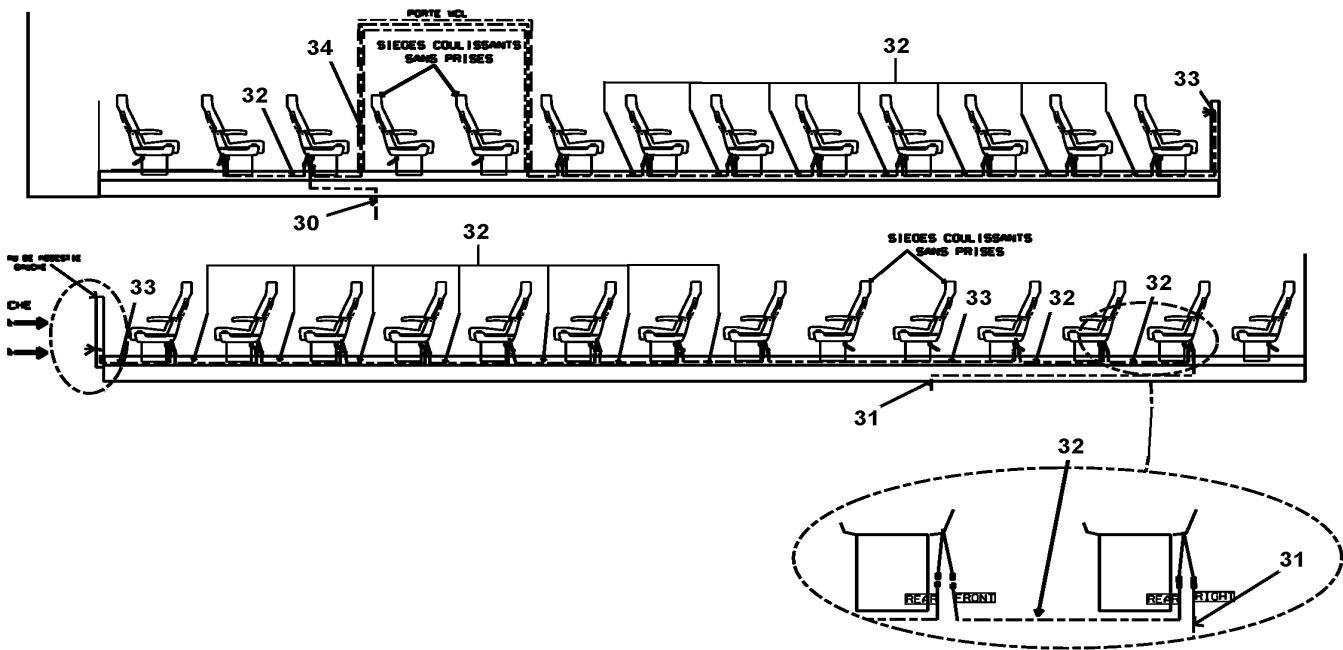
From G-7275 To M-7767

Date:07/2024

PAGE:X3PLB-2345-45

110 VOLT - OUTLET

WITH "AMAYA" PATRIOT SEAT MODEL

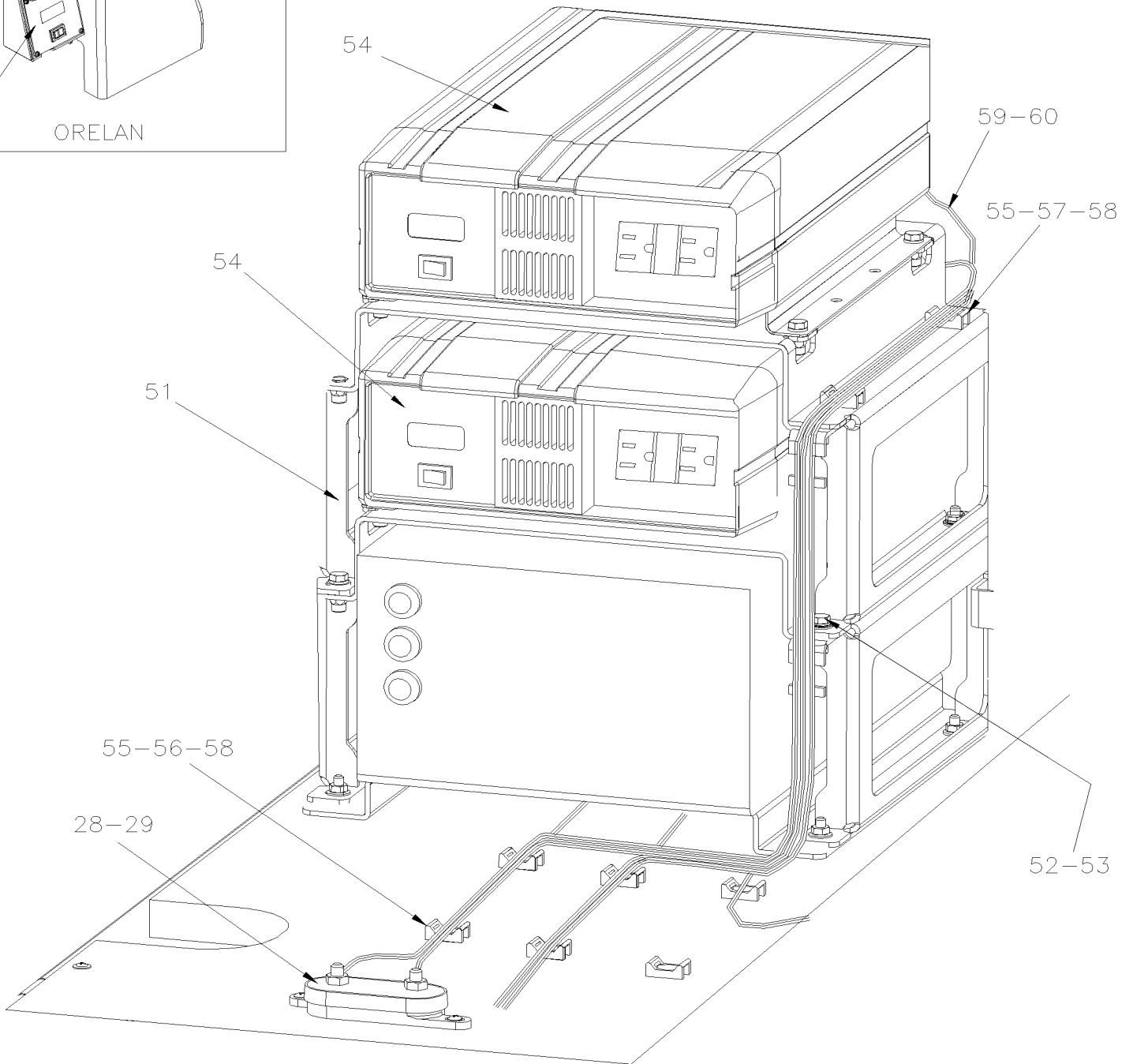
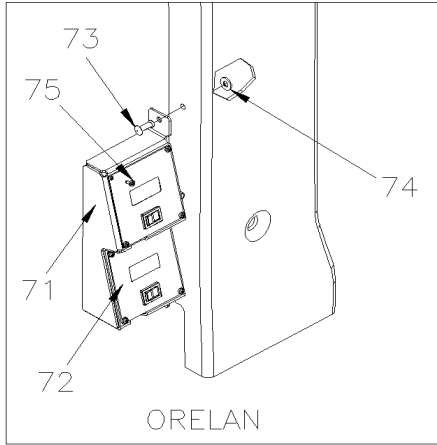


From G-7275 To M-7767

Date:07/2024

PAGE:X3PLB-2345-45

110 VOLT - OUTLET

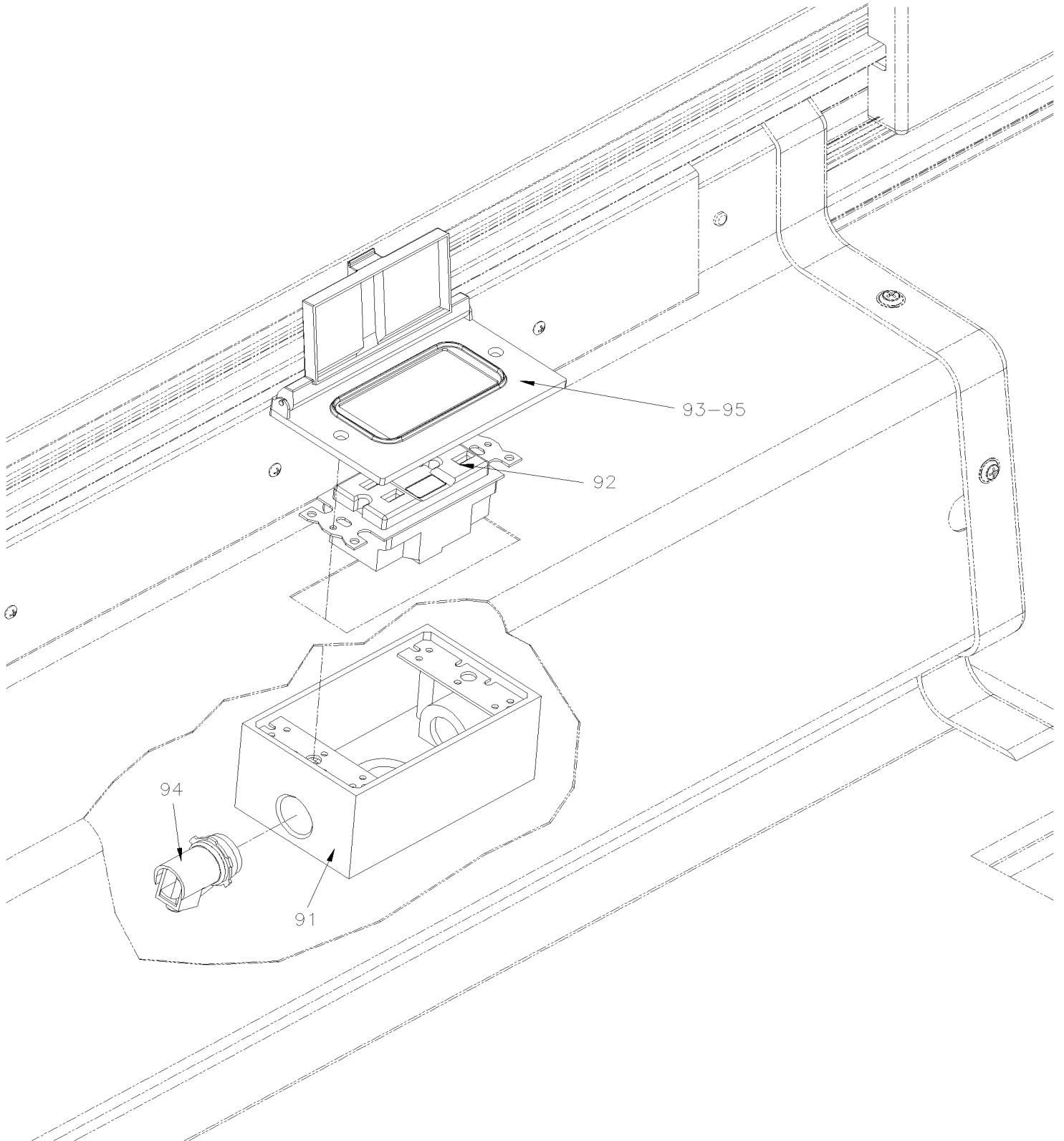


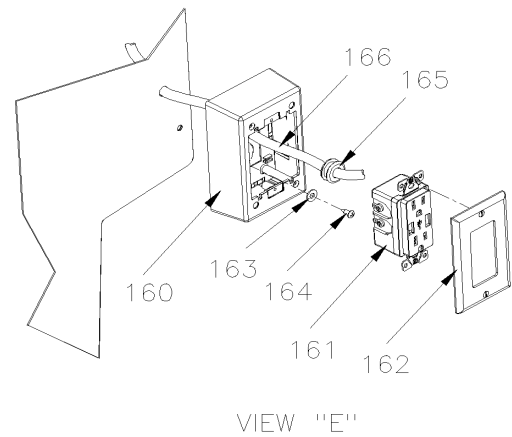
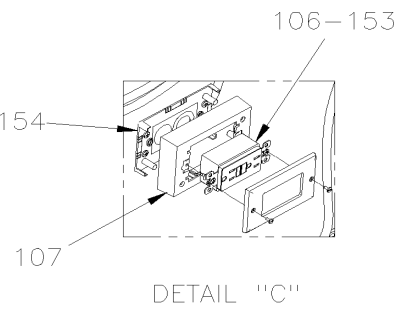
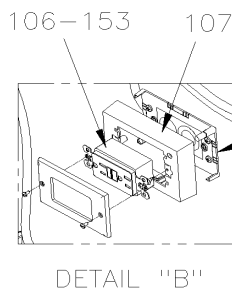
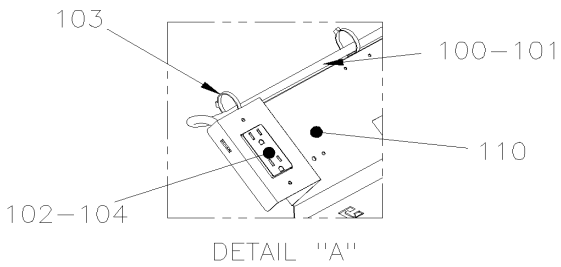
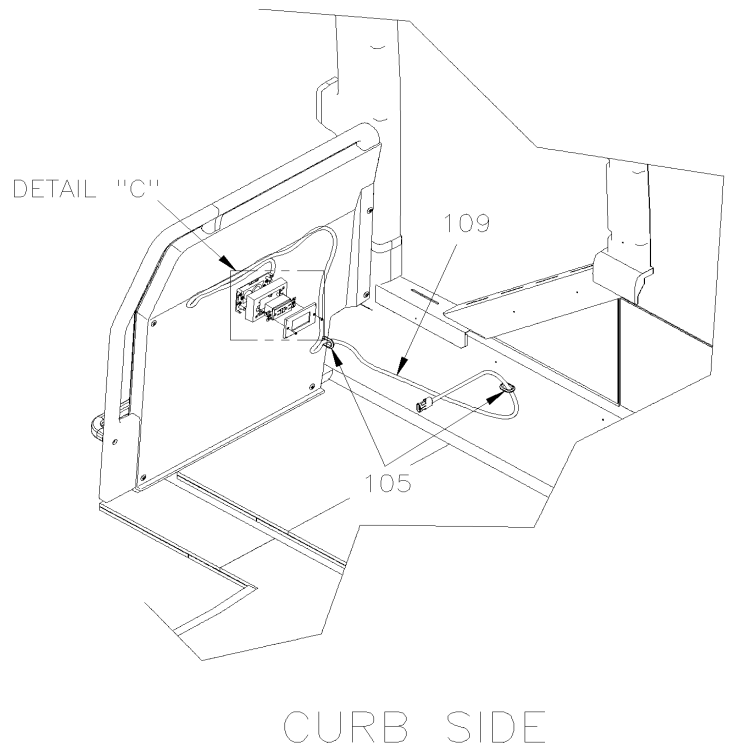
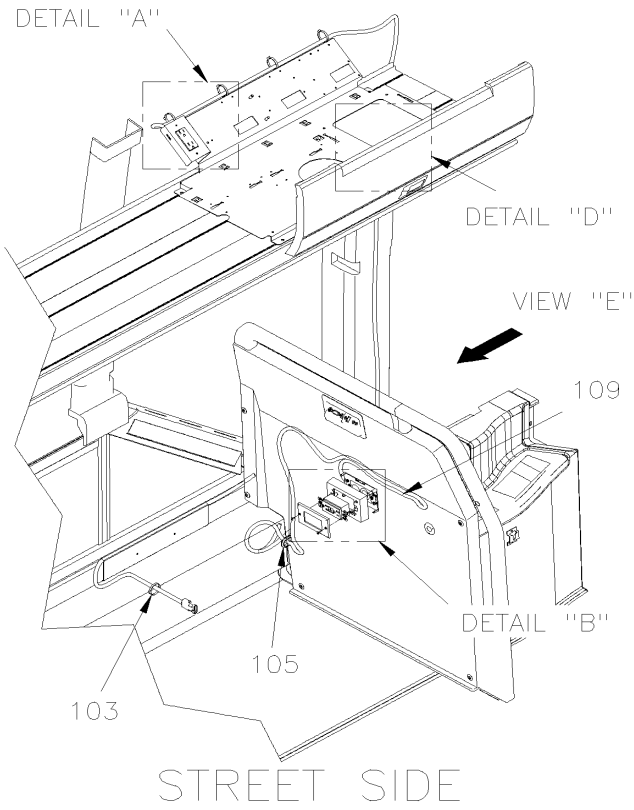
From G-7275 To M-7767

Date:07/2024

PAGE:X3PLB-2345-45

110 VOLT - OUTLET





From G-7275 To M-7767	Date:07/2024	PAGE:X3PLB-2345-45
110 VOLT - OUTLET		

Item#	Part	Description	QTY	Notes
1	562664	PROTECTOR METALLIC 1"/CABLE	AR	
2	560933	CONNECTOR / 15 AMPS / HUBBELL 5266-C	AR	
3	562595	SPECIAL WIRE CABLE 14/3 / WHITE (BOAT CABLE)	AR	WT
6	563098	STARTER, 110V FEEDER HATRD WIRED	AR	WT
8	563146	COVER, END TRACK	AR	WT
9	563100	RECEPTACLE 110V	AR	WT
10	563101	CONNECTOR STRAIGHT TRACK	AR	WT
11	563102	TRACK END CAP	AR	WT
12	563099	TRACK 110V 96"	AR	WT
12	563989	TRACK 110V 60"	AR	WT
13	563103	COVER, TRACK	AR	WT
		NEXT CABLES USE WITH 110V OUTLET		
		INSTALL BY SEAT SUPPLIER		
20	067423	CABLE ASSY / STREETSIDE W/14 PLUGS W/59 PASS	1	
20	067569	CABLE ASSY / STREETSIDE W/14 PLUGS "GREYHOUND"	1	
21	067374	CABLE ASSY / CURBSIDE W/11 PLUGS "GREYHOUND" W/55 PASS	1	
21	067570	CABLE ASSY / CURBSIDE W/8 PLUGS "GREYHOUND"	1	
22	067571	CABLE ASSY / CURBSIDE W/3 PLUGS "GREYHOUND"	1	
22	067424	CABLE ASSY / CURBSIDE W/13 PLUGS W/59 PASS	1	
22	067375	CABLE ASSY / CURBSIDE W/8 PLUGS "GREYHOUND" W/55 PASS	1	
28	563750	FUSEHOLDER W/RED COVER / MEGA FUSE /	1	
29	068169	BUS BAR / W/2 HOLES From J-7438	1	
30	068257	CABLE ASSY / W/CONNECTOR / INVERTER STREETSIDE 73000MM	1	
31	068198	CABLE ASSY / W/CONNECTOR / INVERTER CURBSIDE 5000MM	1	
32	067703	CABLE ASSY EXTENSION 1200MM / EACH SEAT	AR	
33	067704	CABLE ASSY EXTENSION 2900MM / TO FRONT MODESTIE PANEL	AR	
34	067705	CABLE ASSY EXTENSION 7300MM / OVER W.C.L. DOOR		
NS	067984	CABLE ASSY 2 PLUG, FOR SLIDING SEATS	1	
36	068221	CABLE ASSY JUMPER "Y" 120VAC	2	
NS	068937	CABLE ASSY EXTENSION / WCL DOOR	1	GLI
		NEXT CABLES USE WITH 110V OUTLET		
		INSTALL STD HOUSE 110V OUTLET		
40	067989	CABLE ASSY / STREETSIDE W/6 RECEPTACLES	1	
41	067990	CABLE ASSY / CURBSIDE W/5 RECEPTACLE	1	
42	562657	PLUG DOUBLE 110 VAC MURAL / WHITE	AR	
42	564507	PLUG DOUBLE 110 VAC MURAL W/2 USB PORT GREY NYLON "DECORA" To J-7513	AR	
42	561200	PLUG DOUBLE 110 VAC MURAL GREY NYLON "DECORA" From J-7512	AR	

From G-7275 To M-7767	Date:07/2024	PAGE:X3PLB-2345-45
110 VOLT - OUTLET		

Item#	Part	Description	QTY	Notes
43	562659	COVER PLATE DOUBLE 110V OUTLET / WHITE	AR	
43	564591	COVER PLATE DOUBLE 110V OUTLET GREY NYLON "DECORA"	AR	
44	564129	RECEPTACLE BOX / 110Vac outlet / WHITE	AR	
44	564187	RECEPTACLE BOX / 110Vac outlet / GREY	AR	
NS	504061	GROMMET / .4375x.687x.062x.312x.937	2	
		FIXED OVER THE BATTERIE CHARGER BESIDE LAVATORY		
51	068897	SUPPORT "HAT" CHANNEL To H-7416	2	
NS	5001344	NUT INS FL HEX M6-1.0 0.5-3.0 SS To H-7416	8	
51	060588	SUPPORT "HAT" CHANNEL From H-7417	2	
52	5001743	SCREW CAP HEX M6-1.0x12 G8.8 N500	12	
53	502853	WASHER LO SPT 6.1x11.8x1.6 N500	12	
54	563082	POWERVERTER ASSY / 24/110 V 1800 WATTS W/DISPLAY ON INVERTER	2	
54	564636	POWERVERTER ASSY / 24/110 V 1800 WATTS W/REMOTE DISPLAY	2	
55	504013	TIE MOUNT / 1/4" X 1/4" I.D.	10	
56	500957	SCREW TP BDG PH #10x3/4 N500	10	
57	5001975	SCREW TC BDG PH #10-24x3/8 SS410 ZINC	4	
58	504637	CABLE TIE / 3/16" x 13"	10	
59	068252	CABLE GROUND INVERTER To J-7437	1	
59	060018	CABLE GROUND INVERTER From J-7438	1	
60	068253	CABLE POSITIF INVERTER To J-7437	1	
60	069040	BUS BAR From J-7438	1	
63	065542	CABLE ASSY #4 x 1750MM	1	
63	067835	CABLE ALT POWER HARNESS W/VOLVO	1	
63	068136	CABLE INVERTER To H-7416	1	
63	069526	CABLE INVERTER /24V From H-7417	1	
71	068776	SUPPORT TWO DISPLAY	1	A
71	060071	SUPPORT ONE DISPLAY	1	A
72	564637	INVERTER DISPLAY & SWITCH	2	A
72	069353	CABLE INVERTER DISPLAY To K-7586	1	A
72	0610041	CABLE INVERTER DISPLAY From K-7587	1	A
72	565129	REMOTE INTERFACE PANEL - FOR DISPLAY	1	A D
NS	8631155	CABLE TIE / 4.6MM x 200 / CHRISTMAS TREE	1	A
73	504118	RIVET POP DOME OE 3/16x3/8 AL	2	A
74	500964	WASHER FL .203x.500x.047 Z050	2	A
75	5001091	SCREW TC PAN PH #4-40x1/4 BK	8	A
91	564506	BOX ALUMINIUM / 110 VAC MURAL	2	
92	564507	PLUG DOUBLE 110 VAC MURAL W/2 USB PORT GREY NYLON "DECORA"	2	
93	564508	COVER PLATE DOUBLE 110V OUTLET SILVER	2	

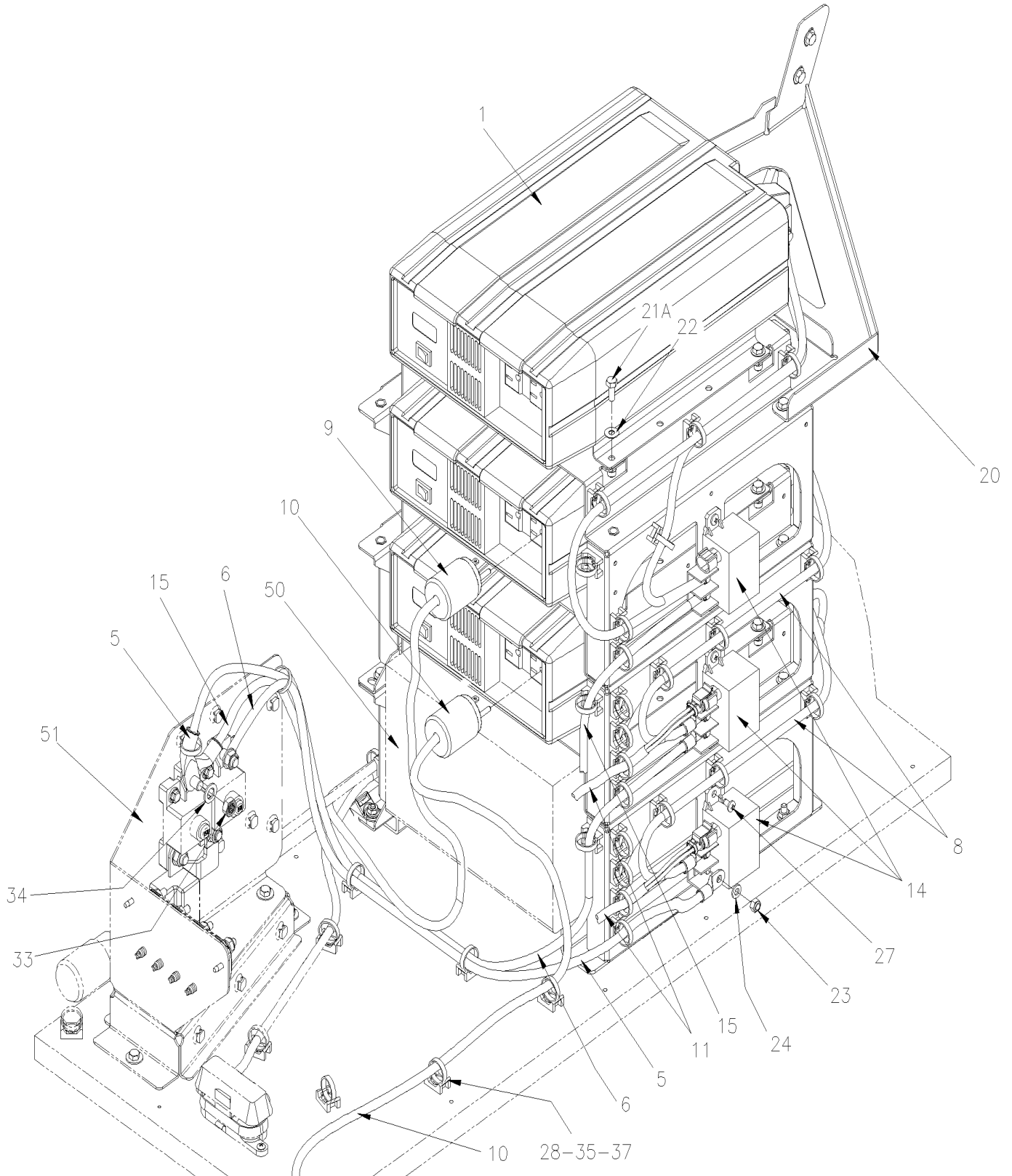
From G-7275 To M-7767	Date:07/2024	PAGE:X3PLB-2345-45
110 VOLT - OUTLET		

Item#	Part	Description	QTY	Notes
94	564565	CONNECTOR L-16	2	
95	068404	DECAL "120 VOLTS AC"	2	
100	068295	CABLE / 120VAC / PARCEL RACK OUTLET To L-7734	1	B
100	068339	CABLE / 120VAC / PARCEL RACK OUTLET From L-7735	1	B
100	069630	CABLE / 120VAC / PARCEL RACK OUTLET (LH & RH)	1	C
100	069632	CABLE / 120VAC / PARCEL RACK OUTLET (MAIN)	1	C
101	560784	SHRINK TUBING / .250" - .080" / BLACK / ALPHA FIT-300-1/4-4B	AR	
102	564507	PLUG DOUBLE 110 VAC MURAL W/2 USB PORT GREY NYLON "DECORA"	1	
103	504637	CABLE TIE / 3/16" x 13"	AR	
104	680319	TAPE ADHESIF ELECTRIC / BLACK 3/4"	AR	
105	504574	GROMMET / 1.125x1.312x.062x.312x1.56	4	
106	564188	PLUG DOUBLE 110 VAC MURAL GREY NYLON "DECORA"	2	
106	564507	PLUG DOUBLE 110 VAC MURAL W/2 USB PORT GREY NYLON "DECORA" To J-7513	2	
106	561200	PLUG DOUBLE 110 VAC MURAL GREY NYLON "DECORA" From J-7512	2	
106	564591	COVER PLATE DOUBLE 110V OUTLET GREY NYLON "DECORA"	2	
107	564187	RECEPTACLE BOX / 110Vac outlet / GREY	2	
108	500638	SCREW TP PAN PH #8x1/2 Z050	8	
109	067704	CABLE ASSY EXTENSION 2900MM / TO FRONT MODESTIE PANEL	2	
110	406630	PLATE SUPPORT MAIN SYSTEM To K-7547	1	
110	400682	PLATE SUPPORT MAIN SYSTEM From K-7548 To K-7662	1	
110	401365	VIDEO PLATE From L-7663 To M-7767	1	
110	406772	VIDEO PLATE From M-7768	1	
150		OUTLET WITH USB PORT	1	
151	069612	HARNESS, 120VAC GREY USB, MOD. PANEL	2	
152	068937	CABLE ASSY EXTENSION / WCL DOOR	1	
153	565200	PLUG DOUBLE 110 VAC MURAL W/2 USB PORT / GREY	2	
153	564591	COVER PLATE DOUBLE 110V OUTLET GREY NYLON "DECORA"	2	
154	500638	SCREW TP PAN PH #8x1/2 Z050	24	
156	680093	SEALANT TAPE BUTYL / GREY / 1/16"x1 1/2"x50' /71079B11760	AR	
158		OUTLET ON LEFT MODESTY (REAR DRIVER SEAT)		
160	564580	RECEPTACLE BOX / 110Vac outlet / GRAY From K-7635	1	
160	564187	RECEPTACLE BOX / 110Vac outlet / GREY From K-7635	1	
161	565200	PLUG DOUBLE 110 VAC MURAL W/2 USB PORT / GREY From K-7635	1	
161	564233	PLUG DOUBLE 110 VAC MURAL W/2 USB PORT / BLACK From K-7635 To M-7888	1	
161	564354	PLUG DOUBLE 110 VAC MURAL W/2 USB PORT / BLACK From M-7889	1	
161	564507	PLUG DOUBLE 110 VAC MURAL W/2 USB PORT GREY NYLON "DECORA" From K-7635	1	
162	564591	COVER PLATE DOUBLE 110V OUTLET GREY NYLON "DECORA" From K-7635	1	

From G-7275 To M-7767	Date:07/2024	PAGE:X3PLB-2345-45
110 VOLT - OUTLET		

Item#	Part	Description	QTY	Notes
162	564579	COVER PLATE DOUBLE 110V OUTLET BLACK NYLON "DECORA" From K-7635	1	
NS	563623	. BUTT SPLICE / 16-14 / BLUE / W/THERMORETRAC / PANDUIT BSH14-Q From K-7635	1	
163	500964	WASHER FL .203x.500x.047 Z050 From K-7635	4	
164	500638	SCREW TP PAN PH #8x1/2 Z050 From K-7635	4	
165	504568	GROMMET / .437x.687x.250x.500x1.000 From K-7635	1	
166	0610152	CABLE / 120VAC OUTLET / LEFT MODESTY From K-7635	1	
166	504637	CABLE TIE / 3/16" x 13" From K-7635	4	
		A) WITH "ORLEAN" OPTION		
		B) WITH 120V OUTLET IN PARCEL RACK LH OR RH		
		C) WITH 120V OUTLET IN PARCEL RACK LH AND RH		
		D) INSTALL ON INVERTER		
		GLI) "GREYHOUND" OPTION		
		WT) WITH INSTALLATION WITH WALL TRACK		

From J-7448 To M-7767	Date:07/2024	PAGE:X3PLB-2345-46
3 POWERVERTERS - 24/110 VOLTS - 1800 WATTS WITH RELAY		



From J-7448 To M-7767		Date:07/2024	PAGE:X3PLB-2345-46
3 POWERVERTERS - 24/110 VOLTS - 1800 WATTS WITH RELAY			

Item#	Part	Description	QTY	Notes
1	563082	POWERVERTER ASSY / 24/110 V 1800 WATTS W/DISPLAY ON INVERTER	3	
2	060588	SUPPORT "HAT" CHANNEL	3	
2	5001344	. NUT INS FL HEX M6-1.0 0.5-3.0 SS	AR	
5	069694	HARNESS INVERTER 24V	1	
6	069695	HARNESS INVERTER 24V	1	
7	069700	CABLE GROUND INVERTER	1	
8	069701	CABLE INVERTER POSITIVE SIDE	2	
9	068257	CABLE ASSY / W/CONNECTOR / INVERTER STREETSIDE 73000MM To J-7447	1	
9	060586	CABLE ASSY / W/CONNECTOR / INVERTER STREETSIDE From J-7448	1	
10	068198	CABLE ASSY / W/CONNECTOR / INVERTER CURBSIDE 5000MM To J-7447	1	
10	060587	CABLE ASSY / W/CONNECTOR / INVERTER CURBSIDE From J-7448	1	
11	Call order desk	HARNESS	1	P
11	Call order desk	. FUSE BLOCK	1	P
11	061381	HARNESS Y RELAYS INV From J-7448	1	GR
NS	069697	HARNESS REAR JUNCTION BOX TO REAR SEAT 24V	1	GR
13	069040	BUS BAR	2	
NS	561761	SHRINK TUBING / .750" - .375" / BLACK / ALPHA FIT-221-3/4-4B	AR	
14	563348	RELAY POWER 24V 200 AMPS / S.P.S.T. N.O.	3	
. NS	5001182	. NUT HEX NYRT M6-1.0 SS	1	
. NS	502573	. WASHER FL 6.4x12.5x1.6 SS	1	
. NS	563409	. CONNECTOR / SUPERSEAL 1.5 SERIES / SH 2C / AMP 282080-1	1	
. NS	562607	. SOCKET TERMINAL / 20-16 / AMP 183025-1	1	
15	069696	HARNESS INVERTER 24V	1	
20	060592	BRACKET To K-7662	1	
20	0610006	BRACKET From L-7663	1	
21A	5001744	SCREW CAP HEX M6-1.0x16 G8.8 N500	10	
21A	5001744	SCREW CAP HEX M6-1.0x16 G8.8 N500	10	
21B	5001744	SCREW CAP HEX M6-1.0x16 G8.8 N500 To K-7662	2	
21B	5001744	SCREW CAP HEX M6-1.0x16 G8.8 N500 To K-7662	2	
21B	502848	SCREW TC CAP HEXF 1/4-20x3/4 N500 From L-7663	2	
22	5001608	WASHER BEL SPR 6.2x15.0x0.7 G500	12	
23	5001182	NUT HEX NYRT M6-1.0 SS	4	
24	502573	WASHER FL 6.4x12.5x1.6 SS	4	
25	5001789	NUT HEX NYRT M8-1.25 SS	6	
26	5001341	WASHER FL 8.4x17.0x1.6 SS	6	
27	5001975	SCREW TC BDG PH #10-24x3/8 SS410 ZINC	AR	
28	500957	SCREW TP BDG PH #10x3/4 N500	11	
29	502859	NUT HEX NYRT M10-1.5 N500	1	
30	500270	WASHER FL .406x1.000x.063 SS	1	
31	5001251	NUT HEX NYRT 1/4-20 SS	4	
32	502573	WASHER FL 6.4x12.5x1.6 SS	4	
33	5001936	NUT HEX NYRT 3/8-16 SS	4	

From J-7448 To M-7767	Date:07/2024	PAGE:X3PLB-2345-46
3 POWERVERTERS - 24/110 VOLTS - 1800 WATTS WITH RELAY		

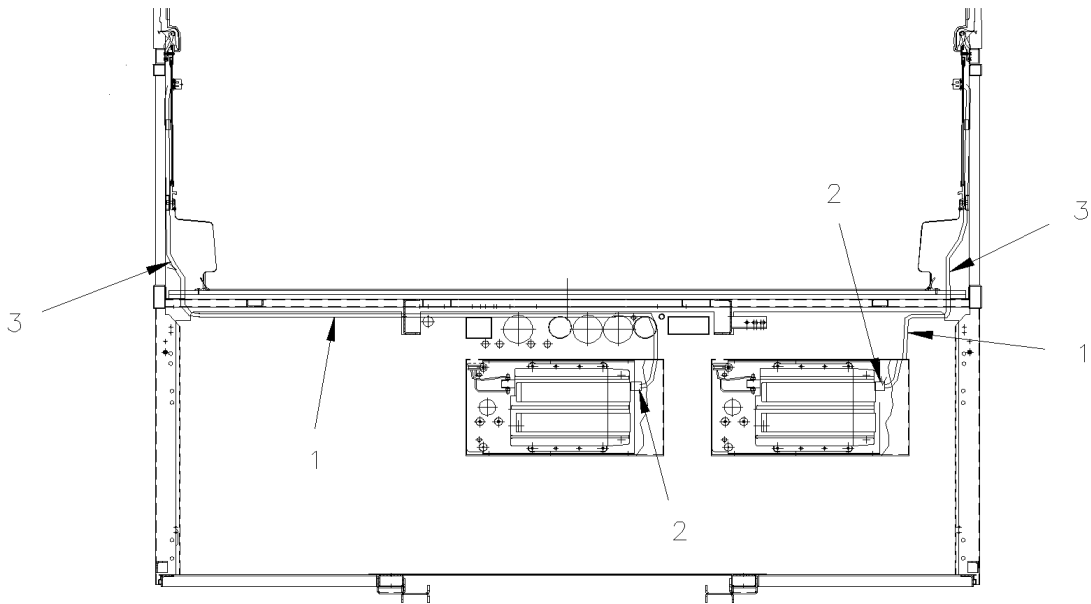
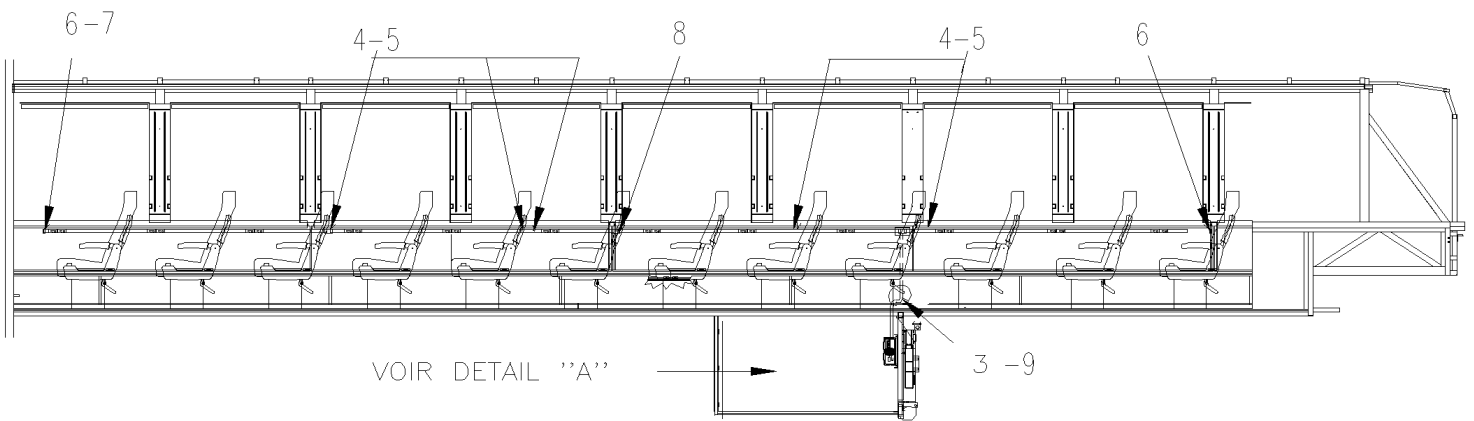
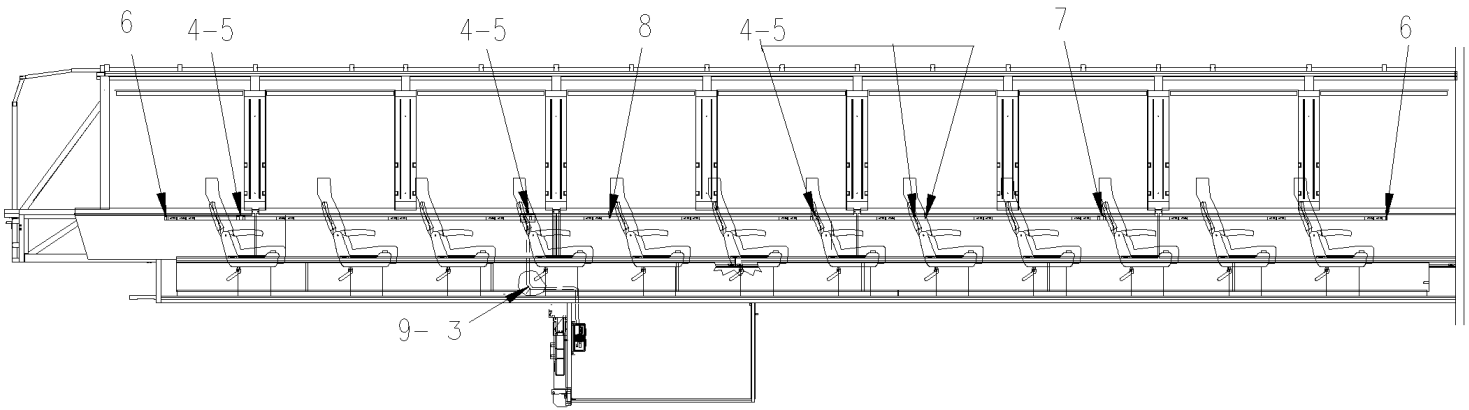
Item#	Part	Description	QTY	Notes
34	5001935	WASHER FL 10.5x18.0x1.6 SS	4	
35	504013	TIE MOUNT / 1/4" X 1/4" I.D.	AR	
36	509815	TIE MOUNT / ATTACHMENT W/TREE MOUNT	AR	
37	504637	CABLE TIE / 3/16" x 13"	AR	
50	X3PLB-0670-11	BATTERIES CHARGER - INSTALLATION / GHG17		
51	X3PLB-0621-45	BREAKER PANEL, INVERTER		
		GR) GREYHOUND OPTION		
		P) CALL ORDER DESK FOR SPECIFIC APPLICATION (V.I.N.)		

From G-7275 To M-7767

Date:07/2024

PAGE:X3PLB-2345-99

110 VOLT - OUTLET / RETROFIT



DETAIL "A"

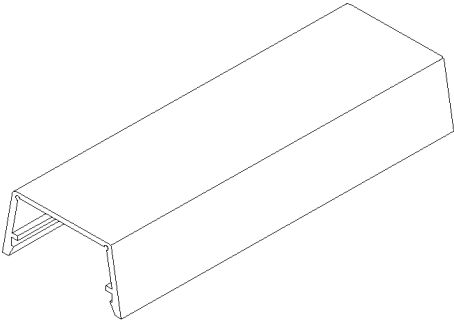
From G-7275 To M-7767

Date:07/2024

PAGE:X3PLB-2345-99

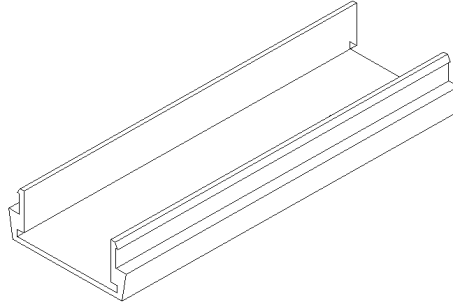
110 VOLT - OUTLET / RETROFIT

564151



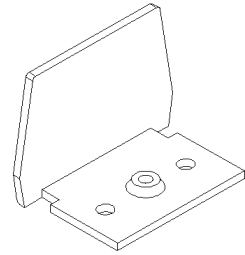
COVER ALUMINIUM
RACEWAY 110V

564152



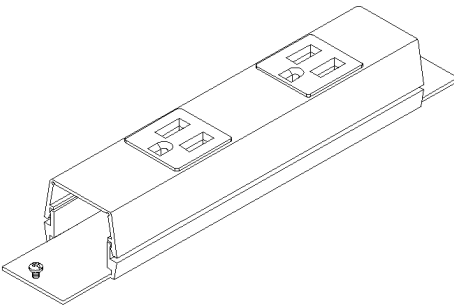
BASE ALUMINIUM
RACEWAY 110V

564153



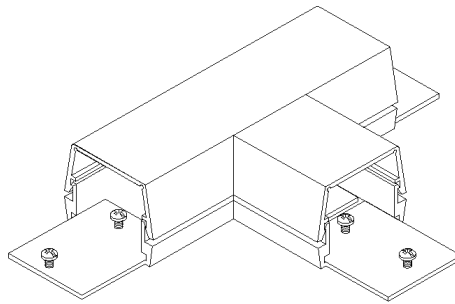
BLANK END FITTING
RACEWAY 110V

564154



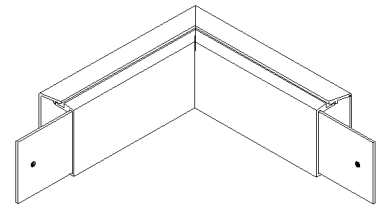
RECEPTACLE DOUBLE
RACEWAY 110V

564155



TEE
RACEWAY 110V

564156



ELNOW
RACEWAY 110V

From G-7275 To M-7767

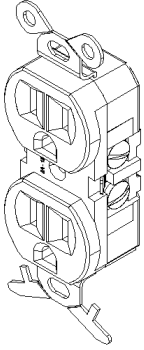
Date:07/2024

PAGE:X3PLB-2345-99

110 VOLT - OUTLET / RETROFIT

562657

WHITE



PLUG DOUBLE
OUTLET 110V

562659

WHITE

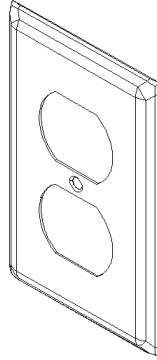
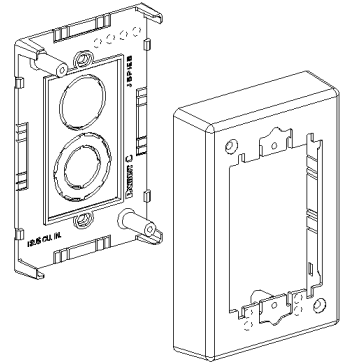


PLATE OUTLET 110V

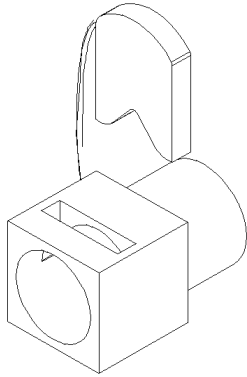
564129

WHITE



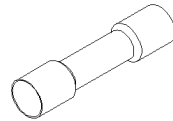
RECEPTACLE BOX
OUTLET 110V

564467



CONNECTOR IBERVILLE

563624



From G-7275 To M-7767	Date:07/2024	PAGE:X3PLB-2345-99
110 VOLT - OUTLET / RETROFIT		

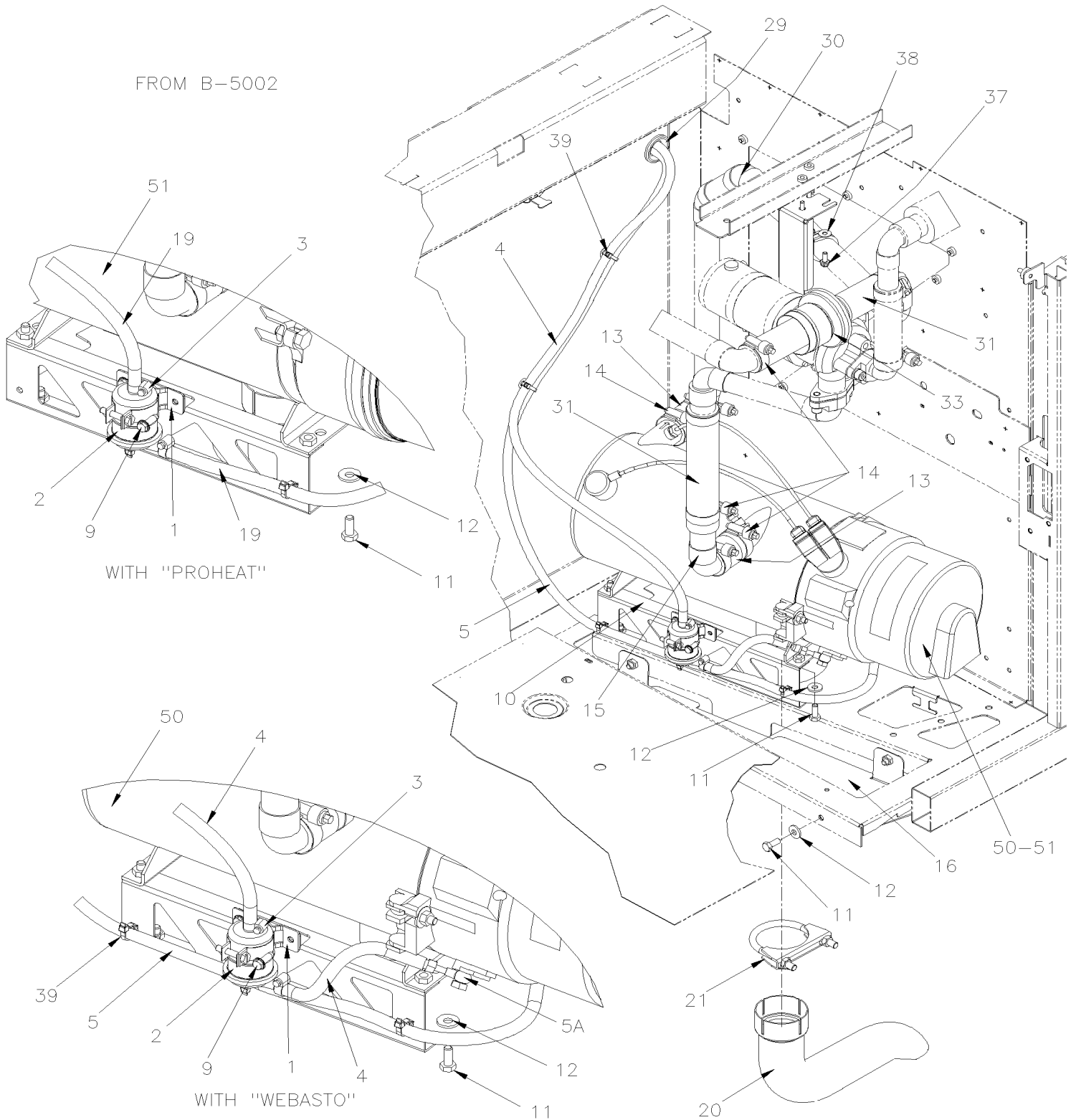
Item#	Part	Description	QTY	Notes
1	562664	PROTECTOR METALLIC 1"/CABLE	AR	
2	560933	CONNECTOR / 15 AMPS / HUBBELL 5266-C	AR	
3	562595	SPECIAL WIRE CABLE 14/3 / WHITE (BOAT CABLE)	AR	
4	564151	RACEWAY BASE ALUMINUM 60"	AR	
5	564152	RACEWAY COVER ALUMINUM 60"	AR	
6	564153	BLANK END FITTING CLOSING	AR	
7	564154	RECEPTACLE DOUBLE / IN-LINE 15 Amps	AR	
8	564155	TEE ALUMINUM RACEWAY	AR	
9	564156	ELBOW 90° EXTERNAL RACEWAY	AR	
20	562657	PLUG DOUBLE 110 VAC MURAL / WHITE	AR	
21	562659	COVER PLATE DOUBLE 110V OUTLET / WHITE	AR	
22	564129	RECEPTACLE BOX / 110Vac outlet / WHITE	AR	
23	564467	CONNECTOR IBERVILLE 1/2" PLASTIC GREY	AR	
24	563624	BUTT SPLICE / 12-10 / YELLOW / W/THERMORETRAC / PANDUIT BSH10-E	AR	

From G-7275 To M-7767

Date:07/2024

PAGE:X3PLB-2350-10

WATER HEATER - INSTALLATION

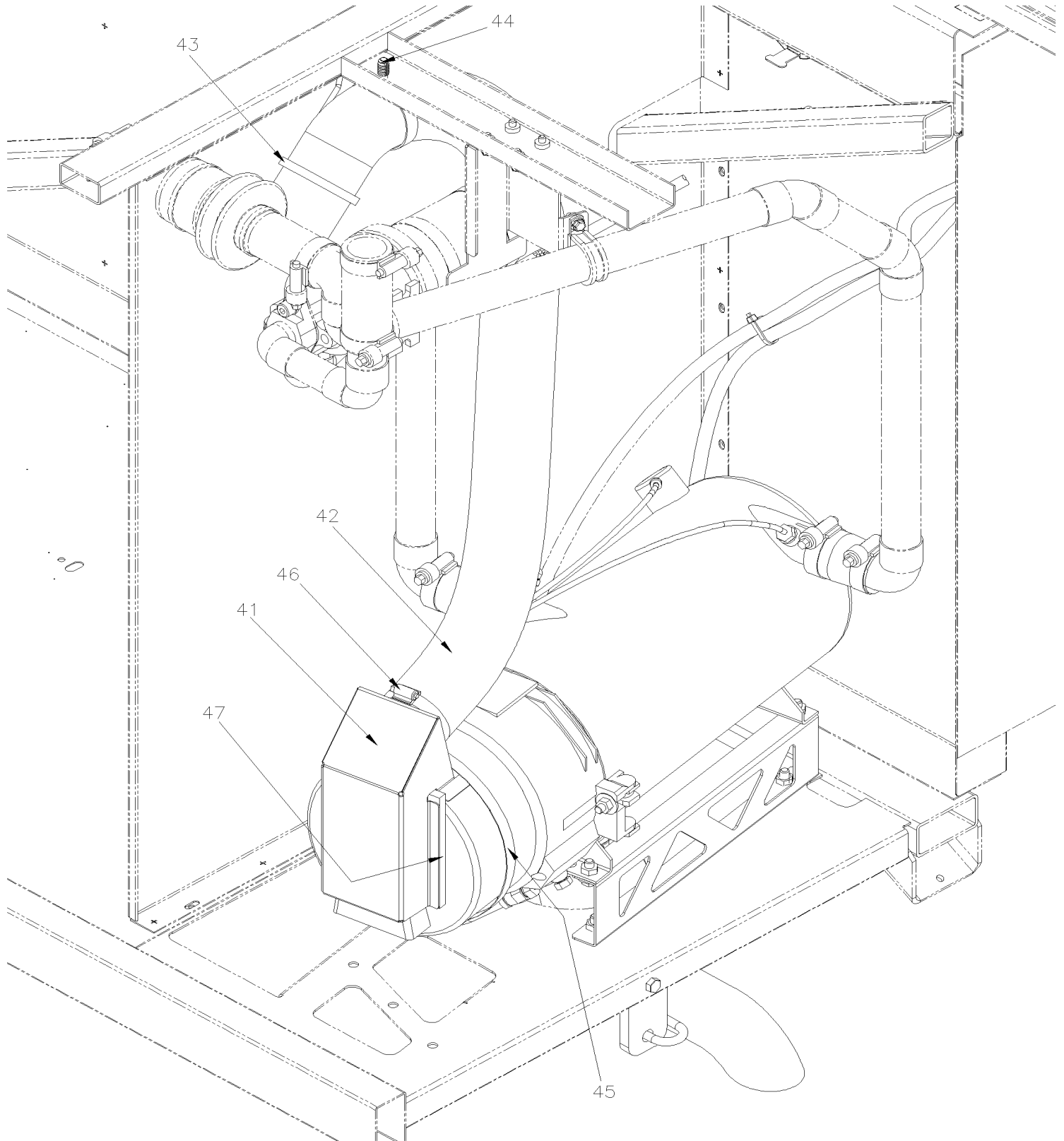


From G-7275 To M-7767

Date:07/2024

PAGE:X3PLB-2350-10

WATER HEATER - INSTALLATION



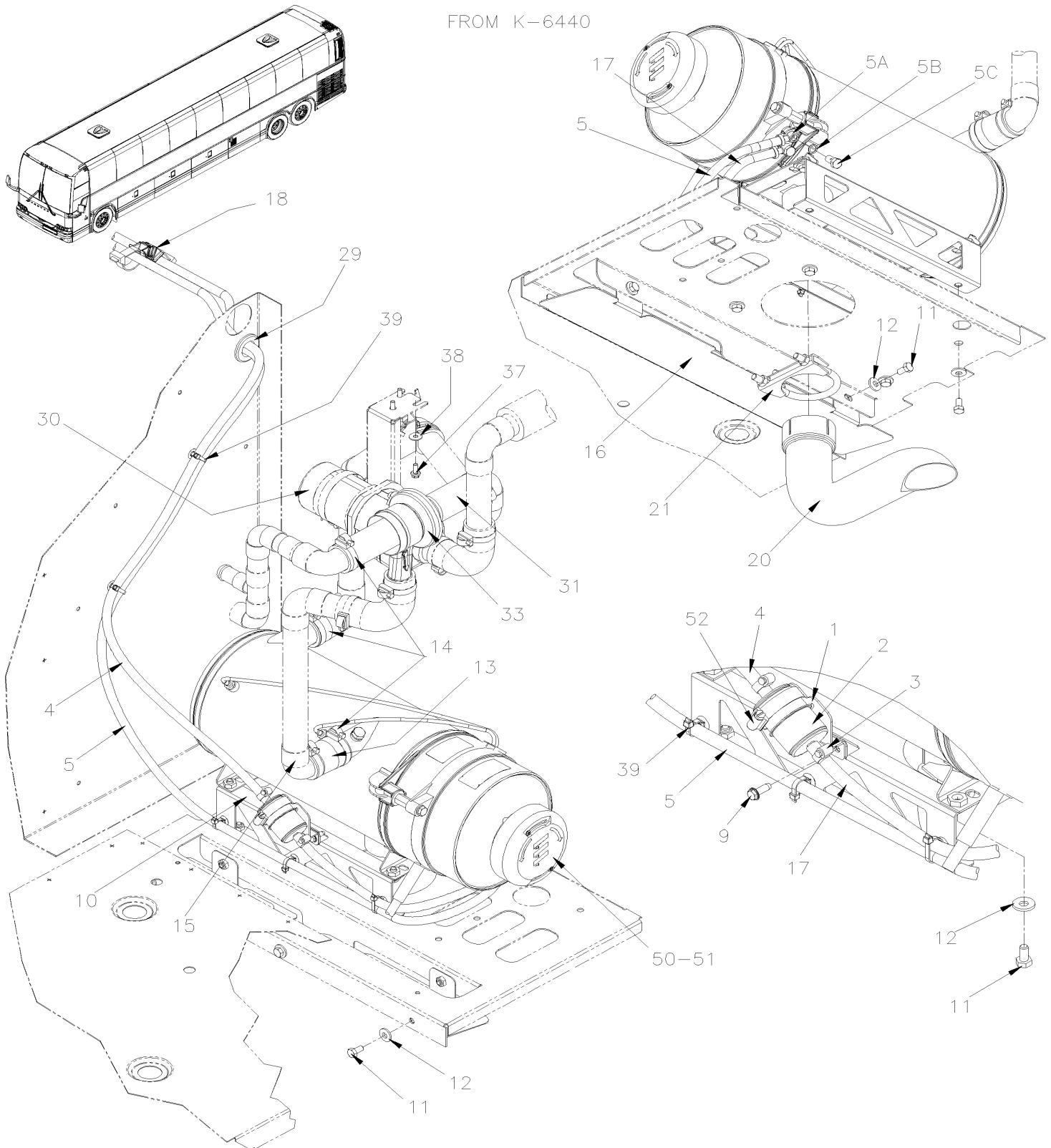
From G-7275 To M-7767

Date:07/2024

PAGE:X3PLB-2350-10

WATER HEATER - INSTALLATION

FROM K-6440

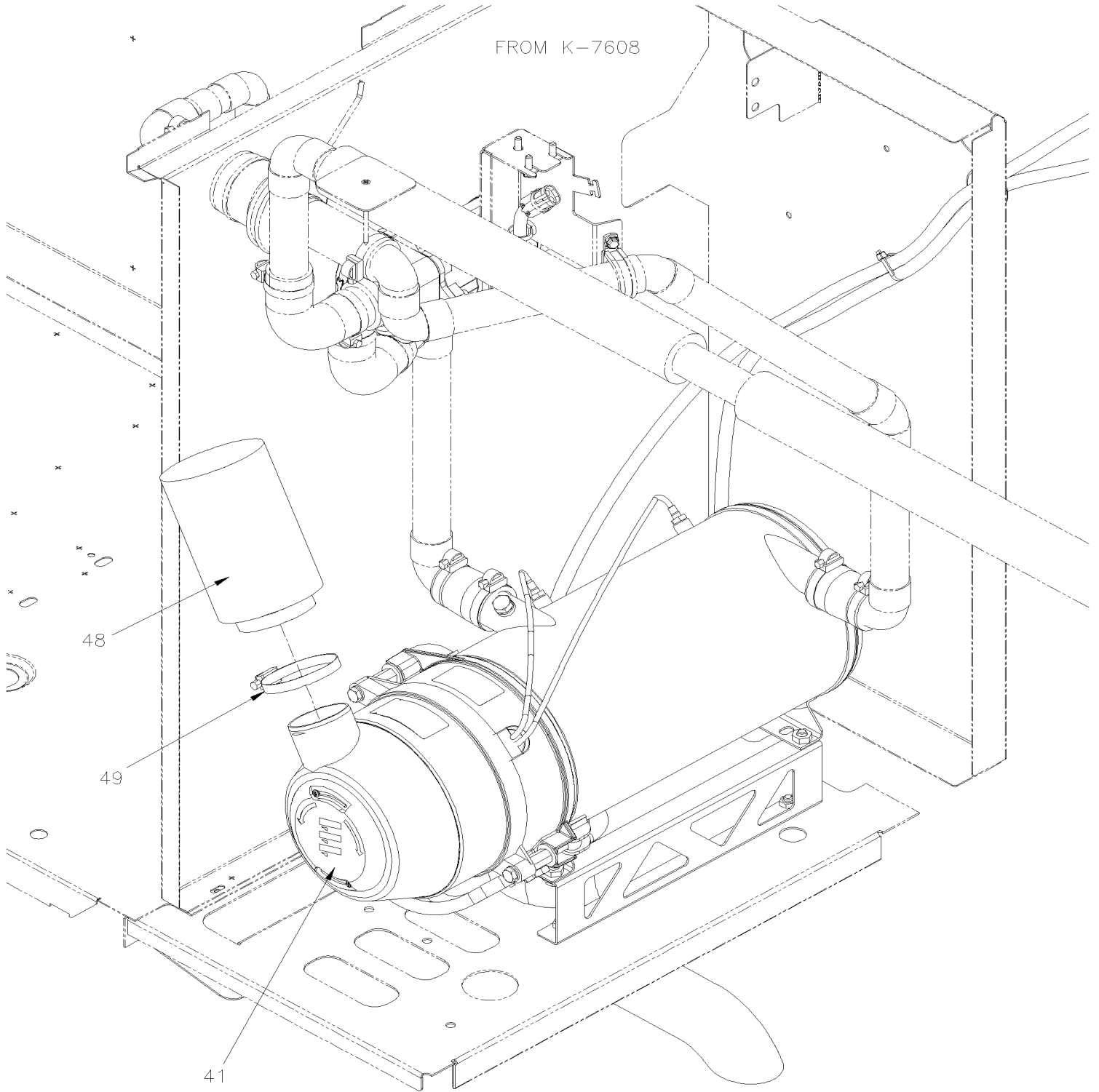


From G-7275 To M-7767

Date:07/2024

PAGE:X3PLB-2350-10

WATER HEATER - INSTALLATION



From G-7275 To M-7767	Date:07/2024	PAGE:X3PLB-2350-10
WATER HEATER - INSTALLATION		

Item#	Part	Description	QTY	Notes
1	871038	SUPPORT, FILTER FUEL To K-7620	1	
1	370230	SUPPORT, FILTER From K-7621	1	
2	871037	FILTER, FUEL To K-7620	1	
2	870073	FILTER, FUEL From K-7621	1	
3	504014	HOSE CLAMP / 1/4"-5/8" SS / HM-4	2	
4	Call order desk	HOSE ASSY #4 2610MM To K-7620	1	P
4	Call order desk	HOSE / FUEL LINE / #4 From K-7621	1	P
4	503706	. HOSE FC-332-4 #4	AR	
4	5011235	. FEMALE CONNECTOR SWIVEL / PUSH-LOK FITTING #6JIC-Fx#4 BR To K-7620	1	
NS	5011238	BANJO UNION / 10MMx#6JIC-M To K-7620	1	
5	Call order desk	HOSE / FUEL LINE / #4 2790MM To K-7620	1	P
5	Call order desk	HOSE / FUEL LINE / #4 From K-7621	1	P
5	503706	. HOSE FC-332-4 #4	AR	
5	501347	. FEMALE CONNECTOR SWIVEL / PUSH-LOK FITTING #4JIC-Fx#4 BR To K-7620	1	
5A	5011237	BANJO UNION / 10MMx#4JIC-M To K-7620	1	
5A	501120	BANJO UNION / 10MMx#4 From K-7621	2	
5B	870923	BANJO WASHER / M10	4	
5C	870929	BANJO BOLT / M10-1.0	2	
9	502848	SCREW TC CAP HEXF 1/4-20x3/4 N500	1	
10	374458	SUPPORT REAR / WATER HEATER	1	
10	374427	SUPPORT FRONT / WATER HEATER	1	
11	5001527	SCREW CAP HEX M8-1.25x16 SS BK	13	
12	5001848	WASHER BEL SPR .827 x .331 x .098 th SS	13	
13	373800	HOSE REDUCER / 1 1/2" I.D.x1 3/8" I.D.x65MM	2	
14	992086	HOSE CLAMP / 32MM/52MM	4	
15	X3PLB-2206-00	WATER PUMP #874297 AMETEK		
16	374610	AIR DEFLECTOR, WATER HEATER ASSY To J-7495	1	
16	370137	AIR DEFLECTOR, WATER HEATER ASSY From J-7496	1	
17	Call order desk	HOSE / FUEL LINE / #4 From K-7621	1	P
17	503706	. HOSE FC-332-4 #4 From K-7621	AR	
18	509490	ATTACHMENT DOUBLE USE WITH CABLE TIE From K-7621	AR	
18	509491	CABLE TIE / 13MM x 383MM From K-7621	AR	
19	Call order desk	HOSE / FUEL LINE / #4 2900MM	1	P A
19	503706	HOSE FC-332-4 #4	AR	A
NS	501347	FEMALE CONNECTOR SWIVEL / PUSH-LOK FITTING #4JIC-Fx#4 BR To H-7416	1	A
NS	501588	MALE ELBOW 90° / JIC 37° FITTING / #4JIC-Mx1/8NPT-M STL To H-7416	1	A
NS	501013	MALE ELBOW 90° / HOSE BARB FITTING / #4x1/8NPT-M BR From H-7417	1	A
NS	501307	ADAPTER / PIPE FITTING / 1/8NPT-Fx1/8NPT-M BR From H-7417	1	A
20	374602	EXHAUST PIPE SHORT	1	
21	540061	U-CLAMP / 2 3/4" I.D.	1	
29	504398	GROMMET / 1.000x1.375x.062x.437x1.750	1	
30	X3PLB-2210-10	WATER PUMP - INSTALLATION VOLVO D13 To H-7416		

From G-7275 To M-7767	Date:07/2024	PAGE:X3PLB-2350-10
WATER HEATER - INSTALLATION		

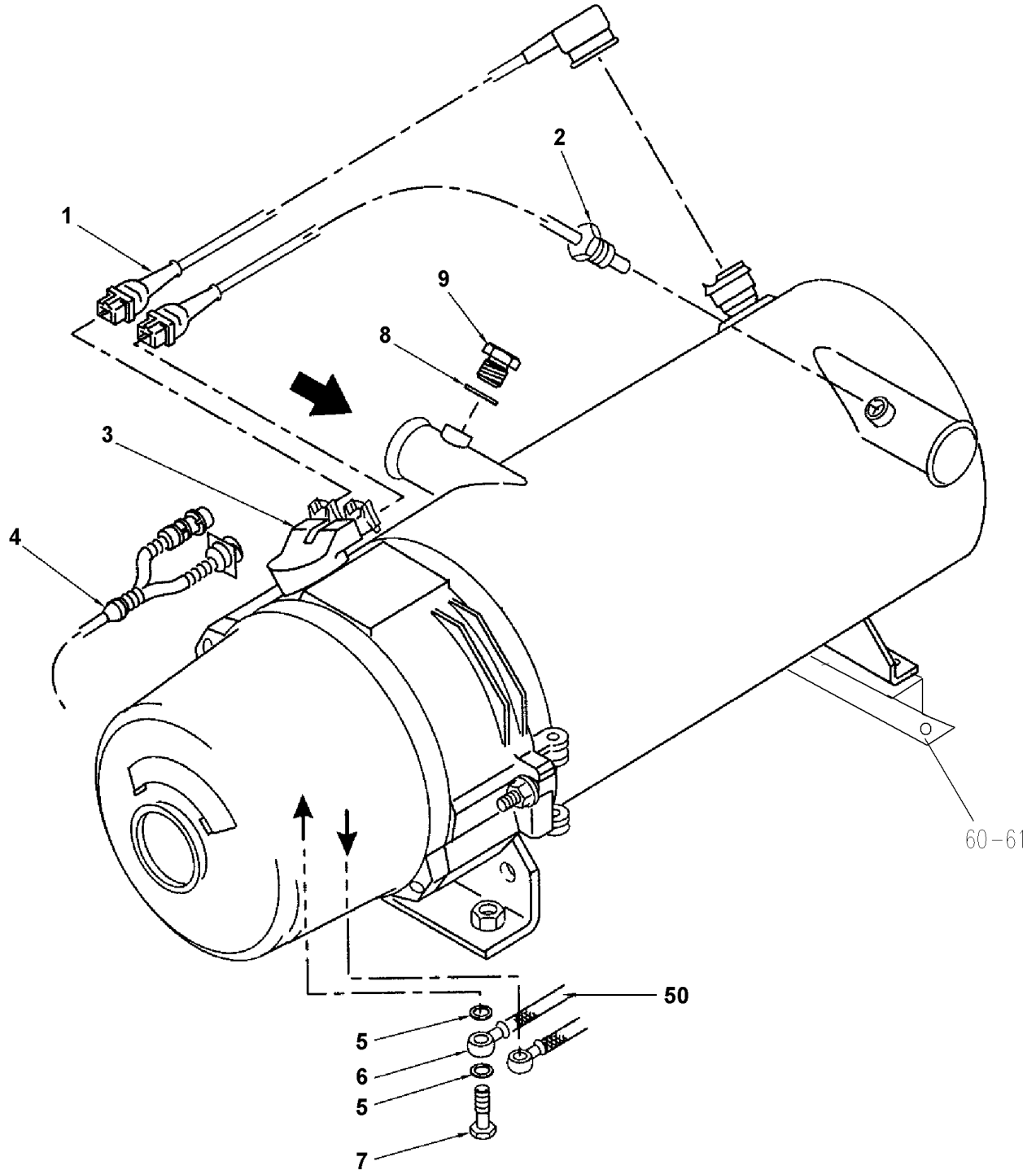
Item#	Part	Description	QTY	Notes
30	X3PLB-2210-11	WATER PUMP - INSTALLATION VOLVO D13 - GHG17 From H-7417		
31	503783	HOSE SILICONE 4PLY / NOMEX-ARAMID 34MM I.D. x 6'	AR	
33	504385	CUFF END BELLOW / 1 1/2" I.D. x 2 1/2" x 4"	1	
NS	504637	CABLE TIE / 3/16" x 13"	1	
37	5001730	SCREW CAP HEXF M6-1.0x16 G10.9 N500	3	
38	5001833	WASHER BEL SPR 6.1x18x1.27 SS	3	
39	8631155	CABLE TIE / 4.6MM x 200 / CHRISTMAS TREE	AR	
		WITH UPPER AIR INTAKE		
		"PWT" OPTION		
41	374586	AIR INTAKE / "WATER HEATER" WEBASTO To K-7620	1	PWT
41	870071	AIR INTAKE / "WATER HEATER" HYDRONIC L30 From K-7621	1	PWT
NS	871439	AIR FILTER / AIR INTAKE WATER HEATER To K-7620	1	PWT
41	992089	HOSE CLAMP / 60MM/80MM To K-7620	1	PWT
42	503031	HOSE FLEXIBLE / AIR DUCT 2 1/2" I.D. X 12' / RUBBER To K-7620	AR	PWT
43	504016	CABLE TIE / 5/16" X 14"1/2 To K-7620	1	PWT
44	504750	CABLE TIE / 1/2" x 15" / CHRISTMAS TREE To K-7620	1	PWT
45	504229	HOSE CLAMP / 6"1/2-8"1/2 SS / HS-100 To K-7620	1	PWT
46	504025	HOSE CLAMP / 2"5/16-3"1/4 SS / HS-44 To K-7620	1	PWT
47	506268	TAPE RUB ADH1 URE 3/8" x 1/2" x 25' / GREY 1820 To K-7620	AR	PWT
48	871439	AIR FILTER / AIR INTAKE WATER HEATER From K-7621		
49	992090	HOSE CLAMP / 70MM/90MM From K-7621	1	
50	871202	WATER HEATER - "SPHEROS" 100,000 B.T.U. To K-7620	1	
50	870012	WATER HEATER - HYDRONIC L30 From K-7621	1	
51	871345	WATER HEATER - "PROHEAT" 80,000 B.T.U.	1	
52	504023	HOSE CLAMP / 1"5/16-2"1/4 SS / HS-28 From K-7608	1	
		A) WITH "PROHEAT" WATER HEATER		
		PWT) "PWT" OPTION		
		P) CALL ORDER DESK FOR SPECIFIC APPLICATION (V.I.N.)		

From G-7275 To M-7767

Date:07/2024

PAGE:871202

WATER HEATER - "SPHEROS" 100,000 B.T.U.

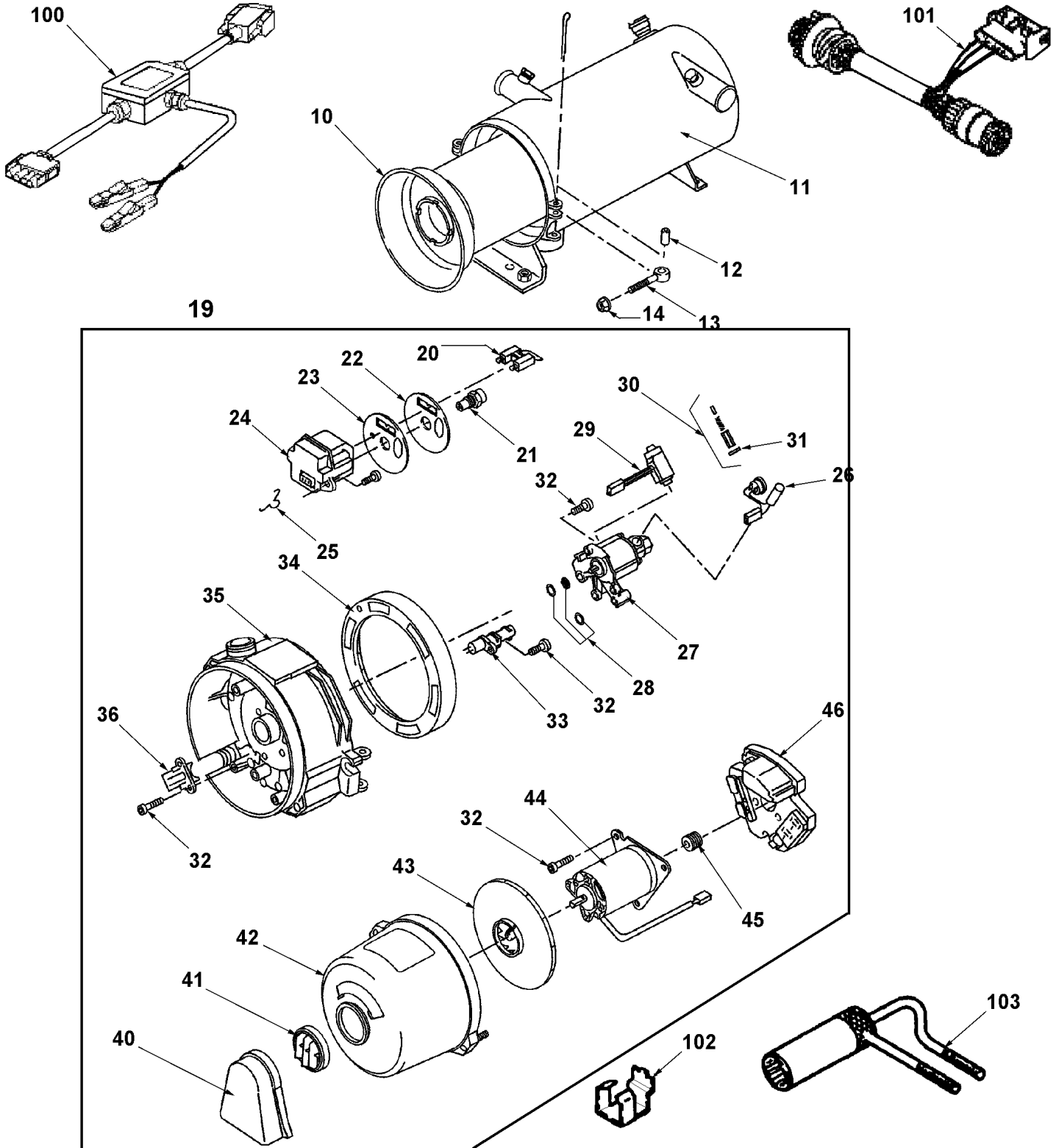


From G-7275 To M-7767

Date:07/2024

PAGE:871202

WATER HEATER - "SPHEROS" 100,000 B.T.U.



From G-7275 To M-7767	Date:07/2024	PAGE:871202
WATER HEATER - "SPHEROS" 100,000 B.T.U.		

Item#	Part	Description	QTY	Notes
		WATER HEATER - "WEBASTO" 100,000 B.T.U.	1	
1	871284	. OVERHEAT PROTECTION	1	
2	871285	. TEMPERATURE SENSOR	1	
2	G1094742	. TEMPERATURE SENSOR	1	
3	194873	. CABLE ASSY / WITH RUBBER BOOT / CONTROL & HARNESS CABLE	1	
4	871286	. MASTER WIRING HARNESS	1	
5	870923	. BANJO WASHER / M10	1	
6	5011237	. BANJO UNION / 10MMx#4JIC-M	1	
6	5011238	. BANJO UNION / 10MMx#6JIC-M	1	
7	870929	. BANJO BOLT / M10-1.0	1	
8	N.S.P.	. GASKET / (151 173)	1	2
9	N.S.P.	. PLUG / (199 87A)	1	2
10	871288	. COMBUSTION CHAMBER	1	
11	871289	. HEAT EXCHANGER	1	
NS	871431	. . STICKER WEBASTO	1	
12	N8890598	. COLLAR	2	
13	N8890596	. EYE BOLT	2	
14	502692	. NUT HEXF STO M8-1.25 Z050	1	
19	N8894780	. BURNER HEAD ASSY / 24V - "WEBASTO" THERMO 300	1	
19	N8896417	. BURNER HEAD ASSY / 24V - "WEBASTO" THERMO 350	1	
20	871290	. . IGNATION ELECTRODE	1	
21	871291	. . NOZZLE 0.85GPH - "WEBASTO" THERMO 300	1	
21	870918	. . NOZZLE 0.80GPH	AR	
22	871368	. . PHOTODISC	1	
23	871369	. . PHOTODISC	1	
24	871292	. . ELECTRONIC IGNITION UNIT	1	
25	N8883147	. . HOLDING STRAP	1	
26	871293	. . HEATING ELEMENT WITH THERMOSTAT	1	
27	871294	. . FUEL PUMP	1	
28	871295	. . . SMALLL PARTS FOR FUEL PUMP	1	
29	871296	. . . MAGNETIC COIL	1	
30	870919	. . . UNLOADER POWER ASSY	1	
31	871297	. . . GASKET	1	
32	502653	. . SCREW MA PAN PH M5-0.8x16 SS	AR	
33	871298	. . FLAME DETECTOR	1	
34	194824	. . ADJUSTING RING	1	
35	N8890616	. . HOUSING	1	
35	G1094733	. . HOUSING	1	
36	N8890590	. . CORE GRIP	1	
36	G1094734	. . CORE GRIP	1	
40	871299	. . SPLASHGUARD	1	
41	871300	. . GRID	1	

From G-7275 To M-7767	Date:07/2024	PAGE:871202
WATER HEATER - "SPHEROS" 100,000 B.T.U.		

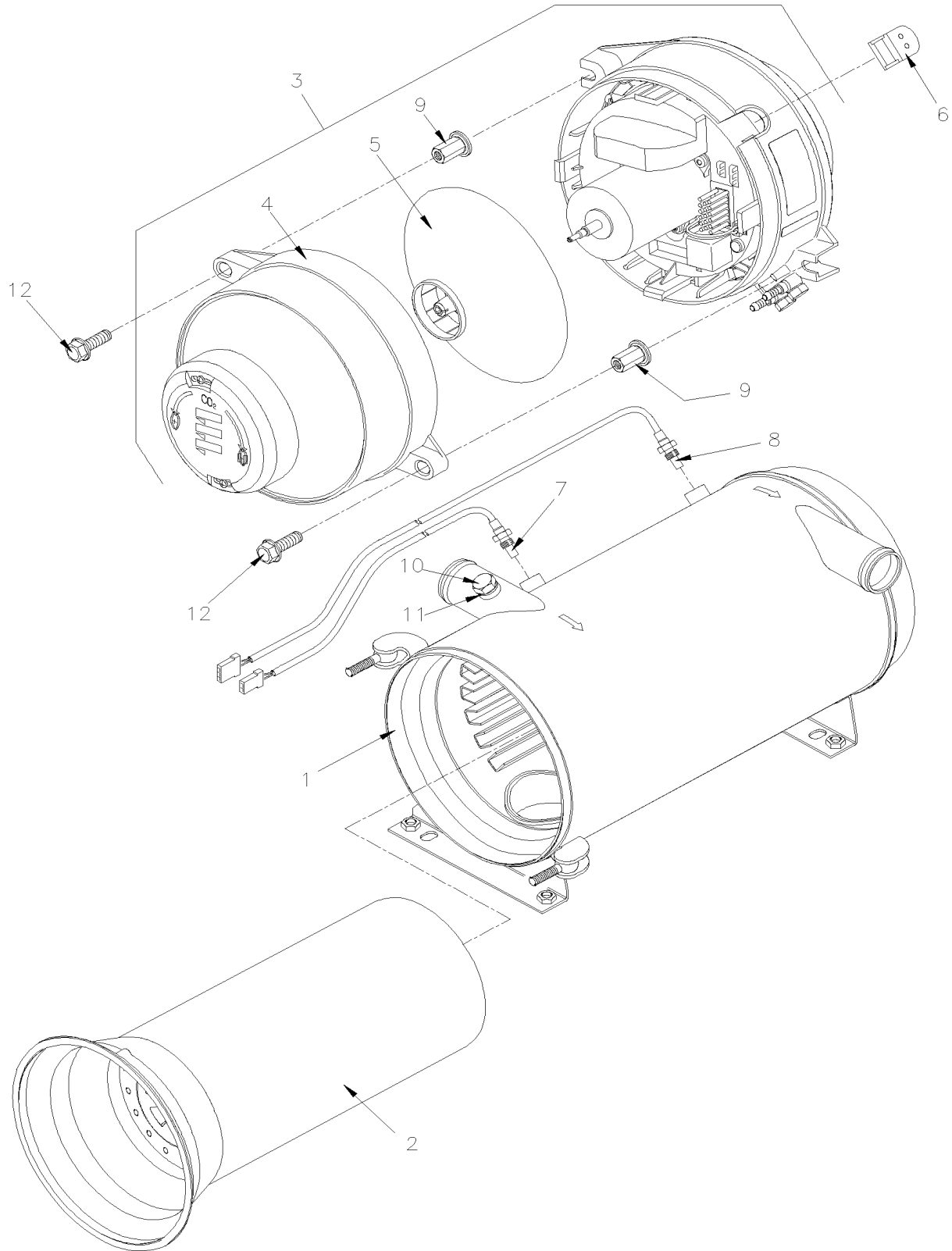
Item#	Part	Description	QTY	Notes
42	871301	.. HOOD	1	
NS	G1017565	.. DECAL "DANGER"	1	
43	871302	.. FAN ROTOR	1	
44	871303	.. DRIVE ASSY	1	
45	871304	.. . CLUTCH	1	
46	871305	.. ELECTRONIC CONTROL	1	
		SEE WATER HEATER - INSTALLATION		
60	374322	SPACER ASSY 1" / "WATER HEATER & FENDER	2	
61	500069	SCREW CAP HEX M8-1.25x16 G10.9 DP	4	
NS	5001341	WASHER FL 8.4x17.0x1.6 SS	4	
NS	5001161	WASHER LO SPT 8.1x14.8x2.0 SS-304	4	
NS	5001188	NUT HEX M8-1.25 SS	4	
100	871320	DIAGNOSTIC KIT VERSION 2.2	AR	
100	N8894700	DIAGNOSTIC KIT VERSION 2.?	AR	
101	871321	ADAPTOR HARNESS / W/ROUND CONECTORS	AR	
101	195314	ADAPTOR HARNESS / W/RECTANGULAR CONECTORS	1	
102	870937	GAUGE / IGNITION ELECTRODE	AR	
103	870938	BOX WRENCH / HIGH PRESSURE NOZZLE	AR	
		2) NOT SOLD BY PREVOST (SEE MANUFACTURING PART NUMBER AT END OF DESCRIPTION LINE)		

From K-7621

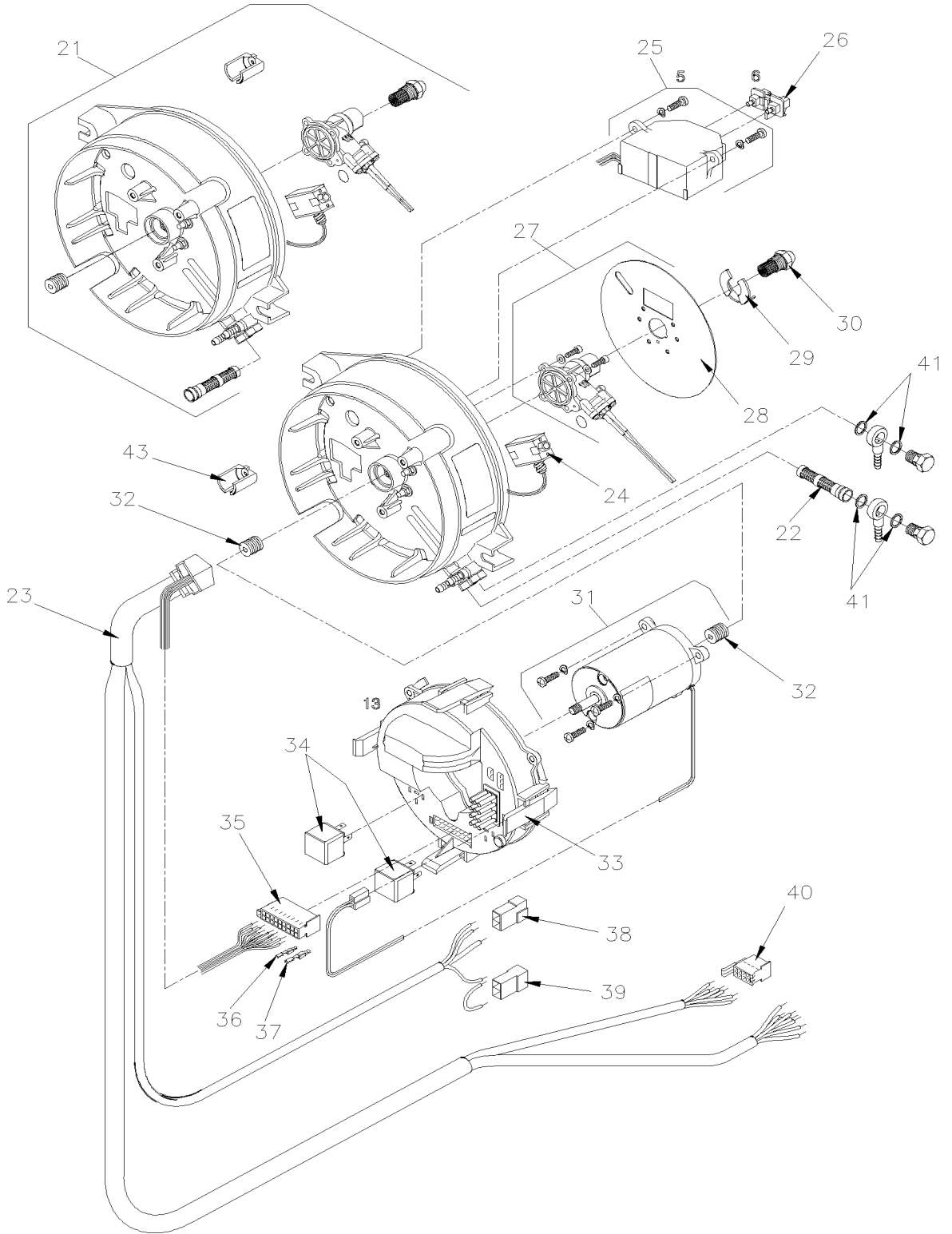
Date:07/2024

PAGE:870012

WATER HEATER - HYDRONIC L30



WATER HEATER - HYDRONIC L30



From K-7621		Date:07/2024	PAGE:870012
WATER HEATER - HYDRONIC L30			

Item#	Part	Description	QTY	Notes
1	870075	HEAT EXCHANGER	1	
2	870076	FLAME TUBE, COMPL.	1	
3	870077	BURNER	1	
4	870078	HOOD	1	
5	870079	FAN WHEEL	1	
6	870080	SLEEVE	1	
7	870081	TEMPERATURE SENSOR	1	
8	870083	SAFETY THERMAL CUTOOUT SWITCH	1	
9	870084	HEXAGON NUT M8 WITH WASHER	2	
10	870085	SCREW PLUG	1	
11	870086	SEAL	1	
12	870087	SCREW CAP HEX M8 X 25	2	
21	870088	PUMP, 24 V COMPLETE	1	
22	870091	FUEL FILTER	1	
23	870092	CABLE HARNESS	1	
24	870099	SOLENOID VALVE	1	
25	870100	IGNITION SPARK GENERATOR, 24 VOLT, WITH CHECK GAUGE	1	
26	870101	IGNITION ELECTRODE, WITH CHECK GAUGE	1	
27	870102	NOZZLE PRE-HEATER 24 VOLTS	1	
28	870103	BAFFLE PLATE	1	
29	870104	RETAINING SPRING	1	
30	870106	FUEL ATOMIZER NOZZLE	1	
31	870107	ELECTRIC MOTOR, 24 V, INCL. COUPLING	1	
32	870108	COUPLING	1	
33	870109	CONTROLL UNIT	1	
34	870110	RELAY	2	
35	870111	CONNECTOR / JUNIOR POWER TIMER / SH 16C AMP 928162-6	1	
36	562805	SOCKET TERMINAL / 16-14 / GOLD / AMP 927777-9	1	
37	562806	SOCKET TERMINAL / 20-16 / AMP 927779-3	1	
38	562473	CONNECTOR / FASTIN-FASTON (.250) / TH 2C / AMP 180908-0	1	
39	870112	CONNECTOR / FASTIN-FASTON (.250) / TH 2C AMP 1337024-1	1	
40	870113	CONNECTOR / JUNIOR POWER TIMER / SH 8C AMP 929504-3	1	
41	870114	SEAL 10x13.5	4	
43	N.S.S.	CHECK GAUGE	1	1 B
44	870149	DIAGNOSTIC CASE KIT HYDRONIC	1	A
44	870245	DIAGNOSTIC CASE KIT HYDRONIC	1	C
44	0610556	INTERFACE ADAPTER EBERSPAECHER TO EDITH	1	
		A) NOT INCLUDE WITH HEATER		
		B) INCLUDE WITH ITEM 21, 25 & 26		

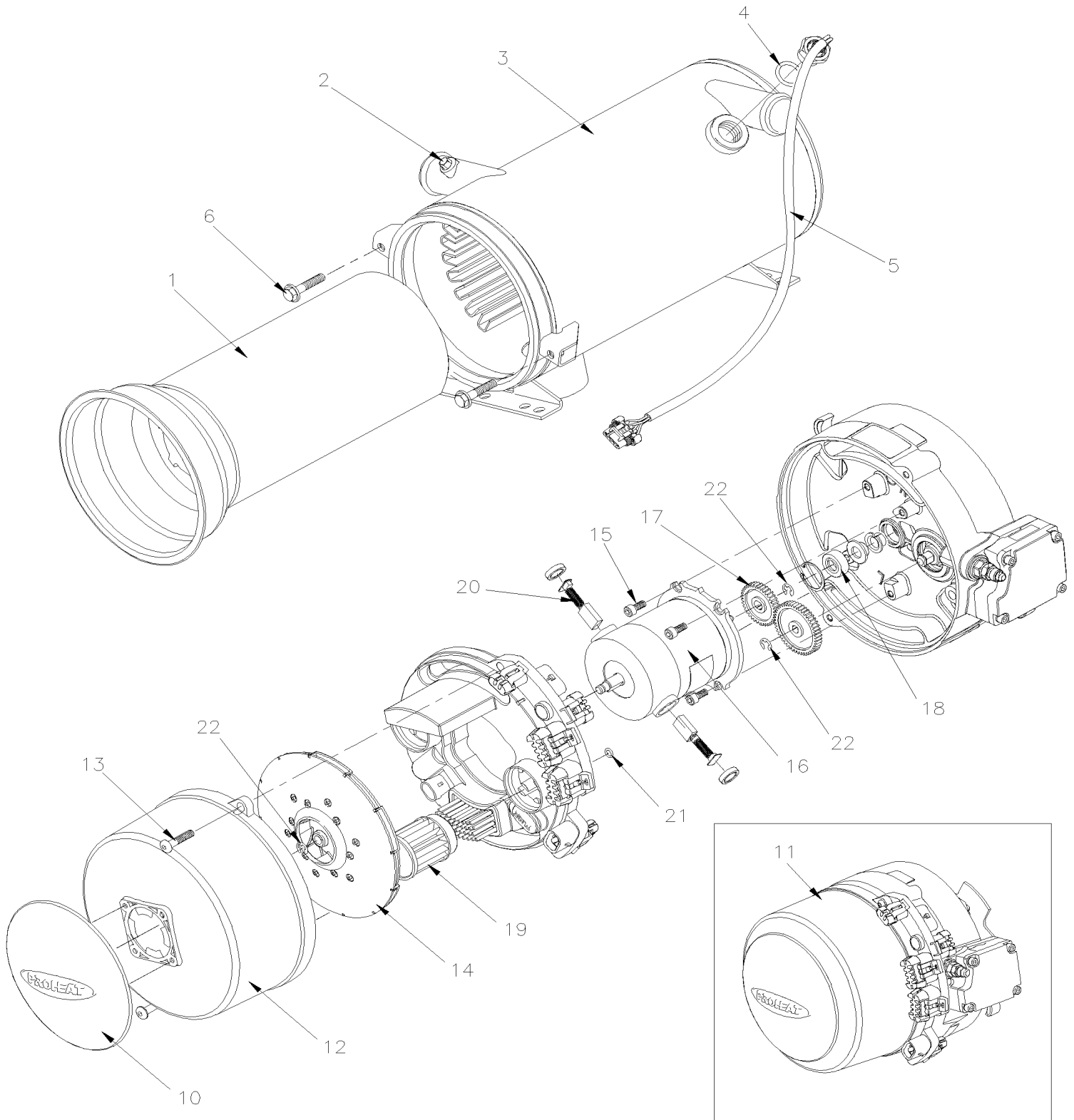
From K-7621		Date:07/2024	PAGE:870012	
WATER HEATER - HYDRONIC L30				
Item#	Part	Description	QTY	Notes
		C) TO USE THIS DIAGNOSTIC TOOL YOU NEED INTERFACE 0610556		
		1) NOT SOLD SEPARATELY		

From G-7275 To M-7767

Date:07/2024

PAGE:871345

WATER HEATER - "PROHEAT" 80,000 B.T.U.

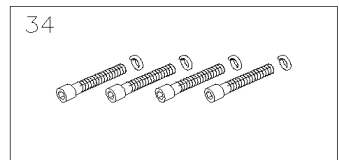
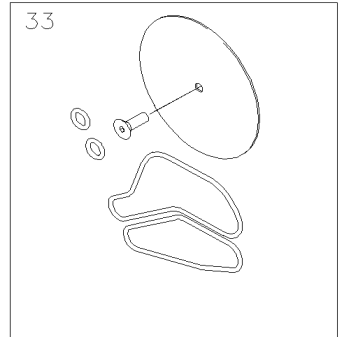
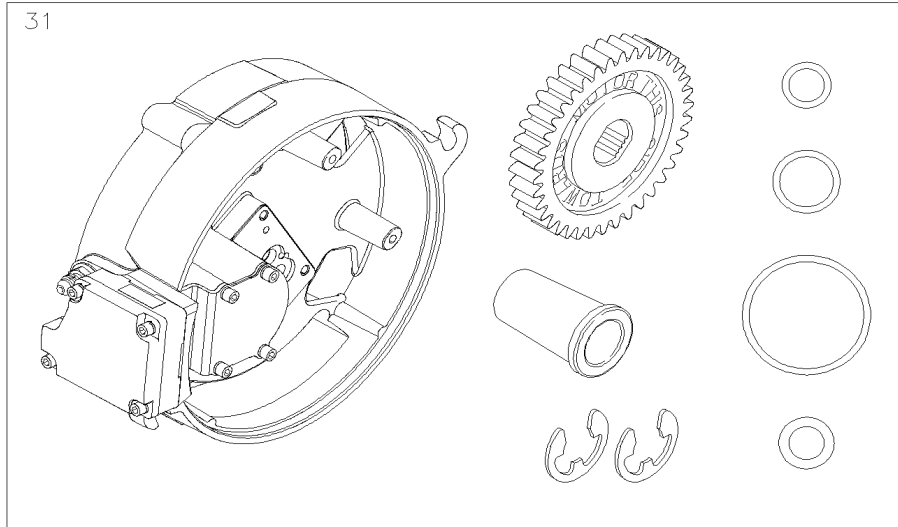
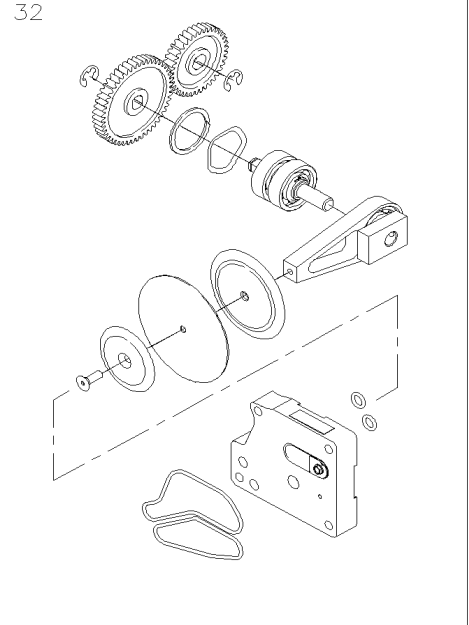
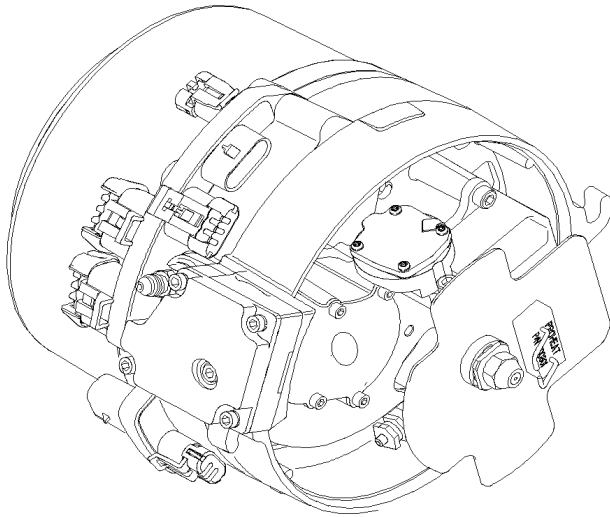


From G-7275 To M-7767

Date:07/2024

PAGE:871345

WATER HEATER - "PROHEAT" 80,000 B.T.U.



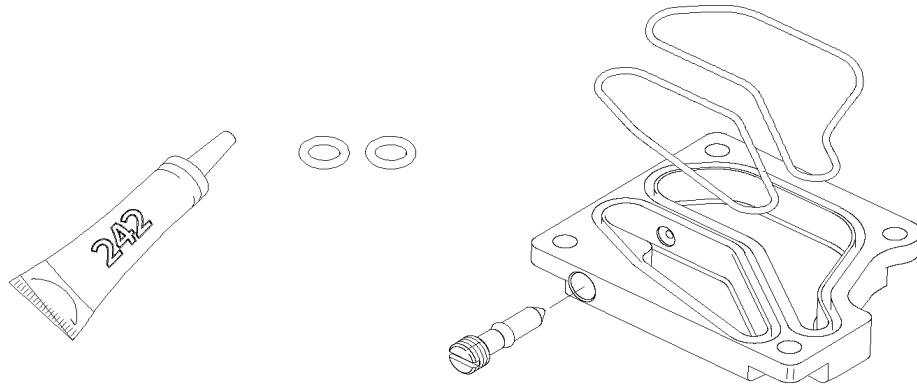
From G-7275 To M-7767

Date:07/2024

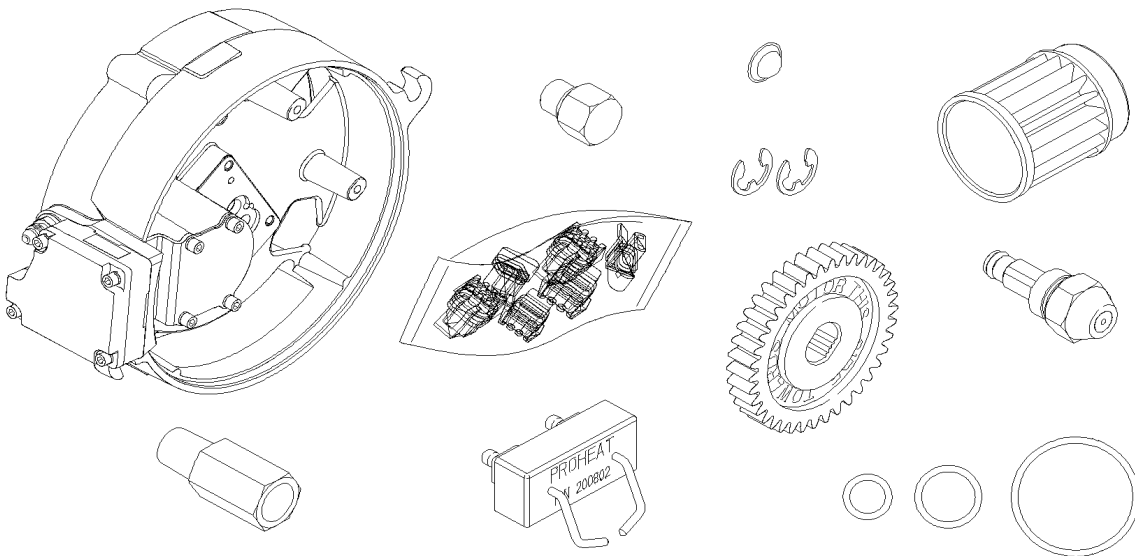
PAGE:871345

WATER HEATER - "PROHEAT" 80,000 B.T.U.

35



36

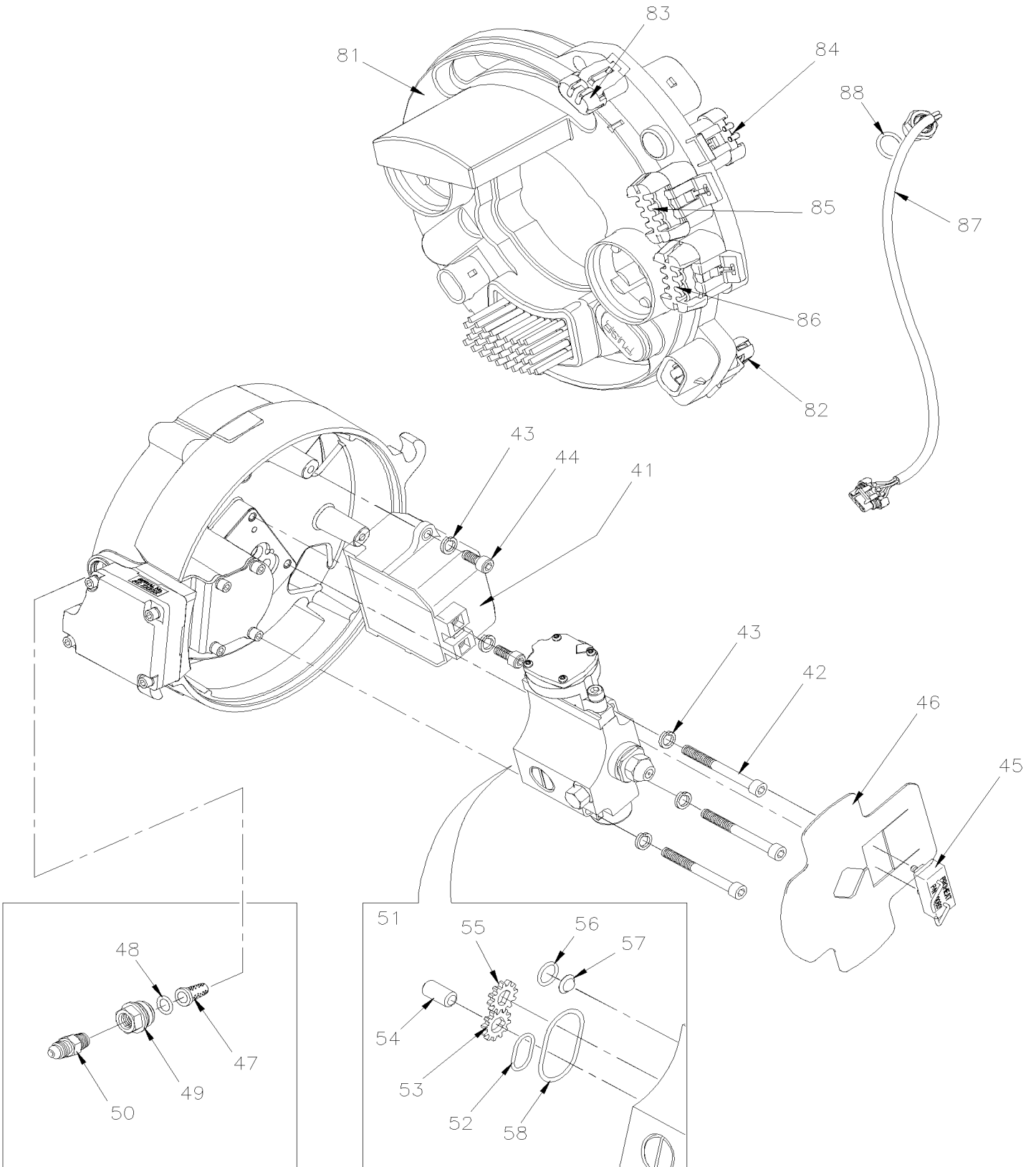


From G-7275 To M-7767

Date:07/2024

PAGE:871345

WATER HEATER - "PROHEAT" 80,000 B.T.U.

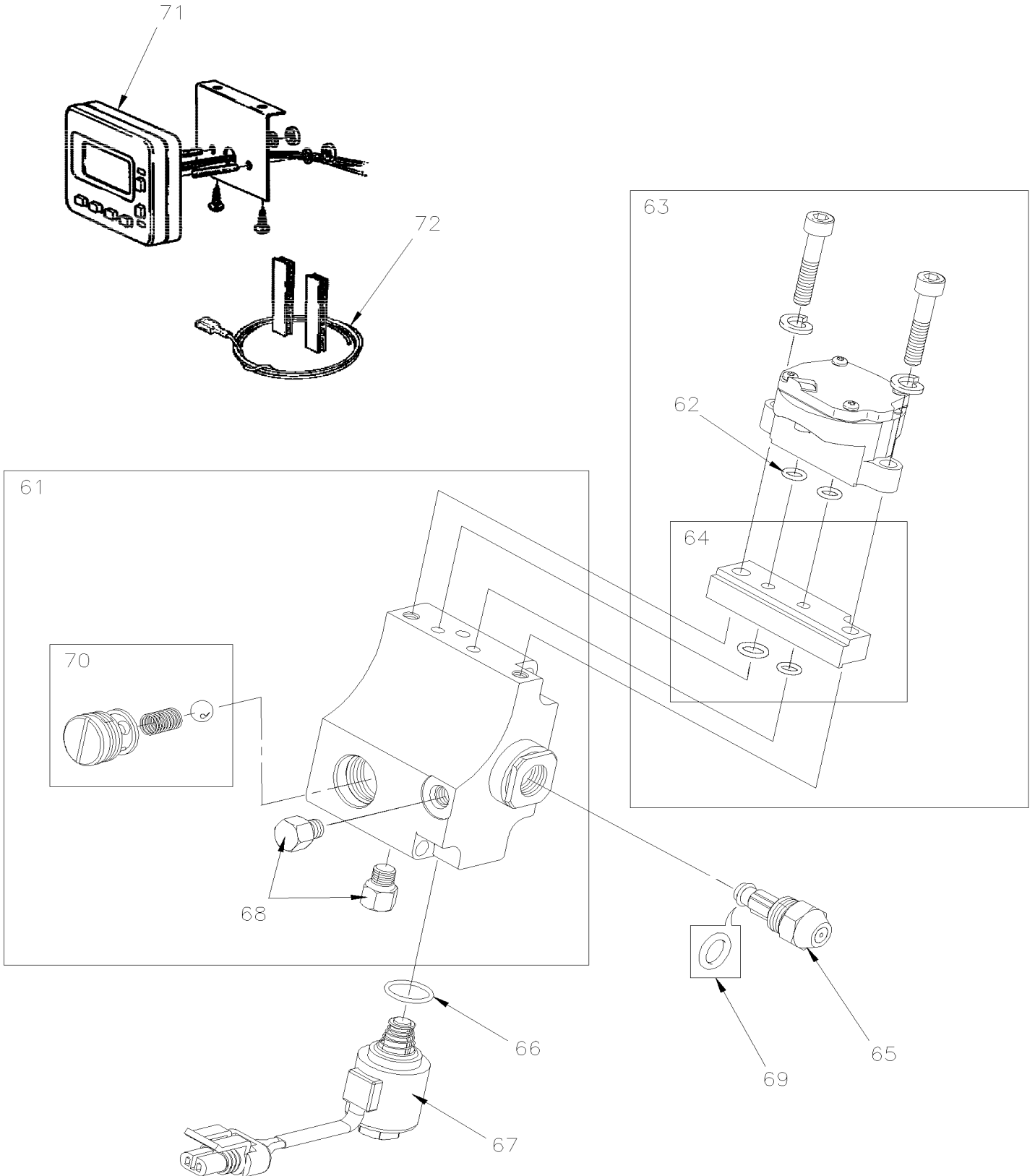


From G-7275 To M-7767

Date:07/2024

PAGE:871345

WATER HEATER - "PROHEAT" 80,000 B.T.U.



From G-7275 To M-7767	Date:07/2024	PAGE:871345
WATER HEATER - "PROHEAT" 80,000 B.T.U.		

Item#	Part	Description	QTY	Notes
NS	068127	CABLE ASSY INTERFACE W/"PRO-HEAT" M-80 To K-0185		
	068127	CABLE ASSY INTERFACE W/"PRO-HEAT" M-80 To H-6180	1	
	068127	CABLE ASSY INTERFACE W/"PRO-HEAT" M-80 To H-7417	1	
	060228	CABLE ASSY INTERFACE W/"PRO-HEAT" M-80 From K-0185	1	
	060228	CABLE ASSY INTERFACE W/"PRO-HEAT" M-80 From H-6180	1	
	060228	CABLE ASSY INTERFACE W/"PRO-HEAT" M-80 From H-7417	1	
	069728	CABLE ASSY / PRO-HEAT & RJB From K-0185	1	
	069728	CABLE ASSY / PRO-HEAT & RJB From H-6180	1	
	069728	CABLE ASSY / PRO-HEAT & RJB From H-7417	1	
		WATER HEATER - "PROHEAT" 80,000 B.T.U.	1	
1	N8892399	. COMBUSTION TUBE	1	
2	N8892400	. PLUG	1	
3	N8892401	. HEAT EXCHANGER	1	
4	G1092919	. O-RING, OVERHEAT	1	
5	19506050	. SENSOR, TEMP	1	
6	N8892405	. SCREW HEXW M8X1.25X30 (2/PKG)	1	
10	N8892423	. SPLASH GUARD	1	
11	N8898734	. BURNER HEAD ASM WITH TEMP. SENSOR	1	
12	870280	. BLOWER HOUSING AND FASTENER	1	
13	N8892409	. SCREW CAP BUT HEXS SS M6X1X25 (2/PKG)	1	
14	N8892410	. BLOWER	1	
15	G1092666	. SCREW (M6-1 X 16MM)	1	
16	N8892415	. MOTOR 24V	1	
17	19510483	. GEAR SET M SERIES	1	
18	19400496	. KIT, GASKET	1	
19	N8892421	. AIR FILTER	1	
20	19400249	. KIT, BRUSH, RELIANCE MOTOR	1	
21	870286	. O-RING	1	
22	870287	. RETAINING RING	1	
23	19510484	. O RING KIT M SERIES	1	
31	N8892436	. BURNER HEAD FLANGE ASSY	1	
32	19510889	. DIAPHRAGM COMP. REBUILD KIT	1	
33	19509330	. DIAPHRAGM REPL. KIT	1	
34	19401361	. KIT, SCREW, DIAPHRAGM COMP.	1	
35	870278	. DIAPHRAM COMPRESSOR VALVE COVER KIT	1	
36	N8896967	. COMPRESSOR KIT	1	
41	N8892426	. KIT IGNITION MODULE & ELECTRODE	1	
42	N8892427	. SCREW CAP HEXS SS M6X1X60 (3/PKG)	1	
43	G1092896	. LOCKWASHER (#10) (1EA=PAC OF 10)	1	
44	G1092666	. SCREW (M6-1 X 16MM)	1	
45	N8892428	. IGNITION ELECTRODES	1	
46	N8892429	. FLAME SHIELD	1	

From G-7275 To M-7767	Date:07/2024	PAGE:871345
WATER HEATER - "PROHEAT" 80,000 B.T.U.		

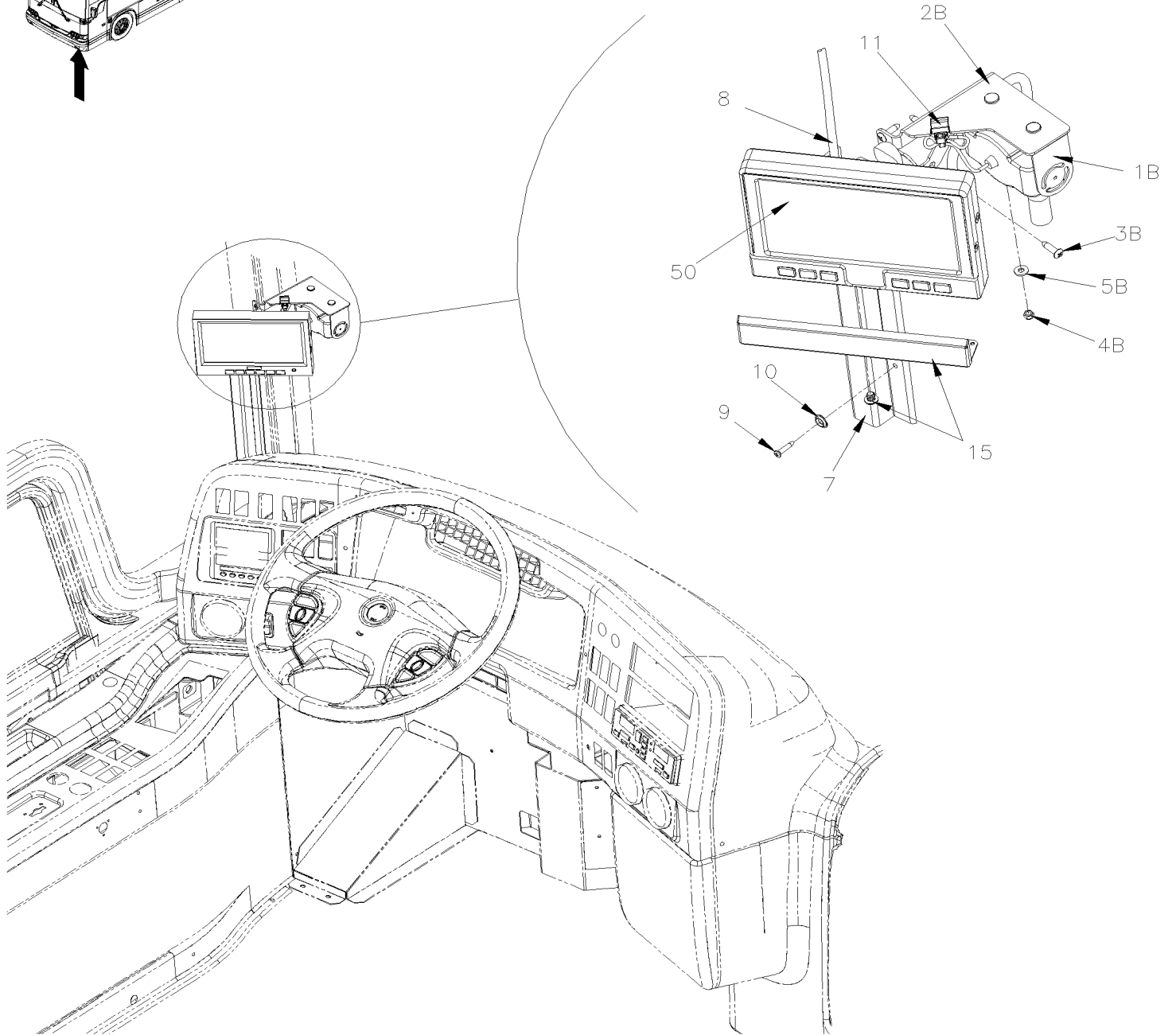
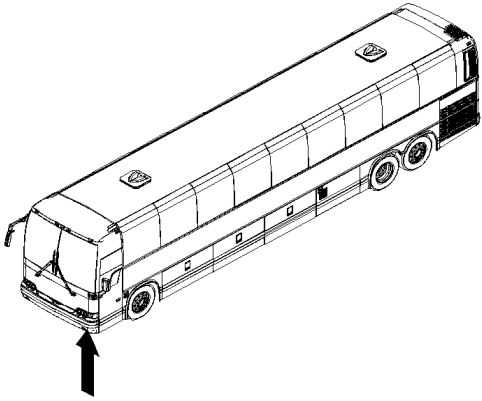
Item#	Part	Description	QTY	Notes
47	N8892432	. FUEL FILTER	1	
48	N8892433	. O-RING, FUEL FILTER	1	
49	19509953	. FITTING, FUEL INLET	1	
50	N8892435	. MALE CONNECTOR / JIC 37° FITTING / #4JIC-Mx1/8NPT-M BR	1	
51	N8892444	. FUEL PUMP SERVICE KIT	1	
52	N8890336	. . O-RING	1	
53	N8892439	. . GEAR & PINION, FUEL PUMP	1	
54	N8892440	. . IDLER SHAFT, FUEL PUMP	1	
55	N8892441	. . GEAR DRIVE, FUEL PUMP	1	
56	N8892442	. . O-RING, FUEL INTAKE	1	
57	N8892443	. . SCREEN, INLET	1	
58	N8892437	. . O-RING, GEAR PUMP	1	
61	N8892445	. FUEL DELIVERY BLOCK ASM	1	
62	N8892431	. O-RING (3/PKG)	1	
63	N8892447	. REGULATOR ASM	1	
64	870279	. SCREEN KIT AND O-RING	1	
65	G1092703	. NOZZLE	1	
66	N8890336	. O-RING	1	
67	N8892449	. SOLENOID	1	
68	G1092707	. PLUG	1	
69	N8890338	. O-RING	1	
70	N8892451	. RELIEF VALVE KIT	1	
71	19503429	. CLOCK	1	
72	19508272	. INSTALLATION KIT	1	
81	19506481	. CONTROL MODULE	1	
82	N8892419	. PLUG, CAN BUS PRIMARY CONTROL MODULE	1	
82	N8892411	. . PLUG (2/PKG)	1	
83	N8892413	. . PLUG	1	
84	870285	. . PLUG CONTROL MODULE CONNECTOR	1	
85	870281	. . PLUG CONTROL MODULE CONNECTOR	1	
86	870282	. . PLUG CONTROL MODULE CONNECTOR	1	
87	19506050	. SENSOR, TEMP	1	
88	G1092919	. O-RING, OVERHEAT	1	

From G-7275 To M-7767

Date:07/2024

PAGE:X3PLB-2355-10

FRONT CAMERA - INSTALLATION

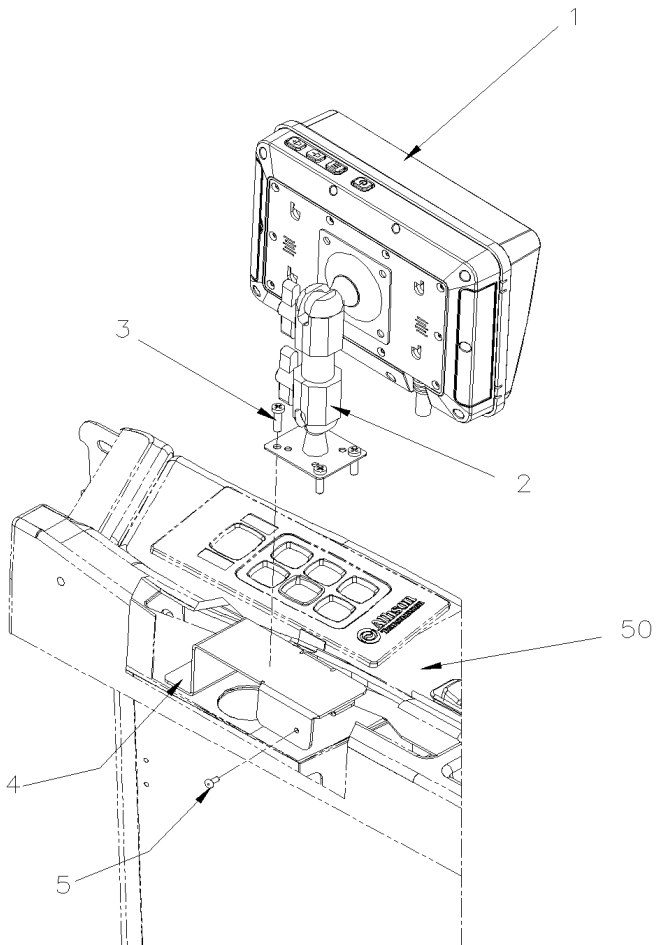
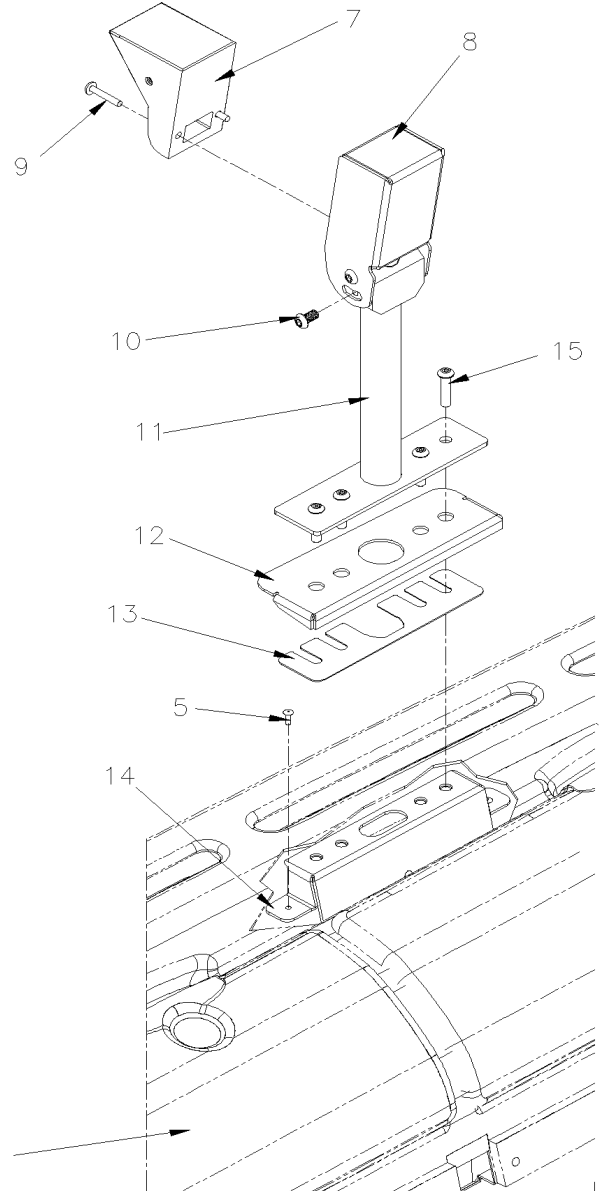
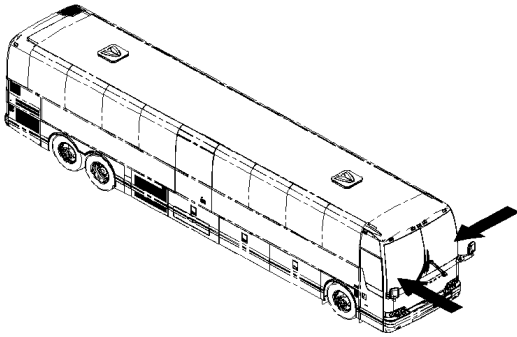


From H-7387 To M-7767

Date:07/2024

PAGE:X3PLB-2355-15

FRONT CAMERA & SCREEN SPECIAL OPTION



51

From H-7387 To M-7767	Date:07/2024	PAGE:X3PLB-2355-15
-----------------------	--------------	--------------------

FRONT CAMERA & SCREEN SPECIAL OPTION

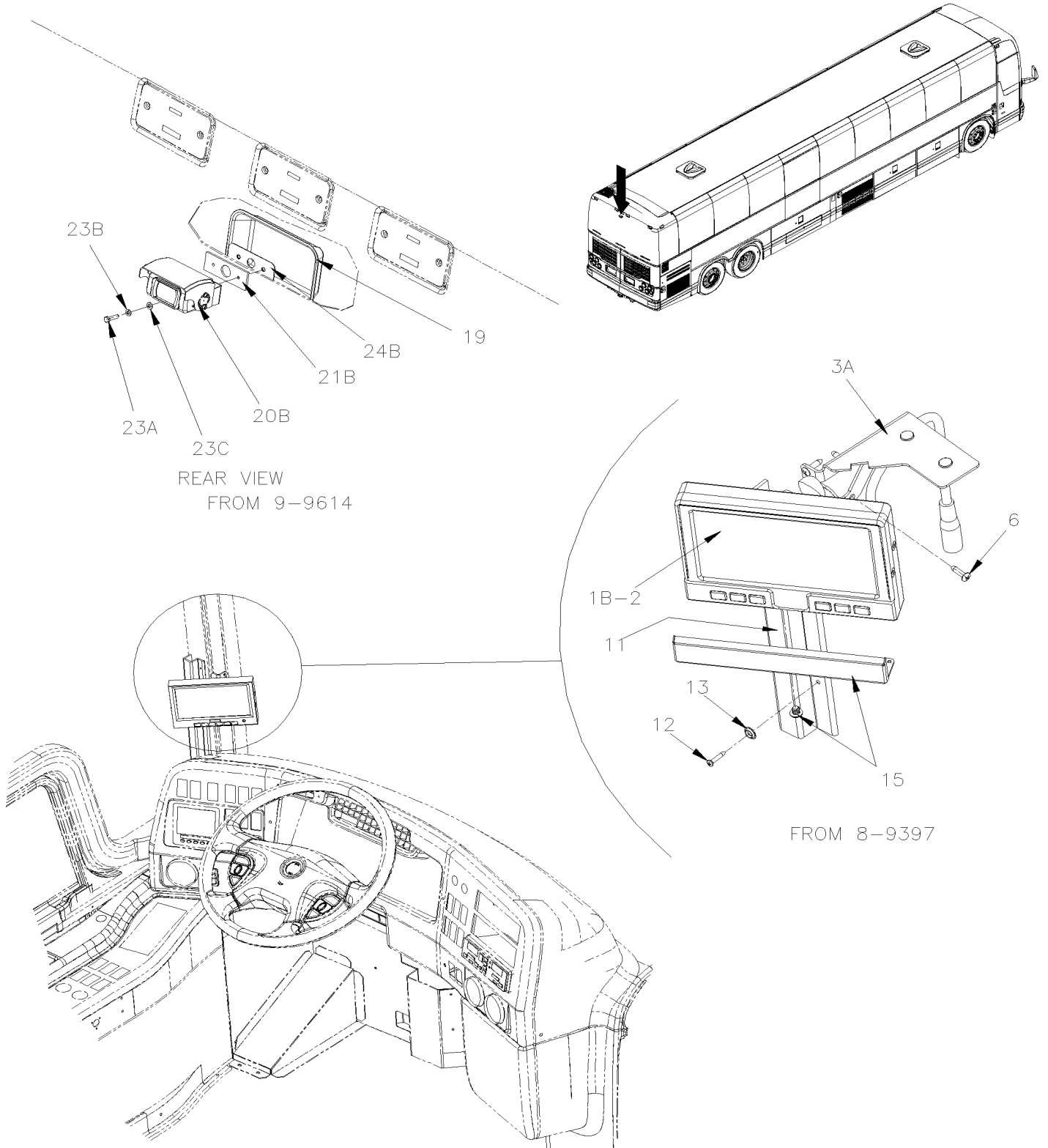
Item#	Part	Description	QTY	Notes
1	901628	DISPLAY TOUCH / "SAUCON"	1	
2	901627	ARM DISPLAY / "SAUCON"	1	
3	500623	SCREW TC PAN PH #10-24x3/4 N500	4	
4	390037	SCREEN SUPPORT	1	
5	504106	RIVET POP DOME OE 1/8x1/4 AL	AR	
7	Call order desk	CAMERA, FRONT / SAUCON TDS	1	P
8	400595	SUPPORT FOR CAMERA	1	
9	5001694	SCREW MA PAN PH M4-0.7x40 SS BK	2	
10	5000353	SCREW CAP BUT HEXS M6-1.0x12 N500	4	
11	400594	FOOT FOR CAMERA	1	
12	390033	CAMERA BRACKET	1	
13	390034	CAMERA BRACKET SHIM	1	
14	390031	TOP PLATE	1	
15	5002020	SCREW CAP BUT HEXS TAMPER M6-1.0x25 NSS	4	
50	X3PLB-1806-10	L.H. CONSOLE - BUS		
51	X3PLB-1806-20	DASHBOARD PANEL		
		P) CALL ORDER DESK FOR SPECIFIC APPLICATION (V.I.N.)		

From G-7275 To M-7767

Date:07/2024

PAGE:X3PLB-2355-20

BACK-UP CAMERA & MONITOR - INSTALLATION



From G-7275 To M-7767	Date:07/2024	PAGE:X3PLB-2355-20
-----------------------	--------------	--------------------

BACK-UP CAMERA & MONITOR - INSTALLATION

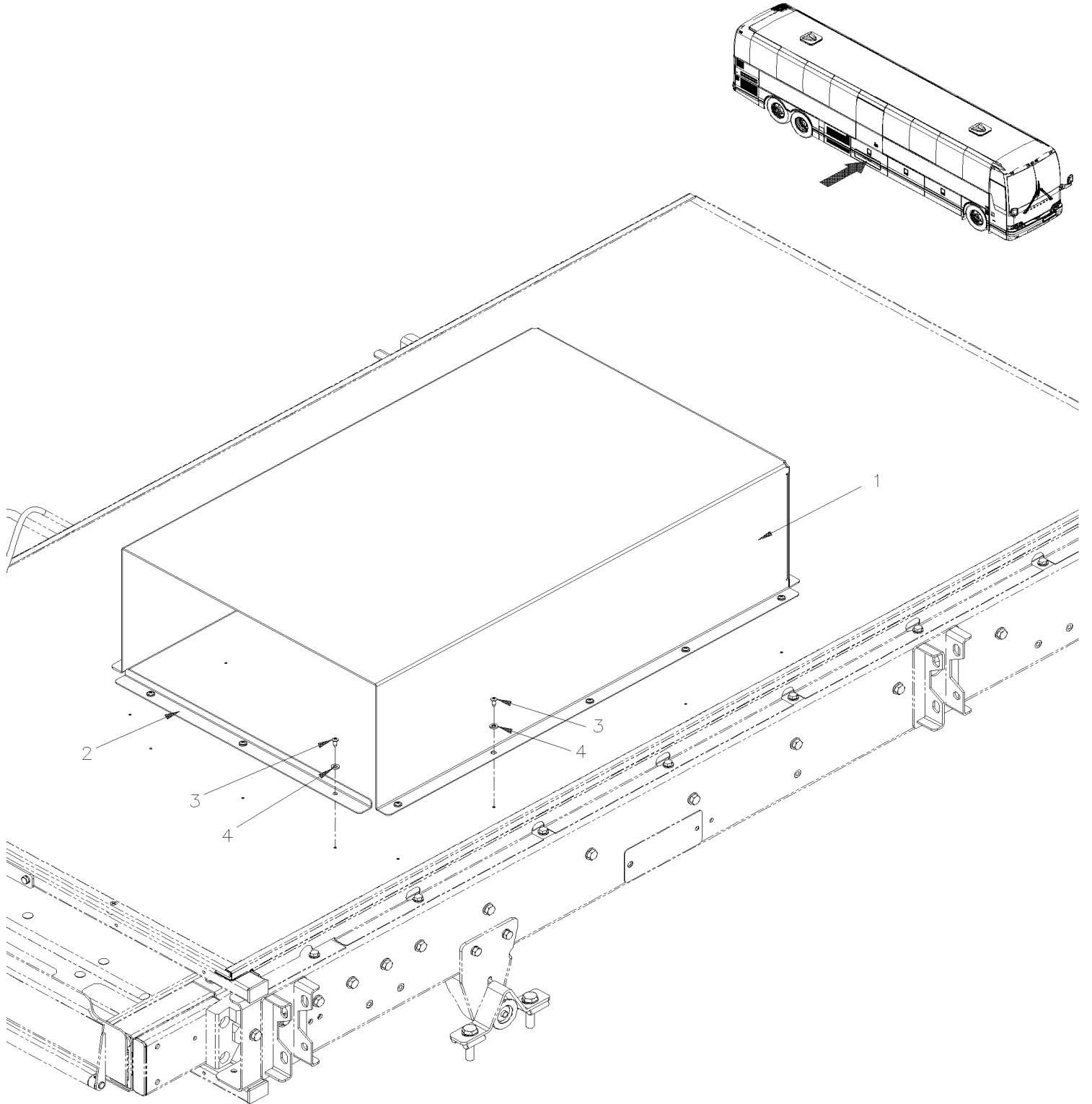
Item#	Part	Description	QTY	Notes
1B	901424	MONITOR - "R.E.I." / COLOR LCD 12 VOLT	1	
NS	900277	ARTICULATION MONITOR	1	
NS	901289	ADJUSTABLE PEDESTAL	1	
2	901433	CABLE ASSY / BACK-UP CAMERA VIDEO / CAMERA & MONITOR LCD / 50'	1	
2	901434	CABLE ASSY / BACK-UP CAMERA VIDEO / CAMERA & MONITOR LCD / 15'	1	
3A	406607	SUPPORT / CAMERA & MONITOR To K-7662	1	F
3A	400930	SUPPORT / CAMERA & MONITOR From L-7663	1	F
6	500608	SCREW TP BDG PH #10x1 N500	2	
11	327281	MOULDING HIDE CABLE	1	
12	500495	SCREW TP PAN PH #6x1 Z050 To K-7662	2	
12	5002083	SCREW DR SEMS FN OV PH #8X1 N050 From L-7663	2	
13	500463	WASHER FN CKF .187x.500x.090 BR Z050 To K-7662	2	
15	880009	MONITOR BUTTON GUARD	1	NJ
19	682177	LIGHT PROTECTOR	1	
20B	901307	BACK-UP CAMERA - "R.E.I." / COLOR To K-7557	1	
20B	901291	BACK-UP CAMERA - "R.E.I." / COLOR From K-7558	1	
21B	409268	GASKET RUBER 100MM x 36MM x 1/8"	1	
23A	502789	SCREW MA PAN PH M6-1.0x20 Z050	2	
23A	680038	THREAD LOCKER LOCTITE #243 / BLUE / 50ml	AR	
23B	5001739	WASHER LO EXT 6.4x11.0x0.7 N500	2	
23C	500877	WASHER FL .250x.562x.065 N500	2	
24B	409266	PLATE, FIXATION / (INSIDE OF REAR CAP)	1	
24B	684685	ADHESIVE SIMSON #ISR 70-03 / 310ml CARTRIDGE	AR	
NS	680532	SEALANT SIKA #221 / GREY / 310ml CARTRIDGE	AR	
NS	680038	THREAD LOCKER LOCTITE #243 / BLUE / 50ml	AR	
26	409327	CABLE INTERFACE / MONITOR & DASH To L-7662	1	
26	401428	CABLE INTERFACE / MONITOR & DASH From L-7663	1	
NS	067210	CABLE W/CAMERA COLOR	1	
		F) USE WITH COLOR FLAT SCREEN MONITOR		
		NJ) NEW JERSEY OPTION		

From H-7406 To M-7767

Date:07/2024

PAGE:X3PLB-2360-00

YELLOW STEP STORAGE / "GREYHOUND"



From H-7406 To M-7767		Date:07/2024	PAGE:X3PLB-2360-00
-----------------------	--	--------------	--------------------

YELLOW STEP STORAGE / "GREYHOUND"

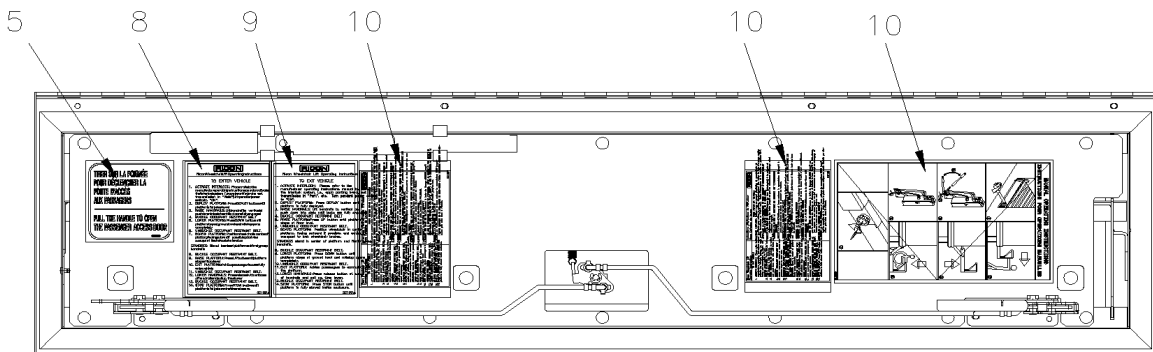
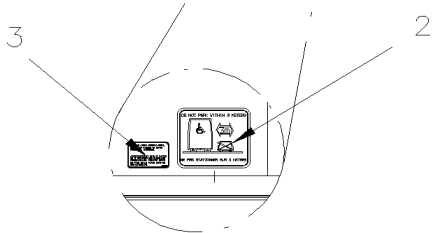
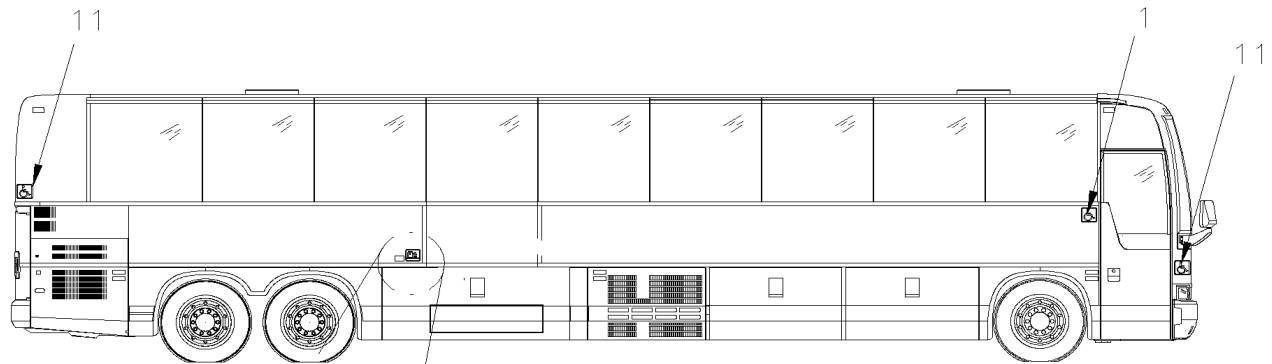
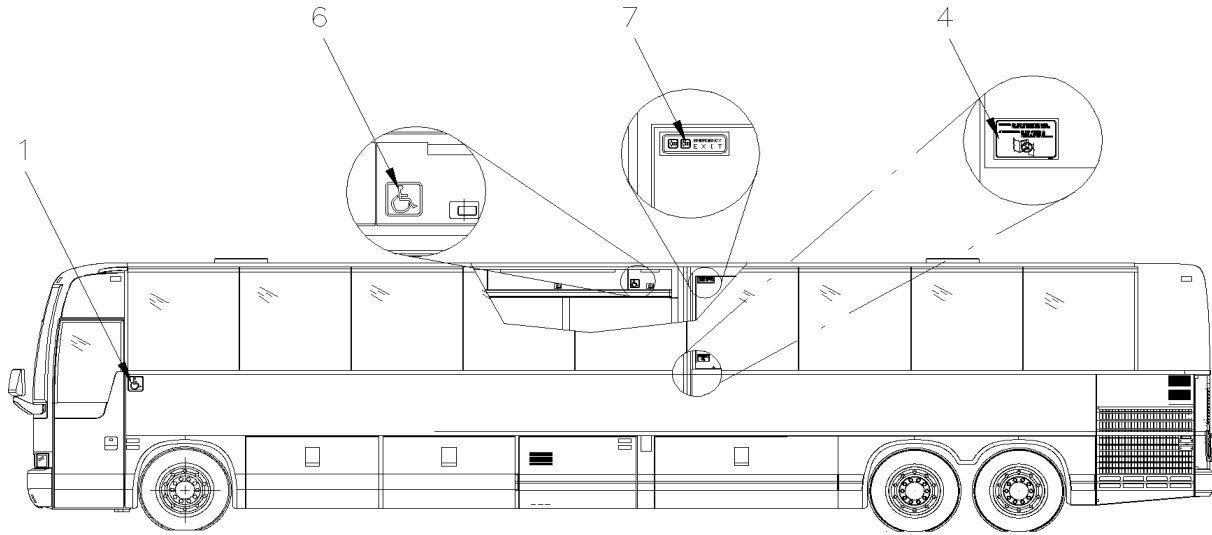
Item#	Part	Description	QTY	Notes
1	480044	BOX / YELLOW STEP	1	
2	480056	BRACKET	1	
3	5001087	SCREW TP BDG PH #10x1/2 SS To J-7441	15	
NS	5001630	SCREW TP BUTF TORX M6x20 SS From J-7442	15	
4	502570	WASHER LO SPT 6.1x11.8x1.6 SS	15	

From G-7275 To M-7767

Date:07/2024

PAGE:X3PLB-2370-10

W.C.L. - DECAL

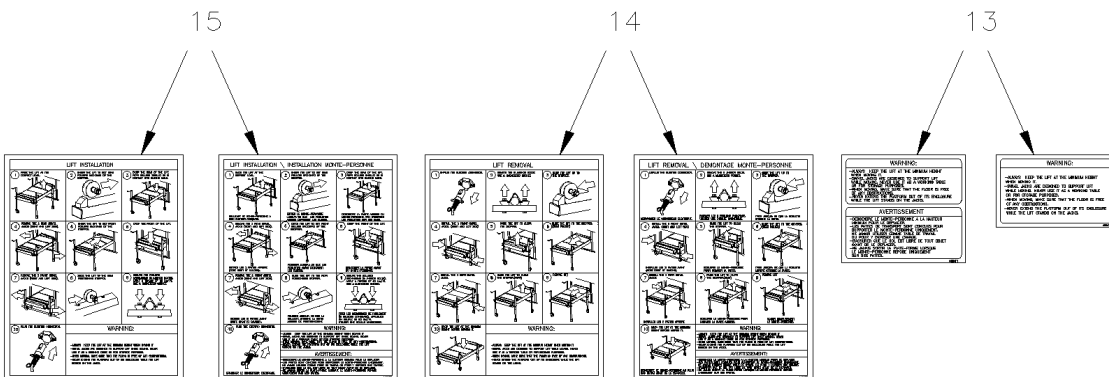
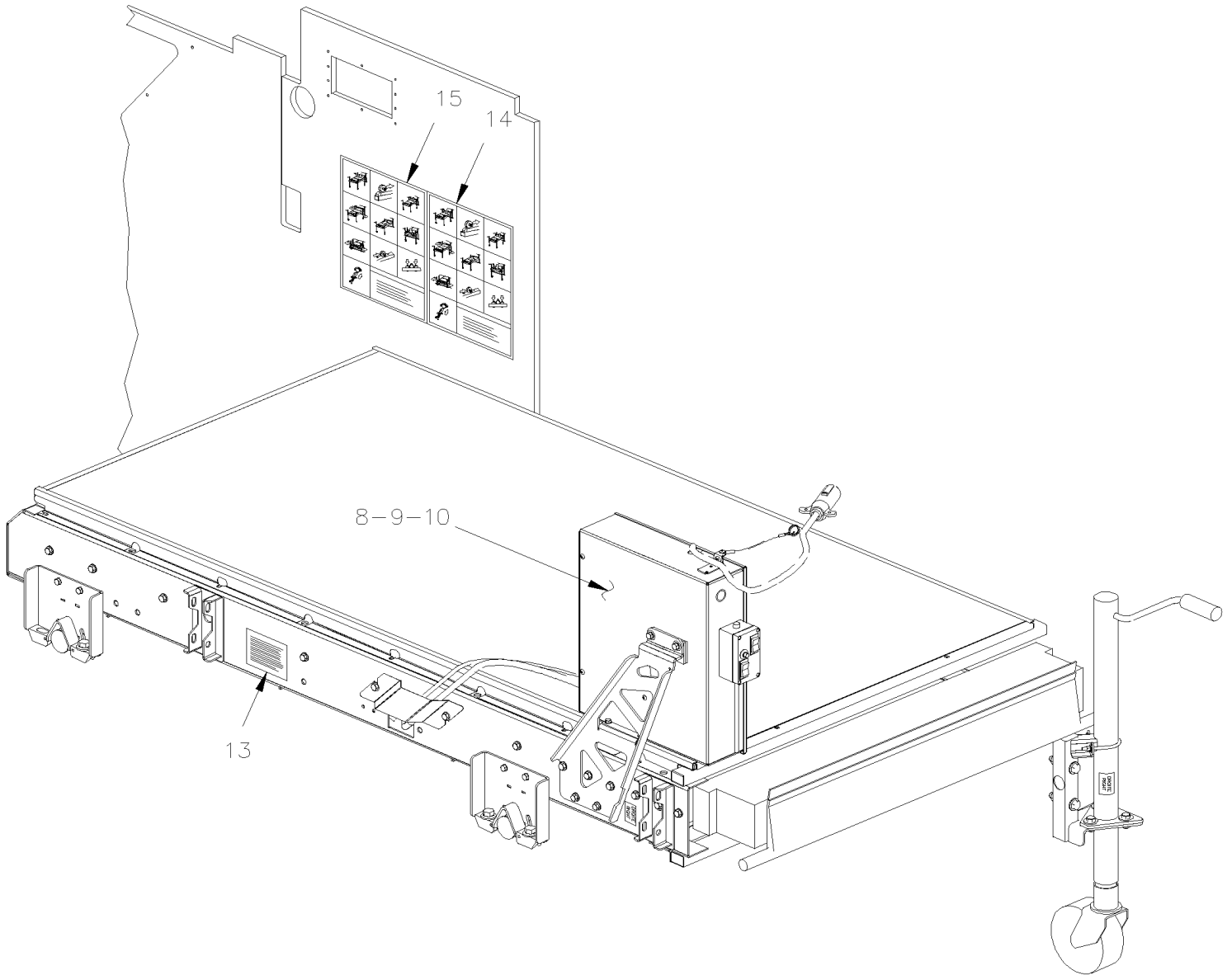


From G-7275 To M-7767

Date:07/2024

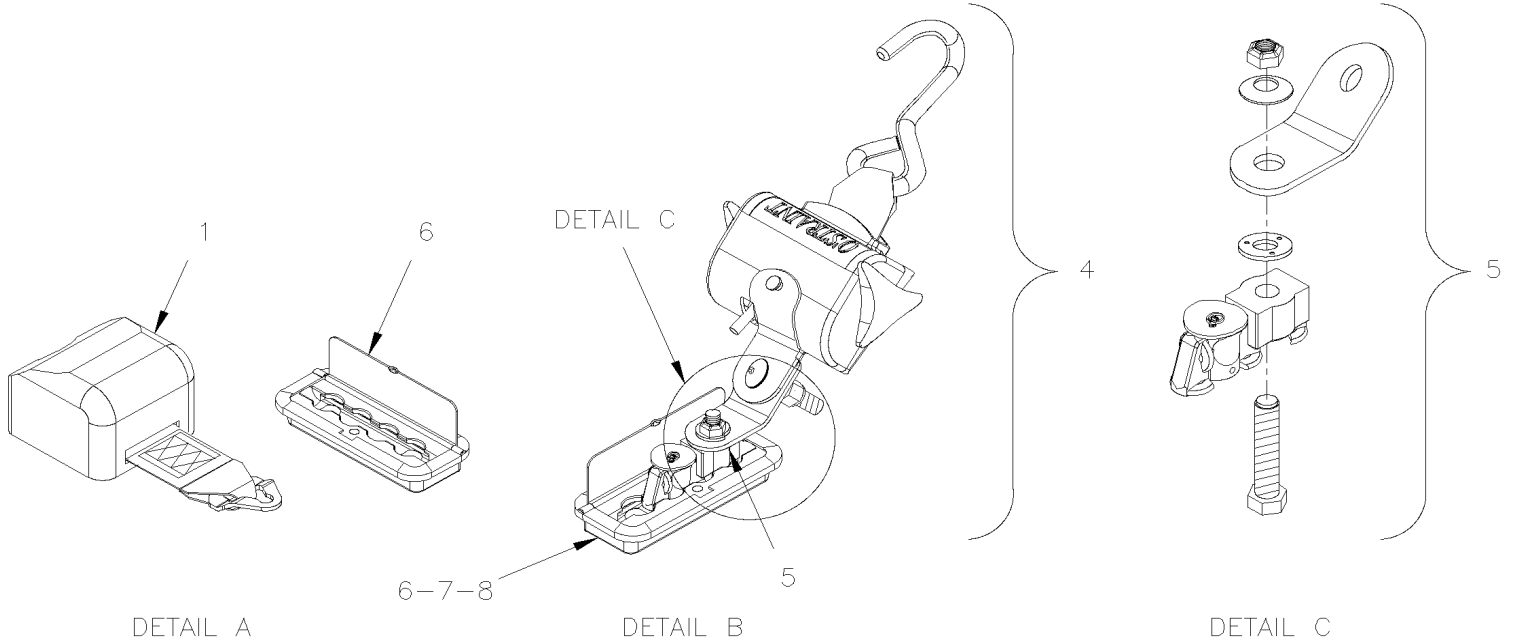
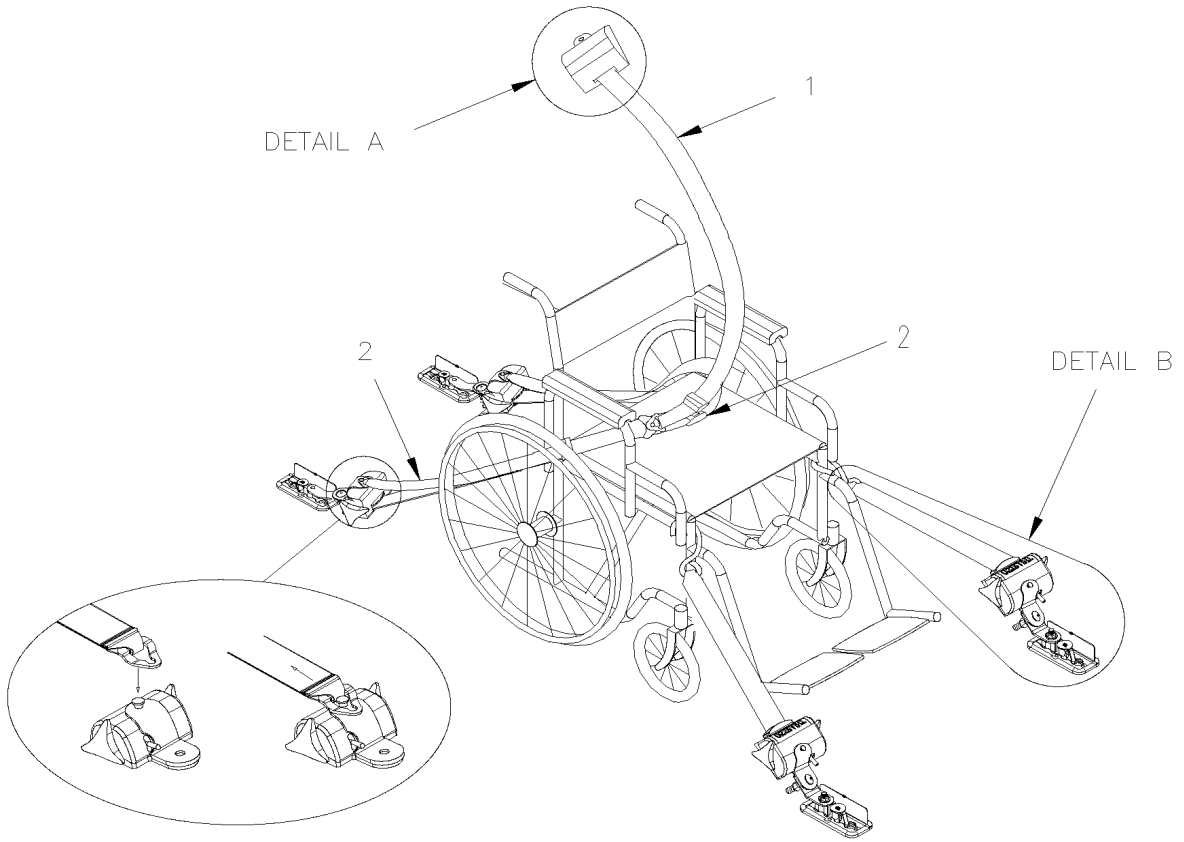
PAGE:X3PLB-2370-10

W.C.L. - DECAL



From G-7275 To M-7767	Date:07/2024	PAGE:X3PLB-2370-10
W.C.L. - DECAL		

Item#	Part	Description	QTY	Notes
1	404087	DECAL / BLUE W/CHAIR / 180MM x 180MM To H-7326	1	
1	400003	DECAL / BLUE W/CHAIR / 150MM x 150MM From H-7327	1	
2	404089	DECAL / DO NOT PARK WITHIN 3 METRES / ENGLISH	1	
2	404083	DECAL / DO NOT PARK WITHIN 3 METRES / ENGLISH & FRANCAIS	1	
2	406287	DECAL / DO NOT PARK WITHIN 3 METRES / ENGLISH & SPANISH	1	
3	404332	DECAL / "WARNING" WHEN OPENING DOOR BEWARE.. / ENGLISH	1	
3	403898	DECAL / "WARNING" WHEN OPENING DOOR BEWARE.. / ENGLISH & FRANCAIS	1	
3	406288	DECAL / "WARNING" WHEN OPENING DOOR BEWARE.. / ENGLISH & SPANISH	1	
4	405168	DECAL / DO NOT OPERAT. DOOR / ENGLISH	1	
4	405167	DECAL / DO NOT OPERAT. DOOR / ENGLISH & FRANCAIS	1	
5	405170	DECAL / PULL THE HANDLE.. / ENGLISH	1	
5	405169	DECAL / PULL THE HANDLE.. / ENGLISH & FRANCAIS	1	
6	405378	DECAL / BLUE W/CHAIR / 102MM x 102MM	1	
7	404088	DECAL / EMERGENCY EXIT / (RED ON CLEAR) / ENGLISH	1	
7	404084	DECAL / EMERGENCY EXIT / (RED ON CLEAR) / ENGLISH & FRANCAIS	1	
7	405629	DECAL / EMERGENCY EXIT / (RED ON CLEAR) / ENGLISH & SPANISH	1	
8	405747	DECAL / RICON W.C.L. OPERATING INSTRUCTION ENTER / ENGLISH	1	
8	405748	DECAL / RICON W.C.L. OPERATING INSTRUCTION ENTER / ENGLISH & FRANCAIS	1	
8	406179	DECAL / RICON W.C.L. OPERATING INSTRUCTION ENTER / ENGLISH & SPANISH	1	
9	405749	DECAL / RICON W.C.L. OPERATING INSTRUCTION EXIT / ENGLISH	1	
9	405750	DECAL / RICON W.C.L. OPERATING INSTRUCTION EXIT / ENGLISH & FRANCAIS	1	
9	406178	DECAL / RICON W.C.L. OPERATING INSTRUCTION EXIT / ENGLISH & SPANISH	1	
10	409453	DECAL / MANUAL OPERATING INSTRUCTION... / ENGLISH & FRANCAIS	1	
10	409454	DECAL / MANUAL OPERATING INSTRUCTION... / ENGLISH & SPANISH	1	
10	409452	DECAL / MANUAL OPERATING INSTRUCTION... / ENGLISH & FRANCAIS & SPANISH	1	
11	400003	DECAL / BLUE W/CHAIR / 150MM x 150MM	2	O
13	405471	DECAL / "WARNING" ALWAYS KEEP THE LIFT AT T... / ENGLISH & FRANCAIS	1	
13	405470	DECAL / "WARNING" ALWAYS KEEP THE LIFT AT T... / ENGLISH	1	
13	405652	DECAL / "WARNING" ALWAYS KEEP THE LIFT AT T... / ENGLISH & SPANISH	1	
14	405743	DECAL / PICTOGRAM LIFT REMOVAL / ENGLISH To K-7662	1	
14	405744	DECAL / PICTOGRAM LIFT REMOVAL / DEMONTAGE.. / ENGLISH & FRANCAIS To K-7662	1	
14	405741	DECAL / PICTOGRAM LIFT REMOVAL / ENGLISH & SPANISH To K-7662	1	
15	405745	DECAL / PICTOGRAM LIFT INSTALL... / ENGLISH To K-7662	1	
15	405746	DECAL / PICTOGRAM LIFT INSTALL... / MONTAGE / ENGLISH & FRANCAIS To K-7662	1	
15	405742	DECAL / PICTOGRAM LIFT INSTALL... / ENGLISH & SPANISH To K-7662	1	
		O) ONTARIO OPTION		



From G-7275 To M-7767	Date:07/2024	PAGE:X3PLB-2370-20
W.C.L. SEAT BELTS		

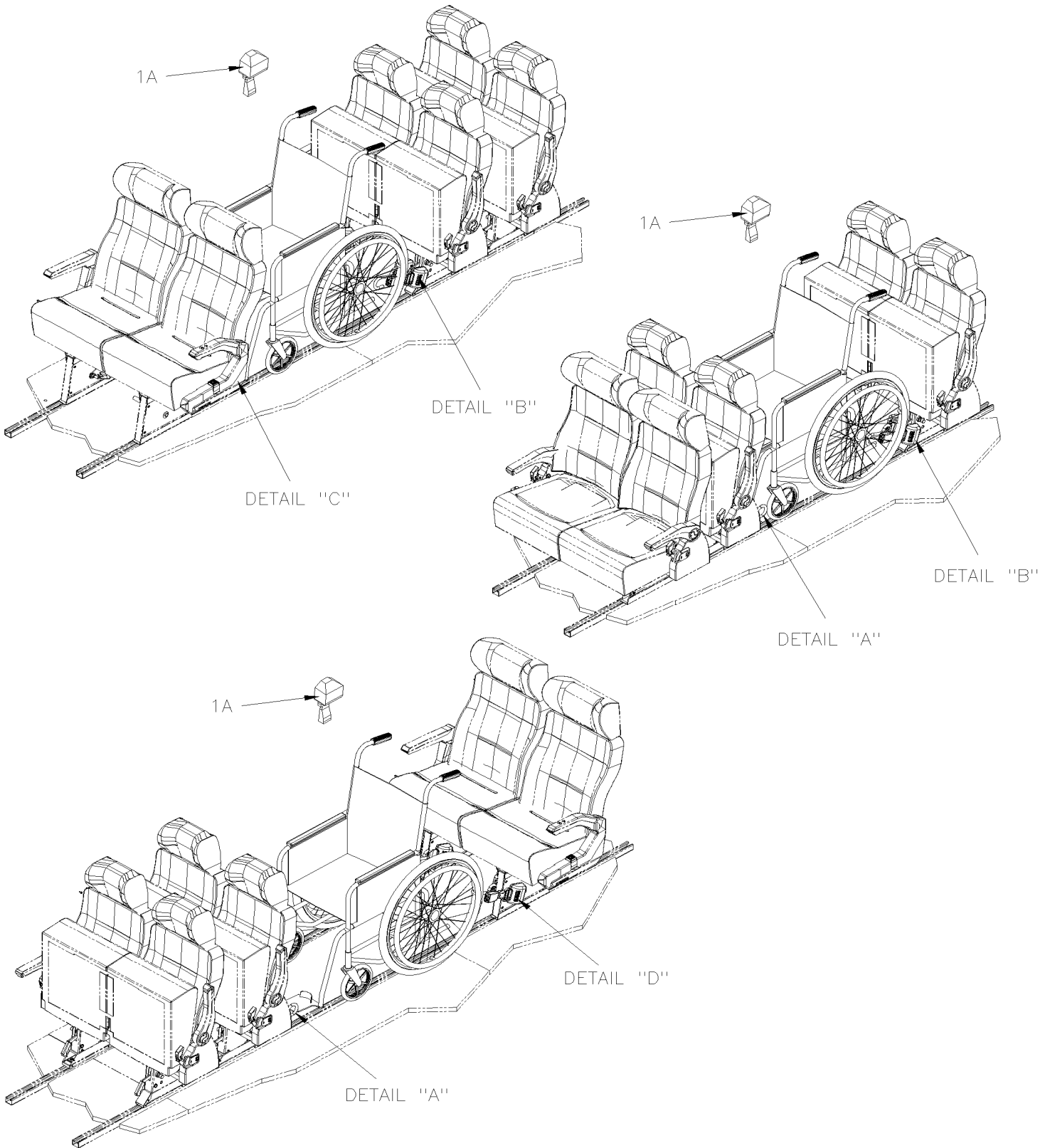
Item#	Part	Description	QTY	Notes
	861930	KIT SAFETY BELT	AR	A
1	861931	. RETRACTALE SHOULDER BELT To N-7940	1	
1	867950	. KIT RETRACTABLE SHOULDER BELT From N-7941	1	
2	861932	. REGULAR LAP BELT / KIT MALE & FEMALE	1	
4	861934	. RETACTABLE SEAT MOUNTED / BELT ASSY (SET OF 4 W/TRAC ADAPTOR)	1	
5	861935	. . KIT TRAC ADAPTOR	4	
6	861929	FLOOR POCKET W/COVER	8	
NS	867816	SCREW CAP CK HEXS 5/16-18x1 3/4	2	
7	223822	SPACER 1/2" O.D. X 20MM	16	
8	223818	ANCHOR PLATE	8	
NS	862967	SAFETY BELT CUTTER / W.C.L. / EMERGENCY	1	
11	860093	SCOOTER STRAP, WHEELCHAIR	AR	
		A) INCLUDE ITEM 1, 2, 3, 4, 5 & 7		

From G-7275 To M-7767

Date:07/2024

PAGE:X3PLB-2370-25

W.C.L. SEAT BELTS "SAFEGUARD" (IMMI)

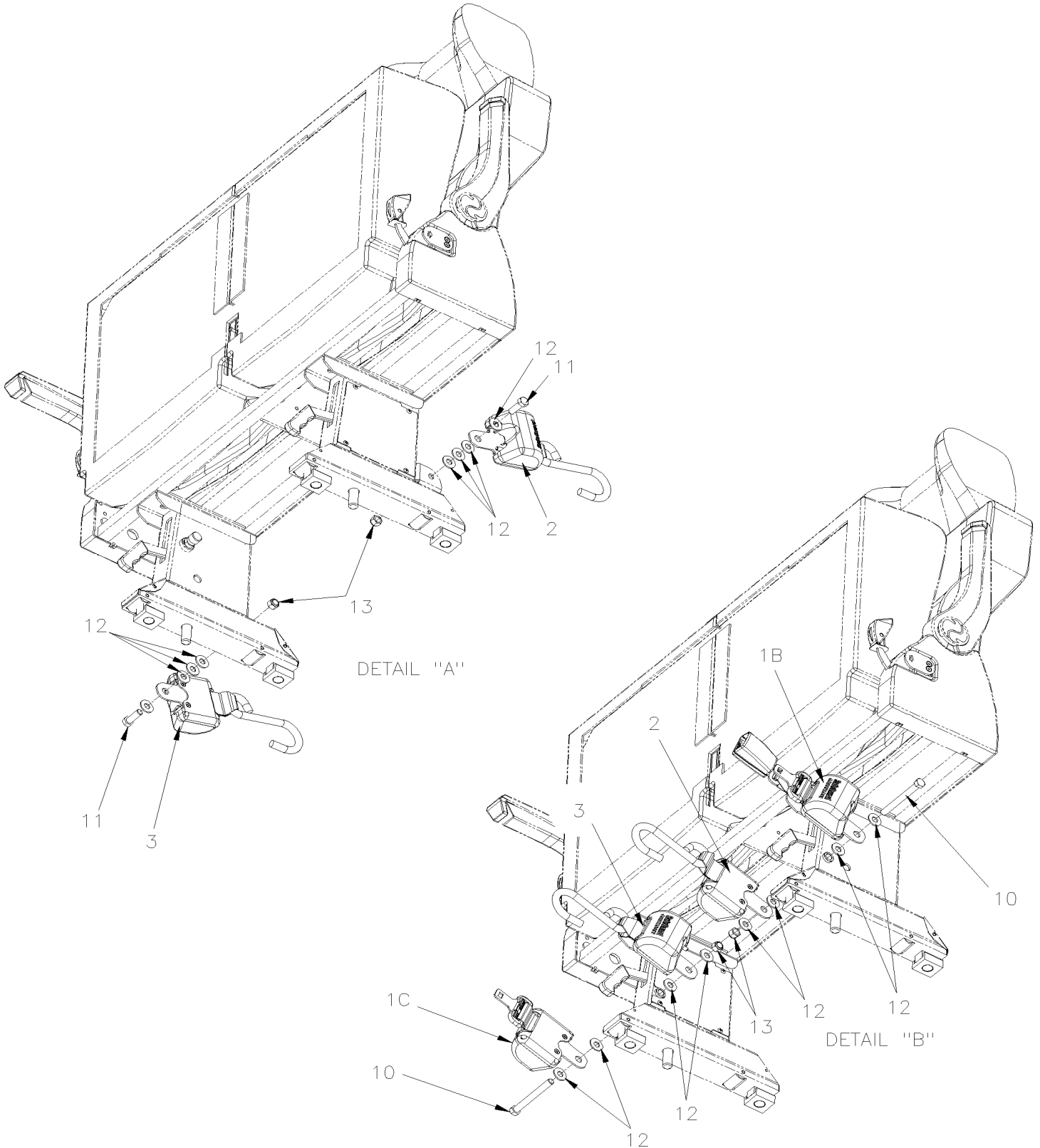


From G-7275 To M-7767

Date:07/2024

PAGE:X3PLB-2370-25

W.C.L. SEAT BELTS "SAFEGUARD" (IMMI)

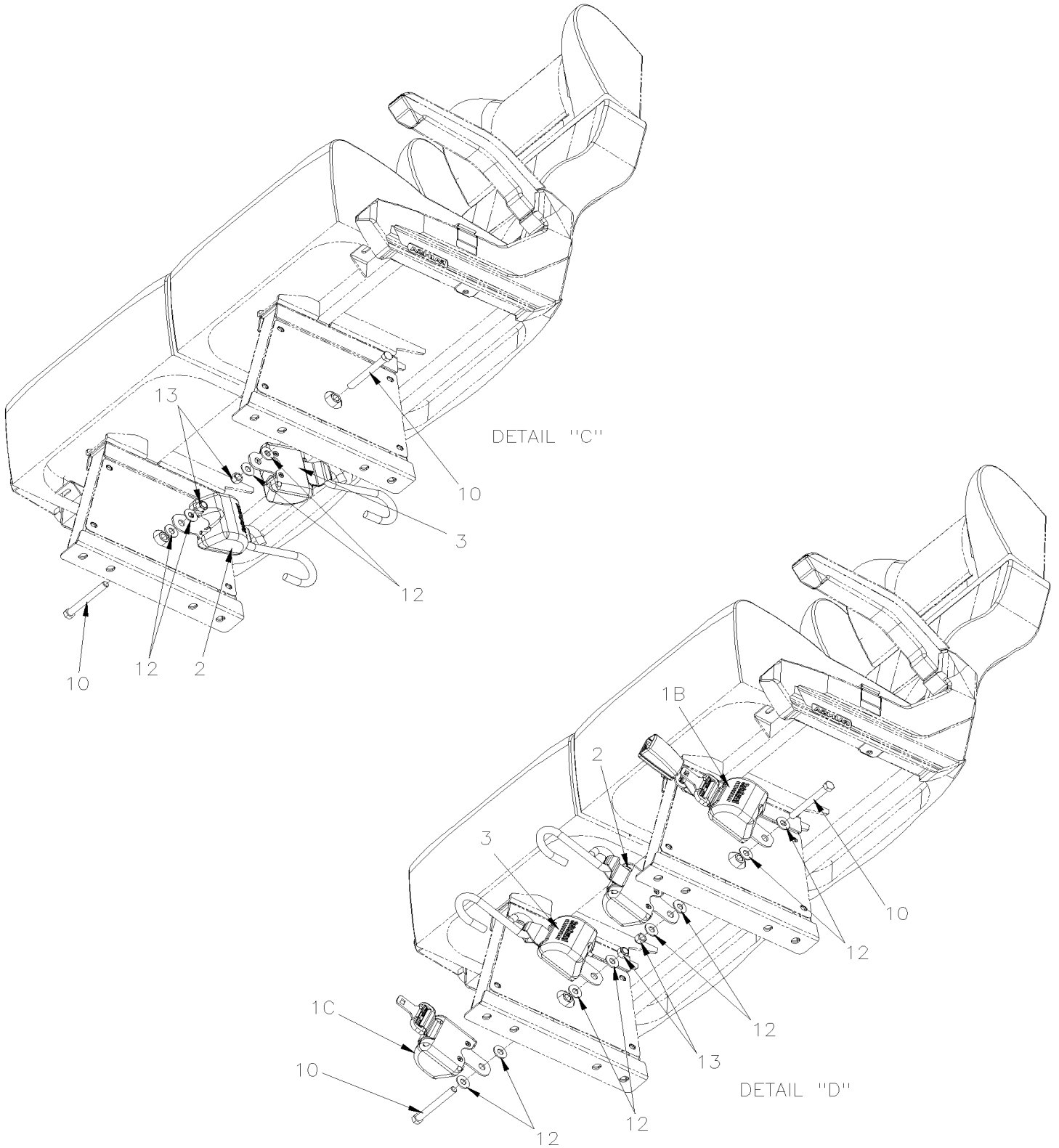


From G-7275 To M-7767

Date:07/2024

PAGE:X3PLB-2370-25

W.C.L. SEAT BELTS "SAFEGUARD" (IMMI)



From G-7275 To M-7767	Date:07/2024	PAGE:X3PLB-2370-25
W.C.L. SEAT BELTS "SAFEGUARD" (IMMI)		

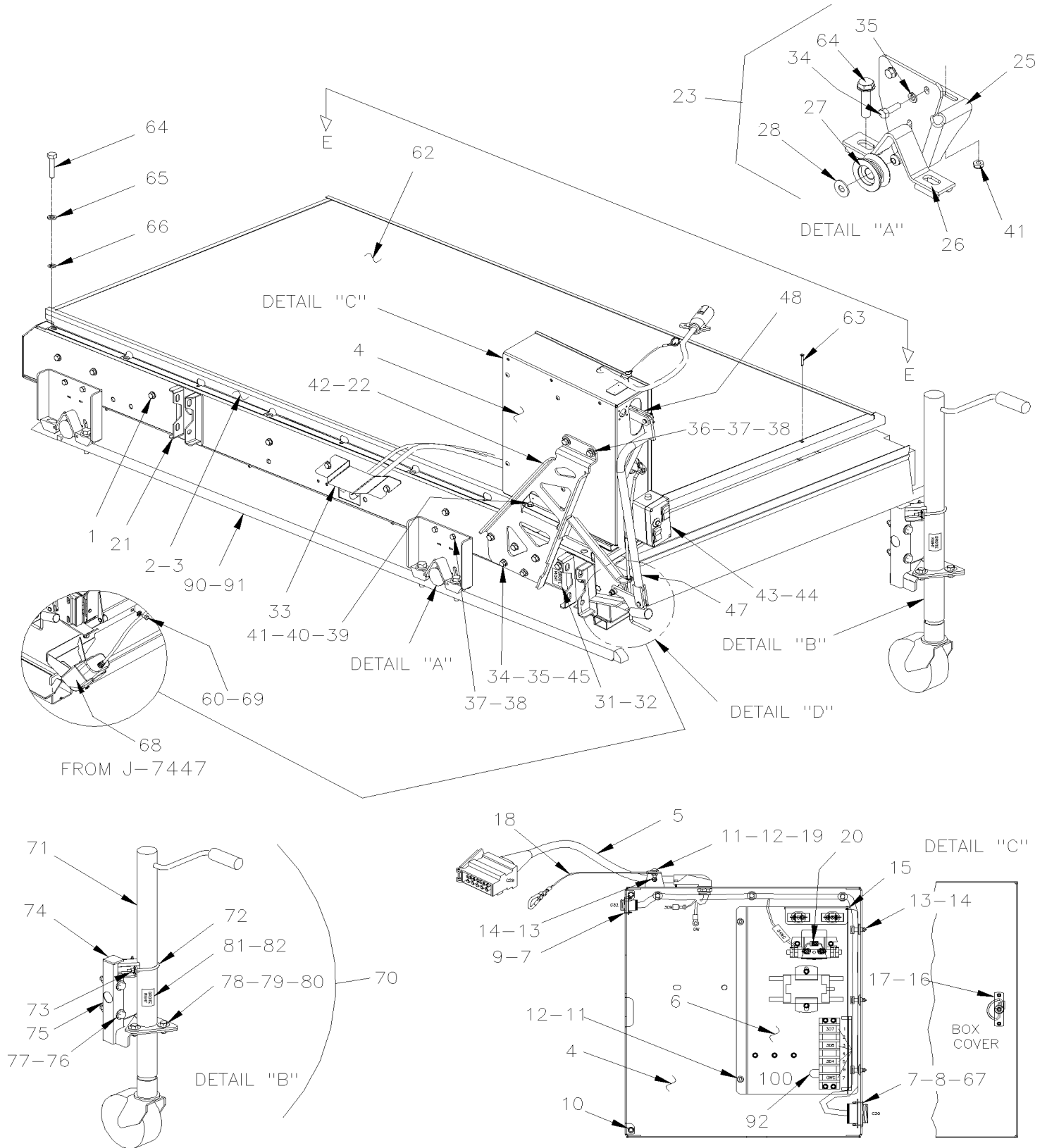
Item#	Part	Description	QTY	Notes
	864013	WHEEL CHAIR TIE-DOWNS, RESTRAINTS	1	
1	864813	. RESTRAINT / WHEELCHAIR OCCUPANT	1	
2	864812	. TIEDOWN / WHEELCHAIR LH	1	
3	864814	. TIEDOWN / WHEELCHAIR RH	1	
10	500688	SCREW CAP HEX 7/16-20x4 G8 N500 PT	AR	
11	500954	SCREW TP OV PH #10x3/4 ZP	AR	
12	500897	WASHER FL .437x1.000x.083 N500	AR	
13	5001734	NUT HEX 7/16-20 G8 N500	AR	
14	866207	RESTRAINT / WHEELCHAIR	1	PWT
. NS	864812	. TIEDOWN / WHEELCHAIR LH	1	PWT
. NS	864814	. TIEDOWN / WHEELCHAIR RH	1	PWT
		PWT) USE WITH PACIFIC WESTERN		

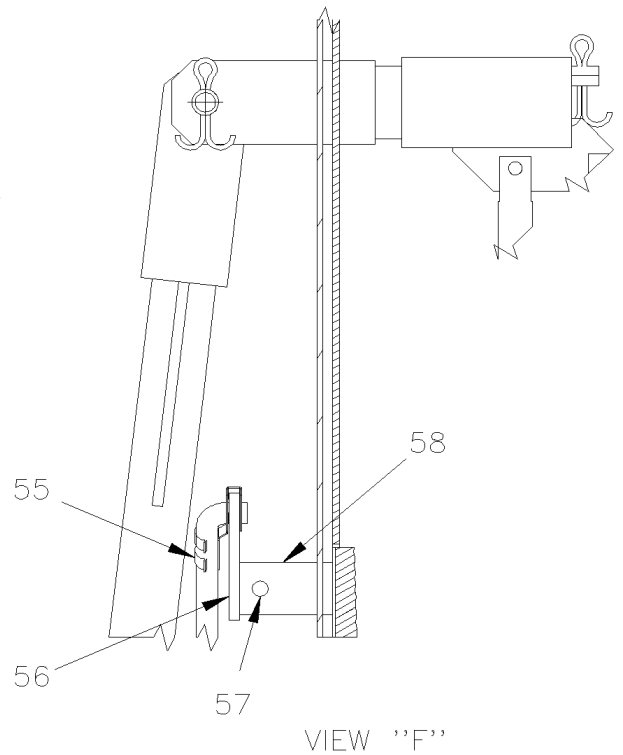
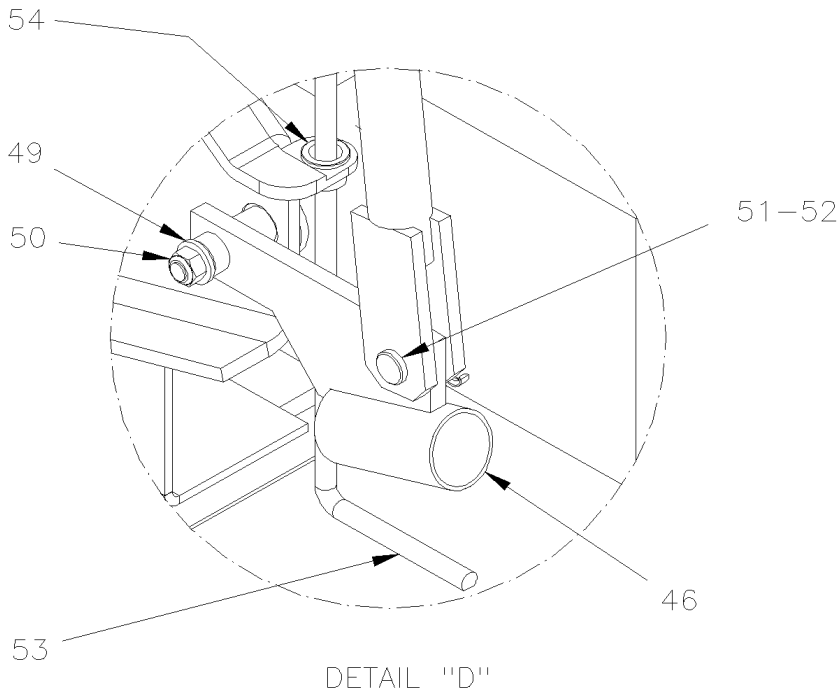
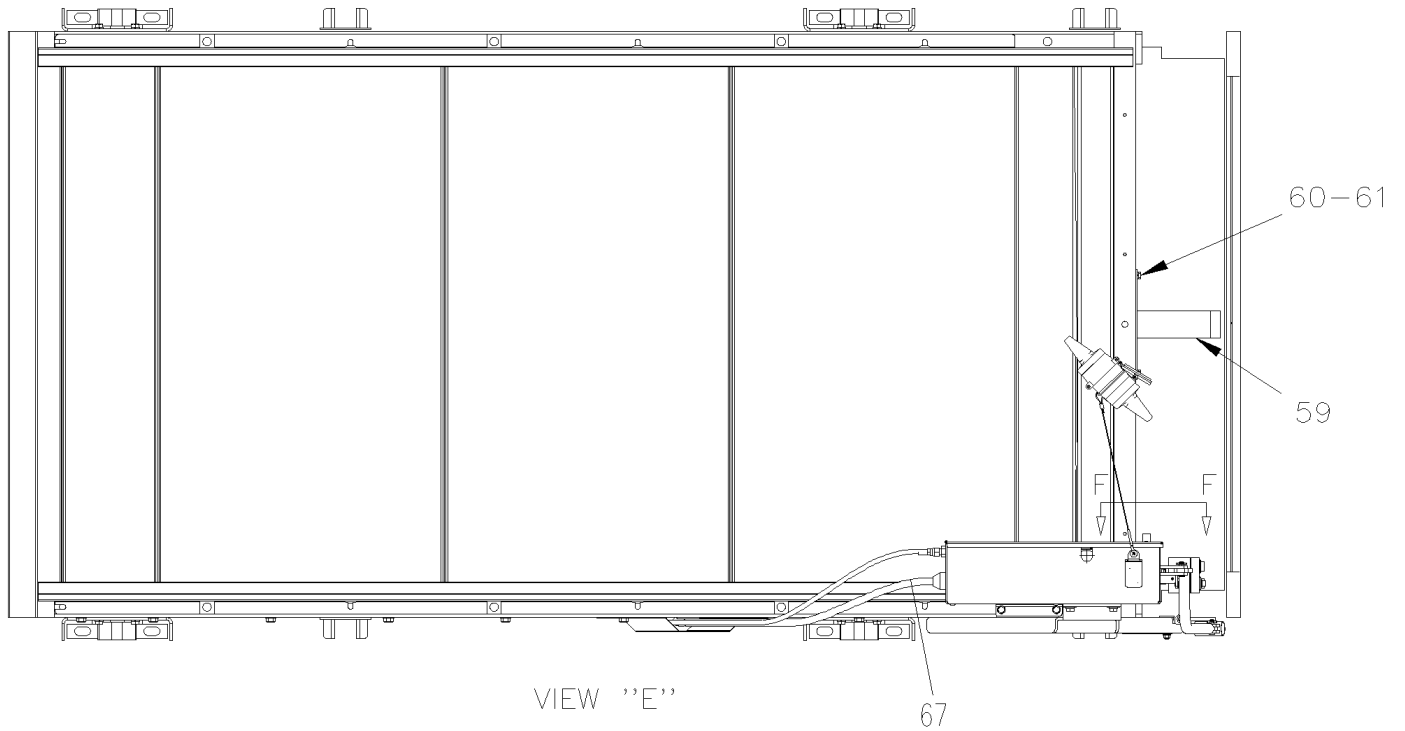
From G-7275 To M-7767

Date:07/2024

PAGE:X3PLB-2380-00

W.C.L. "RICON" REMOVABLE MODEL "F9TF"





From G-7275 To M-7767	Date:07/2024	PAGE:X3PLB-2380-00
W.C.L. "RICON" REMOVABLE MODEL "F9TF"		

Item#	Part	Description	QTY	Notes
	490891P	REMOVABLE W.C.L. COMPLETE ASSY W/ PUMP BOX ASSY / "F9TF"	1	A
1	X3PLB-2380-05	. W.C.L. "RICON" REMOVABLE MODEL "F9TF"		
1	X3PLB-2380-06	W.C.L. "RICON" REMOVABLE MODEL "F9TH" From J-7448	1	GR
1	491651	DECAL "WHEELCHAIR LIFT MAX LOAD 800LBS./ 363KG" From J-7509	1	GR
2	490971	SLIDING TRACK REMOVABLE R.H.	1	
3	490990	SLIDING TRACK REMOVABLE L.H.	1	
4	491017P	BOX ASSY W/POWER PLATE	1	
4	364074	. BOX ASSY To M-7750	1	
4	360088	. BOX ASSY From M-7751	1	
5	068665	. CABLE ASSY / POWER / W.C.L. "RICON"	1	
6	563370	. POWER PLATE ASSY "RICON"	1	
7	500518	. SCREW MA BDG PH #4-40x1/2 Z050	8	
8	561823	. NUT, RING #23 / 1.812" I.D. W/4 4-40	1	
9	561820	. NUT, RING #13 / 1.125" I.D. W/4 4-40	1	
10	504498	. BUMPER PLUG / .406ODx.218THx.250HOLEx.125	2	
11	5001180	. NUT HEX NYRT #10-24 SS	5	
12	5001241	. SCREW MA TR PH #10-24x1/2 SS	5	
13	509815	. TIE MOUNT / ATTACHMENT W/TREE MOUNT	6	
14	504637	. CABLE TIE / 3/16" x 13"	11	
15	506338	. RUBBER CHANNEL / 1/16" x 1/4" INT "U" SHAPE / ROUND C.T.L.	AR	
NS	680066	. ADHESIVE / ADBOND #5014 / 23.6ML BOTTLE	AR	
16	504105	. RIVET POP DOME OE 1/8x3/16 AL	2	
17	504203	. SPRING LATCH / KNURLED STEEL KNOB	1	
18	364072P	. CABLE RETAINING ASSY	1	
18	283069	. . CABLE 1/16 DIA. / 565MM LG	1	
18	780341	. . SLEEVE / TO HOLDING CABLE 1/16OD SS	1	
18	504723	. . SPRING HOOK	1	
19	500964	. WASHER FL .203x.500x.047 Z050	1	
20	064792	. DIODE ASSY	1	
. NS	561740	. . DIODE / 3AMPS	1	
. NS	560082	. . RING TERMINAL #10 / 16-14 / INSULATED / AMP 626033-2	1	
. NS	560815	. . RING TERMINAL #10 / 22-18 / INSULATED / AMP 42037-2	1	
. NS	562499	. . SHRINK TUBING / .250" - .125" / CLEAR / ALPHA FIT 221-1/4	AR	
21	491009	. ATTACHMENT ASSY	4	
22	491482	SUPPORT PUMP ASSY	1	
23	491251	CARRIER ASSY / W/WHEEL	4	
25	491252	. PLATE SUPPORT ASSY W/AXLE SHAFT	1	
26	491232	. CALIPER	1	
27	491233	. WHEEL / W/"V" GROOVE USE W/AXLE SHAFT RIV	1	
28	500270	. WASHER FL .406x1.000x.063 SS	1	
31	491002	DECAL / GAUCHE / LEFT / ENGLISH & FRANCAIS	1	
31	491056	DECAL / LEFT IZQUIERDA / ENGLISH & SPANISH	1	

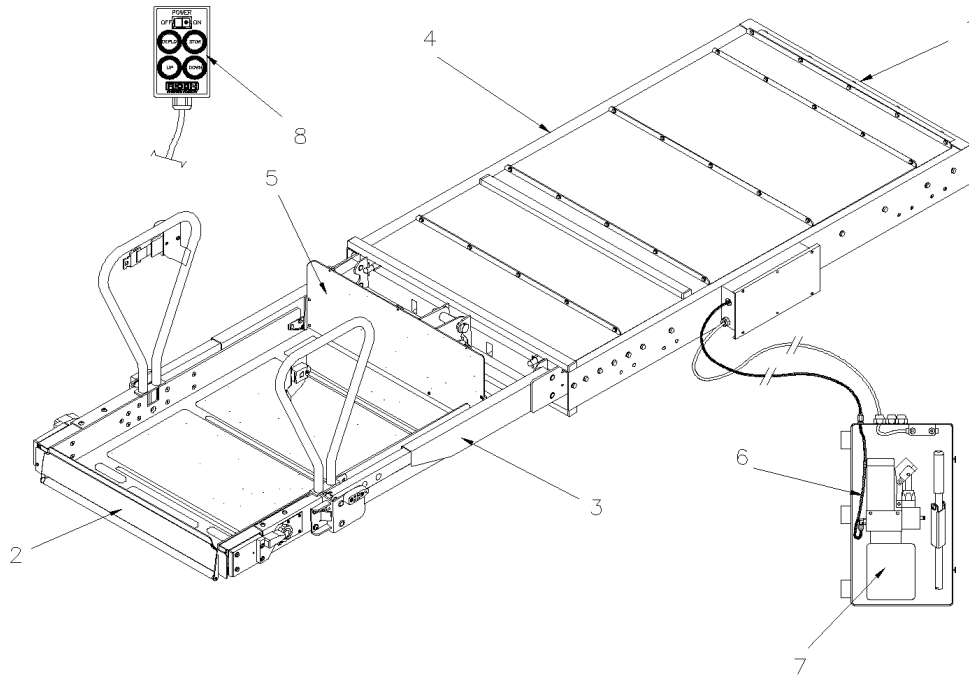
From G-7275 To M-7767	Date:07/2024	PAGE:X3PLB-2380-00
W.C.L. "RICON" REMOVABLE MODEL "F9TF"		

Item#	Part	Description	QTY	Notes
32	491001	DECAL / DROIT / RIGHT / ENGLISH & FRANCAIS	1	
32	491055	DECAL / RIGHT DERECHA / ENGLISH & SPANISH	1	
33	491013	PLATE PROTECTOR	1	
34	5001747	SCREW CAP HEX 5/16-18x1 G5 N500	10	
35	500942	WASHER LO SPT 8.1x14.8x2.0 N500	10	
36	500347	SCREW CAP HEX 5/16-18x1 1/4 SS	2	
37	5001448	WASHER FL .343x.875x.062 SS18-8	2	
38	500035	WASHER LO SPT .317x.586x.078 SS	2	
39	955513	SCREW CAP HEX 1/4-20x3/4 G5 ZG603	AR	
40	500877	WASHER FL .250x.562x.065 N500	2	
41	502874	NUT HEX NYRT 1/4-20 N500	10	
42	364031	SPACER	2	
43	364381P	REMOTE SUPPORT WCL ASSY To J-7446	1	
43	502638	WASHER FL .312x.734x.065 N500	2	
43	502772	SCREW CAP HEX 1/4-20x1/2 G5 N500	2	
44	504379	RIVET POP DOME OE 3/16x1/4 SS	2	
45	502638	WASHER FL .312x.734x.065 N500	2	
46	491483	PIVOT ASSY	1	
47	491087	ARM ASSY To K-7662	1	
47	491693	ARM ASSY From L-7663	1	
48	491083	TUBE ASSY	1	
49	500877	WASHER FL .250x.562x.065 N500	1	
50	502681	NUT HEX NYRT M6-1.0 N500 G8	1	
51	502024	PIN, CLEVIS 5/16 x 13/16 BZC	2	
52	502102	PIN, COTTER 1/8 x 1	3	
53	491097	ROD	1	
54	504226	SNAP BUSHING / .391x.578x.406	1	
55	504243	CLIP ROD 1/4" L.H.	1	
56	491100	PIVOT	1	
57	505420	SPRING, PIN M4.5 x 20	1	
58	491101	UNION	1	
59	491489	GUIDE	1	
60	502772	SCREW CAP HEX 1/4-20x1/2 G5 N500	AR	
61	502853	WASHER LO SPT 6.1x11.8x1.6 N500	2	
62	484144	PANEL FIBERGLASS / OVER W.C.L. "RICON" / 1000MM X 1940MM	1	
63	502903	SCREW TC FL PH #10-24x1 1/4 N500	2	
63	5001869	WASHER FL .343x.750x.12 SS	2	
64	5001538	SCREW CAP HEXF SERR M12-1.75x50 G500	8	
65	500944	WASHER LO SPT .506x.873x.125 N500	8	
66	5001568	NUT PUSH RND M12 ZP	8	
67	864071	HARNESS, ELECTRICAL, MAIN, W/HYDRAULIC LINE	1	
68	360035	REMOTE CONTROL HOLDER From J-7447	1	

From G-7275 To M-7767	Date:07/2024	PAGE:X3PLB-2380-00
W.C.L. "RICON" REMOVABLE MODEL "F9TF"		

Item#	Part	Description	QTY	Notes
69	500356	WASHER LO SERR 6.1x16.0x0.9 N500 From J-7447	AR	
70	490988P	TRANSPORTER JACK ASSY L.H.	2	
70	490989P	TRANSPORTER JACK ASSY R.H.	2	
71	990416	. JACK	1	
72	503399	. U-CLAMP / 2" I.D. X 1/4-20	1	
73	500769	. NUT HEX 1/4-20 Z050	2	
NS	500441	. WASHER FL .312x.734x.065 Z050	2	
NS	500473	. WASHER LO SPT .262x.489x.062 Z050	2	
74	508394	. GLIDE SQUARE END 1.5 X 1.5 TUBE 14GA / P	1	
75	490981	. SUPPORT JACK L.H.	1	
75	490982	. SUPPORT JACK R.H.	1	
76	5001862	. SCREW CAP HEX M12-1.75x70 G10.9 N500	2	
77	500860	. NUT HEX M12-1.75 Z050	2	
NS	500958	. WASHER FL .531x1.062x.095 SS	4	
78	502559	. SCREW CAP HEX M10-1.5x25 G8.8 Z050	3	
79	502644	. WASHER FL 10.5x30.0x2.5 Z050	3	
80	500680	. NUT HEX STO M10-1.5 Z050	3	
81	491002	. DECAL / GAUCHE / LEFT / ENGLISH & FRANCAIS	1	
81	491056	. DECAL / LEFT IZQUIERDA / ENGLISH & SPANISH	1	
82	491001	. DECAL / DROIT / RIGHT / ENGLISH & FRANCAIS	1	
82	491055	. DECAL / RIGHT DERECHA / ENGLISH & SPANISH	1	
90	218232	TRACK ANGULAR ASSY W.C.L. BACKWARD	1	
91	218234	TRACK ANGULAR ASSY W.C.L.	1	
NS	218229	TRACK BASE W.C.L. FORWARD UNDER FLOOR	1	
92	069065	JUMPER, WCL LIGHTING	1	
NS	Call order desk	POWER CABLE, SYS. WCL RICON X3-45	1	P
NS	Call order desk	CABL.& ACCESS WCL RICON INST X3-45	1	P
100	X3PLB-2380-60	W.C.L. "RICON" - PUMP INSTALLATION MODEL "F9TF"		
100	X3PLB-2380-61	W.C.L. "RICON" - PUMP INSTALLATION MODEL "F9TH" From J-7448	1	GR
		A) DO NOT INCLUDED TRANSPORTER JACK L.H. & R.H.		
		GR) WITH "GREYHOUND"		
		P) CALL ORDER DESK FOR SPECIFIC APPLICATION (V.I.N.)		

W.C.L. "RICON" REMOVABLE MODEL "F9TF"



DECALS AFFIXED TO VEHICLE

LIFT OPERATING INSTRUCTIONS, ENTRY AND EXIT
ENTRY-32159, EXIT-32160

LIFT OPERATING INSTRUCTIONS, ENTRY AND EXIT, FOR LIFTS WITH A STOP AT INTERMEDIATE HEIGHT
ENTRY-32154, EXIT-32155

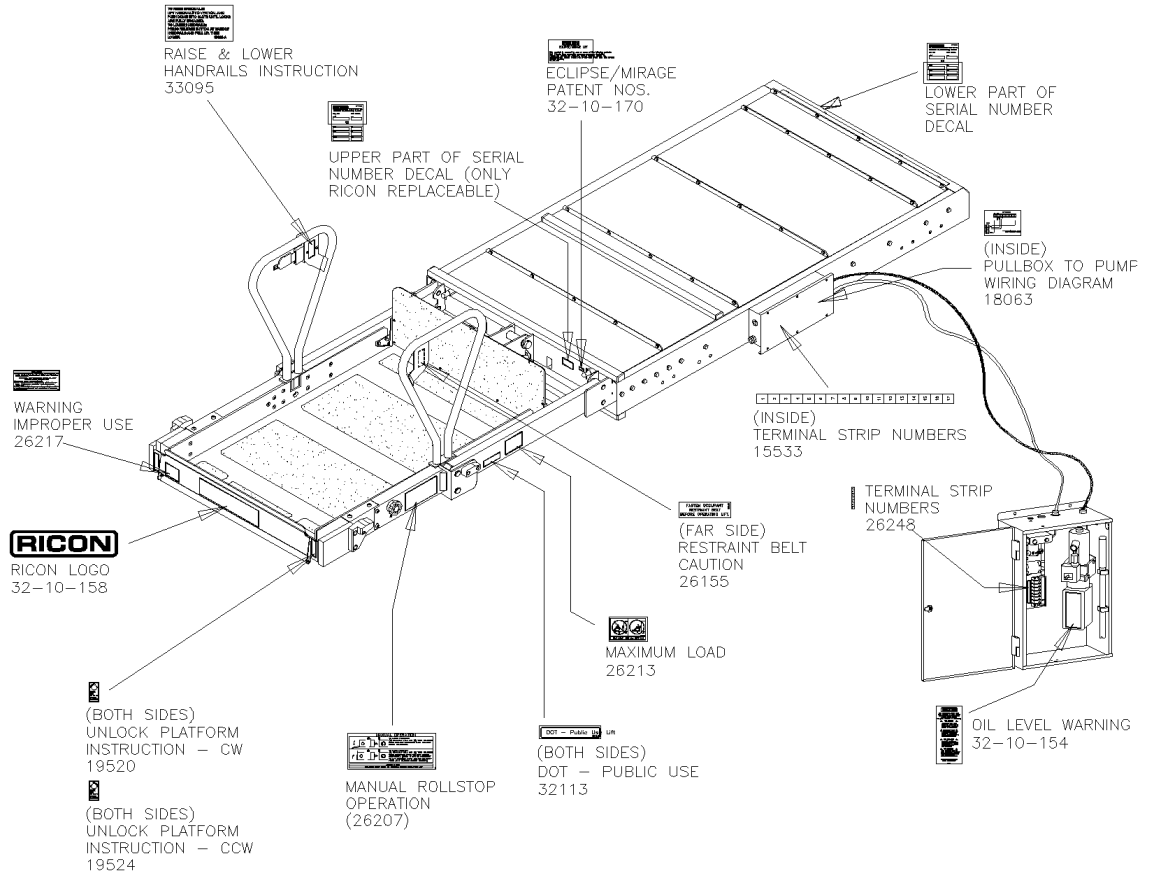
NO PARKING (26119)

MANUAL OPERATING INSTRUCTIONS (19551)

MANUAL OPERATING INSTRUCTIONS - ENGLISH-FRENCH (29254)

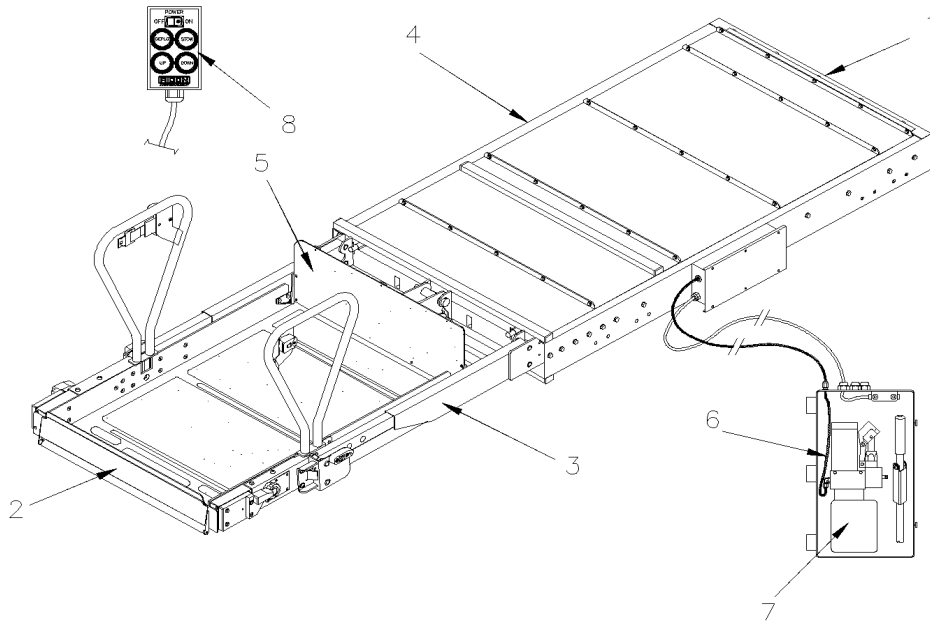
PLATFORM STOW HEIGHT (19550)

TWS WARNING (31997)



From G-7275 To M-7767	Date:07/2024	PAGE:X3PLB-2380-05
W.C.L. "RICON" REMOVABLE MODEL "F9TF"		

Item#	Part	Description	QTY	Notes
	864809	W.C.L. "RICON" - F9TF-DE022	1	
	864798	W.C.L. "RICON" - F9TF-DE019 OPTION	1	A
1	X3PLB-2380-10	. W.C.L. "RICON" - LIFT ENCLOSURE ASSY MODEL "F9TF"		
2	X3PLB-2380-20	. W.C.L. "RICON" - PLATFORM ASSY MODEL "F9TF"		
3	X3PLB-2380-30	. W.C.L. "RICON" - TRAVELING FRAME ASSY MODEL "F9TF"		
4	X3PLB-2380-40	. W.C.L. "RICON" - CARRIAGE ASSY MODEL "F9TF"		
5	X3PLB-2380-50	. W.C.L. "RICON" - BRIDGE PLATE ASSY MODEL "F9TF"		
6	X3PLB-2380-60	. W.C.L. "RICON" - PUMP INSTALLATION MODEL "F9TF"		
7	X3PLB-2380-65	. . W.C.L. "RICON" - PUMP ASSY MODEL "F9TF"		
8	862986	PENDANT, W/COILED CORD	1	
8	865106	PENDANT, W/COILED CORD / WATERPROOTF	1	
NS	509815	TIE MOUNT / ATTACHMENT W/TREE MOUNT	1	
NS	504637	CABLE TIE / 3/16" x 13"	1	
8	862987	HARNESS PENDANT EXTENSION, PULLBOX TO PENDANT	1	
8	862988	HARNESS, TWS INTERFACE, W/PCB	1	
NS	862989	CYCLE COUNTER	1	
NS	19514002	ROLLSTOP ADJ. TOOL	1	
NS	19514003	BRIDGEPLATE HGT GAUGE TOOL	1	
		A) THIS WHEEL CHAIR LIFT HAVE A SENSOR FULLY OPEN DOOR		



DECALS AFFIXED TO VEHICLE

LIFT OPERATING INSTRUCTIONS, ENTRY AND EXIT ENTRY-32159, EXIT-32160

LIFT OPERATING INSTRUCTIONS, ENTRY AND EXIT, FOR LIFTS WITH A STOP AT INTERMEDIATE HEIGHT ENTRY-32154, EXIT-32155

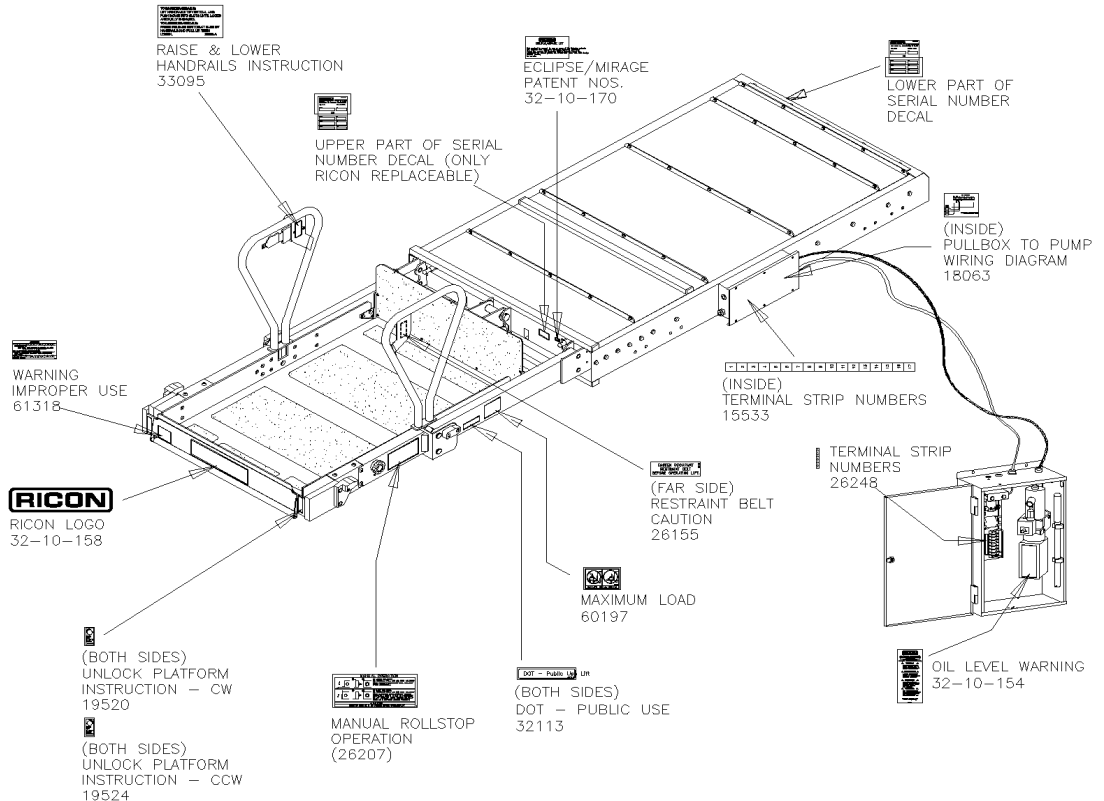
NO PARKING (26119)

MANUAL OPERATING INSTRUCTIONS (19551)

MANUAL OPERATING INSTRUCTIONS - ENGLISH-FRENCH (29254)

PLATFORM STOW HEIGHT (19550)

TWS WARNING (31997)



From J-7448 To M-7767	Date:07/2024	PAGE:X3PLB-2380-06
W.C.L. "RICON" REMOVABLE MODEL "F9TH"		

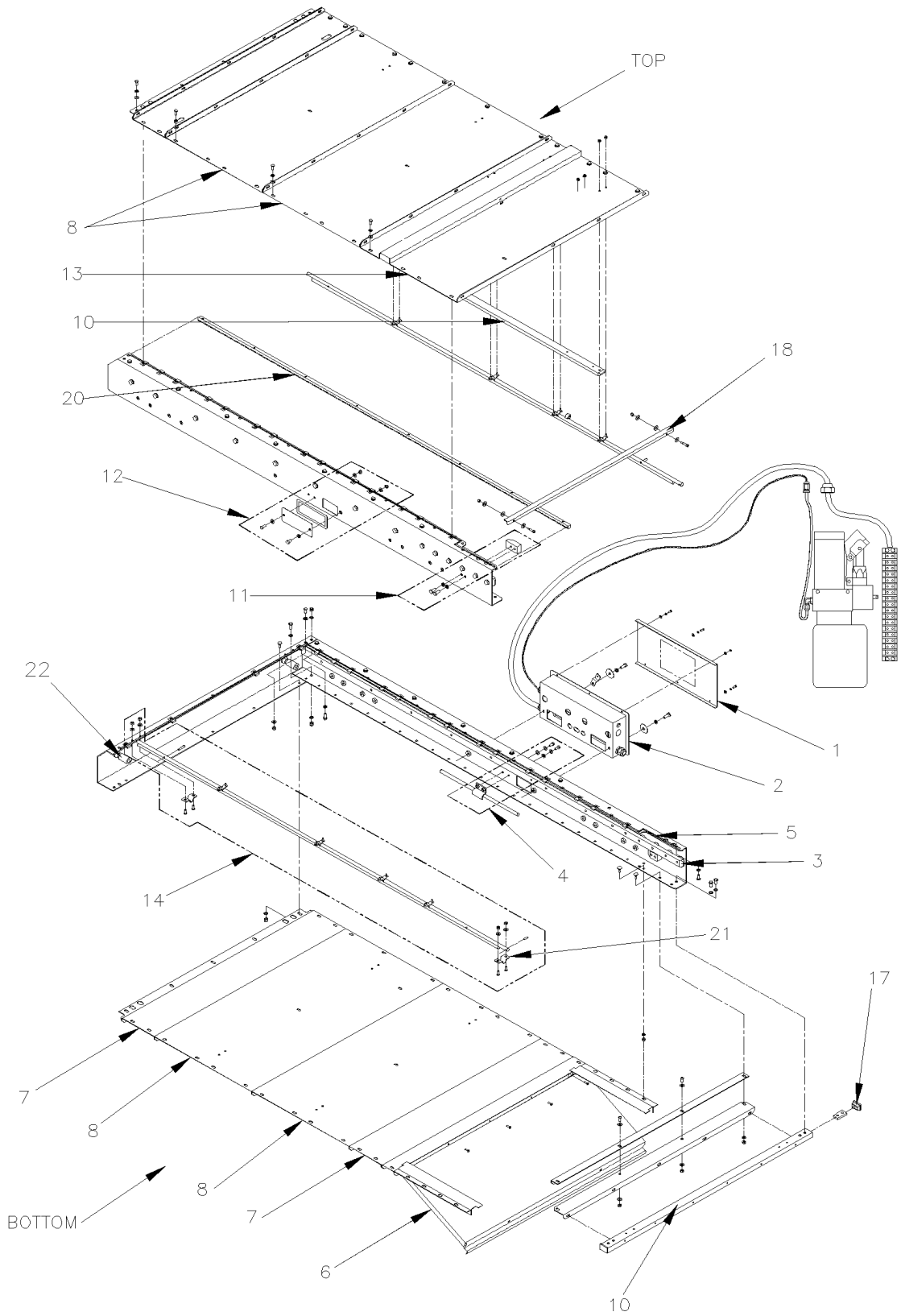
Item#	Part	Description	QTY	Notes
	860107	W.C.L. "RICON" - F9TH-DE035	1	A
	491651	DECAL "WEELCHAIR LIFT MAX LOAD 800LBS./ 363KG"	1	
1	X3PLB-2380-11	. W.C.L. "RICON" - LIFT ENCLOSURE ASSY MODEL "F9TH"		
2	X3PLB-2380-21	. W.C.L. "RICON" - PLATFORM ASSY MODEL "F9TH"		
3	X3PLB-2380-31	. W.C.L. "RICON" - TRAVELING FRAME ASSY MODEL "F9TH"		
4	X3PLB-2380-41	. W.C.L. "RICON" - CARRIAGE ASSY MODEL "F9TH"		
5	X3PLB-2380-51	. W.C.L. "RICON" - BRIDGE PLATE ASSY MODEL "F9TH"		
6	X3PLB-2380-61	. W.C.L. "RICON" - PUMP INSTALLATION MODEL "F9TH"		
7	X3PLB-2380-66	. . W.C.L. "RICON" - PUMP ASSY MODEL "F9TH"		
8	862986	PENDANT, W/COILED CORD	1	
8	865106	PENDANT, W/COILED CORD / WATERPROOTF	1	
NS	509815	TIE MOUNT / ATTACHMENT W/TREE MOUNT	1	
NS	504637	CABLE TIE / 3/16" x 13"	1	
8	862987	HARNESS PENDANT EXTENSION, PULLBOX TO PENDANT	1	
8	862988	HARNESS, TWS INTERFACE, W/PCB	1	
NS	862989	CYCLE COUNTER	1	
NS	19514002	ROLLSTOP ADJ. TOOL	1	
NS	19514003	BRIDGEPLATE HGT GAUGE TOOL	1	
		A) THIS WHEEL CHAIR LIFT HAVE A SENSOR FULLY OPEN DOOR		

From G-7275 To M-7767

Date:07/2024

PAGE:X3PLB-2380-10

W.C.L. "RICON" - LIFT ENCLOSURE ASSY MODEL "F9TF"

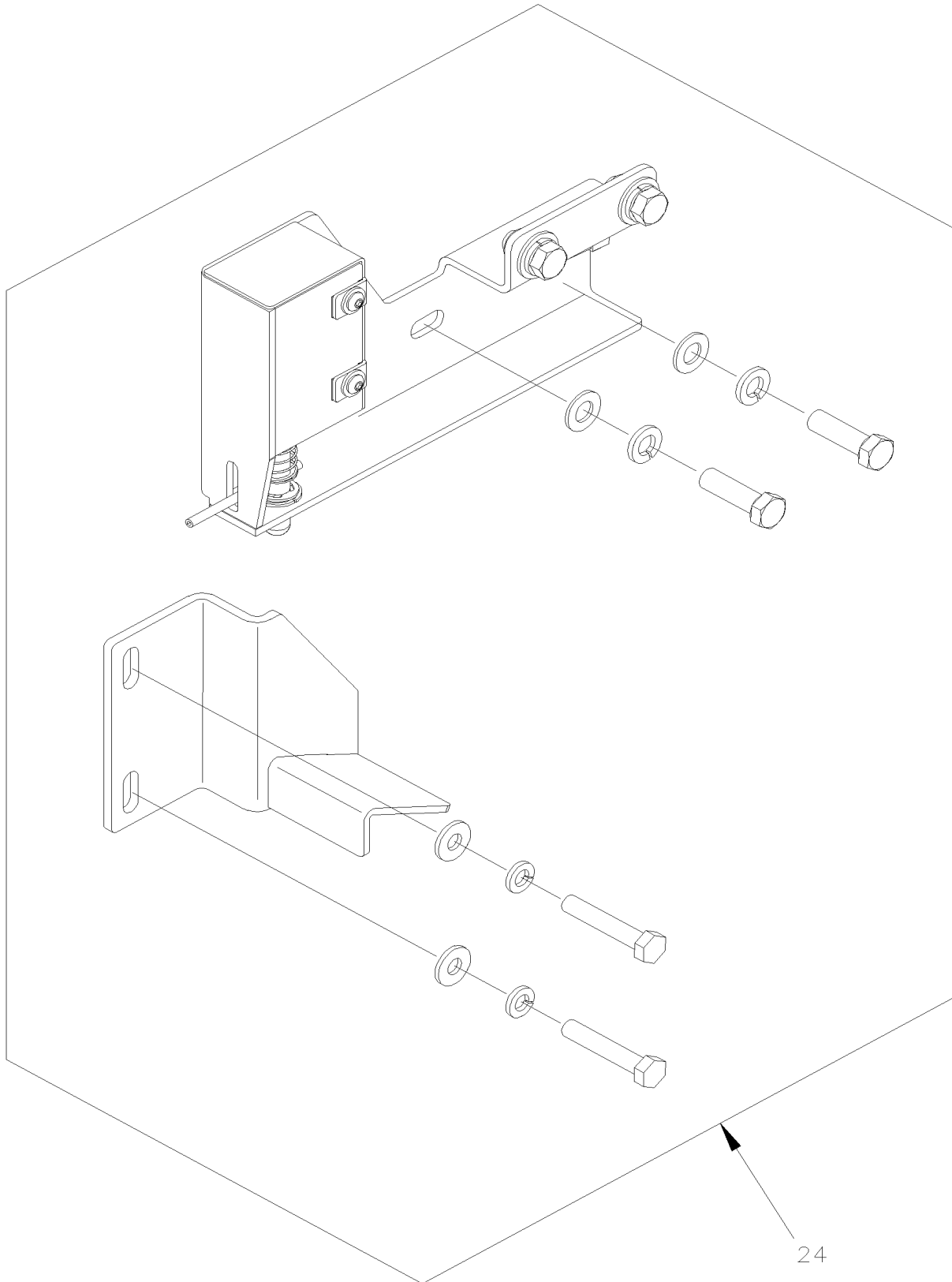


From G-7275 To M-7767

Date:07/2024

PAGE:X3PLB-2380-10

W.C.L. "RICON" - LIFT ENCLOSURE ASSY MODEL "F9TF"



24

From G-7275 To M-7767	Date:07/2024	PAGE:X3PLB-2380-10
W.C.L. "RICON" - LIFT ENCLOSURE ASSY MODEL "F9TF"		

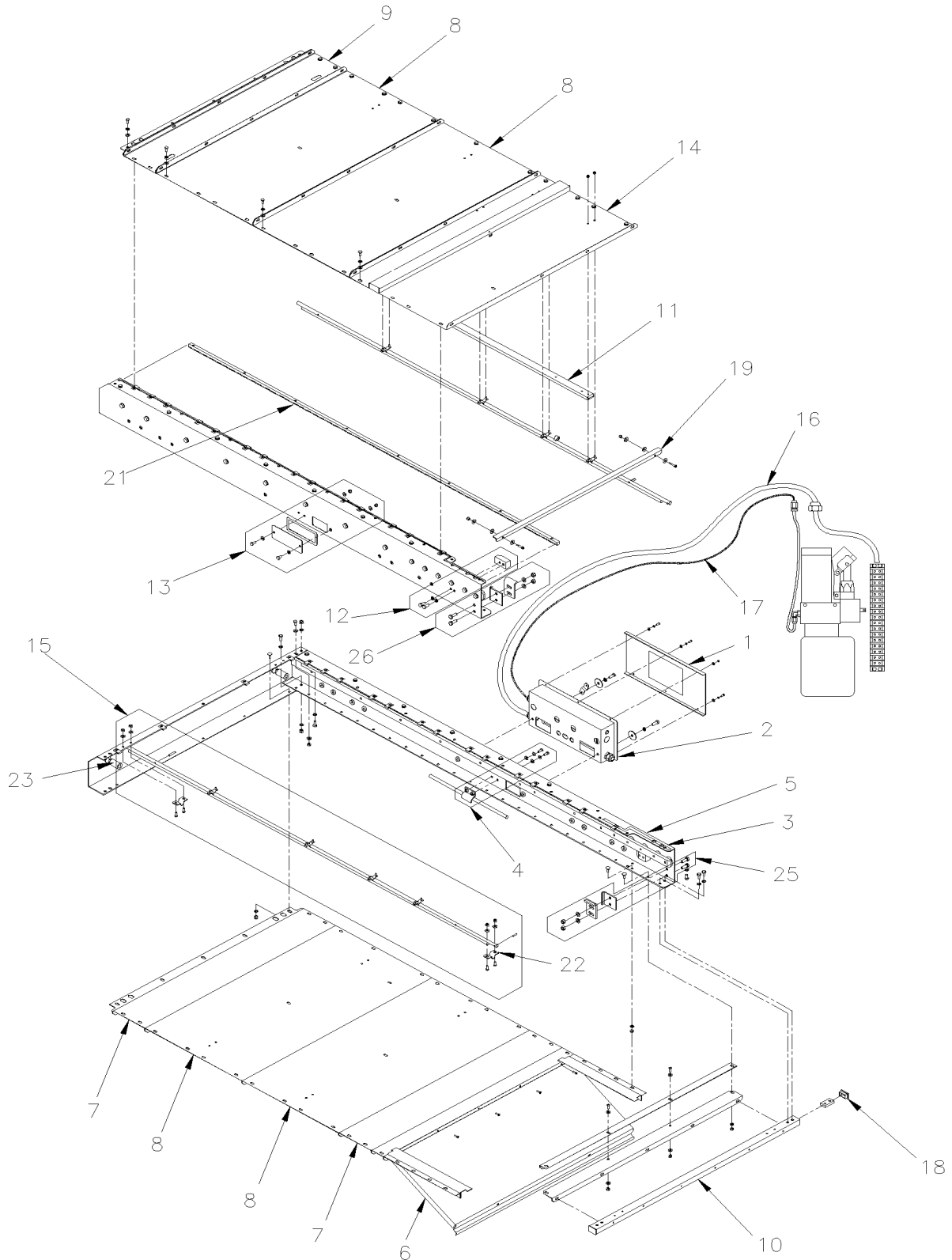
Item#	Part	Description	QTY	Notes
1	862991	KIT, PULLBOX COVER	1	
2	862992	PULLBOX ASSY	1	
3	862999	RAIL, CARRIAGE GUIDE	2	
4	862994	KIT, HOSE CLAMP	1	
5	19509886	WEATHERSTRIP	1	
6	862995	KIT, SERVICE ACCESS PANEL	1	
7	19509867	KIT, ENCLOSURE COVER, 6.6" W/HDWR	2	
8	862997	KIT, ENCLOSURE COVER, 19.98"	2	
10	862998	TUBE, FORWARD CROSSMEMBER	1	
11	863000	KIT, STOP BLOCK	2	
12	863001	KIT, BLOCK-OFF PLATE	1	
13	863002	KIT, ENCLOSURE COVER, LINKAGE	1	
14	863003	KIT, PLATFORM RELEASE SHAFT / LH	2	
17	863004	PLUG, RECTANGULAR, 1.0 X 1.5, NYLON, BLACK	4	
18	868231	TIE BAR, PLATFORM RELEASE SHAFTS	1	
20	863006	GEAR RACK	2	
21	863007	BRACKET, PLATFORM RELEASE SHAFT	4	
22	863008	BUMPER, CARRIAGE STOP	2	
24	865081	KIT, STOW LOCK	1	
24	864955	. SOLENOID / STOW LOCK	1	
24	Call order desk	. BRACKET / STOW LOCK	1	P
		P) CALL ORDER DESK FOR SPECIFIC APPLICATION (V.I.N.)		

From J-7448 To M-7767

Date:07/2024

PAGE:X3PLB-2380-11

W.C.L. "RICON" - LIFT ENCLOSURE ASSY MODEL "F9TH"

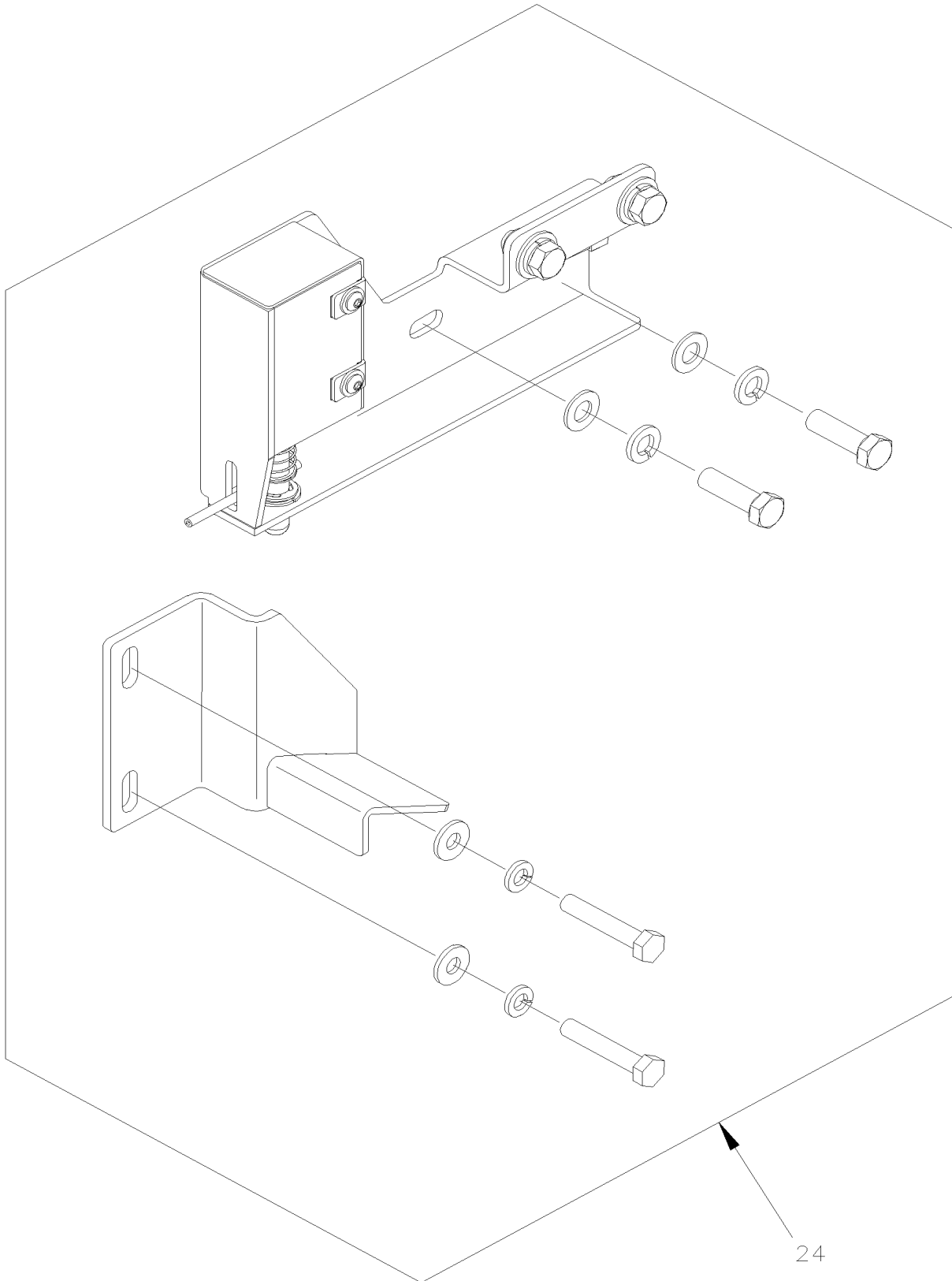


From J-7448 To M-7767

Date:07/2024

PAGE:X3PLB-2380-11

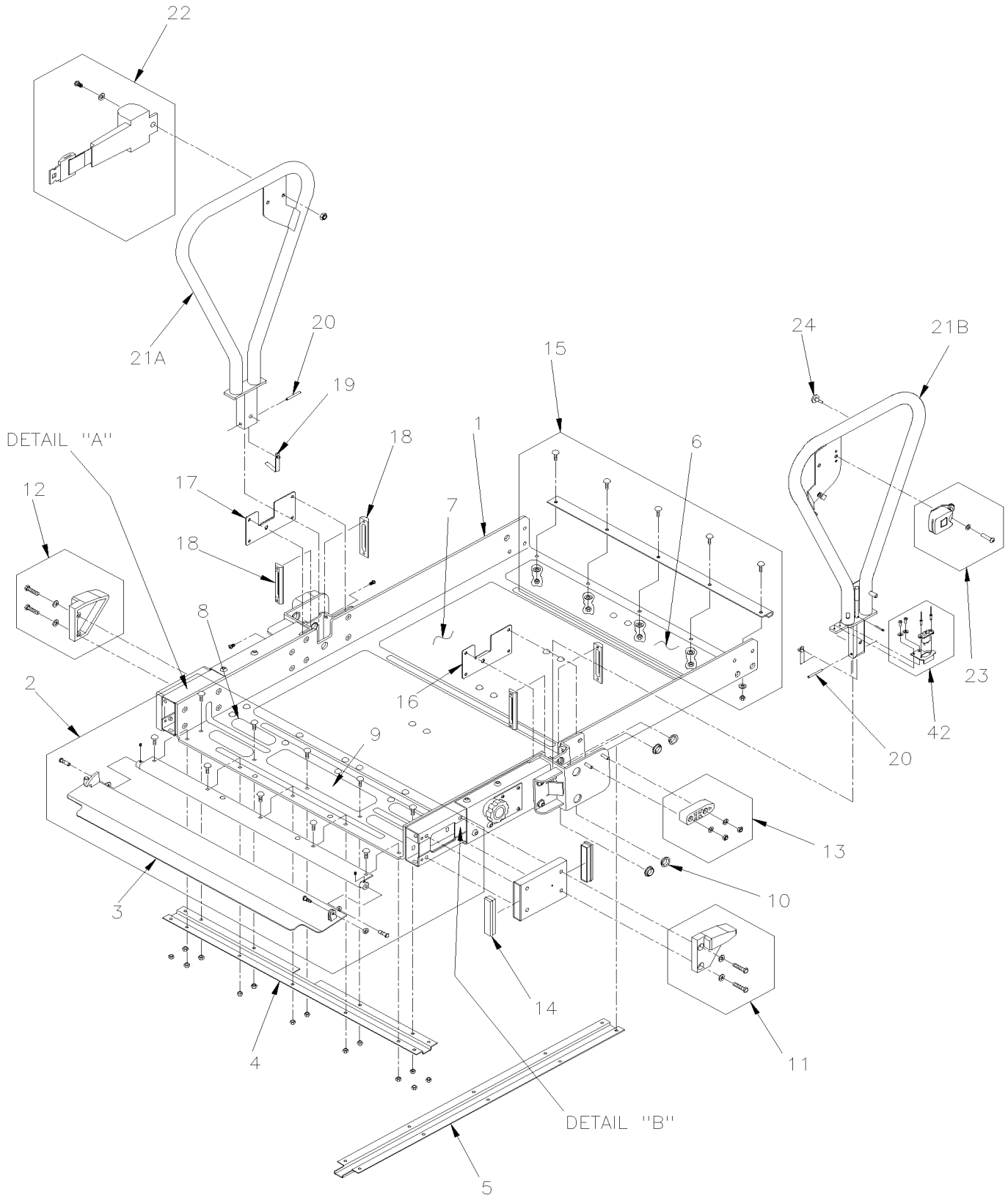
W.C.L. "RICON" - LIFT ENCLOSURE ASSY MODEL "F9TH"



24

From J-7448 To M-7767	Date:07/2024	PAGE:X3PLB-2380-11
W.C.L. "RICON" - LIFT ENCLOSURE ASSY MODEL "F9TH"		

Item#	Part	Description	QTY	Notes
1	862991	KIT, PULLBOX COVER	1	
2	862992	PULLBOX ASSY	1	
3	862999	RAIL, CARRIAGE GUIDE	2	
4	862994	KIT, HOSE CLAMP	1	
5	19509886	WEATHERSTRIP	1	
6	868223	KIT, SERVICE ACCESS PANEL	1	
7	868224	KIT, ENCLOSURE COVER, 6.6" W/HDWR	2	
8	868225	KIT, ENCLOSURE COVER, 19.98"	4	
9	868226	KIT, ENCLOSURE COVER, 6.6" W/HDWR	1	
10	868227	TUBE, FORWARD CROSSMEMBER	1	
11	862999	RAIL, CARRIAGE GUIDE	1	
12	863000	KIT, STOP BLOCK	2	
13	863001	KIT, BLOCK-OFF PLATE	1	
14	868228	KIT, ENCLOSURE COVER, LINKAGE	1	
15	863003	KIT, PLATFORM RELEASE SHAFT / LH	2	
16	868229	HARNESS, STOP POSITION PROGRAMMING SW		
17	863004	PLUG, RECTANGULAR, 1.0 X 1.5, NYLON, BLACK	4	
18	868230	CAP RECTANGLE / BLACK	4	
19	868231	TIE BAR, PLATFORM RELEASE SHAFTS	1	
21	863006	GEAR RACK	2	
22	863007	BRACKET, PLATFORM RELEASE SHAFT	4	
23	863008	BUMPER, CARRIAGE STOP	2	
24	868232	KIT, STOW LOCK	1	
25	868233	KIT REINFORCEMENT, ENLOCSURE RH	1	
26	868234	KIT REINFORCEMENT, ENLOCSURE LH	1	

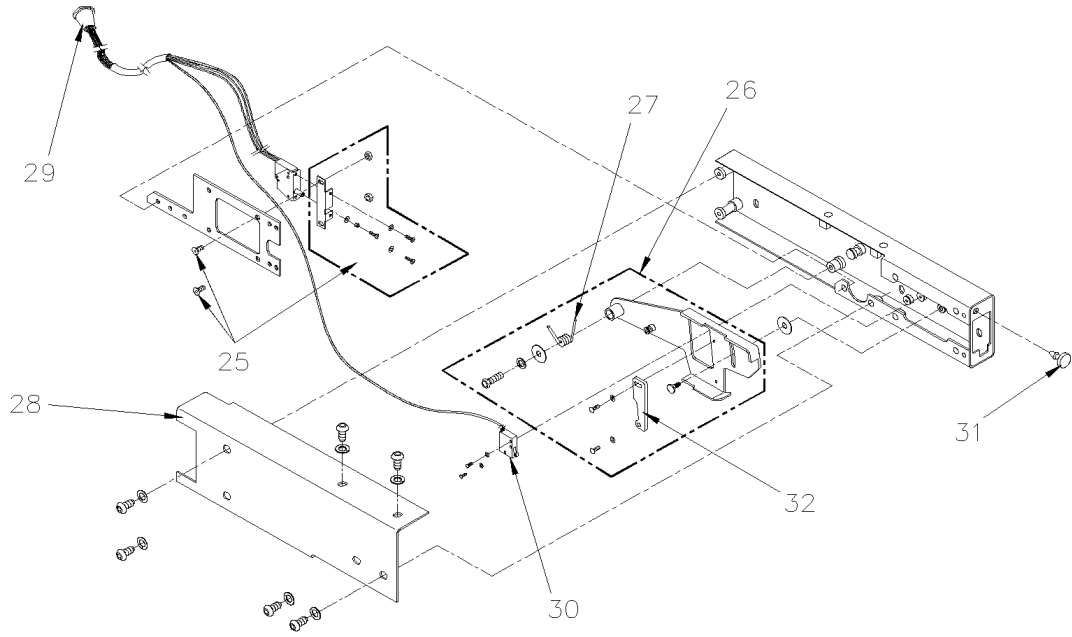


From G-7275 To M-7767

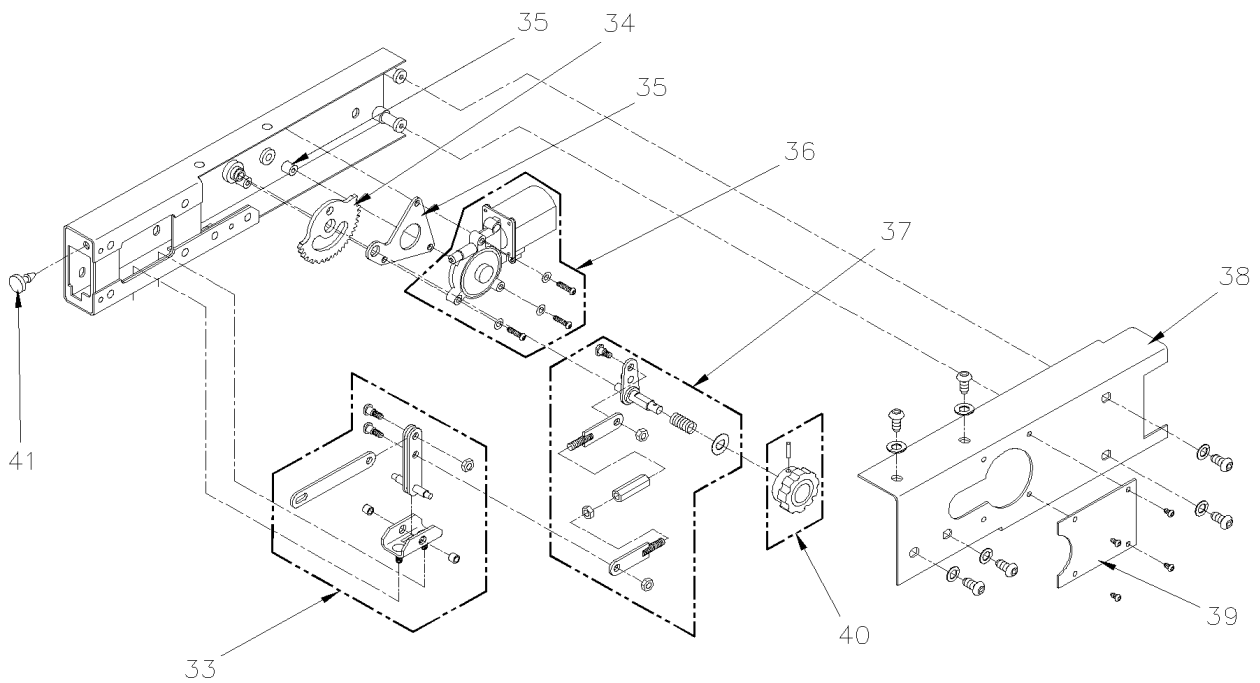
Date:07/2024

PAGE:X3PLB-2380-20

W.C.L. "RICON" - PLATFORM ASSY MODEL "F9TF"



DETAIL A



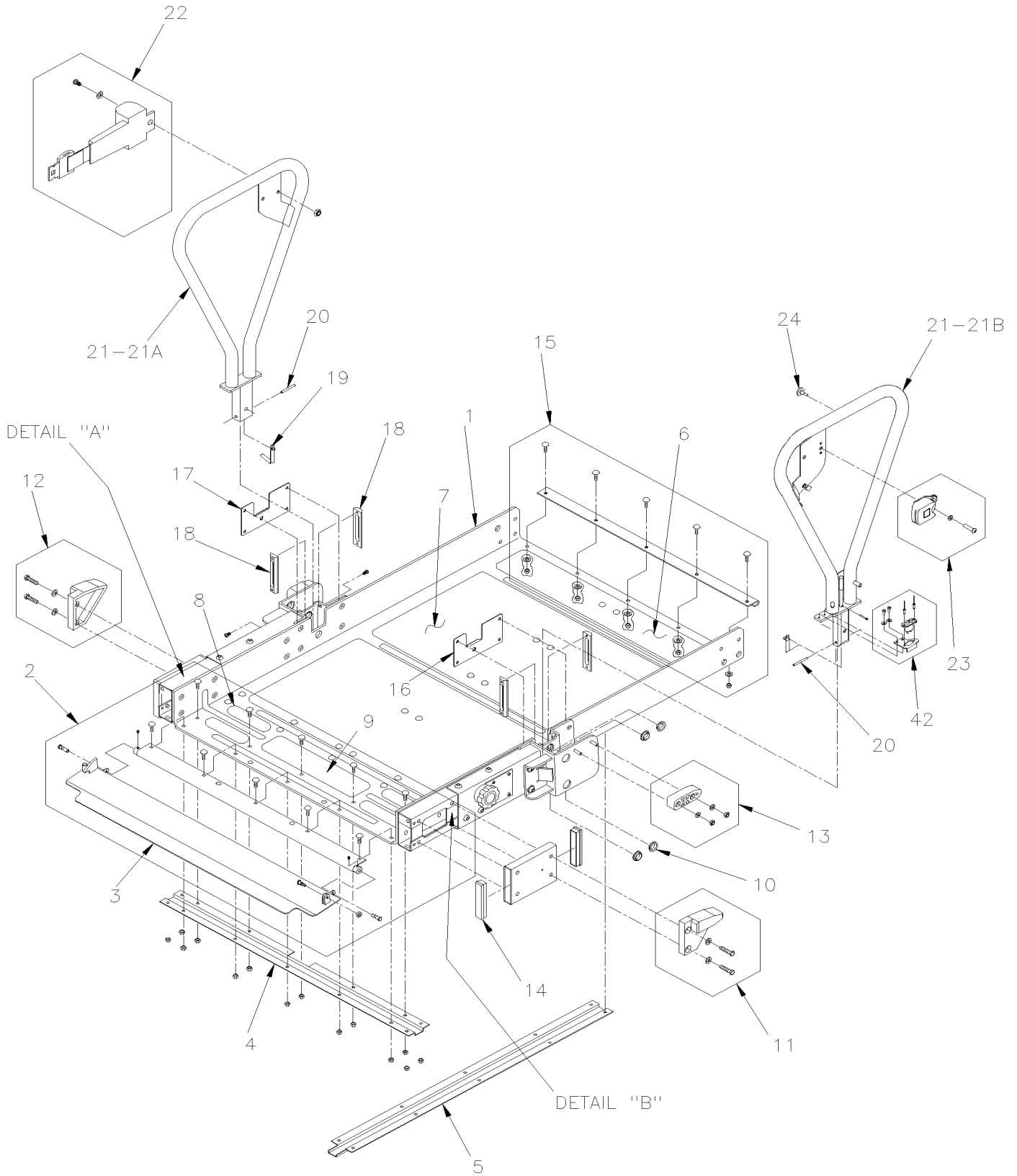
DETAIL B

From G-7275 To M-7767	Date:07/2024	PAGE:X3PLB-2380-20
W.C.L. "RICON" - PLATFORM ASSY MODEL "F9TF"		

Item#	Part	Description	QTY	Notes
1	865627	PLATFORM	1	
2	863010	KIT, ROLLSTOP ASSEMBLY	1	
3	865634	ROLLSTOP, PAINTED	1	
4	865628	STIFFENER & HARNESS CONDUIT, NOTCHED	1	
5	865629	HARNESS CONDUIT, FRONT TO REAR	1	
6	863014	SAFETREAD, 3.0 X 31.0, YELLOW	1	
7	863015	SAFETREAD, 16.0 X 31.0, GRAY	1	
8	863016	SAFETY TREAD / 12.75x3.0 / SAFETY YELLOW	1	
9	863017	SAFETY TREAD / 5.5x1.5 / SAFETY YELLOW	4	
10	863018	BEARING, FLANGED, 3/4I.D. X 1/4W	1	
11	862114	BLOCK / PLAFORM GUIDE / RH	1	
12	862115	BLOCK / PLAFORM GUIDE / LH	1	
13	863019	KIT, PLATFORM GUIDE, REAR	2	
14	863020	CAP, RECTANGULAR, SNAP-IN	4	
15	863021	KIT, STIFFENER, PLATFORM, REAR	1	
16	865630	PLATE, PIN LOCK, RH To FORMER	1	
16	860098	PLATE, PIN LOCK From CURRENT	1	
17	865631	PLATE, PIN LOCK, LH To FORMER	1	
17	860098	PLATE, PIN LOCK From CURRENT	1	
18	863024	HANDRAIL GUIDE	4	
19	863618	BUTTON, HANDRAIL LOCK	2	
20	863026	PIN, HANDRAIL PIVOT	2	
21A	865136	HANDRAIL ASSY RH	1	
21B	865137	HANDRAIL ASSY LH	1	
22	864774	KIT, SAFETY BELT W/RETRACTOR	1	
23	864775	KIT, SAFETY BELT BUCKLE ASSEMBLY	1	
24	862120	BUMPER / RUBBER 1.000 O.D. x .13THK	1	
25	863036	KIT, MOUNTING BRACKET, LIMIT SWITCH	1	
26	863037	KIT, ACTUATOR FOOT ASSY	1	
27	862121	SPRING / LH / ROLLSTOP ACTUATOR RETURN	1	
28	863038	COVER, ROLLSTOP, LH	1	
29	863039	HARNESS, W/TWO ROLLSTOP SWITCHES	1	
. NS	865043	. ROLLSTOP PLUNGER	1	
30	863040	SWITCH LIMIT, W/LEADS	1	
31	862120	BUMPER / RUBBER 1.000 O.D. x .13THK	1	
32	863041	PLATE, ACTUATOR, SWITCH	1	
33	863031	KIT, ROLLSTOP LINKAGE	1	
34	862996	KIT, ROLLSTOP GEAR	1	
35	863032	KIT, GEAR MOTOR MTG PLATE	1	
36	862117	KIT MOTOR, 24V W/HARDAWARE	1	
37	863033	KIT, GEAR LINKAGE To J-7486	1	
37	868153	KIT, GEAR LINKAGE From J-7487	1	

From G-7275 To M-7767	Date:07/2024	PAGE:X3PLB-2380-20
W.C.L. "RICON" - PLATFORM ASSY MODEL "F9TF"		

Item#	Part	Description	QTY	Notes
38	868235	COVER, ROLLSTOP, RH	1	
39	868236	COVER PLATE, MANUAL RELEASE	1	
40	862210	KNOB KIT	1	
41	862120	BUMPER / RUBBER 1.000 O.D. x .13THK	1	
42	865633	KIT, CONTACT CONNECTOR, HAND RAIL ASSY	1	
42	868221	CONTACT BLOCK ASSY	1	

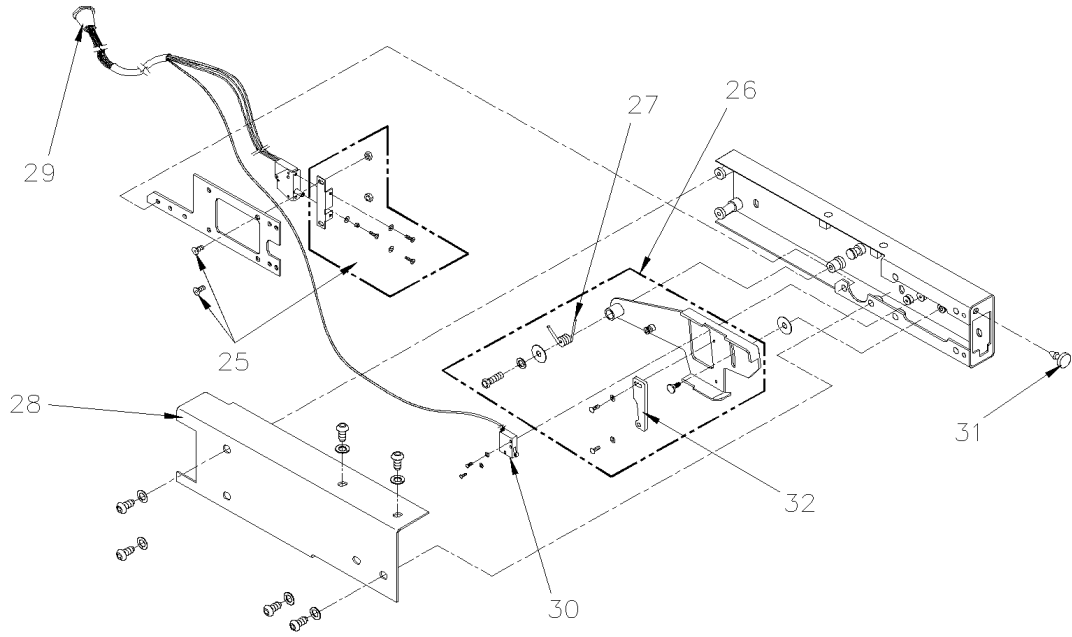


From J-7448 To M-7767

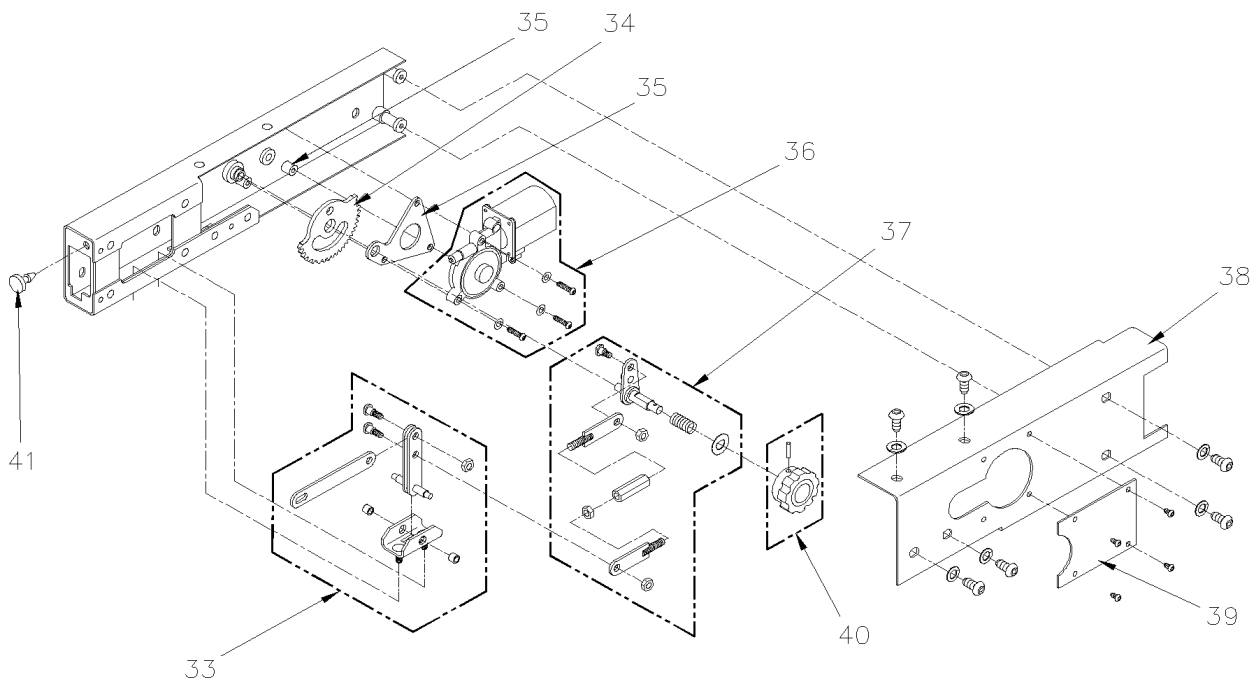
Date:07/2024

PAGE:X3PLB-2380-21

W.C.L. "RICON" - PLATFORM ASSY MODEL "F9TH"



DETAIL A



DETAIL B

From J-7448 To M-7767	Date:07/2024	PAGE:X3PLB-2380-21
W.C.L. "RICON" - PLATFORM ASSY MODEL "F9TH"		

Item#	Part	Description	QTY	Notes
1	865627	PLATFORM	1	
2	863010	KIT, ROLLSTOP ASSEMBLY	1	
3	865634	ROLLSTOP, PAINTED	1	
4	865628	STIFFENER & HARNESS CONDUIT, NOTCHED	1	
5	865629	HARNESS CONDUIT, FRONT TO REAR	1	
6	863014	SAFETREAD, 3.0 X 31.0, YELLOW	1	
7	863015	SAFETREAD, 16.0 X 31.0, GRAY	1	
8	863016	SAFETY TREAD / 12.75x3.0 / SAFETY YELLOW	1	
9	863017	SAFETY TREAD / 5.5x1.5 / SAFETY YELLOW	4	
10	863018	BEARING, FLANGED, 3/4I.D. X 1/4W	1	
11	862114	BLOCK / PLAFORM GUIDE / RH	1	
12	862115	BLOCK / PLAFORM GUIDE / LH	1	
13	863019	KIT, PLATFORM GUIDE, REAR	2	
14	863020	CAP, RECTANGULAR, SNAP-IN	4	
15	863021	KIT, STIFFENER, PLATFORM, REAR	1	
16	860098	PLATE, PIN LOCK	1	
17	860098	PLATE, PIN LOCK	1	
18	863024	HANDRAIL GUIDE	4	
19	863618	BUTTON, HANDRAIL LOCK	2	
20	863026	PIN, HANDRAIL PIVOT	2	
21A	865136	HANDRAIL ASSY RH	1	
21B	865137	HANDRAIL ASSY LH	1	
22	864774	KIT, SAFETY BELT W/RETRACTOR	1	
23	864775	KIT, SAFETY BELT BUCKLE ASSEMBLY	1	
23	7775207	KIT, SAFETY BELT BUCKLE ASSEMBLY WITH DETECTOR	1	
24	862120	BUMPER / RUBBER 1.000 O.D. x .13THK	1	
25	863036	KIT, MOUNTING BRACKET, LIMIT SWITCH	1	
26	863037	KIT, ACTUATOR FOOT ASSY	1	
27	862121	SPRING / LH / ROLLSTOP ACTUATOR RETURN	1	
28	863038	COVER, ROLLSTOP, LH	1	
29	863039	HARNESS, W/TWO ROLLSTOP SWITCHES	1	
. NS	865043	. ROLLSTOP PLUNGER	1	
30	863040	SWITCH LIMIT, W/LEADS	1	
31	862120	BUMPER / RUBBER 1.000 O.D. x .13THK	1	
32	863041	PLATE, ACTUATOR, SWITCH	1	
33	863031	KIT, ROLLSTOP LINKAGE	1	
34	862996	KIT, ROLLSTOP GEAR	1	
35	863032	KIT, GEAR MOTOR MTG PLATE	1	
36	862117	KIT MOTOR, 24V W/HARDAWARE	1	
37	863033	KIT, GEAR LINKAGE To J-7486	1	
37	868153	KIT, GEAR LINKAGE From J-7487	1	
38	868235	COVER, ROLLSTOP, RH	1	

From J-7448 To M-7767		Date:07/2024	PAGE:X3PLB-2380-21
-----------------------	--	--------------	--------------------

W.C.L. "RICON" - PLATFORM ASSY MODEL "F9TH"

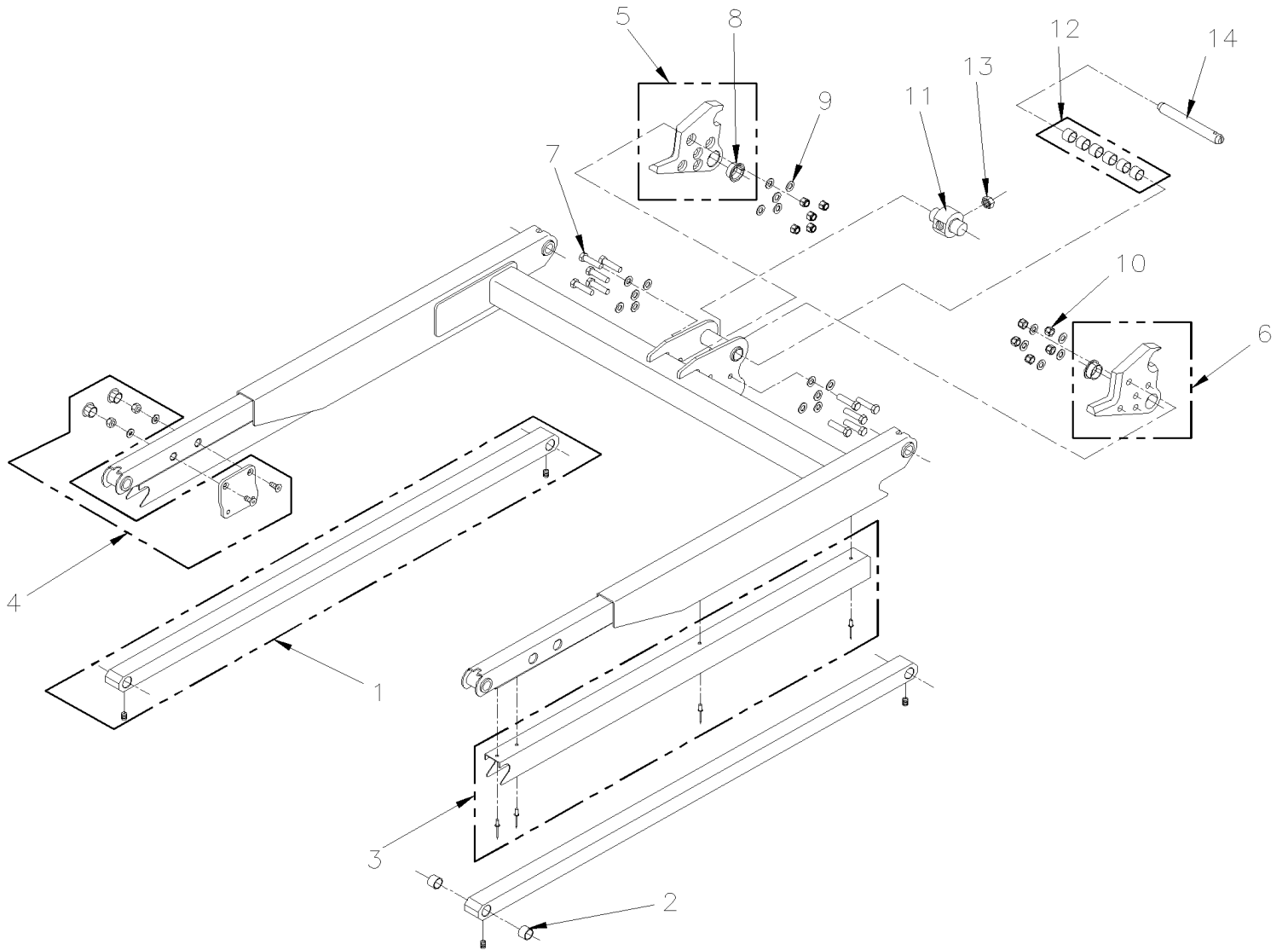
Item#	Part	Description	QTY	Notes
39	868236	COVER PLATE, MANUAL RELEASE	1	
40	862210	KNOB KIT	1	
41	862120	BUMPER / RUBBER 1.000 O.D. x .13THK	1	
42	865633	KIT, CONTACT CONNECTOR, HAND RAIL ASSY	1	
42	868221	CONTACT BLOCK ASSY	1	

From G-7275 To M-7767

Date:07/2024

PAGE:X3PLB-2380-30

W.C.L. "RICON" - TRAVELING FRAME ASSY MODEL "F9TF"



From G-7275 To M-7767	Date:07/2024	PAGE:X3PLB-2380-30
W.C.L. "RICON" - TRAVELING FRAME ASSY MODEL "F9TF"		

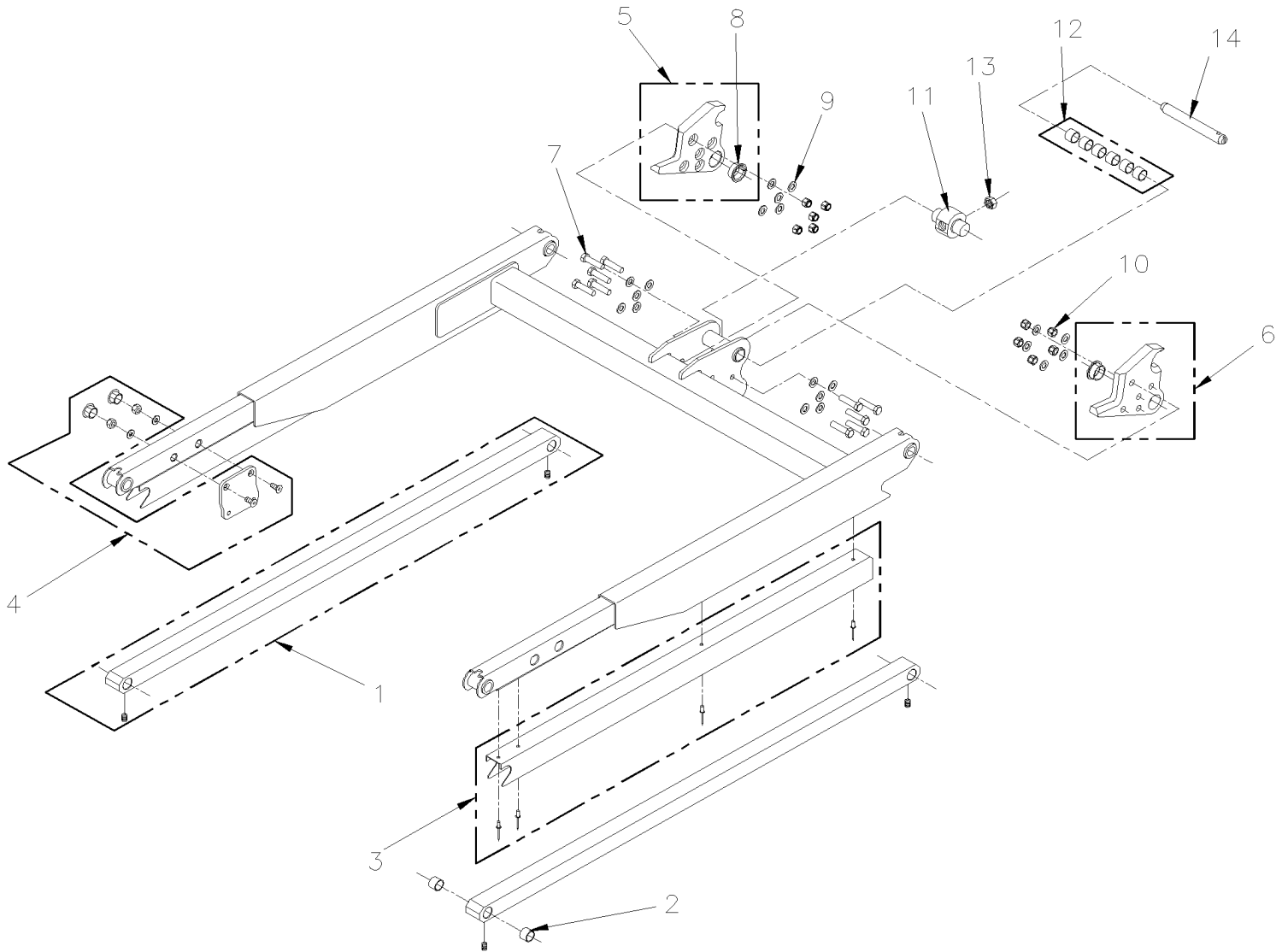
Item#	Part	Description	QTY	Notes
1	863042	KIT, LOWER ARM	2	
2	863043	BUSHING, .88O.D. X .75I.D. X .38	4	
3	863044	KIT, COVER, LOWER ARM	2	
4	863045	KIT, PLATE, BRIDGEPLATE ACTUATOR	2	
5	863046	PLATE ASSY, CLEVIS REINFORCEMENT, LH	1	
6	863047	PLATE ASSY, CLEVIS REINFORCEMENT, RH	1	
7	863048	SCREW CAP HEX 3/8-16x1 1/2 SS	1	
8	863049	BEARING, FLANGED, 1.00 I.D. X .75W	2	
9	863050	WASHER FL .40x.75x.06 SS	2	
10	863051	NUT, ESN, 3/8-16, SS	1	
11	863052	TRUNNION, SOLID PIN	1	
12	863053	KIT, BEARING, .75I.D. X .875O.D. X .63	1	
13	863054	NUT, JAM, 3/4-16	1	
14	863055	PIN, .75D X 6.0L	1	

From J-7448 To M-7767

Date:07/2024

PAGE:X3PLB-2380-31

W.C.L. "RICON" - TRAVELING FRAME ASSY MODEL "F9TH"



From J-7448 To M-7767	Date:07/2024	PAGE:X3PLB-2380-31
-----------------------	--------------	--------------------

W.C.L. "RICON" - TRAVELING FRAME ASSY MODEL "F9TH"

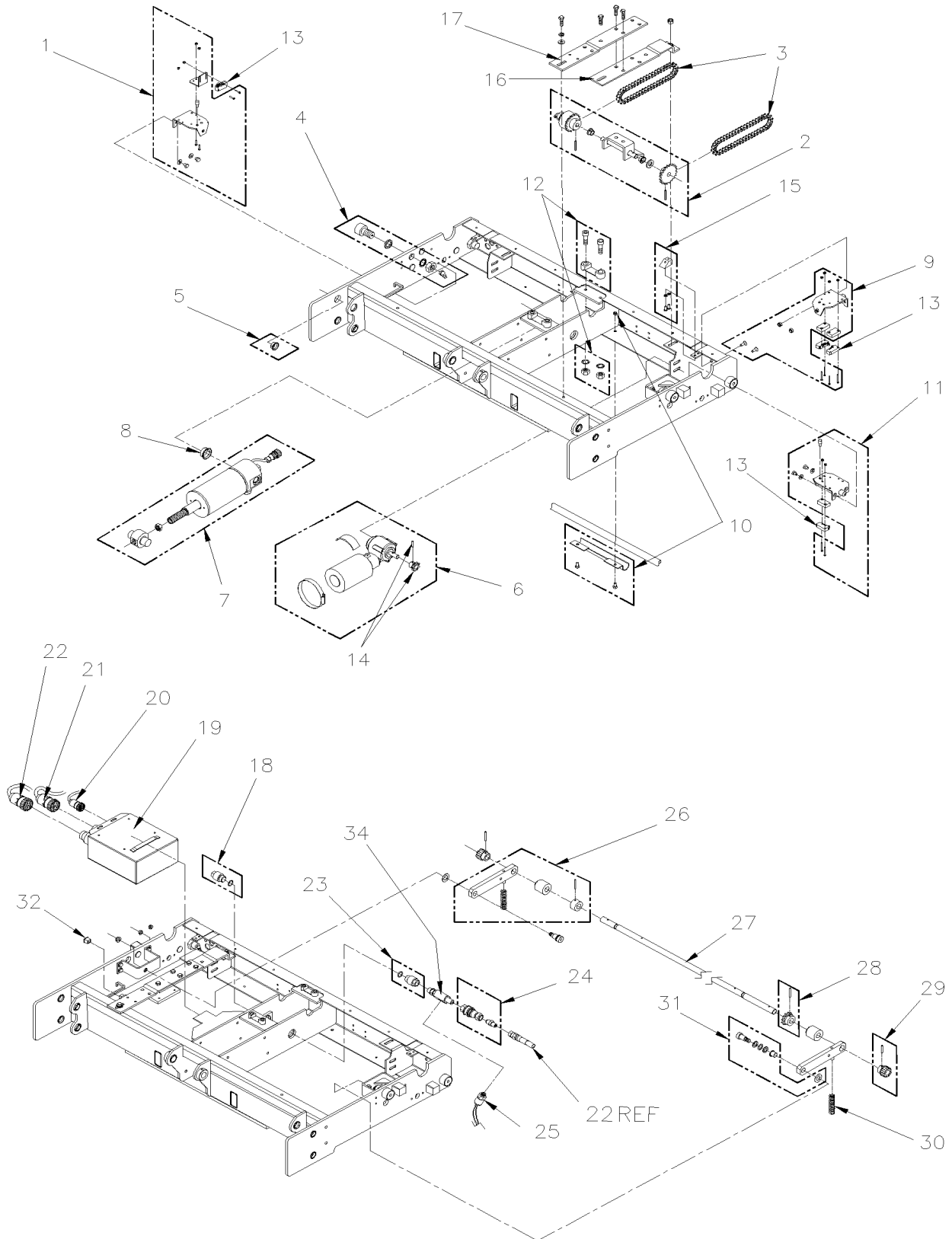
Item#	Part	Description	QTY	Notes
1	863042	KIT, LOWER ARM	2	
2	863043	BUSHING, .88O.D. X .75I.D. X .38	4	
3	868237	KIT, COVER, LOWER ARM	2	
4	868238	KIT, PLATE, BRIDGEPLATE ACTUATOR	2	
5	868239	PLATE ASSY, CLEVIS REINFORCEMENT, LH	1	
6	868240	PLATE ASSY, CLEVIS REINFORCEMENT, RH	1	
7	863048	SCREW CAP HEX 3/8-16x1 1/2 SS	1	
8	863049	BEARING, FLANGED, 1.00 I.D. X .75W	2	
9	863050	WASHER FL .40x.75x.06 SS	2	
10	863051	NUT, ESN, 3/8-16, SS	1	
11	868241	TRUNNION, SOLID PIN	1	
12	863053	KIT, BEARING, .75I.D. X .875O.D. X .63	1	
13	863054	NUT, JAM, 3/4-16	1	
14	868242	PIN, .75D X 6.9L	1	

From G-7275 To M-7767

Date:07/2024

PAGE:X3PLB-2380-40

W.C.L. "RICON" - CARRIAGE ASSY MODEL "F9TF"



From G-7275 To M-7767	Date:07/2024	PAGE:X3PLB-2380-40
W.C.L. "RICON" - CARRIAGE ASSY MODEL "F9TF"		

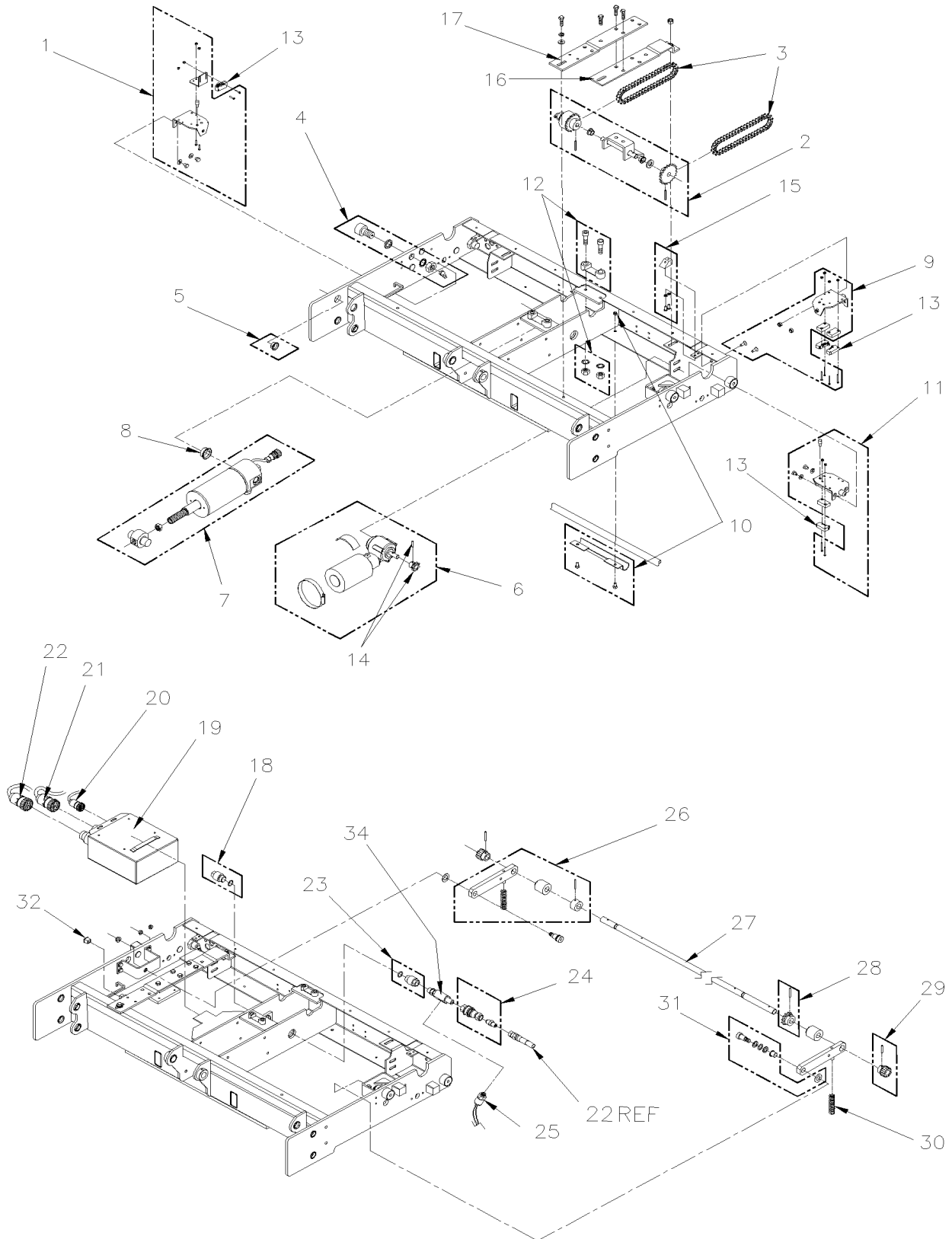
Item#	Part	Description	QTY	Notes
1	863056	KIT, PLATFORM RELEASE SWITCH BRACKET	1	
2	863057	KIT, INTERMEDIATE SHAFT ASSY	1	
3	863058	DRIVE CHAIN	2	
4	863059	KIT, CARRIAGE ROLLER, 1 1/4 O.D.	4	
5	863128	BEARING	1	
6	863060	KIT, GEAR MOTOR ASSY, 24V	1	
7	863061	HYDRAULIC CYLINDER ASSEMBLY	1	
8	863062	FLANGED BEARING, 1" I.D.B20	1	
9	863063	KIT, STOW SWITCH BRACKET	1	
10	863064	KIT, HARNESS CLAMP	1	
11	863065	KIT, DEPLOY SWITCH BRACKET	1	
12	N8892390	KIT, GUIDE BLOCKS CARRIAGE	1	
13	863129	LIMIT SWITCH	4	
14	863066	KIT, SPROCKET, 8T	1	
15	863067	KIT, MANUAL RELEASE RESET RAMP	2	
16	863068	BRACKET, IDLER SHAFT, REAR	1	
17	863069	BRACKET, IDLER SHAFT, FRONT	1	
18	863070	KIT, PIVOT CAP, HYDRAULIC CYLINDER	1	
19	19506358	CONTROL BOX 24V W/SOFTWARE	1	
20	863071	HARNESS, ELECTRICAL, HYDRAULIC CYLINDER	1	
21	863072	HARNESS, ELECTRICAL, CARRIAGE	1	
22	864071	HARNESS, ELECTRICAL, MAIN, W/HYDRAULIC LINE	1	
23	863074	KIT, PIVOT FITTING, HYDRAULIC CYLINDER	1	
24	863076	KIT, QUICK DISCONNECT FITTING	1	
25	863077	KIT, PRESSURE SWITCH, W/ELECTRICAL TERMINALS	1	
26	863078	KIT, DRIVESHAFT LINK ASSY	2	
27	863079	DRIVESHAFT, FINAL	1	
28	863080	KIT, SPROCKET, 12 TEETH	1	
29	863081	KIT, PINION GEAR, 18 TEETH	2	
30	863082	SPRING, COM, .6090.D. X 2.53	2	
31	863083	KIT, BUSHING ASSY, DRIVESHAFT LINK	2	
32	863084	DUST CAP, CONTROLLER PROGRAMMING CONNECTOR	1	
34	866059	MANIFOLD, HYD, PRESSURE SWITCH (PACKAGED)	1	

From J-7448 To M-7767

Date:07/2024

PAGE:X3PLB-2380-41

W.C.L. "RICON" - CARRIAGE ASSY MODEL "F9TH"

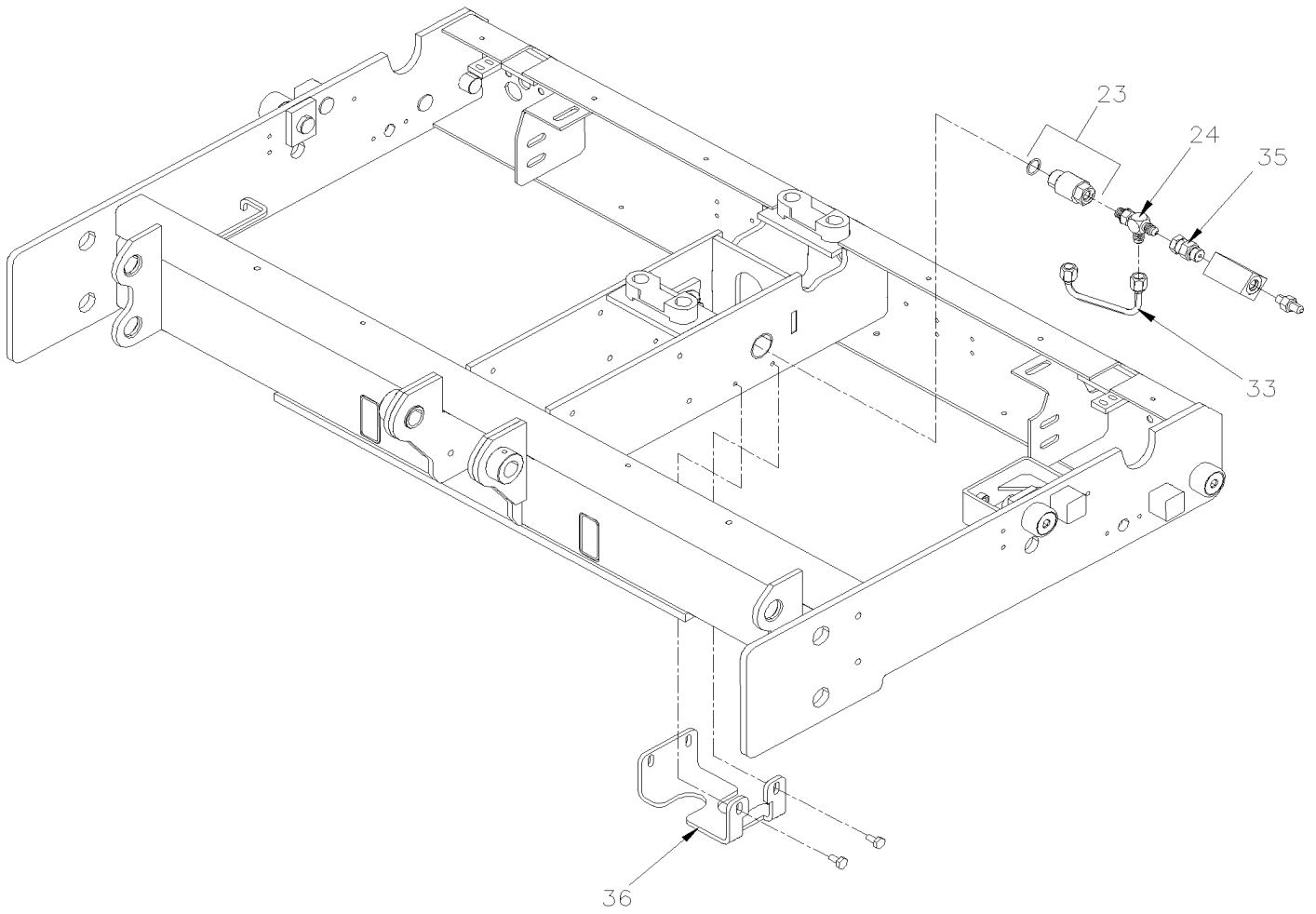


From J-7448 To M-7767

Date:07/2024

PAGE:X3PLB-2380-41

W.C.L. "RICON" - CARRIAGE ASSY MODEL "F9TH"



From J-7448 To M-7767	Date:07/2024	PAGE:X3PLB-2380-41
W.C.L. "RICON" - CARRIAGE ASSY MODEL "F9TH"		

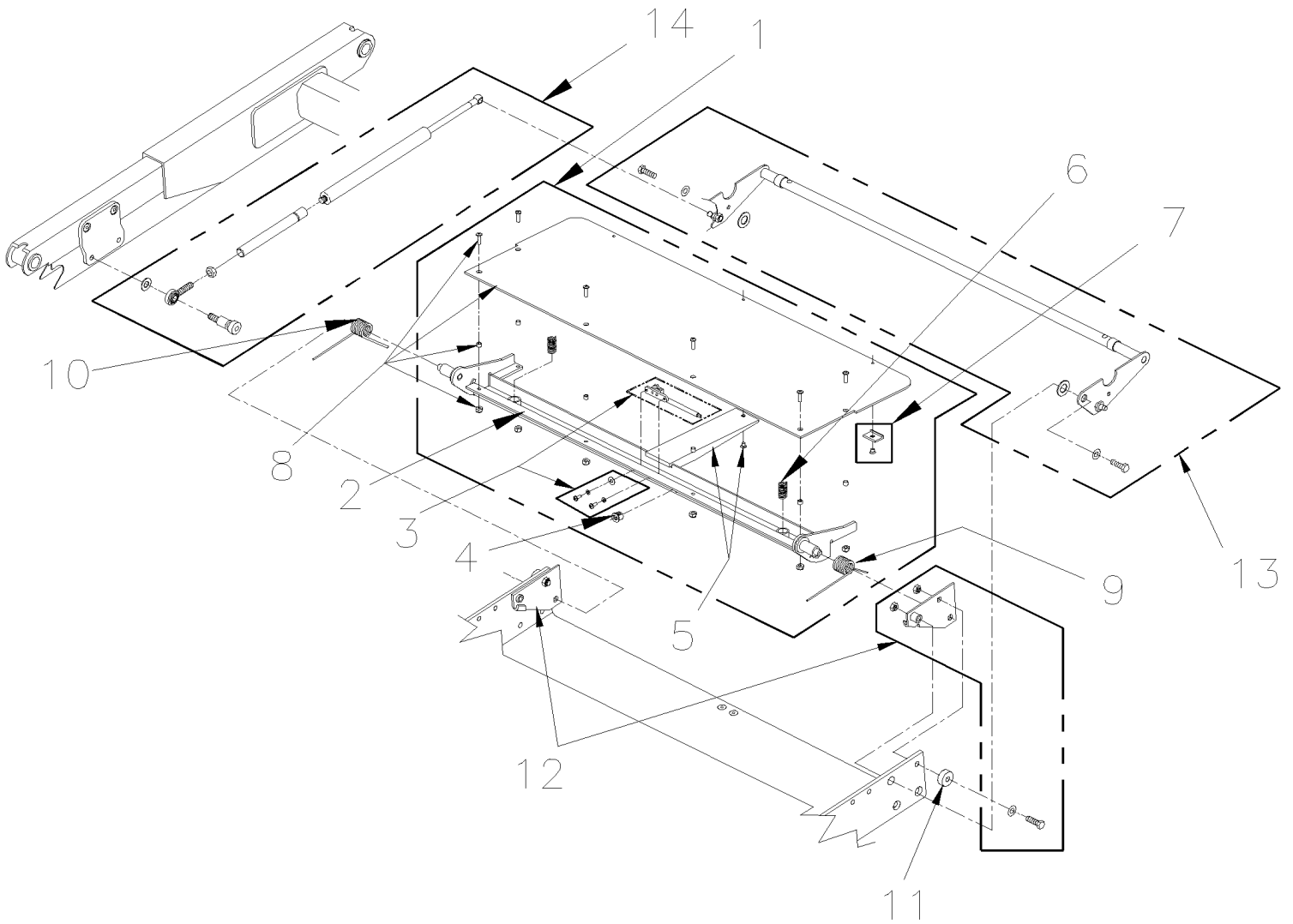
Item#	Part	Description	QTY	Notes
1	863056	KIT, PLATFORM RELEASE SWITCH BRACKET	1	
2	867839	KIT, INTERMEDIATE SHAFT ASSY	1	
3	863058	DRIVE CHAIN	2	
4	863059	KIT, CARRIAGE ROLLER, 1 1/4 O.D.	4	
5	863128	BEARING	1	
6	863060	KIT, GEAR MOTOR ASSY, 24V	1	
7	860371	HYDRAULIC CYLINDER ASSEMBLY	1	
8	863062	FLANGED BEARING, 1" I.D.B20	1	
9	863063	KIT, STOW SWITCH BRACKET	1	
10	863064	KIT, HARNESS CLAMP	1	
11	863065	KIT, DEPLOY SWITCH BRACKET	1	
12	N8892390	KIT, GUIDE BLOCKS CARRIAGE	1	
13	863129	LIMIT SWITCH	4	
14	863066	KIT, SPROCKET, 8T	1	
15	863067	KIT, MANUAL RELEASE RESET RAMP	2	
16	868243	BRACKET, IDLER SHAFT, REAR	1	
17	868244	BRACKET, IDLER SHAFT, FRONT	1	
18	868245	KIT, PIVOT CAP, HYDRAULIC CYLINDER	1	
19	19506358	CONTROL BOX 24V W/SOFTWARE	1	
20	863071	HARNESS, ELECTRICAL, HYDRAULIC CYLINDER	1	
21	863072	HARNESS, ELECTRICAL, CARRIAGE	1	
22	864071	HARNESS, ELECTRICAL, MAIN, W/HYDRAULIC LINE	1	
23	868246	KIT, PIVOT FITTING, HYDRAULIC CYLINDER	1	
24	868247	KIT, QUICK DISCONNECT FITTING	1	
25	863077	KIT, PRESSURE SWITCH, W/ELECTRICAL TERMINALS	1	
26	863078	KIT, DRIVESHAFT LINK ASSY	2	
27	863079	DRIVESHAFT, FINAL	1	
28	863080	KIT, SPROCKET, 12 TEETH	1	
29	863081	KIT, PINION GEAR, 18 TEETH	2	
30	863082	SPRING, COM, .6090.D. X 2.53	2	
31	863083	KIT, BUSHING ASSY, DRIVESHAFT LINK	2	
32	863084	DUST CAP, CONTROLLER PROGRAMMING CONNECTOR	1	
33	868248	TUBE ASSY, RH HYDRAULIC CYLINDER CONNECTION, CAP END	1	
34	866059	MANIFOLD, HYD, PRESSURE SWITCH (PACKAGED)	1	
35	868249	FITTING 1/4ORB-Mx1/4JIC-FxSAE-4	1	
36	868250	BRACKET, PROTECTION, TUBE, HYDRAULIC	1	

From G-7275 To M-7767

Date:07/2024

PAGE:X3PLB-2380-50

W.C.L. "RICON" - BRIDGE PLATE ASSY MODEL "F9TF"



From G-7275 To M-7767	Date:07/2024	PAGE:X3PLB-2380-50
W.C.L. "RICON" - BRIDGE PLATE ASSY MODEL "F9TF"		

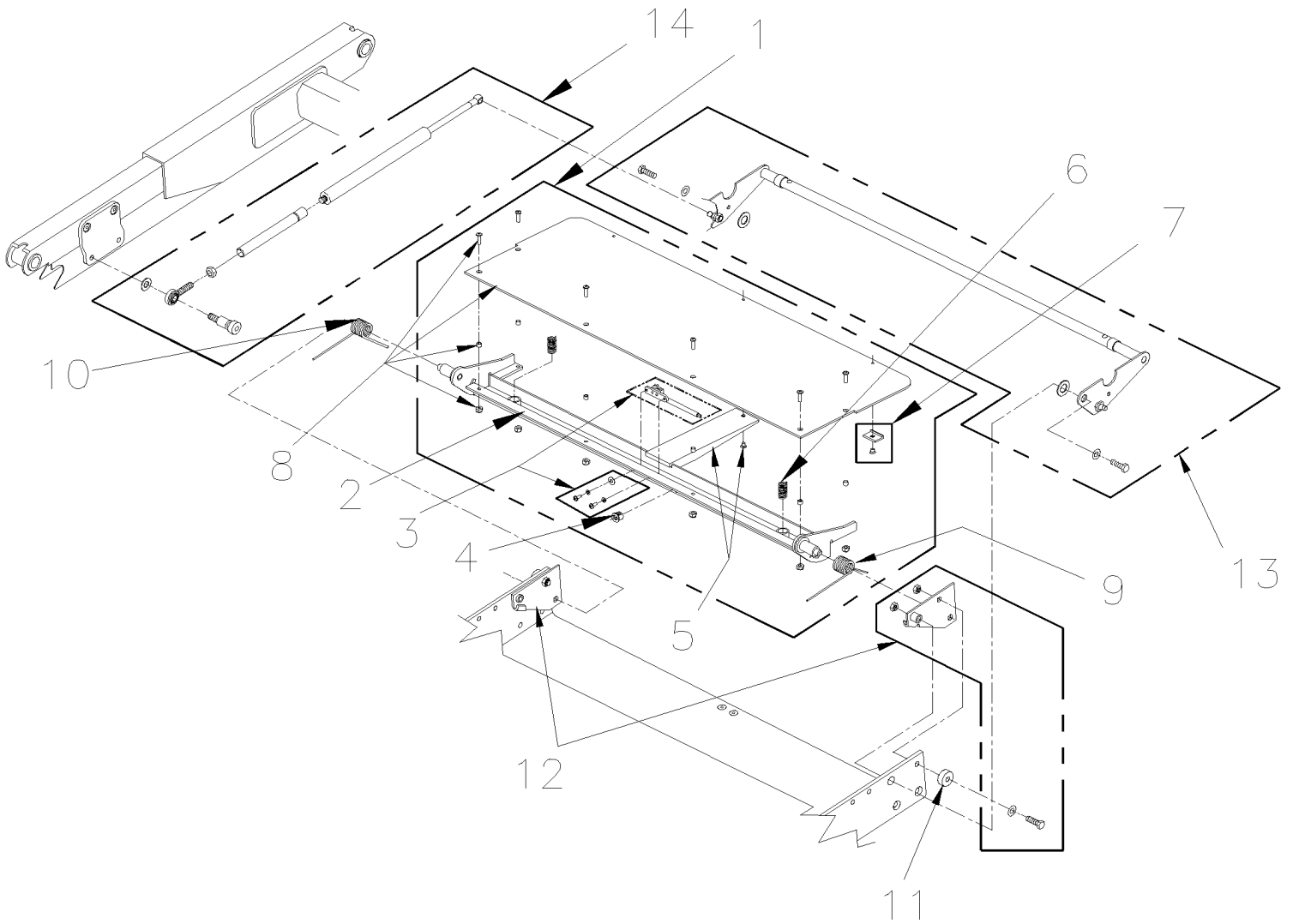
Item#	Part	Description	QTY	Notes
1	863097	BRIDGEPLATE ASSEMBLY 9"	1	
1	865626	BRIDGEPLATE ASSEMBLY 11" OPTION	1	A
2	860228	FRAME, BRIDGEPLATE	1	
3	863099	KIT, SWITCH ASSEMBLY	1	
4	863100	BUSHING, SNAP-IN, 1/2	1	
5	863101	KIT, GUIDE, BRIDGEPLATE, W/SCREW	1	
6	863102	SPRING, COMP. SST, .48OD X .75L	2	
7	863103	SKID, BRIDGEPLATE BRACKET	2	
8	863104	KIT, PLATE, BRIDGEPLATE	1	
9	863105	SPRING, BRIDGEPLATE RETURN, RH	1	
10	863106	SPRING, BRIDGEPLATE RETURN, LH	1	
11	863107	BUSHING .75x.32x.38	1	
12	863108	KIT, MOUNTING BRACKETS, LH AND RH	1	
13	863109	KIT, STIRRUP ASSEMBLY	1	
14	863110	KIT, ACTUATOR ROD ASSEMBLY, BRIDGEPLATE	2	
		A) USE WITH WHEEL CHAIRE LIFT F9TF-DE019		

From J-7448 To M-7767

Date:07/2024

PAGE:X3PLB-2380-51

W.C.L. "RICON" - BRIDGE PLATE ASSY MODEL "F9TH"



From J-7448 To M-7767	Date:07/2024	PAGE:X3PLB-2380-51
W.C.L. "RICON" - BRIDGE PLATE ASSY MODEL "F9TH"		

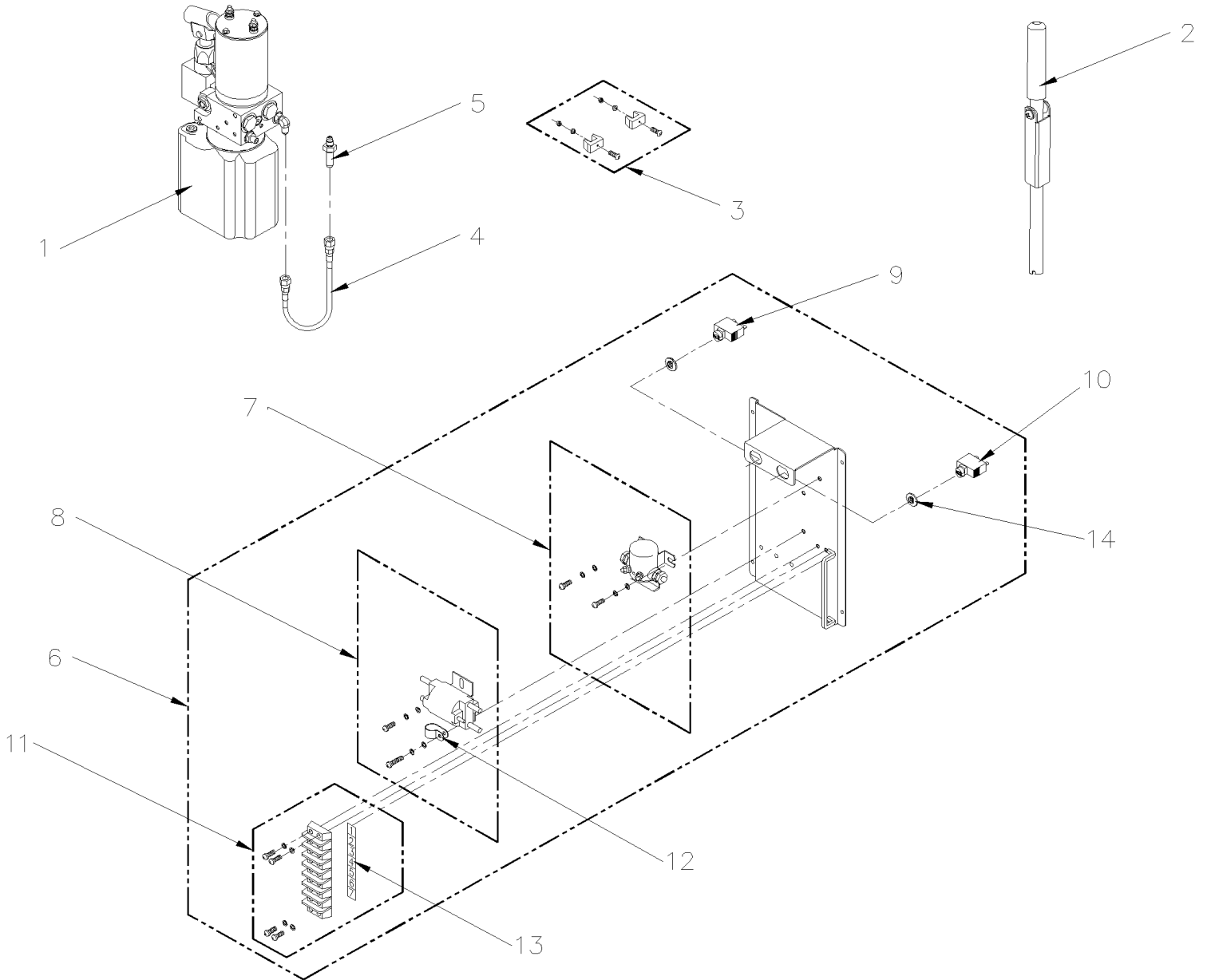
Item#	Part	Description	QTY	Notes
1	863097	BRIDGEPLATE ASSEMBLY 9"	1	
1	865626	BRIDGEPLATE ASSEMBLY 11" OPTION	1	A
2	860228	FRAME, BRIDGEPLATE	1	
3	863099	KIT, SWITCH ASSEMBLY	1	
4	863100	BUSHING, SNAP-IN, 1/2	1	
5	863101	KIT, GUIDE, BRIDGEPLATE, W/SCREW	1	
6	863102	SPRING, COMP. SST, .48OD X .75L	2	
7	863103	SKID, BRIDGEPLATE BRACKET	2	
8	863104	KIT, PLATE, BRIDGEPLATE	1	
9	863105	SPRING, BRIDGEPLATE RETURN, RH	1	
10	863106	SPRING, BRIDGEPLATE RETURN, LH	1	
11	863107	BUSHING .75x.32x.38	1	
12	863108	KIT, MOUNTING BRACKETS, LH AND RH	1	
13	863109	KIT, STIRRUP ASSEMBLY	1	
14	863110	KIT, ACTUATOR ROD ASSEMBLY, BRIDGEPLATE	2	
		A) USE WITH WHEEL CHAIRE LIFT F9TF-DE019		

From G-7275 To M-7767

Date:07/2024

PAGE:X3PLB-2380-60

W.C.L. "RICON" - PUMP INSTALLATION MODEL "F9TF"



From G-7275 To M-7767	Date:07/2024	PAGE:X3PLB-2380-60
W.C.L. "RICON" - PUMP INSTALLATION MODEL "F9TF"		

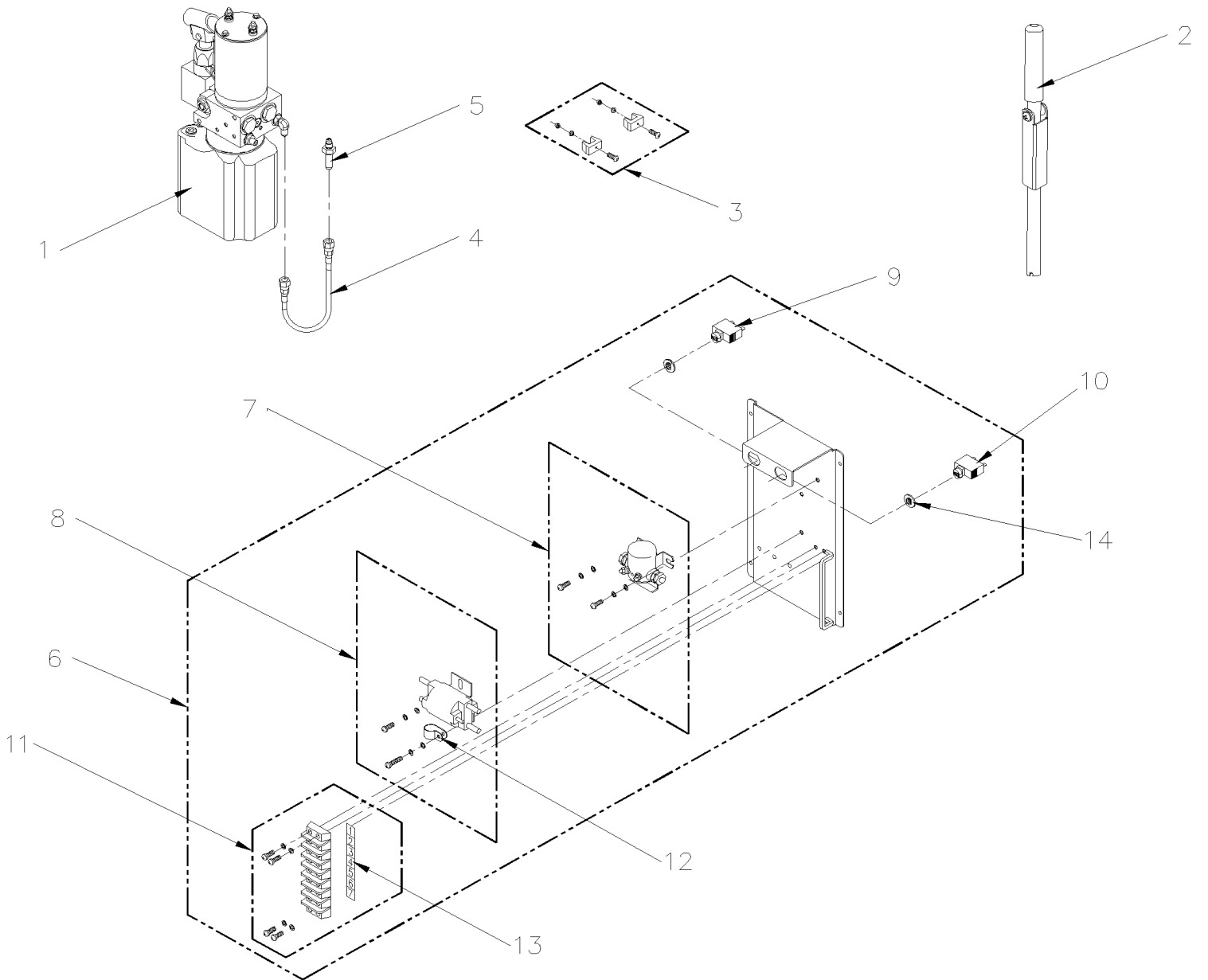
Item#	Part	Description	QTY	Notes
1	X3PLB-2380-65	W.C.L. "RICON" - PUMP ASSY MODEL "F9TF"		
2	464678	HANDLE-MANUAL BACKUP PUMP	1	
3	868251	TOOL CLIP	1	
4	863085	HOSE ASSY 13 3/4"	1	
5	863086	FITTING, BUN, 1/4J, 2.08L	1	
6	863087	KIT, SOLENOID PLATE ASSY, 24VDC	1	
7	862100	SOLENOID / SP 24V	1	
8	862101	SOLENOID-24V DP LARGE	1	
9	862102	CIRCUIT BREAKER / 8AMP	1	
10	862103	CIRCUIT BREAKER / 30AMPS	1	
11	863088	KIT, TERMINAL STRIP	1	
12	863089	CLAMP, NYLON, 3/8" BLACK	1	
13	863090	DECAL "TERMINAL STRIP NUMBERS"	1	
14	863091	ADAPTOR .625 D-HOLE	1	

From J-7448 To M-7767

Date:07/2024

PAGE:X3PLB-2380-61

W.C.L. "RICON" - PUMP INSTALLATION MODEL "F9TH"



From J-7448 To M-7767	Date:07/2024	PAGE:X3PLB-2380-61
W.C.L. "RICON" - PUMP INSTALLATION MODEL "F9TH"		

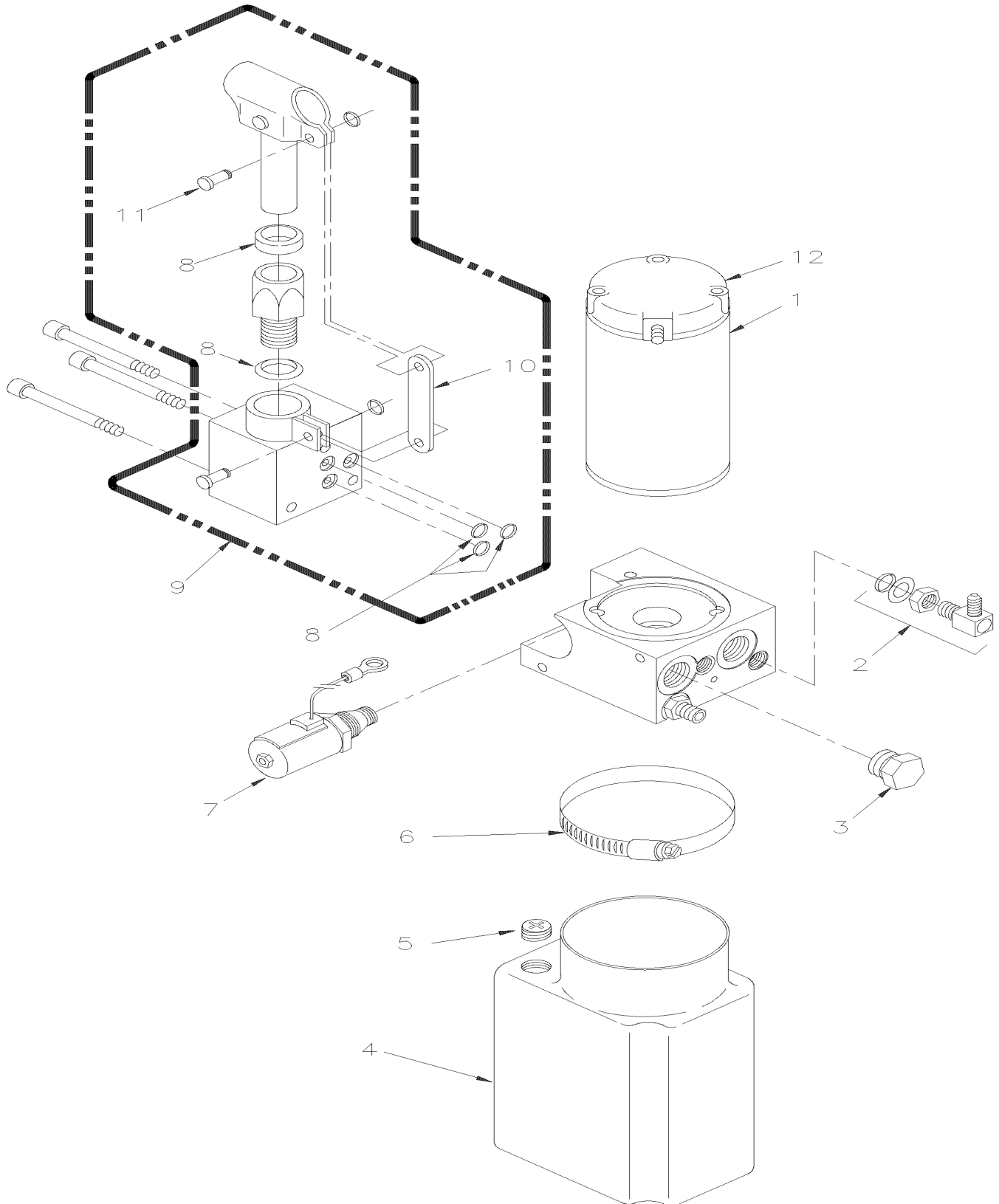
Item#	Part	Description	QTY	Notes
1	X3PLB-2380-65	W.C.L. "RICON" - PUMP ASSY MODEL "F9TF"		
2	464678	HANDLE-MANUAL BACKUP PUMP	1	
3	868251	TOOL CLIP	1	
4	863085	HOSE ASSY 13 3/4"	1	
5	863086	FITTING, BUN, 1/4J, 2.08L	1	
6	868252	KIT, SOLENOID PLATE ASSY, 24VDC	1	
7	862100	SOLENOID / SP 24V	1	
8	862101	SOLENOID-24V DP LARGE	1	
9	862102	CIRCUIT BREAKER / 8AMP	1	
10	862103	CIRCUIT BREAKER / 30AMPS	1	
11	863088	KIT, TERMINAL STRIP	1	
12	863089	CLAMP, NYLON, 3/8" BLACK	1	
13	863090	DECAL "TERMINAL STRIP NUMBERS"	1	
14	863091	ADAPTOR .625 D-HOLE	1	

From G-7275 To M-7767

Date:07/2024

PAGE:X3PLB-2380-65

W.C.L. "RICON" - PUMP ASSY MODEL "F9TF"



From G-7275 To M-7767	Date:07/2024	PAGE:X3PLB-2380-65
W.C.L. "RICON" - PUMP ASSY MODEL "F9TF"		

Item#	Part	Description	QTY	Notes
	863112	PUMP ASSY 2.0 KPSI / 24V	1	
1	863126	. MOTOR ASSY. / 24V	1	
2	868147	. FITTING / "L" 1/4 SAE O-RING BOSS 1/4 JIC	1	
3	860122	. PLUG / 3/4-16 CAVITY / W/O-RING	2	
4	863092	. RESERVOIR / RICON POWER UNIT / PLASTIC	1	
5	863095	. PLUG, BREATHER, RESERVOIR	1	
NS	865625	. WASHER, RUBBER 1"O.D.x5/8"I.D.x1/8"	1	
6	504235	. HOSE CLAMP / 3"9/16"-4"1/2 SS / HS-64	1	
7	862106	. HYD. POPPET VALVE ASSY. / 24V DELTROL	1	
8	862107	. SEAL KIT / MANUAL BACK-UP PUMP	1	
9	863093	. BACK-UP PUMP ASSY, MANUAL W/O HANDLE	1	
10	868253	. BRACKET / TENSION LINK / MANARCH PUMP	1	
11	868254	. PIN & RETAINING RING-BACKUP PUMP	2	
12	863127	. KIT / PUMP MOTOR BRUSH SET	1	
NS	685682	OIL HYDRAULIC W.C.L. (19 LITERS)	1	

From J-7448 To M-7767	Date:07/2024	PAGE:X3PLB-2380-66
W.C.L. "RICON" - PUMP ASSY MODEL "F9TH"		

Item#	Part	Description	QTY	Notes
	863112	PUMP ASSY 2.0 KPSI / 24V	1	
1	863126	. MOTOR ASSY. / 24V	1	
2	868147	. FITTING / "L" 1/4 SAE O-RING BOSS 1/4 JIC	1	
3	860122	. PLUG / 3/4-16 CAVITY / W/O-RING	2	
4	863092	. RESERVOIR / RICON POWER UNIT / PLASTIC	1	
5	863095	. PLUG, BREATHER, RESERVOIR	1	
NS	865625	. WASHER, RUBBER 1"O.D.x5/8"I.D.x1/8"	1	
6	504235	. HOSE CLAMP / 3"9/16"-4"1/2 SS / HS-64	1	
7	862106	. HYD. POPPET VALVE ASSY. / 24V DELTROL	1	
8	862107	. SEAL KIT / MANUAL BACK-UP PUMP	1	
9	863093	. BACK-UP PUMP ASSY, MANUAL W/O HANDLE	1	
10	868253	. BRACKET / TENSION LINK / MANARCH PUMP	1	
11	868254	. PIN & RETAINING RING-BACKUP PUMP	2	
12	863127	. KIT / PUMP MOTOR BRUSH SET	1	
NS	685682	OIL HYDRAULIC W.C.L. (19 LITERS)	1	