

PREVOST
COACH MANUFACTURER

PARTS MANUAL

H₄₁ H₄₅

PA1630

07-2024

PARTS MANUAL



General information

A. Vehicle Identification Number (V.I.N.)

Each time spare parts have to be ordered, you must refer to your vehicle identification number serial number. In order to understand the meaning of this number, please refer to the following:

2 P C H 3 3 4 9 3 K C 7 1 0185

H = VEHICLE MODEL

9 = VEHICLE LENGTH

K = MODEL YEAR

0185 = SEQUENCE NUMBER

Vehicle Model

This manual covers vehicle model H3-41, H3-45 coaches.

H	H3-41 and H3-45 Coaches
----------	-------------------------

Vehicle Length

1	41 feet	9	45 feet
----------	---------	----------	---------

Model Year

YEAR	CODE	YEAR	CODE	YEAR	CODE	YEAR	CODE
2019	K	N	2022				
2020	L	P	2023				
2021	M	R	2024				

Sequence Number

This number represents the sequence the vehicle has followed on the assembly line.

B. Effective

This manual covers information for vehicles from the sequence number **K-0185** for H3-41 and H3-45.

The heading of each page in this manual refers to an effective serial number and in the parts description, you may find additional information on the effective of a specific part to a serial number (refer to FROM).

In the description, you may also remark the expression UP TO which means that a component is effective to the vehicles manufactured before the specified serial number (refer to UP TO).

PARTS MANUAL

C. Illustrations

An exploded view is conveniently located at the beginning of each section and is meant to assist the user in identifying parts and components.

The illustrations show the typical construction of the different assemblies and , in all cases, may not reproduced the full detail or exact shape of parts shown, however, they represent parts which have same or similar function.

D. General

The information, illustrations and components/system descriptions contained in this manual are correct at time of publication. Prévost Car Inc., however, maintains a policy of continuous improvement of its product without imposing upon itself any obligation to install them on products previously manufactured.

Prévost Car Inc., reserves the right at any time to discontinue or change specifications, designs, features, models or equipment without incurring obligation.

PARTS MANUAL

E. Parts and Service Center

CANADA

Canadian Parts Customer Service 2955-A Watt Street Québec, Québec Canada, G1X 3W1	Toll free phone: 1 (800) 463-8876 Tel.: (418) 654-0174 Fax: (800) 939-0133 Fax: (418) 658-1723	Service Center British Columbia 11911 No. 5 Road Richmond, British Columbia Canada, V7A 4E9	Tel.: (604) 940-3306 Fax: (604) 940-3384
Service Center 850 Chemin Olivier Saint-Nicolas, Quebec Canada G7A 2N1	Toll free phone: 1 866 870-2046 Tel.: (418) 831-2046 Fax: (418) 831-7432	Service Ontario 8301-A Keele Street Vaughan, Ontario Canada, L4K 1Z6	Tel.: (905) 738-0881 Fax: (905) 738-0891
Service Center Alberta 292 MacDonald Crescent Fort McMurray, Alberta Canada T9H 4B6	Tel.: (780) 792-9526 Fax: (780) 743-0983		

UNITED STATES

US Parts Customer Service 2250 Point Blvd., Suite 410 Elgin, IL USA, 60123	Toll free phone 1 800 799-9938 Main office (847) 844-7680 Parts 1 800 621-5519	Prevost Parts & Service Center 800 South Cartwright Street Goodlettsville, TN USA, 37072	Toll free phone 1 877 299-8881 Main office (615) 299-8881 Fax: (615) 299-8816 After-Hours (615) 519-1372 Parts Emergency
Prevost Parts & Service Center 3384 De Forest Circle Mira Loma, CA USA, 91752	Toll free phone 1 800 421-9958 Main office (951) 360-2550 Fax: (951) 360-2560 After-Hours (951) 314-0226 Parts Emergency	Prevost Parts & Service Center 201 South Avenue South Plainfield, NJ USA, 07080	Toll free phone 1 800 223-0830 Main office (908) 222-7211 Fax: (908) 222-7304 Fax parts (908) 222-7305 After-Hours (201) 315-4064 Parts Emergency
Prevost Parts & Service Center 6821 Central Avenue, Newark, CA USA, 94560	Main office (310) 283-1852 After-Hours: (951) 314-0226 Parts Emergency	Prevost Parts & Service Center 15200 Frye Road Fort Worth, TX USA, 76155-2702	Service/Parts 1 866 773-8678 Main office (817) 685-0250 Fax : (817) 685-0460 After-Hours (817) 271-8653 Parts Emergency
Prevost Parts & Service Center 6931 Business Park Blvd North Jacksonville, FL USA, 32256	Toll free phone 1 800 874-7740 Main office (904) 886-4555 Fax: (904) 886-0092 After-Hours (904) 412-8023 Parts Emergency	Prevost Parts & Service Center 11851 Cutten Road Houston, TX USA, 77066	Service/Parts 1 877 602-0273 Main office (713) 849-8562 Fax: (281) 315-1571 After-Hours (346) 333-5520 Parts Emergency
Prevost Parts & Service Center 1300 Green Forest Court Winter Garden, FL USA, 34787	Toll free phone 1 866 726-6235 Main office (407) 554-0196 After-Hours: (407) 259-5720 Parts Emergency	Prevost Parts & Service Center 3715 N. Carnation St. Franklin Park, IL USA, 60131	Main office (847) 778-7475 Fax: (847) 737-2242 After-Hours 1 800 463-7738 Parts Emergency

PARTS MANUAL

KEY & ABBREVIATIONS

(XXXX-XX)	SEE PAGE	N/A	NOT AVAILABLE
<>	BETWEEN	NEG.	NEGATIVE
°	DEGREE	N.O.	NORMALLY OPEN
#	NUMBER	N.C.	NORMALLY CLOSE
??	INFORMATION NOT AVAILABLE AT TIME OF PUBLICATION	N.P.N.	NO PARTS NUMBER
ABS	ANTILOCK BRAKING SYSTEM	NPT	NATIONAL PIPE THREAD
AR	AS REQUIRED	NS	NOT SHOWN
ASSY	ASSEMBLY	N.S.P.	NOT SOLD AT PREVOST (SEE MANUFACTURING PART NUMBER AT THE END OF DESCRIPTION LINE)
CCW	COUNTERCLOCKWISE	N.S.S.	NOT SOLD SEPARATELY
C.E.	COMMUTATOR END	O.D.	OUTSIDE DIAMETER
CHR	CHROME	OPT.	OPTION
CW	CLOCKWISE	O.S.	OVERSIZE
CYL.	CYLINDER	PH	PHILLIPS
C/C	CENTER/CENTER	POS.	POSITIVE
D.E.	DRIVE END	RR	REAR
DIA.	DIAMETER	S.C.C.	SPECIFY COLOR CODE
DIFF.	DIFFERENTIAL	SCT	SECTION
D.P.D.T.	DOUBLE POLE DOUBLE THROW	S.D.	SPECIFY DIMENSION
ECU	ELECTRONIC CONTROL UNIT	S.L.	SPECIFY LENGHT
EDU	ELECTRONIC DISTRIBUTOR UNIT	SM	SMALL
EFF	EFFECTIVE	S.P.S.T.	SINGLE POLE SINGLE THROW
ENG.	ENGINE	S.P.D.T.	SINGLE POLE DOUBLE THROW
EXT	EXTERNAL	S.Q.	SPECIFY QUANTITY
FR	FRONT	SS	STAINLESS STEEL
GND	GROUND	STD	STANDARD
HD	HEAD	STO	STOVER
HEX	HEXAGONAL	SW	SWIVEL
H.P.	HIGH PRESSURE	SWL FITT.	SWIVEL FITTING
HVAC	HEATING, VENTILATION & AIR CONDITIONING	TPG	TAPING
HYD	HYDRAULIC	TH	THICKNESS
I.D.	INSIDE DIAMETER	TRANS.	TRANSMISSION
INT	INTERNAL	TXV	THERMAL EXPANSION VALVE
JCT	JUNCTION	U.S.	UNDERSIZE
LED	LIGHT-EMITTING DIODE	W	WITH
L.P.	LOW PRESSURE	W/O	WITHOUT
LUGG.	LUGGAGE	WIND.	WINDOW
M & F	MALE & FEMALE	ZP	ZINC PLATED

PARTS MANUAL

MEASUREMENT EQUIVALENTS

Fraction - Inches (dec.) - Millimeter

25.4mm = 1 inch

1mm = .03937 inch

fraction	decimal	mm	fraction	decimal	mm
1/64	0.0156	0.397	33/64	0.5156	13.097
1/32	0.0313	0.794	17/32	0.5313	13.494
-	0.0394	1	35/64	0.5469	13.891
3/64	0.0469	1.191	-	0.5512	14
1/16	0.0625	1.588	9/16	0.5625	14.288
5/64	0.0781	1.984	37/64	0.5781	14.684
-	0.0787	2	-	0.5906	15
3/32	0.0938	2.381	19/32	0.5938	15.081
7/64	0.1093	2.778	39/64	0.6094	15.478
-	0.1181	3	5/8	0.6250	15.875
1/8	0.1250	3.175	-	0.6299	16
9/64	0.1406	3.572	41/64	0.6406	16.272
5/32	0.1563	3.969	21/32	0.6563	16.669
-	0.1575	4	-	0.6693	17
11/64	0.1719	4.366	43/64	0.6719	17.066
3/16	0.1875	4.762	11/16	0.6875	17.462
-	0.1969	5	45/64	0.7031	17.859
13/64	0.2031	5.159	-	0.7087	18
7/32	0.2188	5.556	23/32	0.7188	18.256
15/64	0.2344	5.953	47/64	0.7344	18.653
-	0.2362	6	-	0.7480	19
1/4	0.2500	6.350	3/4	0.7500	19.050
17/64	0.2656	6.747	49/64	0.7656	19.447
-	0.2756	7	25/32	0.7813	19.844
9/32	0.2813	7.144	-	0.7874	20
19/64	0.2969	7.541	51/64	0.7969	20.241
5/16	0.3125	7.938	13/16	0.8125	20.638
-	0.3150	8	-	0.8268	21
21/64	0.3281	8.334	53/64	0.8281	21.034
11/32	0.3438	8.731	27/32	0.8438	21.431
-	0.3543	9	55/64	0.8594	21.828
23/64	0.3594	9.128	-	0.8661	22
3/8	0.3750	9.525	7/8	0.8750	22.225
25/64	0.3906	9.922	57/64	0.8096	22.622
-	0.3937	10	-	0.9055	23
13/32	0.4063	10.319	29/32	0.9063	23.019
27/64	0.4219	10.716	59/64	0.9219	23.416
-	0.4331	11	15/16	0.9375	23.812
7/16	0.4375	11.112	-	0.9449	24
29/64	0.4531	11.509	61/64	0.9531	24.209
15/32	0.4688	11.906	31/32	0.9688	24.606
-	0.4724	12	-	0.9843	25
31/64	0.4844	12.303	63/64	0.9844	25.003
12	0.5000	12.700	1/1	1	25.400
-	0.5118	13	-	-	-

PARTS MANUAL

TABLE OF CONTENTS

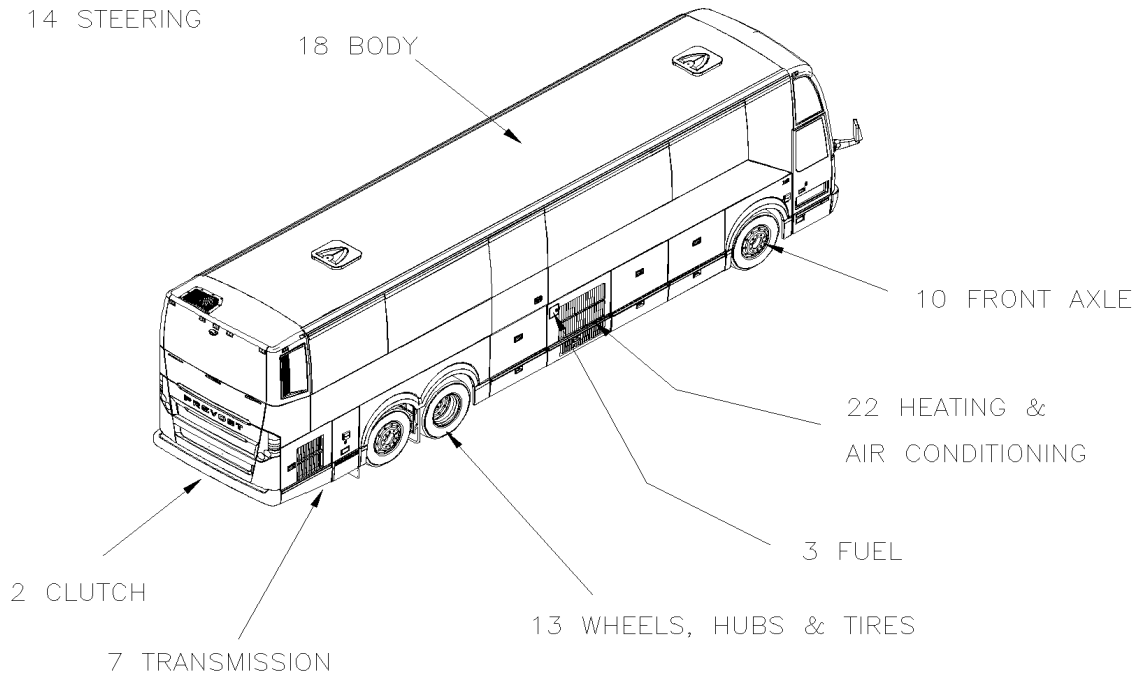
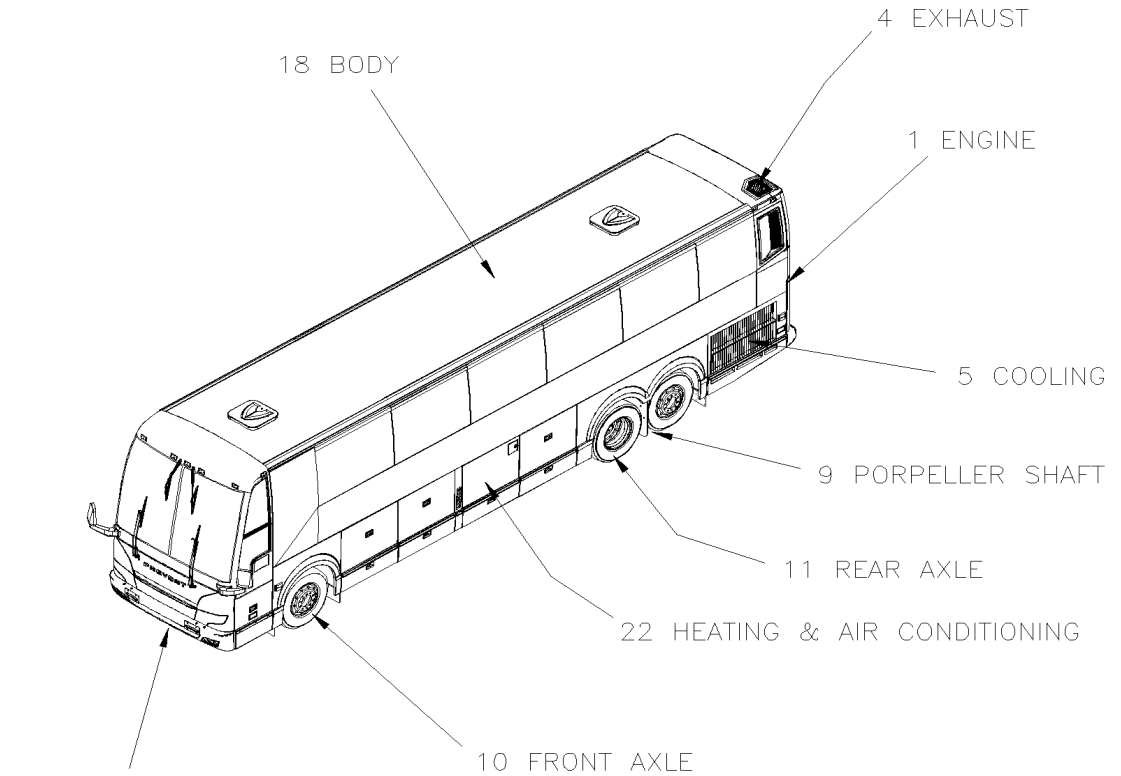
GENERAL	00
ENGINE	01
CLUTCH	02
FUEL	03
EXHAUST	04
COOLING	05
ELECTRICAL	06
TRANSMISSION	07
PROPELLER SHAFT	09
FRONT AXLE	10
REAR AXLE	11
BRAKE	12
WHEEL, HUBS & TIRES	13
STEERING	14
SUSPENSION	16
BODY	18
HEATING & AIR CONDITIONING	22
ACCESSORIES	23
WHEEL CHAIR LIFT	25

PARTS MANUAL

To have more information about fast moving parts, place an order for the book PA-1105 to your nearest parts order desk.

Thank you!

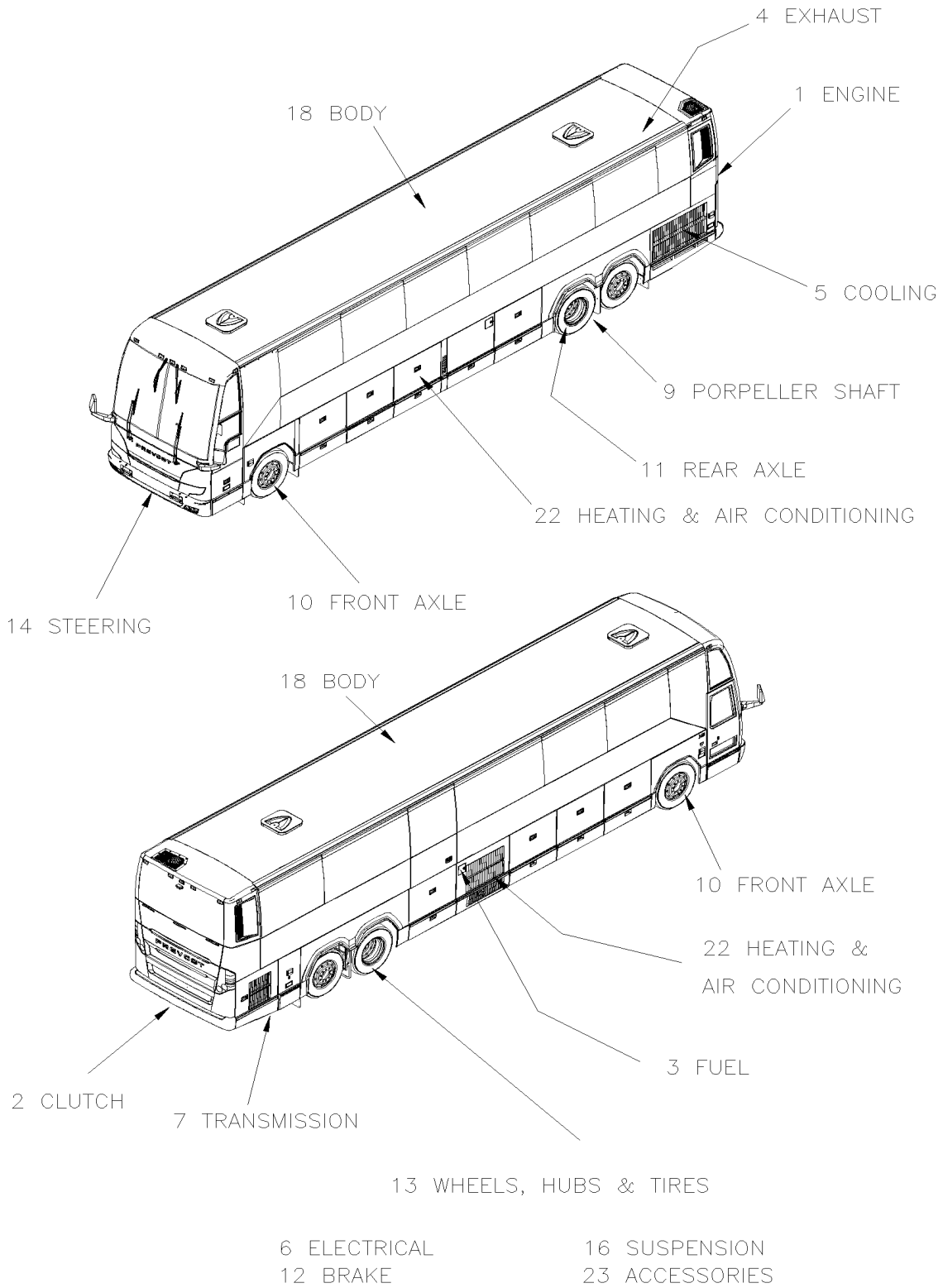
	Date:07/2024	PAGE: H3-2019 @UP TO
H3-41, H3-45 / 2019 TO DATE / VIN FROM K-0185 TO		



12 BRAKE

16 SUSPENSION
23 ACCESSORIES

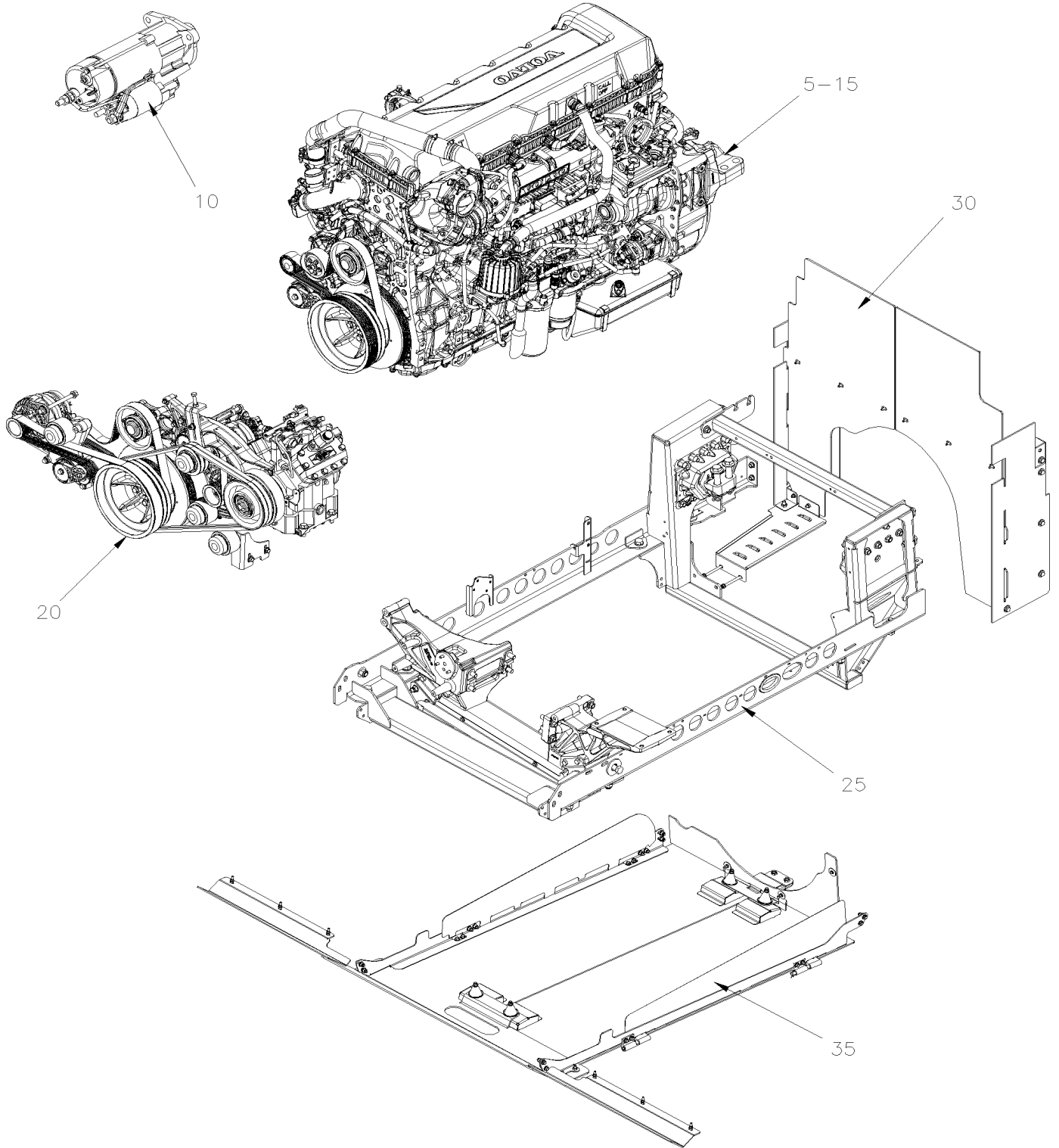
	Date:07/2024	PAGE: H3-2019 @UP TO
H3-41, H3-45 / 2019 TO DATE / VIN FROM K-0185 TO		



	Date:07/2024	PAGE: H3-2019 @UP TO
H3-41, H3-45 / 2019 TO DATE / VIN FROM K-0185 TO		

Item#	Part	Description	H 3 4 1	H 3 4 5	N O T E S
1	H9-01	ENGINE			
2	H9-02	CLUTCH			
3	H9-03	FUEL			
4	H9-04	EXHAUST			
5	H9-05	COOLING			
6	H9-06	ELECTRICAL			
7	H9-07	TRANSMISSION			
9	H9-09	PROPELLER SHAFT			
10	H9-10	FRONT AXLE			
11	H9-11	REAR AXLE			
12	H9-12	BRAKE			
13	H9-13	WHEELS, HUBS & TIRES			
14	H9-14	STEERING			
16	H9-16	SUSPENSION			
18	H9-18	BODY			
22	H9-22	HEATING & AIR CONDITIONING			
23	H9-23	ACCESSORIES			
30	H9-DRIVER-00	DRIVER'S SEAT			
40	H9-SEATSET-00	PASSENGER'S SEAT SET			

	Date:07/2024	H9-01
ENGINE		



		Date:07/2024	H9-01
ENGINE			

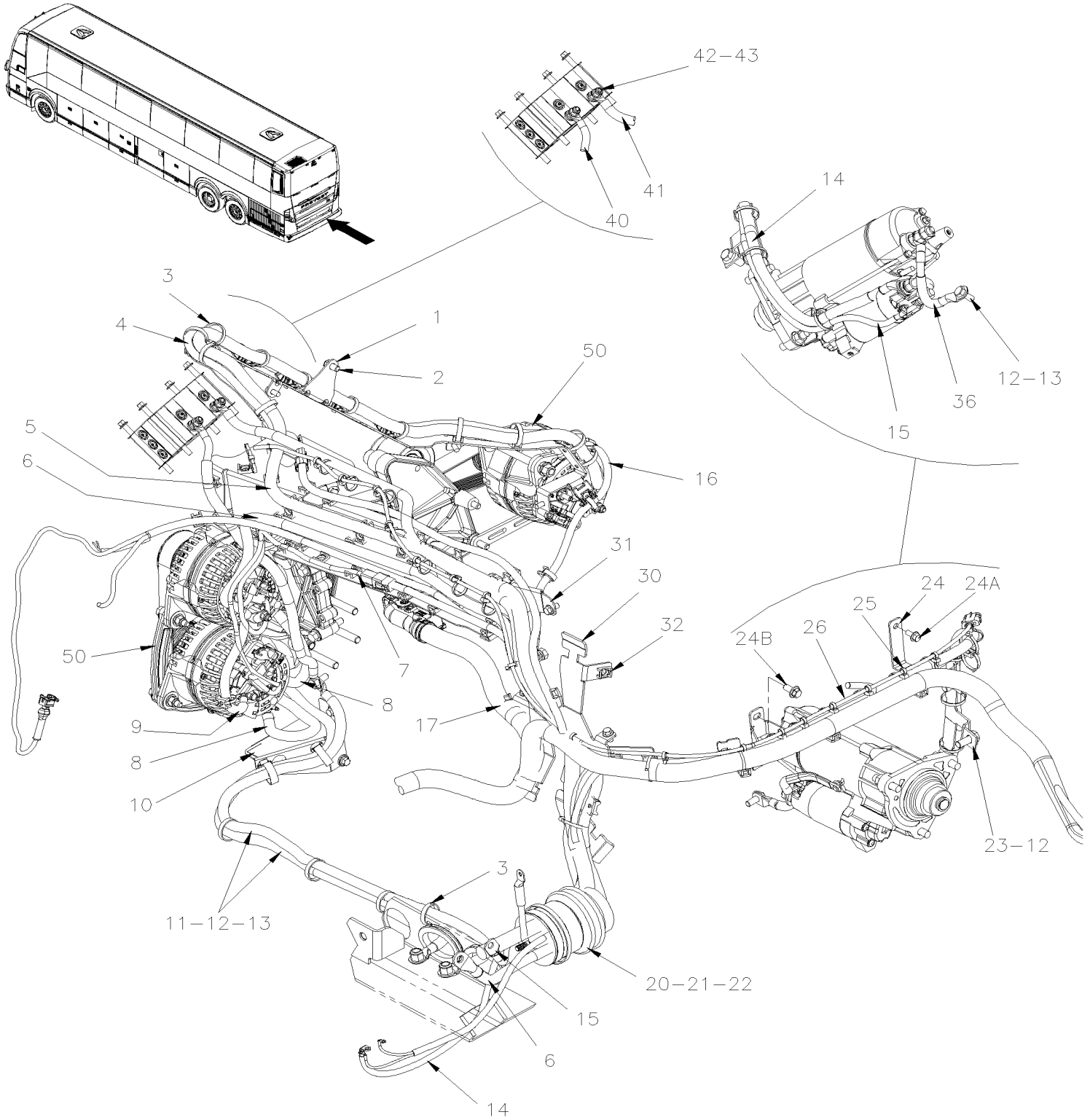
Item#	Part	Description	H 3 4 1	H 3 4 5	N O T E S
5	H9-0100-08	ENGINE WIRING HARNESS - INSTALLATION WITH VOLVO D13 From K-0185			
10	H9-0100-10	STARTER - INSTALLATION From K-0185			
15	H9-0105-05	ENGINE OIL FILLER CAP & DIPSTICK WITH VOLVO D13 From K-0185			
20	H9-0120-04	DRIVE PULLEY, BELTS & TENSIONER WITH VOLVO D13 From K-0185			
25	H9-0150-03	ENGINE CRADLE - WITH VOLVO D13 From K-0185			
30	H9-0155-10	ENGINE TRANSMISSION GUARD & AIR SHIELD From K-0185			
35	H9-0155-20	ENGINE GUARD VOLVO D13 From K-0185			

From K-0185

Date:07/2024

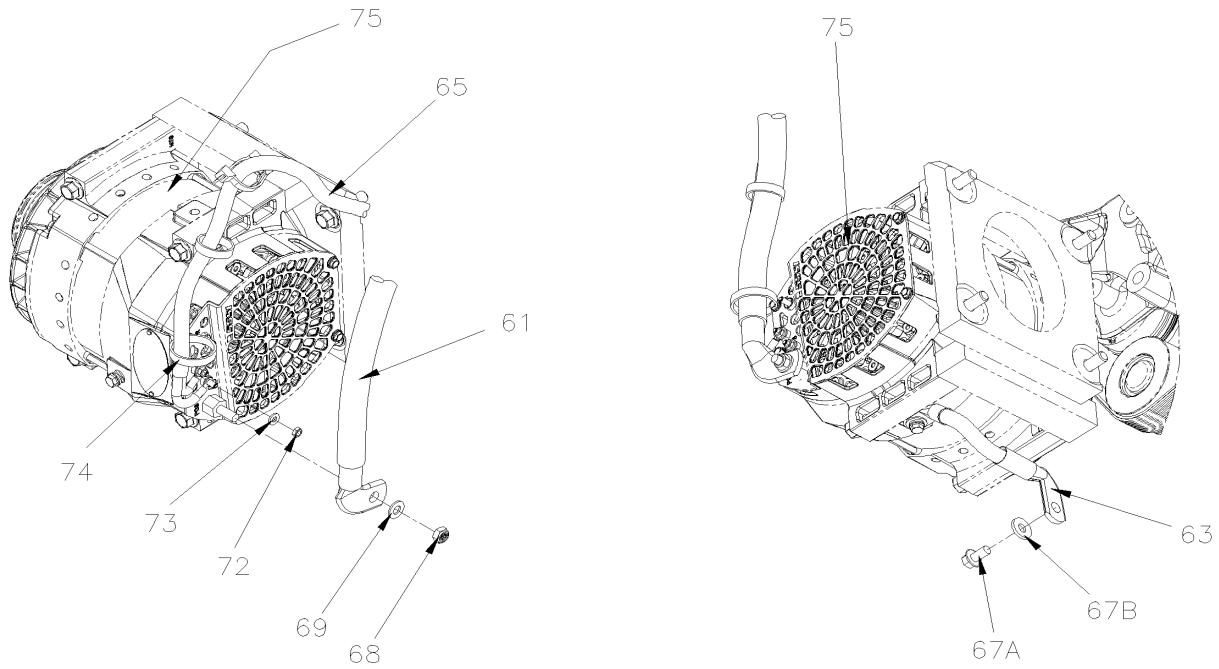
PAGE:H9-0100-08

ENGINE WIRING HARNESS - INSTALLATION WITH VOLVO D13

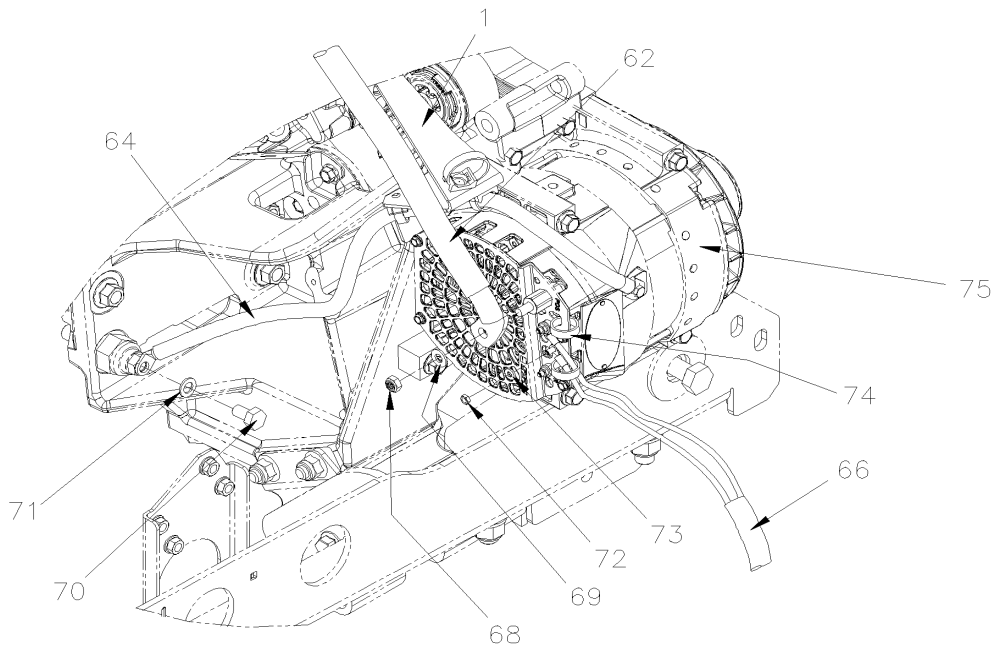


From K-0185	Date:07/2024	PAGE:H9-0100-08
ENGINE WIRING HARNESS - INSTALLATION WITH VOLVO D13		

CURBSIDE WITH REMY



STREET SIDE WITH REMY



From K-0185		Date:07/2024	PAGE:H9-0100-08
ENGINE WIRING HARNESS - INSTALLATION WITH VOLVO D13			

Item#	Part	Description	H 3 4 1	H 3 4 5	N O T E S
1	012949	SUPPORT, ALTERNATOR HARNESS / LH To K-0604	1	1	
1	010036	SUPPORT, ALTERNATOR HARNESS / LH From K-0605	1	1	
NS	509490	ATTACHMENT DOUBLE USE WITH CABLE TIE	5	5	
NS	504610	RIVET MGLP PRDG 1/4x5/8 SS	5	5	
NS	504013	TIE MOUNT / 1/4" X 1/4" I.D.	AR	AR	
NS	509815	TIE MOUNT / ATTACHMENT W/TREE MOUNT	1	1	
NS	5001780	SCREW CAP HEXF M8-1.25x16 G8.8 N500	3	3	
2	5001729	SCREW CAP HEXF M10-1.5x16 G8.8 N500	1	1	
3	504016	CABLE TIE / 5/16" X 14"1/2 To L-0826	AR	AR	
3	5040100	CABLE TIE /OUTSIDE SERRATED 5/16" X 14"1/2 From L-0827	AR	AR	
4	069511	HARNESS ALT. BOSCH LEFT HAND SIDE To P-1452	1	1	
4	0600112	HARNESS ALT. BOSCH LEFT HAND SIDE From R-1453		1	
NS	5001341	WASHER FL 8.4x17.0x1.6 SS	1	1	
NS	060297	ADAPTOR STUD M8 Male x M8 Female + FLANGE M8-1.25 x 18MM SS	AR	AR	
NS	5001983	NUT HEX NYRT M8-1.25 SS SS BK	AR	AR	
5	060682	HARNESS BATTERY TO ALTERNATOR LH	1	1	
6	060684	HARNESS ALT 102A	1	1	
NS	060297	ADAPTOR STUD M8 Male x M8 Female + FLANGE M8-1.25 x 18MM SS	AR	AR	
NS	5001983	NUT HEX NYRT M8-1.25 SS SS BK	AR	AR	
7	060088	HARNESS ALT. BOSCH RIGHT HAND SIDE To P-1452	1	1	
7	0600111	HARNESS ALT. BOSCH RIGHT HAND SIDE From R-1453		1	
8	060264	HARNESS ALTERNATOR GROUND BODY	2	2	
NS	068570	CABLE ASSY / GROUND	1	1	A
8	060414	GROUND FRAME ALTERNATOR UP LEFT HARNESS	1	1	A
NS	5001341	WASHER FL 8.4x17.0x1.6 SS To K-0604	2	2	
NS	560811	WASHER, ELECTRICAL CONDUCTOR M8/5/16 From K-0605	2	2	
NS	5001182	NUT HEX NYRT M6-1.0 SS	2	2	
NS	502573	WASHER FL 6.4x12.5x1.6 SS	2	2	
9	060265	HARNESS, POWER ALT_JUMPER	1	1	
NS	5001341	WASHER FL 8.4x17.0x1.6 SS To K-0604	1	1	
9	560811	WASHER, ELECTRICAL CONDUCTOR M8/5/16 From K-0605	1	1	
NS	5001182	NUT HEX NYRT M6-1.0 SS	1	1	
NS	5001787	NUT HEX NYRT M8-1.25 SS	1	1	
10	068541	SUPPORT CABLE GROUND ALTERNATOR	1	1	
11	060306	CABLE GROUND MOTOR TO BODY	1	1	
NS	500958	WASHER FL .531x1.062x.095 SS	2	2	
NS	5002001	NUT HEX NYRT 1/2-13 SS BK	2	2	
12	502804	SCREW CAP HEX M10-1.5x25 G8.8 N500	AR	AR	
13	500270	WASHER FL .406x1.000x.063 SS	AR	AR	
14	060712	HARNESS STARTER BATTERY	1	1	
15	060711	HARNESS STARTER RELAY MELCO	1	1	
NS	502817	SCREW MA PAN PH M6-1.0x16 N500	1	1	

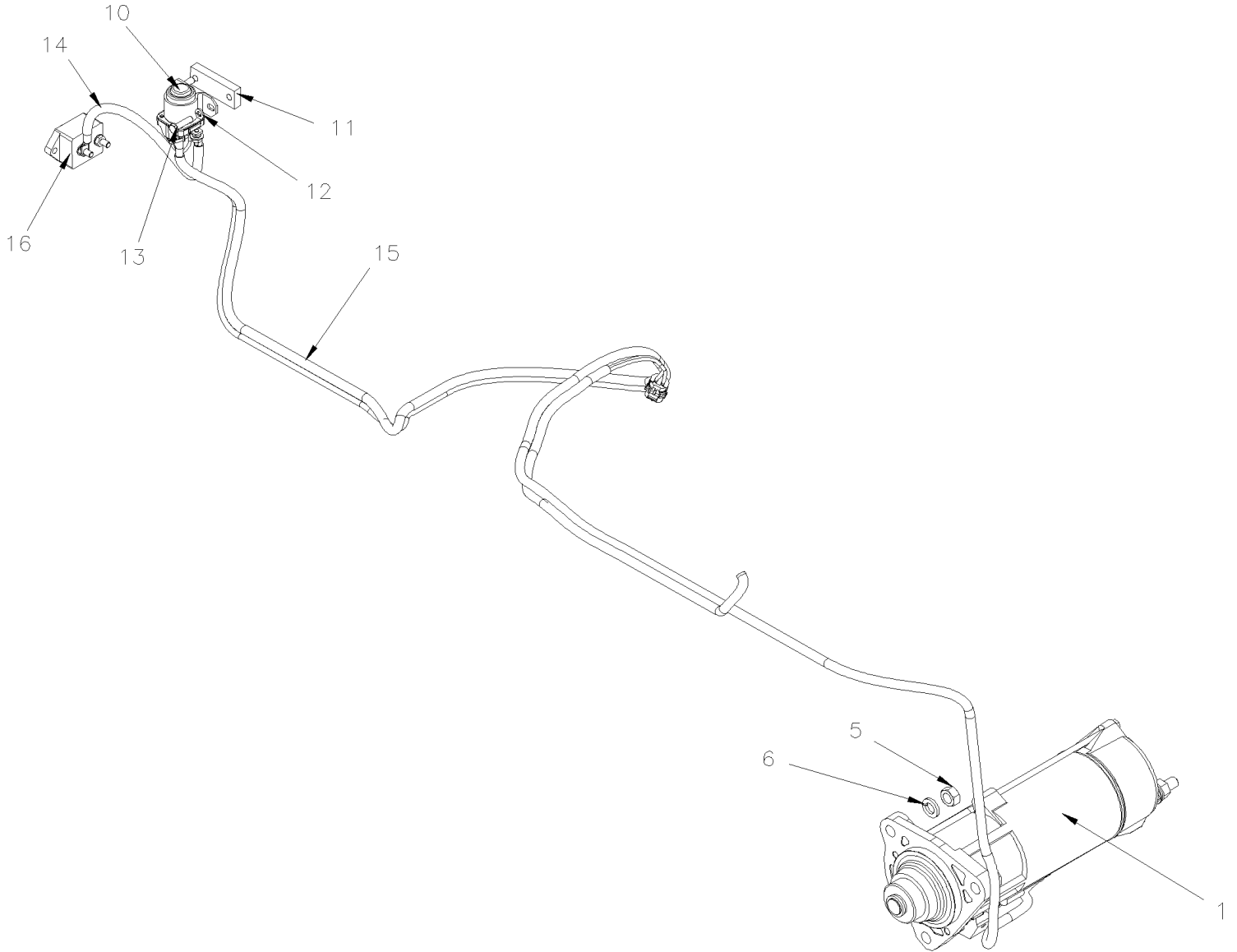
From K-0185	Date:07/2024	PAGE:H9-0100-08
ENGINE WIRING HARNESS - INSTALLATION WITH VOLVO D13		

Item#	Part	Description	H 3 4 1	H 3 4 5	NOTES
16	069504	HARNESS LH GROUND ALTERNATOR	1	1	
17	069785	CABLE ASSY / WITH "ALISSON" TRANSMISSION To N-1268	1	1	
17	0610548	CABLE ASSY / WITH "ALISSON" TRANSMISSION From N-1269 To P-1452	1	1	
17	0600115	CABLE ASSY / WITH "ALISSON" TRANSMISSION From R-1453		1	
17	060747	CABLE HARNESS I-SHIFT TRANS To N-1268	1	1	
17	0610549	CABLE HARNESS I-SHIFT TRANS From N-1269	1	1	
20	069471	FEED THRU / ENGINE CABLE	1	1	
NS	504637	CABLE TIE / 3/16" x 13"	AR	AR	
21	069472	SEAL RUBBER NITRILE 1/8" 60-70 DURO	1	1	
22	504499	CUFF END BELLOW / 2 7/8" I.D. x 3 5/8" x 4 7/16	1	1	
NS	5001866	SCREW CAP HEX M12-1.75x30 G10.9 N500	2	2	
NS	500967	WASHER BEL SPR .512x1.142x.098 N500	2	2	
23	019227	SUPPORT CABLE STARTOR MOTOR	1	1	
NS	504637	CABLE TIE / 3/16" x 13"	AR	AR	
24	012946	SUPPORT, REAR HARNESS	1	1	
24A	5001780	SCREW CAP HEXF M8-1.25x16 G8.8 N500	1	1	
24B	5001307	SCREW CAP HEXF M10-1.5x20 8.8 N500	1	1	
25	507664	CABLE TIE / 3/16" 11" / DOUBLE LOOP HEAD	33	33	
26	069062	CABLE THERMO DETECTOR (LINEAR FIRE CABLE) / 1.6M / 168C/180C // 334F/356F	1	1	
30	010075	BRACKET ENGINE HARNESS	1	1	
NS	504637	CABLE TIE / 3/16" x 13"	AR	AR	
NS	5001780	SCREW CAP HEXF M8-1.25x16 G8.8 N500	2	2	
31	012951	MAIN SUPPORT ENGINE HARNESS	1	1	
NS	509815	TIE MOUNT / ATTACHMENT W/TREE MOUNT	1	1	
NS	5001780	SCREW CAP HEXF M8-1.25x16 G8.8 N500	3	3	
32	504013	TIE MOUNT / 1/4" X 1/4" I.D.	AR	AR	
NS	504379	RIVET POP DOME OE 3/16x1/4 SS	AR	AR	
NS	5001935	WASHER FL 10.5x18.0x1.6 SS	1	1	
NS	502719	SCREW CAP HEX M10-1.5x20 SS EMN	1	1	
NS	5001182	NUT HEX NYRT M6-1.0 SS	1	1	
NS	502573	WASHER FL 6.4x12.5x1.6 SS	1	1	
NS	504013	TIE MOUNT / 1/4" X 1/4" I.D.	1	1	
NS	502817	SCREW MA PAN PH M6-1.0x16 N500	1	1	
36	060307	HARNESS GND STRARTER TO BODY	1	1	
NS	502804	SCREW CAP HEX M10-1.5x25 G8.8 N500	1	1	
40	060308	CABLE NEG HEATER ELEMENT	1	1	
41	060872	CABLE HEATER ELEMENT RELAY	1	1	
42	5001341	WASHER FL 8.4x17.0x1.6 SS To K-0604	2	2	
42	560811	WASHER, ELECTRICAL CONDUCTOR M8/5/16	2	2	
43	5001787	NUT HEX NYRT M8-1.25 SS	2	2	
50	H9-0610-07	ALTERNATOR MOUNTING / "BOSCH" VOLVO D13			
61	0610052	HARNESS, ALTERNATOR BATTERY / CURBSIDE From K-0605	1	1	

From K-0185		Date:07/2024	PAGE:H9-0100-08
ENGINE WIRING HARNESS - INSTALLATION WITH VOLVO D13			

Item#	Part	Description	H 3 4 1	H 3 4 5	N O T E S
62	0610053	HARNESS, ALTERNATOR BATTERY / STREET SIDE From K-0605	1	1	
63	0610034	HARNESS, ALTERNATOR CHASSIS GROUND / CURBSIDE From K-0605	1	1	
64	0610035	HARNESS, ALTERNATOR CHASSIS GROUND / STREET SIDE From K-0605	1	1	
65	0610036	HARNESS, ALTERNATOR CONTROL / CURBSIDE From K-0605 To L-1032	1	1	B
65	0610315	HARNESS, ALTERNATOR CONTROL / CURBSIDE From L-1033 To P-1452	1	1	B
65	0600113	HARNESS, ALTERNATOR CONTROL / CURBSIDE From R-1453	1	1	B
66	0610037	HARNESS, ALTERNATOR CONTROL / STREET SIDE From K-0605 To L-1032	1	1	B
66	0610324	HARNESS, ALTERNATOR CONTROL / STREET SIDE From L-1033 To P-1452	1	1	B
66	0600114	HARNESS, ALTERNATOR CONTROL / STREET SIDE From R-1453	1	1	B
67A	502804	SCREW CAP HEX M10-1.5x25 G8.8 N500 From K-0605	1	1	B
67B	500270	WASHER FL .406x1.000x.063 SS From K-0605	1	1	B
68	5002097	NUT HEX NYRT THN 5/16-18 SS From K-0605	2	2	
69	560811	WASHER, ELECTRICAL CONDUCTOR M8/5/16 From K-0605	2	2	B
70	502719	SCREW CAP HEX M10-1.5x20 SS EMN From K-0605	1	1	B
71	5001935	WASHER FL 10.5x18.0x1.6 SS From K-0605	1	1	B
72	5001180	NUT HEX NYRT #10-24 SS From K-0605 To P-1452	6	6	B
72	684013	RUBBER PROTECTOR / COLOR GUARD 14.5oz From K-0605	AR	AR	B
73	5001137	WASHER FL .203x.438x.050 SS From K-0605 To P-1452	6	6	B
74	504016	CABLE TIE / 5/16" X 14"1/2 From K-0605	AR	AR	B
75	H9-0605-10	ALTERNATOR 24V/250 AMPS / "REMY" From K-0605 To P-1452			
75	H9-0605-11	ALTERNATOR 24V/250 AMPS / "REMY" From R-1453			
75	H9-0610-15	ALTERNATOR MOUNTING / "REMY" VOLVO D13 From K-0605			
		A) USE WITH 4 ALTERNATORS OPTION			
		B) WITH REMY ALTERNATOR			

From K-0185	Date:07/2024	PAGE:H9-0100-10
STARTER - INSTALLATION		



From K-0185		Date:07/2024	PAGE:H9-0100-10
STARTER - INSTALLATION			

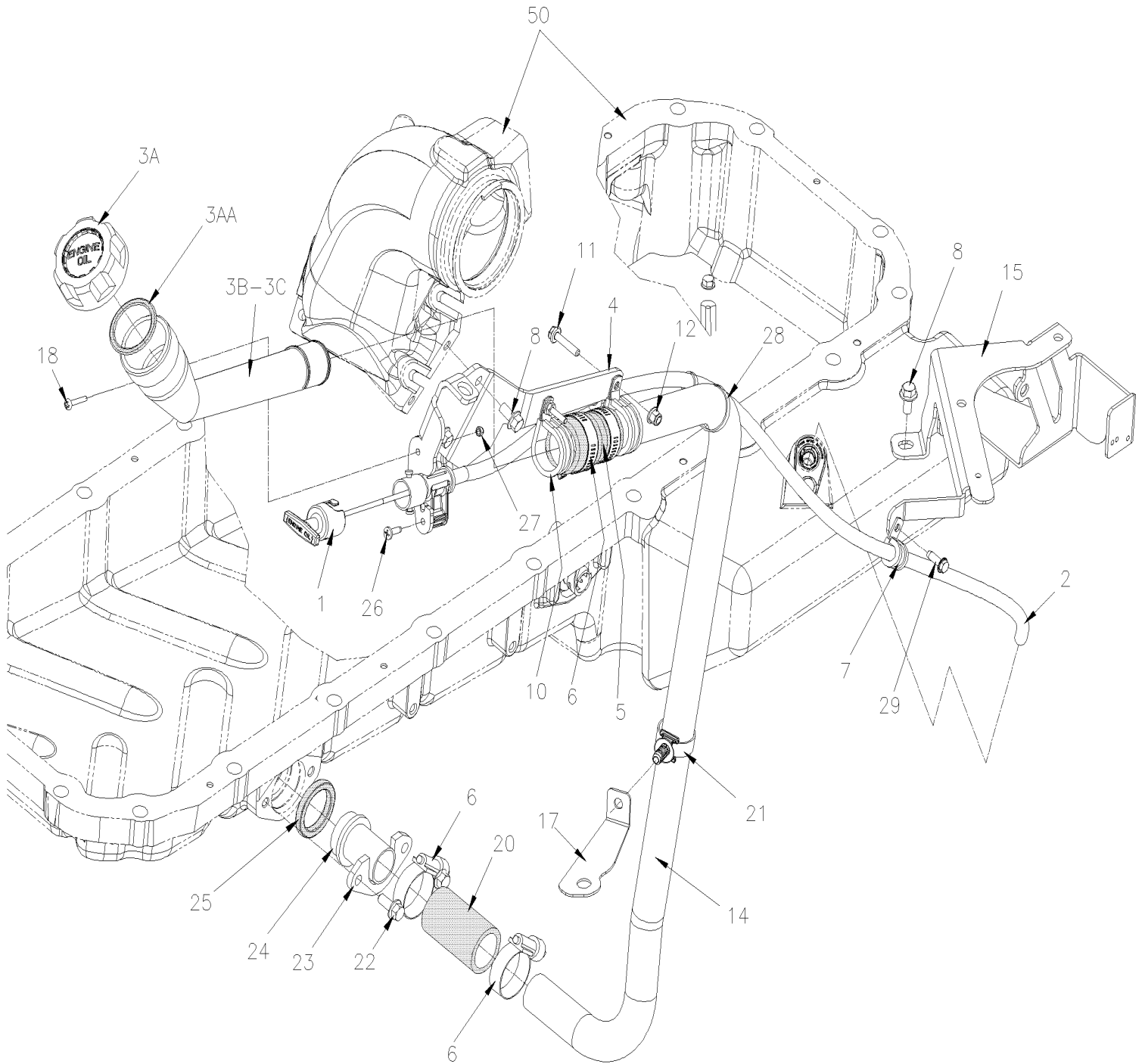
Item#	Part	Description	H 3 4 1	H 3 4 5	N O T E S
1	22807202	VOLVO STARTER 24V, MELCO WITHOUT RELAY To R-1661	1	1	D13
1	7775270	VOLVO STARTER 24V, MELCO WITHOUT RELAY From R-1562		1	
5	5001668	SCREW CB 12POINT 5/8-11x2 1/4	3	3	
NS	5001757	NUT HEX M12-1.75 N500	3	3	D13
6	502884	WASHER LO SPT 16.2x27.4x3.5 N500	3	3	
6	500482	WASHER LO SPT .506x.873x.125 Z050	3	3	D13
10	564095	SMALL STARTOR RELAY To R-1661	1	1	
10	564398	SMALL STARTOR RELAY From R-1562		1	
12	502570	WASHER LO SPT 6.1x11.8x1.6 SS	2	2	
12	5001182	NUT HEX NYRT M6-1.0 SS	2	2	
13	5001433	SCREW CAP HEX M6-1.0x25 SS	2	2	
15	067356	CABLE ASSY / RELAY & BREAKER	1	1	
15	067337	CABLE EXTENTION ASSY / STARTER W/D13	1	1	D13
15	067326	CABLE ASSY / STARTOR "MELCO" H3 W/D13	1	1	D13
NS	502817	SCREW MA PAN PH M6-1.0x16 N500	1	1	
NS	504013	TIE MOUNT / 1/4" X 1/4" I.D.	1	1	
NS	504637	CABLE TIE / 3/16" x 13"	1	1	
16	565137	BREAKER 90AMPS / 24V / W/O HARDWARE	1	1	
NS	5001924	NUT HEX NYRT THN 1/4-28 SS	1	1	
NS	502573	WASHER FL 6.4x12.5x1.6 SS	1	1	
NS	067088	CABLE ASSY SW24V TO STARTER	1	1	D13
		D13) WITH VOLVO ENGINE D13			

From K-0185

Date:07/2024

PAGE:H9-0105-05

ENGINE OIL FILLER CAP & DIPSTICK WITH VOLVO D13



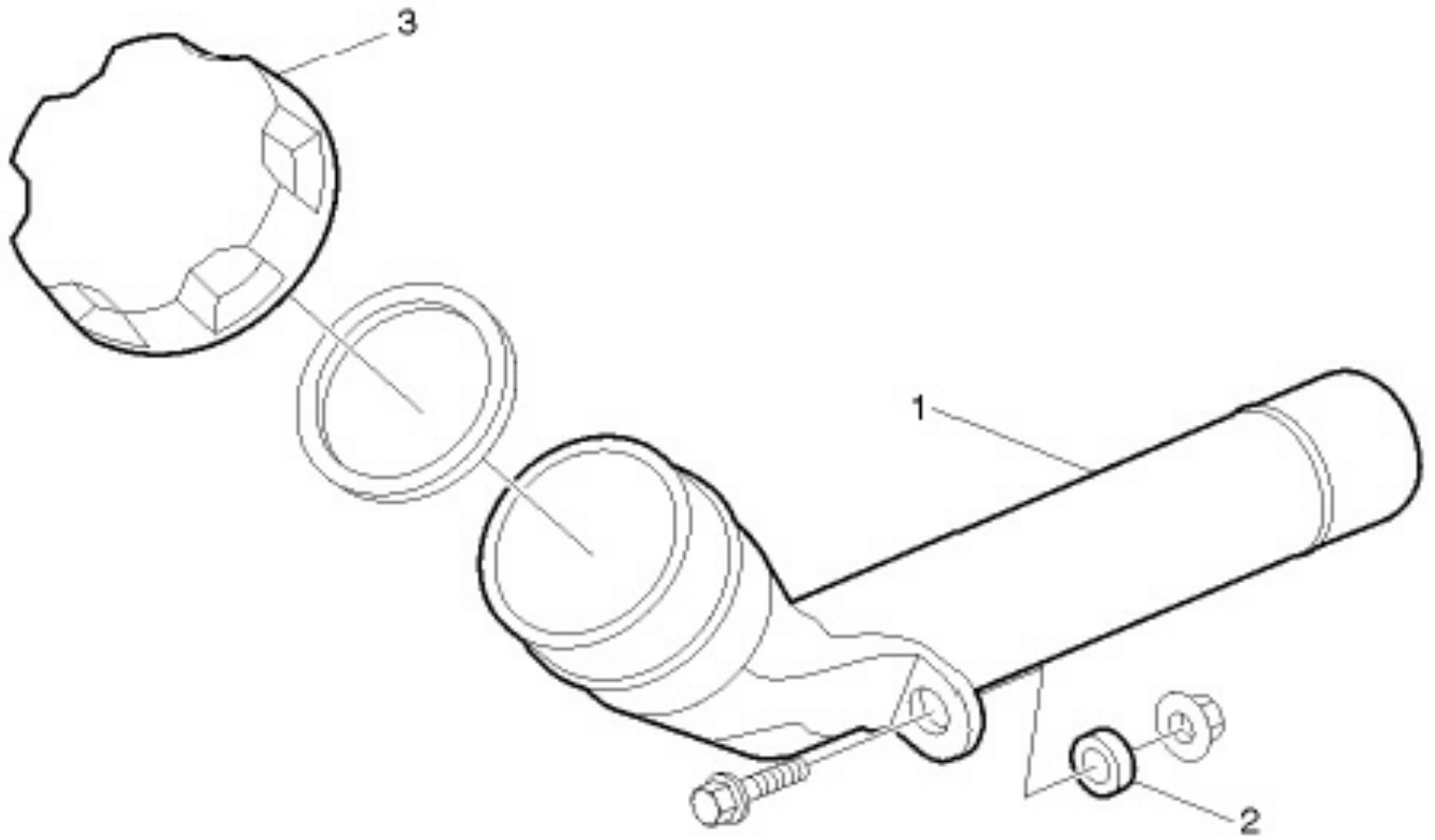
From K-0185		Date:07/2024	PAGE:H9-0105-05
ENGINE OIL FILLER CAP & DIPSTICK WITH VOLVO D13			

Item#	Part	Description	H 3 4 1	H 3 4 5	N O T E S
1	015998	DIPSTICK & TUBE ASSY To N-1270	1	1	
1	010348	DIPSTICK & TUBE ASSY From P-1271	1	1	
1	015997	. DIPSTICK ASSY / ENGINE OIL / W/D13 1362MM	1	1	
2	015996	. TUBE OIL DIPSTICK W/D13 1276MM To N-1270	1	1	
2	010347	. TUBE OIL DIPSTICK W/D13 1362MM From P-1271	1	1	
3	22281824	OIL FILLER NECK TB-133887958-1 To R-1585	1	1	
. A	20807510	. OIL CAP / WITH GASKET To R-1585	1	1	
. . A	20365079	. . GASKET OIL CAP To R-1585	1	1	
. B	22281825	. OIL NECK / PIPE FILLER To R-1585	1	1	
. C	943361	. SPACER WASHER 6.5 X 12 X 4 To R-1585	1	1	
. NS	8149895	. SUPPORT RING To R-1585	1	1	
3	23512202	OIL FILLER NECK From R-1586	1	1	
. B	23811819	. OIL NECK / PIPE FILLER From R-1586	1	1	
4	012882	SUPPORT DIPSTICK & FILLER NECK	1	1	
5	3034195	RACCORD COUPLING	1	1	
6	992086	HOSE CLAMP / 32MM/52MM	4	4	
7	952627	CLAMP / 1/2" I.D.	2	2	
8	5001780	SCREW CAP HEXF M8-1.25x16 G8.8 N500	3	3	
8	680038	THREAD LOCKER LOCTITE #243 / BLUE / 50ml	AR	AR	
10	952639	CLAMP / 1"1/4 I.D.	4	4	
11	5001815	SCREW CAP HEXF M6-1.0x30 G 8.8 N500	2	2	
12	5001932	NUT HEXF NYRT M6-1.0 G8.8 N500	2	2	
14	010064	OIL FILLER TUBE STAINLESS STEEL	1	1	
15	033946	SUPPORT FUEL LINE	1	1	
17	010069	SUPPORT DIPSTICK	1	1	
17	010127	SUPPORT DIPSTICK From K-0539	1	1	SP
NS	500321	WASHER BEL SPR .331x.827x.098 N500	2	2	
NS	5001780	SCREW CAP HEXF M8-1.25x16 G8.8 N500	2	2	
18	5001815	SCREW CAP HEXF M6-1.0x30 G 8.8 N500	1	1	
20	012933	HOSE 31.75MM I.D. x 70MM	1	1	
21	504750	CABLE TIE / 1/2" x 15" / CHRISTMAS TREE	1	1	
22	946173	SCREW CAP HEXF M8-1.25x20 To N-1188	2	2	
22	984734	SCREW CAP HEXF M8x20 From N-1189	2	2	
23	469950	FLANGE	1	1	
24	70329332	INLET PIPE To M-1156	1	1	
24	22676938	INLET PIPE From M-1157	1	1	
25	20555696	SEALING RING	1	1	
26	500414	SCREW TP BDG PH #10x3/4 SS	1	1	
27	5001932	NUT HEXF NYRT M6-1.0 G8.8 N500	1	1	
28	507664	CABLE TIE / 3/16" 11" / DOUBLE LOOP HEAD	1	1	
29	502848	SCREW TC CAP HEXF 1/4-20x3/4 N500	1	1	

From K-0185	Date:07/2024	PAGE:H9-0105-05
ENGINE OIL FILLER CAP & DIPSTICK WITH VOLVO D13		

Item#	Part	Description	H 3 4 1	H 3 4 5	NOTES
		NEXT 5 ITEMS TO FIX OIL CAP			
NS	510973	CABLE SS 3/64" DIA. ASSY W/LOOP 8" LG x W/1" LOOP	1	1	
NS	502861	SCREW SHR HEXS 5/16x3/8 (1/4-20 N500	1	1	
NS	502638	WASHER FL .312x.734x.065 N500	1	1	
NS	5001352	NUT HEX NYRT 1/4-20 SS	1	1	
NS	5001008	WASHER FL .218x.437x.062 RUB BK	1	1	
50	Refer To Volvo	SEE IMPACT OR CALL ORDER DESK			V
		SP) WITH ALTERNATOR REMY			
		V) SEE IMPACT OR CALL ORDER DESK			

To R-1585	Date:07/2024	PAGE:22281824
OIL FILLER NECK TB-133887958-1		



To R-1585	Date:07/2024	PAGE:22281824
-----------	--------------	---------------

OIL FILLER NECK TB-133887958-1

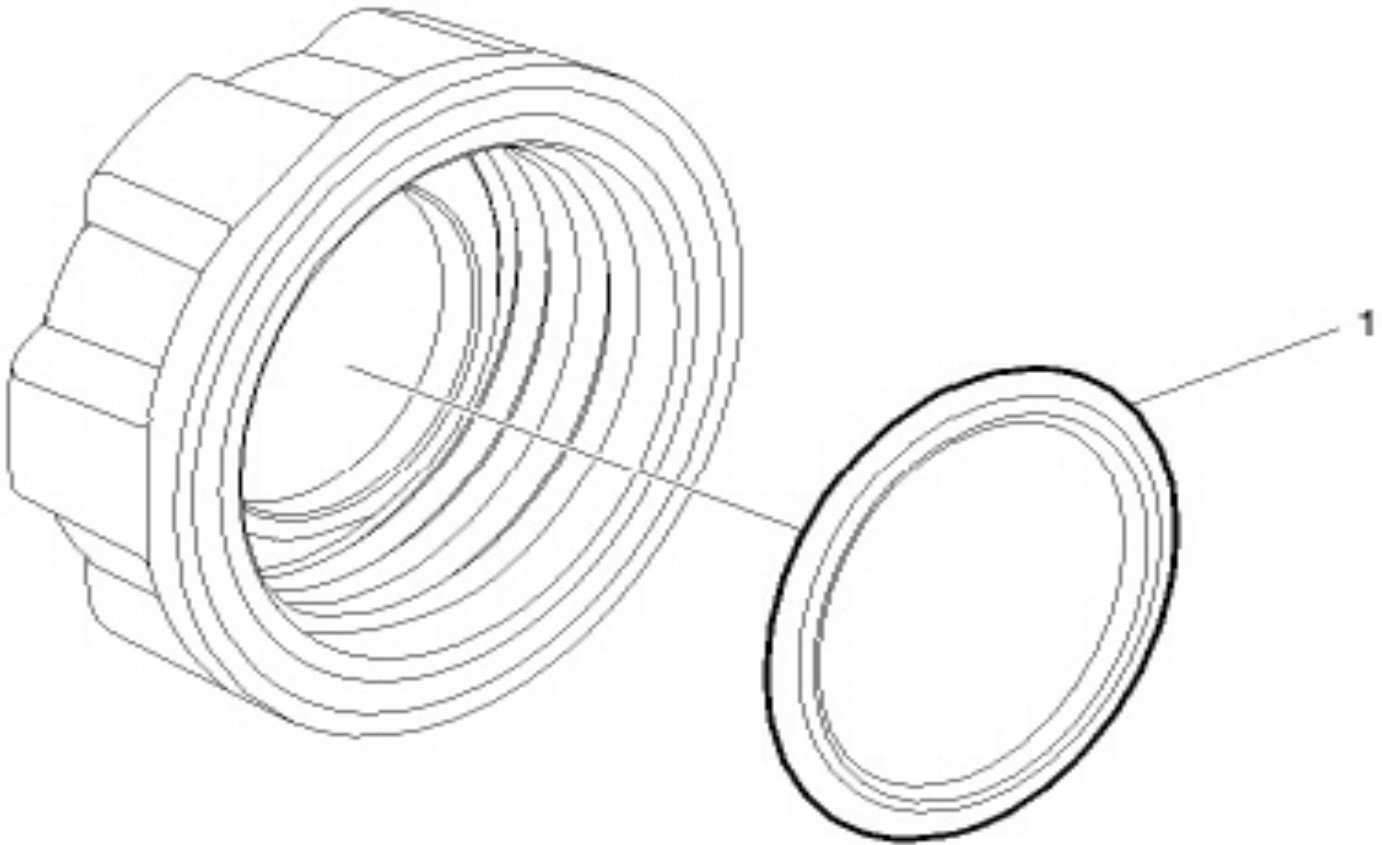
Item#	Part	Description	H 3 4 1	H 3 4 5	N O T E S
1	22281825	OIL NECK / PIPE FILLER	1	1	
2	60112502	SPACER WASHER	1	1	
3	20807510	OIL CAP / WITH GASKET	1	1	
.A	20365079	. GASKET OIL CAP	1	1	

To R-1585

Date:07/2024

PAGE:20807510

OIL CAP / WITH GASKET

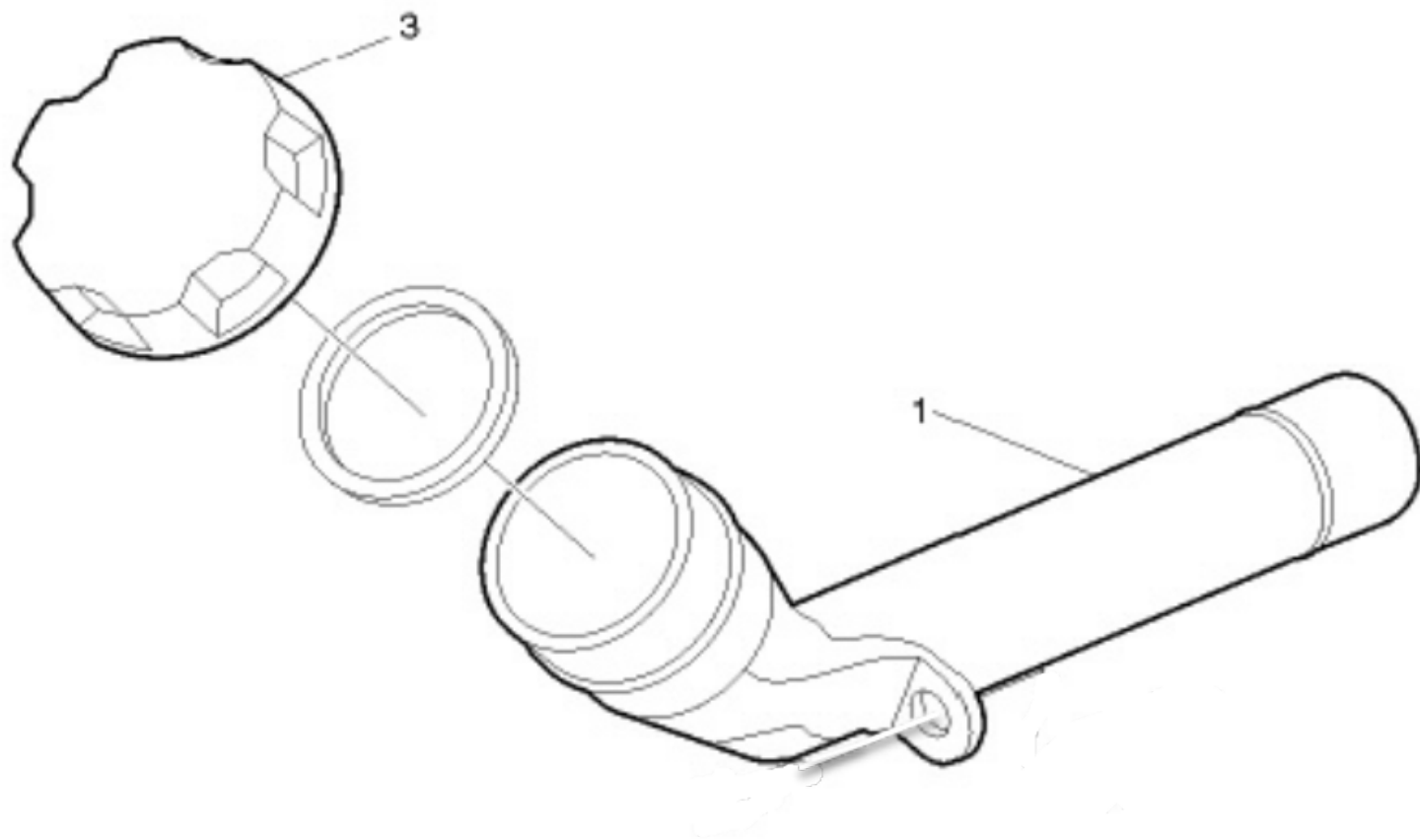


To R-1585	Date:07/2024	PAGE:20807510
-----------	--------------	---------------

OIL CAP / WITH GASKET

Item#	Part	Description	H 3 4 1	H 3 4 5	N O T E S
1	20365079	GASKET OIL CAP	1	1	

From R-1586	Date:07/2024	PAGE:23512202
OIL FILLER NECK		



From R-1586	Date:07/2024	PAGE:23512202
OIL FILLER NECK		

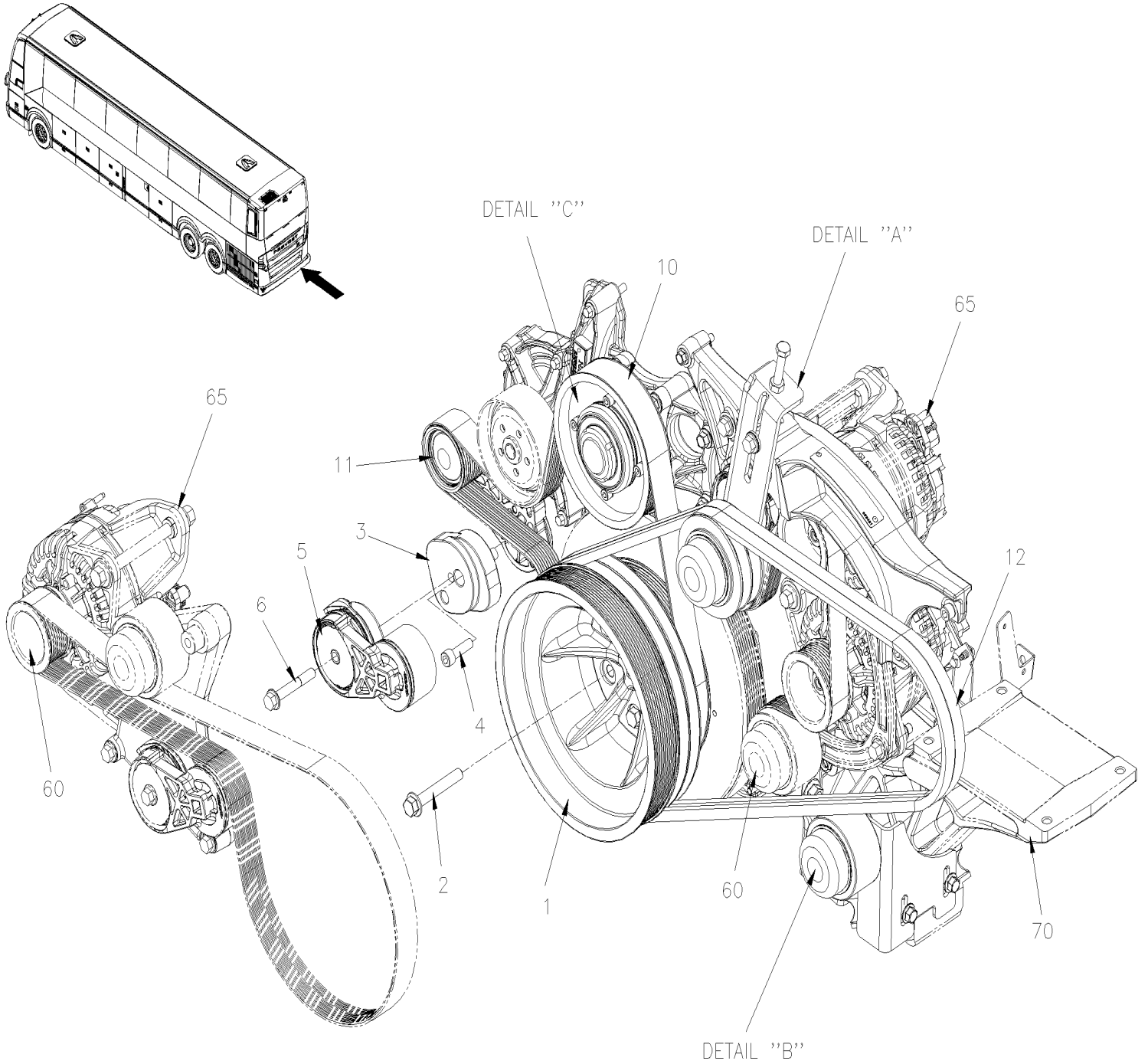
Item#	Part	Description	H 3 4 1	H 3 4 5	N O T E S
1	23811819	OIL NECK / PIPE FILLER	1	1	
3	20807510	OIL CAP / WITH GASKET	1	1	
. A	20365079	. GASKET OIL CAP	1	1	

From K-0185

Date:07/2024

PAGE:H9-0120-04

DRIVE PULLEY, BELTS & TENSIONER WITH VOLVO D13

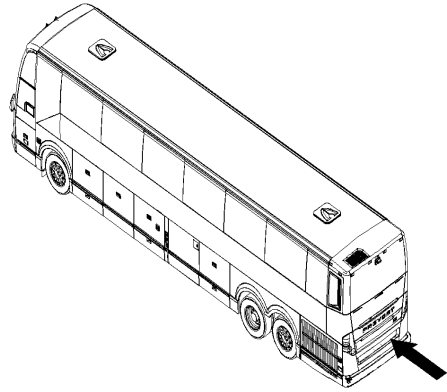


From K-0185

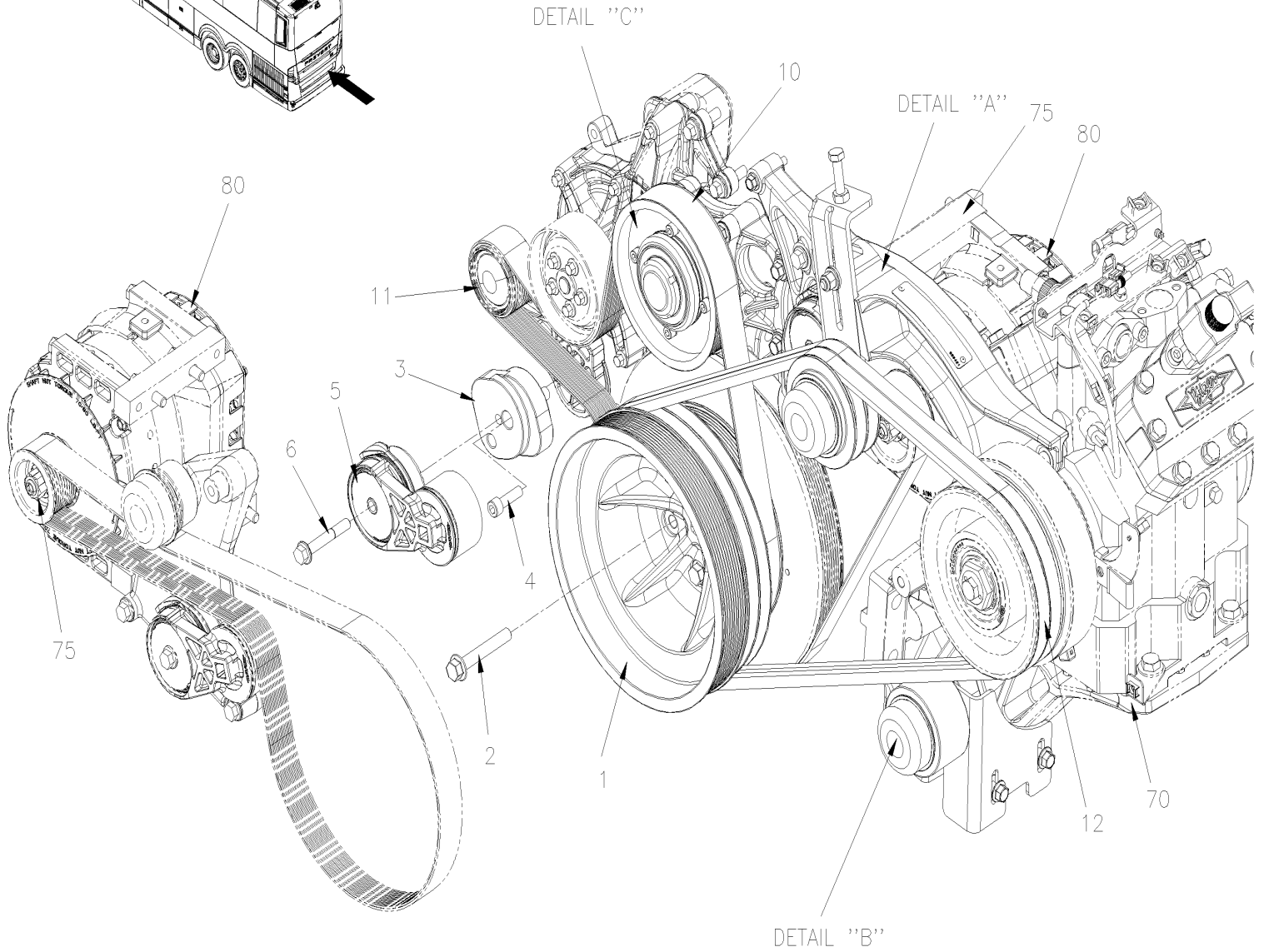
Date:07/2024

PAGE:H9-0120-04

DRIVE PULLEY, BELTS & TENSIONER WITH VOLVO D13



WITH REMY ALTERNATOR

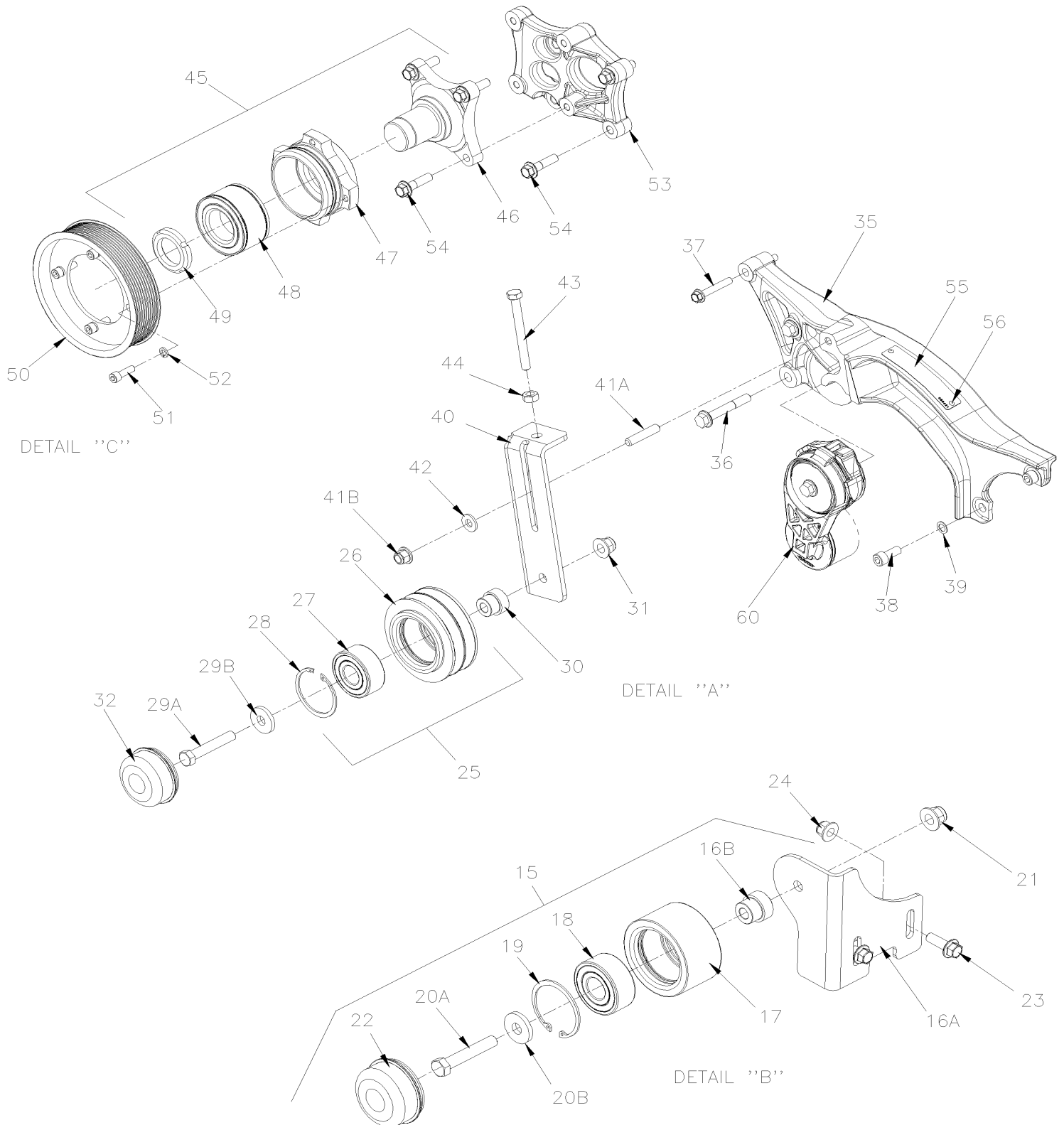


From K-0185

Date:07/2024

PAGE:H9-0120-04

DRIVE PULLEY, BELTS & TENSIONER WITH VOLVO D13



From K-0185		Date:07/2024	PAGE:H9-0120-04
DRIVE PULLEY, BELTS & TENSIONER WITH VOLVO D13			

Item#	Part	Description	H 3 4 1	H 3 4 5	N O T E S
1	012941	DRIVE PULLEY / 280MMx10RIB/ 268.3MMx2V / 220.8MMx10 RIB To N-1274	1	1	
1	010319	DRIVE PULLEY / 280MMx10RIB/ 268.3MMx2V / 220.8MMx10 RIB From P-1275	1	1	
2	5001296	SCREW CAP HEXF M12-1.75x80 G10.9 N500	6	6	
3	012695	SUPPORT ADAPTOR AUTOMTIC TENSIONER ASSY W/DOWEL / WATER PUMP	1	1	
. NS	502941	. DOWEL PIN	2	2	
4	5001620	SCREW CAP HEXS M10-1.5X35 G10.9 G500	1	1	
NS	680038	THREAD LOCKER LOCTITE #243 / BLUE / 50ml	AR	AR	
5	510991	AUTOMATIC TENSIONER ASSY	1	1	
6	5001799	SCREW CAP HEXF M10-1.5x70 G10.9 N500	1	1	
10	5060110	MULTI V-BELT / 10 RIB 59.5" (1512MM) 10PK1512 QT (21-2112)	1	1	
10	5060104	MULTI V-BELT / 10 RIB 59.5" (1512MM) 10PK1512 QT + SD (21-2112)	1	1	
NS	010060	DECAL / "BELT ROUTING"	1	1	
NS	010049	DECAL / "BELT ROUTING" /W/LARGE AC 2 ALT RH	1	1	
11	20582550	PULLEY IDLER	1	1	
12	5060134	V-BELT / BX-71 / SET OF 2 To K-0486	1	1	
12	5060142	V-BELT / BX-71 From K-0487 To L-0777	2	2	
12	5060134	V-BELT / BX-71 / SET OF 2 From L-0778 To N-1274	1	1	
12	5060137	SUPER V-BELT / 5VX740 From P-1275	2	2	
15	450094	PULLEY, LOOSE ASM	1	1	
16A	457782	. SUPPORT, LOOSE PULLEY	1	1	
16B	052205	. SPACER 20MM I.D. X 12.5MM TH	1	1	
17	012958	. PULLEY / 48MM x 90MM O.D.	1	1	
18	509952	. BALL BEARING 25 ID x 62 OD x 25.4 W HI-TEMP	1	1	
19	504040	. RING RETAINER / INT 2.440 x 1.860 x 0.078 STL BLK	1	1	
20A	5001862	. SCREW CAP HEX M12-1.75x70 G10.9 N500	1	1	
20B	5002008	. WASHER FL 13.0x35.0x5.0 N500	1	1	
21	5001252	. NUT HEX STO M20-2.5 DP	1	1	
22	453076	. CAP, DUST	1	1	
23	5000343	SCREW CAP HEXF M10-1.5x30 G10.9 N500	2	2	
24	5001930	NUT HEXF NYRT M10-1.5 N500 G10.9	2	2	
25	450044	PULLEY ASSY W/BEARING To N-1274	1	1	
25	450096	PULLEY ASSY W/BEARING From P-1275	1	1	
26	450045	. PULLEY / 112MM O.D. X 2V To N-1274	1	1	
26	457786	. PULLEY / 112MM O.D. X 2V From P-1275	1	1	
27	509952	. BALL BEARING 25 ID x 62 OD x 25.4 W HI-TEMP	1	1	
28	504040	. RING RETAINER / INT 2.440 x 1.860 x 0.078 STL BLK	1	1	
29A	5001862	SCREW CAP HEX M12-1.75x70 G10.9 N500	1	1	
29B	5002008	WASHER FL 13.0x35.0x5.0 N500	1	1	
30	053724	BUSHING	1	1	
31	5001761	NUT HEXF NYRT M12-1.75 G8 N500	1	1	
32	453076	CAP, DUST	1	1	
35	457750	SUPPORT, TENSIONNER CASTING To K-0604	1	1	

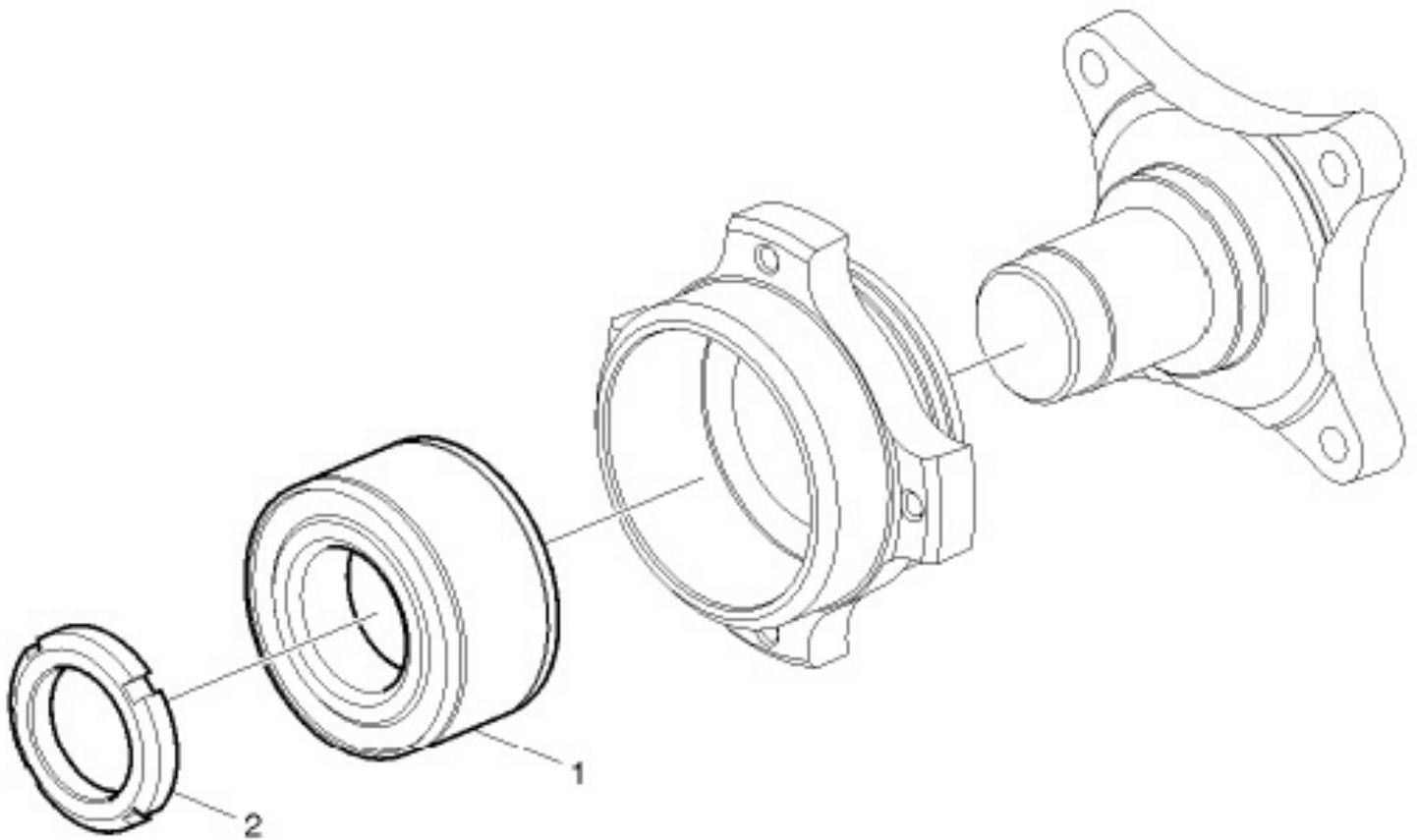
From K-0185		Date:07/2024	PAGE:H9-0120-04
DRIVE PULLEY, BELTS & TENSIONER WITH VOLVO D13			

Item#	Part	Description	H 3 4 1	H 3 4 5	N O T E S
35	450580	SUPPORT, TENSIONNER CASTING From K-0605 To N-1268	1	1	
35	454767	SUPPORT, TENSIONNER CASTING From P-1269	1	1	
36	5001799	SCREW CAP HEXF M10-1.5x70 G10.9 N500	2	2	
37	500796	SCREW CAP HEXF M8-1.25x50 G10.9 N500	1	1	
38	5001616	SCREW CAP HEXS M10-1.5X25 G10.9 DP	2	2	
NS	680038	THREAD LOCKER LOCTITE #243 / BLUE / 50ml	AR	AR	
39	502867	WASHER FL .406x.625x.040 N500	2	2	
40	450050	TENSIONER, AC BELT COMPRESSOR	1	1	
41A	5000360	ROD M10-1.5x52 N500	1	1	
41A	680100	THREAD LOCKER LOCTITE #271 / RED / 250ml	AR	AR	
41B	5001930	NUT HEXF NYRT M10-1.5 N500 G10.9	1	1	
42	5001834	WASHER BEL SPR 10.5X23X2.5 N500	1	1	
43	5001914	SCREW CAP HEX M10-1.5x100 FT SS	1	1	
44	500847	NUT HEX M10-1.5 N500	1	1	
45	22719941	HUB ASSY	1	1	
46	20459796	. SHAFT MOUNTING	1	1	
47	N.S.S.	. BEARING HOUSING	1	1	1
48	N.S.S.	. BALL BEARING	1	1	1
49	1675790	. NUT M40 x 9MM	1	1	
50	8149875	PULLEY 171 MM O.D. W/10RIB	1	1	
51	5001775	SCREW CAP HEXS M8-1.25x25 G8.8 G500	4	4	
NS	680038	THREAD LOCKER LOCTITE #243 / BLUE / 50ml	AR	AR	
52	500942	WASHER LO SPT 8.1x14.8x2.0 N500	4	4	
53	21270170	SUPPORT PULLEY TENSIONER WATER PUMP	1	1	
54	5001308	SCREW CAP HEXF M10-1.5x40 G10.9 N500	8	8	
55	069421	DECAL "DO NOT POWER WASH ALTERNATORS"	1	1	
56	504339	RIVET POP DOME OE 1/8x3/8 SS	2	2	
60	H9-0610-07	ALTERNATOR MOUNTING / "BOSCH" VOLVO D13			
60	H9-0610-26	ALTERNATOR MOUNTING / COACH WITH 4 ALTERNATORS VOLVO D13			A
65	H9-0610-07	ALTERNATOR MOUNTING / "BOSCH" VOLVO D13			
NS	069356	DECAL "DO NOT POWER WASH ALTERNATORS" ENGLISH To L-1014	1	1	
NS	0610176	DECAL "DO NOT POWER WASH ALTERNATORS" ENGLISH From L-1015	1	1	
NS	0610181	DECAL "DO NOT POWER WASH ALTERNATORS" ENGLISH / FRANCAIS From L-1015	1	1	
70	H9-0150-03	ENGINE CRADLE - WITH VOLVO D13	1	1	
75	H9-0610-15	ALTERNATOR MOUNTING / "REMY" VOLVO D13 From K-0605			
80	H9-0605-10	ALTERNATOR 24V/250 AMPS / "REMY" From K-0605 To P-1452			
80	H9-0605-11	ALTERNATOR 24V/250 AMPS / "REMY" From R-1453			
251	OC2018012	REFERENCE ONLY ALTERNATOR REMY From K-0605			
252	OC2019087	REFERENCE ONLY BELT From L-0778			
253	OC2019029	REFERENCE ONLY L-6585 / L-7719 / L-1015 From L-1015	1	1	

From K-0185	Date:07/2024	PAGE:H9-0120-04
DRIVE PULLEY, BELTS & TENSIONER WITH VOLVO D13		

Item#	Part	Description	H 3 4 1	H 3 4 5	N O T E S
		A) USE WITH 4 ALTERNATORS OPTION			
		1) NOT SOLD SEPARATELY			

From K-0185	Date:07/2024	PAGE:22719941
HUB ASSY		



From K-0185	Date:07/2024	PAGE:22719941
HUB ASSY		

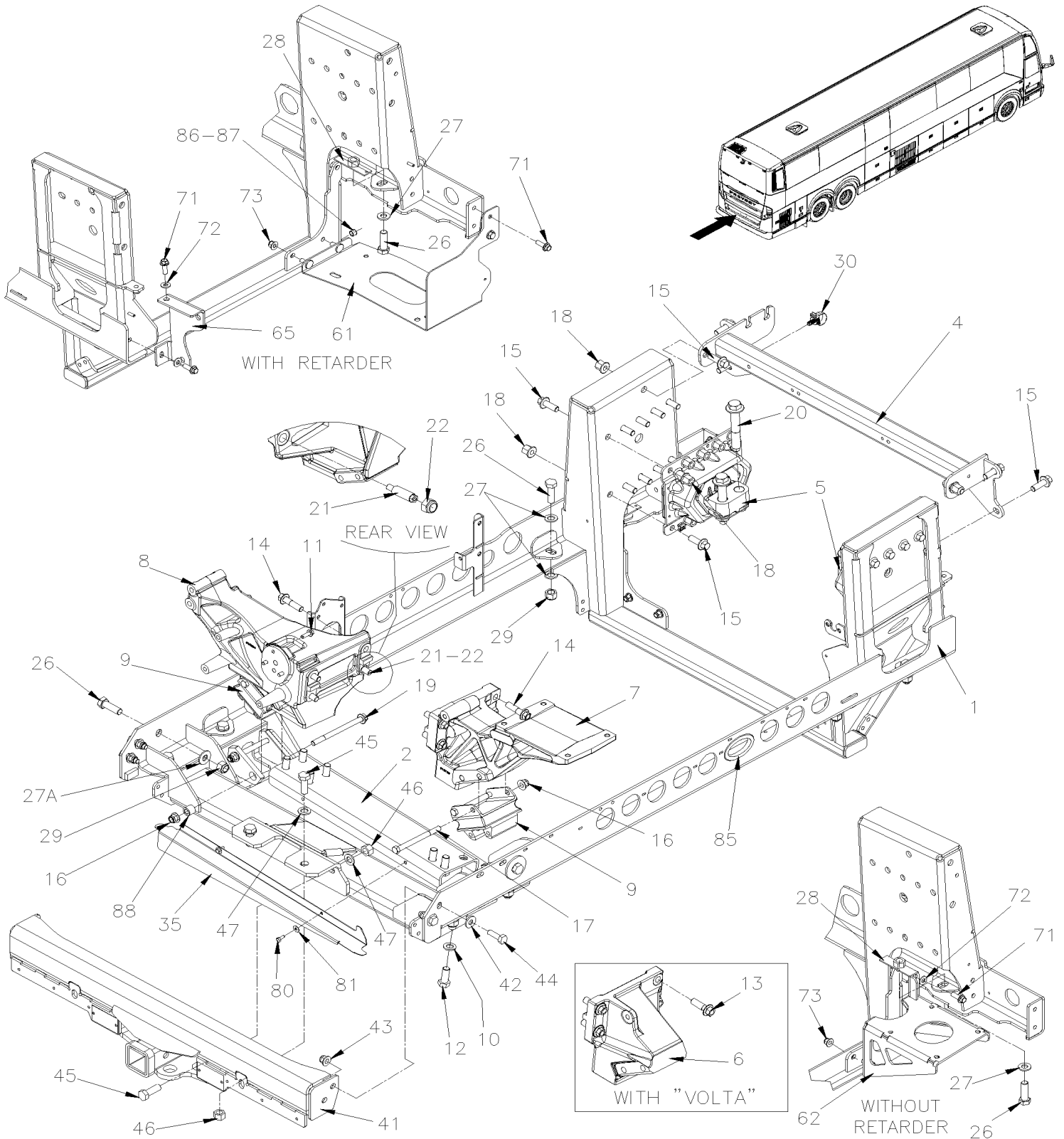
Item#	Part	Description	H 3 4 1	H 3 4 5	N O T E S
1	21760184	BALL BEARING	1	1	
2	23705970	ROUND NUT	1	1	

From K-0185

Date:07/2024

PAGE:H9-0150-03

ENGINE CRADLE - WITH VOLVO D13



From K-0185		Date:07/2024	PAGE:H9-0150-03
ENGINE CRADLE - WITH VOLVO D13			

Item#	Part	Description	H 3 4 1	H 3 4 5	N O T E S
1	010081	ENGINE CRADLE / W / D13 WITH TRAILER HITCH To K-0574	1	1	
1	010103	ENGINE CRADLE / W / D13 WITH TRAILER HITCH From K-0575 To L-1020	1	1	
1	010311	ENGINE CRADLE / W / D13 WITH TRAILER HITCH From L-1021 To P-1434	1	1	
1	010346	ENGINE CRADLE / W / D13 WITH TRAILER HITCH From P-1435	1	1	
1	012955	ENGINE CRADLE / W / D13 WITHOUT TRAILER HITCH To K-0574	1	1	
1	010202	ENGINE CRADLE / W / D13 WITHOUT TRAILER HITCH From K-0575 To L-1020	1	1	
1	010310	ENGINE CRADLE / W / D13 WITHOUT TRAILER HITCH From L-1021 To P-1434	1	1	
1	010332	ENGINE CRADLE / W / D13 WITHOUT TRAILER HITCH From P-1435	1	1	
2	012732	BAR PROTECTOR & REINFORCEMENT W/D13	1	1	
4	012785	REINFORCEMENT ASSY W/D13 To L-1020	1	1	
4	010305	REINFORCEMENT ASSY W/D13 From L-1021	1	1	
5	20499474	ENGINE MOUNT FRONT W/D13	2	2	
6	012645	ENGINE MOUNT CURBSIDE W/D13	1	1	A
7	012839	ENGINE MOUNT CURBSIDE WITH "BITZER" W/D13 To L-1085	1	1	
7	010318	ENGINE MOUNT CURBSIDE WITH "BITZER" W/D13 From L-1086 To M-1153	1	1	
7	010105	ENGINE MOUNT CURBSIDE WITH "BITZER" W/D13 From M-1154	1	1	
8	012942	ENGINE MOUNT STREET SIDE W/D13	1	1	
9	3037072	INSULATOR, RUBBER MOUNT W/D13	2	2	
10	5001150	WASHER FL 17.0x30.0x3.0 N500	7	7	
11	5001643	SCREW CAP HEXF M8-1.25x25 G8.8 G500	3	3	
12	5001590	SCREW CAP HEX M16-2.0x40 G10.9 N500	7	7	
14	5001672	SCREW CAP HEXF M14-2.0x55 G8.8 G500	7	7	
15	5001671	SCREW CAP HEXF M14-2.0x45 G8.8 G500	26	26	
16	5001761	NUT HEXF NYRT M12-1.75 G8 N500	8	8	
17	5001940	SCREW CAP HEX M12-1.75x140 G10.9 N500	4	4	
18	5001762	NUT HEXF M14-2.0	20	20	
19	5001763	SCREW CAP HEXF M12-1.75x160 G8.8 N500	4	4	
20	5001791	SCREW CAP HEXF DOG POINT M20-2.5x120 G10.9 G500	4	4	
21	012921	GROUND STUD M14 Lg.:88MM	1	1	
22	5001665	NUT HEX NYRT M22-2.5 G8 Z050	1	1	
26	5001372	SCREW CAP HEX M16-2.0x50 G10.9 N500	10	10	
27	5001150	WASHER FL 17.0x30.0x3.0 N500	15	15	
27A	502901	WASHER FL .625x1.469x.109 N500	2	2	
28	012546	NUT STO SPECIAL / WELDED ON PLATE M16-2.0 DP	2	2	
29	5001662	NUT HEX NYRT M16-2.0 G10 Z050	9	9	
30	504750	CABLE TIE / 1/2" x 15" / CHRISTMAS TREE	1	1	
35	012852	PROTECTOR / BELT	1	1	
41	411289	PROTECTOR ASSY / W/TRAILER HITCH To £-23081	1	1	
41	411516	PROTECTOR ASSY / W/TRAILER HITCH From £-23081		1	
42	500011	WASHER FL / HARDENED 13.0x24.0x3.0 STL	4	4	
43	5001728	NUT HEXF STO M12-1.75 N500 G10	4	4	
44	5001885	SCREW CAP HEX M12-1.75x40 G10.9 N500	4	4	

From K-0185		Date:07/2024	PAGE:H9-0150-03
ENGINE CRADLE - WITH VOLVO D13			

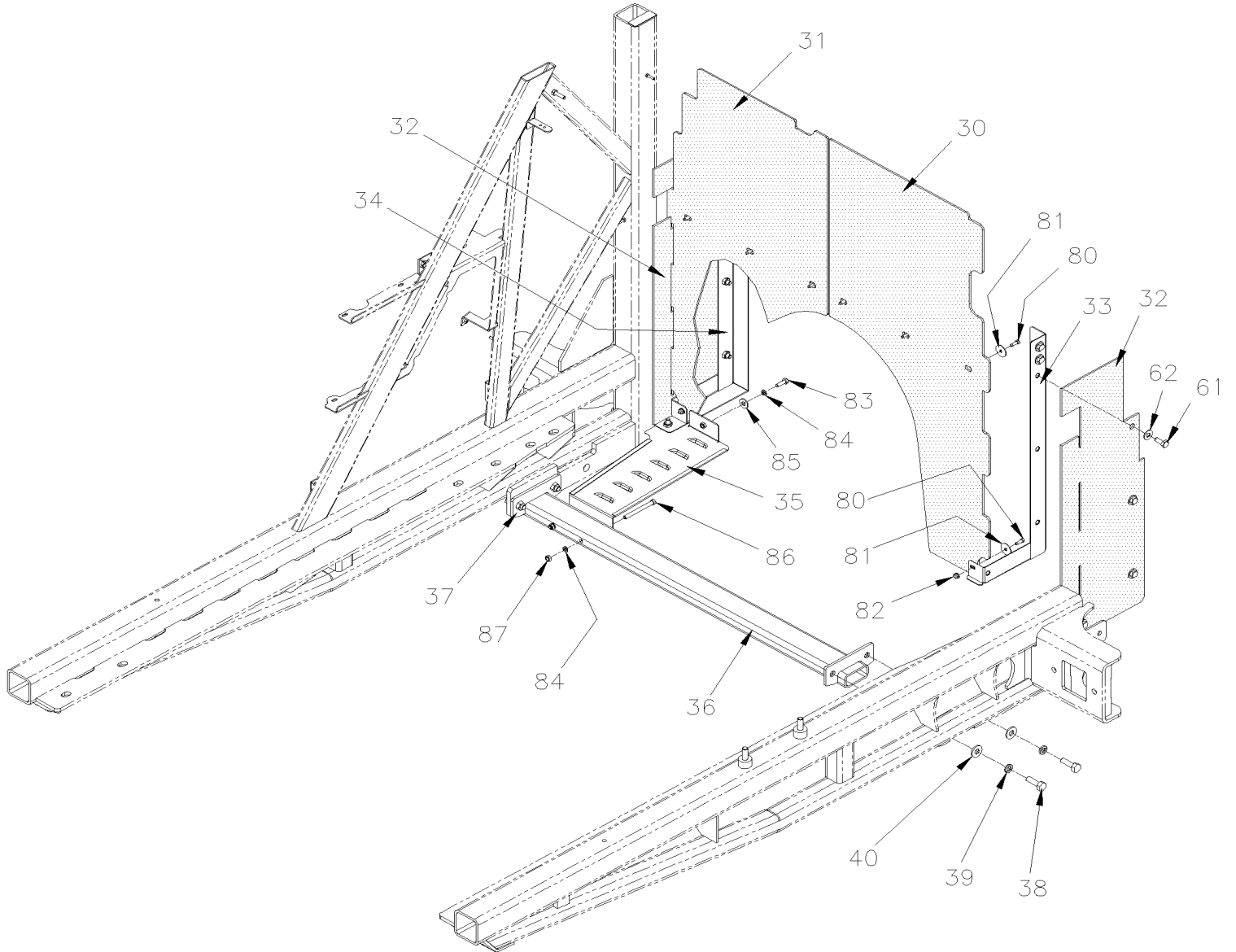
Item#	Part	Description	H 3 4 1	H 3 4 5	N O T E S
45	5001372	SCREW CAP HEX M16-2.0x50 G10.9 N500	4	4	
46	500781	NUT HEX STO M16-2.0 DP	4	4	
47	5001150	WASHER FL 17.0x30.0x3.0 N500	15	15	
61	070040	SUPPORT OIL COOLER W/RETARDER	1	1	
62	071713	SUPPORT OIL COOLER W/O RETARDER	1	1	
65	071672	SUPPORT ACCUMULATOR	1	1	
71	5001741	SCREW CAP HEXF M10-1.5x30 G8.8 N500	4	4	
72	5001834	WASHER BEL SPR 10.5X23X2.5 N500	6	6	
73	5001930	NUT HEXF NYRT M10-1.5 N500 G10.9	2	2	
80	5001697	SCREW CAP HEX M6-1.0x16 SS BK	2	2	
81	5001833	WASHER BEL SPR 6.1x18x1.27 SS	2	2	
85	504720	GROMMET / 2.375x3.000x.250x.437x3.250	1	1	
86	504449	HOLE PLUG BUTTON / .500 O.D. BLACK	4	4	
87	680066	ADHESIVE / ADBOND #5014 / 23.6ML BOTTLE	AR	AR	
88	012938	BUSHING	4	4	
NS	680038	THREAD LOCKER LOCTITE #243 / BLUE / 50ml	AR	AR	
		A) USE WITH SMALL A/C WITH "VOLTA" ALTERNATOR" OPTION			

From K-0185

Date:07/2024

PAGE:H9-0155-10

ENGINE TRANSMISSION GUARD & AIR SHIELD

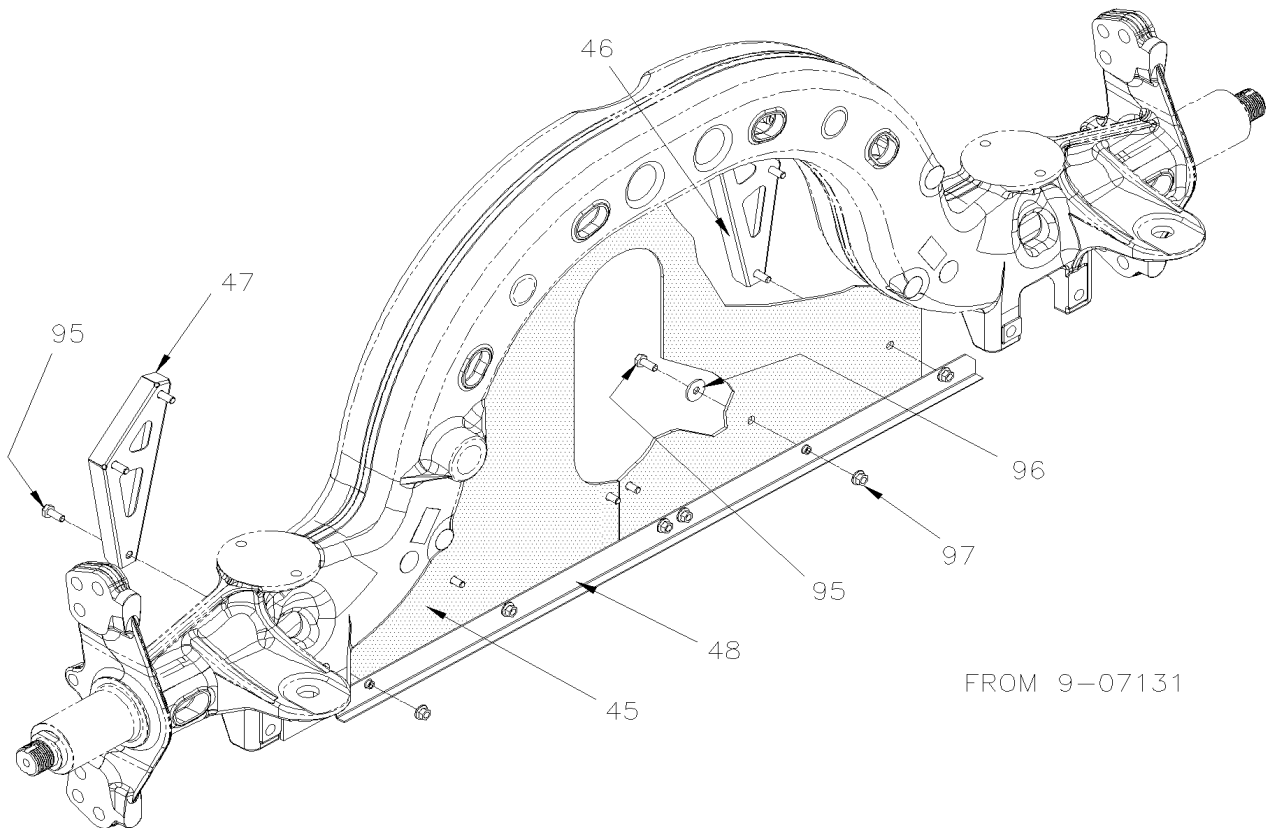


From K-0185

Date:07/2024

PAGE:H9-0155-10

ENGINE TRANSMISSION GUARD & AIR SHIELD



FROM 9-07131

From K-0185		Date:07/2024	PAGE:H9-0155-10
ENGINE TRANSMISSION GUARD & AIR SHIELD			

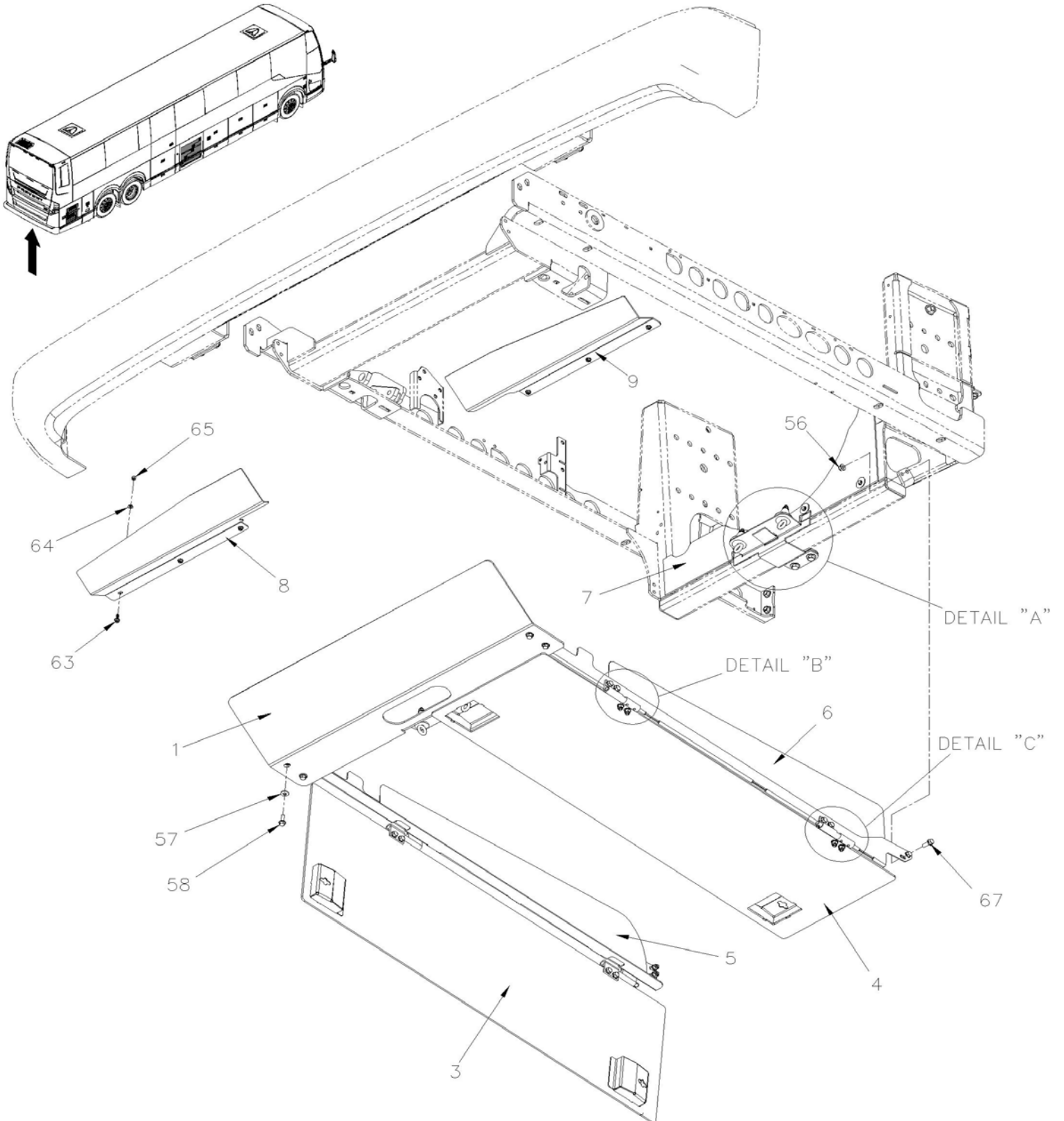
Item#	Part	Description	H 3 4 1	H 3 4 5	N O T E S
30	012827	PROTECTOR R.H. / W/O RETARDER	1	1	
30	012828	PROTECTOR R.H. / W/RETARDER	1	1	
30	012826	PROTECTOR R.H. /W /"I-SHIFT" TRANS	1	1	I
31	010076	PROTECTOR L.H.	1	1	O W
31	012567	PROTECTOR L.H. /W /"I-SHIFT" TRANS To M-1112	1	1	I
31	010324	PROTECTOR L.H. /W /"I-SHIFT" TRANS From M-1113	1	1	I
32	071578	PROTECTOR / BOTH SIDE	2	2	
33	071617	SUPPORT L.H.	1	1	
34	071616	SUPPORT R.H.	1	1	
35	012563	AIR SHIELD BOX SS	1	1	A
36	173688	TUBE 1058MM	1	1	
37	174003	BOLTING PLATE, REAR SUB FRAME	2	2	
38	502731	SCREW CAP HEX M12-1.75x40 G8.8 Z050	4	4	
39	500482	WASHER LO SPT .506x.873x.125 Z050	4	4	
40	500446	WASHER FL .531x1.250x.125 Z050	4	4	
45	121904	PROTECTOR	1	1	
46	121905	RENFORT L.H.	1	1	
47	121906	RENFORT R.H.	1	1	
48	071642	RENFORT	1	1	
61	502804	SCREW CAP HEX M10-1.5x25 G8.8 N500	12	12	
62	500270	WASHER FL .406x1.000x.063 SS	12	12	
80	502848	SCREW TC CAP HEXF 1/4-20x3/4 N500	9	9	
81	500913	WASHER FL .281x1.250x.065 N500	9	9	
82	5001123	NUT HEXF 1/4-20 SS	2	2	
83	502780	SCREW CAP HEX M8-1.25x25 SS BK	1	1	
84	5001161	WASHER LO SPT 8.1x14.8x2.0 SS-304	3	3	
85	500897	WASHER FL .437x1.000x.083 N500	1	1	
86	5001186	SCREW CAP HEX M8-1.25x90 SS BK	2	2	
87	5001188	NUT HEX M8-1.25 SS	2	2	
95	502804	SCREW CAP HEX M10-1.5x25 G8.8 N500	16	16	
96	500211	WASHER FL .531x1.250x.125 N500	AR	AR	
97	5001760	NUT HEXF STO M10-1.5 G8 ZP	6	6	
		A) WITH WORLD TRANSMISSION			
		I) WITH " I-SHIFT" TRANSMISSION			
		O) WITHOUT RETARDER			
		W) WITH RETARDER			

From K-0185

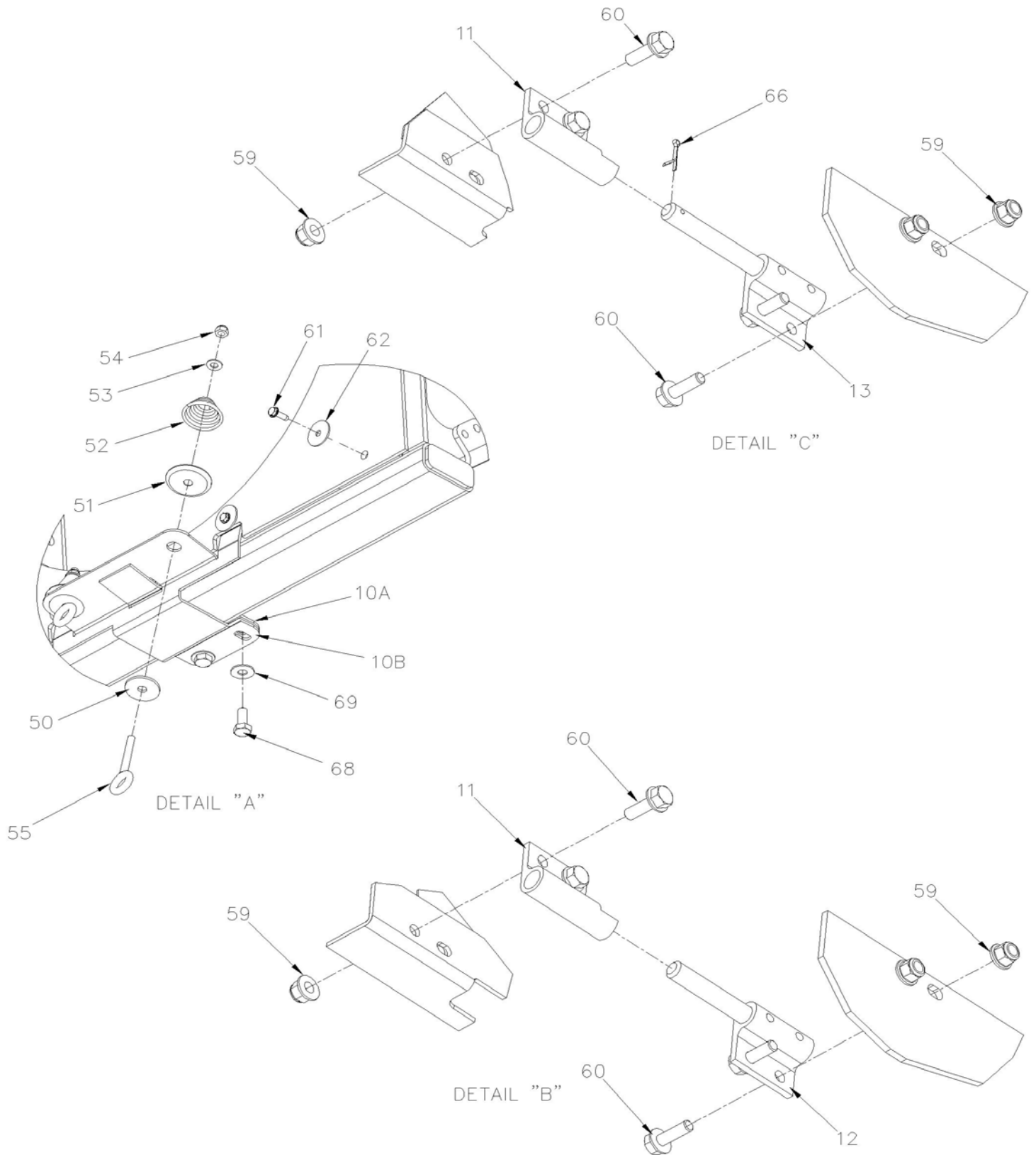
Date:07/2024

PAGE:H9-0155-20

ENGINE GUARD VOLVO D13



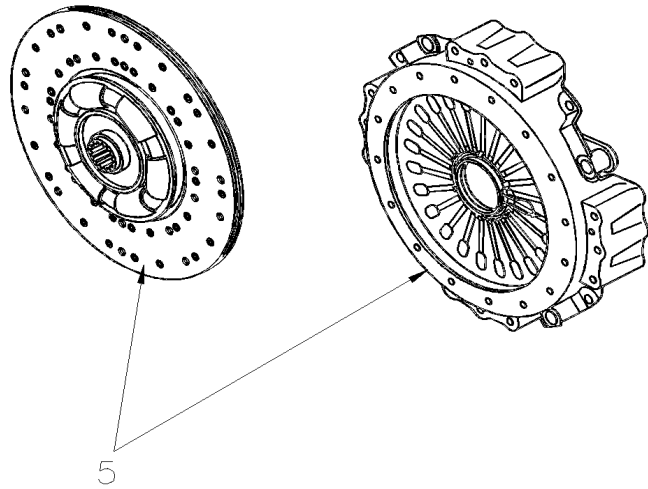
From K-0185	Date:07/2024	PAGE:H9-0155-20
ENGINE GUARD VOLVO D13		



From K-0185		Date:07/2024	PAGE:H9-0155-20
ENGINE GUARD VOLVO D13			

Item#	Part	Description	H 3 4 1	H 3 4 5	N O T E S
1	012740	DUST SHIELD PLATE ANGLE	1	1	
1	012932	DUST SHIELD PLATE ANGLE W/TOW HOOK A/ATTACHE REM.	1	1	
3	012769	LEFT DOOR ASSY	1	1	
4	012768	RIGHT DOOR ASSY	1	1	
5	012929	LH CHANNEL ASSY	1	1	
6	012928	RH CHANNEL ASSY	1	1	
7	012758	SHIELD WITH / AVEC WORLD TRANS.	1	1	
7	012787	SHIELD WITH / AVEC I-SHIFT TRANS.	1	1	
8	012773	PROTECTOR, L.H.	1	1	
9	012772	PROTECTOR, R.H.	1	1	
10A	012859	PULLROD, SUPPORT	1	1	
10B	012860	PULLROD, SUPPORT	1	1	
11	012765	HINGE	4	4	
12	012763	HINGE W/PIN / A/AXE	2	2	
13	012764	HINGE W/PIN / A/AXE	2	2	
50	507679	WASHER RUBBER / STANCHION / .375x1.500x.125	4	4	
51	507678	SPRING, RETAINER	4	4	
52	502944	SPRING CONICAL / CONIQUE	4	4	
52	2413712	SPRING CONICAL / CONIQUE	4	4	
53	5001341	WASHER FL 8.4x17.0x1.6 SS	4	4	
54	500685	NUT HEX NYRT 5/16-18 SS	4	4	
55	502943	SCREW EYE WITH NUT 5/16-18x3 1/2 GAL	4	4	
56	5001931	NUT HEXF NYRT M8-1.25 G8.8 N500	8	8	
57	5001834	WASHER BEL SPR 10.5X23X2.5 N500	4	4	
58	5001643	SCREW CAP HEXF M8-1.25x25 G8.8 G500	4	4	
59	5001931	NUT HEXF NYRT M8-1.25 G8.8 N500	16	16	
60	5001643	SCREW CAP HEXF M8-1.25x25 G8.8 G500	16	16	
61	502848	SCREW TC CAP HEXF 1/4-20x3/4 N500	5	5	
62	500913	WASHER FL .281x1.250x.065 N500	5	5	
63	5001815	SCREW CAP HEXF M6-1.0x30 G 8.8 N500 To P-1285	6	6	
63	5002100	SCREW CAP HEXF AD M6-1.0x20 G10.9 N500 From P-1286	6	6	
64	502573	WASHER FL 6.4x12.5x1.6 SS	6	6	
65	5001182	NUT HEX NYRT M6-1.0 SS	6	6	
66	502097	PIN, COTTER 3/32 x 3/4	2	2	
67	5001741	SCREW CAP HEXF M10-1.5x30 G8.8 N500	8	8	
68	5001231	SCREW CAP HEX M10-1.5x25 SS	2	2	
69	500270	WASHER FL .406x1.000x.063 SS From P-1286	2	2	

	Date:07/2024	H9-02
CLUTCH		



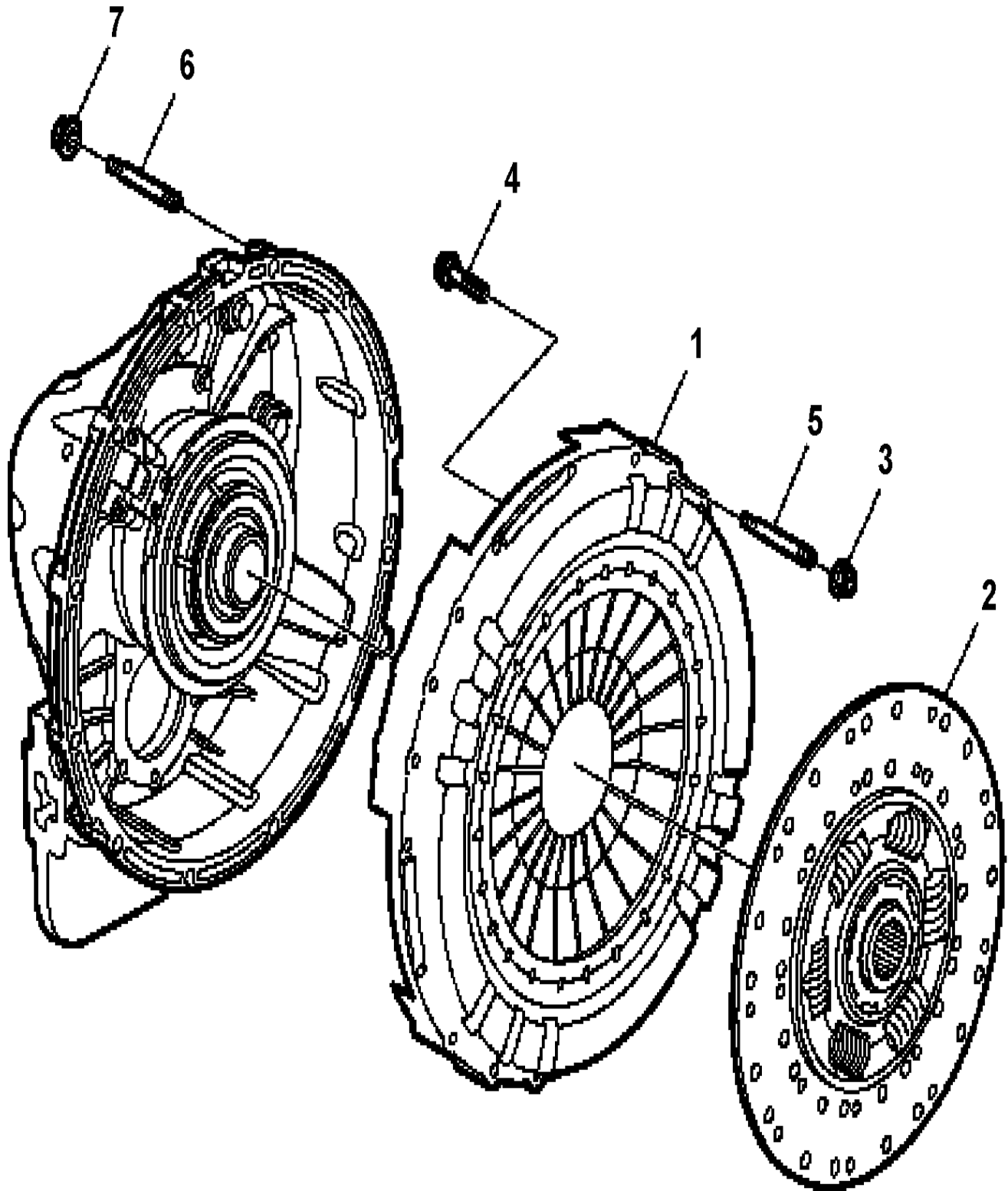
		Date:07/2024	H9-02		
CLUTCH					
Item#	Part	Description	H 3 4 1	H 3 4 5	N O T E S
5	H9-0205-01	CLUTCH PRESSURE PLATE WITH "I-SHIFT" TRANS From K-0185 To P-1452			

From K-0185 To P-1452

Date:07/2024

PAGE:H9-0205-01

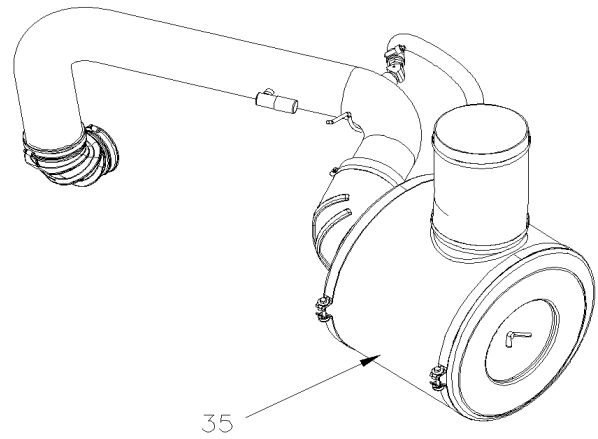
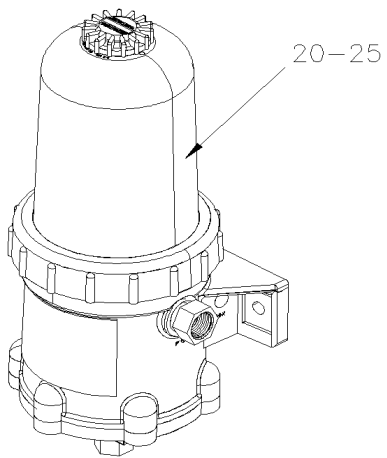
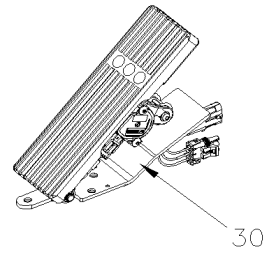
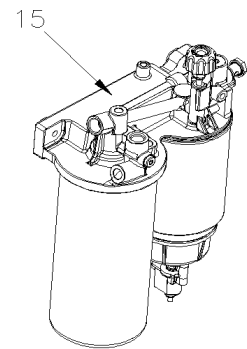
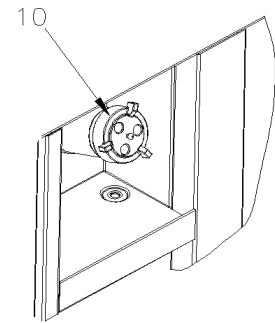
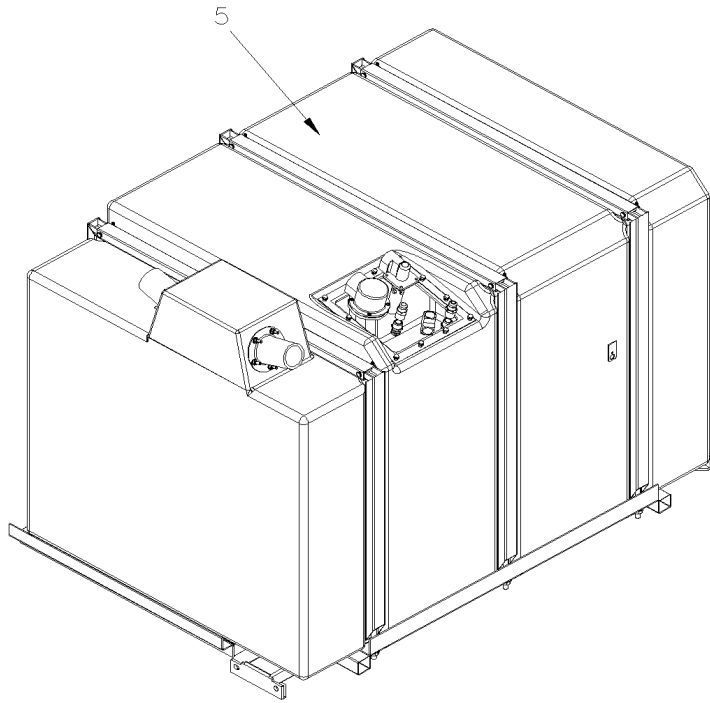
CLUTCH PRESSURE PLATE WITH "I-SHIFT" TRANS



From K-0185 To P-1452	Date:07/2024	PAGE:H9-0205-01
CLUTCH PRESSURE PLATE WITH "I-SHIFT" TRANS		

Item#	Part	Description	H 3 4 1	H 3 4 5	NOTES
1	572140	PRESSURE PLATE W/I-SHIFT	1	1	
1	20806454	PRESSURE PLATE W/I-SHIFT	1	1	
2	572141	CLUTCH ASSY W/I-SHIFT	1	1	
2	20566389	CLUTCH ASSY W/I-SHIFT	1	1	
2	21615194	CLUTCH ASSY W/I-SHIFT	1	1	
3	971098	NUT HEXF STO M10-1.5 G8 ZP W/I-SHIFT	12	12	
4	965188	SCREW M10x70	12	12	
5	990818	STUD	2	2	
6	953525	STUD	12	12	
7	946175	FLANGE NUT	1	1	

	Date:07/2024	H9-03
FUEL		



		Date:07/2024	H9-03
FUEL			

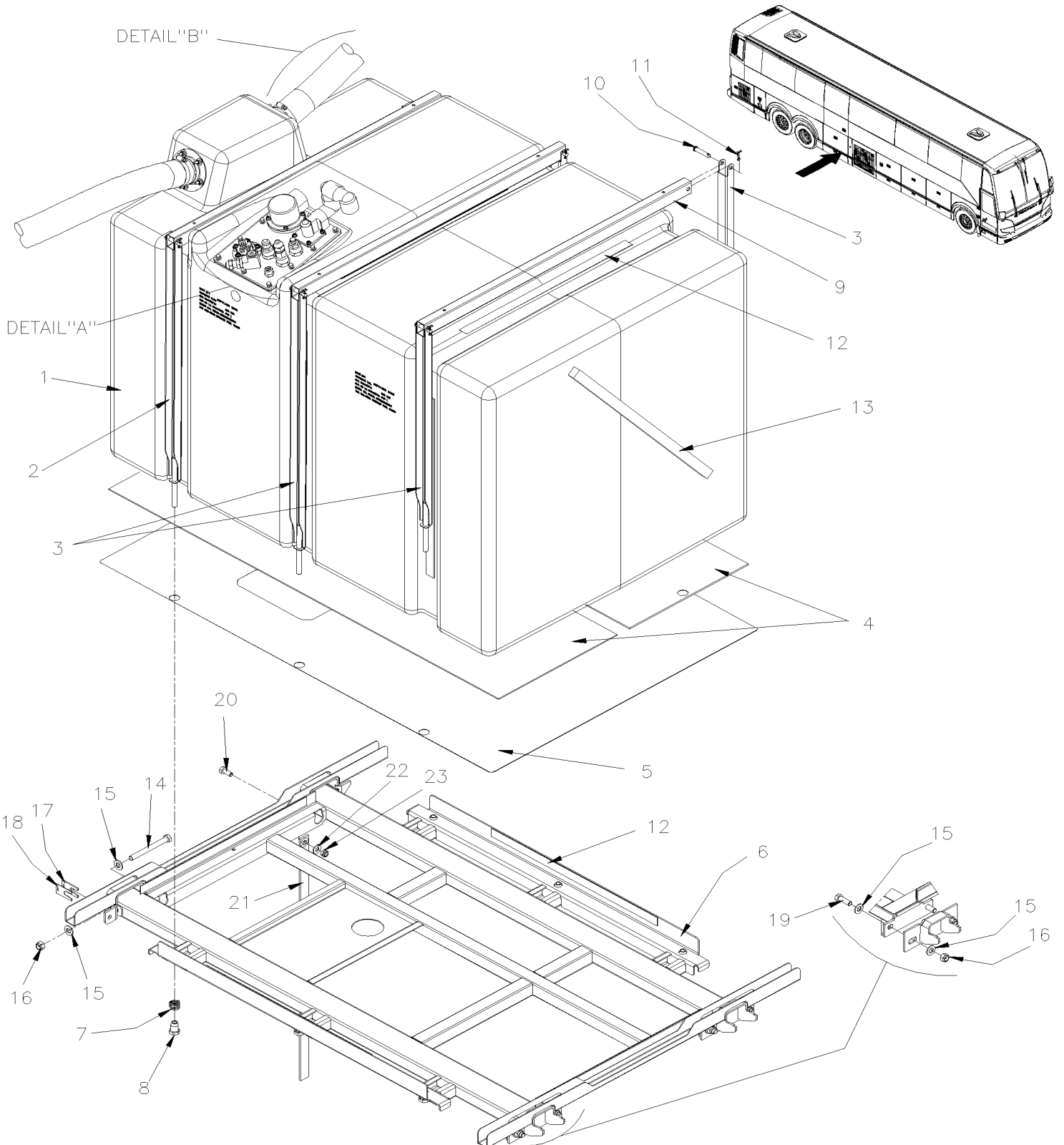
Item#	Part	Description	H 3 4 1	H 3 4 5	N O T E S
5	H9-0305-00	FUEL TANK PLASTIC From K-0185			
10	H9-0310-10	FUEL FILLING CAP From K-0185			
15	H9-0311-02	FUEL FILTER - PRIMARY & SECONDARY WITH VOLVO D13 From K-0185			
20	H9-0311-16	FUEL FILTER / "PRO 382" From K-0185 To N-1239			
25	H9-0312-12	FUEL PRO - INSTALLATION WITH VOLVO D13 From K-0185			
30	H9-0315-10	ACCELERATOR PEDAL - ELECTRONIC From K-0185			
35	H9-0330-03	AIR FILTER & INTAKE - INSTALLATION WITH VOLVO D13 From K-0185			

From K-0185

Date:07/2024

PAGE:H9-0305-00

FUEL TANK PLASTIC

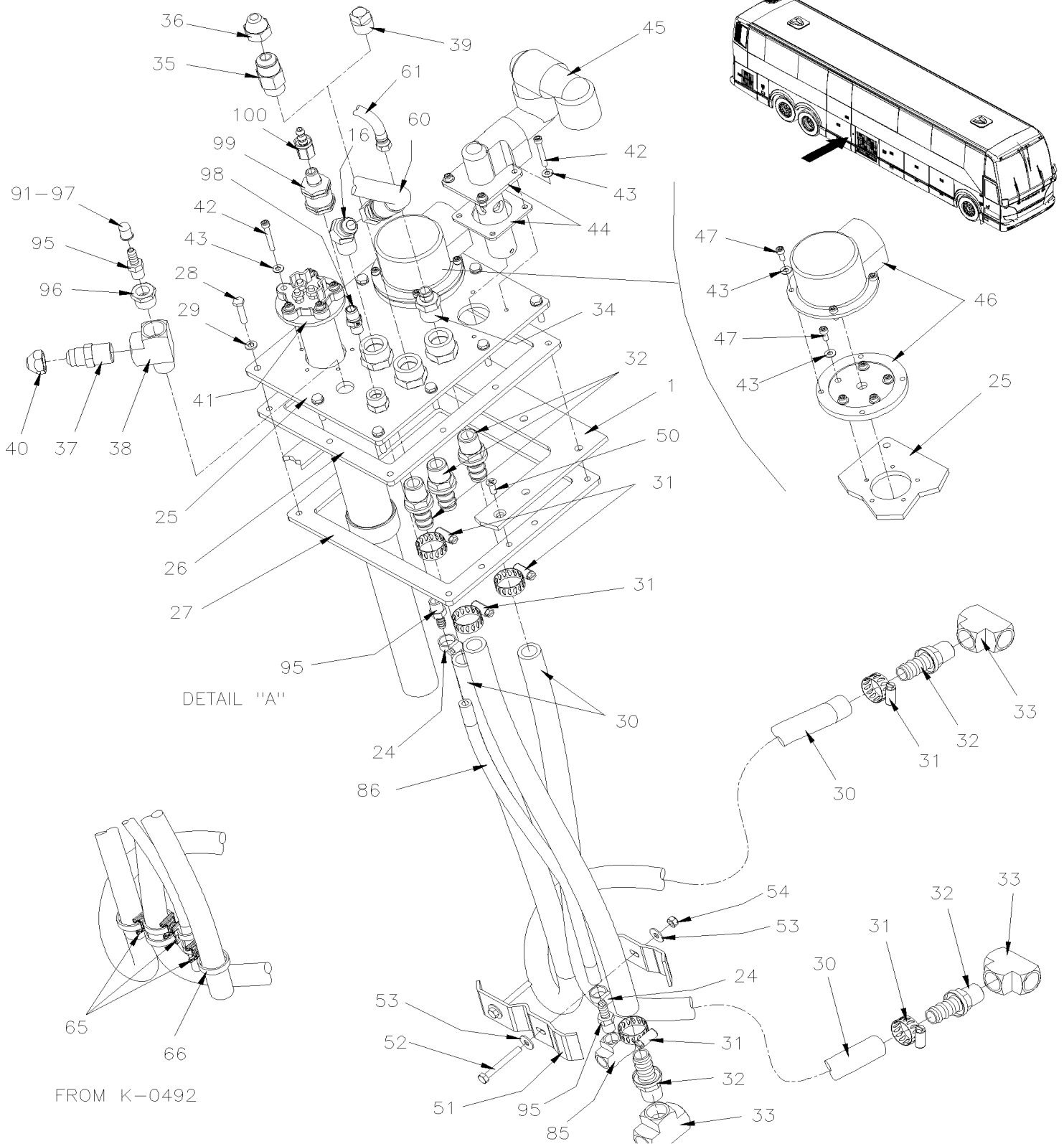


From K-0185

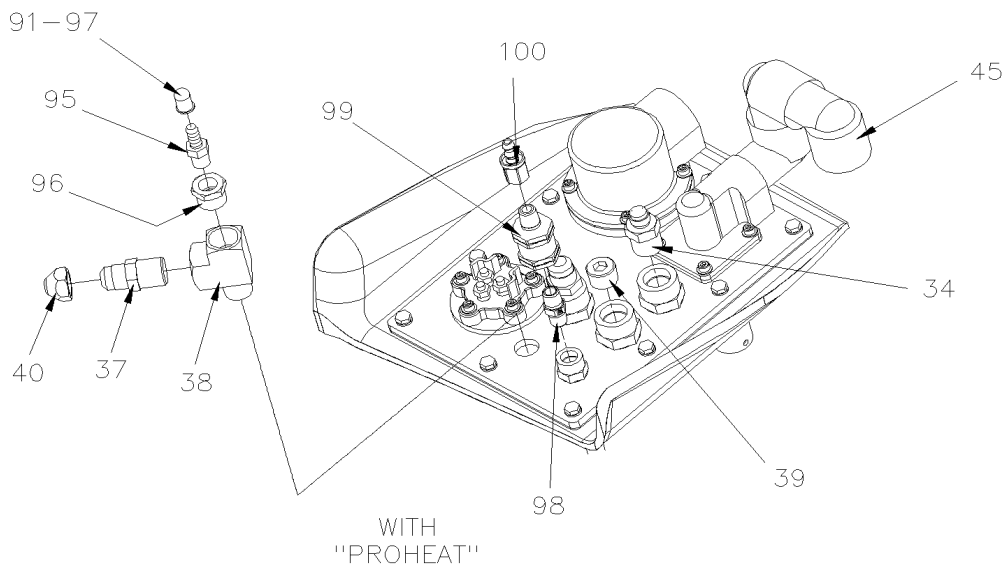
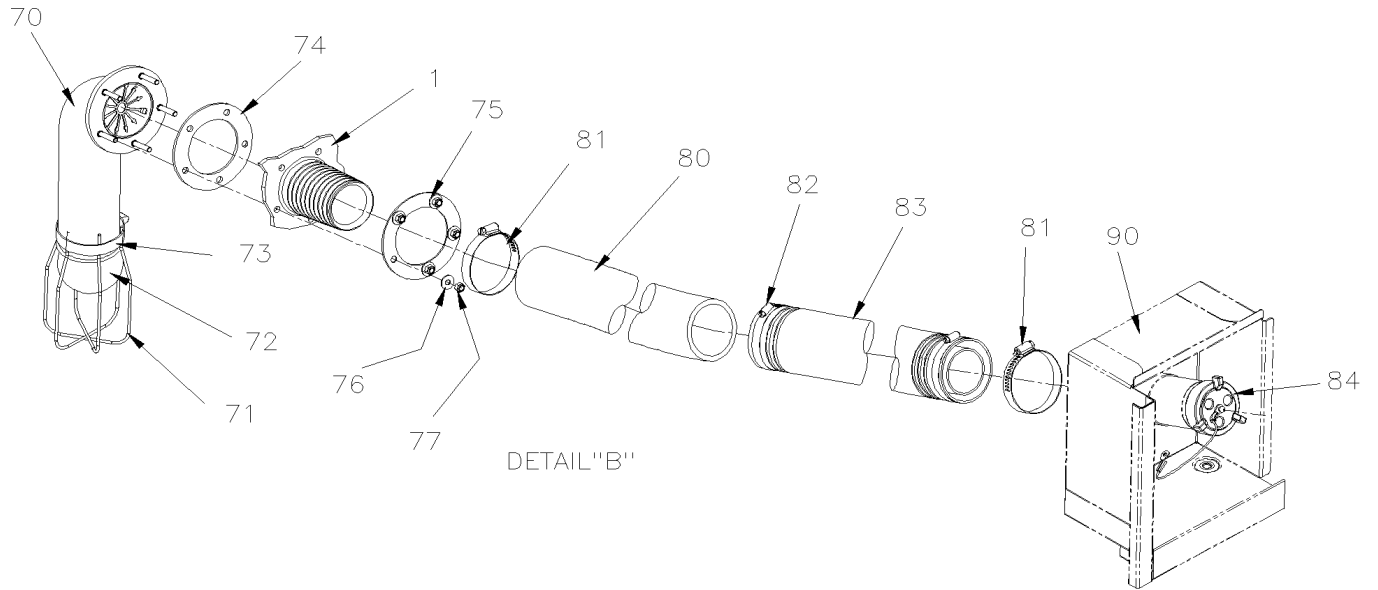
Date:07/2024

PAGE:H9-0305-00

FUEL TANK PLASTIC



From K-0185	Date:07/2024	PAGE:H9-0305-00
FUEL TANK PLASTIC		



From K-0185		Date:07/2024	PAGE:H9-0305-00
FUEL TANK PLASTIC			

Item#	Part	Description	H 3 4 1	H 3 4 5	N O T E S
	030367	FUEL TANK ASSY/COMPLETE WITH FLOOR ASSY To M-1153	1	1	
	030385	FUEL TANK ASSY / COMPLETE WITH FLOOR ASSY From M-1154	1	1	
	030366	. FUEL TANK ASSY/COMPLTE W/O FLR AND STRAP To M-1153	1	1	
	030387	. FUEL TANK ASSY/COMPLTE W/O FLR AND STRAP From M-1154	1	1	
1	030007	. FUEL TANK / 222 GALLONS US	1	1	
NS	506757	. TAPE RUB ADH1 NEO 3/4" x 10" x 25 1/2" / BLACK 1220 To N-1172	AR	AR	
2	030069	. ATTACHMENT ASSY / 829.5 MM	2	2	
3	030071	. ATTACHMENT ASSY / 880.5 MM	4	4	
4	030075	. PLATE NITRILE 1/8" TH. 1307.9 x 398 MM	2	2	
5	030073	. BOTTOM SHEET METAL 1317.9 x 897.7 MM	1	1	
6	030055	. REMOVABLE FLOOR To M-1142	1	1	
6	030177	. REMOVABLE FLOOR From M-1143	1	1	
7	502932	. SPRING COMPRESSION / SS .975 O.D. x 1.250 x .125	6	6	
8	032607	. NUT HEX SPECIAL M12-1.75 SS	6	6	
9	030065	. PIN, COTTER 1/8 x 1	3	3	
10	502121	. PIN, CLEVIS 3/8 x 1.625 BZC	6	6	
11	502102	. PIN, COTTER 1/8 x 1	6	6	
12	506758	. TAPE RUB ADH1 NEO 1/16"X 1 1/2"X50' To K-0325	AR	AR	
12	506046	. TAPE NIT N/A BK 1/16"X1"X50' From K-0326	AR	AR	
12	680108	. TAPE RUB ADH2 VHB 1" x .045" x 108' From K-0326	AR	AR	
13	506007	. TAPE RUB ADH1 CC NEO 3/4" x 1" x 10' / BLACK 1220 To N-1172	AR	AR	
14	5001941	. SCREW CAP HEX M12-1.75x120 G10.9 N500	2	2	
15	500958	. WASHER FL .531x1.062x.095 SS	AR	AR	
16	500811	. NUT HEX STO M12-1.75 G500	6	6	
17	030083	. SPACER "U" 0.953MM	2	2	
18	030082	. SPACER "U" 3.175MM	2	2	
19	500806	. SCREW CAP HEX M12-1.75X35 G10.9 G500	4	4	
20	5001231	. SCREW CAP HEX M10-1.5x25 SS	1	1	
21	505056	. ANTISTATIC STRAP / UNDER STRUCTURE	1	1	
22	500270	. WASHER FL .406x1.000x.063 SS	1	1	
23	502859	. NUT HEX NYRT M10-1.5 N500	1	1	
24	504014	. HOSE CLAMP / 1/4"-5/8" SS / HM-4	AR	AR	
25	033959	. MAIN PLATE / RECTANGULAR SHAPE	1	1	
26	032956	. GASKET / RECTANGULAR SHAPE 250 x 190 MM	1	1	
27	033962	. INTERIOR FRAME ASSY / RECTANGULAR SHAPE	1	1	
28	502686	. SCREW CAP HEX M6-1.0x30 SS BK	10	10	
29	5001392	. WASHER FL 6.0x12.0x1.5 COP	10	10	
30	531417	. HOSE / 2556 / #10 X 48"	2	2	
30	531454	. HOSE / 2556 / #10 X 25 1/2"	AR	AR	
31	504019	. HOSE CLAMP / 9/16"-1"1/16 SS / HS-10	AR	AR	
32	501942	. MALE CONNECTOR / PUSH-LOK FITTING / 1/2NPT-Mx#10 BR	AR	AR	
33	501472	. FEMALE UNION TEE / PIPE FITTING / 1/2NPT-Fx1/2NPT-Fx1/2NPT-F BR	AR	AR	

From K-0185		Date:07/2024	PAGE:H9-0305-00
FUEL TANK PLASTIC			

Item#	Part	Description	H 3 4 1	H 3 4 5	N O T E S
34	501930	. . MALE CONNECTOR / JIC 37° FITTING / #6JIC-Mx1/2NPT-M STL	1	1	
35	501034	. . MALE CONNECTOR / SAE 45° FITTING / #10FL-Mx1/2NPT-M BR	1	1	
36	501054	. . CAP NUT / SAE 45° FITTING / #10FL-F BR	1	1	
37	501616	. . MALE CONNECTOR / SAE 45° FITTING / #8FL-Mx1/2NPT-M BR	2	2	
38	501473	. . MALE RUN TEE / PIPE FITTING / 1/2NPT-Mx1/2NPT-Fx1/2NPT-F BR	1	1	
39	501966	. . PLUG HEXS / PIPE FITTING / 1/2NPT-M STL	1	1	
40	501053	. . CAP NUT / SAE 45° FITTING / #8FL-F BR	1	1	
41	531404	. . SENSOR, FUEL LEVEL / 31¼" / W/PLASTIC TAN To M-1153	1	1	
. NS	531419	. . . GASKET, FUEL SENSOR To M-1153	1	1	
41	530018	. . SENSOR, FUEL LEVEL / 31¼" / W/PLASTIC TAN From M-1154	1	1	
. NS	531419	. . . GASKET, FUEL SENSOR From M-1154	1	1	
42	5001925	. . SCREW CAP HEXS #10-24x1 1/4 N500	9	9	
43	500593	. . WASHER FL .200x.437x.036 BR	18	18	
43	500914	. . WASHER LO SPT .193x.334x.047 N500	5	5	A
44	531459	. . VALVE, FUEL TANK LEVEL CONTROL EMCO	1	1	
. NS	530212	. . . GASKET / VALVE CONTROL LEVEL	1	1	
45	5011352	. . STREET ELBOW 90° / PIPE FITTING / 1NTP-Mx1NPT-F PVC	3	3	
45	531410	. . WHISTLE	1	1	A
46	530156	. . VALVE PRESSURE	1	1	
. NS	531427	. . . GASKET / (SMALL)	1	1	
. NS	531428	. . . GASKET / (LARGE)	1	1	
46	531414	. . VALVE PRESSURE	1	1	A
47	500143	. . SCREW CAP HEXS #10-24x1/2 N500	9	9	
50	5001198	. . SCREW MA FL PH M6-1.0x16 Z050	2	2	
51	032779	. . HOLDING PLATE / TO HOLD TUBE To K-0490	2	2	
52	502656	. . SCREW CAP HEX M6-1.0x50 SS To K-0490	2	2	
53	500411	. . WASHER FL .260x.697x.050 SS To K-0490	AR	AR	
54	502681	. . NUT HEX NYRT M6-1.0 N500 G8 To K-0490	12	12	
60	033006	. . HOSE ASSY / #6 6370MM	1	1	
61	032144	. . HOSE ASSY / #8 6402MM To P-1424	1	1	
61	033248	HOSE ASSY / #8 6402MM From P-1425	1	1	
65	504751	. . ROTATIF SPACER DOUBLE / SMALL From K-0491	AR	AR	
66	504016	. . CABLE TIE / 5/16" X 14"1/2 From K-0491	AR	AR	
70	030021	. . TUBE BALL RETAINER WITH ANTI SYPHON	2	2	
71	032438	. . BASKET	2	2	
72	032871	. . BALL 77MM O.D.	2	2	
73	504293	. . HOSE CLAMP / 2"5/16-3"1/4 SS / E.T. 44	2	2	
74	032938	. . GASKET	2	2	
75	032436	. . PLATE EXTERIOR	2	2	
76	500411	. . WASHER FL .260x.697x.050 SS	AR	AR	
77	502681	. . NUT HEX NYRT M6-1.0 N500 G8	AR	AR	
80	032819	HOSE 2 1/2" I.D. x 840MM	1	1	

From K-0185		Date:07/2024	PAGE:H9-0305-00
FUEL TANK PLASTIC			

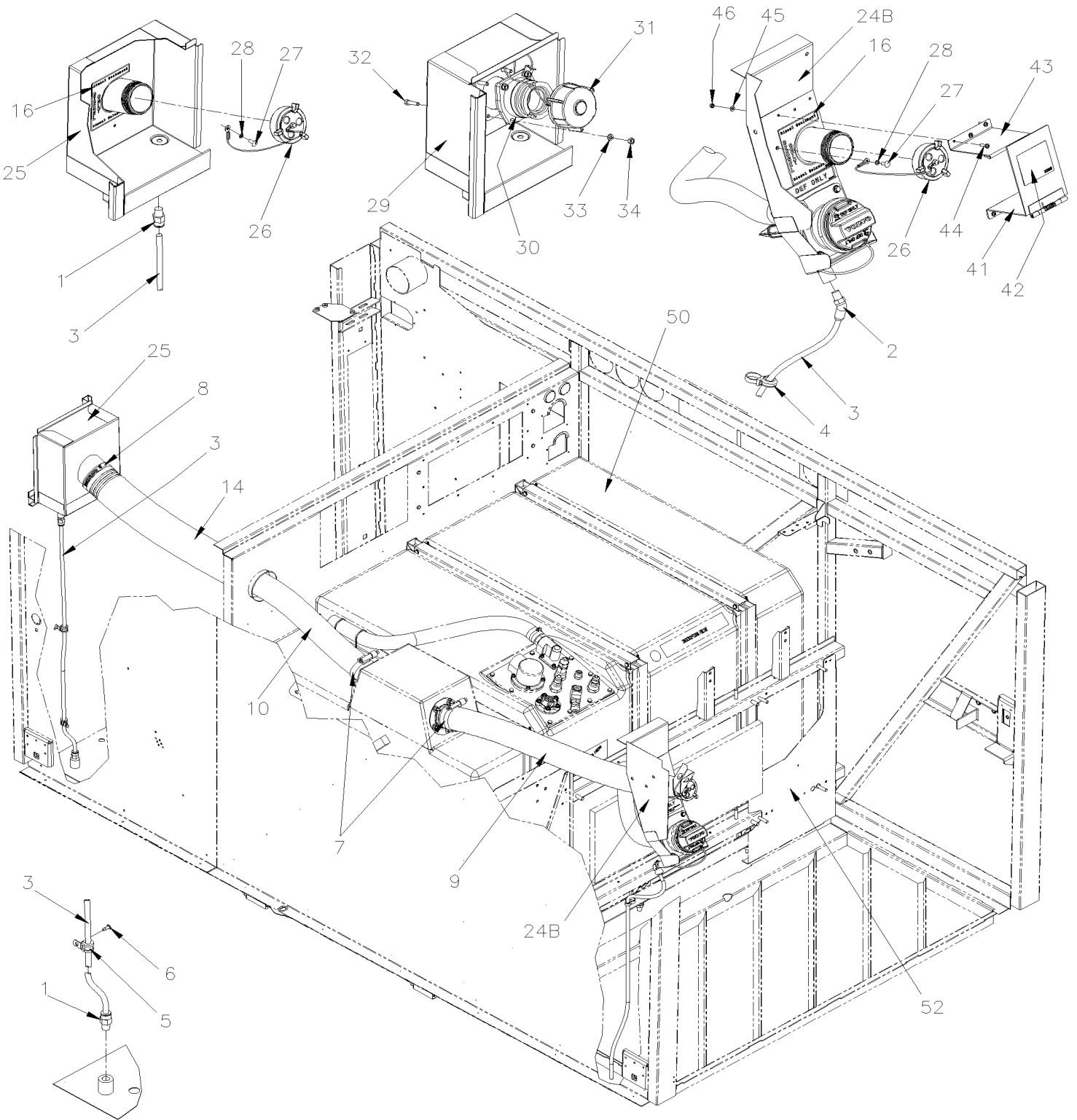
Item#	Part	Description	H 3 4 1	H 3 4 5	N O T E S
80	032820	HOSE 2 1/2" I.D. x 1085MM	1	1	
81	504025	HOSE CLAMP / 2"5/16-3"1/4 SS / HS-44	1	1	
82	504235	HOSE CLAMP / 3"9/16"-4"1/2 SS / HS-64	2	2	
83	032821	HOSE FLEXIBLE 3 1/2" I.D. X 645MM	1	1	
84	531424	FUEL FILLING CAP / SCREW TYPE CAP	2	2	
. NS	530133	. REPLACEMENT GASKET FOR 2" FEMALE CAP	1	1	
85	501337	FEMALE UNION TEE / PIPE FITTING / 1/4NPT-Fx1/4NPT-Fx1/4NPT-F BR	1	1	
86	531453	HOSE / 2556 / #4 X 25 1/2"	1	1	
NS	682175	UNDERCOATING BLACK PROTECTOR (GRAVELGUARD) 567gr To N-1261	AR	AR	
NS	685413	RUBBERIZED UNDERCOAT (GRAVELGUARD) 560gr From N-1262	AR	AR	
90	H9-0310-10	FUEL FILLING CAP			
91	H9-2350-10	WATER HEATER - INSTALLATION			
95	507602	. MALE CONNECTOR / PUSH-LOK FITTING / 1/4NPT-Mx#4 BR	1	1	
NS	5011064	. MALE CONNECTOR / HOSE BARB FITTING / #3x1/4NPT-M BR	1	1	
96	501316	. BUSHING REDUCER / PIPE FITTING / 1/2NPT-Mx1/4NPT-F BR	1	1	
97	680733	. CAP PROTECTOR (NO-THREADED)	1	1	
98	501321	. NIPPLE HEX / PIPE FITTING / 1/4NPT-Mx1/4NPT-Mx1 3/8 BR	1	1	
NS	501800	. PLUG HEXS / PIPE FITTING / 1/4NPT-M STL	1	1	
99	530043	. CHECK VALVE UP TO 250 PSI-2600 SERIES	1	1	
100	501011	. FEMALE CONNECTOR / PUSH-LOK FITTING / 1/4NPT-Fx#4 BR	1	1	
		A) WITH "EMCO" WEATON FILLER PIPE			

From K-0185

Date:07/2024

PAGE:H9-0310-10

FUEL FILLING CAP



From K-0185		Date:07/2024	PAGE:H9-0310-10
FUEL FILLING CAP			

Item#	Part	Description	H 3 4 1	H 3 4 5	N O T E S
1	641602	MALE CONNECTOR / PUSH-IN FITTING / #10x3/8NPT-M BR	2	2	
2	641366	MALE ELBOW 45° NON-SWIVEL / PUSH-IN FITTING / #6x1/4NPT-M BR	1	1	
3	503540	TUBE, NYLON 5/8 O.D. / BLACK S.L.	AR	AR	
4	504768	CABLE TIE / 3/16" 14.7" / DOUBLE LOOP HEAD	1	1	
4	504421	GROMMET / .625x.875x.187x.437x1.125	1	1	
5	952629	CLAMP / 5/8" I.D.	AR	AR	
6	502868	SCREW TC TR PH #10-16x1/2 N500	AR	AR	
6	500957	SCREW TP BDG PH #10x3/4 N500	AR	AR	
7	504562	HOSE CLAMP / 2"3/4-3"5/8 / C.T. 350	4	4	
8	504235	HOSE CLAMP / 3"9/16"-4"1/2 SS / HS-64	4	4	
9	032819	HOSE 2 1/2" I.D. x 840MM	1	1	
9	503475	. HOSE / FUEL / 2 1/2" I.D. / S.L.	AR	AR	
10	032820	HOSE 2 1/2" I.D. x 1085MM	1	1	
10	503475	. HOSE / FUEL / 2 1/2" I.D. / S.L.	AR	AR	
13	504323	GROMMET / .375x.500x.062x.281x.687	1	1	
14	032568	HOSE FLEXIBLE 3 1/2" I.D. X 530MM	1	1	
14	032821	HOSE FLEXIBLE 3 1/2" I.D. X 645MM	1	1	
14	503746	. HOSE FLEXIBLE / AIR DUCT 3 1/2" I.D. X 12' / PLASTIC	AR	AR	
NS	688022	SEALANT FLEXTEC 5510 183 LITERS	AR	AR	
15	032828	HOSE FLEXIBLE 3 1/2" I.D. X 600MM	1	1	
15	503746	. HOSE FLEXIBLE / AIR DUCT 3 1/2" I.D. X 12' / PLASTIC	AR	AR	
16	030031	DECAL "DIESEL ONLY"	2	2	
24B	032997	FILLING CAP BOX ASSY R.H. / SCREW TYPE CAP	1	1	
24B	032999	FILLING CAP BOX ASSY R.H. / SCREW TYPE CAP	1	1	E
25	033194	FILLING CAP BOX ASSY L.H. / SCREW TYPE CAP To L-1108	1	1	
25	030157	FILLING CAP BOX ASSY L.H. / SCREW TYPE CAP From L-1109	1	1	
25	032808	FILLING CAP BOX ASSY L.H. & R.H. / EMCO TYPE CAP	1	1	E
26	531424	FUEL FILLING CAP / SCREW TYPE CAP	1	1	
. NS	530133	. REPLACEMENT GASKET FOR 2" FEMALE CAP	1	1	
27	500572	SCREW MA TR PH #10-24x1/2 SS BK	1	1	
28	500470	WASHER LO SPT .193x.334x.047 Z050	1	1	
29	032808	FILLING CAP BOX ASSY L.H. & R.H. / EMCO TYPE CAP	1	1	E
30	531413	ADAPTOR	1	1	E
31	531412	FUEL FILLING CAP / "EMCO WHEATON" TYPE	1	1	E
32	502737	SCREW CAP HEX M6-1.0x25 SS BK	4	4	E
33	502570	WASHER LO SPT 6.1x11.8x1.6 SS	4	4	E
34	502565	NUT HEX M6-1.0 SS	4	4	E
41	030089	SPRING FLAP ASSY	1	1	A
41	030109	SPRING FLAP ASSY W/ DECAL	1	1	
. NS	030106	. SPRING FLAP ASSY	1	1	
. NS	030030	. DECAL "DEF ONLY"	1	1	

From K-0185	Date:07/2024	PAGE:H9-0310-10
FUEL FILLING CAP		

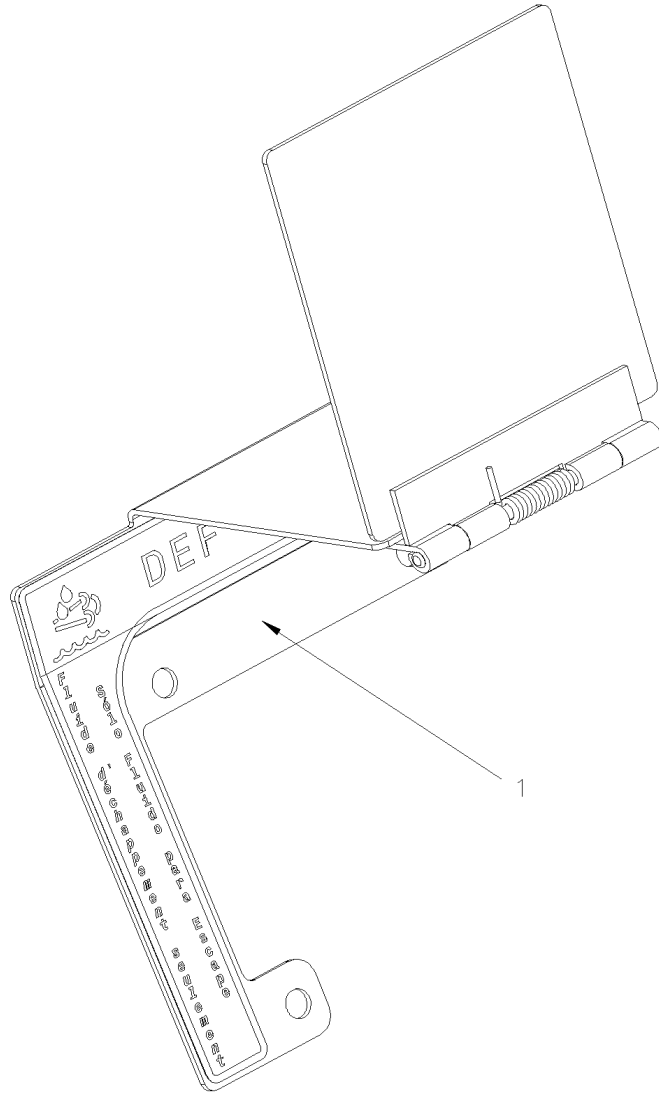
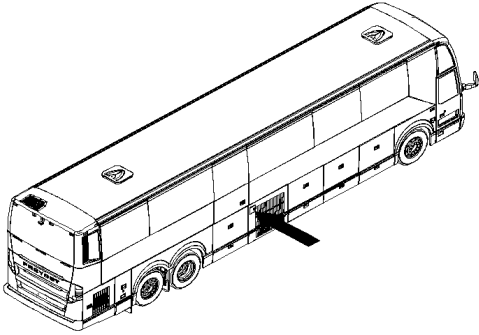
Item#	Part	Description	H 3 4 1	H 3 4 5	N O T E S
. NS	030038	. DECAL "DIESEL ONLY"	1	1	
41	IS18910	FLAP, TANK FEELING PROTECTION	1	1	
42	032824	DECAL / ULTRA LOW SULFURE DIESEL / ENGLISH	1	1	A
43	030090	STOPPER	1	1	A
44	502698	SCREW MA PAN PH M4-0.7x16 SS BK	6	6	A
45	502556	WASHER FL 4.3x9.0x0.8 SS	6	6	A
46	500539	NUT HEX NYRT M4-0.7 N500	6	6	A
50	H9-0305-00	FUEL TANK PLASTIC			
52	H9-1865-22	EVAPORATOR & CONDENSOR WALL INSTALLATION			
		A) ACADEMY EXPRESS OPTION			
		E) WITH "EMCO WHEATON" FILLING CAP			

From K-0185

Date:07/2024

PAGE:IS18910

FLAP, TANK FEELING PROTECTION



From K-0185	Date:07/2024	PAGE:IS18910
-------------	--------------	--------------

FLAP, TANK FEELING PROTECTION

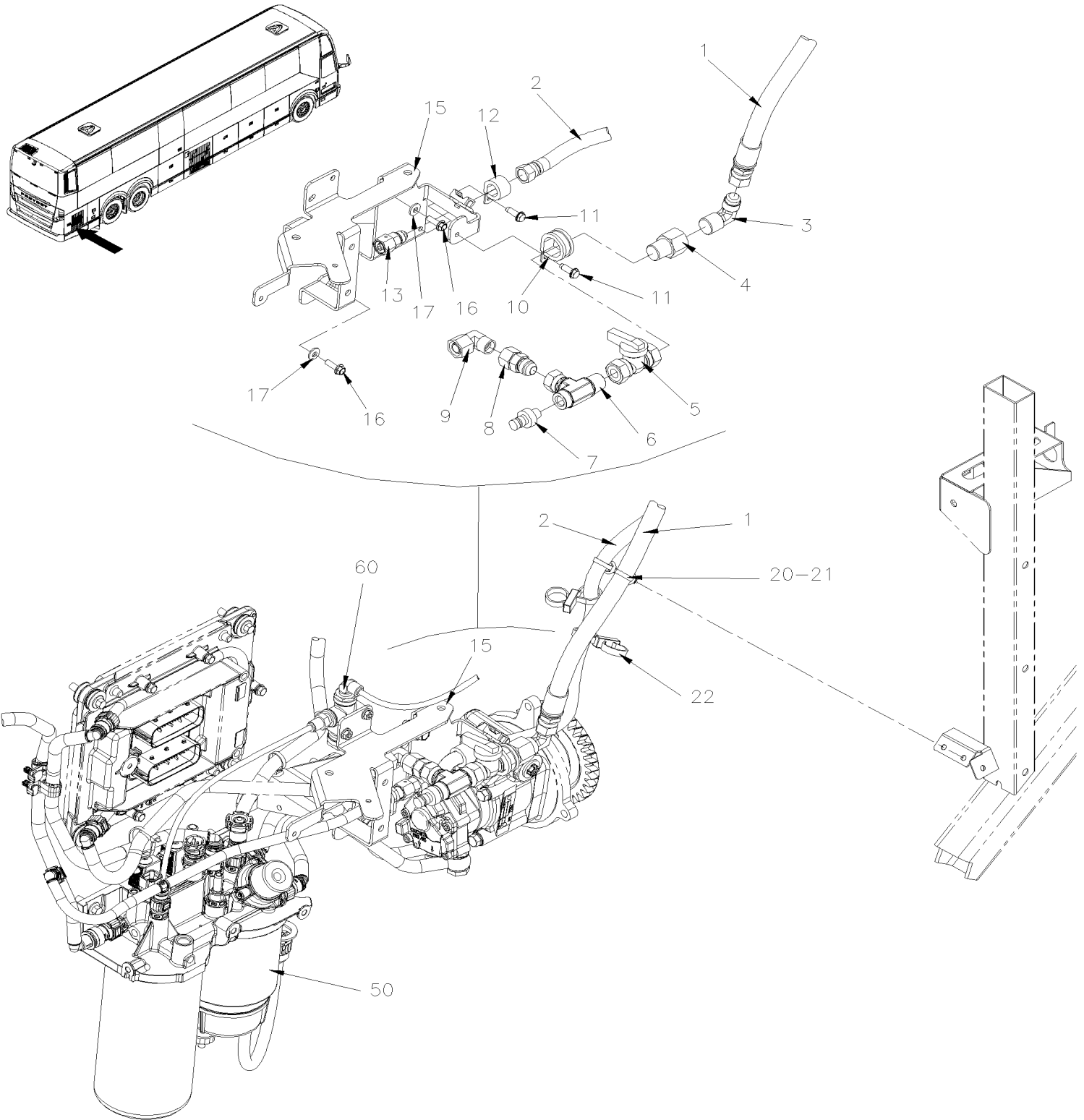
Item#	Part	Description	H 3 4 1	H 3 4 5	N O T E S
1	030109	SPRING FLAP ASSY W/ DECAL	1	1	
. NS	030106	. SPRING FLAP ASSY	1	1	
. NS	030030	. DECAL "DEF ONLY"	1	1	
. NS	030038	. DECAL "DIESEL ONLY"	1	1	
100	IS-18910	SEE INSTRUCTION SHEET	1	1	

From K-0185

Date:07/2024

PAGE:H9-0311-02

FUEL FILTER - PRIMARY & SECONDARY WITH VOLVO D13



From K-0185	Date:07/2024	PAGE:H9-0311-02
FUEL FILTER - PRIMARY & SECONDARY WITH VOLVO D13		

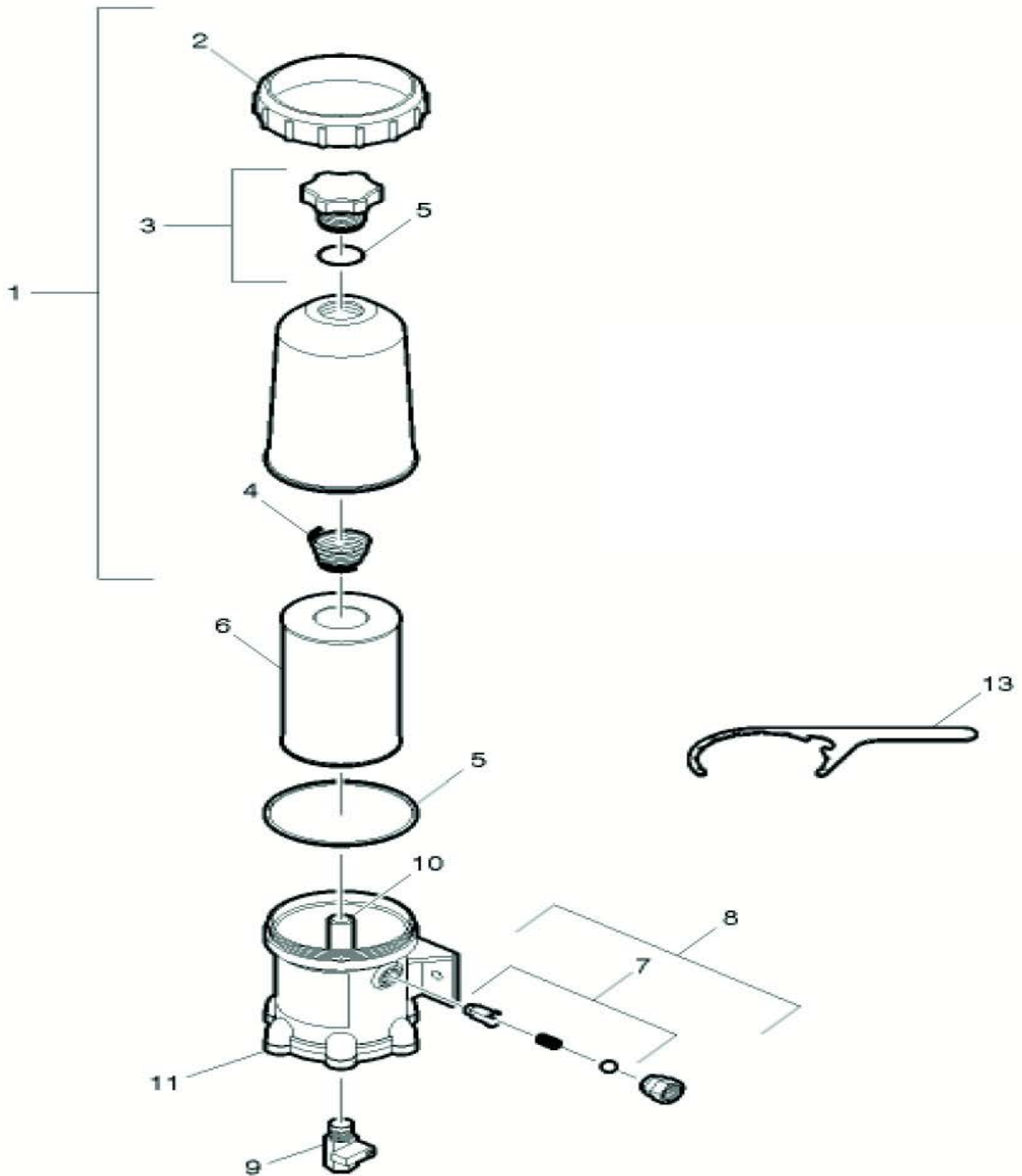
Item#	Part	Description	H 3 4 1	H 3 4 5	NOTES
1	032756	HOSE ASSY / #8 5985MM To P-1424	1	1	
1	033249	HOSE ASSY / #8 5985MM From P-1425	1	1	
2	033018	HOSE ASSY / #6 6230MM	1	1	
3	501612	MALE ELBOW 90° / SAE 45° FITTING / #8FL-Mx1/2NPT-M BR	1	1	
4	5011119	ADAPTER / PIPE FITTING / 1/2NPT-Fx1/2NPT-M BR	1	1	
5	530096	BALL VALVE 1/2" NPT 1/2 NPT F x 1/2 NPT F	1	1	
6	5001677	SWIVEL NUT ADAPTER TEE / JIC 37° FITTING / #8JIC-Fx1/2NPT-Mx1/4NTP-F STL	1	1	
7	504706	NIPPLE / QUICK DISCONNECT "SAE J1502" / #4x1/4NPT-M STL W/DUST CAP	1	1	
. NS	195533	. DUST CAP / QUICK DISCONNECT "SAE J1502" / #4	1	1	
8	507659	MALE CONNECTOR SWIVEL / JIC 37° @ METRIC24° / #8JIC-Mxm18-1.5 W/24° O-RING-F	1	1	
9	964016	ELBOW To R-1843	1	1	
9	940177	ELBOW From R-1844		1	
10	952635	CLAMP / 1" I.D.	1	1	
11	502848	SCREW TC CAP HEXF 1/4-20x3/4 N500	2	2	
NS	680098	THREAD SEALANT LOCTITE #567 / WHITE / 250ml	AR	AR	
12	952629	CLAMP / 5/8" I.D.	1	1	
13	507662	MALE CONNECTOR SWIVEL / JIC 37° @ METRIC24° / #6JIC-Mxm16-1.5 W/24° O-RING-F	1	1	
15	010043	SUPPORT FUEL LINE	1	1	
16	5001643	SCREW CAP HEXF M8-1.25x25 G8.8 G500	3	3	
17	500321	WASHER BEL SPR .331x.827x.098 N500	3	3	
NS	5001931	NUT HEXF NYRT M8-1.25 G8.8 N500	1	1	
NS	680038	THREAD LOCKER LOCTITE #243 / BLUE / 50ml	AR	AR	
20	509815	TIE MOUNT / ATTACHMENT W/TREE MOUNT	2	2	
21	504637	CABLE TIE / 3/16" x 13"	AR	AR	
22	504768	CABLE TIE / 3/16" 14.7" / DOUBLE LOOP HEAD	AR	AR	
50	Refer To Volvo	HOUSING FUEL FILTER ASSY W/PRIMER PUMP	1	1	V
60	H9-0405-12	7TH INJECTOR / "AHI" / EXHAUST VOLVO D13			
		V) SEE IMPACT OR CALL ORDER DESK			

From K-0185 To N-1239

Date:07/2024

PAGE:H9-0311-16

FUEL FILTER / "PRO 382"



R1103003

From K-0185 To N-1239	Date:07/2024	PAGE:H9-0311-16
FUEL FILTER / "PRO 382"		

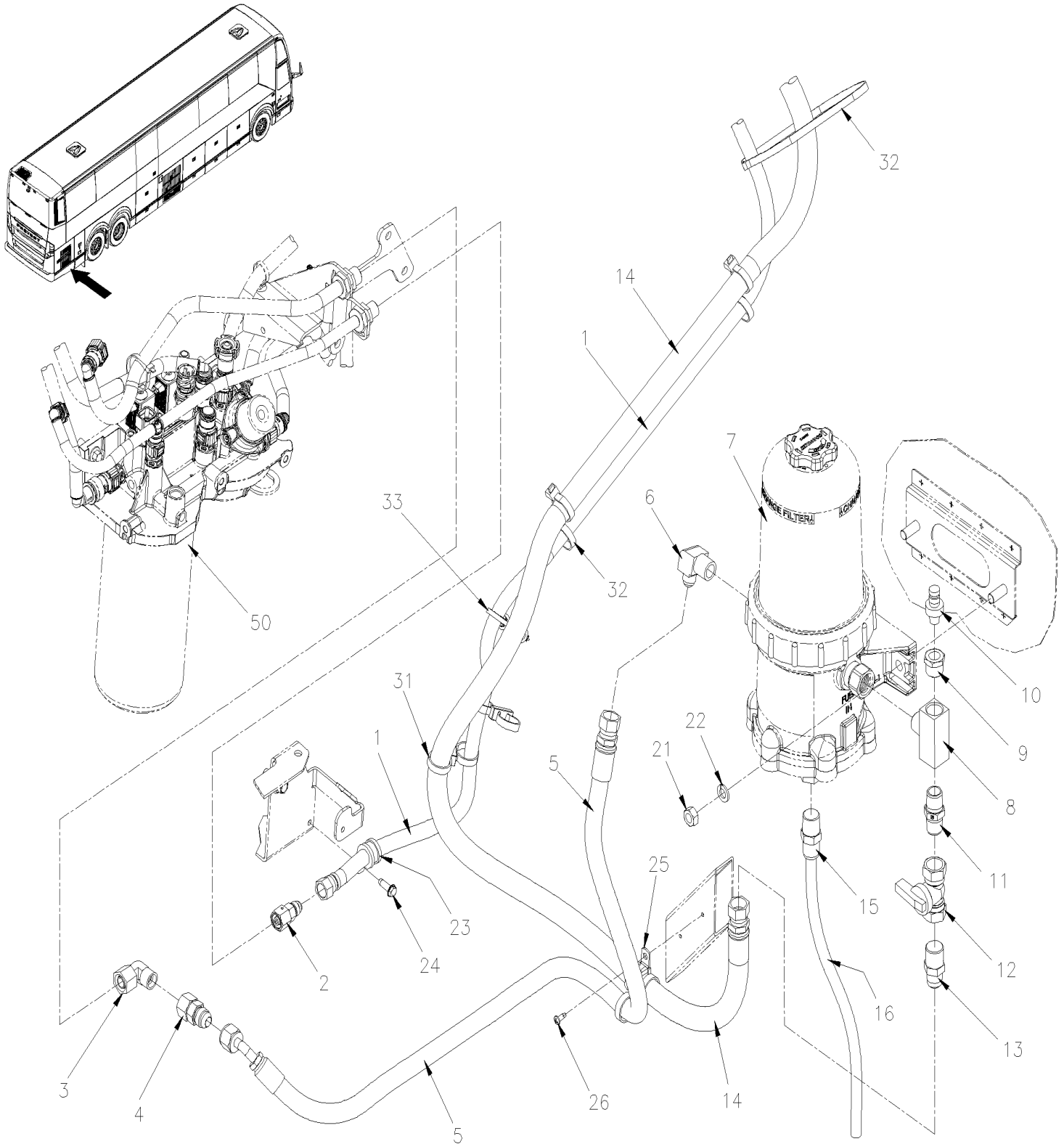
Item#	Part	Description	H 3 4 1	H 3 4 5	NOTES
	22188830	FILTER ASSY "FUEL PRO 382" UNHEATED	1	1	
1	530217	. COVER ASSEMBLY INCLUDES ITEMS 1, 2, 3, 4	1	1	
2	531441	. COLLAR, COVER	1	1	
3	530218	. VENT CAP SERVICE KIT	1	1	
4	3099140	. SPRING	1	1	
5	3946029	. O-RING SET	1	1	
. A	N.S.S.	. . ANTI TAMPER SEAL	1	1	1
. B	N.S.S.	. . O-RING	1	1	1
6	530219	. FILTER ELEMENT 25 MICRON	1	1	
7	530220	. CHECK VALVE SERVICE KIT	1	1	
8	530221	. CHECK VALVE ASSEMBLY INCLUDES ITEM 7	1	1	
9	G1093949	. DRAIN VALVE	1	1	
10	19506118	. STUD 13/16-12 X 7/8-14	1	1	
11	530222	. BOTTOM PLATE	1	1	
13	530224	. WRENCH	1	1	
		1) NOT SOLD SEPARATELY			

From K-0185

Date:07/2024

PAGE:H9-0312-12

FUEL PRO - INSTALLATION WITH VOLVO D13



From K-0185		Date:07/2024	PAGE:H9-0312-12
FUEL PRO - INSTALLATION WITH VOLVO D13			

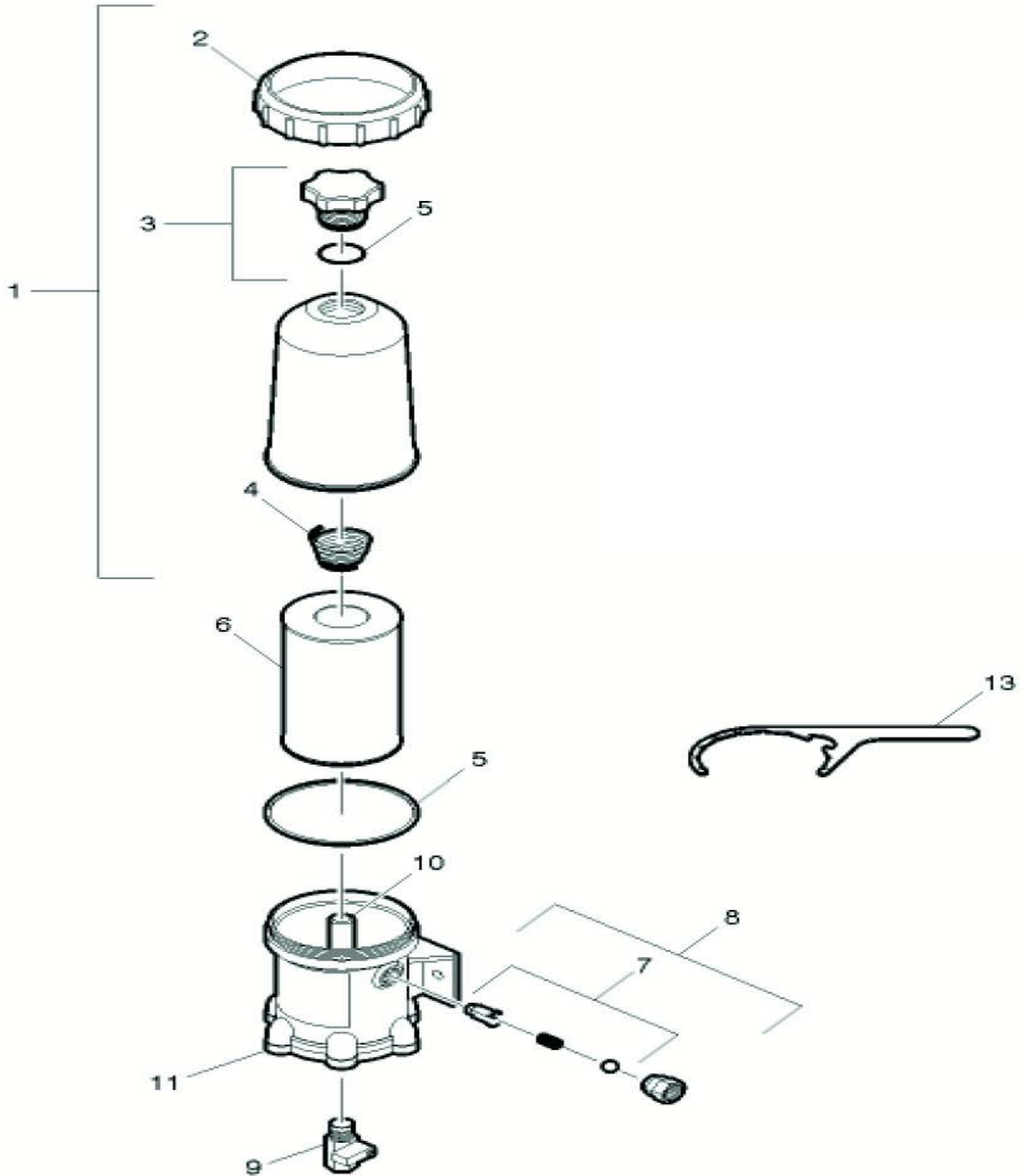
Item#	Part	Description	H 3 4 1	H 3 4 5	N O T E S
1	033018	HOSE ASSY / #6 6230MM	1	1	
2	507662	MALE CONNECTOR SWIVEL / JIC 37° @ METRIC24° / #6JIC-Mxm16-1.5 W/24° O-RING-F	1	1	
3	964016	ELBOW To R-1843	1	1	
3	940177	ELBOW From R-1844		1	
4	507659	MALE CONNECTOR SWIVEL / JIC 37° @ METRIC24° / #8JIC-Mxm18-1.5 W/24° O-RING-F	1	1	
5	032757	HOSE ASSY / #8 825MM To N-1239	1	1	
5	033251	HOSE ASSY / #8 830MM To N-1239	1	1	
5	030223	HOSE ASSY / #8 725MM From N-1240 To P-1424	1	1	
5	033250	HOSE ASSY / #8 705MM From P-1425	1	1	
6	501719	MALE ELBOW 90° / JIC 37° FITTING / #8JIC-Mx1/2NPT-M BR	1	1	
7	22188830	FILTER ASSY "FUEL PRO 382" UNHEATED To N-1239	1	1	
7	530021	FILTER ASSY "FUEL PRO 386" UNHEATED From N-1240 To P-1356	1	1	
7	530069	FILTER ASSY "FUEL PRO 386" UNHEATED From P-1357	1	1	
8	507556	MALE BRANCHE TEE / PIPE FITTING / 1/2NPT-Fx1/2NPT-Fx1/2NPT-M BR	1	1	
9	501316	BUSHING REDUCER / PIPE FITTING / 1/2NPT-Mx1/4NPT-F BR	1	1	
10	504706	NIPPLE / QUICK DISCONNECT "SAE J1502" / #4x1/4NPT-M STL W/DUST CAP	1	1	
. NS	195533	. DUST CAP / QUICK DISCONNECT "SAE J1502" / #4	1	1	
11	5011067	NIPPLE HEX / PIPE FITTING / 1/2NPT-Mx1/2NPT-Mx1 13/16 BR	1	1	
12	530096	BALL VALVE 1/2" NPT 1/2 NPT F x 1/2 NPT F	1	1	
13	501616	MALE CONNECTOR / SAE 45° FITTING / #8FL-Mx1/2NPT-M BR	1	1	
14	032144	HOSE ASSY / #8 6402MM To P-1424	1	1	
14	033248	HOSE ASSY / #8 6402MM From P-1425	1	1	
15	641383	MALE CONNECTOR / PUSH-IN FITTING / #8x1/2NPT-M BR To P-1356	1	1	
15	504018	HOSE CLAMP / 7/16"-1" SS / HS-8 From P-1357	1	1	
16	503488	TUBE, NYLON 1/2 O.D. / BLACK S.L./ To P-1356	AR	AR	
16	503523	HOSE SILICONE 1PLY 3/4" I.D. x 100' / S.L. From P-1357	AR	AR	
21	500847	NUT HEX M10-1.5 N500	2	2	
22	5001767	WASHER FL 13.0x24.0x2.0 Z050	2	2	
23	952629	CLAMP / 5/8" I.D.	1	1	
24	502848	SCREW TC CAP HEXF 1/4-20x3/4 N500	1	1	
25	952631	CLAMP / 3/4" I.D.	1	1	
26	500623	SCREW TC PAN PH #10-24x3/4 N500	1	1	
31	504768	CABLE TIE / 3/16" 14.7" / DOUBLE LOOP HEAD	AR	AR	
32	504016	CABLE TIE / 5/16" X 14"1/2	AR	AR	
32	504751	ROTATIF SPACER DOUBLE / SMALL	AR	AR	
33	8631155	CABLE TIE / 4.6MM x 200 / CHRISTMAS TREE	AR	AR	
50	Refer To Volvo	ENGINE FUEL FILTER	1	1	V
		V) SEE IMPACT OR CALL ORDER DESK			

To N-1239

Date:07/2024

PAGE:22188830

FILTER ASSY "FUEL PRO 382" UNHEATED



R1103003

To N-1239	Date:07/2024	PAGE:22188830
FILTER ASSY "FUEL PRO 382" UNHEATED		

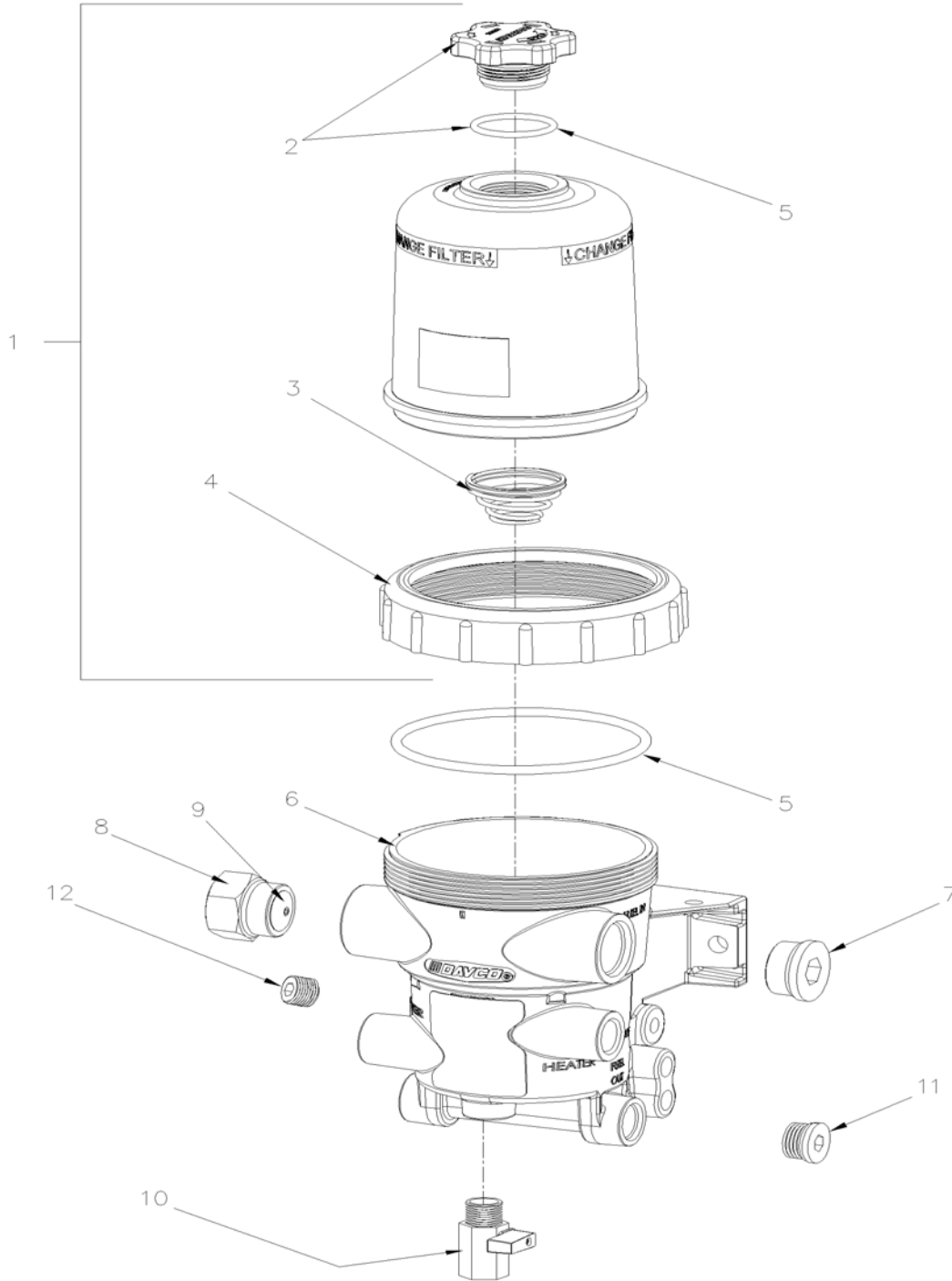
Item#	Part	Description	H 3 4 1	H 3 4 5	NOTES
1	530217	COVER ASSEMBLY INCLUDES ITEMS 1, 2, 3, 4	1	1	
2	531441	COLLAR, COVER	1	1	
3	530218	VENT CAP SERVICE KIT	1	1	
4	3099140	SPRING	1	1	
5	3946029	O-RING SET	1	1	
. A	N.S.S.	. ANTI TAMPER SEAL	1	1	1
. B	N.S.S.	. O-RING	1	1	1
6	530219	FILTER ELEMENT 25 MICRON	1	1	
7	530220	CHECK VALVE SERVICE KIT	1	1	
8	530221	CHECK VALVE ASSEMBLY INCLUDES ITEM 7	1	1	
9	G1093949	DRAIN VALVE	1	1	
10	19506118	STUD 13/16-12 X 7/8-14	1	1	
11	530222	BOTTOM PLATE	1	1	
13	530224	WRENCH	1	1	
		1) NOT SOLD SEPARATELY			

From N-1240 To P-1356

Date:07/2024

PAGE:530021

FILTER ASSY "FUEL PRO 386" UNHEATED



From N-1240 To P-1356	Date:07/2024	PAGE:530021
FILTER ASSY "FUEL PRO 386" UNHEATED		

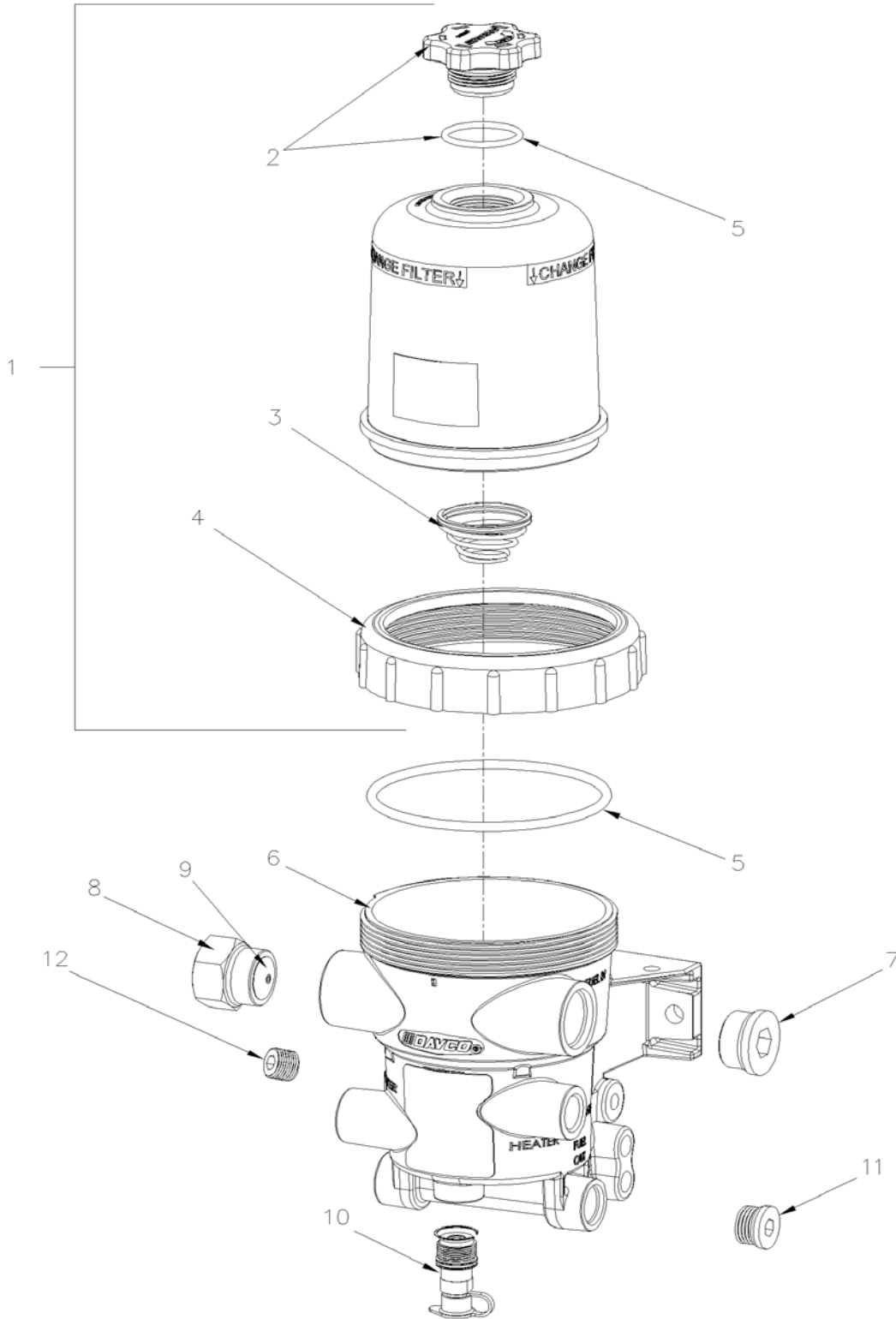
Item#	Part	Description	H 3 4 1	H 3 4 5	NOTES
1	530031	COVER SERVICE KIT	1	1	
2	530063	. VENT CAP & O-RING SERVICE KIT	1	1	
3	530062	. SPRING FILTER	1	1	
4	530033	. COLLAR	1	1	
5	530034	O-RING SERVICE KIT	1	1	
6		HOUSING	1	1	
7	530040	PLUG (FUEL-IN)	1	1	
8	530044	CHECK VALVE 1/2NPT	1	1	
9	530045	UMBRELLA VALVE	1	1	
10	530048	DRAIN VALVE 1/2NPT	1	1	
11	530064	PLUG 7/8-14	1	1	
12	530054	PLUG	1	1	
NS	530057	FILTER ELEMENT 10 MICRON	1	1	
NS	530055	COMPOSITE WRENCH	1	1	
NS	530056	METAL WRENCH WITH HANDLE	1	1	
NS	530065	HEAVY DUTY WRENCH	1	1	

From P-1357

Date:07/2024

PAGE:530069

FILTER ASSY "FUEL PRO 386" UNHEATED



From P-1357	Date:07/2024	PAGE:530069
FILTER ASSY "FUEL PRO 386" UNHEATED		

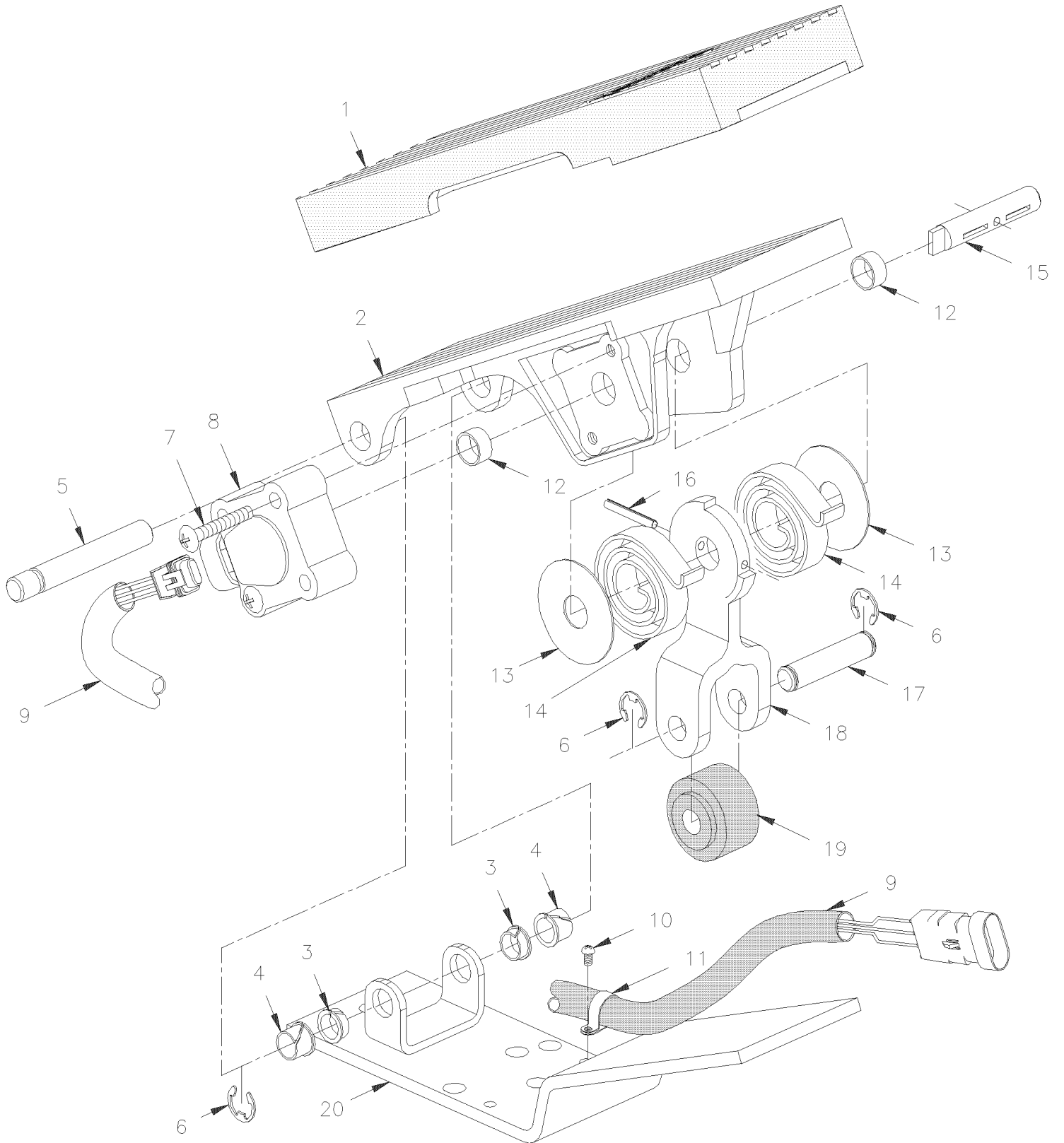
Item#	Part	Description	H 3 4 1	H 3 4 5	N O T E S
1	530031	COVER SERVICE KIT	1	1	
2	530063	. VENT CAP & O-RING SERVICE KIT	1	1	
3	530062	. SPRING FILTER	1	1	
4	530033	. COLLAR	1	1	
5	530034	O-RING SERVICE KIT	1	1	
6		HOUSING	1	1	
7	530040	PLUG (FUEL-IN)	1	1	
8	530044	CHECK VALVE 1/2NPT	1	1	
9	530045	UMBRELLA VALVE	1	1	
10	530083	KIT, DRAIN SERVICE	1	1	
11	530064	PLUG 7/8-14	1	1	
12	530054	PLUG	1	1	
NS	530057	FILTER ELEMENT 10 MICRON	1	1	
NS	530055	COMPOSITE WRENCH	1	1	
NS	530056	METAL WRENCH WITH HANDLE	1	1	
NS	530065	HEAVY DUTY WRENCH	1	1	

From K-0185

Date:07/2024

PAGE:H9-0315-10

ACCELERATOR PEDAL - ELECTRONIC



From K-0185		Date:07/2024	PAGE:H9-0315-10
-------------	--	--------------	-----------------

ACCELERATOR PEDAL - ELECTRONIC

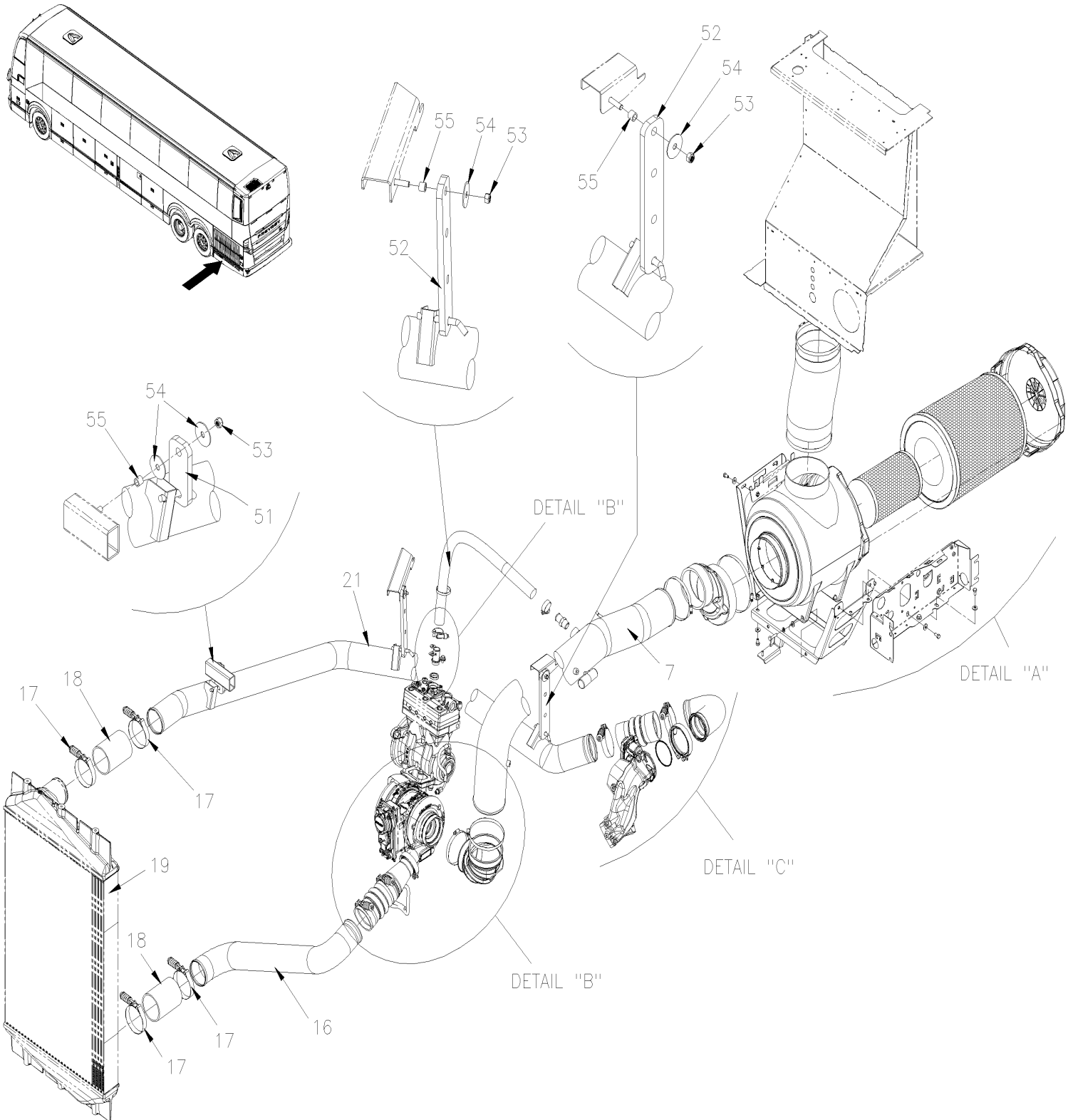
Item#	Part	Description	H 3 4 1	H 3 4 5	N O T E S
	531487	ACCELERATOR PEDAL ASSY / W0-32V SENSOR "VOLVO" "VOLVO"	1	1	
1	531401	. THREADLE COVER	1	1	
2	N.S.S.	. THREADLE	1	1	1
3	N.S.S.	. BUSHING, INNER	2	2	1
4	507260	. BUSHING NYLINER W/SHOULDER .375x.437x.375x.594	2	2	
5	N.S.S.	. PIN, THREADLE	1	1	1
6	N.S.S.	. RING, SNAP 5/16" I.D.	3	3	1
7	500427	. SCREW MA RND PH #10-32x1 1/4 ZP	2	2	
8	568084	. POTENTIOMETER PEDAL SENSOR 0-32V "VOLVO"	1	1	
9	N8887087	. WIRE HARNESS	1	1	
10	500883	. . SCREW TC PAN PH #8-32x3/8 Z050	2	2	
11	N.S.S.	. . CLIP	2	2	1
12	N.S.S.	. BUSHING, GARLOCK	2	2	1
13	N.S.S.	. THRUST, WASHER-OUTER	2	2	1
13	N.S.S.	. THRUST, WASHER-INNER	2	2	1
14	N.S.S.	. SPRING	2	2	1
15	N.S.S.	. SHAFT SENSOR DRIVE	1	1	1
16	505208	. SPRING, PIN 1/8 X 7/8	1	1	
17	N.S.S.	. ROLLER, PIN	1	1	1
18	N.S.S.	. LEVER, THREADLE	1	1	1
19	N.S.S.	. ROLLER	1	1	1
20	531462	. BASE PLATE / (includes item #5)	1	1	
NS	531393	KIT REPAIR / LOWER THREADLE PIN	1	1	A
NS	531394	KIT REPAIR / ROLLER	1	1	B
31	5001992	SCREW CAP HEX SLO 5/16-18x1 1/2 SS	3	3	
32	5001341	WASHER FL 8.4x17.0x1.6 SS	3	3	
NS	680067	SEALANT TAPE BUTYL / BLACK / 1/8"x3/4"x25' / 75211E760	AR	AR	
NS	509815	TIE MOUNT / ATTACHMENT W/TREE MOUNT	2	2	
NS	504637	CABLE TIE / 3/16" x 13"	2	2	
		A) INCLUDES ITEMS 3-4-5-6			
		B) INCLUDES ITEMS 6-18-19			
		1) NOT SOLD SEPARATELY			

From K-0185

Date:07/2024

PAGE:H9-0330-03

AIR FILTER & INTAKE - INSTALLATION WITH VOLVO D13

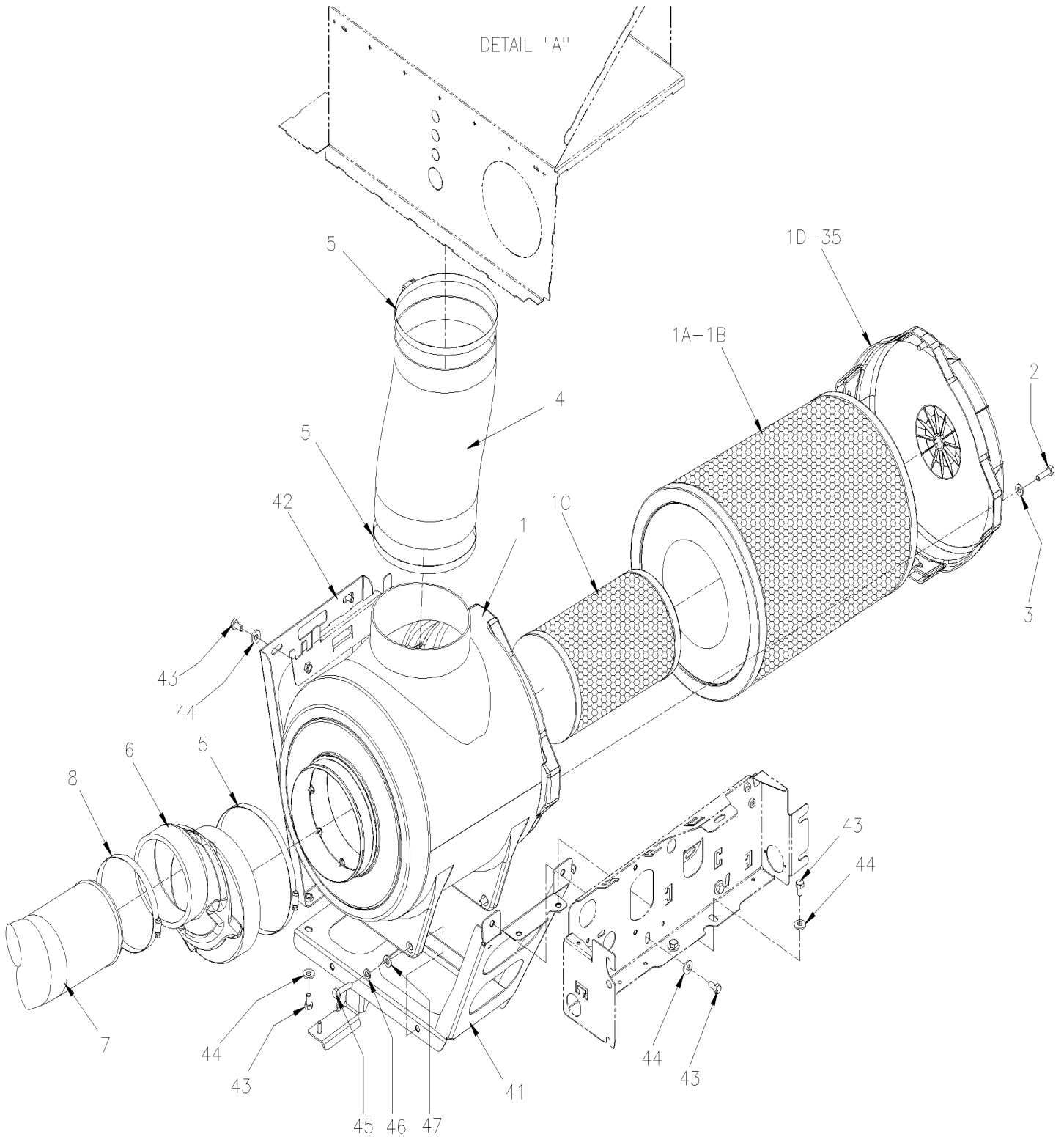


From K-0185

Date:07/2024

PAGE:H9-0330-03

AIR FILTER & INTAKE - INSTALLATION WITH VOLVO D13

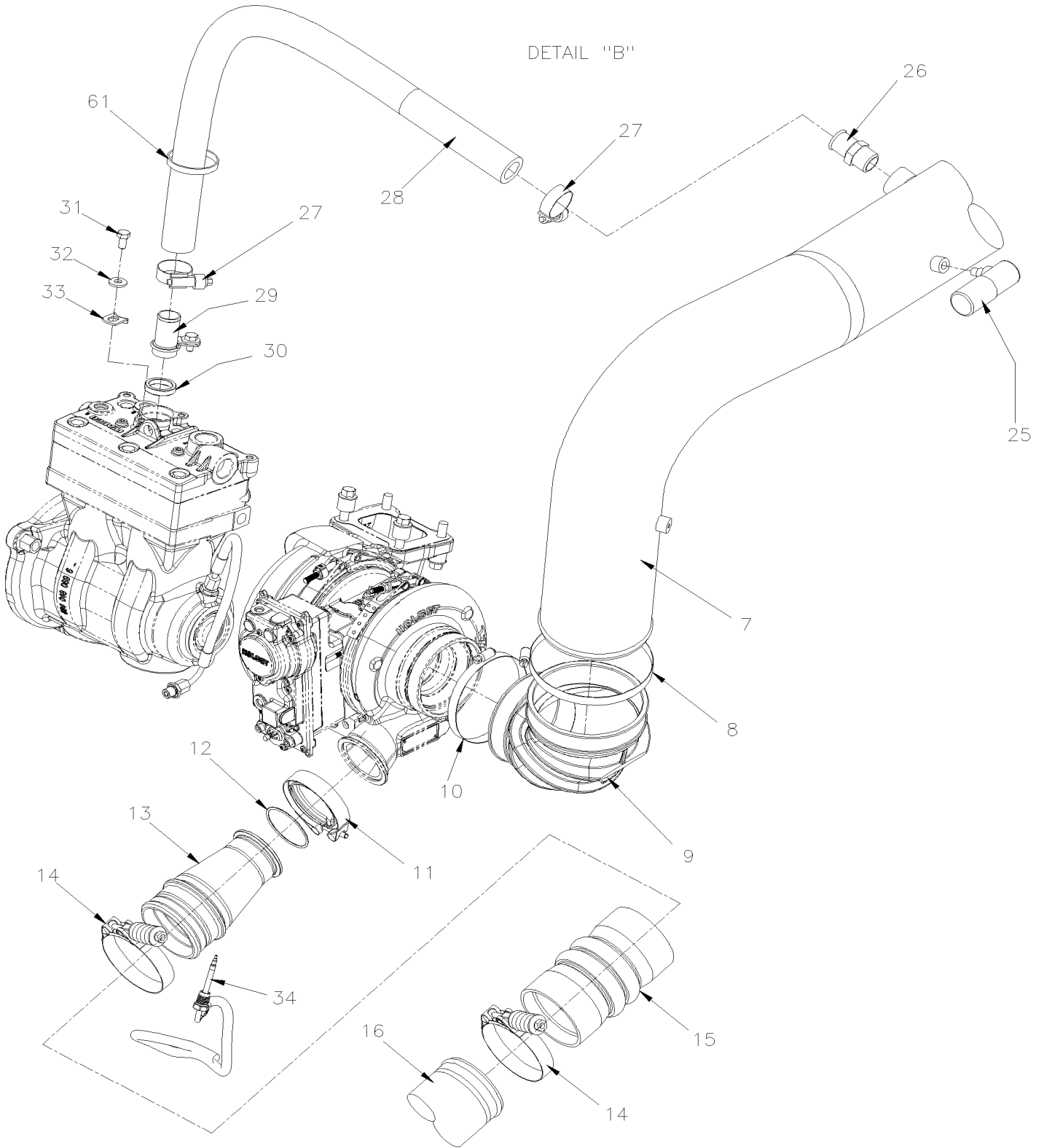


From K-0185

Date:07/2024

PAGE:H9-0330-03

AIR FILTER & INTAKE - INSTALLATION WITH VOLVO D13



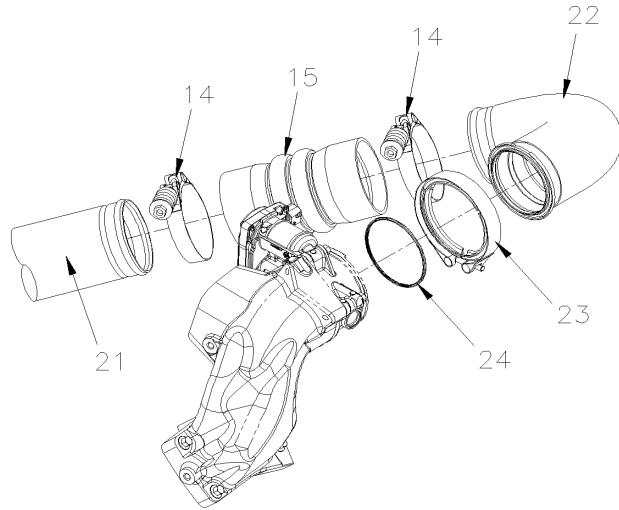
From K-0185

Date:07/2024

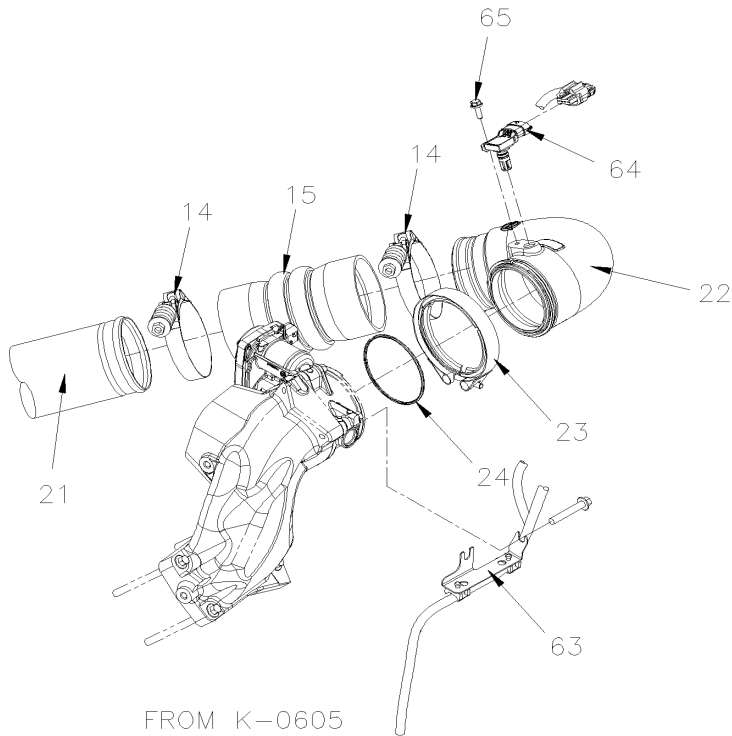
PAGE:H9-0330-03

AIR FILTER & INTAKE - INSTALLATION WITH VOLVO D13

DETAIL "C"



UP TO K-0604



FROM K-0605

From K-0185		Date:07/2024	PAGE:H9-0330-03
AIR FILTER & INTAKE - INSTALLATION WITH VOLVO D13			

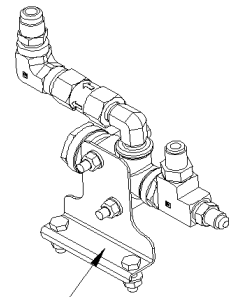
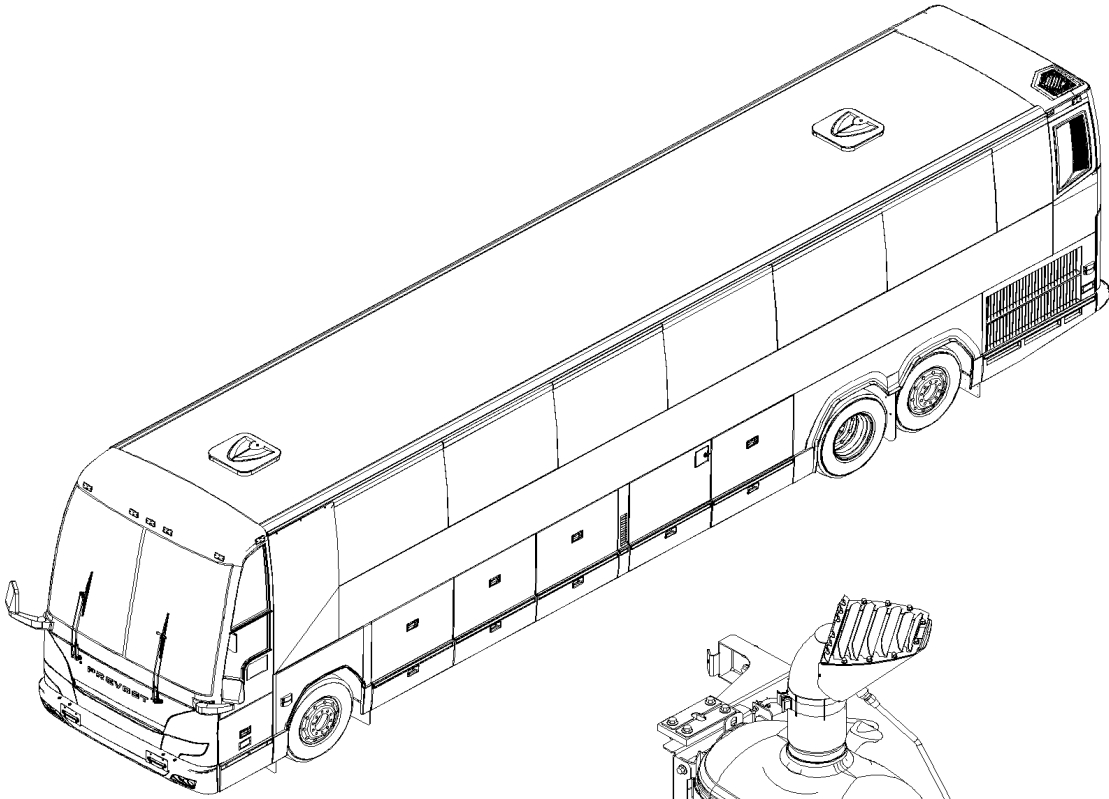
Item#	Part	Description	H 3 4 1	H 3 4 5	N O T E S
1	531493	AIR FILTER, INTAKE MOTOR	1	1	
A	531359	. FILTER , AIR STANDARD	1	1	
B	531360	. FILTER, AIR HEAVY DUTY	1	1	
C	531361	. FILTER, SAFETY	1	1	
D	531362	. COVER, ACCES	1	1	
NS	N24423	. DRAIN BOOT 1 1/4" O.D. X 1" O.D. X .125	1	1	
NS	N8881935	. SCREW AND FASTENER KIT FOR COVER	1	1	
2	5001990	SCREW CAP HEX M8-1.25x30 NYL BK	4	4	
3	5001736	WASHER FL 8.4x18.0x2.0 N500	4	4	
4	033994	HOSE 7" I.D. X 300MM	1	1	
4	503236	. HOSE FLEXIBLE / AIR DUCT 7" I.D. X 12' / LINEN RUBBER	1	1	
5	504229	HOSE CLAMP / 6"1/2-8"1/2 SS / HS-100	3	3	
6	531363	OFFSET REDUCING / 7 TO 5 IN, ENGINE	1	1	
7	030053	PIPE 5" O.D. / AIR FILTER & TURBO To R-1919	1	1	
7	030053	PIPE 5" O.D. / AIR FILTER & TURBO To R-1919	1	1	
7	030341	PIPE 5" O.D. / AIR FILTER & TURBO From R-1920		1	
8	504324	HOSE CLAMP / 4"1/2-6"1/2 SS / HS-96	2	2	
9	21659720	ELBOW INLET, RUBBER	1	1	
10	504257	HOSE CLAMP / 4"1/16-5" SS / HS-72	1	1	
11	20592787	V-CLAMP / 81.7MM I.D.	1	1	
12	21096684	GASKET 60MM I.D.	1	1	
13	053662	COUPLING TURBO	1	1	
14	21490630	HOSE CLAMP SPRING LOAD / HEAVY DUTY 3"5/8-3"15/16	4	4	
15	20550690	HOSE 86MM I.D. X 162.5MM To K-0244	2	2	
15	030096	HOSE 86MM I.D. X 162.5MM From K-0245	2	2	
16	050045	PIPE 3 1/2" O.D. / AIR COOLER & TURBO	1	1	
16	050389	PIPE 3 1/2" O.D. / AIR COOLER & TURBO SS304	1	1	A
17	21490630	HOSE CLAMP SPRING LOAD / HEAVY DUTY 3"5/8-3"15/16	4	4	
18	531490	HOSE 3 1/2" I.D./ CAC	2	2	
19	H9-0505-01	RADIATOR ASSY			
21	050044	PIPE 3 1/2" O.D. / AIR COOLER & HOSE To K-0604	1	1	
21	050185	PIPE 3 1/2" O.D. / AIR COOLER & HOSE From K-0605	1	1	
21	050383	PIPE 3 1/2" O.D. / AIR COOLER & HOSE SS304	1	1	A
22	053067	ELBOW 4" O.D. To K-0604	1	1	
22	050167	ELBOW 4" O.D./ W / SENSOR INLET From K-0605	1	1	
23	20592783	V-CLAMP / (USE W GASKET) 107.7MM I.D.	1	1	
24	1675066	GASKET 107.7MM I.D. V-CLAMP	1	1	
25	530161	GAUGE AIR RESTRICTION 20" H2O 1/8" NPT	1	1	
26	5011240	MALE CONNECTOR / BEADED HOSE BARB / #16x3/4NPT-M BR	1	1	
26	680098	THREAD SEALANT LOCTITE #567 / WHITE / 250ml	AR	AR	
27	504291	HOSE CLAMP / 1"1/8-1"3/4 SS / E.T. 20	2	2	
28	503739	HOSE (SUCTION) / 1" I.D. X 250' / C.T.L.	AR	AR	

From K-0185		Date:07/2024	PAGE:H9-0330-03
AIR FILTER & INTAKE - INSTALLATION WITH VOLVO D13			

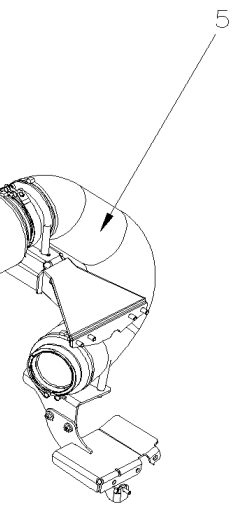
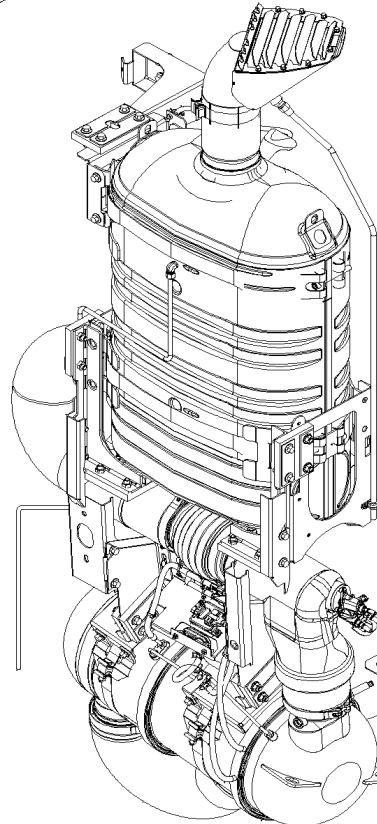
Item#	Part	Description	H 3 4 1	H 3 4 5	N O T E S
29	032763	PIPE AIR INLET COMPRESSOR 25.5 O.D. x 52MM / W/FLANGE 28MM O.D.	1	1	
30	504738	RUBBER JOINT	1	1	
31	5001527	SCREW CAP HEX M8-1.25x16 SS BK	2	2	
32	5001848	WASHER BEL SPR .827 x .331 x .098 th SS	2	2	
33	1546531	ANGLE RETAINER 13MM I.D.	2	2	
34	21164792	SENSOR TEMPEARATURE	1	1	
NS	504637	CABLE TIE / 3/16" x 13"	2	2	
NS	509815	TIE MOUNT / ATTACHMENT W/TREE MOUNT	2	2	
35	030045	DECAL "NE PAS UTILISER D'ETHER OU LIQUIDE DE DEMARRAGE" FRENCH / ONLY			
35	030046	DECAL "DO NOT USE ETHER OR STARTING FLUID" ENGLISH / ONLY	1	1	
35	030047	DECAL "NO USE ETER O FLUIDO PARA ARRANCAR" SPANISH / ONLY	1	1	
35	034005	DECAL "PLASTIC BOLT TORQUE" ENGLISH / FRENCH	1	1	
41	034004	SUPPORT, AIR CLEANER (WELED)	1	1	
42	030062	SUPPORT, AIR CLEANER (WELED)	1	1	
NS	509815	TIE MOUNT / ATTACHMENT W/TREE MOUNT	13	13	
NS	564542	TREE MOUNT CLIP FOR PED CONNECTOR	8	8	
43	5001527	SCREW CAP HEX M8-1.25x16 SS BK	8	8	
44	5001848	WASHER BEL SPR .827 x .331 x .098 th SS	8	8	
45	502836	SCREW CAP HEX M8-1.25x35 G8.8 N500	4	4	
46	500942	WASHER LO SPT 8.1x14.8x2.0 N500	4	4	
47	5001736	WASHER FL 8.4x18.0x2.0 N500	4	4	
51	032541	RUBBER SUPPORT 106.5 x 48 / 2 Holes 72MM C/C	1	1	
52	053577	RUBBER SUPPORT 260 x 48 / 4 Holes	1	1	
53	5001983	NUT HEX NYRT M8-1.25 SS SS BK	3	3	
54	500462	WASHER FL .343x1.500x.083 SS	4	4	
55	032540	SPACER 1/2" O.D.X 12MM SS	3	3	
61	504016	CABLE TIE / 5/16" X 14"1/2 To L-0826	3	3	
61	5040100	CABLE TIE /OUTSIDE SERRATED 5/16" X 14"1/2 From L-0827	3	3	
63	061497	SUPPORT FOR HARNESS From K-0605	1	1	
NS	504013	TIE MOUNT / 1/4" X 1/4" I.D. From K-0605	2	2	
NS	504379	RIVET POP DOME OE 3/16x1/4 SS From K-0605	2	2	
NS	504637	CABLE TIE / 3/16" x 13" From K-0605	2	2	
64	23182832	SENSOR TEMPERATURE , CAC OUT From K-0605 To R-1812	1	1	
64	24275000	SENSOR TEMPERATURE , CAC OUT From R-1813		1	
65	5001730	SCREW CAP HEXF M6-1.0x16 G10.9 N500 From K-0605	1	1	

From K-0185		Date:07/2024		PAGE:H9-0330-03	
AIR FILTER & INTAKE - INSTALLATION WITH VOLVO D13					
Item#	Part	Description	H 3 4 1	H 3 4 5	N O T E S
		A) SPECIAL OPTION SS304			

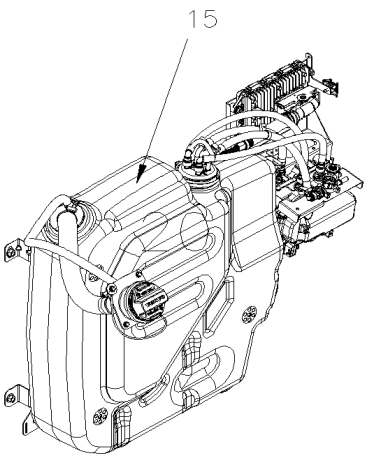
	Date:07/2024	H9-04
EXHAUST		



10



5



15

		Date:07/2024	H9-04
EXHAUST			

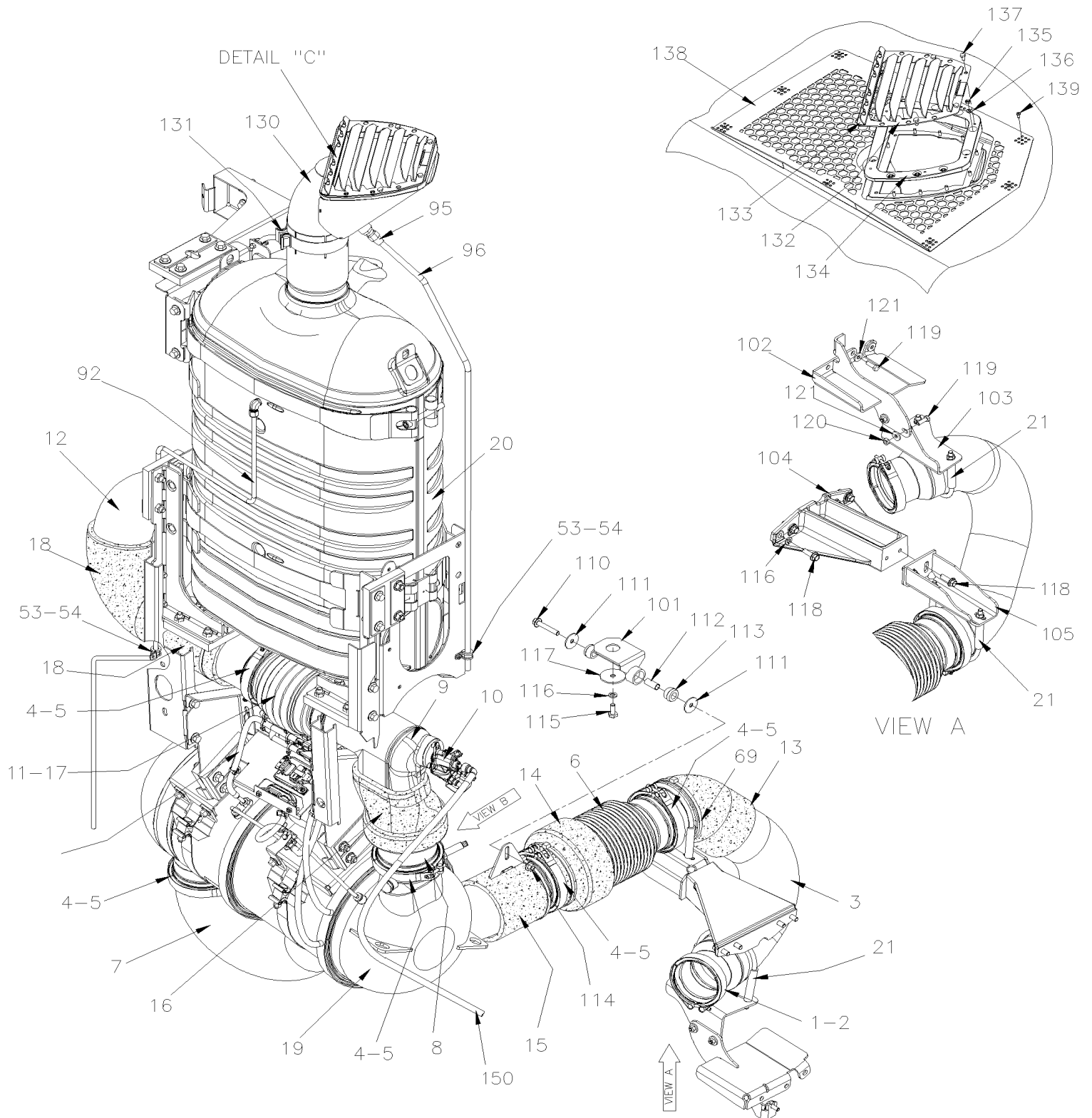
Item#	Part	Description	H 3 4 1	H 3 4 5	N O T E S
5	H9-0405-02	MUFFLER - INSTALLATION WITH DPF & SCR WITH VOLVO D13 From K-0185 To P-1452			
5	H9-0405-03	MUFFLER - INSTALLATION WITH DPF & SCR WITH VOLVO D13 From R-1453			
10	H9-0405-12	7TH INJECTOR / "AHI" / EXHAUST VOLVO D13 From K-0185			
15	H9-0410-00	UREA RESERVOIR ASSY From K-0185			

From K-0185 To P-1452

Date:07/2024

PAGE:H9-0405-02

MUFFLER - INSTALLATION WITH DPF & SCR WITH VOLVO D13

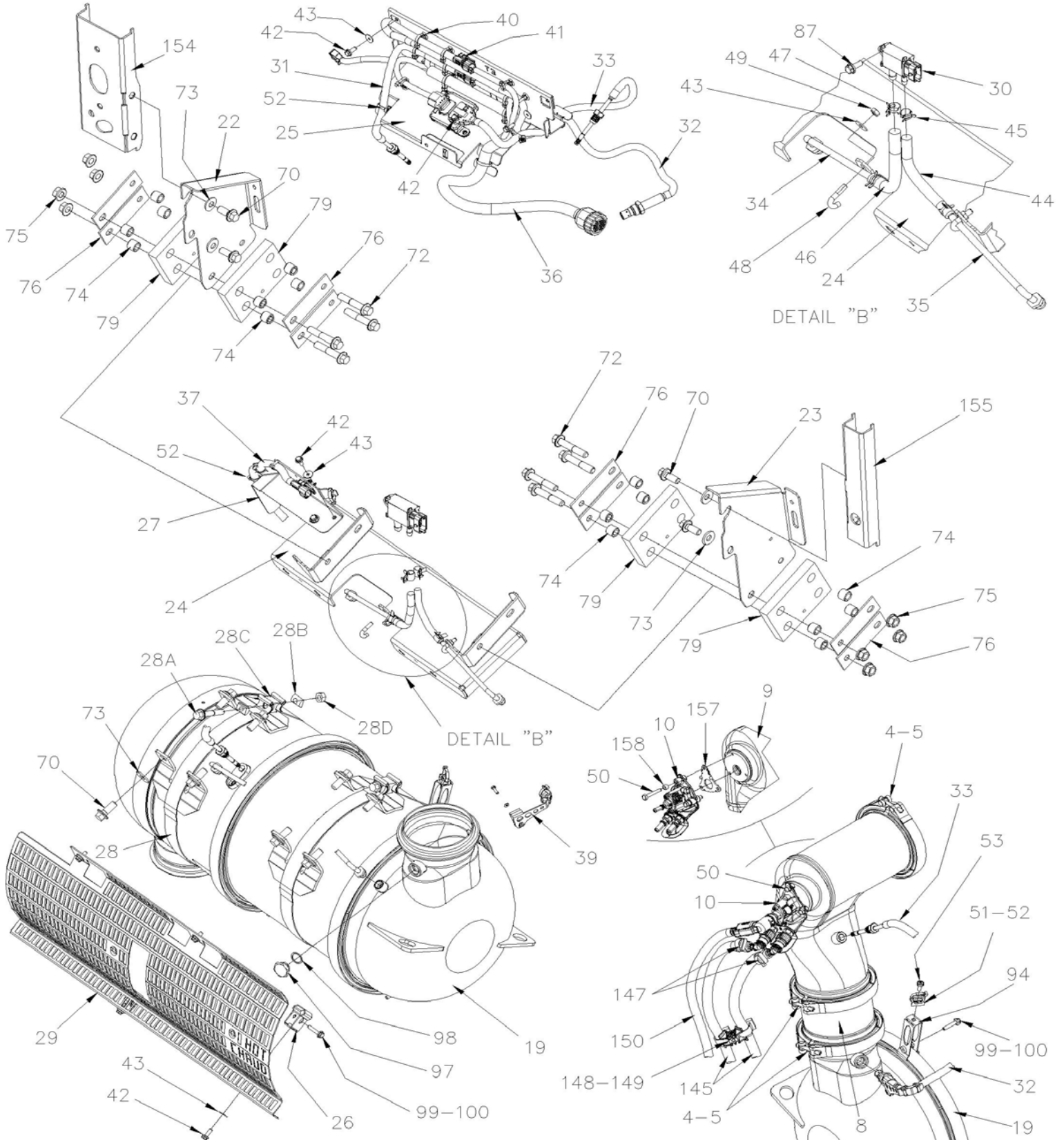


From K-0185 To P-1452

Date:07/2024

PAGE:H9-0405-02

MUFFLER - INSTALLATION WITH DPF & SCR WITH VOLVO D13

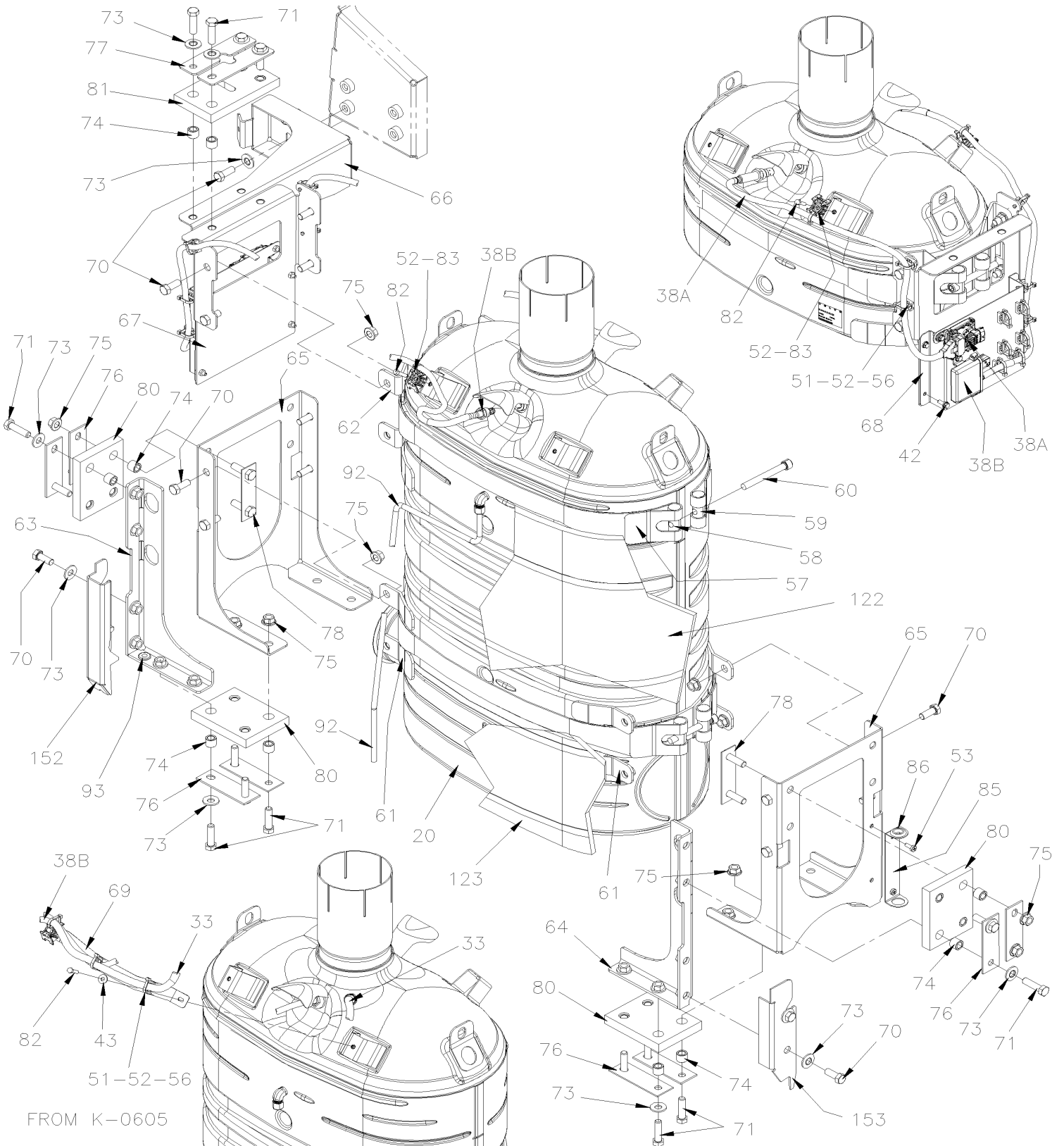


From K-0185 To P-1452

Date:07/2024

PAGE:H9-0405-02

MUFFLER - INSTALLATION WITH DPF & SCR WITH VOLVO D13



From K-0185 To P-1452	Date:07/2024	PAGE:H9-0405-02
MUFFLER - INSTALLATION WITH DPF & SCR WITH VOLVO D13		

Item#	Part	Description	H 3 4 1	H 3 4 5	NOTES
1	21060426	V-CLAMP / (USE W GASKET) 4.81" I.D.	1	1	
2	21095721	GASKET	1	1	
3	040651	PIPE, EXHAUST "U"	1	1	
4	21021850	V-CLAMP / (USE W GASKET) 5.91" I.D.	8	8	
5	21095726	GASKET	8	8	
6	540071	BELLOWS - EXHAUST 5" I.D. x 14.49"	1	1	
7	040014	PIPE DPF INLET	1	1	
8	040826	PIPE EXHAUST	1	1	
9	23041035	SWIRL PIPE	1	1	
NS	21209156	TIE WRAP STAINLESS STEEL	4	4	
10	22757225	NOZZLE UREA, 2.5	1	1	
11	540072	BELLOWS - EXHAUST	1	1	
12	040777	PIPE EXHAUST	1	1	
13	041115	INSULATED BLANKET / PIPE TURBO W/SPRING ATTACHMENT	1	1	
14	041095	INSULATED BLANKET / BELLOW W/SPRING ATTACHMENT	1	1	
15	040015	INSULATED BLANKET / PIPE DPF INLET W/SPRING ATTACHMENT	1	1	
16	040016	INSULATED BLANKET / PIPE SWIRL	1	1	
17	041119	INSULATED BLANKET / BELLOW W/SPRING ATTACHMENT	1	1	
18	041126	INSULATED BLANKET / PIPE EXHAUST W/SPRING ATTACHMENT	1	1	
19	Refer To Volvo	MUFFLER DPF EXHAUST FILTER	1	1	V
20	23190006	MUFFLER SCR EXHAUST FILTER From K-0467 To K-0604	1	1	
20	23196231	MUFFLER SCR EXHAUST FILTER From K-0605	1	1	
21	540018	U-CLAMP / (GUILLOTINE TYPE) / 5" I.D.	2	2	
22	040789	ATTACHMENT DPF VOLVO To L-0974	1	1	
22	040063	ATTACHMENT DPF VOLVO From L-0975	1	1	
23	040829	ATTACHMENT DPF VOLVO	1	1	
24	040790	ATTACHMENT LOWER DPF	1	1	
25	040982	SUPPORT CABLE DPF To N-1252	1	1	
25	040090	SUPPORT CABLE DPF From N-1253	1	1	
26	040861	CABLE SUPPORT	2	2	
27	040898	SUPPORT CABLE DPF To L-0974	1	1	
27	040080	SUPPORT CABLE DPF From L-0975	1	1	
NS	509490	ATTACHMENT DOUBLE USE WITH CABLE TIE From L-0975	2	2	
27	504610	RIVET MGLP PRDG 1/4x5/8 SS From L-0975	2	2	
28	040986	CLAMP SUPPORT ASSY	2	2	
28A	5001801	SCREW CAP HEXF M10-1.5x55 G10.9 N500	AR	AR	
28B	540085	SPACER / HALF MOON SHAPE	AR	AR	
28C	540086	SPACER / ANVIL SHAPE	AR	AR	
28D	5001758	NUT HEX STO M10-1.5 N500	AR	AR	
29	040953	GRILLE PROTECTOR OVER DFP	1	1	
30	21403962	SENSOR PRESSURE "DELTA" To N-1252	1	1	
30	040096	KIT SENSOR PRESSURE DPF To N-1252	1	1	

From K-0185 To P-1452	Date:07/2024	PAGE:H9-0405-02
MUFFLER - INSTALLATION WITH DPF & SCR WITH VOLVO D13		

Item#	Part	Description	H 3 4 1	H 3 4 5	N O T E S
30	23488881	SENSOR PRESSURE "DELTA" From N-1253	1	1	
31	21673931	SENSOR TEMPEARATURE "T2"	1	1	
32	22303390	SENSOR "NOX" / DPF FILTER	1	1	
33	21412472	SENSOR TEMPEARATURE "T3" To K-0604	1	1	
33	21412472	SENSOR TEMPEARATURE "T3" From K-0605	1	1	
34	040911	PIPE, DP HIGH PRESSURE	1	1	
35	040912	PIPE, DP LOW PRESSURE To N-1252	1	1	
35	040093	PIPE, DP LOW PRESSURE From N-1253	1	1	
36	060746	HARNESS DPF "VOLVO"	1	1	
37	21225020	SENSOR TEMPEARATURE "T1"	1	1	
38A	22303391	SENSOR "NOX" / SCR FILTER	1	1	
38B	060327	SENSOR "PM" / SCR FILTER ASSY To L-1023	1	1	
38B	0610356	SENSOR "PM" / SCR FILTER ASSY From L-1024 To P-1341	1	1	
38B	0600086	SENSOR "PM" / SCR FILTER ASSY From P-1342	1	1	
38B	22835170	. SENSOR "PM" / SCR FILTER To K-0244	1	1	
38B	22946032	. SENSOR "PM" / SCR FILTER From K-0245 To L-1023	1	1	
38B	23320447	. SENSOR "PM" / SCR FILTER From L-1024 To P-1341	1	1	
38B	24191736	. SENSOR "PM" / SCR FILTER From P-1342	1	1	
39	040954	GUIDE, WIRING	1	1	
39	502556	WASHER FL 4.3x9.0x0.8 SS	1	1	
39	502799	SCREW CAP HEX M4-0.7X16 G8.8 N500	1	1	
40	564108	SELF MOUNTING STUD // DEUTSCH 1011-310-0205	4	4	
41	8631155	CABLE TIE / 4.6MM x 200 / CHRISTMAS TREE	13	13	
42	5001730	SCREW CAP HEXF M6-1.0x16 G10.9 N500	16	16	
43	5001833	WASHER BEL SPR 6.1x18x1.27 SS	AR	AR	
44	040913	HOSE To N-1252	1	1	
44	040914	HOSE From N-1253	1	1	
44	503776	. HOSE SILICONE 1/4" I.D. x 10' / S.L. To N-1252	AR	AR	
44	503775	. HOSE SILICONE 5/16" I.D. x 10' / S.L. From N-1253	AR	AR	
45	21283793	SPRING HOSE CLAMP 5/16"	2	2	
46	040914	HOSE	1	1	
46	503775	. HOSE SILICONE 5/16" I.D. x 10' / S.L.	AR	AR	
47	21283796	SPRING HOSE CLAMP 1/4" To N-1252	2	2	
47	21283793	SPRING HOSE CLAMP 5/16" From N-1253	2	2	
48	040916	J-HOOK / M6-1.0 x 33 SS	2	2	
49	502854	NUT HEX M6-1.0 N500	2	2	
50	5000310	SCREW CAP HEX M6-1.0x40 BK	3	3	
51	504013	TIE MOUNT / 1/4" X 1/4" I.D.	AR	AR	
52	504637	CABLE TIE / 3/16" x 13"	AR	AR	
53	502817	SCREW MA PAN PH M6-1.0x16 N500	AR	AR	
54	952624	CLAMP / 1/4" I.D.	1	1	
56	504379	RIVET POP DOME OE 3/16x1/4 SS	AR	AR	

From K-0185 To P-1452	Date:07/2024	PAGE:H9-0405-02
MUFFLER - INSTALLATION WITH DPF & SCR WITH VOLVO D13		

Item#	Part	Description	H 3 4 1	H 3 4 5	N O T E S
57	21282895	STRAP SCR To P-1318	4	4	
57	041159	STRAP SCR From P-1319	1	1	
58	21321221	BAR THREAD SCR	2	2	
59	20974254	BAR ROUND SCR	4	4	
60	509892	SCREW CAP HEXS M12-1.75x100 G8.8 N500	4	4	
61	040786	ATTACHMENT, LOWER, SCR VOLVO	2	2	
62	040855	ATTACHMENT, UPPER, SCR VOLVO	1	1	
63	040847	SUPPORT SCR VOLVO / STREET SIDE	1	1	
64	040848	SUPPORT SCR VOLVO / CUBRE SIDE	1	1	
65	040827	SUPPORT, LOWER, SCR VOLVO	2	2	
66	040852	SUPPORT, UPPER, SCR VOLVO	1	1	
67	041157	ATTACHMENT UPPER	1	1	
68	041156	SUPPORT, UPPER, SCR VOLVO To K-0604	1	1	
68	040074	SUPPORT, UPPER, SCR VOLVO From K-0605	1	1	
69	040079	BRACKET, T4 SENSOR HARNESS From K-0605	1	1	
70	5001866	SCREW CAP HEX M12-1.75x30 G10.9 N500	32	32	
71	5001338	SCREW CAP HEX M12-1.75x45 G10.9 N500	18	18	
72	5001861	SCREW CAP HEX M12-1.75x60 G10.9 N500	8	8	
73	500967	WASHER BEL SPR .512x1.142x.098 N500	32	32	
74	040937	SPACER 3/4" O.D. X 16MM ST	36	36	
75	5001774	NUT HEXF STO M12-1.75 MAGNI G500	28	28	
76	21138255	PLATE ATTACHMENT 120MM X 40MM	16	16	
77	040783	PLATE ATTACHMENT 120MM X 40MM	2	2	
78	040844	PLATE ATTACHMENT 120MM X 34MM / W/2 M12-1.75x40	2	2	
79	22227002	MUFFLER CONNECTION RUBBER 135MM x 93MM	4	4	
80	041069	MUFFLER CONNECTION RUBBER 135MM x 107MM	4	4	
81	041070	MUFFLER CONNECTION RUBBER 170MM x 93MM	1	1	
82	502737	SCREW CAP HEX M6-1.0x25 SS BK	AR	AR	
83	509490	ATTACHMENT DOUBLE USE WITH CABLE TIE	2	2	
85	040918	SUPPORT / DRAIN	1	1	
86	504356	GROMMET / .625x.875x.062x.312x1.125	1	1	
87	5001730	SCREW CAP HEXF M6-1.0x16 G10.9 N500 To N-1252	1	1	
87	5001815	SCREW CAP HEXF M6-1.0x30 G 8.8 N500 From N-1253	1	1	
92	040965	HOSE DRAIN SCR	1	1	
93	504070	GROMMET / .375x.625x.156x.406x1.000	1	1	
94	21468325	CABLE SUPPORT	1	1	
NS	032540	SPACER 1/2" O.D.X 12MM SS From P-1416	1	1	
95	640873	MALE CONNECTOR / AB FITTING / #8x1/2NPT-M BR	1	1	
95	680098	THREAD SEALANT LOCTITE #567 / WHITE / 250ml	AR	AR	
96	040863	PIPE DRAIN	1	1	
97	20565546	PLUG / DPF To L-0906	1	1	
97	040004	PLUG / DPF / S.STEEL From L-0907	1	1	

From K-0185 To P-1452	Date:07/2024	PAGE:H9-0405-02
MUFFLER - INSTALLATION WITH DPF & SCR WITH VOLVO D13		

Item#	Part	Description	H 3 4 1	H 3 4 5	N O T E S
98	947625	SEAL COPPER / DPF	1	1	
99	502686	SCREW CAP HEX M6-1.0x30 SS BK	AR	AR	
100	501833	MALE CONNECTOR / POLY-TITE FITTING / #2x1/16NPT-M BR	AR	AR	
101	040892	ANGLE PIPE SUPPORT	1	1	
102	21589669	SUPPORT EXHAUST PIPE	1	1	
103	040952	SUPPORT PIPE	1	1	
104	041006	SUPPORT PRIMARY / EXHAUST PIPE	1	1	
105	040969	SUPPORT SECONDARY / EXHAUST PIPE	1	1	
110	5001595	SCREW CAP HEXF M10-1.5x60 G8.8 G500	1	1	
111	500261	WASHER FL .390x1.500x.083 N500	2	2	
112	505217	SPACER 7/16" X 1 1/4"	1	1	
113	661074	BUSHING / RUBBER 3/4" x 5/8" I.D.	2	2	
114	5001727	NUT HEXF NYRT M10-1.5 N500	1	1	
115	5001741	SCREW CAP HEXF M10-1.5x30 G8.8 N500	1	1	
116	5001834	WASHER BEL SPR 10.5X23X2.5 N500	4	4	
117	040627	WASHER FL 10.5x54x11GA SS	1	1	
118	5001644	SCREW CAP HEXF M10-1.5x30 G8.8 G500	6	6	
119	5001745	SCREW CAP HEX M8-1.25x25 G8.8 N500	2	2	
120	5001740	NUT HEX STO M8-1.25 N500	2	2	
121	500401	WASHER FL .343x.875x.125 N500	4	4	
122	23090827	INSULATED BLANKET / SCR UPPER To K-0604	1	1	
. NS	22998036	. TIE WRAP STAINLESS STEEL 1905MM To K-0604	1	1	
123	23090830	INSULATED BLANKET / SCR LOWER To K-0604	1	1	
. NS	22998036	. TIE WRAP STAINLESS STEEL 1905MM To K-0604	2	2	
130	21603076	DIFFUSOR ASSY	1	1	
NS	041139	KIT, REPLACEMENT SHUTTER OF DIFFUSOR	1	1	
131	540067	CLAMP BAND SEAL / LAP JOINT / 5" I.D.x1.25"	1	1	
132	21139384	GRILL DIFFUSOR	1	1	
133	21139388	PLATE "WARNING" THIS DIFFUSOR MUST BE FLUSH..	1	1	
134	040906	SPACER / DIFFUSOR GRILL	1	1	
135	502854	NUT HEX M6-1.0 N500	10	10	
136	500877	WASHER FL .250x.562x.065 N500	10	10	
137	5001181	SCREW CAP HEX M6-1.0x12 SS	6	6	
138	478748	GRILL ROOF	1	1	
139	500952	SCREW TP BDG PH #8x1/2 SS	9	9	
145	503821	HOSE SILICONE 4 PLY / NOMEX-ARAMID 3/8" x 144"	AR	AR	
NS	053008	RESTRICTION / ALU. TUBE 20MM X 9.05MM O.D. W/3.05MM HOLE	1	1	
146	21312072	QUICK CONNECTOR 45° 10MM	2	2	
147	992081	HOSE CLAMP / 12MM/22MM	2	2	
148	509490	ATTACHMENT DOUBLE USE WITH CABLE TIE	AR	AR	
NS	504751	ROTATIF SPACER DOUBLE / SMALL	AR	AR	
149	509491	CABLE TIE / 13MM x 383MM	AR	AR	

From K-0185 To P-1452	Date:07/2024	PAGE:H9-0405-02
MUFFLER - INSTALLATION WITH DPF & SCR WITH VOLVO D13		

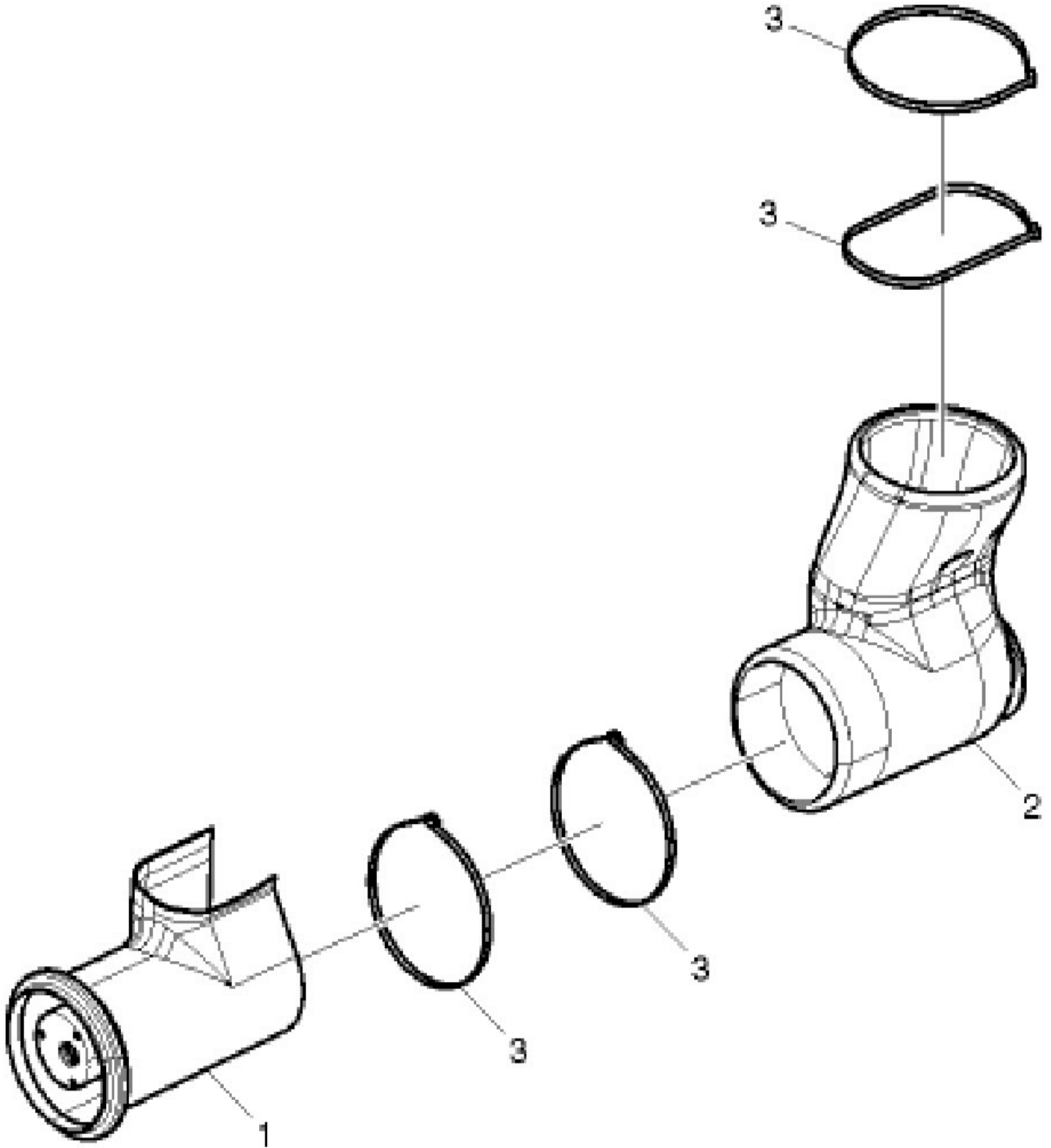
Item#	Part	Description	H 3 4 1	H 3 4 5	NOTES
150	041122	HOSE HEATED ASSY 9400MM	1	1	
. NS	N8902118	. CONNECTOR CLIP - 5/16"	2	2	
150	H9-0410-00	UREA RESERVOIR ASSY			
152	272444	ATTACHMENT, LOWER, SCR VOLVO STREET SIDE	1	1	
153	272429	ATTACHMENT, LOWER, SCR VOLVO CURBE SIDE To L-0824	1	1	
153	273238	ATTACHMENT, LOWER, SCR VOLVO CURBE SIDE From L-0825	1	1	
154	272496	ATTACHMENT, DPF VOLVO STREET SIDE	1	1	
155	272431	ATTACHMENT, DPF VOLVO CURBE SIDE	1	1	
156	218503	ATTACHMENT, SUPPORT EXHAUST PIPE	1	1	
157	22677399	GASKET NOZZLE UREA	1	1	
158	22757141	SPACER	1	1	
		V) SEE IMPACT OR CALL ORDER DESK			

From K-0185 To P-1452

Date:07/2024

PAGE:23041035

SWIRL PIPE



From K-0185 To P-1452	Date:07/2024	PAGE:23041035
-----------------------	--------------	---------------

SWIRL PIPE

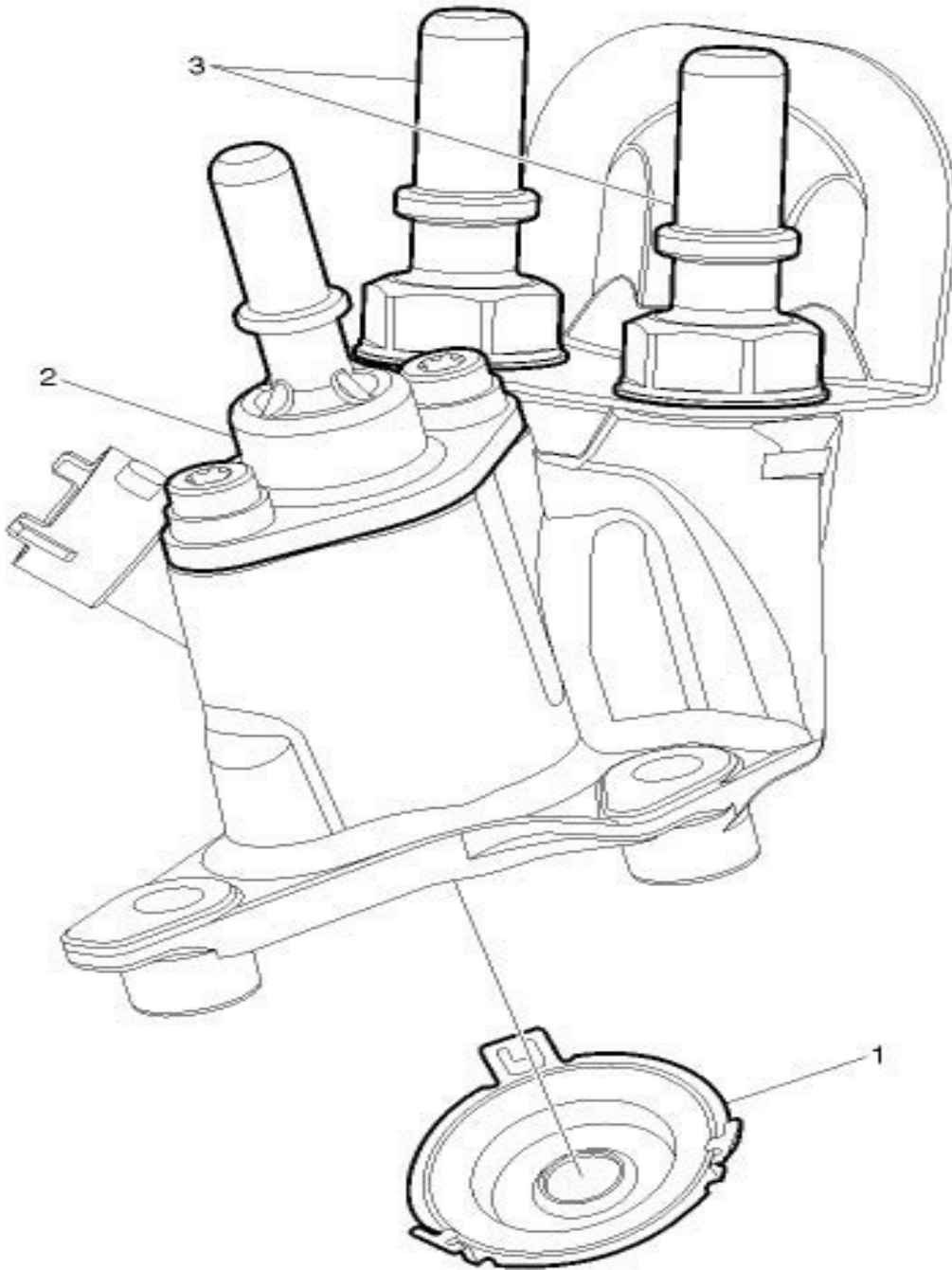
Item#	Part	Description	H 3 4 1	H 3 4 5	N O T E S
1	21403611	SWIRL PIPE	1	1	
2	23041032	HEAT SHEILD	1	1	
3	21209156	TIE WRAP STAINLESS STEEL	4	4	

From K-0185 To P-1452

Date:07/2024

PAGE:22757225

NOZZLE UREA, 2.5



From K-0185 To P-1452	Date:07/2024	PAGE:22757225
NOZZLE UREA, 2.5		

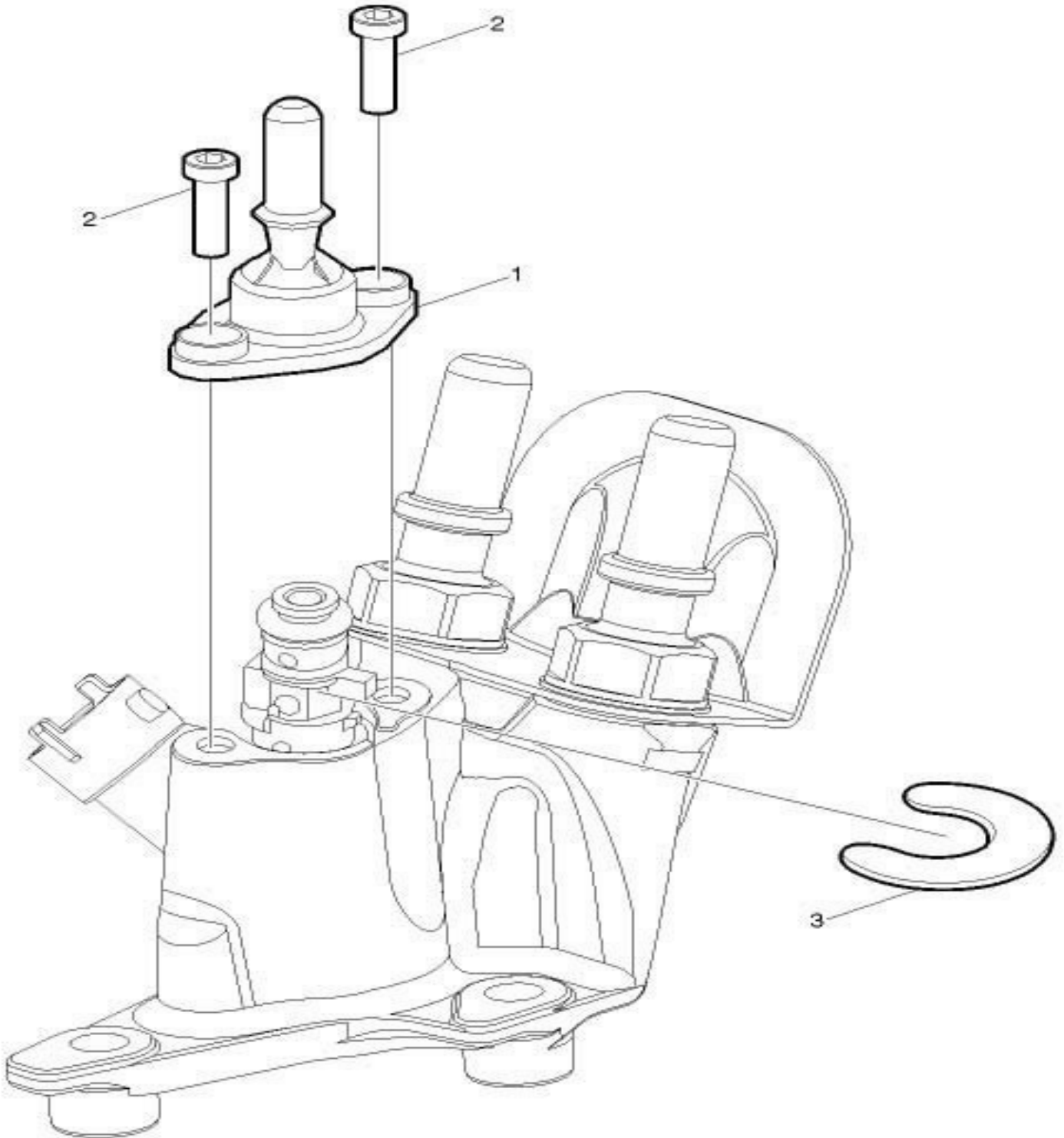
Item#	Part	Description	H 3 4 1	H 3 4 5	N O T E S
1	21376801	SEALING PLATE	1	1	
2	N.S.S.	CONNECTOR UREA TB-129663345-1	1	1	1
3	21376813	CONNECTOR COOLING	1	1	
		1) NOT SOLD SEPARATELY			

From K-0185 To P-1452

Date:07/2024

PAGE:21579080

CONNECTOR UREA TB-129663345-1

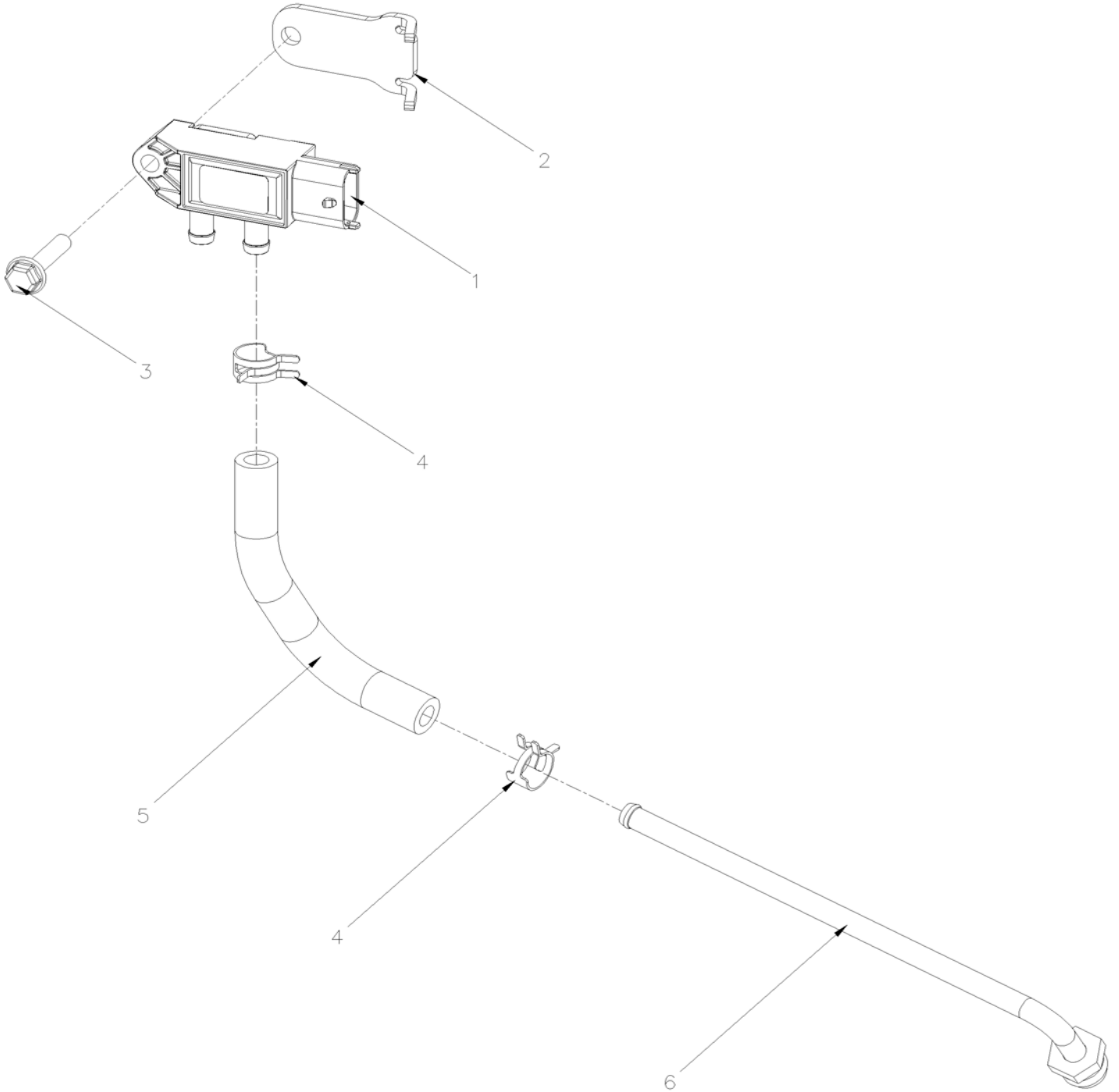


R1045189

From K-0185 To P-1452	Date:07/2024	PAGE:21579080
CONNECTOR UREA TB-129663345-1		

Item#	Part	Description	H 3 4 1	H 3 4 5	N O T E S
	N.S.S.		X	X	1
	N.S.S.		X	X	1
	N.S.S.		X	X	1
		1) NOT SOLD SEPARATELY			

To N-1252	Date:07/2024	PAGE:040096
KIT SENSOR PRESSURE DPF		



To N-1252	Date:07/2024	PAGE:040096
-----------	--------------	-------------

KIT SENSOR PRESSURE DPF

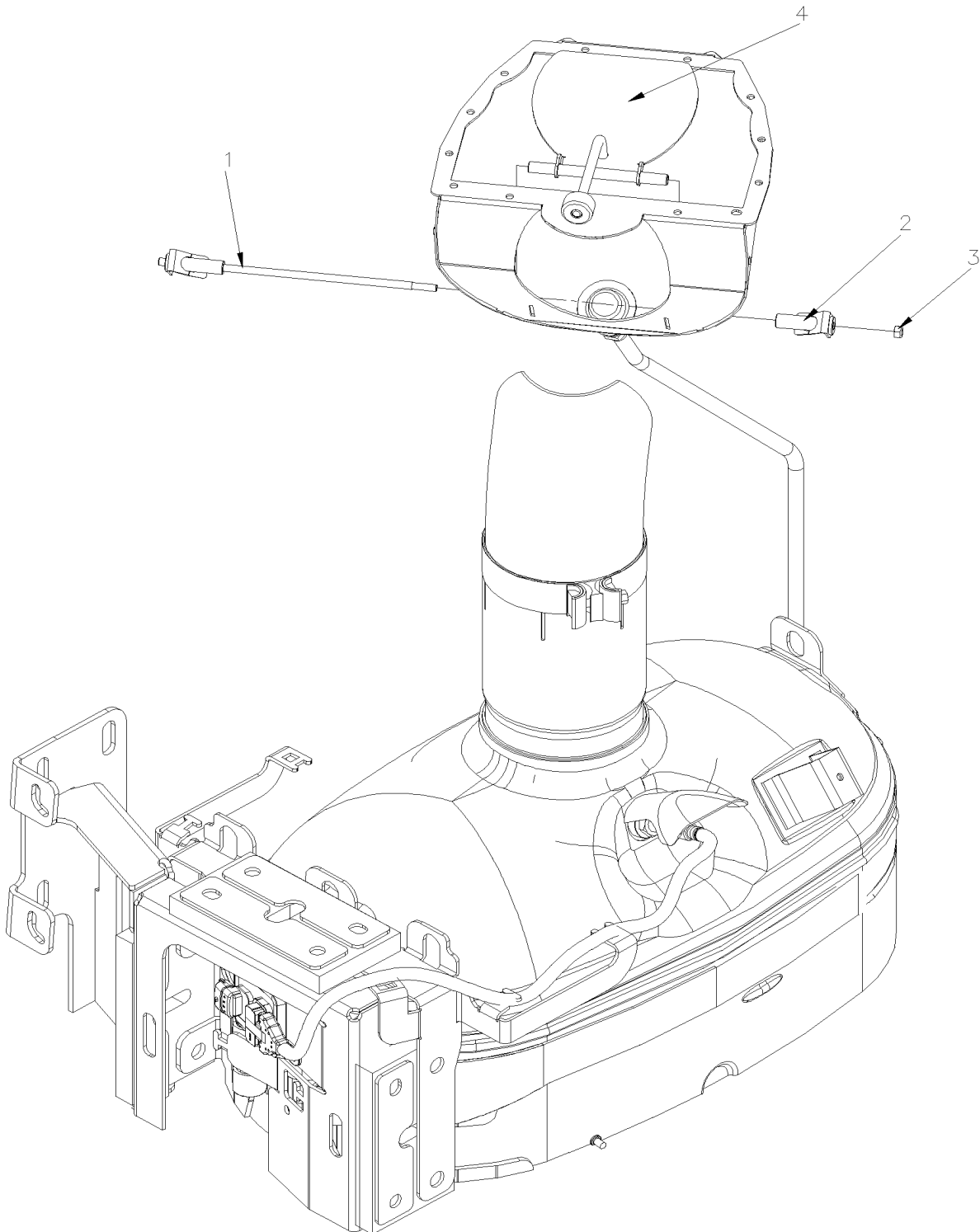
Item#	Part	Description	H 3 4 1	H 3 4 5	N O T E S
1	23488881	SENSOR PRESSURE "DELTA"	1	1	
2	040097	SPACER, FOR SENSOR OF PRESSURE	1	1	
3	5001815	SCREW CAP HEXF M6-1.0x30 G 8.8 N500	1	1	
4	21283793	SPRING HOSE CLAMP 5/16"	2	2	
5	040914	HOSE	1	1	
6	040093	PIPE, DP LOW PRESSURE	1	1	

From K-0185 To P-1452

Date:07/2024

PAGE:041139

KIT, REPLACEMENT SHUTTER OF DIFFUSOR

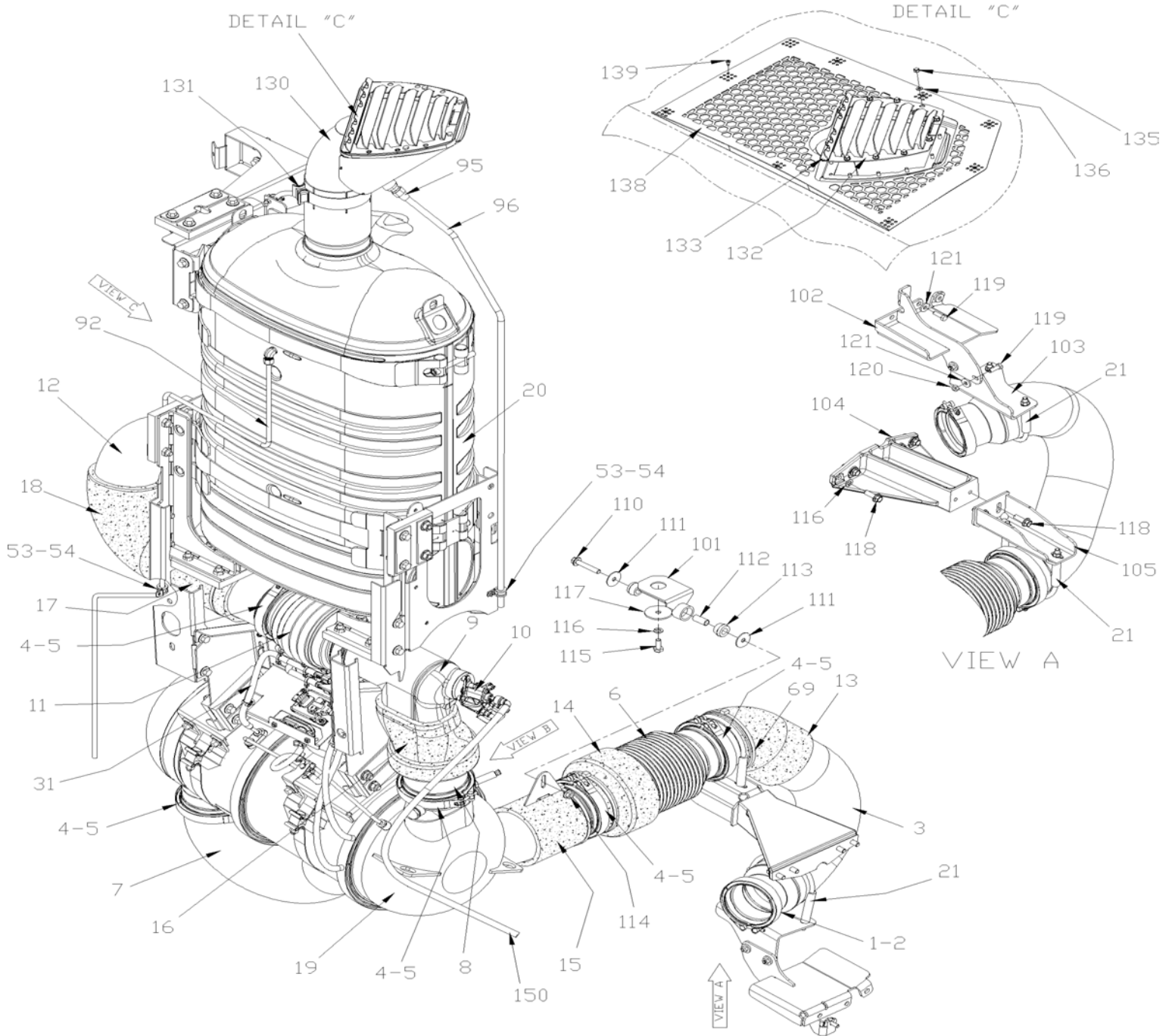


From K-0185 To P-1452	Date:07/2024	PAGE:041139
-----------------------	--------------	-------------

KIT, REPLACEMENT SHUTTER OF DIFFUSOR

Item#	Part	Description	H 3 4 1	H 3 4 5	N O T E S
1	041137	PIVOT, LATERAL, ASSY	1	1	
2	041134	PIVOT, LATERAL, ASSY	1	1	
3	502860	NUT HEX STO M6-1.0 N500	1	1	
4	041130	SHUTTER ASSY	1	1	

MUFFLER - INSTALLATION WITH DPF & SCR WITH VOLVO D13

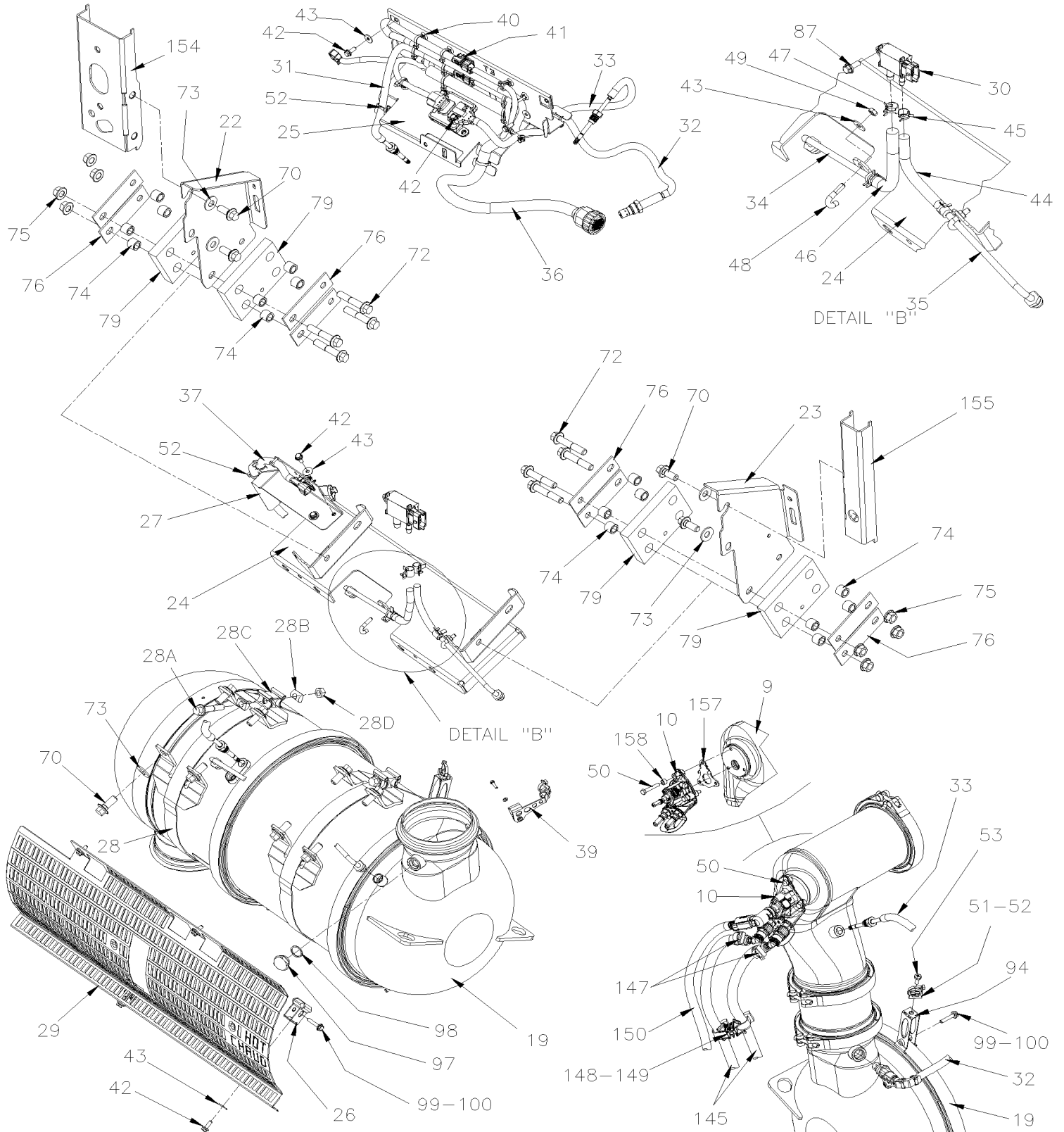


From R-1453

Date:07/2024

PAGE:H9-0405-03

MUFFLER - INSTALLATION WITH DPF & SCR WITH VOLVO D13

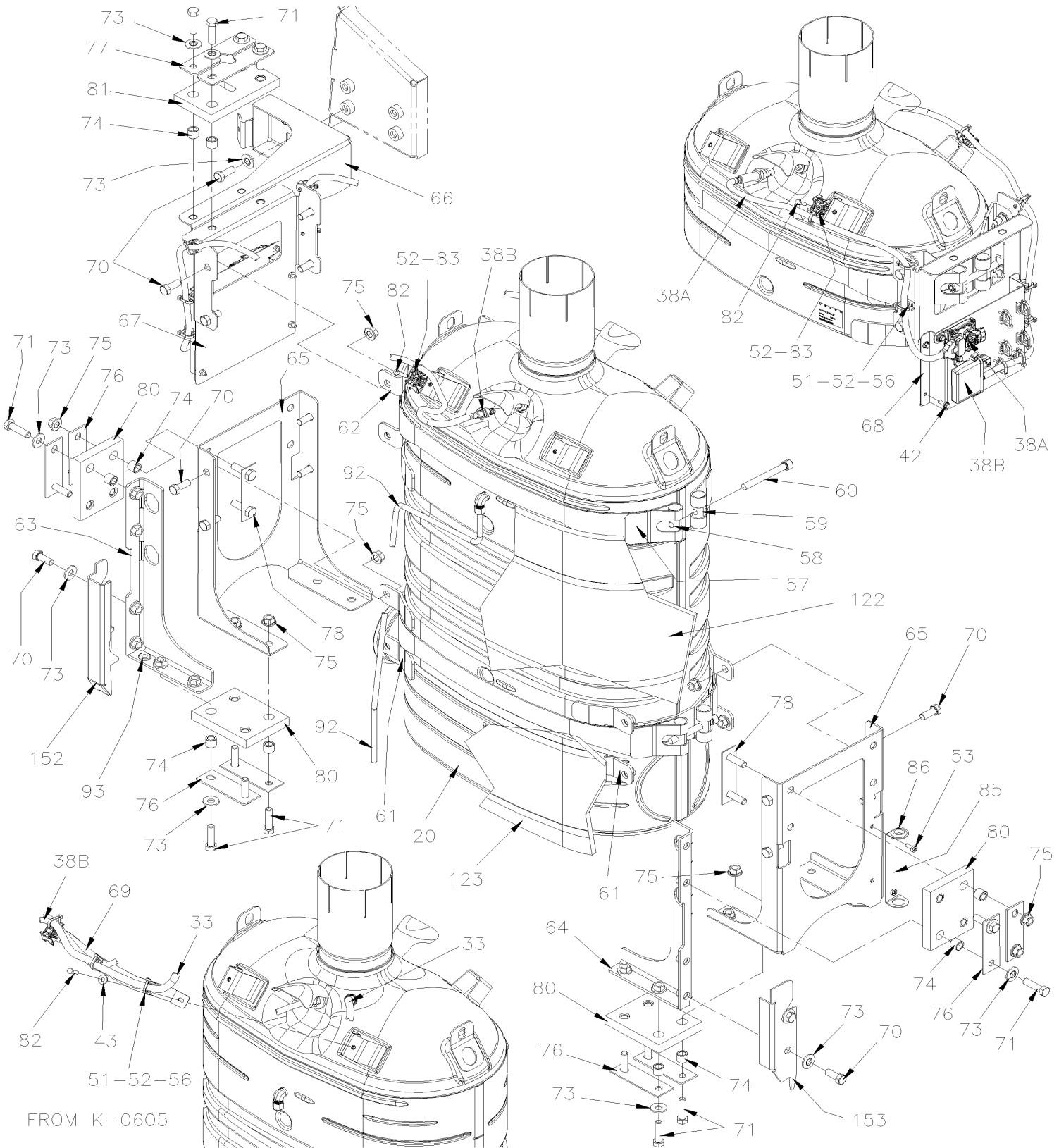


From R-1453

Date:07/2024

PAGE:H9-0405-03

MUFFLER - INSTALLATION WITH DPF & SCR WITH VOLVO D13



From R-1453	Date:07/2024	PAGE:H9-0405-03
MUFFLER - INSTALLATION WITH DPF & SCR WITH VOLVO D13		

Item#	Part	Description	H 3 4 1	H 3 4 5	NOTES
1	21060426	V-CLAMP / (USE W GASKET) 4.81" I.D.	1	1	
2	21095721	GASKET	1	1	
3	040651	PIPE, EXHAUST "U"	1	1	
4	21021850	V-CLAMP / (USE W GASKET) 5.91" I.D.	8	8	
5	21095726	GASKET	8	8	
6	540071	BELLOWS - EXHAUST 5" I.D. x 14.49"	1	1	
7	040014	PIPE DPF INLET	1	1	
8	040826	PIPE EXHAUST	1	1	
9	23041035	SWIRL PIPE	1	1	
NS	21209156	. TIE WRAP STAINLESS STEEL	4	4	
10	22757225	NOZZLE UREA, 2.5	1	1	
11	540072	BELLOWS - EXHAUST	1	1	
12	040777	PIPE EXHAUST	1	1	
13	041115	INSULATED BLANKET / PIPE TURBO W/SPRING ATTACHMENT	1	1	
14	041095	INSULATED BLANKET / BELLOW W/SPRING ATTACHMENT	1	1	
15	040015	INSULATED BLANKET / PIPE DPF INLET W/SPRING ATTACHMENT	1	1	
16	040016	INSULATED BLANKET / PIPE SWIRL	1	1	
17	041119	INSULATED BLANKET / BELLOW W/SPRING ATTACHMENT	1	1	
18	041126	INSULATED BLANKET / PIPE EXHAUST W/SPRING ATTACHMENT	1	1	
19	22058307	MUFFLER DPF EXHAUST FILTER	1	1	
20	23196231	MUFFLER SCR EXHAUST FILTER	1	1	
21	540018	U-CLAMP / (GUILLOTINE TYPE) / 5" I.D.	2	2	
22	040063	ATTACHMENT DPF VOLVO	1	1	
23	040829	ATTACHMENT DPF VOLVO	1	1	
24	040790	ATTACHMENT LOWER DPF	1	1	
25	040090	SUPPORT CABLE DPF	1	1	
26	040861	CABLE SUPPORT	2	2	
27	040080	SUPPORT CABLE DPF	1	1	
NS	509490	ATTACHMENT DOUBLE USE WITH CABLE TIE	2	2	
27	504610	RIVET MGLP PRDG 1/4x5/8 SS	2	2	
28	040986	CLAMP SUPPORT ASSY	2	2	
28A	5001801	SCREW CAP HEXF M10-1.5x55 G10.9 N500	AR	AR	
28B	540085	SPACER / HALF MOON SHAPE	AR	AR	
28C	540086	SPACER / ANVIL SHAPE	AR	AR	
28D	5001758	NUT HEX STO M10-1.5 N500	AR	AR	
29	040953	GRILLE PROTECTOR OVER DFP	1	1	
30	23488881	SENSOR PRESSURE "DELTA"	1	1	
31	21673931	SENSOR TEMPEARATURE "T2"	1	1	
32	22303390	SENSOR "NOX" / DPF FILTER	1	1	
33	21412472	SENSOR TEMPEARATURE "T3"	1	1	
34	040911	PIPE, DP HIGH PRESSURE	1	1	
35	040093	PIPE, DP LOW PRESSURE	1	1	

From R-1453		Date:07/2024	PAGE:H9-0405-03
MUFFLER - INSTALLATION WITH DPF & SCR WITH VOLVO D13			

Item#	Part	Description	H 3 4 1	H 3 4 5	N O T E S
36	060746	HARNESS DPF "VOLVO"	1	1	
37	21225020	SENSOR TEMPEARATURE "T1"	1	1	
38A	22303391	SENSOR "NOX" / SCR FILTER	1	1	
38B	0610356	SENSOR "PM" / SCR FILTER ASSY To P-1341		1	
38B	0600086	SENSOR "PM" / SCR FILTER ASSY From P-1342 To R-1915		1	
38B	0600228	SENSOR "PM" / SCR FILTER ASSY From R-1916		1	
38B	23320447	. SENSOR "PM" / SCR FILTER To P-1341		1	
38B	24191736	. SENSOR "PM" / SCR FILTER From P-1342 To R-1915		1	
38B	24307015	. SENSOR "PM" / SCR FILTER From R-1916		1	
39	040954	GUIDE, WIRING	1	1	
39	502556	WASHER FL 4.3x9.0x0.8 SS	1	1	
39	502799	SCREW CAP HEX M4-0.7X16 G8.8 N500	1	1	
40	564108	SELF MOUNTING STUD // DEUTSCH 1011-310-0205	4	4	
41	8631155	CABLE TIE / 4.6MM x 200 / CHRISTMAS TREE	13	13	
42	5001730	SCREW CAP HEXF M6-1.0x16 G10.9 N500	16	16	
43	5001833	WASHER BEL SPR 6.1x18x1.27 SS	AR	AR	
44	040914	HOSE	1	1	
44	503775	. HOSE SILICONE 5/16" I.D. x 10' / S.L.	AR	AR	
45	21283793	SPRING HOSE CLAMP 5/16"	2	2	
46	040914	HOSE	1	1	
46	503775	. HOSE SILICONE 5/16" I.D. x 10' / S.L.	AR	AR	
47	21283793	SPRING HOSE CLAMP 5/16"	2	2	
48	040916	J-HOOK / M6-1.0 x 33 SS	2	2	
49	502854	NUT HEX M6-1.0 N500	2	2	
50	5000310	SCREW CAP HEX M6-1.0x40 BK	3	3	
51	504013	TIE MOUNT / 1/4" X 1/4" I.D.	AR	AR	
52	504637	CABLE TIE / 3/16" x 13"	AR	AR	
53	502817	SCREW MA PAN PH M6-1.0x16 N500	AR	AR	
54	952624	CLAMP / 1/4" I.D.	1	1	
56	504379	RIVET POP DOME OE 3/16x1/4 SS	AR	AR	
57	041159	STRAP SCR		4	
58	21321221	BAR THREAD SCR	2	2	
59	20974254	BAR ROUND SCR	4	4	
60	509892	SCREW CAP HEXS M12-1.75x100 G8.8 N500	4	4	
61	040786	ATTACHMENT, LOWER, SCR VOLVO	2	2	
62	040855	ATTACHMENT, UPPER, SCR VOLVO	1	1	
63	040847	SUPPORT SCR VOLVO / STREET SIDE	1	1	
64	040848	SUPPORT SCR VOLVO / CUBRE SIDE	1	1	
65	040827	SUPPORT, LOWER, SCR VOLVO	2	2	
66	040086	SUPPORT, UPPER, SCR VOLVO	1	1	
67	041157	ATTACHMENT UPPER	1	1	
68	040074	SUPPORT, UPPER, SCR VOLVO	1	1	

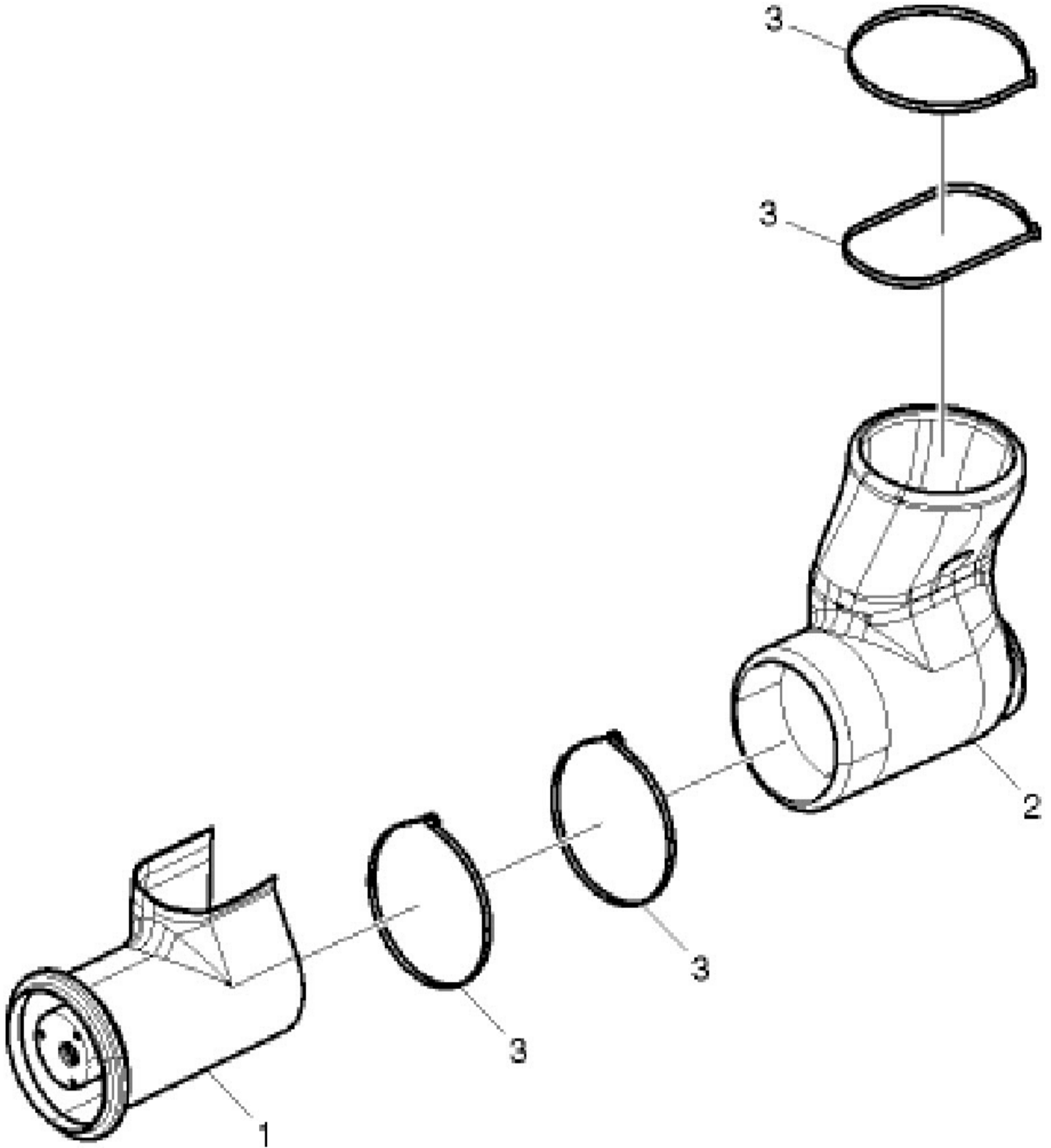
From R-1453	Date:07/2024	PAGE:H9-0405-03
MUFFLER - INSTALLATION WITH DPF & SCR WITH VOLVO D13		

Item#	Part	Description	H 3 4 1	H 3 4 5	N O T E S
69	040079	BRACKET, T4 SENSOR HARNESS	1	1	
70	5001866	SCREW CAP HEX M12-1.75x30 G10.9 N500	32	32	
71	5001338	SCREW CAP HEX M12-1.75x45 G10.9 N500	18	18	
72	5001861	SCREW CAP HEX M12-1.75x60 G10.9 N500	8	8	
73	500967	WASHER BEL SPR .512x1.142x.098 N500	32	32	
74	040937	SPACER 3/4" O.D. X 16MM ST	36	36	
75	5001774	NUT HEXF STO M12-1.75 MAGNI G500	28	28	
76	21138255	PLATE ATTACHMENT 120MM X 40MM	16	16	
77	040783	PLATE ATTACHMENT 120MM X 40MM	2	2	
78	040844	PLATE ATTACHMENT 120MM X 34MM / W/2 M12-1.75x40	2	2	
79	22227002	MUFFLER CONNECTION RUBBER 135MM x 93MM	4	4	
80	041069	MUFFLER CONNECTION RUBBER 135MM x 107MM	4	4	
81	041070	MUFFLER CONNECTION RUBBER 170MM x 93MM	1	1	
82	502737	SCREW CAP HEX M6-1.0x25 SS BK	AR	AR	
83	509490	ATTACHMENT DOUBLE USE WITH CABLE TIE	2	2	
85	040918	SUPPORT / DRAIN	1	1	
86	504356	GROMMET / .625x.875x.062x.312x1.125	1	1	
87	5001815	SCREW CAP HEXF M6-1.0x30 G 8.8 N500	1	1	
92	040965	HOSE DRAIN SCR	1	1	
93	504070	GROMMET / .375x.625x.156x.406x1.000	1	1	
94	21468325	CABLE SUPPORT	1	1	
NS	032540	SPACER 1/2" O.D.X 12MM SS		1	
95	640873	MALE CONNECTOR / AB FITTING / #8x1/2NPT-M BR	1	1	
95	680098	THREAD SEALANT LOCTITE #567 / WHITE / 250ml	AR	AR	
96	040863	PIPE DRAIN	1	1	
97	040004	PLUG / DPF / S.STEEL	1	1	
98	947625	SEAL COPPER / DPF	1	1	
99	502686	SCREW CAP HEX M6-1.0x30 SS BK	AR	AR	
100	501833	MALE CONNECTOR / POLY-TITE FITTING / #2x1/16NPT-M BR	AR	AR	
101	040892	ANGLE PIPE SUPPORT	1	1	
102	21589669	SUPPORT EXHAUST PIPE	1	1	
103	040952	SUPPORT PIPE	1	1	
104	041006	SUPPORT PRIMARY / EXHAUST PIPE	1	1	
105	040969	SUPPORT SECONDARY / EXHAUST PIPE	1	1	
110	5001595	SCREW CAP HEXF M10-1.5x60 G8.8 G500	1	1	
111	500261	WASHER FL .390x1.500x.083 N500	2	2	
112	505217	SPACER 7/16" X 1 1/4"	1	1	
113	661074	BUSHING / RUBBER 3/4" x 5/8" I.D.	2	2	
114	5001727	NUT HEXF NYRT M10-1.5 N500	1	1	
115	5001741	SCREW CAP HEXF M10-1.5x30 G8.8 N500	1	1	
116	5001834	WASHER BEL SPR 10.5X23X2.5 N500	4	4	
117	040627	WASHER FL 10.5x54x11GA SS	1	1	

From R-1453	Date:07/2024	PAGE:H9-0405-03
MUFFLER - INSTALLATION WITH DPF & SCR WITH VOLVO D13		

Item#	Part	Description	H 3 4 1	H 3 4 5	NOTES
118	5001644	SCREW CAP HEXF M10-1.5x30 G8.8 G500	6	6	
119	5001745	SCREW CAP HEX M8-1.25x25 G8.8 N500	2	2	
120	5001740	NUT HEX STO M8-1.25 N500	2	2	
121	500401	WASHER FL .343x.875x.125 N500	4	4	
130	21603076	DIFFUSOR ASSY	1	1	
NS	041139	KIT, REPLACEMENT SHUTTER OF DIFFUSOR	1	1	
131	540067	CLAMP BAND SEAL / LAP JOINT / 5" I.D.x1.25"	1	1	
132	21139384	GRILL DIFFUSOR To R-1849		1	
132	040131	DIFFUSER, GRILL From R-1850		1	A
133	21139388	PLATE "WARNING" THIS DIFFUSOR MUST BE FLUSH.. To R-1849		1	
135	5001684	NUT HEX CAP M6-1.0 SS	10	10	
136	502573	WASHER FL 6.4x12.5x1.6 SS	10	10	
138	478748	GRILL ROOF	1	1	
139	500952	SCREW TP BDG PH #8x1/2 SS	9	9	
145	503821	HOSE SILICONE 4 PLY / NOMEX-ARAMID 3/8" x 144"	AR	AR	
NS	053008	RESTRICTION / ALU. TUBE 20MM X 9.05MM O.D. W/3.05MM HOLE	1	1	
146	21312072	QUICK CONNECTOR 45° 10MM	2	2	
147	992081	HOSE CLAMP / 12MM/22MM	2	2	
148	509490	ATTACHMENT DOUBLE USE WITH CABLE TIE	AR	AR	
NS	504751	ROTATIF SPACER DOUBLE / SMALL	AR	AR	
149	509491	CABLE TIE / 13MM x 383MM	AR	AR	
150	041122	HOSE HEATED ASSY 9400MM	1	1	
NS	N8902118	CONNECTOR CLIP - 5/16"	2	2	
150	H9-0410-00	UREA RESERVOIR ASSY			
152	272444	ATTACHMENT, LOWER, SCR VOLVO STREET SIDE	1	1	
153	273238	ATTACHMENT, LOWER, SCR VOLVO CURBE SIDE	1	1	
154	272496	ATTACHMENT, DPF VOLVO STREET SIDE	1	1	
155	272431	ATTACHMENT, DPF VOLVO CURBE SIDE	1	1	
156	218503	ATTACHMENT, SUPPORT EXHAUST PIPE	1	1	
157	22677399	GASKET NOZZLE UREA	1	1	
158	22757141	SPACER	1	1	
		A) INCLUDES WARNING MESSAGE "THIS DIFFUSER MUST BE FLUSH"			

From R-1453	Date:07/2024	PAGE:23041035
SWIRL PIPE		



From R-1453	Date:07/2024	PAGE:23041035
-------------	--------------	---------------

SWIRL PIPE

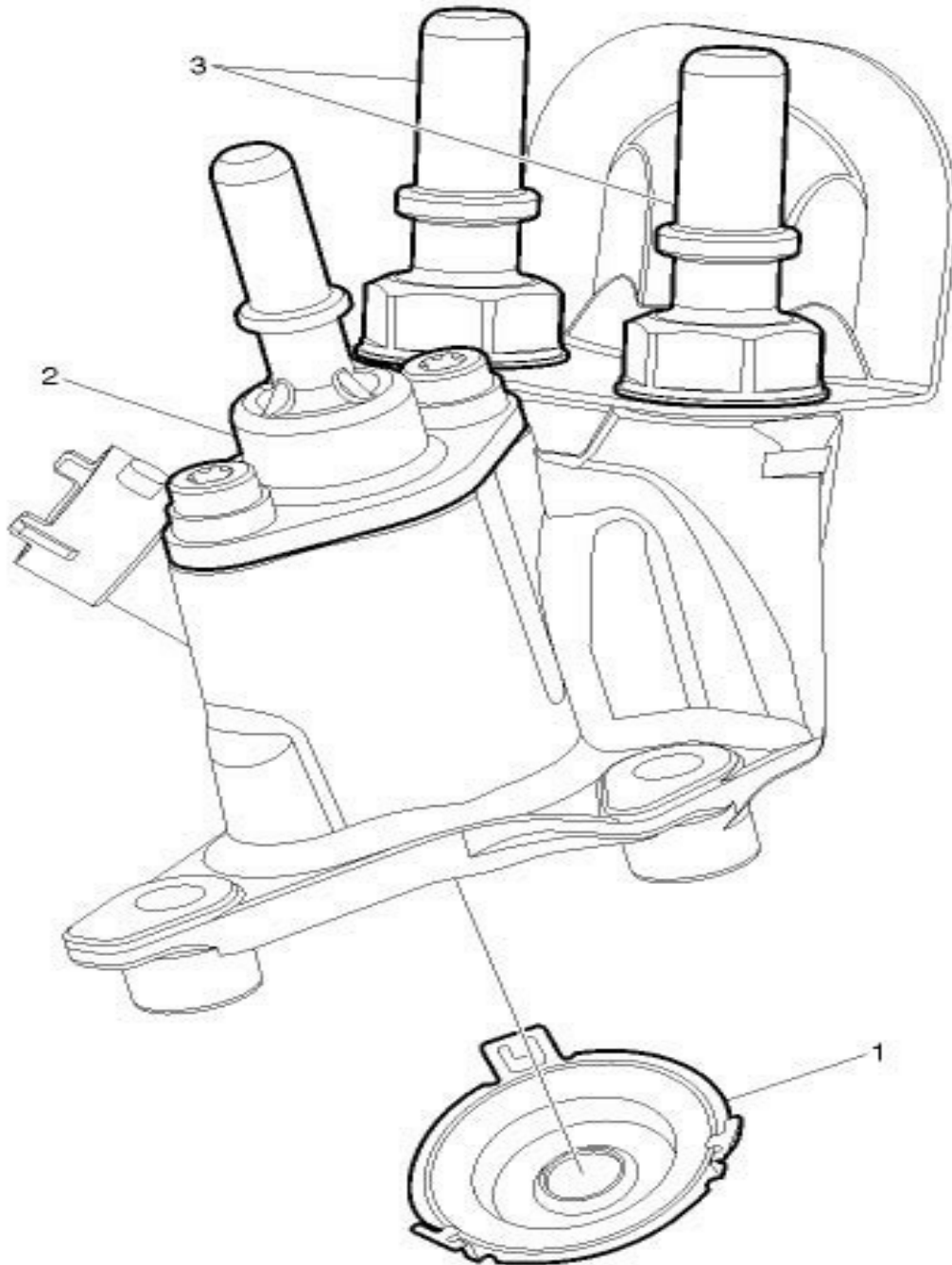
Item#	Part	Description	H 3 4 1	H 3 4 5	N O T E S
1	21403611	SWIRL PIPE	1	1	
2	23041032	HEAT SHEILD	1	1	
3	21209156	TIE WRAP STAINLESS STEEL	4	4	

From R-1453

Date:07/2024

PAGE:22757225

NOZZLE UREA, 2.5



From R-1453	Date:07/2024	PAGE:22757225
NOZZLE UREA, 2.5		

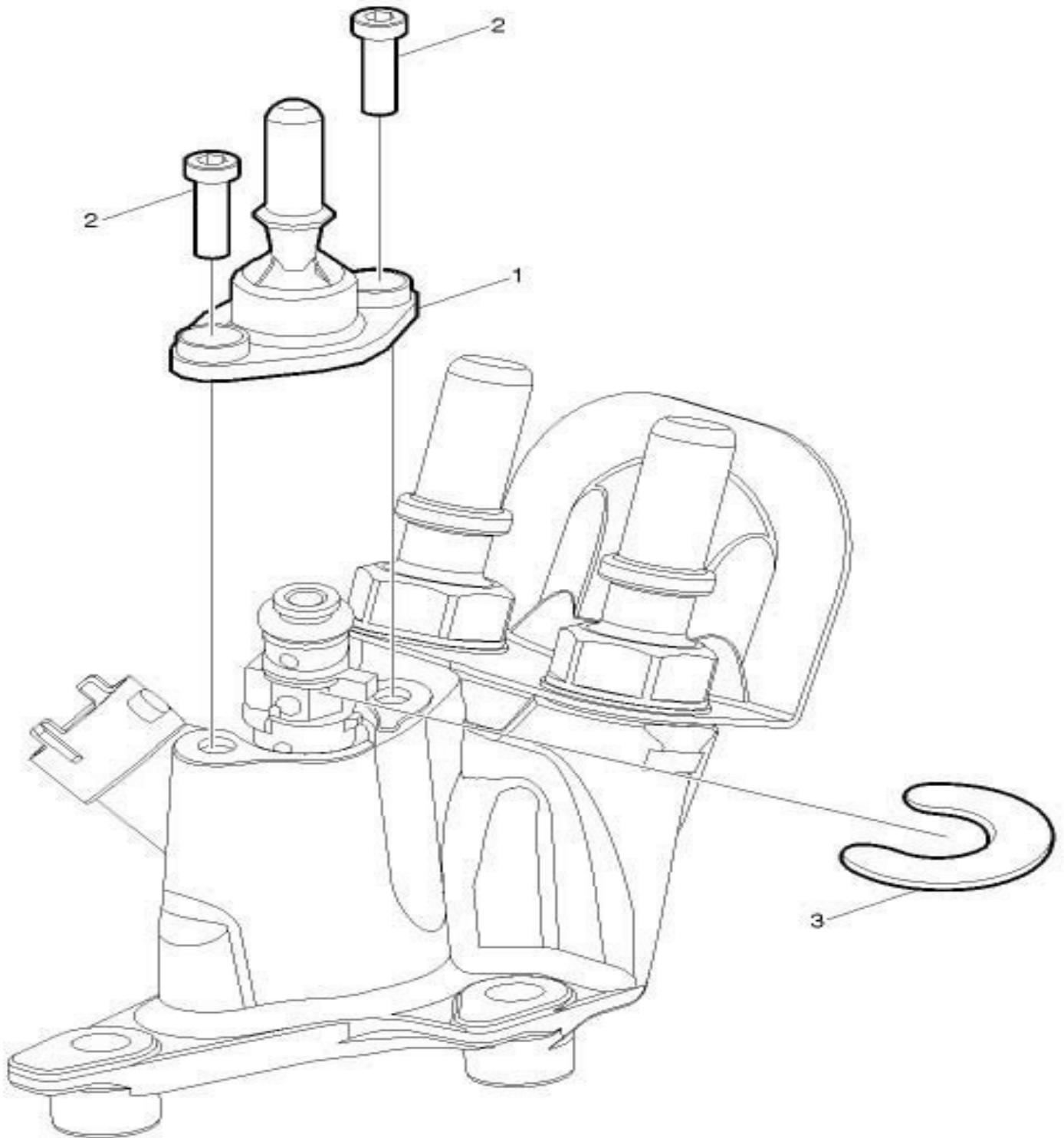
Item#	Part	Description	H 3 4 1	H 3 4 5	N O T E S
1	21376801	SEALING PLATE	1	1	
2	N.S.S.	CONNECTOR UREA TB-129663345-1	1	1	1
3	21376813	CONNECTOR COOLING	1	1	
		1) NOT SOLD SEPARATELY			

From R-1453

Date:07/2024

PAGE:21579080

CONNECTOR UREA TB-129663345-1



R1045189

From R-1453	Date:07/2024	PAGE:21579080
CONNECTOR UREA TB-129663345-1		

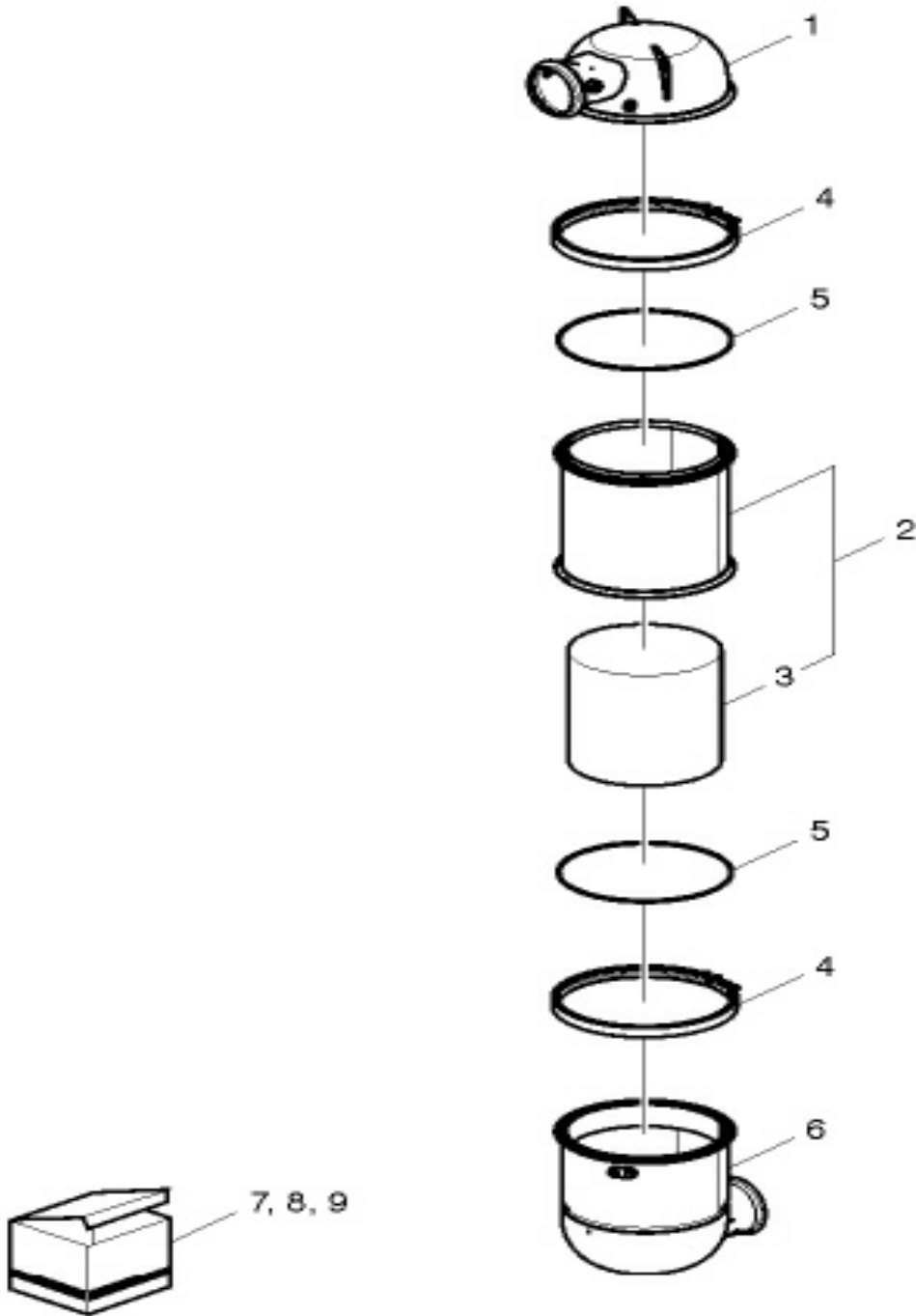
Item#	Part	Description	H 3 4 1	H 3 4 5	N O T E S
	N.S.S.		X	X	1
	N.S.S.		X	X	1
	N.S.S.		X	X	1
		1) NOT SOLD SEPARATELY			

From R-1453

Date:07/2024

PAGE:22058307

MUFFLER DPF EXHAUST FILTER



From R-1453	Date:07/2024	PAGE:22058307
MUFFLER DPF EXHAUST FILTER		

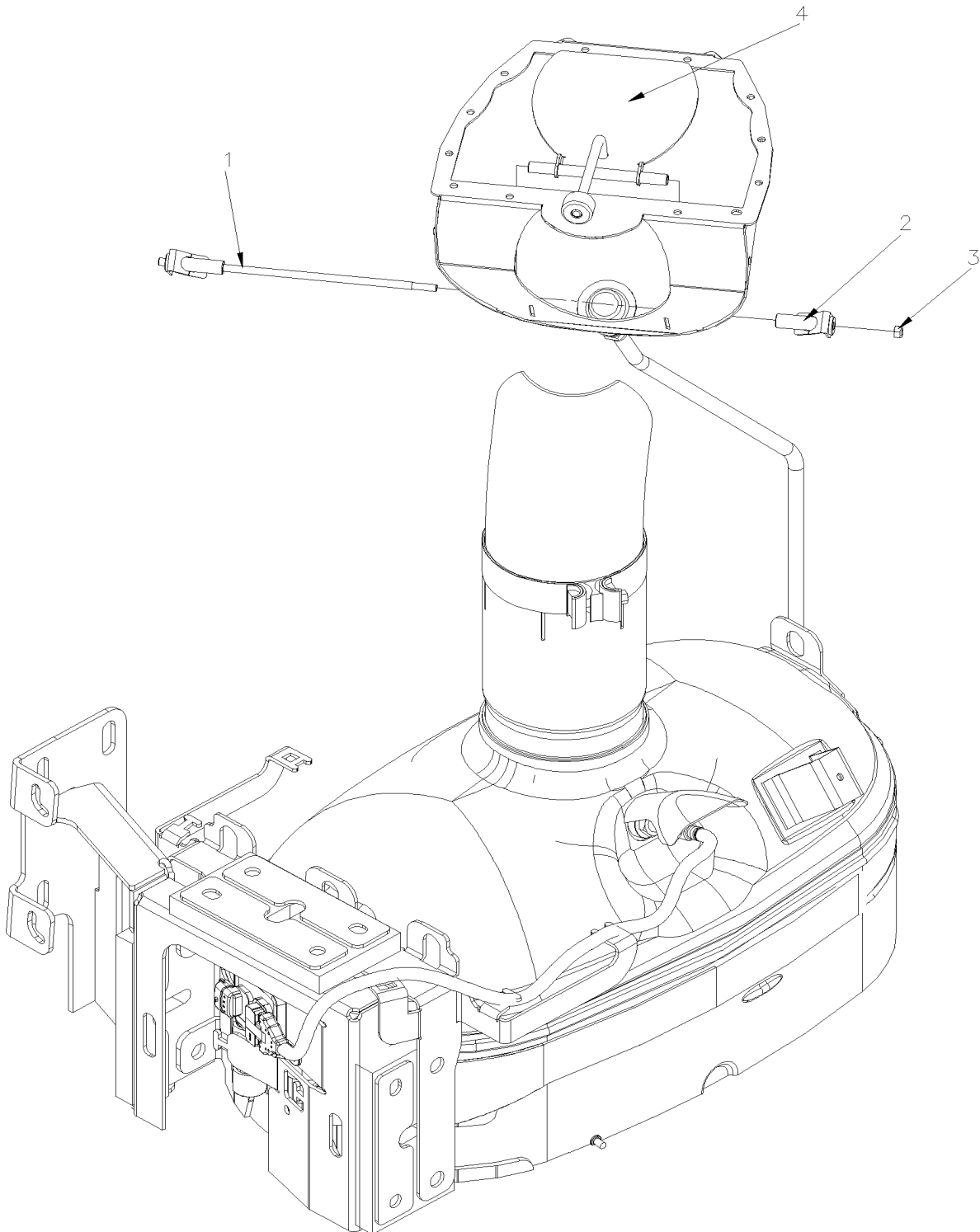
Item#	Part	Description	H 3 4 1	H 3 4 5	N O T E S
1	N.S.S.	MODULE	1	1	1
2	22342601	MODULE	1	1	
3	N.S.S.	. PARTICULATE FILTER	1	1	1
4	21048521	V-CLAMP	2	2	
5	N.S.S.	GASKET	2	2	1
6	N.S.S.	MODULE	1	1	1
7	22776216	KIT	1	1	
8	85124654	KIT	1	1	
		1) NOT SOLD SEPARATELY			

From R-1453

Date:07/2024

PAGE:041139

KIT, REPLACEMENT SHUTTER OF DIFFUSOR



From R-1453	Date:07/2024	PAGE:041139
KIT, REPLACEMENT SHUTTER OF DIFFUSOR		

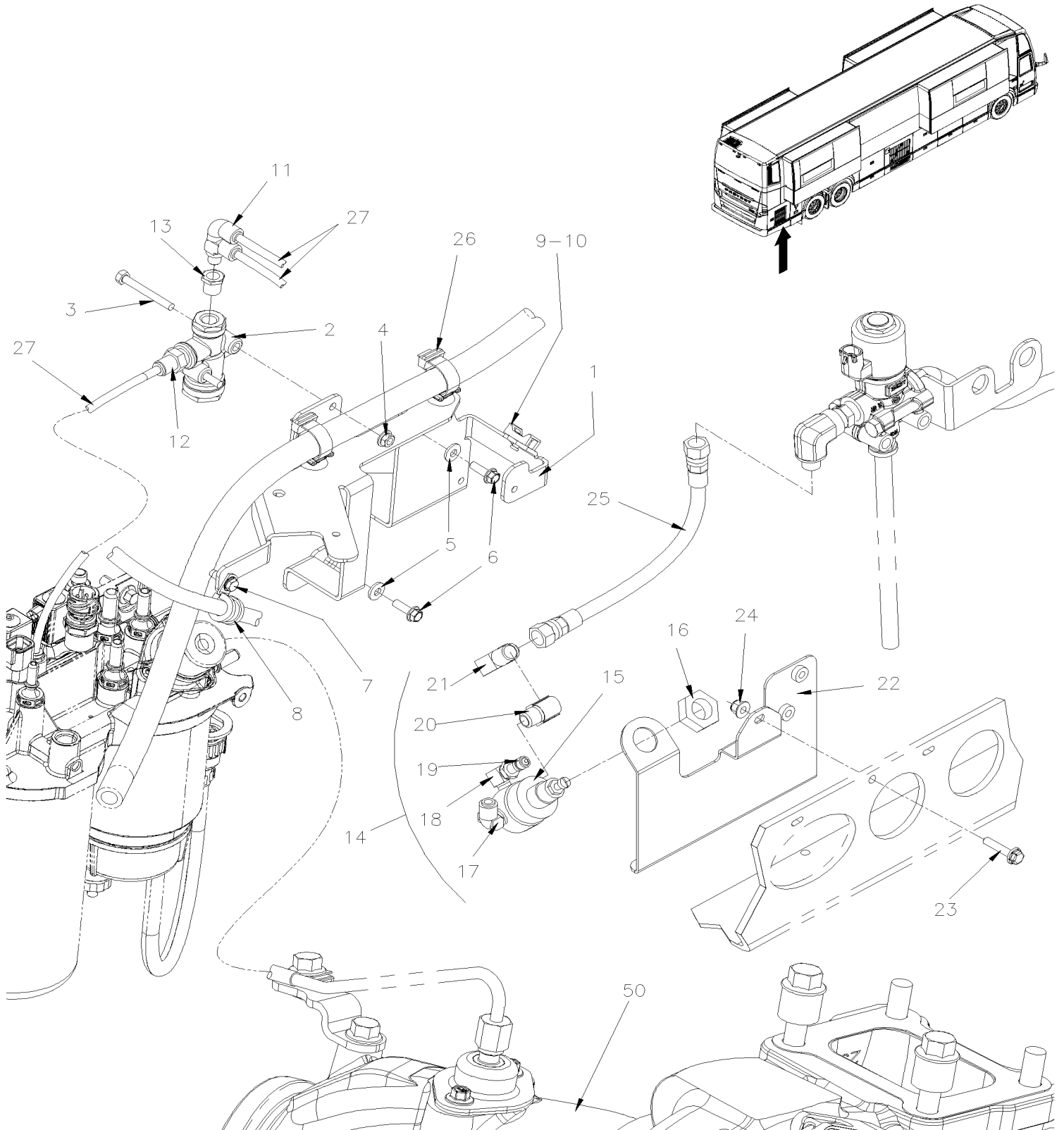
Item#	Part	Description	H 3 4 1	H 3 4 5	N O T E S
1	041137	PIVOT, LATERAL, ASSY	1	1	
2	041134	PIVOT, LATERAL, ASSY	1	1	
3	502860	NUT HEX STO M6-1.0 N500	1	1	
4	041130	SHUTTER ASSY	1	1	

From K-0185

Date:07/2024

PAGE:H9-0405-12

7TH INJECTOR / "AHI" / EXHAUST VOLVO D13



From K-0185		Date:07/2024	PAGE:H9-0405-12
7TH INJECTOR / "AHI" / EXHAUST VOLVO D13			

Item#	Part	Description	H 3 4 1	H 3 4 5	N O T E S
	Call order desk	VALVE ASSY RV-3 W/SUPPORT	1	1	P
	Call order desk	VALVE ASSY RV-3 W/SUPPORT	1	1	P WO
1	010043	SUPPORT FUEL LINE	1	1	
2	21243502	VALVE PRESSURE REDUCER RV-3 / K028993	1	1	
3	5001923	SCREW CAP HEX M6-1.0x45 SS BK	2	2	
4	5001857	NUT HEXF M6-1.0 N500	2	2	
NS	680098	THREAD SEALANT LOCTITE #567 / WHITE / 250ml	AR	AR	
5	500321	WASHER BEL SPR .331x.827x.098 N500	3	3	
6	5001643	SCREW CAP HEXF M8-1.25x25 G8.8 G500	3	3	
NS	5001931	NUT HEXF NYRT M8-1.25 G8.8 N500	1	1	
7	502848	SCREW TC CAP HEXF 1/4-20x3/4 N500	1	1	
8	952627	CLAMP / 1/2" I.D.	1	1	
9	504488	RIVET MGLP PRDG 3/16x17/64 SS	1	1	
10	504013	TIE MOUNT / 1/4" X 1/4" I.D.	1	1	
11	642127	MALE ELBOW 90° SWIVEL DUAL PORT / PUSH-IN / #4x#4x1/8NPT-M BR	1	1	W
11	641371	MALE ELBOW 90° NON-SWIVEL / PUSH-IN FITTING / #4x1/4NPT-M BR	1	1	WO
12	641332	MALE CONNECTOR / PUSH-IN FITTING / #4x1/4NPT-M BR	1	1	
13	501312	BUSHING REDUCER / PIPE FITTING / 1/4NTP-Mx1/8NPT-F BR	1	1	
14	Call order desk	AIR REGULATOR TRANS. ALLISON /	1	1	P W
15	641472	. AIR PRESSURE REGULATOR 1/4" NPT / COPPER	1	1	
16	500734	. NUT HEX JAM 3/4-16 Z050	1	1	
17	641371	. MALE ELBOW 90° NON-SWIVEL / PUSH-IN FITTING / #4x1/4NPT-M BR	1	1	
18	501331	. STREET ELBOW 90° / PIPE FITTING / 1/8NPT-Mx1/8NPT-F BR	1	1	
19	640488	. VALVE, AIR FILL 1/8" NPT	1	1	
. NS	650164	. . CAP VALVE / CHROME	1	1	
20	501332	. STREET ELBOW 90° / PIPE FITTING / 1/4NPT-Mx1/4NPT-F BR	1	1	
NS	680098	. THREAD SEALANT LOCTITE #567 / WHITE / 250ml	AR	AR	
21	501695	. MALE ELBOW 90° / JIC 37° FITTING / #6JIC-Mx1/4NPT-M STL	1	1	
22	143278	. SUPPORT VALVE	1	1	
23	5001815	. SCREW CAP HEXF M6-1.0x30 G 8.8 N500	1	1	
24	5001932	. NUT HEXF NYRT M6-1.0 G8.8 N500	AR	AR	
25	070063	HOSE ASSY TEFLON #6 285MM	AR	AR	W
NS	507664	CABLE TIE / 3/16" 11" / DOUBLE LOOP HEAD	1	1	
26	504750	CABLE TIE / 1/2" x 15" / CHRISTMAS TREE	AR	AR	
27	503402	TUBE, NYLON 1/4 O.D. / BLACK S.L.	AR	AR	
50	Refer To Volvo	SEE IMPACT OR CALL ORDER DESK	1	1	V
		W) WITH RETARDER ONLY			
		WO) WITHOUT RETARDER			
		P) CALL ORDER DESK FOR SPECIFIC APPLICATION (V.I.N.)			

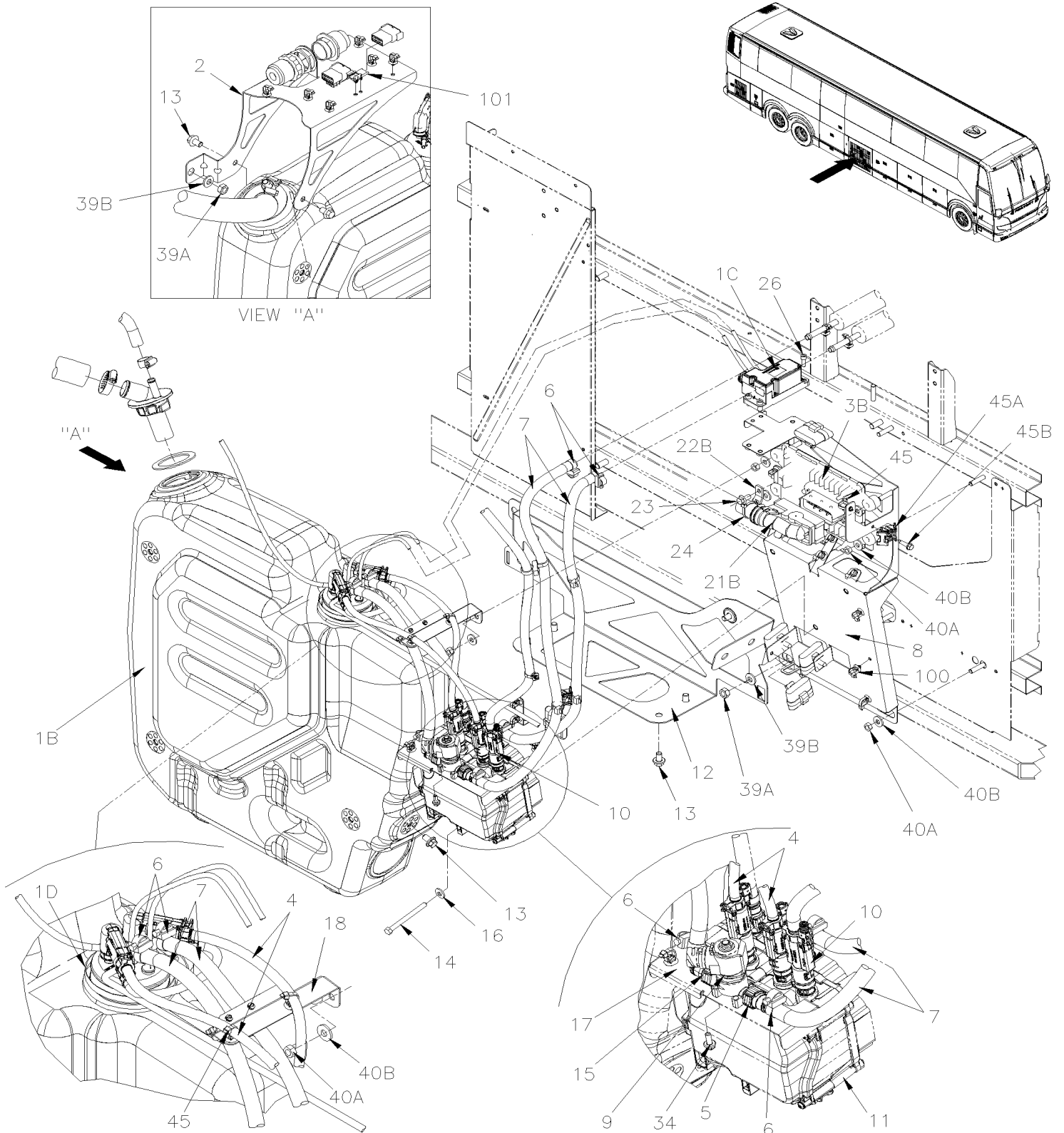
From K-0185		Date:07/2024	PAGE:H9-0405-12		
7TH INJECTOR / "AHI" / EXHAUST VOLVO D13					
Item#	Part	Description	H 3 4 1	H 3 4 5	N O T E S
		V) SEE IMPACT OR CALL ORDER DESK			

From K-0185

Date:07/2024

PAGE:H9-0410-00

UREA RESERVOIR ASSY

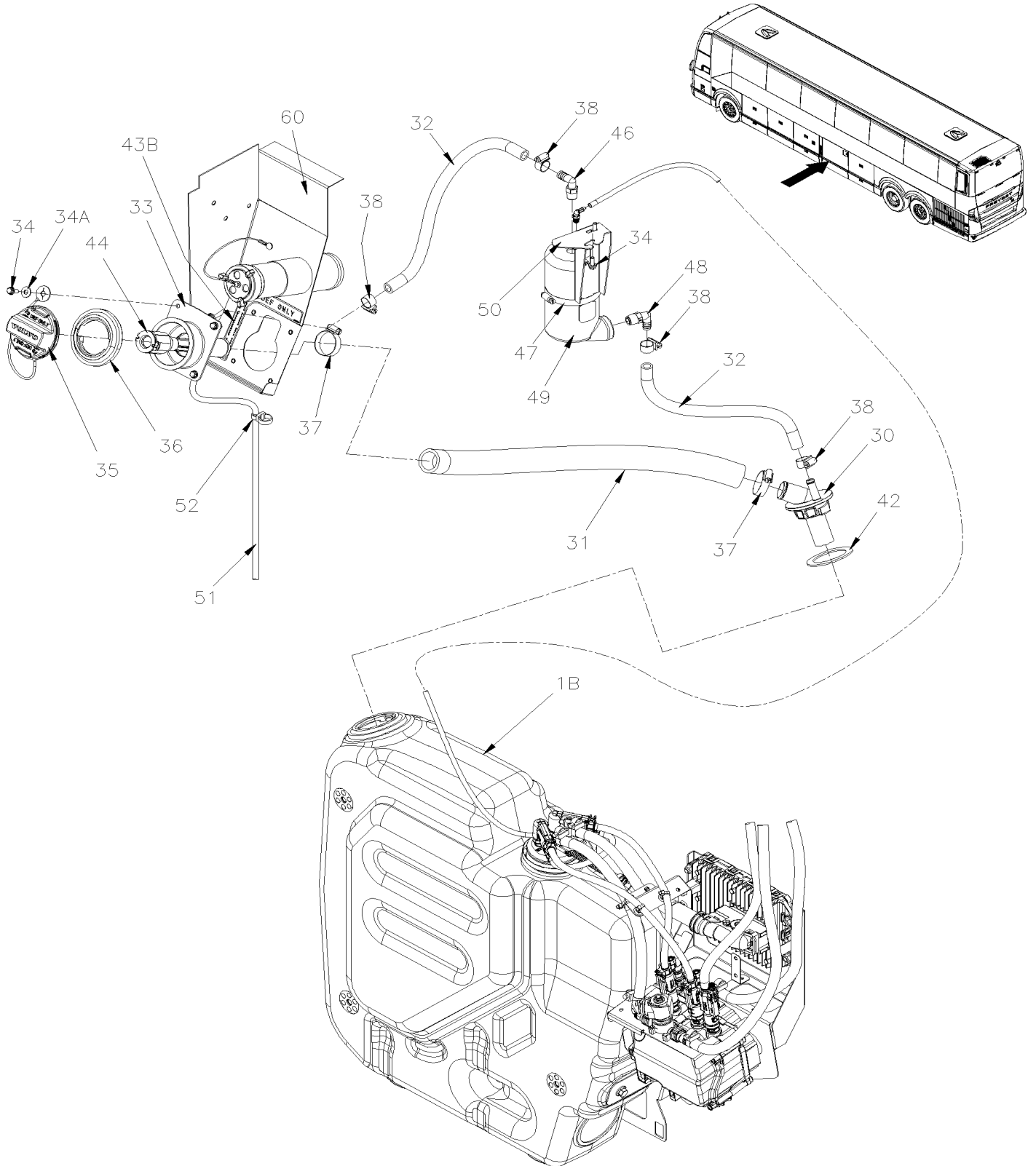


From K-0185

Date:07/2024

PAGE:H9-0410-00

UREA RESERVOIR ASSY



From K-0185	Date:07/2024	PAGE:H9-0410-00
UREA RESERVOIR ASSY		

Item#	Part	Description	H 3 4 1	H 3 4 5	NOTES
1B	21967924	RESERVOIR UREA 60Liters To L-0874	1	1	
1B	540010	RESERVOIR UREA 60Liters From L-0875 To N-1270	1	1	
1B	24176948	RESERVOIR UREA From P-1271	1	1	
1C	22997058	HEATER AND SENSOR To N-1177	1	1	
. NS	22406383	. FILTER KIT To N-1177	1	1	
1C	23635292	HEATER AND SENSOR From N-1178 To N-1270	1	1	
. NS	22406383	. FILTER KIT From N-1178 To N-1270	1	1	
1C	24076036	HEATER AND SENSOR From P-1271	1	1	
1D	992091	HOSE CLAMP / 80MM/100MM To N-1240	1	1	
1D	504145	HOSE CLAMP / 80-100MM C.T. From N-1241	1	1	
NS	685328	UREA 2 GALLONS US	AR	AR	
NS	685329	UREA 55 GALLONS US	AR	AR	
NS	680753	UREA 1250 LITER SQ	AR	AR	
2	041158	SUPPORT UPPER BACKWARD	1	1	
3B	22449432	UNIT CONTROL "ACM" To K-0604	1	1	
3B	23252913	UNIT CONTROL "ACM" From K-0605	1	1	
4	040901	HOSE HEATER ASSY "H" STYLE	1	1	
. NS	540089	. CONNECTOR CLIP - 3/8"	3	3	
. NS	N8902118	. CONNECTOR CLIP - 5/16"	1	1	
5	20805109	QUICK CONECTOR 10MM	2	2	
6	992081	HOSE CLAMP / 12MM/22MM	8	8	
7	503821	HOSE SILICONE 4 PLY / NOMEX-ARAMID 3/8" x 144"	AR	AR	
8	041087	SUPPORT PUMP & UNIT CONTROL To N-1270	1	1	
8	040098	SUPPORT PUMP & UNIT CONTROL From P-1271	1	1	
9	21314741	SOLENOID VALVE	1	1	
10	041122	HOSE HEATED ASSY 9400MM	1	1	
. NS	N8902118	. CONNECTOR CLIP - 5/16"	2	2	
NS	506205	PIPE INSULATING / 5/8" I.D. X 1/2" TH. X 72 / SPLIT ADHESIVE	AR	AR	
NS	957022	TAPE ELASTOMERIC 1/8" X 2" X 30"	AR	AR	
NS	509490	ATTACHMENT DOUBLE USE WITH CABLE TIE	2	2	
NS	500266	SCREW TC CAP HEX 1/4-20x1 N500	2	2	
NS	504016	CABLE TIE / 5/16" X 14"1/2	AR	AR	
NS	507664	CABLE TIE / 3/16" 11" / DOUBLE LOOP HEAD	AR	AR	
NS	504013	TIE MOUNT / 1/4" X 1/4" I.D.	4	4	
NS	502868	SCREW TC TR PH #10-16x1/2 N500	3	3	
10	504379	RIVET POP DOME OE 3/16x1/4 SS	1	1	
NS	504768	CABLE TIE / 3/16" 14.7" / DOUBLE LOOP HEAD	AR	AR	
NS	504751	ROTATIF SPACER DOUBLE / SMALL	1	1	
NS	504750	CABLE TIE / 1/2" x 15" / CHRISTMAS TREE	AR	AR	
NS	504637	CABLE TIE / 3/16" x 13"	AR	AR	
NS	504622	GROMMET / 1.500x1.750x.062x.437x2.125	1	1	
NS	504579	GROMMET / .750x1.625x.125x.437x2.000	1	1	

From K-0185		Date:07/2024	PAGE:H9-0410-00
UREA RESERVOIR ASSY			

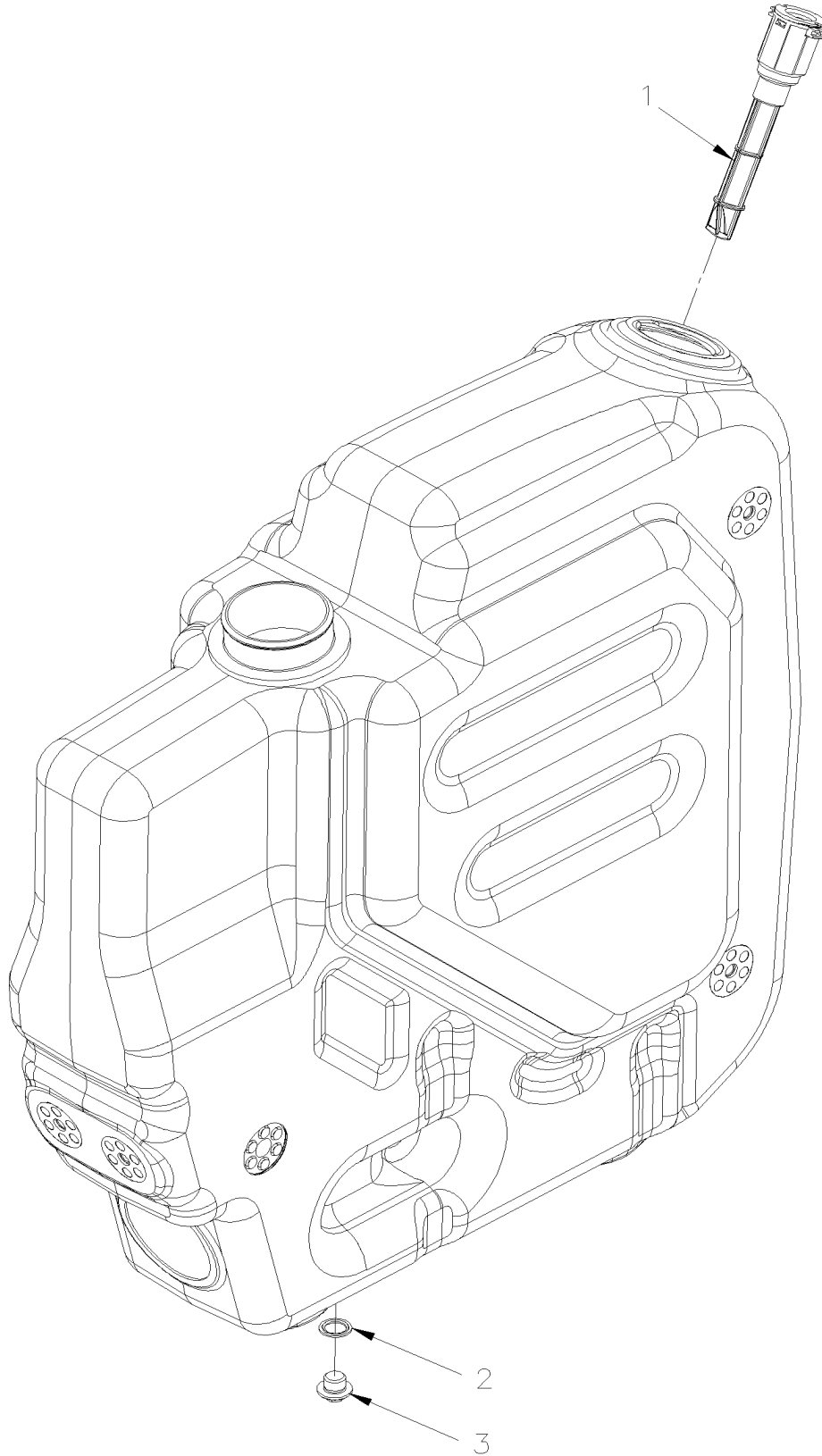
Item#	Part	Description	H 3 4 1	H 3 4 5	N O T E S
NS	684517	ADHESIVE SIMSON #ISR 70-03 / GREY / 310ml CARTRIDGE	AR	AR	
11	21576178	PUMP ASSY UREA TB-129684310-1 To N-1180	1	1	
11	23753841	PUMP ASSY UREA From N-1181 To R-1909	1	1	
11	24169188	PUMP UNIT UREA DOSING SYSTEM From R-1874 To R-1874		1	
11	24169188	PUMP UNIT UREA DOSING SYSTEM From R-1910		1	
12	040895	SUPPORT RESERVOIR UREA	1	1	
13	5001729	SCREW CAP HEXF M10-1.5x16 G8.8 N500	10	10	
14	5001186	SCREW CAP HEX M8-1.25x90 SS BK	3	3	
15	20805110	QUICK CONNECTOR 90° 10MM	2	2	
16	500321	WASHER BEL SPR .331x.827x.098 N500	3	3	
17	040893	SUPPORT WATER VALVE	1	1	
18	040944	SUPPORT HOSE UREA To N-1270	1	1	
18	040099	SUPPORT HOSE UREA From P-1271	1	1	
21B	060725	WIRING HARNESS / UREA SYSTEM To K-0604	1	1	
21B	0610019	WIRING HARNESS / UREA SYSTEM From K-0605 To L-1054	1	1	
21B	0611008	WIRING HARNESS / UREA SYSTEM From L-1055 To N-1270	1	1	
21B	0610590	WIRING HARNESS / UREA SYSTEM From P-1271	1	1	
22B	040974	PLATE / ATTACHMENT CABLE	1	1	
23	5001780	SCREW CAP HEXF M8-1.25x16 G8.8 N500	1	1	
24	504637	CABLE TIE / 3/16" x 13"	AR	AR	
26	5001648	SCREW CAP HEXS M6-1.0x18 SS BK To N-1270	4	4	
27	564542	TREE MOUNT CLIP FOR PED CONNECTOR	1	1	
30	040838	ADAPTOR FILLER HOSE & VENT	1	1	
NS	040968	FILTER / UREA	1	1	
30	680066	ADHESIVE / ADBOND #5014 / 23.6ML BOTTLE	AR	AR	
31	503773	HOSE (GREEN STRIPE) 1 1/4 I.D. To L-0995	AR	AR	
31	503811	HOSE / EPDM 1 PLY 1 1/4 I.D. From L-0996	AR	AR	
32	503772	HOSE (GREEN STRIPE) 1/2" I.D. x 50'	AR	AR	
33	040874	FILLER NECK ASSY To K-0716	1	1	
33	041014	FILLER NECK ASSY From K-0717	1	1	
34	5001730	SCREW CAP HEXF M6-1.0x16 G10.9 N500	4	4	
34A	502638	WASHER FL .312x.734x.065 N500	1	1	
35	21148722	CAP FILLER UREA	1	1	
35	21148725	CAP FILLER UREA / WITH LOCK	1	1	
36	540083	RING FILLER NECK	1	1	
37	504022	HOSE CLAMP / 3/4"-1"3/4 SS / HS-20	2	2	
38	504019	HOSE CLAMP / 9/16"-1"1/16 SS / HS-10	2	2	
39A	500847	NUT HEX M10-1.5 N500	3	3	
39B	5001834	WASHER BEL SPR 10.5X23X2.5 N500	3	3	
40A	502851	NUT HEX M8-1.25 N500	5	5	
40B	500321	WASHER BEL SPR .331x.827x.098 N500	5	5	
41	5001648	SCREW CAP HEXS M6-1.0x18 SS BK	4	4	

To L-0874

Date:07/2024

PAGE:21967924

RESERVOIR UREA 60Liters



To L-0874	Date:07/2024	PAGE:21967924
RESERVOIR UREA 60Liters		

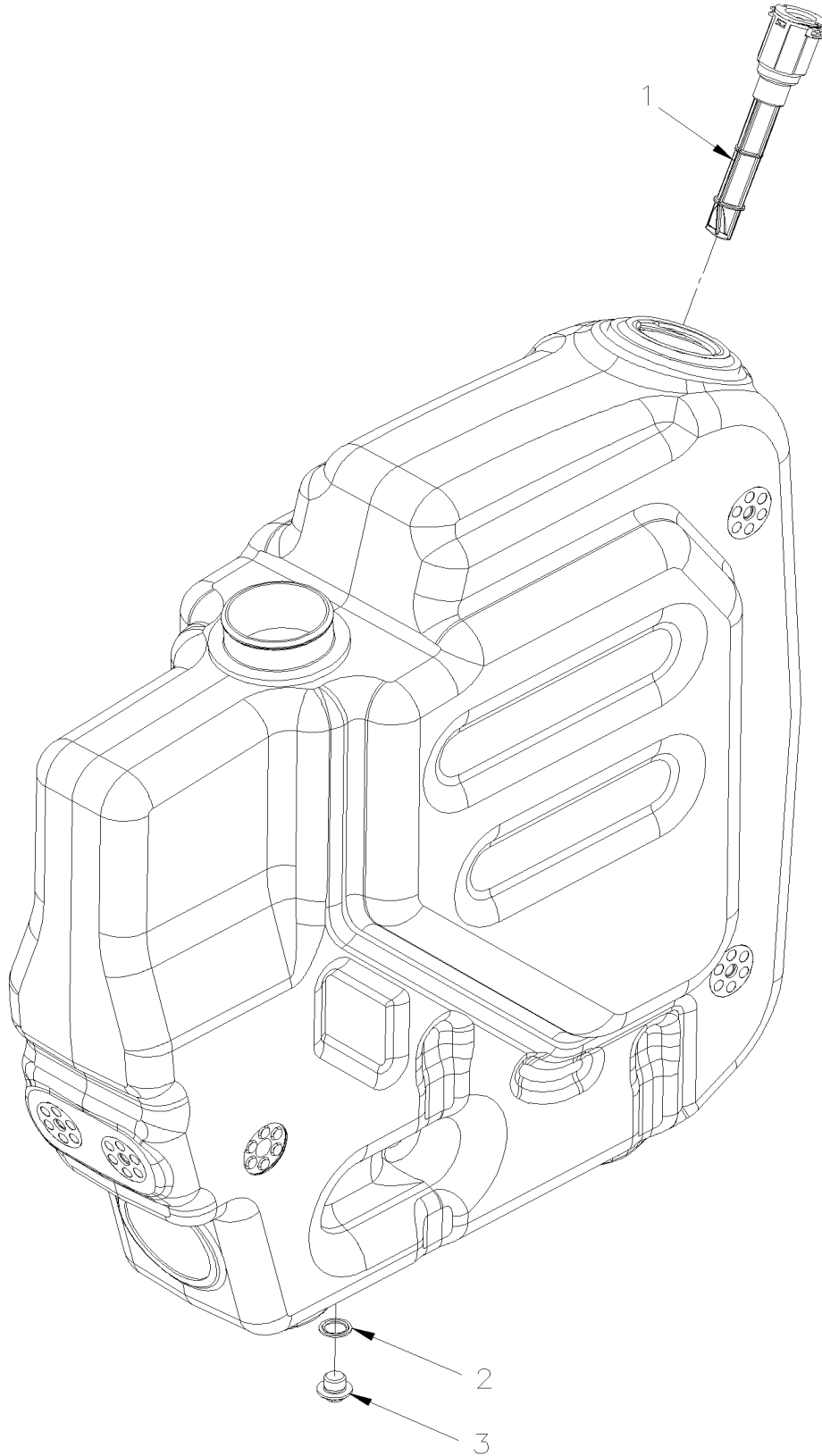
Item#	Part	Description	H 3 4 1	H 3 4 5	N O T E S
		RESERVOIR UREA	1	1	
1	82269261	. FILTER	1	1	
2	982724	. GASKET M16x6	1	1	
3	20562668	. DRAIN PLUG	1	1	

From L-0875 To N-1270

Date:07/2024

PAGE:540010

RESERVOIR UREA 60Liters



From L-0875 To N-1270		Date:07/2024	PAGE:540010
RESERVOIR UREA 60Liters			

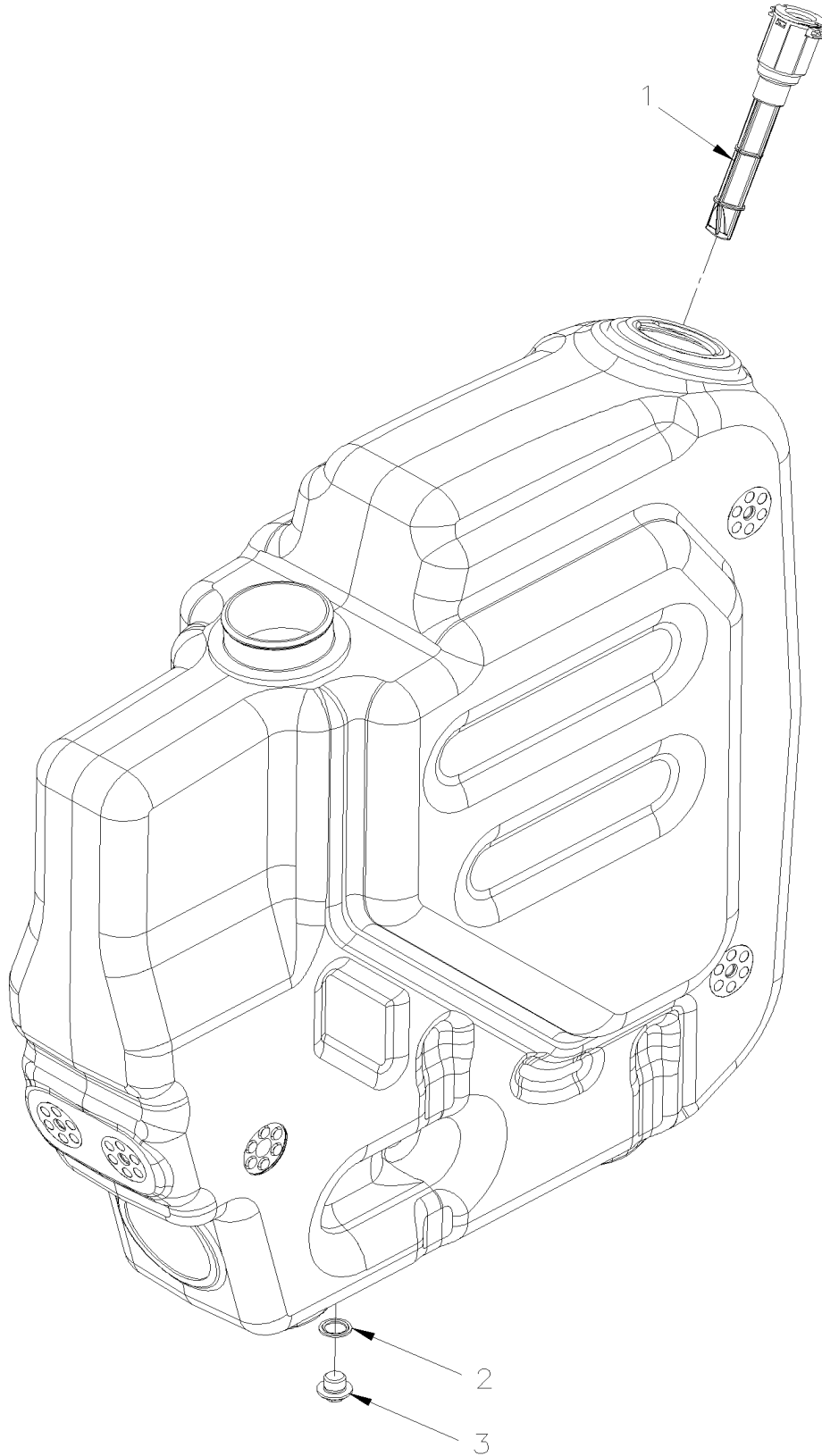
Item#	Part	Description	H 3 4 1	H 3 4 5	N O T E S
		RESERVOIR UREA	1	1	
1	82269261	. FILTER	1	1	
2	982724	. GASKET M16x6	1	1	
3	20562668	. DRAIN PLUG	1	1	

From P-1271

Date:07/2024

PAGE:24176948

RESERVOIR UREA



From P-1271	Date:07/2024	PAGE:24176948
-------------	--------------	---------------

RESERVOIR UREA

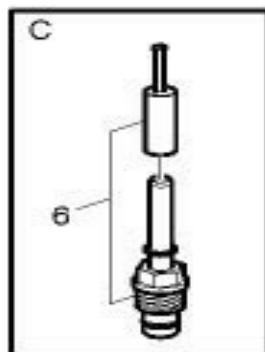
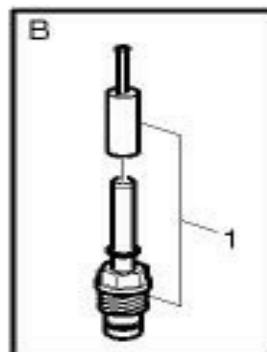
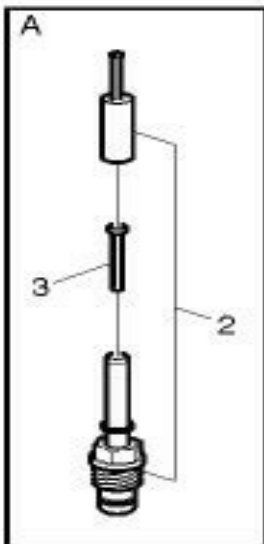
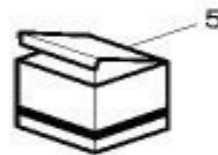
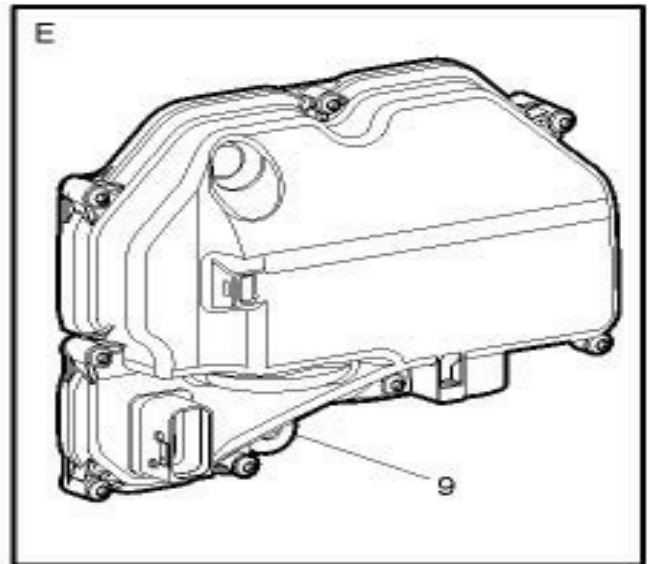
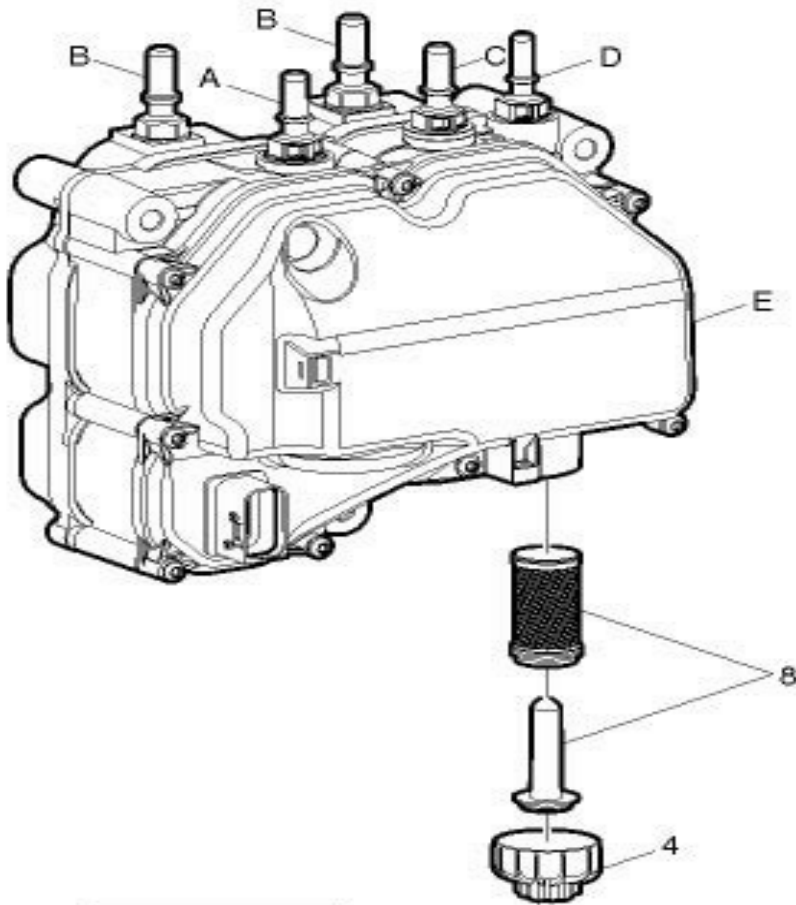
Item#	Part	Description	H 3 4 1	H 3 4 5	N O T E S
		RESERVOIR UREA	1	1	
1	82269261	. FILTER	1	1	
2	982724	. GASKET M16x6	1	1	
3	20562668	. DRAIN PLUG	1	1	

To N-1180

Date:07/2024

PAGE:21576178

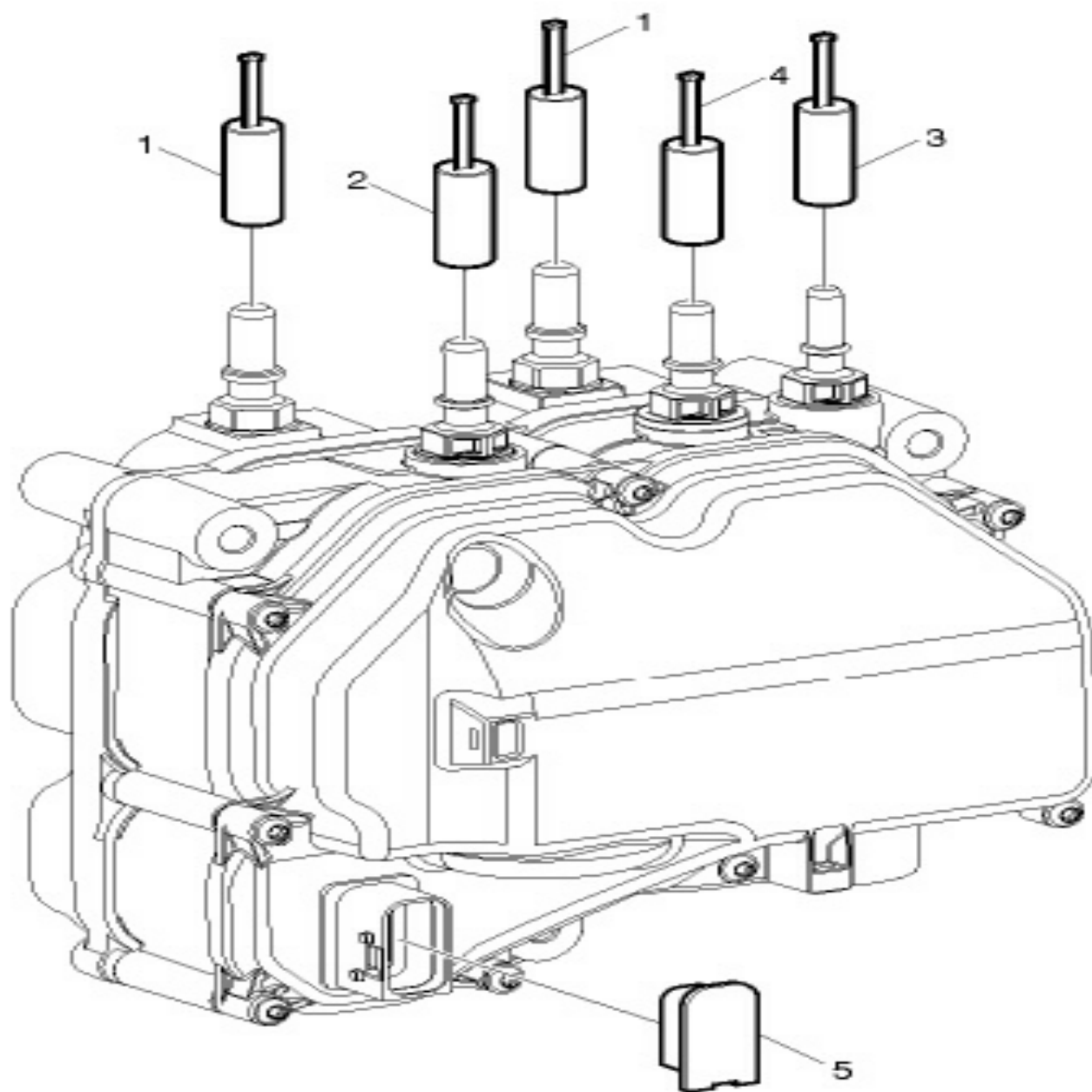
PUMP ASSY UREA TB-129684310-1



To N-1180	Date:07/2024	PAGE:21576178
PUMP ASSY UREA TB-129684310-1		

Item#	Part	Description	H 3 4 1	H 3 4 5	N O T E S
1	21376749	CONNECTOR / HEATER	2	2	
2	21376721	CONNECTOR / INLET	1	1	
3	21954674	. STRAINER	1	1	
4	21376707	FILTER CAP	1	1	
5	21376772	CAP PLUG	1	1	
6	21376746	CONNECTEUR / BACKFLOW	1	1	
7	21376731	CONNECTEUR / OUTLET	1	1	
8	21516229	FILTER	1	1	
9	21378032	COVER	1	1	

To N-1180	Date:07/2024	PAGE:21376772
CAP PLUG		



To N-1180	Date:07/2024	PAGE:21376772
CAP PLUG		

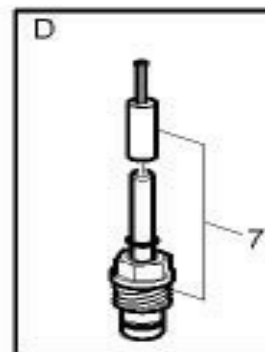
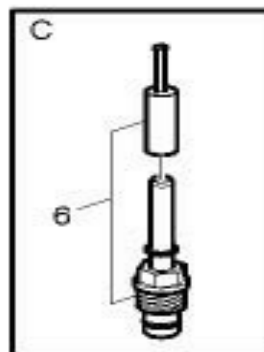
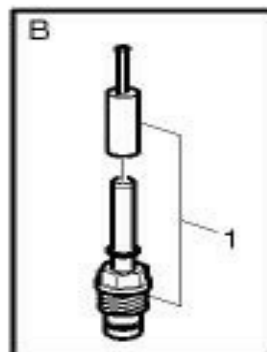
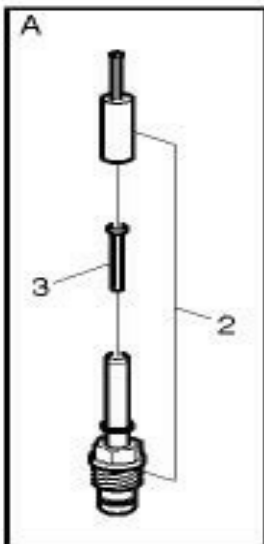
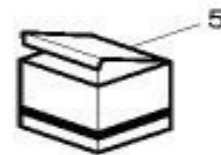
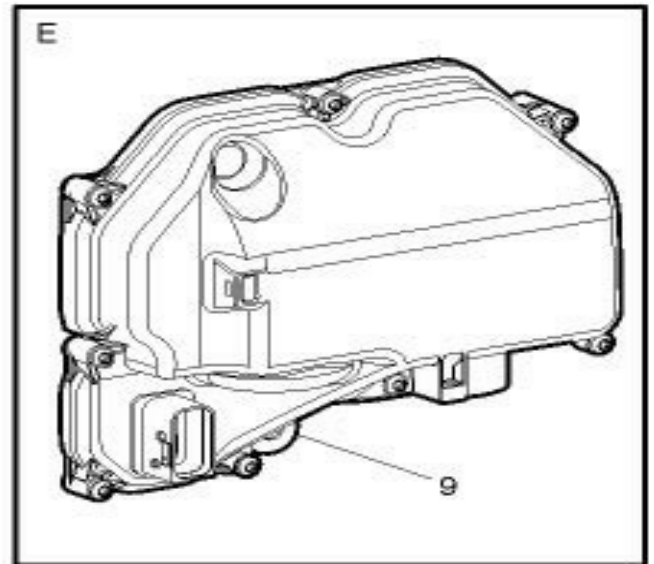
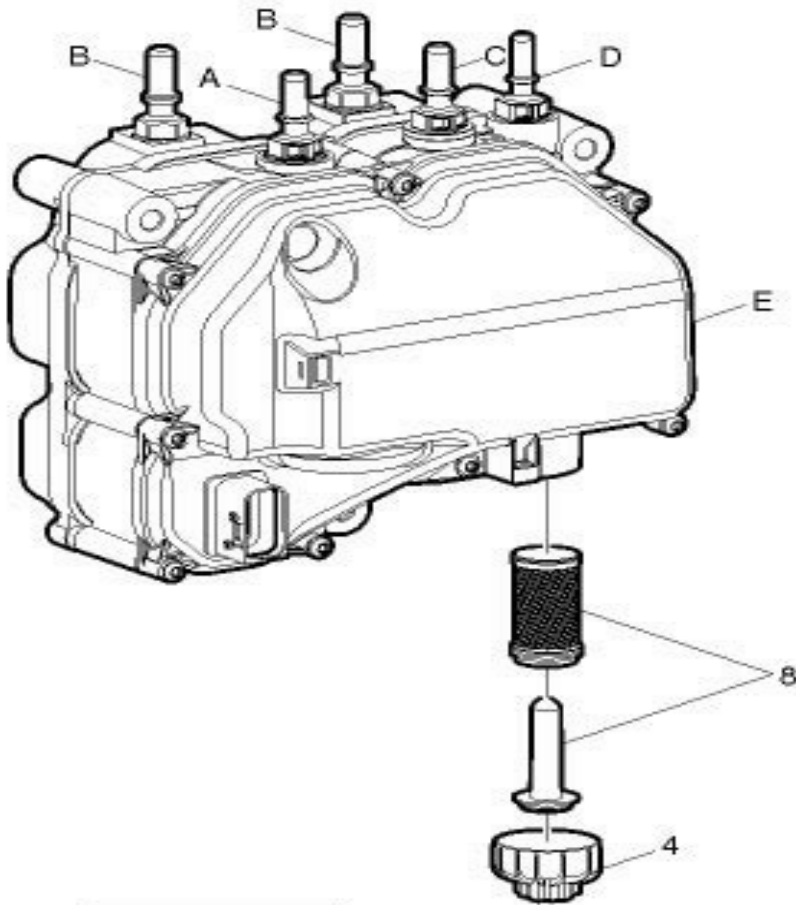
Item#	Part	Description	H 3 4 1	H 3 4 5	N O T E S
1	N.S.S.	COOLANT	1	1	1
2	N.S.S.	INLET	1	1	1
3	N.S.S.	BACKFLOW	1	1	1
4	N.S.S.	OUTLET	1	1	1
5	N.S.S.	ELECTRICAL	1	1	1
		1) NOT SOLD SEPARATELY			

From N-1181 To R-1909

Date:07/2024

PAGE:23753841

PUMP ASSY UREA



From N-1181 To R-1909	Date:07/2024	PAGE:23753841
PUMP ASSY UREA		

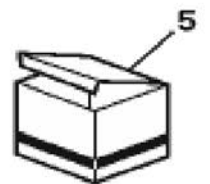
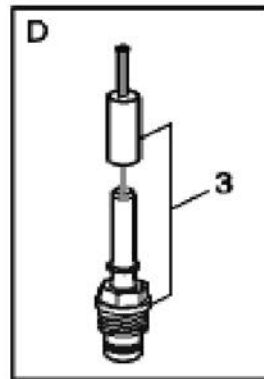
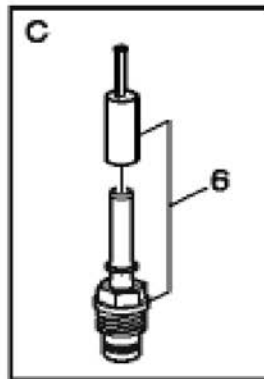
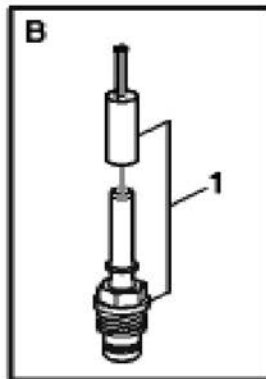
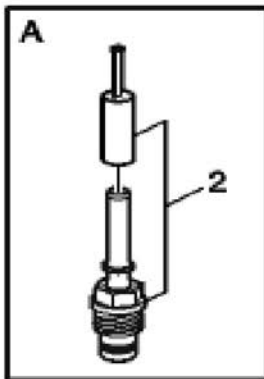
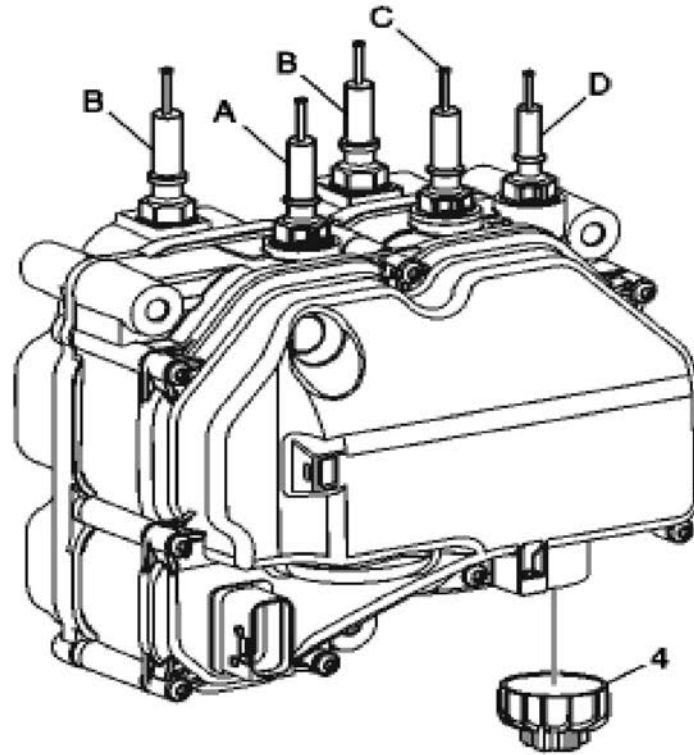
Item#	Part	Description	H 3 4 1	H 3 4 5	N O T E S
1	21376749	CONNECTOR / HEATER	2	2	
2	21376721	CONNECTOR / INLET	1	1	
3	21954674	. STRAINER	1	1	
4	21376707	FILTER CAP	1	1	
5	21376772	CAP PLUG	1	1	
6	21376746	CONNECTEUR / BACKFLOW	1	1	
7	21376731	CONNECTEUR / OUTLET	1	1	
8	23381562	FILTER	1	1	
9	21378032	COVER	1	1	

From R-1874 To R-1874

Date:07/2024

PAGE:24169188

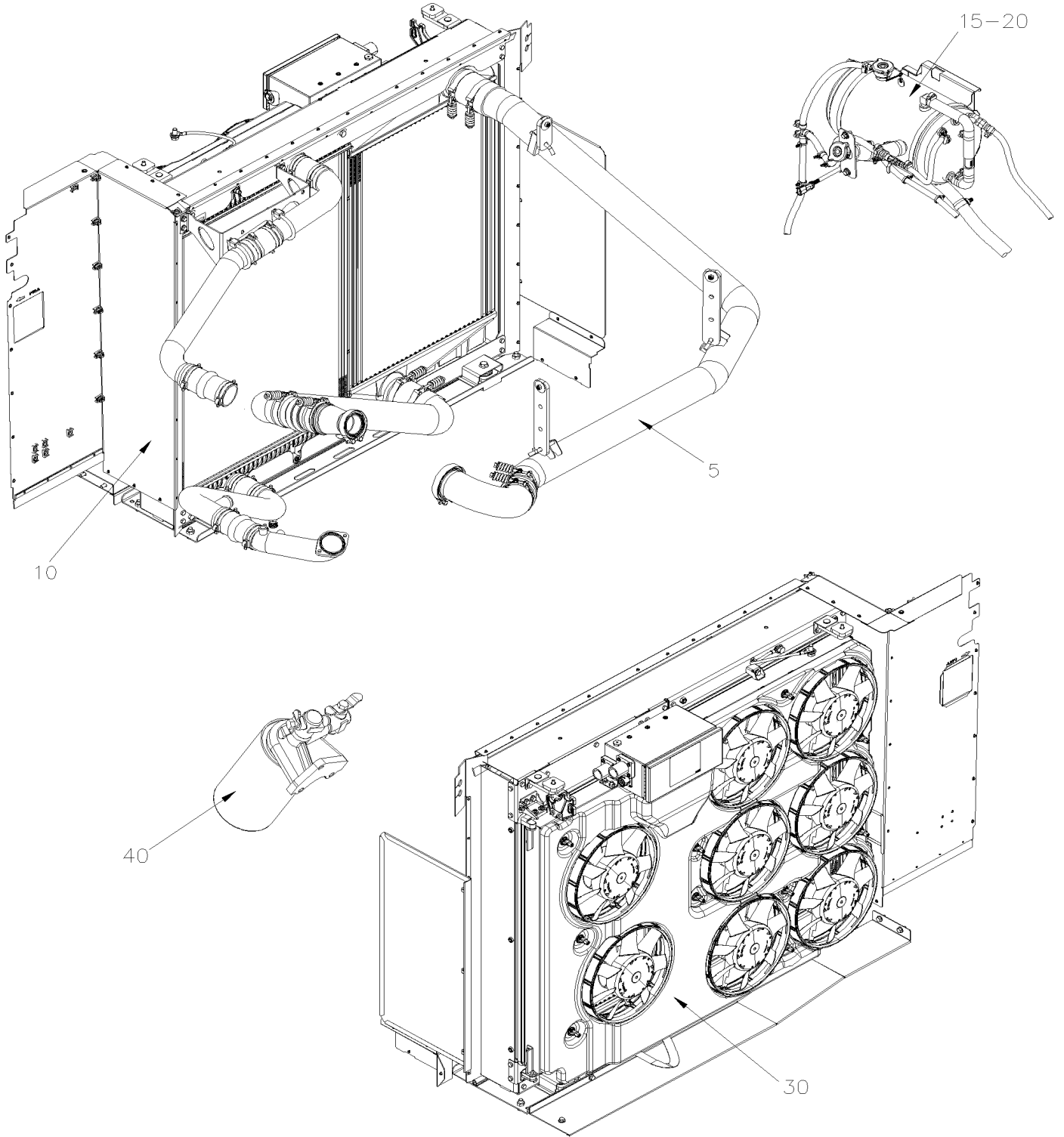
PUMP UNIT UREA DOSING SYSTEM



From R-1874 To R-1874		Date:07/2024	PAGE:24169188
PUMP UNIT UREA DOSING SYSTEM			

Item#	Part	Description	H 3 4 1	H 3 4 5	N O T E S
1	21376749	CONNECTOR / HEATER	1	1	
2	21376721	CONNECTOR / INLET	1	1	
3	21376731	CONNECTEUR / OUTLET	1	1	
4	24472550	FILTER CAP, UREA DOSING SYSTEM	1	1	
5	21376772	CAP PLUG	1	1	
6	24204464	CONNECTOR, UREA DOSING SYSTEM BACKFLOW	1	1	

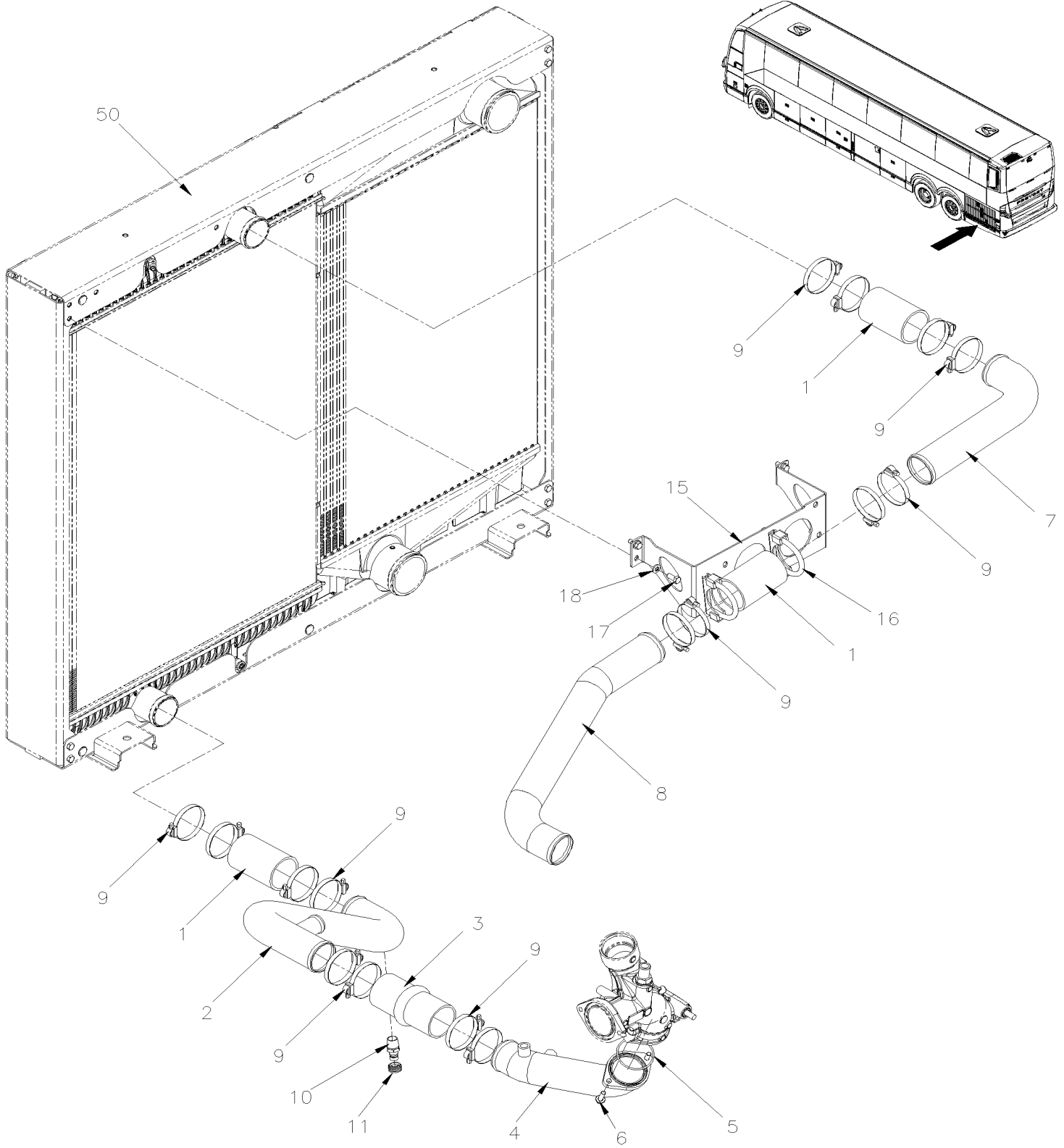
	Date:07/2024	H9-05
COOLING		



		Date:07/2024	H9-05
COOLING			

Item#	Part	Description	H 3 4 1	H 3 4 5	N O T E S
5	H9-0500-02	COOLANT PIPING WITH VOLVO D13 From K-0185			
10	H9-0505-01	RADIATOR ASSY From K-0185			
15	H9-0510-03	SURGE TANK From K-0185 To L-0974			
15	H9-0510-04	SURGE TANK From L-0975			
20	H9-0510-10	RECOVERY TANK From L-0975			
30	H9-0520-02	ELECTRICAL FANS - INSTALLATION From K-0185			
40	H9-0530-03	COOLANT FILTER - INSTALLATION WITH VOLVO D13 From K-0185			

COOLANT PIPING WITH VOLVO D13

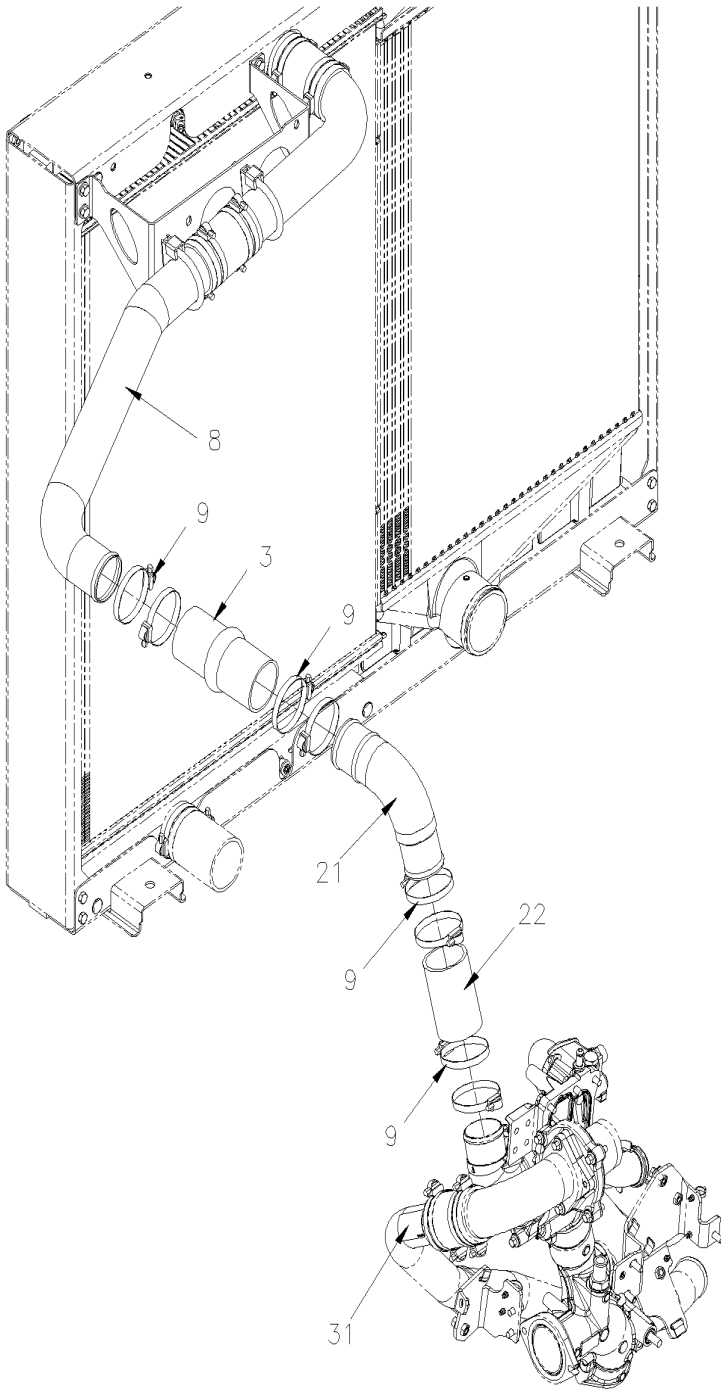


From K-0185

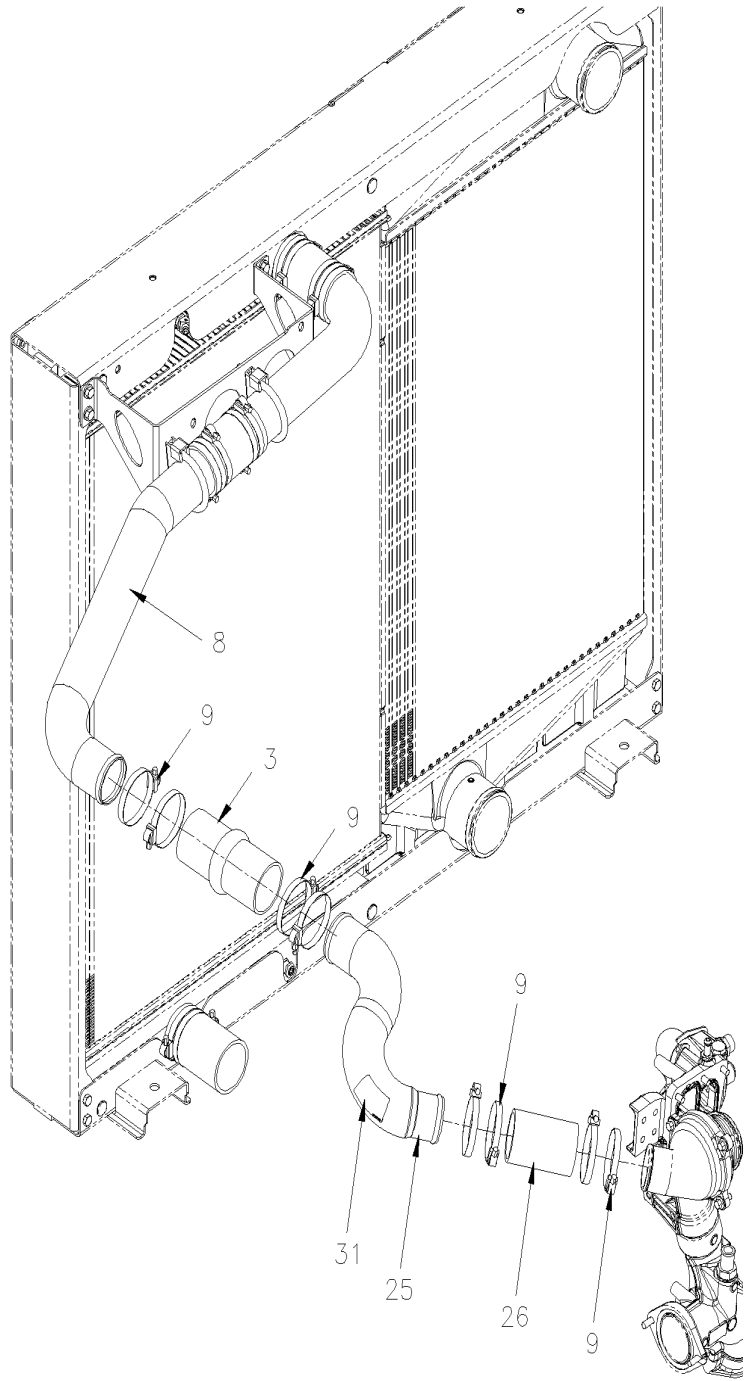
Date:07/2024

PAGE:H9-0500-02

COOLANT PIPING WITH VOLVO D13



WITH ALISON TRANSMISSION



WITH "I-SHIFT" TRANSMISSION

From K-0185	Date:07/2024	PAGE:H9-0500-02
COOLANT PIPING WITH VOLVO D13		

Item#	Part	Description	H 3 4 1	H 3 4 5	N O T E S
1	053617	HOSE SILICONE / NOMEX 2 1/2" I.D. 105MM	2	2	
. NS	503786	. HOSE SILICONE 4 PLY / NOMEX-ARAMID 2 1/2" I.D. x 6'	1	1	
2	050048	WATER PIPE OUTLET RADIATOR To P-1452	1	1	
2	050587	WATER PIPE OUTLET RADIATOR From R-1453	1	1	
2	050388	WATER PIPE OUTLET RADIATOR SS304 To P-1452	1	1	B
2	050591	WATER PIPE OUTLET RADIATOR SS304 From R-1453	1	1	B
3	551013	WATER HOSE SILICON WITH HUMP	2	2	
4	053088	WATER PIPE RADIATOR To P-1452	1	1	
4	050584	WATER PIPE RADIATOR From R-1453	1	1	
4	050384	WATER PIPE RADIATOR SS304 To P-1452	1	1	B
4	050589	WATER PIPE RADIATOR SS304 From R-1453	1	1	B
5	975675	O-RING 64.5 MM X 3MM	1	1	
6	946671	SCREW CAP HEXF M8-1.25x30 G8.8 ZG603	2	2	
7	050046	WATER PIPE INLET RADIATOR	1	1	
7	050401	WATER PIPE INLET RADIATOR SS304	1	1	B
8	050047	WATER PIPE INLET RADIATOR	1	1	
8	050399	WATER PIPE INLET RADIATOR SS304	1	1	B
9	992089	HOSE CLAMP / 60MM/80MM	AR	AR	
10	1675641	NIPPLE / QUICK DISCONNECT "VOLVO" / 1/2NPT-M	1	1	
. NS	V476279	. DUST CAP / QUICK DISCONNECT "VOLVO" /	1	1	
. NS	507666	. DUST CAP / QUICK DISCONNECT "VOLVO" /	1	1	
NS	680098	THREAD SEALANT LOCTITE #567 / WHITE / 250ml	AR	AR	
11	507666	DUST CAP / QUICK DISCONNECT "VOLVO" /	1	1	
15	053096	PIPE HOLDER To K-0260	1	1	
15	050117	PIPE HOLDER From K-0261 To L-0974	1	1	
15	050435	PIPE HOLDER From L-0975	1	1	
16	505535	U BOLT 2 1/2" I.D. SS	2	2	
17	500119	SCREW CAP HEX M8X1.25X20 BK	3	3	
18	5001868	WASHER BEL SPR 8.4x18x2 SS	3	3	
21	050107	WATER PIPE MOTOR /W/ALLISON TRANSMISSION	1	1	A
21	050481	WATER PIPE MOTOR /W/ALLISON TRANSMISSION SS304	1	1	A B
22	070039	HOSE SILICONE 4PLY / NOMEX-ARAMID 2 3/8" x 100MM	1	1	A
. NS	503785	. HOSE SILICONE 4PLY / NOMEX-ARAMID 2 3/8" I.D. x 6'	AR	AR	A
25	050020	WATER PIPE MOTOR W/ISHIFT TRANSMISSION	1	1	I
25	050482	WATER PIPE MOTOR W/ISHIFT TRANSMISSION SS304	1	1	B I
26	053557	HOSE 2 1/4" I.D. 100MM	1	1	I
26	503801	. HOSE SILICONE 4PLY / NOMEX-ARAMID 2 1/4" I.D. x 6'	1	1	I
31	069356	DECAL "DO NOT POWER WASH ALTERNATORS" ENGLISH To L-1014	1	1	
31	0610176	DECAL "DO NOT POWER WASH ALTERNATORS" ENGLISH From L-1015	1	1	
31	0610181	DECAL "DO NOT POWER WASH ALTERNATORS" ENGLISH / FRANCAIS From L-1015	1	1	
50	H9-0505-01	RADIATOR ASSY	1	1	

From K-0185	Date:07/2024	PAGE:H9-0500-02
COOLANT PIPING WITH VOLVO D13		

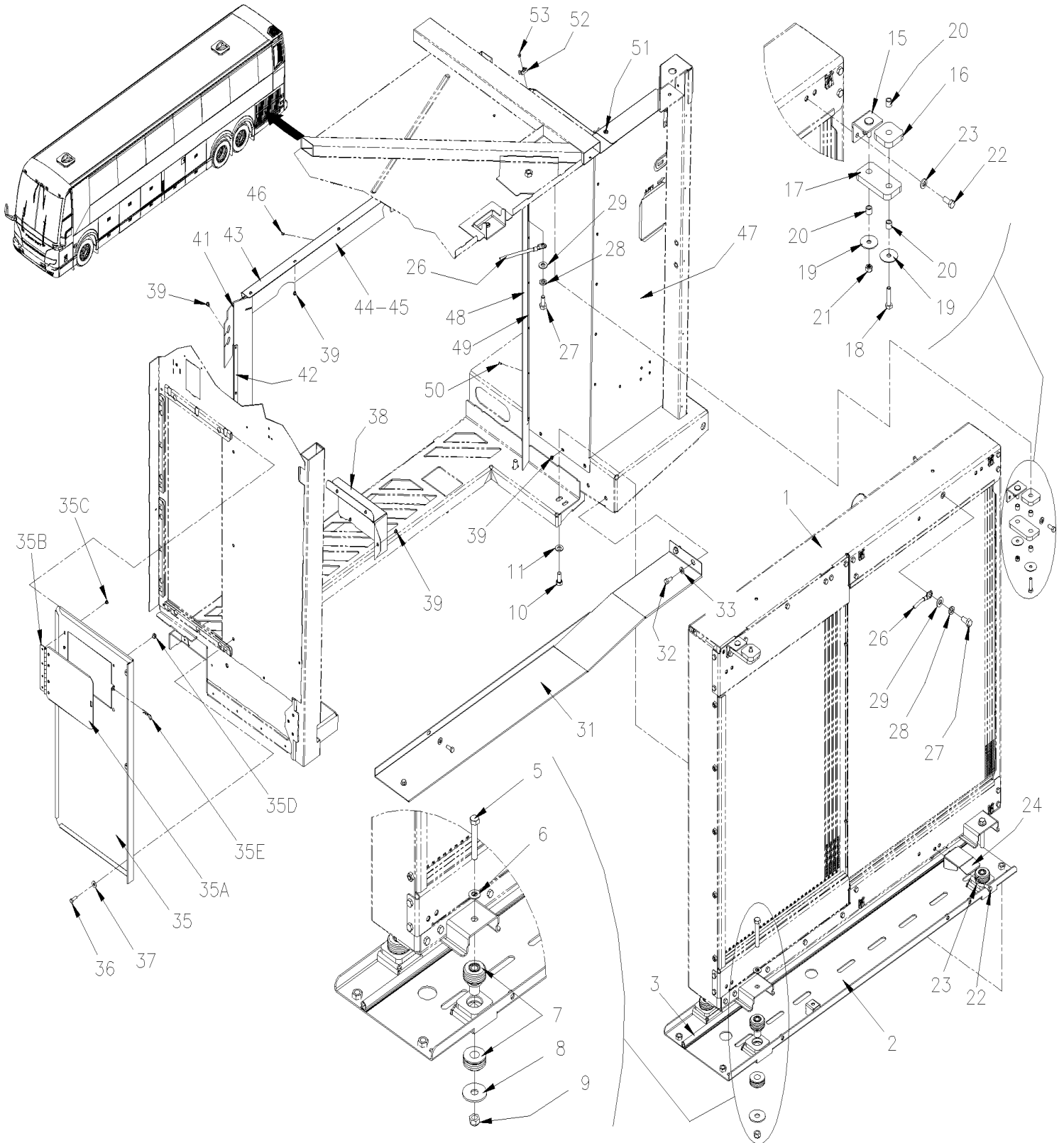
Item#	Part	Description	H 3 4 1	H 3 4 5	N O T E S
		A) WITH ALISON TRANSMISSION			
		B) SPECIAL OPTION SS304			
		I) WITH "I SHIFT" TRANSMISSION			

From K-0185

Date:07/2024

PAGE:H9-0505-01

RADIATOR ASSY



From K-0185	Date:07/2024	PAGE:H9-0505-01
RADIATOR ASSY		

Item#	Part	Description	H 3 4 1	H 3 4 5	N O T E S
1	550994	RADIATOR & AIR COOLER To K-0279	1	1	
1	501063	. MALE ELBOW 45° / SAE 45° FITTING / #4FL-Mx1/4NPT-M BR To K-0279	1	1	
1	550048	RADIATOR & AIR COOLER From K-0280 To L-1005	1	1	
1	550081	RADIATOR & AIR COOLER From L-1006 To M-1137	1	1	
1	550091	RADIATOR & AIR COOLER From M-1138	1	1	
1	501027	. MALE CONNECTOR / SAE 45° FITTING / #4FL-Mx1/4NPT-M BR From K-0280	1	1	
2	261618	FLOOR PLATE FOR RADIATOR	1	1	
3	5060103	RUBBER SEAL 6.56FT LONG 6.56 ft To L-0928	1	1	
3	509042	RUBBER SEAL 51.38"+0-0.25 From L-0929	1	1	
5	5001987	SCREW CAP HEX M12-1.75x75 SS BK	4	4	
6	5001877	WASHER BEL SPR .512x1.000x.073 SS	4	4	
7	551010	VIBRATION ISOLATOR TOW PIECES	4	4	
8	052765	WASHER FL 12.5MMx52MMx3MM	4	4	
NS	680064	OIL ANTICOROSIVE GREY (TECTYL) (20 LITERS)	AR	AR	
9	5001988	NUT HEX NYRT M12-1.75 SS BK	4	4	
10	5001979	SCREW CAP HEX M12-1.75x25 SS BK	4	4	
11	5001877	WASHER BEL SPR .512x1.000x.073 SS	4	4	
15	053102	CORNER BRACKET	2	2	
16	053110	RUBBER SPACER	1	1	
17	053105	VIBRATION ABSORBER RUBBER PLATE	2	2	
18	502836	SCREW CAP HEX M8-1.25x35 G8.8 N500	2	2	
19	500462	WASHER FL .343x1.500x.083 SS	4	4	
20	032540	SPACER 1/2" O.D.X 12MM SS	6	6	
21	5001983	NUT HEX NYRT M8-1.25 SS SS BK	2	2	
22	500119	SCREW CAP HEX M8X1.25X20 BK	6	6	
23	5001868	WASHER BEL SPR 8.4x18x2 SS	6	6	
24	053081	GUIDE FOR FAN'S DOOR	1	1	
26	069279	RADIATOR GROUND HARNESS	1	1	
NS	509815	TIE MOUNT / ATTACHMENT W/TREE MOUNT	1	1	
NS	504637	CABLE TIE / 3/16" x 13"	1	1	
27	5001565	SCREW CAP HEX 1/2-13x1 G5 N500	2	2	
NS	684013	RUBBER PROTECTOR / COLOR GUARD 14.5oz	AR	AR	
28	5001534	WASHER LO SPT .509x.873x.125 SS	2	2	
29	500958	WASHER FL .531x1.062x.095 SS	2	2	
31	260072	DEFLECTOR FLOOR RADIATOR	1	1	
32	500119	SCREW CAP HEX M8X1.25X20 BK	5	5	
33	5001868	WASHER BEL SPR 8.4x18x2 SS	5	5	
35	050055	ACCES PANEL RADIATOR To N-1189	1	1	
35	050567	ACCES PANEL RADIATOR ASSY From N-1190	1	1	
35	050560	. ACCES PANEL RADIATOR From N-1190	1	1	

From K-0185	Date:07/2024	PAGE:H9-0505-01
RADIATOR ASSY		

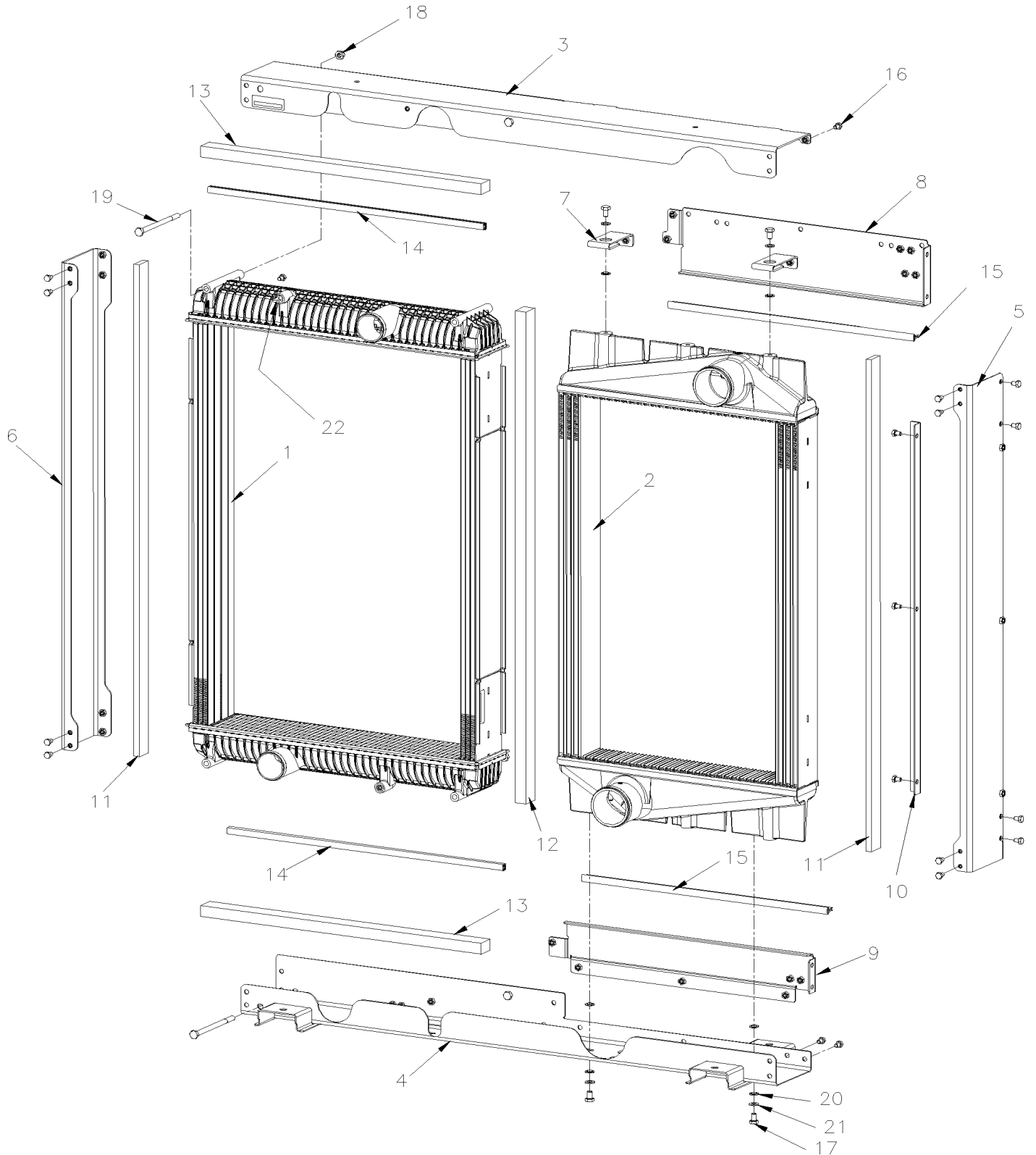
Item#	Part	Description	H 3 4 1	H 3 4 5	N O T E S
35A	050561	. ACCESS DOOR From N-1190	1	1	
35B	050564	. HINGE From N-1190	1	1	
35C	504488	. RIVET MGLP PRDG 3/16x17/64 SS From N-1190	8	8	
35D	313678	. RUBBER BUMPER From N-1190	2	2	
35E	502017	. PIN HITCH CLIP .08 x 3/8 SS From N-1190	1	1	
36	502622	SCREW CAP HEX M6-1.0x20 SS BK	3	3	
37	5001833	WASHER BEL SPR 6.1x18x1.27 SS	3	3	
38	210135	CAP	1	1	
39	504488	RIVET MGLP PRDG 3/16x17/64 SS	AR	AR	
NS	682175	UNDERCOATING BLACK PROTECTOR (GRAVELGUARD) 567gr To N-1261	AR	AR	
NS	685413	RUBBERIZED UNDERCOAT (GRAVELGUARD) 560gr From N-1262	AR	AR	
41	050038	STRIP SEAL 1164MM	1	1	
42	050059	RETAINER 1001MM	1	1	
43	050041P	STRIP SEAL ASSY	1	1	
43	050040	. ANGULAR 1244MM	1	1	
44	050039	. STRIP SEAL 1275MM	1	1	
45	050042	. RETAINER 1244MM	1	1	
46	504717	. RIVET POP DOME OE 1/8x1/4 SS	8	8	
47	050063P	STRIP SEAL ASSY	1	1	
47	050082	. PANEL ASSY To K-0604	1	1	
47	050241	. PANEL ASSY From K-0605	1	1	
48	050065	. STRIP SEAL 1160MM	1	1	
NS	050131	. STRIP SEAL 348MM	1	1	
49	059081	. RETAINER 1001MM	1	1	
NS	050133	. RETAINER 336MM	1	1	
50	504717	. RIVET POP DOME OE 1/8x1/4 SS	12	12	
51	504069	. GROMMET / .281x.375x.062x.250x.562	1	1	
52	504013	. TIE MOUNT / 1/4" X 1/4" I.D.	AR	AR	
53	504379	. RIVET POP DOME OE 3/16x1/4 SS	AR	AR	
NS	504637	. CABLE TIE / 3/16" x 13"	6	6	
NS	509490	. ATTACHMENT DOUBLE USE WITH CABLE TIE From L-0975	AR	AR	
NS	504610	. RIVET MGLP PRDG 1/4x5/8 SS From L-0975	AR	AR	

To K-0279

Date:07/2024

PAGE:550994

RADIATOR & AIR COOLER



To K-0279	Date:07/2024	PAGE:550994
RADIATOR & AIR COOLER		

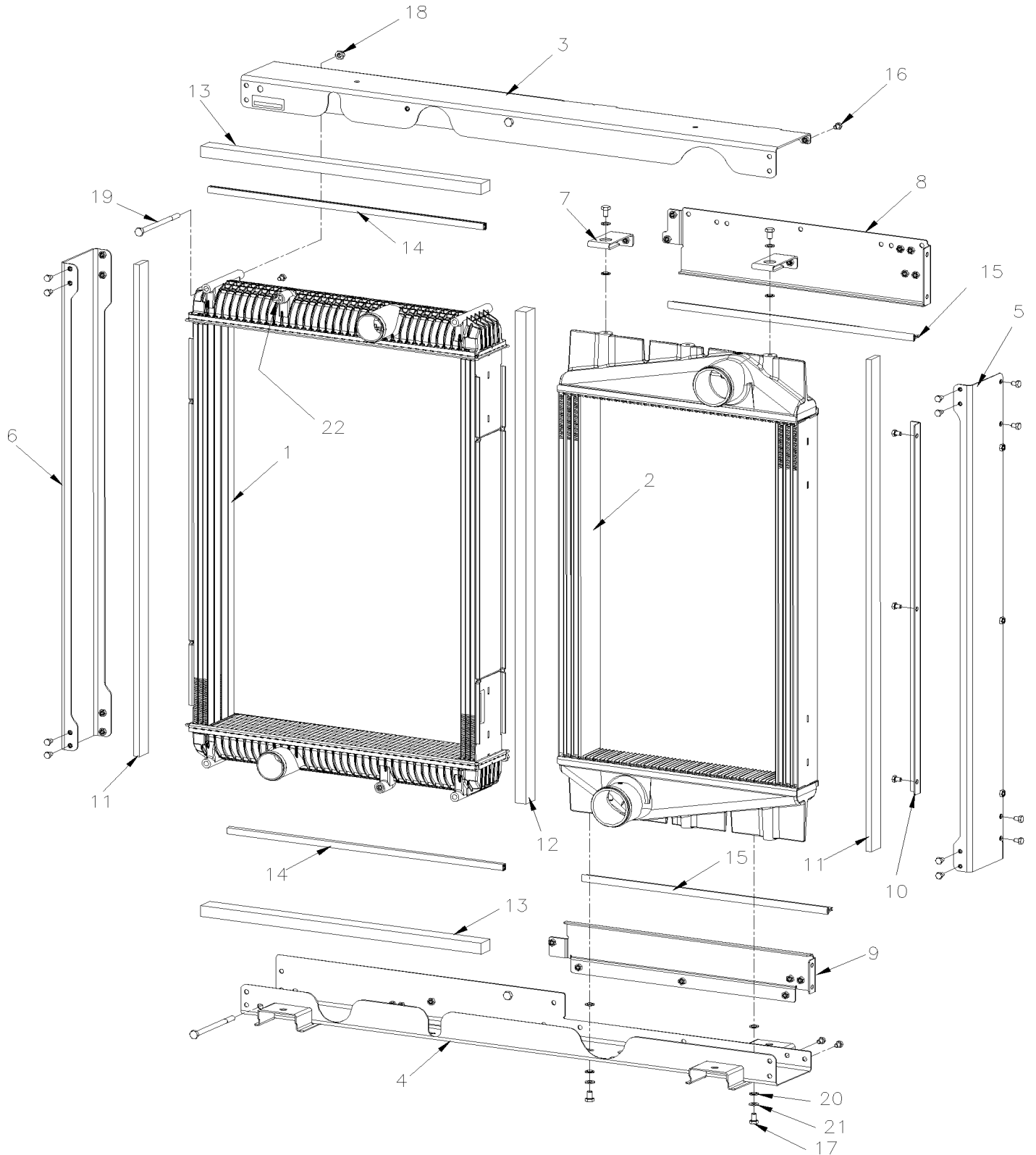
Item#	Part	Description	H 3 4 1	H 3 4 5	NOTES
1	551011	RADIATOR ALUMINUM	1	1	
2	551012	CHARGE AIR COOLER ALUMINUM	1	1	
3	550006	FRAME, TOP	1	1	
4	550007	FRAME, BOTTOM	1	1	
5	550008	FRAME, LEFT	1	1	
6	550009	FRAME, RIGHT	1	1	
7	550014	BRACKET TOP CAC	1	1	
8	550015	COVER PANEL TOP	1	1	
9	550017	COVER PANEL BOTTOM	1	1	
10	550019	ANGLE	1	1	
11	550021	SEALING STRIP	1	1	
12	550028	SEALING PROFIL	1	1	
13	550029	SEALING PROFIL	2	2	
14	550030	SEALING PROFIL	2	2	
15	550031	SEALING PROFIL	2	2	
16	550053	HEX HEAD SCREW SS M8 X 12	36	36	
17	550054	HEX HEAD SCREW SS M10 X 16	4	4	
18	550050	NUT LOCK SS/NYLON M10	4	4	
19	550051	HEX HEAD SCREW SS M10 X 160	4	4	
20	550032	WASHER, SHOULDER NYLON .45X.620X.75"	8	8	
21	N87290	WASHER SS 10.5MM X 20MM X2.2MM	4	4	
22	501063	MALE ELBOW 45° / SAE 45° FITTING / #4FL-Mx1/4NPT-M BR	1	1	

From K-0280 To L-1005

Date:07/2024

PAGE:550048

RADIATOR & AIR COOLER



From K-0280 To L-1005	Date:07/2024	PAGE:550048
RADIATOR & AIR COOLER		

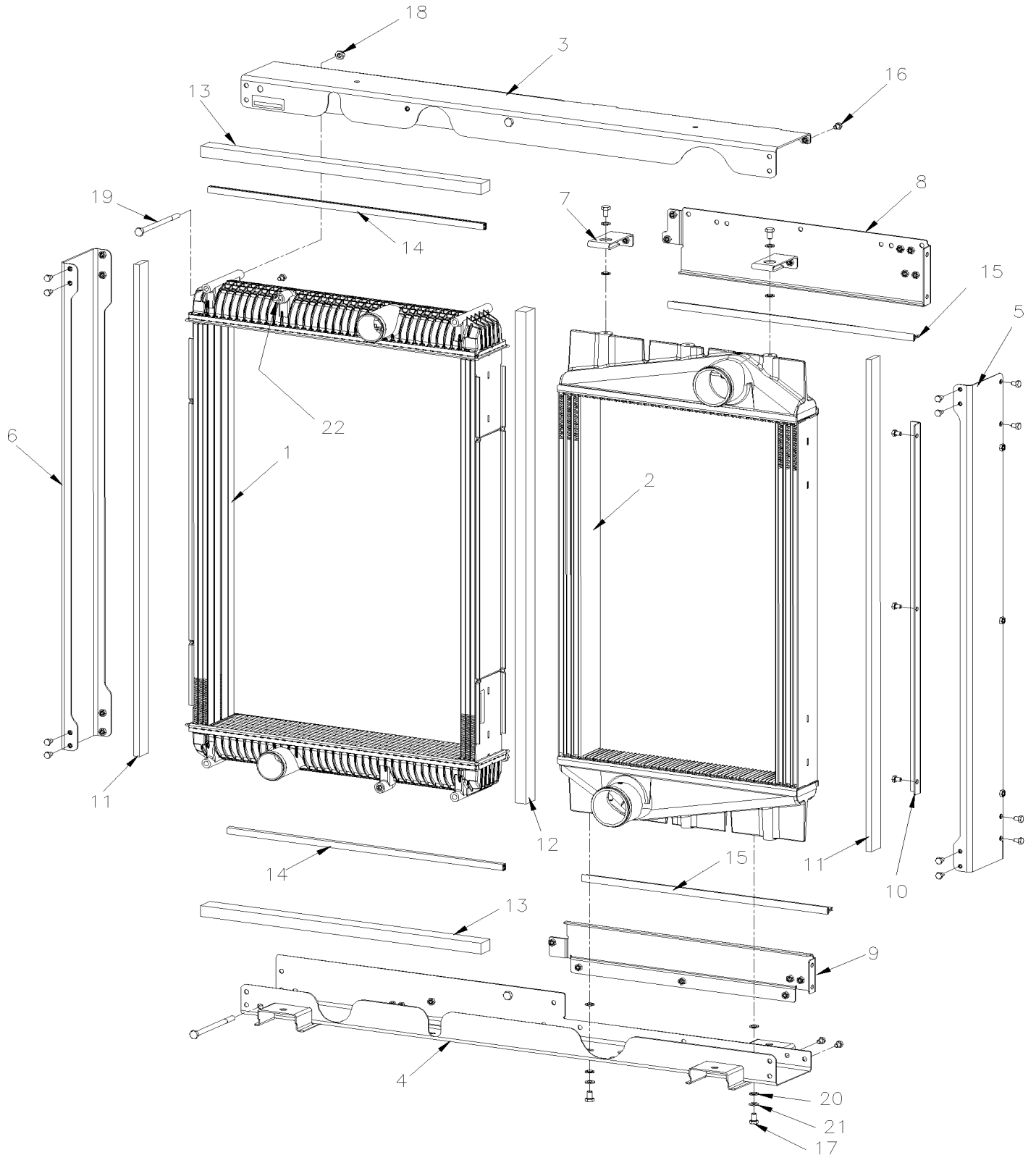
Item#	Part	Description	H 3 4 1	H 3 4 5	NOTES
1	550049	RADIATOR	1	1	
2	551012	CHARGE AIR COOLER ALUMINUM	1	1	
3	550006	FRAME, TOP	1	1	
4	550007	FRAME, BOTTOM	1	1	
5	550008	FRAME, LEFT	1	1	
6	550009	FRAME, RIGHT	1	1	
7	550014	BRACKET TOP CAC	1	1	
8	550015	COVER PANEL TOP	1	1	
9	550017	COVER PANEL BOTTOM	1	1	
10	550019	ANGLE	1	1	
11	550021	SEALING STRIP	1	1	
12	550028	SEALING PROFIL	1	1	
13	550029	SEALING PROFIL	2	2	
14	550030	SEALING PROFIL	2	2	
15	550031	SEALING PROFIL	2	2	
16	550053	HEX HEAD SCREW SS M8 X 12	36	36	
17	550054	HEX HEAD SCREW SS M10 X 16	4	4	
18	550050	NUT LOCK SS/NYLON M10	4	4	
19	550051	HEX HEAD SCREW SS M10 X 160	4	4	
20	550032	WASHER, SHOULDER NYLON .45X.620X.75"	8	8	
21	N87290	WASHER SS 10.5MM X 20MM X2.2MM	4	4	
22	501027	MALE CONNECTOR / SAE 45° FITTING / #4FL-Mx1/4NPT-M BR	1	1	

From L-1006 To M-1137

Date:07/2024

PAGE:550081

RADIATOR & AIR COOLER



From L-1006 To M-1137	Date:07/2024	PAGE:550081
RADIATOR & AIR COOLER		

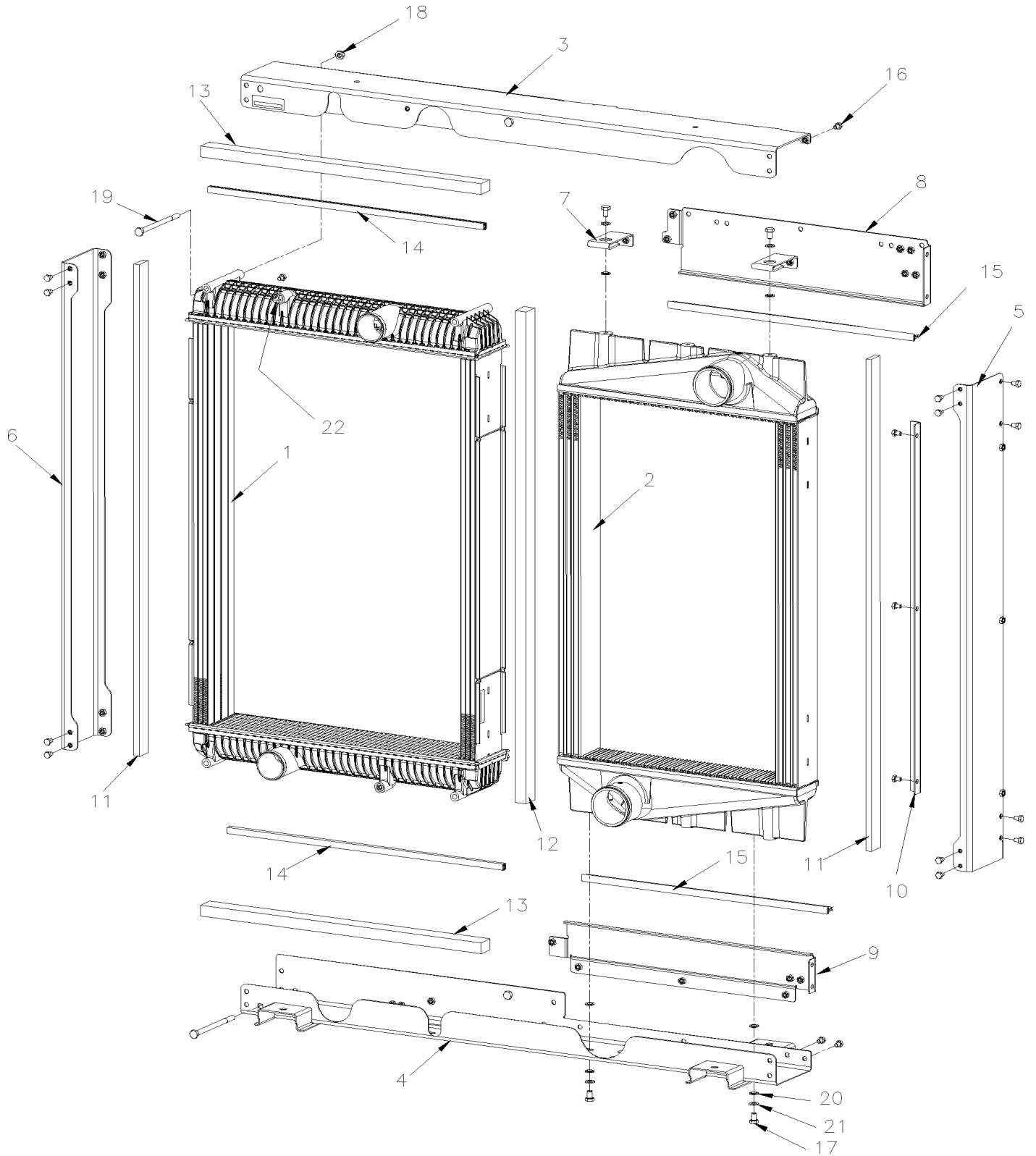
Item#	Part	Description	H 3 4 1	H 3 4 5	NOTES
1	550063	RADIATOR	1	1	
2	550060	CHARGE AIR COOLER ALUMINUM	1	1	
3	550006	FRAME, TOP	1	1	
4	550007	FRAME, BOTTOM	1	1	
5	550008	FRAME, LEFT	1	1	
6	550009	FRAME, RIGHT	1	1	
7	550014	BRACKET TOP CAC	1	1	
8	550015	COVER PANEL TOP	1	1	
9	550017	COVER PANEL BOTTOM	1	1	
10	550019	ANGLE	1	1	
11	550021	SEALING STRIP	1	1	
12	550028	SEALING PROFIL	1	1	
13	550029	SEALING PROFIL	2	2	
14	550030	SEALING PROFIL	2	2	
15	550031	SEALING PROFIL	2	2	
16	550053	HEX HEAD SCREW SS M8 X 12	36	36	
17	550054	HEX HEAD SCREW SS M10 X 16	4	4	
18	550050	NUT LOCK SS/NYLON M10	4	4	
19	550051	HEX HEAD SCREW SS M10 X 160	4	4	
20	550032	WASHER, SHOULDER NYLON .45X.620X.75"	8	8	
21	N87290	WASHER SS 10.5MM X 20MM X2.2MM	4	4	
22	501027	MALE CONNECTOR / SAE 45° FITTING / #4FL-Mx1/4NPT-M BR	1	1	

From M-1138

Date:07/2024

PAGE:550091

RADIATOR & AIR COOLER



From M-1138	Date:07/2024	PAGE:550091
RADIATOR & AIR COOLER		

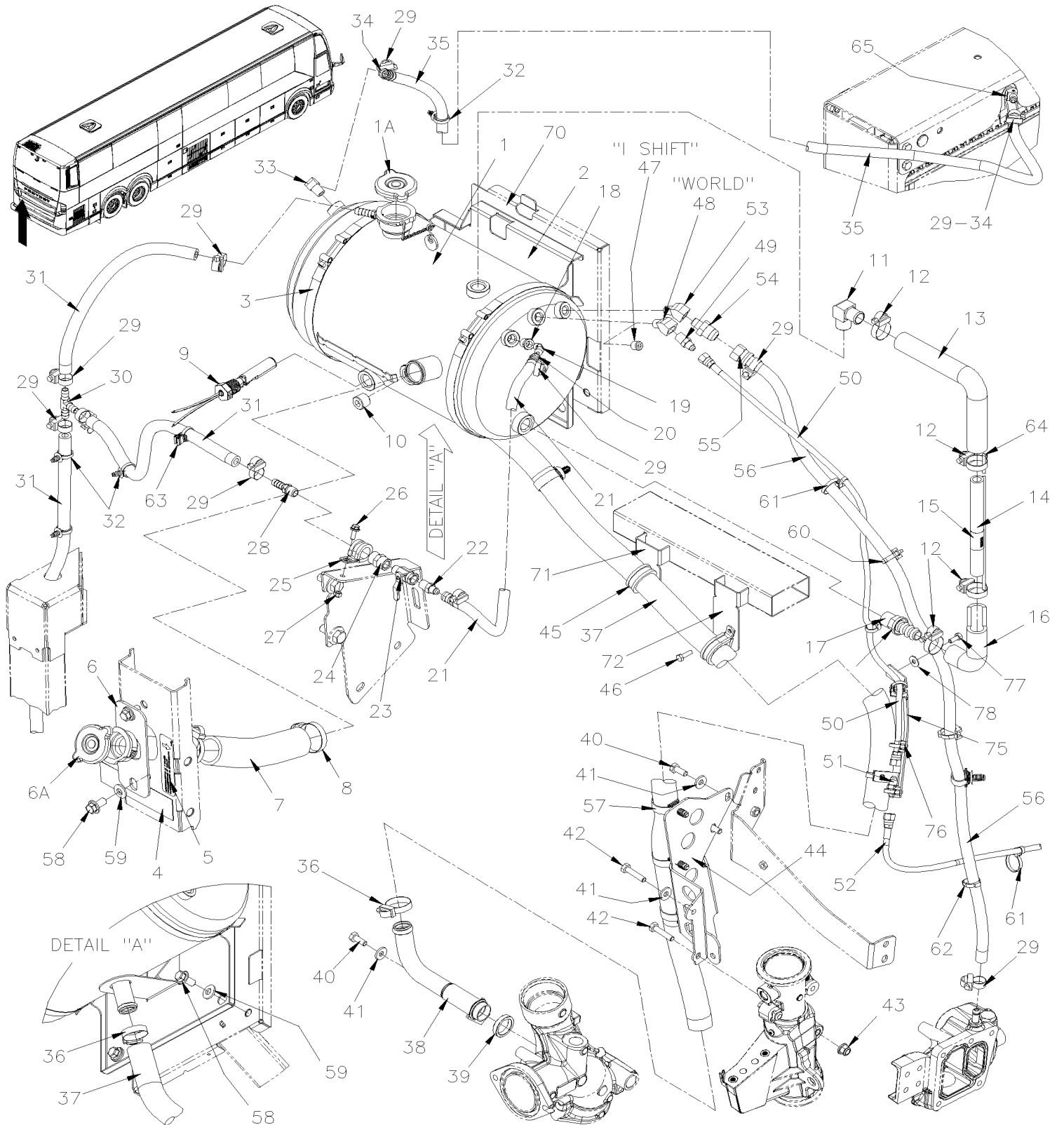
Item#	Part	Description	H 3 4 1	H 3 4 5	NOTES
1	550084	RADIATOR	1	1	
2	550077	CHARGE AIR COOLER ALUMINUM	1	1	
3	550006	FRAME, TOP	1	1	
4	550007	FRAME, BOTTOM	1	1	
5	550008	FRAME, LEFT	1	1	
6	550009	FRAME, RIGHT	1	1	
7	550014	BRACKET TOP CAC	1	1	
8	550015	COVER PANEL TOP	1	1	
9	550017	COVER PANEL BOTTOM	1	1	
10	550019	ANGLE	1	1	
11	550021	SEALING STRIP	1	1	
12	550028	SEALING PROFIL	1	1	
13	550106	SEALING PROFIL	2	2	
14	Call order desk	SEALING PROFIL	2	2	P
15	550031	SEALING PROFIL	2	2	
16	550053	HEX HEAD SCREW SS M8 X 12	36	36	
17	550054	HEX HEAD SCREW SS M10 X 16	4	4	
18	550050	NUT LOCK SS/NYLON M10	4	4	
19	550051	HEX HEAD SCREW SS M10 X 160	4	4	
20	550032	WASHER, SHOULDER NYLON .45X.620X.75"	8	8	
21	N87290	WASHER SS 10.5MM X 20MM X2.2MM	4	4	
22	501027	MALE CONNECTOR / SAE 45° FITTING / #4FL-Mx1/4NPT-M BR	1	1	
		P) CALL ORDER DESK FOR SPECIFIC APPLICATION (V.I.N.)			

From K-0185 To L-0974

Date:07/2024

PAGE:H9-0510-03

SURGE TANK



From K-0185 To L-0974	Date:07/2024	PAGE:H9-0510-03
SURGE TANK		

Item#	Part	Description	H 3 4 1	H 3 4 5	N O T E S
1	053642	SURGE TANK ALUMINIUM	1	1	
1A	21528785	. CAP PRESSURE / OVER 13 LBS	1	1	
2	050060	SUPPORT ASSY / SURGE TANK	1	1	
3	504775	T-BOLT BAND CLAMP/ 9.69" ID	2	2	
4	053597	DECAL SPEC / ANTIFREEZE / W/ "VOLVO" ENGINE FRANCAIS / ENGLISH / SPANISH	1	1	
5	053060	DECAL, M3 MOT COOLANT DEPRES. FR / ENG / SPANISH	1	1	
5	012702	DECAL "OIL SPEC" 10W/40 / ENGLISH & FRANCAIS / SPANISH	1	1	
6	053646	FILLER NECK "COOLANT" ASS	1	1	
6A	550047	. PRESSURE CAP, WO/SPRING	1	1	
7	503392	HOSE SILICONE 4PLY 1 3/8" I.D. x 4' To K-0552	AR	AR	
7	503783	HOSE SILICONE 4PLY / NOMEX-ARAMID 34MM I.D. x 6' From K-0553	AR	AR	
8	992086	HOSE CLAMP / 32MM/52MM	2	2	
8	504692	HOSE CLAMP STEPLESS SPRING SS / OETIKER / 1.5-1.8	2	2	C
9	060139	SENSOR PROBE "LOW LEVEL COOLANT" ASSY / 1/2" NPT To K-0230	1	1	
. NS	560058	. SENSOR PROBE "LOW LEVEL COOLANT" / 1/2" NPT To K-0230	1	1	
. NS	563764	. CONNECTOR / CPC SERIES 3 / PH 3C / PED 15300002 To K-0230	1	1	
. NS	563763	. PIN TERMINAL / 14-12 / PED 12129497 To K-0230	2	2	
. NS	561786	. CABLE SEAL / GRAY / PED 15324980 To K-0230	2	2	
. NS	562387	. CONVOLUTED TUBING / SLIT / BLACK / .250" To K-0230	AR	AR	
. NS	562388	. SECONDARY LOCK / METRI-PACK 280 / 2C / BLUE / PED 15300014 To K-0230	1	1	
9	069812	SENSOR PROBE "LOW LEVEL COOLANT" ASSY / 1/2" NPT From K-0231	1	1	
. NS	560058	. SENSOR PROBE "LOW LEVEL COOLANT" / 1/2" NPT From K-0231	1	1	
. NS	563764	. CONNECTOR / CPC SERIES 3 / PH 3C / PED 15300002 From K-0231	1	1	
. NS	563763	. PIN TERMINAL / 14-12 / PED 12129497 From K-0231	2	2	
. NS	561786	. CABLE SEAL / GRAY / PED 15324980 From K-0231	2	2	
. NS	562387	. CONVOLUTED TUBING / SLIT / BLACK / .250" From K-0231	AR	AR	
. NS	562388	. SECONDARY LOCK / METRI-PACK 280 / 2C / BLUE / PED 15300014 From K-0231	1	1	
10	501966	PLUG HEXS / PIPE FITTING / 1/2NPT-M STL	1	1	
11	5011038	MALE ELBOW 90° / BEADED HOSE BARB / #12x1/2NPT-M	1	1	
12	992084	HOSE CLAMP / 23MM/35MM	4	4	
12	504569	HOSE CLAMP STEPLESS SPRING / HC12-20 / 1"	4	4	C
13	503804	ELBOW SILICONE / 3/4" I.D. / NOMEX-ARAMID	1	1	
14	053647	TUBE PYREX	1	1	
15	053055	DECAL / SURGE TANK LEVEL	1	1	
16	503805	ELBOW SILICONE / 3/4" I.D. / NOMEX-ARAMID	1	1	
17	507605	MALE CONNECTOR / HOSE BARB FITTING / #12x1/2NPT-M BR	1	1	
18	501312	BUSHING REDUCER / PIPE FITTING / 1/4NTP-Mx1/8NPT-F BR	1	1	
19	501808	MALE ELBOW 45° / SAE 45° FITTING / #4FL-Mx1/8NPT-M BR	1	1	
20	501347	FEMALE CONNECTOR SWIVEL / PUSH-LOK FITTING #4JIC-Fx#4 BR	2	2	
21	503789	HOSE SILICONE 1 PLY / NOMEX-ARAMID 1/4" X 25'	AR	AR	
22	501027	MALE CONNECTOR / SAE 45° FITTING / #4FL-Mx1/4NPT-M BR	1	1	
23	642194	BALL VALVE 1/4 NPT M x 1/4 NPT F	1	1	

From K-0185 To L-0974	Date:07/2024	PAGE:H9-0510-03
SURGE TANK		

Item#	Part	Description	H 3 4 1	H 3 4 5	NOTES
24	501318	COUPLING / PIPE FITTING / 1/4NPT-Fx1/4NPT-F BR	1	1	
25	977742	CLAMP / 3/4" I.D.	1	1	
26	5001730	SCREW CAP HEXF M6-1.0x16 G10.9 N500	1	1	
27	502681	NUT HEX NYRT M6-1.0 N500 G8	1	1	
28	642196	MALE CONNECTOR / HOSE BARB FITTING / #6x1/4NPT-M BR	1	1	
29	992081	HOSE CLAMP / 12MM/22MM	AR	AR	
30	501071	UNION TEE / HOSE BARB FITTING / #6x#6x#6 BR	1	1	
31	503702	HOSE / (SAFETY STRIPE) / 3/8" I.D. 50' / S.L.	AR	AR	
32	509815	TIE MOUNT / ATTACHMENT W/TREE MOUNT	AR	AR	
32	504637	CABLE TIE / 3/16" x 13"	AR	AR	
33	501037	MALE ELBOW 90° / SAE 45° FITTING / #4FL-Mx1/4NPT-M BR	2	2	
34	Call order desk	HOSE ASSY / 1/4 x 1075MM To K-0279	1	1	P
34	Call order desk	HOSE ASSY / 1/4 x 1145MM From K-0280	1	1	P
34	501347	. FEMALE CONNECTOR SWIVEL / PUSH-LOK FITTING #4JIC-Fx#4 BR	2	2	
35	503706	. HOSE FC-332-4 #4	AR	AR	
36	992084	HOSE CLAMP / 23MM/35MM	2	2	
36	504687	HOSE CLAMP STEPLESS SPRING SS / OETIKER / 1.2-1.4	2	2	C
37	503788	HOSE SILICONE 4 PLY / NOMEX-ARAMID 1" I.D. x 54"	AR	AR	
38	053709	PIPE ASSY, WATER PUMP	1	1	
39	504738	RUBBER JOINT	1	1	
40	502862	SCREW CAP HEX M8-1.25x20 G8.8 N500	3	3	
41	500321	WASHER BEL SPR .331x.827x.098 N500	4	4	
42	502836	SCREW CAP HEX M8-1.25x35 G8.8 N500	2	2	
43	5001931	NUT HEXF NYRT M8-1.25 G8.8 N500	1	1	
44	050061	SUPPORT / WATER HOSE	1	1	
45	952641	CLAMP P STL ZP RUB 34.9 ID	2	2	
46	502830	SCREW CAP HEX M6-1.0x20 G8.8 N500	2	2	
47	501800	PLUG HEXS / PIPE FITTING / 1/4NPT-M STL	1	1	A S
48	501329	STREET ELBOW 45° / PIPE FITTING / 1/4NPT-Mx1/4NPT-F BR	1	1	R
49	501027	MALE CONNECTOR / SAE 45° FITTING / #4FL-Mx1/4NPT-M BR	1	1	R
50	053594P	HOSE ASSY TEFLON #4 875MM To K-0574	1	1	R
50	Call order desk	HOSE ASSY TEFLON #4 775MM From K-0575	1	1	P R
NS	504637	CABLE TIE / 3/16" x 13"	2	2	
NS	509815	TIE MOUNT / ATTACHMENT W/TREE MOUNT	2	2	
51	501017	UNION / SAE 45° FITTING / #4FL-Mx#4FL-M BR	1	1	R
52	H9-0750-04	AUTOMATIC TRANSMISSION - "WORLD" WITH VOLVO D13	1	1	
53	501329	STREET ELBOW 45° / PIPE FITTING / 1/4NPT-Mx1/4NPT-F BR	1	1	
54	501033	MALE CONNECTOR / SAE 45° FITTING / #8FL-Mx1/4NPT-M BR	1	1	
55	5011260	FEMALE CONNECTOR SWIVEL / PUSH-LOK FITTING / #8FL-Fx#6 BR	1	1	
56	503821	HOSE SILICONE 4 PLY / NOMEX-ARAMID 3/8" x 144"	AR	AR	
57	504750	CABLE TIE / 1/2" x 15" / CHRISTMAS TREE	AR	AR	R
58	5001307	SCREW CAP HEXF M10-1.5x20 8.8 N500	4	4	

From K-0185 To L-0974	Date:07/2024	PAGE:H9-0510-03
SURGE TANK		

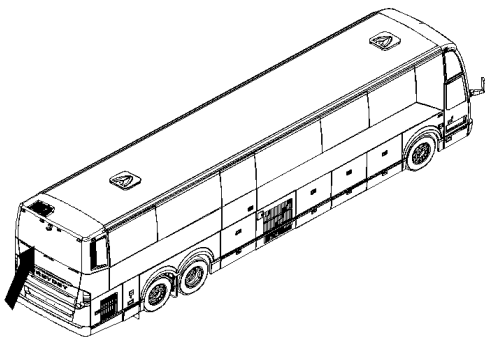
Item#	Part	Description	H 3 4 1	H 3 4 5	N O T E S
59	5001834	WASHER BEL SPR 10.5X23X2.5 N500	4	4	
60	504013	TIE MOUNT / 1/4" X 1/4" I.D.	3	3	
60	502868	SCREW TC TR PH #10-16x1/2 N500	1	1	
60	504488	RIVET MGLP PRDG 3/16x17/64 SS	2	2	
60	504016	CABLE TIE / 5/16" X 14"1/2	3	3	
61	507664	CABLE TIE / 3/16" 11" / DOUBLE LOOP HEAD	AR	AR	
62	504016	CABLE TIE / 5/16" X 14"1/2	AR	AR	
63	564204	CABLE TIE / WITH EDGE CLIP / T50REC4A 10MMx200MM	1	1	
64	053039	HOLDING STRIP SS 24GA. 6X120MM From K-0336	1	1	
65	H9-0505-01	RADIATOR ASSY	1	1	
70	210122	SUPPORT SURGE TANK	1	1	
71	050085	SUPPORT, HOSE	1	1	
72	050070	SUPPORT, HOSE To K-0456	1	1	
72	050187	SUPPORT, HOSE From K-0457	1	1	
75	050188	SUPPORT, HOSE From K-0457	1	1	
76	504013	TIE MOUNT / 1/4" X 1/4" I.D. From K-0457	4	4	
76	504379	RIVET POP DOME OE 3/16x1/4 SS From K-0457	4	4	
76	504637	CABLE TIE / 3/16" x 13" From K-0457	4	4	
77	5001697	SCREW CAP HEX M6-1.0x16 SS BK	1	1	
78	5001833	WASHER BEL SPR 6.1x18x1.27 SS	1	1	
NS	680098	THREAD SEALANT LOCTITE #567 / WHITE / 250ml	AR	AR	
		A) WITH "I-SHIFT" TRANSMISSION			
		C) WITH OPTION "OETIKER" HOSE CLAMP			
		R) WITH "WORLD" TRANSMISSION WITH RETARDER			
		S) WITH "WORLD" TRANSMISSION WITHOUT RETARDER			
		P) CALL ORDER DESK FOR SPECIFIC APPLICATION (V.I.N.)			

From L-0975

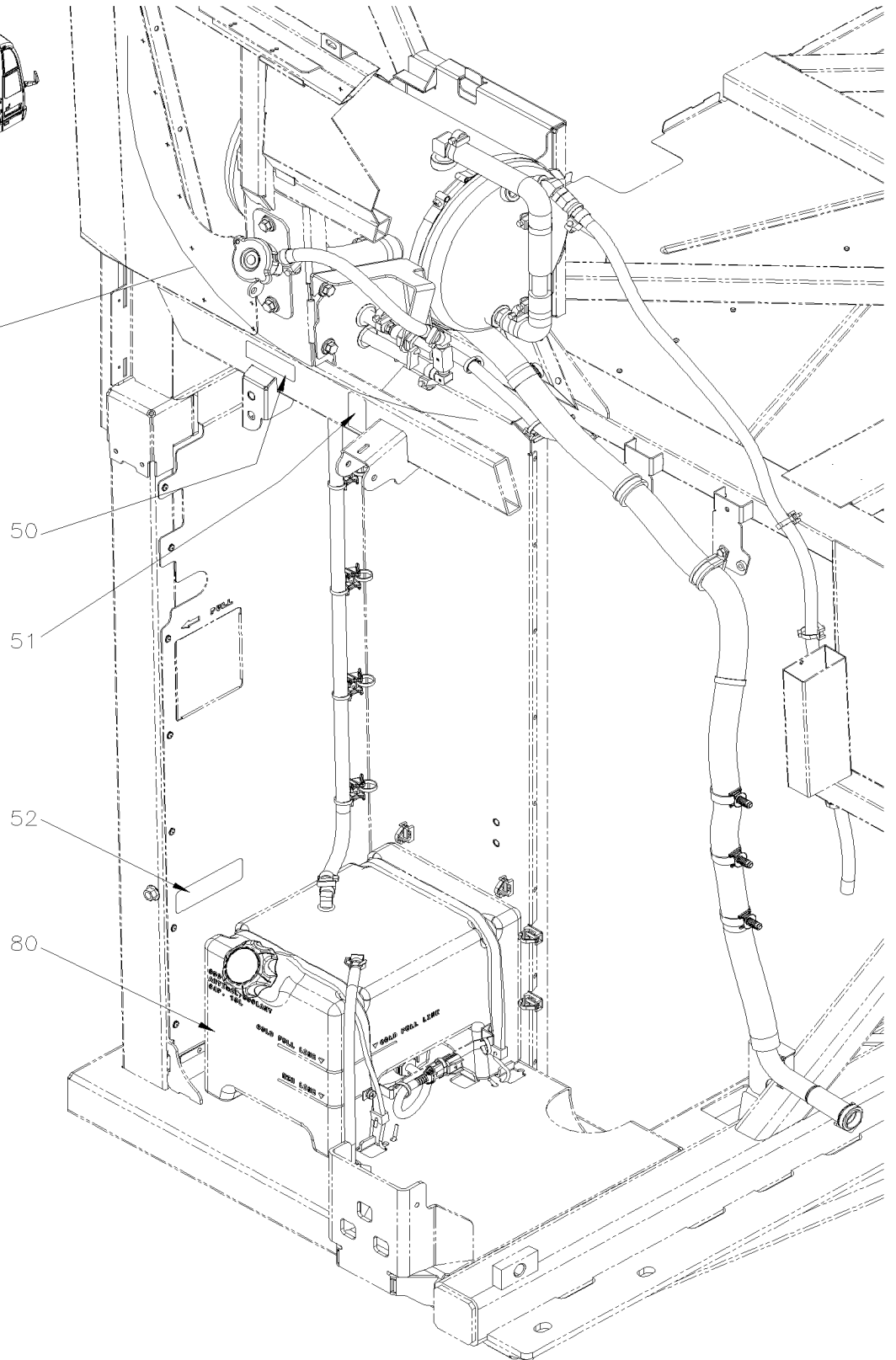
Date:07/2024

PAGE:H9-0510-04

SURGE TANK



DETAIL "A"

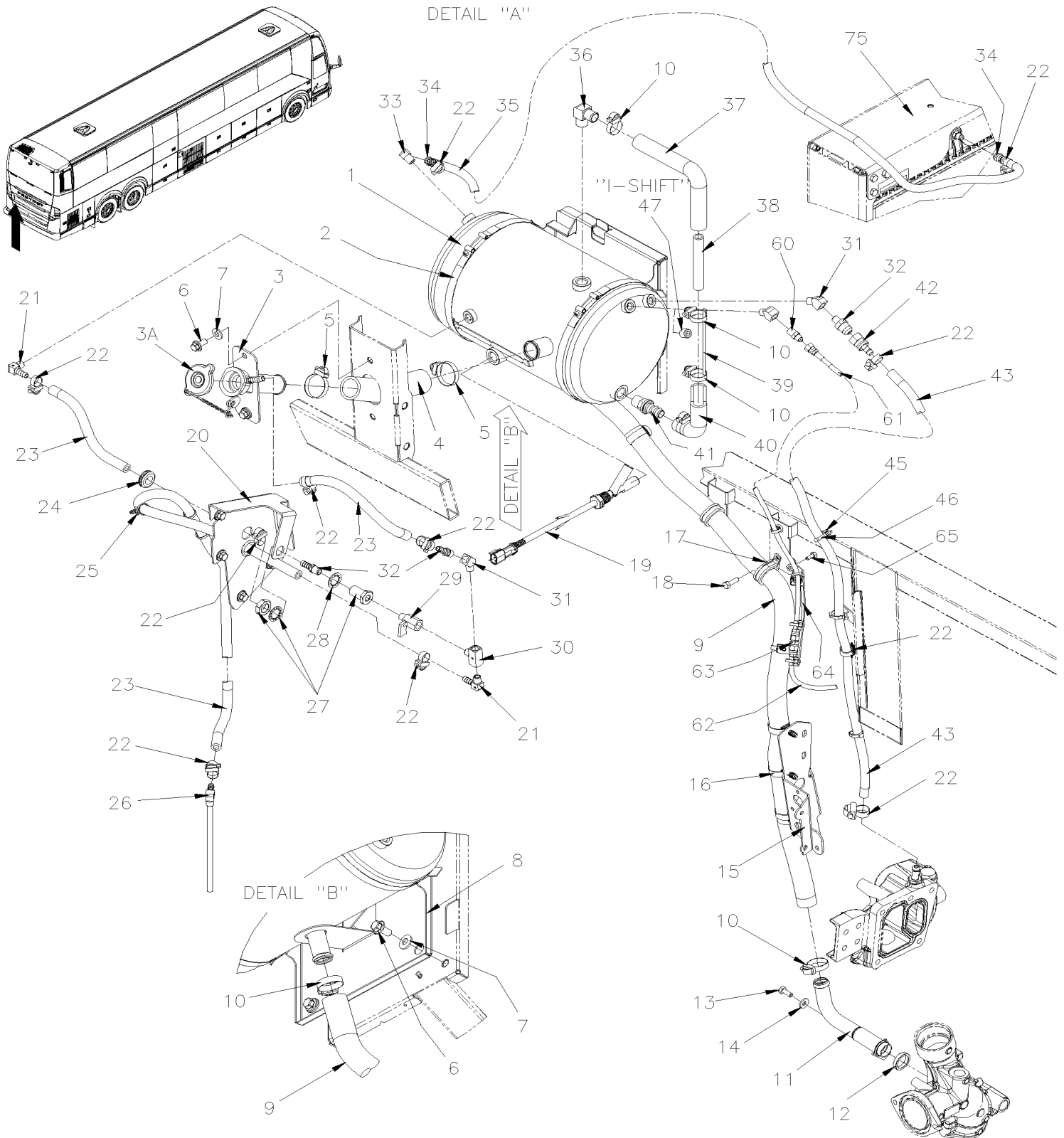


From L-0975

Date:07/2024

PAGE:H9-0510-04

SURGE TANK



From L-0975		Date:07/2024	PAGE:H9-0510-04
SURGE TANK			

Item#	Part	Description	H 3 4 1	H 3 4 5	N O T E S
1	050239	SURGE TANK / ALUMINUM	1	1	
2	504775	T-BOLT BAND CLAMP/ 9.69" ID	2	2	
3	050240	FILLER NECK "COOLANT" ASS	1	1	
3A	550047	PRESSURE CAP, WO/SPRING	1	1	
4	503783	HOSE SILICONE 4PLY / NOMEX-ARAMID 34MM I.D. x 6'	AR	AR	
5	992086	HOSE CLAMP / 32MM/52MM	2	2	
6	5001307	SCREW CAP HEXF M10-1.5x20 8.8 N500	4	4	
7	5001834	WASHER BEL SPR 10.5X23X2.5 N500	4	4	
8	050060	SUPPORT ASSY / SURGE TANK	1	1	
9	503788	HOSE SILICONE 4 PLY / NOMEX-ARAMID 1" I.D. x 54"	AR	AR	
10	992084	HOSE CLAMP / 23MM/35MM	AR	AR	
11	053709	PIPE ASSY, WATER PUMP	1	1	
12	504738	RUBBER JOINT	1	1	
13	502862	SCREW CAP HEX M8-1.25x20 G8.8 N500	1	1	
14	500321	WASHER BEL SPR .331x.827x.098 N500	1	1	
15	050061	SUPPORT / WATER HOSE	1	1	
16	504750	CABLE TIE / 1/2" x 15" / CHRISTMAS TREE	AR	AR	
17	952641	CLAMP P STL ZP RUB 34.9 ID	2	2	
18	502830	SCREW CAP HEX M6-1.0x20 G8.8 N500	2	2	
19	069812	SENSOR PROBE "LOW LEVEL COOLANT" ASSY / 1/2" NPT	1	1	
. NS	560058	. SENSOR PROBE "LOW LEVEL COOLANT" / 1/2" NPT	1	1	
. NS	563764	. CONNECTOR / CPC SERIES 3 / PH 3C / PED 15300002	1	1	
. NS	563763	. PIN TERMINAL / 14-12 / PED 12129497	2	2	
. NS	561786	. CABLE SEAL / GRAY / PED 15324980	2	2	
. NS	562387	. CONVOLUTED TUBING / SLIT / BLACK / .250"	AR	AR	
. NS	562388	. SECONDARY LOCK / METRI-PACK 280 / 2C / BLUE / PED 15300014	1	1	
20	040063	ATTACHMENT DPF VOLVO	1	1	
21	501088	MALE ELBOW 90° / HOSE BARB FITTING / #6x1/4NPT-M BR	1	1	
22	992081	HOSE CLAMP / 12MM/22MM	1	1	
23	503702	HOSE / (SAFETY STRIPE) / 3/8" I.D. 50' / S.L.	AR	AR	
24	504671	GROMMET / .687x1.000x.125x.437x1.312	2	2	
25	509815	TIE MOUNT / ATTACHMENT W/TREE MOUNT	AR	AR	
26	050340	ANKLE ASSY	1	1	
27	501711	BULKHEAD COUPLING / PIPE FITTING / 1/4NPT-Fx1/4NPT-Fx1 1/2 BR	1	1	
28	500858	WASHER LO INT .769x1.245x.055 Z050	1	1	
29	641936	BALL VALVE 1/4 NPT M x 1/4 NPT F	1	1	
30	501894	MALE BRANCHE TEE / PIPE FITTING / 1/4NPT-Fx1/4NPT-Fx1/4NPT-M BR	1	1	
31	501329	STREET ELBOW 45° / PIPE FITTING / 1/4NPT-Mx1/4NPT-F BR	AR	AR	
32	642196	MALE CONNECTOR / HOSE BARB FITTING / #6x1/4NPT-M BR	2	2	
33	501037	MALE ELBOW 90° / SAE 45° FITTING / #4FL-Mx1/4NPT-M BR	1	1	
34	501347	FEMALE CONNECTOR SWIVEL / PUSH-LOK FITTING #4JIC-Fx#4 BR	2	2	
35	503706	HOSE FC-332-4 #4	AR	AR	

From L-0975	Date:07/2024	PAGE:H9-0510-04
SURGE TANK		

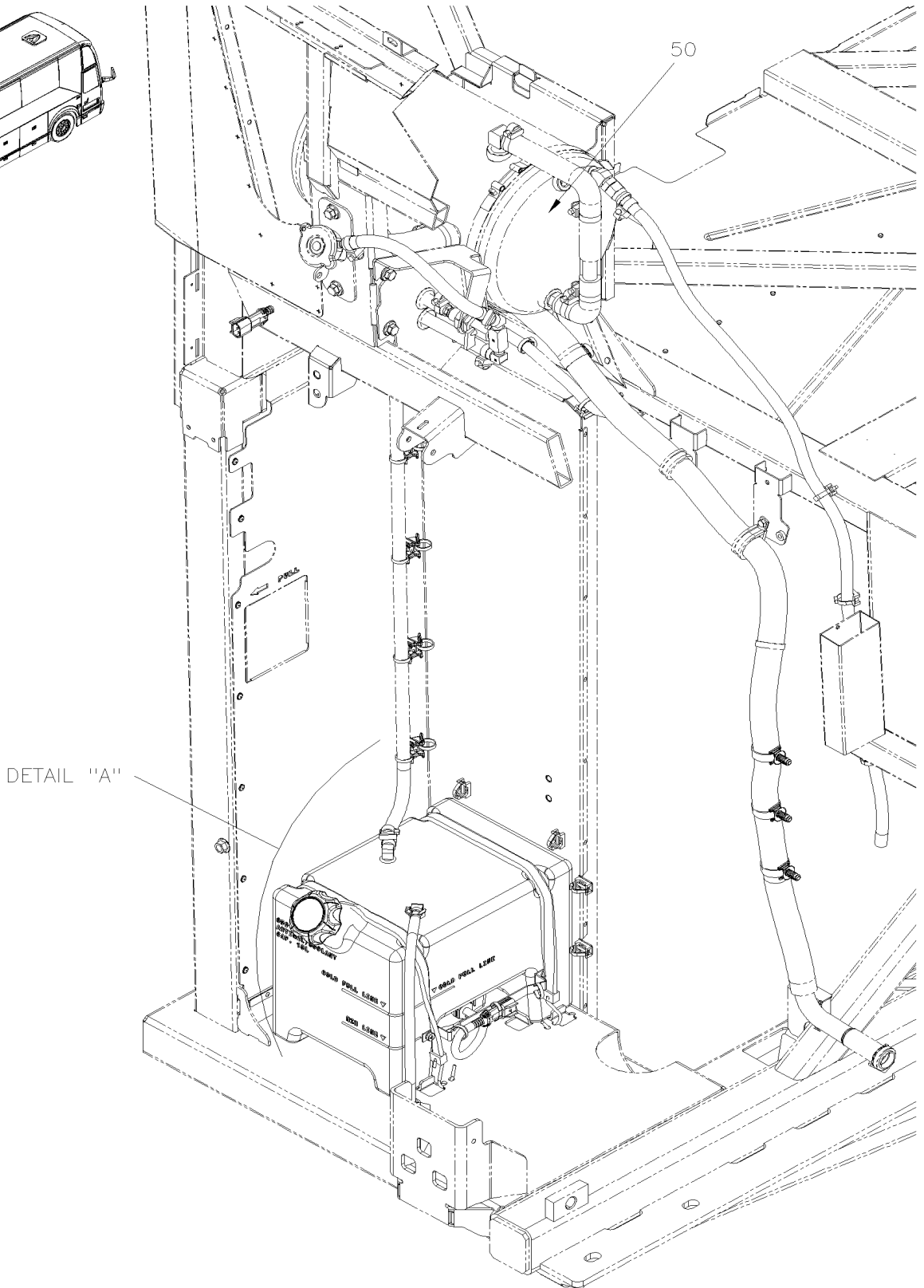
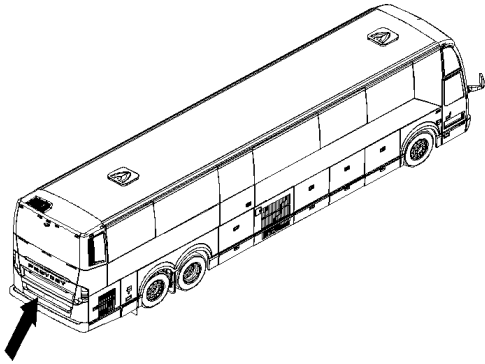
Item#	Part	Description	H 3 4 1	H 3 4 5	N O T E S
		A) WITH "WORLD" TRANSMISSION WITHOUT RETARDER			
		R) WITH "WORLD" TRANSMISSION WITH RETARDER			
		S) WITH "I-SHIFT" TRANSMISSION			
		P) CALL ORDER DESK FOR SPECIFIC APPLICATION (V.I.N.)			

From L-0975

Date:07/2024

PAGE:H9-0510-10

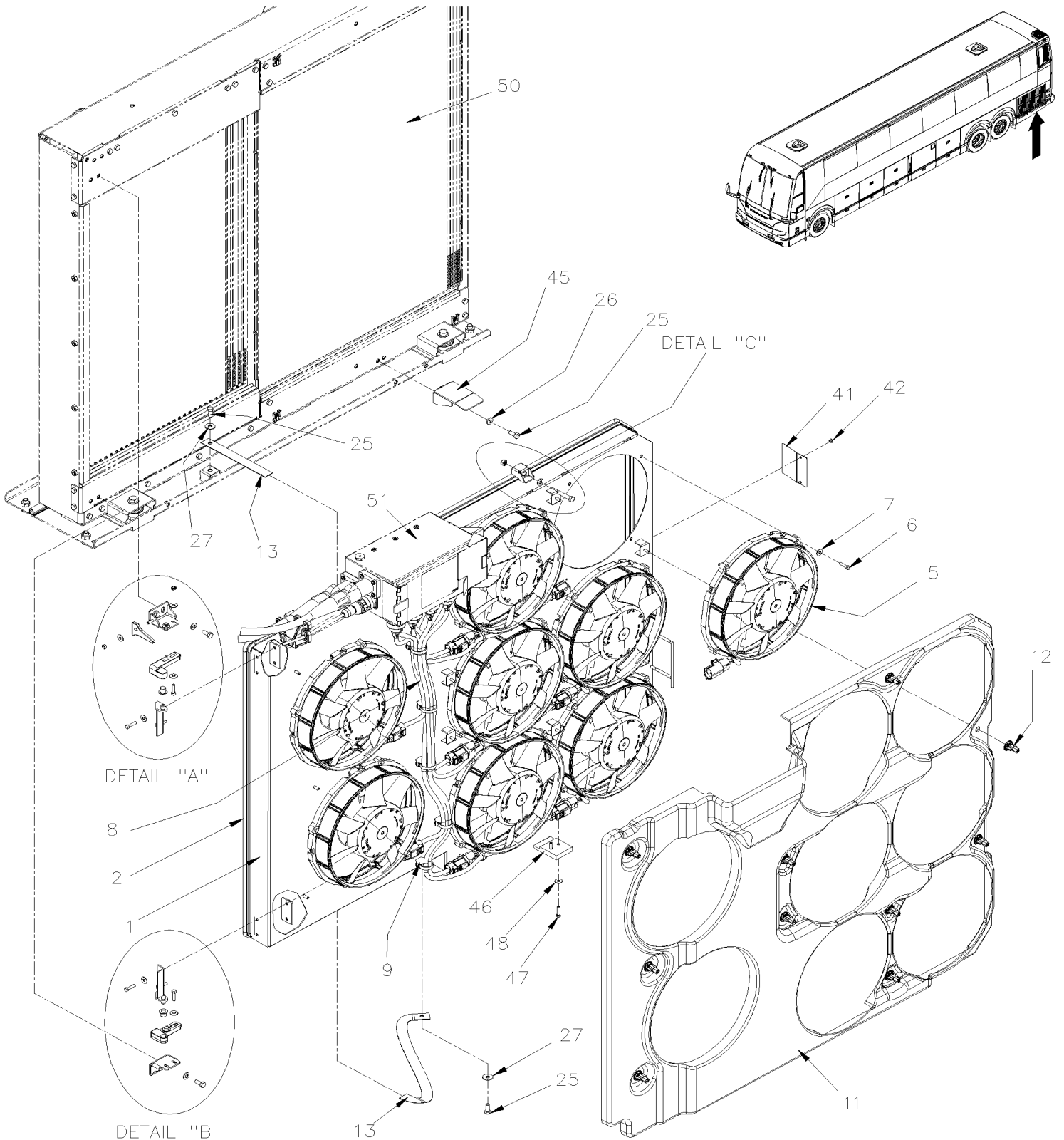
RECOVERY TANK



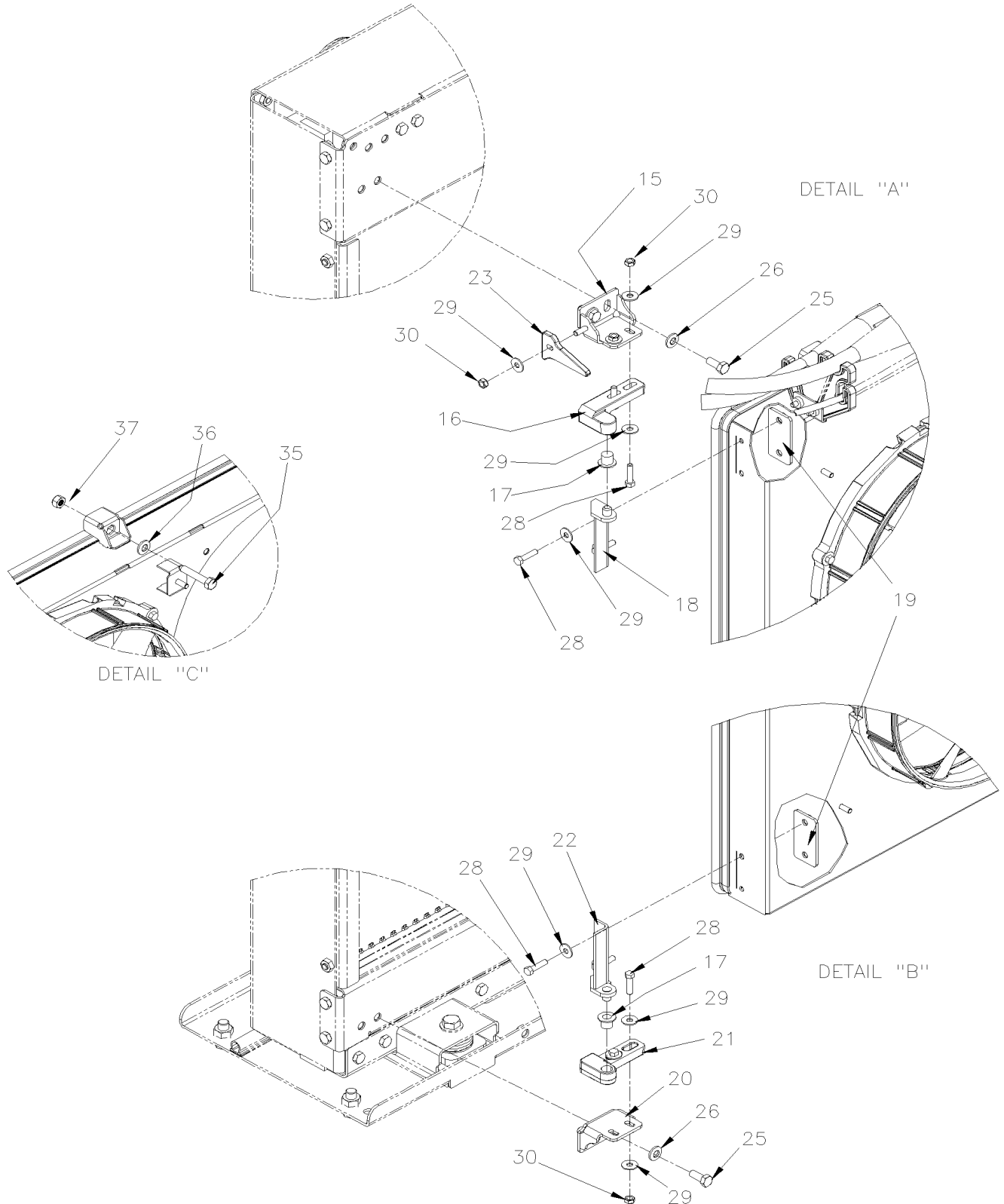
From L-0975	Date:07/2024	PAGE:H9-0510-10
RECOVERY TANK		

Item#	Part	Description	H 3 4 1	H 3 4 5	NOTES
1	050189	RECOVERY TANK To R-1929	1	1	
1	050615	RECOVERY TANK From R-1930	1	1	
2	5041100	CAP NON VENTED	1	1	
3	503789	HOSE SILICONE 1 PLY / NOMEX-ARAMID 1/4" X 25'	AR	AR	
4	504421	GROMMET / .625x.875x.187x.437x1.125	1	1	
5	21283796	SPRING HOSE CLAMP 1/4"	1	1	
6	501089	MALE ELBOW 90° / HOSE BARB FITTING / #4x1/4NPT-M BR	1	1	
7	504116	RUBBER TIE DOWN W/HOOK / 25"	2	2	
8	050112	BRACKET, RECOVERY TANK	1	1	
9	502570	WASHER LO SPT 6.1x11.8x1.6 SS	2	2	
10	502817	SCREW MA PAN PH M6-1.0x16 N500	2	2	
11	069812	SENSOR PROBE "LOW LEVEL COOLANT" ASSY / 1/2" NPT	1	1	
. NS	560058	. SENSOR PROBE "LOW LEVEL COOLANT" / 1/2" NPT	1	1	
. NS	563764	. CONNECTOR / CPC SERIES 3 / PH 3C / PED 15300002	1	1	
. NS	563763	. PIN TERMINAL / 14-12 / PED 12129497	2	2	
. NS	561786	. CABLE SEAL / GRAY / PED 15324980	2	2	
. NS	562387	. CONVOLUTED TUBING / SLIT / BLACK / .250"	AR	AR	
. NS	562388	. SECONDARY LOCK / METRI-PACK 280 / 2C / BLUE / PED 15300014	1	1	
12	504637	CABLE TIE / 3/16" x 13"	AR	AR	
50	H9-0510-04	SURGE TANK			

ELECTRICAL FANS - INSTALLATION



ELECTRICAL FANS - INSTALLATION



From K-0185		Date:07/2024	PAGE:H9-0520-02
ELECTRICAL FANS - INSTALLATION			

Item#	Part	Description	H 3 4 1	H 3 4 5	N O T E S
1	053075	DOOR / FANS HOLDER FOR RADIATOR & CAC (WELDED)	1	1	
2	506303	RUBBER SEAL EXTRUSION	AR	AR	
5	565191	ELECTRIC FAN FOR RADIATOR & CAC To M-1138	8	8	
. NS	568092	. CONNECTOR / PH 4C / YAZAKI 7282-8497-90 To M-1138	1	1	
. NS	560009	. CONNECTOR CLIP / HELLERMAN TYTON 155-30702 To M-1138	1	1	
5	564312	ELECTRIC FAN FOR RADIATOR & CAC From M-1139	8	8	
. NS	568092	. CONNECTOR / PH 4C / YAZAKI 7282-8497-90 From M-1139	1	1	
. NS	560009	. CONNECTOR CLIP / HELLERMAN TYTON 155-30702 From M-1139	1	1	
6	502737	SCREW CAP HEX M6-1.0x25 SS BK	AR	AR	
7	5001833	WASHER BEL SPR 6.1x18x1.27 SS	AR	AR	
8	068820	HARNESS FAN DRIVE	1	1	
NS	8631155	CABLE TIE / 4.6MM x 200 / CHRISTMAS TREE	4	4	
9	509492	CABLE TIE MOUNT FOR THREADED STUD 1/4	7	7	
9	504016	CABLE TIE / 5/16" X 14"1/2	7	7	
11	053714	FINISH PANEL RADIATORS	1	1	
11	IS23502	ELEC. FAN DRIVE COOLING PLASTIC SHROUD	1	1	A
. NS	053714	. FINISH PANEL RADIATORS	1	1	A
. NS	491237	. NUT WING / PLASTIC M6-1.0 x 23	10	10	A
12	491237	NUT WING / PLASTIC M6-1.0 x 23	10	10	
13	053113	STRAP NYLON 1" WIDE 545MM	1	1	
13	505507	. STRAP NYLON 1" WIDE / S.L.	AR	AR	
15	050090	BRACKET FOR HINGE / UPPER	1	1	
16	286129	HINGE /	1	1	
17	284607	BUSHING, NYLON / (NOT INCLUDE W/HINGE)	2	2	
18	289150	ARM ASSY	1	1	
19	053080	ATTACHEMENT / HINGE	2	2	
20	053073	BRACKET FOR HINGE	1	1	
21	286085	HINGE /	1	1	
22	289149	ARM ASSY	1	1	
23	050086	BRACKET	1	1	
25	500119	SCREW CAP HEX M8X1.25X20 BK	8	8	
26	5001868	WASHER BEL SPR 8.4x18x2 SS	6	6	
27	5001849	WASHER FL 8.4x24.0x2.0 SS	2	2	
28	502737	SCREW CAP HEX M6-1.0x25 SS BK	8	8	
29	5001833	WASHER BEL SPR 6.1x18x1.27 SS	13	13	
30	502565	NUT HEX M6-1.0 SS	5	5	
35	5002012	SCREW CAP HEX W/DOG M8-1.25x45 SS	2	2	

From K-0185	Date:07/2024	PAGE:H9-0520-02
ELECTRICAL FANS - INSTALLATION		

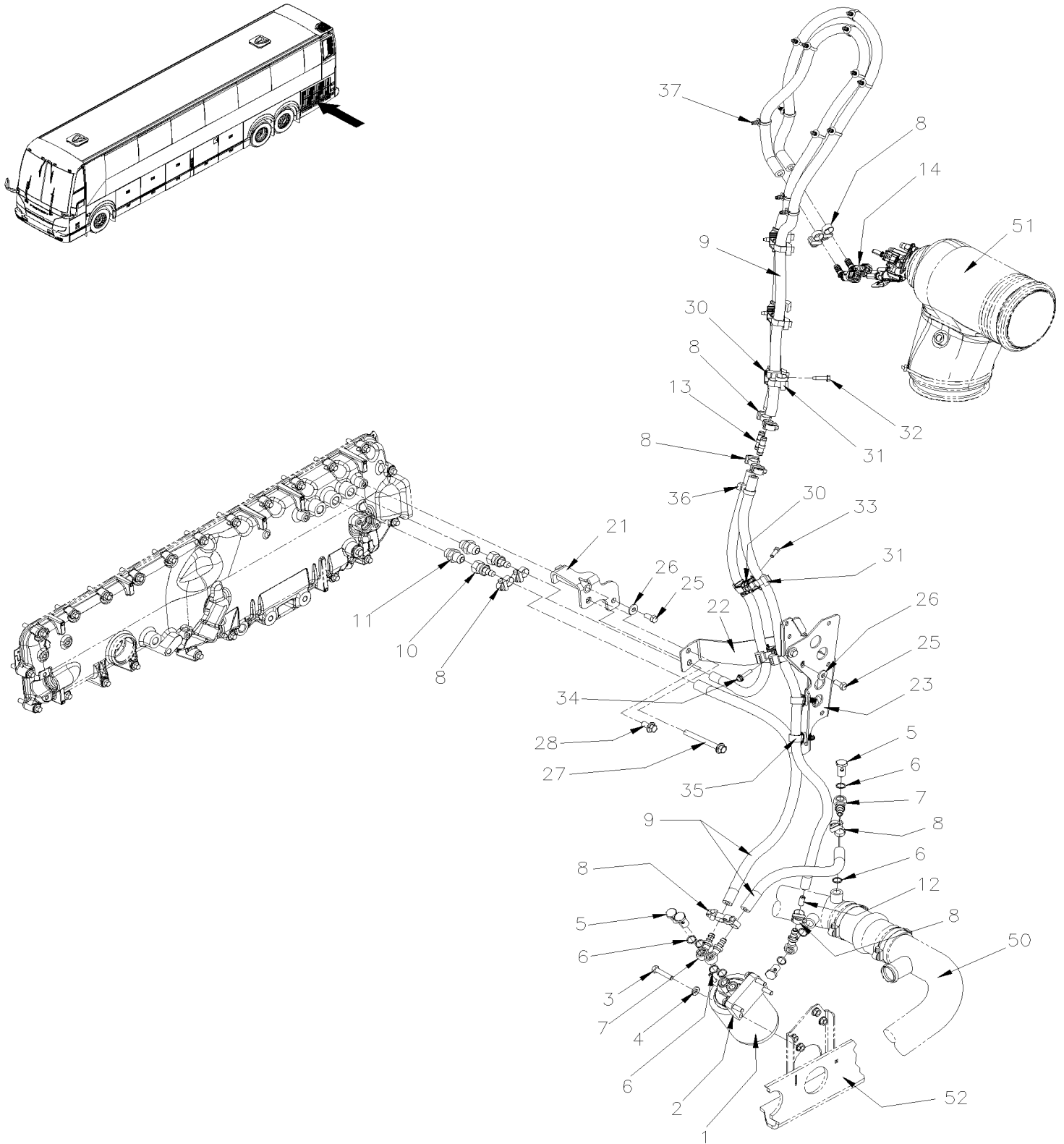
Item#	Part	Description	H 3 4 1	H 3 4 5	NOTES
35	680335	ANTIGRIP MIXTURE	AR	AR	
36	5001868	WASHER BEL SPR 8.4x18x2 SS	2	2	
37	5001983	NUT HEX NYRT M8-1.25 SS SS BK	2	2	
41	053111	PLATE, PROTECTION FOR RUBBER	1	1	
42	504379	RIVET POP DOME OE 3/16x1/4 SS	2	2	
45	053081	GUIDE FOR FAN'S DOOR	1	1	
46	053082	SKATE, FANS DOOR RAD. & CAC	1	1	
47	502737	SCREW CAP HEX M6-1.0x25 SS BK	2	2	
48	5001833	WASHER BEL SPR 6.1x18x1.27 SS	2	2	
50	H9-0505-01	RADIATOR ASSY			
51	H9-0622-00	POWER BOX FOR RADIATORS FANS VOLVO D13 - GHG17			
		A) SEE IS-23502 FOR ALL DETAILS			

From K-0185

Date:07/2024

PAGE:H9-0530-03

COOLANT FILTER - INSTALLATION WITH VOLVO D13



From K-0185		Date:07/2024	PAGE:H9-0530-03
COOLANT FILTER - INSTALLATION WITH VOLVO D13			

Item#	Part	Description	H 3 4 1	H 3 4 5	N O T E S
1	21937327	CARTRIGE "MAINTENANCE" COOLANT LONG LIFE "WITH D13 ENGINE"	1	1	
2	3979836	ADAPTOR HEAD, COOLANT FILTER	1	1	
3	5001989	SCREW CAP HEX M8-1.25x40 BK	4	4	
4	5001868	WASHER BEL SPR 8.4x18x2 SS	4	4	
5	507655	BANJO BOLT / M14-1.5	4	4	
6	507657	BANJO WASHER / M14	8	8	
7	507653	BANJO UNION / 14MMx#6HOSE	4	4	
8	992081	HOSE CLAMP / 12MM/22MM	10	10	
9	503821	HOSE SILICONE 4 PLY / NOMEX-ARAMID 3/8" x 144"	AR	AR	
10	5011260	FEMALE CONNECTOR SWIVEL / PUSH-LOK FITTING / #8FL-Fx#6 BR	2	2	
11	5011192	MALE CONNECTOR / JIC 37° FITTING / #8JIC-MxM18-1.5-M STL	2	2	
. NS	N.P.N.	. O-RING	1	1	4
. NS	N.P.N.	. WASHER RET	1	1	4
12	053008	RESTRICTION / ALU. TUBE 20MM X 9.05MM O.D. W/3.05MM HOLE	1	1	
13	5011340	UNION / MINI BARB FITTING / #8x#8 BR	2	2	
14	21312072	QUICK CONNECTOR 45° 10MM	2	2	
21	053485	ATTACHMENT ENGINE BLOCK	1	1	
22	050073	SUPPORT,WATER HOSE To R-1919	1	1	
22	050616	SUPPORT,WATER HOSE From R-1920		1	
23	050061	SUPPORT / WATER HOSE	1	1	
25	502862	SCREW CAP HEX M8-1.25x20 G8.8 N500	3	3	
26	500321	WASHER BEL SPR .331x.827x.098 N500	1	1	
27	5001784	SCREW CAP HEXF M10-1.5x90 G8.8 AD N500	1	1	
28	5001307	SCREW CAP HEXF M10-1.5x20 8.8 N500	1	1	
30	509490	ATTACHMENT DOUBLE USE WITH CABLE TIE	5	5	
31	509491	CABLE TIE / 13MM x 383MM	AR	AR	
32	500266	SCREW TC CAP HEX 1/4-20x1 N500	3	3	
33	502737	SCREW CAP HEX M6-1.0x25 SS BK	1	1	
34	5001815	SCREW CAP HEXF M6-1.0x30 G 8.8 N500	1	1	
35	504750	CABLE TIE / 1/2" x 15" / CHRISTMAS TREE	3	3	
36	504768	CABLE TIE / 3/16" 14.7" / DOUBLE LOOP HEAD	2	2	
37	509815	TIE MOUNT / ATTACHMENT W/TREE MOUNT	AR	AR	
37	504637	CABLE TIE / 3/16" x 13"	AR	AR	
50	H9-0500-02	COOLANT PIPING WITH VOLVO D13			
51	H9-0405-02	MUFFLER - INSTALLATION WITH DPF & SCR WITH VOLVO D13 To P-1452			
51	H9-0405-03	MUFFLER - INSTALLATION WITH DPF & SCR WITH VOLVO D13 From R-1453			
52	H9-0150-03	ENGINE CRADLE - WITH VOLVO D13			

From K-0185	Date:07/2024	PAGE:H9-0530-03
-------------	--------------	-----------------

COOLANT FILTER - INSTALLATION WITH VOLVO D13

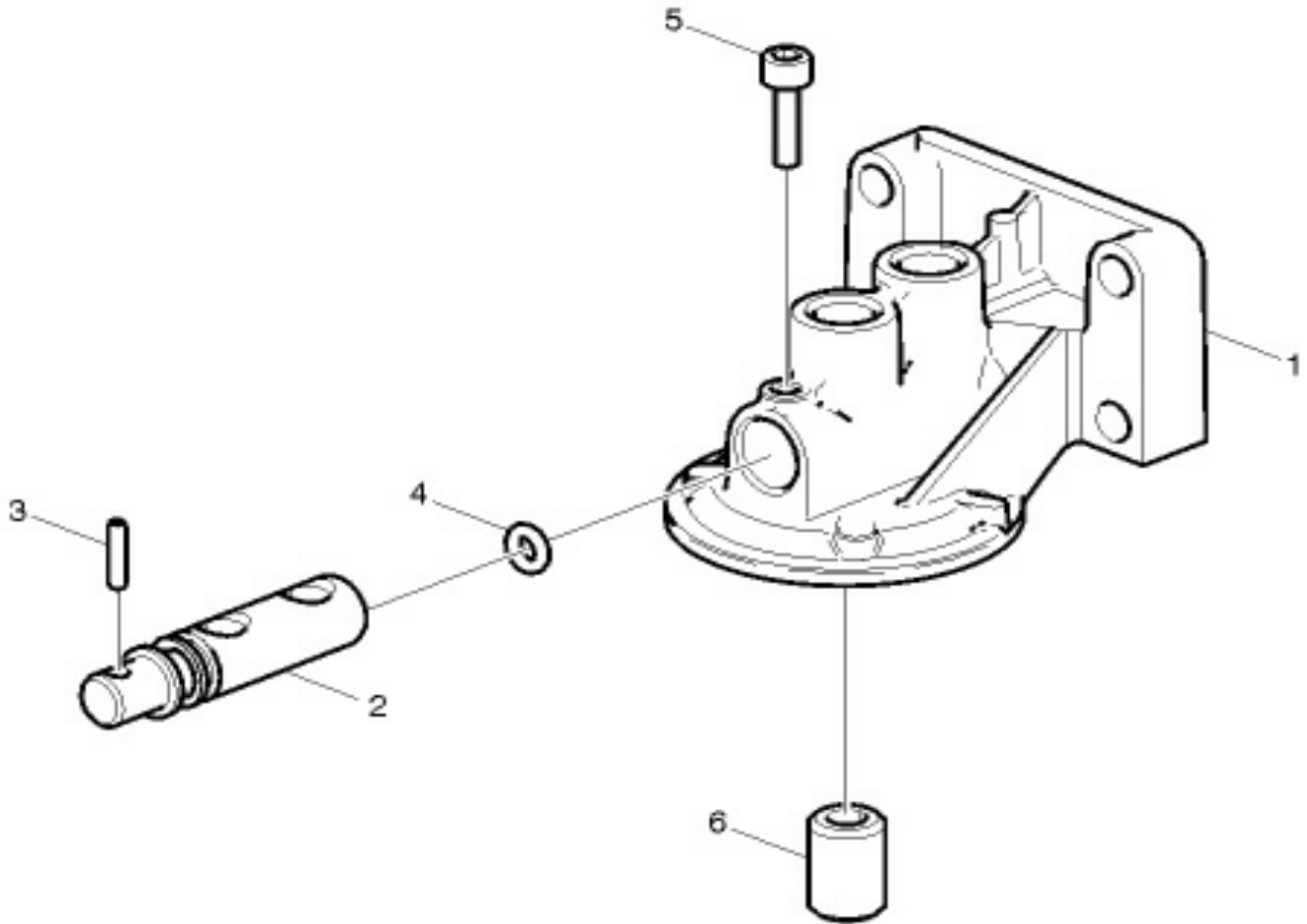
Item#	Part	Description	H 3 4 1	H 3 4 5	N O T E S
		4) NO PARTS NUMBER			

From K-0185

Date:07/2024

PAGE:3979836

ADAPTOR HEAD, COOLANT FILTER



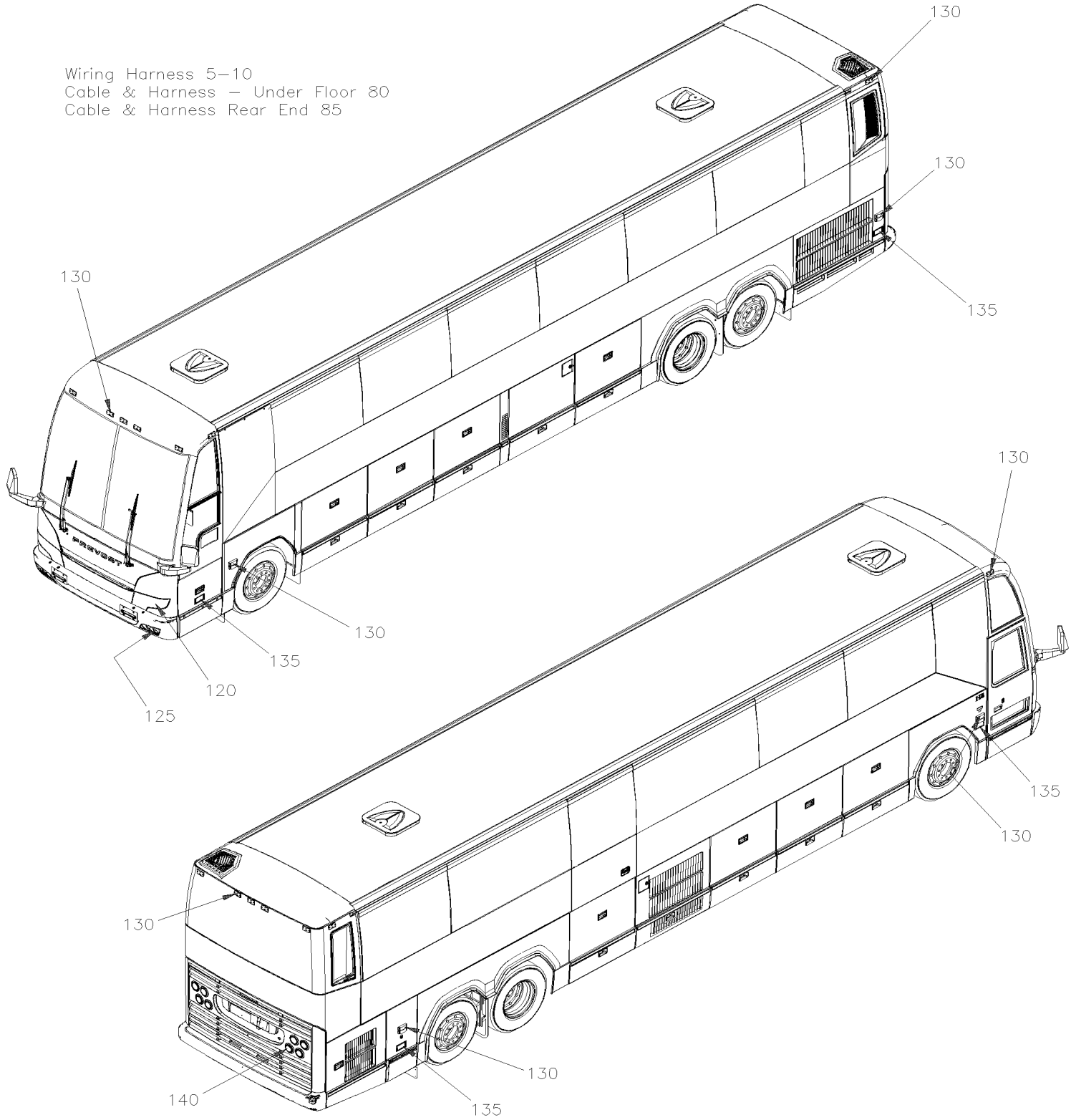
From K-0185	Date:07/2024	PAGE:3979836
-------------	--------------	--------------

ADAPTOR HEAD, COOLANT FILTER

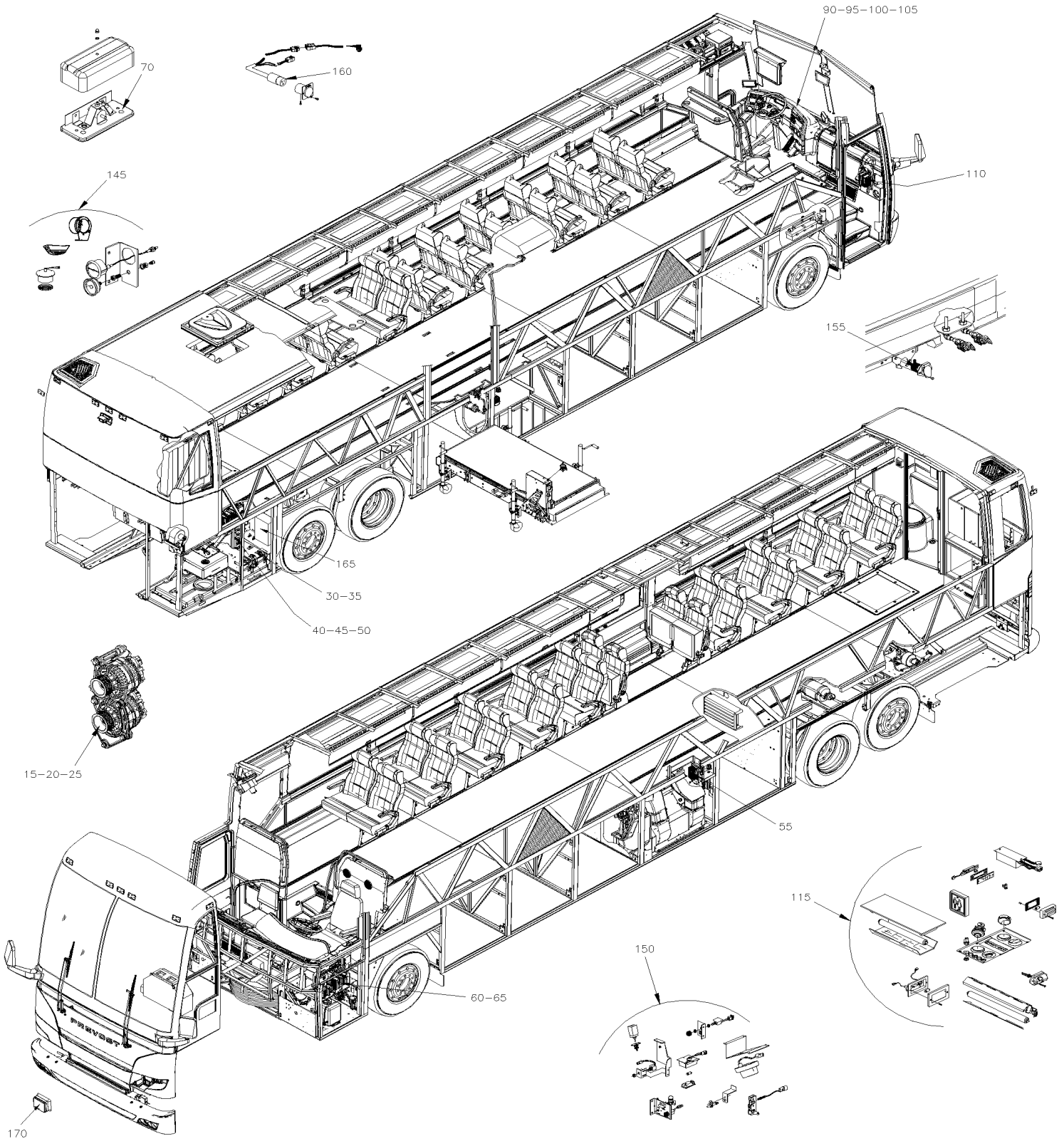
Item#	Part	Description	H 3 4 1	H 3 4 5	N O T E S
1	1661683	HOUSING	1	1	
2	1661686	SPINDLE	1	1	
3	951972	SPRING PIN	1	1	
4	968725	O-RING 11.3X2.4	1	1	
5	963692	HEX. SOCKET SCREW	1	1	
6	1676554	NIPPLE COOLANT FILTER	1	1	

	Date:07/2024	H9-06
ELECTRICAL		

Wiring Harness 5-10
Cable & Harness - Under Floor 80
Cable & Harness Rear End 85



	Date:07/2024	H9-06
ELECTRICAL		



		Date:07/2024	H9-06
ELECTRICAL			

Item#	Part	Description	H 3 4 1	H 3 4 5	NOTES
5	H9-0600-00	WIRING HARNESS - BUS / MUX DIAGRAM D-061020 - C1 From K-0185 To P-1452			
5	H9-0600-01	WIRING HARNESS - BUS DIAGRAM D-062140 - C0 From R-1453			
15	H9-0605-02	ALTERNATOR 24V/150 AMPS / "BOSCH" From K-0185			
15	H9-0605-10	ALTERNATOR 24V/250 AMPS / "REMY" From K-0605 To P-1452			
15	H9-0605-11	ALTERNATOR 24V/250 AMPS / "REMY" From R-1453			
20	H9-0610-07	ALTERNATOR MOUNTING / "BOSCH" VOLVO D13 From K-0185			
20	H9-0610-15	ALTERNATOR MOUNTING / "REMY" VOLVO D13 From K-0605			
20	H9-0610-26	ALTERNATOR MOUNTING / COACH WITH 4 ALTERNATORS VOLVO D13 From K-0185			
30	H9-0615-02	BATTERIES - INSTALLATION From K-0185			
30	H9-0615-10	BATTERIES COMPARTMENT - INSTALLATION From K-0185			
45	H9-0616-12	BREAKER PANEL From K-0185 To P-1452			
45	H9-0616-13	BREAKER PANEL From R-1453			
50	H9-0620-02	REAR JUNCTION BOX ASSY From K-0185			
50	H9-0620-20	PARCEL RACK JUNCTION PANEL From K-0185 To P-1452			
50	H9-0620-21	PARCEL RACK JUNCTION PANEL From R-1453			
55	H9-0621-12	A/C ELECTRICAL PANEL ASSY / EVAPORATOR COMPARTMENT From K-0185			
57	H9-0621-80	MODULE WCL ASSY From K-0185			
59	H9-0622-00	POWER BOX FOR RADIATORS FANS VOLVO D13 - GHG17 From K-0185			
60	H9-0625-01	FRONT JUNCTION PANEL From K-0185 To P-1452			
60	H9-0625-02	FRONT JUNCTION PANEL From R-1453			
65	H9-0625-50	FRONT JUNCTION BOX - INSTALLATION From K-0185 To P-1452			
65	H9-0625-51	FRONT JUNCTION BOX - INSTALLATION From R-1453			
70	H9-0630-00	CABLE & HARNESS - UNDER FLOOR - W/MUX From K-0185			
75	H9-0635-00	ELECTRIC SYSTEM FRONT MODULE INST From R-1453			
80	H9-0640-00	CABLE & HARNESS - FRONT END INSTALLATION From K-0185 To P-1452			
80	H9-0640-10	CABLE HARNESS - PIPE INSTALLATION From K-0185			
80	H9-0640-80	CABLE & HARNESS - W.C.L. From K-0185			
85	H9-0641-01	CABLE & HARNESS - REAR END INSTALLATION From K-0185			
90	H9-0645-00	SWITCHES L.H. CONSOLE - BUS From K-0185 To P-1452			
90	H9-0645-01	SWITCHES L.H. CONSOLE - BUS From R-1453			
95	H9-0645-10	L.H. DASHBOARD PANEL From K-0185 To P-1452			
95	H9-0645-11	L.H. DASHBOARD PANEL From R-1453			
100	H9-0645-21	CENTER DASHBOARD PANEL From K-0185 To P-1452			
100	H9-0645-22	CENTER DASHBOARD PANEL From R-1453			
105	H9-0645-30	R.H. DASHBOARD PANEL From K-0185 To P-1452			
105	H9-0645-31	R.H. DASHBOARD PANEL From R-1453			
115	H9-0655-01	INTERIOR LIGHTING LED From K-0185 To P-1452			
115	H9-0655-02	INTERIOR LIGHTING From R-1453			
115	H9-0655-10	AUTOMATIC EMERGENCY LAMPS From M-1162 To P-1452			B
115	H9-0655-11	AUTOMATIC EMERGENCY LAMPS From R-1453			B
120	H9-0660-02	HEADLAMP & FRONT DIRECTIONAL LAMPS From K-0185 To P-1452			
120	H9-0660-03	HEADLAMP & FRONT DIRECTIONAL LAMPS From R-1453			

		Date:07/2024	H9-06		
ELECTRICAL					

Item#	Part	Description	H 3 4 1	H 3 4 5	N O T E S
125	H9-0661-00	FOG LAMP From K-0185 To K-0614			
125	H9-0661-01	FOG LAMP / LED From K-0615 To P-1452			
125	H9-0661-02	FOG LAMP / LED From R-1453		1	
130	H9-0662-00	CLEARANCE & MARKER LIGHT From K-0185 To P-1452			
130	H9-0662-01	CLEARANCE & MARKER LIGHT From R-1453			
133	H9-0662-10	BEACON LIGHT INSTALLATION From K-0185			
135	H9-0663-00	DOCK & CORNERING LIGHT From K-0185 To P-1452			
135	H9-0663-01	DOCK & CORNERING LIGHT From R-1453			
136	H9-0663-30	PERIMETER LIGHTS ON ROOF From K-0539 To M-1132			
136	H9-0663-31	PERIMETER LIGHTS ON ROOF From M-1133			
140	H9-0664-01	REAR EXTERIOR LIGHTS & PLATE HOLDER From K-0185			
145	H9-0665-02	ENGINE COMPARTMENT - ELECTRIC COMPONENTS AND LAVATORY VALVE From K-0185			
150	H9-0665-11	SWITCHES, LIGHTS, AJAR - UNDER FLOOR & ENGINE COMPARTMENT From K-0185 To P-1452			
150	H9-0665-12	SWITCHES, LIGHTS, AJAR - UNDER FLOOR & ENGINE COMPARTMENT From R-1453		1	
155	H9-0665-20	CABLE TRAILER - INSTALLATION From K-0185			
160	H9-0666-00	BLOCK HEATER RECEPTACLE From K-0185			
165	H9-0670-11	BATTERIES CHARGER - INSTALLATION From K-0185 To P-1452			
165	H9-0670-12	BATTERIES CHARGER - INSTALLATION From R-1453		1	
180	H9-0675-06	SYSTEM - ADAPTIVE CRUISE CONTROL ACB - "BENDIX FLR21" From K-0185 To P-1452			
180	H9-0675-07	SYSTEM - ADAPTIVE CRUISE CONTROL ACB - "BENDIX FLR21" From R-1453			
185	H9-0675-20	SYSTEM CAMERA & HUD - "PREVOST DRIVER ASSIT" From M-1110 To P-1452			
185	H9-0675-21	SYSTEM CAMERA & HUD - "PREVOST DRIVER ASSIT" From R-1453			
190	H9-0690-00	FAN PARCEL RACK From K-0185 To P-1452			
195	IS19905	BOSCH TO DELCO REMY ALTERNATOR INSTALLATION H3-45 W/ELECTRICAL FAN DRIVE From K-0185			
		B) CALIFORNIA REGULATIONS			

From K-0185 To P-1452	Date:07/2024	PAGE:H9-0600-00
WIRING HARNESS - BUS / MUX DIAGRAM D-061020 - C1		



From K-0185 To P-1452		Date:07/2024	PAGE:H9-0600-00
WIRING HARNESS - BUS / MUX DIAGRAM D-061020 - C1			



From K-0185 To P-1452	Date:07/2024	PAGE:H9-0600-00
WIRING HARNESS - BUS / MUX DIAGRAM D-061020 - C1		

Item#	Part	Description	H 3 4 1	H 3 4 5	N O T E S
		SEE DRAWING TO FIND YOUR PART NUMBER			
1	060124	CABLE ASSY / FRONT "ABS" SENSOR & VALVE / MUX & EPS		1	
2	060672	CABLE ADAPTIVE CRUISE CONTROL		1	
3	0610245	CABLE ADAPTIVE CRUISE CONTROL		1	
4	22480495	ADAPTOR, ANTENNA PHANTOM FEED		1	
5	901727	PIGTAIL ADAPTOR FOR RADIO ANTENNA		1	
6	901728	CABLE RG58 AM-FM ANTENNA FAKRA B FEM WHT 25'		1	
7	069424	CABLE ASSY / LIGHT & MAIN CABLE		1	
8	060077	CABLE ASSY / AIR HORN		1	
9	0610004	CABLE ASSY / AIR HORN		1	
10	060086	CABLE ASSY TO AISLE LAMP		1	
11	060682	HARNESS BATTERY TO ALTERNATOR LH		1	
12	060684	HARNESS ALT 102A		1	
13	060264	HARNESS ALTERNATOR GROUND BODY		1	
14	060265	HARNESS, POWER ALT_JUMPER		1	
15	069504	HARNESS LH GROUND ALTERNATOR		1	
16	060088	HARNESS ALT. BOSCH RIGHT HAND SIDE		1	
17	069511	HARNESS ALT. BOSCH LEFT HAND SIDE		1	
18	066226	CABLE ASSY WITH OUTLET / DOOR SECTION		1	
19	060686	CABLE BATTERIES 12VD		1	
20	060691	HARNESS BATTERY 24VD		1	
21	062371	CABLE ASSY / B + TO B +		1	
22	060693	HARNESS BATTERY ELECTRONIC GROUND		1	
23	063592	CABLE ASSY / B - TO GROUND		1	
24	060143	WIRING HARNESS / FRT JCT BOX & ANTENNA		1	
25	0610143	WIRING HARNESS / FRT JCT BOX & ANTENNA		1	
26	060045	WIRING HARNESS / ECU FRT JCT BOX & ACCES..		1	
27	0610142	WIRING HARNESS / ECU FRT JCT BOX & ACCES..		1	
28	060811	HARNESS / BLOC RESISTOR 620R		1	
29	060692	HARNESS POSITIVE BOOSTER		1	
30	061180	CABLE ASSY / B - TO B -		1	
31	060661	WIRING HARNESS DASHBOARD CENTRAL MODULE		1	
32	0611102	WIRING HARNESS DASHBOARD CENTRAL MODULE		1	
33	0610239	WIRING HARNESS DASHBOARD CENTRAL MODULE		1	
34	0610242	WIRING HARNESS DASHBOARD CENTRAL MODULE		1	
35	0610488	WIRING HARNESS DASHBOARD CENTRAL MODULE		1	
36	069944	WIRING HARNESS EMERGENCY DESTINATION SIGN		1	
37	069941	HARNESS. DESIN. SIGNS FRONT TO SIDE		1	
38	069942	HARNESS SIGNS SIDE, REAR		1	
39	069940	HARNESS SIGNS INTERCONNECTION		1	

From K-0185 To P-1452	Date:07/2024	PAGE:H9-0600-00
WIRING HARNESS - BUS / MUX DIAGRAM D-061020 - C1		

Item#	Part	Description	H 3 4 1	H 3 4 5	N O T E S
40	069943	HARNESS SIGNS REAR		1	
41	0610012	CABLE "DOCKING & CORNERING LIGHT"		1	
42	066613	CABLE "DOCKING & CORNERING LIGHT"		1	
43	060670	CABLE ASSY / DOOR ACCESSORIES		1	
44	060744	CABLE HARNESS / CLEARANCE LIGHT REAR STREETSIDE		1	
45	060745	CABLE ASSY DPF DOOR LIGHTS		1	
46	060746	HARNESS DPF "VOLVO"		1	
47	0610152	CABLE / 120VAC OUTLET / LEFT MODESTY		1	
48	060074	HARNESS / HORN & CONNECTOR		1	
49	060091	CABLE / EMERGENCY LIGHT LH		1	
50	060090	CABLE / EMERGENCY LIGHT RH		1	
51	069785	CABLE ASSY / WITH "ALISSON" TRANSMISSION		1	
52	060747	CABLE HARNESS I-SHIFT TRANS		1	
53	060667	CABLE HARNESS / ENGINE ACCESSORIES		1	
54	0610014	CABLE HARNESS / ENGINE ACCESSORIES		1	
55	060306	CABLE GROUND MOTOR TO BODY		1	
56	060748	CABLE ASSY LAMP / REAR ENGINE DOOR		1	
57	0610126	CABLE ASSY / 110V BLOCK HEATER		1	
58	060855	CABLE HARNESS / EQUALIZER		1	
59	060804	HVAC CONTROL HARNESS		1	
60	060527	EVAPORATOR POWER HARNESS GROUND		1	
61	060529	EVAPORATOR POWER HARNESS		1	
62	068820	HARNESS FAN DRIVE		1	
63	069245	HARNESS PWR FAN DRIVE		1	
64	069246	HARNESS GROUND FAN DRIVE		1	
65	0611103	WIRING HARNESS FRONT JUNCTION BOX		1	
66	0610231	WIRING HARNESS FRONT JUNCTION BOX		1	
67	0610243	WIRING HARNESS FRONT JUNCTION BOX		1	
68	0610460	WIRING HARNESS FRONT JUNCTION BOX		1	
69	060042	CABLE ASSY / FIRE DETECTOR FRT JCT BOX		1	
70	0610096	CABLE ASSY FRT JCT BOX WORLD TRANSMISSION		1	
71	060069	CABLE ASSY FRT JCT BOX I-SHIFT TRANSMISSION		1	
72	061046	HARNESS EXTENSION, FLAME DETECTOR		1	
73	060813	CABLE HARNESS / FRONT ROOF		1	
74	069881	CABLE HARNESS / FRONT ROOF		1	
75	060099	CABLE ASSY / FLIP SCREEN		1	
76	0611104	CABLE ASSY / FRONT LOWER END		1	
77	0610232	CABLE ASSY / FRONT LOWER END		1	
78	0610244	CABLE ASSY / FRONT LOWER END		1	
79	0610489	CABLE ASSY / FRONT LOWER END		1	
80	060087	CABLE HARNESS / FUEL TANK / MUX		1	
81	060083	CABLE ASSY / RESISTANCE MODULE & SWITCH / MUX		1	

From K-0185 To P-1452	Date:07/2024	PAGE:H9-0600-00
WIRING HARNESS - BUS / MUX DIAGRAM D-061020 - C1		

Item#	Part	Description	H 3 4 1	H 3 4 5	N O T E S
82	069544	CABLE HARNESS / IND, LIGHT FRONT LH & REAR RH		1	
83	069545	CABLE HARNESS / IND, LIGHT FRONT RH & REAR LH		1	
84	401420	CABLE ASSY ENTERTAINER MODULE POWER		1	
85	061036	CABLE ASSY / B - TO B -		1	
86	0610105	HARNESS INTERIOR LIGHT ACCESS		1	
87	067608	CABLE ASSY / W/CONNECTOR / INVERTER STREET SIDE LH / 3200M		1	
88	067607	CABLE ASSY / W/CONNECTOR / INVERTER CURBSIDE / RH /1300MM		1	
89	0610039	CABLE INVERTER DISPLAY		1	
90	060818	HARNESS INVERTER 24V		1	
91	060819	CABLE INVERTER GROUND		1	
92	061149	CABLE INVERTER GROUND		1	
93	060019	INVERTER JUNCTION POSITIVE HARNESS		1	
94	0610200	WIR. HARN. ISM RELAY P-RACK		1	
95	068937	CABLE ASSY EXTENSION / WCL DOOR		1	
96	069546	CABLE HARNESS / IND, LIGHT		1	
97	069547	CABLE HARNESS / IND, LIGHT / W/W.C.L.		1	
98	068221	CABLE ASSY JUMPER "Y" 120VAC		1	
99	060833	CABLE ASSY / LAVATORY		1	
100	060544	WIRING HARNESS DASHBOARD LEFT MODULE		1	
101	069738	CABLE THERMO DETECTOR (LINEAR FIRE CABLE) / 2.46M / 168C/180C // 334F/356F		1	
102	0610154	FIRE WIRE LTD RED		1	
102	0600387	SERVICE KIT FIRE WIRE LTD		1	
. NS	0600386	. WHITE WIRE FIRE EXTENTION HARNESS		1	
. NS	902005	. FIRE WIRE LTD WHITE		1	
. NS	504300	. GROMMET LTD		36	
. NS	507664	. CABLE TIE / 3/16" 11" / DOUBLE LOOP HEAD		42	
103	069175	CABLE THERMO DETECTOR (LINEAR FIRE CABLE) / 0.9M / 168C/180C // 334F/356F		1	
104	0610010	HARNESS BAGAGES COMPARTMENT		1	
105	060854	HARNESS BAGAGES COMPARTMENT		1	
106	068295	CABLE / 120VAC / PARCEL RACK OUTLET		1	
107	060867	CABLE HARNESS / PARCEL RACK JUNCTION PANEL		1	
108	0610106	CABLE HARNESS / PARCEL RACK JUNCTION PANEL		1	
109	067984	CABLE ASSY 2 PLUG, FOR SLIDING SEATS		1	
110	068321	CABLE ASSY 3 PLUG, FOR SLIDING SEATS /		1	
111	060868	CABLE ASSY KNEELING PANEL		1	
. A	641385	. CONNECTOR / SOCKET HOUSING ASSY 3C / PNEUMAC 54934-01		6	
. B	562848	. CONNECTOR / SOCKET HOUSING ASSY 3C / PNEUMAC 54933-05		1	
. C	563159	. CONNECTOR / METRI-PACK 150 / SH 3C / PED 12065287		3	
. D	563677	. CONNECTOR / METRI-PACK 150 / SH 4C / PED 12065402		1	
. E	561566	. CONNECTOR / WEATHER PACK / PH 2C / BLACK / PED 12010973		1	
. F	562348	. CONNECTOR / WEATHER PACK / PH 2C / GRAY / PED 12034074		1	
112	0610469	CABLE ASSY KNEELING PANEL		1	

From K-0185 To P-1452	Date:07/2024	PAGE:H9-0600-00
WIRING HARNESS - BUS / MUX DIAGRAM D-061020 - C1		

Item#	Part	Description	H 3 4 1	H 3 4 5	N O T E S
. A	641385	. CONNECTOR / SOCKET HOUSING ASSY 3C / PNEUMAC 54934-01		6	
. B	562848	. CONNECTOR / SOCKET HOUSING ASSY 3C / PNEUMAC 54933-05		1	
. C	563159	. CONNECTOR / METRI-PACK 150 / SH 3C / PED 12065287		4	
. D	563677	. CONNECTOR / METRI-PACK 150 / SH 4C / PED 12065402		1	
. E	561566	. CONNECTOR / WEATHER PACK / PH 2C / BLACK / PED 12010973		1	
. F	562348	. CONNECTOR / WEATHER PACK / PH 2C / GRAY / PED 12034074		1	
113	060869	CABLE POWER / RJB TO FJB		1	
114	060654	HARNESS, POWER RH HDMI		1	
115	060378	CABLE ASSY TO STEERING SPEED SIGNAL ECU		1	
116	060870	HARNESS POWER VECR		1	
117	060872	CABLE HEATER ELEMENT RELAY		1	
118	060308	CABLE NEG HEATER ELEMENT		1	
119	067676	CABLE THERMO DETECTOR (LINEAR FIRE CABLE) / 1M / 168C/180C // 334F/356F		1	
. NS	563587	. MODULE DETECTOR / END CIRCUIT		1	
120	060092	CABLE I/F BATTERIES CHARGER / W/RELAY BASE		1	
121	060093	CABLE ASSY POWER / W/FUSE HOLDER & RECTIFIER		1	
122	060228	CABLE ASSY INTERFACE W/"PRO-HEAT" M-80		1	
123	060016	WIRING HARNESS / W/ "PROHEAT" PREHEATER		1	
124	069728	CABLE ASSY / PRO-HEAT & RJB		1	
125	0610115	CABLE ASSY / PRO-HEAT & RJB		1	
126	069279	RADIATOR GROUND HARNESS		1	
127	061153	HARNESS RADIATOR DOOR		1	
128	060704	CABLE HARNESS / READING LIGHT CURB SIDE		1	
129	0610112	CABLE HARNESS / READING LIGHT CURBSIDE REAR		1	
130	0610198	CABLE HARNESS / READING LIGHT CURBSIDE REAR		1	
131	0610113	CABLE HARNESS / READING LIGHT STREETSIDE		1	
132	069729	CABLE ASSY "ABS" PREMIUM & E.S.P.		1	
133	069542	HARNESS RELAY MELCO BATTERY		1	
134	0610172	CABLE ASSY / REAR JUNCTION BOX WITH ALLISON		1	
135	0610282	CABLE ASSY / REAR JUNCTION BOX WITH ALLISON		1	
136	0610491	CABLE ASSY / REAR JUNCTION BOX WITH ALLISON		1	
137	0610084	HARNESS / REAR JUNCTION BOX CONTROL		1	
138	0611007	HARNESS / REAR JUNCTION BOX CONTROL		1	
139	0610453	HARNESS / REAR JUNCTION BOX CONTROL		1	
140	0610173	CABLE ASSY / REAR JUNCTION BOX WITH "I-SHIFT"		1	
141	0610283	CABLE ASSY / REAR JUNCTION BOX WITH "I-SHIFT"		1	
142	0610492	CABLE ASSY / REAR JUNCTION BOX WITH "I-SHIFT"		1	
143	060709	CABLE HARNESS / CLEARANCE LIGHT REAR CURBSIDE		1	
144	0611106	WIRING HARNESS ROOF HATCH REAR & FAN		1	
145	0611105	HARNESS, SOUND SYSTEM		1	
146	0610513	HARNESS, SOUND SYSTEM		1	
147	069296	CABLE ASSY POWER SOUND SYSTEM		1	

From K-0185 To P-1452	Date:07/2024	PAGE:H9-0600-00
WIRING HARNESS - BUS / MUX DIAGRAM D-061020 - C1		

Item#	Part	Description	H 3 4 1	H 3 4 5	NOTES
148	060557	WIRING HARNESS TIMER PREHEATER		1	
149	060307	HARNESS GND STRARTER TO BODY		1	
150	060711	HARNESS STARTER RELAY MELCO		1	
151	060712	HARNESS STARTER BATTERY		1	
152	066743	CABLE EXTENSION 2M / SUBWOOFER		1	
153	0610073	TPMS LITE ADAPTER		1	
154	060723	CABLE ASSY / TRAILER W/ELECTRICAL BRAKE CONNECTOR		1	
NS	560233	. CONNECTOR TRAILER 7C / AK-TECK AK060 058 113		1	
155	060722	CABLE ASSY / TRAILER W/ELECTRICAL BRAKE		1	
156	0610018	CABLE ASSY / FRT SELECTOR & RR ECU		1	
157	0610280	CABLE ASSY / FRT SELECTOR & RR ECU		1	
158	0610493	CABLE ASSY / FRT SELECTOR & RR ECU		1	
159	0610098	CABLE ASSY / FRT SELECTOR & RR ECU		1	
160	0610281	CABLE ASSY / FRT SELECTOR & RR ECU		1	
161	0610494	CABLE ASSY / FRT SELECTOR & RR ECU		1	
162	069778	CABLE HARNESS / SENSOR WTEC W/OUT RETARDER		1	
163	0610588	CABLE HARNESS / SENSOR WTEC W/OUT RETARDER		1	
164	069777	CABLE HARNESS / SENSOR WTEC W/RETARDER		1	
165	0610586	CABLE HARNESS / SENSOR WTEC W/RETARDER		1	
166	0610019	WIRING HARNESS / UREA SYSTEM		1	
167	0611008	WIRING HARNESS / UREA SYSTEM		1	
168	0610590	WIRING HARNESS / UREA SYSTEM		1	
169	060660	CABLE HARNESS "USB" 5 Volt		1	
170	901349	CABLE USB ASSY W/2 RESISTORS 870MM		1	
171	060726	HARNESS WCL IOE CONTROL		1	
172	060728	CABLE POWER / ACCESSORIES & W.C.L. "RICON"		1	
173	069744	CABLE ASSY / POWER / W.C.L. "RICON"		1	
174	061248	HARNESS WCL LAMP		1	
175	069065	JUMPER, WCL LIGHTING		1	
176	060310	CABLE ASSY / TO L.H. WINDOW / W/W.C.L.		1	
177	060751	HARNESS, UPPER WCL DOOR		1	
178	069992	WCL RICON SLIDING DOOR HARNESS		1	
179	069925	CABLE WIFI TO CHASSIS GROUND		1	
180	060574	CABLE ASSY TO WINDOW AJAR BOTH SIDE		1	
181	060754	CABLE HARNESS / STREETSIDE WINDOW AJAR		1	
182	060756	CABLE HARNESS / CURBSIDE WINDOW AJAR		1	
183	060757	CABLE HARNESS / WCL WINDOW AJAR		1	

From R-1453

Date:07/2024

PAGE:H9-0600-01

WIRING HARNESS - BUS DIAGRAM D-062140 - C0



From R-1453

Date:07/2024

PAGE:H9-0600-01

WIRING HARNESS - BUS DIAGRAM D-062140 - C0



From R-1453	Date:07/2024	PAGE:H9-0600-01
WIRING HARNESS - BUS DIAGRAM D-062140 - C0		

Item#	Part	Description	H 3 4 1	H 3 4 5	N O T E S
		SEE DRAWING TO FIND YOUR PART NUMBER			
1	0610245	CABLE ADAPTIVE CRUISE CONTROL		1	
2	22480495	ADAPTOR, ANTENNA PHANTOM FEED		1	
3	901727	PIGTAIL ADAPTOR FOR RADIO ANTENNA		1	
4	901728	CABLE RG58 AM-FM ANTENNA FAKRA B FEM WHT 25'		1	
5	069424	CABLE ASSY / LIGHT & MAIN CABLE		1	
6	0600144	AFSS PREHEAT INTERFACE HARNESS W/EBERSPASHER		1	
7	0600089	AFSS PREHEAT INTERFACE HARNESS W/PROHEAT		1	
8	0610004	CABLE ASSY / AIR HORN		1	
9	0600110	CABLE ASSY TO AISLE LAMP		1	
10	060682	HARNESS BATTERY TO ALTERNATOR LH		1	
11	0610053	HARNESS, ALTERNATOR BATTERY / STREET SIDE		1	
12	060684	HARNESS ALT 102A		1	
13	0610052	HARNESS, ALTERNATOR BATTERY / CURBSIDE		1	
14	060264	HARNESS ALTERNATOR GROUND BODY		1	
15	0610034	HARNESS, ALTERNATOR CHASSIS GROUND / CURBSIDE		1	
16	060265	HARNESS, POWER ALT_JUMPER		1	
17	069504	HARNESS LH GROUND ALTERNATOR		1	
18	0610035	HARNESS, ALTERNATOR CHASSIS GROUND / STREET SIDE		1	
19	0600111	HARNESS ALT. BOSCH RIGHT HAND SIDE		1	
20	0600113	HARNESS, ALTERNATOR CONTROL / CURBSIDE		1	
21	0600112	HARNESS ALT. BOSCH LEFT HAND SIDE		1	
22	0600114	HARNESS, ALTERNATOR CONTROL / STREET SIDE		1	
23	0600155	BATTERY CHARGER HARNESS 120V AC INLET		1	
24	0600133	BATTERY CHARGER HARNESS 120V AC Xantrex		1	
25	060686	CABLE BATTERIES 12VD		1	
26	060691	HARNESS BATTERY 24VD		1	
27	062371	CABLE ASSY / B + TO B +		1	
28	060693	HARNESS BATTERY ELECTRONIC GROUND		1	
29	063592	CABLE ASSY / B - TO GROUND		1	
30	0610143	WIRING HARNESS / FRT JCT BOX & ANTENNA		1	
31	0610142	WIRING HARNESS / ECU FRT JCT BOX & ACCES..		1	
32	0610604	HARNESS, BRIGADE TO INFOTAINMENT		1	
33	0600026	FRONT BUMPER HARNESS ACB		1	
34	0600025	FRONT BUMPER HARNESS ACB/FOG		1	
35	0600090	120V ADAPTOR HARNESS FOR DRIVER		1	
36	061482	CABLE ASSY / A/C COMPRESSOR W/LARGE SYSTEM		1	
37	0610550	CABLE ASSY / A/C COMPRESSOR W/LARGE SYSTEM		1	
38	069944	WIRING HARNESS EMERGENCY DESTINATION SIGN		1	
39	069941	HARNESS. DESIN. SIGNS FRONT TO SIDE		1	

From R-1453	Date:07/2024	PAGE:H9-0600-01
WIRING HARNESS - BUS DIAGRAM D-062140 - C0		

Item#	Part	Description	H 3 4 1	H 3 4 5	N O T E S
40	069942	HARNESS SIGNS SIDE, REAR		1	
41	069940	HARNESS SIGNS INTERCONNECTION		1	
42	069943	HARNESS SIGNS REAR		1	
43	060692	HARNESS POSITIVE BOOSTER		1	
44	061180	CABLE ASSY / B - TO B -		1	
45	0600007	WIRING HARNESS DASHBOARD		1	
. A	566040	. POWER BOX SMALL VEC 15305		1	
. B	563269	. RELAY 24V S.P.D.T. W/RESISTOR /		2	
. C	564399	. MINI BREAKER / 20 AMPS / SERIES 233		4	
. D	564340	. MINI BREAKER / 15 AMPS / SERIES 233		1	
. E	564747	. MINI BREAKER / 10 AMPS / SERIES 223		2	
. F	564746	. MINI BREAKER / 5 AMPS / SERIES 223		3	
46	066613	CABLE "DOCKING & CORNERING LIGHT"		1	
47	0600013	ENTRANCE DOOR HARNESS H3		1	
48	0600031	CABLE HARNESS / CLEARANCE LIGHT REAR STREETSIDE		1	
49	0600046	CABLE ASSY DPF DOOR LIGHTS		1	
50	060746	HARNESS DPF "VOLVO"		1	
51	0610152	CABLE / 120VAC OUTLET / LEFT MODESTY		1	
52	0600018	ELECTRIC HORN HARNESS		1	
53	0610486	ELECTRONIC MIRROR HARNESS		1	
54	0600115	CABLE ASSY / WITH "ALISSON" TRANSMISSION		1	
55	0600121	CABLE ASSY / WITH "ISHIFT" TRANSMISSION		1	
56	0600120	CABLE HARNESS / ENGINE ACCESSORIES		1	
57	060306	CABLE GROUND MOTOR TO BODY		1	
58	060748	CABLE ASSY LAMP / REAR ENGINE DOOR		1	
59	0610126	CABLE ASSY / 110V BLOCK HEATER		1	
60	060855	CABLE HARNESS / EQUALIZER		1	
61	060804	HVAC CONTROL HARNESS		1	
62	060527	EVAPORATOR POWER HARNESS GROUND		1	
63	060529	EVAPORATOR POWER HARNESS		1	
64	068820	HARNESS FAN DRIVE		1	
65	069245	HARNESS PWR FAN DRIVE		1	
66	069246	HARNESS GROUND FAN DRIVE		1	
67	0600000	WIRING HARNESS FRONT JUNCTION BOX		1	
68	0600003	WIRING HARNESS FRONT JUNCTION BOX TRANS-ALISSON		1	
69	0600021	WIRING HARNESS FRONT JUNCTION BOX TRANS-ISHIFT		1	
70	061046	HARNESS EXTENSION, FLAME DETECTOR		1	
71	0600011	CABLE HARNESS / FRONT ROOF		1	
72	060099	CABLE ASSY / FLIP SCREEN		1	
73	0600001	FRONT HARNESS		1	
74	0600123	FRONT HARNESS INTERFACE HARNESS		1	
75	060087	CABLE HARNESS / FUEL TANK / MUX		1	

From R-1453	Date:07/2024	PAGE:H9-0600-01
WIRING HARNESS - BUS DIAGRAM D-062140 - C0		

Item#	Part	Description	H 3 4 1	H 3 4 5	NOTES
76	401420	CABLE ASSY ENTERTAINER MODULE POWER		1	
77	061036	CABLE ASSY / B - TO B -		1	
78	0600009	CABLE INTERIOR ACCESSORIES		1	
79	0600150	HARNESS INVERTER 120VAC LH / WITH 1 INVERTER		1	
80	0600147	HARNESS INVERTER 120VAC LH WITH 2 INVERTERS		1	
81	0600096	HARNESS INVERTER 120VAC RH		1	
82	0600137	HARNESS 24V 2ND INVERTER		1	
83	060819	CABLE INVERTER GROUND		1	
84	061149	CABLE INVERTER GROUND		1	
85	060019	INVERTER JUNCTION POSITIVE HARNESS		1	
86	0610200	WIR. HARN. ISM RELAY P-RACK		1	
87	068937	CABLE ASSY EXTENSION / WCL DOOR		1	
88	068221	CABLE ASSY JUMPER "Y" 120VAC		1	
89	060833	CABLE ASSY / LAVATORY		1	
90	0600078	DRIVER'S FEET LED		1	
91	0610154	FIRE WIRE LTD RED To £-23156		1	
91	0600387	SERVICE KIT FIRE WIRE LTD To £-23156		1	
. NS	0600386	. WHITE WIRE FIRE EXTENTION HARNESS To £-23156		1	
. NS	902005	. FIRE WIRE LTD WHITE To £-23156		1	
. NS	504300	. GROMMET LTD To £-23156		36	
. NS	507664	. CABLE TIE / 3/16" 11" / DOUBLE LOOP HEAD To £-23156		42	
91	902005	FIRE WIRE LTD WHITE From £-23156		1	
92	069175	CABLE THERMO DETECTOR (LINEAR FIRE CABLE) / 0.9M / 168C/180C // 334F/356F		1	
93	0610010	HARNESS BAGAGES COMPARTMENT		1	
94	0600051	HARNESS BAGAGES COMPARTMENT		1	
95	0600131	CABLE OUTLET 120VAC PARCEL RACK		1	
96	0600029	HARNESS PARCEL RACK JUNCTION BOX		1	
97	067984	CABLE ASSY 2 PLUG, FOR SLIDING SEATS		1	
98	068321	CABLE ASSY 3 PLUG, FOR SLIDING SEATS /		1	
99	0600020	PNEUMATIC PANEL HARNESS		1	
. A	641385	. CONNECTOR / SOCKET HOUSING ASSY 3C / PNEUMAC 54934-01		10	
. B	562848	. CONNECTOR / SOCKET HOUSING ASSY 3C / PNEUMAC 54933-05		2	
. C	563159	. CONNECTOR / METRI-PACK 150 / SH 3C / PED 12065287		4	
. D	563677	. CONNECTOR / METRI-PACK 150 / SH 4C / PED 12065402		1	
. E	566004	. PANEL NUT / HDP20 SERIES / DEUTSCH 2411-002-1805		1	
. F	566006	. LOCK WASHER / HDP20 SERIES / DEUTSCH 2414-002-1886		1	
. G	566003	. PANEL NUT / HDP20 SERIES / DEUTSCH 2411-001-2405		1	
. H	566005	. LOCK WASHER / HDP20 SERIES / DEUTSCH 2414-001-2486		1	
100	0600014	CABLE POWER / RJB TO FJB		1	
101	060654	HARNESS, POWER RH HDMI		1	
102	0600015	POWER STEERING CONTROLE HARNESS		1	
103	060870	HARNESS POWER VECR		1	

From R-1453	Date:07/2024	PAGE:H9-0600-01
WIRING HARNESS - BUS DIAGRAM D-062140 - C0		

Item#	Part	Description	H 3 4 1	H 3 4 5	N O T E S
104	060872	CABLE HEATER ELEMENT RELAY		1	
105	060308	CABLE NEG HEATER ELEMENT		1	
106	067676	CABLE THERMO DETECTOR (LINEAR FIRE CABLE) / 1M / 168C/180C // 334F/356F		1	
. NS	563587	. MODULE DETECTOR / END CIRCUIT		1	
107	060092	CABLE I/F BATTERIES CHARGER / W/RELAY BASE		1	
108	060093	CABLE ASSY POWER / W/FUSE HOLDER & RECTIFIER		1	
109	060228	CABLE ASSY INTERFACE W/"PRO-HEAT" M-80		1	
110	060016	WIRING HARNESS / W/ "PROHEAT" PREHEATER		1	
111	0610115	CABLE ASSY / PRO-HEAT & RJB		1	
112	069279	RADIATOR GROUND HARNESS		1	
113	061153	HARNESS RADIATOR DOOR		1	
114	0600041	CABLE READING LIGHT MODULE / RH		1	
115	0600040	CABLE READING LIGHT MODULE / LH		1	
116	0610473	CABLE ASSY "ABS" PREMIUM & E.S.P.		1	
117	069542	HARNESS RELAY MELCO BATTERY		1	
118	0600088	RESISTOR BLOC 4 OHMS		1	
119	0600006	RIGHT HAND CONSOLE POWER HARNESS		1	
120	0600023	CABLE ASSY / REAR JUNCTION BOX WITH ALLISON		1	
121	0600085	HARNESS / REAR JUNCTION BOX CONTROL		1	
122	0600024	CABLE ASSY / REAR JUNCTION BOX WITH "I-SHIFT"		1	
123	0600030	CABLE HARNESS / CLEARANCE LIGHT REAR CURBSIDE		1	
124	610605	RH MODESTY PANEL AV HARNESS		1	
125	0600108	WIRING HARNESS ROOF HATCH & FAN		1	
126	0600012	SERVICE DOOR HARNESS		1	
127	062817	HARNESS, SOUND SYSTEM AUX		1	
128	062799	HARNESS, SOUND SYSTEM		1	
129	063106	HARNESS, SOUND SYSTEM PARCEL-RACK		1	
130	0600083	WINDOW AJAR,CURBSIDE LIGHTS AND SOUND SYSTEM POWER LH		1	
131	060307	HARNESS GND STRARTER TO BODY		1	
132	060711	HARNESS STARTER RELAY MELCO		1	
133	060712	HARNESS STARTER BATTERY		1	
134	066743	CABLE EXTENSION 2M / SUBWOOFER		1	
135	0600008	WIRING HARNESS / FRT JCT BOX & ANTENNA		1	
136	060722	CABLE ASSY / TRAILER W/ELECTRICAL BRAKE		1	
137	060723	CABLE ASSY / TRAILER W/ELECTRICAL BRAKE CONNECTOR		1	
. NS	560233	. CONNECTOR TRAILER 7C / AK-TECK AK060 058 113		1	
138	0600010	CABLE ASSY / FRT SELECTOR & RR ECU		1	
139	0610588	CABLE HARNESS / SENSOR WTEC W/OUT RETARDER		1	
140	0610586	CABLE HARNESS / SENSOR WTEC W/RETARDER		1	
141	0600032	UPPER STAIRS HARNESS		1	
142	0600033	LOWER STAIRS HARNESS		1	
143	0610590	WIRING HARNESS / UREA SYSTEM		1	

From R-1453	Date:07/2024	PAGE:H9-0600-01
WIRING HARNESS - BUS DIAGRAM D-062140 - C0		

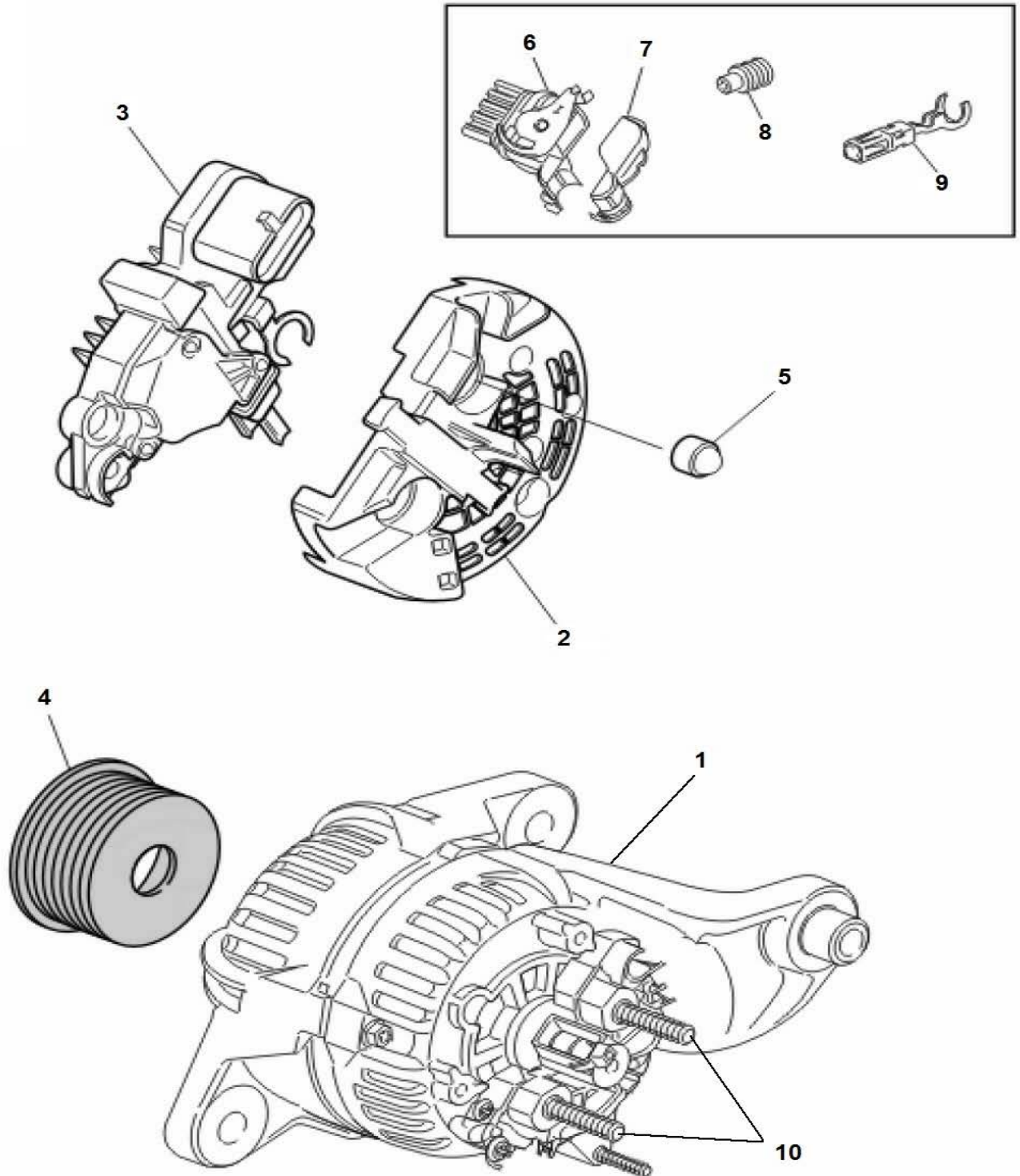
Item#	Part	Description	H 3 4 1	H 3 4 5	N O T E S
144	060660	CABLE HARNESS "USB" 5 Volt		1	
145	901349	CABLE USB ASSY W/2 RESISTORS 870MM		1	
146	0600044	SERVICE SET HARNESS LH		1	
147	0600117	HARNESS WCL IOEA CONTROL		1	
148	060728	CABLE POWER / ACCESSORIES & W.C.L. "RICON"		1	
149	069744	CABLE ASSY / POWER / W.C.L. "RICON"		1	
150	061248	HARNESS WCL LAMP		1	
151	069065	JUMPER, WCL LIGHTING		1	
152	0600048	CABLE ASSY / TO L.H. WINDOW / W/W.C.L.		1	
153	0600050	CABLE READING LIGHT MODULE / WCL DOOR		1	
154	0600080	HARNESS, UPPER WCL DOOR		1	
155	069992	WCL RICON SLIDING DOOR HARNESS		1	
156	069925	CABLE WIFI TO CHASSIS GROUND		1	
157	060574	CABLE ASSY TO WINDOW AJAR BOTH SIDE		1	
158	0600084	WINDOWS AJAR CURBSIDE		1	
159	060757	CABLE HARNESS / WCL WINDOW AJAR		1	
160	0600019	CABLE INTERFACE WINDSHEILD WASHER		1	

From K-0185

Date:07/2024

PAGE:H9-0605-02

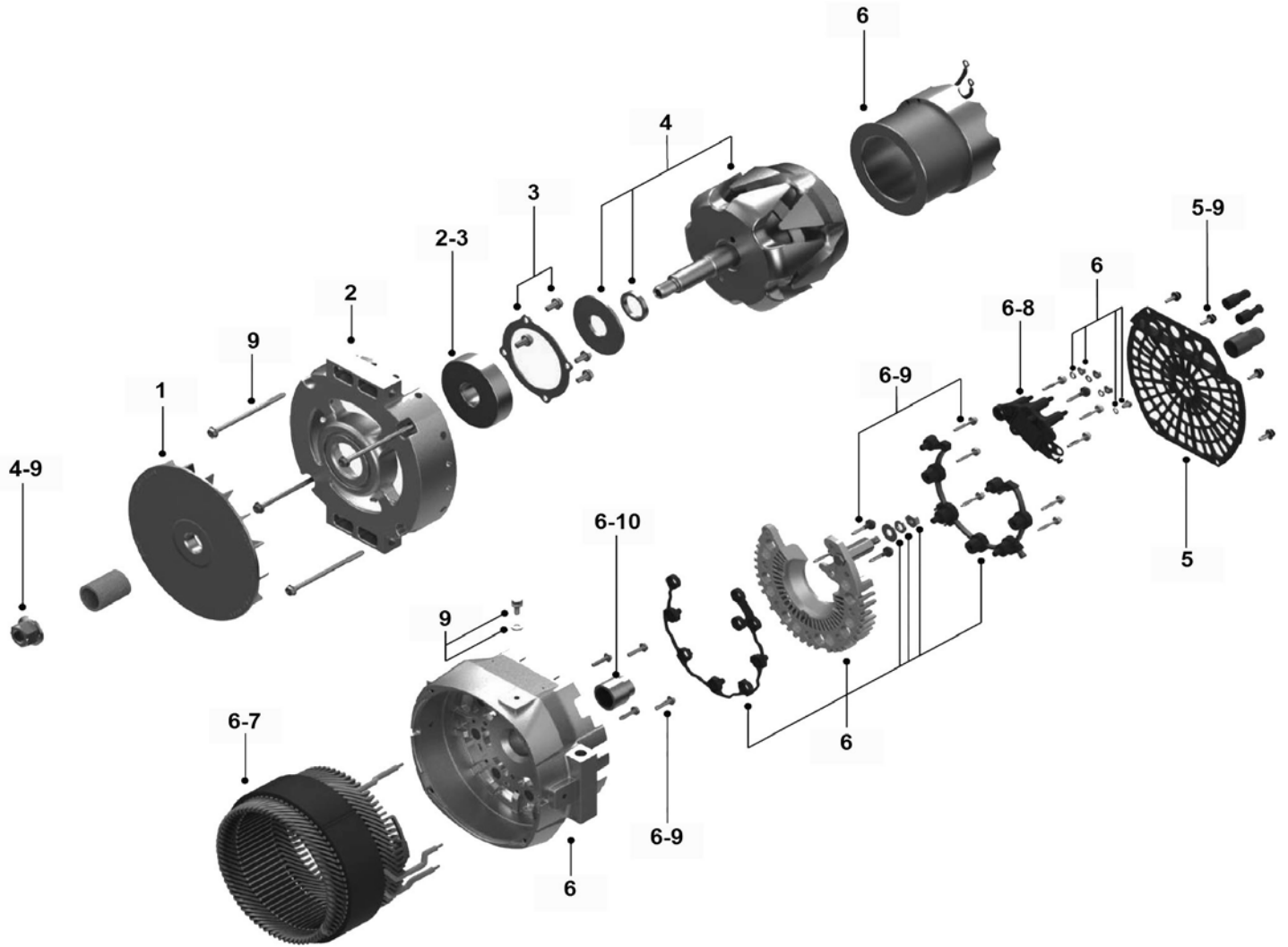
ALTERNATOR 24V/150 AMPS / "BOSCH"



From K-0185		Date:07/2024	PAGE:H9-0605-02
ALTERNATOR 24V/150 AMPS / "BOSCH"			

Item#	Part	Description	H 3 4 1	H 3 4 5	N O T E S
1	564593	ALTERNATOR ASSY 24V/150 AMPS / W/OUT PULLEY To L-0726	1	1	
1	560748	ALTERNATOR ASSY 24V/150 AMPS / W/OUT PULLEY From L-0727 To R-1873	1	1	
1	564683	ALTERNATOR ASSY 24V/150 AMPS / W/OUT PULLEY From R-1874		1	
2	20523388	. COVER	1	1	
3	20523391	. BRUSH ASSY W/CHARGE REGULATOR / 24VOLT	1	1	
4	0600264	PULLEY ALTERNATOR / "BOSCH" / 83MM DOB x 8 RIB	1	1	C
4	069556	PULLEY ALTERNATOR / "BOSCH" / 73MM DOB x 10 RIB To K-0266	1	1	S
4	0600265	PULLEY ALTERNATOR / "BOSCH" / 73MM DOB x 10 RIB From K-0267	1	1	S
4	21429955	FLANGE NUT	1	1	
5	20576874	NUT, CAP PROTECTOR	1	1	
5	500449	WASHER FL .625x1.500 SS To K-0266	1	1	S
6	060088	HARNESS ALT. BOSCH RIGHT HAND SIDE To P-1452	1	1	
6	0600111	HARNESS ALT. BOSCH RIGHT HAND SIDE From R-1453		1	
6	069511	HARNESS ALT. BOSCH LEFT HAND SIDE To P-1452	1	1	
6	0600112	HARNESS ALT. BOSCH LEFT HAND SIDE From R-1453		1	
6	564469	. CONNECTOR / MKR-PLUS / SH 5C / G&H 18241 000 000	1	1	
6	20429872	. CONNECTOR / MKR-PLUS / SH 5C	1	1	
7	564470	. COVER / MKR-PLUS	1	1	
7	20429873	. COVER / MKR-PLUS	1	1	
8	564473	. CABLE SEAL / BLUE // G&H 16695 627 642	1	1	
8	3944654	. CABLE SEAL / BLUE /	1	1	
8	564474	. CABLE SEAL / RED // G&H 16694 627 626	1	1	
9	564471	. SOCKET TERMINAL / 18-16 / G&H 26780	1	1	
10	060297	ADAPTOR STUD M8 Male x M8 Female + FLANGE M8-1.25 x 18MM SS	2	2	
50	H9-0100-08	ENGINE WIRING HARNESS - INSTALLATION WITH VOLVO D13			
		C) CURBSIDE			
		S) STREET SIDE			

From K-0605 To P-1452	Date:07/2024	PAGE:H9-0605-10
ALTERNATOR 24V/250 AMPS / "REMY"		



From K-0605 To P-1452	Date:07/2024	PAGE:H9-0605-10
ALTERNATOR 24V/250 AMPS / "REMY"		

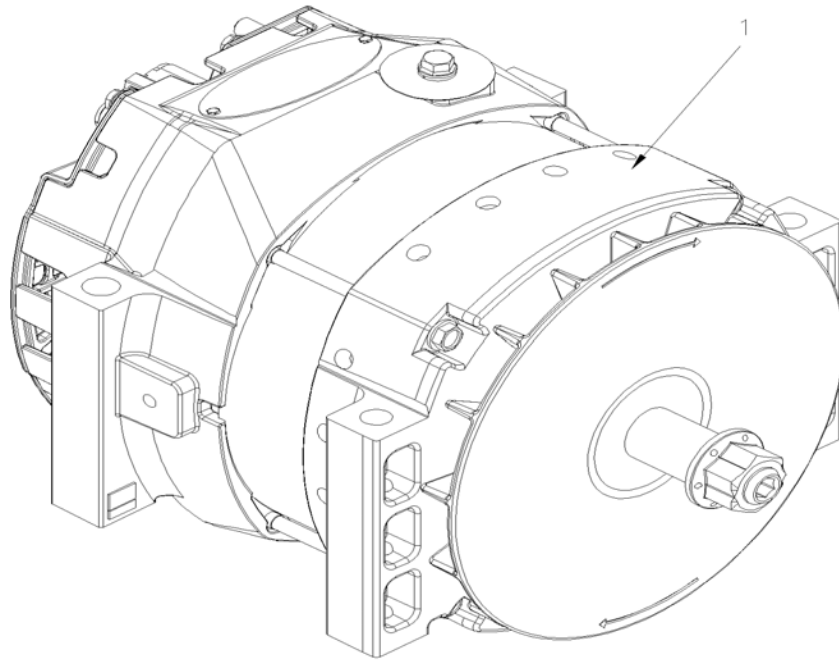
Item#	Part	Description	H 3 4 1	H 3 4 5	NOTES
	560720	ALTERNATOR ASSY 24V/250 AMPS / "REMY"	1	1	
1	563502	. FAN	1	1	
2	563504	. FRAME WITH BEARING	1	1	
3	563505	. BEARING KIT	1	1	
4	563506	. ROTOR KIT	1	1	
5	563507	. COVER	1	1	
6	563508	. FRAME & STATOR ASM	1	1	
7	563509	. STATOR AND LEAD ASM	1	1	
8	563510	. REGULATOR	1	1	
9	563511	. HARDWARE KIT	1	1	
10	563512	. BEARING	1	1	

From R-1453

Date:07/2024

PAGE:H9-0605-11

ALTERNATOR 24V/250 AMPS / "REMY"



From R-1453	Date:07/2024	PAGE:H9-0605-11
-------------	--------------	-----------------

ALTERNATOR 24V/250 AMPS / "REMY"

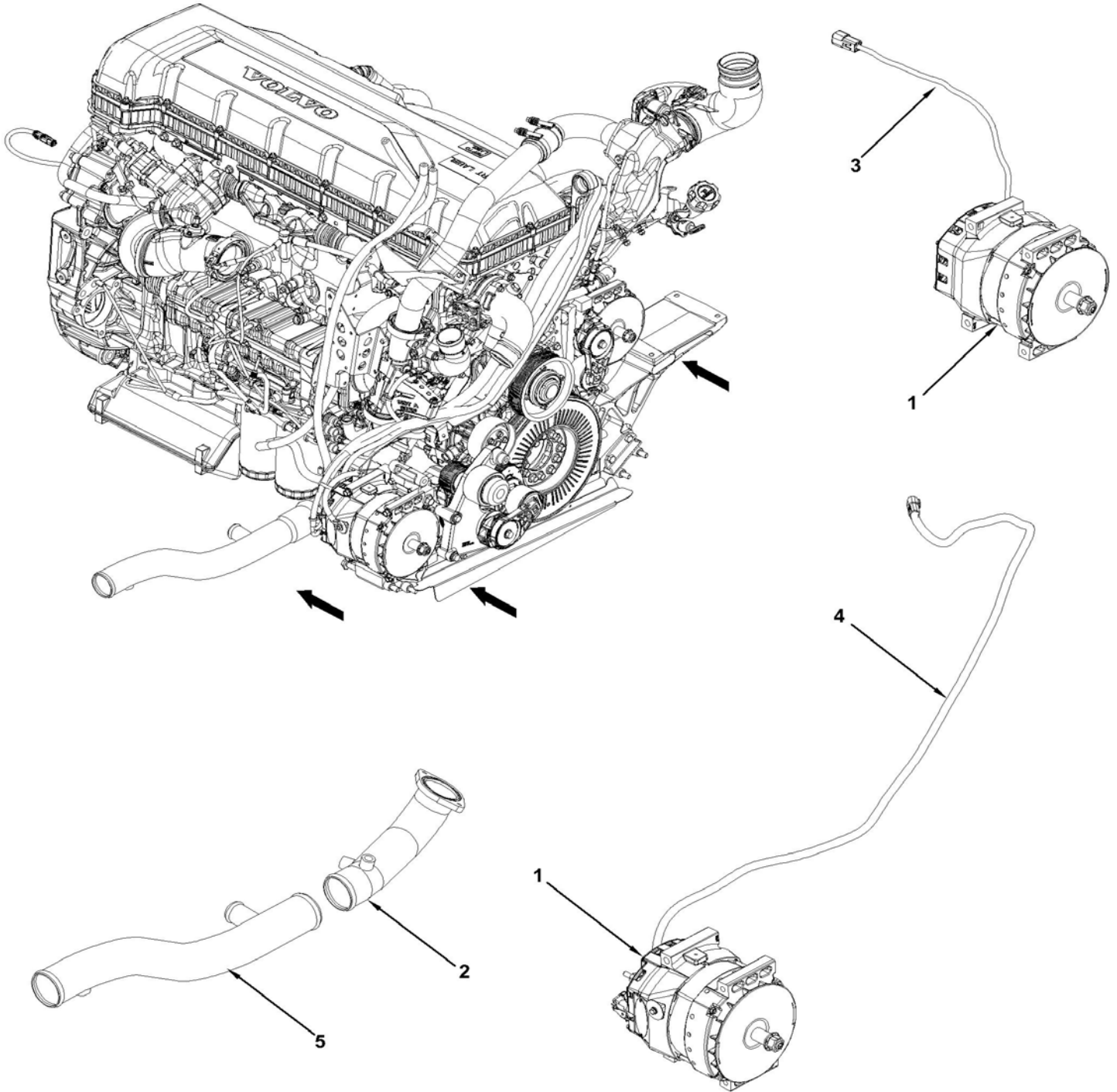
Item#	Part	Description	H 3 4 1	H 3 4 5	N O T E S
1	564393	ALTERNATOR ASSY 24V/250 AMPS / "REMY"	1	1	
1	0610609	KIT SAV NEW ALT. REMY 564393 H3	1	1	

From R-1453

Date:07/2024

PAGE:0610609

KIT SAV NEW ALT. REMY 564393 H3



From R-1453	Date:07/2024	PAGE:0610609
KIT SAV NEW ALT. REMY 564393 H3		

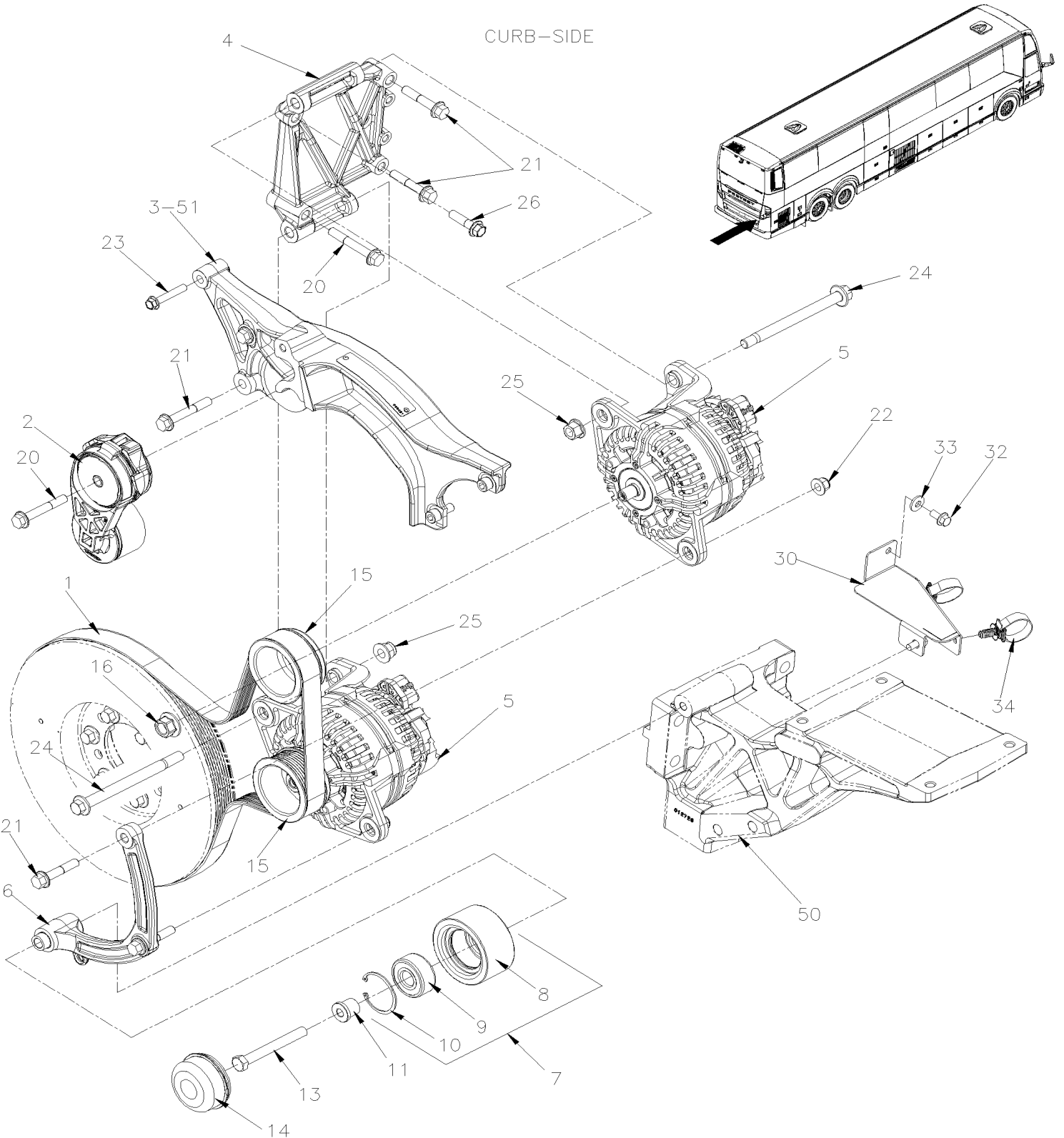
Item#	Part	Description	H 3 4 1	H 3 4 5	NOTES
1	564393	ALTERNATOR ASSY 24V/250 AMPS / "REMY"		2	
2	050584	WATER PIPE RADIATOR		1	
3	0610600	HARNESS, ALTERNATOR CONTROL / CURBSIDE		1	
4	0610601	HARNESS, ALTERNATOR CONTROL / STREET SIDE		1	
5	050587	WATER PIPE OUTLET RADIATOR		1	
NS	0610602	CONNECTOR ALTERNATOR JUMPER		1	

From K-0185

Date:07/2024

PAGE:H9-0610-07

ALTERNATOR MOUNTING / "BOSCH" VOLVO D13



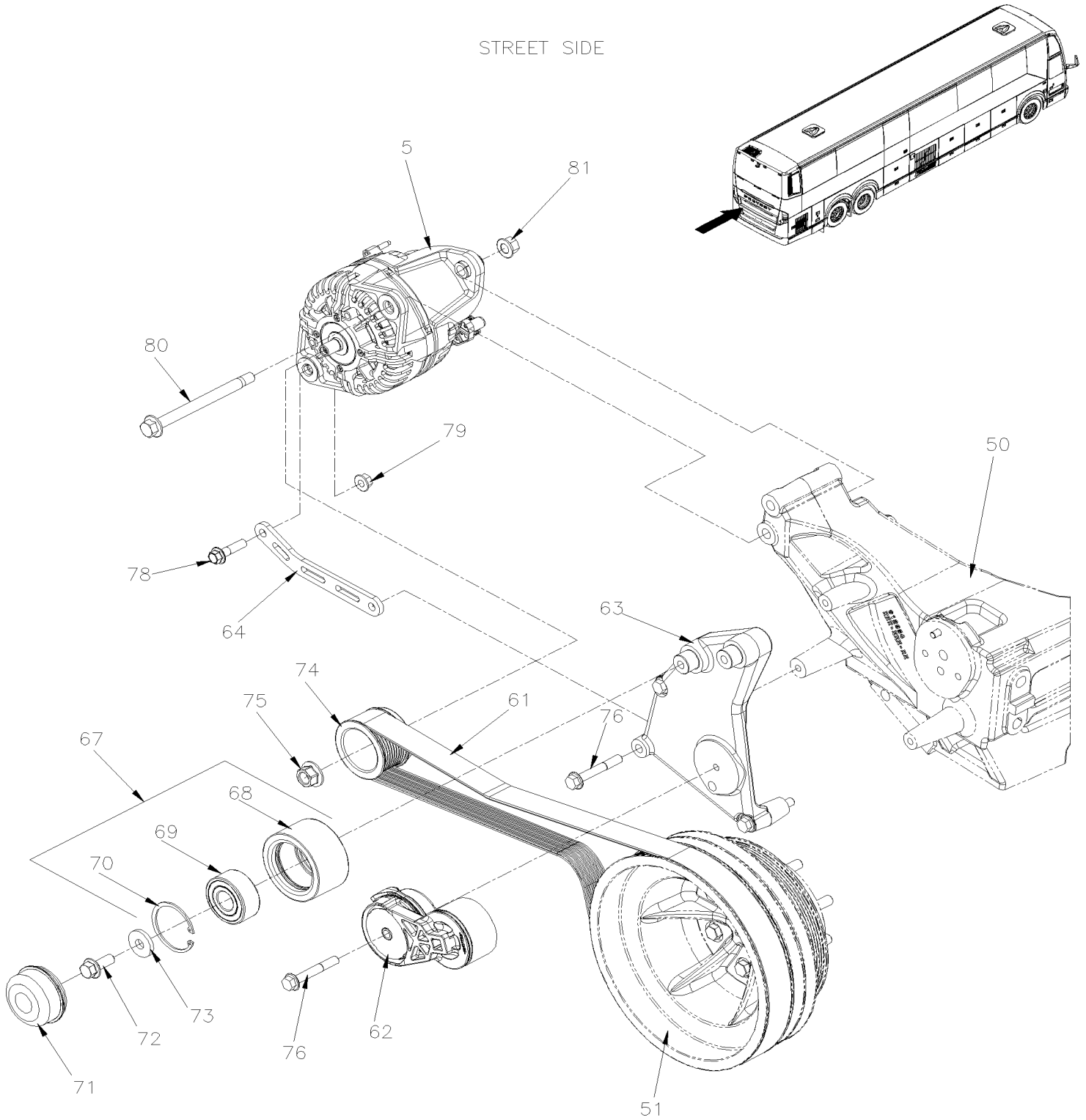
From K-0185

Date:07/2024

PAGE:H9-0610-07

ALTERNATOR MOUNTING / "BOSCH" VOLVO D13

STREET SIDE



From K-0185		Date:07/2024	PAGE:H9-0610-07
ALTERNATOR MOUNTING / "BOSCH" VOLVO D13			

Item#	Part	Description	H 3 4 1	H 3 4 5	N O T E S
1	5060129	MULTI V-BELT / 8 RIB 62" (1575MM) 8PK1575 QT	1	1	
1	5060130	MULTI V-BELT / 8 RIB 62" (1575MM) 8PK1575 SEVERE DUTY	1	1	H
1	5060131	MULTI V-BELT / 8 RIB 59.5" (1512MM) 8PK1512 QT	1	1	E
1	5060145	BELT, POLY V 8PK 1539 ORION QT +	1	1	B
2	510991	AUTOMATIC TENSIONER ASSY	1	1	
3	457750	SUPPORT, TENSIONNER CASTING To K-0604	1	1	
3	450580	SUPPORT, TENSIONNER CASTING From K-0605 To N-1268	1	1	
3	454767	SUPPORT, TENSIONNER CASTING From N-1269	1	1	
4	20995657	ALTERNATOR MOUNT UPPER	1	1	
5	H9-0605-02	ALTERNATOR 24V/150 AMPS / "BOSCH"	2	2	
6	21134692	SUPPORT ASSY IDLER PULLEY & ALTERNATOR	1	1	
7	012349	PULLEY ASSY W/BEARING / 48MM x 90MM O.D.	1	1	
8	012958	. PULLEY / 48MM x 90MM O.D.	1	1	
9	509952	. BALL BEARING 25 ID x 62 OD x 25.4 W HI-TEMP	1	1	
10	504040	. RING RETAINER / INT 2.440 x 1.860 x 0.078 STL BLK	1	1	
11	060137	GUIDE, BUSHING	1	1	
11	680038	THREAD LOCKER LOCTITE #243 / BLUE / 50ml	AR	AR	
13	5001688	SCREW CAP HEX M12-1.75x100 G10.9 G500	1	1	
14	453076	CAP, DUST	1	1	
15	0600264	PULLEY ALTERNATOR / "BOSCH" / 83MM DOB x 8 RIB	2	2	
NS	068346	SHIM 20GA	AR	AR	A
NS	068347	SHIM 26GA	AR	AR	A
16	21429955	FLANGE NUT	2	2	
20	5001799	SCREW CAP HEXF M10-1.5x70 G10.9 N500	2	2	
21	5001801	SCREW CAP HEXF M10-1.5x55 G10.9 N500	2	2	
22	5001930	NUT HEXF NYRT M10-1.5 N500 G10.9	2	2	
23	500796	SCREW CAP HEXF M8-1.25x50 G10.9 N500	1	1	
24	502950	SCREW SHR CAP HEXF 13x135 (M12x1.75 G10.9 N500	2	2	
25	5001774	NUT HEXF STO M12-1.75 MAGNI G500	2	2	
26	5001308	SCREW CAP HEXF M10-1.5x40 G10.9 N500	1	1	
30	068541	SUPPORT CABLE GROUND ALTERNATOR	1	1	
32	5001780	SCREW CAP HEXF M8-1.25x16 G8.8 N500	3	3	
33	500321	WASHER BEL SPR .331x.827x.098 N500	3	3	
34	504750	CABLE TIE / 1/2" x 15" / CHRISTMAS TREE	2	2	
50	H9-0150-03	ENGINE CRADLE - WITH VOLVO D13	1	1	
51	H9-0120-04	DRIVE PULLEY, BELTS & TENSIONER WITH VOLVO D13	1	1	
61	505606	MULTI V-BELT / 10 RIB (1695MM) 10PK1695 STANDARD DUTY	1	1	
61	505607	MULTI V-BELT / 10 RIB (1695MM) 10PK1695 SEVERE DUTY	1	1	H
62	510991	AUTOMATIC TENSIONER ASSY	1	1	
63	012943	IDLER SUPPORT To K-0704	1	1	
63	011213	IDLER SUPPORT From K-0705	1	1	

From K-0185	Date:07/2024	PAGE:H9-0610-07
ALTERNATOR MOUNTING / "BOSCH" VOLVO D13		

Item#	Part	Description	H 3 4 1	H 3 4 5	NOTES
64	060102	ALTERNATOR, LOWER BRACKET	1	1	
67	012349	PULLEY ASSY W/BEARING / 48MM x 90MM O.D.	1	1	
68	012958	. PULLEY / 48MM x 90MM O.D.	1	1	
69	509952	. BALL BEARING 25 ID x 62 OD x 25.4 W HI-TEMP	1	1	
70	504040	. RING RETAINER / INT 2.440 x 1.860 x 0.078 STL BLK	1	1	
71	453076	CAP, DUST	1	1	
72	5001786	SCREW CAP HEXF M12-1.75x30 G8.8 N500	1	1	
73	5002008	WASHER FL 13.0x35.0x5.0 N500	1	1	
74	069556	PULLEY ALTERNATOR / "BOSCH" / 73MM DOB x 10 RIB To K-0266	1	1	
74	0600265	PULLEY ALTERNATOR / "BOSCH" / 73MM DOB x 10 RIB From K-0267	1	1	
75	21429955	FLANGE NUT	1	1	
75	500449	WASHER FL .625x1.500 SS To K-0266	1	1	
76	5001799	SCREW CAP HEXF M10-1.5x70 G10.9 N500	4	4	
78	5001800	SCREW CAP HEXF M10-1.5x45 G10.9 N500	1	1	
79	5001930	NUT HEXF NYRT M10-1.5 N500 G10.9	1	1	
80	502950	SCREW SHR CAP HEXF 13x135 (M12x1.75 G10.9 N500	1	1	
81	5001774	NUT HEXF STO M12-1.75 MAGNI G500	1	1	
		A) USE TO ALIGN PULLEYS			
		B) W DUAL ALT. & W/O IDLER PULLEY			
		E) USE ON EMERGENCY WITH ONE ALTERNATOR			
		H) SEVERE DUTY			

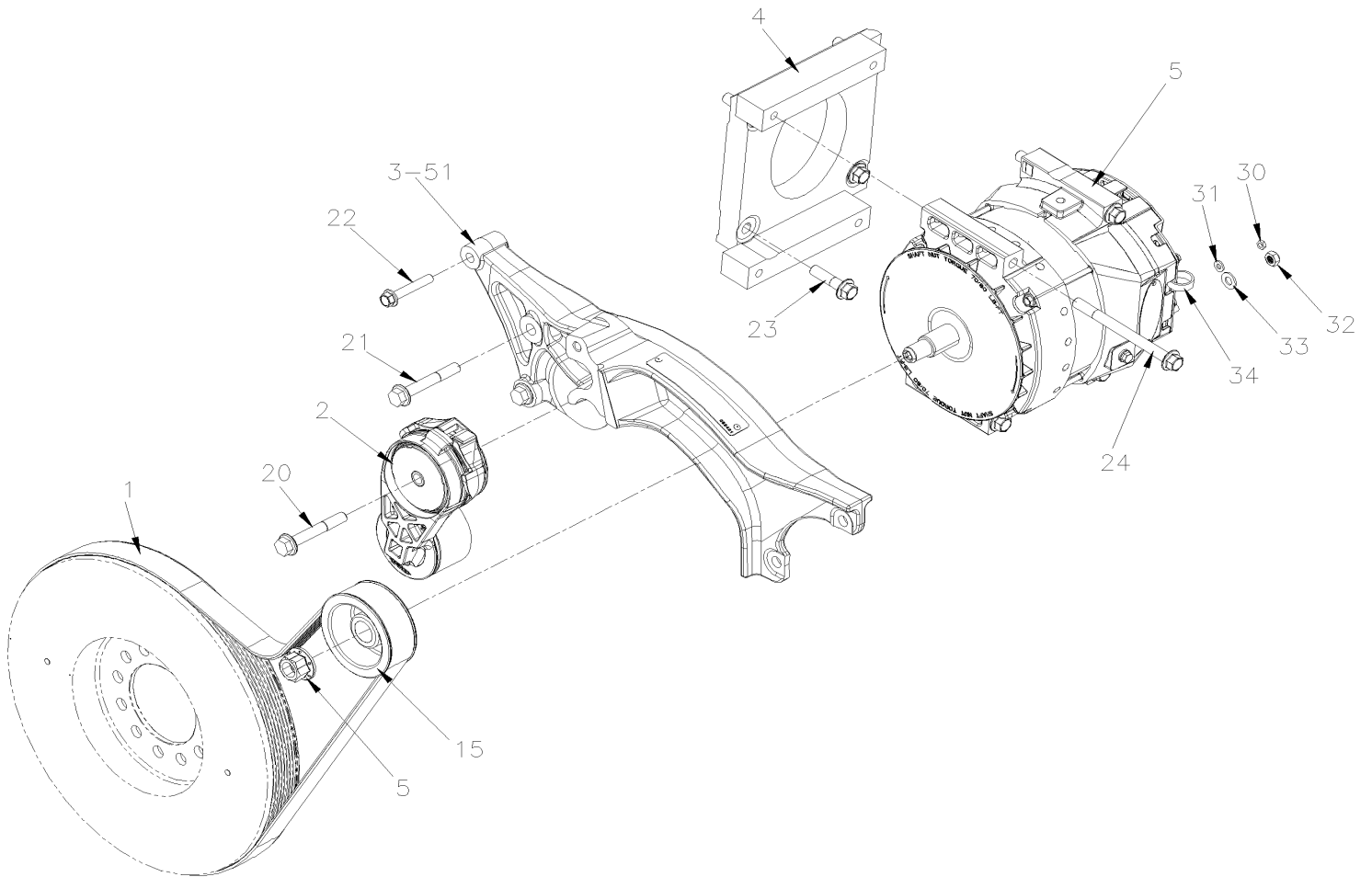
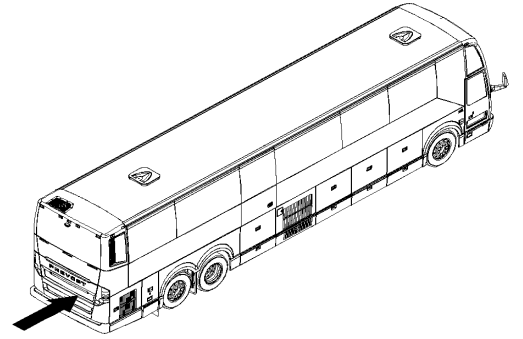
From K-0605

Date:07/2024

PAGE:H9-0610-15

ALTERNATOR MOUNTING / "REMY" VOLVO D13

CURB-SIDE



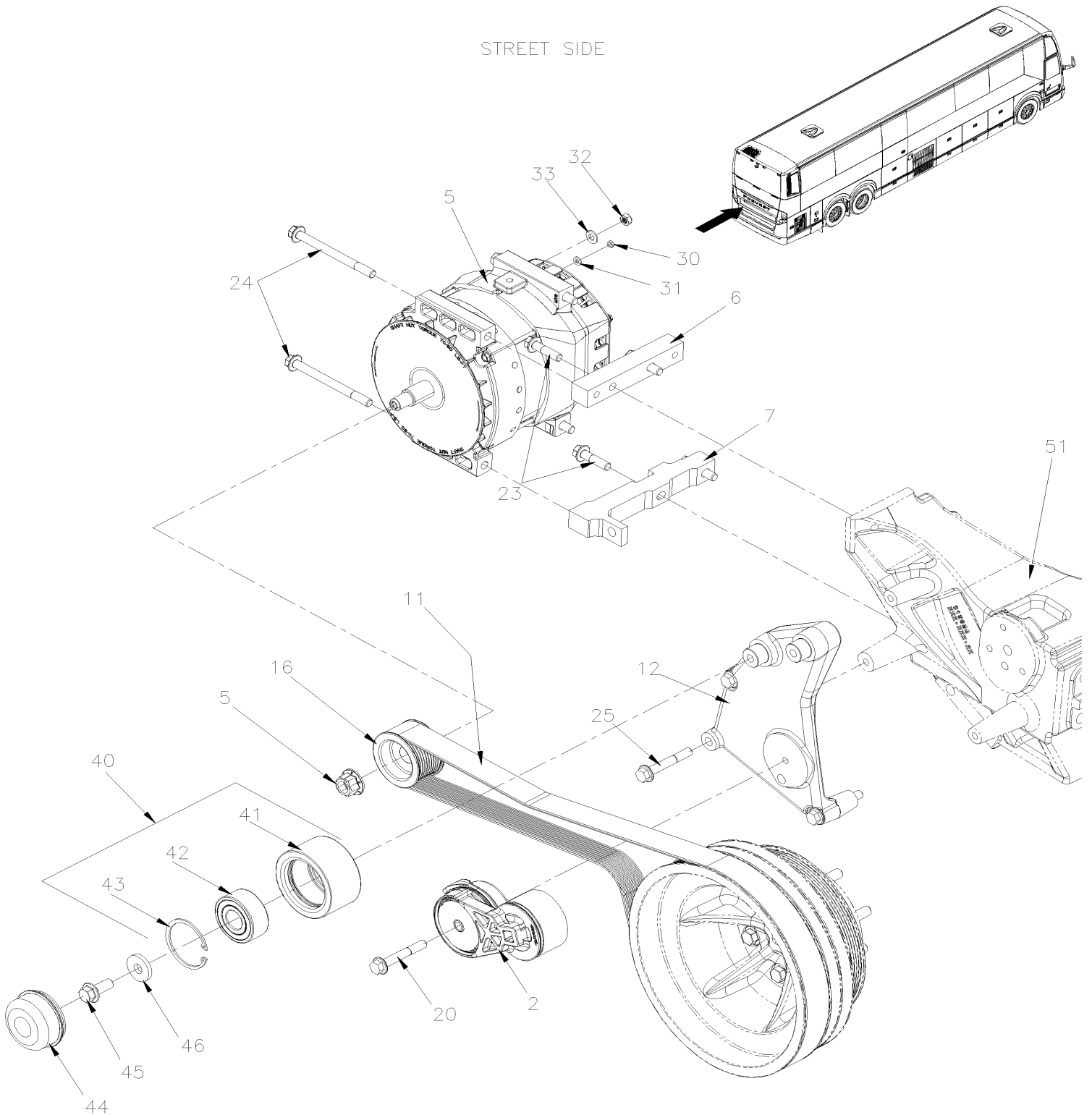
From K-0605

Date:07/2024

PAGE:H9-0610-15

ALTERNATOR MOUNTING / "REMY" VOLVO D13

STREET SIDE

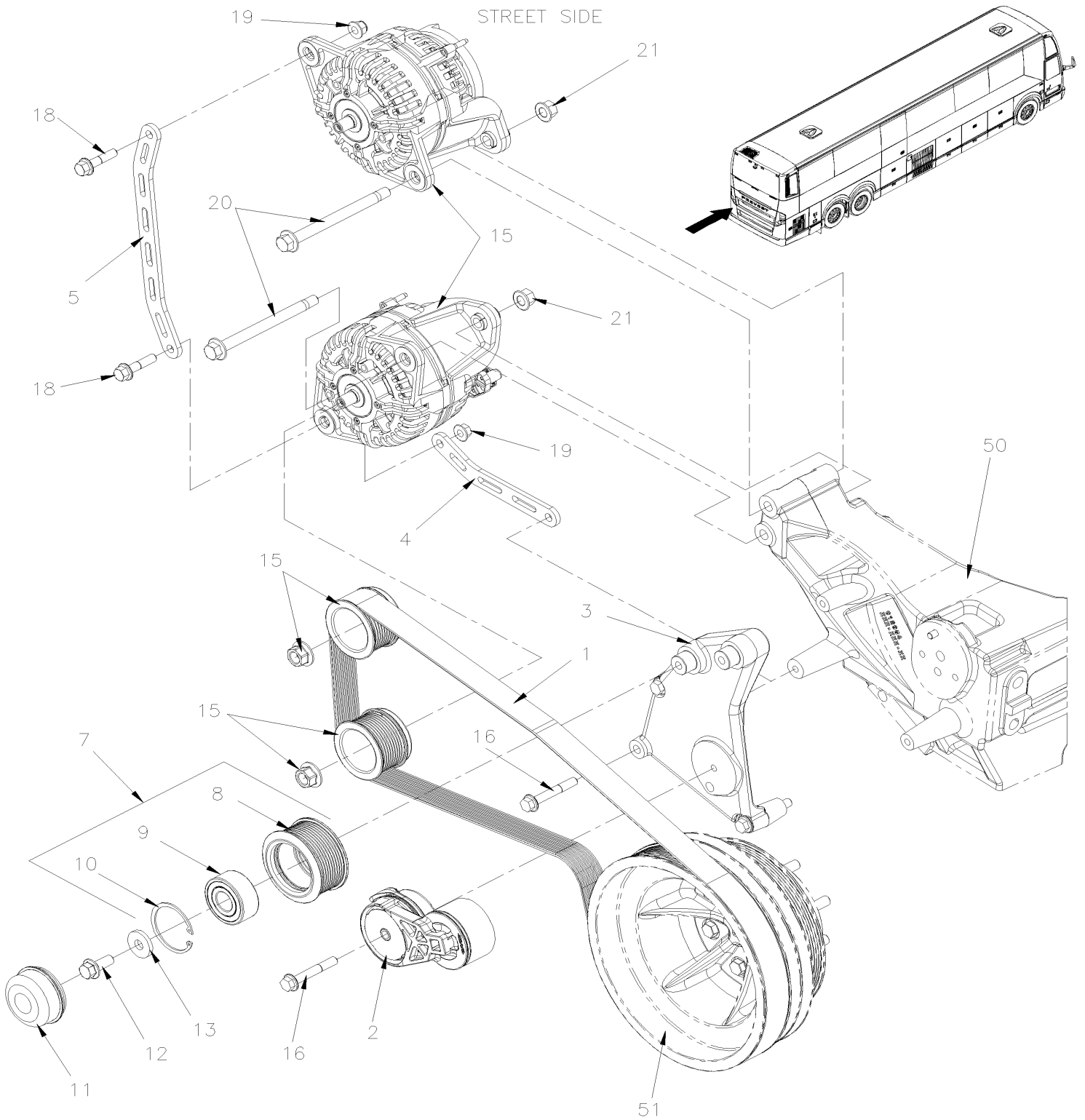


From K-0185

Date:07/2024

PAGE:H9-0610-26

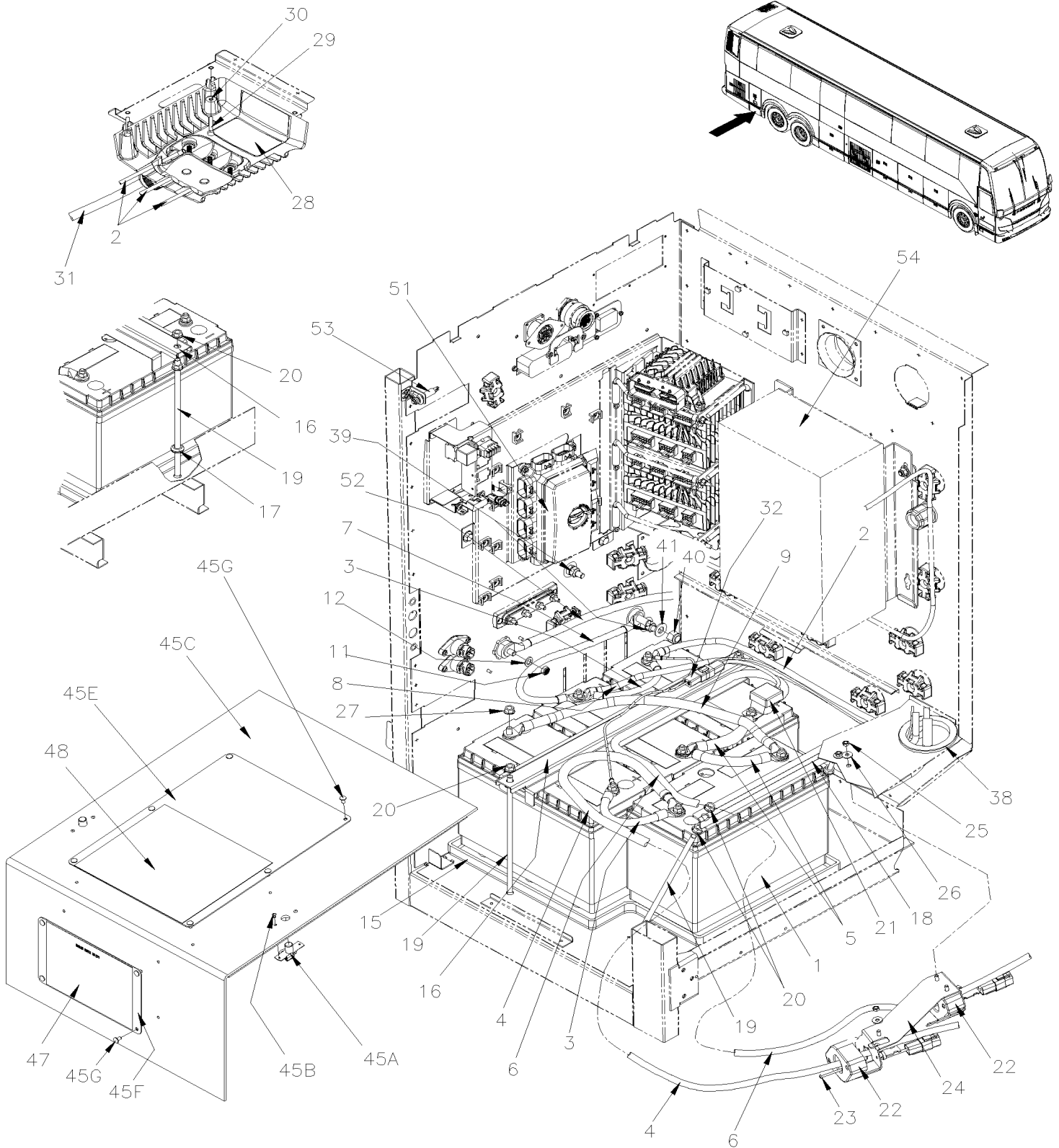
ALTERNATOR MOUNTING / COACH WITH 4 ALTERNATORS VOLVO D13



From K-0185	Date:07/2024	PAGE:H9-0610-26
ALTERNATOR MOUNTING / COACH WITH 4 ALTERNATORS VOLVO D13		

Item#	Part	Description	H 3 4 1	H 3 4 5	N O T E S
1	505605	MULTI V-BELT / 10 RIB (1892MM) 10PK1892 STANDARD DUTY		1	
2	510991	AUTOMATIC TENSIONER ASSY		1	
3	012943	IDLER SUPPORT To K-0704		1	
3	011213	IDLER SUPPORT From K-0705		1	
4	060102	ALTERNATOR, LOWER BRACKET		1	
5	060891	ALTERNATOR, SIDE BRACKET		1	
7	012344	PULLEY ASSY W/BEARING / 10 RIB		1	
8	012959	. PULLEY / 10 RIB 48MM x 90MM O.D.		1	
9	509952	. BALL BEARING 25 ID x 62 OD x 25.4 W HI-TEMP		1	
10	504040	. RING RETAINER / INT 2.440 x 1.860 x 0.078 STL BLK		1	
11	453076	CAP, DUST		1	
12	5001786	SCREW CAP HEXF M12-1.75x30 G8.8 N500		1	
13	5002008	WASHER FL 13.0x35.0x5.0 N500		2	
15	H9-0605-02	ALTERNATOR 24V/150 AMPS / "BOSCH"		2	
NS	060406	ALTERNATOR CONTROL LEFT HARNESS MTH		1	
NS	060413	ALTERNATORS JUMPER POWER HARNESS		1	
NS	060414	GROUND FRAME ALTERNATOR UP LEFT HARNESS		1	
NS	060415	ALTERNATOR BOTTOM LEFT BATTERY HARNESS		1	
16	5001799	SCREW CAP HEXF M10-1.5x70 G10.9 N500		4	
18	5001308	SCREW CAP HEXF M10-1.5x40 G10.9 N500		2	
19	5001930	NUT HEXF NYRT M10-1.5 N500 G10.9		2	
20	502950	SCREW SHR CAP HEXF 13x135 (M12x1.75 G10.9 N500		2	
21	5001774	NUT HEXF STO M12-1.75 MAGNI G500		2	
50	H9-0150-03	ENGINE CRADLE - WITH VOLVO D13			
51	H9-0120-04	DRIVE PULLEY, BELTS & TENSIONER WITH VOLVO D13			

BATTERIES - INSTALLATION



From K-0185		Date:07/2024	PAGE:H9-0615-02
BATTERIES - INSTALLATION			

Item#	Part	Description	H 3 4 1	H 3 4 5	N O T E S
1	21258363	BATTERY AGM - 12V GR31 800 CCA To R-1754	4	4	
1	23825207	BATTERY AGM - 12V 925 CCA 190 RC From R-1755		4	
NS	067977	DECAL BATTERIES MANAGEMENT	1	1	D
2	060855	CABLE HARNESS / EQUALIZER	1	1	
3	061180	CABLE ASSY / B - TO B -	2	2	
4	060691	HARNESS BATTERY 24VD	1	1	
5	062371	CABLE ASSY / B + TO B +	2	2	
6	060686	CABLE BATTERIES 12VD	1	1	
7	063592	CABLE ASSY / B - TO GROUND	1	1	
8	060693	HARNESS BATTERY ELECTRONIC GROUND	1	1	
9	061036	CABLE ASSY / B - TO B -	1	1	
10	060692	HARNESS POSITIVE BOOSTER	1	1	
11	5001936	NUT HEX NYRT 3/8-16 SS	1	1	
12	5001935	WASHER FL 10.5x18.0x1.6 SS	1	1	
15	380671	TRAY, BATTERIES	1	1	
16	382499	BATTERIES SUPPORT	1	1	
16	506350	TAPE RUB ADH1 NEO 3/16" x 1" x 25' / BLACK	AR	AR	
17	504650	GROMMET / .375x.625x.062x.313x.875	1	1	
18	381602	RACK BATTERIES	1	1	
19	381660	BATTERY SUP. HOOK 38-16x280MM SS	4	4	
20	5001522	NUT HEXF LO 3/8-16 SS To L-1040	8	8	
20	5002134	NUT HEXF LO 3/8-16 SS NSS From L-1041	8	8	
21	067952	SENSOR VOLT AND TEMP - VANNER	1	1	
22	067954	SENSOR 80/600AMP - VANNER	2	2	
23	5001694	SCREW MA PAN PH M4-0.7x40 SS BK	4	4	
24	382494	SUPPORT / SENSOR	1	1	
NS	509815	TIE MOUNT / ATTACHMENT W/TREE MOUNT	5	5	
NS	504637	CABLE TIE / 3/16" x 13"	5	5	
NS	564108	SELF MOUNTING STUD // DEUTSCH 1011-310-0205	2	2	
25	502854	NUT HEX M6-1.0 N500	3	3	
26	5001833	WASHER BEL SPR 6.1x18x1.27 SS	3	3	
27	5001522	NUT HEXF LO 3/8-16 SS To L-1032	8	8	
27	5002134	NUT HEXF LO 3/8-16 SS NSS From L-1033	8	8	
28	560492	EQUALIZER "VANNER" 100AMPS WITH ISM FUNCTION To K-0399	1	1	
28	560758	EQUALIZER "VANNER" 100AMPS WITH ISM FUNCTION From K-0400 To L-0822	1	1	
28	560758	EQUALIZER "VANNER" 100AMPS WITH ISM FUNCTION From L-0823 To M-1153	1	1	B
28	564363	EQUALIZER "VANNER" 100AMPS WITH ISM FUNCTION WITH EWD From M-1154	1	1	B
28	560760	EQUALIZER "VANNER" 100AMPS WITH ISM IN PARCEL RACK From L-0823 To M-1153	1	1	C
28	564362	EQUALIZER "VANNER" 100AMPS WITH ISM IN PARCEL RACK WITH EWD From M-1154	1	1	C
29	502888	SCREW CAP HEX M6-1.0x35 G8.8 N500	4	4	
30	5001833	WASHER BEL SPR 6.1x18x1.27 SS	4	4	
31	069786	CABLE ASSY / REAR JUNCTION BOX WITH ALLISON To K-0367	1	1	

From K-0185		Date:07/2024	PAGE:H9-0615-02
BATTERIES - INSTALLATION			

Item#	Part	Description	H 3 4 1	H 3 4 5	N O T E S
31	069912	CABLE ASSY / REAR JUNCTION BOX WITH ALLISON From K-0368 To K-0604	1	1	
31	0610067	CABLE ASSY / REAR JUNCTION BOX WITH ALLISON From K-0605 To K-0654	1	1	
31	0610172	CABLE ASSY / REAR JUNCTION BOX WITH ALLISON From K-0655 To L-1054	1	1	
31	0610282	CABLE ASSY / REAR JUNCTION BOX WITH ALLISON From L-1055 To M-1153	1	1	
31	0610491	CABLE ASSY / REAR JUNCTION BOX WITH ALLISON From M-1154 To P-1452	1	1	
NS	0600023	CABLE ASSY / REAR JUNCTION BOX WITH ALLISON From R-1453		1	
31	060708	CABLE ASSY / REAR JUNCTION BOX WITH "I-SHIFT" To K-0604	1	1	
31	0610069	CABLE ASSY / REAR JUNCTION BOX WITH "I-SHIFT" From K-0605 To K-0654	1	1	
31	0610173	CABLE ASSY / REAR JUNCTION BOX WITH "I-SHIFT" From K-0655 To L-1054	1	1	
31	0610283	CABLE ASSY / REAR JUNCTION BOX WITH "I-SHIFT" From L-1055 To M-1153	1	1	
31	0610492	CABLE ASSY / REAR JUNCTION BOX WITH "I-SHIFT" From M-1154 To P-1452	1	1	
NS	0600024	CABLE ASSY / REAR JUNCTION BOX WITH "I-SHIFT" From R-1453		1	
32	069730	HARNESS / REAR JUNCTION BOX CONTROL	1	1	
38	504606	GROMMET / 3.000x3.500x.062x.500x4.000	1	1	
39	5002028	NUT HEX NYRT M10-1.5 SS	2	2	
39	5001935	WASHER FL 10.5x18.0x1.6 SS	2	2	
40	502595	NUT HEX NYRT 1/2-13 Z050	1	1	
41	500958	WASHER FL .531x1.062x.095 SS	1	1	
45	Call order desk	COVER BATTERIES ASSY / W/2 LATCH	1	1	P
45	380125P	COVER BATTERIES ASSY / W/2 LATCH From R-1453 To R-1782	1	1	
45A	504203	. SPRING LATCH / KNURLED STEEL KNOB	2	2	
45B	504717	. RIVET POP DOME OE 1/8x1/4 SS	4	4	
45C	382511	. COVER PANEL	1	1	
NS	506738	. TAPE RUB ADH1 CC POL 1/8" x 1" x 50' / GREY 2520	AR	AR	
45E	382512	. PLATE, DECAL	1	1	
45F	382513	. PLATE, DECAL	1	1	
45G	504619	. CLIP CHRISTMAS TREE / BLACK 7/32"O.D.x1/2" HOLE 3/16	10	10	
47	160295	. DECAL / "IT FORBIDDEN TO STOCK ANYTING IN TH. / ENGLISH & FRANCAIS	1	1	
47	161191	. DECAL / "IT FORBIDDEN TO STOCK ANYTING IN TH. / ENGLISH & SPANISH	1	1	
48	062242	. DECAL REAR JCT BOX To K-0604	1	1	
48	0610116	. DECAL REAR JCT BOX From K-0605 To K-0654	1	1	
48	0610175	. DECAL REAR JCT BOX From K-0655 To L-1054	1	1	
48	0610296	. DECAL REAR JCT BOX From L-1055 To M-1153	1	1	
48	0610521	. DECAL REAR JCT BOX From M-1154 To P-1452	1	1	
48	0610628	. DECAL REAR JCT BOX From R-1453		1	
48	0610081	. DECAL. RJB BREAKERS H3 - SPECIAL From K-0192 To P-1452		1	SP
48	0610642	DECAL. RJB BREAKERS H3 - SPECIAL From R-1453 To R-1783		1	
48	0610654	DECAL M4, EL, RJB H3 From R-1784		1	
50	H9-0615-10	BATTERIES COMPARTMENT - INSTALLATION			
51	H9-0620-02	REAR JUNCTION BOX ASSY			
52	H9-0616-12	BREAKER PANEL To P-1452			
NS	H9-0616-13	BREAKER PANEL From R-1453			

From K-0185	Date:07/2024	PAGE:H9-0615-02
-------------	--------------	-----------------

BATTERIES - INSTALLATION

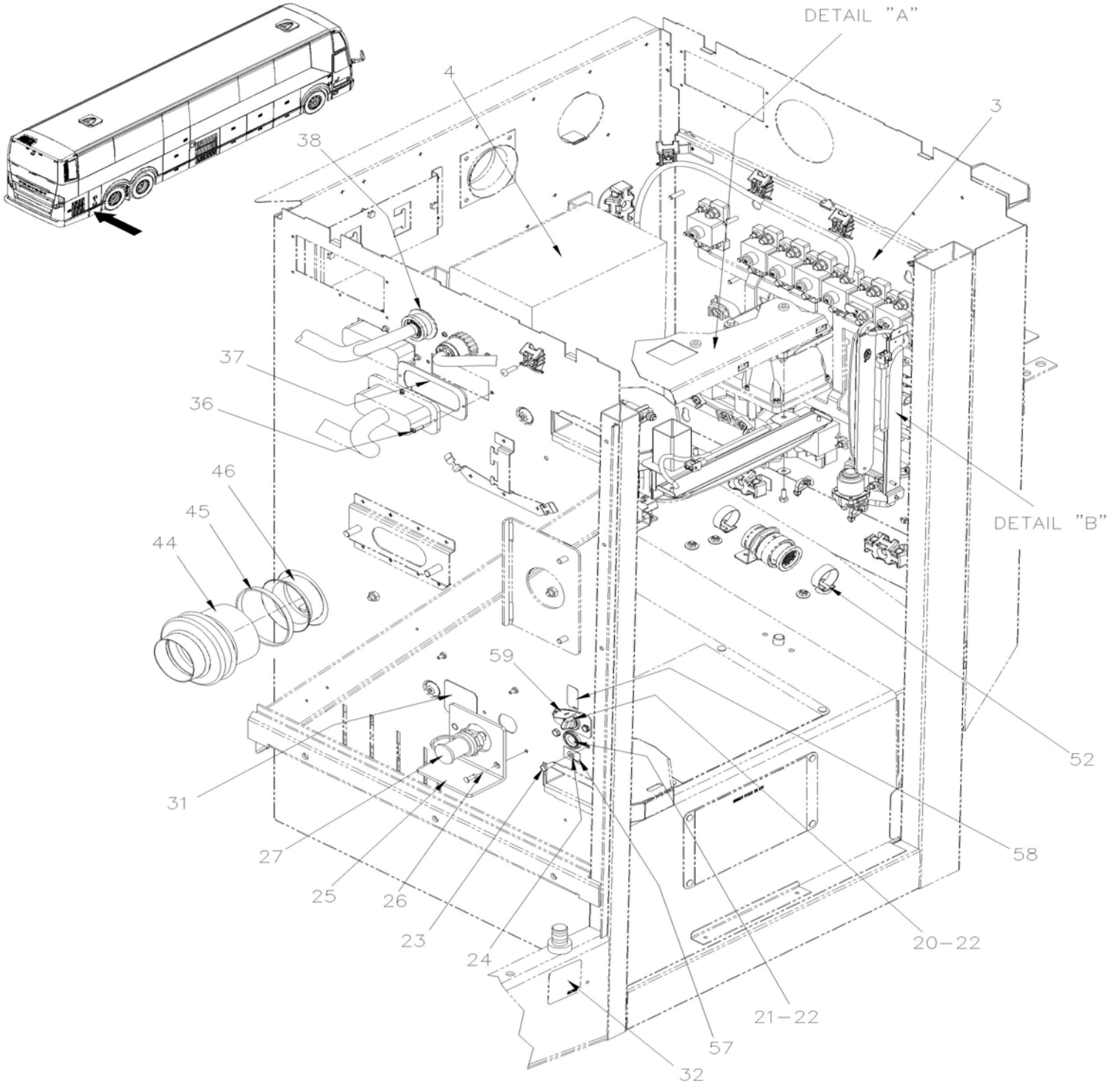
Item#	Part	Description	H 3 4 1	H 3 4 5	NOTES
53	H9-0665-11	SWITCHES, LIGHTS, AJAR - UNDER FLOOR & ENGINE COMPARTMENT To P-1452			
53	H9-0665-12	SWITCHES, LIGHTS, AJAR - UNDER FLOOR & ENGINE COMPARTMENT From R-1453			
54	H9-0670-11	BATTERIES CHARGER - INSTALLATION To P-1452			
54	H9-0670-12	BATTERIES CHARGER - INSTALLATION From R-1453			
NS	066436	DECAL / "CAUTION" BEFORE WELDING...." // ENGLISH	1	1	
NS	062403	DECAL / "CAUTION" BEFORE WELDING...." // ENGLISH & FRANCAIS	1	1	
NS	067067	DECAL / "CAUTION" BEFORE WELDING...." // ENGLISH & SPANISH	1	1	
NS	067969	DECAL / "BOOSTER BLOCK" - GRD PICTOGRAM	1	1	
NS	067968	DECAL / "BOOSTER BLOCK" + 24 PICTOGRAM	1	1	
NS	061325	DECAL "CAUTION" ALWAYS FIRST.... / ENGLISH & FRANCAIS	1	1	
NS	405638	DECAL / "ALWAYS DISCONNECT..." / ENGLISH & SPANISH	1	1	
NS	062304	DECAL BATTERIES MANAGEMENT	1	1	
70	065329	DECAL "BATTERY"	1	1	A
		A) OPTION			
		B) WITHOUT IMS RELAY IN PARCEL RACK			
		C) WITH IMS RELAY IN PARCEL RACK			
		D) FIX INSIDE SERVICE DOOR			
		SP) OPTION 3 SPEED EVAPORATOR			
		P) CALL ORDER DESK FOR SPECIFIC APPLICATION (V.I.N.)			

From K-0185

Date:07/2024

PAGE:H9-0615-10

BATTERIES COMPARTMENT - INSTALLATION

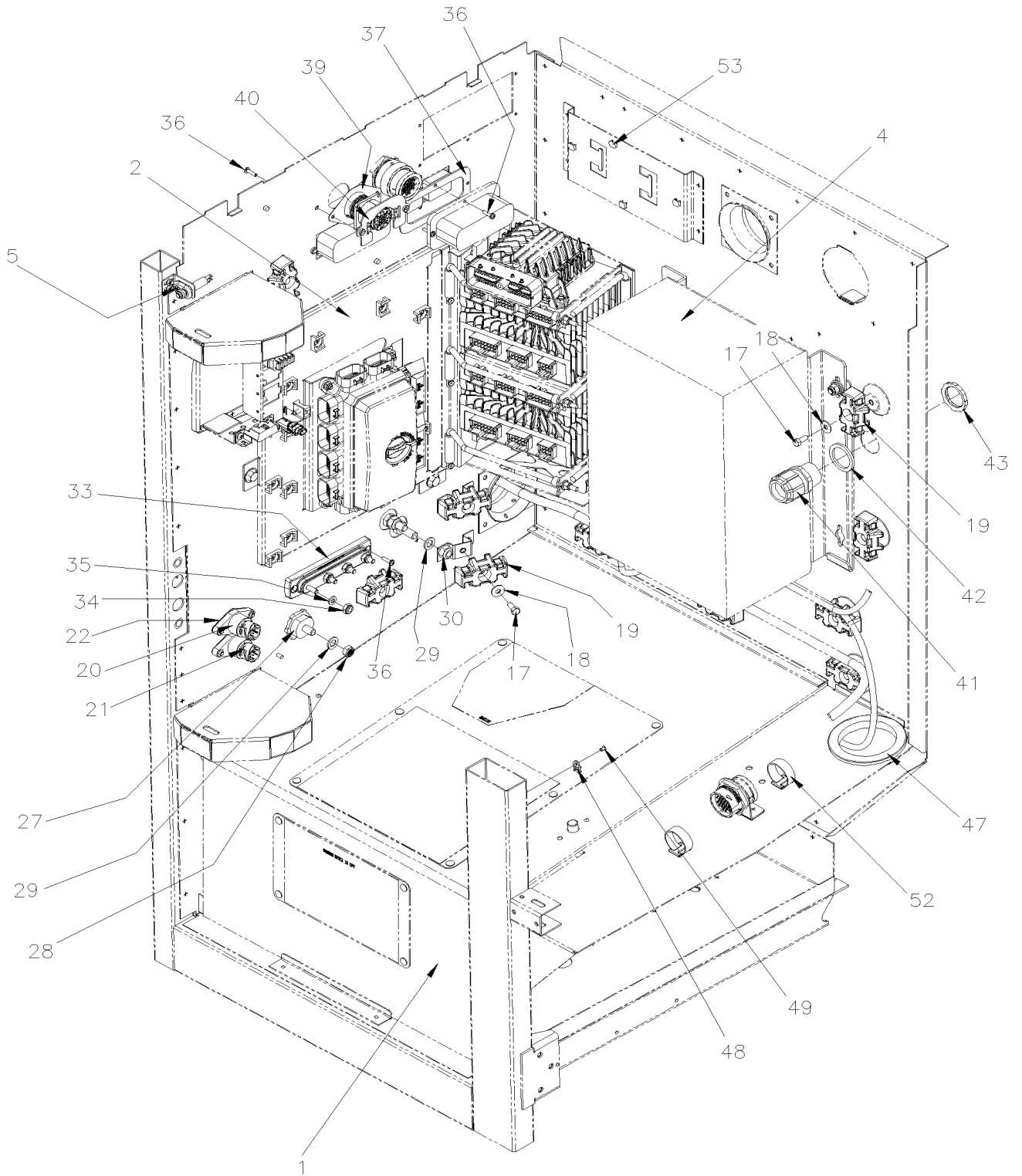


From K-0185

Date:07/2024

PAGE:H9-0615-10

BATTERIES COMPARTMENT - INSTALLATION

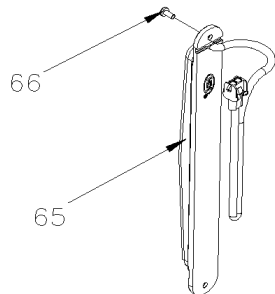
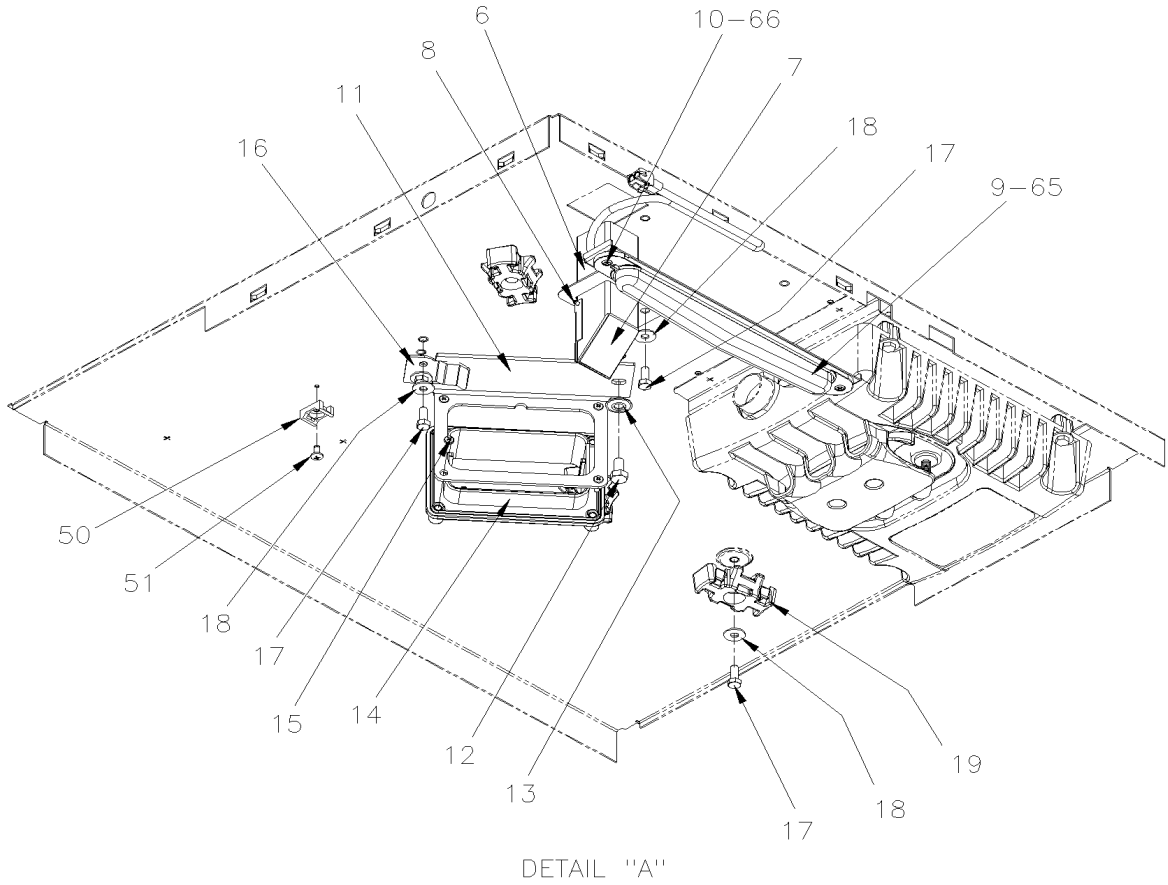


From K-0185

Date:07/2024

PAGE:H9-0615-10

BATTERIES COMPARTMENT - INSTALLATION



From K-0185		Date:07/2024	PAGE:H9-0615-10
-------------	--	--------------	-----------------

BATTERIES COMPARTMENT - INSTALLATION

Item#	Part	Description	H 3 4 1	H 3 4 5	N O T E S
1	H9-0615-02	BATTERIES - INSTALLATION			
2	H9-0620-02	REAR JUNCTION BOX ASSY			
3	H9-0616-12	BREAKER PANEL To P-1452			
NS	H9-0616-13	BREAKER PANEL From R-1453			
4	H9-0670-11	BATTERIES CHARGER - INSTALLATION To P-1452			
4	H9-0670-12	BATTERIES CHARGER - INSTALLATION From R-1453			
5	H9-0665-11	SWITCHES, LIGHTS, AJAR - UNDER FLOOR & ENGINE COMPARTMENT To P-1452			
5	H9-0665-12	SWITCHES, LIGHTS, AJAR - UNDER FLOOR & ENGINE COMPARTMENT From R-1453			
6	Call order desk	NOZZLE AND LIGHT ASM.	1	1	P
6	3210068	. DUCT ASSY	1	1	
7	328168	. FLAPGATE	1	1	
7	506225	. TAPE RUB ADH1 CC POL 1/16" x 1/4" x 100' / GREY 2520	AR	AR	
8	505421	. SPRING, PIN M3 x 18	2	2	
9	830008	. LAMP ASSY 24V / LED	1	1	
. NS	561248	. . CONNECTOR / UNIVERSAL MATE-N-LOK / PH 2C / AMP 1-480699-0	1	1	
10	500799	. SCREW TC PAN PH #8-32x3/8 N500	2	2	
11	061148	SUPPORT CONNECTOR 102 PIN	1	1	
12	5001527	SCREW CAP HEX M8-1.25x16 SS BK	1	1	
13	5001699	WASHER BEL SPR 8.2x22x1.4 N500	1	1	
14	560208	FLANGE CONNECTOR / DRB SERIES / 102C / DEUTSCH DRBF-1A	1	1	
15	502653	SCREW MA PAN PH M5-0.8x16 SS	4	4	
16	061145	SUPPORT CONNECTOR	1	1	
17	5001697	SCREW CAP HEX M6-1.0x16 SS BK	23	23	
18	5001833	WASHER BEL SPR 6.1x18x1.27 SS	23	23	
19	504051	ATTACHMENT 3-WAY USE WITH CABLE TIE	19	19	
20	560012	ROTARY SWITCH DS SERIES	1	1	
21	560038	PUSH BUTTON / 2 POLES BLACK	1	1	
22	061166	GASKET, FOR BOUTTON	2	2	
23	5001530	SCREW CAP HEX M6-1.0x16 SS	4	4	
24	502570	WASHER LO SPT 6.1x11.8x1.6 SS	4	4	
25	381210	SEPARATOR / FIBERGLASS RED	1	1	
26	504488	RIVET MGLP PRDG 3/16x17/64 SS	2	2	
27	561856	BOOSTER BLOCK, REMOTE / RED	1	1	
28	5001936	NUT HEX NYRT 3/8-16 SS	1	1	
29	5001935	WASHER FL 10.5x18.0x1.6 SS	3	3	
30	5001628	NUT HEX NYRT M10-1.5 SS	2	2	
31	067968	DECAL / "BOOSTER BLOCK" + 24 PICTOGRAM	1	1	
32	067969	DECAL / "BOOSTER BLOCK" - GRD PICTOGRAM	1	1	
33	560224	JUNCTION BLOCK W/4 STUDS	1	1	
34	5001251	NUT HEX NYRT 1/4-20 SS	4	4	
35	502573	WASHER FL 6.4x12.5x1.6 SS	4	4	
36	502698	SCREW MA PAN PH M4-0.7x16 SS BK To P-1452	12	12	

From K-0185		Date:07/2024	PAGE:H9-0615-10
--------------------	--	---------------------	------------------------

BATTERIES COMPARTMENT - INSTALLATION

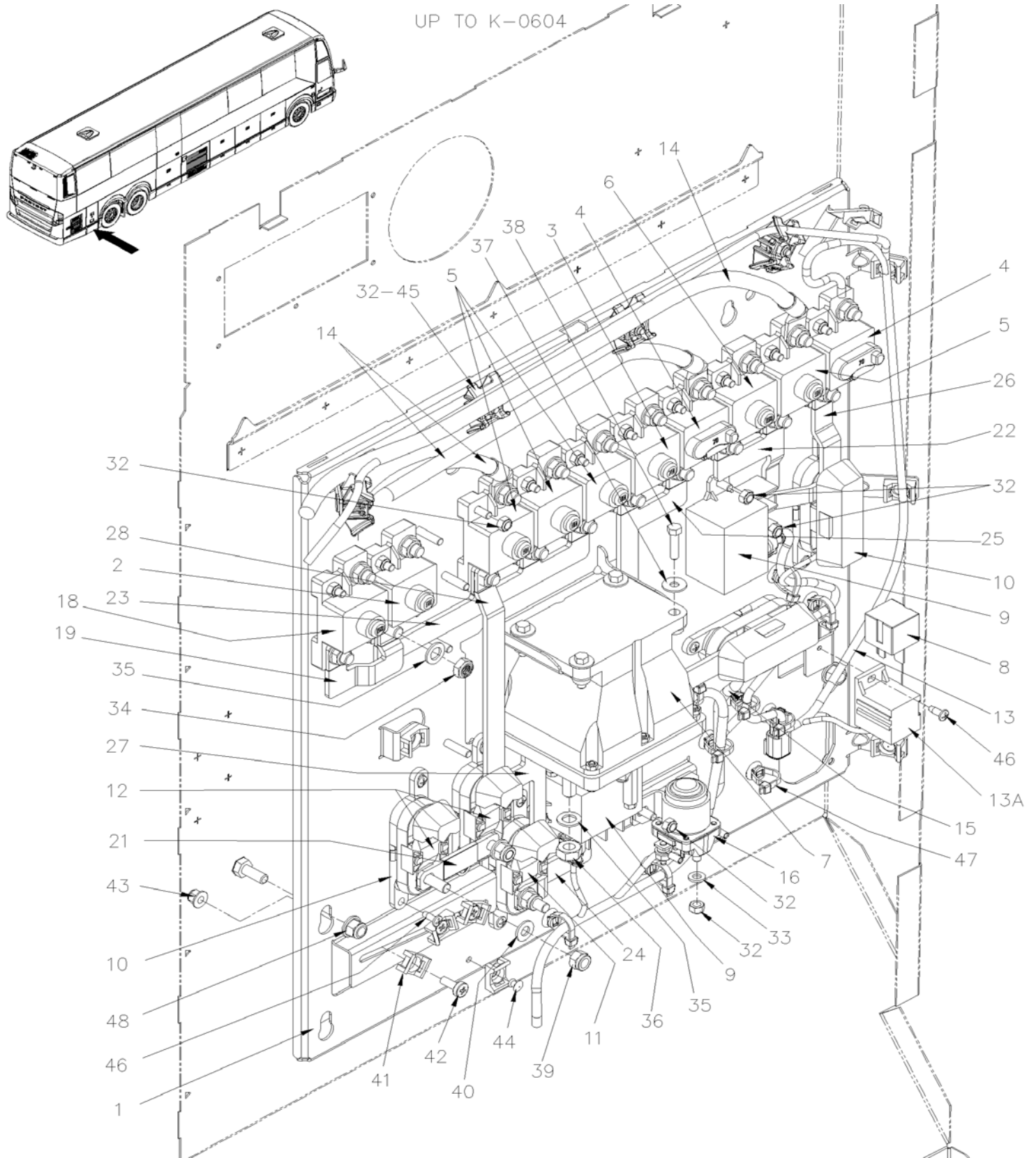
Item#	Part	Description	H 3 4 1	H 3 4 5	N O T E S
NS	502698	SCREW MA PAN PH M4-0.7x16 SS BK From R-1453	14	14	
37	564198	GASKET / DRC SERIES / 70C, ADHESIVE BACK / DEUTSCH DRC70-GKT AD	2	2	
38	061225	GASKET, CONNECTOR DEUTSH 31C	1	1	
39	068713	GASKET, CONNECTOR 16POS CPC To P-1452	1	1	
NS	068713	GASKET, CONNECTOR 16POS CPC From R-1453	2	2	
40	382505	PLATE, FIXATION To P-1452	1	1	
NS	382505	PLATE, FIXATION From R-1453	2	2	
41	069468	TIGHT STRAIN RELIEF FITTING 0.7"-0.95"	1	1	
42	069470	SEAL 32MMX42X3.3 NITRILE 60-70 DURO	1	1	
43	069469	LOCK NUT 1" STAINLESS STEEL	1	1	
44	504499	CUFF END BELLOW / 2 7/8" I.D. x 3 5/8" x 4 7/16	1	1	
45	504737	CABLE TIE / .300" X 30"1/2	1	1	
46	068050	PANEL ASSY / PASS CABLE LOWER SIDE BOX	1	1	
47	504606	GROMMET / 3.000x3.500x.062x.500x4.000	1	1	
48	504531	TIE MOUNT / 3/16" #10 SCREW / TA1S8-C	2	2	
49	504340	RIVET POP DOME OE 1/8x3/16 SS	2	2	
50	504013	TIE MOUNT / 1/4" X 1/4" I.D.	1	1	
51	500209	SCREW TC BDG PH #10-24x3/8 N500	1	1	
52	504750	CABLE TIE / 1/2" x 15" / CHRISTMAS TREE	2	2	
53	509815	TIE MOUNT / ATTACHMENT W/TREE MOUNT	4	4	
NS	680532	SEALANT SIKA #221 / GREY / 310ml CARTRIDGE	AR	AR	
57	065466	DECAL / LAVATORY PUMP FLUSH / ENGLISH & FRANCAIS	1	1	
58	060595	DECAL ELECTRICAL SHUT-OFF	1	1	
59	0600350	LOCKING PLATE From £-24004		1	
65	830008	LAMP ASSY 24V / LED	1	1	
NS	561248	CONNECTOR / UNIVERSAL MATE-N-LOK / PH 2C / AMP 1-480699-0	1	1	
66	500653	SCREW TC PAN PH #8-32x1/4 Z050	2	2	
		P) CALL ORDER DESK FOR SPECIFIC APPLICATION (V.I.N.)			

From K-0185 To P-1452

Date:07/2024

PAGE:H9-0616-12

BREAKER PANEL

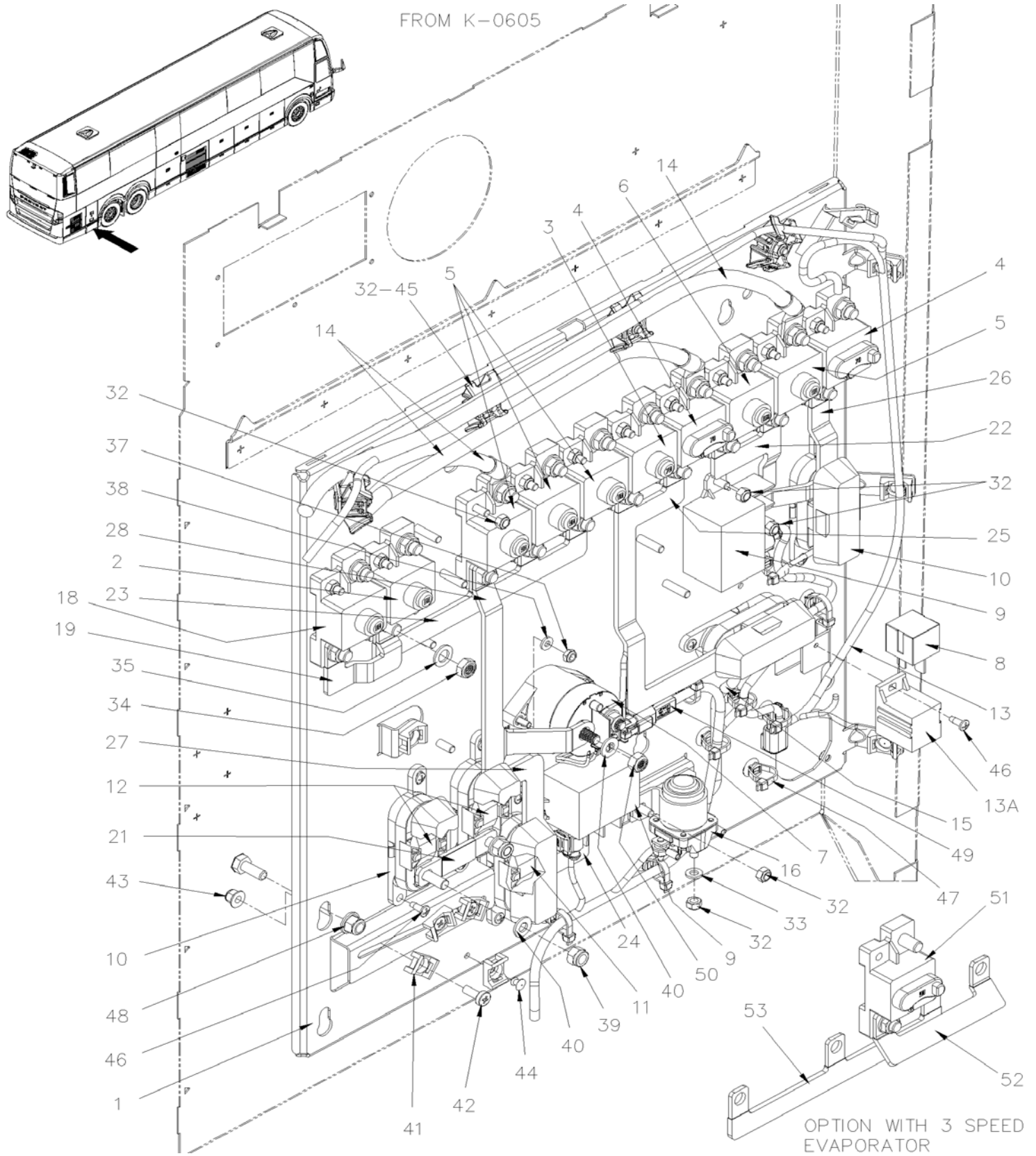


From K-0185 To P-1452

Date:07/2024

PAGE:H9-0616-12

BREAKER PANEL



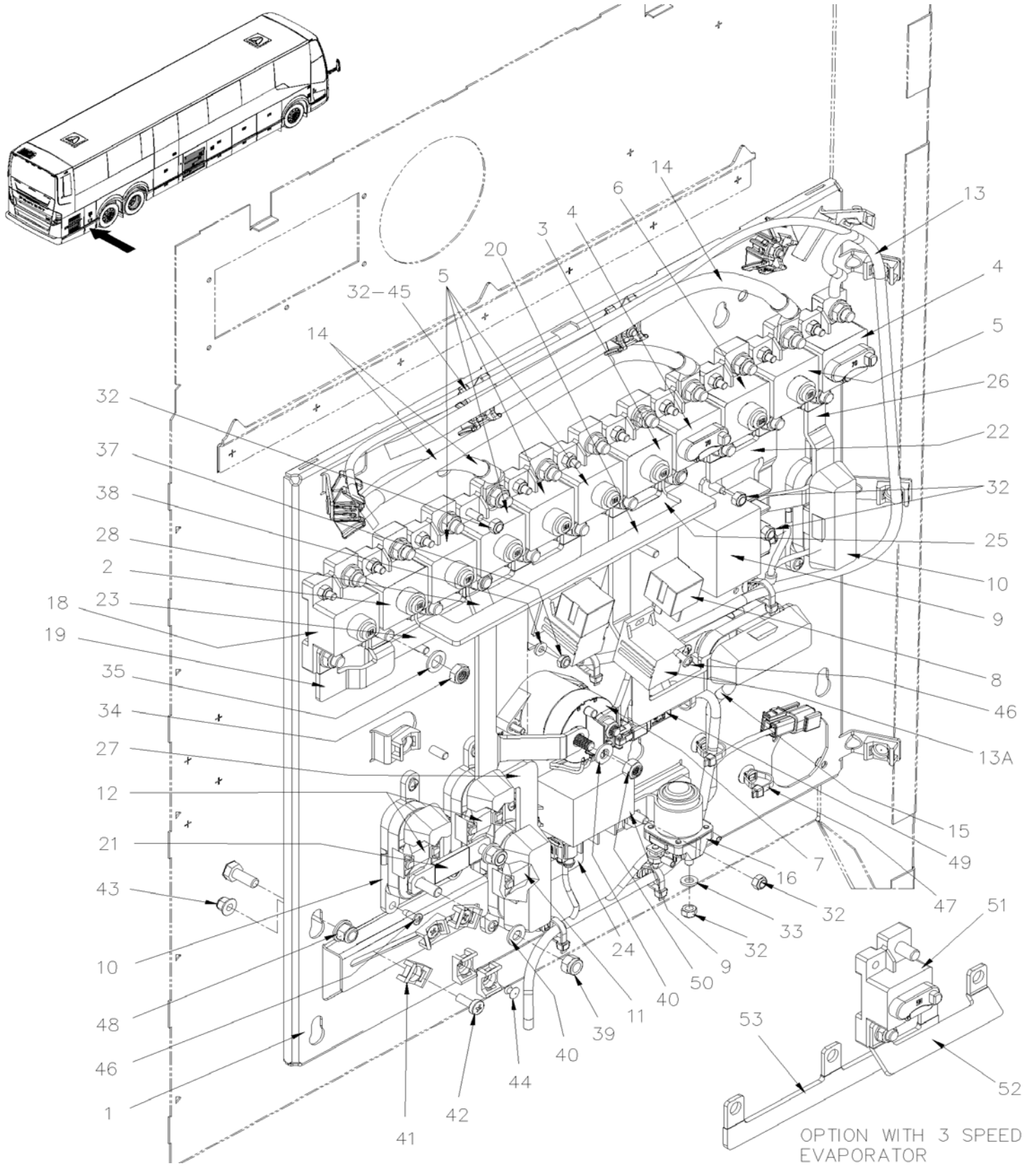
From K-0185 To P-1452	Date:07/2024	PAGE:H9-0616-12
BREAKER PANEL		

Item#	Part	Description	H 3 4 1	H 3 4 5	N O T E S
1	061431	SUPPORT PLATE POWER RJB From K-0314 To K-0604	1	1	
1	0610063	SUPPORT PLATE POWER RJB From K-0605 To M-1153	1	1	
1	0610451	SUPPORT PLATE POWER RJB From M-1154	1	1	
1	067471	SUPPORT PLATE POWER RJB To K-0313	1	1	
2	568127	BREAKER 50AMPS / 24V /	1	1	
3	563707	BREAKER 70AMPS / 24V /	1	1	
4	568113	BREAKER 70AMPS / 24V /	2	2	
5	563708	BREAKER 90AMPS / 24V /	4	4	
6	568114	BREAKER 150AMPS / 24V /	1	1	
7	562364	RELAY 24V S.P.S.T. / 300 AMPS N.O. // BATTERY DISCONNECT To K-0604	1	1	
7	560843	RELAY 24V S.P.S.T. / 300 AMPS N.O. // BATTERY DISCONNECT From K-0605	1	1	
8	564218	RELAY 24V S.P.S.T. / 40 AMPS N.O. To M-1153	1	1	
8	564218	RELAY 24V S.P.S.T. / 40 AMPS N.O. From M-1154	2	2	
9	563348	RELAY POWER 24V 200 AMPS / S.P.S.T. N.O.	2	2	
. NS	5001182	. NUT HEX NYRT M6-1.0 SS	1	1	
. NS	502573	. WASHER FL 6.4x12.5x1.6 SS	1	1	
. NS	563409	. CONNECTOR / SUPERSEAL 1.5 SERIES / SH 2C / AMP 282080-1	1	1	
. NS	562607	. SOCKET TERMINAL / 20-16 / AMP 183025-1	1	1	
10	563750	FUSEHOLDER W/RED COVER / MEGA FUSE /	5	5	
11	564174	FUSE / MEGA FUSE / 150 AMPS / ORANGE	1	1	
12	564520	FUSE / MEGA FUSE / 300 AMPS / GREY	2	2	
13	069730	HARNESS / REAR JUNCTION BOX CONTROL To K-0604	1	1	
13	0610084	HARNESS / REAR JUNCTION BOX CONTROL From K-0605 To L-1054	1	1	
13	0611007	HARNESS / REAR JUNCTION BOX CONTROL From L-1055 To M-1153	1	1	
13	0610453	HARNESS / REAR JUNCTION BOX CONTROL From M-1154	1	1	
13A	564210	. RELAY BASE / TAB TERMINAL / COLE HERSEE 99025 To M-1153	1	1	
13A	564210	. RELAY BASE / TAB TERMINAL / COLE HERSEE 99025 From M-1154	2	2	
14	060870	HARNESS POWER VECR	1	1	
15	069542	HARNESS RELAY MELCO BATTERY	1	1	
16	564095	SMALL STARTOR RELAY To £-22051	1	1	
16	564398	SMALL STARTOR RELAY From £-22051		1	
18	568114	BREAKER 150AMPS / 24V /	1	1	A
19	067465	BUS BAR 60 x 48MM	1	1	A
19	069526	CABLE INVERTER /24V	1	1	A
21	060205	BUS BAR 81MM, 2 HOLES	1	1	
22	060203	BUS BAR 86,5 x 6MM, 3 HOLES	1	1	
23	0600269	BUS BAR 216.5 x 45MM, 4 HOLES	1	1	
24	060204	BUS BAR 86 x 47MM, 2HOLES	1	1	
25	067463	BUS BAR 218 x 214MM, 2 HOLES 3 SLOTS To K-0604	1	1	
25	0610061	BUS BAR 213x 172MM, 2 HOLES 3 SLOTS From K-0605	1	1	
26	067461	BUS BAR 156 x 88MM, 2 HOLES 2 SLOTS	1	1	
27	067466	BUS BAR 109 x 52 x 63MM,2 HOLES 1 SLOT To K-0604	1	1	

From K-0185 To P-1452	Date:07/2024	PAGE:H9-0616-12
BREAKER PANEL		

Item#	Part	Description	H 3 4 1	H 3 4 5	N O T E S
27	0610060	BUS BAR 89 x 63MM,2 HOLES From K-0605	1	1	
28	067467	BUS BAR 214MM LG., 2 HOLES To K-0604	1	1	
28	0610059	BUS BAR 219 x 70.2MM, 3 HOLES From K-0605	1	1	
32	502681	NUT HEX NYRT M6-1.0 N500 G8	AR	AR	
33	502573	WASHER FL 6.4x12.5x1.6 SS	4	4	
34	5001936	NUT HEX NYRT 3/8-16 SS	18	18	
35	5001935	WASHER FL 10.5x18.0x1.6 SS	20	20	
36	5001628	NUT HEX NYRT M10-1.5 SS To K-0604	2	2	
37	502737	SCREW CAP HEX M6-1.0x25 SS BK To K-0604	4	4	
37	502841	NUT HEX NYRT M5-0.8 N500 From K-0605	AR	AR	
38	5001833	WASHER BEL SPR 6.1x18x1.27 SS To K-0604	4	4	
38	5001137	WASHER FL .203x.438x.050 SS From K-0605	1	1	
39	5001787	NUT HEX NYRT M8-1.25 SS	10	10	
40	5001341	WASHER FL 8.4x17.0x1.6 SS	AR	AR	
41	504013	TIE MOUNT / 1/4" X 1/4" I.D.	AR	AR	
42	502817	SCREW MA PAN PH M6-1.0x16 N500	3	3	
43	5001932	NUT HEXF NYRT M6-1.0 G8.8 N500	3	3	
44	504379	RIVET POP DOME OE 3/16x1/4 SS	7	7	
45	509490	ATTACHMENT DOUBLE USE WITH CABLE TIE	4	4	
46	502868	SCREW TC TR PH #10-16x1/2 N500	11	11	
47	8631155	CABLE TIE / 4.6MM x 200 / CHRISTMAS TREE	10	10	
48	5001931	NUT HEXF NYRT M8-1.25 G8.8 N500	2	2	
49	564108	SELF MOUNTING STUD // DEUTSCH 1011-310-0205	AR	AR	
50	5001789	NUT HEX NYRT M8-1.25 SS From K-0575	2	2	
51	560456	BREAKER 90AMPS / 24V / From K-0192	1	1	SP
52	060954	BUS BAR 117 x 40.9 MM, 2 HOLES From K-0192	1	1	SP
53	061020	BUS BAR 216.5 x 45MM, 3 HOLES From K-0192	1	1	SP
		A) USE WITH INVERTER			
		SP) OPTION 3 SPEED EVAPORATOR			

BREAKER PANEL



		Date:07/2024	PAGE:H9-0616-13
BREAKER PANEL			

Item#	Part	Description	H 3 4 1	H 3 4 5	N O T E S
1	0610451	SUPPORT PLATE POWER RJB		1	
2	568127	BREAKER 50AMPS / 24V /		1	
3	563705	BREAKER 40AMPS / 24V /		1	
4	568113	BREAKER 70AMPS / 24V /		2	
5	563708	BREAKER 90AMPS / 24V / To R-1783		5	
5	564902	BREAKER 120A 3/8 SURFACE MOUNT From R-1784		1	
5	563708	BREAKER 90AMPS / 24V / From R-1784		4	
6	568114	BREAKER 150AMPS / 24V /		1	
7	560843	RELAY 24V S.P.S.T. / 300 AMPS N.O. // BATTERY DISCONNECT		1	
8	564218	RELAY 24V S.P.S.T. / 40 AMPS N.O.		2	
9	563348	RELAY POWER 24V 200 AMPS / S.P.S.T. N.O.		2	
. NS	5001182	. NUT HEX NYRT M6-1.0 SS		1	
. NS	502573	. WASHER FL 6.4x12.5x1.6 SS		1	
. NS	563409	. CONNECTOR / SUPERSEAL 1.5 SERIES / SH 2C / AMP 282080-1		1	
. NS	562607	. SOCKET TERMINAL / 20-16 / AMP 183025-1		1	
10	563750	FUSEHOLDER W/RED COVER / MEGA FUSE /		5	
11	564174	FUSE / MEGA FUSE / 150 AMPS / ORANGE		1	
12	564520	FUSE / MEGA FUSE / 300 AMPS / GREY		2	
13	0600085	HARNESS / REAR JUNCTION BOX CONTROL		1	
13A	564210	. RELAY BASE / TAB TERMINAL / COLE HERSEE 99025		2	
14	060870	HARNESS POWER VECR		1	
15	069542	HARNESS RELAY MELCO BATTERY		1	
16	564095	SMALL STARTOR RELAY To R-1561		1	
16	564398	SMALL STARTOR RELAY From R-1562		1	
18	563708	BREAKER 90AMPS / 24V /		1	
18	568114	BREAKER 150AMPS / 24V /		1	C
19	067465	BUS BAR 60 x 48MM		1	A
NS	069526	CABLE INVERTER /24V		1	A
20	062607	BUS BAR 266.9 x 25.2MM, 2 HOLES		1	
21	060205	BUS BAR 81MM, 2 HOLES		1	
22	060203	BUS BAR 86,5 x 6MM, 3 HOLES		1	
23	0600269	BUS BAR 216.5 x 45MM, 4 HOLES		1	
24	060204	BUS BAR 86 x 47MM, 2HOLES		1	
25	0610061	BUS BAR 213x 172MM, 2 HOLES 3 SLOTS		1	
26	067461	BUS BAR 156 x 88MM, 2 HOLES 2 SLOTS		1	
27	067466	BUS BAR 109 x 52 x 63MM,2 HOLES 1 SLOT		1	
28	0610059	BUS BAR 219 x 70.2MM, 3 HOLES		1	
32	502681	NUT HEX NYRT M6-1.0 N500 G8			AR
33	502573	WASHER FL 6.4x12.5x1.6 SS		4	
34	5001936	NUT HEX NYRT 3/8-16 SS		20	
35	5001935	WASHER FL 10.5x18.0x1.6 SS		20	
37	502841	NUT HEX NYRT M5-0.8 N500			AR

		Date:07/2024	PAGE:H9-0616-13
BREAKER PANEL			

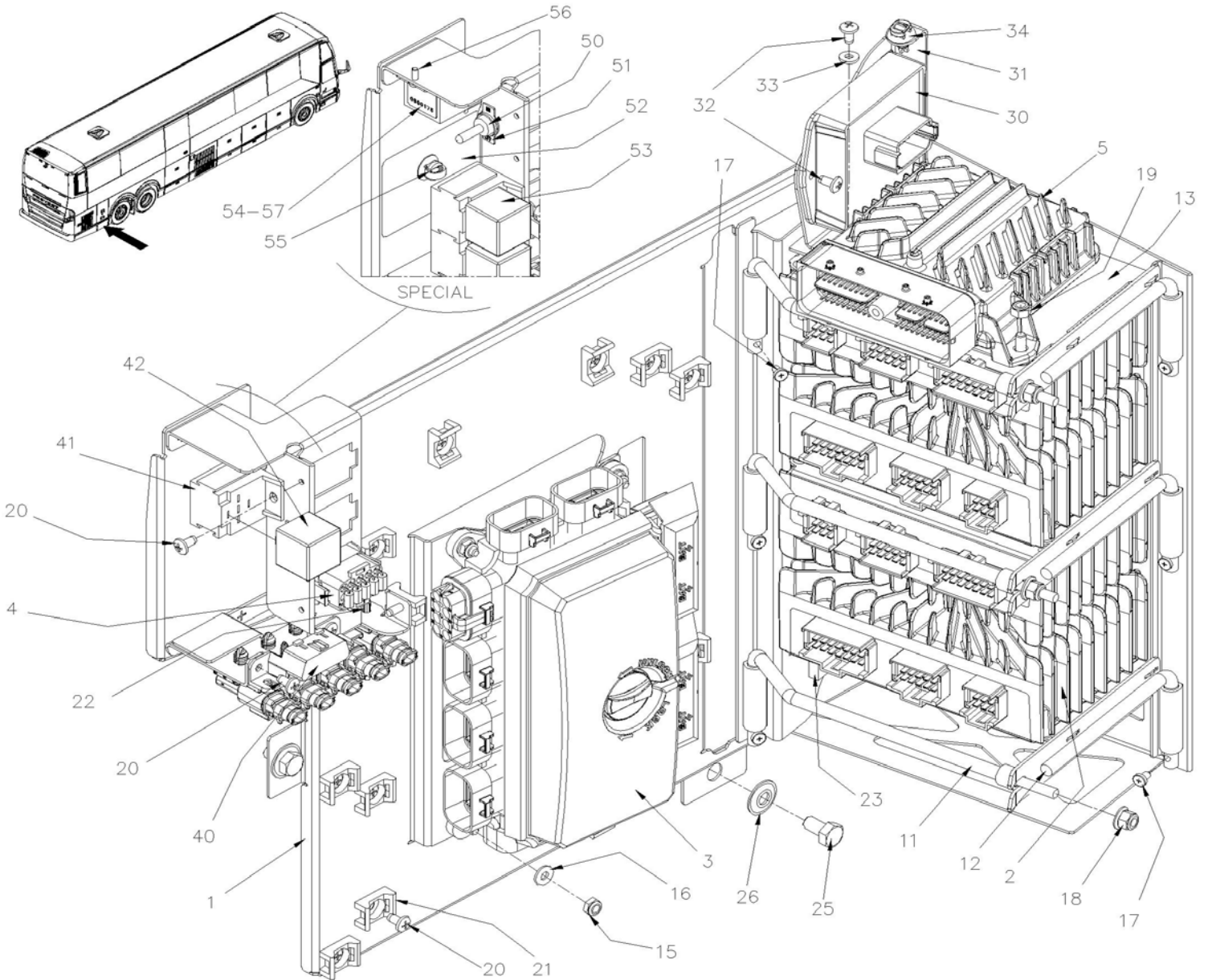
Item#	Part	Description	H 3 4 1	H 3 4 5	N O T E S
38	5001137	WASHER FL .203x.438x.050 SS		1	
39	5001787	NUT HEX NYRT M8-1.25 SS		10	
40	5001341	WASHER FL 8.4x17.0x1.6 SS		AR	
41	504013	TIE MOUNT / 1/4" X 1/4" I.D.		AR	
42	502817	SCREW MA PAN PH M6-1.0x16 N500		3	
43	5001932	NUT HEXF NYRT M6-1.0 G8.8 N500		3	
44	504379	RIVET POP DOME OE 3/16x1/4 SS		7	
45	509490	ATTACHMENT DOUBLE USE WITH CABLE TIE		4	
46	502868	SCREW TC TR PH #10-16x1/2 N500		11	
47	8631155	CABLE TIE / 4.6MM x 200 / CHRISTMAS TREE		10	
48	5001931	NUT HEXF NYRT M8-1.25 G8.8 N500		2	
49	564108	SELF MOUNTING STUD // DEUTSCH 1011-310-0205		AR	
50	5001789	NUT HEX NYRT M8-1.25 SS		2	
51	560456	BREAKER 90AMPS / 24V /		1	
52	060954	BUS BAR 117 x 40.9 MM, 2 HOLES		1	
53	061020	BUS BAR 216.5 x 45MM, 3 HOLES		1	
		A) USE WITH INVERTER			
		C) USE WITH TWO INVERTER			

From K-0185

Date:07/2024

PAGE:H9-0620-02

REAR JUNCTION BOX ASSY



From K-0185		Date:07/2024	PAGE:H9-0620-02
REAR JUNCTION BOX ASSY			

Item#	Part	Description	H 3 4 1	H 3 4 5	N O T E S
	069786	CABLE ASSY / REAR JUNCTION BOX WITH ALLISON To K-0367	1	1	
	069912	CABLE ASSY / REAR JUNCTION BOX WITH ALLISON From K-0368 To K-0604	1	1	
	0610067	CABLE ASSY / REAR JUNCTION BOX WITH ALLISON From K-0605 To K-0654	1	1	
	0610172	CABLE ASSY / REAR JUNCTION BOX WITH ALLISON From K-0655 To L-1054	1	1	
	0610282	CABLE ASSY / REAR JUNCTION BOX WITH ALLISON From L-1055 To M-1153	1	1	
	0610491	CABLE ASSY / REAR JUNCTION BOX WITH ALLISON From M-1154 To P-1452	1	1	
	0600023	CABLE ASSY / REAR JUNCTION BOX WITH ALLISON From R-1453		1	
	060708	CABLE ASSY / REAR JUNCTION BOX WITH "I-SHIFT" To K-0604	1	1	
	0610069	CABLE ASSY / REAR JUNCTION BOX WITH "I-SHIFT" From K-0605 To K-0654	1	1	
	0610173	CABLE ASSY / REAR JUNCTION BOX WITH "I-SHIFT" From K-0655 To L-1054	1	1	
	0610283	CABLE ASSY / REAR JUNCTION BOX WITH "I-SHIFT" From L-1055 To M-1153	1	1	
	0610492	CABLE ASSY / REAR JUNCTION BOX WITH "I-SHIFT" From M-1154 To P-1452	1	1	
	0600024	CABLE ASSY / REAR JUNCTION BOX WITH "I-SHIFT" From R-1453		1	
1	060964	SUPPORT PLATE CTRL RJB H To P-1452	1	1	
1	0600165	SUPPORT PLATE CTRL RJB From R-1453		1	
2	22722850	I/O B E-MODULE VOLVO MULTIPLEX / ALUMINUM To M-1139	4	4	
2	23824204	I/O B E-MODULE VOLVO MULTIPLEX / ALUMINUM From M-1140	4	4	
3	565992	DVEC DISTRIBUTION MODULE / REAR JCT BOX To K-0604	1	1	
. NS	563280	. FUSE / ATM 5 AMPS AMBER To K-0604	8	8	
. NS	563283	. FUSE / ATM 10 AMPS RED To K-0604	14	14	
. NS	563284	. FUSE / ATM 15 AMPS BLUE To K-0604	18	18	
. NS	563282	. FUSE / ATM 20 AMPS YELLOW To K-0604	6	6	
. NS	563153	. FUSE / ATM 25 AMPS NATURAL To K-0604	3	3	
. NS	563165	. FUSE / ATM 30 AMPS GREEN To K-0604	10	10	
. NS	564342	. MINI BREAKER / 30 AMPS / SERIES 233 To K-0604	1	1	
. NS	563185	. CONNECTOR / SH 8C / BLACK / BUSSMANN 32006-A21 To K-0604	1	1	
. NS	563186	. CONNECTOR / SH 8C / GREY / BUSSMANN 32006-B21 To K-0604	1	1	
. NS	563184	. CONNECTOR / SH 8C / GREEN / BUSSMANN 32006-C21 To K-0604	1	1	
. NS	563181	. CONNECTOR / SH 8C / YELLOW / BUSSMANN 32006-E21 To K-0604	1	1	
. NS	563183	. CONNECTOR / SH 8C / RED / BUSSMANN 32006-F21 To K-0604	1	1	
. NS	563182	. CONNECTOR / SH 8C / ORANGE / BUSSMANN 32006-G21 To K-0604	1	1	
. NS	563187	. CONNECTOR / SH 8C / BROWN / BUSSMANN 32006-H21 To K-0604	1	1	
. NS	563448	. CONNECTOR / SH 8C / BLUE / BUSSMANN 32006-D21 To K-0604	1	1	
. NS	564132	. LOCK CONNECTOR POSITION ASSURANCE / BUSSMANN 32004-CP To K-0604	AR	AR	
. NS	564104	. COVER / VEC BOX To K-0604	1	1	
. NS	19518268	. COVER RUBBER RED To K-0604	2	2	
3	560471	DVEC DISTRIBUTION MODULE / REAR JCT BOX From K-0605 To L-1054	1	1	
. NS	563280	. FUSE / ATM 5 AMPS AMBER From K-0605 To L-1054	8	8	
. NS	563283	. FUSE / ATM 10 AMPS RED From K-0605 To L-1054	11	11	
. NS	563284	. FUSE / ATM 15 AMPS BLUE From K-0605 To L-1054	18	18	
. NS	563282	. FUSE / ATM 20 AMPS YELLOW From K-0605 To L-1054	8	8	
. NS	563153	. FUSE / ATM 25 AMPS NATURAL From K-0605 To L-1054	3	3	

From K-0185		Date:07/2024	PAGE:H9-0620-02
REAR JUNCTION BOX ASSY			

Item#	Part	Description	H 3 4 1	H 3 4 5	N O T E S
. NS	563165	. FUSE / ATM 30 AMPS GREEN From K-0605 To L-1054	11	11	
. NS	564342	. MINI BREAKER / 30 AMPS / SERIES 233 From K-0605 To L-1054	1	1	
. NS	563185	. CONNECTOR / SH 8C / BLACK / BUSSMANN 32006-A21 From K-0605 To L-1054	1	1	
. NS	563186	. CONNECTOR / SH 8C / GREY / BUSSMANN 32006-B21 From K-0605 To L-1054	1	1	
. NS	563184	. CONNECTOR / SH 8C / GREEN / BUSSMANN 32006-C21 From K-0605 To L-1054	1	1	
. NS	563181	. CONNECTOR / SH 8C / YELLOW / BUSSMANN 32006-E21 From K-0605 To L-1054	1	1	
. NS	563183	. CONNECTOR / SH 8C / RED / BUSSMANN 32006-F21 From K-0605 To L-1054	1	1	
. NS	563182	. CONNECTOR / SH 8C / ORANGE / BUSSMANN 32006-G21 From K-0605 To L-1054	1	1	
. NS	563187	. CONNECTOR / SH 8C / BROWN / BUSSMANN 32006-H21 From K-0605 To L-1054	1	1	
. NS	563448	. CONNECTOR / SH 8C / BLUE / BUSSMANN 32006-D21 From K-0605 To L-1054	1	1	
. NS	564132	. LOCK CONNECTOR POSITION ASSURANCE / BUSSMANN 32004-CP From K-0605 To L-1054	AR	AR	
. NS	564104	. COVER / VEC BOX From K-0605 To L-1054	1	1	
. NS	19518268	. COVER RUBBER RED From K-0605 To L-1054	2	2	
3	564709	DVEC DISTRIBUTION MODULE / REAR JCT BOX From L-1055 To M-1153	1	1	
. NS	563280	. FUSE / ATM 5 AMPS AMBER From L-1055 To M-1153	8	8	
. NS	563283	. FUSE / ATM 10 AMPS RED From L-1055 To M-1153	11	11	
. NS	563284	. FUSE / ATM 15 AMPS BLUE From L-1055 To M-1153	18	18	
. NS	563282	. FUSE / ATM 20 AMPS YELLOW From L-1055 To M-1153	8	8	
. NS	563153	. FUSE / ATM 25 AMPS NATURAL From L-1055 To M-1153	3	3	
. NS	563165	. FUSE / ATM 30 AMPS GREEN From L-1055 To M-1153	11	11	
. NS	564342	. MINI BREAKER / 30 AMPS / SERIES 233 From L-1055 To M-1153	1	1	
. NS	563185	. CONNECTOR / SH 8C / BLACK / BUSSMANN 32006-A21 From L-1055 To M-1153	1	1	
. NS	563186	. CONNECTOR / SH 8C / GREY / BUSSMANN 32006-B21 From L-1055 To M-1153	1	1	
. NS	563184	. CONNECTOR / SH 8C / GREEN / BUSSMANN 32006-C21 From L-1055 To M-1153	1	1	
. NS	563181	. CONNECTOR / SH 8C / YELLOW / BUSSMANN 32006-E21 From L-1055 To M-1153	1	1	
. NS	563183	. CONNECTOR / SH 8C / RED / BUSSMANN 32006-F21 From L-1055 To M-1153	1	1	
. NS	563182	. CONNECTOR / SH 8C / ORANGE / BUSSMANN 32006-G21 From L-1055 To M-1153	1	1	
. NS	563187	. CONNECTOR / SH 8C / BROWN / BUSSMANN 32006-H21 From L-1055 To M-1153	1	1	
. NS	563448	. CONNECTOR / SH 8C / BLUE / BUSSMANN 32006-D21 From L-1055 To M-1153	1	1	
. NS	564132	. LOCK CONNECTOR POSITION ASSURANCE / BUSSMANN 32004-CP From L-1055 To M-1153	AR	AR	
. NS	564104	. COVER / VEC BOX From L-1055 To M-1153	1	1	
. NS	19518268	. COVER RUBBER RED From L-1055 To M-1153	2	2	
3	564360	DVEC DISTRIBUTION MODULE / REAR JCT BOX From M-1154 To R-1783	1	1	
. NS	563280	. FUSE / ATM 5 AMPS AMBER From M-1154 To R-1783	8	8	
. NS	563283	. FUSE / ATM 10 AMPS RED From M-1154 To R-1783	9	9	
. NS	563284	. FUSE / ATM 15 AMPS BLUE From M-1154 To R-1783	10	10	
. NS	563282	. FUSE / ATM 20 AMPS YELLOW From M-1154 To R-1783	11	11	
. NS	563153	. FUSE / ATM 25 AMPS NATURAL From M-1154 To R-1783	3	3	
. NS	563165	. FUSE / ATM 30 AMPS GREEN From M-1154 To R-1783	10	10	
. NS	564342	. MINI BREAKER / 30 AMPS / SERIES 233 From M-1154 To R-1783	1	1	
. NS	563185	. CONNECTOR / SH 8C / BLACK / BUSSMANN 32006-A21 From M-1154 To R-1783	1	1	
. NS	563186	. CONNECTOR / SH 8C / GREY / BUSSMANN 32006-B21 From M-1154 To R-1783	1	1	

From K-0185		Date:07/2024	PAGE:H9-0620-02
REAR JUNCTION BOX ASSY			

Item#	Part	Description	H 3 4 1	H 3 4 5	N O T E S
. NS	563184	. CONNECTOR / SH 8C / GREEN / BUSSMANN 32006-C21 From M-1154 To R-1783	1	1	
. NS	563181	. CONNECTOR / SH 8C / YELLOW / BUSSMANN 32006-E21 From M-1154 To R-1783	1	1	
. NS	563183	. CONNECTOR / SH 8C / RED / BUSSMANN 32006-F21 From M-1154 To R-1783	1	1	
. NS	563182	. CONNECTOR / SH 8C / ORANGE / BUSSMANN 32006-G21 From M-1154 To R-1783	1	1	
. NS	563187	. CONNECTOR / SH 8C / BROWN / BUSSMANN 32006-H21 From M-1154 To R-1783	1	1	
. NS	563448	. CONNECTOR / SH 8C / BLUE / BUSSMANN 32006-D21 From M-1154 To R-1783	1	1	
. NS	564132	. LOCK CONNECTOR POSITION ASSURANCE / BUSSMANN 32004-CP From M-1154 To R-1783	AR	AR	
. NS	564104	. COVER / VEC BOX From M-1154 To R-1783	1	1	
. NS	19518268	. COVER RUBBER RED From M-1154 To R-1783	2	2	
3	564784	DVEC DISTRIBUTION MODULE / REAR JCT BOX From R-1784		1	
3	564132	LOCK CONNECTOR POSITION ASSURANCE / BUSSMANN 32004-CP	8	8	
NS	564399	MINI BREAKER / 20 AMPS / SERIES 233	1	1	EB
NS	564342	MINI BREAKER / 30 AMPS / SERIES 233	1	1	EB
4	060324	DIODE/ RESISTOR BLOCK "1"	1	1	
5	570012	INTERFACE TCM B500 / 435HP WITH ALL RATIOS W/O VAC To K-0367	1	1	
5	570043	INTERFACE TCM B500 / 435HP WITH ALL RATIOS W/O VAC From K-0368 To N-1270	1	1	
5	570081	INTERFACE TCM B500 / WITH ALL RATIOS W/O VAC From P-1271 To P-1452	1	1	
5	570097	INTERFACE TCM B500 / 435HP WITH ALL RATIOS W/O VAC From R-1453		1	
5	570013	INTERFACE TCM B500 / 435HP WITH ALL RATIOS W/VAC To K-0367	1	1	
5	570044	INTERFACE TCM B500 / 435HP WITH ALL RATIOS W/VAC From K-0368 To N-1270	1	1	
5	570086	INTERFACE TCM B500 / WITH ALL RATIOS W/VAC From P-1271 To P-1452	1	1	
5	570056	INTERFACE TCM B500 / 435HP WITH ALL RATIOS W/VAC From R-1453		1	
11	380061	ROD, I/O B MODULE	3	3	
12	384270	ROD, I/O B MODULE LH ASSY	3	3	
13	067772	PLATE SUPPORT TRANS ECU WORLD	1	1	
15	502841	NUT HEX NYRT M5-0.8 N500	4	4	
16	500804	WASHER FL .203x.500x.047 N500	4	4	
17	500653	SCREW TC PAN PH #8-32x1/4 Z050	6	6	
18	5001932	NUT HEXF NYRT M6-1.0 G8.8 N500	3	3	
19	502681	NUT HEX NYRT M6-1.0 N500 G8	3	3	
20	500209	SCREW TC BDG PH #10-24x3/8 N500	AR	AR	
21	504013	TIE MOUNT / 1/4" X 1/4" I.D.	AR	AR	
22	564108	SELF MOUNTING STUD // DEUTSCH 1011-310-0205	AR	AR	
23	506339	TAPE RUB ADH1 NIT 1/4" x 1" x 35' / BLACK 1220	AR	AR	
25	5001527	SCREW CAP HEX M8-1.25x16 SS BK	2	2	
26	5001699	WASHER BEL SPR 8.2x22x1.4 N500	2	2	
30	0610187	JUMPER From K-0605 To P-1452	1	1	A
31	0610001	SUPPORT, BOOSTER REGULATOR W/REMY From K-0605 To P-1272	1	1	A
32	5001975	SCREW TC BDG PH #10-24x3/8 SS410 ZINC From K-0605 To P-1272	3	3	A

From K-0185	Date:07/2024	PAGE:H9-0620-02
REAR JUNCTION BOX ASSY		

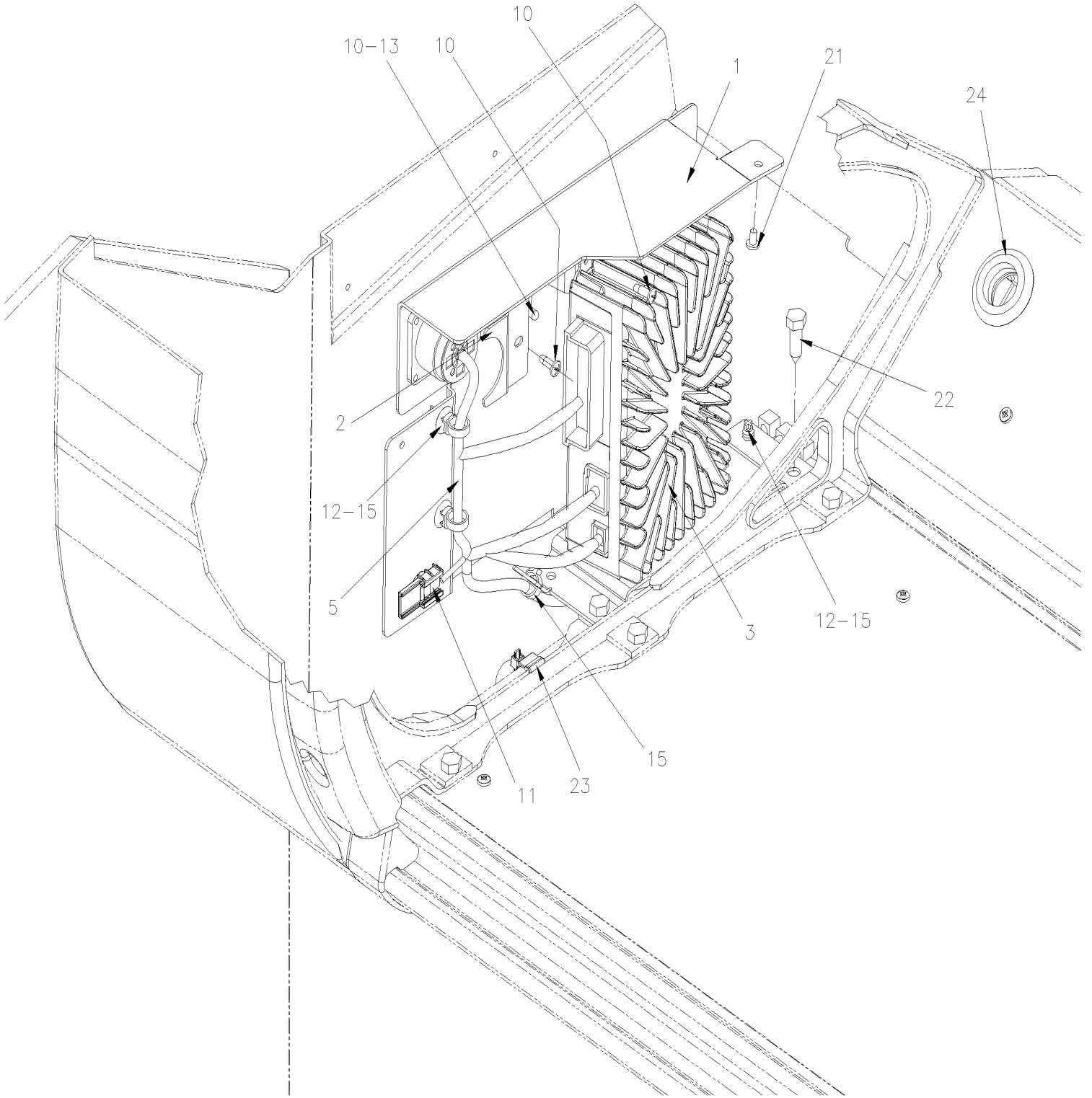
Item#	Part	Description	H 3 4 1	H 3 4 5	N O T E S
33	5001137	WASHER FL .203x.438x.050 SS From K-0605 To P-1272	4	4	A
34	509815	TIE MOUNT / ATTACHMENT W/TREE MOUNT From K-0605 To P-1272	1	1	A
40	564222	CONNECTOR / METRI-PACK 150 / SH 16C / PED 12110250	1	1	
41	561183	RELAY BASE / TAB TERMINAL / BOSCH 3334485008	1	1	
42	563332	RELAY 24V S.P.D.T. W/RESISTOR / "VOLVO" (20374662)	1	1	
50	563609	SWITCH / OFF-ON / S.P.S.T. / SEALED W/WIRES ASSY	1	1	SP
NS	060092	CABLE I/F BATTERIES CHARGER / W/RELAY BASE	1	1	
NS	060093	CABLE ASSY POWER / W/FUSE HOLDER & RECTIFIER	1	1	
NS	562547	PIN TERMINAL / 20-14 / MOLEX 02-09-2103	1	1	
NS	562550	CONNECTOR / (.093) / PH 2C / MOLEX 03-09-2022	1	1	
51	562394	PLATE, INDICATING (ON/OFF)	1	1	
52	068500	DECAL "COUPE PRECHAUFF..."	1	1	
53	563332	RELAY 24V S.P.D.T. W/RESISTOR / "VOLVO" (20374662)	1	1	
54	0600176	RELAY WITH STICKER 120V NO-NC From R-1453		1	
55	8631155	CABLE TIE / 4.6MM x 200 / CHRISTMAS TREE From R-1453		1	
56	500601	SCREW TC PAN PH #6-32x3/8 N500 From R-1453		1	
57	506643	TAPE RUB ADH1 CC NEO 1/8" x 1/2" x 60' / BLACK 2011 From R-1453		AR	
254	OC2017154	REFERENCE ONLY CONDENSOR FAN £-17154 From N-1240			
256	OC2020040	REFERENCE ONLY £-20040 M-6651 M-7759 M-1140 From M-1140			
		A) WITH REMY ALTERNATOR			
		EB) WITH ELECTRICAL BRAKE ON TRAILER			
		SP) SPECIAL OPTION WATER PREHEATER ON			

From K-0185 To P-1452

Date:07/2024

PAGE:H9-0620-20

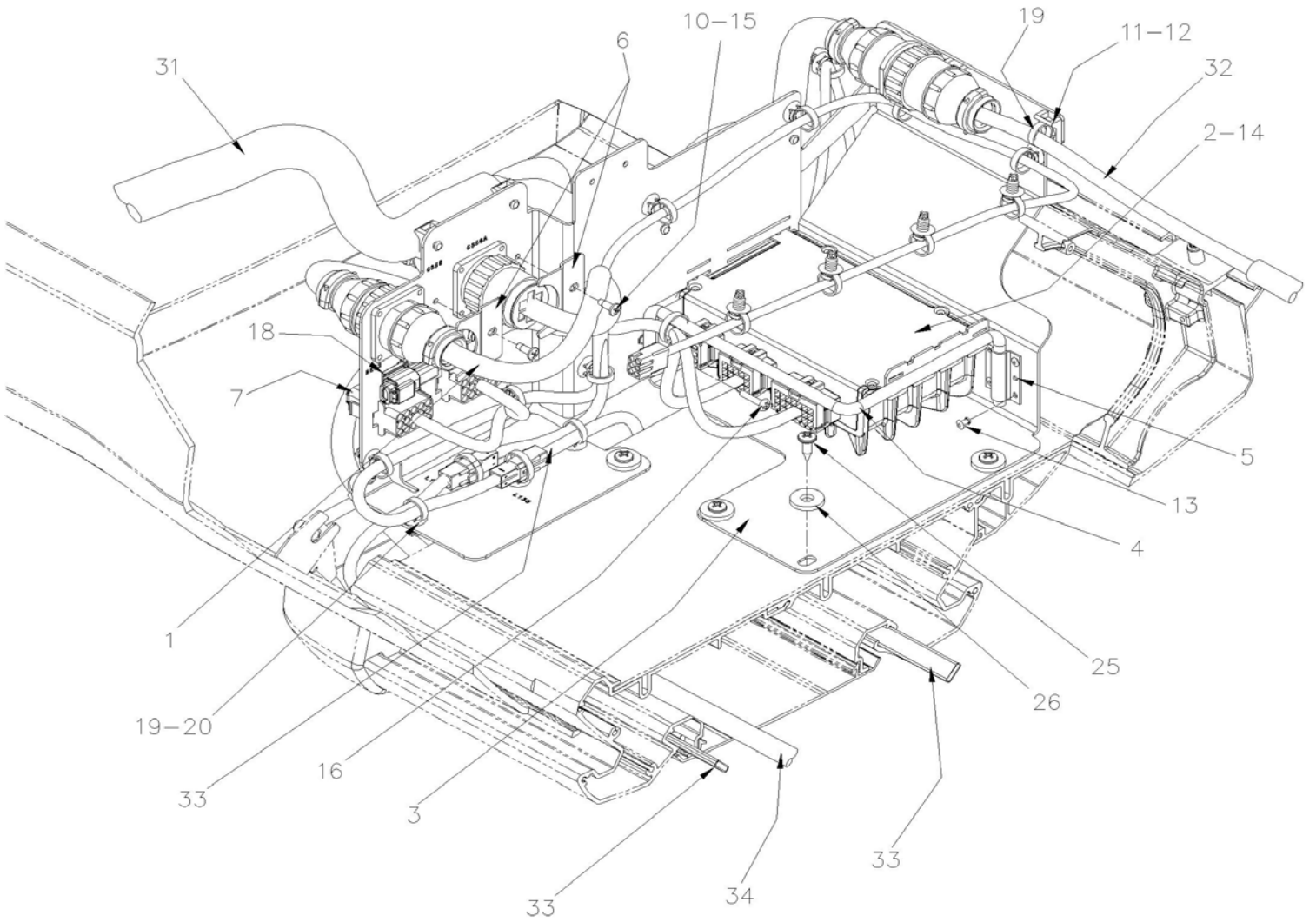
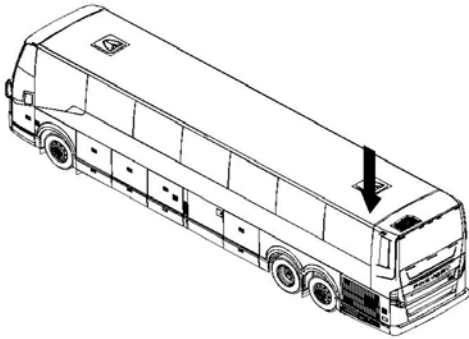
PARCEL RACK JUNCTION PANEL



From K-0185 To P-1452	Date:07/2024	PAGE:H9-0620-20
PARCEL RACK JUNCTION PANEL		

Item#	Part	Description	H 3 4 1	H 3 4 5	NOTES
1	380076	SUPPORT MODULE I/O B To K-0604	1	1	
1	380141	SUPPORT MODULE I/O B From K-0605	1	1	
NS	506758	TAPE RUB ADH1 NEO 1/16"X 1 1/2"X50'	AR	AR	
2	382556	SUPPORT CONNECTOR	1	1	
3	22722850	I/O B E-MODULE VOLVO MULTIPLEX / ALUMINUM To M-1139	1	1	
3	23824204	I/O B E-MODULE VOLVO MULTIPLEX / ALUMINUM From M-1140	1	1	
5	060867	CABLE HARNESS / PARCEL RACK JUNCTION PANEL To K-0604	1	1	
5	0610106	CABLE HARNESS / PARCEL RACK JUNCTION PANEL From K-0605	1	1	
10	502868	SCREW TC TR PH #10-16x1/2 N500	4	4	
11	564108	SELF MOUNTING STUD // DEUTSCH 1011-310-0205	1	1	
12	509815	TIE MOUNT / ATTACHMENT W/TREE MOUNT	AR	AR	
12	504114	RIVET POP DOME OE 3/16x1/4 AL	6	6	
12	504013	TIE MOUNT / 1/4" X 1/4" I.D.	6	6	
13	507333	PROTECTOR CAP / BLACK / .172 I.D. x .500	1	1	
15	504637	CABLE TIE / 3/16" x 13"	3	3	
21	500582	SCREW TP PAN PH #8x3/8 Z050	1	1	
22	502513	SCREW TP CAP HEX 5/16x1 Z050	2	2	
23	564534	CABLE TIE / WITH EDGE CLIP / T50REC5A 10 MM x 200 MM	1	1	
24	504666	GROMMET / 1.000x1.375x.250x.625x1.750	1	1	

	Date:07/2024	PAGE:H9-0620-21
PARCEL RACK JUNCTION PANEL		



PARCEL RACK JUNCTION PANEL

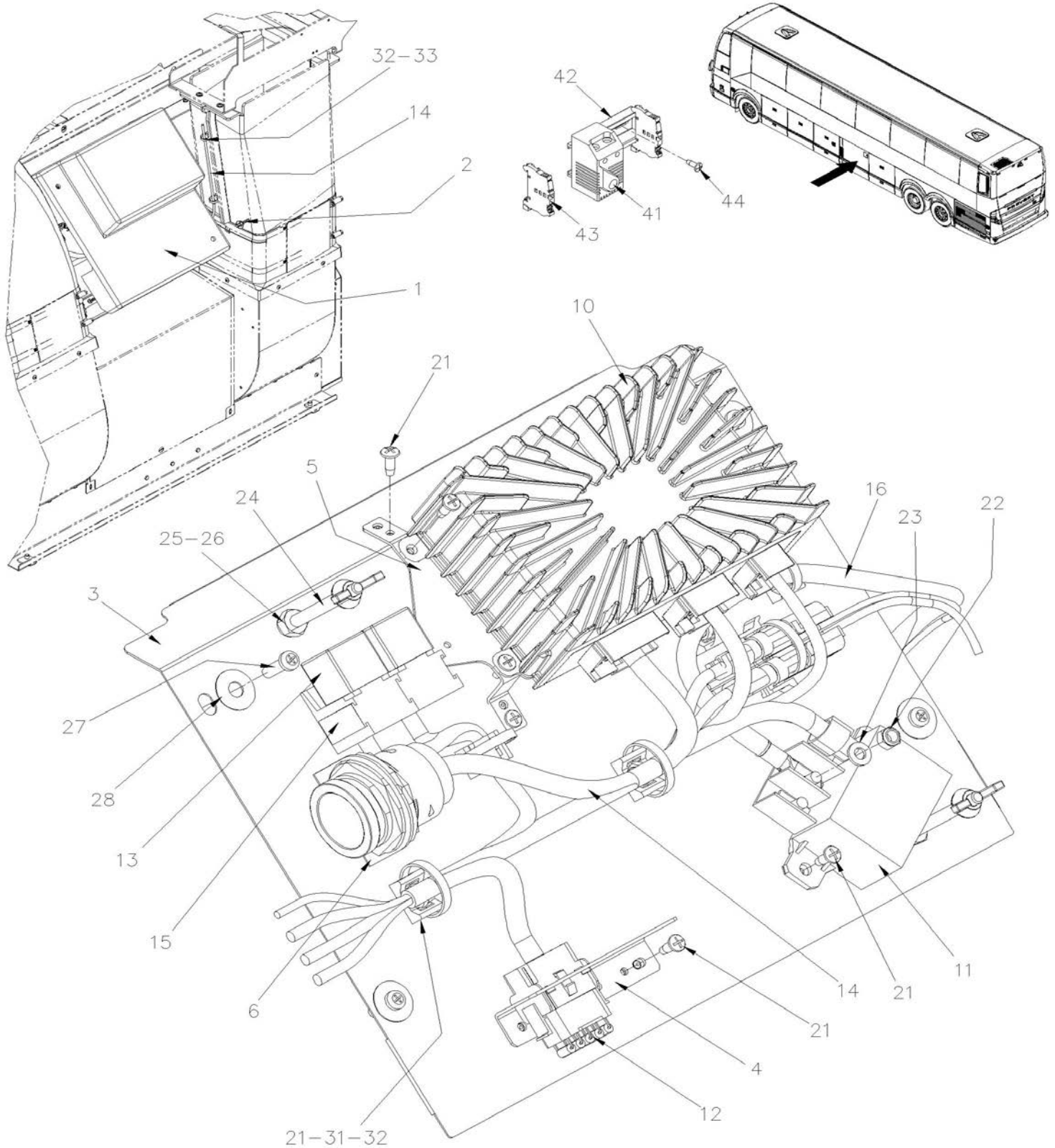
Item#	Part	Description	H 3 4 1	H 3 4 5	N O T E S
	Call order desk	PARCEL RACK JUNCTION BOX ASSY		1	P
1	0600029	. HARNESS PARCEL RACK JUNCTION BOX		1	
2	23824204	. I/O B E-MODULE VOLVO MULTIPLEX / ALUMINUM		1	
3	380023	. SUPPORT MODULE I/O B		1	
4	382166	. ROD ATTACHMENT / I/O B MODULE		1	
5	382169	. HINGE ROD ATTACHMENT		1	
6	382556	. SUPPORT CONNECTOR		2	
7	0600022	. RESISTORS BLOC 620R		1	
10	502868	. SCREW TC TR PH #10-16x1/2 N500		2	
11	504013	. TIE MOUNT / 1/4" X 1/4" I.D.		7	
12	504114	. RIVET POP DOME OE 3/16x1/4 AL		7	
13	504340	. RIVET POP DOME OE 1/8x3/16 SS		4	
14	506339	. TAPE RUB ADH1 NIT 1/4" x 1" x 35' / BLACK 1220		1	
15	507333	. PROTECTOR CAP / BLACK / .172 I.D. x .500		2	
16	509827	. SCREW MA RND PH M4-0.7x20 SS		1	
18	564108	. SELF MOUNTING STUD // DEUTSCH 1011-310-0205		1	
19	504637	. CABLE TIE / 3/16" x 13"			
20	509815	. TIE MOUNT / ATTACHMENT W/TREE MOUNT			
25	500841	SCREW TP PAN PH #14x3/4 Z050		4	
26	500401	WASHER FL .343x.875x.125 N500		4	
31	0600009	CABLE INTERIOR ACCESSORIES		1	
32	0600083	WINDOW AJAR,CURBSIDE LIGHTS AND SOUND SYSTEM POWER LH		1	
33	0600058	LED STRIP SIGNATURE / LH RGBW		1	
33	0600071	LED STRIP SIGNATURE / LH WHITE		1	
34	0600040	CABLE READING LIGHT MODULE / LH		1	
		P) CALL ORDER DESK FOR SPECIFIC APPLICATION (V.I.N.)			

From K-0185

Date:07/2024

PAGE:H9-0621-12

A/C ELECTRICAL PANEL ASSY / EVAPORATOR COMPARTMENT



From K-0185		Date:07/2024	PAGE:H9-0621-12
A/C ELECTRICAL PANEL ASSY / EVAPORATOR COMPARTMENT			

Item#	Part	Description	H 3 4 1	H 3 4 5	N O T E S
1	380067	A/C JUNCTION BOX PANEL-COVER	1	1	
NS	069743	DECAL EVAPORATOR PANEL	1	1	
1	060959	DECAL EVAPORATOR PANEL From K-0192	1	1	SP
2	5001348	NUT WING 1/4-20 NYL	2	2	
3	450198	CENTRAL UPPER PANEL PLENUM	1	1	
4	457565	SUPPORT, DIODE CONN.	1	1	
5	457566	SUPPORT IO/B	2	2	
6	457574	SUPPORT, DEUTSCH CONN.	1	1	
10	22722850	I/O B E-MODULE VOLVO MULTIPLEX / ALUMINUM To M-1139	1	1	
10	23824204	I/O B E-MODULE VOLVO MULTIPLEX / ALUMINUM From M-1140	1	1	
11	563348	RELAY POWER 24V 200 AMPS / S.P.S.T. N.O.	1	1	
. NS	5001182	. NUT HEX NYRT M6-1.0 SS	1	1	
. NS	502573	. WASHER FL 6.4x12.5x1.6 SS	1	1	
. NS	563409	. CONNECTOR / SUPERSEAL 1.5 SERIES / SH 2C / AMP 282080-1	1	1	
. NS	562607	. SOCKET TERMINAL / 20-16 / AMP 183025-1	1	1	
12	060324	DIODE/ RESISTOR BLOCK "1"	1	1	
12	381145	DIODE ASSY / W/5 3AMPS From K-0192	1	1	SP
13	563332	RELAY 24V S.P.D.T. W/RESISTOR / "VOLVO" (20374662)	2	2	
14	060804	HVAC CONTROL HARNESS	1	1	
14	0610058	HVAC CONTROL HARNESS From K-0192	1	1	SP
14	061001	HARNESS PREHEAT CHARGER SIGNAL From K-0192	1	1	SP
15	561183	RELAY BASE / TAB TERMINAL / BOSCH 3334485008	2	2	
16	060529	EVAPORATOR POWER HARNESS	1	1	
21	502868	SCREW TC TR PH #10-16x1/2 N500	AR	AR	
22	5001182	NUT HEX NYRT M6-1.0 SS	1	1	
23	502573	WASHER FL 6.4x12.5x1.6 SS	1	1	
24	5001593	SCREW MA RND SLT 1/4-20x2 3/4 SS	2	2	
25	500477	WASHER LO SPT .262x.489x.062 SS	2	2	
26	500771	NUT HEX 1/4-20 SS	2	2	
27	502626	SCREW MA PAN PH M6-1.0x20 N500	4	4	
28	5001699	WASHER BEL SPR 8.2x22x1.4 N500	4	4	
31	504013	TIE MOUNT / 1/4" X 1/4" I.D.	4	4	
32	504637	CABLE TIE / 3/16" x 13"	AR	AR	
33	509815	TIE MOUNT / ATTACHMENT W/TREE MOUNT	2	2	
41	871543	THERMOSTAT BIMETAL COLD 0 TO +60°C	1	1	A
41	0611111	WIRING HARNESS ADD THERMOSTAT AIR DUCT RETURN	1	1	A
NS	509815	TIE MOUNT / ATTACHMENT W/TREE MOUNT	2	2	A
NS	504637	CABLE TIE / 3/16" x 13"	12	12	A
42	0600186	MOUNTING RAIL	1	1	A
43	564670	SCREWLESS RAIL END STOP	2	2	A
44	504379	RIVET POP DOME OE 3/16x1/4 SS To R-1598	2	2	A
44	508401	WASHER FL .218x.875x.062 SS XL BK To R-1598	2	2	A

From K-0185	Date:07/2024	PAGE:H9-0621-12
A/C ELECTRICAL PANEL ASSY / EVAPORATOR COMPARTMENT		

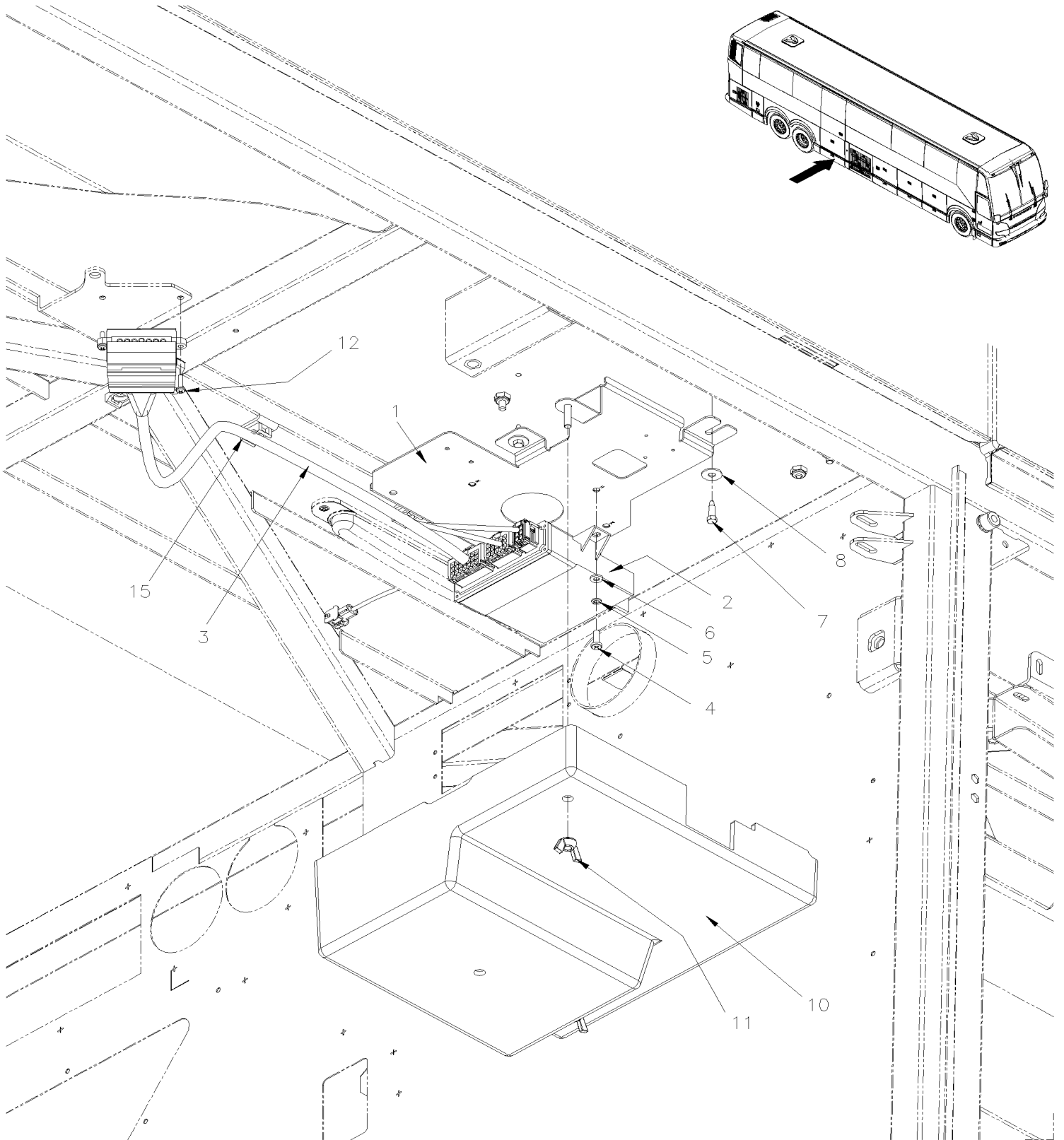
Item#	Part	Description	H 3 4 1	H 3 4 5	N O T E S
44	504793	RIVET MNB OE LARGE HEAD 3/16x7/16 SS From R-1599		2	
50	H9-2210-06	HEATER & EVAPORATOR BLOWER - INSTALLATION To P-1452			
50	H9-2210-07	HEATER & EVAPORATOR BLOWER - INSTALLATION From R-1453	1	1	
		A) WITH BIMETAL THERMOSTAT			
		SP) SPECIAL, OPTION 3 SPEED EVAPORATOR			

From K-0185

Date:07/2024

PAGE:H9-0621-80

MODULE WCL ASSY



From K-0185	Date:07/2024	PAGE:H9-0621-80
MODULE WCL ASSY		

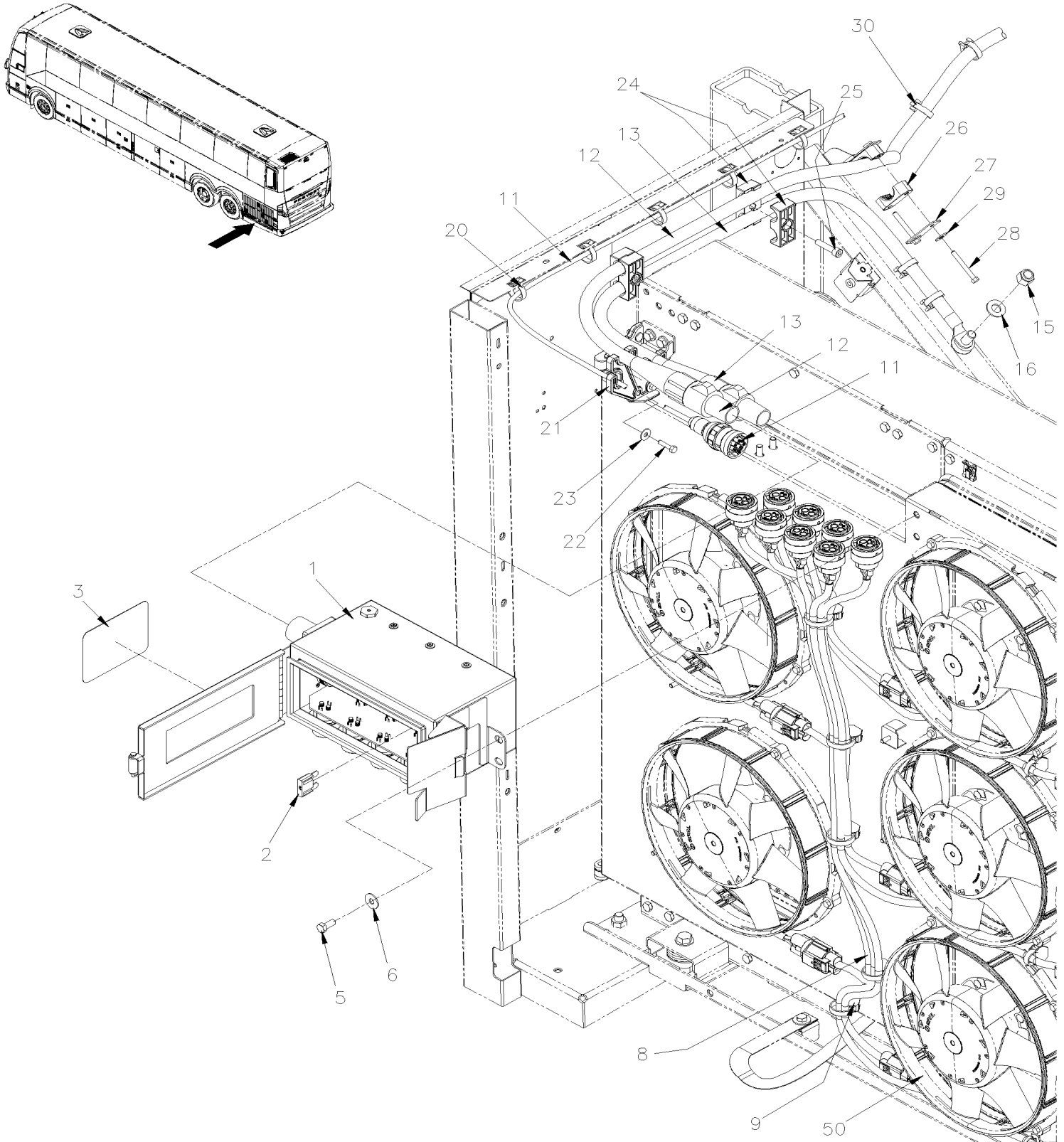
Item#	Part	Description	H 3 4 1	H 3 4 5	N O T E S
1	060624	PLATE ASSY To K-0356	1	1	
1	0601004	PLATE ASSY From K-0357	1	1	
2	22722846	I/O A E-MODULE VOLVO MULTIPLEX	1	1	
3	060726	HARNESS WCL IOE CONTROL To P-1452	1	1	
NS	0600117	HARNESS WCL IOEA CONTROL From R-1453		1	
4	502653	SCREW MA PAN PH M5-0.8x16 SS	3	3	
5	500914	WASHER LO SPT .193x.334x.047 N500	3	3	
6	5001137	WASHER FL .203x.438x.050 SS	3	3	
7	500526	SCREW TP CAP HEXW #12x3/4 N500	3	3	
8	5001833	WASHER BEL SPR 6.1x18x1.27 SS	3	3	
10	060169	LID MODULE WCL	1	1	
10	069194	DECAL "IOB"	1	1	
11	5001348	NUT WING 1/4-20 NYL	2	2	
12	502698	SCREW MA PAN PH M4-0.7x16 SS BK	2	2	
15	504013	TIE MOUNT / 1/4" X 1/4" I.D.	4	4	
15	504379	RIVET POP DOME OE 3/16x1/4 SS	4	4	
15	504637	CABLE TIE / 3/16" x 13"	4	4	

From K-0185

Date:07/2024

PAGE:H9-0622-00

POWER BOX FOR RADIATORS FANS VOLVO D13 - GHG17



From K-0185		Date:07/2024	PAGE:H9-0622-00
POWER BOX FOR RADIATORS FANS VOLVO D13 - GHG17			

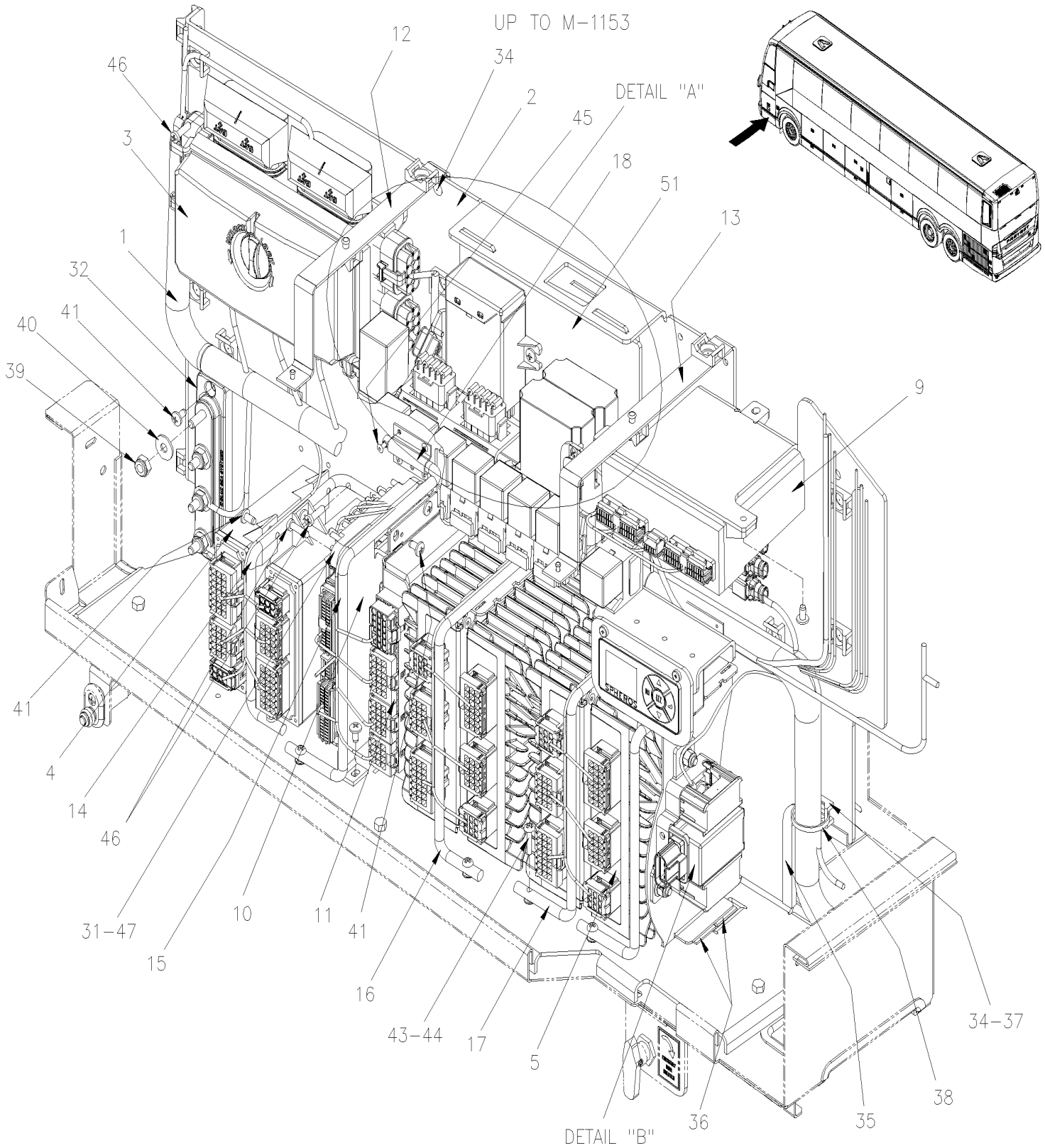
Item#	Part	Description	H 3 4 1	H 3 4 5	N O T E S
1	564612	POWER BOX, FAN DRIVE	1	1	
2	564613	. BREAKER 50A / 24V / MANUAL WURTH	8	8	
3	069205	DECAL "WARNING FAN"	1	1	
5	500119	SCREW CAP HEX M8X1.25X20 BK	4	4	
6	5001868	WASHER BEL SPR 8.4x18x2 SS	4	4	
8	068820	HARNESS FAN DRIVE	1	1	
8	8631155	CABLE TIE / 4.6MM x 200 / CHRISMAS TREE	4	4	
9	509492	CABLE TIE MOUNT FOR THREADED STUD 1/4	7	7	
9	504016	CABLE TIE / 5/16" X 14"1/2	7	7	
11	060667	CABLE HARNESS / ENGINE ACCESSORIES To K-0604	1	1	
11	0610014	CABLE HARNESS / ENGINE ACCESSORIES From K-0605 To P-1452	1	1	
NS	0600120	CABLE HARNESS / ENGINE ACCESSORIES From R-1453		1	
NS	560791	SHRINK TUBING / .940" - .406" / BLACK / ALPHA FIT-321-1-4B	AR	AR	
NS	564542	TREE MOUNT CLIP FOR PED CONNECTOR	2	2	
12	069245	HARNESS PWR FAN DRIVE	1	1	
13	069246	HARNESS GROUND FAN DRIVE	1	1	
15	5002001	NUT HEX NYRT 1/2-13 SS BK	1	1	
16	500958	WASHER FL .531x1.062x.095 SS	1	1	
20	504016	CABLE TIE / 5/16" X 14"1/2	AR	AR	
21	069350	CABLE SUPPORT FOR POWER BOX	1	1	
22	502737	SCREW CAP HEX M6-1.0x25 SS BK	2	2	
23	5001833	WASHER BEL SPR 6.1x18x1.27 SS	2	2	
24	069351	CLAMP, POWER CABLE	4	4	
25	5001661	SCREW CAP HEXS M8-1.25x35 G10.9 AD MAGNI 565	2	2	
26	140079	HALF COLLAR 44MM I.D. / TO FIX HOSE	2	2	
27	0600271	PLATE RETAINING / COLLAR	1	1	
28	5001636	SCREW CAP HEX M6-1.0x50 SS BK	2	2	
29	5001833	WASHER BEL SPR 6.1x18x1.27 SS	2	2	
30	504013	TIE MOUNT / 1/4" X 1/4" I.D.	AR	AR	
30	504016	CABLE TIE / 5/16" X 14"1/2	AR	AR	
30	504488	RIVET MGLP PRDG 3/16x17/64 SS	AR	AR	
50	H9-0520-02	ELECTRICAL FANS - INSTALLATION			
250	OC2018055	REFERENCE ONLY OBD18-19 From K-0605			
NS		REFERENCE ONLY 9660 From R-1453	1	1	

From K-0185 To P-1452

Date:07/2024

PAGE:H9-0625-01

FRONT JUNCTION PANEL

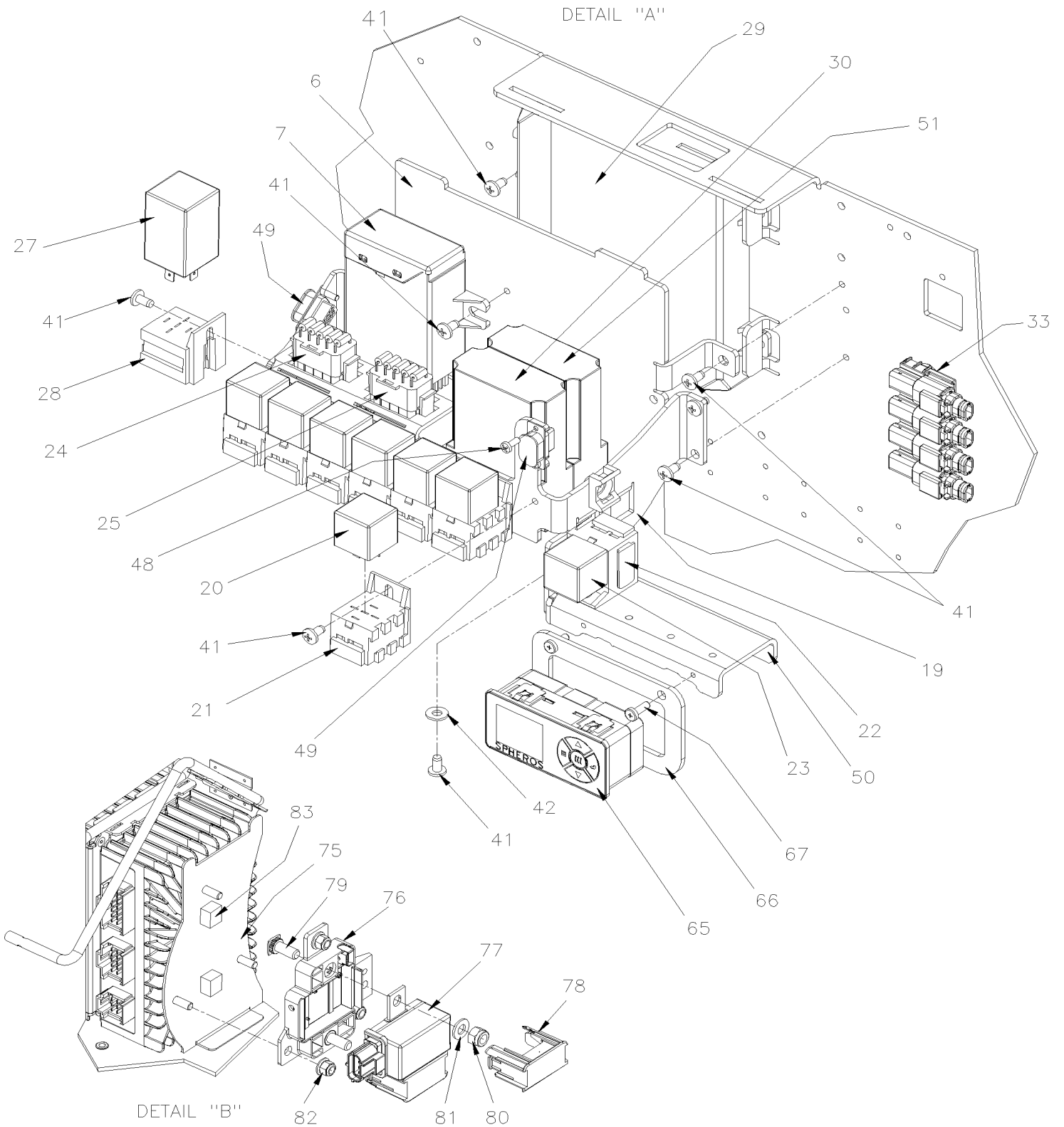


From K-0185 To P-1452

Date:07/2024

PAGE:H9-0625-01

FRONT JUNCTION PANEL



From K-0185 To P-1452	Date:07/2024	PAGE:H9-0625-01
FRONT JUNCTION PANEL		

Item#	Part	Description	H 3 4 1	H 3 4 5	N O T E S
1	060666	WIRING HARNESS FRONT JUNCTION BOX To K-0367	1	1	
1	069910	WIRING HARNESS FRONT JUNCTION BOX From K-0368 To L-0822	1	1	
1	0611103	WIRING HARNESS FRONT JUNCTION BOX From L-0823 To L-0907	1	1	
1	0610231	WIRING HARNESS FRONT JUNCTION BOX From L-0908 To M-1109	1	1	
1	0610243	WIRING HARNESS FRONT JUNCTION BOX From M-1110 To M-1153	1	1	
1	0610460	WIRING HARNESS FRONT JUNCTION BOX From M-1154	1	1	
1	060542	CABLE ASSY FRT JCT BOX WORLD TRANSMISSION To K-0367	1	1	
1	069901	CABLE ASSY FRT JCT BOX WORLD TRANSMISSION From K-0368 To K-0604	1	1	
1	0610096	CABLE ASSY FRT JCT BOX WORLD TRANSMISSION From K-0605	1	1	
2	380108	FRONT PANEL BOX To M-1153	1	1	
2	380452	FRONT PANEL BOX From M-1154	1	1	
3	560531	DVEC DISTRIBUTION MODULE / FRONT JCT BOX	1	1	
. NS	563280	. FUSE / ATM 5 AMPS AMBER	19	19	
. NS	563283	. FUSE / ATM 10 AMPS RED	6	6	
. NS	563284	. FUSE / ATM 15 AMPS BLUE	13	13	
. NS	563282	. FUSE / ATM 20 AMPS YELLOW	3	3	
. NS	563165	. FUSE / ATM 30 AMPS GREEN	12	12	
. NS	564464	. MINI BREAKER / 20 AMPS / SERIES 223	1	1	
. NS	563269	. RELAY 24V S.P.D.T. W/RESISTOR /	5	5	
. NS	563185	. CONNECTOR / SH 8C / BLACK / BUSSMANN 32006-A21	1	1	
. NS	563186	. CONNECTOR / SH 8C / GREY / BUSSMANN 32006-B21	1	1	
. NS	563184	. CONNECTOR / SH 8C / GREEN / BUSSMANN 32006-C21	1	1	
. NS	563448	. CONNECTOR / SH 8C / BLUE / BUSSMANN 32006-D21	1	1	
. NS	563181	. CONNECTOR / SH 8C / YELLOW / BUSSMANN 32006-E21	1	1	
. NS	563183	. CONNECTOR / SH 8C / RED / BUSSMANN 32006-F21	1	1	
. NS	563182	. CONNECTOR / SH 8C / ORANGE / BUSSMANN 32006-G21	1	1	
. NS	563187	. CONNECTOR / SH 8C / BROWN / BUSSMANN 32006-H21	1	1	
. NS	564132	. LOCK CONNECTOR POSITION ASSURANCE / BUSSMANN 32004-CP	AR	AR	
. NS	564104	. COVER / VEC BOX	1	1	
. NS	19518268	. COVER RUBBER RED	2	2	
NS	564132	LOCK CONNECTOR POSITION ASSURANCE / BUSSMANN 32004-CP	8	8	
3	560493	LACTHING RELAY BDS-A 24V	1	1	
3	560529	BASE FOR LACTHING RELAY BDS-A 24V	1	1	
4	22722846	I/O A E-MODULE VOLVO MULTIPLEX	2	2	
5	22722850	I/O B E-MODULE VOLVO MULTIPLEX / ALUMINUM To M-1139	4	4	
5	23824204	I/O B E-MODULE VOLVO MULTIPLEX / ALUMINUM From M-1140	4	4	
6	380109	SUPPORT TIRE ECU PRESSURE To L-0907	1	1	
7	560056	ECU TIRE PRESSURE To L-0907	1	1	
7	563631	ECU TIRE PRESSURE From L-0908 To P-1302	1	1	
7	564326	ECU TIRE PRESSURE From P-1303	1	1	
NS	060045	WIRING HARNESS / ECU FRT JCT BOX & ACCES.. To L-0907	1	1	
NS	0610142	WIRING HARNESS / ECU FRT JCT BOX & ACCES.. From L-0908	1	1	

From K-0185 To P-1452	Date:07/2024	PAGE:H9-0625-01
------------------------------	---------------------	------------------------

FRONT JUNCTION PANEL

Item#	Part	Description	H 3 4 1	H 3 4 5	N O T E S
9	563851	MCM - VOLVO MULTIPLEX MODULE To K-0404	1	1	E
9	23317365	MCM - VOLVO MULTIPLEX MODULE From K-0405 To K-0686	1	1	E
9	23499009	MCM - VOLVO MULTIPLEX MODULE From K-0687	1	1	F
10	21720495	VECU4 MODULE / VOLVO To M-1153	1	1	D13
10	24066689	VECU5 MODULE / VOLVO From M-1154	1	1	
NS	564756	CONNECTOR / MX34 / SH 20C / JAE MX34020SF1 From M-1154	1	1	
NS	502508	SCREW MA PAN PH M6-1.0x40 N050 From M-1154	3	3	
11	640022	ECU ABS / W/8 CHANNELS / ADVANCED ESP AFTERMARKET	1	1	
12	382084	SUPPORT FRONT PANEL UPPER FORWARD SHORT	1	1	
NS	8631155	CABLE TIE / 4.6MM x 200 / CHRISTMAS TREE	1	1	
13	380128	SUPPORT FRONT PANEL UPPER BACKWARD LONG	1	1	
14	382179	ROD ATTACHMENT / I/O A MODULE To M-1153	1	1	
14	380482	ROD ATTACHMENT / I/O A MODULE From M-1154	1	1	
15	382418	ROD ATTACHMENT CABLE To M-1153	1	1	
15	380454	ROD ATTACHMENT CABLE From M-1154	1	1	
16	382166	ROD ATTACHMENT / I/O B MODULE	1	1	
17	382417	ROD ATTACHMENT / I/O B MODULE	2	2	
18	382169	HINGE ROD ATTACHMENT	4	4	
19	380110	SUPPORT / RELAY To L-0907	1	1	
19	380236	SUPPORT / RELAY From L-0908	1	1	
20	563332	RELAY 24V S.P.D.T. W/RESISTOR / "VOLVO" (20374662)	7	7	
21	564496	CONNECTOR / METRI-PACK 630 / SH 5C / PED 12033871	7	7	
22	060042	CABLE ASSY / FIRE DETECTOR FRT JCT BOX	1	1	B
22	564496	. CONNECTOR / METRI-PACK 630 / SH 5C / PED 12033871	1	1	B
23	563332	RELAY 24V S.P.D.T. W/RESISTOR / "VOLVO" (20374662)	1	1	B
24	380047	DIODE 3 AND 10 AMP CONNECTOR ASSY	1	1	
25	060324	DIODE/ RESISTOR BLOCK "1"	1	1	
27	563033	E.C.U. / W/STEERING ASSIST (STP 272 or 330) ((77//125))	1	1	
27	661170	E.C.U. / W/STEERING ASSIST (STP 338) ((60//95))	1	1	C
28	060378	CABLE ASSY TO STEERING SPEED SIGNAL ECU	1	1	
28	562929	. CONNECTOR / TAB TERMINAL 5C / HELLA 87123	1	1	
29	22861158	ECU VOLVO LINK MODULE To L-0766	1	1	
29	23359380	ECU VOLVO LINK MODULE From L-0767 To L-0999	1	1	
29	23593814	ECU VOLVO LINK MODULE From L-1000	1	1	
29	22990242	SIM CARD VOLVO LINK MODULE	1	1	
30	21715161	GS ECU 24v MODULE I-SHIFT TRANS	1	1	I
30	060069	CABLE ASSY FRT JCT BOX I-SHIFT TRANSMISSION	1	1	I
31	563218	JUNCTION BLOCK W/5 STUDS	1	1	
32	560224	JUNCTION BLOCK W/4 STUDS	1	1	
33	564108	SELF MOUNTING STUD // DEUTSCH 1011-310-0205	4	4	
34	504347	RIVET POP DOME OE 3/16x1/4 AL	AR	AR	

From K-0185 To P-1452	Date:07/2024	PAGE:H9-0625-01
FRONT JUNCTION PANEL		

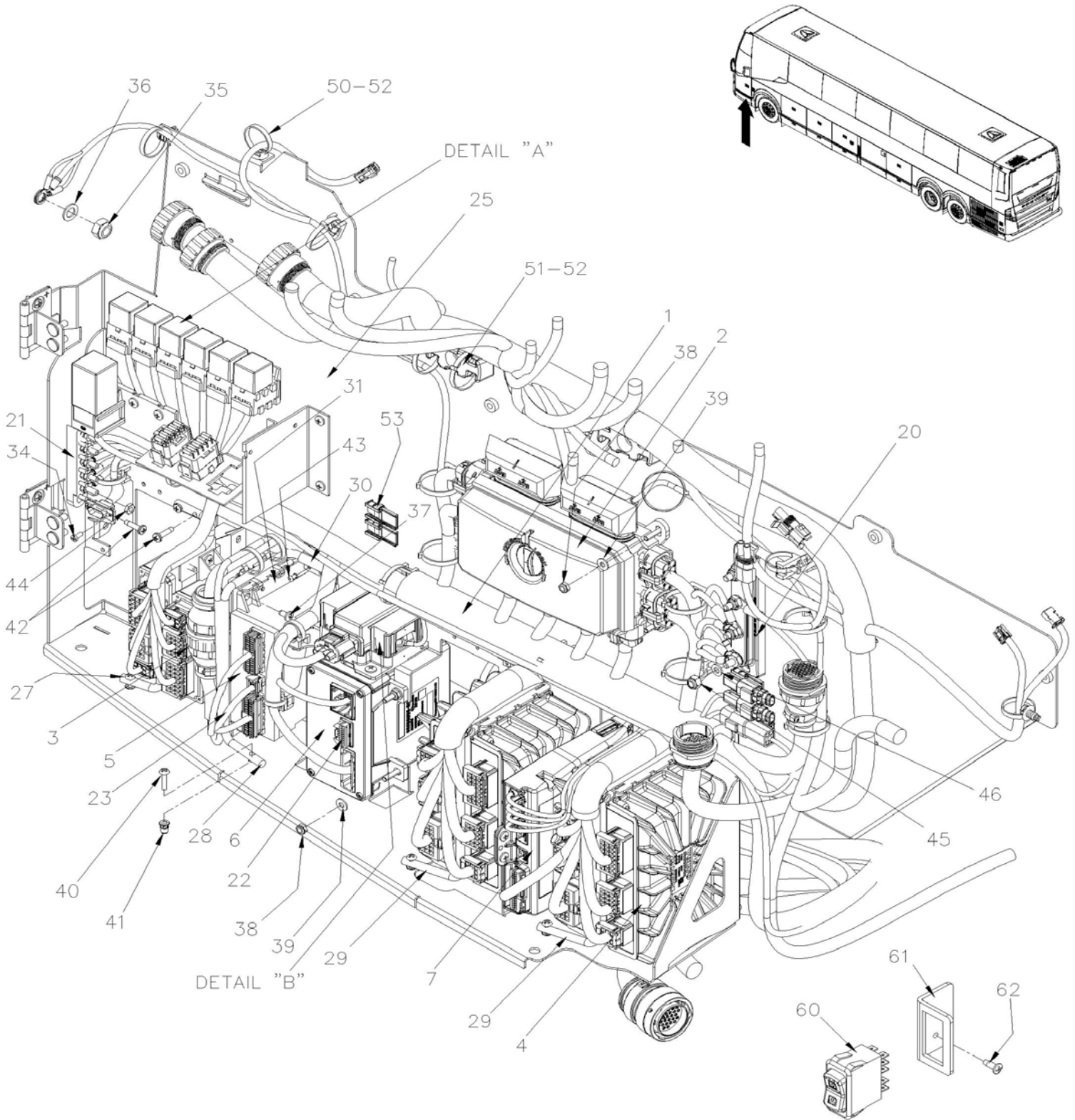
Item#	Part	Description	H 3 4 1	H 3 4 5	N O T E S
35	506025	RUBBER CHANNEL / 1/18" x 5/16" INT "U" SHAPE / SQUARE C.T.L.	AR	AR	
35	680066	ADHESIVE / ADBOND #5014 / 23.6ML BOTTLE	AR	AR	
36	506339	TAPE RUB ADH1 NIT 1/4" x 1" x 35' / BLACK 1220	AR	AR	
37	504013	TIE MOUNT / 1/4" X 1/4" I.D.	AR	AR	
38	504637	CABLE TIE / 3/16" x 13"	AR	AR	
NS	507664	CABLE TIE / 3/16" 11" / DOUBLE LOOP HEAD	AR	AR	
39	5001251	NUT HEX NYRT 1/4-20 SS	4	4	
40	5001976	WASHER FL .266x.718x.060 SS	4	4	
41	5001975	SCREW TC BDG PH #10-24x3/8 SS410 ZINC To M-1153	AR	AR	
41	500209	SCREW TC BDG PH #10-24x3/8 N500 From M-1154	AR	AR	
42	500804	WASHER FL .203x.500x.047 N500	4	4	
43	509827	SCREW MA RND PH M4-0.7x20 SS	4	4	
44	504784	NUT INS FL HEX M4-0.7 0.5-3.0 ZP	4	4	
45	504340	RIVET POP DOME OE 1/8x3/16 SS	16	16	
46	500623	SCREW TC PAN PH #10-24x3/4 N500	10	10	
47	500765	NUT HEX #10-32 BR	10	10	
48	500601	SCREW TC PAN PH #6-32x3/8 N500	4	4	
49	564090	PIN DUST CAP / MALE DB / FCI 70518CLF	2	2	
49	0611100	WIRING HARN. SPLIT J1939-9M TO 9F + OBD2	1	1	D
50	380122	SUPPORT RELAY	1	1	
51	20890176	CONTROL UNIT FMS GATEWAY To P-1302	1	1	
51	23888708	CONTROL UNIT FMS GATEWAY From P-1303	1	1	
51	564518	CONNECTOR / DTM SERIES / SH 12C / GRAY / DEUTSCH DTM06-12SA	1	1	
51	563593	CONNECTOR W/END OF LINE RESISTOR 120R / DTM SERIES / SH 2C / GRAY / DEUTSCH DTM06-2S-P006	1	1	
NS	061488	CONNECTOR C-700 BYPASSED (CTGI)	1	1	O
. NS	562637	. HEAT DETECTOR SENSOR 2500MM	1	1	O
. NS	561240	. SOCKET TERMINAL / 18-16 / SIGNAL CONTACT / AMP 66101-2	4	4	O
. NS	561653	. CABLE CLAMP / CPC / #13 / AMP 206966-1	1	1	O
. NS	562593	. WIRE CABLE 18 / YELLOW / TXL	1	1	O
. NS	563623	. BUTT SPLICE / 16-14 / BLUE / W/THERMORETRAC / PANDUIT BSH14-Q	1	1	O
65	871464	TIMER ASSY / W/"SPHEROS" PREHEATER To K-0654	1	1	O
65	870070	TIMER ASSY / W/"HYDRONIC L30" PREHEATER From K-0655	1	1	O
65	060557	WIRING HARNESS TIMER PREHEATER	1	1	O
66	370154	SUPPORT / TIMER	1	1	O
67	500965	SCREW TC BDG PH #8-32x1/2 N500	2	2	O
75	062382	BRACKET LACTHING RELAY BDS-A 24V	1	1	
76	560529	BASE FOR LACTHING RELAY BDS-A 24V	1	1	
77	560493	LACTHING RELAY BDS-A 24V	1	1	
78	560538	COVER RELAY	2	2	
79	560539	SCREW FOR LACTHING RELAY BDS-A 24V / M8	2	2	

From K-0185 To P-1452	Date:07/2024	PAGE:H9-0625-01
------------------------------	---------------------	------------------------

FRONT JUNCTION PANEL

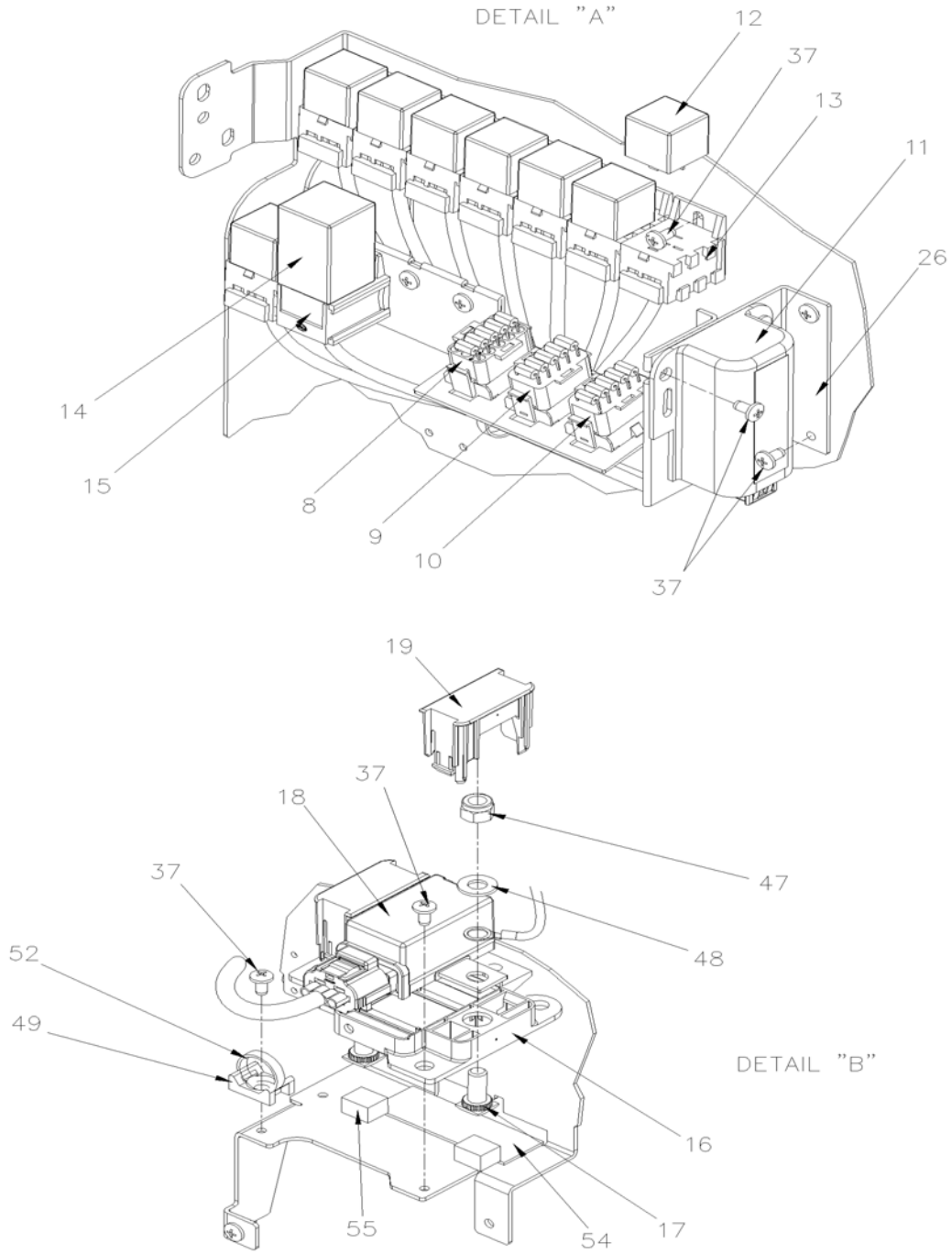
Item#	Part	Description	H 3 4 1	H 3 4 5	N O T E S
80	5001787	NUT HEX NYRT M8-1.25 SS	2	2	
81	5001341	WASHER FL 8.4x17.0x1.6 SS	2	2	
82	5001932	NUT HEXF NYRT M6-1.0 G8.8 N500	3	3	
83	506004	TAPE RUB ADH1 CC POL 3/8" x 1/2" x 20' / GREY 2520X	AR	AR	
NS	062241	DECAL "FRT JCT BOX" COMPONENTS To L-0822	1	1	
NS	0611101	DECAL "FRT JCT BOX" COMPONENTS From L-0823 To M-1153	1	1	
90	0610520	DECAL "FRT JCT BOX" COMPONENTS From M-1154	1	1	
		B) USE WITH FIRE SUPPRESSION SYSTEM			
		C) THIS E.C.U. GIVE LESS ASSISTANCE AT LOW SPEED			
		D) OPTION OBD-II PLUG			
		D13) OPTION OBD-II PLUG			
		E) WHEN YOU MUST REPLACE 563851, YOU MUST ORDER 23317365, BUT YOU MUST GIVE THE SERIAL NUMBER OF YOUR VEHICLE FOR IT TO BE PROGRAM			
		F) WHEN YOU HAVE TO ORDER 23499009, YOU MUST GIVE THE SERIAL NUMBER OF YOUR VEHICLE FOR IT TO BE PROGRAMED			
		I) WITH "I-SHIFT" TRANSMISSION			
		O) OPTION			

	Date:07/2024	PAGE:H9-0625-02
FRONT JUNCTION PANEL		



DRIVER'S WINDOW OPTION

	Date:07/2024	PAGE:H9-0625-02
FRONT JUNCTION PANEL		



	Date:07/2024	PAGE:H9-0625-02
FRONT JUNCTION PANEL		

Item#	Part	Description	H 3 4 1	H 3 4 5	N O T E S
	0600014	CABLE POWER / RJB TO FJB		1	
	0600006	RIGHT HAND CONSOLE POWER HARNESS		1	
1	0600000	WIRING HARNESS FRONT JUNCTION BOX		1	
1	0600003	WIRING HARNESS FRONT JUNCTION BOX TRANS-ALISSON		1	
NS	0600140	ADAPTOR CONNECTOR W/O AFSS W/O PREHEAT	1	1	A
2	564761	DVEC DISTRIBUTION MODULE / FRONT JCT BOX		1	
. NS	563280	. FUSE / ATM 5 AMPS AMBER		20	
. NS	563283	. FUSE / ATM 10 AMPS RED		7	
. NS	563284	. FUSE / ATM 15 AMPS BLUE		12	
. NS	563282	. FUSE / ATM 20 AMPS YELLOW		3	
. NS	563165	. FUSE / ATM 30 AMPS GREEN		11	
. NS	564464	. MINI BREAKER / 20 AMPS / SERIES 223		1	
. NS	563269	. RELAY 24V S.P.D.T. W/RESISTOR /		5	
. NS	563185	. CONNECTOR / SH 8C / BLACK / BUSSMANN 32006-A21		1	
. NS	563186	. CONNECTOR / SH 8C / GREY / BUSSMANN 32006-B21		1	
. NS	563184	. CONNECTOR / SH 8C / GREEN / BUSSMANN 32006-C21		1	
. NS	563448	. CONNECTOR / SH 8C / BLUE / BUSSMANN 32006-D21		1	
. NS	563181	. CONNECTOR / SH 8C / YELLOW / BUSSMANN 32006-E21		1	
. NS	563183	. CONNECTOR / SH 8C / RED / BUSSMANN 32006-F21		1	
. NS	563182	. CONNECTOR / SH 8C / ORANGE / BUSSMANN 32006-G21		1	
. NS	563187	. CONNECTOR / SH 8C / BROWN / BUSSMANN 32006-H21		1	
. NS	564132	. LOCK CONNECTOR POSITION ASSURANCE / BUSSMANN 32004-CP		AR	
. NS	564104	. COVER / VEC BOX		1	
. NS	19518268	. COVER RUBBER RED		2	
3	22722846	I/O A E-MODULE VOLVO MULTIPLEX		2	
4	23824204	I/O B E-MODULE VOLVO MULTIPLEX / ALUMINUM		4	
5	23499009	MCM - VOLVO MULTIPLEX MODULE		1	
6	24066689	VECU5 MODULE / VOLVO		1	
7	23593814	ECU VOLVO LINK MODULE To R-1621		1	
7	23163299	ECU VOLVO LINK MODULE From R-1622		1	
NS	22990242	SIM CARD VOLVO LINK MODULE To R-1621		1	
NS	23004613	SIM CARD VOLVO LINK MODULE From R-1622		1	
8	380047	DIODE 3 AND 10 AMP CONNECTOR ASSY		1	
9	060324	DIODE/ RESISTOR BLOCK "1"		1	
10	381145	DIODE ASSY / W/5 3AMPS		1	
11	564715	DIMMER MODULE FOR LED STRIP		1	
11	0600082	CONNECTOR BYPASS CABIN DIMMER		1	B
12	563332	RELAY 24V S.P.D.T. W/RESISTOR / "VOLVO" (20374662)		8	
13	564496	CONNECTOR / METRI-PACK 630 / SH 5C / PED 12033871		8	
14	563033	E.C.U. / W/STEERING ASSIST (STP 272 or 330) ((77//125))		1	
15	0600015	POWER STEERING CONTROLE HARNESS		1	
15	562929	CONNECTOR / TAB TERMINAL 5C / HELLA 87123		1	

	Date:07/2024	PAGE:H9-0625-02
FRONT JUNCTION PANEL		

Item#	Part	Description	H 3 4 1	H 3 4 5	N O T E S
16	560529	BASE FOR LACTHING RELAY BDS-A 24V		1	
17	560539	SCREW FOR LACTHING RELAY BDS-A 24V / M8		2	
18	560493	LACTHING RELAY BDS-A 24V		1	
19	560538	COVER RELAY		2	
20	560224	JUNCTION BLOCK W/4 STUDS		1	
21	563218	JUNCTION BLOCK W/5 STUDS		1	
22	564756	CONNECTOR / MX34 / SH 20C / JAE MX34020SF1		1	
23	0600138	INTERFACE HARNESS MCM1		1	
25	380510	SUPPORT, CONSOLE FRONT JUNCTION BOX		1	
26	380226	RELAY SUPPORT		1	
27	380436	ROD, I/O A ASSY.		1	
28	380502	ROD MODULE ASSY		1	
29	380428	ROD,I/OB MODULE ASSY.		2	
30	382169	HINGE ROD ATTACHMENT		3	
31	0610530	SUPPORT, MCM & I/O A		1	
34	500601	SCREW TC PAN PH #6-32x3/8 N500		2	
35	5002028	NUT HEX NYRT M10-1.5 SS		1	
36	5001935	WASHER FL 10.5x18.0x1.6 SS		1	
37	500209	SCREW TC BDG PH #10-24x3/8 N500		AR	
38	502841	NUT HEX NYRT M5-0.8 N500		7	
39	500804	WASHER FL .203x.500x.047 N500		7	
40	509827	SCREW MA RND PH M4-0.7x20 SS		4	
41	504784	NUT INS FL HEX M4-0.7 0.5-3.0 ZP		4	
42	500623	SCREW TC PAN PH #10-24x3/4 N500		1	
43	504340	RIVET POP DOME OE 1/8x3/16 SS		12	
44	500765	NUT HEX #10-32 BR		10	
45	5001251	NUT HEX NYRT 1/4-20 SS		4	
46	502573	WASHER FL 6.4x12.5x1.6 SS		4	
47	5001787	NUT HEX NYRT M8-1.25 SS		2	
48	5001341	WASHER FL 8.4x17.0x1.6 SS		2	
49	504013	TIE MOUNT / 1/4" X 1/4" I.D.		AR	
50	509815	TIE MOUNT / ATTACHMENT W/TREE MOUNT		4	
51	504051	ATTACHMENT 3-WAY USE WITH CABLE TIE		2	
52	504637	CABLE TIE / 3/16" x 13"		AR	
53	564108	SELF MOUNTING STUD // DEUTSCH 1011-310-0205		3	
54	506339	TAPE RUB ADH1 NIT 1/4" x 1" x 35' / BLACK 1220		AR	
55	506004	TAPE RUB ADH1 CC POL 3/8" x 1/2" x 20' / GREY 2520X		AR	
60	562740	CAP / WINDOW DRIVER'S		1	C
60	562740	CAP / WINDOW DRIVER'S		1	C

		Date:07/2024	PAGE:H9-0625-02
FRONT JUNCTION PANEL			

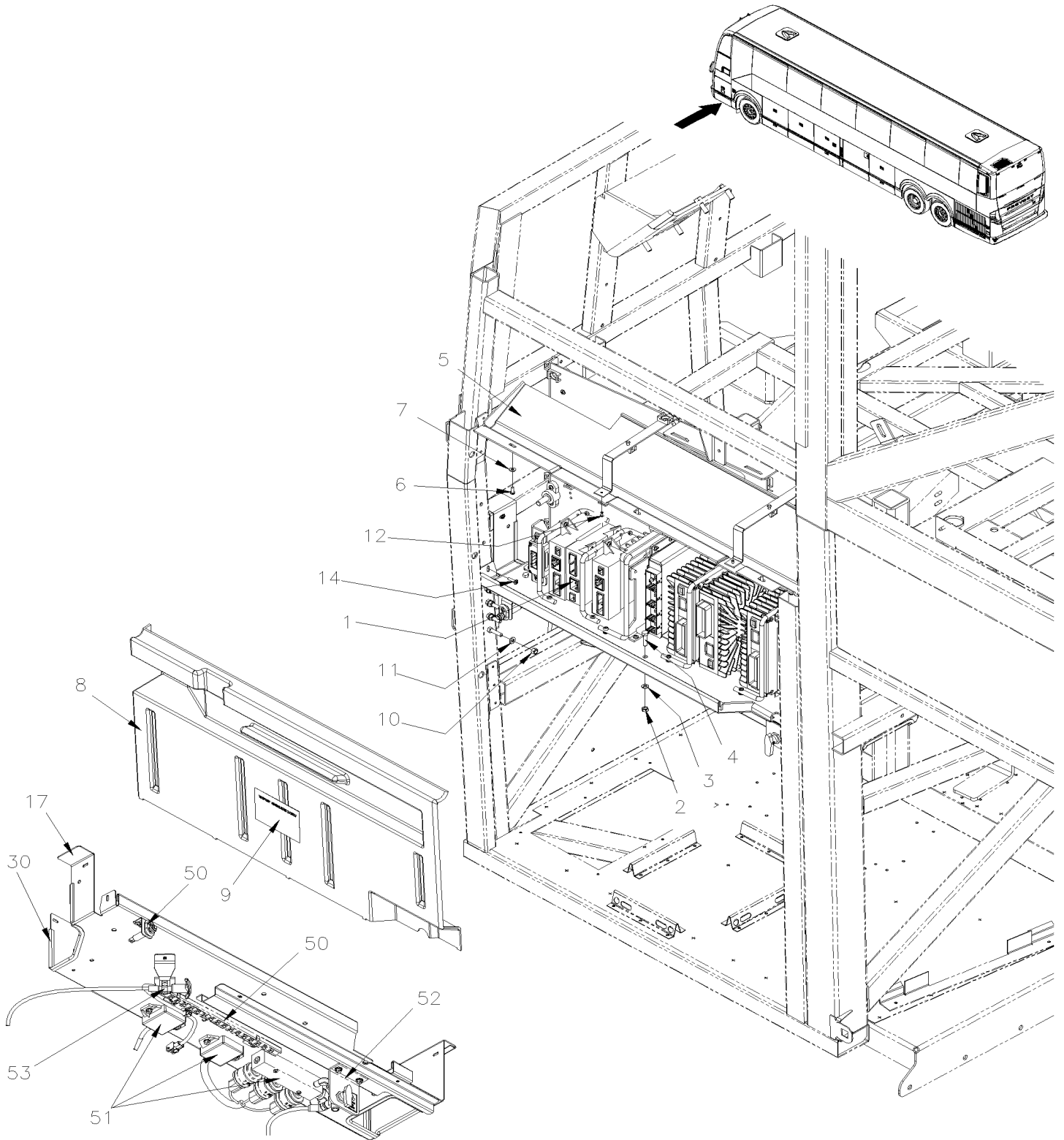
Item#	Part	Description	H 3 4 1	H 3 4 5	N O T E S
60	563337	RELAY 12V S.P.D.T. W/RESISTOR /		1	C
61	293854	SUPPORT SWITCH / REMOTE OPERATIONAL MODEL		1	C
62	502868	SCREW TC TR PH #10-16x1/2 N500		2	C
		A) USE WITHOUT AFSS ADN WITHOUT PREHEAT			
		B) USE WITHOUT DIMMER			
		C) WITH DRIVER'S WINDOW SWITCH OPTION			

From K-0185 To P-1452

Date:07/2024

PAGE:H9-0625-50

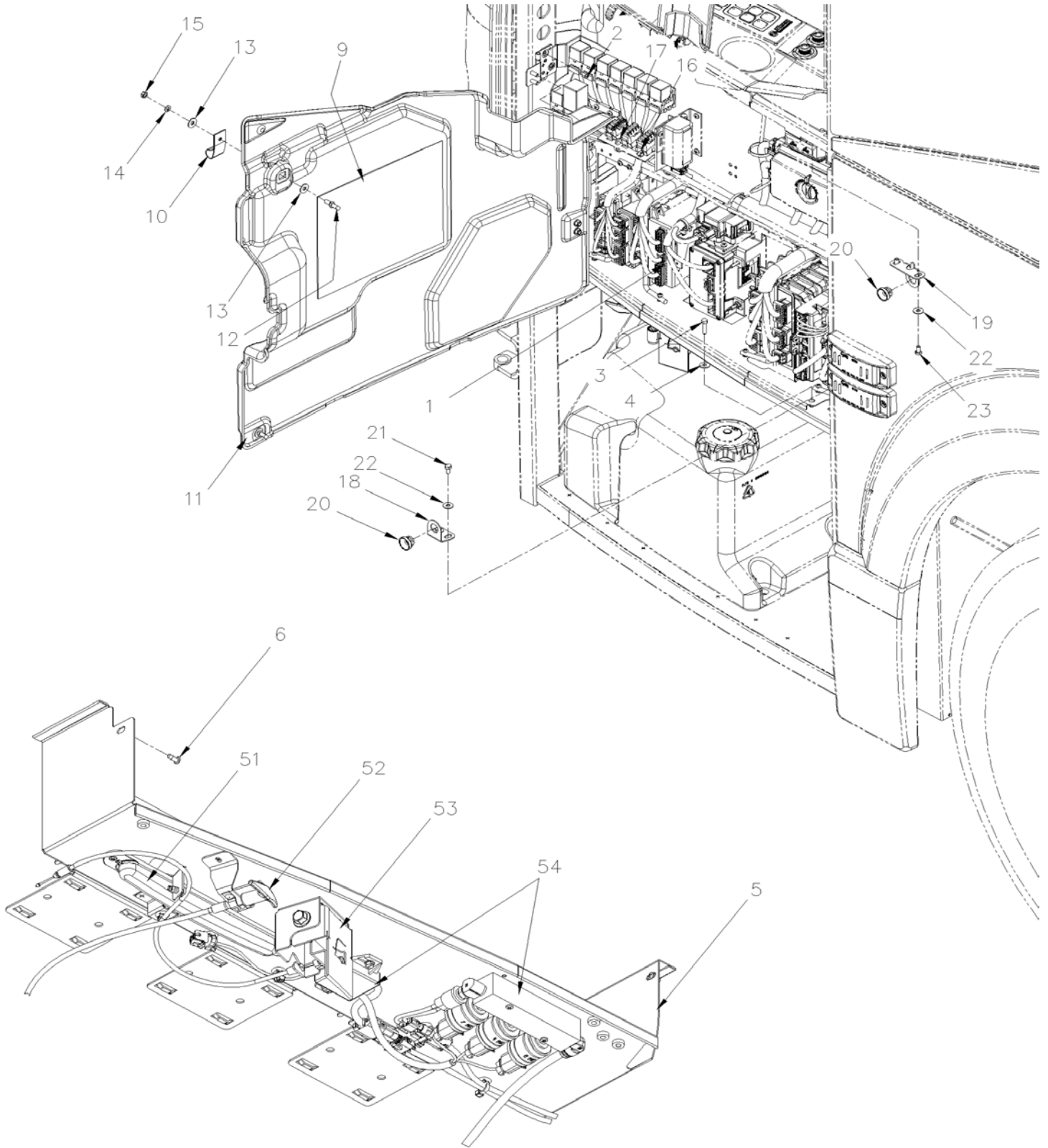
FRONT JUNCTION BOX - INSTALLATION



From K-0185 To P-1452	Date:07/2024	PAGE:H9-0625-50
FRONT JUNCTION BOX - INSTALLATION		

Item#	Part	Description	H 3 4 1	H 3 4 5	N O T E S
1	H9-0625-01	FRONT JUNCTION PANEL			
2	502565	NUT HEX M6-1.0 SS	4	4	
3	502564	WASHER LO SPT 6.1x11.8x1.6 Z050	4	4	
4	502737	SCREW CAP HEX M6-1.0x25 SS BK	4	4	
5	382107	DRIP PANEL TOP	1	1	
6	500443	SCREW TP PAN PH #8x1/2 N500	3	3	
7	500855	WASHER FL .188x.438x.049 N500	3	3	
8	382504	PROTECTOR PANEL	1	1	
9	180246	DECAL / VEHICULE WHEELHOUSING....TREATED / ENGLISH & FRANCAIS	1	1	
10	5001182	NUT HEX NYRT M6-1.0 SS To P-1318	4	4	
10	5002028	NUT HEX NYRT M10-1.5 SS From P-1319	4	4	
NS	684013	RUBBER PROTECTOR / COLOR GUARD 14.5oz From P-1319	AR	AR	
11	502573	WASHER FL 6.4x12.5x1.6 SS To P-1318	4	4	
11	5001935	WASHER FL 10.5x18.0x1.6 SS From P-1319	4	4	
12	504339	RIVET POP DOME OE 1/8x3/8 SS	2	2	
12	504488	RIVET MGLP PRDG 3/16x17/64 SS	2	2	
14	500641	SCREW TP PAN PH #8x3/4 Z050	10	10	
NS	500539	NUT HEX NYRT M4-0.7 N500	1	1	
NS	500615	NUT HEX M8-1.25 BR	1	1	
17	380106	SUPPORT FRONT JCT BOX To K-0367	1	1	
17	380151	SUPPORT FRONT JCT BOX From K-0368	1	1	
17	506227	TAPE RUB ADH1 CC POL 1/16" x 3/4" x 100' / GREY 2520	AR	AR	
30	506338	RUBBER CHANNEL / 1/16" x 1/4" INT "U" SHAPE / ROUND C.T.L.	AR	AR	
30	680066	ADHESIVE / ADBOND #5014 / 23.6ML BOTTLE	AR	AR	
NS	8631155	CABLE TIE / 4.6MM x 200 / CHRISTMAS TREE	3	3	
50	H9-0665-11	SWITCHES, LIGHTS, AJAR - UNDER FLOOR & ENGINE COMPARTMENT			
51	H9-0750-04	AUTOMATIC TRANSMISSION - "WORLD" WITH VOLVO D13			
52	H9-1802-00	ENTRANCE DOOR CONTROL			
53	H9-1860-11	SPARE WHEEL DOOR MECHANISM FRONT BUMPER			

	Date:07/2024	PAGE:H9-0625-51
FRONT JUNCTION BOX - INSTALLATION		



FRONT JUNCTION BOX - INSTALLATION

Item#	Part	Description	H 3 4 1	H 3 4 5	N O T E S
1	H9-0625-02	FRONT JUNCTION PANEL			
2	502868	SCREW TC TR PH #10-16x1/2 N500		4	
2	500804	WASHER FL .203x.500x.047 N500		4	
3	502737	SCREW CAP HEX M6-1.0x25 SS BK		2	
4	5001833	WASHER BEL SPR 6.1x18x1.27 SS		2	
5	380001	SUPPORT, FRONT BOX ASSY To R-1481		1	
5	380577	SUPPORT, FRONT BOX ASSY From R-1482		1	
NS	504348	GROMMET / .937x1.125x.046x.25x1.375x.046 From R-1482		1	
NS	680042	GLUE LOCTITE 430 BOTTLE 1OZ From R-1482		AR	
6	502868	SCREW TC TR PH #10-16x1/2 N500		6	
9	0610621	DECAL "FRT JCT BOX" COMPONENTS		1	
10	492152	STRAP		2	
11	2810394	PROTECTOR, FRONT ELECTRIC COMPARTMENT		1	
12	504255	SNAPLOC STUD		2	
13	5001976	WASHER FL .266x.718x.060 SS		4	
14	502570	WASHER LO SPT 6.1x11.8x1.6 SS		2	
15	502565	NUT HEX M6-1.0 SS		2	
16	5001182	NUT HEX NYRT M6-1.0 SS		4	
17	502573	WASHER FL 6.4x12.5x1.6 SS		4	
18	380413	BRACKET SNAPLOC COUPLING		1	
19	380415	BRACKET SNAPLOC COUPLING		1	
20	504271	SNAPLOC COUPLING D8 TPC-ET 40D		2	
21	5001982	SCREW CAP HEX M6-1.0x12 SS BK		2	
22	5001833	WASHER BEL SPR 6.1x18x1.27 SS		4	
23	5001743	SCREW CAP HEX M6-1.0x12 G8.8 N500		2	
51	H9-0665-12	SWITCHES, LIGHTS, AJAR - UNDER FLOOR & ENGINE COMPARTMENT			
52	H9-1850-02	BUMPER FRONT			
53	H9-1879-11	FRONT SERVICE DOOR INSTALLATION			
54	H9-0750-04	AUTOMATIC TRANSMISSION - "WORLD" WITH VOLVO D13			

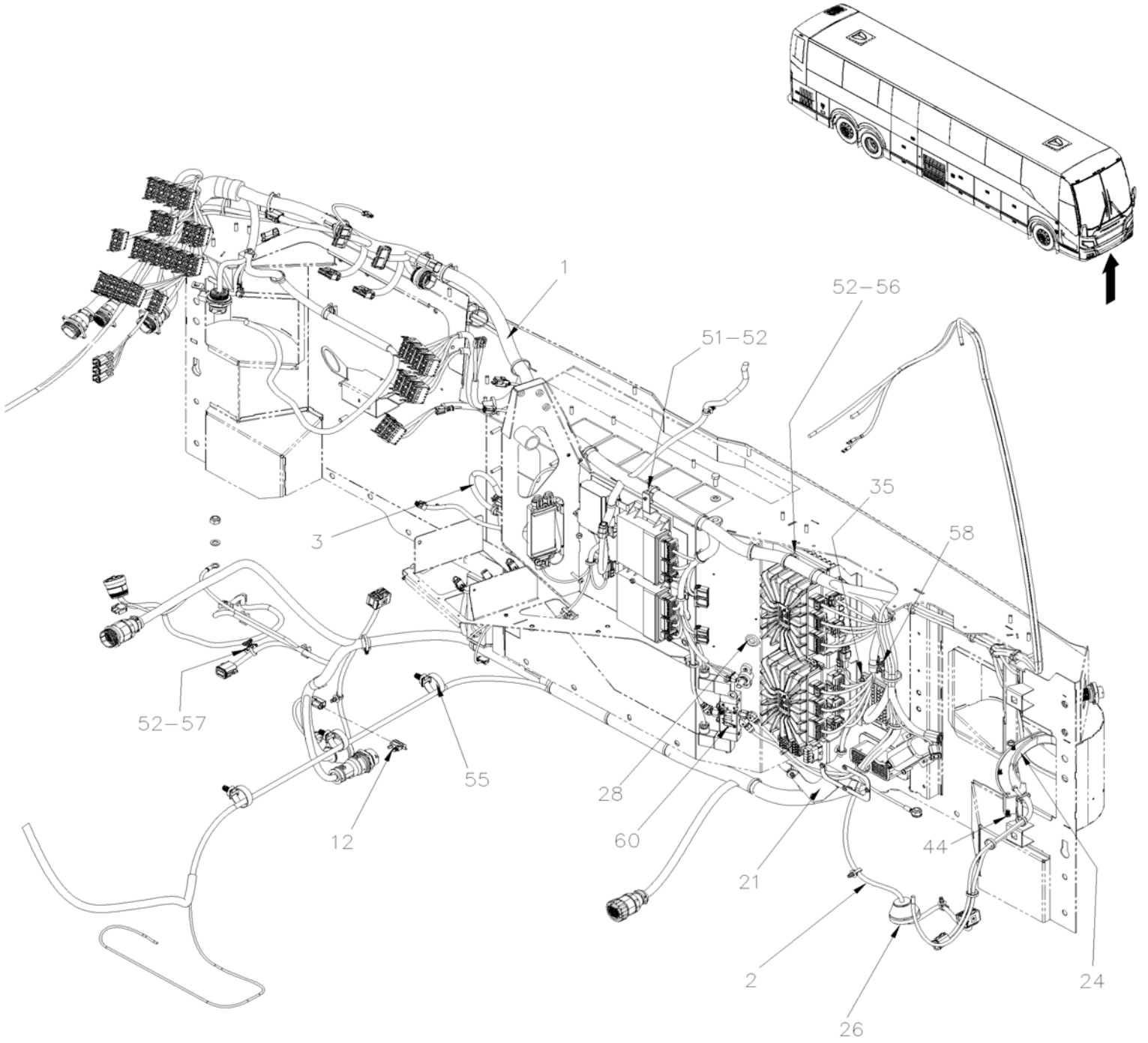
From K-0185		Date:07/2024	PAGE:H9-0630-00
CABLE & HARNESS - UNDER FLOOR - W/MUX			

Item#	Part	Description	H 3 4 1	H 3 4 5	N O T E S
2	062447	CABLE ASSY / FRT SELECTOR & RR ECU To K-0367	1		
2	069947	CABLE ASSY / FRT SELECTOR & RR ECU From K-0368 To K-0604	1		
2	0610098	CABLE ASSY / FRT SELECTOR & RR ECU From K-0605 To L-1054	1		
2	0610281	CABLE ASSY / FRT SELECTOR & RR ECU From L-1055 To M-1153	1		
2	0610494	CABLE ASSY / FRT SELECTOR & RR ECU From M-1154 To N-1239	1		
2	0610552	CABLE ASSY / FRT SELECTOR & RR ECU From N-1240 To P-1452	1		
2	060669	CABLE ASSY / FRT SELECTOR & RR ECU To K-0367		1	
2	069911	CABLE ASSY / FRT SELECTOR & RR ECU From K-0368 To K-0604		1	
2	0610018	CABLE ASSY / FRT SELECTOR & RR ECU From K-0605 To L-1054		1	
2	0610280	CABLE ASSY / FRT SELECTOR & RR ECU From L-1055 To M-1153		1	
2	0610493	CABLE ASSY / FRT SELECTOR & RR ECU From M-1154 To N-1239		1	
2	0610551	CABLE ASSY / FRT SELECTOR & RR ECU From N-1240 To P-1452		1	
2	0600010	CABLE ASSY / FRT SELECTOR & RR ECU From R-1453 To R-1890		1	
2	0600187	CABLE ASSY / FRT SELECTOR & RR ECU From R-1891		1	
NS	0600123	FRONT HARNESS INTERFACE HARNESS From R-1453		1	
4	0610010	HARNESS BAGAGES COMPARTMENT To P-1452	1		
4	060854	HARNESS BAGAGES COMPARTMENT To P-1452		1	
4	0600051	HARNESS BAGAGES COMPARTMENT From R-1453		1	
5	060762	CABLE ASSY / REAR JUNCTION BOX WITH ALLISON To K-0184	1	1	
5	069786	CABLE ASSY / REAR JUNCTION BOX WITH ALLISON From K-0185 To K-0367	1	1	
5	069912	CABLE ASSY / REAR JUNCTION BOX WITH ALLISON From K-0368 To K-0604	1	1	
5	0610067	CABLE ASSY / REAR JUNCTION BOX WITH ALLISON From K-0605 To K-0654	1	1	
5	0610172	CABLE ASSY / REAR JUNCTION BOX WITH ALLISON From K-0655 To L-1054	1	1	
5	0610282	CABLE ASSY / REAR JUNCTION BOX WITH ALLISON From L-1055 To M-1153	1	1	
5	0610491	CABLE ASSY / REAR JUNCTION BOX WITH ALLISON From M-1154 To P-1452	1	1	
5	0600023	CABLE ASSY / REAR JUNCTION BOX WITH ALLISON From R-1453		1	
5	060708	CABLE ASSY / REAR JUNCTION BOX WITH "I-SHIFT" To K-0604	1	1	
5	0610069	CABLE ASSY / REAR JUNCTION BOX WITH "I-SHIFT" From K-0605 To K-0654	1	1	
5	0610173	CABLE ASSY / REAR JUNCTION BOX WITH "I-SHIFT" From K-0655 To L-1054	1	1	
5	0610283	CABLE ASSY / REAR JUNCTION BOX WITH "I-SHIFT" From L-1055 To M-1153	1	1	
5	0610492	CABLE ASSY / REAR JUNCTION BOX WITH "I-SHIFT" From M-1154 To P-1452	1	1	
5	0600024	CABLE ASSY / REAR JUNCTION BOX WITH "I-SHIFT" From R-1453		1	
6	062452	CABLE POWER / RJB TO FJB To P-1452	1		
6	060869	CABLE POWER / RJB TO FJB To P-1452		1	
6	0600014	CABLE POWER / RJB TO FJB From R-1453		1	
7	060124	CABLE ASSY / FRONT "ABS" SENSOR & VALVE / MUX & EPS	1	1	
8	069729	CABLE ASSY "ABS" PREMIUM & E.S.P. To M-1153	1	1	
8	0610473	CABLE ASSY "ABS" PREMIUM & E.S.P. From M-1154	1	1	
10	504013	TIE MOUNT / 1/4" X 1/4" I.D.	AR	AR	
11	500957	SCREW TP BDG PH #10x3/4 N500	AR	AR	
12	680096	SEALANT BUTYL ALUM / GREY / 310ml CARTRIDGE To R-1727	AR	AR	

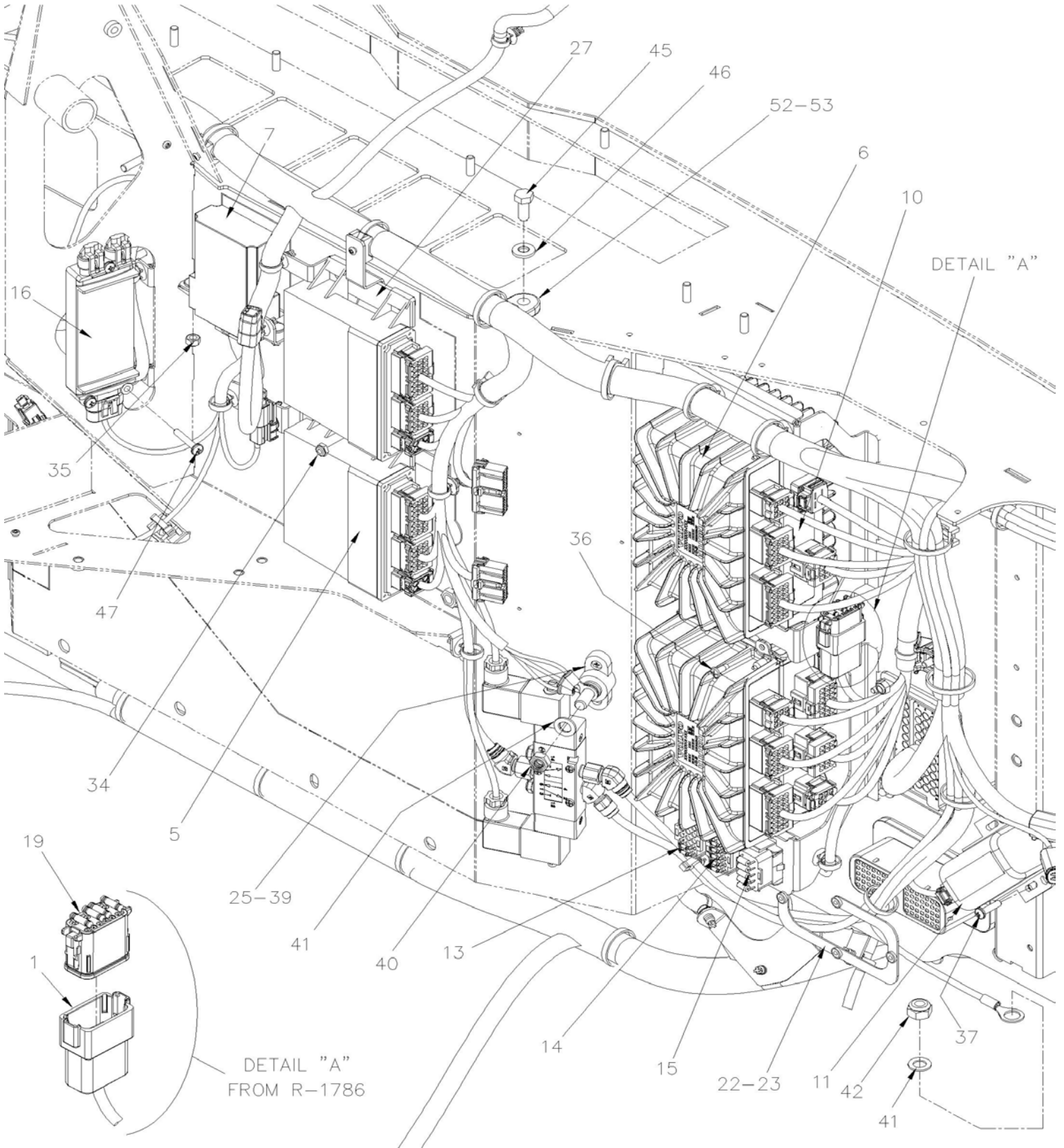
From K-0185		Date:07/2024	PAGE:H9-0630-00
CABLE & HARNESS - UNDER FLOOR - W/MUX			

Item#	Part	Description	H 3 4 1	H 3 4 5	N O T E S
12	685440	GLUE ADBOND 1502 WHITE, SAUSAGE 600ML From R-1728		AR	
13	504499	CUFF END BELLOW / 2 7/8" I.D. x 3 5/8" x 4 7/16	1	1	
15	504499	CUFF END BELLOW / 2 7/8" I.D. x 3 5/8" x 4 7/16	2	2	
16	504026	HOSE CLAMP / 2"13/16-3"3/4 SS / HS-52	2	2	
16	504024	HOSE CLAMP / 1"13/16"-2"3/4 SS / HS-36	1	1	
17	504379	RIVET POP DOME OE 3/16x1/4 SS	AR	AR	
19	371600	INSULATING PAD 76.2MM x 374.7MM	AR	AR	
22	504013	TIE MOUNT / 1/4" X 1/4" I.D.	AR	AR	
23	500443	SCREW TP PAN PH #8x1/2 N500	AR	AR	
25	830008	LAMP ASSY 24V / LED To P-1452	6		
. NS	561248	. CONNECTOR / UNIVERSAL MATE-N-LOK / PH 2C / AMP 1-480699-0 To P-1452	1		
25	830011	LAMP ASSY 24V / RED To P-1452	6		B
25	830008	LAMP ASSY 24V / LED		8	
. NS	561248	. CONNECTOR / UNIVERSAL MATE-N-LOK / PH 2C / AMP 1-480699-0		1	
25	830011	LAMP ASSY 24V / RED		8	B
30	500240	WASHER LO EXT .195x.410x.025 Z050	AR	AR	
31	500443	SCREW TP PAN PH #8x1/2 N500	AR	AR	
37	504637	CABLE TIE / 3/16" x 13"	AR	AR	
37	504273	CABLE TIE / 1/8" X 3"1/2	AR	AR	
37	504750	CABLE TIE / 1/2" x 15" / CHRISTMAS TREE	10	10	
39	500623	SCREW TC PAN PH #10-24x3/4 N500	AR	AR	
42	502868	SCREW TC TR PH #10-16x1/2 N500	AR	AR	
NS	901433	CABLE ASSY / BACK-UP CAMERA VIDEO / CAMERA & MONITOR LCD / 50'	1	1	
NS	901434	CABLE ASSY / BACK-UP CAMERA VIDEO / CAMERA & MONITOR LCD / 15'	1	1	
45	509815	TIE MOUNT / ATTACHMENT W/TREE MOUNT	AR	AR	
NS	504610	RIVET MGLP PRDG 1/4x5/8 SS	AR	AR	
NS	504488	RIVET MGLP PRDG 3/16x17/64 SS	AR	AR	
68	680532	SEALANT SIKA #221 / GREY / 310ml CARTRIDGE	AR	AR	
		B) OPTION WITH RED LAMP INSIDE BAGGAGE COMPARTMENT			

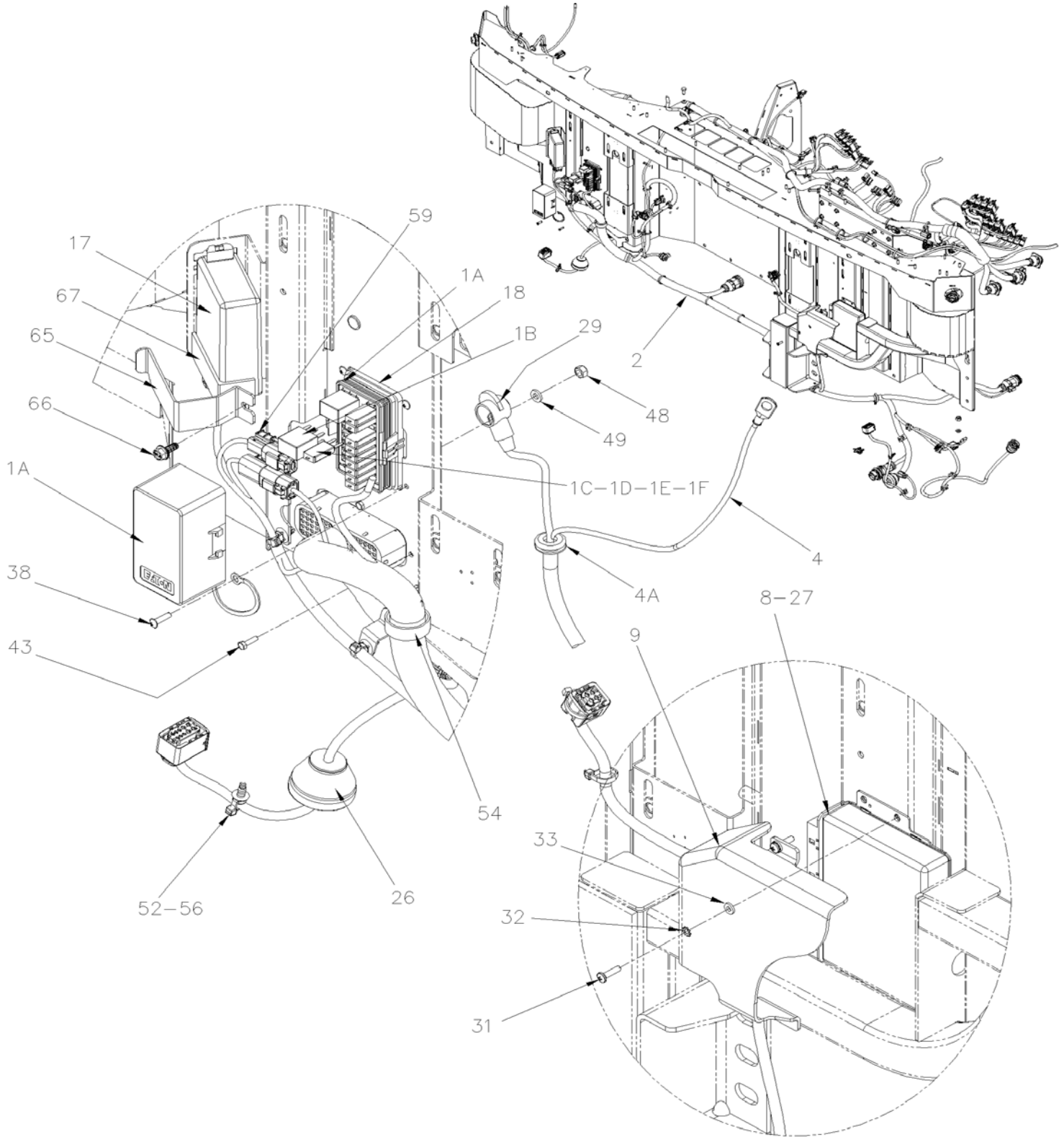
	Date:07/2024	PAGE:H9-0635-00
ELECTRIC SYSTEM FRONT MODULE INST		



	Date:07/2024	PAGE:H9-0635-00
ELECTRIC SYSTEM FRONT MODULE INST		



	Date:07/2024	PAGE:H9-0635-00
ELECTRIC SYSTEM FRONT MODULE INST		



ELECTRIC SYSTEM FRONT MODULE INST

Item#	Part	Description	H 3 4 1	H 3 4 5	N O T E S
1	0600007	WIRING HARNESS DASHBOARD To R-1785		1	
. A	566040	. POWER BOX SMALL VEC 15305 To R-1785		1	
. B	563269	. RELAY 24V S.P.D.T. W/RESISTOR / To R-1785		2	
. C	564399	. MINI BREAKER / 20 AMPS / SERIES 233 To R-1785		4	
. D	564340	. MINI BREAKER / 15 AMPS / SERIES 233 To R-1785		1	
. E	564747	. MINI BREAKER / 10 AMPS / SERIES 223 To R-1785		2	
. F	564746	. MINI BREAKER / 5 AMPS / SERIES 223 To R-1785		3	
1	0600178	WIRING HARNESS DASHBOARD From R-1786		1	
. A	566040	. POWER BOX SMALL VEC 15305 From R-1786		1	
. B	563269	. RELAY 24V S.P.D.T. W/RESISTOR / From R-1786		2	
. C	564399	. MINI BREAKER / 20 AMPS / SERIES 233 From R-1786		4	
. D	564340	. MINI BREAKER / 15 AMPS / SERIES 233 From R-1786		1	
. E	564747	. MINI BREAKER / 10 AMPS / SERIES 223 From R-1786		2	
. F	564746	. MINI BREAKER / 5 AMPS / SERIES 223 From R-1786		3	
2	0600001	FRONT HARNESS To R-1785		1	
2	0600213	FRONT HARNESS From R-1786		1	
3	062817	HARNESS, SOUND SYSTEM AUX		1	
4	0600006	RIGHT HAND CONSOLE POWER HARNESS		1	
4A	504555	. GROMMET / .500x.812x.125x.344x1.062x.031		1	
5	22722846	I/O A E-MODULE VOLVO MULTIPLEX		2	
6	23824204	I/O B E-MODULE VOLVO MULTIPLEX / ALUMINUM		3	
7	23888708	CONTROL UNIT FMS GATEWAY		1	
8	640022	ECU ABS / W/8 CHANNELS / ADVANCED ESP AFTERMARKET		1	
9	0610177	PROTECTOR MODULE ABS-8		1	
10	563534	ECU WIPER WWS2.1 To R-1472		1	
10	564422	ECU WIPER WWS2.1 (W/O RESISTANCE) From R-1473		1	
11	564715	DIMMER MODULE FOR LED STRIP		1	
11	0600082	CONNECTOR BYPASS CABIN DIMMER		1	A
12	564291	OUTSIDE TEMPERATURE SENSOR		1	
13	382599	BLOC RESISTORS 160R 3W		1	
14	0600022	RESISTORS BLOC 620R		1	
15	381145	DIODE ASSY / W/5 3AMPS		1	
16	560467	SKIM MODULE		1	
16	564402	CONNECTOR / GT150 / SH 3C / BLACK / PED 15373426		1	
16	564403	CONNECTOR / GT150 / SH 3C / BLACK / PED 15491547		1	
17	564413	TPMS, SENSATA ECU		1	
17	562795	CONNECTOR / JUNIOR POWER TIMER / SH 15C / AMP 964561-2		1	
18	0610606	SEAL MINI-VEC		1	
19	0600212	RESISTOR BLOC 0.22 OHM 3W 5% From R-1786		1	
NS	0610636	DECAL, M1 EL, FRONT H3, E		1	
NS	0610626	DECAL / ELECTRICAL COMPONENT RH CONSOL		1	

	Date:07/2024	PAGE:H9-0635-00
ELECTRIC SYSTEM FRONT MODULE INST		

Item#	Part	Description	H 3 4 1	H 3 4 5	N O T E S
21	251526	EXT. FRONT FACE CABLE BRACKET		1	
22	067774	PLATE RETAINER CONECTORS 70 PINS "J" FORM 60.6MM x 128.5MM		1	
23	564198	GASKET / DRC SERIES / 70C, ADHESIVE BACK / DEUTSCH DRC70-GKT AD		1	
24	0610312	WIRE COVER		1	
25	560422	BLOCK, TERMINAL / 1 STUD 3/8-16 / BLACK		1	
26	564462	GROMMET, TAP 48MM		2	
27	506339	TAPE RUB ADH1 NIT 1/4" x 1" x 35' / BLACK 1220		AR	
28	504555	GROMMET / .500x.812x.125x.344x1.062x.031		2	
29	564773	BOOT / "L SHAPE" / 1 - 2 / RED / VTE WORLD 218N2V02		1	
31	502746	SCREW MA PAN PH M5-0.8x20 SS BK		2	
32	5001378	WASHER LO EXT 5.3x10x0.6 Z050		2	
NS	500804	WASHER FL .203x.500x.047 N500		1	
33	5001137	WASHER FL .203x.438x.050 SS		2	
34	5001587	NUT HEX NYRT M5-0.8 SS		2	
35	5001182	NUT HEX NYRT M6-1.0 SS		3	
36	502868	SCREW TC TR PH #10-16x1/2 N500		8	
37	502746	SCREW MA PAN PH M5-0.8x20 SS BK		2	
38	5001543	SCREW MA PAN PH #10-32x1/2 SS		4	
NS	500855	WASHER FL .188x.438x.049 N500		1	
39	502868	SCREW TC TR PH #10-16x1/2 N500		2	
40	5001936	NUT HEX NYRT 3/8-16 SS		1	
41	5001935	WASHER FL 10.5x18.0x1.6 SS		3	
42	5002028	NUT HEX NYRT M10-1.5 SS		2	
43	502799	SCREW CAP HEX M4-0.7X16 G8.8 N500			
44	5000353	SCREW CAP BUT HEXS M6-1.0x12 N500		4	
45	5001450	SCREW CAP HEX M8-1.25x20 G10.9 DP		2	
46	5001868	WASHER BEL SPR 8.4x18x2 SS		2	
47	5001991	SCREW MA RND PH M5-0.8x30 SS		3	
48	5001182	NUT HEX NYRT M6-1.0 SS		1	
49	502573	WASHER FL 6.4x12.5x1.6 SS		1	
51	504013	TIE MOUNT / 1/4" X 1/4" I.D.		AR	
51	504379	RIVET POP DOME OE 3/16x1/4 SS		AR	
52	504637	CABLE TIE / 3/16" x 13"		AR	
53	507383	TIE MOUNT HOLE 3/8"		2	
54	509491	CABLE TIE / 13MM x 383MM		2	
55	504750	CABLE TIE / 1/2" x 15" / CHRISTMAS TREE		3	
56	509815	TIE MOUNT / ATTACHMENT W/TREE MOUNT		AR	
57	504751	ROTATIF SPACER DOUBLE / SMALL		1	
58	509490	ATTACHMENT DOUBLE USE WITH CABLE TIE		1	
59	564108	SELF MOUNTING STUD // DEUTSCH 1011-310-0205		3	

	Date:07/2024	PAGE:H9-0635-00
ELECTRIC SYSTEM FRONT MODULE INST		

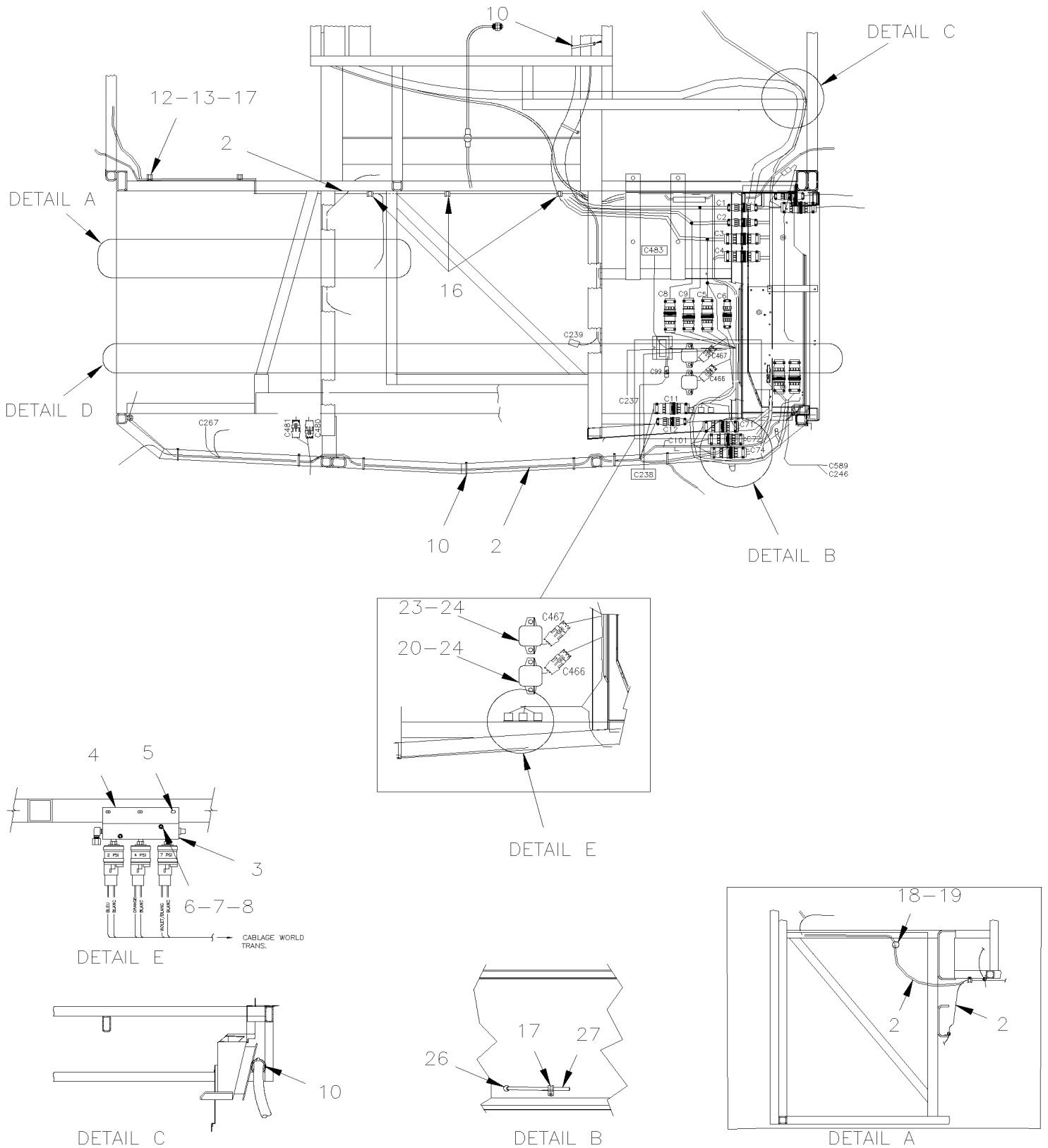
Item#	Part	Description	H 3 4 1	H 3 4 5	N O T E S
60	H9-1802-01	ENTRANCE DOOR CONTROL			
65	069879	STRAP TPMS		1	
66	5002027	SCREW CAP HEXF AD M6-1.0x16 G10.9 N500		1	
67	506339	TAPE RUB ADH1 NIT 1/4" x 1" x 35' / BLACK 1220		1	
		A) USE WITHOUT DIMMER			

From K-0185 To P-1452

Date:07/2024

PAGE:H9-0640-00

CABLE & HARNESS - FRONT END INSTALLATION

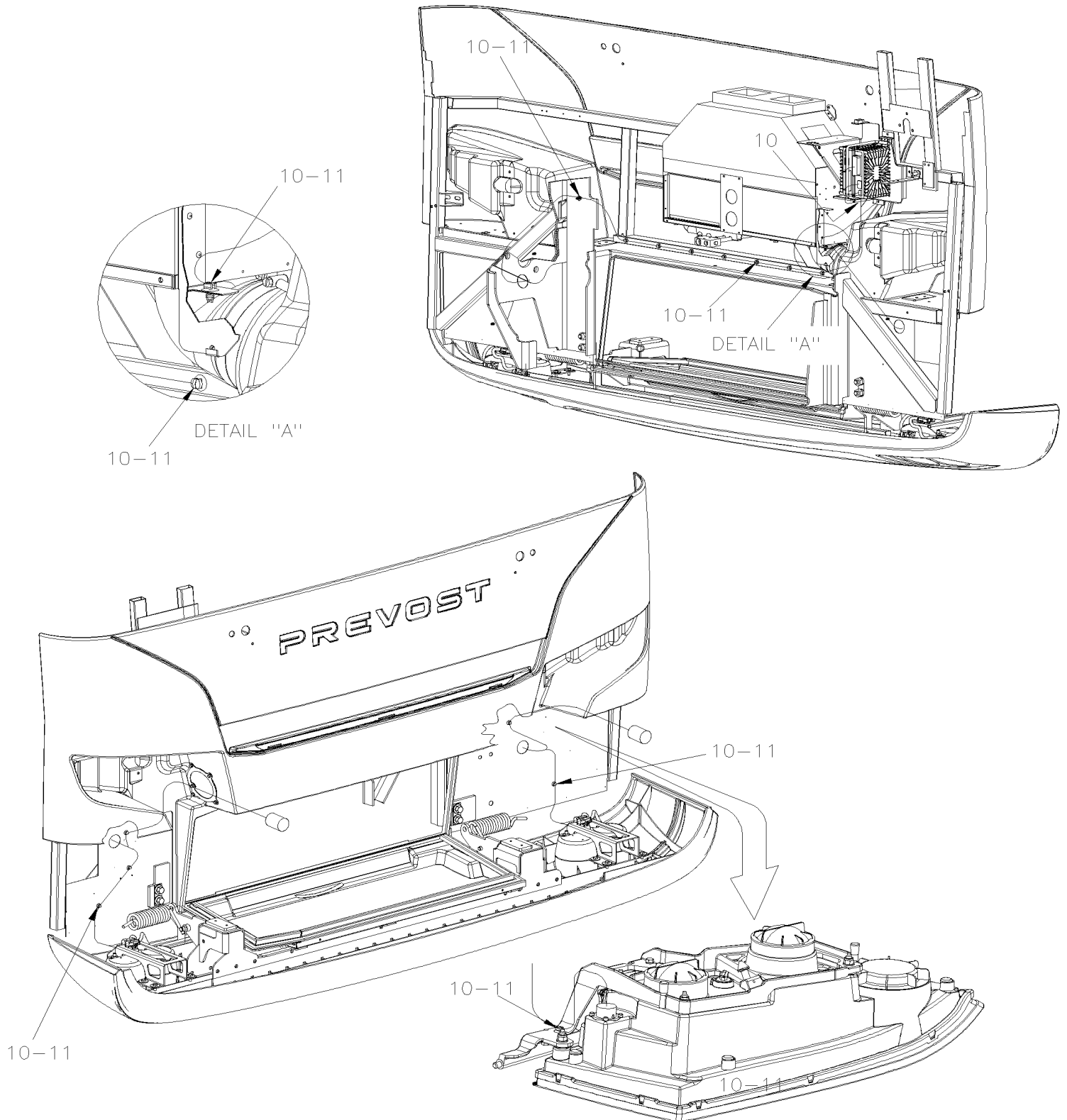


From K-0185 To P-1452

Date:07/2024

PAGE:H9-0640-00

CABLE & HARNESS - FRONT END INSTALLATION



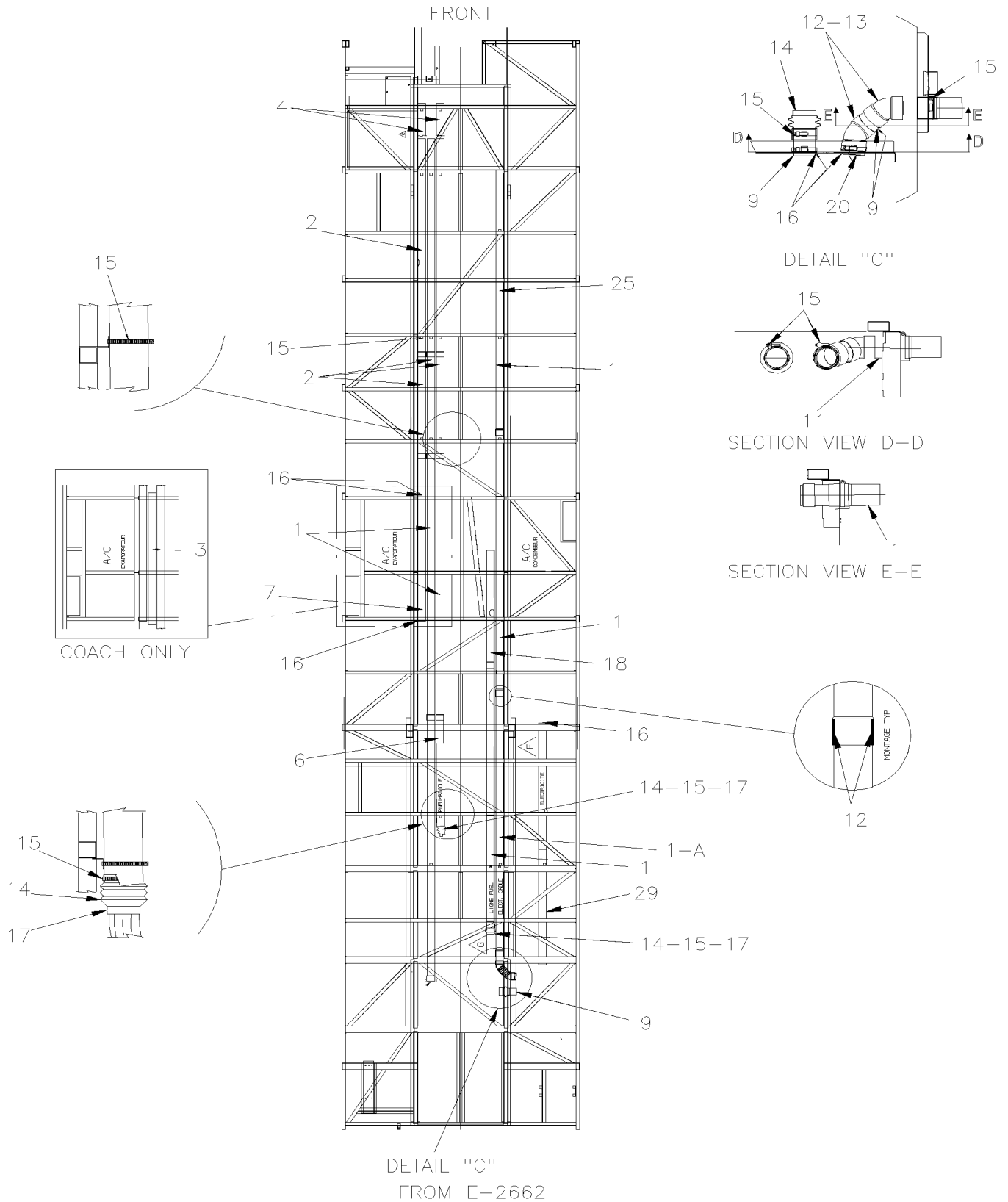
From K-0185 To P-1452	Date:07/2024	PAGE:H9-0640-00
CABLE & HARNESS - FRONT END INSTALLATION		

Item#	Part	Description	H 3 4 1	H 3 4 5	NOTES
2	060665	CABLE ASSY / FRONT LOWER END To L-0822	1	1	
2	0611104	CABLE ASSY / FRONT LOWER END From L-0823 To L-0907	1	1	
2	0610232	CABLE ASSY / FRONT LOWER END From L-0908 To M-1109	1	1	
2	0610244	CABLE ASSY / FRONT LOWER END From M-1110 To M-1153	1	1	
2	0610489	CABLE ASSY / FRONT LOWER END From M-1154	1	1	
2	564462	. GROMMET, TAP 48MM	1	1	
3	H9-0750-04	AUTOMATIC TRANSMISSION - "WORLD" WITH VOLVO D13	1	1	
4	141722	SUPPORT PRESSURE SWITCH	1	1	
5	500611	SCREW TC PAN PH #10-24x1/2 Z050	3	3	
6	500579	SCREW MA RND PH #10-24x1 3/4 Z050	2	2	
7	500470	WASHER LO SPT .193x.334x.047 Z050	2	2	
8	500786	NUT HEX #10-24 Z050	2	2	
10	504637	CABLE TIE / 3/16" x 13"	AR	AR	
11	509815	TIE MOUNT / ATTACHMENT W/TREE MOUNT	AR	AR	
12	502587	STUD WD WOC M4-0.7x25 SS	AR	AR	
13	502557	NUT HEX NYRT M4-0.7 SS	AR	AR	
16	952635	CLAMP / 1" I.D.	AR	AR	
17	952625	CLAMP / 3/8" I.D.	AR	AR	
18	504264	GROMMET / .750x1.250x.062x.250x1.625	1	1	
18	504398	GROMMET / 1.000x1.375x.062x.437x1.750	1	1	
19	680096	SEALANT BUTYL ALUM / GREY / 310ml CARTRIDGE	AR	AR	
20	562381	RESISTANCE MODULE	1	1	
23	562357	RESISTANCE MODULE	1	1	
24	500643	SCREW TP PAN PH #12x3/4 Z050	2	2	
26	504547	GROMMET / .375x.500x.125x.375x.812 x.625x.125	1	1	
27	H9-2210-50	AIR MAIN SENSOR			
NS	069820	CONNECTOR JUMPER SE51, SEAT BELT ALARM To K-0637	1	1	
200	500437	WASHER FL .125x.375x.040 Z050	7	7	
201	060338	SWITCH DOOR LIGHT	1	1	
203	500657	SCREW TC TR PH #10-24x1/2 Z050	4	4	
204	060813	CABLE HARNESS / FRONT ROOF To L-0822	1	1	
204	069881	CABLE HARNESS / FRONT ROOF From L-0823	1	1	
205	504473	RIVET POP DOME OE 1/8x1/4 SS	AR	AR	
206	504013	TIE MOUNT / 1/4" X 1/4" I.D.	AR	AR	
207	500510	SCREW MA BDG PH #10-32x3/4 SS EMN	AR	AR	
208	500519	NUT WELL #10-32x.518	AR	AR	
209	5001182	NUT HEX NYRT M6-1.0 SS	AR	AR	
210	502573	WASHER FL 6.4x12.5x1.6 SS	AR	AR	
211	504448	CABLE CLIP 1/4" / ADHESIVE	AR	AR	
213	500613	SCREW TP PAN PH #10x1/2 Z050	AR	AR	
216	063782	CABLE ASSY / RESISTANCE MODULE & SWITCH	1	1	
217	064094	FIRE & KNEELING / ALARM ASSY / SERVICE	1	1	

From K-0185 To P-1452	Date:07/2024	PAGE:H9-0640-00
CABLE & HARNESS - FRONT END INSTALLATION		

Item#	Part	Description	H 3 4 1	H 3 4 5	N O T E S
218	500641	SCREW TP PAN PH #8x3/4 Z050	2	2	
219	502636	WASHER LO SPT 4.1x7.6x0.9 Z050	4	4	
220	064180	SUPPORT / KNEELING ALARM	1	1	
221	500588	SCREW CAP HEX M4-0.7x20 G8.8 Z050	2	2	
222	502524	NUT HEX M4-0.7 Z050	2	2	

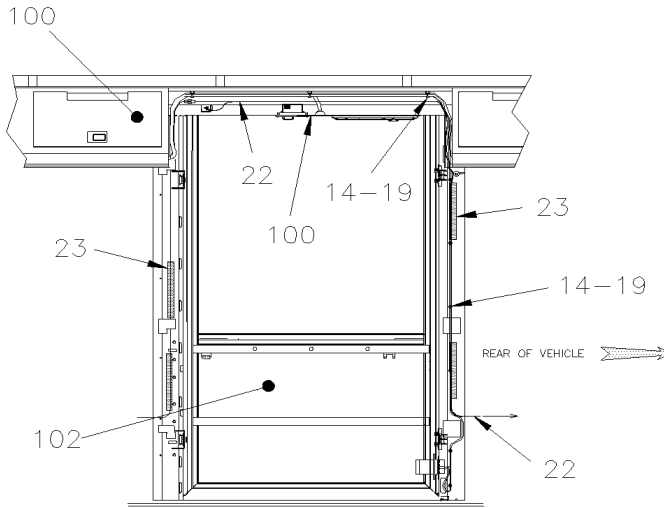
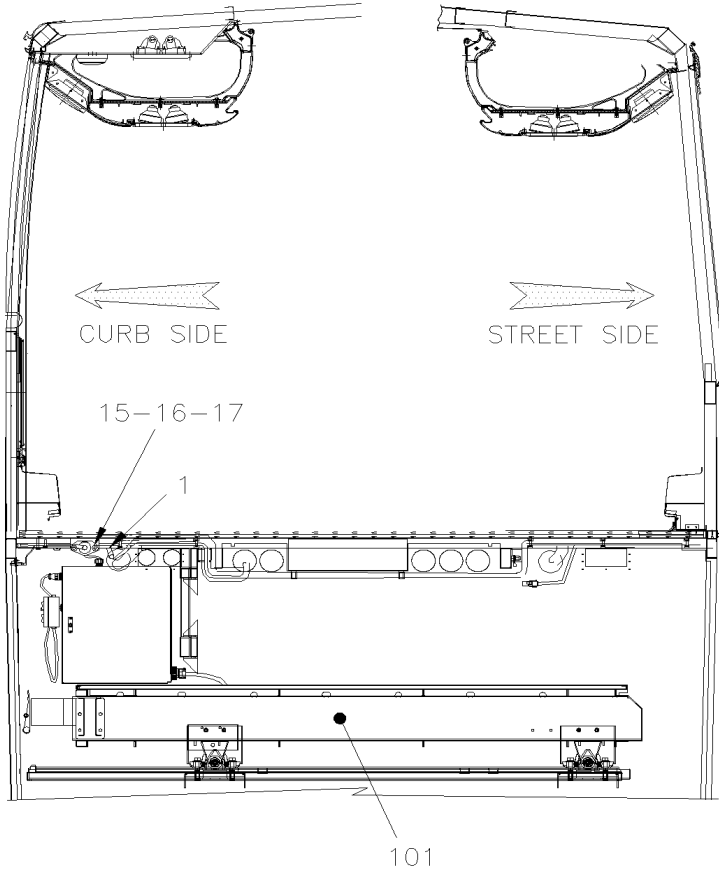
CABLE HARNESS - PIPE INSTALLATION



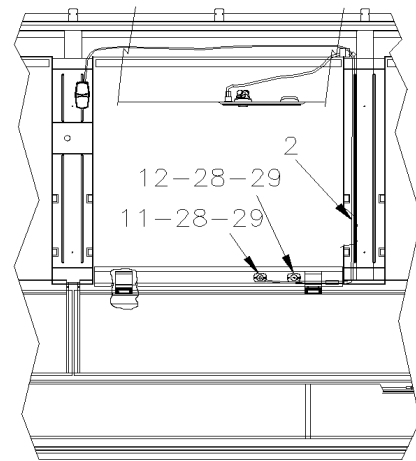
From K-0185	Date:07/2024	PAGE:H9-0640-10
CABLE HARNESS - PIPE INSTALLATION		

Item#	Part	Description	H 3 4 1	H 3 4 5	NOTES
1	142032	TUBE PVC / 3" X 3041MM		4	
1	142032	TUBE PVC / 3" X 3041MM	3		
1A	067866	TUBE PVC / 3" X 2674MM	1	1	
NS	371600	INSULATING PAD 76.2MM x 374.7MM	2	2	
2	063688	TUBE PVC / 3" X 1220MM W/F		2	
3	141472	TUBE PVC / 3" X 1500MM	1	1	
4	063690	TUBE PVC / 3" X 2905MM W/F	2	2	
6	062922	TUBE PVC / 3" X 1275MM	1	1	
7	062439	TUBE PVC / 3" X 1915MM	1	1	
9	063692	TUBE PVC / 3" X 120MM	1	1	
11	068219	TUBE PVC / 3" X 150MM	1	1	
12	680290	ADHESIVE PVC / 946ml	AR	AR	
13	503800	UNION ELBOW 45° / PVC PIPE / 3Fx3F PVC	2	2	
14	504499	CUFF END BELLOW / 2 7/8" I.D. x 3 5/8" x 4 7/16	3	3	
15	504026	HOSE CLAMP / 2"13/16-3"3/4 SS / HS-52	AR	AR	
15	504257	HOSE CLAMP / 4"1/16-5" SS / HS-72	AR	AR	
16	680532	SEALANT SIKA #221 / GREY / 310ml CARTRIDGE	AR	AR	
17	504637	CABLE TIE / 3/16" x 13"	AR	AR	
17	504273	CABLE TIE / 1/8" X 3"1/2	AR	AR	
18	067834	TUBE PVC / 3" X 1350MM W/ HOLE	1	1	
20	068220	TUBE PVC / 3" X 65MM	1	1	
25	066698	TUBE PVC / 3" X 1980MM	1		
29	060949	TUBE PVC / 4" X 2768MM	1	1	
NS	503390	TUBE / PVC PIPE / 3"x10' WHITE PVC	AR	AR	

From K-0185	Date:07/2024	PAGE:H9-0640-80
CABLE & HARNESS - W.C.L.		



CURB SIDE



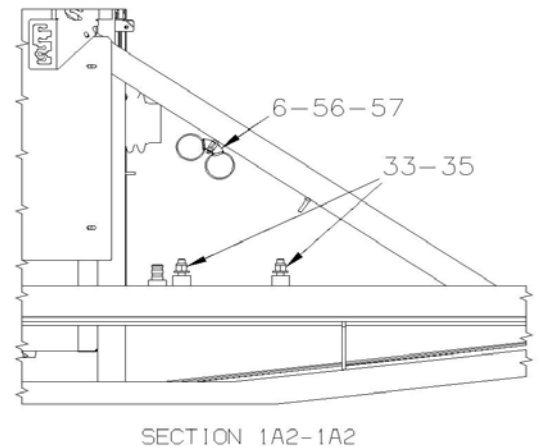
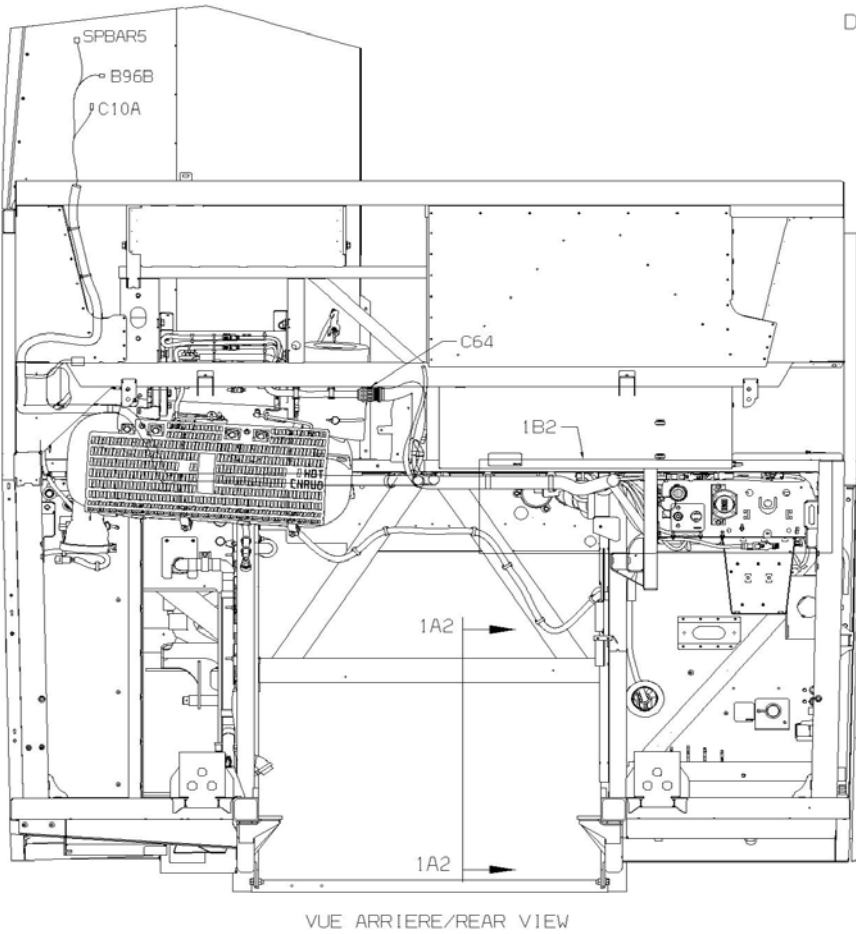
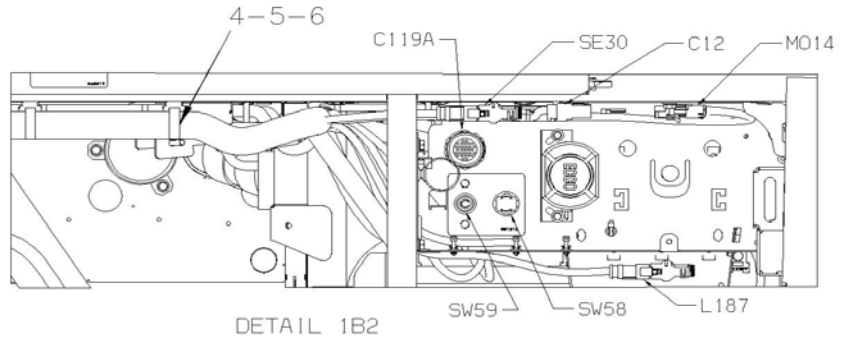
STREET SIDE

From K-0185

Date:07/2024

PAGE:H9-0641-01

CABLE & HARNESS - REAR END INSTALLATION

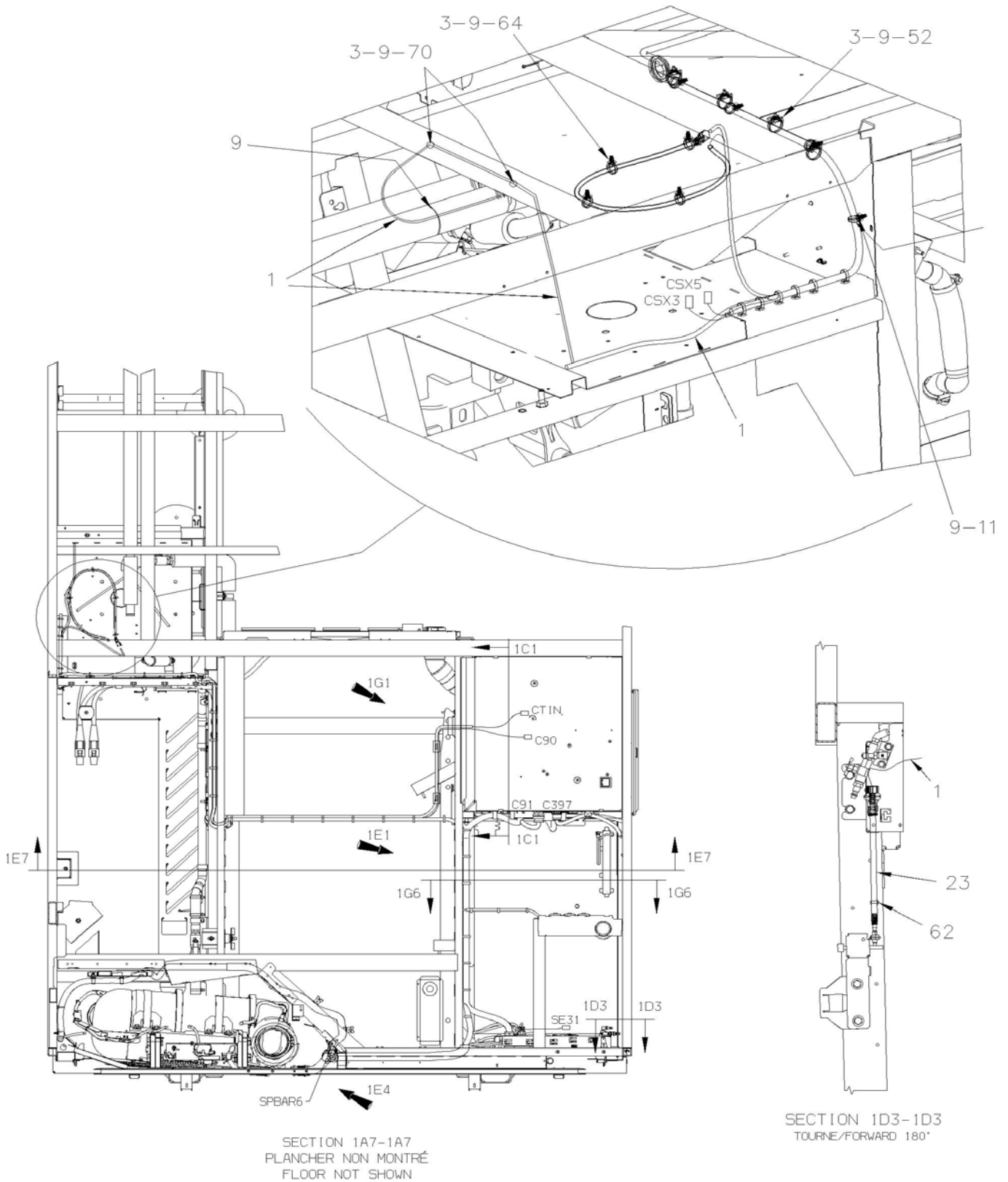


From K-0185

Date:07/2024

PAGE:H9-0641-01

CABLE & HARNESS - REAR END INSTALLATION

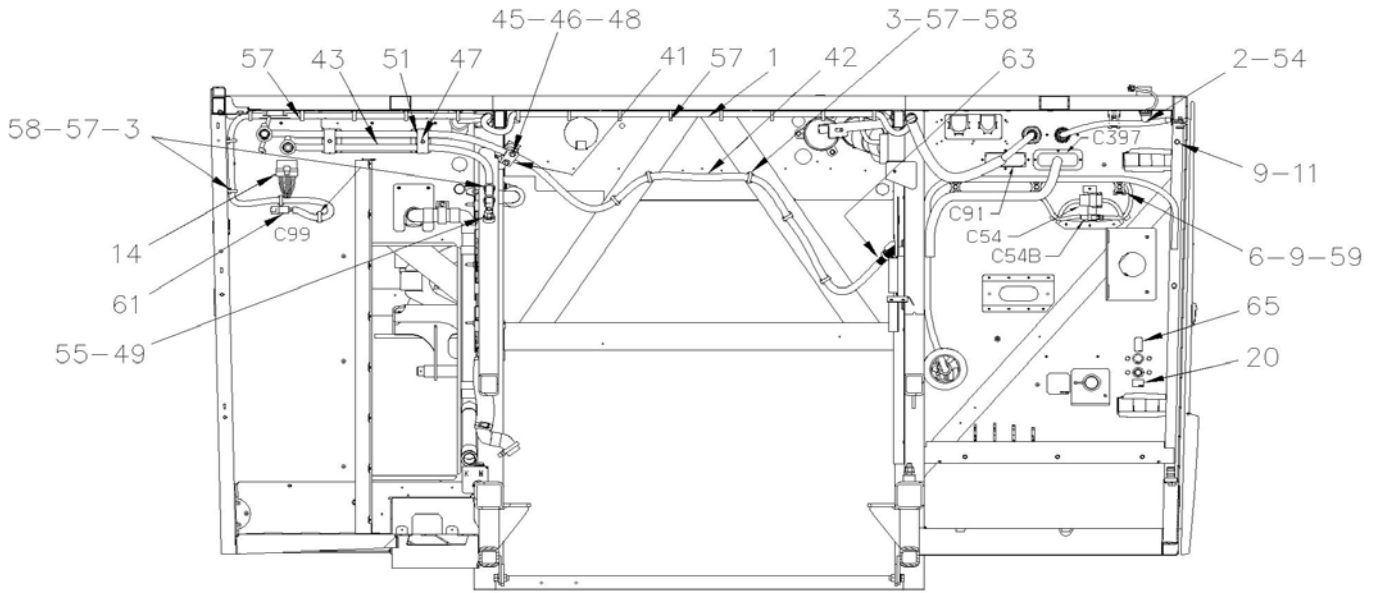


From K-0185

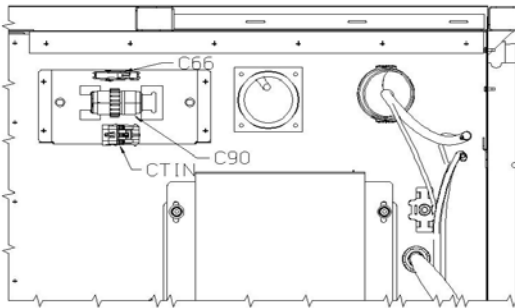
Date:07/2024

PAGE:H9-0641-01

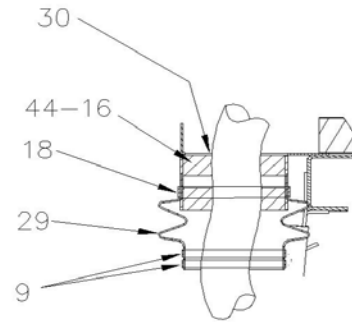
CABLE & HARNESS - REAR END INSTALLATION



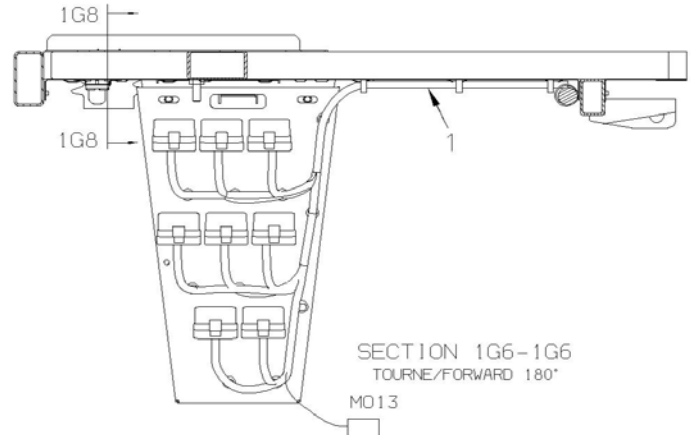
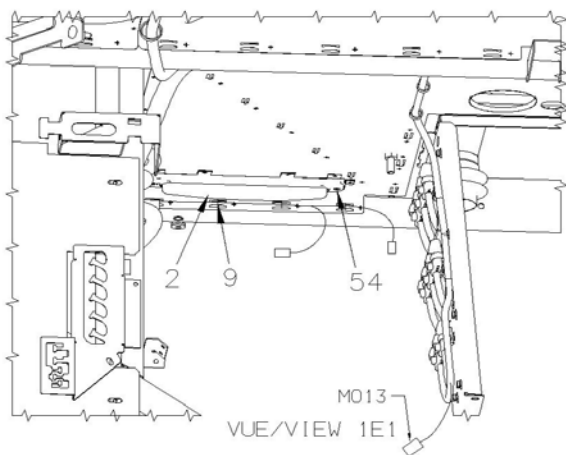
SECTION 1E7-1E7



SECTION 1C1-1C1



SECTION 1G8-1G8



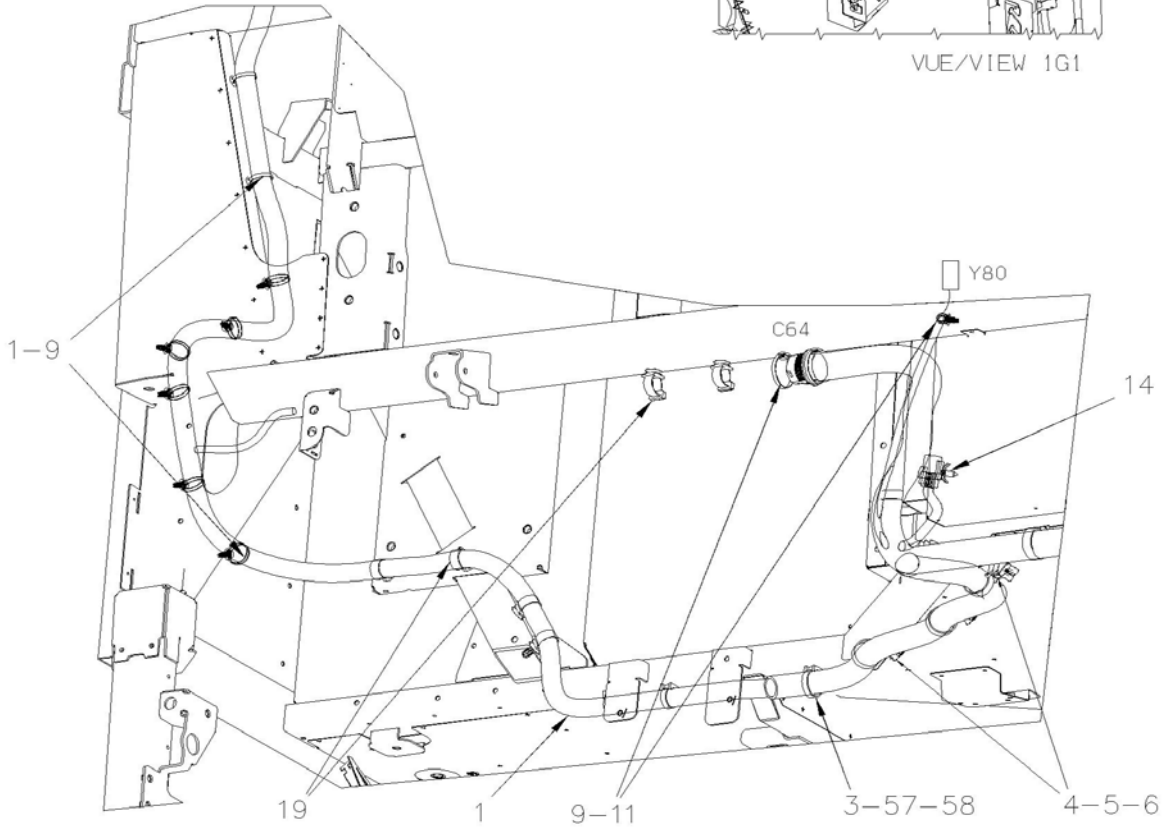
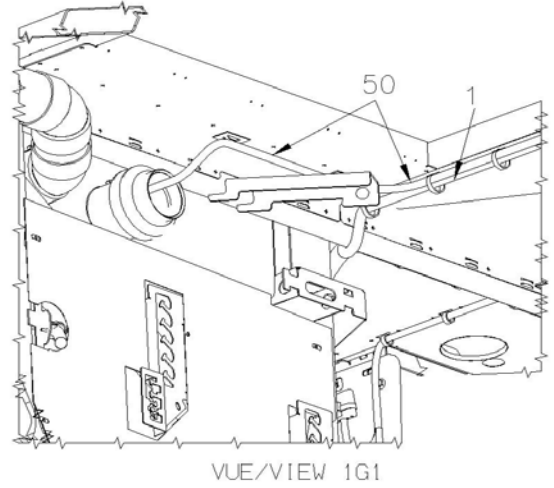
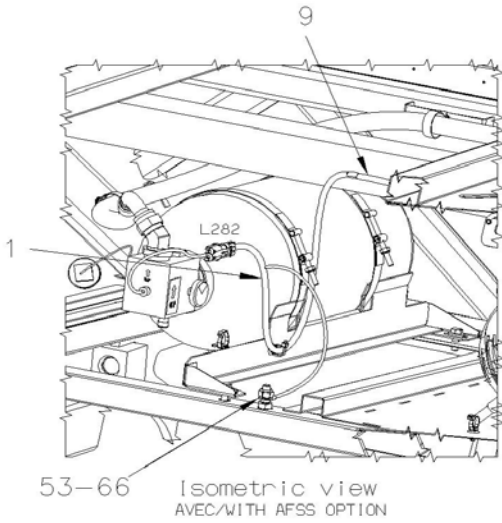
SECTION 1G6-1G6
TOURNE/FORWARD 180°

From K-0185

Date:07/2024

PAGE:H9-0641-01

CABLE & HARNESS - REAR END INSTALLATION



From K-0185		Date:07/2024	PAGE:H9-0641-01
CABLE & HARNESS - REAR END INSTALLATION			

Item#	Part	Description	H 3 4 1	H 3 4 5	N O T E S
1	060667	CABLE HARNESS / ENGINE ACCESSORIES To K-0604	1	1	
1	0610014	CABLE HARNESS / ENGINE ACCESSORIES From K-0605 To P-1452	1	1	
1	0600120	CABLE HARNESS / ENGINE ACCESSORIES From R-1453		1	
2	830009	LAMP ASSY 24V / LED	1	1	
. NS	563589	. CONNECTOR / DTM SERIES / SH 2C / GRAY / DEUTSCH DTM06-2S-E007	1	1	
3	504013	TIE MOUNT / 1/4" X 1/4" I.D.	AR	AR	
4	509491	CABLE TIE / 13MM x 383MM	AR	AR	
5	500266	SCREW TC CAP HEX 1/4-20x1 N500	AR	AR	
6	509490	ATTACHMENT DOUBLE USE WITH CABLE TIE	AR	AR	
9	504637	CABLE TIE / 3/16" x 13"	AR	AR	
11	509815	TIE MOUNT / ATTACHMENT W/TREE MOUNT	AR	AR	
12	502556	WASHER FL 4.3x9.0x0.8 SS	4	4	
14	564542	TREE MOUNT CLIP FOR PED CONNECTOR	4	4	
15	5001743	SCREW CAP HEX M6-1.0x12 G8.8 N500	2	2	
16	371600	INSULATING PAD 76.2MM x 374.7MM	1	1	
17	502853	WASHER LO SPT 6.1x11.8x1.6 N500	2	2	
18	504025	HOSE CLAMP / 2"5/16-3"1/4 SS / HS-44	1	1	
19	504750	CABLE TIE / 1/2" x 15" / CHRISTMAS TREE	AR	AR	
20	065466	DECAL / LAVATORY PUMP FLUSH / ENGLISH & FRANCAIS	1	1	
23	068076	SWITCH PROXIMITY WITH LED ASSY	1	1	
. NS	564176	. SWITCH PROXIMITY / S.P.D.T. / W/3 WIRES W/LED	1	1	
29	504707	CUFF END BELLOW / 2 1/2" I.D. x 3 7/8" x 2 5/8"	1	1	
30	680096	SEALANT BUTYL ALUM / GREY / 310ml CARTRIDGE To R-1727	AR	AR	
30	685440	GLUE ADBOND 1502 WHITE, SAUSAGE 600ML From R-1728		AR	
33	500958	WASHER FL .531x1.062x.095 SS	2	2	
35	502595	NUT HEX NYRT 1/2-13 Z050	2	2	
41	0600271	PLATE RETAINING / COLLAR	1	1	
42	069245	HARNESS PWR FAN DRIVE	1	1	
43	069246	HARNESS GROUND FAN DRIVE	1	1	
44	506264	TAPE RUB ADH1 URE 3/4" x 1" x 12.5' / GREY 1820X	AR	AR	
45	140079	HALF COLLAR 44MM I.D. / TO FIX HOSE	2	2	
46	5001636	SCREW CAP HEX M6-1.0x50 SS BK	2	2	
47	5001661	SCREW CAP HEXS M8-1.25x35 G10.9 AD MAGNI 565	2	2	
48	5001833	WASHER BEL SPR 6.1x18x1.27 SS	2	2	
49	5002001	NUT HEX NYRT 1/2-13 SS BK	1	1	
50	067676	CABLE THERMO DETECTOR (LINEAR FIRE CABLE) / 1M / 168C/180C // 334F/356F	1	1	
. NS	563587	. MODULE DETECTOR / END CIRCUIT	1	1	
51	069351	CLAMP, POWER CABLE	4	4	
52	502868	SCREW TC TR PH #10-16x1/2 N500	4	4	
53	5002028	NUT HEX NYRT M10-1.5 SS	1	1	
54	500799	SCREW TC PAN PH #8-32x3/8 N500	2	2	
55	500958	WASHER FL .531x1.062x.095 SS	1	1	

From K-0185	Date:07/2024	PAGE:H9-0641-01
CABLE & HARNESS - REAR END INSTALLATION		

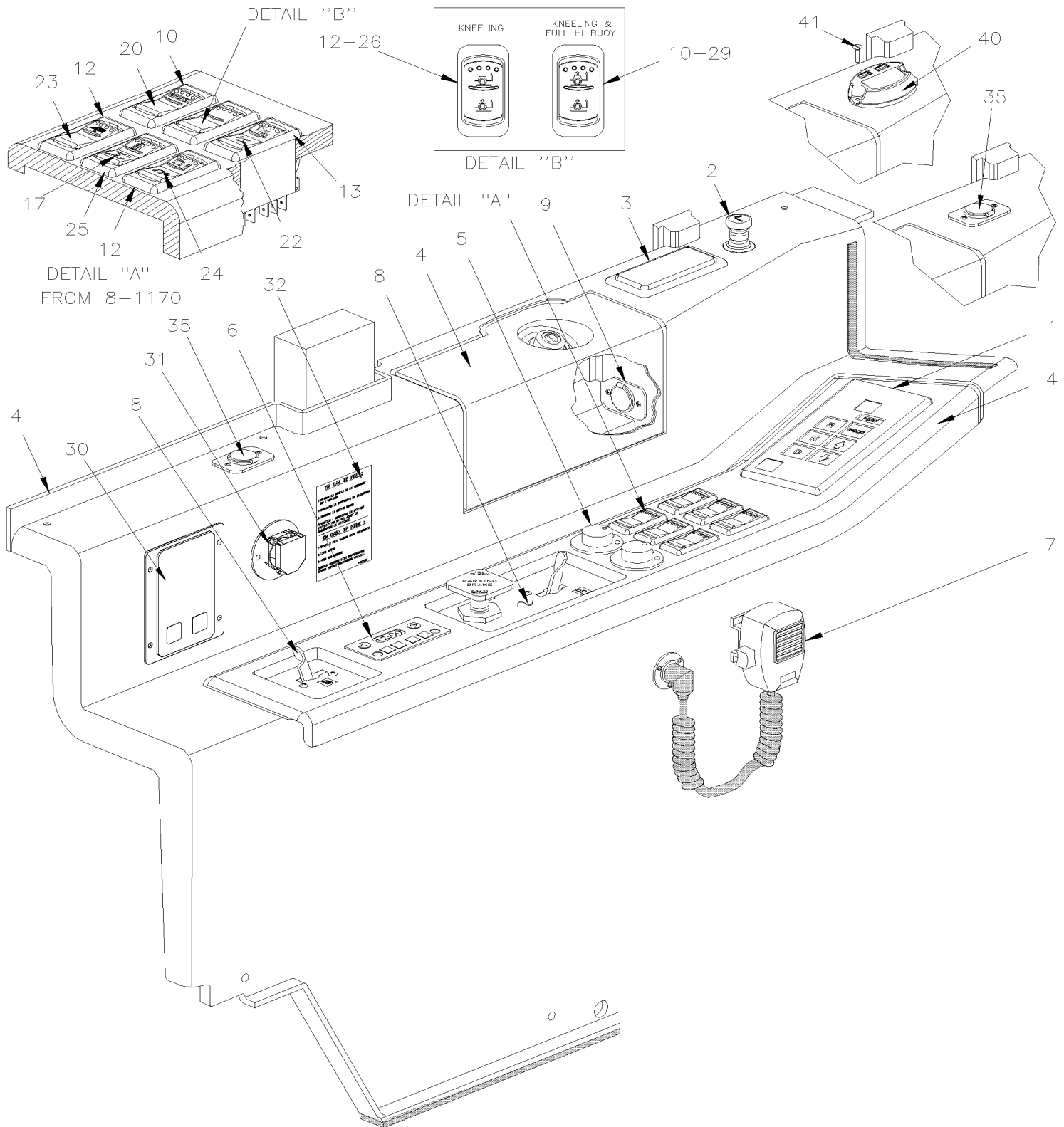
Item#	Part	Description	H 3 4 1	H 3 4 5	NOTES
56	502681	NUT HEX NYRT M6-1.0 N500 G8	1	1	
57	504016	CABLE TIE / 5/16" X 14"1/2	AR	AR	
58	504488	RIVET MGLP PRDG 3/16x17/64 SS	AR	AR	
59	504610	RIVET MGLP PRDG 1/4x5/8 SS	4	4	
61	564108	SELF MOUNTING STUD // DEUTSCH 1011-310-0205	1	1	
62	8631155	CABLE TIE / 4.6MM x 200 / CHRISTMAS TREE	1	1	
63	560791	SHRINK TUBING / .940" - .406" / BLACK / ALPHA FIT-321-1-4B	AR	AR	
65	060595	DECAL ELECTRICAL SHUT-OFF	1	1	
66	5001935	WASHER FL 10.5x18.0x1.6 SS	1	1	
70	500957	SCREW TP BDG PH #10x3/4 N500	3	3	
201	060709	CABLE HARNESS / CLEARANCE LIGHT REAR CURBSIDE To P-1452	1	1	
201	0600030	CABLE HARNESS / CLEARANCE LIGHT REAR CURBSIDE From R-1453		1	
203	060744	CABLE HARNESS / CLEARANCE LIGHT REAR STREETSIDE To P-1452	1	1	
203	0600031	CABLE HARNESS / CLEARANCE LIGHT REAR STREETSIDE From R-1453		1	
222	062403	DECAL / "CAUTION" BEFORE WELDING...." // ENGLISH & FRANCAIS	1	1	
300	H9-0665-11	SWITCHES, LIGHTS, AJAR - UNDER FLOOR & ENGINE COMPARTMENT To P-1452			
300	H9-0665-12	SWITCHES, LIGHTS, AJAR - UNDER FLOOR & ENGINE COMPARTMENT From R-1453			

From K-0185 To P-1452

Date:07/2024

PAGE:H9-0645-00

SWITCHES L.H. CONSOLE - BUS



From K-0185 To P-1452	Date:07/2024	PAGE:H9-0645-00
SWITCHES L.H. CONSOLE - BUS		

Item#	Part	Description	H 3 4 1	H 3 4 5	NOTES
1	572155	SHIFTER, SELECTOR "WORLD" / GEN V To L-0856	1	1	
1	570052	SHIFTER, SELECTOR "WORLD" / GEN V From L-0857 To N-1270	1	1	
1	570134	SHIFTER, SELECTOR "WORLD" / GEN VI From P-1271	1	1	
1	071587	SHIFTER SELECTOR "I-SHIFT"	1	1	
NS	071562	DECAL / USE ELECTRONIC...PROXI...MAY CAUSE... / ENGLISH	1	1	I
1	071563	DECAL / USE ELECTRONIC...PROXI...MAY CAUSE... / FRENCH / ENGLISH	1	1	I
1	071564	DECAL / USE ELECTRONIC...PROXI...MAY CAUSE... / ENGLISH / SPANISH	1	1	I
NS	406174	SUNLIGHT DEFLECTOR	1	1	
NS	071300	SUPPORT / SHIFTER SELECTOR "ZF"	2	2	
NS	500423	NUT HEX NYRT #10-32 SS	2	2	
1	060544	WIRING HARNESS DASHBOARD LEFT MODULE To M-1153	1	1	
1	0610411	WIRING HARNESS DASHBOARD LEFT MODULE From M-1154	1	1	
NS	564534	CABLE TIE / WITH EDGE CLIP / T50REC5A 10 MM x 200 MM	AR	AR	
2	561491	LIGHTER ASSY / 12V To P-1361	1	1	
3	890006	ASHTRAY To P-1361	1	1	
4	H9-1806-10	L.H. CONSOLE - BUS			
5	562748	SWITCH, MIRROR / ROUND	AR	AR	
5		CLIP RETAINER / MIRROR SWITCH (R2000-1372P)	2	2	
NS	562749	CONNECTOR / SH 8C / EURAMTEC W-RT8-200	2	2	
NS	507295	HOLE PLUG BUTTON / 1.375 O.D. BLACK	AR	AR	
6	871464	TIMER ASSY / W/"SPHEROS" PREHEATER To K-0654	1	1	
6	870070	TIMER ASSY / W/"HYDRONIC L30" PREHEATER From K-0655	1	1	
6	060557	WIRING HARNESS TIMER PREHEATER	1	1	
6	871101	TIMER ASSY / W/"PROHEAT" PREHEATER	1	1	B
NS	392162	SUPPORT W/"PROHEAT" TIMER	1	1	B
6	060016	WIRING HARNESS / W/ "PROHEAT" PREHEATER	1	1	B
NS	391968	DUMMY / W/O TIMER	1	1	
7	H9-2315-01	SOUND SYSTEM & ACCESSORIES W/HHED			
8	H9-1806-10	L.H. CONSOLE - BUS			
9	562796	12 VOLTS POWER OUTLET	1	1	
NS	562773	SWITCH / "DUMMY" / PLUG	AR	AR	
10	562697	SWITCH / ON-ON / D.P.D.T. / CH-OVER / W/RED & GREEN LED	AR	AR	
12	562699	SWITCH / M/ON-OFF-M/ON / D.P.D.T. / W/GREEN LED	AR	AR	
13	563012	SWITCH / ON-ON / D.P.D.T. / CH-OVER / W/GREEN LED	AR	AR	
16	563012	SWITCH / ON-ON / D.P.D.T. / CH-OVER / W/GREEN LED	AR	AR	
17	564079	SWITCH / M/OFF-OFF-M/ON	1	1	
17	562763	CONNECTOR RH 10C / SWITCH / NGR 28-5637-2	AR	AR	
17	562768	SOCKET TERMINAL / 16-14 / PED 12015870	AR	AR	
20	562724	CAP / CRUISE CONTROL	1	1	
22	564081	CAP / HORN SELECTOR - ELEC / AIR	1	1	
23	562740	CAP / WINDOW DRIVER'S	1	1	
24	562736	CAP / LUGGAGE DOOR LOCK	1	1	

From K-0185 To P-1452	Date:07/2024	PAGE:H9-0645-00
SWITCHES L.H. CONSOLE - BUS		

Item#	Part	Description	H 3 4 1	H 3 4 5	N O T E S
25	562713	CAP / MIRROR HEATER	1	1	
26	562737	CAP / KNEELING	1	1	
27	562713	CAP / MIRROR HEATER	1	1	
29	562738	CAP / UP-DOWN	1	1	
30	563455	PANEL FIRE PROTECTOR DISPLAY	1	1	
31	563456	BUTTON FIRE / MANUAL OPERATING To M-1167	1	1	
. NS	563462	. SEAL BUTTON FIRE / MANUAL OPERATING To M-1167	1	1	
31	564346	BUTTON FIRE / MANUAL OPERATING From M-1168	1	1	
. NS	564392	. TAMPER SEAL BUTTON From M-1168	1	1	
. NS	564349	. TAMPER SEAL FOR BUTTON From M-1168	1	1	
. . NS	564392	. . TAMPER SEAL BUTTON From M-1168	1	1	
32	405725	DECAL / "IN CASE OF FIRE..." / ENGLISH & FRANCAIS To N-1232	1	1	
32	402941	DECAL / "IN CASE OF FIRE..." / ENGLISH & FRANCAIS From N-1233	1	1	
32	405724	DECAL / "IN CASE OF FIRE..." / ENGLISH To N-1232	1	1	
32	402784	DECAL / "IN CASE OF FIRE..." / ENGLISH From N-1233	1	1	
32	400032	DECAL / "IN CASE OF FIRE..." / ENGLISH & FRANCAIS & SPANISH To N-1232	1	1	
32	402940	DECAL / "IN CASE OF FIRE..." / ENGLISH & FRANCAIS & SPANISH From N-1233	1	1	
35	562796	12 VOLTS POWER OUTLET	2	2	A
NS	500539	NUT HEX NYRT M4-0.7 N500	4	4	A
NS	502556	WASHER FL 4.3x9.0x0.8 SS	4	4	A
NS	5001414	SCREW MA FL PH M4-0.7x16 BK	4	4	A
NS	562101	SOCKET TERMINAL / 14-12 / PED 12129493	1	1	A
NS	561539	TAB RECEPTACLE TERMINAL INSUL. NYLON / 16 / AMP 3-520141-2	4	4	A
NS	560587	RING TERMINAL .250 / 18-14 / INSULATED / AMP 160337-2	1	1	A
NS	504637	CABLE TIE / 3/16" x 13"	AR	AR	A
NS	560784	SHRINK TUBING / .250" - .080" / BLACK / ALPHA FIT-300-1/4-4B	AR	AR	A
NS	561681	CONVOLUTED TUBING / SLIT / BLACK & GRAY / .350"	AR	AR	A
NS	562586	WIRE CABLE 16 / BLACK / TXL	AR	AR	A
NS	562592	WIRE CABLE 16 / YELLOW / TXL	AR	AR	A
40	560466	MODULE USB DUAL PORT	1	1	C
40	563622	BUTT SPLICE / 22-18 / RED / W/THERMORETRAC / PANDUIT BSH18-Q	2	2	C
40	564099	TAPE ADHESIF ELECTRICAL TISSUS / BLACK 838MM	AR	AR	C
41	5001411	SCREW MA FL PH M4-0.7x20 BK	2	2	C
41	500539	NUT HEX NYRT M4-0.7 N500	2	2	C
		A) USE WITH 3 12V POWER OUTLET			
		B) USE WITH PRO-HEAT M80			
		C) USE WITH DUAL USB PORT			

From K-0185 To P-1452	Date:07/2024	PAGE:H9-0645-00
-----------------------	--------------	-----------------

SWITCHES L.H. CONSOLE - BUS

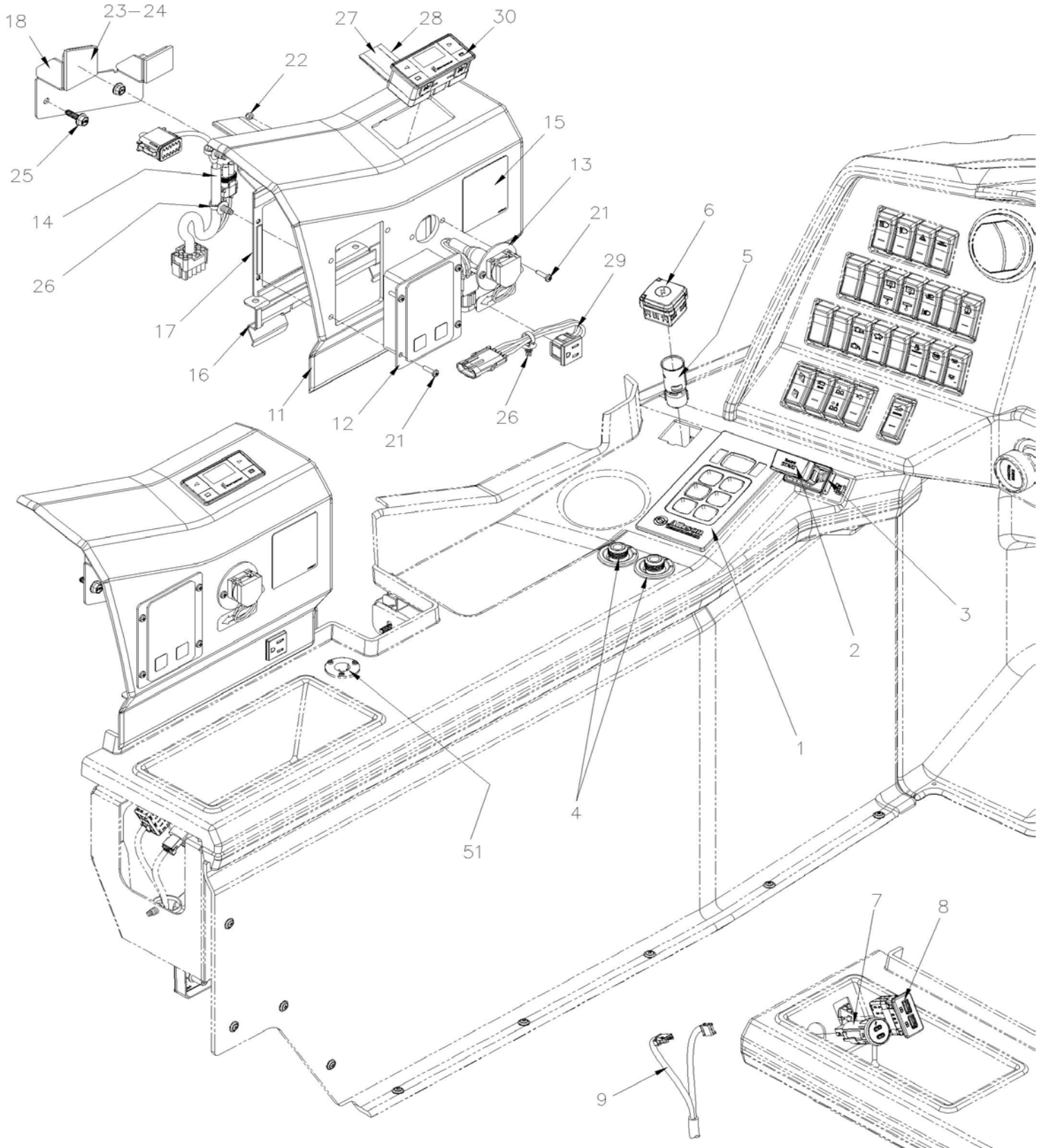
Item#	Part	Description	H 3 4 1	H 3 4 5	N O T E S
		I) WITH "I-SHIFT" SHIFTER			

From R-1453

Date:07/2024

PAGE:H9-0645-01

SWITCHES L.H. CONSOLE - BUS



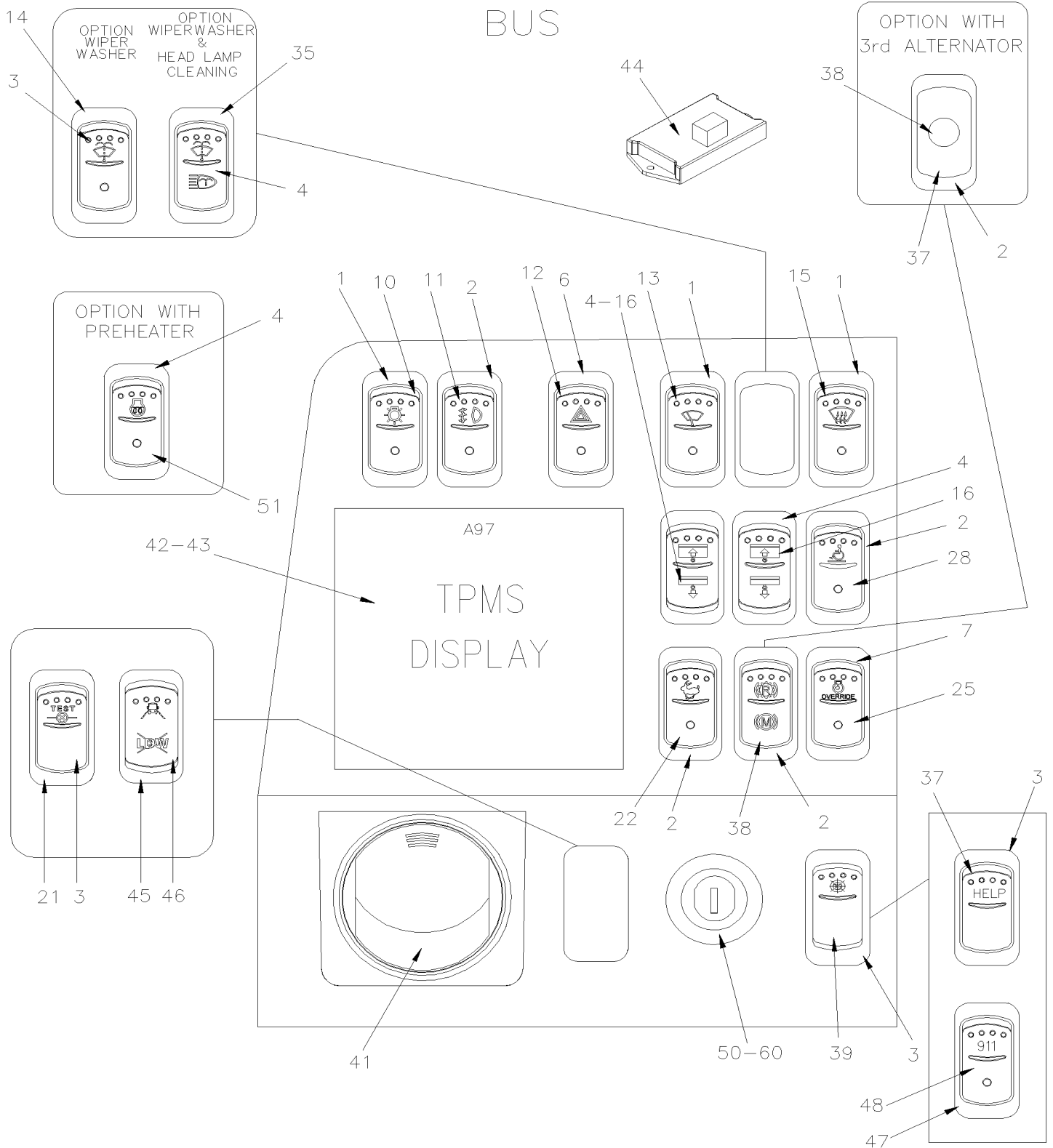
From R-1453		Date:07/2024	PAGE:H9-0645-01
SWITCHES L.H. CONSOLE - BUS			

Item#	Part	Description	H 3 4 1	H 3 4 5	N O T E S
1	570134	SHIFTER, SELECTOR "WORLD" / GEN VI		1	
1	392949	TRANSMISSION SEAL LC		1	
NS	0600003	WIRING HARNESS FRONT JUNCTION BOX TRANS-ALISSON		1	
1	071587	SHIFTER SELECTOR "I-SHIFT"		1	
2	0610622	SWITCH "ENGINE START" To R-1556		1	
2	0600272	SWITCH "ENGINE START" From R-1557		1	
3	392827	TRIM ENGINE START BUTTON		1	
4	562748	SWITCH, MIRROR / ROUND		2	
4	392861	GASKET MIROIR SWITCH		2	
5	22700000	SOCKET - 12V POWER OUTLET		1	
6	22699056	SOCKET - 12V POWER OUTLET		1	
7	23336685	USB CHARGING MODULE TYPE C		1	
8	564723	CHARGING MODULE DOUBLE USB		1	
11	3211577	PANEL FINISHING		1	
11	3211576	PANEL FINISHING W/AFSS		1	
11	3211584	PANEL FINISHING W/AFSS W/120V OUTLET		1	
11	3211292	PANEL FINISHING W/AFSS W/PRE-HEATER		1	
11	3211368	PANEL FINISHING W/AFSS W/120V OUTLET W/PRE-HEATER		1	
11	3211582	PANEL FINISHING W/120V OUTLET		1	
11	3211583	PANEL FINISHING W/120V OUTLET W/PRE-HEATER		1	
11	3211585	PANEL FINISHING W/PRE-HEATER		1	
12	563455	PANEL FIRE PROTECTOR DISPLAY		1	
13	564346	BUTTON FIRE / MANUAL OPERATING		1	
. NS	564392	. TAMPER SEAL BUTTON		1	
. NS	564349	. TAMPER SEAL FOR BUTTON		1	
. . NS	564392	. . TAMPER SEAL BUTTON		1	
14	0600089	AFSS PREHEAT INTERFACE HARNESS W/PROHEAT		1	
14	0600144	AFSS PREHEAT INTERFACE HARNESS W/EBERSPASHER		1	
NS	0600136	ADAPTOR CONNECTOR W/O AFSS		1	A
15	402784	DECAL / "IN CASE OF FIRE..." / ENGLISH		1	
15	402941	DECAL / "IN CASE OF FIRE..." / ENGLISH & FRANCAIS		1	
15	402940	DECAL / "IN CASE OF FIRE..." / ENGLISH & FRANCAIS & SPANISH		1	
16	392866	BRACKET, CLAMP		1	
17	392865	BRACKET, MOUNTING		1	
18	392869	BRACKET, CONSOL ATTACH		1	
21	502698	SCREW MA PAN PH M4-0.7x16 SS BK		6	
22	502557	NUT HEX NYRT M4-0.7 SS		2	
23	505537	TAPE DUAL LOCK 2" X 50 YARD / BLACK SJ3551		AR	
24	505538	TAPE DUAL LOCK 1" x 50 YARD / BLACK SJ3551		AR	
25	5002100	SCREW CAP HEXF AD M6-1.0x20 G10.9 N500		2	

From R-1453	Date:07/2024	PAGE:H9-0645-01
SWITCHES L.H. CONSOLE - BUS		

Item#	Part	Description	H 3 4 1	H 3 4 5	N O T E S
26	509815	TIE MOUNT / ATTACHMENT W/TREE MOUNT		AR	
26	504637	CABLE TIE / 3/16" x 13"		AR	
27	685387	GLUE MS POLYMER TEROSON MS 9399 / 400ml CARTRIDGE		0.2	
28	506785	TAPE RUB ADH2 CC POL 1/16" X 1/4" X 200' / BLACK I1C-N-A		0.012	
29	0600090	120V ADAPTOR HARNESS FOR DRIVER		1	
30	870070	TIMER ASSY / W/"HYDRONIC L30" PREHEATER		1	
30	871101	TIMER ASSY / W/"PROHEAT" PREHEATER		1	
30	392969	SUPPORT TIMER W/PROHEAT		1	
40	870070	TIMER ASSY / W/"HYDRONIC L30" PREHEATER		1	B
40	0600200	HEATER TIMER HARNESS LOCATED FJB		1	B
41	370154	SUPPORT / TIMER		1	B
42	500695	SCREW CAP HEXS 3/8-16x1 ZP		2	B
50	H9-1806-11	L.H. CONSOLE - BUS			
51	H9-2315-01	SOUND SYSTEM & ACCESSORIES W/HHED			
		A) USE WITHOUT AUTOMATIC FIRE SUPPRESSION SYSTEM			
		B) WITH TIMER IN FRONT COMPARTMENT			

L.H. DASHBOARD PANEL



From K-0185 To P-1452	Date:07/2024	PAGE:H9-0645-10
L.H. DASHBOARD PANEL		

Item#	Part	Description	H 3 4 1	H 3 4 5	NOTES
1	562696	SWITCH / OFF-ON-ON SERIES S.P.D.T. / W/RED & GREEN LED	4	4	
2	562697	SWITCH / ON-ON / D.P.D.T. / CH-OVER / W/RED & GREEN LED	AR	AR	
3	562698	SWITCH / OFF-M/ON / D.P.S.T. / W/GREEN LED	1	1	
3	562698	SWITCH / OFF-M/ON / D.P.S.T. / W/GREEN LED	1	1	F
3	901568	CABLE ASSY, EMERGENCY W/SPLITTER / 25'	1	1	F
4	562699	SWITCH / M/ON-OFF-M/ON / D.P.D.T. / W/GREEN LED	3	3	
6	562854	SWITCH / ON-ON / D.P.D.T. / CH-OVER / W/RED LED	1	1	
7	562855	SWITCH / OFF-M/ON / D.P.S.T. / W/RED LED	1	1	
NS	562763	CONNECTOR RH 10C / SWITCH / NGR 28-5637-2	AR	AR	
NS	562768	SOCKET TERMINAL / 16-14 / PED 12015870	AR	AR	
NS	562773	SWITCH / "DUMMY" / PLUG	AR	AR	
10	562708	CAP / HEADLIGHT	1	1	
11	562709	CAP / FOG	1	1	
12	562710	CAP / WARNING LIGHT HAZARD	1	1	
13	562711	CAP / WIPER (UPPER)	1	1	
14	562715	CAP / WINDSHIELD WASHER (UPPER)	1	1	
15	562712	CAP / DEFOGGER	1	1	
16	562739	CAP / ROLLER BLIND	2	2	
21	562741	CAP / TELL TALE TEST	1	1	
NS	562697	SWITCH / ON-ON / D.P.D.T. / CH-OVER / W/RED & GREEN LED	1	1	A
22	562723	CAP / FAST IDLE	1	1	
25	562727	CAP / ENGINE OVERRIDE From K-0605	1	1	
28	562774	CAP / W.C.L.	1	1	
35	564007	CAP / WASHER WIDSHIELD & HEADLAMP	1	1	
37	565923	CAP / HELP !	1	1	F
37	566015	CAP / "911"	1	1	F
37	069955	WIRING HARNESS EMERGENCY DESTINATION SIGN	1	1	F
38	564082	CAP / "JACOB'S" & RETARDER"	1	1	
38	564146	CAP / "JACOB'S"	1	1	I
38	562698	SWITCH / OFF-M/ON / D.P.S.T. / W/GREEN LED	1	1	G
38	564146	CAP / "JACOB'S"	1	1	G
38	564500	LIGHT, INDICATOR AMBER (28VDC-1W)	1	1	SP
NS	562714	CAP / PLAIN (W/O DESCRIPTION)	1	1	SP
NS	061383	CABLE 3RD ALERNATOR	1	1	SP
39	564147	CAP / TCS	1	1	
41	871314	LOUVER, ADJUSTABLE / ROUND 2 5/8" O.D.	1	1	
42	565912	SCREEN MONITOR TIRE To K-0226	1	1	
42	560561	SCREEN MONITOR TIRE From K-0227	1	1	
43	564084	PLATE TPMS / FIXED AT CENTRAL BOARD	1	1	
43	564086	PLATE REAR TPMS ON CENTRAL BOARD	1	1	
43	564085	PLATE W/OUT TPMS ON CENTRAL BOARD	1	1	

From K-0185 To P-1452	Date:07/2024	PAGE:H9-0645-10
L.H. DASHBOARD PANEL		

Item#	Part	Description	H 3 4 1	H 3 4 5	N O T E S
43	390088	LOCK FOR TPMS PLATE From K-0605	1	1	
NS	5001690	SCREW TC M5 to fix plate	5	5	
NS	560467	SKIM MODULE From K-0605	1	1	
NS	0610073	TPMS LITE ADAPTER From K-0605	1	1	
NS	5002069	SCREW MA PAN PH M5-0.8x30 Z050 From K-0605	2	2	
NS	502701	WASHER FL .172x.750x.031 From K-0605	2	2	
NS	5002042	NUT HEX NYRT M5-0.8 Z050 From K-0605	2	2	
NS	562773	SWITCH / "DUMMY" / PLUG From K-0605	1	1	
44	560008	GATEWAY LIN BUS INTERFACE	1	1	E
45	562698	SWITCH / OFF-M/ON / D.P.S.T. / W/GREEN LED From M-1110	1	1	C
46	563883	CAP / LDW From M-1110	1	1	C
47	562698	SWITCH / OFF-M/ON / D.P.S.T. / W/GREEN LED	1	1	H
47	069706	WIRING HARNESS EMERGENCY DESTINATION SIGN To K-0281	1	1	H
47	069955	WIRING HARNESS EMERGENCY DESTINATION SIGN From K-0282	1	1	H
48	566015	CAP / "911"	1	1	H
50	562147	SWITCH, IGNITION / CODE 801	1	1	
. NS	780003	. KEY, IGNITION SWITCH CODE 801	1	1	
50	562148	SWITCH, IGNITION / CODE 802	1	1	
. NS	780004	. KEY, IGNITION SWITCH CODE 802	1	1	
50	562151	SWITCH, IGNITION / CODE 803	1	1	
. NS	780006	. KEY, IGNITION SWITCH CODE 803	1	1	
50	562150	SWITCH, IGNITION / CODE 804	1	1	
. NS	780007	. KEY, IGNITION SWITCH CODE 804	1	1	
50	562152	SWITCH, IGNITION / CODE 805	1	1	
. NS	780008	. KEY, IGNITION SWITCH CODE 805	1	1	
50	562149	SWITCH, IGNITION / CODE 806	1	1	
. NS	780009	. KEY, IGNITION SWITCH CODE 806	1	1	
NS	562296	KEY / IGNITION BLANCK UNCUT	AR	AR	
50	562146	SWITCH, IGNITION / KEYLESS (ACC-OFF-IGN-START)	1	1	
NS	065045	CABLE ASSY L.H. PARCEL RACK	1	1	A
NS	065046	CABLE ASSY R.H. PARCEL RACK	1	1	A
50	066169	CABLE ASSY RELAY READING LIGHT	1	1	A
NS	065053	CABLE ASSY SWITCH READING LIGHT	1	1	A
50	563332	RELAY 24V S.P.D.T. W/RESISTOR / "VOLVO" (20374662)	1	1	A
51	562722	CAP / PRE-HEATER From L-0739	1	1	
NS	0611115	HARNAIS SWITCH PRE-HEATER From L-0739	1	1	
		NEXT ITEMS ARE USED WITH			
		"FORD" IGNITION SWITCH			
60	065512	CYLINDER IGNITION / CODE FA 0000	1	1	B
60	065658	CYLINDER IGNITION / CODE FA 0001	1	1	B

From K-0185 To P-1452	Date:07/2024	PAGE:H9-0645-10
L.H. DASHBOARD PANEL		

Item#	Part	Description	H 3 4 1	H 3 4 5	N O T E S
60	064902	CYLINDER IGNITION / CODE FA 0013	1	1	B
60	065590	CYLINDER IGNITION / CODE FA 0055	1	1	B
60	065409	CYLINDER IGNITION / CODE FA 0107	1	1	B
60	065851	CYLINDER IGNITION / CODE FA 0109	1	1	B
60	065396	CYLINDER IGNITION / CODE FA 0113	1	1	B
60	068344	CYLINDER IGNITION / CODE FA 0150	1	1	B
60	065397	CYLINDER IGNITION / CODE FA 0206	1	1	B
60	065878	CYLINDER IGNITION / CODE FA 0208	1	1	B
60	061022	CYLINDER IGNITION / CODE FA 0231	1	1	B
60	064417	CYLINDER IGNITION / CODE FA 0528	1	1	B
60	065043	CYLINDER IGNITION / CODE FA 0528	1	1	B
60	067194	CYLINDER IGNITION / CODE FA 0692	1	1	B
60	065500	CYLINDER IGNITION / CODE FA 0704	1	1	B
60	065607	CYLINDER IGNITION / CODE FA 0714	1	1	B
60	069458	CYLINDER IGNITION / CODE FA 0726	1	1	B
60	065501	CYLINDER IGNITION / CODE FA 1343	1	1	B
60	067937	CYLINDER IGNITION / CODE FA 1509	1	1	B
60	564566	SWITCH	1	1	B
60	561626	TAB RECEPTACLE TERMINAL INSUL. NYLON / 22 / AMP 2-520264-4	4	4	B
60	562655	NUT / TO FIX SWITCH	1	1	B
60	391904	SPACER / SWITCH & MOUNTING PLATE	1	1	B
61	780645	KEY CODE A	1	1	B
61	780654	KEY CODE / FA 0001	1	1	B
61	780604	KEY CODE / FA 0013	1	1	B
61	780651	KEY CODE / FA 0055	1	1	B
61	780627	KEY CODE / FA 0113	1	1	B
61	780634	KEY CODE / FA 0107	1	1	B
61	780656	KEY CODE / FA 0109	1	1	B
61	780631	KEY CODE / FA 0206	1	1	B
61	780659	KEY CODE / FA 0208	1	1	B
61	780579	KEY CODE / FA 0528	1	1	B
61	780632	KEY CODE / FA 0692	1	1	B
61	780639	KEY CODE / FA 0704	1	1	B
61	780608	KEY CODE / FA 0714	1	1	B
61	780644	KEY CODE / FA 1343	1	1	B
61	780798	KEY CODE / FA 0726	1	1	B
61	780020	KEY CODE / FA 0231	1	1	B
71	068452	CABLE ASSY / ANTI-THEF	1	1	O
80	069256	SERVICE KIT / PARK BRAKE INDICATOR	1	1	PWT

From K-0185 To P-1452	Date:07/2024	PAGE:H9-0645-10
------------------------------	---------------------	------------------------

L.H. DASHBOARD PANEL

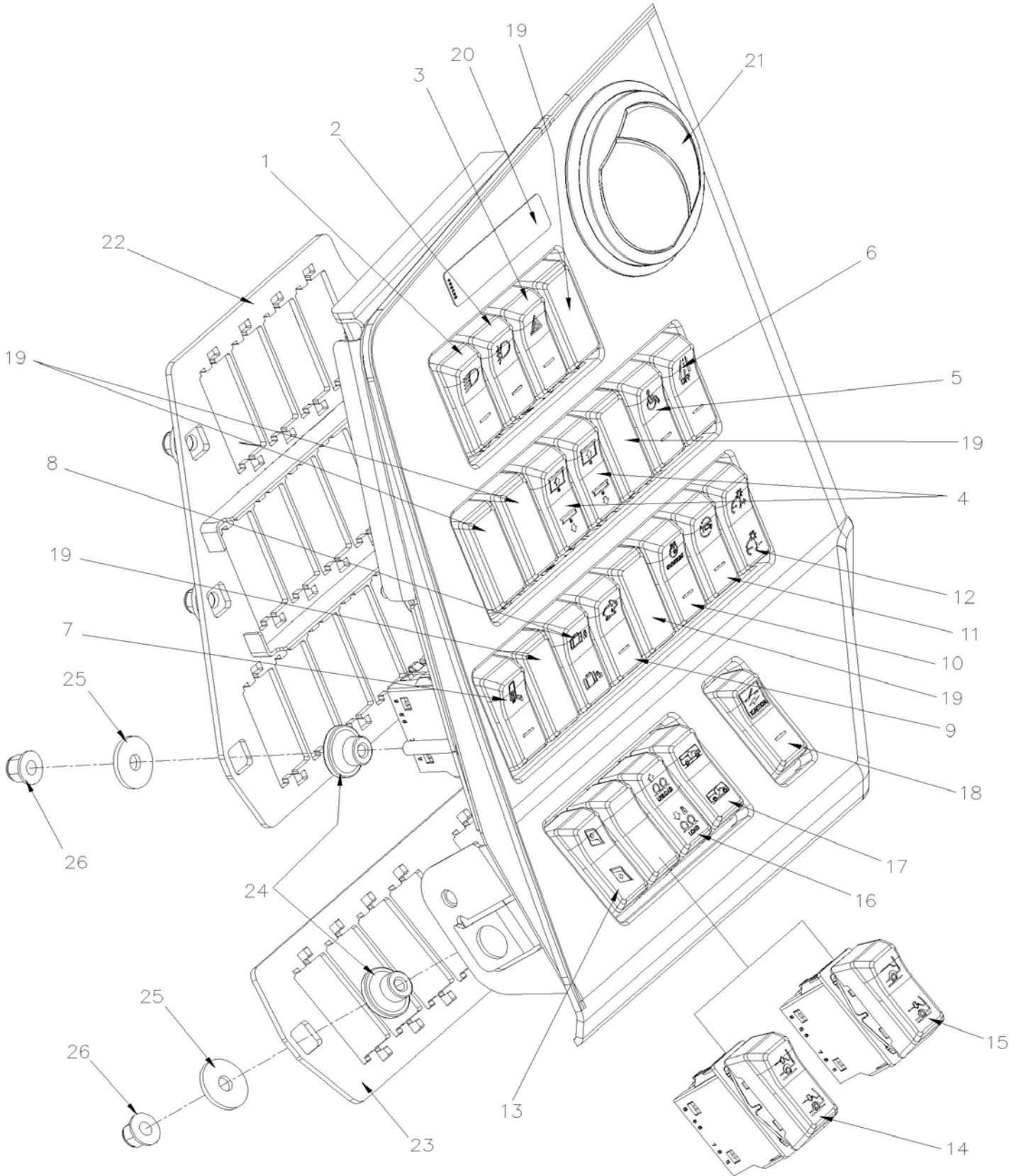
Item#	Part	Description	H 3 4 1	H 3 4 5	N O T E S
81	565954	BASE INDICATOR / RED	1	1	PWT
81	069257	HARNESS / PARKING BRAKE INDICATOR	1	1	PWT
82	565955	LIGHT SWITCH / PARK BRAKE	1	1	PWT
85	560454	KEYLESS MODULE	1	1	
86	500599	SCREW TC TR PH #8-32x3/8 ZP	2	2	
90	IS-14145	SUNVISOR SWITCHES ON DASHBOARD	1	1	
. NS	069234	. SUN VISOR SWITCH HARNESS	1	1	
. NS	562699	. SWITCH / M/ON-OFF-M/ON / D.P.D.T. / W/GREEN LED	2	2	
. NS	562739	. CAP / ROLLER BLIND	2	2	
. NS	562769	. SOCKET TERMINAL / 20-18 / PED 12015869	3	3	
. NS	IS14145	. SEE INSTRUCTION SHEET	1	1	
		A) COACH WITH READING LIGHT TEST D060949 PAGE 11.3 SP2			
		B) THOSE ITEMS ARE USED WITH "FORD" IGNITION KEY SEE DIAGRAM D060950 FOR MORE INFORMATION			
		C) USE WITH "PREVOST DRIVER ASSIST"			
		E) THIS INTERFACE IS LOCATED INSIDE OF DASH			
		F) OPTION FOR SWITCH EMERGENCY ON DESTINATION DISPLAY			
		G) WITH ENGINE BRAKE WITH AUTOMATIQUE TRANSMISSION WITHOUT RETARDER			
		H) USE WITH "911" SWITCH			
		I) WITH I-SHIFT TRANSMISSION			
		O) WITH ORLEAN OPTION			
		PWT) OPTION OPTION PWT PWT PWT OPTION OPTION PWTS+FOR SERVICE, SEE INSTRUCTION SHEET IS-031035			
		SP) SPECIAL OPTION WITH 3RD ALTERNATOR			

From R-1453

Date:07/2024

PAGE:H9-0645-11

L.H. DASHBOARD PANEL



From R-1453	Date:07/2024	PAGE:H9-0645-11
L.H. DASHBOARD PANEL		

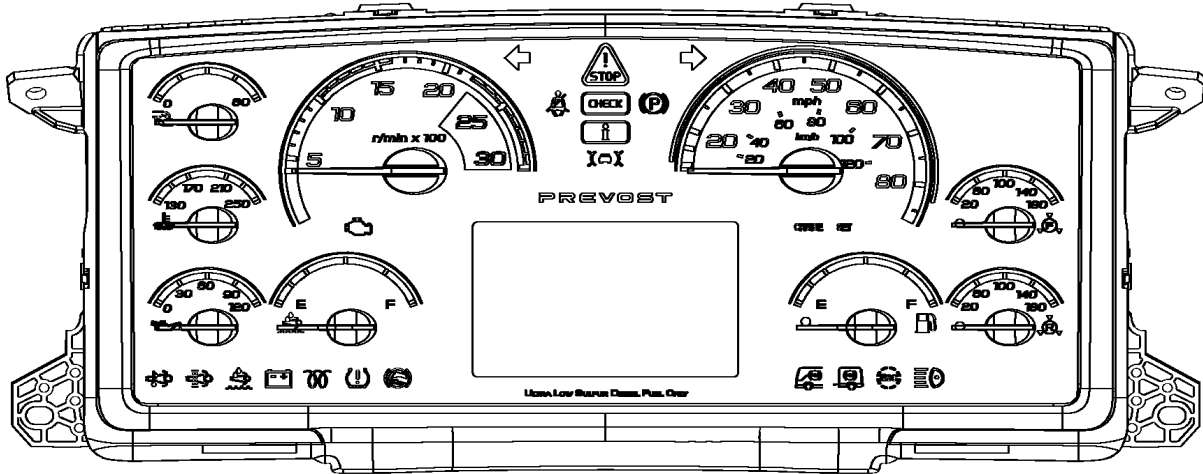
Item#	Part	Description	H 3 4 1	H 3 4 5	NOTES
1	560877	SWITCH "HEADLIGHTS"	1	1	
2	560878	SWITCH "FOG LIGHTS"		1	
3	560902	SWITCH "HAZARD"		1	
4	561981	SWITCH "SUNSHADE"		2	
5	561919	SWITCH "WCL"		1	
6	563928	SWITCH "LDW"		1	
7	560909	SWITCH "MIRROR DEFROSTER"		1	
8	561173	SWITCH "LUGGAGE LOCK"		1	
9	561090	SWITCH "FAST IDLE"		1	
10	561129	SWITCH "ENGINE OVERRIDE"		1	
11	561175	SWITCH "TCS"		1	
12	560995	SWITCH "DIMMER"		1	
13	561159	SWITCH "DRIVER WINDOW"		1	
15	563258	SWITCH "KNEELING DOWN"		1	
16	561975	SWITCH "TAG AXLE UNLOAD"		1	
17A	561865	SWITCH "LOW BUOY" & "HIGH BUOY"		1	
17B	564783	SWITCH "HIGH BUOY"		1	
17C	564782	SWITCH "LOW BUOY"		1	
18	564284	SWITCH "IGNITION"		1	
19	0600143	SWITCH "HOLE PLUG"		AR	
NS	392667	TOOL, ROCKER SWITCH EXTRACTION	1	1	
20	392854	DECAL / VEHICLE HEIGHT 12' 4"		1	
21	950607	AIR DIFFUSER		1	
21	950606	CONNECTOR, AIR DIFFUSER		1	
22	392922	SUPPORT, ROCKER SWITCH		1	
23	392615	SUPPORT, ROCKER SWITCH		1	
24	392924	SPACER		8	
25	500142	WASHER FL 6.6x22.0x2.0 SS		8	
26	5001932	NUT HEXF NYRT M6-1.0 G8.8 N500		8	

From K-0185 To P-1452

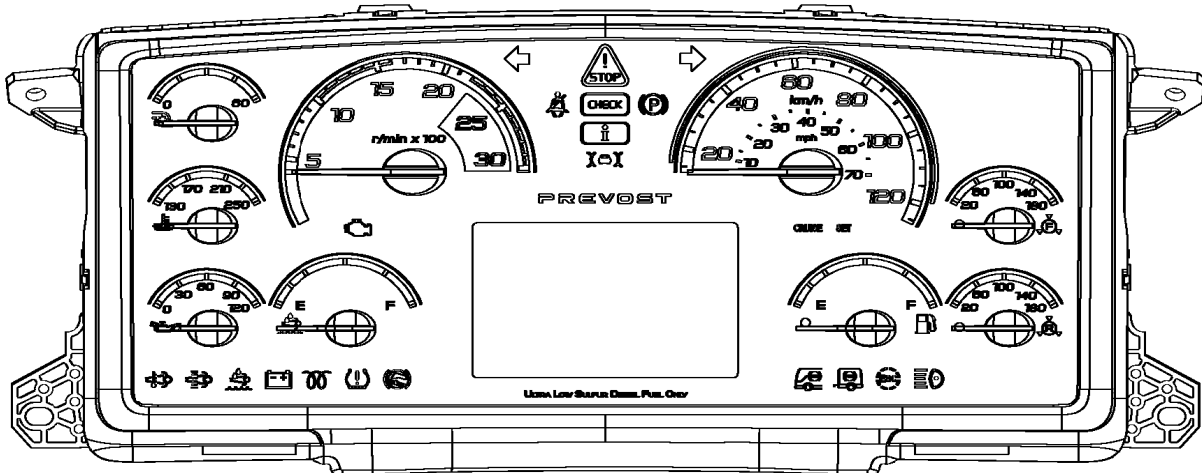
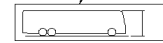
Date:07/2024

PAGE:H9-0645-21

CENTER DASHBOARD PANEL



21



From K-0185 To P-1452	Date:07/2024	PAGE:H9-0645-21
CENTER DASHBOARD PANEL		

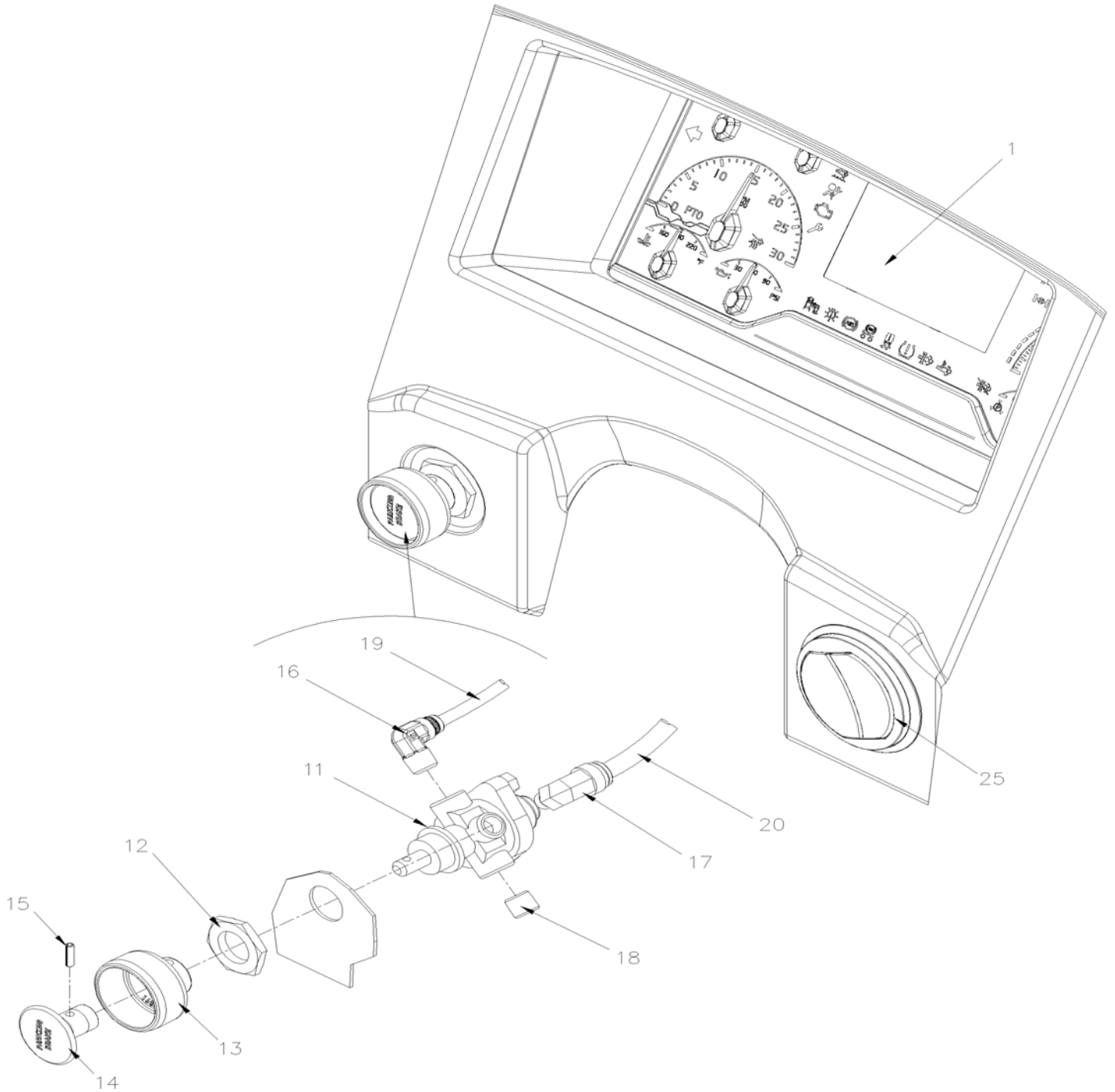
Item#	Part	Description	H 3 4 1	H 3 4 5	N O T E S
1	22261894	CLUSTER, MPH To K-0604	1	1	
1	23413703	CLUSTER, MPH From K-0605	1	1	
1	22261896	CLUSTER, KPH To K-0604	1	1	
1	23413708	CLUSTER, KPH From K-0605	1	1	
1	N.P.N.	. . GAUGE WATER TEMPERATURE	1	1	4
1	N.P.N.	. . GAUGE OIL TEMPERATURE	1	1	4
1	N.P.N.	. . GAUGE OIL PRESSURE	1	1	4
1	N.P.N.	. . GAUGE VOLTAGE	1	1	4
1	N.P.N.	. . GAUGE FUEL LEVEL	1	1	4
1	N.P.N.	. . TACHOMETER	1	1	4
1	N.P.N.	. . SPEEDOMETER MILES	1	1	4
1	N.P.N.	. . SPEEDOMETER KM	1	1	4
1	N.P.N.	. . ODO LCD	1	1	4
1	N.P.N.	. GAUGE AIR APPLICATION	1	1	4
1	N.P.N.	. GAUGE AIR REAR	1	1	4
1	N.P.N.	. GAUGE AIR FRONT	1	1	4
NS	20476992	TRANSDUCER PRESSURE (0-12Bar / 0-174PSI)	3	3	B
21	403831	DECAL / VEHICLE HEIGHT 12' 4"	1	1	
21	403830	DECAL / VEHICLE HEIGHT 12' 10"	1	1	
21	408275	DECAL / VEHICLE HEIGHT 13' 3" W/SATELITE R6DX	1	1	
21	401454	DECAL / VEHICLE HEIGHT 13' 4"	1	1	
NS	H9-1806-00	CENTRAL DASHBOARD PANEL			
		B) THIS TRANDCUER USE ON ALLS AIR GAUGE APPLICATION			
		4) NO PARTS NUMBER			

From R-1453

Date:07/2024

PAGE:H9-0645-22

CENTER DASHBOARD PANEL

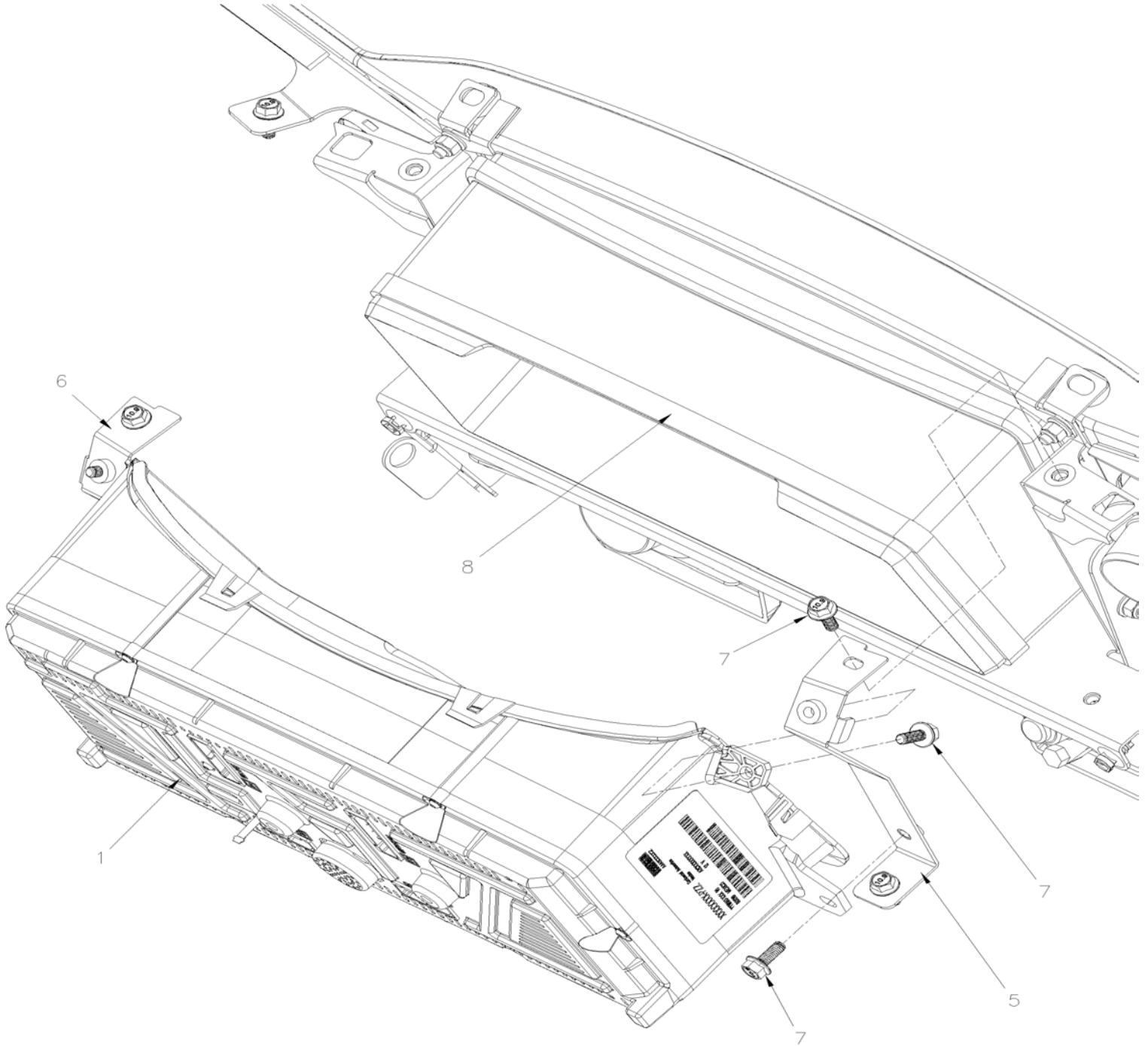


From R-1453

Date:07/2024

PAGE:H9-0645-22

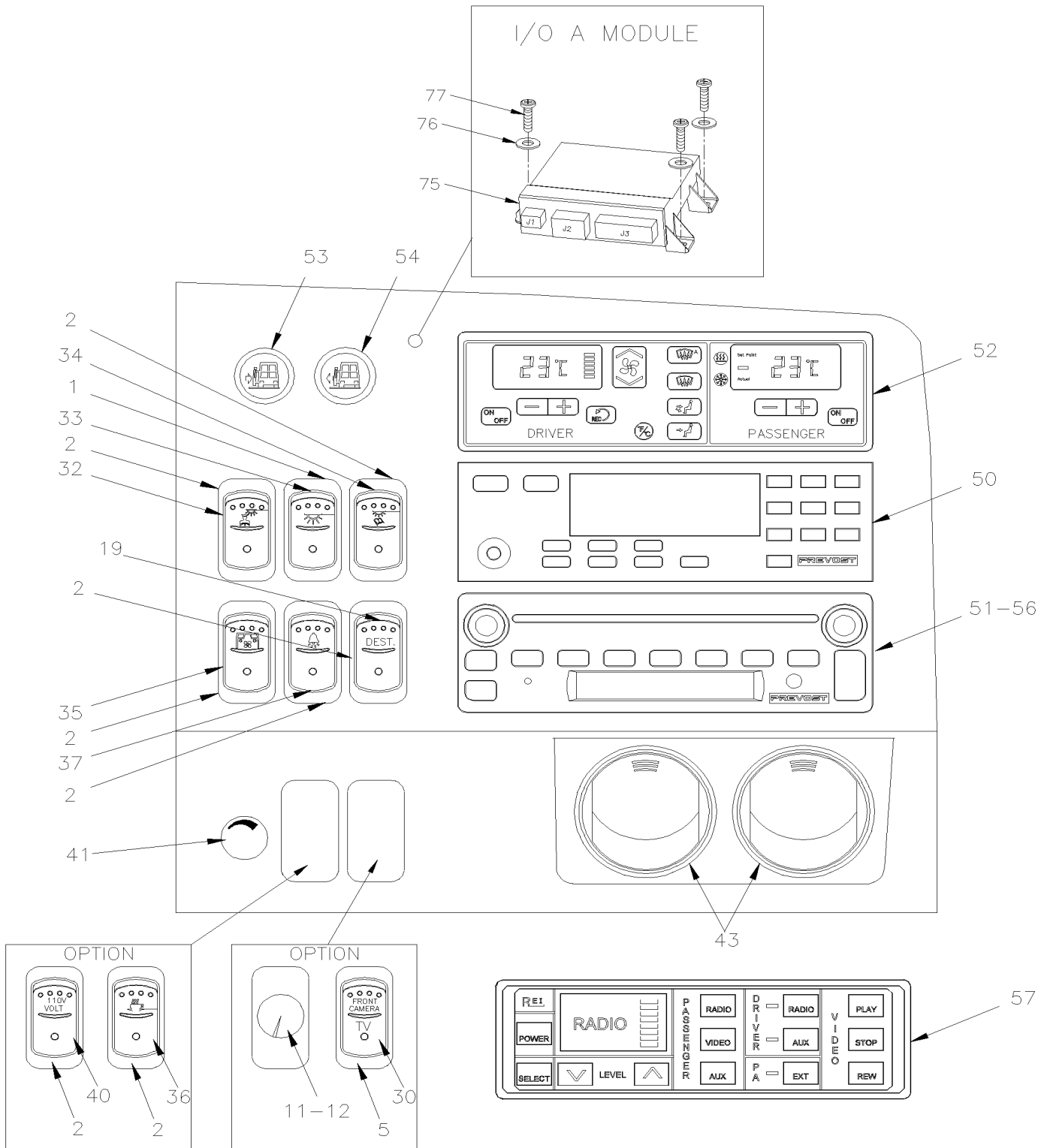
CENTER DASHBOARD PANEL



From R-1453		Date:07/2024	PAGE:H9-0645-22
CENTER DASHBOARD PANEL			

Item#	Part	Description	H 3 4 1	H 3 4 5	N O T E S
1	23887331	CLUSTER, MPH To £-23024		1	
1	24171848	CLUSTER, MPH From £-23024		1	
1	23887332	CLUSTER, KPH To £-23024		1	
1	24171849	CLUSTER, KPH From £-23024		1	
5	392637	SUPPORT LH, INSTRUMENT CLUSTER		1	
6	392636	SUPPORT RH, INSTRUMENT CLUSTER		1	
7	5002027	SCREW CAP HEXF AD M6-1.0x16 G10.9 N500		8	
8	506282	TAPE RUB ADH1 CC POL 3/8" x 1" x 20' / GREY 2520		AR	
11	640037	VALVE, CONTROL VALVE PP-1 / 60PSI		1	
12	640297	NUT		1	
13	392891	CASE PROTECTIVE, PARKING BRAKE		1	
14	640038	BUTTON, PARKING BRAKE		1	
15	502025	COILED SPRING PIN 5/32X3/4		1	
16	641371	MALE ELBOW 90° NON-SWIVEL / PUSH-IN FITTING / #4x1/4NPT-M BR		1	
17	641370	MALE ELBOW 90° NON-SWIVEL / PUSH-IN FITTING / #6x1/8NPT-M BR		1	
18	501800	PLUG HEXS / PIPE FITTING / 1/4NPT-M STL		1	
19	503822	TUBE, NYLON 1/4 O.D. / BROWN S.L.		AR	
20	503639	TUBE, NYLON 3/8 O.D. / BROWN S.L.		AR	
25	950607	AIR DIFFUSER		1	
25	950606	CONNECTOR, AIR DIFFUSER		1	

R.H. DASHBOARD PANEL



From K-0185 To P-1452	Date:07/2024	PAGE:H9-0645-30
R.H. DASHBOARD PANEL		

Item#	Part	Description	H 3 4 1	H 3 4 5	N O T E S
1	562696	SWITCH / OFF-ON-ON SERIES S.P.D.T. / W/RED & GREEN LED	AR	AR	
2	562697	SWITCH / ON-ON / D.P.D.T. / CH-OVER / W/RED & GREEN LED	AR	AR	
NS	562773	SWITCH / "DUMMY" / PLUG	AR	AR	
NS	562763	CONNECTOR RH 10C / SWITCH / NGR 28-5637-2	AR	AR	
NS	562768	SOCKET TERMINAL / 16-14 / PED 12015870	AR	AR	
5	563012	SWITCH / ON-ON / D.P.D.T. / CH-OVER / W/GREEN LED	1	1	
11	069707	POTENTIOMETRE ASS / WPER INTERMITTENT To K-0281	1	1	C
. NS	560335	. POTENTIOMETER 10K - OHMS - 2W To K-0281	1	1	C
11	069950	POTENTIOMETRE ASS / WPER INTERMITTENT From K-0282	1	1	C
11	562773	SWITCH / "DUMMY" / PLUG	1	1	C
12	560334	KNOB	1	1	C
19	562743	CAP / DESTINATION SIGN	1	1	
NS	068917	WIRING HARNESS SWITH R.H. CONSOLE	1	1	
30	562941	CAP / FRONT CAMERA	1	1	
31	563151	CAP / MAIN VENTILATION RECIRCULATING	1	1	
32	562716	CAP / DRIVER'S LAMP	1	1	
33	562717	CAP / INTERIOR LIGHT	1	1	
34	562718	CAP / READING LAMP	1	1	
35	562720	CAP / PARCEL RACK VENTILATION	1	1	A
36	562721	CAP / GALLEY	1	1	
37	562719	CAP / HOSTESS BELL	1	1	
38	562746	CAP / 110 VOLT PLUG	1	1	W
NS	069855	HARNESS LH P-RACK 120V DASHBOARD SWITCH	1	1	W
39	565927	CAP SWITCH / "VENTILATION ROOF" From L-0823	1	1	O
41	562846	KNOB / DASH ILLUMINATION To L-0952	1	1	
41	563915	KNOB / DASH ILLUMINATION From L-0953 To M-1109	1	1	
41	563911	CAP EATON NGR DIMER From M-1110	1	1	
41	562845	RHEOSTAT / DASH ILLUMINATION To L-0952	1	1	
41	563881	RHEOSTAT / DASH ILLUMINATION From L-0953 To M-1109	1	1	
41	562699	SWITCH / M/ON-OFF-M/ON / D.P.D.T. / W/GREEN LED From M-1110	1	1	
NS	1212770	. NUT RND SLT BK M8-.75 To L-0952	1	1	
41	0610318	SERVICE KIT RHEOSTAT To L-0952	1	1	
. NS	563881	. RHEOSTAT / DASH ILLUMINATION To L-0952	1	1	
. NS	563915	. KNOB / DASH ILLUMINATION To L-0952	1	1	
43	871315	LOUVER, ADJUSTABLE / ROUND 2 1/8" O.D.	2	2	
43	871314	LOUVER, ADJUSTABLE / ROUND 2 5/8" O.D.	2	2	
50	21516503	CONTROL HEAD / "VOLVO" (VSS-05) To K-0203	1	1	
. NS	21251311	. REMOTE CONTROL / CONTROL HEAD VOLVO / VSS05 To K-0203	1	1	
50	900238	CONTROL HEAD / "VOLVO" (VSS-05A) From K-0204 To N-1172	1	1	
. NS	21251311	. REMOTE CONTROL / CONTROL HEAD VOLVO / VSS05 From K-0204 To N-1172	1	1	
50	563856	CONTROL HEAD / "VOLVO" (VSS-06) From N-1173	1	1	

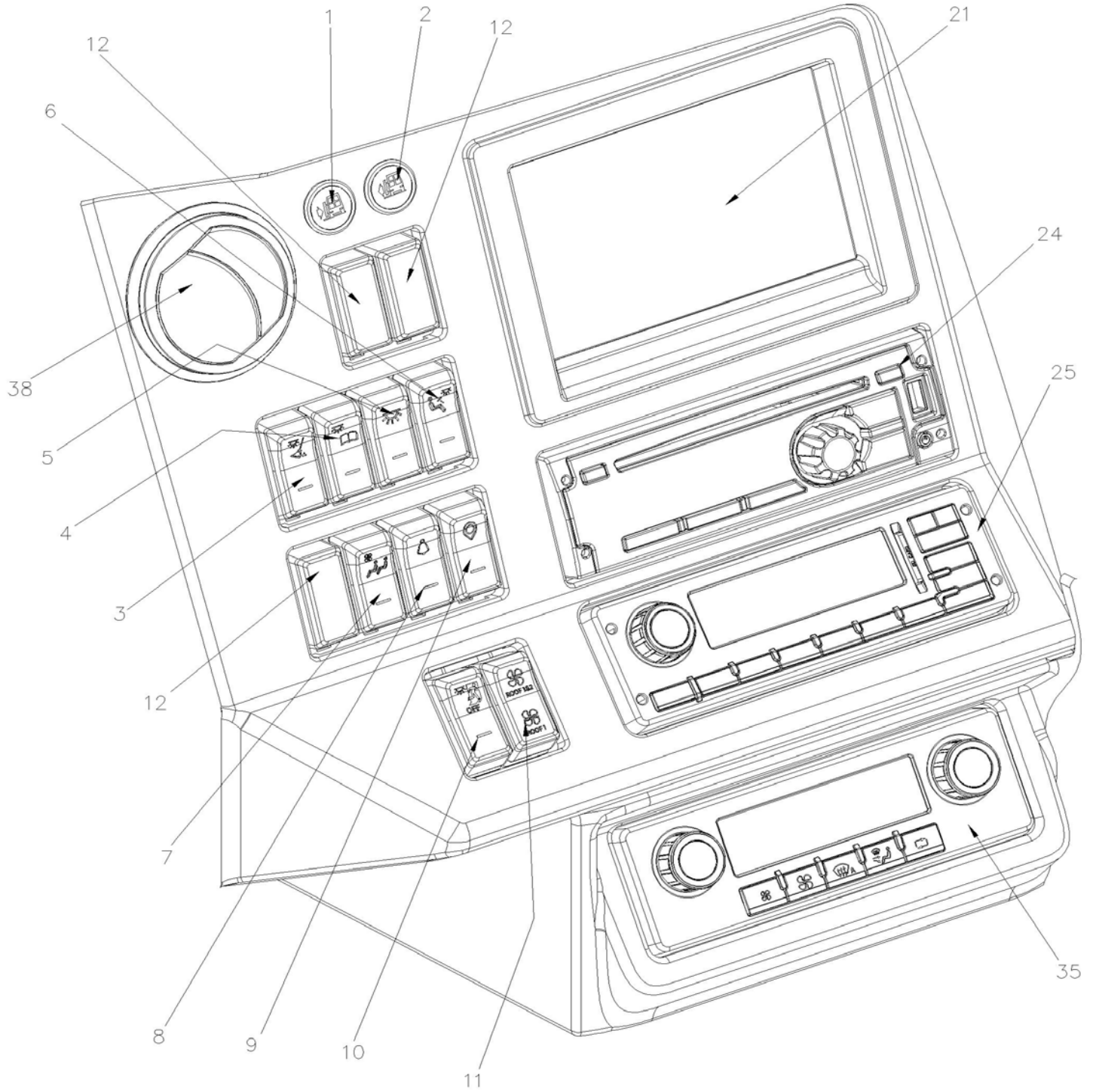
From K-0185 To P-1452	Date:07/2024	PAGE:H9-0645-30
R.H. DASHBOARD PANEL		

Item#	Part	Description	H 3 4 1	H 3 4 5	N O T E S
. NS	21251311	. REMOTE CONTROL / CONTROL HEAD VOLVO / VSS05 From N-1173	1	1	
51	H9-2315-01	SOUND SYSTEM & ACCESSORIES W/HHED			
51	H9-2317-31	VIDEO & AUDIO SYSTEM - INSTALLATION W/HHED			
NS	409149	CABLE ASSY / DASH & PARCEL RACK / AUDIO	1	1	
NS	900875	CABLE RADIO ANTENNA / M/F 6'	1	1	
52	870008	A/C CONTROL MODULE To N-1172	1	1	
52	870128	A/C CONTROL MODULE From N-1173	1	1	
NS	563335	SENSOR THERMISTOR ASSY / OUTSIDE // PED 15416387	1	1	
53	563578	SWITCH / DOOR CLOSE	1	1	
53	562810	INSERT / DOOR CLOSE	1	1	
54	563579	SWITCH / DOOR OPEN	1	1	
54	562830	INSERT / DOOR OPEN	1	1	
56	23000462	RADIO "PREVOST" AM/FM/CD & MP3 BLUETOOTH (PANA PACIFIC) To N-1172	1	1	
56	901882	RADIO AM/FM SD CARD USB DEA710 (PANA PACIFIC) From N-1173	1	1	
56	23000444	RADIO "PREVOST" AM/FM/CD & MP3 BLUETOOTH & XM & SIRIUS (PANA PACIFIC) To N-1172	1	1	
56	901883	RADIO "PREVOST" AM/FM/CD & MP3 BLUETOOTH & XM & SIRIUS (PANA PACIFIC) From N-1173	1	1	
56	901727	PIGTAIL ADAPTOR FOR RADIO ANTENNA From L-0823	1	1	
56	22480495	ADAPTOR, ANTENNA PHANTOM FEED From L-0823	1	1	
NS	406440	ATTACHMENT / RADIO	AR	AR	
NS	500989	WASHER FL .219x.875x.062 Z050	AR	AR	
NS	500470	WASHER LO SPT .193x.334x.047 Z050	AR	AR	
NS	502816	NUT HEX M5-0.8 N500	AR	AR	
63		NEXT 2 PARTS ARE RELATED WITH From M-1162			L
63		AUTOMATIC EMERGENCY LAMPS From M-1162			L
65	564348	CAP / SWITCH EMERGENCY LIGHT SB247 From M-1162	1	1	L
66	562698	SWITCH / OFF-M/ON / D.P.S.T. / W/GREEN LED From M-1162	1	1	L
NS	061444	WIRING READING LAMPS, L.H PARCEL RACK From K-0535	1	1	O
NS	061445	WIRING READING LAMPS, L.H PARCEL RACK From K-0535	1	1	O
NS	0610139	WIRING HARNESS DASH SWITCH - CONTROL 4 READ. LIGHTS From K-0535	1	1	O
75	22722846	I/O A E-MODULE VOLVO MULTIPLEX	1	1	S
76	502690	WASHER FL 4.3x9.0x0.8 Z050	3	3	S
77	502698	SCREW MA PAN PH M4-0.7x16 SS BK	3	3	S
		A) WE USE #562699 SWITCH AND RESISTOR #562908			
		C) WITH "ORELAN" OPTION			
		L) CALIFORNIA REGULATIONS			
		O) SPECIAL OPTION			

From K-0185 To P-1452		Date:07/2024	PAGE:H9-0645-30
R.H. DASHBOARD PANEL			

Item#	Part	Description	H 3 4 1	H 3 4 5	N O T E S
		S) ONLY W/ STEERING WHEEL CONTROLS BUTTON			
		W) WESTLUND OPTION			

From R-1453	Date:07/2024	PAGE:H9-0645-31
R.H. DASHBOARD PANEL		

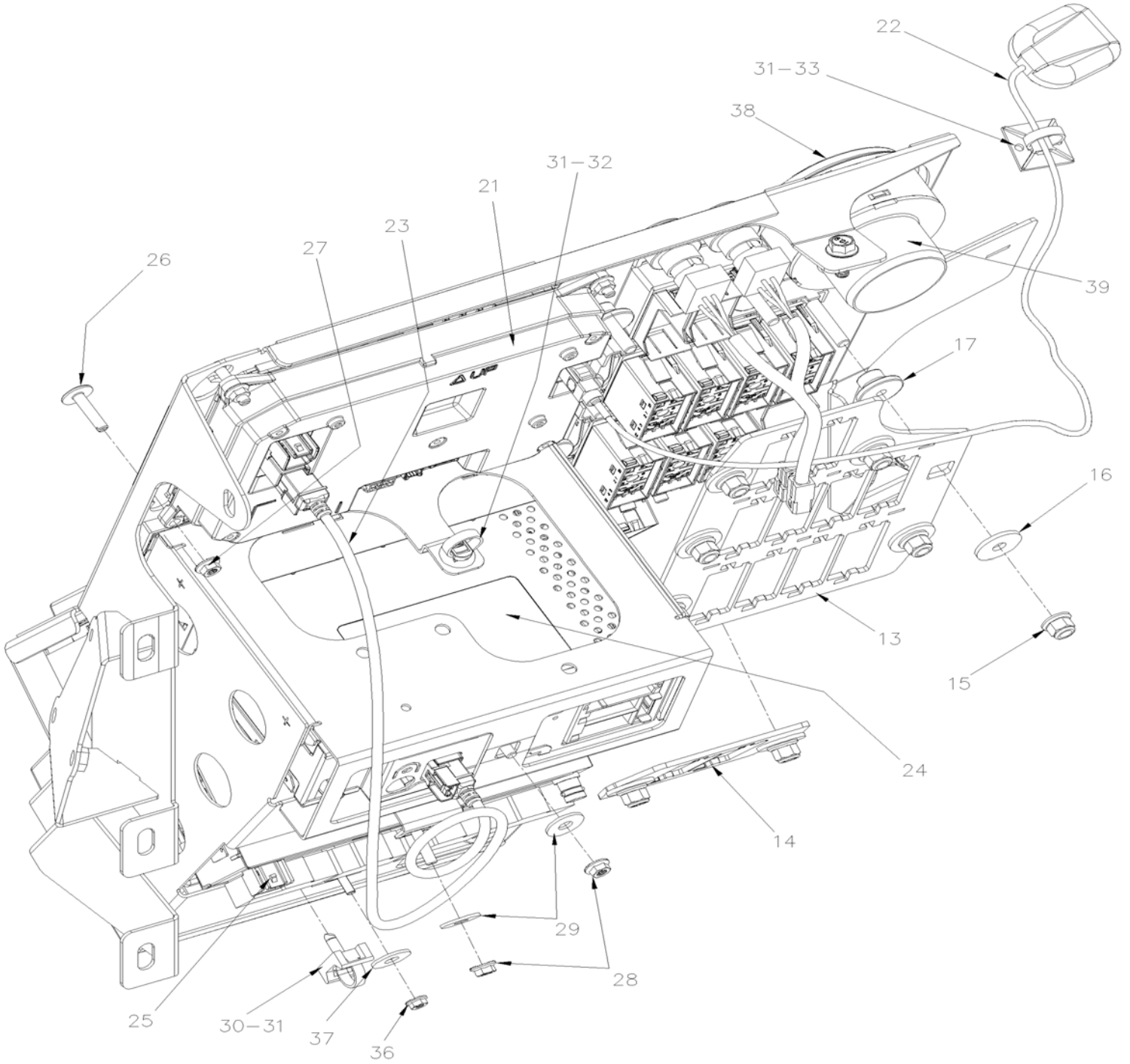


From R-1453

Date:07/2024

PAGE:H9-0645-31

R.H. DASHBOARD PANEL



From R-1453		Date:07/2024	PAGE:H9-0645-31
R.H. DASHBOARD PANEL			

Item#	Part	Description	H 3 4 1	H 3 4 5	N O T E S
1	563578	SWITCH / DOOR CLOSE To R-1785		1	
1	0600215	CLOSING DOOR SWITCH GREEN From R-1786		1	
. NS	562810	. INSERT / DOOR CLOSE From R-1786		1	
2	563579	SWITCH / DOOR OPEN To R-1785		1	
2	0600214	HARNESS OPENING DOOR SWITCH RED From R-1786		1	
. NS	562830	. INSERT / DOOR OPEN From R-1786		1	
3	564282	SWITCH "CLEANING MODE"		1	
4	560966	SWITCH "READING LIGHTS"		1	
5	560965	SWITCH "CABIN LIGHTS"		1	
6	560959	SWITCH "DRIVER LIGHT"		1	
7	561121	SWITCH "PARCEL RACK FANS"		1	
8	560994	SWITCH "CHIME"		1	
9	563495	SWITCH "DESTINATION SIGN"		1	
10	564358	SWITCH "EMERGENCY LIGHT"		1	
11	561870	SWITCH "ROOF HATCH FAN"		1	
12	0600143	SWITCH "HOLE PLUG"		AR	
NS	392667	TOOL, ROCKER SWITCH EXTRACTION	1	1	
13	392925	SUPPORT, ROCKER SWITCH		1	
14	392614	SUPPORT, ROCKER SWITCH		1	
15	5001932	NUT HEXF NYRT M6-1.0 G8.8 N500		8	
16	500142	WASHER FL 6.6x22.0x2.0 SS		8	
17	392924	SPACER		8	
18	561704	SWITCH "INTERNET"		1	
18	069918	HARNESS 12V INTERNET ON DASHBOARD		1	
18	069919	HARNESS 12V INTERNET P-RACK		1	
19	561893	SWITCH "911"		1	
21	563643	DISPLAY, INFOTAINMENT		1	
22	563644	ANTENNA GPS		1	
23	563854	CABLE, USB 500MM		1	
24	563633	RADIO, INFOTAINMENT		1	
25	563856	CONTROL HEAD / "VOLVO" (VSS-06)		1	
. NS	21251311	. REMOTE CONTROL / CONTROL HEAD VOLVO / VSS05		1	
26	392726	SCREW, SCREEN FIXING		4	
27	5002243	NUT HEXF SERR M5-0.8 Z050		4	
28	5002244	NUT HEXF SERR M4-0.7 Z050		2	
29	5001976	WASHER FL .266x.718x.060 SS		2	
30	504013	TIE MOUNT / 1/4" X 1/4" I.D.		1	
30	504379	RIVET POP DOME OE 3/16x1/4 SS		1	
31	504637	CABLE TIE / 3/16" x 13"		AR	
32	509815	TIE MOUNT / ATTACHMENT W/TREE MOUNT		1	
33	562679	4 WAY ADH. BACKED MOUNTS 1.000 x 1.000 x .160		1	

From R-1453	Date:07/2024	PAGE:H9-0645-31
-------------	--------------	-----------------

R.H. DASHBOARD PANEL

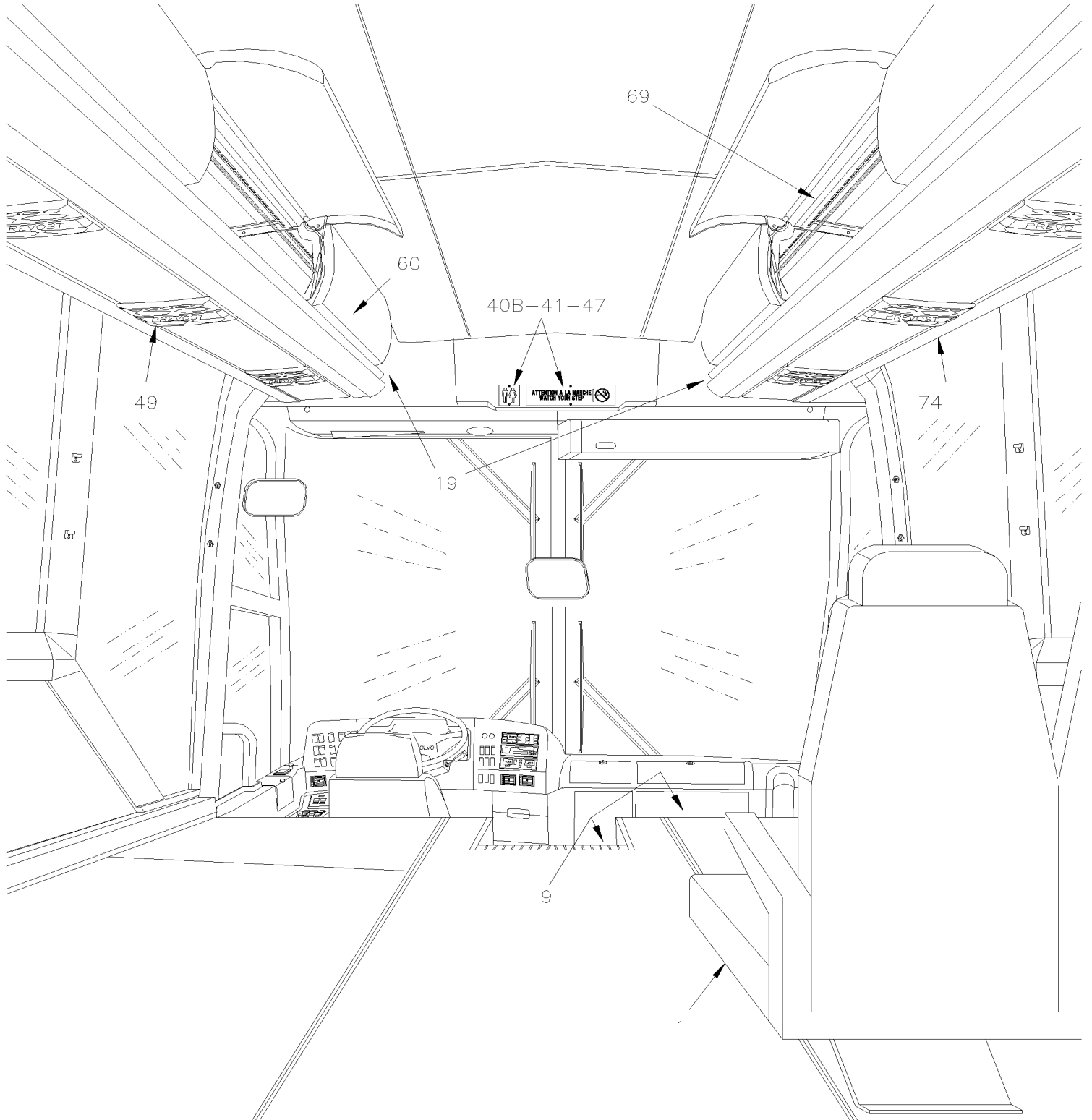
Item#	Part	Description	H 3 4 1	H 3 4 5	N O T E S
35	870128	A/C CONTROL MODULE To R-1785		1	
35	870236	HVAC, CONTROL MODULE, FULL From R-1786		1	
36	5002244	NUT HEXF SERR M4-0.7 Z050		1	
37	5001976	WASHER FL .266x.718x.060 SS		1	
38	950607	AIR DIFFUSER		1	
39	950606	CONNECTOR, AIR DIFFUSER		1	

From K-0185 To P-1452

Date:07/2024

PAGE:H9-0655-01

INTERIOR LIGHTING LED

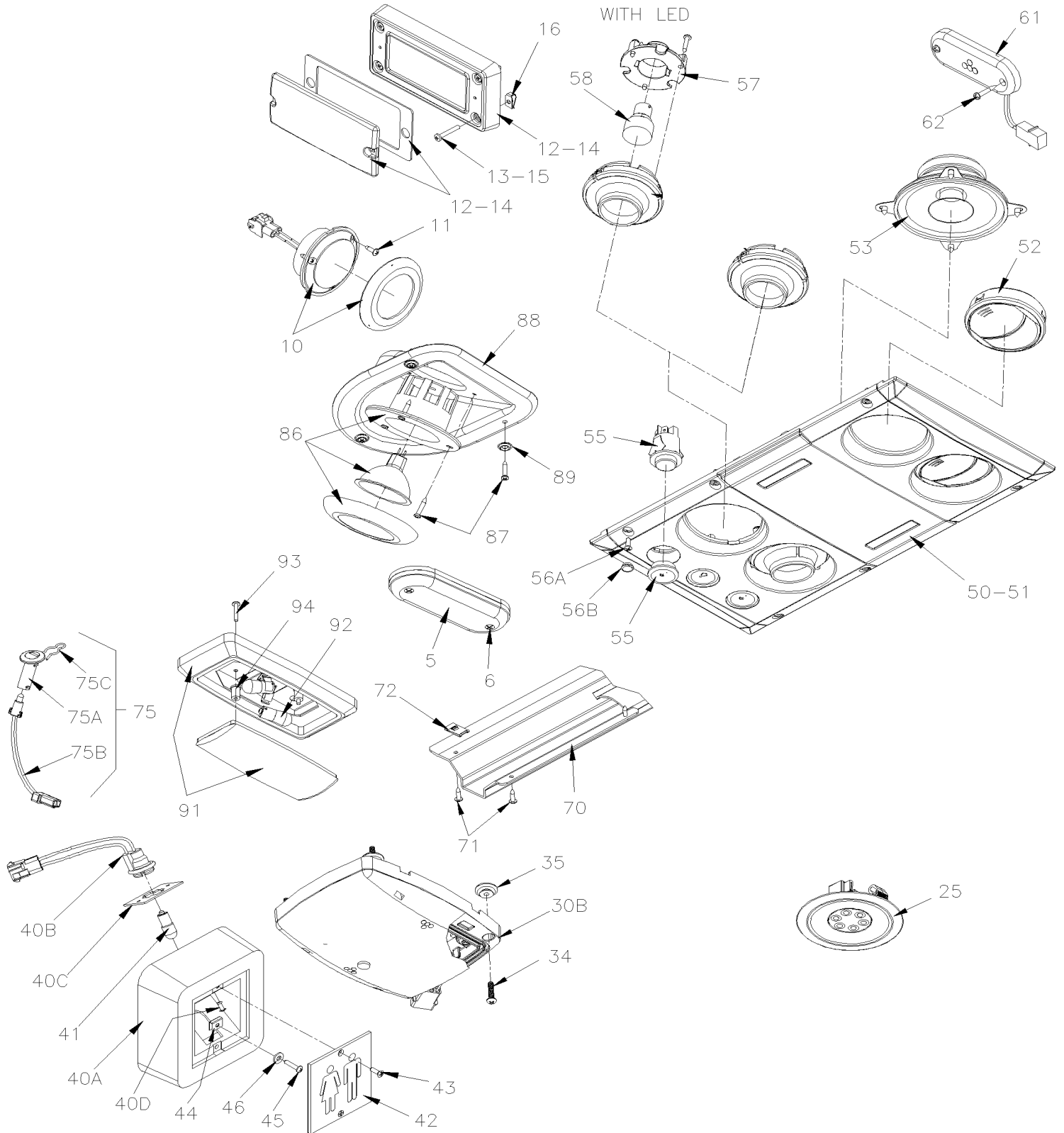


From K-0185 To P-1452

Date:07/2024

PAGE:H9-0655-01

INTERIOR LIGHTING LED



From K-0185 To P-1452 Date:07/2024 PAGE:H9-0655-01

INTERIOR LIGHTING LED

Item#	Part	Description	H 3 4 1	H 3 4 5	NOTES
		AISLE LAMP - UNDER PASSENGER'S SEAT			
5	568101	LAMP LED ASSY / BLUE ISOLATED GROUND	7	7	
6	500657	SCREW TC TR PH #10-24x1/2 Z050	14	14	
7	069424	CABLE ASSY / LIGHT & MAIN CABLE	7	7	
NS	060086	CABLE ASSY TO AISLE LAMP	1	1	
NS	504637	CABLE TIE / 3/16" x 13"	AR	AR	
NS	069902	HARN. AISLE LAMPS WHT, SW25 TO C626		1	W
NS	069903	HARN. AISLE LAMPS WHITE (JUMPER 1200)		25	W
NS	0610070	HARN. AISLE LAMPS WHITE (JUMPER 1200) W/FAIC From K-0448		18	FAIC
NS	069904	HARN. AISLE LAMPS WHITE (JUMPER 2900)		1	W
NS	069905	HARN. AISLE LAMPS WHITE, WCL DOOR JMP		1	W
NS	069906	HARN. AISLE LAMPS WHITE FRONT (MOD-P)		1	W
NS	0610071	HARN. AISLE LAMPS WHITE FRONT (MOD-P) W/FAIC From K-0448		1	FAIC
		STEPWELL LAMP			
10	830177	STEP LAMP 24v ASSY / LED	3	3	
10	830182	. BEZEL BLACK / PLASTIC ROUND 3" O.D.	1	1	
NS	562485	. CONNECTOR / DT SERIES / SH 2C / GRAY / DEUTSCH DT06-2S	1	1	
NS	562488	. SECONDARY LOCK / DT SERIES / SH 2C / DEUTSCH W2S	1	1	
NS	561608	. SOCKET TERMINAL / 18-16 / DEUTSCH 0462-201-16141	2	2	
NS	562498	. RESISTOR / 220 OHMS / 2 W	1	1	
11	500583	SCREW TP PAN PH #6x1/2 Z050	9	9	
		ENTREANCE DOOR LAMP			
12	830197	LAMP ASSY 24V LEDS	1	1	
13	502903	SCREW TC FL PH #10-24x1 1/4 N500	2	2	
14		LAMP DASH			O
14	830197	LAMP ASSY 24V LEDS	1	1	
NS	068488	CABLE / LAMP CENTER DASH BOTTOM	1	1	O
15	5001303	SCREW MA BDG PH #6-32x1 ZP EMN	2	2	O
16	500385	NUT SPR U #6-32 .135-.150 N500	2	2	O
20		NEXT ITEM ARE USE WITH AUTOMATIC EMERGENCY LAMPS From M-1162			K
20	830012	LAMP LED / NORMAL & EMERGENCY 24V From M-1162	14	14	K

From K-0185 To P-1452	Date:07/2024	PAGE:H9-0655-01
INTERIOR LIGHTING LED		

Item#	Part	Description	H 3 4 1	H 3 4 5	N O T E S
		DRIVER'S LAMP			
25	830218	LAMP LED To M-1161	2	2	
25	830012	LAMP LED / NORMAL & EMERGENCY 24V From M-1162	2	2	
		LAVATORY LAMP			
30B	830003	LAMP ASSY / LAVATORY	1	1	
34	500564	SCREW MA RND PH #8-32x3/4 Z050	4	4	
35	500678	NUT WELL #8-32x.450	4	4	
		LAVATORY LAMP (OCCUPIED)			
40	330395	BASE ASSY W/SOCKET & BULB 24V / MIDNIGHT CHARCOAL	1	1	
40A	330394	. BASE BOX, LAMP / MIDNIGHT CHARCOAL	1	1	
40B	330265	. SOCKET ASSY W/CONNECTOR / W2.1x9.Dd	1	1	
. NS	562295	. . SOCKET BULB / PLASTIC W/WIRE / W2.1x9.5d	1	1	
. NS	561248	. . CONNECTOR / UNIVERSAL MATE-N-LOK / PH 2C / AMP 1-480699-0	1	1	
. NS	562122	. . PIN TERMINAL / 20-14 / AMP 350547-1	2	2	
40C	340847	RECEPTACLE	1	1	
40D	504105	RIVET POP DOME OE 1/8x3/16 AL	2	2	
41	561166	. BULB / 3WATT-24VOLTS / SAE# 464	1	1	
42	403137	LENS	1	1	
43	500686	SCREW TP OV PH #6x1/2 BK	2	2	
44	500422	NUT SPR U #6-32 .110-.120 SS	2	2	
45	500640	SCREW TP PAN PH #6x3/4 Z050	2	2	
46	500855	WASHER FL .188x.438x.049 N500	2	2	
47	H9-1832-01	FRONT FINISHING CAP W/TAN FINISHING To K-0484			
47	H9-1832-02	FRONT FINISHING CAP W/GREY FINISHING From K-0485			
50	830228	MODULE ASSY W/LEDS LAMP, AIR DIFFUSOR & COAXIAL SPEAKER	1	1	
50	830225	MODULE ASSY W/LEDS LAMP, AIR DIFFUSOR & DUAL CONE SPEAKER	1	1	
50	830226	MODULE ASSY W/LEDS LAMP, AIR DIFFUSOR & DUAL CONE SPEAKER SILVER	1	1	
51	830175	. MODULE ASSY W/OUT LAMP AND W/AIR DIFFUSOR	AR	AR	A
51	901908	SPEAKER 100MM From R-1498	1	1	
51	830236	. MODULE ASSY W/OUT LAMP & W/AIR DIFFUSOR SILVER	1	1	
NS	065387	. CABLE	1	1	A
52	871456	. AIR DIFFUSOR	1	1	
53	901195	. SPEAKER COAXIAL To R-1497	1	1	
53	901194	. SPEAKER DUAL CONE To R-1497	1	1	

From K-0185 To P-1452	Date:07/2024	PAGE:H9-0655-01
INTERIOR LIGHTING LED		

Item#	Part	Description	H 3 4 1	H 3 4 5	NOTES
53	901536	. GRILL, SPEAKER	1	1	
53	830223	. SCREW, PHILLIPS SELF-TREADED	4	4	
53	830221	. TAG, PREVOST	1	1	
53	5001975	. SCREW TC BDG PH #10-24x3/8 SS410 ZINC	4	4	E
55	830159	. SWITCH / OFF-M/ON / S.P.S.T. / CHIME	1	1	
55	830158	. SWITCH / OFF-ON / S.P.S.T. / READING LIGHT	2	2	
55	830232	. BEZEL, LAMP	2	2	
55	565942	. SWITCH, BUTTON / CHIME	1	1	WCL
56A	5001368	. SCREW TC OV PH #8-32X1/2 BK	6	6	
56B	830160	. PLUG COVER SCREW	6	6	
57	565949	. BEZEL, LAMP	2	2	
58	830224	. LED CHIP BOARD	2	2	
58	Call order desk	. SCREW TP PAN PH ST3.5x9.5	4	4	P
58	Call order desk	. WASHER 7.1MM O.D. x 3.7MM I.D.	4	4	P
NS	065044	DIODE ASSY	1	1	C
NS	066796	RESISTOR 4 OHMS 25W W/CONNECTOR	3	3	
59	830164	TOOL / LENS REMOVER READING LIGHT	1	1	
		LAMP LED INSIDE PARCEL RACK			
61	565889	LAMP LED	1	1	
62	502752	SCREW TP RND PH #4x3/4 ZP	2	2	
		LAMP LED INDIRECT LIGHT PARCEL RACK			
70	319185	LIGHT, INDIRECT, PARCEL RACK W/DOORS AISLE SIDE 1585MM 24V LED TAN To K-0484	10		
70	310241	LIGHT, INDIRECT, PARCEL RACK W/DOORS AISLE SIDE 1585MM 24V LED GREY From K-0485	12	12	
70	319185	LIGHT, INDIRECT, PARCEL RACK W/DOORS AISLE SIDE 1585MM 24V LED TAN From K-0485	10	10	O
70	319185	LIGHT, INDIRECT, PARCEL RACK W/DOORS AISLE SIDE 1585MM 24V LED TAN To K-0484		12	
70	319185	LIGHT, INDIRECT, PARCEL RACK W/DOORS AISLE SIDE 1585MM 24V LED TAN From K-0485	12	12	O
70	310241	LIGHT, INDIRECT, PARCEL RACK W/DOORS AISLE SIDE 1585MM 24V LED GREY		12	F
70	319181	LIGHT, INDIRECT, PARCEL RACK W/O DOORS AISLE SIDE 1584.5MM 24VDC LED From K-0485	10		
70	310052	LIGHT, INDIRECT, PARCEL RACK W/O DOORS AISLE SIDE 1585MM 24VDC LED From K-0485		12	
70	319188	LIGHT, INDIRECT, PARCEL RACK W/O DOORS AISLE SIDE 1585MM 24VDC LED To K-0484	10		
70	319188	LIGHT, INDIRECT, PARCEL RACK W/O DOORS AISLE SIDE 1585MM 24VDC LED From K-0485	10		O
70	319188	LIGHT, INDIRECT, PARCEL RACK W/O DOORS AISLE SIDE 1585MM 24VDC LED To K-0484		12	
70	319188	LIGHT, INDIRECT, PARCEL RACK W/O DOORS AISLE SIDE 1585MM 24VDC LED From K-0485		12	O
70	316585	INDIRECT LIGHTING "DUMMY", PARCEL RACK AISLE SIDE 770MM / TAN To K-0484	2	2	
70	310239	INDIRECT LIGHTING "DUMMY", PARCEL RACK AISLE SIDE 770MM / GREY To K-0484		2	F
70	310239	INDIRECT LIGHTING "DUMMY", PARCEL RACK AISLE SIDE 770MM / GREY From K-0485	2	2	
70	316585	INDIRECT LIGHTING "DUMMY", PARCEL RACK AISLE SIDE 770MM / TAN From K-0485	2	2	OP

From K-0185 To P-1452 Date:07/2024 PAGE:H9-0655-01

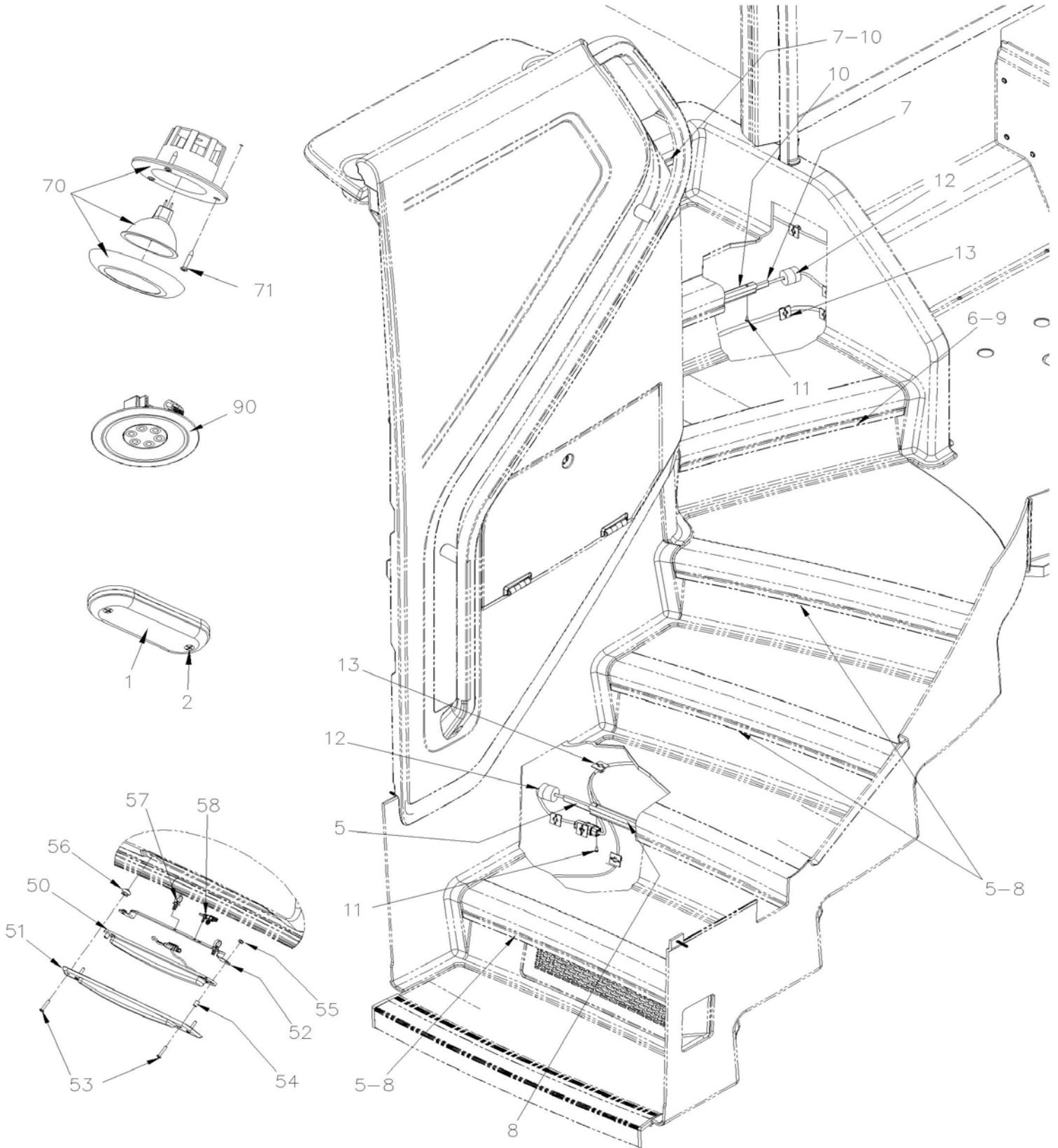
INTERIOR LIGHTING LED

Item#	Part	Description	H 3 4 1	H 3 4 5	NOTES
70	317082	INDIRECT LIGHTING "DUMMY", PARCEL RACK AISLE SIDE 644.5MM / TAN To K-0484		1	
70	314527	INDIRECT LIGHTING "DUMMY", PARCEL RACK AISLE SIDE 644.5MM / GREY From K-0485		1	
70	317082	INDIRECT LIGHTING "DUMMY", PARCEL RACK AISLE SIDE 644.5MM / TAN From K-0485		1	OP
70	319191	LIGHT, INDIRECT, PARCEL RACK W/DOORS AISLE SIDE 770MM 24VDC LED TAN	2	2	OP
70	314767	LIGHT, INDIRECT, PARCEL RACK W/DOORS AISLE SIDE 770MM 24VDC LED GREY	2	2	
70	319192	LIGHT, INDIRECT, PARCEL RACK W/DOORS / W/WCL AISLE SIDE 1081.5MM 24VDC LED From K-0485	1		
70	319187	LIGHT, INDIRECT, PARCEL RACK W/O DOORS AISLE SIDE 1082MM 24VDC LED To K-0484	1		D
70	319187	LIGHT, INDIRECT, PARCEL RACK W/O DOORS AISLE SIDE 1082MM 24VDC LED From K-0485	1		D OP
70	314526	LIGHT, INDIRECT, PARCEL RACK W/DOORS AISLE SIDE 1082MM 24VDC LED GREY From K-0485	1		
70	319190	LIGHT, INDIRECT, PARCEL RACK W/DOORS AISLE SIDE 1082MM 24VDC LED, To K-0484	1		
70	319190	LIGHT, INDIRECT, PARCEL RACK W/DOORS AISLE SIDE 1082MM 24VDC LED, From K-0485	1		OP
70	316571	INDIRECT LIGHTING "DUMMY", PARCEL RACK AISLE SIDE 667MM TAN To K-0484		2	
70	310240	INDIRECT LIGHTING "DUMMY", PARCEL RACK AISLE SIDE 667MM GREY To K-0484		2	
70	316571	INDIRECT LIGHTING "DUMMY", PARCEL RACK AISLE SIDE 667MM TAN To K-0484	2		D
70	310240	INDIRECT LIGHTING "DUMMY", PARCEL RACK AISLE SIDE 667MM GREY From K-0485	1	1	
70	316571	INDIRECT LIGHTING "DUMMY", PARCEL RACK AISLE SIDE 667MM TAN From K-0485	1	1	
70	310242	INDIRECT LIGHTING "DUMMY", PARCEL RACK AISLE SIDE 399MM GREY To K-0484		1	D F
70	316572	INDIRECT LIGHTING "DUMMY", PARCEL RACK AISLE SIDE 399MM TAN To K-0484		1	D
70	310242	INDIRECT LIGHTING "DUMMY", PARCEL RACK AISLE SIDE 399MM GREY From K-0485		1	D
70	316572	INDIRECT LIGHTING "DUMMY", PARCEL RACK AISLE SIDE 399MM TAN From K-0485		1	D OP
70	314537	LIGHT, INDIRECT, PARCEL RACK W/O DOORS AISLE SIDE 1472MM 24VDC LED GREY From K-0485	1	1	D
70	319189	LIGHT, INDIRECT, PARCEL RACK W/O DOORS AISLE SIDE 1472MM 24VDC LED From K-0485	1	1	D OP
70	319189	LIGHT, INDIRECT, PARCEL RACK W/O DOORS AISLE SIDE 1472MM 24VDC LED To K-0484		2	D
70	319186	LIGHT, INDIRECT, PARCEL RACK W/DOORS AISLE SIDE 1472MM 24V LED TAN To K-0484		2	D
70	310243	LIGHT, INDIRECT, PARCEL RACK W/DOORS AISLE SIDE 1472MM 24V LED GREY To K-0484		2	D F
70	319186	LIGHT, INDIRECT, PARCEL RACK W/DOORS AISLE SIDE 1472MM 24V LED TAN To K-0484	2		D
70	310243	LIGHT, INDIRECT, PARCEL RACK W/DOORS AISLE SIDE 1472MM 24V LED GREY From K-0485	2	2	D
70	319186	LIGHT, INDIRECT, PARCEL RACK W/DOORS AISLE SIDE 1472MM 24V LED TAN From K-0485	2	2	D OP
71	500583	SCREW TP PAN PH #6x1/2 Z050	AR	AR	
72	508423	NUT SPR U #6 .025 - .064	AR	AR	
73	5001490	WASHER SHR .312 ID NYL	AR	AR	
		NEXT LAMPS USE "EMERGENCY" ONLY			
75	564070	LAMP ASSY "LED" W/RETAINING RING	AR	AR	
. A	563723	. DIFFUSOR	1	1	
. B	563724	. RECEPTACLE ASSY	1	1	
. C	330393	. PIN HAIR CUTTER .062 X 9/32 SPEC	1	1	
		LAMP WCL ENTRANCE DOOR			

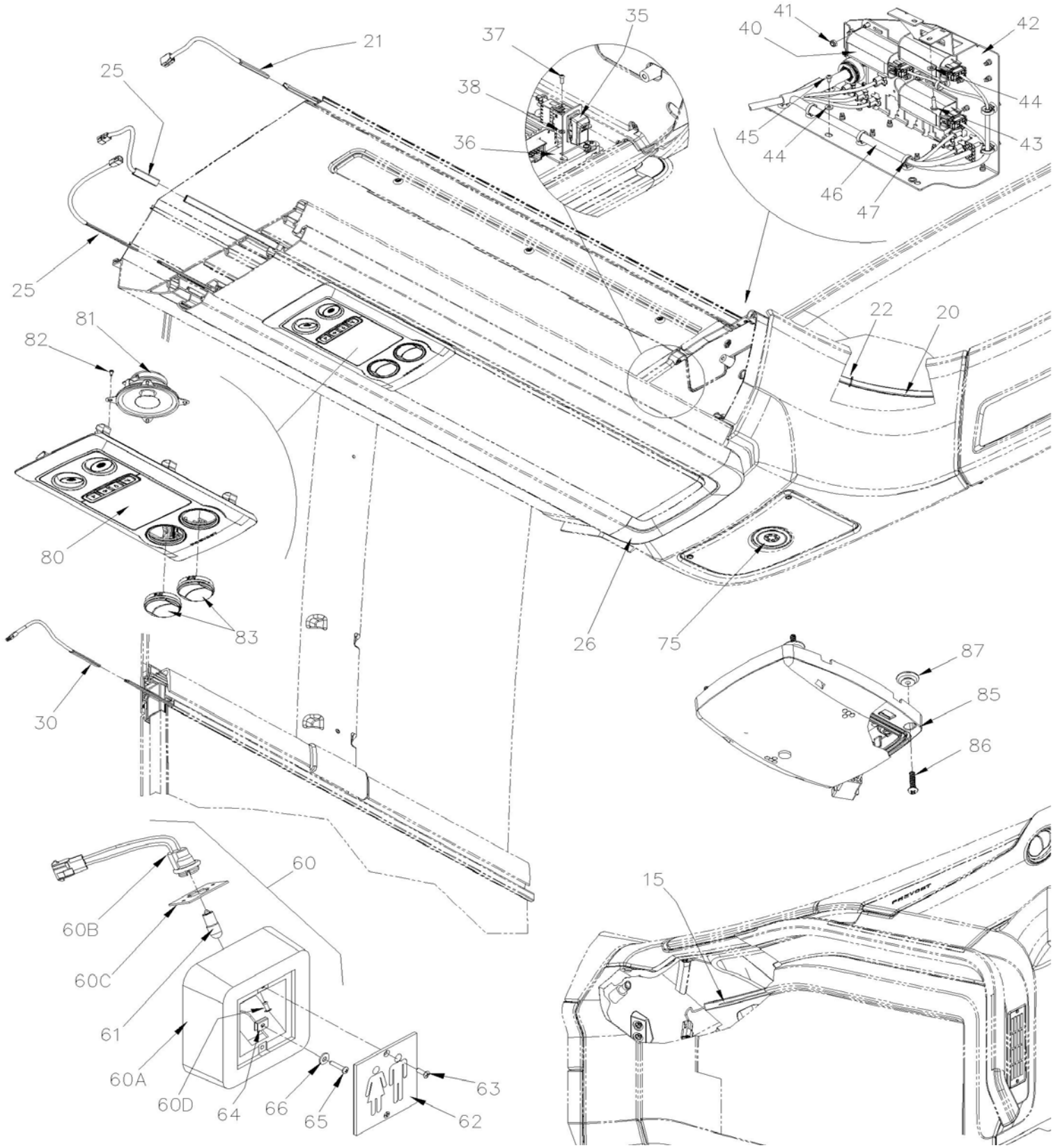
From K-0185 To P-1452	Date:07/2024	PAGE:H9-0655-01
INTERIOR LIGHTING LED		

Item#	Part	Description	H 3 4 1	H 3 4 5	NOTES
86	830191	LAMP ASSY / LAVATORY "FRILIGHT" BLACK			
. NS	830196	. BULB / 20 WATTS-12V/SAE#Q20MR16/FL40D	1	1	
87	500333	SCREW TP OV PH #6x3/4 BK	6	6	
88	341227	SUPPORT, LIGHT, INS ANGLE	1	1	
89	500345	WASHER FN CKF .187x.500x.090 BR BK	3	3	
90		PASSENGER'S LAMP WITH GALLEY		1	
91	830110	LAMP ASSY		1	
91	504062	GROMMET / .4375x.687x.125x.375x.937		1	
92	563010	BULB / 16WATT-24VOLTS / SAE# 1308		1	
93	502677	SCREW MA RND PH M4-0.7x25 SS		2	
94	500589	NUT WELL M4-0.7x13.5		2	
		A) ONLY ON COACH W/OUT READING LAMP ON FIRST SEAT			
		C) ONLY ON COACH WITH READING LIGHT TEST SWITCH			
		D) USE WITH WCL			
		E) USE TO FIX SPEAKER WITH SIVLER MODEL			
		F) BAUER'S TRANSPORTATION OPTION			
		FAIC) OPTION WITH FAIC SET SEAT			
		K) CALIFORNIA REGULATION			
		O) WITH ORLEAN VEHICLE			
		OP) OPTIONAL			
		W) WESTLUND OPTION			
		WCL) THIS SWITCH IT ALSO INSTALL ON LOWER WINDOW MOULDING WITH PROTECTOR # 409259			
		P) CALL ORDER DESK FOR SPECIFIC APPLICATION (V.I.N.)			

	Date:07/2024	PAGE:H9-0655-02
INTERIOR LIGHTING		



	Date:07/2024	PAGE:H9-0655-02
INTERIOR LIGHTING		



	Date:07/2024	PAGE:H9-0655-02
INTERIOR LIGHTING		

Item#	Part	Description	H 3 4 1	H 3 4 5	N O T E S
		AISLE LAMP - UNDER PASSENGER'S SEAT			
1	568101	LAMP LED ASSY / BLUE ISOLATED GROUND		7	
2	500657	SCREW TC TR PH #10-24x1/2 Z050		14	
NS	069424	CABLE ASSY / LIGHT & MAIN CABLE		7	
NS	504637	CABLE TIE / 3/16" x 13"		AR	
NS	0610070	HARN. AISLE LAMPS WHITE (JUMPER 1200) W/FAIC		18	FAIC
NS	0610071	HARN. AISLE LAMPS WHITE FRONT (MOD-P) W/FAIC		1	FAIC
		STEPWELL LED			
5	0600066	STRIP LED STAIRS LONG WHITE		4	
5	0600053	STAIRS LONG STRIP LED RGBW		4	
6	0600067	STRIP LED STAIRS MEDIUM WHITE		1	
6	0600054	STRIP LED STAIRS MEDIUM RGBW		1	
7	0600068	STRIP LED STAIRS SHORT WHITE		2	
7	0600055	STRIP LED STAIRS SHORT RGBW		2	
8	3211353	SUPPORT LED STEPWELL FRONT		4	
9	3211383	SUPPORT LED STEPWELL EXTRUSION		1	
10	3211384	SUPPORT LED STEPWELL FRONT		2	
11	500583	SCREW TP PAN PH #6x1/2 Z050		AR	
12	506214	PIPE INSULATING / 3/8" I.D. X 1/2" TH. X 72" / APT03812		AR	
13	562679	4 WAY ADH. BACKED MOUNTS 1.000 x 1.000 x .160		AR	
13	504637	CABLE TIE / 3/16" x 13"		AR	
NS	0600032	UPPER STAIRS HARNESS		1	
NS	0600033	LOWER STAIRS HARNESS		1	
		DASH LED			
15	0600065	STRIP LED ENTRANCE DOOR SIDE PANEL WHITE		1	
15	0600052	STRIP LED ENTRANCE DOOR SIDE PANEL COLOR		1	
20		CEILING LED			
20	0600070	CEILING LED STRIP CENTER WHITE		1	
20	0600057	CEILING LED STRIP CENTER RGBW		1	
21	0600069	CEILING, DUAL SIDE LEDS STRIP WHITE		2	
21	0600056	CEILING, DUAL SIDE LEDS STRIP RGBW		2	
22	504637	CABLE TIE / 3/16" x 13"		AR	
25		PARCEL RACK LED			

	Date:07/2024	PAGE:H9-0655-02
INTERIOR LIGHTING		

Item#	Part	Description	H 3 4 1	H 3 4 5	N O T E S
25	0600071	LED STRIP SIGNATURE / LH WHITE		2	
25	0600058	LED STRIP SIGNATURE / LH RGBW		2	
25	0600072	LED STRIP SIGNATURE / RH WHITE		2	
25	0600059	LED STRIP SIGNATURE / RH RGBW		2	
25	0600074	LED STRIP SIGNATURE RH WCL FRONT WHITE		2	D
25	0600061	LED STRIP SIGNATURE RH WCL FRONT RGBW		2	D
25	0600075	LED STRIP SIGNATURE RH WCL REAR WHITE		2	D
25	0600062	LED STRIP SIGNATURE RH WCL REAR RGBW		2	D
26	330020	PARCEL RACK END CAP, WHITE LIGHTING		2	
26	330020	PARCEL RACK END CAP, WHITE LIGHTING		4	D
26	330017	PARCEL RACK END CAP, LIGHTNING RGBW		2	
26	330017	PARCEL RACK END CAP, LIGHTNING RGBW		4	D
		UPPER WALL LED			
30	0600073	WALL LED STRIP WHITE		2	
30	0600073	WALL LED STRIP WHITE		1	D
30	0600060	WALL LED STRIP RGBW		2	
30	0600060	WALL LED STRIP RGBW		1	D
30	0600076	LED STRIP WALL WCL FRONT WHITE		1	D
30	0600063	LED STRIP WALL WCL FRONT RGBW		1	D
30	0600077	LED STRIP WALL WCL REAR WHITE		1	D
30	0600064	LED STRIP WALL WCL REAR RGBW		1	D
NS	509815	TIE MOUNT / ATTACHMENT W/TREE MOUNT		AR	
NS	504637	CABLE TIE / 3/16" x 13"		AR	
35		LED COLOR SELECTOR RGB			
35	564286	SWITCH "RGB COLOR "		1	
36	401607	SUPPORT COLCOR SELECTOR RGB		1	
37	500344	SCREW MA RND PH M4-0.7x12 Z050		2	
38	500914	WASHER LO SPT .193x.334x.047 N500		2	
40		DIMMER CONTROLER MODULE LED STRIP		1	
40	564715	DIMMER MODULE FOR LED STRIP		3	
40	0600082	CONNECTOR BYPASS CABIN DIMMER		1	B
41	502841	NUT HEX NYRT M5-0.8 N500		6	
42	0610381	SUPPORT / WIRING HARNESS		1	
43	500623	SCREW TC PAN PH #10-24x3/4 N500		1	
44	5001137	WASHER FL .203x.438x.050 SS		3	
45	500638	SCREW TP PAN PH #8x1/2 Z050		2	

	Date:07/2024	PAGE:H9-0655-02
INTERIOR LIGHTING		

Item#	Part	Description	H 3 4 1	H 3 4 5	N O T E S
46	063106	HARNESS, SOUND SYSTEM PARCEL-RACK		1	
47	509815	TIE MOUNT / ATTACHMENT W/TREE MOUNT		AR	
47	504637	CABLE TIE / 3/16" x 13"		AR	
50		ENTREANCE DOOR LAMP			
50	830009	LAMP ASSY 24V / LED		1	
. NS	563589	. CONNECTOR / DTM SERIES / SH 2C / GRAY / DEUTSCH DTM06-2S-E007		1	
51	2810641	BOTTOM LIGHT COVER		1	
52	2810610	ATTACHMENT		1	
53	5001027	SCREW MA PAN PH #10-32x1 SS EMN		4	
54	504616	SPACER 5/16 O.D. x 7/16 x .190 NYL		2	
55	500423	NUT HEX NYRT #10-32 SS		2	
56	502774	NUT WELL #10-32x.625		2	
57	509815	TIE MOUNT / ATTACHMENT W/TREE MOUNT		1	
57	504637	CABLE TIE / 3/16" x 13"		1	
58	564108	SELF MOUNTING STUD // DEUTSCH 1011-310-0205		1	
60		LAVATORY LAMP (OCCUPIED)			
60	330395	BASE ASSY W/SOCKET & BULB 24V / MIDNIGHT CHARCOAL		1	
60A	330021	. BASE BOX, LAMP / MIDNIGHT CHARCOAL		1	
60B	330265	. SOCKET ASSY W/CONNECTOR / W2.1x9.Dd		1	
. NS	562295	. . SOCKET BULB / PLASTIC W/WIRE / W2.1x9.5d		1	
. NS	561248	. . CONNECTOR / UNIVERSAL MATE-N-LOK / PH 2C / AMP 1-480699-0		1	
. NS	562122	. . PIN TERMINAL / 20-14 / AMP 350547-1		2	
60C	340847	. RECEPTACLE		1	
60D	504105	. RIVET POP DOME OE 1/8x3/16 AL		2	
61	561166	. BULB / 3WATT-24VOLTS / SAE# 464		1	
62	403137	LENS		1	
63	500686	SCREW TP OV PH #6x1/2 BK		2	
64	500422	NUT SPR U #6-32 .110-.120 SS		2	
65	500640	SCREW TP PAN PH #6x3/4 Z050		2	
66	500855	WASHER FL .188x.438x.049 N500		2	
70		LAMP WCL ENTRANCE DOOR			
70	830191	LAMP ASSY / LAVATORY "FRILIGHT" BLACK			
. NS	830196	. BULB / 20 WATTS-12V/SAE#Q20MR16/FL40D		1	
71	502666	SCREW MA FL PH #6-32x3/4 SS BK		6	
75		DRIVER'S LAMP			

	Date:07/2024	PAGE:H9-0655-02
INTERIOR LIGHTING		

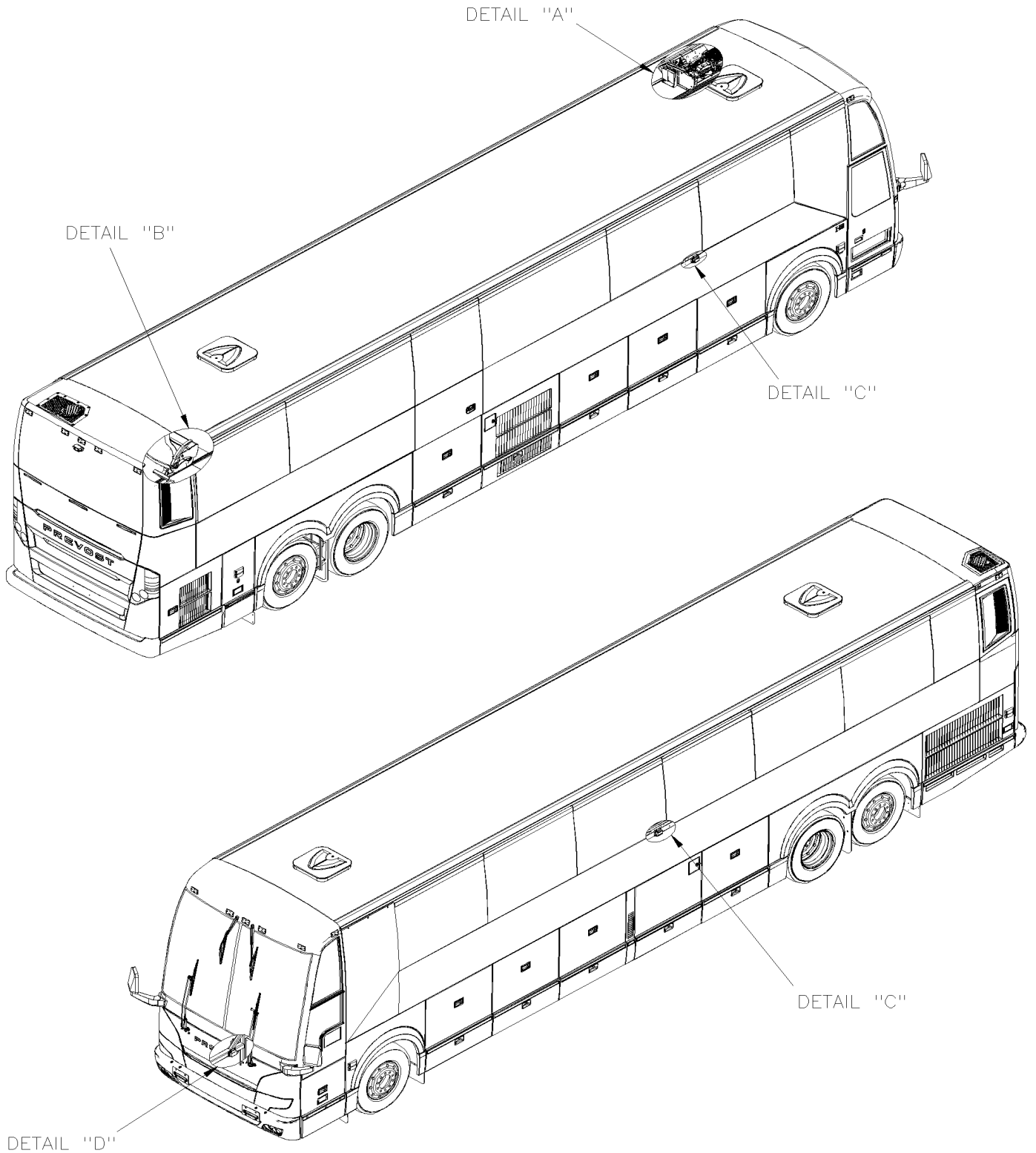
Item#	Part	Description	H 3 4 1	H 3 4 5	N O T E S
75	830012	LAMP LED / NORMAL & EMERGENCY 24V		2	
80		PASSENGER'S LAMP			
80	330018	SERVICE SET, PARCEL RACK To R-1714		AR	
80	330110	SERVICE SET, PARCEL RACK From R-1715 To R-1827		AR	
80	330115	SERVICE SET, PARCEL RACK From R-1828		AR	
81	830013	. SPEAKER, SERVICE SET, PARCEL RACK To R-1714		1	
81	830027	SPEAKER, SERVICE SET, PARCEL RACK From R-1836 To R-1836		AR	
81	830027	SPEAKER, SERVICE SET, PARCEL RACK From R-1838			
82	830015	. SCREW 3.5X6.5		4	
83	830016	. AIR NOZZLE, SERVICE SET, PARCEL RACK		2	
NS	0600040	CABLE READING LIGHT MODULE / LH		1	
NS	0600041	CABLE READING LIGHT MODULE / RH		1	
NS	0600050	CABLE READING LIGHT MODULE / WCL DOOR		1	D
NS	0600088	RESISTOR BLOC 4 OHMS		1	A
85		LAVATORY LAMP			
85	830003	LAMP ASSY / LAVATORY		1	
86	500564	SCREW MA RND PH #8-32x3/4 Z050		4	
87	500678	NUT WELL #8-32x.450		4	
90		NEXT ITEM ARE USE WITH AUTOMATIC EMERGENCY LAMPS			K
90	830012	LAMP LED / NORMAL & EMERGENCY 24V		14	K
		A) USE WIHTOUT SPEAKER			
		B) USE WITHOUT DIMMER			
		D) USE WITH WCL			
		FAIC) OPTION WITH FAIC SET SEAT			
		K) CALIFORNIA REGULATION			

From M-1162 To P-1452

Date:07/2024

PAGE:H9-0655-10

AUTOMATIC EMERGENCY LAMPS

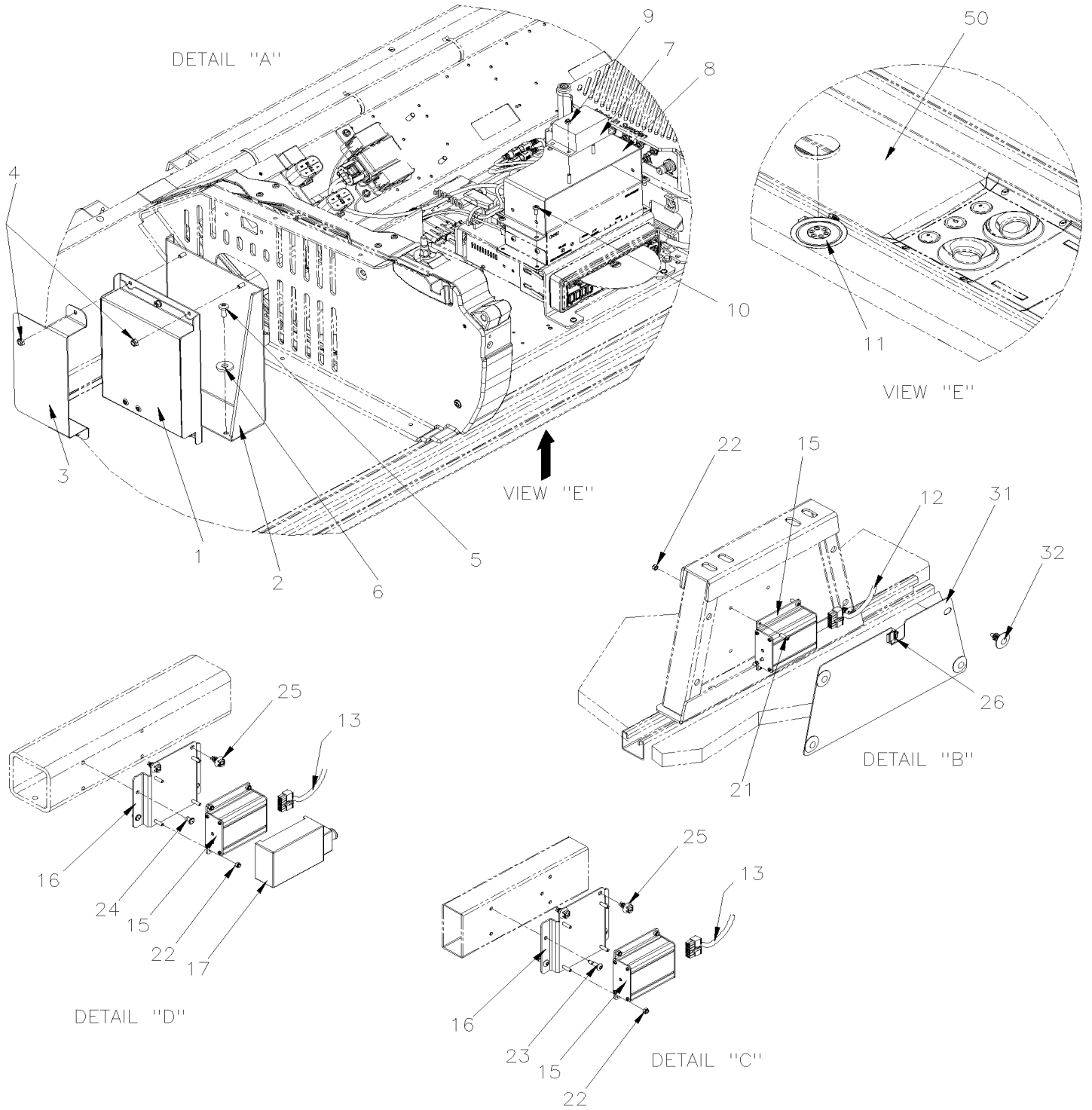


From M-1162 To P-1452

Date:07/2024

PAGE:H9-0655-10

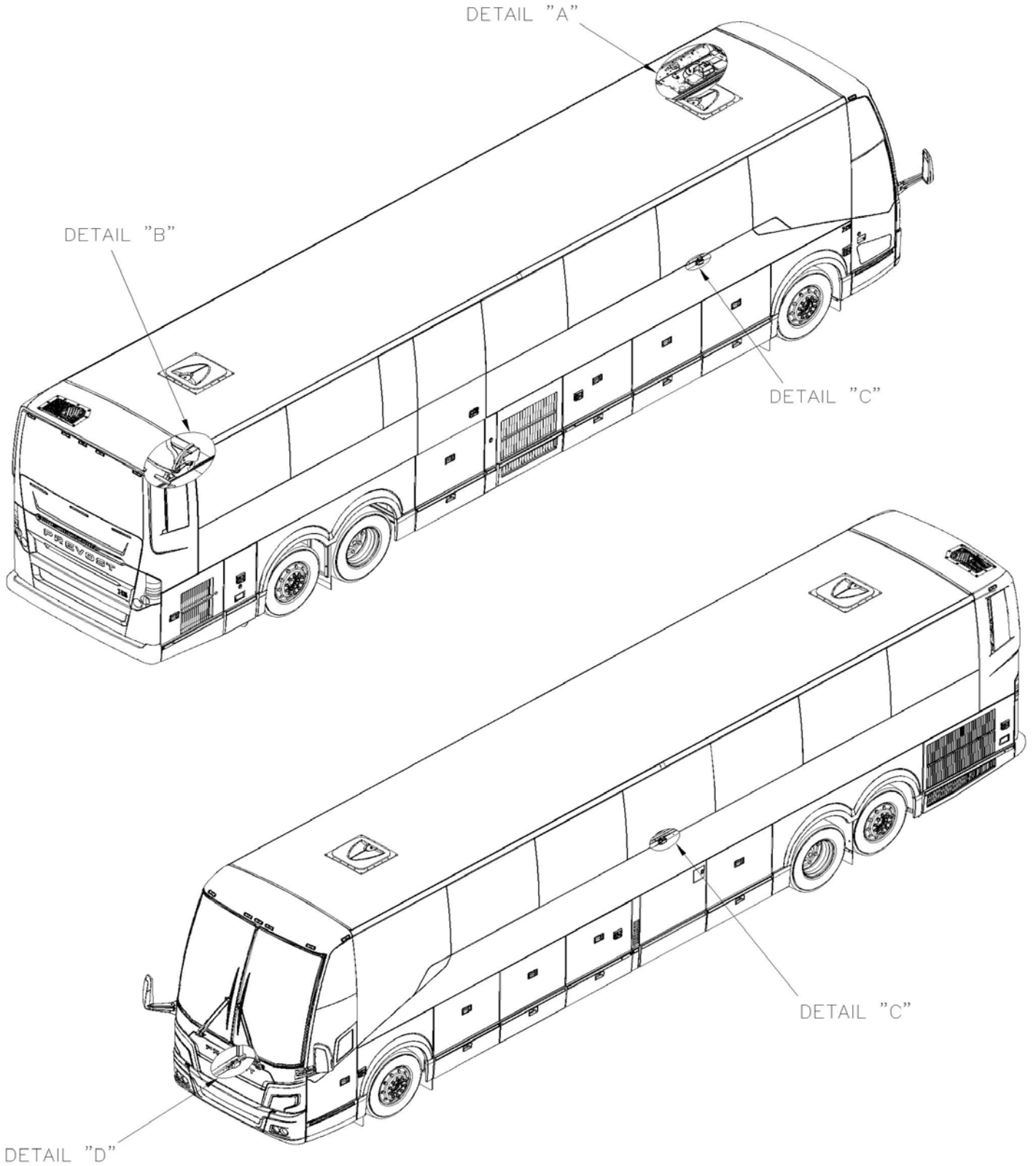
AUTOMATIC EMERGENCY LAMPS



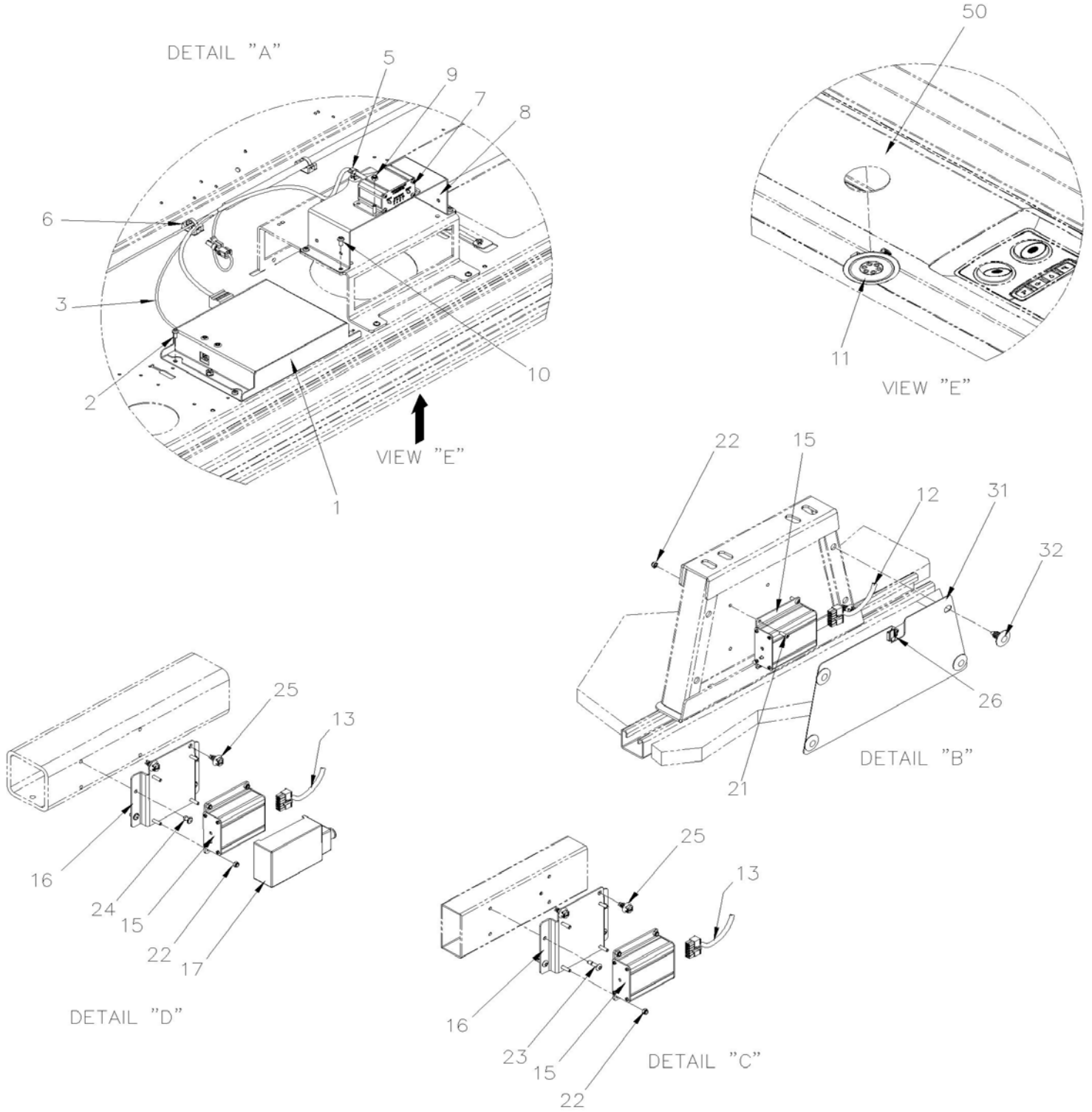
From M-1162 To P-1452	Date:07/2024	PAGE:H9-0655-10
AUTOMATIC EMERGENCY LAMPS		

Item#	Part	Description	H 3 4 1	H 3 4 5	NOTES
1	901831	EMERGENCY UNIT 24VDC TEKNOWARE	1	1	
NS	0610438	EMERGENCY LIGHTS MAIN HARNESS	1	1	
2	0610508	SUPPORT BATTERIE	1	1	
3	0610507	COVER BATTERIE	1	1	
4	502841	NUT HEX NYRT M5-0.8 N500	4	4	
5	500841	SCREW TP PAN PH #14x3/4 Z050	4	4	
6	500401	WASHER FL .343x.875x.125 N500	4	4	
7	901837	MOUDLE, ELM LED STATUS REI	1	1	
8	0610509	SUPPORT STATUS LED	1	1	
9	500539	NUT HEX NYRT M4-0.7 N500	2	2	
10	500799	SCREW TC PAN PH #8-32x3/8 N500	4	4	
11	830012	LAMP LED / NORMAL & EMERGENCY 24V	14	14	
NS	0610435	EMERGENCY LIGHT RH HARNESS	1	1	
NS	0610436	EMERGENCY LIGHT LH HARNESS	1	1	
12	0610432	EMERGENCY SEAT SENSOR HARNESS	1	1	
NS	0610434	EMERGENCY PASSENGERS SENSOR HARNESS	1	1	
13	0610437	EMERGENCY LUGGAGE COMP. SENSORS HARNESS	1	1	
15	901830	MODULE, EMERGENCY LIGHTING SENSOR REI	4	4	
16	0610386	SUPPORT REI MODULE, IMPACT DETECTION	3	3	
17	564370	COVER REI MODULE SB247	1	1	
21	5001996	SCREW MA PAN PH M4-0.7x12 N500	4	4	
22	500539	NUT HEX NYRT M4-0.7 N500	16	16	
23	504488	RIVET MGLP PRDG 3/16x17/64 SS	8	8	
24	504487	RIVET MGLP PRDG 3/16x7/16 SS	4	4	
25	509815	TIE MOUNT / ATTACHMENT W/TREE MOUNT	AR	AR	
26	564204	CABLE TIE / WITH EDGE CLIP / T50REC4A 10MMx200MM	1	1	
31	360090	COVER AMAYA SEAT	1	1	
32	864368	SCREW 3/8 PLASTIC	4	4	
50	H9-1836-03	PARCEL RACK W/GREY FINISHING			

	Date:07/2024	PAGE:H9-0655-11
AUTOMATIC EMERGENCY LAMPS		



	Date:07/2024	PAGE:H9-0655-11
AUTOMATIC EMERGENCY LAMPS		



		Date:07/2024	PAGE:H9-0655-11
AUTOMATIC EMERGENCY LAMPS			

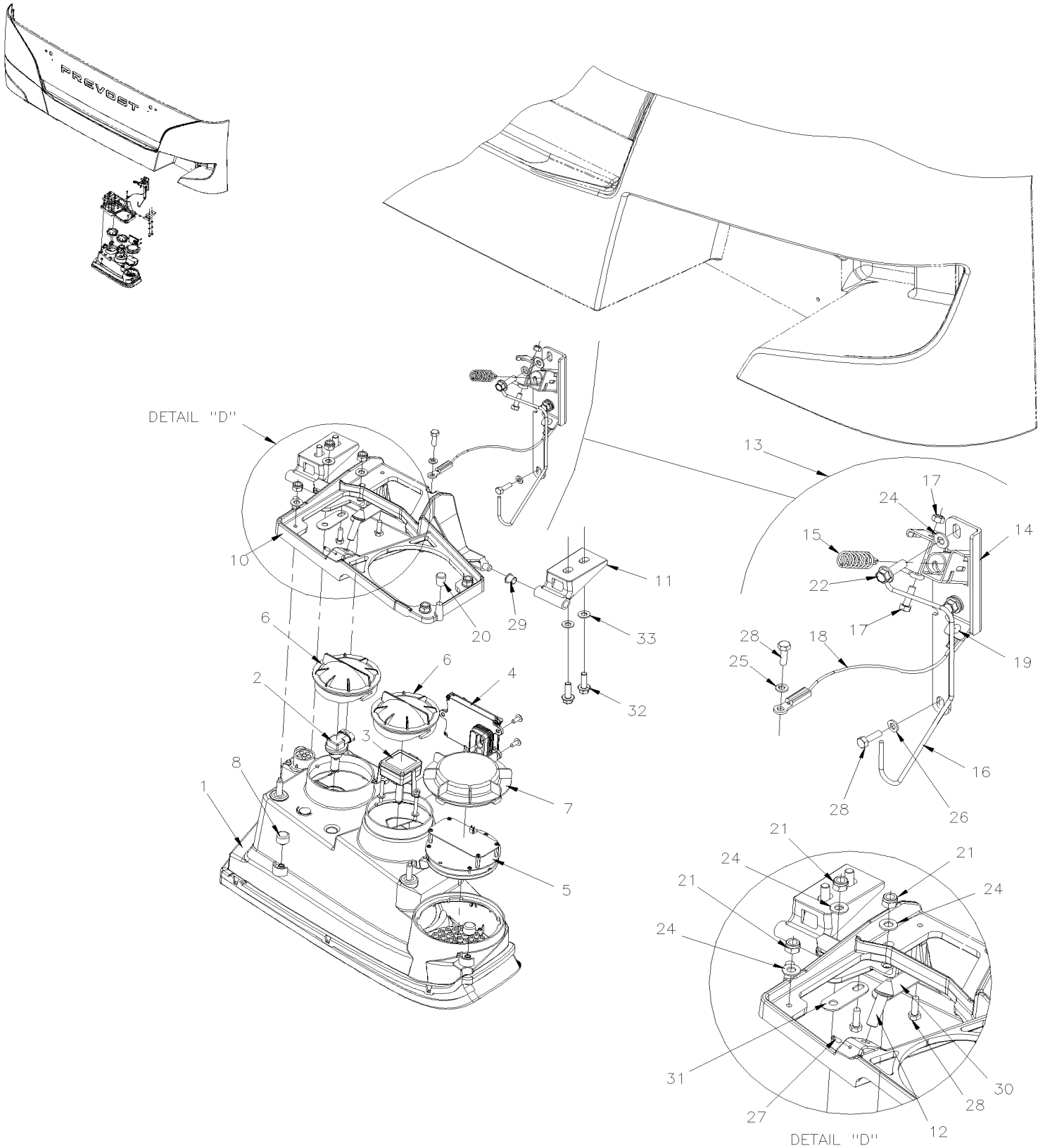
Item#	Part	Description	H 3 4 1	H 3 4 5	NOTES
1	901831	EMERGENCY UNIT 24VDC TEKNOWARE		1	
2	500799	SCREW TC PAN PH #8-32x3/8 N500		4	
3	0610438	EMERGENCY LIGHTS MAIN HARNESS		1	
5	509815	TIE MOUNT / ATTACHMENT W/TREE MOUNT		1	
5	504637	CABLE TIE / 3/16" x 13"		1	
6	504013	TIE MOUNT / 1/4" X 1/4" I.D.		AR	
6	504379	RIVET POP DOME OE 3/16x1/4 SS		AR	
6	504637	CABLE TIE / 3/16" x 13"		1	
7	901837	MOUDLE, ELM LED STATUS REI		1	
8	0610509	SUPPORT STATUS LED		1	
9	500539	NUT HEX NYRT M4-0.7 N500		2	
10	500799	SCREW TC PAN PH #8-32x3/8 N500		4	
11	830012	LAMP LED / NORMAL & EMERGENCY 24V		14	
NS	0610435	EMERGENCY LIGHT RH HARNESS		1	
NS	0610436	EMERGENCY LIGHT LH HARNESS		1	
12	0610432	EMERGENCY SEAT SENSOR HARNESS		1	
NS	0610434	EMERGENCY PASSENGERS SENSOR HARNESS		1	
13	0610437	EMERGENCY LUGGAGE COMP. SENSORS HARNESS		1	
15	901830	MODULE, EMERGENCY LIGHTING SENSOR REI		4	
16	0610386	SUPPORT REI MODULE, IMPACT DETECTION		3	
17	564370	COVER REI MODULE SB247		1	
21	5001996	SCREW MA PAN PH M4-0.7x12 N500		4	
22	500539	NUT HEX NYRT M4-0.7 N500		16	
23	504488	RIVET MGLP PRDG 3/16x17/64 SS		8	
24	504487	RIVET MGLP PRDG 3/16x7/16 SS		4	
25	509815	TIE MOUNT / ATTACHMENT W/TREE MOUNT		AR	
26	564204	CABLE TIE / WITH EDGE CLIP / T50REC4A 10MMx200MM		1	
31	360090	COVER AMAYA SEAT		1	
32	864368	SCREW 3/8 PLASTIC		4	
50	H9-1836-04	PARCEL RACK			

From K-0185 To P-1452

Date:07/2024

PAGE:H9-0660-02

HEADLAMP & FRONT DIRECTIONAL LAMPS



From K-0185 To P-1452	Date:07/2024	PAGE:H9-0660-02
------------------------------	---------------------	------------------------

HEADLAMP & FRONT DIRECTIONAL LAMPS

Item#	Part	Description	H 3 4 1	H 3 4 5	N O T E S
1	930402	HEADLAMP "HALOGENE" & FRONT DIRECTIONAL LAMPS L.H. To K-0351	1	1	L
1	930010	HEADLAMP "HALOGENE" & FRONT DIRECTIONAL LAMPS L.H. From K-0352	1	1	L
1	930403	HEADLAMP "HALOGENE" & FRONT DIRECTIONAL LAMPS R.H. To K-0351	1	1	L
1	930011	HEADLAMP "HALOGENE" & FRONT DIRECTIONAL LAMPS R.H. From K-0352	1	1	L
1	930425	HEADLAMP "XENON" & FRONT DIRECTIONAL LAMPS L.H. W/ KEBODA To K-0351	1	1	L
. NS	930455	. SCREW, ADJUSTING To K-0351	2	2	L
1	930013	HEADLAMP "XENON" & FRONT DIRECTIONAL LAMPS L.H. W/ KEBODA From K-0352 To P-1451	1	1	L
. NS	930455	. SCREW, ADJUSTING From K-0352 To P-1451	2	2	L
1	930426	HEADLAMP "XENON" & FRONT DIRECTIONAL LAMPS R.H. W/ KEBODA To K-0351	1	1	L
. NS	930455	. SCREW, ADJUSTING To K-0351	2	2	L
1	930014	HEADLAMP "XENON" & FRONT DIRECTIONAL LAMPS R.H. W/ KEBODA From K-0352 To P-1451	1	1	L
. NS	930455	. SCREW, ADJUSTING From K-0352 To P-1451	2	2	L
1	430693	HEADLAMP SEAL / R.H. / UPPER 360MM	1	1	
1	430694	HEADLAMP SEAL / R.H. / SIDE 255MM	1	1	
2	563092	. BULB / 65WATT-12VOLTS / SAE# H9	2	2	
3	563092	. BULB / 65WATT-12VOLTS / SAE# H9	2	2	
3	564405	. BULB / 35WATT / HID D1S To P-1451	1	1	X
3	930004	. SUPPORT / BULD HID XENON To P-1451	1	1	X
4	930452	. BALLAST KEBODA To P-1451	1	1	X
5	930409	. LED AMBER / DIRECTIONAL / FRONT	1	1	
6	930410	. BACK COVER / HEADLAMP	2	2	
NS	930047	. SEAL COVER	2	2	
7	930411	. BACK COVER / DIRECTIONAL LAMP	1	1	
8	930412	. VENT TUBE ASSY	1	1	
NS		TO CHANGE TO LED HEADLAMPS ASK FOR KIT IS23073-1 OR IS23073-2			
NS	IS23073-1	H3 SERIES LED HEADLAMPS RETROFIT WITHOUT DAYTIME RUNNING LIGHT, US OPERATORS ONLY	1	1	
NS	IS23073-2	H3 SERIES LED HEADLAMPS RETROFIT MANDATORY FOR CANADIAN OPERATOR, OPTIONAL FOR US OPERATOR	1	1	
10	430650	SUPPORT HEAD LAMP L.H.	1	1	
10	430649	SUPPORT HEAD LAMP R.H.	1	1	
11	430651	HINGE PIVOT	2	2	
12	430656	PIN STOPPER M10 x 1.5	2	2	
13	478317	GUIDE ASSY L.H.	1	1	
13	478398	GUIDE ASSY R.H.	1	1	
14	430658	. GUIDE L.H.	1	1	
14	430661	. GUIDE R.H.	1	1	
15	472829	. SPRING COMPRESSION / .610 O.D. x 2.18 x .072	1	1	
16	430654	. SPRING RETAINER L.H.	1	1	
16	430653	. SPRING RETAINER R.H.	1	1	
17	502622	. SCREW CAP HEX M6-1.0x20 SS BK	1	1	

From K-0185 To P-1452	Date:07/2024	PAGE:H9-0660-02
HEADLAMP & FRONT DIRECTIONAL LAMPS		

Item#	Part	Description	H 3 4 1	H 3 4 5	NOTES
17	5001182	. NUT HEX NYRT M6-1.0 SS	1	1	
18	430662	. CABLE ASSY 224MM	1	1	
19	504379	. RIVET POP DOME OE 3/16x1/4 SS	1	1	
20	504756	PROTECTOR CAP / BLACK / RUBBER .328 I.D. x .500 x 11/16	1	1	
21	5001787	NUT HEX NYRT M8-1.25 SS	10	10	
22	502912	SCREW CAP HEXF M8-1.25x25 SS BK	4	4	
24	5001341	WASHER FL 8.4x17.0x1.6 SS	10	10	
25	502570	WASHER LO SPT 6.1x11.8x1.6 SS	2	2	
26	502573	WASHER FL 6.4x12.5x1.6 SS	2	2	
27	502574	SCREW SET HEXS CUP M4-0.7x12 SS	2	2	
28	502622	SCREW CAP HEX M6-1.0x20 SS BK	8	8	
29	507260	BUSHING NYLINER W/SHOULDER .375x.437x.375x.594	4	4	
30	478393	ADJUSTEMENT PLATE 20MM x 67MM	1	1	
31	478394	ADJUSTEMENT PLATE 20MM x 56MM	1	1	
32	5001742	SCREW CAP HEXF M8-1.25x30 G8.8 N500	8	8	
33	5001849	WASHER FL 8.4x24.0x2.0 SS	8	8	
		L) TO CHANGE TO LED HEADLAMPS ASK FOR KIT IS22055			
		X) WITH "XENON" HEADLAMP			

From K-0185 To P-1452	Date:07/2024	PAGE:IS23073-1
H3 SERIES LED HEADLAMPS RETROFIT WITHOUT DAYTIME RUNNING LIGHT, US OPERATORS ONLY		

PREVOST***Feuille d'instructions*****FI-23073-1**

**ENSEMBLE DE MISE À NIVEAU DE PHARES À DEL — SÉRIE H3
(Sans feu de jour, opérateurs américains uniquement)**

PREVOST***Instruction Sheet*****IS-23073-1**

**H3 SERIES LED HEADLAMPS RETROFIT
(Without Daytime Running Light, US Operators only)**

From K-0185 To P-1452	Date:07/2024	PAGE:IS23073-1
-----------------------	--------------	----------------

H3 SERIES LED HEADLAMPS RETROFIT WITHOUT DAYTIME RUNNING LIGHT, US OPERATORS ONLY

Item#	Part	Description	H 3 4 1	H 3 4 5	N O T E S
NS	470095	RUBBER EXTRUSION / RAW MATERIAL	AR	AR	A
		A) 3 FT REQUIRED TO PERFORM IS-23073-1			

From K-0185 To P-1452	Date:07/2024	PAGE:IS23073-2
H3 SERIES LED HEADLAMPS RETROFIT MANDATORY FOR CANADIAN OPERATOR, OPTIONAL FOR US OPERATOR		

Feuille d'instructions**FI-23073-2**

ENSEMBLE DE MISE À NIVEAU DE PHARES À DEL — SÉRIE H3
(Obligatoire pour l'opérateur canadien, facultatif pour l'opérateur
américain)

PREVOST***Instruction Sheet*****IS-23073-2**

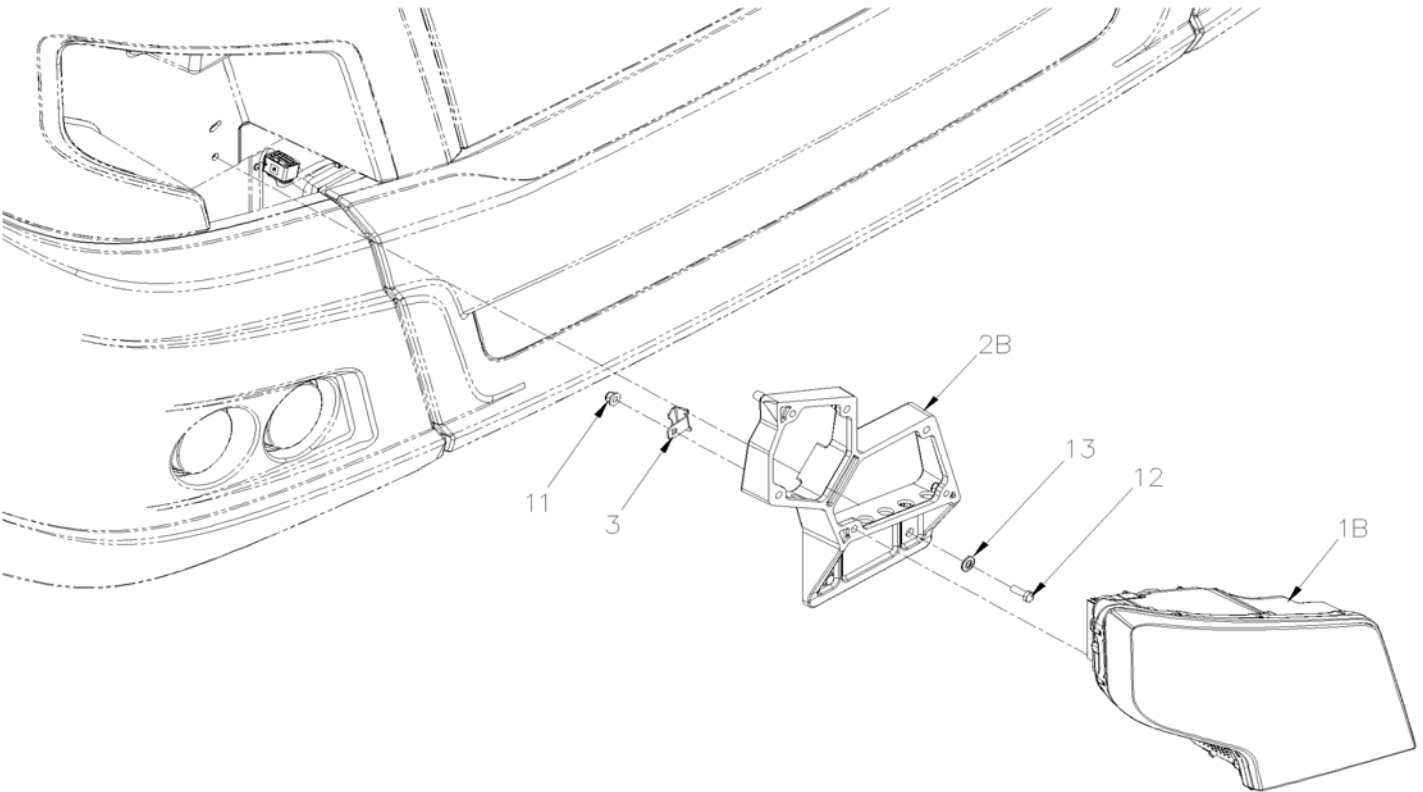
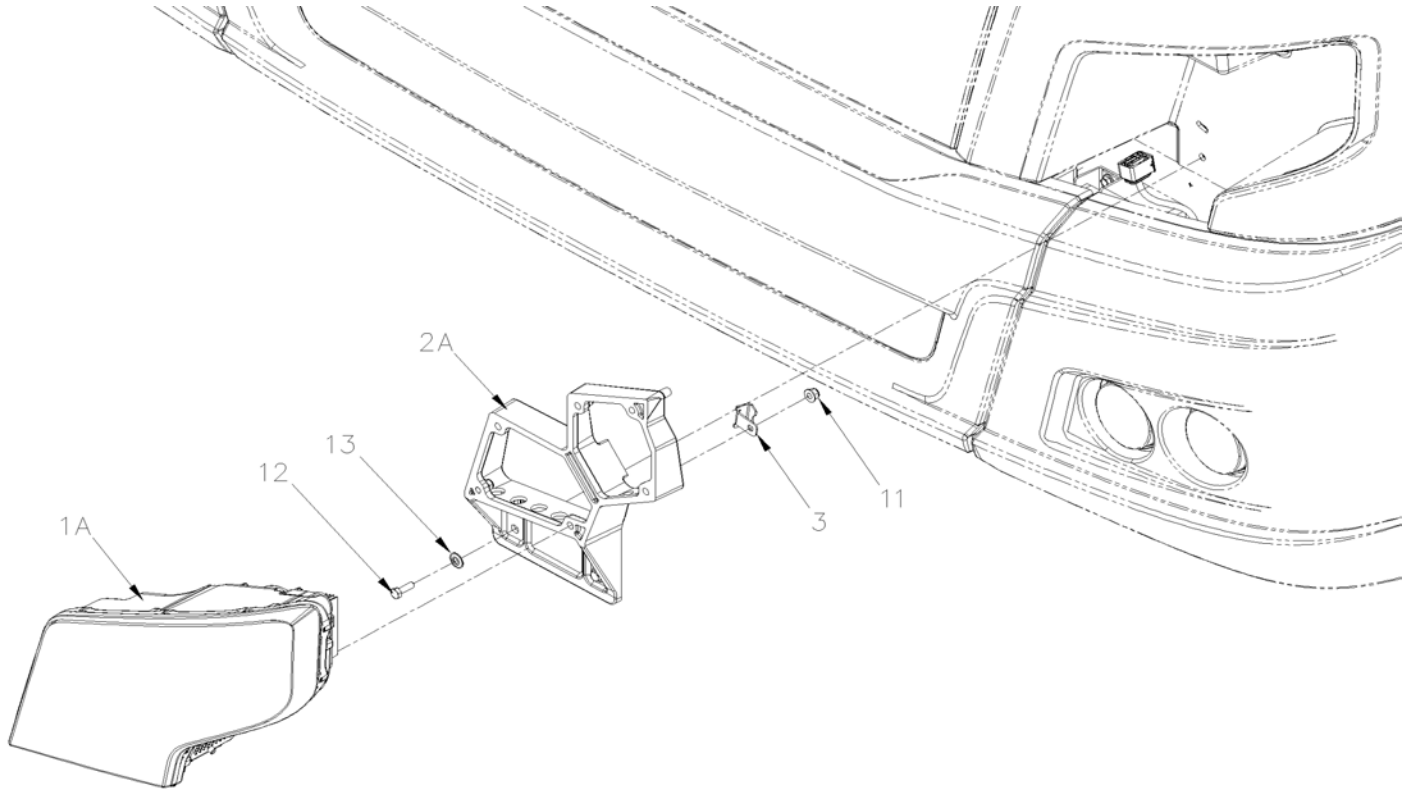
H3 SERIES LED HEADLAMPS RETROFIT
(Mandatory for Canadian operator, Optional for US Operator)

From K-0185 To P-1452	Date:07/2024	PAGE:IS23073-2
-----------------------	--------------	----------------

H3 SERIES LED HEADLAMPS RETROFIT MANDATORY FOR CANADIAN OPERATOR, OPTIONAL FOR US OPERATOR

Item#	Part	Description	H 3 4 1	H 3 4 5	N O T E S
NS	470095	RUBBER EXTRUSION / RAW MATERIAL (3 FEET REQUIRED FOR IS-23073-2)	AR	AR	
NS	0600274	HARNESS_LOW_BEAM_SAV	1	1	
NS	563332	RELAY 24V S.P.D.T. W/RESISTOR / "VOLVO" (20374662)	3	3	
4	500209	SCREW TC BDG PH #10-24x3/8 N500	2	2	
NS	504637	CABLE TIE / 3/16" x 13"	15	15	

	Date:07/2024	PAGE:H9-0660-03
HEADLAMP & FRONT DIRECTIONAL LAMPS		



		Date:07/2024	PAGE:H9-0660-03
HEADLAMP & FRONT DIRECTIONAL LAMPS			

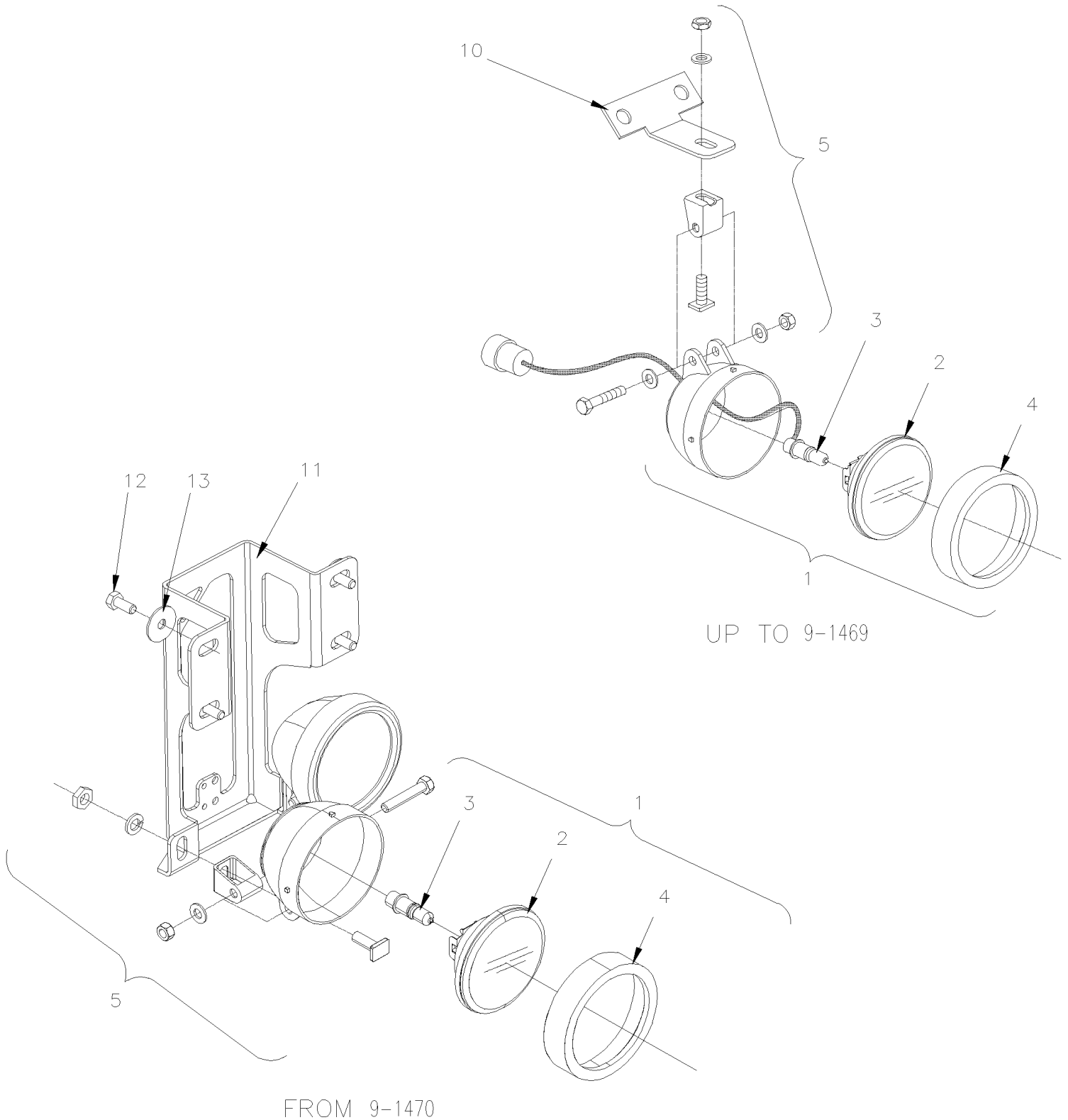
Item#	Part	Description	H 3 4 1	H 3 4 5	NOTES
1A	930028	HEADLAMP LEFT To R-1716		1	
. NS	564680	. MOUNTING CLIP / HDSCS / YELLOW / AMP 1564562-1 To R-1716		1	
. NS	564641	. CONNECTOR / HDSCS / PH 10C / AMP 1-1564518-1 To R-1716		1	
1A	930055	HEADLAMP LEFT IRIS2 From R-1717		1	
1B	930027	HEADLAMP RIGHT To R-1716		1	
. NS	564680	. MOUNTING CLIP / HDSCS / YELLOW / AMP 1564562-1 To R-1716		1	
. NS	564641	. CONNECTOR / HDSCS / PH 10C / AMP 1-1564518-1 To R-1716		1	
1B	930054	HEADLAMP RIGHT IRIS2 From R-1717		1	
. NS	564680	. MOUNTING CLIP / HDSCS / YELLOW / AMP 1564562-1 From R-1717		1	
. NS	564641	. CONNECTOR / HDSCS / PH 10C / AMP 1-1564518-1 From R-1717		1	
2A	430084	SUPPORT HEADLAMP LEFT		1	
2B	430083	SUPPORT HEADLAMP RIGHT		1	
3	430223	GUIDE		2	
11	5001931	NUT HEXF NYRT M8-1.25 G8.8 N500		12	
12	502780	SCREW CAP HEX M8-1.25x25 SS BK		8	
13	5001699	WASHER BEL SPR 8.2x22x1.4 N500		8	

From K-0185 To K-0614

Date:07/2024

PAGE:H9-0661-00

FOG LAMP



From K-0185 To K-0614	Date:07/2024	PAGE:H9-0661-00
FOG LAMP		

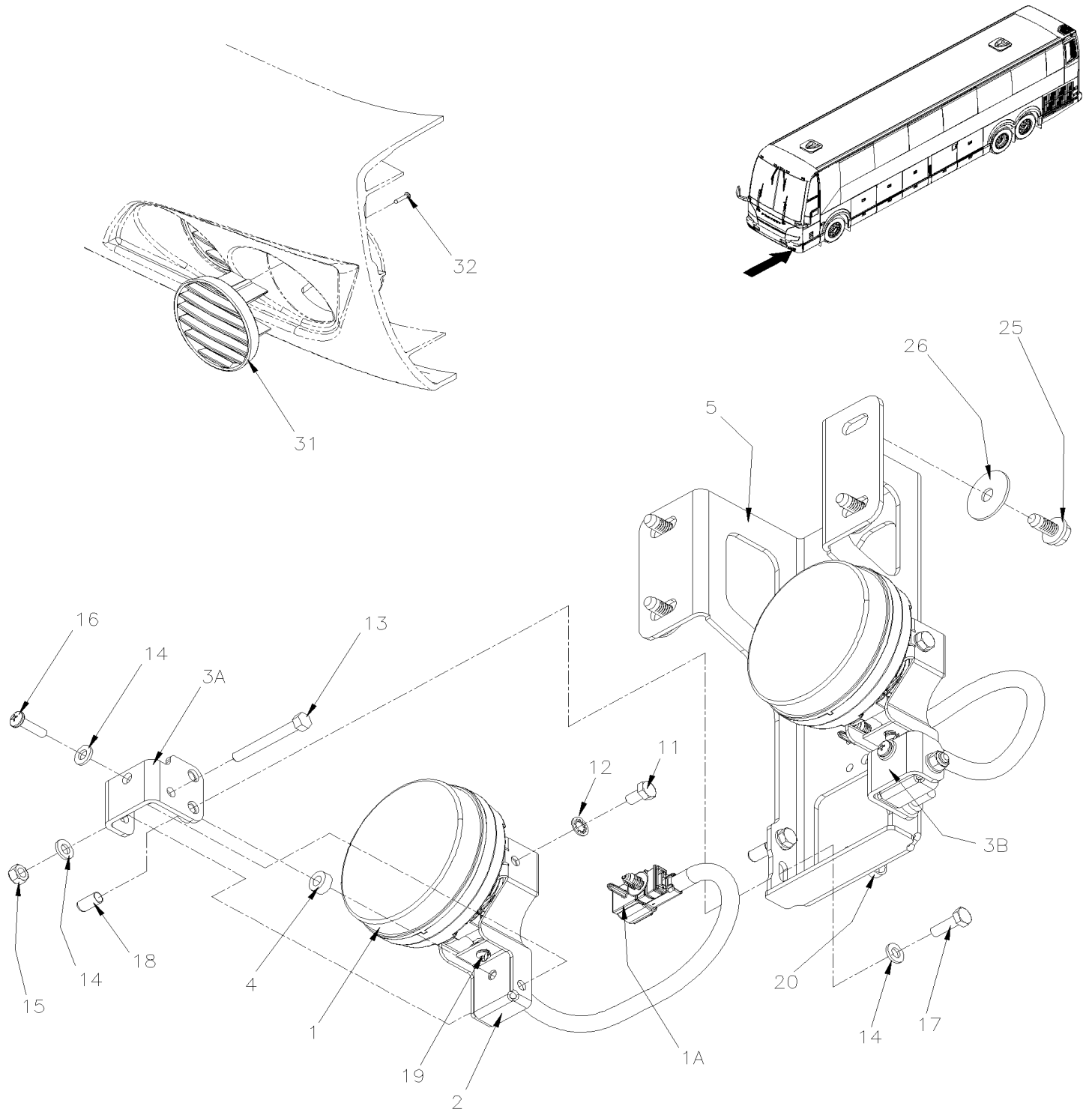
Item#	Part	Description	H 3 4 1	H 3 4 5	N O T E S
	430707	FOG LAMP 12 V / "BOSCH" COMPACT 100 / W/CONNECTOR "DEUTSCH"	4	4	
1	564475	. FOG LAMP ASSY	1	1	
2	930370	. GLASS	1	1	
3	561882	. BULB / 55WATT-12VOLTS / SAE# H3 / 64151	1	1	
3	069637	. WIRING HARNESS, FOG LAMP	1	1	
4	930371	. HOLDER RING	1	1	
5	930372	. KIT HARDWARE	1	1	
10	5001542	SCREW TC CAP HEX 5/16-18X3/4 EMN	4	4	A
10	5001467	WASHER FL .343x1.250x.062 SS18-8	4	4	A
10	952625	CLAMP / 3/8" I.D.	2	2	B
10	500957	SCREW TP BDG PH #10x3/4 N500	2	2	B
NS	411161	SUPPORT	1	1	
12	5001720	SCREW TC CAP HEX 5/16-18X5/8 EMN	8	8	
13	5001467	WASHER FL .343x1.250x.062 SS18-8	8	8	
NS	430030	FOG LAMP / REPLACEMENT KIT 2 LAMPS LED / "H3" & "VIP" / ADVANCED KIT	1	1	D
NS	430209	FOG LAMP / REPLACEMENT KIT 2 LAMPS / "H3" & "VIP" / BASIC KIT	1	1	C
NS	430027	FOG LAMP / REPLACEMENT KIT 4 LAMPS LED / "H3" & "VIP" / ADVANCED KIT	1	1	D
20	430209	FOG LAMP / REPLACEMENT KIT 2 LAMPS / "H3" & "VIP" / BASIC KIT	2	2	C E
		A) TO FIX FOG TO BUMPER			
		B) TO FIX CABLE TO BODY			
		C) BASIC KIT WITHOUT ADJUSTMENT			
		D) ADVANCED KIT WITH ADJUSTMENT			
		E) IF YOU HAVE 4 FOGS ORDER TWICE 430209			

From K-0185 To K-0614

Date:07/2024

PAGE:430030

FOG LAMP / REPLACEMENT KIT 2 LAMPS LED / "H3" & "VIP" / ADVANCED KIT



From K-0185 To K-0614	Date:07/2024	PAGE:430030
FOG LAMP / REPLACEMENT KIT 2 LAMPS LED / "H3" & "VIP" / ADVANCED KIT		

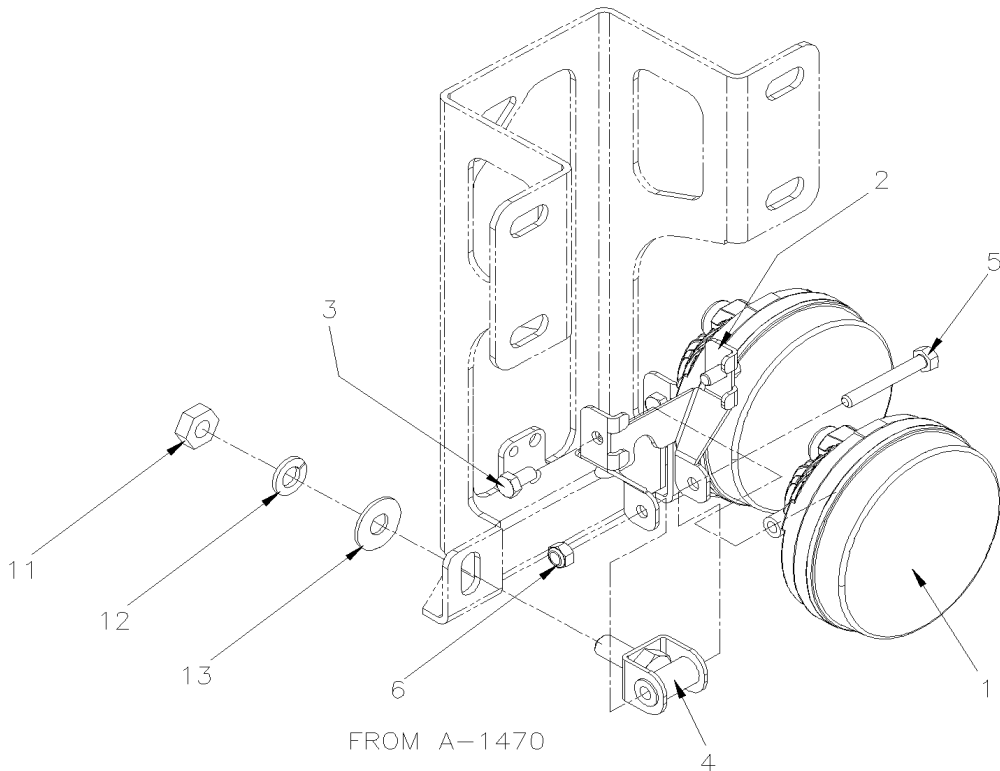
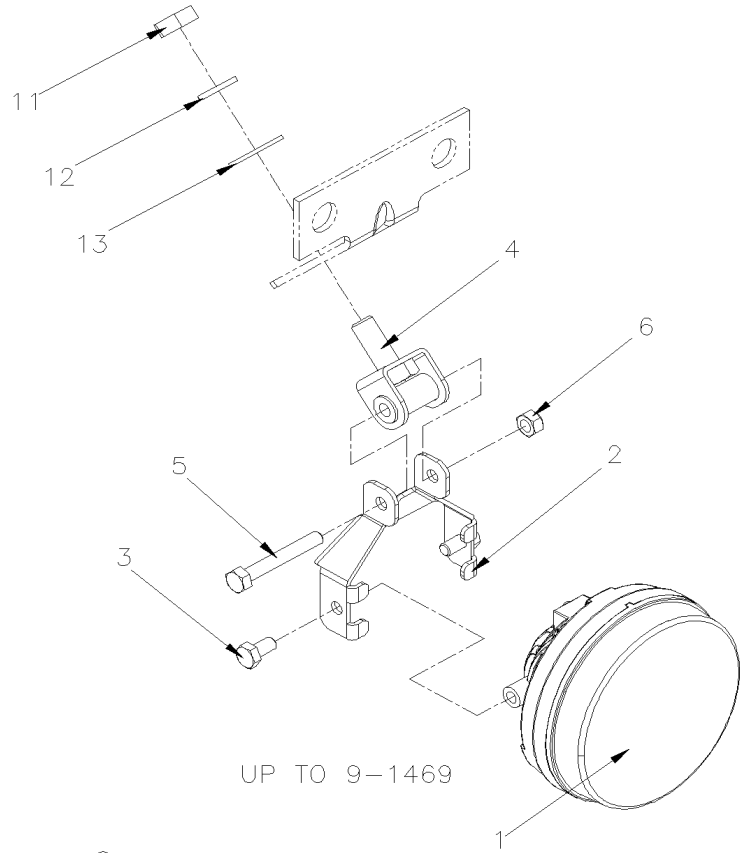
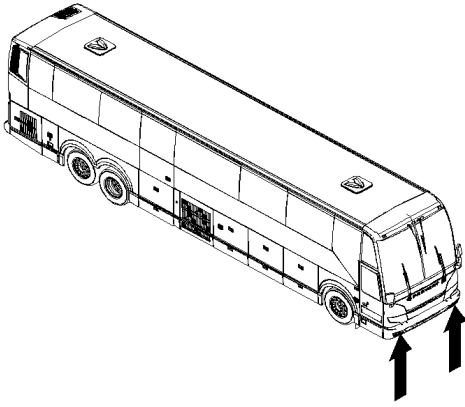
Item#	Part	Description	H 3 4 1	H 3 4 5	NOTES
1	560637	FOG LAMP / LED	2	2	
. A	564108	. SELF MOUNTING STUD // DEUTSCH 1011-310-0205	1	1	
2	430024	SUPPORT, FOG LAMP	2	2	
3A	430017	ATTACH, RH FOG LIGHT To FORMER	1	1	
3A	430111	ATTACH, RH FOG LIGHT From CURRENT	1	1	
3B	430010	ATTACH, LH FOG LIGHT To FORMER	1	1	
3B	430112	ATTACH, LH FOG LIGHT From CURRENT	1	1	
4	430015	SPACER	2	2	
5	410100	SUPPORT, FOG LAMP To FORMER	2	2	
5	410249	SUPPORT, FOG LAMP From CURRENT	2	2	
11	5001982	SCREW CAP HEX M6-1.0x12 SS BK	4	4	
12	5001432	WASHER LO INT .256x.478x.028 SS 410	4	4	
13	5001636	SCREW CAP HEX M6-1.0x50 SS BK	2	2	
14	502573	WASHER FL 6.4x12.5x1.6 SS	8	8	
15	5001182	NUT HEX NYRT M6-1.0 SS	2	2	
16	502746	SCREW MA PAN PH M5-0.8x20 SS BK	2	2	
17	502622	SCREW CAP HEX M6-1.0x20 SS BK	4	4	
18	507335	PROTECTOR CAP / BLACK / .234 I.D. x .500	4	4	
19	8631155	CABLE TIE / 4.6MM x 200 / CHRISTMAS TREE	2	2	
20	509815	TIE MOUNT / ATTACHMENT W/TREE MOUNT	1	1	
20	504637	CABLE TIE / 3/16" x 13"	1	1	

From K-0185 To K-0614

Date:07/2024

PAGE:430209

FOG LAMP / REPLACEMENT KIT 2 LAMPS / "H3" & "VIP" / BASIC KIT



From K-0185 To K-0614	Date:07/2024	PAGE:430209
FOG LAMP / REPLACEMENT KIT 2 LAMPS / "H3" & "VIP" / BASIC KIT		

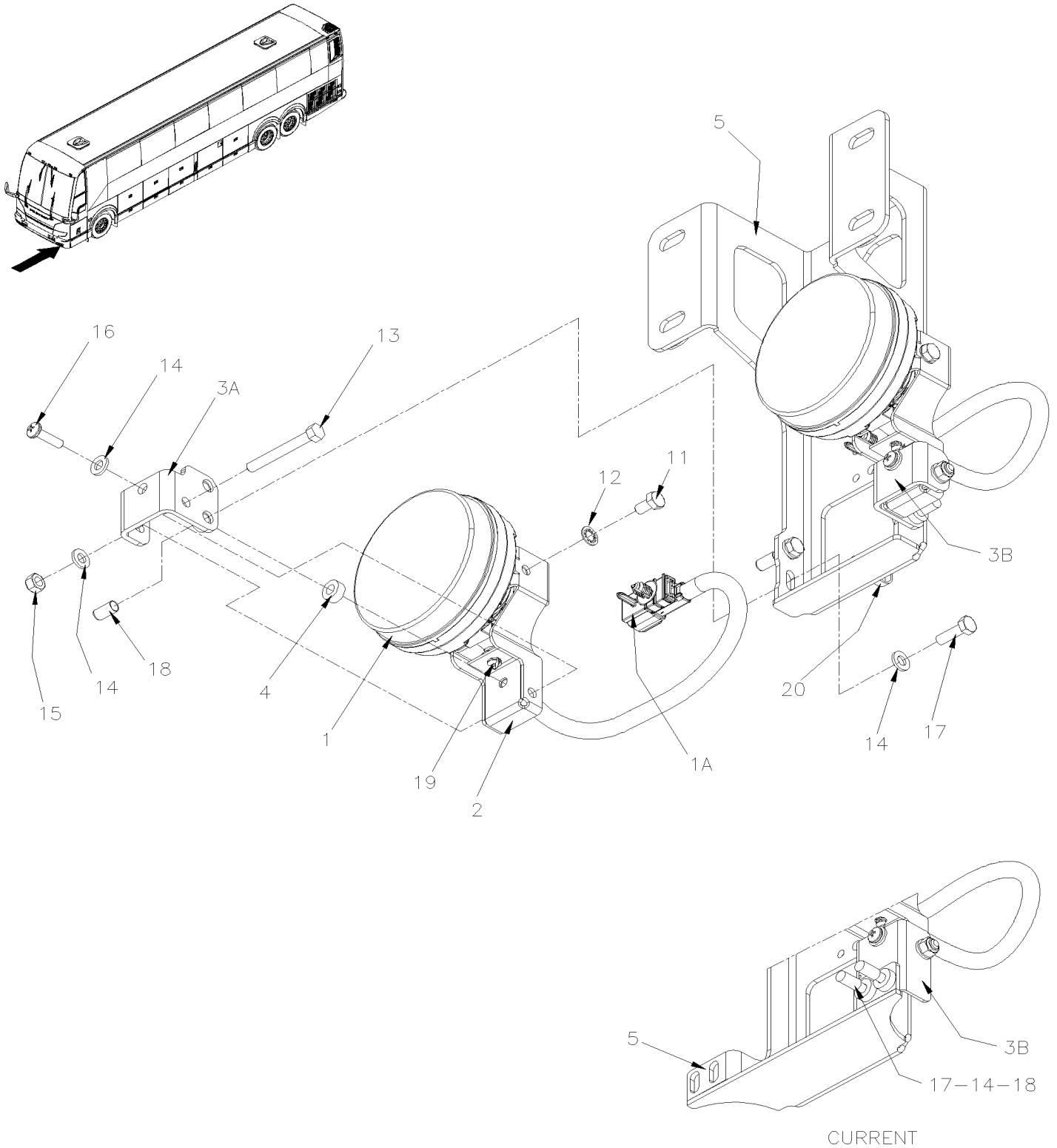
Item#	Part	Description	H 3 4 1	H 3 4 5	NOTES
		FOR VEHICLES WITH FOUR FOG LAMPS.	1	1	
		YOU HAVE TO ORDER TWO REPLACEMENT SETS	1	1	
1	560636	FOG LAMP LED	2	2	
2	430200	SUPPORT, FOG LIGHT	2	2	
3	5001982	SCREW CAP HEX M6-1.0x12 SS BK	4	4	
4	430208	SUPPORT, FOG LIGHT	2	2	
5	5001923	SCREW CAP HEX M6-1.0x45 SS BK	2	2	
6	5001182	NUT HEX NYRT M6-1.0 SS	2	2	
11	502567	NUT HEX M10-1.5 SS	2	2	
12	502616	WASHER LO SPT 10.2x18.1x2.2 SS	2	2	
13	500270	WASHER FL .406x1.000x.063 SS	2	2	
NS	IS-17151	SEE INSTRUCTION SHEET	1	1	
NS	FI-17151	VOIR FEUILLE D'INSTRUCTION	1	1	

From K-0185 To K-0614

Date:07/2024

PAGE:430027

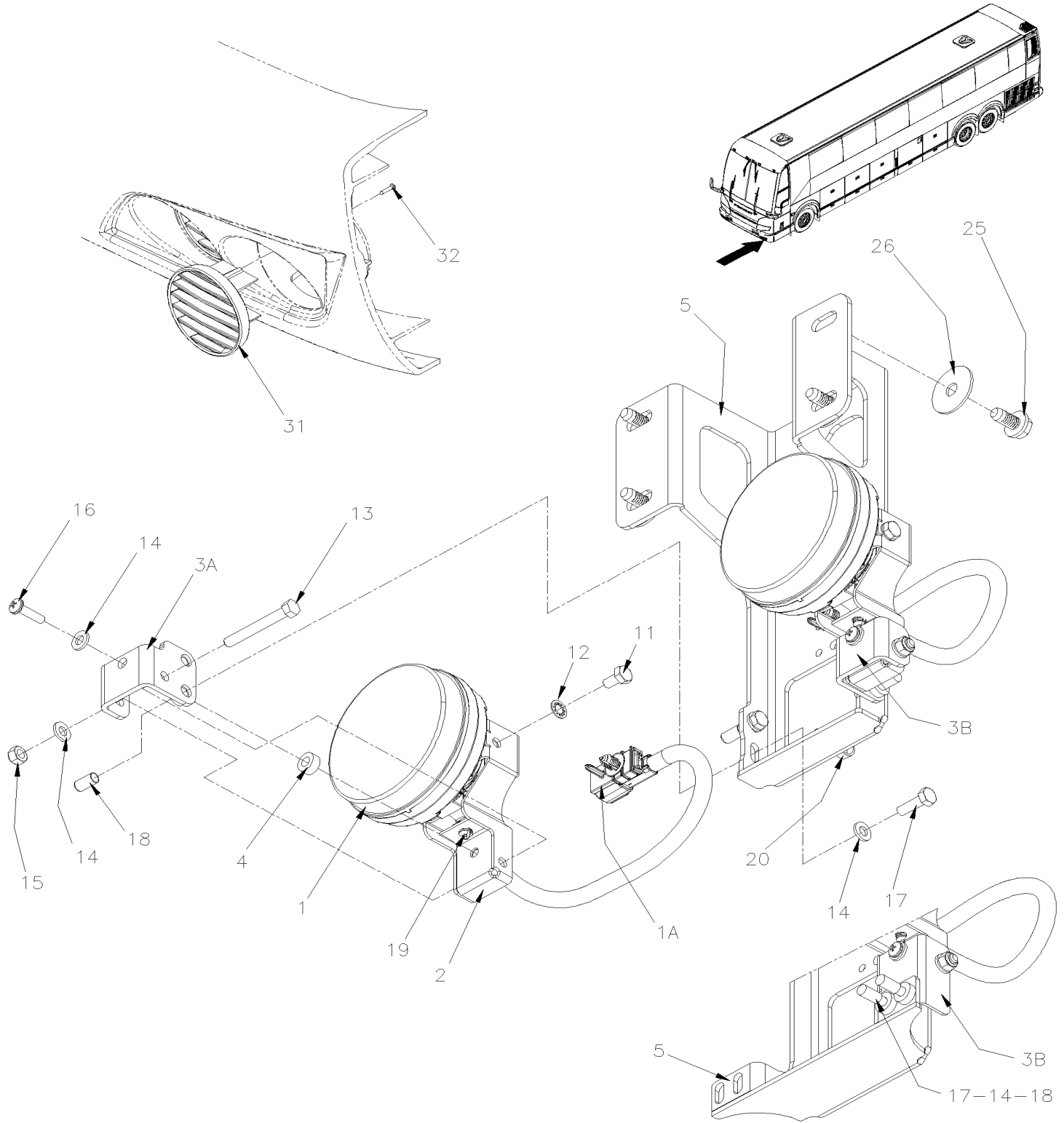
FOG LAMP / REPLACEMENT KIT 4 LAMPS LED / "H3" & "VIP" / ADVANCED KIT



From K-0185 To K-0614	Date:07/2024	PAGE:430027
FOG LAMP / REPLACEMENT KIT 4 LAMPS LED / "H3" & "VIP" / ADVANCED KIT		

Item#	Part	Description	H 3 4 1	H 3 4 5	NOTES
1	560637	FOG LAMP / LED	4	4	
. A	564108	. SELF MOUNTING STUD // DEUTSCH 1011-310-0205	1	1	
2	430024	SUPPORT, FOG LAMP	4	4	
3A	430017	ATTACH, RH FOG LIGHT To FORMER	2	2	
3A	430111	ATTACH, RH FOG LIGHT From CURRENT	1	1	
3B	430010	ATTACH, LH FOG LIGHT To FORMER	2	2	
3B	430112	ATTACH, LH FOG LIGHT From CURRENT	1	1	
4	430015	SPACER	4	4	
5	410100	SUPPORT, FOG LAMP To FORMER	2	2	
5	410249	SUPPORT, FOG LAMP From CURRENT	2	2	
11	5001982	SCREW CAP HEX M6-1.0x12 SS BK	8	8	
12	5001432	WASHER LO INT .256x.478x.028 SS 410	8	8	
13	5001636	SCREW CAP HEX M6-1.0x50 SS BK	4	4	
14	502573	WASHER FL 6.4x12.5x1.6 SS	16	16	
15	5001182	NUT HEX NYRT M6-1.0 SS	4	4	
16	502746	SCREW MA PAN PH M5-0.8x20 SS BK	4	4	
17	502622	SCREW CAP HEX M6-1.0x20 SS BK	8	8	
18	507335	PROTECTOR CAP / BLACK / .234 I.D. x .500	8	8	
19	8631155	CABLE TIE / 4.6MM x 200 / CHRISTMAS TREE	4	4	
20	509815	TIE MOUNT / ATTACHMENT W/TREE MOUNT	2	2	
20	504637	CABLE TIE / 3/16" x 13"	2	2	

From K-0615 To P-1452	Date:07/2024	PAGE:H9-0661-01
FOG LAMP / LED		

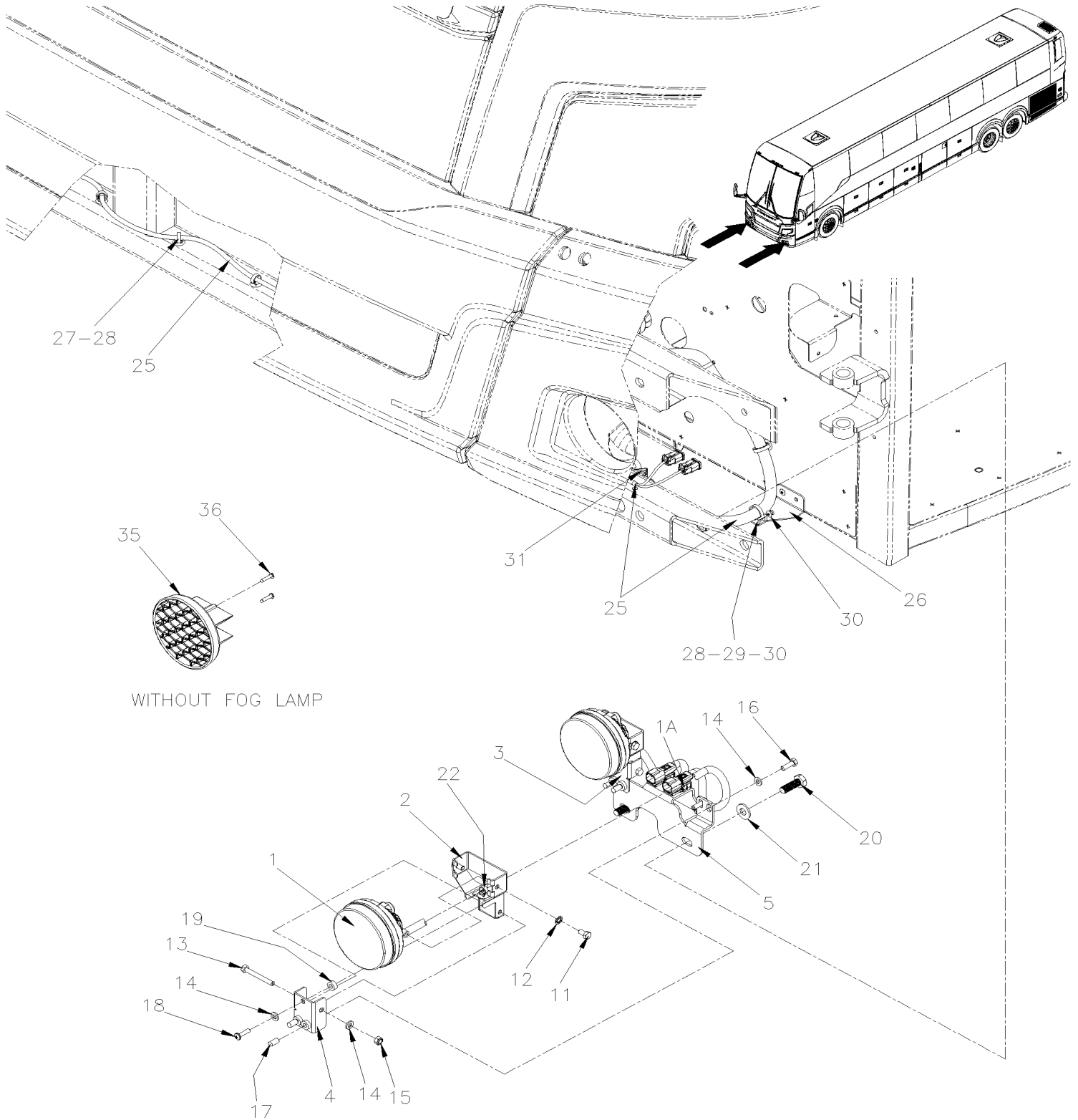


FROM L-0851

From K-0615 To P-1452	Date:07/2024	PAGE:H9-0661-01
FOG LAMP / LED		

Item#	Part	Description	H 3 4 1	H 3 4 5	N O T E S
1	560637	FOG LAMP / LED	4	4	
. A	564108	. SELF MOUNTING STUD // DEUTSCH 1011-310-0205	1	1	
2	430024	SUPPORT, FOG LAMP	4	4	
3A	430017	ATTACH, RH FOG LIGHT To L-0850	2	2	
3A	430111	ATTACH, RH FOG LIGHT From L-0851	2	2	
3B	430010	ATTACH, LH FOG LIGHT To L-0850	2	2	
3B	430112	ATTACH, LH FOG LIGHT From L-0851	2	2	
4	430015	SPACER	4	4	
5	410100	SUPPORT, FOG LAMP To L-0850	2	2	
5	410249	SUPPORT, FOG LAMP From L-0851	2	2	
11	5001982	SCREW CAP HEX M6-1.0x12 SS BK	8	8	
12	5001432	WASHER LO INT .256x.478x.028 SS 410	8	8	
13	5001636	SCREW CAP HEX M6-1.0x50 SS BK	4	4	
14	502573	WASHER FL 6.4x12.5x1.6 SS	16	16	
15	5001182	NUT HEX NYRT M6-1.0 SS	4	4	
16	502746	SCREW MA PAN PH M5-0.8x20 SS BK	4	4	
17	502622	SCREW CAP HEX M6-1.0x20 SS BK	8	8	
18	507335	PROTECTOR CAP / BLACK / .234 I.D. x .500	8	8	
19	8631155	CABLE TIE / 4.6MM x 200 / CHRISTMAS TREE	4	4	
20	509815	TIE MOUNT / ATTACHMENT W/TREE MOUNT	2	2	
20	504637	CABLE TIE / 3/16" x 13"	2	2	
25	5001720	SCREW TC CAP HEX 5/16-18X5/8 EMN	8	8	
26	5001467	WASHER FL .343x1.250x.062 SS18-8	8	8	
31	430645	PLUG BUMPER / W/O FOG LAMP	AR	AR	
32	5001547	SCREW PTR TR PH M4x20 G500	AR	AR	
NS	IS23504	FOUR FOG LAMPS INSTALLATION KIT		1	A
		A) SEE IS-23504 FOR ALL DETAILS			

FOG LAMP / LED



	Date:07/2024	PAGE:H9-0661-02
FOG LAMP / LED		

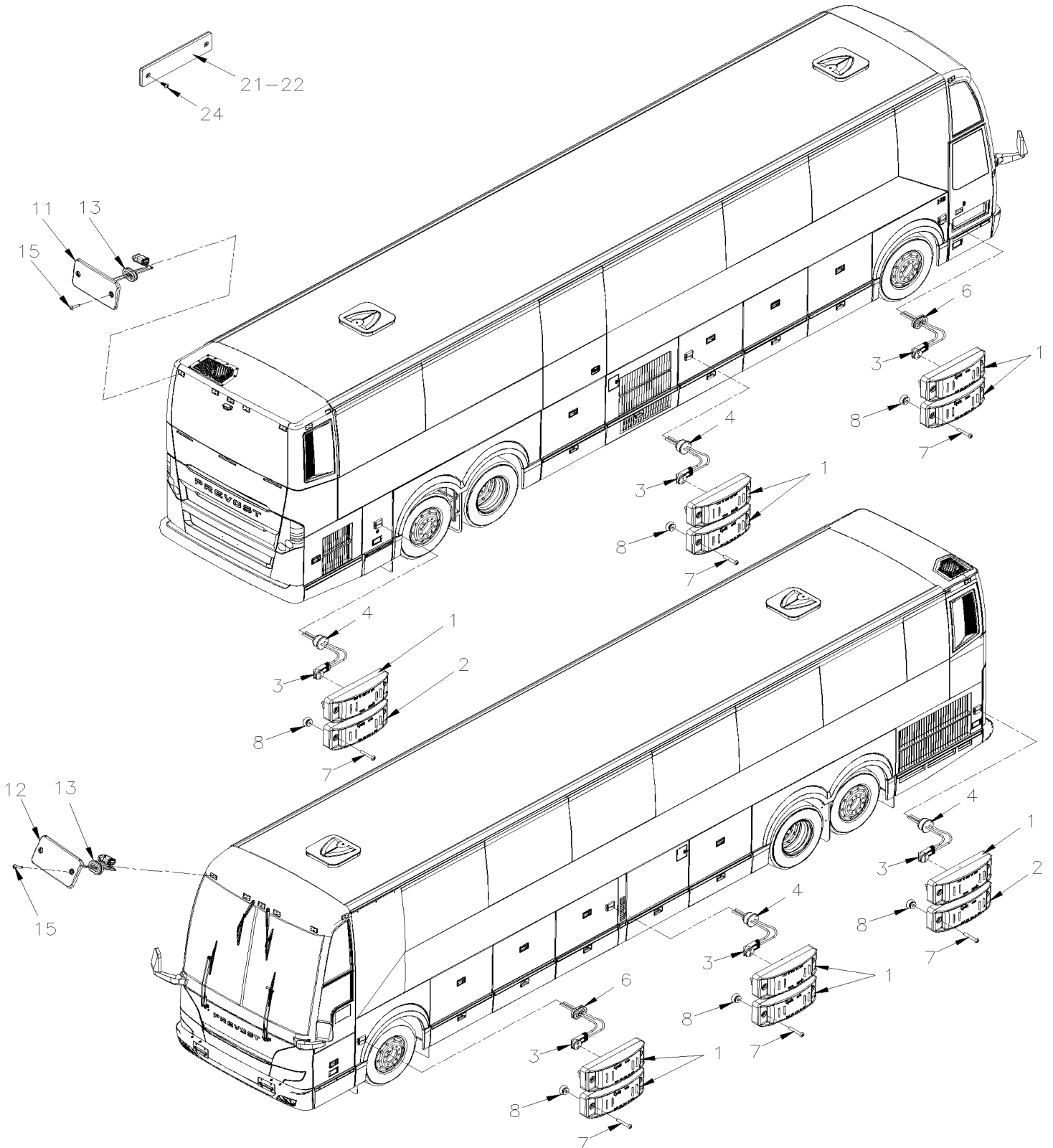
Item#	Part	Description	H 3 4 1	H 3 4 5	N O T E S
1	560637	FOG LAMP / LED	4	4	
. A	564108	. SELF MOUNTING STUD // DEUTSCH 1011-310-0205	1	1	
2	430024	SUPPORT, FOG LAMP	4	4	
3	430111	ATTACH, RH FOG LIGHT	2	2	
4	430112	ATTACH, LH FOG LIGHT	2	2	
5	430153	SUPPORT, LH FOG LIGHT STREETSIDE	1	1	
5	430151	SUPPORT, RH FOG LIGHT CURBSIDE	1	1	
11	5001982	SCREW CAP HEX M6-1.0x12 SS BK	8	8	
12	5001432	WASHER LO INT .256x.478x.028 SS 410	8	8	
13	5001636	SCREW CAP HEX M6-1.0x50 SS BK	4	4	
14	502573	WASHER FL 6.4x12.5x1.6 SS	16	16	
15	5001182	NUT HEX NYRT M6-1.0 SS	4	4	
16	502622	SCREW CAP HEX M6-1.0x20 SS BK	8	8	
17	507335	PROTECTOR CAP / BLACK / .234 I.D. x .500	8	8	
18	502746	SCREW MA PAN PH M5-0.8x20 SS BK	4	4	
19	430015	SPACER	4	4	
20	5001418	SCREW CAP HEX M10-1.5x30 SS		4	
21	5001834	WASHER BEL SPR 10.5X23X2.5 N500	4	4	
22	8631155	CABLE TIE / 4.6MM x 200 / CHRISTMAS TREE	4	4	
25	0600025	FRONT BUMPER HARNESS ACB/FOG	1	1	
26	0610184	BRACKET, FRONT BUMPER CABLES	1	1	
27	509815	TIE MOUNT / ATTACHMENT W/TREE MOUNT	AR	AR	
28	504637	CABLE TIE / 3/16" x 13"	AR	AR	
29	504013	TIE MOUNT / 1/4" X 1/4" I.D.	1	1	
30	504379	RIVET POP DOME OE 3/16x1/4 SS	3	3	
31	507383	TIE MOUNT HOLE 3/8"	1	1	
35	430222	CAP, WITHOUT FOG LAMP	AR	AR	
36	5001547	SCREW PTR TR PH M4x20 G500	AR	AR	
NS	564755	PROTECTIVE CAP / HD20 SERIES / 18C / DEUTSCH HDC26-18		1	
NS	IS23504	FOUR FOG LAMPS INSTALLATION KIT		1	A
		A) SEE IS-23504 FOR ALL DETAILS			

From K-0185 To P-1452

Date:07/2024

PAGE:H9-0662-00

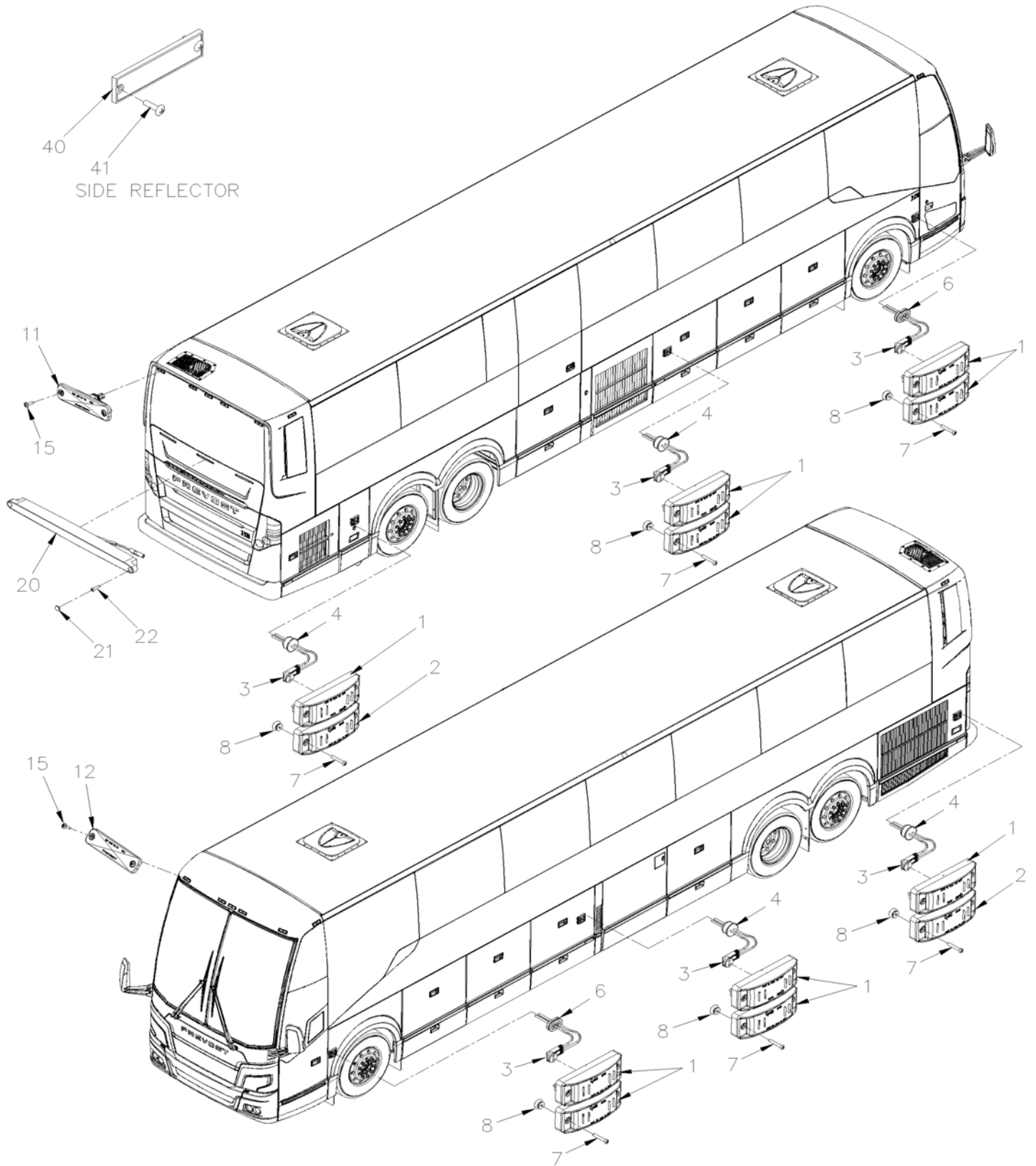
CLEARANCE & MARKER LIGHT



From K-0185 To P-1452	Date:07/2024	PAGE:H9-0662-00
CLEARANCE & MARKER LIGHT		

Item#	Part	Description	H 3 4 1	H 3 4 5	NOTES
1	930441	SIDE MARKER ASSY / AMBER / W/6 LED W/O REFLECTOR	10	10	
2	930440	SIDE MARKER ASSY / RED / W/6 LED W/O REFLECTOR	2	2	
3	562155	CONNECTOR ASSY SEALED 2C / GROTE 6618-G8	AR	AR	B
4	478247	GROMMET 2 HOLESx1.6x23.5MMx10.5MMx16.5MMx28MM	AR	AR	B
6	478900	GROMMET, MARKER LIGHT	4	4	
7	5002021	SCREW MA TR PH #10-32x1 1/4 SS	24	24	
8	502774	NUT WELL #10-32x.625	24	24	
11	930421	LAMP ID & CLEAR -3 LED RED	7	7	
12	930422	LAMP ID & CLEAR -3 LED AMBER	7	7	
13	478900	GROMMET, MARKER LIGHT	14	14	B
15	5001547	SCREW PTR TR PH M4x20 G500	28	28	
15	5001055	NUT WELL M4-0.7x14.5	14	14	
21	930302	REFLECTOR RED 40MM x 180MM	2	2	
22	930374	REFLECTOR AMBER 40MM x 180MM	2	2	
24	5001087	SCREW TP BDG PH #10x1/2 SS	8	8	
24	5001052	NUT AN #10 NYL	2	2	
25	069815	HARNESS, MARKER_LTS_ADDITIONNAL	1	1	C
		B) PART OF LAMP HARNESS			
		C) USE WHEN YOU HAVE ADDITIONNAL MARKER LAMPS			

	Date:07/2024	PAGE:H9-0662-01
CLEARANCE & MARKER LIGHT		



	Date:07/2024	PAGE:H9-0662-01
CLEARANCE & MARKER LIGHT		

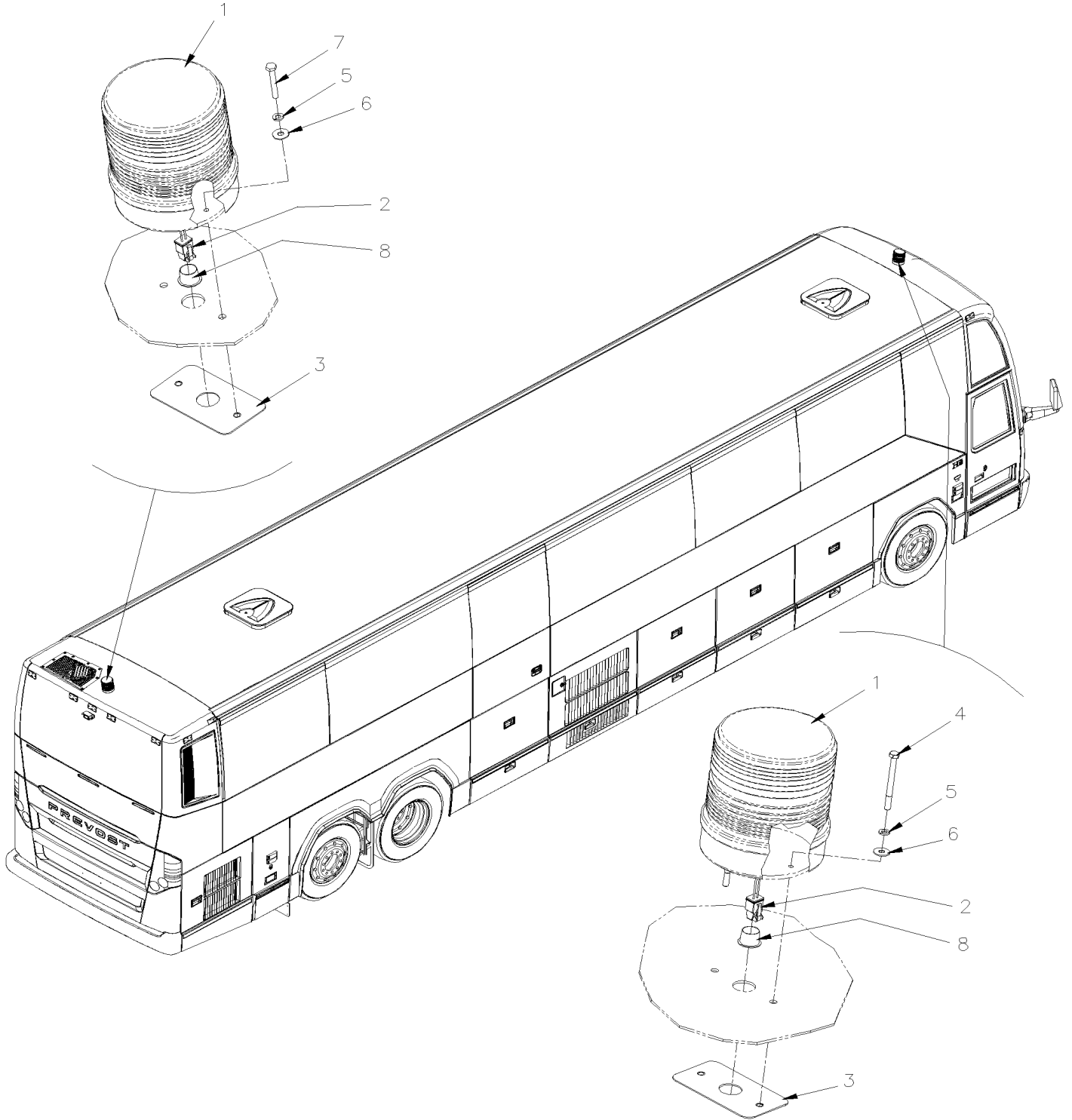
Item#	Part	Description	H 3 4 1	H 3 4 5	N O T E S
1	930441	SIDE MARKER ASSY / AMBER / W/6 LED W/O REFLECTOR		10	
NS	069815	HARNESS, MARKER_LTS_ADDITIONNAL		1	C
2	930440	SIDE MARKER ASSY / RED / W/6 LED W/O REFLECTOR		2	
3	562155	CONNECTOR ASSY SEALED 2C / GROTE 6618-G8		AR	B
4	478247	GROMMET 2 HOLESx1.6x23.5MMx10.5MMx16.5MMx28MM		AR	B
6	478900	GROMMET, MARKER LIGHT		4	
7	5002021	SCREW MA TR PH #10-32x1 1/4 SS		24	
8	502774	NUT WELL #10-32x.625		24	
11	930009	LAMP ID & CLEARANCE - 4 LED RED		7	
NS	0600011	CABLE HARNESS / FRONT ROOF		1	
12	930005	LAMP ID & CLEARANCE - 4 LED AMBER		7	
NS	0600031	CABLE HARNESS / CLEARANCE LIGHT REAR STREETSIDE		1	
NS	0600030	CABLE HARNESS / CLEARANCE LIGHT REAR CURBSIDE		1	
15	901589	SCREW FOR LAMP ID & CLEARANCE		28	
20	930330	CYCLOP LAMP		3	
NS	930353	CAP PLUG SCREW		2	
21	5001040	SCREW TC PAN PH #6-32x3/4 SS		6	
22	930353	CAP PLUG SCREW		6	
40	930302	REFLECTOR RED 40MM x 180MM		2	
40	930374	REFLECTOR AMBER 40MM x 180MM		4	
41	5001243	SCREW TP PAN PH #10x5/8 SS		12	
NS	5001052	NUT AN #10 NYL		AR	
		B) PART OF LAMP HARNESS			
		C) USE WHEN YOU HAVE ADDITIONNAL MARKER LAMPS			

From K-0185

Date:07/2024

PAGE:H9-0662-10

BEACON LIGHT INSTALLATION



From K-0185	Date:07/2024	PAGE:H9-0662-10
-------------	--------------	-----------------

BEACON LIGHT INSTALLATION

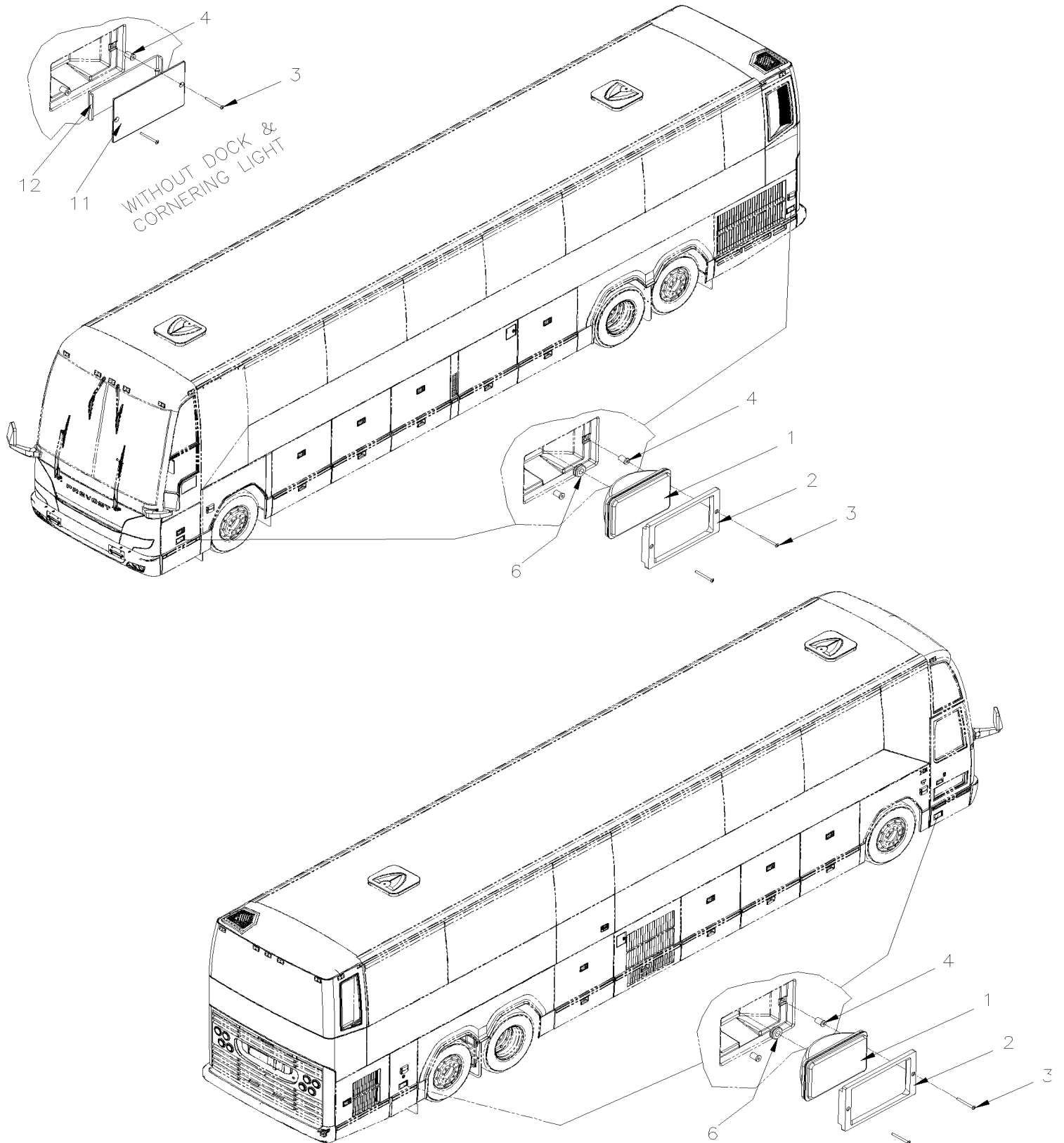
Item#	Part	Description	H 3 4 1	H 3 4 5	N O T E S
1	N.S.P.	BEACON LAMP		1	2
2	562485	CONNECTOR / DT SERIES / SH 2C / GRAY / DEUTSCH DT06-2S		2	
3	491496	SUPPORT BEACON LAMP		2	
4	5001817	SCREW CAP HEX M6-1.0x70 G8.8 N500		2	
5	502853	WASHER LO SPT 6.1x11.8x1.6 N500		4	
6	500411	WASHER FL .260x.697x.050 SS		4	
7	502843	SCREW CAP HEX M6-1.0x45 G8.8 N500		2	
8	680468	CAP PLUG ID .708 OD .808		2	
8	684517	ADHESIVE SIMSON #ISR 70-03 / GREY / 310ml CARTRIDGE		AR	
		2) NOT SOLD BY PREVOST (SEE MANUFACTURING PART NUMBER AT END OF DESCRIPTION LINE)			

From K-0185 To P-1452

Date:07/2024

PAGE:H9-0663-00

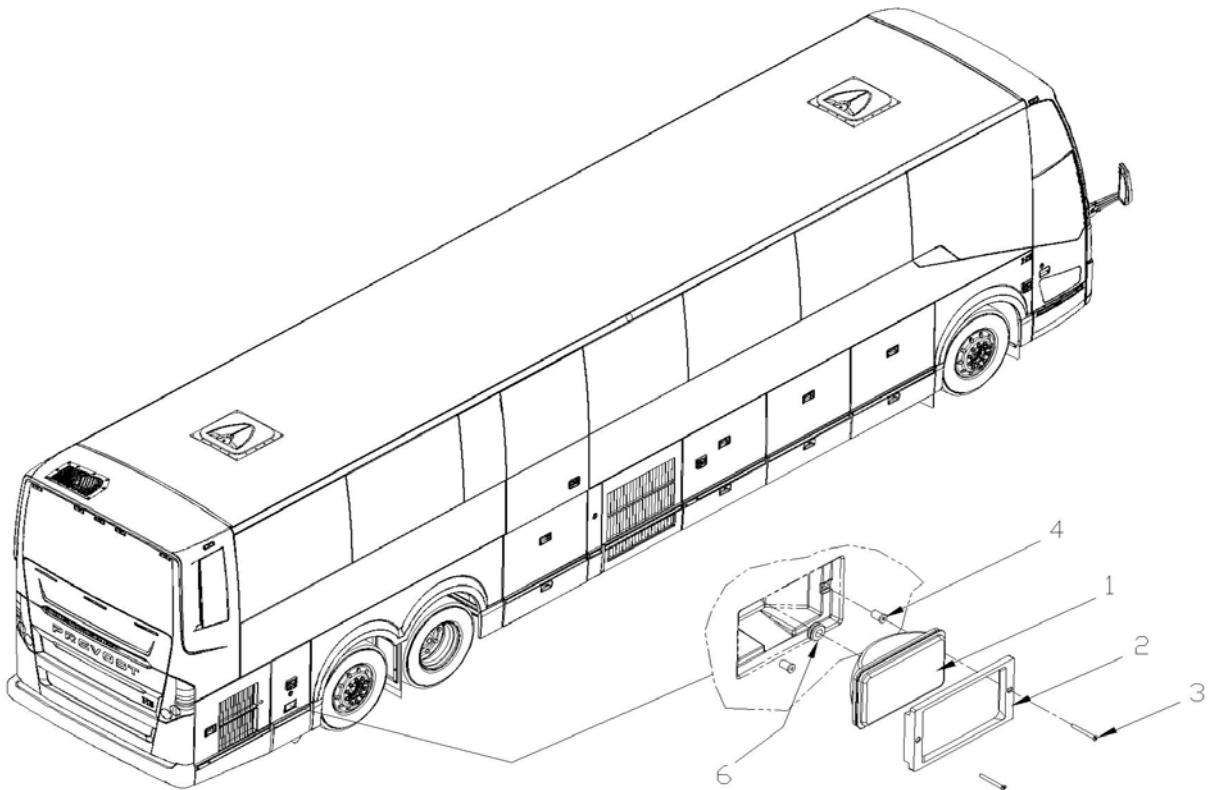
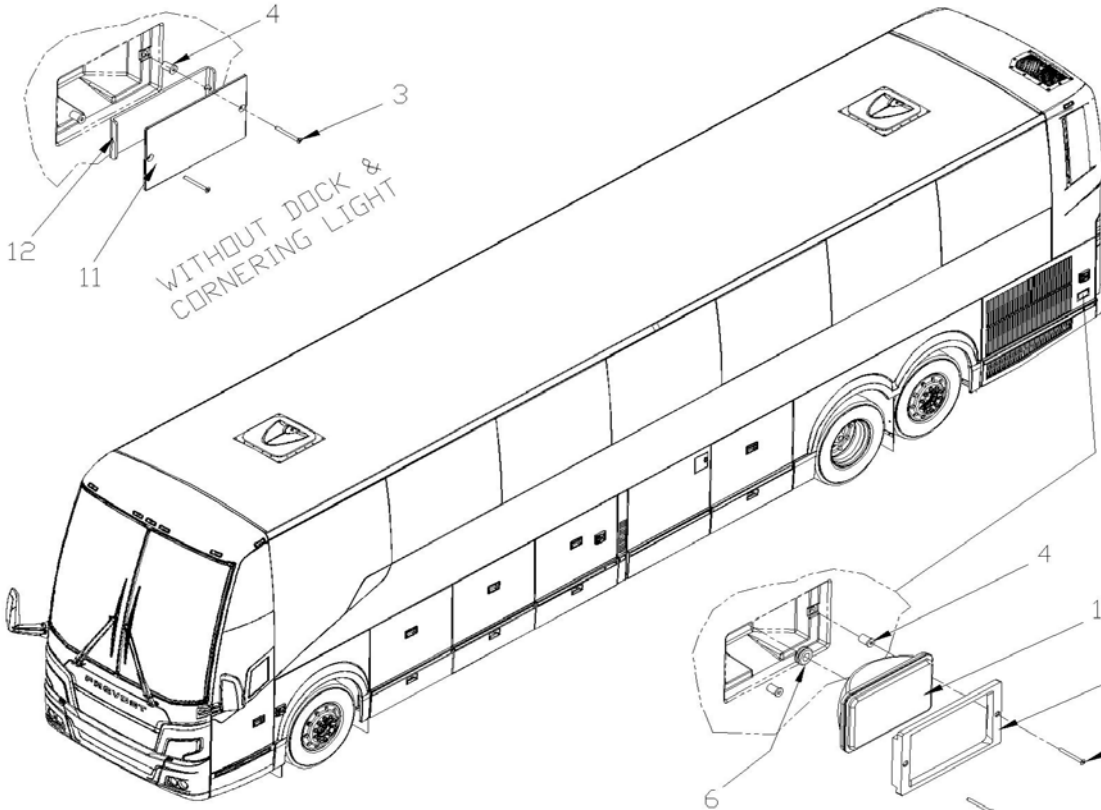
DOCK & CORNERING LIGHT



From K-0185 To P-1452	Date:07/2024	PAGE:H9-0663-00
DOCK & CORNERING LIGHT		

Item#	Part	Description	H 3 4 1	H 3 4 5	N O T E S
1	930319	SEAL BEAM / 37.5WATT-12V / SAE# H9415 To K-0396	4	4	
1	930429	SEAL BEAM / 37.5WATT-12V / SAE# H9415 From K-0397	4	4	
1	19515870	LAMPE RECTANGLE LED 38WATT	4	4	O
NS	430500	CLOSING PLATE / USE W/LIGHT FIXED ON PANEL	1	1	
1	506191	TAPE RUB ADH1 CC POL 1/8" x 1/4" x 50' / GREY 2520X	AR	AR	
2	473424	BEZEL	4	4	
2	479044	BEZEL	4	4	O
3	5001712	SCREW MA FL PH M4-0.7x30 SS	8	8	
4	500589	NUT WELL M4-0.7x13.5	8	8	
6	504062	GROMMET / .4375x.687x.125x.375x.937	4	4	
NS	681095	GREASE "NYOGEL" ELECTRICAL / 1.1 LBS	AR	AR	
NS	680532	SEALANT SIKA #221 / GREY / 310ml CARTRIDGE	AR	AR	
NS	684685	ADHESIVE SIMSON #ISR 70-03 / 310ml CARTRIDGE	AR	AR	
		FOLLOWING ITEMS ARE USED FOR			
		CUT OFF "DOCKING & CORNERING LIGHT" ON COACH			
NS	562697	SWITCH / ON-ON / D.P.D.T. / CH-OVER / W/RED & GREEN LED To K-0399	2	2	
8	562698	SWITCH / OFF-M/ON / D.P.S.T. / W/GREEN LED From K-0400	2	2	
NS	563620	CAP / DOCKING	1	1	
NS	563621	CAP / CORNERING	1	1	
NS	066613	CABLE "DOCKING & CORNERING LIGHT" To K-0399	1	1	
8	0610012	CABLE "DOCKING & CORNERING LIGHT" From K-0400	1	1	
		WITHOUT DOCK & CORNERING LIGHT			
11	430676	COVER PLATE / DOCKING LIGHT	4	4	A
11	430500	CLOSING PLATE / USE W/LIGHT FIXED ON PANEL	3	3	A
12	430675	COVER SUPPORT	4	4	A
		A) FOR VIRGINIA STATE			
		O) OPTION LED			

	Date:07/2024	PAGE:H9-0663-01
DOCK & CORNERING LIGHT		



	Date:07/2024	PAGE:H9-0663-01
DOCK & CORNERING LIGHT		

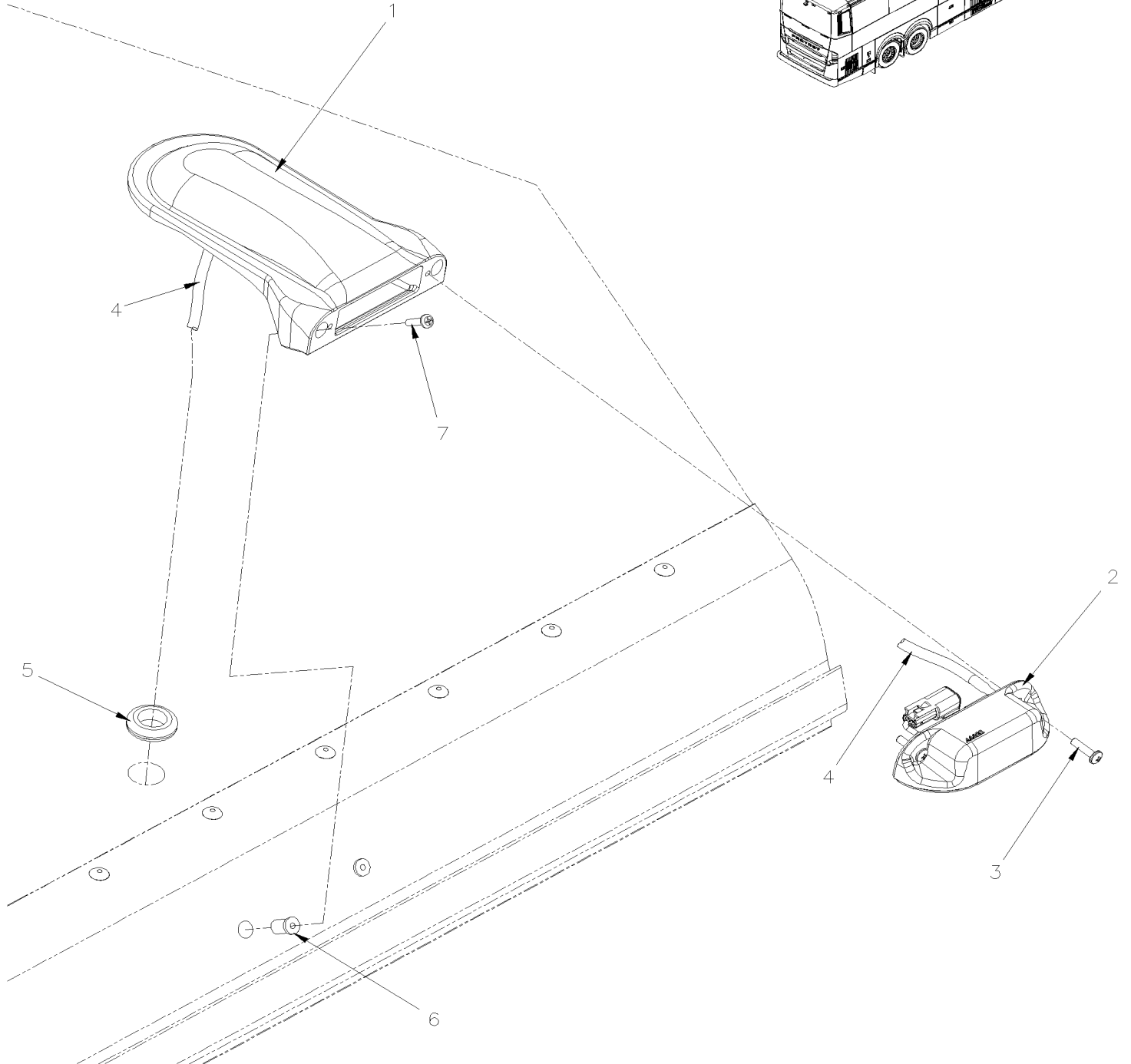
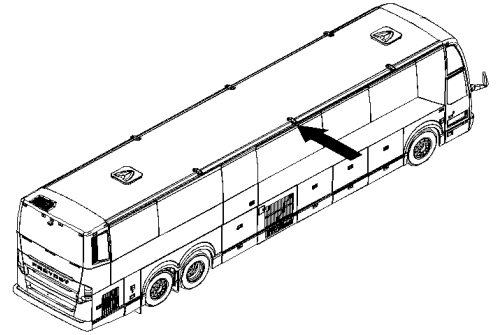
Item#	Part	Description	H 3 4 1	H 3 4 5	N O T E S
1	930429	SEAL BEAM / 37.5WATT-12V / SAE# H9415		2	
1	19515870	LAMPE RECTANGLE LED 38WATT		2	O
NS	430500	CLOSING PLATE / USE W/LIGHT FIXED ON PANEL		1	
1	506191	TAPE RUB ADH1 CC POL 1/8" x 1/4" x 50' / GREY 2520X		AR	
2	473424	BEZEL		2	
2	479044	BEZEL		2	O
3	5001712	SCREW MA FL PH M4-0.7x30 SS		4	
4	500589	NUT WELL M4-0.7x13.5		4	
6	504062	GROMMET / .4375x.687x.125x.375x.937		2	
NS	681095	GREASE "NYOGEL" ELECTRICAL / 1.1 LBS		AR	
NS	680532	SEALANT SIKA #221 / GREY / 310ml CARTRIDGE		AR	
NS	684685	ADHESIVE SIMSON #ISR 70-03 / 310ml CARTRIDGE		AR	
		WITHOUT DOCK & CORNERING LIGHT			
11	430676	COVER PLATE / DOCKING LIGHT		2	A
11	430500	CLOSING PLATE / USE W/LIGHT FIXED ON PANEL		3	A
12	430675	COVER SUPPORT		2	A
		A) FOR VIRGINIA STATE			
		O) OPTION LED			

From K-0539 To M-1132

Date:07/2024

PAGE:H9-0663-30

PERIMETER LIGHTS ON ROOF



From K-0539 To M-1132	Date:07/2024	PAGE:H9-0663-30
PERIMETER LIGHTS ON ROOF		

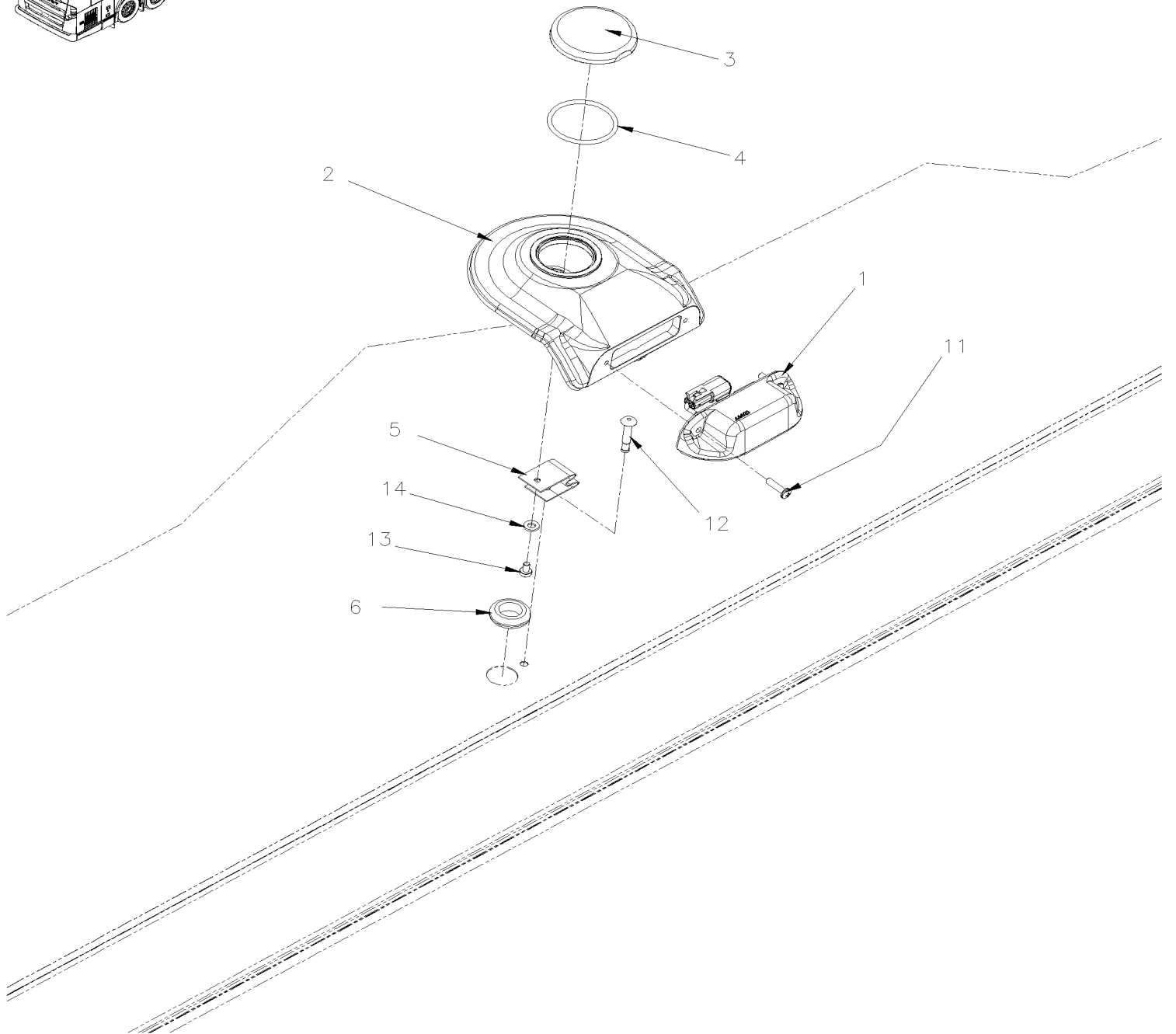
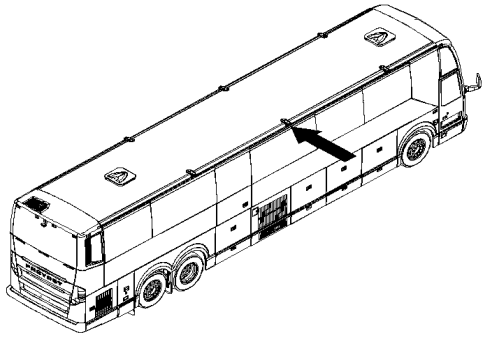
Item#	Part	Description	H 3 4 1	H 3 4 5	NOTES
1	430096	PERIMETER LIGHT HOLDER	1	1	
NS	687957	GLUE MS POLYMER TEROSON MS 9399 / 400ml CARTRIDGE	AR	AR	
NS	684685	ADHESIVE SIMSON #ISR 70-03 / 310ml CARTRIDGE	AR	AR	
NS	506785	TAPE RUB ADH2 CC POL 1/16" X 1/4" X 200' / BLACK I1C-N-A	AR	AR	
2	930026	SEALED LAMP LED / 12-32V To P-1452	1	1	
2	930051	SEALED LAMP LED / 8-32V From R-1453	1	1	
3	502746	SCREW MA PAN PH M5-0.8x20 SS BK	2	2	
4	069104	HARNESS	1	1	
NS	0610133	HARNESS PERIMETER LIGHT From K-0539 To L-0731	1	1	
5	504066	GROMMET / .687x1.000x.062x.375x1.312	1	1	
6	500589	NUT WELL M4-0.7x13.5	2	2	
7	509827	SCREW MA RND PH M4-0.7x20 SS	2	2	
NS	680459	ADHESIVE CYANOACRYLATE LOCTITE 404 Quick Set(TM)	AR	AR	

From M-1133

Date:07/2024

PAGE:H9-0663-31

PERIMETER LIGHTS ON ROOF



From M-1133	Date:07/2024	PAGE:H9-0663-31
PERIMETER LIGHTS ON ROOF		

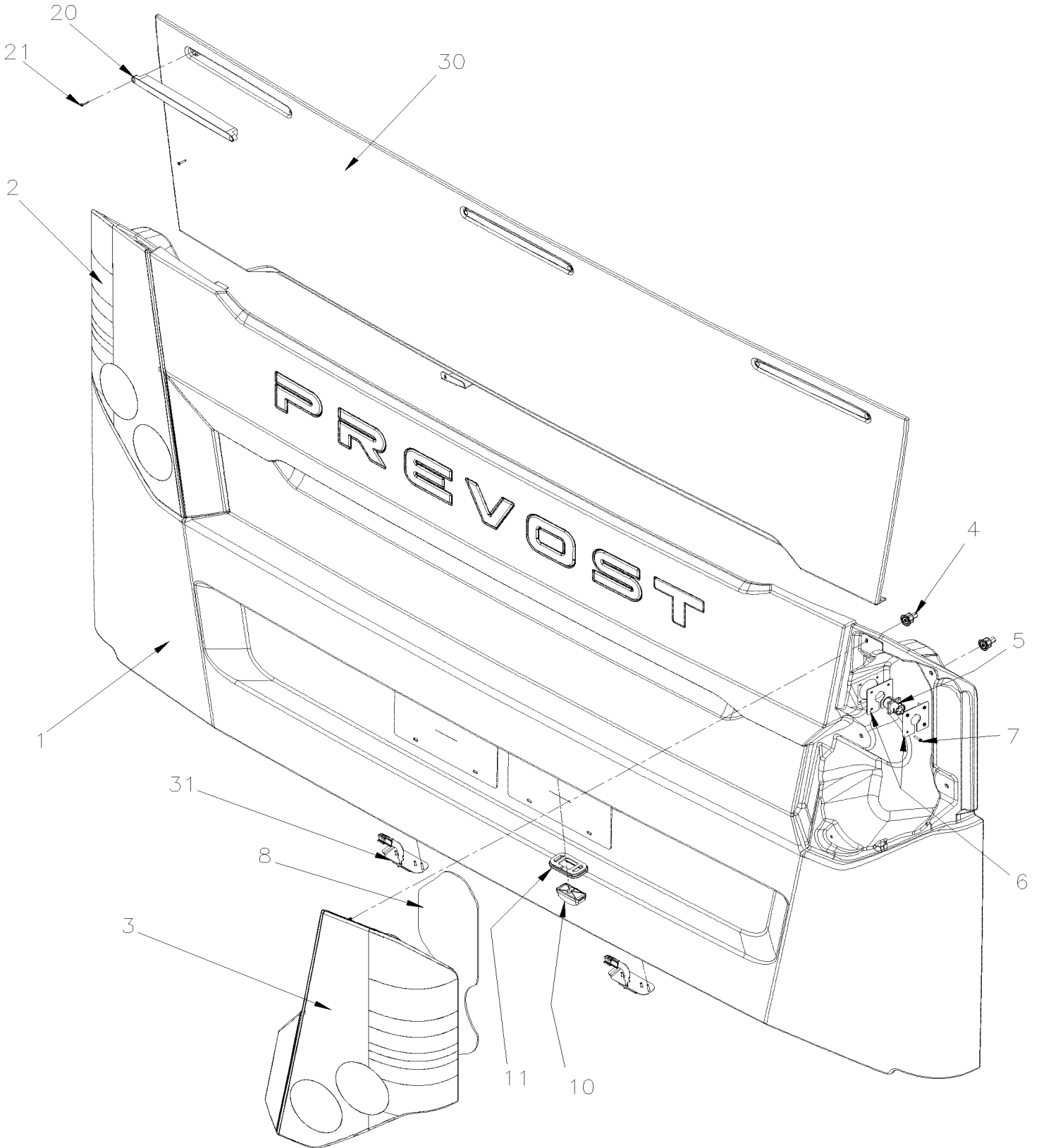
Item#	Part	Description	H 3 4 1	H 3 4 5	N O T E S
1	930051	SEALED LAMP LED / 8-32V	1	1	
NS	060058	PERIMETER LIGHT HARNESS	2	2	
NS	509815	TIE MOUNT / ATTACHMENT W/TREE MOUNT	6	6	
NS	504273	CABLE TIE / 1/8" X 3"1/2	6	6	
2	430101	PERIMETER LIGHT HOLDER	6	6	
2	685387	GLUE MS POLYMER TEROSON MS 9399 / 400ml CARTRIDGE	1	1	
2	684685	ADHESIVE SIMSON #ISR 70-03 / 310ml CARTRIDGE	AR	AR	
2	506785	TAPE RUB ADH2 CC POL 1/16" X 1/4" X 200' / BLACK I1C-N-A	AR	AR	
3	491549	PLUG, SUPPORT ACCESS " BRIGADE"	6	6	
4	507022	O-RING 1.984 ID x 2.262 OD x 0.139 W	6	6	
5	491848	RETAINING STRAP	6	6	
6	504066	GROMMET / .687x1.000x.062x.375x1.312	6	6	
11	502746	SCREW MA PAN PH M5-0.8x20 SS BK	12	12	
12	504787	RIVET CHY MONOLOK PRDG 1/4x5/8 ZP	6	6	
13	5001377	SCREW MA PAN PH M5-0.8x8 SS	6	6	
14	502573	WASHER FL 6.4x12.5x1.6 SS	6	6	

From K-0185

Date:07/2024

PAGE:H9-0664-01

REAR EXTERIOR LIGHTS & PLATE HOLDER



From K-0185	Date:07/2024	PAGE:H9-0664-01
REAR EXTERIOR LIGHTS & PLATE HOLDER		

Item#	Part	Description	H 3 4 1	H 3 4 5	N O T E S
1	H9-1870-01	ENGINE DOOR ASSY			
2	930432	LAMP ASSY L.H. ENGINE DOOR To P-1401	1	1	
. NS	930435	. DIRECTIONAL LED MODULES To P-1401	1	1	
. NS	930436	. STOP & TAIL LED MODULE To P-1401	2	2	
. NS	564175	. BULB / 16WATT-12VOLTS / SAE# 916 To P-1401	1	1	
. NS	930438	. WIRE HARNESS W/CAP SEAL L.H. To P-1401	1	1	
2	930041	LAMP ASSY L.H. ENGINE DOOR ACRYLIC From P-1402 To R-1889	1	1	
. NS	930435	. DIRECTIONAL LED MODULES From P-1402 To R-1889	1	1	
. NS	930436	. STOP & TAIL LED MODULE From P-1402 To R-1889	2	2	
. NS	564175	. BULB / 16WATT-12VOLTS / SAE# 916 From P-1402 To R-1889	1	1	
. NS	930438	. WIRE HARNESS W/CAP SEAL L.H. From P-1402 To R-1889	1	1	
2	930056	TAIL LIGHT - ENGINE DOOR - LEFT SIDE From R-1890		1	
. NS	930435	. DIRECTIONAL LED MODULES From R-1890		1	
. NS	930436	. STOP & TAIL LED MODULE From R-1890		2	
. NS	564175	. BULB / 16WATT-12VOLTS / SAE# 916 From R-1890		1	
. NS	930438	. WIRE HARNESS W/CAP SEAL L.H. From R-1890		1	
2	930041	LAMP ASSY L.H. ENGINE DOOR ACRYLIC To P-1401	1	1	A
. NS	930435	. DIRECTIONAL LED MODULES To P-1401	1	1	A
. NS	930436	. STOP & TAIL LED MODULE To P-1401	2	2	A
. NS	564175	. BULB / 16WATT-12VOLTS / SAE# 916 To P-1401	1	1	A
. NS	930438	. WIRE HARNESS W/CAP SEAL L.H. To P-1401	1	1	A
3	930433	LAMP ASSY R.H. ENGINE DOOR To P-1401	1	1	
. NS	930435	. DIRECTIONAL LED MODULES To P-1401	1	1	
. NS	930436	. STOP & TAIL LED MODULE To P-1401	2	2	
. NS	564175	. BULB / 16WATT-12VOLTS / SAE# 916 To P-1401	1	1	
. NS	930437	. WIRE HARNESS W/CAP SEAL R.H. To P-1401	1	1	
3	930044	LAMP ASSY R.H. ENGINE DOOR ACRYLIC From P-1402 To R-1889	1	1	
. NS	930435	. DIRECTIONAL LED MODULES From P-1402 To R-1889	1	1	
. NS	930436	. STOP & TAIL LED MODULE From P-1402 To R-1889	2	2	
. NS	564175	. BULB / 16WATT-12VOLTS / SAE# 916 From P-1402 To R-1889	1	1	
. NS	930437	. WIRE HARNESS W/CAP SEAL R.H. From P-1402 To R-1889	1	1	
3	930063	TAIL LIGHT - ENGINE DOOR - RIGHT SIDE From R-1890		1	
. NS	930435	. DIRECTIONAL LED MODULES From R-1890		1	
. NS	930436	. STOP & TAIL LED MODULE From R-1890		2	
. NS	564175	. BULB / 16WATT-12VOLTS / SAE# 916 From R-1890		1	
. NS	930437	. WIRE HARNESS W/CAP SEAL R.H. From R-1890		1	
3	930044	LAMP ASSY R.H. ENGINE DOOR ACRYLIC To P-1401	1	1	A
. NS	930435	. DIRECTIONAL LED MODULES To P-1401	1	1	A
. NS	930436	. STOP & TAIL LED MODULE To P-1401	2	2	A
. NS	564175	. BULB / 16WATT-12VOLTS / SAE# 916 To P-1401	1	1	A
. NS	930437	. WIRE HARNESS W/CAP SEAL R.H. To P-1401	1	1	A
4	491237	NUT WING / PLASTIC M6-1.0 x 23	10	10	

From K-0185	Date:07/2024	PAGE:H9-0664-01
REAR EXTERIOR LIGHTS & PLATE HOLDER		

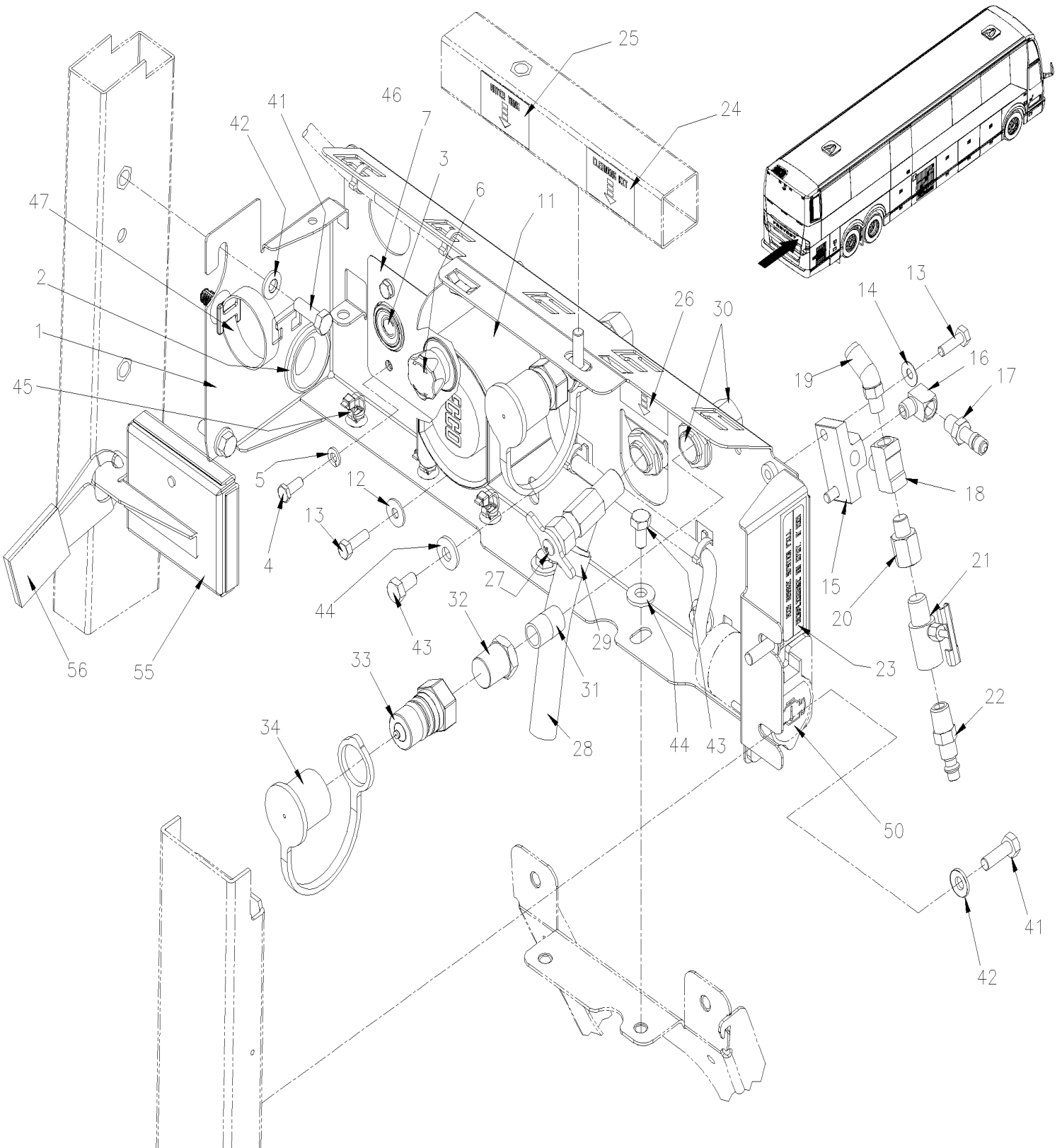
Item#	Part	Description	H 3 4 1	H 3 4 5	N O T E S
5	060748	CABLE ASSY LAMP / REAR ENGINE DOOR	1	1	
NS	564108	SELF MOUNTING STUD // DEUTSCH 1011-310-0205	2	2	
6	289679	PLATE CONNECTOR RETAINER TYPE 16 70MMx70MM W/SLOT SS	4	4	
7	5001040	SCREW TC PAN PH #6-32x3/4 SS	8	8	
8	289813	INSULATION / BACK REAR LAMP	2	2	
10	930368	SEAL LEDS / W/CONNECTOR LEDS - 12VOLTS	2	2	
NS	12015378	CONNECTOR / WEATHER PACK / SH 2C / GRAY / PED 12015378	1	1	
NS	N.P.N.	SEAL LEDS / W/CONNECTOR			4
NS	562348	CONNECTOR / WEATHER PACK / PH 2C / GRAY / PED 12034074	1	1	
NS	561786	CABLE SEAL / GRAY / PED 15324980	2	2	
NS	561568	PIN TERMINAL / 16-14 / PED 12089305	2	2	
11	930408	GROMMET RUBBER RETAINER / LICENCE LAMP TL 150702	2	2	
12	502556	WASHER FL 4.3x9.0x0.8 SS	16	16	
13	5001547	SCREW PTR TR PH M4x20 G500	16	16	
20	930330	CYCLOP LAMP	3	3	
NS	930353	CAP PLUG SCREW	2	2	
20	060745	CABLE ASSY DPF DOOR LIGHTS To P-1452	1	1	
20	0600046	CABLE ASSY DPF DOOR LIGHTS From R-1453		1	
20	504448	CABLE CLIP 1/4" / ADHESIVE	1	1	
21	502665	SCREW TP OV PH #6x3/4 SS EMN	2	2	
30	H9-1870-21	REAR ENGINE UPPER DOOR To P-1452			
30	H9-1870-22	REAR ENGINE UPPER DOOR From R-1453			
31	H9-0665-11	SWITCHES, LIGHTS, AJAR - UNDER FLOOR & ENGINE COMPARTMENT To P-1452			
31	H9-0665-12	SWITCHES, LIGHTS, AJAR - UNDER FLOOR & ENGINE COMPARTMENT From R-1453			
		A) ACRYLIC OPTION			
		4) NO PARTS NUMBER			

From K-0185

Date:07/2024

PAGE:H9-0665-02

ENGINE COMPARTMENT - ELECTRIC COMPONENTS AND LAVATORY VALVE



From K-0185	Date:07/2024	PAGE:H9-0665-02
ENGINE COMPARTMENT - ELECTRIC COMPONENTS AND LAVATORY VALVE		

Item#	Part	Description	H 3 4 1	H 3 4 5	NOTES
1	380103	SUPPORT ACCESSORIES To K-0772	1	1	
1	380255	SUPPORT ACCESSORIES From K-0773	1	1	
2	504398	GROMMET / 1.000x1.375x.062x.437x1.750	1	1	
3	560013	PUSH BUTTON / GREEN WHITH LED, TS SERIES	1	1	
4	5001530	SCREW CAP HEX M6-1.0x16 SS	2	2	
5	502570	WASHER LO SPT 6.1x11.8x1.6 SS	2	2	
6	560259	ENGINE SHUT DOWN SWITCH	1	1	
7	061219	DECAL REAR ENGINE START	1	1	
11	563199	BACK-UP ALARM "ECCO" / 12-36vdc / 107db	1	1	
12	5001833	WASHER BEL SPR 6.1x18x1.27 SS	2	2	
13	502622	SCREW CAP HEX M6-1.0x20 SS BK	4	4	
14	5001608	WASHER BEL SPR 6.2x15.0x0.7 G500	2	2	
15	642021	DROP-EAR ELBOW 90° / PIPE FITTING / 1/8NPT-F BR	1	1	
16	501331	STREET ELBOW 90° / PIPE FITTING / 1/8NPT-Mx1/8NPT-F BR	1	1	
17	640488	VALVE, AIR FILL 1/8" NPT	1	1	
. NS	650164	. CAP VALVE / CHROME	1	1	
18	507589	MALE BRANCHE TEE / PIPE FITTING / 1/8NPT-Fx1/8NPT-Fx1/8NPT-M BR	1	1	
19	641365	MALE ELBOW 45° NON-SWIVEL / PUSH-IN FITTING / #4x1/8NPT-M BR To N-1182	1	1	
19	641242	MALE CONNECTOR / PUSH-IN FITTING / #4x1/8NPT-M BR From N-1182	1	1	
20	501310	ADAPTER / PIPE FITTING / 1/4NPT-Fx1/8NPT-M BR	1	1	
21	5011129	NEEDLE VALVE 1/4 NPT M x 1/4 NPT F	1	1	
22	684613	NIPPLE / QUICK DISCONNECT "INDUSTRIAL" / #4x1/4NPT-M STL	1	1	
23	140381	DECAL / "AIR BRAKE SYSTEM FILL" // ENGLISH & FRANCAIS	1	1	
23	142369	DECAL / "AIR BRAKE SYSTEM FILL" // ENGLISH & SPANISH	1	1	
24	403551	DECAL / "CLEANING KIT" / ENGLISH	1	1	
25	403550	DECAL / "WATER TANK" / ENGLISH	1	1	
25	405640	DECAL / "WATER TANK" / ENGLISH & SPANISH	1	1	
26	405298	DECAL / "DRAINING WATER TANK" / ENGLISH	1	1	
27	501531	DRAIN VALVE 3/8 NPT M x 5/8 HOSE	1	1	
28	503006	HOSE 5/8" I.D. 50' / S.L.	AR	AR	
29	504319	HOSE CLAMP / 1"-1"1/2 SS / E.T. 16	1	1	
30	641012	BULKHEAD UNION / NTA FITTING / #8x3/8NPT-M BR	2	2	
31	501325	NIPPLE / PIPE FITTING / 3/8NPT-Mx3/8NPT-Mx1 BR	2	2	
32	501534	BUSHING REDUCER / PIPE FITTING / 1/2NPT-Mx3/8NPT-F BR	1	1	
33	900323	NIPPLE / QUICK DISCONNECT "B SERIES" / #10x1/2NPT-F BR	1	1	
34	900326	DUST CAP / QUICK DISCONNECT "B SERIES" / #10 VINYL	1	1	
41	502780	SCREW CAP HEX M8-1.25x25 SS BK	5	5	
42	5001868	WASHER BEL SPR 8.4x18x2 SS	5	5	
43	5001527	SCREW CAP HEX M8-1.25x16 SS BK	4	4	
44	5001848	WASHER BEL SPR .827 x .331 x .098 th SS	4	4	
45	8631155	CABLE TIE / 4.6MM x 200 / CHRISTMAS TREE	AR	AR	
46	504637	CABLE TIE / 3/16" x 13"	AR	AR	

From K-0185 Date:07/2024 PAGE:H9-0665-02

ENGINE COMPARTMENT - ELECTRIC COMPONENTS AND LAVATORY VALVE

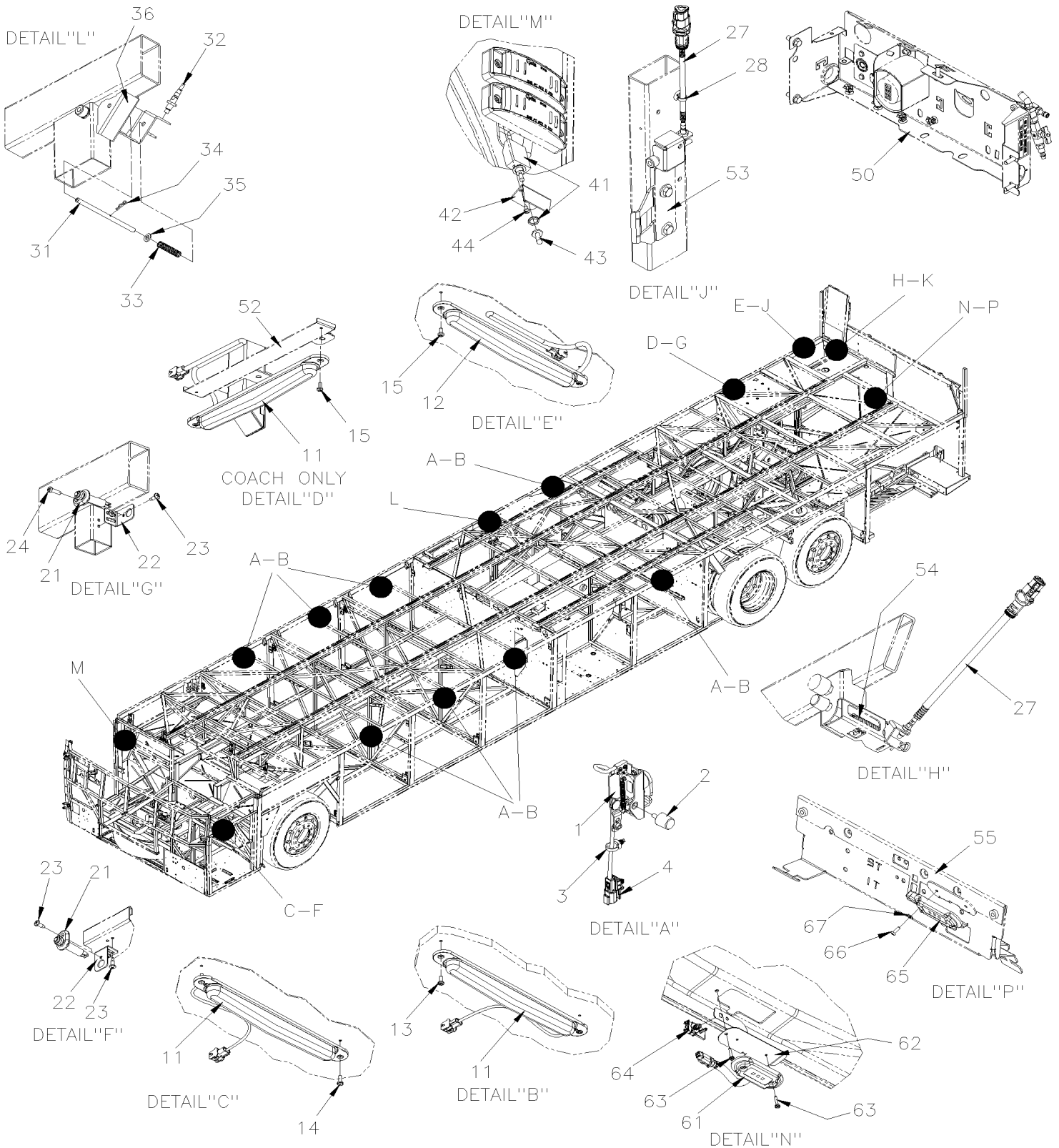
Item#	Part	Description	H 3 4 1	H 3 4 5	N O T E S
47	504750	CABLE TIE / 1/2" x 15" / CHRISTMAS TREE	1	1	
50	H9-0666-00	BLOCK HEATER RECEPTACLE	1	1	
55	G35890	LOCKING BOX ASSEMBLY	1	1	
56	N.S.P.	PADLOCK	1	1	2
		2) NOT SOLD BY PREVOST (SEE MANUFACTURING PART NUMBER AT END OF DESCRIPTION LINE)			

From K-0185 To P-1452

Date:07/2024

PAGE:H9-0665-11

SWITCHES, LIGHTS, AJAR - UNDER FLOOR & ENGINE COMPARTMENT



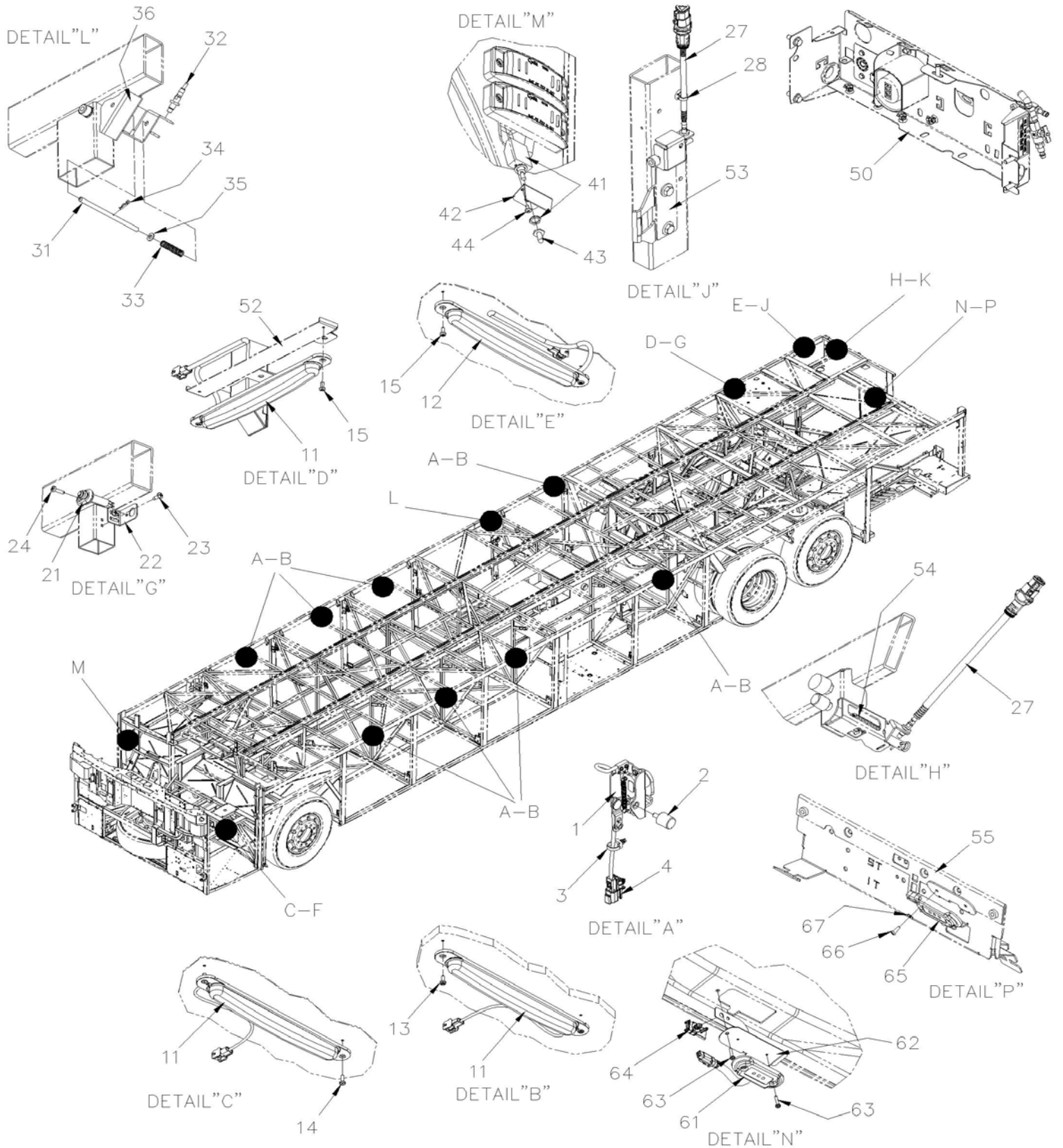
From K-0185 To P-1452	Date:07/2024	PAGE:H9-0665-11
SWITCHES, LIGHTS, AJAR - UNDER FLOOR & ENGINE COMPARTMENT		

Item#	Part	Description	H 3 4 1	H 3 4 5	NOTES
1	564272	LOCK SPAGNOLET R.H. / WITH SWITCH BAGGAGE COMPARTMENT ONLY	8	8	
. NS	565205	. MICRO SWITCH	1	1	
. NS	563864	. HARDWARES FOR SWITCH	1	1	
2	504454	BUMPER RUBBER BOLT / 20MM ODx20MM TH X M6X15MM STUD	8	8	
3	509815	TIE MOUNT / ATTACHMENT W/TREE MOUNT	AR	AR	
3	504637	CABLE TIE / 3/16" x 13"	AR	AR	
4	564108	SELF MOUNTING STUD // DEUTSCH 1011-310-0205	1	1	
11	830008	LAMP ASSY 24V / LED	10	10	
. NS	561248	. CONNECTOR / UNIVERSAL MATE-N-LOK / PH 2C / AMP 1-480699-0	1	1	
11	830011	LAMP ASSY 24V / RED	10	10	A
12	830009	LAMP ASSY 24V / LED	1	1	
. NS	563589	. CONNECTOR / DTM SERIES / SH 2C / GRAY / DEUTSCH DTM06-2S-E007	1	1	
13	500443	SCREW TP PAN PH #8x1/2 N500	16	16	
14	500965	SCREW TC BDG PH #8-32x1/2 N500	2	2	
15	500799	SCREW TC PAN PH #8-32x3/8 N500	4	4	
21	563464	SWITCH / S.P.S.T. / N.C. / W/RUBBER BOOT	2	2	
22	066638	SWITCH SUPPORT	2	2	
23	502868	SCREW TC TR PH #10-16x1/2 N500	5	5	
24	500623	SCREW TC PAN PH #10-24x3/4 N500	1	1	
27	068076	SWITCH PROXIMITY WITH LED ASSY	2	2	
. NS	564176	. SWITCH PROXIMITY / S.P.D.T. / W/3 WIRES W/LED	1	1	
28	8631155	CABLE TIE / 4.6MM x 200 / CHRISTMAS TREE To FORMER	1	1	
28	504061	GROMMET / .4375x.687x.062x.312x.937 From CURRENT	1	1	
31	289015	ROD, SWITCH	1	1	J
32	068076	SWITCH PROXIMITY WITH LED ASSY	1	1	J
. NS	564176	. SWITCH PROXIMITY / S.P.D.T. / W/3 WIRES W/LED	1	1	J
33	5021001	SPRING COMPRESSION / .360 O.D. x 1.5 x .038	1	1	J
34	5001860	PIN HITCH CLIP .054 x 3/4 SS	1	1	J
35	502573	WASHER FL 6.4x12.5x1.6 SS	1	1	J
36	289014	SUPPORT / SWITCH	1	1	
41	563047	SWITCH ASSY / WATERPROOF	1	1	
42	479710	SWITCH SUPPORT & COVER To L-0974	1	1	
42	479899	SWITCH SUPPORT & COVER From L-0975	1	1	
43	560241	RUBBER PROTECTOR, TOGGLE SWITCH	1	1	
44	500952	SCREW TP BDG PH #8x1/2 SS	2	2	
50	H9-0665-02	ENGINE COMPARTMENT - ELECTRIC COMPONENTS AND LAVATORY VALVE			
51	H9-1864-00	BAGGAGE COMPARTMENT DOOR			

From K-0185 To P-1452	Date:07/2024	PAGE:H9-0665-11
SWITCHES, LIGHTS, AJAR - UNDER FLOOR & ENGINE COMPARTMENT		

Item#	Part	Description	H 3 4 1	H 3 4 5	N O T E S
52	H9-0615-10	BATTERIES COMPARTMENT - INSTALLATION			
53	H9-1868-01	A/C COMPRESSOR DOOR ASSY			
54	H9-1870-11	REAR ENGINE DOOR - INSTALLATION			
55	H9-0405-02	MUFFLER - INSTALLATION WITH DPF & SCR WITH VOLVO D13			
61	563845	LAMP ASSY 24V / W/LEDS	2	2	S
. NS	563589	. CONNECTOR / DTM SERIES / SH 2C / GRAY / DEUTSCH DTM06-2S-E007	1	1	S
62	287678	SUPPORT LAMP	2	2	S
63	5001040	SCREW TC PAN PH #6-32x3/4 SS	6	6	S
64	564108	SELF MOUNTING STUD // DEUTSCH 1011-310-0205	2	2	S
65	563845	LAMP ASSY 24V / W/LEDS	1	1	
. NS	563589	. CONNECTOR / DTM SERIES / SH 2C / GRAY / DEUTSCH DTM06-2S-E007	1	1	
66	5001676	. SCREW MA PAN PH M4-0.7x12 MAGNI 565	2	2	
67	502556	. WASHER FL 4.3x9.0x0.8 SS	2	2	
		A) OPTION WITH RED LAMP INSIDE BAGGAGE COMPARTMENT			
		J) WITH CURB SIDE FUEL DOOR			
		S) FIX TO ENGINE DOOR			

	Date:07/2024	PAGE:H9-0665-12
SWITCHES, LIGHTS, AJAR - UNDER FLOOR & ENGINE COMPARTMENT		



SWITCHES, LIGHTS, AJAR - UNDER FLOOR & ENGINE COMPARTMENT

Item#	Part	Description	H 3 4 1	H 3 4 5	NOTES
1	564272	LOCK SPAGNOLET R.H. / WITH SWITCH BAGGAGE COMPARTMENT ONLY		8	
. NS	565205	. MICRO SWITCH		1	
. NS	563864	. HARDWARES FOR SWITCH		1	
2	504454	BUMPER RUBBER BOLT / 20MM ODx20MM TH X M6X15MM STUD		8	
3	509815	TIE MOUNT / ATTACHMENT W/TREE MOUNT		AR	
3	504637	CABLE TIE / 3/16" x 13"		AR	
4	564108	SELF MOUNTING STUD // DEUTSCH 1011-310-0205		1	
11	830008	LAMP ASSY 24V / LED		10	
. NS	561248	. CONNECTOR / UNIVERSAL MATE-N-LOK / PH 2C / AMP 1-480699-0		1	
11	830011	LAMP ASSY 24V / RED		10	A
12	830009	LAMP ASSY 24V / LED		1	
. NS	563589	. CONNECTOR / DTM SERIES / SH 2C / GRAY / DEUTSCH DTM06-2S-E007		1	
13	500443	SCREW TP PAN PH #8x1/2 N500		16	
14	500965	SCREW TC BDG PH #8-32x1/2 N500		2	
15	500799	SCREW TC PAN PH #8-32x3/8 N500		4	
21	563464	SWITCH / S.P.S.T. / N.C. / W/RUBBER BOOT		2	
22	066638	SWITCH SUPPORT		2	
23	502868	SCREW TC TR PH #10-16x1/2 N500		5	
24	500623	SCREW TC PAN PH #10-24x3/4 N500		1	
27	068076	SWITCH PROXIMITY WITH LED ASSY		2	
. NS	564176	. SWITCH PROXIMITY / S.P.D.T. / W/3 WIRES W/LED		1	
28	504061	GROMMET / .4375x.687x.062x.312x.937		1	
31	289015	ROD, SWITCH		1	J
32	068076	SWITCH PROXIMITY WITH LED ASSY		1	J
. NS	564176	. SWITCH PROXIMITY / S.P.D.T. / W/3 WIRES W/LED		1	J
33	5021001	SPRING COMPRESSION / .360 O.D. x 1.5 x .038		1	J
34	5001860	PIN HITCH CLIP .054 x 3/4 SS		1	J
35	502573	WASHER FL 6.4x12.5x1.6 SS		1	J
36	289014	SUPPORT / SWITCH		1	
41	563047	SWITCH ASSY / WATERPROOF		1	
42	479899	SWITCH SUPPORT & COVER		1	
43	560241	RUBBER PROTECTOR, TOGGLE SWITCH		1	
44	500952	SCREW TP BDG PH #8x1/2 SS		2	
50	H9-0665-02	ENGINE COMPARTMENT - ELECTRIC COMPONENTS AND LAVATORY VALVE			
51	H9-1864-00	BAGGAGE COMPARTMENT DOOR			
52	H9-0615-10	BATTERIES COMPARTMENT - INSTALLATION			

		Date:07/2024	PAGE:H9-0665-12		
SWITCHES, LIGHTS, AJAR - UNDER FLOOR & ENGINE COMPARTMENT					

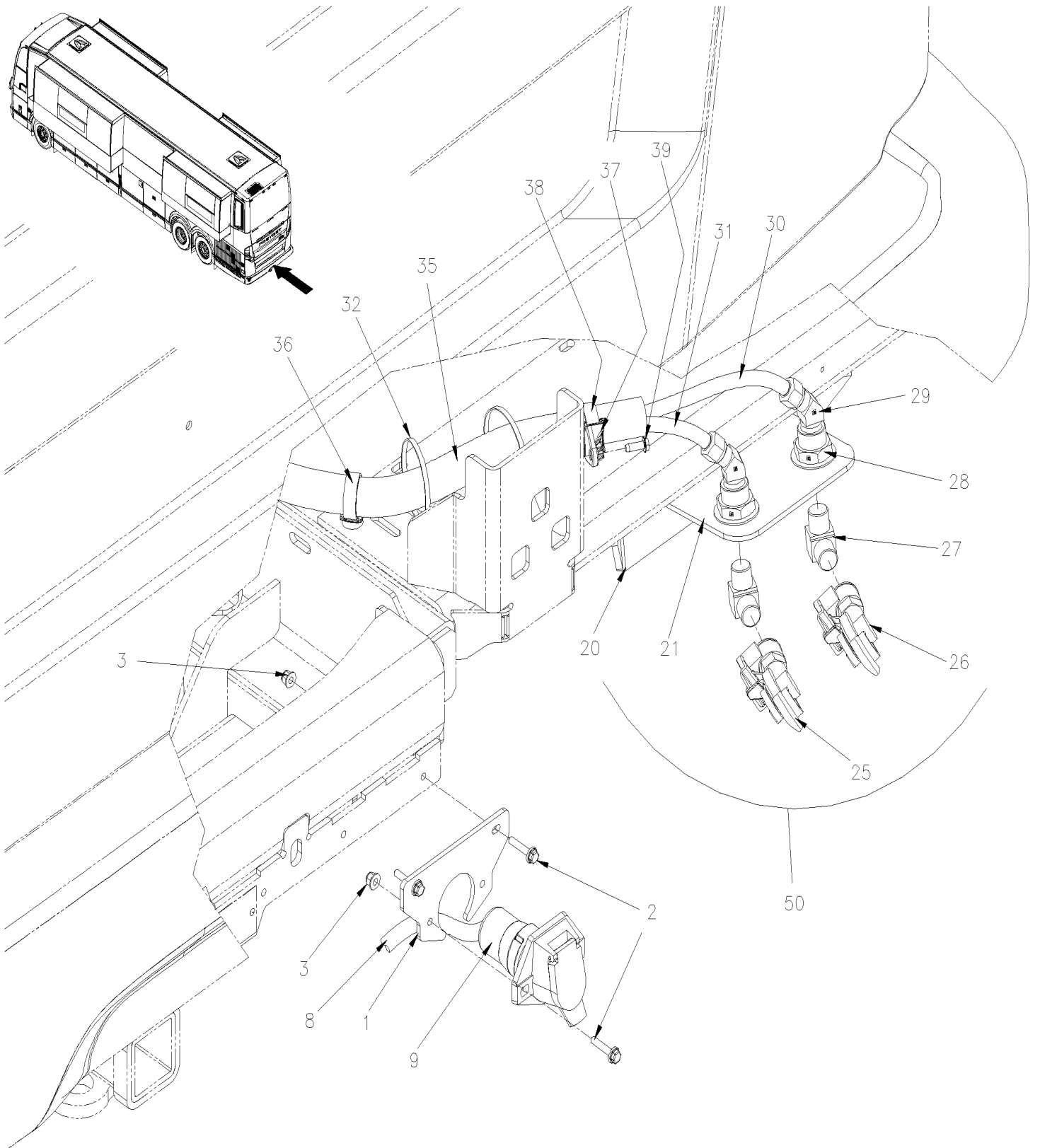
Item#	Part	Description	H 3 4 1	H 3 4 5	N O T E S
53	H9-1868-01	A/C COMPRESSOR DOOR ASSY			
54	H9-1870-11	REAR ENGINE DOOR - INSTALLATION			
55	H9-0405-03	MUFFLER - INSTALLATION WITH DPF & SCR WITH VOLVO D13			
61	563845	LAMP ASSY 24V / W/LEDS		2	S
. NS	563589	. CONNECTOR / DTM SERIES / SH 2C / GRAY / DEUTSCH DTM06-2S-E007		1	S
62	287678	SUPPORT LAMP		2	S
63	5001040	SCREW TC PAN PH #6-32x3/4 SS		6	S
64	564108	SELF MOUNTING STUD // DEUTSCH 1011-310-0205		2	S
65	563845	LAMP ASSY 24V / W/LEDS		1	
. NS	563589	. CONNECTOR / DTM SERIES / SH 2C / GRAY / DEUTSCH DTM06-2S-E007		1	
66	5001676	. SCREW MA PAN PH M4-0.7x12 MAGNI 565		2	
67	502556	. WASHER FL 4.3x9.0x0.8 SS		2	
		A) OPTION WITH RED LAMP INSIDE BAGGAGE COMPARTMENT			
		J) WITH CURB SIDE FUEL DOOR			
		S) FIX TO ENGINE DOOR			

From K-0185

Date:07/2024

PAGE:H9-0665-20

CABLE TRAILER - INSTALLATION

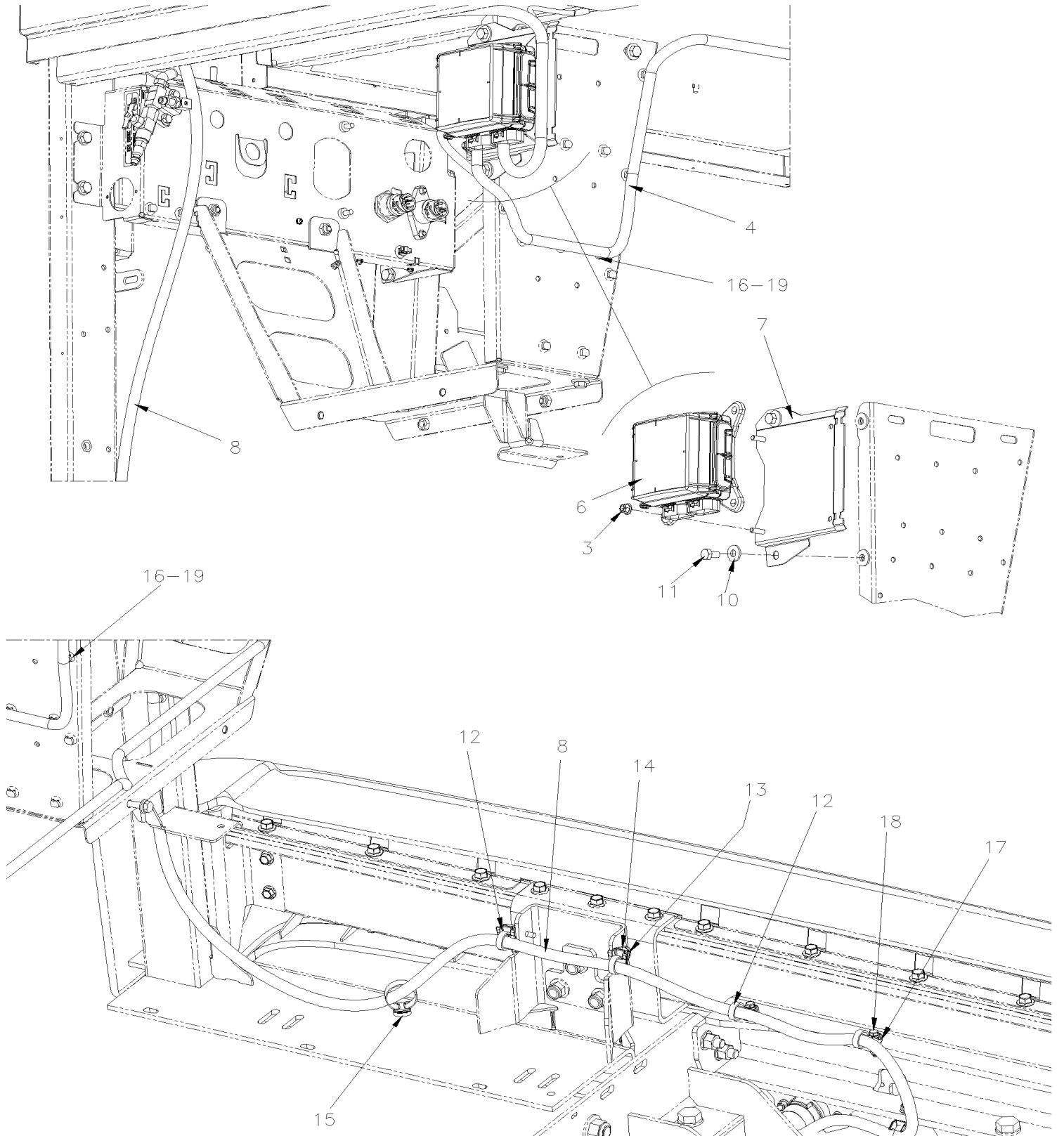


From K-0185

Date:07/2024

PAGE:H9-0665-20

CABLE TRAILER - INSTALLATION



From K-0185		Date:07/2024	PAGE:H9-0665-20
-------------	--	--------------	-----------------

CABLE TRAILER - INSTALLATION

Item#	Part	Description	H 3 4 1	H 3 4 5	N O T E S
1	410998	SUPPORT ELECTRICAL CONECTOR	1	1	
2	5001815	SCREW CAP HEXF M6-1.0x30 G 8.8 N500	4	4	
3	5001932	NUT HEXF NYRT M6-1.0 G8.8 N500	AR	AR	
4	060722	CABLE ASSY / TRAILER W/ELECTRICAL BRAKE	1	1	
6	560075	DVEC DISTRIBUTION MODULE FOR TRAILER	1	1	
. NS	563284	. FUSE / ATM 15 AMPS BLUE	11	11	
. NS	560490	. MICRO RELAY 12 VOLTS	1	1	
7	061257	SUPPORT VEC TRAILER	1	1	
8	060723	CABLE ASSY / TRAILER W/ELECTRICAL BRAKE CONNECTOR	1	1	
. NS	560233	. CONNECTOR TRAILER 7C / AK-TECK AK060 058 113	1	1	
9	560233	. CONNECTOR TRAILER 7C / AK-TECK AK060 058 113	1	1	
10	5001848	WASHER BEL SPR .827 x .331 x .098 th SS	2	2	
11	5001527	SCREW CAP HEX M8-1.25x16 SS BK	2	2	
12	504016	CABLE TIE / 5/16" X 14"1/2 To L-0826	AR	AR	
12	5040100	CABLE TIE /OUTSIDE SERRATED 5/16" X 14"1/2 From L-0827	AR	AR	
13	504610	RIVET MGLP PRDG 1/4x5/8 SS	2	2	
14	504772	ATTACHMENT USE WITH CABLE TIE 5/16 BOLT	2	2	
15	504750	CABLE TIE / 1/2" x 15" / CHRISTMAS TREE	4	4	
16	509815	TIE MOUNT / ATTACHMENT W/TREE MOUNT	AR	AR	
17	509894	TIE MOUNT HOLE 7.8MM	3	3	
18	5001815	SCREW CAP HEXF M6-1.0x30 G 8.8 N500	AR	AR	
19	504637	CABLE TIE / 3/16" x 13"	1	1	
25	641938	GLANDHAND W/DUST COVER "RED"	1	1	AB
25	641957	GLANDHAND SWING-AWAY "RED"	AR	AR	AB A
25	644957	CAP / GLANDHAND SWING-AWAY	1	1	AB
26	641939	GLANDHAND W/DUST COVER "BLUE"	1	1	AB
26	641958	GLANDHAND SWING-AWAY "BLUE"	AR	AR	AB A
26	644957	CAP / GLANDHAND SWING-AWAY	1	1	AB
27	640992	MALE CONNECTOR / NTA FITTING / #8x1/2NPT-M BR	1	1	
30	503406	TUBE, NYLON 1/2 O.D. / GREEN S.L.	AR	AR	AB
31	503638	TUBE, NYLON 1/2 O.D. / BROWN S.L.	AR	AR	AB
32	504637	CABLE TIE / 3/16" x 13"	AR	AR	AB
35	562218	CONVOLUTED TUBING / UNSLIT / BLACK & GRAY / 1.000"	AR	AR	AB
36	504750	CABLE TIE / 1/2" x 15" / CHRISTMAS TREE	AR	AR	AB
NS	8631155	CABLE TIE / 4.6MM x 200 / CHRISMAS TREE	3	3	AB
37	504772	ATTACHMENT USE WITH CABLE TIE 5/16 BOLT	1	1	AB
38	509491	CABLE TIE / 13MM x 383MM	1	1	AB
39	502848	SCREW TC CAP HEXF 1/4-20x3/4 N500	1	1	AB
		A) THOSE GLANDHAND ARE INSTALLED ON REAR ENGINE DOOR			

From K-0185	Date:07/2024	PAGE:H9-0665-20
-------------	--------------	-----------------

CABLE TRAILER - INSTALLATION

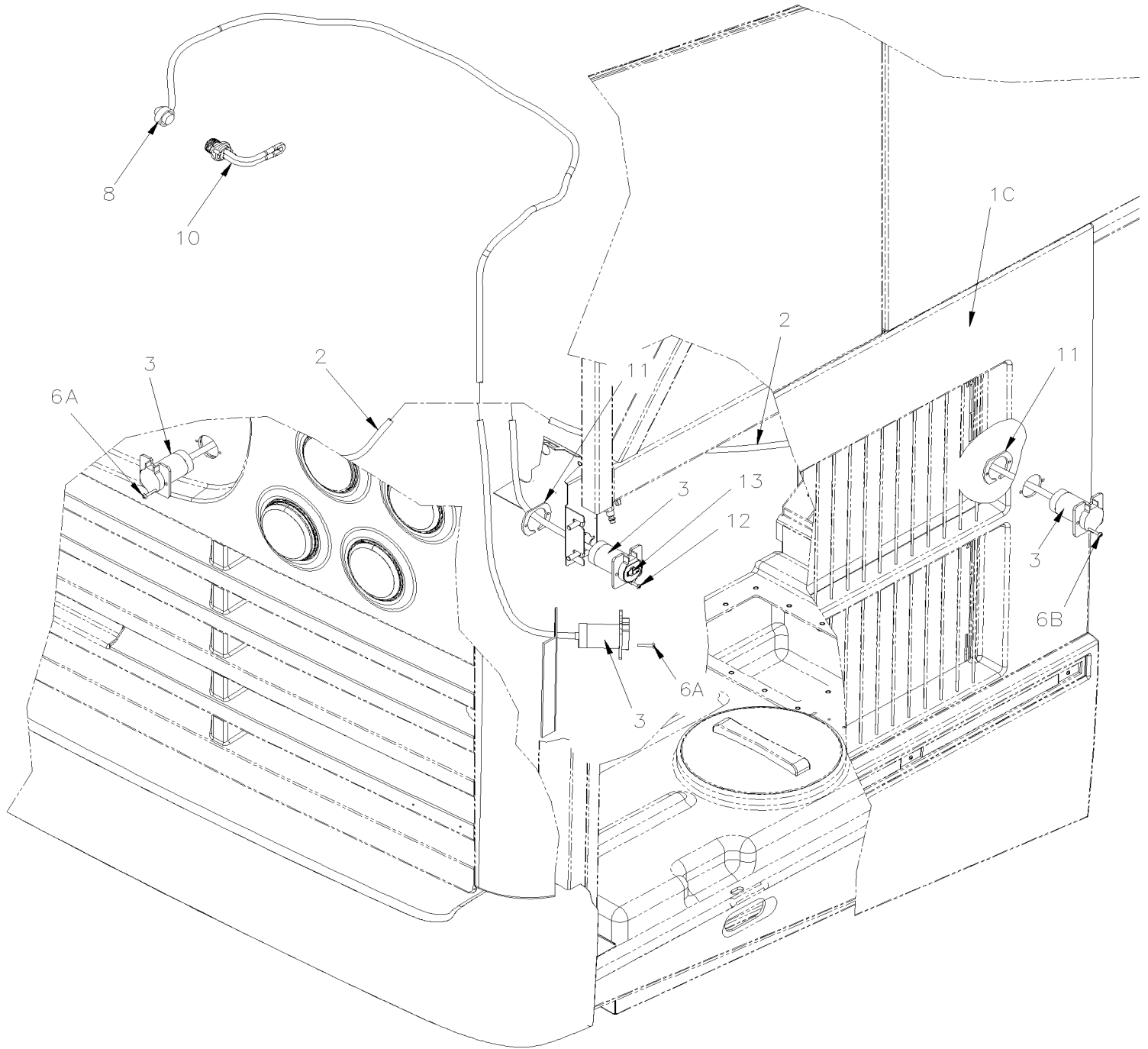
Item#	Part	Description	H 3 4 1	H 3 4 5	N O T E S
		AB) WITH AIR BRAKE ON TRAILER			

From K-0185

Date:07/2024

PAGE:H9-0666-00

BLOCK HEATER RECEPTACLE

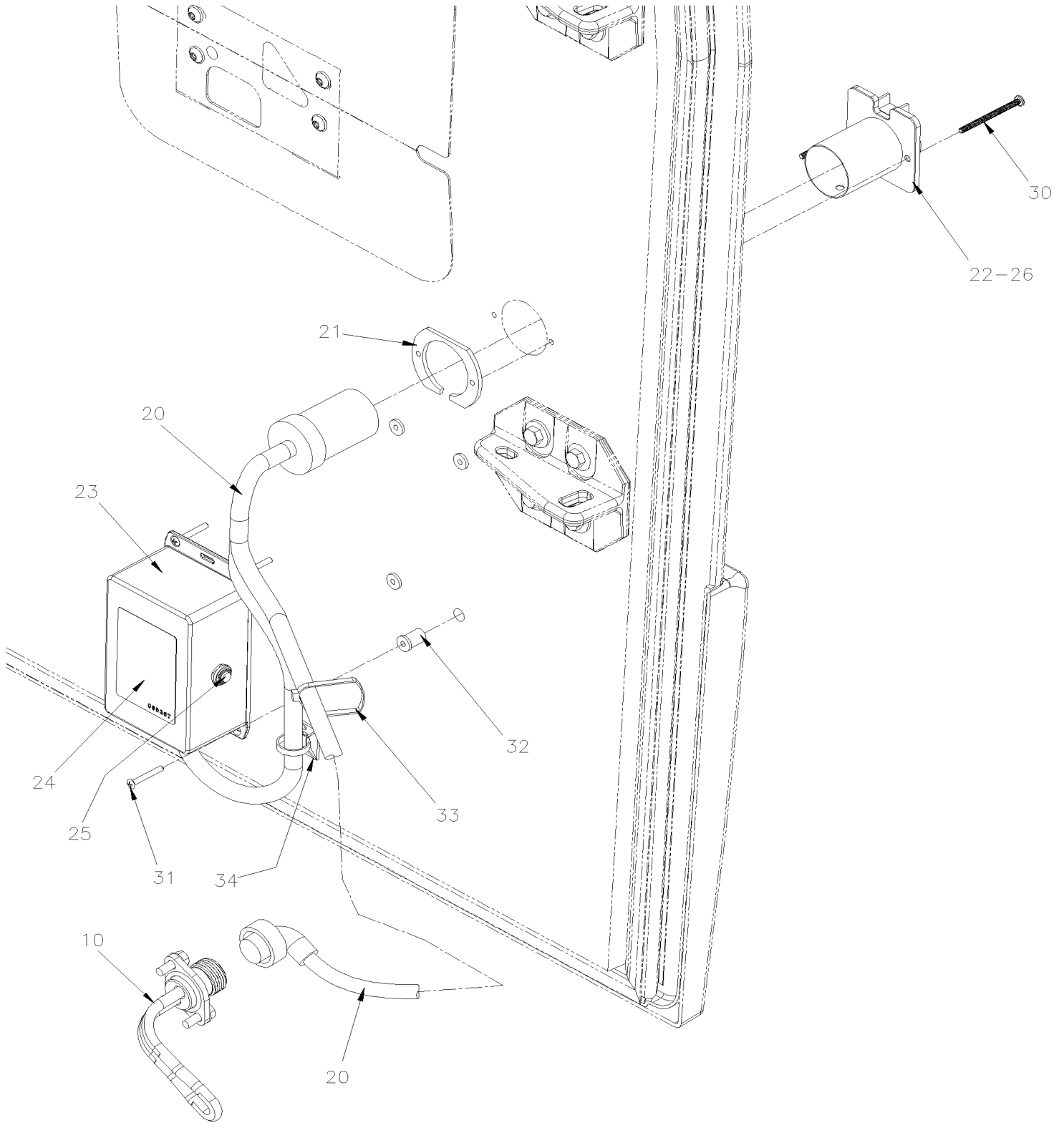


From K-0185

Date:07/2024

PAGE:H9-0666-00

BLOCK HEATER RECEPTACLE



From K-0185 Date:07/2024 PAGE:H9-0666-00

BLOCK HEATER RECEPTACLE

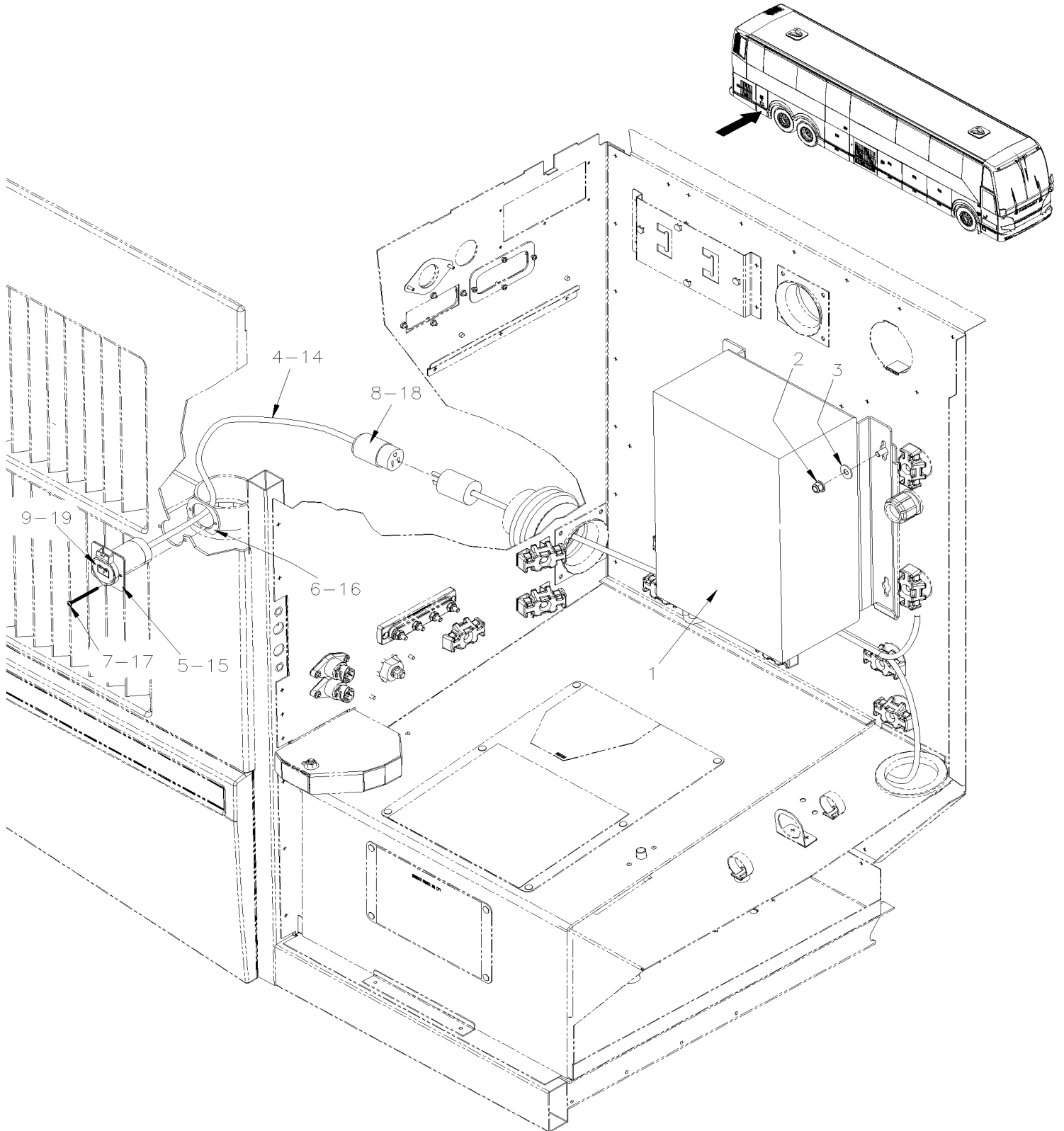
Item#	Part	Description	H 3 4 1	H 3 4 5	NOTES
1C	H9-1866-00	EVAPORATOR DOOR ASSY			
2	068723	CABLE ASSY / 110V BLOCK HEATER To L-0772	1	1	
3	N.S.S.	. RECEPTACLE ASSY W/CORD	1	1	1
NS	8631155	CABLE TIE / 4.6MM x 200 / CHRISTMAS TREE	AR	AR	
6A	502677	SCREW MA RND PH M4-0.7x25 SS	2	2	
6B	5001562	SCREW MA PAN PH M4-0.7x50 SS	2	2	
8	564102	. HEATER PLUG ASSY	1	1	
8	019224	. DECAL / BLOCK HEATER	1	1	
NS	561681	. CONVOLUTED TUBING / SLIT / BLACK & GRAY / .350"	AR	AR	
10	Refer To Volvo	BLOCK HEATER	1	1	V D13
10	Refer To Volvo	HEATER, OIL PAN	1	1	V D13
10	21762285	ENGINE HEATER, 120V 1500W	1	1	
NS	975664	O-RING, 26,2 X 3	1	1	
11	064388	FIXATION RING	1	1	
12	5001676	SCREW MA PAN PH M4-0.7x12 MAGNI 565	2	2	
13	019224	DECAL / BLOCK HEATER	1	1	
20	069440	CABLE ASSY / 110V BLOCK HEATER	1	1	B
21	064388	FIXATION RING	1	1	B
22	564103	RECEPTACLE ASSY W/CORD	1	1	B
23	Call order desk	BOX, ABS W/FLANGED LID WIHTOUT BREAKER	1	1	P B
24	069367	DECAL, 120VAC ENG. BLOCK HEATER PROT.	1	1	B
25	565184	BREAKER 20AMPS / 250V /	1	1	B
26	019224	DECAL / BLOCK HEATER	1	1	B
30	5001562	SCREW MA PAN PH M4-0.7x50 SS	2	2	B
31	502809	SCREW MA OV PH M4-0.7x30 SS BK	4	4	B
32	500589	NUT WELL M4-0.7x13.5	4	4	B
33	504637	CABLE TIE / 3/16" x 13"	2	2	B
34	562679	4 WAY ADH. BACKED MOUNTS 1.000 x 1.000 x .160	1	1	B
		B) OPTION WITH FRONT BLOCK HEATER PLUG			
		D13) WITH "VOLVO" ENGINE			
		1) NOT SOLD SEPARATELY			
		P) CALL ORDER DESK FOR SPECIFIC APPLICATION (V.I.N.)			
		V) SEE IMPACT OR CALL ORDER DESK			

From K-0185 To P-1452

Date:07/2024

PAGE:H9-0670-11

BATTERIES CHARGER - INSTALLATION



From K-0185 To P-1452	Date:07/2024	PAGE:H9-0670-11
BATTERIES CHARGER - INSTALLATION		

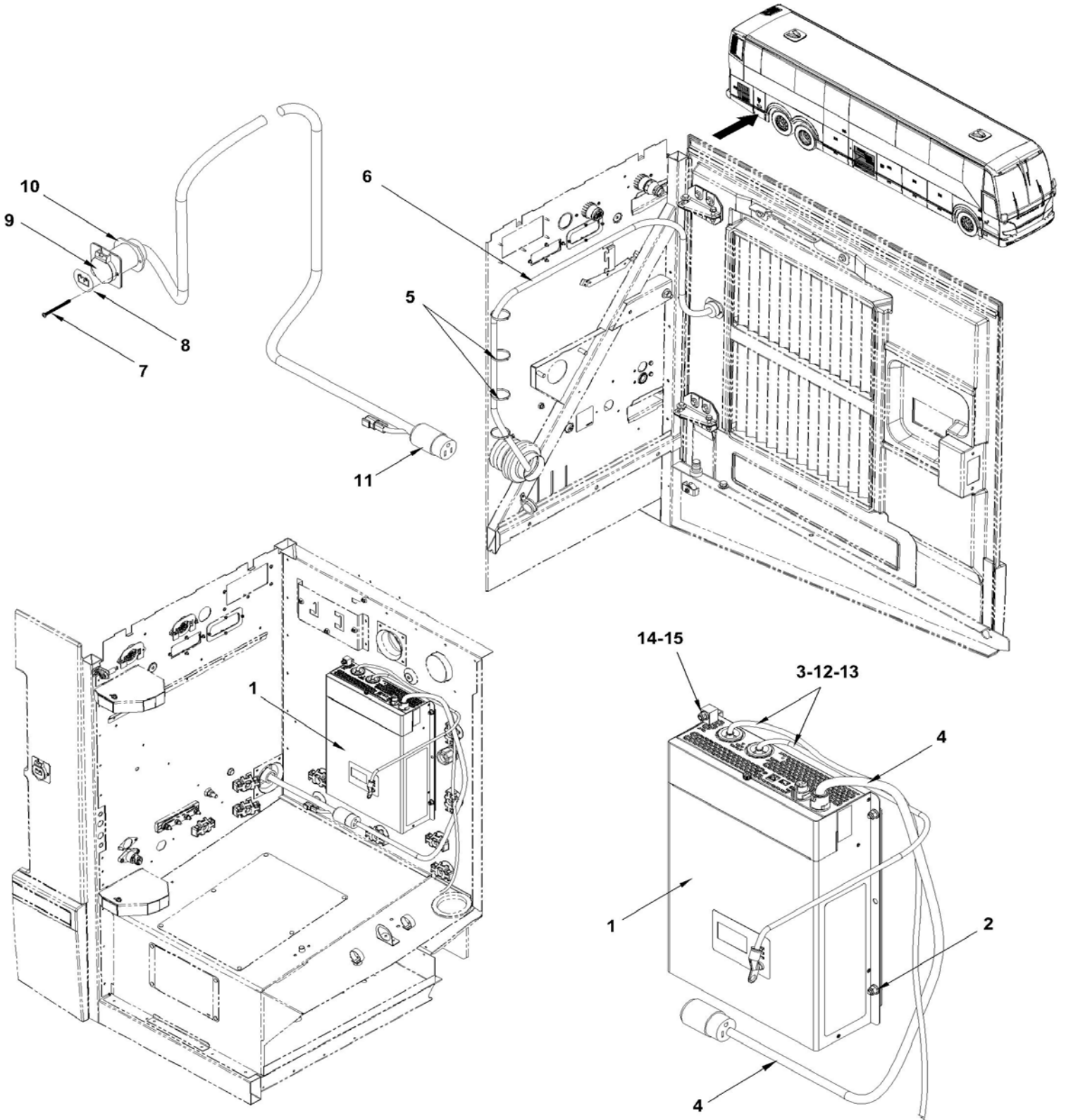
Item#	Part	Description	H 3 4 1	H 3 4 5	NOTES
1	562967	BATTERY CHARGER 24V To M-1153	1	1	
1	564334	BATTERY CHARGER 24V From M-1154	1	1	
2	5001931	NUT HEXF NYRT M8-1.25 G8.8 N500	2	2	
3	5001448	WASHER FL .343x.875x.062 SS18-8	2	2	
4	066226	CABLE ASSY WITH OUTLET / DOOR SECTION	1	1	
NS	561681	. CONVOLUTED TUBING / SLIT / BLACK & GRAY / .350"	AR	AR	
NS	564098	. TAPE COLOURFLEX ADH1 .007" x 3/4 x 60' / ORANGE	AR	AR	
5	561572	. RECEPTACLE ASSY W/CORD	1	1	
6	064388	. FIXATION RING	1	1	
7	5001562	. SCREW MA PAN PH M4-0.7x50 SS	2	2	
8	561932	. CONNECTOR / 15 AMPS / HUBBELL 5269-C	1	1	
9	068112	. DECAL / ICON "BATTERY CHARGER" 41.5MM O.D.	1	1	
14	065462	CABLE ASSY / 110V BATTERIES WARMER INSTALL	1	1	A
NS	561681	. CONVOLUTED TUBING / SLIT / BLACK & GRAY / .350"	AR	AR	A
15	561572	. RECEPTACLE ASSY W/CORD	1	1	A
16	063488	. ACTUATOR TAG UNLOAD /	1	1	A
17	5001562	. SCREW MA PAN PH M4-0.7x50 SS	2	2	A
18	561932	. CONNECTOR / 15 AMPS / HUBBELL 5269-C	2	2	A
19	068113	. DECAL / ICON "BATTERY WARMER" 41.5MM O.D.	1	1	A
NS	562501	BATTERY WARMER 160 WATTS	1	1	A
NS	065445	DECAL / BATTERY HEATING & WARMER 164MM x 30MM	1	1	A
NS	952631	CLAMP / 3/4" I.D.	4	4	A
NS	500539	NUT HEX NYRT M4-0.7 N500	4	4	A
50	H9-0615-02	BATTERIES - INSTALLATION			
		A) THIS DECAL IT FIXED OUTSIDE OF RECEPTACLE (# 561572) COVER			

From R-1453

Date:07/2024

PAGE:H9-0670-12

BATTERIES CHARGER - INSTALLATION



From R-1453	Date:07/2024	PAGE:H9-0670-12
BATTERIES CHARGER - INSTALLATION		

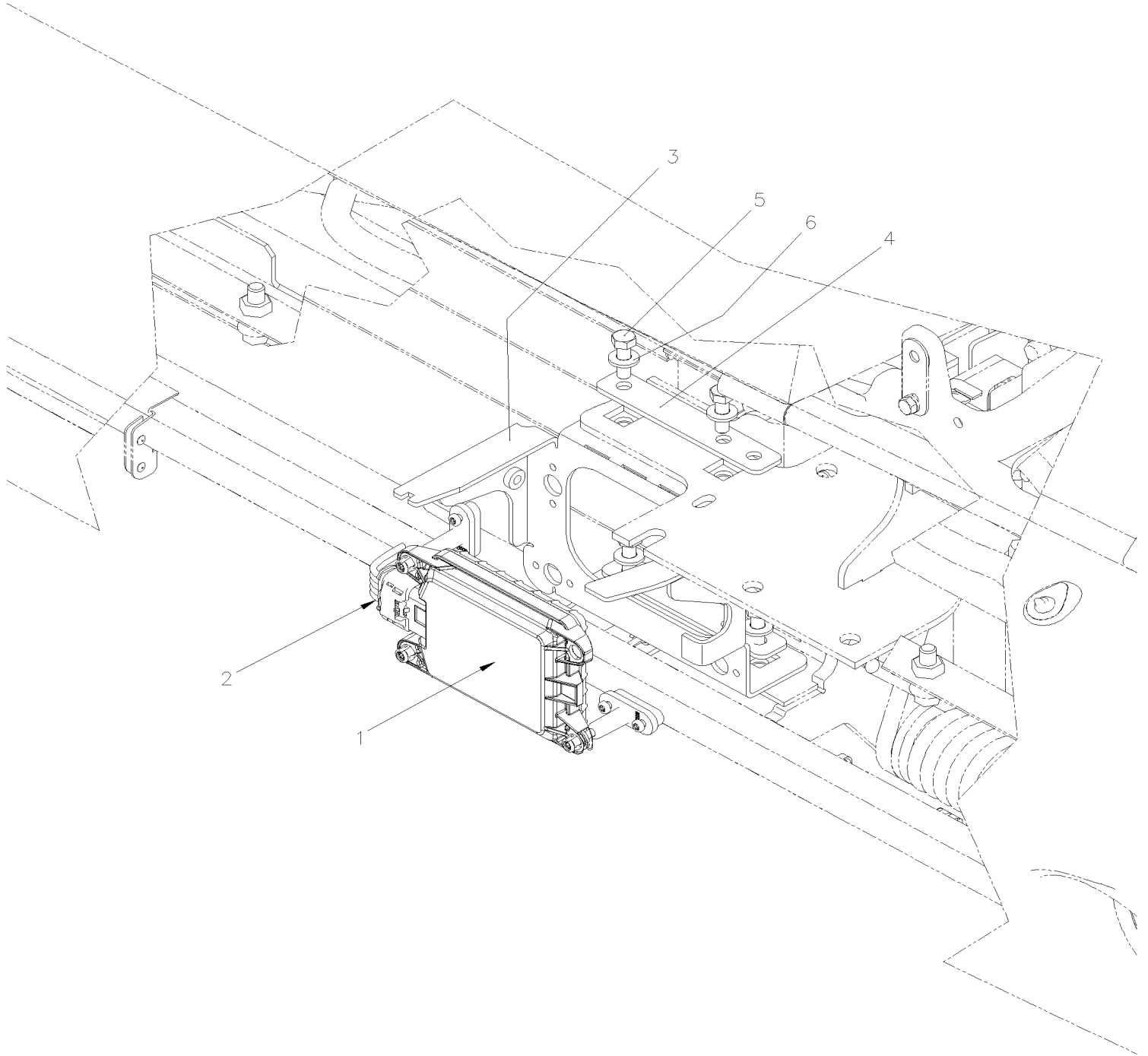
Item#	Part	Description	H 3 4 1	H 3 4 5	N O T E S
1	564395	CHARGER INVERTER XANTREX		1	
2	5001932	NUT HEXF NYRT M6-1.0 G8.8 N500		4	
3	0600134	POWER CABLE CHARGER 24V XANTREX		1	
4	564775	BATTERY CHARGER CABLE 120V INLET XANTREX		1	
5	504637	CABLE TIE / 3/16" x 13"		14	
6	0600155	BATTERY CHARGER HARNESS 120V AC INLET		1	
7	5001562	. SCREW MA PAN PH M4-0.7x50 SS		2	
8	068112	. DECAL / ICON "BATTERY CHARGER" 41.5MM O.D.		1	
9	561572	. RECEPTACLE ASSY W/CORD		1	
10	064388	. FIXATION RING		1	
11	561932	. CONNECTOR / 15 AMPS / HUBBELL 5269-C		1	
12	5001789	NUT HEX NYRT M8-1.25 SS		2	
13	5001341	WASHER FL 8.4x17.0x1.6 SS		2	
14	5001182	NUT HEX NYRT M6-1.0 SS		1	
15	502573	WASHER FL 6.4x12.5x1.6 SS		1	

From K-0185 To P-1452

Date:07/2024

PAGE:H9-0675-06

SYSTEM - ADAPTIVE CRUISE CONTROL ACB - "BENDIX FLR21"



From K-0185 To P-1452	Date:07/2024	PAGE:H9-0675-06
SYSTEM - ADAPTIVE CRUISE CONTROL ACB - "BENDIX FLR21"		

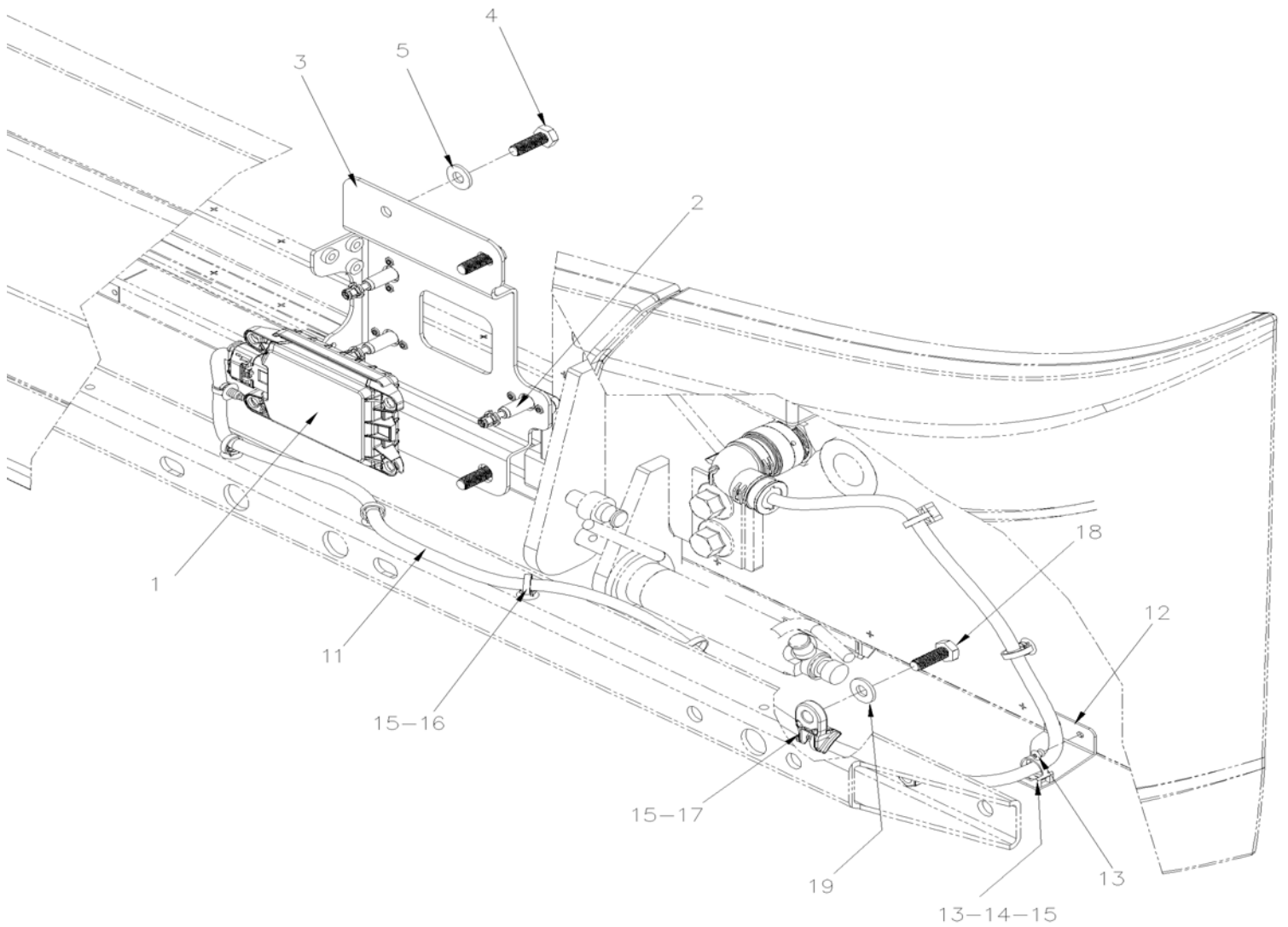
Item#	Part	Description	H 3 4 1	H 3 4 5	NOTES
1	145373	RADAR ACB ASSY To M-1109	1	1	
. NS	564257	. FLR20 AJUSTER KIT SET OF 3 To M-1109	1	1	
1	880018	RADAR From M-1110	1	1	
2	060672	CABLE ADAPTIVE CRUISE CONTROL To M-1109	1	1	
2	0610245	CABLE ADAPTIVE CRUISE CONTROL From M-1110	1	1	
3	145225	SUPPORT RADAR	1	1	
4	145223	SEATING PLATE, RADAR	2	2	
5	502780	SCREW CAP HEX M8-1.25x25 SS BK	4	4	
6	5001868	WASHER BEL SPR 8.4x18x2 SS	4	4	
NS	564108	SELF MOUNTING STUD // DEUTSCH 1011-310-0205	1	1	
NS	8631155	CABLE TIE / 4.6MM x 200 / CHRISTMAS TREE	AR	AR	

From R-1453

Date:07/2024

PAGE:H9-0675-07

SYSTEM - ADAPTIVE CRUISE CONTROL ACB - "BENDIX FLR21"



From R-1453	Date:07/2024	PAGE:H9-0675-07
SYSTEM - ADAPTIVE CRUISE CONTROL ACB - "BENDIX FLR21"		

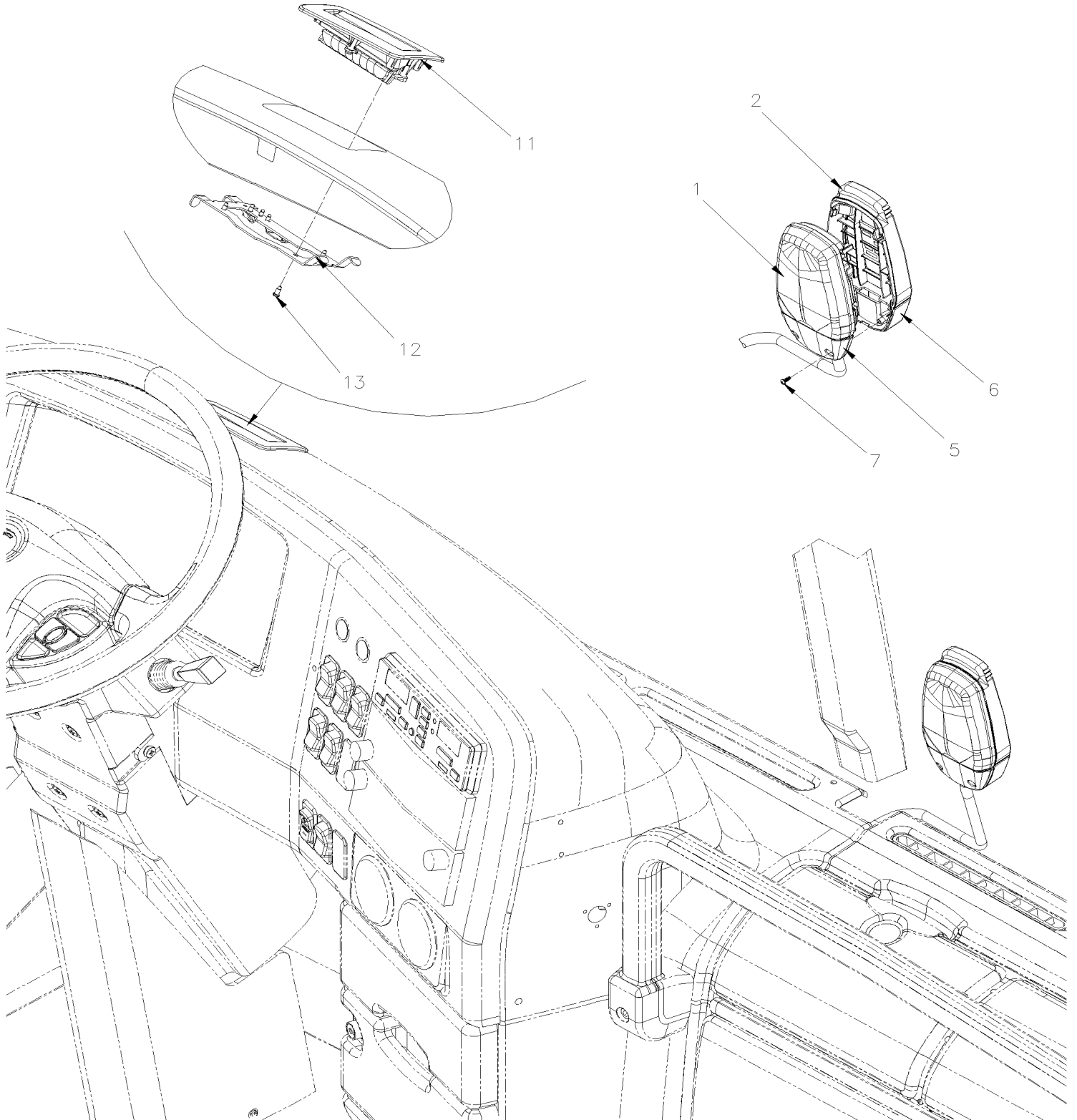
Item#	Part	Description	H 3 4 1	H 3 4 5	N O T E S
1	880018	RADAR	1	1	
2	564257	FLR20 AJUSTER KIT SET OF 3	1	1	
3	140129	RADAR SUPPORT	1	1	
4	5001418	SCREW CAP HEX M10-1.5x30 SS		4	
5	5001834	WASHER BEL SPR 10.5X23X2.5 N500	4	4	
11	0600026	FRONT BUMPER HARNESS ACB		1	A
11	0600025	FRONT BUMPER HARNESS ACB/FOG		1	
NS	0600191	CAP, RADAR CONNECTOR		1	B
12	0610184	BRACKET, FRONT BUMPER CABLES	1	1	
13	504379	RIVET POP DOME OE 3/16x1/4 SS	3	3	
14	504013	TIE MOUNT / 1/4" X 1/4" I.D.	1	1	
15	504637	CABLE TIE / 3/16" x 13"	AR	AR	
16	509815	TIE MOUNT / ATTACHMENT W/TREE MOUNT	6	6	
17	507383	TIE MOUNT HOLE 3/8"	1	1	
18	5001418	SCREW CAP HEX M10-1.5x30 SS		1	
19	5001834	WASHER BEL SPR 10.5X23X2.5 N500	1	1	
		A) USE ONLY WITH VEHICLE WITHOUT FOG LAMPS			
		B) USE WIHTOUT RADAR			

From M-1110 To P-1452

Date:07/2024

PAGE:H9-0675-20

SYSTEM CAMERA & HUD - "PREVOST DRIVER ASSIT"



From M-1110 To P-1452	Date:07/2024	PAGE:H9-0675-20
SYSTEM CAMERA & HUD - "PREVOST DRIVER ASSIT"		

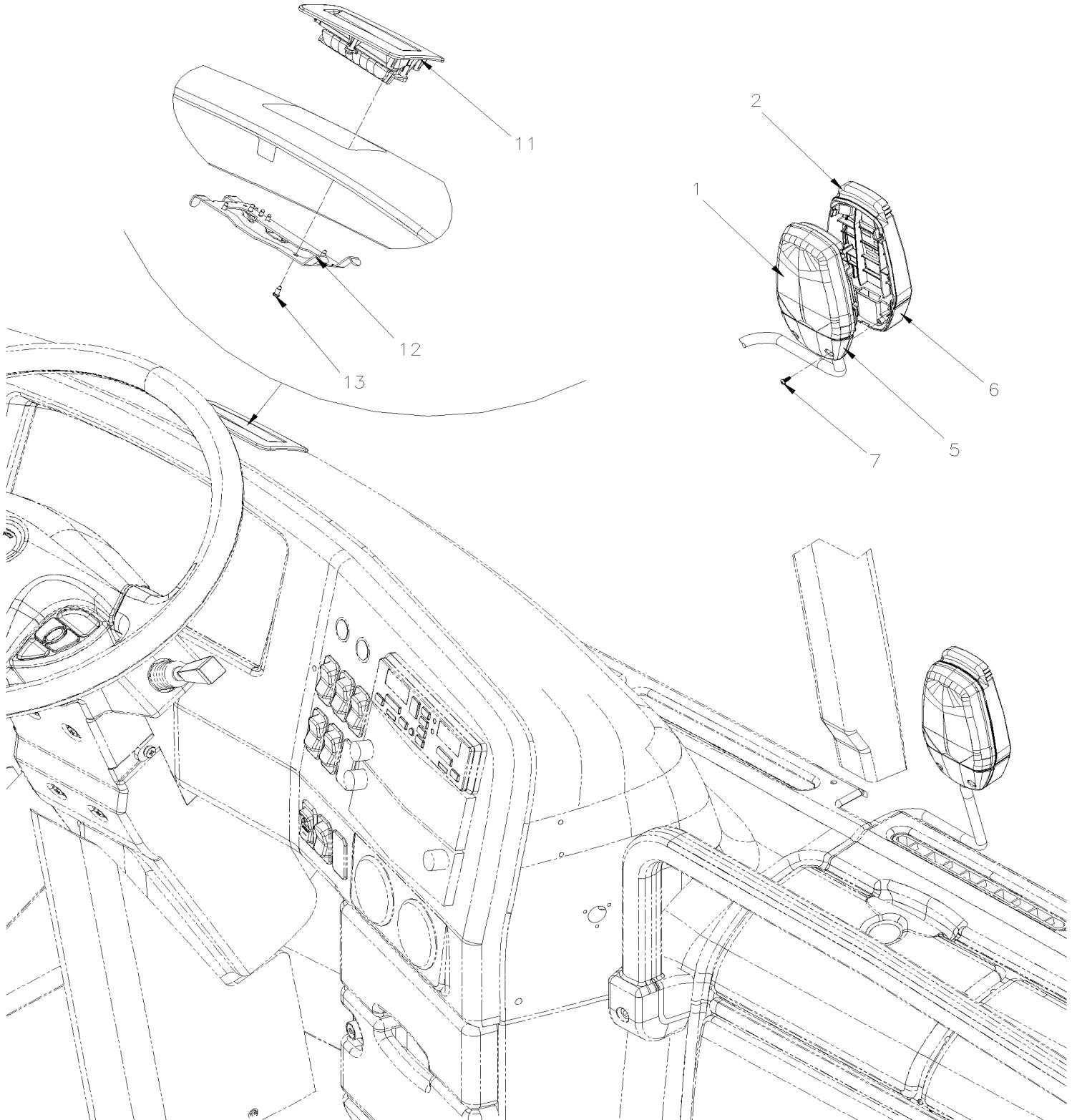
Item#	Part	Description	H 3 4 1	H 3 4 5	N O T E S
1	880015	CAMERA "PREVOST DRIVER ASSIT"	1	1	
2	880011	BRACKET WINDSHEILD / CAMERA "PREVOST DRIVER ASSIT" To M-1137	1	1	
2	880060	BRACKET WINDSHEILD / CAMERA "PREVOST DRIVER ASSIT" From M-1138	1	1	
2	G37362	TEMPLATE, CAMERA POSITION MARKINGS H3	1	1	C
5	3211136	CABLE COVER "PREVOST DRIVER ASSIT"	1	1	
6	3211135	CABLE COVER "PREVOST DRIVER ASSIT"	1	1	
7	5002198	SCREW TP PAN PH #4-20 X 5/16 Z050	2	2	
11	380362	DISPLAY MODULE ASSY "HUD"	1	1	
12	380367	HOLDER ASSY "HUD"	1	1	
13	5002199	SCREW TP PAN PH #4-20 X 5/16 Z050	4	4	
NS	640048	CALIBRATION TEMPLATE	1	1	
50	H9-0675-06	SYSTEM - ADAPTIVE CRUISE CONTROL ACB - "BENDIX FLR21"	1	1	
51	H9-0645-10	L.H. DASHBOARD PANEL	1	1	
NS	0610440	SYSTEM CAMERA & HUD - "PREVOST DRIVER ASSIT" To M-1109			A
NS	0610462	BASE SERVICE KIT "PREVOST DRIVER ASSIT" H3-VIP ENS To M-1109	1	1	A
. NS	0610245	. CABLE ADAPTIVE CRUISE CONTROL To M-1109	1	1	A
. NS	563883	. CAP / LDW To M-1109	1	1	A
. NS	562698	. SWITCH / OFF-M/ON / D.P.S.T. / W/GREEN LED To M-1109	1	1	A
. NS	IS-19037	. SEE INSTRUCTION SHEET ENGLISH To M-1109	1	1	A
. NS	FI-19037	. SEE INSTRUCTION SHEET FRANCAIS To M-1109	1	1	A
NS	0611016	SERVICE KIT BEFORE "PREVOST DRIVER ASSIT" H3-VIP To M-1109	1	1	A
. NS	0610405	. HARNESS ACC LDW SERVICE H3 To M-1109	1	1	A
. NS	IS-19037	. SEE INSTRUCTION SHEET ENGLISH To M-1109	1	1	A
. NS	FI-19037	. SEE INSTRUCTION SHEET FRANCAIS To M-1109	1	1	A
NS	0610462	BASE SERVICE KIT "PREVOST DRIVER ASSIT" H3-VIP ENS From M-1110	1	1	A
. NS	0610245	. CABLE ADAPTIVE CRUISE CONTROL From M-1110	1	1	A
. NS	563883	. CAP / LDW From M-1110	1	1	A
. NS	562698	. SWITCH / OFF-M/ON / D.P.S.T. / W/GREEN LED From M-1110	1	1	A
. NS	IS-19037	. SEE INSTRUCTION SHEET ENGLISH From M-1110	1	1	A
. NS	FI-19037	. SEE INSTRUCTION SHEET FRANCAIS From M-1110	1	1	A
		A) WHEN YOU INSTALL "PREVOST DRIVER ASSIT" CAMERA SYSTEM ON VEHICLE WITH ACB			
		B) WHEN YOU INSTALL "PREVOST DRIVER ASSIT" CAMERA SYSTEM ON VEHICLE WITHOUT ACB			
		C) USE IF WINDSHIELD DOESN'T ALREADY HAVE POSITION MARKINGS			

To M-1109

Date:07/2024

PAGE:0610440

SYSTEM CAMERA & HUD - "PREVOST DRIVER ASSIT"

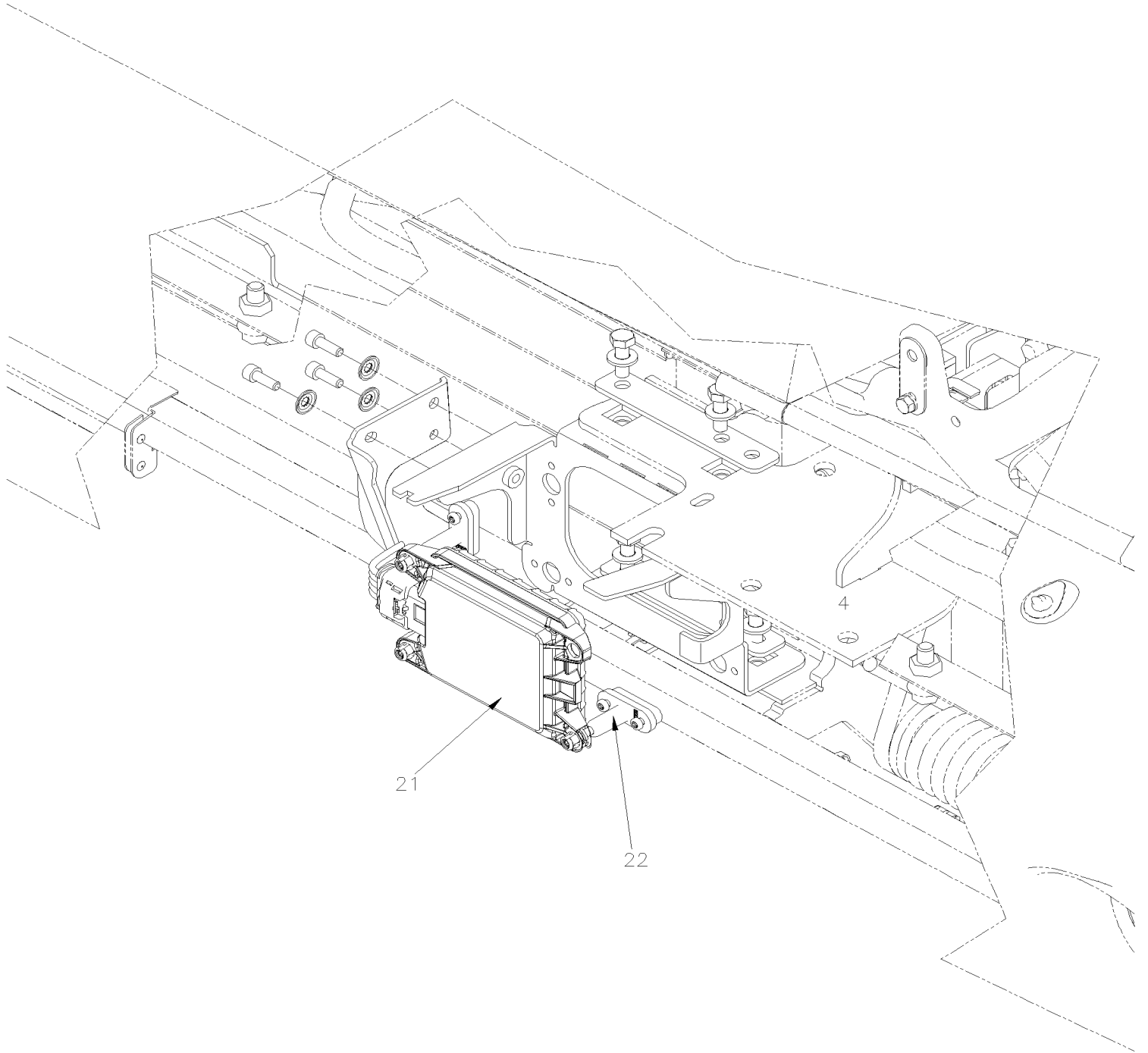


To M-1109

Date:07/2024

PAGE:0610440

SYSTEM CAMERA & HUD - "PREVOST DRIVER ASSIT"



To M-1109	Date:07/2024	PAGE:0610440
SYSTEM CAMERA & HUD - "PREVOST DRIVER ASSIT"		

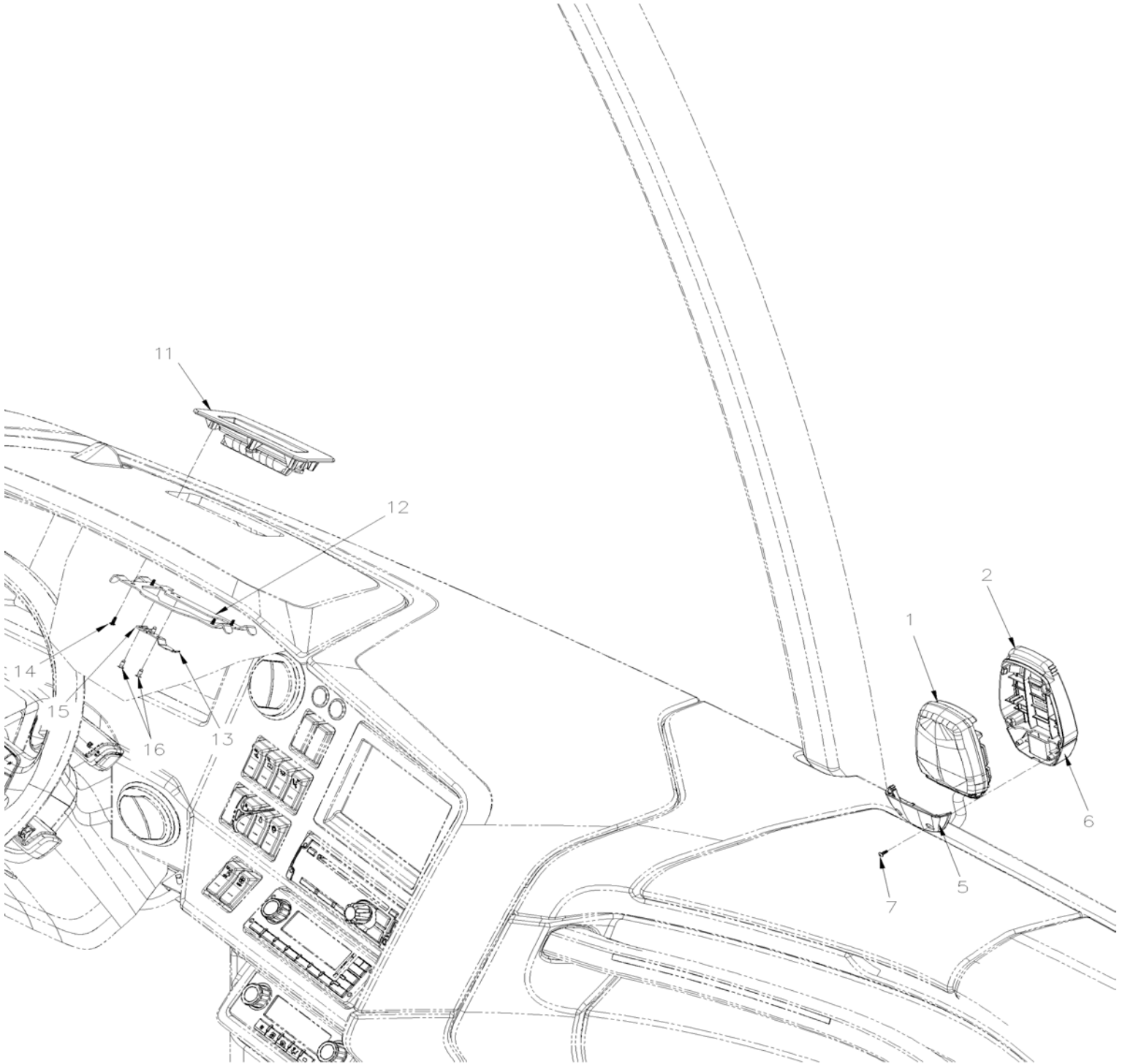
Item#	Part	Description	H 3 4 1	H 3 4 5	N O T E S
1	880015	CAMERA "PREVOST DRIVER ASSIT"	1	1	
2	880060	BRACKET WINDSHEILD / CAMERA "PREVOST DRIVER ASSIT"	1	1	
5	3211136	CABLE COVER "PREVOST DRIVER ASSIT"	1	1	
6	3211135	CABLE COVER "PREVOST DRIVER ASSIT"	1	1	
7	5002198	SCREW TP PAN PH #4-20 X 5/16 Z050	2	2	
11	380362	DISPLAY MODULE ASSY "HUD"	1	1	
12	380367	HOLDER ASSY "HUD"	1	1	
13	5002198	SCREW TP PAN PH #4-20 X 5/16 Z050	4	4	
21	880061	RADAR	1	1	
22	564257	FLR20 AJUSTER KIT SET OF 3	1	1	
31	IS-19037	SEE INSTRUCTION SHEET ENGLISH	1	1	
31	FI-19037	SEE INSTRUCTION SHEET FRANCAIS	1	1	

From R-1453

Date:07/2024

PAGE:H9-0675-21

SYSTEM CAMERA & HUD - "PREVOST DRIVER ASSIST"



From R-1453	Date:07/2024	PAGE:H9-0675-21
SYSTEM CAMERA & HUD - "PREVOST DRIVER ASSIT"		

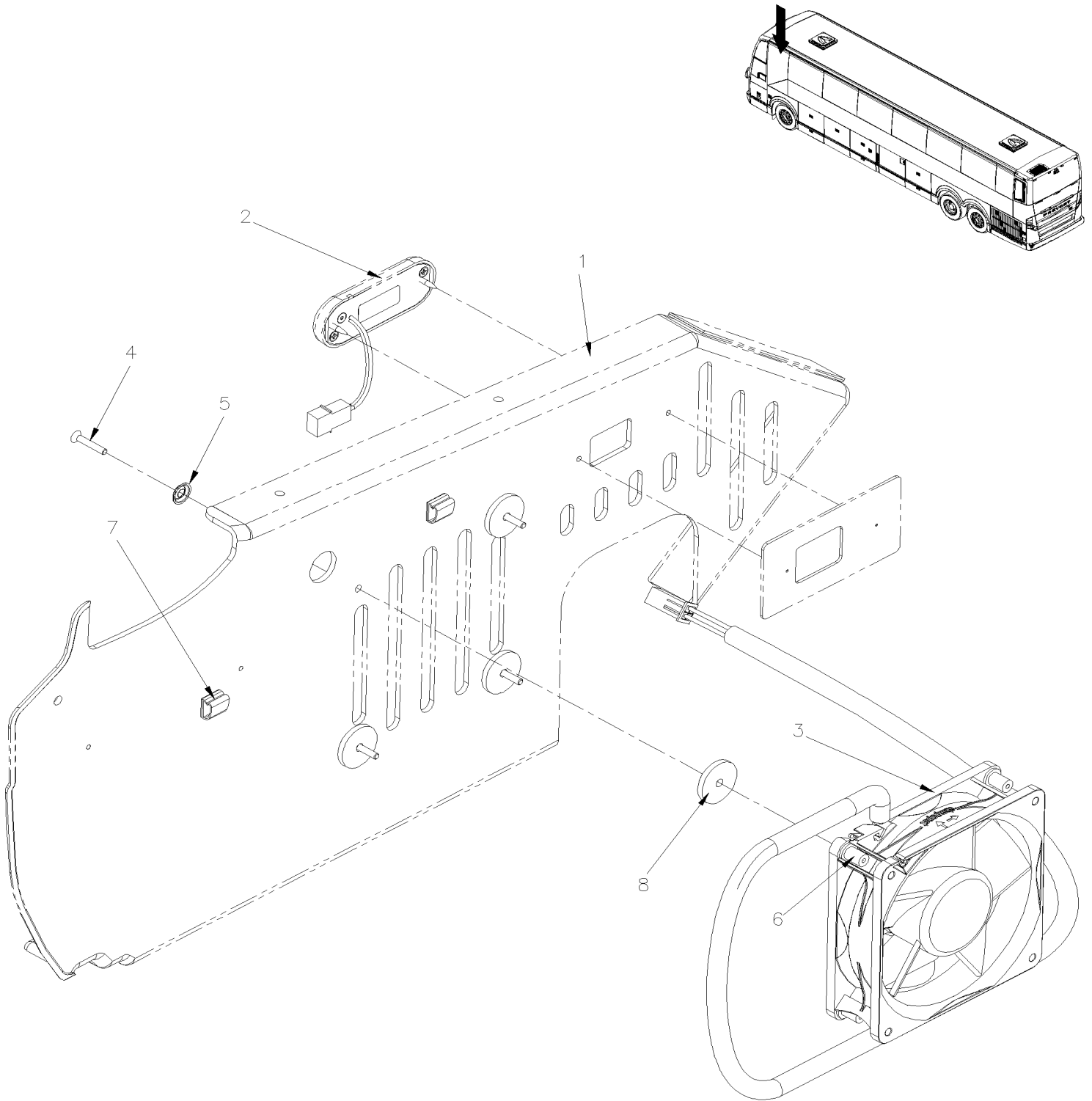
Item#	Part	Description	H 3 4 1	H 3 4 5	NOTES
1	880015	CAMERA "PREVOST DRIVER ASSIT"	1	1	
2	880060	BRACKET WINDSHEILD / CAMERA "PREVOST DRIVER ASSIT"	1	1	
5	3211136	CABLE COVER "PREVOST DRIVER ASSIT"	1	1	
6	3211135	CABLE COVER "PREVOST DRIVER ASSIT"	1	1	
7	5002198	SCREW TP PAN PH #4-20 X 5/16 Z050	2	2	
11	380446	DISPLAY MODULE ASSY "HUD"	1	1	
12	380449	HOLDER ASSY "HUD"		1	
13	380448	HOLDER		1	
14	5002199	SCREW TP PAN PH #4-20 X 5/16 Z050	4	4	
15	504531	TIE MOUNT / 3/16" #10 SCREW / TA1S8-C		1	
16	504104	RIVET POP DOME OE 1/8x1/8 SS		3	
NS	640048	CALIBRATION TEMPLATE	1	1	
50	H9-0675-07	SYSTEM - ADAPTIVE CRUISE CONTROL ACB - "BENDIX FLR21"			
51	H9-0645-11	L.H. DASHBOARD PANEL			

From K-0185 To P-1452

Date:07/2024

PAGE:H9-0690-00

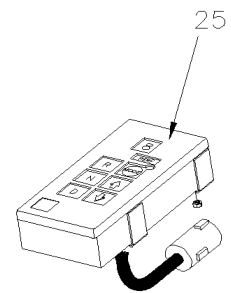
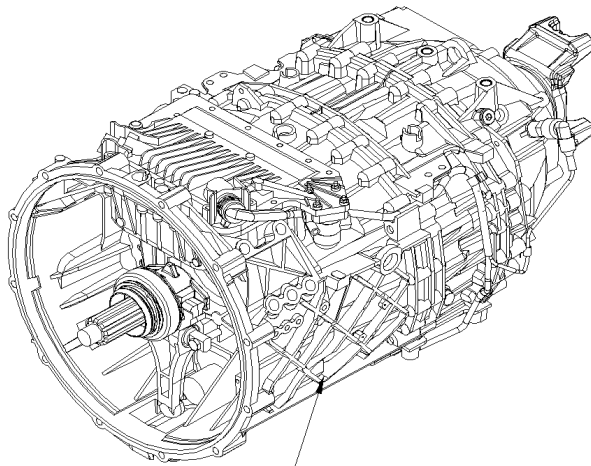
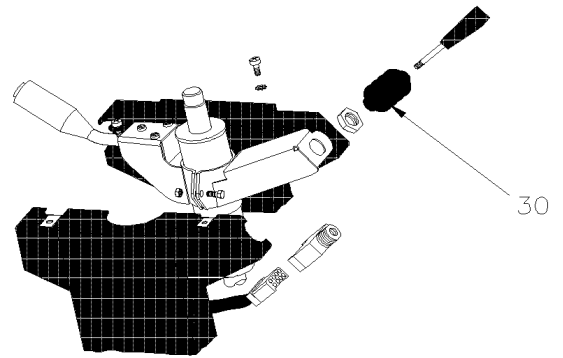
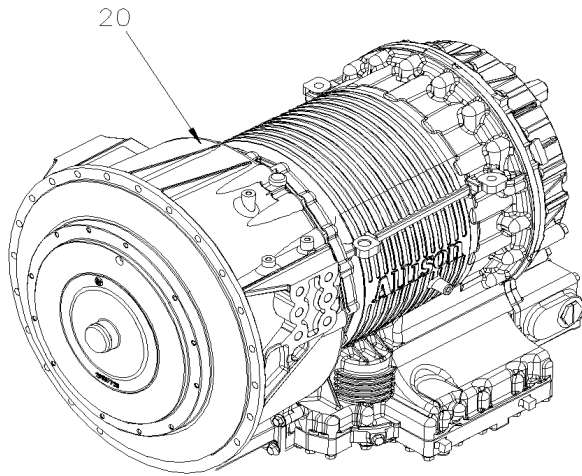
FAN PARCEL RACK



From K-0185 To P-1452	Date:07/2024	PAGE:H9-0690-00
FAN PARCEL RACK		

Item#	Part	Description	H 3 4 1	H 3 4 5	NOTES
1	H9-1836-02	PARCEL RACK W/TAN FINISHING To K-0484	1	1	
1	H9-1836-03	PARCEL RACK W/GREY FINISHING From K-0485	1	1	
2	H9-0655-01	INTERIOR LIGHTING LED	1	1	
3	564622	AXIAL FAN / 119x119x38MM 12VDC, 120CFM	1	1	
3	563040	CONNECTOR / MINI FIT JR / PH 4C / MOLEX 39-01-3043	1	1	
3	563041	PIN TERMINAL 24-18 / MOLEX 39-00-0041	2	2	
3	562229	BUTT SPLICE / 22-16 / AMP 31818	2	2	
3	561918	SHRINK TUBING / .125" - .062" / BLACK / ALPHA FIT-221-1/8-4-B	AR	AR	
3	562028	CONVOLUTED TUBING / UNSLIT / BLACK / .350"	AR	AR	
3	562587	WIRE CABLE 18 / BLACK / TXL	AR	AR	
3	562593	WIRE CABLE 18 / YELLOW / TXL	AR	AR	
4	502666	SCREW MA FL PH #6-32x3/4 SS BK	4	4	
5	500345	WASHER FN CKF .187x.500x.090 BR BK	4	4	
6	500286	NUT WELL #6-32	4	4	
7	504448	CABLE CLIP 1/4" / ADHESIVE	2	2	
8	502820	WASHER FL .187x1.000x.125 RUB BK	4	4	

	Date:07/2024	H9-07
TRANSMISSION		



	Date:07/2024	H9-07
TRANSMISSION		

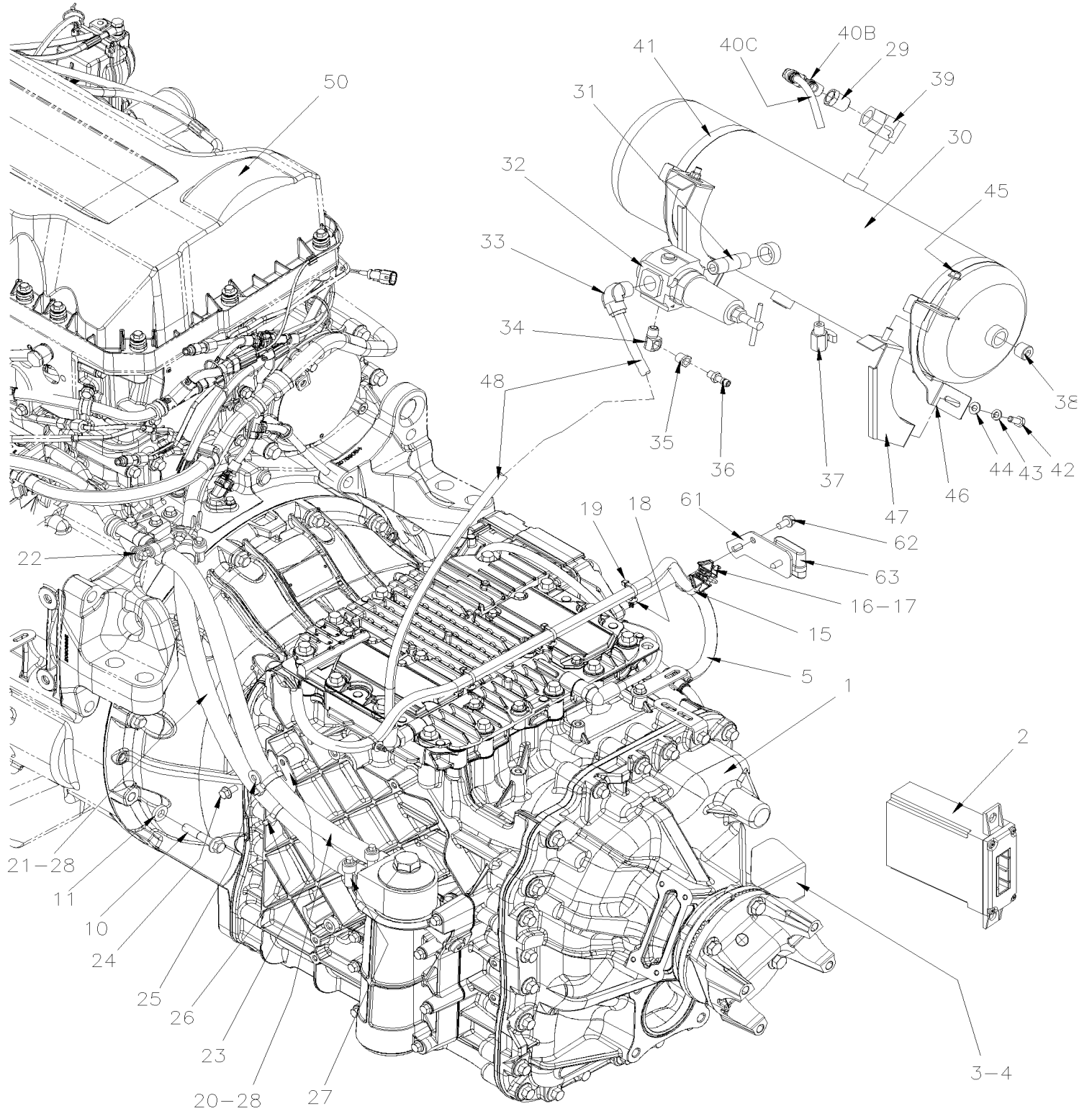
Item#	Part	Description	H 3 4 1	H 3 4 5	N O T E S
5	H9-0700-01	TRANSMISSION "VOLVO I-SHIFT" - INSTALLATION From K-0185 To P-1452			
15	H9-0705-50	TRANS "I-SHIFT" - OIL FILTER - INSTALLATION From K-0185 To P-1452			
20	H9-0750-04	AUTOMATIC TRANSMISSION - "WORLD" WITH VOLVO D13 From K-0185			
25	H9-0755-15	SHIFTER ELECTRONIC - "WORLD" TRANSMISSION From K-0185			
30	H9-0760-00	RETARDER SELECTOR SWITCH - "WORLD" From K-0185 To P-1452			
30	H9-0760-01	RETARDER SELECTOR SWITCH From R-1453			

From K-0185 To P-1452

Date:07/2024

PAGE:H9-0700-01

TRANSMISSION "VOLVO I-SHIFT" - INSTALLATION



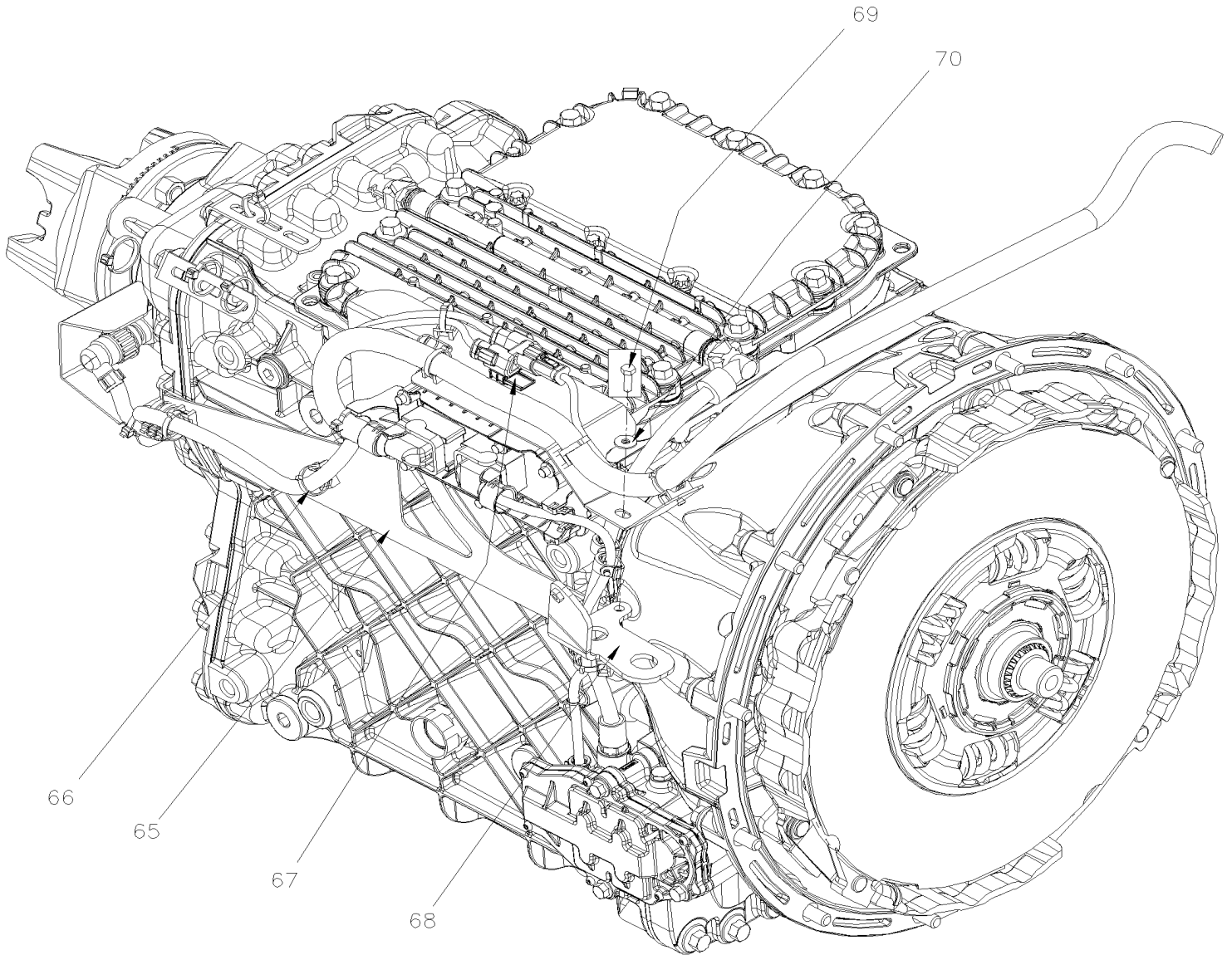
From K-0185 To P-1452

Date:07/2024

PAGE:H9-0700-01

TRANSMISSION "VOLVO I-SHIFT" - INSTALLATION

FROM M-1113

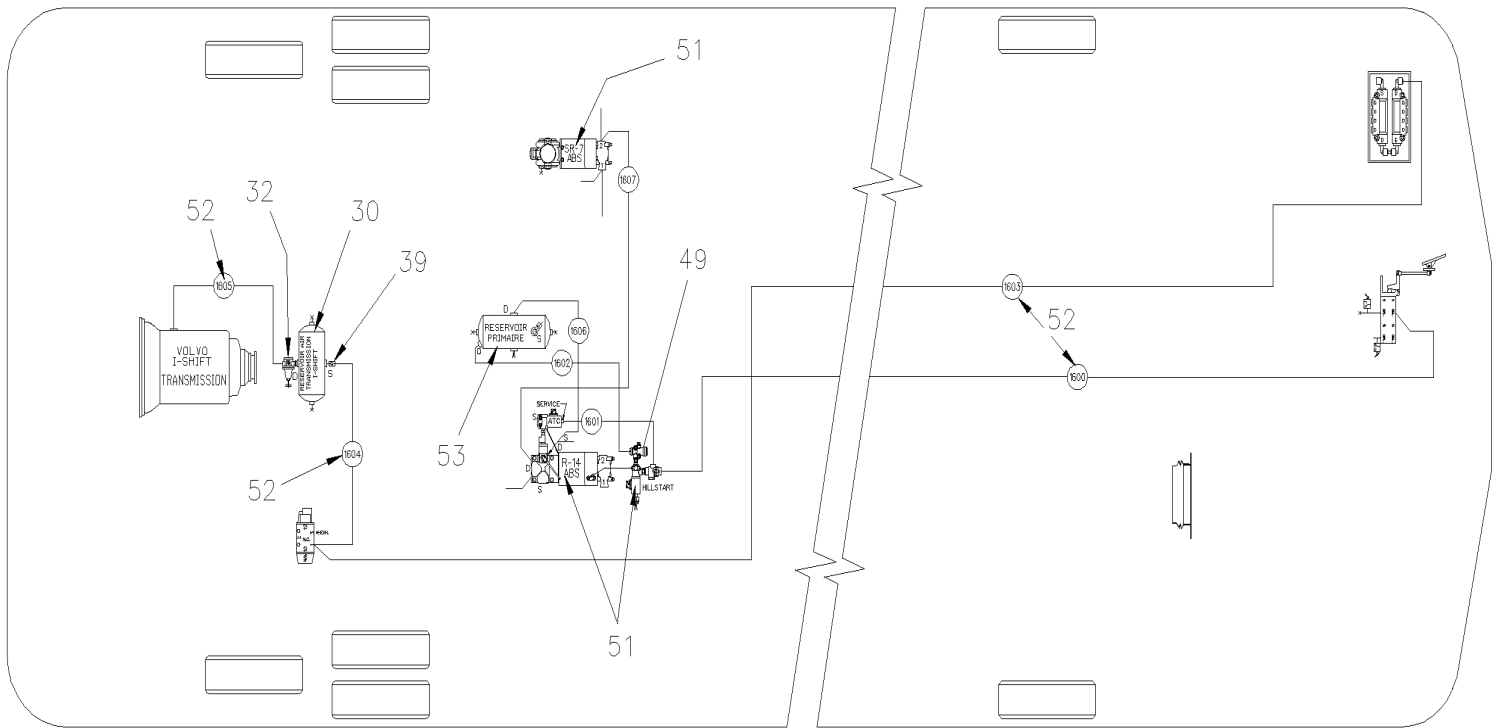


From K-0185 To P-1452

Date:07/2024

PAGE:H9-0700-01

TRANSMISSION "VOLVO I-SHIFT" - INSTALLATION



From K-0185 To P-1452	Date:07/2024	PAGE:H9-0700-01
TRANSMISSION "VOLVO I-SHIFT" - INSTALLATION		

Item#	Part	Description	H 3 4 1	H 3 4 5	NOTES
1	Refer To Volvo	TRANSMISSION "VOLVO I-SHIFT"	1	1	V
1	572140	PRESSURE PLATE	1	1	
1	21615194	CLUTCH ASSY	1	1	
2	21715161	GS ECU 24v MODULE I-SHIFT TRANS	1	1	
3	071594	CAP PROTECTOR CABLE	1	1	
4	5001314	SCREW CAP HEX M12-1.75x19 G8.8 ZP	2	2	
5	060747	CABLE HARNESS I-SHIFT TRANS To N-1268	1	1	
5	0610549	CABLE HARNESS I-SHIFT TRANS From N-1269	1	1	
10	5001764	SCREW CAP HEXF 7/16-14x2 1/4 G8 N500	12	12	
11	5001792	WASHER FL HARD .468x.937x.187 Z050	12	12	
15	509491	CABLE TIE / 13MM x 383MM	1	1	
16	500266	SCREW TC CAP HEX 1/4-20x1 N500	1	1	
17	509490	ATTACHMENT DOUBLE USE WITH CABLE TIE	1	1	
18	509815	TIE MOUNT / ATTACHMENT W/TREE MOUNT	1	1	
19	504637	CABLE TIE / 3/16" x 13"	1	1	
20	Call order desk	HOSE 5/8" I.D. x 620MM	1	1	P
20	503802	. HOSE SILICONE 1 PLY / NOMEX-ARAMID 5/8" I.D. x 100' / S.L.	AR	AR	
21	Call order desk	HOSE 5/8" I.D. x 640MM	1	1	P
21	503802	. HOSE SILICONE 1 PLY / NOMEX-ARAMID 5/8" I.D. x 100' / S.L.	AR	AR	
22	374358	ADAPTOR HOSE D15 TO 5/8" I.D. HOSE	1	1	
23	071624	SUPPORT HOSE	1	1	
24	5001780	SCREW CAP HEXF M8-1.25x16 G8.8 N500	1	1	
25	500321	WASHER BEL SPR .331x.827x.098 N500	1	1	
26	504016	CABLE TIE / 5/16" X 14"1/2 To L-0826	2	2	
26	5040100	CABLE TIE /OUTSIDE SERRATED 5/16" X 14"1/2 From L-0827	2	2	
27	992084	HOSE CLAMP / 23MM/35MM	4	4	
28	H9-2327-00	SUMP TANK - PLASTIC 30 GALLONS			
29	501534	BUSHING REDUCER / PIPE FITTING / 1/2NPT-Mx3/8NPT-F BR	1	1	
30	641456	AIR TANK / 976 IN° / 7" O.D. X 25.5"	1	1	
31	501426	NIPPLE / PIPE FITTING / 1/2NPT-Mx1/2NPT-Mx2 1/2 STL	1	1	
32	641352	AIR PRESSURE REGULATOR 1/2" NPT	1	1	
33	641378	MALE ELBOW 90° / PUSH-IN FITTING / #8x1/2NPT-M BRASS	1	1	
34	501332	STREET ELBOW 90° / PIPE FITTING / 1/4NPT-Mx1/4NPT-F BR	1	1	
35	501312	BUSHING REDUCER / PIPE FITTING / 1/4NTP-Mx1/8NPT-F BR	1	1	
36	640488	VALVE, AIR FILL 1/8" NPT	1	1	
. NS	650164	. CAP VALVE / CHROME	1	1	
37	641043	DRAIN VALVE 1/4 NPT M	1	1	
38	501966	PLUG HEXS / PIPE FITTING / 1/2NPT-M STL	3	3	
39	641172	VALVE, CHECK ELBOW 90° 1/2 NPT To K-0230	1	1	
39	640123	VALVE, CHECK 1/2 NPT SC-1 From K-0231	1	1	
. NS	641401	. VALVE, CHECK 1/2 NPT SC-1 From K-0231	1	1	
NS	507557	STREET ELBOW 90° / PIPE FITTING / 1/2NPT-Mx1/2NPT-F BR From K-0231	1	1	

From K-0185 To P-1452	Date:07/2024	PAGE:H9-0700-01
TRANSMISSION "VOLVO I-SHIFT" - INSTALLATION		

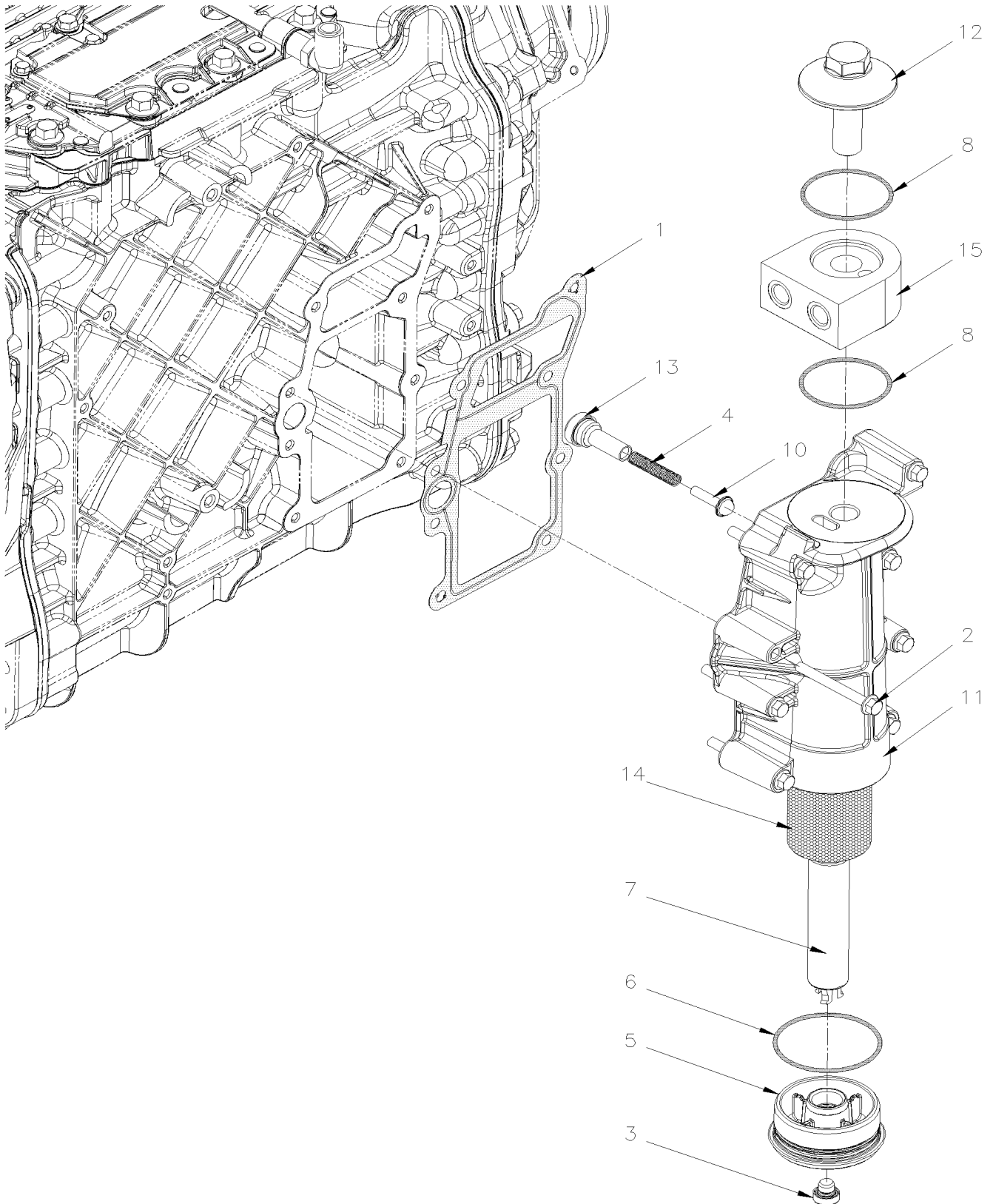
Item#	Part	Description	H 3 4 1	H 3 4 5	N O T E S
40B	642128	MALE ELBOW 90° SWIVEL DUAL PORT / PUSH-IN / #6x#6x3/8NPT-M BR	1	1	
40C	503404	TUBE, NYLON 3/8 O.D. / BLACK S.L.	AR	AR	
41	504041	T-BOLT BAND CLAMP/ 6.75" ID	1	1	
42	502862	SCREW CAP HEX M8-1.25x20 G8.8 N500	2	2	
43	502507	WASHER LO SPT 8.1x14.8x2.0 Z050	2	2	
44	500874	WASHER FL 8.4x17.0x1.6 Z050	2	2	
45	502837	NUT HEXF STO M8-1.25 N500	2	2	
46	143134	ATTACHMENT AIR TANK	1	1	
47	173707	SUPPORT AIR TANK (WELDED AT STRUCTURE)	1	1	
48	503488	TUBE, NYLON 1/2 O.D. / BLACK S.L./	AR	AR	
49	642136	VALVE, PRESSURE REDUCING / RV-3 55 PSI	1	1	
49	144980	RESTRICTION / 1.59MM	1	1	
50	Refer To Volvo	SEE IMPACT OR CALL ORDER DESK			V
51	H9-1250-11	ABS/ESP BRAKE VALVE - INSTALLATION			
52	H9-1202-00	TUBES PLASTIC / AIR D.O.T.			
53	H9-1203-01	AIR TANK - INSTALLATION			
62	946173	SCREW CAP HEXF M8-1.25x20	1	1	
63	564139	CAP CONNECTOR / METRI-PACK 280 / 6C / BLACK	1	1	
63	564542	TREE MOUNT CLIP FOR PED CONNECTOR	1	1	
65	070020	SUPPORT, TRANSMISSION WIRING From M-1113	1	1	
66	504013	TIE MOUNT / 1/4" X 1/4" I.D. From M-1113	9	9	
66	504379	RIVET POP DOME OE 3/16x1/4 SS From M-1113	9	9	
66	504637	CABLE TIE / 3/16" x 13" From M-1113	9	9	
67	564108	SELF MOUNTING STUD // DEUTSCH 1011-310-0205 From M-1113	1	1	
68	071722	SUPPORT / TUBE DIPSTICK From M-1113	1	1	
69	502830	SCREW CAP HEX M6-1.0x20 G8.8 N500 From M-1113	1	1	
70	5001833	WASHER BEL SPR 6.1x18x1.27 SS From M-1113	1	1	
		P) CALL ORDER DESK FOR SPECIFIC APPLICATION (V.I.N.)			
		V) SEE IMPACT OR CALL ORDER DESK			

From K-0185 To P-1452

Date:07/2024

PAGE:H9-0705-50

TRANS "I-SHIFT" - OIL FILTER - INSTALLATION



From K-0185 To P-1452	Date:07/2024	PAGE:H9-0705-50
TRANS "I-SHIFT" - OIL FILTER - INSTALLATION		

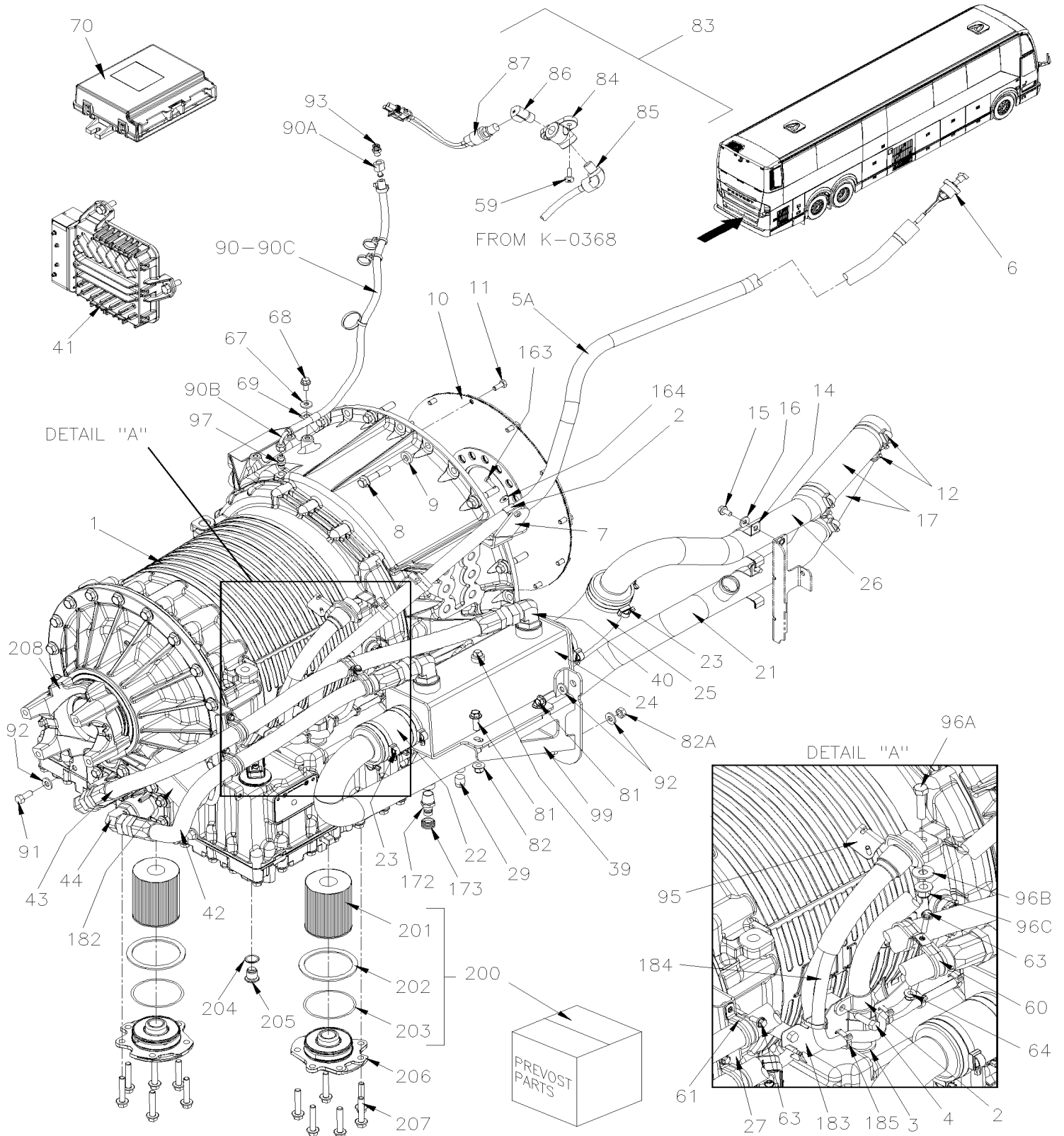
Item#	Part	Description	H 3 4 1	H 3 4 5	N O T E S
1	Refer To Volvo	GASKET OIL FILTER HOUSING	1	1	V
2	Refer To Volvo	FLANGE SCREW	1	1	V
3	Refer To Volvo	DRAIN PLUG	2	2	V
4	Refer To Volvo	SPRING BY-PASS	1	1	V
5	Refer To Volvo	COVER LOWER FILTER	1	1	V
6	Refer To Volvo	O-RING	1	1	V
7	Refer To Volvo	TUBE	1	1	V
8	Refer To Volvo	O-RING	3	3	V
10	Refer To Volvo	VALVE BY-PASS	1	1	V
11	Refer To Volvo	FILTER HOUSING	1	1	V
12	Refer To Volvo	COVER	1	1	V
13	Refer To Volvo	PLUG	1	1	V
14	Refer To Volvo	KIT, OIL FILTER TRANS I-SHIFT	1	1	V I
15	Refer To Volvo	CONNECTING BLOCK	1	1	V
NS	Refer To Volvo	NIPPLE	2	2	V
NS	Refer To Volvo	GASKET	4	4	V
		I) INCLUDE ITEM # 6 & 8			
		V) SEE IMPACT OR CALL ORDER DESK			

From K-0185

Date:07/2024

PAGE:H9-0750-04

AUTOMATIC TRANSMISSION - "WORLD" WITH VOLVO D13

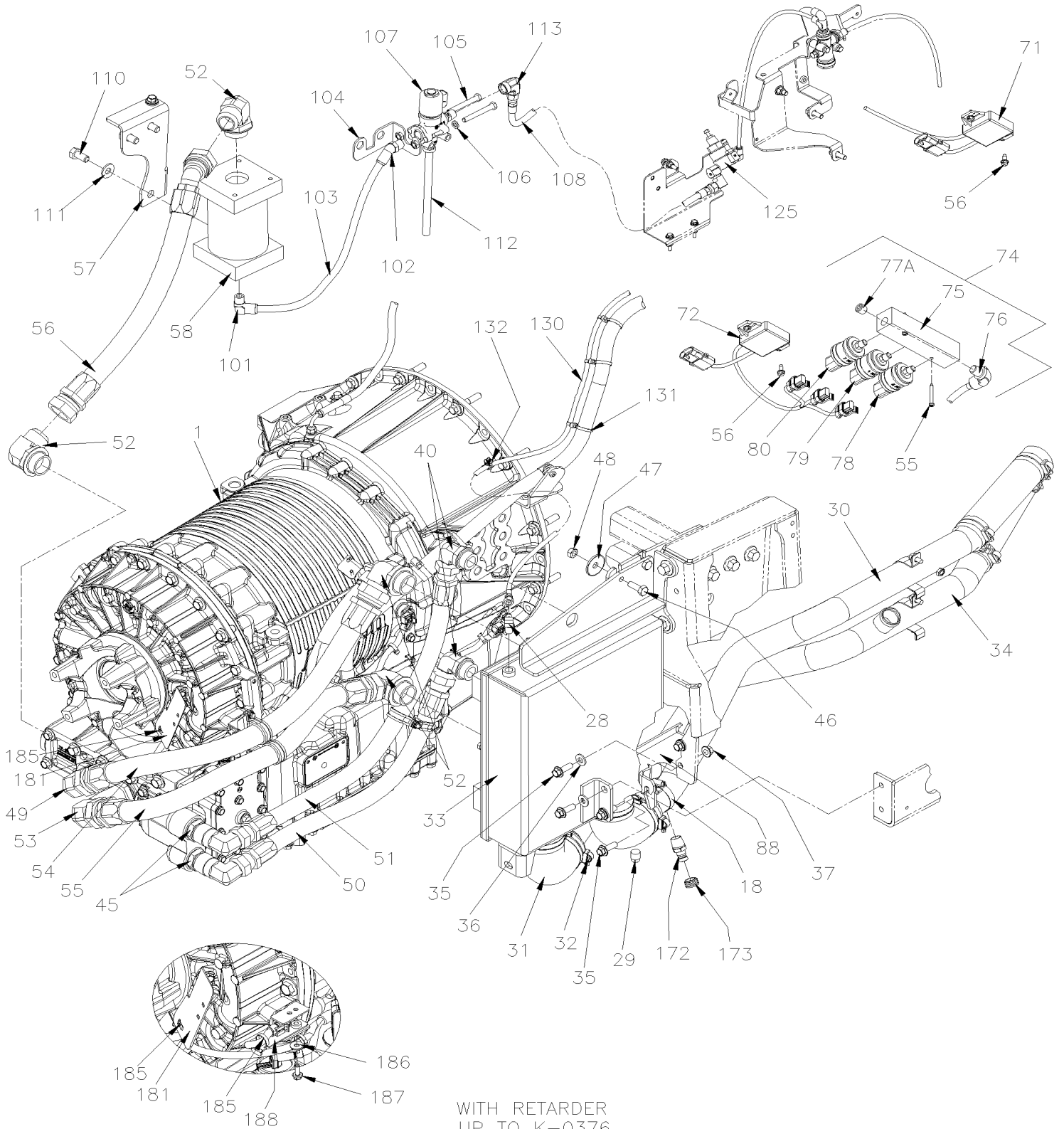


From K-0185

Date:07/2024

PAGE:H9-0750-04

AUTOMATIC TRANSMISSION - "WORLD" WITH VOLVO D13

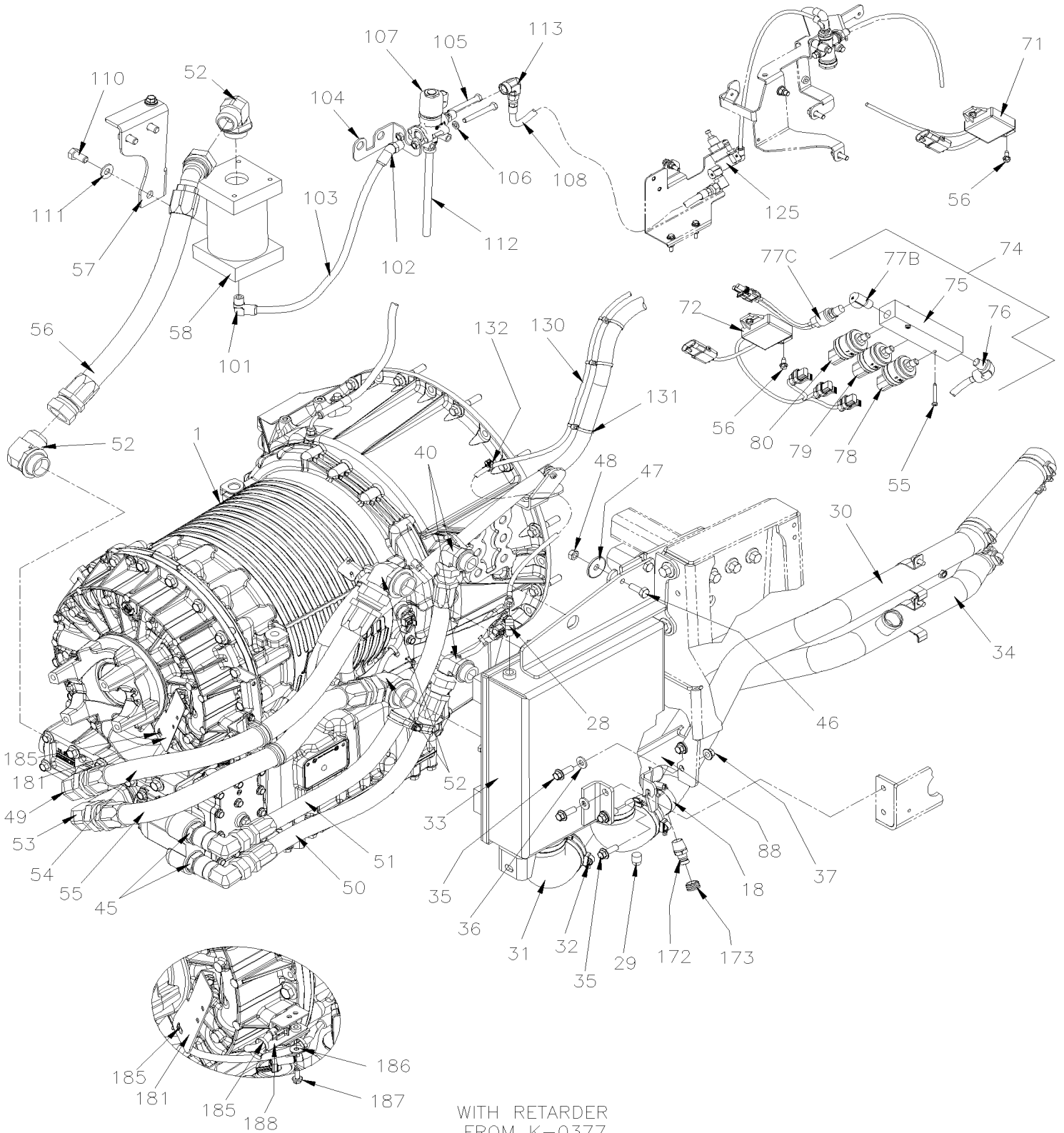


From K-0185

Date:07/2024

PAGE:H9-0750-04

AUTOMATIC TRANSMISSION - "WORLD" WITH VOLVO D13



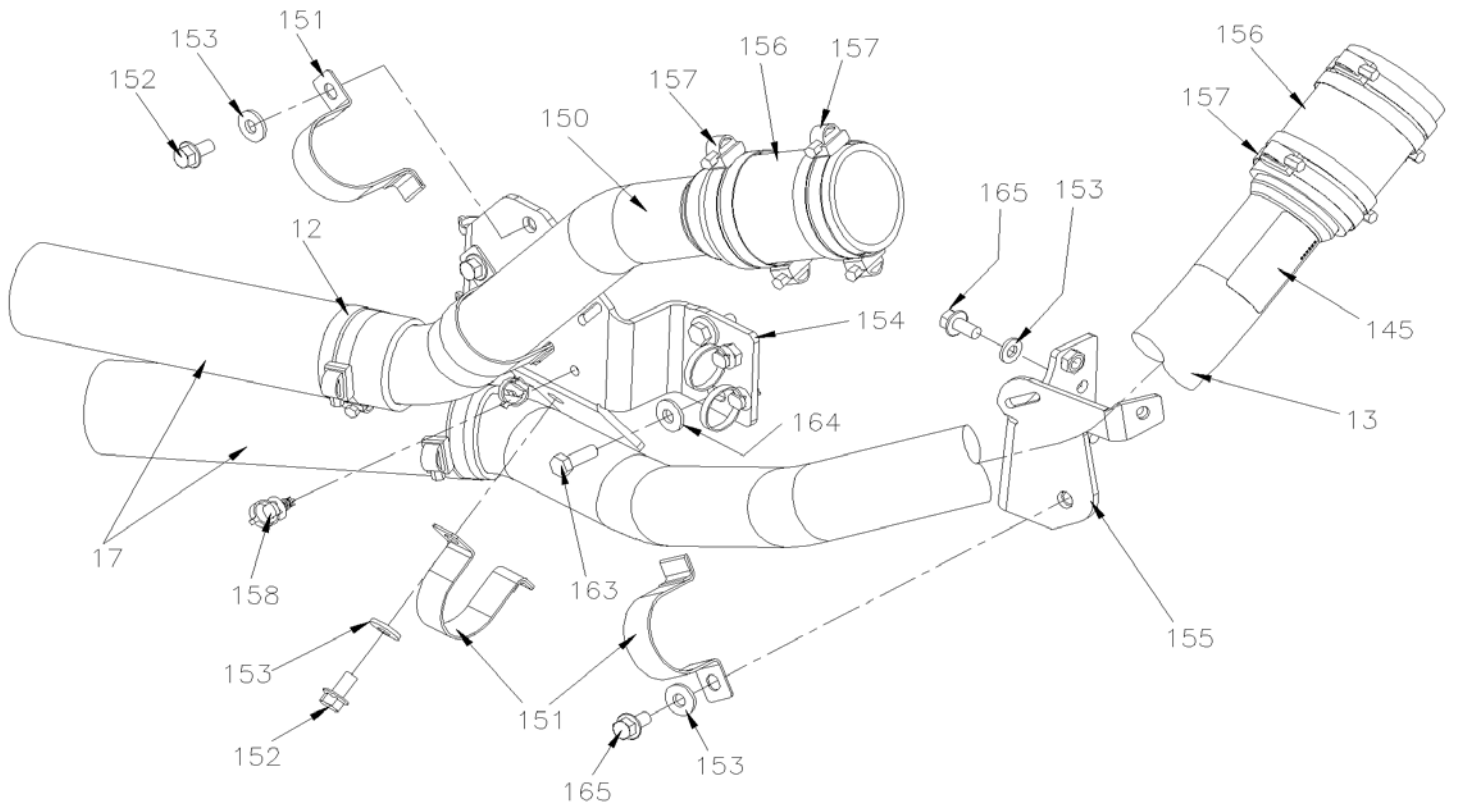
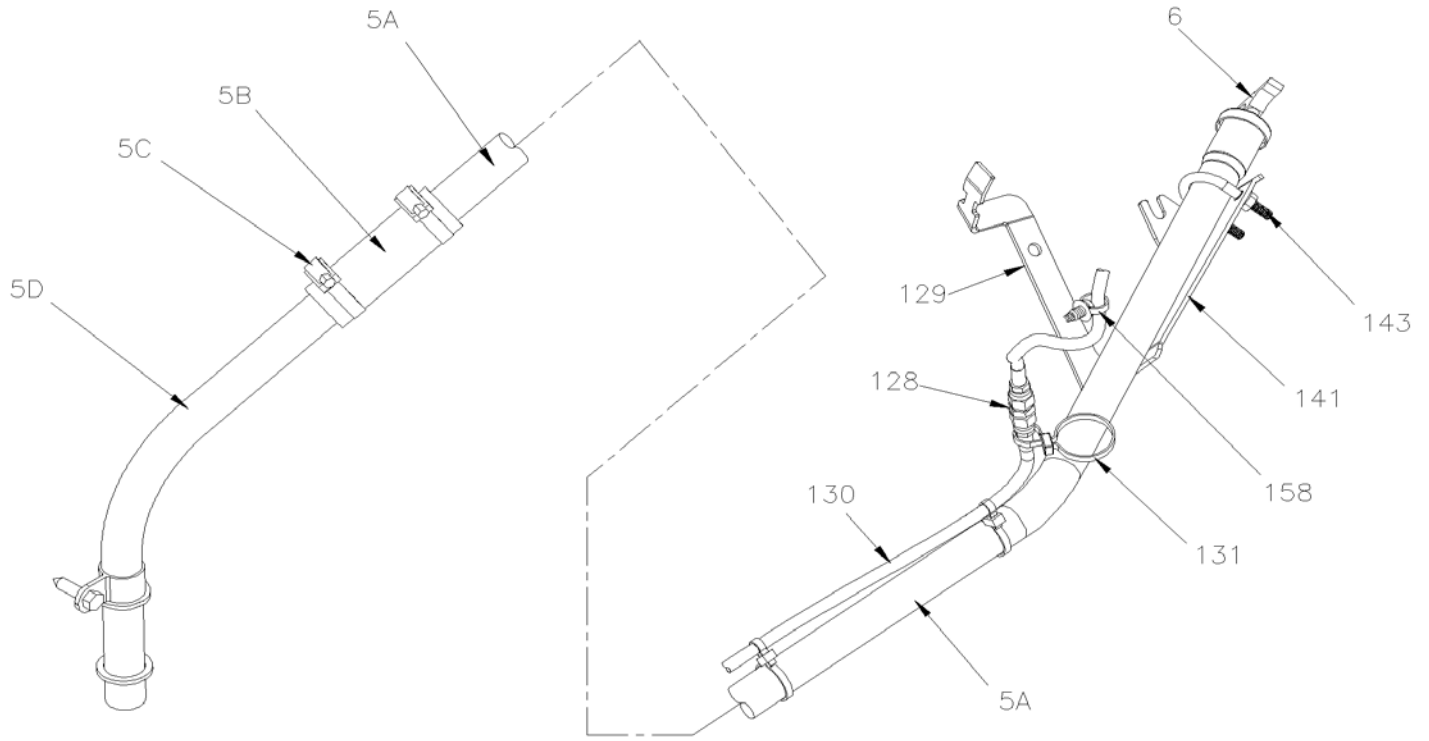
WITH RETARDER
FROM K-0377

From K-0185

Date:07/2024

PAGE:H9-0750-04

AUTOMATIC TRANSMISSION - "WORLD" WITH VOLVO D13



From K-0185		Date:07/2024	PAGE:H9-0750-04
AUTOMATIC TRANSMISSION - "WORLD" WITH VOLVO D13			

Item#	Part	Description	H 3 4 1	H 3 4 5	N O T E S
		THE NEXT FOLLOWING TRANSMISSION W/O RETARDER			
	572138	TRANSMISSION ASSY B500 / GEN V To N-1270	1	1	
	570108	TRANSMISSION ASSY B500 / GEN VI From P-1271	1	1	
		THE NEXT FOLLOWING TRANSMISSION W/RETARDER			
	572139	TRANSMISSION ASSY B500R / GEN V To N-1270	1	1	
	570108	TRANSMISSION ASSY B500 / GEN VI From P-1271	1	1	
		TRANSMISSION ASSY SEE ABOVE			
NS	685371	GREASE / GREY BLACK MOBIL XHP 222 SPECIAL 400 g	AR	AR	
NS	20788933	SPACER FLY WHEEL HOUSING 21MM	1	1	
NS	684016	OIL TRANSYND TRANSMISSION "WORLD" To N-1174	AR	AR	
NS	685391	OIL TRANSYND TRANSMISSION "WORLD" From N-1175	AR	AR	
2	504602	CLAMP / 1" I.D. X .375 HOLE	2	2	
3	571662	GROMMET RUBBER / TUBE & TRANS	1	1	
4	502513	SCREW TP CAP HEX 5/16x1 Z050	2	2	
5A	070053	PIPE, TRANSMISSION DIPSTICK 1729MM	1	1	
5A	070001	PIPE, TRANSMISSION DIPSTICK 1729MM SS304	1	1	C
5B	503788	HOSE SILICONE 4 PLY / NOMEX-ARAMID 1" I.D. x 54"	AR	AR	
5C	992084	HOSE CLAMP / 23MM/35MM	2	2	
5D	071714	PIPE, TRANSMISSION DIPSTICK	1	1	
6	070055	TRANS DIPSTICK 2328.5 MM	1	1	
NS	071249	DECAL "TranSynd OIL ONLY" / ENGLISH & FRANCAIS	1	1	
7	071722	SUPPORT / TUBE DIPSTICK	1	1	
8	5001764	SCREW CAP HEXF 7/16-14x2 1/4 G8 N500	12	12	
9	5001792	WASHER FL HARD .468x.937x.187 Z050	12	12	
10	Refer To Volvo	FLEXPLATE	1	1	V
11	5001217	SCREW CAP HEX M8-1.25x20 G10.9	12	12	
12	992088	HOSE CLAMP / 50MM/70MM	8	8	
12	504769	HOSE CLAMP STEPLESS SPRING SS / OETIKER / 2.156-2.563	4	4	A
13	071712	PIPE / THERMOSTAT HOUSING & OIL COOLER	1	1	
13	071735	PIPE / THERMOSTAT HOUSING & OIL COOLER SS304	1	1	C
14	012551	"U" CLAMP OFFSET 51MM I.D.	2	2	
15	5001780	SCREW CAP HEXF M8-1.25x16 G8.8 N500	2	2	
16	500321	WASHER BEL SPR .331x.827x.098 N500	2	2	
17	071429	HOSE SILICONE 4PLY 2" I.D. x 254 MM	2	2	
17	503784	. HOSE SILICONE 4 PLY / NOMEX-ARAMID 2" I.D. x 12"	AR	AR	
NS	504024	HOSE CLAMP / 1"13/16"-2"3/4 SS / HS-36	2	2	
21	071517	PIPE 2" O.D. INLET x 2 3/4" O.D. OUTLET	1	1	
21	Call order desk	PIPE 2" O.D. INLET X 2 3/4" O.D. OUTLET SS304	1	1	P C

From K-0185	Date:07/2024	PAGE:H9-0750-04
AUTOMATIC TRANSMISSION - "WORLD" WITH VOLVO D13		

Item#	Part	Description	H 3 4 1	H 3 4 5	NOTES
22	071268	HOSE SILICONE 4 PLY 2 3/4" I.D X 84MM	1	1	
22	503787	. HOSE SILICONE 4 PLY / NOMEX-ARAMID 2 3/4" I.D. x 6'	1	1	
23	992090	HOSE CLAMP / 70MM/90MM	8	8	
23	504686	HOSE CLAMP STEPLESS SPRING SS / OETIKER / 2.8-3.1	4	4	A
24	570014	OIL COOLER "MODINE" / SINGLE / SS	1	1	
25	053696	ELBOW 90° X 2 3/4" I.D. / 110MM x 110MM C/C / SILICONE ARAMID	1	1	
26	070056	PIPE 2 3/4" I.D. INLET x 2" O.D. OUTLET	1	1	
26	071740	PIPE 2 3/4" I.D. INLET x 2" O.D. OUTLET SS304	1	1	C
27	071407	SUPPORT HOSE	1	1	
28	501037	MALE ELBOW 90° / SAE 45° FITTING / #4FL-Mx1/4NPT-M BR	1	1	
29	501305	PLUG SQUARE HEAD / PIPE FITTING / 3/8NPT-M BR	1	1	
30	071692	PIPE 2" O.D. INLET x 2 3/4" O.D. OUTLET	1	1	
30	071741	PIPE 2" O.D. INLET x 2 3/4" O.D. OUTLET SS304	1	1	C
31	053696	ELBOW 90° X 2 3/4" I.D. / 110MM x 110MM C/C / SILICONE ARAMID	1	1	
32	992090	HOSE CLAMP / 70MM/90MM	8	8	
33	572154	OIL COOLER "MODINE" / DOUBLE	1	1	
34	071691	PIPE ELBOW 2 3/4" I.D. INLET x 2" O.D. OUTLET	1	1	
34	071742	PIPE ELBOW 2 3/4" I.D. INLET x 2" O.D. OUTLET SS304	1	1	C
35	5001741	SCREW CAP HEXF M10-1.5x30 G8.8 N500	5	5	
36	5001834	WASHER BEL SPR 10.5X23X2.5 N500	4	4	
37	5001930	NUT HEXF NYRT M10-1.5 N500 G10.9	1	1	
39	501304	PLUG SQUARE HEAD / PIPE FITTING / 1/4NPT-M BR	1	1	
40	5001917	MALE ELBOW 90° / JIC 37° FITTING / #16JIC-Mx#16ORB-M STL VITON	2	2	
41	H9-0620-02	REAR JUNCTION BOX ASSY			
42	071566	HOSE ASSY / #16 725MM	1	1	
42	071652	HOSE ASSY / BRAIDED SS #16 725MM	1	1	O
43	071567	HOSE ASSY / #16 1045MM	1	1	
43	071653	HOSE ASSY / BRAIDED SS #16 1045MM	1	1	O
44	5001917	MALE ELBOW 90° / JIC 37° FITTING / #16JIC-Mx#16ORB-M STL VITON	2	2	
45	5001919	MALE ELBOW 90° LONG / JIC 37° FITTING / #16JIC-M x#16ORB-Mx3.72 STL VITON	2	2	
46	500065	SCREW CAP HEX M10-1.5x30 G10.9 DP	2	2	
47	500494	WASHER BEL SPR .470x1.680x.125 N500	2	2	
48	500847	NUT HEX M10-1.5 N500	2	2	
49	5011065	MALE ELBOW 90° / JIC 37° FITTING / #20JIC-Mx#20ORB-M STL VITON	1	1	
50	071663P	HOSE ASSY / #16 495MM	1	1	
51	071664P	HOSE ASSY / #16 663MM	1	1	
52	5011065	MALE ELBOW 90° / JIC 37° FITTING / #20JIC-Mx#20ORB-M STL VITON	4	4	
53	501074	MALE ELBOW 90° LONG / JIC 37° FITTING / #20JIC-M x#20ORB-Mx4.41 STL VITON	1	1	
54	071666P	HOSE ASSY / #20 718M	1	1	
55	071665P	HOSE ASSY / #20 609MM	1	1	
56	071595	HOSE ASSY / #20 493MM	1	1	
57	071672	SUPPORT ACCUMULATOR	1	1	

From K-0185	Date:07/2024	PAGE:H9-0750-04
AUTOMATIC TRANSMISSION - "WORLD" WITH VOLVO D13		

Item#	Part	Description	H 3 4 1	H 3 4 5	N O T E S
58	572030	ACCUMULATOR & SOLENOID / GEN IV To M-1153	1	1	
58	570058	ACCUMULATOR & SOLENOID / GEN IV From M-1154	1	1	
59	502526	SCREW TC BDG PH #12-24x3/4 Z050 From K-0377	2	2	B
60	504778	CLAMP / SS / SILICONE RUBBER / 1 1/8" I.D. x .281 HOLE	2	2	
61	504004	CLAMP / SS / SILICONE RUBBER / 1 1/4" I.D. x .281 HOLE	2	2	B
61	504785	CLAMP / SS / SILICONE RUBBER / 1 1/2" I.D. x .281 HOLE	2	2	R
63	5001815	SCREW CAP HEXF M6-1.0x30 G 8.8 N500	3	3	
64	5001932	NUT HEXF NYRT M6-1.0 G8.8 N500	1	1	
65	500508	SCREW TC PAN PH #10-32x1 1/2 Z050	2	2	R
66	5001245	SCREW TC CAP HEXW SLT #12-24x1/2 Z050	4	4	
67	500321	WASHER BEL SPR .331x.827x.098 N500	1	1	
68	5001780	SCREW CAP HEXF M8-1.25x16 G8.8 N500	1	1	
69	504601	CLAMP / 5/16" I.D. x .375 HOLE To K-0376	1	1	
69	504072	CLAMP / 5/8" I.D. x .375 HOLE From K-0377	1	1	
70	H9-0625-01	FRONT JUNCTION PANEL To P-1452	1	1	
70	H9-0625-02	FRONT JUNCTION PANEL From R-1453			
71	562357	RESISTANCE MODULE	1	1	R
72	562381	RESISTANCE MODULE	1	1	R
74	070902	PRESSURES SWITCH ASSY W/MANIFOLD To K-0367	1	1	R
74	070012	PRESSURES SWITCH ASSY W/MANIFOLD From K-0368	1	1	R
75	070903	. MANIFOLD	1	1	R
76	641372	. MALE ELBOW 90° NON-SWIVEL / PUSH-IN FITTING / #6x1/4NPT-M BR	1	1	R
77A	501800	. PLUG HEXS / PIPE FITTING / 1/4NPT-M STL To K-0367	1	1	R
77B	501332	. STREET ELBOW 90° / PIPE FITTING / 1/4NPT-Mx1/4NPT-F BR From K-0368	1	1	R
77C	070013	. PRESSURE SWITCH ASSY From K-0368	1	1	R
. NS	950590	. . PRESSURE SWITCH N.O. 30-15 From K-0368	1	1	R
. NS	561690	. . CONNECTOR / WEATHER PACK / SH 2C / BLACK / PED 12015792 From K-0368	1	1	R
. NS	561578	. . SOCKET TERMINAL / 16-14 / PED 12010182 From K-0368	2	2	R
. NS	561840	. . CABLE SEAL / BLUE / PED 15324981 From K-0368	2	2	R
78	562358	. PRESSURE SWITCH N.O. 2PSI / 1/8NPT	1	1	R
79	562384	. PRESSURE SWITCH N.O. 4PSI / 1/8NPT	1	1	R
80	562385	. PRESSURE SWITCH N.O. 7PSI / 1/8NPT	1	1	R
81	5001741	SCREW CAP HEXF M10-1.5x30 G8.8 N500	5	5	
82	5001930	NUT HEXF NYRT M10-1.5 N500 G10.9	6	6	
82A	500847	NUT HEX M10-1.5 N500	2	2	
83	070015	PRESSURES SWITCH ASSY From K-0368	1	1	B
84	640643	. ANCHOR ELBOW / PIPE FITTING / 1/4NPT-Fx1/4NPT-F STL From K-0368	1	1	B
85	641372	. MALE ELBOW 90° NON-SWIVEL / PUSH-IN FITTING / #6x1/4NPT-M BR From K-0368	1	1	B
86	501332	. STREET ELBOW 90° / PIPE FITTING / 1/4NPT-Mx1/4NPT-F BR From K-0368	1	1	B
87	070013	. PRESSURE SWITCH ASSY From K-0368	1	1	B
. NS	950590	. . PRESSURE SWITCH N.O. 30-15 From K-0368	1	1	B
. NS	561690	. . CONNECTOR / WEATHER PACK / SH 2C / BLACK / PED 12015792 From K-0368	1	1	B

From K-0185		Date:07/2024	PAGE:H9-0750-04
AUTOMATIC TRANSMISSION - "WORLD" WITH VOLVO D13			

Item#	Part	Description	H 3 4 1	H 3 4 5	N O T E S
. NS	561578	. . SOCKET TERMINAL / 16-14 / PED 12010182 From K-0368	2	2	B
. NS	561840	. . CABLE SEAL / BLUE / PED 15324981 From K-0368	2	2	B
88	071676	SUPPORT HOSE W/RETARDER	1	1	
90	071500	HOSE ASSY / #4 610MM To K-0376	1	1	
. A	071167	. FEMALE CONNECTOR / HOSE BARB @ METRIC / #4x M10-1.5-F BR To K-0376	1	1	
. B	5011303	. FEMALE ELBOW 90° SWIVEL / PUSH-LOK FITTING / #4FL-Fx#4 BR To K-0376	1	1	
. C	503706	. HOSE FC-332-4 #4 To K-0376	AR	AR	
90	070075	HOSE ASSY / #6 640 MM From K-0377	1	1	
. A	501085	. FEMALE CONNECTOR / HOSE BARB @ METRIC / #6x M10-1.5-F BR From K-0377	1	1	
. B	501118	. FEMALE ELBOW 90° SWIVEL / PUSH-LOK FITTING / #4FL-Fx#6 BR From K-0377	1	1	
. C	503728	. HOSE FC-332-6 #6 From K-0377	1	1	
91	502655	SCREW CAP HEX M10-1.5x25 SS BK	2	2	
92	5001834	WASHER BEL SPR 10.5X23X2.5 N500	5	5	
93	571763	BREATHER	1	1	
95	071721	SUPPORT, TRANSMISSION WIRING	1	1	
NS	502830	SCREW CAP HEX M6-1.0x20 G8.8 N500	1	1	
NS	5001833	WASHER BEL SPR 6.1x18x1.27 SS	1	1	
NS	504013	TIE MOUNT / 1/4" X 1/4" I.D.	4	4	
NS	504379	RIVET POP DOME OE 3/16x1/4 SS	4	4	
NS	504637	CABLE TIE / 3/16" x 13"	4	4	
96A	500829	SCREW CAP HEX M10-1.5x40 G8.8	1	1	
96B	5001751	WASHER FL 10.5x26.0x2.0 N500	1	1	
96C	5001930	NUT HEXF NYRT M10-1.5 N500 G10.9	1	1	
97	071497	MALE CONNECTOR / SAE 45° @ METRIC / #4FL-Mx M10-1.5 M BR	1	1	
99	071713	SUPPORT OIL COOLER W/O RETARDER	1	1	
101	641376	MALE ELBOW 90° NON-SWIVEL / PUSH-IN FITTING / #8x3/8NPT-M BR	1	1	
102	641368	MALE ELBOW 45° NON-SWIVEL / PUSH-IN FITTING / #8x3/8NPT-M BR	1	1	
103	503488	TUBE, NYLON 1/2 O.D. / BLACK S.L./	AR	AR	
104	071690	SUPPORT SOLENOID	1	1	
105	5001347	SCREW CAP HEX M8-1.25x70 SS	2	2	
106	500035	WASHER LO SPT .317x.586x.078 SS	2	2	
107	571708	VALVE SOLENOID 12V	1	1	
108	070063	HOSE ASSY TEFLON #6 285MM	1	1	
110	5001565	SCREW CAP HEX 1/2-13x1 G5 N500	3	3	
111	500967	WASHER BEL SPR .512x1.142x.098 N500	3	3	
112	560384	PLASTIC TUBING / 3/8" / CLEAR	AR	AR	
113	5011112	FEMALE ELBOW 90° / JIC 37° FITTING / #6JIC-Mx3/8NPT-F STL	1	1	
125	H9-0405-12	7TH INJECTOR / "AHI" / EXHAUST VOLVO D13	1	1	
128	501017	UNION / SAE 45° FITTING / #4FL-Mx#4FL-M BR	1	1	R S
129	053594P	HOSE ASSY TEFLON #4 875MM To K-0574	1	1	R S
129	Call order desk	HOSE ASSY TEFLON #4 775MM From K-0575	1	1	P R S
130	Call order desk	HOSE ASSY TEFLON #4 1855MM To K-0574	1	1	P R S

From K-0185		Date:07/2024	PAGE:H9-0750-04
AUTOMATIC TRANSMISSION - "WORLD" WITH VOLVO D13			

Item#	Part	Description	H 3 4 1	H 3 4 5	N O T E S
130	Call order desk	HOSE ASSY TEFLON #4 1855MM To K-0574	1	1	PRS
130	Call order desk	HOSE ASSY TEFLON #4 1905MM From K-0575	1	1	PRS
131	507664	CABLE TIE / 3/16" 11" / DOUBLE LOOP HEAD	AR	AR	
132	509815	TIE MOUNT / ATTACHMENT W/TREE MOUNT	1	1	
132	504637	CABLE TIE / 3/16" x 13"	1	1	
141	070068	SUPPORT,TRANSMISSION DIPSTICK	1	1	
143	504809	U-BOLT 1" I.D. x 2 x 1/4-20 GLV	1	1	
143	500877	WASHER FL .250x.562x.065 N500	2	2	
145	069356	DECAL "DO NOT POWER WASH ALTERNATORS" ENGLISH To L-1014	1	1	
145	0610176	DECAL "DO NOT POWER WASH ALTERNATORS" ENGLISH From L-1015	1	1	
145	0610181	DECAL "DO NOT POWER WASH ALTERNATORS" ENGLISH / FRANCAIS From L-1015	1	1	
150	071697	PIPE / OIL COOLER TO HOSE REDUCER	1	1	
150	071736	PIPE / OIL COOLER TO HOSE REDUCER SS304	1	1	C
151	012551	"U" CLAMP OFFSET 51MM I.D.	4	4	
152	5001780	SCREW CAP HEXF M8-1.25x16 G8.8 N500	4	4	
153	500321	WASHER BEL SPR .331x.827x.098 N500	6	6	
154	010070	SUPPORT OIL COOLER PIPE	1	1	
155	071708	SUPPORT OIL COOLER PIPE	1	1	
156	070039	HOSE SILICONE 4PLY / NOMEX-ARAMID 2 3/8" x 100MM	2	2	
. NS	503785	. HOSE SILICONE 4PLY / NOMEX-ARAMID 2 3/8" I.D. x 6'	AR	AR	
157	992089	HOSE CLAMP / 60MM/80MM	8	8	
157	504770	HOSE CLAMP STEPLESS SPRING SS / OETIKER / 2.563-2.938	4	4	A
158	509815	TIE MOUNT / ATTACHMENT W/TREE MOUNT	AR	AR	
158	504637	CABLE TIE / 3/16" x 13"	AR	AR	
163	502830	SCREW CAP HEX M6-1.0x20 G8.8 N500	1	1	
164	5001833	WASHER BEL SPR 6.1x18x1.27 SS	1	1	
165	5001780	SCREW CAP HEXF M8-1.25x16 G8.8 N500 To R-1455	2	2	
165	502862	SCREW CAP HEX M8-1.25x20 G8.8 N500 From R-1456	2	2	
172	1675641	NIPPLE / QUICK DISCONNECT "VOLVO" / 1/2NPT-M	1	1	
. NS	V476279	. DUST CAP / QUICK DISCONNECT "VOLVO" /	1	1	
. NS	507666	. DUST CAP / QUICK DISCONNECT "VOLVO" /	1	1	
173	507666	DUST CAP / QUICK DISCONNECT "VOLVO" /	1	1	
181	071097	PROTECTOR SUPPORT SS 102MM X 90MM	1	1	
182	079022	PROTECTOR SUPPORT SS "V" SHAPE 74MM HIGH	1	1	
183	071581	SUPPORT CABLE HARNESS	1	1	
184	069785	CABLE ASSY / WITH "ALISSON" TRANSMISSION To N-1270	1	1	
184	0610548	CABLE ASSY / WITH "ALISSON" TRANSMISSION From P-1271 To P-1452	1	1	
184	0600115	CABLE ASSY / WITH "ALISSON" TRANSMISSION From R-1453		1	
184	069778	CABLE HARNESS / SENSOR WTEC W/OUT RETARDER To N-1270	1	1	
184	0610588	CABLE HARNESS / SENSOR WTEC W/OUT RETARDER From P-1271	1	1	
184	069777	CABLE HARNESS / SENSOR WTEC W/RETARDER To N-1270	1	1	

From K-0185		Date:07/2024	PAGE:H9-0750-04
AUTOMATIC TRANSMISSION - "WORLD" WITH VOLVO D13			

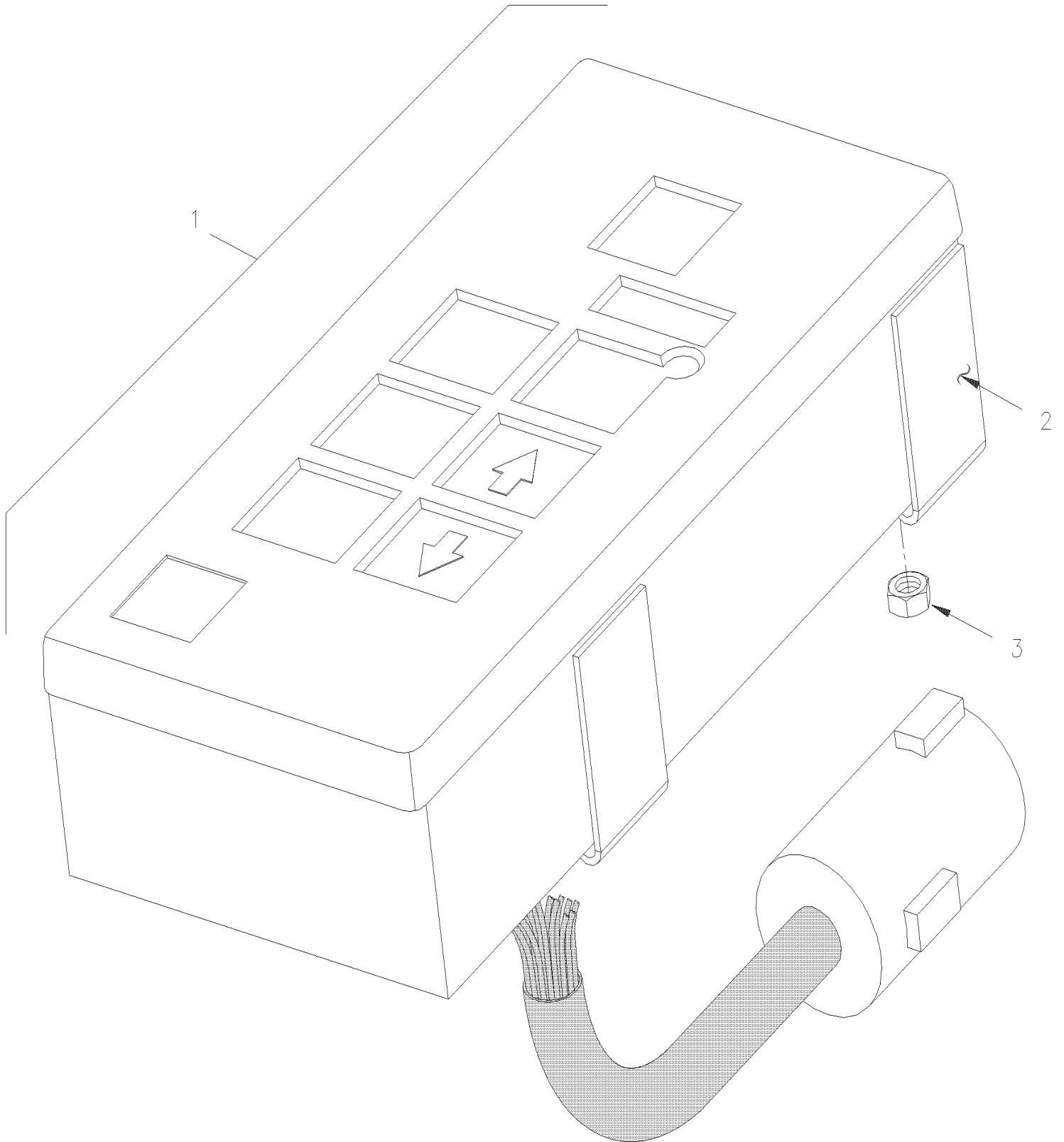
Item#	Part	Description	H 3 4 1	H 3 4 5	N O T E S
184	0610586	CABLE HARNESS / SENSOR WTEC W/RETARDER From P-1271	1	1	
185	504637	CABLE TIE / 3/16" x 13"	AR	AR	
186	5001833	WASHER BEL SPR 6.1x18x1.27 SS	1	1	
187	5001730	SCREW CAP HEXF M6-1.0x16 G10.9 N500	1	1	
188	065398	SUPPORT RETARDER TEMPERATURE SENSOR	1	1	
200	572050	TRANSMISSION FILTER / MAINTENANCE KIT	1	1	
. NS	571692	. O-RING / (LARGE SQUARE CUT)	2	2	
. NS	571693	. O-RING / (SMALL)	2	2	
. NS	571694	. O-RING / DRAIN PLUG	2	2	
. NS	571695	. DRAIN PLUG ASSY W/O-RING	1	1	
201	N.S.S.	. FILTER	2	2	1
202	571692	. O-RING / (LARGE SQUARE CUT)	2	2	
203	571693	. O-RING / (SMALL)	2	2	
204	571694	. O-RING / DRAIN PLUG	2	2	
205	571695	. DRAIN PLUG ASSY W/O-RING	1	1	
NS	684016	OIL TRANSYND TRANSMISSION "WORLD" To N-1174	AR	AR	
NS	685391	OIL TRANSYND TRANSMISSION "WORLD" From N-1175	AR	AR	
206	N.S.P.	COVER FILTER / (29507434)	2	2	2
207	N.S.P.	BOLT M10-1.5 x 55M / (2954186)	AR	AR	2
208	N.S.P.	YOKE (1810) HALF ROUND	1	1	2
208	N.S.P.	STRAP LOCK PLATE	1	1	2
208	N.S.P.	BOLT M10-1.5 X 30MM GR 10.9	2	2	2
208	N.S.P.	SEAL OUTPUT / (29515621)	1	1	2
		A) WITH OPTION "OETIKER" HOSE CLAMP			
		B) WITHOUT RETARDER			
		C) SPECIAL OPTION SS304			
		O) OPTION			
		R) WITH RETARDER			
		S) TO SURGE TANK			
		1) NOT SOLD SEPARATELY			
		2) NOT SOLD BY PREVOST (SEE MANUFACTURING PART NUMBER AT END OF DESCRIPTION LINE)			
		P) CALL ORDER DESK FOR SPECIFIC APPLICATION (V.I.N.)			
		V) SEE IMPACT OR CALL ORDER DESK			

From K-0185

Date:07/2024

PAGE:H9-0755-15

SHIFTER ELECTRONIC - "WORLD" TRANSMISSION



From K-0185	Date:07/2024	PAGE:H9-0755-15
SHIFTER ELECTRONIC - "WORLD" TRANSMISSION		

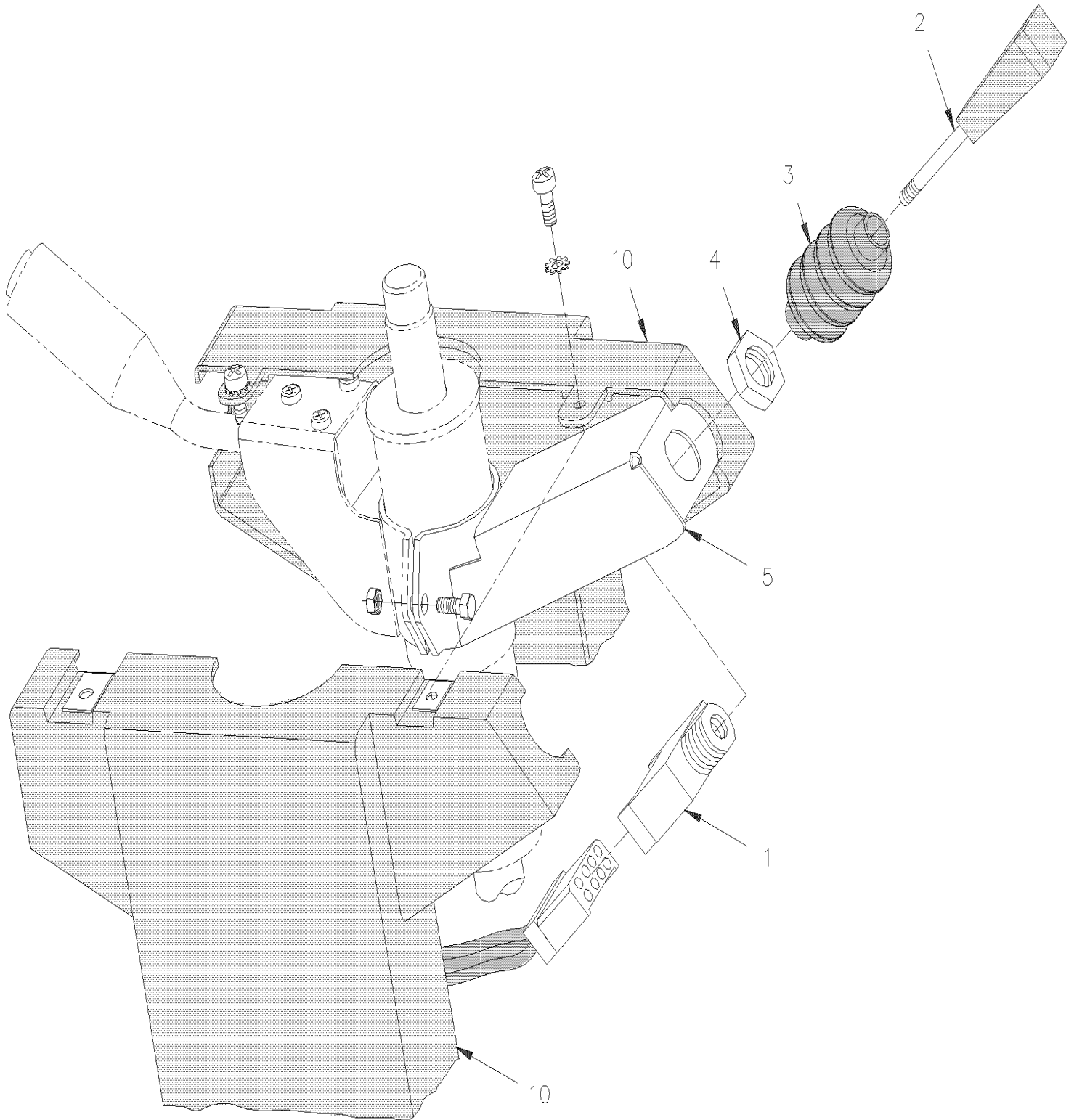
Item#	Part	Description	H 3 4 1	H 3 4 5	N O T E S
1	572155	SHIFTER, SELECTOR "WORLD" / GEN V To L-0856	1	1	
1	570052	SHIFTER, SELECTOR "WORLD" / GEN V From L-0857 To N-1270	1	1	
1	570134	SHIFTER, SELECTOR "WORLD" / GEN VI From P-1271	1	1	
2	N.S.S.	. BRACKET	2	2	1
3	500423	. NUT HEX NYRT #10-32 SS	4	4	
		1) NOT SOLD SEPARATELY			

From K-0185 To P-1452

Date:07/2024

PAGE:H9-0760-00

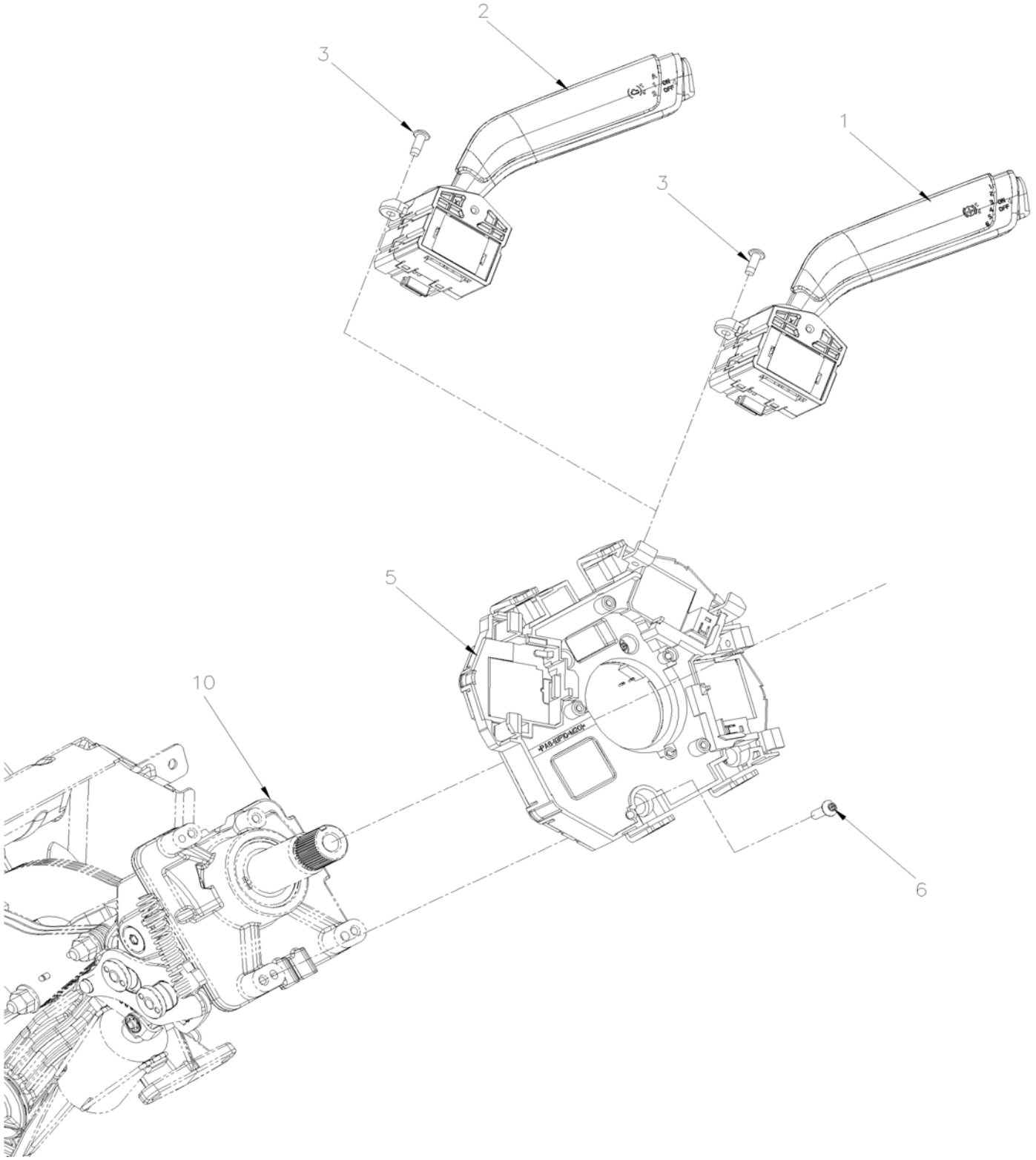
RETARDER SELECTOR SWITCH - "WORLD"



From K-0185 To P-1452	Date:07/2024	PAGE:H9-0760-00
RETARDER SELECTOR SWITCH - "WORLD"		

Item#	Part	Description	H 3 4 1	H 3 4 5	N O T E S
1	562356	SWITCH ASSY / W/LEVER & BOOT / 6 POSITIONS	1	1	
2	N.S.S.	. LEVER	1	1	1
3	N.S.S.	. BOOT	1	1	1
4	N.S.S.	. NUT JAM	1	1	1
5		SUPPORT CONTROL SWITCH	1	1	
10	H9-1407-00	STEERING COLUMN & COVER - INSTALLATION			
		1) NOT SOLD SEPARATELY			

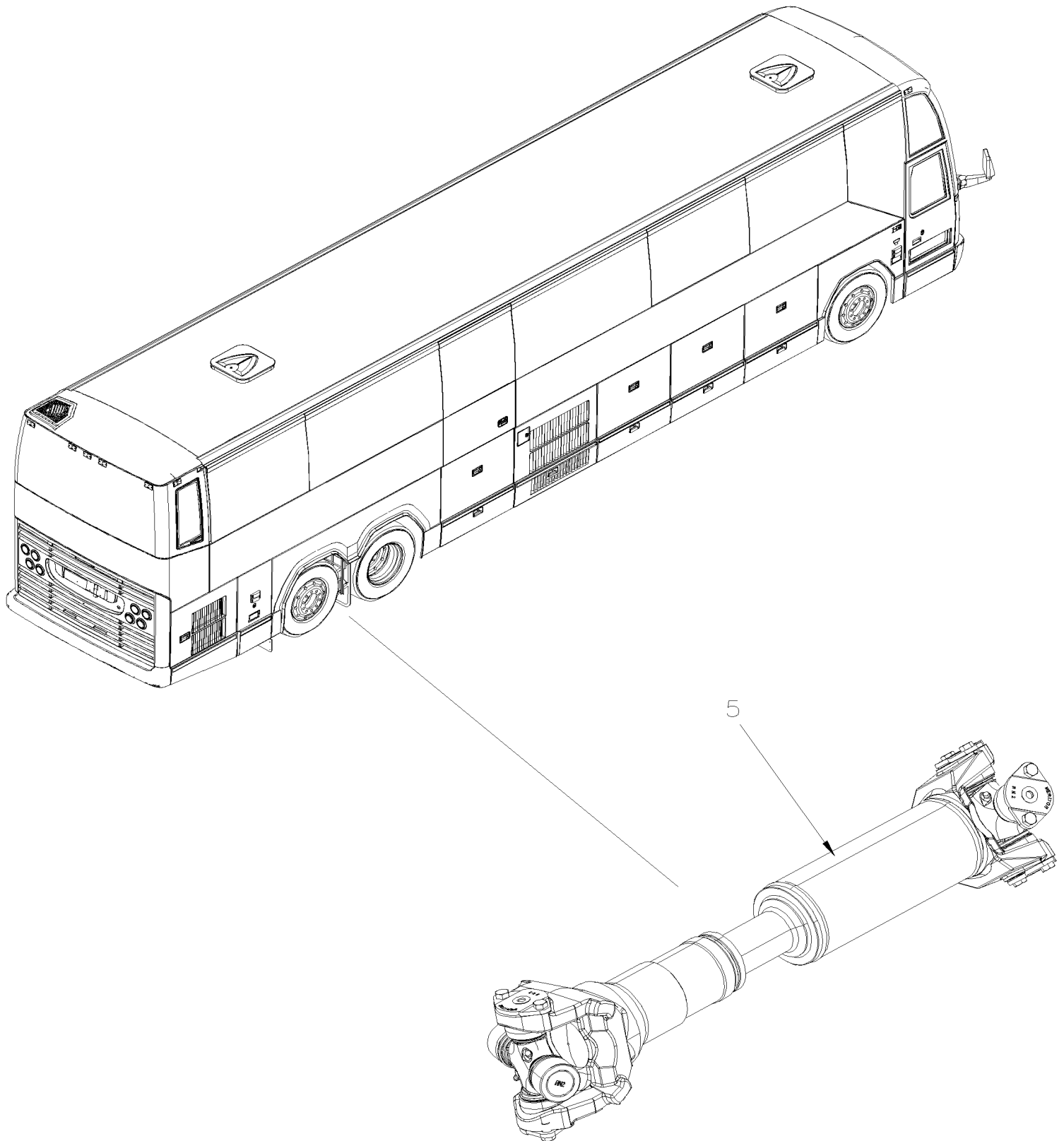
	Date:07/2024	PAGE:H9-0760-01
RETARDER SELECTOR SWITCH		



		Date:07/2024	PAGE:H9-0760-01
RETARDER SELECTOR SWITCH			

Item#	Part	Description	H 3 4 1	H 3 4 5	N O T E S
1	23190596	ARM,TRANSMISSION RETARDER		1	A
2	660063	ARM,ENGIN BRAKE A-1-2-OFF		1	B
3	500611	SCREW TC PAN PH #10-24x1/2 Z050		2	
5	23796630	BASE, RETARDER ARM		1	A
5	23796627	BASE, ENGIN BRAKE ARM		1	B
6	994780	SIX POINT SOCKET PAN HEAD SCREWS		4	
10	H9-1405-02	STEERING WHEEL & COLUMN ASSY WITH CONTROL SWITCHES			
		A) WITH RETARDER			
		B) WITHOUT RETARDER WITH ENGINE BRAKE			

	Date:07/2024	H9-09
PROPELLER SHAFT		



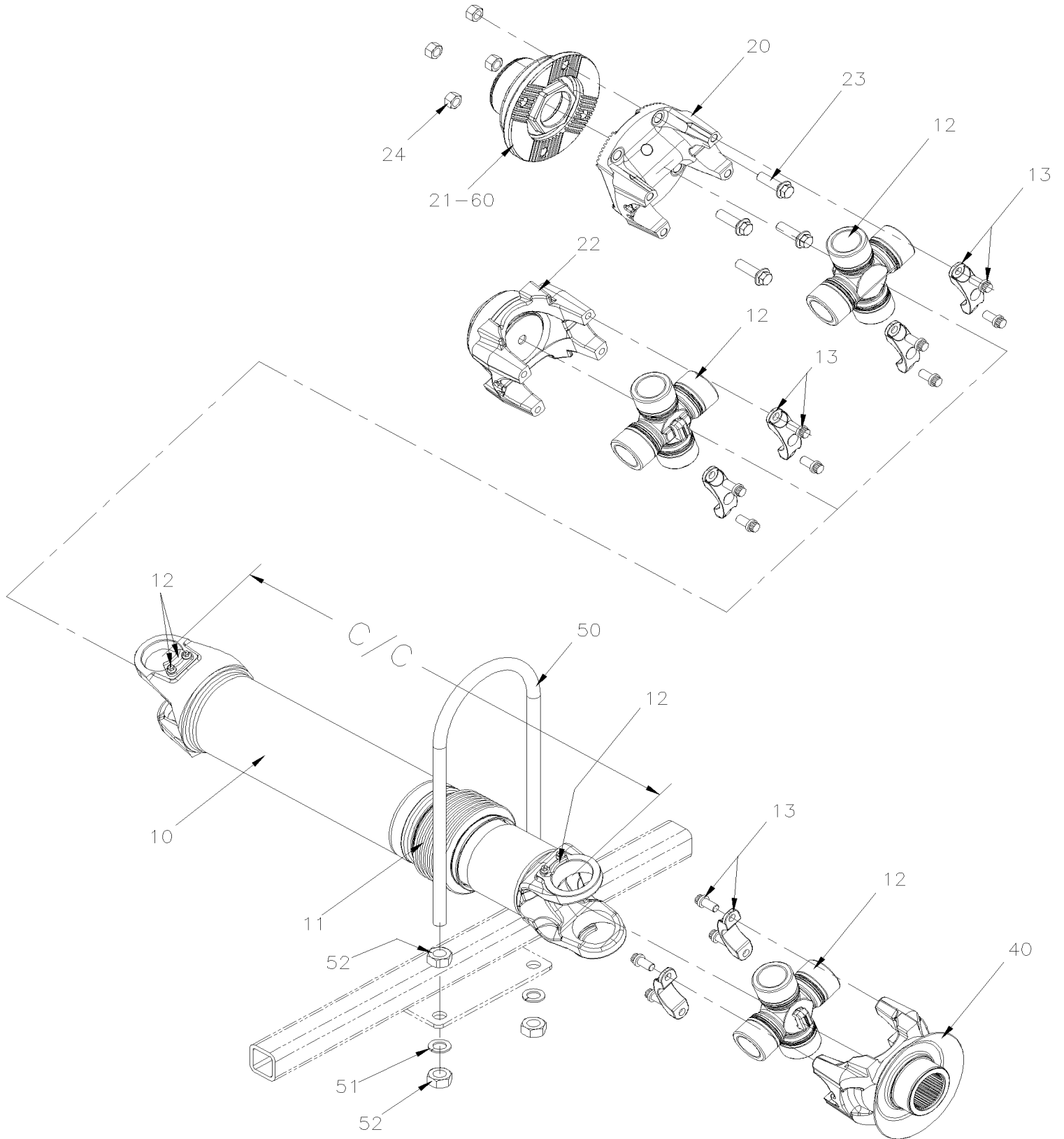
		Date:07/2024	H9-09		
PROPELLER SHAFT					
Item#	Part	Description	H 3 4 1	H 3 4 5	N O T E S
5	H9-0905-01	PROPELLER SHAFT From K-0185			

From K-0185

Date:07/2024

PAGE:H9-0905-01

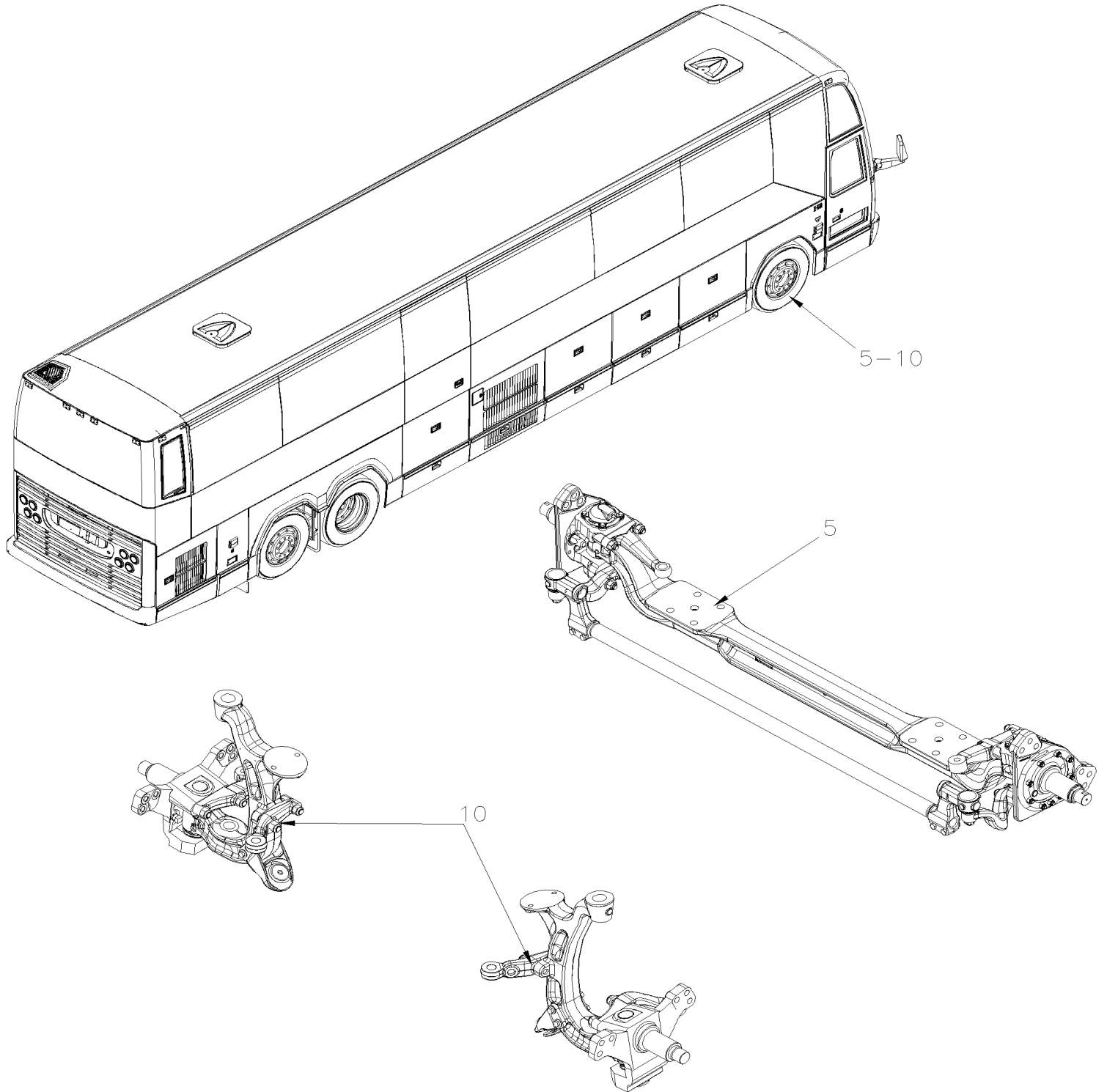
PROPELLER SHAFT



From K-0185		Date:07/2024	PAGE:H9-0905-01
PROPELLER SHAFT			

Item#	Part	Description	H 3 4 1	H 3 4 5	N O T E S
		PROPELLER SHAFT SERIES SLP250			
10	580085	SHAFT ASSY 820MM C/C / SLP250-820MM I-SHIFT	1	1	
10	580087	SHAFT ASSY 935MM C/C / SLP250-935MM WORLD TRANS	1	1	
11	3947801	. KIT BOOT & CLIPS SPL250X	1	1	
12	19511258	. KIT, CROSS & BEARING SPL250-3X	2	2	
. NS	3095735	. . GREASE FITTING	1	1	
13	3947800	. KIT STRAP & BOLT SPL250-70-18X To M-1160	1	1	
13	85133971	. KIT STRAP & BOLT From M-1161	1	1	
		NEXT FOLLOWING YOKE ARE PART OF TRANSMISSION			
20	580089	FLANGE YOKE "I"-SHIFT SPL250	1	1	
20	20828302	FLANGE YOKE "I"-SHIFT OR "ZF DRIVE AXLE" SPL250	1	1	
21	20773853	COMPANION FLANGE "I" -SHIFT TRANS	1	1	
22	N.P.N.	YOKE SERIES 250 HALF ROUND / W/"WORLD" TRANS	1	1	4
23	5001715	SCREW CAP HEXF M14-2.0x47 G10.9 MAGNI 565	4	4	
24	5001716	NUT HEX M14-2.0 MAG565 G10.9	4	4	
		NEXT FOLLOWING YOKE ARE PART OF DIFERENTIAL			
40	621833	YOKE SERIES 250 HALF ROUND	1	1	
. NS	621501	. DEFLECTOR, OIL	1	1	
. NS	621492	. SPEEDY SLEEVE 3.250" I.D. / TO REPAIR OIL LEAK ON YOKE	1	1	
50	121909	PROTECTOR GUARD PROPELLER SHAFT 433.5MM x 169MM	1	1	
51	500488	WASHER LO SPT .760x1.271x.188 Z050	2	2	
52	500733	NUT HEX 3/4-16 Z050	4	4	
NS	682175	UNDERCOATING BLACK PROTECTOR (GRAVELGUARD) 567gr To N-1261	AR	AR	
NS	685413	RUBBERIZED UNDERCOAT (GRAVELGUARD) 560gr From N-1262	AR	AR	
60	SEE IMPACT	SEE IMPACT OR CALL ORDER DESK			
		4) NO PARTS NUMBER			

	Date:07/2024	H9-10
FRONT AXLE		



		Date:07/2024	H9-10
FRONT AXLE			

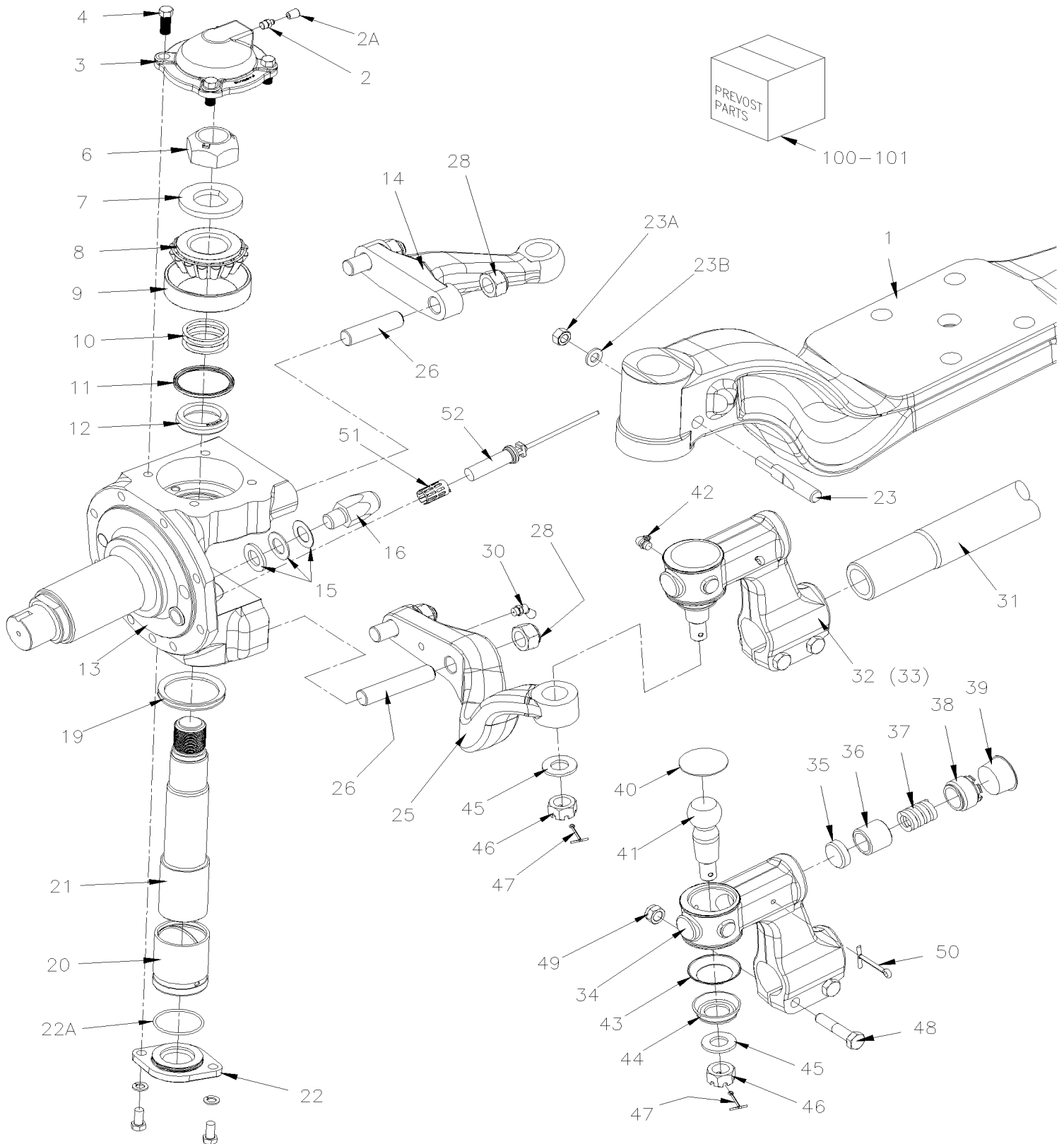
Item#	Part	Description	H 3 4 1	H 3 4 5	N O T E S
5	H9-1005-00	FRONT AXLE - I BEAM RIGID MODEL "S84U" From K-0185 To K-0511			
5	H9-1005-01	FRONT AXLE - I BEAM RIGID MODEL "S84U" From K-0512			
10	H9-1005-61	FRONT AXLE - INDEPENDENT MODEL "NDIFS80P" / 19000LBS From K-0185			

From K-0185 To K-0511

Date:07/2024

PAGE:H9-1005-00

FRONT AXLE - I BEAM RIGID MODEL "S84U"



From K-0185 To K-0511	Date:07/2024	PAGE:H9-1005-00
FRONT AXLE - I BEAM RIGID MODEL "S84U"		

Item#	Part	Description	H 3 4 1	H 3 4 5	NOTES
	610019	AXLE ASSY W/ABS / MODEL "S84U" / W/ BRAKE INDICATOR W/TYPE 24 BOOSTER	1	1	
1	611454	. AXLE BEAM	1	1	
2	501491	. GREASE FITTING / 1/8 NPTx3/4"	2	2	
2A	504615	. PROTECTOR CAP / BLACK / .313 I.D. x .500	2	2	
3	611008	. CAP COVER	2	2	
4	500067	. SCREW CAP HEX 7/16-20x1 G5 Z050	4	4	
4	680404	. . CAP PLUG	1	1	
4	500447	. WASHER FL .562x1.375x.109 ZP	4	4	
6	611153	. NUT HEX STO 1 3/8"-12	2	2	
7	611010	. WASHER 38.23x69.85x7	2	2	
8	611011	. CONE BEARING	2	2	
9	611012	. CUP BEARING	2	2	
10	611017	. WASHER SHIM / .015"	AR	AR	
10	611016	. WASHER SHIM / .010"	AR	AR	
10	611015	. WASHER SHIM / .008"	AR	AR	
10	611014	. WASHER SHIM / .006"	AR	AR	
10	611013	. WASHER SHIM / .005"	AR	AR	
11	611145	. OIL SEAL	2	2	
12	611154	. SLEEVE	2	2	
13	611290	. KNUCKLE R.H. CURBSIDE	1	1	
13	611289	. KNUCKLE L.H. STREET SIDE	1	1	
14	611031	. STEERING ARM UPPER L.H. STREET SIDE	1	1	
14	161033	. STEERING ARM UPPER R.H. CURBSIDE	1	1	
15	611042	. WASHER SHIM / 1/32" TH To K-0325	AR	AR	
15	5002077	. WASHER SHIM / 1/32" TH From K-0326	AR	AR	
15	611041	. WASHER SHIM / 1/16" TH To K-0325	AR	AR	
15	5002076	. WASHER SHIM / 1/16" TH From K-0326	AR	AR	
15	611040	. WASHER SHIM / 1/8" TH To K-0325	AR	AR	
15	5002075	. WASHER SHIM / 1/8" TH From K-0326	AR	AR	
16	611170	. SWIVEL STOP SCREW 43MM	2	2	
16	611355	. SWIVEL STOP SCREW 54MM	1	1	
19	611294	. V-SEAL	2	2	
NS	611152	. SEAL RING	2	2	
20	611144	. BUSHING LOWER KING PIN	2	2	
21	611148	. KING PIN	2	2	
22	611155	. CAP LOWER / KING PIN	2	2	
22	612364	. SCREW 3/8-24	4	4	
22	612363	. WASHER	4	4	
22A	611156	. O-RING	1	1	
23	611258	. SWIVEL PIN LOCK	2	2	
23A	610029	. NUT 7/16 UNF	1	1	
23B	5001200	. WASHER FL .453x.875x.090	1	1	

From K-0185 To K-0511	Date:07/2024	PAGE:H9-1005-00
FRONT AXLE - I BEAM RIGID MODEL "S84U"		

Item#	Part	Description	H 3 4 1	H 3 4 5	N O T E S
25	611032	. STEERING ARM LOWER L.H. STREET SIDE	1	1	
NS	611033	. STEERING ARM LOWER R.H. CURBSIDE	1	1	
26	611331	. STUD / CURBSIDE / 3/4-16 X 4 1/4"	2	2	
26	611479	. STUD / STREET SIDE / 3/4-16 X 3"	2	2	
26	611166	. STUD 3/4-16 X 3 1/4"	2	2	
26	611330	. STUD 3/4-16 X 3 7/8"	2	2	
28	611480	. NUT HEX SLO 3/4-16	8	8	
30	610004	. GREASE FITTING 45° / 1/8BSP-M	2	2	
NS	504615	. PROTECTOR CAP / BLACK / .313 I.D. x .500	2	2	
31	611292	. ROD	1	1	
32	611024	. TIE ROD ASSY / 5" OFFSET / R.H. THREAD M48-2 CURB SIDE	1	1	
33	611025	. TIE ROD ASSY / 5" OFFSET / L.H. THREAD M48-2 STREET SIDE	1	1	
34	N.S.S.	. HOUSING / OFFSET L.H. THREAD	1	1	1
34	N.S.S.	. HOUSING / OFFSET R.H. THREAD	1	1	1
35	N.S.P.	. RUBBING PAD / (7157/156)	1	1	2
36	N.S.P.	. THRUST CUP / (7157/153)	1	1	2
37	N.S.P.	. COMPRESSION SPRING / (5443/4)	1	1	2
38	N.S.P.	. ADJUSTER PIECE / (5443/154)	1	1	2
39	680404	. CAP PLUG	1	1	
40	N.S.P.	. PLUG / (5247/155)	1	1	2
40	N.S.P.	. SNAP RING / (ML7544/55N)	1	1	2
41	N.S.P.	. BALL STUD / (F4223/11)	1	1	2
42	501495	. GREASE FITTING 90° / 1/8 NPT	2	2	
43	611056	. DIRT SEAL PRESSING	1	1	
44	611057	. RUBBER SEAL BOOT	1	1	
45	500420	. WASHER FL .938x1.750x.134 ZP	1	1	
46	5001196	. NUT HEX SLT 3/4-16	1	1	
47	502111	. PIN, COTTER 1/8 x 1 1/2 SS	1	1	
48	5001861	. SCREW CAP HEX M12-1.75x60 G10.9 N500	2	2	
49	500811	. NUT HEX STO M12-1.75 G500	2	2	
50	502115	. PIN, COTTER 3/16 x 2 1/2	1	1	
51	641096	. CLIP, SPRING / TO FIX SENSOR	2	2	
52	642084	. SENSOR ABS 90° ANGLE - OEM	2	2	
53	H9-1225-02	BRAKE PARTS - FRONT & TAG AXLE "KNORR-BREMSE" SN7 SERIES W/N2G ADJUSTER			
54	H9-1300-00	HUB & ROTOR - FRONT AXLE - I BEAM MODEL "S84U"			
55	H9-1410-00	STEERING GEAR BOX & DRAG LINK - INSTALLATION			
100	611966	KIT REPAIR / STEERING KNUCKLE BUSHING (PARALLEL) / (REQUIRES 2 KITS)	AR	AR	B
101	611101	KIT REPAIR / TIE ROD END	2	2	A
102	IS18091	TIE ROD 610052 FIRST INSTALLATION INSTRUCTIONS	1	1	
. NS	610052	. TIE ROD ASSY	1	1	
. NS	610051	. NUT HEX SLO / SINGLE USE M24-1.5	2	2	

From K-0185 To K-0511	Date:07/2024	PAGE:H9-1005-00
FRONT AXLE - I BEAM RIGID MODEL "S84U"		

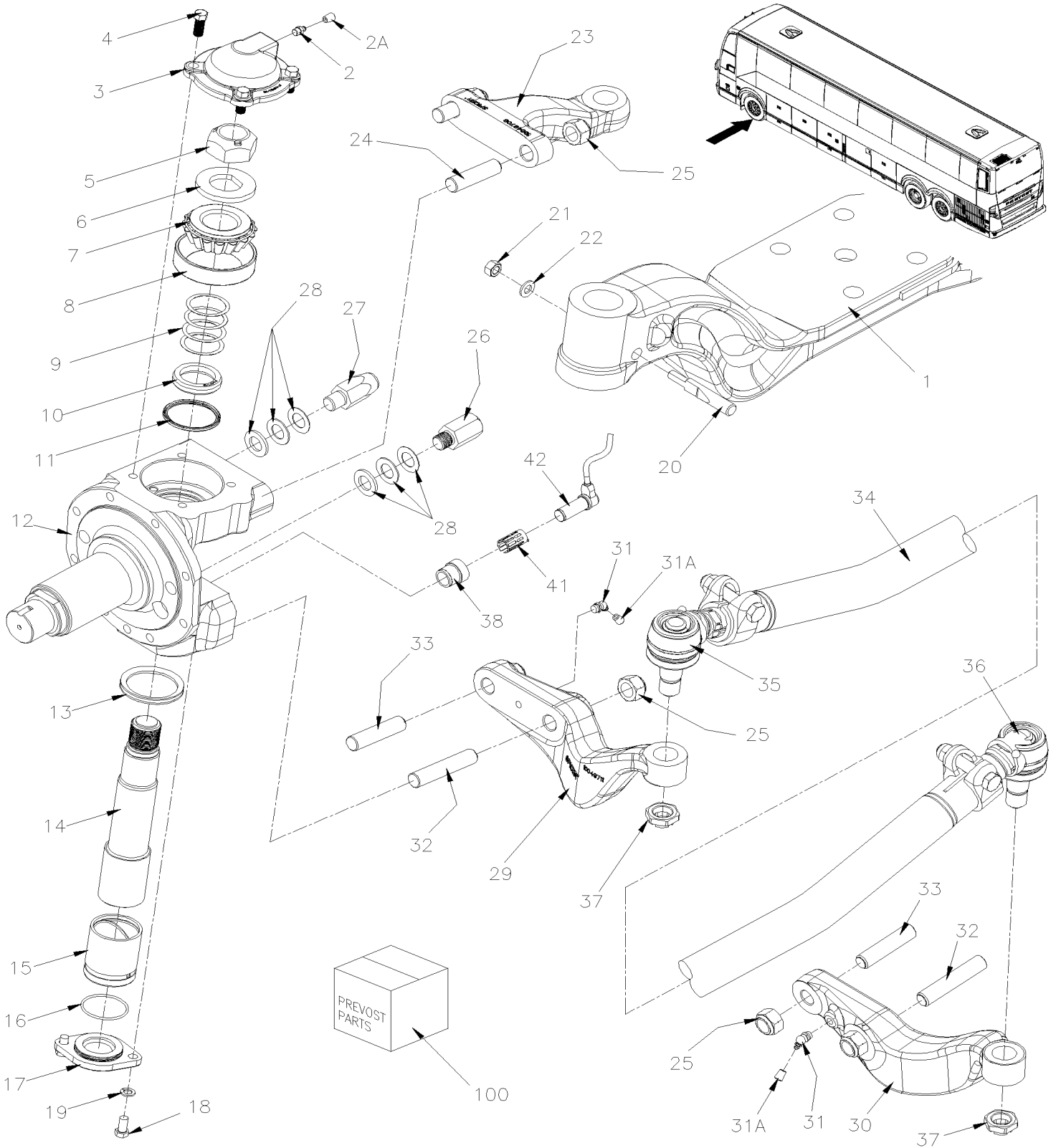
Item#	Part	Description	H 3 4 1	H 3 4 5	N O T E S
. NS	IS-18091	. SEE INSTRUCTION SHEET	1	1	
. NS	FI-18091	. VOIR FEUILLE D'INSTRUCTION	1	1	
		A) INCLUDING ITEMS #35 TO 50			
		B) INCLUDING ITEMS #4 TO 12, 19 TO 21 & 23			
		1) NOT SOLD SEPARATELY			
		2) NOT SOLD BY PREVOST (SEE MANUFACTURING PART NUMBER AT END OF DESCRIPTION LINE)			

From K-0512

Date:07/2024

PAGE:H9-1005-01

FRONT AXLE - I BEAM RIGID MODEL "S84U"



From K-0512	Date:07/2024	PAGE:H9-1005-01
FRONT AXLE - I BEAM RIGID MODEL "S84U"		

Item#	Part	Description	H 3 4 1	H 3 4 5	N O T E S
	610042	AXLE ASSY W/ABS / MODEL "S84U" / W/ BRAKE INDICATOR W/TYPE 24 BOOSTER To M-1153	1	1	
	610065	AXLE ASSY W/ABS / MODEL "S84U" / W/ BRAKE INDICATOR W/TYPE 24 BOOSTER From M-1154	1	1	
1	611454	. AXLE BEAM	1	1	
2	501491	. GREASE FITTING / 1/8 NPTx3/4"	2	2	
2A	504615	. PROTECTOR CAP / BLACK / .313 I.D. x .500	2	2	
3	611008	. CAP COVER	2	2	
4	500067	. SCREW CAP HEX 7/16-20x1 G5 Z050	4	4	
4	680404	. . CAP PLUG	1	1	
5	611153	. NUT HEX STO 1 3/8"-12	2	2	
6	611010	. WASHER 38.23x69.85x7	2	2	
7	611011	. CONE BEARING	2	2	
8	611012	. CUP BEARING	2	2	
9	611017	. WASHER SHIM / .015"	AR	AR	
9	611016	. WASHER SHIM / .010"	AR	AR	
9	611015	. WASHER SHIM / .008"	AR	AR	
9	611014	. WASHER SHIM / .006"	AR	AR	
9	611013	. WASHER SHIM / .005"	AR	AR	
10	611154	. SLEEVE	2	2	
11	611145	. OIL SEAL	2	2	
12	611289	. KNUCKLE L.H. STREET SIDE	1	1	
12	611290	. KNUCKLE R.H. CURBSIDE	1	1	
13	611294	. V-SEAL	2	2	
14	611148	. KING PIN	2	2	
15	611144	. BUSHING LOWER KING PIN	2	2	
16	611156	. O-RING	1	1	
17	611155	. CAP LOWER / KING PIN	2	2	
18	612364	. SCREW 3/8-24	4	4	
19	612363	. WASHER	4	4	
20	611258	. SWIVEL PIN LOCK	2	2	
21	610029	. NUT 7/16 UNF	2	2	
22	5001200	. WASHER FL .453x.875x.090	2	2	
23	610047	. STEERING ARM UPPER L.H. STREET SIDE	1	1	
23	161033	. STEERING ARM UPPER R.H. CURBSIDE	1	1	
24	611479	. STUD / STREET SIDE / 3/4-16 X 3"	2	2	
24	611331	. STUD / CURBSIDE / 3/4-16 X 4 1/4"	2	2	
25	611480	. NUT HEX SLO 3/4-16	8	8	
26	611170	. SWIVEL STOP SCREW 43MM	2	2	
27	611355	. SWIVEL STOP SCREW 54MM	1	1	
28	5002077	. WASHER SHIM / 1/32" TH	AR	AR	
28	5002076	. WASHER SHIM / 1/16" TH	AR	AR	
28	5002075	. WASHER SHIM / 1/8" TH	AR	AR	
29	610049	. STEERING ARM LOWER L.H. STREET SIDE	1	1	

From K-0512	Date:07/2024	PAGE:H9-1005-01
FRONT AXLE - I BEAM RIGID MODEL "S84U"		

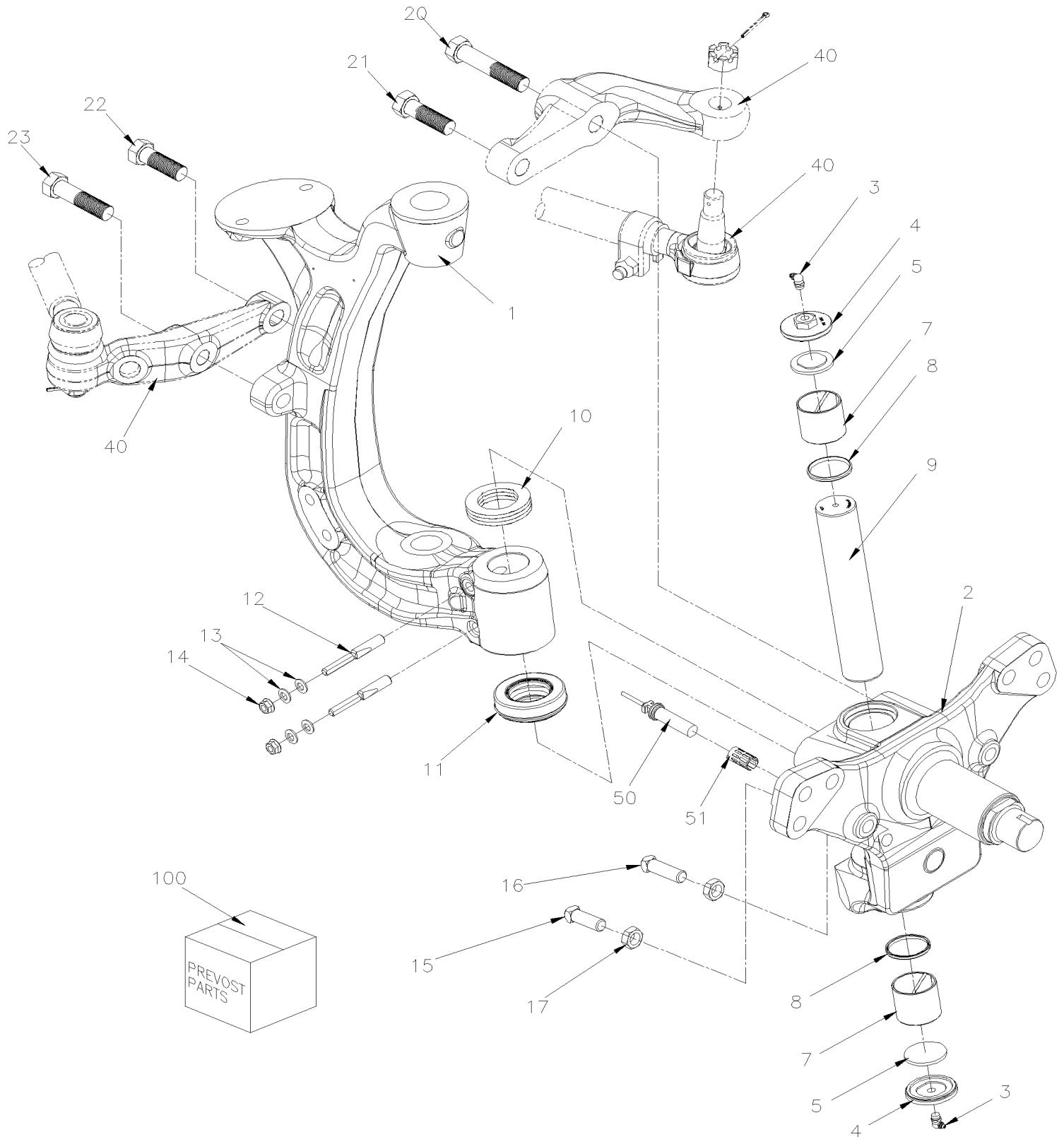
Item#	Part	Description	H 3 4 1	H 3 4 5	NOTES
30	610050	. STEERING ARM LOWER R.H. CURBSIDE	1	1	
31	610004	. GREASE FITTING 45° / 1/8BSP-M	2	2	
31A	504615	. PROTECTOR CAP / BLACK / .313 I.D. x .500	2	2	
32	611330	. STUD 3/4-16 X 3 7/8"	2	2	
33	611166	. STUD 3/4-16 X 3 1/4"	2	2	
34	610052	. TIE ROD ASSY	1	1	
34	610057	. . TIE ROD	1	1	
35	610055	. . TIE ROD END L.H. STREET SIDE	1	1	
36	610056	. . TIE ROD END R.H. CURBSIDE	1	1	
37	610051	. NUT HEX SLO / SINGLE USE M24-1.5	2	2	
38	612384	. BUSHING / ABS SENSOR	1	1	
41	641096	CLIP, SPRING / TO FIX SENSOR	2	2	
42	642084	SENSOR ABS 90° ANGLE - OEM	2	2	
50	H9-1225-02	BRAKE PARTS - FRONT & TAG AXLE "KNORR-BREMSE" SN7 SERIES W/N2G ADJUSTER			
51	H9-1300-00	HUB & ROTOR - FRONT AXLE - I BEAM MODEL "S84U"			
52	H9-1410-00	STEERING GEAR BOX & DRAG LINK - INSTALLATION			
100	611966	KIT REPAIR / STEERING KNUCKLE BUSHING (PARALLEL) / (REQUIRES 2 KITS)	AR	AR	B
		B) INCLUDING ITEMS #2 TO #11 & #13 TO #22			

From K-0185

Date:07/2024

PAGE:H9-1005-61

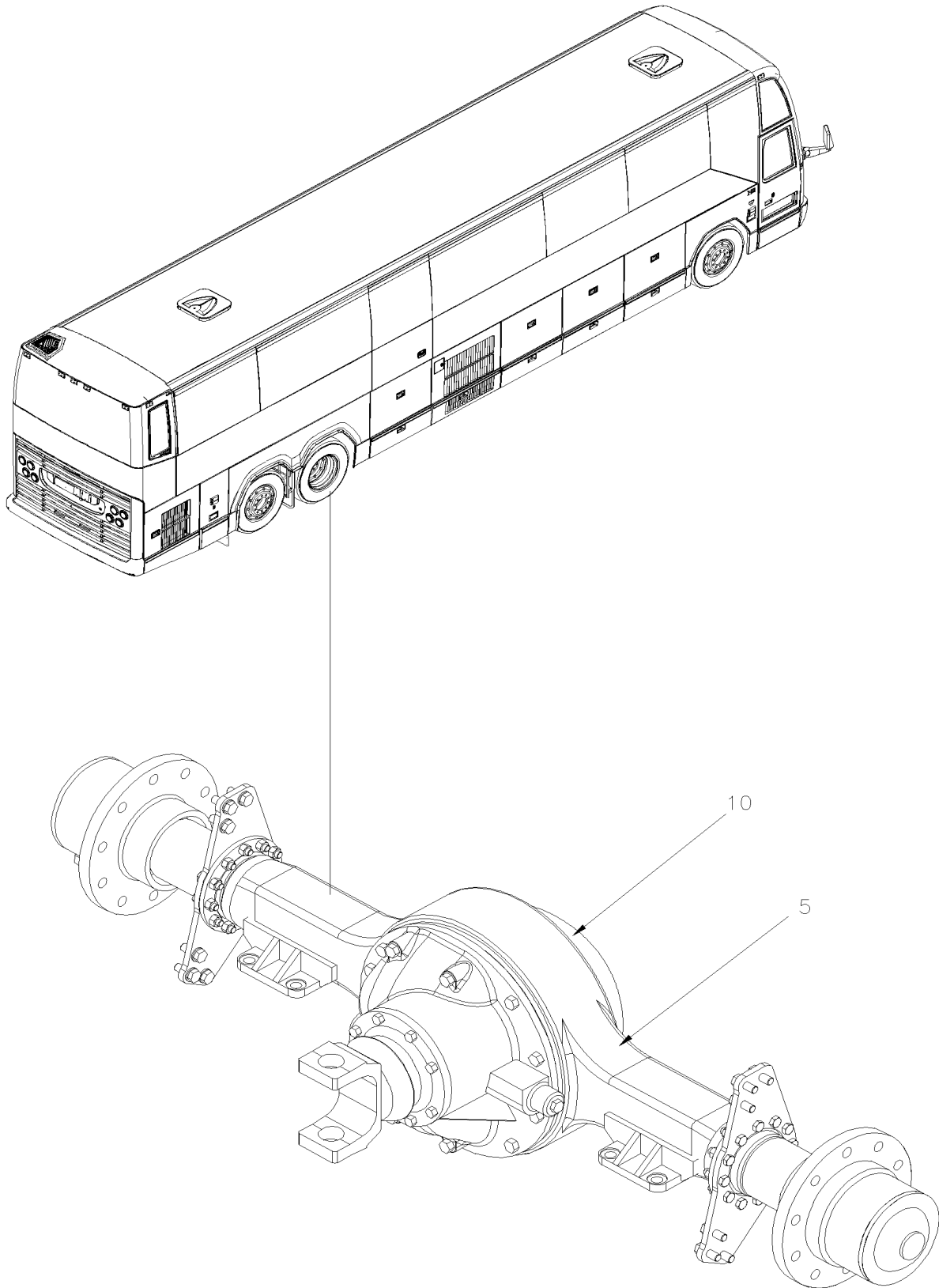
FRONT AXLE - INDEPENDENT MODEL "NDIFS80P" / 19000LBS



From K-0185	Date:07/2024	PAGE:H9-1005-61
FRONT AXLE - INDEPENDENT MODEL "NDIFS80P" / 19000LBS		

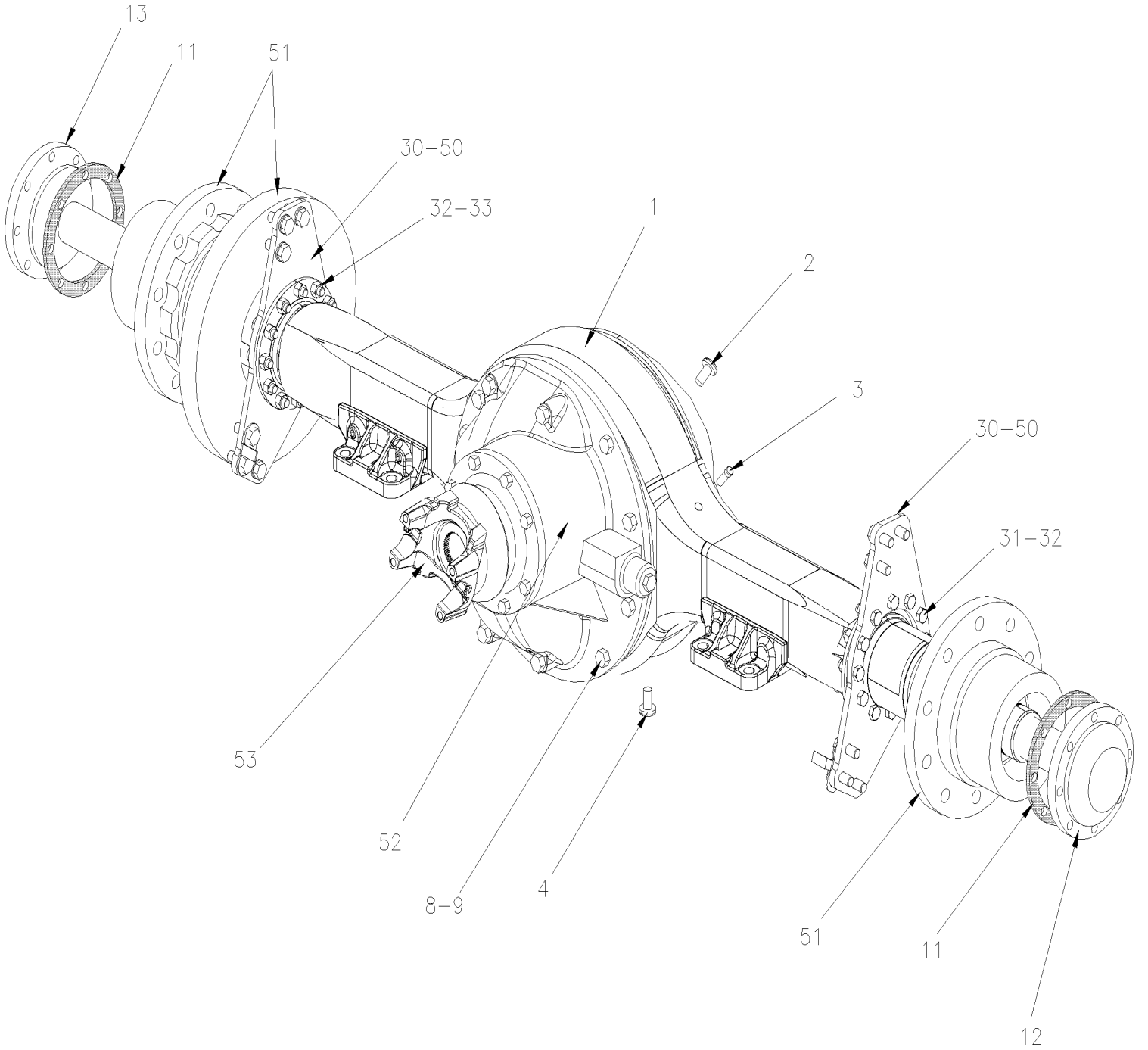
Item#	Part	Description	H 3 4 1	H 3 4 5	NOTES
	610020	AXLE ASSY L.H. & R.H. / NDIFS80P / 19K To M-1153	1	1	
	610063	AXLE ASSY L.H. & R.H. / NDIFS80P / 19K From M-1154	1	1	
1	612377	. AXLE L.H. / W/DOUBLE LOCK ON KING PIN / 19K	1	1	
1	612376	. AXLE R.H. / W/DOUBLE LOCK ON KING PIN / 19K	1	1	
2	612361	. KNUCKEL L.H. & R.H.	2	2	
3	501490	. GREASE FITTING / 1/8 NPT	2	2	
4	611283	. CAP UPPER & LOWER	2	2	
5	611939	. FOAM INSERT	2	2	
7	N.S.S.	. BUSHING (STD)	2	2	1
8	611936	. OIL SEAL	2	2	
9	N.S.S.	. KING PIN	2	2	1
10	611956	. SHIM 0.013	AR	AR	
10	611957	. SHIM 0.025	AR	AR	
11	N.S.S.	. THRUST BEARING	2	2	1
12	N.S.S.	. DRAW KEY	4	4	1
13	N.S.S.	. WASHER - DRAW KEY	8	8	1
14	N.S.S.	. NUT - DRAW KEY	4	4	1
15	611288	. LOCKSTOP SCREW FRONT	2	2	
16	611288	. LOCKSTOP SCREW BACK	2	2	
17	612393	. NUT - LOCKSTOP	4	4	
20	612359	. SCREW CAP HEX M22-2.5x100 G12.9	1	1	
21	612360	. SCREW CAP HEX M22-2.5x65 G12.9	1	1	
22	611305	. SCREW CAP HEX M20-2.5x60 G12.9	1	1	
23	611307	. SCREW CAP HEX M20-2.5x80 G12.9	1	1	
40	H9-1410-61	STEERING RODS - INSTALLATION W/INDEPENDENT "NDIFS80P" / 19000LBS			
50	642085	SENSOR ABS - OEM	2	2	
50	642184	SENSOR ABS - AFTER MARKET	2	2	
51	641096	CLIP, SPRING / TO FIX SENSOR	2	2	
100	611132	KIT REPAIR / STEERING KNUCKLE BUSHING (STD) / (REQUIRE 2 KITS)	1	1	A
. NS	SB07_03	. NSDIFS80P - KINGPIN KITS	1	1	A
		A) THIS KIT INCLUDES ITEMS 3, 4, 5, 7, 8, 9, 10, 11, 12, 13, 14			
		1) NOT SOLD SEPARATELY			

	Date:07/2024	H9-11
REAR AXLE		



		Date:07/2024	H9-11		
REAR AXLE					
Item#	Part	Description	H 3 4 1	H 3 4 5	N O T E S
5	H9-1105-00	REAR AXLE - MODEL "RC23165" From K-0185			
10	H9-1110-00	CARRIER ASSY From K-0185			

From K-0185	Date:07/2024	PAGE:H9-1105-00
REAR AXLE - MODEL "RC23165"		



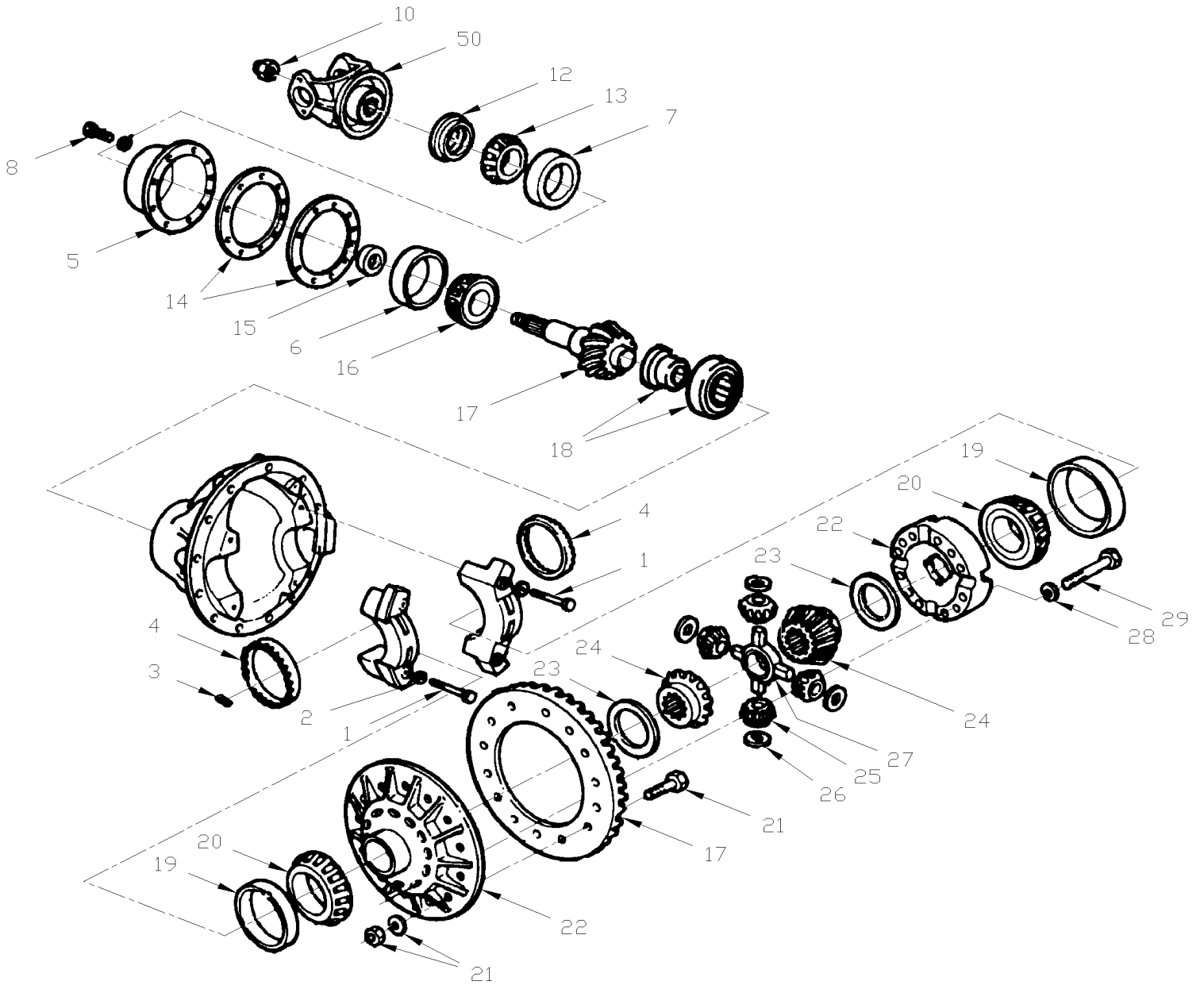
From K-0185		Date:07/2024	PAGE:H9-1105-00
REAR AXLE - MODEL "RC23165"			

Item#	Part	Description	H 3 4 1	H 3 4 5	N O T E S
	 AXLE ASSY WITHOUT WHEELS STUD			
	621908	REAR AXLE ASSY / 2.50 RATIO To M-1153	1	1	IS
	620082	REAR AXLE ASSY / 2.50 RATIO From M-1154	1	1	IS
	621902	REAR AXLE ASSY / 2.50 RATIO / SUPER SINGLE To M-1153	1	1	IS
	620075	REAR AXLE ASSY / 2.50 RATIO / SUPER SINGLE From M-1154	1	1	IS
	621909	REAR AXLE ASSY / 3.58 RATIO To M-1153	1	1	
	620084	REAR AXLE ASSY / 3.58 RATIO From M-1154	1	1	
	621903	REAR AXLE ASSY / 3.58 RATIO / SUPER SINGLE To M-1153	1	1	
	620076	REAR AXLE ASSY / 3.58 RATIO / SUPER SINGLE From M-1154	1	1	
	621907	REAR AXLE ASSY / 3.91 RATIO To M-1153	1	1	
	620080	REAR AXLE ASSY / 3.91 RATIO From M-1154	1	1	
	621904	REAR AXLE ASSY / 3.91 RATIO / SUPER SINGLE To M-1153	1	1	
	620078	REAR AXLE ASSY / 3.91 RATIO / SUPER SINGLE From M-1154	1	1	
	621910	REAR AXLE ASSY / 4.10 RATIO To M-1153	1	1	
	620085	REAR AXLE ASSY / 4.10 RATIO From M-1154	1	1	
	621905	REAR AXLE ASSY / 4.10 RATIO / SUPER SINGLE To M-1153	1	1	
	620079	REAR AXLE ASSY / 4.10 RATIO / SUPER SINGLE From M-1154	1	1	
1	620047	HOUSING ASSY W/BRACKET WELDED	1	1	D
1	621752	HOUSING ASSY W/BRACKET WELDED / SUPER SINGLE	1	1	S
NS	680053	. SILICONE TUBE RTV103 / BLACK / 3 oz	2	2	
2	620317	. PLUG FILLER	1	1	
3	621871	. BREATHER AND TUBE	1	1	
4	621615	. PLUG MAGNETIC	1	1	
8	5001422	. SCREW CAP HEX 5/8-11x2 1/2 G8 ZP	12	12	
8	5001423	. SCREW CAP HEX 5/8-11x4 G8 ZP	4	4	
8	621221	. SCREW CAP HEX 5/8-11x1 3/4 G8 ZP	AR	AR	
9	620474	. WASHER HARDENED / 5/8" I.D.	18	18	
10	500742	. NUT HEX STO 7/8-14 ZP	18	18	
11	621640	. GASKET / AXLE SHAFT W/8 STUDS	2	2	
12	620022	. SHAFT, AXLE / 41.41" (STP 2394) (INSTALL RH CURBSIDE)	1	1	D
12	621755	. SHAFT, AXLE / 46.30" (stp 1998) / SUPER SINGLE (INSTALL RH CURBSIDE)	1	1	S
13	620020	. SHAFT, AXLE / 39.41" (STP 2393) (INSTALL LH STREET SIDE)	1	1	D
13	621756	. SHAFT, AXLE / 44.37"(stp 1999) / SUPER SINGLE (INSTALL LH STREET SIDE)	1	1	S
NS	686082	OIL DIFERENTIAL S.A.E. 140 GL5 85-140W (VRAC)	AR	AR	
		NEXT FOLLOWING ITEMS ARE RELATED			
		WITH "OPTION" DIFFERENTIAL LOCK			
NS	624216	DECAL "CAUTION" DIFFERENTIAL LOCK.."	1	1	
NS	562697	SWITCH / ON-ON / D.P.D.T. / CH-OVER / W/RED & GREEN LED	1	1	
NS	564013	CAP / DIFFERENTIAL LOCK	1	1	

From K-0185	Date:07/2024	PAGE:H9-1105-00
REAR AXLE - MODEL "RC23165"		

Item#	Part	Description	H 3 4 1	H 3 4 5	NOTES
NS	142364	HOSE ASSY / DIFF & STRUCTURE / #6 695MM	1	1	
NS	172589	SUPPORT HOSE / (WELDED TO STRUCTURE)	1	1	
NS	641937	VALVE, 3 WAYS, 2 POSITIONS N.C. / W/MAN OVERRIDE	1	1	
. NS	641929	. COIL 24V	1	1	
. NS	641385	. CONNECTOR / SOCKET HOUSING ASSY 3C / PNEUMAC 54934-01	1	1	
NS	641934	SILENCER / MUFFLER / 3/8NPT-M	1	1	
30	621868	CALIPER MOUNTING BRACKET L.H. & R.H. W/OUT BUSHING	2	2	
30	621869	BUSHING - ABS SENSOR	2	2	
31	621636	SCREW CAP HEX / TO FIX BRACKET TO AXLE 9/16-18 X 2 GR 8	12	12	
32	621365	WASHER (HARD) .59IDX.97ODX.09	24	24	
33	621638	NUT HEX 9/16-18 GR8	12	12	
50	H9-1235-02	BRAKE PARTS - DRIVE AXLE "KNORR-BREMSE" SN7 SERIES W/N2G ADJUSTER			
51	H9-1305-00	HUB & ROTOR - DRIVE AXLE			
52	H9-1110-00	CARRIER ASSY			
53	H9-0905-01	PROPELLER SHAFT			
54	OC2020059	REFERENCE ONLY M-1154 M-6658 M-7832 £-20059 From M-1154	1	1	
		D) WITH DOUBLE WHEEL ONLY			
		IS) WITH I-SHIFT TRANS			
		S) WITH SUPPER SINGLE ONLY			

From K-0185	Date:07/2024	PAGE:H9-1110-00
CARRIER ASSY		



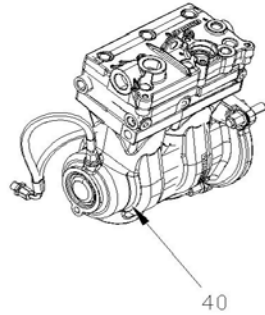
From K-0185	Date:07/2024	PAGE:H9-1110-00
CARRIER ASSY		

Item#	Part	Description	H 3 4 1	H 3 4 5	N O T E S
	621875	CARRIER ASSY / 2.50 RATIO	1	1	C
	621242	CARRIER ASSY / 3.58 RATIO	1	1	
	621866	CARRIER ASSY / 3.91 RATIO	1	1	
	621249	CARRIER ASSY / 4.10 RATIO	1	1	
	N.S.P.	. CASE CARRIER	1	1	2
1	621418	. SCREW, CAP	4	4	
2	621417	. WASHER	4	4	
3	505128	. SPRING, PIN 1/4 X 2	2	2	
4	621479	. RING, ADJUSTING / W/MODEL 3200-P-1706	2	2	
5	621419	. CASE & CUP ASSY / PINION BEARING	1	1	
6	621420	. CUP BEARING / INNER BEARING	1	1	
7	621421	. CUP BEARING / OUTER BEARING	1	1	
8	621439	. SCREW, CAP	8	8	
10	621418	. SCREW, CAP	4	4	
10	621445	. NUT / DRIVE PINION	1	1	
12	621424	. SEAL, OIL	1	1	
NS	195671	SEAL INSTALLER TOOL / CARRIER DRIVE PINION (2731T1)	1	1	I
13	621423	. CONE BEARING / OUTER	1	1	
14	621438	. SHIM 0.020	AR	AR	
14	621437	. SHIM 0.008	AR	AR	
14	621436	. SHIM 0.005	AR	AR	
14	621435	. SHIM 0.003	AR	AR	
15	621434	. SPACER .263	AR	AR	
15	621433	. SPACER .262	AR	AR	
15	621432	. SPACER .261	AR	AR	
15	621431	. SPACER .260	AR	AR	
15	621430	. SPACER .256	AR	AR	
15	621429	. SPACER .254	AR	AR	
15	621428	. SPACER .253	AR	AR	
15	621427	. SPACER .252	AR	AR	
15	621426	. SPACER .251	AR	AR	
15	621425	. SPACER .250	AR	AR	
16	621422	. CONE BEARING / INNER	1	1	
		FOLLOWING SET, GEAR DRIVE & PINION ARE USED ONLY WITH CARRIER MODEL 3200-P-1706			
17	621877	. SET, GEAR DRIVE & PINION / 2.50 RATIO			C
17	621721	. SET, GEAR DRIVE & PINION / 3.21 RATIO	1	1	
17	621712	. SET, GEAR DRIVE & PINION / 3.42 RATIO	1	1	
17	621718	. SET, GEAR DRIVE & PINION / 3.58 RATIO	1	1	
17	621713	. SET, GEAR DRIVE & PINION / 3.73 RATIO	1	1	

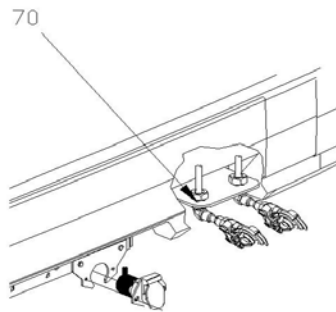
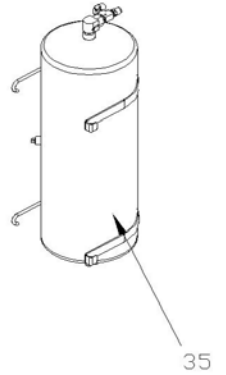
From K-0185		Date:07/2024	PAGE:H9-1110-00
CARRIER ASSY			

Item#	Part	Description	H 3 4 1	H 3 4 5	N O T E S
17	621813	. SET, GEAR DRIVE & PINION / 3.91 RATIO	1	1	
17	621710	. SET, GEAR DRIVE & PINION / 4.10 RATIO	1	1	
17	621720	. SET, GEAR DRIVE & PINION / 4.30 RATIO	1	1	
17	621716	. SET, GEAR DRIVE & PINION / 4.56 RATIO	1	1	
17	621719	. SET, GEAR DRIVE & PINION / 4.89 RATIO	1	1	
18	621481	. BEARING SPIGOT / INNER & OUTER / W/3200-P-1706	1	1	
NS	621482	. RING, SNAP / TO FIX SPIGOT BEARING	1	1	
19	621210	. CUP BEARING	2	2	A
20	621209	. CONE BEARING	2	2	A
21	621444	. BOLT, NUT & WASHER / (KIT OF 12)	1	1	
		FOLLOWING CASES ASSY			
		DO NOT INCLUDE ITEMS #23 TO 27			
		FOR CARRIER MODEL 3200-P-1706			
		WITH ABS SENSOR MOUNTED ON HUB WHEEL.			
22	621876	. CASE ASSY / W/RATIO 2.50	1	1	C
22	621480	. CASE ASSY W/RATIO 3.07, 3.21, 3.42& 3.73	1	1	
22	621488	. CASE ASSY / W/RATIO 3.91, 4.10, 4.30 & 4.56	1	1	
22	621539	. CASE ASSY / W/RATIO 4.89	1	1	
23	621449	. WASHER, THRUST / SIDE GEAR	2	2	
24	621450	. GEAR, SIDE	4	4	
25	621452	. GEAR, PINION	4	4	
26	621453	. WASHER, GEAR PINION	4	4	
27	621451	. SPIDER	1	1	
28	621447	. WASHER	12	12	
29	621448	. SCREW, CAP	12	12	
NS	621653	KIT, CUP & CONE	1	1	A
50	621833	YOKE SERIES 250 HALF ROUND	1	1	
. NS	621501	. DEFLECTOR, OIL	1	1	
. NS	621492	. SPEEDY SLEEVE 3.250" I.D. / TO REPAIR OIL LEAK ON YOKE	1	1	
		A) ALSO SOLD IN KIT #621653 KIT BEARING #403			
		C) WITH "I-SHIFT" TRANSMISSION			
		1) THIS TOOL INSTALLER ARE USE WITH NEW SEAL STAMPED A1205A2731			
		2) NOT SOLD BY PREVOST (SEE MANUFACTURING PART NUMBER AT END OF DESCRIPTION LINE)			

	Date:07/2024	H9-12
BRAKE		



Brake Air System 5
Tubes Plastic / Air D.O.T. 25
Parking Brake Overrule 37
Miscellaneous - Air Valves 55

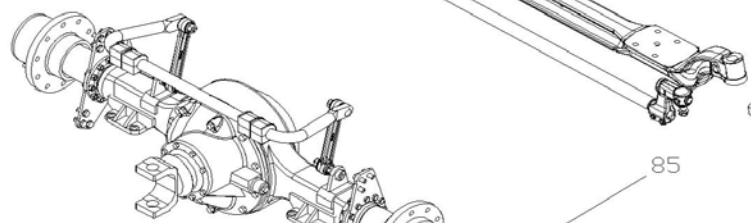
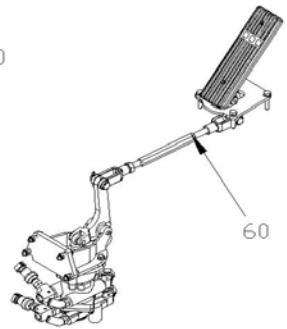
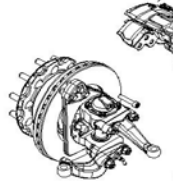
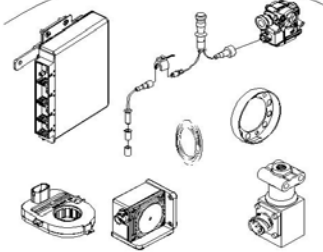


75

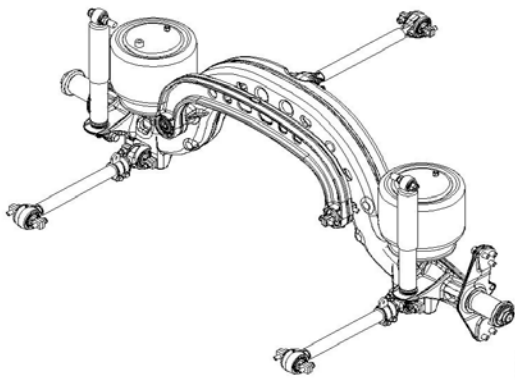
80

95-100

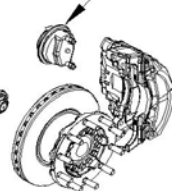
60



85

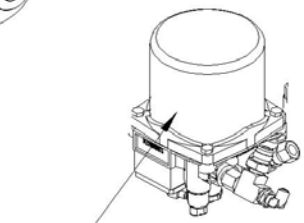


90



75

75



45

		Date:07/2024	H9-12		
BRAKE					

Item#	Part	Description	H 3 4 1	H 3 4 5	NOTES
5	H9-1200-01	BRAKE AIR SYSTEM From K-0185			
25	H9-1202-00	TUBES PLASTIC / AIR D.O.T. From K-0185			
35	H9-1203-01	AIR TANK - INSTALLATION From K-0185			
37	H9-1204-00	PARKING BRAKE OVERRULE - INSTALLATION From K-0185 To P-1452			
37	H9-1204-01	PARKING BRAKE OVERRULE - INSTALLATION From R-1453			
40	H9-1205-11	AIR COMPRESSOR - "WABCO" 636CC - WITH VOLVO D13 From K-0185			
41	H9-1206-00	FRONT AIR SUPPLY FOR TOWING From L-1092			
43	H9-1206-10	AIR LINE / FIRST BAGGAGE COMPARTMENT From K-0185			
45	H9-1215-03	AIR DRYER - "WABCO" / SUB FRAME INSTALLATION From K-0185			
45	H9-1215-05	AIR DRYER - "WABCO" / BAGGAGE COMPARTMENT INSTALLATION From K-0185			
45	H9-1215-10	AIR DRYER TUBE - INSTALLATION From K-0185			
55	H9-1220-00	MISCELLANEOUS AIR VALVE From K-0185			
60	H9-1220-11	BRAKE PEDAL VALVE - "BENDIX" E-8P From K-0185 To P-1452			
60	H9-1220-12	BRAKE PEDAL VALVE - "BENDIX" E-8P From R-1453		1	
70	H9-1220-51	TRAILER VALVE INSTALLATION From K-0185			
75	H9-1225-02	BRAKE PARTS - FRONT & TAG AXLE "KNORR-BREMSE" SN7 SERIES W/N2G ADJUSTER From K-0185			R
75	H9-1225-21	BRAKE PARTS - FRONT INDEPENDENT "KNORR-BREMSE" SN7 SERIES W/N2G ADJUSTER From K-0185			A
80	H9-1225-10	BRAKE CHAMBER - FRONT AXLE TYPE 24 From K-0185			
85	H9-1235-02	BRAKE PARTS - DRIVE AXLE "KNORR-BREMSE" SN7 SERIES W/N2G ADJUSTER From K-0185			
85	H9-1235-10	BRAKE CHAMBER - DRIVE AXLE TYPE 24/24 From K-0185			
90	H9-1245-11	BRAKE CHAMBER - TAG AXLE TYPE 20 From K-0185			
95	H9-1250-01	ABS & ESP CONTROL From K-0185			
100	H9-1250-11	ABS/ESP BRAKE VALVE - INSTALLATION From K-0185			
		A) WITH INDEPENANTE SUSPENSION			
		R) WITH "I" BEAM SUSPENSION			

From K-0185

Date:07/2024

PAGE:H9-1202-00

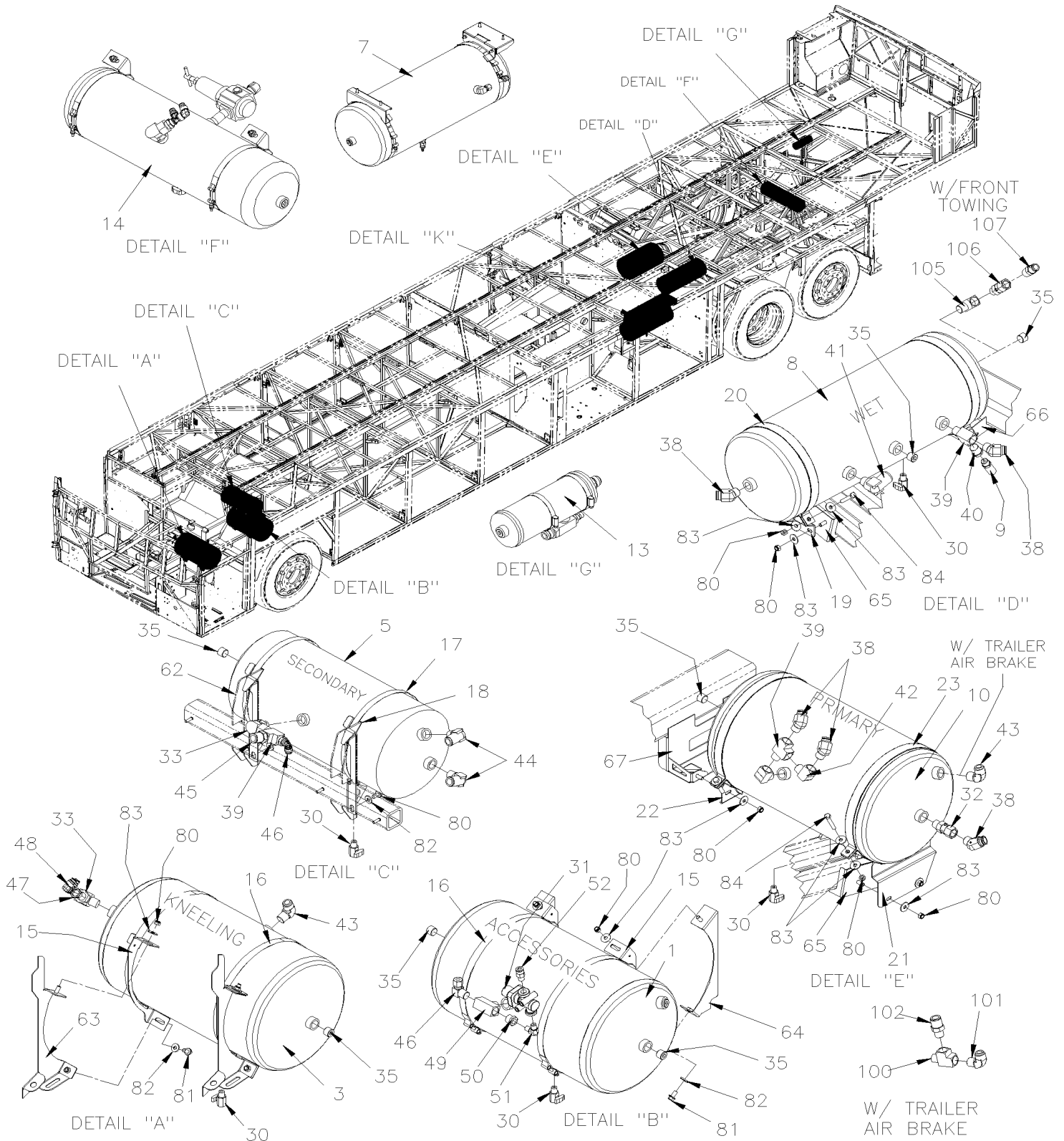
TUBES PLASTIC / AIR D.O.T.

ILLUSTRATION NOT
AVAILABLE AT TIME OF
PRINTING

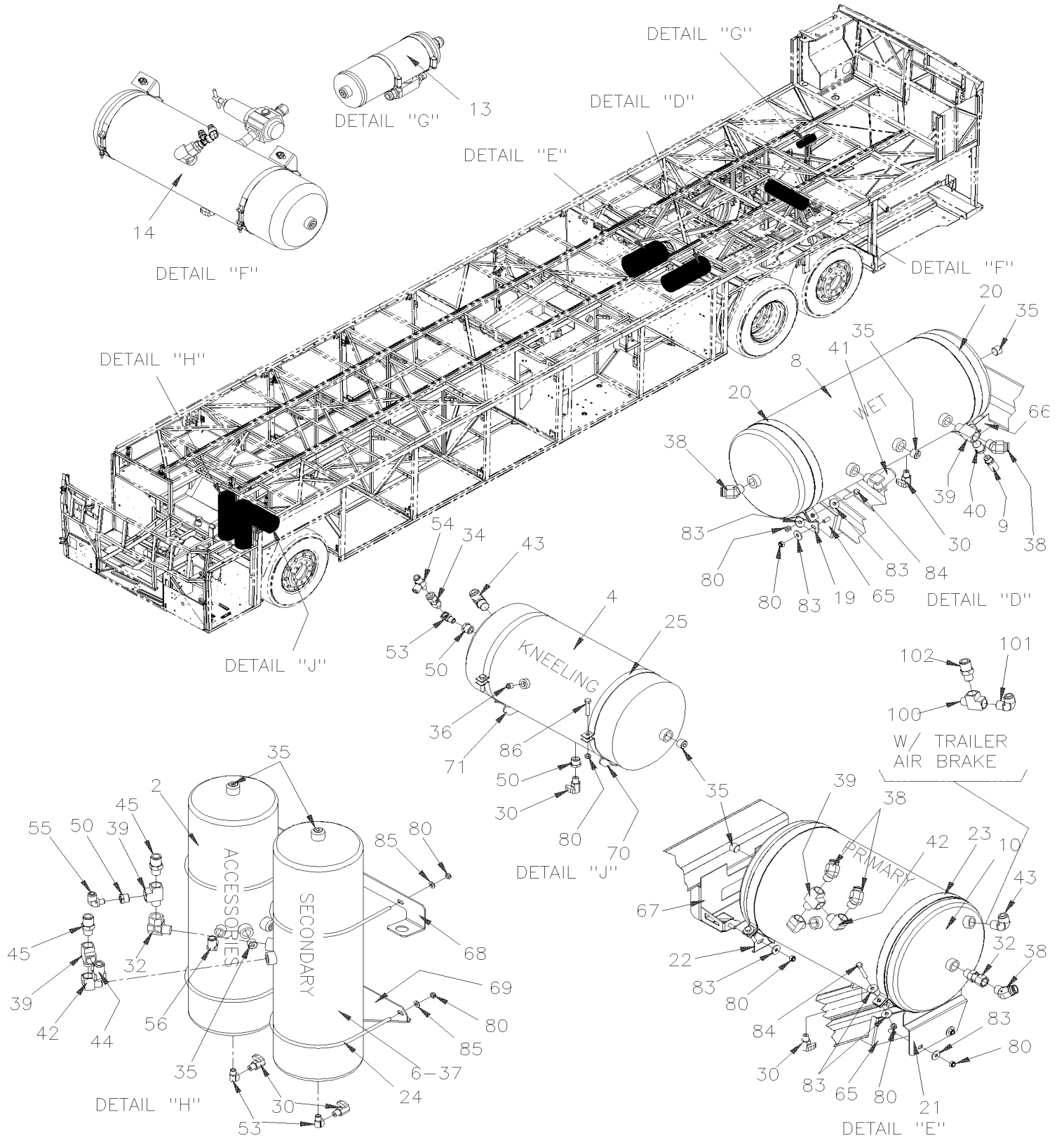
From K-0185	Date:07/2024	PAGE:H9-1202-00
TUBES PLASTIC / AIR D.O.T.		

Item#	Part	Description	H 3 4 1	H 3 4 5	N O T E S
		ADAPTER, 90HT, MALE (PUSH IN TUBE FITTINGS)			
	503747	TUBE, NYLON 6MM O.D. / BLACK S.L.			
	503529	TUBE, NYLON 8MM O.D. / BLACK S.L.			
	503563	TUBE, NYLON 6MM O.D. / WHITE S.L.			
	503566	TUBE, NYLON 1/4 O.D. / BLUE S.L.			
	503471	TUBE, NYLON 3/8 O.D. / BLUE S.L.			
	503517	TUBE, NYLON 1/2 O.D. / BLUE S.L.			
	503536	TUBE, NYLON 1/8 O.D. / BLACK S.L.			
	503402	TUBE, NYLON 1/4 O.D. / BLACK S.L.			
	503404	TUBE, NYLON 3/8 O.D. / BLACK S.L.			
	503488	TUBE, NYLON 1/2 O.D. / BLACK S.L./			
	503540	TUBE, NYLON 5/8 O.D. / BLACK S.L.			
	503541	TUBE, NYLON 3/4" O.D. / BLACK S.L			
	503548	TUBE, NYLON 1/4 O.D. / YELLOW S.L.			
	503470	TUBE, NYLON 3/8 O.D. / YELLOW S.L.			
	503533	TUBE, NYLON 1/2 O.D. / YELLOW S.L.			
NS	19514092	TUBE, NYLON 1/2 O.D. / YELLOW / 100FT ROLL			
	503466	TUBE, NYLON 1/4 O.D. / RED S.L.			
	503467	TUBE, NYLON 3/8 O.D. / RED S.L.			
	503468	TUBE, NYLON 1/2 O.D. / RED S.L.			
	503469	TUBE, NYLON 5/8 O.D. / RED S.L.			
	503464	TUBE, NYLON 1/4 O.D. / GREEN S.L.			
	503463	TUBE, NYLON 3/8 O.D. / GREEN S.L.			
	503406	TUBE, NYLON 1/2 O.D. / GREEN S.L.			
	503408	TUBE, NYLON 5/8 O.D. / GREEN S.L.			
	503465	TUBE, NYLON 3/4 O.D. / GREEN S.L.			
	503472	TUBE, NYLON 3/8 O.D. / GREY S.L.			
	503822	TUBE, NYLON 1/4 O.D. / BROWN S.L.			
	503639	TUBE, NYLON 3/8 O.D. / BROWN S.L.			
	503638	TUBE, NYLON 1/2 O.D. / BROWN S.L.			
NS	683355	TOOL PLASTIC TUBE CUTTER / PLASTIC			
NS	681625	TOOL PLASTIC TUBE CUTTER / METAL			

AIR TANK - INSTALLATION



From K-0185	Date:07/2024	PAGE:H9-1203-01
AIR TANK - INSTALLATION		



From K-0185		Date:07/2024	PAGE:H9-1203-01
--------------------	--	---------------------	------------------------

AIR TANK - INSTALLATION

Item#	Part	Description	H 3 4 1	H 3 4 5	N O T E S
		ACCESSORIES AIR TANK			
1	641411	AIR TANK / 2370 IN° / 12" O.D. X 24"	1	1	R
2	141834	AIR TANK / 1303 IN° / 8" O.D. X 27"1/2	1	1	I
		KNEELING AIR TANK			
3	641411	AIR TANK / 2370 IN° / 12" O.D. X 24"	1	1	R
4	641583	AIR TANK / 1508 IN° / 9" 1/2 O.D. X 24"	1	1	I
		SECONDARY AIR TANK			
5	641583	AIR TANK / 1508 IN° / 9" 1/2 O.D. X 24"	1	1	
6	141834	AIR TANK / 1303 IN° / 8" O.D. X 27"1/2	1	1	
		PARKING BRAKE OVERRULE AIR TANK			
7	H9-1204-00	PARKING BRAKE OVERRULE - INSTALLATION To P-1452	1	1	O
		WET AIR TANK			
8	642000	AIR TANK / 1791 IN° / 9 1/2" O.D. X 27"	1	1	
9	642210	SAFETY VALVE 153 PSI X 1/4 NPT OEM	1	1	
9	19511125	SAFETY VALVE 153 PSI X 1/4 NPT AFTER-MARKET	1	1	
		PRIMARY AIR TANK			
10	641411	AIR TANK / 2370 IN° / 12" O.D. X 24"	1	1	
		PING AIR TANK			
13	H9-1215-10	AIR DRYER TUBE - INSTALLATION			
		"I-SHIFT TRANSMISSION AIR TANK			
14	H9-0700-01	TRANSMISSION "VOLVO I-SHIFT" - INSTALLATION To P-1452			T
15	145222	SUPPORT / AIR TANK	2	2	
16	504046	T-BOLT BAND CLAMP/ 12.05"-12.44" ID	4	4	
17	504775	T-BOLT BAND CLAMP/ 9.69" ID	2	2	
18	145252	BRACKET, SECONDARY AIR TANK	2	2	
19	145007	SUPPORT / WET AIR TANK / FORWAD	1	1	

From K-0185		Date:07/2024	PAGE:H9-1203-01
AIR TANK - INSTALLATION			

Item#	Part	Description	H 3 4 1	H 3 4 5	N O T E S
20	145051	BAND CLAMPS 245MM I.D.	2	2	
21	145026	SUPPORT PRIMARY TANK REAR	1	1	
22	145025	SUPPORT PRIMARY TANK FRONT	1	1	
23	145067	COLLAR PRIMARY TANK	2	2	
24	141835	ROD / TO USE W/8" O.D. TANK / "U" SHAPE	4	4	
25	131610	STRAP / TO USE W/9"1/2 O.D. TANK / "O" SHAPE To L-0876	2	2	
25	504775	T-BOLT BAND CLAMP/ 9.69" ID From L-0877	2	2	
30	641043	DRAIN VALVE 1/4 NPT M	AR	AR	
31	641137	VALVE, PRESSURE PROTECTION TYPE PR-4 70PSI	1	1	
32	640123	VALVE, CHECK 1/2 NPT SC-1	AR	AR	
. NS	641401	. VALVE, CHECK 1/2 NPT SC-1	1	1	
33	641172	VALVE, CHECK ELBOW 90° 1/2 NPT To K-0230	AR	AR	
33	640123	VALVE, CHECK 1/2 NPT SC-1 From K-0231	AR	AR	
. NS	641401	. VALVE, CHECK 1/2 NPT SC-1 From K-0231	1	1	
NS	507557	STREET ELBOW 90° / PIPE FITTING / 1/2NPT-Mx1/2NPT-F BR From K-0231	AR	AR	
34	640135	VALVE, CHECK 1/4 NPT	AR	AR	
35	501966	PLUG HEXS / PIPE FITTING / 1/2NPT-M STL	AR	AR	
36	501800	PLUG HEXS / PIPE FITTING / 1/4NPT-M STL	AR	AR	
37	501449	PLUG HEXS / PIPE FITTING / 3/8NPT-M STL	AR	AR	
38	642069	MALE ELBOW 45° NON-SWIVEL / PUSH-IN FITTING / #10x1/2NPT-M BR	AR	AR	
39	501473	MALE RUN TEE / PIPE FITTING / 1/2NPT-Mx1/2NPT-Fx1/2NPT-F BR	AR	AR	
40	501316	BUSHING REDUCER / PIPE FITTING / 1/2NPT-Mx1/4NPT-F BR	AR	AR	
41	641410	MALE ELBOW 90° NON-SWIVEL / PUSH-IN FITTING / #12x1/2NPT-M BR	AR	AR	
42	507557	STREET ELBOW 90° / PIPE FITTING / 1/2NPT-Mx1/2NPT-F BR	AR	AR	
43	641378	MALE ELBOW 90° / PUSH-IN FITTING / #8x1/2NPT-M BRASS	AR	AR	
44	641379	MALE ELBOW 90° NON-SWIVEL / PUSH-IN FITTING / #10x1/2NPT-M BR	AR	AR	
45	640994	MALE CONNECTOR / NTA FITTING / #10x1/2NPT-M BR	AR	AR	
46	641175	MALE ELBOW 90° / NTA FITTING / #6x1/2NPT-M BR	AR	AR	
47	501534	BUSHING REDUCER / PIPE FITTING / 1/2NPT-Mx3/8NPT-F BR	AR	AR	
48	642128	MALE ELBOW 90° SWIVEL DUAL PORT / PUSH-IN / #6x#6x3/8NPT-M BR	AR	AR	
49	507556	MALE BRANCHE TEE / PIPE FITTING / 1/2NPT-Fx1/2NPT-Fx1/2NPT-M BR	AR	AR	
50	501316	BUSHING REDUCER / PIPE FITTING / 1/2NPT-Mx1/4NPT-F BR	AR	AR	
51	641999	MALE ELBOW 90° / PIPE FITTING / 3/8NPT-Mx3/8NPT-M BR	AR	AR	
52	641331	MALE CONNECTOR / PUSH-IN FITTING / #6x1/4NPT-M BR	AR	AR	
53	501332	STREET ELBOW 90° / PIPE FITTING / 1/4NPT-Mx1/4NPT-F BR	AR	AR	
54	641389	MALE RUN TEE SWIVEL / PUSH-IN FITTING / #6x#6x1/4NPT-M BR	AR	AR	
55	641372	MALE ELBOW 90° NON-SWIVEL / PUSH-IN FITTING / #6x1/4NPT-M BR	AR	AR	
56	641376	MALE ELBOW 90° NON-SWIVEL / PUSH-IN FITTING / #8x3/8NPT-M BR	AR	AR	
57	640994	MALE CONNECTOR / NTA FITTING / #10x1/2NPT-M BR	AR	AR	
58A	640995	MALE CONNECTOR / NTA FITTING / #12x1/2NPT-M BR	AR	AR	
58B	501528	STREET ELBOW 45° / PIPE FITTING / 1/2NPT-Mx1/2NPT-F BR	AR	AR	
59	641379	MALE ELBOW 90° NON-SWIVEL / PUSH-IN FITTING / #10x1/2NPT-M BR	AR	AR	

From K-0185		Date:07/2024	PAGE:H9-1203-01
AIR TANK - INSTALLATION			

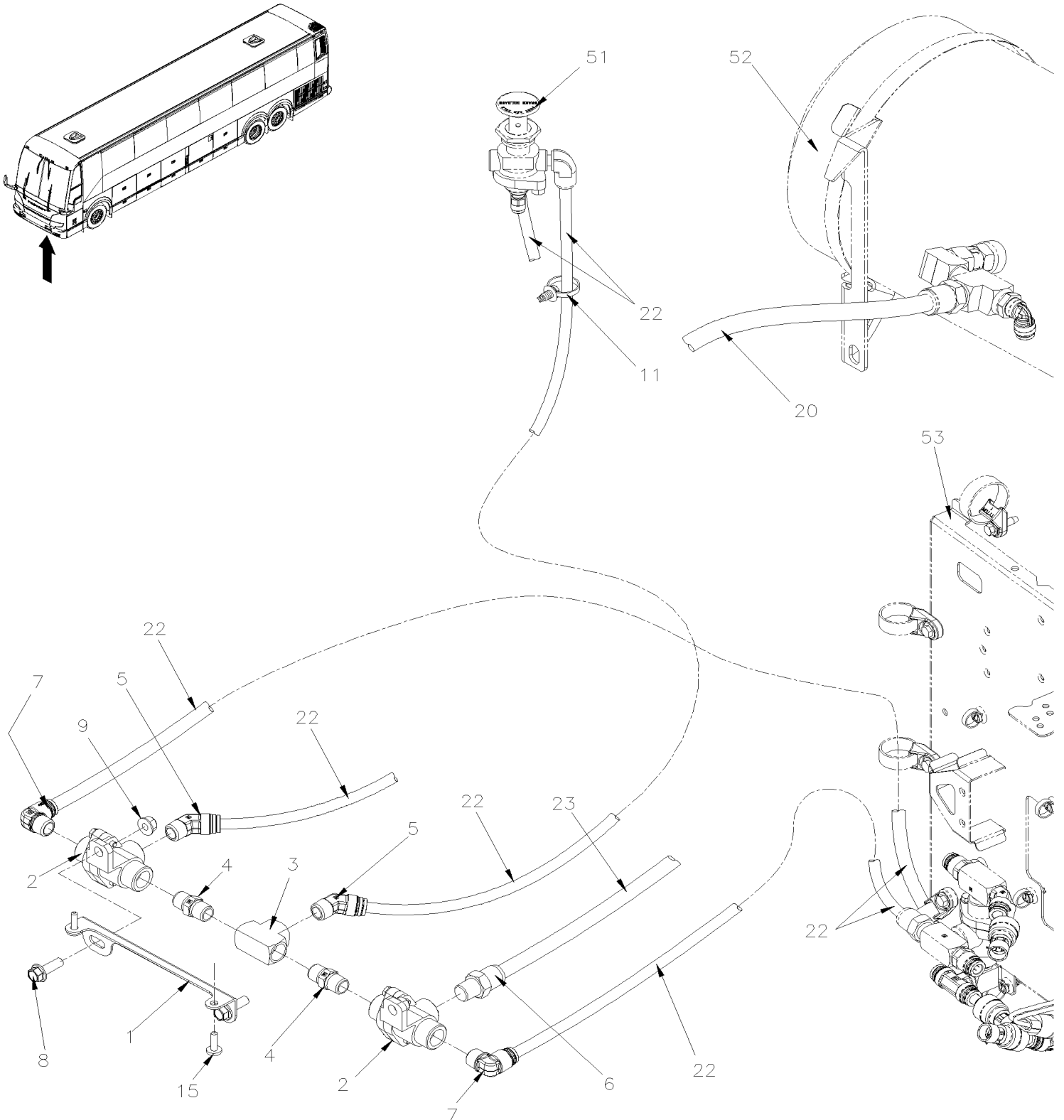
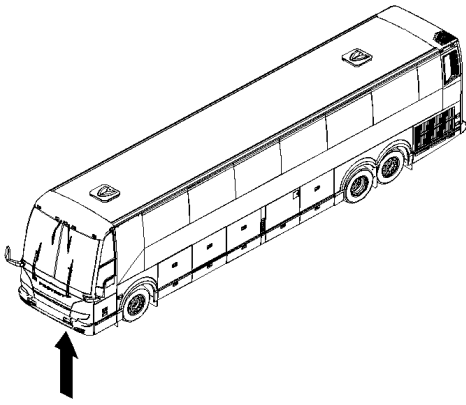
Item#	Part	Description	H 3 4 1	H 3 4 5	N O T E S
60	501333	STREET ELBOW 90° / PIPE FITTING / 3/8NPT-Mx3/8NPT-F BR	AR	AR	
61	501749	NIPPLE REDUCER HEX / PIPE FITTING / 3/8NPT-Mx1/4NPT-Mx1 13/32 BR	AR	AR	
NS	680098	THREAD SEALANT LOCTITE #567 / WHITE / 250ml	AR	AR	
62	175215	SUPPORT / SECONDARY AIR TANK / (WELDED TO FRAME)	2	2	
63	145221	SUPPORT / KNEELING AIR TANK / (WELDED TO FRAME)	2	2	R
64	145220	SUPPORT / ACCESSORIES AIR TANK / (WELDED TO FRAME)	2	2	R
65	175124	SUPPORT / AIR TANK / BACKWARD / (WELDED TO FRAME)	2	2	
66	175125	SUPPORT / WET AIR TANK / FORWAD / (WELDED TO FRAME)	1	1	
67	175147	SUPPORT / PRIMARY AIR TANK / FOWARD / (WELDED TO FRAME)	1	1	
68	172704	SUPPORT AIR TANK / LOWER	1	1	
69	173724	SUPPORT AIR TANK / UPPER	1	1	
70	131747	SUPPORT L.H. "KNEELING" TANK	1	1	
71	131748	SUPPORT R.H. "KNEELING" TANK	1	1	
72	171974	SUPPORT / (WELDED TO FRAME)	2	2	
73	175073	SUPPORT / AIR TANK (WELDED AT STRUCTURE)	2	2	
74	173506	SUPPORT / AIR TANK W/6" TANK	2	2	
80	502847	NUT HEX NYRT M8-1.25 N500	AR	AR	
81	5001780	SCREW CAP HEXF M8-1.25x16 G8.8 N500	AR	AR	
82	500321	WASHER BEL SPR .331x.827x.098 N500	AR	AR	
83	500381	WASHER FL 8.4x25.0x2.0 N500	AR	AR	
84	502927	SCREW CAP HEX M8-1.25x50 G8.8 N500	AR	AR	
85	500874	WASHER FL 8.4x17.0x1.6 Z050	AR	AR	
86	5001319	SCREW CAP HEX M8-1.25x40 SS	AR	AR	
87	5001643	SCREW CAP HEXF M8-1.25x25 G8.8 G500	AR	AR	
100	501473	MALE RUN TEE / PIPE FITTING / 1/2NPT-Mx1/2NPT-Fx1/2NPT-F BR	1	1	
101	641378	MALE ELBOW 90° / PUSH-IN FITTING / #8x1/2NPT-M BRASS	1	1	
102	641384	MALE CONNECTOR / PUSH-IN FITTING / #10x1/2NPT-M BR	1	1	
105	507557	STREET ELBOW 90° / PIPE FITTING / 1/2NPT-Mx1/2NPT-F BR	1	1	B
106	640123	VALVE, CHECK 1/2 NPT SC-1	1	1	B
NS	641401	VALVE, CHECK 1/2 NPT SC-1	1	1	B
107	640992	MALE CONNECTOR / NTA FITTING / #8x1/2NPT-M BR	1	1	B
		B) WITH FRONT AIR LINE TOWING			
		I) WITH INDEPENDANTE SUSPENSION			
		O) OPTION			
		R) WITH I-BEAM SUSPENSION			
		T) WITH "I-SHIFT" TRANSMISSION			

From K-0185 To P-1452

Date:07/2024

PAGE:H9-1204-00

PARKING BRAKE OVERRULE - INSTALLATION

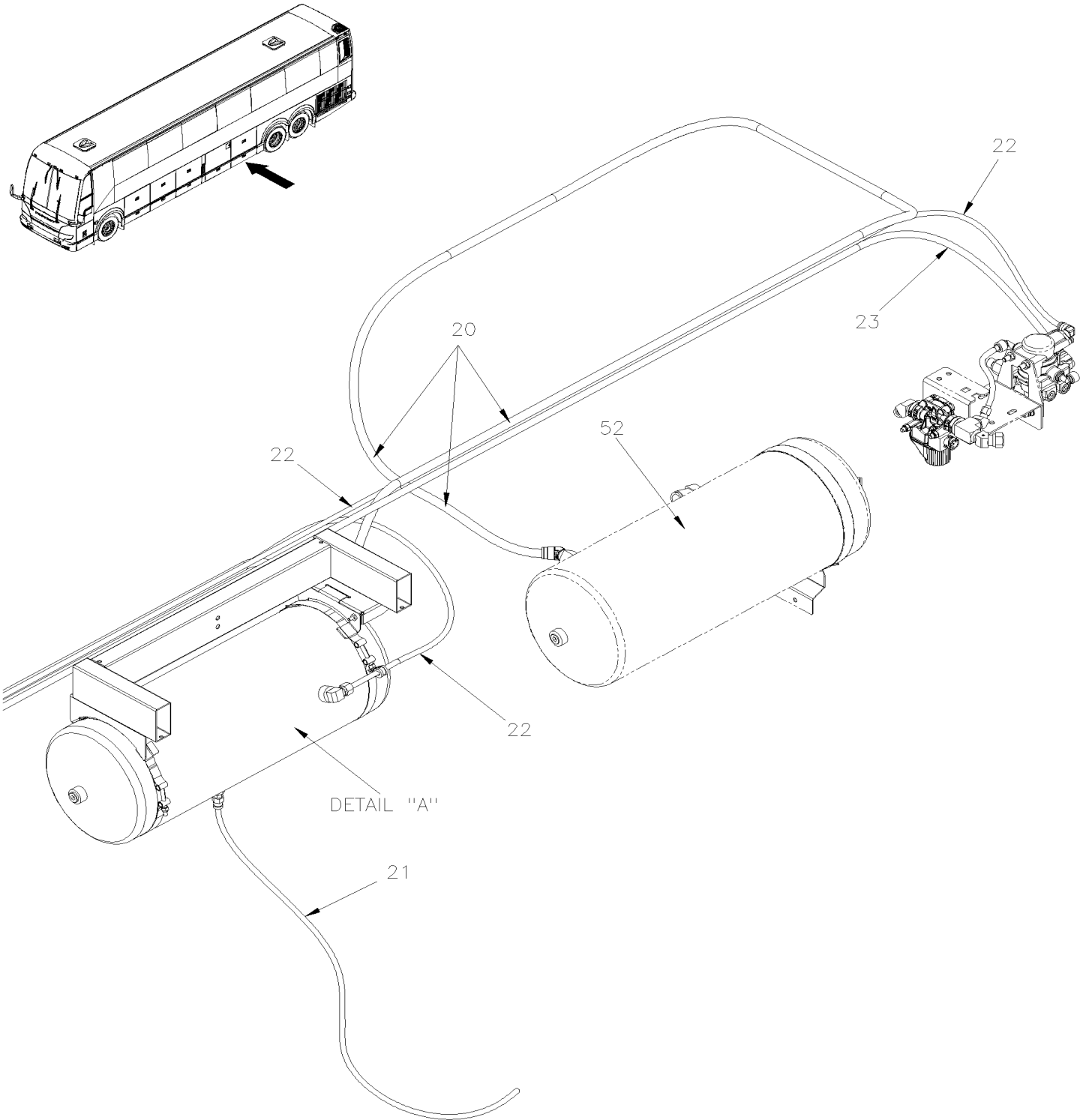


From K-0185 To P-1452

Date:07/2024

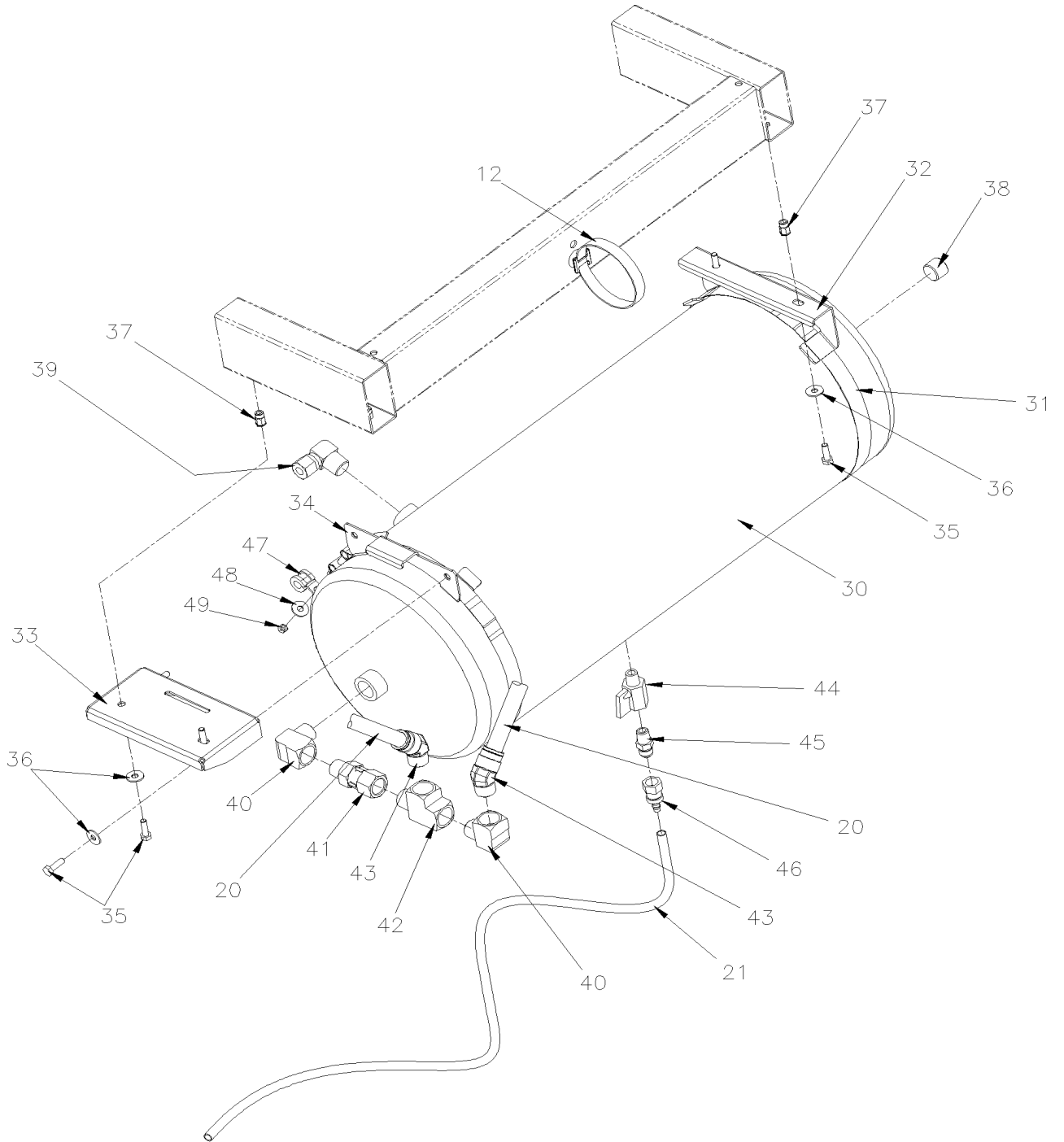
PAGE:H9-1204-00

PARKING BRAKE OVERRULE - INSTALLATION



PARKING BRAKE OVERRULE - INSTALLATION

DETAIL "A"



From K-0185 To P-1452	Date:07/2024	PAGE:H9-1204-00
PARKING BRAKE OVERRULE - INSTALLATION		

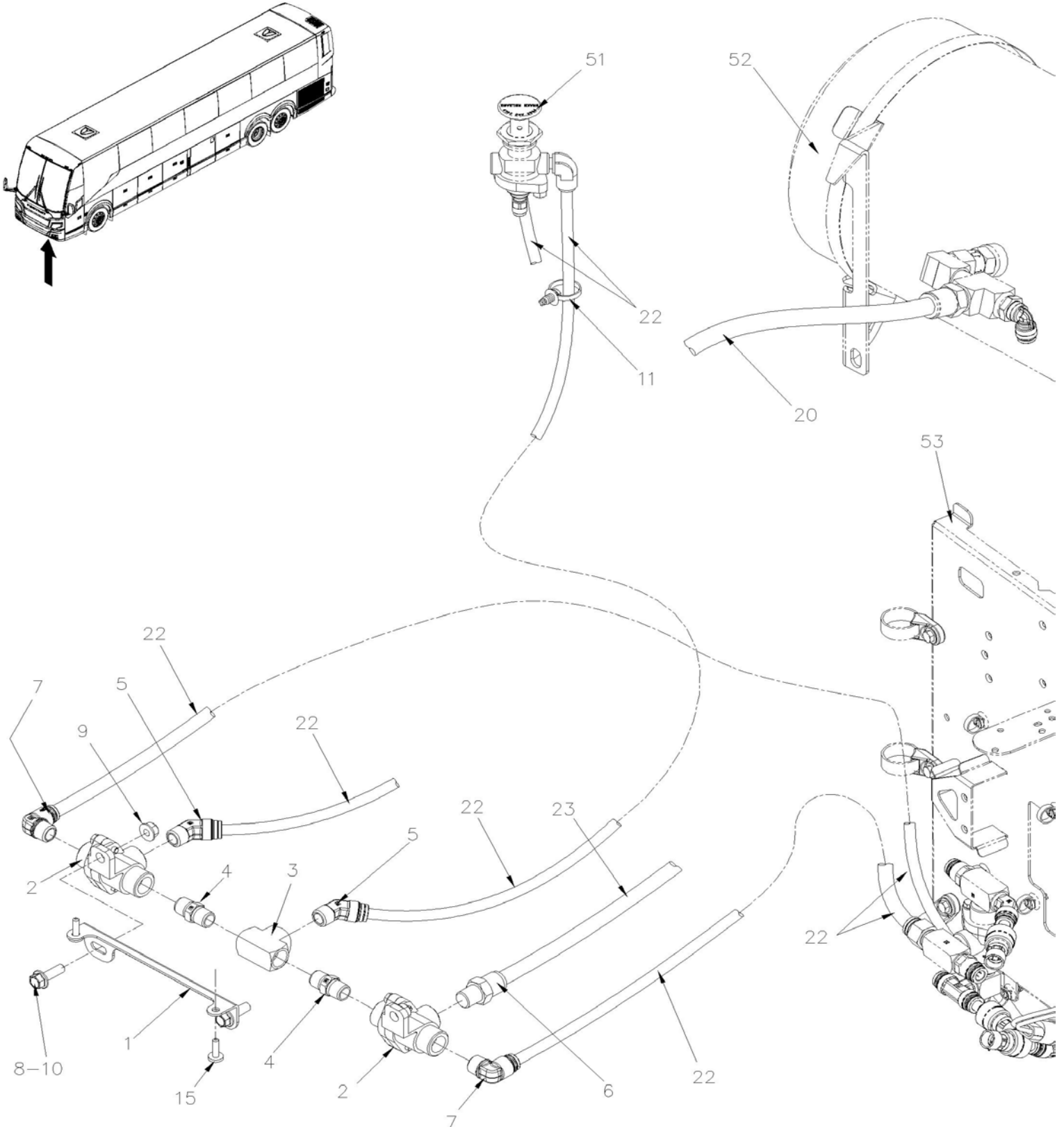
Item#	Part	Description	H 3 4 1	H 3 4 5	N O T E S
1	140813	SUPPORT / SELECTOR	1	1	
2	641564	VALVE, DOUBLE CHECK DC-4	2	2	
3	501527	FEMALE UNION TEE / PIPE FITTING / 3/8NPT-Fx3/8NPT-Fx3/8NPT-F BR	1	1	
4	501322	NIPPLE HEX / PIPE FITTING / 3/8NPT-Mx3/8NPT-Mx1 13/32 BR	2	2	
5	641367	MALE ELBOW 45° NON-SWIVEL / PUSH-IN FITTING / #6x3/8NPT-M BR	2	2	
6	641381	MALE CONNECTOR / PUSH-IN FITTING / #8x3/8NPT-M BR	1	1	
7	641375	MALE ELBOW 90° NON-SWIVEL / PUSH-IN FITTING / #6x3/8NPT-M BR	2	2	
8	5001643	SCREW CAP HEXF M8-1.25x25 G8.8 G500	2	2	
9	502837	NUT HEXF STO M8-1.25 N500	2	2	
11	509815	TIE MOUNT / ATTACHMENT W/TREE MOUNT	AR	AR	
11	504637	CABLE TIE / 3/16" x 13"	AR	AR	
12	504750	CABLE TIE / 1/2" x 15" / CHRISTMAS TREE	1	1	
NS	680098	THREAD SEALANT LOCTITE #567 / WHITE / 250ml	AR	AR	
15	502526	SCREW TC BDG PH #12-24x3/4 Z050	2	2	
20	503408	TUBE, NYLON 5/8 O.D. / GREEN S.L.	AR	AR	
21	503619	TUBE, POLYURETHANE / 1/4" I.D.	AR	AR	
22	503639	TUBE, NYLON 3/8 O.D. / BROWN S.L.	AR	AR	
23	503638	TUBE, NYLON 1/2 O.D. / BROWN S.L.	AR	AR	
25	504637	CABLE TIE / 3/16" x 13"	AR	AR	
26	503748	HOSE PROTECTOR / YELLOW / .838 I.D.	AR	AR	
30	140869	AIR TANK / 1791 IN° / 9 1/2" O.D. X 27"	1	1	
31	504775	T-BOLT BAND CLAMP/ 9.69" ID	2	2	
32	140923	SUPPORT / PARKING BRAKE OVERRULE AIR TANK / FOWARD	1	1	
33	140921	SUPPORT / PARKING BRAKE OVERRULE AIR TANK / BACKWARD	1	1	
34	140922	SUPPORT STRAP / PARKING BRAKE OVERRULE AIR TANK / BACKWARD	1	1	
35	502830	SCREW CAP HEX M6-1.0x20 G8.8 N500	6	6	
36	5001833	WASHER BEL SPR 6.1x18x1.27 SS	6	6	
37	5001344	NUT INS FL HEX M6-1.0 0.5-3.0 SS	4	4	
38	501966	PLUG HEXS / PIPE FITTING / 1/2NPT-M STL	1	1	
39	641175	MALE ELBOW 90° / NTA FITTING / #6x1/2NPT-M BR	1	1	
40	507557	STREET ELBOW 90° / PIPE FITTING / 1/2NPT-Mx1/2NPT-F BR	2	2	
41	640123	VALVE, CHECK 1/2 NPT SC-1	1	1	
. NS	641401	. VALVE, CHECK 1/2 NPT SC-1	1	1	
42	501473	MALE RUN TEE / PIPE FITTING / 1/2NPT-Mx1/2NPT-Fx1/2NPT-F BR	1	1	
43	642069	MALE ELBOW 45° NON-SWIVEL / PUSH-IN FITTING / #10x1/2NPT-M BR	2	2	
44	641936	BALL VALVE 1/4 NPT M x 1/4 NPT F	1	1	
45	501687	MALE CONNECTOR / JIC 37° FITTING / #6JIC-Mx1/4NPT-M STL	1	1	
46	5011235	FEMALE CONNECTOR SWIVEL / PUSH-LOK FITTING #6JIC-Fx#4 BR	1	1	
47	952625	CLAMP / 3/8" I.D.	1	1	
48	502816	NUT HEX M5-0.8 N500	1	1	

From K-0185 To P-1452	Date:07/2024	PAGE:H9-1204-00
-----------------------	--------------	-----------------

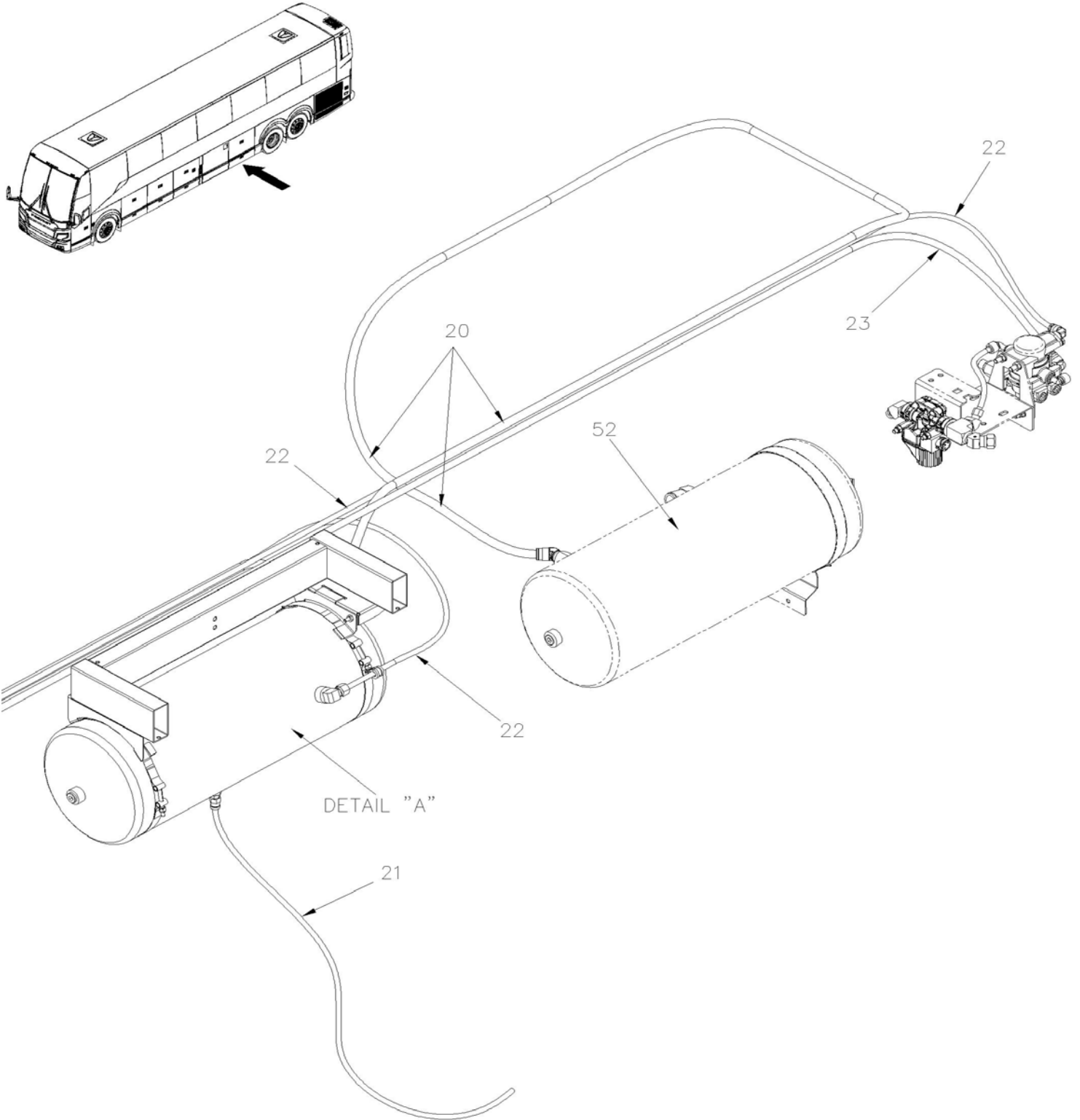
PARKING BRAKE OVERRULE - INSTALLATION

Item#	Part	Description	H 3 4 1	H 3 4 5	N O T E S
49	5001833	WASHER BEL SPR 6.1x18x1.27 SS	1	1	
51	H9-1806-10	L.H. CONSOLE - BUS			
52	H9-1203-01	AIR TANK - INSTALLATION			
53	H9-1630-02	FRONT KNEELING - CONTROL PANEL			

	Date:07/2024	PAGE:H9-1204-01
PARKING BRAKE OVERRULE - INSTALLATION		

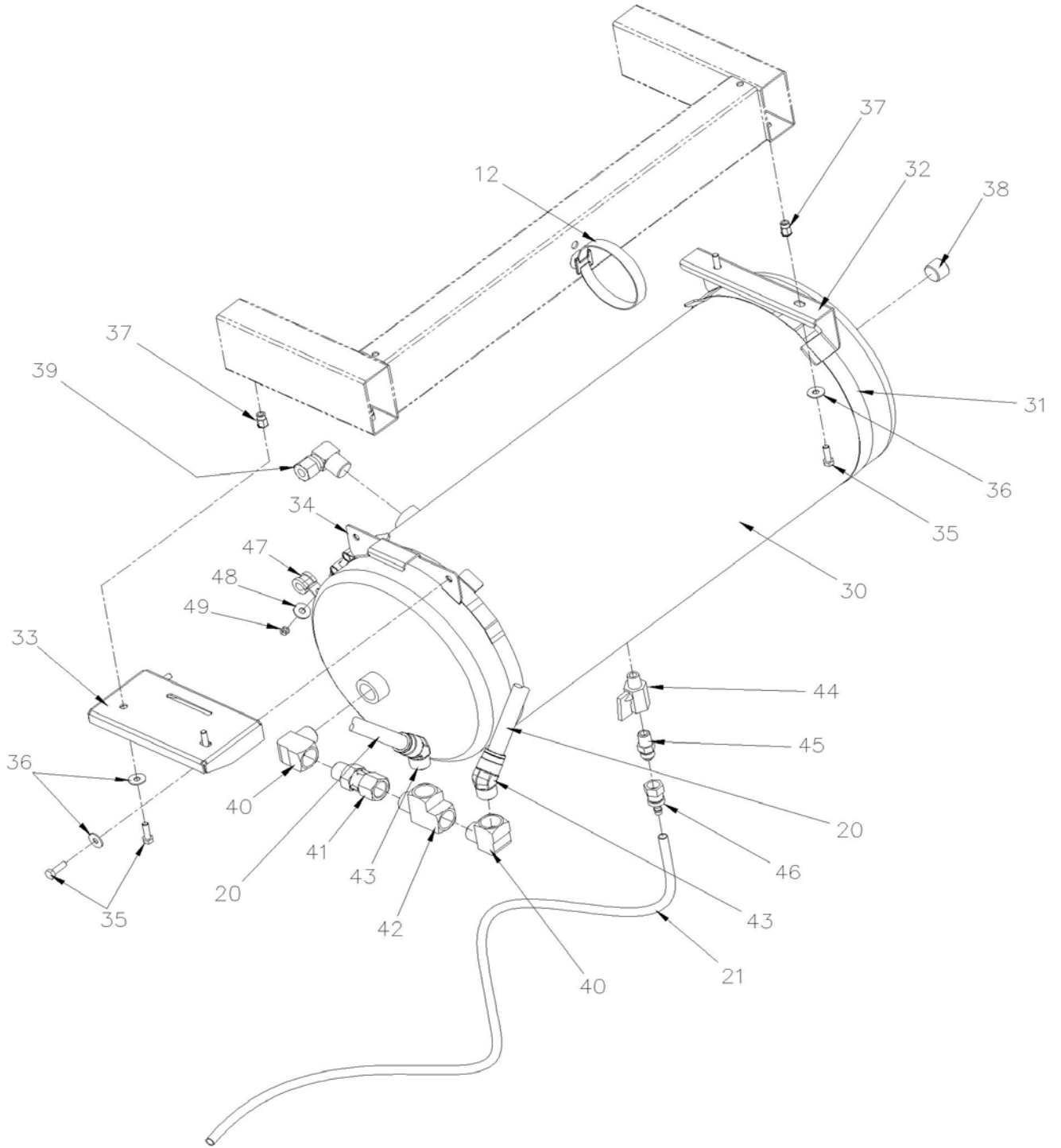


	Date:07/2024	PAGE:H9-1204-01
PARKING BRAKE OVERRULE - INSTALLATION		



	Date:07/2024	PAGE:H9-1204-01
PARKING BRAKE OVERRULE - INSTALLATION		

DETAIL "A"



PARKING BRAKE OVERRULE - INSTALLATION

Item#	Part	Description	H 3 4 1	H 3 4 5	NOTES
1	140813	SUPPORT / SELECTOR		1	
2	641564	VALVE, DOUBLE CHECK DC-4		2	
3	501527	FEMALE UNION TEE / PIPE FITTING / 3/8NPT-Fx3/8NPT-Fx3/8NPT-F BR		1	
4	501322	NIPPLE HEX / PIPE FITTING / 3/8NPT-Mx3/8NPT-Mx1 13/32 BR		2	
5	641367	MALE ELBOW 45° NON-SWIVEL / PUSH-IN FITTING / #6x3/8NPT-M BR		2	
6	641381	MALE CONNECTOR / PUSH-IN FITTING / #8x3/8NPT-M BR		1	
7	641375	MALE ELBOW 90° NON-SWIVEL / PUSH-IN FITTING / #6x3/8NPT-M BR		2	
8	5001643	SCREW CAP HEXF M8-1.25x25 G8.8 G500		2	
9	502837	NUT HEXF STO M8-1.25 N500		2	
11	509815	TIE MOUNT / ATTACHMENT W/TREE MOUNT		AR	
11	504637	CABLE TIE / 3/16" x 13"		AR	
12	504750	CABLE TIE / 1/2" x 15" / CHRISTMAS TREE		1	
NS	680098	THREAD SEALANT LOCTITE #567 / WHITE / 250ml		AR	
15	502526	SCREW TC BDG PH #12-24x3/4 Z050		2	
20	503408	TUBE, NYLON 5/8 O.D. / GREEN S.L.		AR	
21	503619	TUBE, POLYURETHANE / 1/4" I.D.		AR	
22	503639	TUBE, NYLON 3/8 O.D. / BROWN S.L.		AR	
23	503638	TUBE, NYLON 1/2 O.D. / BROWN S.L.		AR	
25	504637	CABLE TIE / 3/16" x 13"		AR	
26	503748	HOSE PROTECTOR / YELLOW / .838 I.D.		AR	
30	140869	AIR TANK / 1791 IN° / 9 1/2" O.D. X 27"		1	
31	504775	T-BOLT BAND CLAMP/ 9.69" ID		2	
32	140923	SUPPORT / PARKING BRAKE OVERRULE AIR TANK / FOWARD		1	
33	140921	SUPPORT / PARKING BRAKE OVERRULE AIR TANK / BACKWARD		1	
34	140922	SUPPORT STRAP / PARKING BRAKE OVERRULE AIR TANK / BACKWARD		1	
35	502830	SCREW CAP HEX M6-1.0x20 G8.8 N500		6	
36	5001833	WASHER BEL SPR 6.1x18x1.27 SS		6	
37	5001344	NUT INS FL HEX M6-1.0 0.5-3.0 SS		4	
38	501966	PLUG HEXS / PIPE FITTING / 1/2NPT-M STL		1	
39	641175	MALE ELBOW 90° / NTA FITTING / #6x1/2NPT-M BR		1	
40	507557	STREET ELBOW 90° / PIPE FITTING / 1/2NPT-Mx1/2NPT-F BR		2	
41	640123	VALVE, CHECK 1/2 NPT SC-1		1	
NS	641401	VALVE, CHECK 1/2 NPT SC-1		1	
42	501473	MALE RUN TEE / PIPE FITTING / 1/2NPT-Mx1/2NPT-Fx1/2NPT-F BR		1	
43	642069	MALE ELBOW 45° NON-SWIVEL / PUSH-IN FITTING / #10x1/2NPT-M BR		2	
44	641936	BALL VALVE 1/4 NPT M x 1/4 NPT F		1	
45	501687	MALE CONNECTOR / JIC 37° FITTING / #6JIC-Mx1/4NPT-M STL		1	
46	5011235	FEMALE CONNECTOR SWIVEL / PUSH-LOK FITTING #6JIC-Fx#4 BR		1	
47	952625	CLAMP / 3/8" I.D.		1	
48	502816	NUT HEX M5-0.8 N500		1	

	Date:07/2024	PAGE:H9-1204-01
--	--------------	-----------------

PARKING BRAKE OVERRULE - INSTALLATION

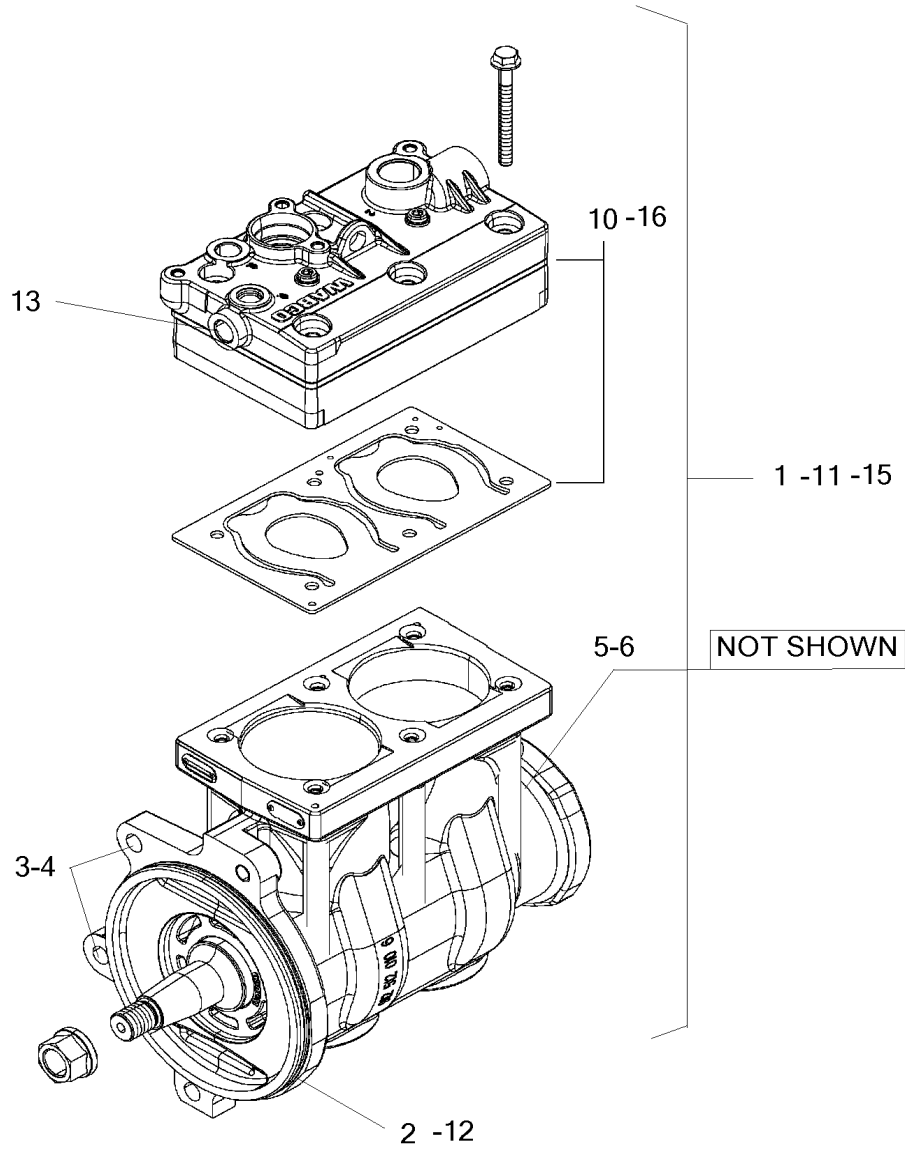
Item#	Part	Description	H 3 4 1	H 3 4 5	N O T E S
49	5001833	WASHER BEL SPR 6.1x18x1.27 SS		1	
51	H9-1806-11	L.H. CONSOLE - BUS			
52	H9-1203-01	AIR TANK - INSTALLATION			
53	H9-1630-03	FRONT KNEELING - CONTROL PANEL			

From K-0185

Date:07/2024

PAGE:H9-1205-11

AIR COMPRESSOR - "WABCO" 636CC - WITH VOLVO D13



From K-0185	Date:07/2024	PAGE:H9-1205-11
AIR COMPRESSOR - "WABCO" 636CC - WITH VOLVO D13		

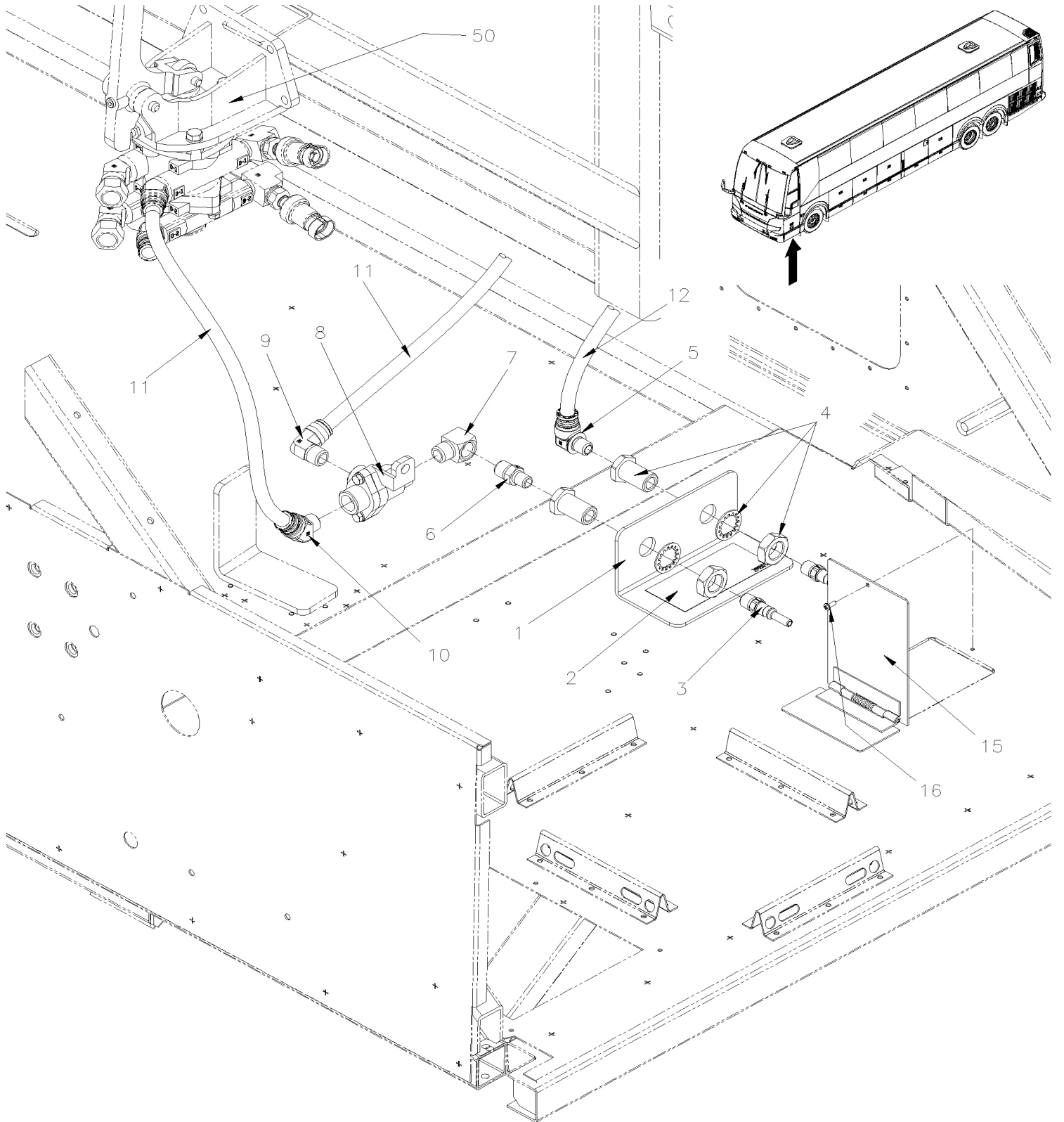
Item#	Part	Description	H 3 4 1	H 3 4 5	N O T E S
1	Refer To Volvo	AIR COMPRESSOR 636CC ASSY	1	1	V
2	Refer To Volvo	O-RING 164.3	1	1	V
3	Refer To Volvo	STUD TO FIX COMPRESSOR M12x65x43	2	2	V
4	Refer To Volvo	FLANGE NUT M12x19.8	3	3	V
5	Refer To Volvo	NIPPLE (OIL HOSE)	2	2	V
6	Refer To Volvo	HOSE ASSEMBLY M12-1.5x340MM	1	1	V
10	Refer To Volvo	KIT COMPRESSOR EXCHANGE WABCO	1	1	V
11	Refer To Volvo	. AIR COMPRESSOR 636CC ASSY / EXCHANGE	1	1	V
12	Refer To Volvo	. O-RING 164.3	1	1	V
13	Refer To Volvo	. O-RING	1	1	V
NS	Refer To Volvo	. HOSE CLAMP	1	1	V
15	Refer To Volvo	. COMPRESSOR WABCO	1	1	V
16	Refer To Volvo	. KIT REPAIR WABCO	1	1	V
		V) SEE IMPACT OR CALL ORDER DESK			

From L-1092

Date:07/2024

PAGE:H9-1206-00

FRONT AIR SUPPLY FOR TOWING



From L-1092		Date:07/2024	PAGE:H9-1206-00
FRONT AIR SUPPLY FOR TOWING			

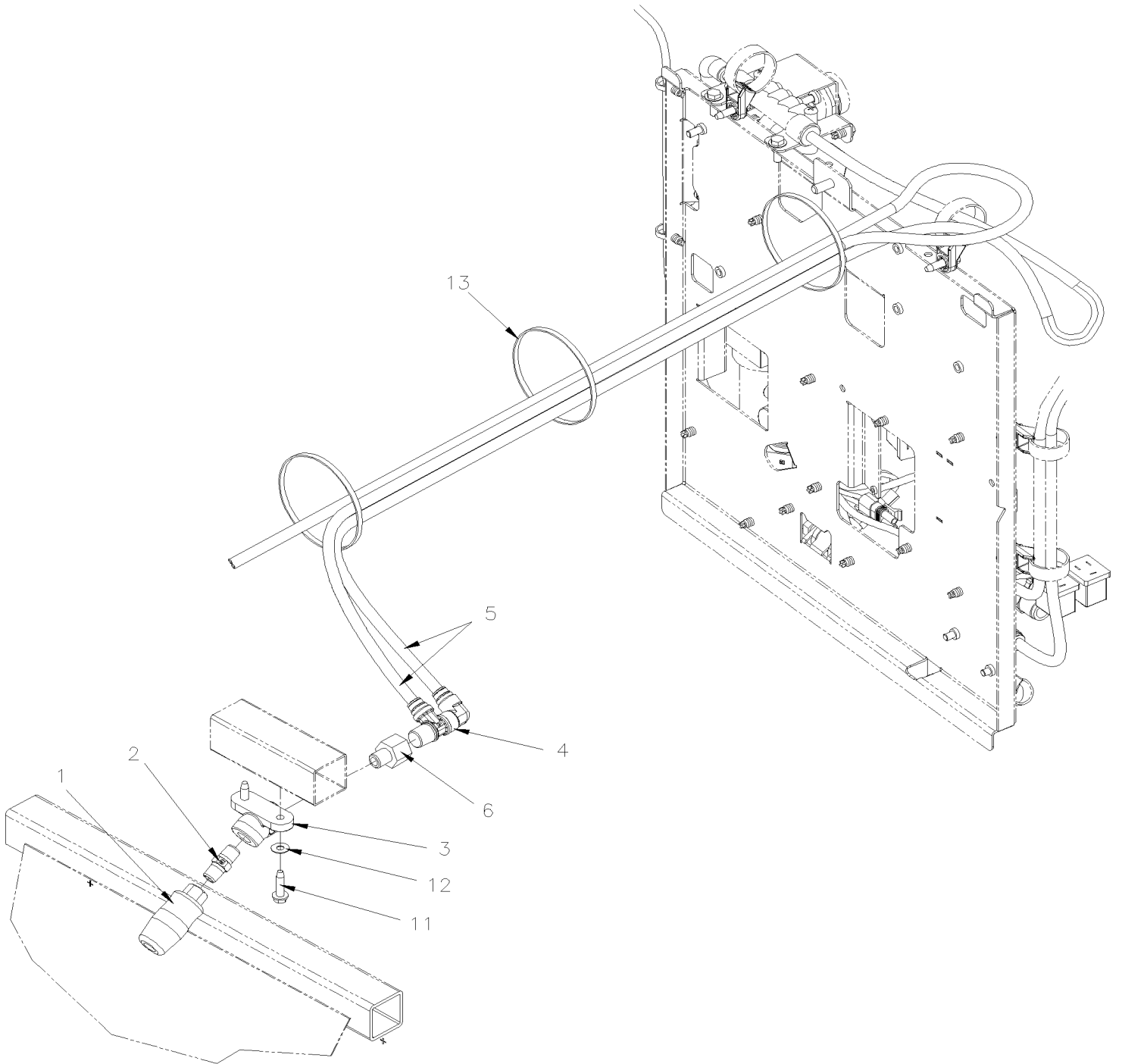
Item#	Part	Description	H 3 4 1	H 3 4 5	N O T E S
1	140293	SUPPORT FOR QUICK COUPLING WELDED	1	1	
2	144979	DECAL, AIR LINE	1	1	
3	5011341	NIPPLE / QUICK DISCONNECT "LINCOLN" / #4x1/4NPT-M STL	2	2	
NS	507335	PROTECTOR CAP / BLACK / .234 I.D. x .500	2	2	
4	501711	BULKHEAD COUPLING / PIPE FITTING / 1/4NPT-Fx1/4NPT-Fx1 1/2 BR	2	2	
5	641373	MALE ELBOW 90° NON-SWIVEL / PUSH-IN FITTING / #8x1/4NPT-M BR	1	1	
6	501749	NIPPLE REDUCER HEX / PIPE FITTING / 3/8NPT-Mx1/4NPT-Mx1 13/32 BR	1	1	
7	501333	STREET ELBOW 90° / PIPE FITTING / 3/8NPT-Mx3/8NPT-F BR	1	1	
8	641564	VALVE, DOUBLE CHECK DC-4	1	1	
9	641376	MALE ELBOW 90° NON-SWIVEL / PUSH-IN FITTING / #8x3/8NPT-M BR	1	1	
10	641368	MALE ELBOW 45° NON-SWIVEL / PUSH-IN FITTING / #8x3/8NPT-M BR	1	1	
11	503406	TUBE, NYLON 1/2 O.D. / GREEN S.L.	AR	AR	
12	503638	TUBE, NYLON 1/2 O.D. / BROWN S.L.	AR	AR	
NS	680098	THREAD SEALANT LOCTITE #567 / WHITE / 250ml	AR	AR	
15	140294	SPRING FLAP ASS. WELDED	1	1	
NS	506643	TAPE RUB ADH1 CC NEO 1/8" x 1/2" x 60' / BLACK 2011	AR	AR	
16	500028	SCREW TC TR PH #8-32x3/8 SS	1	1	
50	H9-1220-11	BRAKE PEDAL VALVE - "BENDIX" E-8P To P-1452			
50	H9-1220-12	BRAKE PEDAL VALVE - "BENDIX" E-8P From R-1453			
51	H9-1203-01	AIR TANK - INSTALLATION			

From K-0185

Date:07/2024

PAGE:H9-1206-10

AIR LINE / FIRST BAGGAGE COMPARTMENT



FROM ?-13172

From K-0185	Date:07/2024	PAGE:H9-1206-10
AIR LINE / FIRST BAGGAGE COMPARTMENT		

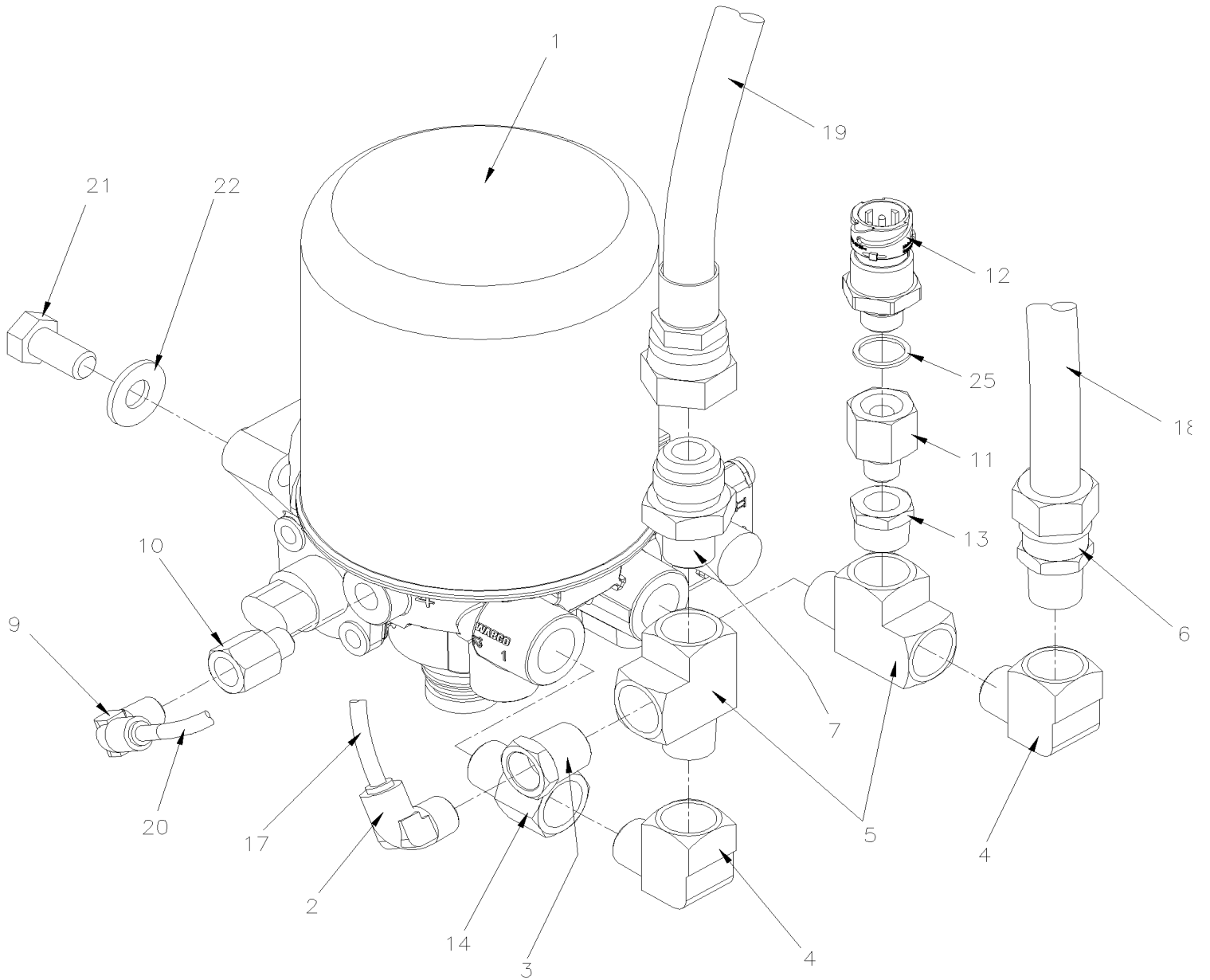
Item#	Part	Description	H 3 4 1	H 3 4 5	N O T E S
1	683935	COUPLER / QUICK DISCONNECT "INDUSTRIAL" / #4x1/4NPT-F BR-PLAS / SAFETY	1	1	
1	5011203	NIPPLE / QUICK DISCONNECT "INDUSTRIAL" / #4x1/8NPT-M ZP	1	1	
2	501321	NIPPLE HEX / PIPE FITTING / 1/4NPT-Mx1/4NPT-Mx1 3/8 BR	1	1	
3	640643	ANCHOR ELBOW / PIPE FITTING / 1/4NPT-Fx1/4NPT-F STL	1	1	
4	642128	MALE ELBOW 90° SWIVEL DUAL PORT / PUSH-IN / #6x#6x3/8NPT-M BR	1	1	
5	503404	TUBE, NYLON 3/8 O.D. / BLACK S.L.	AR	AR	
6	501311	ADAPTER / PIPE FITTING / 3/8NPT-Fx1/4NPT-M BR	1	1	
11	5001608	WASHER BEL SPR 6.2x15.0x0.7 G500	2	2	
12	500266	SCREW TC CAP HEX 1/4-20x1 N500	2	2	
13	504637	CABLE TIE / 3/16" x 13"	3	3	

From K-0185

Date:07/2024

PAGE:H9-1215-03

AIR DRYER - "WABCO" / SUB FRAME INSTALLATION



FROM E-2505

From K-0185	Date:07/2024	PAGE:H9-1215-03
AIR DRYER - "WABCO" / SUB FRAME INSTALLATION		

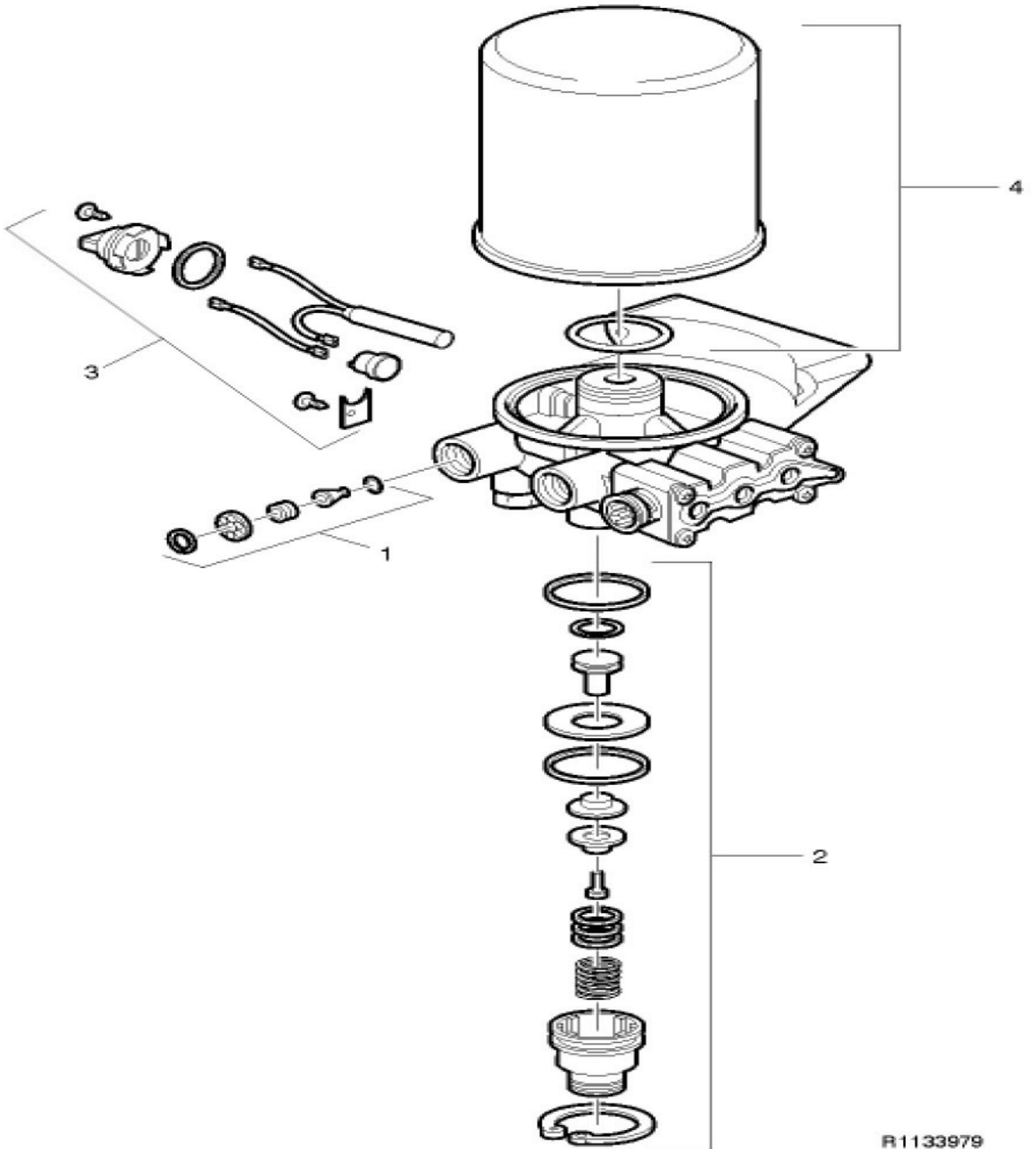
Item#	Part	Description	H 3 4 1	H 3 4 5	NOTES
1	21440978	AIR DRYER "WABCO" 12 VOLTS	1	1	
2	641374	MALE ELBOW 90° NON-SWIVEL / PUSH-IN FITTING / #4x3/8NPT-M BR	1	1	
3	501534	BUSHING REDUCER / PIPE FITTING / 1/2NPT-Mx3/8NPT-F BR	1	1	
4	507557	STREET ELBOW 90° / PIPE FITTING / 1/2NPT-Mx1/2NPT-F BR	2	2	
5	501473	MALE RUN TEE / PIPE FITTING / 1/2NPT-Mx1/2NPT-Fx1/2NPT-F BR	2	2	
6	640995	MALE CONNECTOR / NTA FITTING / #12x1/2NPT-M BR	1	1	
7	501600	MALE CONNECTOR / JIC 37° FITTING / #12JIC-Mx1/2NPT-M STL	1	1	
9	641371	MALE ELBOW 90° NON-SWIVEL / PUSH-IN FITTING / #4x1/4NPT-M BR	1	1	
10	501308	ADAPTER / PIPE FITTING / 1/4NPT-Fx1/4NPT-M BR	1	1	
11	647893	ADAPTER / PIPE FITTING / 1/4NPT-MxM16-F STL	1	1	
12	20829689	SENSOR PRESSURE / 0-15bar	1	1	
13	501316	BUSHING REDUCER / PIPE FITTING / 1/2NPT-Mx1/4NPT-F BR	1	1	
14	5011119	ADAPTER / PIPE FITTING / 1/2NPT-Fx1/2NPT-M BR	1	1	
NS	680098	THREAD SEALANT LOCTITE #567 / WHITE / 250ml	AR	AR	
17	503548	TUBE, NYLON 1/4 O.D. / YELLOW S.L.	AR	AR	
18	503465	TUBE, NYLON 3/4 O.D. / GREEN S.L.	AR	AR	
19	145098	HOSE ASSY TEFLON #12 3670MM	1	1	
20	503464	TUBE, NYLON 1/4 O.D. / GREEN S.L.	AR	AR	
21	5001565	SCREW CAP HEX 1/2-13x1 G5 N500	3	3	
22	500967	WASHER BEL SPR .512x1.142x.098 N500	3	3	
25	504789	RETAINING RING	1	1	

From K-0185

Date:07/2024

PAGE:21440978

AIR DRYER "WABCO" 12 VOLTS



From K-0185	Date:07/2024	PAGE:21440978
-------------	--------------	---------------

AIR DRYER "WABCO" 12 VOLTS

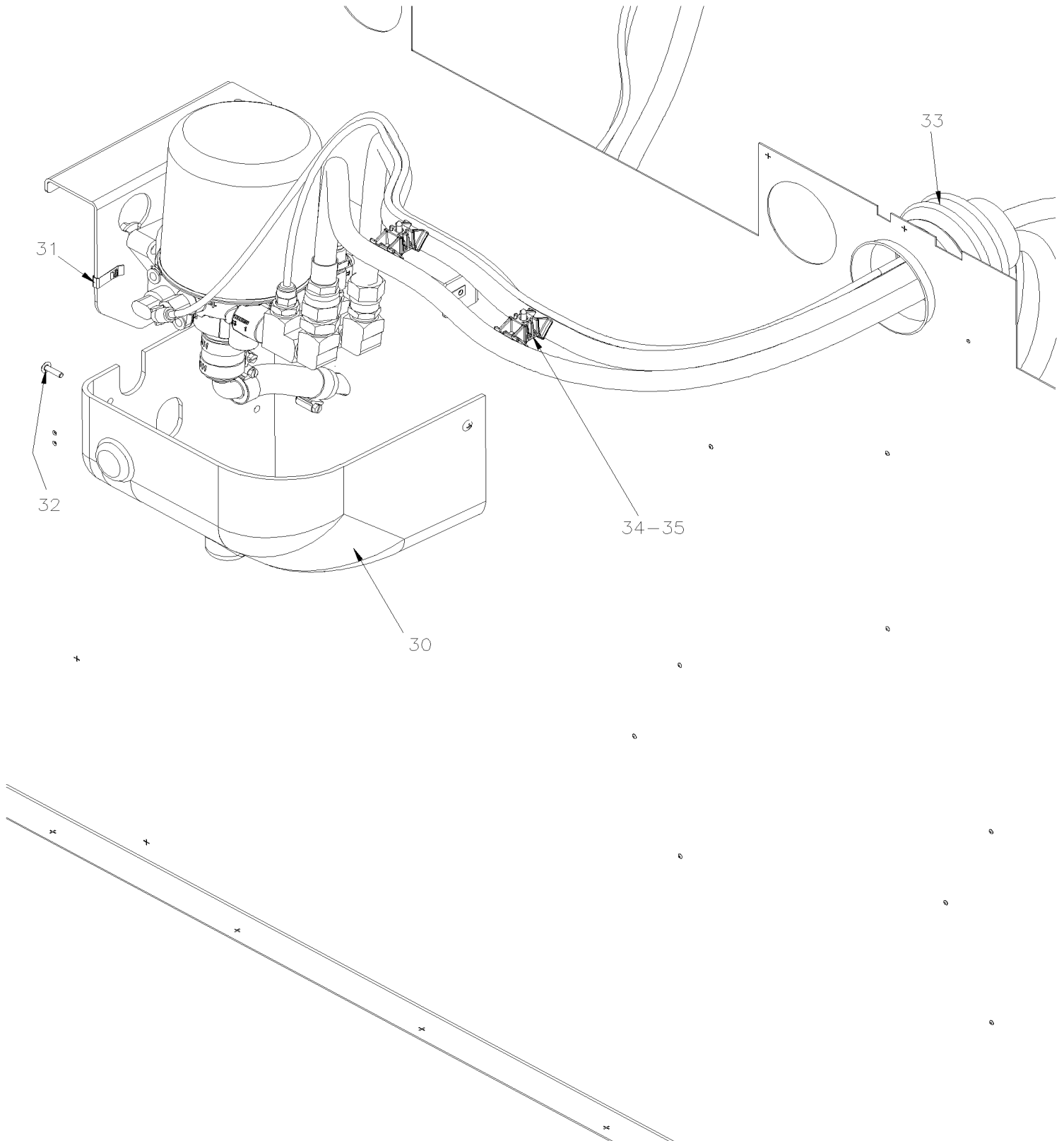
Item#	Part	Description	H 3 4 1	H 3 4 5	N O T E S
1	641281	OUTLET CHECK VALVE KIT	1	1	
2	641283	PURGE VALVE KIT	1	1	
3	3918354	HEATER ASSY KIT 12 VOLTS	1	1	
. NS	562251	. CONNECTOR / METRI-PACK 280 / SH 2C / PED 12020599	1	1	
. NS	562101	. SOCKET TERMINAL / 14-12 / PED 12129493	2	2	
4	642123	DESICANT CARTRIDGE / "WABCO" / SS-1200UP	1	1	
4	640045	DESICANT CARTRIDGE / "WABCO"	1	1	

From K-0185

Date:07/2024

PAGE:H9-1215-05

AIR DRYER - "WABCO" / BAGGAGE COMPARTMENT INSTALLATION

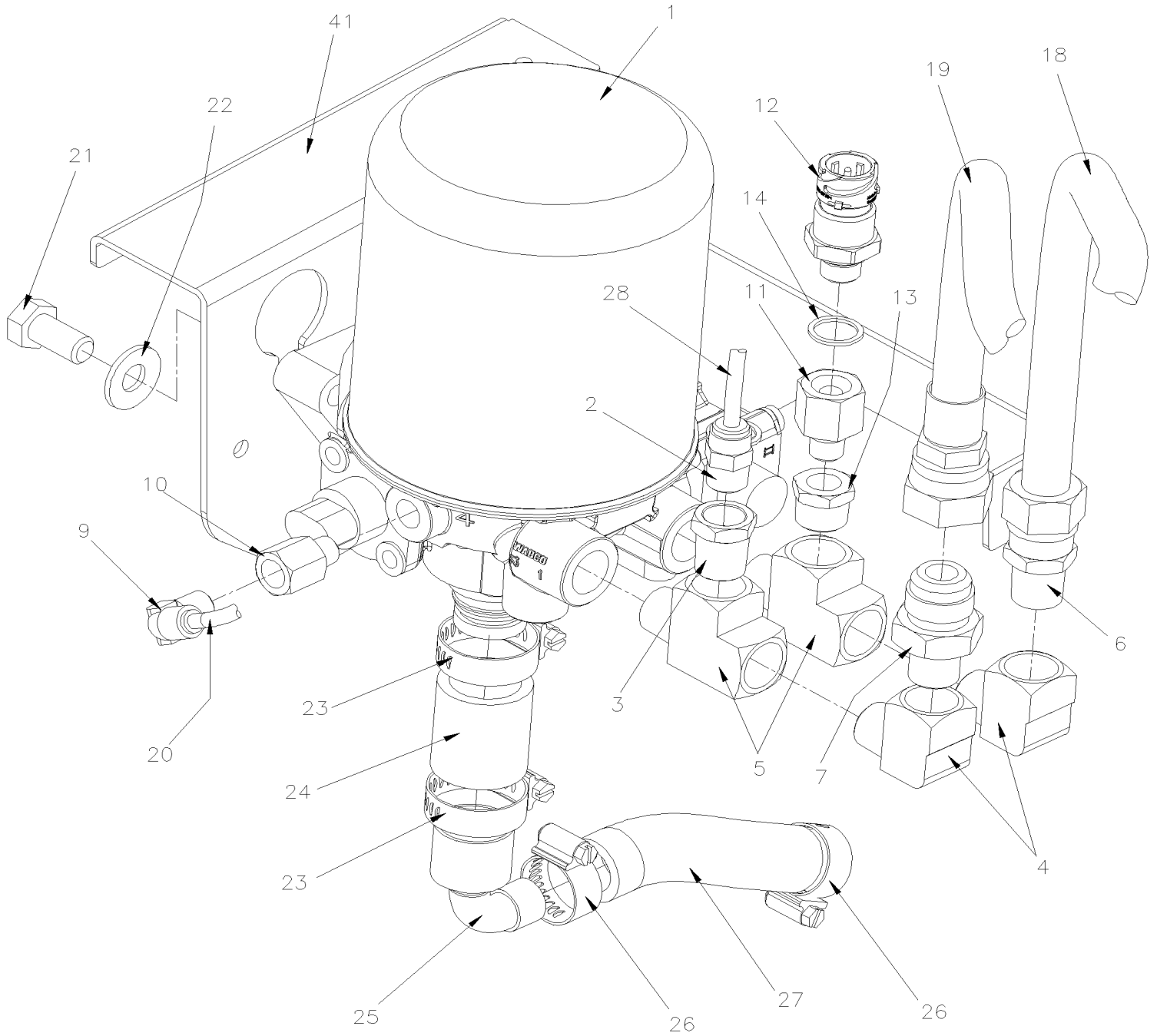


From K-0185

Date:07/2024

PAGE:H9-1215-05

AIR DRYER - "WABCO" / BAGGAGE COMPARTMENT INSTALLATION

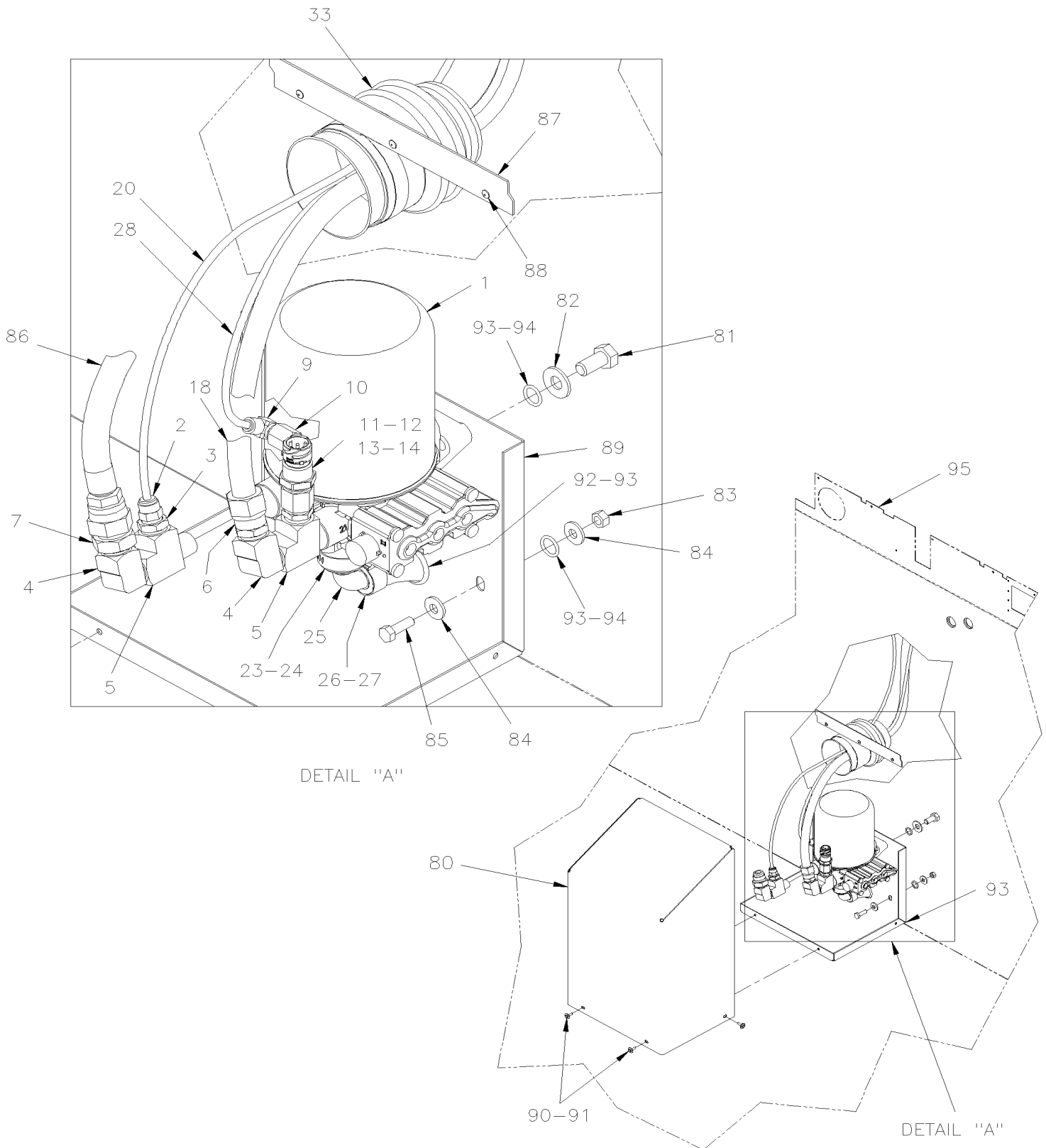


From K-0185

Date:07/2024

PAGE:H9-1215-05

AIR DRYER - "WABCO" / BAGGAGE COMPARTMENT INSTALLATION



From K-0185	Date:07/2024	PAGE:H9-1215-05
AIR DRYER - "WABCO" / BAGGAGE COMPARTMENT INSTALLATION		

Item#	Part	Description	H 3 4 1	H 3 4 5	N O T E S
1	21440978	AIR DRYER "WABCO" 12 VOLTS	1	1	
2	641347	MALE CONNECTOR / PUSH-IN FITTING / #4x3/8NPT-M BR	1	1	
3	501534	BUSHING REDUCER / PIPE FITTING / 1/2NPT-Mx3/8NPT-F BR	1	1	
4	507557	STREET ELBOW 90° / PIPE FITTING / 1/2NPT-Mx1/2NPT-F BR	2	2	
5	501473	MALE RUN TEE / PIPE FITTING / 1/2NPT-Mx1/2NPT-Fx1/2NPT-F BR	2	2	
6	640995	MALE CONNECTOR / NTA FITTING / #12x1/2NPT-M BR	1	1	
7	501600	MALE CONNECTOR / JIC 37° FITTING / #12JIC-Mx1/2NPT-M STL	1	1	
9	641371	MALE ELBOW 90° NON-SWIVEL / PUSH-IN FITTING / #4x1/4NPT-M BR	1	1	
10	501308	ADAPTER / PIPE FITTING / 1/4NPT-Fx1/4NPT-M BR	1	1	
11	647893	ADAPTER / PIPE FITTING / 1/4NPT-MxM16-F STL	1	1	
12	20829689	SENSOR PRESSURE / 0-15bar	1	1	
13	501316	BUSHING REDUCER / PIPE FITTING / 1/2NPT-Mx1/4NPT-F BR	1	1	
14	504789	RETAINING RING	1	1	
NS	680098	THREAD SEALANT LOCTITE #567 / WHITE / 250ml	AR	AR	
18	503465	TUBE, NYLON 3/4 O.D. / GREEN S.L.	AR	AR	
19	145105	HOSE ASSY TEFLON #12 487MM	1	1	
20	503548	TUBE, NYLON 1/4 O.D. / YELLOW S.L.	AR	AR	
21	5001565	SCREW CAP HEX 1/2-13x1 G5 N500	3	3	
22	500967	WASHER BEL SPR .512x1.142x.098 N500	3	3	
23	504022	HOSE CLAMP / 3/4"-1"3/4 SS / HS-20	2	2	
24	503796	HOSE SILICONE 2 PLY / NOMEX-ARAMID 1 1/8" I.D. x 6'	AR	AR	
25	507547	FEMALE ELBOW 90° SHORT RADIUS / COPPER TUBE / 1Fx1/2F	1	1	
26	504020	HOSE CLAMP / 9/16"-1"1/4 SS / HS-12	2	2	
27	503523	HOSE SILICONE 1PLY 3/4" I.D. x 100' / S.L.	AR	AR	
28	503464	TUBE, NYLON 1/4 O.D. / GREEN S.L.	AR	AR	
30	142888	COVER PROTECTOR	1	1	
31	500252	NUT SPR U #10-24 .156-.187	3	3	
32	500070	SCREW MA TR PH AD #10-24x3/4 SS	3	3	
33	504499	CUFF END BELLOW / 2 7/8" I.D. x 3 5/8" x 4 7/16	1	1	
33	504026	HOSE CLAMP / 2"13/16-3"3/4 SS / HS-52	1	1	
NS	504016	CABLE TIE / 5/16" X 14"1/2	AR	AR	
NS	371600	INSULATING PAD 76.2MM x 374.7MM	1	1	
NS	680532	SEALANT SIKA #221 / GREY / 310ml CARTRIDGE	AR	AR	
34	509490	ATTACHMENT DOUBLE USE WITH CABLE TIE	2	2	
35	500879	SCREW TP PAN PH #10x1 Z050	2	2	
41	218727	SUPPORT / AIR DRYER WABCO	1	1	
50	H9-1215-10	AIR DRYER TUBE - INSTALLATION			
80	149993	PROTECTION ENCLOSURE	1	1	O
81	5001565	SCREW CAP HEX 1/2-13x1 G5 N500	3	3	O
82	500967	WASHER BEL SPR .512x1.142x.098 N500	3	3	O
83	502851	NUT HEX M8-1.25 N500	2	2	O
84	500321	WASHER BEL SPR .331x.827x.098 N500	4	4	O

From K-0185	Date:07/2024	PAGE:H9-1215-05
AIR DRYER - "WABCO" / BAGGAGE COMPARTMENT INSTALLATION		

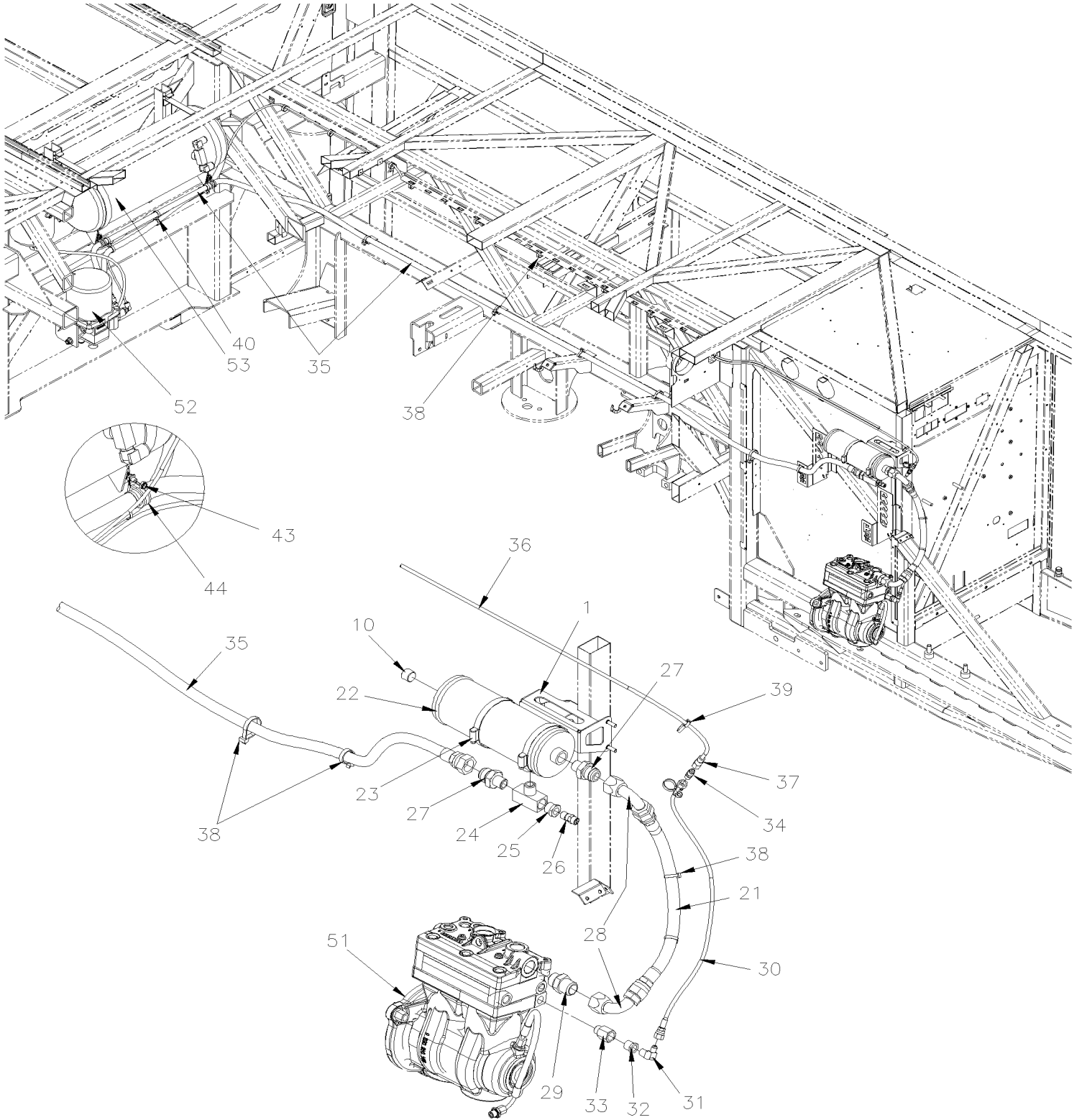
Item#	Part	Description	H 3 4 1	H 3 4 5	N O T E S
85	5001745	SCREW CAP HEX M8-1.25x25 G8.8 N500	2	2	O
86	149024	HOSE ASSY TEFLON #12 4400MM	1	1	O
87	149994	SUPPORT ASSY	1	1	O
88	504488	RIVET MGLP PRDG 3/16x17/64 SS	3	3	O
89	149028	PROTECTION ENCLOSURE BASE	1	1	O
90	502799	SCREW CAP HEX M4-0.7X16 G8.8 N500	4	4	O
91	5001750	WASHER FL 4.3x14.0x1.0 N500	4	4	O
92	504574	GROMMET / 1.125x1.312x.062x.312x1.56	1	1	O
93	685126	ADHESIVE SIMSON #ISR 70-03 / GREY / 600ml SAUSAGE	AR	AR	O
94	507368	O-RING	5	5	O
95	Call order desk	CENTRAL STRUCT, PANEL, WOWWCL ASSY			P O
		O) OPTION ORLEAN			
		P) CALL ORDER DESK FOR SPECIFIC APPLICATION (V.I.N.)			

From K-0185

Date:07/2024

PAGE:H9-1215-10

AIR DRYER TUBE - INSTALLATION



From K-0185		Date:07/2024	PAGE:H9-1215-10
AIR DRYER TUBE - INSTALLATION			

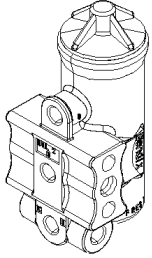
Item#	Part	Description	H 3 4 1	H 3 4 5	N O T E S
1	149000	SUPPORT PING AIR TANK	1	1	
10	501966	PLUG HEXS / PIPE FITTING / 1/2NPT-M STL	1	1	
21	144940	HOSE ASSY TEFLON #12 375MM	1	1	D13
22	641982	AIR TANK / 96 IN° / 3 1/2" O.D. X 10"	1	1	D13
23	504026	HOSE CLAMP / 2"13/16-3"3/4 SS / HS-52	2	2	D13
24	507556	MALE BRANCHE TEE / PIPE FITTING / 1/2NPT-Fx1/2NPT-Fx1/2NPT-M BR	1	1	D13
25	501316	BUSHING REDUCER / PIPE FITTING / 1/2NPT-Mx1/4NPT-F BR	1	1	D13
26	642109	SAFETY VALVE 200 PSI x 1/4 NPT / ST-4	1	1	D13
27	501600	MALE CONNECTOR / JIC 37° FITTING / #12JIC-Mx1/2NPT-M STL	2	2	D13
28	507544	SWIVEL NUT ELBOW 90° SHORT / JIC 37° FITTING/ #12JIC-Fx#12JIC-Mx1.82 STL	2	2	D13
29	507647	MALE CONNECTOR W/ED SEAL / JIC 37° FITTING / #12JIC-MxM26-1.5-M STL	1	1	D13
30	031147	HOSE ASSY TEFLON #4 522MM	1	1	D13
31	501037	MALE ELBOW 90° / SAE 45° FITTING / #4FL-Mx1/4NPT-M BR	1	1	D13
32	501314	BUSHING REDUCER / PIPE FITTING / 3/8NTP-Mx1/4NPT-F BR	1	1	D13
33	5011205	FEMALE CONNECTOR / PIPE @ METRIC / 3/8NPT-FxM16-1.5-M ZP	1	1	D13
. NS	641297	. O-RING 13.1MM I.D. X 2.6 TH	1	1	D13
. NS	641298	. WASHER FL 17MM I.D x 22MM O.D. x 1.5MM	1	1	D13
34	501026	MALE CONNECTOR / SAE 45° FITTING / #4FL-Mx1/8NPT-M BR	1	1	D13
35	143119	HOSE ASSY TEFLON #12 4000MM	1	1	D13
35	143113	HOSE ASSY TEFLON #12 5060MM	1	1	D13 B
35	149024	HOSE ASSY TEFLON #12 4400MM	1	1	D13 G
36	503548	TUBE, NYLON 1/4 O.D. / YELLOW S.L.	AR	AR	D13
37	642080	FEMALE CONNECTOR / PUSH-IN FITTING / #4x1/8NPT-F NP	1	1	D13
38	504016	CABLE TIE / 5/16" X 14"1/2	AR	AR	
39	507664	CABLE TIE / 3/16" 11" / DOUBLE LOOP HEAD	AR	AR	
40	504768	CABLE TIE / 3/16" 14.7" / DOUBLE LOOP HEAD	AR	AR	
43	949997	CLAMP 31.8MM	2	2	
44	500381	WASHER FL 8.4x25.0x2.0 N500	2	2	
44	502847	NUT HEX NYRT M8-1.25 N500	2	2	
51	H9-1205-11	AIR COMPRESSOR - "WABCO" 636CC - WITH VOLVO D13			
52	H9-1215-03	AIR DRYER - "WABCO" / SUB FRAME INSTALLATION			
52	H9-1215-05	AIR DRYER - "WABCO" / BAGGAGE COMPARTMENT INSTALLATION			
53	H9-1203-01	AIR TANK - INSTALLATION			
		B) WITH AIR DRYER IN BAGGAGE COMPARTMENT			
		D13) WITH VOLVO ENGINE D-13			
		G) WITH AIR DRYER IN LOWER SECTION OF BAGGAGE COMPARTMENT			

From K-0185

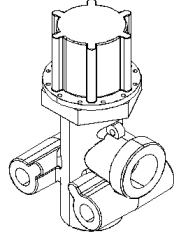
Date:07/2024

PAGE:H9-1220-00

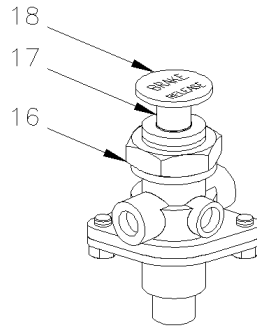
MISCELLANEOUS AIR VALVE



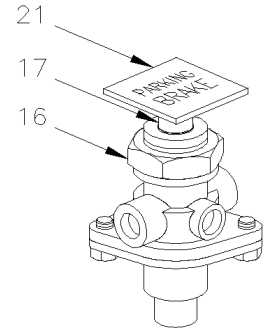
5



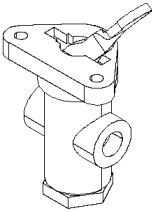
10



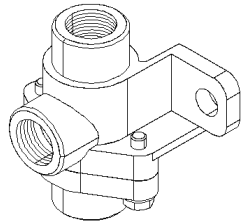
15



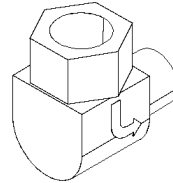
20



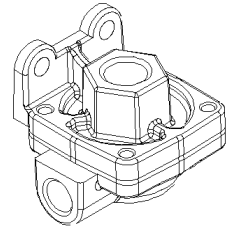
25



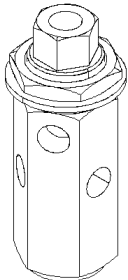
30



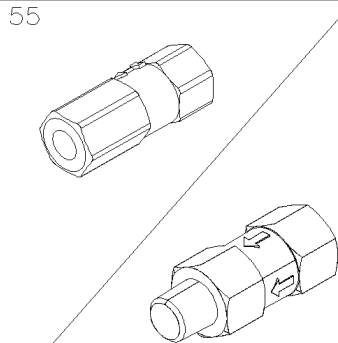
35



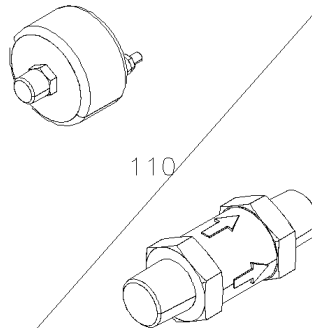
40



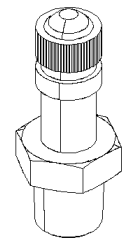
45



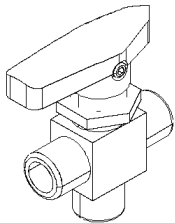
50



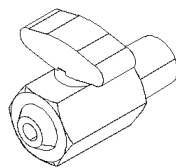
60



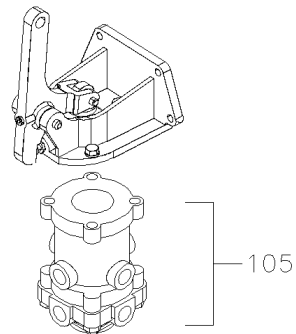
70



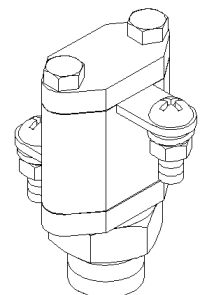
75



90



100



85

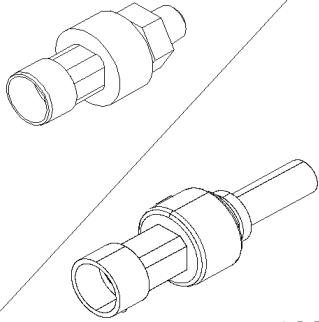
From K-0185

Date:07/2024

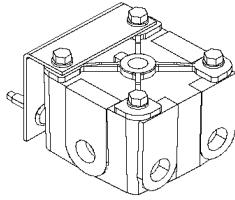
PAGE:H9-1220-00

MISCELLANEOUS AIR VALVE

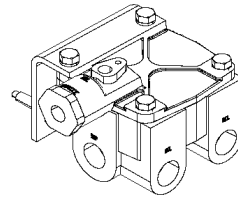
121



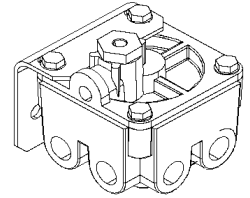
120



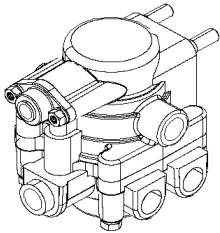
125



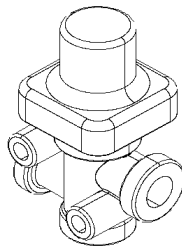
130



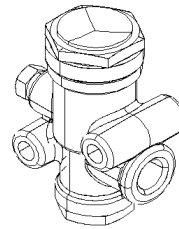
135



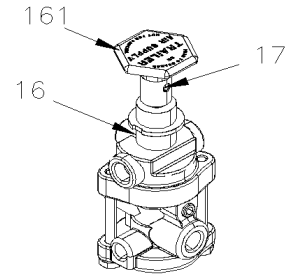
145



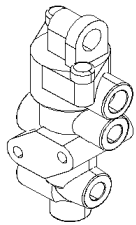
150



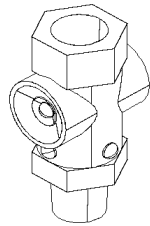
155



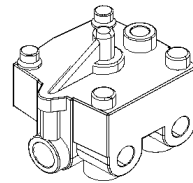
160



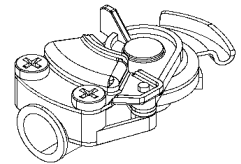
170



175

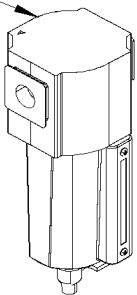


180



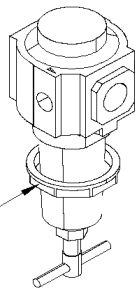
185-190

231

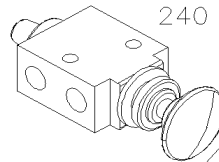


230

236

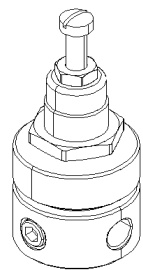
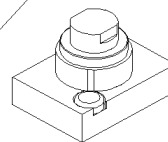


235



240

241



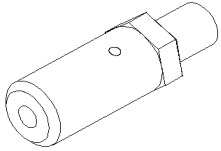
245

From K-0185

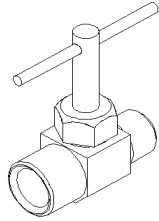
Date:07/2024

PAGE:H9-1220-00

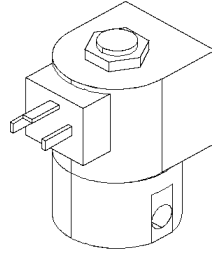
MISCELLANEOUS AIR VALVE



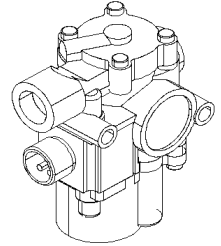
250



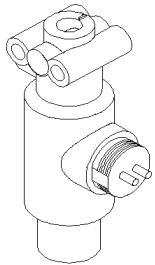
260



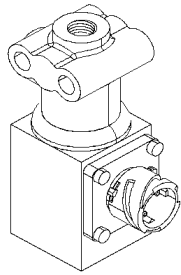
275



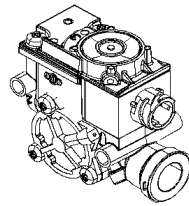
300



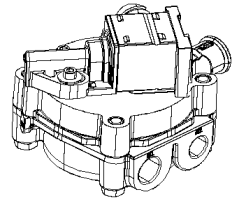
305



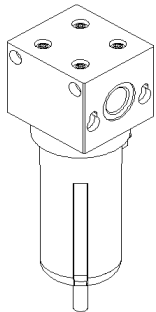
310



322



323



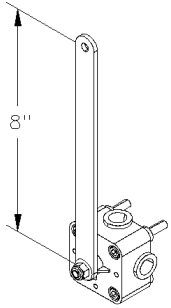
330

From K-0185

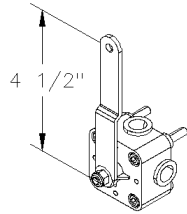
Date:07/2024

PAGE:H9-1220-00

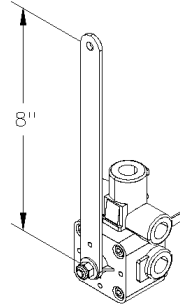
MISCELLANEOUS AIR VALVE



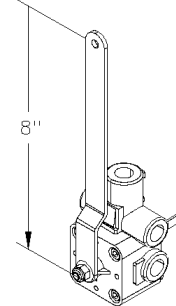
350



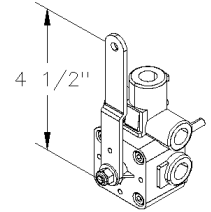
355



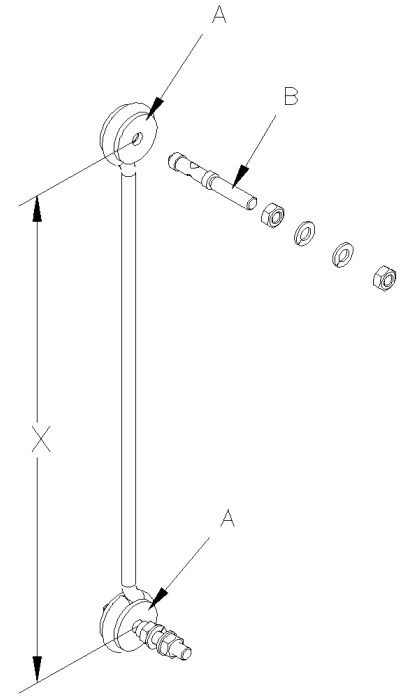
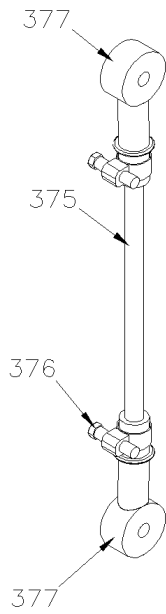
360



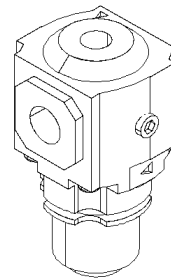
362



365



385



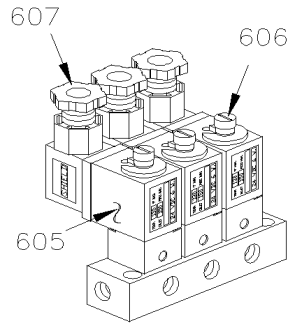
397

From K-0185

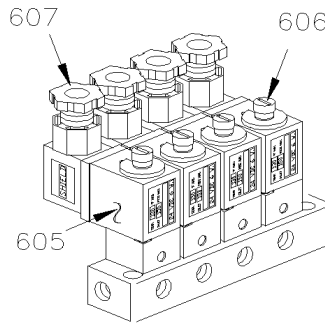
Date:07/2024

PAGE:H9-1220-00

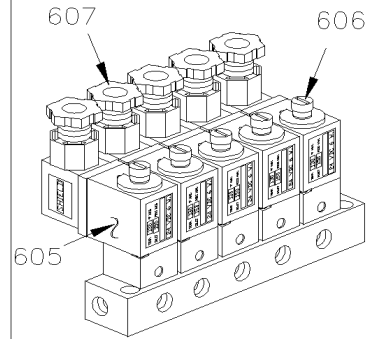
MISCELLANEOUS AIR VALVE



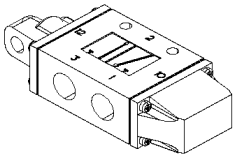
601



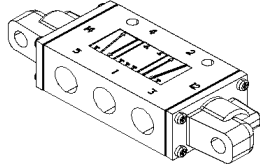
602



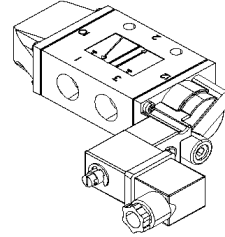
603



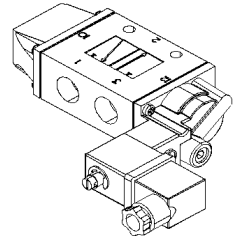
610



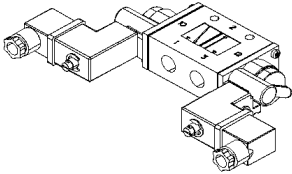
615



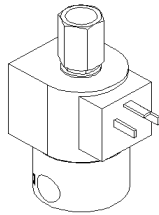
620



625



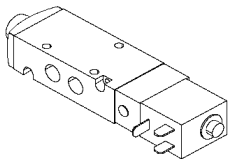
630



635

640

645



650

From K-0185		Date:07/2024	PAGE:H9-1220-00
-------------	--	--------------	-----------------

MISCELLANEOUS AIR VALVE

Item#	Part	Description	H 3 4 1	H 3 4 5	N O T E S
5	641933	GOVERNOR, AIR / D-2 / (110/130PSI)	1	1	
. NS	640965	. REPAIR KIT / GOVERNOR D-2	1	1	
. NS	640638	. GASKET, AIR GOVERNOR	1	1	
. NS	500187	. SCREW CAP HEX 5/16-18x3 G5 Z050	2	2	
. NS	500942	. WASHER LO SPT 8.1x14.8x2.0 N500	2	2	
10	642136	VALVE, PRESSURE REDUCING / RV-3 55 PSI	1	1	
15	640472	VALVE, CONTROL / RD-3	1	1	
. NS	641154	. REPAIR KIT / PP-1 & RD-3	1	1	
16	640297	NUT	1	1	
17	640286	PIN ROLLER	1	1	
18	641155	BUTTON, OVERRULE ROUND BLACK	1	1	
NS	640394	BUTTON, PARKING BRAKE ROUND BLACK / 1"	1	1	
20	642169	VALVE, CONTROL VALVE PP-1 / 60PSI	1	1	
. NS	641154	. REPAIR KIT / PP-1 & RD-3	1	1	
. NS	641149	. BUTTON, PARKING BRAKE DIAMOND YELLOW / 1"	1	1	
21	641149	BUTTON, PARKING BRAKE DIAMOND YELLOW / 1"	1	1	
25	640136	VALVE, CONTROL TW-1	1	1	
. NS	641156	. REPAIR KIT / TW-1	1	1	
30	641564	VALVE, DOUBLE CHECK DC-4	1	1	
35	641172	VALVE, CHECK ELBOW 90° 1/2 NPT	1	1	
40	641429	VALVE, QUICK RELEASE QR-1 / 3/8NPTx3/8NPTx3/8NPT	1	1	
. NS	640924	. REPAIR KIT / QR-1	1	1	
45	640442	VALVE, INVERSION TR-2	1	1	
50	640135	VALVE, CHECK 1/4 NPT	1	1	
55	640123	VALVE, CHECK 1/2 NPT SC-1	1	1	
. NS	641401	. VALVE, CHECK 1/2 NPT SC-1	1	1	
55	641401	VALVE, CHECK 1/2 NPT SC-1	1	1	
60	530175	VALVE, CHECK 1/8 NPT	1	1	
70	640488	VALVE, AIR FILL 1/8" NPT	1	1	
. NS	650164	. CAP VALVE / CHROME	1	1	
75	641417	VALVE, 3 WAYS 1/8NPT-Fx1/8NPT-Fx1/8NPT-F BR	1	1	
. NS	642014	. HANDLE / RED	1	1	
75	642161	VALVE, 3 WAYS 1/8NPT-Fx1/8NPT-Fx1/8NPT-F BR / SERVICE	1	1	
. NS	642014	. HANDLE / RED	1	1	
85	640975	PRESSURE SWITCH N.C. 66PSI / 1/4NPT LP-3	1	1	
85	641174	PRESSURE SWITCH N.C. 30PSI / 1/4NPT LP-2	1	1	
90	641043	DRAIN VALVE 1/4 NPT M	1	1	
100	641856	BRAKE VALVE ASSY W/BACKET / MODEL E-10P	1	1	
. NS	19507993	. BOOT PLUNGER	1	1	
. NS	19510779	. PLUNGER	1	1	
. NS	2222120	. MOUNTING BRACKET COUPLING D-1	1	1	
105	641925	VALVE SUB ASSY / MODEL E-10P	1	1	

From K-0185		Date:07/2024	PAGE:H9-1220-00
MISCELLANEOUS AIR VALVE			

Item#	Part	Description	H 3 4 1	H 3 4 5	N O T E S
110	641462	PRESSURE SWITCH N.O. 4PSI / 1/4NPT W/10-32 / SL-5 BRAKE	1	1	
120	642075	TRANSDUCER PRESSURE	1	1	
. NS	563159	. CONNECTOR / METRI-PACK 150 / SH 3C / PED 12065287	1	1	
125	641088	VALVE, RELAY R-12 HORIZONTAL PORT	1	1	
125	642068	VALVE, RELAY R-12 HORIZONTAL PORT / W/OUT SUPPORT	1	1	
130	641120	VALVE, RELAY R-14 HORIZONTAL PORT 4psi Crack	1	1	
. NS	10508267	. KIT, REPAIR	1	1	
135	641991	VALVE, RELAY R-14 "WABCO"	1	1	
145	643384	VALVE / SPRING BRAKE SR-7	1	1	
. NS	642119	. VALVE / SPRING BRAKE SR-7	1	1	
150	641137	VALVE, PRESSURE PROTECTION TYPE PR-4 70PSI	1	1	
155	640471	VALVE, INVERSION TR-3 25-40LBS	1	1	
155	21243502	VALVE PRESSURE REDUCER RV-3 / K028993	1	1	
160	641397	TRAILER SUPPLY VALVE PP-7	1	1	
161	641935	BUTTON RED / FOR TRAILER VALVE PP-7	1	1	
170	641495	TRACTOR PROTECTION VALVE TP-3 DC	1	1	
175	642088	VALVE, QUICK RELEASE QR-L / IN LINE	1	1	
180	641399	VALVE, RELAY R-12 P SUPPERSEEDED 642097	1	1	
185	641939	GLANDHAND W/DUST COVER "BLUE"	1	1	
185	641938	GLANDHAND W/DUST COVER "RED"	1	1	
230	641338	AIR FILTER ASSY	1	1	
231	641339	SUPPORT / AIR FILTER	1	1	
235	641352	AIR PRESSURE REGULATOR 1/2" NPT	1	1	
236	641506	NUT RING / AIR REGULATOR RETAINING	1	1	
241	642173	VALVE, 3 WAYS, 2 POSITIONS MECHANICAL	1	1	
245	641472	AIR PRESSURE REGULATOR 1/4" NPT / COPPER	1	1	
250	642022	SAFETY VALVE 150 PSI X 3/8 NPT / ST-3	1	1	
260	501354	NEEDLE VALVE 1/8 NPT M x 1/8 NPT F	1	1	
275	562804	VALVE, 2 WAYS N.C.	1	1	
. NS	562848	. CONNECTOR / SOCKET HOUSING ASSY 3C / PNEUMAC 54933-05	1	1	
300	641951	VALVE, "ABS" 12VOLT	1	1	
305	641460	VALVE, "ATC" 24VOLT	1	1	
305	641950	VALVE, "ATC" 12VOLT	1	1	
310	642079	VALVE, "ATC" 12VOLT	1	1	
322	640228	VALVE, "ABS" 12VOLT / M-40QR	1	1	
330	642192	AIR FILTER	1	1	
350	630156	VALVE, HEIGHT CONTROL "BARKSDALE" 8"	1	1	
360	630261	VALVE, HEIGHT CONTROL "BARKSDALE" / FRONT / W/DRAIN 8"	1	1	
362	630247	VALVE, HEIGHT CONTROL "BARKSDALE" / REAR / W/DRAIN 8"	1	1	
365	630266	VALVE, HEIGHT CONTROL "BARKSDALE" / FRONT / W/DRAIN 4½"	1	1	
375	131351	ROD LINK / 140MM	1	1	
375	131308	ROD LINK / 305MM x .250"	1	1	

From K-0185		Date:07/2024	PAGE:H9-1220-00
MISCELLANEOUS AIR VALVE			

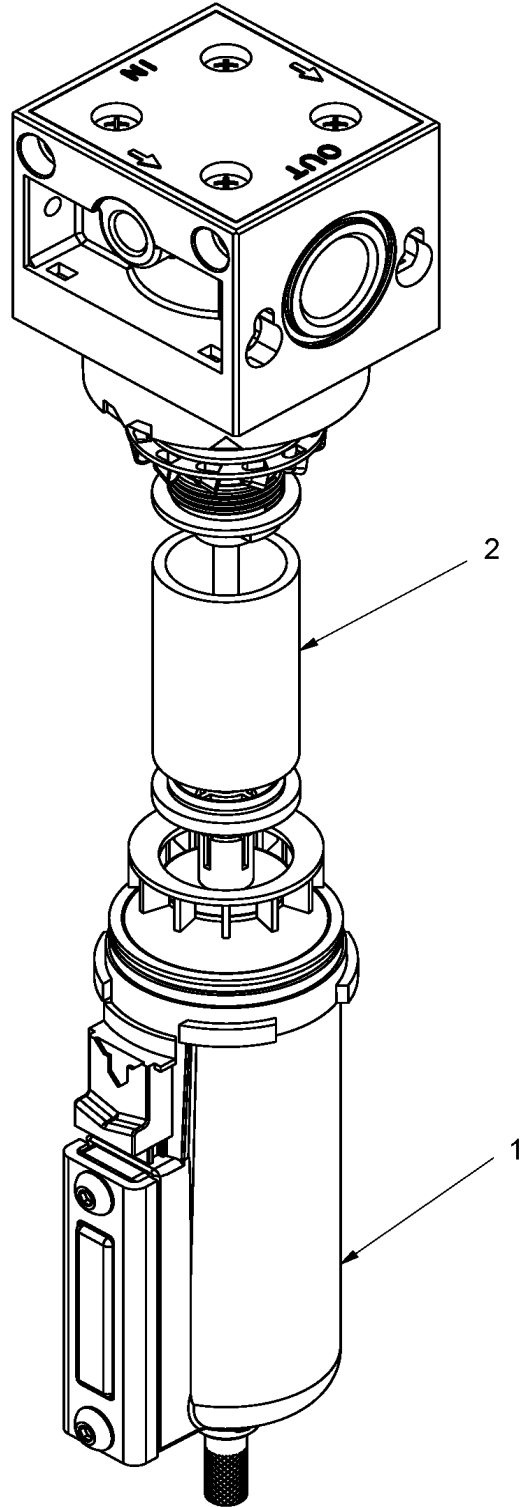
Item#	Part	Description	H 3 4 1	H 3 4 5	N O T E S
376	504014	. HOSE CLAMP / 1/4"-5/8" SS / HM-4	AR	AR	
377	630133	. ROD END / BLACK RUBBER 1/4" I.D.			
385	630231	LINK ASSY 185MM C/C 7 1/4"	1	1	
. A	N8889244	. GROMMET / LINK	2	2	
. B	630250	. STUD RETAINER 1/4-20 X 1"	2	2	
. C	500247	. NUT HEX 1/4-20 N500	4	4	
. D	500473	. WASHER LO SPT .262x.489x.062 Z050	4	4	
385	630229	LINK ASSY 344MM C/C 13 1/2"	1	1	
. A	N8889244	. GROMMET / LINK	2	2	
. C	630250	. STUD RETAINER 1/4-20 X 1"	2	2	
. NS	500769	. NUT HEX 1/4-20 Z050	4	4	
. NS	500473	. WASHER LO SPT .262x.489x.062 Z050	4	4	
397	630269	VALVE DISCHARGE V72G W/3/8	1	1	
601	641180	MANIFOLD VALVE / W/3 SOLENOID	1	1	
. NS	641928	. KIT, MANIFOLD REPAIR / N.C.	3	3	
. NS	641107	. COIL 24V	1	1	
602	641906	MANIFOLD VALVE / W/4 SOLENOID	1	1	
. NS	641927	. KIT, MANIFOLD REPAIR / N.O.	1	1	
. NS	641928	. KIT, MANIFOLD REPAIR / N.C.	3	3	
. NS	641107	. COIL 24V	1	1	
. NS	642213	. MALE ELBOW 90° SWIVEL / PUSH-IN FITTING / #2x10-32 NP	1	1	
. NS	990143	. MALE CONNECTOR / PUSH-IN FITTING / W/O-RING / #2x#10-32-M BR	1	1	
. NS	641385	. CONNECTOR / SOCKET HOUSING ASSY 3C / PNEUMAC 54934-01	1	1	
. NS	641455	. REDUCER STEM / PUSH-IN FITTING / #2x#4 PLAS	1	1	
605	641107	. COIL 24V	AR	AR	
606	641353	. PLUNGER REPAIR KIT / MANIFOLD VALVE (1)	AR	AR	
607	641385	. CONNECTOR / SOCKET HOUSING ASSY 3C / PNEUMAC 54934-01	AR	AR	
610	641274	VALVE, 3 WAYS, 2 POSITIONS N.C.	1	1	
615	641531	VALVE, 5 WAYS, 3 POSITIONS	1	1	
. NS	641186	. SPOOL	1	1	
620	641937	VALVE, 3 WAYS, 2 POSITIONS N.C. / W/MAN OVERRIDE	1	1	
. NS	641929	. COIL 24V	1	1	
. NS	641385	. CONNECTOR / SOCKET HOUSING ASSY 3C / PNEUMAC 54934-01	1	1	
630	641530	VALVE, 3 WAYS, 2 POSITIONS / 2 SOLONIDS	1	1	
. NS	641929	. COIL 24V	1	1	
. NS	641169	. SPOOL	1	1	
. NS	641385	. CONNECTOR / SOCKET HOUSING ASSY 3C / PNEUMAC 54934-01	1	1	
635	642227	VALVE, 3 WAYS, 2 POSITIONS N.C.	1	1	
. NS	195765	. SOLENOIDE 24 VOLTS	1	1	
650	642023	VALVE, 5 WAYS, 2 POSITIONS 24V / MODEL V19	1	1	
. NS	641385	. CONNECTOR / SOCKET HOUSING ASSY 3C / PNEUMAC 54934-01	1	1	

From K-0185

Date:07/2024

PAGE:642192

AIR FILTER



From K-0185	Date:07/2024	PAGE:642192
AIR FILTER		

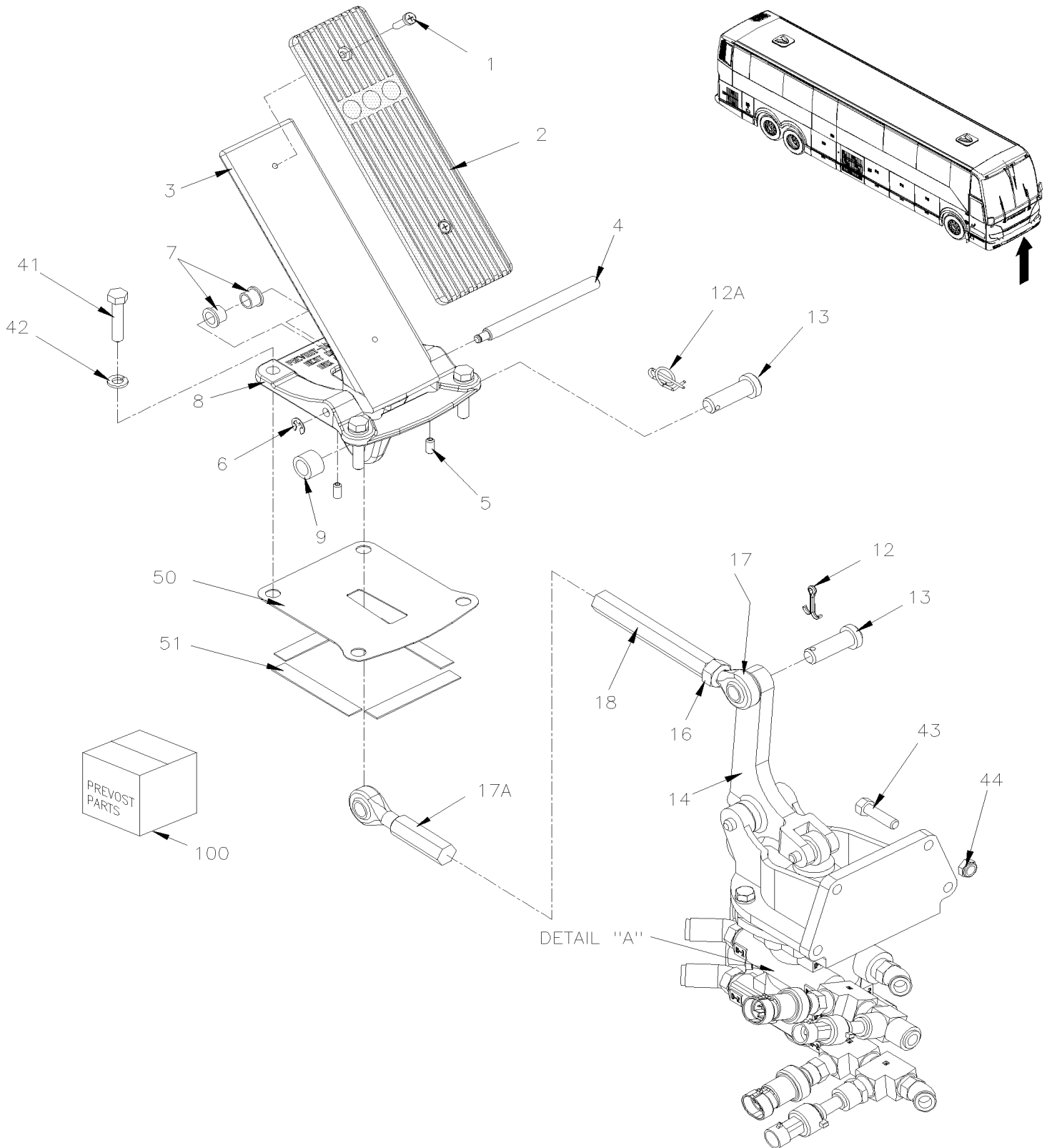
Item#	Part	Description	H 3 4 1	H 3 4 5	N O T E S
1	642219	METAL BOWL MANUAL DRAIN	1	1	
2	642220	FILTER ELEMENT	1	1	
NS	642221	SERVICE KIT AIR FILTER	1	1	A
. NS	N.S.S.	. FILTER SIDE PLATE	2	2	1 A
. NS	N.S.S.	. SCREW CAP BUT	2	2	1 A
. NS	N.S.S.	. PLUG	1	1	1 A
. NS	N.S.S.	. O-RING	1	1	1 A
. NS	N.S.S.	. GREASE PACKET	1	1	1 A
		A) CONTAIN SIDE COVER 2X / SCREW X2 / PLUG 1X / O-RING 1X / GREASE PACKAGE 1X			
		1) NOT SOLD SEPARATELY			

From K-0185 To P-1452

Date:07/2024

PAGE:H9-1220-11

BRAKE PEDAL VALVE - "BENDIX" E-8P



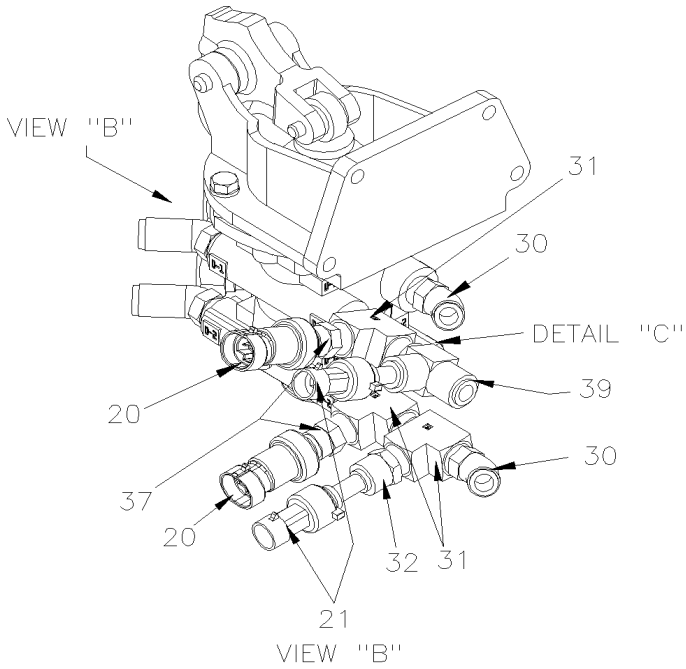
From K-0185 To P-1452

Date:07/2024

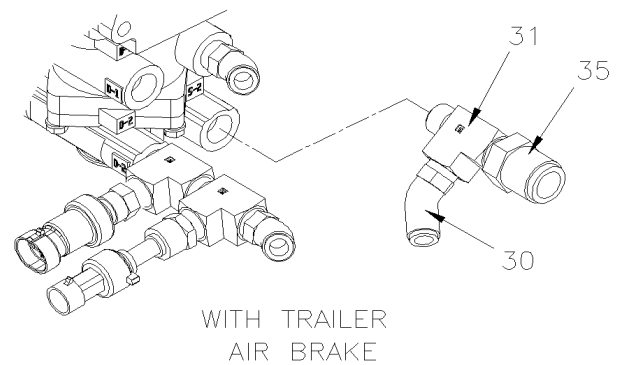
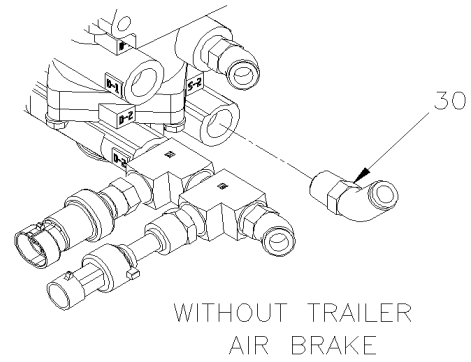
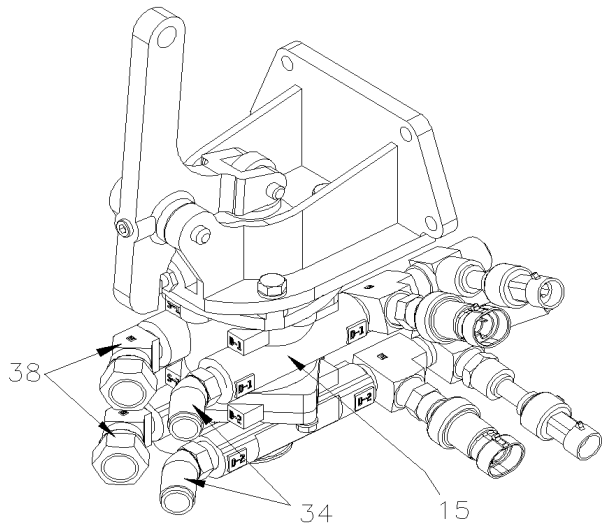
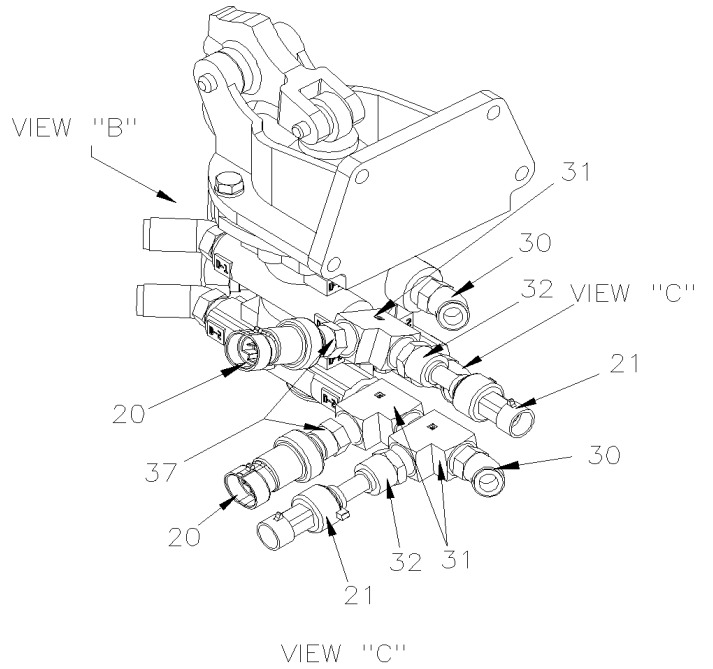
PAGE:H9-1220-11

BRAKE PEDAL VALVE - "BENDIX" E-8P

DETAIL "A"
WITHOUT RETARDER



DETAIL "A"
WITH RETARDER



From K-0185 To P-1452	Date:07/2024	PAGE:H9-1220-11
BRAKE PEDAL VALVE - "BENDIX" E-8P		

Item#	Part	Description	H 3 4 1	H 3 4 5	N O T E S
	145262	PEDAL ASSY	1	1	
1	502746	. SCREW MA PAN PH M5-0.8x20 SS BK	2	2	
2	142842	. THREADLE COVER / W/STEEL BACKING	1	1	
3	145309	. PEDAL BRAKE	1	1	
4	145311	. SHAFT, BRAKE PEDAL	1	1	
5	5001634	. SCREW SET HEXS CUP M6-1.0X12MM Z050	2	2	
6	504699	. RING RETAINER / EXT .250 x .207 x .025" / SS	1	1	
7	507297	. FLANGE BUSHING	2	2	
8	145310	. SUPPORT ASSY / TO FIX BRAKE PEDAL	1	1	
9	507307	. BUSHING OIL 1/2 I.D. X 3/4 O.D. X 1/2	1	1	
12	502102	PIN, COTTER 1/8 x 1	1	1	
12A	502107	PIN, WRAP-AROUND LOCKING To L-0973	1	1	
12A	502018	LOCK PIN 3/32 X 1 5/8 SS From L-0974	1	1	
13	140050	PIN, CLEVIS 4 x 40 SS	2	2	
14	642211	BRAKE VALVE ASSY W/BACKET / MODEL E-8P	1	1	
15	642212	. VALVE SUB ASSY / MODEL E-8P	1	1	
. NS	640943	. . REPAIR KIT / MINOR / VALVE MODEL E-8P	1	1	
. NS	6987220	. . REPAIR KIT / MAJOR / VALVE MODEL E-8P	1	1	
16	5001757	NUT HEX M12-1.75 N500	1	1	
17	502252	ROD END MALE M12-1.75 / 12MM I.D.	1	1	
17A	502253	ROD END MALE L.H. M12-1.75-L.HH / 12MM I.D.	1	1	
18	140049	SHAFT THREADED W/R.H. & L.H. THREAD 304MM To P-1342	1	1	
18	140513	SHAFT THREADED W/R.H. & L.H. THREAD 271MM From P-1343	1	1	
20	642072	PRESSURE SWITCH N.C. 2-6 PSI / 1/4" TUBE	2	2	
. NS	563677	. CONNECTOR / METRI-PACK 150 / SH 4C / PED 12065402	1	1	
21	642075	TRANSDUCER PRESSURE	2	2	
. NS	563159	. CONNECTOR / METRI-PACK 150 / SH 3C / PED 12065287	1	1	
30	641367	MALE ELBOW 45° NON-SWIVEL / PUSH-IN FITTING / #6x3/8NPT-M BR	AR	AR	
31	501699	MALE RUN TEE / PIPE FITTING / 3/8NPT-Mx3/8NPT-Fx3/8NPT-F BR	AR	AR	
32	641330	MALE CONNECTOR / PUSH-IN FITTING / #6x3/8NPT-M BR	AR	AR	
34	641368	MALE ELBOW 45° NON-SWIVEL / PUSH-IN FITTING / #8x3/8NPT-M BR	AR	AR	
35	641602	MALE CONNECTOR / PUSH-IN FITTING / #10x3/8NPT-M BR	AR	AR	
37	641347	MALE CONNECTOR / PUSH-IN FITTING / #4x3/8NPT-M BR	AR	AR	
38	641921	MALE ELBOW 45° / NTA FITTING / #10x3/8NPT-M BR	AR	AR	
39	641388	MALE RUN TEE NON-SWIVEL / PUSH-IN FITTING / #6x#6x3/8NPT-M BR	AR	AR	
41	5001992	SCREW CAP HEX SLO 5/16-18x1 1/2 SS	4	4	
42	5001341	WASHER FL 8.4x17.0x1.6 SS	4	4	
43	502836	SCREW CAP HEX M8-1.25x35 G8.8 N500	4	4	
44	502692	NUT HEXF STO M8-1.25 Z050	4	4	
50	140258	DUST GUARD BRAKE PEDAL From L-0930	1	1	SP
. NS	506092	. PAD NATURAL RUBBER / 6" x 0.030" TH AMBER From L-0930	AR	AR	SP
51	680437	TAPE TRANSFER ADH2 CLEAR 12.7MM x 55M / TRM950-0500 From L-0930	AR	AR	SP

From K-0185 To P-1452	Date:07/2024	PAGE:H9-1220-11
-----------------------	--------------	-----------------

BRAKE PEDAL VALVE - "BENDIX" E-8P

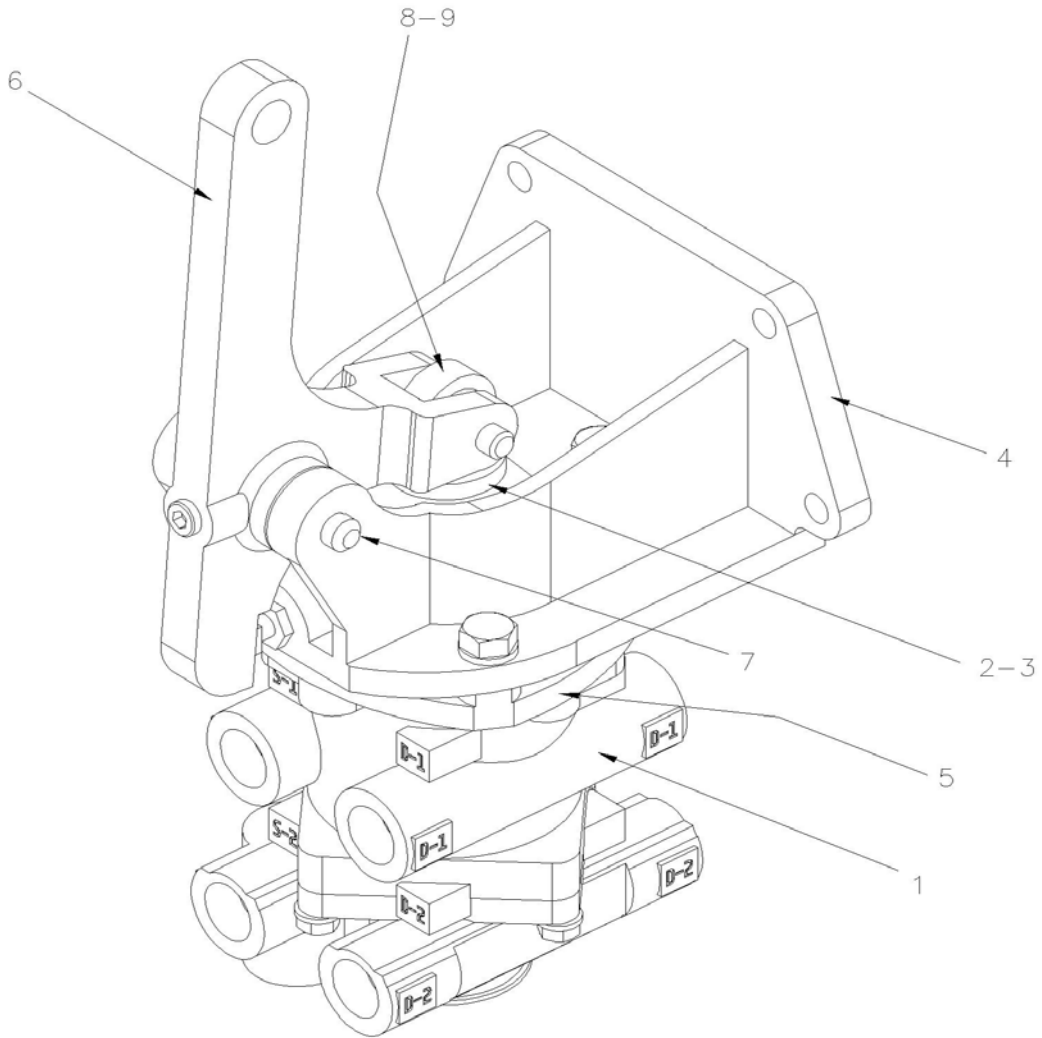
Item#	Part	Description	H 3 4 1	H 3 4 5	N O T E S
100	640943	REPAIR KIT / MINOR / VALVE MODEL E-8P	1	1	
100	6987220	REPAIR KIT / MAJOR / VALVE MODEL E-8P	1	1	
		SP) SPECIAL OPTION			

From K-0185 To P-1452

Date:07/2024

PAGE:642211

BRAKE VALVE ASSY W/BRACKET / MODEL E-8P



From K-0185 To P-1452	Date:07/2024	PAGE:642211
BRAKE VALVE ASSY W/BRACKET / MODEL E-8P		

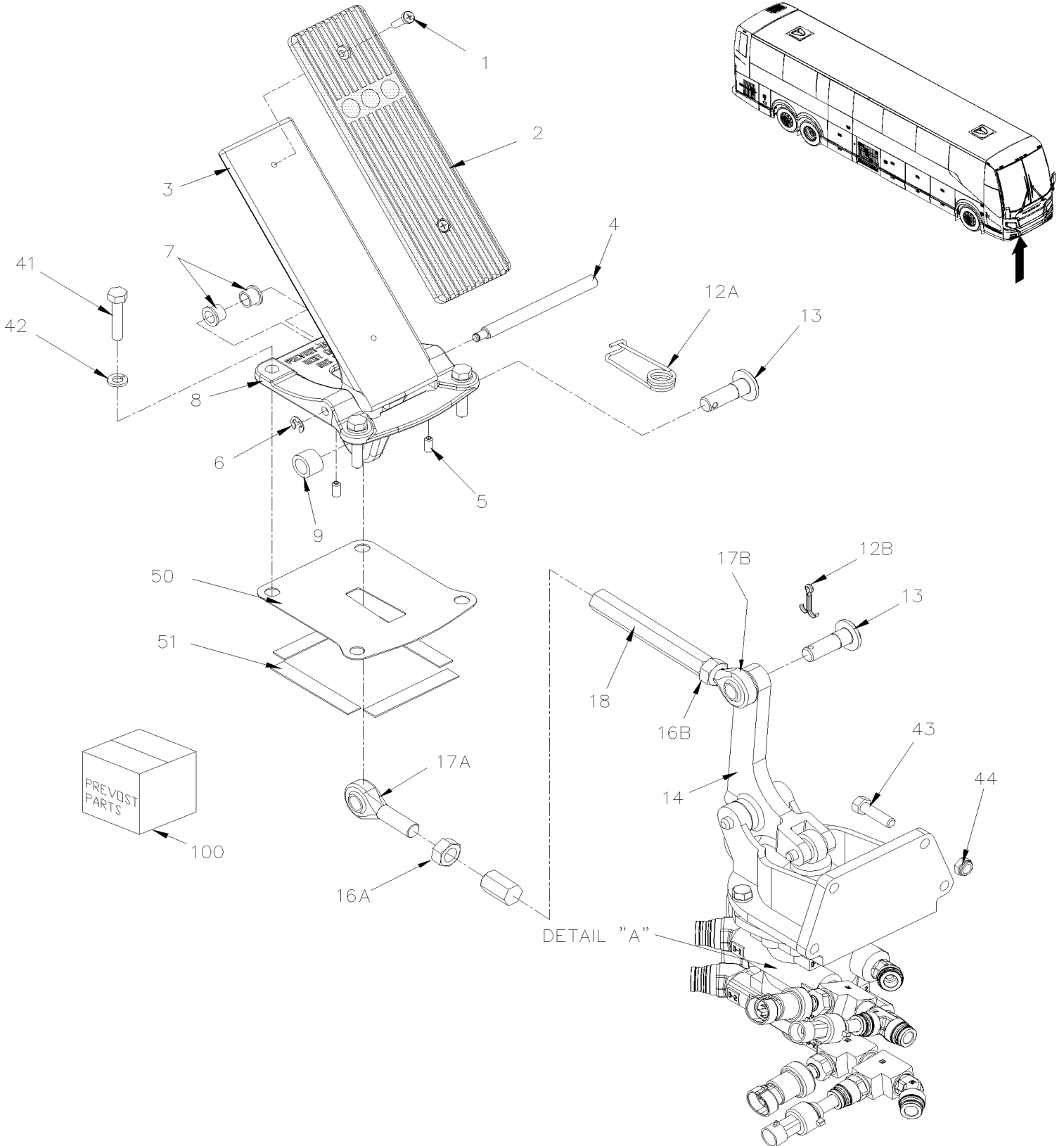
Item#	Part	Description	H 3 4 1	H 3 4 5	NOTES
1	642212	VALVE SUB ASSY / MODEL E-8P	1	1	
. NS	640943	. REPAIR KIT / MINOR / VALVE MODEL E-8P	1	1	
. NS	6987220	. REPAIR KIT / MAJOR / VALVE MODEL E-8P	1	1	
2	19507993	BOOT PLUNGER	1	1	
3	19510779	PLUNGER	1	1	
4	2222120	MOUNTING BRACKET COUPLING D-1	1	1	
5	19512957	PLATE, TOP ADAPTER	1	1	
6	195554	LEVER	1	1	
7	19510780	PIN	1	1	
8	2054524	ROLLER	1	1	
9	640027	CLEVIS PIN	1	1	

From R-1453

Date:07/2024

PAGE:H9-1220-12

BRAKE PEDAL VALVE - "BENDIX" E-8P

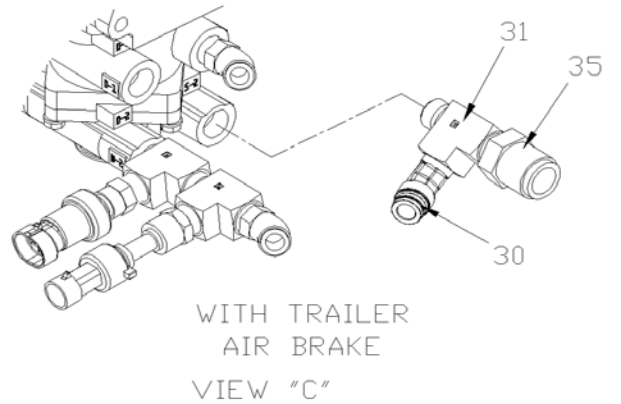
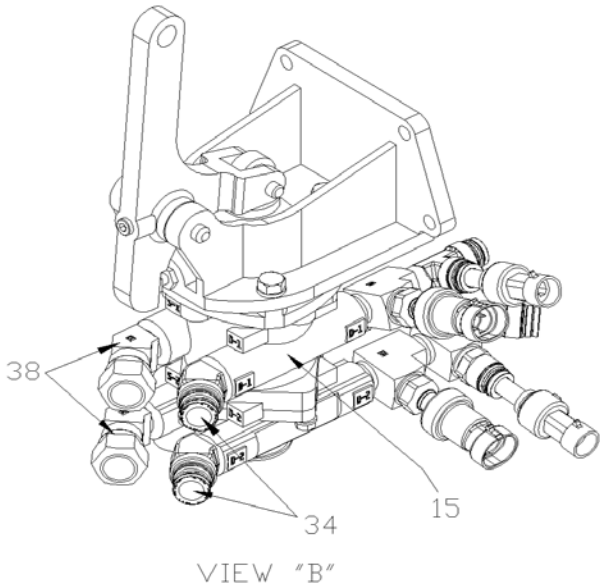
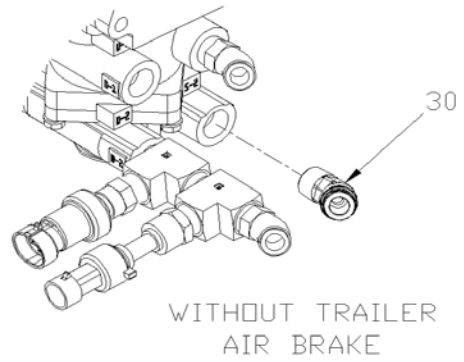
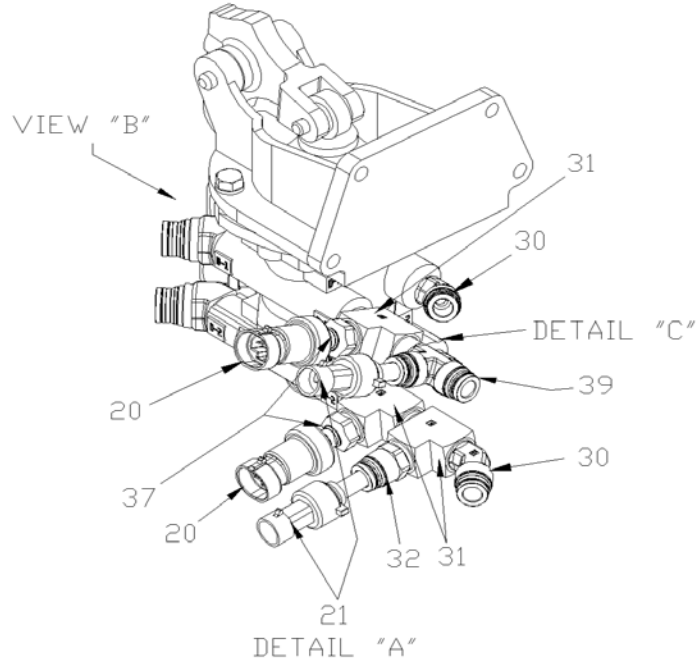


From R-1453

Date:07/2024

PAGE:H9-1220-12

BRAKE PEDAL VALVE - "BENDIX" E-8P



From R-1453		Date:07/2024	PAGE:H9-1220-12
BRAKE PEDAL VALVE - "BENDIX" E-8P			

Item#	Part	Description	H 3 4 1	H 3 4 5	N O T E S
	145262	PEDAL ASSY		1	
1	502746	. SCREW MA PAN PH M5-0.8x20 SS BK		2	
2	142842	. THREADLE COVER / W/STEEL BACKING		1	
3	145309	. PEDAL BRAKE		1	
4	145311	. SHAFT, BRAKE PEDAL		1	
5	5001634	. SCREW SET HEXS CUP M6-1.0X12MM Z050		2	
6	504699	. RING RETAINER / EXT .250 x .207 x .025" / SS		1	
7	507297	. FLANGE BUSHING		2	
8	145310	. SUPPORT ASSY / TO FIX BRAKE PEDAL		1	
9	507307	. BUSHING OIL 1/2 I.D. X 3/4 O.D. X 1/2		1	
12A	502018	LOCK PIN 3/32 X 1 5/8 SS		1	
12B	502111	PIN, COTTER 1/8 x 1 1/2 SS		1	
13	140050	PIN, CLEVIS 4 x 40 SS		2	
14	642211	BRAKE VALVE ASSY W/BACKET / MODEL E-8P		1	
15	642212	. VALVE SUB ASSY / MODEL E-8P		1	
. NS	640943	. . REPAIR KIT / MINOR / VALVE MODEL E-8P		1	
. NS	6987220	. . REPAIR KIT / MAJOR / VALVE MODEL E-8P		1	
16A	5001466	NUT HEX LH M12-1.75 N500		1	
16B	5001757	NUT HEX M12-1.75 N500		1	
17A	502253	ROD END MALE L.H. M12-1.75-L.HH / 12MM I.D.		1	
17B	502252	ROD END MALE M12-1.75 / 12MM I.D.		1	
18	140513	SHAFT THREADED W/R.H. & L.H. THREAD 271MM		1	
20	642072	PRESSURE SWITCH N.C. 2-6 PSI / 1/4" TUBE		2	
. NS	563677	. CONNECTOR / METRI-PACK 150 / SH 4C / PED 12065402		1	
21	642075	TRANSDUCER PRESSURE		2	
. NS	563159	. CONNECTOR / METRI-PACK 150 / SH 3C / PED 12065287		1	
30	641367	MALE ELBOW 45° NON-SWIVEL / PUSH-IN FITTING / #6x3/8NPT-M BR		AR	
31	501699	MALE RUN TEE / PIPE FITTING / 3/8NPT-Mx3/8NPT-Fx3/8NPT-F BR		AR	
32	641330	MALE CONNECTOR / PUSH-IN FITTING / #6x3/8NPT-M BR		AR	
34	641368	MALE ELBOW 45° NON-SWIVEL / PUSH-IN FITTING / #8x3/8NPT-M BR		AR	
35	641602	MALE CONNECTOR / PUSH-IN FITTING / #10x3/8NPT-M BR		AR	
37	641347	MALE CONNECTOR / PUSH-IN FITTING / #4x3/8NPT-M BR		AR	
38	641921	MALE ELBOW 45° / NTA FITTING / #10x3/8NPT-M BR		AR	
39	641388	MALE RUN TEE NON-SWIVEL / PUSH-IN FITTING / #6x#6x3/8NPT-M BR		AR	
41	5001992	SCREW CAP HEX SLO 5/16-18x1 1/2 SS		4	
42	5001341	WASHER FL 8.4x17.0x1.6 SS		4	
43	502836	SCREW CAP HEX M8-1.25x35 G8.8 N500		4	
44	502692	NUT HEXF STO M8-1.25 Z050		4	
50	140258	DUST GUARD BRAKE PEDAL		1	SP
. NS	506092	. PAD NATURAL RUBBER / 6" x 0.030" TH AMBER		AR	SP
51	680437	TAPE TRANSFER ADH2 CLEAR 12.7MM x 55M / TRM950-0500		AR	SP
100	640943	REPAIR KIT / MINOR / VALVE MODEL E-8P		1	

From R-1453	Date:07/2024	PAGE:H9-1220-12
BRAKE PEDAL VALVE - "BENDIX" E-8P		

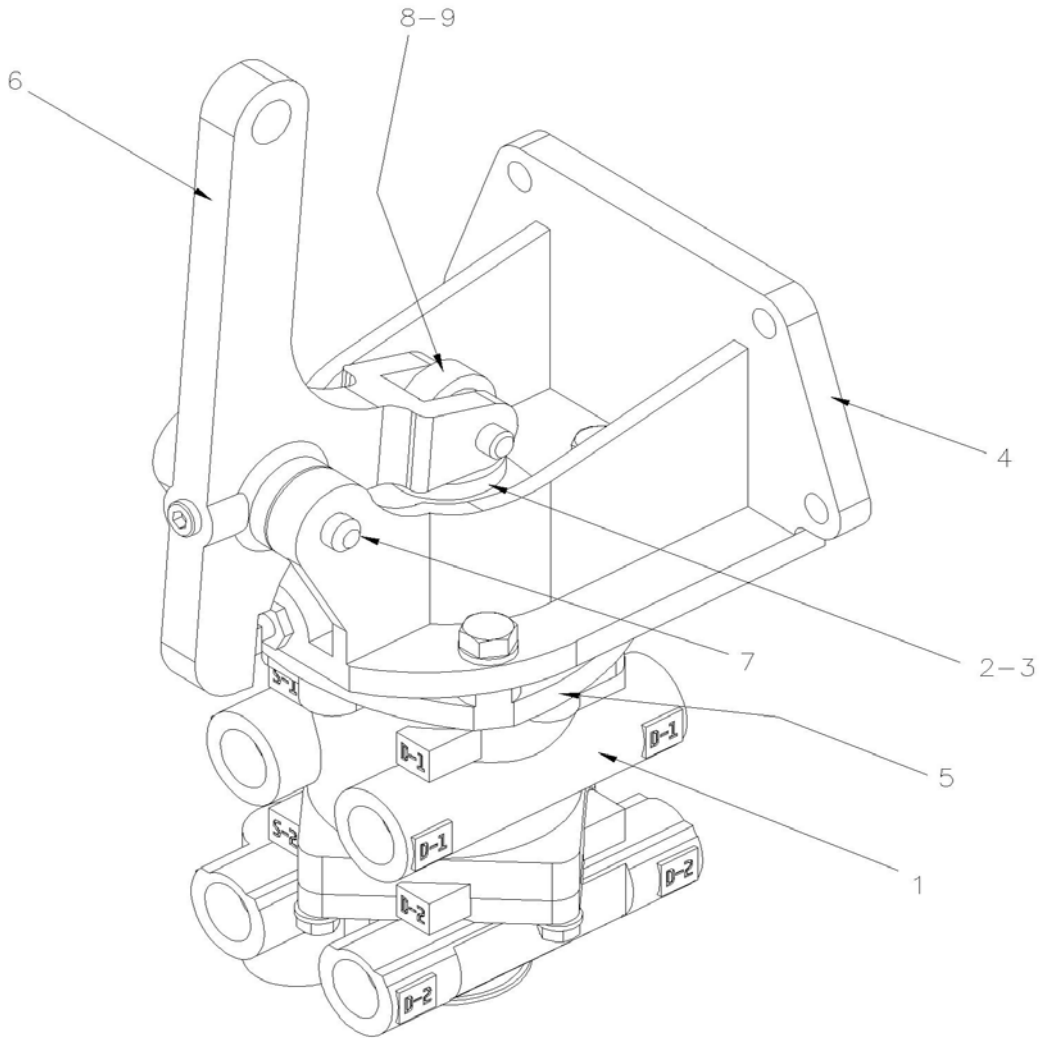
Item#	Part	Description	H 3 4 1	H 3 4 5	N O T E S
100	6987220	REPAIR KIT / MAJOR / VALVE MODEL E-8P		1	
100	IS22040	BRAKE PEDAL SEAL PLATE INSTALLATION KIT		1	K
		K) SERVICE KIT SEAL PLATE BRAKE PEDAL			
		SP) SPECIAL OPTION			

From R-1453

Date:07/2024

PAGE:642211

BRAKE VALVE ASSY W/BRACKET / MODEL E-8P



From R-1453	Date:07/2024	PAGE:642211
BRAKE VALVE ASSY W/BRACKET / MODEL E-8P		

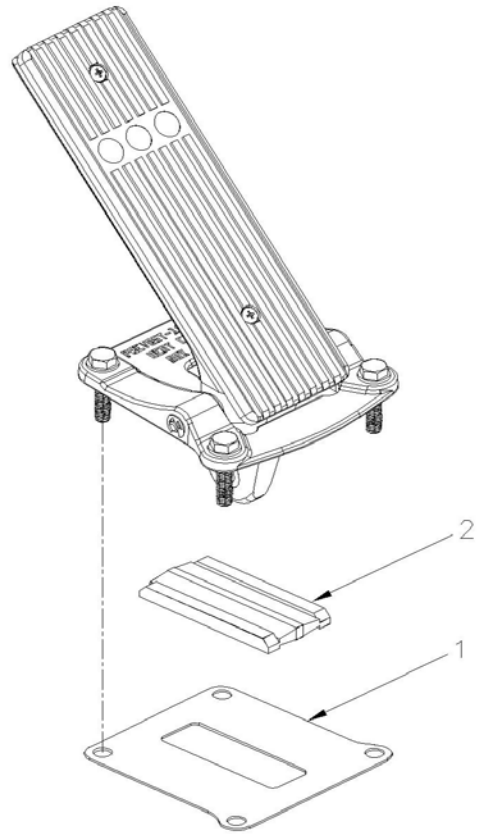
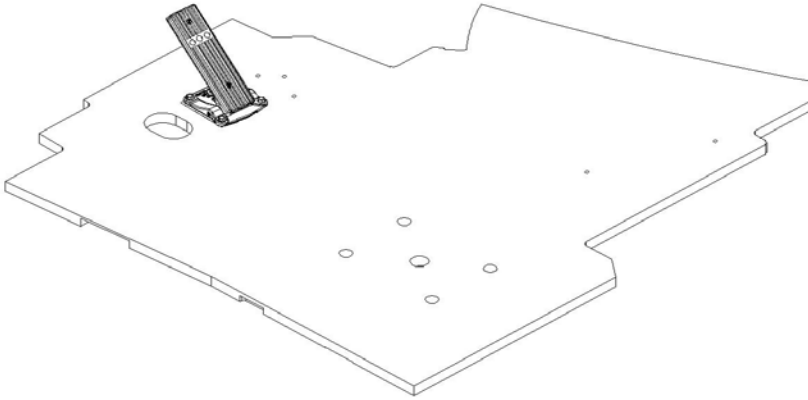
Item#	Part	Description	H 3 4 1	H 3 4 5	NOTES
1	642212	VALVE SUB ASSY / MODEL E-8P	1	1	
. NS	640943	. REPAIR KIT / MINOR / VALVE MODEL E-8P	1	1	
. NS	6987220	. REPAIR KIT / MAJOR / VALVE MODEL E-8P	1	1	
2	19507993	BOOT PLUNGER	1	1	
3	19510779	PLUNGER	1	1	
4	2222120	MOUNTING BRACKET COUPLING D-1	1	1	
5	19512957	PLATE, TOP ADAPTER	1	1	
6	195554	LEVER	1	1	
7	19510780	PIN	1	1	
8	2054524	ROLLER	1	1	
9	640027	CLEVIS PIN	1	1	

From R-1453

Date:07/2024

PAGE:IS22040

BRAKE PEDAL SEAL PLATE INSTALLATION KIT

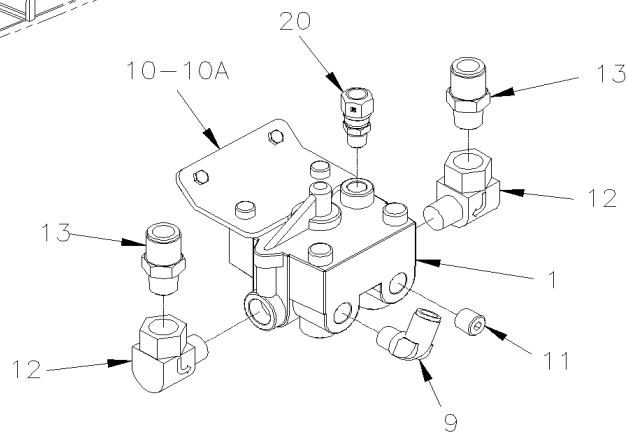
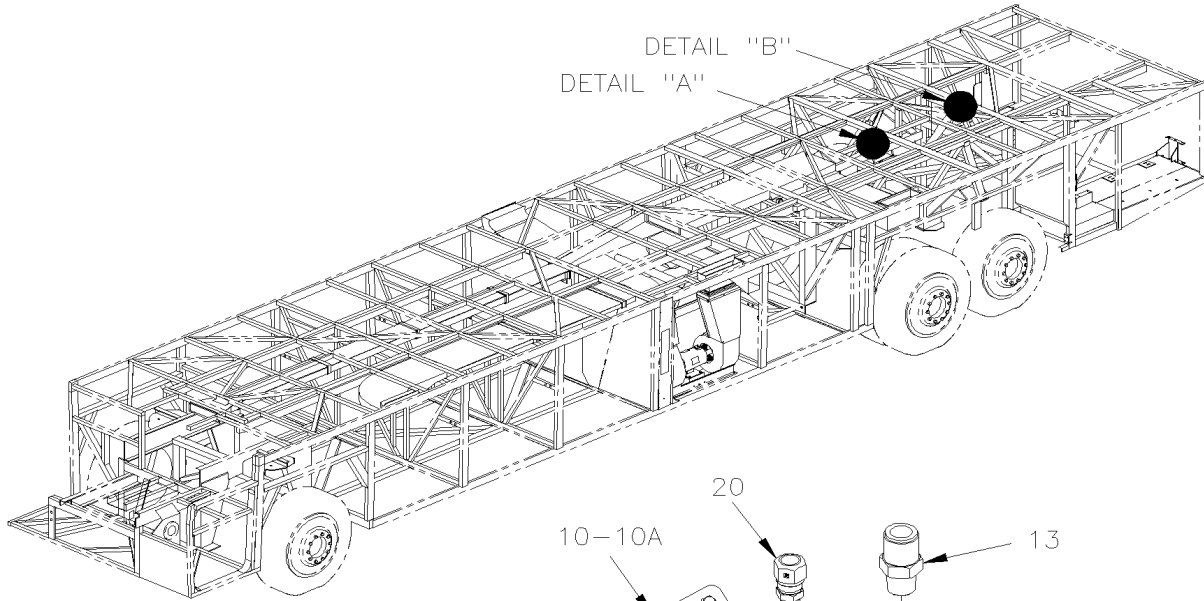


From R-1453	Date:07/2024	PAGE:IS22040
-------------	--------------	--------------

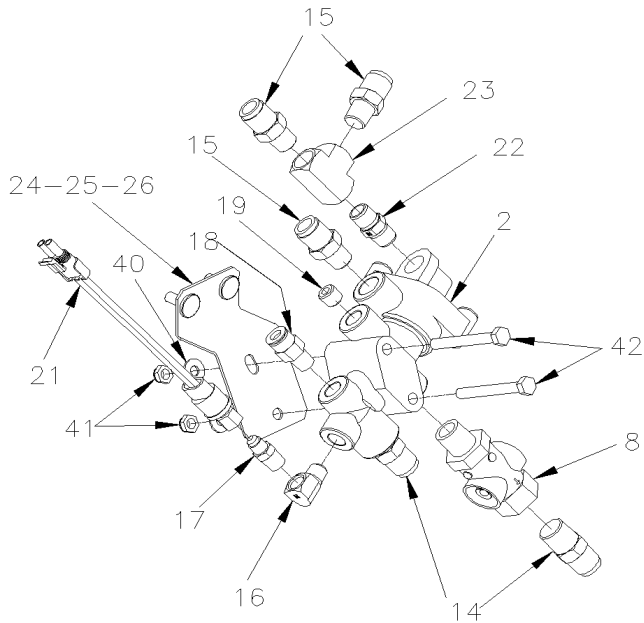
BRAKE PEDAL SEAL PLATE INSTALLATION KIT

Item#	Part	Description	H 3 4 1	H 3 4 5	NOTES
	140526	SEAL PLATE ASM	1	1	
1	140527	. PLATE	1	1	
2	140528	. TIGHT-SEAL BRUSHE	1	1	

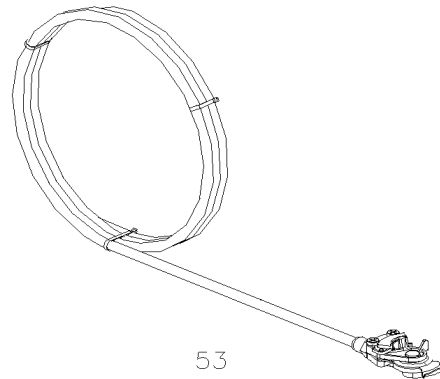
TRAILER VALVE INSTALLATION

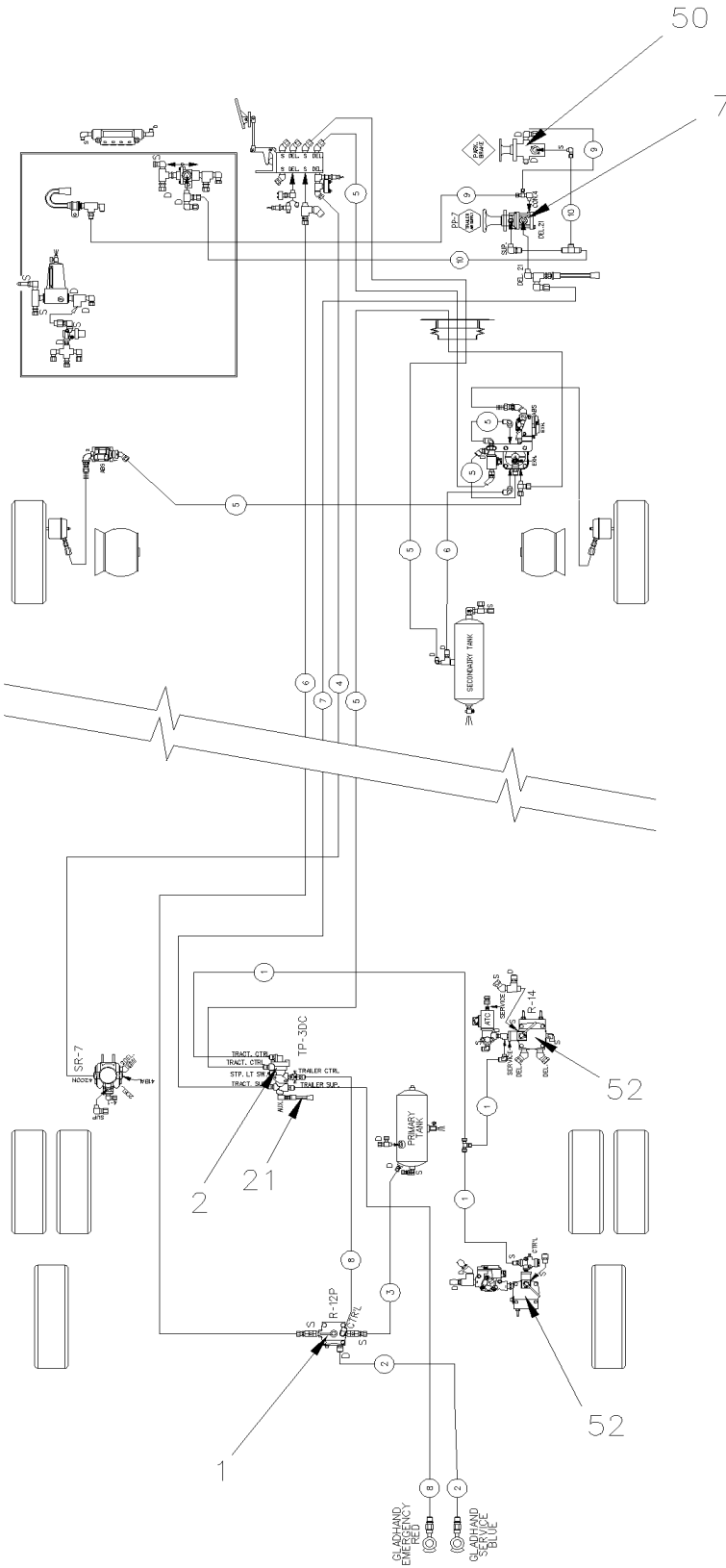


DETAIL "B"



DETAIL "A"





CODE	TUBE
#1	3/8" O.D. GREEN
#2	1/2" O.D. GREEN
#3	5/8" O.D. GREEN
#4	3/8" O.D. RED
#5	1/2" O.D. RED
#6	5/8" O.D. RED
#7	3/8" O.D. BROWN
#8	1/2" O.D. BROWN
#9	1/4" O.D. YELLOW
#10	3/8" O.D. YELLOW

TUBE COLOR CODING

ACTIVE	COLOR	CIRCUIT
—	RED	SECONDARY
—	GREEN	PRIMARY & SUPPLY
—	YELLOW	PARKING BRAKE
—	BLACK	ACCESSORIES
—	BROWN	TRAILER

51

From K-0185		Date:07/2024	PAGE:H9-1220-51
TRAILER VALVE INSTALLATION			

Item#	Part	Description	H 3 4 1	H 3 4 5	N O T E S
1	641399	VALVE, RELAY R-12 P SUPPERSEDED 642097	1	1	
2	641495	TRACTOR PROTECTION VALVE TP-3 DC	1	1	
7	641397	TRAILER SUPPLY VALVE PP-7	1	1	
8	642088	VALVE, QUICK RELEASE QR-L / IN LINE	1	1	
9	641376	MALE ELBOW 90° NON-SWIVEL / PUSH-IN FITTING / #8x3/8NPT-M BR	1	1	
10	142850	SUPPORT VALVE R-12P	1	1	
10A	502681	NUT HEX NYRT M6-1.0 N500 G8	2	2	
11	501449	PLUG HEXS / PIPE FITTING / 3/8NPT-M STL	3	3	
12	641172	VALVE, CHECK ELBOW 90° 1/2 NPT To K-0230	1	1	
12	640123	VALVE, CHECK 1/2 NPT SC-1 From K-0231	1	1	
. NS	641401	. VALVE, CHECK 1/2 NPT SC-1 From K-0231	1	1	
NS	507557	STREET ELBOW 90° / PIPE FITTING / 1/2NPT-Mx1/2NPT-F BR From K-0231	1	1	
13	641384	MALE CONNECTOR / PUSH-IN FITTING / #10x1/2NPT-M BR	AR	AR	
14	641383	MALE CONNECTOR / PUSH-IN FITTING / #8x1/2NPT-M BR	AR	AR	
15	641381	MALE CONNECTOR / PUSH-IN FITTING / #8x3/8NPT-M BR	AR	AR	
16	501332	STREET ELBOW 90° / PIPE FITTING / 1/4NPT-Mx1/4NPT-F BR	AR	AR	
17	501027	MALE CONNECTOR / SAE 45° FITTING / #4FL-Mx1/4NPT-M BR	AR	AR	
18	641331	MALE CONNECTOR / PUSH-IN FITTING / #6x1/4NPT-M BR	AR	AR	
19	501800	PLUG HEXS / PIPE FITTING / 1/4NPT-M STL	AR	AR	
20	641173	MALE CONNECTOR / NTA FITTING / #8x1/4NPT-M BR	AR	AR	
21	950245	PRESSURE SWITCH N.C. 20-30 LO-UNLOAD W/WIRE BLACK	1	1	
22	501322	NIPPLE HEX / PIPE FITTING / 3/8NPT-Mx3/8NPT-Mx1 13/32 BR	1	1	
23	501527	FEMALE UNION TEE / PIPE FITTING / 3/8NPT-Fx3/8NPT-Fx3/8NPT-F BR	1	1	
24	145117	SUPPORT, TP3 VALVE ASSY	1	1	
25	500381	WASHER FL 8.4x25.0x2.0 N500	2	2	
26	502847	NUT HEX NYRT M8-1.25 N500	2	2	
NS	680098	THREAD SEALANT LOCTITE #567 / WHITE / 250ml	AR	AR	
40	502638	WASHER FL .312x.734x.065 N500	AR	AR	
41	500868	NUT HEX NYRT M8-1.25 Z050	AR	AR	
42	502650	SCREW CAP HEX M8-1.25x80 G8.8 Z050	AR	AR	
45	Call order desk	SUPPORTS VALVES	1	1	P
50	H9-1806-10	L.H. CONSOLE - BUS To P-1452			
50	H9-1806-01	CENTRAL DASHBOARD PANEL From R-1453			
51	H9-1202-00	TUBES PLASTIC / AIR D.O.T.			
52	H9-1250-11	ABS/ESP BRAKE VALVE - INSTALLATION			
53	H9-0665-20	CABLE TRAILER - INSTALLATION			
NS	143039	DECAL / TRAILER FRENCH	1	1	
NS	143040	DECAL / TRAILER ENGLISH	1	1	
NS	143065	DECAL / TRAILER SPANISH	1	1	

From K-0185		Date:07/2024	PAGE:H9-1220-51
-------------	--	--------------	-----------------

TRAILER VALVE INSTALLATION

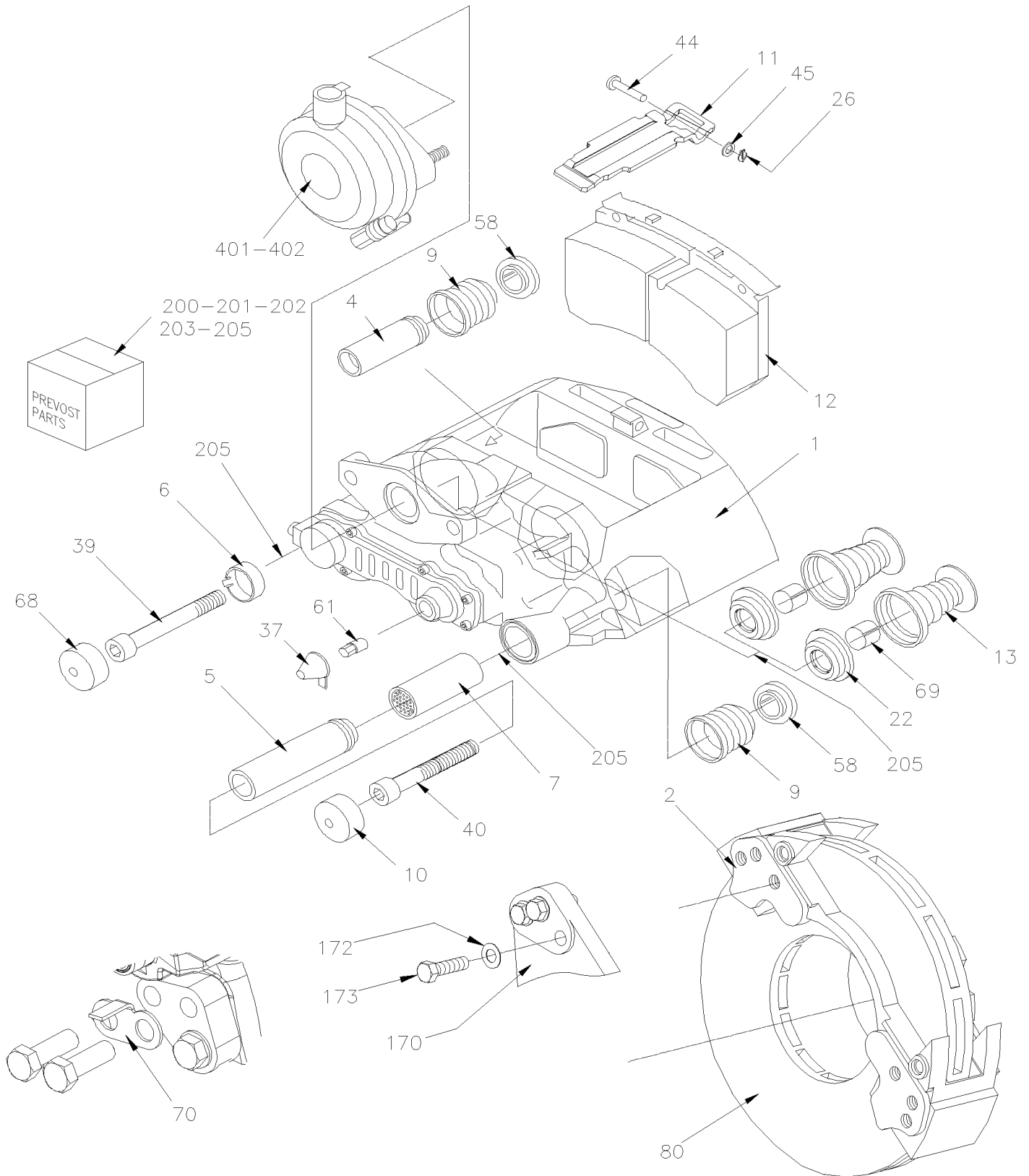
Item#	Part	Description	H 3 4 1	H 3 4 5	N O T E S
		P) CALL ORDER DESK FOR SPECIFIC APPLICATION (V.I.N.)			

From K-0185

Date:07/2024

PAGE:H9-1225-02

BRAKE PARTS - FRONT & TAG AXLE "KNORR-BREMSE" SN7 SERIES W/N2G ADJUSTER



From K-0185 Date:07/2024 PAGE:H9-1225-02

BRAKE PARTS - FRONT & TAG AXLE "KNORR-BREMSE" SN7 SERIES W/N2G ADJUSTER

Item#	Part	Description	H 3 4 1	H 3 4 5	NOTES
	642186	CALIPER ASSY R.H. FRONT & TAG OR L.H. DRIVE AXLE / W/O POTENTIOMETER SN7 To M-1153	1	1	
	640071	CALIPER ASSY R.H. FRONT & TAG OR L.H. DRIVE AXLE / W/O POTENTIOMETER SN7 From M-1154	1	1	
	642187	CALIPER ASSY L.H. FRONT & TAG OR R.H. DRIVE AXLE / W/O POTENTIOMETER SN7 To M-1153	1	1	
	640076	CALIPER ASSY L.H. FRONT & TAG OR R.H. DRIVE AXLE / W/O POTENTIOMETER SN7 From M-1154	1	1	
1	N.S.S.	. CALIPER HOUSING	1	1	1
2	611960	. BRAKE CARRIER / W/6 HOLES BOLT RETAINERS M20-1.5	1	1	
4	N.S.S.	. . GUIDE BUSHING / SHORT	1	1	1
5	N.S.S.	. . GUIDE BUSHING / LONG	1	1	1
6	N.S.S.	. . GUIDE BUSHING / DU	1	1	1
7		. . BUSHING / BRASS	1	1	
8	N.S.S.	. . BOOT RUBBER / WHITE	2	2	1
9	N.S.S.	. . BELLOW GUIDE BUSHING / RED	2	2	1
10	N.S.S.	. . STEEL CAP	1	1	1
11	N.S.S.	. . BRAKE PAD BRACKET	1	1	1
12	642188	. . LINING SET STD / To M-1153	1	1	B
. 11	N.S.S.	. . . BRAKE PAD BRACKET To M-1153	1	1	1 B
. 26	N.S.S.	. . . SPRING SPLIT PIN To M-1153	1	1	1 B
. 37	642034	. . . KIT, PLUG CAP W/AJUSTING DEVICE (PACK of 10x #37, #37a & 61) To M-1153	1	1	B
. 44	N.S.S.	. . . CLEVIS PIN To M-1153	1	1	1 B
. 45	N.S.S.	. . . WASHER To M-1153	1	1	1 B
. 61	N.S.S.	. . . SHEAR ADAPTER To M-1153	1	1	1 B
12	610072	. . LINING SET STD / TX3054 From M-1154	1	1	
13	N.S.S.	. . TAPPET WITH BOOT ASSY	2	2	1
22	N.S.S.	. . BOOT	2	2	1
26	N.S.S.	. . SPRING SPLINT PIN	1	1	1
37	N.S.S.	. . PLUG CAP / ADJUSTING DEVICE	1	1	1
39	N.S.S.	. . SCREW CAP HEXS ZP M16-1.5 GR10.9	1	1	1
40	N.S.S.	. . SCREW CAP HEXS ZP M16-1.5 GR10.9	1	1	1
44	N.S.S.	. . CLEVIS PIN	1	1	1
45	N.S.S.	. . WASHER	1	1	1
58	N.S.S.	. . RING	2	2	1
61	N.S.S.	. . SHEAR ADAPTER	1	1	1
68	N.S.S.	. . CAP	1	1	1
69	N.S.S.	. . RING RETAINING	2	2	1
70	110786	BRAKE WEAR INDICATOR MECHANICAL / 44MM To K-0511	2	2	A
70	110061	BRAKE WEAR INDICATOR MECHANICAL / 47MM From K-0512	2	2	A
70	142907	BRAKE WEAR INDICATOR WITH HOLE MECHANICAL	AR	AR	TG
80	H9-1300-00	HUB & ROTOR - FRONT AXLE - I BEAM MODEL "S84U"			
80	H9-1310-00	HUB & ROTOR - TAG AXLE TYPE TS8U			
170	H9-1005-00	FRONT AXLE - I BEAM RIGID MODEL "S84U" To K-0511			
170	H9-1005-01	FRONT AXLE - I BEAM RIGID MODEL "S84U" From K-0512			
170	H9-1615-01	TAG AXLE - INSTALL SUSPENSION ONE PIECE			

From K-0185	Date:07/2024	PAGE:H9-1225-02
-------------	--------------	-----------------

BRAKE PARTS - FRONT & TAG AXLE "KNORR-BREMSE" SN7 SERIES W/N2G ADJUSTER

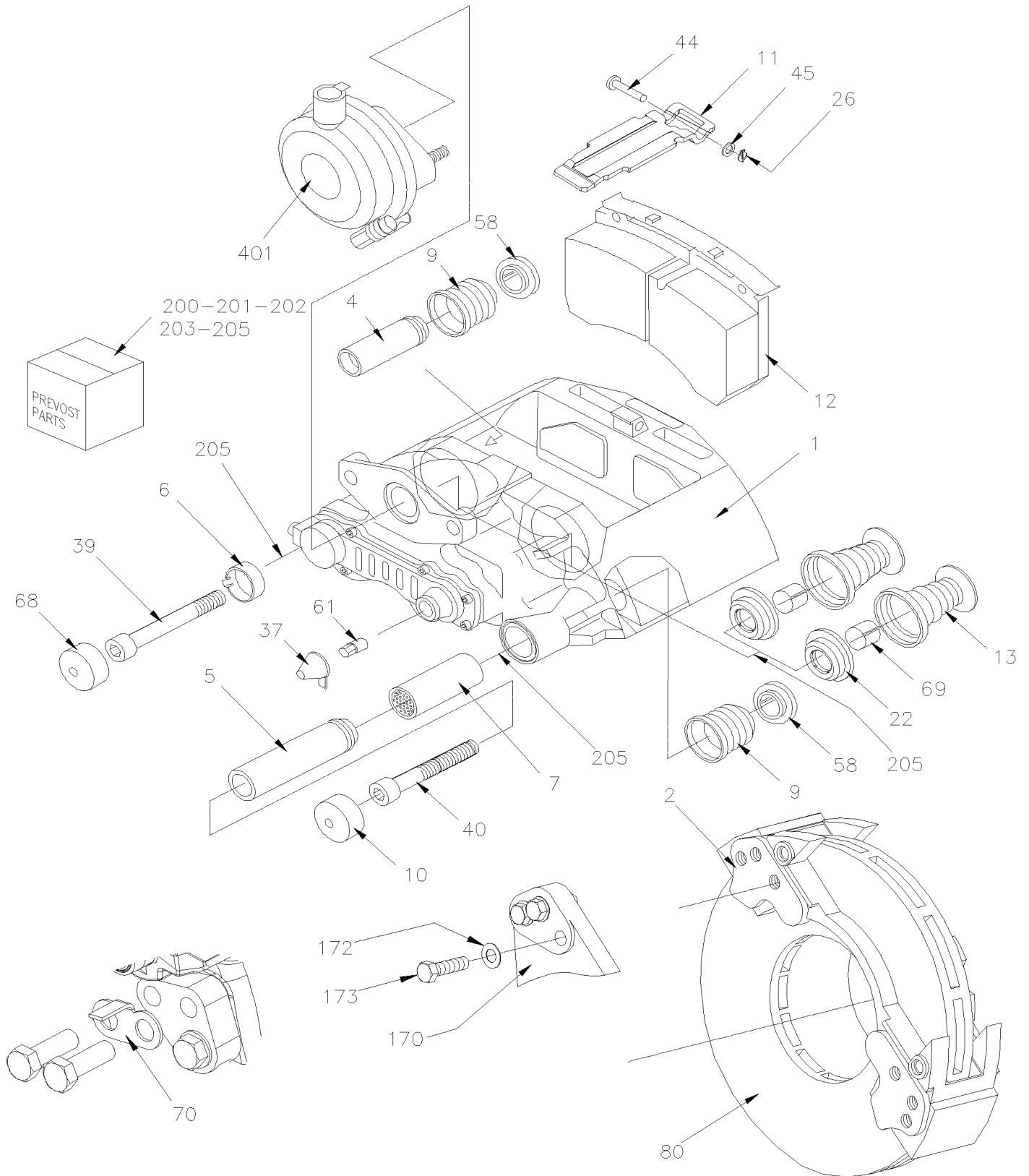
Item#	Part	Description	H 3 4 1	H 3 4 5	N O T E S
172	502558	WASHER FL 21.0x37.0x3.0 G500	6	6	
173	5001529	SCREW CAP HEX M20-1.5x60 G10.9 G500	6	6	
200	19509429	KIT, TAPPET W/BOOT	AR	AR	C
201	640019	KIT, GUIDANCE PINS & BELLOW / SN W/ GUIDE SLEEVE BUSHING END	AR	AR	E
202	642034	KIT, PLUG CAP W/AJUSTING DEVICE (PACK of 10x #37, #37a & 61)	AR	AR	S
203	641402	KIT, PAD HOLDER	AR	AR	H
. 26	N.S.S.	. SPRING SPLIT PIN	1	1	1 H
. 44	N.S.S.	. CLEVIS PIN	1	1	1 H
. 45	N.S.S.	. WASHER	1	1	1 H
205	683345	GREASE WHITE / 5GR	AR	AR	K
205	641930	GREASE WHITE / 500GR	AR	AR	K
300	642214	KIT TOOL TO REPAIR BRAKE N2G	1	1	
401	H9-1225-10	BRAKE CHAMBER - FRONT AXLE TYPE 24 To K-0184			
403	H9-1245-11	BRAKE CHAMBER - TAG AXLE TYPE 20 From K-0185			
		A) WITH "I BEAM" SUSPENSION			
		B) INCLUDES ITEMS #11, 26, 37, 44, 45 & 61			
		C) INCLUDES 2 OF ITEMS #13, 22 & 69			
		E) INCLUDES ITEMS #4, 5, 6, 7, 9, 10, 39, 40, 58 & 68			
		H) INCLUDES ITEMS #11,26,44 & 45			
		K) FOR ITEMS #5 & 7			
		S) INCLUDES 10 ITEMS #37 AND 61			
		TG) TAG AXLE ONLY			
		1) NOT SOLD SEPARATELY			
		1) NOT SOLD SEPARATELY			

From K-0185

Date:07/2024

PAGE:H9-1225-21

BRAKE PARTS - FRONT INDEPENDENT "KNORR-BREMSE" SN7 SERIES W/N2G ADJUSTER



From K-0185 Date:07/2024 PAGE:H9-1225-21

BRAKE PARTS - FRONT INDEPENDENT "KNORR-BREMSE" SN7 SERIES W/N2G ADJUSTER

Item#	Part	Description	H 3 4 1	H 3 4 5	NOTES
	642186	CALIPER ASSY R.H. FRONT & TAG OR L.H. DRIVE AXLE / W/O POTENTIOMETER SN7	1	1	
	642187	CALIPER ASSY L.H. FRONT & TAG OR R.H. DRIVE AXLE / W/O POTENTIOMETER SN7	1	1	
1	N.S.S.	. CALIPER HOUSING	1	1	1
2	611960	. BRAKE CARRIER / W/6 HOLES BOLT RETAINERS M20-1.5	1	1	
4	N.S.S.	. . GUIDE BUSHING / SHORT	1	1	1
5	N.S.S.	. . GUIDE BUSHING / LONG	1	1	1
6	N.S.S.	. . GUIDE BUSHING / DU	1	1	1
7		. . BUSHING / BRASS	1	1	
8	N.S.S.	. . BOOT RUBBER / WHITE	2	2	1
9	N.S.S.	. . BELLOW GUIDE BUSHING / RED	2	2	1
10	N.S.S.	. . STEEL CAP	1	1	1
11	N.S.S.	. . BRAKE PAD BRACKET	1	1	1
12	642188	. . LINING SET STD /	1	1	B
. 11	N.S.S.	. . . BRAKE PAD BRACKET	1	1	1 B
. 26	N.S.S.	. . . SPRING SPLIT PIN	1	1	1 B
. 37	642034	. . . KIT, PLUG CAP W/AJUSTING DEVICE (PACK of 10x #37, #37a & 61)	1	1	B
. 44	N.S.S.	. . . CLEVIS PIN	1	1	1 B
. 45	N.S.S.	. . . WASHER	1	1	1 B
. 61	N.S.S.	. . . SHEAR ADAPTER	1	1	1 B
13	N.S.S.	. . TAPPET WITH BOOT ASSY	2	2	1
22	N.S.S.	. . BOOT	2	2	1
26	N.S.S.	. . SPRING SPLINT PIN	1	1	1
37	N.S.S.	. . PLUG CAP / ADJUSTING DEVICE	1	1	1
39	N.S.S.	. . SCREW CAP HEXS ZP M16-1.5 GR10.9	1	1	1
40	N.S.S.	. . SCREW CAP HEXS ZP M16-1.5 GR10.9	1	1	1
44	N.S.S.	. . CLEVIS PIN	1	1	1
45	N.S.S.	. . WASHER	1	1	1
58	N.S.S.	. . RING	2	2	1
61	N.S.S.	. . SHEAR ADAPTER	1	1	1
68	N.S.S.	. . CAP	1	1	1
69	N.S.S.	. . RING RETAINING	2	2	1
70	110786	BRAKE WEAR INDICATOR MECHANICAL / 44MM	AR	AR	
80	H9-1300-50	HUB & ROTOR - FRONT AXLE - INDEPENDANT MODEL "NDIFS80P"			
170	H9-1005-61	FRONT AXLE - INDEPENDENT MODEL "NDIFS80P" / 19000LBS			
172	502558	WASHER FL 21.0x37.0x3.0 G500	6	6	
173	5001529	SCREW CAP HEX M20-1.5x60 G10.9 G500	6	6	
200	19509429	KIT, TAPPET W/BOOT	AR	AR	C
201	640019	KIT, GUIDANCE PINS & BELLOW / SN W/ GUIDE SLEEVE BUSHING END	AR	AR	E
202	642034	KIT, PLUG CAP W/AJUSTING DEVICE (PACK of 10x #37, #37a & 61)	AR	AR	S
205	683345	GREASE WHITE / 5GR	AR	AR	K
205	641930	GREASE WHITE / 500GR	AR	AR	K
300	642214	KIT TOOL TO REPAIR BRAKE N2G	1	1	

From K-0185	Date:07/2024	PAGE:H9-1225-21
BRAKE PARTS - FRONT INDEPENDENT "KNORR-BREMSE" SN7 SERIES W/N2G ADJUSTER		

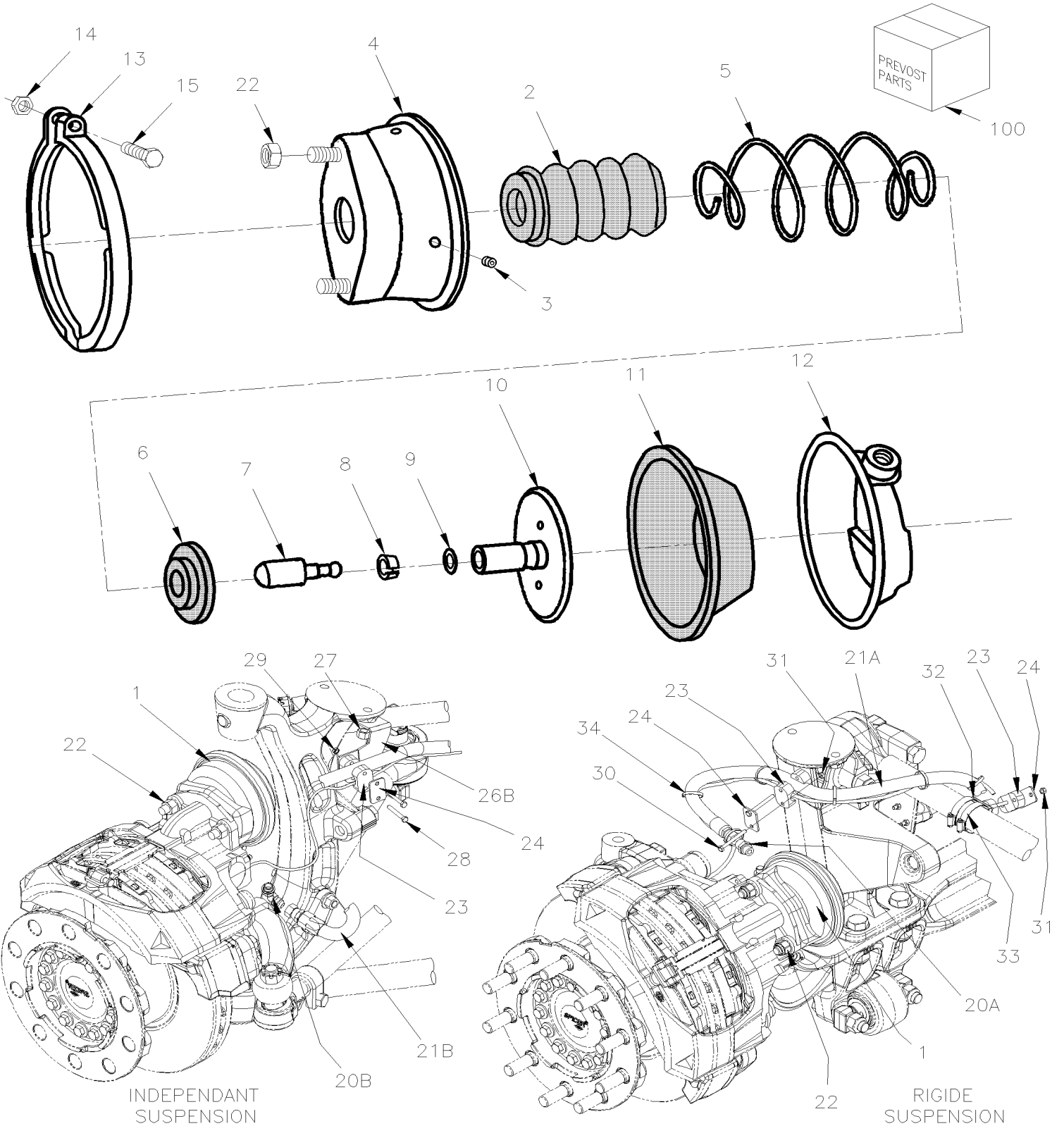
Item#	Part	Description	H 3 4 1	H 3 4 5	N O T E S
401	H9-1225-10	BRAKE CHAMBER - FRONT AXLE TYPE 24			
		B) INCLUDES ITEMS #11, 26, 37, 44, 45 & 61			
		C) INCLUDES 2 OF ITEMS #13, 22 & 69			
		E) INCLUDES ITEMS #4, 5, 6, 7, 9, 10, 39, 40, 58 & 68			
		K) FOR ITEMS #5 & 7			
		S) INCLUDES 10 ITEMS #37 AND 61			
		1) NOT SOLD SEPARATELY			
		1) NOT SOLD SEPARATELY			

From K-0185

Date:07/2024

PAGE:H9-1225-10

BRAKE CHAMBER - FRONT AXLE TYPE 24



From K-0185	Date:07/2024	PAGE:H9-1225-10
BRAKE CHAMBER - FRONT AXLE TYPE 24		

Item#	Part	Description	H 3 4 1	H 3 4 5	NOTES
1	612353	BRAKE CHAMBER ASSY R.H. / TYPE 24	1	1	
1	612354	BRAKE CHAMBER ASSY L.H. / TYPE 24	1	1	
2	N.S.S.	. BOOT	1	1	1
3	N.S.S.	. HOLE PLUG	1	1	1
4	N.S.S.	. CHAMBER , NO-PRESSURE	1	1	1
5	640231	. SPRING, COMP.	1	1	
6	N.S.S.	. SPRING SEAT	1	1	1
7	N.S.S.	. PUSH ROD END	1	1	1
8	N.S.S.	. RETAINER	1	1	1
9	N.S.S.	. RING	1	1	1
10	N.S.S.	. PUSH ROD	1	1	1
11	640229	. DIAPHRAGM / TYPE 24	1	1	
12	N.S.S.	. CHAMBER PRESSURE PLATE	1	1	1
13	N.S.S.	. CLAMP W/BOLT & NUT	1	1	1
14	502543	. . NUT HEX M8-1.25 Z050	1	1	
15	5001021	. . SCREW CAP HEXS M8-1.25x60 G8.8 PT	1	1	
20A	641294	MALE CONNECTOR / JIC 37° FITTING / #8JIC-MxM16-1.5-M STL	1	1	
. NS	641297	. O-RING 13.1MM I.D. X 2.6 TH	1	1	
. NS	641298	. WASHER FL 17MM I.D x 22MM O.D. x 1.5MM	1	1	
20B	660914	MALE ELBOW 90° / JIC 37° FITTING / #8JIC-MxM16-1.5-M STL	1	1	
. NS	641297	. O-RING 13.1MM I.D. X 2.6 TH	1	1	
. NS	641298	. WASHER FL 17MM I.D x 22MM O.D. x 1.5MM	1	1	
21A	145292P	HOSE BRAKE #8 1366MM	2	2	R
21B	641903	HOSE BRAKE #8 1090MM (43")	2	2	I
22	5001253	NUT HEX STO M16-1.5 G500	2	2	
23	140079	HALF COLLAR 44MM I.D. / TO FIX HOSE	4	4	
24	504614	PLATE RETAINING / COLLAR	2	2	
25	502843	SCREW CAP HEX M6-1.0x45 G8.8 N500	4	4	
26B	142353	HOSE SUPPORT L.H. To L-0907	1	1	I
26B	140152	HOSE SUPPORT L.H. From L-0908	1	1	I
26B	142352	HOSE SUPPORT R.H. To L-0907	1	1	I
26B	140151	HOSE SUPPORT R.H. From L-0908	1	1	I
27	500276	NUT HEX STO 1/2-13 N500	1	1	I
28	502656	SCREW CAP HEX M6-1.0x50 SS	2	2	
29	502565	NUT HEX M6-1.0 SS	2	2	
30	5001681	SCREW CAP HEX M6-1.0x60 SS	8	8	R
31	502860	NUT HEX STO M6-1.0 N500	8	8	R
32	132002	SUPPORT HOSE LH	2	2	R
33	504023	HOSE CLAMP / 1"5/16-2"1/4 SS / HS-28	4	4	R
34	504637	CABLE TIE / 3/16" x 13"	AR	AR	
34	507664	CABLE TIE / 3/16" 11" / DOUBLE LOOP HEAD	AR	AR	
100	641422	KIT REPAIR / TYPE 24	1	1	A

From K-0185	Date:07/2024	PAGE:H9-1225-10
BRAKE CHAMBER - FRONT AXLE TYPE 24		

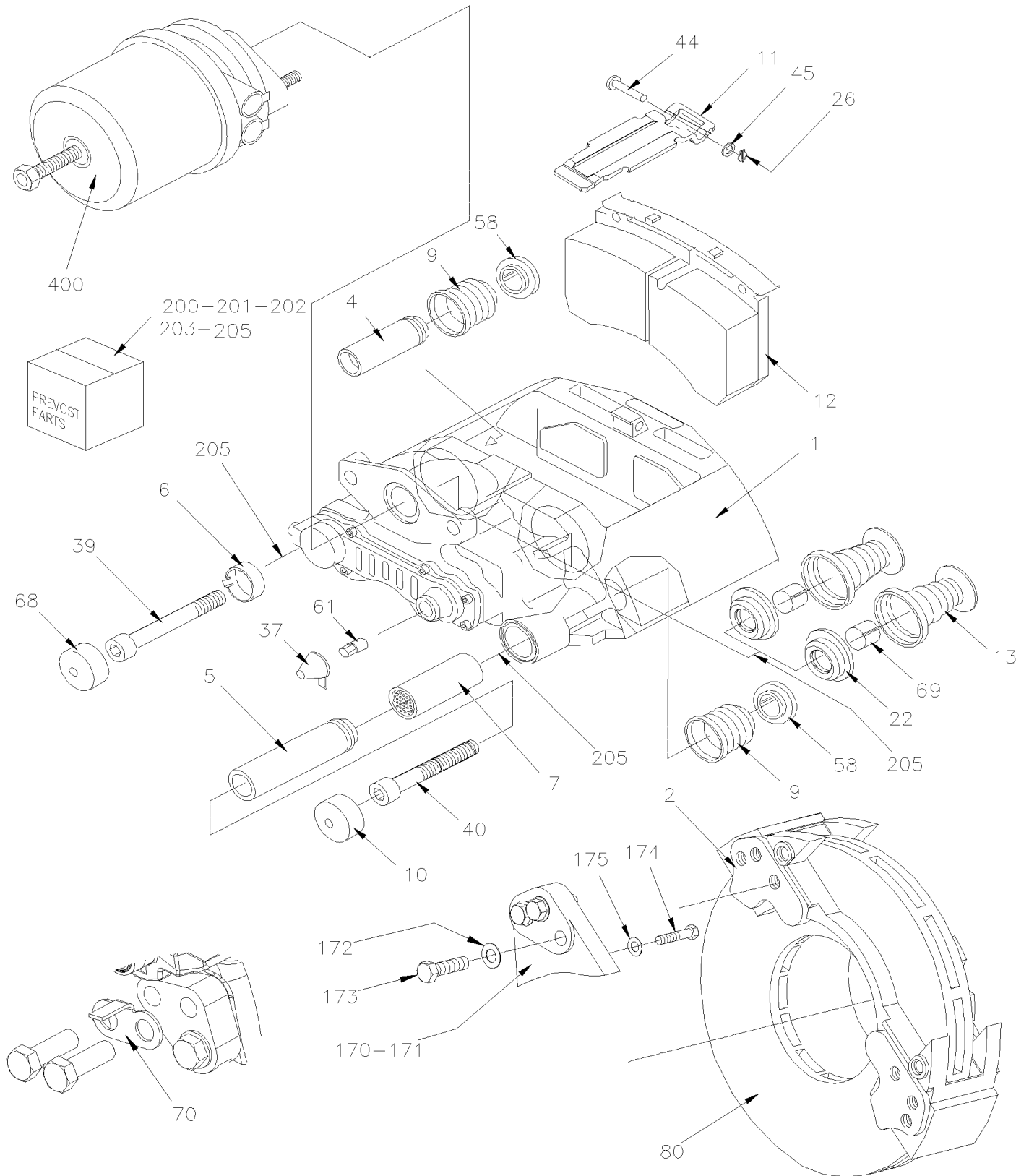
Item#	Part	Description	H 3 4 1	H 3 4 5	N O T E S
		A) INCLUDED ITEMS #2,3,6,8,9 & 11			
		I) WITH INDEPENDANT SUSPENSION			
		R) WITH "I" BEAM SUSPENSION			
		1) NOT SOLD SEPARATELY			

From K-0185

Date:07/2024

PAGE:H9-1235-02

BRAKE PARTS - DRIVE AXLE "KNORR-BREMSE" SN7 SERIES W/N2G ADJUSTER



From K-0185		Date:07/2024	PAGE:H9-1235-02
BRAKE PARTS - DRIVE AXLE "KNORR-BREMSE" SN7 SERIES W/N2G ADJUSTER			

Item#	Part	Description	H 3 4 1	H 3 4 5	N O T E S
	642186	CALIPER ASSY R.H. FRONT & TAG OR L.H. DRIVE AXLE / W/O POTENTIOMETER SN7 To M-1153	1	1	
	640071	CALIPER ASSY R.H. FRONT & TAG OR L.H. DRIVE AXLE / W/O POTENTIOMETER SN7 From M-1154	1	1	
	642187	CALIPER ASSY L.H. FRONT & TAG OR R.H. DRIVE AXLE / W/O POTENTIOMETER SN7 To M-1153	1	1	
	640076	CALIPER ASSY L.H. FRONT & TAG OR R.H. DRIVE AXLE / W/O POTENTIOMETER SN7 From M-1154	1	1	
1	N.S.S.	. CALIPER HOUSING	1	1	1
2	611960	. BRAKE CARRIER / W/6 HOLES BOLT RETAINERS M20-1.5	1	1	
4	N.S.S.	. . GUIDE BUSHING / SHORT	1	1	1
5	N.S.S.	. . GUIDE BUSHING / LONG	1	1	1
6	N.S.S.	. . GUIDE BUSHING / DU	1	1	1
7		. . BUSHING / BRASS	1	1	
8	N.S.S.	. . BOOT RUBBER / WHITE	2	2	1
9	N.S.S.	. . BELLOW GUIDE BUSHING / RED	2	2	1
10	N.S.S.	. . STEEL CAP	1	1	1
11	N.S.S.	. . BRAKE PAD BRACKET	1	1	1
12	642188	. . LINING SET STD / To M-1153	1	1	B
. 11	N.S.S.	. . . BRAKE PAD BRACKET To M-1153	1	1	1 B
. 26	N.S.S.	. . . SPRING SPLIT PIN To M-1153	1	1	1 B
. 37	642034	. . . KIT, PLUG CAP W/AJUSTING DEVICE (PACK of 10x #37, #37a & 61) To M-1153	1	1	B
. 44	N.S.S.	. . . CLEVIS PIN To M-1153	1	1	1 B
. 45	N.S.S.	. . . WASHER To M-1153	1	1	1 B
. 61	N.S.S.	. . . SHEAR ADAPTER To M-1153	1	1	1 B
12	610072	. . LINING SET STD / TX3054 From M-1154	1	1	
13	N.S.S.	. . TAPPET WITH BOOT ASSY	2	2	1
22	N.S.S.	. . BOOT	2	2	1
26	N.S.S.	. . SPRING SPLINT PIN	1	1	1
37	N.S.S.	. . PLUG CAP / ADJUSTING DEVICE	1	1	1
39	N.S.S.	. . SCREW CAP HEXS ZP M16-1.5 GR10.9	1	1	1
40	N.S.S.	. . SCREW CAP HEXS ZP M16-1.5 GR10.9	1	1	1
44	N.S.S.	. . CLEVIS PIN	1	1	1
45	N.S.S.	. . WASHER	1	1	1
58	N.S.S.	. . RING	2	2	1
61	N.S.S.	. . SHEAR ADAPTER	1	1	1
68	N.S.S.	. . CAP	1	1	1
69	N.S.S.	. . RING RETAINING	2	2	1
70	110786	BRAKE WEAR INDICATOR MECHANICAL / 44MM	AR	AR	
80	H9-1305-00	HUB & ROTOR - DRIVE AXLE			
80	H9-1305-99	ROTOR (SPLINED DISC) PRODUCT IMPROVMENT			
170	H9-1105-00	REAR AXLE - MODEL "RC23165"			
171	621868	CALIPER MOUNTING BRACKET L.H. & R.H. W/OUT BUSHING	1	1	D
172	N8889049	WASHER	6	6	
173	5001529	SCREW CAP HEX M20-1.5x60 G10.9 G500	6	6	
174	621636	SCREW CAP HEX / TO FIX BRACKET TO AXLE 9/16-18 X 2 GR 8	24	24	D

From K-0185	Date:07/2024	PAGE:H9-1235-02
-------------	--------------	-----------------

BRAKE PARTS - DRIVE AXLE "KNORR-BREMSE" SN7 SERIES W/N2G ADJUSTER

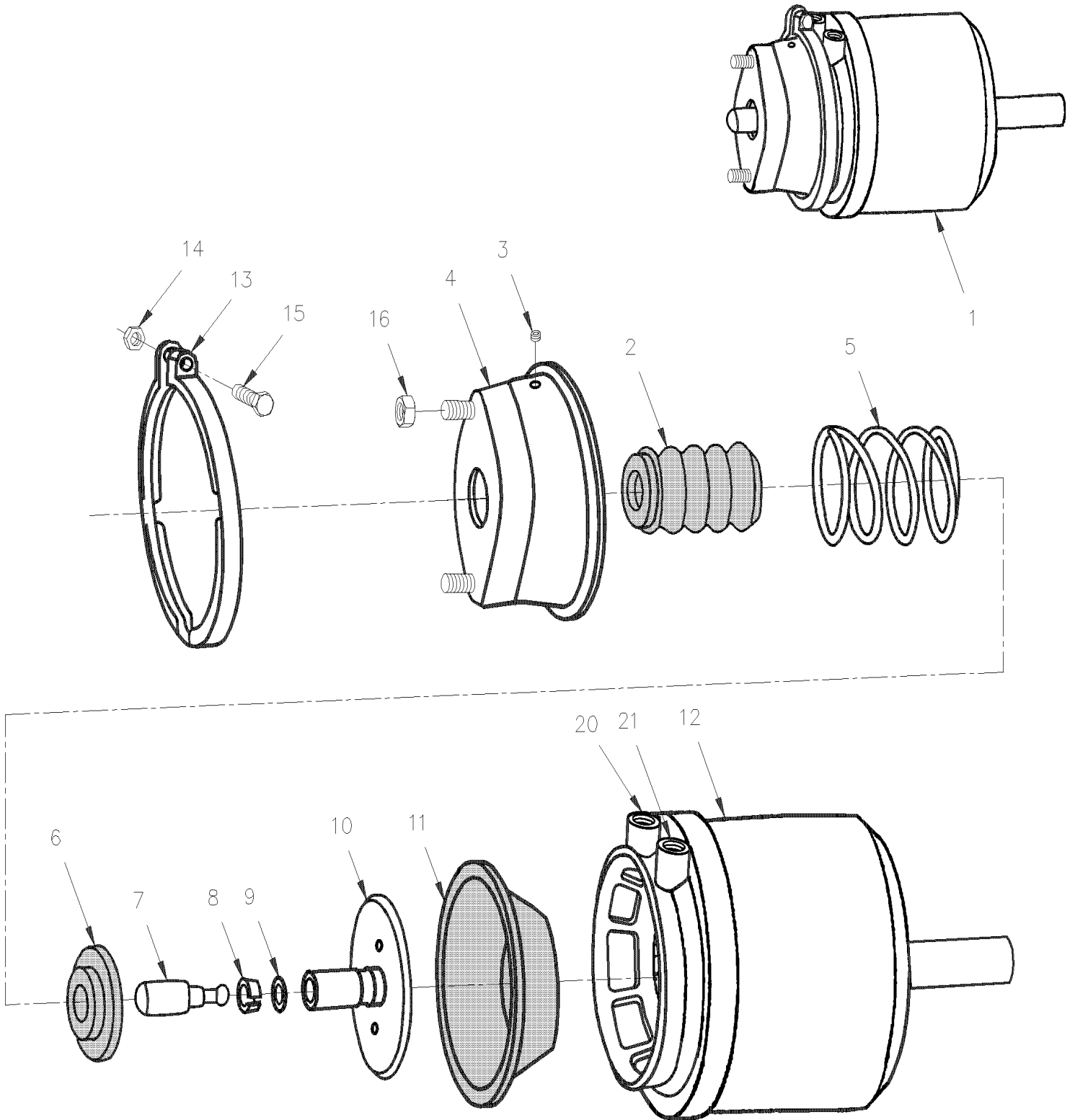
Item#	Part	Description	H 3 4 1	H 3 4 5	N O T E S
175	621365	WASHER (HARD) .59IDX.97ODX.09	24	24	D
200	19509429	KIT, TAPPET W/BOOT	AR	AR	C
201	640019	KIT, GUIDANCE PINS & BELLOW / SN W/ GUIDE SLEEVE BUSHING END	AR	AR	E
202	642034	KIT, PLUG CAP W/AJUSTING DEVICE (PACK of 10x #37, #37a & 61)	AR	AR	S
205	683345	GREASE WHITE / 5GR	AR	AR	K
205	641930	GREASE WHITE / 500GR	AR	AR	K
300	642214	KIT TOOL TO REPAIR BRAKE N2G	1	1	
400	H9-1235-10	BRAKE CHAMBER - DRIVE AXLE TYPE 24/24			
		B) INCLUDES ITEMS #11, 26, 37, 44, 45 & 61			
		C) INCLUDES 2 OF ITEMS #13, 22 & 69			
		D) ON DRIVE AXLE ONLY			
		E) INCLUDES ITEMS #4, 5, 6, 7, 9, 10, 39, 40, 58 & 68			
		K) FOR ITEMS #5 & 7			
		S) INCLUDES 10 ITEMS #37 AND 61			
		1) NOT SOLD SEPARATELY			
		1) NOT SOLD SEPARATELY			

From K-0185

Date:07/2024

PAGE:H9-1235-10

BRAKE CHAMBER - DRIVE AXLE TYPE 24/24

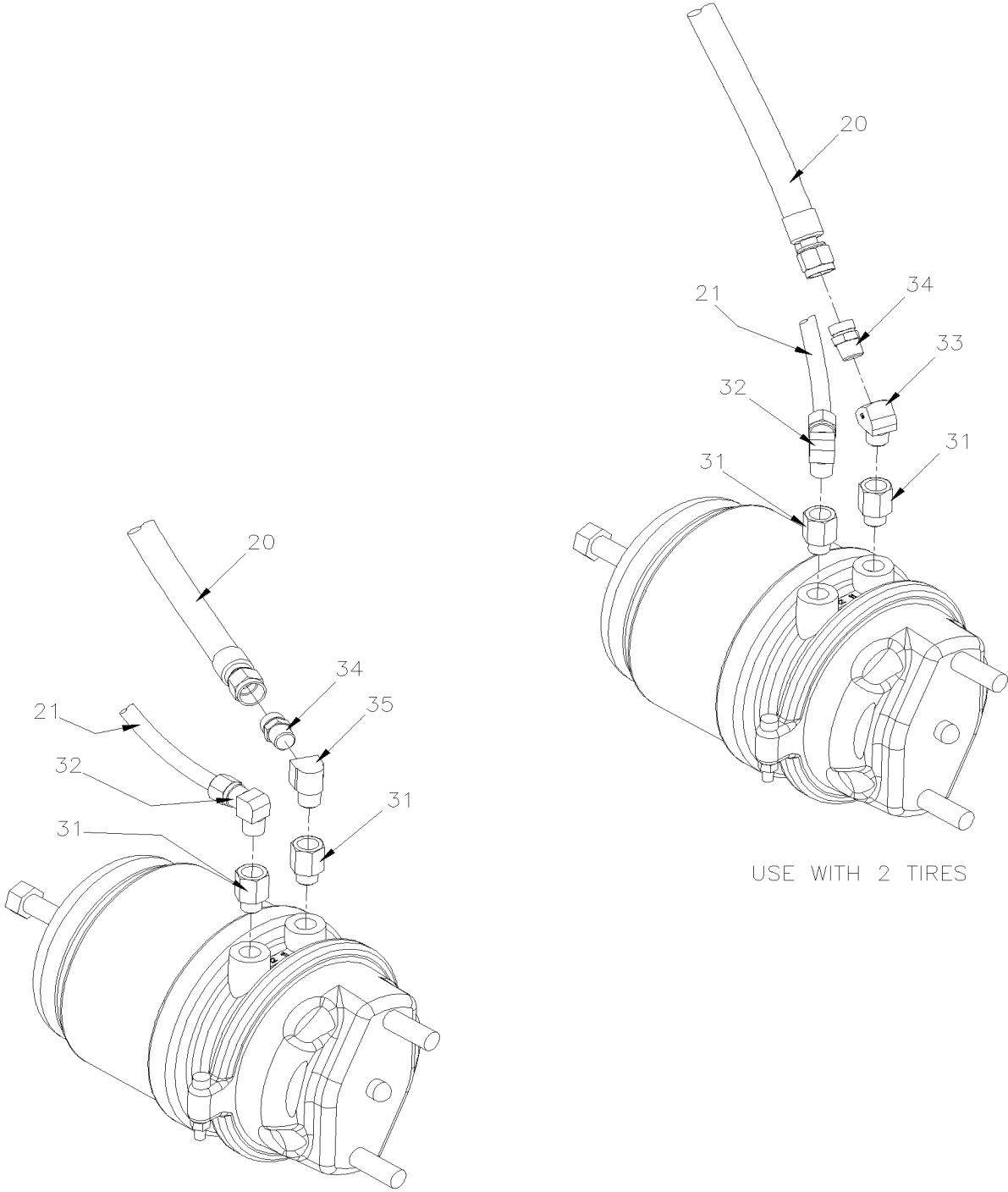


From K-0185

Date:07/2024

PAGE:H9-1235-10

BRAKE CHAMBER - DRIVE AXLE TYPE 24/24



USE WITH 2 TIRES

USE WITH WIDE BASED PLATFORM

From K-0185		Date:07/2024	PAGE:H9-1235-10
BRAKE CHAMBER - DRIVE AXLE TYPE 24/24			

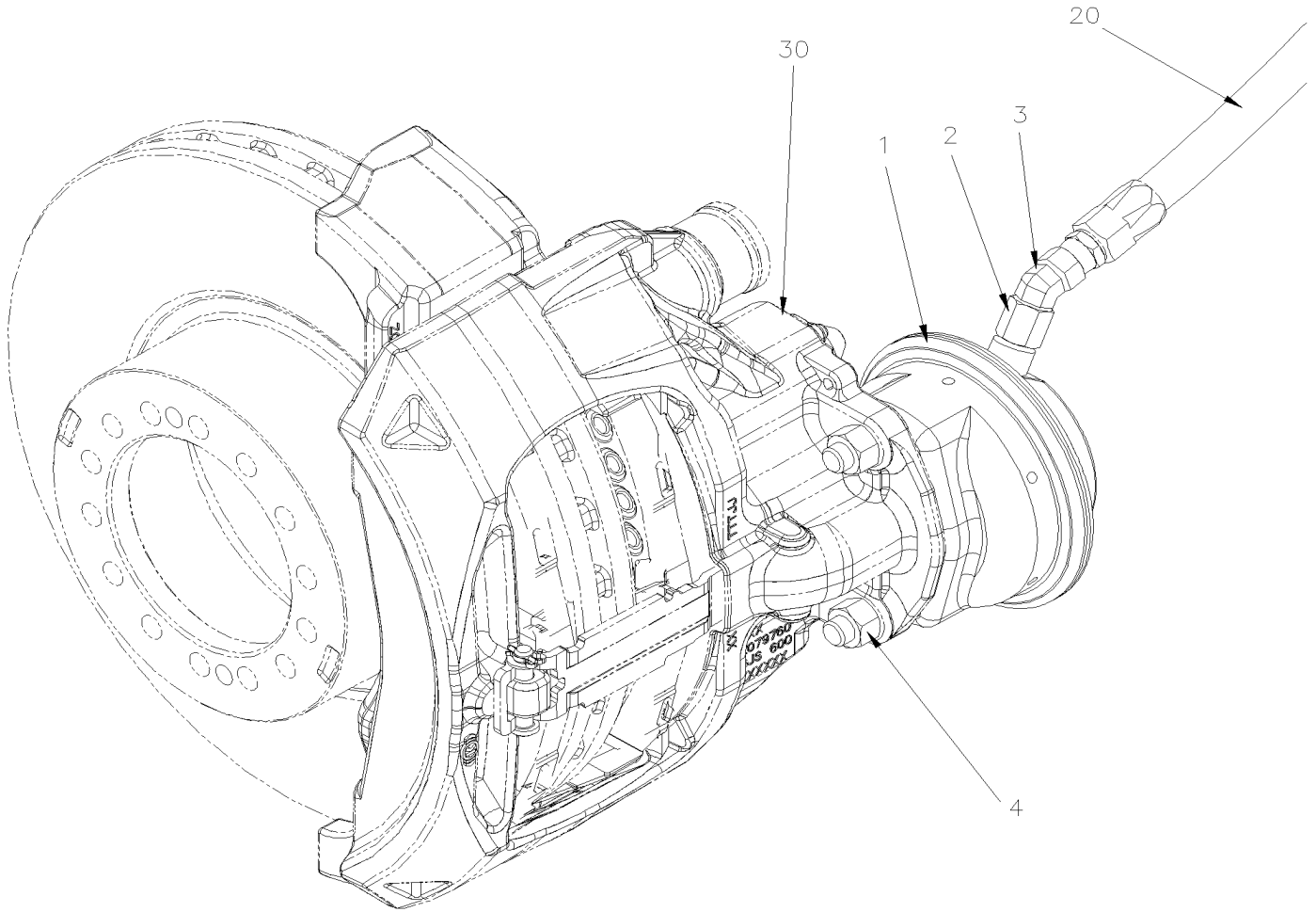
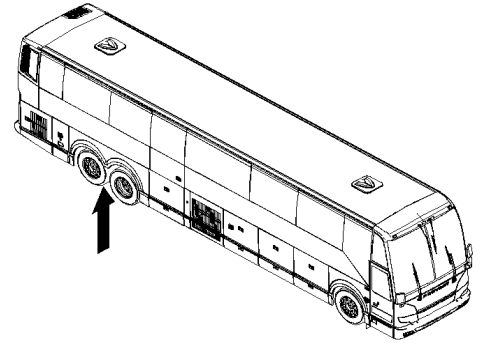
Item#	Part	Description	H 3 4 1	H 3 4 5	N O T E S
1	642057	BRAKE CHAMBER ASSY L.H. / TYPE 24/24 (SEALED)	1	1	
1	642058	BRAKE CHAMBER ASSY R.H. / TYPE 24/24 (SEALED)	1	1	
2	N.S.S.	. BOOT	1	1	1
3	N.S.S.	. HOLE PLUG	1	1	1
4	N.S.S.	. CHAMBER , NO-PRESSURE	1	1	1
5	N.S.S.	. SPRING	1	1	1
6	N.S.S.	. SPRING SEAT	1	1	1
7	N.S.S.	. PUSH ROD END	1	1	1
8	N.S.S.	. RETAINER	1	1	1
9	N.S.S.	. RING	1	1	1
10	N.S.S.	. PUSH ROD	1	1	1
11	N.S.S.	. DIAPHRAGM	1	1	1
12	N.S.S.	. CASING	1	1	1
13	N.S.S.	. CLAMP	1	1	1
14	N.S.S.	. NUT	1	1	1
15	N.S.S.	. BOLT	1	1	1
16	5001253	NUT HEX STO M16-1.5 G500	2	2	
		HOSE SERVICE BRAKE			
20	641477	HOSE BRAKE #8 813MM (32")	2	2	A
20	642203	HOSE BRAKE #8 970MM (38-3/16")	2	2	
		HOSE EMERGENCY BRAKE			
21	503488	TUBE, NYLON 1/2 O.D. / BLACK S.L./	AR	AR	
31	5011205	FEMALE CONNECTOR / PIPE @ METRIC / 3/8NPT-FxM16-1.5-M ZP	4	4	
. NS	641297	. O-RING 13.1MM I.D. X 2.6 TH	1	1	
. NS	641298	. WASHER FL 17MM I.D x 22MM O.D. x 1.5MM	1	1	
32	641040	MALE ELBOW 90° / NTA FITTING / #8x3/8NPT-M BR	2	2	
33	501330	STREET ELBOW 45° / PIPE FITTING / 3/8NPT-Mx3/8NPT-F BR	2	2	
34	501842	ADAPTER / AIR BRAKE HOSE FITTING / 3/4-20-Mx3/8NPT-M STL	2	2	
35	501333	STREET ELBOW 90° / PIPE FITTING / 3/8NPT-Mx3/8NPT-F BR	2	2	SS
		A) L.H. & R.H.			
		SS) SUPER SINGLE			
		1) NOT SOLD SEPARATELY			

From K-0185

Date:07/2024

PAGE:H9-1245-11

BRAKE CHAMBER - TAG AXLE TYPE 20



From K-0185	Date:07/2024	PAGE:H9-1245-11
BRAKE CHAMBER - TAG AXLE TYPE 20		

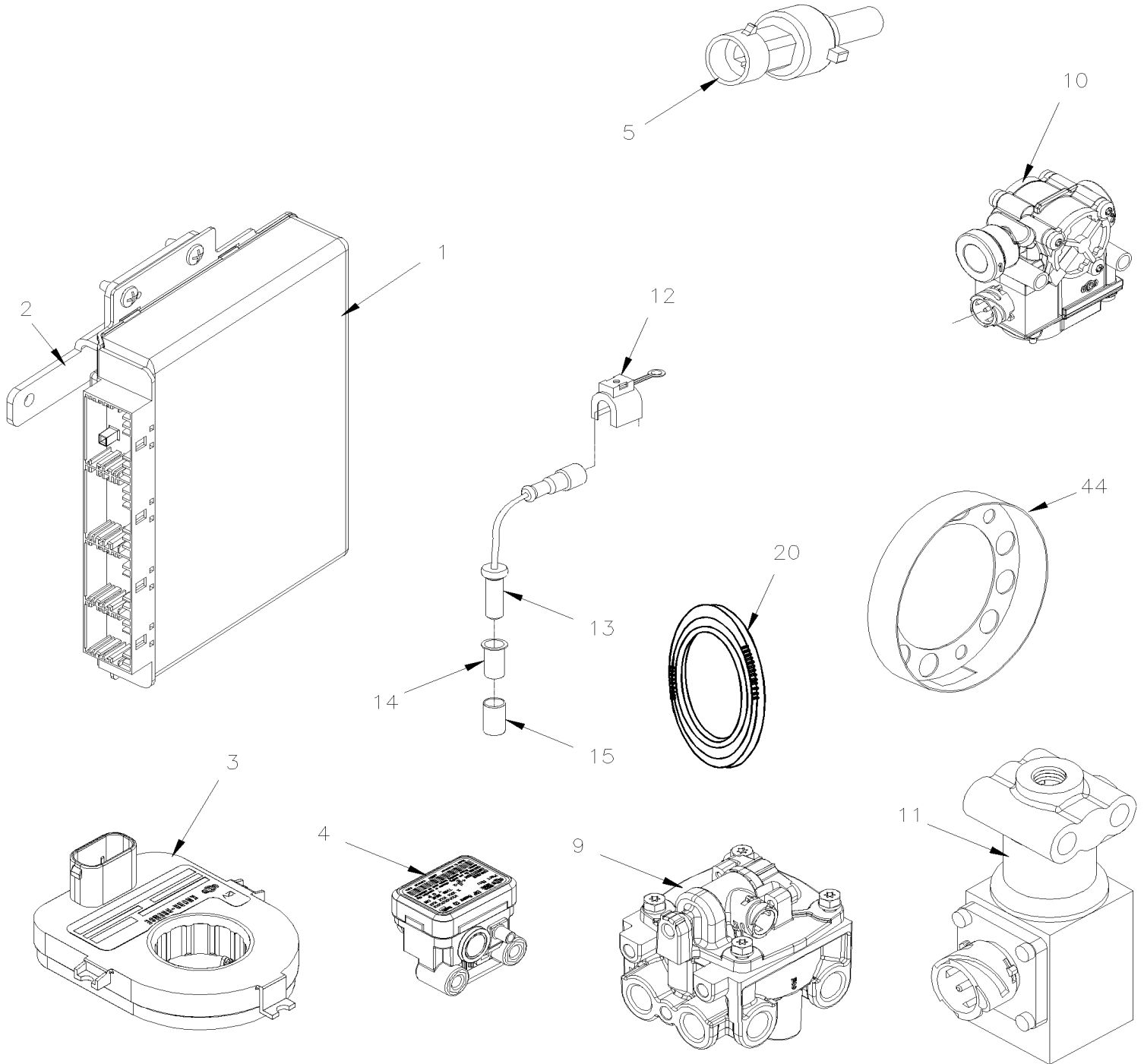
Item#	Part	Description	H 3 4 1	H 3 4 5	N O T E S
1	640016	BRAKE CHAMBER ASSY / TYPE 20 / SEALED	1	1	
2	5011205	FEMALE CONNECTOR / PIPE @ METRIC / 3/8NPT-FxM16-1.5-M ZP	1	1	
. NS	641297	. O-RING 13.1MM I.D. X 2.6 TH	1	1	
. NS	641298	. WASHER FL 17MM I.D x 22MM O.D. x 1.5MM	1	1	
3	501291	MALE ELBOW 45° / JIC 37° FITTING / #8JIC-Mx3/8NPT-M STL	1	1	
4	5001253	NUT HEX STO M16-1.5 G500	2	2	
20	H9-1250-11	ABS/ESP BRAKE VALVE - INSTALLATION			
30	H9-1225-02	BRAKE PARTS - FRONT & TAG AXLE "KNORR-BREMSE" SN7 SERIES W/N2G ADJUSTER			

From K-0185

Date:07/2024

PAGE:H9-1250-01

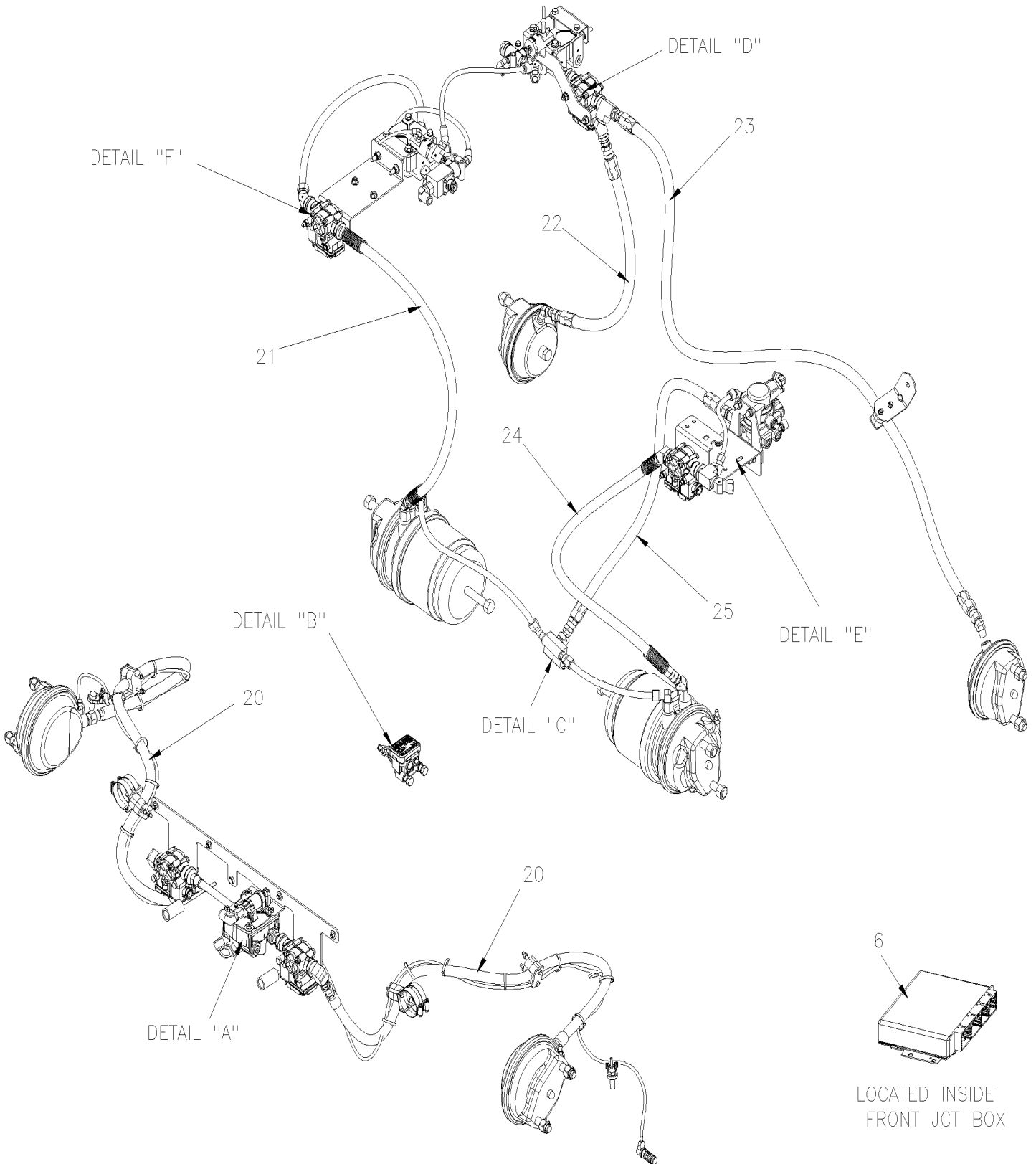
ABS & ESP CONTROL



From K-0185		Date:07/2024	PAGE:H9-1250-01
ABS & ESP CONTROL			

Item#	Part	Description	H 3 4 1	H 3 4 5	N O T E S
1	642146	ECU ABS / W/6 CHANNELS / ADVANCED ESP UNPROGRAMMED / NON-PROGRAMME To K-0184	1	1	
1	640022	ECU ABS / W/8 CHANNELS / ADVANCED ESP AFTERMARKET From K-0185	1	1	
2	382468	SUPPORT ECU	1	1	
3	661148	SENSOR ANGLE POSITION DETECTOR	1	1	
. NS	564042	. CONNECTOR / BOSCH 1 928 404 025	1	1	
4	642151	SENSOR "YAW" To R-1717	1	1	
4	640150	SENSOR, YAW From R-1718	1	1	
4	640151	SENSOR, YAW / SERVICE	1	1	
5	642075	TRANSDUCER PRESSURE	1	1	
. NS	563159	. CONNECTOR / METRI-PACK 150 / SH 3C / PED 12065287	1	1	
9	640018	VALVE, RELAY & ATC / ATR-6	1	1	
10	640228	VALVE, "ABS" 12VOLT / M-40QR	AR	AR	
11	642079	VALVE, "ATC" 12VOLT	1	1	
12	561115	CLAMP W/ 3 & 4 / ITT CANNON 029-0262-000	AR	AR	
13	642084	SENSOR ABS 90° ANGLE - OEM	2	2	R
13	642085	SENSOR ABS - OEM	2	2	I
13	642085	SENSOR ABS - OEM	2	2	A
13	642085	SENSOR ABS - OEM	2	2	T
13	504637	CABLE TIE / 3/16" x 13"	AR	AR	
14	641096	CLIP, SPRING / TO FIX SENSOR	AR	AR	
15	621869	BUSHING - ABS SENSOR	2	2	A
15	121912	BUSHING ABS SENSOR MOUNTING TAG AXLE ONE PIECE	2	2	T
20	611473	TOOTH WHEEL / FRONT AXLE & TAG W/ "FAG" 143.90MM I.D.	1	1	ID
20	611473	TOOTH WHEEL / FRONT AXLE & TAG W/ "FAG" 143.90MM I.D.	1	1	T
20	611457	ROTOR VENTED (W/TOOTH WHEEL / DRIVE AXLE)	1	1	
20	621801	TOOTH WHEEL / TAG AXLE W/CAST TAG	1	1	T
44	621870	ABS SHIELD PROTECTOR	2	2	
50	H9-0625-01	FRONT JUNCTION PANEL To P-1452			
50	H9-0625-02	FRONT JUNCTION PANEL From R-1453			
		A) DRIVE AXLE			
		D) WITH HUB "FAG"			
		I) WITH INDEPENDENT SUSPENSION			
		R) WITH I BEAM SUSPENSION			
		T) ON TAG AXLE			

ABS/ESP BRAKE VALVE - INSTALLATION



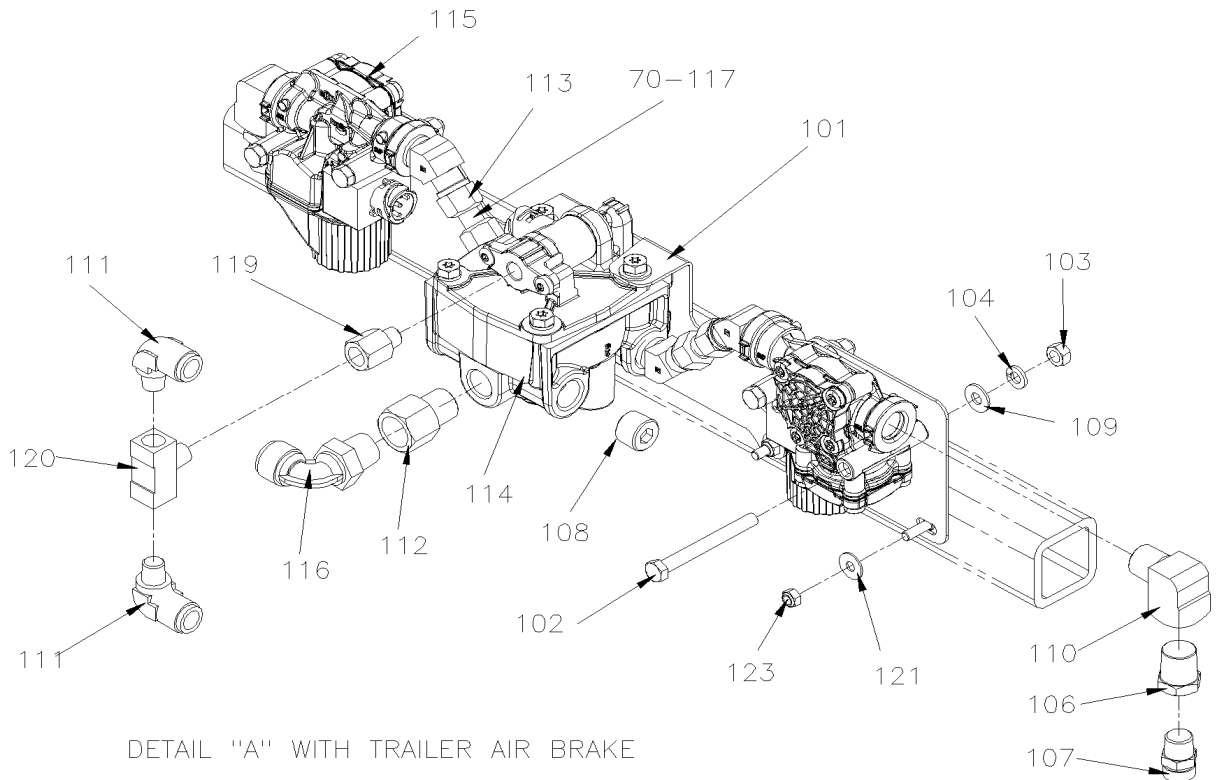
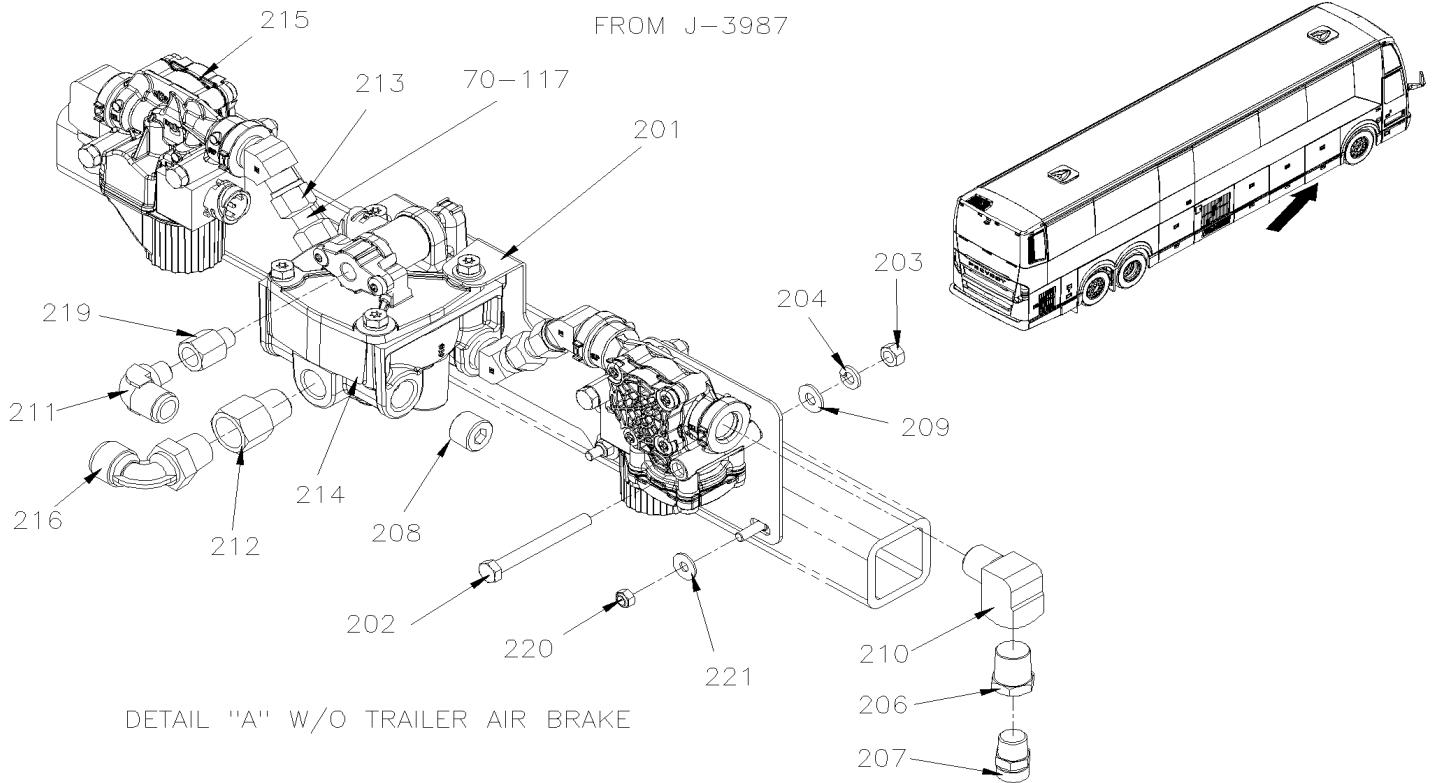
LOCATED INSIDE FRONT JCT BOX

From K-0185

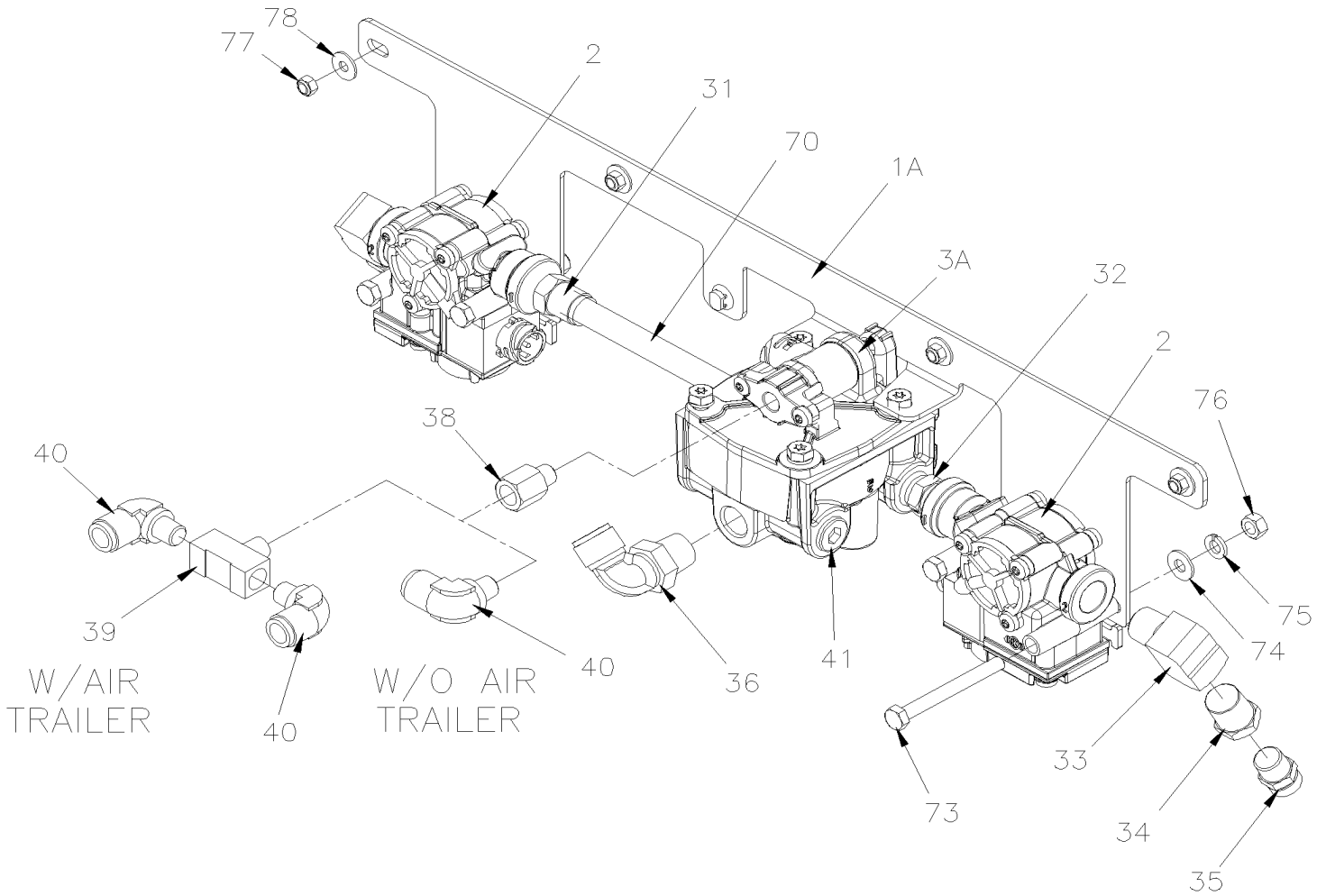
Date:07/2024

PAGE:H9-1250-11

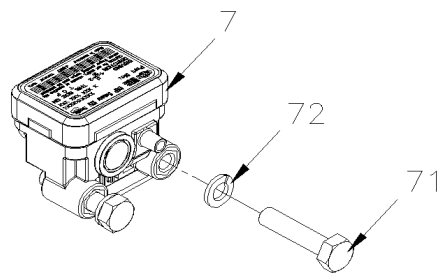
ABS/ESP BRAKE VALVE - INSTALLATION



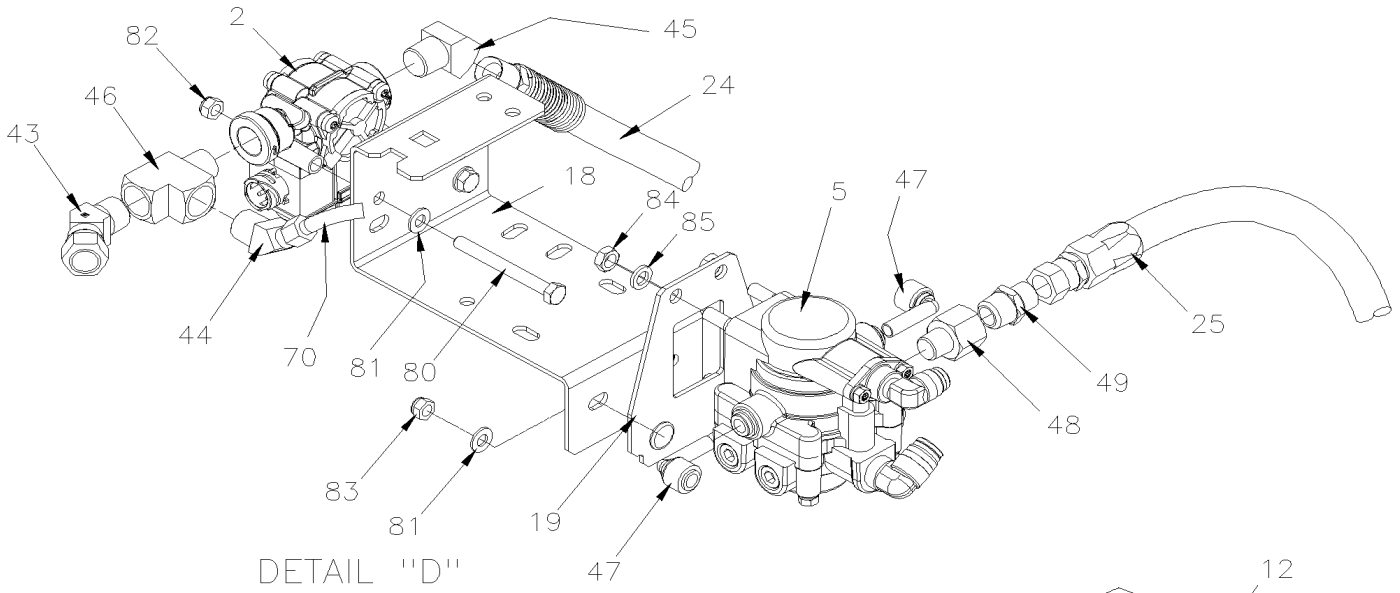
ABS/ESP BRAKE VALVE - INSTALLATION



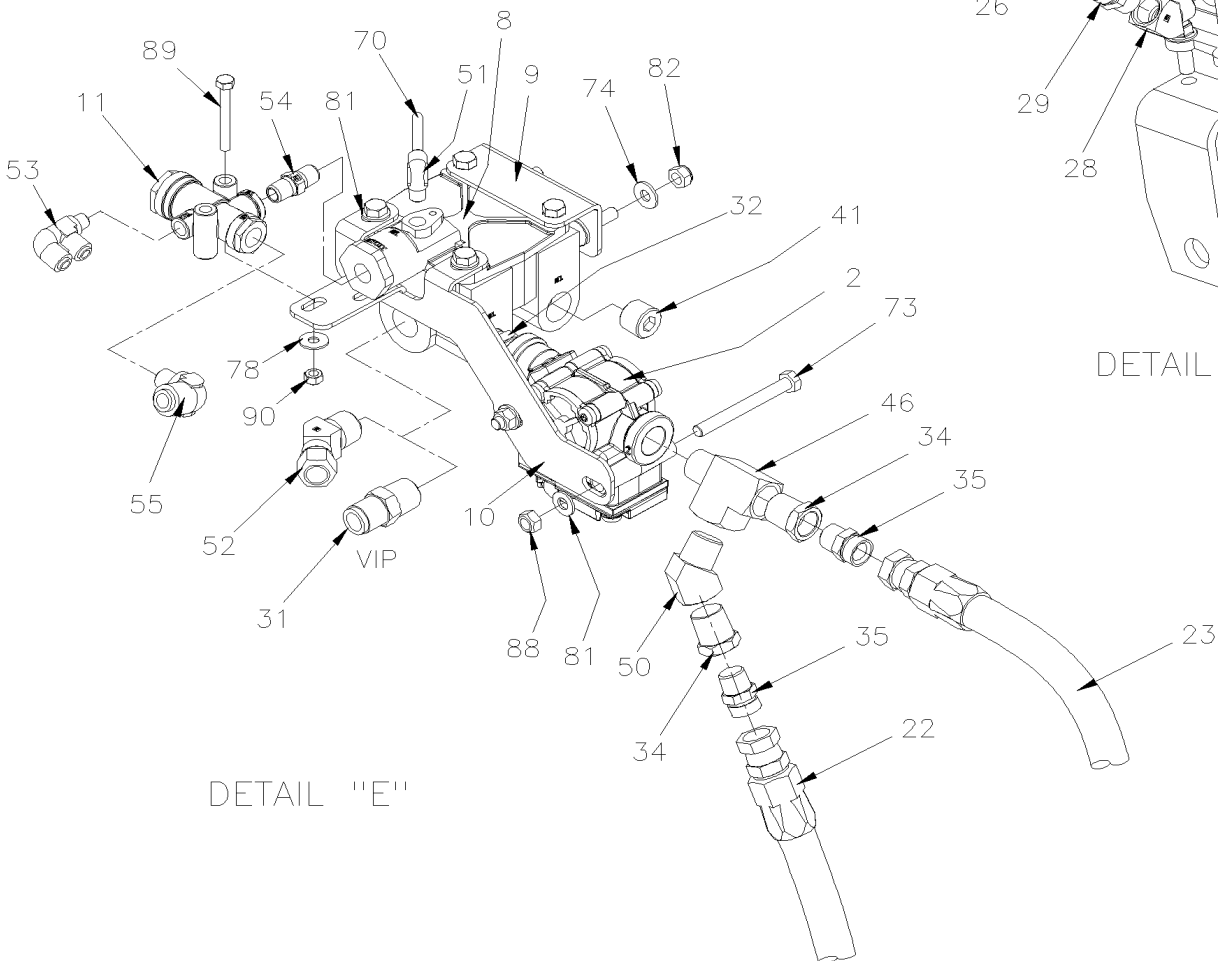
WITH "I-BEAM" SUSPENSION
DETAIL "A"



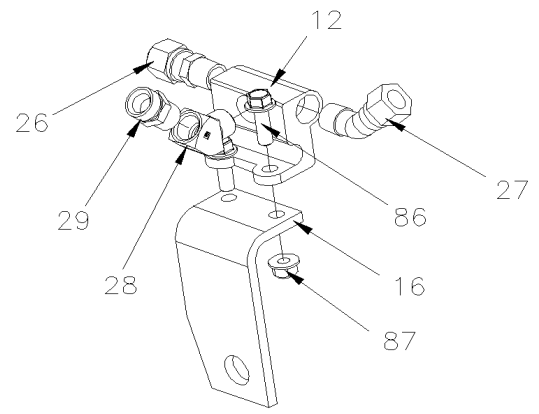
From K-0185	Date:07/2024	PAGE:H9-1250-11
ABS/ESP BRAKE VALVE - INSTALLATION		



DETAIL "D"



DETAIL "E"



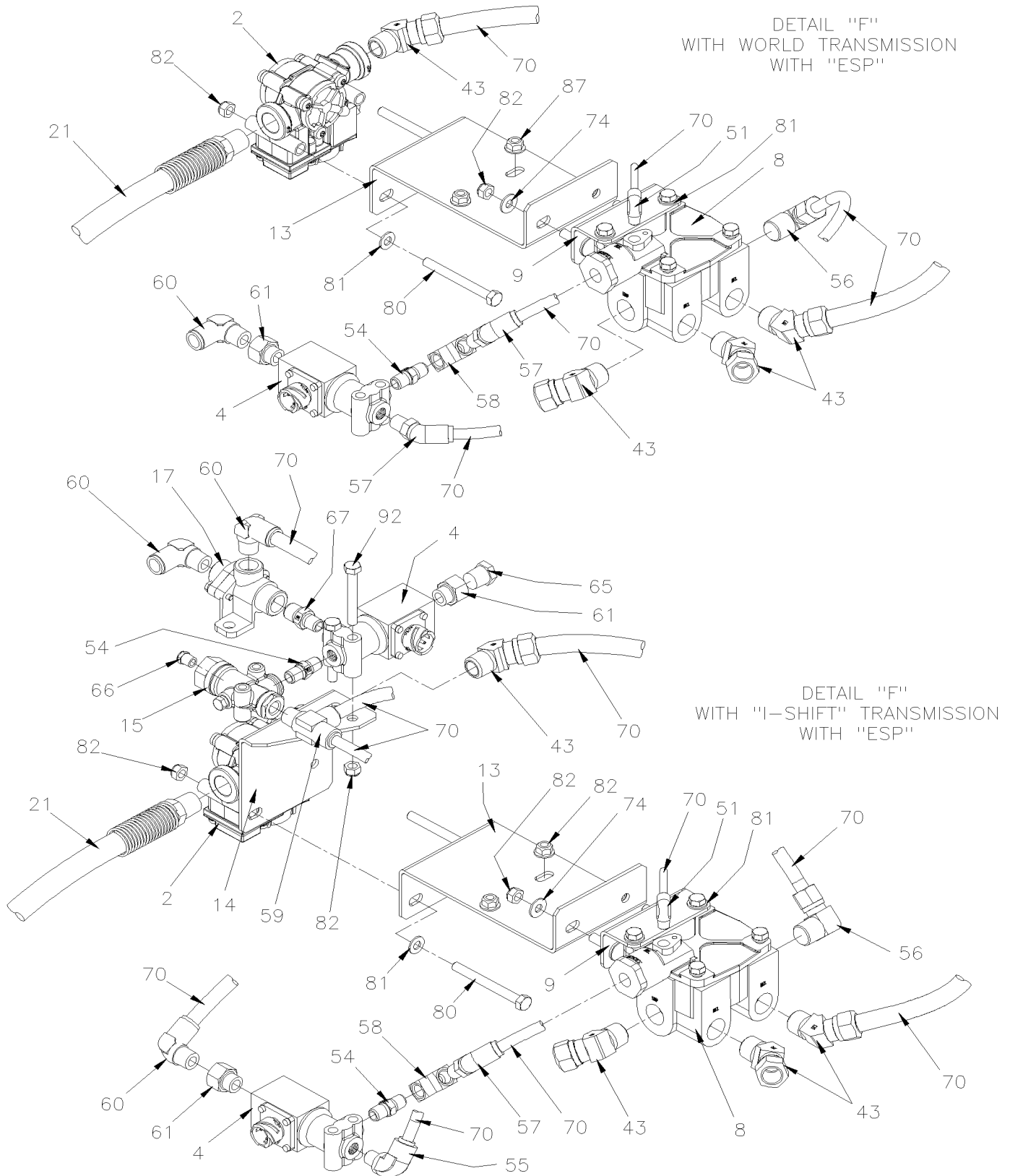
DETAIL "C"

From K-0185

Date:07/2024

PAGE:H9-1250-11

ABS/ESP BRAKE VALVE - INSTALLATION



From K-0185	Date:07/2024	PAGE:H9-1250-11
ABS/ESP BRAKE VALVE - INSTALLATION		

Item#	Part	Description	H 3 4 1	H 3 4 5	N O T E S
1A	145081	SUPPORT VALVE FRONT To K-0232	1	1	R
1A	140105	SUPPORT VALVE FRONT From J-0233	1	1	R
2	640228	VALVE, "ABS" 12VOLT / M-40QR	AR	AR	
3A	640018	VALVE, RELAY & ATC / ATR-6	1	1	
4	642079	VALVE, "ATC" 12VOLT	1	1	
5	643384	VALVE / SPRING BRAKE SR-7	1	1	
. NS	642119	. VALVE / SPRING BRAKE SR-7	1	1	
6	642146	ECU ABS / W/6 CHANNELS / ADVANCED ESP UNPROGRAMMED / NON-PROGRAMME To K-0184	1	1	
6	640022	ECU ABS / W/8 CHANNELS / ADVANCED ESP AFTERMARKET From K-0185	1	1	
7	642151	SENSOR "YAW" To R-1717	1	1	
7	640150	SENSOR, YAW From R-1718	1	1	
7	640151	SENSOR, YAW / SERVICE	1	1	
8	641120	VALVE, RELAY R-14 HORIZONTAL PORT To K-0184	2	2	
. NS	10508267	. KIT, REPAIR To K-0184	1	1	
8	640013	VALVE, RELAY R-14 HORIZONTAL PORT From K-0185	1	1	
8	680098	THREAD SEALANT LOCTITE #567 / WHITE / 250ml	AR	AR	
9	149011	SUPPORT VALVE R-14 To P-1452	1	1	
NS	130047	SUPPORT VALVE R-14 From R-1453		1	
10	142540	SUPPORT VALVE R-14 & "ABS" REAR	1	1	
11	640471	VALVE, INVERSION TR-3 25-40LBS	1	1	
12	641136	ANCHOR TEE / PIPE FITTING / 3/8NPT-Fx3/8NPT-Fx3/8NPT-F ZP	1	1	
13	143263	SUPPORT VALVE	1	1	
14	145114	SUPPORT VALVE	1	1	
15	642136	VALVE, PRESSURE REDUCING / RV-3 55 PSI	1	1	
16	121444	SUPPORT / ANCHOR TEE / WITH MERITOR DRIVE AXLE	1	1	
17	641564	VALVE, DOUBLE CHECK DC-4	1	1	
18	143097	SUPPORT VALVE "Z" SHAPE	1	1	
19	142475	SUPPORT SPRING BRAKE VALVE	1	1	
20	145292P	HOSE BRAKE #8 1366MM	2	2	R
20	641903	HOSE BRAKE #8 1090MM (43")	2	2	I
21	642203	HOSE BRAKE #8 970MM (38-3/16")	1	1	
22	641903	HOSE BRAKE #8 1090MM (43")	1	1	
23	642089	HOSE BRAKE #8 1625.6MM (64")	1	1	
24	642203	HOSE BRAKE #8 970MM (38-3/16")	1	1	
25	641905	HOSE BRAKE #8 952MM (37 1/2")	1	1	
26	640991	MALE CONNECTOR / NTA FITTING / #8x3/8NPT-M BR	AR	AR	
27	641010	MALE ELBOW 45° / NTA FITTING / #8x3/8NPT-M BR	AR	AR	
28	501330	STREET ELBOW 45° / PIPE FITTING / 3/8NPT-Mx3/8NPT-F BR	AR	AR	
29	501842	ADAPTER / AIR BRAKE HOSE FITTING / 3/4-20-Mx3/8NPT-M STL	AR	AR	
31	641383	MALE CONNECTOR / PUSH-IN FITTING / #8x1/2NPT-M BR	AR	AR	
32	5011067	NIPPLE HEX / PIPE FITTING / 1/2NPT-Mx1/2NPT-Mx1 13/16 BR	AR	AR	
33	507557	STREET ELBOW 90° / PIPE FITTING / 1/2NPT-Mx1/2NPT-F BR	AR	AR	

From K-0185	Date:07/2024	PAGE:H9-1250-11
ABS/ESP BRAKE VALVE - INSTALLATION		

Item#	Part	Description	H 3 4 1	H 3 4 5	N O T E S
34	501534	BUSHING REDUCER / PIPE FITTING / 1/2NPT-Mx3/8NPT-F BR	AR	AR	
35	501842	ADAPTER / AIR BRAKE HOSE FITTING / 3/4-20-Mx3/8NPT-M STL	AR	AR	
36	642098	MALE ELBOW 90° NON-SWIVEL / PUSH-IN FITTING / #10x1/2NPT-M COMPOSITE	AR	AR	
37	641380	MALE CONNECTOR / PUSH-IN FITTING / #8x1/4NPT-M BR	AR	AR	
38	501308	ADAPTER / PIPE FITTING / 1/4NPT-Fx1/4NPT-M BR	AR	AR	
39	501894	MALE BRANCHE TEE / PIPE FITTING / 1/4NPT-Fx1/4NPT-Fx1/4NPT-M BR	AR	AR	
40	641373	MALE ELBOW 90° NON-SWIVEL / PUSH-IN FITTING / #8x1/4NPT-M BR	AR	AR	
41	501966	PLUG HEXS / PIPE FITTING / 1/2NPT-M STL	AR	AR	
42	501787	STREET ELBOW 90° / PIPE FITTING / 1/8NPT-Mx1/4NPT-F BR	AR	AR	
43	641027	MALE ELBOW 45° / NTA FITTING / #10x1/2NPT-M BR	AR	AR	
44	641119	MALE ELBOW 45° / NTA FITTING / #6x1/2NPT-M BR	AR	AR	
45	501528	STREET ELBOW 45° / PIPE FITTING / 1/2NPT-Mx1/2NPT-F BR	AR	AR	
46	501473	MALE RUN TEE / PIPE FITTING / 1/2NPT-Mx1/2NPT-Fx1/2NPT-F BR	AR	AR	
47	647894	ELBOW 90° STEM / PUSH-IN FITTING / #6x#6STEM PLAS	AR	AR	
48	501810	ADAPTER / PIPE FITTING / 3/8NPT-Mx1/2NPT-F STL	AR	AR	
49	501739	MALE CONNECTOR / JIC 37° FITTING / #8JIC-Mx1/2NPT-M STL	AR	AR	
50	501528	STREET ELBOW 45° / PIPE FITTING / 1/2NPT-Mx1/2NPT-F BR	AR	AR	
51	641369	MALE ELBOW 90° NON-SWIVEL / PUSH-IN FITTING / #4x1/8NPT-M BR	AR	AR	
52	642069	MALE ELBOW 45° NON-SWIVEL / PUSH-IN FITTING / #10x1/2NPT-M BR	AR	AR	
53	642127	MALE ELBOW 90° SWIVEL DUAL PORT / PUSH-IN / #4x#4x1/8NPT-M BR	AR	AR	
54	501321	NIPPLE HEX / PIPE FITTING / 1/4NPT-Mx1/4NPT-Mx1 3/8 BR	AR	AR	
55	641372	MALE ELBOW 90° NON-SWIVEL / PUSH-IN FITTING / #6x1/4NPT-M BR	AR	AR	
56	641175	MALE ELBOW 90° / NTA FITTING / #6x1/2NPT-M BR	AR	AR	
57	641366	MALE ELBOW 45° NON-SWIVEL / PUSH-IN FITTING / #6x1/4NPT-M BR	AR	AR	
58	501338	MALE RUN TEE / PIPE FITTING / 1/4NPT-Mx1/4NPT-Fx1/4NPT-F BR	AR	AR	
59	641389	MALE RUN TEE SWIVEL / PUSH-IN FITTING / #6x#6x1/4NPT-M BR	AR	AR	
60	641376	MALE ELBOW 90° NON-SWIVEL / PUSH-IN FITTING / #8x3/8NPT-M BR	AR	AR	
61	5001660	REDUCER COUPLING / PIPE FITTING / 3/8NPT-Fx1/8NPT-F BR	AR	AR	
65	641934	SILENCER / MUFFLER / 3/8NPT-M	AR	AR	
66	641943	SILENCER / MUFFLER / 1/8NPT-M	AR	AR	
67	501749	NIPPLE REDUCER HEX / PIPE FITTING / 3/8NPT-Mx1/4NPT-Mx1 13/32 BR	AR	AR	
70	H9-1202-00	TUBES PLASTIC / AIR D.O.T.			
71	5001316	SCREW CAP HEX M10-1.5x45 SS	2	2	
72	502616	WASHER LO SPT 10.2x18.1x2.2 SS	2	2	
73	500187	SCREW CAP HEX 5/16-18x3 G5 Z050 To L-1048	AR	AR	
73	502650	SCREW CAP HEX M8-1.25x80 G8.8 Z050 From L-1049	AR	AR	
74	502638	WASHER FL .312x.734x.065 N500 To L-1048	AR	AR	
74	5001341	WASHER FL 8.4x17.0x1.6 SS From L-1049	AR	AR	
75	500942	WASHER LO SPT 8.1x14.8x2.0 N500 To L-1048	AR	AR	
76	500778	NUT HEX 5/16-18 N500 To L-1048	AR	AR	

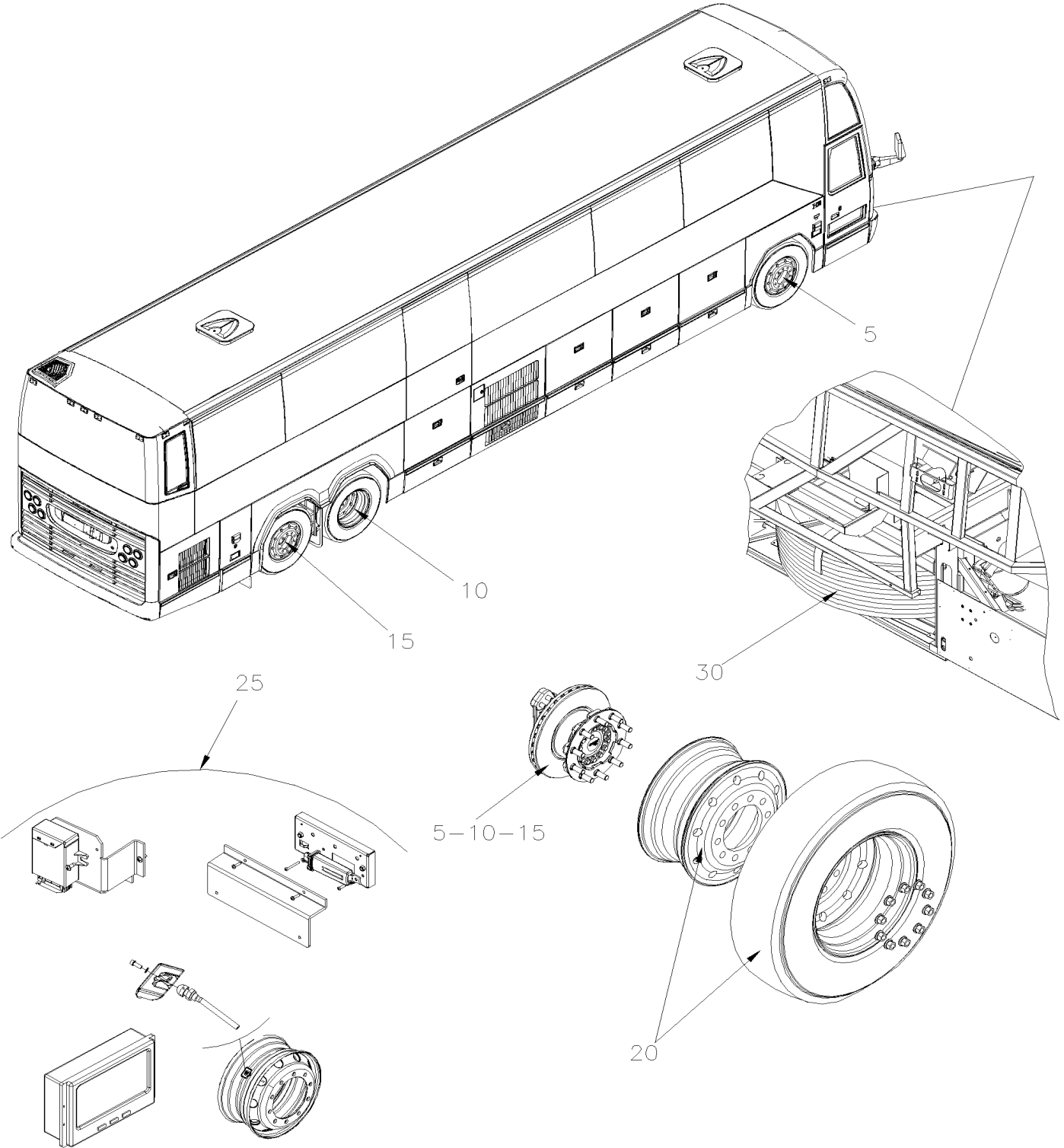
From K-0185		Date:07/2024	PAGE:H9-1250-11
ABS/ESP BRAKE VALVE - INSTALLATION			

Item#	Part	Description	H 3 4 1	H 3 4 5	N O T E S
76	502847	NUT HEX NYRT M8-1.25 N500 From L-1049	AR	AR	
77	5001182	NUT HEX NYRT M6-1.0 SS	AR	AR	
78	500411	WASHER FL .260x.697x.050 SS	AR	AR	
79	500185	SCREW CAP HEX 5/16-18x2 1/4 G5 Z050	AR	AR	
80	502650	SCREW CAP HEX M8-1.25x80 G8.8 Z050	AR	AR	
81	5001341	WASHER FL 8.4x17.0x1.6 SS	AR	AR	
82	502847	NUT HEX NYRT M8-1.25 N500	AR	AR	
83	500685	NUT HEX NYRT 5/16-18 SS	AR	AR	
84	500783	NUT HEX 3/8-16 Z050	AR	AR	
85	500478	WASHER LO SPT .380x.683x.094 Z050	AR	AR	
86	5001643	SCREW CAP HEXF M8-1.25x25 G8.8 G500	2	2	
87	502837	NUT HEXF STO M8-1.25 N500	2	2	
88	500248	NUT HEX STO 5/16-18 N500 To L-1048	AR	AR	
88	502847	NUT HEX NYRT M8-1.25 N500 From L-1049	AR	AR	
89	502656	SCREW CAP HEX M6-1.0x50 SS	2	2	
90	502681	NUT HEX NYRT M6-1.0 N500 G8	2	2	
91	504637	CABLE TIE / 3/16" x 13"	AR	AR	
92	5001178	SCREW CAP HEX M8-1.25x60 SS BK	2	2	
93	504013	TIE MOUNT / 1/4" X 1/4" I.D.	AR	AR	
94	502868	SCREW TC TR PH #10-16x1/2 N500	AR	AR	
NS	509490	ATTACHMENT DOUBLE USE WITH CABLE TIE	AR	AR	
NS	504568	GROMMET / .437x.687x.250x.500x1.000	AR	AR	
NS	504068	GROMMET / .500x.750x.062x.312x1.062	AR	AR	
NS	509491	CABLE TIE / 13MM x 383MM	AR	AR	
NS	509493	ATTACHMENT DOUBLE USE WITH CABLE TIE CHRISTMAS TREE	AR	AR	
101	140083	SUPPORT VALVE FRONT	1	1	
102	500187	SCREW CAP HEX 5/16-18x3 G5 Z050 To L-1048	4	4	
102	502650	SCREW CAP HEX M8-1.25x80 G8.8 Z050 From L-1049	4	4	
103	500778	NUT HEX 5/16-18 N500 To L-1048	4	4	
103	502847	NUT HEX NYRT M8-1.25 N500 From L-1049	4	4	
104	500942	WASHER LO SPT 8.1x14.8x2.0 N500 To L-1048	4	4	
106	501534	BUSHING REDUCER / PIPE FITTING / 1/2NPT-Mx3/8NPT-F BR	2	2	
107	501842	ADAPTER / AIR BRAKE HOSE FITTING / 3/4-20-Mx3/8NPT-M STL	2	2	
108	501966	PLUG HEXS / PIPE FITTING / 1/2NPT-M STL	2	2	
109	502638	WASHER FL .312x.734x.065 N500 To L-1048	4	4	
109	5001341	WASHER FL 8.4x17.0x1.6 SS From L-1049	4	4	
110	507557	STREET ELBOW 90° / PIPE FITTING / 1/2NPT-Mx1/2NPT-F BR	2	2	
111	641373	MALE ELBOW 90° NON-SWIVEL / PUSH-IN FITTING / #8x1/4NPT-M BR	2	2	
112	5011119	ADAPTER / PIPE FITTING / 1/2NPT-Fx1/2NPT-M BR	1	1	
113	641089	MALE ELBOW 45° / NTA FITTING / #8x1/2NPT-M BR	4	4	
114	640018	VALVE, RELAY & ATC / ATR-6	1	1	
115	640228	VALVE, "ABS" 12VOLT / M-40QR	2	2	

From K-0185		Date:07/2024	PAGE:H9-1250-11
ABS/ESP BRAKE VALVE - INSTALLATION			

Item#	Part	Description	H 3 4 1	H 3 4 5	N O T E S
116	642098	MALE ELBOW 90° NON-SWIVEL / PUSH-IN FITTING / #10x1/2NPT-M COMPOSITE	1	1	
117	503468	TUBE, NYLON 1/2 O.D. / RED S.L.	AR	AR	
NS	680098	THREAD SEALANT LOCTITE #567 / WHITE / 250ml	AR	AR	
119	501308	ADAPTER / PIPE FITTING / 1/4NPT-Fx1/4NPT-M BR	1	1	
120	501894	MALE BRANCHE TEE / PIPE FITTING / 1/4NPT-Fx1/4NPT-Fx1/4NPT-M BR	1	1	
121	500411	WASHER FL .260x.697x.050 SS	4	4	
123	502681	NUT HEX NYRT M6-1.0 N500 G8	4	4	
201	140083	SUPPORT VALVE FRONT	1	1	
202	500187	SCREW CAP HEX 5/16-18x3 G5 Z050 To L-1048	4	4	
202	502650	SCREW CAP HEX M8-1.25x80 G8.8 Z050 From L-1049	4	4	
203	500778	NUT HEX 5/16-18 N500 To L-1048	4	4	
203	502847	NUT HEX NYRT M8-1.25 N500 From L-1049	4	4	
204	500942	WASHER LO SPT 8.1x14.8x2.0 N500 To L-1048	4	4	
206	501534	BUSHING REDUCER / PIPE FITTING / 1/2NPT-Mx3/8NPT-F BR	2	2	
207	501842	ADAPTER / AIR BRAKE HOSE FITTING / 3/4-20-Mx3/8NPT-M STL	2	2	
208	501966	PLUG HEXS / PIPE FITTING / 1/2NPT-M STL	2	2	
209	502638	WASHER FL .312x.734x.065 N500 To L-1048	4	4	
209	5001341	WASHER FL 8.4x17.0x1.6 SS From L-1049	4	4	
210	507557	STREET ELBOW 90° / PIPE FITTING / 1/2NPT-Mx1/2NPT-F BR	2	2	
211	641373	MALE ELBOW 90° NON-SWIVEL / PUSH-IN FITTING / #8x1/4NPT-M BR	1	1	
212	5011119	ADAPTER / PIPE FITTING / 1/2NPT-Fx1/2NPT-M BR	1	1	
213	641089	MALE ELBOW 45° / NTA FITTING / #8x1/2NPT-M BR	2	2	
214	640018	VALVE, RELAY & ATC / ATR-6	1	1	
215	640228	VALVE, "ABS" 12VOLT / M-40QR	2	2	
216	642098	MALE ELBOW 90° NON-SWIVEL / PUSH-IN FITTING / #10x1/2NPT-M COMPOSITE	1	1	
219	501308	ADAPTER / PIPE FITTING / 1/4NPT-Fx1/4NPT-M BR	1	1	
220	502681	NUT HEX NYRT M6-1.0 N500 G8	4	4	
221	500411	WASHER FL .260x.697x.050 SS	4	4	
		I) WITH INDEPENDENT SUSPENSION			
		R) WITH I-BEAM RIGID SUSPENSION			

	Date:07/2024	H9-13
WHEELS, HUBS & TIRES		



		Date:07/2024	H9-13
WHEELS, HUBS & TIRES			

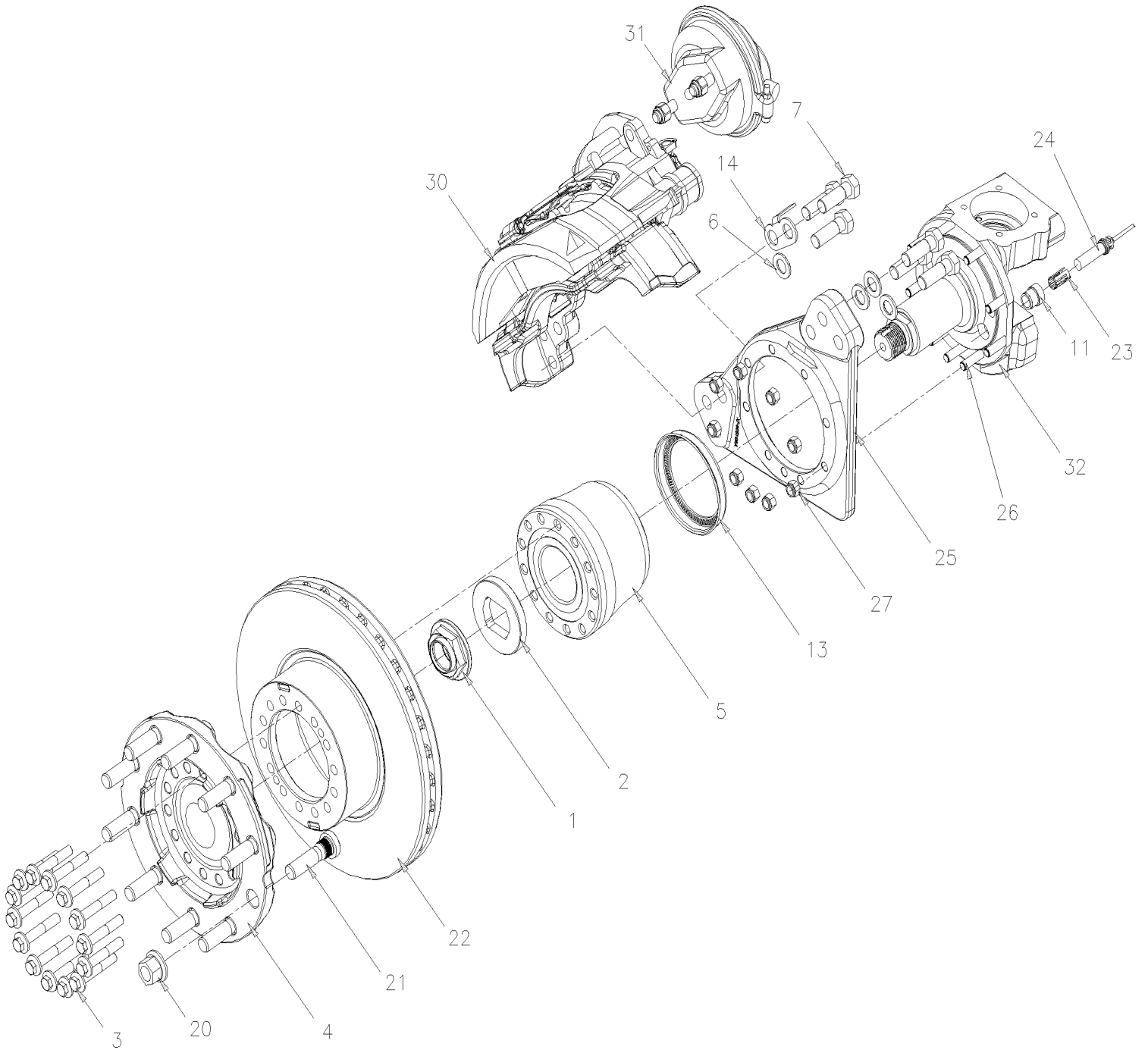
Item#	Part	Description	H 3 4 1	H 3 4 5	N O T E S
5	H9-1300-00	HUB & ROTOR - FRONT AXLE - I BEAM MODEL "S84U" From K-0185			
5	H9-1300-50	HUB & ROTOR - FRONT AXLE - INDEPENDANT MODEL "NDIFS80P" From K-0185			
10	H9-1305-00	HUB & ROTOR - DRIVE AXLE From K-0185			
10	H9-1305-99	ROTOR (SPLINED DISC) PRODUCT IMPROVMENT From K-0185			
15	H9-1310-00	HUB & ROTOR - TAG AXLE TYPE TS8U From K-0185			
20	H9-1318-00	WHEELS & COMPONENTS - TRUCK MOUNT (METRIC) From K-0185			
20	H9-1318-05	TAG AXLE WHEEL SCRAPER From K-0185			
25	H9-1318-11	TIRE MONITOR - PRESSURE - "BERU" From K-0185 To P-1452			
25	H9-1318-12	TIRE MONITOR PRESSURE - "SENSATA" From R-1453		1	
30	H9-1325-01	SPARE WHEEL - INSTALLATION From K-0185			

From K-0185

Date:07/2024

PAGE:H9-1300-00

HUB & ROTOR - FRONT AXLE - I BEAM MODEL "S84U"



From K-0185		Date:07/2024	PAGE:H9-1300-00
HUB & ROTOR - FRONT AXLE - I BEAM MODEL "S84U"			

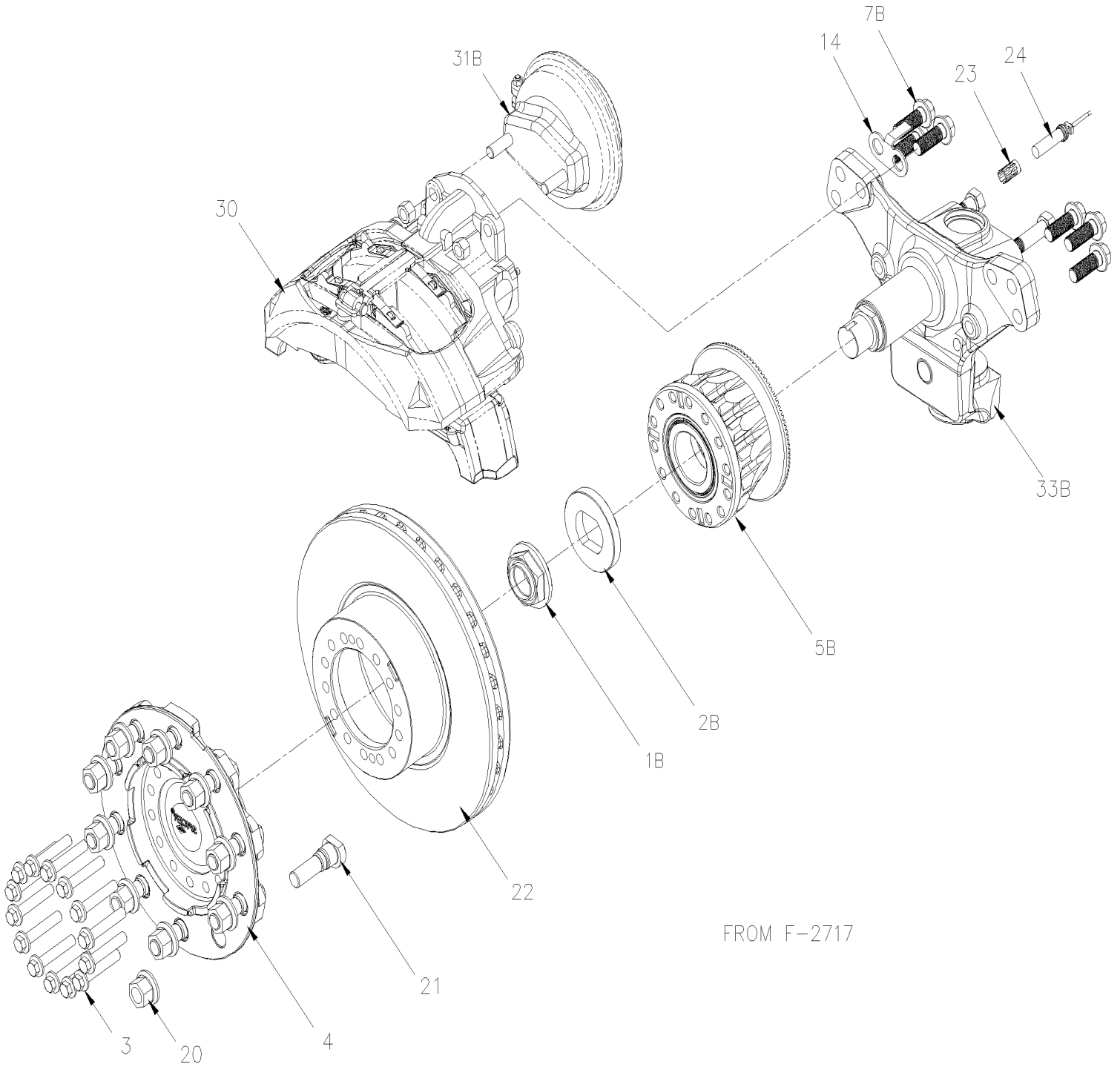
Item#	Part	Description	H 3 4 1	H 3 4 5	N O T E S
1	611949	HUB NUT 1 3/4-8	1	1	
2	611948	THRUST WASHER	1	1	
3	611955	SCREW CAP HEXF M14-1.5x78 G12.9 N500	14	14	S
4	611301	HUB FLANGE	1	1	
5	611360	BEARING HOUSING ASSY / UNITISED L.H. & R.H. "FAG" ASSY W/"ABS" RING	1	1	R S
. NS	N.S.S.	. HUB ASSY / UNITISED L.H. & R.H. "FAG"	1	1	1 R S
. NS	N.S.S.	. TOOTH WHEEL	1	1	1 R S
NS	491115	TOOL, HUB INSTALLER W/UNITISED BEARING / 70MM	1	1	
. NS	NDS8	. MAINTENANCE INSTRUCTION	1	1	
7	612362	SCREW CAP HEXF M20-1.5x55 G10.9	6	6	
11	612384	BUSHING / ABS SENSOR	1	1	
13	N.S.S.	TOOTH WHEEL / FRONT AXLE RIGID INCLUDE WITH ITEM #5	1	1	1 R
14	110786	BRAKE WEAR INDICATOR MECHANICAL / 44MM To K-0511	1	1	
14	110061	BRAKE WEAR INDICATOR MECHANICAL / 47MM From K-0512	1	1	
20	20434082	NUT R.H. / W/HUB-MOUNT WHEEL M22-1.5 / 27 MM TH	10	10	
21	611207	STUD / R.H. / W/HUB-MOUNT WHEEL M22-1.5 x 81MM	10	10	
22	611300	ROTOR VENTED To M-1153	1	1	
22	611359	ROTOR VENTED From M-1154	1	1	
23	641096	CLIP, SPRING / TO FIX SENSOR	1	1	
24	642084	SENSOR ABS 90° ANGLE - OEM	1	1	
24	642108	SENSOR ABS 90° ANGLE - AFTER MARKET	1	1	
25	611039	CALIPER MOUNTING BRACKET L.H. & R.H.	1	1	
26	611030	STUD 1/2-20 X 1 11/16"	AR	AR	
27	5007001	NUT HEX STO 1/2-20 Z050 G "C"	AR	AR	
30	H9-1225-02	BRAKE PARTS - FRONT & TAG AXLE "KNORR-BREMSE" SN7 SERIES W/N2G ADJUSTER			
31	H9-1225-10	BRAKE CHAMBER - FRONT AXLE TYPE 24			
32	H9-1005-00	FRONT AXLE - I BEAM RIGID MODEL "S84U" To K-0511			
32	H9-1005-01	FRONT AXLE - I BEAM RIGID MODEL "S84U" From K-0512			
		R) WITH I BEAM RIGID SUSPENSION			
		S) INSPECTED ALL BOLTS FOR DAMAGE TO THE THREAD AND ON THE SURFACE BELOW THE HEAD WHEN YOU DISASSEMBLED OR UNSCREWED THE HUB AND REPLACE IF NECESSARY			
		1) NOT SOLD SEPARATELY			
		1) NOT SOLD SEPARATELY			

From K-0185

Date:07/2024

PAGE:H9-1300-50

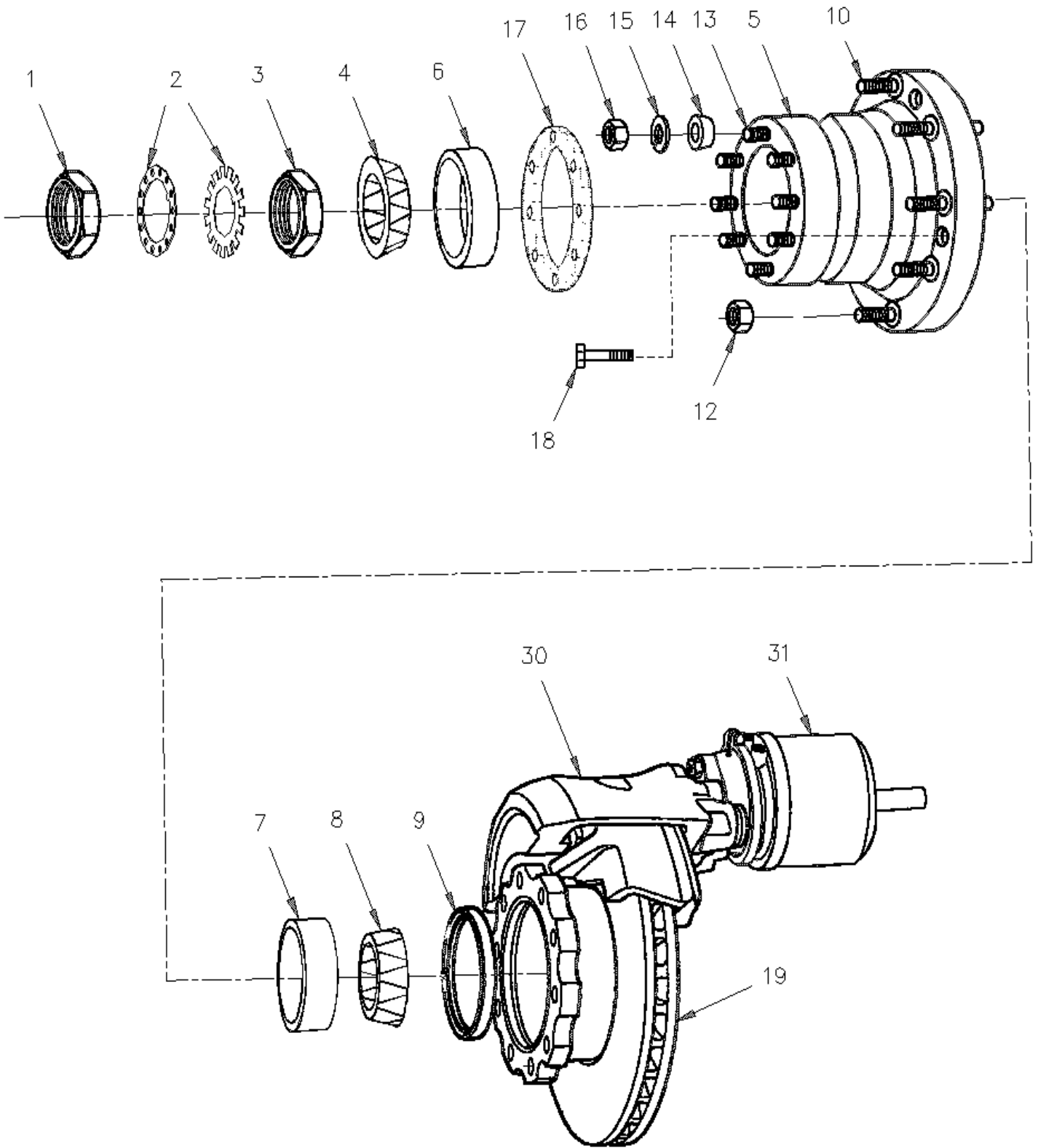
HUB & ROTOR - FRONT AXLE - INDEPENDANT MODEL "NDIFS80P"



From K-0185	Date:07/2024	PAGE:H9-1300-50
HUB & ROTOR - FRONT AXLE - INDEPENDANT MODEL "NDIFS80P"		

Item#	Part	Description	H 3 4 1	H 3 4 5	N O T E S
1B	612357	HUB NUT M42-2.0	1	1	B
2B	612358	THRUST WASHER	1	1	B
3	611955	SCREW CAP HEXF M14-1.5x78 G12.9 N500	14	14	S
4	611301	HUB FLANGE	1	1	
5B	611360	BEARING HOUSING ASSY / UNITISED L.H. & R.H. "FAG" ASSY W/"ABS" RING	1	1	B S
. NS	N.S.S.	. HUB ASSY / UNITISED L.H. & R.H. "FAG"	1	1	1 B S
. NS	N.S.S.	. TOOTH WHEEL	1	1	1 B S
NS	491115	TOOL, HUB INSTALLER W/UNITISED BEARING / 70MM	1	1	
. NS	NDS8	. MAINTENANCE INSTRUCTION	1	1	
7B	612362	SCREW CAP HEXF M20-1.5x55 G10.9	6	6	B
14	110786	BRAKE WEAR INDICATOR MECHANICAL / 44MM	1	1	
20	20434082	NUT R.H. / W/HUB-MOUNT WHEEL M22-1.5 / 27 MM TH	10	10	
21	611207	STUD / R.H. / W/HUB-MOUNT WHEEL M22-1.5 x 81MM	10	10	
22	611300	ROTOR VENTED To M-1153	1	1	
22	611359	ROTOR VENTED From M-1154	1	1	
23	641096	CLIP, SPRING / TO FIX SENSOR	1	1	
24	642085	SENSOR ABS - OEM	1	1	
24	642184	SENSOR ABS - AFTER MARKET	1	1	
30	H9-1225-02	BRAKE PARTS - FRONT & TAG AXLE "KNORR-BREMSE" SN7 SERIES W/N2G ADJUSTER	1	1	
31A	H9-1225-10	BRAKE CHAMBER - FRONT AXLE TYPE 24			
33B	H9-1005-61	FRONT AXLE - INDEPENDENT MODEL "NDIFS80P" / 19000LBS			
		B) WITH 19,000LBS INDEPENDANTE SUSPENSION			
		S) INSPECTED ALL BOLTS FOR DAMAGE TO THE THREAD AND ON THE SURFACE BELOW THE HEAD WHEN YOU DISASSEMBLED OR UNSCREWED THE HUB AND REPLACE IF NECESSARY			
		1) NOT SOLD SEPARATELY			

From K-0185	Date:07/2024	PAGE:H9-1305-00
HUB & ROTOR - DRIVE AXLE		



From K-0185		Date:07/2024	PAGE:H9-1305-00
HUB & ROTOR - DRIVE AXLE			

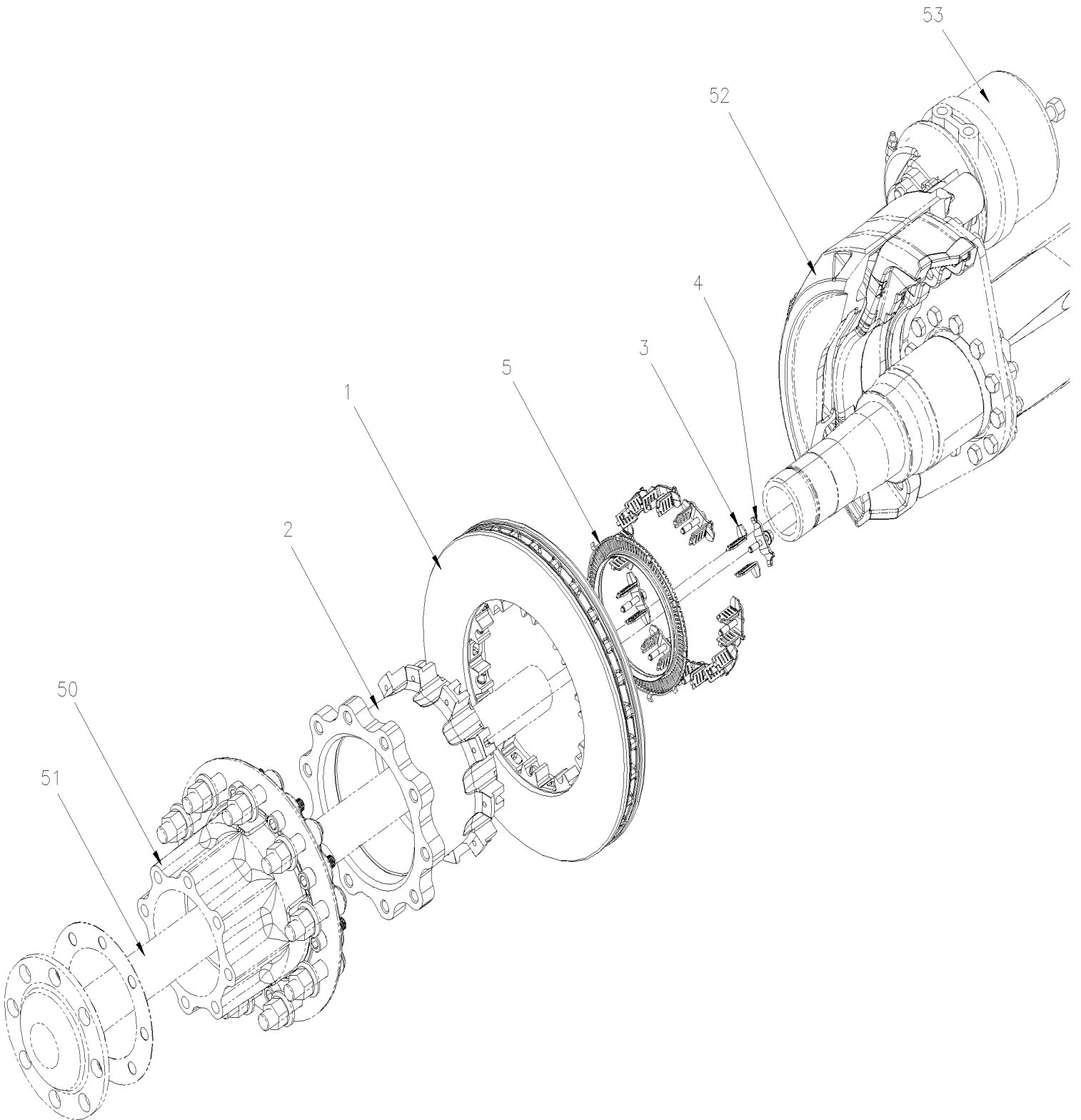
Item#	Part	Description	H 3 4 1	H 3 4 5	N O T E S
1	620275	NUT OUTER / WHEEL BEARING	1	1	
2	621624	WASHER LOCK / KIT	1	1	
3	620279	NUT INNER / WHEEL BEARING	1	1	
4	620034	CONE BEARING / OUTER WHEEL BEARING	1	1	A
5	621617	HUB & CUPS ASSY	2	2	
6	620032	. CUP BEARING	1	1	A
7	621210	. CUP BEARING	1	1	B
8	621209	CONE BEARING	1	1	B
9	621916	SEAL OIL	1	1	
NS	684646	SEAL INSTALLER TOOL / DRIVE W/DISC	1	1	
10	620027	STUD / R.H. / W/HUB-MOUNT WHEEL M22-1.5 x 98.5 MM	10	10	
10	620028	STUD / R.H. / W/HUB-MOUNT WHEEL M22-1.5 x 109.5 MM	AR	AR	D
12	20434082	NUT R.H. / W/HUB-MOUNT WHEEL M22-1.5 / 27 MM TH	10	10	
13	621730	STUD / 5/8-11x 5/8-18 x 2 7/8"	8	8	
14	621627	DOWEL 5/8" I.D.	8	8	
15	5001518	WASHER LO EXT .625x1.070x.055 ZP	8	8	
16	500723	NUT HEX 5/8-18 ZP	8	8	
17	621640	GASKET / AXLE SHAFT W/8 STUDS	AR	AR	
18	621628	SCREW CAP HEXS 5/8-18x1 3/4 GR8	10	10	
19	611457	ROTOR VENTED (W/TOOTH WHEEL / DRIVE AXLE)	1	1	
NS	621652	KIT, CUP & CONE	1	1	
NS	621653	KIT, CUP & CONE	1	1	
30	H9-1235-02	BRAKE PARTS - DRIVE AXLE "KNORR-BREMSE" SN7 SERIES W/N2G ADJUSTER			
31	H9-1235-10	BRAKE CHAMBER - DRIVE AXLE TYPE 24/24			
		A) ALSO AVAILABLE IN KIT #621652			
		B) ALSO AVAILABLE IN KIT #621653			
		D) WITH 2 ALUMINUM WHEELS			

From K-0185

Date:07/2024

PAGE:H9-1305-99

ROTOR (SPLINED DISC) PRODUCT IMPROVMENT



From K-0185	Date:07/2024	PAGE:H9-1305-99
ROTOR (SPLINED DISC) PRODUCT IMPROVMENT		

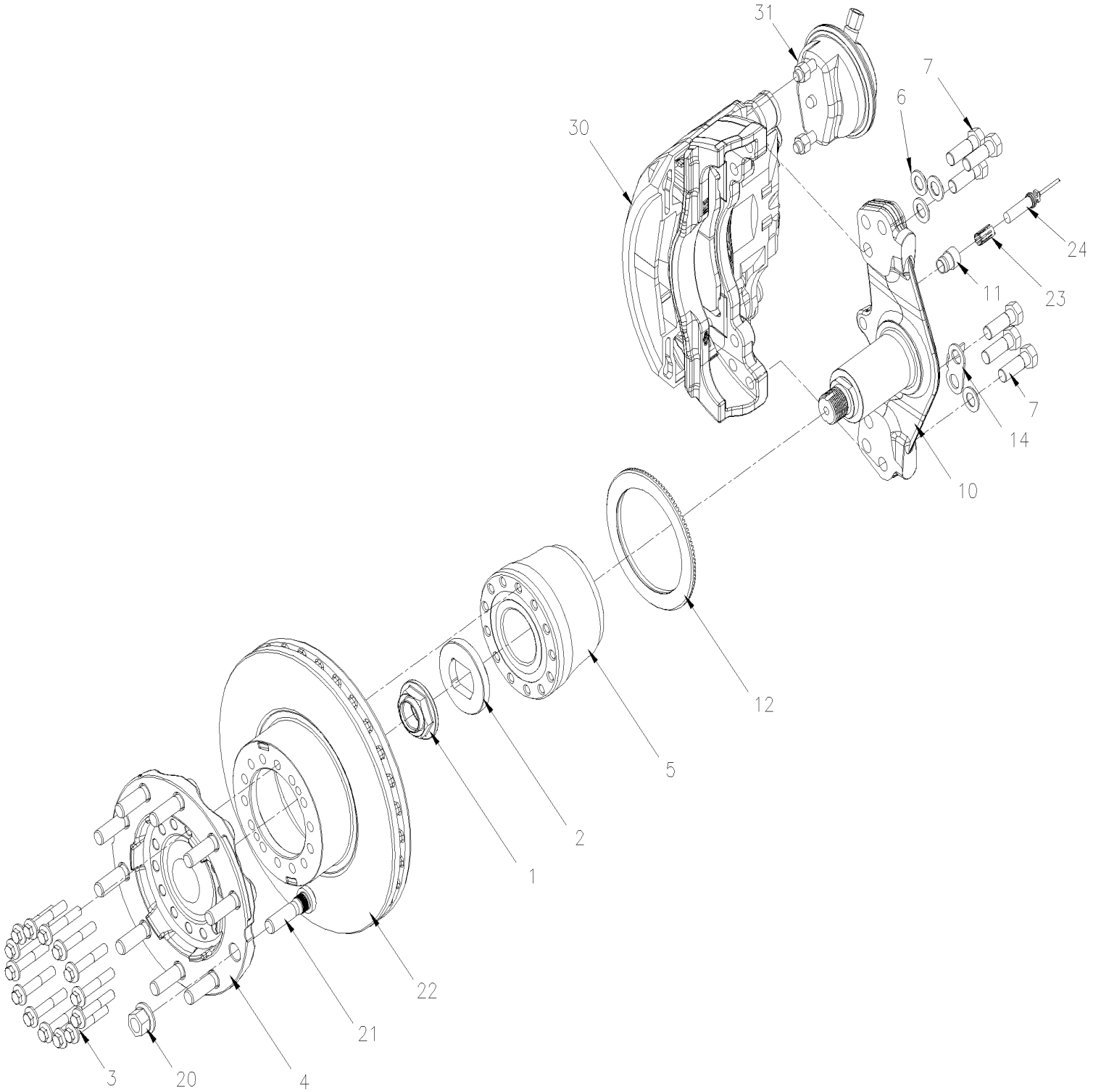
Item#	Part	Description	H 3 4 1	H 3 4 5	N O T E S
	144982	KIT SPLINED BRAKE DISC ON DRIVE AXLE	1	1	
NS	IS-09085	. SEE INSTRUCTION SHEET	1	1	
1	144984	. ROTOR / "SPLINED DISC"	1	1	
2	144983	. ROTOR ADAPTOR / "SPLINED DISC"	1	1	
3	144986	. PIECE INTERMEDIATE / "SPLINED DISC"	20	20	
4	144985	. SPRING ELEMENT / "SPLINED DISC"	10	10	
5	124921	. TOOTH WHEEL / DRIVE AXLE / "SPLINED DISC"	1	1	
NS	680754	GREASE, ANTI-SEIZE PERMATEX COPPER (454GR)	AR	AR	
50	H9-1305-00	HUB & ROTOR - DRIVE AXLE			
51	H9-1105-00	REAR AXLE - MODEL "RC23165"			
52	H9-1235-02	BRAKE PARTS - DRIVE AXLE "KNORR-BREMSE" SN7 SERIES W/N2G ADJUSTER			
53	H9-1235-10	BRAKE CHAMBER - DRIVE AXLE TYPE 24/24			

From K-0185

Date:07/2024

PAGE:H9-1310-00

HUB & ROTOR - TAG AXLE TYPE TS8U



From K-0185		Date:07/2024	PAGE:H9-1310-00
HUB & ROTOR - TAG AXLE TYPE TS8U			

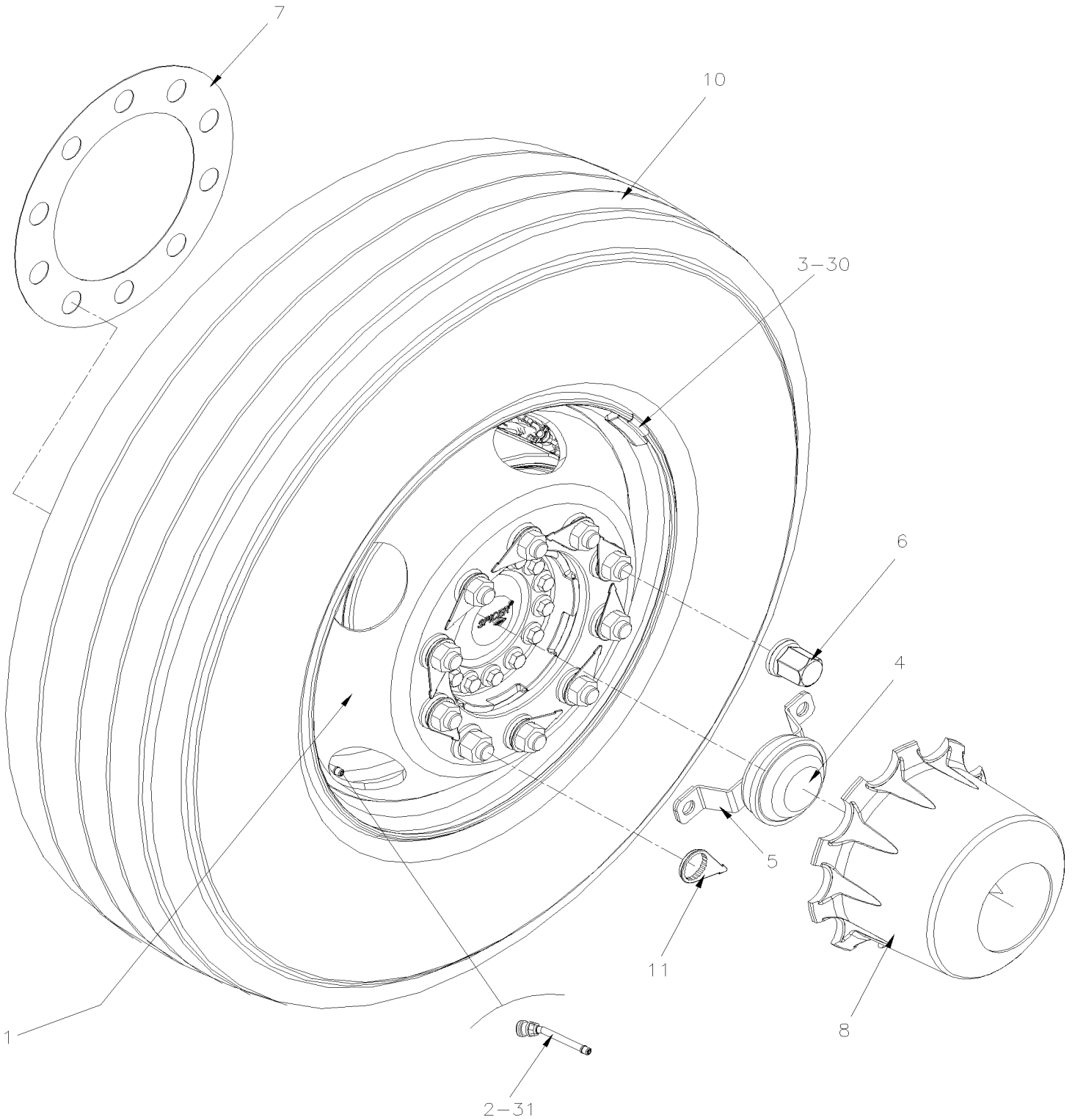
Item#	Part	Description	H 3 4 1	H 3 4 5	N O T E S
1	621967	HUB NUT 1 3/4-8	1	1	
2	611948	THRUST WASHER	1	1	
2	621810	THRUST WASHER	1	1	
3	5001842	SCREW CAP HEXF M14-1.5x75 G10.9 SERR G500	14	14	S
4	621809	HUB FLANGE	1	1	
5	621816P	HUB ASSY / UNITISED L.H. & R.H. "FAG" WITH TOOTH WHEEL	1	1	S
. NS	621807	. HUB ASSY / UNITISED L.H. & R.H. "FAG"	1	1	S
. . NS	621894	. . O-RING	1	1	S
. NS	621801	. TOOTH WHEEL / TAG AXLE W/CAST TAG	1	1	S
NS	G32950	TOOL, HUB INSTALLER W/UNITISED BEARING / 82MM	1	1	
6	611044	WASHER FL HARD 21.0x37.0x3.0 N500	6	6	
7	5001529	SCREW CAP HEX M20-1.5x60 G10.9 G500	6	6	
10	621808	TAG AXLE / FORGE	1	1	
11	121912	BUSHING ABS SENSOR MOUNTING TAG AXLE ONE PIECE	1	1	
12	621801	TOOTH WHEEL / TAG AXLE W/CAST TAG	1	1	
14	142907	BRAKE WEAR INDICATOR WITH HOLE MECHANICAL	1	1	
20	20434082	NUT R.H. / W/HUB-MOUNT WHEEL M22-1.5 / 27 MM TH	10	10	
21	20515515	STUD / R.H. / W/HUB-MOUNT WHEEL M22-1.5 x 88MM To R-1821	10	10	
21	24075971	WHEEL STUD M22X1.5X88 From R-1822	10	10	
22	611300	ROTOR VENTED To M-1153	1	1	
22	611359	ROTOR VENTED From M-1154	1	1	
23	641096	CLIP, SPRING / TO FIX SENSOR	1	1	
24	642085	SENSOR ABS - OEM	1	1	
24	642184	SENSOR ABS - AFTER MARKET	1	1	
30	H9-1225-02	BRAKE PARTS - FRONT & TAG AXLE "KNORR-BREMSE" SN7 SERIES W/N2G ADJUSTER			
31	H9-1245-11	BRAKE CHAMBER - TAG AXLE TYPE 20			
		S) REPLACED ALL BOLTS EACH TIME WHEN YOU DISASSEMBLED OR UNSCREWED THE HUB			

From K-0185

Date:07/2024

PAGE:H9-1318-00

WHEELS & COMPONENTS - TRUCK MOUNT (METRIC)



From K-0185		Date:07/2024	PAGE:H9-1318-00
WHEELS & COMPONENTS - TRUCK MOUNT (METRIC)			

Item#	Part	Description	H 3 4 1	H 3 4 5	N O T E S
		STEEL WHEELS / HUB-MOUNTED			
1	650486	WHEEL, STEEL HUB 22.5 X 9.00 / SILVER / POWDER COAT	AR	AR	
1	650485	WHEEL, STEEL HUB 22.5 X 9.00 / WHITE / POWDER COAT	AR	AR	
		ALUMINIUM WHEELS / HUB-MOUNTED			
1	650958	WHEEL, ALU. HUB 22.5 X 9.00 / BOTH SIDE MACHINED	AR	AR	H
1	650038	WHEEL, ALU. HUB 22.5 X 9.00 / OUTSIDE POLISH	AR	AR	H
1	650044	WHEEL, ALU. HUB 22.5 X 9.00 / OUTSIDE DURA-BRIGHT EVO	AR	AR	H
1	650039	WHEEL, ALU. HUB 22.5 X 9.00 / INSIDE POLISH	AR	AR	H
1	650045	WHEEL, ALU. HUB 22.5 X 9.00 / INSIDE DURA BRIGHT EVO	AR	AR	H
1	650043	WHEEL, ALU. HUB 22.5 X 9.00 / BOTH SIDE POLISH	AR	AR	H
1	650046	WHEEL, ALU. HUB 22.5 X 9.00 / BOTH SIDE DURA-BRIGHT EVO	AR	AR	H
1	651206	WHEEL, ALU. HUB 22.5 X 9.00 / BOTH SIDE POLISH / ACCURIDE	AR	AR	
1	651209	WHEEL, ALU. HUB 22.5 X 9.00 / BOTH SIDE POLISH / XPC / ACCURIDE	AR	AR	
1	650047	WHEEL, ALU. HUB 22.5 X 10.5 / BOTH SIDE DURA-BRIGHT EVO	AR	AR	C
1	650443	WHEEL, ALU. HUB 22.5 X 10.5 / OUTSIDE POLISH	AR	AR	C
1	650048	WHEEL, ALU. HUB 22.5 X 14.00 / INSIDE POLISH To R-1474	2	2	S
1	651264	WHEEL, ALU. HUB 22.5 X 14.00 / INSIDE POLISH From R-1475		2	S
1	650049	WHEEL, ALU. HUB 22.5 X 14.00 / INSIDE DURA BRIGHT EVO To R-1474	2	2	S
1	651263	WHEEL, ALU. HUB 22.5 X 14.00 / INSIDE DURA BRIGHT EVO From R-1475		2	S
NS	683527	SEALANT "ALLUMINUM WHEEL" / SPRAY 13 OZ.	AR	AR	
NS	683528	POLISH "ALLUMINUM WHEEL" / WAX 16 OZ.	AR	AR	
NS	683529	CLEANER "ALUMINUM WHEEL" / SPRAY 22 OZ.	AR	AR	
		VALVES - VALVE EXTENTION & HOLDER			
2	150293	VALVE / W/STEEL WHEEL / "KNORR-BREMSE " BRAKE -	AR	AR	
2	650194	VALVE / W/ALUMINUM WHEEL / 1.38" LG W/60 deg	AR	AR	
2	650744	VALVE / W/ALUMINUM WHEEL / 1.26" LG	AR	AR	
2	651078	VALVE / W/ALUMINUM WHEEL / 2.31" LG	AR	AR	
2	651114	VALVE / W/ALUMINUM WHEEL / 2.60" LG W/60 deg	AR	AR	
NS	650164	. CAP VALVE / CHROME	AR	AR	
NS	650151	. CAP VALVE / STD	AR	AR	
NS	650151	. CAP VALVE / STD	AR	AR	
NS	650008	. SPRING VALVE	AR	AR	
2	650745	EXTENSION VALVE 3/4" LG	AR	AR	
2	650201	EXTENSION VALVE 1 3/8" LG	AR	AR	
NS	650188	EXTENSION VALVE / 7" LG	AR	AR	

From K-0185	Date:07/2024	PAGE:H9-1318-00
WHEELS & COMPONENTS - TRUCK MOUNT (METRIC)		

Item#	Part	Description	H 3 4 1	H 3 4 5	NOTES
NS	651064	RUBBER HOLDER / 2" O.D. / EXTENSION VALVE To N-1219	AR	AR	
2	651181	RUBBER HOLDER / 2" O.D. / EXTENSION VALVE From N-1220	AR	AR	
2	651214	RUBBER HOLDER / 2.25" O.D. / EXTENSION VALVE / ACCURIDE	AR	AR	
NS	650205	SPRING VALVE 21116	AR	AR	B
		WEIGHTS			
3	650030	WEIGHT BALANCING / 0.5 OZ / WEIGHT FREE LEAD	AR	AR	
3	650003	WEIGHT BALANCING / W/STEEL WHEEL / 1 OZ / WEIGHT FREE LEAD	AR	AR	
3	650062	WEIGHT BALANCING / W/STEEL WHEEL / 2 OZ	AR	AR	
3	650005	WEIGHT BALANCING / W/STEEL WHEEL / 2 OZ / WEIGHT FREE LEAD	AR	AR	
3	650063	WEIGHT BALANCING / W/STEEL WHEEL / 3 OZ	AR	AR	
3	650006	WEIGHT BALANCING / W/STEEL WHEEL / 3 OZ / WEIGHT FREE LEAD	AR	AR	
3	650064	WEIGHT BALANCING / W/STEEL WHEEL / 4 OZ	AR	AR	
3	650010	WEIGHT BALANCING / W/STEEL WHEEL / 4 OZ / WEIGHT FREE LEAD	AR	AR	
3	650011	WEIGHT BALANCING / W/STEEL WHEEL / 5 OZ / WEIGHT FREE LEAD	AR	AR	
3	650065	WEIGHT BALANCING / W/STEEL WHEEL / 6 OZ	AR	AR	
3	650012	WEIGHT BALANCING / W/STEEL WHEEL / 6 OZ / WEIGHT FREE LEAD	AR	AR	
3	650066	WEIGHT BALANCING / W/STEEL WHEEL / 8 OZ	AR	AR	
3	650032	WEIGHT BALANCING / W/STEEL WHEEL / 8 OZ / WEIGHT FREE LEAD	AR	AR	
3	650067	WEIGHT BALANCING / W/STEEL WHEEL / 10 OZ	AR	AR	
3	650068	WEIGHT BALANCING / W/STEEL WHEEL / 12 OZ	AR	AR	
3	650069	WEIGHT BALANCING / W/STEEL WHEEL / 14 OZ	AR	AR	
3	650070	WEIGHT BALANCING / W/STEEL WHEEL / 16 OZ	AR	AR	
3	650030	WEIGHT BALANCING / 0.5 OZ / WEIGHT FREE LEAD	AR	AR	
3	650175	WEIGHT BALANCING / W/ALUMINUM WHEEL / INT. & EXT. / 2 OZ	AR	AR	
3	650025	WEIGHT BALANCING / W/ALUMINUM WHEEL / 2 OZ / WEIGHT FREE LEAD	AR	AR	
3	650109	WEIGHT BALANCING / W/ALUMINUM WHEEL / INT. & EXT. / 3 OZ	AR	AR	
3	650026	WEIGHT BALANCING / W/ALUMINUM WHEEL / 3 OZ / WEIGHT FREE LEAD	AR	AR	
3	650110	WEIGHT BALANCING / W/ALUMINUM WHEEL / EXT. ON 4 OZ	AR	AR	
3	650114	WEIGHT BALANCING / W/ALUMINUM WHEEL / INT. ON 4 OZ	AR	AR	
3	650027	WEIGHT BALANCING / W/ALUMINUM WHEEL / 4 OZ / WEIGHT FREE LEAD	AR	AR	
3	650060	WEIGHT BALANCING / W/ALUMINUM WHEEL / 5 OZ / WEIGHT FREE LEAD	AR	AR	
3	650111	WEIGHT BALANCING / W/ALUMINUM WHEEL / EXT. ON 6 OZ	AR	AR	
3	650115	WEIGHT BALANCING / W/ALUMINUM WHEEL / INT. ON 6 OZ	AR	AR	
3	650192	WEIGHT BALANCING / W/ALUMINUM WHEEL / W/ADHES 6 OZ	AR	AR	
3	650028	WEIGHT BALANCING / W/ALUMINUM WHEEL / 6 OZ / WEIGHT FREE LEAD	AR	AR	
3	650116	WEIGHT BALANCING / W/ALUMINUM WHEEL / INT. ON 8 OZ	AR	AR	
3	650112	WEIGHT BALANCING / W/ALUMINUM WHEEL / EXT. ON 8 OZ	AR	AR	
3	650029	WEIGHT BALANCING / W/ALUMINUM WHEEL / 8 OZ / WEIGHT FREE LEAD	AR	AR	
3	650206	WEIGHT BALANCING / POWDER (12 OZ BAG)	AR	AR	

From K-0185		Date:07/2024	PAGE:H9-1318-00
WHEELS & COMPONENTS - TRUCK MOUNT (METRIC)			

Item#	Part	Description	H 3 4 1	H 3 4 5	N O T E S
		HUBODOMETER			
4	650002	HUBODOMETER, COMPLETE 11 X 20 & 12 X 22.5 MPH / STEMCO	AR	AR	
4	650117	HUBODOMETER, COMPLETE 11 X 20 & 12 X 22.5 KM/H / STEMCO	AR	AR	
4	590216	HUBODOMETER, COMPLETE 11 X 20 & 12 X 22.5 KM/H / V.D.O.	AR	AR	
4	650174	HUBODOMETER, COMPLETE / FOR 295/80 KM/H	AR	AR	
4	IS23508	KIT, MILEAGE HUBOMETER INST.	1	1	J
. NS	650002	. HUBODOMETER, COMPLETE 11 X 20 & 12 X 22.5 MPH / STEMCO	1	1	J
. NS	650145	. HUBODOMETER BRACKET / W/8 STUDS AXLE SHAFT	1	1	J
4	IS23509	KIT, KILOMETER HUBOMETER INST.	1	1	K
. NS	650117	. HUBODOMETER, COMPLETE 11 X 20 & 12 X 22.5 KM/H / STEMCO	1	1	K
. NS	650145	. HUBODOMETER BRACKET / W/8 STUDS AXLE SHAFT	1	1	K
4	IS23510	KIT, KILOMETER HUBOMETER V.D.O INST.	1	1	L
. NS	590216	. HUBODOMETER, COMPLETE 11 X 20 & 12 X 22.5 KM/H / V.D.O.	1	1	L
. NS	650145	. HUBODOMETER BRACKET / W/8 STUDS AXLE SHAFT	1	1	L
5	650145	HUBODOMETER BRACKET / W/8 STUDS AXLE SHAFT	AR	AR	
5	150015	HUBODOMETER BRACKET / USE WITH 14" WHEEL ONLY	AR	AR	
		OTHERS			
6	5001339	CAP, PLASTIC CHROME / WHEEL NUT / HUB MOUNT / PUSH-ON TYPE	60	60	E
7	650134	WHEEL GUARD MYLAR / WHEEL & HUB	AR	AR	
8	652236	HUB CAP PLASTIC CHROME / HUB MOUNT / METRIC ONE SET OF 2	1	1	G
. NS	652238	. RETENTION NUT, PACK OF 10	1	1	G
. NS	652237	. RETENTION NUT, PACK OF 50	1	1	G
8	621753	HUB CAP PLASTIC CHROME W/NUT / HUB MOUNT / METRIC	2	2	G
. NS	624215	. CAP NUT COVER WRENCH	1	1	G
8	150662	HUB CAP PLASTIC CHROME / HUB MOUNT / USE WITH HUBODOMETER WITH 9" WHEEL	1	1	G
8	150016	HUB CAP PLASTIC CHROME / HUB MOUNT / USE WITH HUBODOMETER WITH 14" WHEEL	1	1	G
8	652235	HUB CAP PLASTIC CHROME W/NUT / HUB MOUNT / METRIC ONE SET OF 2	2	2	
8	611470	HUB CAP PLASTIC CHROME W/NUT / HUB MOUNT / METRIC	2	2	D
. NS	624215	. CAP NUT COVER WRENCH	1	1	D
8	621683	HUB CAP PLASTIC CHROME W/NUT / HUB MOUNT	1	1	G
10	650447	TIRE MICHELIN 455/55 R22.5 X-ONE-XTE SUMMER TIRE	1	1	
10	651120	TIRE MICHELIN 455/55 R22.5 X ONE XONE XDA-ENERGY SUMMER TIRE	1	1	
10	651099	TIRE MICHELIN 455/55 R22.5 XD-N2 WINTER TIRE To K-0413	1	1	
10	651166	TIRE MICHELIN 455/55 R22.5 X-ONE LINE GRIP D WINTER TIRE From K-0414 To N-1266	1	1	
10	651203	TIRE MICHELIN 455/55 R22.5 X-ONE LINE GRIP D WINTER TIRE From N-1267	1	1	
10	651131	TIRE BRIDGESTONE 315/80R22.5 R249BZ	1	1	
10	651148	TIRE CONTINENTAL 315/80R22.5 HA3	1	1	
10	651093	TIRE MICHELIN 315/80R22.5 WH XDN2	1	1	
NS	652066	WHEEL NUT FLAG, ORANGE	AR	AR	

From K-0185	Date:07/2024	PAGE:H9-1318-00
WHEELS & COMPONENTS - TRUCK MOUNT (METRIC)		

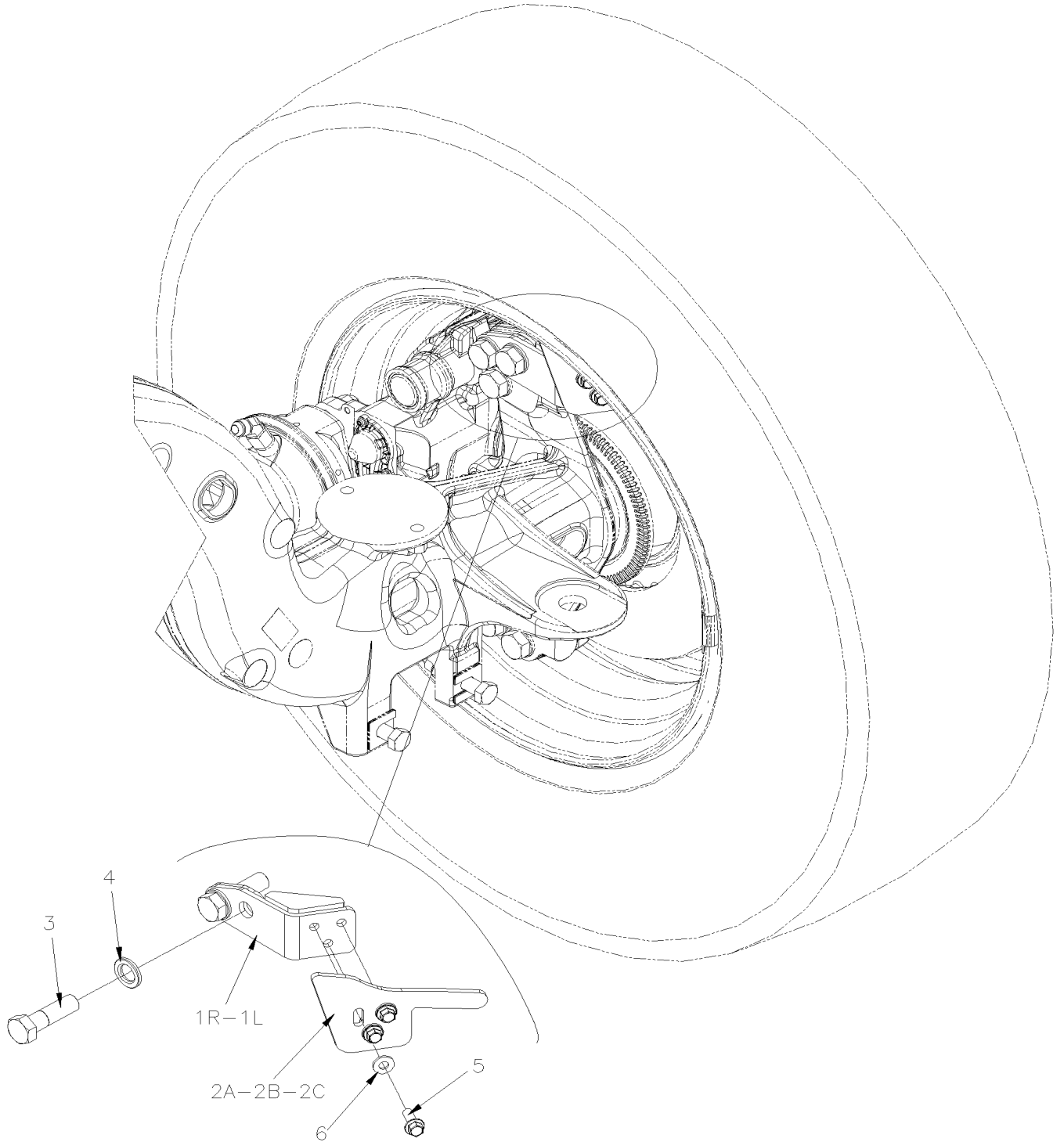
Item#	Part	Description	H 3 4 1	H 3 4 5	NOTES
11	651163	WHEEL NUT FLAG, WHITE	AR	AR	
		VALVES - WITH TIRE PRESSURE SENSOR			
30	066446	DECAL / "WARNING DETECTOR INSIDE" / ENGLISH & FRANCAIS To L-0944	1	1	
30	066445	DECAL / "WARNING DETECTOR INSIDE" / ENGLISH To L-0944	1	1	
31	H9-1318-11	TIRE MONITOR - PRESSURE - "BERU" To P-1452			
NS	H9-1318-12	TIRE MONITOR PRESSURE - "SENSATA" From R-1453			
		B) USE THIS EXTENSION WITH POWDER BALANCING WEIGHT			
		C) USE WITH 650178 RUBBER HOLDER			
		D) TO USE WITH FRONT & TAG AXLE			
		E) TO USE WITH NUT 22MM X 33MM THICK (611189)			
		G) TO USE WITH DRIVE AXLE WHEEL			
		H) USE WITH 651064 RUBBER HOLDER			
		J) SEE IS-23508 FOR ALL DETAILS			
		K) SEE IS-23509 FOR ALL DETAILS			
		L) SEE IS-23510 FOR ALL DETAILS			
		S) USE ONLY WITH SUPER SINGLE TIRE (650447)			

From K-0185

Date:07/2024

PAGE:H9-1318-05

TAG AXLE WHEEL SCRAPER



From K-0185	Date:07/2024	PAGE:H9-1318-05
TAG AXLE WHEEL SCRAPER		

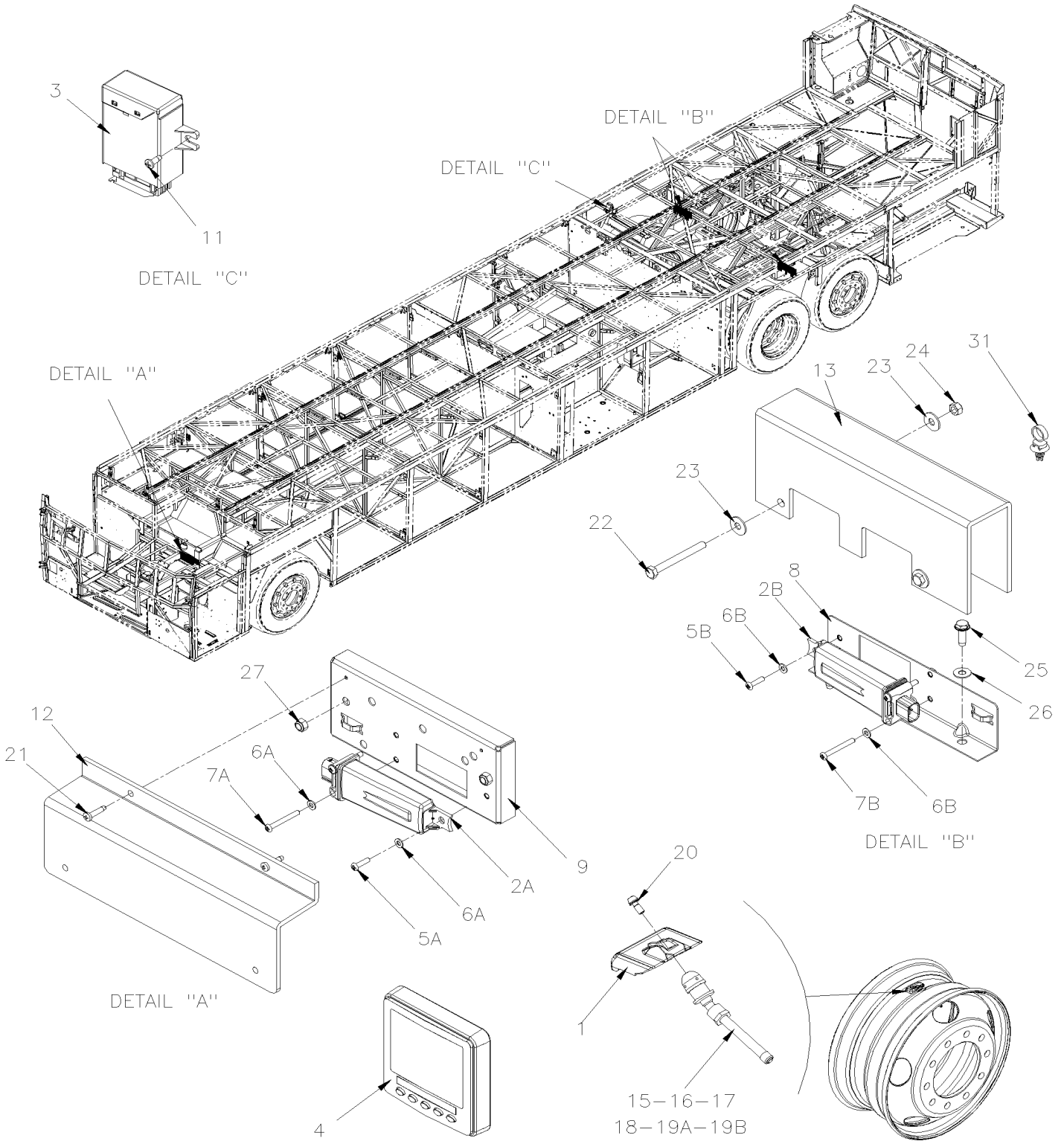
Item#	Part	Description	H 3 4 1	H 3 4 5	NOTES
	150809	KIT SCRAPER ALUMINUM WH 9" ONE PIECE TAG	1	1	
	150810	KIT SCRAPER STEEL WH 9" ONE PIECE TAG	1	1	
	150811	KIT SCRAPER ALUMINUM WH 10.5" ONE PIECE TAG	1	1	
1L	150801	. SCRAPER HOLDER LEFT SIDE	1	1	L
1R	150800	. SCRAPER HOLDER RIGHT SIDE	1	1	R
2A	150806	. SCRAPER PLATE FOR RIM 9" STEEL	1	1	
2B	150807	. SCRAPER PLATE FOR RIM 9" ALUMINUM	1	1	
2C	150808	. SCRAPER PLATE FOR RIM 10.5" ALUMINUM	1	1	
3	5001997	. SCREW CAP HEX M20-1.5x70 G10.9 ZP	AR	AR	
4	611044	. WASHER FL HARD 21.0x37.0x3.0 N500	AR	AR	
5	5001741	. SCREW CAP HEXF M10-1.5x30 G8.8 N500	AR	AR	
6	5001834	. WASHER BEL SPR 10.5X23X2.5 N500	AR	AR	
		L) LEFT SIDE			
		R) RIGTH SIDE			

From K-0185 To P-1452

Date:07/2024

PAGE:H9-1318-11

TIRE MONITOR - PRESSURE - "BERU"

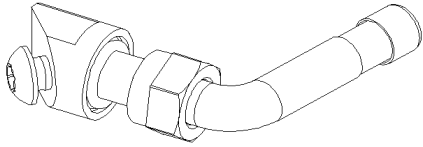


From K-0185 To P-1452

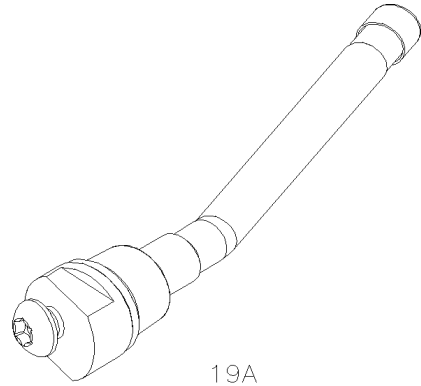
Date:07/2024

PAGE:H9-1318-11

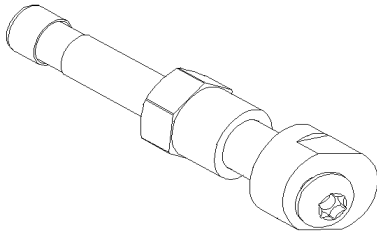
TIRE MONITOR - PRESSURE - "BERU"



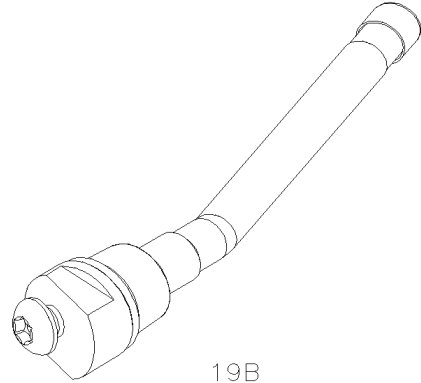
15



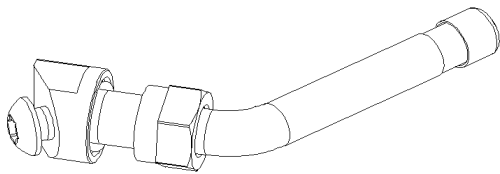
19A



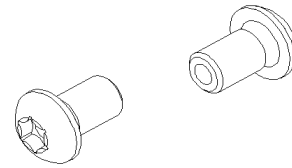
16



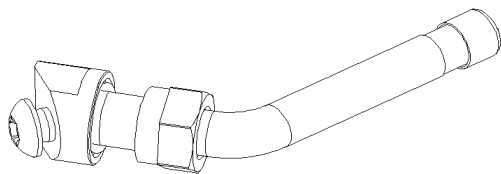
19B



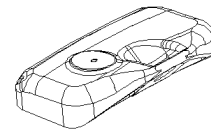
17



20



18



1

From K-0185 To P-1452	Date:07/2024	PAGE:H9-1318-11
TIRE MONITOR - PRESSURE - "BERU"		

Item#	Part	Description	H 3 4 1	H 3 4 5	N O T E S
1	560279	SENSOR TIRE PRESSURE - "BERU" To K-0418	9	9	
1	560749	SENSOR TIRE PRESSURE - "BERU" From K-0419 To N-1188	9	9	
1	564327	SENSOR TIRE PRESSURE - "BERU" From N-1189	9	9	
NS	066445	DECAL / "WARNING DETECTOR INSIDE" / ENGLISH To L-0944	AR	AR	
NS	066446	DECAL / "WARNING DETECTOR INSIDE" / ENGLISH & FRANCAIS To L-0944	AR	AR	
2A	564077	ANTENNA - TIRE PRESSURE To L-0907	1	1	
2A	564077	ANTENNA - TIRE PRESSURE To L-0907	1	1	
. NS	563758	. CONNECTOR / MICRO-QUADLOK-SYSTEM / SH 4C / AMP 1-967640-1 To L-0907	1	1	
. NS	564074	. CONNECTOR CAP 90° / MICRO-QUADLOK-SYSTEM / SCH 7806880-K To L-0907	1	1	
. NS	563759	. SOCKET TERMINAL / 24-20 / AMP 963727-1 To L-0907	1	1	
. NS	563761	. SEAL PLUG CAVITY / BLUE / AMP 967056-1 To L-0907	1	1	
2A	563520	FRONT ANTENNA - TIRE PRESSURE From L-0908	1	1	
2B	564077	ANTENNA - TIRE PRESSURE To L-0907	2	2	
2B	564077	ANTENNA - TIRE PRESSURE To L-0907	2	2	
. NS	563758	. CONNECTOR / MICRO-QUADLOK-SYSTEM / SH 4C / AMP 1-967640-1 To L-0907	1	1	
. NS	564074	. CONNECTOR CAP 90° / MICRO-QUADLOK-SYSTEM / SCH 7806880-K To L-0907	1	1	
. NS	563759	. SOCKET TERMINAL / 24-20 / AMP 963727-1 To L-0907	1	1	
. NS	563761	. SEAL PLUG CAVITY / BLUE / AMP 967056-1 To L-0907	1	1	
2B	563521	REAR RIGHT ANTENNA - TIRE PRESSURE From L-0908	1	1	
2B	563522	REAR LEFT ANTENNA - TIRE PRESSURE From L-0908	1	1	
3	560056	ECU TIRE PRESSURE To L-0907	1	1	
3	563631	ECU TIRE PRESSURE From L-0908 To P-1302	1	1	
3	564326	ECU TIRE PRESSURE From P-1303	1	1	
4	565912	SCREEN MONITOR TIRE To K-0226	1	1	
4	560561	SCREEN MONITOR TIRE From K-0227	1	1	
NS	564084	PLATE TPMS / FIXED AT CENTRAL BOARD	1	1	
NS	564086	PLATE REAR TPMS ON CENTRAL BOARD	1	1	
NS	5001690	SCREW TC M5	3	3	
NS	564085	PLATE W/OUT TPMS ON CENTRAL BOARD	1	1	
NS	060143	WIRING HARNESS / FRT JCT BOX & ANTENNA To L-0907	1	1	
NS	0610143	WIRING HARNESS / FRT JCT BOX & ANTENNA From L-0908	1	1	
4	060045	WIRING HARNESS / ECU FRT JCT BOX & ACCES.. To L-0907	1	1	
4	0610142	WIRING HARNESS / ECU FRT JCT BOX & ACCES.. From L-0908	1	1	
NS	5001694	SCREW MA PAN PH M4-0.7x40 SS BK	6	6	
5A	502698	SCREW MA PAN PH M4-0.7x16 SS BK	1	1	
5B	5001332	SCREW MA PAN PH M4-0.7x16 SS To L-0907	2	2	
5B	500032	SCREW CAP HEX M5-0.8x16 BK From L-0908	2	2	
6A	502556	WASHER FL 4.3x9.0x0.8 SS	3	3	
6A	502556	WASHER FL 4.3x9.0x0.8 SS	3	3	
6B	502556	WASHER FL 4.3x9.0x0.8 SS To L-0907	6	6	
6B	502556	WASHER FL 4.3x9.0x0.8 SS To L-0907	6	6	
6B	5001137	WASHER FL .203x.438x.050 SS From L-0908	6	6	

From K-0185 To P-1452	Date:07/2024	PAGE:H9-1318-11
TIRE MONITOR - PRESSURE - "BERU"		

Item#	Part	Description	H 3 4 1	H 3 4 5	N O T E S
7A	5001694	SCREW MA PAN PH M4-0.7x40 SS BK	2	2	
7B	5001696	SCREW MA PAN PH M4-0.7x35 SS To L-0907	4	4	
7B	502708	SCREW CAP HEX M5-0.8x35 SS From L-0908	4	4	
8	406121	SUPPORT ANTENNA TIRE PRESSURE To L-0907	2	2	
8	401257	SUPPORT ANTENNA TIRE PRESSURE From L-0908	1	1	
8	509815	TIE MOUNT / ATTACHMENT W/TREE MOUNT From L-0908	6	6	
8	564108	SELF MOUNTING STUD // DEUTSCH 1011-310-0205 From L-0908	1	1	
9	406085	SUPPORT ANTENNA TIRE PRESSURE	1	1	
11	500601	SCREW TC PAN PH #6-32x3/8 N500	2	2	
11	500804	WASHER FL .203x.500x.047 N500	2	2	
12	406119	PROTECTOR ANTENNA / AL "Z" SHAPE	1	1	
13	406122	PROTECTOR ANTENNA / AL "U" SHAPE To L-0907	2	2	
13	401364	PROTECTOR ANTENNA / AL "U" SHAPE From L-0908	1	1	
15	650635	KIT VALVE 60DEG / W/AL / 14"	1	1	
15	150030	KIT VALVE 60DEG / W/AL / 14" W/SENSOR To K-0418	1	1	
. NS	650635	. KIT VALVE 60DEG / W/AL / 14" To K-0418	1	1	
. NS	560279	. SENSOR TIRE PRESSURE - "BERU" To K-0418	1	1	
15	150009	KIT VALVE 60DEG / W/AL / 14" W/SENSOR From K-0419 To N-1188	1	1	
. NS	650635	. KIT VALVE 60DEG / W/AL / 14" From K-0419 To N-1188	1	1	
. NS	560749	. SENSOR TIRE PRESSURE - "BERU" From K-0419 To N-1188	1	1	
15	150001	KIT VALVE 60DEG / W/AL / 14" W/SENSOR From N-1189	1	1	
. NS	650635	. KIT VALVE 60DEG / W/AL / 14" From N-1189	1	1	
. NS	564327	. SENSOR TIRE PRESSURE - "BERU" From N-1189	1	1	
16	650636	KIT VALVE / W/AL / 10.5"	1	1	
16	150031	KIT VALVE / W/AL / 10.5" / W/SENSOR To K-0418	1	1	
. NS	650636	. KIT VALVE / W/AL / 10.5" To K-0418	1	1	
. NS	560279	. SENSOR TIRE PRESSURE - "BERU" To K-0418	1	1	
16	150110	KIT VALVE / W/AL / 10.5" / W/SENSOR From K-0419 To N-1188	1	1	
. NS	650636	. KIT VALVE / W/AL / 10.5" From K-0419 To N-1188	1	1	
. NS	560749	. SENSOR TIRE PRESSURE - "BERU" From K-0419 To N-1188	1	1	
16	150002	KIT VALVE / W/AL / 10.5" / W/SENSOR From N-1189	1	1	
. NS	650636	. KIT VALVE / W/AL / 10.5" From N-1189	1	1	
. NS	564327	. SENSOR TIRE PRESSURE - "BERU" From N-1189	1	1	
17	650634	KIT VALVE 40DEG / W/AL / 9"	1	1	
. NS	650019	. SCREW MA BUT TORX W/HOLE M5	1	1	
. NS	651191	. NUT	1	1	
. NS	651267	. GROMMET V9-10-6 BLACK, TPMS VALVE	1	1	
17	150032	KIT VALVE 40DEG / W/AL / 9" / W/SENSOR To K-0418	1	1	
. NS	650634	. KIT VALVE 40DEG / W/AL / 9" To K-0418	1	1	
. NS	650019	. SCREW MA BUT TORX W/HOLE M5 To K-0418	1	1	
. NS	651191	. NUT To K-0418	1	1	
. NS	651267	. GROMMET V9-10-6 BLACK, TPMS VALVE To K-0418	1	1	

From K-0185 To P-1452	Date:07/2024	PAGE:H9-1318-11
TIRE MONITOR - PRESSURE - "BERU"		

Item#	Part	Description	H 3 4 1	H 3 4 5	N O T E S
. NS	560279	. SENSOR TIRE PRESSURE - "BERU" To K-0418	1	1	
17	150111	KIT VALVE 40DEG / W/AL / 9" /W/SENSOR From K-0419 To N-1188	1	1	
. NS	650634	. KIT VALVE 40DEG / W/AL / 9" From K-0419 To N-1188	1	1	
. . NS	650019	. . SCREW MA BUT TORX W/HOLE M5 From K-0419 To N-1188	1	1	
. . NS	651191	. . NUT From K-0419 To N-1188	1	1	
. . NS	651267	. . GROMMET V9-10-6 BLACK, TPMS VALVE From K-0419 To N-1188	1	1	
. NS	560279	. SENSOR TIRE PRESSURE - "BERU" From K-0419 To N-1188	1	1	
17	150003	KIT VALVE 40DEG / W/AL / 9" /W/SENSOR From N-1189	1	1	
. NS	650634	. KIT VALVE 40DEG / W/AL / 9" From N-1189	1	1	
. . NS	650019	. . SCREW MA BUT TORX W/HOLE M5 From N-1189	1	1	
. . NS	651191	. . NUT From N-1189	1	1	
. . NS	651267	. . GROMMET V9-10-6 BLACK, TPMS VALVE From N-1189	1	1	
. NS	564327	. SENSOR TIRE PRESSURE - "BERU" From N-1189	1	1	
18	650634	KIT VALVE 40DEG / W/AL / 9"	1	1	
. NS	650019	. SCREW MA BUT TORX W/HOLE M5	1	1	
. NS	651191	. NUT	1	1	
. NS	651267	. GROMMET V9-10-6 BLACK, TPMS VALVE	1	1	
18	150032	KIT VALVE 40DEG / W/AL / 9" /W/SENSOR To K-0418	1	1	
. NS	650634	. KIT VALVE 40DEG / W/AL / 9" To K-0418	1	1	
. . NS	650019	. . SCREW MA BUT TORX W/HOLE M5 To K-0418	1	1	
. . NS	651191	. . NUT To K-0418	1	1	
. . NS	651267	. . GROMMET V9-10-6 BLACK, TPMS VALVE To K-0418	1	1	
. NS	560279	. SENSOR TIRE PRESSURE - "BERU" To K-0418	1	1	
18	150111	KIT VALVE 40DEG / W/AL / 9" /W/SENSOR From K-0419 To N-1188	1	1	
. NS	650634	. KIT VALVE 40DEG / W/AL / 9" From K-0419 To N-1188	1	1	
. . NS	650019	. . SCREW MA BUT TORX W/HOLE M5 From K-0419 To N-1188	1	1	
. . NS	651191	. . NUT From K-0419 To N-1188	1	1	
. . NS	651267	. . GROMMET V9-10-6 BLACK, TPMS VALVE From K-0419 To N-1188	1	1	
. NS	560279	. SENSOR TIRE PRESSURE - "BERU" From K-0419 To N-1188	1	1	
18	150003	KIT VALVE 40DEG / W/AL / 9" /W/SENSOR From N-1189	1	1	
. NS	650634	. KIT VALVE 40DEG / W/AL / 9" From N-1189	1	1	
. . NS	650019	. . SCREW MA BUT TORX W/HOLE M5 From N-1189	1	1	
. . NS	651191	. . NUT From N-1189	1	1	
. . NS	651267	. . GROMMET V9-10-6 BLACK, TPMS VALVE From N-1189	1	1	
. NS	564327	. SENSOR TIRE PRESSURE - "BERU" From N-1189	1	1	
19A	650018	KIT VALVE 20DEG / W/STEEL WHEELS 9" To K-0554	1	1	9.0
. NS	650019	. SCREW MA BUT TORX W/HOLE M5 To K-0554	1	1	9.0
. NS	651119	. SEAL VALVE / STEEL "VITON" GREEN To K-0554	1	1	9.0
19A	650016	KIT VALVE 20DEG / W/STEEL WHEELS 9" From K-0555	1	1	9.0
. NS	650019	. SCREW MA BUT TORX W/HOLE M5 From K-0555	1	1	9.0
. NS	651119	. SEAL VALVE / STEEL "VITON" GREEN From K-0555	1	1	9.0
19A	150034	KIT VALVE 20DEG / W/STEEL WHEELS 9" / W/SENSOR To K-0418	1	1	9.0

From K-0185 To P-1452	Date:07/2024	PAGE:H9-1318-11
TIRE MONITOR - PRESSURE - "BERU"		

Item#	Part	Description	H 3 4 1	H 3 4 5	N O T E S
. NS	650018	. KIT VALVE 20DEG / W/STEEL WHEELS 9" To K-0418	1	1	9.0
. . NS	650019	. . SCREW MA BUT TORX W/HOLE M5 To K-0418	1	1	9.0
. . NS	651119	. . SEAL VALVE / STEEL "VITON" GREEN To K-0418	1	1	9.0
. NS	560279	. SENSOR TIRE PRESSURE - "BERU" To K-0418	1	1	9.0
19A	150114	KIT VALVE 20DEG / W/STEEL WHEELS 9" / W/SENSOR From K-0419 To N-1188	1	1	9.0
. NS	650016	. KIT VALVE 20DEG / W/STEEL WHEELS 9" From K-0419 To N-1188	1	1	9.0
. . NS	650019	. . SCREW MA BUT TORX W/HOLE M5 From K-0419 To N-1188	1	1	9.0
. . NS	651119	. . SEAL VALVE / STEEL "VITON" GREEN From K-0419 To N-1188	1	1	9.0
. NS	560749	. SENSOR TIRE PRESSURE - "BERU" From K-0419 To N-1188	1	1	9.0
19A	150005	KIT VALVE 20DEG / W/STEEL WHEELS 9" / W/SENSOR From N-1189	1	1	9.0
. NS	650016	. KIT VALVE 20DEG / W/STEEL WHEELS 9" From N-1189	1	1	9.0
. . NS	650019	. . SCREW MA BUT TORX W/HOLE M5 From N-1189	1	1	9.0
. . NS	651119	. . SEAL VALVE / STEEL "VITON" GREEN From N-1189	1	1	9.0
. NS	564327	. SENSOR TIRE PRESSURE - "BERU" From N-1189	1	1	9.0
19B	650017	KIT VALVE 20DEG / W/STEEL WHEELS 8.25"	1	1	8.25
. NS	650019	. SCREW MA BUT TORX W/HOLE M5	1	1	8.25
. NS	651119	. SEAL VALVE / STEEL "VITON" GREEN	1	1	8.25
19B	150033	KIT VALVE 20DEG /W/STEEL WHEELS 8.25"/W/SENSOR To K-0418	1	1	8.25
. NS	650017	. KIT VALVE 20DEG / W/STEEL WHEELS 8.25" To K-0418	1	1	8.25
. . NS	650019	. . SCREW MA BUT TORX W/HOLE M5 To K-0418	1	1	8.25
. . NS	651119	. . SEAL VALVE / STEEL "VITON" GREEN To K-0418	1	1	8.25
. NS	560279	. SENSOR TIRE PRESSURE - "BERU" To K-0418	1	1	8.25
19B	150112	KIT VALVE 20DEG /W/STEEL WHEELS 8.25"/W/SENSOR From K-0419 To N-1188	1	1	8.25
. NS	650017	. KIT VALVE 20DEG / W/STEEL WHEELS 8.25" From K-0419 To N-1188	1	1	8.25
. . NS	650019	. . SCREW MA BUT TORX W/HOLE M5 From K-0419 To N-1188	1	1	8.25
. . NS	651119	. . SEAL VALVE / STEEL "VITON" GREEN From K-0419 To N-1188	1	1	8.25
. NS	560749	. SENSOR TIRE PRESSURE - "BERU" From K-0419 To N-1188	1	1	8.25
19B	150004	KIT VALVE 20DEG /W/STEEL WHEELS 8.25"/W/SENSOR From N-1189	1	1	8.25
. NS	650017	. KIT VALVE 20DEG / W/STEEL WHEELS 8.25" From N-1189	1	1	8.25
. . NS	650019	. . SCREW MA BUT TORX W/HOLE M5 From N-1189	1	1	8.25
. . NS	651119	. . SEAL VALVE / STEEL "VITON" GREEN From N-1189	1	1	8.25
. NS	564327	. SENSOR TIRE PRESSURE - "BERU" From N-1189	1	1	8.25
20	650019	. SCREW MA BUT TORX W/HOLE M5	1	1	
NS	685324	GREASE "PERMATEX" DIELECTRIC TUBE 3 OZ	AR	AR	S
NS	680038	THREAD LOCKER LOCTITE #243 / BLUE / 50ml	AR	AR	
21	500952	SCREW TP BDG PH #8x1/2 SS	2	2	
22	5001681	SCREW CAP HEX M6-1.0x60 SS	4	4	
23	500411	WASHER FL .260x.697x.050 SS	8	8	
24	502681	NUT HEX NYRT M6-1.0 N500 G8	4	4	
25	502848	SCREW TC CAP HEXF 1/4-20x3/4 N500	4	4	
26	5001608	WASHER BEL SPR 6.2x15.0x0.7 G500	4	4	
27	5001182	NUT HEX NYRT M6-1.0 SS	2	2	

From K-0185 To P-1452	Date:07/2024	PAGE:H9-1318-11
TIRE MONITOR - PRESSURE - "BERU"		

Item#	Part	Description	H 3 4 1	H 3 4 5	NOTES
31	509815	TIE MOUNT / ATTACHMENT W/TREE MOUNT	AR	AR	
31	504637	CABLE TIE / 3/16" x 13"	AR	AR	
NS	IS21070	KIT TPMS ANTENNAS REPLACEMENT			
		8.25) USE WITH STEEL WHEEL 8.25"			
		9.0) USE WITH STEEL WHEEL 9.0"			
		S) USE TO PREVENT CORROSION WITH ALUMINUM WHEELS			

From K-0185 To P-1452		Date:07/2024	PAGE:IS21070
KIT TPMS ANTENNAS REPLACEMENT			

PREVOST

Feuille d'instructions

FI-21070

REPLACEMENT ANTENNES TPMS OBSOLÈTE

PREVOST

Instruction Sheet

IS-21070

OBSOLETE TPMS ANTENNAS REPLACEMENT

From K-0185 To P-1452	Date:07/2024	PAGE:IS21070
KIT TPMS ANTENNAS REPLACEMENT		

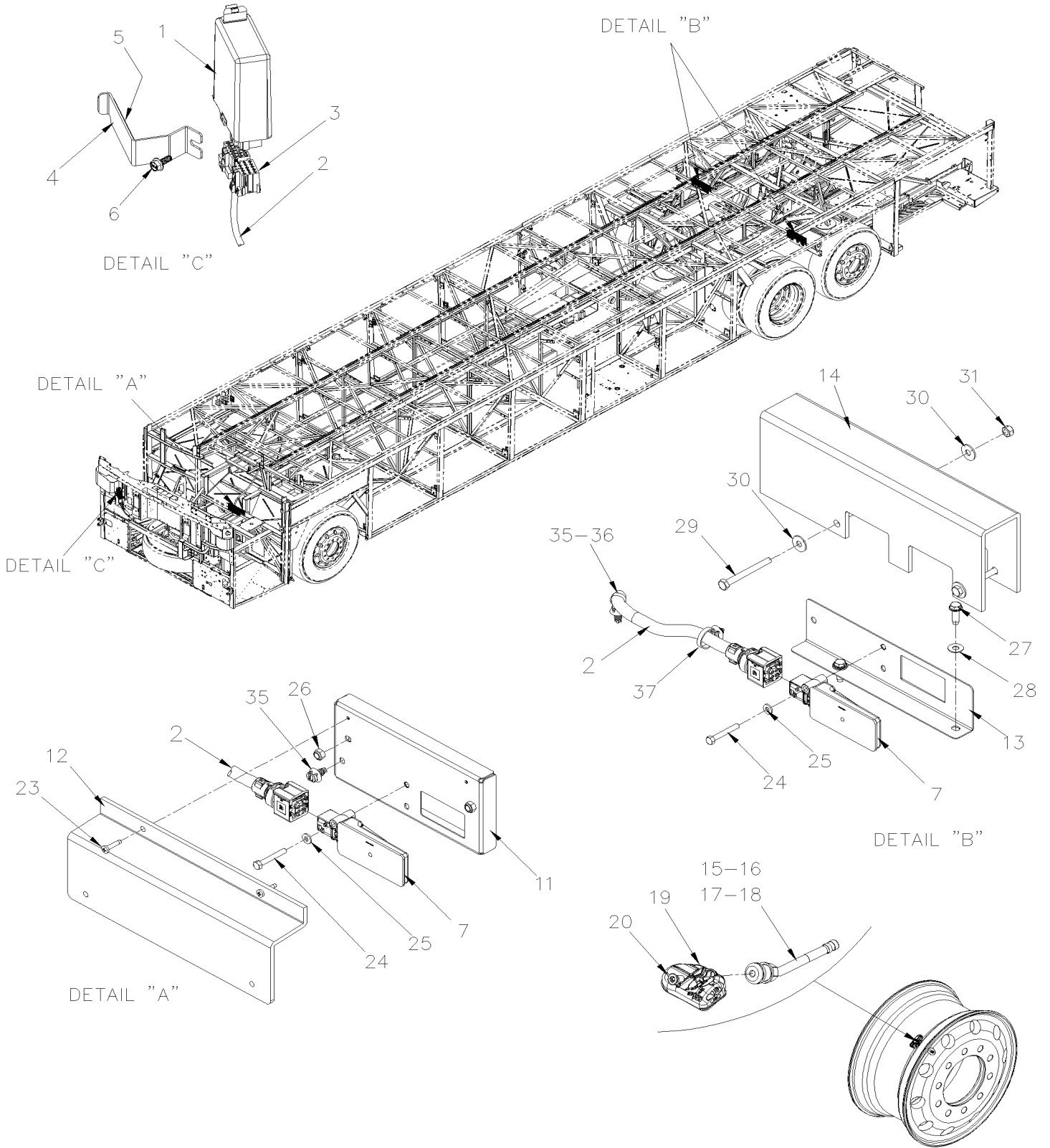
Item#	Part	Description	H 3 4 1	H 3 4 5	N O T E S
NS	564305	ANTENNA, TPMS "SENSATA"	3	3	
NS	564413	TPMS, SENSATA ECU	1	1	
NS	380252	SUPPORT / RELAY	1	1	
NS	406762	SUPPORT, ANTENNA	1	1	
NS	406119	PROTECTOR ANTENNA / AL "Z" SHAPE	1	1	
NS	401333	SUPPORT, ANTENNA	2	2	
NS	406764	PROTECTOR, ANTENNA	2	2	
NS	0610632	WIRING HARNESS / ECU FRT JCT BOX & ACCES..	1	1	
NS	504622	GROMMET / 1.500x1.750x.062x.437x2.125	1	1	
NS	0610631	WIRING HARNESS / FRT JCT BOX & ANTENNA	1	1	
NS	562795	CONNECTOR / JUNIOR POWER TIMER / SH 15C / AMP 964561-2	1	1	
NS	5001182	NUT HEX NYRT M6-1.0 SS	2	2	
NS	502708	SCREW CAP HEX M5-0.8x35 SS	3	3	
NS	5001137	WASHER FL .203x.438x.050 SS	3	3	
NS	502848	SCREW TC CAP HEXF 1/4-20x3/4 N500	4	4	
NS	5001608	WASHER BEL SPR 6.2x15.0x0.7 G500	4	4	
NS	5001681	SCREW CAP HEX M6-1.0x60 SS	4	4	
NS	500411	WASHER FL .260x.697x.050 SS	8	8	
NS	502681	NUT HEX NYRT M6-1.0 N500 G8	4	4	
NS	502868	SCREW TC TR PH #10-16x1/2 N500	2	2	
NS	500804	WASHER FL .203x.500x.047 N500	2	2	
NS	509815	TIE MOUNT / ATTACHMENT W/TREE MOUNT	17	17	
NS	504637	CABLE TIE / 3/16" x 13"	20	20	
NS	8631155	CABLE TIE / 4.6MM x 200 / CHRISTMAS TREE	2	2	
NS	504013	TIE MOUNT / 1/4" X 1/4" I.D.	2	2	
NS	504347	RIVET POP DOME OE 3/16x1/4 AL	2	2	
NS	IS-21070	SEE ENGLISH INSTRUCTION SHEET	1	1	
NS	FI-21070	SEE FRENCH INSTRUCTION SHEET	1	1	
NS		PARTS BELOW NOT INCLUDED IN KIT IS21070			
NS		STEEL WHEEL 9"			
NS	150006	KIT VALVE & SENSOR / FOR WHEEL STEEL 9"	1	1	
NS		ALUMINIUM WHEEL 9"			
NS	150201	KIT VALVE & SENSOR / FOR WHEEL AL 9"	1	1	
NS		ALUMINIUM WHEEL 10.5"			
NS	150149	KIT VALVE & SENSOR / FOR WHEEL AL 10.5"	1	1	
NS		ALUMINIUM WHEEL 14"			
NS	150177	KIT VALVE & SENSOR / FOR WHEEL AL 14"	1	1	

From K-0185 To P-1452	Date:07/2024	PAGE:IS21070
-----------------------	--------------	--------------

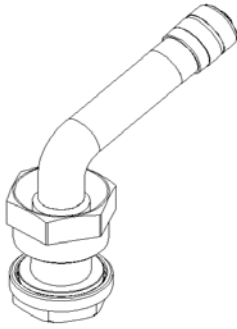
KIT TPMS ANTENNAS REPLACEMENT

Item#	Part	Description	H 3 4 1	H 3 4 5	N O T E S
NS	684517	ADHESIVE SIMSON #ISR 70-03 / GREY / 310ml CARTRIDGE	1	1	
NS	680038	THREAD LOCKER LOCTITE #243 / BLUE / 50ml	1	1	
NS	685324	GREASE "PERMATEx" DIELECTRIC TUBE 3 OZ	1	1	

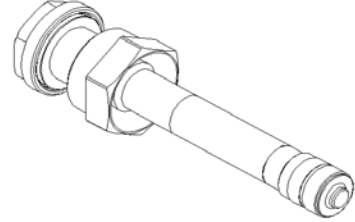
	Date:07/2024	PAGE:H9-1318-12
TIRE MONITOR PRESSURE - "SENSATA"		



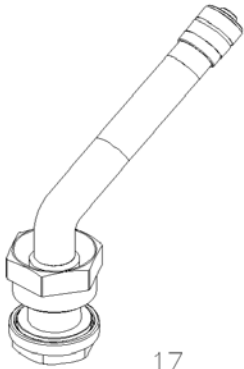
	Date:07/2024	PAGE:H9-1318-12
TIRE MONITOR PRESSURE - "SENSATA"		



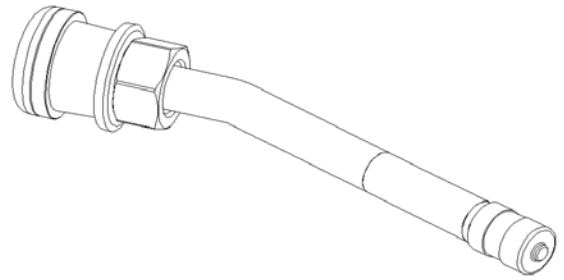
15



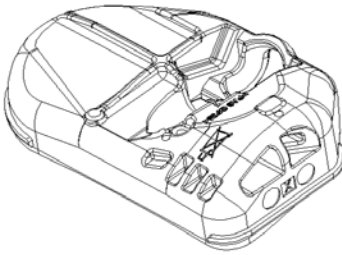
16



17



18



19



20

	Date:07/2024	PAGE:H9-1318-12
TIRE MONITOR PRESSURE - "SENSATA"		

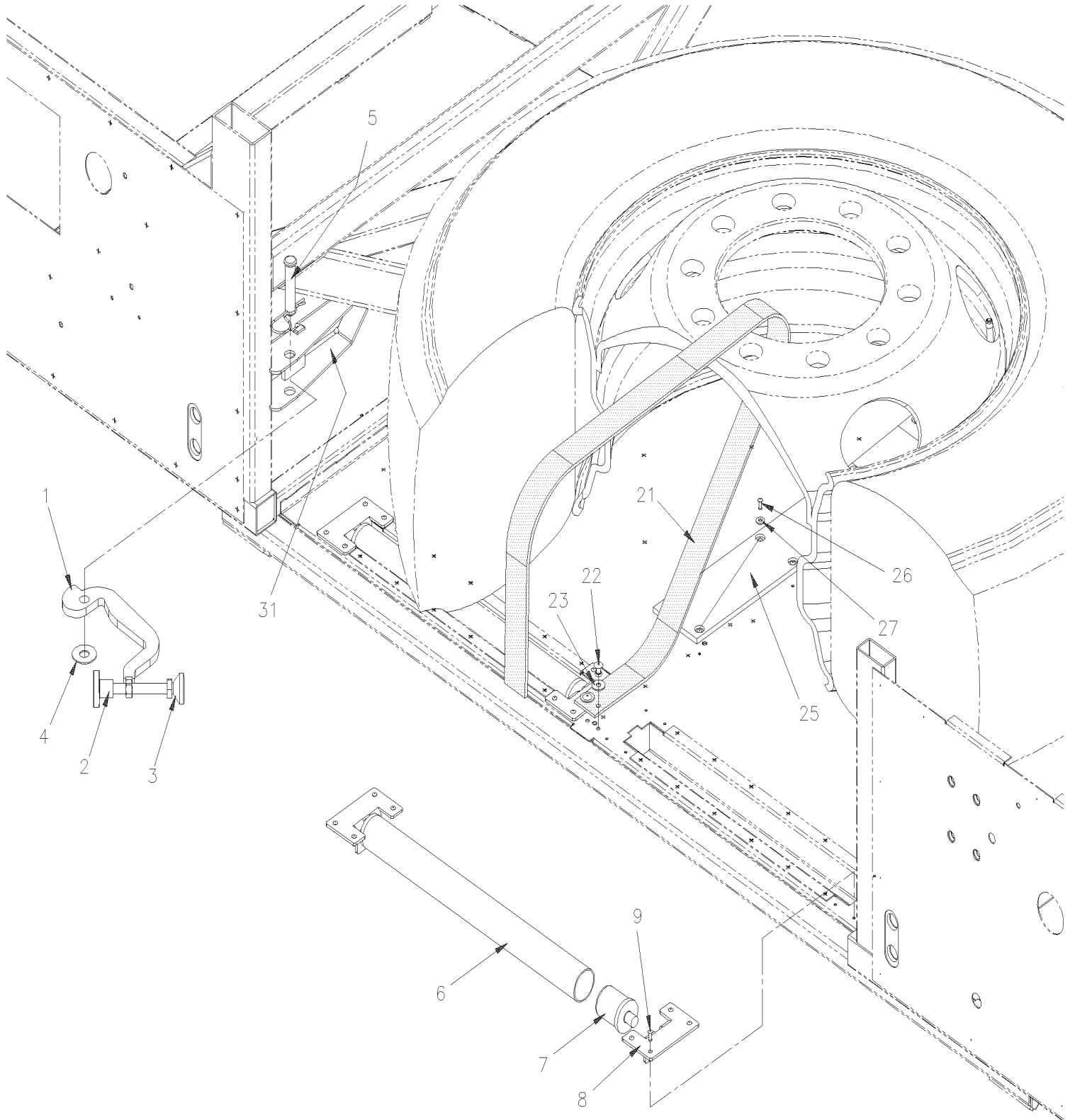
Item#	Part	Description	H 3 4 1	H 3 4 5	N O T E S
1	564413	TPMS, SENSATA ECU		1	
2	0600008	WIRING HARNESS / FRT JCT BOX & ANTENNA		1	
3	562795	CONNECTOR / JUNIOR POWER TIMER / SH 15C / AMP 964561-2		1	
4	069879	STRAP TPMS		1	
5	506339	TAPE RUB ADH1 NIT 1/4" x 1" x 35' / BLACK 1220		AR	
6	5002027	SCREW CAP HEXF AD M6-1.0x16 G10.9 N500		1	
7	564305	ANTENNA, TPMS "SENSATA"		3	
11	406762	SUPPORT, ANTENNA		1	
12	406119	PROTECTOR ANTENNA / AL "Z" SHAPE		1	
13	401333	SUPPORT, ANTENNA		2	
14	406764	PROTECTOR, ANTENNA		2	
15	651194	VALVE, ALUMINIUM WHEEL 14"		AR	
15	150177	KIT VALVE & SENSOR / FOR WHEEL AL 14"		AR	
16	651195	VALVE, ALUMINIUM WHEEL 10.5"		AR	
16	150149	KIT VALVE & SENSOR / FOR WHEEL AL 10.5"		AR	
17	651196	VALVE, ALUMINIUM WHEEL 9"		AR	
17	150201	KIT VALVE & SENSOR / FOR WHEEL AL 9"		AR	
18	651198	VALVE, STEEL WHEEL 9"		AR	
18	150006	KIT VALVE & SENSOR / FOR WHEEL STEEL 9"		AR	
19	564307	SENSOR TPMS "SENSATA"		AR	
20	651200	SCREW MA TORX AD M6-1.0x10 "SENSATA"		AR	
23	502868	SCREW TC TR PH #10-16x1/2 N500		2	
24	502708	SCREW CAP HEX M5-0.8x35 SS		3	
25	5001137	WASHER FL .203x.438x.050 SS		3	
26	5001182	NUT HEX NYRT M6-1.0 SS		2	
27	502848	SCREW TC CAP HEXF 1/4-20x3/4 N500		4	
28	5001608	WASHER BEL SPR 6.2x15.0x0.7 G500		4	
29	5001681	SCREW CAP HEX M6-1.0x60 SS		4	
30	500411	WASHER FL .260x.697x.050 SS		8	
31	502681	NUT HEX NYRT M6-1.0 N500 G8		4	
35	509815	TIE MOUNT / ATTACHMENT W/TREE MOUNT		AR	
36	504637	CABLE TIE / 3/16" x 13"		AR	
37	8631155	CABLE TIE / 4.6MM x 200 / CHRISTMAS TREE		2	

From K-0185

Date:07/2024

PAGE:H9-1325-01

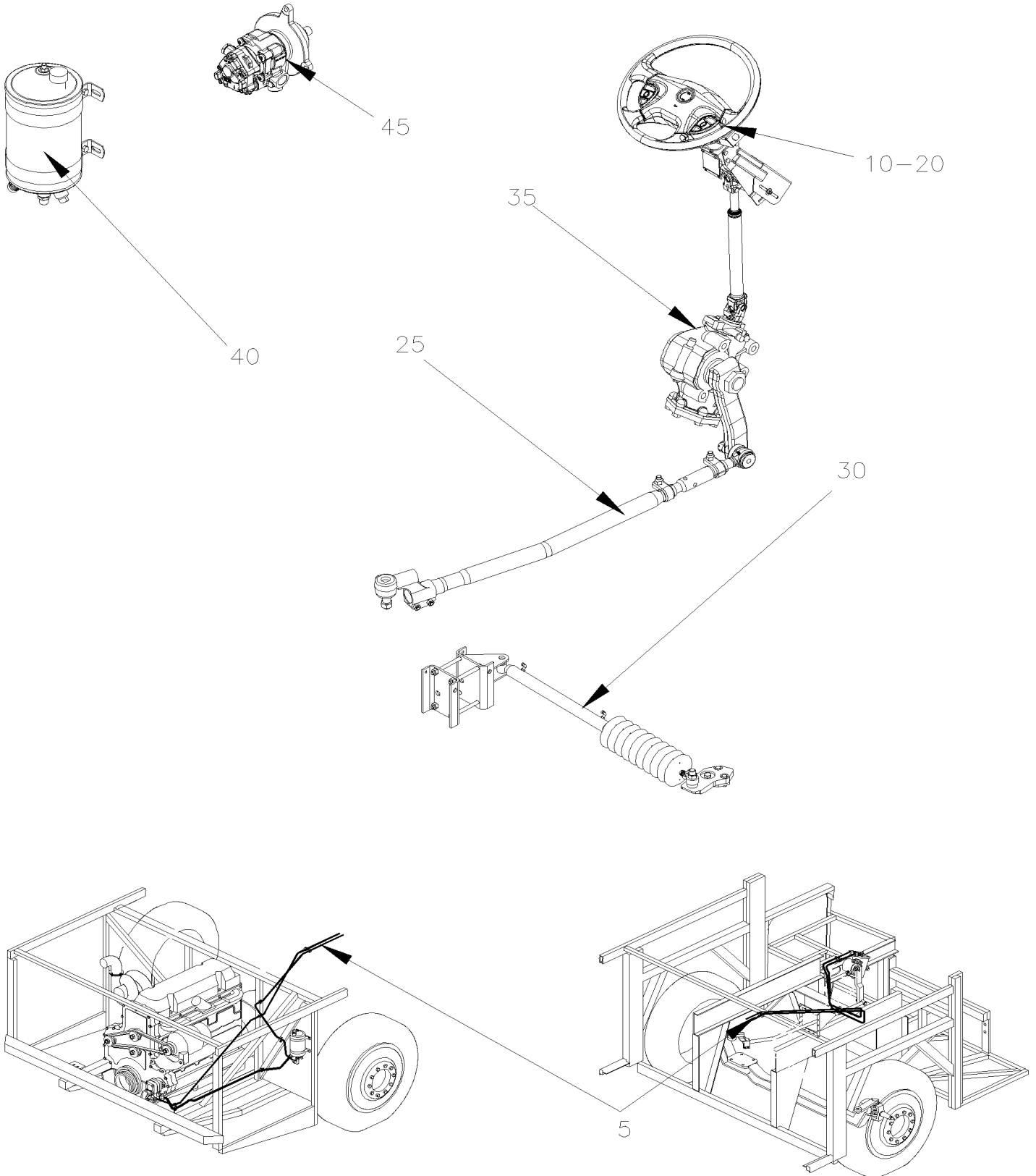
SPARE WHEEL - INSTALLATION



From K-0185		Date:07/2024	PAGE:H9-1325-01
SPARE WHEEL - INSTALLATION			

Item#	Part	Description	H 3 4 1	H 3 4 5	N O T E S
1	411302	STOPPER ASSY	1	1	
2	5001701	BUTTON SS M10-1.5 SS	1	1	
3	5001702	NUT SW M10-1.5 SS	1	1	
4	5001233	WASHER FL .500x1.250x.062 NYL	1	1	
5	5001703	PIN, CLEVIS 1/2 x 2 1/2 SS	1	1	
6	150318	TUBE	2	2	
7	150314	AXLE SHAFT	4	4	
8	150797	ANGLE SUPPORT	4	4	
9	504339	RIVET POP DOME OE 1/8x3/8 SS	24	24	
NS	680343	GREASE CLEAR SPRAY BOTTLE 283GR	1	1	
NS	682175	UNDERCOATING BLACK PROTECTOR (GRAVELGUARD) 567gr To N-1261	AR	AR	
NS	685413	RUBBERIZED UNDERCOAT (GRAVELGUARD) 560gr From N-1262	AR	AR	
21	157734	STRAP	1	1	
22	504793	RIVET MNB OE LARGE HEAD 3/16x7/16 SS	2	2	
23	500411	WASHER FL .260x.697x.050 SS	2	2	
25	150798	SLIDE TRACK	1	1	
26	504339	RIVET POP DOME OE 1/8x3/8 SS	9	9	
27	5001137	WASHER FL .203x.438x.050 SS	9	9	
31	173970	STOPPER / SPARE TIRE ARM To P-1452	1	1	
31	251476	TUBE ASS. From R-1453		1	

	Date:07/2024	H9-14
STEERING		



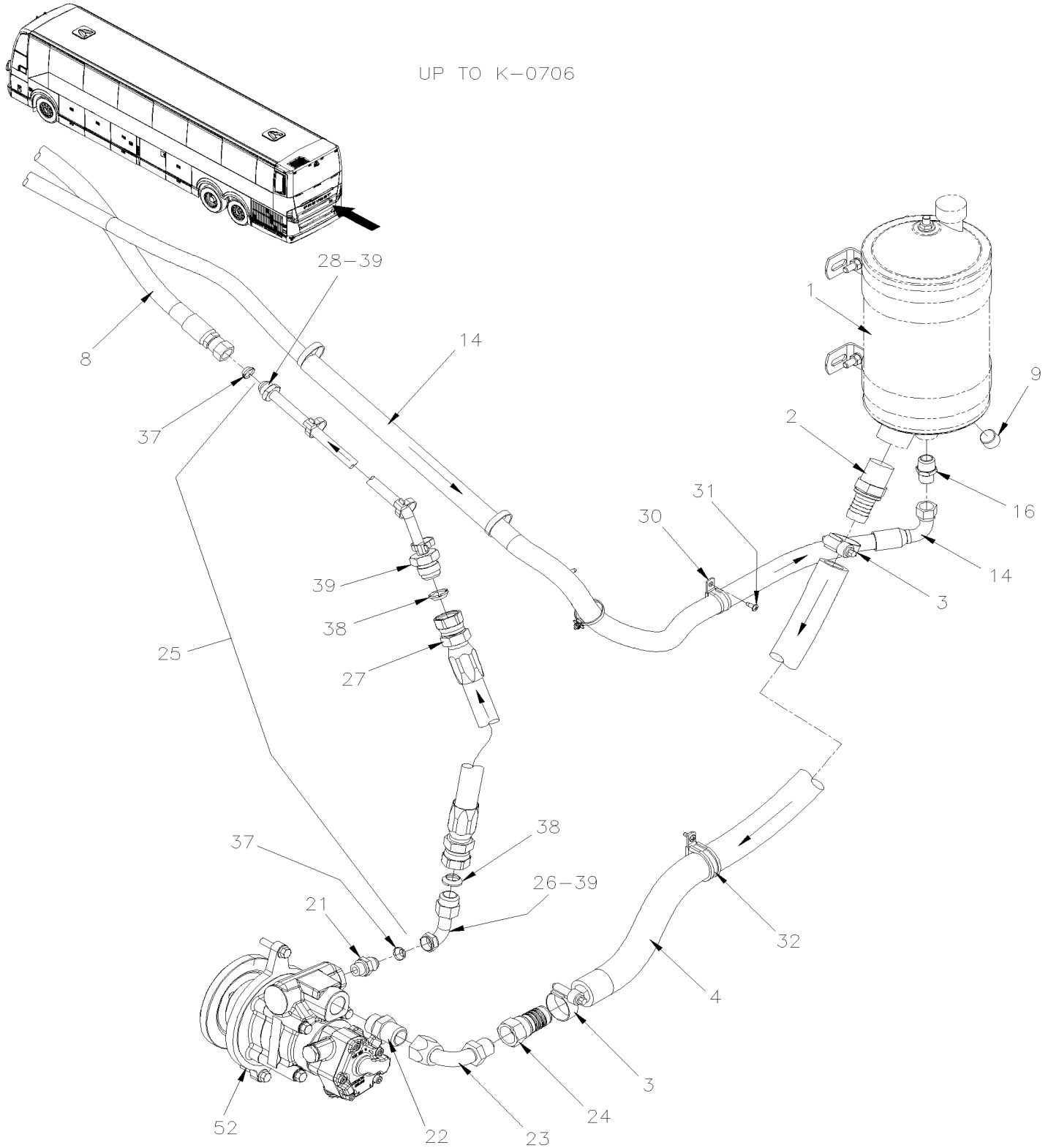
		Date:07/2024	H9-14		
STEERING					
Item#	Part	Description	H 3 4 1	H 3 4 5	NOTES
5	H9-1400-01	POWER STEERING HOSE - INSTALLATION From K-0185			
10	H9-1405-01	STEERING WHEEL & COLUMN ASSY WITH CONTROL SWITCHES From K-0185 To P-1452			
10	H9-1405-02	STEERING WHEEL & COLUMN ASSY WITH CONTROL SWITCHES From R-1453			
20	H9-1407-00	STEERING COLUMN & COVER - INSTALLATION From K-0185 To P-1452			
20	H9-1407-01	STEERING COLUMN & COVER - INSTALLATION From R-1453			
25	H9-1410-00	STEERING GEAR BOX & DRAG LINK - INSTALLATION From K-0185			
25	H9-1410-61	STEERING RODS - INSTALLATION W/INDEPENDENT "NDIFS80P" / 19000LBS From K-0185			
30	H9-1412-00	STEERING DAMPER From K-0185			
35	H9-1415-00	STEERING GEARBOX - "ZF" - W/ I BEAM RIGID From K-0185			
35	H9-1415-50	STEERING GEARBOX - "ZF" - W/INDEPENDENT From K-0185			
40	H9-1420-00	POWER STEERING TANK - 4 QT U.S. From K-0185 To K-0706			
40	H9-1420-10	POWER STEERING TANK - ZF From K-0185 To K-0706			S
40	H9-1420-11	POWER STEERING TANK - ZF From K-0707			
45	Refer To Volvo	POWER STEERING PUMP - "VOLVO" D13 From K-0185			V
		S) OPTION ORELAN & T.R.Y.			
		V) SEE IMPACT OR CALL ORDER DESK			

From K-0185

Date:07/2024

PAGE:H9-1400-01

POWER STEERING HOSE - INSTALLATION

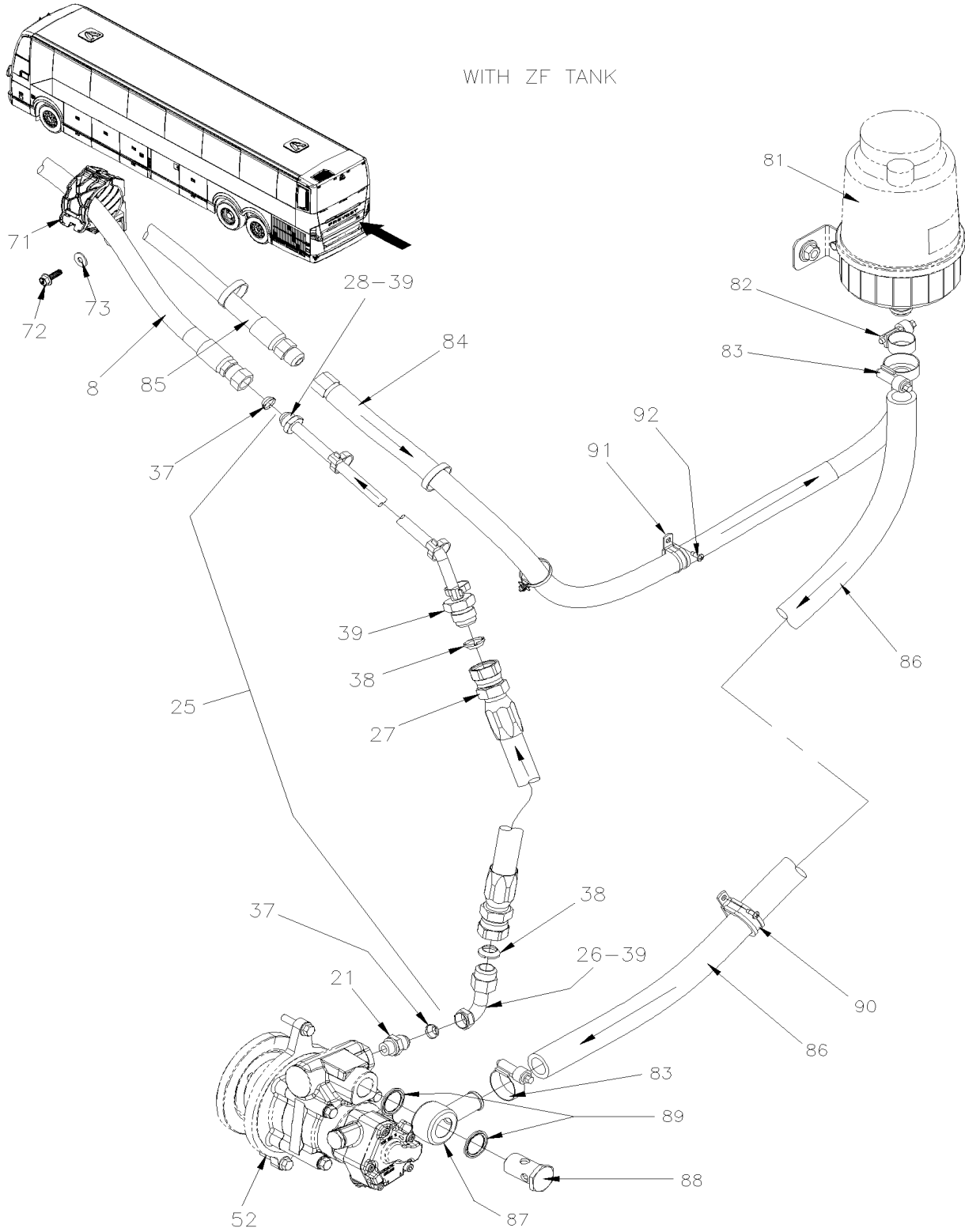


From K-0185

Date:07/2024

PAGE:H9-1400-01

POWER STEERING HOSE - INSTALLATION

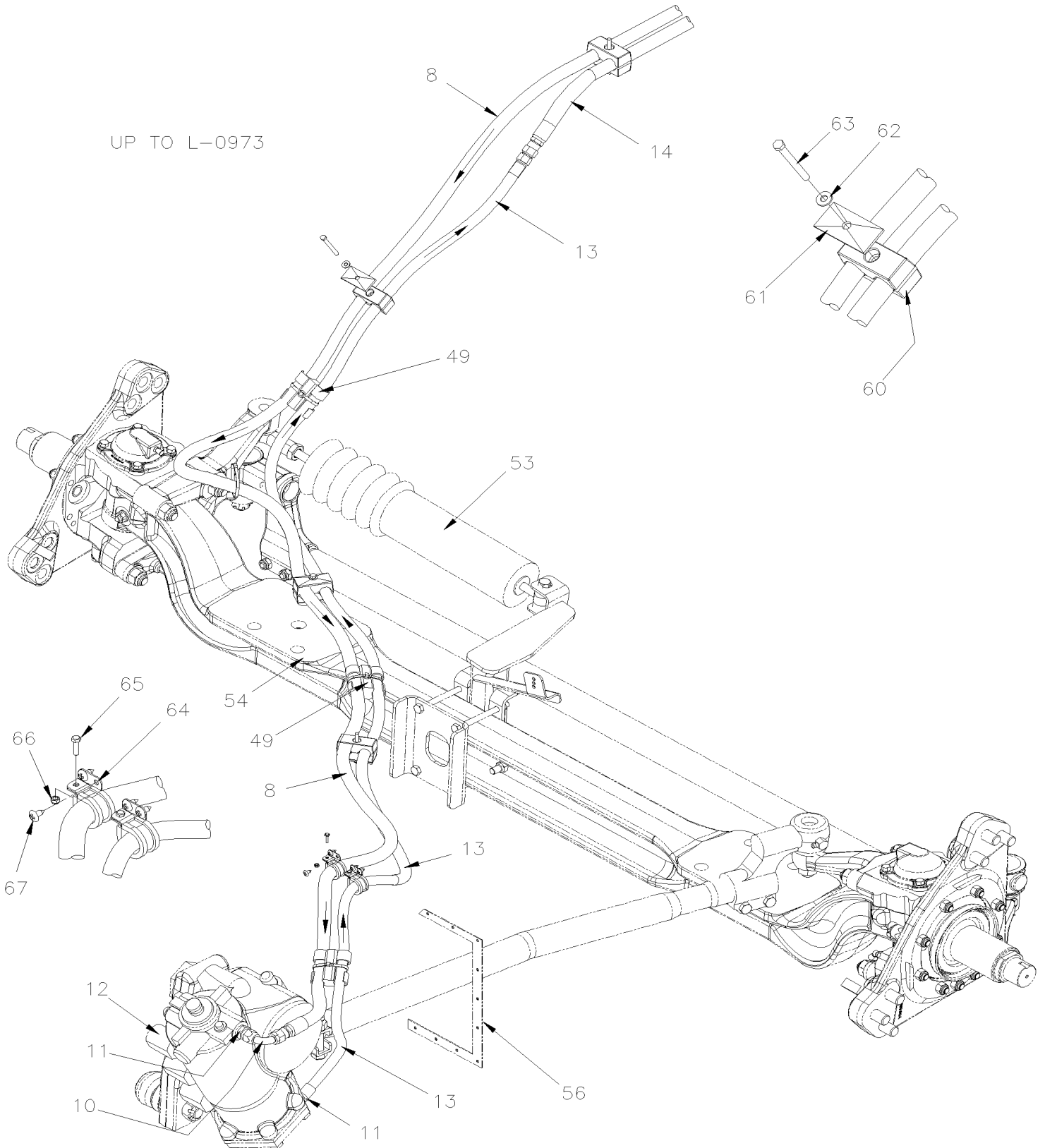


From K-0185

Date:07/2024

PAGE:H9-1400-01

POWER STEERING HOSE - INSTALLATION

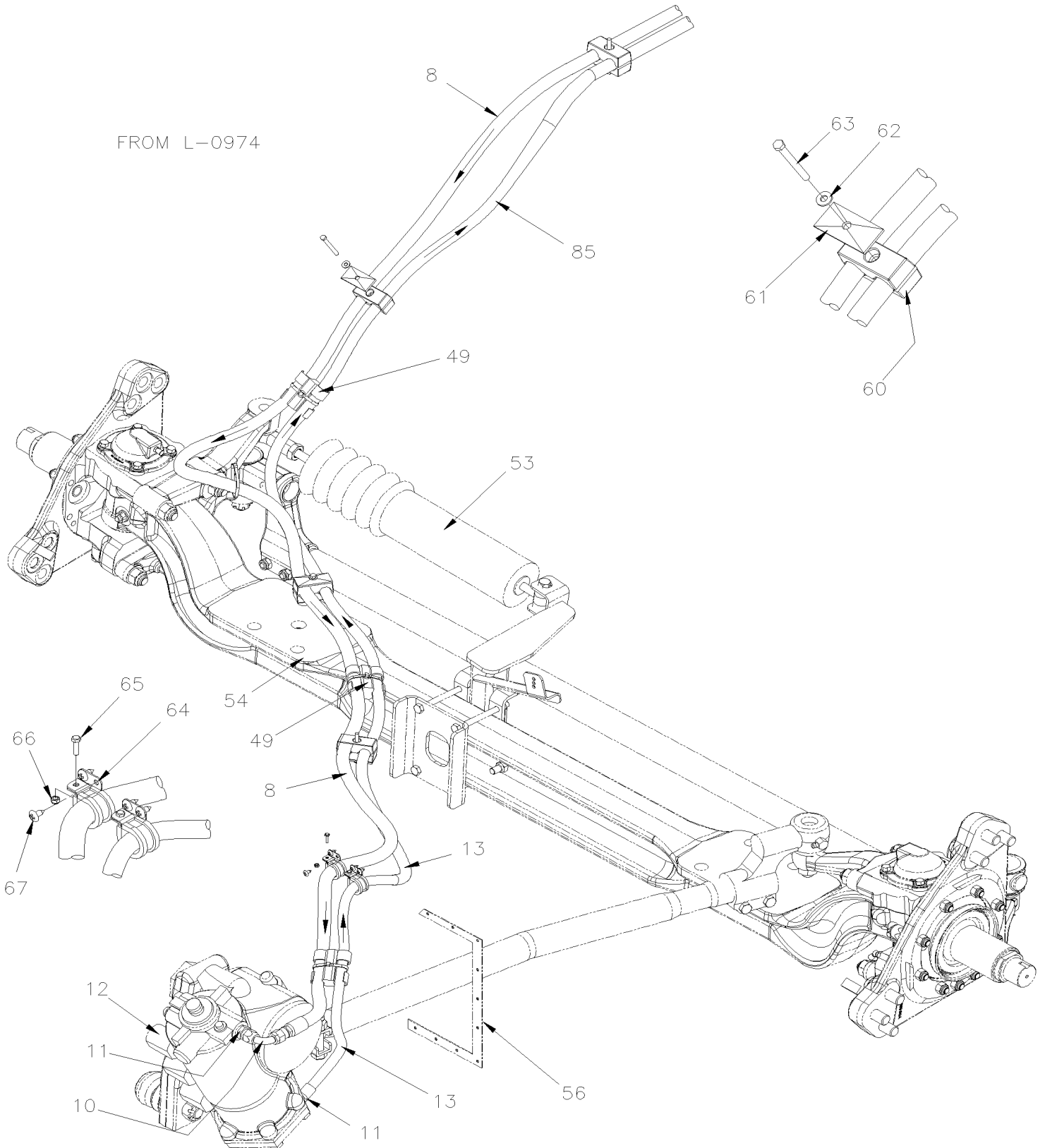


From K-0185

Date:07/2024

PAGE:H9-1400-01

POWER STEERING HOSE - INSTALLATION

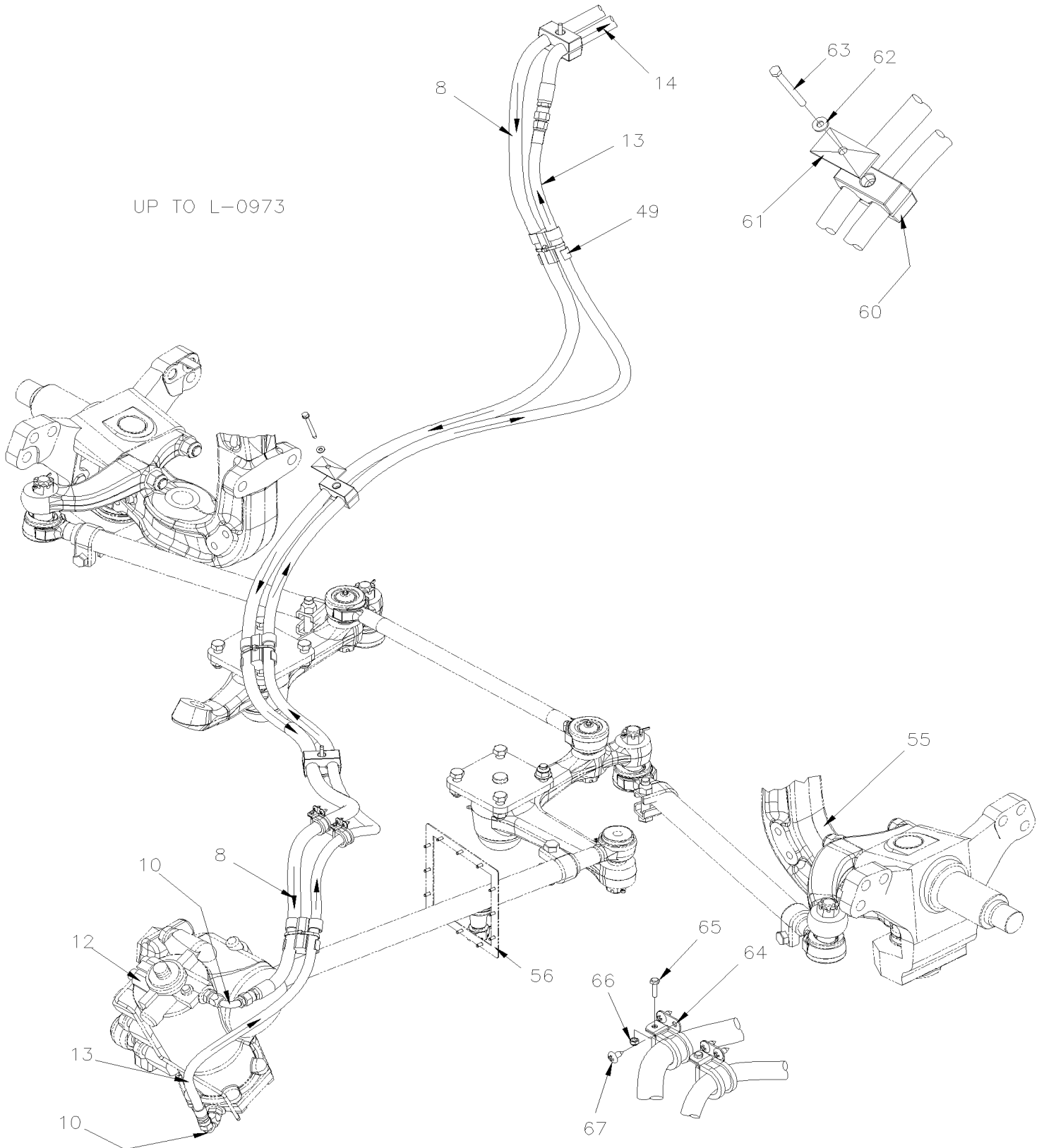


From K-0185

Date:07/2024

PAGE:H9-1400-01

POWER STEERING HOSE - INSTALLATION

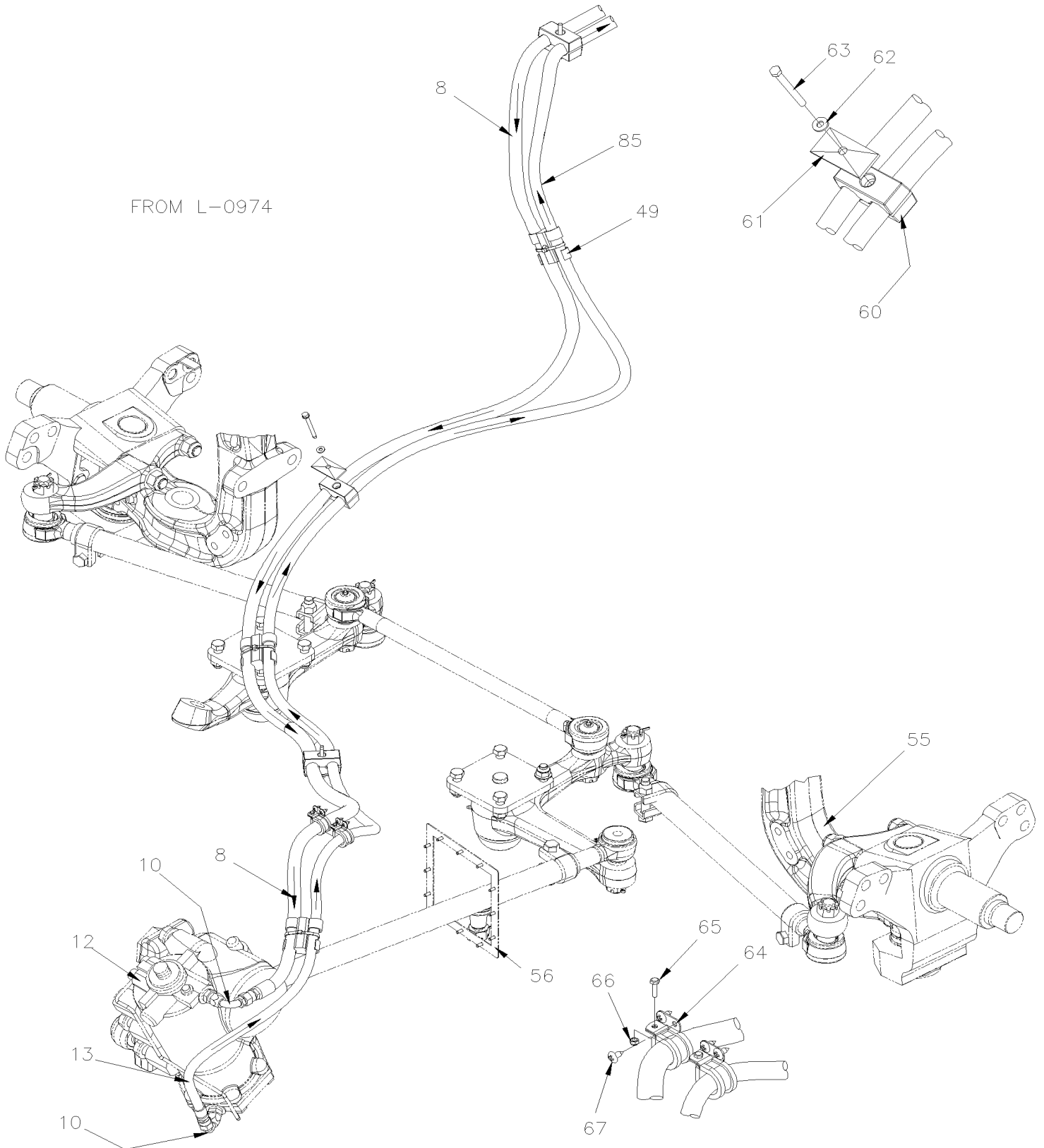


From K-0185

Date:07/2024

PAGE:H9-1400-01

POWER STEERING HOSE - INSTALLATION



From K-0185		Date:07/2024	PAGE:H9-1400-01
POWER STEERING HOSE - INSTALLATION			

Item#	Part	Description	H 3 4 1	H 3 4 5	N O T E S
1	H9-1420-00	POWER STEERING TANK - 4 QT U.S. To K-0706			
2	5011086	MALE CONNECTOR / PUSH-LOK FITTING / 1NPT-Mx#16 STL To K-0706	1	1	
3	504291	HOSE CLAMP / 1"1/8-1"3/4 SS / E.T. 20 To K-0706	AR	AR	
4	163485	HOSE / FEED LINE TO TANK / #16 870MM To K-0706	1	1	
4	503577	. HOSE #16 / S.L. To K-0706	AR	AR	
8	163492P	HOSE ASSY / #8 11176MM To L-0973	1		
8	160010	HOSE ASSY / #8 11246MM From L-0974	1		
8	160010	HOSE ASSY / #8 11246MM From L-0974	1		
8	163491P	HOSE ASSY / #8 12420MM To L-0973		1	
8	160108	HOSE ASSY / #8 12490MM From L-0974		1	
NS	503748	. HOSE PROTECTOR / YELLOW / .838 I.D. To L-0973	AR	AR	
NS	160130	KIT, POWER STEERING PUMP DISCHARGE HOSE (PRESSURE) H3-41 To L-0973	1		
. NS	160010	. HOSE ASSY / #8 11246MM To L-0973	1		
. NS	160010	. HOSE ASSY / #8 11246MM To L-0973	1		
. NS	170758	. SUPPORT To L-0973	1		
. NS	5001730	. SCREW CAP HEXF M6-1.0x16 G10.9 N500 To L-0973	1		
. NS	5001833	. WASHER BEL SPR 6.1x18x1.27 SS To L-0973	1		
. NS		. FLARETITE SEAL ARE NO LONGER USED IN PRODUCTION AND SERVICE To L-0973	1		
. NS	504189	. CLAMP DOUBLE ASS / SPLIT BLOC / 22MM/19MM x 67MM POLYA To L-0973	9		
. NS	504204	. CLAMP P SS PA ID. 36-51 To L-0973	1		
. NS	IS-19040	. INSTRUCTION SHEET To L-0973	1		
. NS	FI-19040	. VOIR FEUILLE D'INSTRUCTION To L-0973	1		
NS	160203	KIT, POWER STEERING PUMP DISCHARGE HOSE (PRESSURE) H3-45,VIP-45 To L-0973		1	
. NS	160108	. HOSE ASSY / #8 12490MM To L-0973		1	
. NS	170758	. SUPPORT To L-0973		1	
. NS	5001730	. SCREW CAP HEXF M6-1.0x16 G10.9 N500 To L-0973		1	
. NS	5001833	. WASHER BEL SPR 6.1x18x1.27 SS To L-0973		1	
. NS		. FLARETITE SEAL ARE NO LONGER USED IN PRODUCTION AND SERVICE To L-0973		1	
. NS	504189	. CLAMP DOUBLE ASS / SPLIT BLOC / 22MM/19MM x 67MM POLYA To L-0973		1	
. NS	504204	. CLAMP P SS PA ID. 36-51 To L-0973		1	
. NS	IS-19040	. INSTRUCTION SHEET To L-0973		1	
. NS	FI-19040	. VOIR FEUILLE D'INSTRUCTION To L-0973		1	
9	501966	PLUG HEXS / PIPE FITTING / 1/2NPT-M STL To K-0706	1	1	
10	501845	SWIVEL NUT ELBOW 90° LONG / JIC 37° FITTING / #8JIC-Fx#8JIC-Mx1.86 STL	2	2	
11	5011192	MALE CONNECTOR / JIC 37° FITTING / #8JIC-MxM18-1.5-M STL	2	2	
. NS	N.P.N.	. O-RING	1	1	4
. NS	N.P.N.	. WASHER RET	1	1	4
NS	688910	THREAD LOCKER LOCTITE #262 / RED / 250ml	AR	AR	
12	H9-1415-00	STEERING GEARBOX - "ZF" - W/ I BEAM RIGID			
12	H9-1415-50	STEERING GEARBOX - "ZF" - W/INDEPENDENT			
13	Call order desk	HOSE PHANTOM SUPPERSEDED BY # 161292 & # 161295 To K-0706	1		P
. NS	161292	. HOSE ASSY / #8 9360MM To K-0706	1		

From K-0185		Date:07/2024	PAGE:H9-1400-01
POWER STEERING HOSE - INSTALLATION			

Item#	Part	Description	H 3 4 1	H 3 4 5	N O T E S
. NS	161295	. HOSE ASSY / #6 3000MM To K-0706	1		
13	Call order desk	HOSE PHANTOM SUPPERSEDED BY # 161291 & # 161295 To K-0706		1	P
. NS	161291	. HOSE ASSY / #8 10580MM To K-0706		1	
. NS	161295	. HOSE ASSY / #6 3000MM To K-0706		1	
13	161295	HOSE ASSY / #6 3000MM To L-0973	1	1	
NS	505181	. COIL PROTECTOR / PLASTIC / #8 To L-0973	AR	AR	
14	161291	HOSE ASSY / #8 10580MM To K-0706		1	
14	161292	HOSE ASSY / #8 9360MM To K-0706	1		
16	501739	MALE CONNECTOR / JIC 37° FITTING / #8JIC-Mx1/2NPT-M STL To K-0706	1	1	
21	641294	MALE CONNECTOR / JIC 37° FITTING / #8JIC-MxM16-1.5-M STL To N-1270	1	1	D13
. NS	641297	. O-RING 13.1MM I.D. X 2.6 TH To N-1270	1	1	D13
. NS	641298	. WASHER FL 17MM I.D x 22MM O.D. x 1.5MM To N-1270	1	1	D13
21	660914	MALE ELBOW 90° / JIC 37° FITTING / #8JIC-MxM16-1.5-M STL From P-1271	1	1	
. NS	641297	. O-RING 13.1MM I.D. X 2.6 TH From P-1271	1	1	
. NS	641298	. WASHER FL 17MM I.D x 22MM O.D. x 1.5MM From P-1271	1	1	
22	507647	MALE CONNECTOR W/ED SEAL / JIC 37° FITTING / #12JIC-MxM26-1.5-M STL To K-0706	1	1	D13
23	507544	SWIVEL NUT ELBOW 90° SHORT / JIC 37° FITTING/ #12JIC-Fx#12JIC-Mx1.82 STL To K-0706	1	1	D13
24	507646	FEMALE CONNECTOR SWIVEL / COLLAR FITTING / #12JIC-Fx#16 STL To K-0706	1	1	D13
25	163596	HOSE ASSY WITH NOISE ATENUATOR TUBE To N-1265	1	1	D13
25	163606	HOSE ASSY WITH NOISE ATENUATOR TUBE From N-1266 To N-1270	1	1	
. NS	163607	. HOSE ASSY #12 380MM From N-1266 To N-1270	1	1	
. NS	163608	. PIPE ASSY From N-1266 To N-1270	1	1	
. NS	5011342	. SWIVEL NUT ELBOW 90° LONG / JIC 37° FITTING / #12JIC-Mx#8JIC-F STL From N-1266 To N-1270	1	1	
25	160187	HOSE ASSY WITH NOISE ATENUATOR TUBE From P-1271	1	1	
26	5011342	. SWIVEL NUT ELBOW 90° LONG / JIC 37° FITTING / #12JIC-Mx#8JIC-F STL	1	1	D13
27	163607	. HOSE ASSY #12 380MM To N-1270	1	1	
27	160174	. HOSE ASSY / #12 640MM From P-1271	1	1	
28	163608	. PIPE ASSY	1	1	
30	952631	CLAMP / 3/4" I.D. To K-0706	AR	AR	
30	952634	CLAMP / 15/16" I.D. To K-0706	AR	AR	
31	500613	SCREW TP PAN PH #10x1/2 Z050 To K-0706	AR	AR	
32	952641	CLAMP P STL ZP RUB 34.9 ID To K-0706	1	1	
32	502868	SCREW TC TR PH #10-16x1/2 N500 To K-0706	1	1	
37	501031	SEAL / JIC 37° FITTING / #8 To R-1993	2	2	
37		FLARETITES SEALS ARE NO LONGER USED. From R-1994			F
38	501059	SEAL / JIC 37° FITTING / #12 To R-4104	2	2	
38		FLARETITES SEALS ARE NO LONGER USED. From R-4105		1	
39	688910	THREAD LOCKER LOCTITE #262 / RED / 250ml	AR	AR	
49	504634	T-CLIP / 7/8" - 1"	AR	AR	
NS	504637	CABLE TIE / 3/16" x 13"	AR	AR	
NS	500620	SCREW TP FL PH #10x1 1/2 Z050	AR	AR	
49	509815	TIE MOUNT / ATTACHMENT W/TREE MOUNT	1	1	

From K-0185		Date:07/2024	PAGE:H9-1400-01
--------------------	--	---------------------	------------------------

POWER STEERING HOSE - INSTALLATION

Item#	Part	Description	H 3 4 1	H 3 4 5	N O T E S
52	H9-1427-01	POWER STEERING PUMP - "VOLVO" D13			
53	H9-1412-00	STEERING DAMPER			
54	H9-1005-00	FRONT AXLE - I BEAM RIGID MODEL "S84U" To K-0511			
54	H9-1005-01	FRONT AXLE - I BEAM RIGID MODEL "S84U" From K-0512			
55	H9-1005-61	FRONT AXLE - INDEPENDENT MODEL "NDIFS80P" / 19000LBS			
56	H9-1410-00	STEERING GEAR BOX & DRAG LINK - INSTALLATION			
60	504727	CLAMP DOUBLE ASS / 2 HOSE SIZE 3/8"	AR	AR	
61	504728	PLATE RETAINER	AR	AR	
62	500440	WASHER FL .250x.562x.065 Z050	AR	AR	
63	500107	SCREW TC CAP HEXW 1/4-20x2 1/2 Z050	AR	AR	
63	500085	SCREW DR HEXW 1/4-14x5 PT N500	1	1	
64	562036	CLAMP / 7/8" I.D. X 90°	AR	AR	
65	502550	SCREW CAP HEX M4-0.7x16 G8.8 Z050	AR	AR	
66	500590	NUT HEX NYRT M4-0.7 Z050	AR	AR	
67	500657	SCREW TC TR PH #10-24x1/2 Z050	AR	AR	
71	504204	CLAMP P SS PA ID. 36-51 From L-0974	1	1	
72	5002105	SCREW CAP HEXF M6-1.0x20 G10.9 N500 From L-0974	1	1	
73	5001833	WASHER BEL SPR 6.1x18x1.27 SS From L-0974	1	1	
81	H9-1420-10	POWER STEERING TANK - ZF To K-0706			
81	H9-1420-11	POWER STEERING TANK - ZF From K-0467	1	1	
82	504319	HOSE CLAMP / 1"-1"1/2 SS / E.T. 16 To K-0706	1	1	ZF
82	992082	HOSE CLAMP / 16MM/27MM From K-0707	1	1	ZF
83	504291	HOSE CLAMP / 1"1/8-1"3/4 SS / E.T. 20 To K-0706	2	2	ZF
83	992084	HOSE CLAMP / 23MM/35MM From K-0707	2	2	ZF
84	163497	. HOSE ASSY / #10 1010MM To L-0973	1	1	ZF
84	160110	HOSE ASSY / #10 1034MM From L-0974	1	1	ZF
85	Call order desk	. HOSE ASSY / #8 8559MM From K-0707 To L-0973	1		P ZF
85	160011	HOSE ASSY / #8 11576MM From L-0974	1		ZF
85	163496	. HOSE ASSY / #8 9800MM From K-0707 To L-0973		1	ZF
85	160202	HOSE ASSY / #8 12796MM From L-0974		1	ZF
86	503809	HOSE, LOW PRESSURE 22 I.D.	AR	AR	ZF
87	507680	BANJO UNION / 26MMx22MMHOSE To N-1270	1	1	ZF
87	1598055	BANJO UNION ELBOW / 26MMx22MMHOSE 44DEG From P-1271	1	1	
88	507681	BANJO BOLT / M26-1.5	1	1	ZF
89	507682	BANJO WASHER / M26 To N-1176	2	2	ZF
89	507037	BANJO WASHER / M26 From N-1177	2	2	ZF
90	952641	CLAMP P STL ZP RUB 34.9 ID To K-0706	1	1	ZF
90	952639	CLAMP / 1"1/4 I.D. From K-0707	1	1	ZF
91	952635	CLAMP / 1" I.D.	1	1	ZF
92	502868	SCREW TC TR PH #10-16x1/2 N500	2	2	ZF

From K-0185	Date:07/2024	PAGE:H9-1400-01
-------------	--------------	-----------------

POWER STEERING HOSE - INSTALLATION

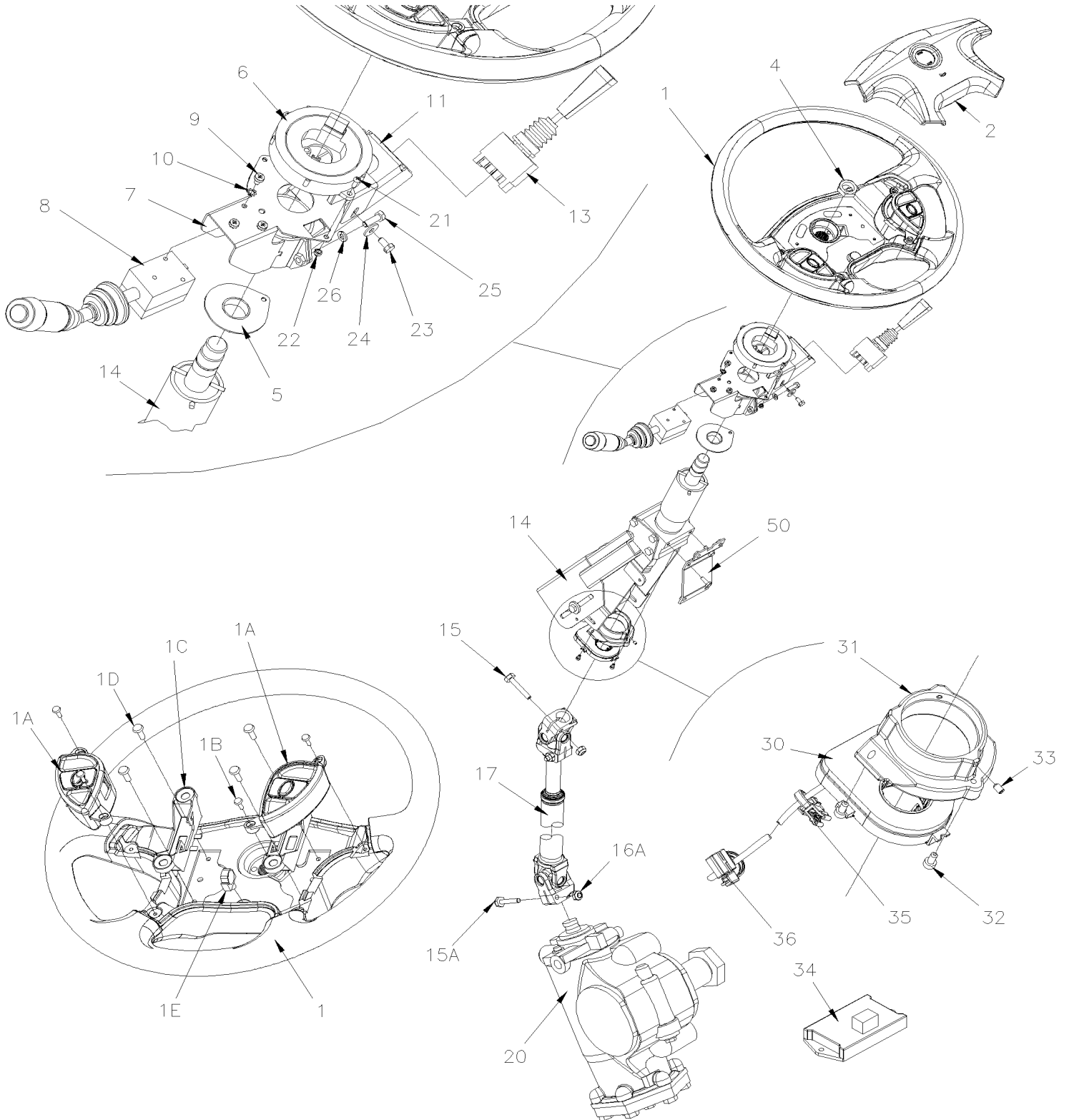
Item#	Part	Description	H 3 4 1	H 3 4 5	N O T E S
104	OC2021020	REFERENCE ONLY £-21020 507037 From N-1177	1	1	
		D13) WITH VOLVO ENGINE D13			
		F) FLARETITE SEALS ARE NO LONGER USED - AS PER ECN 2024006			
		ZF) WITH ZF OIL TANK			
		P) CALL ORDER DESK FOR SPECIFIC APPLICATION (V.I.N.)			
		4) NO PARTS NUMBER			

From K-0185 To P-1452

Date:07/2024

PAGE:H9-1405-01

STEERING WHEEL & COLUMN ASSY WITH CONTROL SWITCHES



From K-0185 To P-1452	Date:07/2024	PAGE:H9-1405-01
STEERING WHEEL & COLUMN ASSY WITH CONTROL SWITCHES		

Item#	Part	Description	H 3 4 1	H 3 4 5	NOTES
1	661172	STEERING WHEEL URHETHANE	1	1	
. A	661204	. SWITCH ASSY / W/OUT TRANS SHIFTER	1	1	
. B	661159	. SCREW MA BUT M4-0.7x8	4	4	
. C	661157	. HORN PAD BASE	2	2	
. D	661160	. SCREW MA M5-0.8x8	4	4	
. E	661158	. CLIP WIRE RETAINER	1	1	
1	661173	STEERING WHEEL URHETHANE W/ "I-Shift" "VOLVO"	1	1	
. A	661205	. SWITCH ASSY / W/TRANS SHIFTER	1	1	
. B	661159	. SCREW MA BUT M4-0.7x8	4	4	
. C	661157	. HORN PAD BASE	2	2	
. D	661160	. SCREW MA M5-0.8x8	4	4	
. E	661158	. CLIP WIRE RETAINER	1	1	
1	661174	STEERING WHEEL LEATHER	1	1	
. A	661204	. SWITCH ASSY / W/OUT TRANS SHIFTER	1	1	
. B	661159	. SCREW MA BUT M4-0.7x8	4	4	
. C	661157	. HORN PAD BASE	2	2	
. D	661160	. SCREW MA M5-0.8x8	4	4	
. E	661158	. CLIP WIRE RETAINER	1	1	
1	661175	STEERING WHEEL LEATHER W/ "I-Shift" "VOLVO"	1	1	
. A	661205	. SWITCH ASSY / W/TRANS SHIFTER	1	1	
. B	661159	. SCREW MA BUT M4-0.7x8	4	4	
. C	661157	. HORN PAD BASE	2	2	
. D	661160	. SCREW MA M5-0.8x8	4	4	
. E	661158	. CLIP WIRE RETAINER	1	1	
1	661176	STEERING WHEEL LEATHER & WOOD	1	1	
. A	661204	. SWITCH ASSY / W/OUT TRANS SHIFTER	1	1	
. B	661159	. SCREW MA BUT M4-0.7x8	4	4	
. C	661157	. HORN PAD BASE	2	2	
. D	661160	. SCREW MA M5-0.8x8	4	4	
. E	661158	. CLIP WIRE RETAINER	1	1	
1	661180	STEERING WHEEL LEATHER & WOOD W/ "I-Shift" "VOLVO"	1	1	
. A	661205	. SWITCH ASSY / W/TRANS SHIFTER	1	1	
. B	661159	. SCREW MA BUT M4-0.7x8	4	4	
. C	661157	. HORN PAD BASE	2	2	
. D	661160	. SCREW MA M5-0.8x8	4	4	
. E	661158	. CLIP WIRE RETAINER	1	1	
1	661177	STEERING WHEEL LEATHER & WOOD BLACK	1	1	
. A	661204	. SWITCH ASSY / W/OUT TRANS SHIFTER	1	1	
. B	661159	. SCREW MA BUT M4-0.7x8	4	4	
. C	661157	. HORN PAD BASE	2	2	
. D	661160	. SCREW MA M5-0.8x8	4	4	
. E	661158	. CLIP WIRE RETAINER	1	1	

From K-0185 To P-1452	Date:07/2024	PAGE:H9-1405-01
STEERING WHEEL & COLUMN ASSY WITH CONTROL SWITCHES		

Item#	Part	Description	H 3 4 1	H 3 4 5	NOTES
1	661181	STEERING WHEEL LEATHER & WOOD BLACK W/ "I-Shift" "VOLVO"	1	1	
. A	661205	. SWITCH ASSY / W/TRANS SHIFTER	1	1	
. B	661159	. SCREW MA BUT M4-0.7x8	4	4	
. C	661157	. HORN PAD BASE	2	2	
. D	661160	. SCREW MA M5-0.8x8	4	4	
. E	661158	. CLIP WIRE RETAINER	1	1	
2	661149	HORN BUTTON CUSHION PAD W PROVOST EMBLEM	1	1	
. NS	N.S.S.	. SPRING HORN	4	4	1
. NS	661162	. SPRING RETAINER / HORN SPRING	4	4	
. NS	661163	. HORN CONTACT	1	1	
4	661051	NUT	1	1	
5	161273	RING TURN SIGNAL CANCELING	1	1	
NS	502506	SCREW SET HEXS CUP M4-0.7x16	2	2	
6	660012	ROTATING CONTACT / CLOCK SPRING To P-1298	1	1	
6	661224	ROTATING CONTACT / CLOCK SPRING From P-1299	1	1	
NS	067214	EXTENSION, CLOCK SPRING	1	1	
NS	161249	GUIDE ROTATING CONTACT	1	1	
NS	504742	RING RETAINER / EXT 1.562 x 1.446 x 0.62	1	1	
7	161212	SUPPORT, DIRECTIONAL SWITCH	1	1	
8	661075	LEVER ASSY / MULTIFONCTINAL	1	1	
. NS	660781	. CAP PLEATED RUBBER	1	1	
8	504804	RING RETAINER / EXT 1 3/4	1	1	
9	5001377	SCREW MA PAN PH M5-0.8x8 SS	3	3	
10	5001378	WASHER LO EXT 5.3x10x0.6 Z050	3	3	
11	161211	COLLAR W/SWITCH SUPPORT	1	1	
13	562356	SWITCH ASSY / W/LEVER & BOOT / 6 POSITIONS	1	1	
14	661147	STEERING COLUMN ASSY W/E.C.S. 36SPL / 66SPL LOWER	1	1	
NS	161220	DECAL "WARNING" STREERING SYSTEM CALIBRA.."	1	1	
NS	641242	MALE CONNECTOR / PUSH-IN FITTING / #4x1/8NPT-M BR	1	1	
15	661195	SCREW "SPECIAL" STEERING SHAFT "ZF"	1	1	
15A	502946	SCREW CAP HEX M10-1.5x50 G10.9 N500	1	1	
16A	502859	NUT HEX NYRT M10-1.5 N500	1	1	
17	660770	SHAFT ASSY STEERING W/E.C.S. 66SPL / 79SPL LOWER	1	1	
. NS	661195	. SCREW "SPECIAL" STEERING SHAFT "ZF"	1	1	
NS	161220	DECAL "WARNING" STREERING SYSTEM CALIBRA.."	1	1	
20	H9-1415-00	STEERING GEARBOX - "ZF" - W/ I BEAM RIGID			
20	H9-1415-50	STEERING GEARBOX - "ZF" - W/INDEPENDENT			
21	500344	SCREW MA RND PH M4-0.7x12 Z050	2	2	
22	500590	NUT HEX NYRT M4-0.7 Z050	2	2	
23	502563	SCREW CAP HEX M6-1.0x12 G8.8 Z050	2	2	
24	5001462	WASHER FL 6.4x18.0x1.6 Z050	2	2	
25	502631	SCREW CAP HEX M6-1.0x20 G8.8 Z050	2	2	

From K-0185 To P-1452	Date:07/2024	PAGE:H9-1405-01
STEERING WHEEL & COLUMN ASSY WITH CONTROL SWITCHES		

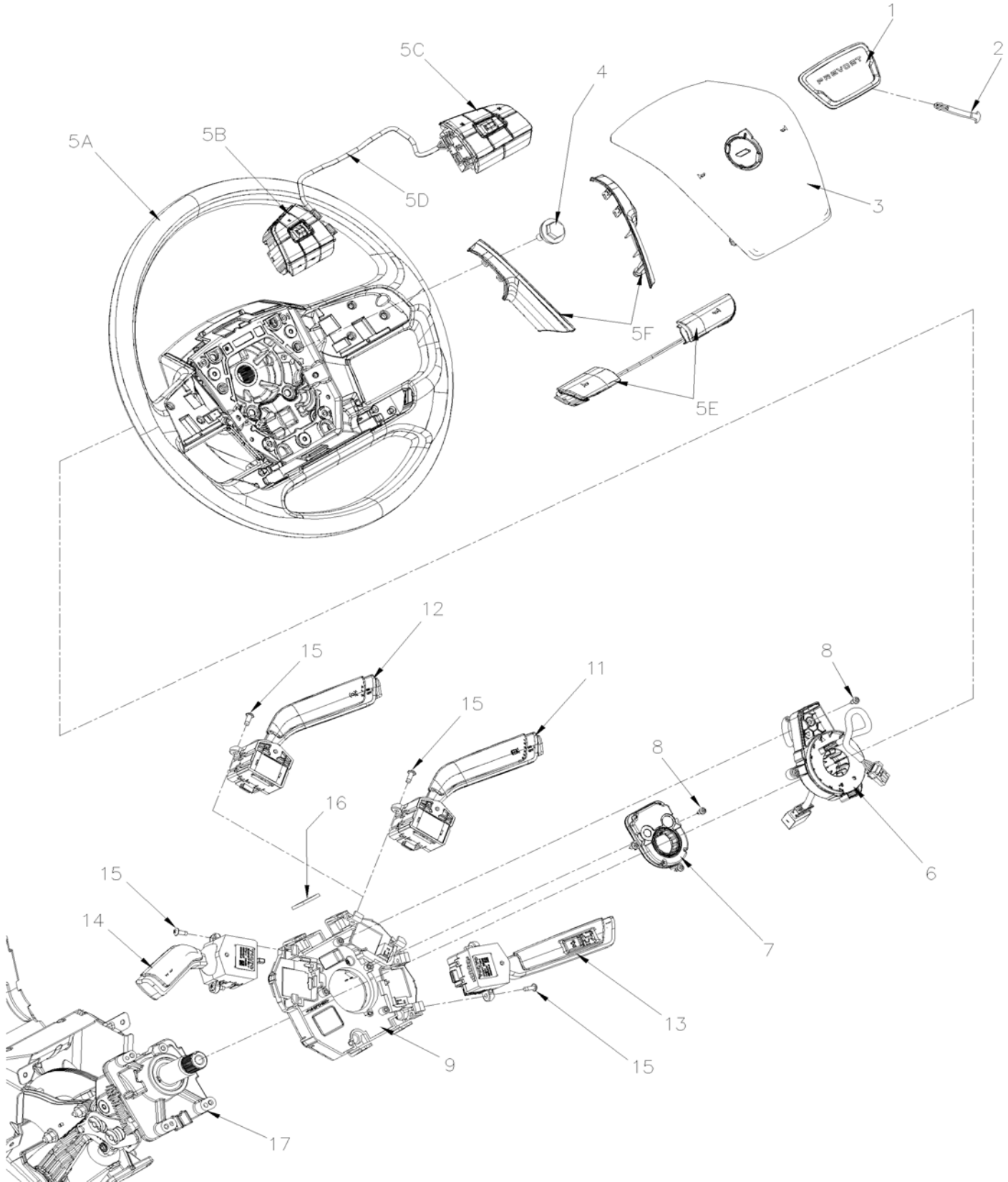
Item#	Part	Description	H 3 4 1	H 3 4 5	NOTES
26	500356	WASHER LO SERR 6.1x16.0x0.9 N500	2	2	
30	661148	SENSOR ANGLE POSITION DETECTOR	1	1	
. NS	564042	. CONNECTOR / BOSCH 1 928 404 025	1	1	
31	161265	SUPPORT SENSOR ANGLE POSITION STEERING	1	1	
32	5001670	SCREW CAP HEXS M4-0.7x8 G8.8 Z050	3	3	
33	500587	SCREW SET HEXS CUP M4-0.7x6	3	3	
34	560008	GATEWAY LIN BUS INTERFACE	1	1	A
35	564204	CABLE TIE / WITH EDGE CLIP / T50REC4A 10MMx200MM	1	1	
36	564534	CABLE TIE / WITH EDGE CLIP / T50REC5A 10 MM x 200 MM	1	1	
50	H9-1407-00	STEERING COLUMN & COVER - INSTALLATION			
		A) THIS INTERFACE BOX ARE LOCATED INSIDE OF DASH ON L.H. SIDE			
		1) NOT SOLD SEPARATELY			

To P-1452

Date:07/2024

PAGE:H9-1405-02

STEERING WHEEL & COLUMN ASSY WITH CONTROL SWITCHES

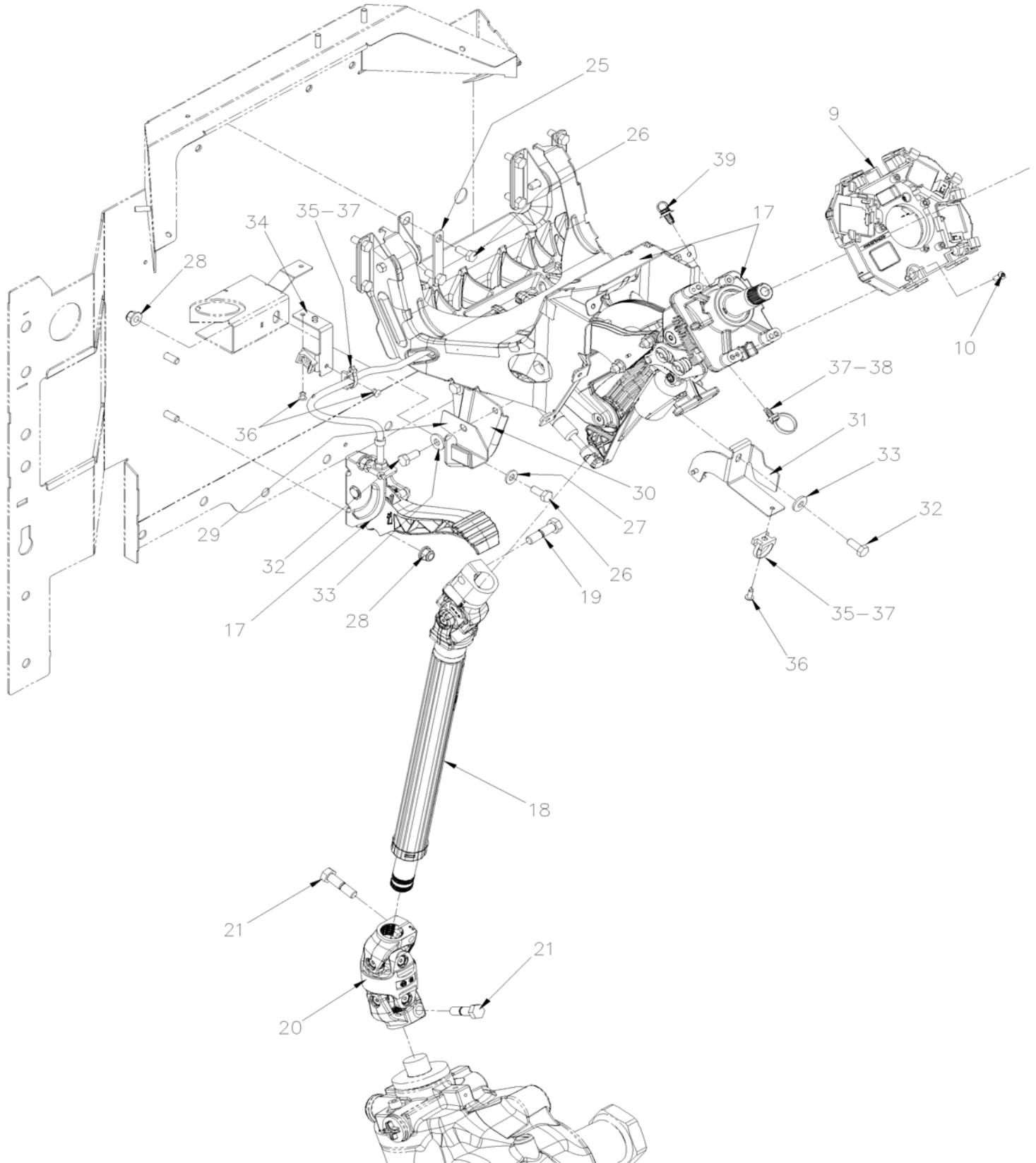


To P-1452

Date:07/2024

PAGE:H9-1405-02

STEERING WHEEL & COLUMN ASSY WITH CONTROL SWITCHES



To P-1452	Date:07/2024	PAGE:H9-1405-02
-----------	--------------	-----------------

STEERING WHEEL & COLUMN ASSY WITH CONTROL SWITCHES

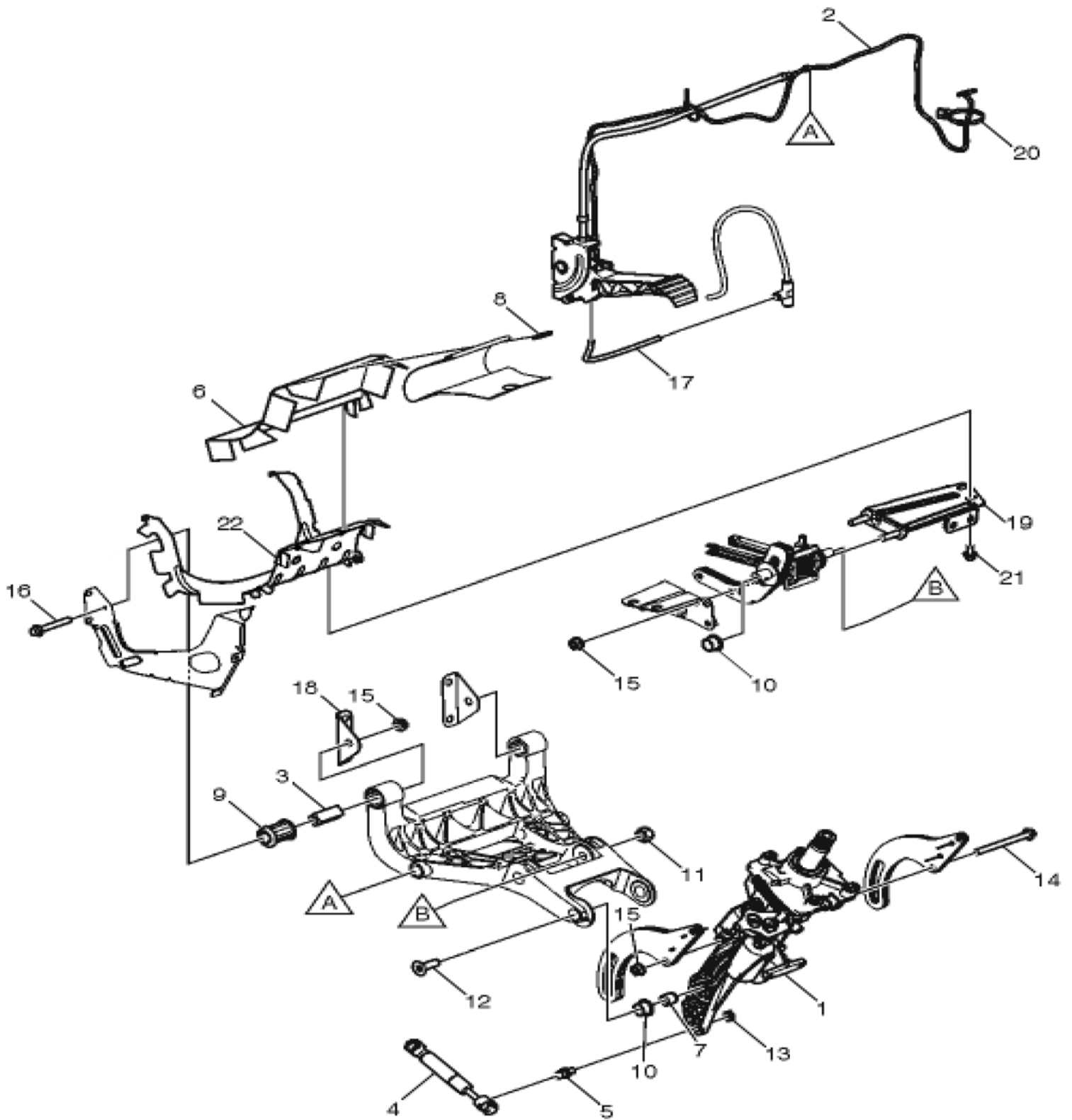
Item#	Part	Description	H 3 4 1	H 3 4 5	NOTES
1	160151	STEERING WHEEL CREST		1	
2	660081	PIN WHEEL COVER		1	
3	660080	STEERING WHEEL COVER		1	
4	82735908	FLANGE SCREW		1	
5	660035	STEERING WHEEL LEATHER WITH PHONE		1	
. A	23608654	. STEERING WHEEL		1	
. B	82779777	. SWITCH LEFT / CRUISE CONTROL & LIGHTS WITH PHONE		1	
. C	82761983	. SWITCH RIGHT / RADIO CONTROL		1	
. D	21207195	. CABLE STEERING WHEEL SWTICH		1	
. E	82755011	. SWITCH / CITY HORN		1	
. F	82975959	. INSERT		1	
5	660060	STEERING WHEEL LEATHER WITHOUT PHONE		1	
. A	23608654	. STEERING WHEEL		1	
. B	82779772	. SWITCH LEFT / CRUISE CONTROL & LIGHTS WITHOUT PHONE		1	
. C	82761983	. SWITCH RIGHT / RADIO CONTROL		1	
. D	21207195	. CABLE STEERING WHEEL SWTICH		1	
. E	82755011	. SWITCH / CITY HORN		1	
. F	82975959	. INSERT		1	
6	22071586	CLOCK SPRING		1	
7	23374360	STEERING ANGLE SENSOR		1	
8	500409	SCREW TP PAN PH #8x1/2 BK		6	
9	23796630	BASE, RETARDER ARM		1	A B
9	23796627	BASE, ENGIN BRAKE ARM		1	C
10	994780	SIX POINT SOCKET PAN HEAD SCREWS		4	
11	23190596	ARM,TRANSMISSION RETARDER		1	A
12	660063	ARM,ENGIN BRAKE A-1-2-OFF		1	C
13	22860372	WIPER STALK ARM		1	
14	22943668	STALK ARM DIRECTION INDICATEUR		1	
15	500611	SCREW TC PAN PH #10-24x1/2 Z050		6	
16	506738	TAPE RUB ADH1 CC POL 1/8" x 1" x 50' / GREY 2520		AR	
17	23568151	STEERING COLUMN ASSY To P-1452		1	
17	24012700	STEERING COLUMN ASSY From R-1453		1	
18	660019	SHAFT, STEERING		1	
19	660072	BOLT SPECIAL,STEERING SHAFT		1	
NS	685353	TORQUE SEAL		AR	
20	660045	DOUBLE JOINT 1X79 ZGN		1	
21	660072	BOLT SPECIAL,STEERING SHAFT		2	
NS	685353	TORQUE SEAL		AR	
25	3981065	ANCHORAGE, STEERING COLUMN		4	
26	5001450	SCREW CAP HEX M8-1.25x20 G10.9 DP		9	
27	5001736	WASHER FL 8.4x18.0x2.0 N500		1	
28	5001931	NUT HEXF NYRT M8-1.25 G8.8 N500		3	

To P-1452	Date:07/2024	PAGE:H9-1405-02
-----------	--------------	-----------------

STEERING WHEEL & COLUMN ASSY WITH CONTROL SWITCHES

Item#	Part	Description	H 3 4 1	H 3 4 5	NOTES
29	160083	STIFFENER, STEERING COLUMN COVER		1	
NS	505538	TAPE DUAL LOCK 1" x 50 YARD / BLACK SJ3551		AR	
30	82193011	ATTACHING BRACKET		1	
31	160068	STIFFENER, STEERING COLUMN COVER		1	
NS	505538	TAPE DUAL LOCK 1" x 50 YARD / BLACK SJ3551		AR	
32	5001450	SCREW CAP HEX M8-1.25x20 G10.9 DP		3	
33	500321	WASHER BEL SPR .331x.827x.098 N500		3	
34	160076	SUPPORT, STEERING COLUMN CABLE		1	
35	504013	TIE MOUNT / 1/4" X 1/4" I.D.		4	
36	504379	RIVET POP DOME OE 3/16x1/4 SS		6	
37	504637	CABLE TIE / 3/16" x 13"		4	
38	509815	TIE MOUNT / ATTACHMENT W/TREE MOUNT		1	
39	504259	CABLE TIE W/FIR TREE MOUNT OVAL (50LBS)		2	
		A) WITH RETARDER			
		B) WITHOUT RETARDER			
		C) WITHOUT RETARDER WITH ENGINE BRAKE			

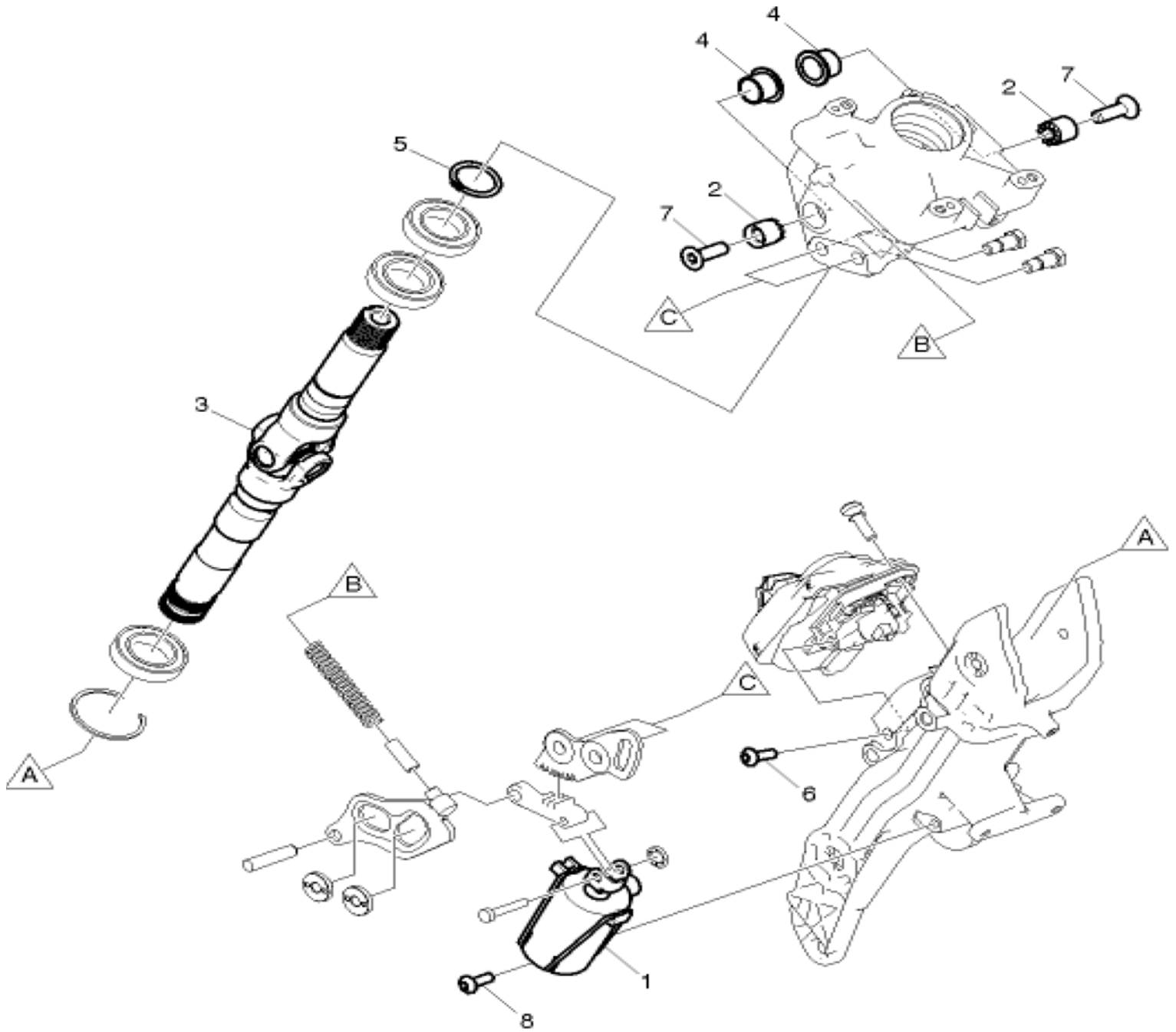
To P-1452	Date:07/2024	PAGE:23568151
STEERING COLUMN ASSY		



To P-1452	Date:07/2024	PAGE:23568151
STEERING COLUMN ASSY		

Item#	Part	Description	H 3 4 1	H 3 4 5	NOTES
1	23568154	HOUSING	1	1	
2	82759162	PEDAL ARRANGEMENT	1	1	
3	1099528	TUBE	2	2	
4	3176306	GAS SPRING	1	1	
5	8191260	BALL STUD	2	2	
6	8189990	COVER	1	1	
7	8144273	SPACER	2	2	
8	8189578	RETAINER 1,9-2,5MM	2	2	
9	1096331	RUBBER BUSHING	2	2	
10	1096655	BUSHING	3	3	
11	990990	LOCK NUT M12X12	1	1	
12	994934	SIX POINT SOCKET SCREW M8X25	2	2	
13	994515	HEXAGON NUT M8X5	1	1	
14	984743	FLANGE SCREW	2	2	
15	990950	FLANGE LOCK NUT	6	6	
16	994386	FLANGE SCREW M8X55	2	2	
17	84708799	PIPE	1	1	
18	1099412	BRACKET	2	2	
19	1096350	BRACKET	1	1	
20	983022	CABLE TIE; BLACK M22	1	1	
20	995180	CABLE TIE	1	1	
21	984725	FLANGE SCREW M6-1.0x16 G8.8	1	1	
21	995648	FLANGE SCREW M8X16	1	1	
22	20360839	BRACKET	1	1	

To P-1452	Date:07/2024	PAGE:23568154
HOUSING		



To P-1452	Date:07/2024	PAGE:23568154
HOUSING		

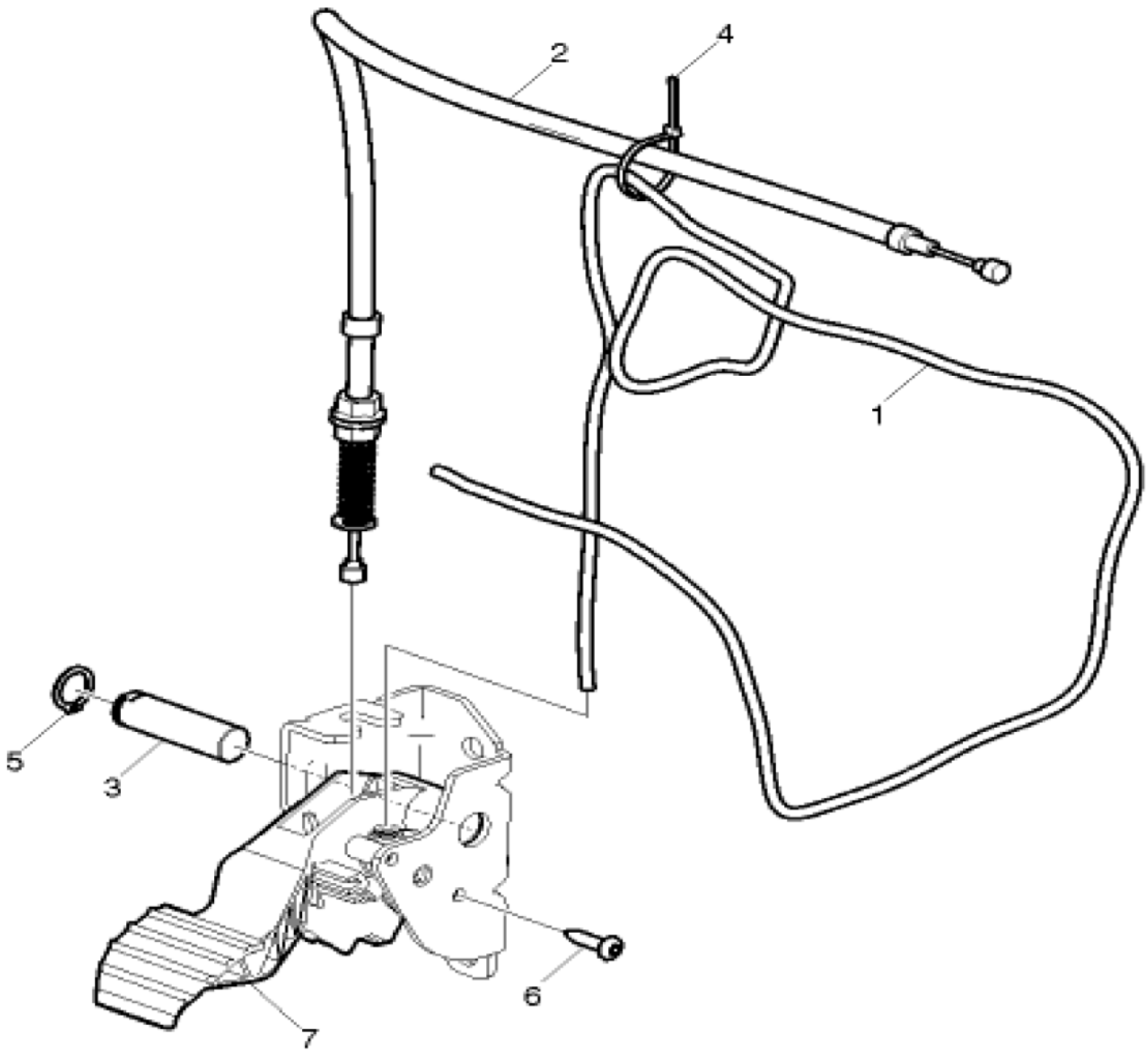
Item#	Part	Description	H 3 4 1	H 3 4 5	N O T E S
1	84193095	AIR CYLINDER	1	1	
2	8144273	SPACER	2	2	
3	N.S.S.	SHAFT	1	1	1
4	1096655	BUSHING	2	2	
5	914459	SNAP RING	1	1	
6	969418	SIX POINT SOCKET SCREW M6X8	1	1	
7	969843	SIX POINT SOCKET SCREW M8X25	2	2	
8	994785	SIX POINT SOCKET SCREW; BLACK M6X16	1	1	
		1) NOT SOLD SEPARATELY			

To P-1452

Date:07/2024

PAGE:82759162

PEDAL ARRANGEMENT



To P-1452	Date:07/2024	PAGE:82759162
-----------	--------------	---------------

PEDAL ARRANGEMENT

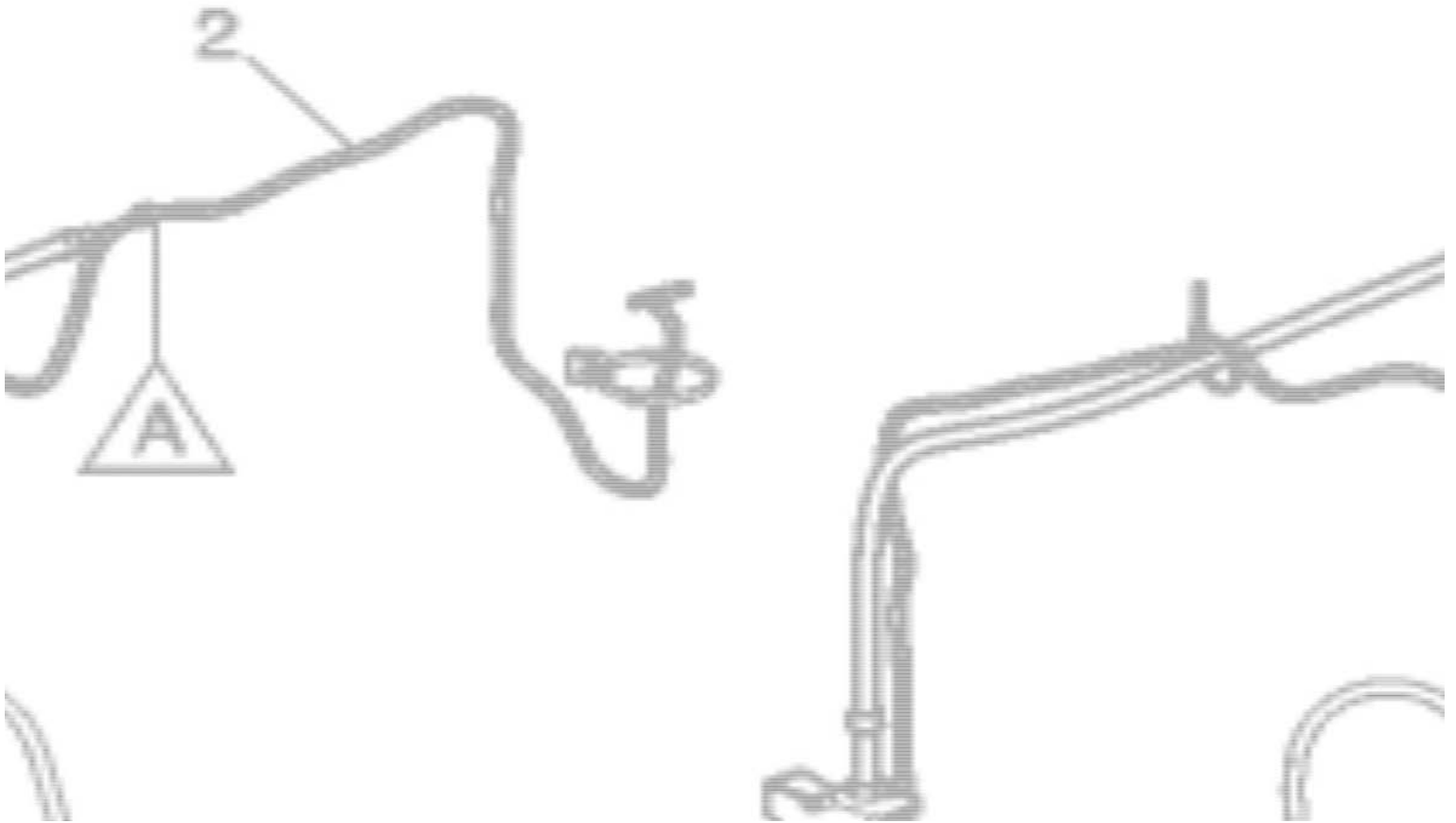
Item#	Part	Description	H 3 4 1	H 3 4 5	N O T E S
1	84227291	PIPE AIR	1	1	
2	84716335	CABLE STEERING COLUMN	1	1	
3	82356671	SLEEVE	1	1	
4	948702	CABLE TIE; BLACK 03/20 2.5	1	1	
5	914448	SNAP RING 13X14X1	1	1	
6	969476	SIX POINT SOCKET SCREW ST4,8X19	2	2	
7	82756924	PEDAL	1	1	

From R-1453

Date:07/2024

PAGE:24012700

STEERING COLUMN ASSY



From R-1453	Date:07/2024	PAGE:24012700
STEERING COLUMN ASSY		

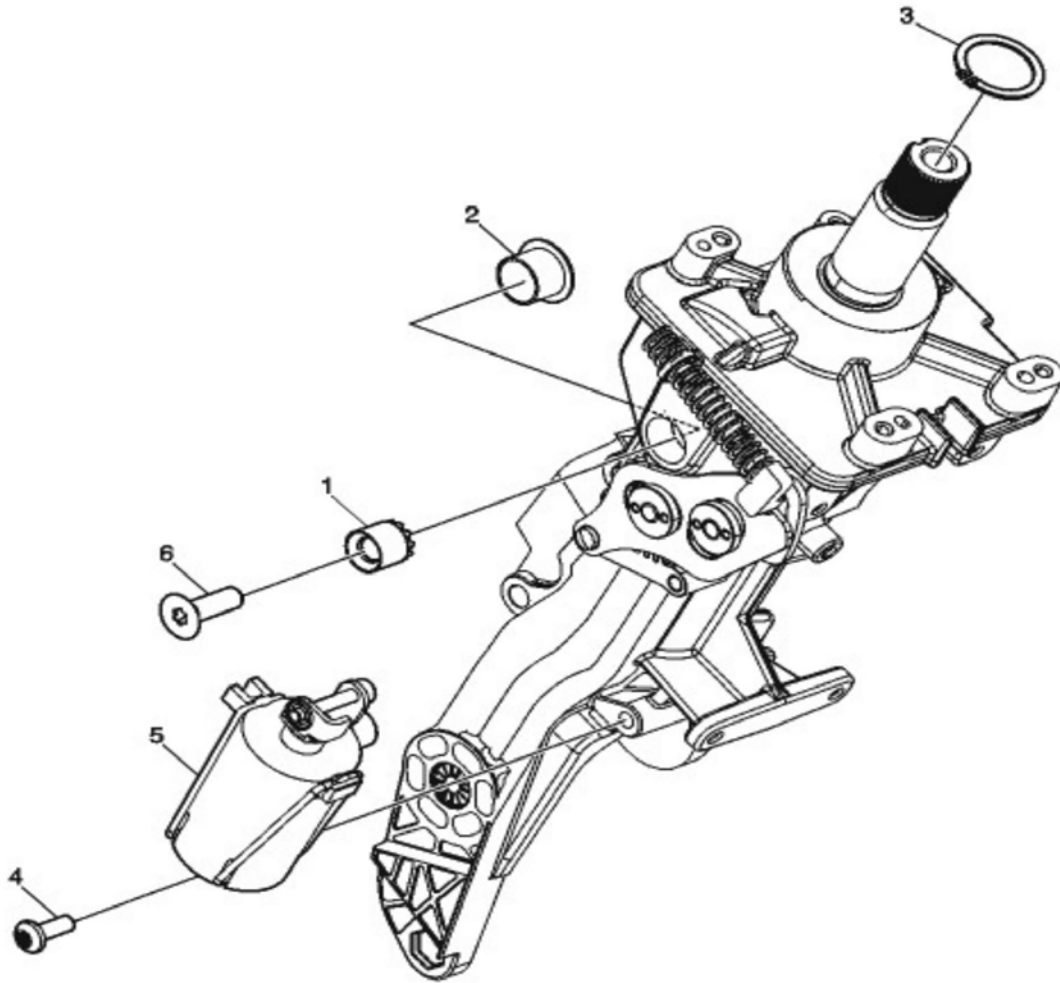
Item#	Part	Description	H 3 4 1	H 3 4 5	N O T E S
1	24013984	HOUSING	1	1	
2	82759162	PEDAL ARRANGEMENT	1	1	
3	1099528	TUBE	2	2	
4	24013908	COVER	1	1	
5	8191260	BALL STUD	2	2	
6	24013960	COVER	2	2	
7	8144273	SPACER	2	2	
8	24121816	RETAINER	2	2	
9	1096331	RUBBER BUSHING	2	2	
10	1096655	BUSHING	3	3	
11	990990	LOCK NUT M12X12	1	1	
12	994934	SIX POINT SOCKET SCREW M8X25	2	2	
13	994515	HEXAGON NUT M8X5	1	1	
14	984743	FLANGE SCREW	2	2	
15	990950	FLANGE LOCK NUT	6	6	
16	994386	FLANGE SCREW M8X55	2	2	
17	84708799	PIPE	1	1	
18	1099412	BRACKET	2	2	
19	1096350	BRACKET	1	1	

From R-1453

Date:07/2024

PAGE:24013984

HOUSING



R1432171

From R-1453	Date:07/2024	PAGE:24013984
-------------	--------------	---------------

HOUSING

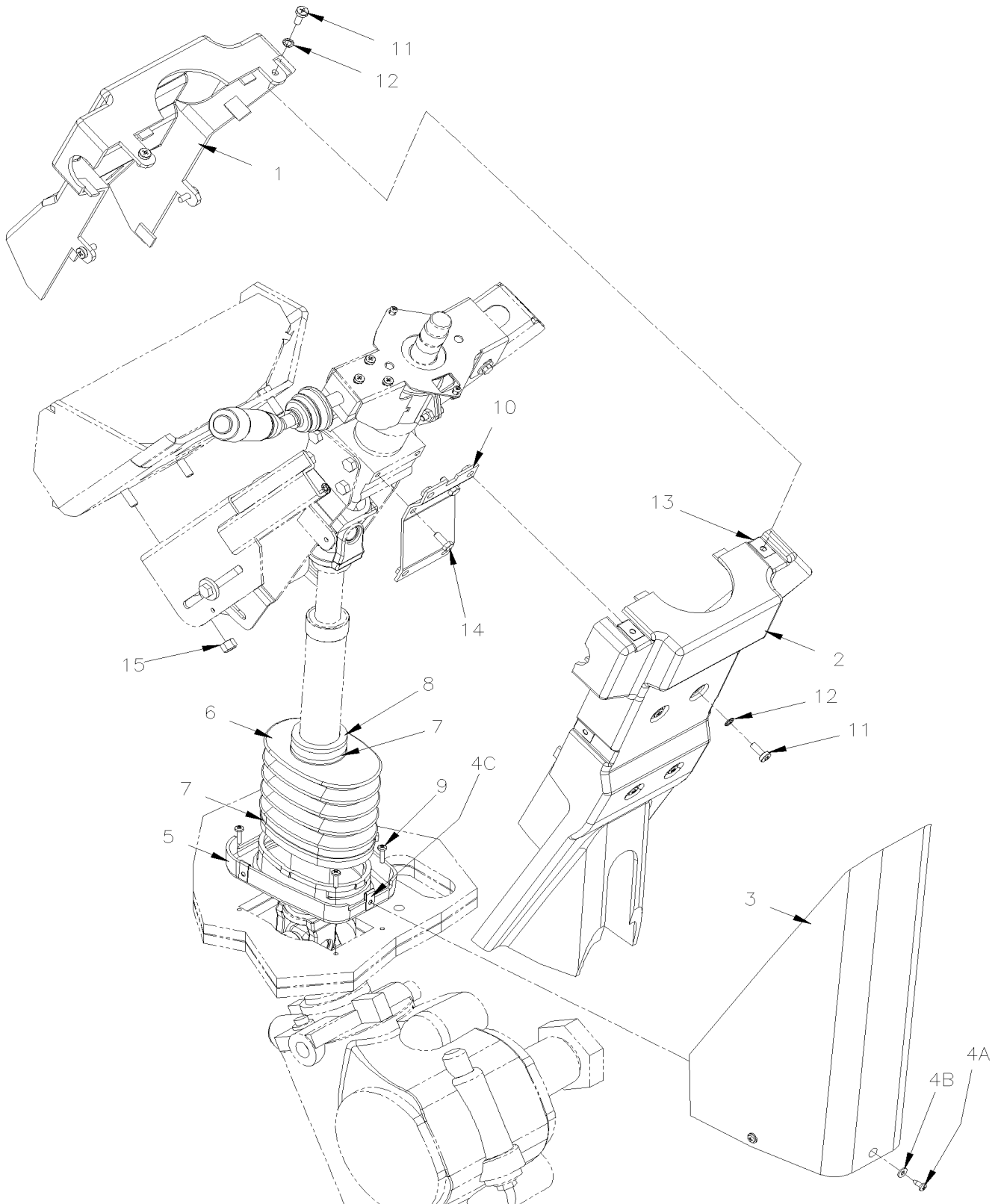
Item#	Part	Description	H 3 4 1	H 3 4 5	N O T E S
1	8144273	SPACER	2	2	
2	1096655	BUSHING	2	2	
3	914459	SNAP RING	1	1	
4	994785	SIX POINT SOCKET SCREW; BLACK M6X16	1	1	
5	84193095	AIR CYLINDER	1	1	
6	994934	SIX POINT SOCKET SCREW M8X25	2	2	

From K-0185 To P-1452

Date:07/2024

PAGE:H9-1407-00

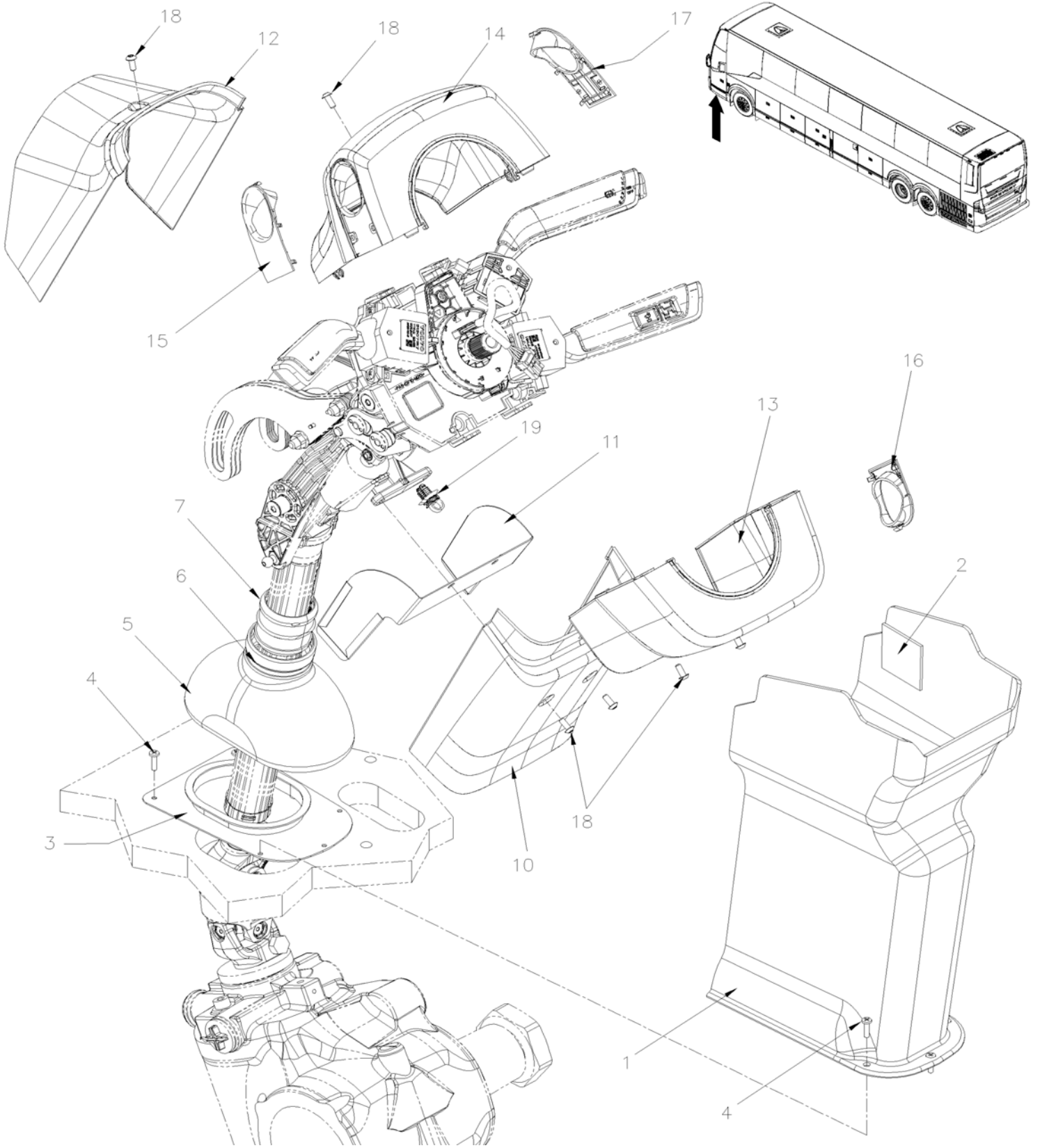
STEERING COLUMN & COVER - INSTALLATION



From K-0185 To P-1452	Date:07/2024	PAGE:H9-1407-00
STEERING COLUMN & COVER - INSTALLATION		

Item#	Part	Description	H 3 4 1	H 3 4 5	NOTES
1	161358	COVER / W/RETARDER / BLACK	1	1	
1	161356	COVER / W/O RETARDER / BLACK	1	1	
2	161357	COVER / W/RETARDER / BLACK	1	1	
2	161267	COVER / W/O RETARDER / MID CHARCOALD	1	1	
2	161355	COVER / W/O RETARDER / BLACK	1	1	
3	160881	COVER, LOWER / BLACK	1	1	
4A	500443	SCREW TP PAN PH #8x1/2 N500	3	3	
4A	500957	SCREW TP BDG PH #10x3/4 N500 To K-0624	3	3	
4B	500855	WASHER FL .188x.438x.049 N500 From K-0625	3	3	
4C	500684	NUT SPR U #8A .025-.064	3	3	
5	391974	PLATE SUPPORT	1	1	
6	660981	BELLOW	1	1	
7	504637	CABLE TIE / 3/16" x 13"	2	2	
8	391930	COLLAR	1	1	
9	500641	SCREW TP PAN PH #8x3/4 Z050	4	4	
10	161068	ATTACHMENT	1	1	
11	502569	SCREW MA PAN PH M6-1.0x16 BK	8	8	
12	5001739	WASHER LO EXT 6.4x11.0x0.7 N500	8	8	
13	504669	RIVET DRV BDG .187x.609 NYL	2	2	
14	502531	SCREW CAP HEX M6-1.0x16 G8.8 Z050	2	2	
15	502600	NUT HEX NYRT 5/16-18 Z050	4	4	

	Date:07/2024	PAGE:H9-1407-01
STEERING COLUMN & COVER - INSTALLATION		



	Date:07/2024	PAGE:H9-1407-01
STEERING COLUMN & COVER - INSTALLATION		

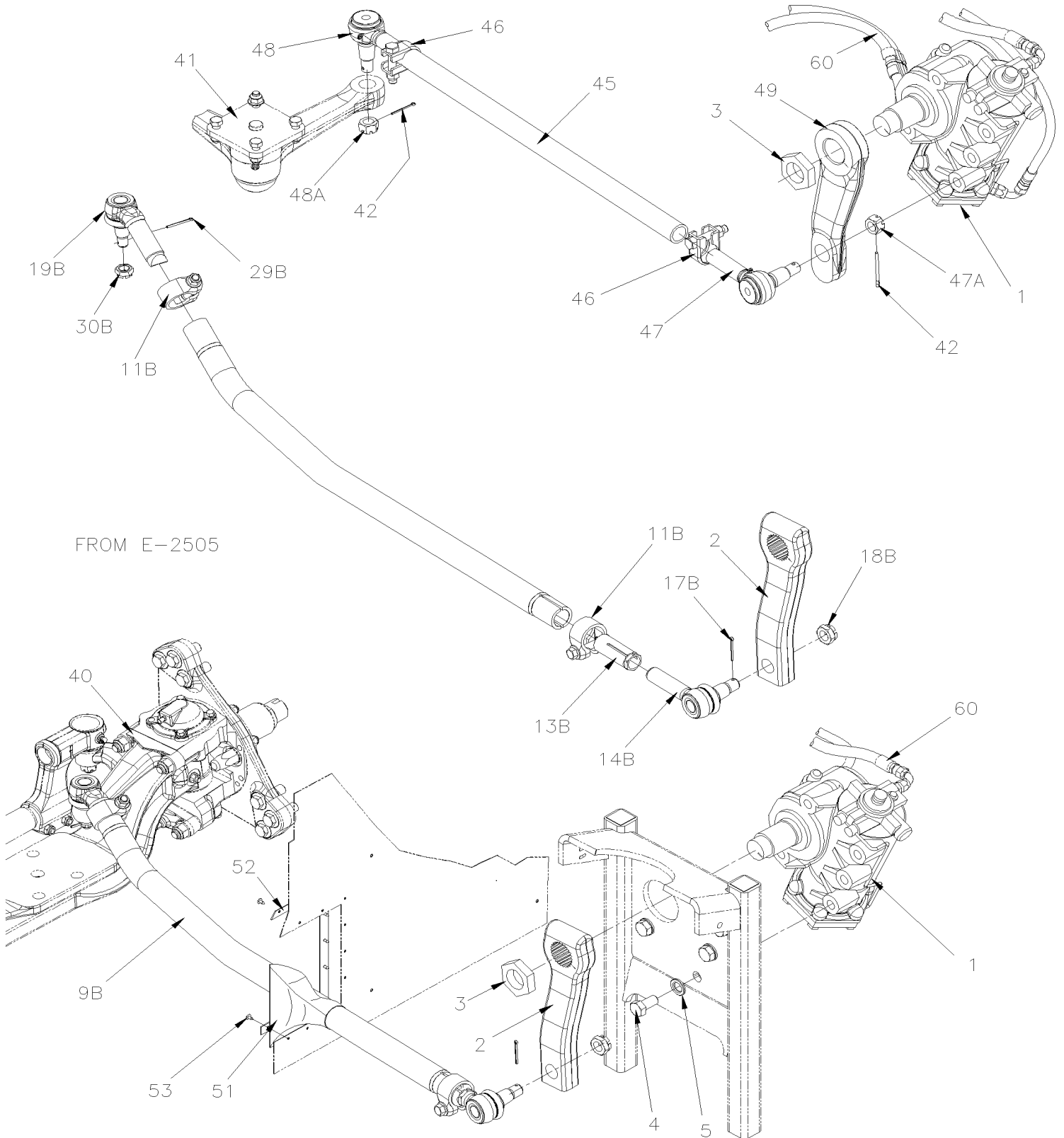
Item#	Part	Description	H 3 4 1	H 3 4 5	N O T E S
1	160123	COVER, STEERING COLUMN		1	
2	505537	TAPE DUAL LOCK 2" X 50 YARD / BLACK SJ3551		AR	
3	23003744	SUPPORT - STEERING SHAFT COVER		1	
4	5001119	SCREW TP BDG PH #8x3/4 SS		5	
5	9520949	BELLOWS STEERING SHAFT		1	
6	504637	CABLE TIE / 3/16" x 13"		1	
7	82828997	BUSHING, STEERING SHAFT		2	
10	82219174	COVER, STEERING COLUMN		1	
11	160007	HOOK, COVER		1	
12	82225568	COVER, STEERING COLUMN		1	
13	82225570	COVER, STEERING COLUMN		1	
14	82219172	COVER, STEERING COLUMN		1	
15	82269596	PANEL, STEERING COLUMN		1	
16	82270010	PANEL, STEERING COLUMN		1	
17	82269596	PANEL, STEERING COLUMN		1	
17	84202031	PANEL, STEERING COLUMN		1	
18	5002179	SCREW CAP BUT TORX M5-0.8x12 SS		7	
19	504259	CABLE TIE W/FIR TREE MOUNT OVAL (50LBS)		2	

From K-0185

Date:07/2024

PAGE:H9-1410-00

STEERING GEAR BOX & DRAG LINK - INSTALLATION



From K-0185

Date:07/2024

PAGE:H9-1410-00

STEERING GEAR BOX & DRAG LINK - INSTALLATION



From K-0185		Date:07/2024	PAGE:H9-1410-00
STEERING GEAR BOX & DRAG LINK - INSTALLATION			

Item#	Part	Description	H 3 4 1	H 3 4 5	N O T E S
1	H9-1415-00	STEERING GEARBOX - "ZF" - W/ I BEAM RIGID			
1	H9-1415-50	STEERING GEARBOX - "ZF" - W/INDEPENDENT			
2	660750	ARM, PITMAN 270MM C/C	1	1	
3	661050	LOCKNUT M45X1.5 GEARBOX ZF	1	1	
4	5001442	SCREW CAP HEX M20-1.5x40 G10.9 N500	5	5	
5	611044	WASHER FL HARD 21.0x37.0x3.0 N500	5	5	
9B	660865	DRAG LINK ASSY / 1399MM C/C	1	1	
11B	660018	. COLLAR ASSY / W/BOLT & NUT 50MM I.D.	2	2	
. NS	22164949	. . SCREW KIT	1	1	
13B	660013	. SLEEVE THREADED	1	1	
14B	661212	. TIE ROD END R.H. THREAD M30-1.5	1	1	
17B	502104	. . PIN, COTTER 5/32 x 2	1	1	
18B	661216	. NUT HEX CSL THN M24-1.5	1	1	
19B	661211	. TIE ROD END R.H. THREAD M38-1.5	1	1	
29B	502104	. . PIN, COTTER 5/32 x 2	1	1	
30B	661213	. NUT HEX CSL THN M20-1.5	1	1	
40	611031	STEERING ARM UPPER L.H. STREET SIDE	1	1	
NS	682175	UNDERCOATING BLACK PROTECTOR (GRAVELGUARD) 567gr To N-1261	AR	AR	
NS	685413	RUBBERIZED UNDERCOAT (GRAVELGUARD) 560gr From N-1262	AR	AR	
NS		WITH INDEPENDENT FRONT SUSPENSION			
41	H9-1410-61	STEERING RODS - INSTALLATION W/INDEPENDENT "NDIFS80P" / 19000LBS			
42	502109	PIN, COTTER 6.3MM x 71MM Z50	2	2	
NS	684420	SCREW MARKER LOCK 90ml	AR	AR	
45	661203	DRAG LINK ASSY / 1046 MM C/C / 19000LBS	1	1	
45	N.S.S.	. ROD	1	1	1
46	661133	. COLLAR ASSY / W/BOLT & NUT & STOPPER 1 5/8" I.D.	2	2	
. NS	500231	. . SCREW CAP HEX 5/8-11x3 G5 ZP	1	1	
. NS	500683	. . NUT HEX STO 5/8-11 ZP	1	1	
47	661200	. TIE ROD END R.H. THREAD 1 1/4-12 / 19000LBS	1	1	
47A	661207	. . NUT HEX CSL THN 1 1/8-12	1	1	
48	661202	. TIE ROD END L.H. THREAD 1 1/4-12 / 19000LBS	1	1	
48A	661207	. . NUT HEX CSL THN 1 1/8-12	1	1	
49	660735	ARM, PITMAN 9" / (PAINTED BLACK)	1	1	
51	160116	SHIELD RUBBER	1	1	
51	160112	SHIELD RUBBER	1	1	I
51	680066	ADHESIVE / ADBOND #5014 / 23.6ML BOTTLE	AR	AR	
52	161994	COLLAR SHIELD RETAINER	1	1	

From K-0185	Date:07/2024	PAGE:H9-1410-00
-------------	--------------	-----------------

STEERING GEAR BOX & DRAG LINK - INSTALLATION

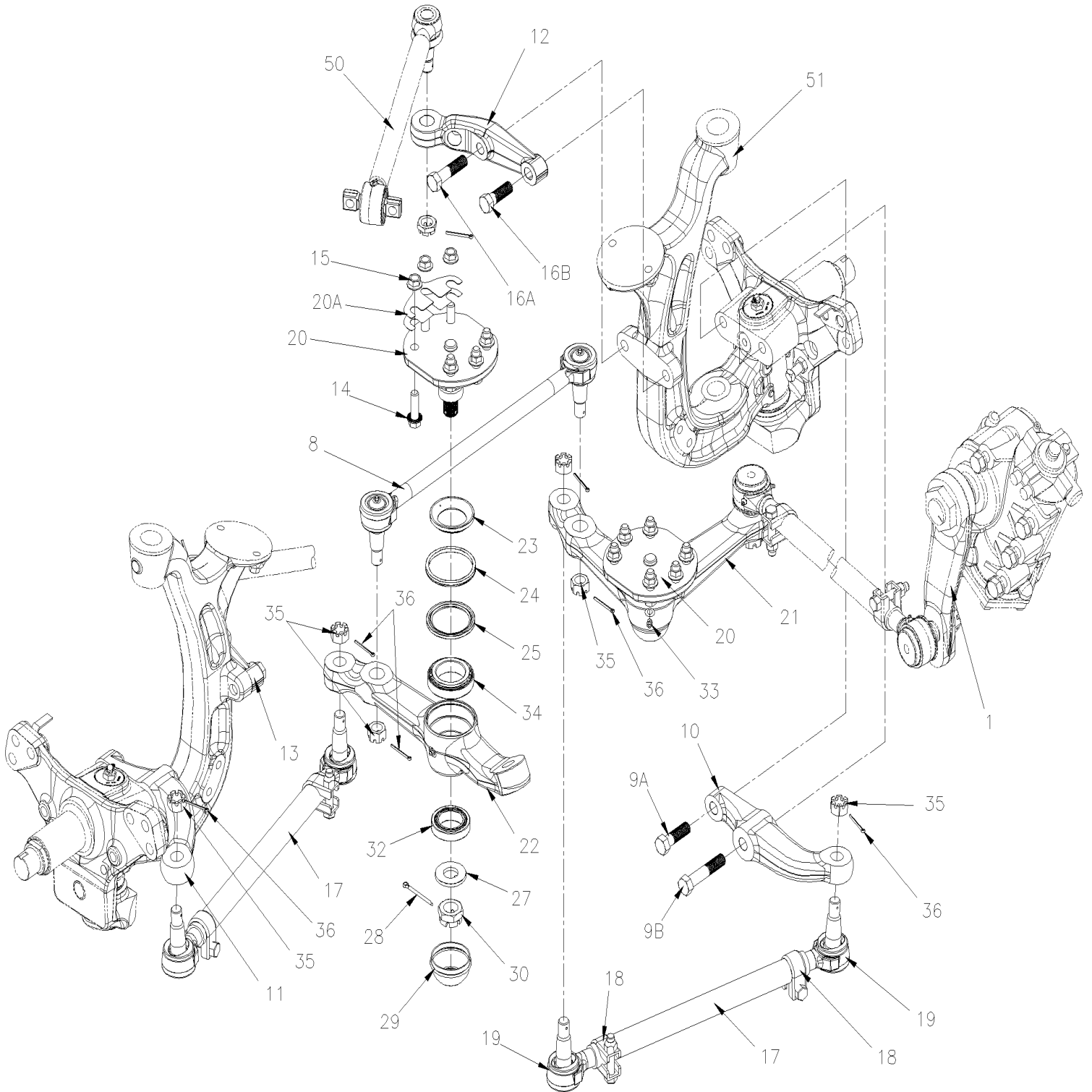
Item#	Part	Description	H 3 4 1	H 3 4 5	N O T E S
52	161993	COLLAR SHIELD RETAINER	1	1	I
52	680066	ADHESIVE / ADBOND #5014 / 23.6ML BOTTLE	AR	AR	
53	5001966	SCREW TC BDG PH #10-24x1/2 SS410 ZINC	AR	AR	
NS	504089	BLACK NYLON RETAINER 13 x 5 16 mm Lg	2	2	
NS	500855	WASHER FL .188x.438x.049 N500	2	2	
NS	500805	WASHER FL .218x.875x.062 N500	4	4	
60	H9-1400-01	POWER STEERING HOSE - INSTALLATION			
		I) WITH INDEPENDANT SUSPENSION ONLY			
		1) NOT SOLD SEPARATELY			

From K-0185

Date:07/2024

PAGE:H9-1410-61

STEERING RODS - INSTALLATION W/INDEPENDENT "NDIFS80P" / 19000LBS



From K-0185	Date:07/2024	PAGE:H9-1410-61
STEERING RODS - INSTALLATION W/INDEPENDENT "NDIFS80P" / 19000LBS		

Item#	Part	Description	H 3 4 1	H 3 4 5	NOTES
1	H9-1410-00	STEERING GEAR BOX & DRAG LINK - INSTALLATION			
8	661183	ROD ASSY / 591.8MM C/C CENTER	1	1	
9A	612360	SCREW CAP HEX M22-2.5x65 G12.9	1	1	
9B	612359	SCREW CAP HEX M22-2.5x100 G12.9	1	1	
10	612389	STEERING ARM L.H. / 19000LBS	1	1	
11	612390	STEERING ARM R.H. / 19000LBS	1	1	
12	612380	UPRIGHT ARM L.H	1	1	
13	612381	UPRIGHT ARM R.H	1	1	
14	5001859	SCREW CAP HEXF SERR M16-2.0x50 G10.9	12	12	
15	5001844	NUT HEXF SERR M16-2.0 G500	12	12	
16A	611307	SCREW CAP HEX M20-2.5x80 G12.9	1	1	
16B	611305	SCREW CAP HEX M20-2.5x60 G12.9	1	1	
17	661182	ROD ASSY / 657MM C/C	2	2	
17	N.P.N.	. ROD	1	1	4
18	661133	. COLLAR ASSY / W/BOLT & NUT & STOPPER 1 5/8" I.D.	2	2	
. NS	500231	. . SCREW CAP HEX 5/8-11x3 G5 ZP	1	1	
. NS	500683	. . NUT HEX STO 5/8-11 ZP	1	1	
19	661199	. TIE ROD END R.H. THREAD 1 1/4-12	1	1	
19	661201	. TIE ROD END L.H. THREAD 1 1/4-12	1	1	
20	661186	SPINDLE SHAFT / 19K To N-1182	1	1	
20	660076	SPINDLE SHAFT / 19K From N-1183 To R-1476	1	1	
20	660082	SPINDLE SHAFT / 19K From R-1477	1	1	
NS	682175	UNDERCOATING BLACK PROTECTOR (GRAVELGUARD) 567gr From N-1183 To N-1261	AR	AR	
NS	685413	RUBBERIZED UNDERCOAT (GRAVELGUARD) 560gr From N-1262	AR	AR	
20A	161343	SHIM 26GAGE 105MM C/C x 18MM slot	AR	AR	
20A	161344	SHIM 20GAGE 105MM C/C x 18MM slot	AR	AR	
21	661185	LEVER L.H. / 19000LBS	1	1	
22	661184	LEVER R.H. / 19000LBS	1	1	
23	160115	SLEEVE WIPER 77.2MM O.D.	2	2	
24	507673	DUST SEAL 3.470 I.D. X 4.085 O.D.	2	2	
24	685371	GREASE / GREY BLACK MOBIL XHP 222 SPECIAL 400 g	AR	AR	
25	507674	OIL SEAL	2	2	
27	161338	WASHER FL / W/ INTERIOR KEY 30.5x63.05x6.3	2	2	
28	502115	PIN, COTTER 3/16 x 2 1/2	2	2	
29	661014	COVER	2	2	
30	5001218	NUT HEX CSL M30-1.5	2	2	
32	507353	KIT, CUP & CONE BEARING	2	2	
33	501490	GREASE FITTING / 1/8 NPT	2	2	
34	507672	KIT, CUP & CONE BEARING / 19K	2	2	
35	5001345	NUT HEX CSL THN 7/8-14	6	6	
36	502104	PIN, COTTER 5/32 x 2	6	6	
50	H9-1605-61	FRONT AXLE - INSTALL W/INDEPENDENT "NDIFS80P" / 19000LBS			

From K-0185	Date:07/2024	PAGE:H9-1410-61
STEERING RODS - INSTALLATION W/INDEPENDENT "NDIFS80P" / 19000LBS		

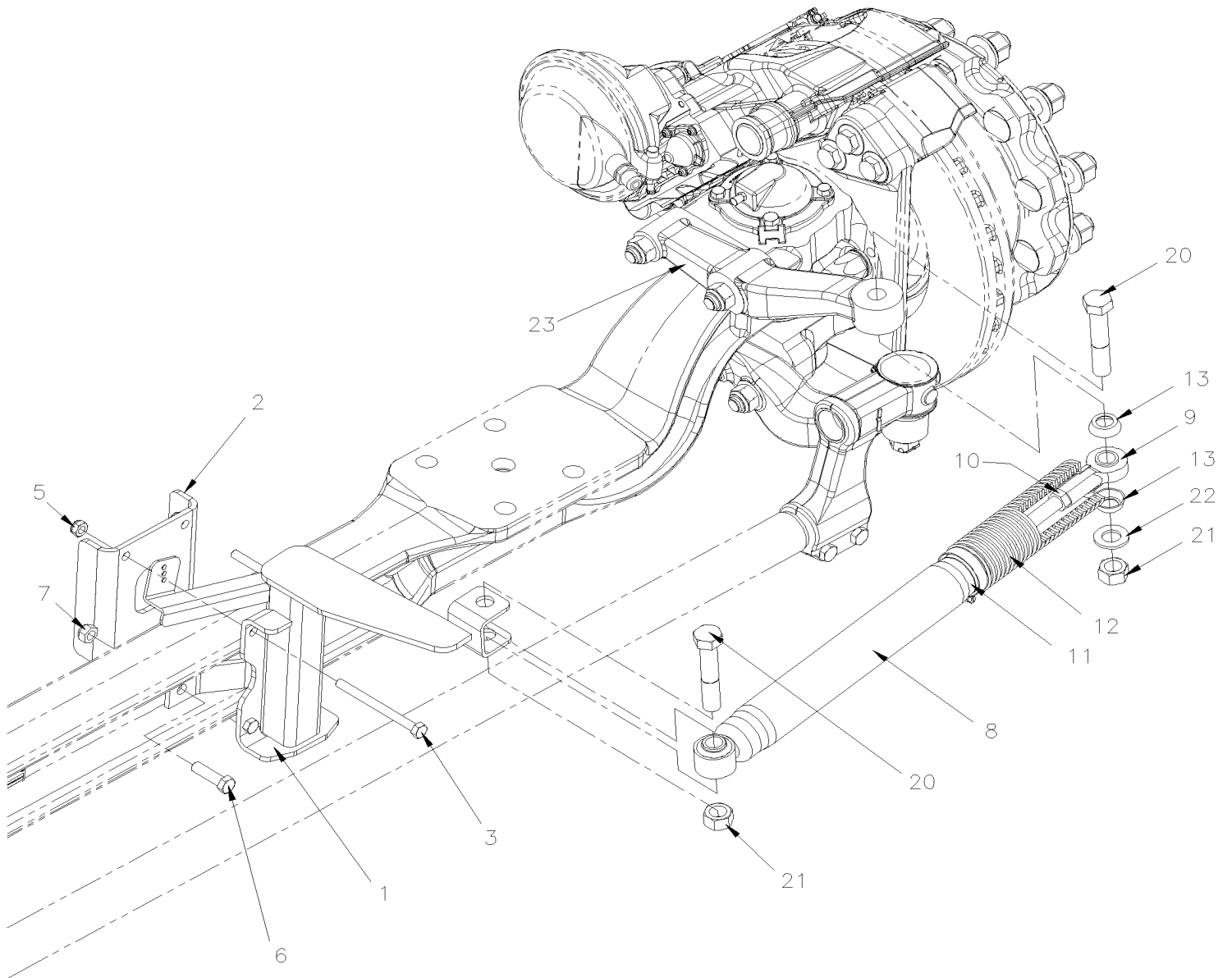
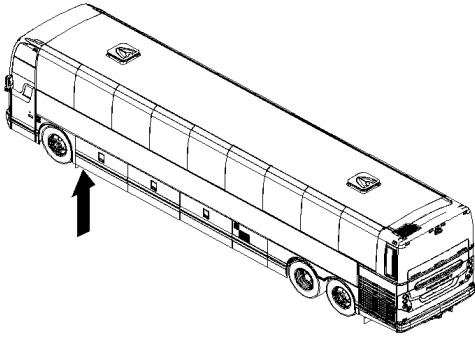
Item#	Part	Description	H 3 4 1	H 3 4 5	N O T E S
51	H9-1005-61	FRONT AXLE - INDEPENDENT MODEL "NDIFS80P" / 19000LBS			
		4) NO PARTS NUMBER			

From K-0185

Date:07/2024

PAGE:H9-1412-00

STEERING DAMPER



From K-0185	Date:07/2024	PAGE:H9-1412-00
STEERING DAMPER		

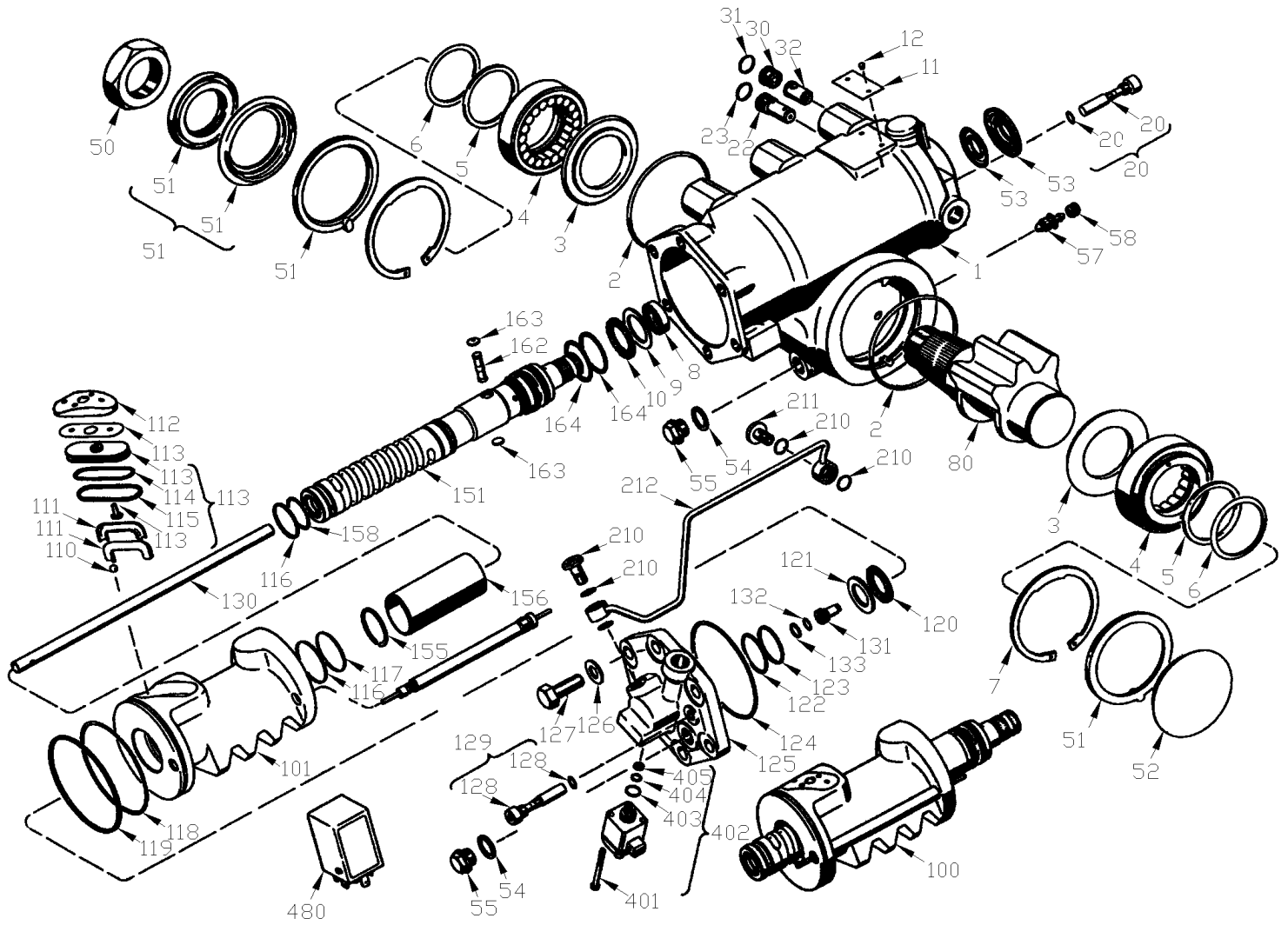
Item#	Part	Description	H 3 4 1	H 3 4 5	N O T E S
1	110741	ATTACHMENT CYLINDER	1	1	
2	110749	ATTACHMENT PLATE	1	1	
3	5001500	SCREW CAP HEX M10-1.5x120 G10.9 N500	4	4	
5	500680	NUT HEX STO M10-1.5 Z050	4	4	
6	502731	SCREW CAP HEX M12-1.75x40 G8.8 Z050	1	1	
7	500811	NUT HEX STO M12-1.75 G500	1	1	
8	160835	DAMPER SHOCK ASS	1	1	
. NS	IS-96052A	. SEE INSTRUCTION SHEET	1	1	
8	660979	. DAMPER SHOCK	1	1	
9	660884	. . ROD END FEMALE 3/4"-16 / 3/4 I.D. To P-1434	1	1	
9	660090	. . ROD END FEMALE 3/4"-16 / 3/4 I.D. From P-1435	1	1	
9	501497	. GREASE FITTING / 1/4-28	1	1	
10	500734	. . NUT HEX JAM 3/4-16 Z050	1	1	
11	504792	. HOSE CLAMP / 1"9/16-2.5" SS / HAS-32	1	1	
12	661007	. BOOT PROTECTOR	1	1	
13	660980	. COVER ROD END / RUBBER To P-1434	2	2	
20	500146	SCREW CAP HEX 3/4-16x4 G5 N500	2	2	
21	500251	NUT HEX NYRT 3/4-16 Z050	2	2	
22	500087	WASHER FL .812x1.500x.134 N500	1	1	
23	161033	STEERING ARM UPPER R.H. CURBSIDE	1	1	

From K-0185

Date:07/2024

PAGE:H9-1415-00

STEERING GEARBOX - "ZF" - W/ I BEAM RIGID



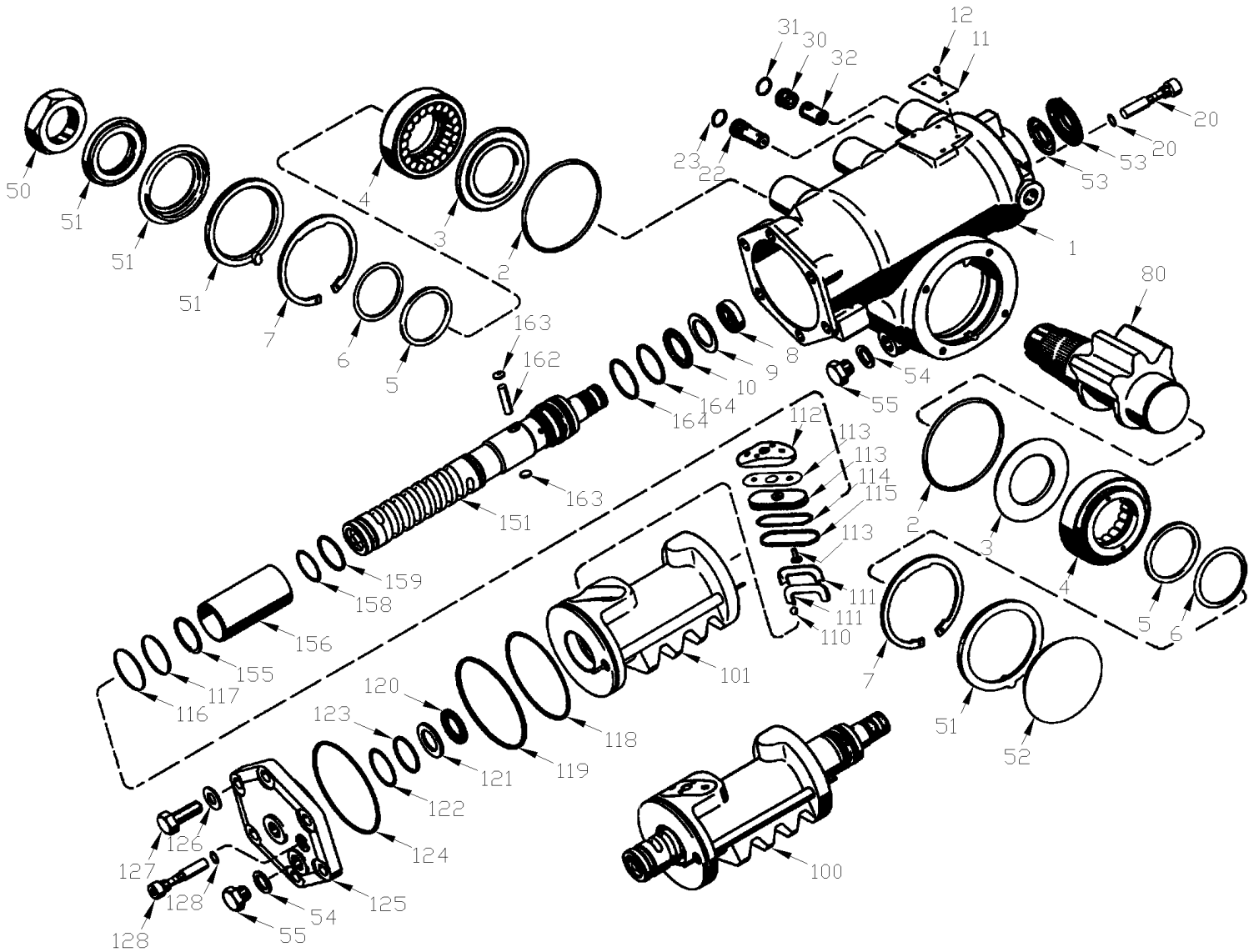
MODEL "ZF" - SERVOCOMTRONIC

From K-0185

Date:07/2024

PAGE:H9-1415-00

STEERING GEARBOX - "ZF" - W/ I BEAM RIGID



MODEL "ZF" - SEVOCOM

From K-0185	Date:07/2024	PAGE:H9-1415-00
STEERING GEARBOX - "ZF" - W/ I BEAM RIGID		

Item#	Part	Description	H 3 4 1	H 3 4 5	NOTES
	661167	GEARBOX STEERING "ZF" W/VARIABLE STEERING ASSISTANCE "SERVOCOMTRONIC" To R-1453	1	1	
	661137	GEARBOX STEERING "ZF"	1	1	
1	N.P.N.	. HOUSING	1	1	4
2	N.P.N.	. O-RING	1	1	4
3	N.P.N.	. WASHER	1	1	4
4	N.P.N.	. HOUSING COVER	1	1	4
5	N.P.N.	. GASKET	1	1	4
6	N.P.N.	. SUPPORT RING	1	1	4
7	N.P.N.	. RETAINING RING	1	1	4
8	N.P.N.	. SHAFT SEAL	1	1	4
9	N.P.N.	. AXIAL-, WASHER	1	1	4
10	N.P.N.	. NEEDLE CAGE	1	1	4
11	N.P.N.	. TYPE PLATE	1	1	4
12	N.P.N.	. GROOVED STUD	1	1	4
20	661057	. SET SCREW / ADJUSTING SCREW / SCREW	1	1	
20	N.P.N.	. O-RING	1	1	4
21	N.P.N.	. COLLAR NUT	1	1	4
22	N.P.N.	. VALVE INSERT	1	1	4
23	N.P.N.	. O-RING	1	1	4
30	N.P.N.	. SCREW	1	1	4
31	N.P.N.	. O-RING	1	1	4
32	N.P.N.	. VALVE INSERT	1	1	4
50	661050	. LOCKNUT M45X1.5 GEARBOX ZF	1	1	
51	N.P.N.	. DUST SEAL	1	1	4
51	N.P.N.	. STOP-RING	1	1	4
51	N.P.N.	. GASKET	1	1	4
51	N.P.N.	. DUST SEAL	1	1	4
52	N.P.N.	. PLUG	1	1	4
53	N.P.N.	. PROTECTING CAP	1	1	4
53	N.P.N.	. GASKET	1	1	4
54	N.P.N.	. SEALING RING	1	1	4
55	N.P.N.	. SCREW PLUG	1	1	4
56	N.P.N.	. PROTECTING SLEEVE	1	1	4
57	N.P.N.	. BREATHER	1	1	4
58	N.P.N.	. PROTECTING CAP	1	1	4
80	661102	. SECTOR SHAFT	1	1	
100	661103	. PISTON	1	1	
100	661104	. PISTON To R-1453	1	1	A
101	N.P.N.	. PISTON	1	1	4
110	N.P.N.	. BALL SET	1	1	4
111	N.P.N.	. RECIRCULATING HALF TUBE	1	1	4
112	N.P.N.	. GASKET / PLUG	1	1	4

From K-0185	Date:07/2024	PAGE:H9-1415-00
STEERING GEARBOX - "ZF" - W/ I BEAM RIGID		

Item#	Part	Description	H 3 4 1	H 3 4 5	N O T E S
113	N.P.N.	. GASKET	1	1	4
113	N.P.N.	. COMPENSATING PLATE	1	1	4
113	N.P.N.	. PIN	1	1	4
114	N.P.N.	. O-RING	1	1	4
115	N.P.N.	. SEALING RING	1	1	4
116	N.P.N.	. SEALING RING	1	1	4
117	N.P.N.	. SEALING RING	1	1	4
118	N.P.N.	. O-RING	1	1	4
119	N.P.N.	. GASKET	1	1	4
120	N.P.N.	. NEEDLE CAGE	1	1	4
121	N.P.N.	. WASHER	1	1	4
122	N.P.N.	. O-RING	1	1	4
123	N.P.N.	. SEALING RING	1	1	4
124	N.P.N.	. O-RING	1	1	4
125	N.P.N.	. CYLINDER COVER	1	1	4
126	N.P.N.	. WASHER	1	1	4
127	N.P.N.	. HEXAGON SCREW	1	1	4
128	N.P.N.	. SET SCREW / SCREW	1	1	4
128	N.P.N.	. O-RING	1	1	4
129	N.P.N.	. COLLAR NUT	1	1	4
130	N.P.N.	. PIPE	1	1	4
131	N.P.N.	. REACTION PISTON	1	1	4
132	N.P.N.	. O-RING	1	1	4
133	N.P.N.	. SEALING RING	1	1	4
151	N.P.N.	. WORM	1	1	4
155	N.P.N.	. SNAP RING	1	1	4
156	N.P.N.	. SLIDING TUBE	1	1	4
158	N.P.N.	. O-RING	1	1	4
159	N.P.N.	. SEALING RING	1	1	4
162	N.P.N.	. PIN	1	1	4
163	N.P.N.	. PLUG	1	1	4
164	N.P.N.	. SEALING RING	1	1	4
210	661105	. O-RING To R-1453	1	1	A
211	661106	. UNION SCREW To R-1453	1	1	A
212	661107	. PIPE To R-1453	1	1	A
401	N.P.N.	. CAP SCREW To R-1453	1	1	4 A
402	661108	. CONVERTER To R-1453	1	1	A
403	N.P.N.	. O-RING To R-1453	1	1	4 A
404	N.P.N.	. O-RING To R-1453	1	1	4 A
405	N.P.N.	. OIL SCREEN To R-1453	1	1	4 A
480	563033	E.C.U. / W/STEERING ASSIST (STP 272 or 330) ((77//125)) To R-1453	1	1	A
480	661170	E.C.U. / W/STEERING ASSIST (STP 338) ((60//95)) To R-1453	1	1	A C

From K-0185	Date:07/2024	PAGE:H9-1415-00
STEERING GEARBOX - "ZF" - W/ I BEAM RIGID		

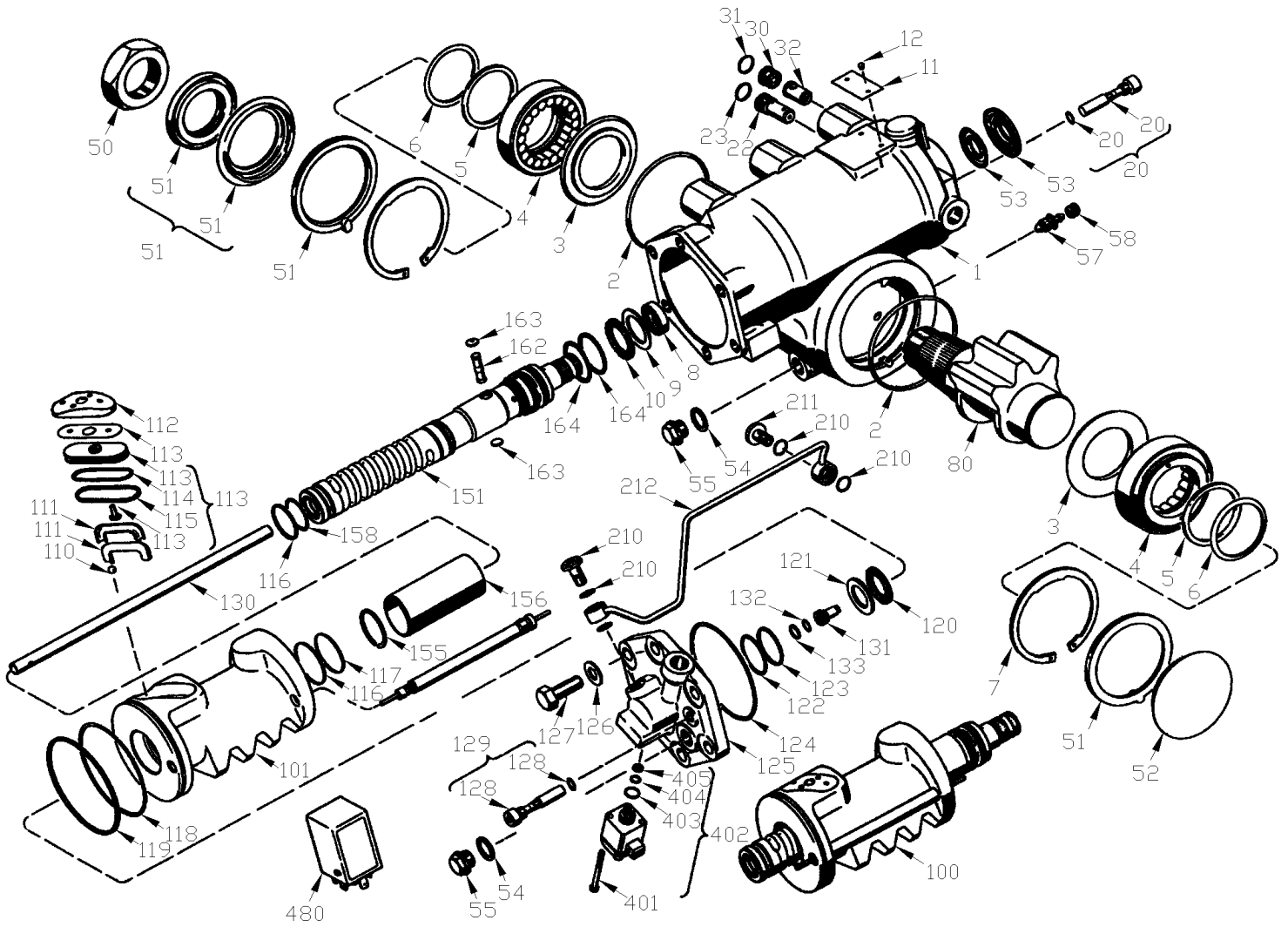
Item#	Part	Description	H 3 4 1	H 3 4 5	N O T E S
NS	661109	KIT, SEAL REPAIR MAJOR	1	1	
. NS	85109281	. KIT, SEAL REPAIR MAJOR	1	1	
NS	661110	KIT, SEAL REPAIR MAJOR / W/SERVOCOMTRONIC To R-1453	1	1	A
. NS	85109291	. KIT, SEAL REPAIR MAJOR / W/SERVOCOMTRONIC To R-1453	1	1	A
		A) WITH "ZF" SERVOCOMTRONIC			
		C) THIS E.C.U. GIVE LESS ASSISTANCE AT LOW SPEED			
		4) NO PARTS NUMBER			

From K-0185

Date:07/2024

PAGE:H9-1415-50

STEERING GEARBOX - "ZF" - W/INDEPENDENT



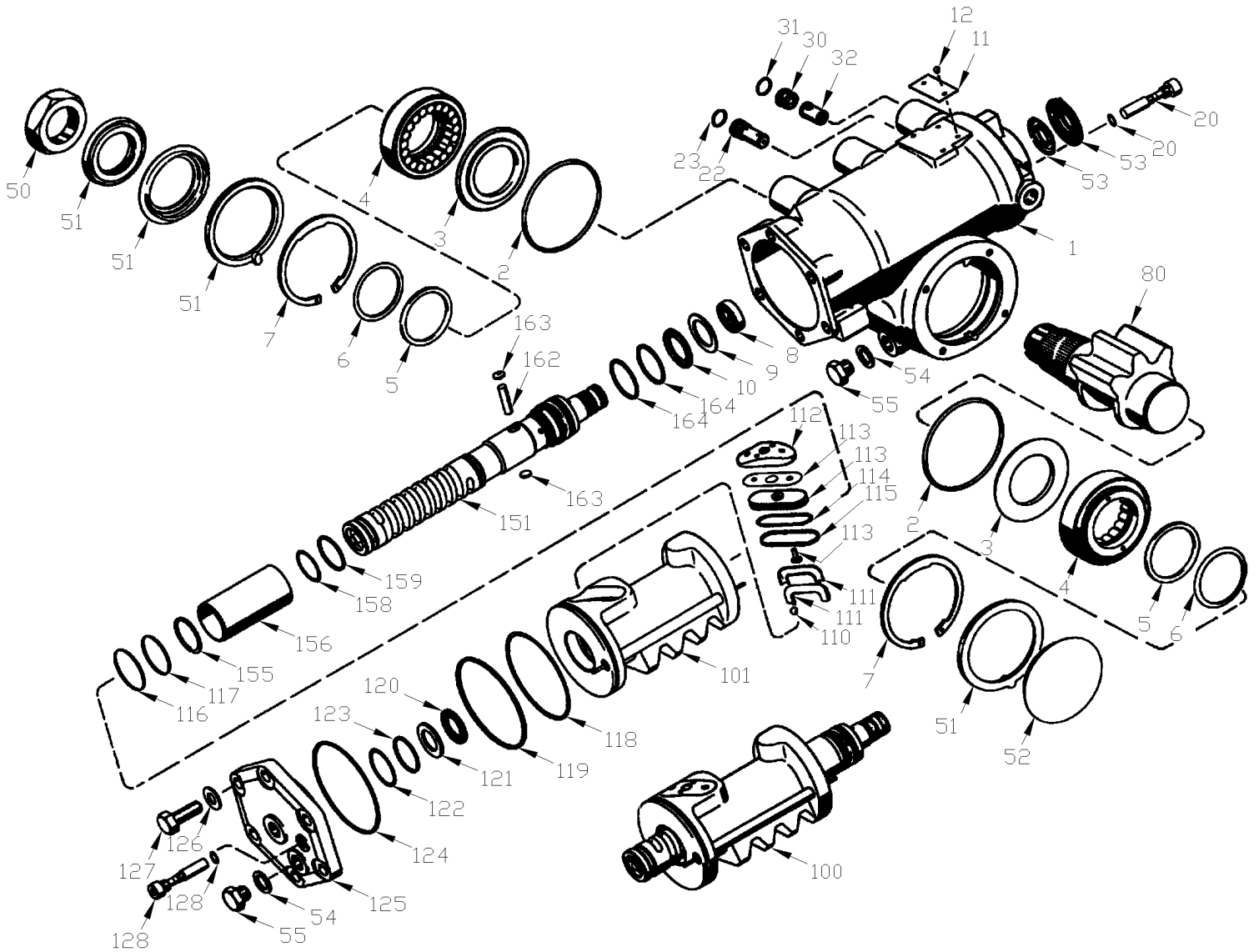
MODEL "ZF" - SERVOCOMTRONIC

From K-0185

Date:07/2024

PAGE:H9-1415-50

STEERING GEARBOX - "ZF" - W/INDEPENDENT



MODEL "ZF" - SEVOCOM

From K-0185	Date:07/2024	PAGE:H9-1415-50
STEERING GEARBOX - "ZF" - W/INDEPENDENT		

Item#	Part	Description	H 3 4 1	H 3 4 5	NOTES
	661191	GEARBOX STEERING "ZF"® / W/SERVOCOMTRONIC To R-1453	1	1	
	661190	GEARBOX STEERING "ZF"®	1	1	
1	N.P.N.	. HOUSING	1	1	4
2	N.P.N.	. O-RING	1	1	4
3	N.P.N.	. WASHER	1	1	4
4	N.P.N.	. HOUSING COVER	1	1	4
5	N.P.N.	. GASKET	1	1	4
6	N.P.N.	. SUPPORT RING	1	1	4
7	N.P.N.	. RETAINING RING	1	1	4
8	N.P.N.	. SHAFT SEAL	1	1	4
9	N.P.N.	. AXIAL-, WASHER	1	1	4
10	N.P.N.	. NEEDLE CAGE	1	1	4
11	N.P.N.	. TYPE PLATE	1	1	4
12	N.P.N.	. GROOVED STUD	1	1	4
20	661057	. SET SCREW / ADJUSTING SCREW / SCREW	1	1	
20	N.P.N.	. O-RING	1	1	4
21	N.P.N.	. COLLAR NUT	1	1	4
22	N.P.N.	. VALVE INSERT	1	1	4
23	N.P.N.	. O-RING	1	1	4
30	N.P.N.	. SCREW	1	1	4
31	N.P.N.	. O-RING	1	1	4
32	N.P.N.	. VALVE INSERT	1	1	4
50	661050	. LOCKNUT M45X1.5 GEARBOX ZF	1	1	
51	N.P.N.	. DUST SEAL	1	1	4
51	N.P.N.	. STOP-RING	1	1	4
51	N.P.N.	. GASKET	1	1	4
51	N.P.N.	. DUST SEAL	1	1	4
52	N.P.N.	. PLUG	1	1	4
53	N.P.N.	. PROTECTING CAP	1	1	4
53	N.P.N.	. GASKET	1	1	4
54	N.P.N.	. SEALING RING	1	1	4
55	N.P.N.	. SCREW PLUG	1	1	4
56	N.P.N.	. PROTECTING SLEEVE	1	1	4
57	N.P.N.	. BREATHER	1	1	4
58	N.P.N.	. PROTECTING CAP	1	1	4
80	661102	. SECTOR SHAFT	1	1	
100	661103	. PISTON	1	1	
100	661104	. PISTON To R-1453	1	1	A
101	N.P.N.	. PISTON	1	1	4
110	N.P.N.	. BALL SET	1	1	4
110	N.P.N.	. BALL SET	1	1	4
111	N.P.N.	. RECIRCULATING HALF TUBE	1	1	4

From K-0185	Date:07/2024	PAGE:H9-1415-50
STEERING GEARBOX - "ZF" - W/INDEPENDENT		

Item#	Part	Description	H 3 4 1	H 3 4 5	NOTES
112	N.P.N.	. GASKET / PLUG	1	1	4
113	N.P.N.	. GASKET	1	1	4
113	N.P.N.	. COMPENSATING PLATE	1	1	4
113	N.P.N.	. PIN	1	1	4
114	N.P.N.	. O-RING	1	1	4
115	N.P.N.	. SEALING RING	1	1	4
116	N.P.N.	. SEALING RING	1	1	4
117	N.P.N.	. SEALING RING	1	1	4
118	N.P.N.	. O-RING	1	1	4
119	N.P.N.	. GASKET	1	1	4
120	N.P.N.	. NEEDLE CAGE	1	1	4
121	N.P.N.	. WASHER	1	1	4
122	N.P.N.	. O-RING	1	1	4
123	N.P.N.	. SEALING RING	1	1	4
124	N.P.N.	. O-RING	1	1	4
125	N.P.N.	. CYLINDER COVER	1	1	4
126	N.P.N.	. WASHER	1	1	4
127	N.P.N.	. HEXAGON SCREW	1	1	4
128	N.P.N.	. SET SCREW / SCREW	1	1	4
128	N.P.N.	. O-RING	1	1	4
129	N.P.N.	. COLLAR NUT	1	1	4
130	N.P.N.	. PIPE	1	1	4
131	N.P.N.	. REACTION PISTON	1	1	4
132	N.P.N.	. O-RING	1	1	4
133	N.P.N.	. SEALING RING	1	1	4
151	N.P.N.	. WORM	1	1	4
155	N.P.N.	. SNAP RING	1	1	4
156	N.P.N.	. SLIDING TUBE	1	1	4
158	N.P.N.	. O-RING	1	1	4
159	N.P.N.	. SEALING RING	1	1	4
162	N.P.N.	. PIN	1	1	4
163	N.P.N.	. PLUG	1	1	4
164	N.P.N.	. SEALING RING	1	1	4
210	661105	. O-RING To R-1453	1	1	A
211	661106	. UNION SCREW To R-1453	1	1	A
212	661107	. PIPE To R-1453	1	1	A
401	N.P.N.	. CAP SCREW To R-1453	1	1	4 A
402	661108	. CONVERTER To R-1453	1	1	A
403	N.P.N.	. O-RING To R-1453	1	1	4 A
404	N.P.N.	. O-RING To R-1453	1	1	4 A
405	N.P.N.	. OIL SCREEN To R-1453	1	1	4 A
480	563033	E.C.U. / W/STEERING ASSIST (STP 272 or 330) ((77//125)) To R-1453	1	1	A

From K-0185	Date:07/2024	PAGE:H9-1415-50
STEERING GEARBOX - "ZF" - W/INDEPENDENT		

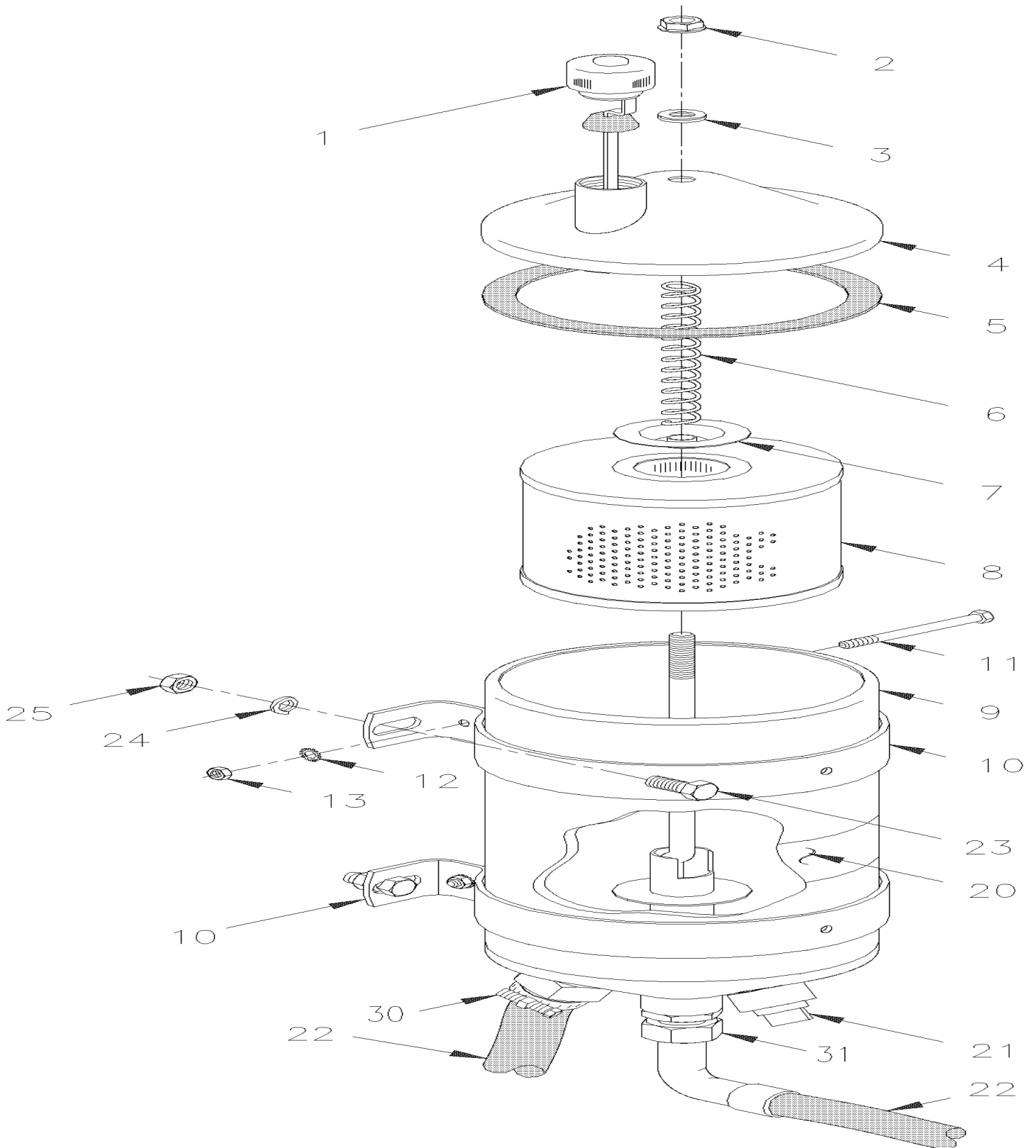
Item#	Part	Description	H 3 4 1	H 3 4 5	N O T E S
480	661170	E.C.U. / W/STEERING ASSIST (STP 338) ((60/95)) To R-1453	1	1	A C
NS	661109	KIT, SEAL REPAIR MAJOR	1	1	
. NS	85109281	. KIT, SEAL REPAIR MAJOR	1	1	
NS	661110	KIT, SEAL REPAIR MAJOR / W/SERVOCOMTRONIC To R-1453	1	1	A
. NS	85109291	. KIT, SEAL REPAIR MAJOR / W/SERVOCOMTRONIC To R-1453	1	1	A
		A) WITH "ZF" SERVOCOMTRONIC			
		C) THIS E.C.U. GIVE LESS ASSISTANCE AT LOW SPEED			
		4) NO PARTS NUMBER			

From K-0185 To K-0706

Date:07/2024

PAGE:H9-1420-00

POWER STEERING TANK - 4 QT U.S.



From K-0185 To K-0706	Date:07/2024	PAGE:H9-1420-00
POWER STEERING TANK - 4 QT U.S.		

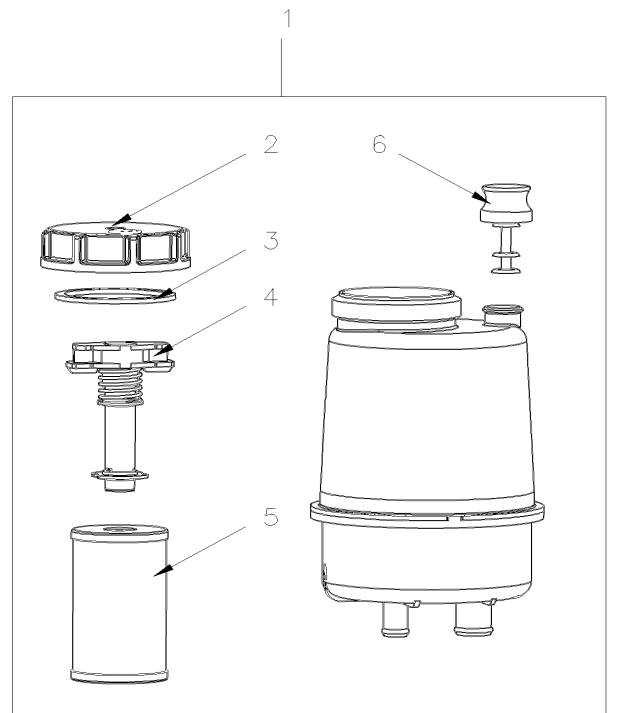
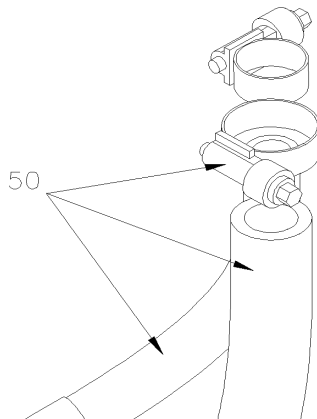
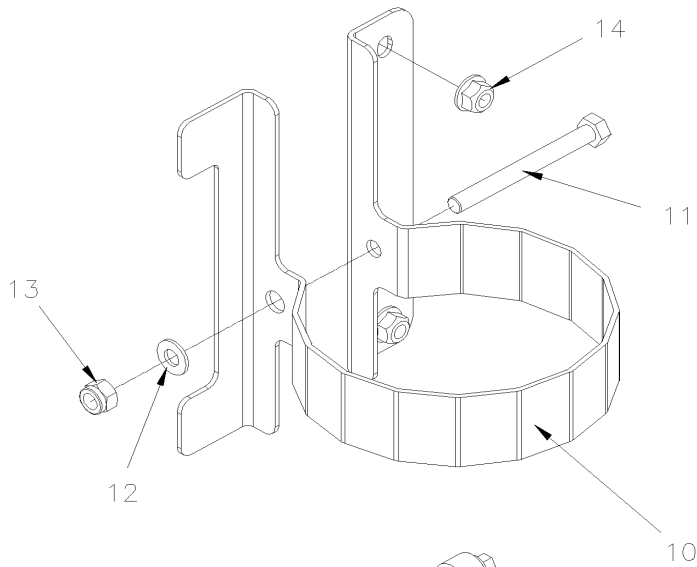
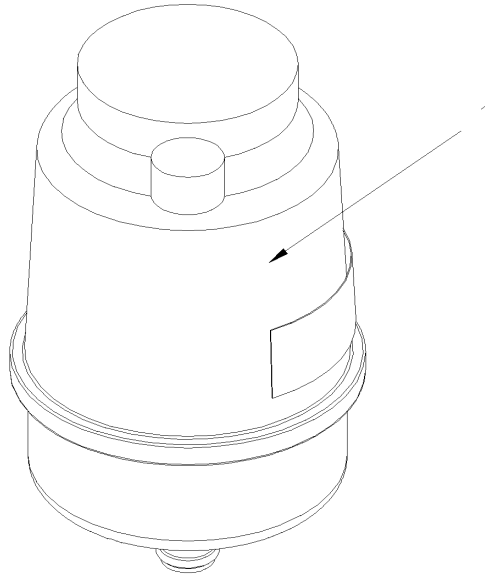
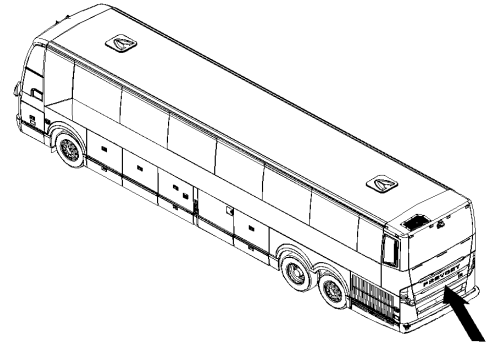
Item#	Part	Description	H 3 4 1	H 3 4 5	N O T E S
	660982	TANK ASSY 4QT U.S.	1	1	
	661060	TANK ASSY 4QT US / WITH SIGHT GLASS	1	1	A
1	660985	. DIPSTICK	1	1	
2	N.S.A.	. WING NUT 3/8-16	1	1	3
3	19512588	. WASHER	1	1	
4	660989	. COVER ASSY	1	1	
5	660986	. GASKET	1	1	
6	660991	. SPRING, COMP.	1	1	
7	N8886469	. WASHER, RETAINER	1	1	
8	660987	. ELEMENT FILTER	1	1	
9	N.S.P.	. TANK	1	1	2
10	660988	. ATTACHMENT SUPPORT	2	2	
11	500187	. . SCREW CAP HEX 5/16-18x3 G5 Z050	1	1	
12	500942	. . WASHER LO SPT 8.1x14.8x2.0 N500	1	1	
13	500778	. . NUT HEX 5/16-18 N500	1	1	
20	160044	DECAL "OIL DEXTRON"	1	1	
21	667586	PLUG HEXS / PIPE FITTING / MAGNETIC / 1/2NPT-M STL	1	1	
22	H9-1400-01	POWER STEERING HOSE - INSTALLATION			
23	502804	SCREW CAP HEX M10-1.5x25 G8.8 N500	4	4	
24	502644	WASHER FL 10.5x30.0x2.5 Z050	4	4	
NS	3852496	WASHER LO SPT 10.2x18.1x2.2 ZG603	4	4	
25	500256	NUT HEX M10-1.5 Z050	4	4	
30	5011086	MALE CONNECTOR / PUSH-LOK FITTING / 1NPT-Mx#16 STL	1	1	
30	992086	HOSE CLAMP / 32MM/52MM	1	1	
31	501739	MALE CONNECTOR / JIC 37° FITTING / #8JIC-Mx1/2NPT-M STL	1	1	
31	992086	HOSE CLAMP / 32MM/52MM	1	1	
		A) OPTION AMERICAN COACH LINES			
		2) NOT SOLD BY PREVOST (SEE MANUFACTURING PART NUMBER AT END OF DESCRIPTION LINE)			
		3) NOT SOLD ASSEMBLY			

From K-0185 To K-0706

Date:07/2024

PAGE:H9-1420-10

POWER STEERING TANK - ZF



From K-0185 To K-0706	Date:07/2024	PAGE:H9-1420-10
-----------------------	--------------	-----------------

POWER STEERING TANK - ZF

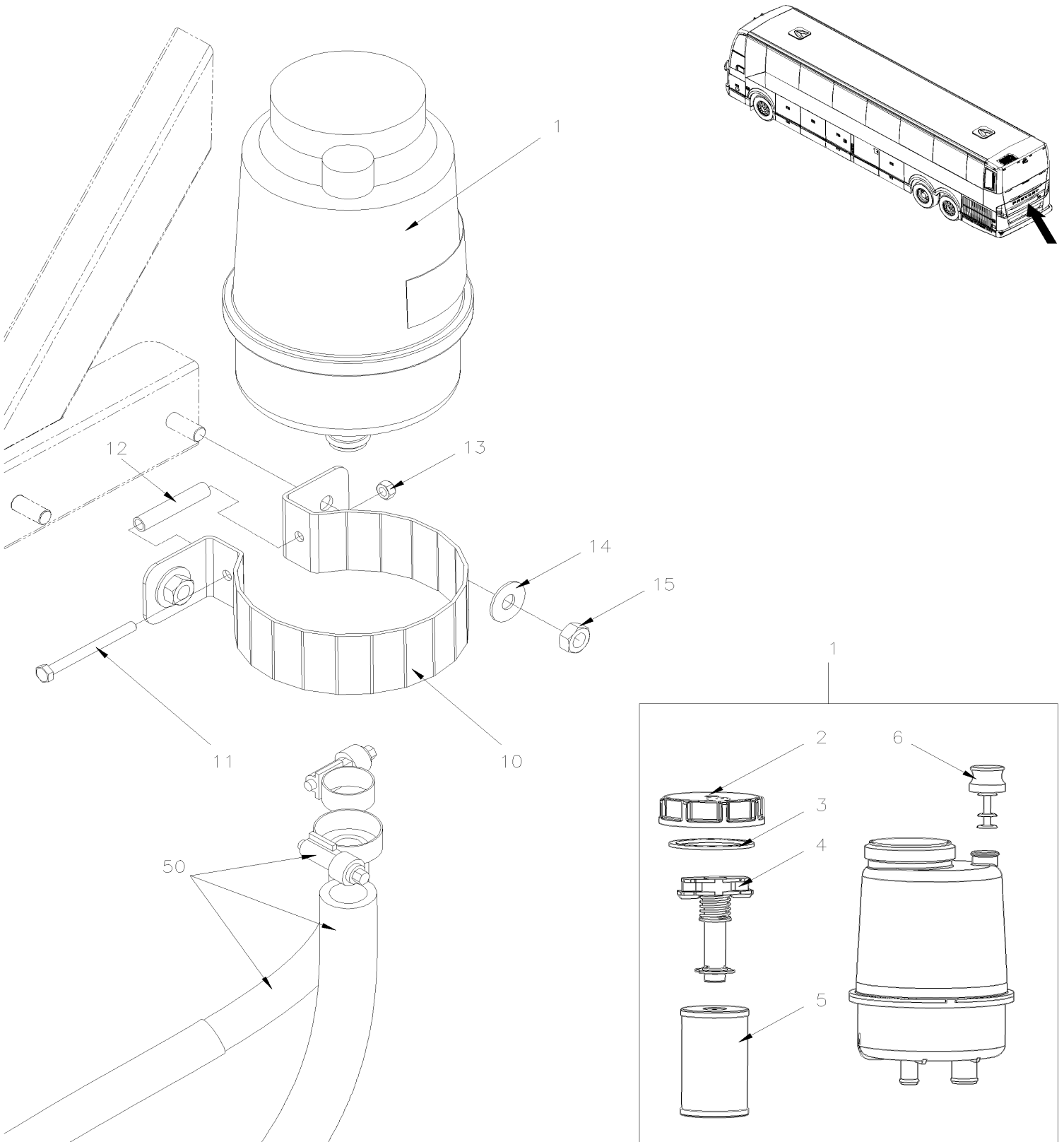
Item#	Part	Description	H 3 4 1	H 3 4 5	NOTES
1	669400	TANK ASSY ZF	1	1	
2	660086	. CAP OIL TANK ZF	1	1	
3	1696360	. SEALING RING	1	1	
4	1696359	. BOLT OIL TANK ZF	1	1	
5	661221	. FILTER OIL TANK ZF	1	1	
6	661222	. DIPSTICK OIL TANK ZF	1	1	
10	160048	SUPPORT / OIL TANK ZF	1	1	
11	5001185	SCREW CAP HEX M8-1.25x80 SS BK	1	1	
12	5001341	WASHER FL 8.4x17.0x1.6 SS	1	1	
13	5001787	NUT HEX NYRT M8-1.25 SS	1	1	
14	502837	NUT HEXF STO M8-1.25 N500	2	2	
16	160044	DECAL "OIL DEXTRON"	1	1	
50	H9-1400-01	POWER STEERING HOSE - INSTALLATION			

From K-0707

Date:07/2024

PAGE:H9-1420-11

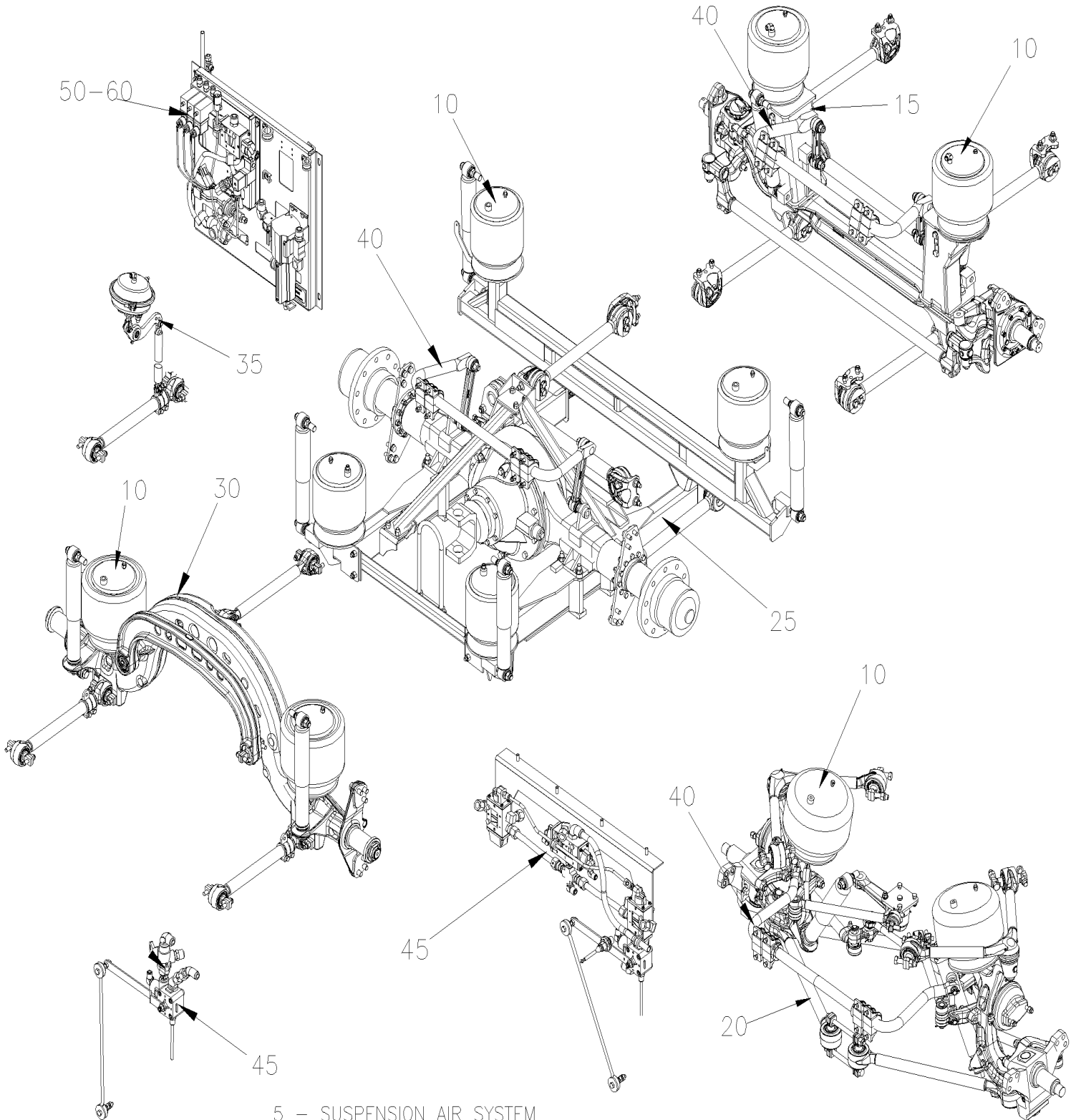
POWER STEERING TANK - ZF



From K-0707	Date:07/2024	PAGE:H9-1420-11
POWER STEERING TANK - ZF		

Item#	Part	Description	H 3 4 1	H 3 4 5	NOTES
1	669400	TANK ASSY ZF	1	1	
2	660086	. CAP OIL TANK ZF	1	1	
3	1696360	. SEALING RING	1	1	
4	1696359	. BOLT OIL TANK ZF	1	1	
5	661221	. FILTER OIL TANK ZF	1	1	
6	661222	. DIPSTICK OIL TANK ZF	1	1	
10	160026	CLAMP / OIL TANK ZF	1	1	
11	5001667	SCREW CAP HEX M6-1.0x70 BK	1	1	
12	160027	SPACER	1	1	
13	502681	NUT HEX NYRT M6-1.0 N500 G8	1	1	
14	5001718	WASHER BEL SPR 10.2x27x1.6 MAGNI 565	2	2	
15	500847	NUT HEX M10-1.5 N500	2	2	
16	160044	DECAL "OIL DEXTRON"	1	1	
50	H9-1400-01	POWER STEERING HOSE - INSTALLATION			

	Date:07/2024	H9-16
SUSPENSION		



5 - SUSPENSION AIR SYSTEM

		Date:07/2024	H9-16
SUSPENSION			

Item#	Part	Description	H 3 4 1	H 3 4 5	N O T E S
5	H9-1600-01	SUSPENSION AIR SYSTEM From K-0185			
10	H9-1601-00	BELLOWS - AIR SUSPENSION From K-0185			
15	H9-1605-01	FRONT AXLE - INSTALL W/ I BEAM RIGID From K-0185			
20	H9-1605-61	FRONT AXLE - INSTALL W/INDEPENDENT "NDIFS80P" / 19000LBS From K-0185			
25	H9-1610-01	REAR AXLE - INSTALL SUSPENSION From K-0185			
30	H9-1615-01	TAG AXLE - INSTALL SUSPENSION ONE PIECE From K-0185			
35	H9-1615-10	TAG AXLE - LIFTING From K-0185			
40	H9-1616-01	SWAY BAR From K-0185 To R-1917			
40	H9-1616-02	SWAY BAR From R-1918			
45	H9-1620-01	HEIGHT CONTROL VALVE & FRONT KNEELING From K-0185 To P-1452			
45	H9-1620-02	HEIGHT CONTROL VALVE & FRONT KNEELING From R-1453			
45	H9-1620-11	HIGH-BUOY, LOW BUOY & "KNEELING" VALVE From K-0185			
50	H9-1630-02	FRONT KNEELING - CONTROL PANEL From K-0185 To P-1452			
50	H9-1630-03	FRONT KNEELING - CONTROL PANEL From R-1453			
60	H9-1650-01	TAG UNLOAD - AIR VALVE INSTALLATION From K-0185 To P-1452			

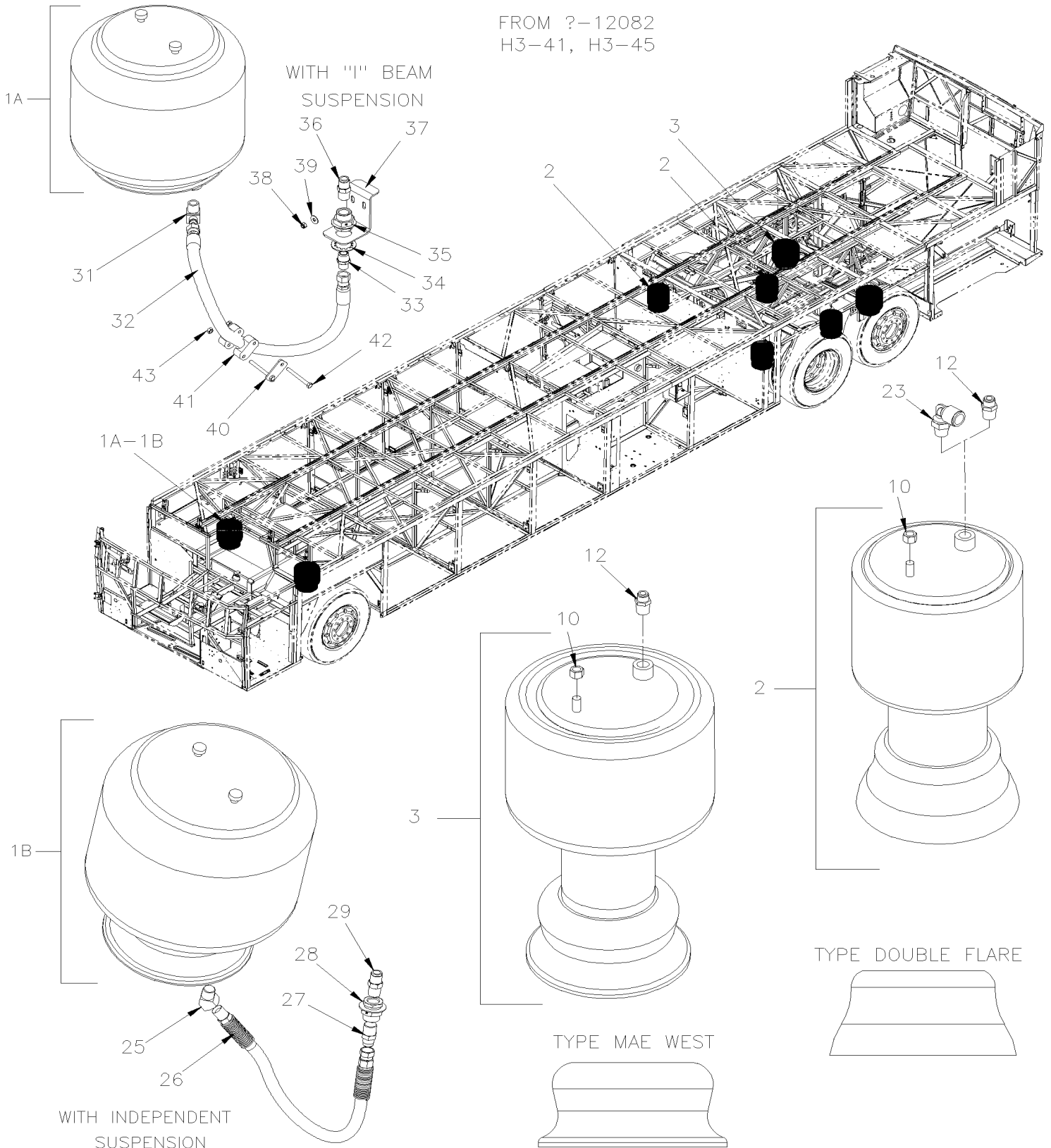
From K-0185

Date:07/2024

PAGE:H9-1601-00

BELLOWS - AIR SUSPENSION

FROM ?-12082
H3-41, H3-45



From K-0185		Date:07/2024	PAGE:H9-1601-00
BELLOWS - AIR SUSPENSION			

Item#	Part	Description	H 3 4 1	H 3 4 5	N O T E S
		FRONT AXLE BELLOW			
1A	630285	BELLOW ASSY / MODEL 1400 M.W.	2	2	R
1B	630280	BELLOW ASSY / MODEL 1400 M.W. / 19000lbs	2	2	I
		DRIVE AXLE BELLOW			
2	630260	BELLOW ASSY / MODEL 1100 D.F.	4	4	
		TAG AXLE BELLOW			
3	630286	BELLOW ASSY / MODEL 1200 M.W.	2	2	
10	500276	NUT HEX STO 1/2-13 N500	AR	AR	
11	5001041	NUT HEX THN 1 1/4-12x1/2	AR	AR	
12	641382	MALE CONNECTOR / PUSH-IN FITTING / #6x1/2NPT-M BR	4	4	
16	641378	MALE ELBOW 90° / PUSH-IN FITTING / #8x1/2NPT-M BRASS	2	2	
23	642179	MALE ELBOW 90° NON-SWIVEL / PUSH-IN FITTING / #6 x1/2NPT-M COMPOSITE	2	2	
25	501528	STREET ELBOW 45° / PIPE FITTING / 1/2NPT-Mx1/2NPT-F BR	2	2	I
26	642153	HOSE ASSY / #8 22"	2	2	I
27	501616	MALE CONNECTOR / SAE 45° FITTING / #8FL-Mx1/2NPT-M BR	2	2	I
28	501796	BULKHEAD COUPLING / PIPE FITTING / 1/2NPT-Fx1/2NPT-Fx1 1/2 BR	2	2	I
29	641383	MALE CONNECTOR / PUSH-IN FITTING / #8x1/2NPT-M BR	2	2	I
31	501719	MALE ELBOW 90° / JIC 37° FITTING / #8JIC-Mx1/2NPT-M BR	2	2	R
32	145293P	HOSE ASSY / #8 727MM	2	2	R
33	501739	MALE CONNECTOR / JIC 37° FITTING / #8JIC-Mx1/2NPT-M STL	2	2	R
34	500979	WASHER LO INT 1.144x1.830x.067 Z050	2	2	R
35	501796	BULKHEAD COUPLING / PIPE FITTING / 1/2NPT-Fx1/2NPT-Fx1 1/2 BR	2	2	R
36	641383	MALE CONNECTOR / PUSH-IN FITTING / #8x1/2NPT-M BR	2	2	R
37	132056	SUPPORT To K-0232	2	2	R
37	130028	SUPPORT From J-0233	2	2	R
38	5001182	NUT HEX NYRT M6-1.0 SS	4	4	R
39	500411	WASHER FL .260x.697x.050 SS	4	4	R
40	504614	PLATE RETAINING / COLLAR	2	2	R
41	140079	HALF COLLAR 44MM I.D. / TO FIX HOSE	8	8	R
42	5001681	SCREW CAP HEX M6-1.0x60 SS	4	4	R
43	502860	NUT HEX STO M6-1.0 N500	4	4	R

From K-0185	Date:07/2024	PAGE:H9-1601-00
BELLOWS - AIR SUSPENSION		

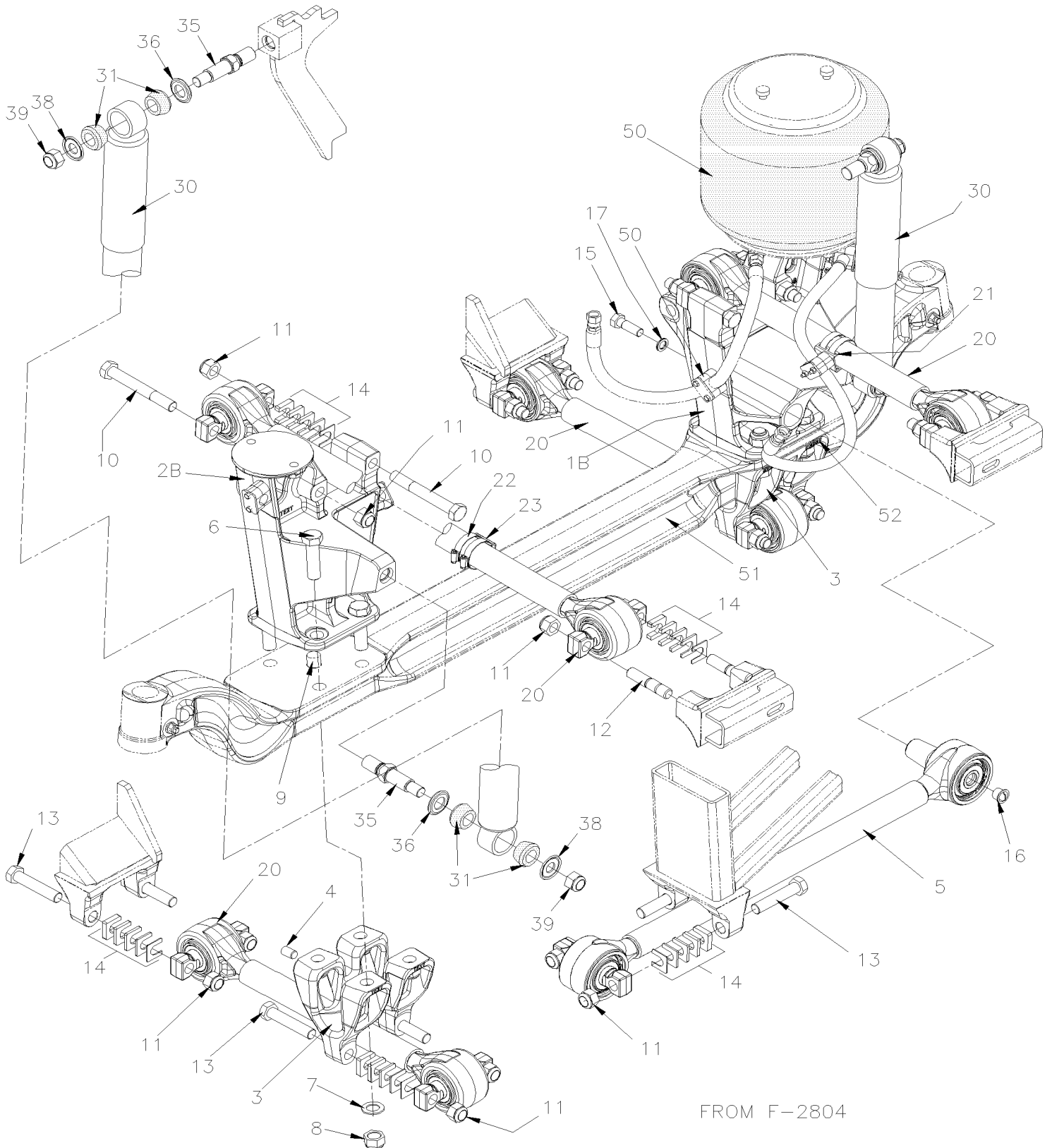
Item#	Part	Description	H 3 4 1	H 3 4 5	N O T E S
		I) WITH INDEPENDANT SUSPENSION			
		R) RIGID SUSPENSION			

From K-0185

Date:07/2024

PAGE:H9-1605-01

FRONT AXLE - INSTALL W/ I BEAM RIGID



FROM F-2804

From K-0185	Date:07/2024	PAGE:H9-1605-01
FRONT AXLE - INSTALL W/ I BEAM RIGID		

Item#	Part	Description	H 3 4 1	H 3 4 5	N O T E S
1B	611488	SUPPORT ASSY L.H. BELLOW To L-1085	1	1	
1B	110146	SUPPORT ASSY L.H. BELLOW From L-1086 To M-1153	1	1	
1B	118920	SUPPORT ASSY L.H. BELLOW From M-1154	1	1	
2B	611489	SUPPORT ASSY R.H. BELLOW To L-1085	1	1	
2B	110148	SUPPORT ASSY R.H. BELLOW From L-1086 To M-1153	1	1	
2B	118922	SUPPORT ASSY R.H. BELLOW From M-1154	1	1	
3	611484	SUPPORT RADIUS ROD To L-1085	2	2	
3	110144	SUPPORT RADIUS ROD From L-1086 To M-1153	2	2	
3	118918	SUPPORT RADIUS ROD From M-1154	2	2	
4	5001907	SCREW SET HEXS CUP M16-2x25 N500	2	2	
5	621879	ROD ASSY / 889MM	1	1	
. NS	621891	. BALL PIN BUSHING / REPAIR KIT 70MM O.D.	1	1	
. NS	621892	. BALL PIN BUSHING / REPAIR KIT 70MM O.D. / 130MM C/C	1	1	
6	5001909	SCREW CAP HEX M22-2.5x80 G10.9 N500	8	8	
7	5001509	WASHER FL 23.0x39.0x4.0 ZP	2	2	
8	5002115	NUT HEX NYRT M22-2.5 G10 NX500	8	8	
9	505541	DOWEL PIN 1"x1"	2	2	
10	5001905	SCREW CAP HEX M20-2.5X150 G10.9 N500	4	4	
11	5001663	NUT HEX NYRT M20-2.5 G10 Z050	18	18	
12	5001897	STUD M20-2.5x70 G10.9 N500	4	4	
13	5001525	SCREW CAP HEX M20-2.5x100 G10.9 N500	10	10	
14	661219	SHIM "U" 0.79 x 39.5MM x 38MM x 20 i.d.	AR	AR	
14	661101	SHIM "U" 1.52 x 39.5MM x 38MM x 20 i.d.	AR	AR	
14	160993	SHIM "U" 3.175x 39.5MM x 38MM x 20 i.d.	AR	AR	
14	661094	SHIM "U" 4.76 x 39.5MM x 38MM x 20 i.d.	AR	AR	
14	160992	SHIM "U" 6.35 x 39.5MM x 38MM x 20 i.d.	AR	AR	
14	163599	SHIM "U" 9.53 x 39.5MM x 38MM x 20 i.d.	AR	AR	
15	5001899	SCREW CAP HEX M16-1.5x50 G10.9 N500	1	1	
16	621832	PULL PLUG DIA. 23MM	1	1	
17	630278	WASHER "NORD-LOCK" 17.0x25.4x3.4 YP	1	1	
20	621900	ROD ASSY / 594MM	4	4	
21	132002	SUPPORT HOSE LH	1	1	
22	504792	HOSE CLAMP / 1"9/16-2.5" SS / HAS-32	4	4	
23	132022	SUPPORT HOSE RH	1	1	
30	630288	SHOCK ABSORBER / SACHS	2	2	
31	630291	. BUSHING / RUBBER / (TWO PIECES) 1" x 1.005" I.D.	4	4	
35	131424	PIN W/TAPER ATTACHMENT M20-2.5	4	4	
36	5001153	WASHER CON 25.5x50.0x4.5 ZP	4	4	
38	5001152	WASHER CON 21.0x50.0x4.5 ZP	4	4	
39	5001663	NUT HEX NYRT M20-2.5 G10 Z050	2	2	
50	H9-1601-00	BELLOWS - AIR SUSPENSION			
51	H9-1005-00	FRONT AXLE - I BEAM RIGID MODEL "S84U" To K-0512			

From K-0185	Date:07/2024	PAGE:H9-1605-01
-------------	--------------	-----------------

FRONT AXLE - INSTALL W/ I BEAM RIGID

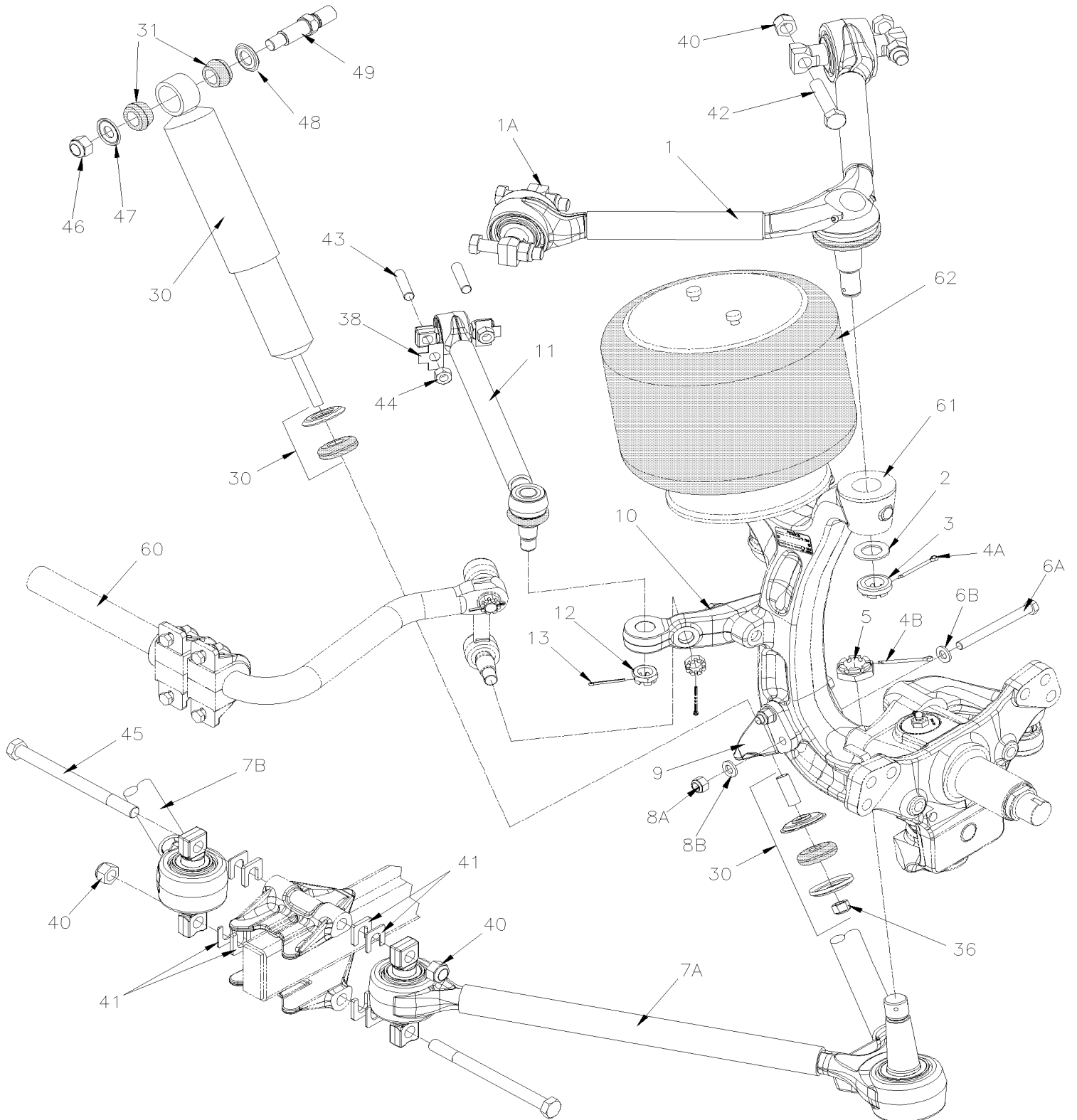
Item#	Part	Description	H 3 4 1	H 3 4 5	N O T E S
51	H9-1005-01	FRONT AXLE - I BEAM RIGID MODEL "S84U" From K-0512			
52	H9-1225-10	BRAKE CHAMBER - FRONT AXLE TYPE 24			

From K-0185

Date:07/2024

PAGE:H9-1605-61

FRONT AXLE - INSTALL W/INDEPENDENT "NDIFS80P" / 19000LBS



From K-0185		Date:07/2024	PAGE:H9-1605-61
FRONT AXLE - INSTALL W/INDEPENDENT "NDIFS80P" / 19000LBS			

Item#	Part	Description	H 3 4 1	H 3 4 5	N O T E S
1	611270	UPPER ARM ASSY / L.H. & R.H.	2	2	
. A	611346	. BUSHING BAR PIN / 20MM 150mm c/c 85MM O.D. x 72MM wide	2	2	
. A1	611358	. BUSHING BAR PIN / 20MM 150mm c/c 85MM O.D. x 72MM wide	2	2	
2	5001255	WASHER FL 31.75x54.77x3.175	2	2	
3	5001321	NUT HEX CSL M30-1.5 17TH CJ	2	2	
4A	502115	PIN, COTTER 3/16 x 2 1/2	2	2	
4B	502109	PIN, COTTER 6.3MM x 71MM Z50	2	2	
5	5001333	NUT HEX CSL M36-1.5 17TH CJ	2	2	
6A	5002000	SCREW CAP HEX M14-2.0x150 G10.9 PT N500	2	2	
6B	5001995	WASHER FL 15.0x28.0x3.5 N500	2	2	
7A	610008	LOWER ARM ASSY / R.H / 19K	1	1	
. NS	610009	. BUSHING BAR PIN / REPAIR KIT FRAME SIDE	2	2	
. NS	610010	. BALL ASSY / REPAIR KIT WHEEL SIDE	1	1	
7B	610007	LOWER ARM ASSY / L.H / 19K	1	1	
. NS	610009	. BUSHING BAR PIN / REPAIR KIT FRAME SIDE	2	2	
. NS	610010	. BALL ASSY / REPAIR KIT WHEEL SIDE	1	1	
8A	5001994	NUT HEX NYRT M14-2.0 NX500	2	2	
8B	5001995	WASHER FL 15.0x28.0x3.5 N500	2	2	
9	110821	ATTACHMENT / SHOCK ABSORBER	2	2	
10	612380	UPRIGHT ARM L.H	1	1	
10	612381	UPRIGHT ARM R.H	1	1	
11	661111	ROD ASSY / 5TH / W/58 Deg	2	2	
12	5001325	. NUT HEX CSL M24-1.5 15TH CJ	1	1	
13	661215	. PIN, COTTER 5MMx40MM	1	1	
30	630292	SHOCK ABSORBER / SACHS	1	1	M
. NS	630255	. KIT WASHER & RUBBER BUSHING	1	1	M
. NS	630291	. BUSHING / RUBBER / (TWO PIECES) 1" x 1.005" I.D.	1	1	M
31	630291	. BUSHING / RUBBER / (TWO PIECES) 1" x 1.005" I.D.	2	2	
36	5001579	. NUT HEX NYRT M16-1.5 Z050	2	2	
38	131961	TAB LOCK	4	4	
40	5001663	NUT HEX NYRT M20-2.5 G10 Z050	12	12	
41	661219	SHIM "U" 0.79 x 39.5MM x 38MM x 20 i.d.	AR	AR	
41	661101	SHIM "U" 1.52 x 39.5MM x 38MM x 20 i.d.	AR	AR	
41	160993	SHIM "U" 3.175x 39.5MM x 38MM x 20 i.d.	AR	AR	
41	661094	SHIM "U" 4.76 x 39.5MM x 38MM x 20 i.d.	AR	AR	
41	160992	SHIM "U" 6.35 x 39.5MM x 38MM x 20 i.d.	AR	AR	
41	163599	SHIM "U" 9.53 x 39.5MM x 38MM x 20 i.d.	AR	AR	
42	5001525	SCREW CAP HEX M20-2.5x100 G10.9 N500	4	4	
43	5000308	STUD M16-2.0x50 G10.9 N500	4	4	
44	5001662	NUT HEX NYRT M16-2.0 G10 Z050	4	4	
45	5001561	SCREW CAP HEX M20-2.5x250 G10.9 ZP	8	8	
46	5001663	NUT HEX NYRT M20-2.5 G10 Z050	2	2	

From K-0185	Date:07/2024	PAGE:H9-1605-61
FRONT AXLE - INSTALL W/INDEPENDENT "NDIFS80P" / 19000LBS		

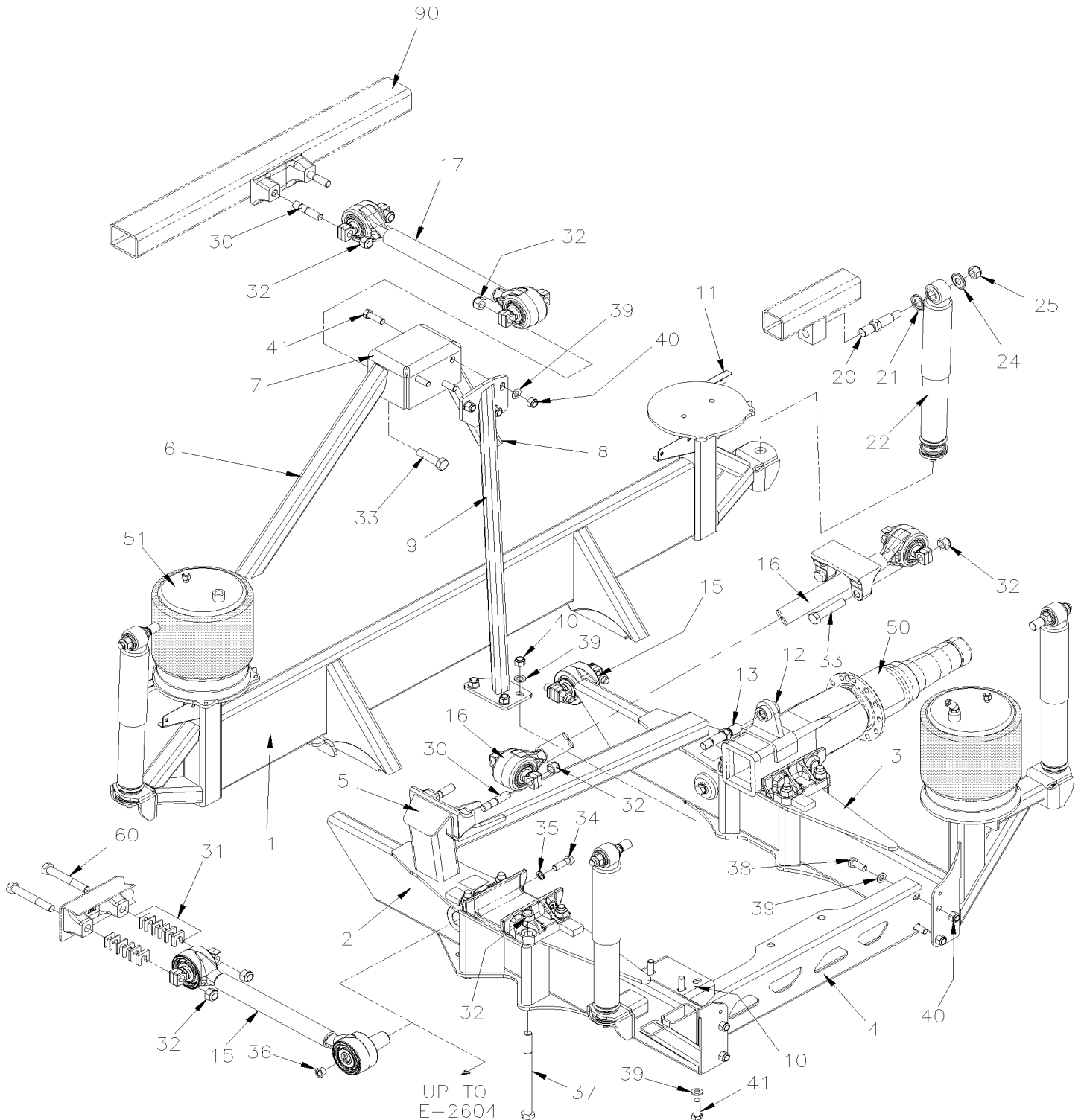
Item#	Part	Description	H 3 4 1	H 3 4 5	N O T E S
47	5001152	WASHER CON 21.0x50.0x4.5 ZP	2	2	
48	5001153	WASHER CON 25.5x50.0x4.5 ZP	2	2	
49	131424	PIN W/TAPER ATTACHMENT M20-2.5	2	2	
NS	682175	UNDERCOATING BLACK PROTECTOR (GRAVELGUARD) 567gr To N-1261	AR	AR	
NS	685413	RUBBERIZED UNDERCOAT (GRAVELGUARD) 560gr From N-1262	AR	AR	
60	H9-1616-01	SWAY BAR			
61	H9-1005-61	FRONT AXLE - INDEPENDENT MODEL "NDIFS80P" / 19000LBS			
62	H9-1601-00	BELLOWS - AIR SUSPENSION			
		M) METAL SLEEVE FROM KIT 630255 NOT USED			

From K-0185

Date:07/2024

PAGE:H9-1610-01

REAR AXLE - INSTALL SUSPENSION



From K-0185		Date:07/2024	PAGE:H9-1610-01
REAR AXLE - INSTALL SUSPENSION			

Item#	Part	Description	H 3 4 1	H 3 4 5	N O T E S
	Call order desk	REAR DIFFERENTIAL CARRIER ASSY WELDED	1	1	P
1	122053	. FRONT FRAME ASSY / W/AXLE	1	1	
2	121967	. BEAM ASSY / L.H.	1	1	
2	121932	. BEAM ASSY / L.H. WITH SNOW CHAIN From P-1315	1	1	A
3	121968	. BEAM ASSY / R.H.	1	1	
3	121933	BEAM ASSY / R.H. WITH SNOW CHAIN From P-1315	1	1	A
4	122000	. CROSS MEMBER ASSY	1	1	
5	121990	. PANHARD ATTACHMENT, CARRIER FRAME To P-1358	1	1	
5	120115	. PANHARD ATTACHMENT, CARRIER FRAME From P-1359	1	1	
6	121998	BRACE / FRONT L.H.	1	1	
7	122065	TOP TRIPOD ASSY WELDED	1	1	
8	121997	BRACE / FRONT R.H.	1	1	
9	121980	TRIPOD ASSY WELDED	1	1	
10	122023	PLATE SUPPORT	1	1	
11	122013	ACTUATOR SUPPORT / TO FIX LINK / (WELDED)	2	2	
12	121467	ATTACHMENT PIN SWAY BAR / (WELDED TO HOUSING)	2	2	
13	131522	PIN W/TAPER ATTACHMENT M20-2.5 / SWAY-BAR	2	2	
15	621899	ROD ASSY / 594MM	2	2	
. NS	630275	. BALL PIN BUSHING / REPAIR KIT 85MM O.D.	1	1	
16	621873	ROD ASSY / 889MM	1	1	
. NS	621890	. BALL PIN BUSHING / REPAIR KIT 70MM O.D. / 130MM C/C	2	2	
17	621900	ROD ASSY / 594MM	1	1	
20	131424	PIN W/TAPER ATTACHMENT M20-2.5	4	4	
NS	171032	SUPPORT 1"-14 / SHOCK ABSORBER / 55MM	2	2	
NS	173777	SUPPORT 1"-14 / SHOCK ABSORBER / 50.8MM	2	2	
21	5001153	WASHER CON 25.5x50.0x4.5 ZP	4	4	
22	630294	SHOCK ABSORBER / SACHS	4	4	M
. NS	630291	. BUSHING / RUBBER / (TWO PIECES) 1" x 1.005" I.D.	1	1	M
. NS	630255	. KIT WASHER & RUBBER BUSHING	1	1	M
24	5001152	WASHER CON 21.0x50.0x4.5 ZP	4	4	
25	5001663	NUT HEX NYRT M20-2.5 G10 Z050	4	4	
30	5001897	STUD M20-2.5x70 G10.9 N500	4	4	
31	661219	SHIM "U" 0.79 x 39.5MM x 38MM x 20 i.d.	AR	AR	
31	661101	SHIM "U" 1.52 x 39.5MM x 38MM x 20 i.d.	AR	AR	
31	161351	SHIM "U" 2.28 x 39.5MM x 38MM x 20 i.d.	AR	AR	
31	160993	SHIM "U" 3.175x 39.5MM x 38MM x 20 i.d.	AR	AR	
31	661094	SHIM "U" 4.76 x 39.5MM x 38MM x 20 i.d.	AR	AR	
31	160992	SHIM "U" 6.35 x 39.5MM x 38MM x 20 i.d.	AR	AR	
31	163599	SHIM "U" 9.53 x 39.5MM x 38MM x 20 i.d.	AR	AR	
32	5001663	NUT HEX NYRT M20-2.5 G10 Z050	20	20	
33	5001225	SCREW CAP HEX M20-2.5x80 G10.9 G500	4	4	
34	5001899	SCREW CAP HEX M16-1.5x50 G10.9 N500	2	2	

From K-0185	Date:07/2024	PAGE:H9-1610-01
REAR AXLE - INSTALL SUSPENSION		

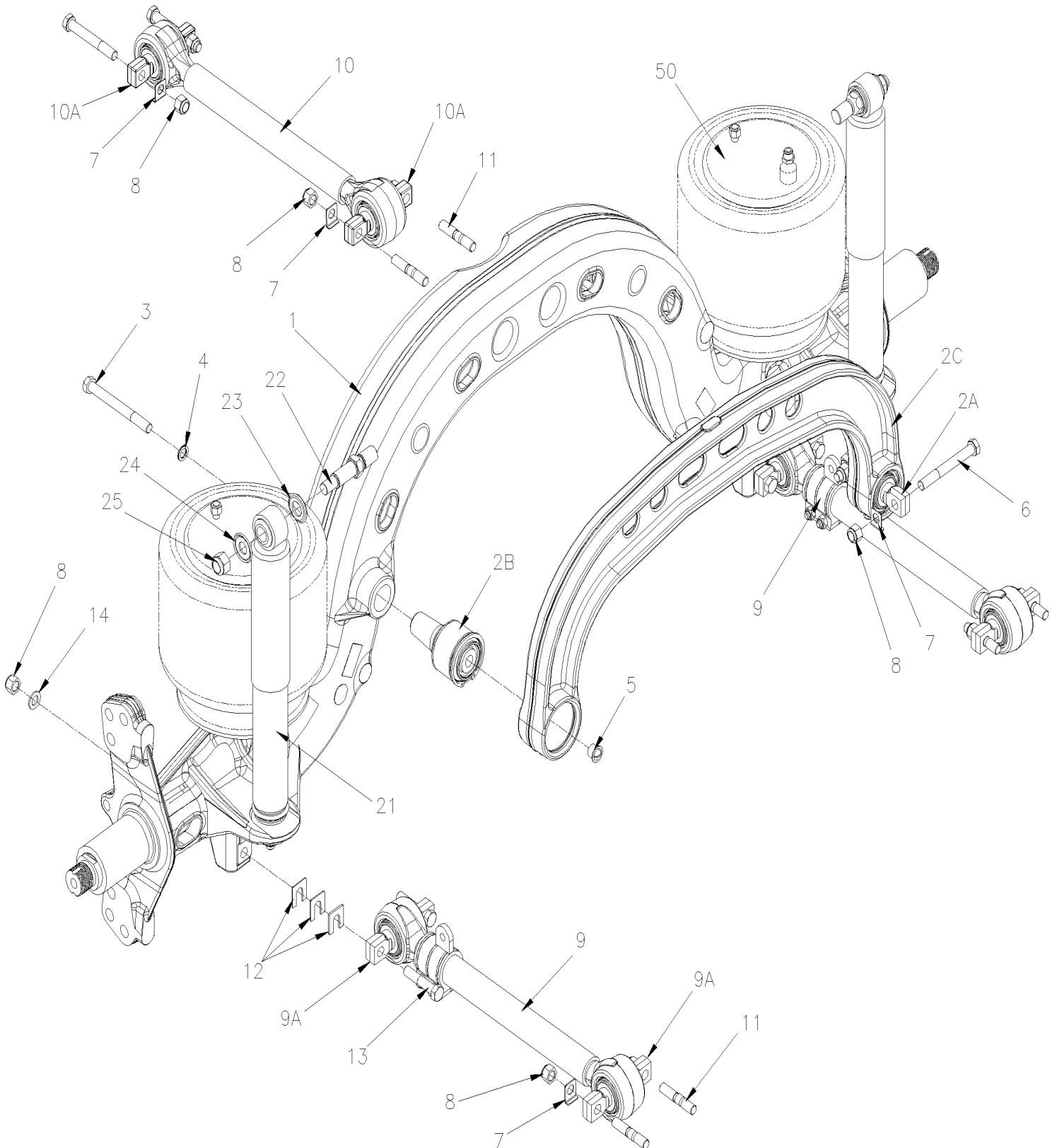
Item#	Part	Description	H 3 4 1	H 3 4 5	N O T E S
35	630278	WASHER "NORD-LOCK" 17.0x25.4x3.4 YP	2	2	
36	621832	PULL PLUG DIA. 23MM	2	2	
37	5001898	SCREW CAP HEX M20-2.5x275 G10.9 N500	8	8	
38	5001590	SCREW CAP HEX M16-2.0x40 G10.9 N500	4	4	
39	5001150	WASHER FL 17.0x30.0x3.0 N500	13	13	
40	5001662	NUT HEX NYRT M16-2.0 G10 Z050	10	10	
41	5001372	SCREW CAP HEX M16-2.0x50 G10.9 N500	6	6	
NS	680038	THREAD LOCKER LOCTITE #243 / BLUE / 50ml	AR	AR	
NS	688910	THREAD LOCKER LOCTITE #262 / RED / 250ml	AR	AR	
NS	680098	THREAD SEALANT LOCTITE #567 / WHITE / 250ml	AR	AR	
NS	680064	OIL ANTICOROSIVE GREY (TECTYL) (20 LITERS)	AR	AR	
NS	682175	UNDERCOATING BLACK PROTECTOR (GRAVELGUARD) 567gr To N-1261	AR	AR	
45	685413	RUBBERIZED UNDERCOAT (GRAVELGUARD) 560gr From N-1262	AR	AR	
50	H9-1105-00	REAR AXLE - MODEL "RC23165"			
51	H9-1601-00	BELLOWS - AIR SUSPENSION			
60	5001934	SCREW CAP HEX M20-2.5x140 G10.9 N500	4	4	
NS	502558	WASHER FL 21.0x37.0x3.0 G500	4	4	
90	170117	CROSSMEMBER REAR SUB-FRAM To P-1402	1	1	
90	174146	CROSSMEMBER REAR SUB-FRAM From P-1403	1	1	
		A) USE WITH SNOW CHAIN OPTION			
		M) METAL SLEEVE FROM KIT 630255 NOT USED			
		P) CALL ORDER DESK FOR SPECIFIC APPLICATION (V.I.N.)			

From K-0185

Date:07/2024

PAGE:H9-1615-01

TAG AXLE - INSTALL SUSPENSION ONE PIECE



From K-0185		Date:07/2024	PAGE:H9-1615-01
TAG AXLE - INSTALL SUSPENSION ONE PIECE			

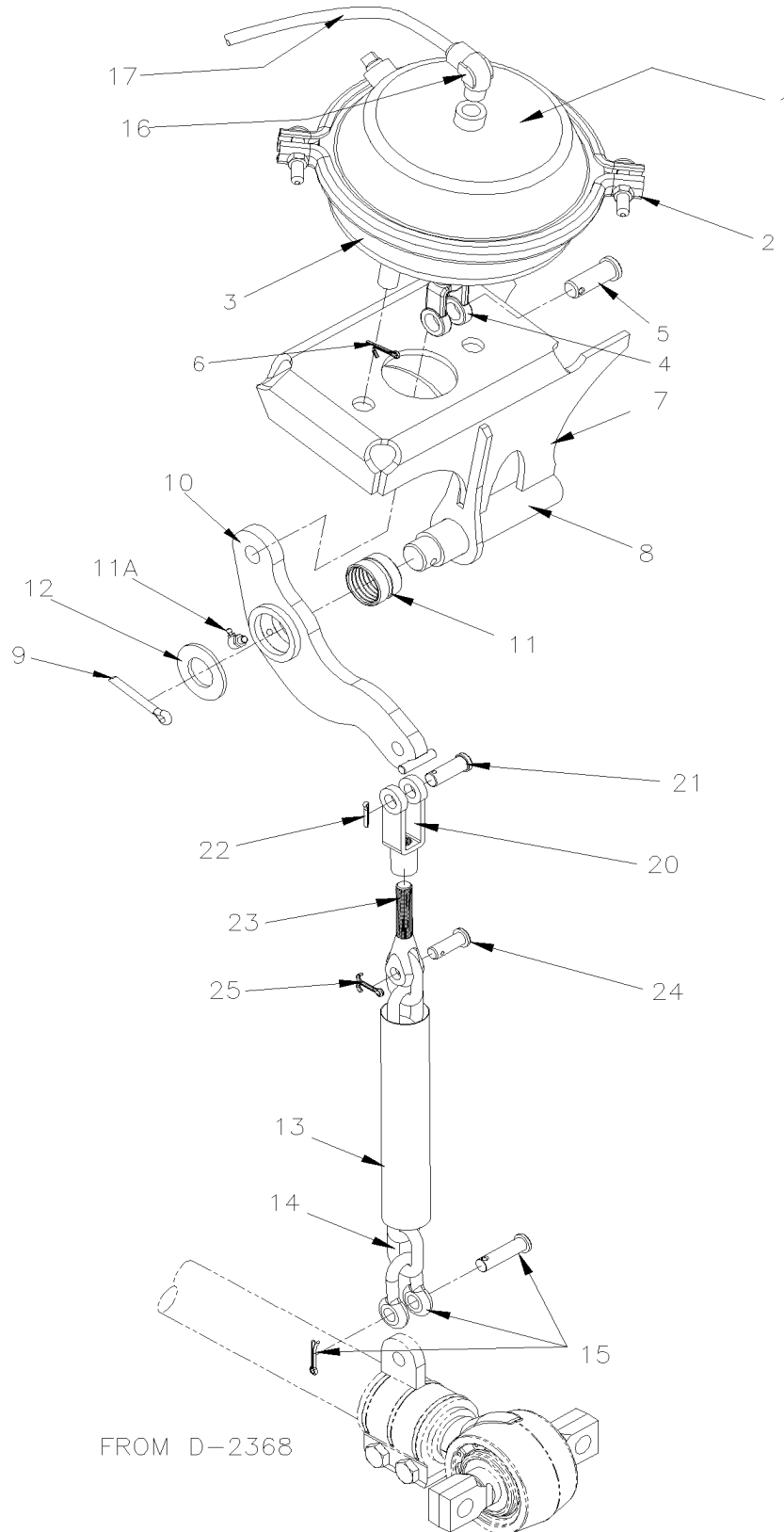
Item#	Part	Description	H 3 4 1	H 3 4 5	N O T E S
1	621808	TAG AXLE / FORGE	1	1	
2	630272	ROD ASSY WITH / 35" C/C (889MM) / CASTING	1	1	
. A	630274	. BALL PIN BUSHING / REPAIR KIT 75MM O.D. / 130MM C/C	1	1	
. B	630275	. BALL PIN BUSHING / REPAIR KIT 85MM O.D.	1	1	
. C	630273	. ROD 35" C/C (889MM) / CASTING	1	1	
NS	G32952	TOOL REMOVER TAG PANHARD FROM AXLE	1	1	
3	5001795	SCREW CAP HEX M16-1.5x160 G10.9 N500	1	1	
4	630278	WASHER "NORD-LOCK" 17.0x25.4x3.4 YP	1	1	
5	621832	PULL PLUG DIA. 23MM	1	1	
6	5001828	SCREW CAP HEX M16-2.0x140 G10.9 N500	2	2	
7	131961	TAB LOCK	10	10	
8	5001662	NUT HEX NYRT M16-2.0 G10 Z050	14	14	
9	621803	ROD ASSY / 23.38" (594.1MM) / 130MM / M16	2	2	
. A	630274	. BALL PIN BUSHING / REPAIR KIT 75MM O.D. / 130MM C/C	2	2	
10	621806	ROD ASSY / 23.38" (594.1MM) / 130MM / M16	1	1	
. A	630274	. BALL PIN BUSHING / REPAIR KIT 75MM O.D. / 130MM C/C	2	2	
11	5000308	STUD M16-2.0x50 G10.9 N500	6	6	
12	661220	SHIM "U" 0.79 x39.5MM x 38MM x17 i.d.	AR	AR	
12	621830	SHIM "U" 1.59 x 39.5MM x 38MM x17 i.d.	AR	AR	
12	161352	SHIM "U" 2.28 x39.5MM x 38MM x17 i.d.	AR	AR	
12	621831	SHIM "U" 3.175 x39.5MM x 38MM x17 i.d.	AR	AR	
13	5001830	SCREW CAP HEX M16-2.0x80 G10.9 N500	4	4	
14	5001722	WASHER FL 17.0x30.0x3.0 SS	4	4	
15	5001827	SCREW CAP HEX M16-2.0x120 G10.9 N500	2	2	
21	630295	SHOCK ABSORBER / SACHS	2	2	M
. NS	630255	. KIT WASHER & RUBBER BUSHING	1	1	M
. NS	630291	. BUSHING / RUBBER / (TWO PIECES) 1" x 1.005" I.D.	1	1	M
22	131424	PIN W/TAPER ATTACHMENT M20-2.5	1	1	
23	5001153	WASHER CON 25.5x50.0x4.5 ZP	2	2	
24	5001152	WASHER CON 21.0x50.0x4.5 ZP	2	2	
25	5001663	NUT HEX NYRT M20-2.5 G10 Z050	2	2	
NS	682175	UNDERCOATING BLACK PROTECTOR (GRAVELGUARD) 567gr To N-1261	AR	AR	
NS	685413	RUBBERIZED UNDERCOAT (GRAVELGUARD) 560gr From N-1262	AR	AR	
50	H9-1601-00	BELLOWS - AIR SUSPENSION			
		M) METAL SLEEVE FROM KIT 630255 NOT USED			

From K-0185

Date:07/2024

PAGE:H9-1615-10

TAG AXLE - LIFTING



From K-0185	Date:07/2024	PAGE:H9-1615-10
TAG AXLE - LIFTING		

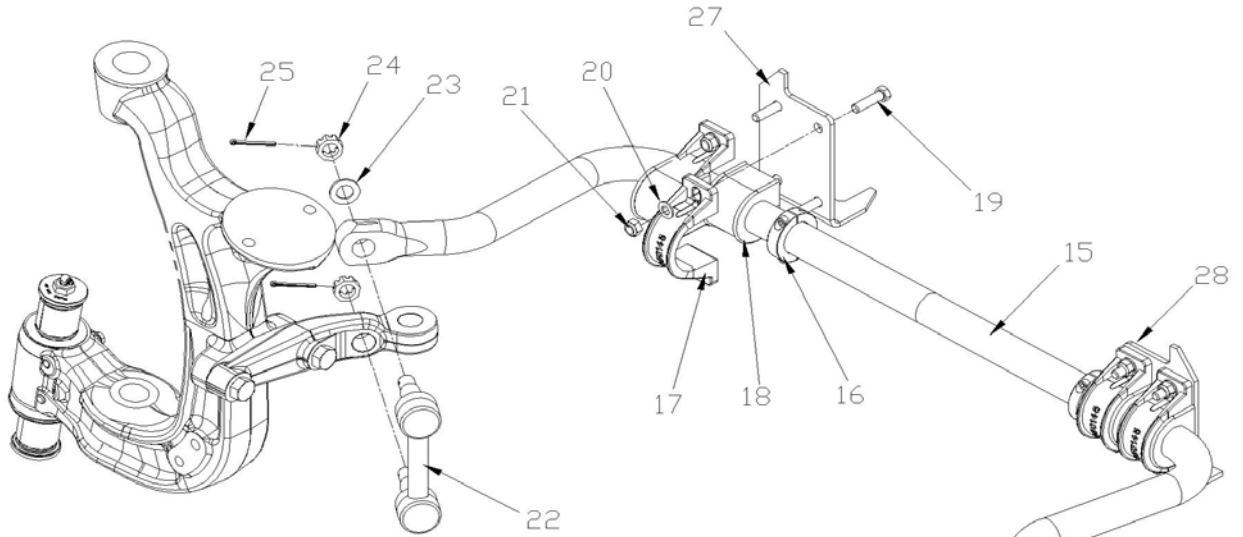
Item#	Part	Description	H 3 4 1	H 3 4 5	N O T E S
1	641425	BRAKE CHAMBER ASSY / TYPE 36	2	2	
2	641067	. CLAMP TYPE 36	1	1	
3	640979	. DIAPHRAGM / TYPE 36	1	1	
3	641066	. BOOT RUBBER	1	1	
4	640130	. YOKE 5/8-18x1 3/8 C/Lx9/16Wx5/8	1	1	
5	502028	. . PIN, CLEVIS 5/8 x 3/4	1	1	
6	502102	. . PIN, COTTER 1/8 x 1	1	1	
NS	641426	. . SHIELD, ROD CENTER HOLE	1	1	
7	175143	BRACKET / L.H.	1	1	
7	175144	BRACKET / R.H.	1	1	
8	175141	PIVOT PIN	1	1	
9	502106	PIN, COTTER 1/4 x 2	1	1	
10	132004	LEVER ASSY	1	1	
11	131791	. BUSHING BRASS / W/GROOVE INSIDE 38.17 O.D. x 32.2 I.D. x 25.4	1	1	
11A	501500	. GREASE FITTING 90° / 1/4-28	1	1	
12	500456	WASHER FL 1.062x2.000x.134 Z050	1	1	
13	121850	TUBE COVERING CHAIN 140MM	1	1	
. NS	5001503	. TUBE, PVC / CLEAR / 1 1/2" I.D./ S.L.	AR	AR	
14	121930	CHAIN / 243MM	1	1	
15	505064	SHACKLE CHAIN 3/8	1	1	
16	641375	MALE ELBOW 90° NON-SWIVEL / PUSH-IN FITTING / #6x3/8NPT-M BR	1	1	
17	503404	TUBE, NYLON 3/8 O.D. / BLACK S.L.	AR	AR	
20	5021002	CLEVIS ROD END 1/2	1	1	
21	502035	. PIN, CLEVIS 1/2 x 1 3/8 Z050	1	1	
22	502103	. PIN, COTTER 1/8 x 2	1	1	
23	5021003	CLEVIS ROD END 7/16	1	1	
24	5021004	PIN, CLEVIS 7/16 x 1 1/4 ZP	1	1	
25	502102	PIN, COTTER 1/8 x 1	1	1	

From K-0185 To R-1917

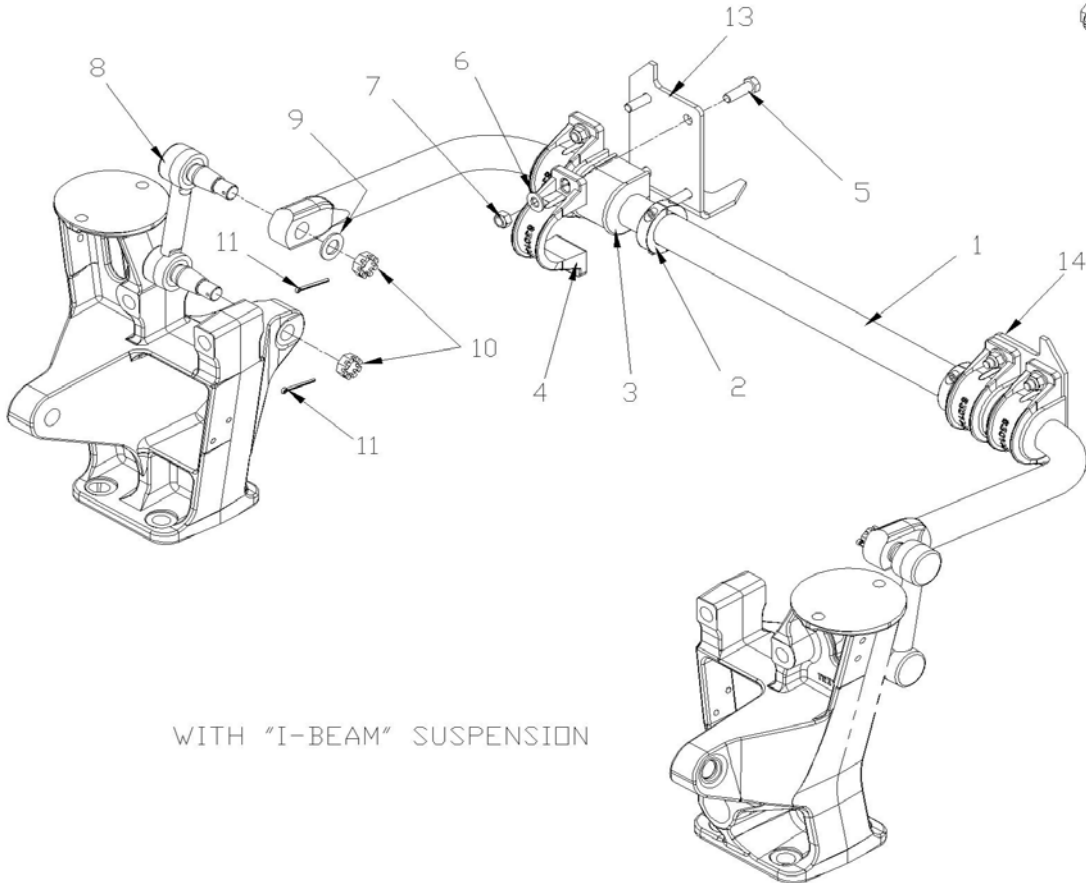
Date:07/2024

PAGE:H9-1616-01

SWAY BAR



WITH INDEPENDANTE SUSPENSION



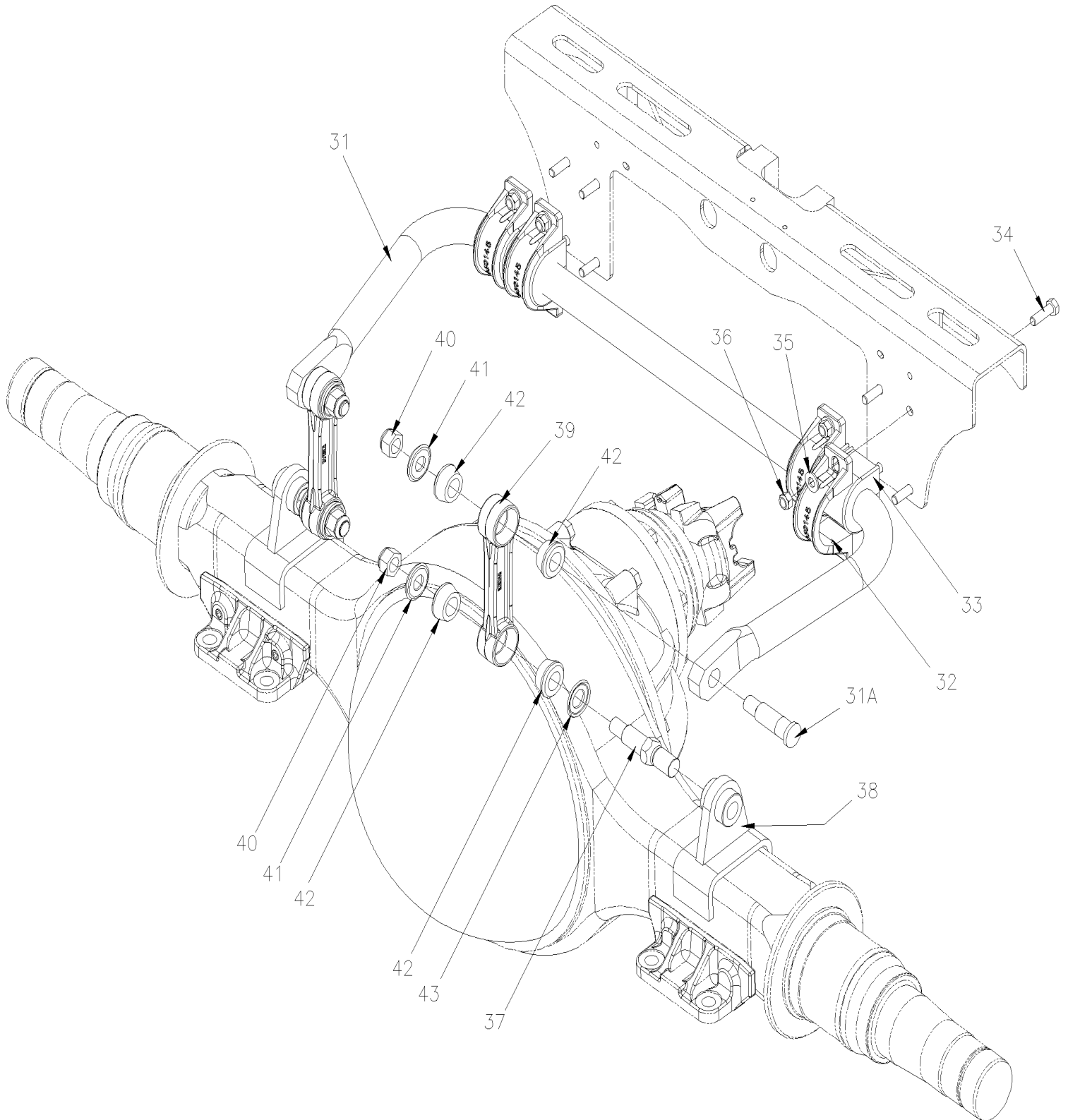
WITH "I-BEAM" SUSPENSION

From K-0185 To R-1917

Date:07/2024

PAGE:H9-1616-01

SWAY BAR



From K-0185 To R-1917	Date:07/2024	PAGE:H9-1616-01
SWAY BAR		

Item#	Part	Description	H 3 4 1	H 3 4 5	N O T E S
1	132008	SWAY BAR ASSY / 1 3/4" O.D. X 993MM To K-0426	1	1	F
1	130020	SWAY BAR ASSY / 51MM O.D. x 993 MM From K-0427	1	1	F
2	563042	COLLAR 1 3/4" I.D. To K-0426	2	2	F
2	502942	COLLAR 2" I.D. From K-0427	2	2	F
3	630020	BUSHING / RUBBER / USE WITH SWAY BAR 1 3/4" To K-0426	4	4	F
3	131355	BUSHING / RUBBER 2" I.D. From K-0427	4	4	F
4	630145	COLLAR / IRON / 2x.472" HOLE 4 5/8 C/C	4	4	F
NS	130078	SERV. KIT SWAYBAR COLLAR 45MM 1,75" DI To K-0426	1	1	
. NS	130076	. MACHINED NODULAR COLLAR To K-0426	4	4	
. NS	630020	. BUSHING / RUBBER / USE WITH SWAY BAR 1 3/4" To K-0426	4	4	
. NS	5001688	. SCREW CAP HEX M12-1.75x100 G10.9 G500 To K-0426	8	8	
. NS	5001695	. NUT HEX NYRT M12-1.75 Z050 To K-0426	8	8	
. NS	5002008	. WASHER FL 13.0x35.0x5.0 N500 To K-0426	8	8	
. NS	IS-23019	. SEE ENGLISH INSTRUCTION SHEET To K-0426	1	1	
. NS	FI-23019	. SEE FRENCH INSTRUCTION SHEET To K-0426	1	1	
NS	130079	SERV. KIT SWAYBAR COLLAR 51MM, 2" DIA. From K-0427	1	1	
. NS	130076	. MACHINED NODULAR COLLAR From K-0427	4	4	
. NS	131355	. BUSHING / RUBBER 2" I.D. From K-0427	4	4	
. NS	5001688	. SCREW CAP HEX M12-1.75x100 G10.9 G500 From K-0427	8	8	
. NS	5001695	. NUT HEX NYRT M12-1.75 Z050 From K-0427	8	8	
. NS	5002008	. WASHER FL 13.0x35.0x5.0 N500 From K-0427	8	8	
. NS	IS-23019	. SEE ENGLISH INSTRUCTION SHEET From K-0427	1	1	
. NS	FI-23019	. SEE FRENCH INSTRUCTION SHEET From K-0427	1	1	
5	5001885	SCREW CAP HEX M12-1.75X40 G10.9 N500	8	8	F
6	500011	WASHER FL / HARDENED 13.0x24.0x3.0 STL	8	8	F
7	5001695	NUT HEX NYRT M12-1.75 Z050	8	8	F
8	630246	LINK ASSY / 150MM C/C / W/18000LBS	2	2	F
9	502558	WASHER FL 21.0x37.0x3.0 G500	2	2	F
10	5001553	NUT HEX CSL M20-1.5 N500	4	4	F
11	502104	PIN, COTTER 5/32 x 2	4	4	F
13	170002	ATTACHMENT SWAY BAR CURBSIDE		1	
14	170003	ATTACHMENT SWAY BAR STREETSIDE		1	
15	131755	SWAY BAR 1 3/4" O.D. 1175MM // W/58 Deg To K-0426	1	1	I
15	130017	SWAY BAR 45 MM O.D. 1175MM // W/58 Deg From K-0427	1	1	I
16	563042	COLLAR 1 3/4" I.D.	2	2	I
17	630145	COLLAR / IRON / 2x.472" HOLE 4 5/8 C/C		4	I
NS	130078	SERV. KIT SWAYBAR COLLAR 45MM 1,75" DI		1	
. NS	130076	. MACHINED NODULAR COLLAR		4	
. NS	630020	. BUSHING / RUBBER / USE WITH SWAY BAR 1 3/4"		4	
. NS	5001688	. SCREW CAP HEX M12-1.75x100 G10.9 G500		8	

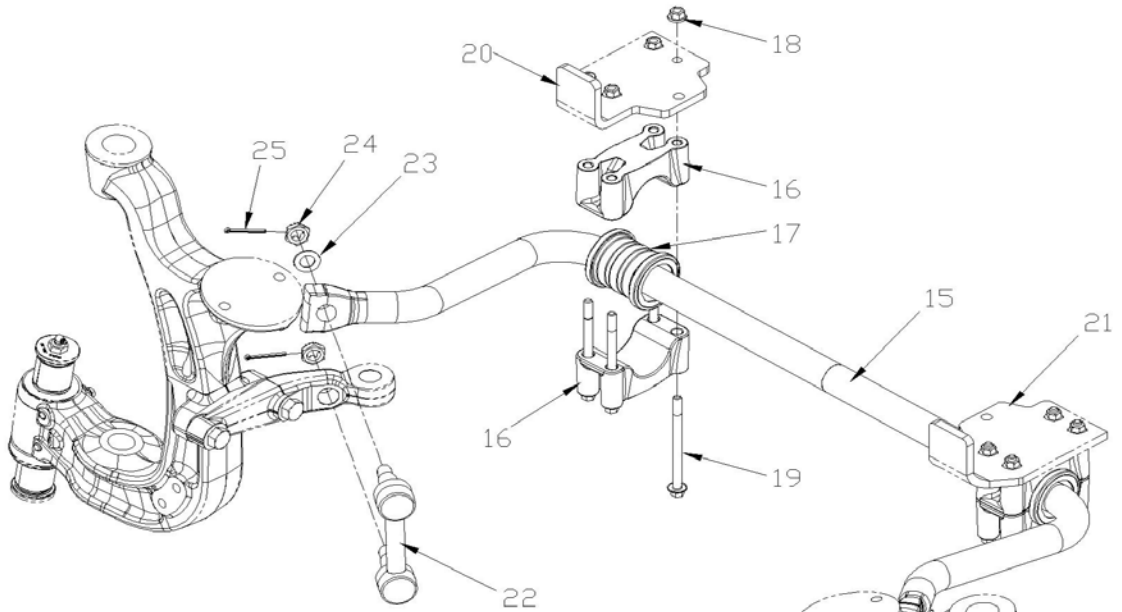
From K-0185 To R-1917	Date:07/2024	PAGE:H9-1616-01
SWAY BAR		

Item#	Part	Description	H 3 4 1	H 3 4 5	N O T E S
. NS	5001695	. NUT HEX NYRT M12-1.75 Z050		8	
. NS	5002008	. WASHER FL 13.0x35.0x5.0 N500		8	
. NS	IS-23019	. SEE ENGLISH INSTRUCTION SHEET		1	
. NS	FI-23019	. SEE FRENCH INSTRUCTION SHEET		1	
18	630020	BUSHING / RUBBER / USE WITH SWAY BAR 1 3/4"		4	I
19	5001885	SCREW CAP HEX M12-1.75X40 G10.9 N500		8	I
20	500011	WASHER FL / HARDENED 13.0x24.0x3.0 STL		8	I
21	5001695	NUT HEX NYRT M12-1.75 Z050		8	I
22	630246	LINK ASSY / 150MM C/C / W/18000LBS		2	I
23	502558	WASHER FL 21.0x37.0x3.0 G500		2	I
24	5001553	NUT HEX CSL M20-1.5 N500		4	I
25	502104	PIN, COTTER 5/32 x 2		4	I
27	170002	ATTACHMENT SWAY BAR CURBSIDE	1	1	
28	170003	ATTACHMENT SWAY BAR STREETSIDE	1	1	
31	131276	SWAY BAR ASSY / 1 3/4" O.D. X 848MM	1	1	R
. A	131520	. STUD 1 1/4" O.D.	2	2	R
. NS	MI03-12	. SEE MAINTENANCE INFORMATION	1	1	R
32	630145	COLLAR / IRON / 2x.472" HOLE 4 5/8 C/C	4	4	R
NS	130078	SERV. KIT SWAYBAR COLLAR 45MM 1,75" DI	1	1	
. NS	130076	. MACHINED NODULAR COLLAR	4	4	
. NS	630020	. BUSHING / RUBBER / USE WITH SWAY BAR 1 3/4"	4	4	
. NS	5001688	. SCREW CAP HEX M12-1.75x100 G10.9 G500	8	8	
. NS	5001695	. NUT HEX NYRT M12-1.75 Z050	8	8	
. NS	5002008	. WASHER FL 13.0x35.0x5.0 N500	8	8	
. NS	IS-23019	. SEE ENGLISH INSTRUCTION SHEET	1	1	
. NS	FI-23019	. SEE FRENCH INSTRUCTION SHEET	1	1	
33	630020	BUSHING / RUBBER / USE WITH SWAY BAR 1 3/4"	4	4	R
34	5001885	SCREW CAP HEX M12-1.75X40 G10.9 N500	8	8	R
35	500011	WASHER FL / HARDENED 13.0x24.0x3.0 STL	8	8	R
36	5001695	NUT HEX NYRT M12-1.75 Z050	8	8	R
37	131522	PIN W/TAPER ATTACHMENT M20-2.5 / SWAY-BAR	2	2	R B
38	121467	ATTACHMENT PIN SWAY BAR / (WELDED TO HOUSING)	2	2	R
39	630146	LINK ASSY / 7" C/C / IRON	2	2	R
40	5001663	NUT HEX NYRT M20-2.5 G10 Z050	4	4	R
41	5001152	WASHER CON 21.0x50.0x4.5 ZP	4	4	R
42	506678	BUSHING / POLYURETHANE / (TWO PIECES) RED 1" x 1.005" I.D.	8	8	R
43	5001153	WASHER CON 25.5x50.0x4.5 ZP	2	2	R
NS	682175	UNDERCOATING BLACK PROTECTOR (GRAVELGUARD) 567gr To N-1261	AR	AR	
NS	685413	RUBBERIZED UNDERCOAT (GRAVELGUARD) 560gr From N-1262	AR	AR	

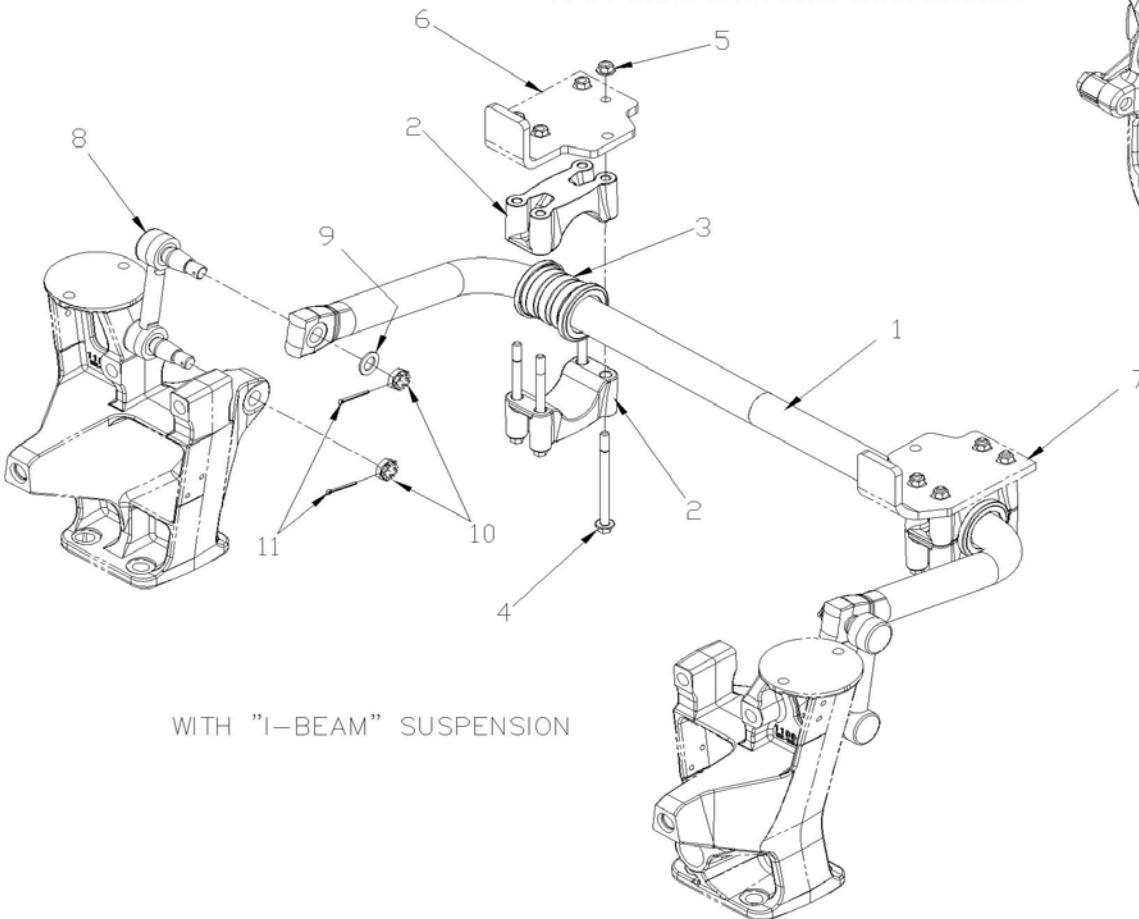
From K-0185 To R-1917	Date:07/2024	PAGE:H9-1616-01
SWAY BAR		

Item#	Part	Description	H 3 4 1	H 3 4 5	N O T E S
		B) THIS PIN IS 3MM SHORTER ON BUSHING SIDE AND BLACK PAINTED FOR EASY IDENTIFICATION			
		F) FRONT I BEAM RIGIDE SUSPENSION			
		I) INDEPENDANT SUSPENSION			
		R) REAR SUSPENSION			

SWAY BAR

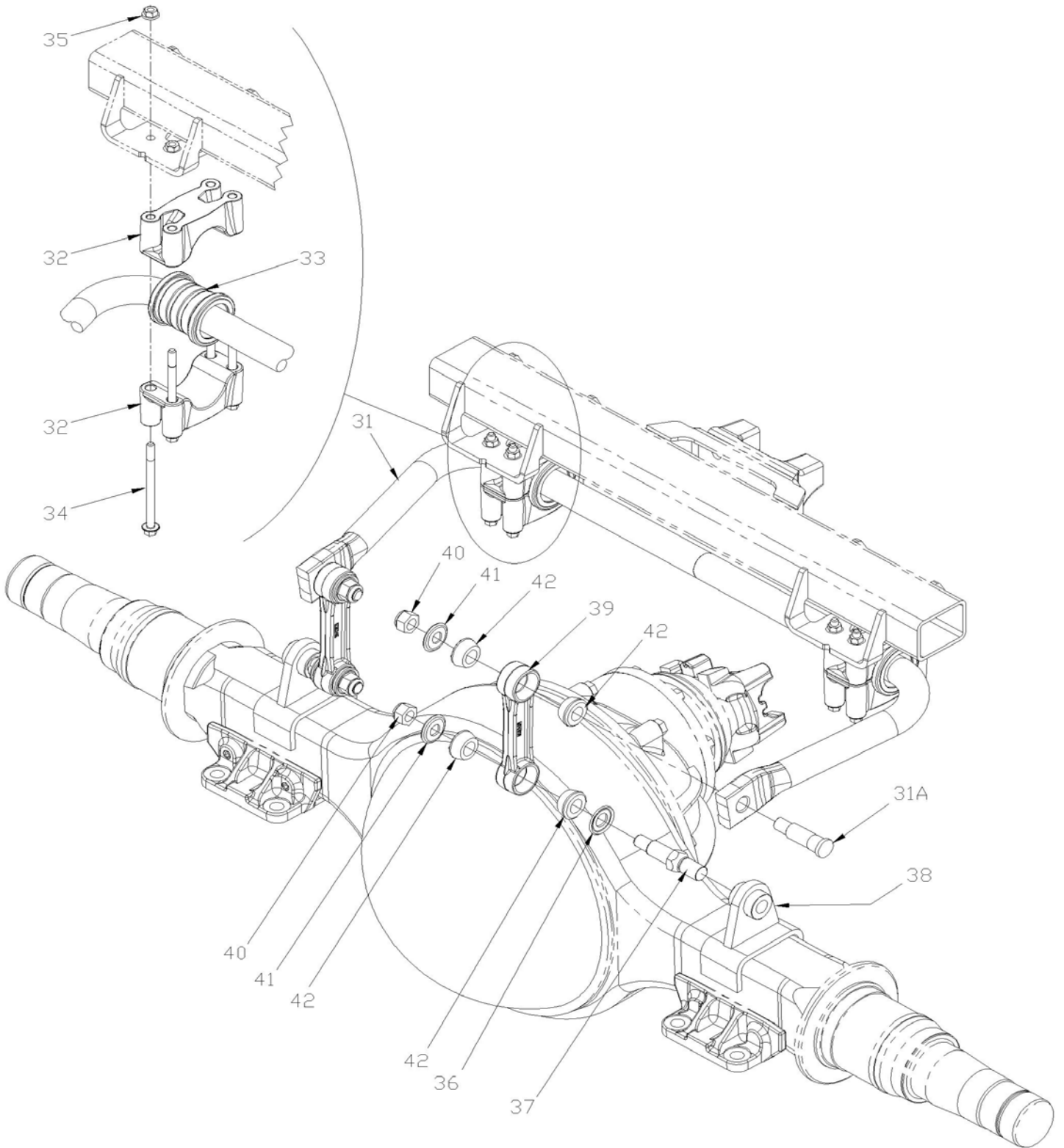


WITH INDEPENDANTE SUSPENSION



WITH "I-BEAM" SUSPENSION

SWAY BAR



	Date:07/2024	PAGE:H9-1616-02
SWAY BAR		

Item#	Part	Description	H 3 4 1	H 3 4 5	N O T E S
1	130020	SWAY BAR ASSY / 51MM O.D. x 993 MM	1	1	F
2	9522629	ANCHORAGE STABILIZER REAR	4	4	F
3	9959304	RUBBER BUSHING DIAM 50, STABILIZER	2	2	F
4	5001723	SCREW CAP HEXF M12-1.75x160 G10.9 N500	8	8	F
5	5001086	NUT HEXF M12-1.75 DP	8	8	F
6	174153	SUPPORT ANTI ROLL BAR RH	1	1	F
7	174154	SUPPORT ANTI ROLL BAR LH	1	1	F
8	630246	LINK ASSY / 150MM C/C / W/18000LBS	2	2	F
9	502558	WASHER FL 21.0x37.0x3.0 G500	2	2	F
10	5001553	NUT HEX CSL M20-1.5 N500	4	4	F
11	502104	PIN, COTTER 5/32 x 2	4	4	F
15	130017	SWAY BAR 45 MM O.D. 1175MM / / W/58 Deg	1	1	I
16	9522629	ANCHORAGE STABILIZER REAR	4	4	I
17	70301194	RUBBER BUSHING DIAM45, STABILIZER	2	2	I
18	5001086	NUT HEXF M12-1.75 DP	8	8	I
19	5001723	SCREW CAP HEXF M12-1.75x160 G10.9 N500	8	8	I
20	174153	SUPPORT ANTI ROLL BAR RH	1	1	I
21	174154	SUPPORT ANTI ROLL BAR LH	1	1	I
22	630246	LINK ASSY / 150MM C/C / W/18000LBS	2	2	I
23	502558	WASHER FL 21.0x37.0x3.0 G500	2	2	I
24	5001553	NUT HEX CSL M20-1.5 N500	4	4	I
25	502104	PIN, COTTER 5/32 x 2	4	4	I
31	131276	SWAY BAR ASSY / 1 3/4" O.D. X 848MM	1	1	R
. A	131520	. STUD 1 1/4" O.D.	2	2	R
. NS	MI03-12	. SEE MAINTENANCE INFORMATION	1	1	R
32	9522629	ANCHORAGE STABILIZER REAR	4	4	R
33	70301194	RUBBER BUSHING DIAM45, STABILIZER	2	2	R
34	5001723	SCREW CAP HEXF M12-1.75x160 G10.9 N500	8	8	R
35	5001086	NUT HEXF M12-1.75 DP	8	8	R
36	5001153	WASHER CON 25.5x50.0x4.5 ZP	2	2	R
37	131522	PIN W/TAPER ATTACHMENT M20-2.5 / SWAY-BAR	2	2	B R
38	121467	ATTACHMENT PIN SWAY BAR / (WELDED TO HOUSING)	2	2	R
39	630146	LINK ASSY / 7" C/C / IRON	2	2	R
40	5001663	NUT HEX NYRT M20-2.5 G10 Z050	4	4	R
41	5001152	WASHER CON 21.0x50.0x4.5 ZP	4	4	R
42	506678	BUSHING / POLYURETHANE / (TWO PIECES) RED 1" x 1.005" I.D.	8	8	R
NS	685413	RUBBERIZED UNDERCOAT (GRAVELGUARD) 560gr	AR	AR	

		Date:07/2024	PAGE:H9-1616-02
--	--	--------------	-----------------

SWAY BAR

Item#	Part	Description	H 3 4 1	H 3 4 5	N O T E S
		B) THIS PIN IS 3MM SHORTER ON BUSHING SIDE AND BLACK PAINTED FOR EASY IDENTIFICATION			
		F) FRONT I BEAM RIGIDE SUSPENSION			
		I) INDEPENDANT SUSPENSION			
		R) REAR SUSPENSION			

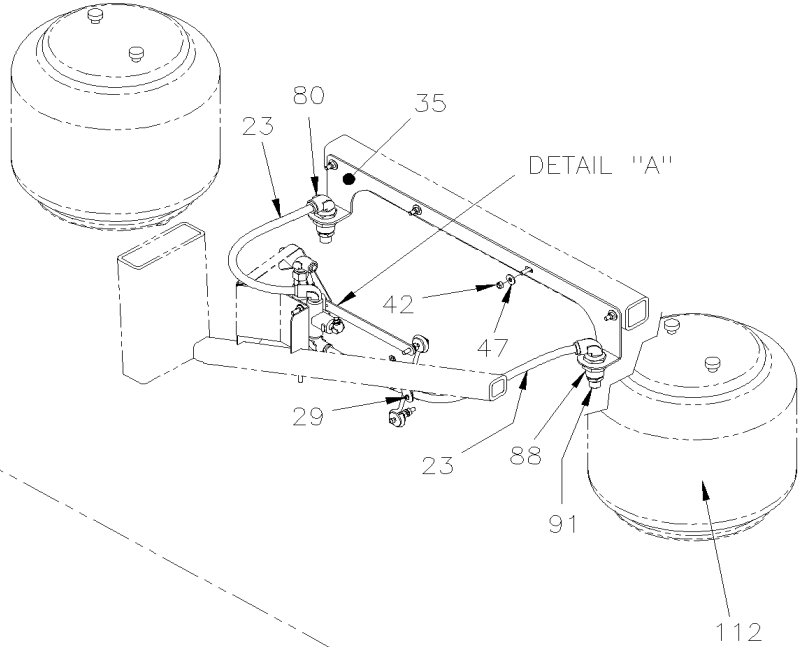
From K-0185 To P-1452

Date:07/2024

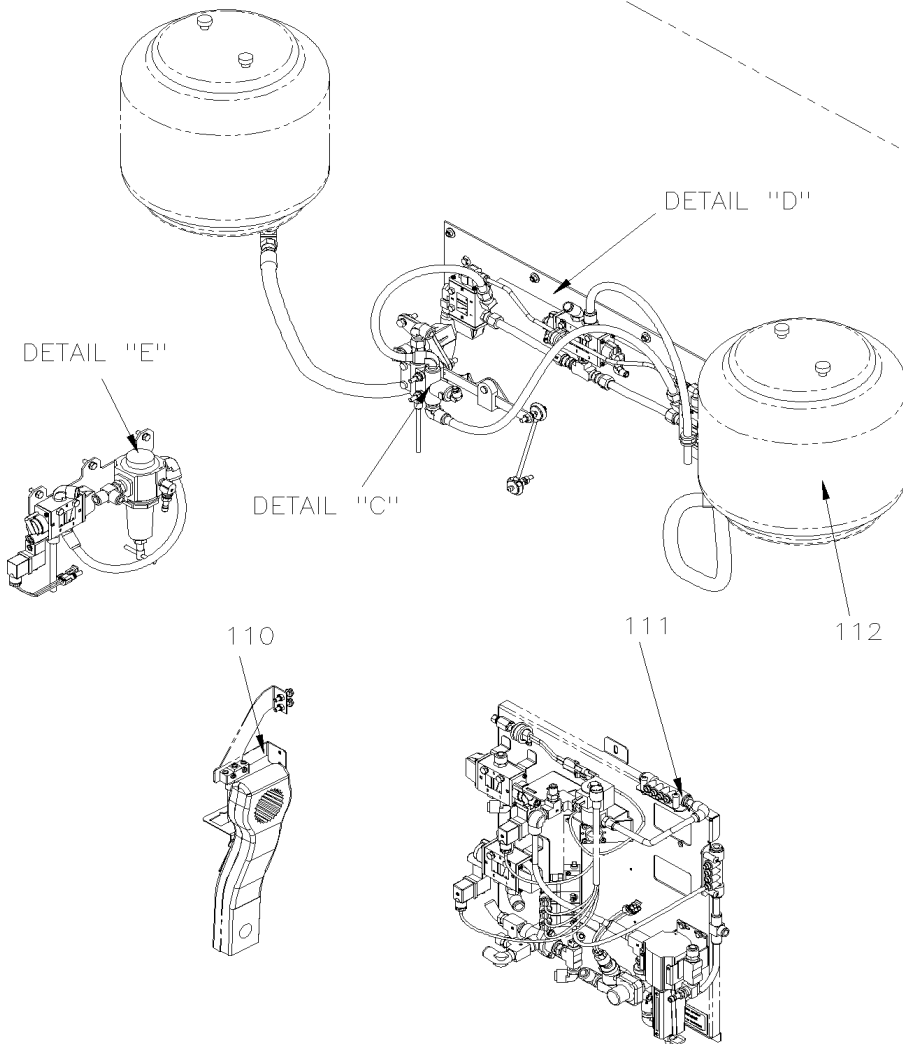
PAGE:H9-1620-01

HEIGHT CONTROL VALVE & FRONT KNEELING

FRONT AXLE
I-BEAM RIGID SUSPENSION



FRONT AXLE
I-BEAM RIGID SUSPENSION
WITH KNEELING



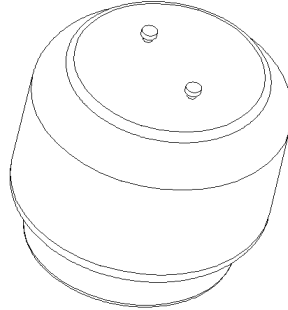
From K-0185 To P-1452

Date:07/2024

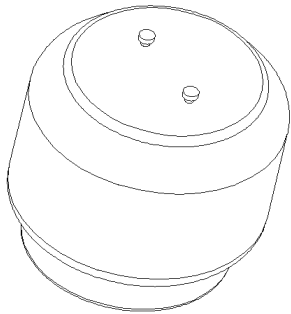
PAGE:H9-1620-01

HEIGHT CONTROL VALVE & FRONT KNEELING

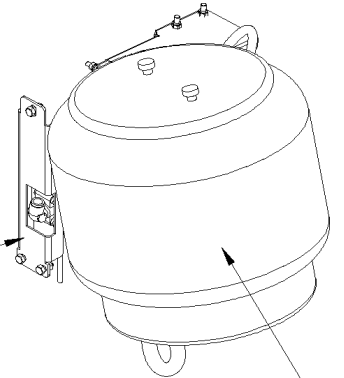
FRONT AXLE
INDEPENDANT SUSPENSION



FRONT AXLE
INDEPENDANT SUSPENSION
WITH KNEELING

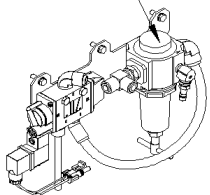


DETAIL "B"



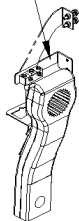
112

DETAIL "E"



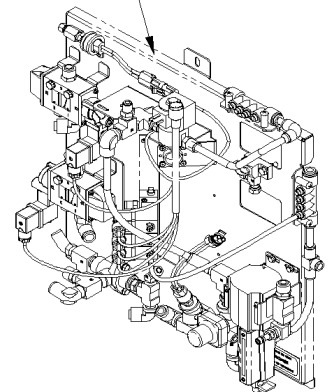
DETAIL "F"

110



112

111



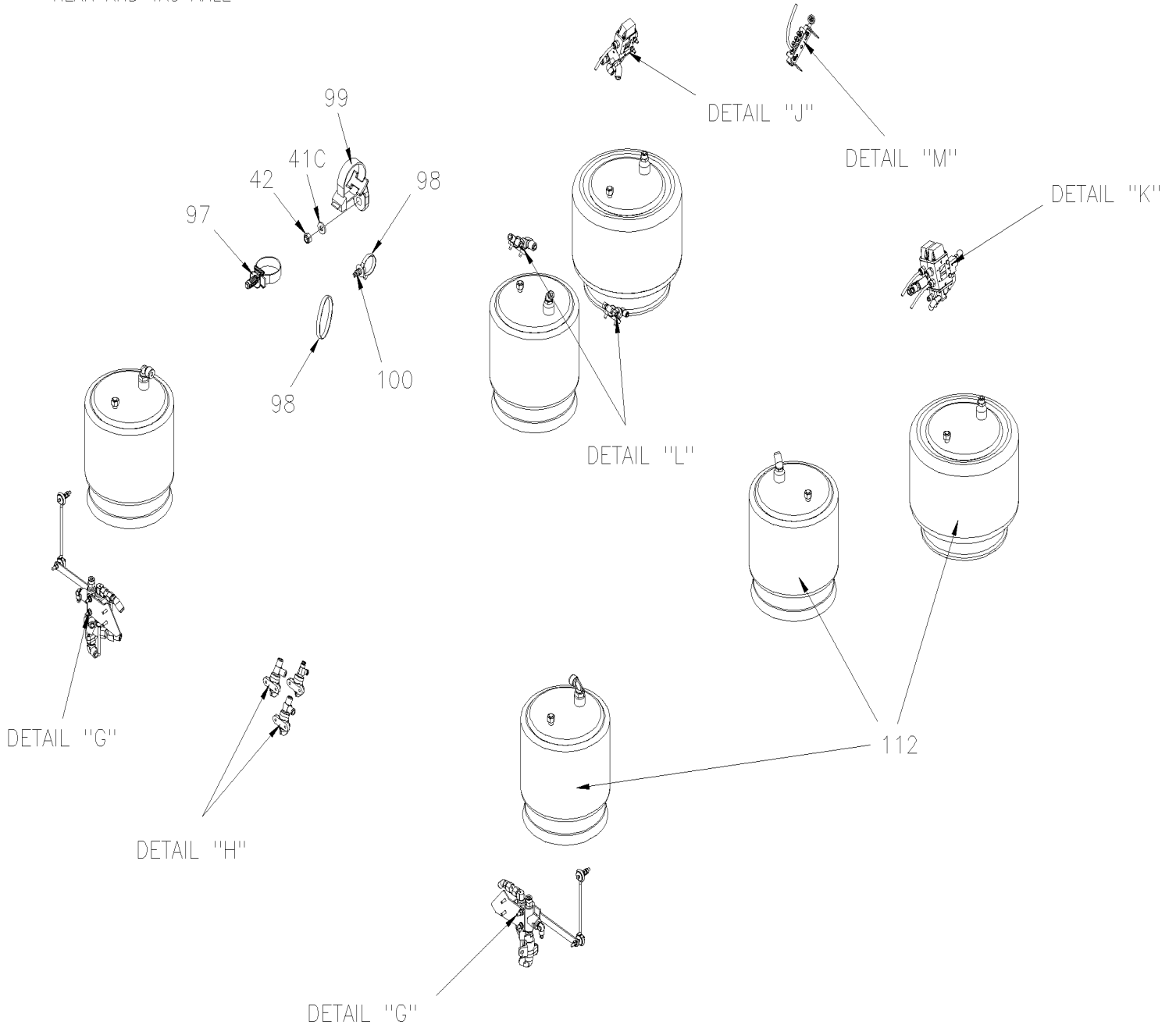
From K-0185 To P-1452

Date:07/2024

PAGE:H9-1620-01

HEIGHT CONTROL VALVE & FRONT KNEELING

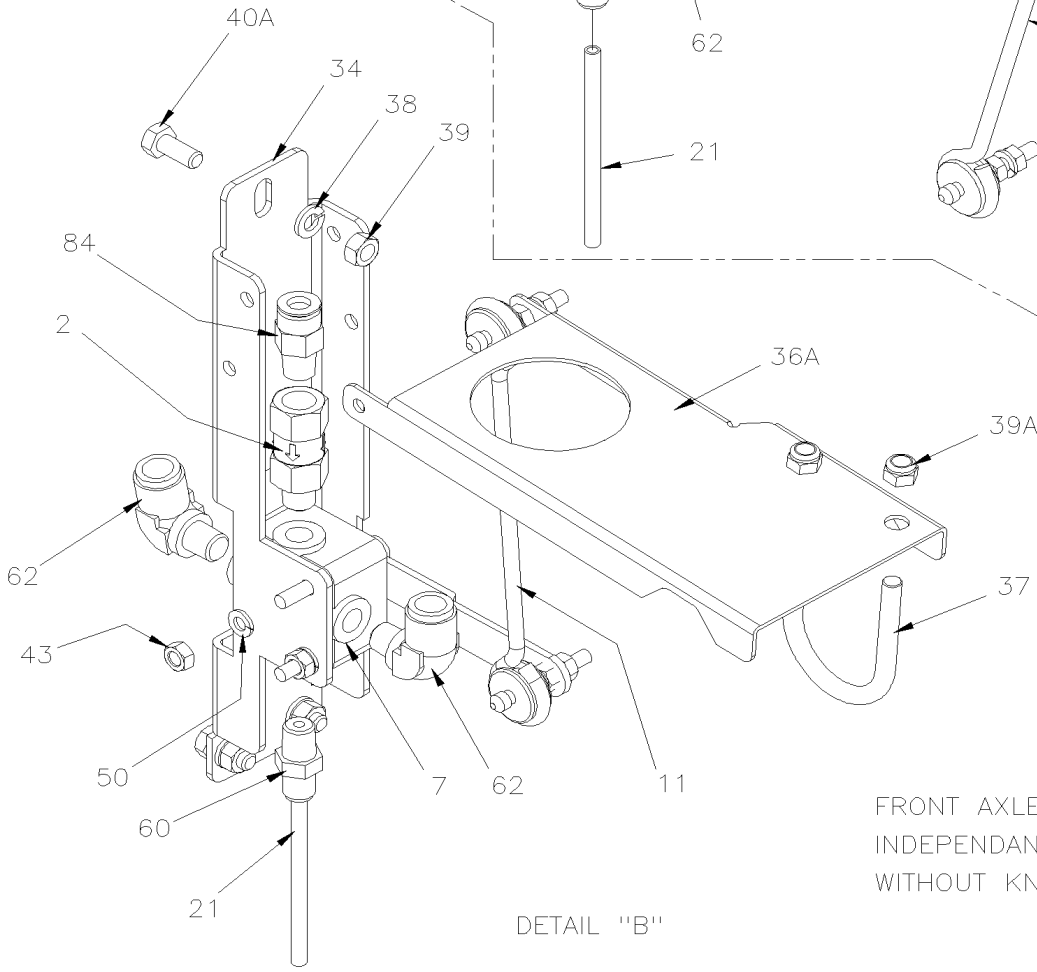
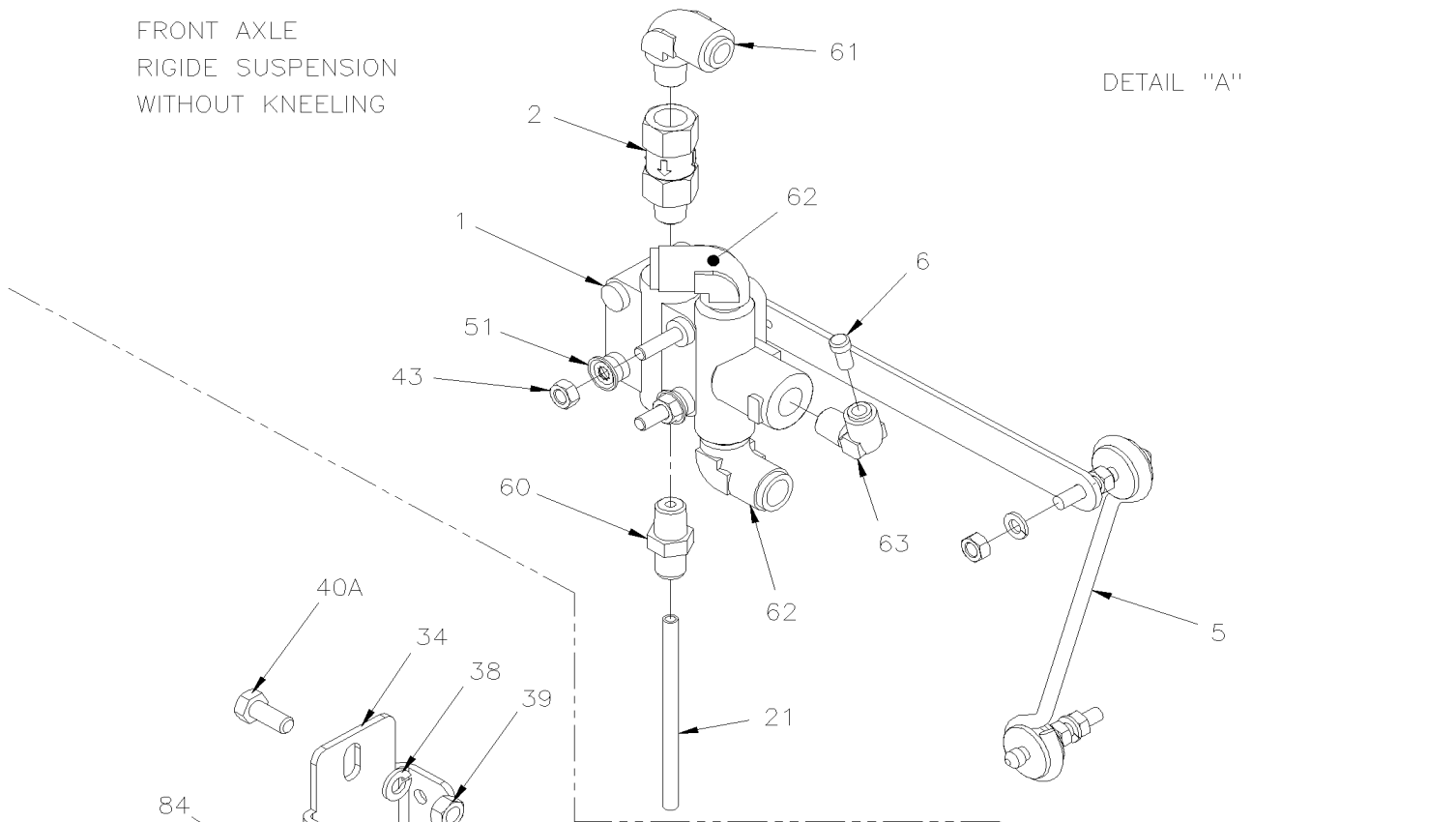
REAR AND TAG AXLE



HEIGHT CONTROL VALVE & FRONT KNEELING

FRONT AXLE
RIGIDE SUSPENSION
WITHOUT KNEELING

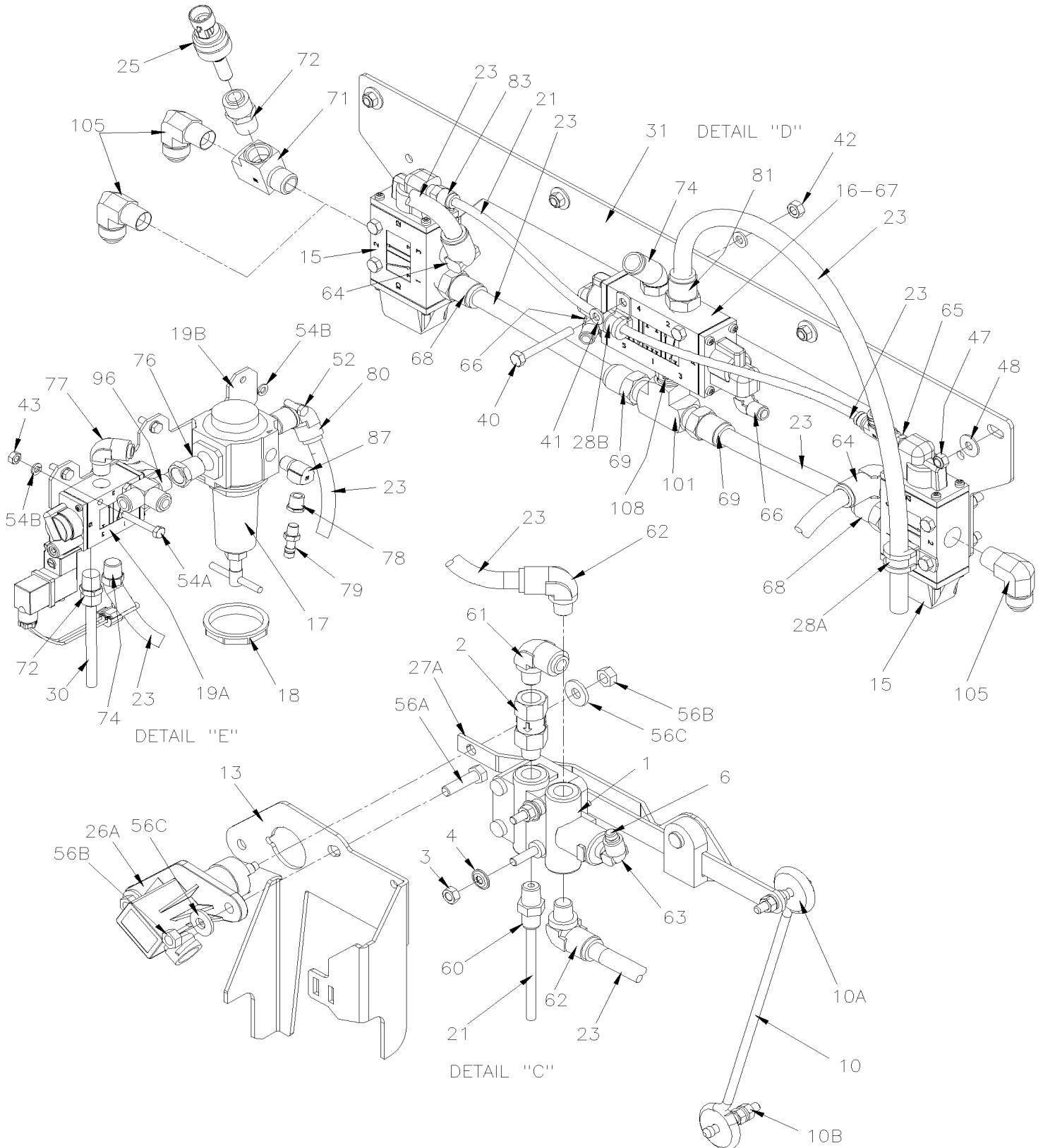
DETAIL "A"



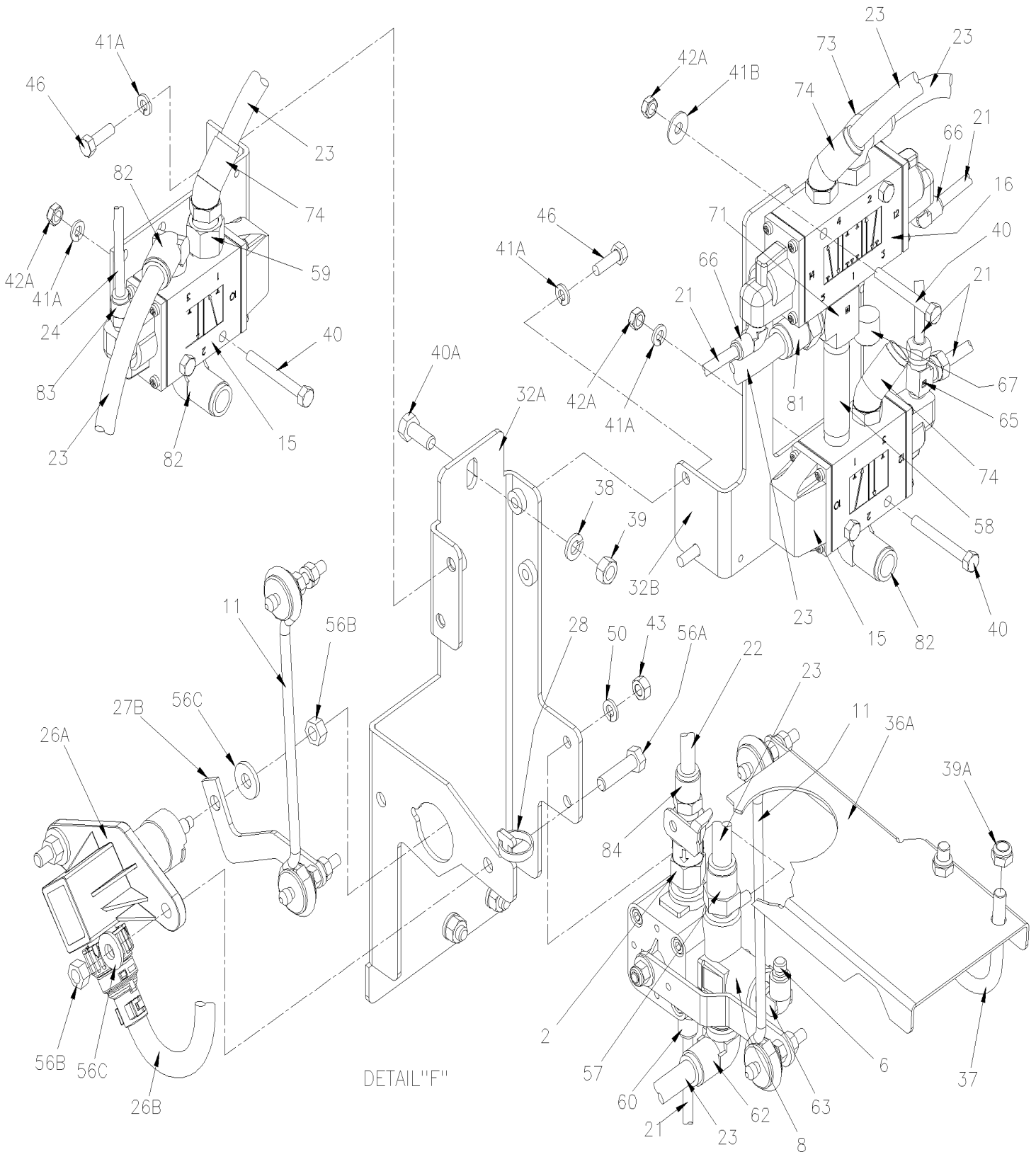
FRONT AXLE
INDEPENDANT SUSPENSION
WITHOUT KNEELING

DETAIL "B"

HEIGHT CONTROL VALVE & FRONT KNEELING



HEIGHT CONTROL VALVE & FRONT KNEELING

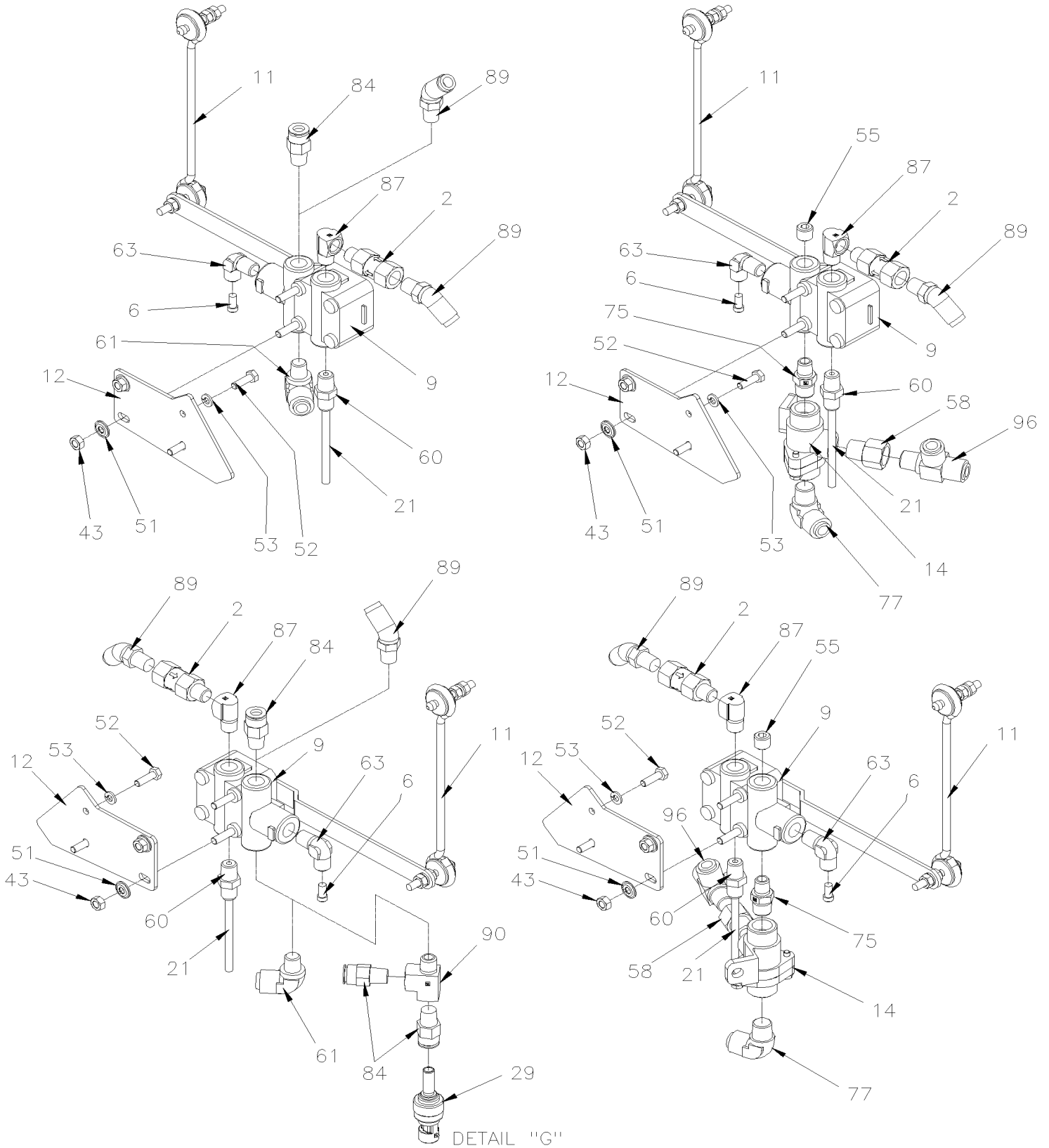


From K-0185 To P-1452

Date:07/2024

PAGE:H9-1620-01

HEIGHT CONTROL VALVE & FRONT KNEELING

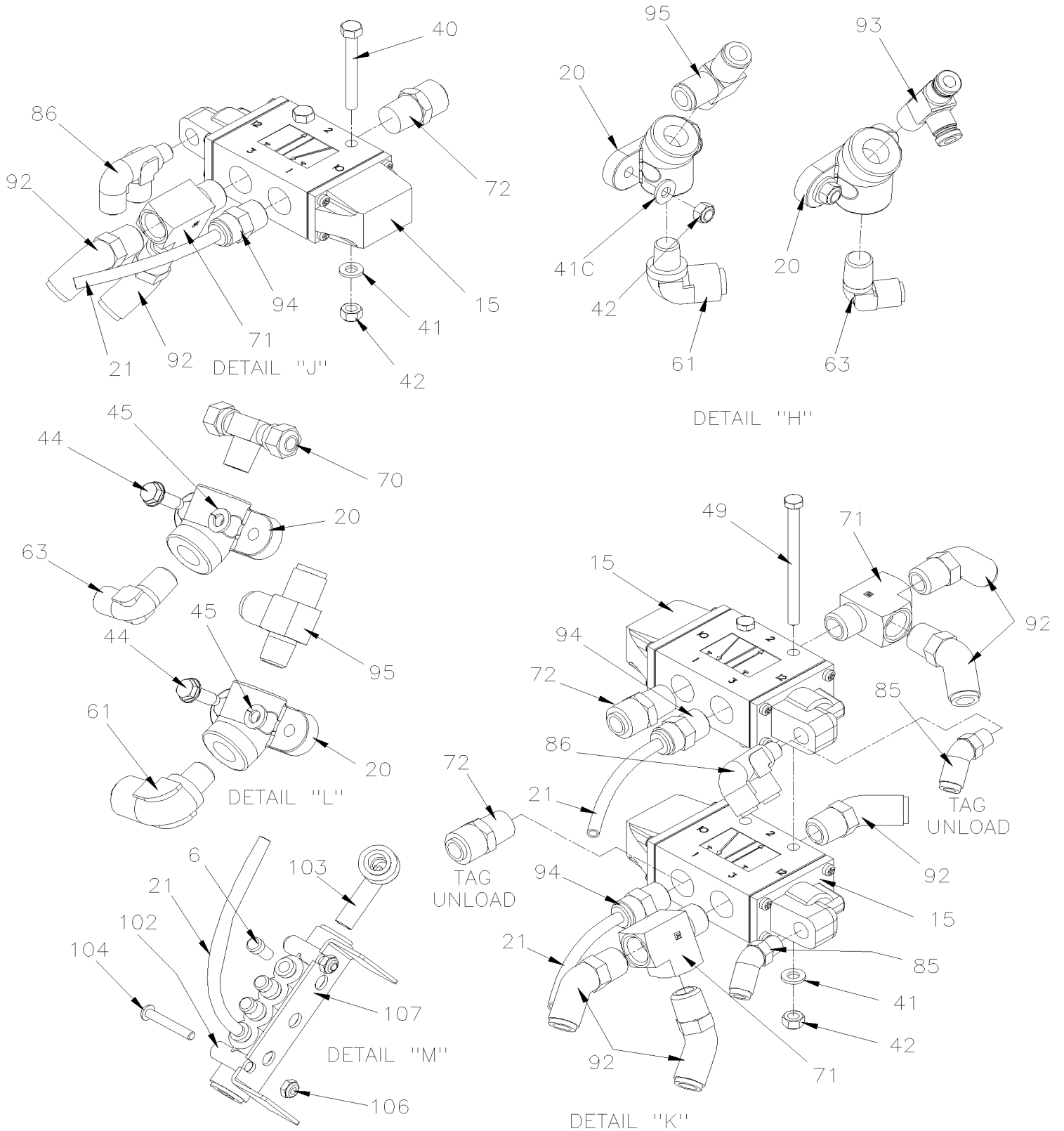


From K-0185 To P-1452

Date:07/2024

PAGE:H9-1620-01

HEIGHT CONTROL VALVE & FRONT KNEELING



From K-0185 To P-1452	Date:07/2024	PAGE:H9-1620-01
HEIGHT CONTROL VALVE & FRONT KNEELING		

Item#	Part	Description	H 3 4 1	H 3 4 5	N O T E S
1	630261	VALVE, HEIGHT CONTROL "BARKSDALE" / FRONT / W/DRAIN	1	1	
2	640135	VALVE, CHECK 1/4 NPT	1	1	
3	500769	NUT HEX 1/4-20 Z050	2	2	
4	502582	WASHER LO SERR 6.1x16.2x0.9 Z050	2	2	
5	630231	LINK ASSY 185MM C/C 7 1/4"	1	1	
. A	N8889244	. GROMMET / LINK	2	2	
. B	630250	. STUD RETAINER 1/4-20 X 1"	2	2	
. C	500247	. NUT HEX 1/4-20 N500	4	4	
. D	500473	. WASHER LO SPT .262x.489x.062 Z050	4	4	
6	641416	PLUG STEM / PUSH-IN FITTING / #4 PLAS	4	4	
7	630237	VALVE, HEIGHT CONTROL "BARKSDALE" / FRONT	1	1	
8	630266	VALVE, HEIGHT CONTROL "BARKSDALE" / FRONT / W/DRAIN	1	1	
9	630247	VALVE, HEIGHT CONTROL "BARKSDALE" / REAR / W/DRAIN	2	2	
10	630232	LINK ASSY 265MM C/C 10 1/2"	1	1	
. A	N8889244	. GROMMET / LINK	2	2	
. B	630250	. STUD RETAINER 1/4-20 X 1"	2	2	
. NS	500479	. WASHER LO INT .448x.789x.040 Z050	4	4	
. NS	500473	. WASHER LO SPT .262x.489x.062 Z050	4	4	
11	630231	LINK ASSY 185MM C/C 7 1/4"	2	2	
. A	N8889244	. GROMMET / LINK	2	2	
. B	630250	. STUD RETAINER 1/4-20 X 1"	2	2	
. C	500247	. NUT HEX 1/4-20 N500	4	4	
. D	500473	. WASHER LO SPT .262x.489x.062 Z050	4	4	
12	131993	SUPPORT VALVE	1	1	
13	174090	SUPPORT VALVE	1	1	
14	641564	VALVE, DOUBLE CHECK DC-4	1	1	
15	641274	VALVE, 3 WAYS, 2 POSITIONS N.C.	2	2	
16	641531	VALVE, 5 WAYS, 3 POSITIONS	1	1	
. NS	641186	. SPOOL	1	1	
20	640643	ANCHOR ELBOW / PIPE FITTING / 1/4NPT-Fx1/4NPT-F STL	1	1	
21	503402	TUBE, NYLON 1/4 O.D. / BLACK S.L.	AR	AR	
22	503471	TUBE, NYLON 3/8 O.D. / BLUE S.L.	AR	AR	
23	503517	TUBE, NYLON 1/2 O.D. / BLUE S.L.	AR	AR	
24	503566	TUBE, NYLON 1/4 O.D. / BLUE S.L.	AR	AR	
25	20476992	TRANSDUCER PRESSURE (0-12Bar / 0-174PSI)	1	1	G
26A	21643575	SENSOR / HEIGHT ASSY To K-0323	1	1	
26A	22194741	SENSOR / HEIGHT ASSY From K-0324	1	1	
26B	H9-0640-00	CABLE & HARNESS - FRONT END INSTALLATION			
27A	138620	PIVOT CAPTOR ASSY	1	1	R
27B	132024	PIVOT CAPTOR ASSY	1	1	I
28	504637	CABLE TIE / 3/16" x 13"	AR	AR	
28A	952627	CLAMP / 1/2" I.D.	1	1	

From K-0185 To P-1452	Date:07/2024	PAGE:H9-1620-01
HEIGHT CONTROL VALVE & FRONT KNEELING		

Item#	Part	Description	H 3 4 1	H 3 4 5	N O T E S
28B	952624	CLAMP / 1/4" I.D.	1	1	
29	8631155	CABLE TIE / 4.6MM x 200 / CHRISTMAS TREE	1	1	
31	131591	SUPPORT VALVE To K-0232	1	1	
31	130027	SUPPORT VALVE From K-0233	1	1	
32A	132023	SUPPORT HEIGHT CONTROL VALVE / W/KNEELING	1	1	
32B	132108	SUPPORT VALVE	1	1	
34	131621	SUPPORT HEIGHT CONTROL VALVE / WHITOUT "KNEELING"	1	1	
35	132056	SUPPORT To K-0232	1	1	
35	130028	SUPPORT From K-0233	1	1	
36A	110814	ACTUATOR LEVER To M-1135	1	1	
36A	110062	ACTUATOR LEVER From M-1136	1	1	
37	504635	U-BOLT 1 3/4" I.D. x 2 3/4" x 5/16-18 To M-1135	1	1	
37	504215	U-CLAMP / 1 3/4" I.D. x 5/16-18 From M-1136	1	1	
38	500942	WASHER LO SPT 8.1x14.8x2.0 N500	3	3	
39	500778	NUT HEX 5/16-18 N500	3	3	
39A	500685	NUT HEX NYRT 5/16-18 SS To M-1135	2	2	
39A	500701	NUT HEX 5/16-18 ZP From M-1136	2	2	
40	502656	SCREW CAP HEX M6-1.0x50 SS	6	6	
40A	500836	SCREW CAP HEX 5/16-18x3/4 G5 N500	3	3	
41	502573	WASHER FL 6.4x12.5x1.6 SS	6	6	
41A	502570	WASHER LO SPT 6.1x11.8x1.6 SS	6	6	
41B	5001833	WASHER BEL SPR 6.1x18x1.27 SS	2	2	
41C	500877	WASHER FL .250x.562x.065 N500	4	4	
42	502681	NUT HEX NYRT M6-1.0 N500 G8	AR	AR	
42A	502565	NUT HEX M6-1.0 SS	6	6	
43	500247	NUT HEX 1/4-20 N500	2	2	
44	502848	SCREW TC CAP HEXF 1/4-20x3/4 N500	4	4	
45	5001749	WASHER LO SPT 6.5x11.5x1.6 N500	4	4	
46	502622	SCREW CAP HEX M6-1.0x20 SS BK	4	4	
47	500411	WASHER FL .260x.697x.050 SS	AR	AR	
48	5001182	NUT HEX NYRT M6-1.0 SS	4	4	
49	5001682	SCREW CAP HEX M6-1.0x80 SS	4	4	
50	500473	WASHER LO SPT .262x.489x.062 Z050	AR	AR	
51	502582	WASHER LO SERR 6.1x16.2x0.9 Z050	4	4	
52	502830	SCREW CAP HEX M6-1.0x20 G8.8 N500	AR	AR	
53	502853	WASHER LO SPT 6.1x11.8x1.6 N500	4	4	
55	501800	PLUG HEXS / PIPE FITTING / 1/4NPT-M STL	2	2	
56A	5001742	SCREW CAP HEXF M8-1.25x30 G8.8 N500	2	2	
56B	502851	NUT HEX M8-1.25 N500	3	3	
56C	500321	WASHER BEL SPR .331x.827x.098 N500	3	3	
57	641380	MALE CONNECTOR / PUSH-IN FITTING / #8x1/4NPT-M BR	AR	AR	
58	501309	ADAPTER / PIPE FITTING / 3/8NPT-Fx3/8NPT-M BR	AR	AR	

From K-0185 To P-1452	Date:07/2024	PAGE:H9-1620-01
HEIGHT CONTROL VALVE & FRONT KNEELING		

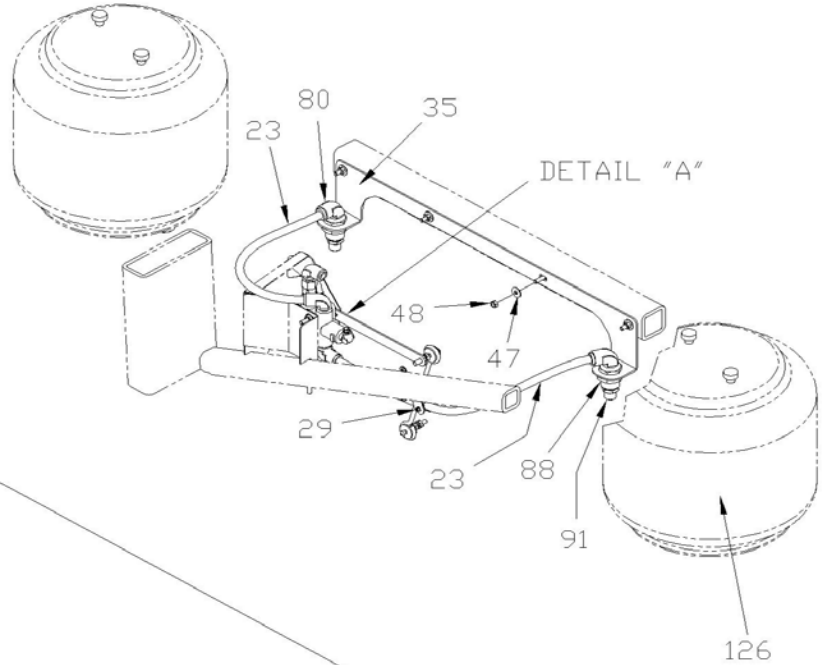
Item#	Part	Description	H 3 4 1	H 3 4 5	N O T E S
59	501814	NIPPLE / PIPE FITTING / 3/8NPT-Mx3/8NPT-Mx3 BR	AR	AR	
60	641332	MALE CONNECTOR / PUSH-IN FITTING / #4x1/4NPT-M BR	AR	AR	
61	641372	MALE ELBOW 90° NON-SWIVEL / PUSH-IN FITTING / #6x1/4NPT-M BR	AR	AR	A
62	641373	MALE ELBOW 90° NON-SWIVEL / PUSH-IN FITTING / #8x1/4NPT-M BR	AR	AR	
63	641371	MALE ELBOW 90° NON-SWIVEL / PUSH-IN FITTING / #4x1/4NPT-M BR	AR	AR	
64	641376	MALE ELBOW 90° NON-SWIVEL / PUSH-IN FITTING / #8x3/8NPT-M BR	AR	AR	
65	641002	MALE RUN TEE / NTA FITTING / #4x#4x1/8NPT-M BR	AR	AR	
66	641369	MALE ELBOW 90° NON-SWIVEL / PUSH-IN FITTING / #4x1/8NPT-M BR	AR	AR	
67	501449	PLUG HEXS / PIPE FITTING / 3/8NPT-M STL	AR	AR	
68	641381	MALE CONNECTOR / PUSH-IN FITTING / #8x3/8NPT-M BR	AR	AR	
69	641381	MALE CONNECTOR / PUSH-IN FITTING / #8x3/8NPT-M BR	AR	AR	
70	641006	MALE BRANCH TEE / NTA FITTING / #4x#4x1/4NPT-M BR	AR	AR	
71	501699	MALE RUN TEE / PIPE FITTING / 3/8NPT-Mx3/8NPT-Fx3/8NPT-F BR	AR	AR	
72	641330	MALE CONNECTOR / PUSH-IN FITTING / #6x3/8NPT-M BR	AR	AR	
73	641428	MALE ELBOW 90° SWIVEL / PUSH-IN FITTING / #8x3/8NPT-M BR	AR	AR	
74	641368	MALE ELBOW 45° NON-SWIVEL / PUSH-IN FITTING / #8x3/8NPT-M BR	AR	AR	
75	501749	NIPPLE REDUCER HEX / PIPE FITTING / 3/8NPT-Mx1/4NPT-Mx1 13/32 BR	AR	AR	
77	641375	MALE ELBOW 90° NON-SWIVEL / PUSH-IN FITTING / #6x3/8NPT-M BR	AR	AR	
80	641378	MALE ELBOW 90° / PUSH-IN FITTING / #8x1/2NPT-M BRASS	AR	AR	
81	641381	MALE CONNECTOR / PUSH-IN FITTING / #8x3/8NPT-M BR	AR	AR	
82	641376	MALE ELBOW 90° NON-SWIVEL / PUSH-IN FITTING / #8x3/8NPT-M BR	AR	AR	
83	641242	MALE CONNECTOR / PUSH-IN FITTING / #4x1/8NPT-M BR	AR	AR	
84	641331	MALE CONNECTOR / PUSH-IN FITTING / #6x1/4NPT-M BR	AR	AR	
85	641365	MALE ELBOW 45° NON-SWIVEL / PUSH-IN FITTING / #4x1/8NPT-M BR	AR	AR	
86	642127	MALE ELBOW 90° SWIVEL DUAL PORT / PUSH-IN / #4x#4x1/8NPT-M BR	AR	AR	
87	501332	STREET ELBOW 90° / PIPE FITTING / 1/4NPT-Mx1/4NPT-F BR	AR	AR	
88	501796	BULKHEAD COUPLING / PIPE FITTING / 1/2NPT-Fx1/2NPT-Fx1 1/2 BR	AR	AR	
89	641366	MALE ELBOW 45° NON-SWIVEL / PUSH-IN FITTING / #6x1/4NPT-M BR	AR	AR	
90	501338	MALE RUN TEE / PIPE FITTING / 1/4NPT-Mx1/4NPT-Fx1/4NPT-F BR	AR	AR	
91	501739	MALE CONNECTOR / JIC 37° FITTING / #8JIC-Mx1/2NPT-M STL	AR	AR	
92	641367	MALE ELBOW 45° NON-SWIVEL / PUSH-IN FITTING / #6x3/8NPT-M BR	AR	AR	
93	641956	MALE RUN TEE SWIVEL / PUSH-IN FITTING / #4x#4x1/4NPT-M BR	AR	AR	
94	641347	MALE CONNECTOR / PUSH-IN FITTING / #4x3/8NPT-M BR	AR	AR	
95	641389	MALE RUN TEE SWIVEL / PUSH-IN FITTING / #6x#6x1/4NPT-M BR	AR	AR	
96	641388	MALE RUN TEE NON-SWIVEL / PUSH-IN FITTING / #6x#6x3/8NPT-M BR	AR	AR	
97	504750	CABLE TIE / 1/2" x 15" / CHRISTMAS TREE	AR	AR	
98	504637	CABLE TIE / 3/16" x 13"	AR	AR	
99	507383	TIE MOUNT HOLE 3/8"	AR	AR	
99	509491	CABLE TIE / 13MM x 383MM	AR	AR	
100	509815	TIE MOUNT / ATTACHMENT W/TREE MOUNT	AR	AR	
101	501527	FEMALE UNION TEE / PIPE FITTING / 3/8NPT-Fx3/8NPT-Fx3/8NPT-F BR	1	1	
102	641897	MANIFOLD / PUSH-IN FITTING / 2x#6 / 4x#4 PLAS	1	1	

From K-0185 To P-1452	Date:07/2024	PAGE:H9-1620-01
HEIGHT CONTROL VALVE & FRONT KNEELING		

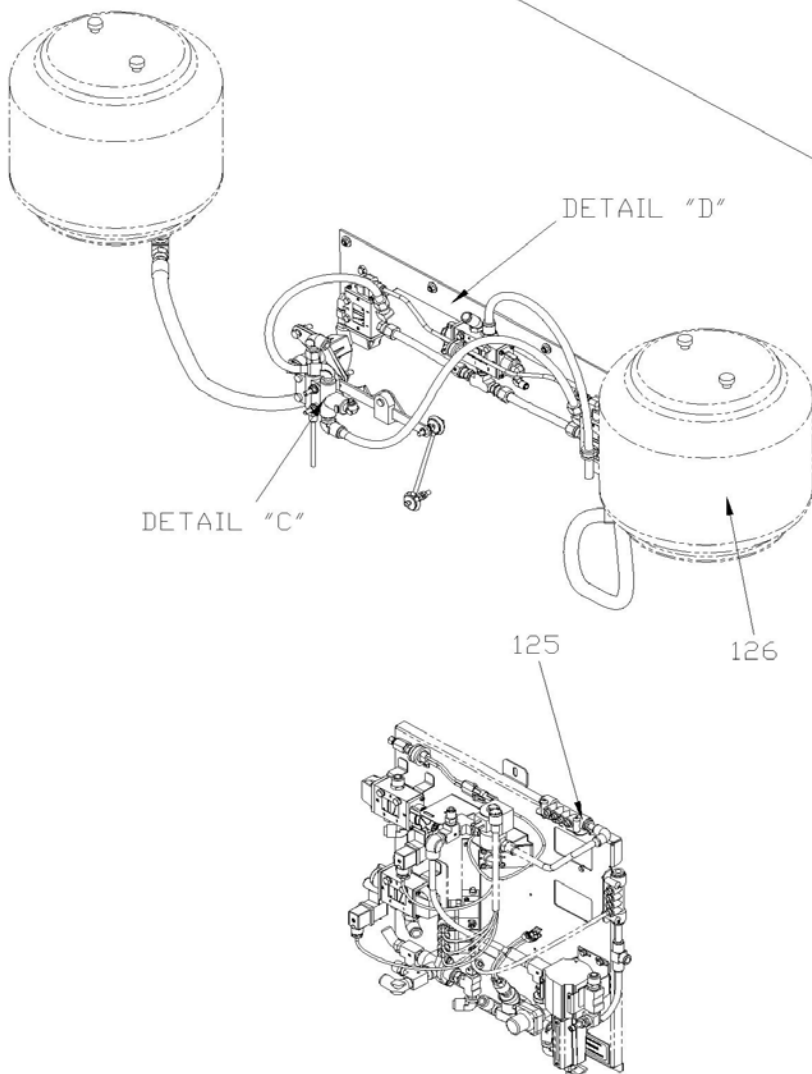
Item#	Part	Description	H 3 4 1	H 3 4 5	N O T E S
103	647894	ELBOW 90° STEM / PUSH-IN FITTING / #6x#6STEM PLAS	1	1	
104	5001042	SCREW MA RND PH #10-32x1 1/4 SS	2	2	
105	501587	MALE ELBOW 90° / JIC 37° FITTING / #8JIC-Mx3/8NPT-M STL	AR	AR	
106	500423	NUT HEX NYRT #10-32 SS	2	2	
107	178847	SUPPORT MANIFOLD	1	1	
108	501322	NIPPLE HEX / PIPE FITTING / 3/8NPT-Mx3/8NPT-Mx1 13/32 BR	1	1	
110	H9-1650-01	TAG UNLOAD - AIR VALVE INSTALLATION			
111	H9-1630-02	FRONT KNEELING - CONTROL PANEL			
112	H9-1601-00	BELLOWS - AIR SUSPENSION			
113	H9-1203-01	AIR TANK - INSTALLATION			
NS	680098	THREAD SEALANT LOCTITE #567 / WHITE / 250ml	AR	AR	
		A) WITH OPTION "ABS-6 ESP ADVENCE"			
		G) WITH VEHICULE OPTION WEIGHT CONTROL ON FRONT AXLE "GREYHOUND"			
		I) WITH INDEPENDANTE SUSPENSION			
		R) WITH "I BEAM" SUSPENSION			

	Date:07/2024	PAGE:H9-1620-02
HEIGHT CONTROL VALVE & FRONT KNEELING		

FRONT AXLE
I-BEAM RIGID SUSPENSION

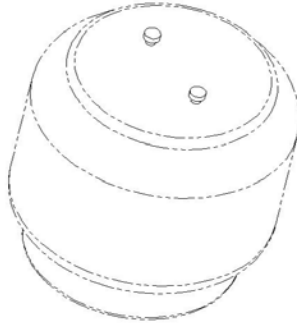


FRONT AXLE
I-BEAM RIGID SUSPENSION
WITH KNEELING

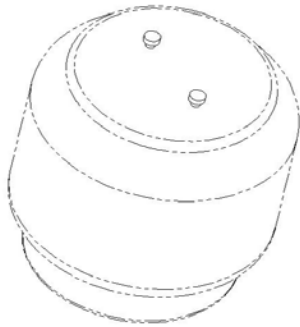


	Date:07/2024	PAGE:H9-1620-02
HEIGHT CONTROL VALVE & FRONT KNEELING		

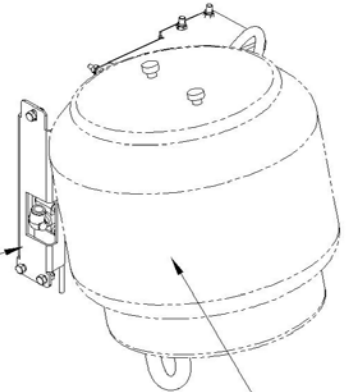
FRONT AXLE
INDEPENDANT SUSPENSION



FRONT AXLE
INDEPENDANT SUSPENSION
WITH KNEELING

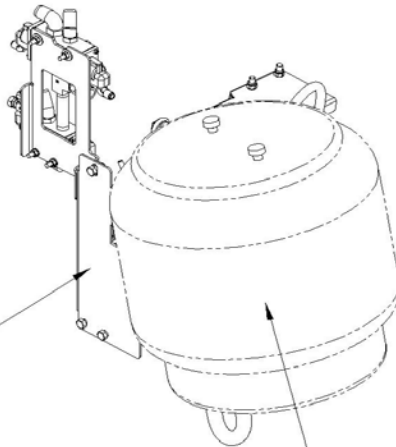


DETAIL "B"



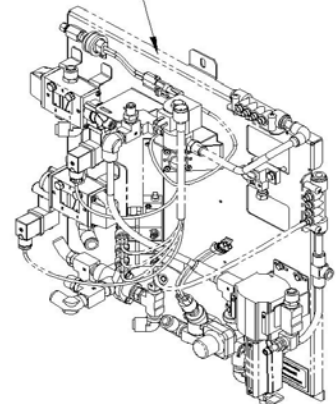
126

DETAIL "F"



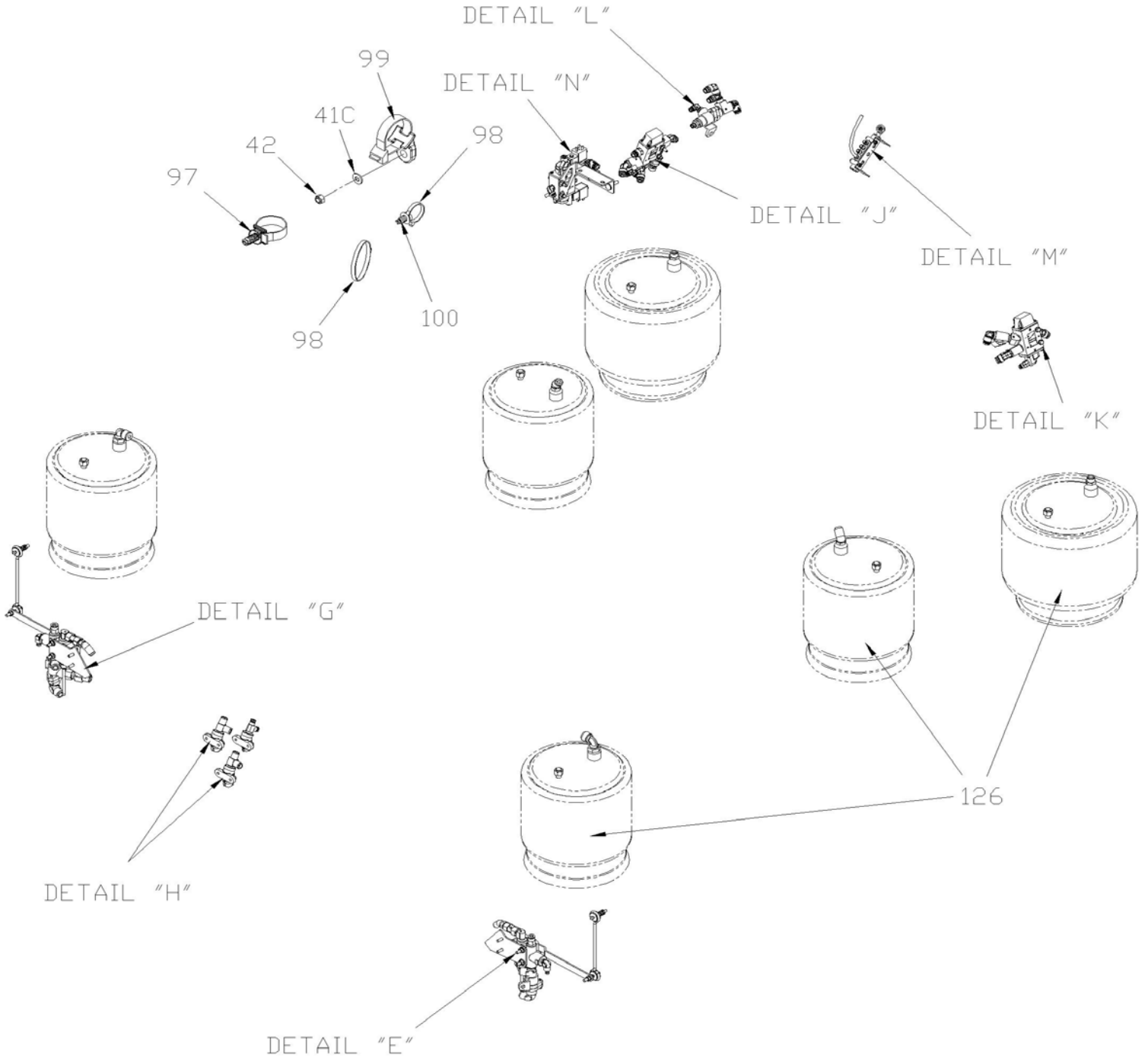
126

125



	Date:07/2024	PAGE:H9-1620-02
HEIGHT CONTROL VALVE & FRONT KNEELING		

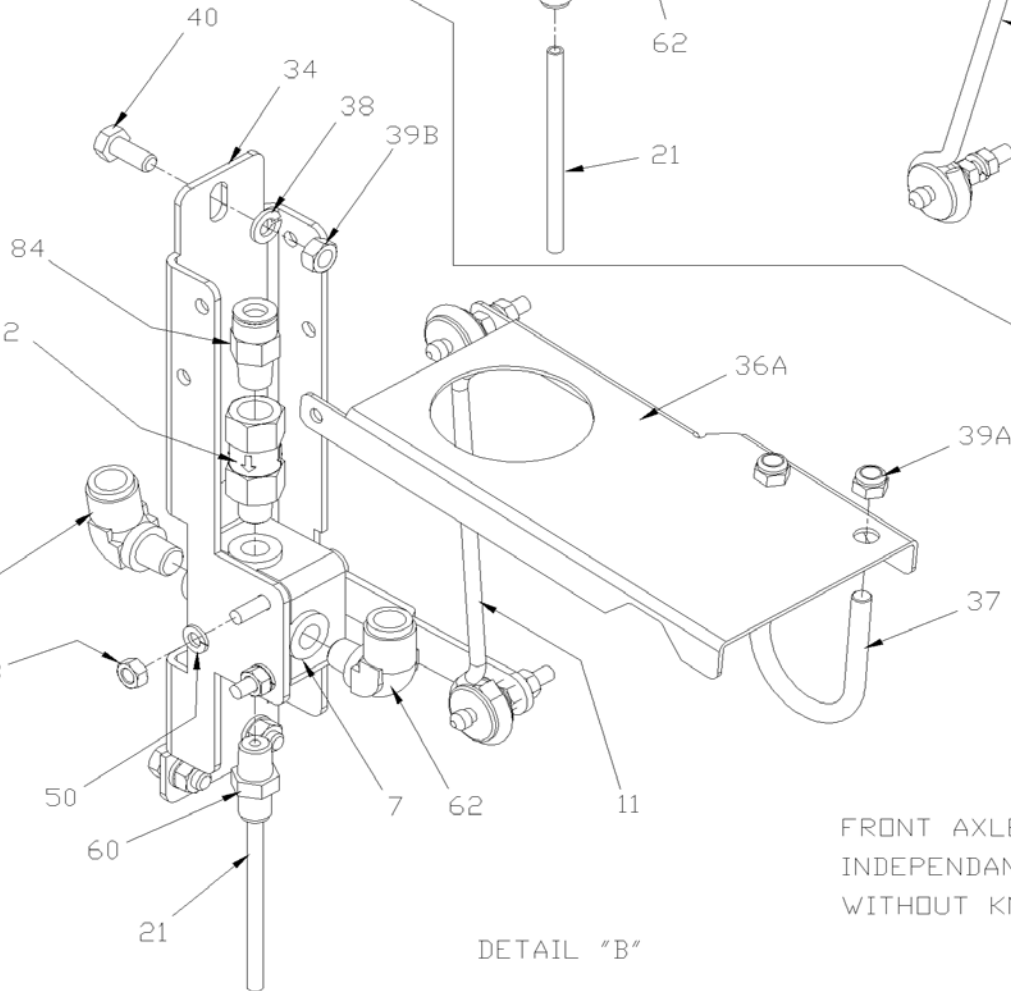
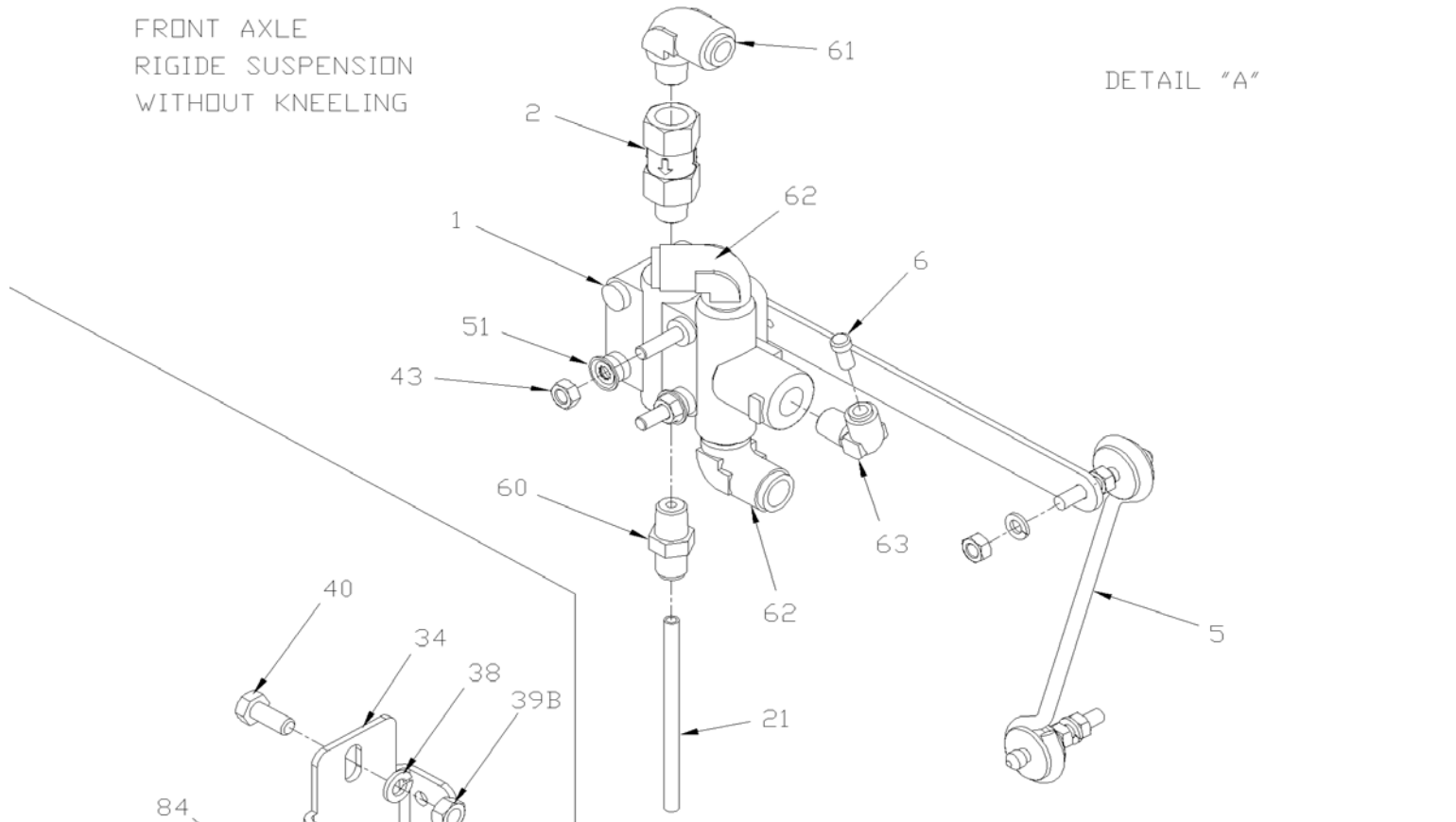
REAR AND TAG AXLE



	Date:07/2024	PAGE:H9-1620-02
HEIGHT CONTROL VALVE & FRONT KNEELING		

FRONT AXLE
RIGIDE SUSPENSION
WITHOUT KNEELING

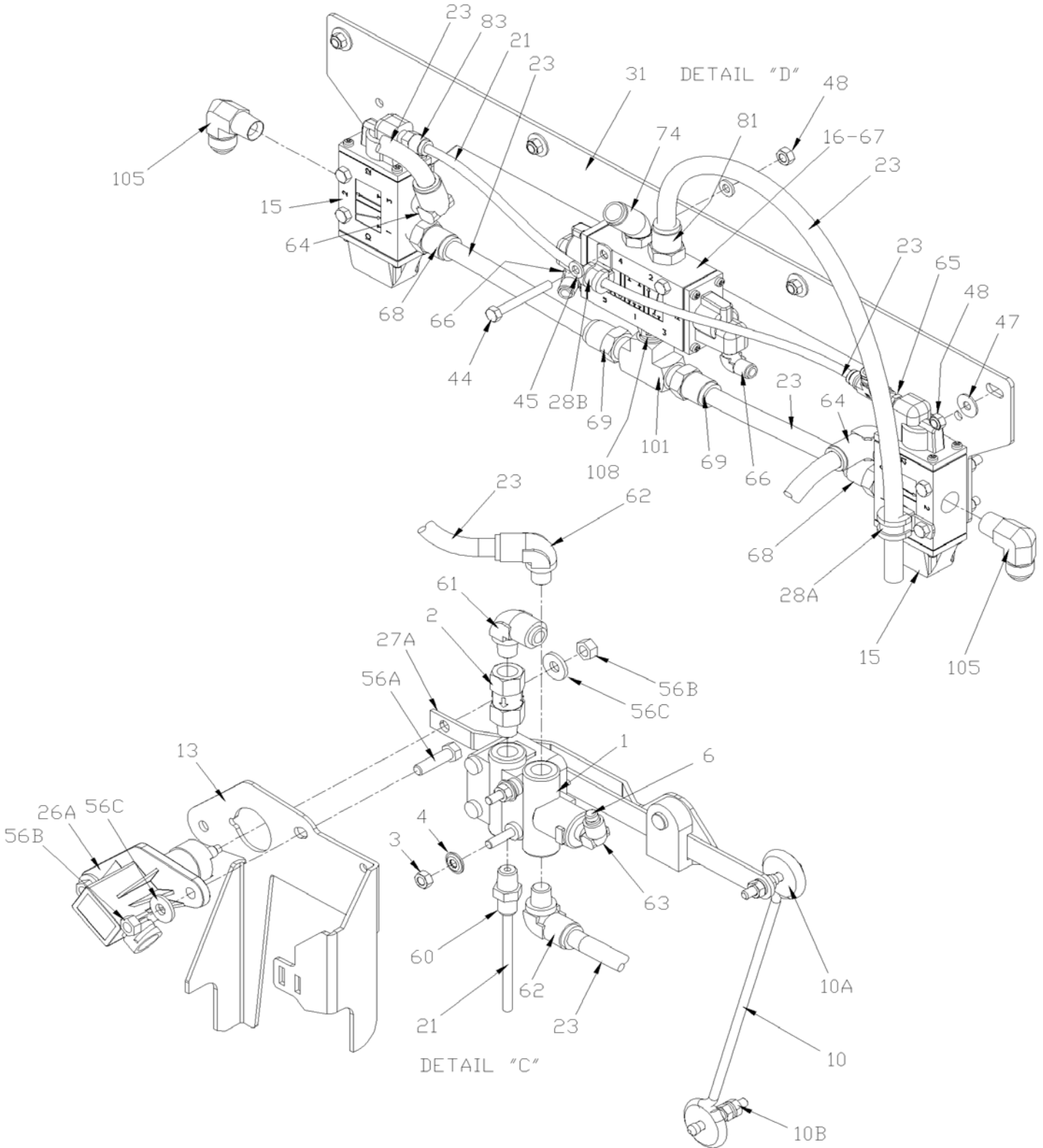
DETAIL "A"



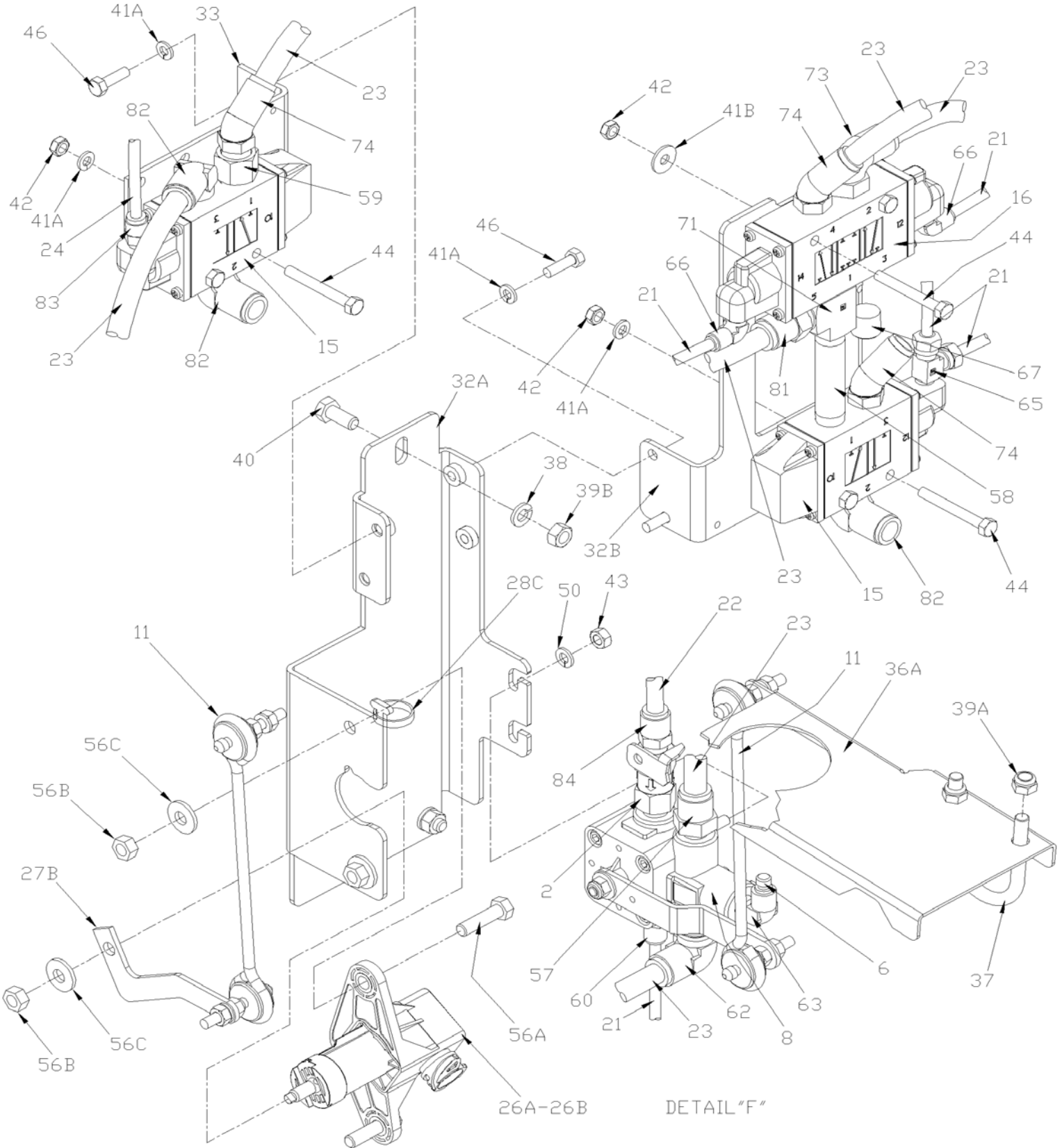
FRONT AXLE
INDEPENDANT SUSPENSION
WITHOUT KNEELING

DETAIL "B"

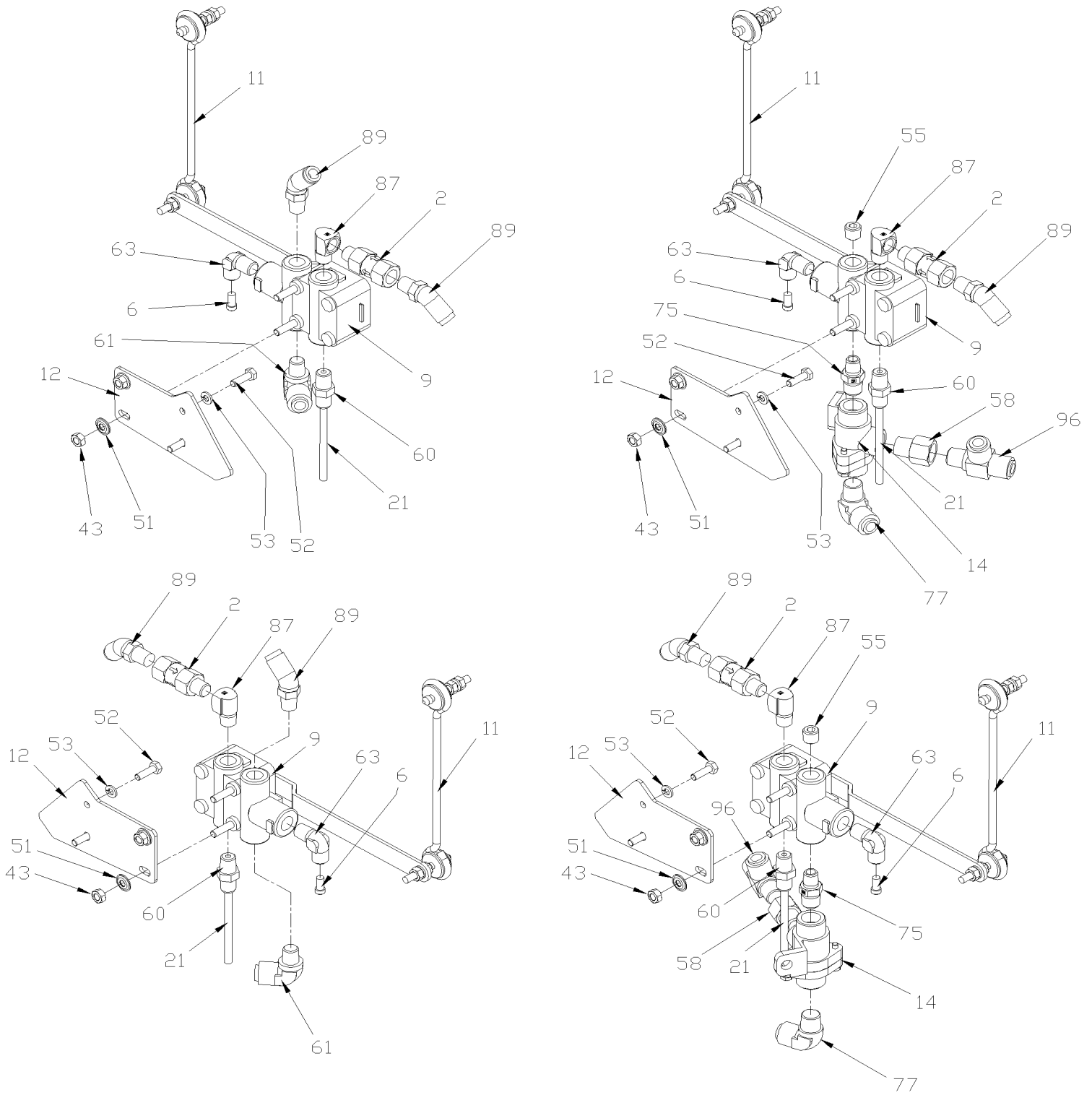
	Date:07/2024	PAGE:H9-1620-02
HEIGHT CONTROL VALVE & FRONT KNEELING		



	Date:07/2024	PAGE:H9-1620-02
HEIGHT CONTROL VALVE & FRONT KNEELING		

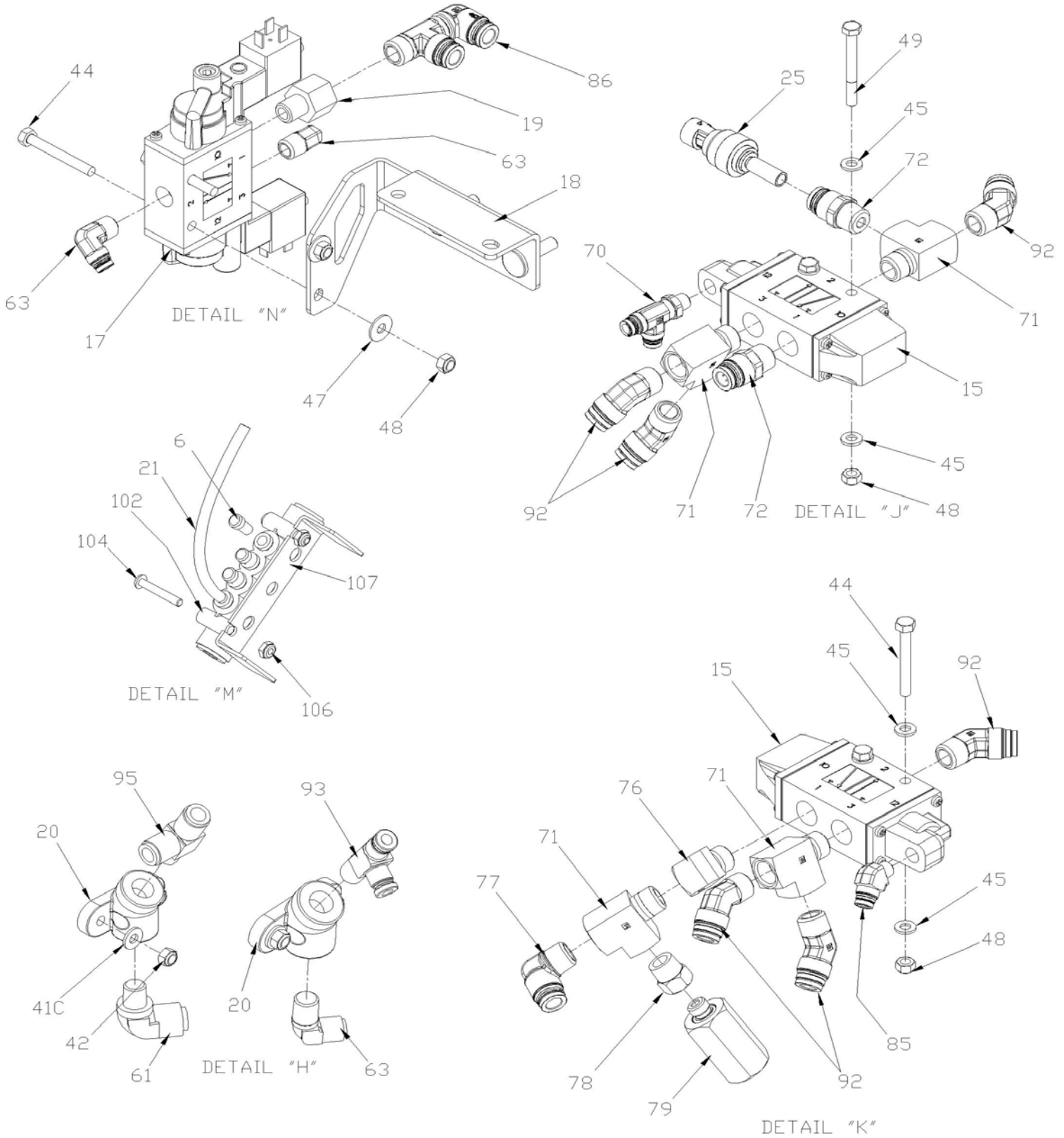


	Date:07/2024	PAGE:H9-1620-02
HEIGHT CONTROL VALVE & FRONT KNEELING		



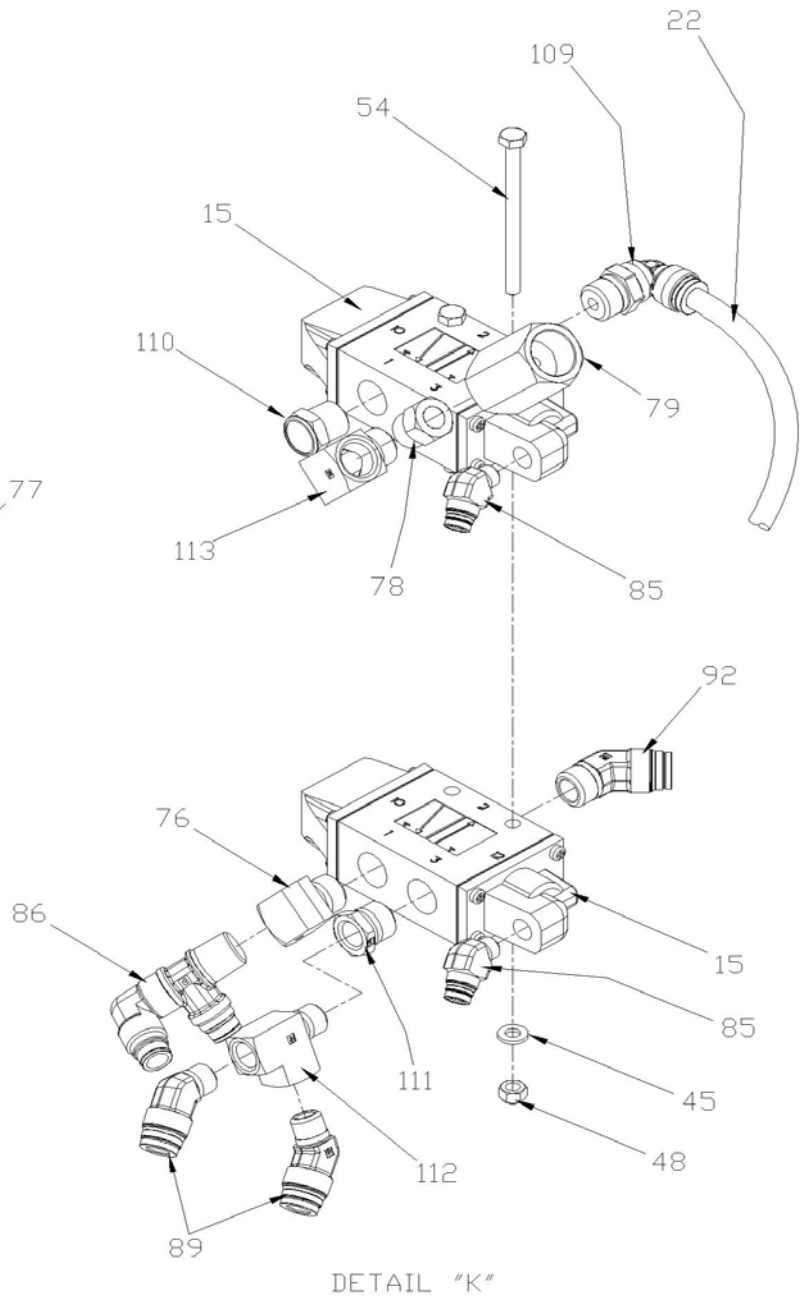
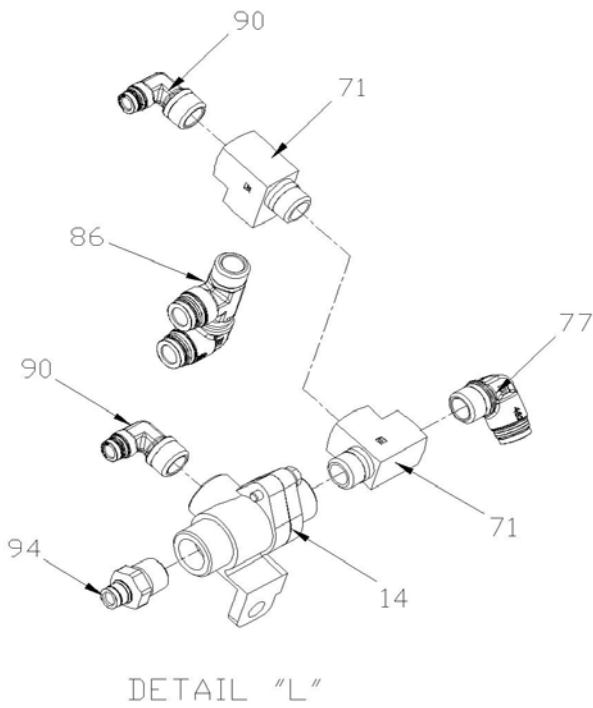
DETAIL "G"

	Date:07/2024	PAGE:H9-1620-02
HEIGHT CONTROL VALVE & FRONT KNEELING		



	Date:07/2024	PAGE:H9-1620-02
HEIGHT CONTROL VALVE & FRONT KNEELING		

WITH TAG LIFTING



	Date:07/2024	PAGE:H9-1620-02
HEIGHT CONTROL VALVE & FRONT KNEELING		

Item#	Part	Description	H 3 4 1	H 3 4 5	N O T E S
1	630261	VALVE, HEIGHT CONTROL "BARKSDALE" / FRONT / W/DRAIN		1	
2	640135	VALVE, CHECK 1/4 NPT		1	
3	500247	NUT HEX 1/4-20 N500		2	
4	502582	WASHER LO SERR 6.1x16.2x0.9 Z050		2	
5	630231	LINK ASSY 185MM C/C 7 1/4"		1	
. A	N8889244	. GROMMET / LINK		2	
. B	630250	. STUD RETAINER 1/4-20 X 1"		2	
. C	500247	. NUT HEX 1/4-20 N500		4	
. D	500473	. WASHER LO SPT .262x.489x.062 Z050		4	
6	641416	PLUG STEM / PUSH-IN FITTING / #4 PLAS		4	
7	630237	VALVE, HEIGHT CONTROL "BARKSDALE" / FRONT		1	
8	630266	VALVE, HEIGHT CONTROL "BARKSDALE" / FRONT / W/DRAIN		1	
9	630247	VALVE, HEIGHT CONTROL "BARKSDALE" / REAR / W/DRAIN		2	
10	630231	LINK ASSY 185MM C/C 7 1/4"		1	
. A	N8889244	. GROMMET / LINK		2	
. B	630250	. STUD RETAINER 1/4-20 X 1"		2	
. C	500247	. NUT HEX 1/4-20 N500		4	
. D	500473	. WASHER LO SPT .262x.489x.062 Z050		4	
11	630231	LINK ASSY 185MM C/C 7 1/4"		2	
. A	N8889244	. GROMMET / LINK		2	
. B	630250	. STUD RETAINER 1/4-20 X 1"		2	
. C	500247	. NUT HEX 1/4-20 N500		4	
. D	500473	. WASHER LO SPT .262x.489x.062 Z050		4	
12	131993	SUPPORT VALVE		1	
13	174090	SUPPORT VALVE		1	
14	641564	VALVE, DOUBLE CHECK DC-4		1	
15	641274	VALVE, 3 WAYS, 2 POSITIONS N.C.		2	
16	641531	VALVE, 5 WAYS, 3 POSITIONS		1	
. NS	641186	. SPOOL		1	
17	641530	VALVE, 3 WAYS, 2 POSITIONS / 2 SOLONIDS		1	
. NS	641929	. COIL 24V		1	
. NS	641169	. SPOOL		1	
. NS	641385	. CONNECTOR / SOCKET HOUSING ASSY 3C / PNEUMAC 54934-01		1	
18	130047	SUPPORT VALVE R-14		1	
19	501311	ADAPTER / PIPE FITTING / 3/8NPT-Fx1/4NPT-M BR		1	
20	640643	ANCHOR ELBOW / PIPE FITTING / 1/4NPT-Fx1/4NPT-F STL		1	
21	503402	TUBE, NYLON 1/4 O.D. / BLACK S.L.		AR	
22	503471	TUBE, NYLON 3/8 O.D. / BLUE S.L.		AR	
23	503517	TUBE, NYLON 1/2 O.D. / BLUE S.L.		AR	
24	503566	TUBE, NYLON 1/4 O.D. / BLUE S.L.		AR	
25	22443498	TRANSDUCER PRESSURE (0-12 BAR, 0-174 PSI)		1	
26A	22194741	SENSOR / HEIGHT ASSY		1	

HEIGHT CONTROL VALVE & FRONT KNEELING

Item#	Part	Description	H 3 4 1	H 3 4 5	N O T E S
27A	138620	PIVOT CAPTOR ASSY		1	R
27B	132024	PIVOT CAPTOR ASSY		1	I
28A	952627	CLAMP / 1/2" I.D.		1	
28B	952624	CLAMP / 1/4" I.D.		1	
28C	504637	CABLE TIE / 3/16" x 13"		AR	
29	8631155	CABLE TIE / 4.6MM x 200 / CHRISTMAS TREE		1	
31	130027	SUPPORT VALVE		1	
32A	132023	SUPPORT HEIGHT CONTROL VALVE / W/KNEELING		1	
32B	132108	SUPPORT VALVE		1	
33	131319	SUPPORT VALVE		1	
34	131621	SUPPORT HEIGHT CONTROL VALVE / WHITOUT "KNEELING"		1	
35	130028	SUPPORT		1	
36A	110062	ACTUATOR LEVER		1	
37	504215	U-CLAMP / 1 3/4" I.D. x 5/16-18		1	
38	500942	WASHER LO SPT 8.1x14.8x2.0 N500		3	
39A	500701	NUT HEX 5/16-18 ZP		2	
39B	500778	NUT HEX 5/16-18 N500		3	
40	500836	SCREW CAP HEX 5/16-18x3/4 G5 N500		3	
41A	502570	WASHER LO SPT 6.1x11.8x1.6 SS		6	
41B	5001833	WASHER BEL SPR 6.1x18x1.27 SS		2	
41C	500877	WASHER FL .250x.562x.065 N500		4	
42	502565	NUT HEX M6-1.0 SS		6	
43	500247	NUT HEX 1/4-20 N500		2	
44	502656	SCREW CAP HEX M6-1.0x50 SS		AR	
45	502573	WASHER FL 6.4x12.5x1.6 SS		AR	
46	502622	SCREW CAP HEX M6-1.0x20 SS BK		AR	
47	500411	WASHER FL .260x.697x.050 SS		AR	
48	502681	NUT HEX NYRT M6-1.0 N500 G8		4	
49	5001710	SCREW CAP HEX M6-1.0x55 SS		2	
50	502638	WASHER FL .312x.734x.065 N500		AR	
51	502582	WASHER LO SERR 6.1x16.2x0.9 Z050		4	
52	502830	SCREW CAP HEX M6-1.0x20 G8.8 N500		AR	
53	502853	WASHER LO SPT 6.1x11.8x1.6 N500		4	
54	5001826	SCREW CAP HEX M6-1.0x80 FT Z050		2	
55	501800	PLUG HEXS / PIPE FITTING / 1/4NPT-M STL		2	
56A	5001742	SCREW CAP HEXF M8-1.25x30 G8.8 N500		2	
56B	502851	NUT HEX M8-1.25 N500		3	
56C	500321	WASHER BEL SPR .331x.827x.098 N500		3	
57	641380	MALE CONNECTOR / PUSH-IN FITTING / #8x1/4NPT-M BR		AR	
58	501309	ADAPTER / PIPE FITTING / 3/8NPT-Fx3/8NPT-M BR		AR	
59	501814	NIPPLE / PIPE FITTING / 3/8NPT-Mx3/8NPT-Mx3 BR		AR	
60	641332	MALE CONNECTOR / PUSH-IN FITTING / #4x1/4NPT-M BR		AR	

HEIGHT CONTROL VALVE & FRONT KNEELING

Item#	Part	Description	H 3 4 1	H 3 4 5	NOTES
61	641372	MALE ELBOW 90° NON-SWIVEL / PUSH-IN FITTING / #6x1/4NPT-M BR		AR	A
62	641373	MALE ELBOW 90° NON-SWIVEL / PUSH-IN FITTING / #8x1/4NPT-M BR		AR	
63	641371	MALE ELBOW 90° NON-SWIVEL / PUSH-IN FITTING / #4x1/4NPT-M BR		AR	
64	641376	MALE ELBOW 90° NON-SWIVEL / PUSH-IN FITTING / #8x3/8NPT-M BR		AR	
65	641002	MALE RUN TEE / NTA FITTING / #4x#4x1/8NPT-M BR		AR	
66	641369	MALE ELBOW 90° NON-SWIVEL / PUSH-IN FITTING / #4x1/8NPT-M BR		AR	
67	501449	PLUG HEXS / PIPE FITTING / 3/8NPT-M STL		AR	
68	641381	MALE CONNECTOR / PUSH-IN FITTING / #8x3/8NPT-M BR		AR	
69	641381	MALE CONNECTOR / PUSH-IN FITTING / #8x3/8NPT-M BR		AR	
70	641909	MALE RUN TEE SWIVEL / PUSH-IN FITTING / #4x#4x1/8NPT-M BR		AR	
71	501699	MALE RUN TEE / PIPE FITTING / 3/8NPT-Mx3/8NPT-Fx3/8NPT-F BR		AR	
72	641330	MALE CONNECTOR / PUSH-IN FITTING / #6x3/8NPT-M BR		AR	
73	641428	MALE ELBOW 90° SWIVEL / PUSH-IN FITTING / #8x3/8NPT-M BR		AR	
74	641368	MALE ELBOW 45° NON-SWIVEL / PUSH-IN FITTING / #8x3/8NPT-M BR		AR	
75	501749	NIPPLE REDUCER HEX / PIPE FITTING / 3/8NPT-Mx1/4NPT-Mx1 13/32 BR		AR	
76	501330	STREET ELBOW 45° / PIPE FITTING / 3/8NPT-Mx3/8NPT-F BR		1	
77	641375	MALE ELBOW 90° NON-SWIVEL / PUSH-IN FITTING / #6x3/8NPT-M BR		AR	
78	140521	ADAPTER / PIPE FITTING / 3/8NPT-MxM12-F SS		1	
79	21551555	NON-RETURN VALVE		1	
80	641378	MALE ELBOW 90° / PUSH-IN FITTING / #8x1/2NPT-M BRASS		AR	
81	641381	MALE CONNECTOR / PUSH-IN FITTING / #8x3/8NPT-M BR		AR	
82	641376	MALE ELBOW 90° NON-SWIVEL / PUSH-IN FITTING / #8x3/8NPT-M BR		AR	
83	641242	MALE CONNECTOR / PUSH-IN FITTING / #4x1/8NPT-M BR		AR	
84	641331	MALE CONNECTOR / PUSH-IN FITTING / #6x1/4NPT-M BR		AR	
85	641365	MALE ELBOW 45° NON-SWIVEL / PUSH-IN FITTING / #4x1/8NPT-M BR		AR	
86	642128	MALE ELBOW 90° SWIVEL DUAL PORT / PUSH-IN / #6x#6x3/8NPT-M BR		AR	
87	501332	STREET ELBOW 90° / PIPE FITTING / 1/4NPT-Mx1/4NPT-F BR		AR	
88	501796	BULKHEAD COUPLING / PIPE FITTING / 1/2NPT-Fx1/2NPT-Fx1 1/2 BR		AR	
89	641366	MALE ELBOW 45° NON-SWIVEL / PUSH-IN FITTING / #6x1/4NPT-M BR		AR	
90	641374	MALE ELBOW 90° NON-SWIVEL / PUSH-IN FITTING / #4x3/8NPT-M BR		AR	
91	501739	MALE CONNECTOR / JIC 37° FITTING / #8JIC-Mx1/2NPT-M STL		AR	
92	641367	MALE ELBOW 45° NON-SWIVEL / PUSH-IN FITTING / #6x3/8NPT-M BR		AR	
93	641956	MALE RUN TEE SWIVEL / PUSH-IN FITTING / #4x#4x1/4NPT-M BR		AR	
94	641347	MALE CONNECTOR / PUSH-IN FITTING / #4x3/8NPT-M BR		AR	
95	641389	MALE RUN TEE SWIVEL / PUSH-IN FITTING / #6x#6x1/4NPT-M BR		AR	
96	641388	MALE RUN TEE NON-SWIVEL / PUSH-IN FITTING / #6x#6x3/8NPT-M BR		AR	
97	504750	CABLE TIE / 1/2" x 15" / CHRISTMAS TREE		AR	
98	504637	CABLE TIE / 3/16" x 13"		AR	
99	507383	TIE MOUNT HOLE 3/8"		AR	
99	509491	CABLE TIE / 13MM x 383MM		AR	
100	509815	TIE MOUNT / ATTACHMENT W/TREE MOUNT		AR	
101	501527	FEMALE UNION TEE / PIPE FITTING / 3/8NPT-Fx3/8NPT-Fx3/8NPT-F BR		1	

	Date:07/2024	PAGE:H9-1620-02
HEIGHT CONTROL VALVE & FRONT KNEELING		

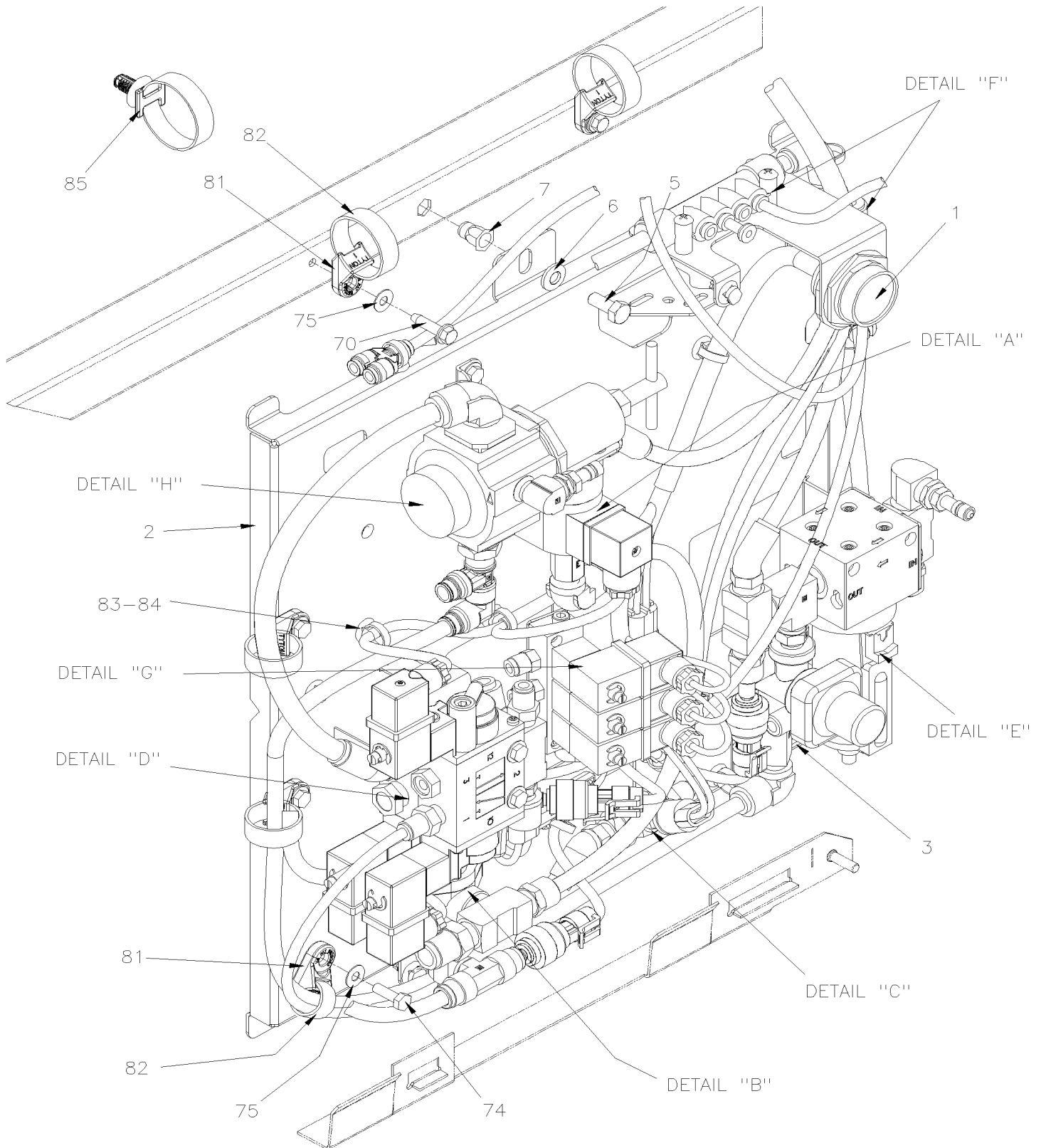
Item#	Part	Description	H 3 4 1	H 3 4 5	N O T E S
102	641897	MANIFOLD / PUSH-IN FITTING / 2x#6 / 4x#4 PLAS		1	
103	647894	ELBOW 90° STEM / PUSH-IN FITTING / #6x#6STEM PLAS		1	
104	5001991	SCREW MA RND PH M5-0.8x30 SS		2	
105	501587	MALE ELBOW 90° / JIC 37° FITTING / #8JIC-Mx3/8NPT-M STL		AR	
106	5001587	NUT HEX NYRT M5-0.8 SS		2	
107	178847	SUPPORT MANIFOLD		1	
108	501322	NIPPLE HEX / PIPE FITTING / 3/8NPT-Mx3/8NPT-Mx1 13/32 BR		1	
109	641375	MALE ELBOW 90° NON-SWIVEL / PUSH-IN FITTING / #6x3/8NPT-M BR		1	
110	641934	SILENCER / MUFFLER / 3/8NPT-M		1	
111	501314	BUSHING REDUCER / PIPE FITTING / 3/8NTP-Mx1/4NPT-F BR		1	
112	501338	MALE RUN TEE / PIPE FITTING / 1/4NPT-Mx1/4NPT-Fx1/4NPT-F BR		1	
113	501333	STREET ELBOW 90° / PIPE FITTING / 3/8NPT-Mx3/8NPT-F BR		1	
125	H9-1630-03	FRONT KNEELING - CONTROL PANEL			
126	H9-1601-00	BELLOWS - AIR SUSPENSION			
127	H9-1203-01	AIR TANK - INSTALLATION			
NS	680098	THREAD SEALANT LOCTITE #567 / WHITE / 250ml		AR	
		A) WITH OPTION "ABS-6 ESP ADVENCE"			
		I) WITH INDEPENDANTE SUSPENSION			
		R) WITH "I BEAM" SUSPENSION			

From K-0185 To P-1452

Date:07/2024

PAGE:H9-1630-02

FRONT KNEELING - CONTROL PANEL

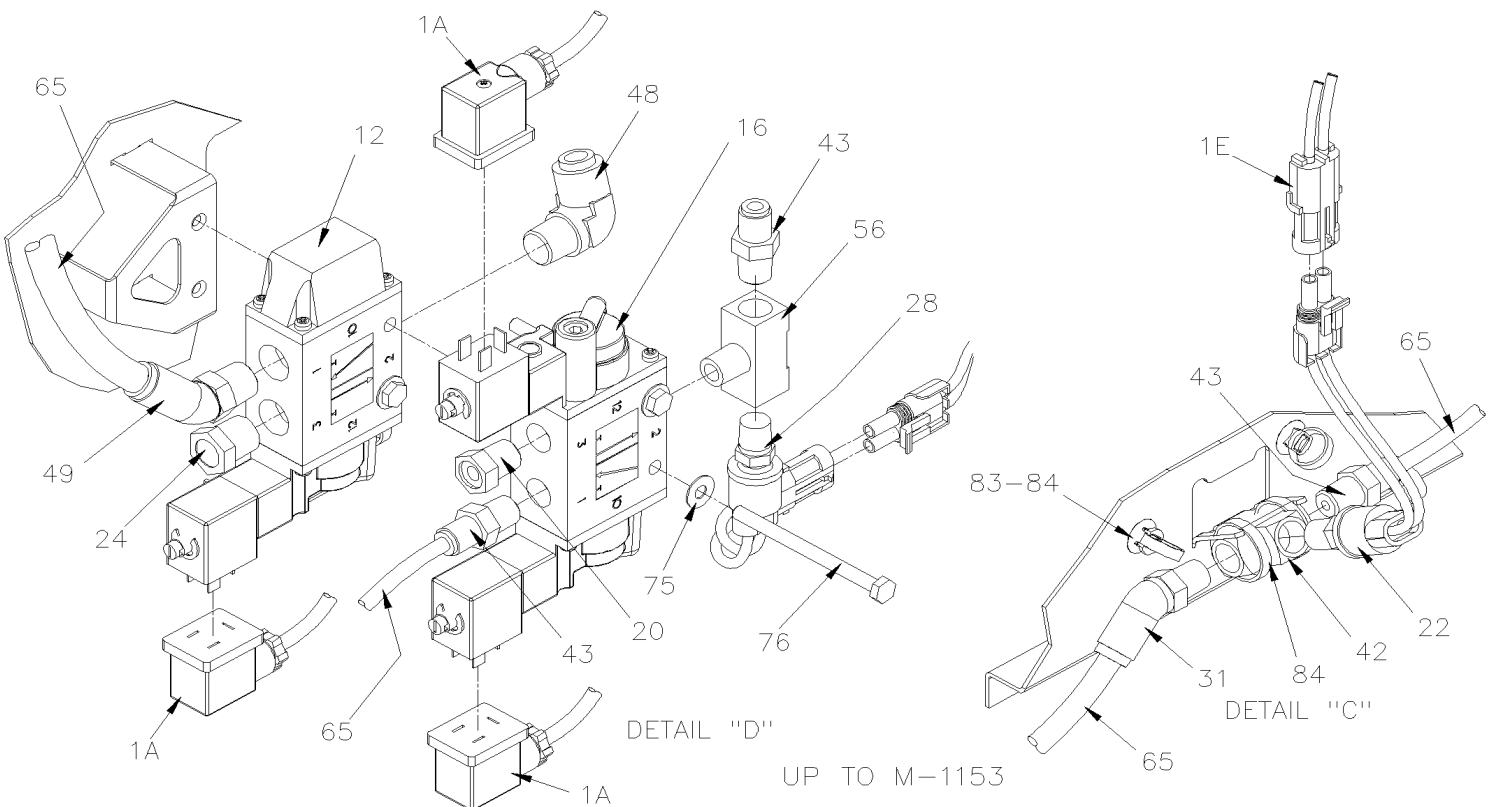
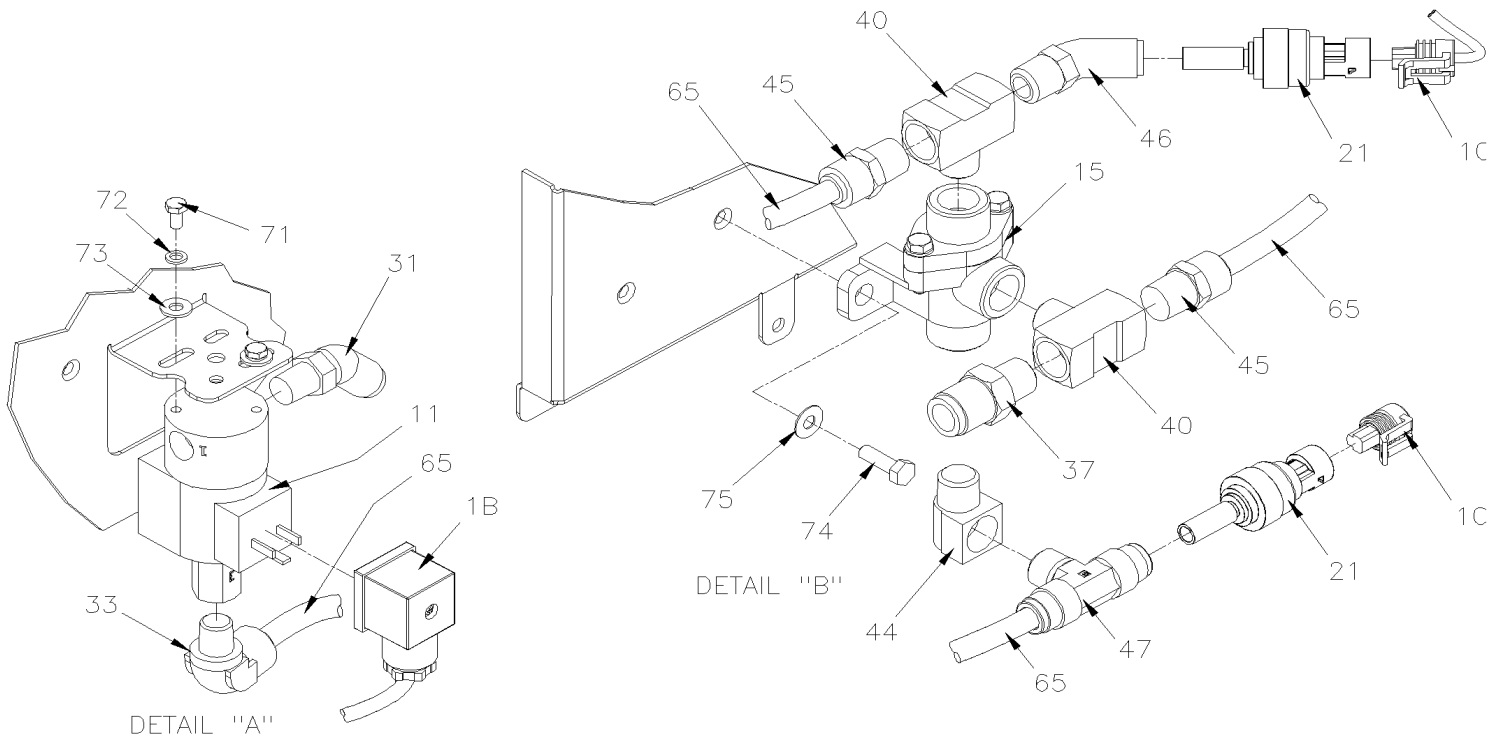


From K-0185 To P-1452

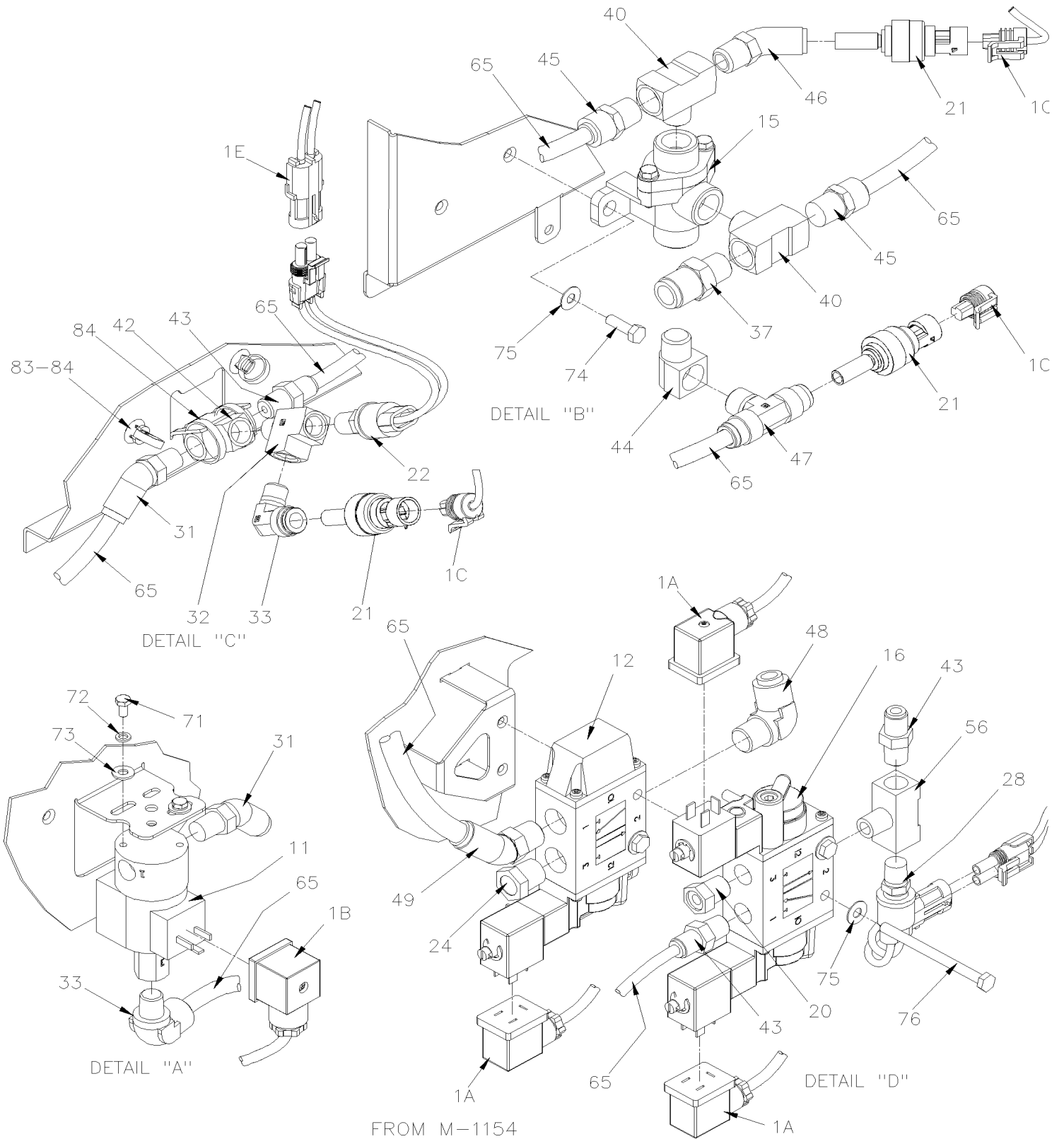
Date:07/2024

PAGE:H9-1630-02

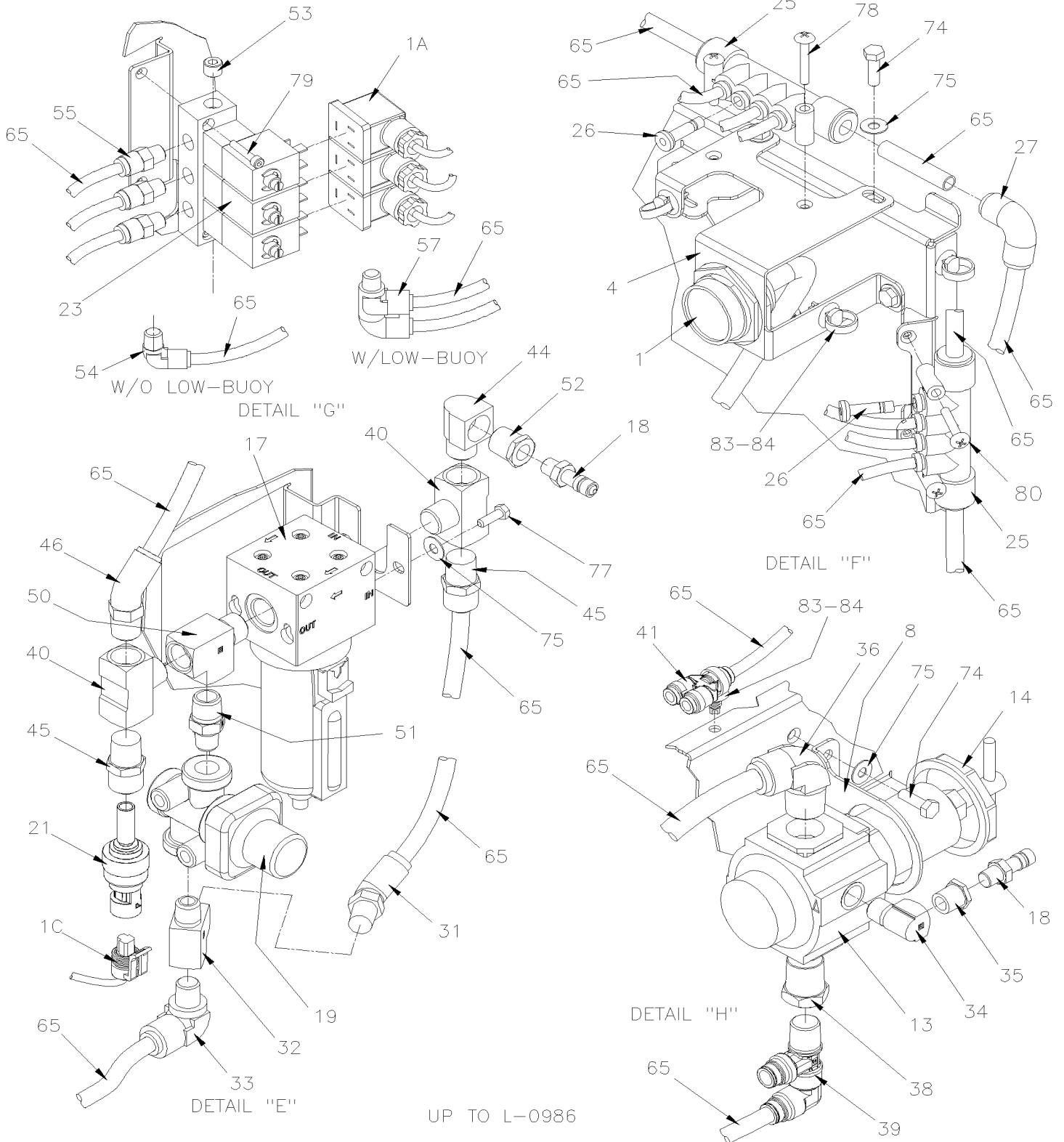
FRONT KNEELING - CONTROL PANEL



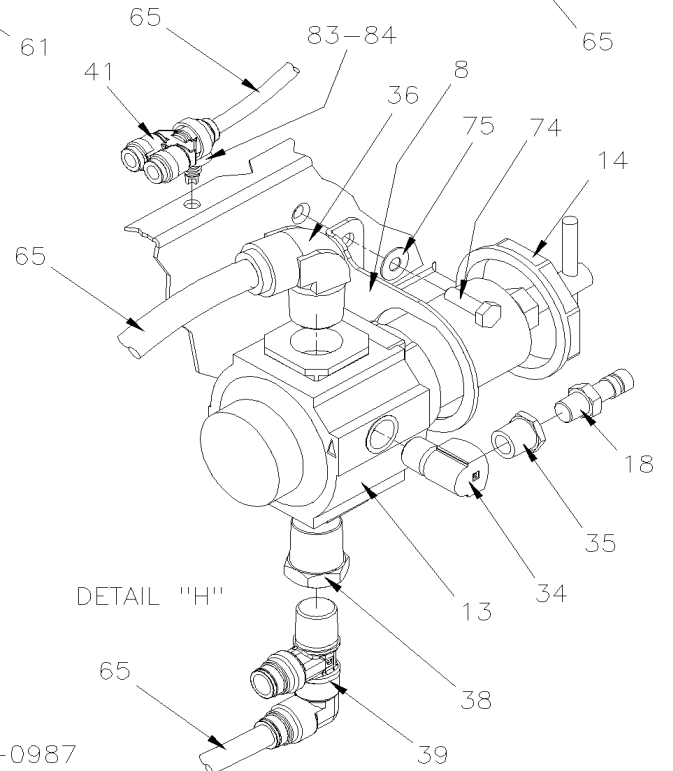
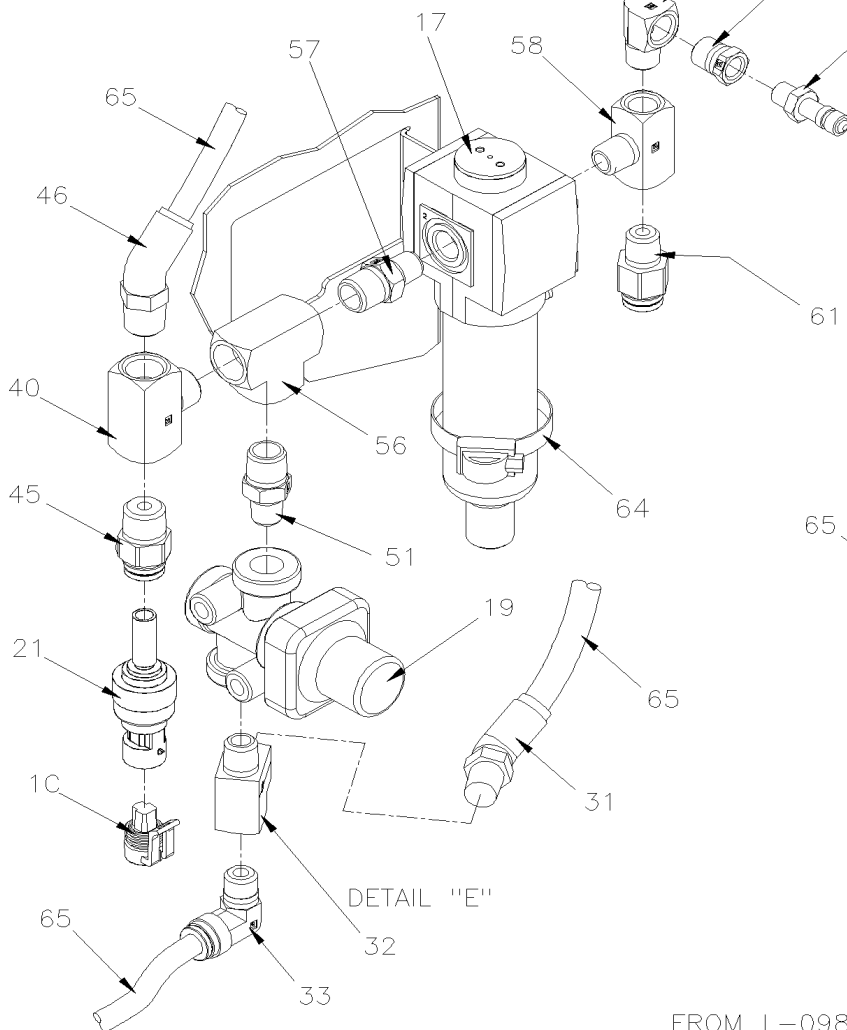
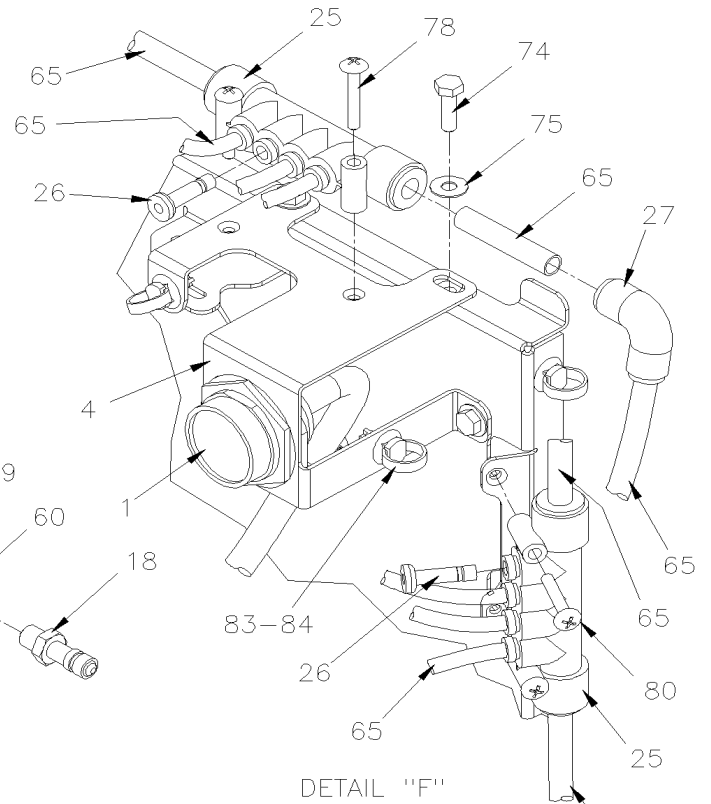
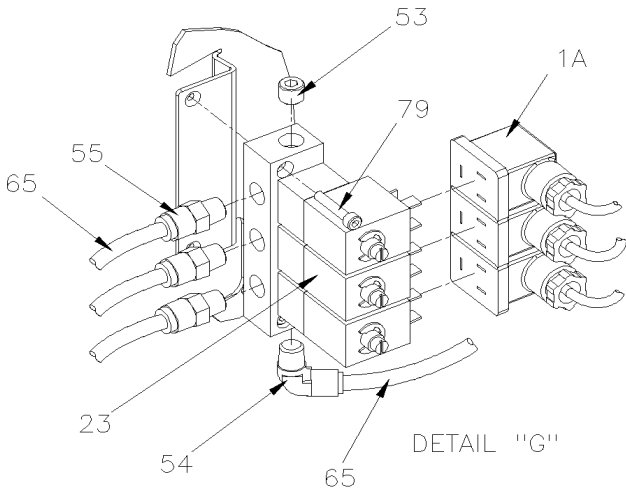
From K-0185 To P-1452	Date:07/2024	PAGE:H9-1630-02
FRONT KNEELING - CONTROL PANEL		



From K-0185 To P-1452	Date:07/2024	PAGE:H9-1630-02
FRONT KNEELING - CONTROL PANEL		



From K-0185 To P-1452	Date:07/2024	PAGE:H9-1630-02
FRONT KNEELING - CONTROL PANEL		



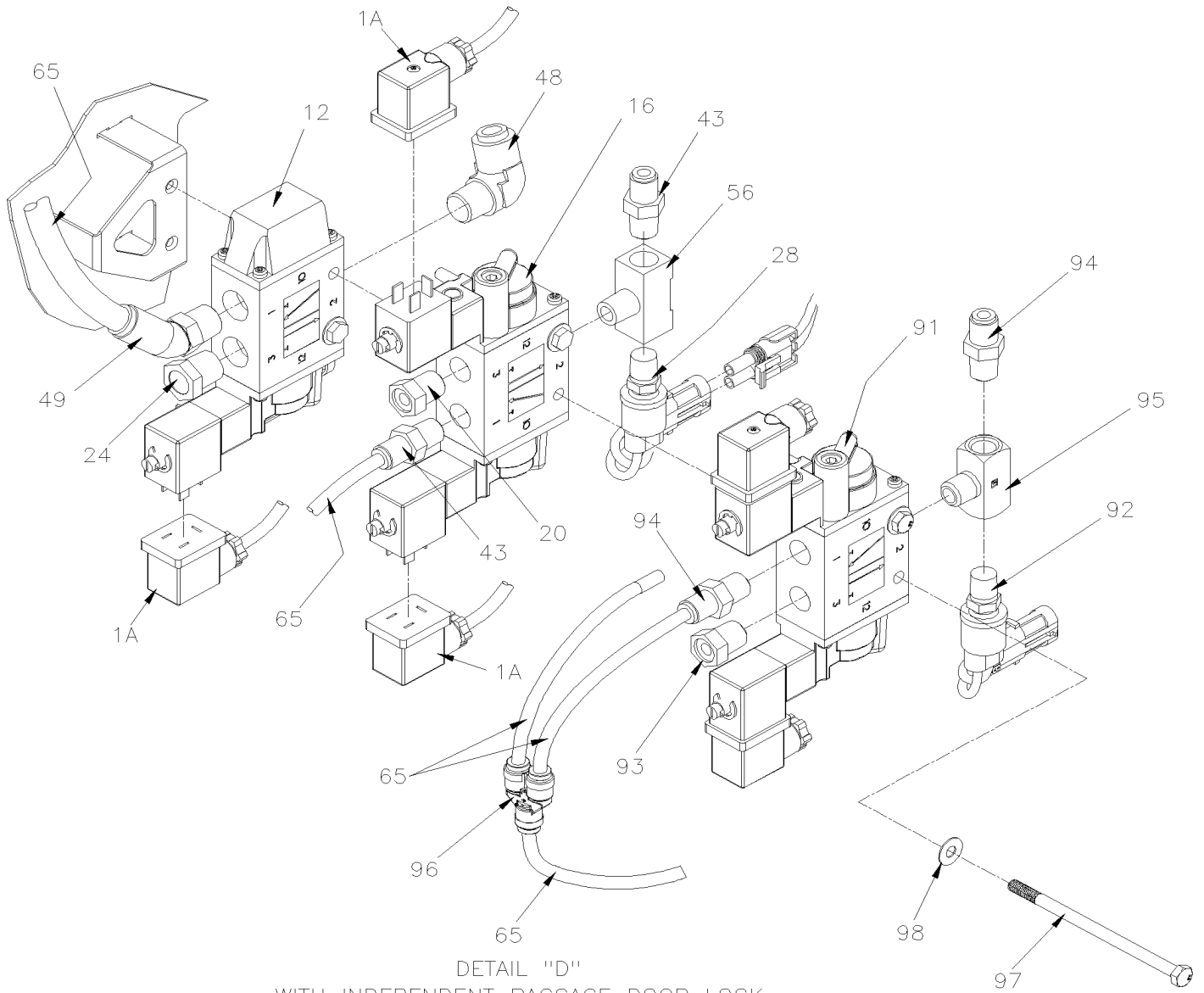
FROM L-0987

From K-0185 To P-1452

Date:07/2024

PAGE:H9-1630-02

FRONT KNEELING - CONTROL PANEL



DETAIL "D"
WITH INDEPENDENT BAGGAGE DOOR LOCK
STREET SIDE AND CURBSIDE

From K-0185 To P-1452	Date:07/2024	PAGE:H9-1630-02
FRONT KNEELING - CONTROL PANEL		

Item#	Part	Description	H 3 4 1	H 3 4 5	N O T E S
1	060868	CABLE ASSY KNEELING PANEL To M-1153	1	1	
. A	641385	. CONNECTOR / SOCKET HOUSING ASSY 3C / PNEUMAC 54934-01 To M-1153	6	6	
. B	562848	. CONNECTOR / SOCKET HOUSING ASSY 3C / PNEUMAC 54933-05 To M-1153	1	1	
. C	563159	. CONNECTOR / METRI-PACK 150 / SH 3C / PED 12065287 To M-1153	3	3	
. D	563677	. CONNECTOR / METRI-PACK 150 / SH 4C / PED 12065402 To M-1153	1	1	
. E	561566	. CONNECTOR / WEATHER PACK / PH 2C / BLACK / PED 12010973 To M-1153	1	1	
. F	562348	. CONNECTOR / WEATHER PACK / PH 2C / GRAY / PED 12034074 To M-1153	1	1	
1	0610469	CABLE ASSY KNEELING PANEL From M-1154	1	1	
. A	641385	. CONNECTOR / SOCKET HOUSING ASSY 3C / PNEUMAC 54934-01 From M-1154	6	6	
. B	562848	. CONNECTOR / SOCKET HOUSING ASSY 3C / PNEUMAC 54933-05 From M-1154	1	1	
. C	563159	. CONNECTOR / METRI-PACK 150 / SH 3C / PED 12065287 From M-1154	4	4	
. D	563677	. CONNECTOR / METRI-PACK 150 / SH 4C / PED 12065402 From M-1154	1	1	
. E	561566	. CONNECTOR / WEATHER PACK / PH 2C / BLACK / PED 12010973 From M-1154	1	1	
. F	562348	. CONNECTOR / WEATHER PACK / PH 2C / GRAY / PED 12034074 From M-1154	1	1	
2	140038	VALVE SUPPORT ASSY To L-0986	1	1	
2	140221	VALVE SUPPORT ASSY From L-0987	1	1	
3	140227	DECAL / ACC AIR FILTER DRAIN / ENGLISH & FRANCAIS	1	1	
4	140039	CABLE SUPPORT	1	1	
5	502862	SCREW CAP HEX M8-1.25x20 G8.8 N500	1	1	
6	5001868	WASHER BEL SPR 8.4x18x2 SS	1	1	
7	5001692	NUT INS FL HEX M8-1.25 0.5-3.0 SS	1	1	
8	145267	SUPPORT, REGULATOR	1	1	
11	642227	VALVE, 3 WAYS, 2 POSITIONS N.C.	1	1	
. NS	195765	. SOLENOIDE 24 VOLTS	1	1	
12	641937	VALVE, 3 WAYS, 2 POSITIONS N.C. / W/MAN OVERRIDE	1	1	A
. NS	641929	. COIL 24V	1	1	A
. NS	641385	. CONNECTOR / SOCKET HOUSING ASSY 3C / PNEUMAC 54934-01	1	1	A
12	641530	VALVE, 3 WAYS, 2 POSITIONS / 2 SOLONIDS	1	1	B
. NS	641929	. COIL 24V	1	1	B
. NS	641169	. SPOOL	1	1	B
. NS	641385	. CONNECTOR / SOCKET HOUSING ASSY 3C / PNEUMAC 54934-01	1	1	B
13	641352	AIR PRESSURE REGULATOR 1/2" NPT	1	1	
14	641506	NUT RING / AIR REGULATOR RETAINING	1	1	
15	641564	VALVE, DOUBLE CHECK DC-4	1	1	
16	641530	VALVE, 3 WAYS, 2 POSITIONS / 2 SOLONIDS	1	1	
. NS	641929	. COIL 24V	1	1	
. NS	641169	. SPOOL	1	1	
. NS	641385	. CONNECTOR / SOCKET HOUSING ASSY 3C / PNEUMAC 54934-01	1	1	
17	642192	AIR FILTER To L-0986	1	1	
17	640031	AIR FILTER From L-0987	1	1	
. NS	640050	. AIR FILTER From L-0987	1	1	

From K-0185 To P-1452	Date:07/2024	PAGE:H9-1630-02
FRONT KNEELING - CONTROL PANEL		

Item#	Part	Description	H 3 4 1	H 3 4 5	N O T E S
. NS	640049	. BOWL FILTER From L-0987	1	1	
17	140259	SERVICE KIT AIR FILTER PNEUMATIC To L-0986	1	1	
18	640488	VALVE, AIR FILL 1/8" NPT	2	2	
. NS	650164	. CAP VALVE / CHROME	1	1	
19	641137	VALVE, PRESSURE PROTECTION TYPE PR-4 70PSI	1	1	
20	641926	SILENCER / MUFFLER / 1/4NPT-M	1	1	
21	560005	TRANSDUCER PRESSURE (0-12 BAR, 0-174 PSI) To M-1153	3	3	
21	22443498	TRANSDUCER PRESSURE (0-12 BAR, 0-174 PSI) From M-1154	4	4	
22	287234	PRESSURE SWITCH N.C. 30-10 20PS001AB030E010E	1	1	
23	641180	MANIFOLD VALVE / W/3 SOLENOID	1	1	
. NS	641928	. KIT, MANIFOLD REPAIR / N.C.	3	3	
. NS	641107	. COIL 24V	1	1	
24	641934	SILENCER / MUFFLER / 3/8NPT-M	1	1	
25	641897	MANIFOLD / PUSH-IN FITTING / 2x#6 / 4x#4 PLAS	2	2	
26	641416	PLUG STEM / PUSH-IN FITTING / #4 PLAS	2	2	
27	641436	UNION ELBOW 90° / PUSH-IN FITTING / #6x#6 BR	1	1	
28	452043	PRESSURE SWITCH N.O. 60-35 20SP001AA060E035E	1	1	
31	641366	MALE ELBOW 45° NON-SWIVEL / PUSH-IN FITTING / #6x1/4NPT-M BR	2	2	
32	501338	MALE RUN TEE / PIPE FITTING / 1/4NPT-Mx1/4NPT-Fx1/4NPT-F BR To M-1153	1	1	
32	501338	MALE RUN TEE / PIPE FITTING / 1/4NPT-Mx1/4NPT-Fx1/4NPT-F BR From M-1154	3	3	
33	641372	MALE ELBOW 90° NON-SWIVEL / PUSH-IN FITTING / #6x1/4NPT-M BR To M-1153	2	2	
33	641372	MALE ELBOW 90° NON-SWIVEL / PUSH-IN FITTING / #6x1/4NPT-M BR From M-1154	3	3	
34	501332	STREET ELBOW 90° / PIPE FITTING / 1/4NPT-Mx1/4NPT-F BR	1	1	
35	501312	BUSHING REDUCER / PIPE FITTING / 1/4NPT-Mx1/8NPT-F BR	1	1	
36	641378	MALE ELBOW 90° / PUSH-IN FITTING / #8x1/2NPT-M BRASS	1	1	
37	641381	MALE CONNECTOR / PUSH-IN FITTING / #8x3/8NPT-M BR	1	1	
38	501534	BUSHING REDUCER / PIPE FITTING / 1/2NPT-Mx3/8NPT-F BR	1	1	
39	642128	MALE ELBOW 90° SWIVEL DUAL PORT / PUSH-IN / #6x#6x3/8NPT-M BR	1	1	
40	501737	MALE BRANCHE TEE / PIPE FITTING / 3/8NPT-Fx3/8NPT-Fx3/8NPT-M BR	4	4	
41	642208	UNION "Y" / PUSH-IN FITTING / #4x#4x#4 PLAS	1	1	
42	501337	FEMALE UNION TEE / PIPE FITTING / 1/4NPT-Fx1/4NPT-Fx1/4NPT-F BR	1	1	
43	641332	MALE CONNECTOR / PUSH-IN FITTING / #4x1/4NPT-M BR	3	3	
44	501333	STREET ELBOW 90° / PIPE FITTING / 3/8NPT-Mx3/8NPT-F BR	2	2	
45	641330	MALE CONNECTOR / PUSH-IN FITTING / #6x3/8NPT-M BR	4	4	
46	641367	MALE ELBOW 45° NON-SWIVEL / PUSH-IN FITTING / #6x3/8NPT-M BR	2	2	
47	649942	MALE BRANCH TEE / PUSH-IN FITTING / #6x#6x3/8NPT-M BR	1	1	
48	641375	MALE ELBOW 90° NON-SWIVEL / PUSH-IN FITTING / #6x3/8NPT-M BR	1	1	
49	641368	MALE ELBOW 45° NON-SWIVEL / PUSH-IN FITTING / #8x3/8NPT-M BR	1	1	
50	501699	MALE RUN TEE / PIPE FITTING / 3/8NPT-Mx3/8NPT-Fx3/8NPT-F BR	1	1	
51	501749	NIPPLE REDUCER HEX / PIPE FITTING / 3/8NPT-Mx1/4NPT-Mx1 13/32 BR To L-0986	1	1	
51	501749	NIPPLE REDUCER HEX / PIPE FITTING / 3/8NPT-Mx1/4NPT-Mx1 13/32 BR From L-0987	2	2	

From K-0185 To P-1452	Date:07/2024	PAGE:H9-1630-02
FRONT KNEELING - CONTROL PANEL		

Item#	Part	Description	H 3 4 1	H 3 4 5	N O T E S
52	501313	BUSHING REDUCER / PIPE FITTING / 3/8NTP-Mx1/8NPT-F BR	1	1	
53	501072	PLUG HEXS / PIPE FITTING / 1/8NPT-M STL	1	1	
54	641369	MALE ELBOW 90° NON-SWIVEL / PUSH-IN FITTING / #4x1/8NPT-M BR	1	1	
55	641242	MALE CONNECTOR / PUSH-IN FITTING / #4x1/8NPT-M BR	3	3	
56	501894	MALE BRANCHE TEE / PIPE FITTING / 1/4NPT-Fx1/4NPT-Fx1/4NPT-M BR	1	1	
57	642127	MALE ELBOW 90° SWIVEL DUAL PORT / PUSH-IN / #4x#4x1/8NPT-M BR	1	1	
58	501527	FEMALE UNION TEE / PIPE FITTING / 3/8NPT-Fx3/8NPT-Fx3/8NPT-F BR From L-0987	1	1	
59	501894	MALE BRANCHE TEE / PIPE FITTING / 1/4NPT-Fx1/4NPT-Fx1/4NPT-M BR From L-0987	1	1	
60	501332	STREET ELBOW 90° / PIPE FITTING / 1/4NPT-Mx1/4NPT-F BR From L-0987			
61	501312	BUSHING REDUCER / PIPE FITTING / 1/4NTP-Mx1/8NPT-F BR From L-0987	1	1	
62	641331	MALE CONNECTOR / PUSH-IN FITTING / #6x1/4NPT-M BR From L-0987	1	1	
NS	680098	THREAD SEALANT LOCTITE #567 / WHITE / 250ml	AR	AR	
64	992086	HOSE CLAMP / 32MM/52MM From L-0987	1	1	
65	H9-1202-00	TUBES PLASTIC / AIR D.O.T.			
70	500266	SCREW TC CAP HEX 1/4-20x1 N500	2	2	
71	500393	SCREW TC PAN PH #10-24x3/8 Z050	2	2	
72	500470	WASHER LO SPT .193x.334x.047 Z050	2	2	
73	500964	WASHER FL .203x.500x.047 Z050	2	2	
74	502830	SCREW CAP HEX M6-1.0x20 G8.8 N500	AR	AR	
75	5001608	WASHER BEL SPR 6.2x15.0x0.7 G500	AR	AR	
76	502843	SCREW CAP HEX M6-1.0x45 G8.8 N500	2	2	
76	5002136	SCREW CAP HEX M6-1.0x110 PT SS	1	1	A
77	500032	SCREW CAP HEX M5-0.8x16 BK	2	2	
78	5001991	SCREW MA RND PH M5-0.8x30 SS	2	2	
79	500671	SCREW CAP HEXS #8-32x7/8	2	2	
80	5001991	SCREW MA RND PH M5-0.8x30 SS	2	2	
81	509894	TIE MOUNT HOLE 7.8MM	5	5	
82	509491	CABLE TIE / 13MM x 383MM	5	5	
83	509815	TIE MOUNT / ATTACHMENT W/TREE MOUNT	AR	AR	
84	504637	CABLE TIE / 3/16" x 13"	AR	AR	
85	504750	CABLE TIE / 1/2" x 15" / CHRISTMAS TREE	AR	AR	
91	641530	VALVE, 3 WAYS, 2 POSITIONS / 2 SOLONIDS	1	1	C
. NS	641929	. COIL 24V	1	1	C
. NS	641169	. SPOOL	1	1	C
. NS	641385	. CONNECTOR / SOCKET HOUSING ASSY 3C / PNEUMAC 54934-01	1	1	C
91	0610319	LOCK/UNLOCK RH LUGGAGE DOOR ONLY	1	1	C
92	452043	PRESSURE SWITCH N.O. 60-35 20SP001AA060E035E	1	1	C
93	641926	SILENCER / MUFFLER / 1/4NPT-M	1	1	C
94	641332	MALE CONNECTOR / PUSH-IN FITTING / #4x1/4NPT-M BR	2	2	C

From K-0185 To P-1452	Date:07/2024	PAGE:H9-1630-02
FRONT KNEELING - CONTROL PANEL		

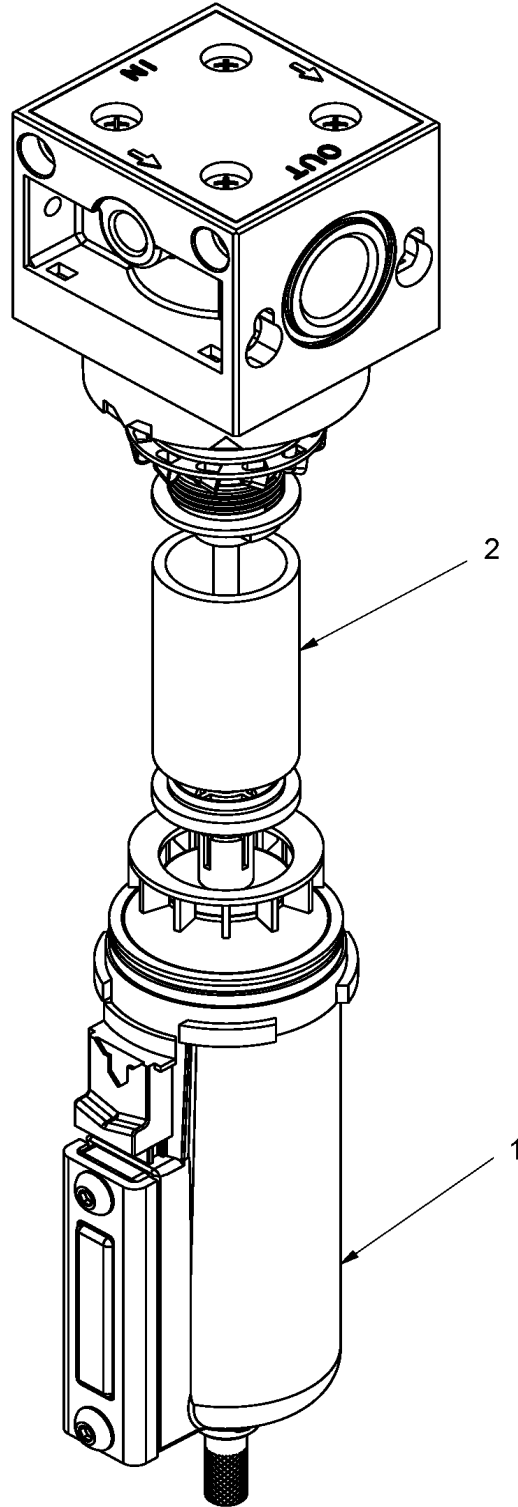
Item#	Part	Description	H 3 4 1	H 3 4 5	N O T E S
95	501894	MALE BRANCHE TEE / PIPE FITTING / 1/4NPT-Fx1/4NPT-Fx1/4NPT-M BR	1	1	C
96	642208	UNION "Y" / PUSH-IN FITTING / #4x#4x#4 PLAS	1	1	C
97	5002136	SCREW CAP HEX M6-1.0x110 PT SS	2	2	C
98	5001608	WASHER BEL SPR 6.2x15.0x0.7 G500	2	2	C
		A) USE WITH HIGH BUOY AND PNEUMATIC BAGGAGE DOOR LOCK			
		B) USE WITHOUT HIGH BUOY AND WITH PNEUMATIC BAGGAGE DOOR LOCK			
		C) WITH INDEPENDENT BAGGAGE DOOR LOCK STREET SIDE AND CURBSIDED			

To L-0986

Date:07/2024

PAGE:642192

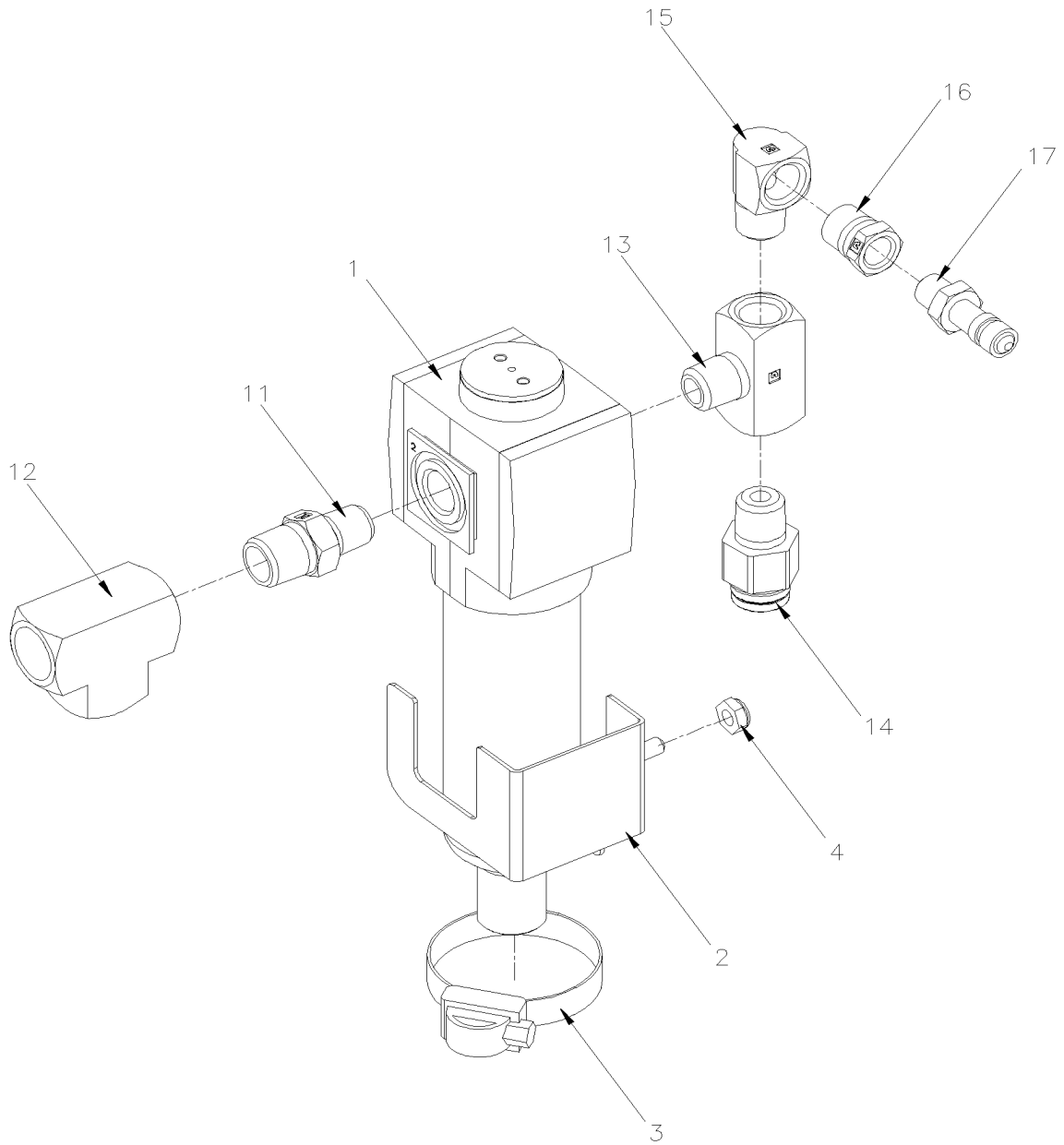
AIR FILTER



To L-0986	Date:07/2024	PAGE:642192
AIR FILTER		

Item#	Part	Description	H 3 4 1	H 3 4 5	NOTES
1	642219	METAL BOWL MANUAL DRAIN	1	1	
2	642220	FILTER ELEMENT	1	1	
NS	642221	SERVICE KIT AIR FILTER	1	1	A
. NS	N.S.S.	. FILTER SIDE PLATE	2	2	1 A
. NS	N.S.S.	. SCREW CAP BUT	2	2	1 A
. NS	N.S.S.	. PLUG	1	1	1 A
. NS	N.S.S.	. O-RING	1	1	1 A
. NS	N.S.S.	. GREASE PACKET	1	1	1 A
		A) CONTAIN SIDE COVER 2X / SCREW X2 / PLUG 1X / O-RING 1X / GREASE PACKAGE 1X			
		1) NOT SOLD SEPARATELY			

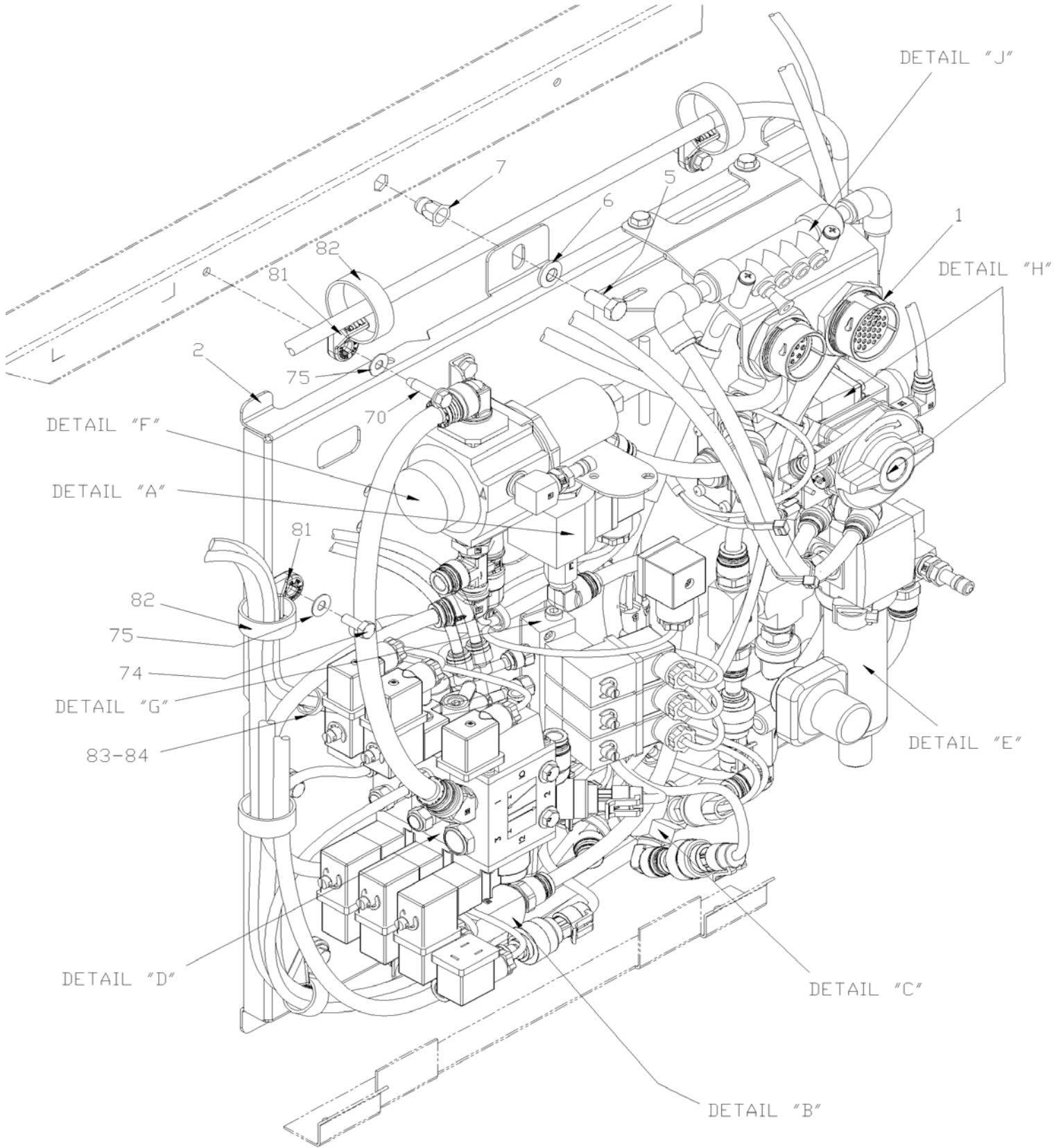
To L-0986	Date:07/2024	PAGE:140259
SERVICE KIT AIR FILTER PNEUMATIC		



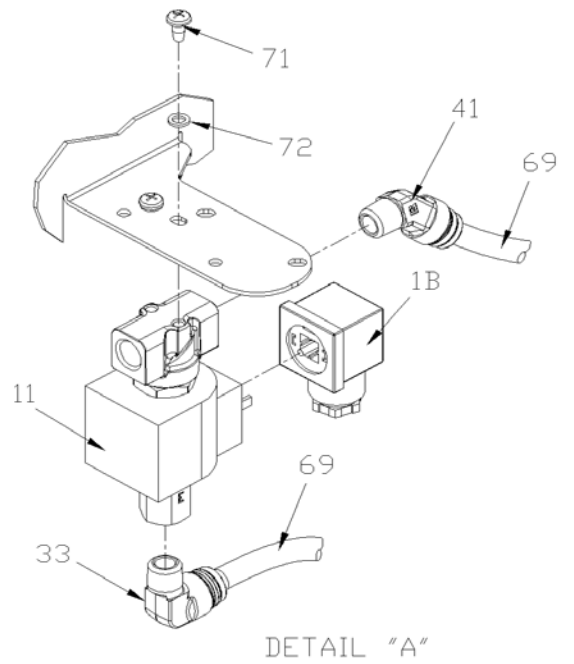
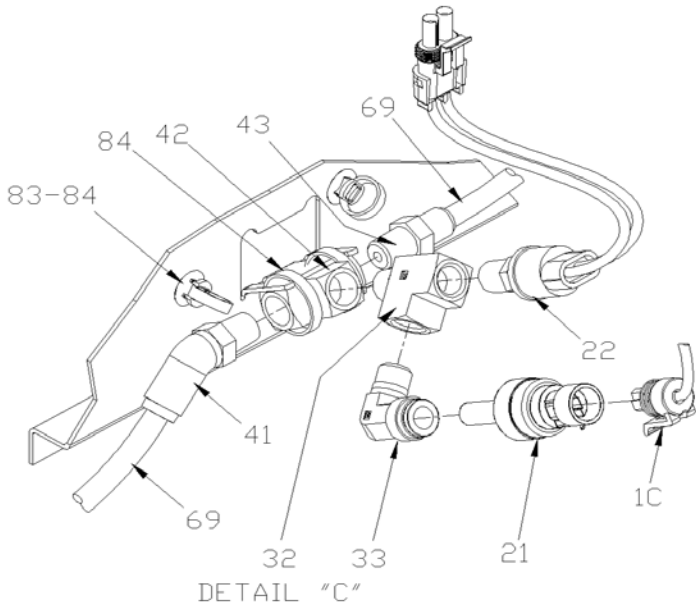
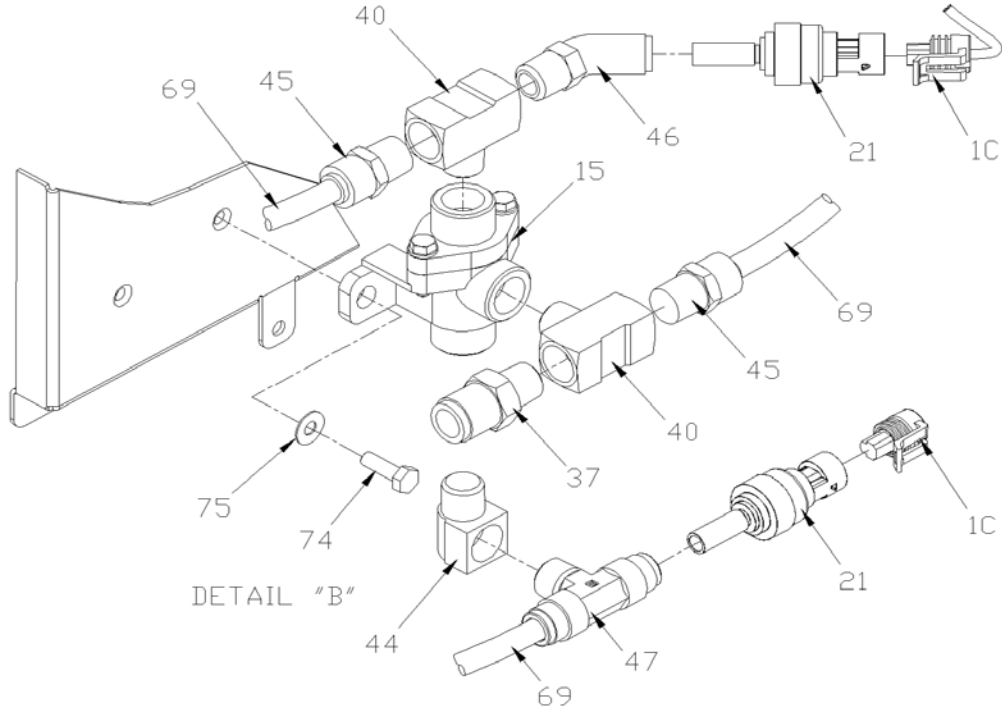
To L-0986	Date:07/2024	PAGE:140259
SERVICE KIT AIR FILTER PNEUMATIC		

Item#	Part	Description	H 3 4 1	H 3 4 5	NOTES
1	640031	AIR FILTER	1	1	
. NS	640050	. AIR FILTER	1	1	
. NS	640049	. BOWL FILTER	1	1	
2	140219	BRACKET, AIR FILTER	1	1	
3	992086	HOSE CLAMP / 32MM/52MM	1	1	
4	502841	NUT HEX NYRT M5-0.8 N500	2	2	
11	501749	NIPPLE REDUCER HEX / PIPE FITTING / 3/8NPT-Mx1/4NPT-Mx1 13/32 BR	1	1	
12	501527	FEMALE UNION TEE / PIPE FITTING / 3/8NPT-Fx3/8NPT-Fx3/8NPT-F BR	1	1	
13	501894	MALE BRANCHE TEE / PIPE FITTING / 1/4NPT-Fx1/4NPT-Fx1/4NPT-M BR	1	1	
14	641331	MALE CONNECTOR / PUSH-IN FITTING / #6x1/4NPT-M BR	1	1	
15	501332	STREET ELBOW 90° / PIPE FITTING / 1/4NPT-Mx1/4NPT-F BR	1	1	
16	501312	BUSHING REDUCER / PIPE FITTING / 1/4NTP-Mx1/8NPT-F BR	1	1	
17	640488	VALVE, AIR FILL 1/8" NPT	1	1	
. NS	650164	. CAP VALVE / CHROME	1	1	
18	IS-19084	SEE INSTRUCTION SHEET	1	1	

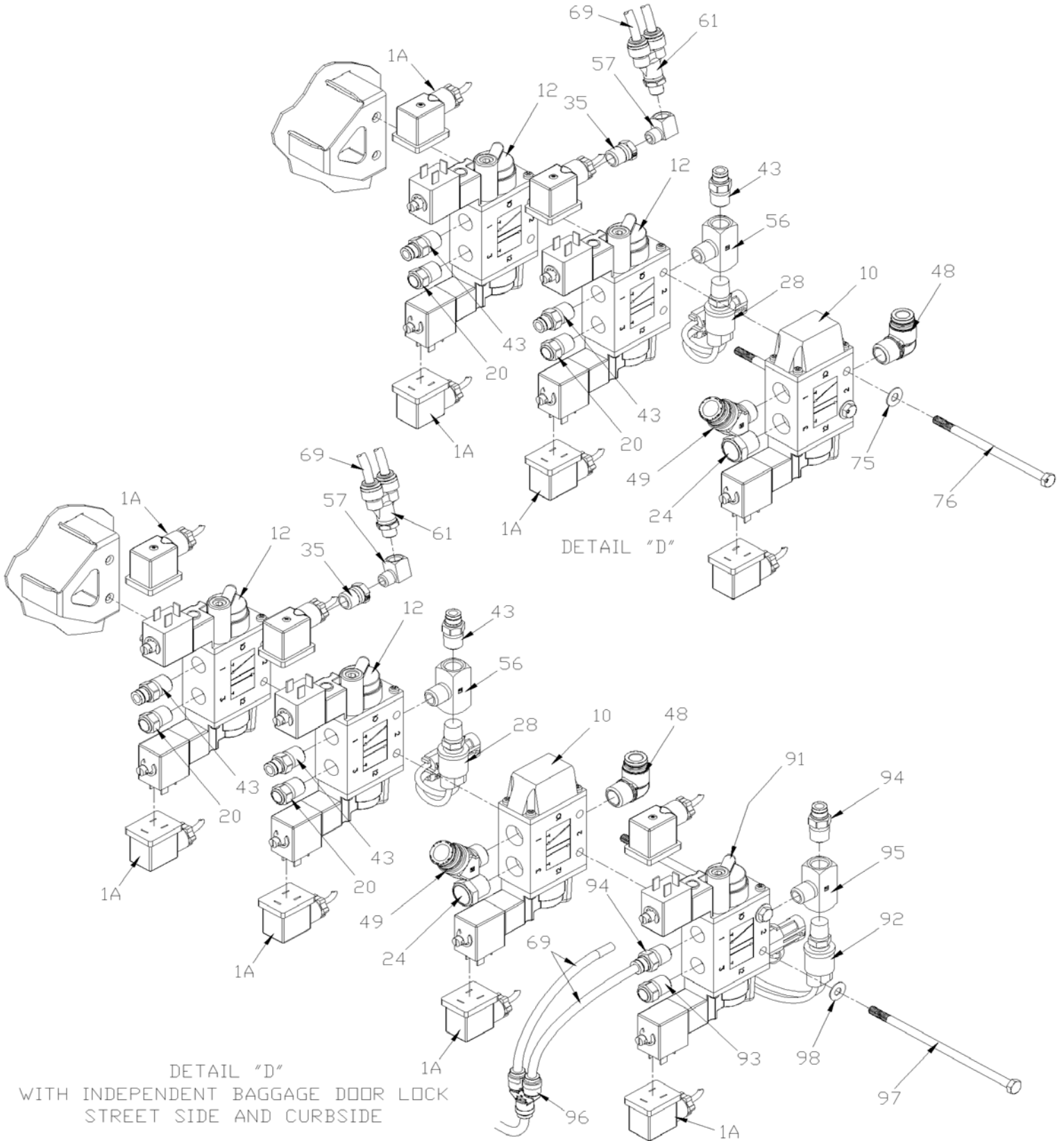
	Date:07/2024	PAGE:H9-1630-03
FRONT KNEELING - CONTROL PANEL		



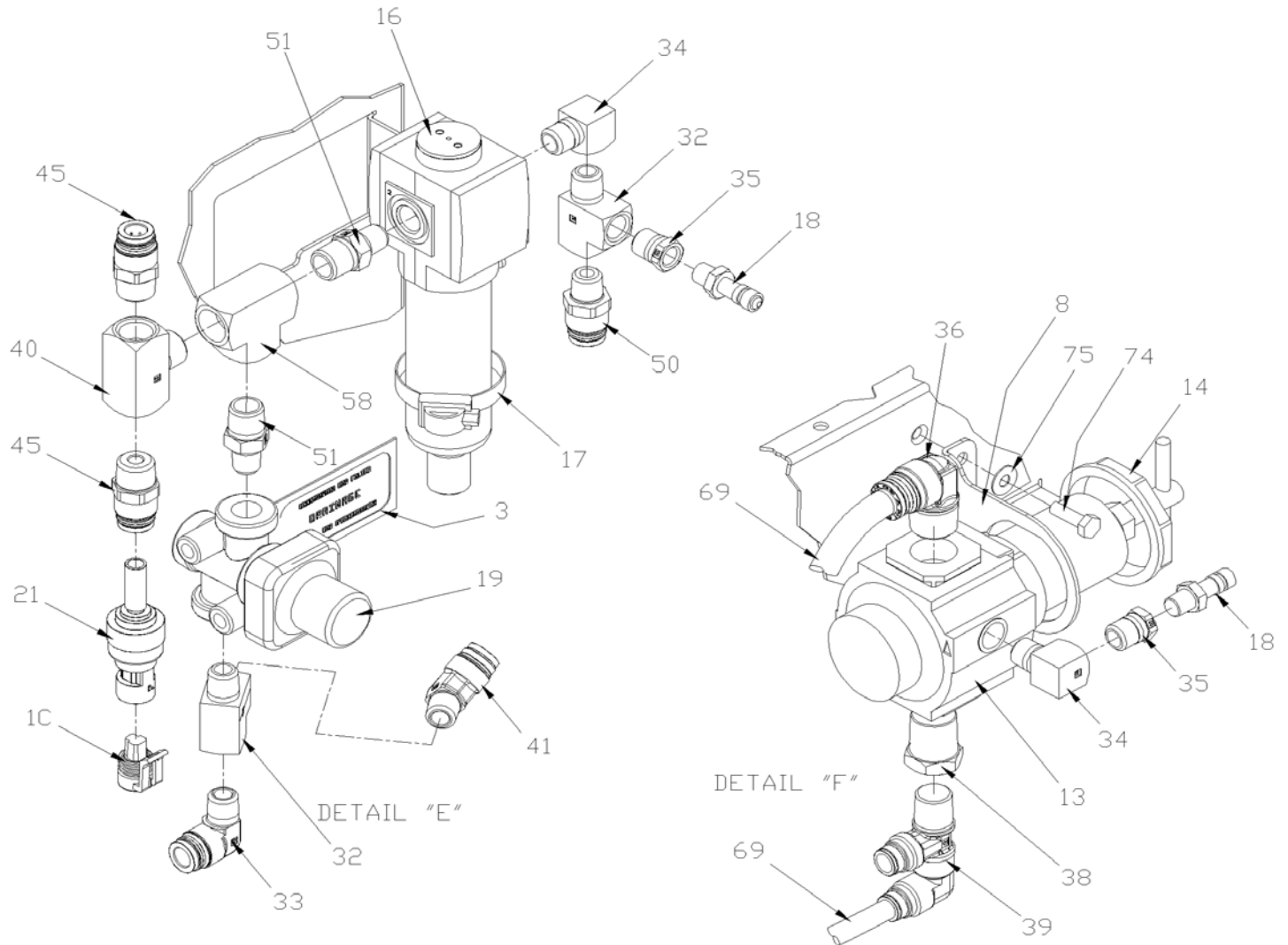
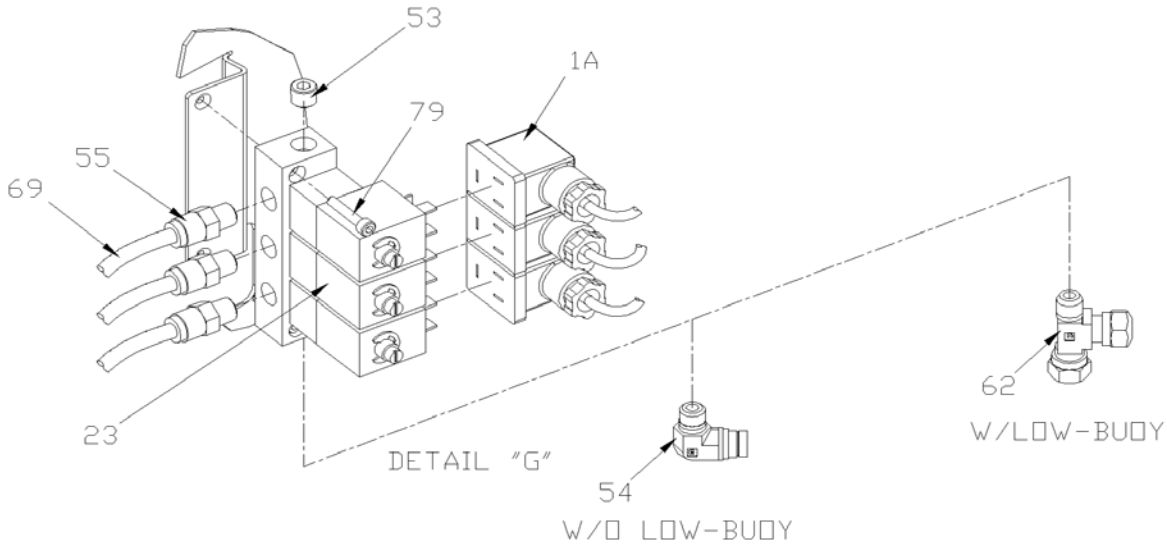
	Date:07/2024	PAGE:H9-1630-03
FRONT KNEELING - CONTROL PANEL		



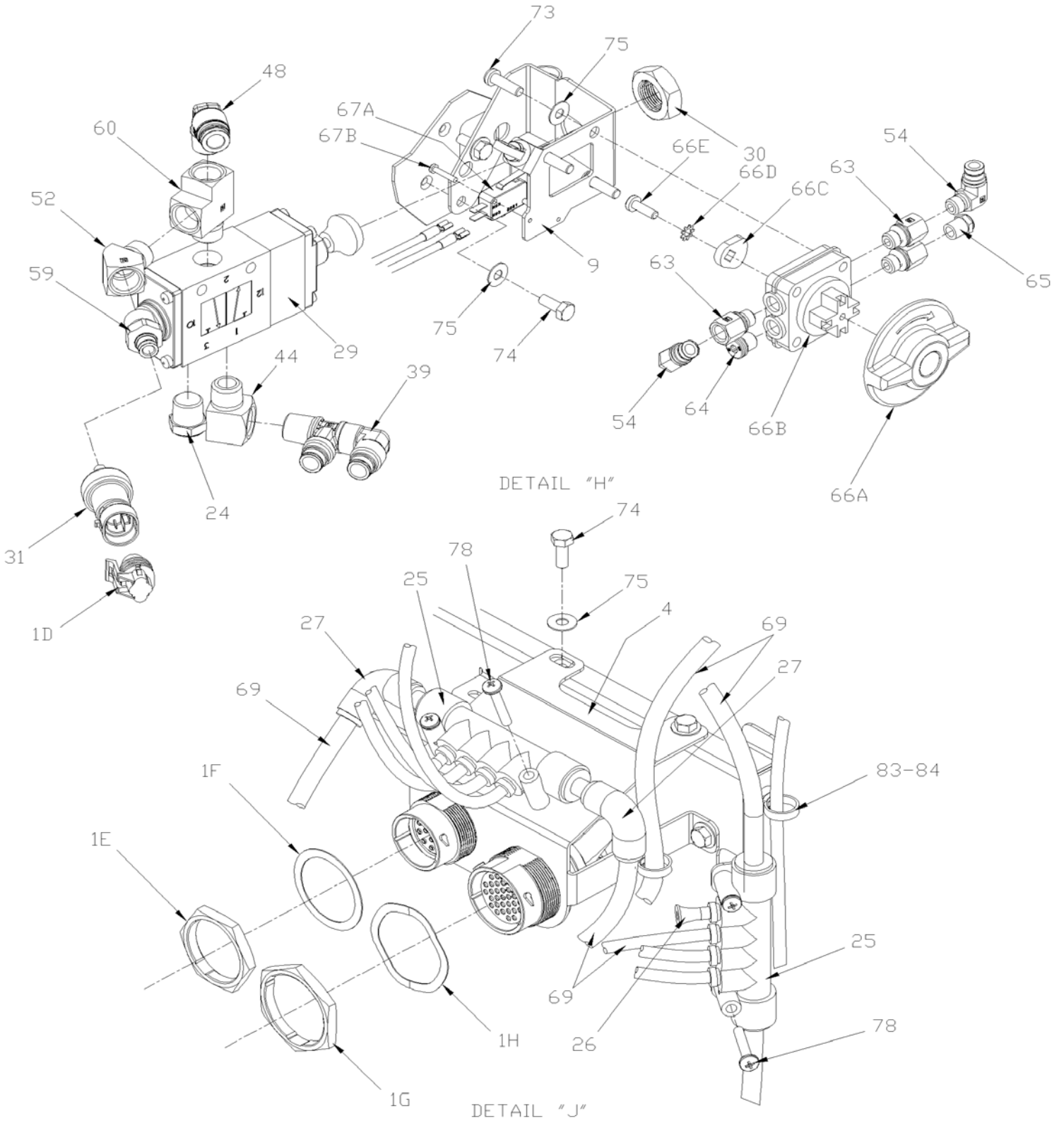
	Date:07/2024	PAGE:H9-1630-03
FRONT KNEELING - CONTROL PANEL		



	Date:07/2024	PAGE:H9-1630-03
FRONT KNEELING - CONTROL PANEL		



	Date:07/2024	PAGE:H9-1630-03
FRONT KNEELING - CONTROL PANEL		



FRONT KNEELING - CONTROL PANEL

Item#	Part	Description	H 3 4 1	H 3 4 5	N O T E S
1	0600020	PNEUMATIC PANEL HARNESS		1	
. A	641385	. CONNECTOR / SOCKET HOUSING ASSY 3C / PNEUMAC 54934-01		10	
. B	562848	. CONNECTOR / SOCKET HOUSING ASSY 3C / PNEUMAC 54933-05		2	
. C	563159	. CONNECTOR / METRI-PACK 150 / SH 3C / PED 12065287		4	
. D	563677	. CONNECTOR / METRI-PACK 150 / SH 4C / PED 12065402		1	
. E	566004	. PANEL NUT / HDP20 SERIES / DEUTSCH 2411-002-1805		1	
. F	566006	. LOCK WASHER / HDP20 SERIES / DEUTSCH 2414-002-1886		1	
. G	566003	. PANEL NUT / HDP20 SERIES / DEUTSCH 2411-001-2405		1	
. H	566005	. LOCK WASHER / HDP20 SERIES / DEUTSCH 2414-001-2486		1	
2	140466	PLATE ASSY,FRONT PNEUMATIC UNIT		1	
3	140227	DECAL / ACC AIR FILTER DRAIN / ENGLISH & FRANCAIS		1	
4	140137	SUPPORT		1	
5	502862	SCREW CAP HEX M8-1.25x20 G8.8 N500		1	
6	5001868	WASHER BEL SPR 8.4x18x2 SS		1	
7	5001692	NUT INS FL HEX M8-1.25 0.5-3.0 SS		1	
8	145267	SUPPORT, REGULATOR		1	
9	140149	BRACKET, VALVE DOOR OPEN PNEUMATIC MODULE		1	
10	641937	VALVE, 3 WAYS, 2 POSITIONS N.C. / W/MAN OVERRIDE		1	
. NS	641929	. COIL 24V		1	
. NS	641385	. CONNECTOR / SOCKET HOUSING ASSY 3C / PNEUMAC 54934-01		1	
11	642227	VALVE, 3 WAYS, 2 POSITIONS N.C.		1	
. NS	195765	. SOLENOIDE 24 VOLTS		1	
12	641530	VALVE, 3 WAYS, 2 POSITIONS / 2 SOLONOIDS		2	
. NS	641929	. COIL 24V		1	
. NS	641169	. SPOOL		1	
. NS	641385	. CONNECTOR / SOCKET HOUSING ASSY 3C / PNEUMAC 54934-01		1	
13	641352	AIR PRESSURE REGULATOR 1/2" NPT		1	
14	641506	NUT RING / AIR REGULATOR RETAINING		1	
15	641564	VALVE, DOUBLE CHECK DC-4		1	
16	640031	AIR FILTER		1	
. NS	640050	. AIR FILTER		1	
. NS	640049	. BOWL FILTER		1	
17	992086	HOSE CLAMP / 32MM/52MM		1	
18	640488	VALVE, AIR FILL 1/8" NPT		2	
. NS	650164	. CAP VALVE / CHROME		1	
19	641137	VALVE, PRESSURE PROTECTION TYPE PR-4 70PSI		1	
20	641926	SILENCER / MUFFLER / 1/4NPT-M		2	
21	22443498	TRANSDUCER PRESSURE (0-12 BAR, 0-174 PSI)		4	
22	287234	PRESSURE SWITCH N.C. 30-10 20PS001AB030E010E		1	
23	641180	MANIFOLD VALVE / W/3 SOLENOID		1	
. NS	641928	. KIT, MANIFOLD REPAIR / N.C.		3	
. NS	641107	. COIL 24V		1	

	Date:07/2024	PAGE:H9-1630-03
FRONT KNEELING - CONTROL PANEL		

Item#	Part	Description	H 3 4 1	H 3 4 5	N O T E S
24	641934	SILENCER / MUFFLER / 3/8NPT-M		2	
25	641897	MANIFOLD / PUSH-IN FITTING / 2x#6 / 4x#4 PLAS		2	
26	641416	PLUG STEM / PUSH-IN FITTING / #4 PLAS			
27	641436	UNION ELBOW 90° / PUSH-IN FITTING / #6x#6 BR		2	
28	452043	PRESSURE SWITCH N.O. 60-35 20SP001AA060E035E		1	
29	640034	MANUAL VALVE, 3 WAY 2 POSITIONS		1	
30	5000351	NUT HEX JAM THN M20-1.5x10 SS		1	
31	642072	PRESSURE SWITCH N.C. 2-6 PSI / 1/4" TUBE		1	
. NS	563677	. CONNECTOR / METRI-PACK 150 / SH 4C / PED 12065402		1	
32	501338	MALE RUN TEE / PIPE FITTING / 1/4NPT-Mx1/4NPT-Fx1/4NPT-F BR		3	
33	641372	MALE ELBOW 90° NON-SWIVEL / PUSH-IN FITTING / #6x1/4NPT-M BR		3	
34	501332	STREET ELBOW 90° / PIPE FITTING / 1/4NPT-Mx1/4NPT-F BR		5	
35	501312	BUSHING REDUCER / PIPE FITTING / 1/4NTP-Mx1/8NPT-F BR		3	
36	641378	MALE ELBOW 90° / PUSH-IN FITTING / #8x1/2NPT-M BRASS		1	
37	641381	MALE CONNECTOR / PUSH-IN FITTING / #8x3/8NPT-M BR		1	
38	501534	BUSHING REDUCER / PIPE FITTING / 1/2NPT-Mx3/8NPT-F BR		1	
39	642128	MALE ELBOW 90° SWIVEL DUAL PORT / PUSH-IN / #6x#6x3/8NPT-M BR		2	
40	501737	MALE BRANCHE TEE / PIPE FITTING / 3/8NPT-Fx3/8NPT-Fx3/8NPT-M BR		3	
41	641366	MALE ELBOW 45° NON-SWIVEL / PUSH-IN FITTING / #6x1/4NPT-M BR		3	
42	501337	FEMALE UNION TEE / PIPE FITTING / 1/4NPT-Fx1/4NPT-Fx1/4NPT-F BR		1	
43	641332	MALE CONNECTOR / PUSH-IN FITTING / #4x1/4NPT-M BR		4	
44	501333	STREET ELBOW 90° / PIPE FITTING / 3/8NPT-Mx3/8NPT-F BR		2	
45	641330	MALE CONNECTOR / PUSH-IN FITTING / #6x3/8NPT-M BR		4	
46	641367	MALE ELBOW 45° NON-SWIVEL / PUSH-IN FITTING / #6x3/8NPT-M BR		1	
47	649942	MALE BRANCH TEE / PUSH-IN FITTING / #6x#6x3/8NPT-M BR		1	
48	641375	MALE ELBOW 90° NON-SWIVEL / PUSH-IN FITTING / #6x3/8NPT-M BR		2	
49	641368	MALE ELBOW 45° NON-SWIVEL / PUSH-IN FITTING / #8x3/8NPT-M BR		1	
50	641331	MALE CONNECTOR / PUSH-IN FITTING / #6x1/4NPT-M BR		1	
51	501749	NIPPLE REDUCER HEX / PIPE FITTING / 3/8NPT-Mx1/4NPT-Mx1 13/32 BR		2	
52	501330	STREET ELBOW 45° / PIPE FITTING / 3/8NPT-Mx3/8NPT-F BR		1	
53	501072	PLUG HEXS / PIPE FITTING / 1/8NPT-M STL		1	
54	641369	MALE ELBOW 90° NON-SWIVEL / PUSH-IN FITTING / #4x1/8NPT-M BR		3	
55	641242	MALE CONNECTOR / PUSH-IN FITTING / #4x1/8NPT-M BR		3	
56	501894	MALE BRANCHE TEE / PIPE FITTING / 1/4NPT-Fx1/4NPT-Fx1/4NPT-M BR		1	
57	501331	STREET ELBOW 90° / PIPE FITTING / 1/8NPT-Mx1/8NPT-F BR		1	
58	501527	FEMALE UNION TEE / PIPE FITTING / 3/8NPT-Fx3/8NPT-Fx3/8NPT-F BR		1	
59	641347	MALE CONNECTOR / PUSH-IN FITTING / #4x3/8NPT-M BR		1	
60	501699	MALE RUN TEE / PIPE FITTING / 3/8NPT-Mx3/8NPT-Fx3/8NPT-F BR		1	
61	640002	MALE "Y" FITTING / PUSH-IN FITTING / #4x#4x1/8NPT-M BRASS		1	
62	641002	MALE RUN TEE / NTA FITTING / #4x#4x1/8NPT-M BR		1	
63	501075	ADAPTER / PIPE FITTING / 1/8NPT-FxM10-1 M STL		3	

FRONT KNEELING - CONTROL PANEL

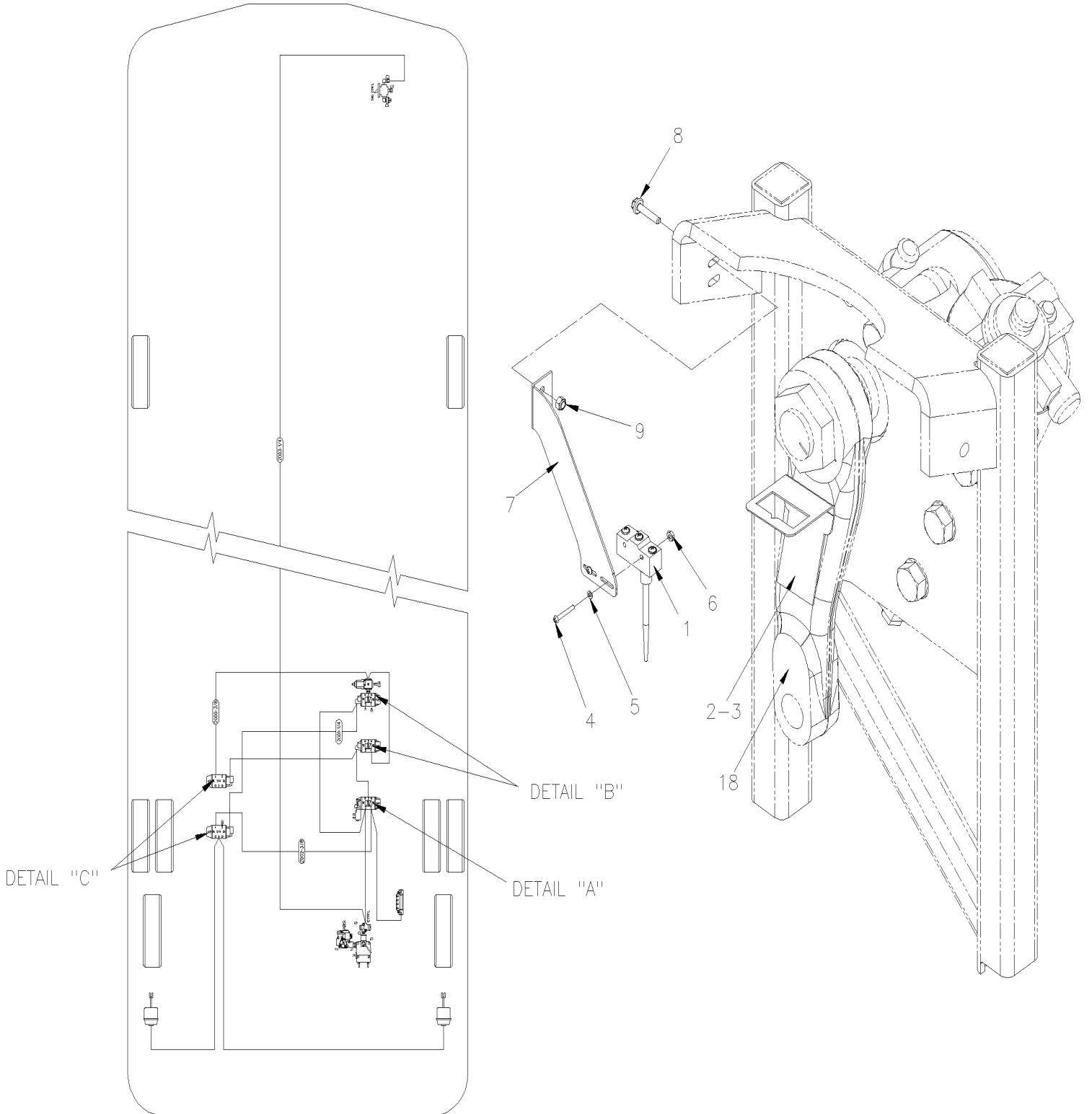
Item#	Part	Description	H 3 4 1	H 3 4 5	NOTES
64	501076	PLUG HEX-HEAD / METRIC / M10-1 ZP		1	
65	641943	SILENCER / MUFFLER / 1/8NPT-M		1	
66	680098	THREAD SEALANT LOCTITE #567 / WHITE / 250ml			
66A	70345686	KNOB EMERGENCY VALVE		1	
66B	70345685	SHUT-OFF COCK IDLE		1	
66C	140136	MANUAL OVERRIDE VALVE CAM		1	
66D	5001378	WASHER LO EXT 5.3x10x0.6 Z050		1	
66E	502653	SCREW MA PAN PH M5-0.8x16 SS		1	
67A	562096	MICRO SWITCH		1	
67B	502825	SCREW MA PAN PH M3-0.5x16 N500		2	
69	H9-1202-00	TUBES PLASTIC / AIR D.O.T.			
70	500266	SCREW TC CAP HEX 1/4-20x1 N500		2	
71	500393	SCREW TC PAN PH #10-24x3/8 Z050		2	
72	500470	WASHER LO SPT .193x.334x.047 Z050		2	
73	5001507	SCREW MA PAN PH M6-1.0x20 SS		3	
74	502830	SCREW CAP HEX M6-1.0x20 G8.8 N500		11	
75	5001608	WASHER BEL SPR 6.2x15.0x0.7 G500		18	
76	5002136	SCREW CAP HEX M6-1.0x110 PT SS		2	
78	5001991	SCREW MA RND PH M5-0.8x30 SS		4	
79	500671	SCREW CAP HEXS #8-32x7/8		2	
81	509894	TIE MOUNT HOLE 7.8MM		5	
82	509491	CABLE TIE / 13MM x 383MM		5	
83	509815	TIE MOUNT / ATTACHMENT W/TREE MOUNT			
84	504637	CABLE TIE / 3/16" x 13"			
91	641530	VALVE, 3 WAYS, 2 POSITIONS / 2 SOLONIDS		1	
. NS	641929	. COIL 24V		1	
. NS	641169	. SPOOL		1	
. NS	641385	. CONNECTOR / SOCKET HOUSING ASSY 3C / PNEUMAC 54934-01		1	
92	452043	PRESSURE SWITCH N.O. 60-35 20SP001AA060E035E		1	
93	641926	SILENCER / MUFFLER / 1/4NPT-M		1	
94	641332	MALE CONNECTOR / PUSH-IN FITTING / #4x1/4NPT-M BR		2	
95	501894	MALE BRANCHE TEE / PIPE FITTING / 1/4NPT-Fx1/4NPT-Fx1/4NPT-M BR		1	
96	642208	UNION "Y" / PUSH-IN FITTING / #4x#4x#4 PLAS		1	
97	5002150	SCREW CAP HEX M6-1.0x140 PT SS		2	
98	5001608	WASHER BEL SPR 6.2x15.0x0.7 G500		2	

From K-0185 To P-1452

Date:07/2024

PAGE:H9-1650-01

TAG UNLOAD - AIR VALVE INSTALLATION

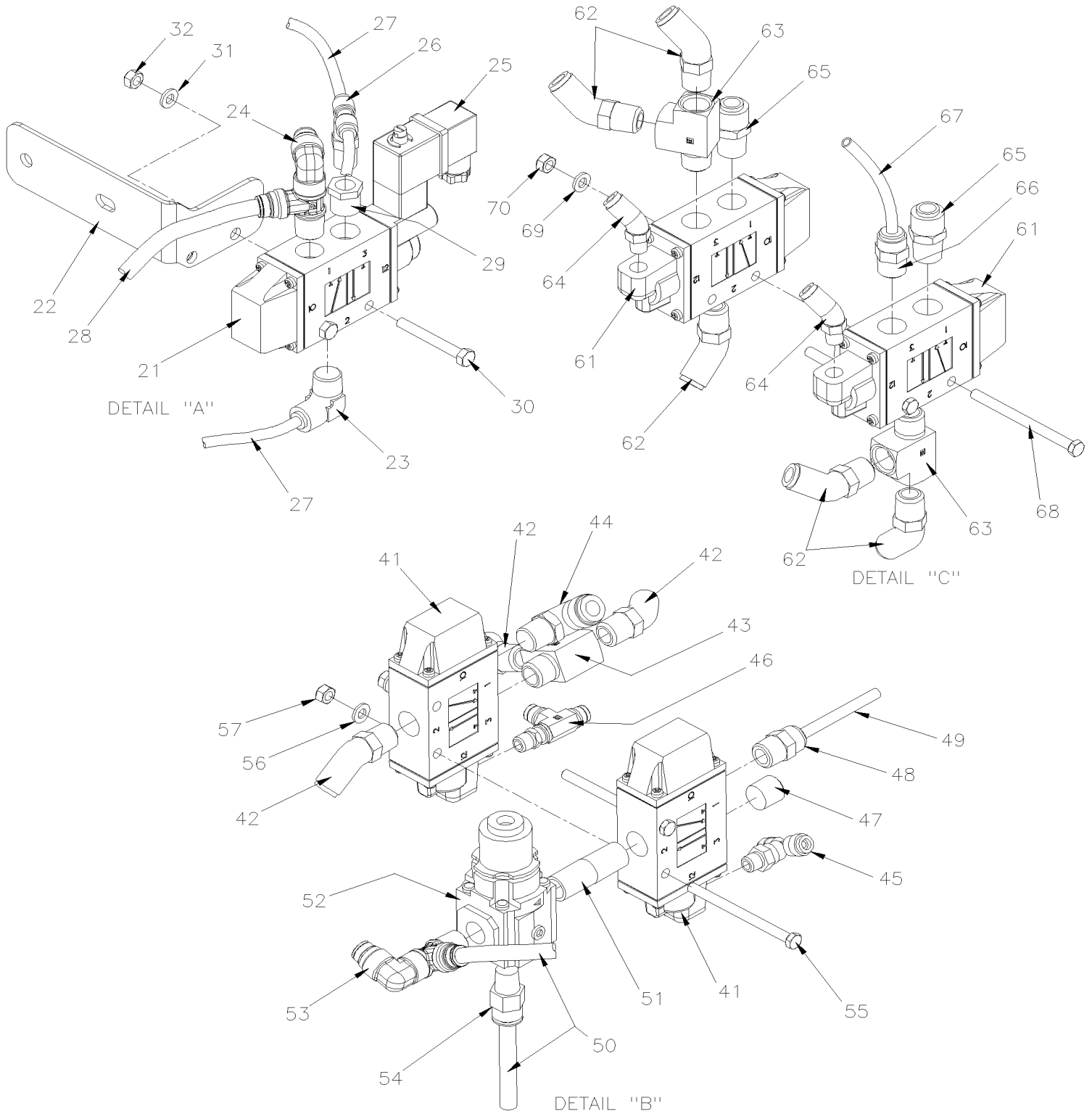


From K-0185 To P-1452

Date:07/2024

PAGE:H9-1650-01

TAG UNLOAD - AIR VALVE INSTALLATION



From K-0185 To P-1452	Date:07/2024	PAGE:H9-1650-01
TAG UNLOAD - AIR VALVE INSTALLATION		

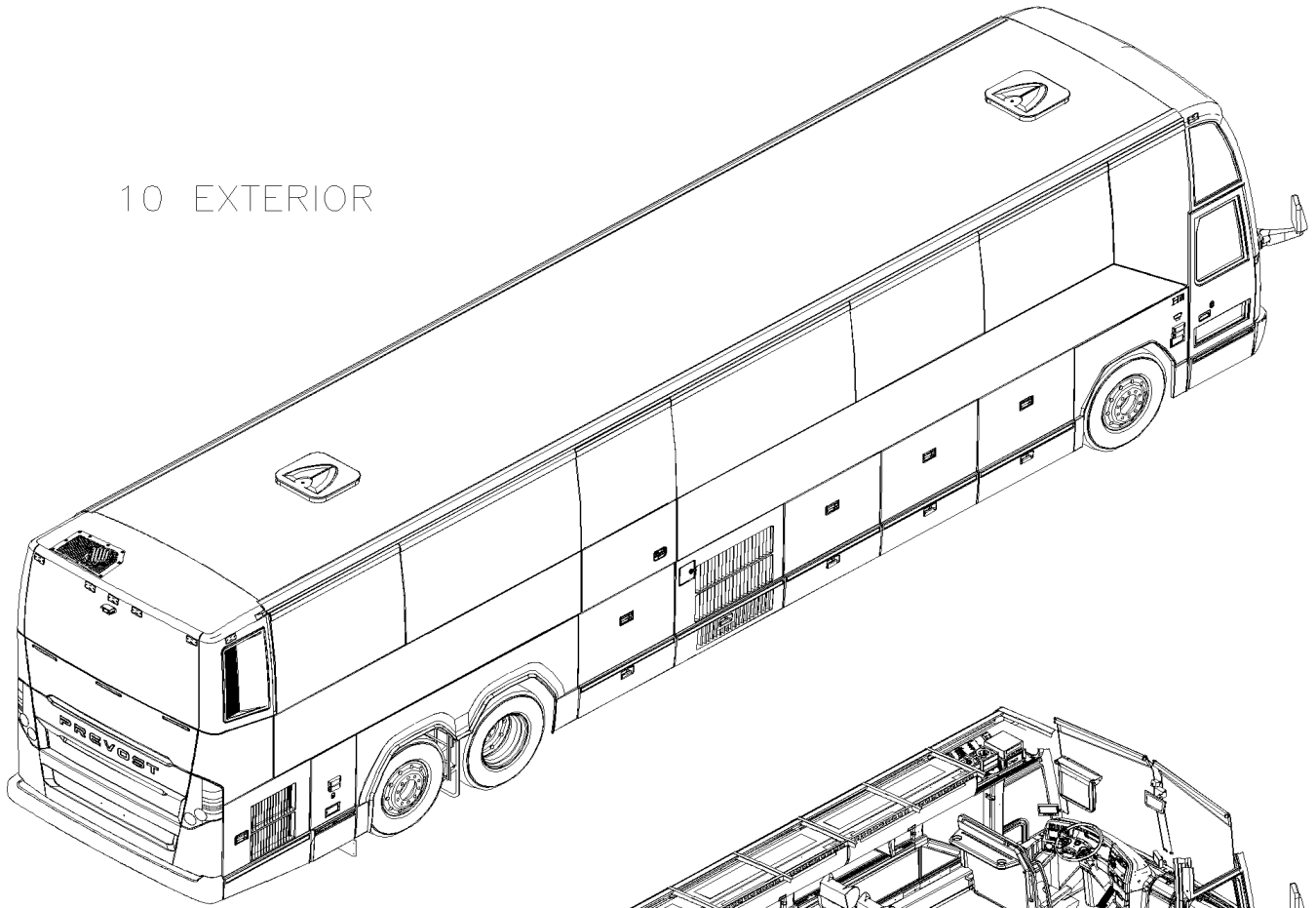
Item#	Part	Description	H 3 4 1	H 3 4 5	N O T E S
1	562343	MICRO SWITCH ASSY WITH FLEX To L-0907	1	1	
2	066608	ACTUATOR TAG UNLOAD / To L-0907	1	1	
3	684517	ADHESIVE SIMSON #ISR 70-03 / GREY / 310ml CARTRIDGE To L-0907	AR	AR	
3	506785	TAPE RUB ADH2 CC POL 1/16" X 1/4" X 200' / BLACK I1C-N-A To L-0907	AR	AR	
4	502612	SCREW MA RND PH #6-32x1 Z050 To L-0907	2	2	
5	500467	WASHER LO INT .138x.275x.019 Z050 To L-0907	2	2	
6	500689	NUT HEX #6-32 Z050 To L-0907	2	2	
7	068979	SUPPORT, SWITCH To L-0907	1	1	A
8	5001815	SCREW CAP HEXF M6-1.0x30 G 8.8 N500 To L-0907	2	2	
9	5001182	NUT HEX NYRT M6-1.0 SS To L-0907	2	2	
NS	562697	SWITCH / ON-ON / D.P.D.T. / CH-OVER / W/RED & GREEN LED	1	1	
NS	562808	CAP / UNLOAD TAG	1	1	
12	0610194	HARNESS SWITCH CANCEL AUTOM TAG UNLOAD To L-0907	1	1	B
12	0610213	HARNESS SWITCH CANCEL AUTOM TAG UNLOAD From L-0908	1	1	B
18	H9-1410-00	STEERING GEAR BOX & DRAG LINK - INSTALLATION			
18	H9-1410-61	STEERING RODS - INSTALLATION W/INDEPENDENT "NDIFS80P" / 19000LBS			
20	Call order desk	VALVE ASSY	1	1	P
21	641937	. VALVE, 3 WAYS, 2 POSITIONS N.C. / W/MAN OVERRIDE	1	1	
. NS	641929	. . COIL 24V	1	1	
. NS	641385	. . CONNECTOR / SOCKET HOUSING ASSY 3C / PNEUMAC 54934-01	1	1	
22	138627	. SUPPORT / VALVE	1	1	
23	641374	. MALE ELBOW 90° NON-SWIVEL / PUSH-IN FITTING / #4x3/8NPT-M BR	1	1	
24	642128	. MALE ELBOW 90° SWIVEL DUAL PORT / PUSH-IN / #6x#6x3/8NPT-M BR	1	1	
25	562353	. DIODE / 1AMP	1	1	
25	561258	. WIRE CABLE 18 / RED / GXL	AR	AR	
25	561261	. WIRE CABLE 18 / BLACK / GXL	AR	AR	
25	561565	. CABLE SEAL / GREEN / PED 15324982	2	2	
25	561568	. PIN TERMINAL / 16-14 / PED 12089305	2	2	
25	561566	. CONNECTOR / WEATHER PACK / PH 2C / BLACK / PED 12010973	1	1	
25	562387	. CONVOLUTED TUBING / SLIT / BLACK / .250"	AR	AR	
26	642094	. MALE BRANCH TEE / PUSH-IN FITTING / #4x#4x1/4NPT-M COMPOSITE	1	1	
27	503402	. TUBE, NYLON 1/4 O.D. / BLACK S.L.	AR	AR	
28	503404	. TUBE, NYLON 3/8 O.D. / BLACK S.L.	AR	AR	
29	501314	. BUSHING REDUCER / PIPE FITTING / 3/8NTP-Mx1/4NPT-F BR	1	1	
30	502656	. SCREW CAP HEX M6-1.0x50 SS	2	2	
31	502573	. WASHER FL 6.4x12.5x1.6 SS	2	2	
32	502681	. NUT HEX NYRT M6-1.0 N500 G8	2	2	
NS	680098	. THREAD SEALANT LOCTITE #567 / WHITE / 250ml	AR	AR	

From K-0185 To P-1452	Date:07/2024	PAGE:H9-1650-01
TAG UNLOAD - AIR VALVE INSTALLATION		

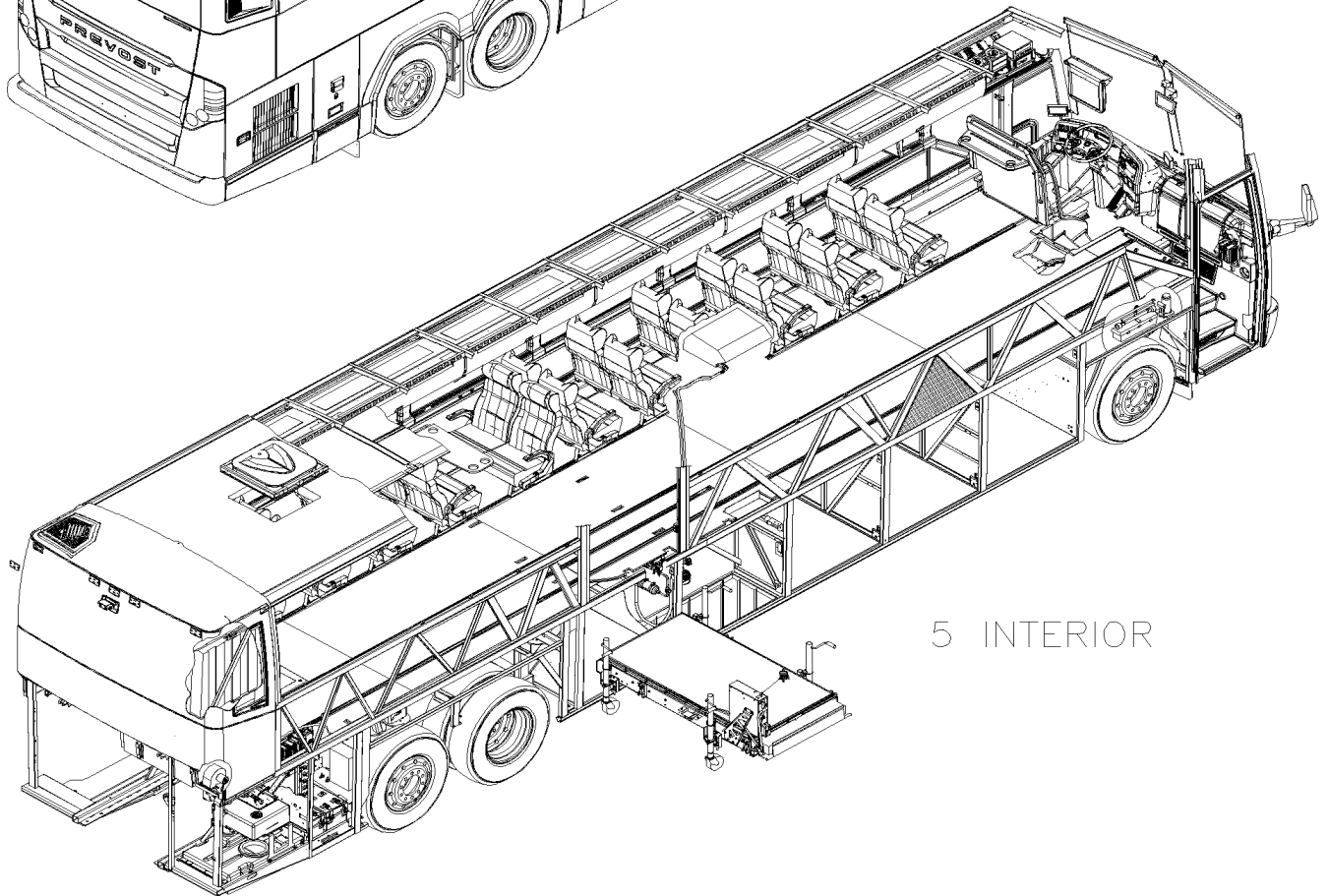
Item#	Part	Description	H 3 4 1	H 3 4 5	N O T E S
40	Call order desk	VALVE ASSY	1	1	P
41	641274	. VALVE, 3 WAYS, 2 POSITIONS N.C.	2	2	
42	641367	. MALE ELBOW 45° NON-SWIVEL / PUSH-IN FITTING / #6x3/8NPT-M BR	3	3	
43	501699	. MALE RUN TEE / PIPE FITTING / 3/8NPT-Mx3/8NPT-Fx3/8NPT-F BR	1	1	
44	642130	. MALE ELBOW 90° NON-SWIVEL / PUSH-IN FITTING / #6x3/8NPT-M COMPOSITE	1	1	
45	642142	. MALE BRANCH TEE SWIVEL / PUSH-IN FITTING / #4x#4x1/8NPT-M COMPOSITE	1	1	
46	641909	. MALE RUN TEE SWIVEL / PUSH-IN FITTING / #4x#4x1/8NPT-M BR	1	1	
47	501449	. PLUG HEXS / PIPE FITTING / 3/8NPT-M STL	1	1	
48	641347	. MALE CONNECTOR / PUSH-IN FITTING / #4x3/8NPT-M BR	1	1	
49	503402	. TUBE, NYLON 1/4 O.D. / BLACK S.L.	AR	AR	
50	503471	. TUBE, NYLON 3/8 O.D. / BLUE S.L.	AR	AR	
51	501509	. NIPPLE / PIPE FITTING / 3/8NPT-Mx3/8NPT-Mx2 BR	1	1	
52	630269	. VALVE DISCHARGE V72G W/3/8	1	1	
53	642128	. MALE ELBOW 90° SWIVEL DUAL PORT / PUSH-IN / #6x#6x3/8NPT-M BR	1	1	
54	641331	. MALE CONNECTOR / PUSH-IN FITTING / #6x1/4NPT-M BR	1	1	
55	5001682	. SCREW CAP HEX M6-1.0x80 SS	2	2	
56	502573	. WASHER FL 6.4x12.5x1.6 SS	2	2	
57	502681	. NUT HEX NYRT M6-1.0 N500 G8	2	2	
NS	680098	. THREAD SEALANT LOCTITE #567 / WHITE / 250ml	AR	AR	
60	Call order desk	VALVE ASSY			P
61	641274	. VALVE, 3 WAYS, 2 POSITIONS N.C.	2	2	
62	641367	. MALE ELBOW 45° NON-SWIVEL / PUSH-IN FITTING / #6x3/8NPT-M BR	5	5	
63	501699	. MALE RUN TEE / PIPE FITTING / 3/8NPT-Mx3/8NPT-Fx3/8NPT-F BR	2	2	
64	641365	. MALE ELBOW 45° NON-SWIVEL / PUSH-IN FITTING / #4x1/8NPT-M BR	2	2	
65	641330	. MALE CONNECTOR / PUSH-IN FITTING / #6x3/8NPT-M BR	2	2	
66	641347	. MALE CONNECTOR / PUSH-IN FITTING / #4x3/8NPT-M BR	1	1	
67	503402	. TUBE, NYLON 1/4 O.D. / BLACK S.L.	AR	AR	
68	5001682	. SCREW CAP HEX M6-1.0x80 SS	2	2	
69	502573	. WASHER FL 6.4x12.5x1.6 SS	2	2	
70	502681	. NUT HEX NYRT M6-1.0 N500 G8	2	2	
71	680098	. THREAD SEALANT LOCTITE #567 / WHITE / 250ml	AR	AR	
		A) AS SHOWN			
		B) SPECIAL OPTION			
		P) CALL ORDER DESK FOR SPECIFIC APPLICATION (V.I.N.)			

	Date:07/2024	H9-18
BODY		

10 EXTERIOR



5 INTERIOR



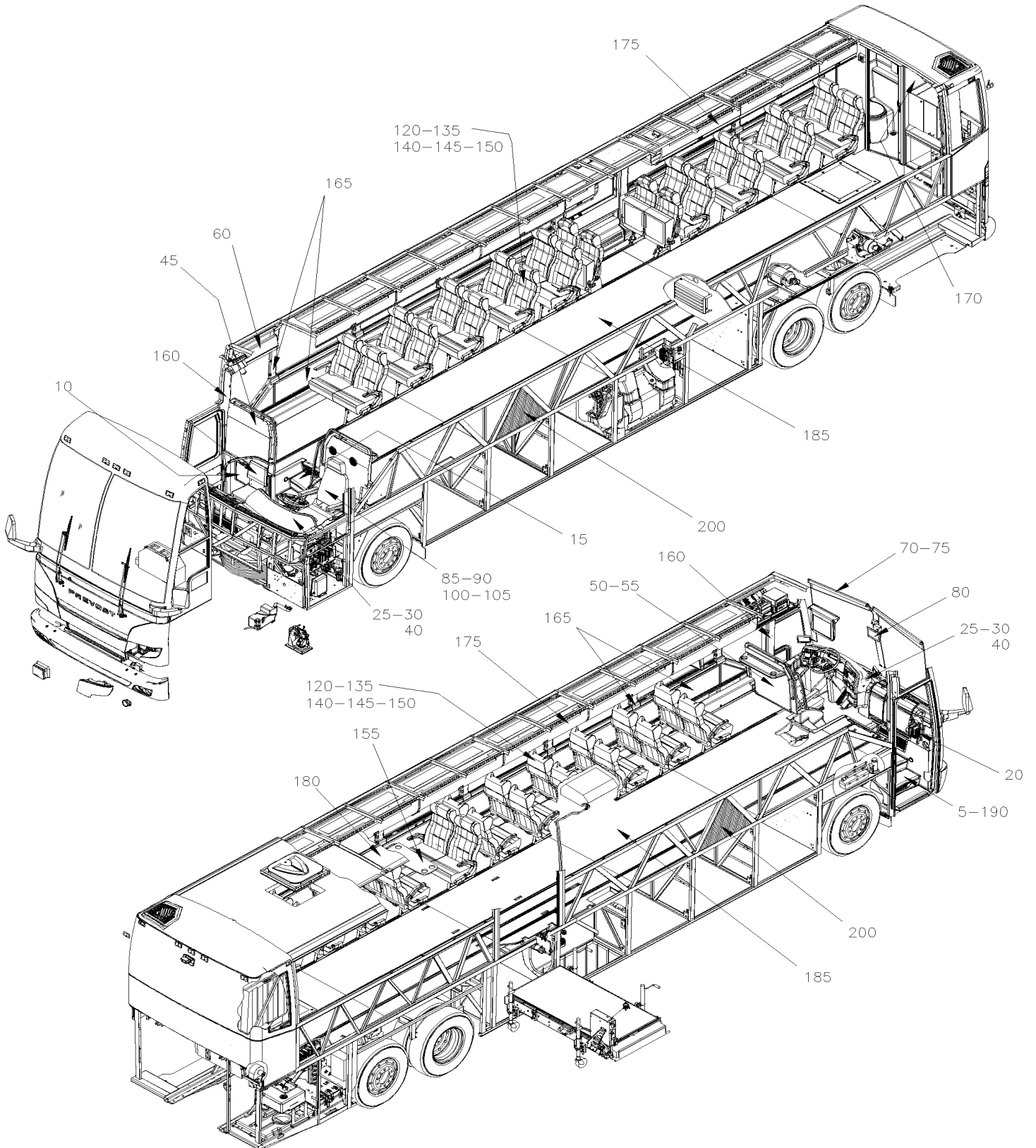
		Date:07/2024	H9-18		
BODY					
Item#	Part	Description	H 3 4 1	H 3 4 5	N O T E S
5	H9-18-INT	BODY INTERIOR From K-0185			
10	H9-18-EXT	BODY EXTERIOR From K-0185			

From K-0185

Date:07/2024

PAGE:H9-18-INT

BODY INTERIOR



From K-0185	Date:07/2024	PAGE:H9-18-INT
BODY INTERIOR		

Item#	Part	Description	H 3 4 1	H 3 4 5	N O T E S
5	H9-1800-00	FRONT STEPWELL - INSTALLATION From K-0185 To P-1452			
5	H9-1800-01	FRONT STEPWELL - INSTALLATION From R-1453			
10	H9-1800-10	STEPWELL COMPARTMENT From K-0185 To P-1452			
10	H9-1800-11	STEPWELL COMPARTMENT From R-1453			
15	H9-1800-25	FRONT AISLE STEPWELL - INSTALLATION From K-0185 To P-1452			
15	H9-1800-26	FRONT AISLE STEPWELL - INSTALLATION From R-1453			
20	H9-1802-00	ENTRANCE DOOR CONTROL From K-0185 To P-1452			
20	H9-1802-01	ENTRANCE DOOR CONTROL From R-1453			
25	H9-1806-00	CENTRAL DASHBOARD PANEL From K-0185 To P-1452			
25	H9-1806-01	CENTRAL DASHBOARD PANEL From R-1453			
30	H9-1806-10	L.H. CONSOLE - BUS From K-0185 To P-1452			
30	H9-1806-11	L.H. CONSOLE - BUS From R-1453			
40	H9-1806-20	DASHBOARD PANEL From K-0185 To P-1452			
40	H9-1806-21	DASHBOARD PANEL From R-1453			
45	H9-1810-00	MODESTY PANEL R.H. From K-0185 To P-1452			
45	H9-1810-01	MODESTY PANEL R.H. From R-1453			
50	H9-1811-00	MODESTY PLEXIGLASS From K-0185 To P-1452			
50	H9-1811-01	MODESTY PLEXIGLASS From R-1453			
55	H9-1812-00	MODESTY PANEL L.H. From K-0185 To P-1452			
55	H9-1812-01	MODESTY PANEL L.H. From R-1453			
55	H9-1813-00	DRIVER'S GATE From K-0185 To P-1452			
55	H9-1813-01	DRIVER'S GATE From R-1453			
60	H9-1814-01	DESTINATION SIGN - "BALIOS" From K-0185 To P-1452			
60	H9-1814-20	DESTINATION SIGN - "AESYS" From K-0185 To P-1452			
60	H9-1814-21	DESTINATION SIGN - "AESYS" From R-1453			
60	H9-1814-30	DESTINATION SIGN - "AXION" From K-0185 To P-1452			
70	H9-1816-00	ROLLER BLIND - DRIVER' S & WINDSHIELD From K-0185 To P-1452			
70	H9-1816-01	ROLLER BLIND - DRIVER' S & WINDSHIELD From R-1453			
75	H9-1816-10	SUN SHADE - PASSENGER'S WINDOW From K-0185 To P-1452			
75	H9-1816-11	SUN SHADE - PASSENGER'S WINDOW From R-1453			
80	H9-1820-00	MIRROR - INTERIOR From K-0185 To P-1452			
80	H9-1820-01	MIRROR - INTERIOR From R-1453			
85	H9-1821-00	DRIVER'S SEAT - "NATIONAL SEATING" - MODEL NSIII B From K-0185			
90	H9-1822-01	DRIVER'S SEAT - "ISRI" - 6832/872 From K-0185			
100	H9-1823-00	DRIVER'S SEAT - "RECARO" - ERGO-COACH From K-0185			
100	H9-1823-10	BACKREST ASSY - "RECARO" - ERGO-COACH From K-0185			
100	H9-1823-15	SEAT COVER & FOAM - "RECARO" - ERGO-COACH From K-0185			
100	H9-1823-20	SUSPENSION & RISER - "RECARO" - ERGO-COACH From K-0185			
100	H9-1823-25	SEAT CUSHION FRAME - "RECARO" - ERGO-COACH From K-0185			
100	H9-1823-30	ARMREST - "RECARO" - ERGO-COACH From K-0185			
105	H9-1823-50	DRIVER'S SEAT - "USSC" - 9100ALX3 From K-0185			
105	H9-1823-55	DRIVER'S SEAT - "USSC" - 9210 From K-0185			

From K-0185	Date:07/2024	PAGE:H9-18-INT
BODY INTERIOR		

Item#	Part	Description	H 3 4 1	H 3 4 5	N O T E S
105	H9-1823-60	SEAT ASSY - "USSC" - 9100ALX3 From K-0185			
105	H9-1823-70	SUSPENSION ASSY - "USSC" - 9100ALX3 From K-0185			
105	H9-1823-80	BASE ASSY - "USSC" - 9100ALX3 From K-0185			
120	H9-1824-30	PASSENGER'S SEAT - "AMAYA" IDENTIFICATION "MODEL" From K-0185			
140	H9-1826-11	PASSENGER'S SEAT - "AMAYA" "TORINO" WITH 3 POINTS From K-0185			
140	H9-1826-41	PASSENGER'S SEAT - "AMAYA" - FOOTREST & PEDESTAL From K-0185			
140	H9-1826-53	ARMREST PASSENGER'S SEAT - "AMAYA" WITH "SIGLIUM" TORO & TORINO From K-0185			
140	H9-1826-54	ARMREST PASSENGER'S SEAT - "AMAYA" WITH "TORINO" & "TORINO V.I.P." From K-0185			
140	H9-1826-60	ACCESSORIES PASSENGER'S SEAT - "AMAYA" From K-0185			
140	H9-1826-72	PASSENGER'S SEAT - "AMAYA" - FLIP-UP HANDICAP WITH 3POINTS From K-0185			
145	H9-1827-01	PASSENGER'S SEAT INSTALLATION AMAYA "A-2TEN" From K-0185			
145	H9-1827-02	PASSENGER'S SEAT INSTALLATION AMAYA "A-220" From K-0185			
145	H9-1827-03	PASSENGER'S SEAT INSTALLATION AMAYA "GT" From K-0245			
145	H9-1827-04	PASSENGER'S SEAT INSTALLATION AMAYA "SIGMA" From K-0546			
145	H9-1827-11	PASSENGER'S SEAT / STANDARD AMAYA "A-2TEN" From K-0185			
145	H9-1827-12	PASSENGER'S SEAT / STANDARD AMAYA "A-220" From K-0185			
145	H9-1827-13	PASSENGER'S SEAT AMAYA "GT" From K-0245			
145	H9-1827-14	PASSENGER'S SEAT AMAYA "SIGMA" From K-0546			
145	H9-1827-21	PASSENGER'S SEAT / FLIP-UP/FIXE AMAYA "A-2TEN" From K-0185			
145	H9-1827-22	PASSENGER'S SEAT / FLIP-UP / FIXE / AMAYA "A-220" From K-0185			
145	H9-1827-24	PASSENGER'S SEAT / FLIP-UP / FIXE / AMAYA "SIGMA" From K-0546			
145	H9-1827-31	PASSENGER'S SEAT / FLIP-UP/SLIDER AMAYA "A-2TEN" From K-0185			
145	H9-1827-32	PASSENGER'S SEAT / FLIP-UP / SLIDER AMAYA "A-220" From K-0185			
145	H9-1827-34	PASSENGER'S SEAT / FLIP-UP /SLIDING/ AMAYA "SIGMA" From K-0546			
145	H9-1827-43	PASSENGER'S SEAT - "AMAYA" - FOOTREST & PEDESTAL AMAYA "GT", "GT TRANSIT" From K-0245			
145	H9-1827-44	PASSENGER'S SEAT - "AMAYA" - FOOTREST & PEDESTAL AMAYA "SIGMA" From K-0546			
145	H9-1827-51	ARMREST AMAYA "A-2TEN" From K-0185			
145	H9-1827-52	ARMREST AMAYA "A-220" From K-0185			
145	H9-1827-53	ARMREST AMAYA "GT" From K-0245			
145	H9-1827-54	ARMREST AMAYA "SIGMA" From K-0546			
145	H9-1827-61	BACKREST AMAYA "A-2TEN" From K-0185			
145	H9-1827-62	BACKREST AMAYA "A-220" From K-0185			
145	H9-1827-63	BACKREST AMAYA "GT" From K-0245			
145	H9-1827-64	BACKREST AMAYA "SIGMA" From K-0546			
145	H9-1827-71	SEAT CUSHION AMAYA "A-2TEN" From K-0185			
145	H9-1827-72	SEAT CUSHION AMAYA "A-220" From K-0185			
145	H9-1827-73	SEAT CUSHION AMAYA TORINO, "GT" & "GTT" From K-0245			
145	H9-1827-74	SEAT CUSHION AMAYA "SIGMA" From K-0546			
145	H9-1827-81	PASSENGER'S SEAT / REVERSIBLE AMAYA "A-2TEN" From K-0185			
145	H9-1827-82	PASSENGER'S SEAT / REVERSIBLE AMAYA "A-220" From K-0185			
150	H9-1828-00	PASSENGER'S SEAT - "KIEL" "AVANCE 1020" From K-0185			
150	H9-1828-01	PASSENGER'S SEAT INSTALLATION / CLOUDONE From N-1173			

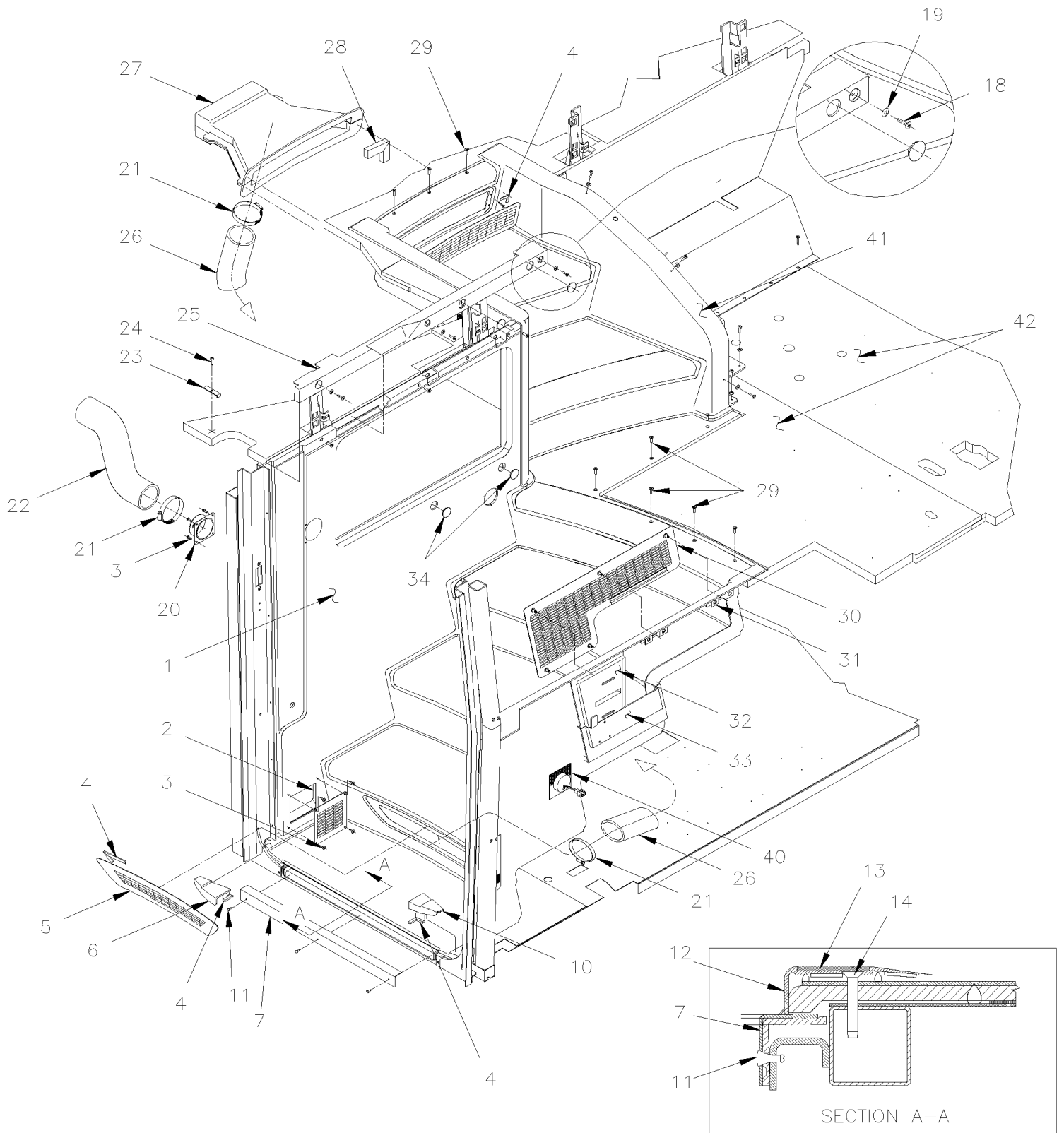
From K-0185	Date:07/2024	PAGE:H9-18-INT
BODY INTERIOR		

Item#	Part	Description	H 3 4 1	H 3 4 5	N O T E S
150	H9-1828-05	PASSENGER'S SEAT - "KIEL" "AVANCE 2050" From K-0185			
150	H9-1828-11	PASSENGER'S SEAT / CLOUDONE From N-1173			
150	H9-1828-21	ACCESSORIES PASSENGER'S SEAT / CLOUDONE From N-1173			
150	H9-1828-41	PEDESTAL INSTALLATION / CLOUDONE From N-1173			
150	H9-1828-51	ARMREST / CLOUDONE From N-1173			
150	H9-1828-61	BACKREST / CLOUDONE From N-1173			
150	H9-1828-71	SEAT CUSHIONS / CLOUDONE From N-1173			
155	H9-1829-00	ACCESSORIES PASSENGER'S SEAT - "PREVOST" From K-0185			
155	H9-1829-10	TABLE WITH EXTENSION From K-0185			O
155	H9-1830-00	PASSENGER'S SEAT - "AMERICAN" & "IMMI" "PREMIER"&"SAFEGUARD PREMIER" From K-0185			
160	H9-1832-01	FRONT FINISHING CAP W/TAN FINISHING From K-0185 To P-1452			
160	H9-1832-02	FRONT FINISHING CAP W/GREY FINISHING From K-0185 To P-1452			
160	H9-1832-03	FRONT FINISHING CAP From R-1453			
165	H9-1833-01	WINDOW FINISHING CAP & WALL W/TAN FINISHING From K-0185 To K-0484			
165	H9-1833-02	WINDOW FINISHING CAP & WALL FINISHING From K-0485 To P-1452			
165	H9-1833-03	WINDOW FINISHING CAP & WALL FINISHING From R-1453			
170	H9-1834-00	REAR FINISHING CAP From K-0185 To P-1452			
170	H9-1834-01	REAR FINISHING CAP From R-1453			
175	H9-1836-02	PARCEL RACK W/TAN FINISHING From K-0185 To P-1452			
175	H9-1836-03	PARCEL RACK W/GREY FINISHING From K-0185 To P-1452			
175	H9-1836-04	PARCEL RACK From R-1453			
180	H9-1837-00	CEILING PANELS & MOULDING W/GREY FINISHING From K-0185 To P-1452			
180	H9-1837-01	CEILING PANELS & MOULDING W/TAN FINISHING From K-0185 To P-1452			
180	H9-1837-02	CEILING PANELS From R-1453			
185	H9-1838-02	FLOOR - BUS From K-0185 To P-1452			
185	H9-1838-03	FLOOR - BUS From R-1453			
185	H9-1838-05	FLOOR COVERING - "R.C.A." From K-0185			
185	H9-1838-10	FLOOR COVERING - "TARAFLEX" From K-0185 To P-1452			
185	H9-1838-11	FLOOR COVERING - "GERFLOR" From R-1453			
185	H9-1838-15	STEPWELL - COVERING From K-0185 To P-1452			
185	H9-1838-16	STEPWELL - COVERING From R-1453			
190	H9-1838-20	FLOOR COVERING - CARPET From K-0185			
200	H9-1839-01	INSULATING SIDE WALL - LOWER PANEL From K-0185 To P-1452			
200	H9-1839-02	INSULATING SIDE WALL - LOWER PANEL From R-1453			
200	H9-1839-05	INSULATING REAR BATTERIES COMPARTMENT From K-0185			
200	H9-1839-12	INSULATING FLOOR REAR AXLE From K-0185			
200	H9-1839-17	INSULATING FRONT - SUBFRAME From K-0185 To P-1452			
200	H9-1839-18	INSULATING FRONT - SUBFRAME From R-1453			
200	H9-1839-21	INSULATING REAR ENGINE COMPARTMENT From K-0185			
200	H9-1839-25	INSULATING REAR END From K-0185 To P-1452			
200	H9-1839-31	INSULATING ROOF PANELS From K-0185 To P-1452			
200	H9-1839-32	INSULATING ROOF PANELS From R-1453			

From K-0185	Date:07/2024	PAGE:H9-18-INT
BODY INTERIOR		

Item#	Part	Description	H 3 4 1	H 3 4 5	N O T E S
		O) BILINGUAL FRENCH & ENGLISH			

FRONT STEPWELL - INSTALLATION



From K-0185 To P-1452	Date:07/2024	PAGE:H9-1800-00
FRONT STEPWELL - INSTALLATION		

Item#	Part	Description	H 3 4 1	H 3 4 5	NOTES
	3201441	STEPWELL FRONT ASSY W/COVERING / S.C.C.	1	1	
	Call order desk	STEPWELL FRONT ASSY W/COVERING / S.C.C.		1	PA
1	3201119	. STEPWELL / FRONT TAN To K-0484	1	1	
1	321888	. STEPWELL / FRONT GREY To K-0484		1	A
1	321888	STEPWELL / FRONT GREY From K-0485	1	1	
1	3201119	STEPWELL / FRONT TAN From K-0485	1	1	O
NS	327770	SHIM ALLUMINUM 14GA	AR	AR	
2	454569	LOWER STEPWELL / DIFFUSOR TAN To K-0484	1	1	
2	450122	LOWER STEPWELL / DIFFUSOR GREY To K-0484		1	A
2	450122	LOWER STEPWELL / DIFFUSOR GREY From K-0485	1	1	
2	454569	LOWER STEPWELL / DIFFUSOR TAN From K-0485	1	1	O
NS	404636	DECAL / "WATCH YOUR STEP"	1	1	
NS	407554	DECAL / "WELCOME"	1	1	
3	500124	SCREW TP TR PH #8x1/2 SS	8	8	
4	506785	TAPE RUB ADH2 CC POL 1/16" X 1/4" X 200' / BLACK I1C-N-A	AR	AR	
5	454570	GRILL AIR / LOWER STEPWELL / RETURN TAN To K-0484	1	1	
5	450121	GRILL AIR / LOWER STEPWELL / RETURN GREY To K-0484		1	A
5	450121	GRILL AIR / LOWER STEPWELL / RETURN GREY From K-0485	1	1	
5	454570	GRILL AIR / LOWER STEPWELL / RETURN TAN From K-0485	1	1	O
6	327765	FINISHING CAP L.H.	1	1	
7	327768	ANGLE FINISHING 27 X 34 X 575MM	1	1	
10	327766	FINISHING CAP R.H.	1	1	
11	504643	RIVET POP DOME OE 1/8x1/2 SS	7	7	
12	509855	EXTRUSION "STEPBUS" 565MM	1	1	
13	506088	WHITE STRIP "STEPBUS" 34MM x 565MM	1	1	
14	502903	SCREW TC FL PH #10-24x1 1/4 N500	1	1	
18	500552	SCREW TP OV PH #6x3/4 Z050	6	6	
19	500463	WASHER FN CKF .187x.500x.090 BR Z050	6	6	
20	329119	HOSE ADAPTOR 2 1/2" O.D.	1	1	
21	504024	HOSE CLAMP / 1"13/16"-2"3/4 SS / HS-36	1	1	
22	373858	HOSE 2 1/2" I.D. X 740MM	1	1	
22	503031	. HOSE FLEXIBLE / AIR DUCT 2 1/2" I.D. X 12' / RUBBER	AR	AR	
23	372343	HOSE RETAINER	1	1	
24	500641	SCREW TP PAN PH #8x3/4 Z050	1	1	
25	3201122	FINISHING MOULDING TAN To K-0484	1	1	
25	322054	FINISHING MOULDING GREY To K-0484		1	A
25	322054	FINISHING MOULDING GREY From K-0485	1	1	
25	3201122	FINISHING MOULDING TAN From K-0485	1	1	O
NS	500552	SCREW TP OV PH #6x3/4 Z050	9	9	
26	453387	HOSE 2 1/2" I.D. X 89"	1	1	
26	503031	. HOSE FLEXIBLE / AIR DUCT 2 1/2" I.D. X 12' / RUBBER	AR	AR	
27	454909	DUCT ADAPTOR	1	1	

From K-0185 To P-1452	Date:07/2024	PAGE:H9-1800-00
-----------------------	--------------	-----------------

FRONT STEPWELL - INSTALLATION

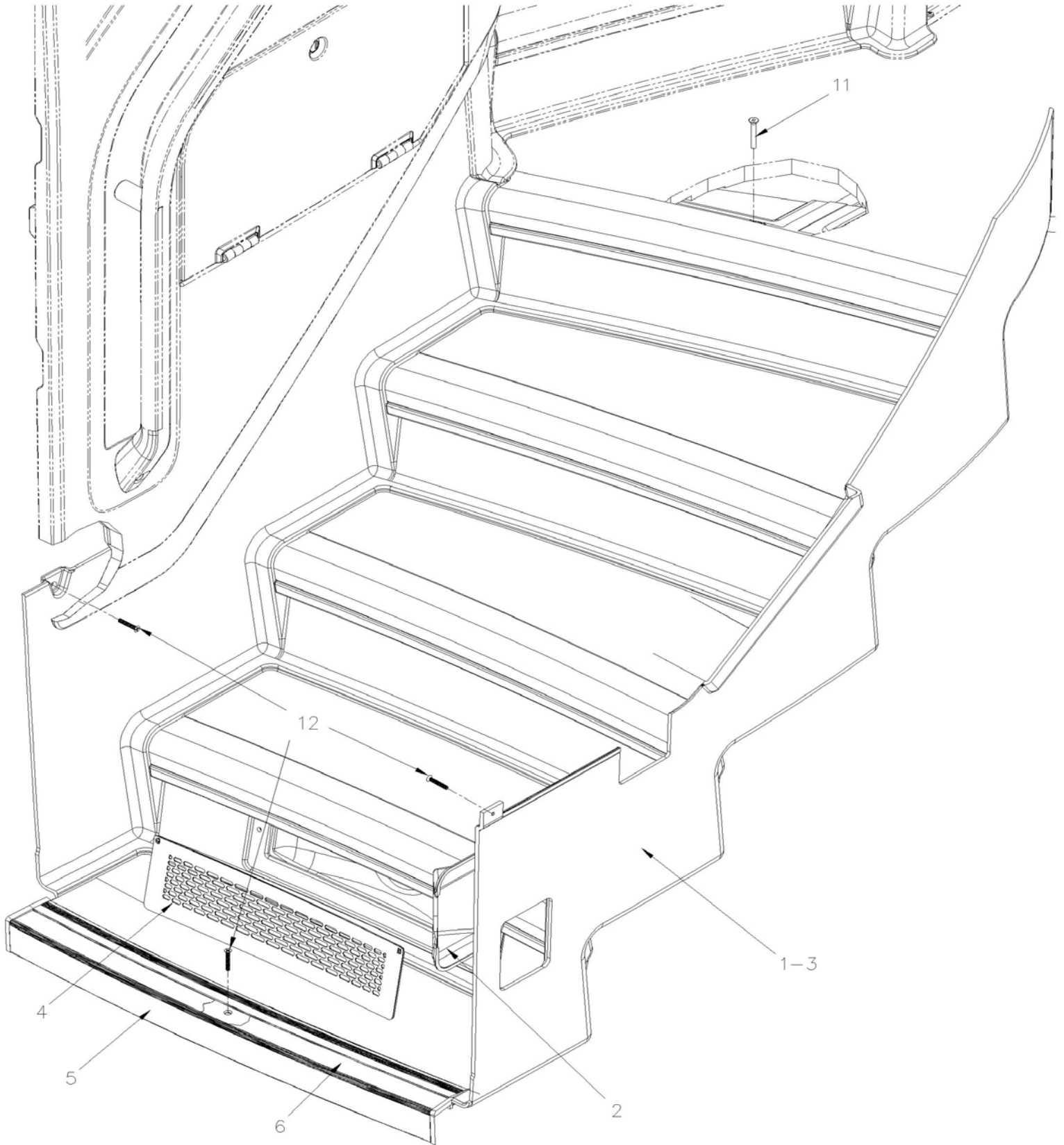
Item#	Part	Description	H 3 4 1	H 3 4 5	NOTES
28	506210	TAPE RUB ADH1 URE 1/2" x 3/4" x 20' / GREY 1820	AR	AR	
29	500620	SCREW TP FL PH #10x1 1/2 Z050	AR	AR	
30	454003	GRILL AIR / FRONT STEPWELL / RETURN	1	1	
. NS	452770	. GRILL AIR / FRONT STEPWELL / RETURN	1	1	
. NS	504604	. FASTENER	5	5	
. NS	504681	. STUD 6MM (DZUS)	5	5	
31	504605	RECEPTACLE 6 MM	5	5	
32	373851	DEFLECTOR, UPPER / PLASTIC GREY	1	1	
33	373850	DEFLECTOR, LOWER / PLASTIC GREY	1	1	
NS	502761	SCREW TP BDG PH #10x3/4 SS BK	4	4	
NS	502709	WASHER FL .260x.687x.050 XLN BK	4	4	
34	504078	PLUG BUTTON / 1.000 O.D. / NICKEL & BRASS	4	4	
40	H9-0655-01	INTERIOR LIGHTING LED			
41	H9-1800-25	FRONT AISLE STEPWELL - INSTALLATION			
42	H9-1838-02	FLOOR - BUS			
		A) BAUER'S TRANSPORTATION OPTION			
		O) OPTIONAL			
		P) CALL ORDER DESK FOR SPECIFIC APPLICATION (V.I.N.)			

From R-1453

Date:07/2024

PAGE:H9-1800-01

FRONT STEPWELL - INSTALLATION



From R-1453	Date:07/2024	PAGE:H9-1800-01
FRONT STEPWELL - INSTALLATION		

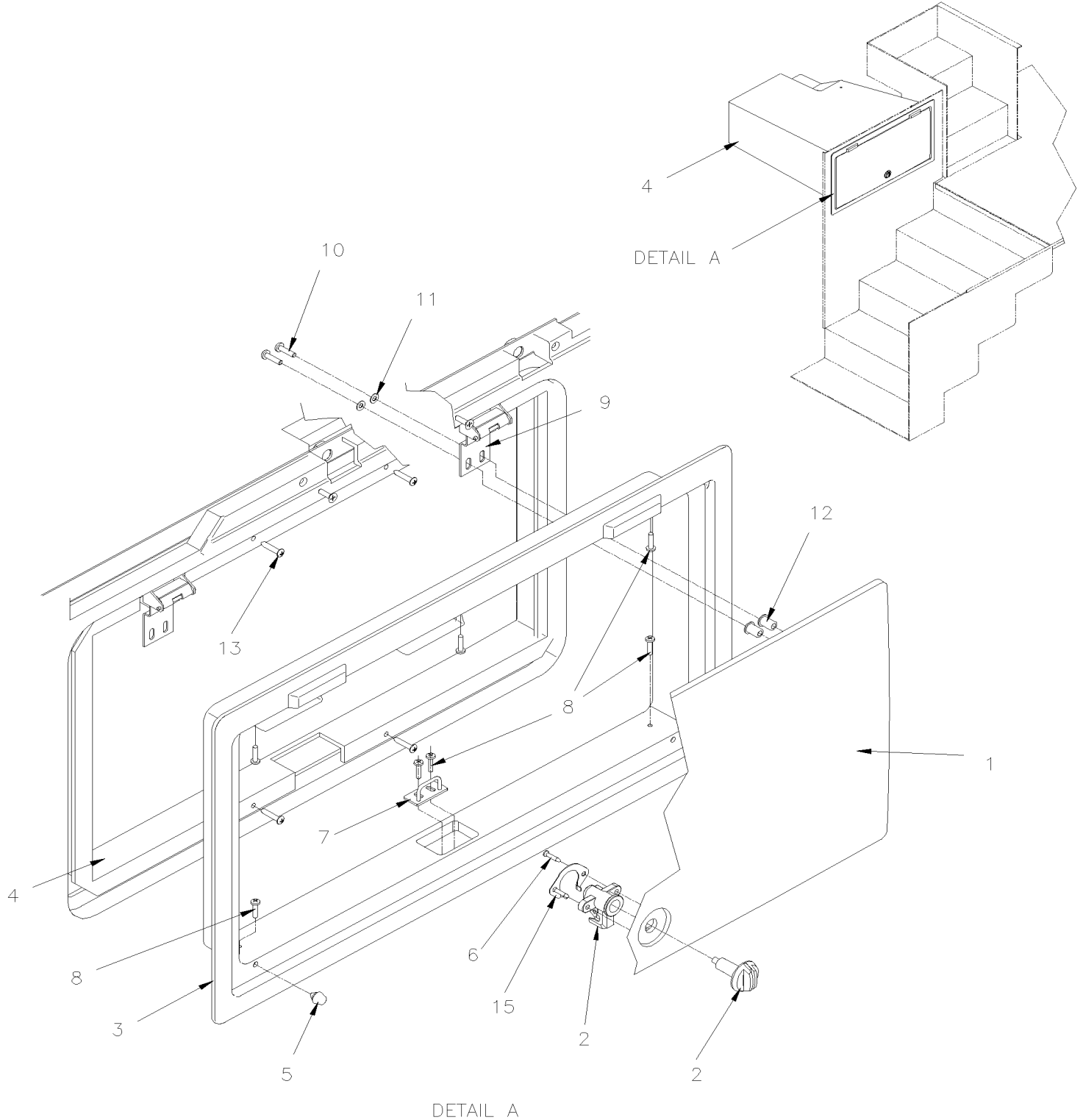
Item#	Part	Description	H 3 4 1	H 3 4 5	N O T E S
1	3210698	. STEPWELL / FRONT GREY		1	
1	Call order desk	STEPWELL FRONT ASSY W/COVERING / S.C.C.		1	P
2	3211314	. . HINGE COVER		1	
NS	680537	. . GLUE, PLEXUS MA830 380 ML		AR	
3	684517	ADHESIVE SIMSON #ISR 70-03 / GREY / 310ml CARTRIDGE		AR	
3	685387	GLUE MS POLYMER TEROSON MS 9399 / 400ml CARTRIDGE		AR	
4	453857	GRILL COLD AIR ENTRANCE STEPWELL		1	
NS	683083	ADHESIVE SIKA #252 / BLACK / 600 ml SAUSAGE		AR	
NS	506785	TAPE RUB ADH2 CC POL 1/16" X 1/4" X 200' / BLACK I1C-N-A		AR	
5	3211273	DOOR STEP		1	
NS	684685	ADHESIVE SIMSON #ISR 70-03 / 310ml CARTRIDGE		AR	
6	3211307	WHITE BAND / DOOR STEP		1	
NS	684685	ADHESIVE SIMSON #ISR 70-03 / 310ml CARTRIDGE		AR	
11	5001535	SCREW DR WF RO #14x1 3/4 Z050		3	
12	502903	SCREW TC FL PH #10-24x1 1/4 N500		5	
		P) CALL ORDER DESK FOR SPECIFIC APPLICATION (V.I.N.)			

From K-0185 To P-1452

Date:07/2024

PAGE:H9-1800-10

STEPWELL COMPARTMENT



From K-0185 To P-1452	Date:07/2024	PAGE:H9-1800-10
STEPWELL COMPARTMENT		

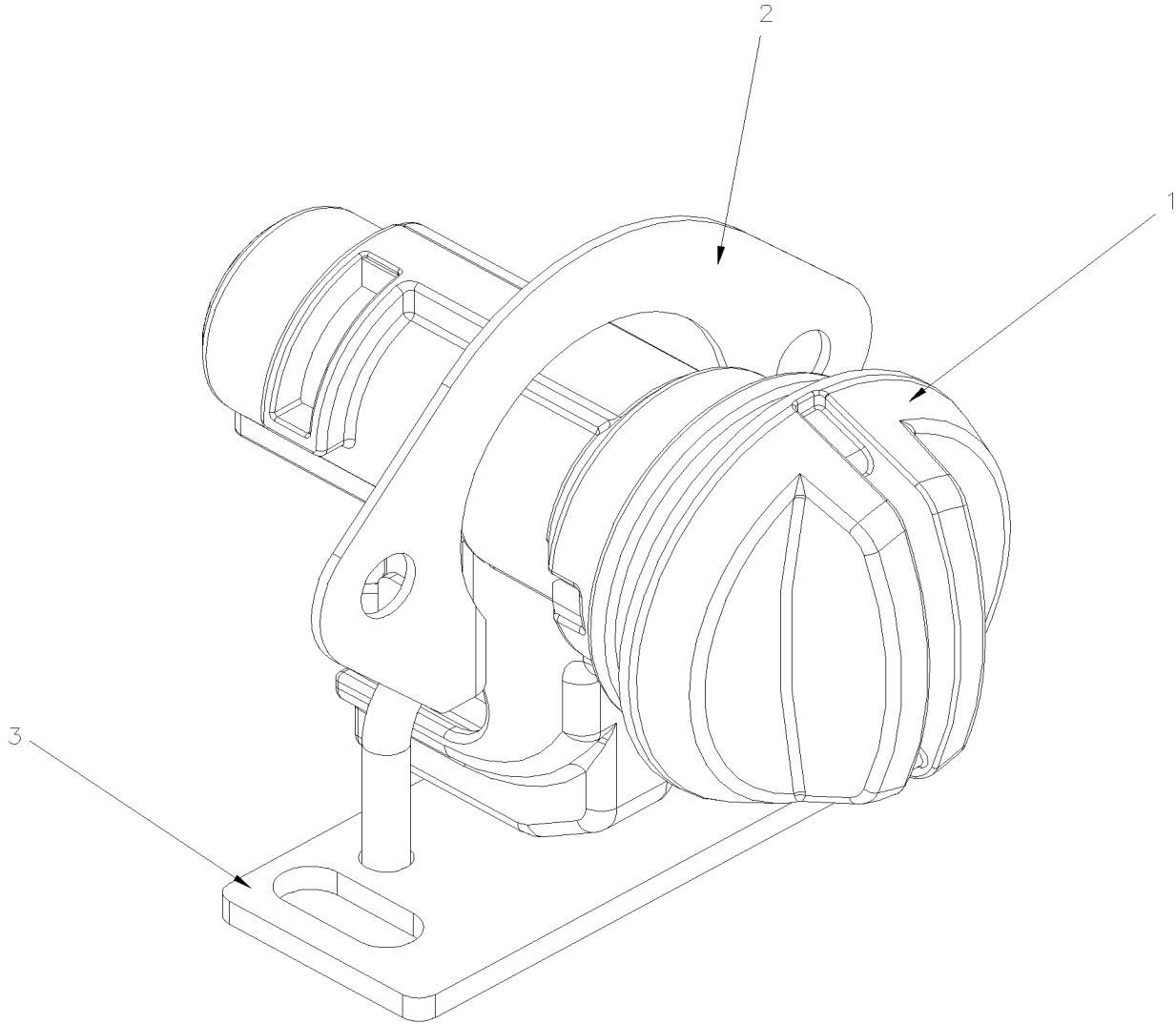
Item#	Part	Description	H 3 4 1	H 3 4 5	N O T E S
1	329574	DOOR TAN To K-0484	1	1	
1	322201	DOOR GREY To K-0484		1	A
1	322201	DOOR GREY From K-0485 To K-0506	1	1	
1	3210684	DOOR GREY From K-0507	1	1	
1	329574	DOOR TAN From K-0485 To K-0506	1	1	O
1	3210690	DOOR TAN From K-0507	1	1	O
2	504392	LATCH To K-0506	1	1	
2	504156	LATCH From K-0507	1	1	
2	IS18115	GM GLOVE BOX LOCK INSTALLATION ON H-SERIES VEHICLES To K-0506	1	1	
3	329536	FINISHING FRAME TAN To K-0484	1	1	
3	322200	FINISHING FRAME GREY To K-0484		1	A
3	322200	FINISHING FRAME GREY From K-0485	1	1	
3	329536	FINISHING FRAME TAN From K-0485	1	1	O
NS	790597	RUBBER BLOCK ADJUSTEMENT 20MM x 31.75MM x 4.7 60 DURO	AR	AR	
4	325476	BOX INSIDE	1	1	
NS	325742	SEPARATOR / FOR LOG BOOK	1	1	
NS	325745	CARPET FINISHING	1	1	
5	506499	BUMPER PLUG / .500ODx.312THx.250HOLEx.093	2	2	
6	500333	SCREW TP OV PH #6x3/4 BK	2	2	
7	322490	CATCH To K-0506	1	1	
7	3210668	CATCH From K-0507	1	1	
8	5001119	SCREW TP BDG PH #8x3/4 SS	7	7	
8	500641	SCREW TP PAN PH #8x3/4 Z050	7	7	
9	322483	HINGE	2	2	
NS	500879	SCREW TP PAN PH #10x1 Z050	4	4	
10	5001299	SCREW MA PAN PH #10-32x3/4 SS	4	4	
11	500240	WASHER LO EXT .195x.410x.025 Z050	4	4	
12	500519	NUT WELL #10-32x.518	4	4	
13	5001204	SCREW TP FL PH #6x1 1/4 Z050	4	4	
15	3211011	PROTECTION PLATE From K-0357 To K-0506	1	1	
15	3210672	PROTECTION PLATE From K-0507	1	1	
		A) "BAUER'S TRANSPORTATION" OPTION			
		O) OPTIONAL			

From K-0185 To P-1452

Date:07/2024

PAGE:IS18115

GM GLOVE BOX LOCK INSTALLATION ON H-SERIES VEHICLES

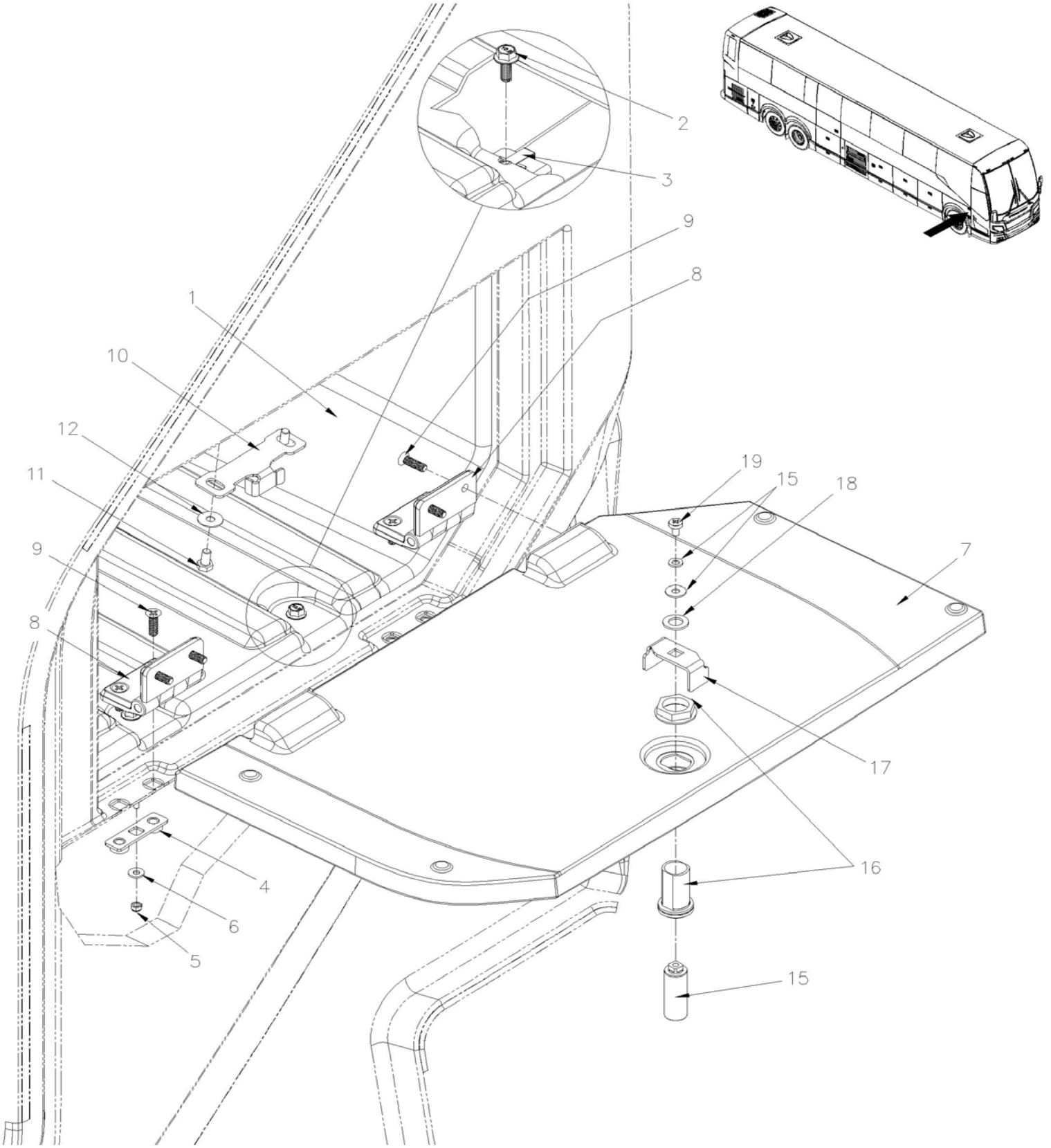


From K-0185 To P-1452	Date:07/2024	PAGE:IS18115
-----------------------	--------------	--------------

GM GLOVE BOX LOCK INSTALLATION ON H-SERIES VEHICLES

Item#	Part	Description	H 3 4 1	H 3 4 5	N O T E S
1	504156	LATCH	1	1	
2	3210672	PROTECTION PLATE	1	1	
3	3210668	CATCH	1	1	
4	IS-18115	SEE INSTRUCTION SHEET	1	1	

STEPWELL COMPARTMENT



From R-1453	Date:07/2024	PAGE:H9-1800-11
STEPWELL COMPARTMENT		

Item#	Part	Description	H 3 4 1	H 3 4 5	N O T E S
1	3211297	BRIEFCASE COMPARTEMENT		1	
2	5002027	SCREW CAP HEXF AD M6-1.0x16 G10.9 N500		4	
3	5001639	NUT SPR U M6-1.0 0.34-4 MAG565		4	
4	3211525	BOLTING PLATE		2	
5	502679	NUT HEX NYRT M4-0.7 ZP		2	
6	504357	WASHER FL .187x.437x.050 SS		2	
7	3211516	DOOR, BRIEFCASE		1	
8	820003	HINGE		2	
9	5002238	SCREW MA FL PH M6-1.0X20 N500		8	
10	3211521	BUMPER, BREIFCASE		1	
11	5001181	SCREW CAP HEX M6-1.0x12 SS		2	
12	5002015	WASHER BEL SPR 6.65x17.4x0.9 SS		2	
15	780691	CYLINDER LOCK / NS 8888		1	
. NS	780660	. KEY / NS 8888		1	
15	780692	CYLINDER LOCK / NS 8701		1	
. NS	780661	. KEY / NS 8701		1	
15	780693	CYLINDER LOCK / NS 8702		1	
. NS	780662	. KEY / NS 8702		1	
15	780694	CYLINDER LOCK / NS 8703		1	
. NS	780663	. KEY / NS 8703		1	
15	780695	CYLINDER LOCK / NS 8704		1	
. NS	780664	. KEY / NS 8704		1	
15	780696	CYLINDER LOCK / NS 8705		1	
. NS	780665	. KEY / NS 8705		1	
15	780697	CYLINDER LOCK / NS 8707		1	
. NS	780667	. KEY / NS 8707		1	
15	780698	CYLINDER LOCK / NS 8708		1	
. NS	780668	. KEY / NS 8708		1	
15	780699	CYLINDER LOCK / NS 8709		1	
. NS	780669	. KEY / NS 8709		1	
15	780700	CYLINDER LOCK / NS 8710		1	
. NS	780670	. KEY / NS 8710		1	
15	780701	CYLINDER LOCK / NS 8711		1	
. NS	780671	. KEY / NS 8711		1	
15	780702	CYLINDER LOCK / NS 8712		1	
. NS	780672	. KEY / NS 8712		1	
15	780703	CYLINDER LOCK / NS 8713		1	
. NS	780673	. KEY / NS 8713		1	
15	780704	CYLINDER LOCK / NS 8714		1	
. NS	780674	. KEY / NS 8714		1	
15	780705	CYLINDER LOCK / NS 8715		1	
. NS	780675	. KEY / NS 8715		1	

From R-1453		Date:07/2024	PAGE:H9-1800-11
STEPWELL COMPARTMENT			

Item#	Part	Description	H 3 4 1	H 3 4 5	N O T E S
15	780706	CYLINDER LOCK / NS 8716		1	
. NS	780676	. KEY / NS 8716		1	
15	780707	CYLINDER LOCK / NS 8717		1	
. NS	780677	. KEY / NS 8717		1	
15	780708	CYLINDER LOCK / NS 8718		1	
. NS	780678	. KEY / NS 8718		1	
15	780709	CYLINDER LOCK / NS 8719		1	
. NS	780679	. KEY / NS 8719		1	
15	780710	CYLINDER LOCK / NS 8720		1	
. NS	780680	. KEY / NS 8720		1	
15	780666	CYLINDER LOCK / NS 8721		1	
. NS	780681	. KEY / NS 8721		1	
15	780726	CYLINDER LOCK / NS 8722		1	
. NS	780682	. KEY / NS 8722		1	
15	780727	CYLINDER LOCK / NS 8723		1	
. NS	780683	. KEY / NS 8723		1	
15	780728	CYLINDER LOCK / NS 8724		1	
. NS	780684	. KEY / NS 8724		1	
15	780729	CYLINDER LOCK / NS 8725		1	
. NS	780685	. KEY / NS 8725		1	
15	780730	CYLINDER LOCK / NS 8726		1	
. NS	780686	. KEY / NS 8726		1	
15	780731	CYLINDER LOCK / NS 8727		1	
. NS	780687	. KEY / NS 8727		1	
15	780732	CYLINDER LOCK / NS 8728		1	
. NS	780688	. KEY / NS 8728		1	
15	780733	CYLINDER LOCK / NS 8729		1	
. NS	780689	. KEY / NS 8729		1	
15	780734	CYLINDER LOCK / NS 8730		1	
. NS	780690	. KEY / NS 8730		1	
15	780735	CYLINDER LOCK / NS 8731		1	
. NS	780716	. KEY / NS 8731		1	
15	780736	CYLINDER LOCK / NS 8732		1	
. NS	780717	. KEY / NS 8732		1	
15	780737	CYLINDER LOCK / NS 8733		1	
. NS	780718	. KEY / NS 8733		1	
15	780738	CYLINDER LOCK / NS 8734		1	
. NS	780719	. KEY / NS 8734		1	
15	780739	CYLINDER LOCK / NS 8735		1	
. NS	780720	. KEY / NS 8735		1	
15	780740	CYLINDER LOCK / NS 8736		1	
. NS	780721	. KEY / NS 8736		1	

From R-1453	Date:07/2024	PAGE:H9-1800-11
STEPWELL COMPARTMENT		

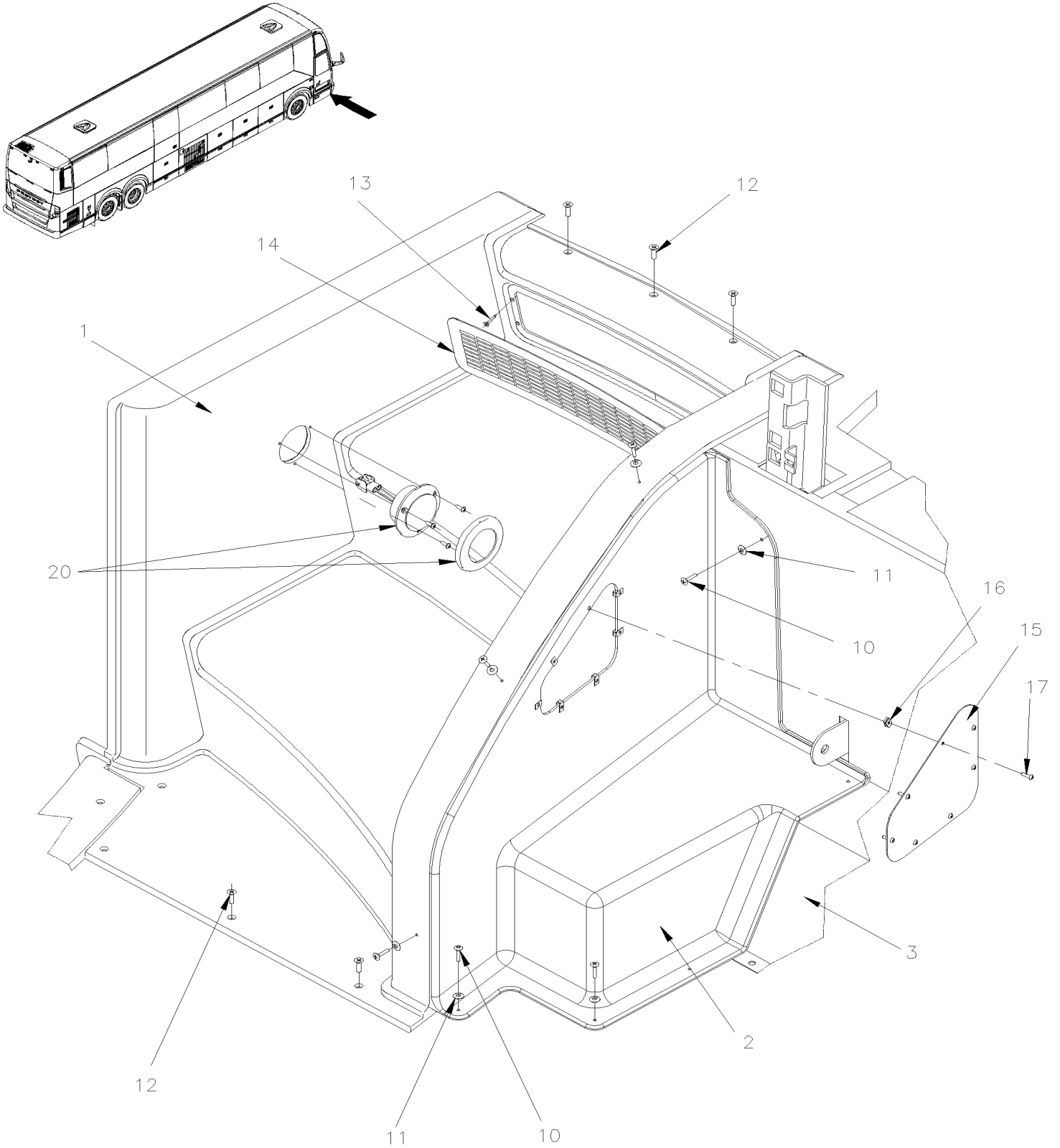
Item#	Part	Description	H 3 4 1	H 3 4 5	N O T E S
15	780741	CYLINDER LOCK / NS 8737		1	
. NS	780722	. KEY / NS 8737		1	
15	780742	CYLINDER LOCK / NS 8738		1	
. NS	780723	. KEY / NS 8738		1	
15	780743	CYLINDER LOCK / NS 8739		1	
. NS	780724	. KEY / NS 8739		1	
15	780744	CYLINDER LOCK / NS 8740		1	
. NS	780725	. KEY / NS 8740		1	
16	780745	CYLINDER LOCK BODY		1	
17	3211520	LATCH, BRIEFCASE		1	
18	5001935	WASHER FL 10.5x18.0x1.6 SS		1	
19	5001377	SCREW MA PAN PH M5-0.8x8 SS		1	

From K-0185 To P-1452

Date:07/2024

PAGE:H9-1800-25

FRONT AISLE STEPWELL - INSTALLATION



From K-0185 To P-1452	Date:07/2024	PAGE:H9-1800-25
FRONT AISLE STEPWELL - INSTALLATION		

Item#	Part	Description	H 3 4 1	H 3 4 5	N O T E S
	3200462	STEPWELL AISLE ASSY W/COVERING / S.C.C.	1	1	
	Call order desk	STEPWELL AISLE ASSY W/COVERING / S.C.C.		1	PA
	Call order desk	STEPWELL AISLE ASSY W/COVERING W/DRIVER GATE / S.C.C.	1	1	PD
1	329575	. STEPWELL, AISLE TAN To K-0484	1	1	
1	321903	. STEPWELL, AISLE GREY To K-0484		1	A
1	321903	. STEPWELL, AISLE GREY From K-0485	1	1	
NS	3211031	DECAL "STEP UP"	1	1	SP
1	329575	. STEPWELL, AISLE TAN From K-0485	1	1	O
1	320949	. STEPWELL, AISLE / W/DRIVER GATE TAN	1	1	DO
. NS	327633	. . INSERT, ATTACHMENT	1	1	DO
1	3210821	. STEPWELL, AISLE / W/DRIVER GATE GREY From K-0485	1	1	D
. NS	327633	. . INSERT, ATTACHMENT From K-0485	1	1	D
2	329906	FINISHING COVERING R.H. TAN To K-0484	1	1	
2	321920	FINISHING COVERING R.H. GREY To K-0484		1	A
2	321920	FINISHING COVERING R.H. GREY From K-0485	1	1	
2	329906	FINISHING COVERING R.H. TAN From K-0485	1	1	O
2	321288	FINISHING COVERING R.H. / W/DRIVER GATE TAN	1	1	DO
. NS	327679	. INSERT, ATTACHMENT	1	1	DO
2	3210828	FINISHING COVERING R.H. / W/DRIVER GATE GREY From K-0485	1	1	D
. NS	327679	. INSERT, ATTACHMENT From K-0485	1	1	D
3	3201243	FINISHING PANEL / REAR DRIVER'S TAN To K-0484	1	1	
3	321944	FINISHING PANEL / REAR DRIVER'S GREY To K-0484		1	A
3	321944	FINISHING PANEL / REAR DRIVER'S GREY From K-0485	1	1	
3	3201243	FINISHING PANEL / REAR DRIVER'S TAN From K-0485	1	1	O
3	506466	TAPE RUB ADH1 CC POL 1/16" x 1 1/2" x 100 / GREY 2520	AR	AR	
10	500552	SCREW TP OV PH #6x3/4 Z050	AR	AR	
11	500463	WASHER FN CKF .187x.500x.090 BR Z050	AR	AR	
12	500620	SCREW TP FL PH #10x1 1/2 Z050	AR	AR	
13	5001204	SCREW TP FL PH #6x1 1/4 Z050	AR	AR	
14	454568	GRILL AIR / AISLE STEPWELL / RETURN TAN To K-0484	1	1	
14	450124	GRILL AIR / AISLE STEPWELL / RETURN GREY To K-0484		1	A
14	450124	GRILL AIR / AISLE STEPWELL / RETURN GREY From K-0485	1	1	O
14	454568	GRILL AIR / AISLE STEPWELL / RETURN TAN From K-0485	1	1	
15	400188	ACCES PLATE	1	1	D
16	500996	NUT SPR U #6-32 .135-.150	7	7	D
17	500148	SCREW MA RND PH #6-32x1/2 SS	7	7	D
20	H9-0655-01	INTERIOR LIGHTING LED			
NS	405158	CARD HOLDER SS / 8 3/4" x 11" x 1" TH	1	1	
		A) "BAUER'S TRANSPORTATION" OPTION			

From K-0185 To P-1452	Date:07/2024	PAGE:H9-1800-25
FRONT AISLE STEPWELL - INSTALLATION		

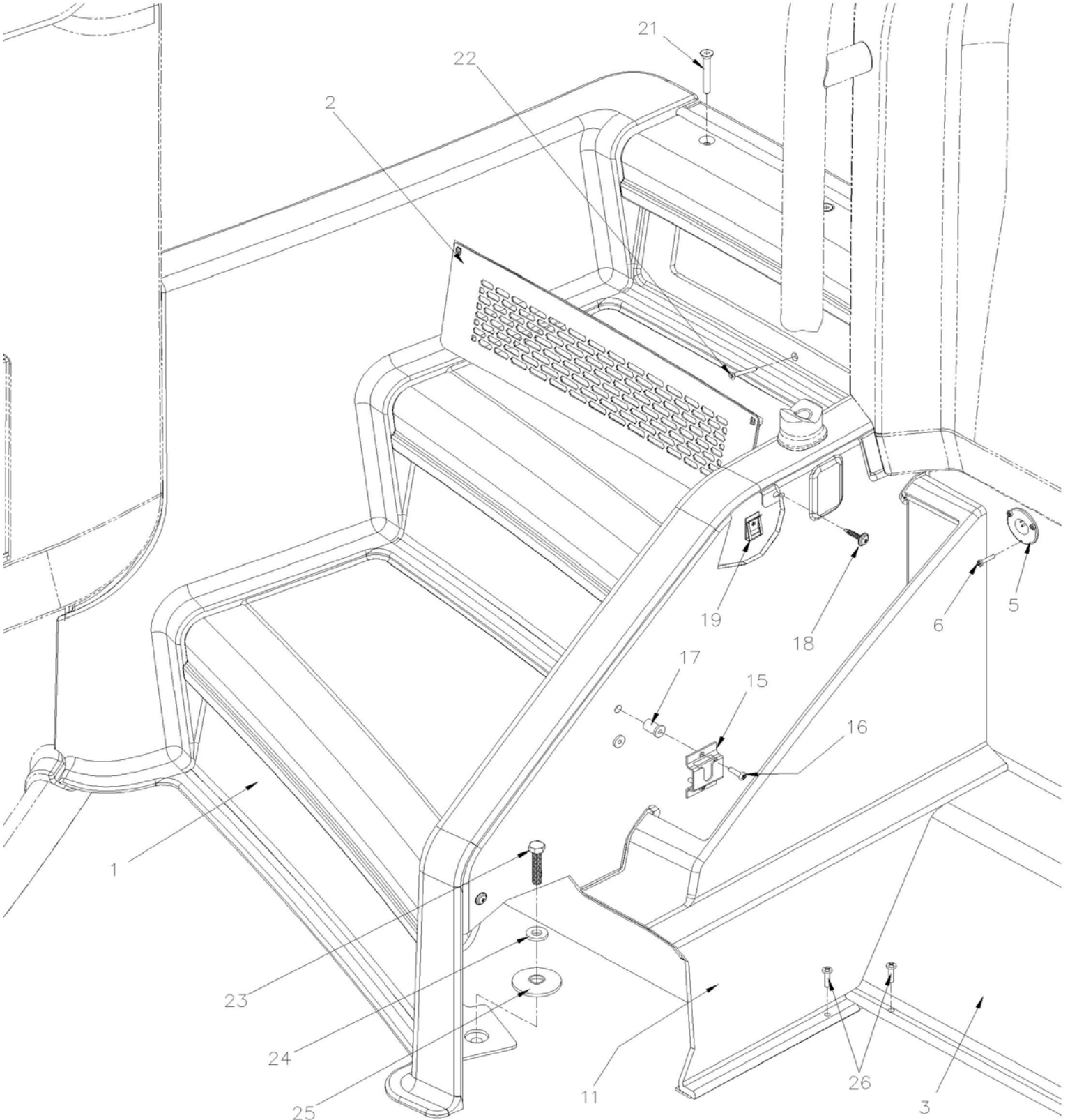
Item#	Part	Description	H 3 4 1	H 3 4 5	N O T E S
		D) WITH DRIVER'S GATE			
		O) OPTIONAL			
		SP) SPECIAL CUSTOMER ADAPTATION			
		P) CALL ORDER DESK FOR SPECIFIC APPLICATION (V.I.N.)			

From R-1453

Date:07/2024

PAGE:H9-1800-26

FRONT AISLE STEPWELL - INSTALLATION



From R-1453		Date:07/2024	PAGE:H9-1800-26
FRONT AISLE STEPWELL - INSTALLATION			

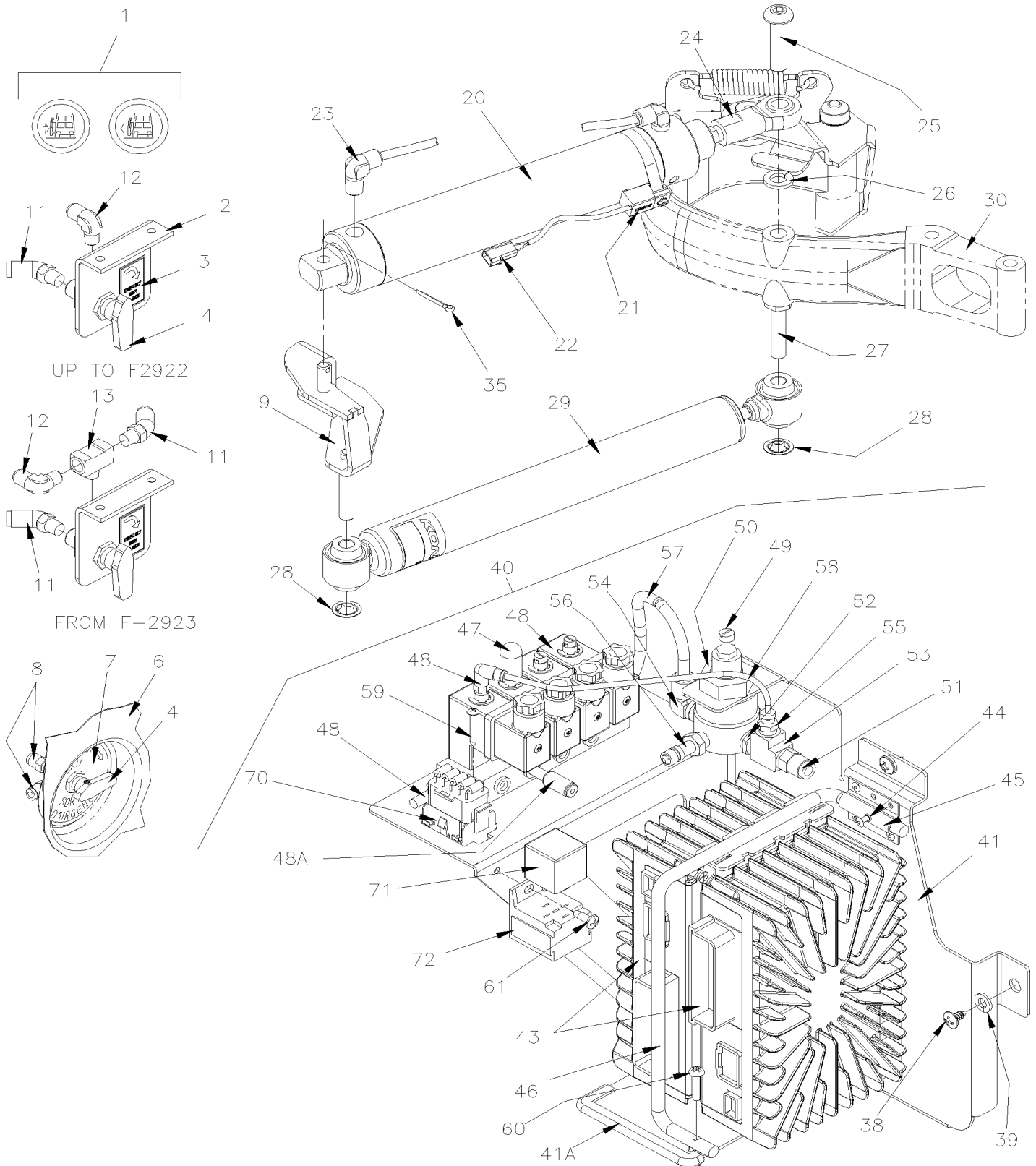
Item#	Part	Description	H 3 4 1	H 3 4 5	N O T E S
1	Call order desk	STEPWELL AISLE ASSY W/COVERING		1	P
1	3210816	. STEPWELL, AISLE GREY To R-1657		1	
1	3201768	. STEPWELL, AISLE GREY From R-1658		1	
1	3211671	. STEPWELL, AISLE WITH DRIVER GATE / GREY To R-1657		1	A
1	3201769	. STEPWELL, AISLE WITH DRIVER GATE / GREY From R-1658		1	A
2	453858	GRILLE COLD AIR FRONT AISLE STEPWELL		1	
NS	506785	TAPE RUB ADH2 CC POL 1/16" X 1/4" X 200' / BLACK I1C-N-A		AR	
NS	683083	ADHESIVE SIKA #252 / BLACK / 600 ml SAUSAGE		AR	
3	3211283	MOLDING, DRIVER SEAT		1	
NS	505537	TAPE DUAL LOCK 2" X 50 YARD / BLACK SJ3551		AR	
NS	505538	TAPE DUAL LOCK 1" x 50 YARD / BLACK SJ3551		AR	
5	404226	OUTLET, MICROPHONE / 12" W/CONNECTOR		1	
6	502577	SCREW MA PAN PH M3-0.5x16 ZP		3	
11	3211330	CONSOLE RIGHT WITHOUT CUP HOLDER To R-1657		1	
11	3201771	CONSOLE RIGHT WITHOUT CUP HOLDER From R-1658		1	
11	3211288	CONSOLE RIGHT WITH CUP HOLDER To R-1657		1	
11	3201770	CONSOLE RIGHT WITH CUP HOLDER From R-1658		1	
NS	506001	TAPE RUB ADH1 CC POL 1/8" x 3/4" x 50' / GREY 2520X		AR	
15	900859	BRACKET, MOUNTING / MICROPHONE		1	
16	5001332	SCREW MA PAN PH M4-0.7x16 SS		2	
17	500589	NUT WELL M4-0.7x13.5		2	
18	5002083	SCREW DR SEMS FN OV PH #8X1 N050		2	
19	500684	NUT SPR U #8A .025-.064		2	
21	5001535	SCREW DR WF RO #14x1 3/4 Z050		3	
22	5001204	SCREW TP FL PH #6x1 1/4 Z050		3	
23	5001992	SCREW CAP HEX SLO 5/16-18x1 1/2 SS		2	
24	5001869	WASHER FL .343x.750x.12 SS		2	
25	500494	WASHER BEL SPR .470x1.680x.125 N500		2	
26	500244	SCREW TP BDG PH #8x3/4 N500		6	
NS	684517	ADHESIVE SIMSON #ISR 70-03 / GREY / 310ml CARTRIDGE		AR	
NS	683838	PUTTY		AR	
30	H9-0655-02	INTERIOR LIGHTING			
		A) USE WITH DRIVER'S GATE			
		P) CALL ORDER DESK FOR SPECIFIC APPLICATION (V.I.N.)			

From K-0185 To P-1452

Date:07/2024

PAGE:H9-1802-00

ENTRANCE DOOR CONTROL



From K-0185 To P-1452	Date:07/2024	PAGE:H9-1802-00
ENTRANCE DOOR CONTROL		

Item#	Part	Description	H 3 4 1	H 3 4 5	N O T E S
1	H9-0645-30	R.H. DASHBOARD PANEL			
2	285537	SUPPORT	1	1	
3	283989	DECAL "EMERGENCY DOOR VALVE" / IN STEERING COMPARTMENT	1	1	
4	642161	VALVE, 3 WAYS 1/8NPT-Fx1/8NPT-Fx1/8NPT-F BR	1	1	
. NS	642014	. HANDLE / RED	1	1	
6	H9-1806-20	DASHBOARD PANEL			
7	284057	DECAL "EMERGENCY EXIT" / ENGLISH & FRANCAIS To P-1349	1	1	
7	2810660	DECAL "MANUAL DOOR RELEASE" / ENGLISH & FRANCAIS From P-1350	1	1	
7	288197	DECAL "EMERGENCY EXIT" / ENGLISH & SPANISH To P-1349	1	1	
7	2810666	DECAL "MANUAL DOOR RELEASE" / ENGLISH & SPANISH From P-1350	1	1	
7	280617	DECAL "EMERGENCY EXIT" / ENGLISH To P-1349	1	1	
7	2810667	DECAL "MANUAL DOOR RELEASE" / ENGLISH From P-1350	1	1	
8	641242	MALE CONNECTOR / PUSH-IN FITTING / #4x1/8NPT-M BR	3	3	
9	210010	SUPPORT / CYLINDER	1	1	
11	641365	MALE ELBOW 45° NON-SWIVEL / PUSH-IN FITTING / #4x1/8NPT-M BR	2	2	
12	641369	MALE ELBOW 90° NON-SWIVEL / PUSH-IN FITTING / #4x1/8NPT-M BR	1	1	
13	507589	MALE BRANCHE TEE / PIPE FITTING / 1/8NPT-Fx1/8NPT-Fx1/8NPT-M BR	1	1	
20	780813	CYLINDER 2"	1	1	
. NS	780022	. BEARING, SPHERICAL	1	1	
21	780594	LIMITING REED SWITCH ASSY S.P.S.T. N.O. / W/ 2" CYLINDER	1	1	
22	560900	CONNECTOR / COM. MATE-N-LOCK / PH 2C / AMP 1-480319-0	1	1	
22	560853	PIN TERMINAL / 24-18 / AMP 60618-1	2	2	
23	641371	MALE ELBOW 90° NON-SWIVEL / PUSH-IN FITTING / #4x1/4NPT-M BR	2	2	
24	502196	ROD END FEMALE 1/2-20 / 1/2 I.D.	1	1	
25	5001075	SCREW CAP BUT HEXS 1/2-13x2 Z050	1	1	
26	500482	WASHER LO SPT .506x.873x.125 Z050	1	1	
27	285433	PIVOT STUD 7/16-14 X 80MM LG	1	1	
28	502601	NUT SPR PO RND 7/16	2	2	
29	780896	SHOCK DAMPER "KONI"	1	1	
30	H9-1862-60	ENTRANCE DOOR FRAME - INSTALLATION			
35	502102	PIN, COTTER 1/8 x 1	1	1	
38	500657	SCREW TC TR PH #10-24x1/2 Z050	3	3	
39	500473	WASHER LO SPT .262x.489x.062 Z050	3	3	
40	380501	SEDAN DOOR MODULE ASSY	1	1	
NS	502848	SCREW TC CAP HEXF 1/4-20x3/4 N500	3	3	
NS	500473	WASHER LO SPT .262x.489x.062 Z050	3	3	
41	382170	. SUPPORT MODULE	1	1	
NS	506339	. TAPE RUB ADH1 NIT 1/4" x 1" x 35' / BLACK 1220	AR	AR	
41A	506338	. RUBBER CHANNEL / 1/16" x 1/4" INT "U" SHAPE / ROUND C.T.L.	AR	AR	
41A	680066	. ADHESIVE / ADBOND #5014 / 23.6ML BOTTLE	AR	AR	
NS	066133	. CABLE ASSY / ENTRANCE DOOR MODULE / MUX	1	1	
43	22722850	. I/O B E-MODULE VOLVO MULTIPLEX / ALUMINUM To M-1139	2	2	

From K-0185 To P-1452	Date:07/2024	PAGE:H9-1802-00
ENTRANCE DOOR CONTROL		

Item#	Part	Description	H 3 4 1	H 3 4 5	N O T E S
43	23824204	. I/O B E-MODULE VOLVO MULTIPLEX / ALUMINUM From M-1140	2	2	
44	504340	. RIVET POP DOME OE 1/8x3/16 SS	4	4	
45	382166	. ROD ATTACHMENT / I/O B MODULE	1	1	
46	382169	. HINGE ROD ATTACHMENT	1	1	
47	871374	. MUFFLER M5 PLASTIC	1	1	
48	641906	. MANIFOLD VALVE / W/4 SOLENOID	1	1	
. NS	641927	. . KIT, MANIFOLD REPAIR / N.O.	1	1	
. NS	641928	. . KIT, MANIFOLD REPAIR / N.C.	3	3	
. NS	641107	. . COIL 24V	1	1	
. NS	642213	. . MALE ELBOW 90° SWIVEL / PUSH-IN FITTING / #2x10-32 NP	1	1	
. NS	990143	. . MALE CONNECTOR / PUSH-IN FITTING / W/O-RING / #2x#10-32-M BR	1	1	
. NS	641385	. . CONNECTOR / SOCKET HOUSING ASSY 3C / PNEUMAC 54934-01	1	1	
. NS	641455	. . REDUCER STEM / PUSH-IN FITTING / #2x#4 PLAS	1	1	
48A	642063	. REDUCER / PUSH-IN FITTING / #4x#2 PLAS	1	1	
49	641472	. AIR PRESSURE REGULATOR 1/4" NPT / COPPER	1	1	
NS	501072	. PLUG HEXS / PIPE FITTING / 1/8NPT-M STL	1	1	
49	680098	. THREAD SEALANT LOCTITE #567 / WHITE / 250ml	AR	AR	
50	500734	. NUT HEX JAM 3/4-16 Z050	1	1	
51	641242	. MALE CONNECTOR / PUSH-IN FITTING / #4x1/8NPT-M BR	1	1	
52	501312	. BUSHING REDUCER / PIPE FITTING / 1/4NTP-Mx1/8NPT-F BR	1	1	
53	501653	. MALE RUN TEE / PIPE FITTING / 1/8NPT-Mx1/8NPT-Fx1/8NPT-F BR	1	1	
54	641371	. MALE ELBOW 90° NON-SWIVEL / PUSH-IN FITTING / #4x1/4NPT-M BR	1	1	
55	641126	. MALE CONNECTOR / PUSH-IN FITTING / #2x1/8NPT-M BR	1	1	
56	640488	. VALVE, AIR FILL 1/8" NPT	1	1	
. NS	650164	. . CAP VALVE / CHROME	1	1	
57	503402	. TUBE, NYLON 1/4 O.D. / BLACK S.L.	AR	AR	
58	503536	. TUBE, NYLON 1/8 O.D. / BLACK S.L.	AR	AR	
59	500495	. SCREW TP PAN PH #6x1 Z050 To K-0480	2	2	A
59	5002090	. SCREW MA RND PH #6-32x1.25 Z050 From K-0481	2	2	C
60	509827	. SCREW MA RND PH M4-0.7x20 SS	1	1	
61	502868	. SCREW TC TR PH #10-16x1/2 N500	1	1	
NS	062243	. DECAL, PNEUMATIC SCHEMA	1	1	
70	381145	. DIODE ASSY / W/5 3AMPS	1	1	
71	563332	. RELAY 24V S.P.D.T. W/RESISTOR / "VOLVO" (20374662)	1	1	
72	561183	. RELAY BASE / TAB TERMINAL / BOSCH 3334485008	1	1	
74	504637	. CABLE TIE / 3/16" x 13"	1	1	
NS	509815	. TIE MOUNT / ATTACHMENT W/TREE MOUNT	2	2	
90	H9-1202-00	TUBES PLASTIC / AIR D.O.T.			
		A) USE ONLY WITH OLD PLATE 382170, UPTO S/N K-0480			

From K-0185 To P-1452	Date:07/2024	PAGE:H9-1802-00
-----------------------	--------------	-----------------

ENTRANCE DOOR CONTROL

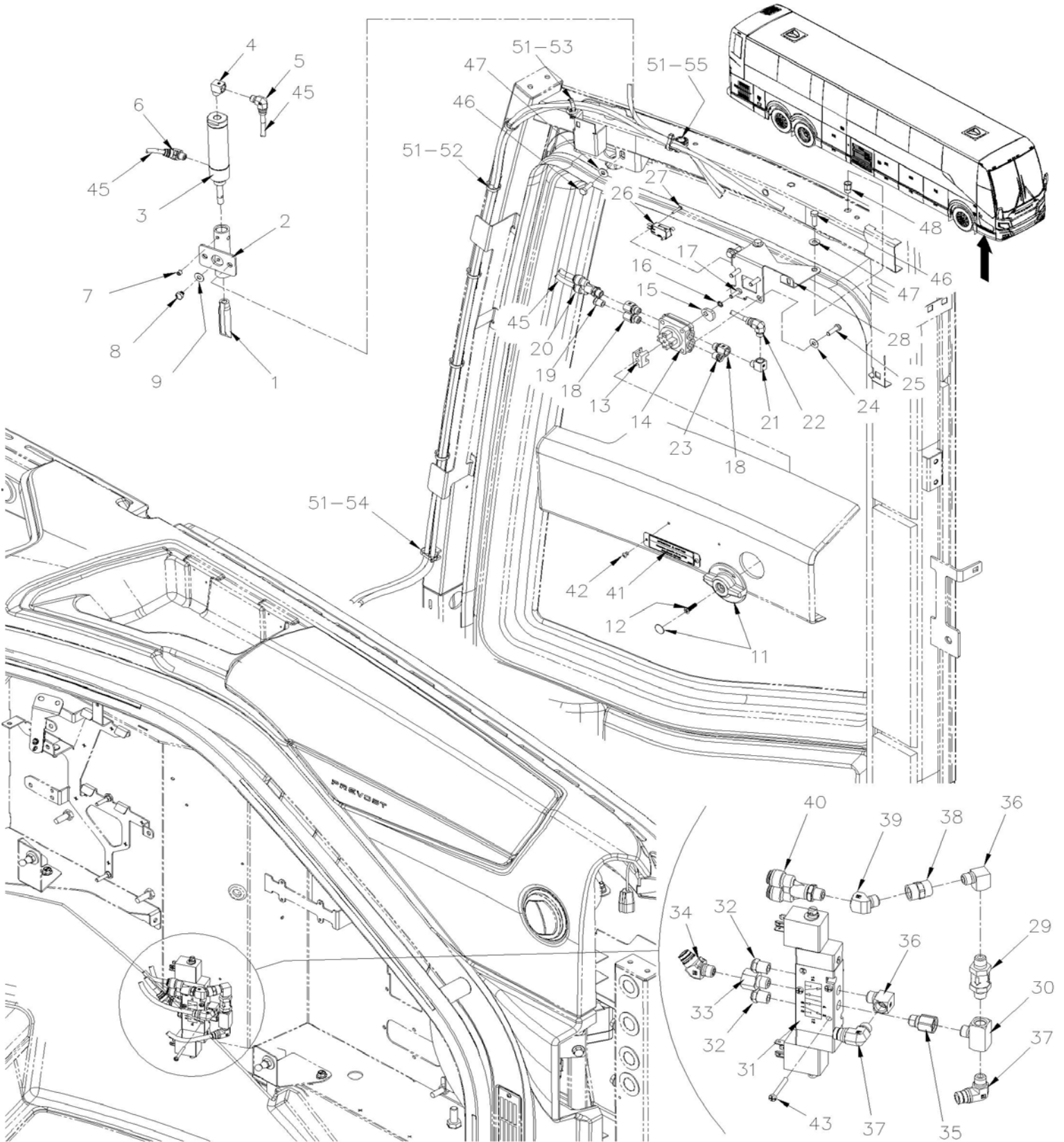
Item#	Part	Description	H 3 4 1	H 3 4 5	N O T E S
		C) TO FIX ARM			

From R-1453

Date:07/2024

PAGE:H9-1802-01

ENTRANCE DOOR CONTROL

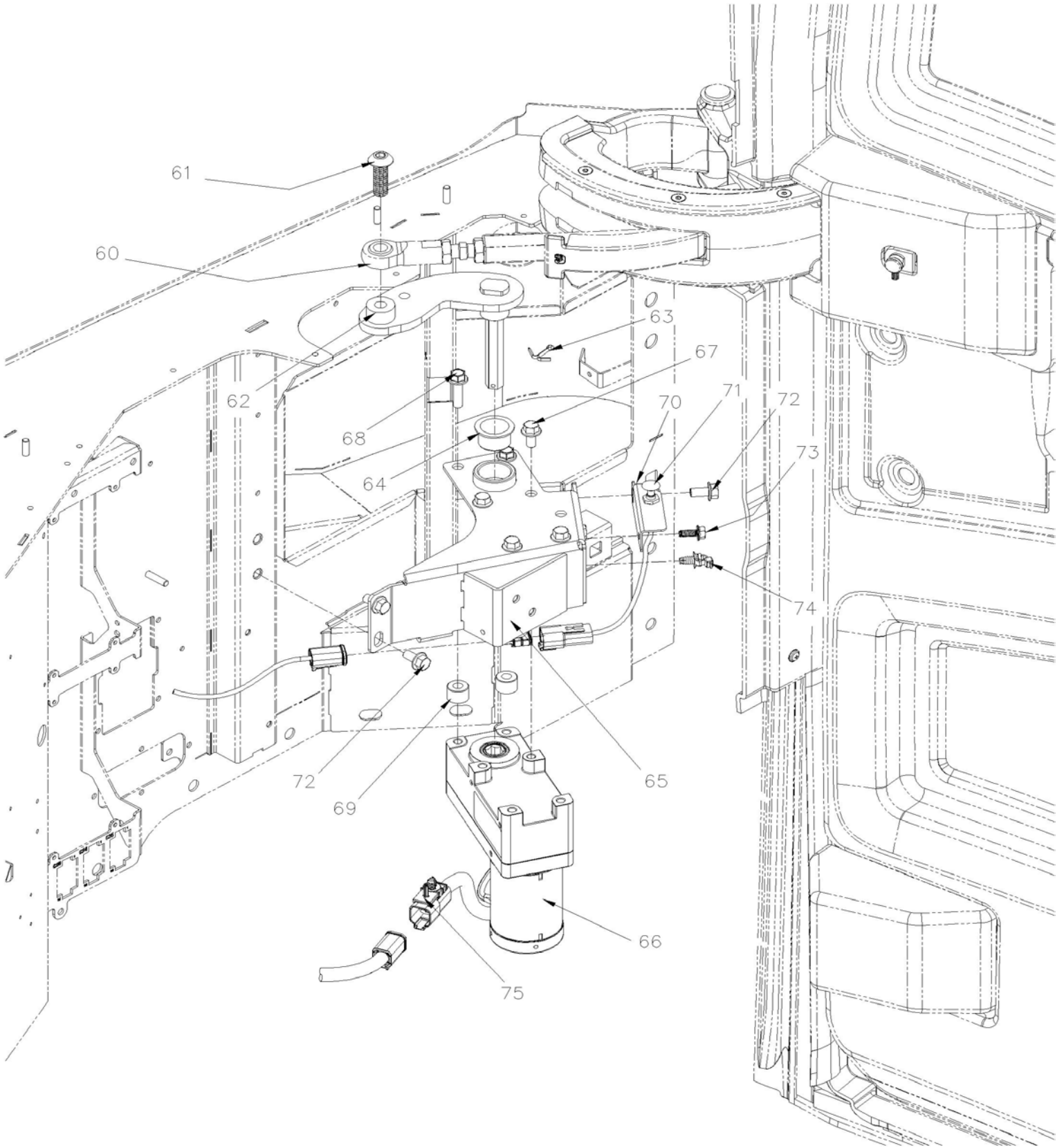


From R-1453

Date:07/2024

PAGE:H9-1802-01

ENTRANCE DOOR CONTROL



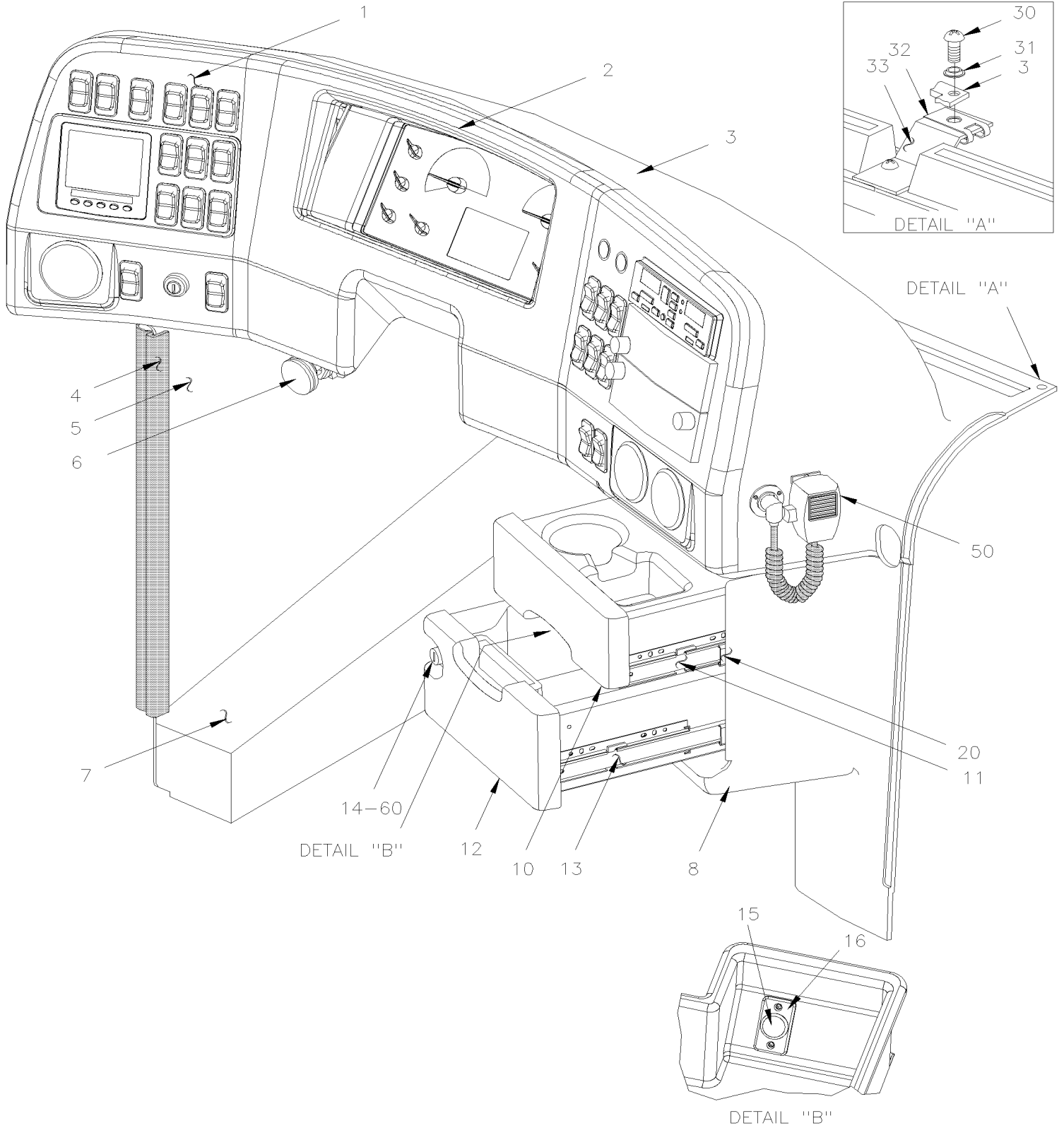
From R-1453		Date:07/2024	PAGE:H9-1802-01
ENTRANCE DOOR CONTROL			

Item#	Part	Description	H 3 4 1	H 3 4 5	N O T E S
1	2810339	BOLT LOCK, DOOR		1	
NS	685371	GREASE / GREY BLACK MOBIL XHP 222 SPECIAL 400 g		AR	
2	2810340	MOUNTING PLATE ASSY		1	
3	640030	CYLINDER 1 1/16 X 1		1	
4	501331	STREET ELBOW 90° / PIPE FITTING / 1/8NPT-Mx1/8NPT-F BR		1	
5	641369	MALE ELBOW 90° NON-SWIVEL / PUSH-IN FITTING / #4x1/8NPT-M BR		1	
6	641365	MALE ELBOW 45° NON-SWIVEL / PUSH-IN FITTING / #4x1/8NPT-M BR		1	
NS	680098	THREAD SEALANT LOCTITE #567 / WHITE / 250ml		AR	
7	502634	SCREW SET HEXS CUP M6-1.0x6		1	
8	5002143	SCREW CAP HEX M6-1.0x6 G8.8 Z050		1	
NS	680038	THREAD LOCKER LOCTITE #243 / BLUE / 50ml		AR	
9	5001608	WASHER BEL SPR 6.2x15.0x0.7 G500		1	
11	70345686	KNOB EMERGENCY VALVE		1	
12	5002220	SCREW MA FL PH M5-0.8x20 Z050		1	
13	140498	SPACER, EMERGENCY DOOR VALVE		1	
14	70345685	SHUT-OFF COCK IDLE		1	
15	140136	MANUAL OVERRIDE VALVE CAM		1	
16	5001378	WASHER LO EXT 5.3x10x0.6 Z050		1	
17	502653	SCREW MA PAN PH M5-0.8x16 SS		1	
18	501075	ADAPTER / PIPE FITTING / 1/8NPT-FxM10-1 M STL		3	
19	641943	SILENCER / MUFFLER / 1/8NPT-M		1	
20	640002	MALE "Y" FITTING / PUSH-IN FITTING / #4x#4x1/8NPT-M BRASS		1	
21	501331	STREET ELBOW 90° / PIPE FITTING / 1/8NPT-Mx1/8NPT-F BR		1	
22	641369	MALE ELBOW 90° NON-SWIVEL / PUSH-IN FITTING / #4x1/8NPT-M BR		1	
NS	680098	THREAD SEALANT LOCTITE #567 / WHITE / 250ml		AR	
23	501076	PLUG HEX-HEAD / METRIC / M10-1 ZP		1	
24	5001608	WASHER BEL SPR 6.2x15.0x0.7 G500		3	
25	5001507	SCREW MA PAN PH M6-1.0x20 SS		3	
26	562096	MICRO SWITCH		1	
27	502825	SCREW MA PAN PH M3-0.5x16 N500		2	
28	140135	BRACKET, MANUAL OVERRIDE VALVE		1	
29	530175	VALVE, CHECK 1/8 NPT		1	
30	507589	MALE BRANCHE TEE / PIPE FITTING / 1/8NPT-Fx1/8NPT-Fx1/8NPT-M BR		1	
31	640061	SOLENOID VALVE 5 WAYS, 2 POSITION 24 VDC		1	
32	641943	SILENCER / MUFFLER / 1/8NPT-M		2	
33	140485	RESTRICTION W/0.80" HOLE / W/FLANGE		1	
34	641365	MALE ELBOW 45° NON-SWIVEL / PUSH-IN FITTING / #4x1/8NPT-M BR		1	
35	501307	ADAPTER / PIPE FITTING / 1/8NPT-Fx1/8NPT-M BR		1	
36	501331	STREET ELBOW 90° / PIPE FITTING / 1/8NPT-Mx1/8NPT-F BR		2	
37	641369	MALE ELBOW 90° NON-SWIVEL / PUSH-IN FITTING / #4x1/8NPT-M BR		2	
38	501317	COUPLING / PIPE FITTING / 1/8NPT-Fx1/8NPT-F BR		1	
39	501328	STREET ELBOW 45° / PIPE FITTING / 1/8NPT-Mx1/8NPT-F BR		1	

From R-1453		Date:07/2024	PAGE:H9-1802-01
ENTRANCE DOOR CONTROL			

Item#	Part	Description	H 3 4 1	H 3 4 5	N O T E S
40	640002	MALE "Y" FITTING / PUSH-IN FITTING / #4x#4x1/8NPT-M BRASS		1	
NS	680098	THREAD SEALANT LOCTITE #567 / WHITE / 250ml		AR	
41	280736	DECAL "DOOR MANUAL RELEASE" / ENGLISH & FRANCAIS To R-1499		1	
41	2800746	DECAL "DOOR MANUAL RELEASE" / ENGLISH & FRANCAIS From R-1500		1	
41	2810578	DECAL "DOOR MANUAL RELEASE" / ENGLISH To R-1499		1	
41	2810680	DECAL "DOOR MANUAL RELEASE" / ENGLISH From R-1500		1	
41	2810049	DECAL "DOOR MANUAL RELEASE" / ENGLISH & SPANISH To R-1499		1	
41	2810681	DECAL "DOOR MANUAL RELEASE" / ENGLISH & SPANISH From R-1500		1	
41	2810391	PLATE FOR DECAL To R-1499		1	
42	504106	RIVET POP DOME OE 1/8x1/4 AL To R-1499		2	
43	5001085	SCREW TP PAN PH #6x1 1/4 Z050		3	
45	503402	TUBE, NYLON 1/4 O.D. / BLACK S.L.		AR	
46	502622	SCREW CAP HEX M6-1.0x20 SS BK		5	
47	5001608	WASHER BEL SPR 6.2x15.0x0.7 G500		5	
48	5001344	NUT INS FL HEX M6-1.0 0.5-3.0 SS		3	
51	504637	CABLE TIE / 3/16" x 13"		8	
52	504262	BUNDLING TAPE CLIP WITH FIR TREE		5	
53	509815	TIE MOUNT / ATTACHMENT W/TREE MOUNT		1	
54	504013	TIE MOUNT / 1/4" X 1/4" I.D.		1	
54	504379	RIVET POP DOME OE 3/16x1/4 SS		1	
55	509894	TIE MOUNT HOLE 7.8MM		1	
55	504416	RIVET POP DOME OE 3/16x5/8 SS		1	
60	H9-1862-61	ENTRANCE DOOR - INSTALLATION			
61	5002108	SCREW CAP BUT HEXS 1/2-13x1.5 SS		1	
62	2810086	ROD ASS To R-1929		1	
62	2800842	ROD ASS From R-1930		1	
63	502111	PIN, COTTER 1/8 x 1 1/2 SS		1	
64	507038	BUSHING FLANGE 1 ID X 1 1/8OD X 3/4LG		1	
65	2810132	SUPPORT ENGINE		1	
66	563530	MOTOR 24V ENTRANCE DOOR		1	
67	5001780	SCREW CAP HEXF M8-1.25x16 G8.8 N500		4	
68	5001742	SCREW CAP HEXF M8-1.25x30 G8.8 N500		2	
69	2810628	SPACER M8		2	
70	2810131	SENSOR SUPPORT		1	
71	0610555	PROXIMITY SENSOR, NO ENTRANCE DOOR ASS.		1	
72	5001780	SCREW CAP HEXF M8-1.25x16 G8.8 N500		4	
73	5002027	SCREW CAP HEXF AD M6-1.0x16 G10.9 N500		1	
74	509815	TIE MOUNT / ATTACHMENT W/TREE MOUNT		1	
74	504637	CABLE TIE / 3/16" x 13"		1	
75	564108	SELF MOUNTING STUD // DEUTSCH 1011-310-0205		2	

CENTRAL DASHBOARD PANEL



From K-0185 To P-1452	Date:07/2024	PAGE:H9-1806-00
CENTRAL DASHBOARD PANEL		

Item#	Part	Description	H 3 4 1	H 3 4 5	N O T E S
1	392456	PANEL / FRONT INSTRUMENTATION To M-1109	1	1	
1	392853	PANEL / FRONT INSTRUMENTATION From M-1110	1	1	
1	5001411	SCREW MA FL PH M4-0.7x20 BK	AR	AR	
1	500345	WASHER FN CKF .187x.500x.090 BR BK	AR	AR	
2	H9-0645-10	L.H. DASHBOARD PANEL			
2	H9-0645-21	CENTER DASHBOARD PANEL			
2	H9-0645-30	R.H. DASHBOARD PANEL			
3	392209	COVER, DASHBOARD PANEL / BUS / BLACK To M-1109	1	1	
3	392209	COVER, DASHBOARD PANEL / BUS / BLACK From M-1110	1	1	
3	392764	COVER, DASHBOARD PANEL / BUS / BLACK WITH "PREVOST DRIVER ASSIST" From M-1110	1	1	
4	504675	RUBBER EXTRUSION TRIM SEAL / GRIP .040/.070 / 5/8" HOLLOW BULB C.T.L.	AR	AR	
5	392503	STRUCTURE / L.H. / W/TPMS To N-1172	1	1	H
5	392934	STRUCTURE / L.H. / W/TPMS W/HANDRAIL From N-1173	1	1	H
NS	392305	ADAPTOR RADIO TO STRUCTURE To N-1172	1	1	
NS	392946	ADAPTOR RADIO TO STRUCTURE From N-1173	1	1	
NS	502701	WASHER FL .172x.750x.031 From N-1173	2	2	
NS	5002040	NUT HEX NYRT M4x0.7 SS NSS From N-1173	2	2	
NS	392074	SUPPORT / WITH MANUAL TRANS ONLY	1	1	
NS	392073	ACCESS PANEL / FOR WIPER REPAIR	1	1	
NS	562360	CONNECTOR / HD10 SERIES / PH 6C / BLACK / DEUTSCH HD10-6-12P-BLACK	1	1	B
NS	562492	TYPE A COUPLING	1	1	B
5	562493	CHAIN / C.T.L.	1	1	B
5	562494	RING / ATTACHMENT END	1	1	B
6	642173	VALVE, 3 WAYS, 2 POSITIONS MECHANICAL	1	1	
NS	5001036	SCREW MA PAN PH M4-0.7x10 Z050	2	2	
NS	500539	NUT HEX NYRT M4-0.7 N500	2	2	
NS	501307	ADAPTER / PIPE FITTING / 1/8NPT-Fx1/8NPT-M BR	1	1	
NS	641365	MALE ELBOW 45° NON-SWIVEL / PUSH-IN FITTING / #4x1/8NPT-M BR	2	2	
7	392013	FOOT REST / SUPPORT	1	1	
NS	5001036	SCREW MA PAN PH M4-0.7x10 Z050	4	4	
8	391936	UNDER DASH PANEL / BLACK	1	1	H
8	392354	UNDER DASH PANEL / TAN	1	1	H
10	391932	DRAWER, UPPER / BLACK To L-1116	1	1	
. NS	392237	. SUPPORT MAGNETIC LOCK / UPPER DRAWER To L-1116	1	1	
. NS	392241	. CATCH MAGNETIC LOCK LOWER DRAWER To L-1116	1	1	
. NS	504733	. KIT SLIDE TRACK / FIXED AT DRAWER To L-1116	1	1	
10	392712	DRAWER, UPPER / BLACK From L-1117	1	1	
. NS	392708	. SUPPORT MAGNETIC LOCK / UPPER DRAWER From L-1117	1	1	
. NS	504673	. CATCH MAGNETIC From L-1117	2	2	
. NS	504677	. RAIL ASSY 8" / (SET) From L-1117	1	1	
10	392475	DRAWER, UPPER / BLACK W/DVD INSIDE	1	1	
. NS	392237	. SUPPORT MAGNETIC LOCK / UPPER DRAWER	1	1	

From K-0185 To P-1452	Date:07/2024	PAGE:H9-1806-00
CENTRAL DASHBOARD PANEL		

Item#	Part	Description	H 3 4 1	H 3 4 5	N O T E S
. NS	392241	. CATCH MAGNETIC LOCK LOWER DRAWER	1	1	
. NS	504733	. KIT SLIDE TRACK / FIXED AT DRAWER	1	1	
10	392352	DRAWER, UPPER / TAN To L-1116	1	1	
. NS	392237	. SUPPORT MAGNETIC LOCK / UPPER DRAWER To L-1116	1	1	
. NS	392241	. CATCH MAGNETIC LOCK LOWER DRAWER To L-1116	1	1	
. NS	504733	. KIT SLIDE TRACK / FIXED AT DRAWER To L-1116	1	1	
10	392713	DRAWER, UPPER / TAN From L-1117	1	1	
. NS	392708	. SUPPORT MAGNETIC LOCK / UPPER DRAWER From L-1117	1	1	
. NS	504673	. CATCH MAGNETIC From L-1117	2	2	
. NS	504677	. RAIL ASSY 8" / (SET) From L-1117	2	2	
10	390043	SEPARATION PLATE From L-1117	1	1	
10	504140	RIVET POP DOME OE 1/8x3/8 SS From L-1117	3	3	
10	780020	KEY CODE / FA 0231 From L-1117	1	1	
10	504673	CATCH MAGNETIC From L-1117	1	1	
10	5001408	NUT HEX STO M3-0.5 ZP From L-1117	2	2	
10	5002029	SCREW MA PAN PH M3-0.5x6 Z050 From L-1117	2	2	
11	504677	. RAIL ASSY 8" / (SET)	1	1	
NS	504673	CATCH MAGNETIC	2	2	
12	391933	DRAWER, LOWER / BLACK To L-1116	1	1	
. NS	392238	. SUPPORT MAGNETIC LOCK / LOWER DRAWER To L-1116	1	1	
. NS	392240	. CATCH MAGNETIC LOCK LOWER DRAWER To L-1116	1	1	
. NS	504733	. KIT SLIDE TRACK / FIXED AT DRAWER To L-1116	1	1	
12	392714	DRAWER, LOWER / BLACK From L-1117	1	1	
. NS	392707	. SUPPORT MAGNETIC LOCK / LOWER DRAWER From L-1117	1	1	
. NS	504673	. CATCH MAGNETIC From L-1117	2	2	
. NS	504678	. RAIL ASSY 10" / (SET) From L-1117	1	1	
12	390019	DRAWER, LOWER / BLACK W/12VOLTS OUTLET To L-1116	1	1	
. NS	392238	. SUPPORT MAGNETIC LOCK / LOWER DRAWER To L-1116	1	1	
. NS	392240	. CATCH MAGNETIC LOCK LOWER DRAWER To L-1116	1	1	
. NS	504733	. KIT SLIDE TRACK / FIXED AT DRAWER To L-1116	1	1	
12	392714	DRAWER, LOWER / BLACK From L-1117	1	1	
. NS	392707	. SUPPORT MAGNETIC LOCK / LOWER DRAWER From L-1117	1	1	
. NS	504673	. CATCH MAGNETIC From L-1117	2	2	
. NS	504678	. RAIL ASSY 10" / (SET) From L-1117	1	1	
12	392353	DRAWER, LOWER / TAN To L-1116	1	1	
. NS	392238	. SUPPORT MAGNETIC LOCK / LOWER DRAWER To L-1116	1	1	
. NS	392240	. CATCH MAGNETIC LOCK LOWER DRAWER To L-1116	1	1	
. NS	504733	. KIT SLIDE TRACK / FIXED AT DRAWER To L-1116	1	1	
12	392716	DRAWER, LOWER / TAN From L-1117	1	1	
. NS	392707	. SUPPORT MAGNETIC LOCK / LOWER DRAWER From L-1117	1	1	
. NS	504673	. CATCH MAGNETIC From L-1117	2	2	
. NS	504678	. RAIL ASSY 10" / (SET) From L-1117	2	2	

From K-0185 To P-1452	Date:07/2024	PAGE:H9-1806-00
CENTRAL DASHBOARD PANEL		

Item#	Part	Description	H 3 4 1	H 3 4 5	NOTES
. NS	562796	. 12 VOLTS POWER OUTLET From L-1117	1	1	
12	390011	DRAWER, LOWER / TAN W/12 VOLTS OUTLET To L-1116	1	1	
. NS	392238	. SUPPORT MAGNETIC LOCK / LOWER DRAWER To L-1116	1	1	
. NS	392240	. CATCH MAGNETIC LOCK LOWER DRAWER To L-1116	1	1	
. NS	504733	. KIT SLIDE TRACK / FIXED AT DRAWER To L-1116	1	1	
12	392716	DRAWER, LOWER / TAN From L-1117	1	1	
. NS	392707	. SUPPORT MAGNETIC LOCK / LOWER DRAWER From L-1117	1	1	
. NS	504673	. CATCH MAGNETIC From L-1117	2	2	
. NS	504678	. RAIL ASSY 10" / (SET) From L-1117	2	2	
. NS	562796	. 12 VOLTS POWER OUTLET From L-1117	1	1	
12	780023	LATCH W/LOCK From L-1117	1	1	
. NS	780539	. KEY / (CH751) From L-1117	2	2	
12	390047	PLATE STOP MAGNET From L-1117	1	1	
12	504128	RIVET POP DOME OE 1/8x1/16 SS From L-1117	3	3	
13	504678	. RAIL ASSY 10" / (SET)	1	1	
NS	504673	CATCH MAGNETIC	2	2	
14	504672	LATCH ASSY W/2 KEYS	1	1	
. NS	810084	. KEY / (CH751)	1	1	
14	810084	. KEY / (CH751)	2	2	
15	562796	12 VOLTS POWER OUTLET	1	1	
16	500343	SCREW MA FL PH M4-0.7x16 ZP	2	2	
NS	500590	NUT HEX NYRT M4-0.7 Z050	2	2	
20	392012	MOUNTING PLATE / DRAWER	4	4	
NS	5001413	SCREW MA FL PH M4-0.7x20 Z050 / BLACK	AR	AR	
30	5001411	SCREW MA FL PH M4-0.7x20 BK / TAN	AR	AR	
30	5001711	SCREW MA FL PH M4-0.7x20 SS	AR	AR	
31	500345	WASHER FN CKF .187x.500x.090 BR BK / BLACK	AR	AR	
31	500463	WASHER FN CKF .187x.500x.090 BR Z050 / TAN	AR	AR	
32	5001406	NUT SPR U M4-0.7 0.8-4.0x13.5	AR	AR	
33	H9-2230-00	DEFROSTER - INSTALLATION			
34	563063	SENSOR THERMISTOR ASSY / TEMPERATURE / ("DELPHI")	1	1	
NS	373792	BOX SENSOR PROTECTOR	1	1	
50	H9-2315-01	SOUND SYSTEM & ACCESSORIES W/HHD			
NS	409149	CABLE ASSY / DASH & PARCEL RACK / AUDIO	1	1	
51	060661	WIRING HARNESS DASHBOARD CENTRAL MODULE To L-0822	1	1	
51	0611102	WIRING HARNESS DASHBOARD CENTRAL MODULE From L-0823 To L-0952	1	1	
51	0610239	WIRING HARNESS DASHBOARD CENTRAL MODULE From L-0953 To M-1109	1	1	
51	0610242	WIRING HARNESS DASHBOARD CENTRAL MODULE From M-1110 To M-1153	1	1	
51	0610488	WIRING HARNESS DASHBOARD CENTRAL MODULE From M-1154 To N-1234	1	1	
51	0610583	WIRING HARNESS DASHBOARD CENTRAL MODULE From N-1235	1	1	
NS	390038	DECAL, ELECTRONIC LOGGING DEVICE(ELD) / FR, ENG, SP	1	1	
NS	390039	DECAL, ON-BOARD DIAGNOSTIC(OBD) / FR, ENG, SP	1	1	

From K-0185 To P-1452	Date:07/2024	PAGE:H9-1806-00
-----------------------	--------------	-----------------

CENTRAL DASHBOARD PANEL

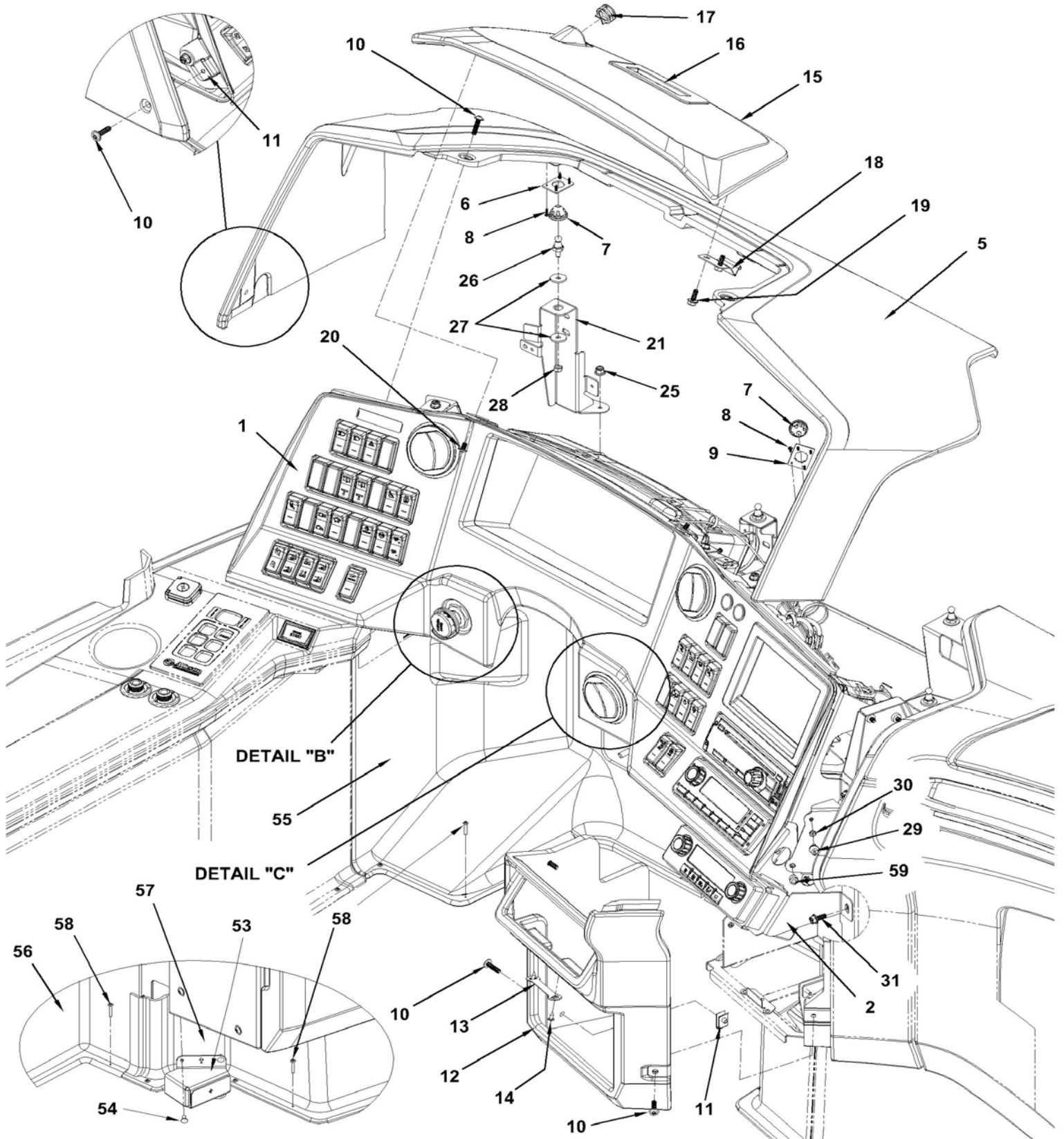
Item#	Part	Description	H 3 4 1	H 3 4 5	N O T E S
NS	067419	HARNESS JUMPER FOR DVD IN DASH	1	1	
		B) ITEMS ARE RELATED WITH DIAGNOSTIC "DDEC"			
		H) WITH HANDRAIL			

From R-1453

Date:07/2024

PAGE:H9-1806-01

CENTRAL DASHBOARD PANEL

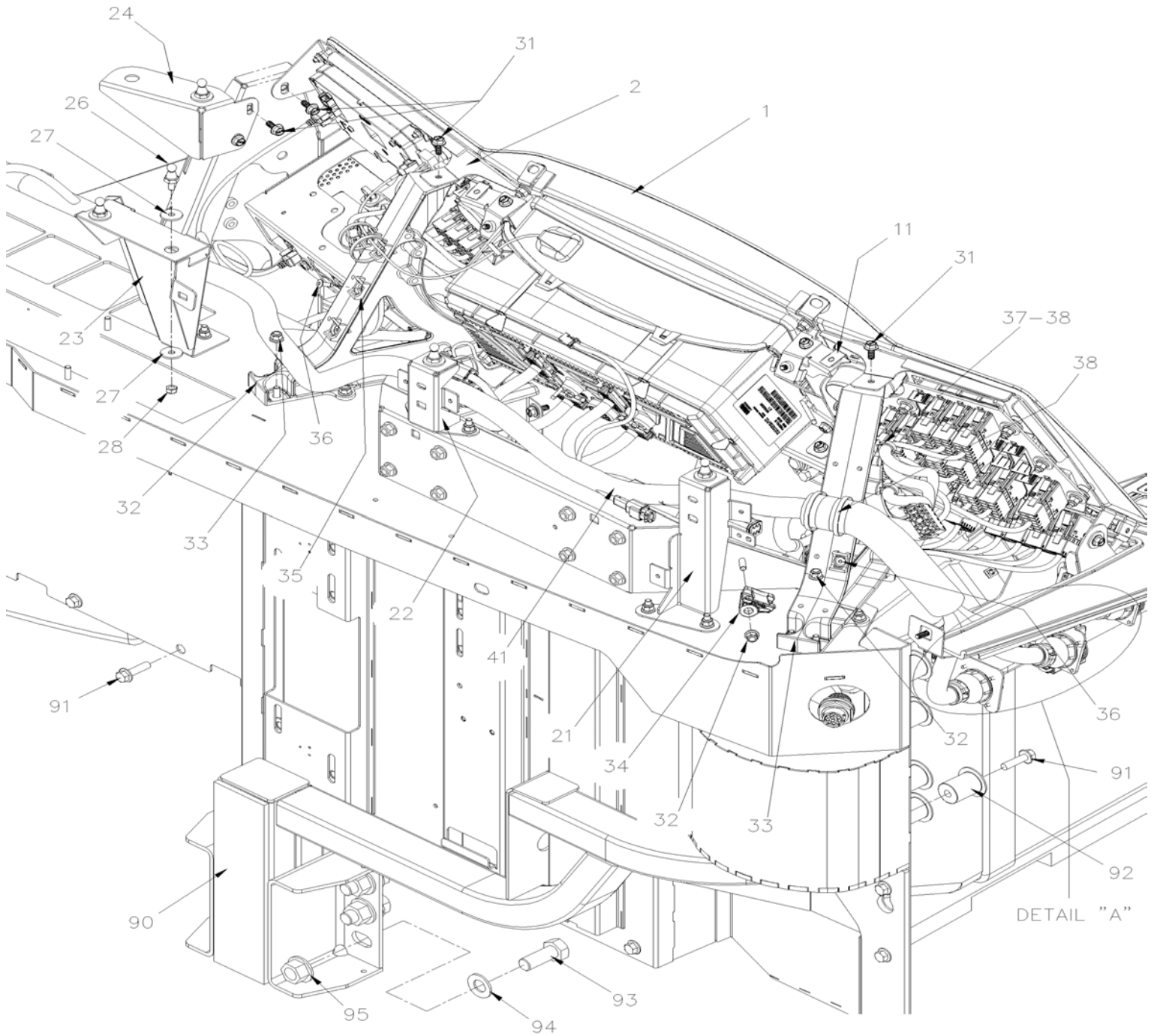


From R-1453

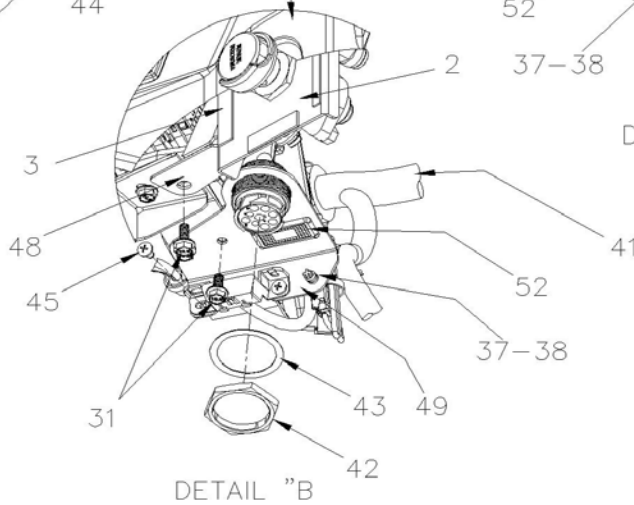
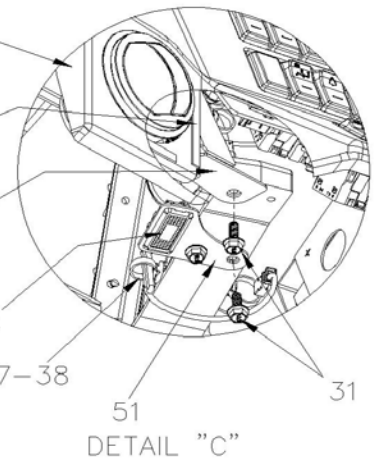
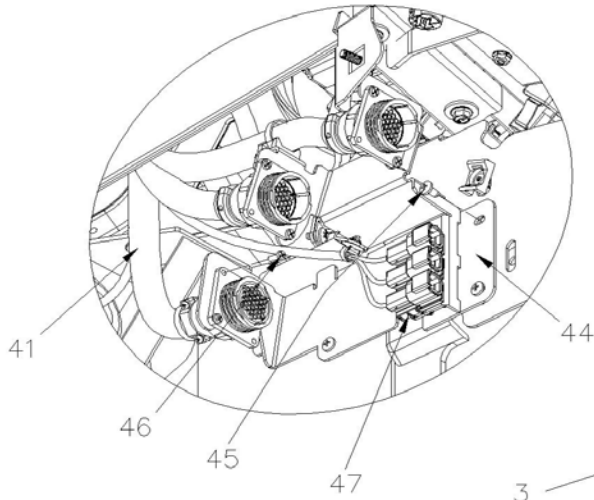
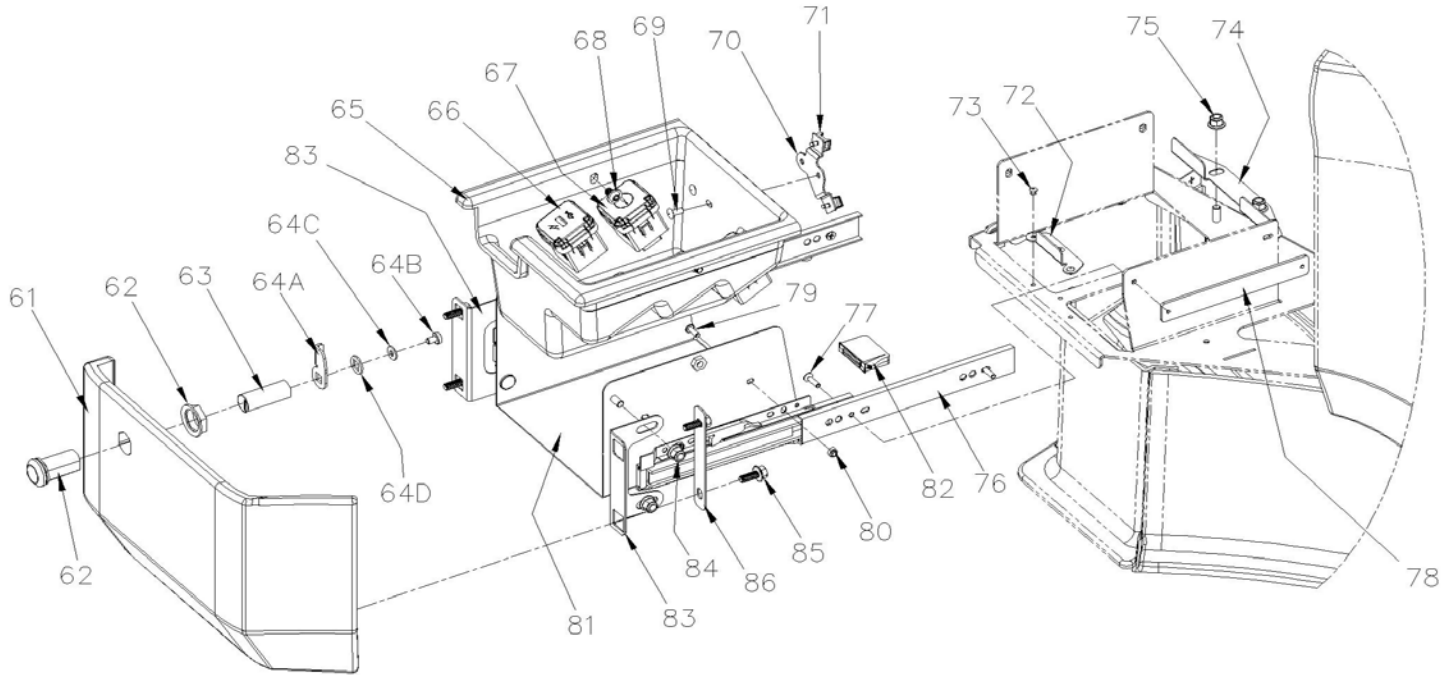
Date:07/2024

PAGE:H9-1806-01

CENTRAL DASHBOARD PANEL



CENTRAL DASHBOARD PANEL



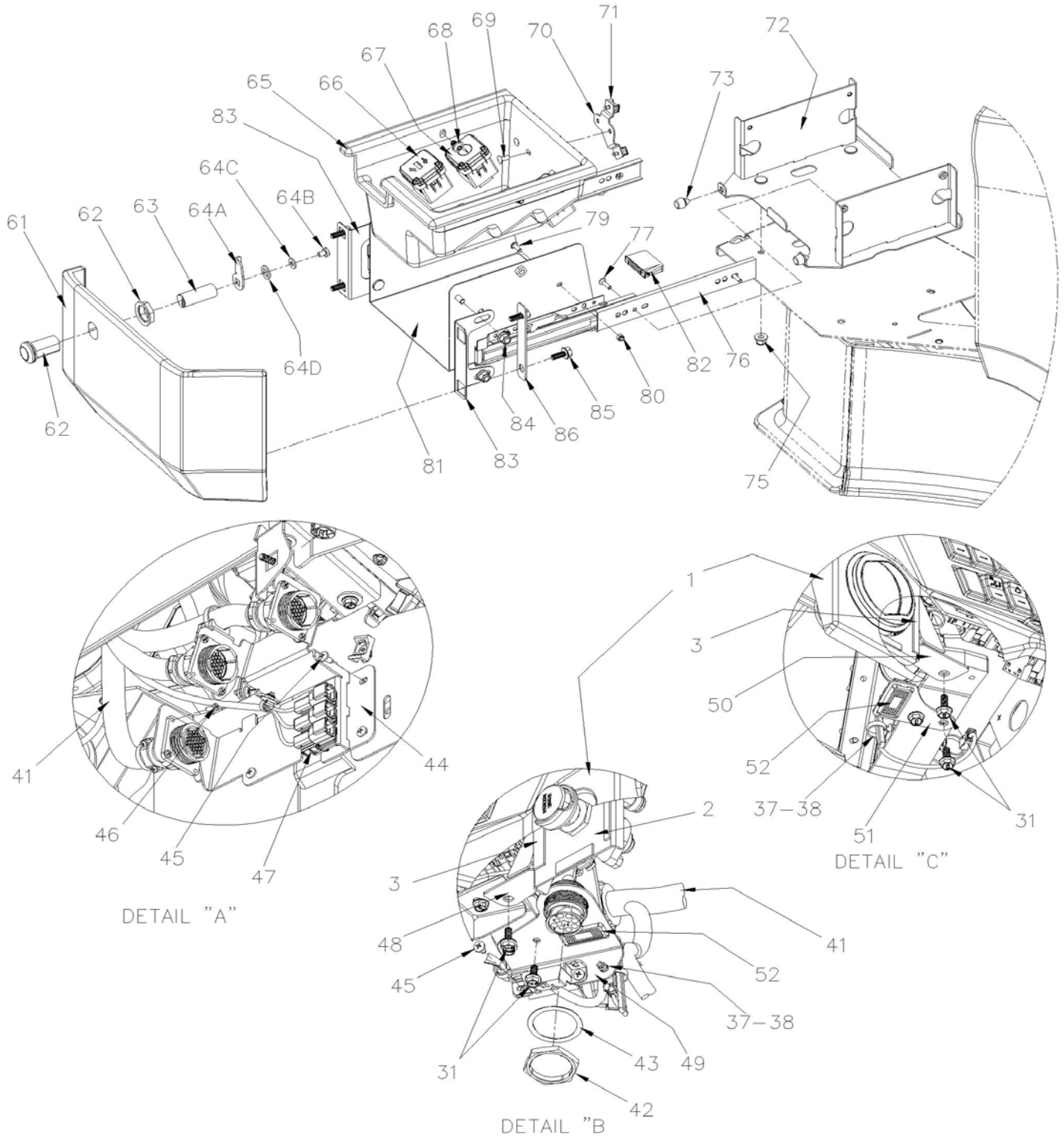
From R-1453

Date:07/2024

PAGE:H9-1806-01

CENTRAL DASHBOARD PANEL

FROM R-1608



From R-1453		Date:07/2024	PAGE:H9-1806-01
CENTRAL DASHBOARD PANEL			

Item#	Part	Description	H 3 4 1	H 3 4 5	N O T E S
1	392561	FASCIA, DASHBOARD ASSY		1	
2	392562	SUPPORT, DASHBOARD		1	
3	392674	KIT, ADHESIVE TAPE		1	
5	390459	CAP, CENTRAL CONSOLE		1	
6	22358135	. PLATE, MOUNTING		4	
7	22659911	. HOUSING, COUPLING		5	
8	5002131	. SCREW TP RND PH ST2.9x13SS		20	
9	392941	. PLATE, MOUNTING		1	
10	5002129	SCREW CAP BUTF HEXS M6-1.0x25 N050		7	
11	5001965	NUT SPR U M6-1.0 0.6-4.0 N500		5	
12	390469	PANEL BOTTOM, CENTRAL CONSOLE		1	
NS	22358135	. PLATE, MOUNTING		1	
NS	22659911	. HOUSING, COUPLING		1	
NS	5002131	. SCREW TP RND PH ST2.9x13SS		4	
13	392767	STOPPER, DRAWER LATCH		1	
14	500638	SCREW TP PAN PH #8x1/2 Z050		2	
15	390470	PANEL ACCESS, CENTRAL CONSOLE W/O HUD		1	
15	392916	PANEL ACCESS, CENTRAL CONSOLE W/HUD		1	
16	H9-0675-21	SYSTEM CAMERA & HUD - "PREVOST DRIVER ASSIT"			
17	504260	PLUG		1	
18	392748	CLIP, FASTENING		2	
19	5002027	SCREW CAP HEXF AD M6-1.0x16 G10.9 N500		4	
20	5002130	SCREW CAP BUTF HEXS M6-1.0x10 N050		2	
21	370249	SUPPORT WINDSHIELD VENTILATION DUCT		1	
22	370254	SUPPORT WINDSHIELD VENTILATION DUCT		1	
23	370251	SUPPORT WINDSHIELD VENTILATION DUCT		1	
24	392744	SUPPORT		1	
25	5001932	NUT HEXF NYRT M6-1.0 G8.8 N500		6	
26	22374334	PIN, COUPLING		4	
27	500142	WASHER FL 6.6x22.0x2.0 SS		8	
28	502681	NUT HEX NYRT M6-1.0 N500 G8		4	
29	392935	PIN, COUPLING		1	
30	502816	NUT HEX M5-0.8 N500		1	
31	5002027	SCREW CAP HEXF AD M6-1.0x16 G10.9 N500		13	
32	392660	PILLAR, DASHBOARD		2	
33	5001932	NUT HEXF NYRT M6-1.0 G8.8 N500		9	
34	504772	ATTACHMENT USE WITH CABLE TIE 5/16 BOLT		1	
35	504013	TIE MOUNT / 1/4" X 1/4" I.D.		10	
36	504379	RIVET POP DOME OE 3/16x1/4 SS		10	
37	509815	TIE MOUNT / ATTACHMENT W/TREE MOUNT	AR	AR	
38	504637	CABLE TIE / 3/16" x 13"		AR	
41	0600007	WIRING HARNESS DASHBOARD To R-1785		1	

From R-1453		Date:07/2024	PAGE:H9-1806-01
CENTRAL DASHBOARD PANEL			

Item#	Part	Description	H 3 4 1	H 3 4 5	N O T E S
. A	566040	. POWER BOX SMALL VEC 15305 To R-1785		1	
. B	563269	. RELAY 24V S.P.D.T. W/RESISTOR / To R-1785		2	
. C	564399	. MINI BREAKER / 20 AMPS / SERIES 233 To R-1785		4	
. D	564340	. MINI BREAKER / 15 AMPS / SERIES 233 To R-1785		1	
. E	564747	. MINI BREAKER / 10 AMPS / SERIES 223 To R-1785		2	
. F	564746	. MINI BREAKER / 5 AMPS / SERIES 223 To R-1785		3	
41	0600178	WIRING HARNESS DASHBOARD From R-1786		1	
. A	566040	. POWER BOX SMALL VEC 15305 From R-1786		1	
. B	563269	. RELAY 24V S.P.D.T. W/RESISTOR / From R-1786		2	
. C	564399	. MINI BREAKER / 20 AMPS / SERIES 233 From R-1786		4	
. D	564340	. MINI BREAKER / 15 AMPS / SERIES 233 From R-1786		1	
. E	564747	. MINI BREAKER / 10 AMPS / SERIES 223 From R-1786		2	
. F	564746	. MINI BREAKER / 5 AMPS / SERIES 223 From R-1786		3	
42	566004	. PANEL NUT / HDP20 SERIES / DEUTSCH 2411-002-1805		1	
43	566006	. LOCK WASHER / HDP20 SERIES / DEUTSCH 2414-002-1886		1	
44	0610166	CONNECTOR BRACKET		1	
45	500209	SCREW TC BDG PH #10-24x3/8 N500		5	
46	500601	SCREW TC PAN PH #6-32x3/8 N500		9	
47	504108	RIVET POP DOME OE 1/8x1/2 AL		1	
48	392634	SUPPORT FIXING LH, DASHBOARD		1	
49	392638	SUPPORT, CONNECTOR		1	
50	392633	SUPPORT FIXING RH, DASHBOARD		1	
51	392635	SUPPORT, LIGHT		1	
52	0600078	DRIVER'S FEET LED	2	2	
53	3201739	DEFLECTOR		1	
54	504582	RIVET POP DOME OE 3/16x1/4 SS BK		4	
55	3211284	FOOT REST MOLDING		1	
56	3211341	BEHIND PEDALS CONSOLE MOLDING		1	
57	3211285	CENTER CONSOLE MOLDING		1	
58	502664	SCREW TP PAN PH #8x1 SS EMN		8	
59	392970	PIN COUPLING		1	
61	392669	DRAWER FRONT		1	
62	780745	CYLINDER LOCK BODY		1	
63	780691	CYLINDER LOCK / NS 8888		1	
. NS	780660	. KEY / NS 8888		1	
63	780692	CYLINDER LOCK / NS 8701	1	1	
. NS	780661	. KEY / NS 8701	1	1	
63	780693	CYLINDER LOCK / NS 8702	1	1	
. NS	780662	. KEY / NS 8702	1	1	
63	780694	CYLINDER LOCK / NS 8703	1	1	
. NS	780663	. KEY / NS 8703	1	1	

From R-1453	Date:07/2024	PAGE:H9-1806-01
CENTRAL DASHBOARD PANEL		

Item#	Part	Description	H 3 4 1	H 3 4 5	NOTES
63	780695	CYLINDER LOCK / NS 8704	1	1	
. NS	780664	. KEY / NS 8704	1	1	
63	780696	CYLINDER LOCK / NS 8705	1	1	
. NS	780665	. KEY / NS 8705	1	1	
63	780697	CYLINDER LOCK / NS 8707	1	1	
. NS	780667	. KEY / NS 8707	1	1	
63	780698	CYLINDER LOCK / NS 8708	1	1	
. NS	780668	. KEY / NS 8708	1	1	
63	780699	CYLINDER LOCK / NS 8709	1	1	
. NS	780669	. KEY / NS 8709	1	1	
63	780700	CYLINDER LOCK / NS 8710	1	1	
. NS	780670	. KEY / NS 8710	1	1	
63	780701	CYLINDER LOCK / NS 8711	1	1	
. NS	780671	. KEY / NS 8711	1	1	
63	780702	CYLINDER LOCK / NS 8712	1	1	
. NS	780672	. KEY / NS 8712	1	1	
63	780703	CYLINDER LOCK / NS 8713	1	1	
. NS	780673	. KEY / NS 8713	1	1	
63	780704	CYLINDER LOCK / NS 8714	1	1	
. NS	780674	. KEY / NS 8714	1	1	
63	780705	CYLINDER LOCK / NS 8715	1	1	
. NS	780675	. KEY / NS 8715	1	1	
63	780706	CYLINDER LOCK / NS 8716	1	1	
. NS	780676	. KEY / NS 8716	1	1	
63	780707	CYLINDER LOCK / NS 8717	1	1	
. NS	780677	. KEY / NS 8717	1	1	
63	780708	CYLINDER LOCK / NS 8718	1	1	
. NS	780678	. KEY / NS 8718	1	1	
63	780709	CYLINDER LOCK / NS 8719	1	1	
. NS	780679	. KEY / NS 8719	1	1	
63	780710	CYLINDER LOCK / NS 8720	1	1	
. NS	780680	. KEY / NS 8720	1	1	
63	780666	CYLINDER LOCK / NS 8721		1	
. NS	780681	. KEY / NS 8721		1	
63	780726	CYLINDER LOCK / NS 8722	1	1	
. NS	780682	. KEY / NS 8722	1	1	
63	780727	CYLINDER LOCK / NS 8723	1	1	
. NS	780683	. KEY / NS 8723	1	1	
63	780728	CYLINDER LOCK / NS 8724	1	1	
. NS	780684	. KEY / NS 8724	1	1	
63	780729	CYLINDER LOCK / NS 8725	1	1	
. NS	780685	. KEY / NS 8725	1	1	

From R-1453		Date:07/2024	PAGE:H9-1806-01
CENTRAL DASHBOARD PANEL			

Item#	Part	Description	H 3 4 1	H 3 4 5	N O T E S
63	780730	CYLINDER LOCK / NS 8726	1	1	
. NS	780686	. KEY / NS 8726	1	1	
63	780731	CYLINDER LOCK / NS 8727	1	1	
. NS	780687	. KEY / NS 8727	1	1	
63	780732	CYLINDER LOCK / NS 8728	1	1	
. NS	780688	. KEY / NS 8728	1	1	
63	780733	CYLINDER LOCK / NS 8729	1	1	
. NS	780689	. KEY / NS 8729	1	1	
63	780734	CYLINDER LOCK / NS 8730	1	1	
. NS	780690	. KEY / NS 8730	1	1	
63	780735	CYLINDER LOCK / NS 8731	1	1	
. NS	780716	. KEY / NS 8731	1	1	
63	780736	CYLINDER LOCK / NS 8732	1	1	
. NS	780717	. KEY / NS 8732	1	1	
63	780737	CYLINDER LOCK / NS 8733	1	1	
. NS	780718	. KEY / NS 8733	1	1	
63	780738	CYLINDER LOCK / NS 8734	1	1	
. NS	780719	. KEY / NS 8734	1	1	
63	780739	CYLINDER LOCK / NS 8735	1	1	
. NS	780720	. KEY / NS 8735	1	1	
63	780740	CYLINDER LOCK / NS 8736	1	1	
. NS	780721	. KEY / NS 8736	1	1	
63	780741	CYLINDER LOCK / NS 8737	1	1	
. NS	780722	. KEY / NS 8737	1	1	
63	780742	CYLINDER LOCK / NS 8738	1	1	
. NS	780723	. KEY / NS 8738	1	1	
63	780743	CYLINDER LOCK / NS 8739	1	1	
. NS	780724	. KEY / NS 8739	1	1	
63	780744	CYLINDER LOCK / NS 8740	1	1	
. NS	780725	. KEY / NS 8740	1	1	
64A	392766	LATCH		1	
64B	5001377	SCREW MA PAN PH M5-0.8x8 SS		1	
64C	500964	WASHER FL .203x.500x.047 Z050		1	
64D	288806	SPACER / 8MM SQ X 17MM O.D X 16GA		1	
65	392668	DRAWER, INNER SKIN		1	
66	22805420	JACK USB AUX		2	
67	22529879	AUDIO JACK 3.5 MM	1	1	
68	5002130	SCREW CAP BUTF HEXS M6-1.0x10 N050		2	
69	504582	RIVET POP DOME OE 3/16x1/4 SS BK		2	
70	392804	SUPPORT, HARNESS		1	
71	504810	TIE MOUNT / #8		2	
72	392773	STOPPER, DRAWER To R-1607		1	

From R-1453	Date:07/2024	PAGE:H9-1806-01
CENTRAL DASHBOARD PANEL		

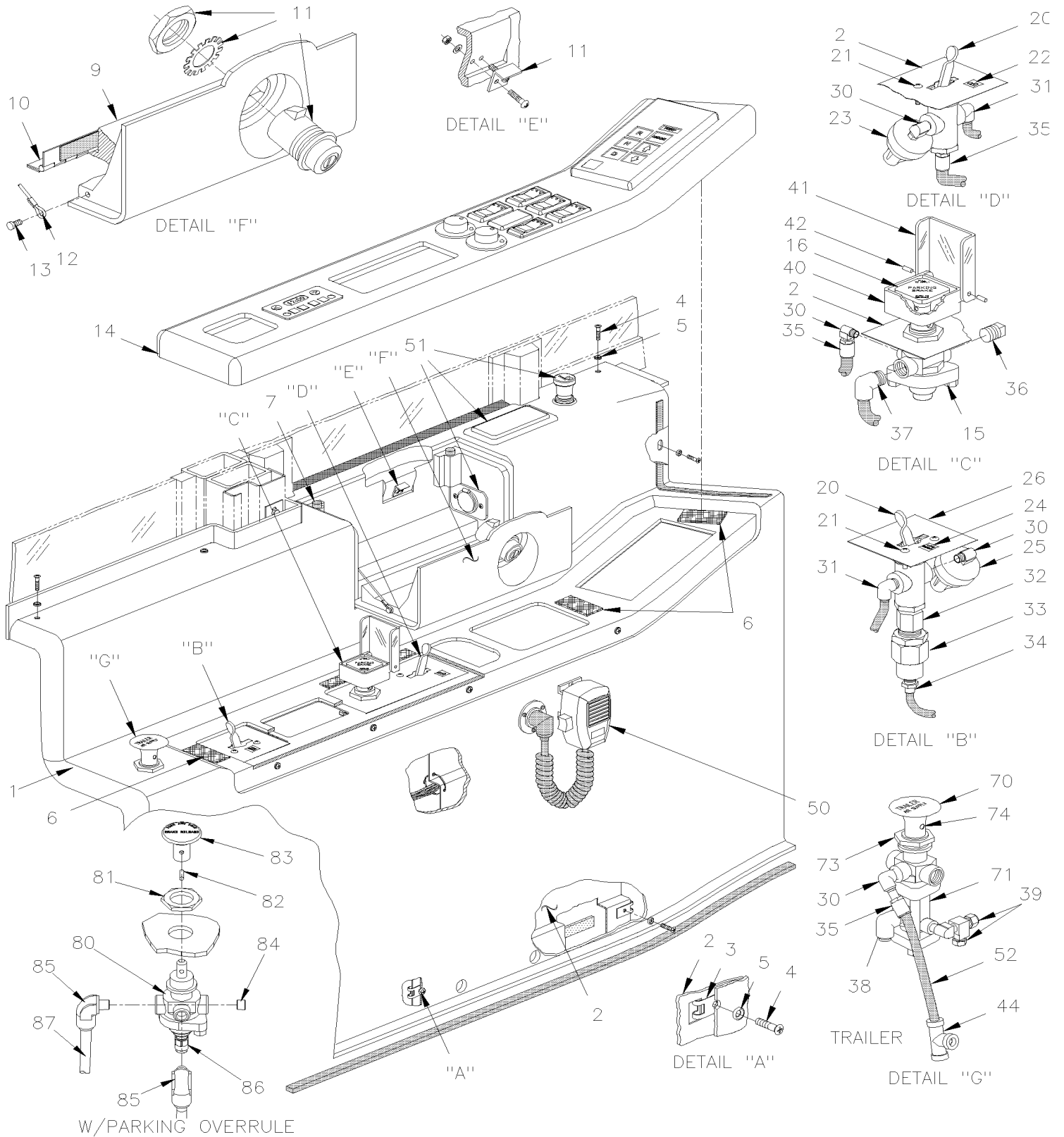
Item#	Part	Description	H 3 4 1	H 3 4 5	NOTES
72	392963	SUPPORT,DRAWER From R-1608		1	
73	504104	RIVET POP DOME OE 1/8x1/8 SS To R-1607		2	
73	506499	BUMPER PLUG / .500ODx.312THx.250HOLEx.093 From R-1608		2	
74	392753	SUPPORT, MAGNETIC LATCH To R-1607		1	
75	5001932	NUT HEXF NYRT M6-1.0 G8.8 N500 To R-1607		2	
75	5001932	NUT HEXF NYRT M6-1.0 G8.8 N500 From R-1608		4	
76	504677	RAIL ASSY 8" / (SET)		1	
77	5001414	SCREW MA FL PH M4-0.7x16 BK		4	
78	392711	MOUNTING PLATE / DRAWER To R-1607		2	
79	500344	SCREW MA RND PH M4-0.7x12 Z050		4	
80	502557	NUT HEX NYRT M4-0.7 SS		4	
81	392749	STRUCTURE, DRAWER		1	
82	504673	CATCH MAGNETIC		3	
83	392752	BRACKET, MOUNTING		1	
84	5001932	NUT HEXF NYRT M6-1.0 G8.8 N500		4	
85	5002027	SCREW CAP HEXF AD M6-1.0x16 G10.9 N500		4	
86	392960	PLATE, MOUNTING		2	
90	251441	FRONT STRUCTURAL SHEET To R-1607		1	
90	251830	FRONT STRUCTURAL SHEET From R-1608		1	
NS	353890	INSULATION KIT		1	
91	5002109	SCREW CAP HEXF SERR M8-1.25x30 SS NSS		AR	
92	251530	SLEEVE		8	
93	5001590	SCREW CAP HEX M16-2.0x40 G10.9 N500		6	
94	5002082	WASHER BEL SPR 16.3x31.0x2.0 N500		6	
95	5001474	NUT HEXF M16-2.0 DP		6	

From K-0185

Date:07/2024

PAGE:H9-1806-10

L.H. CONSOLE - BUS



From K-0185	Date:07/2024	PAGE:H9-1806-10
L.H. CONSOLE - BUS		

Item#	Part	Description	H 3 4 1	H 3 4 5	N O T E S
1	391938	CONSOLE / W/ASHTRAY / BLACK To P-1366	1	1	
1	392287	CONSOLE / W/ASHTRAY & FIRE SUPRESSOR / BLACK To P-1366	1	1	
1	392414	CONSOLE / W/ASHTRAY & FIRE SUPRESSOR / BLACK To P-1366	1	1	
1	392307	CONSOLE / W/ASHTRAY & TIRE MONITOR / BLACK To P-1366	1	1	
1	392136	CONSOLE / W/LIGHTER / BLACK To P-1366	1	1	
1	392295	CONSOLE / W/LIGHTER & FIRE SUPRESSOR / BLACK To P-1366	1	1	
1	392415	CONSOLE / W/LIGHTER & FIRE SUPRESSOR / BLACK To P-1366	1	1	
1	392308	CONSOLE / W/LIGHTER & TIRE MONITOR / BLACK To P-1366	1	1	
1	392075	CONSOLE / W/O ASHTRAY & W/O LIGHTER / BLACK	1	1	
1	392286	CONSOLE / W/O ASHTRAY & FIRE SUPRESSOR / BLACK	1	1	
1	392413	CONSOLE / W/O ASHTRAY & FIRE SUPRESSOR / BLACK	1	1	
1	392306	CONSOLE / W/O ASHTRAY & TIRE MONITOR / BLACK	1	1	
1	392341	CONSOLE / W/O ASHTRAY & GPS / BLACK	1	1	
1	392342	CONSOLE / W/O ASHTRAY & GPS & FIRE SUPRESSOR / BLACK	1	1	
1	392416	CONSOLE / W/O ASHTRAY & GPS & FIRE SUPRESSOR / BLACK	1	1	
1	392344	CONSOLE / W/O ASHTRAY & GPS & TIRE MONITOR / BLACK	1	1	
2	391950	STRUCTURE ASSY	1	1	
3	5001405	NUT SPR U M4-0.7 0.8-4.0x9.5	10	10	
4	5001414	SCREW MA FL PH M4-0.7x16 BK	10	10	
4	5001711	SCREW MA FL PH M4-0.7x20 SS	AR	AR	
4	5001220	SCREW MA FL PH M4-0.7x25 ZP	AR	AR	
4	5001712	SCREW MA FL PH M4-0.7x30 SS	AR	AR	
5	500345	WASHER FN CKF .187x.500x.090 BR BK	10	10	
5	500463	WASHER FN CKF .187x.500x.090 BR Z050	AR	AR	
6	506493	TAPE DUAL LOCK 1/2" x 150' / BLACK SJ3541	AR	AR	
7	504674	BUMPER RUBBER / 1/4X13/32X13/32X1/8	2	2	
9	391939	COVER ASSY / BLACK	1	1	
10	392525	HINGE	1	1	
11	504672	LATCH ASSY W/2 KEYS	1	1	
. NS	810084	. KEY / (CH751)	1	1	
NS	810084	. KEY / (CH751)	1	1	
12	504676	STRAP RETAINER	1	1	
13	504619	CLIP CHRISTMAS TREE / BLACK 7/32"O.D.x1/2" HOLE 3/16	2	2	
14	391948	PANEL / W/AUTOMATIC TRANSMISSION "WORLD"	1	1	
14	392467	PANEL / W/AUTOMATIC TRANSMISSION "WORLD"	1	1	T
14	392462	PANEL / W/MANUAL TRANSMISSION WO/PREAHEAT TIMER "I"-SHIFT	1	1	
14	392454	PANEL / W/MANUAL TRANSMISSION W/PREAHEAT TIMER "I"-SHIFT	1	1	T
15	642169	VALVE, CONTROL VALVE PP-1 / 60PSI	1	1	
. NS	641154	. REPAIR KIT / PP-1 & RD-3	1	1	
. NS	641149	. BUTTON, PARKING BRAKE DIAMOND YELLOW / 1"	1	1	
16	641149	. BUTTON, PARKING BRAKE DIAMOND YELLOW / 1"	1	1	
20	640136	VALVE, CONTROL TW-1	1	1	

From K-0185		Date:07/2024	PAGE:H9-1806-10
L.H. CONSOLE - BUS			

Item#	Part	Description	H 3 4 1	H 3 4 5	N O T E S
. NS	641156	. REPAIR KIT / TW-1	1	1	
21	500572	SCREW MA TR PH #10-24x1/2 SS BK	2	2	
22	391952	DECAL "TAG"	1	1	
23	562518	PRESSURE SWITCH N.O. 4PSI / 1/8NPT W/2 SCREWS / TAG	1	1	
NS	063892	WIRE ASSY / W/LOW BUOY	1	1	
24	391951	DECAL "LOW BUOY"	1	1	
25	560816	PRESSURE SWITCH N.C. 3PSI / 1/8NPT W/2 SCREWS	1	1	
26	391967	DUMMY / W/O LOW BUOY	1	1	
29	641242	MALE CONNECTOR / PUSH-IN FITTING / #4x1/8NPT-M BR	1	1	
30	501331	STREET ELBOW 90° / PIPE FITTING / 1/8NPT-Mx1/8NPT-F BR	3	3	
31	641369	MALE ELBOW 90° NON-SWIVEL / PUSH-IN FITTING / #4x1/8NPT-M BR	3	3	
32	501310	ADAPTER / PIPE FITTING / 1/4NPT-Fx1/8NPT-M BR	1	1	
33	640135	VALVE, CHECK 1/4 NPT	1	1	
34	641332	MALE CONNECTOR / PUSH-IN FITTING / #4x1/4NPT-M BR	1	1	
35	641349	MALE CONNECTOR / PUSH-IN FITTING / #6x1/8NPT-M BR	1	1	
36	501800	PLUG HEXS / PIPE FITTING / 1/4NPT-M STL	1	1	
37	641371	MALE ELBOW 90° NON-SWIVEL / PUSH-IN FITTING / #4x1/4NPT-M BR	1	1	
38	641372	MALE ELBOW 90° NON-SWIVEL / PUSH-IN FITTING / #6x1/4NPT-M BR	1	1	
39	641002	MALE RUN TEE / NTA FITTING / #4x#4x1/8NPT-M BR	1	1	
40	391725	BOX	1	1	
44	641922	UNION TEE / PUSH-IN FITTING / #6x#6x#6 BR	1	1	
50	H9-2315-01	SOUND SYSTEM & ACCESSORIES W/HHED			
51	H9-0645-00	SWITCHES L.H. CONSOLE - BUS			
52	H9-1202-00	TUBES PLASTIC / AIR D.O.T.			
NS	Call order desk	PLATE / V.I.N.	1	1	P
NS	406993	DECAL, O1 SU CONFORMITY E From K-0605 To K-0606	1	1	B
NS	406993	DECAL, O1 SU CONFORMITY E From L-0783 To L-0783	1	1	B
NS	406993	DECAL, O1 SU CONFORMITY E From L-0785 To L-0788	1	1	B
70	641935	BUTTON RED / FOR TRAILER VALVE PP-7	1	1	
71	641397	TRAILER SUPPLY VALVE PP-7	1	1	
NS	452043	PRESSURE SWITCH N.O. 60-35 20SP001AA060E035E	1	1	
73	640297	NUT	1	1	
74	640286	PIN ROLLER	1	1	
80	640472	VALVE, CONTROL / RD-3	1	1	A
. NS	641154	. REPAIR KIT / PP-1 & RD-3	1	1	A
81	640297	. NUT	1	1	A
82	640286	. PIN ROLLER	1	1	A
83	641155	. BUTTON, OVERRULE ROUND BLACK	1	1	A
84	501072	PLUG HEXS / PIPE FITTING / 1/8NPT-M STL	1	1	A
85	641370	MALE ELBOW 90° NON-SWIVEL / PUSH-IN FITTING / #6x1/8NPT-M BR	2	2	A
86	641242	MALE CONNECTOR / PUSH-IN FITTING / #4x1/8NPT-M BR	1	1	A

From K-0185	Date:07/2024	PAGE:H9-1806-10
L.H. CONSOLE - BUS		

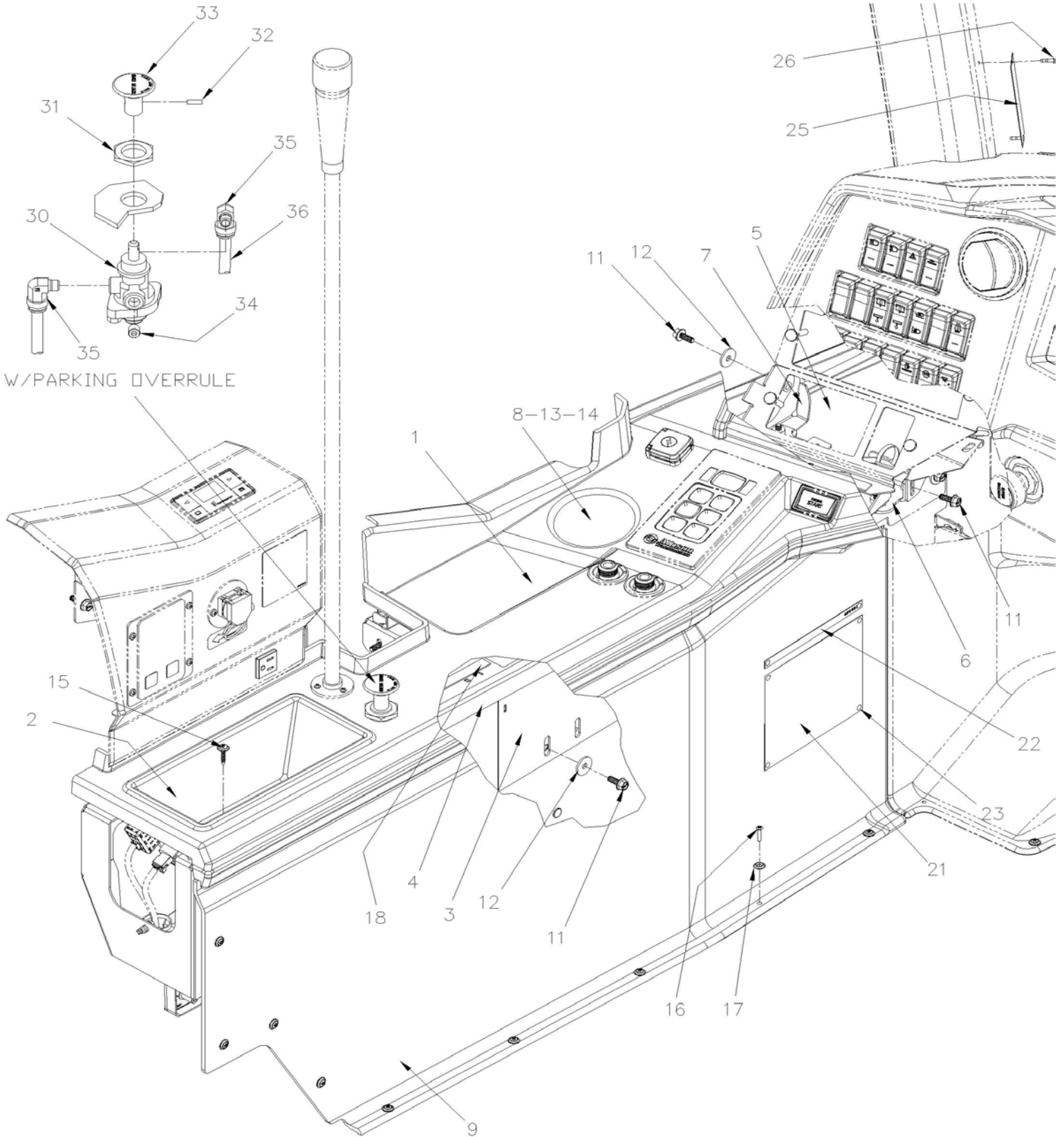
Item#	Part	Description	H 3 4 1	H 3 4 5	N O T E S
87	503639	TUBE, NYLON 3/8 O.D. / BROWN S.L.	AR	AR	A
		A) WITH PARKING BRAKE OVERRULE			
		B) FOR ARROW STAGE LINES ONLY SPECIAL REQUEST			
		T) USE WITH WEBASTO TIMER			
		P) CALL ORDER DESK FOR SPECIFIC APPLICATION (V.I.N.)			

From R-1453

Date:07/2024

PAGE:H9-1806-11

L.H. CONSOLE - BUS



From R-1453		Date:07/2024	PAGE:H9-1806-11
L.H. CONSOLE - BUS			

Item#	Part	Description	H 3 4 1	H 3 4 5	N O T E S
1	392857	LEFT COACH CONSOLE WORLD		1	
1	392858	LEFT COACH CONSOLE I-SHIFT		1	
1	393004	LEFT CONSOLE W / PARKING, BRAKE OVERRULE		1	A
2	392817	LEFT STORAGE CONSOLE		1	
3	380223	STRUCTURE,FRONT JUNCTION BOX		1	
4	392776	BRACKET, LEFT CONSOLE		1	
5	392777	BRACKET, LEFT CONSOLE		1	
6	380026	SUPPORT, CONSOLE FRONT JUNCTION BOX		1	
7	380435	SUPPORT, CONSOLE FRONT JUNCTION BOX		1	
8	392945	BRACKET, CUP HOLDER		1	
9	3211287	LEFT HANDSIDE PANEL, CONSOLE		1	
11	5002027	SCREW CAP HEXF AD M6-1.0x16 G10.9 N500		17	
12	500142	WASHER FL 6.6x22.0x2.0 SS		17	
13	5001743	SCREW CAP HEX M6-1.0x12 G8.8 N500		2	
14	5001833	WASHER BEL SPR 6.1x18x1.27 SS		2	
15	5002083	SCREW DR SEMS FN OV PH #8X1 N050		2	
16	5002083	SCREW DR SEMS FN OV PH #8X1 N050		4	
17	5002071	NUT SPR U #8 .110-.187 BK		4	
18	685393	TAPE AD2 VHB N/A BK 0.063 X 1/2" X36YD		AR	
19	502664	SCREW TP PAN PH #8x1 SS EMN		5	
21	Call order desk	PLATE, CONFORMITY H341 & H345 To P-1444		1	P STD
21	Call order desk	PLATE CONFORMITY USA From P-1445		1	P STD
21	Call order desk	PLATE CONFORMITY USA From P-1445		1	P
21	Call order desk	PLATE CONFORMITY CANADA From P-1445		1	P STD
21	Call order desk	PLATE / V.I.N. To P-1444		1	P SS
21	Call order desk	PLATE CONFORMITY USA From P-1445		1	P SS
21	Call order desk	PLATE CONFORMITY CANADA From P-1445		1	P SS
21	Call order desk	PLATE / V.I.N. To P-1444		1	P SP
21	Call order desk	PLATE CONFORMITY USA From P-1445		1	P SP
21	Call order desk	PLATE CONFORMITY CANADA From P-1445		1	P SP
21	Call order desk	PLATE CONFORMITY CANADA From P-1445		1	P
22	400457	CONFORMITY PLATE ICES-2		1	
23	504107	RIVET POP DOME OE 1/8x5/16 AL		6	
25	400640	PLATE / V.I.N.		1	
26	504107	RIVET POP DOME OE 1/8x5/16 AL		2	
26	500437	WASHER FL .125x.375x.040 Z050		2	
30	640472	VALVE, CONTROL / RD-3		1	A
. NS	641154	. REPAIR KIT / PP-1 & RD-3		1	A

From R-1453	Date:07/2024	PAGE:H9-1806-11
L.H. CONSOLE - BUS		

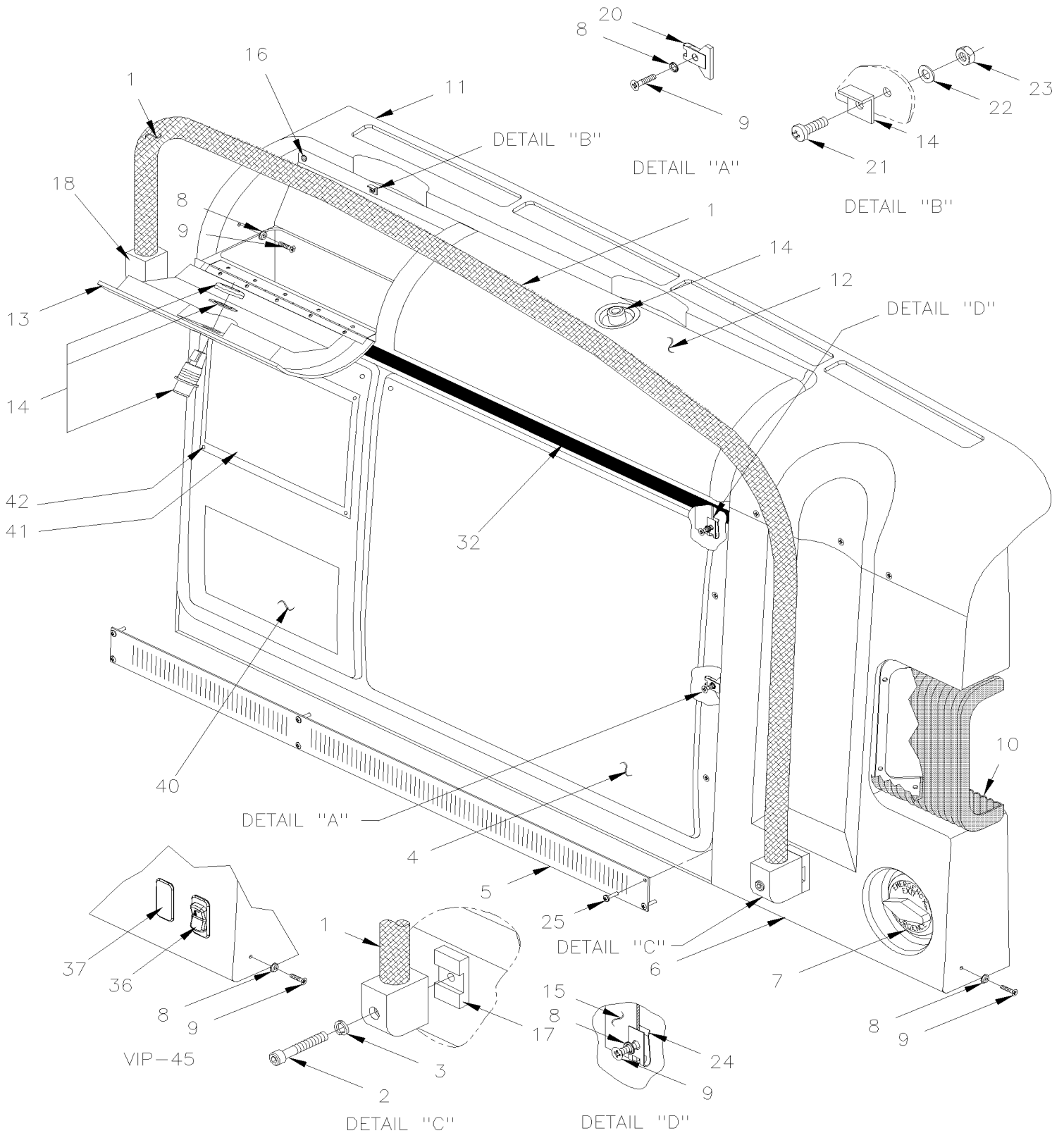
Item#	Part	Description	H 3 4 1	H 3 4 5	N O T E S
31	640297	. NUT		1	A
32	640286	. PIN ROLLER		1	A
33	641155	. BUTTON, OVERRULE ROUND BLACK		1	A
34	501072	PLUG HEXS / PIPE FITTING / 1/8NPT-M STL		1	A
35	641370	MALE ELBOW 90° NON-SWIVEL / PUSH-IN FITTING / #6x1/8NPT-M BR		2	A
36	503639	TUBE, NYLON 3/8 O.D. / BROWN S.L.		AR	A
41	860875	TRASH BAG, SUPPORT / BLACK FIXED TO WALL		1	B
42	502666	SCREW MA FL PH #6-32x3/4 SS BK		2	B
43	500286	NUT WELL #6-32		2	B
50	H9-0645-01	SWITCHES L.H. CONSOLE - BUS			
		A) WITH PARKING BRAKE OVERRULE			
		B) WITH TRASH SUPPORT OPTION			
		SP) SPECIAL			
		SS) WITH SUPER SINGLE TIRES			
		STD) STANDARD			
		P) CALL ORDER DESK FOR SPECIFIC APPLICATION (V.I.N.)			

From K-0185 To P-1452

Date:07/2024

PAGE:H9-1806-20

DASHBOARD PANEL

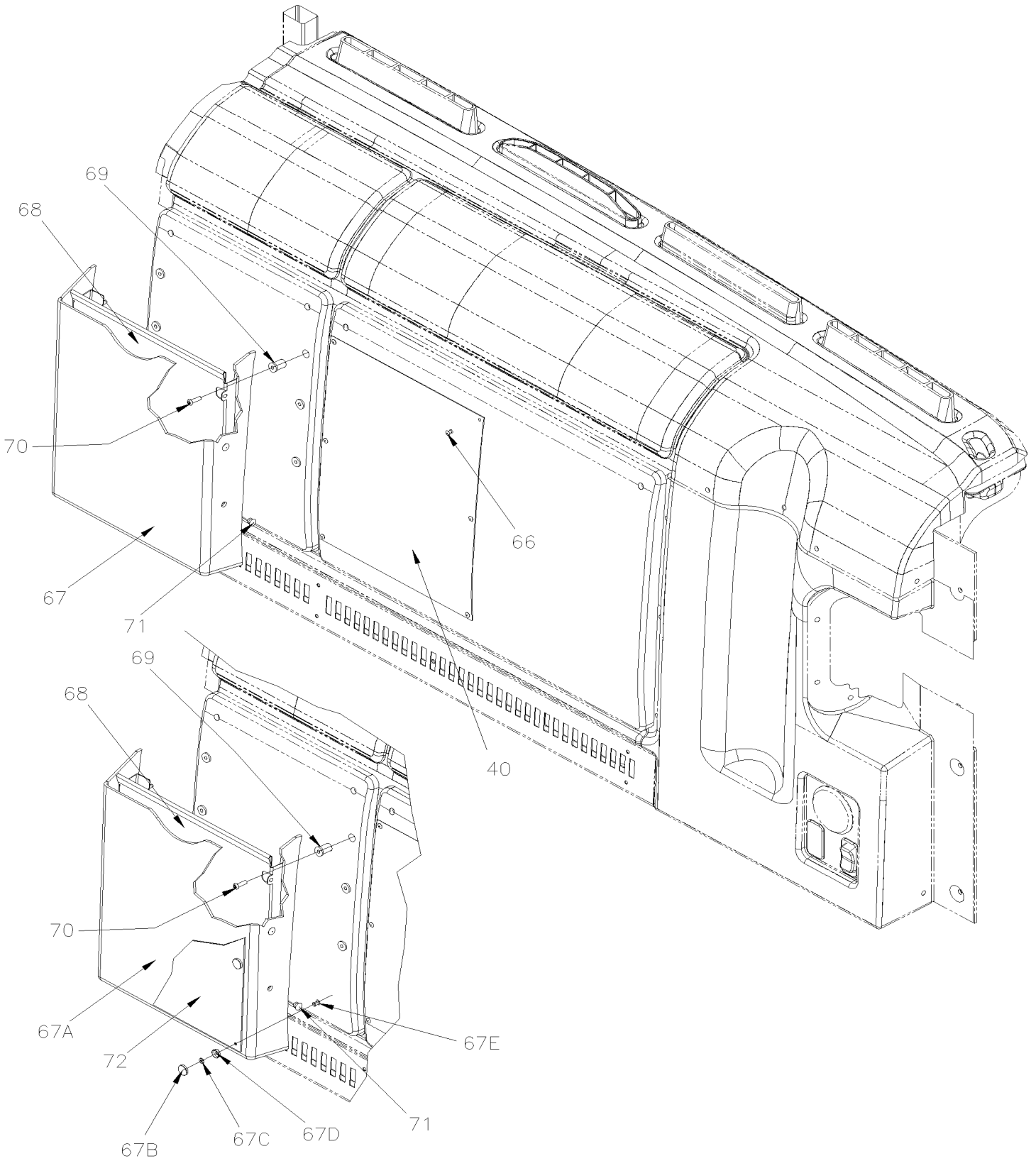


From K-0185 To P-1452

Date:07/2024

PAGE:H9-1806-20

DASHBOARD PANEL

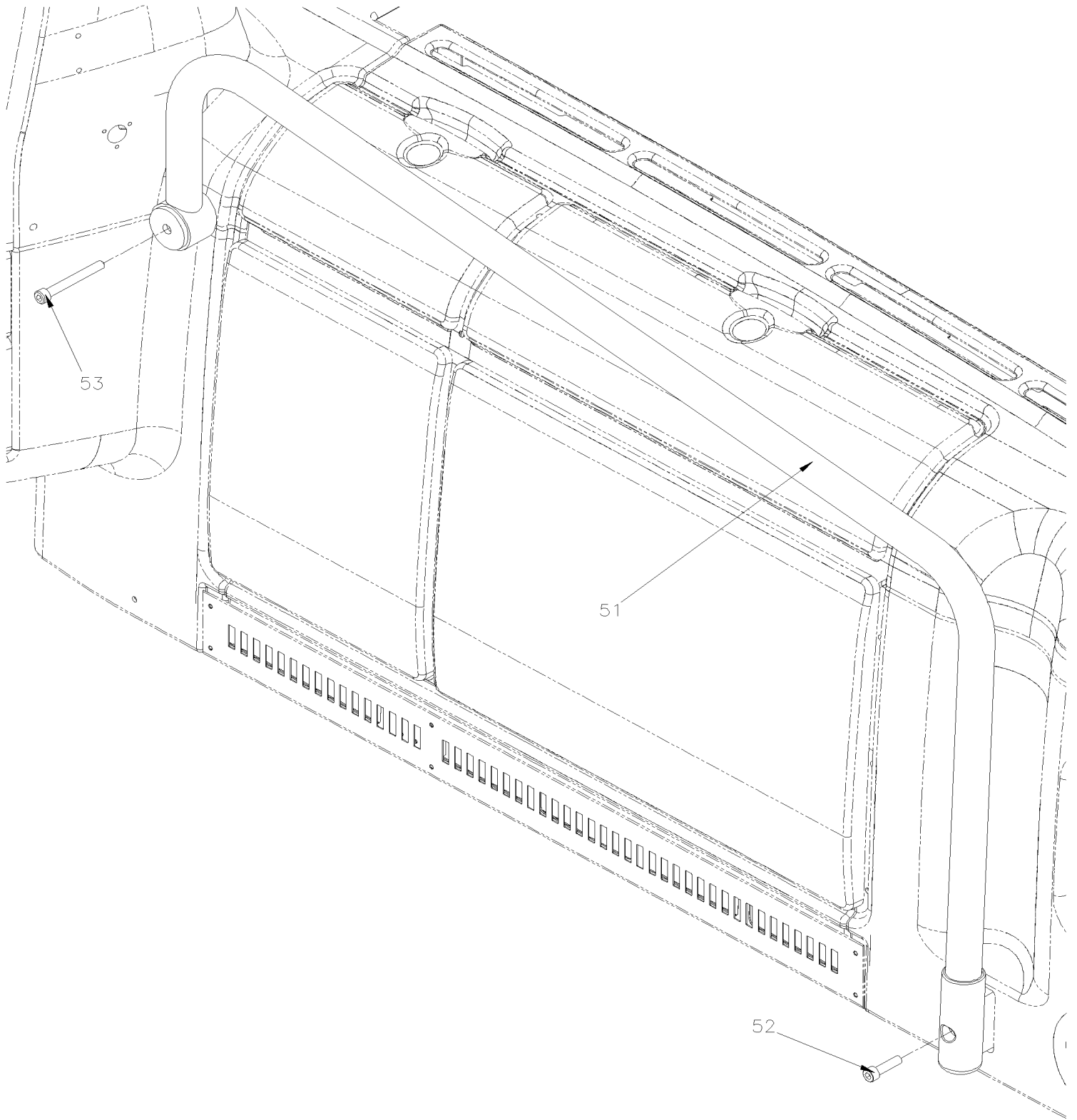


From K-0185 To P-1452

Date:07/2024

PAGE:H9-1806-20

DASHBOARD PANEL



From K-0185 To P-1452	Date:07/2024	PAGE:H9-1806-20
DASHBOARD PANEL		

Item#	Part	Description	H 3 4 1	H 3 4 5	N O T E S
1	392266	HAND RAIL / BLACK	1	1	C
1	3202061	KIT SERVICE METAL BLACK RAMP DASHBOARD	1	1	
1	3202026	KIT SERVICE METAL GREY RAMP DASHBOARD H	1	1	
1	392494	HAND RAIL / YELLOW	1	1	D
1	3202030	KIT SERVICE METAL YELLOW RAMP DASHBOARD	1	1	
1	390001	HAND RAIL / WITH WHITE STRIP	1	1	
2	5001598	SCREW CAP HEXS M8-1.25x30 SS	1	1	
2	5001380	SCREW CAP HEXS M8-1.25x100 SS	1	1	
3	500475	WASHER LO INT .320x.610x.034 Z050	2	2	
4	392128	PANEL / SERVICING / BLACK	1	1	
4	392351	PANEL / SERVICING / TAN	1	1	
NS	062243	DECAL, PNEUMATIC SCHEMA	1	1	
5	391959	GRILLE / LOWER SS / BLACK	1	1	
5	392349	GRILLE / LOWER SS / TAN	1	1	
6	392008	COVER / ENTRANCE DOOR MECHANISM / BLACK	1	1	
6	392350	COVER / ENTRANCE DOOR MECHANISM / TAN	1	1	
7	H9-1802-00	ENTRANCE DOOR CONTROL			
8	500345	WASHER FN CKF .187x.500x.090 BR BK	AR	AR	
8	500463	WASHER FN CKF .187x.500x.090 BR Z050	AR	AR	
9	5001429	SCREW MA FL PH M4-0.7x25 BK	AR	AR	
9	5001413	SCREW MA FL PH M4-0.7x20 Z050	AR	AR	
9	5001711	SCREW MA FL PH M4-0.7x20 SS	AR	AR	
9	5001220	SCREW MA FL PH M4-0.7x25 ZP	AR	AR	
9	5001712	SCREW MA FL PH M4-0.7x30 SS	AR	AR	
10	H9-1862-60	ENTRANCE DOOR FRAME - INSTALLATION			
11	391995	PANEL R.H. / TOP W/2 BASKETS / BLACK	1	1	
12	391954	COVER R.H. / BLACK	1	1	
13	391955	COVER L.H. / BLACK	1	1	
13	504676	STRAP RETAINER	1	1	
14	504672	LATCH ASSY W/2 KEYS	AR	AR	
NS	810084	. KEY / (CH751)	1	1	
NS	890008	LATCH ASSY KEYLESS	AR	AR	
15	391956	STRUCTURE / R.H.	1	1	
16	504674	BUMPER RUBBER / 1/4X13/32X13/32X1/8	4	4	
17	392489	RAMP BLOCK SUPPORT WELD TO DASH STRUCTURE	1	1	
18	392116	RAMP SUPPORT WELD TO DASH STRUCTURE	1	1	
20	5001406	NUT SPR U M4-0.7 0.8-4.0x13.5	4	4	
21	5001398	SCREW MA CHE PH M3-0.5x10 SS	1	1	
22		WASHER	4	4	
23	5001408	NUT HEX STO M3-0.5 ZP	4	4	
24	5001405	NUT SPR U M4-0.7 0.8-4.0x9.5	14	14	
25	5001410	SCREW MA CHE PH M4-0.7x16 SS	6	6	

From K-0185 To P-1452	Date:07/2024	PAGE:H9-1806-20
DASHBOARD PANEL		

Item#	Part	Description	H 3 4 1	H 3 4 5	N O T E S
32	392383	MOULDING DECORATIVE / ALL. BRUSHING	1	1	
36	562697	SWITCH / ON-ON / D.P.D.T. / CH-OVER / W/RED & GREEN LED	1	1	
36	562716	CAP / DRIVER'S LAMP	1	1	
37	562773	SWITCH / "DUMMY" / PLUG	1	1	
40	406150	DECAL "FOR PASSENGER SAFETY....WHITE" / ASSY / ENGLISH & SPANISH	1	1	
. NS	405647	. DECAL "FOR PASSENGER SAFETY....WHITE" / ASSY / ENGLISH & SPANISH	1	1	
. NS	406148	. PLATE SUPPORT DECAL 242MM x 290MM	1	1	
40	400099	DECAL "FOR PASSENGER SAFETY....YELLOW" / ASSY / ENGLISH & SPANISH	1	1	
. NS	400098	. DECAL "FOR PASSENGER SAFETY....YELLOW" // ENGLISH & SPANISH	1	1	
. NS	406148	. PLATE SUPPORT DECAL 242MM x 290MM	1	1	
40	400119	DECAL "FOR PASSENGER SAFETY....YELLOW" / ASSY / ENGLISH & SPANISH	1	1	
. NS	400125	. DECAL "FOR PASSENGER SAFETY....YELLOW" // ENGLISH & SPANISH	1	1	
. NS	400132	. PLATE SUPPORT DECAL 242MM x 290MM	1	1	
40	409376	DECAL "FOR PASSENGER SAFETY....YELLOW" / ASSY / ENGLISH & FRANCAIS	1	1	
. NS	409377	. DECAL "FOR PASSENGER SAFETY....YELLOW" / ASSY / ENGLISH & SPANISH	1	1	
. NS	406148	. PLATE SUPPORT DECAL 242MM x 290MM	1	1	
40	407647	DECAL "FOR PASSENGER SAFETY....YELLOW" / ASSY / ENGLISH & FRANCAIS	1	1	
. NS	400132	. PLATE SUPPORT DECAL 242MM x 290MM	1	1	
. NS	407646	. DECAL "THIS VEHICLE IS NOT DESIGNED TO ACCOMMODATE STANDING PASSENGERS"	1	1	
40	400024	DECAL "FOR PASSENGER SAFETY....YELLOW" / ASSY / ENGLISH & SPANISH & FRANCAIS	1	1	
. NS	400016	. DECAL "FOR PASSENGER SAFETY....YELLOW" // ENGLISH & SPANISH & FRANCAIS	1	1	
. NS	400132	. PLATE SUPPORT DECAL 242MM x 290MM	1	1	
41	404625	DECAL "POUR LA SECURITE... BLANCHE" / ASM FRANÇAIS	1	1	
. NS	404623	. DECAL "POUR LA SECURITE... BLANCHE" FRANÇAIS	1	1	
. NS	404624	. PLATE SUPPORT DECAL 232MM x 119MM	1	1	
41	404626	DECAL "FOR PASSENGER SAFETY....WHITE" / ASSY / ENGLISH	1	1	
. NS	404622	. DECAL "FOR PASSENGER SAFETY....WHITE" / ENGLISH	1	1	
. NS	404624	. PLATE SUPPORT DECAL 232MM x 119MM	1	1	
41	407724	DECAL "THIS VEHICLE IS NOT" / ASSY / ENGLISH	1	1	
. NS	407722	. DECAL "THIS VEHICLE IS NOT....WHITE" / ENGLISH	1	1	
. NS	407726	. PLATE SUPPORT DECAL 247MM X 122MM	1	1	
41	407725	DECAL "CE VEHICULEN'EST PAS...." / ASSY / FRANÇAIS	1	1	
. NS	407723	. DECAL "CE VEHICULEN'EST PAS....BLANCHE"/ FRANCAIS	1	1	
. NS	407726	. PLATE SUPPORT DECAL 247MM X 122MM	1	1	
41	407748	DECAL "THIS VEHICLE IS NOT" / ASSY / ENGLISH & FRANCAIS	1	1	
. NS	407745	. DECAL "THIS VEHICLE IS NOT" // ENGLISH & FRANCAIS	1	1	
. NS	400132	. PLATE SUPPORT DECAL 242MM x 290MM	1	1	
41	407749	DECAL "THIS VEHICLE IS NOT" / ASSY / ENGLISH & SPANISH	1	1	
. NS	400132	. PLATE SUPPORT DECAL 242MM x 290MM	1	1	
. NS	407746	. DECAL "THIS VEHICLE IS NOT" / ASSY / ENGLISH & SPANISH	1	1	
41	407750	DECAL "THIS VEHICLE IS NOT" / ASSY / ENGLISH & SPANISH & FRANCAIS	1	1	
. NS	400132	. PLATE SUPPORT DECAL 242MM x 290MM	1	1	

From K-0185 To P-1452	Date:07/2024	PAGE:H9-1806-20
DASHBOARD PANEL		

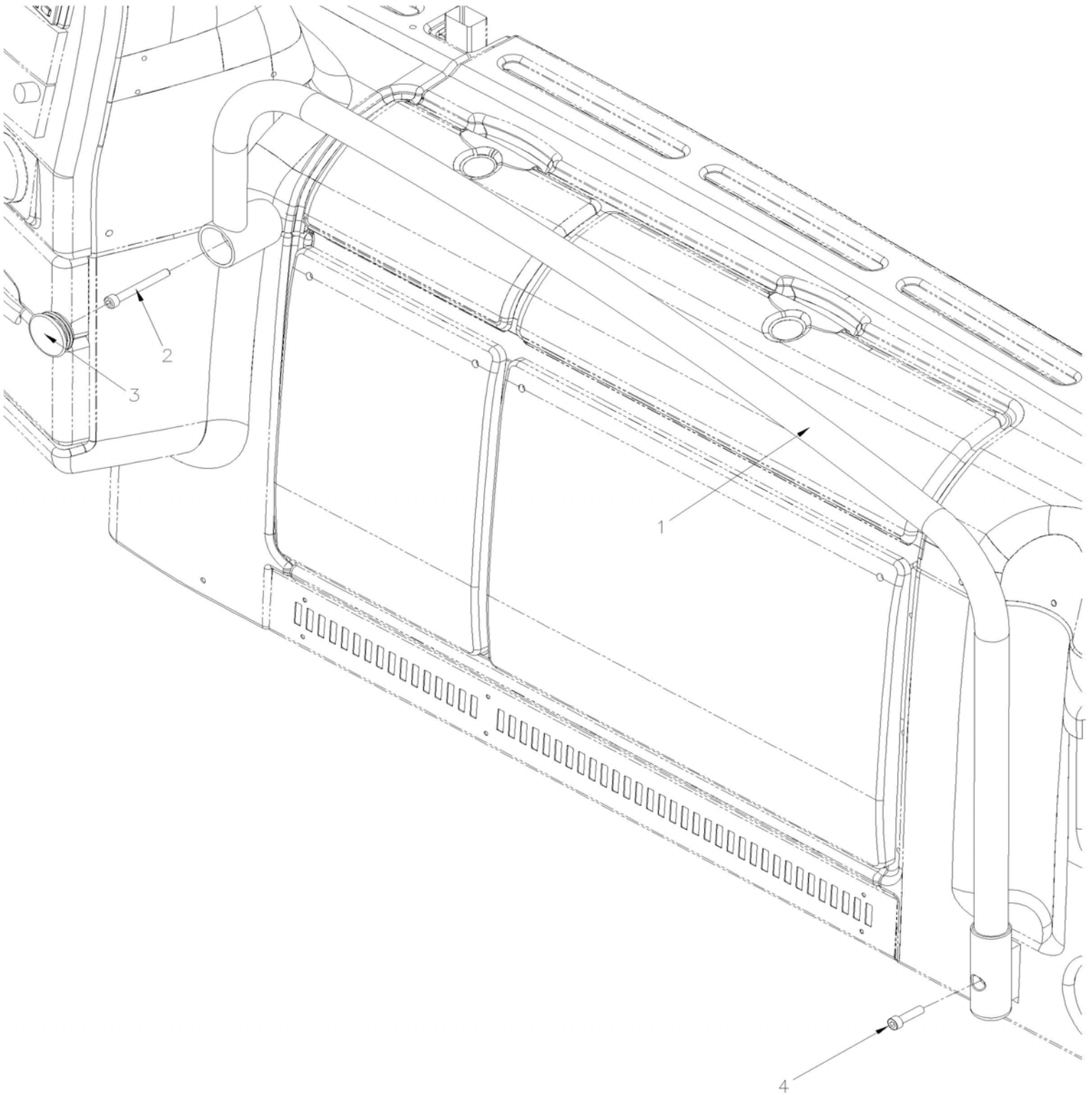
Item#	Part	Description	H 3 4 1	H 3 4 5	N O T E S
. NS	407747	. DECAL "THIS VEHICLE IS NOT" / ASSY / ENGLISH & SPANISH & FRANCAIS	1	1	
42	504107	RIVET POP DOME OE 1/8x5/16 AL	4	4	
51	3210664	HAND RAIL / METAL BLACK	1	1	B
52	5001698	SCREW CAP HEXS M6-1.0x60 SS XYLAN	1	1	B
53	5001604	SCREW CAP HEXS M8-1.25x70 G8.8 G500	1	1	B
66	504107	RIVET POP DOME OE 1/8x5/16 AL	6	6	
67	409383	WALL POCKET DOCUMENT INSTALLATION KIT	1	1	
. NS	IS-11900	. SEE INSTRUCTION SHEET	1	1	
67A	409379	WALL POCKET DOCUMENT	1	1	
67B	504403	SNAP CAP #8 FINISHING BLACK	6	6	
67C	502578	WASHER FL 3.2x7.0x0.5 Z050	6	6	
67D	504412	WASHER RETAINER SNAP CAP #8	6	6	
67E	504107	RIVET POP DOME OE 1/8x5/16 AL	6	6	
68	406528	SUPPORT DOCUMENT	1	1	
69	500589	NUT WELL M4-0.7x13.5	6	6	
70	502698	SCREW MA PAN PH M4-0.7x16 SS BK	6	6	
71	504582	RIVET POP DOME OE 3/16x1/4 SS BK	6	6	
72	400119	DECAL "FOR PASSENGER SAFETY....YELLOW" / ASSY / ENGLISH & SPANISH	1	1	
. NS	400125	. DECAL "FOR PASSENGER SAFETY....YELLOW" // ENGLISH & SPANISH	1	1	
. NS	400132	. PLATE SUPPORT DECAL 242MM x 290MM	1	1	
72	407647	DECAL "FOR PASSENGER SAFETY....YELLOW" / ASSY / ENGLISH & FRANCAIS	1	1	
. NS	400132	. PLATE SUPPORT DECAL 242MM x 290MM	1	1	
. NS	407646	. DECAL "THIS VEHICILE IS NOT DESIGNED TO ACCOMMODATE STANDING PASSENGERS"	1	1	
		B) WITH OPTION WITH BLACK METAL HANDRAIL			
		C) FOR SOLUTION IN SERVICE, SEE SERVICE KIT 3202061 OR 3202026			
		D) FOR SOLUTION IN SERVICE, SEE SERVICE KIT 3202030			

From K-0185 To P-1452

Date:07/2024

PAGE:3202061

KIT SERVICE METAL BLACK RAMP DASHBOARD



From K-0185 To P-1452	Date:07/2024	PAGE:3202061
KIT SERVICE METAL BLACK RAMP DASHBOARD		

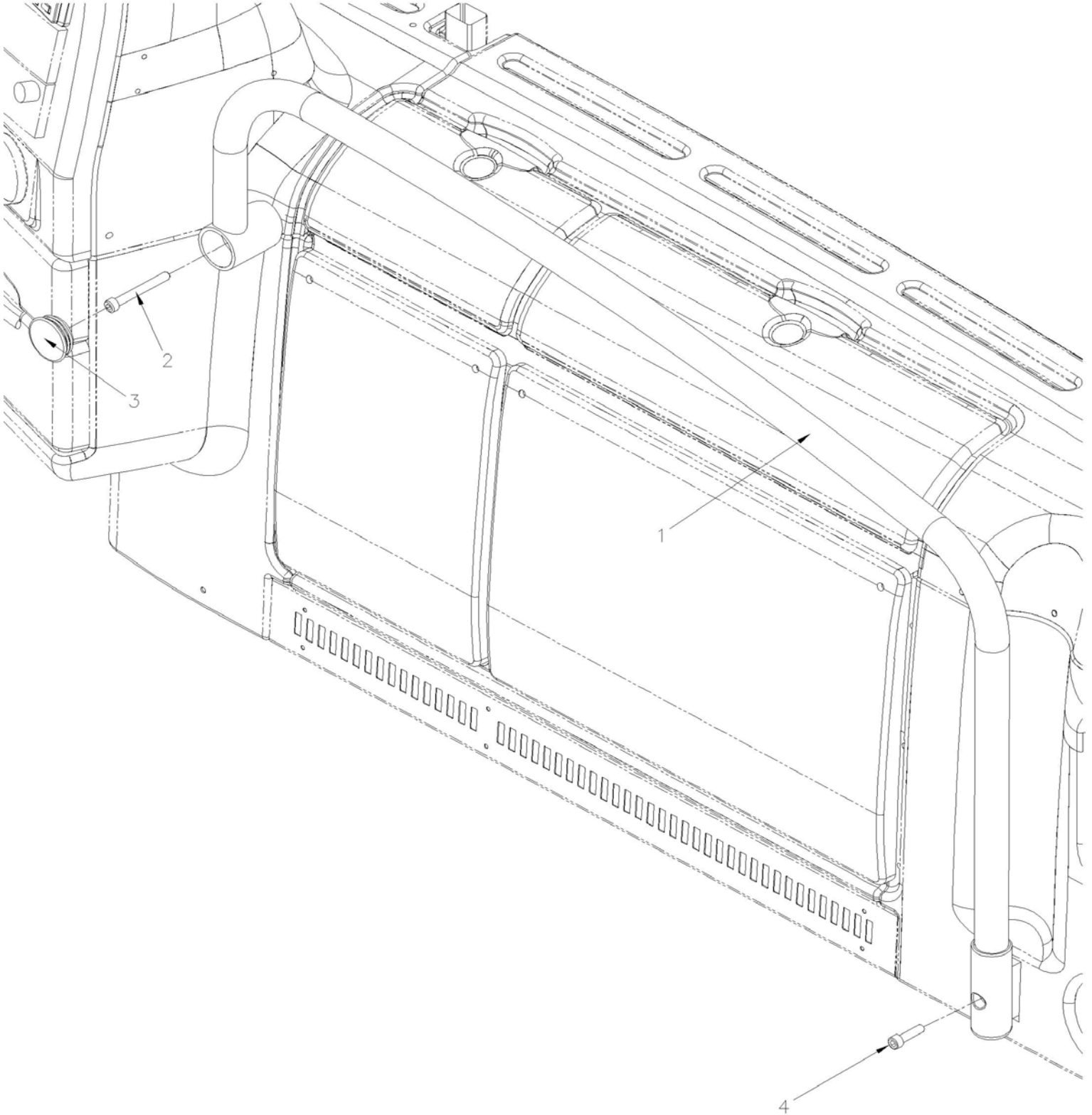
Item#	Part	Description	H 3 4 1	H 3 4 5	N O T E S
1	3202048	METAL HANDRAIL BLACK DASHBOARD	1	1	
2	5001604	SCREW CAP HEXS M8-1.25x70 G8.8 G500	1	1	
3	504513	PLUG BUTTON / 1.9 X 0.58 POL BK	1	1	
4	5001598	SCREW CAP HEXS M8-1.25x30 SS	1	1	

From K-0185 To P-1452

Date:07/2024

PAGE:3202026

KIT SERVICE METAL GREY RAMP DASHBOARD H



From K-0185 To P-1452	Date:07/2024	PAGE:3202026
-----------------------	--------------	--------------

KIT SERVICE METAL GREY RAMP DASHBOARD H

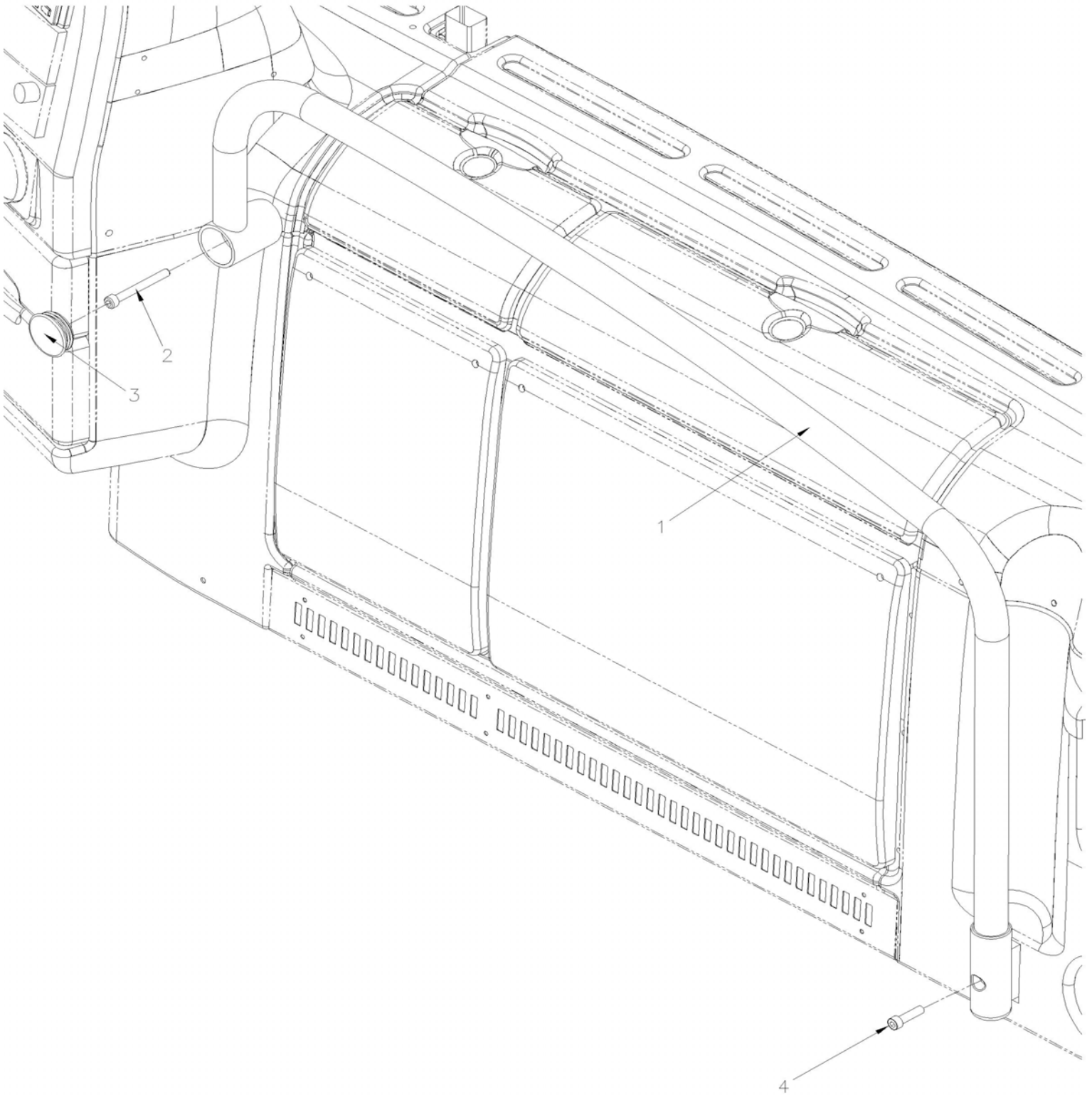
Item#	Part	Description	H 3 4 1	H 3 4 5	NOTES
1	3202155	METAL HANDRAIL GREY DASHBOARD	1	1	
2	5001604	SCREW CAP HEXS M8-1.25x70 G8.8 G500	1	1	
3	504513	PLUG BUTTON / 1.9 X 0.58 POL BK	1	1	
4	5001598	SCREW CAP HEXS M8-1.25x30 SS	1	1	

From K-0185 To P-1452

Date:07/2024

PAGE:3202030

KIT SERVICE METAL YELLOW RAMP DASHBOARD



From K-0185 To P-1452	Date:07/2024	PAGE:3202030
-----------------------	--------------	--------------

KIT SERVICE METAL YELLOW RAMP DASHBOARD

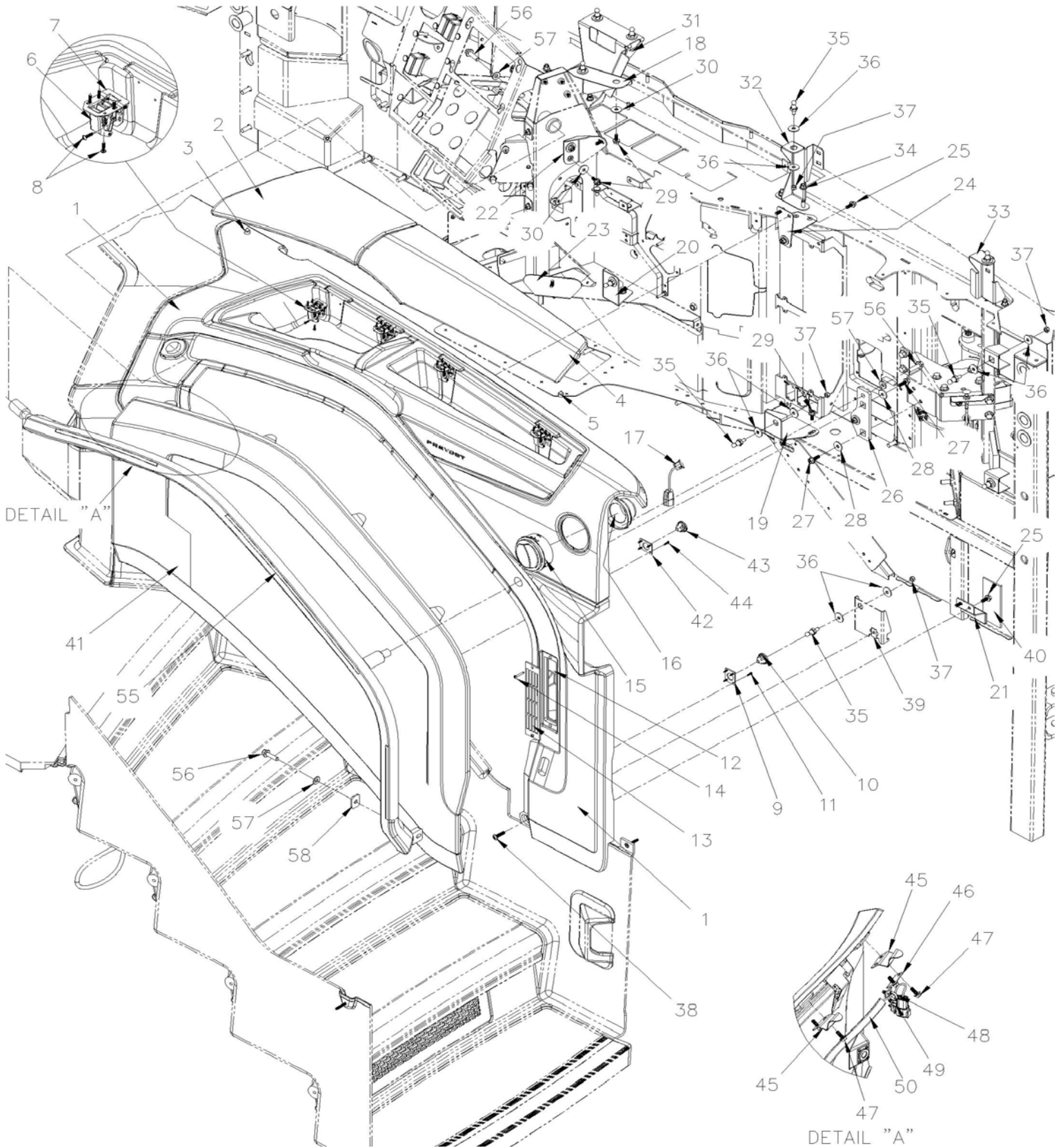
Item#	Part	Description	H 3 4 1	H 3 4 5	N O T E S
1	3211769	METAL HANDRAIL YELLOW DASHBOARD	1	1	
2	5001604	SCREW CAP HEXS M8-1.25x70 G8.8 G500	1	1	
3	504513	PLUG BUTTON / 1.9 X 0.58 POL BK	1	1	
4	5001598	SCREW CAP HEXS M8-1.25x30 SS	1	1	

From R-1453

Date:07/2024

PAGE:H9-1806-21

DASHBOARD PANEL



From R-1453		Date:07/2024	PAGE:H9-1806-21
DASHBOARD PANEL			

Item#	Part	Description	H 3 4 1	H 3 4 5	N O T E S
1	390462	PANEL, RH CONSOLE ASSY		1	
. NS	392770	. TRIM, RH CONSOLE LOGO PREVOST		1	
2	390463	. DOOR (SMALL), STORAGE RH CONSOLE		1	
3	890027	. . BUMPER, RUBBER		1	
4	390464	. DOOR (LARGE), STORAGE RH CONSOLE		1	
5	890027	. . BUMPER, RUBBER		1	
6	780047	. HINGE		4	
7	392819	. HINGE STOP		2	
8	5002131	. SCREW TP RND PH ST2.9x13SS		32	
9	22358135	. PLATE, MOUNTING		6	
10	22659911	. HOUSING, COUPLING		6	
11	5002131	. SCREW TP RND PH ST2.9x13SS		24	
12	370248	STAIR AIR NOZZLE		1	
13	870118	AIR GRID, STAIR H		1	
14	5001145	SCREW TP BDG PH #6x1 BK		2	
15	950607	AIR DIFFUSER		1	
16	950606	CONNECTOR, AIR DIFFUSER		1	
17	563863	SENSOR PHOTODIODE		1	
18	392744	SUPPORT		1	
19	392747	SUPPORT		1	
20	392746	SUPPORT	1	1	
21	392740	SUPPORT		1	
21	340036	TAPE DUAL LOCK 1" x 70MM / BLACK SJ3551		1	
22	392743	SUPPORT		1	
23	392745	SUPPORT		1	
24	392795	SUPPORT		1	
25	5002027	SCREW CAP HEXF AD M6-1.0x16 G10.9 N500		6	
26	392741	SUPPORT		1	
27	5002100	SCREW CAP HEXF AD M6-1.0x20 G10.9 N500		3	
28	500142	WASHER FL 6.6x22.0x2.0 SS		3	
29	5002027	SCREW CAP HEXF AD M6-1.0x16 G10.9 N500		7	
30	500142	WASHER FL 6.6x22.0x2.0 SS		4	
31	370251	SUPPORT WINDSHIELD VENTILATION DUCT		1	
32	370252	SUPPORT WINDSHIELD VENTILATION DUCT		1	
33	370253	SUPPORT WINDSHIELD VENTILATION DUCT		1	
34	5001932	NUT HEXF NYRT M6-1.0 G8.8 N500		6	
35	22374334	PIN, COUPLING	9	9	
36	500142	WASHER FL 6.6x22.0x2.0 SS		18	
37	502681	NUT HEX NYRT M6-1.0 N500 G8		9	
38	5002129	SCREW CAP BUTF HEXS M6-1.0x25 N050		1	
39	5001965	NUT SPR U M6-1.0 0.6-4.0 N500		1	
40	340038	TAPE DUAL LOCK 2" x 110MM / BLACK SJ3551		1	

From R-1453	Date:07/2024	PAGE:H9-1806-21
DASHBOARD PANEL		

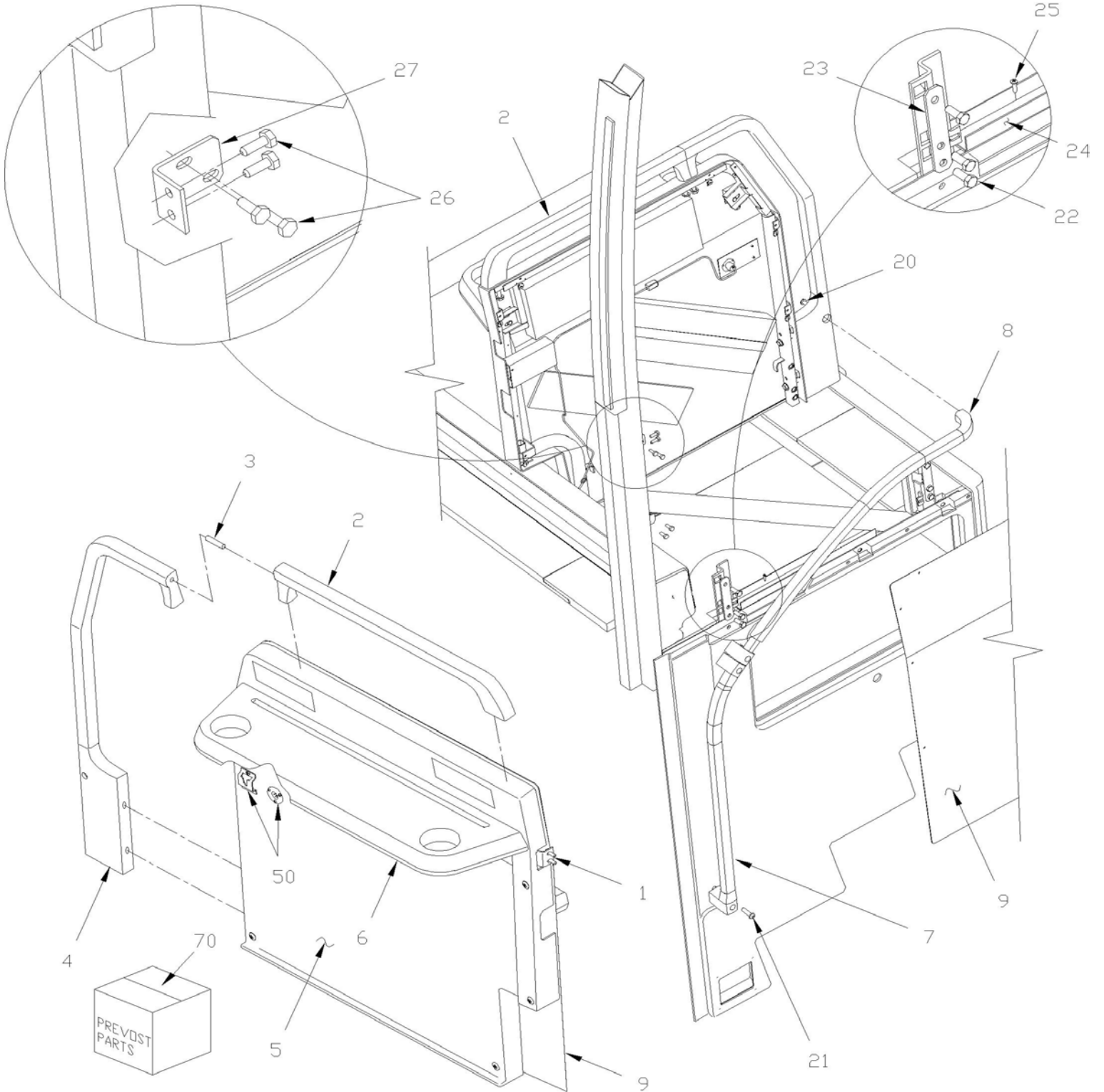
Item#	Part	Description	H 3 4 1	H 3 4 5	N O T E S
. NS	505537	. TAPE DUAL LOCK 2" X 50 YARD / BLACK SJ3551		AR	
41	390466	PANEL ACCESS, RH CONSOLE		1	
41	0610626	DECAL / ELECTRICAL COMPONENT RH CONSOL		1	
42	22358135	. PLATE, MOUNTING	3	3	
43	22659911	. HOUSING, COUPLING		3	
44	5002131	. SCREW TP RND PH ST2.9x13SS		12	
45	392748	CLIP, FASTENING	4	4	
46	392805	SUPPORT, WIRING		1	
47	5002027	SCREW CAP HEXF AD M6-1.0x16 G10.9 N500		8	
48	509815	TIE MOUNT / ATTACHMENT W/TREE MOUNT		1	
48	504637	CABLE TIE / 3/16" x 13"		1	
49	564108	SELF MOUNTING STUD // DEUTSCH 1011-310-0205		1	
50	0600065	STRIP LED ENTRANCE DOOR SIDE PANEL WHITE		1	
50	0600052	STRIP LED ENTRANCE DOOR SIDE PANEL COLOR		1	
55	392666	HANDRAIL ENTRY, RH CONSOLE		1	
56	5001742	SCREW CAP HEXF M8-1.25x30 G8.8 N500		3	
57	5001868	WASHER BEL SPR 8.4x18x2 SS		3	
58	392967	PLATE, BOTTOM FIXING		1	

From K-0185 To P-1452

Date:07/2024

PAGE:H9-1810-00

MODESTY PANEL R.H.

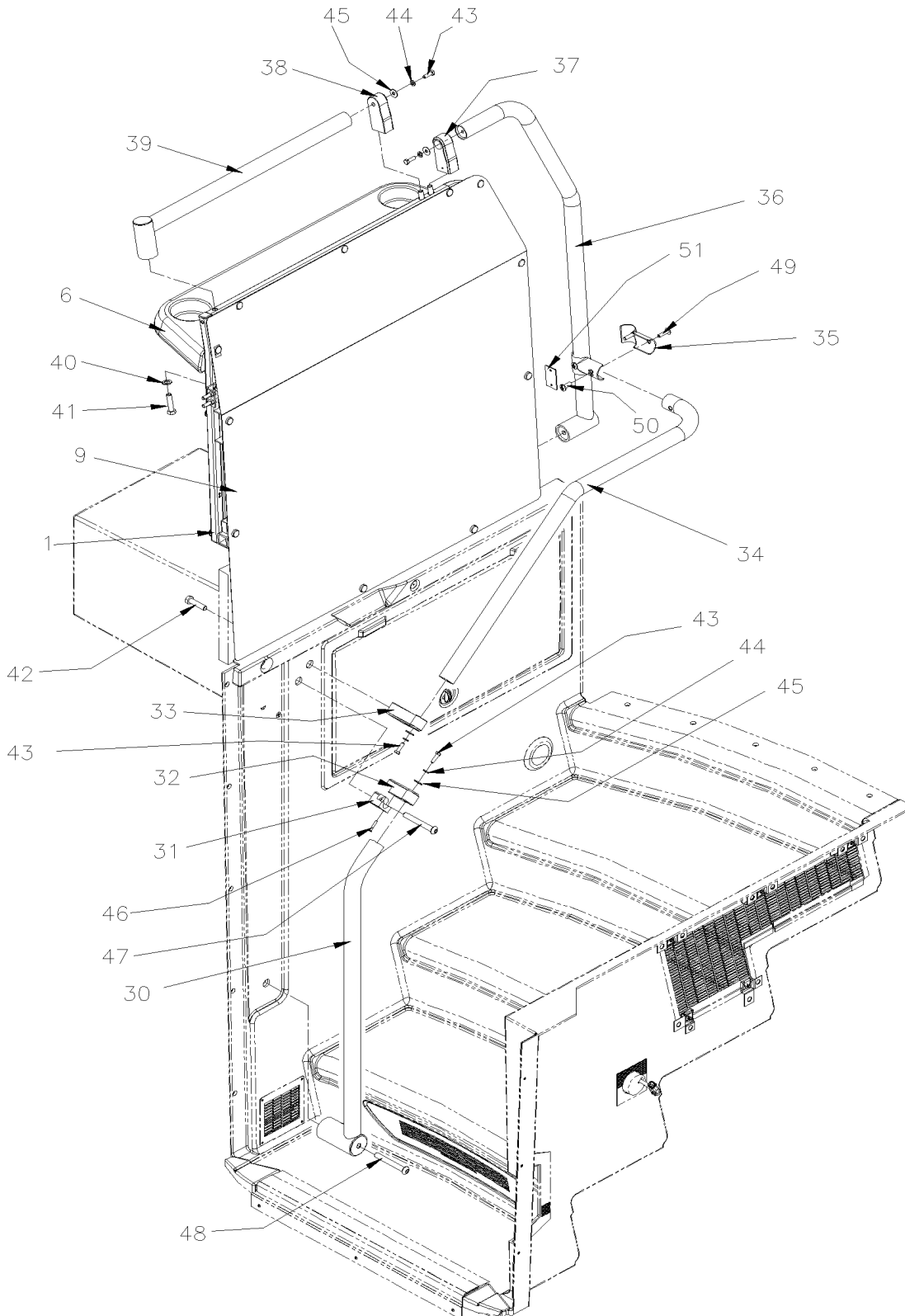


From K-0185 To P-1452

Date:07/2024

PAGE:H9-1810-00

MODESTY PANEL R.H.



From K-0185 To P-1452	Date:07/2024	PAGE:H9-1810-00
MODESTY PANEL R.H.		

Item#	Part	Description	H 3 4 1	H 3 4 5	NOTES
	329584	MODESTY PANEL R.H. ASSY	1	1	
1	327195	STRUCTURE ASSY R.H. MODESTY	1	1	
2	327196	HANDLE TOP	1	1	B
3	N.P.N.	STUDE 3/8-16 X 2"	1	1	4
4	327201	HANDLE R.H.	1	1	B
4	320777	HANDLE R.H. / WITH WHITE STRIP	1	1	WCL B
5	329582	PANEL R.H.	1	1	
5	3210865	PANEL R.H. /W/ AUDIO VIDEO PLUG From L-0731	1	1	
NS	500552	SCREW TP OV PH #6x3/4 Z050	1	1	
NS	500463	WASHER FN CKF .187x.500x.090 BR Z050	1	1	
6	327198	SHELF	1	1	
6	3200802	SHELF / SPECIAL CUP HOLDER "ORLEAN"		1	
NS	3200804	CUP HOLDER		1	
7	328953	HANDRAIL LOWER STEPWELL	1	1	B
7	320729	HANDRAIL LOWER STEPWELL / WITH WHITE STRIP	1	1	WCL B
8	327251	HANDRAIL UPPER STEPWELL	1	1	B
8	320728	HANDRAIL UPPER STEPWELL / WITH WHITE STRIP	1	1	WCL B
9	327753P	PANEL FRONT ASSY W/COVERING S.C.C.	1	1	
NS	328957	ALUMINUM PANEL	1	1	
NS	326962P	COVERING MODESTY PANEL "TISSUS" W/"LOGO" / EMBROIDERED	AR	AR	
NS	900088	DISPENSER / SOAP	1	1	
NS	500638	SCREW TP PAN PH #8x1/2 Z050	4	4	
20	507617	SCREW CAP BUT HEXS M10-1.5x35 G10.9 EMN	1	1	
21	507626	SCREW CAP BUT HEXS M10-1.5x80 G10.9 EMN	1	1	
22	500191	SCREW CAP HEX 3/8-16x1 G5 Z050	6	6	
23	327478	PLATE RETAINER	2	2	
24	320686	CHANNEL 410MM	1	1	
25	500642	SCREW TP PAN PH #10x3/4 Z050	2	2	
26	500923	SCREW TC CAP HEX 1/4-20x3/4 Z050	4	4	
27	324553	ATTACHMENT	1	1	
30	3210709	HANDRAIL, BLACK METAL ENTRANCE BOTTOM	1	1	O
31	3210837	ANCHOR FOR METAL HANDRAIL	1	1	O
32	3210836	ANCHOR FOR METAL HANDRAIL	1	1	O
33	3210715	ANCHOR FOR METAL HANDRAIL	1	1	O
34	3210708	HANDRAIL, BLACK METAL ENTRANCE	1	1	O
35	820614	ADAPTOR / STANCHION / BLACK / DIA. 1 1/4	2	2	O
36	3210707	HANDRAIL R.H. BLACK METAL	1	1	O
37	3210714	ANCHOR FOR METAL HANDRAIL	1	1	O
38	3210713	ANCHOR FOR METAL HANDRAIL	1	1	O
39	3210706	HANDRAIL, RIGHT BLACK METAL UPPER	1	1	O
40	502510	WASHER FL .375x.875x.083	AR	AR	O
41	5001316	SCREW CAP HEX M10-1.5x45 SS	AR	AR	O

From K-0185 To P-1452	Date:07/2024	PAGE:H9-1810-00
MODESTY PANEL R.H.		

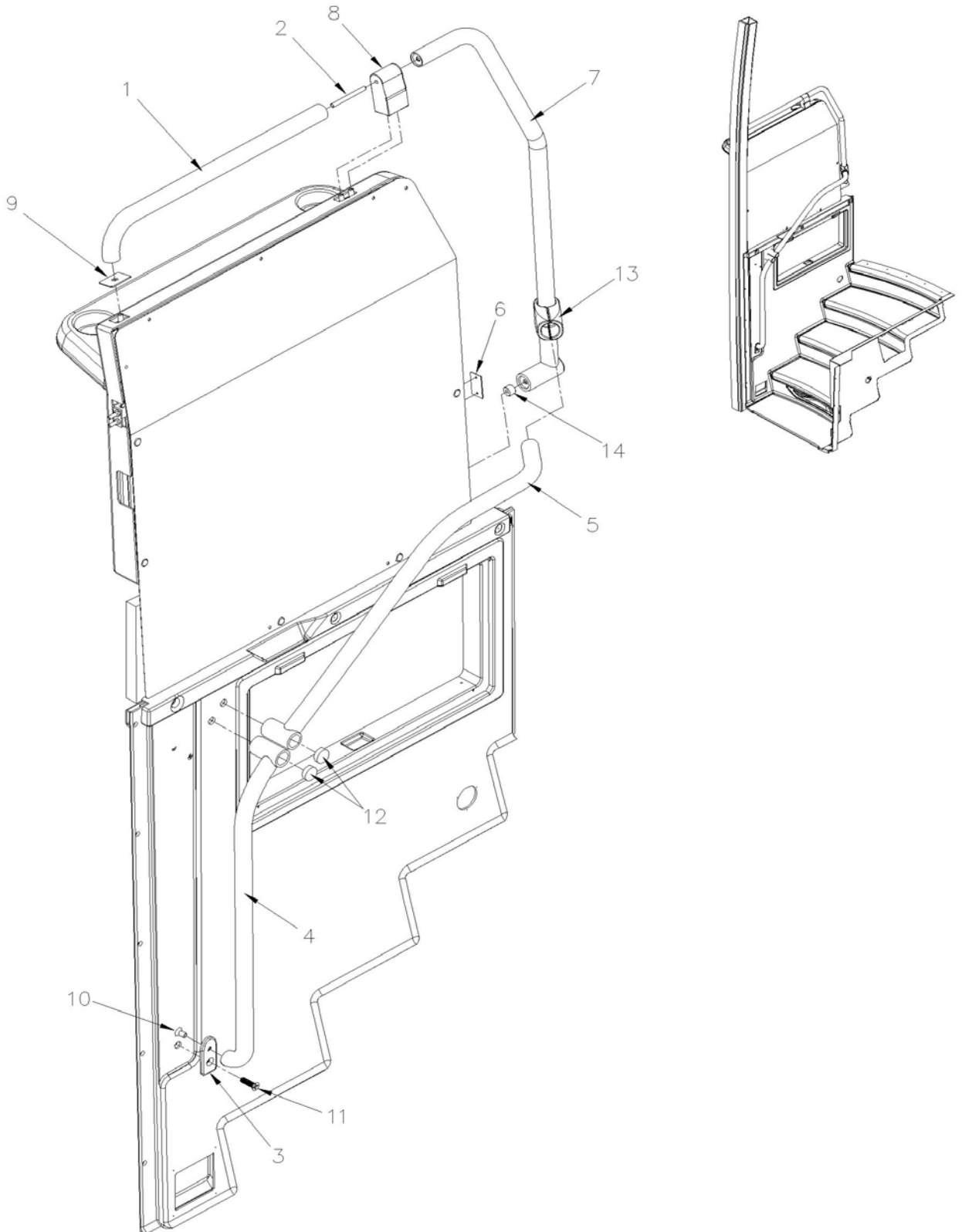
Item#	Part	Description	H 3 4 1	H 3 4 5	N O T E S
42	500829	SCREW CAP HEX M10-1.5x40 G8.8	3	3	O
43	502830	SCREW CAP HEX M6-1.0x20 G8.8 N500	4	4	O
44	5001749	WASHER LO SPT 6.5x11.5x1.6 N500	4	4	O
45	5001976	WASHER FL .266x.718x.060 SS	4	4	O
46	5001429	SCREW MA FL PH M4-0.7x25 BK	2	2	O
47	502877	SCREW CAP HEXS M10-1.5x35 G10.9	1	1	O
48	5002091	SCREW CAP HEXF M10-1.5X120 G10.9 N500	1	1	O
49	5002095	NUT SLE 1/4-20x3/4 SS	2	2	O
50	500558	SCREW MA TR PH 1/4-20x1 SS	2	2	O
51	3210725	COVER METAL HANDRAIL	1	1	O
55	H9-2315-01	SOUND SYSTEM & ACCESSORIES W/HHED			
NS	320939	CUSHION PAD / 3" X 23" / KNEE GUARD	1	1	C
60	Call order desk	CUSHION PAD / 3" X 23" / KNEE GUARD	1	1	P C
NS	500641	SCREW TP PAN PH #8x3/4 Z050	6	6	C
NS	500989	WASHER FL .219x.875x.062 Z050	6	6	C
NS	861922	MAGAZINE NET 16" x 6 3/4"	2	2	A
NS	502666	SCREW MA FL PH #6-32x3/4 SS BK	8	8	A
NS	500286	NUT WELL #6-32	8	8	A
70	3201993	KIT SERV GREY METAL RAMP MOD PAN RIGHT	1	1	
		A) USE WITH MAGAZINE OPTION			
		B) FOR SOLUTION IN SERVICE, USE SERVICE KIT 3201993			
		C) WITH "OPTION"			
		O) OPTION BLACK HANDRAIL			
		WCL) WITH WHEEL CHAIR LIFT			
		4) NO PARTS NUMBER			
		P) CALL ORDER DESK FOR SPECIFIC APPLICATION (V.I.N.)			

From K-0185 To P-1452

Date:07/2024

PAGE:3201993

KIT SERV GREY METAL RAMP MOD PAN RIGHT



From K-0185 To P-1452	Date:07/2024	PAGE:3201993
KIT SERV GREY METAL RAMP MOD PAN RIGHT		

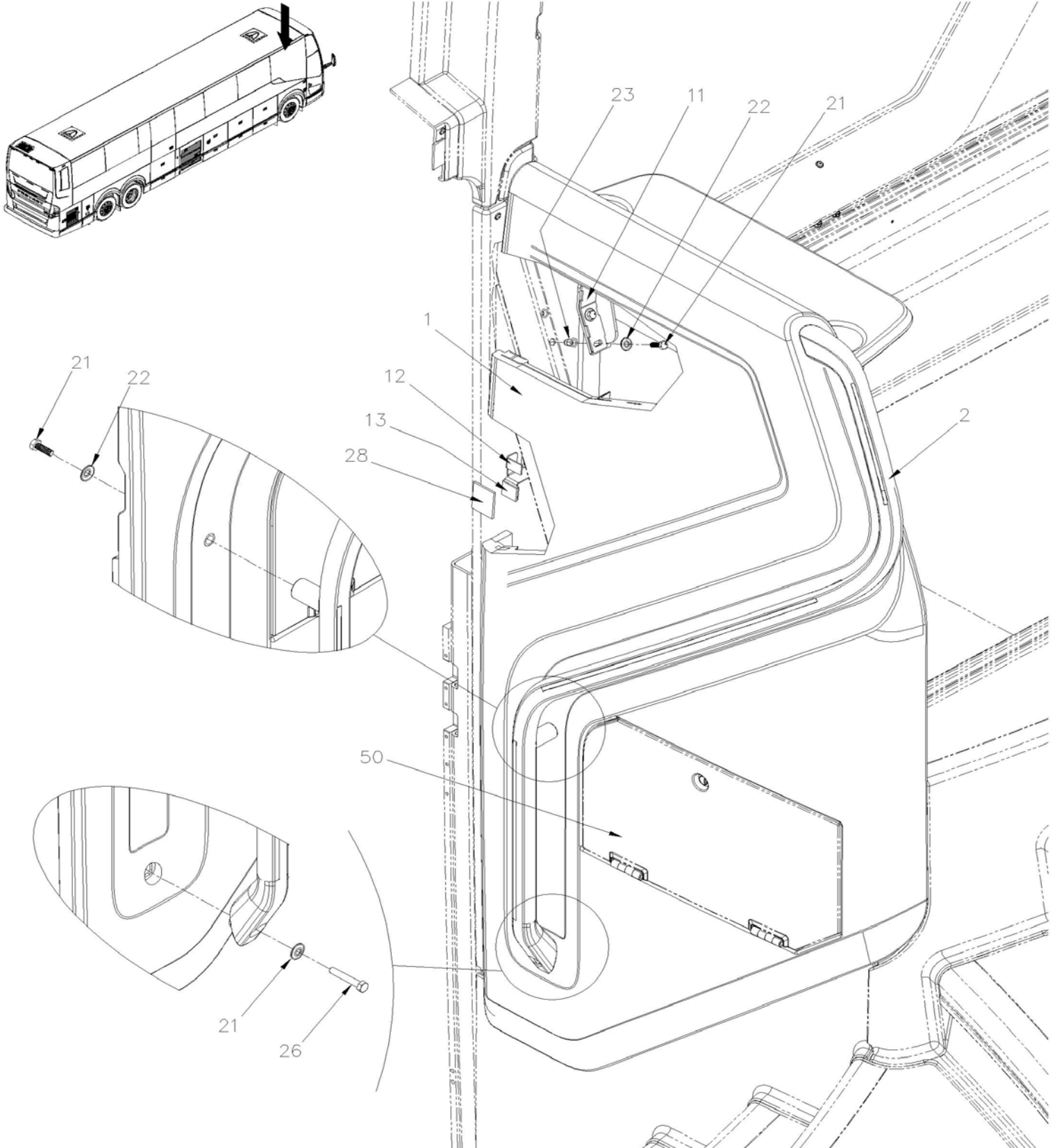
Item#	Part	Description	H 3 4 1	H 3 4 5	N O T E S
1	3201720	METAL HANDRAIL UPPER BLACK	1	1	
2	3201977	SHAFT, THREADED	1	1	
3	3201996	METAL HANDRAIL ANCH. MOD. PAN	1	1	
4	3202001	METAL LOWER HANDRAIL ENTRANCE GREY H	1	1	
5	3202019	METAL UPPER HANDRAIL ENTRANCE GREY H	1	1	
6	3210725	COVER METAL HANDRAIL	1	1	
7	3211762	METAL HANDRAIL RH BLACK	1	1	
8	3211766	METAL HANDRAIL ANCH. MOD. PAN	1	1	
9	3211767	COVER METAL HANDRAIL	1	1	
10	5001574	SCREW CAP FL HEXS 3/8-16x3/4	1	1	
11	5002226	SCREW MA FL PH M10-1.5x35 SS	1	1	
12	504537	PLUG HOLE NYL BK 1.125 X 0.125	2	2	
13	820619	FITTING 1 1/4" T	1	1	
14	2810628	SPACER M8	1	1	

From R-1453

Date:07/2024

PAGE:H9-1810-01

MODESTY PANEL R.H.

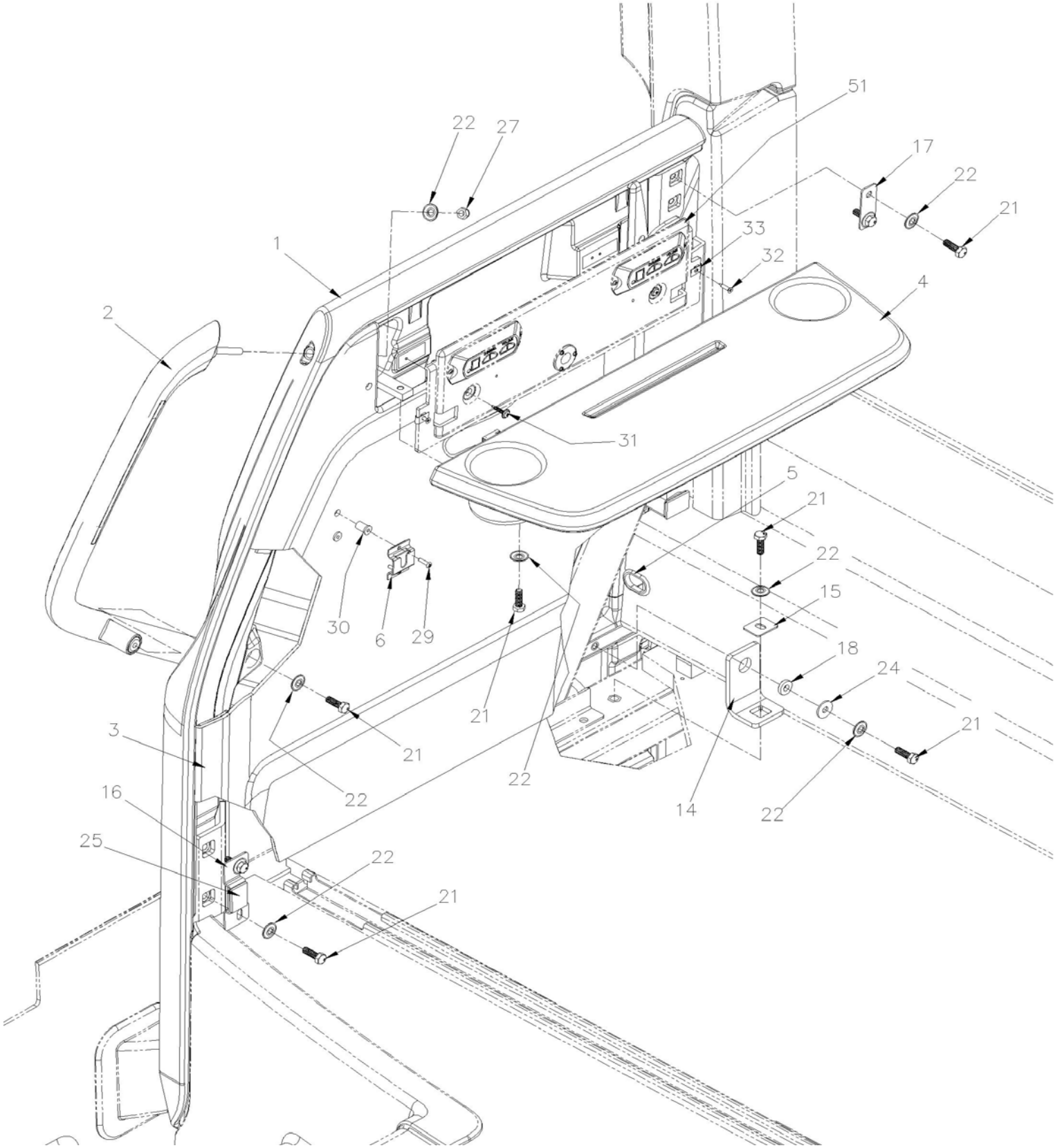


From R-1453

Date:07/2024

PAGE:H9-1810-01

MODESTY PANEL R.H.



From R-1453		Date:07/2024	PAGE:H9-1810-01
MODESTY PANEL R.H.			

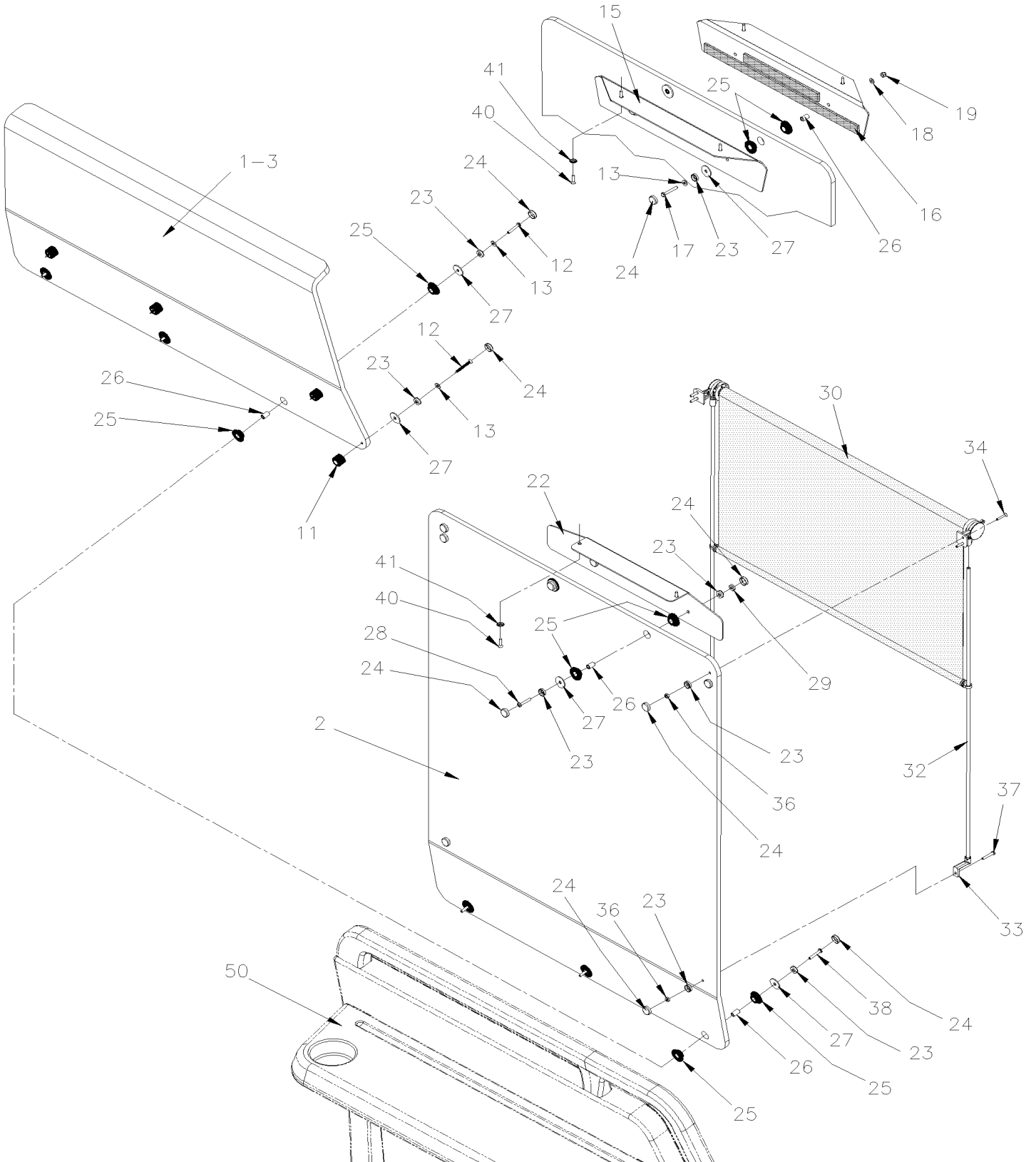
Item#	Part	Description	H 3 4 1	H 3 4 5	N O T E S
1	3210798	PANEL, FRONT RH ASSY		1	
2	3210785	HANDRAIL ASSY, RH MODESTY PANEL		1	
3	3211691	PANEL REAR ASSY, RH MODESTY		1	
3	3210930	. PANEL REAR, RH MODESTY		1	
3	505538	TAPE DUAL LOCK 1" x 50 YARD / BLACK SJ3551		AR	
3	505547	TAPE DUAL LOCK 1/2" x 50YRD / BLACK SJ3551		AR	
3	506643	TAPE RUB ADH1 CC NEO 1/8" x 1/2" x 60' / BLACK 2011		AR	
4	3210813	SHELF, MODESTY PANEL		1	
5	504574	GROMMET / 1.125x1.312x.062x.312x1.56		1	
6	900859	BRACKET, MOUNTING / MICROPHONE		1	
11	3211514	BRACKET UPPER ASSY, MODESTY PANEL RH		1	
12	3211688	BRACE, BACK PANEL RH MODESTY		1	
13	505538	TAPE DUAL LOCK 1" x 50 YARD / BLACK SJ3551		AR	
14	3211596	ATTACHMENT, MIDDLE MODESTY PANEL RH		1	
15	3211592	PLATE, RETAINER		1	
16	3211641	PLATE, RETAINER		1	
17	3211402	PLATE, RETAINER		1	
18	3211597	SLEEVE, MODESTY PANEL RH		1	
21	5001745	SCREW CAP HEX M8-1.25x25 G8.8 N500		12	
22	5001699	WASHER BEL SPR 8.2x22x1.4 N500		14	
23	5001692	NUT INS FL HEX M8-1.25 0.5-3.0 SS		3	
24	5001849	WASHER FL 8.4x24.0x2.0 SS		1	
25	505538	TAPE DUAL LOCK 1" x 50 YARD / BLACK SJ3551		AR	
26	5001178	SCREW CAP HEX M8-1.25x60 SS BK		1	
27	502847	NUT HEX NYRT M8-1.25 N500		1	
28	505537	TAPE DUAL LOCK 2" X 50 YARD / BLACK SJ3551		AR	
29	5001332	SCREW MA PAN PH M4-0.7x16 SS		2	
30	500589	NUT WELL M4-0.7x13.5		2	
31	5002083	SCREW DR SEMS FN OV PH #8X1 N050		2	
32	500353	SCREW TP FL PH #8x3/4 BK		2	
33	5002071	NUT SPR U #8 .110-.187 BK		2	
50	H9-1800-11	STEPWELL COMPARTMENT			
51	H9-2315-07	"USB" & "HDMI" & AUDIO/VIDEO CONTROL			

From K-0185 To P-1452

Date:07/2024

PAGE:H9-1811-00

MODESTY PLEXIGLASS



From K-0185 To P-1452	Date:07/2024	PAGE:H9-1811-00
MODESTY PLEXIGLASS		

Item#	Part	Description	H 3 4 1	H 3 4 5	NOTES
1	328925	PLEXIGLASS / TINTED STREETSIDE / (233MM APROX)	1	1	
1	326286	PLEXIGLASS / CLEAR STREETSIDE / (233MM APROX)	1	1	
1	328926	PLEXIGLASS / TINTED CURBSIDE / (233MM APROX)	1	1	
1	326289	PLEXIGLASS / CLEAR CURBSIDE / (233MM APROX)	1	1	
2	327618	PLEXIGLASS / CLEAR STREETSIDE / (769MM APROX)	1	1	
2	327619	PLEXIGLASS / TINTED STREETSIDE / (769MM APROX)	1	1	
3	328852	PLEXIGLASS / CLEAR CURBSIDE / (333MM APROX)	1	1	
11	5001168	BUMPER RUBBER / .750 OD x .562 TH x .187 HOLE To K-0337	4	4	
11	5002023	BUMPER NEOPRENE / .750 OD x .562 TH x .187 HOLE From K-0338	4	4	
12	500632	SCREW TP OV PH #8x1 1/2 Z050	7	7	
13	500438	WASHER FL .187x.437x.050 Z050	7	7	
15	3200149	BRACKET ANGLE / SAND / "OPTION"	2	2	O
16	506002	TAPE RUB ADH1 CC POL 3/16" x 1/2" x 40' / GREY 2520	AR	AR	O
17	502643	SCREW MA PAN PH #8-32x1 1/4 Z050	2	2	O
18	500240	WASHER LO EXT .195x.410x.025 Z050	2	2	O
19	500501	NUT HEX CAP #8-32 SS	2	2	O
22	329586	BRACKET ANGLE TAN To K-0337	1	1	
22	321972	BRACKET ANGLE GREY To K-0337		1	A
22	329586	BRACKET ANGLE TAN From K-0338	1	1	O
22	320914	BRACKET ANGLE GREY From K-0338	1	1	
23	504399	WASHER RETAINER SNAP CAP #10	5	5	
24	504400	SNAP CAP #10 FINISHING BLACK	5	5	
25	900251	BUSHING, RUBBER	6	6	
26	400380	SPACER 5/16 O.D. x 17/32" x 18GA	5	5	
26	505539	SPACER 5/16 O.D. x 17/32" x 18GA	5	5	
27	500805	WASHER FL .218x.875x.062 N500	5	5	
28	5001317	SCREW MA PAN PH #8-32x1 SS	2	2	
29	500764	NUT HEX #8-32 Z050 To L-1000	2	2	
29	500501	NUT HEX CAP #8-32 SS From L-1001	2	2	
30	901374	BLIND ROLLER / CHARCOAL / 593MM	1	1	
. NS	5001999	. SCREW SET HEXS CUP M4-0.7x5	2	2	
. NS	901562	. BRACKET W/O SHAFT & RATCHED LEVER	1	1	
. NS	901560	. BRACKET W/SHAFT & RATCHED LEVER	1	1	
32	404449	ROD 641MM	2	2	
33	407650	ROD HOLDER / BLACK / PLASTIC "S" SHAPE	2	2	
34	502666	SCREW MA FL PH #6-32x3/4 SS BK	2	2	
36	500689	NUT HEX #6-32 Z050	6	6	
37	5001303	SCREW MA BDG PH #6-32x1 ZP EMN	2	2	
38	500637	SCREW TP PAN PH #8x1 1/2 Z050	3	3	
40	500626	SCREW TP OV PH #8x3/4 Z050	2	2	
41	500463	WASHER FN CKF .187x.500x.090 BR Z050	2	2	
50	H9-1810-00	MODESTY PANEL R.H.			

From K-0185 To P-1452	Date:07/2024	PAGE:H9-1811-00
MODESTY PLEXIGLASS		

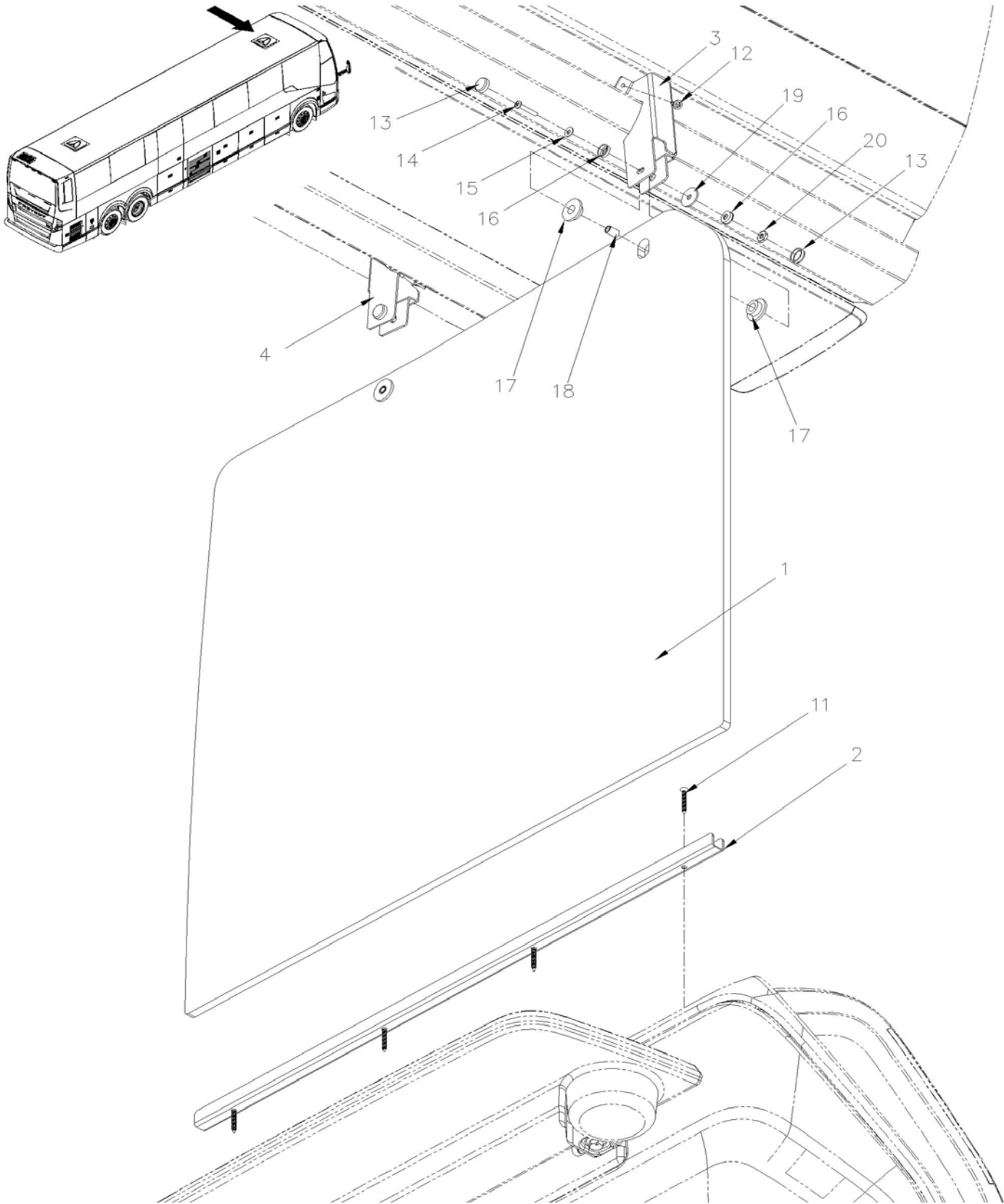
Item#	Part	Description	H 3 4 1	H 3 4 5	N O T E S
50	H9-1812-00	MODESTY PANEL L.H.			
NS	IS20906	PLEXIGLASS SHIELD BEHIND DRIVER H3	1	1	
. NS	327618	. PLEXIGLASS / CLEAR STREETSIDE / (769MM APROX)	1	1	
. NS	320914	. BRACKET ANGLE GREY	1	1	
. NS	504399	. WASHER RETAINER SNAP CAP #10	5	5	
. NS	504400	. SNAP CAP #10 FINISHING BLACK	5	5	
. NS	900251	. BUSHING, RUBBER	10	10	
. NS	500805	. WASHER FL .218x.875x.062 N500	5	5	
. NS	5001317	. SCREW MA PAN PH #8-32x1 SS	2	2	
. NS	500501	. NUT HEX CAP #8-32 SS	2	2	
. NS	500626	. SCREW TP OV PH #8x3/4 Z050	2	2	
. NS	500464	. WASHER FN CKF .210x.540 SS	2	2	
. NS	500637	. SCREW TP PAN PH #8x1 1/2 Z050	3	3	
. NS	IS-20906	. SEE INSTRUCTION SHEET	1	1	
. NS	FI-20906	. VOIR FEUILLE D'INSTRUCTION	1	1	
. NS	D320271	. DIAGRAM	1	1	
		A) BAUER'S TRANSPORTATION OPTION			
		O) LOCATED EACH SIDE OF PLEXIGLASS / "OPTION"			

From R-1453

Date:07/2024

PAGE:H9-1811-01

MODESTY PLEXIGLASS



From R-1453	Date:07/2024	PAGE:H9-1811-01
MODESTY PLEXIGLASS		

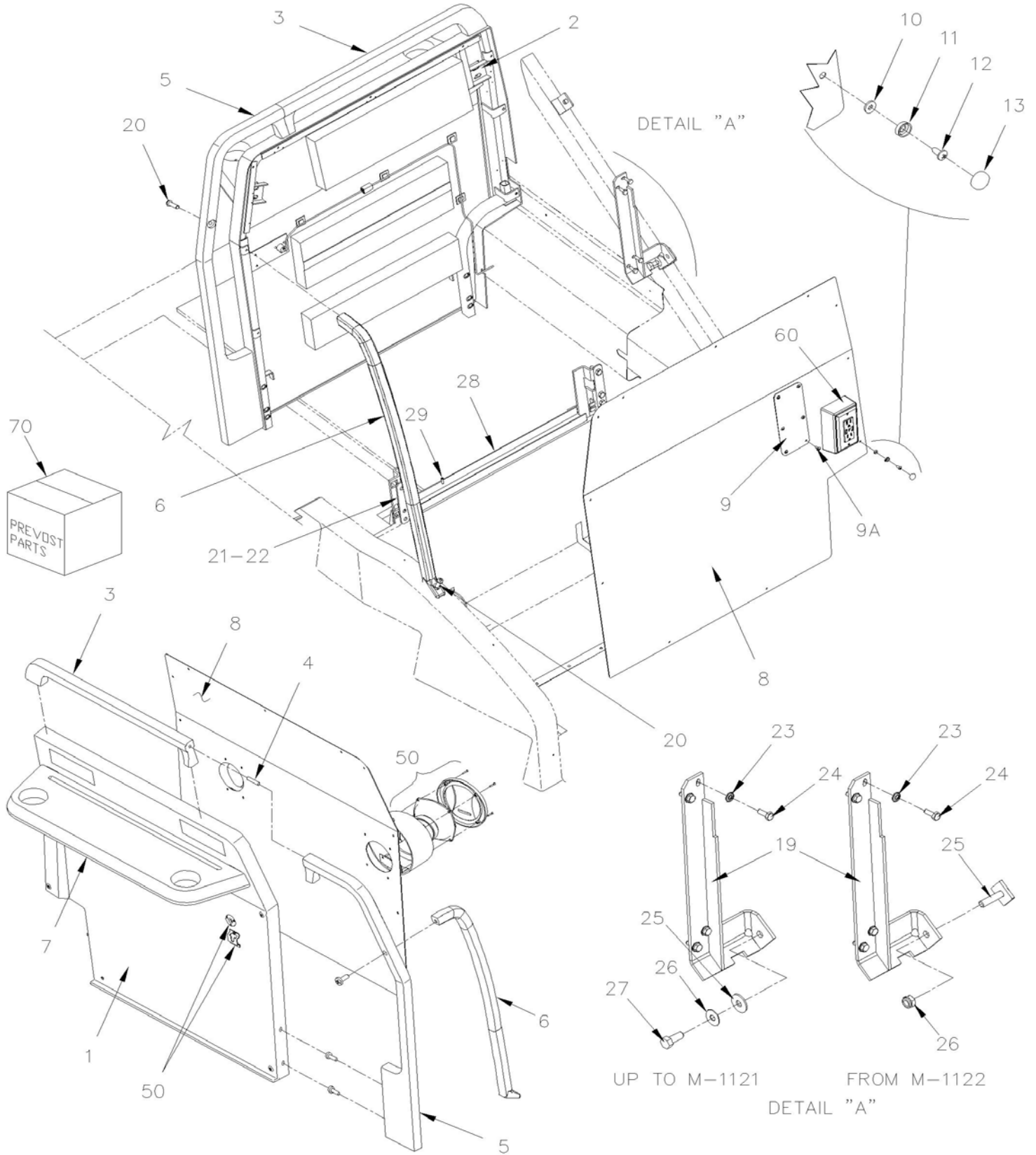
Item#	Part	Description	H 3 4 1	H 3 4 5	NOTES
1	3211714	PROTECTOR TINTED, REAR DRIVERS		1	
1	3211715	PROTECTOR CLEAR, REAR DRIVERS		1	
NS	506158	RUB EX BLACK 1/4 X 3/8 X 1/2		AR	
2	3211705	SUPPORT, BOTTOM		1	
3	3211704	SUPPORT, RIGHT		1	
4	3211700	SUPPORT, LEFT		1	
11	502742	SCREW TP FL PH #8x1 1/4 SS410		4	
12	5001440	SCREW TP RND PH WSHR HD #8x1/2		3	
13	504400	SNAP CAP #10 FINISHING BLACK		4	
14	5001317	SCREW MA PAN PH #8-32x1 SS		2	
15	500855	WASHER FL .188x.438x.049 N500		2	
16	504399	WASHER RETAINER SNAP CAP #10		4	
17	900251	BUSHING, RUBBER		4	
18	505539	SPACER 5/16 O.D. x 17/32" x 18GA		2	
19	500805	WASHER FL .218x.875x.062 N500		2	
20	500764	NUT HEX #8-32 Z050		2	

From K-0185 To P-1452

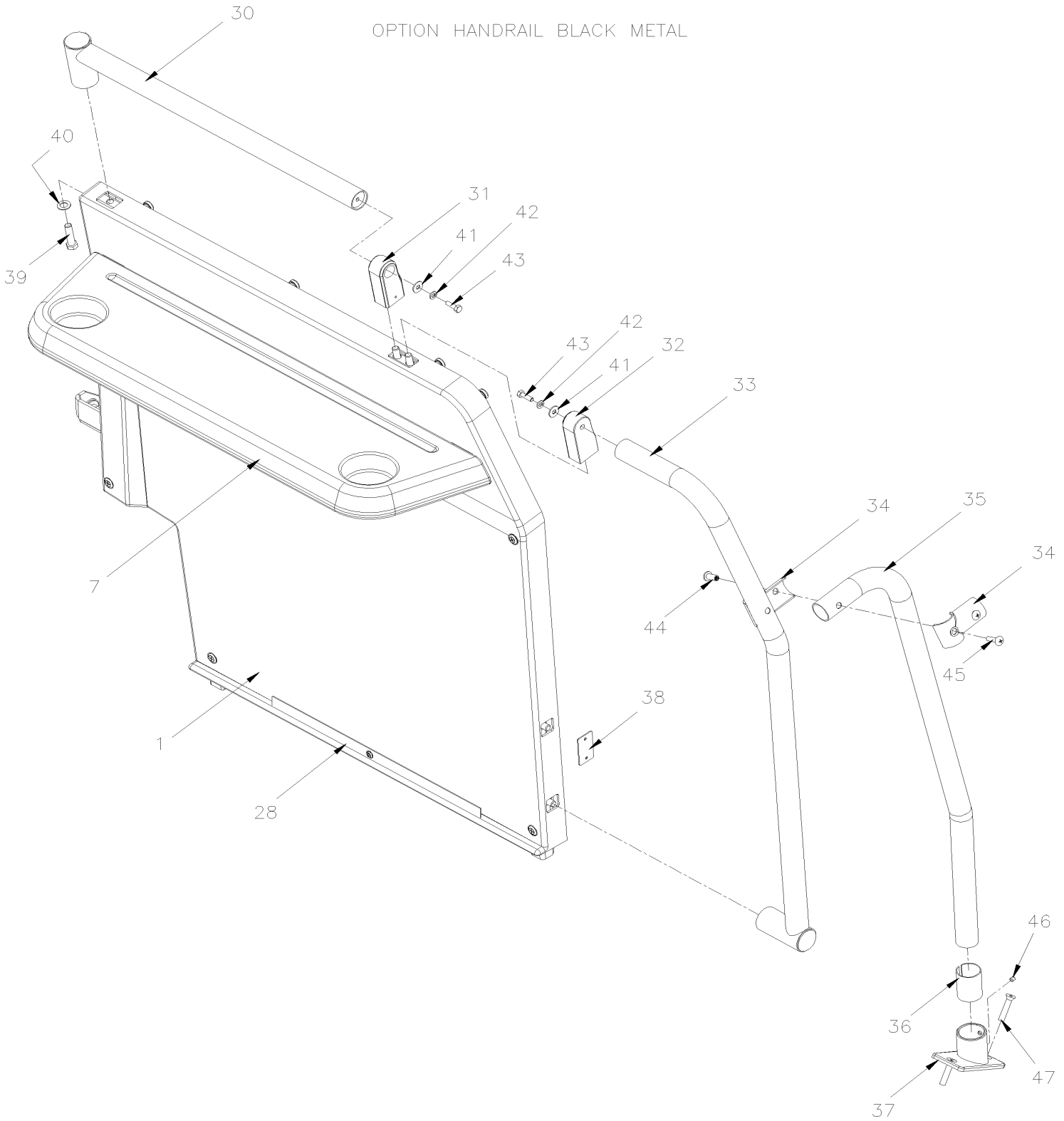
Date:07/2024

PAGE:H9-1812-00

MODESTY PANEL L.H.



From K-0185 To P-1452	Date:07/2024	PAGE:H9-1812-00
MODESTY PANEL L.H.		



From K-0185 To P-1452	Date:07/2024	PAGE:H9-1812-00
MODESTY PANEL L.H.		

Item#	Part	Description	H 3 4 1	H 3 4 5	N O T E S
	329585	MODESTY PANEL ASSY	1	1	
	323201	MODESTY PANEL ASSY	1	1	B
1	329583	PANEL	1	1	
1	323219	PANEL	1	1	B
NS	500552	SCREW TP OV PH #6x3/4 Z050	1	1	
NS	500463	WASHER FN CKF .187x.500x.090 BR Z050	1	1	
2	327202	STRUCTURE ASSY L.H. MODESTY	1	1	
3	327196	HANDLE TOP	1	1	A
4	N.P.N.	STUD 3/8-16 X 2"	1	1	4
5	327203	HANDLE L.H.	1	1	A
5	320007	HANDLE L.H. / WITH WHITE STRIP	1	1	WCL A
6	327252	HANDRAIL STREETSIDE	1	1	A
6	320697	HANDRAIL STREETSIDE / WITH WHITE STRIP	1	1	WCL A
7	327198	SHELF	1	1	
7	3200802	SHELF / SPECIAL CUP HOLDER "ORLEAN"		1	
. NS	3200804	. CUP HOLDER		1	
8	327792P	PANEL FRONT ASSY W/COVERING S.C.C.	1	1	
8	327927	PANEL FRONT ASSY W/COVERING S.C.C. / USE W/SPEAKER	1	1	
8	327259	. ALUMINUM PANEL / W/OUT SPEAKER	1	1	
8	327225	. ALUMINUM PANEL / USE W/SPEAKER 92MM O.D. / UPPER PANEL	1	1	
8	328397	. ALUMINUM PANEL / USE W/SPEAKER 105MM O.D. / UPPER PANEL	1	1	
8	328574	. ALUMINUM PANEL / USE W/SPEAKER AND W/ "AESYS" DESTINATION SIGN	1	1	
8	Call order desk	PANEL FRONT ASSY W/COVERING S.C.C. USE W/"AESYS" DESTINATION SIGN From L-0823	1	1	P
9	364307	STOPPER, USSC DRIVER SEAT	1	1	W
9A	500353	SCREW TP FL PH #8x3/4 BK	6	6	
10	500438	WASHER FL .187x.437x.050 Z050	AR	AR	
11	504399	WASHER RETAINER SNAP CAP #10	AR	AR	
12	500642	SCREW TP PAN PH #10x3/4 Z050	AR	AR	
13	504400	SNAP CAP #10 FINISHING BLACK	AR	AR	
19	324616	ATTACHMENT	1	1	
20	507617	SCREW CAP BUT HEXS M10-1.5x35 G10.9 EMN	2	2	
21	327478	PLATE RETAINER	2	2	
22	500191	SCREW CAP HEX 3/8-16x1 G5 Z050	2	2	
23	502582	WASHER LO SERR 6.1x16.2x0.9 Z050	4	4	
24	500923	SCREW TC CAP HEX 1/4-20x3/4 Z050	4	4	
25	502655	SCREW CAP HEX M10-1.5x25 SS BK To M-1121	1	1	
25	2903100	ANCHORING BLOCK ASSY. MODESTY PANEL From M-1122	1	1	
26	502644	WASHER FL 10.5x30.0x2.5 Z050 To M-1121	1	1	
26	502859	NUT HEX NYRT M10-1.5 N500 From M-1122	1	1	
27	502585	WASHER LO SERR 10.2x26.3x1.4 ZP To M-1121	1	1	
28	320686	CHANNEL 410MM	1	1	
29	500642	SCREW TP PAN PH #10x3/4 Z050	3	3	

From K-0185 To P-1452	Date:07/2024	PAGE:H9-1812-00
MODESTY PANEL L.H.		

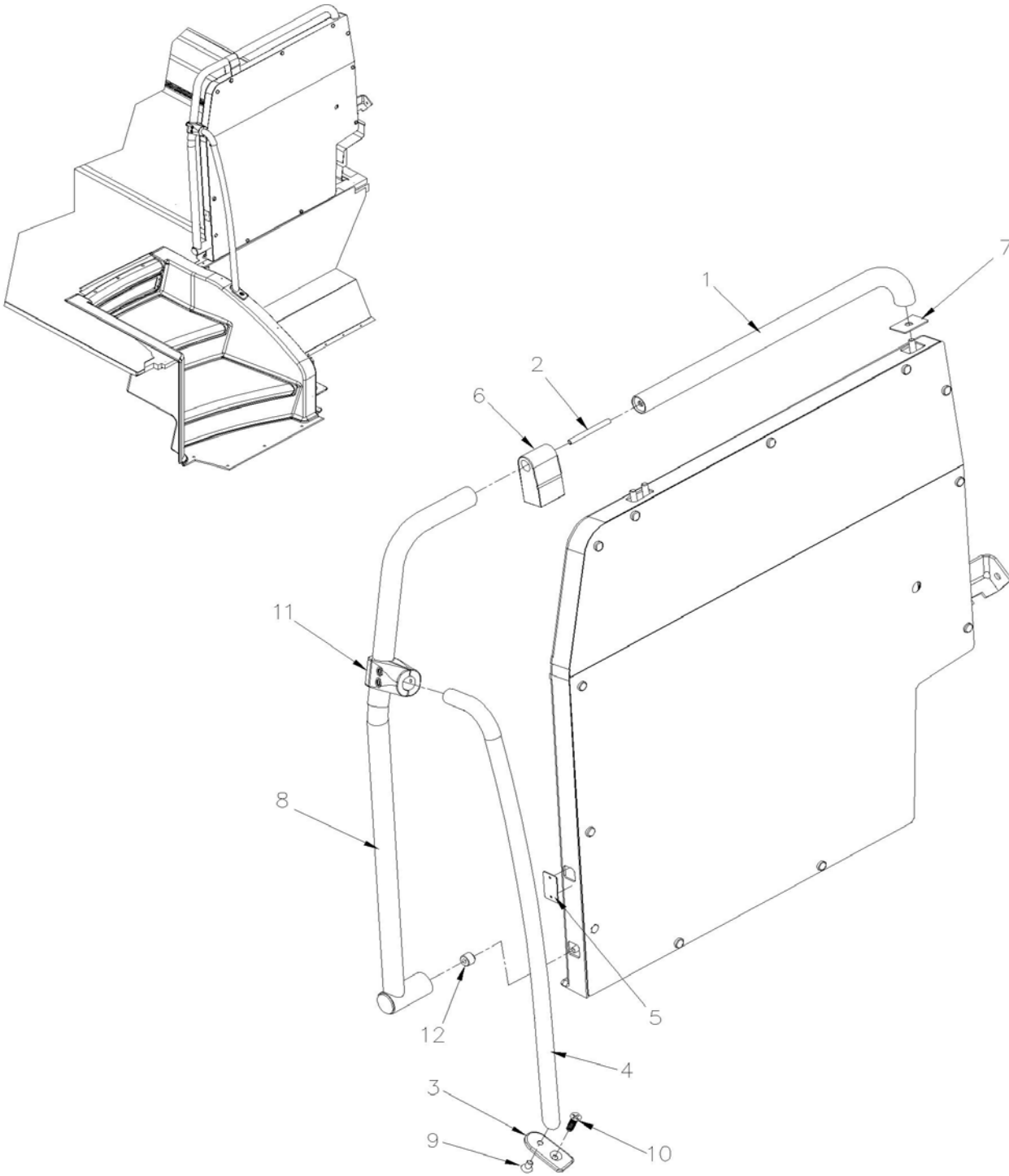
Item#	Part	Description	H 3 4 1	H 3 4 5	N O T E S
30	3210710	HANDLE TOP, BLACK	1	1	O
31	3210714	ANCHOR FOR METAL HANDRAIL	1	1	O
32	3210713	ANCHOR FOR METAL HANDRAIL	1	1	O
33	3210711	HANDLE STREETSIDE, BLACK	1	1	O
34	820614	ADAPTOR / STANCHION / BLACK / DIA. 1 1/4	2	2	O
35	3210729	HANDRAIL STREETSIDE, BLACK	1	1	O
36	329665	TUBE FLANGE 46.3 MM	1	1	O
37	321287	PARTITION BRACKET	1	1	O
38	3210725	COVER METAL HANDRAIL	1	1	O
39	5001316	SCREW CAP HEX M10-1.5x45 SS	AR	AR	O
40	502510	WASHER FL .375x.875x.083	AR	AR	O
41	5001976	WASHER FL .266x.718x.060 SS	4	4	O
42	5001749	WASHER LO SPT 6.5x11.5x1.6 N500	4	4	O
43	502830	SCREW CAP HEX M6-1.0x20 G8.8 N500	4	4	O
44	5002095	NUT SLE 1/4-20x3/4 SS	2	2	O
45	500558	SCREW MA TR PH 1/4-20x1 SS	2	2	O
46	502634	SCREW SET HEXS CUP M6-1.0x6	2	2	O
47	5001461	SCREW MA FL PH M8-1.25x40 SS	2	2	O
50	H9-2315-01	SOUND SYSTEM & ACCESSORIES W/HHED			
60	H9-2345-41	POWERVERTER - INSTALLATION			
NS	861922	MAGAZINE NET 16" x 6 3/4"	2	2	C
NS	502666	SCREW MA FL PH #6-32x3/4 SS BK	8	8	C
NS	500286	NUT WELL #6-32	8	8	C
70	3202027	KIT SERV GREY METAL RAMP LEFT MOD PAN	1	1	
		A) FOR SOLUTION IN SERVICE, USE SERVICE KIT 3202027			
		B) WITH AUDIO & I-POD CONNECTOR AS SHOWN AT PAGE H7-2315-05			
		C) USE WITH MAGAZINE OPTION			
		O) WITH USSC DRIVER'S SEAT			
		W) WITH USSC DRIVER'S SEAT			
		WCL) WITH WHEEL CHAIR LIFT			
		4) NO PARTS NUMBER			
		P) CALL ORDER DESK FOR SPECIFIC APPLICATION (V.I.N.)			

From K-0185 To P-1452

Date:07/2024

PAGE:3202027

KIT SERV GREY METAL RAMP LEFT MOD PAN



From K-0185 To P-1452	Date:07/2024	PAGE:3202027
KIT SERV GREY METAL RAMP LEFT MOD PAN		

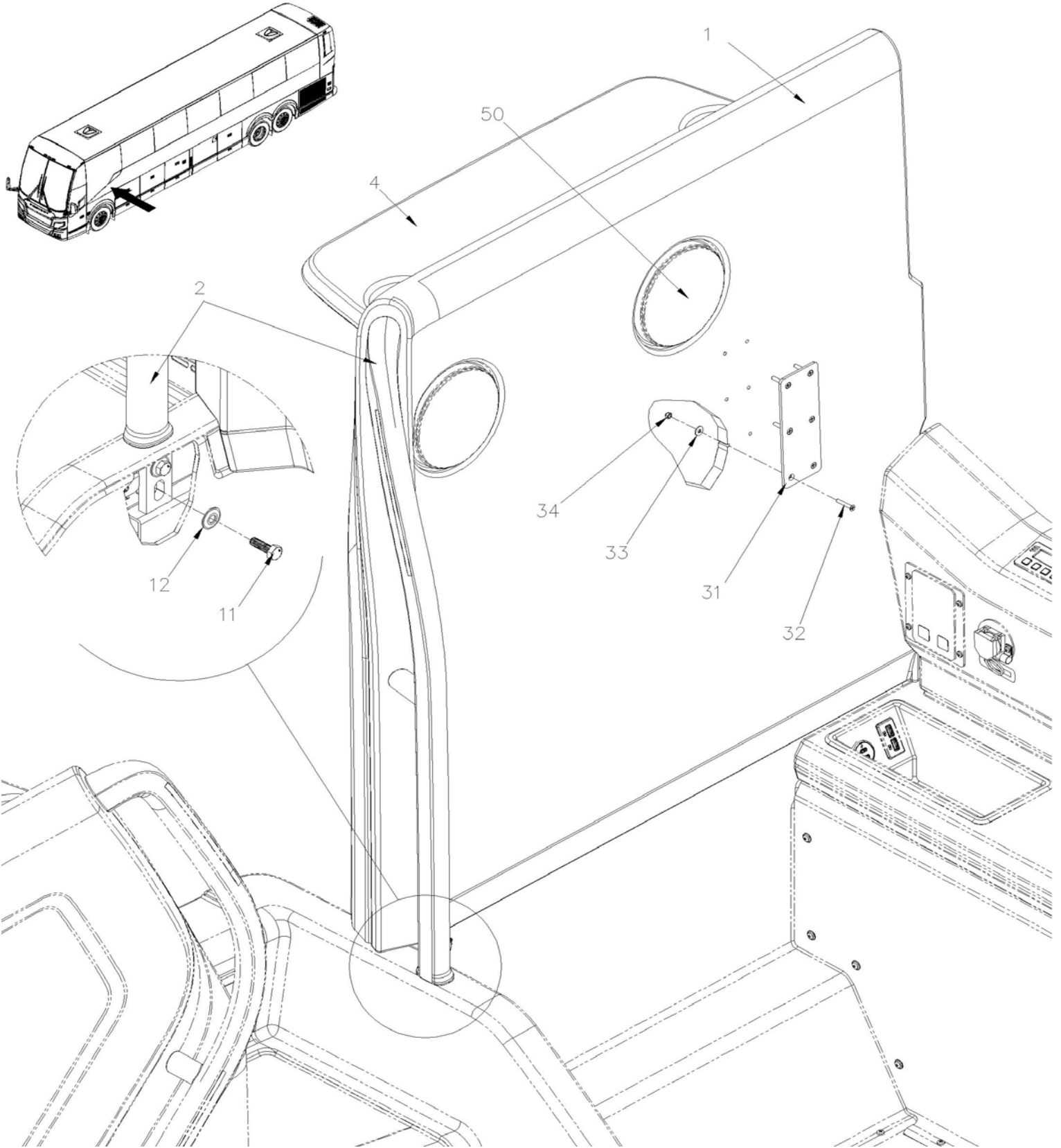
Item#	Part	Description	H 3 4 1	H 3 4 5	N O T E S
1	3201720	METAL HANDRAIL UPPER BLACK	1	1	
2	3201977	SHAFT, THREADED	1	1	
3	3201996	METAL HANDRAIL ANCH. MOD. PAN	1	1	
4	3201998	METAL HANDRAIL DRIVER GREY H	1	1	
5	3210725	COVER METAL HANDRAIL	1	1	
6	3211766	METAL HANDRAIL ANCH. MOD. PAN	1	1	
7	3211767	COVER METAL HANDRAIL	1	1	
8	3211772	METAL HANDRAIL LH BLACK	1	1	
9	5001574	SCREW CAP FL HEXS 3/8-16x3/4	1	1	
10	5002226	SCREW MA FL PH M10-1.5x35 SS	1	1	
11	820620	FITTING 1 1/4" X 1" T	1	1	
12	2810628	SPACER M8	1	1	

From R-1453

Date:07/2024

PAGE:H9-1812-01

MODESTY PANEL L.H.

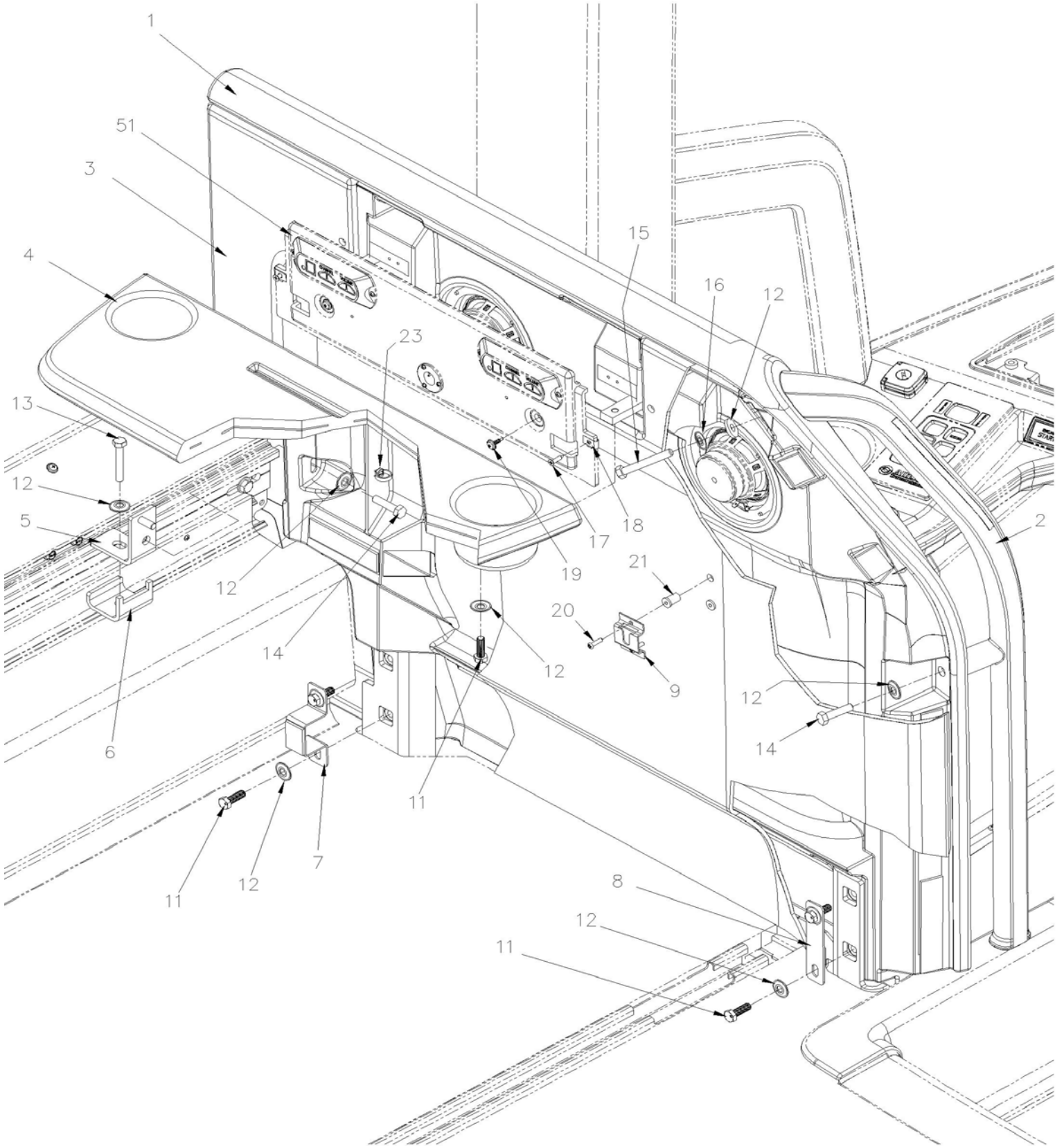


From R-1453

Date:07/2024

PAGE:H9-1812-01

MODESTY PANEL L.H.



From R-1453	Date:07/2024	PAGE:H9-1812-01
MODESTY PANEL L.H.		

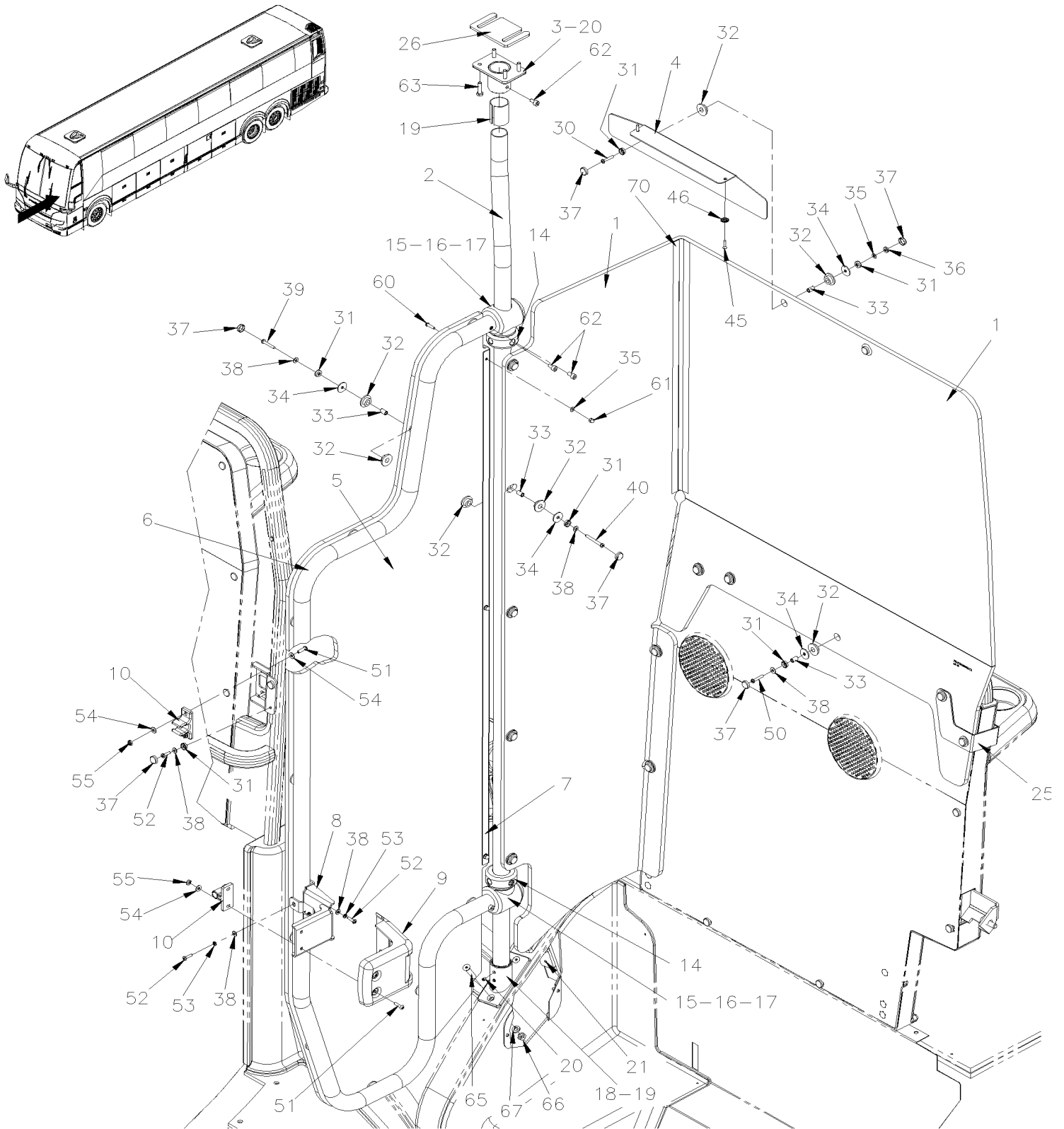
Item#	Part	Description	H 3 4 1	H 3 4 5	NOTES
1	3210799	LH PANEL INTEGRAL SKIN		1	
NS	505538	TAPE DUAL LOCK 1" x 50 YARD / BLACK SJ3551		AR	
NS	505547	TAPE DUAL LOCK 1/2" x 50YRD / BLACK SJ3551		AR	
NS	505538	TAPE DUAL LOCK 1" x 50 YARD / BLACK SJ3551		AR	
2	3210812	HANDRAIL DRIVER, MODESTY PANEL LEFT		1	
3	3210933	PANEL, REAR LEFT MODESTY PANEL		1	
NS	505547	TAPE DUAL LOCK 1/2" x 50YRD / BLACK SJ3551		AR	
NS	505547	TAPE DUAL LOCK 1/2" x 50YRD / BLACK SJ3551		AR	
NS	505538	TAPE DUAL LOCK 1" x 50 YARD / BLACK SJ3551		AR	
4	3210813	SHELF, MODESTY PANEL		1	
5	3211154	SUPPORT, LEFT MODESTY STRUCTURE		1	
6	3211155	CLAMP, LEFT MODESTY STRUCTURE		1	
7	3201657	PLATE, RETAINER		1	
NS	505538	TAPE DUAL LOCK 1" x 50 YARD / BLACK SJ3551		AR	
NS	506318	TAPE DUAL LOCK 1" x 150' / BLACK SJ3541		AR	
8	3211167	PLATE, RETAINER		1	
9	900859	BRACKET, MOUNTING / MICROPHONE		1	
11	5001745	SCREW CAP HEX M8-1.25x25 G8.8 N500		8	
12	5001699	WASHER BEL SPR 8.2x22x1.4 N500		12	
13	502927	SCREW CAP HEX M8-1.25x50 G8.8 N500		1	
14	502836	SCREW CAP HEX M8-1.25x35 G8.8 N500		2	
15	5001178	SCREW CAP HEX M8-1.25x60 SS BK		1	
16	500401	WASHER FL .343x.875x.125 N500		1	
17	500353	SCREW TP FL PH #8x3/4 BK		2	
18	5002071	NUT SPR U #8 .110-.187 BK		2	
19	5002083	SCREW DR SEMS FN OV PH #8X1 N050		2	
20	5001332	SCREW MA PAN PH M4-0.7x16 SS		2	
21	500589	NUT WELL M4-0.7x13.5		2	
23	504637	CABLE TIE / 3/16" x 13"		5	
23	509815	TIE MOUNT / ATTACHMENT W/TREE MOUNT		5	
31	364307	STOPPER, USSC DRIVER SEAT		1	
32	5001429	SCREW MA FL PH M4-0.7x25 BK		6	
33	5002031	WASHER FL 4.3X12X1 SS		6	
34	500539	NUT HEX NYRT M4-0.7 N500		6	
50	H9-2315-01	SOUND SYSTEM & ACCESSORIES W/HHD			
51	H9-2315-07	"USB" & "HDMI" & AUDIO/VIDEO CONTROL			

From K-0185 To P-1452

Date:07/2024

PAGE:H9-1813-00

DRIVER'S GATE



From K-0185 To P-1452	Date:07/2024	PAGE:H9-1813-00
DRIVER'S GATE		

Item#	Part	Description	H 3 4 1	H 3 4 5	N O T E S
	400064P	DRIVER PARTITION DOOR ASSY	1	1	
1	320948	PANEL PROTECTOR, DRIVERS	1	1	
2	320950	TUBE, DRIVERS PARTITION	1	1	
3	321273	BRACKET	1	1	
4	329586	BRACKET ANGLE TAN To K-0484	1	1	
4	320914	BRACKET ANGLE GREY From K-0485	1	1	
4	329586	BRACKET ANGLE TAN From K-0485	1	1	OP
5	400063	PANEL, DRIVER PARTITION DOOR	1	1	
6	400062	FRAME, DRIVER PARTITION DOOR	1	1	
7	400257	MOLDING, DRIVER PARTITION DOOR	1	1	
8	406189	BRACKET, DOOR LOCK	1	1	
9	406198	COVER, FINISHING, BRACKET DOOR LOCK	1	1	
10	504753	LATCH ASSY NYLON (2 PARTS) PLASTIC WHITE	1	1	
14	406601	STOPPER, DRIVER PARTITION DOOR	2	2	
NS	502634	SCREW SET HEXS CUP M6-1.0x6	AR	AR	
NS	680098	THREAD SEALANT LOCTITE #567 / WHITE / 250ml	AR	AR	
15	500431	SCREW MA TR PH #10-32X1/2 ZP	AR	AR	
16	406602	BUSHING, DOOR HINGE	2	2	
17	406595	HINGE , DRIVER PARTITION DOOR	2	2	
18	321287	PARTITION BRACKET	1	1	
NS	321133	TUBE FLANGE PAD	1	1	
19	329665	TUBE FLANGE 46.3 MM	2	2	
20	502634	SCREW SET HEXS CUP M6-1.0x6	AR	AR	
NS	680098	THREAD SEALANT LOCTITE #567 / WHITE / 250ml	AR	AR	
21	320952	TUBE BRACKET	1	1	
NS	5001681	SCREW CAP HEX M6-1.0x60 SS	2	2	
NS	502860	NUT HEX STO M6-1.0 N500	2	2	
25	320988	BRACKET	1	1	
NS	506466	TAPE RUB ADH1 CC POL 1/16" x 1 1/2" x 100 / GREY 2520	AR	AR	
26	321608	SPACER 3.175MM	1	1	
NS	321609	SPACER 4.76MM	1	1	
NS	340038	TAPE DUAL LOCK 2" x 110MM / BLACK SJ3551	AR	AR	
NS	505537	. TAPE DUAL LOCK 2" X 50 YARD / BLACK SJ3551	AR	AR	
30	5001317	SCREW MA PAN PH #8-32x1 SS	2	2	
31	504399	WASHER RETAINER SNAP CAP #10	AR	AR	
32	900251	BUSHING, RUBBER	AR	AR	
33	505539	SPACER 5/16 O.D. x 17/32" x 18GA	AR	AR	
34	500805	WASHER FL .218x.875x.062 N500	AR	AR	
35	500240	WASHER LO EXT .195x.410x.025 Z050	2	2	
36	500764	NUT HEX #8-32 Z050 To L-1000	2	2	
36	500501	NUT HEX CAP #8-32 SS From L-1001	2	2	
37	504400	SNAP CAP #10 FINISHING BLACK	AR	AR	

From K-0185 To P-1452	Date:07/2024	PAGE:H9-1813-00
-----------------------	--------------	-----------------

DRIVER'S GATE

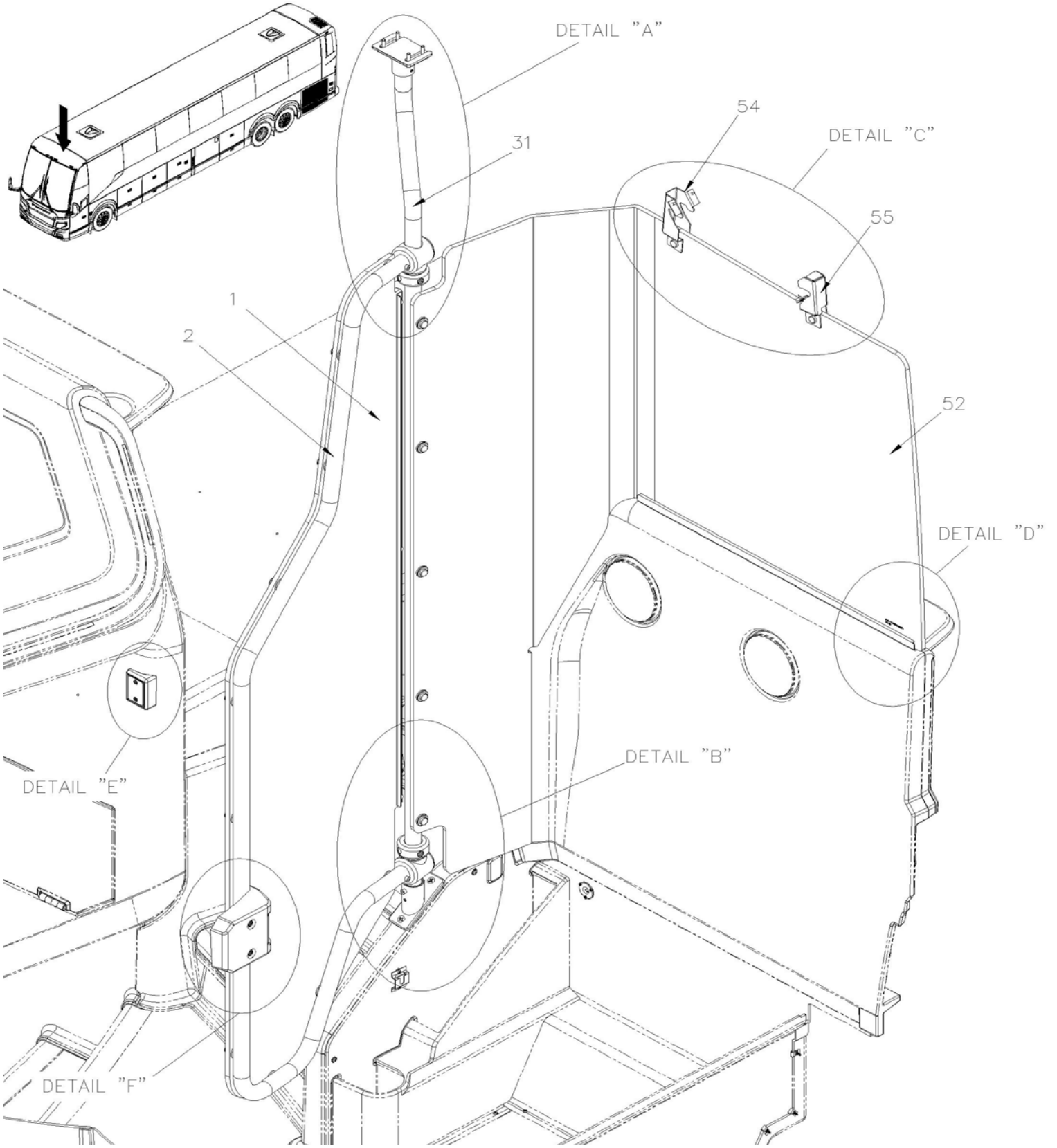
Item#	Part	Description	H 3 4 1	H 3 4 5	NOTES
38	500855	WASHER FL .188x.438x.049 N500	AR	AR	
39	500575	SCREW TP PAN PH #8x1 1/4	AR	AR	
40	500436	SCREW TP OV PH #10x2 Z050	5	5	
45	500626	SCREW TP OV PH #8x3/4 Z050	2	2	
46	500464	WASHER FN CKF .210x.540 SS	2	2	
50	500436	SCREW TP OV PH #10x2 Z050	7	7	
51	500387	SCREW MA RND PH #10-24x3/4 Z050	2	2	
52	500641	SCREW TP PAN PH #8x3/4 Z050	5	5	
53	500470	WASHER LO SPT .193x.334x.047 Z050	5	5	
54	500964	WASHER FL .203x.500x.047 Z050	4	4	
55	500767	NUT HEX #10-24 Z050	2	2	
60	5001305	SCREW MA RND PH #8-32X3/4 SS	3	3	
61	500501	NUT HEX CAP #8-32 SS	3	3	
62	5001783	SCREW CAP HEXS M6-1.0x12 SS	AR	AR	
NS	680038	THREAD LOCKER LOCTITE #243 / BLUE / 50ml	AR	AR	
63	5001315	SCREW CAP HEX 1/4-20x1 SS	4	4	
65	5001461	SCREW MA FL PH M8-1.25x40 SS	2	2	
66	5001852	NUT HEX M8-1.25 SS BK	2	2	
67	500035	WASHER LO SPT .317x.586x.078 SS	2	2	
70	329671	DECAL BLACK	1	1	
		OP) OPTIONAL			

From R-1453

Date:07/2024

PAGE:H9-1813-01

DRIVER'S GATE



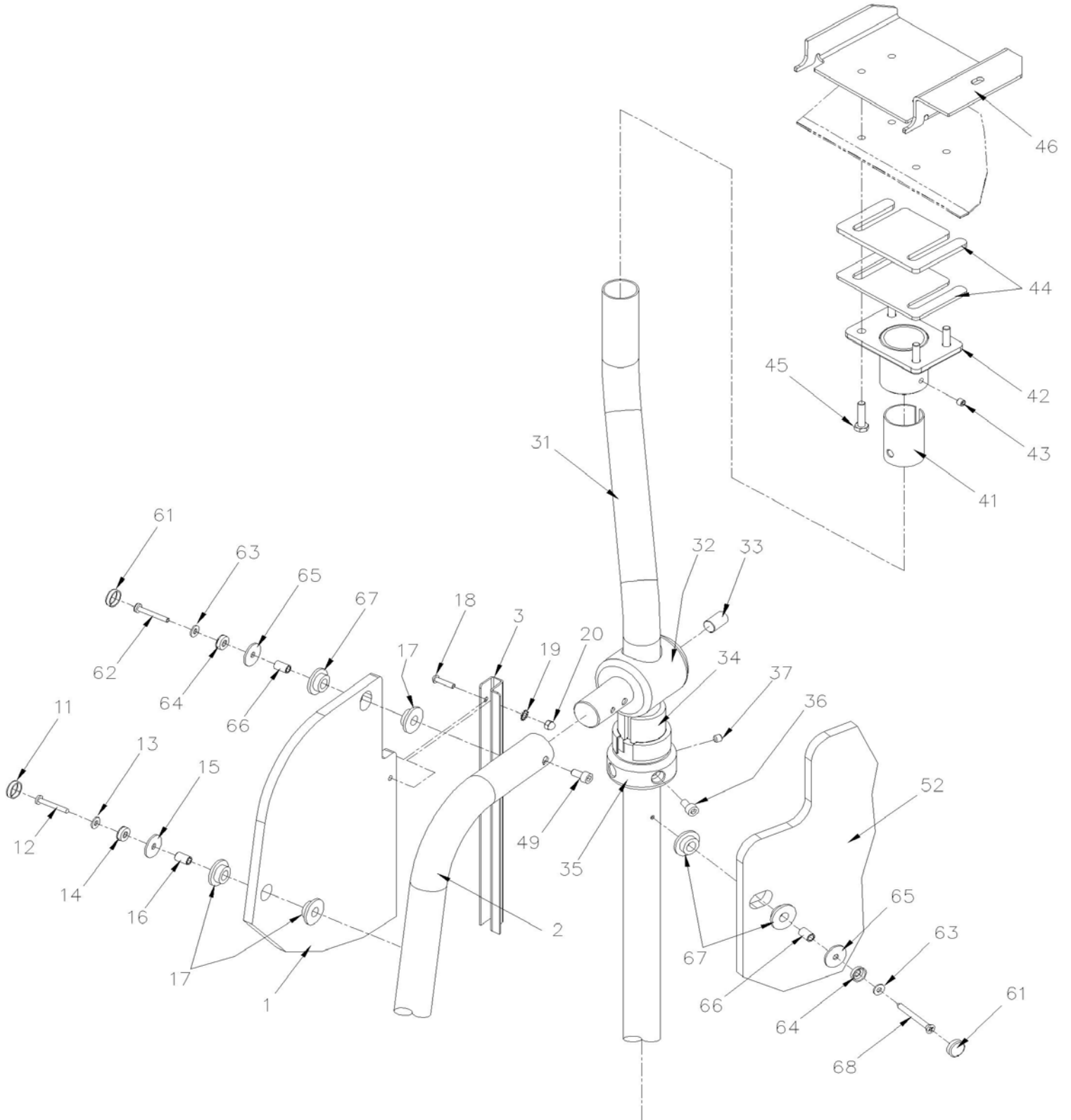
From R-1453

Date:07/2024

PAGE:H9-1813-01

DRIVER'S GATE

DETAIL "A"

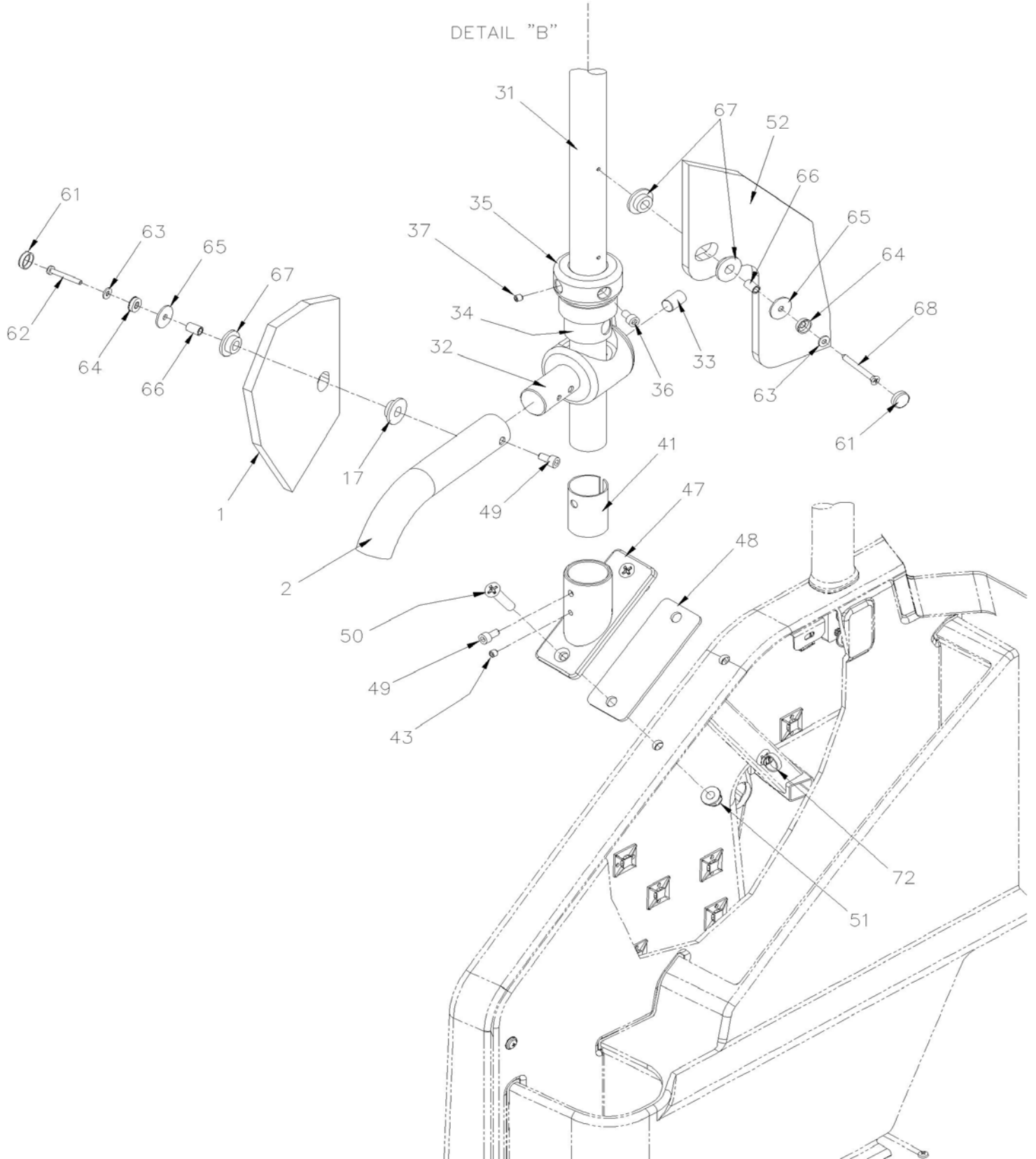


From R-1453

Date:07/2024

PAGE:H9-1813-01

DRIVER'S GATE

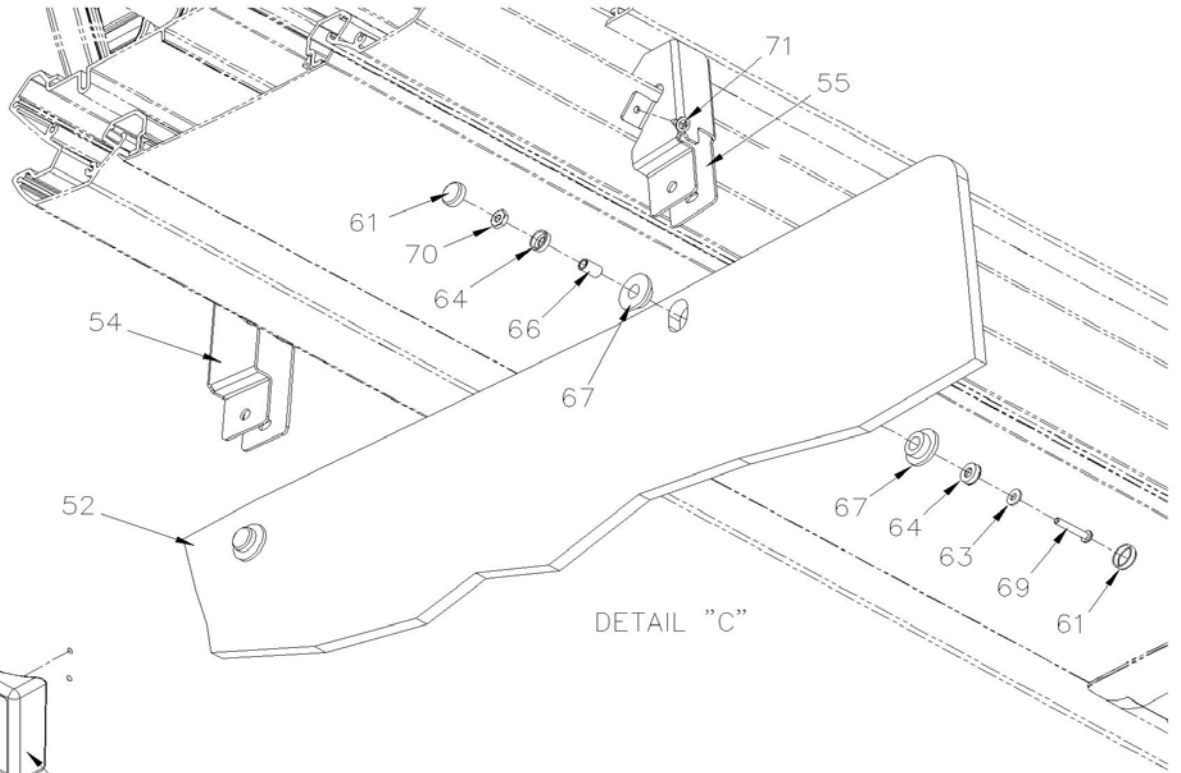


From R-1453

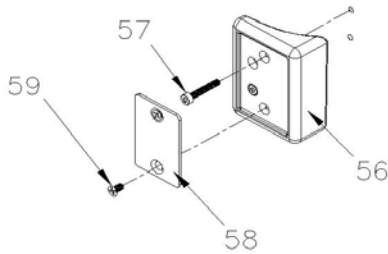
Date:07/2024

PAGE:H9-1813-01

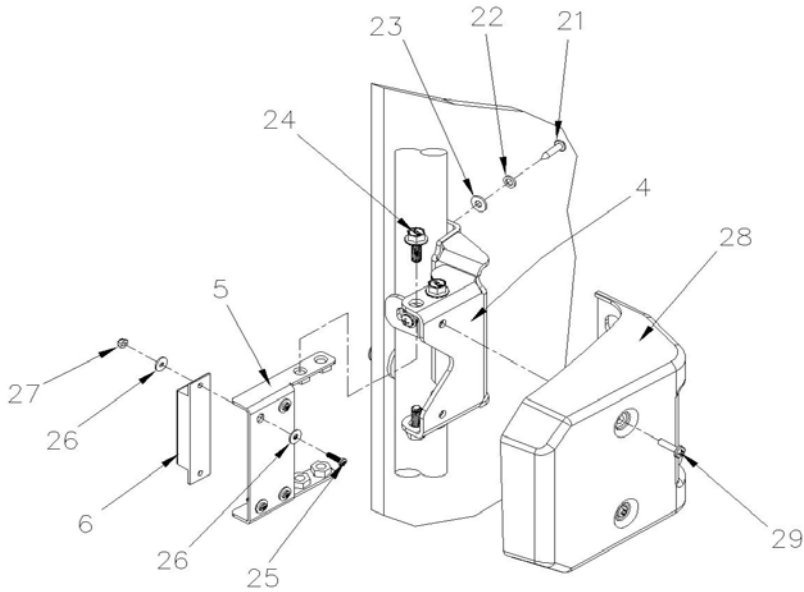
DRIVER'S GATE



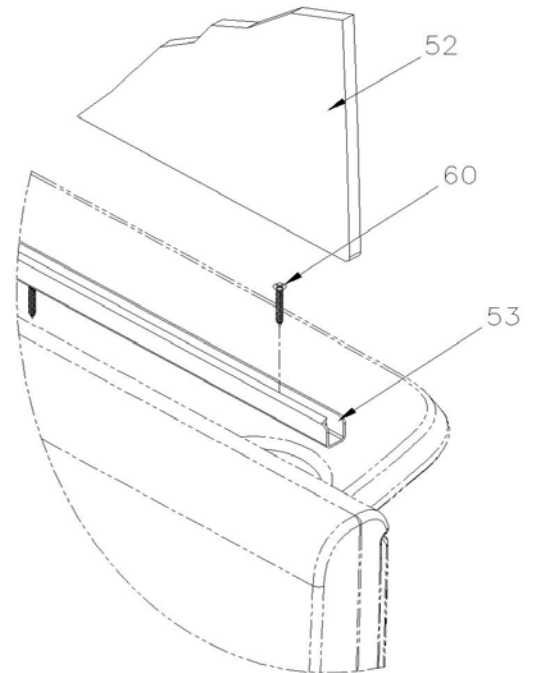
DETAIL "C"



DETAIL "E"



DETAIL "F"



DETAIL "D"

From R-1453	Date:07/2024	PAGE:H9-1813-01
DRIVER'S GATE		

Item#	Part	Description	H 3 4 1	H 3 4 5	N O T E S
1	402480	. PANEL, DRIVER PARTITION DOOR		1	
1	Call order desk	DOOR, DRIVER PARTITION ASSY		1	P
2	402479	. FRAME, DRIVER PARTITION DOOR		1	
3	403011	. MOLDING		1	
3	506225	. TAPE RUB ADH1 CC POL 1/16" x 1/4" x 100' / GREY 2520		AR	
4	402460	. BRACKET, MAGNETIC DOOR LOCK		1	
5	402478	. SUPPORT MAGNETS		1	
6	901889	. LATCH, MAGNETIC		2	
11	504400	. SNAP CAP #10 FINISHING BLACK		9	
12	500575	. SCREW TP PAN PH #8x1 1/4		9	
13	500855	. WASHER FL .188x.438x.049 N500		9	
14	504399	. WASHER RETAINER SNAP CAP #10		9	
15	500805	. WASHER FL .218x.875x.062 N500		9	
16	505539	. SPACER 5/16 O.D. x 17/32" x 18GA		9	
17	900251	. BUSHING, RUBBER		20	
18	5001305	. SCREW MA RND PH #8-32X3/4 SS		3	
19	500240	. WASHER LO EXT .195x.410x.025 Z050		3	
20	500501	. NUT HEX CAP #8-32 SS		3	
21	500641	. SCREW TP PAN PH #8x3/4 Z050		5	
22	500470	. WASHER LO SPT .193x.334x.047 Z050		5	
23	500855	. WASHER FL .188x.438x.049 N500		5	
24	5002027	. SCREW CAP HEXF AD M6-1.0x16 G10.9 N500		4	
25	5001399	. SCREW MA CHE PH M3-0.5x12 SS		4	
26	500157	. WASHER FL .125x.375x.032 SS		8	
27	5001408	. NUT HEX STO M3-0.5 ZP		4	
28	402481	COVER, FINISHING, BRACKET DOOR LOCK		1	
29	502698	SCREW MA PAN PH M4-0.7x16 SS BK		2	
31	3211643	. TUBE, DRIVERS KEEP		1	
31	Call order desk	POST, DRIVER PARTITION ASSY		1	P
32	406595	. HINGE , DRIVER PARTITION DOOR		2	
33	500341	. SCREW SET HEXS CUP M12-1.75x20		2	
34	406602	. BUSHING, DOOR HINGE		2	
35	406601	. STOPPER, DRIVER PARTITION DOOR		2	
36	5001783	. SCREW CAP HEXS M6-1.0x12 SS		3	
37	502634	. SCREW SET HEXS CUP M6-1.0x6		5	
NS	680038	. THREAD LOCKER LOCTITE #243 / BLUE / 50ml		AR	
41	3211701	TUBE FITTING		2	
42	3211703	BRACKET		1	
43	502634	SCREW SET HEXS CUP M6-1.0x6		3	
NS	680038	THREAD LOCKER LOCTITE #243 / BLUE / 50ml		AR	
44	321608	SPACER 3.175MM		1	
44	321609	SPACER 4.76MM		1	

From R-1453	Date:07/2024	PAGE:H9-1813-01
DRIVER'S GATE		

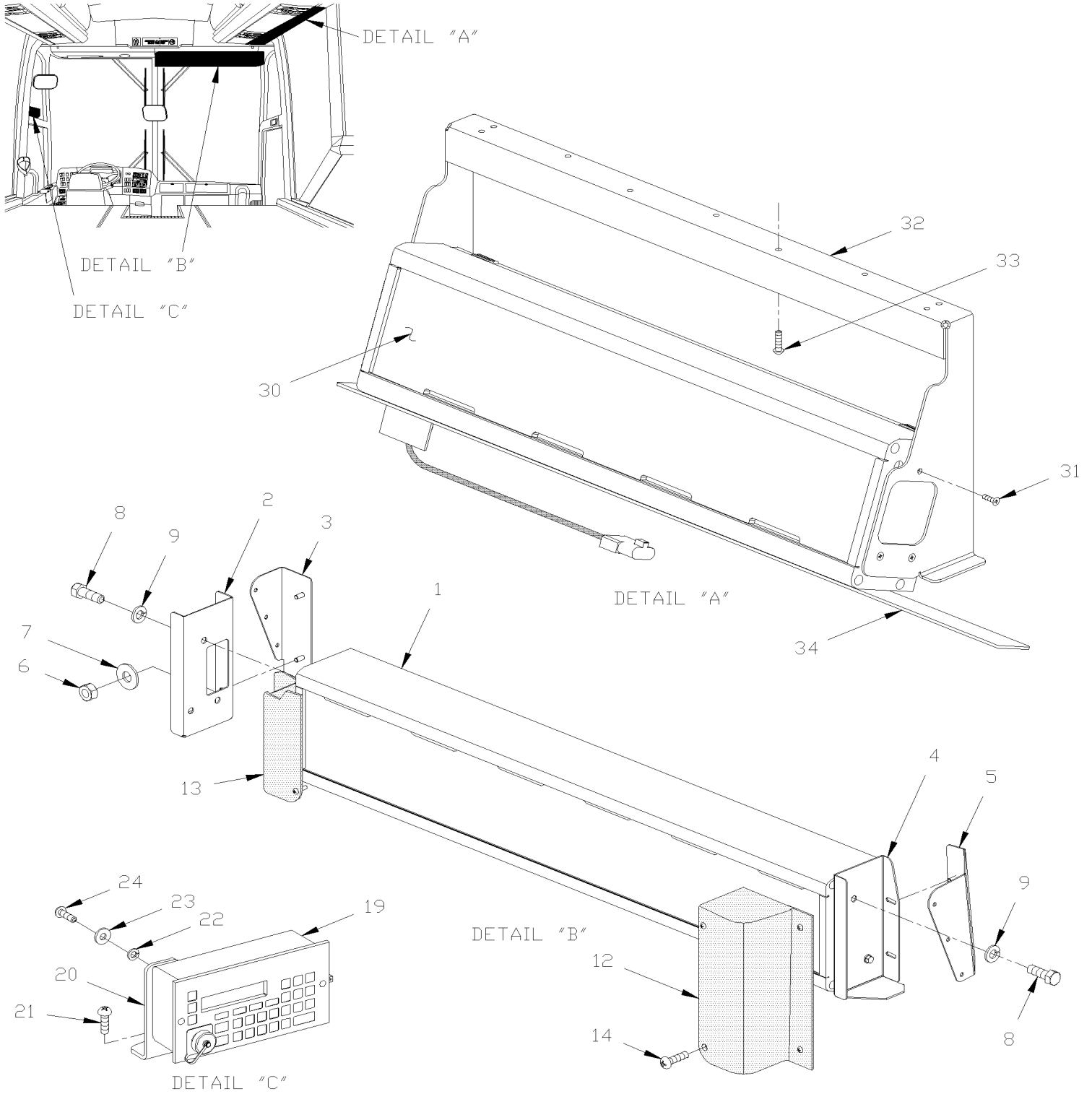
Item#	Part	Description	H 3 4 1	H 3 4 5	NOTES
45	5001315	SCREW CAP HEX 1/4-20x1 SS		4	
46	273591	SUPPORT, DRIVER PARTITION DOOR		1	
47	3211644	PARTITION BRACKET		1	
48	3211679	PAD		1	
49	5001783	SCREW CAP HEXS M6-1.0x12 SS		3	
NS	680038	THREAD LOCKER LOCTITE #243 / BLUE / 50ml		AR	
50	5001461	SCREW MA FL PH M8-1.25x40 SS		2	
51	5001931	NUT HEXF NYRT M8-1.25 G8.8 N500		2	
52	3211647	PROTECTOR, DRIVERS		1	
53	3211705	SUPPORT, BOTTOM		1	
NS	506158	RUB EX BLACK 1/4 X 3/8 X 1/2		AR	
54	3211704	SUPPORT, RIGHT		1	
55	3211700	SUPPORT, LEFT		1	
56	402601	PLATE SUPPORT, MAGNETIC DOOR LOCK		1	
57	5002211	SCREW CAP HEXS M4-0.7x25MM G12.9		2	
58	402633	PLATE, MAGNETIC DOOR LOCK		1	
59	500371	SCREW MA FL PH M4-0.7x8 N500		2	
60	502742	SCREW TP FL PH #8x1 1/4 SS410		4	
61	504400	SNAP CAP #10 FINISHING BLACK		11	
62	502643	SCREW MA PAN PH #8-32x1 1/4 Z050		2	
63	500855	WASHER FL .188x.438x.049 N500		9	
64	504399	WASHER RETAINER SNAP CAP #10		11	
65	500805	WASHER FL .218x.875x.062 N500		7	
66	505539	SPACER 5/16 O.D. x 17/32" x 18GA		9	
67	900251	BUSHING, RUBBER		16	
68	500436	SCREW TP OV PH #10x2 Z050		5	
69	5001317	SCREW MA PAN PH #8-32x1 SS		2	
70	500764	NUT HEX #8-32 Z050		2	
71	5002083	SCREW DR SEMS FN OV PH #8X1 N050		3	
72	509815	TIE MOUNT / ATTACHMENT W/TREE MOUNT		1	
72	504637	CABLE TIE / 3/16" x 13"		1	
		P) CALL ORDER DESK FOR SPECIFIC APPLICATION (V.I.N.)			

From K-0185 To P-1452

Date:07/2024

PAGE:H9-1814-01

DESTINATION SIGN - "BALIOS"



From K-0185 To P-1452	Date:07/2024	PAGE:H9-1814-01
DESTINATION SIGN - "BALIOS"		

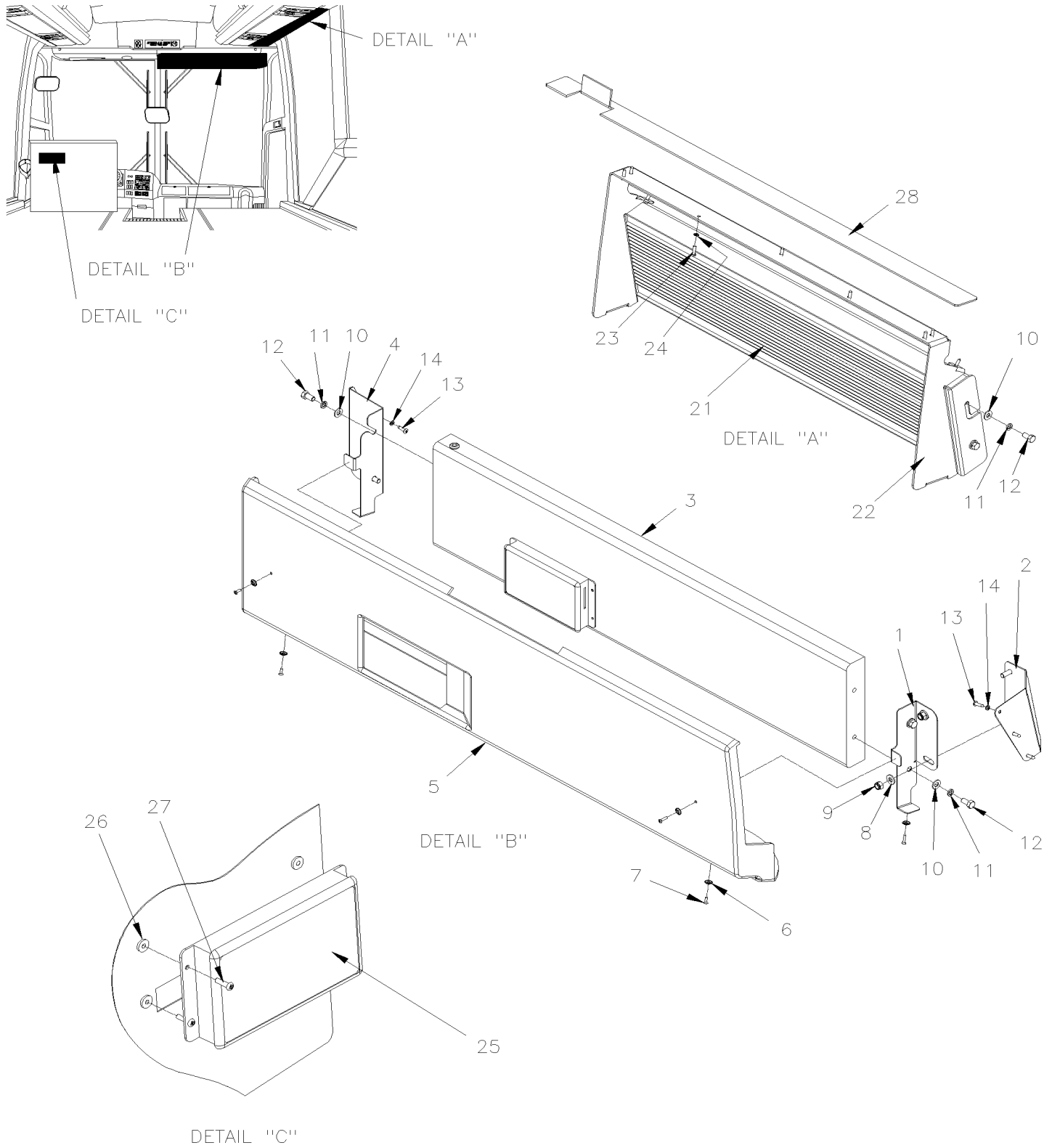
Item#	Part	Description	H 3 4 1	H 3 4 5	N O T E S
1	940067	DESTINATION SIGN / FRONT	1	1	
2	447293	SUPPORT FRONT DESTINATION SIGN	1	1	
3	447292	SUPPORT FRONT DESTINATION SIGN	1	1	
4	447295	SUPPORT FRONT DESTINATION SIGN	1	1	
5	447294	SUPPORT FRONT DESTINATION SIGN	1	1	
6	502511	NUT HEX NYRT M6-1.0 Z050	4	4	
7	500411	WASHER FL .260x.697x.050 SS	4	4	
8	500163	SCREW CAP HEX 1/4-20x3/4 G5 Z050	6	6	
9	500473	WASHER LO SPT .262x.489x.062 Z050	6	6	
12	447297	COVER DESTINATION SIGN RH	1	1	
13	447296	COVER DESTINATION SIGN LH	1	1	
14	500283	SCREW TC TR PH #10-24x3/4 SS	6	6	
19	940066	CONSOL CONTROL / DESTINATION SIGN	1	1	
20	447298	SUPPORT / CONSOL CONTROL	1	1	
21	500414	SCREW TP BDG PH #10x3/4 SS	3	3	
22	500148	SCREW MA RND PH #6-32x1/2 SS	4	4	
23	500581	WASHER LO SPT .141x.250x.031 SS	4	4	
24	502556	WASHER FL 4.3x9.0x0.8 SS	4	4	
NS	940069	CABLE / CONSOL CONTROL	1	1	
NS	940070	CABLE / SIDE SIGN	1	1	
30	940068	DESTINATION SIGN / SIDE	1	1	
31	500346	SCREW MA FL PH 1/4-20x1 SS BK	6	6	
32	447291	SUPPORT SIDE DESTINATION SIGN	1	1	
33	500658	SCREW TC PAN PH #10-24x3/4 Z050	9	9	
34	271737	SUPPORT SIDE DESTINATION SIGN	1	1	

From K-0185 To P-1452

Date:07/2024

PAGE:H9-1814-20

DESTINATION SIGN - "AESYS"

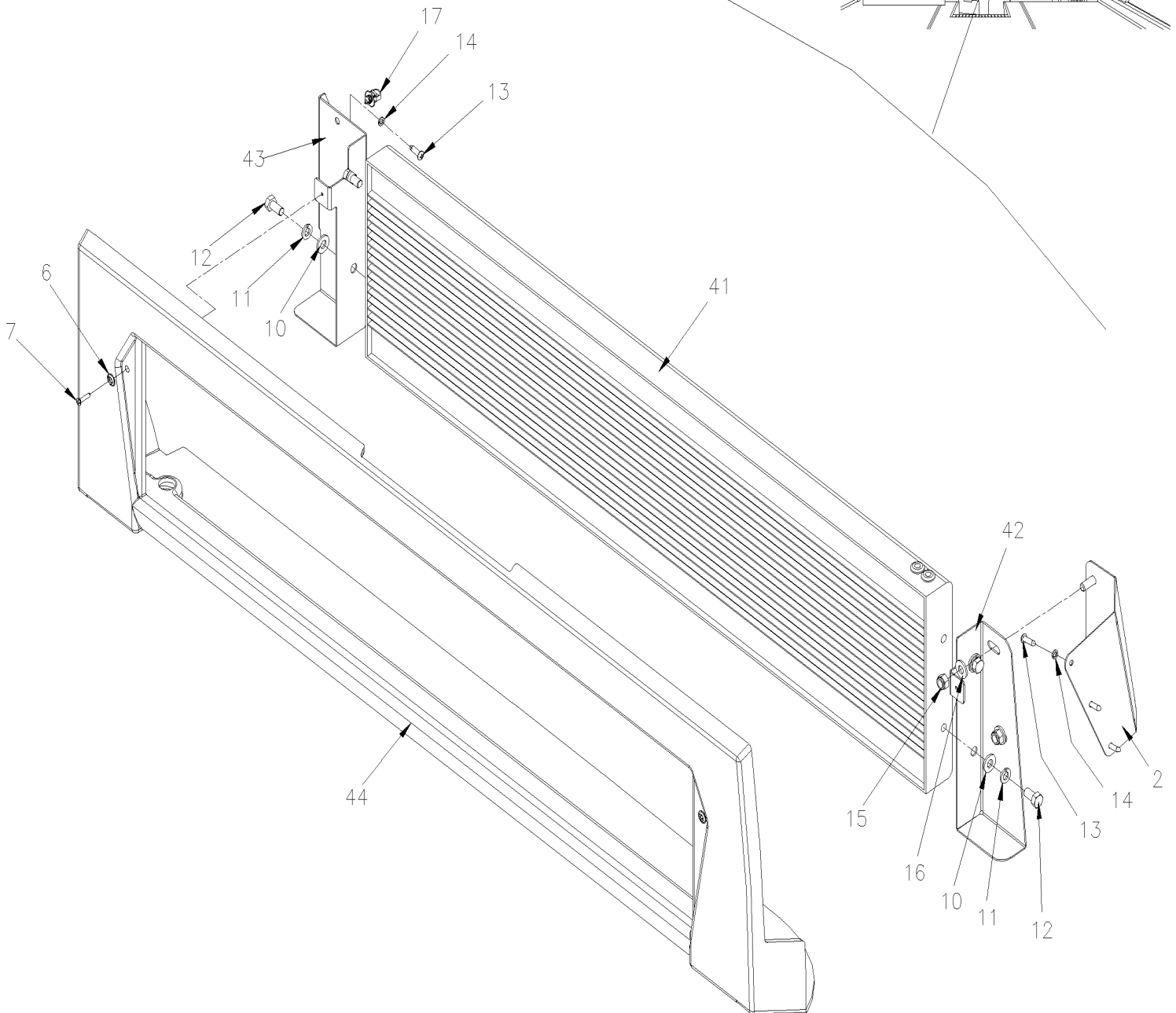
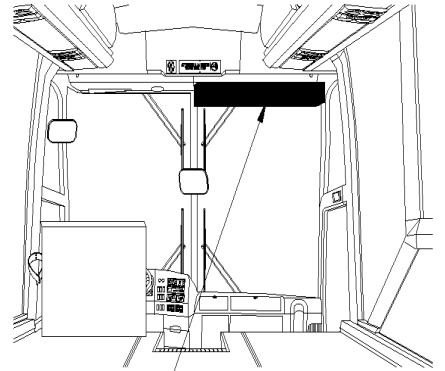


From K-0185 To P-1452

Date:07/2024

PAGE:H9-1814-20

DESTINATION SIGN - "AESYS"



From K-0185 To P-1452	Date:07/2024	PAGE:H9-1814-20
DESTINATION SIGN - "AESYS"		

Item#	Part	Description	H 3 4 1	H 3 4 5	N O T E S
1	440377	SUPPORT STREET SIDE	1	1	
2	440366	SUPPORT CURBSIDE To L-0826	1	1	
2	440030	SUPPORT CURBSIDE From L-0827	1	1	
3	940073	FRONT DESTINATION SIGN "AESYS" WITH ONE SIGN ONLY To L-0826	1	1	
3	940076	FRONT DESTINATION SIGN "AESYS" WITH TWO SIGN OR MORE To L-0826	1	1	
3	940012	FRONT DESTINATION SIGN "AESYS" From L-0827	1	1	
3	940134	FRONT DESTINATION SIGN "AESYS" WHITE LED W/EMERGENCY To L-0826	1	1	
3	940136	FRONT DESTINATION SIGN "AESYS" WHITE LED W/EMERGENCY From L-0827	1	1	
3	940164	FRONT DESTINATION SIGN "AESYS" WHITE LED W/O KEYBOARD From L-0959	1	1	SP
3	901568	CABLE ASSY, EMERGENCY W/SPLITTER / 25'	1	1	
4	440376	SUPPORT CURBSIDE	1	1	
5	447301	COVER / "AESYS" SIGN To L-0826	1	1	
5	440006	COVER / "AESYS" SIGN From L-0827	1	1	
NS	5061020	TAPE RUB ADH1 CC POL 1/32" x 1/2" x 50' / BLACK H1C-N	AR	AR	B
5	440460	COVER / "AESYS" SIGN /WHITE LED W/O KEYBOARD From L-0959	1	1	SP
6	500581	WASHER LO SPT .141x.250x.031 SS	4	4	
7	500576	SCREW TC PAN PH #6-32x1/2 Z050	4	4	
8	5001736	WASHER FL 8.4x18.0x2.0 N500	AR	AR	
9	502847	NUT HEX NYRT M8-1.25 N500	AR	AR	
10	192288	WASHER FL 8.4x18.0x2.0 ZG603	4	4	
11	502889	WASHER LO SPT 8.1x12.7x2.0 N500	4	4	
12	500820	SCREW CAP HEX M8-1.25x16 G10.9 N500	4	4	
13	500957	SCREW TP BDG PH #10x3/4 N500	6	6	
14	500914	WASHER LO SPT .193x.334x.047 N500	6	6	
15	502847	NUT HEX NYRT M8-1.25 N500	2	2	
16	5001736	WASHER FL 8.4x18.0x2.0 N500	2	2	
17	8631155	CABLE TIE / 4.6MM x 200 / CHRISTMAS TREE	2	2	
21	940087	SIDE DESTINATION SIGN "AESYS" To L-0822	1	1	
21	940140	SIDE DESTINATION SIGN "AESYS" From L-0823	1	1	
21	940192	SIDE DESTINATION SIGN "AESYS" / WHITE LED To L-0822	1	1	
21	940141	SIDE DESTINATION SIGN "AESYS" / WHITE LED From L-0823	1	1	
22	440379	SUPPORT SIDE DESTINATION SIGN To L-0822	1	1	
22	440126	SUPPORT SIDE DESTINATION SIGN From L-0823	1	1	
23	500923	SCREW TC CAP HEX 1/4-20x3/4 Z050	9	9	
NS	440383	DEFLECTOR SIDE DESTINATION SIGN BLACK PAINTED	1	1	
23	500581	WASHER LO SPT .141x.250x.031 SS	4	4	
23	500576	SCREW TC PAN PH #6-32x1/2 Z050	4	4	
24	500914	WASHER LO SPT .193x.334x.047 N500	9	9	
25	940102	CONSOL CONTROL / DESTINATION SIGN To L-0822	1	1	
25	940137	KEYBOARD CONTROLER "AESYS" From L-0823	1	1	
26	500589	NUT WELL M4-0.7x13.5	4	4	
27	502698	SCREW MA PAN PH M4-0.7x16 SS BK To L-0822	4	4	

From K-0185 To P-1452	Date:07/2024	PAGE:H9-1814-20
DESTINATION SIGN - "AESYS"		

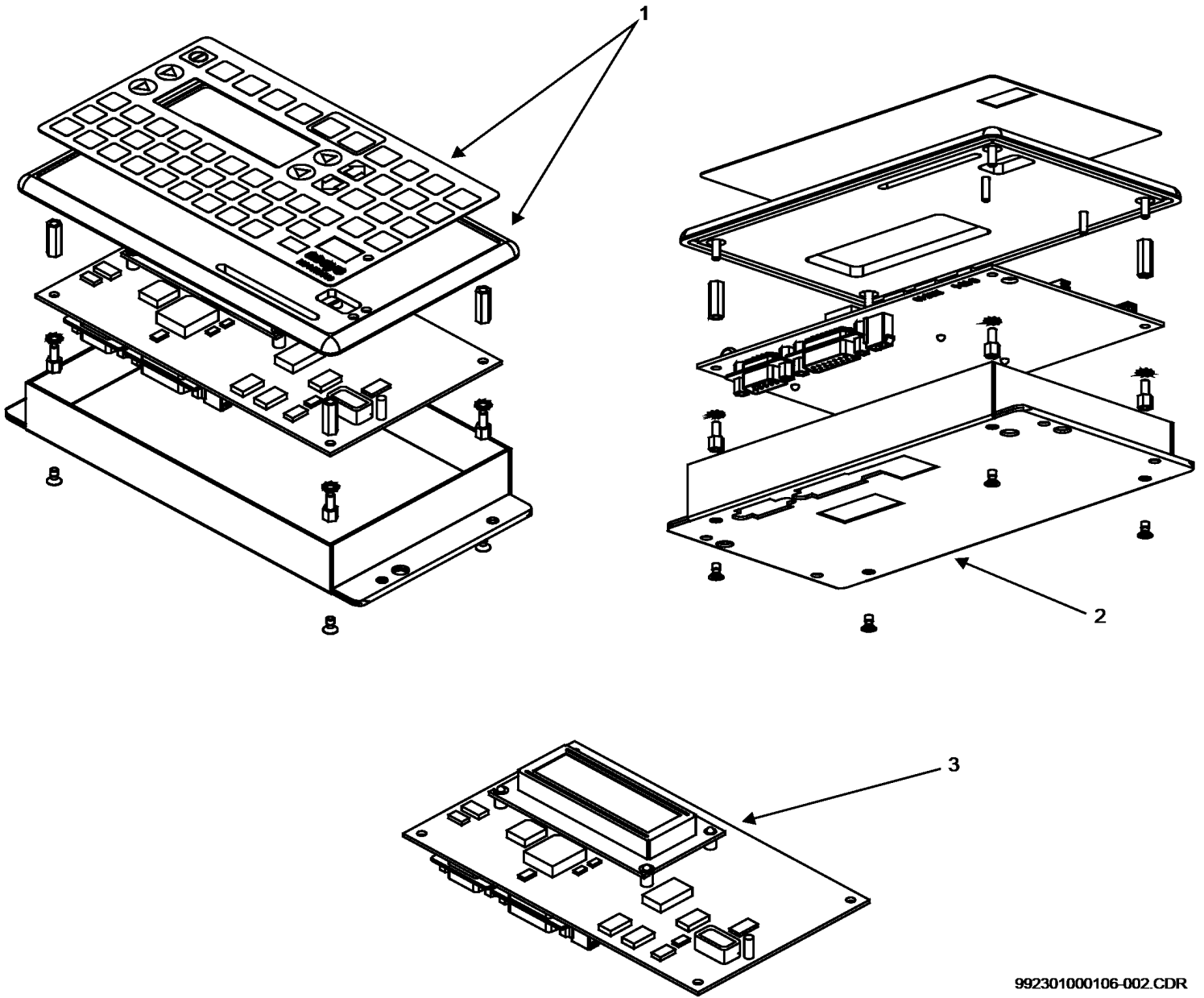
Item#	Part	Description	H 3 4 1	H 3 4 5	NOTES
27	5001411	SCREW MA FL PH M4-0.7x20 BK From L-0823	4	4	
28	271737	SUPPORT SIDE DESTINATION SIGN	1	1	A
NS	068099	CABLE ASSY W/FRONT DESTINATION W/CONTROL ON WALL From L-0823	1	1	
NS	069940	HARNESS SIGNS INTERCONNECTION To L-0822	1	1	
NS	068100	CABLE ASSY W/SIDE DESTINATION ONLY To L-0822	1	1	
NS	069941	HARNESS. DESIN. SIGNS FRONT TO SIDE From L-0823	1	1	
NS	504637	CABLE TIE / 3/16" x 13"	AR	AR	
NS	940078	KIT PROGRAMMATION "AESYS" DESTINATION SIGN	AR	AR	
NS	940157	. PORT SMART MEDIA CARD HOLDER KIT	1	1	
41	940101	FRONT DESTINATION SIGN "AESYS" W/O CONTROL	1	1	C
42	440428	SUPPORT STREET SIDE	1	1	C
43	440427	SUPPORT CURBSIDE	1	1	C
44	440429	COVER / "AESYS" SIGN	1	1	C
		A) FIXED UNDER PARCEL RACK			
		B) INSIDE OF PANEL ITEM #5			
		C) USE WITH INSIDE DESTINATION SIGN / OPTION RED ARROW			
		SP) SPECIAL, CUSTOMER ADAPTATION			

From K-0185 To P-1452

Date:07/2024

PAGE:940102

CONSOL CONTROL / DESTINATION SIGN



From K-0185 To P-1452	Date:07/2024	PAGE:940102
-----------------------	--------------	-------------

CONSOL CONTROL / DESTINATION SIGN

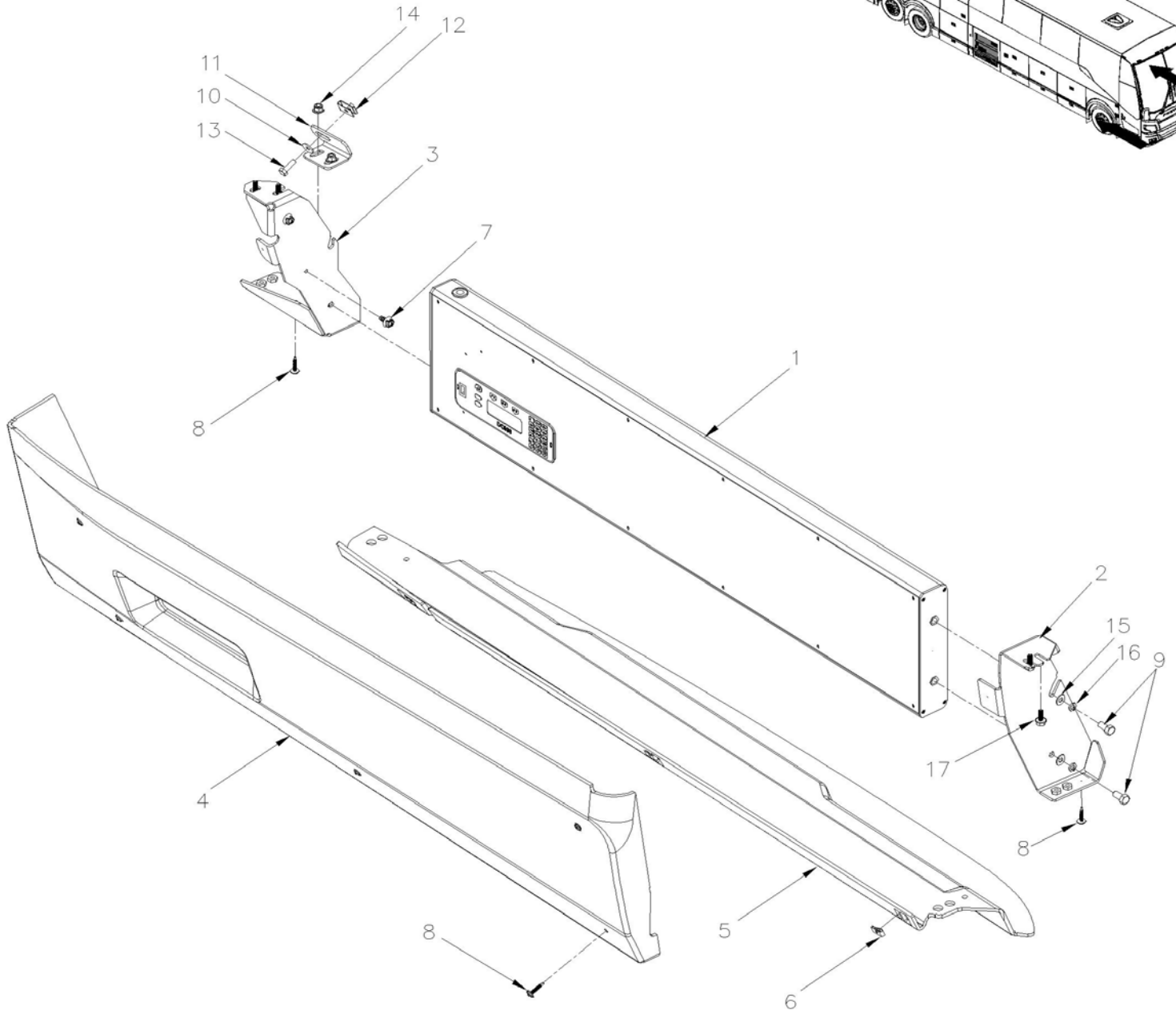
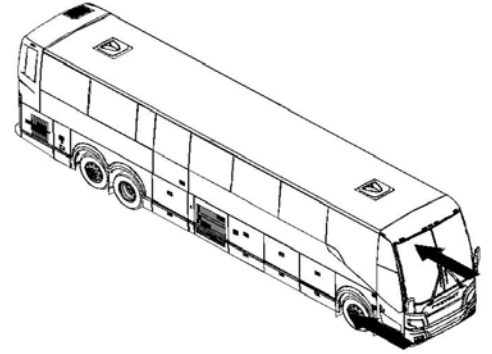
Item#	Part	Description	H 3 4 1	H 3 4 5	N O T E S
1	940176	KEYBOARD MEMBRANE KC640 USB	1	1	
1	Call order desk	FRONT PANEL GPS KC640 USB	1	1	P
2	Call order desk	MAIN HOUSING	1	1	P
3	Call order desk	PRINTED CIRCUIT BOARD FOR KC640/KC640 J1708	1	1	P
		P) CALL ORDER DESK FOR SPECIFIC APPLICATION (V.I.N.)			

From R-1453

Date:07/2024

PAGE:H9-1814-21

DESTINATION SIGN - "AESYS"

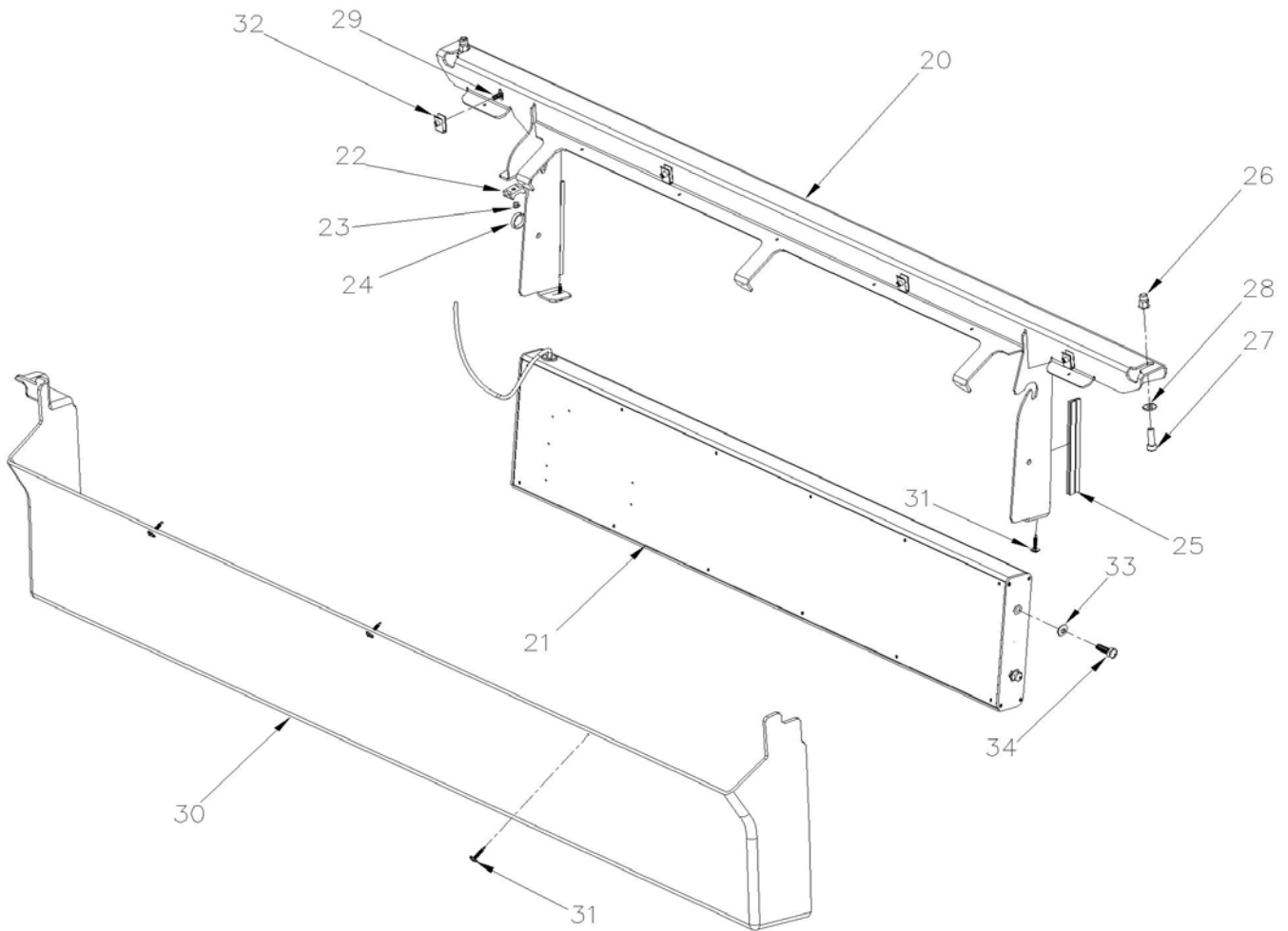
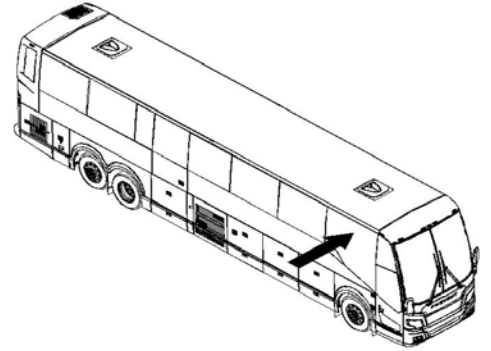


From R-1453

Date:07/2024

PAGE:H9-1814-21

DESTINATION SIGN - "AESYS"

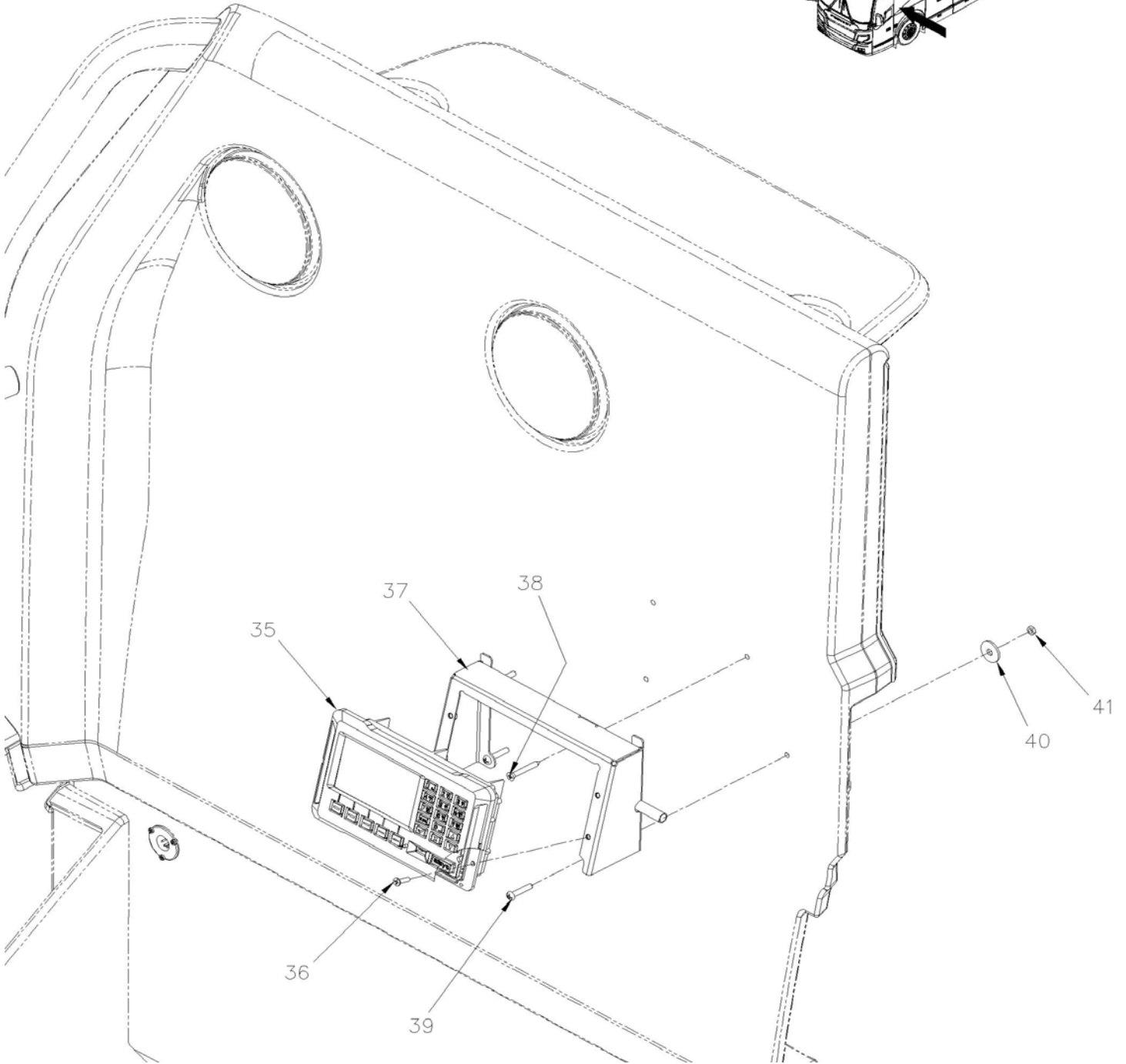
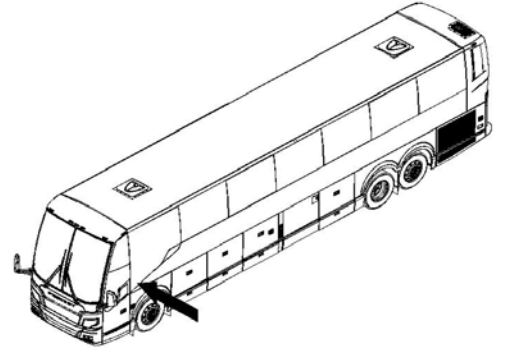


From R-1453

Date:07/2024

PAGE:H9-1814-21

DESTINATION SIGN - "AESYS"



From R-1453		Date:07/2024	PAGE:H9-1814-21
DESTINATION SIGN - "AESYS"			

Item#	Part	Description	H 3 4 1	H 3 4 5	N O T E S
1	940012	FRONT DESTINATION SIGN "AESYS"		1	
2	440466	BRACKET, LH, FRONT SIGN		1	
3	440465	BRACKET, RH, FRONT SIGN		1	
4	440469	COVER / "AESYS" SIGN		1	
5	440468	COVER DEST. SIGN H		1	
6	5002071	NUT SPR U #8 .110-.187 BK		3	
7	509815	TIE MOUNT / ATTACHMENT W/TREE MOUNT		2	
8	5002083	SCREW DR SEMS FN OV PH #8X1 N050		7	
9	502790	SCREW CAP HEX M8-1.25x20 G8.8 Z050		4	
10	5001833	WASHER BEL SPR 6.1x18x1.27 SS		1	
11	440434	AJUSTING BRACKET		1	
12	5001965	NUT SPR U M6-1.0 0.6-4.0 N500		1	
13	502830	SCREW CAP HEX M6-1.0x20 G8.8 N500		1	
14	5001932	NUT HEXF NYRT M6-1.0 G8.8 N500		2	
15	5001736	WASHER FL 8.4x18.0x2.0 N500		4	
16	500942	WASHER LO SPT 8.1x14.8x2.0 N500		4	
17	5002027	SCREW CAP HEXF AD M6-1.0x16 G10.9 N500		4	
20	440001	BRACKET ASSY SIDE SIGN "AESYS"		1	
21	940018	SIDE DESTINATION SIGN "AESYS"		1	
22	504013	TIE MOUNT / 1/4" X 1/4" I.D.		1	
23	504379	RIVET POP DOME OE 3/16x1/4 SS		1	
24	504637	CABLE TIE / 3/16" x 13"		1	
25	440145	RUBBER EXTRUSION TRIM SEAL 145MM		2	
. NS	506302	. RUBBER EXTRUSION TRIM SEAL / GRIP .024 / 7/16" HOLLOW BULB C.T.L.		AR	
26	5001337	NUT INS FL HEX M8-1.25 0.5-3.0 Z050		2	
27	5001775	SCREW CAP HEXS M8-1.25x25 G8.8 G500		2	
28	5001868	WASHER BEL SPR 8.4x18x2 SS		2	
29	5002027	SCREW CAP HEXF AD M6-1.0x16 G10.9 N500		4	
30	341427	COVER SIDE DESTINATION SIGN		1	
31	5002083	SCREW DR SEMS FN OV PH #8X1 N050		5	
32	5001965	NUT SPR U M6-1.0 0.6-4.0 N500		4	
33	5001868	WASHER BEL SPR 8.4x18x2 SS		4	
34	5001745	SCREW CAP HEX M8-1.25x25 G8.8 N500		4	
35	940137	KEYBOARD CONTROLER "AESYS"		1	A
NS	069940	HARNESS SIGNS INTERCONNECTION		1	A
NS	562387	CONVOLUTED TUBING / SLIT / BLACK / .250"		AR	A
36	5001414	SCREW MA FL PH M4-0.7x16 BK		4	A
37	440093	SUPPORT / CONSOL CONTROL		1	A
38	500939	SCREW TP OV PH #10x1 1/2 ZP		1	A
39	500388	SCREW MA RND PH #10-24x1 Z050		3	A

From R-1453	Date:07/2024	PAGE:H9-1814-21
-------------	--------------	-----------------

DESTINATION SIGN - "AESYS"

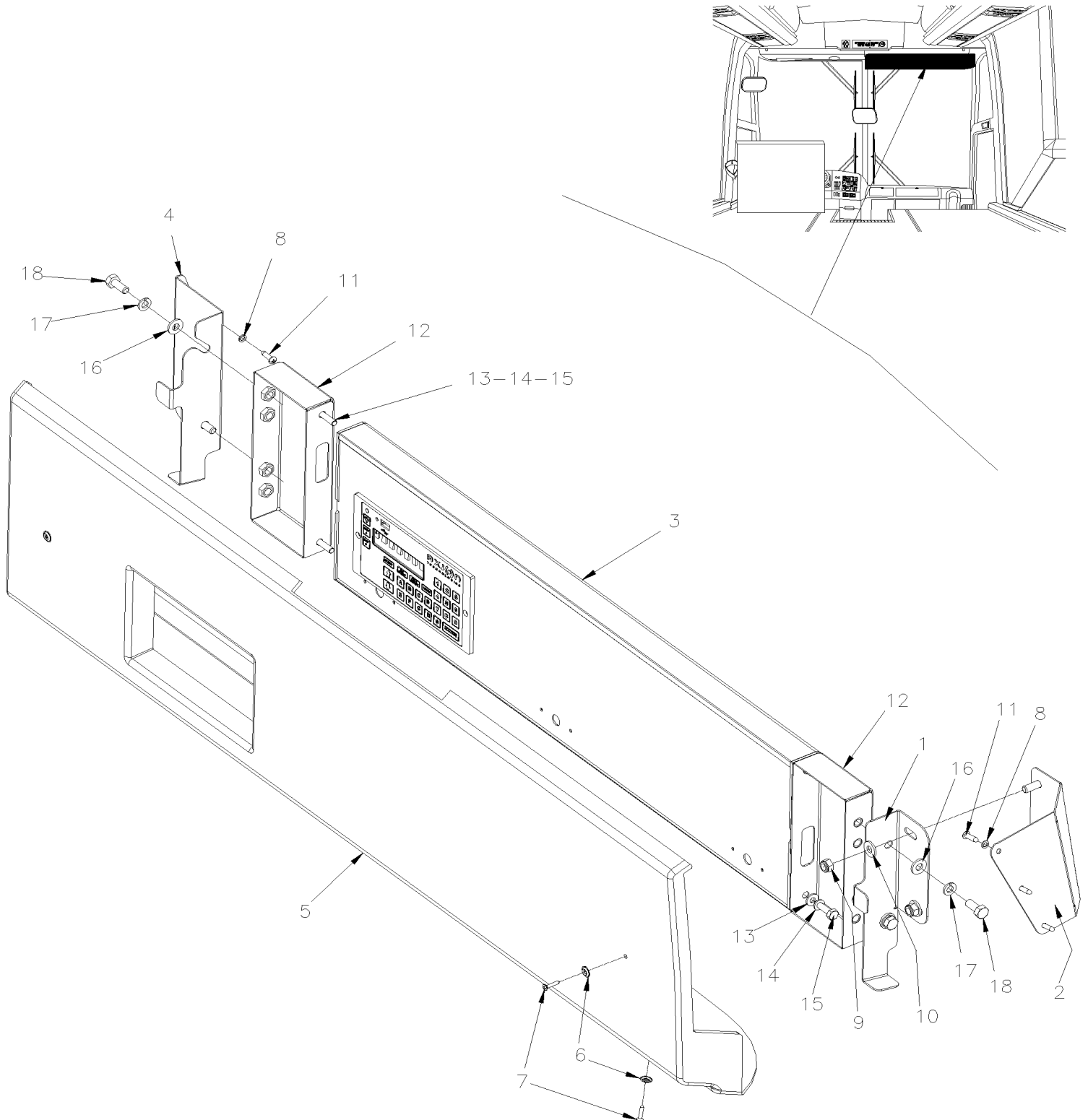
Item#	Part	Description	H 3 4 1	H 3 4 5	N O T E S
40	500142	WASHER FL 6.6x22.0x2.0 SS		3	A
41	5001180	NUT HEX NYRT #10-24 SS		3	A
		A) WITH DESTINATION SIGN KEYBOARD ON DRIVER'S MODESTY PANEL			

From K-0185 To P-1452

Date:07/2024

PAGE:H9-1814-30

DESTINATION SIGN - "AXION"



From K-0185 To P-1452	Date:07/2024	PAGE:H9-1814-30
DESTINATION SIGN - "AXION"		

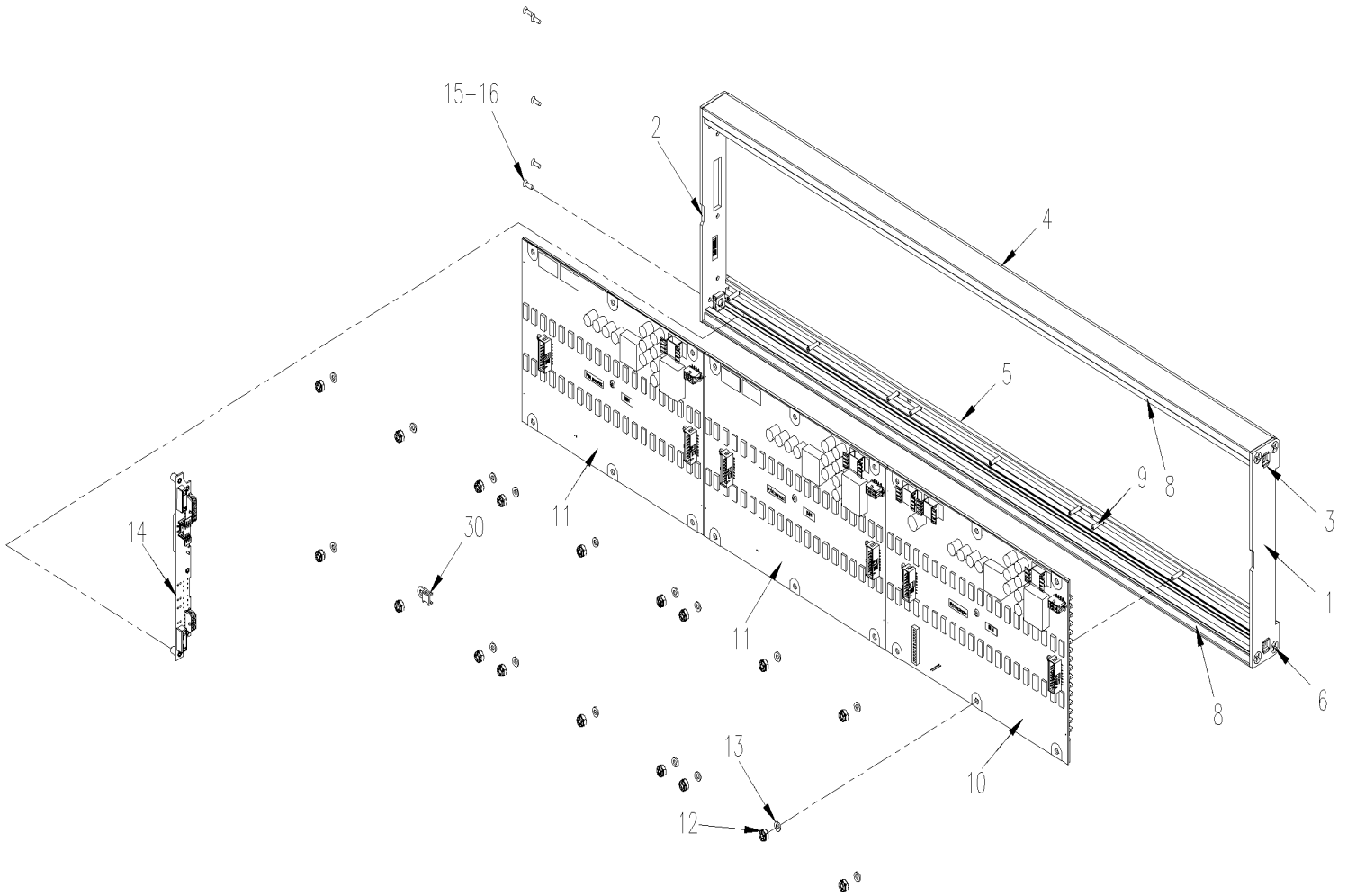
Item#	Part	Description	H 3 4 1	H 3 4 5	NOTES
1	440377	SUPPORT STREET SIDE	1	1	
2	440366	SUPPORT CURBSIDE	1	1	
3	940103	FRONT DESTINATION SIGN "AXION" 7.66"x30.28"	1	1	
4	440376	SUPPORT CURBSIDE	1	1	
5	446165	COVER / "AXION" SIGN	1	1	
6	500463	WASHER FN CKF .187x.500x.090 BR Z050	4	4	
7	500552	SCREW TP OV PH #6x3/4 Z050	4	4	
8	500914	WASHER LO SPT .193x.334x.047 N500	6	6	
9	502847	NUT HEX NYRT M8-1.25 N500	2	2	
10	5001736	WASHER FL 8.4x18.0x2.0 N500	2	2	
11	500957	SCREW TP BDG PH #10x3/4 N500	6	6	
12	446166	EXTENSION, SIGN "AXION"	2	2	
13	500877	WASHER FL .250x.562x.065 N500	4	4	
14	5001749	WASHER LO SPT 6.5x11.5x1.6 N500	4	4	
15	500171	SCREW CAP HEX 1/4-20x1 G5 N500	4	4	
16	5001736	WASHER FL 8.4x18.0x2.0 N500	4	4	
17	500942	WASHER LO SPT 8.1x14.8x2.0 N500	4	4	
18	502862	SCREW CAP HEX M8-1.25x20 G8.8 N500	4	4	

From K-0185 To P-1452

Date:07/2024

PAGE:940103

FRONT DESTINATION SIGN "AXION" 7.66"x30.28"

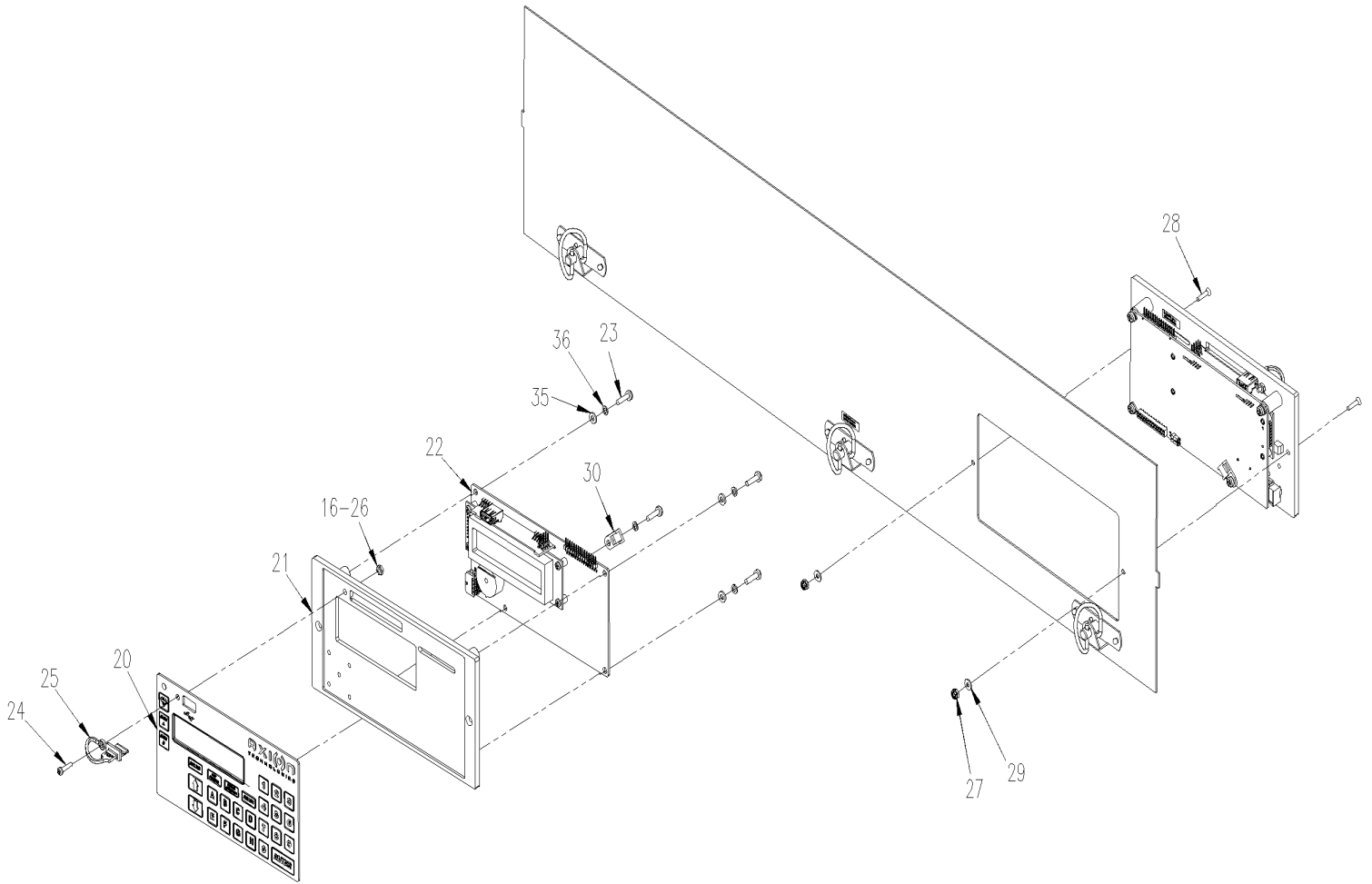


From K-0185 To P-1452

Date:07/2024

PAGE:940103

FRONT DESTINATION SIGN "AXION" 7.66"x30.28"

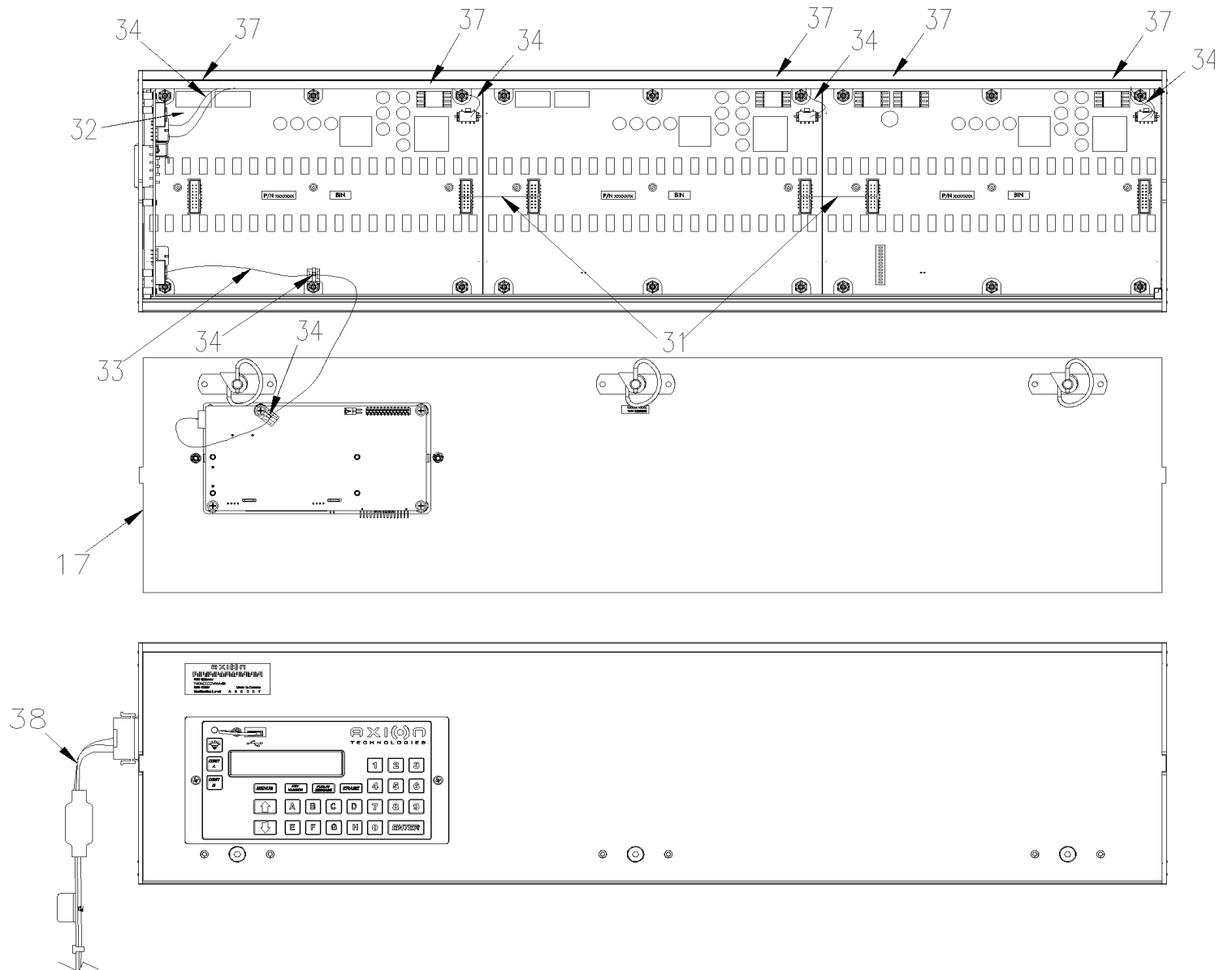


From K-0185 To P-1452

Date:07/2024

PAGE:940103

FRONT DESTINATION SIGN "AXION" 7.66"x30.28"



From K-0185 To P-1452	Date:07/2024	PAGE:940103
FRONT DESTINATION SIGN "AXION" 7.66"x30.28"		

Item#	Part	Description	H 3 4 1	H 3 4 5	NOTES
	941083	CASING ASS	1	1	A
1	941027	SIDE PLATE LH 5"	1	1	
2	941087	SIDE PLATE RH 5"	1	1	
3	N.S.S.	NUT RETAINERS 1/4-20 ZP	4	4	1
4	941088	FRONT UPPER CASING 16x120	1	1	
5	941089	FRONT LOWER CASING 16x120	1	1	
6	N.S.S.	SCREW MA FL PH 10 1-1/4 ZP	8	8	1
8	N.S.S.	GASKET NEOPRENE 1/4x1/16 EP.	AR	AR	1
9	941067	STUD 16x40	6	6	
10	941085	LED-DRIVER-PS-CPU BOARD	1	1	
11	941086	LED-DRIVER-PS BOARD	2	2	
12	Call order desk	NUT HEX NYRT #6-32 ZP	18	18	P
13	Call order desk	WASHER FL #6x5/16x3/64 NYL	17	17	P
14	941072	JUNCTION CARD 9-36V	1	1	
15	Call order desk	SCREW MA FL PH #4-40x3/8 ZP	5	5	P
16	9985283	THREAD LOCKER LOCTITE #242 / BLUE / 250ml	AR	AR	
17	941028	REAR PANEL FRONT DISPLAY 16x120	1	1	
18	941053	LATCH SPRING .063-.375	3	3	
19	N.S.S.	RIVET POP DOME CLE 1/8x1/16-1/8	6	6	1
20	941024	KEYBOARD CONSOLE USB	1	1	
21	941041	FRONT PLATE CONSOLE	1	1	
22	941071	CARD CONSOLE	1	1	
23	Call order desk	SCREW MA FL PH #6-32x1/2 ZP	4	4	P
24	Call order desk	SCREW MA FL PH #4-40x1/2 ZP	1	1	P
25	941048	DUST CAP TYPE A	1	1	
26	Call order desk	NUT HEX #4-40 ZP	1	1	P
27	Call order desk	NUT HEX JAM NYRT #4-40 ZP	2	2	P
28	Call order desk	SCREW MA PAN PH #4-40x1/2 SS	2	2	P
29	Call order desk	WASHER FL #4x.313x.031 ZP	2	2	P
30	Call order desk	CABLE HOLD TIE SCR NYL 3/8	2	2	P
31	941079	CABLE PLAT DRV-DRV 4"	2	2	
32	941077	CABLE FRONT DISPLAY 16x120	1	1	
33	941078	CABLE FRONT CONSOLE	1	1	
34	941056	TIE MOUNT 3.9 BLACK	6	6	
35	Call order desk	WASHER FL #6x5/16x3/64 NYL	3	3	P
36	Call order desk	WASHER LO SPT #6	4	4	P
37	Call order desk	TIE MOUNT 5/16 NYL WHITE	5	5	P
38	941074	CABLE POWER SUPPLY 12"	1	1	
		A) INCLUDE 1,2,3,4,5,6,7,8,9,17,18 & 19			

From K-0185 To P-1452	Date:07/2024	PAGE:940103
FRONT DESTINATION SIGN "AXION" 7.66"x30.28"		

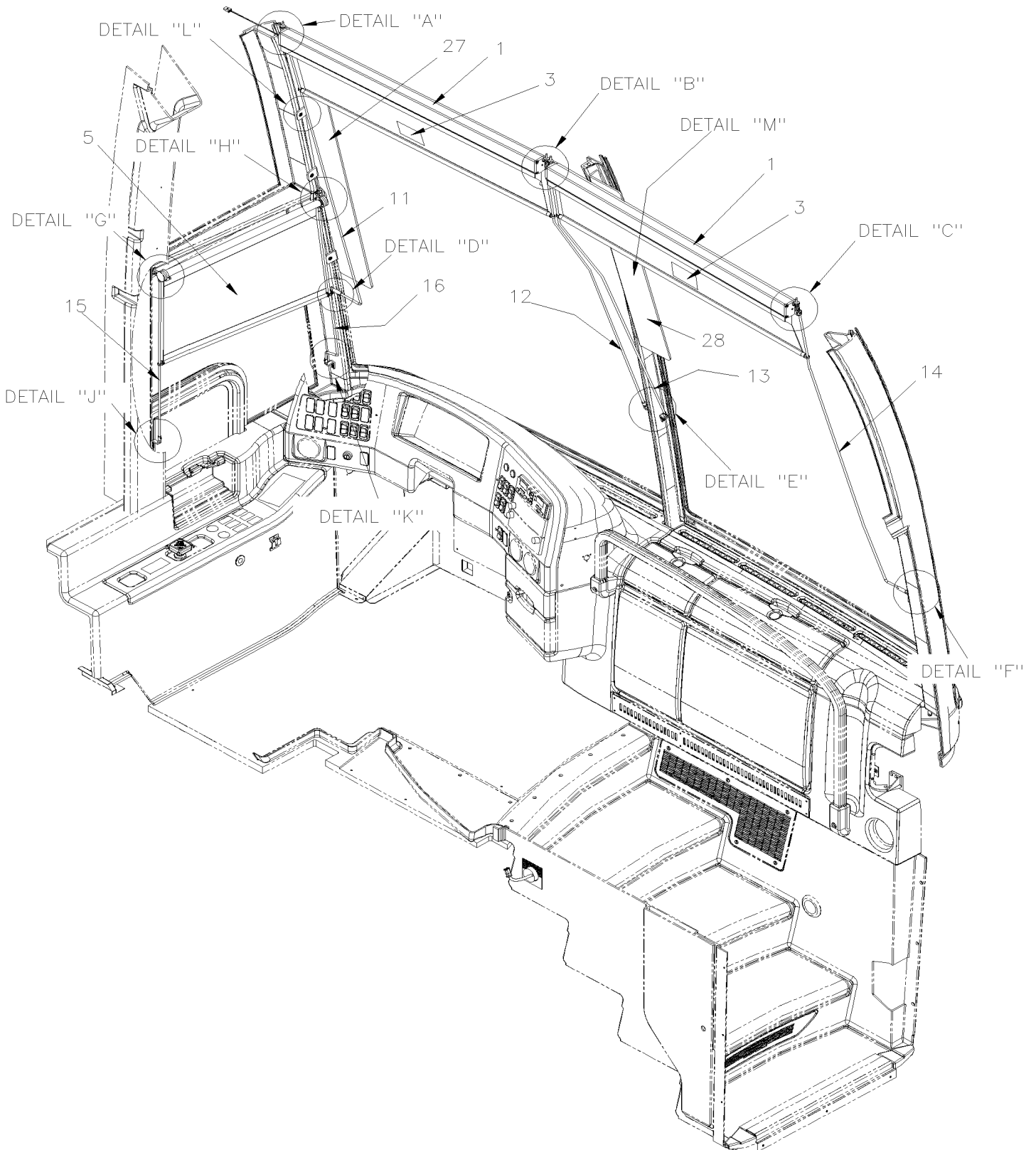
Item#	Part	Description	H 3 4 1	H 3 4 5	N O T E S
		1) NOT SOLD SEPARATELY			
		P) CALL ORDER DESK FOR SPECIFIC APPLICATION (V.I.N.)			

From K-0185 To P-1452

Date:07/2024

PAGE:H9-1816-00

ROLLER BLIND - DRIVER'S & WINDSHIELD

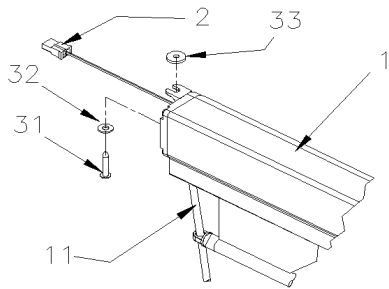


From K-0185 To P-1452

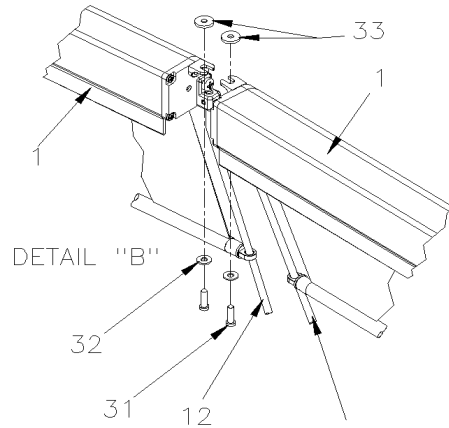
Date:07/2024

PAGE:H9-1816-00

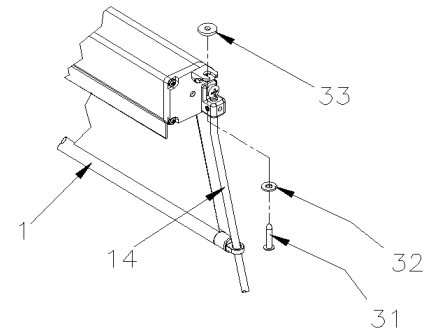
ROLLER BLIND - DRIVER' S & WINDSHIELD



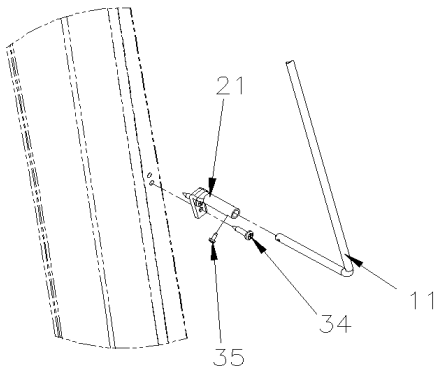
DETAIL "A"



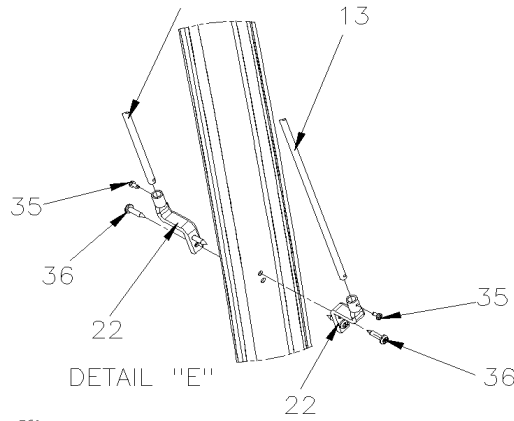
DETAIL "B"



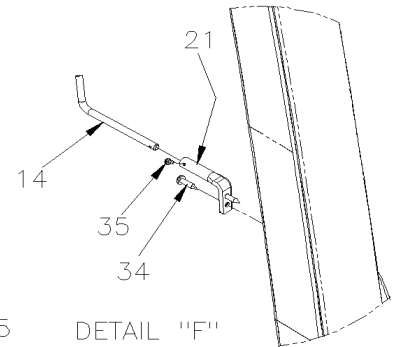
DETAIL "C"



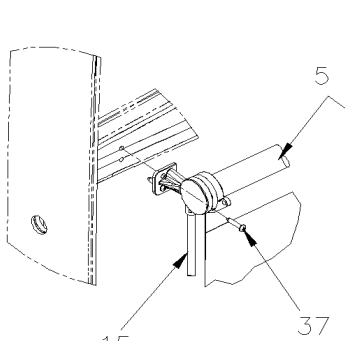
DETAIL "D"



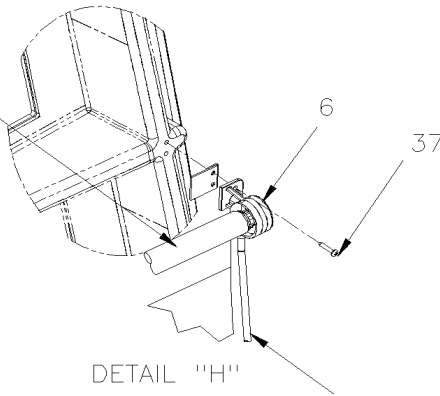
DETAIL "E"



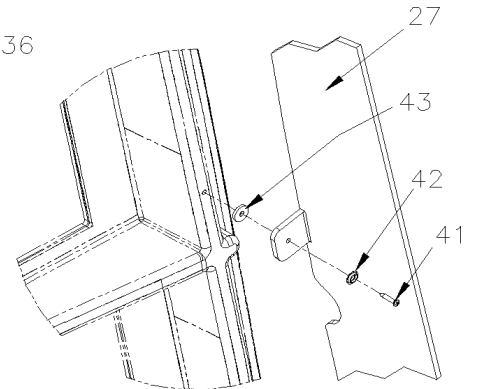
DETAIL "F"



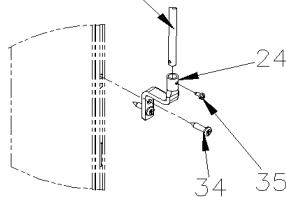
DETAIL "G"



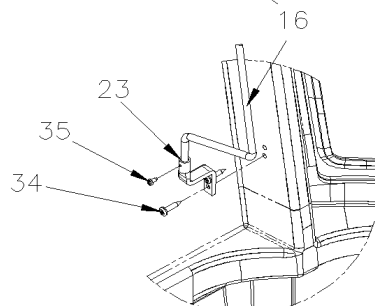
DETAIL "H"



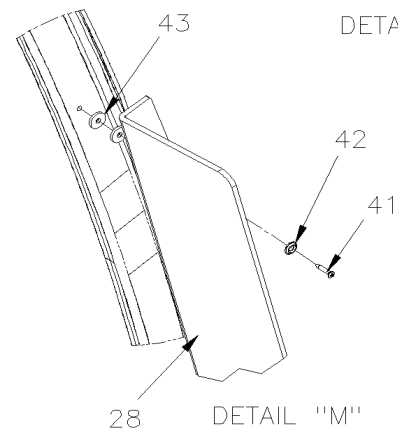
DETAIL "L"



DETAIL "J"



DETAIL "K"



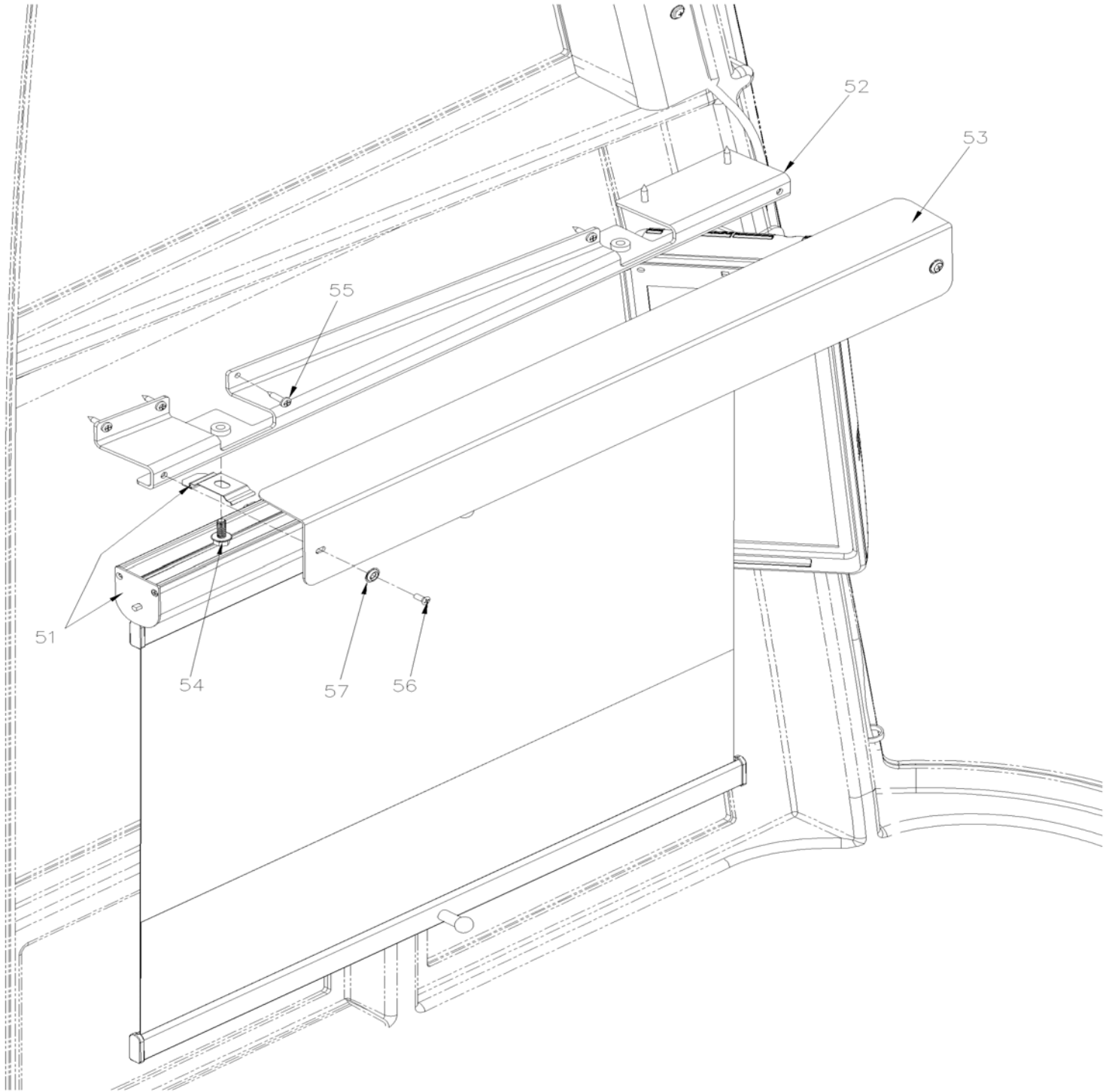
DETAIL "M"

From K-0185 To P-1452

Date:07/2024

PAGE:H9-1816-00

ROLLER BLIND - DRIVER' S & WINDSHIELD



From K-0185 To P-1452	Date:07/2024	PAGE:H9-1816-00
ROLLER BLIND - DRIVER' S & WINDSHIELD		

Item#	Part	Description	H 3 4 1	H 3 4 5	N O T E S
1	900043	ROLLER BLIND ASSY / ELECTRIC	2	2	
2	560898	CONNECTOR / COM. MATE-N-LOCK / SH 2C / AMP 1-480318-0	1	1	
2	560854	SOCKET TERMINAL / 24-18 / AMP 60617-1	2	2	
3	402952	. DECAL	1	1	
NS	562169	DIODE / 1AMP	AR	AR	
5	901374	BLIND ROLLER / CHARCOAL / 593MM	1	1	
. NS	5001999	. SCREW SET HEXS CUP M4-0.7x5	2	2	
. NS	901562	. BRACKET W/O SHAFT & RATCHED LEVER	1	1	
. NS	901560	. BRACKET W/SHAFT & RATCHED LEVER	1	1	
6	900478	BEARING HOLDER / R.H. / BLACK CASTING	1	1	
NS	900591	BLIND MATERIAL TISSUS / 1000MM WIDE / C.T.L.	AR	AR	
11	404618	ROD GUIDE / L.H.	1	1	
12	407510	ROD GUIDE /	1	1	
13	407510	ROD GUIDE /	1	1	
13	406688	ROD GUIDE / L.H. / W/ELECTRONIC	1	1	A
14	440328	ROD GUIDE / R.H.	1	1	
14	406689	ROD GUIDE / R.H. / W/ELECTRONIC	1	1	A
14	440461	GUIDE RH SUN VISOR W/EMIRROR	1	1	C
14	401531	BRACKET, HOOK SUN-SHADE "E-MIRROR"	1	1	C
14	401059	ROD HOLDER / BLACK / STEEL "L" SHAPE / 2 HOLES	1	1	C
NS	5001091	SCREW TC PAN PH #4-40x1/4 BK	1	1	C
14	5001155	SCREW TP PAN PH #8X3/4 N050	4	4	C
15	402689	ROD REAR 625MM	1	1	
16	402671	ROD FRONT 695MMM X 96MM	1	1	
21	401059	ROD HOLDER / BLACK / STEEL "L" SHAPE / 2 HOLES	2	2	
22	401060	ROD HOLDER / BLACK / PLASTIC "S" SHAPE / 2 HOLES	2	2	
23	401060	ROD HOLDER / BLACK / PLASTIC "S" SHAPE / 2 HOLES	1	1	
24	401060	ROD HOLDER / BLACK / PLASTIC "S" SHAPE / 2 HOLES	1	1	
27	328382	PLEXIGLASS TINTED L.H. STREET SIDE / 1100MM	1	1	
27	320635	PLEXIGLASS TINTED L.H. STREET SIDE / 719MM	1	1	B
28	3210129	PLEXIGLASS TINTED CENTRAL / 784 MM	1	1	O
31	500879	SCREW TP PAN PH #10x1 Z050	AR	AR	
32	500964	WASHER FL .203x.500x.047 Z050	AR	AR	
33	500950	WASHER FL .187x.625x.094 RUB	AR	AR	
34	5001155	SCREW TP PAN PH #8X3/4 N050	AR	AR	
35	5001091	SCREW TC PAN PH #4-40x1/4 BK	6	6	
36	500409	SCREW TP PAN PH #8x1/2 BK	4	4	
37	500814	SCREW TP BDG PH #6x3/4 BK	4	4	

From K-0185 To P-1452	Date:07/2024	PAGE:H9-1816-00
ROLLER BLIND - DRIVER' S & WINDSHIELD		

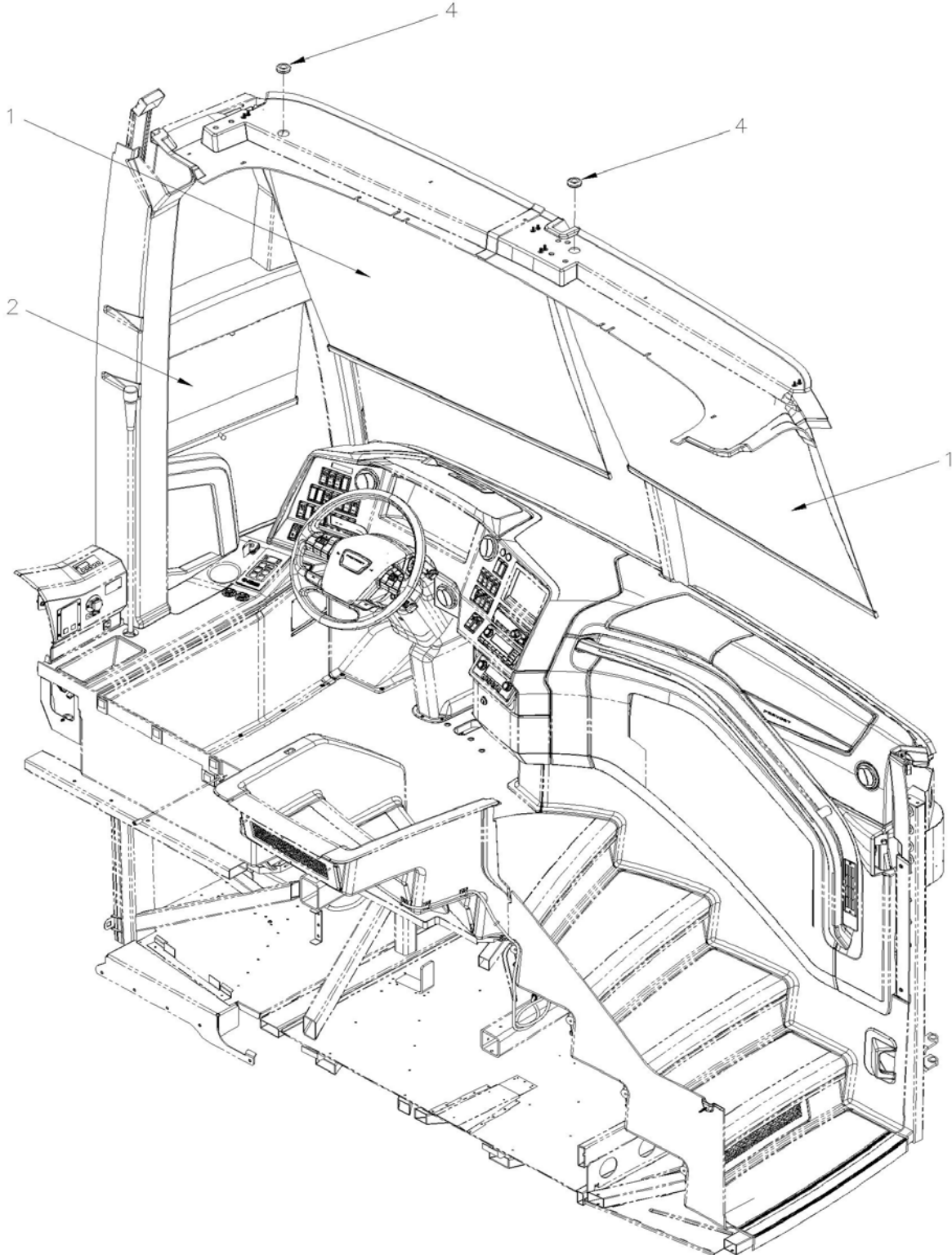
Item#	Part	Description	H 3 4 1	H 3 4 5	N O T E S
41	500333	SCREW TP OV PH #6x3/4 BK	3	3	
42	500345	WASHER FN CKF .187x.500x.090 BR BK	3	3	
43	500950	WASHER FL .187x.625x.094 RUB	AR	AR	
51	901574	ROLLER BLIND / DRIVER / MANUAL / 22"	1	1	C
. NS	901838	. SUPPORT, SUN BLIND	2	2	C
52	402129	BRACKET, DRIVER SUN SHADE EMIRROR	1	1	C
53	402130	TRIM, DRIVER SUN SHADE EMIRROR	1	1	C
54	5002027	SCREW CAP HEXF AD M6-1.0x16 G10.9 N500	2	2	C
55	5001155	SCREW TP PAN PH #8X3/4 N050	6	6	C
56	502725	SCREW MA OV PH M4-0.7x10 SS EMN	2	2	C
57	500463	WASHER FN CKF .187x.500x.090 BR Z050	2	2	C
		A) USE WITH INSIDE SIGN WITH RED ARROW OPTION			
		B) USE WITH BACK-UP MONITOR			
		C) USE WITH E-MIRROR			
		O) SPECIAL OPTION			

From R-1453

Date:07/2024

PAGE:H9-1816-01

ROLLER BLIND - DRIVER' S & WINDSHIELD

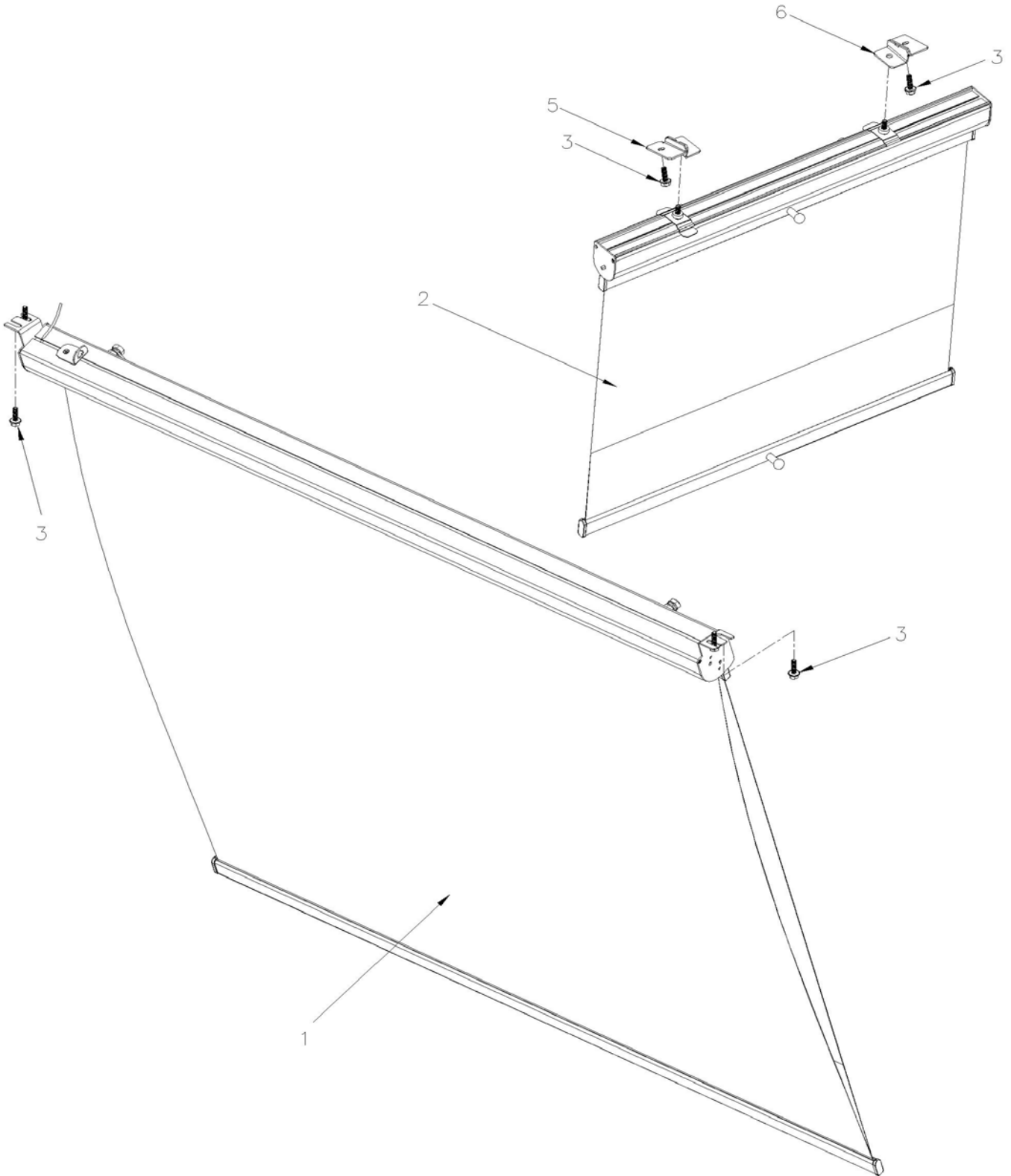


From R-1453

Date:07/2024

PAGE:H9-1816-01

ROLLER BLIND - DRIVER' S & WINDSHIELD



From R-1453	Date:07/2024	PAGE:H9-1816-01
ROLLER BLIND - DRIVER' S & WINDSHIELD		

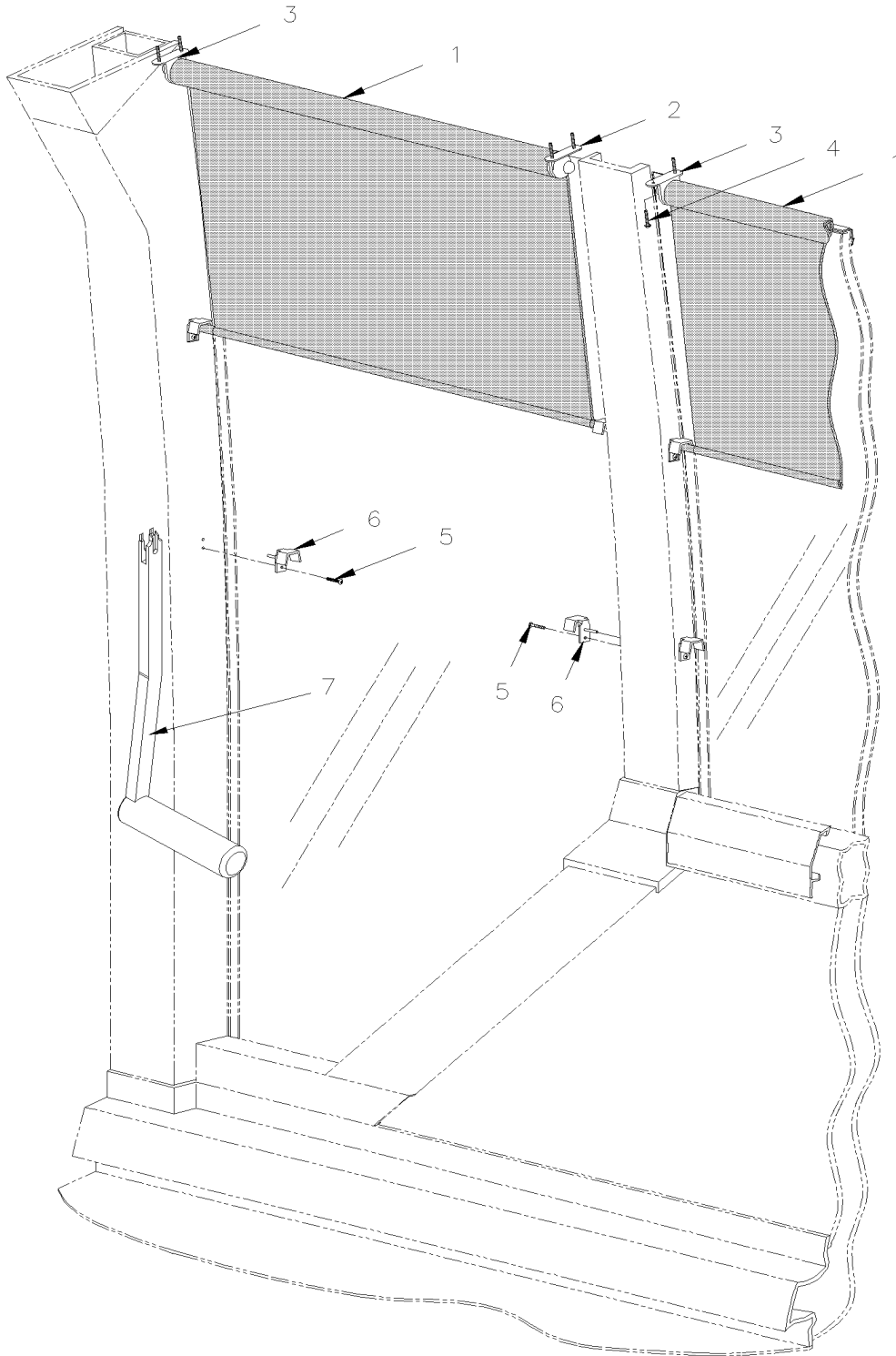
Item#	Part	Description	H 3 4 1	H 3 4 5	N O T E S
1	901804	ROLLER BLIND / DRIVER / MANUAL 1092		2	
2	901574	ROLLER BLIND / DRIVER / MANUAL / 22"		1	
. NS	901838	. SUPPORT, SUN BLIND		2	
3	5002100	SCREW CAP HEXF AD M6-1.0x20 G10.9 N500		AR	
4	504534	GROMMET / .875x1.250x.187x.562x1.625		2	
5	406752	BRACKET,DRIVER SUN BLIND		1	
6	406755	BRACKET,DRIVER SUN BLIND		1	

From K-0185 To P-1452

Date:07/2024

PAGE:H9-1816-10

SUN SHADE - PASSENGER'S WINDOW



From K-0185 To P-1452	Date:07/2024	PAGE:H9-1816-10
SUN SHADE - PASSENGER'S WINDOW		

Item#	Part	Description	H 3 4 1	H 3 4 5	N O T E S
1	901355	SUN SHADE / 699MM ROD WIDE		2	
. NS	901530	. CLIP SUNVISOR		1	
. NS	901531	. CLIP SUNVISOR W/PIN		1	
. NS	900055	. RUBBER CAP		2	
1	901354	SUN SHADE / 835MM ROD WIDE	2	2	
. NS	901530	. CLIP SUNVISOR	1	1	
. NS	901531	. CLIP SUNVISOR W/PIN	1	1	
. NS	900979	. ATTACHMENT CLIP-ON	2	2	
. NS	900055	. RUBBER CAP	2	2	
1	901357	SUN SHADE / W.C.L. DOOR / SLIDING / 981MM WIDE	1	1	
. NS	901530	. CLIP SUNVISOR	1	1	
. NS	901531	. CLIP SUNVISOR W/PIN	1	1	
. NS	900979	. ATTACHMENT CLIP-ON	2	2	
. NS	900055	. RUBBER CAP	2	2	
1	901362	SUN SHADE / 899MM ROD WIDE	1		
. NS	901530	. CLIP SUNVISOR	1		
. NS	901531	. CLIP SUNVISOR W/PIN	1		
. NS	900055	. RUBBER CAP	2		
1	901353	SUN SHADE / 1113MM ROD WIDE	2		
. NS	901530	. CLIP SUNVISOR	1		
. NS	901531	. CLIP SUNVISOR W/PIN	1		
. NS	900979	. ATTACHMENT CLIP-ON	2		
. NS	900055	. RUBBER CAP	2		
1	901353	SUN SHADE / 1113MM ROD WIDE		1	
. NS	901530	. CLIP SUNVISOR		1	
. NS	901531	. CLIP SUNVISOR W/PIN		1	
. NS	900979	. ATTACHMENT CLIP-ON		2	
. NS	900055	. RUBBER CAP		2	
1	901346	SUN SHADE / 1563MM ROD WIDE	10		
. NS	901530	. CLIP SUNVISOR	1		
. NS	901531	. CLIP SUNVISOR W/PIN	1		
. NS	900055	. RUBBER CAP	2		
1	901346	SUN SHADE / 1563MM ROD WIDE		12	
. NS	901530	. CLIP SUNVISOR		1	
. NS	901531	. CLIP SUNVISOR W/PIN		1	
. NS	900055	. RUBBER CAP		2	
1	901356	SUN SHADE / W.C.L. "RICON" / 2083MM ROD WIDE		2	
. NS	901530	. CLIP SUNVISOR		1	
. NS	901531	. CLIP SUNVISOR W/PIN		1	
. NS	900055	. RUBBER CAP		2	
1	901356	SUN SHADE / W.C.L. "RICON" / 2083MM ROD WIDE	2		
. NS	901530	. CLIP SUNVISOR	1		

From K-0185 To P-1452	Date:07/2024	PAGE:H9-1816-10
SUN SHADE - PASSENGER'S WINDOW		

Item#	Part	Description	H 3 4 1	H 3 4 5	N O T E S
. NS	901531	. CLIP SUNVISOR W/PIN	1		
. NS	900055	. RUBBER CAP	2		
1	901503	SUN SHADE, 835MM ROD WIDE / W.C.L. "RICON" 835MM ROD WIDE	1		
. NS	901530	. CLIP SUNVISOR	1		
. NS	901531	. CLIP SUNVISOR W/PIN	1		
. NS	900979	. ATTACHMENT CLIP-ON	2		
. NS	900055	. RUBBER CAP	2		
2	408281	BRACKET ANGLE / ASSY W/ATTACHMENT CLIP-ON	AR	AR	
3	900979	ATTACHMENT CLIP-ON	AR	AR	
3	408281	BRACKET ANGLE / ASSY W/ATTACHMENT CLIP-ON	AR	AR	D
4	500235	SCREW TP BDG PH #6x3/4 N500	AR	AR	
5	500862	SCREW TC PAN PH #6-32x3/4 Z050	AR	AR	
6	903226	HOOK SINGLE W/1 SCREW HOLE SAND BEIGE	AR	AR	
6	903227	HOOK SINGLE W/1 SCREW HOLE LIGHT GREY	AR	AR	
NS	900544	BRACKET, MALE / BLACK	1	1	D
NS	900545	BRACKET, FEMALE / BLACK	1	1	D
NS	404653	HOOK SINGLE W/2 SCREWS HOLE	4	4	D
NS	500814	SCREW TP BDG PH #6x3/4 BK	12	12	D
NS	900979	ATTACHMENT CLIP-ON	2	2	D
NS	504107	RIVET POP DOME OE 1/8x5/16 AL	4	4	
NS	500437	WASHER FL .125x.375x.040 Z050	4	4	
7	685594	TOOL / SUN SHADE INSTALLATION	1	1	
10	H9-1832-01	FRONT FINISHING CAP W/TAN FINISHING			
10	H9-1832-02	FRONT FINISHING CAP W/GREY FINISHING			
11	H9-1833-01	WINDOW FINISHING CAP & WALL W/TAN FINISHING To K-0484			
11	H9-1833-02	WINDOW FINISHING CAP & WALL FINISHING From K-0485			
NS	IS23518	PASSENGER BLINDS INSTALLATION	1	1	A
. NS	901355	. SUN SHADE / 699MM ROD WIDE	2	2	A
. NS	901530	. CLIP SUNVISOR	1	1	A
. NS	901531	. CLIP SUNVISOR W/PIN	1	1	A
. NS	900055	. RUBBER CAP	2	2	A
. NS	901354	. SUN SHADE / 835MM ROD WIDE	2	2	A
. NS	901530	. CLIP SUNVISOR	1	1	A
. NS	901531	. CLIP SUNVISOR W/PIN	1	1	A
. NS	900979	. ATTACHMENT CLIP-ON	2	2	A
. NS	900055	. RUBBER CAP	2	2	A
. NS	901346	. SUN SHADE / 1563MM ROD WIDE	12	12	A
. NS	901530	. CLIP SUNVISOR	1	1	A
. NS	901531	. CLIP SUNVISOR W/PIN	1	1	A
. NS	900055	. RUBBER CAP	2	2	A
. NS	903227	. HOOK SINGLE W/1 SCREW HOLE LIGHT GREY	64	64	A

From K-0185 To P-1452	Date:07/2024	PAGE:H9-1816-10
SUN SHADE - PASSENGER'S WINDOW		

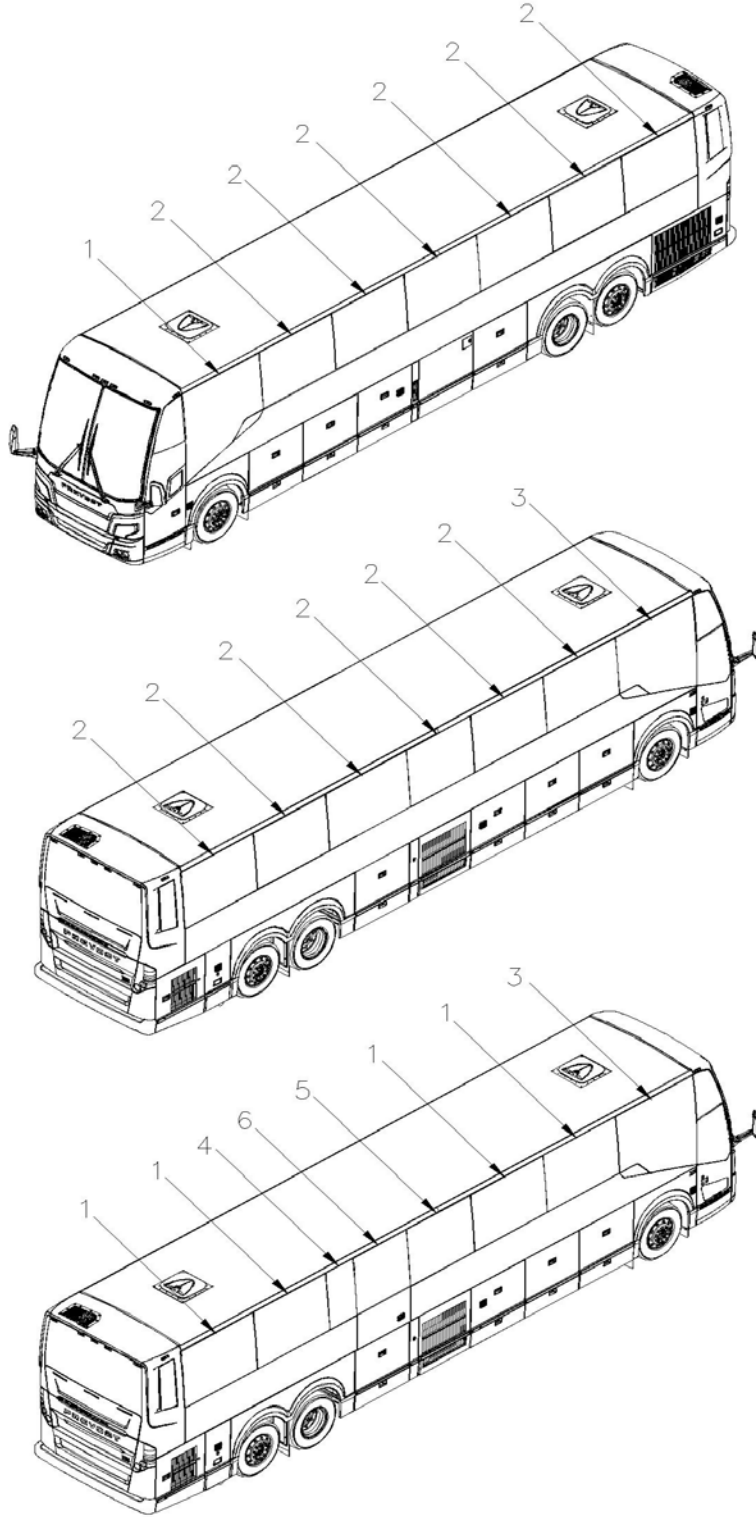
Item#	Part	Description	H 3 4 1	H 3 4 5	N O T E S
. NS	500640	. SCREW TP PAN PH #6x3/4 Z050	64	64	A
		A) SEE IS-23518 FOR ALL DETAILS			
		D) TO FIX SUNSHADE ON W.C.L. DOOR			

From R-1453

Date:07/2024

PAGE:H9-1816-11

SUN SHADE - PASSENGER'S WINDOW

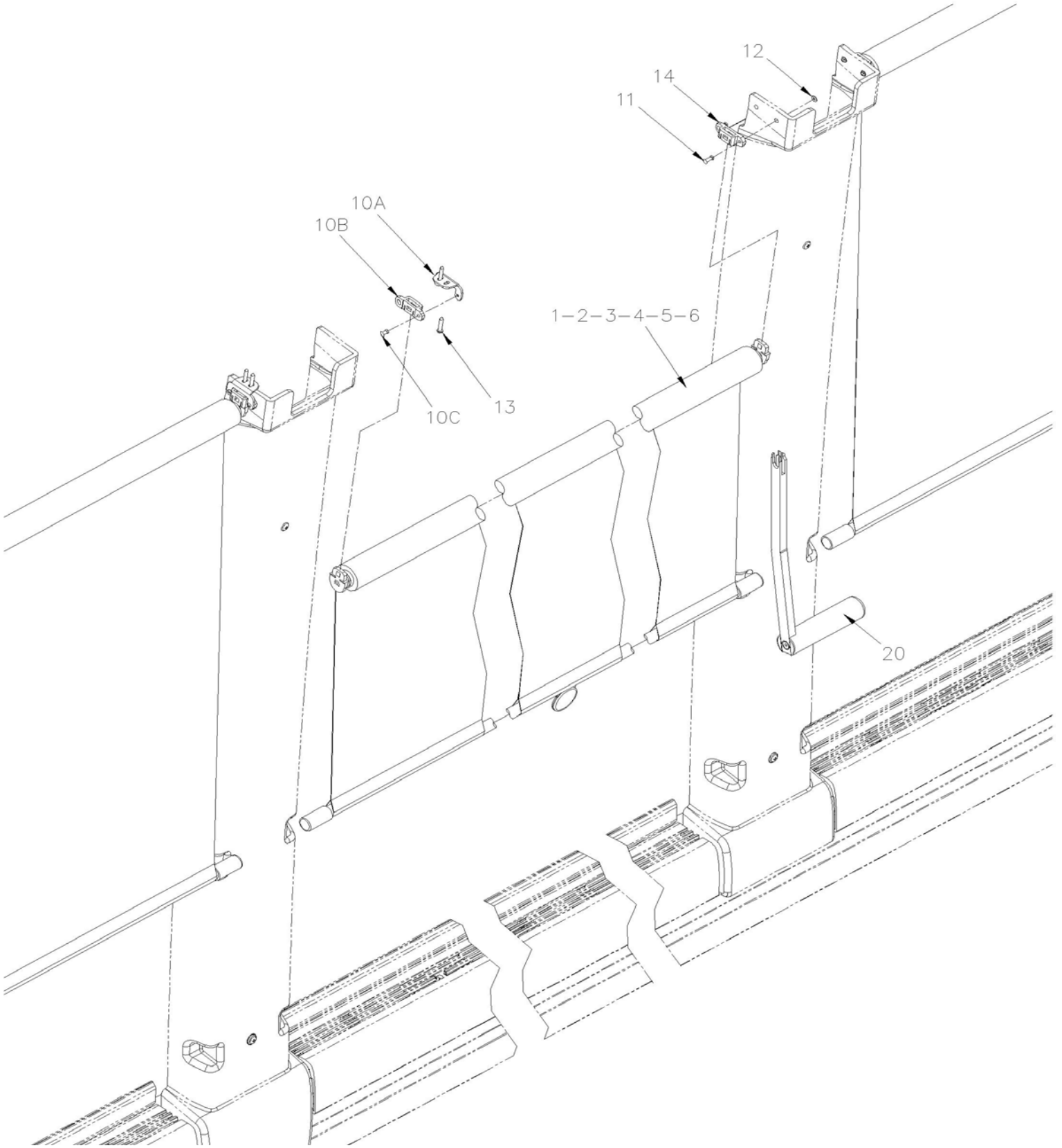


From R-1453

Date:07/2024

PAGE:H9-1816-11

SUN SHADE - PASSENGER'S WINDOW



From R-1453		Date:07/2024	PAGE:H9-1816-11
SUN SHADE - PASSENGER'S WINDOW			

Item#	Part	Description	H 3 4 1	H 3 4 5	N O T E S
1	901771	ROLLER BLIND 1590 MM		1	
. NS	901530	. CLIP SUNVISOR		1	
. NS	901531	. CLIP SUNVISOR W/PIN		1	
. NS	900055	. RUBBER CAP		2	
2	901346	SUN SHADE / 1563MM ROD WIDE		12	C
. NS	901530	. CLIP SUNVISOR		1	C
. NS	901531	. CLIP SUNVISOR W/PIN		1	C
. NS	900055	. RUBBER CAP		2	C
2	901346	SUN SHADE / 1563MM ROD WIDE		10	A
. NS	901530	. CLIP SUNVISOR		1	A
. NS	901531	. CLIP SUNVISOR W/PIN		1	A
. NS	900055	. RUBBER CAP		2	A
3	901725	ROLLER BLIND 1620 MM		1	
. NS	901530	. CLIP SUNVISOR		1	
. NS	901531	. CLIP SUNVISOR W/PIN		1	
. NS	900055	. RUBBER CAP		2	
4	901806	ROLLER BLIND 417.5MM		1	A
. NS	901530	. CLIP SUNVISOR		1	A
. NS	901531	. CLIP SUNVISOR W/PIN		1	A
. NS	900055	. RUBBER CAP		2	A
5	901723	ROLLER BLIND 1225 MM		1	A
. NS	901530	. CLIP SUNVISOR		1	A
. NS	901531	. CLIP SUNVISOR W/PIN		1	A
. NS	900055	. RUBBER CAP		2	A
6	900368	SUN SHADE / W.C.L. DOOR / SLIDING / 936MM ROD WIDE		1	A
. NS	901530	. CLIP SUNVISOR		1	A
. NS	901531	. CLIP SUNVISOR W/PIN		1	A
. NS	900055	. RUBBER CAP		2	A
10	400793	BRACKET, CLIP-ON ASSY		AR	
. A	400779	. BRACKET		1	
. B	900979	. ATTACHMENT CLIP-ON		1	
. C	504105	. RIVET POP DOME OE 1/8x3/16 AL		2	
11	504107	RIVET POP DOME OE 1/8x5/16 AL		AR	
12	500437	WASHER FL .125x.375x.040 Z050		AR	
13	500235	SCREW TP BDG PH #6x3/4 N500		AR	
14	900979	ATTACHMENT CLIP-ON		AR	
20	685594	TOOL / SUN SHADE INSTALLATION		1	

From R-1453		Date:07/2024	PAGE:H9-1816-11
-------------	--	--------------	-----------------

SUN SHADE - PASSENGER'S WINDOW

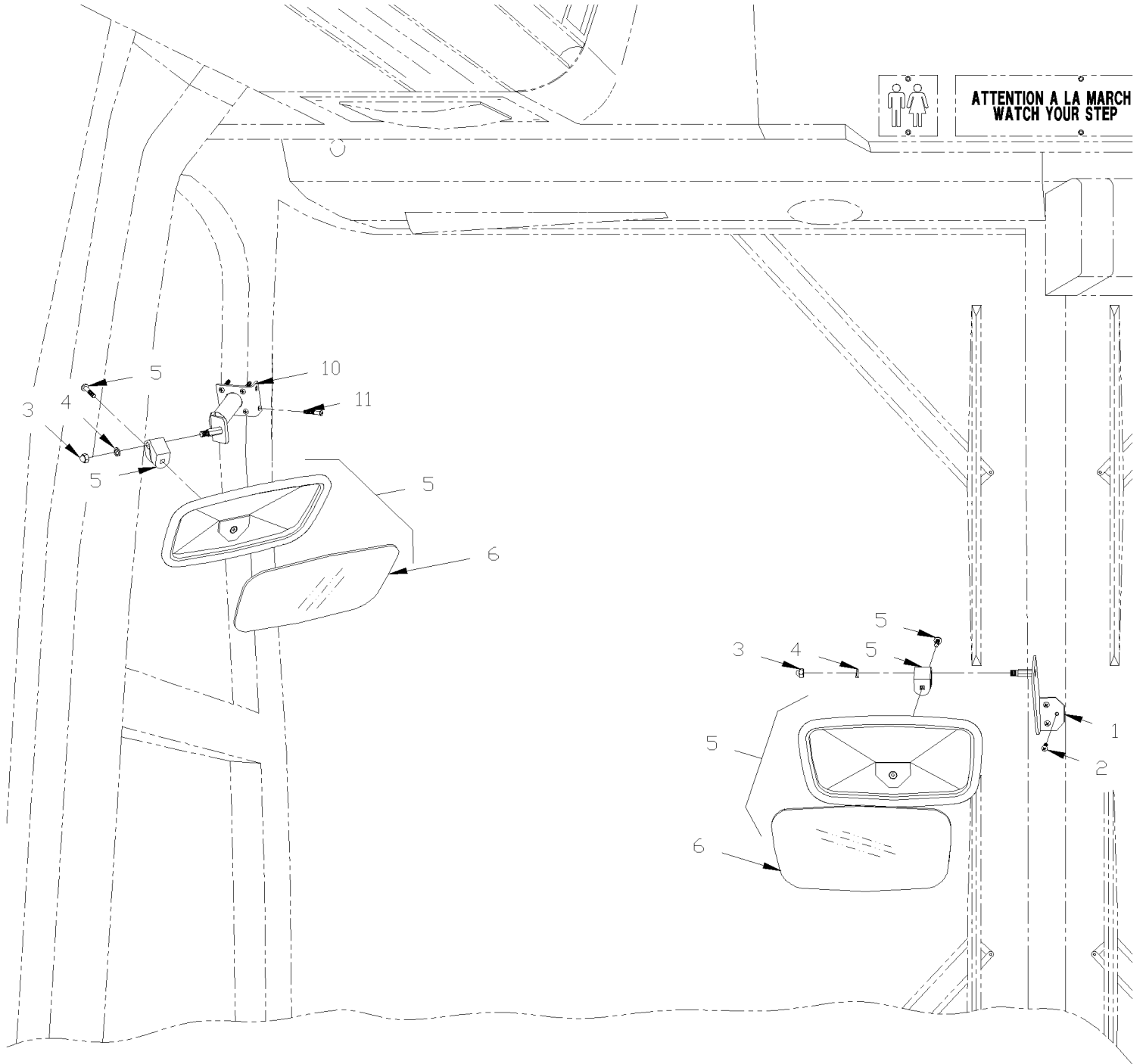
Item#	Part	Description	H 3 4 1	H 3 4 5	N O T E S
		A) WITH WHEEL CHAIR LIFT			
		C) WITHOUT WHEEL CHAIR LIFT			

From K-0185 To P-1452

Date:07/2024

PAGE:H9-1820-00

MIRROR - INTERIOR



From K-0185 To P-1452	Date:07/2024	PAGE:H9-1820-00
MIRROR - INTERIOR		

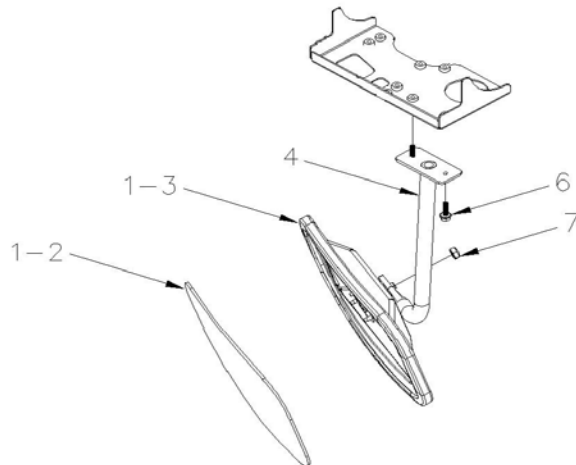
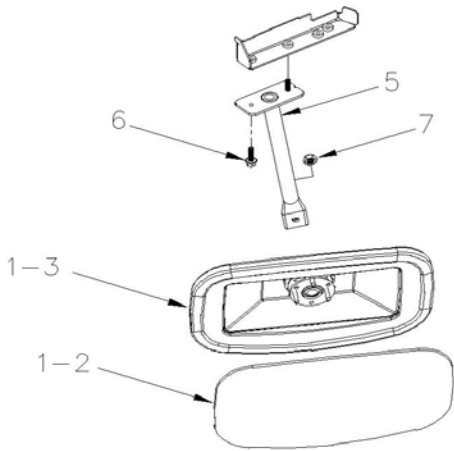
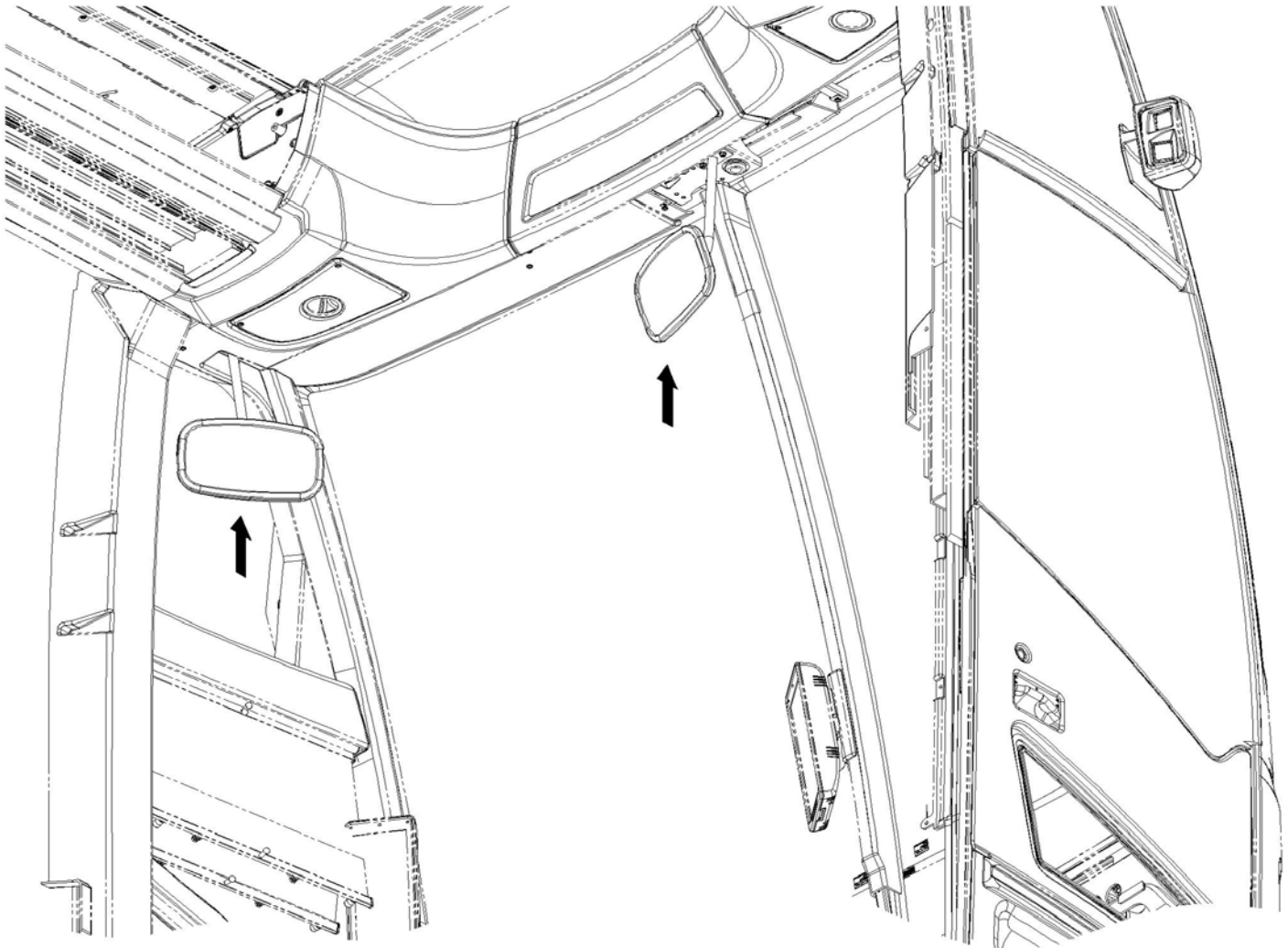
Item#	Part	Description	H 3 4 1	H 3 4 5	N O T E S
1	405261	MIRROR SUPPORT / CENTER WINDSHIELD	1	1	
1	405263	MIRROR SUPPORT W/CAMERA / CENTER WINDSHIELD	1	1	
NS	400177	MIRROR SUPPORT / CENTER UPPER WINDSHIELD 219MM X 88MM	1	1	
2	5001090	SCREW TP PAN PH #10x1 SS BK	3	3	
3	500780	NUT HEX CAP 5/16-18 Z050	1	1	
4	500942	WASHER LO SPT 8.1x14.8x2.0 N500	1	1	
5	900438	MIRROR ASSY SAFETY	2	2	
6	900440	. GLASS / SAFETY	1	1	
10	403679	MIRROR SUPPORT / L.H. DRIVER'S WINDOW	6	6	
11	509805	SCREW TP PAN PH #10x1/2 BK	6	6	

From R-1453

Date:07/2024

PAGE:H9-1820-01

MIRROR - INTERIOR



From R-1453	Date:07/2024	PAGE:H9-1820-01
MIRROR - INTERIOR		

Item#	Part	Description	H 3 4 1	H 3 4 5	N O T E S
1	901894	MIRROR ASSY SAFETY 9"X6" INT CVX		2	
2	901928	. CONVEX MIRROR 6.5" X 11"		1	
3	901927	. GASKET		1	
4	401649	MIRROR SUPPORT ASS.		1	
5	401673	MIRROR SUPPORT ASS.		1	
6	5002100	SCREW CAP HEXF AD M6-1.0x20 G10.9 N500		4	
7	5002100	SCREW CAP HEXF AD M6-1.0x20 G10.9 N500		4	

From K-0185

Date:07/2024

PAGE:H9-1821-00

DRIVER'S SEAT - "NATIONAL SEATING" - MODEL NSIII B

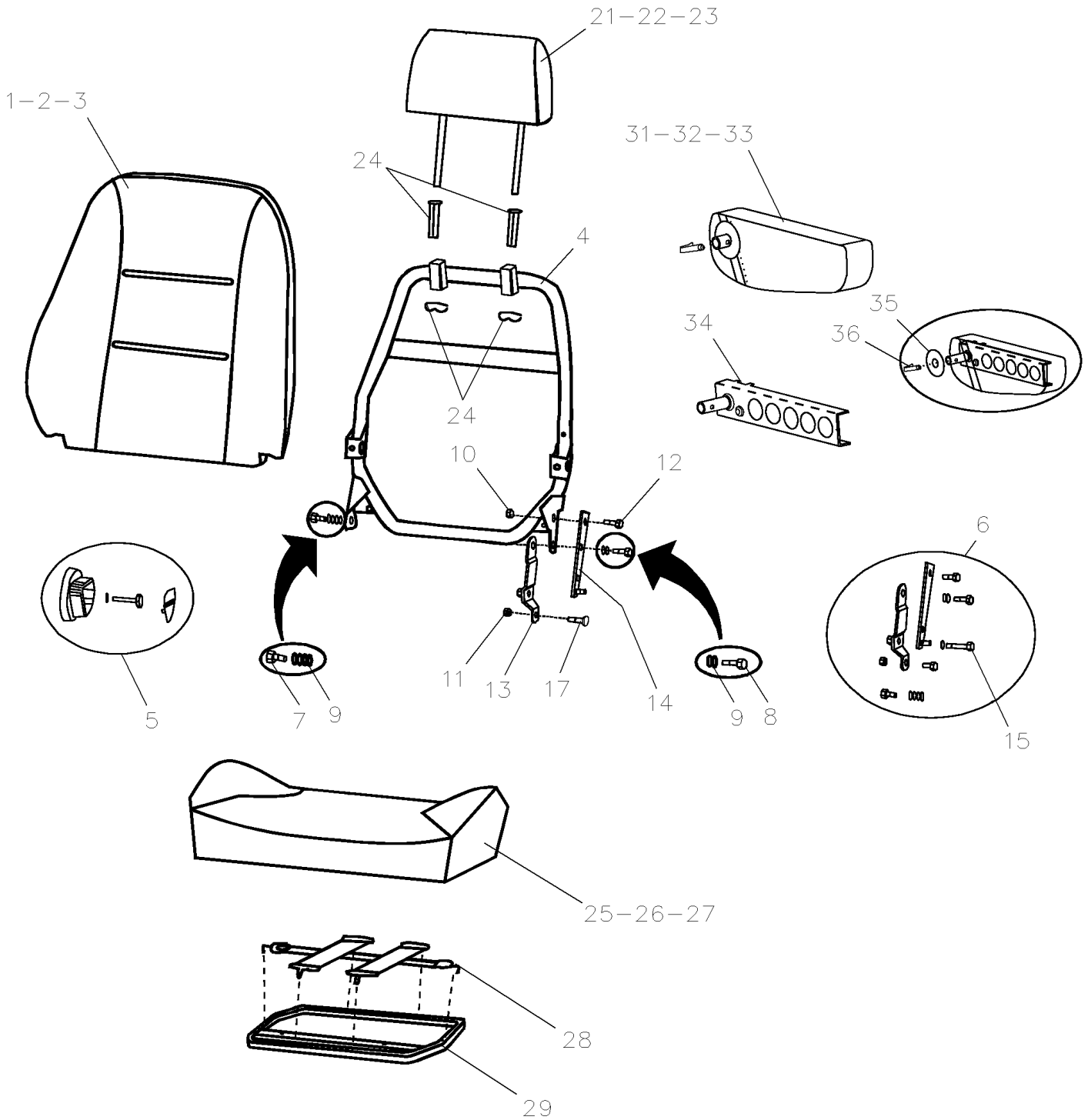


From K-0185

Date:07/2024

PAGE:H9-1821-00

DRIVER'S SEAT - "NATIONAL SEATING" - MODEL NSIII B

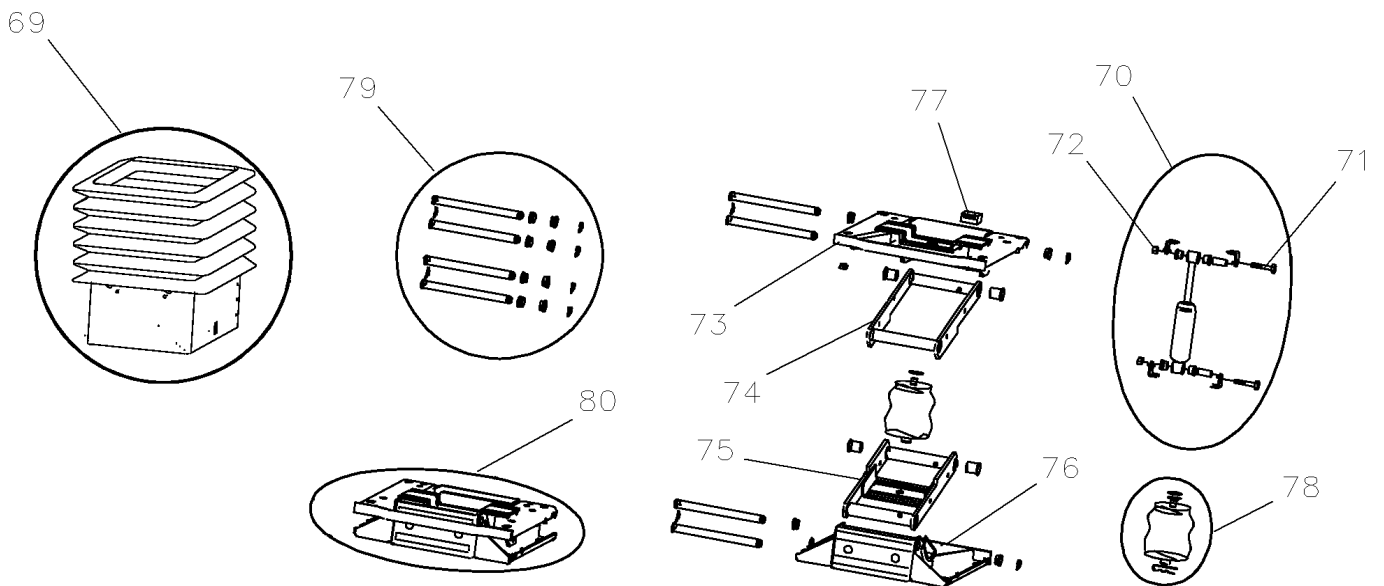
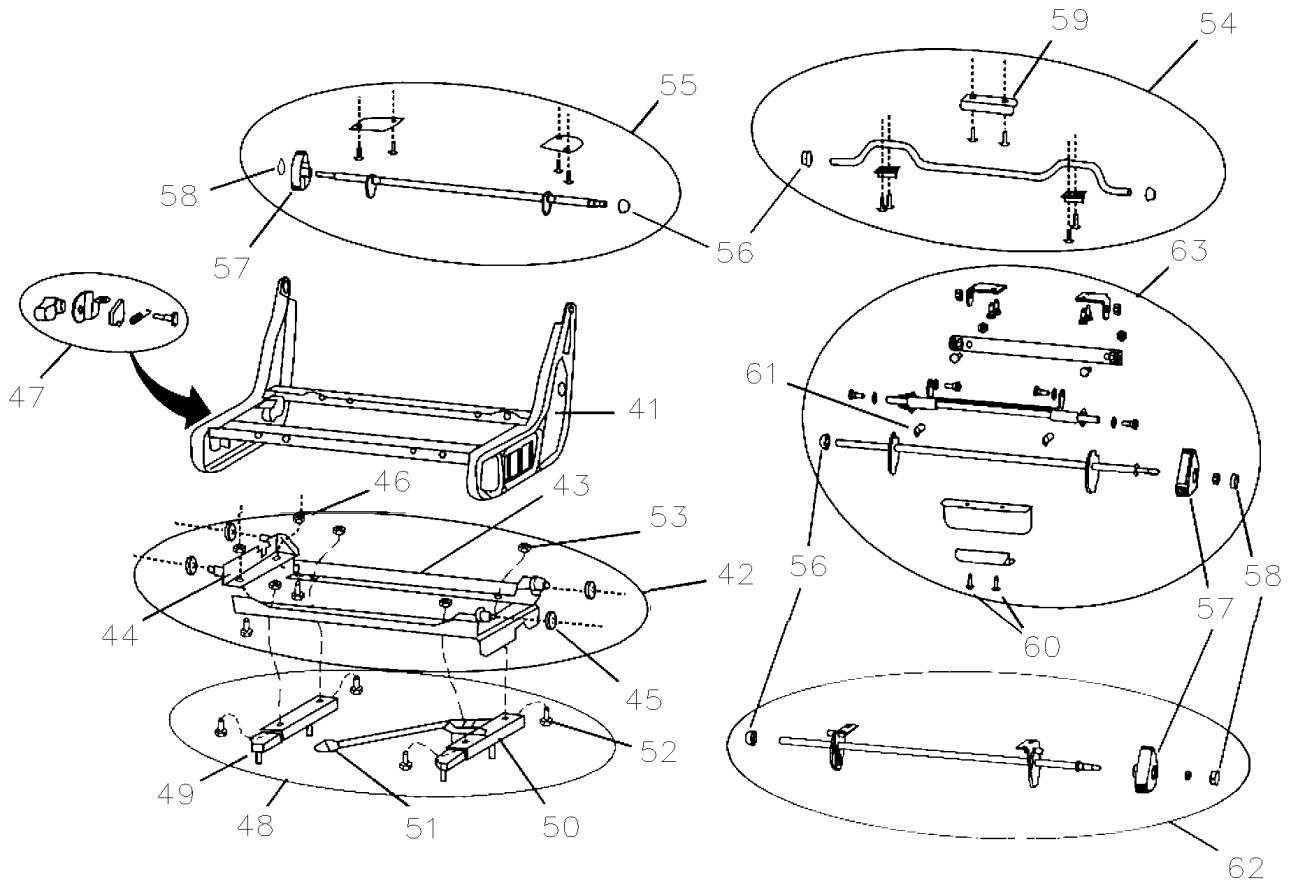


From K-0185

Date:07/2024

PAGE:H9-1821-00

DRIVER'S SEAT - "NATIONAL SEATING" - MODEL NSIII B

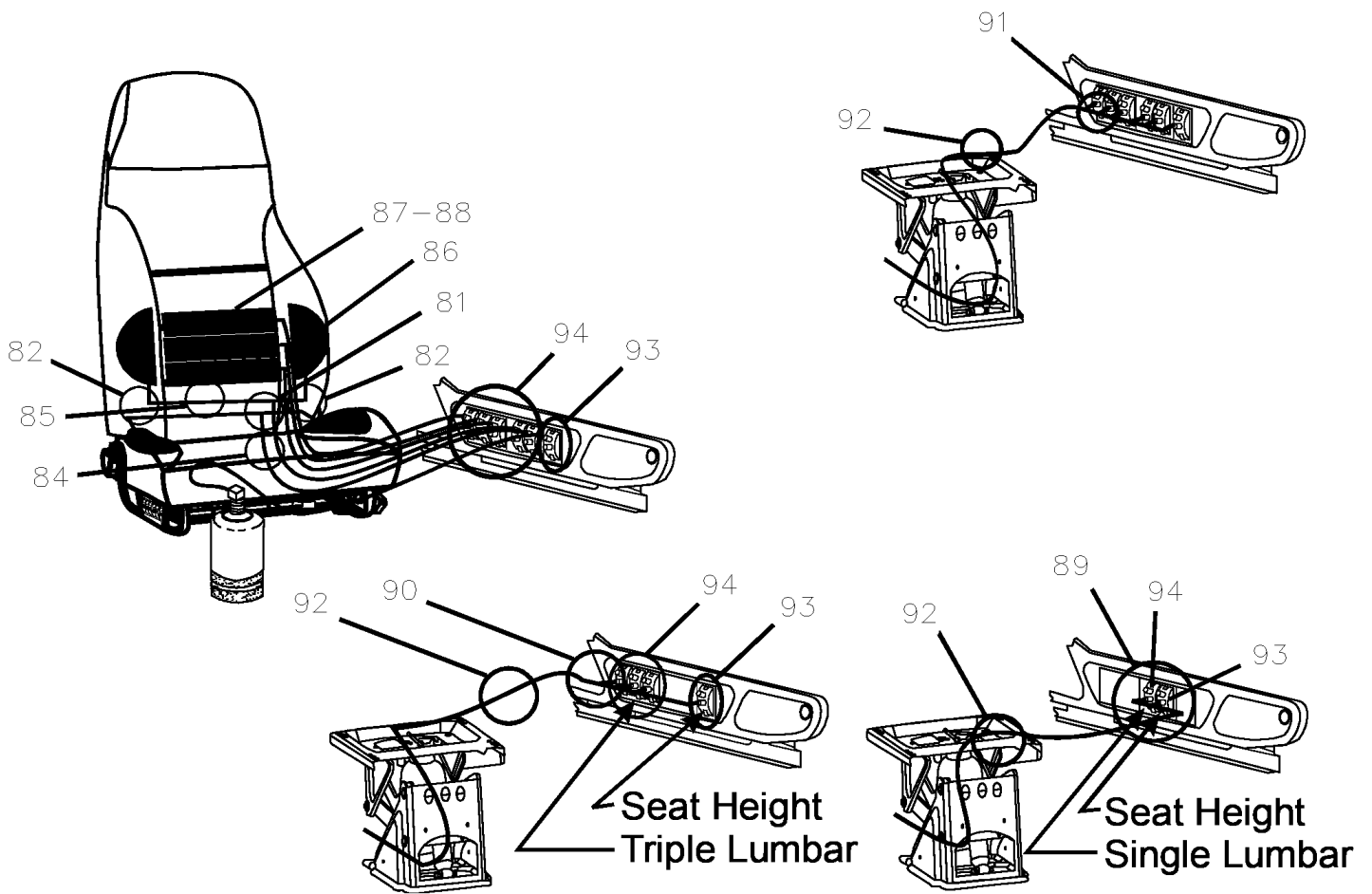


From K-0185

Date:07/2024

PAGE:H9-1821-00

DRIVER'S SEAT - "NATIONAL SEATING" - MODEL NSIII B



From K-0185		Date:07/2024	PAGE:H9-1821-00
-------------	--	--------------	-----------------

DRIVER'S SEAT - "NATIONAL SEATING" - MODEL NSIII B

Item#	Part	Description	H 3 4 1	H 3 4 5	N O T E S
	863687	DRIVER'S SEAT - "NATIONAL" - MODEL NSIII B	1	1	B
1	Call order desk	. BACK ASSY	1	1	PC
2	Call order desk	. BACK COVER	1	1	PC
3	Call order desk	. INTERMEDIATE BACK POLY-20"	1	1	PC
4	Call order desk	. INT. BACK FRAME ASSY FOR HEADREST	1	1	P
5	863950	. KNOB KIT -BACK RECLINE	1	1	
6	Call order desk	. INSTALL BACK TO LOWER FRAME	1	1	P
7	Call order desk	. BOLT ,SHOULDER	1	1	P
8	Call order desk	. BOLT ,SHOULDER	1	1	P
9	Call order desk	. WASHER, WAVE	6	6	P
10	Call order desk	. NUT,TRACK ATTACHMENT	1	1	P
11	Call order desk	. LOCK NUT 5/16 -18	1	1	P
12	Call order desk	. BOLT ,SHOULDER 3/8-16X1"	1	1	P
13	Call order desk	. BACK PLATE ASSY	1	1	P
14	Call order desk	. RECLINE LIMITING BRACKET, 6 TO 23DEG	1	1	P
14	Call order desk	. RECLINE LIMITING BRACKET, 2 TO 15DEG	1	1	P
15	Call order desk	. BOLT	1	1	P
16	Call order desk	. LO-MID BACK CRASH PAD	1	1	P
17	Call order desk	. BOLT 5/16-18x11/16	1	1	P
21	Call order desk	. HEADREST ASSY	1	1	PC
22	Call order desk	. COVER, HEADREST	1	1	PC
23	Call order desk	. POLY AND FRAME ASSY	1	1	P
24	Call order desk	. BUSHING KIT	1	1	P
25	Call order desk	. UPHOLSTERED CUSHION ASSY	1	1	PC
26	Call order desk	. CUSHION COVER	1	1	PC
27	Call order desk	. POLY, CUSHION	1	1	PC
28	Call order desk	. WEBBING	3	3	P
29	Call order desk	. CUSHION FRAME	1	1	P
31	Call order desk	. ARMREST ASS	1	1	PC
32	Call order desk	. ARMREST COVER	1	1	PC
33	Call order desk	. POLY, ARMREST, LEFT	1	1	P
33	Call order desk	. POLY, ARMREST, RIGHT	1	1	P
34	Call order desk	. ARMREST MECHANICAL ASSY LH - 20"	1	1	P
34	Call order desk	. ARMREST MECHANICAL ASSY RH - 20"	1	1	P
35	Call order desk	. DISK, NYLON, ARMREST PIVOT	1	1	P
36	Call order desk	. CLIP, SPRING, ARMREST	1	1	P
41	Call order desk	. LOWER FRAME ASSY	1	1	PC
42	Call order desk	. CHUGGER KIT	1	1	P
43	Call order desk	. CHUGGER SUPPORT	1	1	P
44	Call order desk	. CHUGGER SUPPORT FRAME	1	1	P
45	Call order desk	. ROLLER BEARING	4	4	P
46	Call order desk	. NUT & WASHER ASSY 5/16 -18	2	2	P

From K-0185		Date:07/2024	PAGE:H9-1821-00
DRIVER'S SEAT - "NATIONAL SEATING" - MODEL NSIII B			

Item#	Part	Description	H 3 4 1	H 3 4 5	N O T E S
47	Call order desk	. CHUGGER LOCK OUT KIT	1	1	P
48	Call order desk	. TRACK KIT	1	1	P
49	Call order desk	. TRACK, SLAVE	1	1	P
50	867927	. TRACK, LOCKING	1	1	
51	Call order desk	. KNOB, TRACK	1	1	P
52	Call order desk	. BOLT, SQUARE NECK	4	4	P
53	Call order desk	. NUT, TRACK ATTACHMENT	4	4	P
54	Call order desk	. FRONT CUSHION ADJUSTER KIT, 2 POSITION	1	1	P
55	Call order desk	. REAR CUSHION ADJUSTER	1	1	P
56	Call order desk	. CAP,CUSHION ADJUSTER ROD	AR	AR	P
57	865354	. KNOB, REAR / FRONT CUSHION ADJUSTER	AR	AR	
58	Call order desk	. COVER, KNOB CUSHION ADJUSTER	AR	AR	P
59	Call order desk	. HANDLE, FRONT CUSHION ADJUSTER	AR	AR	P
60	865091	. SCREW #10 X 3/4	AR	AR	
61	Call order desk	. SPRING	AR	AR	P
62	Call order desk	. FRONT CUSHION ADJUSTER KIT,3POSITION LH	1	1	P
62	Call order desk	. FRONT CUSHION ADJUSTER KIT,3POSITION RH	1	1	P
63	Call order desk	. FRONT CUSHION ADJUSTER KIT, 6 POSITION LH	1	1	P
63	Call order desk	. FRONT CUSHION ADJUSTER KIT, 6 POSITION RH	1	1	P
69	Call order desk	. BELLOWS KIT	1	1	P
70	860289	. SHOCK ABSORBER	1	1	
71	Call order desk	. BOLT 3/8-24x1 3/4	1	1	P
72	Call order desk	. LOCKNUT THIN 3/8-24	1	1	P
73	860099	. UPPER BASE ASSY - 96 BASE MODEL	1	1	
73	Call order desk	. UPPER BASE ASSY - 97 BASE MODEL	1	1	P
74	860103	. UPPER ARM ASSY W/BUSHINGS - 96 BASE MODEL	1	1	
74	Call order desk	. UPPER ARM ASSY W/BUSHINGS - 97 BASE MODEL	1	1	P
75	860104	. LOWER ARM ASSY WITH BUSHINGS	1	1	
76	860105	. LOWER BASE ASSY - 96 MODEL	1	1	
76	Call order desk	. LOWER BASE ASSY - 97 MODEL	1	1	P
77	Call order desk	. BUMPER - DOWN STOP	1	1	P
78	860283	. BELLOW	1	1	
79	860652	. KIT REPAIR, SHAFT & BUSHING / W/AIR SUSPENSION	1	1	
80	Call order desk	. BASE ASSY - 96 BASE MODEL	1	1	P A
80	Call order desk	. BASE ASSY - 97 BASE MODEL	1	1	P B
81	Call order desk	. FITTING 1/8"	2	2	P
82	Call order desk	. ELBOW,PLASTICFITTING	3	3	P
83	Call order desk	. TIE STRAP	5	5	P
84	Call order desk	. TUBING, CLEAR, 2.83FEET	1	1	P
85	Call order desk	. TUBING, GREEN, 2.67FEET	1	1	P
86	Call order desk	. AIR BOLSTER	4	4	P
87	865265	. SINGLE CHAMBER LUMBAR BAG	1	1	

From K-0185	Date:07/2024	PAGE:H9-1821-00
-------------	--------------	-----------------

DRIVER'S SEAT - "NATIONAL SEATING" - MODEL NSIII B

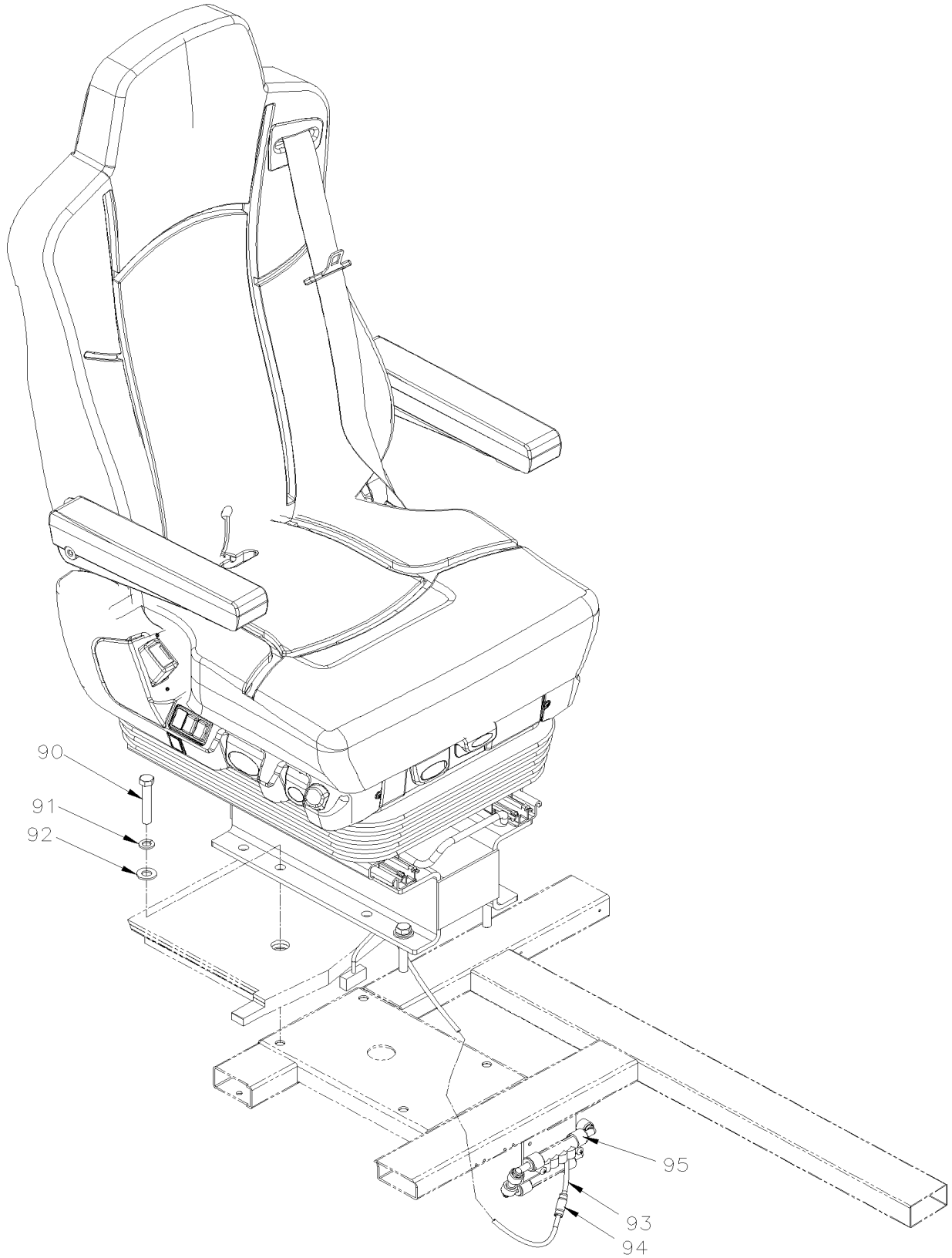
Item#	Part	Description	H 3 4 1	H 3 4 5	N O T E S
88	865266	. TRIPLE CHAMBER LUMBAR BAG	1	1	
89	867921	. MANIFOLD ASSY, 2 BUTTON	1	1	
90	Call order desk	. MANIFOLD ASSY, 4 BUTTON	1	1	P
91	Call order desk	. MANIFOLD ASSY, 6 BUTTON	1	1	P
92	Call order desk	. TUBING, BLACK, 1.5 FEET	1	1	P
93	19518194	. AIR VALVE, HIGH PRESSURE, RED HANDLE	1	1	
94	865355	. AIR VALVE, LOW PRESSURE, GREY HANDLE	5	5	
95	Call order desk	. SINGLE CHAMBER INSTALLATION INCLUDING ITEMS 7 & 12	1	1	P
96	Call order desk	. TRIPLE CHAMBER INSTALLATION INCLUDING ITEMS 8 & 12	1	1	P
97	Call order desk	. TRIPLE CHAMBER INSTALLATION W/BOLSTERS INCLUDING	1	1	P
		A) BASE 96 MODEL			
		B) BASE 97 MODEL			
		C) SEAT SERIAL NUMBER NEED			
		P) CALL ORDER DESK FOR SPECIFIC APPLICATION (V.I.N.)			

From K-0185

Date:07/2024

PAGE:H9-1822-01

DRIVER'S SEAT - "ISRI" - 6832/872

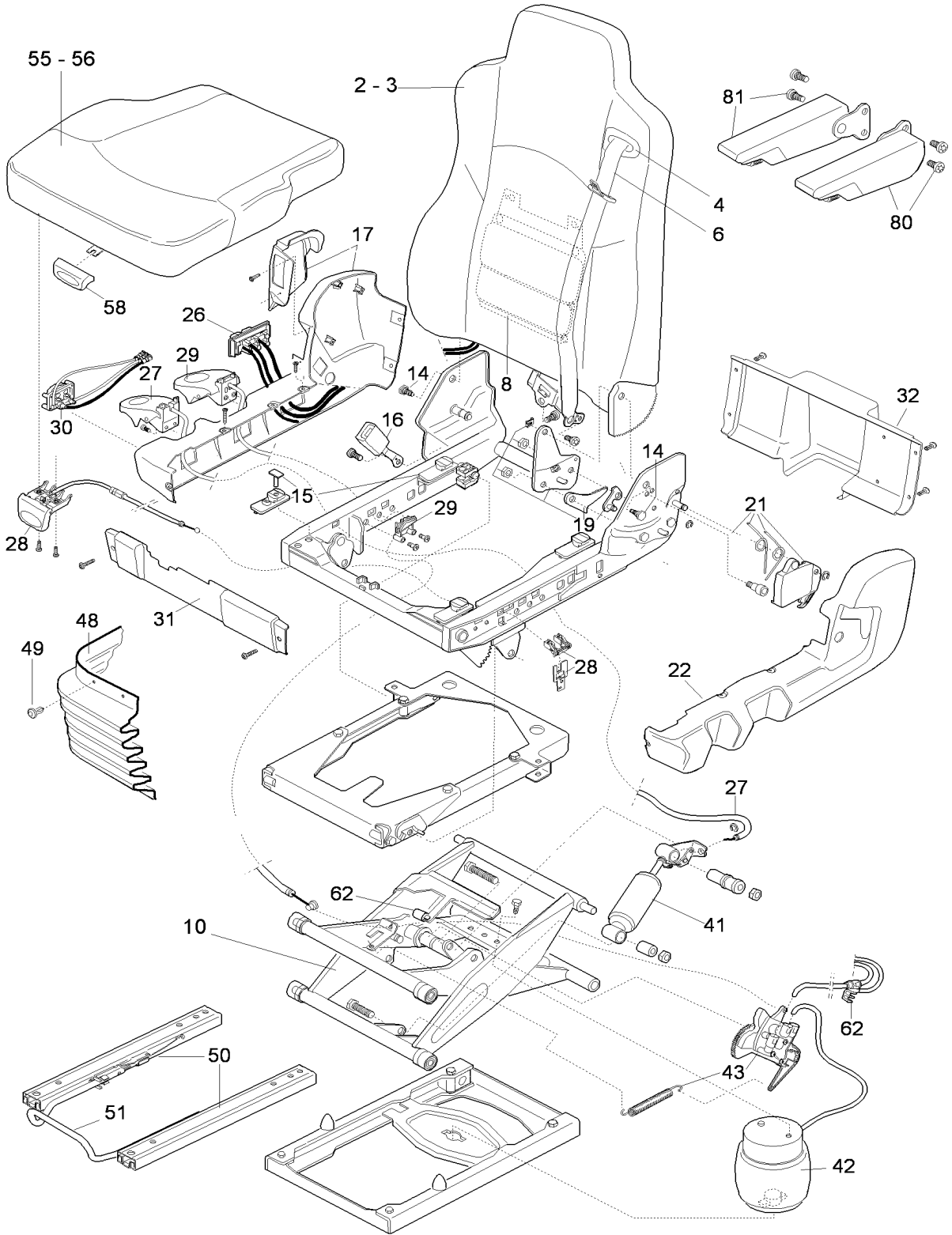


From K-0185

Date:07/2024

PAGE:H9-1822-01

DRIVER'S SEAT - "ISRI" - 6832/872



From K-0185		Date:07/2024	PAGE:H9-1822-01
DRIVER'S SEAT - "ISRI" - 6832/872			

Item#	Part	Description	H 3 4 1	H 3 4 5	N O T E S
	864371	DRIVER'S SEAT - "ISRI" - MODEL 6832/872 / W/ACTIVE CLIMATE CONTROL / W/O COVERING To N-1191	1	1	
	8601002	DRIVER'S SEAT - "ISRI" - MODEL 6832/872 / W/ACTIVE CLIMATE CONTROL / W/O COVERING From N-1192	1	1	
	360114	DRIVER'S SEAT - "ISRI" - MODEL 6832/872 / W/O ACTIVE CLIMATE CONTROL / W/COVERING WITH ORANGE SEAT BELT To K-0438	1	1	
	864372	. DRIVER'S SEAT - "ISRI" - MODEL 6832/872 / W/O ACTIVE CLIMATE CONTROL / W/O COVERING WITH ORANGE SEAT BELT To K-0438	1	1	
	360068	DRIVER'S SEAT - "ISRI" - MODEL 6832/872 / W/O ACTIVE CLIMATE CONTROL / W/COVERING WITH ORANGE SEAT BELT From K-0439 To P-1366	1	1	
	860101	. DRIVER'S SEAT - "ISRI" - MODEL 6832/872 / W/O ACTIVE CLIMATE CONTROL / W/O COVERING WITH ORANGE SEAT BELT From K-0439 To P-1366	1	1	
	8601001	DRIVER'S SEAT - "ISRI" - MODEL 6832/872 / W/O ACTIVE CLIMATE CONTROL / W/O COVERING WITH ORANGE SEAT BELT From P-1367	1	1	
	864413	DRIVER'S SEAT - "ISRI" - MODEL 6832/872 / WITH HEATING / W/O COVERING To K-0438	1	1	
	860102	DRIVER'S SEAT - "ISRI" - MODEL 6832/872 / WITH HEATING / W/O COVERING From K-0439 To £-21050	1	1	
	8601000	DRIVER'S SEAT - "ISRI" - MODEL 6832/872 / WITH HEATING / W/O COVERING From £-21050	1	1	
	864373	DRIVER'S SEAT - "ISRI" - MODEL 6832/872 / W/ACTIVE CLIMATE CONTROL / W/COVERING BLACK / NOIR To K-0438	1	1	
	860189	DRIVER'S SEAT - "ISRI" - MODEL 6832/872 / W/ACTIVE CLIMATE CONTROL / W/COVERING BLACK / NOIR From K-0439 To N-1191	1	1	
	8601003	DRIVER'S SEAT - "ISRI" - MODEL 6832/872 / W/ACTIVE CLIMATE CONTROL / W/COVERING BLACK / NOIR From N-1192	1	1	
	864374	DRIVER'S SEAT - "ISRI" - MODEL 6832/872 / W/O ACTIVE CLIMATE CONTROL / W/COVERING BLACK / NOIR To K-0438	1	1	
	860193	DRIVER'S SEAT - "ISRI" - MODEL 6832/872 / W/O ACTIVE CLIMATE CONTROL / W/COVERING BLACK / NOIR From K-0439 To N-1191	1	1	
	8601004	DRIVER'S SEAT - "ISRI" - MODEL 6832/872 / W/O ACTIVE CLIMATE CONTROL / W/COVERING BLACK / NOIR From N-1192	1	1	
	864414	DRIVER'S SEAT - "ISRI" - MODEL 6832/872 / W/HEATING / W/COVERING BLACK / NOIR To K-0438	1	1	
	860194	DRIVER'S SEAT - "ISRI" - MODEL 6832/872 / W/HEATING / W/COVERING BLACK / NOIR From K-0439 To N-1191	1	1	
	8601005	DRIVER'S SEAT - "ISRI" - MODEL 6832/872 / W/HEATING / W/COVERING BLACK / NOIR From N-1192	1	1	
1	865236	. RISER	1	1	
2	866273	. BACKREST ASSEMBLY LH	1	1	
3	364310	. COVERING BACKREST ASSY / S.C.C. / DRIVER'S "ISRI" / 6832/872	1	1	C
3	364311	. COVERING BACKREST ASSY / S.C.C. / DRIVER'S "ISRI" / 6832/872	1	1	
3	N8903263	. COVERING BACKREST ASSY / BLACK	1	1	
4	864418	. . BELT GUIDE LH/RH	1	1	
6	864419	. . 3 POINT SAFETY BELT, LH To K-0438	1	1	
6	860332	. SEAT BELT ASS / W/BUCKLE W/SENSOR From K-0439	1	1	
8	864420	. . LUMBAR AIR CHAMBERS	1	1	
10	Call order desk	. SUSPENSION / SEAT FRAME ASSEMBLY	1	1	PS
14	N8904018	. SCREWS FOR BACKREST PIVOT	1	1	
15	861652	. GLIDE - SEAT PAN	1	1	
16	864421	. BELT BUCKLE To K-0438	1	1	
16	860332	. SEAT BELT ASS / W/BUCKLE W/SENSOR From K-0439	1	1	
17	864845	. RH COVER (CONTROL SIDE)	1	1	
19	866274	. BACKREST RECLINE MECH.	1	1	
21	N8904020	. BACKREST HANDLE LH	1	1	
22	861708	. LH COVER - (NON CONTROL SIDE)	1	1	
26	864422	. LUMBAR CONTROL VALVE, RH 2 BUTTONS	1	1	
26	N8911085	. LUMBAR CONTROL VALVE 3 BUTTONS	1	1	
26	868936	. SWITCH UNIT RH ACTIVE CLIMATE CONTROL	1	1	E

27	864423	. HANDLE/CABLE FOR SHOCK ABSORBER	1	1	
28	865718	. TILT GLIDER	1	1	

From K-0185		Date:07/2024	PAGE:H9-1822-01
DRIVER'S SEAT - "ISRI" - 6832/872			

Item#	Part	Description	H 3 4 1	H 3 4 5	N O T E S
29	864424	HANDLE/CABLE FOR HEIGHT ADJUSTMENT	1	1	
30	864425	QUICK AIR RELEASE VALVE, RH	1	1	
31	Call order desk	FRONT COVER	1	1	P
32	865389	REAR COVER	1	1	
NS	869002	CLIP ISRI SEAT	AR	AR	
41	864426	SHOCK ABSORBER	1	1	
42	864427	AIR SPRING	1	1	
43	864428	HEIGHT CONTROL VALVE	1	1	
48	Call order desk	RUBBER BELLOW	1	1	P
49	Call order desk	BELLOW FASTENERS	1	1	P
50	866109	SLIDE SET	1	1	
51	866037	SLIDE HANDLE	1	1	
55	N8903231	SEAT CUSHION ASSEMBLY / WITHOUT COVERING	1	1	
55	868157	CUSHION FOAM WITH W/ACTIVE CLIMATE CONTROL	1	1	E H
55	868158	CUSHION FOAM WITHOUT W/ACTIVE CLIMATE CONTROL	1	1	F H
55	Call order desk	SEAT CUSHION ASSEMBLY / WITH COVERING	1	1	P
56	364309	COVERING SEATREST ASSY / S.C.C. / DRIVER'S "ISRI" / 6832/872	1	1	G
56	360105	COVERING SEATREST ASSY / S.C.C. / DRIVER'S "ISRI" / 6832/872	1	1	H
56	N8903232	COVERING SEATREST ASSY / BLACK	1	1	G
56	868156	COVERING SEATREST ASSY / BLACK	1	1	H
58	864429	CUSHION ADJUSTMENT HANDLE	1	1	G
62	864430	PLASTIC VALVE STOP	1	1	
80	864411	ARMREST LH / S.C.C. 13"	1	1	
80	866245	ARMREST LH / LONG 14"	1	1	
81	864412	ARMREST RH / S.C.C. 13"	1	1	
81	866246	ARMREST RH / LONG 14"	1	1	
NS	865350	KIT PNEUMATIC COMPONENTS	1	1	
NS	867958	ADAPTOR	1	1	
NS	7771643	FITTING CONNECTOR "Y"	1	1	
NS	868125	UNION 4MM/4MM	1	1	
NS	868128	UNION 6MM/4MM	1	1	
NS	868460	HOSE AIR KIT	1	1	
NS	868833	AIR PIPE CONNECTOR SML	AR	AR	
85	069705	HARNESS FASTENED SEAT BELT SENSOR	1	1	A
87	068369	HARNESS DRIVER SEAT W/HEATING To L-0804	1	1	B
87	0610165	HARNESS DRIVER SEAT W/HEATING From L-0805	1	1	B
90	5001862	SCREW CAP HEX M12-1.75x70 G10.9 N500	4	4	
NS	362549	SPACER / STRUCTURE & BASE / 27MM To P-1452	4	4	
NS	360089	SPACER / 29MM From R-1453		4	

From K-0185	Date:07/2024	PAGE:H9-1822-01
DRIVER'S SEAT - "ISRI" - 6832/872		

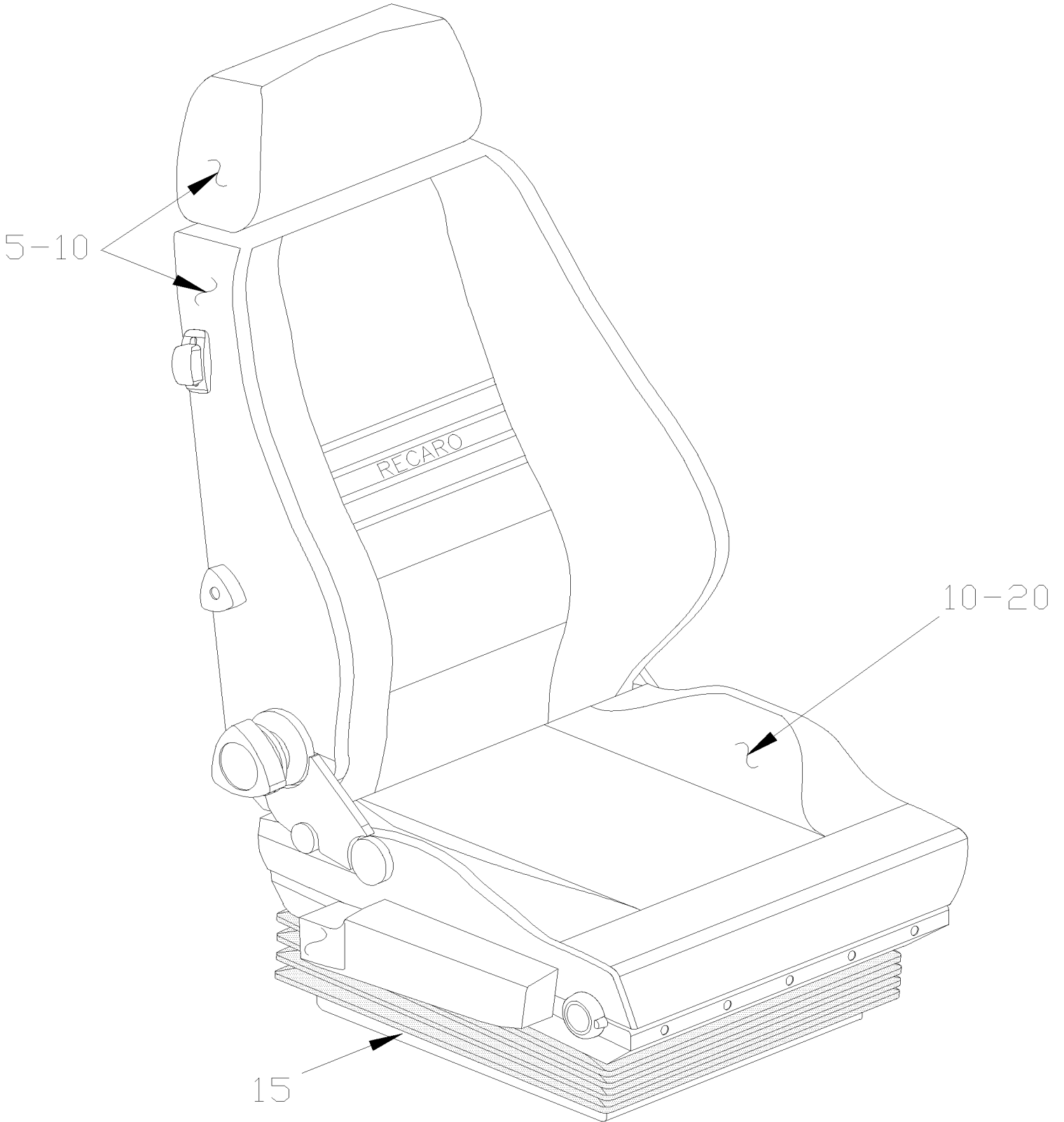
Item#	Part	Description	H 3 4 1	H 3 4 5	NOTES
91	500747	WASHER LO SPT 12.2x21.1x2.5 N500	4	4	
92	500958	WASHER FL .531x1.062x.095 SS	4	4	
93	503402	TUBE, NYLON 1/4 O.D. / BLACK S.L.	AR	AR	
NS	504016	CABLE TIE / 5/16" X 14"1/2	1	1	
93	504637	CABLE TIE / 3/16" x 13"	1	1	
94	641507	UNION / PUSH-IN FITTING / #4 x 6MM NP	1	1	
95	H9-1630-02	FRONT KNEELING - CONTROL PANEL To P-1452			
95	H9-1630-03	FRONT KNEELING - CONTROL PANEL From R-1453			
100	IS17039	ISRI SEAT BELT WITH SENSOR INSTALLATION To K-0446	1	1	
. NS	860332	. SEAT BELT ASS / W/BUCKLE W/SENSOR To K-0446	1	1	
. NS	IS-17039	. SEE INSTRUCTION SHEET To K-0446	1	1	
		A) WITH FASTENED SEAT BELT SENSOR			
		B) USE WITH DRIVER SEAT HEATING			
		C) WITH CHOICE BACKREST BACK COLOR			
		E) USE WITH SEAT WITH ACTIVE CLIMATE CONTROL			
		F) USE WITH SEAT WITHOUT ACTIVE CLIMATE CONTROL			
		G) USE WITH SEAT 864371, 864372, 360068, 860101, 864413, 860102, 864373, 860189, 864374, 860193, 864414, 860194			
		H) USE WITH SEAT 8601000, 8601001, 8601002, 8601003, 8601004, 8601005			
		S) INCLUDES 15, 19, 21, 27, 28, 41, 42, 43, 48, 49, 50, 62			
		P) CALL ORDER DESK FOR SPECIFIC APPLICATION (V.I.N.)			

From K-0185

Date:07/2024

PAGE:H9-1823-00

DRIVER'S SEAT - "RECARO" - ERGO-COACH



From K-0185	Date:07/2024	PAGE:H9-1823-00
DRIVER'S SEAT - "RECARO" - ERGO-COACH		

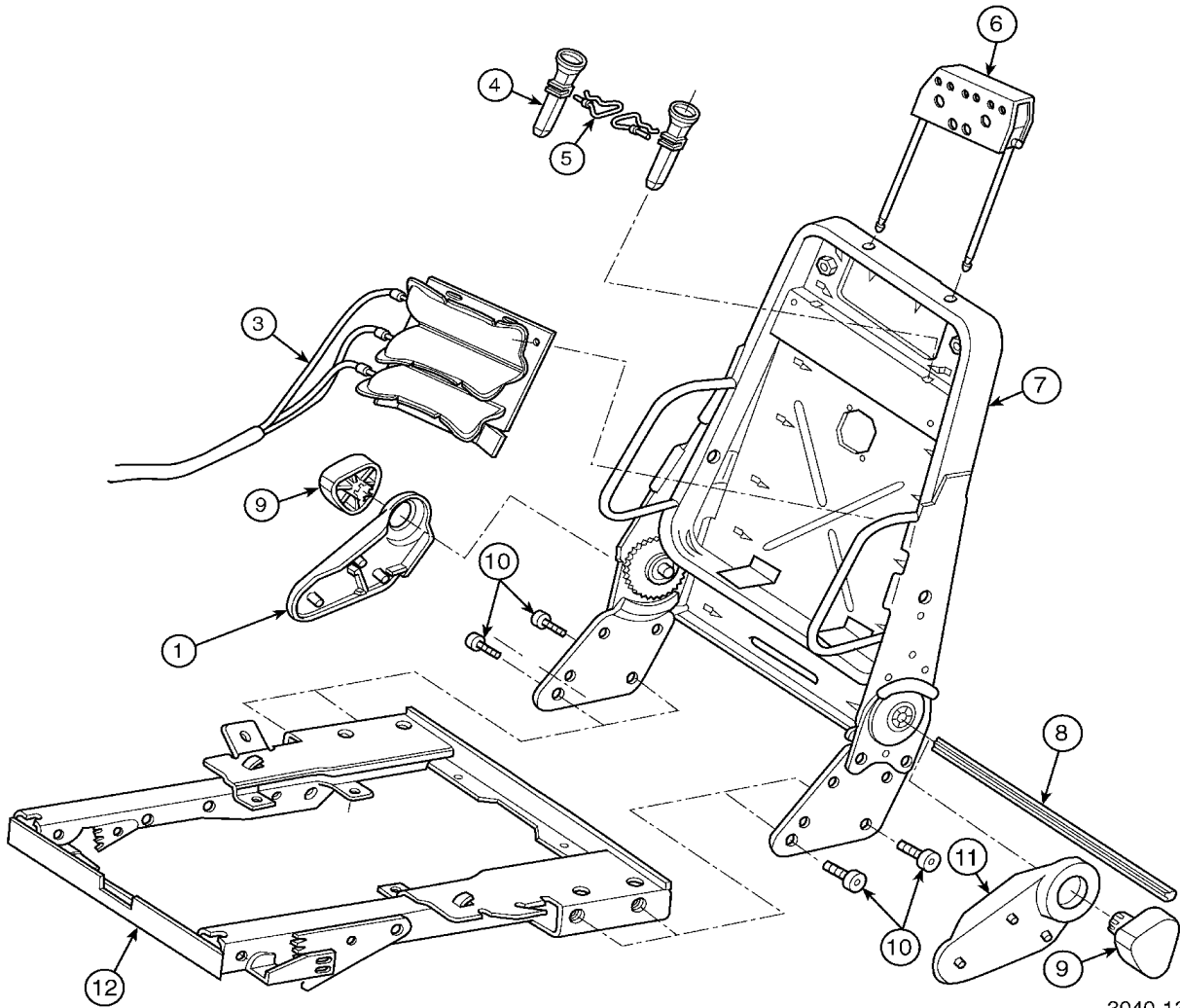
Item#	Part	Description	H 3 4 1	H 3 4 5	NOTES
	861936	DRIVER'S SEAT - "RECARO" - COACH-ERGO	1	1	
	862488	DRIVER'S SEAT - "RECARO" - MODEL ERGO-C	1	1	
	862699	DRIVER'S SEAT - "RECARO" - MODEL ERGO-C	1	1	
	862874	DRIVER'S SEAT - "RECARO" - MODEL ERGO-C	1	1	
	862488	DRIVER'S SEAT - "RECARO" - MODEL ERGO-C	1	1	
	862699	DRIVER'S SEAT - "RECARO" - MODEL ERGO-C	1	1	
	862874	DRIVER'S SEAT - "RECARO" - MODEL ERGO-C	1	1	
5	H9-1823-10	. BACKREST ASSY - "RECARO" - ERGO-COACH			
10	H9-1823-15	. SEAT COVER & FOAM - "RECARO" - ERGO-COACH			
15	H9-1823-20	. SUSPENSION & RISER - "RECARO" - ERGO-COACH			
20	H9-1823-25	. SEAT CUSHION FRAME - "RECARO" - ERGO-COACH			
25	H9-1823-30	. ARMREST - "RECARO" - ERGO-COACH			
NS	364114	BASE DRIVER'S SEAT / W/"RECARO" "C" / 112MM HEIGHT	1	1	
NS	362549	SPACER / STRUCTURE & BASE / 27MM To P-1452	4	4	
NS	360089	SPACER / 29MM From R-1453		4	
NS	5001117	SCREW CAP HEX M12-1.75x70 BK	4	4	
NS	500747	WASHER LO SPT 12.2x21.1x2.5 N500	4	4	
NS	500958	WASHER FL .531x1.062x.095 SS	4	4	

From K-0185

Date:07/2024

PAGE:H9-1823-10

BACKREST ASSY - "RECARO" - ERGO-COACH



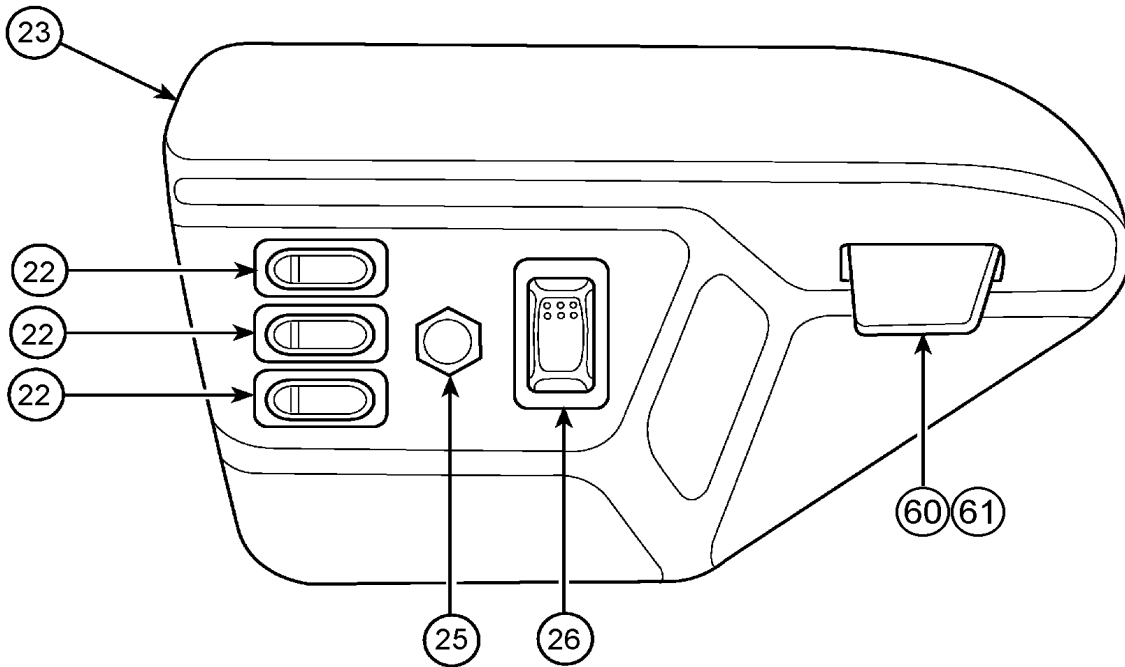
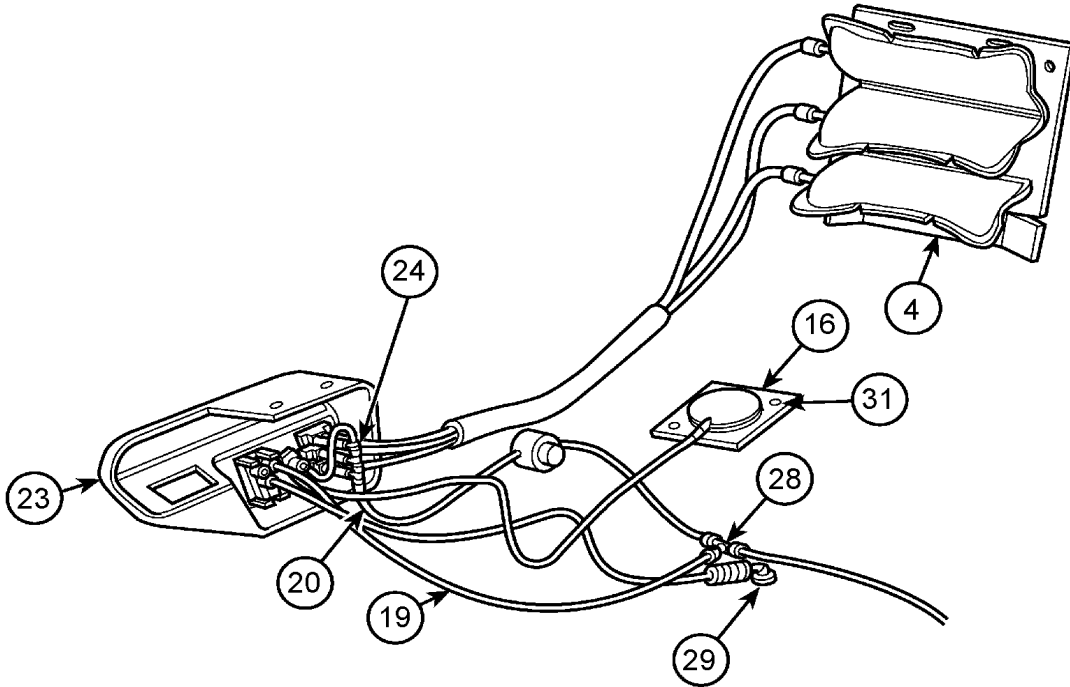
3040-137

From K-0185

Date:07/2024

PAGE:H9-1823-10

BACKREST ASSY - "RECARO" - ERGO-COACH

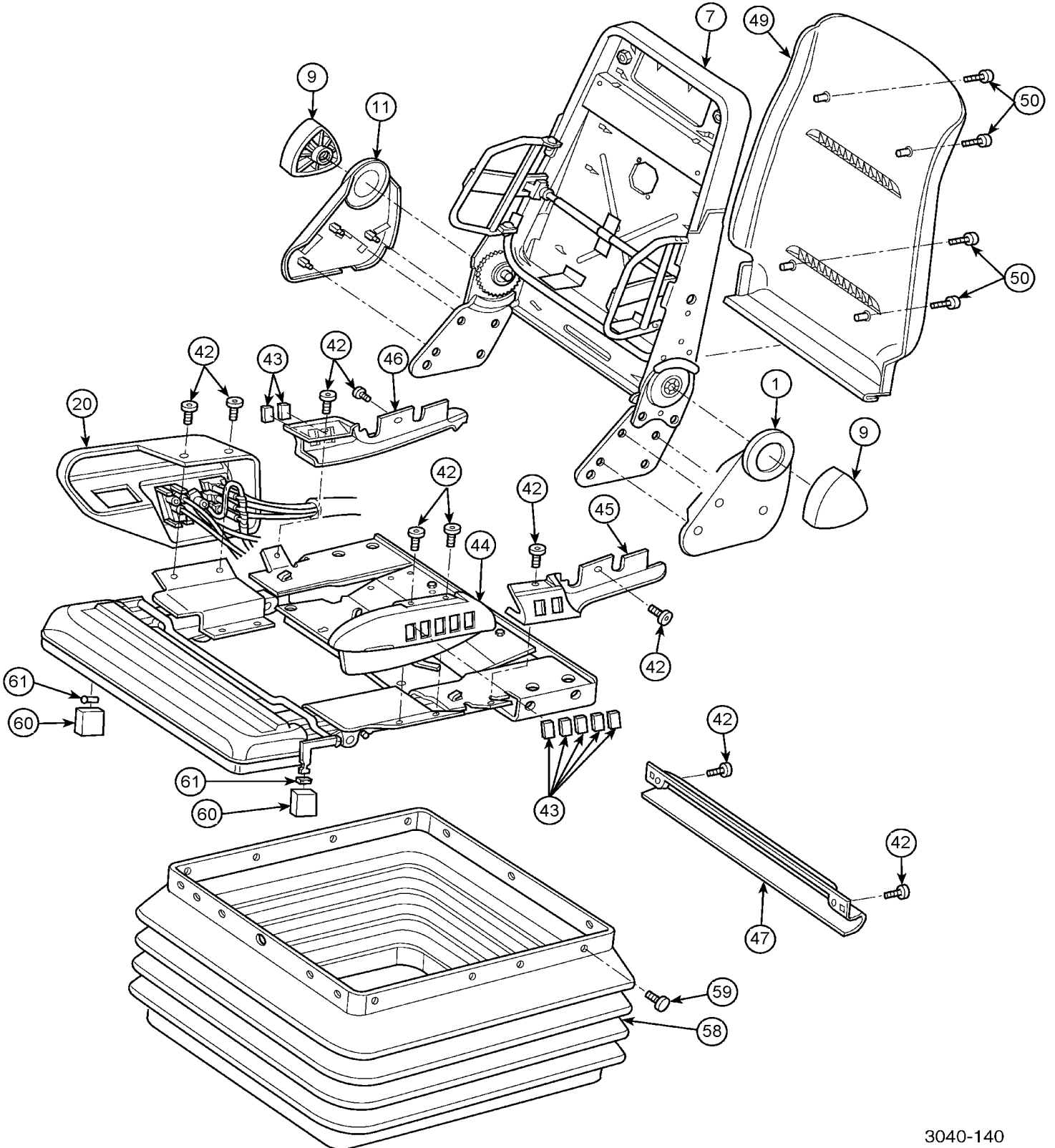


From K-0185

Date:07/2024

PAGE:H9-1823-10

BACKREST ASSY - "RECARO" - ERGO-COACH



From K-0185	Date:07/2024	PAGE:H9-1823-10
BACKREST ASSY - "RECARO" - ERGO-COACH		

Item#	Part	Description	H 3 4 1	H 3 4 5	N O T E S
1	Call order desk	COVER MANUAL RECLINE L.H.	1	1	P
3	868613	3 CELL LUMBAR	1	1	
4	Call order desk	HEADREST ASSY	1	1	P
4	Call order desk	. FRAME HEADREST	1	1	P
NS	Call order desk	. BUSHING HEADREST ROD PLASTIC	4	4	P
NS	Call order desk	. HEADREST ROD 307MM	2	2	P
4	Call order desk	. HEADREST COVER ASSY	1	1	P
NS	N8891971	. RETAINING STRIP	2	2	
NS	Call order desk	. BOLT M8X25	2	2	P
NS	N8882304	. NUT, LOCK	2	2	
5	N8886938	. TORSION SPRING	2	2	
5	N8886939	. SLEEVE	2	2	
6	N8886937	. GUIDE TUBE	2	2	
6	Call order desk	RETAINING CLIP, LOCK WASHER	2	2	P
7	Call order desk	BACK FRAME ASSY	1	1	P
8	Call order desk	ROD CONNECTING RECLINER	1	1	P
NS	Call order desk	BRACKET RECLINER STOP 12/25 DEG	1	1	P
NS	Call order desk	BOLT M8	2	2	P
9	Call order desk	HANDWHEEL	2	2	P
10	N8882373	SCREW M6-1.0x20	4	4	
11	Call order desk	COVER MANUAL RECLINE R.H.	1	1	P
12	Call order desk	RETAINING CLIP, LOCK WASHER	2	2	P
16	N8890756	ACTUATOR: AUTO BLADDER-CONTROL	1	1	
19	N8890744	TUBING 1/4" OD	1	1	
20	N8890720	CONTROL ASSY FRONT RH	1	1	
20	868612	. RUBBER TUBING 1/4 " OD	AR	AR	
22	N8891008	. SWITCH PNEUMATIC LUMBAR	3	3	
23	868605	. CONTROL PANEL	1	1	
24	Call order desk	. AIR FITTING 1/8"	1	1	P
25	868600	. SWITCH HIGH PRESSURE	1	1	
26	N8891009	. SWITCH AUTO ACTUATOR	1	1	
28	Call order desk	AIR FITTING 1/4"	1	1	P
29	868597	FITTING 45 DEG 1/8 MALE NPT	1	1	
31	N8800444	RETAINER	2	2	
NS	G1090493	FITTING 1/4"X1/4" UNION	1	1	
41	N8890720	CONTROL ASSY FRONT RH	1	1	
42	N8887256	SCREW	8	8	
43	N8887257	COVER PLATE SWITCH	9	9	
44	N8887260	CONTROL PANEL / FRONT L.H.	1	1	
45	N8800437	CONTROL PANEL / REAR L.H.	1	1	
46	N8800438	CONTROL PANEL / REAR R.H.	1	1	
47	N8887262	CABLE HOUSING REAR	1	1	

From K-0185	Date:07/2024	PAGE:H9-1823-10
BACKREST ASSY - "RECARO" - ERGO-COACH		

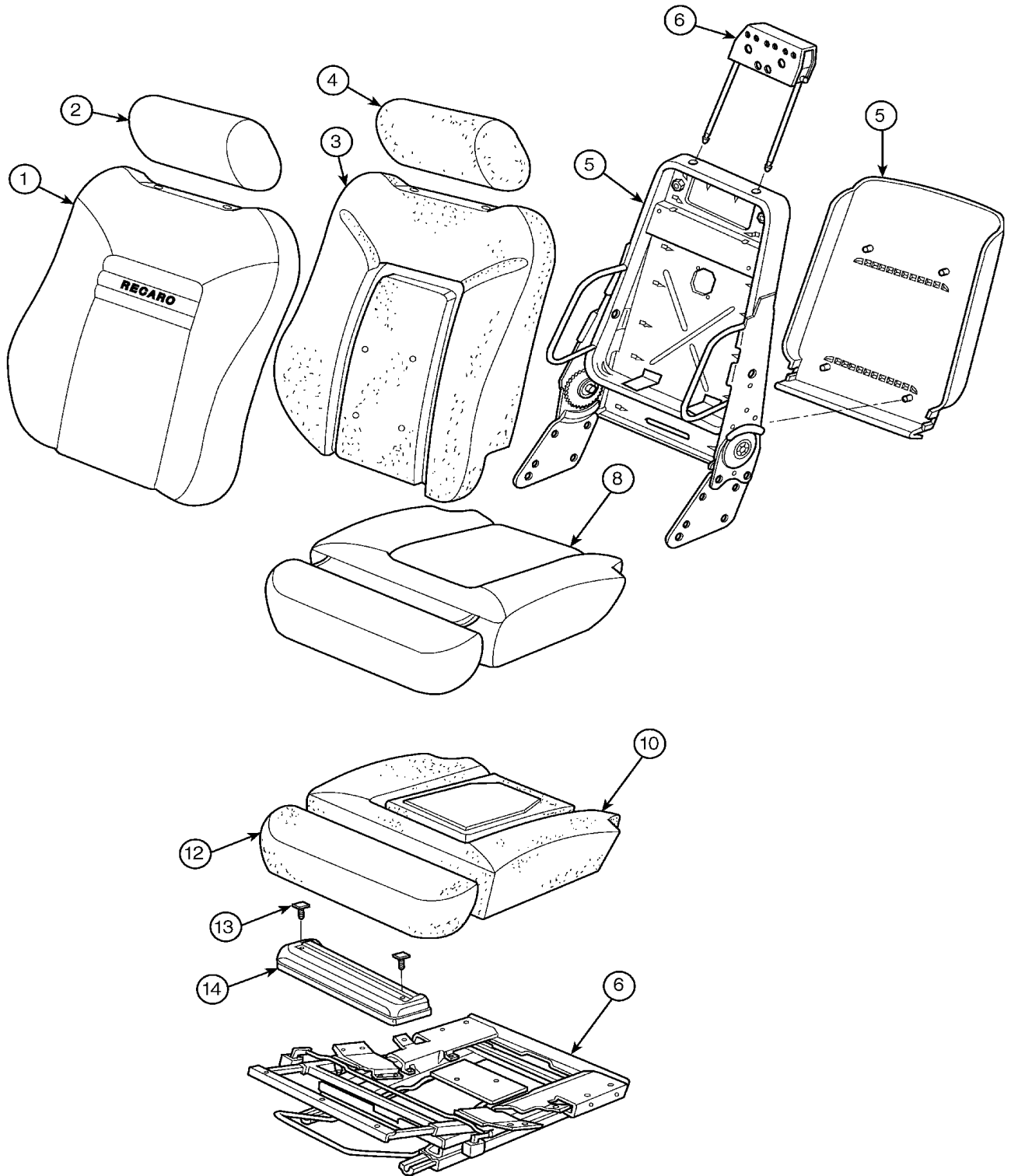
Item#	Part	Description	H 3 4 1	H 3 4 5	N O T E S
49	N8890725	BACKREST COVER KIT	1	1	
49	Call order desk	. COVER BACK PANEL	1	1	P
50	Call order desk	. SCREW BACK PANEL	1	1	P
58	G1094197	BOOT ASSY SUSPENSION	1	1	
. NS	N8882340	. PLASTIC RIVET	QR	QR	
59	N8882340	PLASTIC RIVET	23	23	
60	868579	KNOB KIT	1	1	
60	N8882395	. CLIP	2	2	
61	N8887258	. KNOB	2	2	
NS	N8890741	PNEUMATIC ASSY KIT	1	1	
NS	N8887345	. TIE STRAP	2	2	
NS	N8880620	. VINYL EDGE PROTECTOR	AR	AR	
NS	G1090493	. FITTING 1/4"X1/4" UNION	1	1	
NS	N8890744	. TUBING 1/4" OD	1	1	
NS	868612	. RUBBER TUBING 1/4 " OD	AR	AR	
NS	Call order desk	. REGULATOR MONNIER 10PSI	1	1	P
NS	Call order desk	. AIR FITTING 1/4"	1	1	P
NS	N8890748	. AIR FITTING 10-32 THREAD	1	1	
NS	Call order desk	. AIR FITTING 10-32 THREAD	1	1	P
NS	N8887306	. SCREW M5-0.8x10	1	1	
NS	Call order desk	. TUBING NYLON 12 BLACK	AR	AR	P
NS	Call order desk	. ERGO AIRLINE ROUTING	1	1	P
NS	Call order desk	. INSTALLATION INSTRUCTION AIR LINE	1	1	P
NS	Call order desk	STICKER RECARO LOGO	1	1	P
NS	N8890749	KIT BACKREST ASSY	1	1	A
NS	N8890750	KIT RECLINING STOP ASM	1	1	
NS	Call order desk	. BRACKET RECLINER STOP 12/25 DEG	1	1	P
NS	Call order desk	. BOLT M8	2	2	P
		A) INCLUDE ITEMS #5, 6, 7, 8 & 10			
		P) CALL ORDER DESK FOR SPECIFIC APPLICATION (V.I.N.)			

From K-0185

Date:07/2024

PAGE:H9-1823-15

SEAT COVER & FOAM - "RECARO" - ERGO-COACH



From K-0185	Date:07/2024	PAGE:H9-1823-15
SEAT COVER & FOAM - "RECARO" - ERGO-COACH		

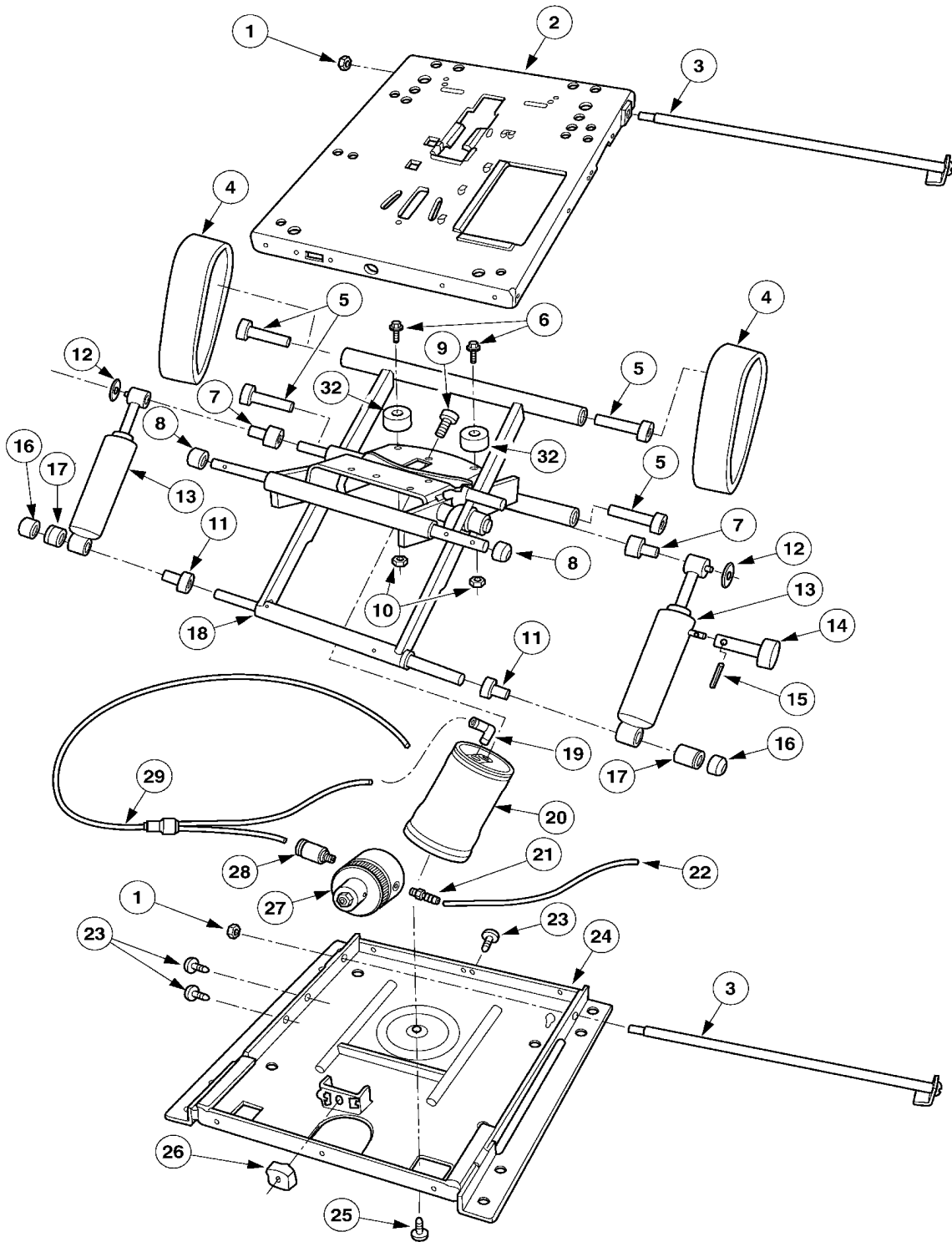
Item#	Part	Description	H 3 4 1	H 3 4 5	NOTES
1	Call order desk	SEATBACK COVER ASSY	1	1	P
2	Call order desk	HEADREST COVER ASSY	1	1	P
3	N8891359	FOAM BACKREST	1	1	
4	19503099	FOAM HEADREST	1	1	
5	H9-1823-10	BACKREST ASSY - "RECARO" - ERGO-COACH			
6	H9-1823-25	SEAT CUSHION FRAME - "RECARO" - ERGO-COACH			
8	Call order desk	SEAT CUSHION COVER ASSY	1	1	P
10	N9999062	FOAM SEAT CUSHION	1	1	
12	19503560	THIGH FOAM SUPPORT	1	1	
13	N8887358	WASHER BOLT	2	2	
14	868641	FRAME TIGH EXTENSION	1	1	
		P) CALL ORDER DESK FOR SPECIFIC APPLICATION (V.I.N.)			

From K-0185

Date:07/2024

PAGE:H9-1823-20

SUSPENSION & RISER - "RECARO" - ERGO-COACH

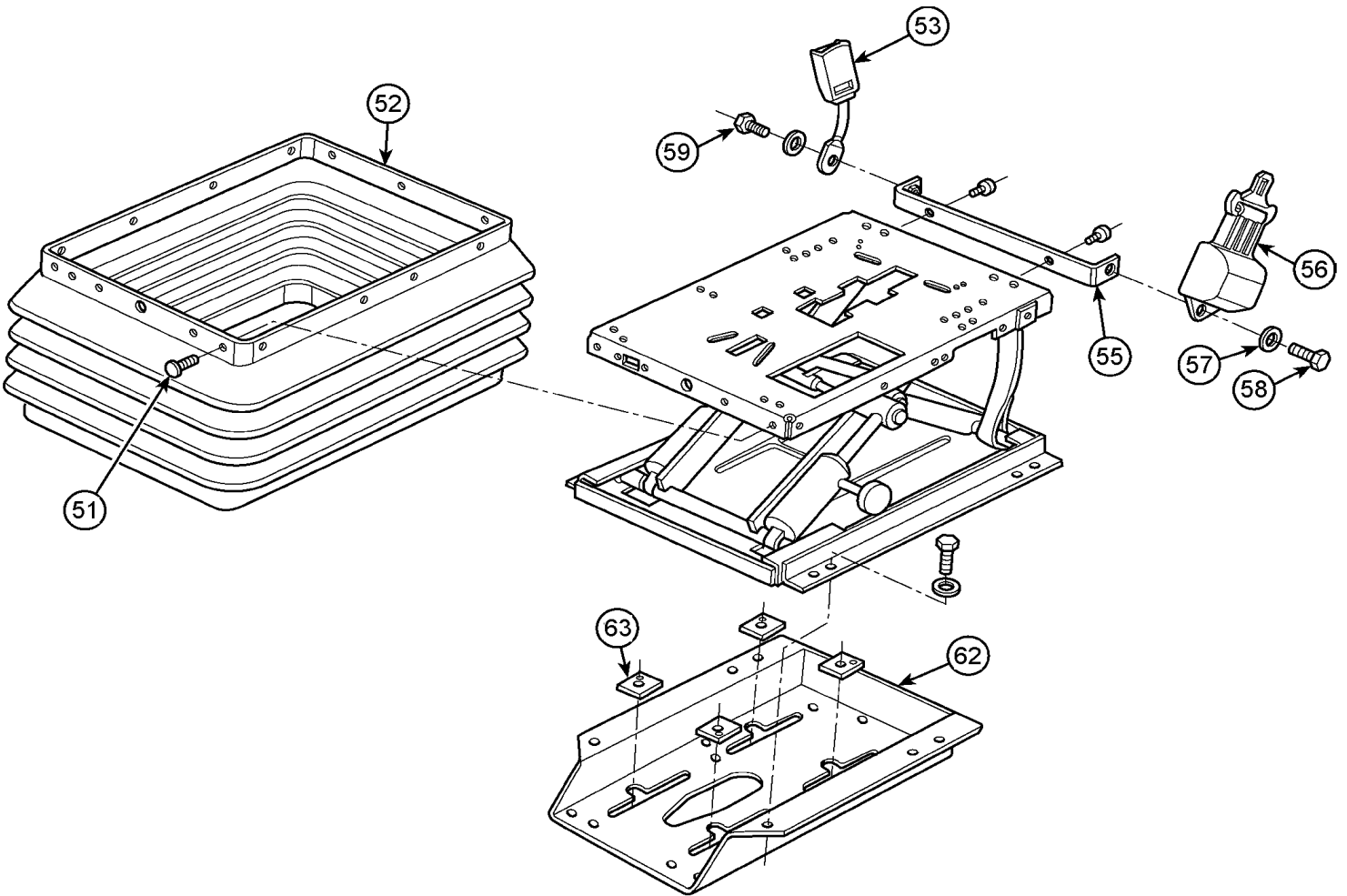


From K-0185

Date:07/2024

PAGE:H9-1823-20

SUSPENSION & RISER - "RECARO" - ERGO-COACH



From K-0185	Date:07/2024	PAGE:H9-1823-20
SUSPENSION & RISER - "RECARO" - ERGO-COACH		

Item#	Part	Description	H 3 4 1	H 3 4 5	NOTES
1	N.P.N.	NUT HEX 3/8-16 CENTER LOCK	2	2	4
2	N8890734	UPPER HOUSING KIT	1	1	
3	N8890738	WELDMENT SHAFT	2	2	
4	N8890736	TETHER	2	2	
5	Call order desk	TUBE BEARING	4	4	P
6	Call order desk	SCREW MA 1/4-20x5/8	1	1	P
7	Call order desk	BEARING UPPER SHOCK	2	2	P
8	Call order desk	ROLLER	2	2	P
9	Call order desk	SCREW CAP HEX 3/8-16x1/2	1	1	P
10	Call order desk	NUT HEX SLO 1/4-20	1	1	P
11	Call order desk	BEARING LOWERR SHOCK	2	2	P
12	Call order desk	PUSHNUT .5 STUD	2	2	P
13	N.P.N.	SHOCK FIXED SUSPENSION	1	1	4
14	Call order desk	KNOB AJUSTEMENT	1	1	P
15	Call order desk	PIN ROLL 1/8x5/8	1	1	P
16	Call order desk	ROLLER	2	2	P
17	Call order desk	SPACER SHORT	1	1	P
17	Call order desk	SPACER LONG	1	1	P
18	Call order desk	SCISSOR	1	1	P
19	868597	FITTING 45 DEG 1/8 MALE NPT	1	1	
20	868929	AIR SPRING SUSPENSION	1	1	
21	N8890748	AIR FITTING 10-32 THREAD	1	1	
22	Call order desk	TUBING NYLON 12 BLACK	AR	AR	P
23	N.P.N.	CLIP	1	1	4
24	N8890735	LOWER HOUSING KIT	1	1	
25	Call order desk	SCREW 3/8-16x3/4	1	1	P
26	868596	BUMPER KIT	1	1	
27	Call order desk	REGULATOR MONNIER 10PSI	1	1	P
28	Call order desk	AIR FITTING 10-32 THREAD	1	1	P
29	N8890744	TUBING 1/4" OD	AR	AR	
32	Call order desk	BUMPER	1	1	P
51	G1094197	BOOT ASSY SUSPENSION	1	1	
. NS	N8882340	. PLASTIC RIVET	QR	QR	
52	N8882340	. PLASTIC RIVET	23	23	
53	N8891356	2 PT RH SEATBELT ASM	1	1	
53	Call order desk	. BUCKLE ASSY	1	1	P
55	G1094196	. SUPPORT KIT 2PT SEAT BELT ATTACHMENT	1	1	
56	N8893881	. SEAT BELT	1	1	
57	Call order desk	. WASHER FL 23.5x12x1.7	2	2	P
58	Call order desk	. SCREW SHR CAP HEX 7/16-20x1 3/4	1	1	P
59	Call order desk	. SCREW CAP HEX 7/16-20x1 1/2	1	1	P
NS	Call order desk	. BRACKET-SWIVEL	1	1	P

From K-0185	Date:07/2024	PAGE:H9-1823-20
SUSPENSION & RISER - "RECARO" - ERGO-COACH		

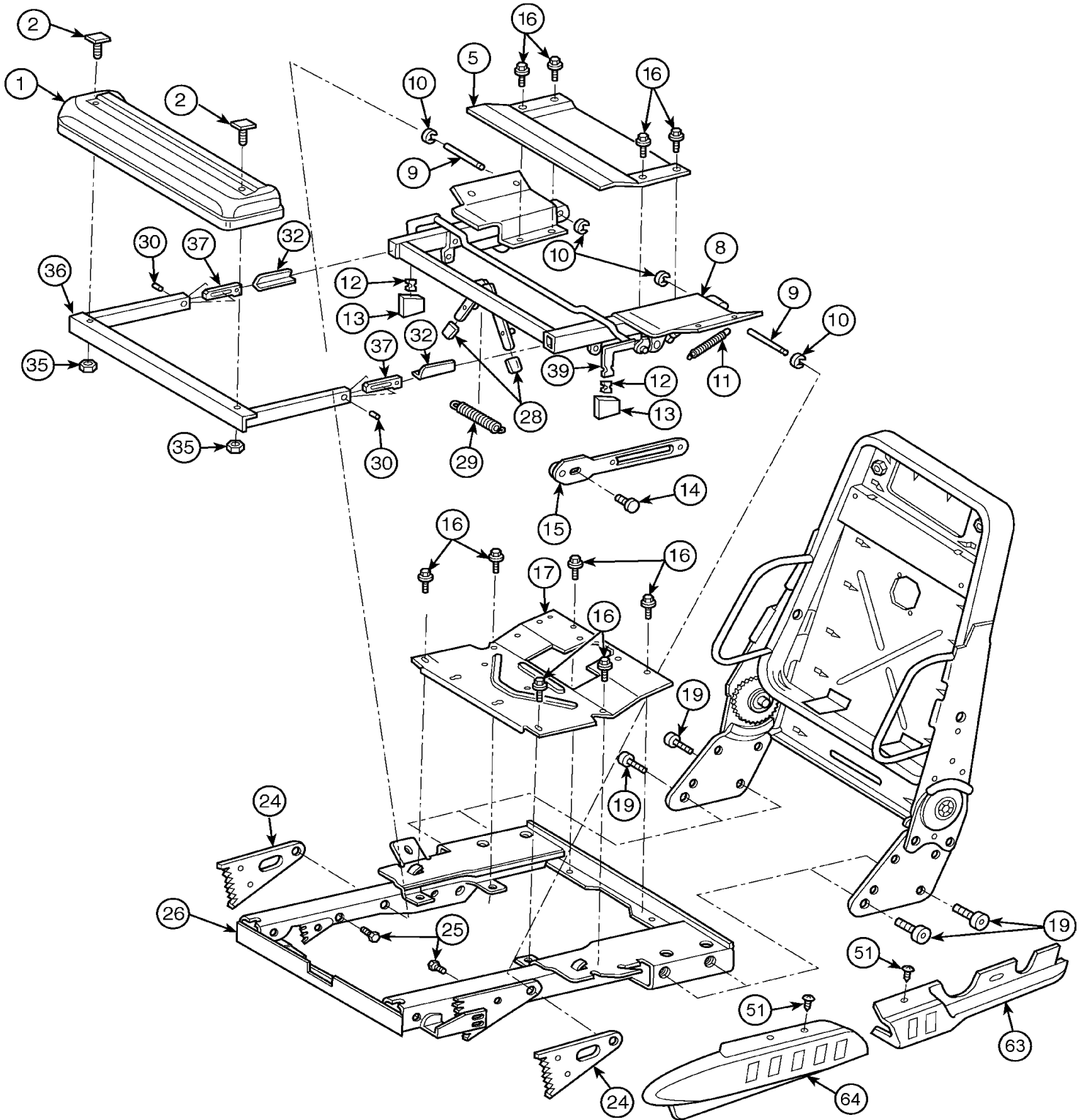
Item#	Part	Description	H 3 4 1	H 3 4 5	N O T E S
NS	Call order desk	. WASHER FL 7/16 ID x 1.5 OD .437x1.500	1	1	P
62	Call order desk	RISER 3" CRS KIT	1	1	P
62	Call order desk	. RISER 3" ASSY	1	1	P
NS	Call order desk	. LOOSE PARTS PACKAGE	1	1	P
63	Call order desk	. WASHER FL SQ 3.000	1	1	P
70	868589	KIT AIR SPRING ERGO	1	1	A
71	868591	KIT FIXED SHOCK ASM	1	1	B
72	868592	SHAFT SPACER BEARING SUSPENSION	1	1	C
73	N8890737	SCISSORS ASM KIT	1	1	D
74	N8890739	AIR LINE PROTECTION ABRASION KIT	1	1	
		A) INCLUDE ITEMS #9, 19, 20 & 25			
		B) INCLUDE ITEMS #1, 7, 11, 12, 13, 14 & 15			
		C) INCLUDE ITEMS #1, 3, 5, 7, 8, 11, 12, 16 & 17			
		D) INCLUDE ITEMS #1, 3, 5, 6, 7, 8, 10, 11, 12, 16, 17, 18 & 32			
		4) NO PARTS NUMBER			
		P) CALL ORDER DESK FOR SPECIFIC APPLICATION (V.I.N.)			

From K-0185

Date:07/2024

PAGE:H9-1823-25

SEAT CUSHION FRAME - "RECARO" - ERGO-COACH

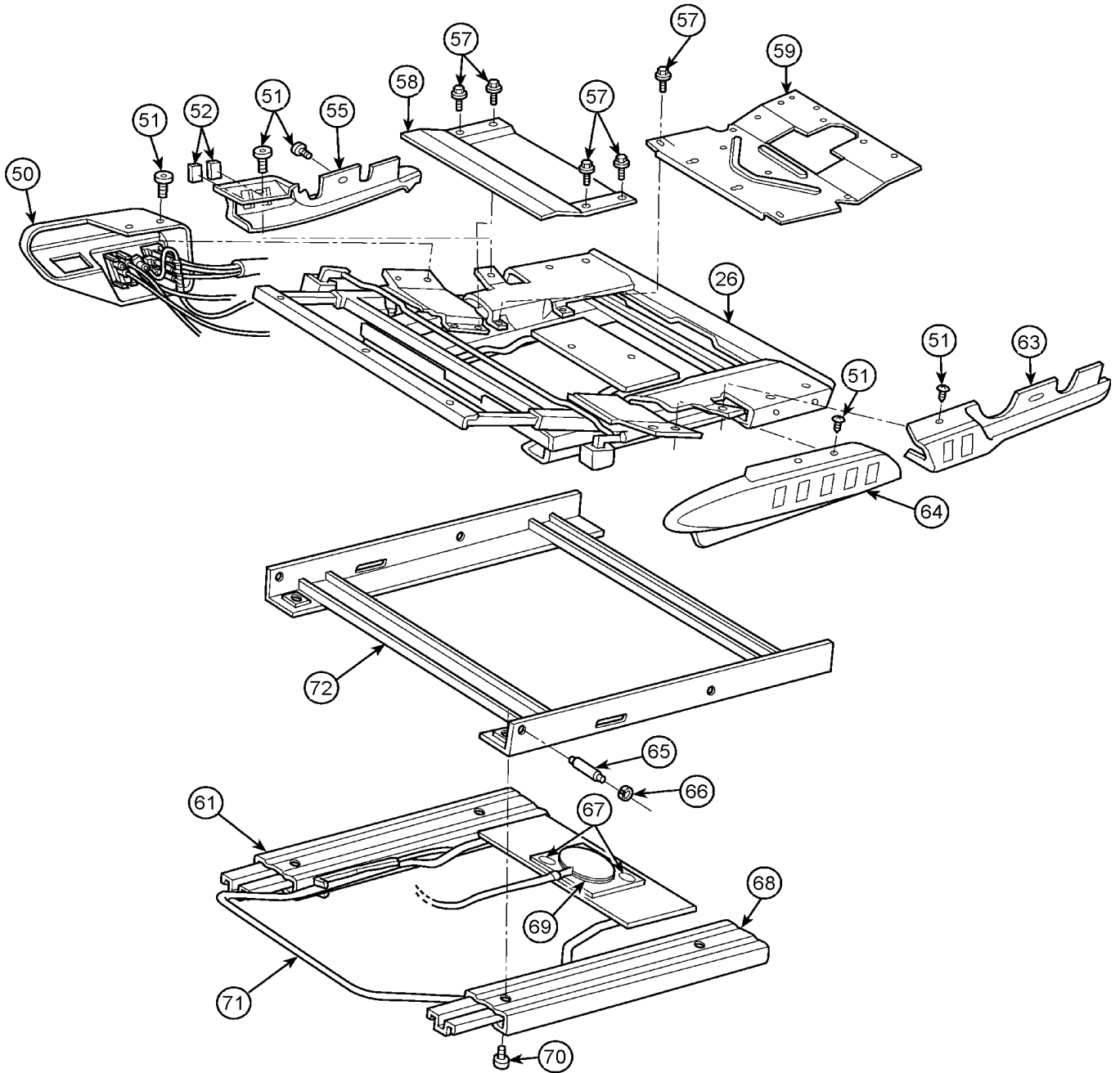


From K-0185

Date:07/2024

PAGE:H9-1823-25

SEAT CUSHION FRAME - "RECARO" - ERGO-COACH



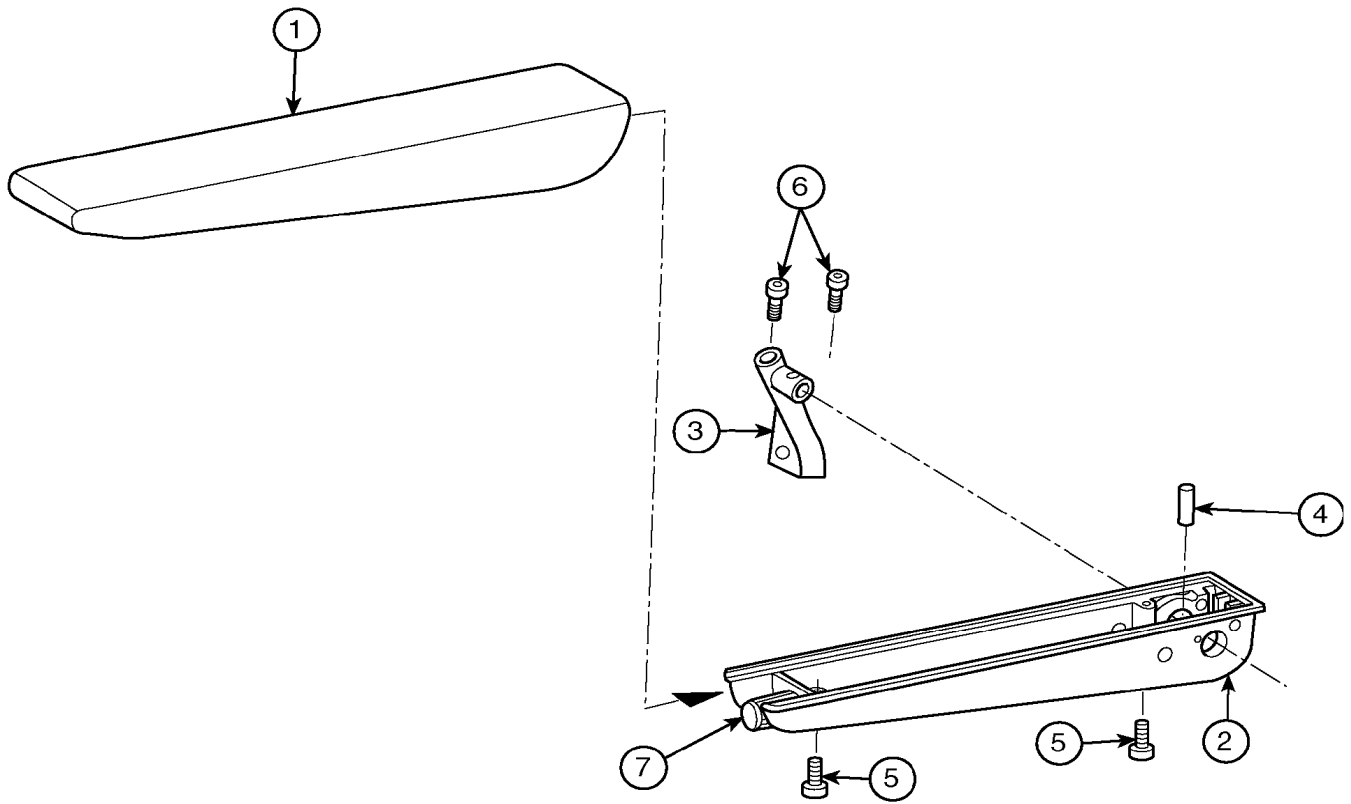
From K-0185	Date:07/2024	PAGE:H9-1823-25
SEAT CUSHION FRAME - "RECARO" - ERGO-COACH		

Item#	Part	Description	H 3 4 1	H 3 4 5	NOTES
	G1094200	FRAME ASM CUSHION	1	1	
1	868641	. FRAME TIGH EXTENSION	1	1	
2	N8887358	. WASHER BOLT	2	2	
5	N8800400	. CUSHION PAN FRONT	1	1	
8	N8887365	. PLATE	1	1	
9	N8887375	. BOLT	2	2	
10	N8882381	. CLIP RETAINER	8	8	
11	N8887368	. SPRING	2	2	
12	N8882395	. CLIP	2	2	
13	N8887258	. KNOB	2	2	
14	N8887367	. SCREW	2	2	
15	N8887366	. RELEASE PLATE	2	2	
16	N8887306	. SCREW M5-0.8x10	12	12	
17	N8800399	. SEAT CUSHION PAN REAR	1	1	
19	N8882373	. SCREW M6-1.0x20	4	4	
24	N8887362	. PIVOT PLATE	2	2	
25	N8887363	. SCREW	2	2	
26	Call order desk	. FRAME CUSHION ASSY	1	1	P
28	N8887369	. PLASTIC CAP	2	2	
29	N8887370	. SPRING	1	1	
30	N8887374	. BOLT	2	2	
32	N8887372	. GLIDING PART	2	2	
35	868643	. NUT M6	2	2	
36	N8887371	. TIGH EXTENSION	1	1	
37	N8887373	. PLASTIC GUIDE	2	2	
39	Call order desk	. LEVER, RAKE ADJUSTMENT	2	2	P
NS	Call order desk	. VELCRO LOOP	AR	AR	P
NS	Call order desk	. PIN ATTACH 38.6MM	4	4	P
NS	N8887356	REPAIR KIT LENGHT ADJUSTMENT	1	1	A
50	H9-1823-10	BACKREST ASSY - "RECARO" - ERGO-COACH			
51	N8887256	SCREW	8	8	
52	N8887257	COVER PLATE SWITCH	9	9	
55	N8890722	CONTROL PANEL / REAR R.H.	1	1	
57	N8887306	SCREW M5-0.8x10	12	12	
58	N8800400	CUSHION PAN FRONT	1	1	
59	G1094203	CUSHION PAN RR	1	1	
61	N8887269	TRACK RIGHT	1	1	
63	N8890721	CONTROL PANEL / REAR L.H.	1	1	
64	N8887260	CONTROL PANEL / FRONT L.H.	1	1	
65	Call order desk	PIN ATTACH 38.6MM	4	4	P
66	N8882381	CLIP RETAINER	8	8	
67	N8800444	RETAINER	2	2	

From K-0185	Date:07/2024	PAGE:H9-1823-25
SEAT CUSHION FRAME - "RECARO" - ERGO-COACH		

Item#	Part	Description	H 3 4 1	H 3 4 5	N O T E S
68	N8887268	TRACK LEFT	1	1	
69	N8890756	ACTUATOR: AUTO BLADDER-CONTROL	1	1	
70	Call order desk	SCREW CAP HEXS M8-1.25x20 8.8	8	8	P
NS	N8882349	NUT M8	4	4	
NS	N8880629	WASHER 5/16	4	4	
71	N8890726	CENTER TRACK ACTUATOR	1	1	
72	N8890729	COUSHION FRAME ADAPTER KIT	1	1	
72	Call order desk	. BRACKET CUSHION FRONT ADAPTER L.H.	1	1	P
72	Call order desk	. BRACKET CUSHION FRONT ADAPTER R.H.	1	1	P
72	N8882381	. CLIP RETAINER	8	8	
72	Call order desk	. PIN ATTACH 38.6MM	4	4	P
		A) INCLUDE ITEMS #1, 2, 35			
		P) CALL ORDER DESK FOR SPECIFIC APPLICATION (V.I.N.)			

From K-0185	Date:07/2024	PAGE:H9-1823-30
ARMREST - "RECARO" - ERGO-COACH		



3040-046

From K-0185	Date:07/2024	PAGE:H9-1823-30
ARMREST - "RECARO" - ERGO-COACH		

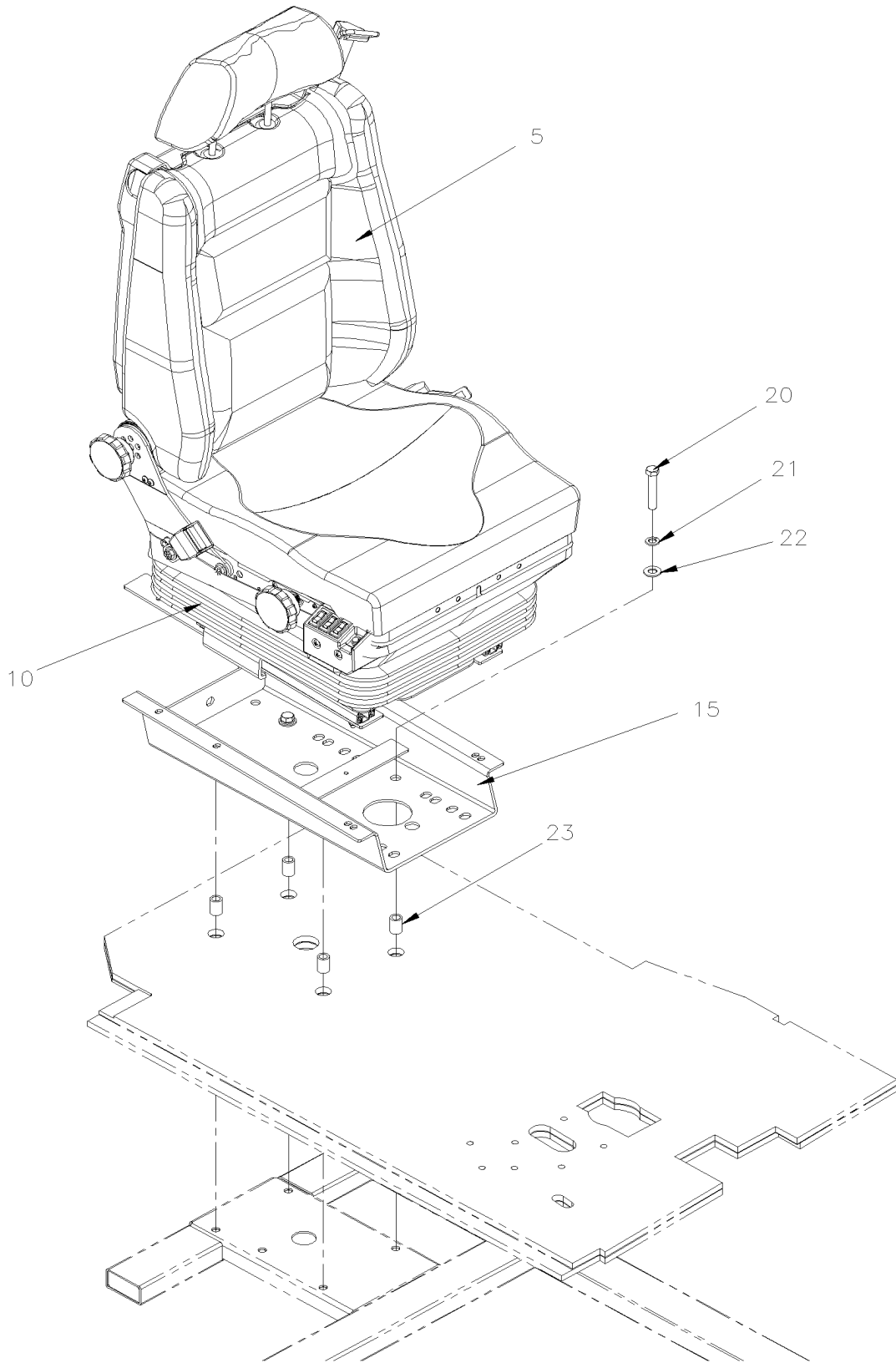
Item#	Part	Description	H 3 4 1	H 3 4 5	NOTES
	N8891363	ARMREST ASSY L.H.	1	1	
	N8891364	ARMREST ASSY R.H.	1	1	
1	N8891365	. FOAM ARMREST	1	1	
2	N8800125	. ARMREST FRAME	1	1	
3	N8891367	. BRACKET L.H.	1	1	
3	N8891368	. BRACKET R.H.	1	1	
4	N8800461	. RETAINING PIN DIN7343 10X40	1	1	
5	N8800462	. SCREW M4X16 DIN7085	2	2	
6	N8891371	. BOLT	2	2	
7	N8800468	. PLASTIC END KNOB	1	1	
8	N8891863	. SPACER	2	2	

From K-0185

Date:07/2024

PAGE:H9-1823-50

DRIVER'S SEAT - "USSC" - 9100ALX3



From K-0185	Date:07/2024	PAGE:H9-1823-50
DRIVER'S SEAT - "USSC" - 9100ALX3		

Item#	Part	Description	H 3 4 1	H 3 4 5	N O T E S
	862700	DRIVER'S SEAT - "USSC" - MODEL 9100 ALX3			
	863586	DRIVER'S SEAT - "USSC" - MODEL 9100 ALX3			
	863603	DRIVER'S SEAT - "USSC" - MODEL 9100 ALX3			
	863712	DRIVER'S SEAT - "USSC" - MODEL 9100 ALX3			
	863798	DRIVER'S SEAT - "USSC" - MODEL 9100 ALX3			
	863811	DRIVER'S SEAT - "USSC" - MODEL 9100 ALX3			
	863822	DRIVER'S SEAT - "USSC" - MODEL 9100 ALX3			
	863823	DRIVER'S SEAT - "USSC" - MODEL 9100 ALX3			
	863840	DRIVER'S SEAT - "USSC" - MODEL 9100 ALX3			
	863917	DRIVER'S SEAT - "USSC" - MODEL 9100 ALX3			
	863987	DRIVER'S SEAT - "USSC" - MODEL 9100 ALX3			
	863989	DRIVER'S SEAT - "USSC" - MODEL 9100 ALX3			
	864051	DRIVER'S SEAT - "USSC" - MODEL 9100 ALX3			
	864055	DRIVER'S SEAT - "USSC" - MODEL 9100 ALX3			
	864063	DRIVER'S SEAT - "USSC" - MODEL 9100 ALX3			
	864064	DRIVER'S SEAT - "USSC" - MODEL 9100 ALX3			
	864134	DRIVER'S SEAT - "USSC" - MODEL 9100 ALX3			
	864199	DRIVER'S SEAT - "USSC" - MODEL 9100 ALX3			
	864267	DRIVER'S SEAT - "USSC" - MODEL 9100 ALX3			
	864300	DRIVER'S SEAT - "USSC" - MODEL 9100 ALX3			
	864301	DRIVER'S SEAT - "USSC" - MODEL 9100 ALX3			
	864402	DRIVER'S SEAT - "USSC" - MODEL 9100 ALX3			
	864409	DRIVER'S SEAT - "USSC" - MODEL 9100 ALX3			
	864410	DRIVER'S SEAT - "USSC" - MODEL 9100 ALX3			
	864573	DRIVER'S SEAT - "USSC" - MODEL 9100 ALX3			
	864576	DRIVER'S SEAT - "USSC" - MODEL 9100 ALX3			
	864616	DRIVER'S SEAT - "USSC" - MODEL 9100 ALX3			
	864629	DRIVER'S SEAT - "USSC" - MODEL 9100 ALX3			
	864656	DRIVER'S SEAT - "USSC" - MODEL 9100 ALX3			
	864679	DRIVER'S SEAT - "USSC" - MODEL 9100 ALX3			
	864696	DRIVER'S SEAT - "USSC" - MODEL 9100 ALX3			
	864875	DRIVER'S SEAT - "USSC" - MODEL 9100 ALX3			
	864928	DRIVER'S SEAT - "USSC" - MODEL 9100 ALX3			
	864964	DRIVER'S SEAT - "USSC" - MODEL 9100 ALX3			
	864988	DRIVER'S SEAT - "USSC" - MODEL 9100 ALX3			
	865010	DRIVER'S SEAT - "USSC" - MODEL 9100 ALX3			
	865024	DRIVER'S SEAT - "USSC" - MODEL 9100 ALX3			
	865101	DRIVER'S SEAT - "USSC" - MODEL 9100 ALX3			
	865144	DRIVER'S SEAT - "USSC" - MODEL 9100 ALX3			
	865295	DRIVER'S SEAT - "USSC" - MODEL 9100 ALX3			
	865670	DRIVER'S SEAT - "USSC" - MODEL 9100 ALX3			
	865683	DRIVER'S SEAT - "USSC" - MODEL 9100 ALX3			

From K-0185		Date:07/2024	PAGE:H9-1823-50
DRIVER'S SEAT - "USSC" - 9100ALX3			

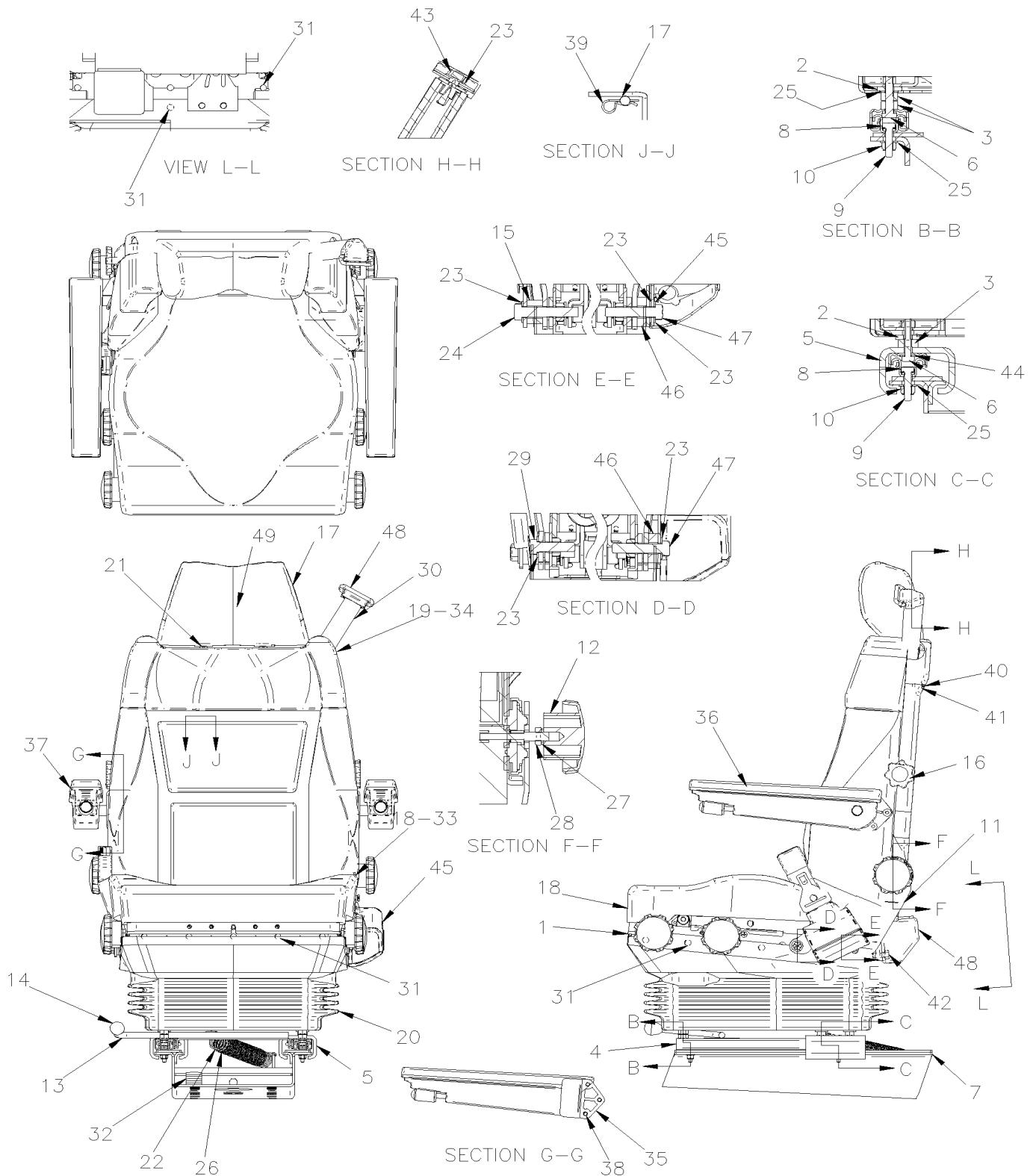
Item#	Part	Description	H 3 4 1	H 3 4 5	N O T E S
	865994	DRIVER'S SEAT - "USSC" - MODEL 9100 ALX3			
	866281	DRIVER'S SEAT - "USSC" - MODEL 9100 ALX3			
	866332	DRIVER'S SEAT - "USSC" - MODEL 9100 ALX3			
	866344	DRIVER'S SEAT - "USSC" - MODEL 9100 ALX3			
	866354	DRIVER'S SEAT - "USSC" - MODEL 9100 ALX3			
	866395	DRIVER'S SEAT - "USSC" - MODEL 9100 ALX3			
	866476	DRIVER'S SEAT - "USSC" - MODEL 9100 ALX3			
	867074	DRIVER'S SEAT - "USSC" - MODEL 9100 ALX3			
	866535	DRIVER'S SEAT - "USSC" - MODEL 9100 ALX3			
	866537	DRIVER'S SEAT - "USSC" - MODEL 9100 ALX3			
	866538	DRIVER'S SEAT - "USSC" - MODEL 9100 ALX3			
	866539	DRIVER'S SEAT - "USSC" - MODEL 9100 ALX3			
	866655	DRIVER'S SEAT - "USSC" - MODEL 9100 ALX3			
	866666	DRIVER'S SEAT - "USSC" - MODEL 9100 ALX3			
	866722	DRIVER'S SEAT - "USSC" - MODEL 9100 ALX3			
	866770	DRIVER'S SEAT - "USSC" - MODEL 9100 ALX3			
	866788	DRIVER'S SEAT - "USSC" - MODEL 9100 ALX3			
	866798	DRIVER'S SEAT - "USSC" - MODEL 9100 ALX3			
	866823	DRIVER'S SEAT - "USSC" - MODEL 9100 ALX3			
	866835	DRIVER'S SEAT - "USSC" - MODEL 9100 ALX3			
	866874	DRIVER'S SEAT - "USSC" - MODEL 9100 ALX3			
	866924	DRIVER'S SEAT - "USSC" - MODEL 9100 ALX3			
	866950	DRIVER'S SEAT - "USSC" - MODEL 9100 ALX3			
	866972	DRIVER'S SEAT - "USSC" - MODEL 9100 ALX3			
5	H9-1823-60	. SEAT ASSY - "USSC" - 9100ALX3			
10	H9-1823-70	. SUSPENSION ASSY - "USSC" - 9100ALX3			
15	H9-1823-80	. BASE ASSY - "USSC" - 9100ALX3			
20	5001862	SCREW CAP HEX M12-1.75x70 G10.9 N500	4	4	
21	500747	WASHER LO SPT 12.2x21.1x2.5 N500	4	4	
22	500958	WASHER FL .531x1.062x.095 SS	4	4	
23	362549	SPACER / STRUCTURE & BASE / 27MM	4	4	

From K-0185

Date:07/2024

PAGE:H9-1823-55

DRIVER'S SEAT - "USSC" - 9210



From K-0185		Date:07/2024	PAGE:H9-1823-55
DRIVER'S SEAT - "USSC" - 9210			

Item#	Part	Description	H 3 4 1	H 3 4 5	N O T E S
	864754	DRIVER'S SEAT - "USSC" - MODEL 9210	1	1	
1	Call order desk	. SUSPENSION ASSY	1	1	P
2	Call order desk	. SPACER SLIDE 3/16"	6	6	P
3	N8883004	. SPACER SLIDE	8	8	
4	N8883008	. SLIDE SET 9.45"	1	1	
5	N8891959	. BRACKET SLIDE REINFORCMENT	2	2	
6	Call order desk	. SCREW CAP HEX 5/16-18X1.75 G8 YZ	6	6	P
7	N8891958	. BASE ASSY 4"	1	1	
8	N8883007	. NUT 3/8	4	4	
9	Call order desk	. SCREW CAP HEX 5/16-18X1.25 G8 YZ	4	4	P
10	N8893849	. NUT LOCK 5/16-18 NYLON	4	4	
11	Call order desk	. BACK/3PT MLX/BOLSTERS/FAUR REC	1	1	P
12	N8882989	. KNOB SEAT ADJUSTMENT W/FORMER VALVE	6	6	
13	N8892034	. HANDLE / SLIDE RELEASE/MANUAL/RH	1	1	
14	N8892036	. KNOB 1 1/8" DIA.	1	1	
15	N8887857	. SPACER 1/2x1-1/8x5/8	1	1	
16	19503441	. CONV/KNOB LUMBAR/MECH	2	2	
17	N8892743	. HEADREST ASSY	1	1	
18	N8887209	. CUSHION FOAM	1	1	
19	N8882987	. FOAM BACKREST	1	1	
20	N8883020	. BELLOW	1	1	
21	N8893445	. HEADREST PLUG	1	1	
22	Call order desk	. SPRING / EXTENSION / 10" SLD/SLANT	1	1	P
23	N8882992	. WASHER FLAT 7/16	7	7	
24	N8882962	. SCREW CAP HEX 7/16-20X2.25	1	1	
25	N8882993	. WASHER FLAT 5/16	6	6	
26	Call order desk	. MESH SPRG COVER / 1"-1.5"OD/18"LG	1	1	P
27	N8882967	. WASHER, LOCK M10	6	6	
28	N8882988	. NUT JAM M10X1.5	2	2	
29	N8882960	. SCREW CAP HEX /7/16-20X1.5"	1	1	
30	19515581	. COVER, FOAM 1"" ID X 5"" SMOKESTACK"	1	1	
31	N8883021	. RIVET	18	18	
32	N8887858	. WASHER 7/16	6	6	
33	Call order desk	. COVERING BACKREST	1	1	P
34	Call order desk	. COVERING SEATREST	1	1	P
35	860044	. ARMREST SHIM	2	2	
36	N8892739	. ARMREST LH	1	1	
37	N8892740	. ARMREST RH	1	1	
38	N8893510	. SCREW M8-1.25x35	6	6	
39	N8891948	. PIN HAIR - HEADREST .0725 DIA	1	1	
40	N8895439	. BACKSHELL W/OUT LOGO	1	1	
41	N8887219	. SCREW 1/4-20x3/4	2	2	

From K-0185	Date:07/2024	PAGE:H9-1823-55
DRIVER'S SEAT - "USSC" - 9210		

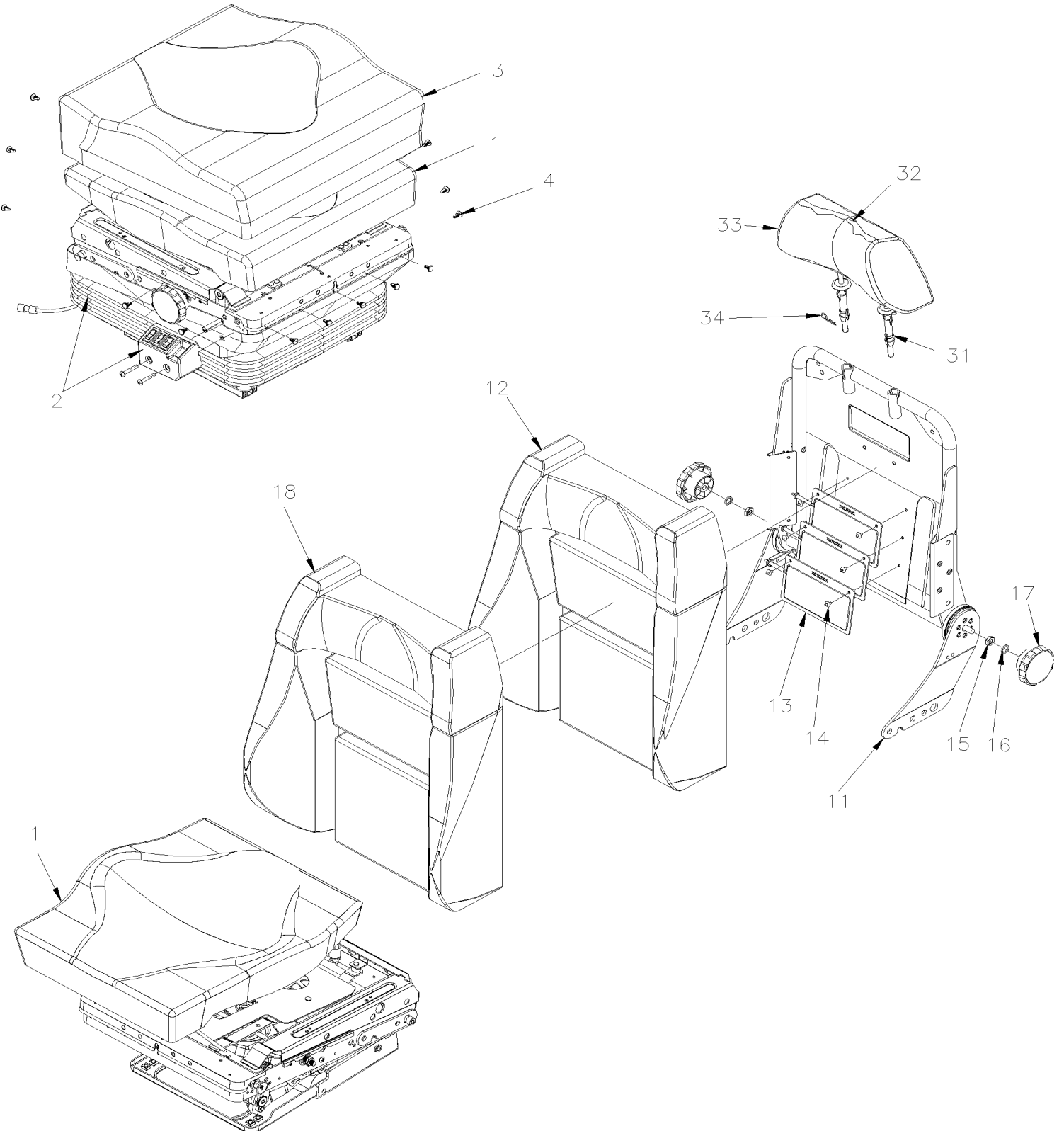
Item#	Part	Description	H 3 4 1	H 3 4 5	NOTES
42	N8899242	. SCREW CAP HEX 7/16-20X1 G8	1	1	
43	N8882961	. SCREW 7/16-20x1 1/4	1	1	
44	N8891964	. WASHER FLAT	2	2	
45	N8897723	. SEAT BELT ASSY	1	1	
46	N8897722	. SEAT BELT PLATE /54 DEG	1	1	
47	N8897724	. SCREW CAP HEX 7/16-20X2 GR8 YZ	2	2	
48	864095	. BELT 3PT / SHOULDER RETRACTOR	1	1	
49	Call order desk	. COVERING HEADREST	1	1	P
		P) CALL ORDER DESK FOR SPECIFIC APPLICATION (V.I.N.)			

From K-0185

Date:07/2024

PAGE:H9-1823-60

SEAT ASSY - "USSC" - 9100ALX3

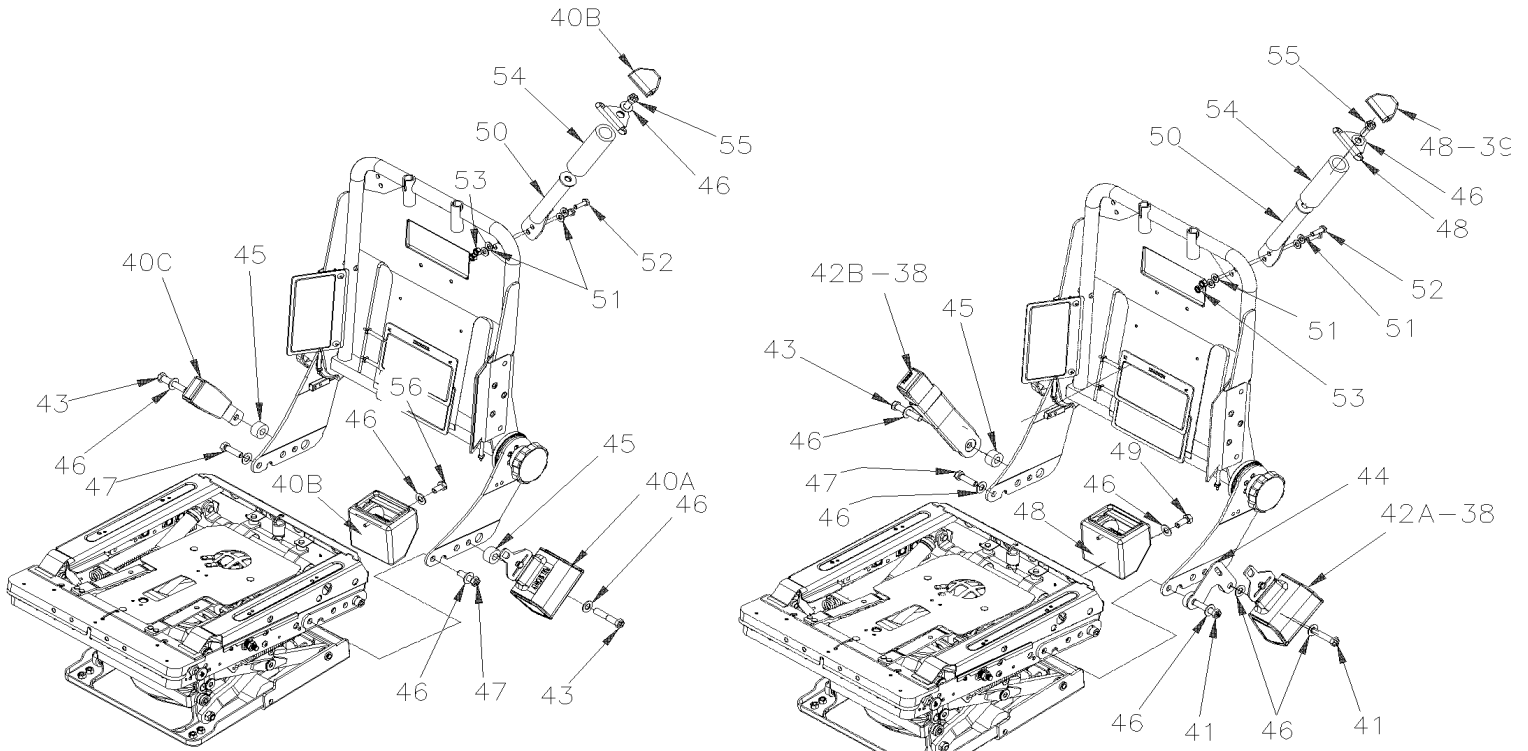


From K-0185

Date:07/2024

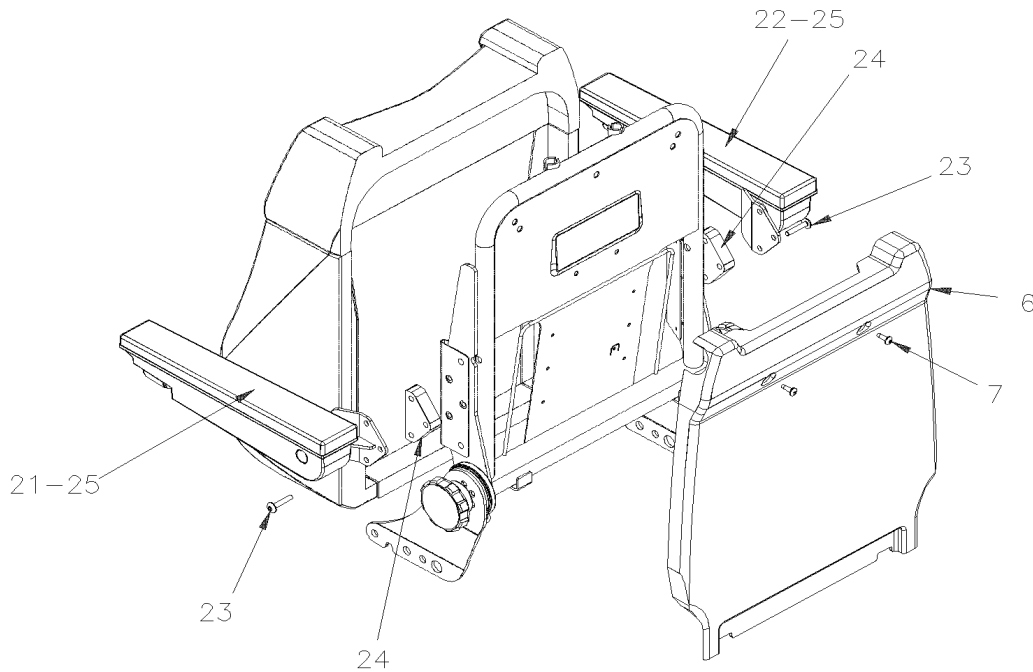
PAGE:H9-1823-60

SEAT ASSY - "USSC" - 9100ALX3



WITH 4 3/4 BUCKLE

WITH 8 3/4 BUCKLE



From K-0185	Date:07/2024	PAGE:H9-1823-60
SEAT ASSY - "USSC" - 9100ALX3		

Item#	Part	Description	H 3 4 1	H 3 4 5	NOTES
1	N8887209	CUSHION FOAM	1	1	
2	H9-1823-70	SUSPENSION ASSY - "USSC" - 9100ALX3			
3	Call order desk	COVER CUSHION	1	1	P
4	N8883021	RIVET	13	13	
6	N8887219	SCREW 1/4-20x3/4	2	2	
7	N8895439	BACKSHELL W/OUT LOGO	1	1	
11	N8897721	BACK BOLSTER	1	1	
12	N8882987	FOAM BACKREST	1	1	
13	N8895287	LUMBAR AIR BAG ASSY	3	3	
14	N8891961	RIVET	6	6	
15	N8882988	NUT JAM M10X1.5	2	2	
16	N8882967	WASHER, LOCK M10	2	2	
17	N8882989	KNOB SEAT ADJUSTMENT W/FORMER VALVE	2	2	
18	Call order desk	COVER BACKREST	1	1	P
21	Call order desk	ARMREST WITHOUT COVERING PAD LH	1	1	P
21	N8892788	ARMREST WITH BLACK COVERING PAD LH	1	1	
22	865417	ARMREST ADJUSTABLE WITHOUT COVERING PAD RH	1	1	
22	N8892789	ARMREST ADJUSTABLE WITH BLACK COVERING PAD RH	1	1	
23	N8893510	SCREW M8-1.25x35	6	6	
24	N8893511	ARMREST SHIM	2	2	
25	867787	ARMREST PAD	2	2	
31	N8893445	HEADREST PLUG	2	2	
32	N8892743	HEADREST ASSY	1	1	
33	Call order desk	COVER HEADREST	1	1	P
34	N8891948	PIN HAIR - HEADREST .0725 DIA	2	2	
38	19507825	BELT 3PT / LAP RETRACTOR ORANGE	1	1	
39	N8899238	BELT 3PT / SHOULDER RETRACTOR ORANGE	1	1	
40	N8891957	BELT 3PT ASS	1	1	
. NS	N8904553	. BUSHING	1	1	
40A	864096	. BELT 3PT / LAP RETRACTOR	1	1	
40B	864095	. BELT 3PT / SHOULDER RETRACTOR	1	1	
40C	864097	. BELT 3PT / BUCKLE RECEPTOR 4 3/4	1	1	
41	N8897724	SCREW CAP HEX 7/16-20X2 GR8 YZ	2	2	
42	N8897723	SEAT BELT ASSY	1	1	
42	864590	SEAT BELT ASSY WITH ALARM	1	1	
42A	864700	. BELT / LAP RETRACTOR	1	1	
42B	864701	. BELT / BUCKLE RECEPTOR 8 3/4	1	1	
42B	864702	. BELT / BUCKLE RECEPTOR WITH ALARM 8 3/4	1	1	
43	N8882962	SCREW CAP HEX 7/16-20X2.25	1	1	
44	N8897722	SEAT BELT PLATE /54 DEG	1	1	
45	N8887857	SPACER 1/2x1-1/8x5/8	1	1	
46	N8882992	WASHER FLAT 7/16	7	7	

From K-0185	Date:07/2024	PAGE:H9-1823-60
SEAT ASSY - "USSC" - 9100ALX3		

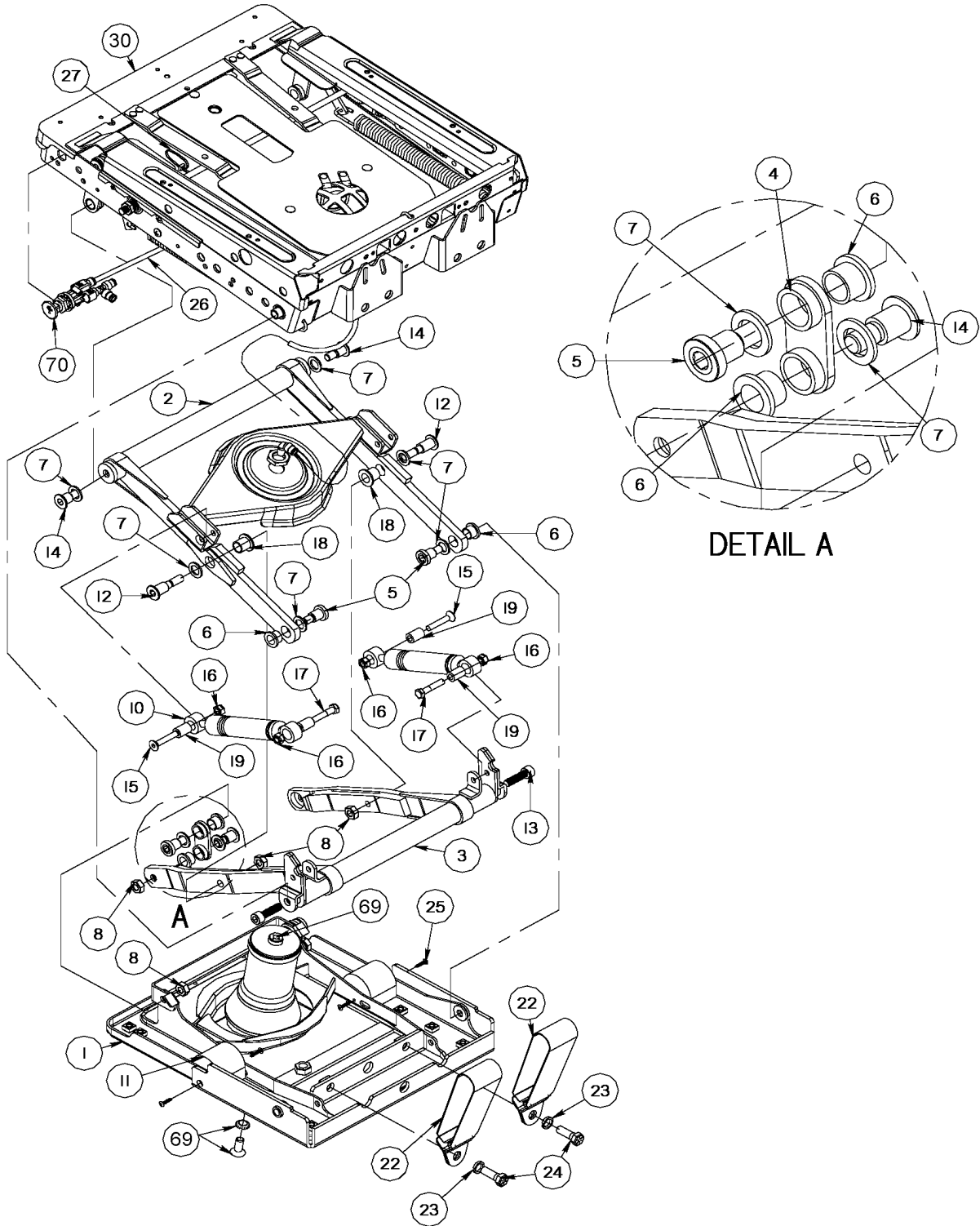
Item#	Part	Description	H 3 4 1	H 3 4 5	N O T E S
47	N8882960	SCREW CAP HEX /7/16-20X1.5"	1	1	
48	864095	BELT 3PT / SHOULDER RETRACTOR	1	1	
49	N8899242	SCREW CAP HEX 7/16-20X1 G8	1	1	
50	19505644	D-LOOP	1	1	
51	N8882993	WASHER FLAT 5/16	4	4	
52	N8902660	SCREW CAP HEX 5/16-18 X 1.0" GR8 YZ.	2	2	
53	N8893849	NUT LOCK 5/16-18 NYLON	2	2	
54	19515581	COVER, FOAM 1"" ID X 5"" SMOKESTACK"	1	1	
55	N8882961	SCREW 7/16-20x1 1/4	1	1	
56	N8891962	SCREW CAP HEX 7/16-20x.75	1	1	
		P) CALL ORDER DESK FOR SPECIFIC APPLICATION (V.I.N.)			

From K-0185

Date:07/2024

PAGE:H9-1823-70

SUSPENSION ASSY - "USSC" - 9100ALX3

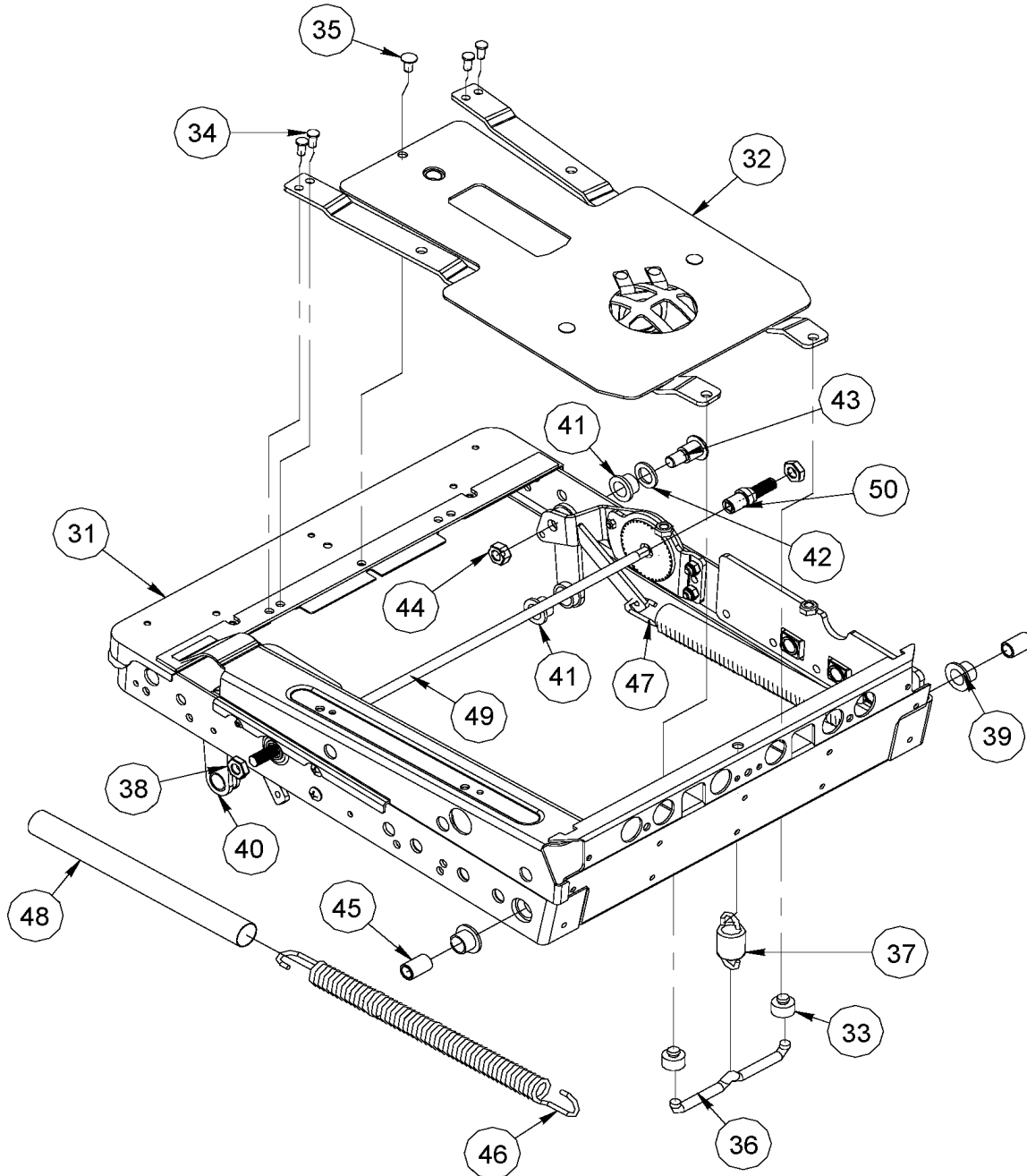


From K-0185

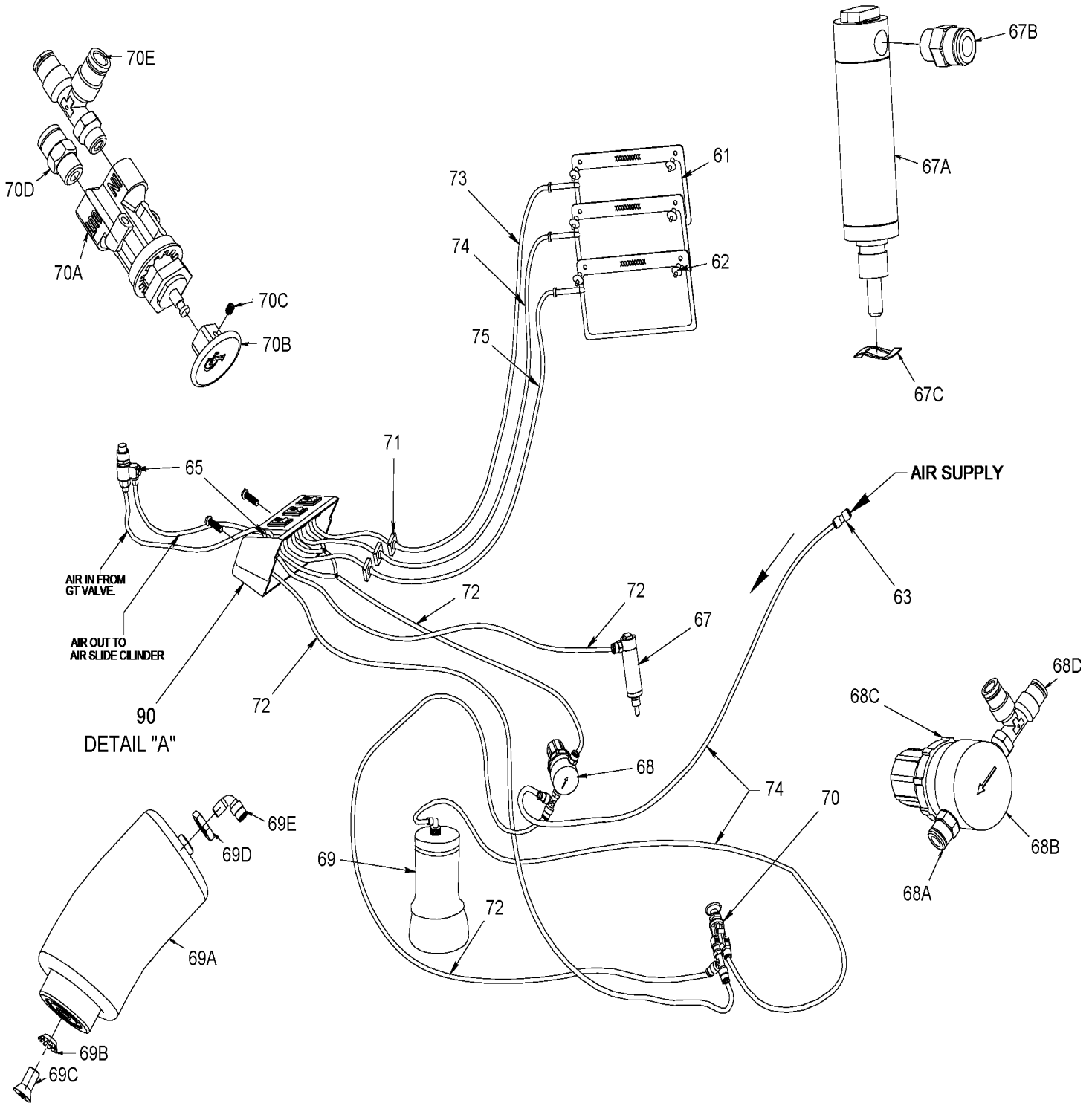
Date:07/2024

PAGE:H9-1823-70

SUSPENSION ASSY - "USSC" - 9100ALX3



From K-0185	Date:07/2024	PAGE:H9-1823-70
SUSPENSION ASSY - "USSC" - 9100ALX3		



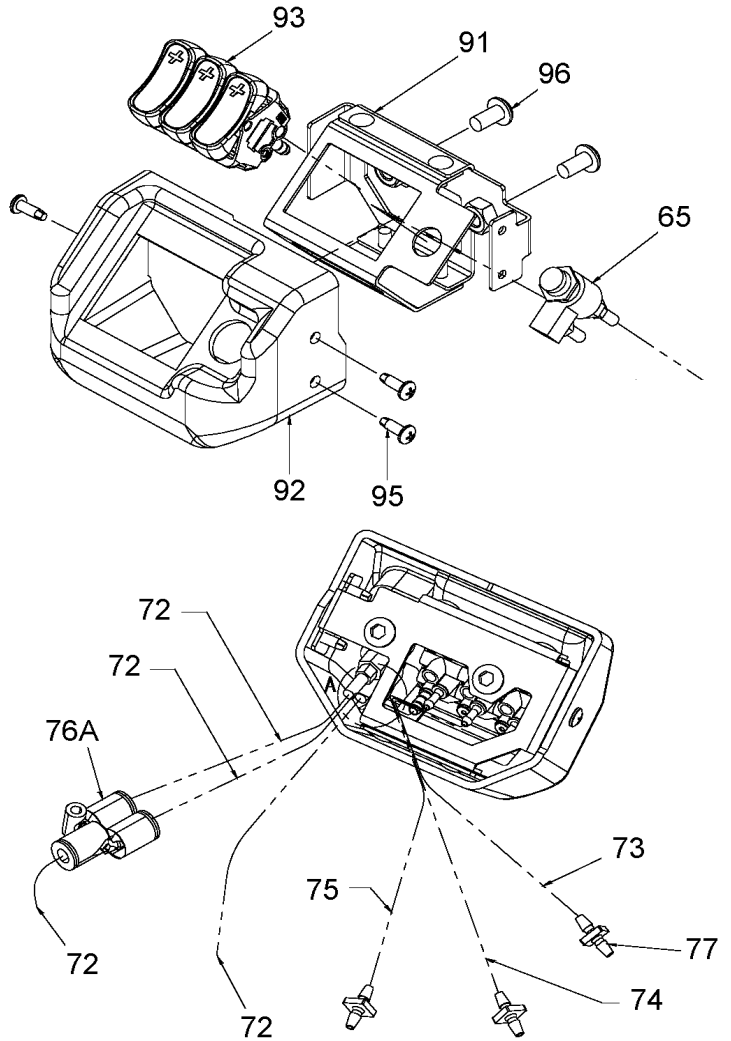
From K-0185

Date:07/2024

PAGE:H9-1823-70

SUSPENSION ASSY - "USSC" - 9100ALX3

DETAIL "A"



FROM A-9963

From K-0185	Date:07/2024	PAGE:H9-1823-70
SUSPENSION ASSY - "USSC" - 9100ALX3		

Item#	Part	Description	H 3 4 1	H 3 4 5	N O T E S
	N8894728	SUSPENSION ASSY	1	1	
1	N.S.S.	. SUSPENSION BOTTOM / WELDMENT	1	1	1
2	N.S.S.	. SUSPENSION SCISSOR / UPPER WELDMENT	1	1	1
3	N.S.S.	. SUSPENSION SCISSOR / LOWER WELDMENT	1	1	1
4	N8894295	. BRACKET	2	2	
5	N8895289	. BOLT SCISSOR	4	4	
6	N8899141	. BUSHING 14MM IDx17MM ODx12.6MM LG	6	6	
7	N8883024	. WASHER	10	10	
8	19518102	. NUT LOCK M10X1.5/ZP	6	6	
10	N8893636	. SHOCK ABSORBER, FIRM	2	2	
11	N8883018	. RUBBER BUMPER	2	2	
12	N8894297	. BOLT SCISSOR 2"	2	2	
13	N8894294	. SCREW CAP HEXS M10X1.5/35MMLG	2	2	
14	N8894301	. BOLT SCISSOR .60 LGTH	4	4	
15	N8883013	. BOLT, M8 X 40	2	2	
16	N8883015	. NUT LOCK M8-1.25/GRD10/CZ	4	4	
17	N8883011	. SCREW 8MMX40/UPPER SHOCK	2	2	
18	N8899140	. BUSHING .672x.552x.70	2	2	
19	N8893441	. BUSHING SHOCK ABSORBER	4	4	
22	N8883017	. STRAP 15"	2	2	
23	N8882966	. WASHER, LOCK 7/16	2	2	
24	N8882961	. SCREW 7/16-20x1 1/4	2	2	
25		. SCREW TRUSS HD NO 6 X .75 " LG	4	4	
26	N8893854	. TUBE, NYLON 1/4 O.D. / BLACK S.L.	3 FEET	3 FEET	
27		. CABLE TIE/BLK/4"LG X .095"WIDTH	1	1	
30	N8894298	. TOP PAN ASSEMBLY	1	1	
31	N.S.S.	. . FRAME	1	1	1
32	N.S.S.	. . TOP PAN ASSEMBLY	1	1	1
33	19505642	. . RUBBER BUMPER	2	2	
34	Call order desk	. . RIVET 1/4-3/8 GRIP 1/4" STL/HS	1	1	P
35	Call order desk	. . RIVET 3/8-1/2 GRIP 1/4" SS	1	1	P
36	19505641	. . BAR SUSPENSION PAN	1	1	
37	19505640	. . SPRING TENSION	1	1	
38	N8882988	. . NUT JAM M10X1.5	2	2	
39	N8899144	. . BUSHING .679ODx.556IDx.51	2	2	
40	19505643	. . BRACKET	2	2	
41	N8899141	. . BUSHING 14MM IDx17MM ODx12.6MM LG	4	4	
42	N8883024	. . WASHER	2	2	
43	N8894301	. . BOLT SCISSOR .60 LGTH	2	2	
44	19518102	. . NUT LOCK M10X1.5/ZP	1	1	
45	N8894290	. . BUSHING M10IDXM14ODX22MMLG	2	2	
46	N8894293	. . SPRING LH /51COIL/LH/EX	1	1	

From K-0185	Date:07/2024	PAGE:H9-1823-70
SUSPENSION ASSY - "USSC" - 9100ALX3		

Item#	Part	Description	H 3 4 1	H 3 4 5	NOTES
47	N8894292	. . SPRING RH /51COIL/RH/EX	1	1	
48	N8894291	. . SPRING COVER 20.5MM ID	2	2	
49	N.S.S.	. . SUSPENSION / GEAR SHAFT	1	1	1
50	N.S.S.	. . SUSPENSION / CAM	2	2	1
61	N8895287	LUMBAR AIR BAG ASSY	3	3	
62	N8891961	RIVET	6	6	
63	N8882997	CONNECTOR	1	1	
64	N8882986	SCREW 1/4-20x1 3/4	2	2	
65	N8887215	SLIDE BUTTON ASSY	1	1	
67	N8887216	SLIDE CYLINDER ASSY	1	1	
67A	19504884	. AIR CYLINDER1/2" STK/SIDE MNT	1	1	
67B	N8892738	. CONNECTOR 1/8 NPT	1	1	
67C	Call order desk	. WASHER 1/2" ID X 3/4" OD	1	1	P
68	N8887856	AIR LUMBAR REGULATOR ASSY W/FITTING	1	1	
68A	N8892738	CONNECTOR 1/8 NPT	1	1	
68B	N8883033	AIR REGULATOR	1	1	
68C	N8893452	NUT RETAINER REGULATOR	1	1	
68D	N8893451	MALE RUN TEE 1/8 NPT	1	1	
69	N8897573	AIR BAG ASSY 150 PSI	1	1	
69A	N8897622	. AIR BAG	1	1	
69B	N8897574	. WASHER EXT TOOTH	1	1	
69C	N8897575	. SCREW CAP FL HEXS 1/2-13 X 1	1	1	
69D	N8883031	. NUT	1	1	
69E	N8893449	. MALE ELBOW 90° / PUSH-IN FITTING / #4x1/8NPT-M BR	1	1	
70	N8892962	AIR VALVE ASSY	1	1	
70A	N8893450	AIR VALVE / HEIGHT CONTROL / CURRENT	1	1	
70B	19504019	BRIGHT ZINC PUSH/PULL KNOB	1	1	
70C	19516104	SET SCREW	1	1	
70D	N8892738	CONNECTOR 1/8 NPT	1	1	
70E	N8893451	MALE RUN TEE 1/8 NPT	1	1	
71	N8893454	UNION CONNECTOR 1/8"	3	3	
72	N8893852	TUBE, NYLON 1/4 O.D. / CLEAR S.L.	AR	AR	
73	N8893853	TUBE, NYLON 1/4 O.D. / GREY S.L.	AR	AR	
74	N8893854	TUBE, NYLON 1/4 O.D. / BLACK S.L.	AR	AR	
75	N8893855	TUBE, NYLON 1/4 O.D. / WHITE S.L.	AR	AR	
76A	N8897731	Y CONNECTOR 1/4"	1	1	
77	N8893454	UNION CONNECTOR 1/8"	3	3	
90	N8898415	AIR BOX ASSY 1	1	1	
91	N8897726	. BRACKET	1	1	
92	N8897727	. SWITCH BOX	1	1	
93	N8897732	. AIR SWITCH / LUMBAR	1	1	
95	N8897728	. SCREW MA PAN PH 8-32X1/2	3	3	

From K-0185	Date:07/2024	PAGE:H9-1823-70
SUSPENSION ASSY - "USSC" - 9100ALX3		

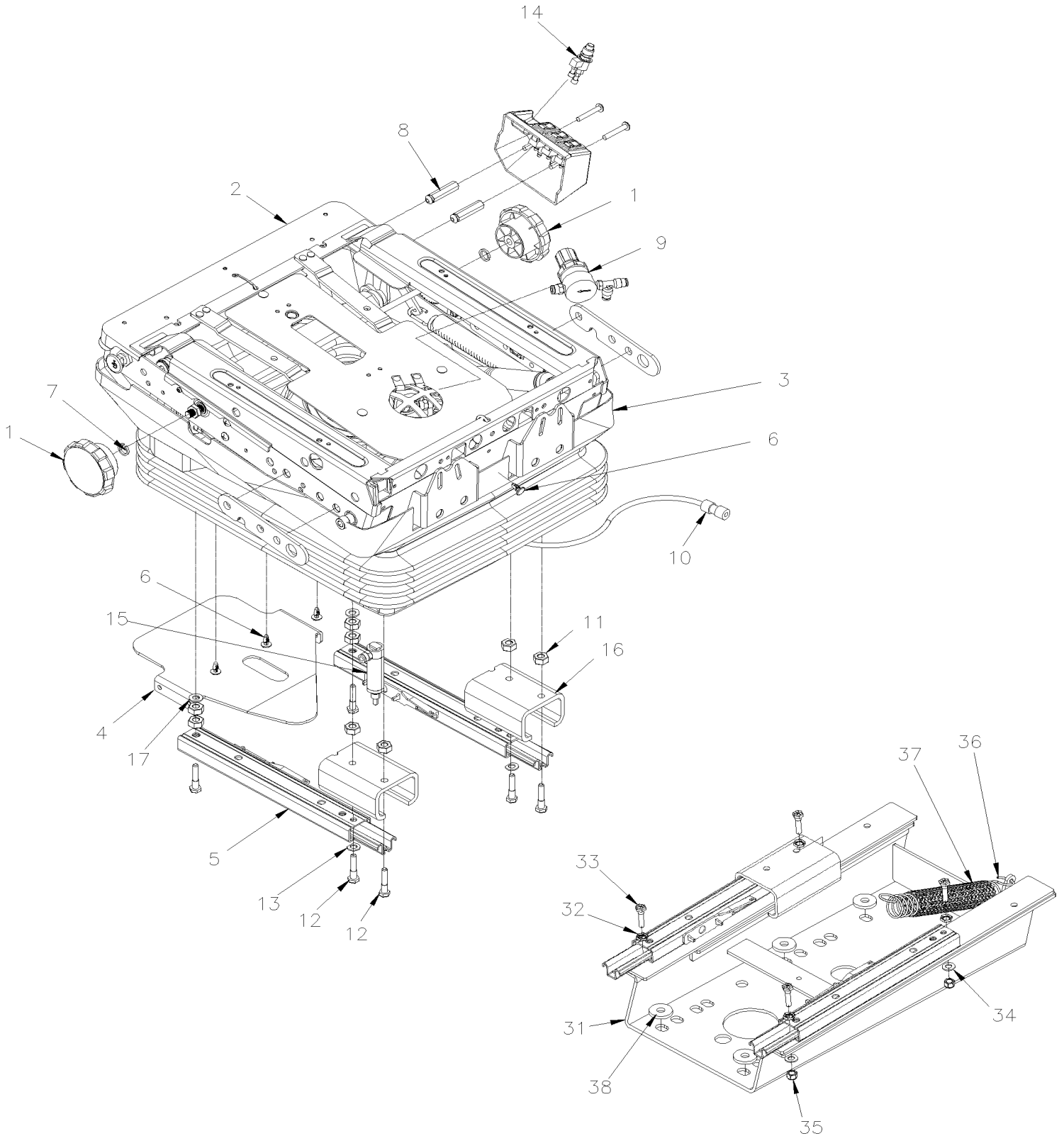
Item#	Part	Description	H 3 4 1	H 3 4 5	N O T E S
96	N8897729	. SCREW MA BUT 1/4-20X1/2	2	2	
		1) NOT SOLD SEPARATELY			
		P) CALL ORDER DESK FOR SPECIFIC APPLICATION (V.I.N.)			

From K-0185

Date:07/2024

PAGE:H9-1823-80

BASE ASSY - "USSC" - 9100ALX3



From K-0185	Date:07/2024	PAGE:H9-1823-80
BASE ASSY - "USSC" - 9100ALX3		

Item#	Part	Description	H 3 4 1	H 3 4 5	NOTES
1	N8882989	KNOB SEAT ADJUSTMENT W/FORMER VALVE	2	2	
2	N8894280	SUSPENSION ASSY / AIR	1	1	
2	H9-1823-70	. SUSPENSION ASSY - "USSC" - 9100ALX3	1	1	
2	N8893705	. SPACER / BACK TO SUSPENSION	2	2	
3	N8883020	BELLOW	1	1	
4	N8891955	RELEASE HANDLE ASM	1	1	
5	N8883008	SLIDE SET 9.45"	1	1	
6	N8883021	RIVET	9	9	
7	N8882967	WASHER, LOCK M10	2	2	
8	N8887855	AIR BOX MOUNT ASM	2	2	
9	N8887856	AIR LUMBAR REGULATOR ASSY W/FITTING	1	1	
10	N8882997	CONNECTOR	1	1	
11	N8883004	SPACER SLIDE	8	8	
12	N8882965	SCREW 5/16-18x1 1/2	2	2	
13	N8891964	WASHER FLAT	2	2	
14	N8887215	SLIDE BUTTON ASSY	1	1	
15	N8887216	SLIDE CYLINDER ASSY	1	1	
16	N8894735	BRACKET SLD REIN/C/1/4"/NF/ASSY	2	2	
17	N8882993	WASHER FLAT 5/16	2	2	
31	N8891958	BASE ASSY 4"	4	4	
32	N8883007	NUT 3/8	4	4	
33	N8882964	SCREW 5/16-18x1 1/4	4	4	
34	N8882993	WASHER FLAT 5/16	4	4	
35	N8893849	NUT LOCK 5/16-18 NYLON	4	4	
36	N8890626	SPRING 10"	1	1	
37	N8894303	MESH SPRING COVER	1	1	
38	N8887858	WASHER 7/16	6	6	

From K-0185

Date:07/2024

PAGE:H9-1824-30

PASSENGER'S SEAT - "AMAYA" IDENTIFICATION "MODEL"



GAUDI



BRAZIL



2 + 1



TORINO



TORINO VIP



SIGLIUM



PATRIOT



PATRIOT BRASIL



PATRIOT VIP

From K-0185	Date:07/2024	PAGE:H9-1824-30
PASSENGER'S SEAT - "AMAYA" IDENTIFICATION "MODEL"		

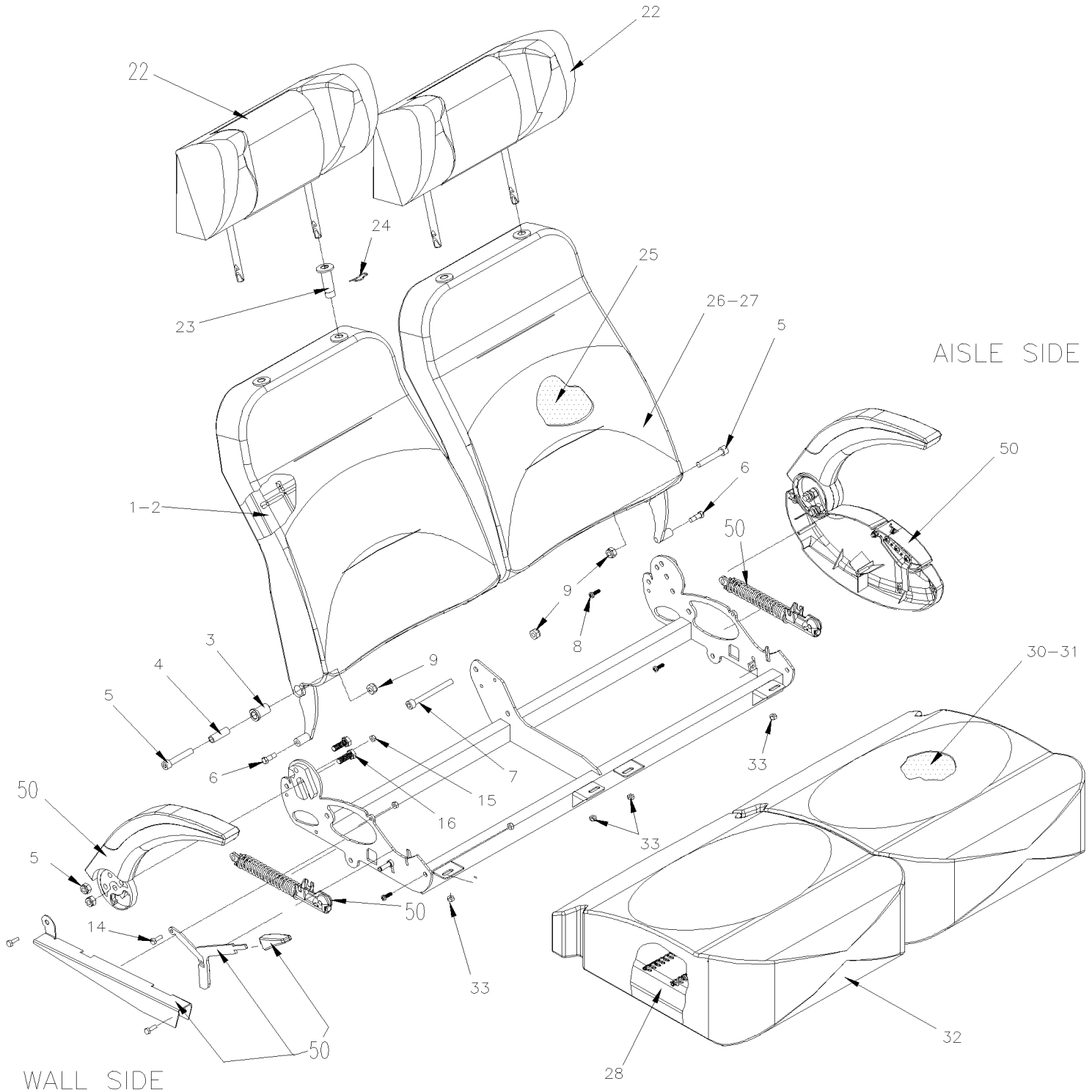
Item#	Part	Description	H 3 4 1	H 3 4 5	N O T E S
		PASSENGER'S SEAT - "BRASIL" MODEL			
		PASSENGER'S SEAT - "2 + 1" MODEL			
		PASSENGER'S SEAT - "TORINO" MODEL			
		PASSENGER'S SEAT - "TORINO" VIP MODEL			
		PASSENGER'S SEAT - "SIGLIUM" MODEL			
		PASSENGER'S SEAT - "PATRIOT" MODEL			
		PASSENGER'S SEAT - "PATRIOT BRASIL" MODEL			
		PASSENGER'S SEAT - "PATRIOT VIP" MODEL			

From K-0185

Date:07/2024

PAGE:H9-1826-11

PASSENGER'S SEAT - "AMAYA" "TORINO" WITH 3 POINTS

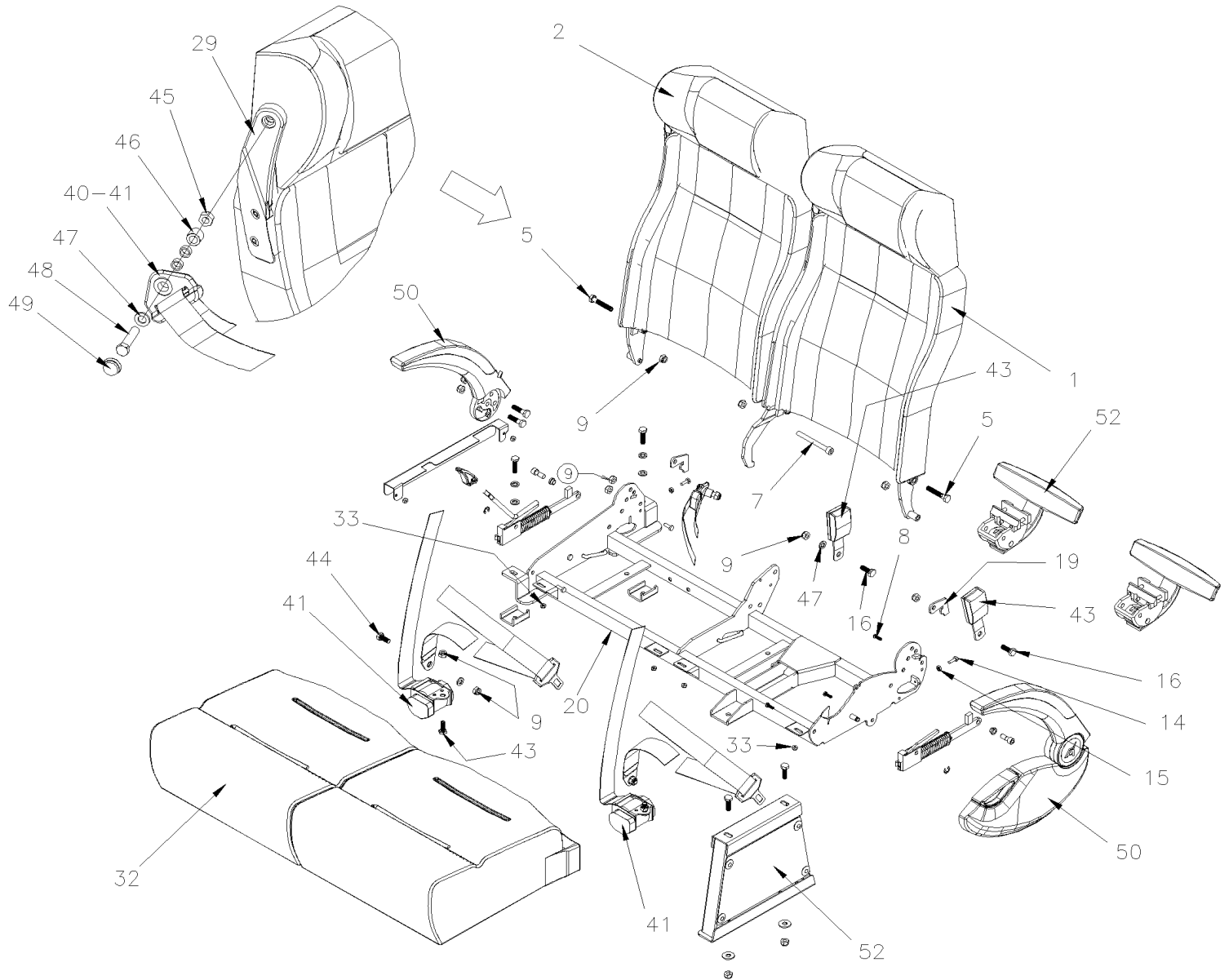


From K-0185

Date:07/2024

PAGE:H9-1826-11

PASSENGER'S SEAT - "AMAYA" "TORINO" WITH 3 POINTS

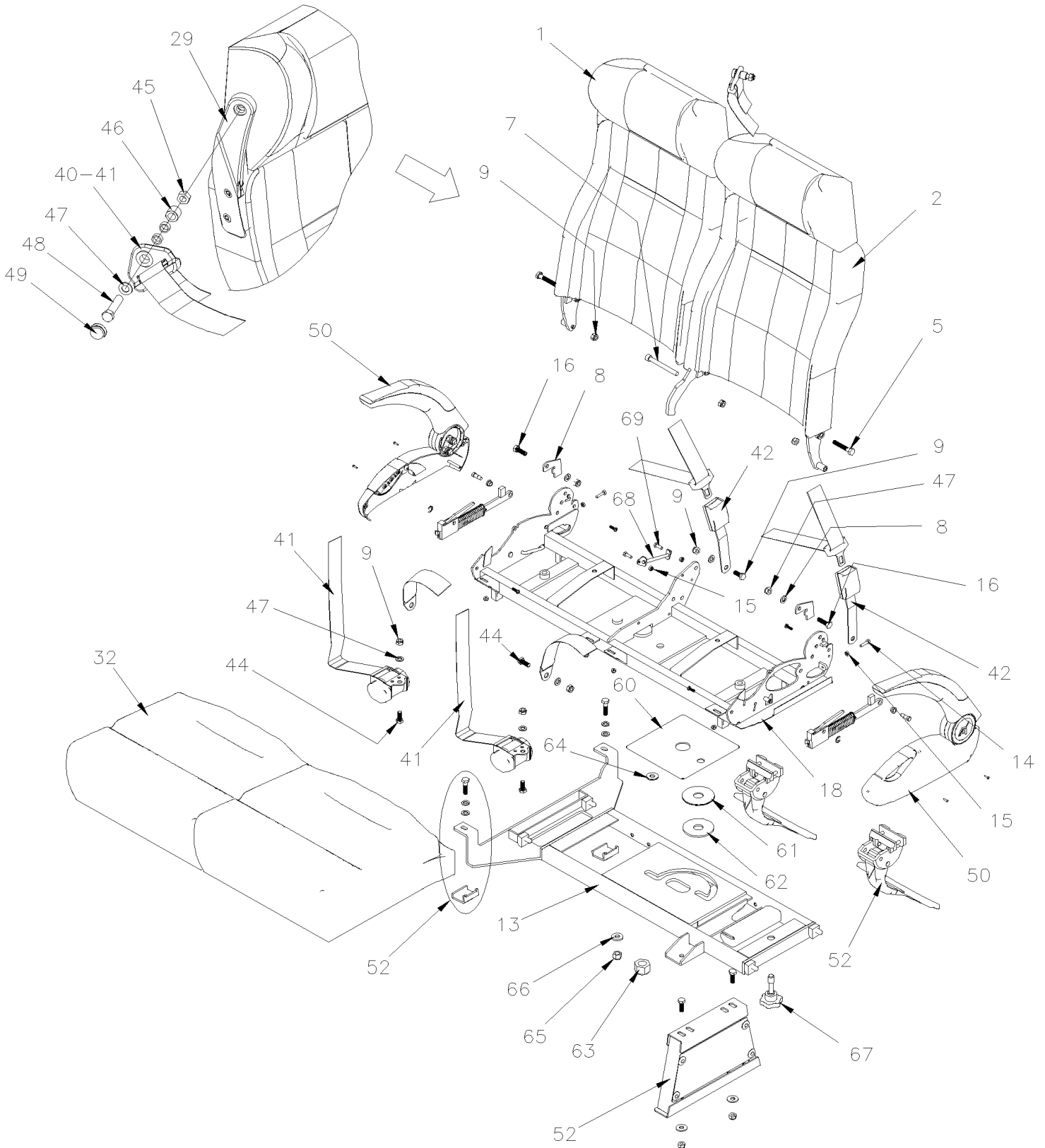


From K-0185

Date:07/2024

PAGE:H9-1826-11

PASSENGER'S SEAT - "AMAYA" "TORINO" WITH 3 POINTS



From K-0185		Date:07/2024	PAGE:H9-1826-11
PASSENGER'S SEAT - "AMAYA" "TORINO" WITH 3 POINTS			

Item#	Part	Description	H 3 4 1	H 3 4 5	N O T E S
		IMPORTANT NOTE:			
		TO ORDER COMPLETE PASSENGER'S SEAT KIT #,			
		SEE THE FINAL VEHICLE RECORD.			
1	Call order desk	BACKREST ASSY R.H. / WSIGLUM TORO	1	1	P
1	868500	. BACKREST STRUCTURE R.H. / WSIGLUM TORO	1	1	
1	Call order desk	BACKREST ASSY R.H. / WSIGLUM TORINO	1	1	P
1	Call order desk	. BACKREST STRUCTURE R.H. / WSIGLUM TORINO	1	1	P
1	Call order desk	BACKREST L.H. "TORINO VT" STD & rev			P
2	Call order desk	BACKREST ASSY L.H. / WSIGLUM TORO	1	1	P
2	Call order desk	. BACKREST STRUCTURE L.H. / W/SIGLUM TORO	1	1	P
2	Call order desk	BACKREST ASSY L.H. / WSIGLUM TORINO	1	1	P
2	Call order desk	. BACKREST STRUCTURE L.H. / W/SIGLUM TORINO	1	1	P
2	Call order desk	BACKREST R.H. "TORINO VT" STD & rev	1	1	P
3	Call order desk	. . INSIDE METAL BUSHING	1	1	P
4	865560	. . BUSHING HYTREL	1	1	
5	70314705	SCREW CAP HEXS M10-1.5x60 G8.8 ZP	2	2	
6	5001132	SCREW CAP HEX 5/16-18x7/8 G5 Z050	2	2	
7	502765	SCREW CAP HEXS M10-1.5x100 G8.8 PT ZP	1	1	
8	Call order desk	HY-LO BOLT M6-1.0x23	2	2	P
9	5001570	NUT HEX NYRT M10-1.5 Z050	5	5	
NS	11500930	SCREW CAP HEX M10-1.5x30 G8.8 PHC	2	2	
11		STRUCTURE L.H.	1	1	
		STRUCTURE R.H.			
12	Call order desk	SEAT FRAME SUPERIOR / "TORINO" W/REVERSIBLE SEAT	1	1	P
13	Call order desk	SEAT FRAME INFERIOR BASE W/REVERSIBLE SEAT	1	1	P
14	9415477	SCREW CAP HEX 1/4-20x3/4 ZP	2	2	
14	500165	SCREW CAP HEX 1/4-20x1 G5 Z050	2	2	
15	500769	NUT HEX 1/4-20 Z050	3	3	
16	11500930	SCREW CAP HEX M10-1.5x30 G8.8 PHC	2	2	
16	502549	SCREW CAP HEX M10-1.5x35 G8.8 Z050	2	2	
17	500256	NUT HEX M10-1.5 Z050	4	4	
18	500829	SCREW CAP HEX M10-1.5x40 G8.8	2	2	
19	7770173	STOPPER 6" RECLINING (3 pos)	2	2	
19	7770172	RECLINING STOP 2 STEP w/reversible seat	2	2	
20	Call order desk	STRUCTURE R.H.	1	1	P
20	Call order desk	STRUCTURE L.H.	1	1	P
21	Call order desk	HEADREST FOAM / TYPE "TORO"	1	1	P
NS	Call order desk	COVERING HEADREST ASSY "TORO" S.C.C.	1	1	P
22	864858	HEADREST FOAM / TYPE "TORINO"	1	1	
NS	864861	COVERING HEADREST ASSY "TORINO" S.C.C.	1	1	
23	864810	GUIDE SLIDING	2	2	

From K-0185		Date:07/2024	PAGE:H9-1826-11
PASSENGER'S SEAT - "AMAYA" "TORINO" WITH 3 POINTS			

Item#	Part	Description	H 3 4 1	H 3 4 5	N O T E S
24	866204	BACKREST CLIP	2	2	
25	Call order desk	BACKREST FOAM / W/SIGLUM TORO S.C.C.	2	2	P
25	867774	BACKREST FOAM / W/SIGLUM TORINO S.C.C.	2	2	
26	867775	BACKREST TUFTING WIRE	4	4	
27	Call order desk	COVERING BACKREST ASSY "TORO" S.C.C.	2	2	P
27	Call order desk	COVERING BACKREST ASSY "TORINO" S.C.C.	2	2	P
28	860108	SEAT CUSHION FRAME	2	2	
29	860011	SEAT BELT SUPPORT, CURB SIDE	1	1	
29	860012	SEAT BELT SUPPORT, STREET SIDE	1	1	
30	865360	CUSHION FOAM	2	2	
31	861716	CUSHION TUFTING WIRE	2	2	
32	Call order desk	COVERING CUSHION ASSY S.C.C.	2	2	P
33	502716	NUT HEX NYRT 1/4-20	4	4	
NS	864217	GUIDE SEAT BELT FOR RH DOUBLE SEAT / FIX TO SEAT BACKREST	1	1	
NS	864216	GUIDE SEAT BELT FOR LH DOUBLE SEAT / FIX TO SEAT BACKREST	1	1	
40	864114	SEAT BELT AISLE SIDE	1	1	
. NS	867885	. BUSHING 16MM	1	1	
41	864115	SEAT BELT WINDOW SIDE	1	1	
NS	864622	EXTENSION SEAT BELT 30cm	AR	AR	
NS	864623	EXTENSION SEAT BELT 50cm	AR	AR	
42	864349	BUCKLE FEMALE	1	1	
43	864349	BUCKLE FEMALE	1	1	
44	Call order desk	SCREW CAP HEX 10x25	2	2	P
45	865521	SCREW CAP HEX 7/16-20x1 G8	2	2	
46	Call order desk	BUSHING SAFETY BELT	2	2	P
47	860294	WASHER	2	2	
48	860280	SCREW BUT HEXS M10-1.5x50MM	2	2	
49	865220	TORINO 7/16 CAP	2	2	
50	H9-1826-54	ARMREST PASSENGER'S SEAT - "AMAYA" WITH "TORINO" & "TORINO V.I.P."			
51	H9-1826-60	ACCESSORIES PASSENGER'S SEAT - "AMAYA"			
52	H9-1826-41	PASSENGER'S SEAT - "AMAYA" - FOOTREST & PEDESTAL			
60	Call order desk	BASE NYLON RECTAGULAR	1	1	P
61	Call order desk	WASHER NYLON ROTATING	1	1	P
62	Call order desk	WASHER FLAT ST ROTATING	1	1	P
63	Call order desk	NUT SPECIAL CENTER ROTATING	1	1	P
64	Call order desk	WASHER NYLON INDEX LOCK	1	1	P
65	Call order desk	NUT ½	1	1	P
66	Call order desk	WASHER FLAT ST INDEX LOCK	1	1	P
67	864119	KNOB / ROTATING SEAT	1	1	
68	Call order desk	REVERSIBLE MOUNTING RETURN	1	1	P

From K-0185	Date:07/2024	PAGE:H9-1826-11
PASSENGER'S SEAT - "AMAYA" "TORINO" WITH 3 POINTS		

Item#	Part	Description	H 3 4 1	H 3 4 5	N O T E S
69	5001515	SCREW CAP HEX 1/4-20x3/4 G8 Z050	2	2	
		P) CALL ORDER DESK FOR SPECIFIC APPLICATION (V.I.N.)			

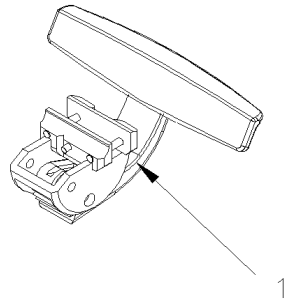
From K-0185

Date:07/2024

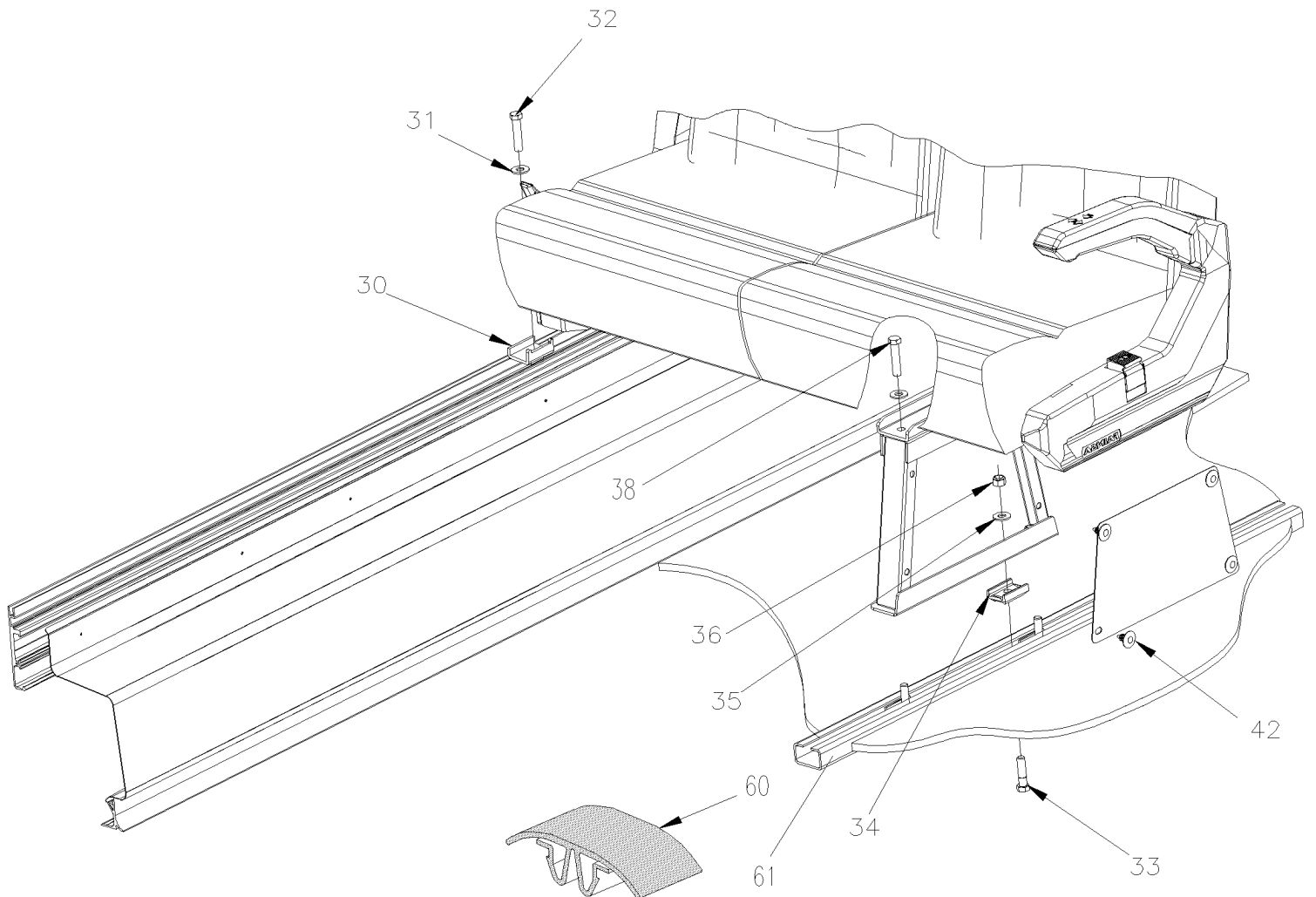
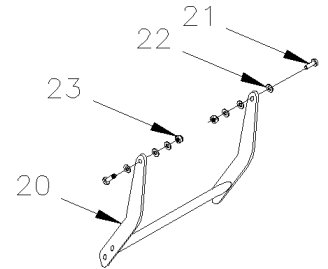
PAGE:H9-1826-41

PASSENGER'S SEAT - "AMAYA" - FOOTREST & PEDESTAL

FOOTREST WITH SPRING



FOOTREST STANDARD

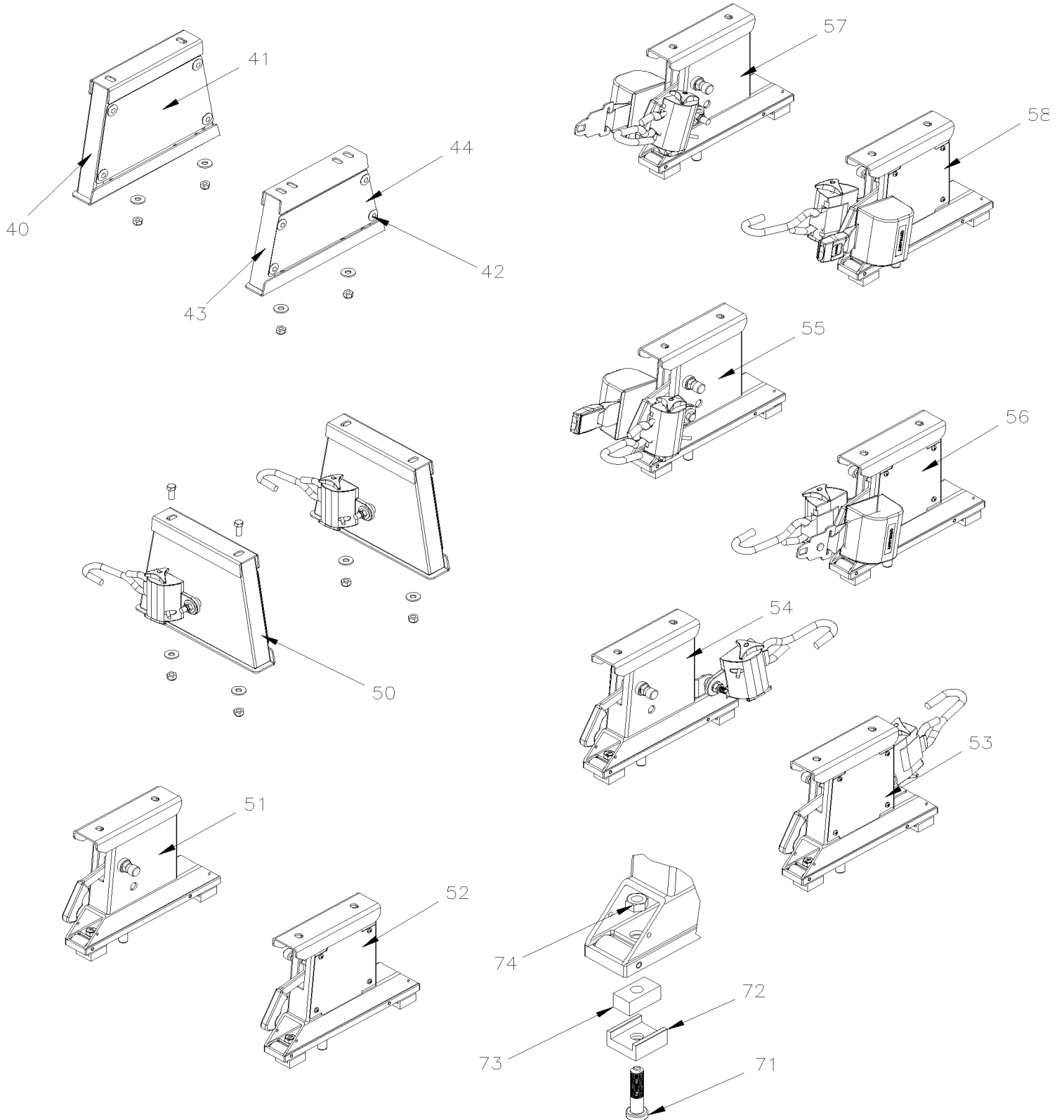


From K-0185

Date:07/2024

PAGE:H9-1826-41

PASSENGER'S SEAT - "AMAYA" - FOOTREST & PEDESTAL



From K-0185		Date:07/2024	PAGE:H9-1826-41
PASSENGER'S SEAT - "AMAYA" - FOOTREST & PEDESTAL			

Item#	Part	Description	H 3 4 1	H 3 4 5	N O T E S
1	862224	FOOTREST ASSY W/SPRING / "GAUDI" / ALUMINUM	1	1	
1	867725	FOOTREST ASSY W/AUTOMATIC RETURN / "STELAM" / PLASTIC	1	1	C
1	863995	FOOTREST ASSY W/SPRING / "GALA" / PLASTIC	1	1	
1	862714	FOOTREST ASSY W/SPRING / "SIGLIUM" / PLASTIC 608-624N	1	1	B
1	860157	FOOTREST W/O AUTOMATIC RETURN / "A-220"	1	1	
. NS	860097	. FOOTREST / "A-220" BOOMER TPYE	1	1	
1	860141	FOOTREST ASSY W/AUTOMATIC RETURN / "STELAM" STELAM TYPE			
20	863814	FOOTREST STANDARD 10" L x 9" U N-1500	1	1	
20	863982	FOOTREST STANDARD X" L x Y" U H-1500	1	1	
21	Call order desk	BOLT SPECIAL M8-1.25 x10	2	2	P
22	500441	WASHER FL .312x.734x.065 Z050	2	2	
23	500868	NUT HEX NYRT M8-1.25 Z050	2	2	
30	Call order desk	ATTACHMENT NUT / "L" SHAPE TO FIX SEAT TO WALL TRACK BRASIL	2	2	P
30	865336	ATTACHMENT NUT / "L" SHAPE TO FIX SEAT TO WALL TRACK TORINO TORINO	2	2	
31	866243	PRESSURE WASHER 7/16" 10MM	2	2	
32	502549	SCREW CAP HEX M10-1.5x35 G8.8 Z050	2	2	
33	5001735	SCREW CAP HEX 7/16-20x1 3/4 G8 G500	3	3	
34	364272	BLOCK ANCHOR / 26.8MM INSIDE / 35MM x 50MM x 19MM Height	3	3	
35	500897	WASHER FL .437x1.000x.083 N500	3	3	
36	5001734	NUT HEX 7/16-20 G8 N500	3	3	
38	Call order desk	SCREW CAP HEX 7/16-20x1 1/4 G8 GREYHOUND	2	2	P
38	865465	WASHER FL / 7/16	2	2	
38	865521	SCREW CAP HEX 7/16-20x1 G8	2	2	
38	Call order desk	SCREW CAP HEX M10-1.5 x30MM torino rev	2	2	P
40	Call order desk	PEDESTAL ASSY / W STD SEAT	1	1	P
40	Call order desk	PEDESTAL ASSY / W STD SEAT GREYHOUND	1	1	P
40	868725	PEDESTAL ASSY / W STD SEAT W/ A-2TEN / A-220 / GTT	1	1	
41	865297	COVER PEDESTAL W/"TORINO", A-2TEN, A-220, GTT	1	1	
41	861715	COVER PEDESTAL W/"BRASIL"	1	1	
42	864368	SCREW 3/8 PLASTIC	4	4	
43	Call order desk	PEDESTAL ASSY / W REVERSIBLE SEAT "TORINO"	1	1	P
43	Call order desk	PEDESTAL ASSY / W REVERSIBLE SEAT "BRASIL"	1	1	P
44	Call order desk	COVER PEDESTAL W/REVERSIBLE SEAT	1	1	P
44	865297	COVER PEDESTAL W/"TORINO", A-2TEN, A-220, GTT	1	1	
44	865297	COVER PEDESTAL W/"TORINO", A-2TEN, A-220, GTT	1	1	
45	864119	KNOB / ROTATING SEAT	1	1	
50	Call order desk	PEDESTAL ASSY / STD W/1 SEAT BELT HOOK BACKWARD	2	2	P
51	865092	PEDESTAL ASSY R.H. TRACK	1	1	

From K-0185	Date:07/2024	PAGE:H9-1826-41
PASSENGER'S SEAT - "AMAYA" - FOOTREST & PEDESTAL		

Item#	Part	Description	H 3 4 1	H 3 4 5	NOTES
. NS	865992	. COVER HANDLE RED	1	1	
51	865066	PEDESTAL ASSY R.H. TRACK W/BRASIL	1	1	
. NS	865992	. COVER HANDLE RED	1	1	
51	865069	PEDESTAL ASSY R.H. TRACK W/TORINO G & A-2TEN	1	1	
. NS	865992	. COVER HANDLE RED	1	1	
51	860135	PEDESTAL ASSY R.H. TRACK A-220	1	1	
52	865121	PEDESTAL ASSY L.H. TRACK	1	1	
. NS	865992	. COVER HANDLE RED	1	1	
52	865068	PEDESTAL ASSY L.H. TRACK W/TORINO G & A-2TEN	1	1	
. NS	865992	. COVER HANDLE RED	1	1	
52	860134	PEDESTAL ASSY L.H. TRACK A-220	1	1	
52	865067	PEDESTAL ASSY L.H. TRACK W/BRASIL	1	1	
. NS	865992	. COVER HANDLE RED	1	1	
53	864461	PEDESTAL ASSY L.H. TRACK 1 SEAT BELT HOOK BACKWARD	1	1	
. NS	865992	. COVER HANDLE RED	1	1	
54	864698	PEDESTAL ASSY R.H. TRACK 1 SEAT BELT HOOK BACKWARD	1	1	
. NS	865992	. COVER HANDLE RED	1	1	
55	864960	PEDESTAL ASSY R.H. TRACK 2 SEATS BELT FORWARD 38"	1	1	
. NS	865992	. COVER HANDLE RED	1	1	
56	864621	PEDESTAL ASSY L.H. TRACK 2 SEATS BELT FORWARD 38"	1	1	
. NS	865992	. COVER HANDLE RED	1	1	
57	860154	PEDESTAL ASSY R.H. TRACK 2 SEATS BELT FORWARD 40"	1	1	
. NS	865992	. COVER HANDLE RED	1	1	
58	860155	PEDESTAL ASSY L.H. TRACK 2 SEATS BELT FORWARD 40"	1	1	
. NS	865992	. COVER HANDLE RED	1	1	
NS	322246	SEAT STOPPER BLOCK 100MM x 31.75MM	AR	AR	
NS	319994	SEAT STOPPER BLOCK 50MM x 31.75MM	AR	AR	
NS	329177	SEAT STOPPER BLOCK 275MM x 31.75MM	AR	AR	
60	329689	SEAT TRACK COVER 12' / EACH SEAT / W/COVERING FLOOR	AR	AR	
61	H9-1838-02	FLOOR - BUS To P-1452			
61	H9-1838-03	FLOOR - BUS From R-1453			
63	5001738	SCREW CAP HEX M8-1.25x30 G8.8 N500	2	2	
63	502549	SCREW CAP HEX M10-1.5x35 G8.8 Z050	AR	AR	
64	323809	DECAL/ ARROW > SEAT POSITION 25MM x 35MM	1	1	
66	866243	PRESSURE WASHER 7/16" 10MM	1	1	
71	865064	PIN SUPPORT 7/16x54MM HEAD 19.5MM O.D	1	1	
71	860385	PIN SUPPORT 3/8X44MM HEAD 25.4MM O.D	1	1	
72	865063	INSIDE GUIDE	1	1	
73	865062	INSIDE SLIDE	1	1	
74	500709	NUT HEX 7/16-20 Z050	1	1	

From K-0185	Date:07/2024	PAGE:H9-1826-41
-------------	--------------	-----------------

PASSENGER'S SEAT - "AMAYA" - FOOTREST & PEDESTAL

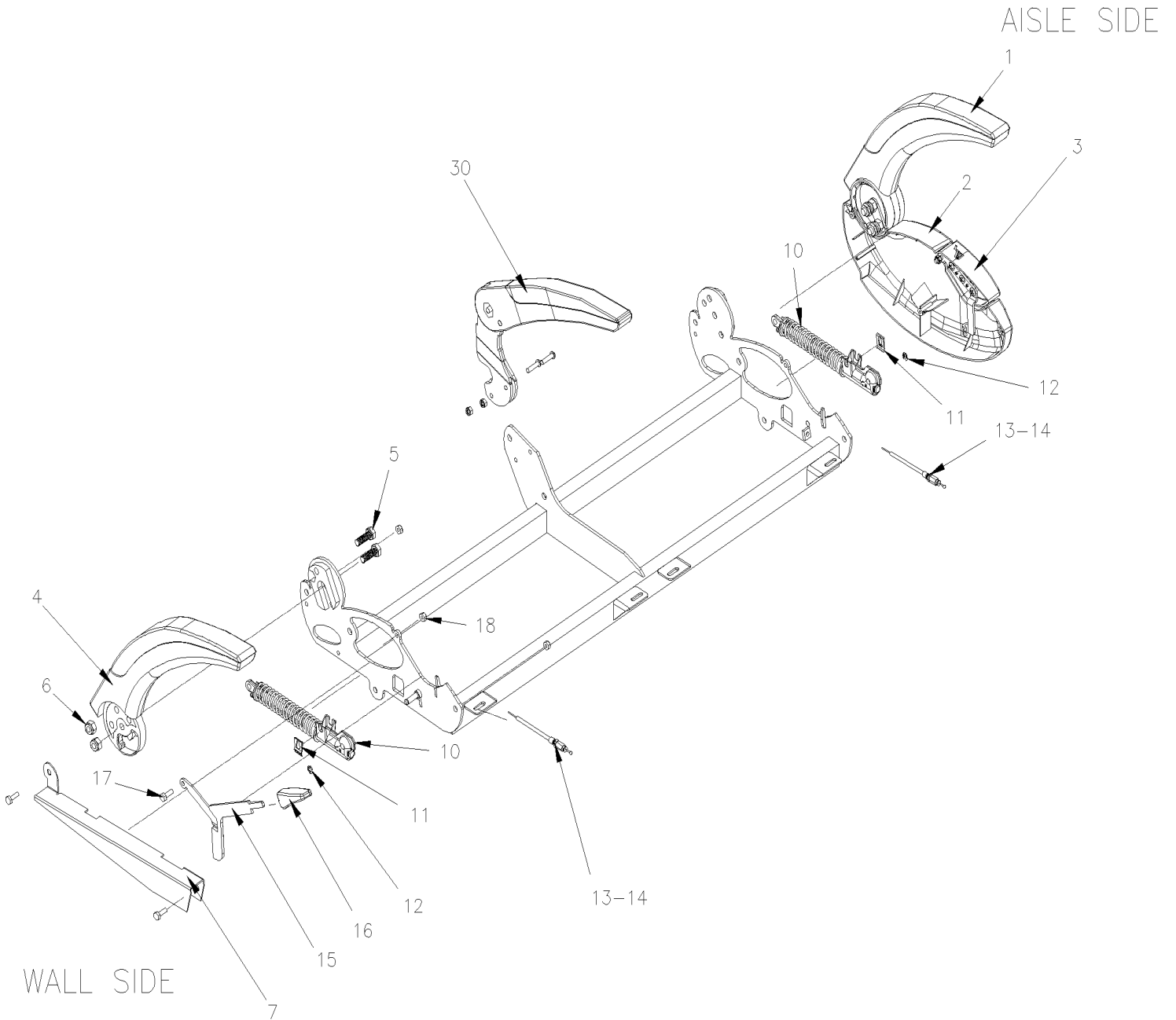
Item#	Part	Description	H 3 4 1	H 3 4 5	N O T E S
		B) THIS MODEL HAS A DIFFERENT FOOTREST ATTACHMENT FROM THE PICTURE			
		C) ALSO USE WITH A2TEN SEAT			
		P) CALL ORDER DESK FOR SPECIFIC APPLICATION (V.I.N.)			

From K-0185

Date:07/2024

PAGE:H9-1826-53

ARMREST PASSENGER'S SEAT - "AMAYA" WITH "SIGLIUM" TORO & TORINO



From K-0185	Date:07/2024	PAGE:H9-1826-53
ARMREST PASSENGER'S SEAT - "AMAYA" WITH "SIGLIUM" TORO & TORINO		

Item#	Part	Description	H 3 4 1	H 3 4 5	NOTES
		IMPORTANT NOTE:			
		TO ORDER COMPLETE PASSENGER'S SEAT KIT #,			
		SEE THE FINAL VEHICLE RECORD.			
	N.S.S.	ARMREST R.H. AISLE ASSY	1	1	1
. NS	863186	. ARMREST R.H.	1	1	
. . NS	Call order desk	. . ARMREST COVERING WOOD FINISHING	1	1	P
. . NS	866077	. . ARMREST COVERING DARK GREY	1	1	
. . NS	865378	. . ARMREST COVERING LIGHT GREY	1	1	
. . NS	860075	. . CAP WITH LOGO AMAYA	1	1	
. NS	864577	. COVER AISLE R.H.	1	1	
. NS	864588	. LEVER AISLE R.H.	1	1	
. NS	860075	. CAP WITH LOGO AMAYA	1	1	
	N.S.S.	ARMREST L.H. AISLE ASSY	1	1	1
. NS	864938	. ARMREST L.H.	1	1	
. . NS	Call order desk	. . ARMREST COVERING WOOD FINISHING	1	1	P
. . NS	866077	. . ARMREST COVERING DARK GREY	1	1	
. . NS	865378	. . ARMREST COVERING LIGHT GREY	1	1	
. . NS	860076	. . CAP WITH LOGO AMAYA	1	1	
. NS	864703	. COVER AISLE SIDE RH SEAT	1	1	
. NS	864589	. LEVER AISLE L.H.	1	1	
1	863186	. ARMREST R.H.	1	1	
. NS	Call order desk	. . ARMREST COVERING WOOD FINISHING	1	1	P
. NS	866077	. . ARMREST COVERING DARK GREY	1	1	
. NS	865378	. . ARMREST COVERING LIGHT GREY	1	1	
. NS	860075	. . CAP WITH LOGO AMAYA	1	1	
1	864938	. ARMREST L.H.	1	1	
. NS	Call order desk	. . ARMREST COVERING WOOD FINISHING	1	1	P
. NS	866077	. . ARMREST COVERING DARK GREY	1	1	
. NS	865378	. . ARMREST COVERING LIGHT GREY	1	1	
. NS	860076	. . CAP WITH LOGO AMAYA	1	1	
2	864577	. COVER AISLE R.H.	1	1	
2	864703	. COVER AISLE SIDE RH SEAT	1	1	
3	864588	. LEVER AISLE R.H.	1	1	
3	864589	. LEVER AISLE L.H.	1	1	
4	865070	ARMREST R.H. WINDOW SIDE	1	1	
5	11500930	SCREW CAP HEX M10-1.5x30 G8.8 PHC	2	2	
6	500256	NUT HEX M10-1.5 Z050	2	2	
7	Call order desk	COVER MECHANISC R.H.	1	1	P
7	Call order desk	COVER MECHANISC L.H.	1	1	P
10	863405	CYLINDER R.H.	1	1	

From K-0185	Date:07/2024	PAGE:H9-1826-53
ARMREST PASSENGER'S SEAT - "AMAYA" WITH "SIGLIUM" TORO & TORINO		

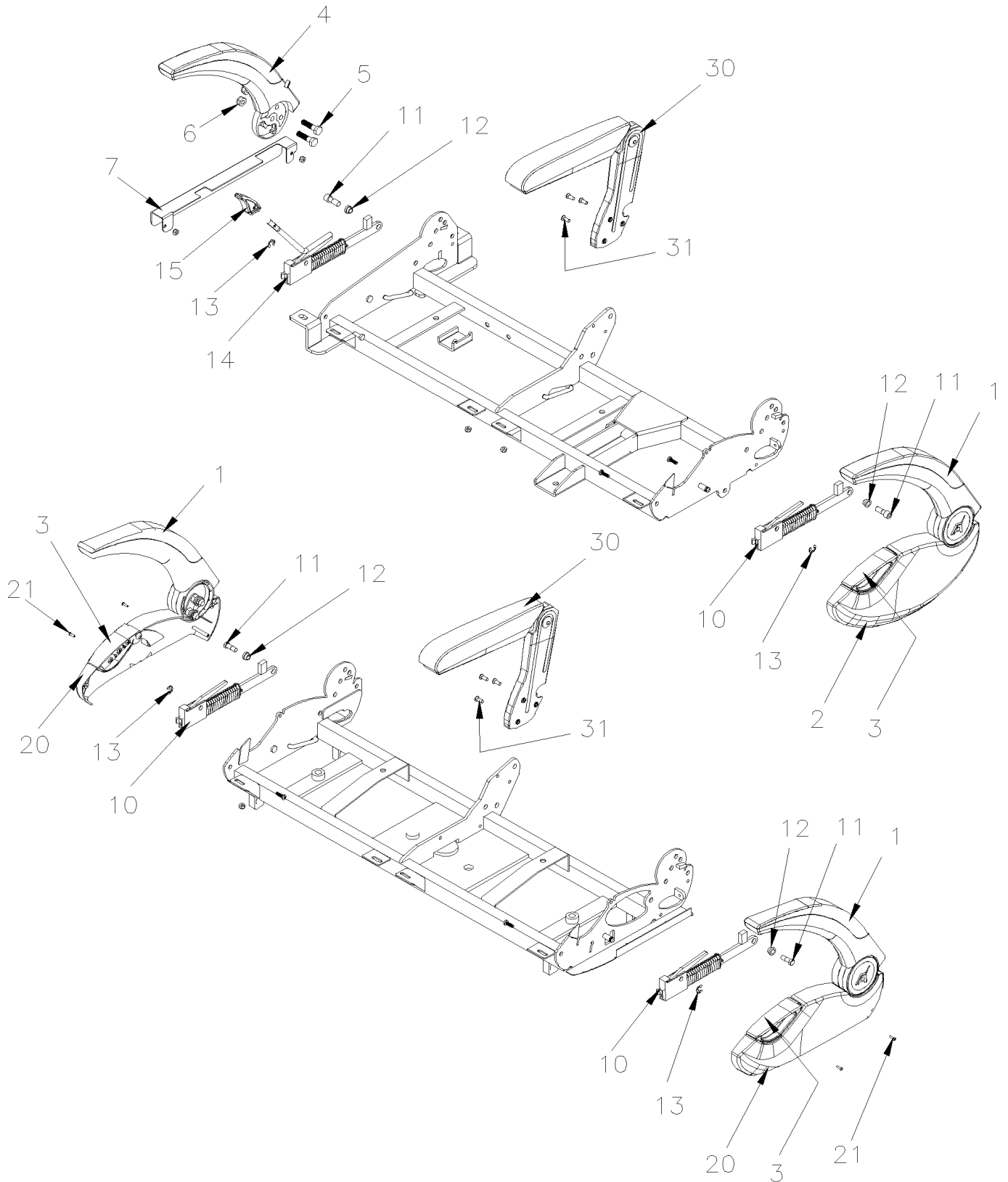
Item#	Part	Description	H 3 4 1	H 3 4 5	NOTES
10	863406	CYLINDER L.H.	1	1	
11	861486	CLIP / WIRE RETAINER	2	2	
12	865696	CLIP	1	1	
13	863407	CABLE	2	2	
14	500690	NUT HEX NYRT 1/4-28 Z050	2	2	
15	863413	RECLINING LEVEL L.H. WINDOW	1	1	
15	863414	RECLINING LEVEL R.H. WINDOW	1	1	
16	863356	KNOB LEVER L.H. WINDOW	1	1	
16	863357	KNOB LEVER R.H. WINDOW	1	1	
17	9415477	SCREW CAP HEX 1/4-20x3/4 ZP	1	1	
18	500769	NUT HEX 1/4-20 Z050	1	1	
30	864072	ARMREST CENTRAL ASSY / LIGHT GREY	1	1	
. NS	865995	. BOLT	1	1	
. NS	865996	. BUSHING	1	1	
. NS	866240	. ARMREST COVERING LIGHT GREY	1	1	
30	865104	ARMREST CENTRAL ASSY	1	1	
. NS	866240	. ARMREST COVERING LIGHT GREY	1	1	
40	Call order desk	ARMREST WINDOW	1	1	P
		1) NOT SOLD SEPARATELY			
		P) CALL ORDER DESK FOR SPECIFIC APPLICATION (V.I.N.)			
		P) CALL ORDER DESK FOR SPECIFIC APPLICATION (V.I.N.)			

From K-0185

Date:07/2024

PAGE:H9-1826-54

ARMREST PASSENGER'S SEAT - "AMAYA" WITH "TORINO" & "TORINO V.I.P."



From K-0185	Date:07/2024	PAGE:H9-1826-54
ARMREST PASSENGER'S SEAT - "AMAYA" WITH "TORINO" & "TORINO V.I.P."		

Item#	Part	Description	H 3 4 1	H 3 4 5	NOTES
	N.S.A.	ARMREST R.H. AISLE ASSY	1	1	3
	N.S.A.	ARMREST L.H. AISLE ASSY	1	1	3
1	863186	. ARMREST R.H.	1	1	
. NS	Call order desk	. . ARMREST COVERING WOOD FINISHING	1	1	P
. NS	866077	. . ARMREST COVERING DARK GREY	1	1	
. NS	865378	. . ARMREST COVERING LIGHT GREY	1	1	
. NS	860075	. . CAP WITH LOGO AMAYA	1	1	
1	864938	. ARMREST L.H.	1	1	
. NS	Call order desk	. . ARMREST COVERING WOOD FINISHING	1	1	P
. NS	866077	. . ARMREST COVERING DARK GREY	1	1	
. NS	865378	. . ARMREST COVERING LIGHT GREY	1	1	
. NS	860076	. . CAP WITH LOGO AMAYA	1	1	
2	864577	. COVER AISLE R.H.	1	1	
2	864703	. COVER AISLE SIDE RH SEAT	1	1	
3	864815	. LEVER ASSY R.H.	1	1	
3	865298	. LEVER ASSY L.H.	1	1	
4	865070	ARMREST R.H. WINDOW SIDE	1	1	
5	500829	SCREW CAP HEX M10-1.5x40 G8.8	2	2	
6	500256	NUT HEX M10-1.5 Z050	2	2	
7	Call order desk	MECHANISM COVER L.H.	1	1	P
10	865086	RECLINING MECHANISM ASSY / "TORINO" AISLE	1	1	
11	500695	SCREW CAP HEXS 3/8-16x1 ZP	1	1	
NS	500728	NUT HEX JAM 3/8x16 CP	1	1	
12	865215	BUSHING NYLON	1	1	
13	Call order desk	SNAP RING 18.2MM	1	1	P
14	865061	RECLINING MECHANISM ASSY / "TORINO" WINDOW	1	1	
15	864117	KNOB W/SQUARE ROD INSERT MECHANISM (CURRENT)	1	1	
20	Call order desk	ARMREST COVER L.H. / "TORINO VT" W/REVERSIBLE SEAT	1	1	P
20	Call order desk	ARMREST COVER R.H. / "TORINO VT" W/REVERSIBLE SEAT	1	1	P
21	504108	RIVET POP DOME OE 1/8x1/2 AL	4	4	
30	865221	ARMREST CENTRAL ASSY / PAINTED CHARCOAL 2 + 1	1	1	
. NS	865243	. PLASTIC COVER	1	1	
30	864072	ARMREST CENTRAL ASSY / LIGHT GREY	1	1	
. NS	865995	. BOLT	1	1	
. NS	865996	. BUSHING	1	1	
. NS	866240	. ARMREST COVERING LIGHT GREY	1	1	
30	865104	ARMREST CENTRAL ASSY	1	1	
. NS	866240	. ARMREST COVERING LIGHT GREY	1	1	
31	Call order desk	. SCREW MA CHE PH M6x15	3	3	P
33	Call order desk	ARMREST WINDOW	1	1	P

From K-0185	Date:07/2024	PAGE:H9-1826-54
-------------	--------------	-----------------

ARMREST PASSENGER'S SEAT - "AMAYA" WITH "TORINO" & "TORINO V.I.P."

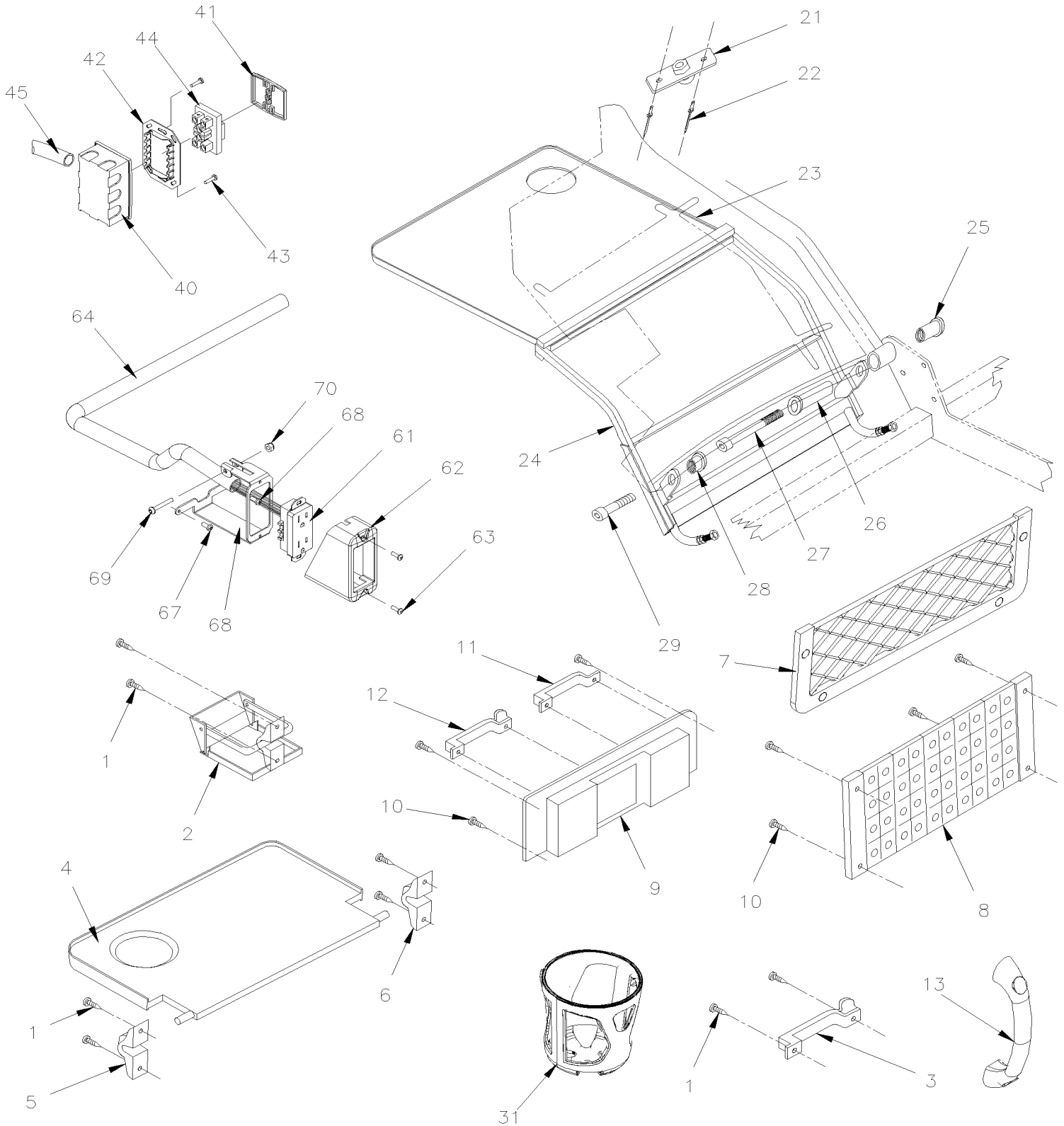
Item#	Part	Description	H 3 4 1	H 3 4 5	N O T E S
		3) NOT SOLD ASSEMBLY			
		P) CALL ORDER DESK FOR SPECIFIC APPLICATION (V.I.N.)			
		P) CALL ORDER DESK FOR SPECIFIC APPLICATION (V.I.N.)			

From K-0185

Date:07/2024

PAGE:H9-1826-60

ACCESSORIES PASSENGER'S SEAT - "AMAYA"



From K-0185		Date:07/2024	PAGE:H9-1826-60
ACCESSORIES PASSENGER'S SEAT - "AMAYA"			

Item#	Part	Description	H 3 4 1	H 3 4 5	N O T E S
1	500936	SCREW TP OV PH #10x1 1/4 ZP	1	1	
2	861923	GLASS HOLDER / W/"AMAYA" / W/2 HOLES FOR SCREW	1	1	A
NS	862932	GLASS HOLDER / W/"AMAYA" / W/3 HOLES FOR SCREW	1	1	
3	860422	HANDLE	1	1	
NS	860421	HOOK	1	1	
4	863777	TABLE STD FORMER	1	1	
4	860299	TABLE STD CURRENT	1	1	
NS	867815	SUPPORT TABLE	2	2	
NS	867813	PHILLIPS PAN HEAD SCREW #12 X 2 1/2"	2	2	
NS	867814	PHILLIPS PAN HEAD SCREW #12 X 2"	2	2	
4	860144	TABLE STD A-220	1	1	
4	868528	TABLE WITH HOLE CUP HOLDER	1	1	
5	N.S.S.	SUPPORT R.H.	1	1	1
6	N.S.S.	SUPPORT L.H.	1	1	1
NS	860040	SPACER, TABLE	2	2	
7	861922	MAGAZINE NET 16" x 6 3/4"	1	1	
7	865369	SCREW #10 1 1/4	5	5	
7	865278	MAGAZINE NET 14.5" x 5"	1	1	
8	861924	MAGAZINE RACK / PLASTIC 310MM x 145MM = GREY 5 BARS	1	1	
8	863535	MAGAZINE RACK / PLASTIC 350MM x 145MM = GREY 6 BARS	1	1	
8	19505538	MAGAZINE RACK / BANDASTICK	1	1	
10	865369	SCREW #10 1 1/4	AR	AR	
13	865276	HANDLE RED	1	1	
13	865358	HANDLE GREY	1	1	
21	863417	KNOB / BLACK	1	1	
21	863418	KNOB / GREY / FORMER	1	1	
21	866266	KNOB / GREY / CURRENT	1	1	
22	504126	RIVET POP DOME OE 3/16x5/8 AL	1	1	
23	861920	FOOD TRAY / GREY / W/AIRPLANE TYPE	1	1	
23	860156	FOOD TRAY / GREY / W/AIRPLANE TYPE W/A220	1	1	
24	864799	FRAME TABLE AIRPLANE TYPE	1	1	
25	864800	SCREW CENTER BUSHING	1	1	
26	864801	CENTER BUSHING	1	1	
27	502765	SCREW CAP HEXS M10-1.5x100 G8.8 PT ZP	1	1	
28	864802	SHORT BUSHING	1	1	
29	70314705	SCREW CAP HEXS M10-1.5x60 G8.8 ZP	1	1	
NS	405795	SUPPORT TABLE, AIRPLANE TYPE / ON GALLEY WALL	1	1	
31	864860	CUP HOLDER, FLEX, GREY	AR	AR	
40	Call order desk	WIRE HOSE 1/2" X 900MM	1	1	P
41	863780	COVER PLATE DOUBLE 110V OUTLET "AMAYA" SEAT	1	1	
42	Call order desk	INCREASE	1	1	P

From K-0185	Date:07/2024	PAGE:H9-1826-60
ACCESSORIES PASSENGER'S SEAT - "AMAYA"		

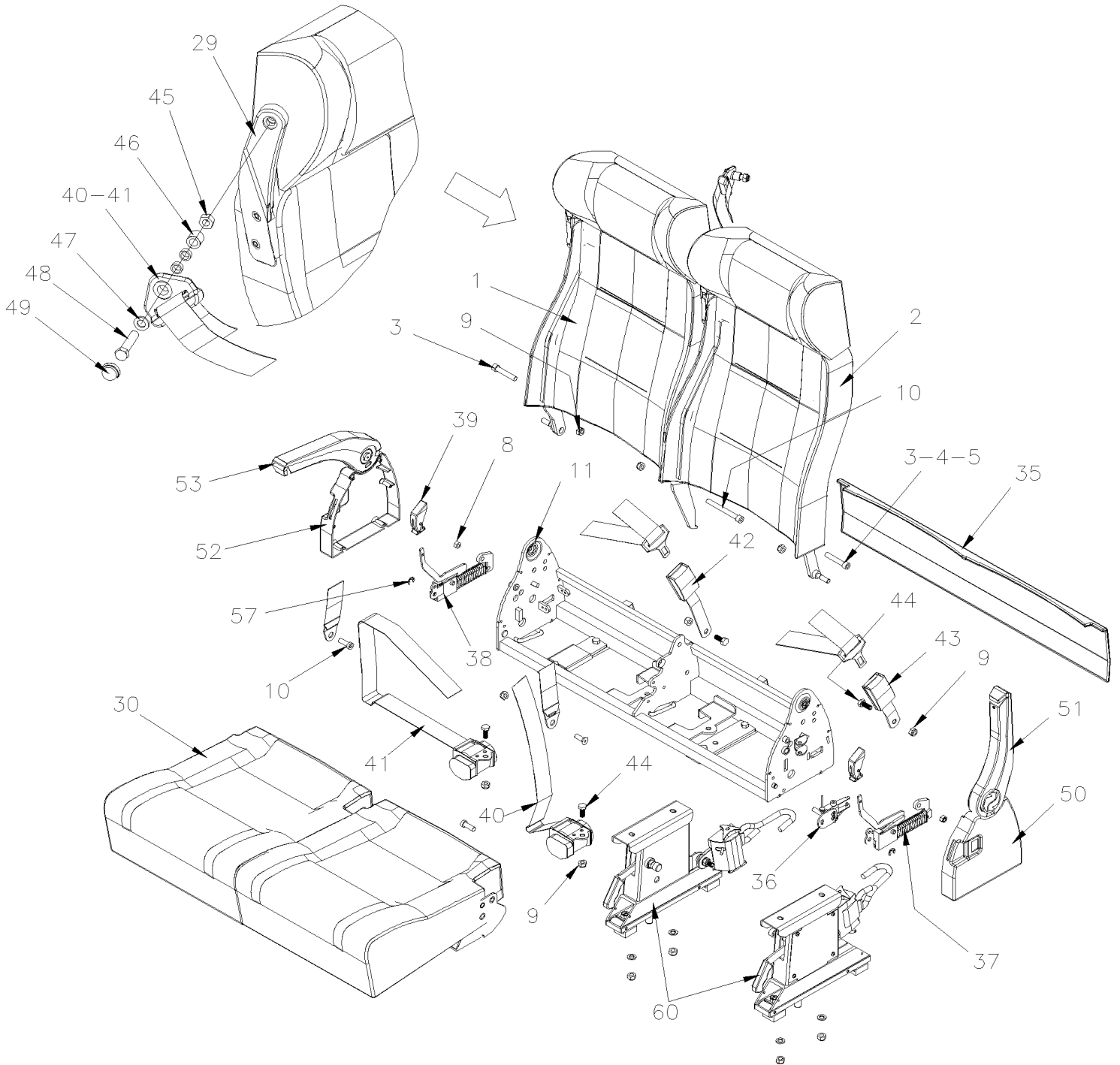
Item#	Part	Description	H 3 4 1	H 3 4 5	N O T E S
43	Call order desk	SCREW #8 x 3/4"	2	2	P
44	Call order desk	ELECTRICAL OUTLET	1	1	P
45	Call order desk	HOSE 1/2 x 850MM	1	1	P
60	865280	KIT OUTLET 110 VAC	1	1	
60	868513	HARNESS WITH OUTLET 110V & USB	1	1	
61	7770275	. PLUG DOUBLE 110 VAC	1	1	
61	860142	. PLUG DOUBLE 110 VAC MURAL W/2 USB PORT / WHITE To L-1041	1	1	
61	867863	PLUG DOUBLE 110 VAC MURAL W/2 USB PORT / WHITE From L-1042	1	1	
62	866079	. COVER	1	1	
63	865603	. SCREW MA BUT PH M8x19	2	2	
64	Call order desk	. TUBE 3/4	1	1	P
64	561782	. CONNECTOR / WEATHER PACK / SH 3C / BLACK / PED 12015793	1	1	
64	561781	. CONNECTOR / WEATHER PACK / PH 3C / BLACK / PED 12010717	1	1	
67	Call order desk	. SCREW #10x1/2	2	2	P
68	7775135	. SUPPORT / OUTLET	1	1	
68	860501	. SUPPORT / OUTLET USB	1	1	
69	Call order desk	. SCREW CAP BUT HEXS 3/16x1 1/4	1	1	P
70	Call order desk	. NUT HEX JAM NYRT 3/16	1	1	P
		A) AS SHOWN			
		1) NOT SOLD SEPARATELY			
		P) CALL ORDER DESK FOR SPECIFIC APPLICATION (V.I.N.)			

From K-0185

Date:07/2024

PAGE:H9-1826-72

PASSENGER'S SEAT - "AMAYA" - FLIP-UP HANDICAP WITH 3POINTS



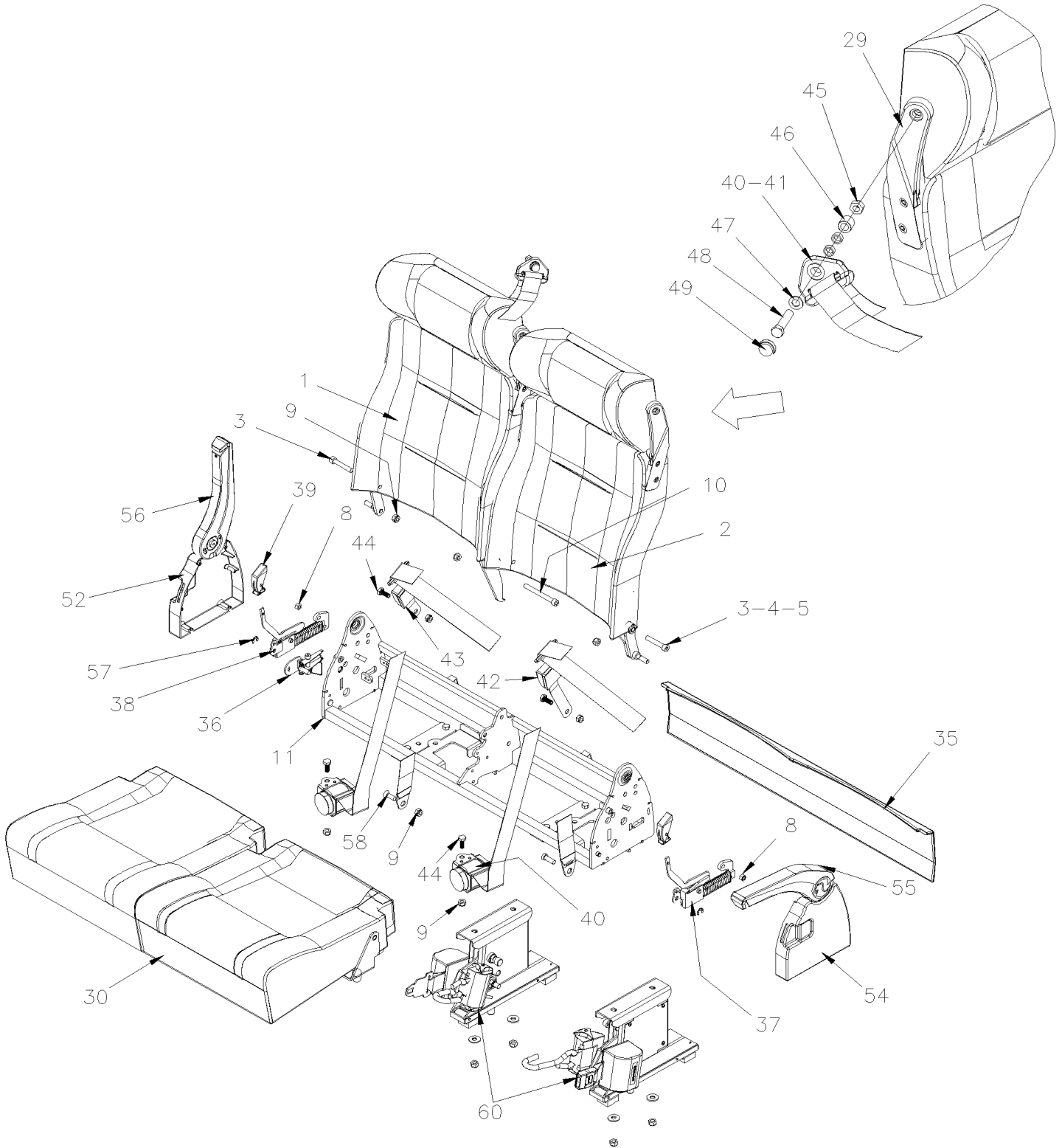
38" CURB SIDE

From K-0185

Date:07/2024

PAGE:H9-1826-72

PASSENGER'S SEAT - "AMAYA" - FLIP-UP HANDICAP WITH 3POINTS



40" STREET SIDE

From K-0185	Date:07/2024	PAGE:H9-1826-72
PASSENGER'S SEAT - "AMAYA" - FLIP-UP HANDICAP WITH 3POINTS		

Item#	Part	Description	H 3 4 1	H 3 4 5	N O T E S
1	Call order desk	BACKREST R.H. 38" WCL "BRASIL"	1	1	P
1	Call order desk	BACKREST R.H. 40" WCL "BRASIL"	1	1	P
2	Call order desk	BACKREST L.H. 38" WCL "BRASIL"	1	1	P
2	Call order desk	BACKREST L.H. 40" WCL "BRASIL"	1	1	P
3	Call order desk	INSIDE METAL BUSHING	1	1	P
4	865560	BUSHING HYTREL	1	1	
5	70314705	SCREW CAP HEXS M10-1.5x60 G8.8 ZP	2	2	
8	500901	NUT HEX NYRT 3/8-16 Z050	2	2	
9	500680	NUT HEX STO M10-1.5 Z050	4	4	
10	70314708	SCREW CAP HEXS M10-1.5X30 G8.8 ZP	1	1	
11	Call order desk	SEAT FRAME W.C.L. FLIPPER W.C.L. 38"	1	1	P
11	Call order desk	SEAT FRAME W.C.L. FLIPPER W.C.L. 40"	1	1	P
30	Call order desk	CUSHION BRASIL FLIPPER 38" / W.C.L. / STREETSIDE SEAT	1	1	P
30	Call order desk	CUSHION BRASIL FLIPPER 40" / W.C.L. / CURBSIDE SEAT	1	1	P
35	Call order desk	BACKREST LOWER COVER 38"	1	1	P
35	Call order desk	BACKREST LOWER COVER 40"	1	1	P
36	865499	MECHANISM HANDLE / LH	1	1	
37	862546	RECLINING MECHANISM ASSY WALL SIDE	1	1	
. NS	IS-136	. INSTRUCTION SHEET	1	1	
38	863540	RECLINING MECHANISM ASSY AISLE SIDE	1	1	
. NS	IS-136	. INSTRUCTION SHEET	1	1	
39	864116	KNOB HANDLE MECHANISM	1	1	
40	864114	SEAT BELT AISLE SIDE	1	1	
. NS	867885	. BUSHING 16MM	1	1	
41	864115	SEAT BELT WINDOW SIDE	1	1	
NS	864622	EXTENSION SEAT BELT 30cm	1	1	
NS	864623	EXTENSION SEAT BELT 50cm	1	1	
42	866019	BUCKLE FEMALE	1	1	
43	866019	BUCKLE FEMALE	1	1	
44	Call order desk	SCREW CAP HEX 10x25	4	4	P
45	865521	SCREW CAP HEX 7/16-20x1 G8	5	5	
46	Call order desk	BUSHING SAFETY BELT	2	2	P
47	Call order desk	WASHER	1	1	P
48	860280	SCREW BUT HEXS M10-1.5x50MM	1	1	
49	865220	TORINO 7/16 CAP	2	2	
50	866213	LATERAL COVER / AISLE SIDE / CURB SIDE SEAT	1	1	
51	865154	HINGED ARMREST LH	1	1	
52	860009	LATERAL COVER / WALL SIDE / CURB SIDE SEAT	1	1	
53	865155	ARMREST ASSY R.H. SIDE W.C.L.	1	1	
. NS	864965	. ARMREST COVER	1	1	
54	Call order desk	LATERAL COVER / WALL SIDE / STREET SIDE SEAT	1	1	P
55	865156	ARMREST ASSY L.H. SIDE W.C.L.	1	1	

From K-0185	Date:07/2024	PAGE:H9-1826-72
PASSENGER'S SEAT - "AMAYA" - FLIP-UP HANDICAP WITH 3POINTS		

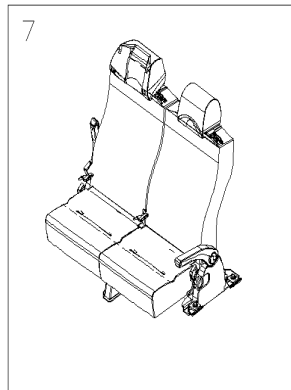
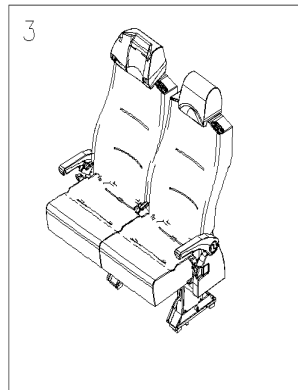
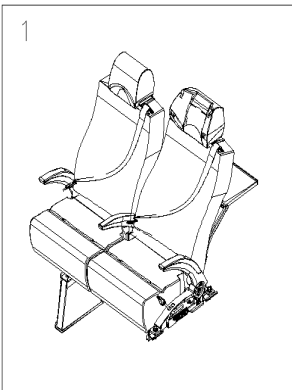
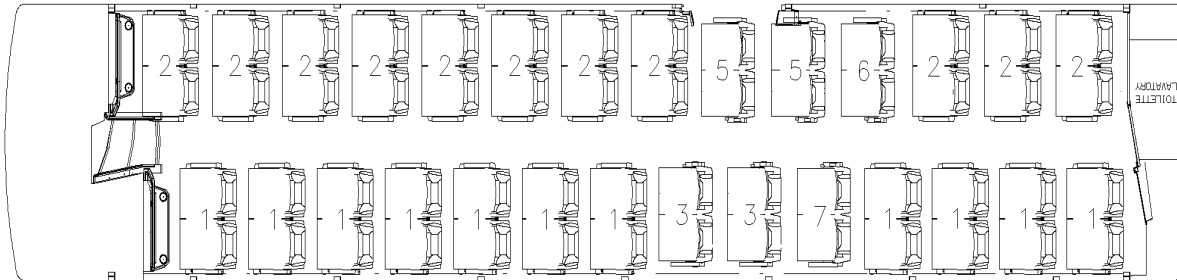
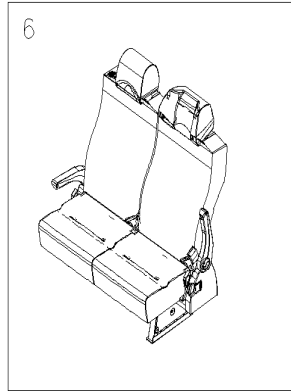
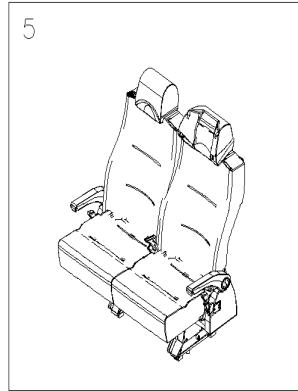
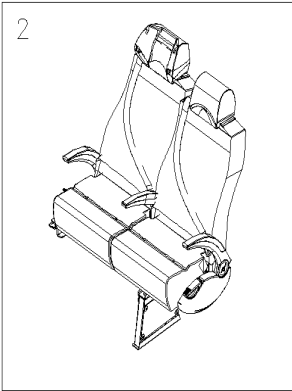
Item#	Part	Description	H 3 4 1	H 3 4 5	N O T E S
. NS	864965	. ARMREST COVER	1	1	
56	865157	HINGED ARMREST RH	1	1	
57	Call order desk	SNAP RING	2	2	P
58	Call order desk	SCREW CAP FL HEXS M10-1.5X30 G8.8 ZP	1	1	P
60	H9-1826-41	PASSENGER'S SEAT - "AMAYA" - FOOTREST & PEDESTAL			
		P) CALL ORDER DESK FOR SPECIFIC APPLICATION (V.I.N.)			

From K-0185

Date:07/2024

PAGE:H9-1827-01

PASSENGER'S SEAT INSTALLATION AMAYA "A-2TEN"

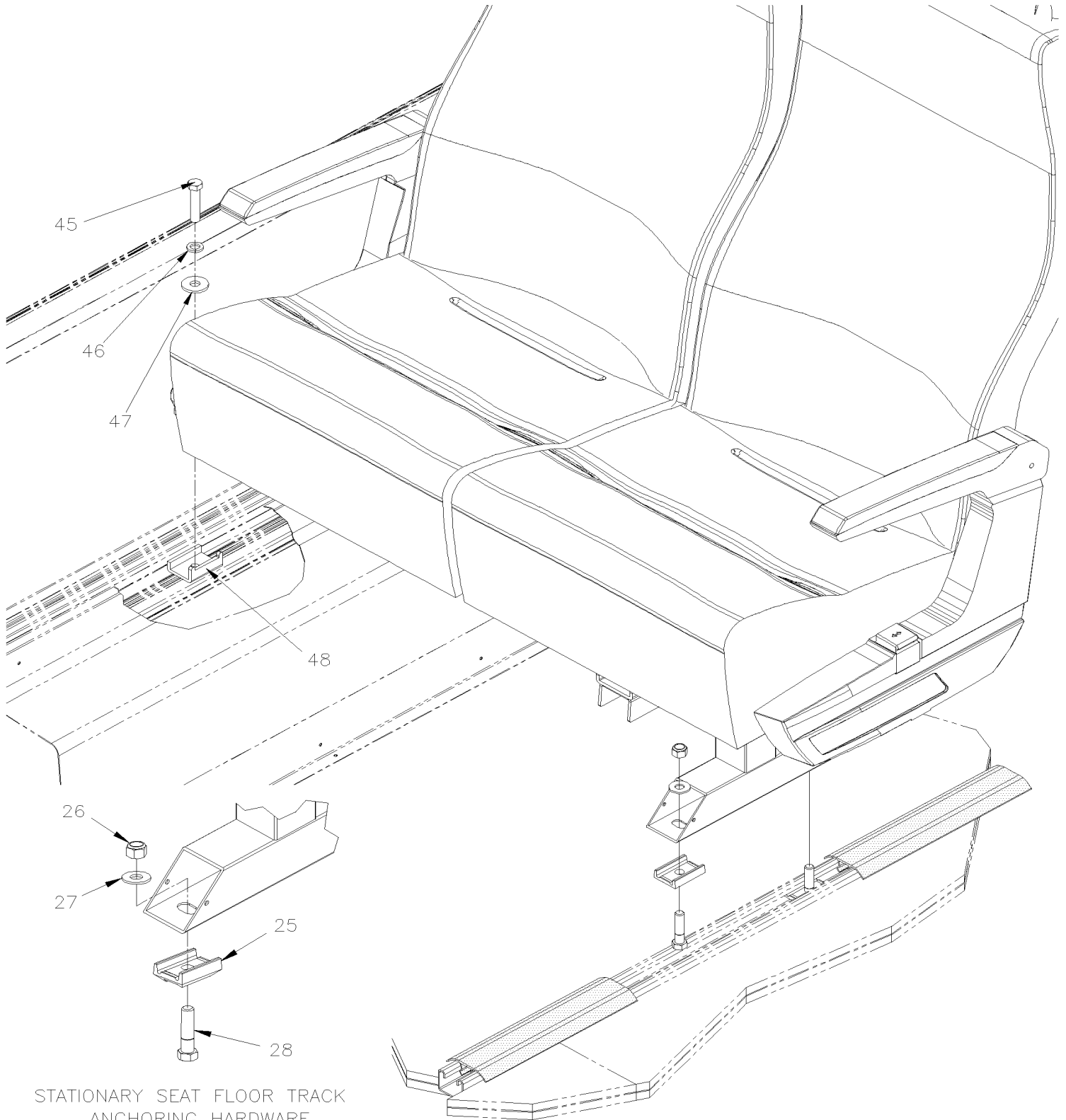


From K-0185

Date:07/2024

PAGE:H9-1827-01

PASSENGER'S SEAT INSTALLATION AMAYA "A-2TEN"



STATIONARY SEAT FLOOR TRACK
ANCHORING HARDWARE

From K-0185	Date:07/2024	PAGE:H9-1827-01
PASSENGER'S SEAT INSTALLATION AMAYA "A-2TEN"		

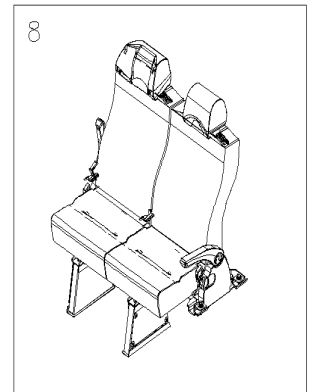
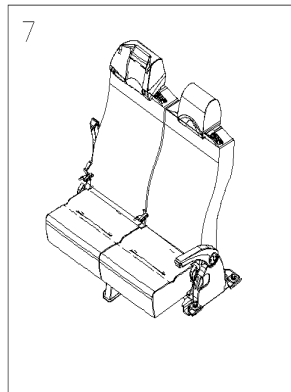
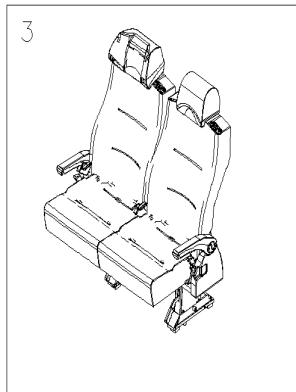
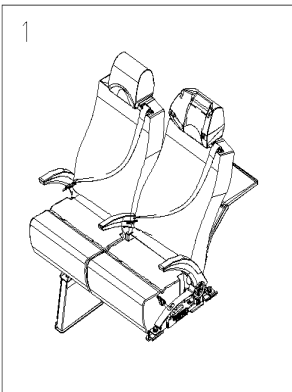
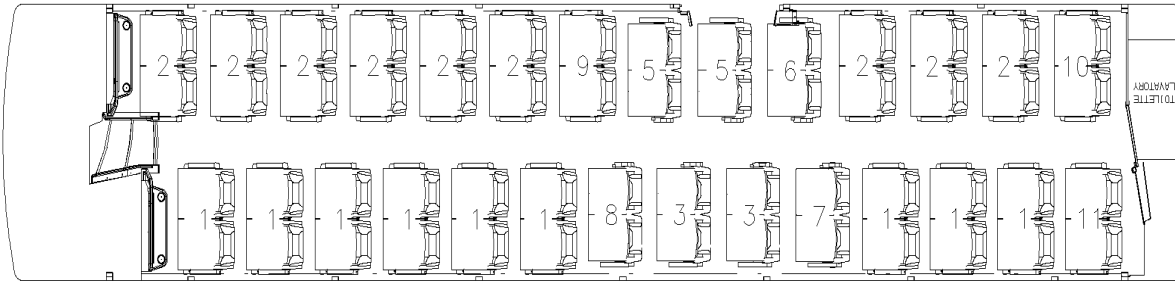
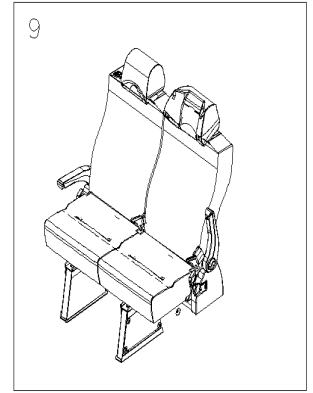
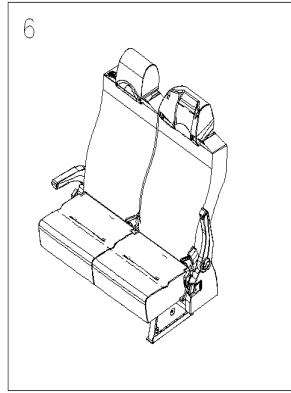
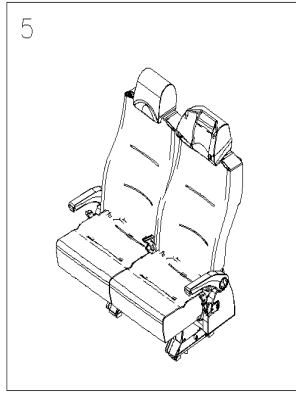
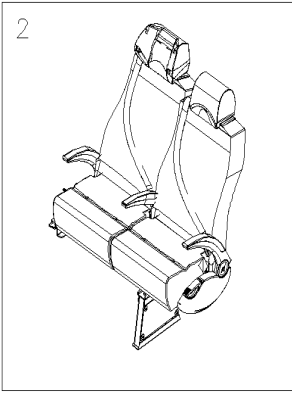
Item#	Part	Description	H 3 4 1	H 3 4 5	N O T E S
1	H9-1827-11	PASSENGER'S SEAT / STANDARD AMAYA "A-2TEN"			
1	Call order desk	. SEAT ASSEMBLY 2 PASSENGER'S STREET SIDE	1	1	P
1	H9-1827-81	PASSENGER'S SEAT / REVERSIBLE AMAYA "A-2TEN"	1	1	
1	Call order desk	. SEAT ASSEMBLY 2 PASSENGER'S / REVERSIBLE	1	1	P
2	H9-1827-11	PASSENGER'S SEAT / STANDARD AMAYA "A-2TEN"			
2	Call order desk	. SEAT ASSEMBLY 2 PASSENGER'S CURBSIDE	1	1	P
3	H9-1827-31	PASSENGER'S SEAT / FLIP-UP/SLIDER AMAYA "A-2TEN"			
3	Call order desk	. SEAT ASM 2 PASS CURBSIDE / SLIDER	1	1	P
5	H9-1827-31	PASSENGER'S SEAT / FLIP-UP/SLIDER AMAYA "A-2TEN"			
5	Call order desk	. SEAT ASM 2 PASS STREETSIDE / SLIDER	1	1	P
6	H9-1827-21	PASSENGER'S SEAT / FLIP-UP/FIXE AMAYA "A-2TEN"			
6	Call order desk	. SEAT ASM 2 PASS CURBSIDE / FLIP-UP	1	1	P
7	H9-1827-21	PASSENGER'S SEAT / FLIP-UP/FIXE AMAYA "A-2TEN"			
7	Call order desk	. SEAT ASM 2 PASS STREETSIDE / FLIP-UP	1	1	P
25	364272	BLOCK ANCHOR / 26.8MM INSIDE / 35MM x 50MM x 19MM Height	AR	AR	
26	5001734	NUT HEX 7/16-20 G8 N500	AR	AR	
27	500897	WASHER FL .437x1.000x.083 N500	AR	AR	
28	5001735	SCREW CAP HEX 7/16-20x1 3/4 G8 G500	AR	AR	
45	865458	SCREW CAP HEX 7/16-20x2 G8	AR	AR	
46	865460	WASHER LO SPT 7/16	AR	AR	
47	865465	WASHER FL / 7/16	AR	AR	
48	861714	ATTACHMENT NUT / "U" SHAPE TO FIX SEAT TO WALL TRACK	AR	AR	
		P) CALL ORDER DESK FOR SPECIFIC APPLICATION (V.I.N.)			

From K-0185

Date:07/2024

PAGE:H9-1827-02

PASSENGER'S SEAT INSTALLATION AMAYA "A-220"

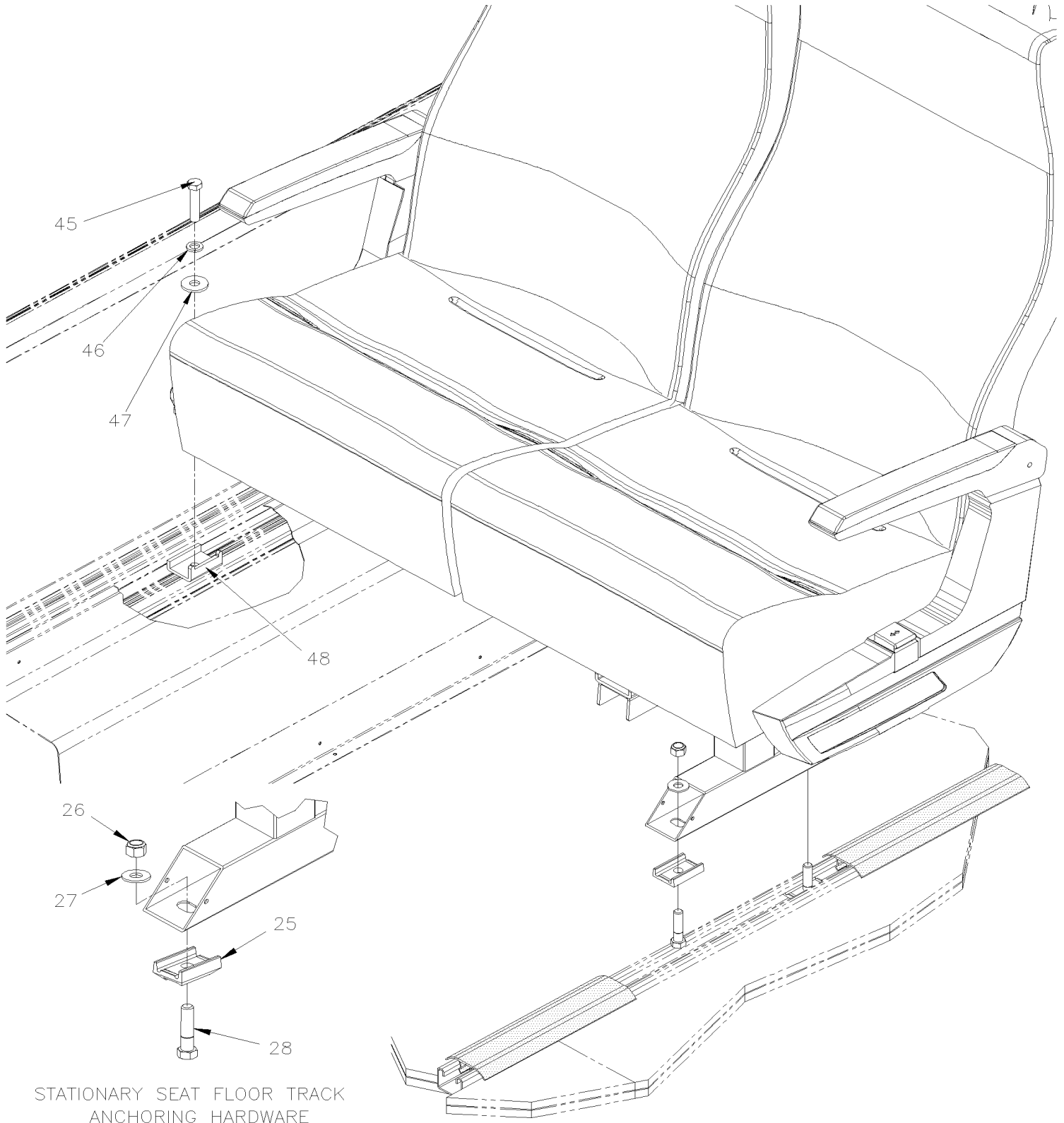


From K-0185

Date:07/2024

PAGE:H9-1827-02

PASSENGER'S SEAT INSTALLATION AMAYA "A-220"



From K-0185		Date:07/2024	PAGE:H9-1827-02
PASSENGER'S SEAT INSTALLATION AMAYA "A-220"			

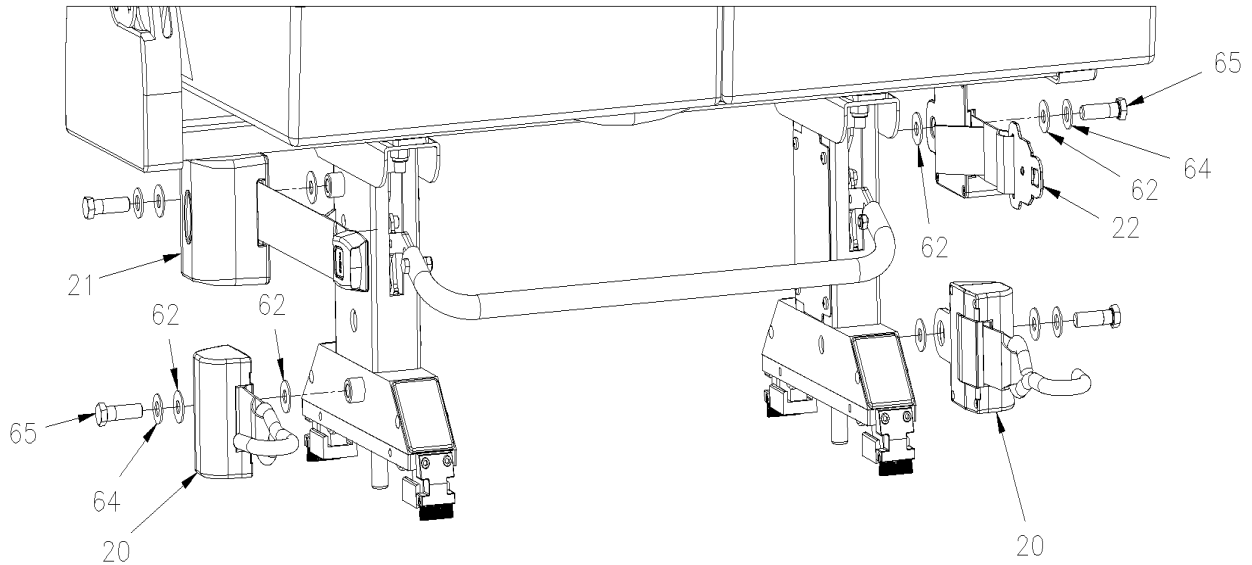
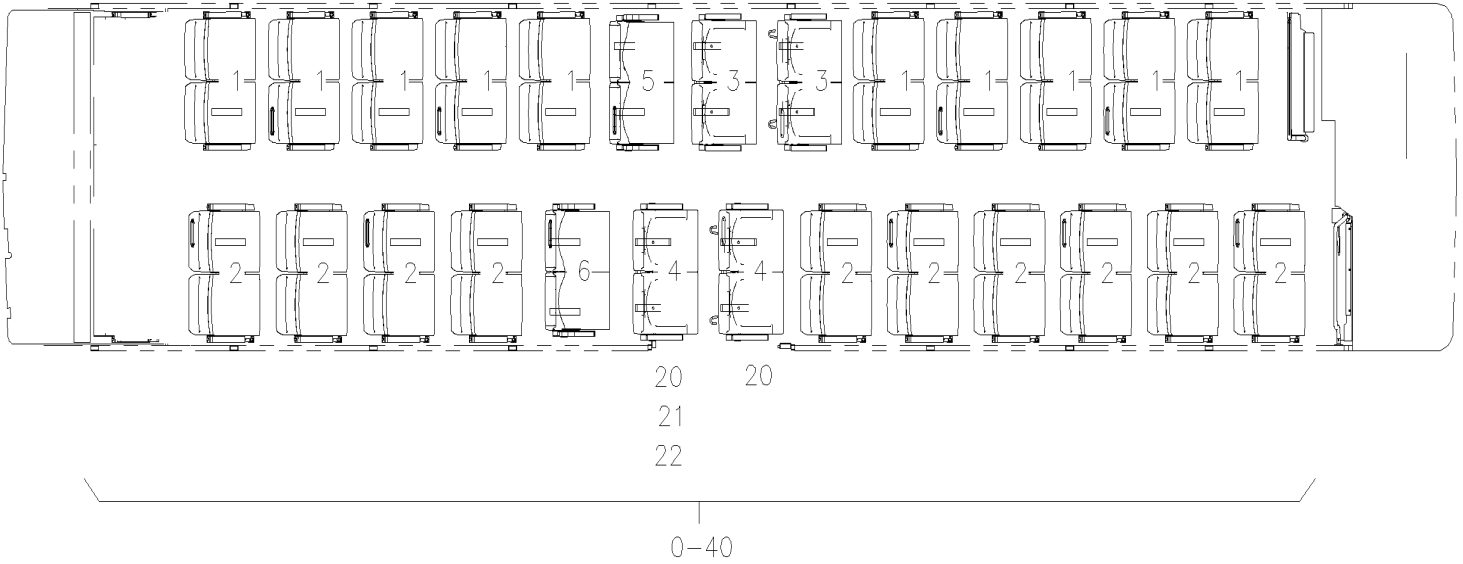
Item#	Part	Description	H 3 4 1	H 3 4 5	N O T E S
1	H9-1827-12	PASSENGER'S SEAT / STANDARD AMAYA "A-220"			
1	Call order desk	. SEAT ASSEMBLY 2 PASSENGER'S STREET SIDE	9	9	P
1	H9-1827-82	PASSENGER'S SEAT / REVERSIBLE AMAYA "A-220"			
2	H9-1827-12	PASSENGER'S SEAT / STANDARD AMAYA "A-220"			
2	Call order desk	. SEAT ASSEMBLY 2 PASSENGER'S CURB SIDE	9	9	P
3	H9-1827-32	PASSENGER'S SEAT / FLIP-UP / SLIDER AMAYA "A-220"			
3	Call order desk	. SEAT ASM 2 PASS STREET SIDE / SLIDER	2	2	P
5	H9-1827-32	PASSENGER'S SEAT / FLIP-UP / SLIDER AMAYA "A-220"			
5	Call order desk	. SEAT ASM 2 PASS CURB SIDE / SLIDER	2	2	P
6	Call order desk	PASSENGER'S SEAT / FLIP-UP / FIXE / AMAYA "A-220"			P
6	Call order desk	. SEAT ASM 2 PASS CURB SIDE / FLIP-UP / FIXE / 1 PEDESTAL	1	1	P
7	H9-1827-22	PASSENGER'S SEAT / FLIP-UP / FIXE / AMAYA "A-220"			
7	Call order desk	. SEAT ASM 2 PASS STREET SIDE / FLIP-UP / FIXE / 2 PEDESTAL	1	1	P
8	Call order desk	. SEAT ASM 2 PASS STREET SIDE / FLIP-UP / FIXE / 1 PEDESTAL	1	1	P
9	Call order desk	. SEAT ASM 2 PASS CURB SIDE / FLIP-UP / FIXE / 2 PEDESTAL	1	1	P
10	H9-1827-12	PASSENGER'S SEAT / STANDARD AMAYA "A-220"	1	1	
10	Call order desk	SEAT ASSEMBLY 2 PASSENGER'S CURB SIDE W/O ACCESSORIES	1	1	P
11	H9-1827-12	PASSENGER'S SEAT / STANDARD AMAYA "A-220"	1	1	
11	Call order desk	SEAT ASSEMBLY 2 PASSENGER'S STREET SIDE W/O ACCESSORIES	1	1	P
25	364272	BLOCK ANCHOR / 26.8MM INSIDE / 35MM x 50MM x 19MM Height	AR	AR	
26	5001734	NUT HEX 7/16-20 G8 N500	AR	AR	
27	500897	WASHER FL .437x1.000x.083 N500	AR	AR	
28	5001735	SCREW CAP HEX 7/16-20x1 3/4 G8 G500	AR	AR	
45	865458	SCREW CAP HEX 7/16-20x2 G8	AR	AR	
46	865460	WASHER LO SPT 7/16	AR	AR	
47	865465	WASHER FL / 7/16	AR	AR	
48	861714	ATTACHMENT NUT / "U" SHAPE TO FIX SEAT TO WALL TRACK	AR	AR	
		P) CALL ORDER DESK FOR SPECIFIC APPLICATION (V.I.N.)			

From K-0185

Date:07/2024

PAGE:H9-1827-03

PASSENGER'S SEAT INSTALLATION AMAYA "GT"



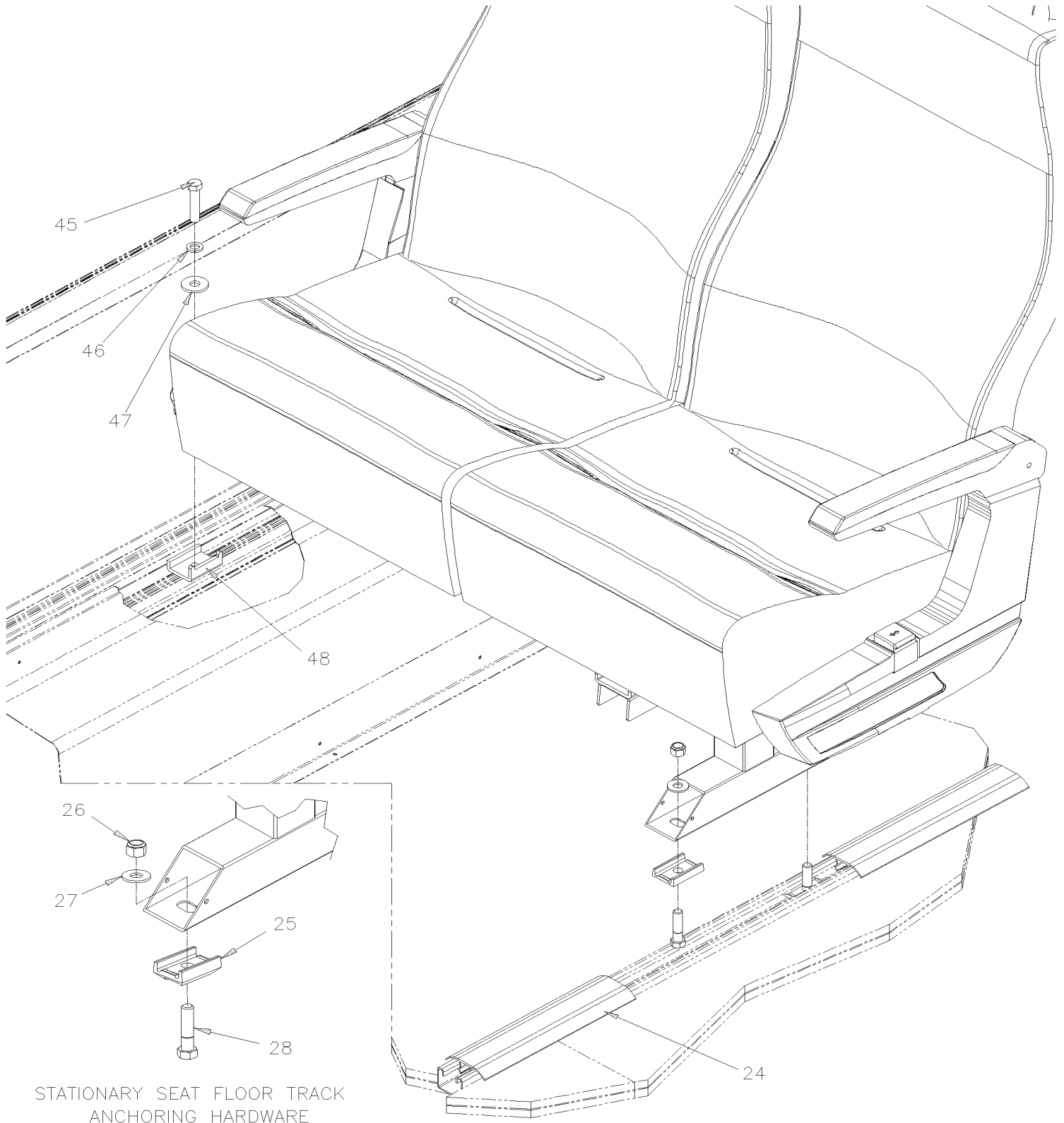
GENERIC BELT CONFIGURATION

From K-0185

Date:07/2024

PAGE:H9-1827-03

PASSENGER'S SEAT INSTALLATION AMAYA "GT"



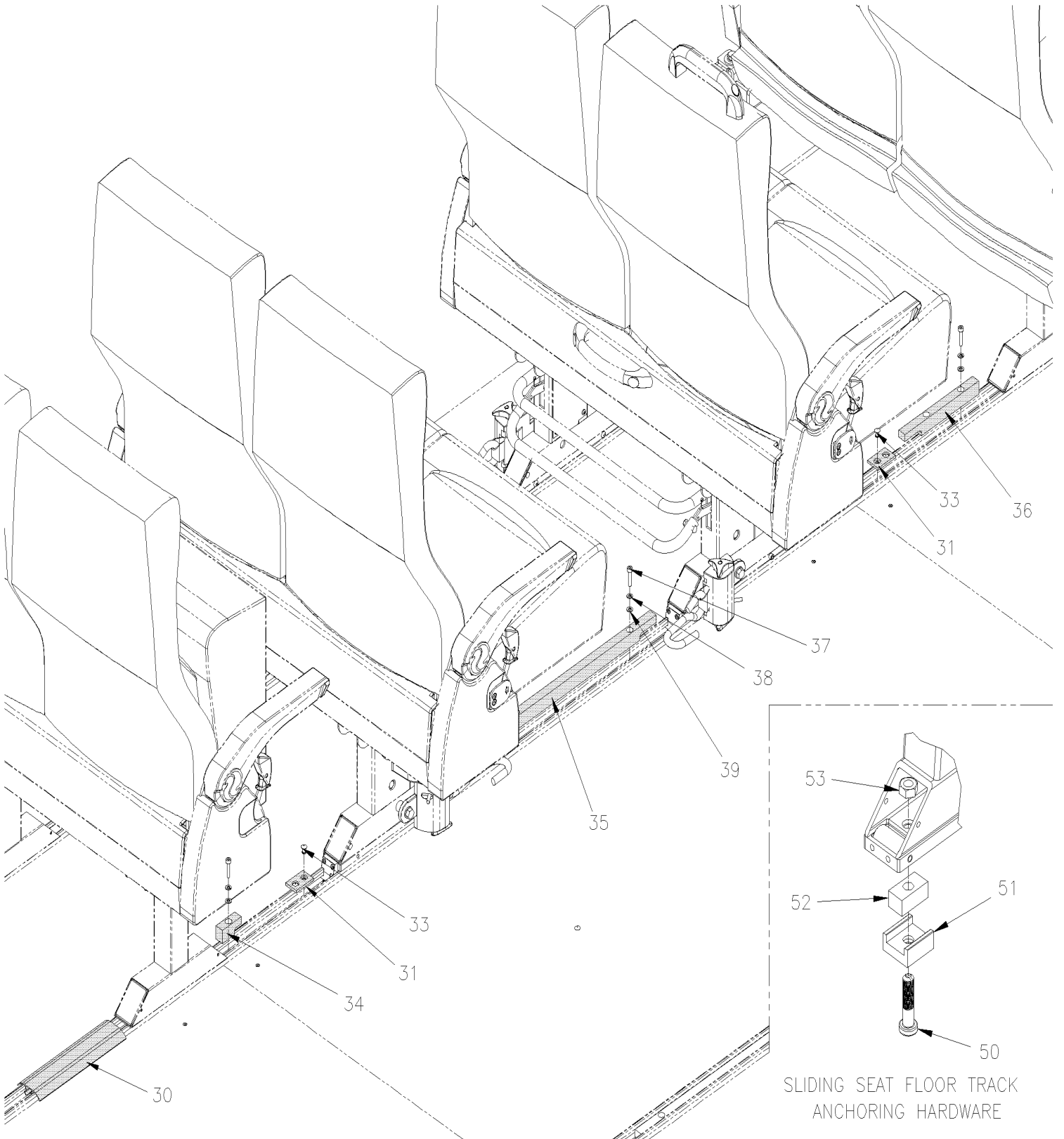
STATIONARY SEAT FLOOR TRACK
ANCHORING HARDWARE

From K-0185

Date:07/2024

PAGE:H9-1827-03

PASSENGER'S SEAT INSTALLATION AMAYA "GT"



SLIDING SEAT FLOOR TRACK
ANCHORING HARDWARE

From K-0185		Date:07/2024	PAGE:H9-1827-03
PASSENGER'S SEAT INSTALLATION AMAYA "GT"			

Item#	Part	Description	H 3 4 1	H 3 4 5	N O T E S
1	Call order desk	SEAT ASM 2 PASS STREETSIDE / 1 OUTLET AMAYA "GT"			P
2	Call order desk	SEAT ASM 2 PASS CURBSIDE / 1 OUTLET			P
3	Call order desk	SEAT ASM 2 PASS FLIP-UP W/SLIDE CURBSIDE			P
4	Call order desk	SEAT ASM 2 PASS FLIP-UP W/SLIDE STREETSIDE			P
5	Call order desk	SEAT ASM 2 PASS FLIP-UP CURBSIDE W/2 PEDESTAL			P
6	Call order desk	SEAT ASM 2 PASS FLIP-UP STREETSIDE W/2 PEDESTAL			P
7	Call order desk	SEAT ASM 2 PASS STREETSIDE / 2 OUTLET			P
8	Call order desk	SEAT ASM 2 PASS STREETSIDE / 2 OUTLET			P
20	19505511	HOOK SAFETY LOCK	8	8	
21	N8898811	BELT 2 POINT FEMALE	2	2	
22	N8898812	BELT 2 POINT MALE	2	2	
24	329689	SEAT TRACK COVER 12' / EACH SEAT / W/COVERING FLOOR	AR	AR	
25	364272	BLOCK ANCHOR / 26.8MM INSIDE / 35MM x 50MM x 19MM Height	AR	AR	
26	5001734	NUT HEX 7/16-20 G8 N500	AR	AR	
27	500897	WASHER FL .437x1.000x.083 N500	AR	AR	
28	5001735	SCREW CAP HEX 7/16-20x1 3/4 G8 G500	AR	AR	
	Call order desk				P
30	329689	SEAT TRACK COVER 12' / EACH SEAT / W/COVERING FLOOR	AR	AR	
31	329994	SEAT STOPPER 56MM x 31.75MM	14	14	
31	3200521	SEAT STOPPER 95MM x 31.75MM	2	2	
33	504459	RIVET MGLP PRDG 1/4x3/8 SS	32	32	
33	680532	SEALANT SIKA #221 / GREY / 310ml CARTRIDGE	AR	AR	
34	3200626	STOPPER / SEAT POSITION / 55MM	4	4	
35	3200625	STOPPER / SEAT POSITION / 465MM	4	4	
36	3200624	STOPPER / SEAT POSITION / 215MM	4	4	
37	5001611	SCREW CAP HEXS M6-1.0x30 SS BK	20	20	
38	502570	WASHER LO SPT 6.1x11.8x1.6 SS	20	20	
39	502573	WASHER FL 6.4x12.5x1.6 SS	20	20	
40	Call order desk	PEDESTAL ASSY			P
45	865458	SCREW CAP HEX 7/16-20x2 G8	2	2	
46	865460	WASHER LO SPT 7/16	2	2	
47	865465	WASHER FL / 7/16	2	2	
48	865466	ATTACHMENT NUT / "L" SHAPE TO FIX SEAT TO WALL TRACK	2	2	
50	865064	PIN SUPPORT 7/16x54MM HEAD 19.5MM O.D	AR	AR	
51	865063	INSIDE GUIDE	AR	AR	
52	865062	INSIDE SLIDE	AR	AR	
53	500709	NUT HEX 7/16-20 Z050	AR	AR	
62	865467	WASHER FL NYL	24	24	
64	865468	WASHER FL 7/16 ZP	12	12	
65	865469	SCREW CAP HEX 7/16-20x1 1/2 G8	12	12	

From K-0185	Date:07/2024	PAGE:H9-1827-03
PASSENGER'S SEAT INSTALLATION AMAYA "GT"		

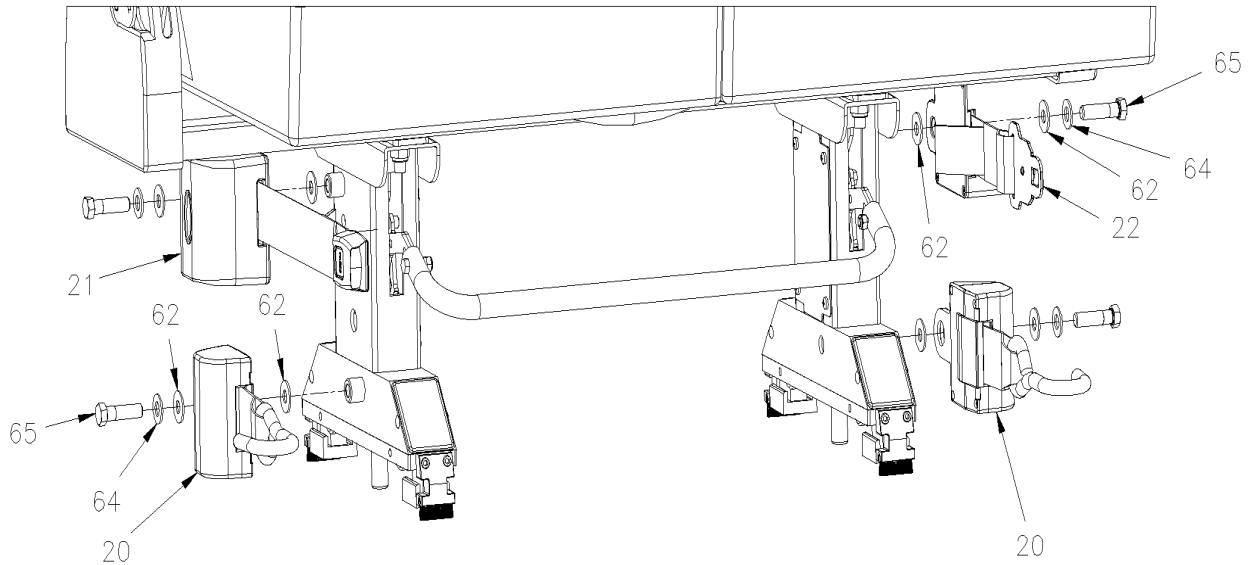
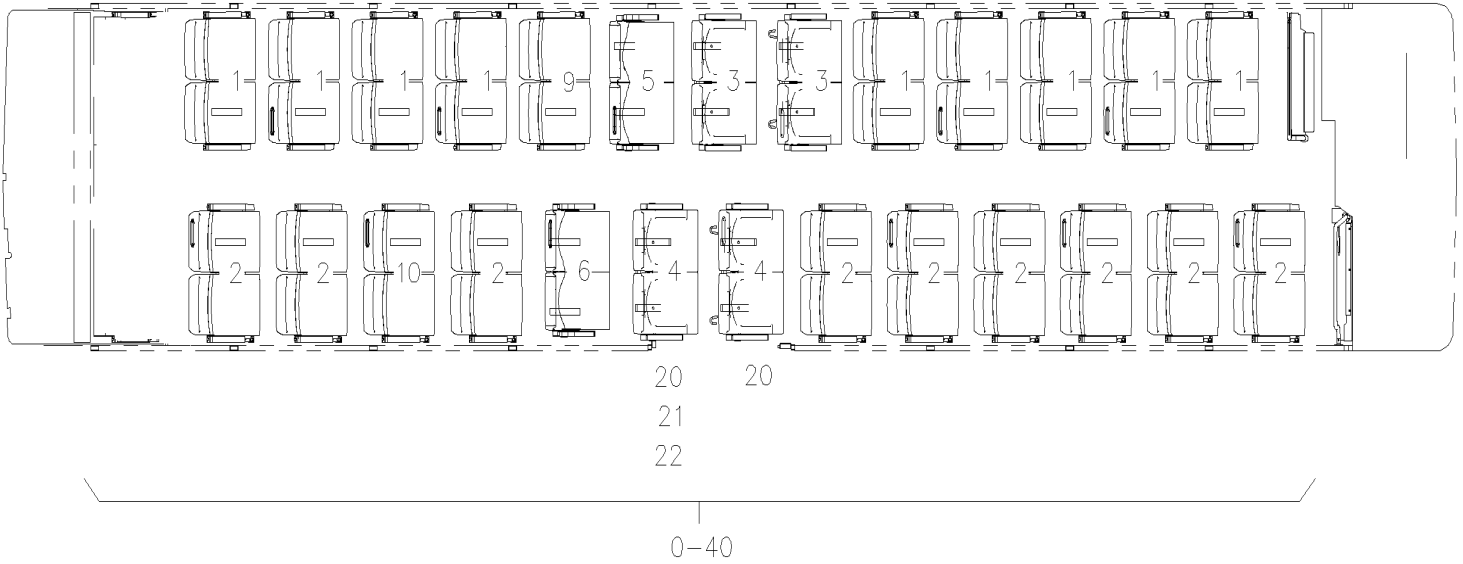
Item#	Part	Description	H 3 4 1	H 3 4 5	N O T E S
		P) CALL ORDER DESK FOR SPECIFIC APPLICATION (V.I.N.)			

From K-0185

Date:07/2024

PAGE:H9-1827-04

PASSENGER'S SEAT INSTALLATION AMAYA "SIGMA"



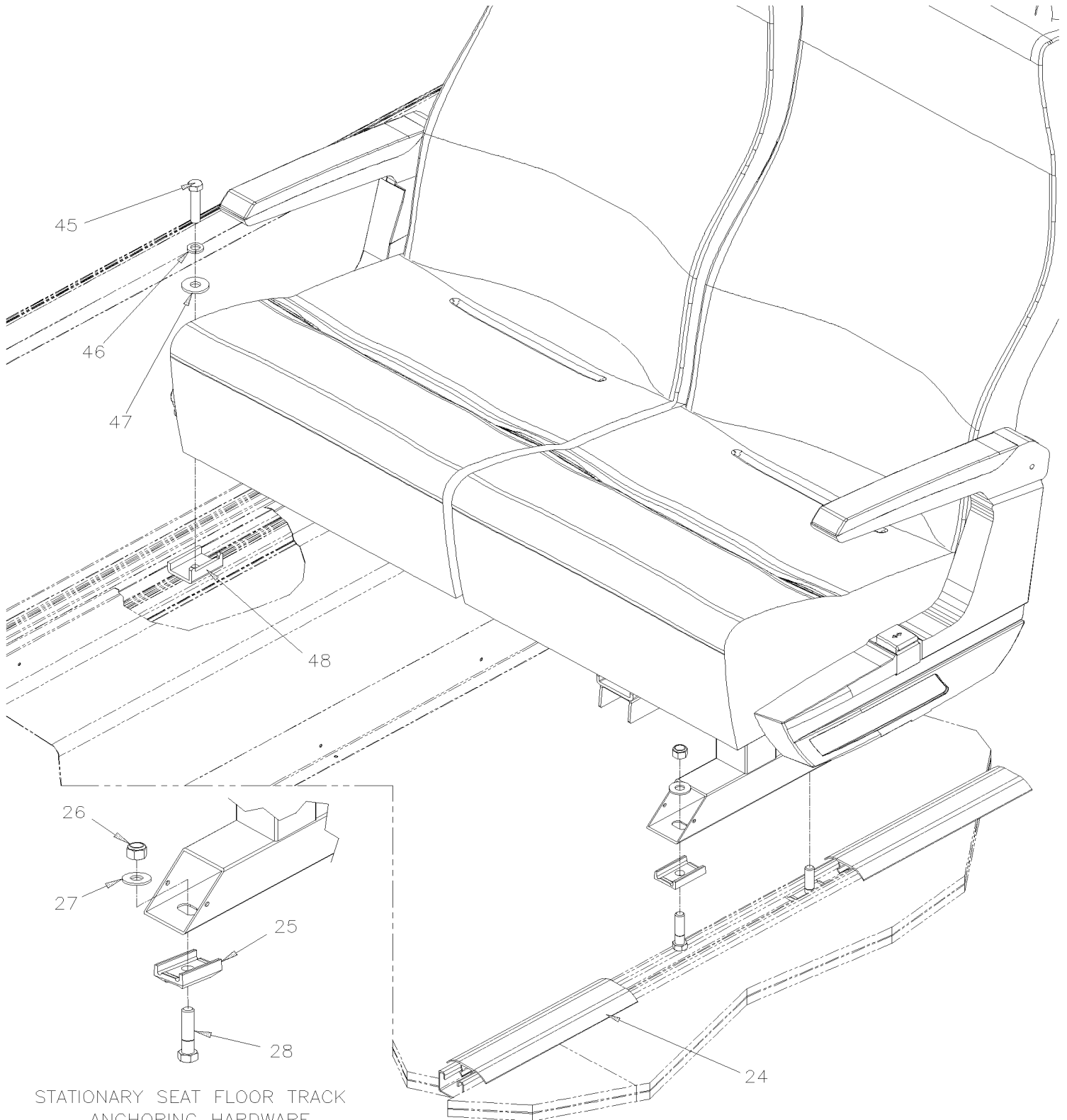
GENERIC BELT CONFIGURATION

From K-0185

Date:07/2024

PAGE:H9-1827-04

PASSENGER'S SEAT INSTALLATION AMAYA "SIGMA"



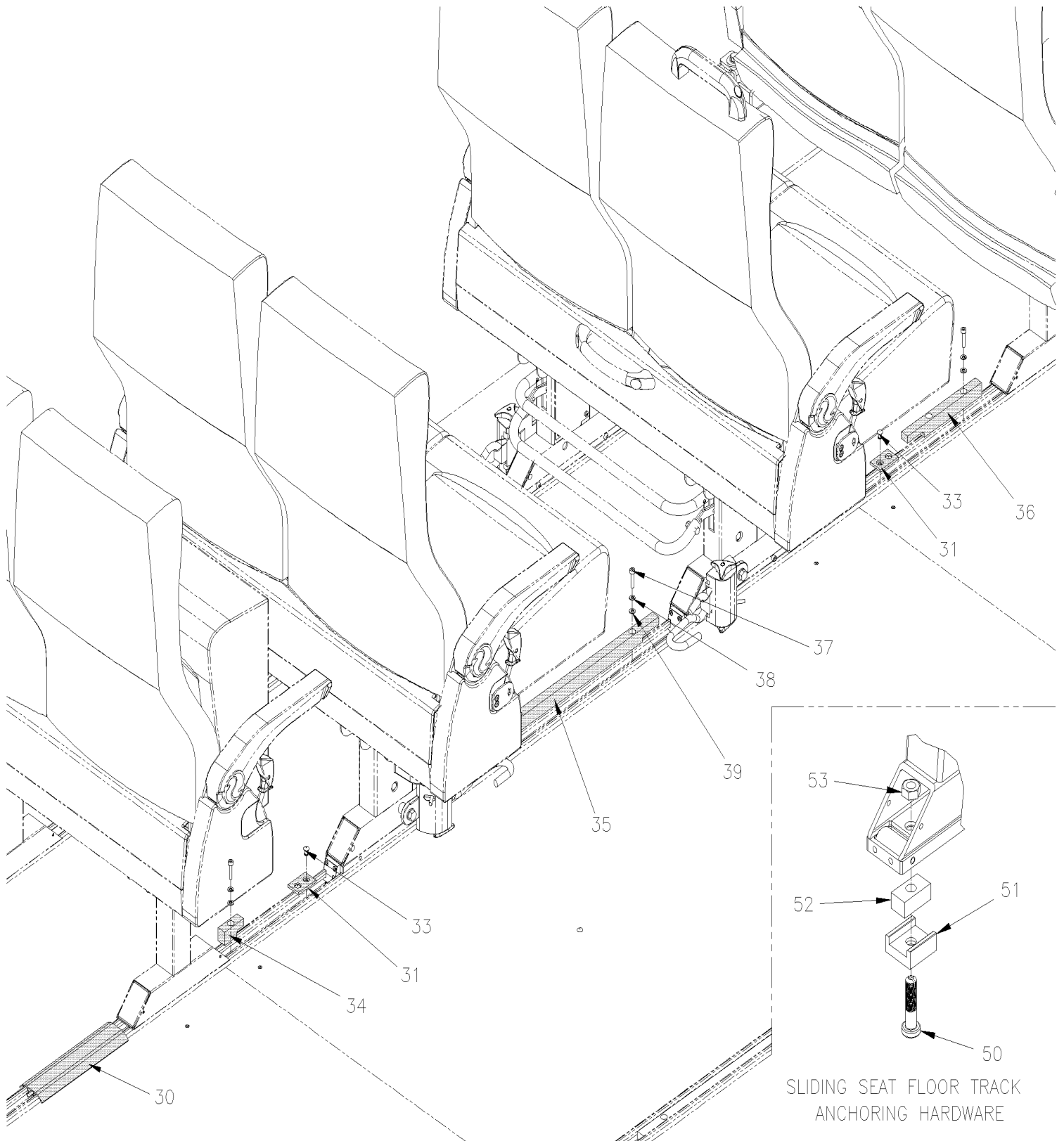
STATIONARY SEAT FLOOR TRACK ANCHORING HARDWARE

From K-0185

Date:07/2024

PAGE:H9-1827-04

PASSENGER'S SEAT INSTALLATION AMAYA "SIGMA"



SLIDING SEAT FLOOR TRACK
ANCHORING HARDWARE

From K-0185	Date:07/2024	PAGE:H9-1827-04
PASSENGER'S SEAT INSTALLATION AMAYA "SIGMA"		

Item#	Part	Description	H 3 4 1	H 3 4 5	N O T E S
1	Call order desk	SEAT ASM 2 PASS STREETSIDE AMAYA "GT"	9	9	P
2	Call order desk	SEAT ASM 2 PASS CURBSIDE	9	9	P
3	Call order desk	SEAT ASM 2 PASS FLIP-UP W/SLIDE CURBSIDE	2	2	P
4	Call order desk	SEAT ASM 2 PASS FLIP-UP W/SLIDE STREETSIDE	2	2	P
5	Call order desk	SEAT ASM 2 PASS FLIP-UP CURBSIDE W/1 PEDESTAL	1	1	P
6	Call order desk	SEAT ASM 2 PASS FLIP-UP STREETSIDE W/2 PEDESTAL	1	1	P
7	Call order desk	SEAT ASM 2 PASS STREETSIDE W/O ACC	1	1	P
8	Call order desk	SEAT ASM 2 PASS STREETSIDE W/O ACC	1	1	P
9	Call order desk	SEAT ASM 2 PASS FLIP-UP W/SLIDE STREETSIDE W/2 PEDESTAL & BELT BRACKET	1	1	P
10	Call order desk	SEAT ASM 2 PASS FLIP-UP W/SLIDE CURBSIDE W/2 PEDESTAL & BELT BRACKET	1	1	P
20	19505511	HOOK SAFETY LOCK	8	8	
21	N8898811	BELT 2 POINT FEMALE	2	2	
22	N8898812	BELT 2 POINT MALE	2	2	
24	329689	SEAT TRACK COVER 12' / EACH SEAT / W/COVERING FLOOR	AR	AR	
25	364272	BLOCK ANCHOR / 26.8MM INSIDE / 35MM x 50MM x 19MM Height	AR	AR	
26	5001734	NUT HEX 7/16-20 G8 N500	AR	AR	
27	500897	WASHER FL .437x1.000x.083 N500	AR	AR	
28	5001735	SCREW CAP HEX 7/16-20x1 3/4 G8 G500	AR	AR	
	Call order desk				P
30	329689	SEAT TRACK COVER 12' / EACH SEAT / W/COVERING FLOOR	AR	AR	
31	329994	SEAT STOPPER 56MM x 31.75MM	14	14	
31	3200521	SEAT STOPPER 95MM x 31.75MM	2	2	
33	504459	RIVET MGLP PRDG 1/4x3/8 SS	32	32	
33	680532	SEALANT SIKA #221 / GREY / 310ml CARTRIDGE	AR	AR	
34	3200626	STOPPER / SEAT POSITION / 55MM	4	4	
35	3200625	STOPPER / SEAT POSITION / 465MM	4	4	
36	3200624	STOPPER / SEAT POSITION / 215MM	4	4	
37	5001611	SCREW CAP HEXS M6-1.0x30 SS BK	20	20	
38	502570	WASHER LO SPT 6.1x11.8x1.6 SS	20	20	
39	502573	WASHER FL 6.4x12.5x1.6 SS	20	20	
40	Call order desk	PEDESTAL ASSY			P
45	865458	SCREW CAP HEX 7/16-20x2 G8	2	2	
46	865460	WASHER LO SPT 7/16	2	2	
47	865520	WASHER FL 7/16	2	2	
48	861714	ATTACHMENT NUT / "U" SHAPE TO FIX SEAT TO WALL TRACK	2	2	
50	865064	PIN SUPPORT 7/16x54MM HEAD 19.5MM O.D	AR	AR	
51	865063	INSIDE GUIDE	AR	AR	
52	865062	INSIDE SLIDE	AR	AR	
53	500709	NUT HEX 7/16-20 Z050	AR	AR	
62	865467	WASHER FL NYL	24	24	
64	865468	WASHER FL 7/16 ZP	12	12	

From K-0185	Date:07/2024	PAGE:H9-1827-04
PASSENGER'S SEAT INSTALLATION AMAYA "SIGMA"		

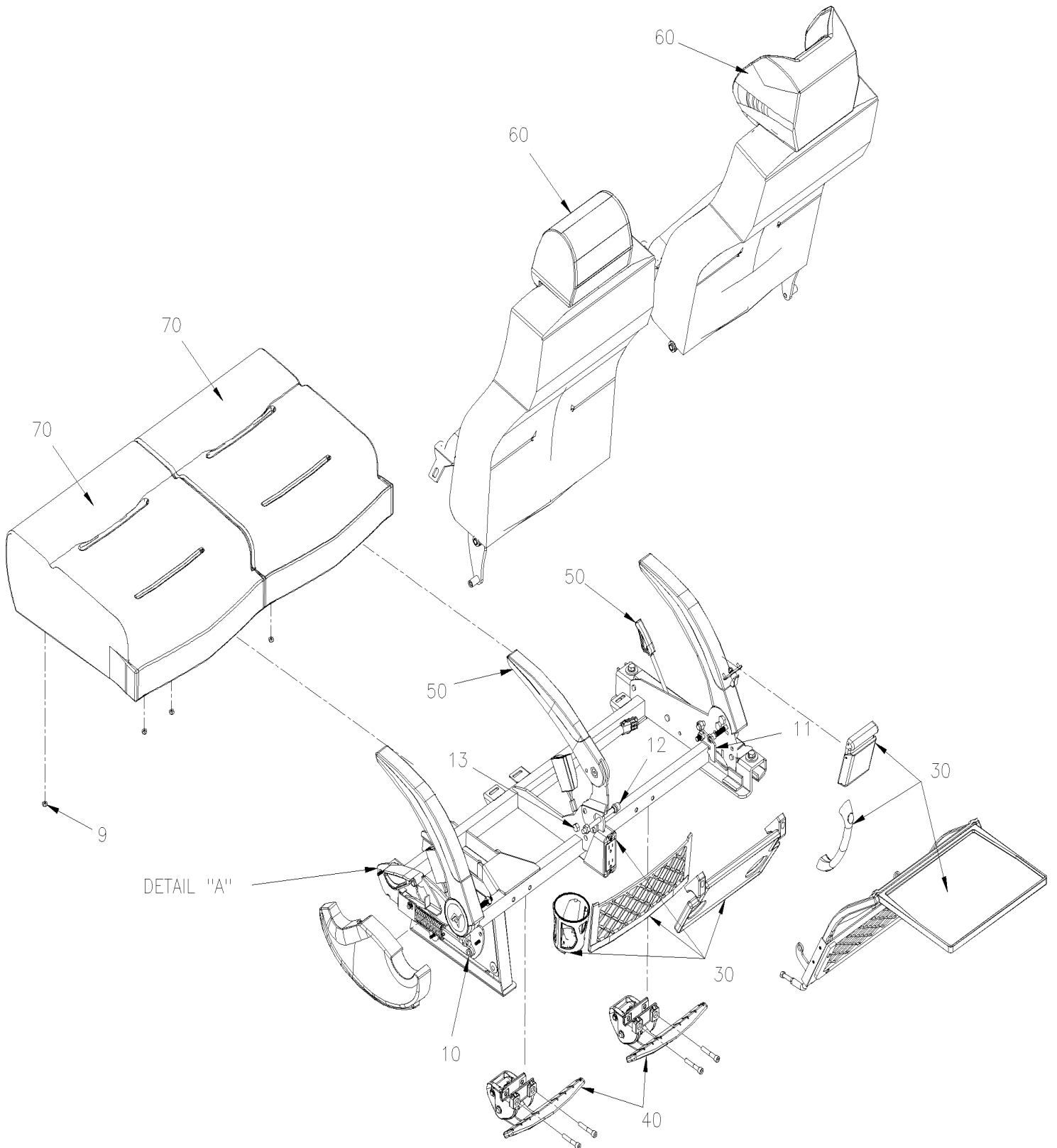
Item#	Part	Description	H 3 4 1	H 3 4 5	N O T E S
65	865469	SCREW CAP HEX 7/16-20x1 1/2 G8	12	12	
		P) CALL ORDER DESK FOR SPECIFIC APPLICATION (V.I.N.)			

From K-0185

Date:07/2024

PAGE:H9-1827-11

PASSENGER'S SEAT / STANDARD AMAYA "A-2TEN"

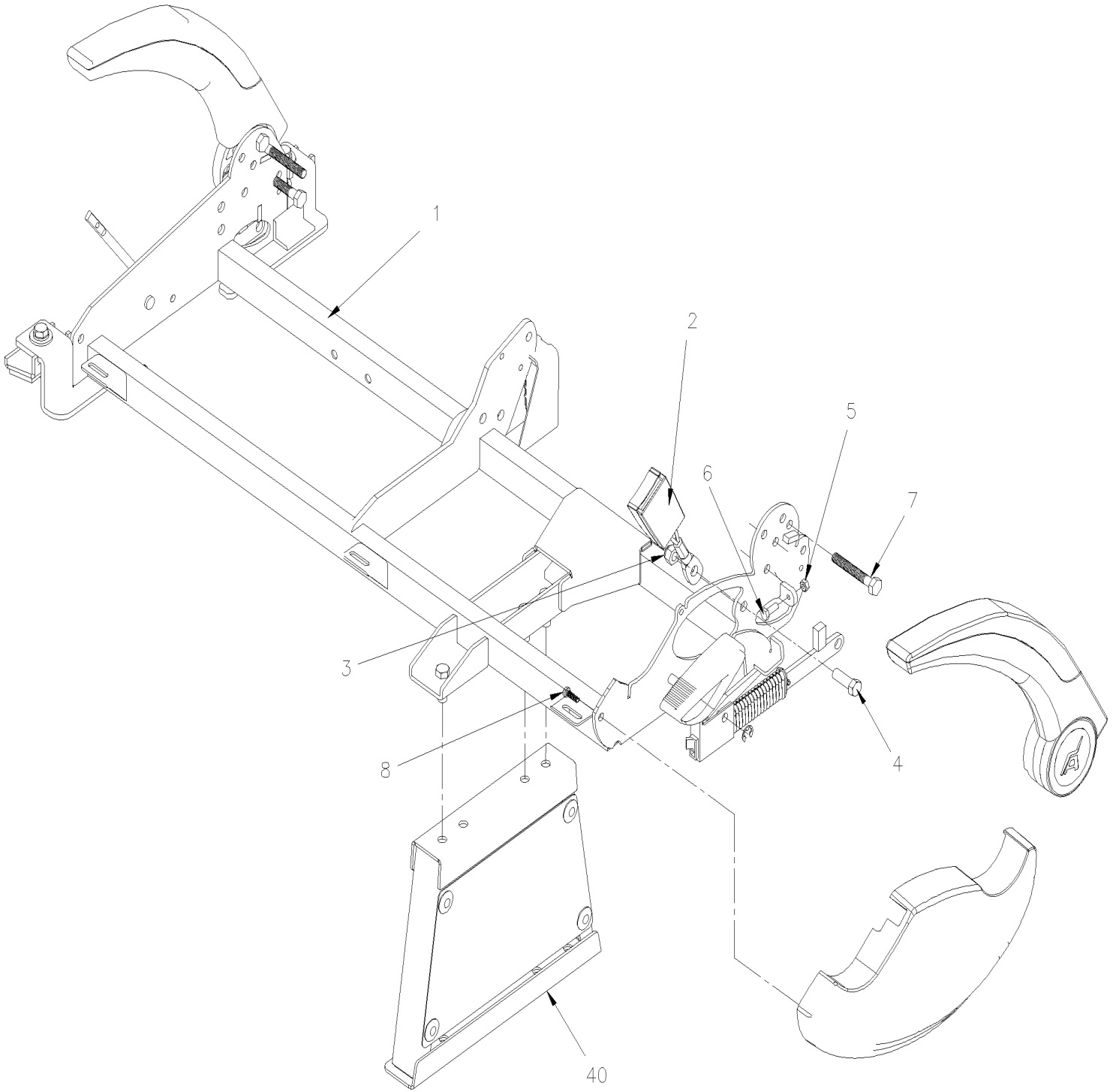


From K-0185

Date:07/2024

PAGE:H9-1827-11

PASSENGER'S SEAT / STANDARD AMAYA "A-2TEN"



DETAIL "A"

From K-0185	Date:07/2024	PAGE:H9-1827-11
PASSENGER'S SEAT / STANDARD AMAYA "A-2TEN"		

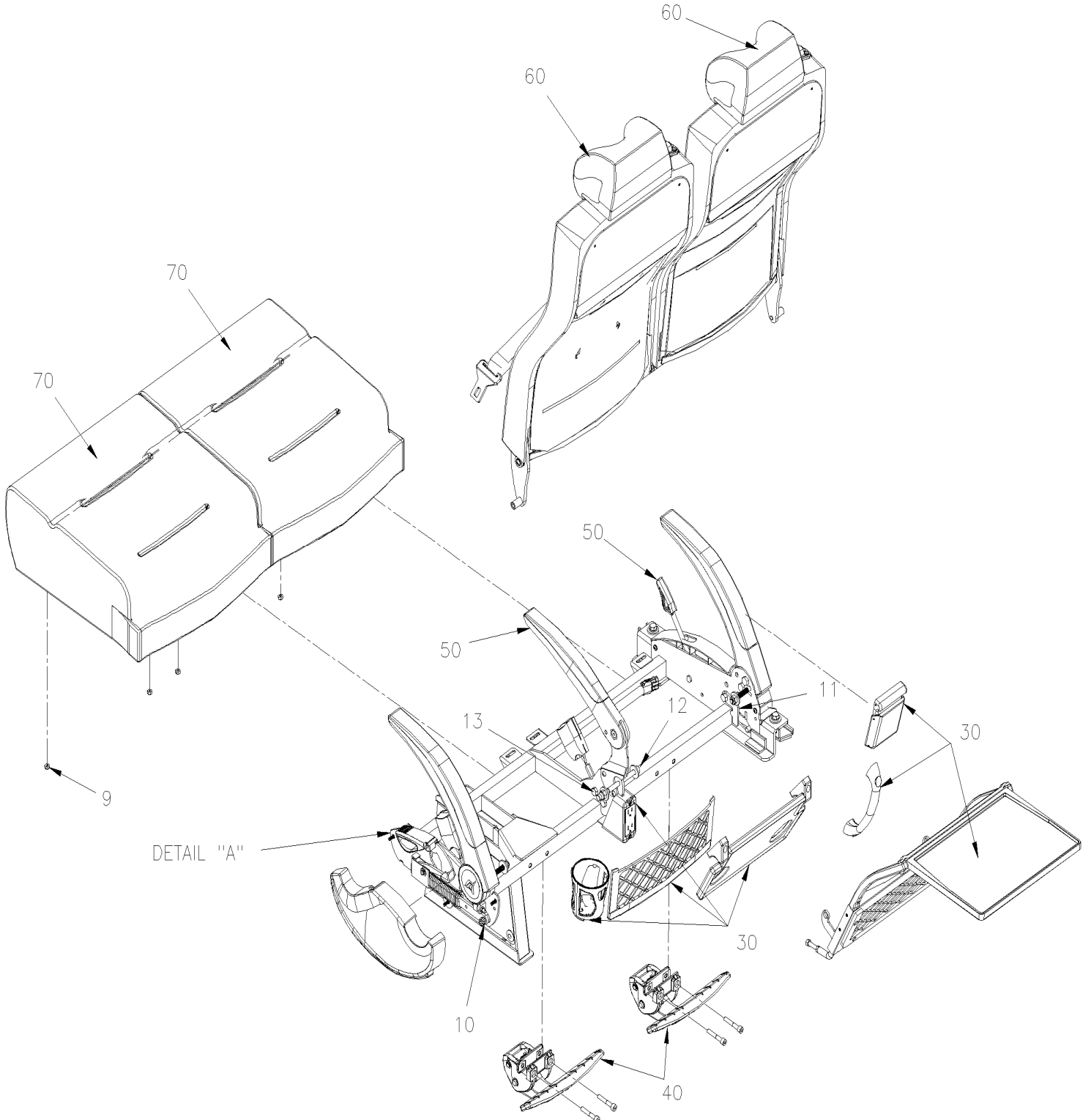
Item#	Part	Description	H 3 4 1	H 3 4 5	N O T E S
	Call order desk	SEAT ASSEMBLY 2 PASSENGER'S CURBSIDE	9	9	P
	Call order desk	SEAT ASSEMBLY 2 PASSENGER'S STREET SIDE	9	9	P
1	865442	. SEAT CHASSIS WELDED ASSY CURBSIDE	1	1	
1	865443	. SEAT CHASSIS WELDED ASSY STREET SIDE	1	1	
2	864349	. BUCKLE FEMALE	2	2	
3	865519	. NUT HEX NYRT 7/16-20	5	5	
4	868271	. SCREW CAP HEX 7/16-20x1 1/4 G8	1	1	
5	865497	. NUT HEX 1/4	2	2	
6	865498	. SCREW CAP HEX 1/4-20 x 3/4 LG	2	2	
7	868401	. SCREW CAP HEX M10-1.5x70MM	2	2	
8	Call order desk	. SCREW HI-LO M6x20	3	3	P
9	865490	. NUT HEX JAM NYRT 1/4	4	4	
10	865215	. BUSHING NYLON	2	2	
11	7770173	. STOPPER 6" RECLINING (3 pos)	2	2	
12	Call order desk	. SCREW CAP HEXS M10x120MM	1	1	P
12	Call order desk	. BUSHING	1	1	P
12	860005	. NUT HEX STO M10-1.5 ZP	2	2	
13	865521	. SCREW CAP HEX 7/16-20x1 G8	4	4	
30	H9-1826-60	. ACCESSORIES PASSENGER'S SEAT - "AMAYA"			
40	H9-1826-41	. PASSENGER'S SEAT - "AMAYA" - FOOTREST & PEDESTAL			
50	H9-1827-51	. ARMREST AMAYA "A-2TEN"			
60	H9-1827-61	. BACKREST AMAYA "A-2TEN"			
70	H9-1827-71	. SEAT CUSHION AMAYA "A-2TEN"			
		P) CALL ORDER DESK FOR SPECIFIC APPLICATION (V.I.N.)			

From K-0185

Date:07/2024

PAGE:H9-1827-12

PASSENGER'S SEAT / STANDARD AMAYA "A-220"

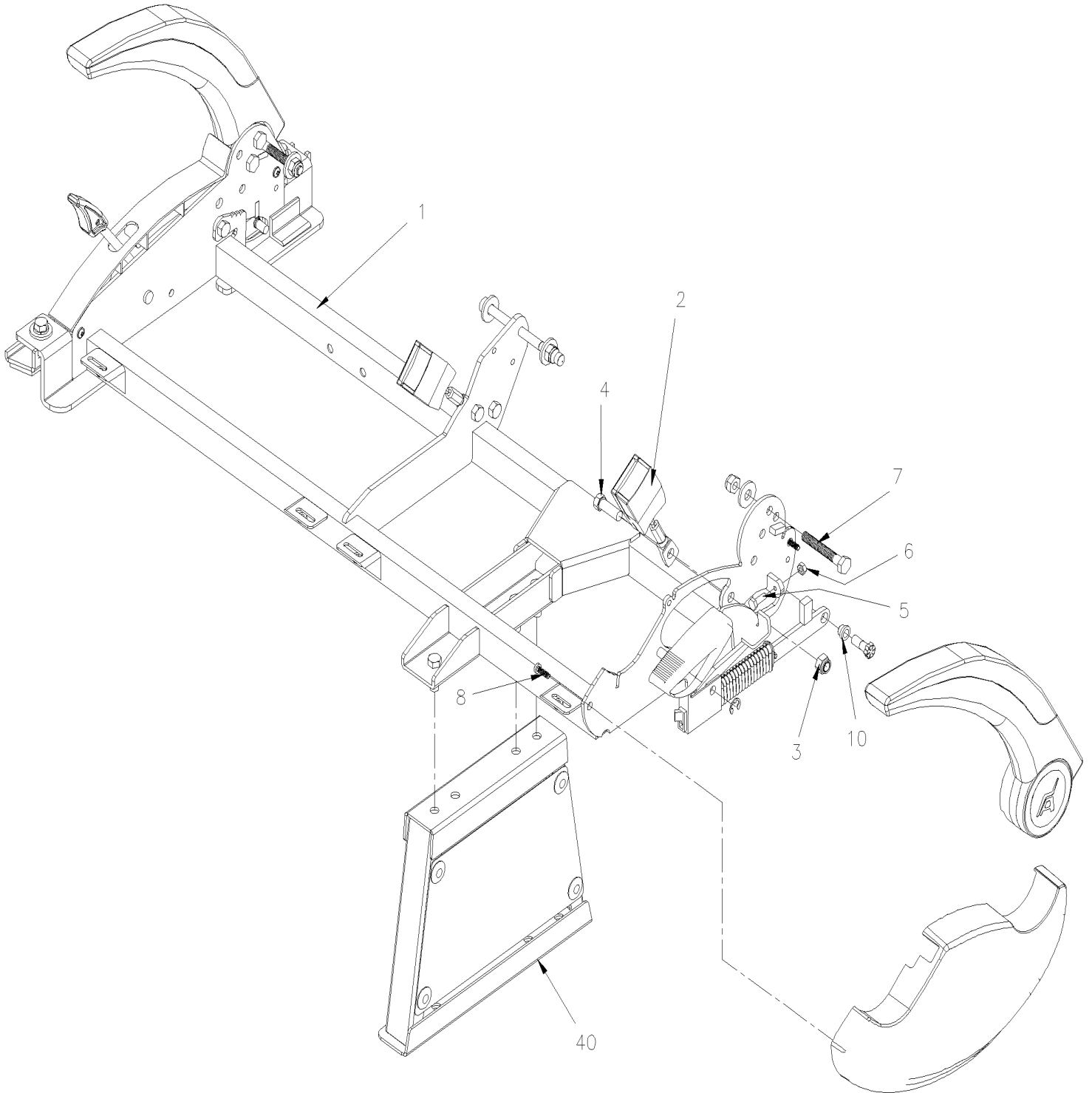


From K-0185

Date:07/2024

PAGE:H9-1827-12

PASSENGER'S SEAT / STANDARD AMAYA "A-220"



DETAIL "A"

From K-0185	Date:07/2024	PAGE:H9-1827-12
PASSENGER'S SEAT / STANDARD AMAYA "A-220"		

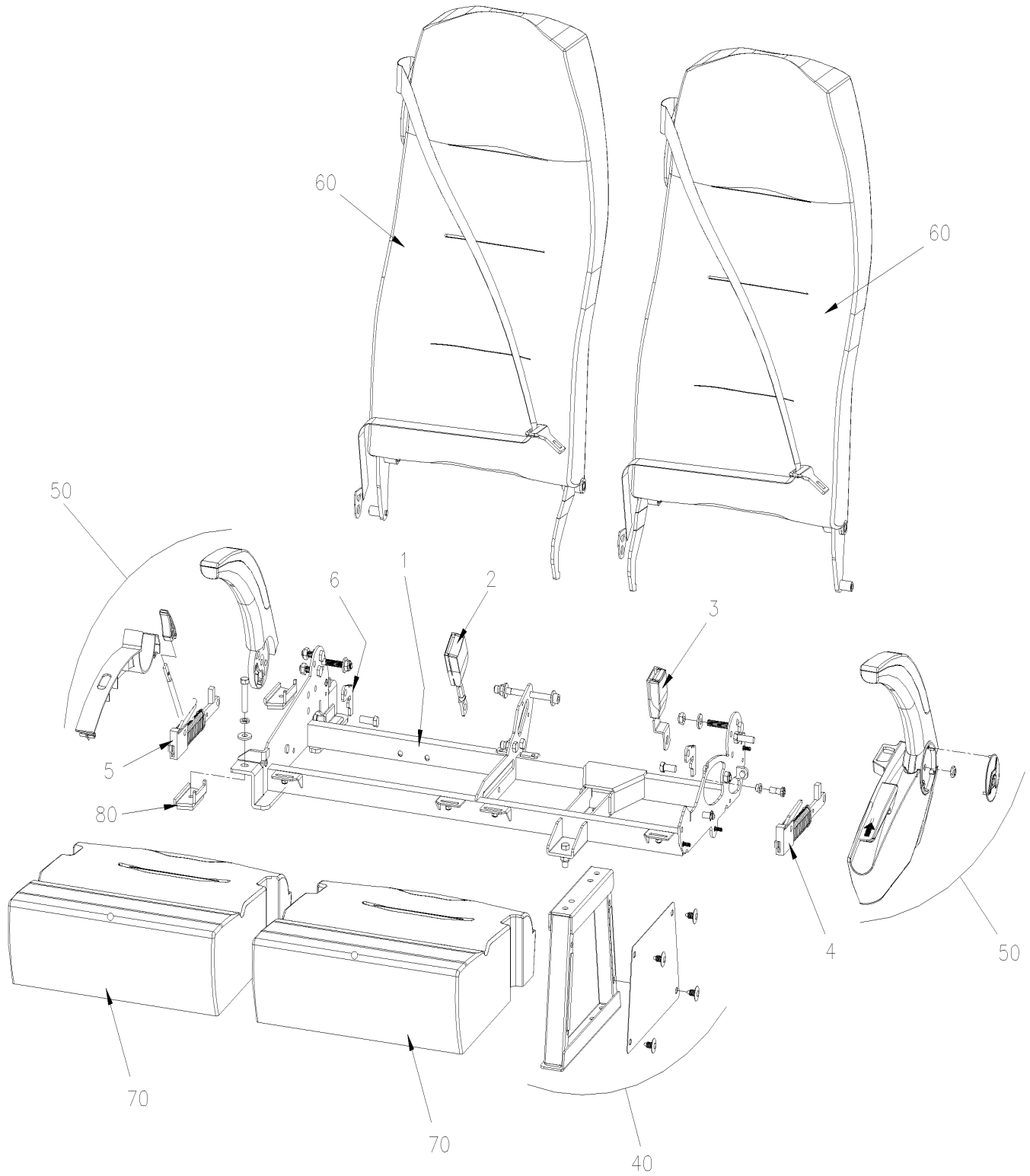
Item#	Part	Description	H 3 4 1	H 3 4 5	N O T E S
	Call order desk	SEAT ASSEMBLY 2 PASSENGER'S CURB SIDE	9	9	P
	Call order desk	SEAT ASSEMBLY 2 PASSENGER'S CURB SIDE W/O ACCESSORIES	1	1	P
	Call order desk	SEAT ASSEMBLY 2 PASSENGER'S STREET SIDE	9	9	P
	Call order desk	SEAT ASSEMBLY 2 PASSENGER'S STREET SIDE W/O ACCESSORIES	1	1	P
1	Call order desk	. SEAT CHASSIS WELDED ASSY CURBSIDE	1	1	P
1	Call order desk	. SEAT CHASSIS WELDED ASSY STREET SIDE	1	1	P
1	T970095942	. SEAT CHASSIS WELDED ASSY / 2 PEDESTAL	1	1	
2	866019	. BUCKLE FEMALE	2	2	
3	865519	. NUT HEX NYRT 7/16-20	5	5	
NS	868403	. CAP	1	1	
4	868271	. SCREW CAP HEX 7/16-20x1 1/4 G8	1	1	
5	865498	. SCREW CAP HEX 1/4-20 x 3/4 LG	2	2	
6	865497	. NUT HEX 1/4	2	2	
7	868401	. SCREW CAP HEX M10-1.5x70MM	2	2	
7	860005	. NUT HEX STO M10-1.5 ZP	2	2	
8	Call order desk	. SCREW HI-LO M6x20	3	3	P
9	865490	. NUT HEX JAM NYRT 1/4	4	4	
10	865215	. BUSHING NYLON	2	2	
11	7770173	. STOPPER 6" RECLINING (3 pos)	2	2	
12	868277	. SCREW CAP HEXS M10-1.5x130MM	1	1	
12	868403	. CAP	1	1	
12	860005	. NUT HEX STO M10-1.5 ZP	2	2	
13	865521	. SCREW CAP HEX 7/16-20x1 G8	4	4	
30	H9-1826-60	. ACCESSORIES PASSENGER'S SEAT - "AMAYA"			
40	H9-1826-41	. PASSENGER'S SEAT - "AMAYA" - FOOTREST & PEDESTAL			
50	H9-1827-52	. ARMREST AMAYA "A-220"			
60	H9-1827-62	. BACKREST AMAYA "A-220"			
70	H9-1827-72	. SEAT CUSHION AMAYA "A-220"			
		P) CALL ORDER DESK FOR SPECIFIC APPLICATION (V.I.N.)			

From K-0185

Date:07/2024

PAGE:H9-1827-13

PASSENGER'S SEAT AMAYA "GT"



From K-0185	Date:07/2024	PAGE:H9-1827-13
PASSENGER'S SEAT AMAYA "GT"		

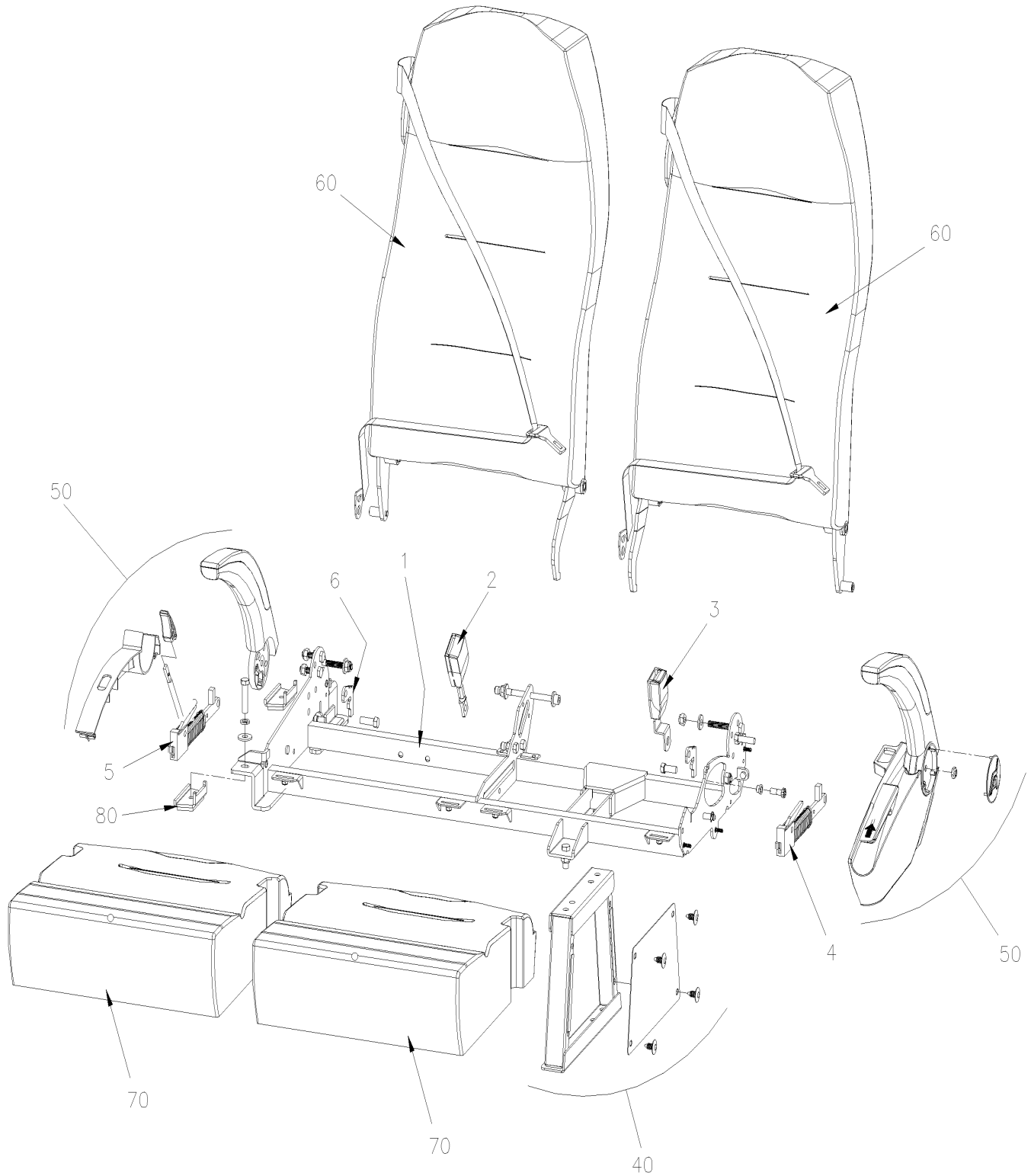
Item#	Part	Description	H 3 4 1	H 3 4 5	NOTES
1	868332	SEAT CHASSIS SUB ASSY W/1 PEDESTAL CURBSIDE	1	1	
1	868333	SEAT CHASSIS SUB ASSY W/1 PEDESTAL STREET SIDE	1	1	
1	Call order desk	SEAT CHASSIS SUB ASSY W/2 PEDESTAL	1	1	P
2	866019	BUCKLE FEMALE	1	1	
3	868154	BUCKLE FEMALE	1	1	
4	865086	RECLINING MECHANISM ASSY / "TORINO" AILSE	1	1	
5	865061	RECLINING MECHANISM ASSY / "TORINO" WINDOW	1	1	
6	7770173	STOPPER 6" RECLINING (3 pos)	2	2	
40	H9-1827-43	PASSENGER'S SEAT - "AMAYA" - FOOTREST & PEDESTAL AMAYA "GT", "GT TRANSIT"	1	1	
50	H9-1827-53	ARMREST AMAYA "GT"	1	1	
60	H9-1827-63	BACKREST AMAYA "GT"	1	1	
70	H9-1827-73	SEAT CUSHION AMAYA TORINO, "GT" & "GTT"	1	1	
80	H9-1827-03	PASSENGER'S SEAT INSTALLATION AMAYA "GT"	1	1	
		P) CALL ORDER DESK FOR SPECIFIC APPLICATION (V.I.N.)			

From K-0185

Date:07/2024

PAGE:H9-1827-14

PASSENGER'S SEAT AMAYA "SIGMA"



From K-0185	Date:07/2024	PAGE:H9-1827-14
PASSENGER'S SEAT AMAYA "SIGMA"		

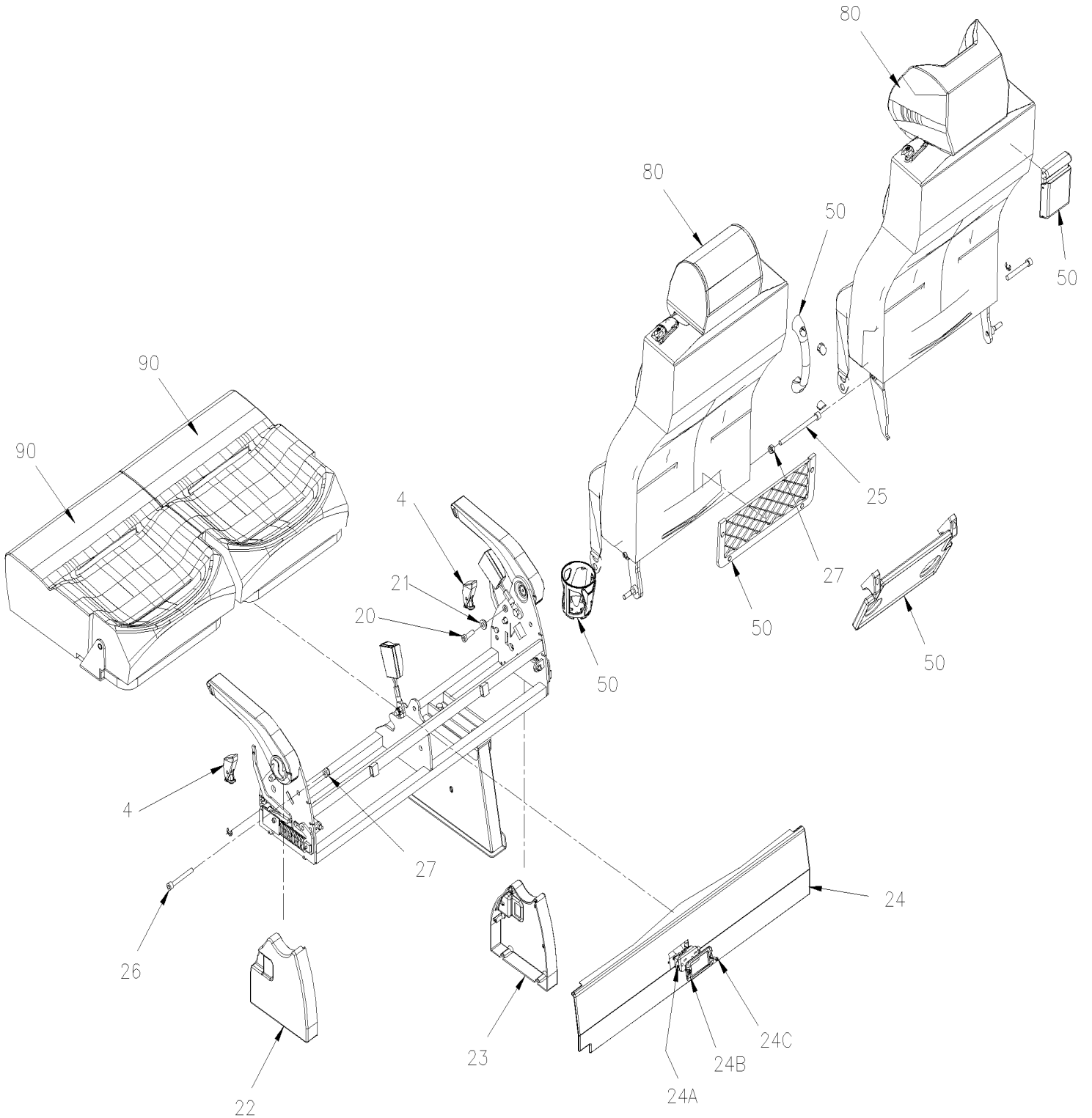
Item#	Part	Description	H 3 4 1	H 3 4 5	NOTES
1	868332	SEAT CHASSIS SUB ASSY W/1 PEDESTAL CURBSIDE	1	1	
1	868333	SEAT CHASSIS SUB ASSY W/1 PEDESTAL STREET SIDE	1	1	
1	Call order desk	SEAT CHASSIS SUB ASSY W/2 PEDESTAL	1	1	P
2	866019	BUCKLE FEMALE	1	1	
3	868154	BUCKLE FEMALE	1	1	
4	865086	RECLINING MECHANISM ASSY / "TORINO" AILSE	1	1	
5	865061	RECLINING MECHANISM ASSY / "TORINO" WINDOW	1	1	
6	7770173	STOPPER 6" RECLINING (3 pos)	2	2	
40	H9-1827-44	PASSENGER'S SEAT - "AMAYA" - FOOTREST & PEDESTAL AMAYA "SIGMA"	1	1	
50	H9-1827-54	ARMREST AMAYA "SIGMA"	1	1	
60	H9-1827-64	BACKREST AMAYA "SIGMA"	1	1	
70	H9-1827-74	SEAT CUSHION AMAYA "SIGMA"	1	1	
80	H9-1827-04	PASSENGER'S SEAT INSTALLATION AMAYA "SIGMA"	1	1	
		P) CALL ORDER DESK FOR SPECIFIC APPLICATION (V.I.N.)			

From K-0185

Date:07/2024

PAGE:H9-1827-21

PASSENGER'S SEAT / FLIP-UP/FIXE AMAYA "A-2TEN"

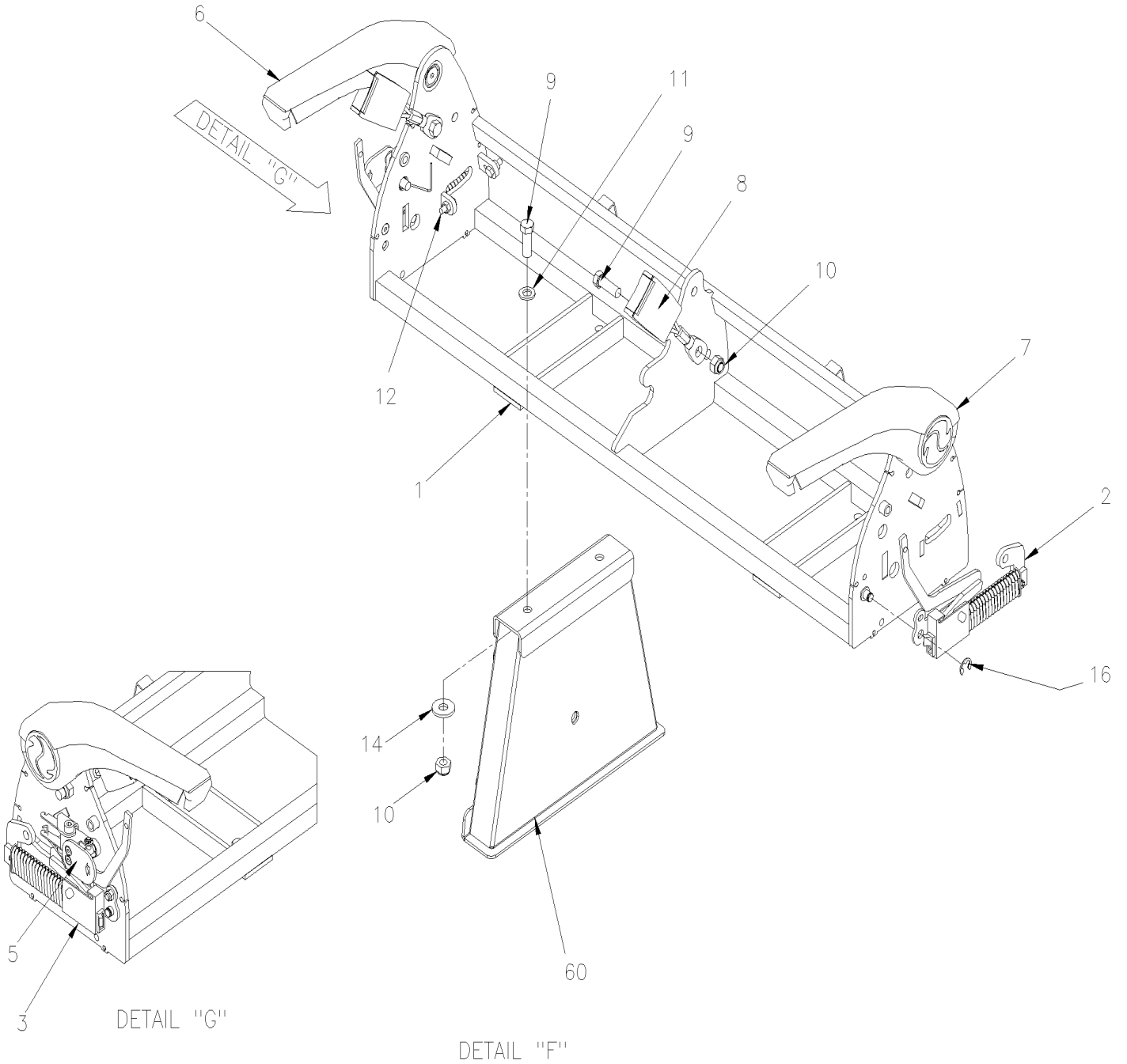


From K-0185

Date:07/2024

PAGE:H9-1827-21

PASSENGER'S SEAT / FLIP-UP/FIXE AMAYA "A-2TEN"

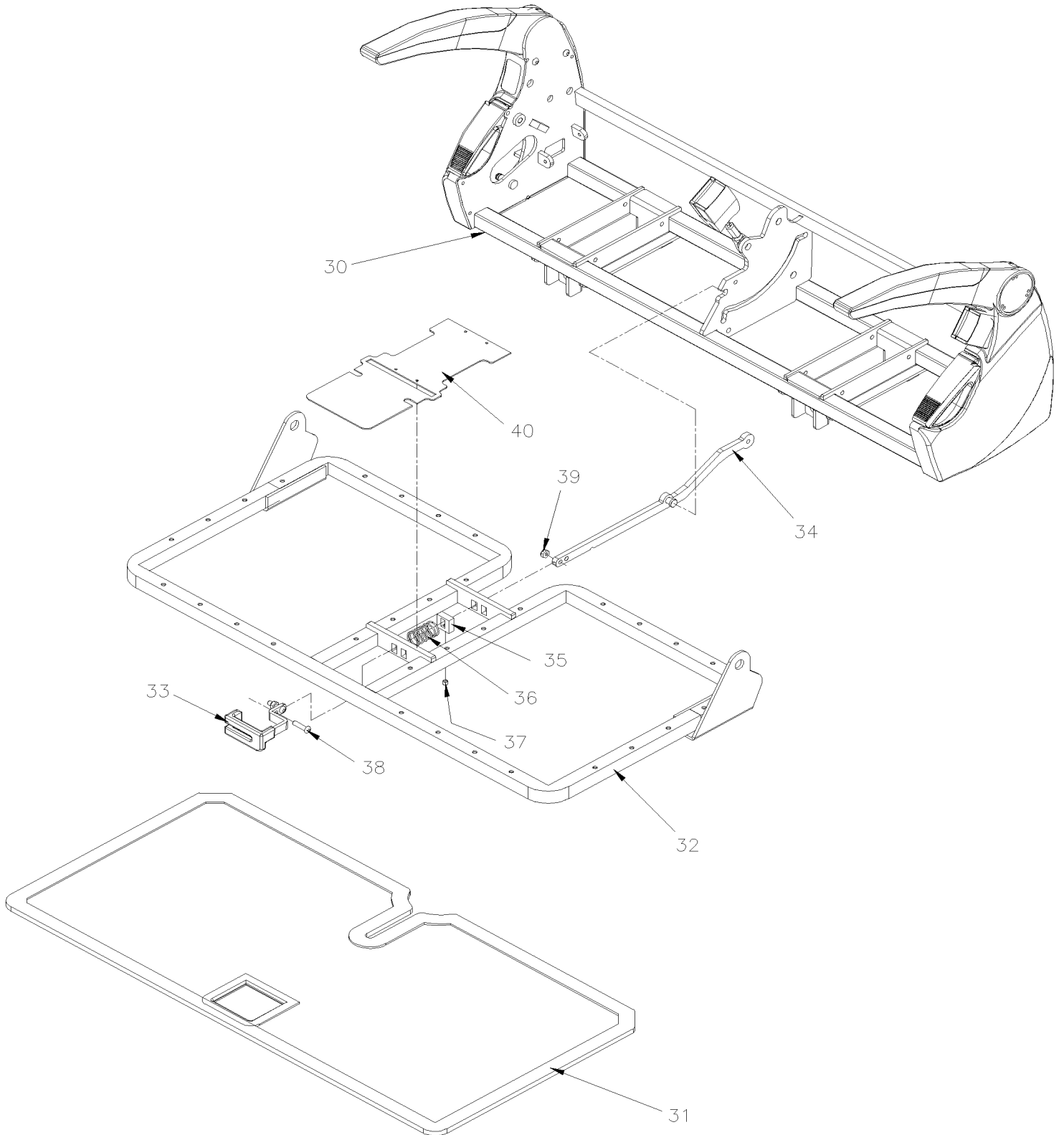


From K-0185

Date:07/2024

PAGE:H9-1827-21

PASSENGER'S SEAT / FLIP-UP/FIXE AMAYA "A-2TEN"



From K-0185	Date:07/2024	PAGE:H9-1827-21
PASSENGER'S SEAT / FLIP-UP/FIXE AMAYA "A-2TEN"		

Item#	Part	Description	H 3 4 1	H 3 4 5	NOTES
	Call order desk	SEAT ASM 2 PASS STREETSIDE / FLIP-UP	1	1	P
	Call order desk	SEAT ASM 2 PASS CURBSIDE / FLIP-UP	1	1	P
1	868499	SEAT CHASSIS WELDED / STREET SIDE	1	1	
1	Call order desk	SEAT CHASSIS WELDED / CURBSIDE	1	1	P
2	862546	RECLINING MECHANISM ASSY WALL SIDE	1	1	
NS	IS-136	INSTRUCTION SHEET	1	1	
3	19509412	RECLINING MECHANISM ASSY RH	1	1	
4	864093	KNOB RECLINING	2	2	
5	865500	MECHANISM HANDLE / RH	1	1	
6	865157	HINGED ARMREST RH	1	1	
7	865154	HINGED ARMREST LH	1	1	
8	864349	BUCKLE FEMALE	2	2	
9	868271	SCREW CAP HEX 7/16-20x1 1/4 G8	4	4	
10	865519	NUT HEX NYRT 7/16-20	4	4	
11	865465	WASHER FL / 7/16	2	2	
12	865498	SCREW CAP HEX 1/4-20 x 3/4 LG	1	1	
14	865520	WASHER FL 7/16	2	2	
16	Call order desk	RETAINING RING	2	2	P
20	Call order desk	SCREW CAP HEXS M10x30MM	2	2	P
21	867923	BUSHING	2	2	
22	866279	LATERAL COVER / AISLE SIDE / STREET SIDE SEAT	1	1	
22	866213	LATERAL COVER / AISLE SIDE / CURB SIDE SEAT	1	1	
23	860010	LATERAL COVER / WALL SIDE / STREET SIDE SEAT	1	1	
23	860009	LATERAL COVER / WALL SIDE / CURB SIDE SEAT	1	1	
24	Call order desk	COVER PLATE ASSY	1	1	P
24A	860124	PLUG DOUBLE 110 VAC MURAL / WHITE	1	1	
24A	860142	PLUG DOUBLE 110 VAC MURAL W/2 USB PORT / WHITE To L-1041	1	1	
24A	867863	PLUG DOUBLE 110 VAC MURAL W/2 USB PORT / WHITE From L-1042	1	1	
24B	860126	FACE PLATE PLUG 110V	1	1	
24C	Call order desk	SCREW #10x1/2	1	1	P
25	868265	SCREW CAP HEXS M10x140MM	2	2	
26	Call order desk	SCREW CAP HEXS M10x80MM	2	2	P
27	860005	NUT HEX STO M10-1.5 ZP	3	3	
30	Call order desk	SEAT ASM 2 PASS CURBSIDE/ FLIP-UP / 1 PEDESTAL	1	1	P
30	Call order desk	SEAT ASM 2 PASS STREET SIDE/ FLIP-UP	1	1	P
31	Call order desk	PANEL COVER SEAT BOTTOM	1	1	P
32	Call order desk	SEAT CUSHION ASSY / 2 PASSENGER'S / FLIP-UP SEAT CURBSIDE SEAT	1	1	P
32	Call order desk	SEAT CUSHION ASSY / 2 PASSENGER'S / FLIP-UP SEAT STREET SIDE SEAT	1	1	P
33	860367	PULL HANDLE W/PLASTIC COVER ASSY RH	1	1	
33	860368	PULL HANDLE W/PLASTIC COVER ASSY LH	1	1	
33	860369	HANDLE FLIPPING SEAT	1	1	
34	860195	MOVING ARM FLIPPING SEAT	1	1	

From K-0185	Date:07/2024	PAGE:H9-1827-21
PASSENGER'S SEAT / FLIP-UP/FIXE AMAYA "A-2TEN"		

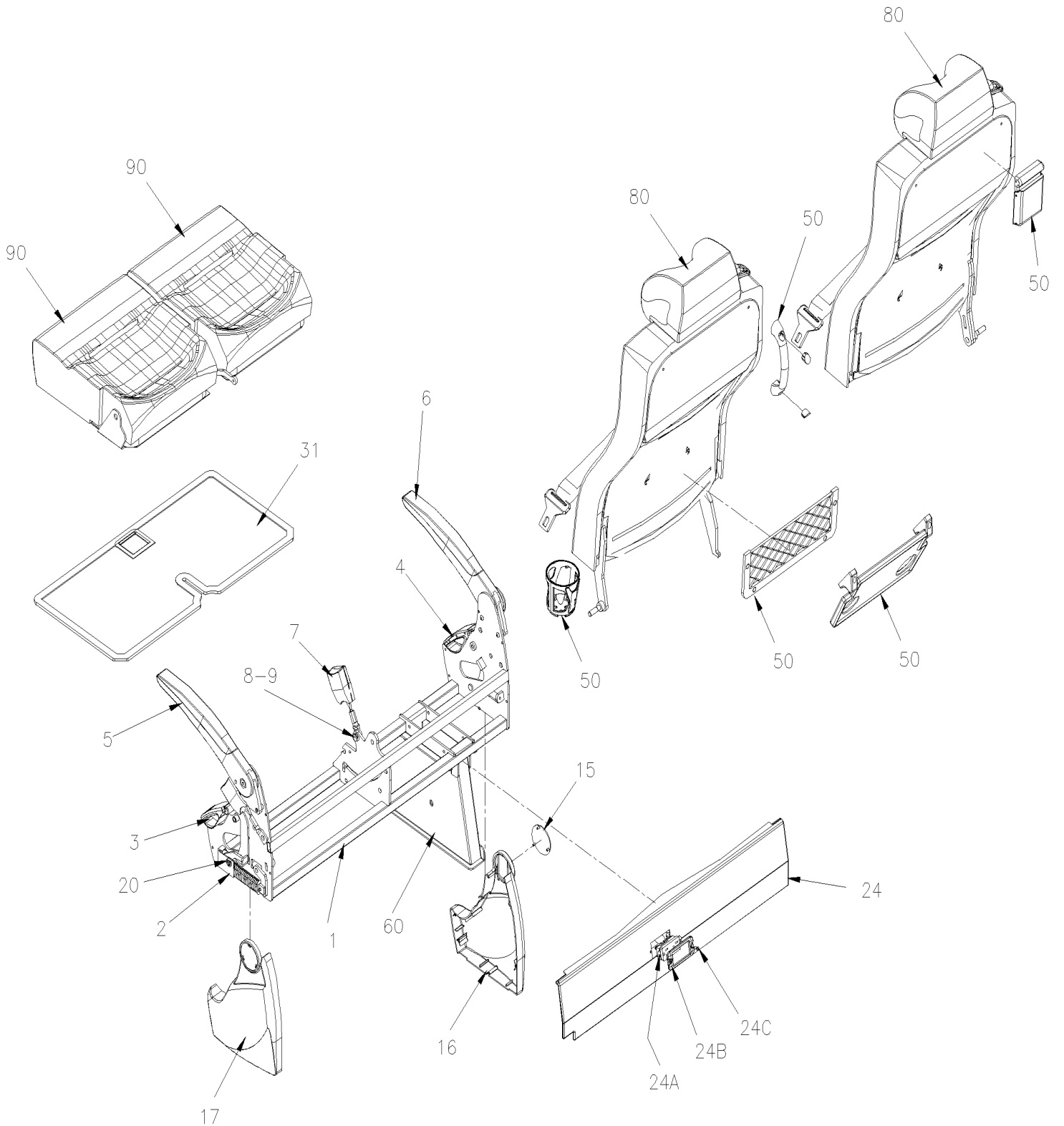
Item#	Part	Description	H 3 4 1	H 3 4 5	NOTES
NS	867945	. . WASHER	1	1	
NS	867944	. . SCREW SHR HEXS 5/16-18	1	1	
NS	867946	. . CAP NUT 5/16-18	1	1	
35	868130	. . SPRING STOPPER	1	1	
36	868131	. . SPRING	1	1	
37	868132	. . SET SCREW 1/4x1/4	1	1	
38	868195	. . CAP SCREW 10-24 x3/4`	2	2	
39	868196	. . NUT HEX NYRT #10-24	2	2	
40	Call order desk	. CLOSING PLATE	1	1	P
50	H9-1826-60	ACCESSORIES PASSENGER'S SEAT - "AMAYA"			
60	H9-1826-41	PASSENGER'S SEAT - "AMAYA" - FOOTREST & PEDESTAL			
80	H9-1827-61	BACKREST AMAYA "A-2TEN"			
90	H9-1827-71	SEAT CUSHION AMAYA "A-2TEN"			
		P) CALL ORDER DESK FOR SPECIFIC APPLICATION (V.I.N.)			

From K-0185

Date:07/2024

PAGE:H9-1827-22

PASSENGER'S SEAT / FLIP-UP / FIXE / AMAYA "A-220"

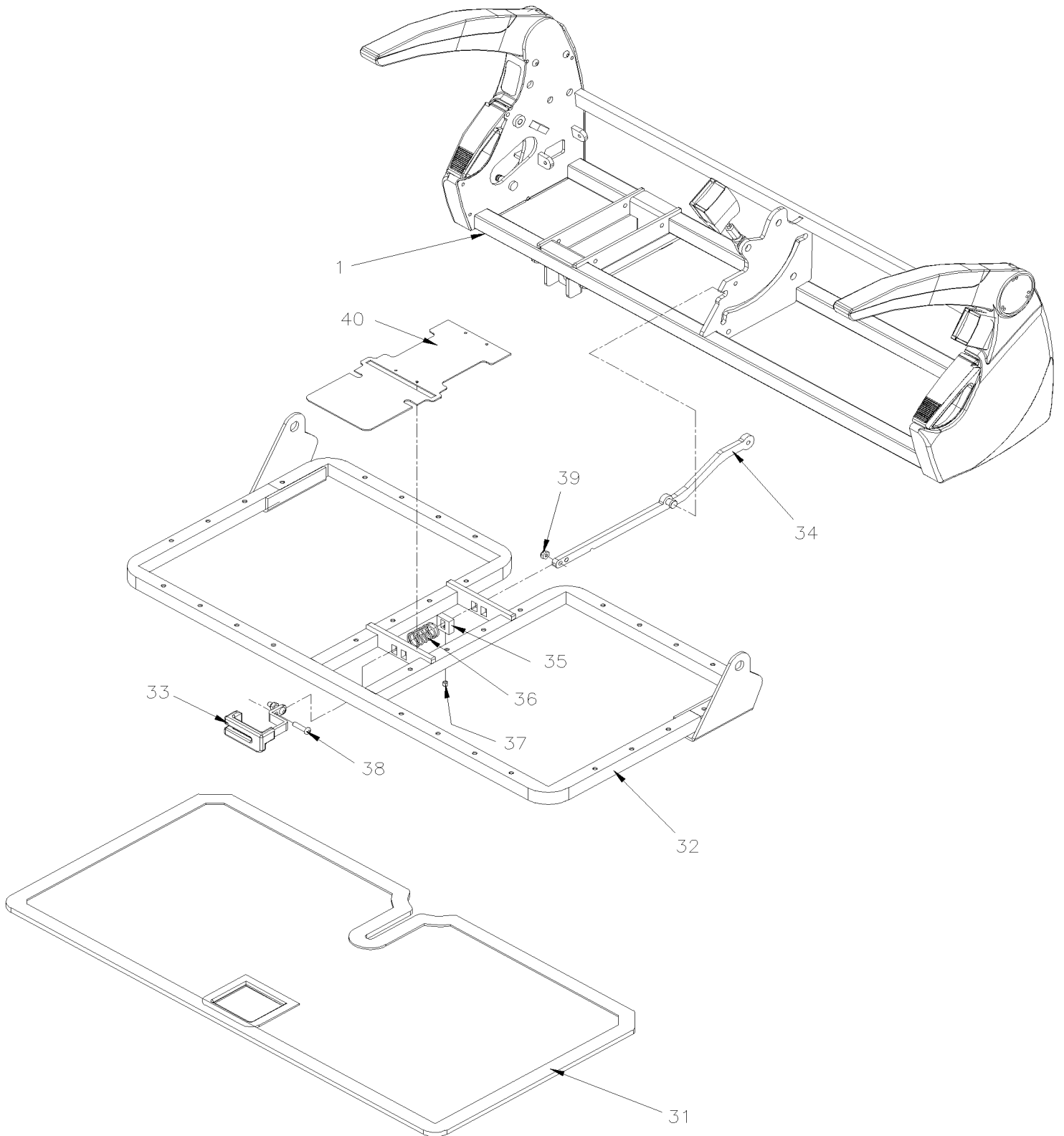


From K-0185

Date:07/2024

PAGE:H9-1827-22

PASSENGER'S SEAT / FLIP-UP / FIXE / AMAYA "A-220"



From K-0185	Date:07/2024	PAGE:H9-1827-22
PASSENGER'S SEAT / FLIP-UP / FIXE / AMAYA "A-220"		

Item#	Part	Description	H 3 4 1	H 3 4 5	NOTES
	Call order desk	SEAT ASM 2 PASS CURBSIDE/ FLIP-UP / 1 PEDESTAL	1	1	P
	Call order desk	SEAT ASM 2 PASS STREET SIDE/ FLIP-UP	1	1	P
	Call order desk	SEAT ASM 2 PASS CURBSIDE/ FLIP-UP / 2 PEDESTAL	1	1	P
	Call order desk	SEAT ASM 2 PASS STREET SIDE/ FLIP-UP / 2 PEDESTAL	1	1	P
1	Call order desk	. SEAT CHASSIS WELDED CURBSIDE / 1 DEPESTAL	1	1	P
1	Call order desk	. SEAT CHASSIS WELDED STREET SIDE / 1 DEPESTAL	1	1	P
1	Call order desk	. SEAT CHASSIS WELDED / CURBSIDE / 2 PEDESTAL	1	1	P
1	Call order desk	. SEAT CHASSIS WELDED / STREET SIDE / 2 PEDESTAL	1	1	P
2	868523	. RECLINING MECHANISM ASSY / WALL SIDE	1	1	
NS	868522	. RECLINING MECHANISM ASSY / AISLE SIDE	1	1	
3	868280	. MECHANISM HANDLE ASSY / RH	1	1	
4	868281	. MECHANISM HANDLE ASSY / LH	1	1	
5	867737	. HINGED ARMREST / RH	1	1	
6	867738	. HINGED ARMREST / LH	1	1	
7	866019	. BUCKLE FEMALE	2	2	
8	868271	. SCREW CAP HEX 7/16-20x1 1/4 G8	4	4	
9	865519	. NUT HEX NYRT 7/16-20	4	4	
15	860075	. CAP WITH LOGO AMAYA	1	1	
16	23210438	. LATERAL COVER / AISLE SIDE // RH	1	1	
16	23210437	. LATERAL COVER / AISLE SIDE // LH	1	1	
17	868283	. LATERAL COVER / WALL SIDE // STREET SIDE SEAT	1	1	
17	868282	. LATERAL COVER / WALL SIDE / CURB SIDE SEAT	1	1	
20	865488	. RETAINING RING	2	2	
24	Call order desk	. COVER PLATE ASSY	1	1	P
24A	860124	. . PLUG DOUBLE 110 VAC MURAL / WHITE	1	1	
24A	860142	. . PLUG DOUBLE 110 VAC MURAL W/2 USB PORT / WHITE To L-1041	1	1	
24A	867863	. . PLUG DOUBLE 110 VAC MURAL W/2 USB PORT / WHITE From L-1042	1	1	
24B	860126	. . FACE PLATE PLUG 110V	1	1	
24C	Call order desk	. . SCREW #10x1/2	1	1	P
31	Call order desk	. PANEL COVER SEAT BOTTOM	1	1	P
32	Call order desk	. SEAT CUSHION ASSY / 2 PASSENGER'S / FLIP-UP SEAT CURBSIDE SEAT	1	1	P
32	Call order desk	. SEAT CUSHION ASSY / 2 PASSENGER'S / FLIP-UP SEAT STREET SIDE SEAT	1	1	P
33	860367	. PULL HANDLE W/PLASTIC COVER ASSY RH	1	1	
33	860368	. PULL HANDLE W/PLASTIC COVER ASSY LH	1	1	
33	860369	. . HANDLE FLIPPING SEAT	1	1	
34	860195	. . MOVING ARM FLIPPING SEAT	1	1	
34	867945	. . WASHER	1	1	
34	867944	. . SCREW SHR HEXS 5/16-18	1	1	
34	867946	. . CAP NUT 5/16-18	1	1	
35	868130	. . SPRING STOPPER	1	1	
36	868131	. . SPRING	1	1	
37	868132	. . SET SCREW 1/4x1/4	1	1	

From K-0185	Date:07/2024	PAGE:H9-1827-22
PASSENGER'S SEAT / FLIP-UP / FIXE / AMAYA "A-220"		

Item#	Part	Description	H 3 4 1	H 3 4 5	N O T E S
38	868195	. . CAP SCREW 10-24 x3/4``	1	1	
39	868196	. . NUT HEX NYRT #10-24	1	1	
40	Call order desk	. CLOSING PLATE	1	1	P
50	H9-1826-60	. ACCESSORIES PASSENGER'S SEAT - "AMAYA"			
60	H9-1826-41	. PASSENGER'S SEAT - "AMAYA" - FOOTREST & PEDESTAL			
NS	868271	. . SCREW CAP HEX 7/16-20x1 1/4 G8	AR	AR	
NS	865519	. . NUT HEX NYRT 7/16-20	AR	AR	
NS	865520	. . WASHER FL 7/16	AR	AR	
80	H9-1827-62	. BACKREST AMAYA "A-220"			
90	H9-1827-72	. SEAT CUSHION AMAYA "A-220"			
		P) CALL ORDER DESK FOR SPECIFIC APPLICATION (V.I.N.)			

From K-0185	Date:07/2024	PAGE:H9-1827-24
PASSENGER'S SEAT / FLIP-UP / FIXE / AMAYA "SIGMA"		

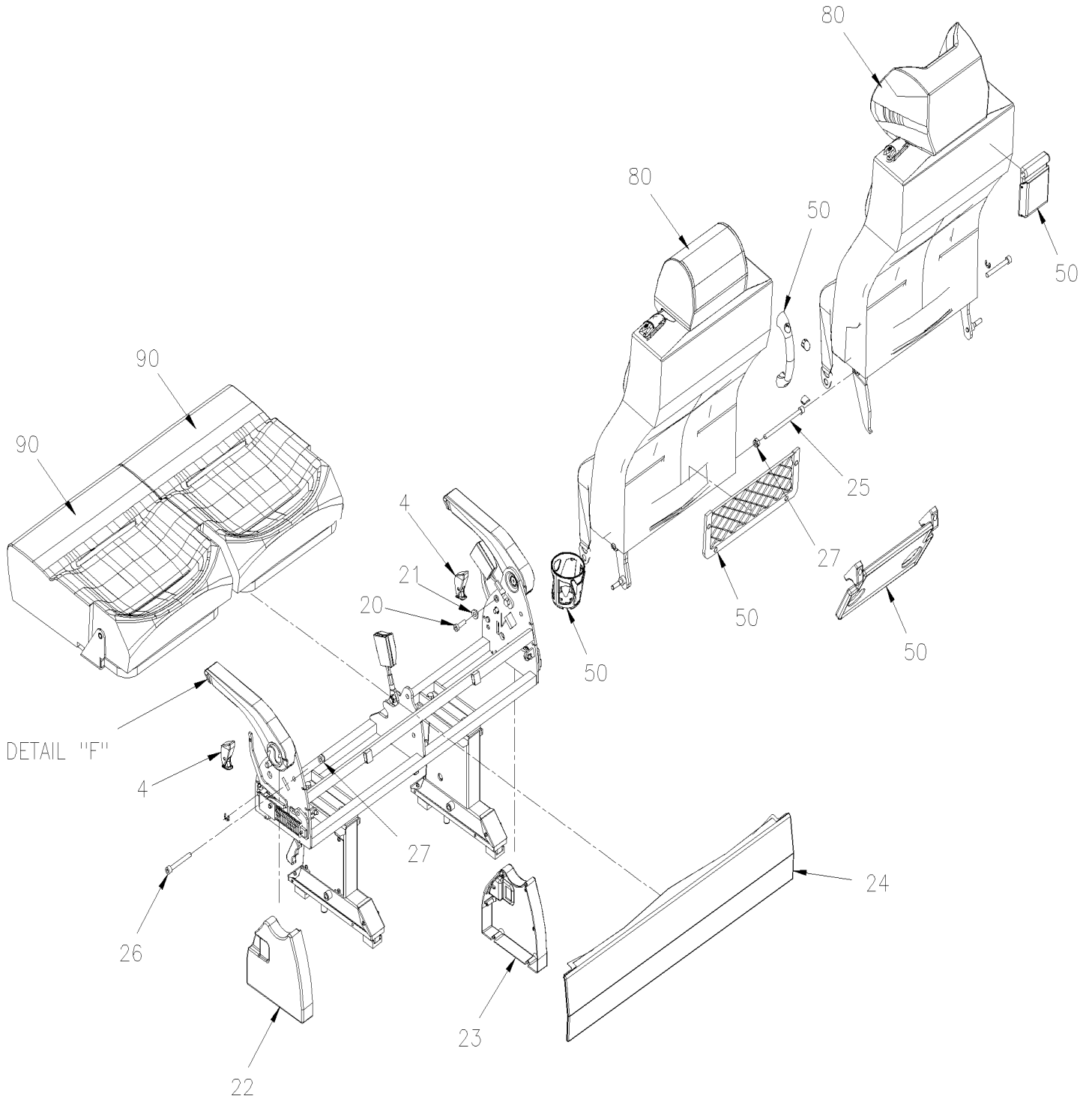
Item#	Part	Description	H 3 4 1	H 3 4 5	NOTES
1	Call order desk	SEAT CHASSIS WELDED / STREET SIDE / 2 PEDESTAL / STREET SIDE	1	1	P
1	Call order desk	SEAT CHASSIS WELDED / CURBSIDE / 2 PEDESTAL / CURBSIDE	1	1	P
2A	868318	RECLINING MECHANISM ASSY / RH	1	1	
2B	868317	RECLINING MECHANISM ASSY / LH	1	1	
3	868902	HANDLE RH	1	1	
4	868903	HANDLE LH	1	1	
5	867737	HINGED ARMREST / RH	1	1	
6	867738	HINGED ARMREST / LH	1	1	
7	866019	BUCKLE FEMALE	2	2	
8	868283	LATERAL COVER / WALL SIDE // STREET SIDE SEAT	1	1	
8	23210437	LATERAL COVER / AISLE SIDE // LH	1	1	
9	23210438	LATERAL COVER / AISLE SIDE // RH	1	1	
9	868282	LATERAL COVER / WALL SIDE / CURB SIDE SEAT	1	1	
10	868299	CAP WITH LOGO / RH	1	1	
11	868300	CAP WITH LOGO / LH	1	1	
20	865488	RETAINING RING	2	2	
21	860092	SCREW CAP HEX 3/8" x 1" G8	2	2	
22	865215	BUSHING NYLON	2	2	
23	868267	NUT HEX NYRT 3/8"	2	2	
24	865521	SCREW CAP HEX 7/16-20x1 G8	2	2	
25	865519	NUT HEX NYRT 7/16-20	2	2	
26	868264	SCREW SELF TAPPING #10 x 1"	AR	AR	
30	Call order desk	PLATE	1	1	P
31	868273	SCREW SELF TAPPING BLACK #10 x 1"	AR	AR	
50	H9-1827-74	SEAT CUSHION AMAYA "SIGMA"			
60	H9-1827-64	BACKREST AMAYA "SIGMA"			
70	H9-1827-44	PASSENGER'S SEAT - "AMAYA" - FOOTREST & PEDESTAL AMAYA "SIGMA"			
		P) CALL ORDER DESK FOR SPECIFIC APPLICATION (V.I.N.)			

From K-0185

Date:07/2024

PAGE:H9-1827-31

PASSENGER'S SEAT / FLIP-UP/SLIDER AMAYA "A-2TEN"

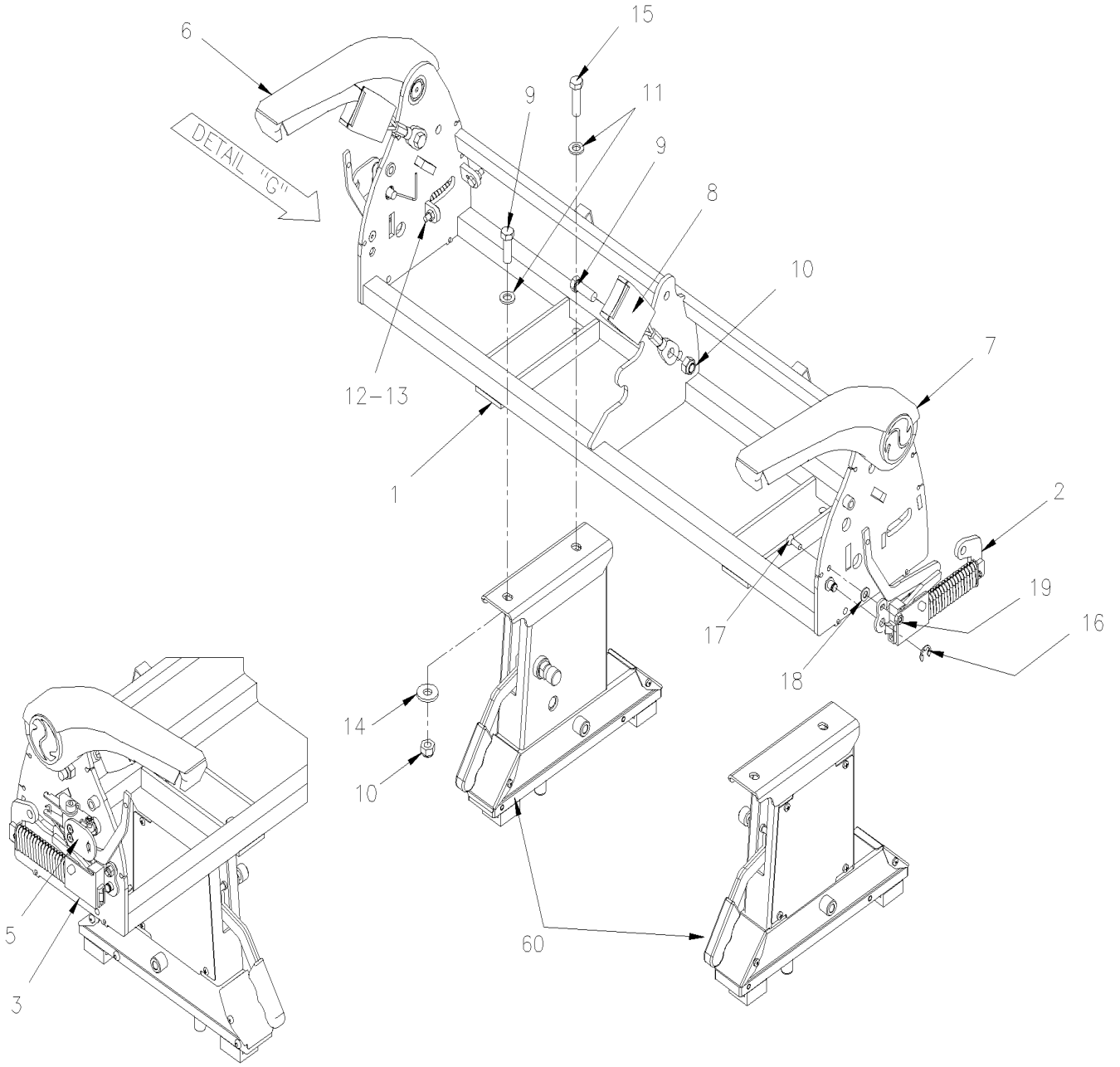


From K-0185

Date:07/2024

PAGE:H9-1827-31

PASSENGER'S SEAT / FLIP-UP/SLIDER AMAYA "A-2TEN"



DETAIL "G"

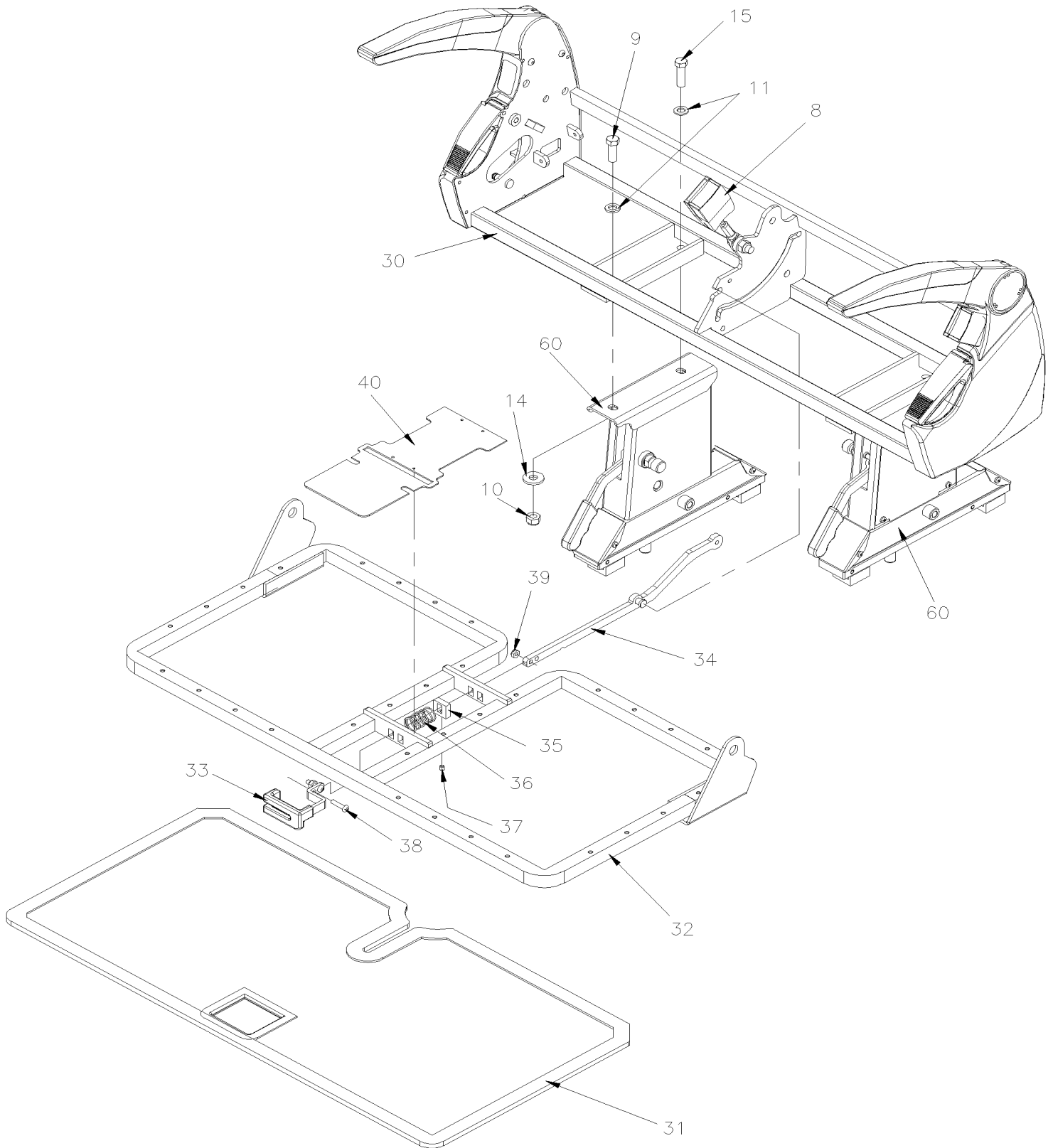
DETAIL "F"

From K-0185

Date:07/2024

PAGE:H9-1827-31

PASSENGER'S SEAT / FLIP-UP/SLIDER AMAYA "A-2TEN"



From K-0185		Date:07/2024	PAGE:H9-1827-31
PASSENGER'S SEAT / FLIP-UP/SLIDER AMAYA "A-2TEN"			

Item#	Part	Description	H 3 4 1	H 3 4 5	N O T E S
	Call order desk	SEAT ASM 2 PASS STREETSIDE / SLIDER	1	1	P
	Call order desk	SEAT ASM 2 PASS CURBSIDE / SLIDER	1	1	P
1	Call order desk	SEAT CHASSIS WELDED / STREET SIDE	1	1	P
1	Call order desk	SEAT CHASSIS WELDED / CURBSIDE	1	1	P
2	862546	RECLINING MECHANISM ASSY WALL SIDE	1	1	
NS	IS-136	INSTRUCTION SHEET	1	1	
3	19509412	RECLINING MECHANISM ASSY RH	1	1	
4	864093	KNOB RECLINING	2	2	
5	865500	MECHANISM HANDLE / RH	1	1	
6	865157	HINGED ARMREST RH	1	1	
7	865154	HINGED ARMREST LH	1	1	
8	864349	BUCKLE FEMALE	2	2	
9	868271	SCREW CAP HEX 7/16-20x1 1/4 G8	4	4	
10	865519	NUT HEX NYRT 7/16-20	6	6	
11	865465	WASHER FL / 7/16	4	4	
12	865498	SCREW CAP HEX 1/4-20 x 3/4 LG	4	4	
13	865497	NUT HEX 1/4	4	4	
14	865520	WASHER FL 7/16	4	4	
15	Call order desk	SCREW CAP HEX 7/16-20x1 1/2 G8	2	2	P
16	Call order desk	RETAINING RING	2	2	P
17	Call order desk	WASHER FL 8.4	2	2	P
18	865489	SCREW CAP FL HEXS 1/4x3/4	2	2	
19	865490	NUT HEX JAM NYRT 1/4	2	2	
20	Call order desk	SCREW CAP HEXS M10x30MM	2	2	P
21	867923	BUSHING	2	2	
22	866279	LATERAL COVER / AISLE SIDE / STREET SIDE SEAT	1	1	
22	866213	LATERAL COVER / AISLE SIDE / CURB SIDE SEAT	1	1	
23	860010	LATERAL COVER / WALL SIDE / STREET SIDE SEAT	1	1	
23	860009	LATERAL COVER / WALL SIDE / CURB SIDE SEAT	1	1	
24	Call order desk	UPHOLSTERED COVER 39in	1	1	P
25	868265	SCREW CAP HEXS M10x140MM	2	2	
26	Call order desk	SCREW CAP HEXS M10x80MM	2	2	P
27	860005	NUT HEX STO M10-1.5 ZP	3	3	
30	Call order desk	SEAT CHASSIS WELDED / CURBSIDE / 2 PEDESTAL	1	1	P
30	Call order desk	SEAT CHASSIS WELDED / STREET SIDE / 2 PEDESTAL	1	1	P
31	Call order desk	PANEL COVER SEAT BOTTOM	1	1	P
32	Call order desk	SEAT CUSHION ASSY / 2 PASSENGER'S / FLIP-UP SEAT CURBSIDE SEAT	1	1	P
32	Call order desk	SEAT CUSHION ASSY / 2 PASSENGER'S / FLIP-UP SEAT STREET SIDE SEAT	1	1	P
33	860146	HANDLE FLIP SEAT CUSHION STREET SIDE	1	1	
33	860152	HANDLE FLIP SEAT CUSHION CURBSIDE	1	1	
34	860195	MOVING ARM FLIPPING SEAT	1	1	
NS	867945	WASHER	1	1	

From K-0185	Date:07/2024	PAGE:H9-1827-31
PASSENGER'S SEAT / FLIP-UP/SLIDER AMAYA "A-2TEN"		

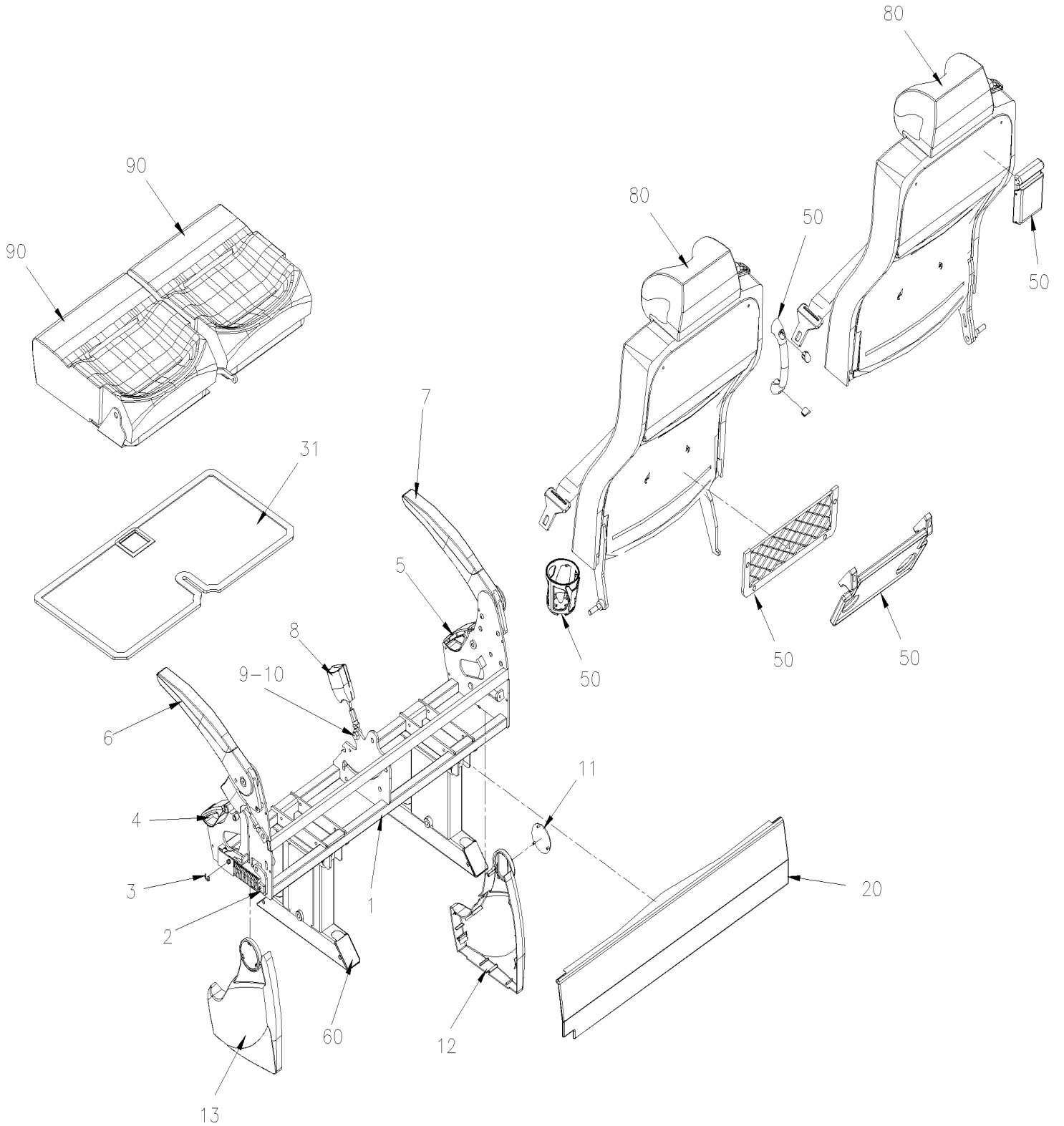
Item#	Part	Description	H 3 4 1	H 3 4 5	NOTES
NS	867944	. SCREW SHR HEXS 5/16-18	1	1	
NS	867946	. CAP NUT 5/16-18	1	1	
35	868130	. SPRING STOPPER	1	1	
36	868131	. SPRING	1	1	
37	868132	. SET SCREW 1/4x1/4	1	1	
38	868195	. CAP SCREW 10-24 x3/4`	1	1	
39	868196	. NUT HEX NYRT #10-24	1	1	
40	Call order desk	. CLOSING PLATE	1	1	P
50	H9-1826-60	. ACCESSORIES PASSENGER'S SEAT - "AMAYA"			
60	H9-1826-41	. PASSENGER'S SEAT - "AMAYA" - FOOTREST & PEDESTAL			
80	H9-1827-61	. BACKREST AMAYA "A-2TEN"			
90	H9-1827-71	. SEAT CUSHION AMAYA "A-2TEN"			
		P) CALL ORDER DESK FOR SPECIFIC APPLICATION (V.I.N.)			

From K-0185

Date:07/2024

PAGE:H9-1827-32

PASSENGER'S SEAT / FLIP-UP / SLIDER AMAYA "A-220"



From K-0185		Date:07/2024	PAGE:H9-1827-32
PASSENGER'S SEAT / FLIP-UP / SLIDER AMAYA "A-220"			

Item#	Part	Description	H 3 4 1	H 3 4 5	N O T E S
	Call order desk	SEAT ASM 2 PASS STREET SIDE / SLIDER	1	1	P
	860164	SEAT ASM 2 PASS CURBSIDE / SLIDER CURBSIDE SEAT	1	1	
1	Call order desk	SEAT CHASSIS WELDED / STREET SIDE / 2 PEDESTAL	1	1	P
1	Call order desk	SEAT CHASSIS WELDED / CURBSIDE / 2 PEDESTAL	1	1	P
2	868522	RECLINING MECHANISM ASSY / AISLE SIDE	1	1	
2	868523	RECLINING MECHANISM ASSY / WALL SIDE	1	1	
3	Call order desk	RETAINING RING	2	2	P
4	868280	MECHANISM HANDLE ASSY / RH	1	1	
5	868281	MECHANISM HANDLE ASSY / LH	1	1	
6	867737	HINGED ARMREST / RH	1	1	
7	867738	HINGED ARMREST / LH	1	1	
8	866019	BUCKLE FEMALE	2	2	
9	865519	NUT HEX NYRT 7/16-20	2	2	
10	865521	SCREW CAP HEX 7/16-20x1 G8	2	2	
11	860075	CAP WITH LOGO AMAYA	1	1	
12	23210437	LATERAL COVER / AISLE SIDE / / LH	1	1	
13	868282	LATERAL COVER / WALL SIDE / CURB SIDE SEAT	1	1	
15	Call order desk	SCREW CAP HEX 7/16-20x1 1/2 G8	2	2	P
16	Call order desk	WASHER, SQUARE SHAPE 7/16	4	4	P
17	865519	NUT HEX NYRT 7/16-20	4	4	
18	865520	WASHER FL 7/16	4	4	
19	868271	SCREW CAP HEX 7/16-20x1 1/4 G8	2	2	
20	Call order desk	DUST COVER 39 IN	1	1	P
31	Call order desk	SEAT CUSHION ASSY / 2 PASSENGER'S / FLIP-UP SEAT A220	1	1	P
32	Call order desk	SEAT CUSHION ASSY / 2 PASSENGER'S / FLIP-UP SEAT CURBSIDE SEAT	1	1	P
32	Call order desk	SEAT CUSHION ASSY / 2 PASSENGER'S / FLIP-UP SEAT STREET SIDE SEAT	1	1	P
33	860367	PULL HANDLE W/PLASTIC COVER ASSY RH	1	1	
33	860368	PULL HANDLE W/PLASTIC COVER ASSY LH	1	1	
33	860369	HANDLE FLIPPING SEAT	1	1	
34	860195	MOVING ARM FLIPPING SEAT	1	1	
34	867945	WASHER	1	1	
34	867944	SCREW SHR HEXS 5/16-18	1	1	
34	867946	CAP NUT 5/16-18	1	1	
35	868130	SPRING STOPPER	1	1	
36	868131	SPRING	1	1	
37	868132	SET SCREW 1/4x1/4	1	1	
38	868195	CAP SCREW 10-24 x3/4`	1	1	
39	868196	NUT HEX NYRT #10-24	1	1	
40	Call order desk	CLOSING PLATE	1	1	P
50	H9-1826-60	ACCESSORIES PASSENGER'S SEAT - "AMAYA"			
60	H9-1826-41	PASSENGER'S SEAT - "AMAYA" - FOOTREST & PEDESTAL			
80	H9-1827-62	BACKREST AMAYA "A-220"			

From K-0185	Date:07/2024	PAGE:H9-1827-32
PASSENGER'S SEAT / FLIP-UP / SLIDER AMAYA "A-220"		

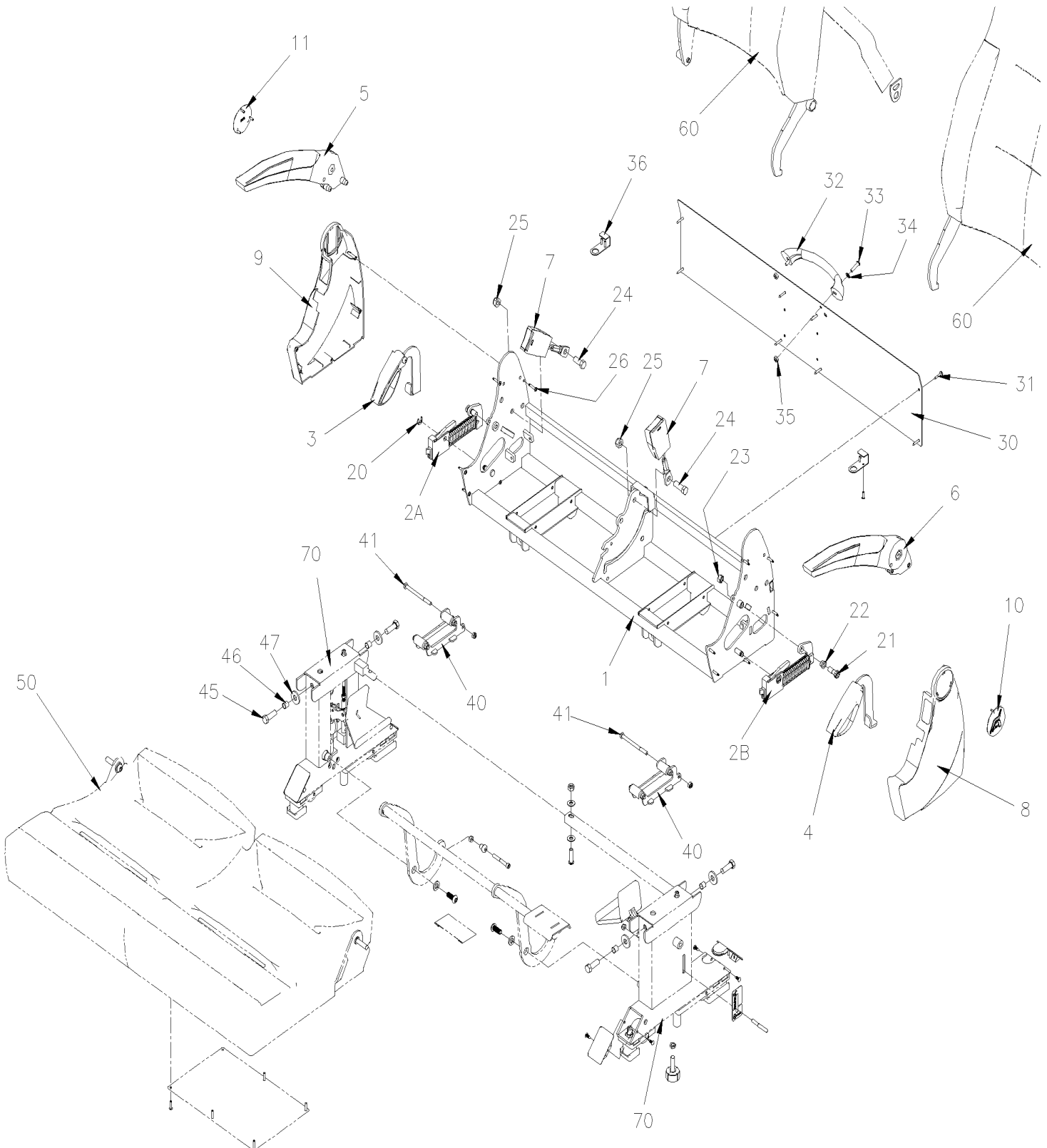
Item#	Part	Description	H 3 4 1	H 3 4 5	N O T E S
90	H9-1827-72	. SEAT CUSHION AMAYA "A-220"			
		P) CALL ORDER DESK FOR SPECIFIC APPLICATION (V.I.N.)			

From K-0185

Date:07/2024

PAGE:H9-1827-34

PASSENGER'S SEAT / FLIP-UP /SLIDING/ AMAYA "SIGMA"



From K-0185

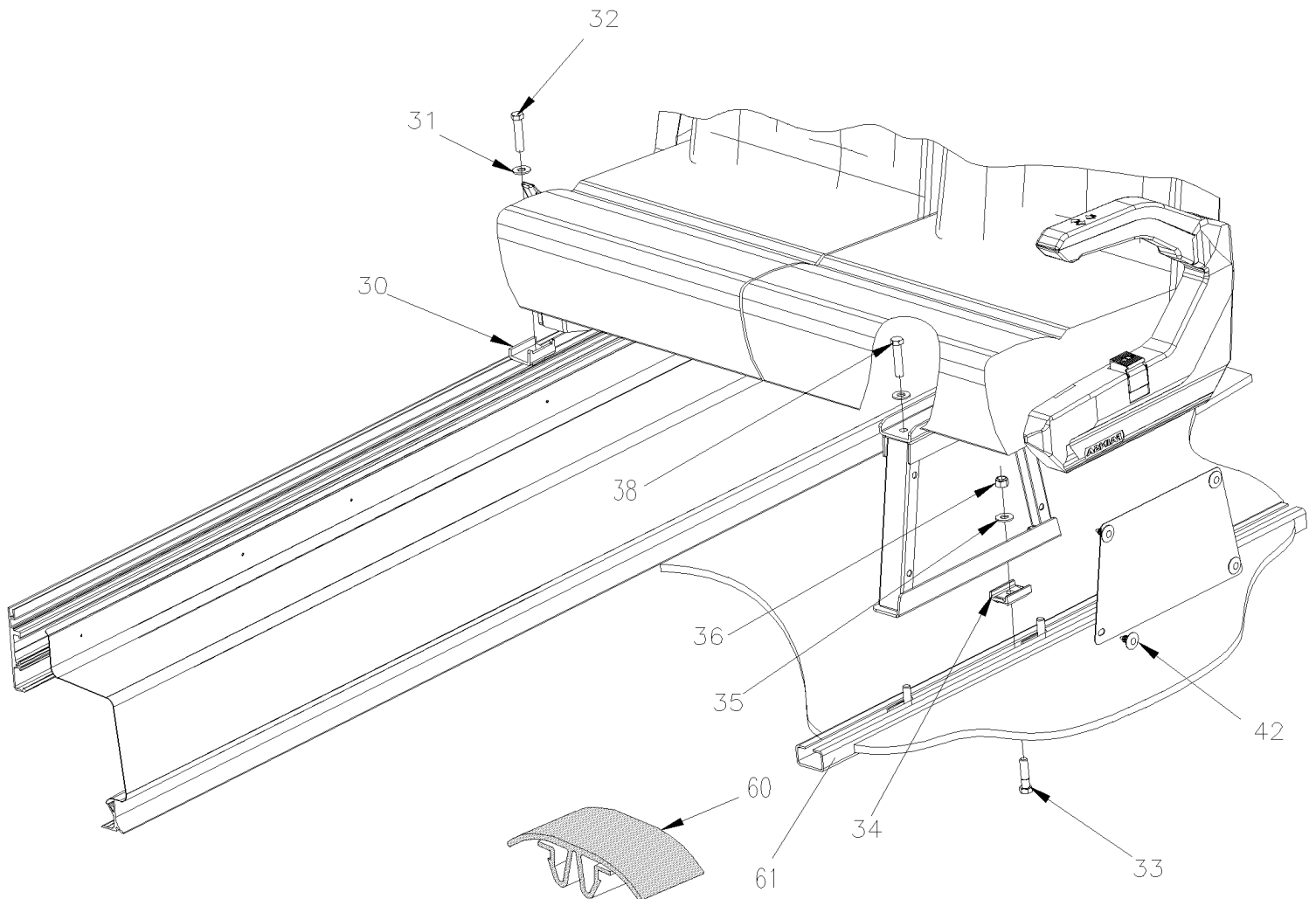
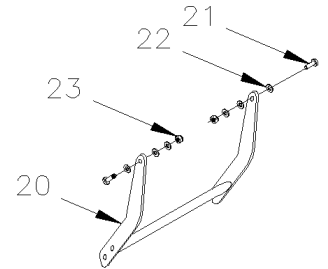
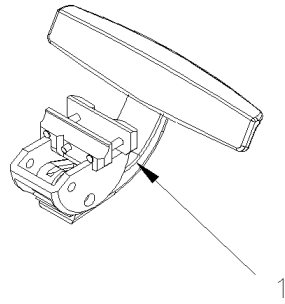
Date:07/2024

PAGE:H9-1827-43

PASSENGER'S SEAT - "AMAYA" - FOOTREST & PEDESTAL AMAYA "GT", "GT TRANSIT"

FOOTREST WITH SPRING

FOOTREST STANDARD

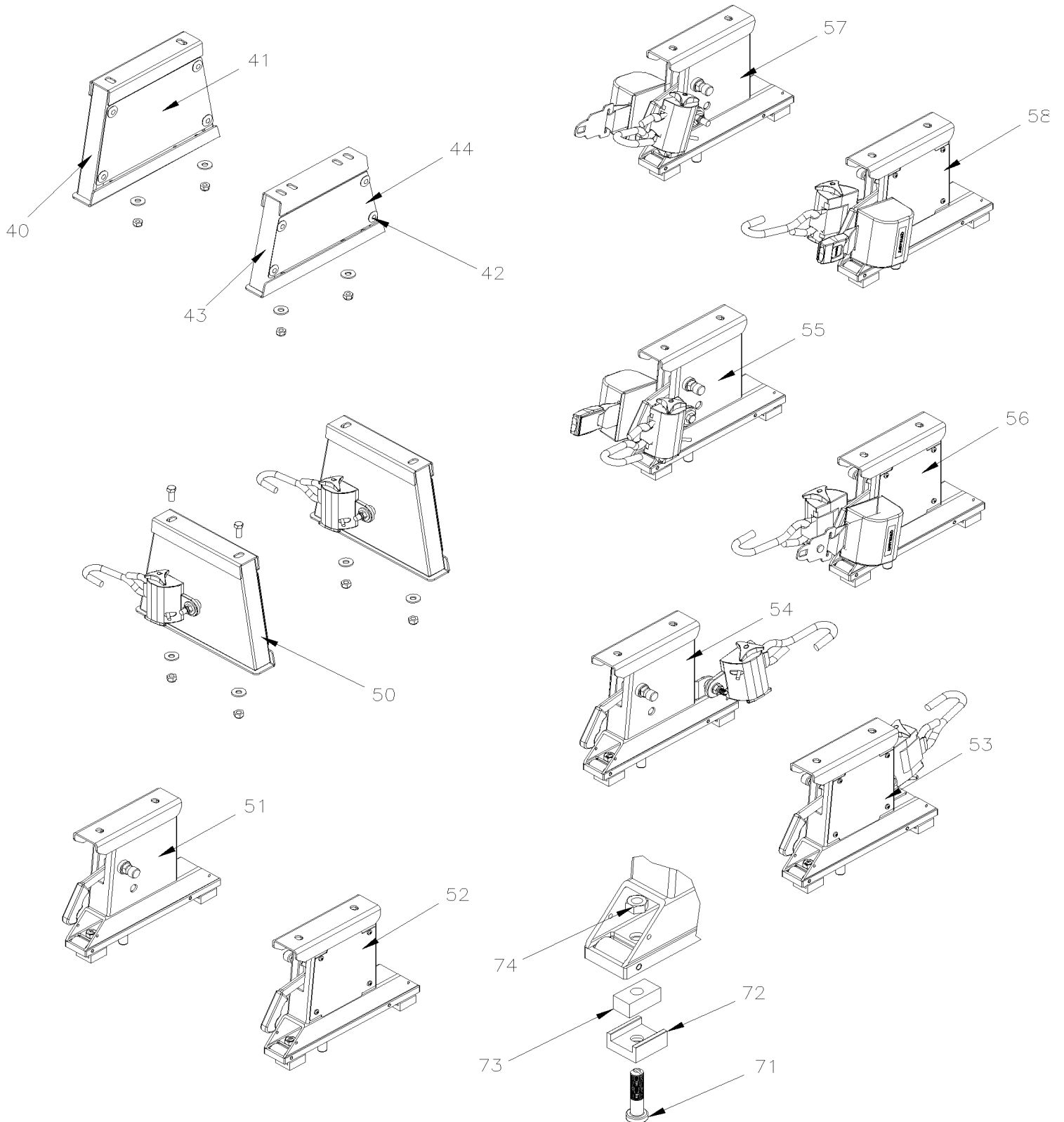


From K-0185

Date:07/2024

PAGE:H9-1827-43

PASSENGER'S SEAT - "AMAYA" - FOOTREST & PEDESTAL AMAYA "GT", "GT TRANSIT"



From K-0185	Date:07/2024	PAGE:H9-1827-43
PASSENGER'S SEAT - "AMAYA" - FOOTREST & PEDESTAL AMAYA "GT", "GT TRANSIT"		

Item#	Part	Description	H 3 4 1	H 3 4 5	NOTES
1	862224	FOOTREST ASSY W/SPRING / "GAUDI" / ALUMINUM	1	1	
1	867725	FOOTREST ASSY W/AUTOMATIC RETURN / "STELAM" / PLASTIC	1	1	
1	863995	FOOTREST ASSY W/SPRING / "GALA" / PLASTIC	1	1	
1	862714	FOOTREST ASSY W/SPRING / "SIGLIUM" / PLASTIC 608-624N	1	1	B
1	860141	FOOTREST ASSY W/AUTOMATIC RETURN / "STELAM" STELAM TYPE	1	1	
	Call order desk				P
20	863814	FOOTREST STANDARD 10" L x 9" U N-1500	1	1	
20	863982	FOOTREST STANDARD X" L x Y" U H-1500	1	1	
21	Call order desk	BOLT SPECIAL M8-1.25 x10	2	2	P
22	500441	WASHER FL .312x.734x.065 Z050	2	2	
23	500868	NUT HEX NYRT M8-1.25 Z050	2	2	
30	865466	ATTACHMENT NUT / "L" SHAPE TO FIX SEAT TO WALL TRACK	2	2	
30	865336	ATTACHMENT NUT / "L" SHAPE TO FIX SEAT TO WALL TRACK TORINO	2	2	
30	861714	ATTACHMENT NUT / "U" SHAPE TO FIX SEAT TO WALL TRACK	2	2	
31	866243	PRESSURE WASHER 7/16" 10MM	2	2	
32	502549	SCREW CAP HEX M10-1.5x35 G8.8 Z050	2	2	
33	5001735	SCREW CAP HEX 7/16-20x1 3/4 G8 G500	3	3	
34	364272	BLOCK ANCHOR / 26.8MM INSIDE / 35MM x 50MM x 19MM Height	3	3	
35	500897	WASHER FL .437x1.000x.083 N500	3	3	
36	5001734	NUT HEX 7/16-20 G8 N500	3	3	
38	868271	SCREW CAP HEX 7/16-20x1 1/4 G8 GREYHOUND	2	2	
38	865465	WASHER FL / 7/16	2	2	
38	865521	SCREW CAP HEX 7/16-20x1 G8	2	2	
38	Call order desk	SCREW CAP HEX M10-1.5 x30MM torino rev	2	2	P
	Call order desk				P
40	868725	PEDESTAL ASSY / W STD SEAT W/ A-2TEN / A-220 / GTT	1	1	
400	Call order desk	. PEDESTAL / 260MM	1	1	P
41	865297	COVER PEDESTAL W/"TORINO", A-2TEN, A-220, GTT	1	1	
42	864368	SCREW 3/8 PLASTIC	4	4	
43	Call order desk	PEDESTAL ASSY / W REVERSIBLE SEAT	1	1	P
44	865297	COVER PEDESTAL W/"TORINO", A-2TEN, A-220, GTT	1	1	
50	Call order desk	PEDESTAL ASSY / STD W/1 SEAT BELT HOOK BACKWARD	2	2	P
51	865092	PEDESTAL ASSY R.H. TRACK	1	1	
. NS	865992	. COVER HANDLE RED	1	1	
51	865066	PEDESTAL ASSY R.H. TRACK W/BRASIL	1	1	
. NS	865992	. COVER HANDLE RED	1	1	
51	865069	PEDESTAL ASSY R.H. TRACK W/TORINO G & A-2TEN	1	1	
. NS	865992	. COVER HANDLE RED	1	1	
52	865121	PEDESTAL ASSY L.H. TRACK	1	1	

From K-0185	Date:07/2024	PAGE:H9-1827-43
PASSENGER'S SEAT - "AMAYA" - FOOTREST & PEDESTAL AMAYA "GT", "GT TRANSIT"		

Item#	Part	Description	H 3 4 1	H 3 4 5	NOTES
. NS	865992	. COVER HANDLE RED	1	1	
52	865067	PEDESTAL ASSY L.H. TRACK W/BRASIL	1	1	
. NS	865992	. COVER HANDLE RED	1	1	
52	865068	PEDESTAL ASSY L.H. TRACK W/TORINO G & A-2TEN	1	1	
. NS	865992	. COVER HANDLE RED	1	1	
53	864461	PEDESTAL ASSY L.H. TRACK 1 SEAT BELT HOOK BACKWARD	1	1	
. NS	865992	. COVER HANDLE RED	1	1	
54	864698	PEDESTAL ASSY R.H. TRACK 1 SEAT BELT HOOK BACKWARD	1	1	
. NS	865992	. COVER HANDLE RED	1	1	
55	864960	PEDESTAL ASSY R.H. TRACK 2 SEATS BELT FORWARD 38"	1	1	
. NS	865992	. COVER HANDLE RED	1	1	
56	864621	PEDESTAL ASSY L.H. TRACK 2 SEATS BELT FORWARD 38"	1	1	
. NS	865992	. COVER HANDLE RED	1	1	
57	860154	PEDESTAL ASSY R.H. TRACK 2 SEATS BELT FORWARD 40"	1	1	
. NS	865992	. COVER HANDLE RED	1	1	
58	860155	PEDESTAL ASSY L.H. TRACK 2 SEATS BELT FORWARD 40"	1	1	
. NS	865992	. COVER HANDLE RED	1	1	
NS	322246	SEAT STOPPER BLOCK 100MM x 31.75MM	AR	AR	
NS	319994	SEAT STOPPER BLOCK 50MM x 31.75MM	AR	AR	
NS	329177	SEAT STOPPER BLOCK 275MM x 31.75MM	AR	AR	
60	329689	SEAT TRACK COVER 12' / EACH SEAT / W/COVERING FLOOR	AR	AR	
61	H9-1838-02	FLOOR - BUS To P-1452	1	1	
61	H9-1838-03	FLOOR - BUS From R-1453			
63	5001738	SCREW CAP HEX M8-1.25x30 G8.8 N500	2	2	
63	502549	SCREW CAP HEX M10-1.5x35 G8.8 Z050	AR	AR	
64	323809	DECAL/ ARROW > SEAT POSITION 25MM x 35MM	1	1	
66	866243	PRESSURE WASHER 7/16" 10MM	1	1	
71	865064	PIN SUPPORT 7/16x54MM HEAD 19.5MM O.D	1	1	
72	865063	INSIDE GUIDE	1	1	
73	865062	INSIDE SLIDE	1	1	
74	500709	NUT HEX 7/16-20 Z050	1	1	
		B) THIS MODEL HAS A DIFFERENT FOOTREST ATTACHMENT FROM THE PICTURE			
		P) CALL ORDER DESK FOR SPECIFIC APPLICATION (V.I.N.)			

From K-0185

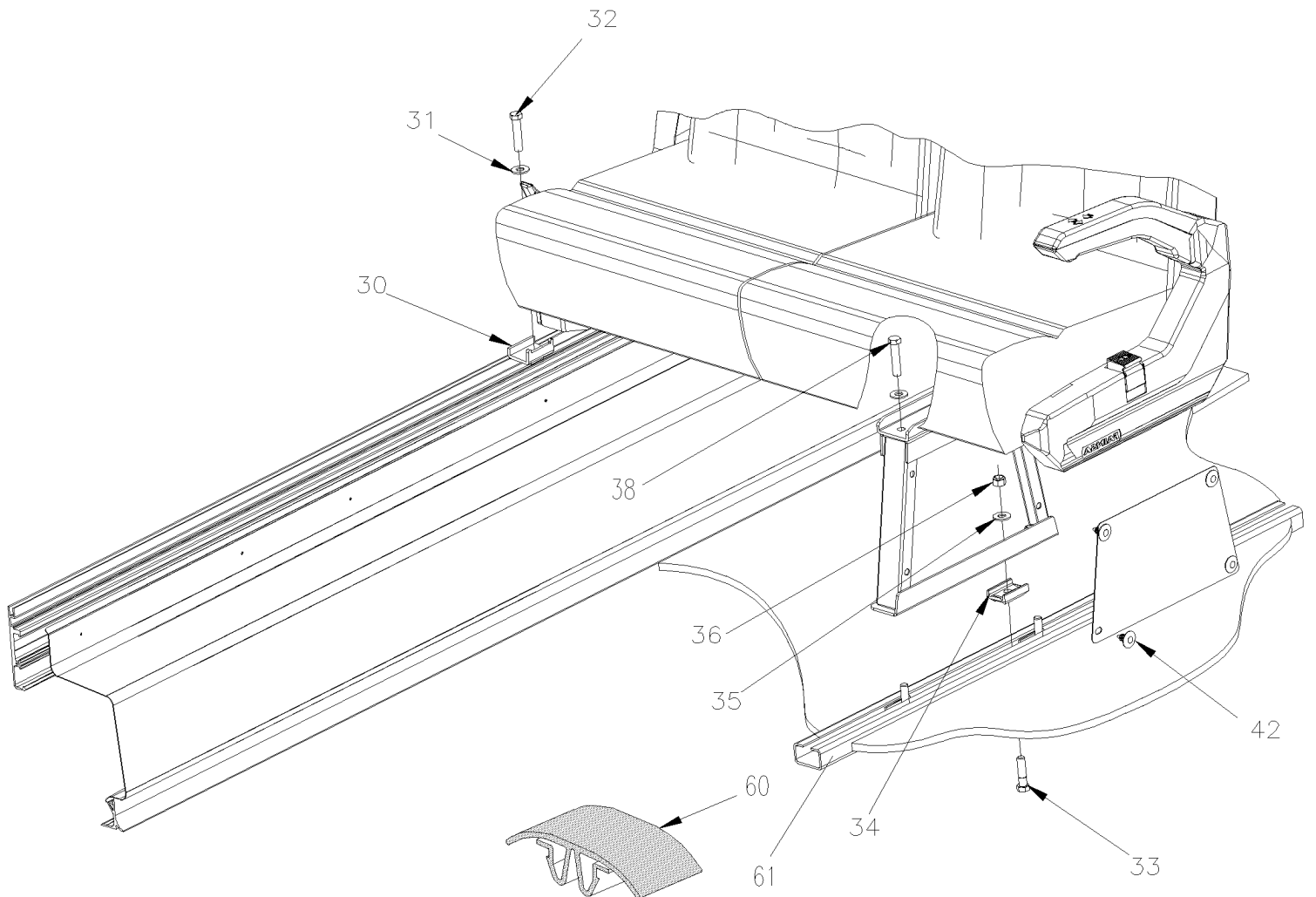
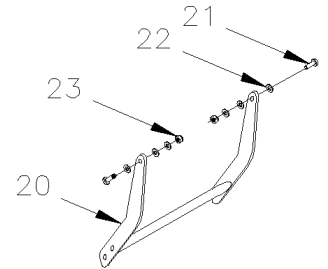
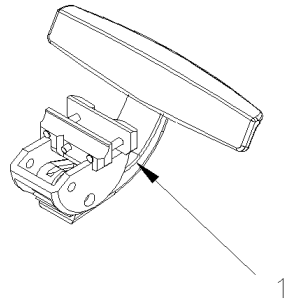
Date:07/2024

PAGE:H9-1827-44

PASSENGER'S SEAT - "AMAYA" - FOOTREST & PEDESTAL AMAYA "SIGMA"

FOOTREST WITH SPRING

FOOTREST STANDARD

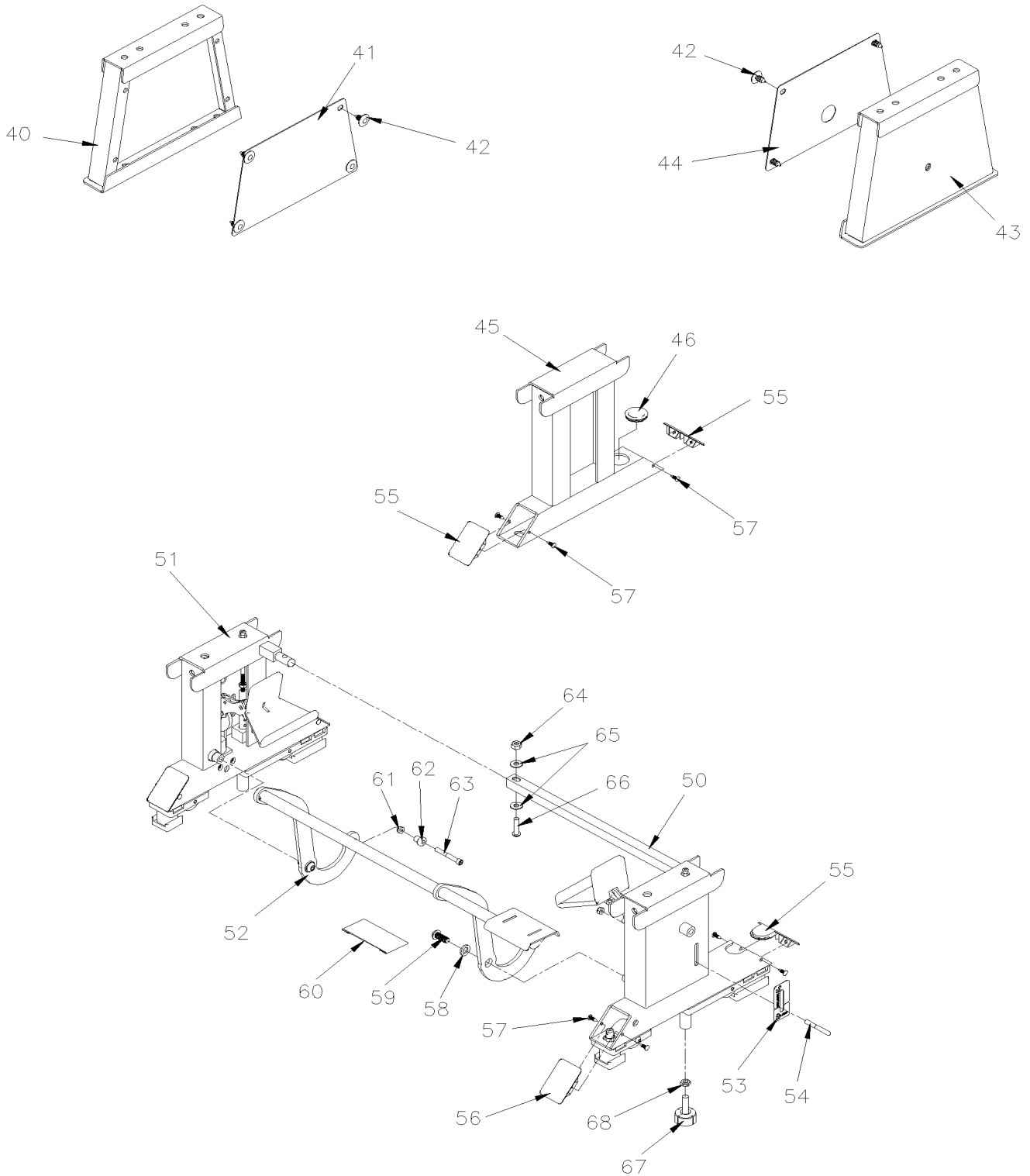


From K-0185

Date:07/2024

PAGE:H9-1827-44

PASSENGER'S SEAT - "AMAYA" - FOOTREST & PEDESTAL AMAYA "SIGMA"



From K-0185		Date:07/2024	PAGE:H9-1827-44
PASSENGER'S SEAT - "AMAYA" - FOOTREST & PEDESTAL AMAYA "SIGMA"			

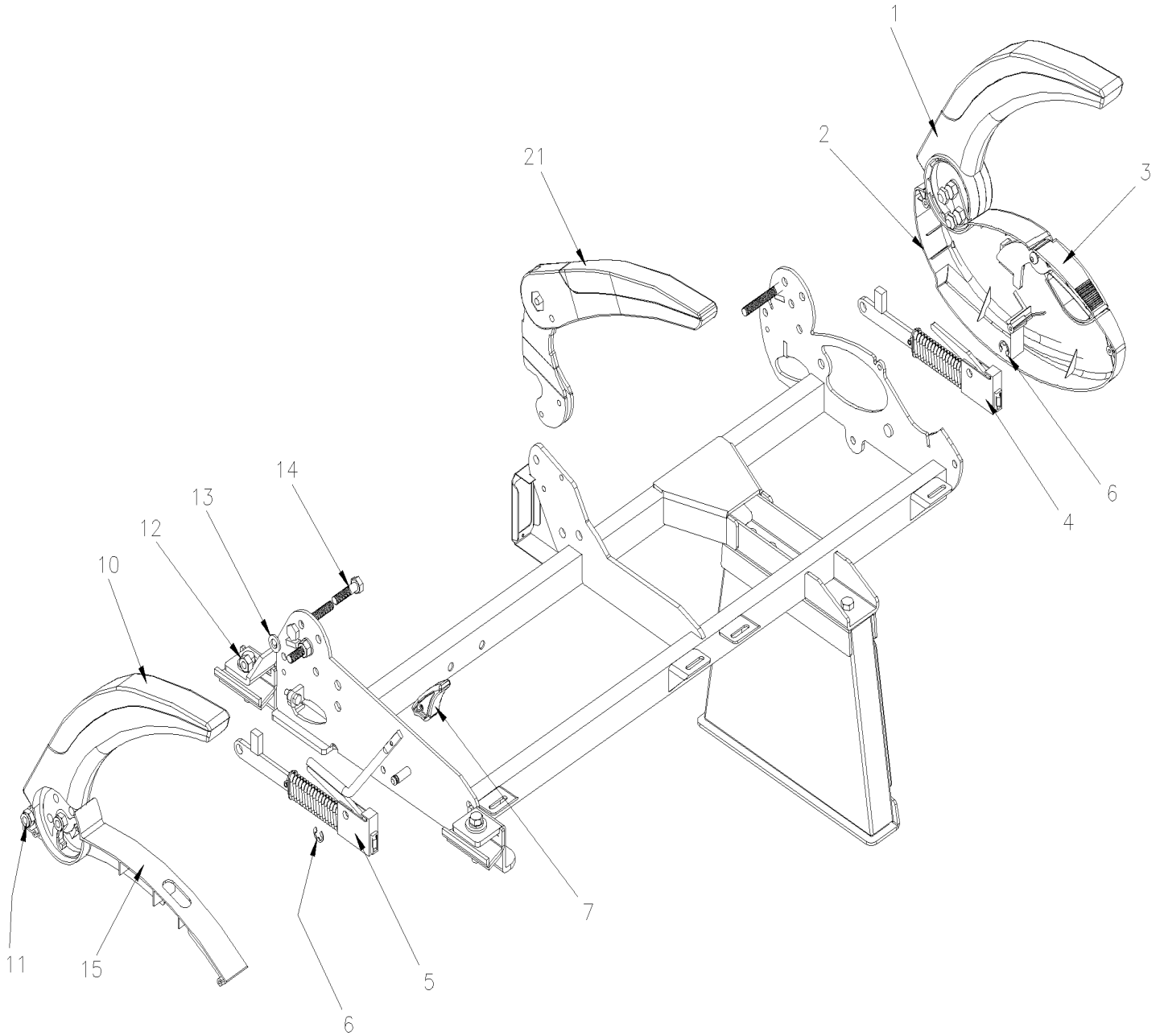
Item#	Part	Description	H 3 4 1	H 3 4 5	N O T E S
1	862224	FOOTREST ASSY W/SPRING / "GAUDI" / ALUMINUM	1	1	
1	867725	FOOTREST ASSY W/AUTOMATIC RETURN / "STELAM" / PLASTIC	1	1	
1	863995	FOOTREST ASSY W/SPRING / "GALA" / PLASTIC	1	1	
1	862714	FOOTREST ASSY W/SPRING / "SIGLIUM" / PLASTIC 608-624N	1	1	
1	860141	FOOTREST ASSY W/AUTOMATIC RETURN / "STELAM" STELAM TYPE	1	1	
	Call order desk				P
20	863814	FOOTREST STANDARD 10" L x 9" U N-1500	1	1	
20	863982	FOOTREST STANDARD X" L x Y" U H-1500	1	1	
21	Call order desk	BOLT SPECIAL M8-1.25 x10	2	2	P
22	500441	WASHER FL .312x.734x.065 Z050	2	2	
23	500868	NUT HEX NYRT M8-1.25 Z050	2	2	
30	865466	ATTACHMENT NUT / "L" SHAPE TO FIX SEAT TO WALL TRACK	2	2	
30	865336	ATTACHMENT NUT / "L" SHAPE TO FIX SEAT TO WALL TRACK TORINO	2	2	
30	861714	ATTACHMENT NUT / "U" SHAPE TO FIX SEAT TO WALL TRACK	2	2	
31	866243	PRESSURE WASHER 7/16" 10MM	2	2	
32	502549	SCREW CAP HEX M10-1.5x35 G8.8 Z050	2	2	
33	5001735	SCREW CAP HEX 7/16-20x1 3/4 G8 G500	3	3	
34	364272	BLOCK ANCHOR / 26.8MM INSIDE / 35MM x 50MM x 19MM Height	3	3	
NS	364274	BLOCK ANCHOR / 26.8MM INSIDE / 35MM x 50MM x 19MM Height PROTO w.c.l.	AR	AR	
35	500897	WASHER FL .437x1.000x.083 N500	3	3	
36	5001734	NUT HEX 7/16-20 G8 N500	3	3	
38	868271	SCREW CAP HEX 7/16-20x1 1/4 G8 GREYHOUND	2	2	
38	865465	WASHER FL / 7/16	2	2	
38	865521	SCREW CAP HEX 7/16-20x1 G8	2	2	
38	122680	SCREW CAP HEX M10-1.5 x30MM torino rev	2	2	
	Call order desk				P
40	868725	PEDESTAL ASSY / W STD SEAT W/ A-2TEN / A-220 / GTT	1	1	
40	Call order desk	. PEDESTAL / 260MM	1	1	P
41	865297	. COVER PEDESTAL W/"TORINO", A-2TEN, A-220, GTT	1	1	
42	864368	. SCREW 3/8 PLASTIC	4	4	
43	Call order desk	PEDESTAL	1	1	P
44	Call order desk	PEDESTAL COVER / GRAY	1	1	P
45	Call order desk	PEDESTAL / RH	1	1	P
45	Call order desk	PEDESTAL / LH	1	1	P
46	868303	PLUG	1	1	
50	Call order desk	PEDESTAL / SLIDE LH	1	1	P
51	Call order desk	PEDESTAL / SLIDE RH	1	1	P
52	T18810113030	PEDAL	1	1	
53	Call order desk	LABEL	1	1	P
54	868308	CLOSE INDICATOR BOLT	1	1	

From K-0185	Date:07/2024	PAGE:H9-1827-44
PASSENGER'S SEAT - "AMAYA" - FOOTREST & PEDESTAL AMAYA "SIGMA"		

Item#	Part	Description	H 3 4 1	H 3 4 5	N O T E S
55	867783	REAR PEDESTAL PLUG	1	1	
56	865687	PEDESTAL CAP / TORINO	1	1	
57	Call order desk	SCREW / PLASTIC	1	1	P
58	865465	WASHER FL / 7/16	AR	AR	
59	868319	SCREW BUT HEXS M10-1.5 x 25mm SS	AR	AR	
60	Call order desk	ANTI-SLIP ADHESIVE TAPE / 130 x 50mm	AR	AR	P
61	865465	WASHER FL / 7/16	AR	AR	
62	867904	PEDAL STOPPER / NYLON	2	2	
63	867905	SCREW / 1/4-20 x 2"	2	2	
64	868268	NUT HEX NYRT 5/16"	AR	AR	
65	868263	WASHER FL 5/16"	AR	AR	
66	868313	SCREW BUT HEXS 5/16" x 1/4" SS	AR	AR	
67	867769	KNOB SCREW	2	2	
68	867770	LOCK NUT / 3/8"	2	2	
70	329689	SEAT TRACK COVER 12' / EACH SEAT / W/COVERING FLOOR	AR	AR	
71	H9-1838-02	FLOOR - BUS To P-1452	1	1	
71	H9-1838-03	FLOOR - BUS From R-1453			
		P) CALL ORDER DESK FOR SPECIFIC APPLICATION (V.I.N.)			

From K-0185	Date:07/2024	PAGE:H9-1827-51
ARMREST AMAYA "A-2TEN"		

AISLE SIDE



WALL SIDE

From K-0185		Date:07/2024	PAGE:H9-1827-51
ARMREST AMAYA "A-2TEN"			

Item#	Part	Description	H 3 4 1	H 3 4 5	N O T E S
1	864938	ARMREST L.H.	1	1	
. NS	Call order desk	. ARMREST COVERING WOOD FINISHING	1	1	P
. NS	866077	. ARMREST COVERING DARK GREY	1	1	
. NS	865378	. ARMREST COVERING LIGHT GREY	1	1	
. NS	860076	. CAP WITH LOGO AMAYA	1	1	
1	863186	ARMREST R.H.	1	1	
. NS	Call order desk	. ARMREST COVERING WOOD FINISHING	1	1	P
. NS	866077	. ARMREST COVERING DARK GREY	1	1	
. NS	865378	. ARMREST COVERING LIGHT GREY	1	1	
. NS	860075	. CAP WITH LOGO AMAYA	1	1	
2	864577	. COVER AISLE R.H.	1	1	
2	864703	. COVER AISLE SIDE RH SEAT	1	1	
3	860199	LEVER ASSY R.H.	1	1	
3	865298	LEVER ASSY L.H.	1	1	
4	865086	RECLINING MECHANISM ASSY / "TORINO" AISLE	1	1	
5	865061	RECLINING MECHANISM ASSY / "TORINO" WINDOW	1	1	
6	865488	RETAINING RING	2	2	
7	864117	KNOB W/SQUARE ROD INSERT MECHANISM (CURRENT)	1	1	
10	865070	ARMREST R.H. WINDOW SIDE	1	1	
11	860005	NUT HEX STO M10-1.5 ZP	2	2	
12	868266	NUT HEX M10-1.5	2	2	
13	865465	WASHER FL / 7/16	4	4	
14	868270	SCREW CAP HEX M10-1.5x40MM	2	2	
15	Call order desk	MECHANISM FINISHING COVER WALL SIDE	1	1	P
21	865104	ARMREST CENTRAL ASSY	1	1	
. NS	866240	. ARMREST COVERING LIGHT GREY	1	1	
		P) CALL ORDER DESK FOR SPECIFIC APPLICATION (V.I.N.)			
		P) CALL ORDER DESK FOR SPECIFIC APPLICATION (V.I.N.)			

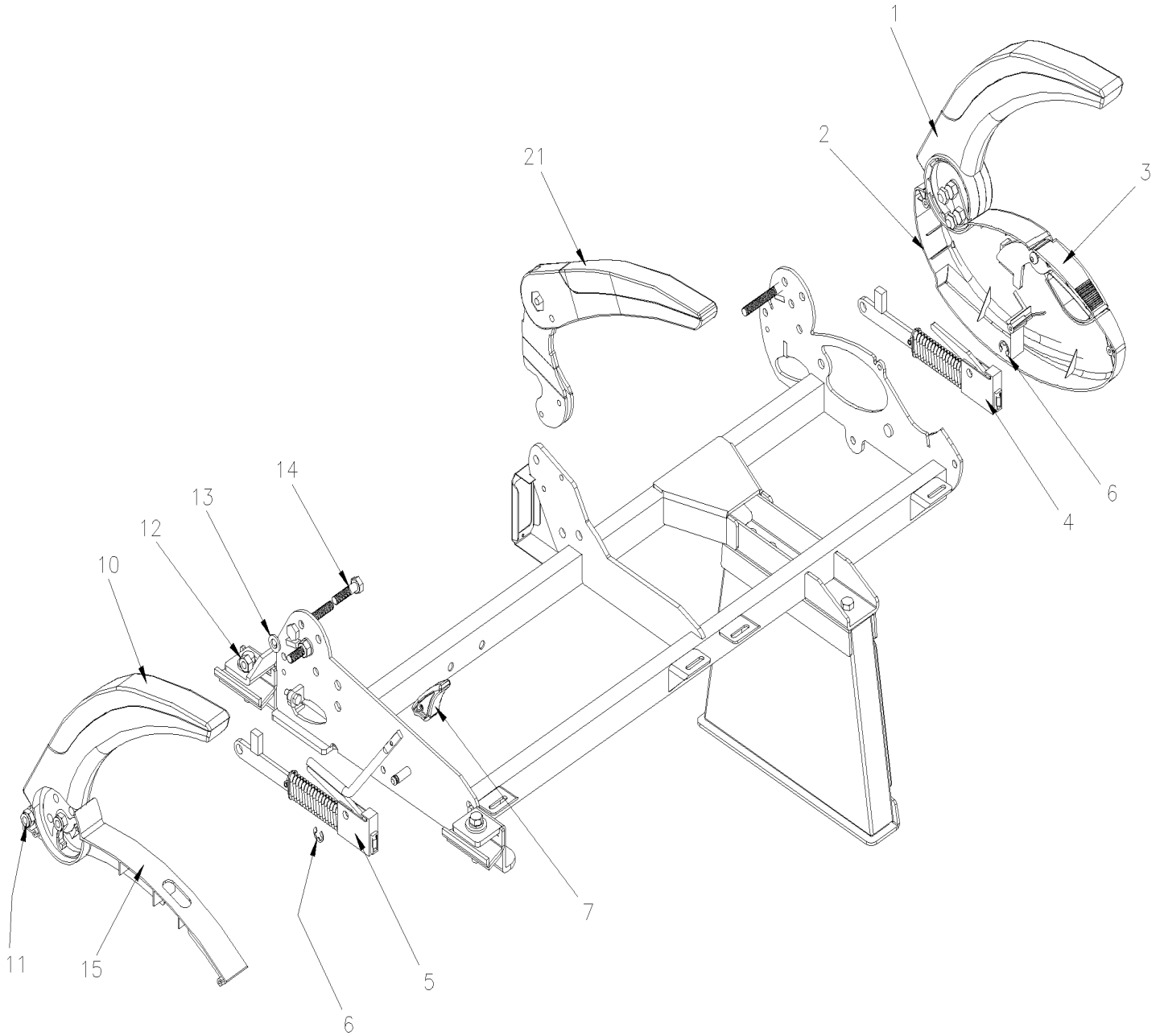
From K-0185

Date:07/2024

PAGE:H9-1827-52

ARMREST AMAYA "A-220"

AISLE SIDE



WALL SIDE

From K-0185		Date:07/2024	PAGE:H9-1827-52
ARMREST AMAYA "A-220"			

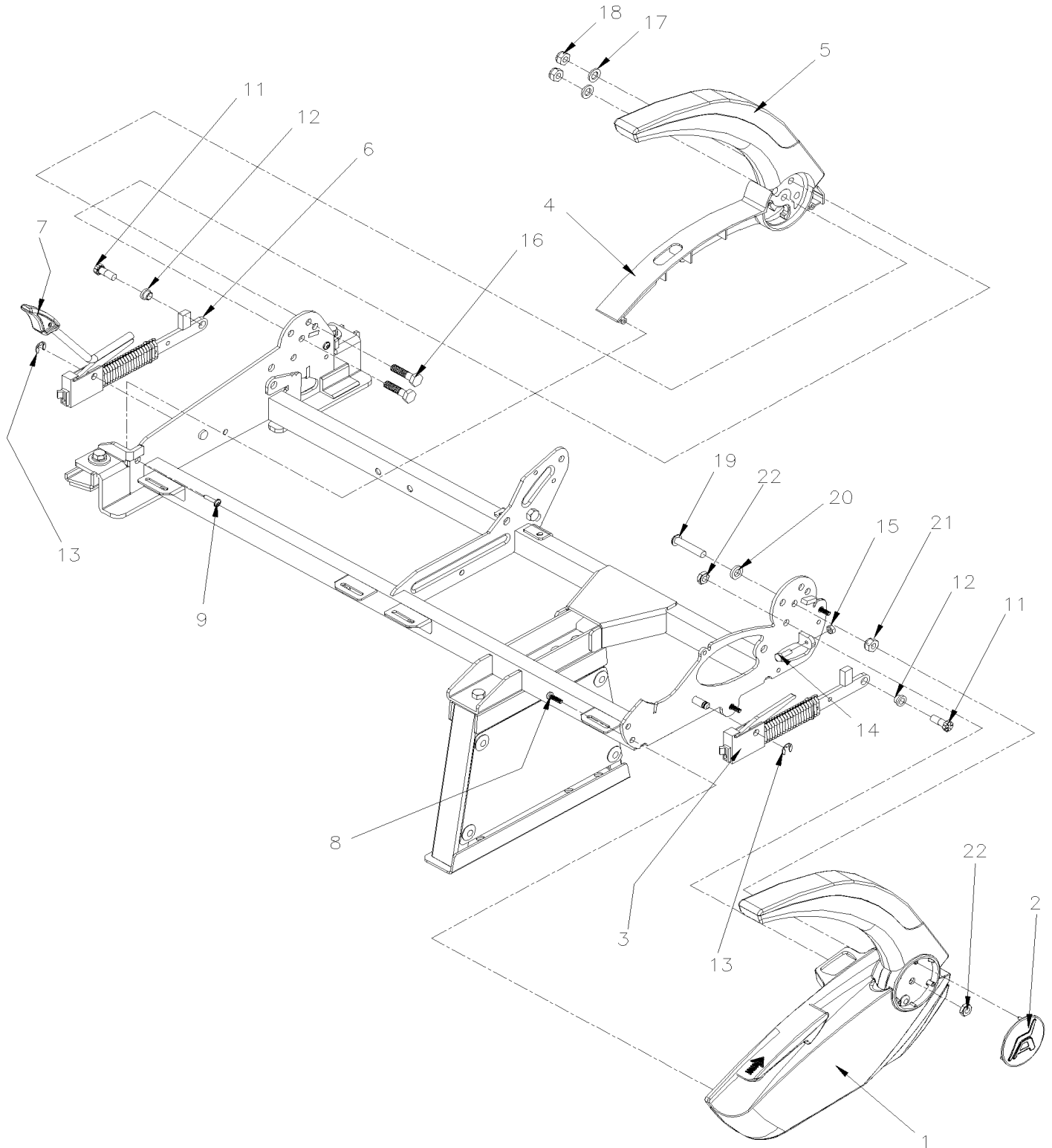
Item#	Part	Description	H 3 4 1	H 3 4 5	N O T E S
1	864938	ARMREST L.H.	1	1	
. NS	Call order desk	. ARMREST COVERING WOOD FINISHING	1	1	P
. NS	866077	. ARMREST COVERING DARK GREY	1	1	
. NS	865378	. ARMREST COVERING LIGHT GREY	1	1	
. NS	860076	. CAP WITH LOGO AMAYA	1	1	
1	863186	ARMREST R.H.	1	1	
. NS	Call order desk	. ARMREST COVERING WOOD FINISHING	1	1	P
. NS	866077	. ARMREST COVERING DARK GREY	1	1	
. NS	865378	. ARMREST COVERING LIGHT GREY	1	1	
. NS	860075	. CAP WITH LOGO AMAYA	1	1	
1A	867737	HINGED ARMREST / RH	1	1	
1A	867738	HINGED ARMREST / LH	1	1	
		. CHAR(255)	1	1	
2	864703	. COVER AISLE SIDE RH SEAT	1	1	
2	860091	. COVER AISLE SIDE LH SEAT	1	1	
3	860199	LEVER ASSY R.H.	1	1	
3	865298	LEVER ASSY L.H.	1	1	
4	865086	RECLINING MECHANISM ASSY / "TORINO" AISLE	1	1	
5	865061	RECLINING MECHANISM ASSY / "TORINO" WINDOW	1	1	
6	865488	RETAINING RING	2	2	
7	864117	KNOB W/SQUARE ROD INSERT MECHANISM (CURRENT)	1	1	
10	865070	ARMREST R.H. WINDOW SIDE	1	1	
11	860005	NUT HEX STO M10-1.5 ZP	2	2	
12	868266	NUT HEX M10-1.5	2	2	
13	865465	WASHER FL / 7/16	4	4	
14	868270	SCREW CAP HEX M10-1.5x40MM	2	2	
15	Call order desk	MECHANISM FINISHING COVER WALL SIDE	1	1	P
21	865104	ARMREST CENTRAL ASSY	1	1	
. NS	866240	. ARMREST COVERING LIGHT GREY	1	1	
		P) CALL ORDER DESK FOR SPECIFIC APPLICATION (V.I.N.)			
		P) CALL ORDER DESK FOR SPECIFIC APPLICATION (V.I.N.)			

From K-0185

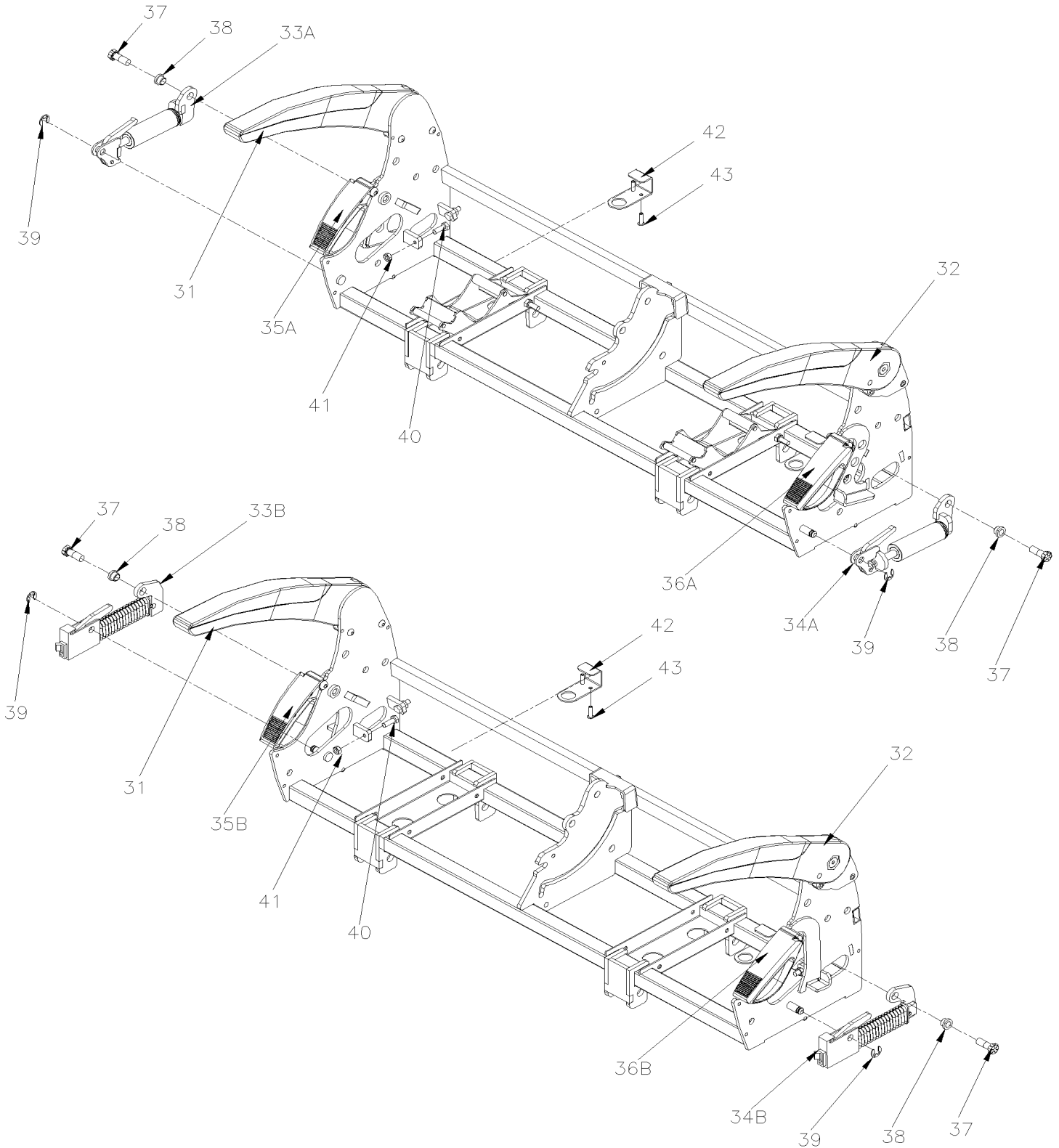
Date:07/2024

PAGE:H9-1827-53

ARMREST AMAYA "GT"



From K-0185	Date:07/2024	PAGE:H9-1827-53
ARMREST AMAYA "GT"		



From K-0185		Date:07/2024	PAGE:H9-1827-53
ARMREST AMAYA "GT"			

Item#	Part	Description	H 3 4 1	H 3 4 5	N O T E S
1	23210423	ARMREST / LH	1	1	
. NS	868206	. RECLINING LEVER, LH	1	1	
1	23210425	ARMREST / RH	1	1	
. NS	868205	. RECLINING LEVER, RH	1	1	
2	868274	CAP WITH LOGO	1	1	
3	865086	RECLINING MECHANISM ASSY / "TORINO" AILSE	1	1	
4	Call order desk	MECHANISM FINISHING COVER WALL SIDE	1	1	P
5	865070	ARMREST R.H. WINDOW SIDE	1	1	
6	865061	RECLINING MECHANISM ASSY / "TORINO" WINDOW	1	1	
7	864117	KNOB W/SQUARE ROD INSERT MECHANISM (CURRENT)	1	1	
8	868260	SCREW SELF TAPPING M6x20MM	3	3	
9	868264	SCREW SELF TAPPING #10 x 1"	2	2	
11	860092	SCREW CAP HEX 3/8" x 1" G8	2	2	
12	865215	BUSHING NYLON	2	2	
13	865488	RETAINING RING	2	2	
14	865498	SCREW CAP HEX 1/4-20 x 3/4 LG	2	2	
15	865497	NUT HEX 1/4	2	2	
16	868270	SCREW CAP HEX M10-1.5x40MM	2	2	
17	865465	WASHER FL / 7/16	2	2	
18	860005	NUT HEX STO M10-1.5 ZP	2	2	
19	860280	SCREW BUT HEXS M10-1.5x50MM	1	1	
20	868297	WASHER FL 7/16	1	1	
21	868266	NUT HEX M10-1.5	1	1	
22	868269	NUT HEX / GRIPCO M10-1.5	2	2	
31	867737	HINGED ARMREST / RH	1	1	
32	867738	HINGED ARMREST / LH	1	1	
33A	Call order desk	RECLINING GAS MECHANISM ASSY / RH	1	1	PA
33B	868318	RECLINING MECHANISM ASSY / RH	1	1	B
34A	Call order desk	RECLINING GAS MECHANISM ASSY / LH	1	1	PA
34B	868317	RECLINING MECHANISM ASSY / LH	1	1	B
35A	Call order desk	MECHANISM HANDLE ASSY / RH	1	1	PA
35B	868280	MECHANISM HANDLE ASSY / RH	1	1	B
36A	Call order desk	MECHANISM HANDLE ASSY / LH	1	1	PA
36B	868281	MECHANISM HANDLE ASSY / LH	1	1	B
37	860092	SCREW CAP HEX 3/8" x 1" G8	2	2	
38	865215	BUSHING NYLON	2	2	
39	865488	RETAINING RING	2	2	
40	865498	SCREW CAP HEX 1/4-20 x 3/4 LG	4	4	
41	865497	NUT HEX 1/4	4	4	
42	868330	BELT SUPPORT HOOK	2	2	
43	868120	RIVET 3/16 X 3/4 BLACK	4	4	

From K-0185	Date:07/2024	PAGE:H9-1827-53
ARMREST AMAYA "GT"		

Item#	Part	Description	H 3 4 1	H 3 4 5	N O T E S
		A) USE WITH FLIP/SLIDING SEAT			
		B) USE WITH FLIP/STATIONNARY SEAT			
		P) CALL ORDER DESK FOR SPECIFIC APPLICATION (V.I.N.)			

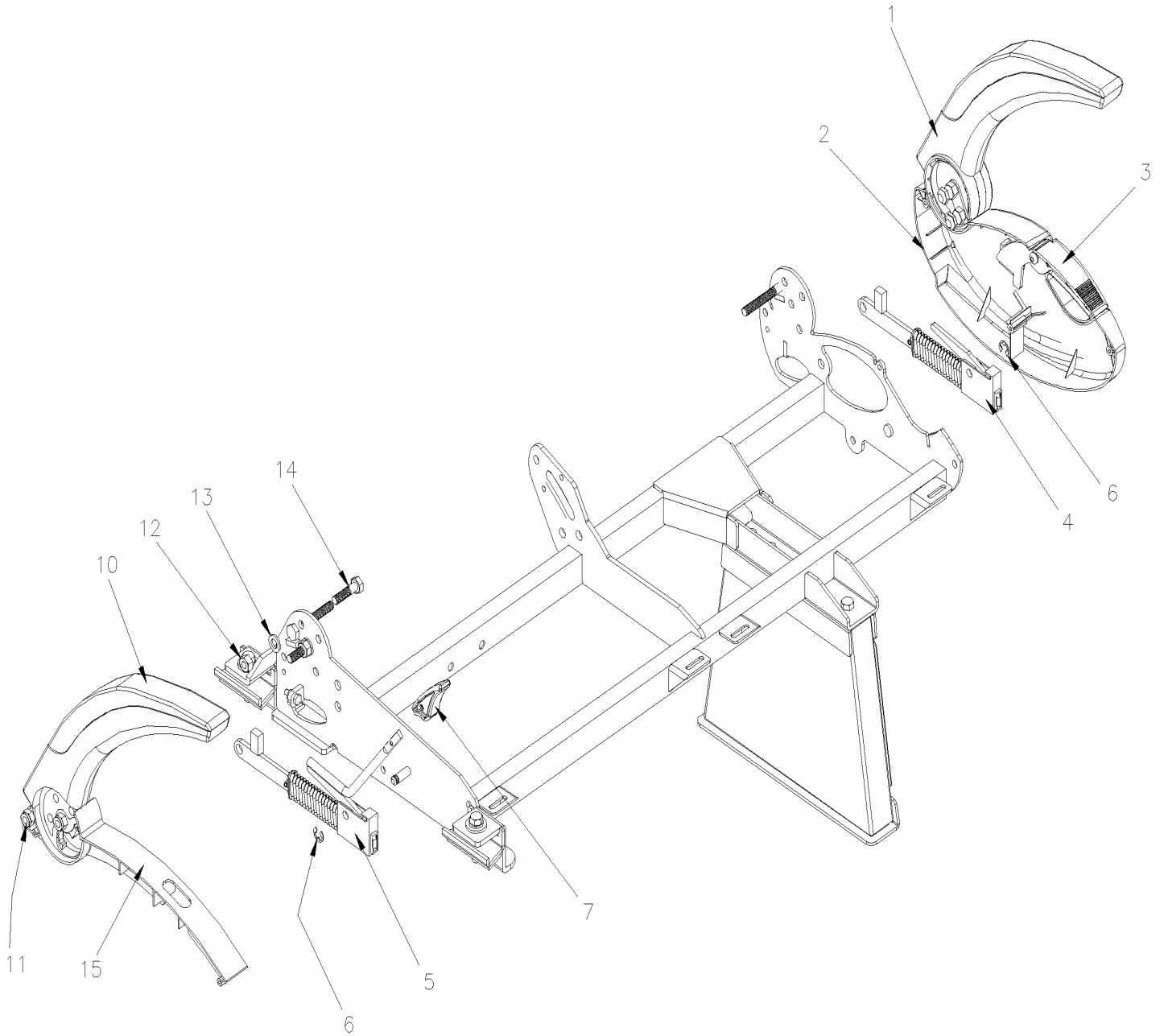
From K-0185

Date:07/2024

PAGE:H9-1827-54

ARMREST AMAYA "SIGMA"

AISLE SIDE

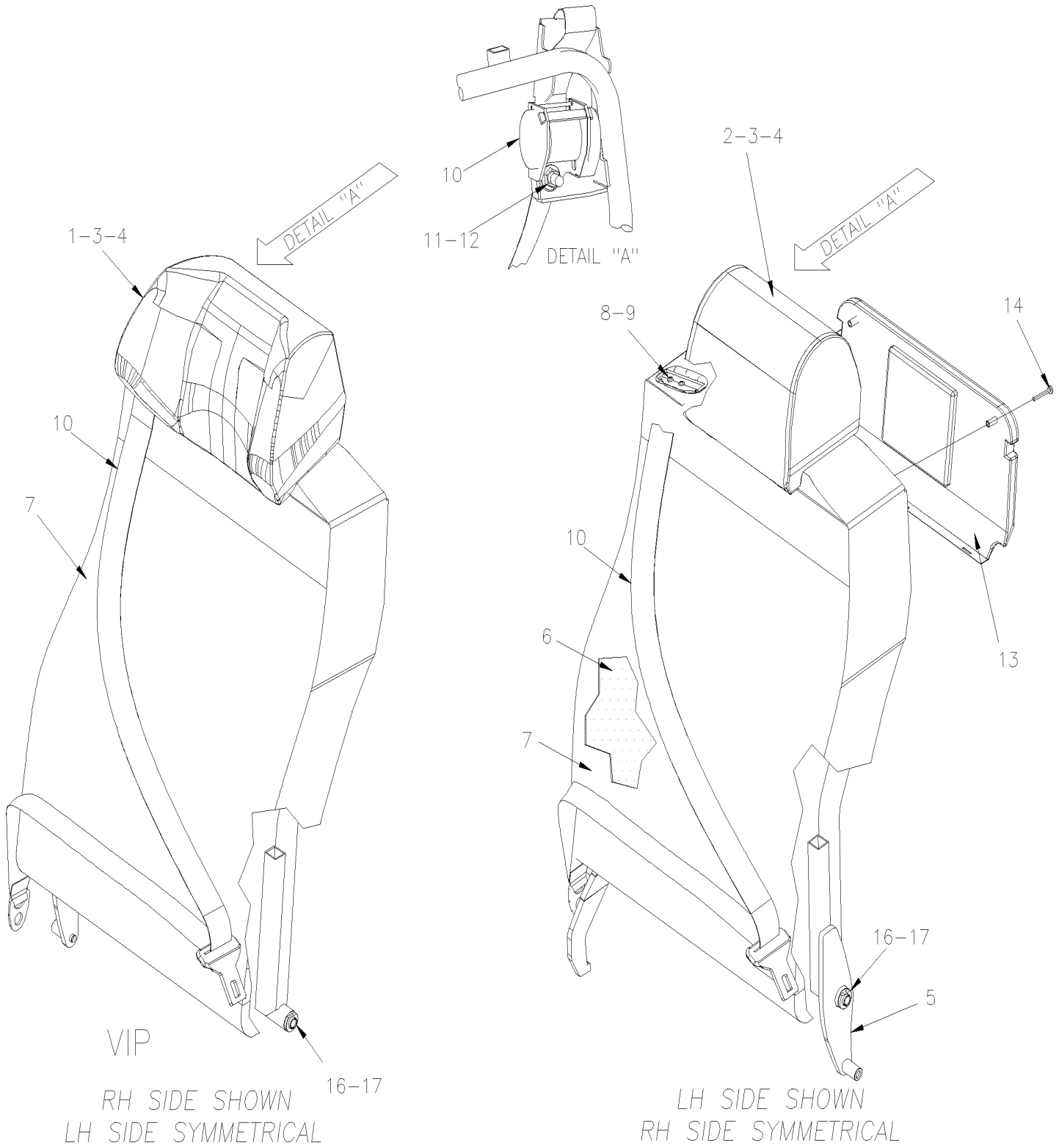


WALL SIDE

From K-0185		Date:07/2024	PAGE:H9-1827-54
ARMREST AMAYA "SIGMA"			

Item#	Part	Description	H 3 4 1	H 3 4 5	N O T E S
1	864938	ARMREST L.H.	1	1	
. NS	Call order desk	. ARMREST COVERING WOOD FINISHING	1	1	P
. NS	866077	. ARMREST COVERING DARK GREY	1	1	
. NS	865378	. ARMREST COVERING LIGHT GREY	1	1	
. NS	860076	. CAP WITH LOGO AMAYA	1	1	
1	863186	ARMREST R.H.	1	1	
. NS	Call order desk	. ARMREST COVERING WOOD FINISHING	1	1	P
. NS	866077	. ARMREST COVERING DARK GREY	1	1	
. NS	865378	. ARMREST COVERING LIGHT GREY	1	1	
. NS	860075	. CAP WITH LOGO AMAYA	1	1	
1A	867737	HINGED ARMREST / RH	1	1	
1A	867738	HINGED ARMREST / LH	1	1	
2	Call order desk	. ARMREST / LH	1	1	P
. NS	868206	. RECLINING LEVER, LH	1	1	
2	Call order desk	. ARMREST / RH	1	1	P
. NS	868205	. RECLINING LEVER, RH	1	1	
	Call order desk	. CHAR(255)	1	1	P
4	865086	RECLINING MECHANISM ASSY / "TORINO" AILSE	1	1	
5	865061	RECLINING MECHANISM ASSY / "TORINO" WINDOW	1	1	
6	865488	RETAINING RING	2	2	
7	864117	KNOB W/SQUARE ROD INSERT MECHANISM (CURRENT)	1	1	
NS	868274	CAP WITH LOGO	1	1	
10	865070	ARMREST R.H. WINDOW SIDE	1	1	
11	860005	NUT HEX STO M10-1.5 ZP	2	2	
12	868266	NUT HEX M10-1.5	2	2	
13	865465	WASHER FL / 7/16	4	4	
14	868270	SCREW CAP HEX M10-1.5x40MM	2	2	
15	Call order desk	MECHANISM FINISHING COVER WALL SIDE	1	1	P
		P) CALL ORDER DESK FOR SPECIFIC APPLICATION (V.I.N.)			
		P) CALL ORDER DESK FOR SPECIFIC APPLICATION (V.I.N.)			

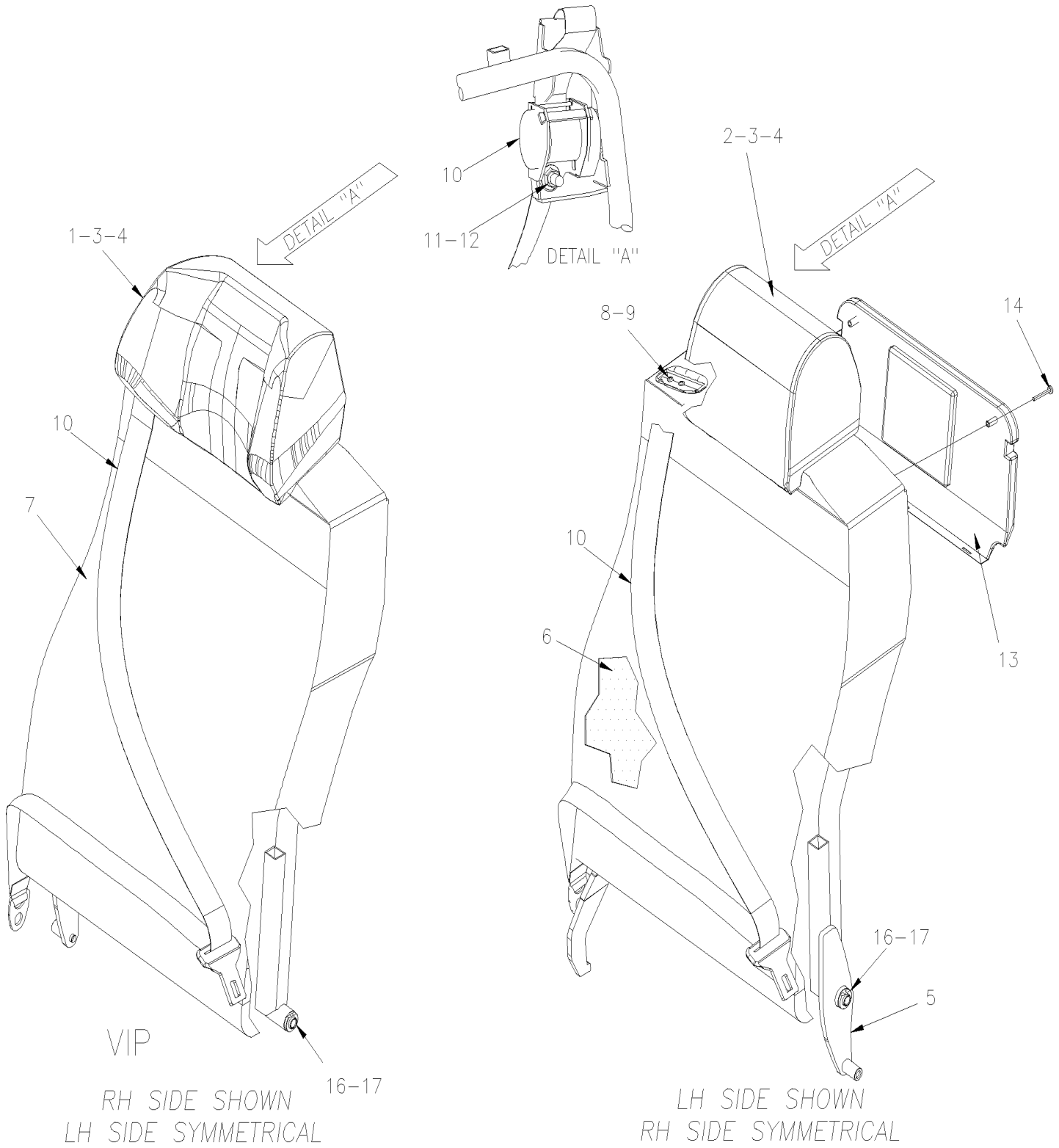
From K-0185	Date:07/2024	PAGE:H9-1827-61
BACKREST AMAYA "A-2TEN"		



From K-0185		Date:07/2024	PAGE:H9-1827-61
BACKREST AMAYA "A-2TEN"			

Item#	Part	Description	H 3 4 1	H 3 4 5	N O T E S
	Call order desk	BACKREST ASSY	1	1	P
	Call order desk	BACKREST ASSY VIP	1	1	P
	Call order desk	BACKREST ASSY / FLIP-UP SEAT	1	1	P
	Call order desk	BACKREST ASSY VIP / FLIP-UP SEAT	1	1	P
	Call order desk	BACKREST ASSY LH / 2 PASSENGER'S REAR CROSS SEAT	1	1	P
	Call order desk	BACKREST ASSY LH VIP / 2 PASSENGER'S REAR CROSS SEAT	1	1	P
	Call order desk	BACKREST ASSY LH / 1 PASSENGER'S REAR CROSS SEAT	1	1	P
	Call order desk	BACKREST ASSY LH VIP / 1 PASSENGER'S REAR CROSS SEAT	1	1	P
	Call order desk	BACKREST ASSY / ROTATING SEAT	1	1	P
	Call order desk	BACKREST ASSY VIP / ROTATING SEAT	1	1	P
1	7775195	. HEADREST ASSY / VIP	1	1	
2	Call order desk	. HEADREST ASSY	1	1	P
3	866205	. BUSHING	2	2	
4	866204	. BACKREST CLIP	2	2	
5	Call order desk	. BACKREST FRAME ASSY	1	1	P
5	Call order desk	. BACKREST FRAME ASSY VIP	1	1	P
5	Call order desk	. BACKREST FRAME ASSY / FLIP-UP SEAT	1	1	P
5	Call order desk	. BACKREST FRAME ASSY VIP / FLIP-UP SEAT	1	1	P
5	Call order desk	. BACKREST FRAME LH ASSY / 2 PASSENGER'S REAR CROSS SEAT	1	1	P
5	Call order desk	. BACKREST FRAME ASSY LH VIP / 2 PASSENGER'S REAR CROSS SEAT	1	1	P
5	Call order desk	. BACKREST FRAME LH ASSY / 1 PASSENGER'S REAR CROSS SEAT	1	1	P
5	Call order desk	. BACKREST FRAME ASSY LH VIP / 1 PASSENGER'S REAR CROSS SEAT	1	1	P
5	Call order desk	. BACKREST FRAME ASSY / ROTATING SEAT	1	1	P
6	Call order desk	. BACKREST FOAM	1	1	P
6	Call order desk	. BACKREST FOAM / FLIP-UP SEAT	1	1	P
6	Call order desk	. BACKREST FOAM VIP / FLIP-UP SEAT	1	1	P
7	Call order desk	. UPHOLSTERY	1	1	P
8	860420	. BELT GUIDE	1	1	
9	Call order desk	. SCREW MA PAN PH	2	2	P
10	865217	. BELT MULTIPOSITION	1	1	
10	7775183	. SEAT BELT EXTENSION - PASSENGER SEAT NOT INCLUDE WITH SEAT	1	1	
11	867945	. WASHER	1	1	
12	865519	. NUT HEX NYRT 7/16-20	1	1	
13	Call order desk	. BACKREST COVER ASSY	1	1	P
14	Call order desk	. SCREW MA PAN PH	2	2	P
16	Call order desk	. BUSHING	2	2	P
16	Call order desk	. BUSHING WITH FLIP-UP	2	2	P
17	Call order desk	. CAP	2	2	P
		P) CALL ORDER DESK FOR SPECIFIC APPLICATION (V.I.N.)			

From K-0185	Date:07/2024	PAGE:H9-1827-62
BACKREST AMAYA "A-220"		



From K-0185	Date:07/2024	PAGE:H9-1827-62
BACKREST AMAYA "A-220"		

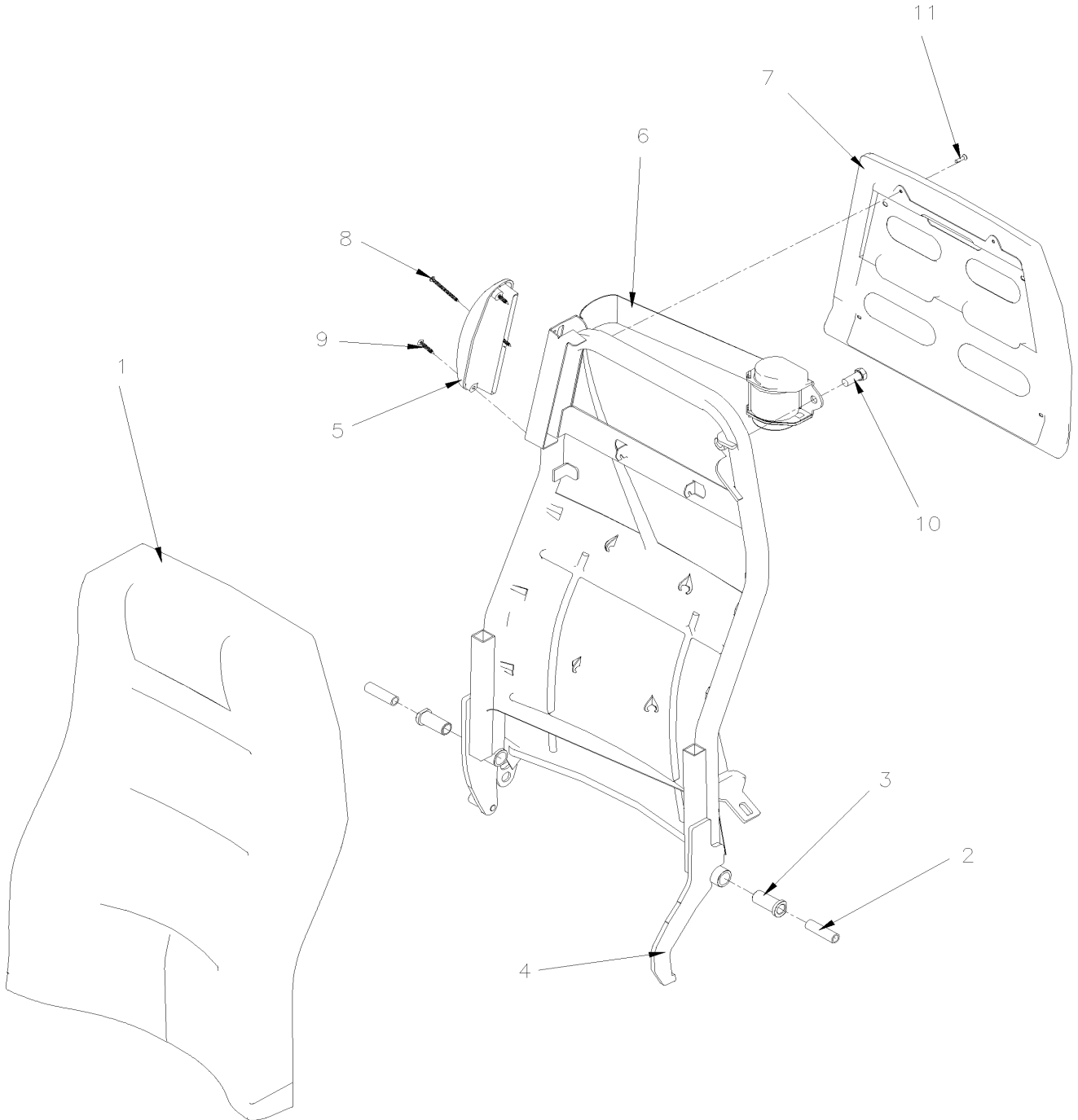
Item#	Part	Description	H 3 4 1	H 3 4 5	N O T E S
	Call order desk	BACKREST ASSY / LH A-220 STD	1	1	P
	Call order desk	BACKREST ASSY / RH A-220 STD	1	1	P
	Call order desk	BACKREST ASSY / LH A-220 /FLIP/ FIXED	1	1	P
	Call order desk	BACKREST ASSY / RH A-220 /FLIP/ FIXED	1	1	P
	Call order desk	BACKREST ASSY / LH A-220 SLINDING	1	1	P
	Call order desk	BACKREST ASSY / RH A-220 SLINDING	1	1	P
1	7775195	. HEADREST ASSY / VIP	1	1	
2	Call order desk	. HEADREST ASSY	1	1	P
3	866205	. BUSHING	2	2	
4	866204	. BACKREST CLIP	2	2	
	Call order desk	. CHAR(255)	1	1	P
	Call order desk	. CHAR(255)	1	1	P
	Call order desk	. CHAR(255)	1	1	P
	Call order desk	. CHAR(255)	1	1	P
	Call order desk	. CHAR(255)	1	1	P
	Call order desk	. CHAR(255)	1	1	P
	Call order desk	. CHAR(255)	1	1	P
	Call order desk	. CHAR(255)	1	1	P
	Call order desk	. CHAR(255)	1	1	P
	Call order desk	. CHAR(255)	1	1	P
	Call order desk	. CHAR(255)	1	1	P
	Call order desk	. CHAR(255)	1	1	P
7	Call order desk	. UPHOLSTERY	1	1	P
8	860420	. BELT GUIDE	1	1	
9	Call order desk	. SCREW MA PAN PH	2	2	P
10	865217	. BELT MULTIPOSITION	1	1	
10	7775183	. SEAT BELT EXTENSION - PASSENGER SEAT NOT INCLUDE WITH SEAT	1	1	
11	867945	. WASHER	1	1	
12	865519	. NUT HEX NYRT 7/16-20	1	1	
13	Call order desk	. BACKREST COVER ASSY	1	1	P
14	Call order desk	. SCREW MA PAN PH	2	2	P
16	868402	. BUSHING 45MM	4	4	
17	Call order desk	. CAP	2	2	P
		P) CALL ORDER DESK FOR SPECIFIC APPLICATION (V.I.N.)			

From K-0185

Date:07/2024

PAGE:H9-1827-63

BACKREST AMAYA "GT"



From K-0185	Date:07/2024	PAGE:H9-1827-63
BACKREST AMAYA "GT"		

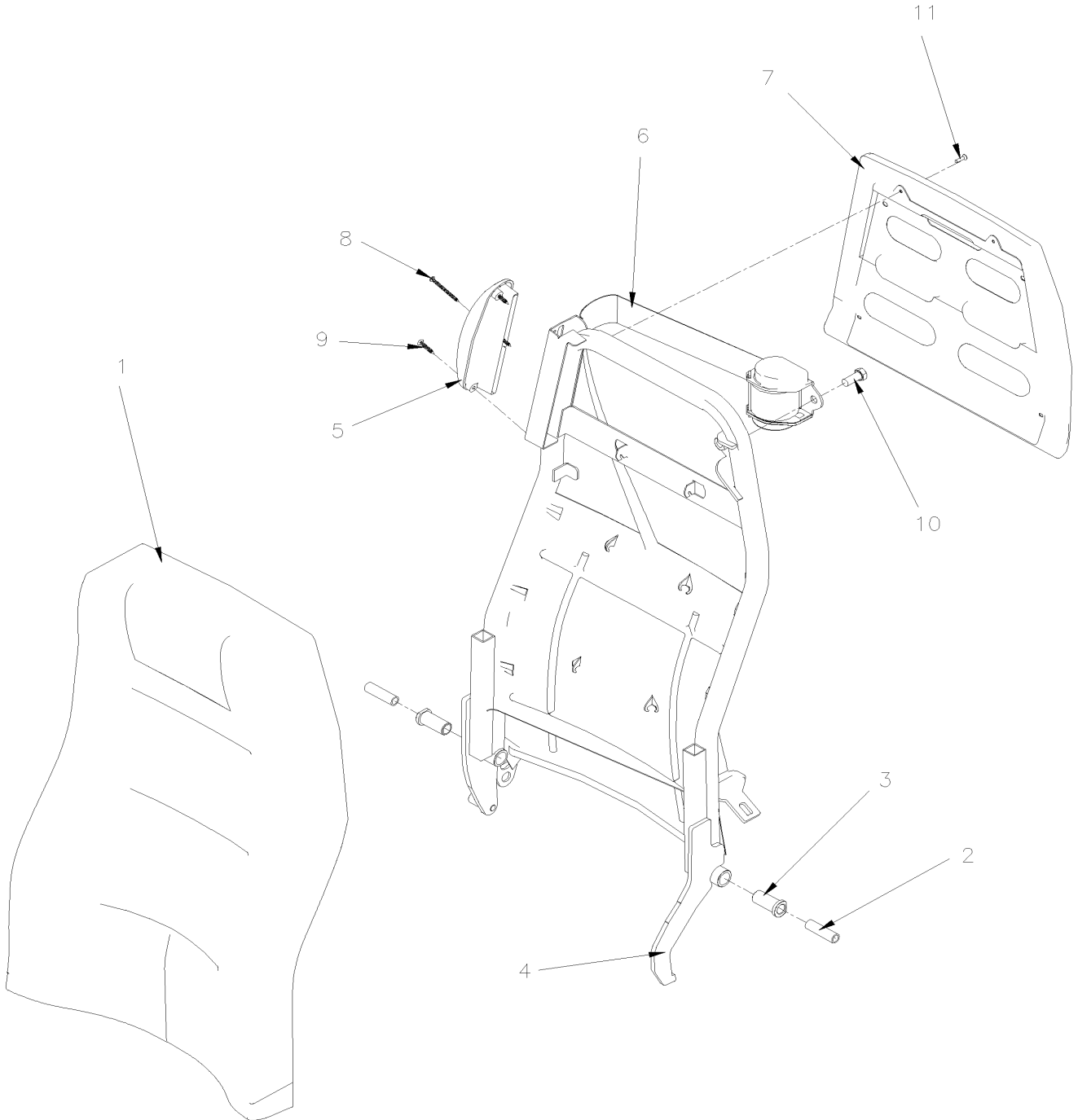
Item#	Part	Description	H 3 4 1	H 3 4 5	N O T E S
	868200	BACKREST ASSY RH CURBSIDE	1	1	
	868199	BACKREST ASSY LH CURBSIDE	1	1	
	Call order desk	BACKREST ASSY LH STREET SIDE	1	1	P
	Call order desk	BACKREST ASSY RH STREET SIDE	1	1	P
	Call order desk	BACKREST ASSY RH	1	1	P C
	Call order desk	BACKREST ASSY LH	1	1	P C
1	Call order desk	. BACKREST FOAM	1	1	P
1	Call order desk	. BACKREST FOAM RH CURB SIDE WINDOWS SIDE	1	1	P
1	Call order desk	. BACKREST FOAM	1	1	P
1	Call order desk	. BACKREST FOAM LH STREET SIDE WINDOWS SIDE	1	1	P
2	865561	. BUSHING 49MM	2	2	
3	868402	. BUSHING 45MM	2	2	
4	Call order desk	. BACKREST FRAME RH WINDOWS SIDE	1	1	P
4	Call order desk	. BACKREST FRAME LH WINDOWS SIDE	1	1	P
4	Call order desk	. BACKREST FRAME AISLE SIDE STREET SIDE	1	1	P C
4	Call order desk	. BACKREST FRAME AISLE SIDE CURB SIDE	1	1	P C
5	868172	. SEAT BELT GUIDE	1	1	
6	868185	. SEAT BELT /WO/ FEMALE BUCKLE	1	1	
7	Call order desk	. ENERGY ABSORBER	1	1	P
8	Call order desk	. VIS PHILLIPS #10 x 1"	2	2	P
9	Call order desk	. VIS PHILLIPS #8 x 2"	2	2	P
10	865521	. SCREW CAP HEX 7/16-20x1 G8	1	1	
11	865603	. SCREW MA BUT PH M8x19	4	4	
		C) WITH HOOK			
		P) CALL ORDER DESK FOR SPECIFIC APPLICATION (V.I.N.)			

From K-0185

Date:07/2024

PAGE:H9-1827-64

BACKREST AMAYA "SIGMA"



From K-0185	Date:07/2024	PAGE:H9-1827-64
BACKREST AMAYA "SIGMA"		

Item#	Part	Description	H 3 4 1	H 3 4 5	N O T E S
	Call order desk	BACKREST ASSY RH CURB SIDE	1	1	P
	869011	BACKREST ASSY, CS WINDOW W/COVER From L-0806 To L-0806		1	
	Call order desk	BACKREST ASSY LH STREET SIDE	1	1	P
1	Call order desk	. BACKREST FOAM	1	1	P
1	Call order desk	. BACKREST FOAM RH CURB SIDE WINDOWS SIDE	1	1	P
1	Call order desk	. BACKREST FOAM	1	1	P
2	865561	. BUSHING 49MM	2	2	
2	868400	. BUSHING 55MM	1	1	
3	868402	. BUSHING 45MM	2	2	
4	Call order desk	. BACKREST FRAME	1	1	P
4	Call order desk	. BACKREST FRAME	1	1	P
5	868172	. SEAT BELT GUIDE	1	1	
6	868185	. SEAT BELT /WO/ FEMALE BUCKLE	1	1	
7	Call order desk	. ENERGY ABSORBER	1	1	P
8	Call order desk	. VIS PHILLIPS #8 x 2"	2	2	P
9	Call order desk	. VIS PHILLIPS #10 x 1"	2	2	P
10	122745	. SCREW CAP FL HEXS 7/16-20x1 1/4	1	1	
11	865603	. SCREW MA BUT PH M8x19	4	4	
		P) CALL ORDER DESK FOR SPECIFIC APPLICATION (V.I.N.)			

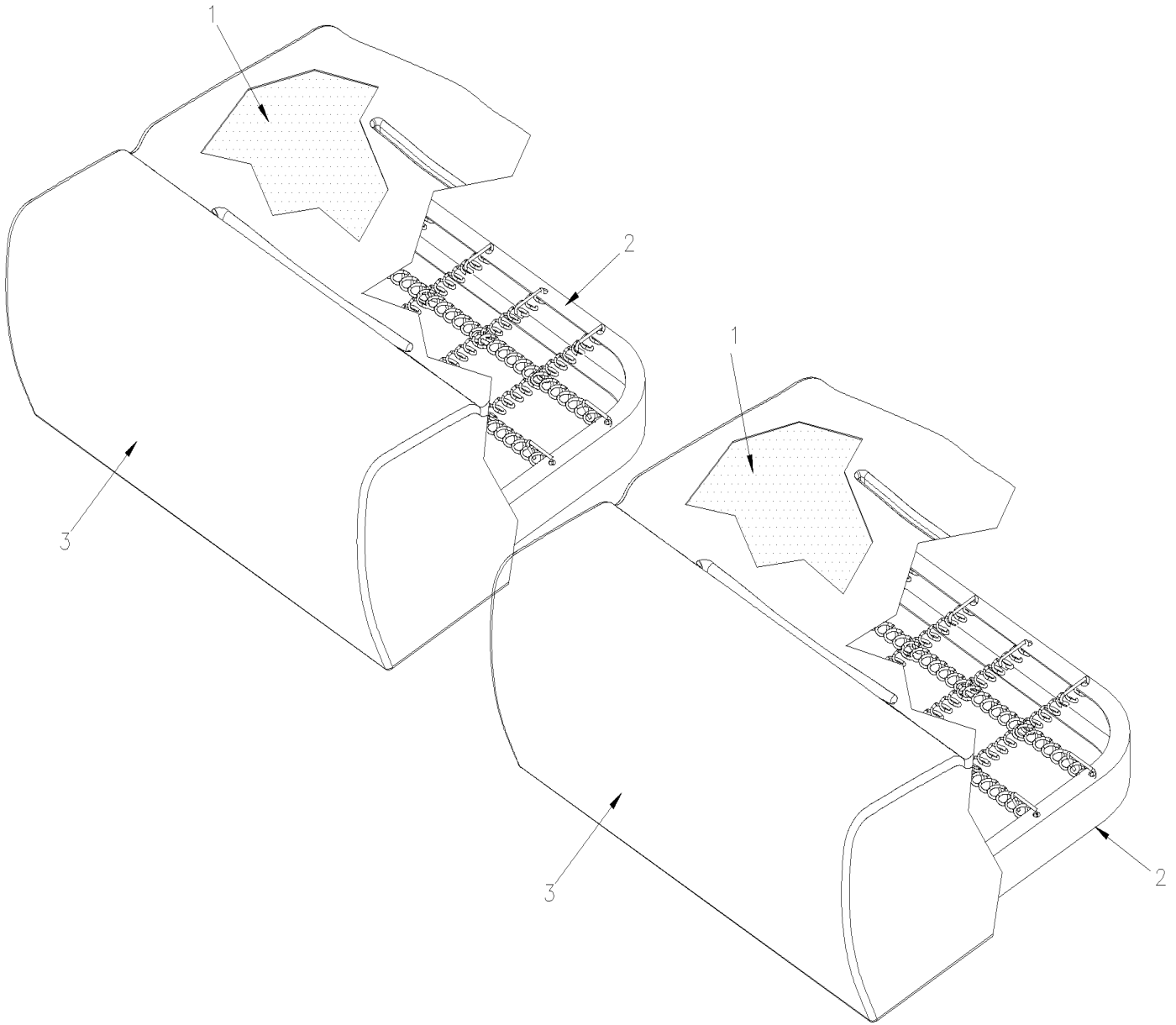
From K-0185

Date:07/2024

PAGE:H9-1827-71

SEAT CUSHION AMAYA "A-2TEN"

REGULAR SEAT



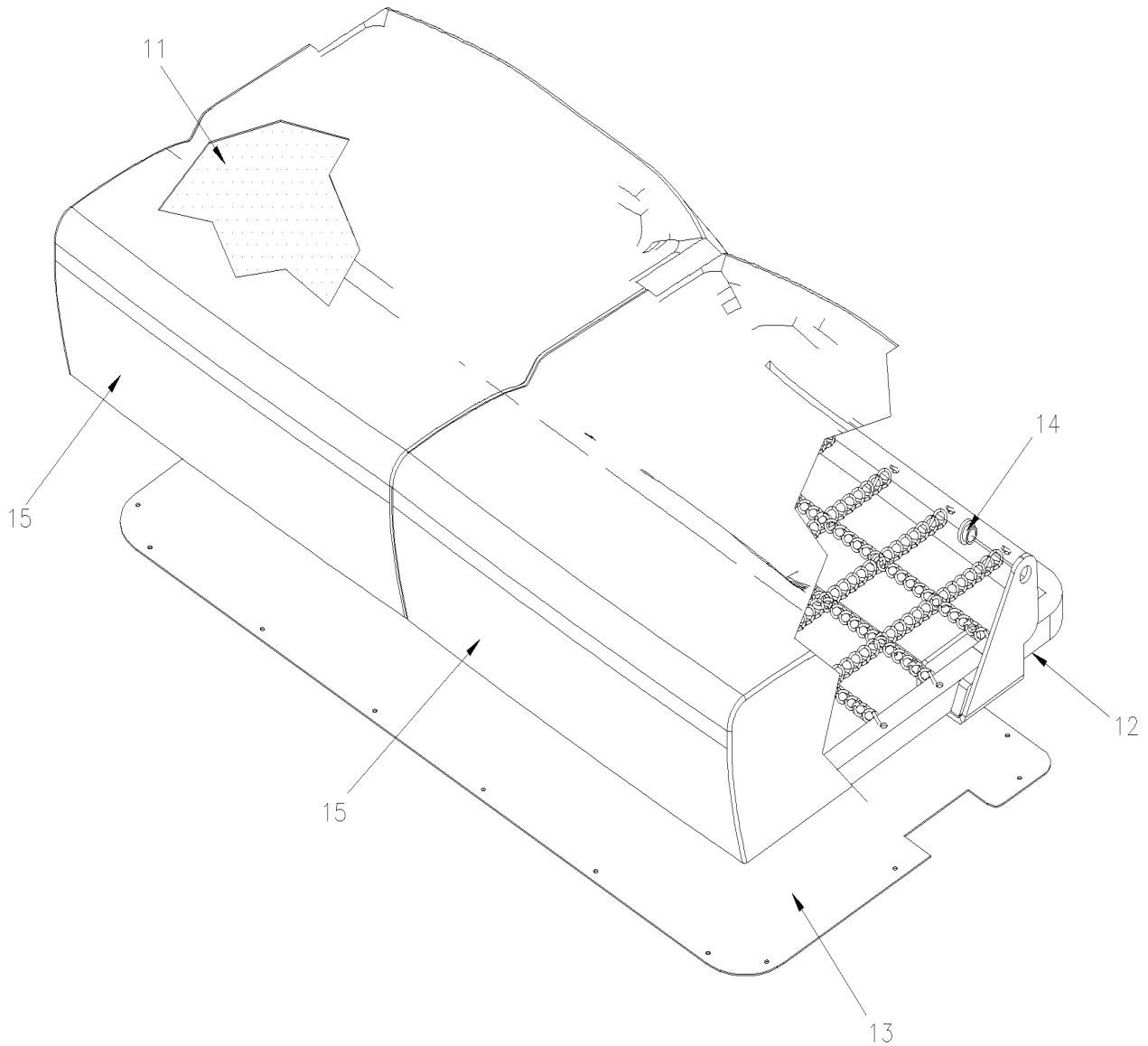
From K-0185

Date:07/2024

PAGE:H9-1827-71

SEAT CUSHION AMAYA "A-2TEN"

FLIP-UP/SLIDER SEAT



*LH SIDE SHOWN
RH SIDE SYMMETRICAL*

From K-0185	Date:07/2024	PAGE:H9-1827-71
SEAT CUSHION AMAYA "A-2TEN"		

Item#	Part	Description	H 3 4 1	H 3 4 5	NOTES
	866208	SEAT CUSHION ASSY / 2 PASSENGER'S	1	1	
1	860260	. SEAT CUSHION FOAM	2	2	
2	860108	. SEAT CUSHION FRAME	2	2	
3	Call order desk	. COVER DETAIL	2	2	P
10	Call order desk	SEAT CUSHION ASSY / 2 PASSENGER'S / FLIP-UP SEAT	1	1	P
11	Call order desk	. SEAT CUSHION FOAM	2	2	P
12	Call order desk	. SEAT CUSHION FRAME CURBSIDE	1	1	P
12	Call order desk	. SEAT CUSHION FRAME STREET SIDE	1	1	P
13	860178	. PANEL COVER SEAT BOTTOM	1	1	
14	Call order desk	. BUSHING	2	2	P
15	Call order desk	. UPHOLSTERY	2	2	P
		P) CALL ORDER DESK FOR SPECIFIC APPLICATION (V.I.N.)			

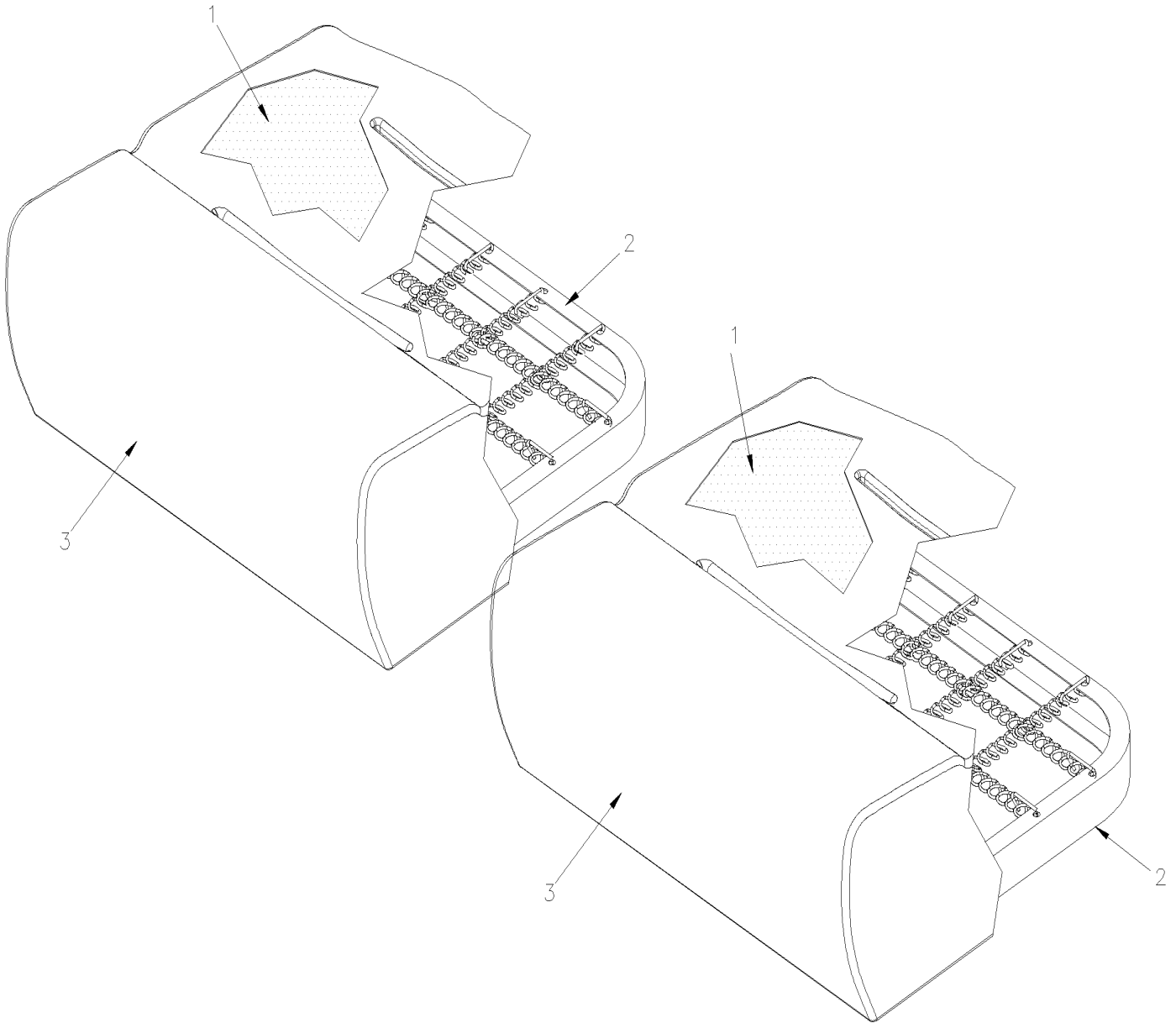
From K-0185

Date:07/2024

PAGE:H9-1827-72

SEAT CUSHION AMAYA "A-220"

REGULAR SEAT



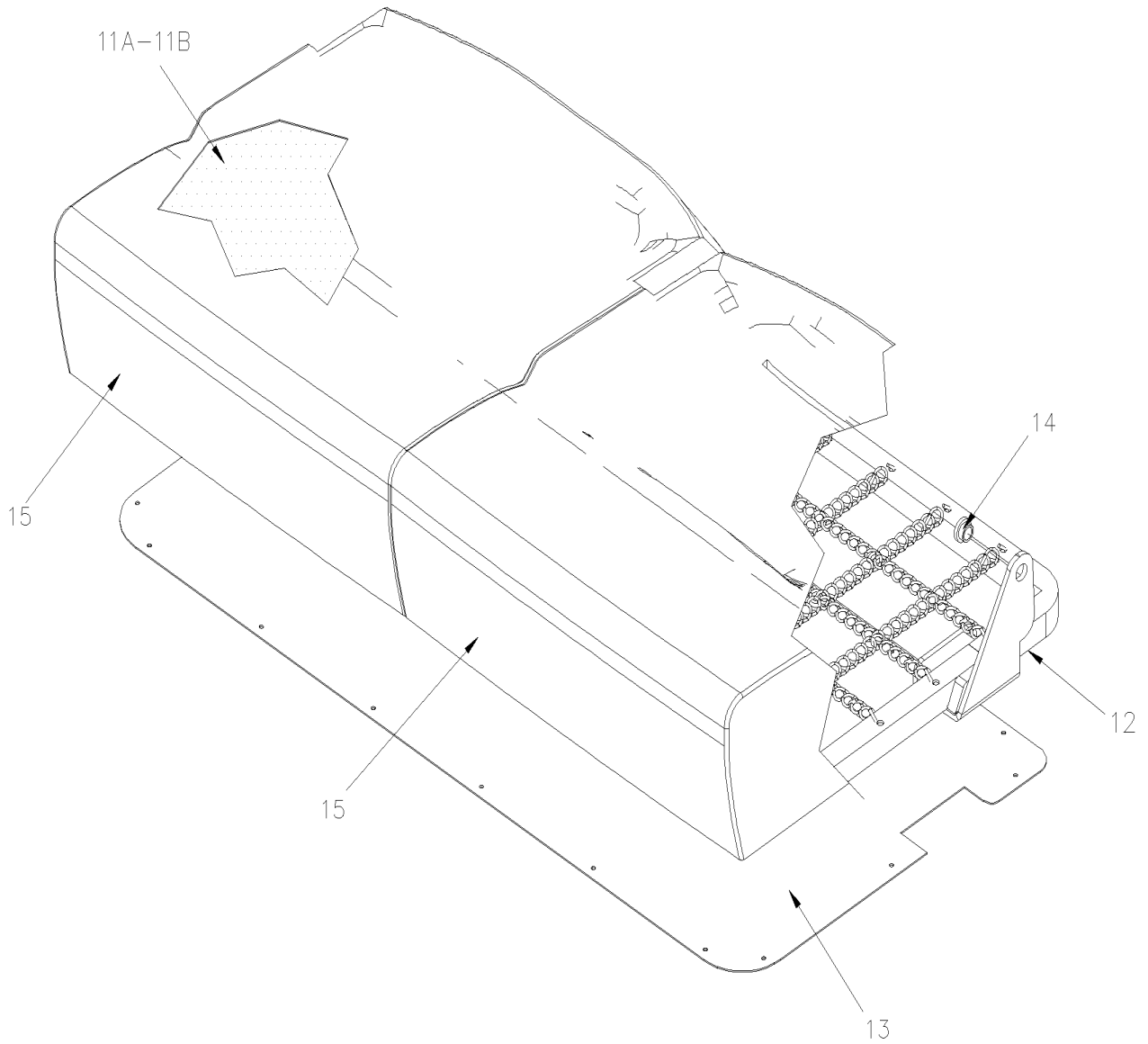
From K-0185

Date:07/2024

PAGE:H9-1827-72

SEAT CUSHION AMAYA "A-220"

FLIP-UP/SLIDER SEAT 10



*LH SIDE SHOWN
RH SIDE SYMMETRICAL*

From K-0185	Date:07/2024	PAGE:H9-1827-72
SEAT CUSHION AMAYA "A-220"		

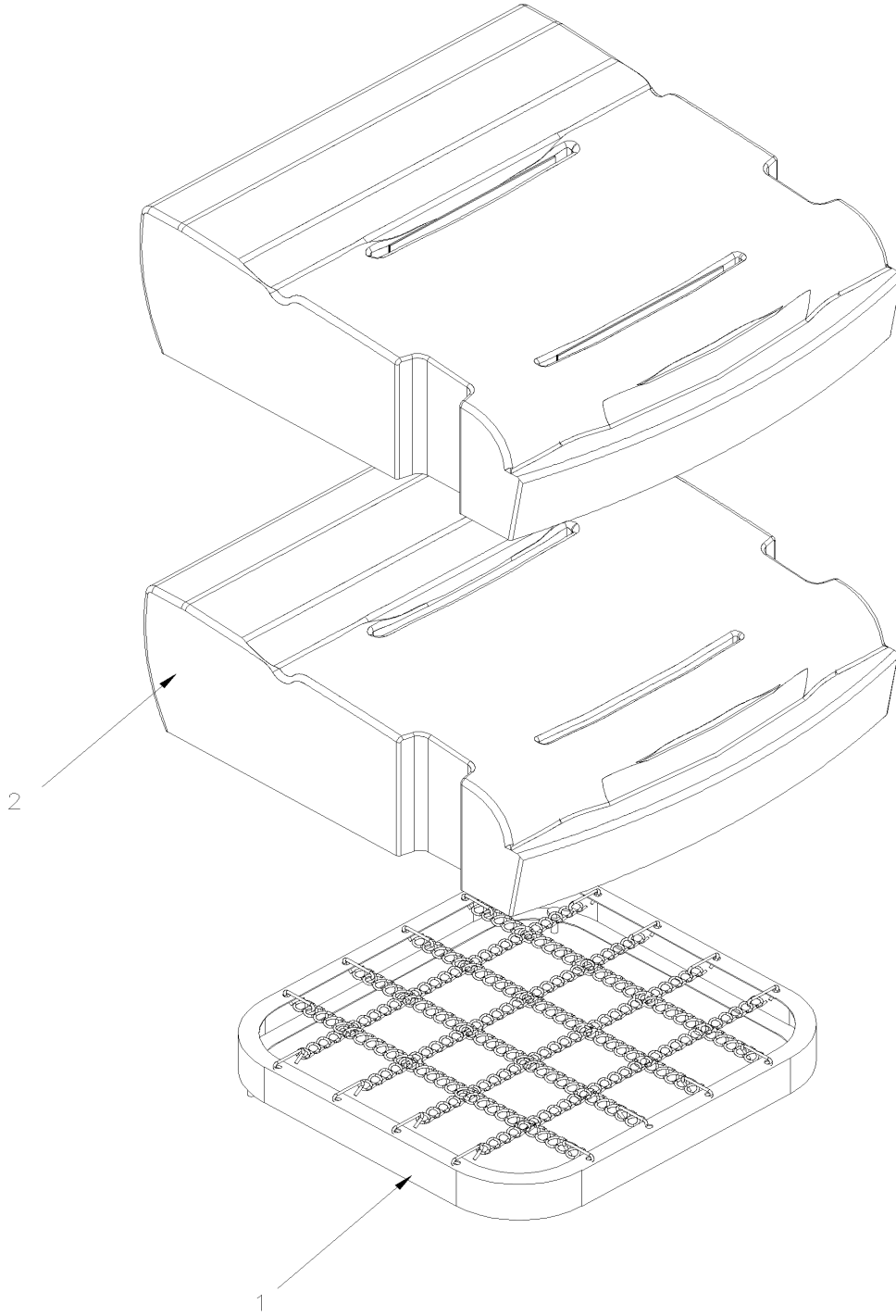
Item#	Part	Description	H 3 4 1	H 3 4 5	N O T E S
	866208	SEAT CUSHION ASSY / 2 PASSENGER'S	1	1	
1	860260	. SEAT CUSHION FOAM	2	2	
2	860108	. SEAT CUSHION FRAME	2	2	
3	Call order desk	. COVER DETAIL	2	2	P
10	Call order desk	. SEAT CUSHION ASSY / 2 PASSENGER'S / FLIP-UP SEAT CURBSIDE SEAT	1	1	P
11A	Call order desk	. SEAT CUSHION CURBSIDE A-220	1	1	P
11B	Call order desk	. SEAT CUSHION STREET SIDE A-220	1	1	P
12	Call order desk	. SEAT CUSHION FRAME CURBSIDE A-220	1	1	P
13	Call order desk	. PANEL COVER SEAT BOTTOM	1	1	P
14	Call order desk	. BUSHING	2	2	P
15	Call order desk	. UPHOLSTERY	2	2	P
		P) CALL ORDER DESK FOR SPECIFIC APPLICATION (V.I.N.)			

From K-0185

Date:07/2024

PAGE:H9-1827-73

SEAT CUSHION AMAYA TORINO, "GT" & "GTT"



From K-0185	Date:07/2024	PAGE:H9-1827-73
SEAT CUSHION AMAYA TORINO, "GT" & "GTT"		

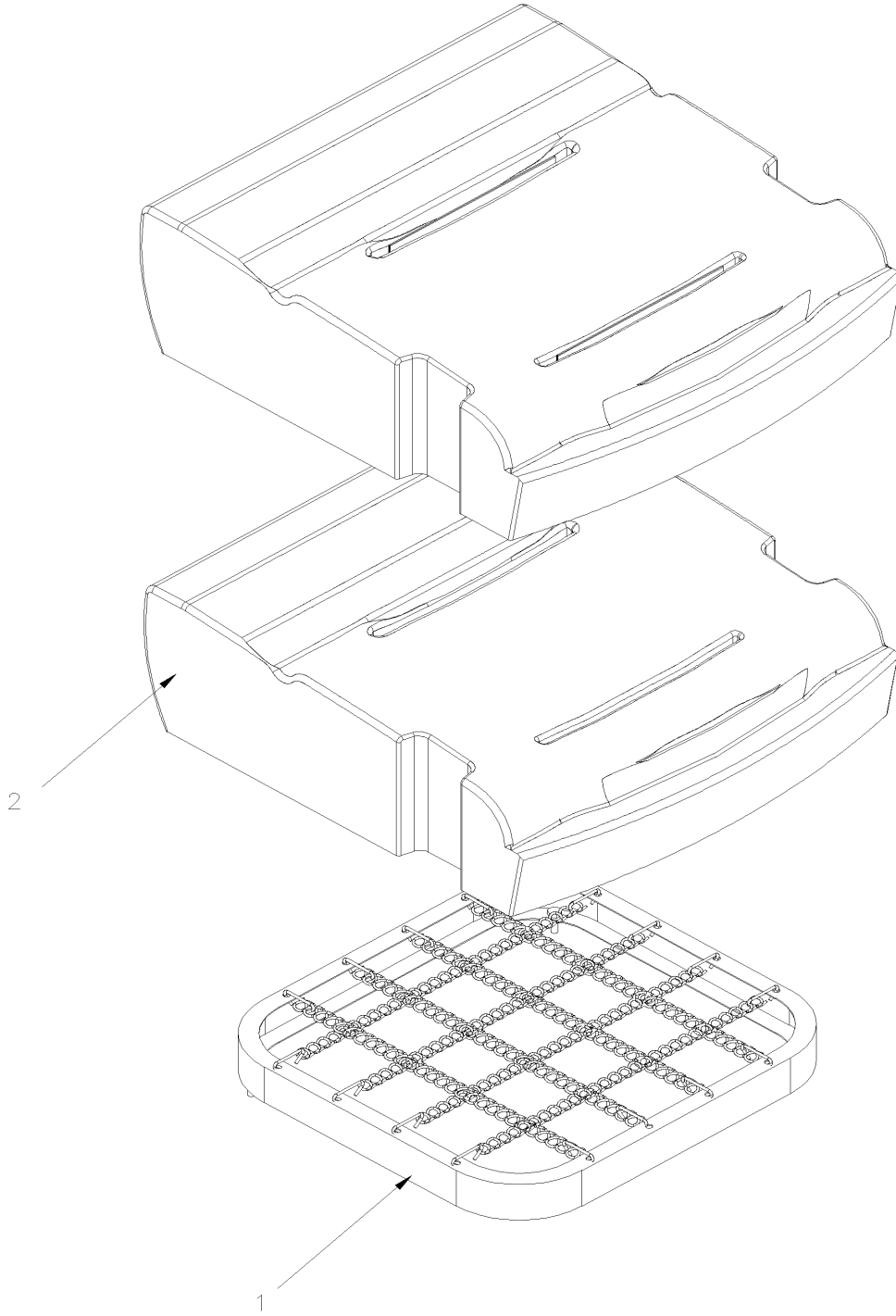
Item#	Part	Description	H 3 4 1	H 3 4 5	NOTES
		**** PLEASE ORDER REGARDING YOUR FABRICS COLOR ****			
	860078	UPHOLSTERED CUSHION	1	1	
1	Call order desk	SEATING CUSHION	1	1	P
2	867826	CUSHION FOAM	1	1	
NS	867931	CLIP FOR CUSHION	1	1	
		P) CALL ORDER DESK FOR SPECIFIC APPLICATION (V.I.N.)			

From K-0185

Date:07/2024

PAGE:H9-1827-74

SEAT CUSHION AMAYA "SIGMA"



From K-0185		Date:07/2024	PAGE:H9-1827-74
-------------	--	--------------	-----------------

SEAT CUSHION AMAYA "SIGMA"

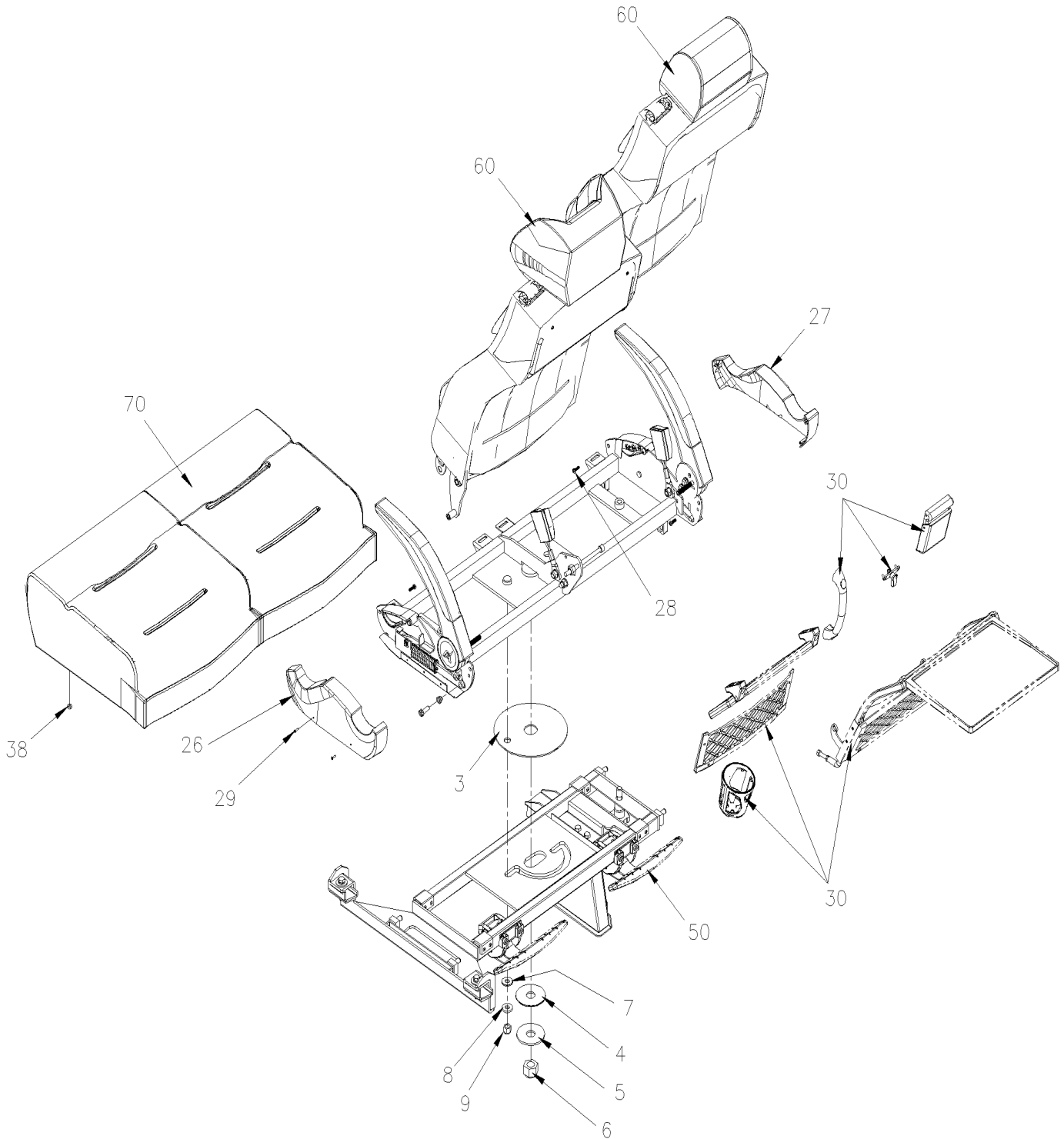
Item#	Part	Description	H 3 4 1	H 3 4 5	N O T E S
		**** PLEASE ORDER REGARDING YOUR FABRICS COLOR ****			
	860078	UPHOLSTERED CUSHION	1	1	
1	Call order desk	SEATING CUSHION	1	1	P
2	867826	CUSHION FOAM	1	1	
NS	867931	CLIP FOR CUSHION	1	1	
		P) CALL ORDER DESK FOR SPECIFIC APPLICATION (V.I.N.)			

From K-0185

Date:07/2024

PAGE:H9-1827-81

PASSENGER'S SEAT / REVERSIBLE AMAYA "A-2TEN"

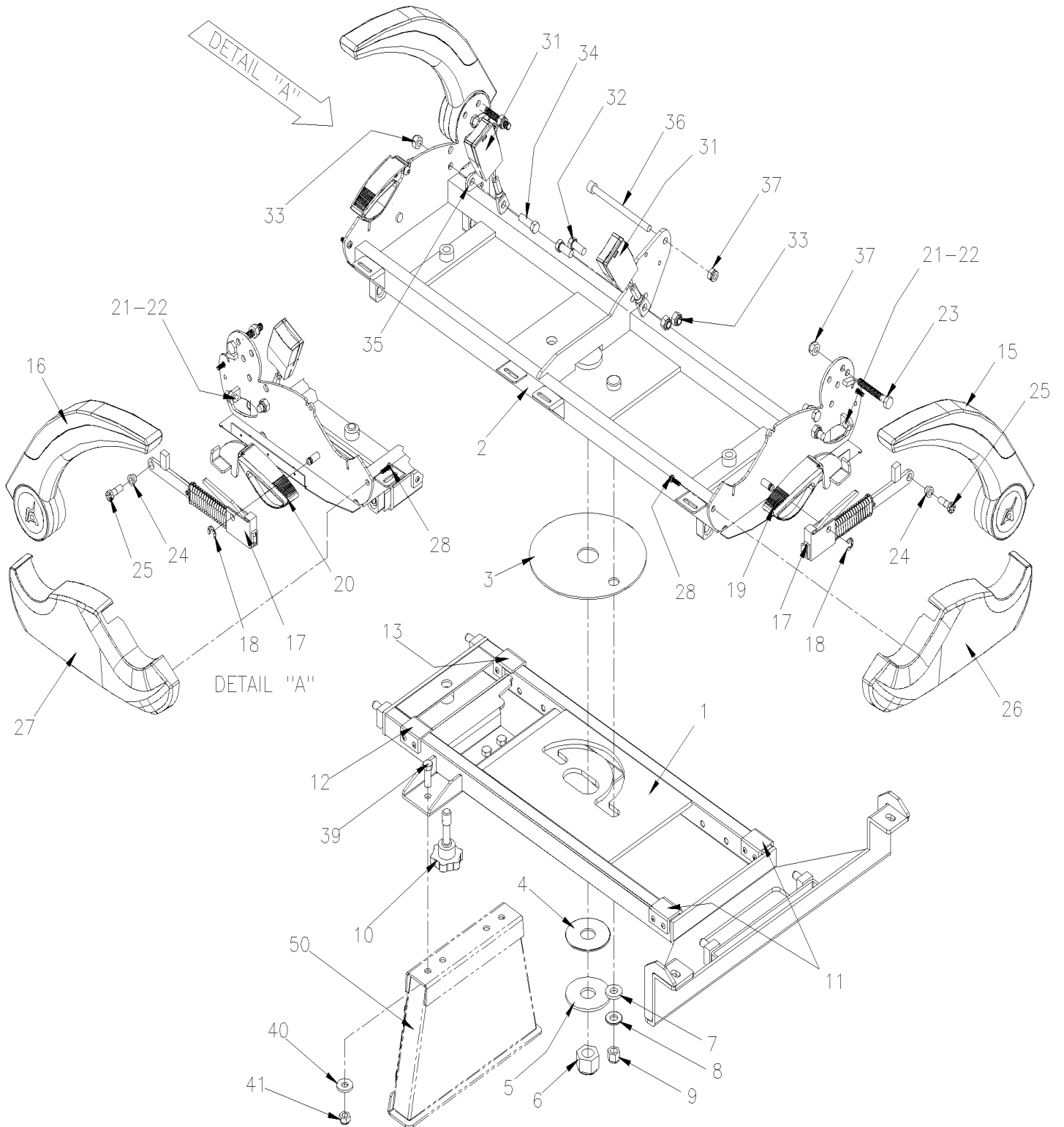


From K-0185

Date:07/2024

PAGE:H9-1827-81

PASSENGER'S SEAT / REVERSIBLE AMAYA "A-2TEN"



From K-0185	Date:07/2024	PAGE:H9-1827-81
PASSENGER'S SEAT / REVERSIBLE AMAYA "A-2TEN"		

Item#	Part	Description	H 3 4 1	H 3 4 5	N O T E S
	Call order desk	SEAT ASSEMBLY 2 PASSENGER'S / REVERSIBLE	1	1	P
1	Call order desk	. SEAT CHASSIS WELDED / FIXED	1	1	P
2	Call order desk	. SEAT CHASSIS WELDED / ROTARY	1	1	P
3	Call order desk	. BASE NYLON RECTAGULAR	1	1	P
4	Call order desk	. WASHER NYLON ROTATING	1	1	P
5	Call order desk	. WASHER FLAT ST ROTATING	1	1	P
6	Call order desk	. NUT SPECIAL CENTER ROTATING	1	1	P
7	Call order desk	. WASHER NYLON INDEX LOCK	1	1	P
8	Call order desk	. WASHER FLAT ST INDEX LOCK	1	1	P
9	Call order desk	. NUT HEX 1/2	1	1	P
10	864119	. KNOB / ROTATING SEAT	1	1	
11	Call order desk	. SLIDER W/HARDWARE FRONT	2	2	P
12	Call order desk	. SLIDER W/HARDWARE BACK	1	1	P
13	Call order desk	. SLIDER W/HARDWARE BACK	1	1	P
15	864938	. ARMREST L.H.	1	1	
. NS	Call order desk	. . ARMREST COVERING WOOD FINISHING	1	1	P
. NS	866077	. . ARMREST COVERING DARK GREY	1	1	
. NS	865378	. . ARMREST COVERING LIGHT GREY	1	1	
. NS	860076	. . CAP WITH LOGO AMAYA	1	1	
16	863186	. ARMREST R.H.	1	1	
. NS	Call order desk	. . ARMREST COVERING WOOD FINISHING	1	1	P
. NS	866077	. . ARMREST COVERING DARK GREY	1	1	
. NS	865378	. . ARMREST COVERING LIGHT GREY	1	1	
. NS	860075	. . CAP WITH LOGO AMAYA	1	1	
17	865086	. RECLINING MECHANISM ASSY / "TORINO" AILSE	2	2	
18	865488	. RETAINING RING	2	2	
19	865298	. LEVER ASSY L.H.	1	1	
20	860199	. LEVER ASSY R.H.	1	1	
21	865498	. SCREW CAP HEX 1/4-20 x 3/4 LG	2	2	
22	865497	. NUT HEX 1/4	2	2	
23	Call order desk	. SCREW CAP HEX M10x65	2	2	P
24	865215	. BUSHING NYLON	2	2	
25	860092	. SCREW CAP HEX 3/8" x 1" G8	2	2	
26	Call order desk	. ARMREST COVER L.H. / "TORINO VT" W/REVERSIBLE SEAT	1	1	P
27	Call order desk	. ARMREST COVER R.H. / "TORINO VT" W/REVERSIBLE SEAT	1	1	P
28	Call order desk	. SCREW TC PAN PH M6-20	4	4	P
29	Call order desk	. RIVET 1/8	4	4	P
30	H9-1826-60	. ACCESSORIES PASSENGER'S SEAT - "AMAYA"	1	1	
31	864349	. BUCKLE FEMALE	2	2	
32	865521	. SCREW CAP HEX 7/16-20x1 G8	2	2	
33	865519	. NUT HEX NYRT 7/16-20	3	3	
34	868271	. SCREW CAP HEX 7/16-20x1 1/4 G8	1	1	

From K-0185	Date:07/2024	PAGE:H9-1827-81
PASSENGER'S SEAT / REVERSIBLE AMAYA "A-2TEN"		

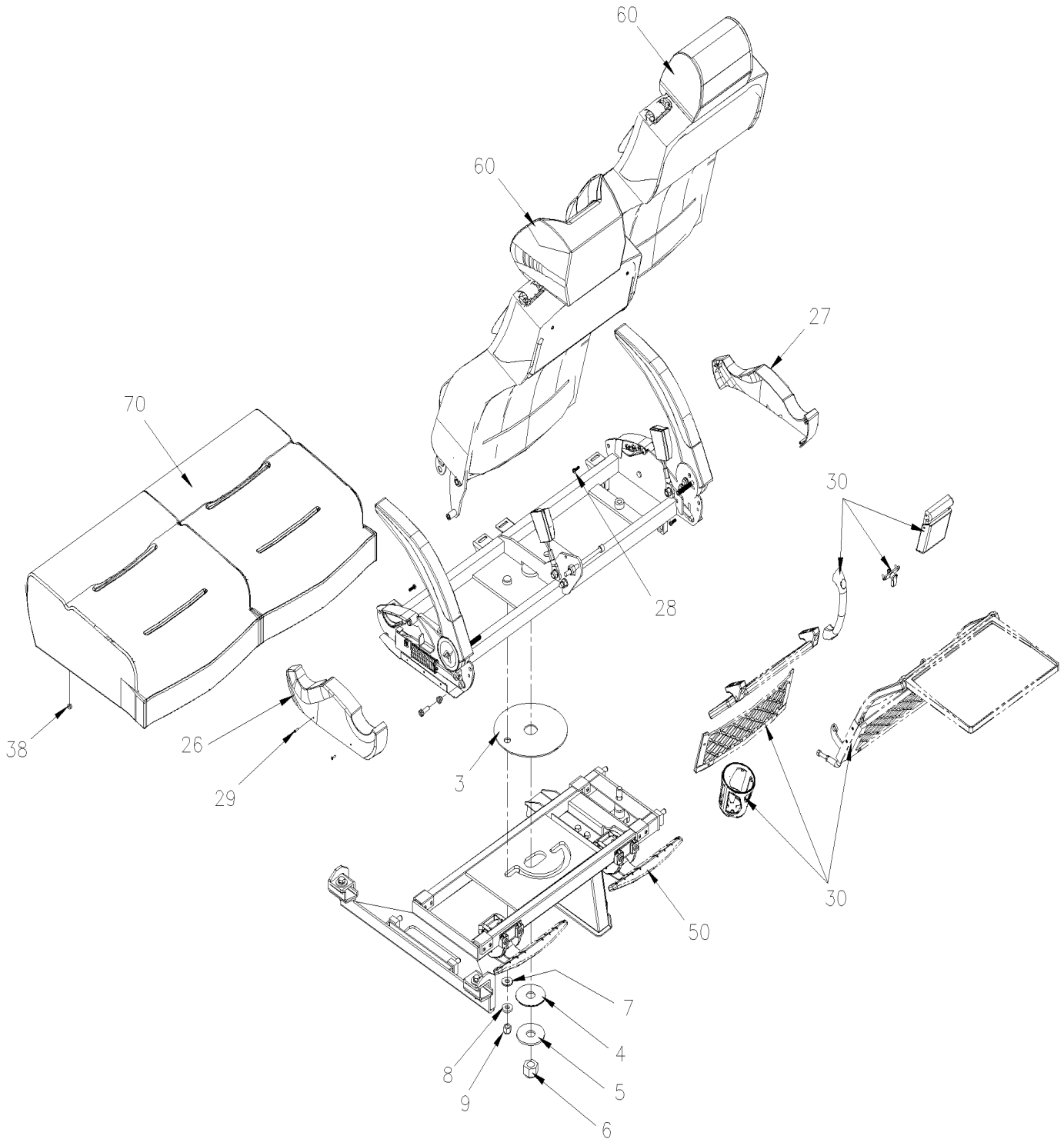
Item#	Part	Description	H 3 4 1	H 3 4 5	N O T E S
35	7770173	. STOPPER 6" RECLINING (3 pos)	1	1	
36	868265	. SCREW CAP HEXS M10x140MM	1	1	
37	868269	. NUT HEX / GRIPCO M10-1.5	3	3	
38	Call order desk	. NUT HEX / GRIPCO 1/4	4	4	P
39	865521	. SCREW CAP HEX 7/16-20x1 G8	3	3	
40	Call order desk	. WASHER FL 7/16	5	5	P
41	865519	. NUT HEX NYRT 7/16-20	3	3	
50	H9-1826-41	. PASSENGER'S SEAT - "AMAYA" - FOOTREST & PEDESTAL	1	1	
60	H9-1827-61	. BACKREST AMAYA "A-2TEN"	1	1	
70	H9-1827-71	. SEAT CUSHION AMAYA "A-2TEN"	1	1	
		P) CALL ORDER DESK FOR SPECIFIC APPLICATION (V.I.N.)			
		P) CALL ORDER DESK FOR SPECIFIC APPLICATION (V.I.N.)			

From K-0185

Date:07/2024

PAGE:H9-1827-82

PASSENGER'S SEAT / REVERSIBLE AMAYA "A-220"

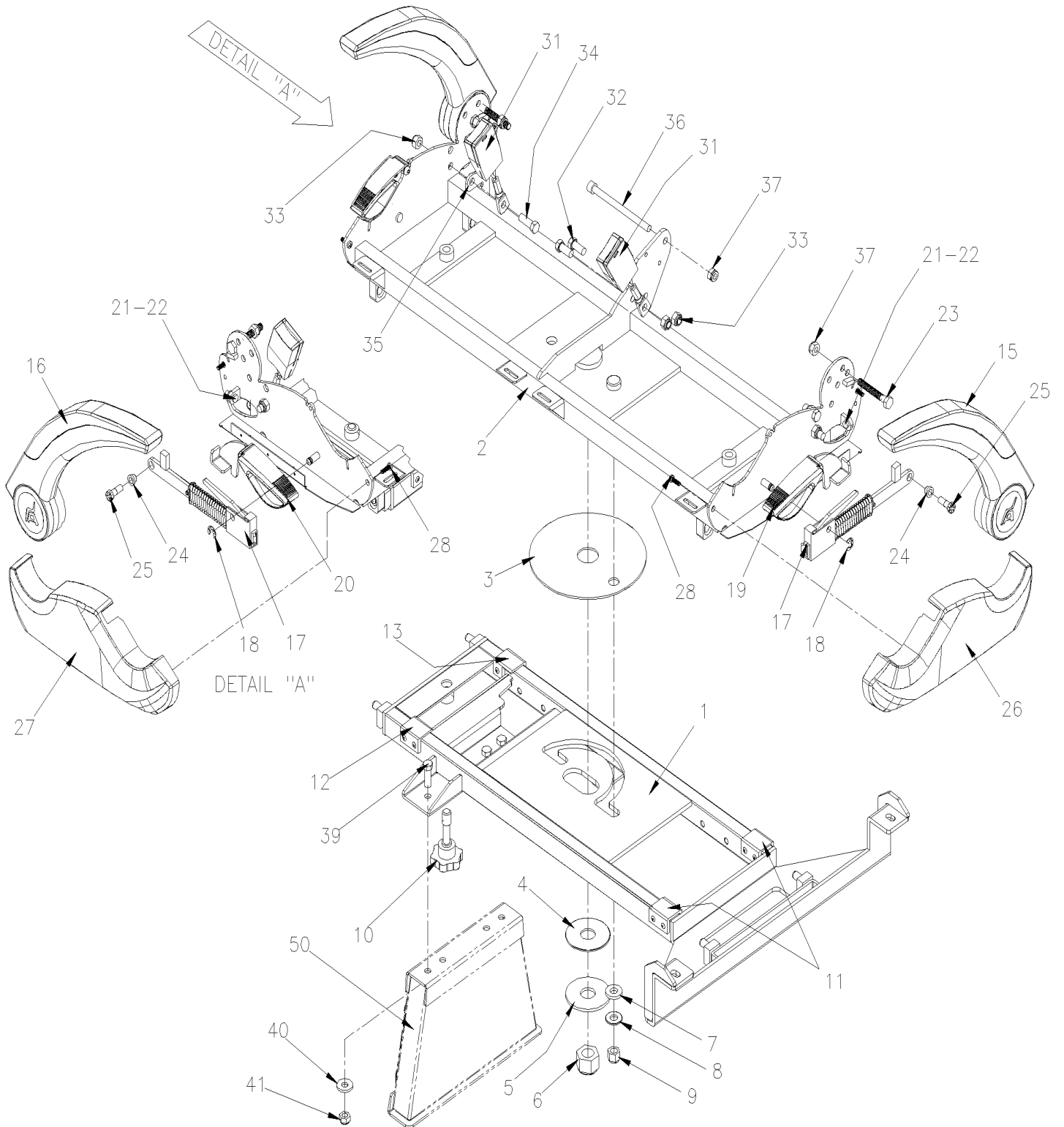


From K-0185

Date:07/2024

PAGE:H9-1827-82

PASSENGER'S SEAT / REVERSIBLE AMAYA "A-220"



From K-0185	Date:07/2024	PAGE:H9-1827-82
PASSENGER'S SEAT / REVERSIBLE AMAYA "A-220"		

Item#	Part	Description	H 3 4 1	H 3 4 5	NOTES
	Call order desk	SEAT ASSEMBLY 2 PASSENGER'S / REVERSIBLE	1	1	P
1	Call order desk	. SEAT CHASSIS WELDED / FIXED	1	1	P
2	Call order desk	. SEAT CHASSIS WELDED / ROTARY	1	1	P
3	Call order desk	. BASE NYLON RECTAGULAR	1	1	P
4	Call order desk	. WASHER NYLON ROTATING	1	1	P
5	Call order desk	. WASHER FLAT ST ROTATING	1	1	P
6	Call order desk	. NUT SPECIAL CENTER ROTATING	1	1	P
7	Call order desk	. WASHER NYLON INDEX LOCK	1	1	P
8	Call order desk	. WASHER FLAT ST INDEX LOCK	1	1	P
9	Call order desk	. NUT HEX 1/2	1	1	P
10	864119	. KNOB / ROTATING SEAT	1	1	
11	Call order desk	. SLIDER W/HARDWARE FRONT	2	2	P
12	Call order desk	. SLIDER W/HARDWARE BACK	1	1	P
13	Call order desk	. SLIDER W/HARDWARE BACK	1	1	P
15	864938	. ARMREST L.H.	1	1	
. NS	Call order desk	. . ARMREST COVERING WOOD FINISHING	1	1	P
. NS	866077	. . ARMREST COVERING DARK GREY	1	1	
. NS	865378	. . ARMREST COVERING LIGHT GREY	1	1	
. NS	860076	. . CAP WITH LOGO AMAYA	1	1	
16	863186	. ARMREST R.H.	1	1	
. NS	Call order desk	. . ARMREST COVERING WOOD FINISHING	1	1	P
. NS	866077	. . ARMREST COVERING DARK GREY	1	1	
. NS	865378	. . ARMREST COVERING LIGHT GREY	1	1	
. NS	860075	. . CAP WITH LOGO AMAYA	1	1	
17	865086	. RECLINING MECHANISM ASSY / "TORINO" AILSE	2	2	
18	865488	. RETAINING RING	2	2	
19	865298	. LEVER ASSY L.H.	1	1	
20	860199	. LEVER ASSY R.H.	1	1	
21	865498	. SCREW CAP HEX 1/4-20 x 3/4 LG	2	2	
22	865497	. NUT HEX 1/4	2	2	
23	Call order desk	. SCREW CAP HEX M10x65	2	2	P
24	865215	. BUSHING NYLON	2	2	
25	860092	. SCREW CAP HEX 3/8" x 1" G8	2	2	
26	Call order desk	. ARMREST COVER L.H. / "TORINO VT" W/REVERSIBLE SEAT	1	1	P
27	Call order desk	. ARMREST COVER R.H. / "TORINO VT" W/REVERSIBLE SEAT	1	1	P
28	Call order desk	. SCREW TC PAN PH M6-20	4	4	P
29	Call order desk	. RIVET 1/8	4	4	P
30	H9-1826-60	. ACCESSORIES PASSENGER'S SEAT - "AMAYA"	1	1	
31	864349	. BUCKLE FEMALE	2	2	
32	865521	. SCREW CAP HEX 7/16-20x1 G8	2	2	
33	865519	. NUT HEX NYRT 7/16-20	3	3	
34	868271	. SCREW CAP HEX 7/16-20x1 1/4 G8	1	1	

From K-0185	Date:07/2024	PAGE:H9-1827-82
PASSENGER'S SEAT / REVERSIBLE AMAYA "A-220"		

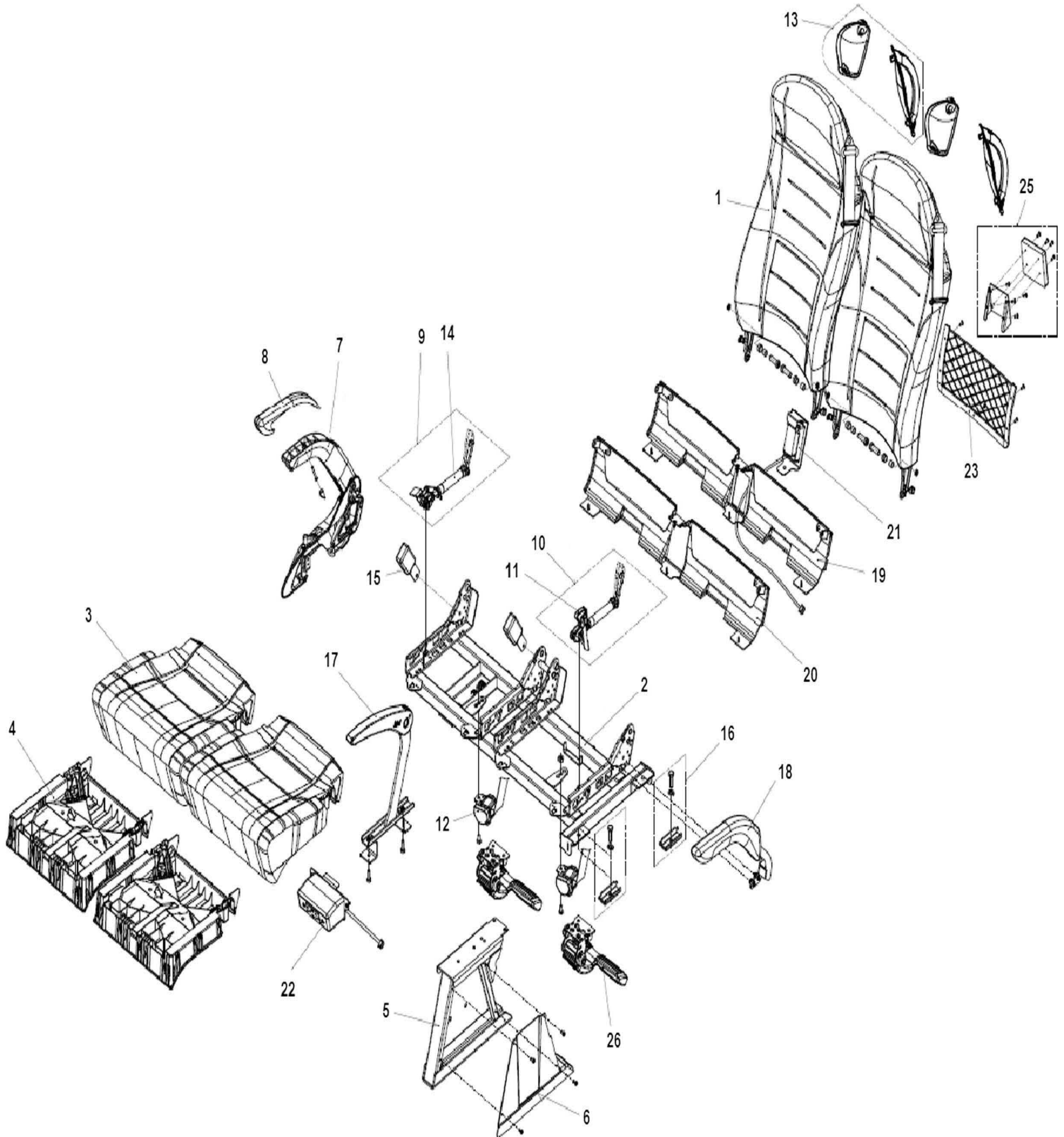
Item#	Part	Description	H 3 4 1	H 3 4 5	N O T E S
35	7770173	. STOPPER 6" RECLINING (3 pos)	1	1	
36	868265	. SCREW CAP HEXS M10x140MM	1	1	
37	868269	. NUT HEX / GRIPCO M10-1.5	3	3	
38	Call order desk	. NUT HEX / GRIPCO 1/4	4	4	P
39	865521	. SCREW CAP HEX 7/16-20x1 G8	3	3	
40	Call order desk	. WASHER FL 7/16	5	5	P
41	865519	. NUT HEX NYRT 7/16-20	3	3	
50	H9-1826-41	. PASSENGER'S SEAT - "AMAYA" - FOOTREST & PEDESTAL	1	1	
60	H9-1827-62	. BACKREST AMAYA "A-220"	1	1	
70	H9-1827-72	. SEAT CUSHION AMAYA "A-220"	1	1	
		P) CALL ORDER DESK FOR SPECIFIC APPLICATION (V.I.N.)			
		P) CALL ORDER DESK FOR SPECIFIC APPLICATION (V.I.N.)			

From K-0185

Date:07/2024

PAGE:H9-1828-00

PASSENGER'S SEAT - "KIEL" "AVANCE 1020"

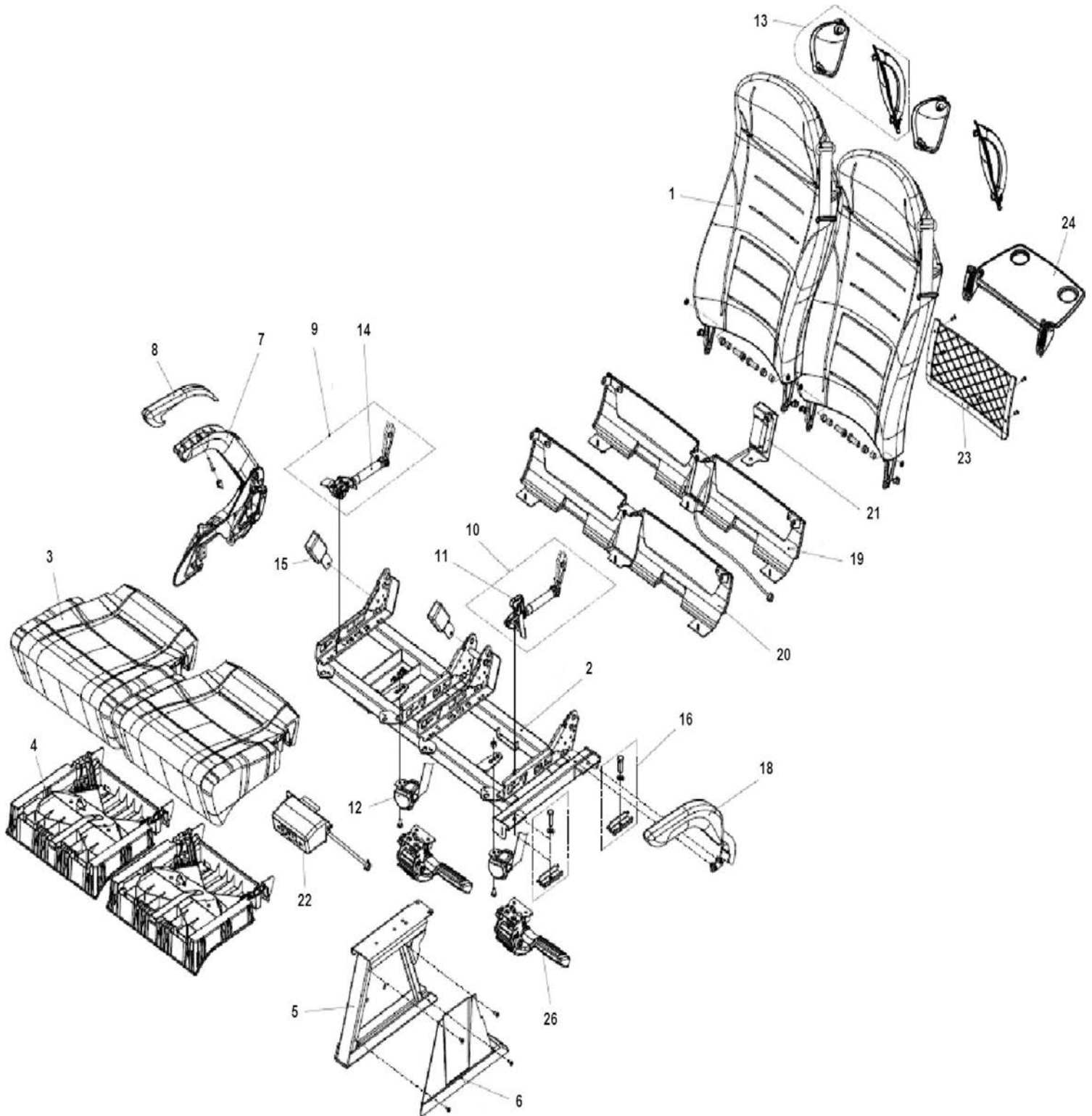


From K-0185

Date:07/2024

PAGE:H9-1828-00

PASSENGER'S SEAT - "KIEL" "AVANCE 1020"



From K-0185	Date:07/2024	PAGE:H9-1828-00
PASSENGER'S SEAT - "KIEL" "AVANCE 1020"		

Item#	Part	Description	H 3 4 1	H 3 4 5	N O T E S
1	Call order desk	BACKREST LEFT			P
2	Call order desk	CHASSIS LEG/WALL FIXATION LEFT			P
2	Call order desk	CHASSIS LEG/WALL FIXATION RIGHT			P
3	Call order desk	SEAT FOAM			P
4	Call order desk	SEAT CUSHION SUPPORT			P
5	Call order desk	PEDESTAL LEFT			P
5	Call order desk	PEDESTAL RIGHT			P
6	Call order desk	PEDESTAL COVER LEFT			P
6	Call order desk	PEDESTAL COVER RIGHT			P
7	868542	ARMREST TRIO LEFT			
7	868538	ARMREST TRIO RIGHT			
7	868709	. BUTTON SEAT RECLINER	1	1	
8	Call order desk	ARMREST UPPER PART CARBON FIBER			P
8	860315	ARMREST UPPER PART WOOD GRAIN			
9	867872	BACKREST ADJUST LEFT HAND AISLE SIDE			
9	867873	BACKREST ADJUST. RIGHT HAND AISLE SIDE			
10	867874	BACKREST ADJUST. LEFT HAND WALL SIDE			
10	867875	BACKREST ADJUST. RIGHT HAND WALL SIDE			
11	867836	ADJUSTMENT BUTTON BLACK			
12	860366	3P SEAT BELT ALR/ELR			
13	Call order desk	HANDLE LEFT / RIGHT BLACK			P
13	Call order desk	HANDLE RIGHT BLACK			P
14	868415	GAS SPRING			
15	867954	BUCKLE			
16	Call order desk	WALL CONNECTION HOOK			P
17	868419	MIDDLE ARMREST BLACK			
18	868698	WALL SIDE ARMREST LEFT			
18	868699	WALL SIDE ARMREST RIGHT			
19	Call order desk	KICKPLATE LEFT WITH USB HOLE BLACK			P
19	Call order desk	KICKPLATE RIGHT WITH USB HOLE BLACK			P
20	Call order desk	KICKPLATE LEFT W/O USB HOLE BLACK			P
20	Call order desk	KICKPLATE RIGHT W/O USB HOLE BLACK			P
21	Call order desk	OUTLET 110V / USB			P
22	Call order desk	FRONT USB COUPLING			P
23	Call order desk	MAGAZINE POCKETS BLACK			P
24	868502	TABLE, STD			
25	Call order desk	CUP HOLDER BLACK			P
26	860304	FOOTREST SELF RETRACTABLE BLACK			
26	868700	FOOT REST KIT - MANUAL - BLACK	1	1	

From K-0185	Date:07/2024	PAGE:H9-1828-00
PASSENGER'S SEAT - "KIEL" "AVANCE 1020"		

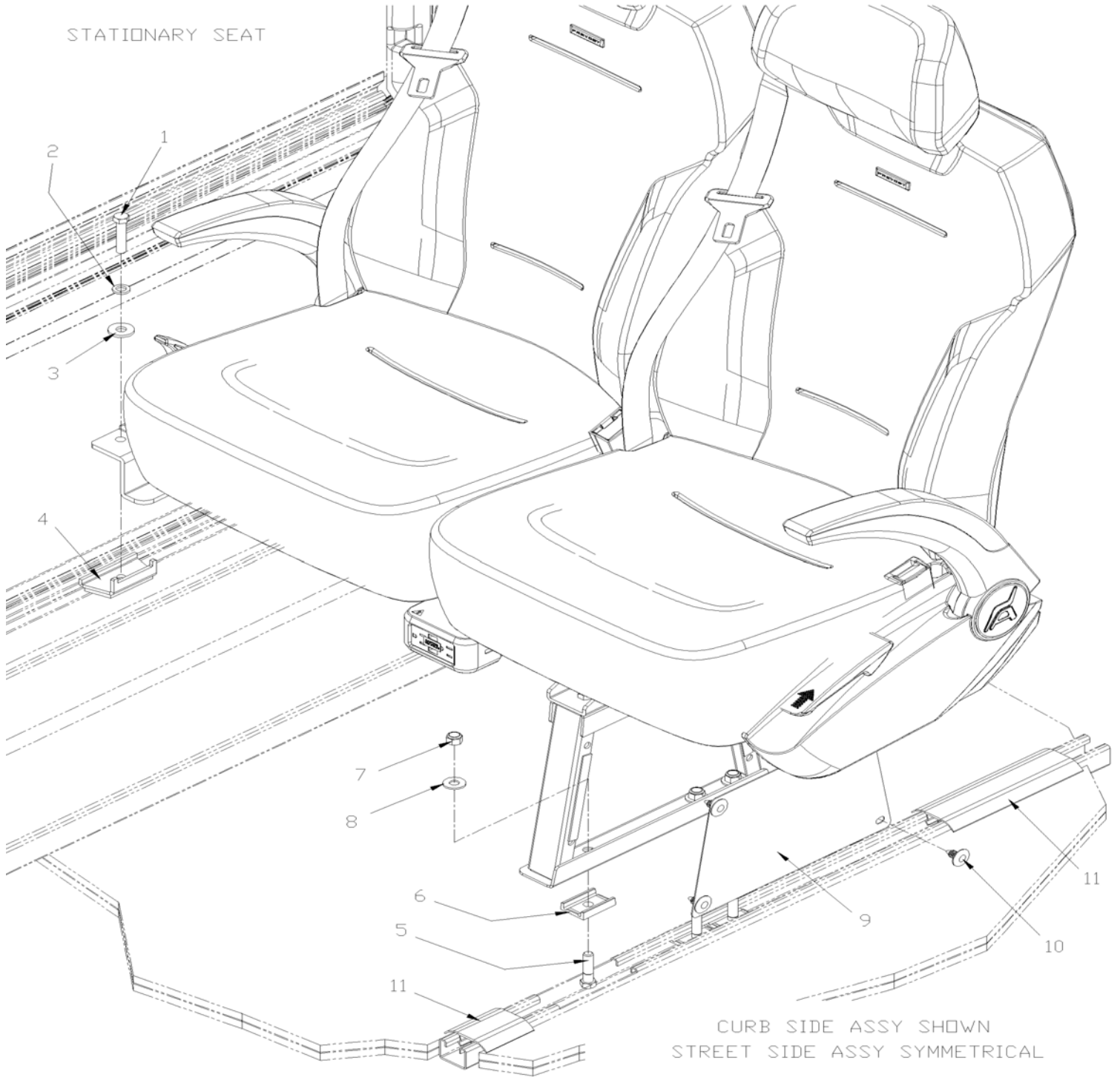
Item#	Part	Description	H 3 4 1	H 3 4 5	N O T E S
		P) CALL ORDER DESK FOR SPECIFIC APPLICATION (V.I.N.)			

From N-1173

Date:07/2024

PAGE:H9-1828-01

PASSENGER'S SEAT INSTALLATION / CLOUDONE

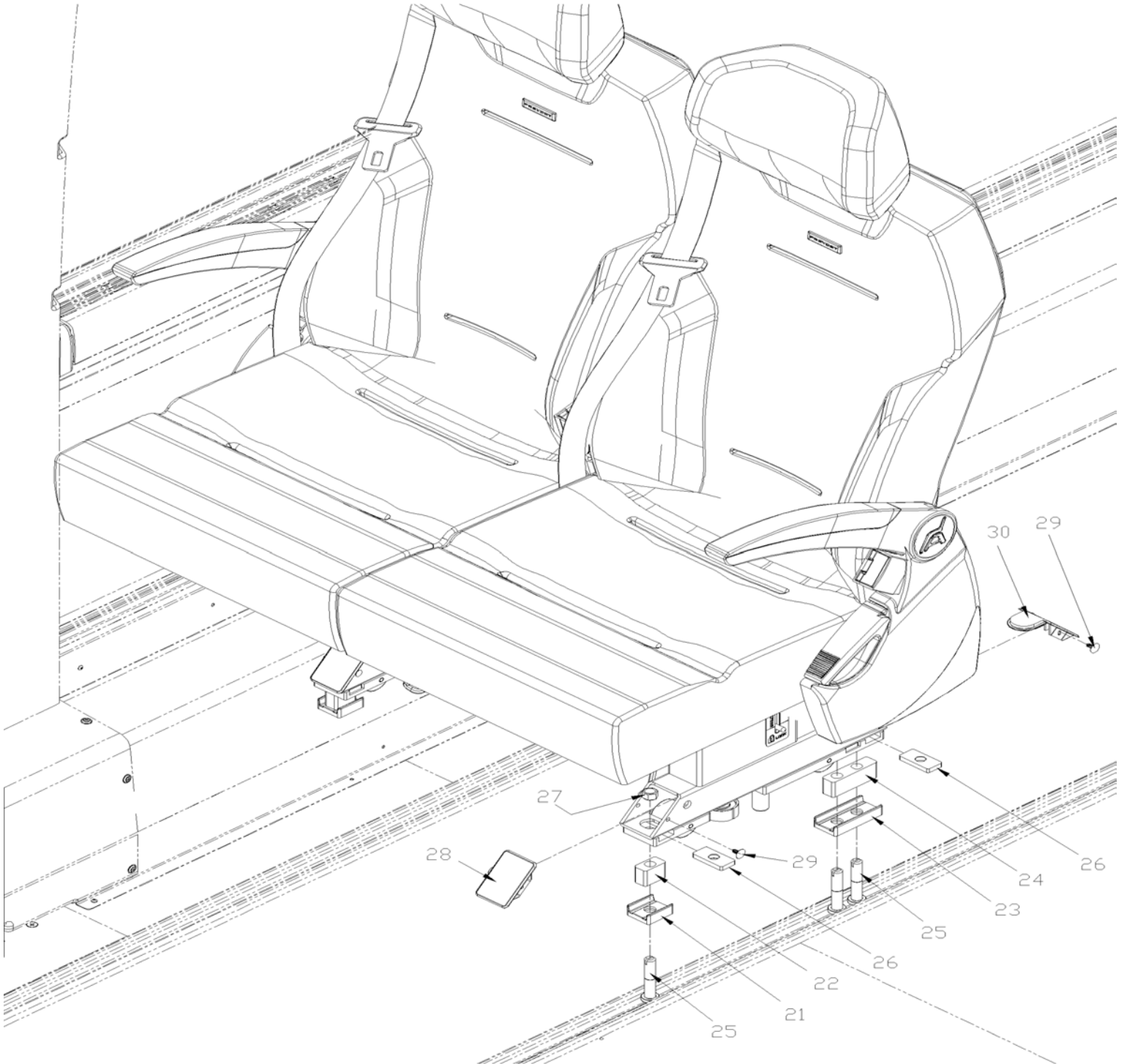


From N-1173

Date:07/2024

PAGE:H9-1828-01

PASSENGER'S SEAT INSTALLATION / CLOUDONE



From N-1173	Date:07/2024	PAGE:H9-1828-01
PASSENGER'S SEAT INSTALLATION / CLOUDONE		

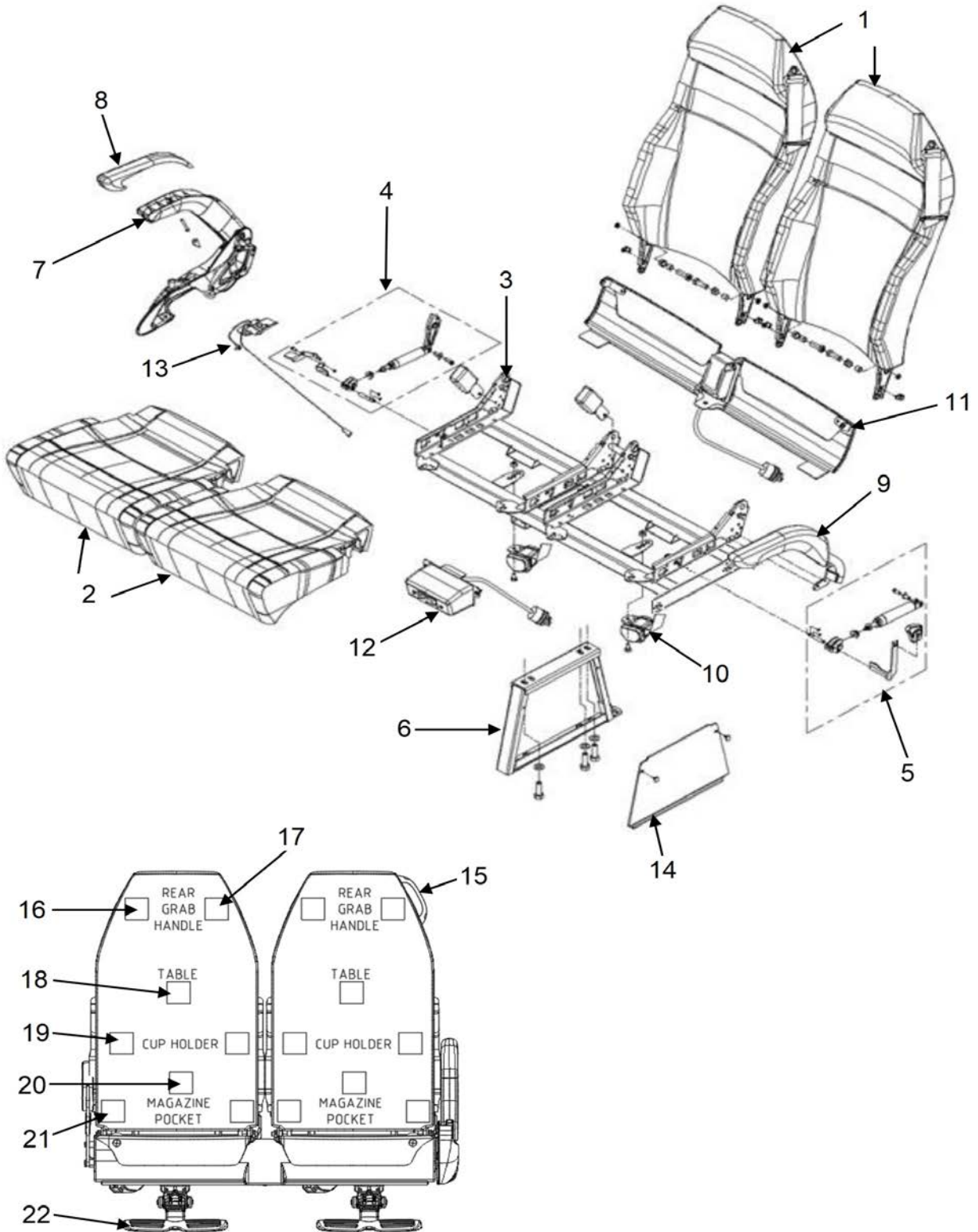
Item#	Part	Description	H 3 4 1	H 3 4 5	NOTES
1	865458	SCREW CAP HEX 7/16-20x2 G8	2	2	
2	865460	WASHER LO SPT 7/16	2	2	
3	865520	WASHER FL 7/16	2	2	
4	861714	ATTACHMENT NUT / "U" SHAPE TO FIX SEAT TO WALL TRACK	2	2	
5	5001735	SCREW CAP HEX 7/16-20x1 3/4 G8 G500	AR	AR	
6	364272	BLOCK ANCHOR / 26.8MM INSIDE / 35MM x 50MM x 19MM Height	AR	AR	
7	5001734	NUT HEX 7/16-20 G8 N500	AR	AR	
8	500897	WASHER FL .437x1.000x.083 N500	AR	AR	
9	865297	COVER PEDESTAL W/"TORINO", A-2TEN, A-220, GTT	1	1	
10	864368	SCREW 3/8 PLASTIC	AR	AR	
11	329689	SEAT TRACK COVER 12' / EACH SEAT / W/COVERING FLOOR	AR	AR	
21	868310	FRONT GUIDE BASE	2	2	
22	868311	REAR GUIDE BASE	2	2	
23	868306	SHORT INTERIOR SLIDER	2	2	
24	868307	DOUBLE SLIDER FOR GUIDE	2	2	
25	868305	GUIDE PIN	6	6	
26	868275	FLAT FLOATING	6	6	
27	868279	NUT HEX LOCK 1/2-20	6	6	
28	865687	PEDESTAL CAP / TORINO	2	2	
29	864029	CLIP CHRISTMAS TREE / GREY 11MM O.D. x17MM HOLE 4MM	8	8	
30	867783	REAR PEDESTAL PLUG	2	2	

From K-0185

Date:07/2024

PAGE:H9-1828-05

PASSENGER'S SEAT - "KIEL" "AVANCE 2050"

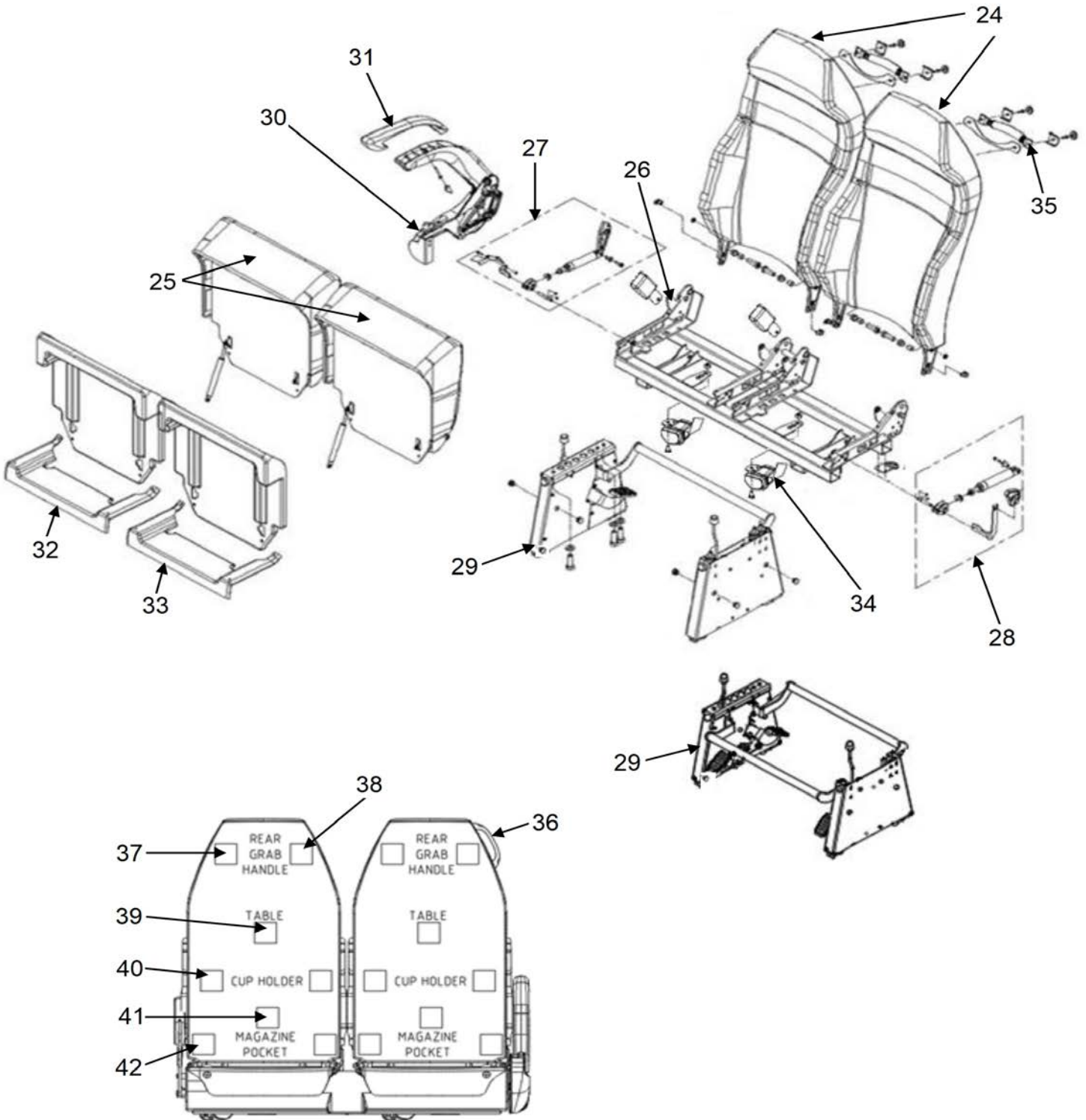


From K-0185

Date:07/2024

PAGE:H9-1828-05

PASSENGER'S SEAT - "KIEL" "AVANCE 2050"

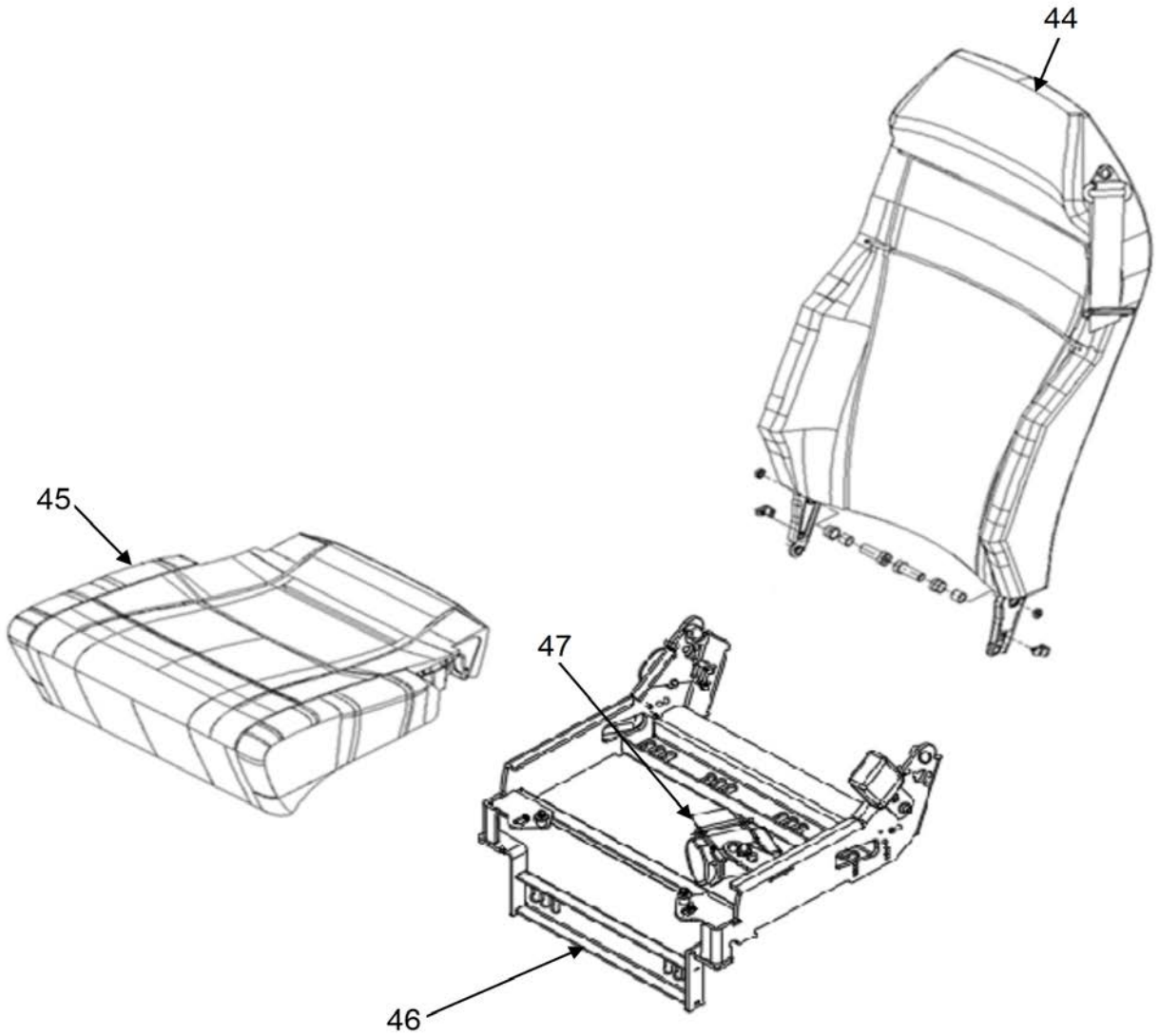


From K-0185

Date:07/2024

PAGE:H9-1828-05

PASSENGER'S SEAT - "KIEL" "AVANCE 2050"



From K-0185		Date:07/2024	PAGE:H9-1828-05
PASSENGER'S SEAT - "KIEL" "AVANCE 2050"			

Item#	Part	Description	H 3 4 1	H 3 4 5	N O T E S
1	Call order desk	BACKREST W/SEAT COVER			P
1	Call order desk	SEAT COVER			P
2	Call order desk	SEAT CUSHION W/SEAT COVER			P
2	Call order desk	SEAT COVER			P
3	Call order desk	CHASSIS RH 2PASS SINGLE			P
3	Call order desk	CHASSIS LH 2PASS SINGLE			P
4	867872	BACKREST ADJUST LEFT HAND AISLE SIDE			
4	867873	BACKREST ADJUST. RIGHT HAND AISLE SIDE			
4	Call order desk	BACKREST ADJUST. LEFT HAND AISLE SIDE			P
4	Call order desk	BACKREST ADJUST. RIGHT HAND AISLE SIDE			P
5	867875	BACKREST ADJUST. RIGHT HAND WALL SIDE			
5	Call order desk	BACKREST ADJUST. LEFT HAND WALL SIDE			P
5	Call order desk	BACKREST ADJUST. RIGHT HAND WALL SIDE			P
5	867874	BACKREST ADJUST. LEFT HAND WALL SIDE			
6	Call order desk	PEDESTAL RIGHT			P
6	Call order desk	PEDESTAL LEFT			P
7	868538	ARMREST TRIO RIGHT			
7	868542	ARMREST TRIO LEFT			
7	868709	. BUTTON SEAT RECLINER	1	1	
8	Call order desk	ARMREST COVER FOAM WOOD			P
8	Call order desk	ARMREST COVER FOAM SILVER			P
8	Call order desk	ARMREST COVER FOAM CARBON FIBER			P
8	Call order desk	ARMREST COVER FOAM GRAY			P
8	868545	ARMREST COVER FOAM BLACK			
9	Call order desk	ARMREST RH WALL SIDE BLACK			P
9	Call order desk	ARMREST LH WALL SIDE BLACK			P
10	Call order desk	SEAT BELT ASM 3 POINTS			P
. NS	868639	. SEAT BELT PLASTIC CAP	1	1	
11	Call order desk	KICKPLATE ASM WHITE 2 USB RAL 7012			P
11	Call order desk	KICKPLATE ASM WHITE 4 USB RAL 9005			P
11	Call order desk	KICKPLATE ASM IVORY 4 USB RAL 9005			P
11	Call order desk	KICKPLATE ASM BLACK 4 USB RAL 9005			P
11	Call order desk	KICKPLATE ASM IVORY 2 USB RAL 7012			P
11	Call order desk	KICKPLATE ASM BLACK 2 USB RAL 7012			P
11	Call order desk	KICKPLATE ASM WHITE 4 USB RAL 7012			P
11	Call order desk	KICKPLATE ASM BEIGE 4 USB RAL 7012			P
11	Call order desk	KICKPLATE ASM BLACK 4 USB RAL 7012			P
11	Call order desk	KICKPLATE ASM WHITE 2 USB RAL 9005			P
11	Call order desk	KICKPLATE ASM IVORY 2 USB RAL 9005			P
11	Call order desk	KICKPLATE ASM BLACK 2 USB RAL 9005			P
12	Call order desk	FRONT OUTLET ASM WHITE 2 USB			P
13	Call order desk	AISLE LIGHT GREEN			P

From K-0185	Date:07/2024	PAGE:H9-1828-05
PASSENGER'S SEAT - "KIEL" "AVANCE 2050"		

Item#	Part	Description	H 3 4 1	H 3 4 5	N O T E S
13	Call order desk	AISLE LIGHT BLUE			P
14	Call order desk	PEDESTRAL COVER ABS			P
15	Call order desk	GRAB HANDLE TORINO			P
16	Call order desk	GRAB HANDLE LH BLACK 2050			P
16	Call order desk	GRAB HANDLE LH BASALT GRAY 2050			P
17	Call order desk	GRAB HANDLE RH BLACK 2050			P
17	Call order desk	GRAB HANDLE RH BASALT GREY 2050			P
18	Call order desk	TRAY FOOD BASALT GREY			P
18	Call order desk	TRAY FOOD W/ TABLET SLOT BASALT GREY			P
18	867868	TABLE			
18	Call order desk	TRAY FOOD BLACK			P
19	Call order desk	CUPHOLDER BLACK			P
19	Call order desk	CUPHOLDER BASALT GREY			P
20	Call order desk	NET MAGAZINE BASALT GREY			P
20	Call order desk	NET MAGAZINE BLACK			P
21	Call order desk	CUPHOLDER FLEXIBLE BASALT GREY			P
21	Call order desk	CUPHOLDER FLEXIBLE BLACK			P
22	860304	FOOTREST SELF RETRACTABLE BLACK			
22	Call order desk	FOOTREST MANUAL RETRACTABLE BLACK			P
24	Call order desk	BACKREST W/SEAT COVER			P
24	Call order desk	SEAT COVER			P
25	Call order desk	SEAT CUSHION W/SEAT COVER			P
25	Call order desk	SEAT COVER			P
26	Call order desk	CHASSIS RH 2PASS SLIDER			P
26	Call order desk	CHASSIS LH 2PASS SLIDER			P
27	867872	BACKREST ADJUST LEFT HAND AISLE SIDE			
27	867873	BACKREST ADJUST. RIGHT HAND AISLE SIDE			
27	Call order desk	BACKREST ADJUST. LEFT HAND AISLE SIDE			P
27	Call order desk	BACKREST ADJUST. RIGHT HAND AISLE SIDE			P
28	867874	BACKREST ADJUST. LEFT HAND WALL SIDE			
28	867875	BACKREST ADJUST. RIGHT HAND WALL SIDE			
28	Call order desk	BACKREST ADJUST. LEFT HAND WALL SIDE			P
28	Call order desk	BACKREST ADJUST. RIGHT HAND WALL SIDE			P
29	Call order desk	PEDESTRAL ASM SLIDER			P
29	Call order desk	PEDESTRAL ASM SLIDER			P
30	Call order desk	ARMREST LH NO COVER			P
30	Call order desk	ARMREST RH NO COVER			P
31	868545	ARMREST COVER FOAM BLACK			
31	Call order desk	ARMREST COVER FOAM WOOD			P
31	Call order desk	ARMREST COVER FOAM SILVER			P
31	Call order desk	ARMREST COVER FOAM CARBON FIBER			P

From K-0185	Date:07/2024	PAGE:H9-1828-05
PASSENGER'S SEAT - "KIEL" "AVANCE 2050"		

Item#	Part	Description	H 3 4 1	H 3 4 5	N O T E S
31	Call order desk	ARMREST COVER FOAM GRAY			P
32	Call order desk	COVER LH LEFT FLIP UP CHASSIS			P
32	Call order desk	COVER RH LEFT FLIP UP CHASSIS			P
33	Call order desk	COVER LH RIGHT FLIP UP CHASSIS			P
33	Call order desk	COVER RH RIGHT FLIP UP CHASSIS			P
34	Call order desk	SEAT BELT ASM 3 POINTS			P
. NS	868639	. SEAT BELT PLASTIC CAP	1	1	
35	Call order desk	GRAB HANDLE FLEXIBLE			P
36	Call order desk	GRAB HANDLE TORINO			P
37	Call order desk	GRAB HANDLE LH BLACK 2050			P
37	Call order desk	GRAB HANDLE LH BASALT GRAY 2050			P
38	Call order desk	GRAB HANDLE RH BLACK 2050			P
38	Call order desk	GRAB HANDLE RH BASALT GREY 2050			P
39	Call order desk	TRAY FOOD BLACK			P
39	Call order desk	TRAY FOOD BASALT GREY			P
39	Call order desk	TRAY FOOD W/ TABLET SLOT BASALT GREY			P
39	867868	TABLE			
40	Call order desk	CUPHOLDER BASALT GREY			P
40	Call order desk	CUPHOLDER BLACK			P
41	Call order desk	NET MAGAZINE BLACK			P
41	Call order desk	NET MAGAZINE BASALT GREY			P
42	Call order desk	CUPHOLDER FLEXIBLE BASALT GREY			P
42	Call order desk	CUPHOLDER FLEXIBLE BLACK			P
44	Call order desk	BACKREST W/SEAT COVER			P
44	Call order desk	SEAT COVER			P
45	Call order desk	SEAT CUSHION W/SEAT COVER			P
45	Call order desk	SEAT COVER			P
46	Call order desk	CHASSIS 1 PASS REAR CROSS			P
47	Call order desk	SEAT BELT ASM 3 POINTS			P
. NS	868639	. SEAT BELT PLASTIC CAP	1	1	
		P) CALL ORDER DESK FOR SPECIFIC APPLICATION (V.I.N.)			

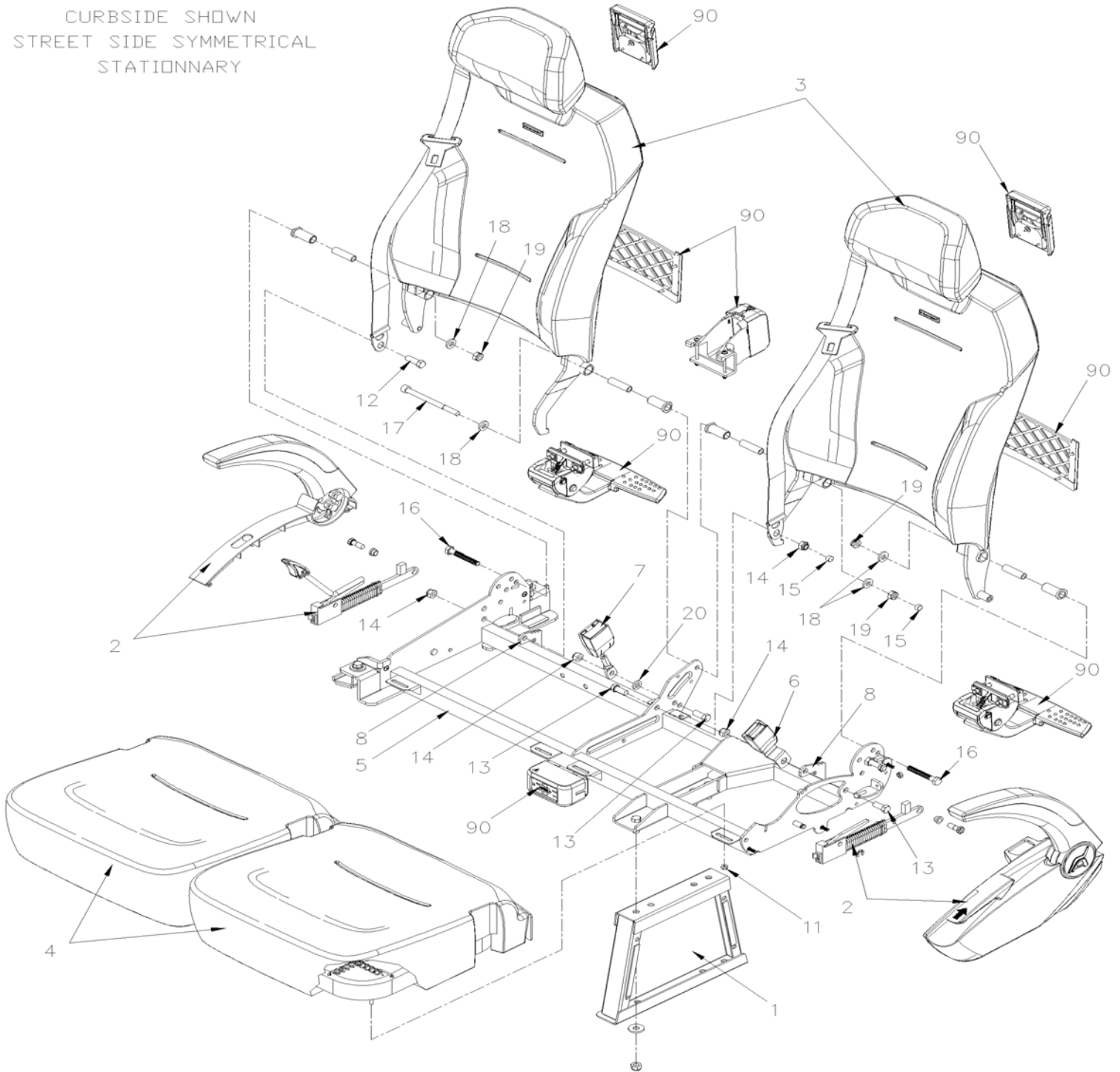
From N-1173

Date:07/2024

PAGE:H9-1828-11

PASSENGER'S SEAT / CLOUDONE

CURBSIDE SHOWN
STREET SIDE SYMMETRICAL
STATIONNARY



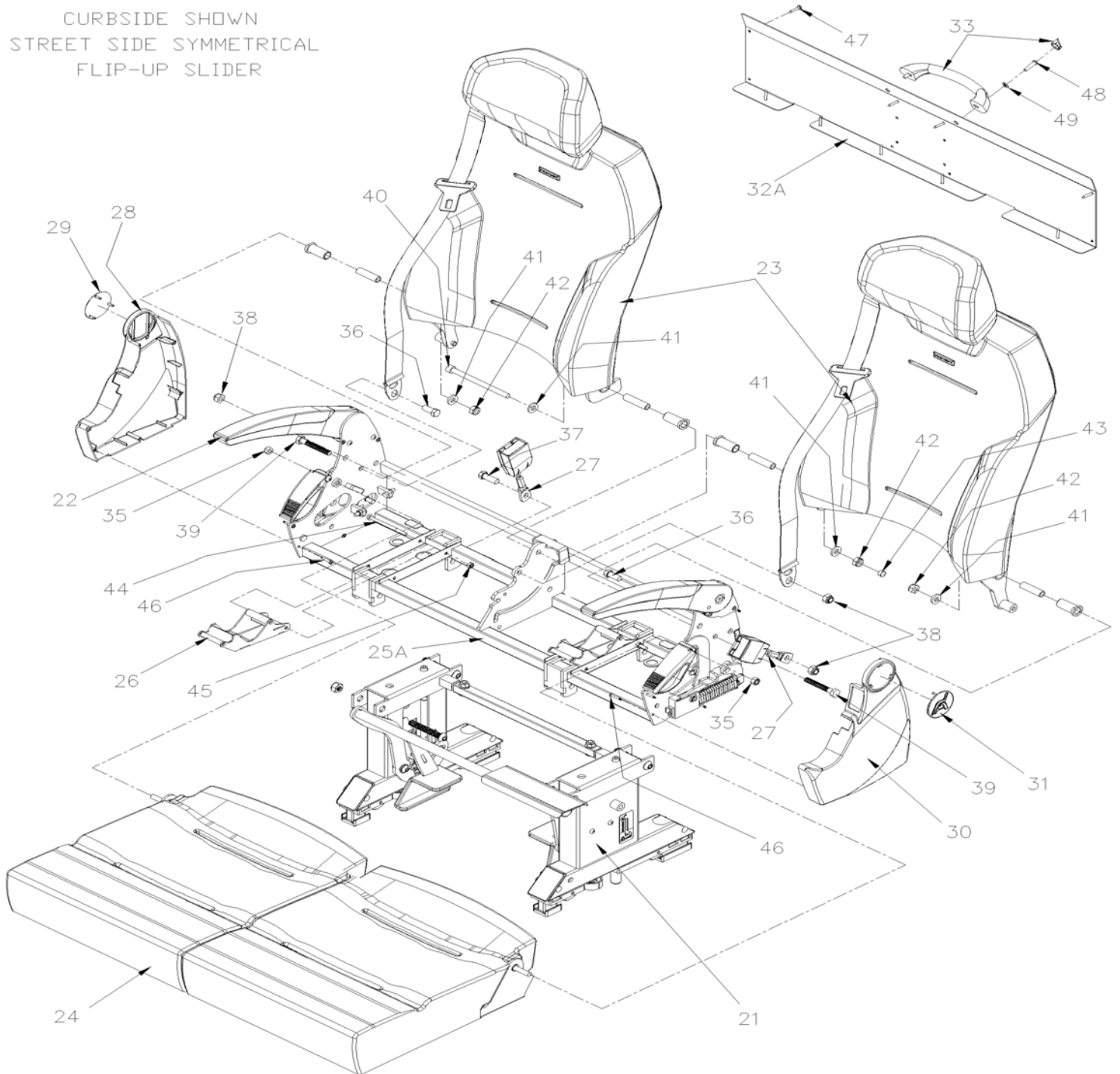
From N-1173

Date:07/2024

PAGE:H9-1828-11

PASSENGER'S SEAT / CLOUDONE

CURBSIDE SHOWN
STREET SIDE SYMMETRICAL
FLIP-UP SLIDER



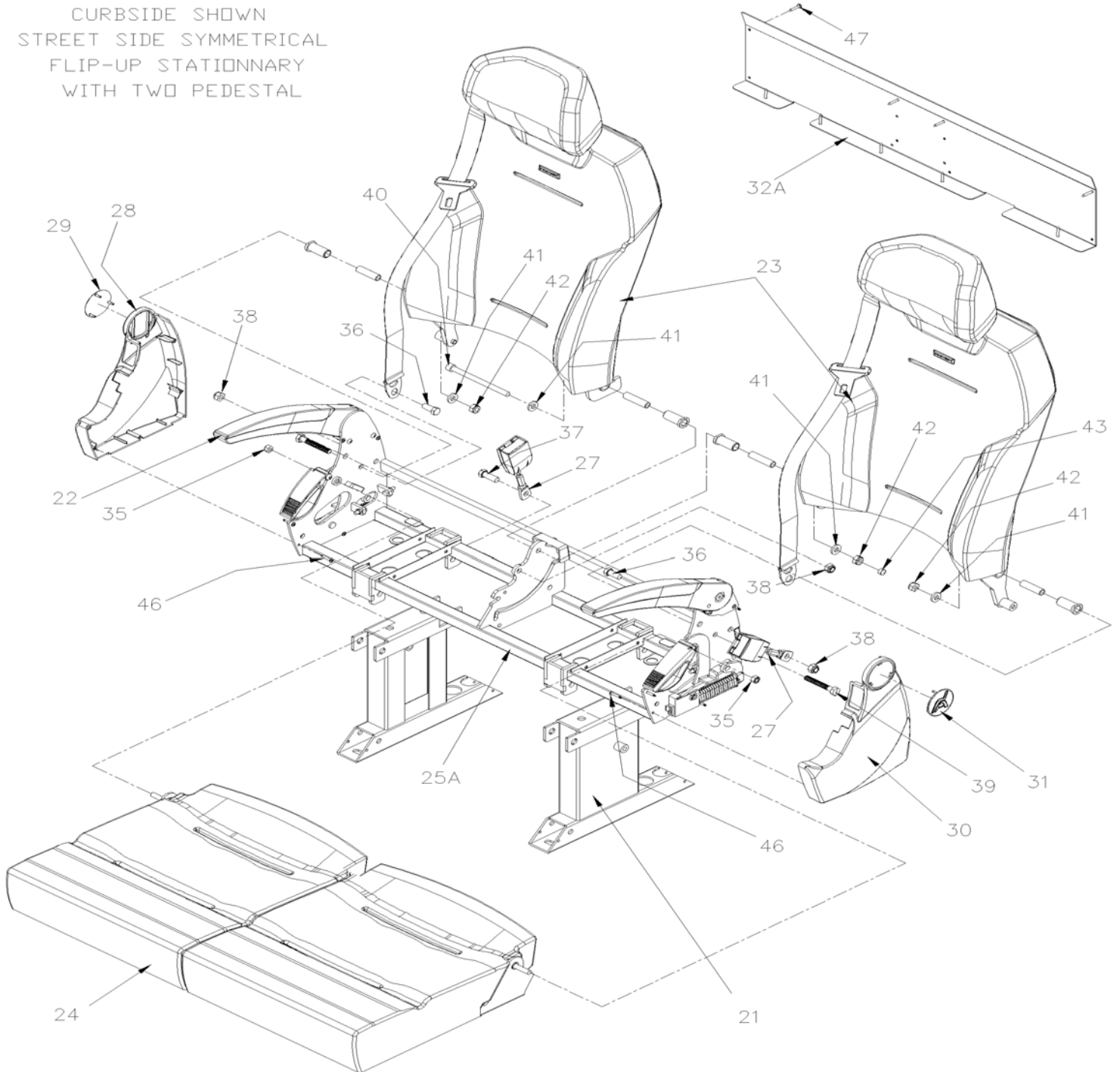
From N-1173

Date:07/2024

PAGE:H9-1828-11

PASSENGER'S SEAT / CLOUDONE

CURBSIDE SHOWN
STREET SIDE SYMMETRICAL
FLIP-UP STATIONNARY
WITH TWO PEDESTAL



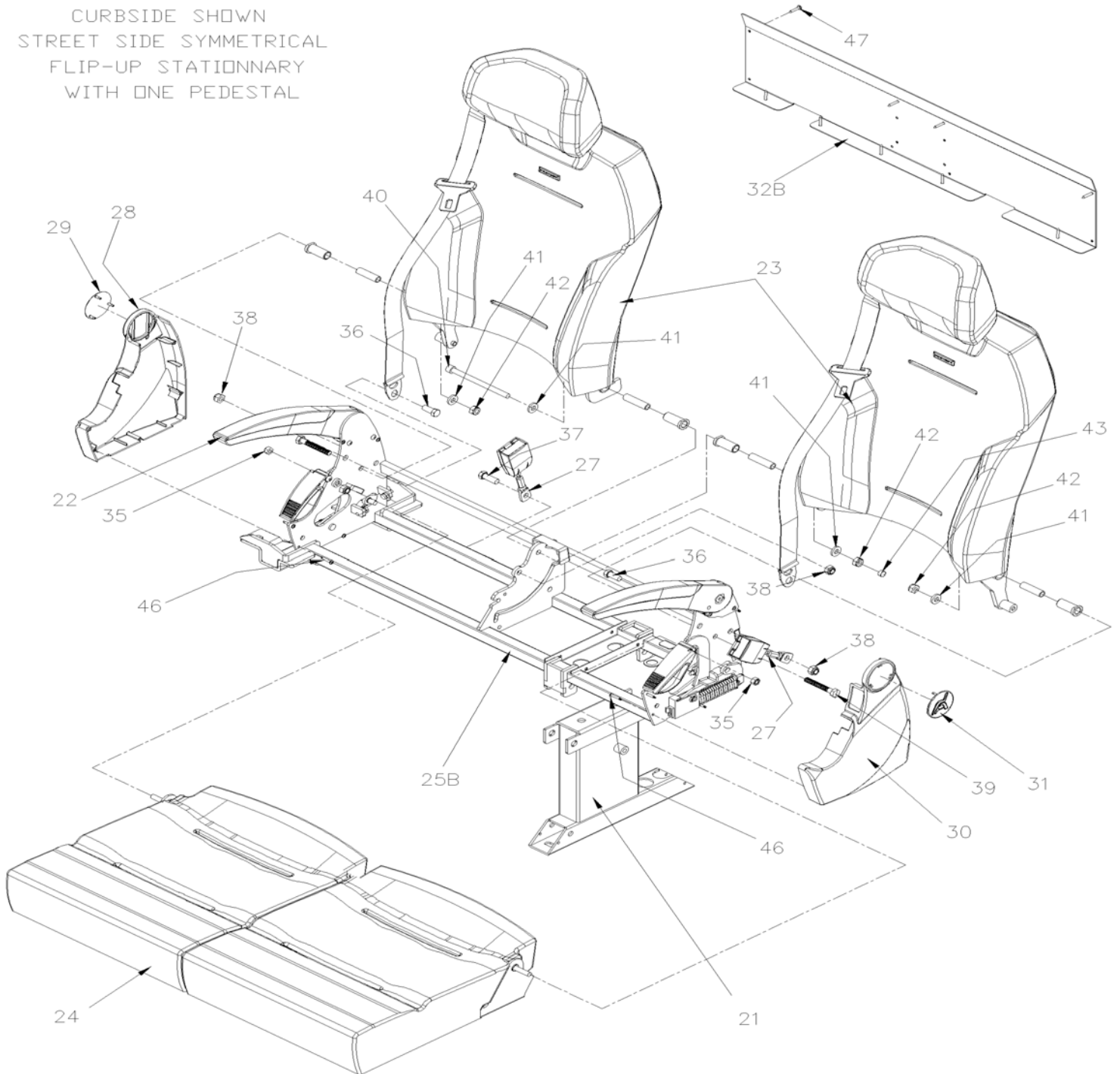
From N-1173

Date:07/2024

PAGE:H9-1828-11

PASSENGER'S SEAT / CLOUDONE

CURBSIDE SHOWN
STREET SIDE SYMMETRICAL
FLIP-UP STATIONNARY
WITH ONE PEDESTAL



From N-1173	Date:07/2024	PAGE:H9-1828-11
PASSENGER'S SEAT / CLOUDONE		

Item#	Part	Description	H 3 4 1	H 3 4 5	N O T E S
1	H9-1828-41	PEDESTAL INSTALLATION / CLOUDONE	1	1	
2	H9-1828-51	ARMREST / CLOUDONE	1	1	
3	H9-1828-61	BACKREST / CLOUDONE	1	1	
4	H9-1828-71	SEAT CUSHIONS / CLOUDONE	1	1	
5	868333	SEAT CHASSIS SUB ASSY W/1 PEDESTAL STREET SIDE	1	1	
5	868332	SEAT CHASSIS SUB ASSY W/1 PEDESTAL CURBSIDE	1	1	
6	868154	BUCKLE FEMALE AISLE SIDE	1	1	
7	867842	BUCKLE FEMALE WALL SIDE	1	1	
8	7770172	RECLINING STOP 2 STEP	2	2	
11	865479	NUT HEX NYRT 1/4-20	4	4	
12	868271	SCREW CAP HEX 7/16-20x1 1/4 G8	1	1	
13	865521	SCREW CAP HEX 7/16-20x1 G8	3	3	
14	865519	NUT HEX NYRT 7/16-20	4	4	
15	868403	CAP	2	2	
16	868401	SCREW CAP HEX M10-1.5x70MM	2	2	
17	868265	SCREW CAP HEXS M10x140MM	1	1	
18	868331	WASHER 3/8	4	4	
19	860005	NUT HEX STO M10-1.5 ZP	3	3	
21	H9-1828-41	PEDESTAL INSTALLATION / CLOUDONE	1	1	
22	H9-1828-51	ARMREST / CLOUDONE	1	1	
23	H9-1828-61	BACKREST / CLOUDONE	1	1	
24	H9-1828-71	SEAT CUSHIONS / CLOUDONE	1	1	
25A	868361	CHASSIS RIGHT FLIP/FIX HANDICAP 39" "	1	1	A
25A	868360	CHASSIS LEFT FLIP/FIX HANDICAP 39" "	1	1	A
25B	868362	SEAT CHASSIS ASSY 2 PASS CURBSIDE / CLOUDONE	1	1	B
25B	868363	SEAT CHASSIS ASSY 2 PASS STREET SIDE / CLOUDONE	1	1	B
26	868359	LATCH	2	2	C
27	867842	BUCKLE FEMALE	2	2	
28	868283	LATERAL COVER / WALL SIDE // STREET SIDE SEAT	1	1	
28	868282	LATERAL COVER / WALL SIDE / CURB SIDE SEAT	1	1	
29	868299	CAP WITH LOGO / RH	1	1	
30	23210437	LATERAL COVER / AISLE SIDE // LH	1	1	
30	23210438	LATERAL COVER / AISLE SIDE // RH	1	1	
31	868300	CAP WITH LOGO / LH	1	1	
32A	868356	RIGHT DUST GUARD WITH NUT	1	1	
32A	868355	LEFT DUST GUARD WITH NUT	1	1	
32B	868358	LEFT DUST GUARD WITH NUT	1	1	
32B	868357	RIGHT DUST GUARD WITH NUT	1	1	
33	865358	HANDLE GREY	1	1	C

From N-1173	Date:07/2024	PAGE:H9-1828-11
PASSENGER'S SEAT / CLOUDONE		

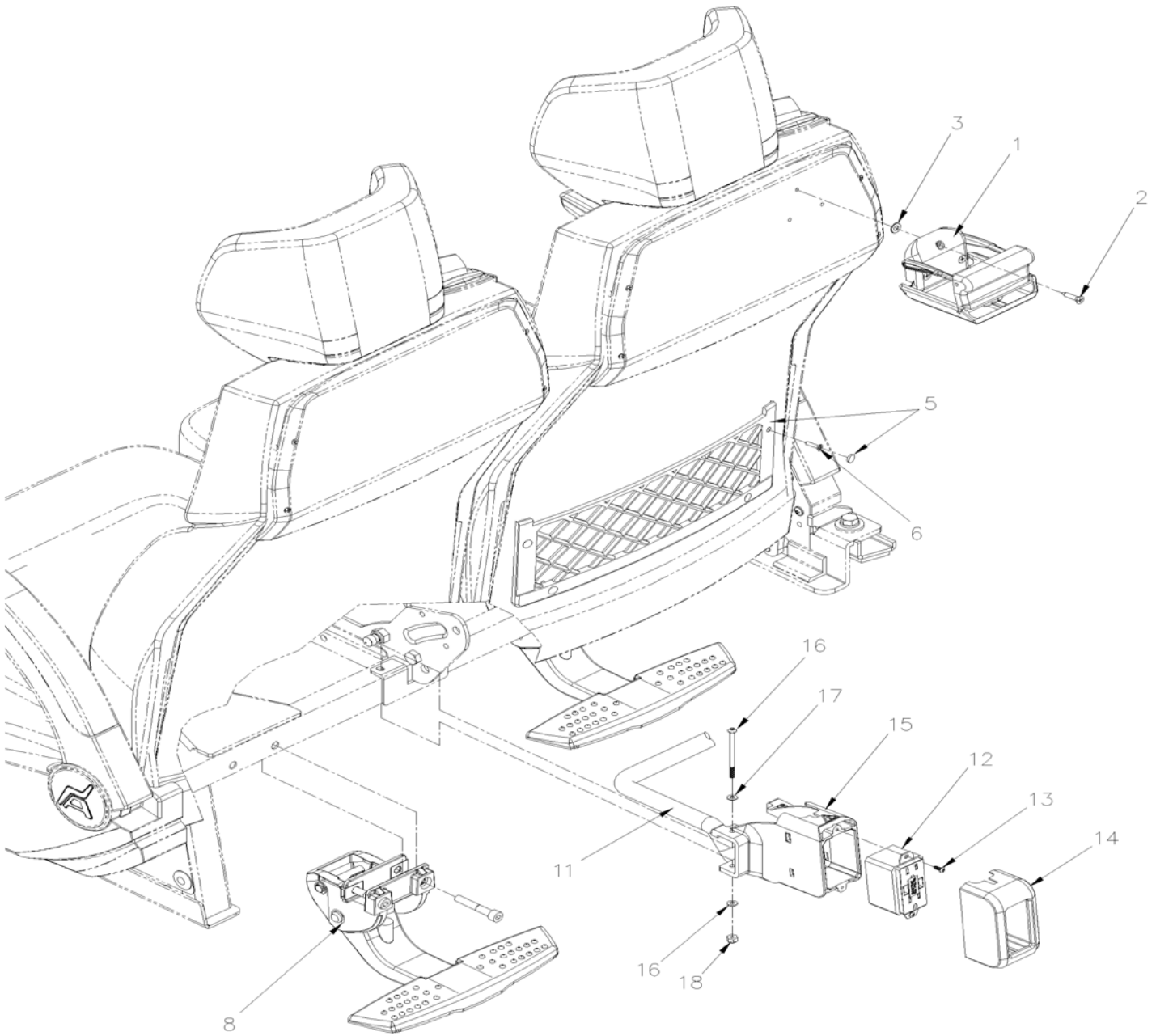
Item#	Part	Description	H 3 4 1	H 3 4 5	NOTES
35	868267	NUT HEX NYRT 3/8"	2	2	
36	865521	SCREW CAP HEX 7/16-20x1 G8	2	2	
37	868271	SCREW CAP HEX 7/16-20x1 1/4 G8	1	1	
38	865519	NUT HEX NYRT 7/16-20	3	3	
39	868401	SCREW CAP HEX M10-1.5x70MM	2	2	
40	868277	SCREW CAP HEXS M10-1.5x130MM	1	1	
41	868331	WASHER 3/8	4	4	
42	860005	NUT HEX STO M10-1.5 ZP	3	3	
43	868403	CAP	2	2	
44	868284	SCREW CAP HEX 1/4"X3 1/2	2	2	C
45	865479	NUT HEX NYRT 1/4-20	2	2	C
46	868264	SCREW SELF TAPPING #10 x 1"	12	12	
47	868273	SCREW SELF TAPPING BLACK #10 x 1"	10	10	
48	865524	SCREW CAP BUT HEXS 1/4x1	2	2	C
49	868261	WASHER FL 1/4	2	2	C
90	H9-1828-21	ACCESSORIES PASSENGER'S SEAT / CLOUDONE			
		A) WITH TWO LEGS SEAT ONLY			
		B) WITH FLIP-UP SEAT FIXE TO WALL			
		C) WITH SLIDING AND FLIP-UP SEAT			

From N-1173

Date:07/2024

PAGE:H9-1828-21

ACCESSORIES PASSENGER'S SEAT / CLOUDONE

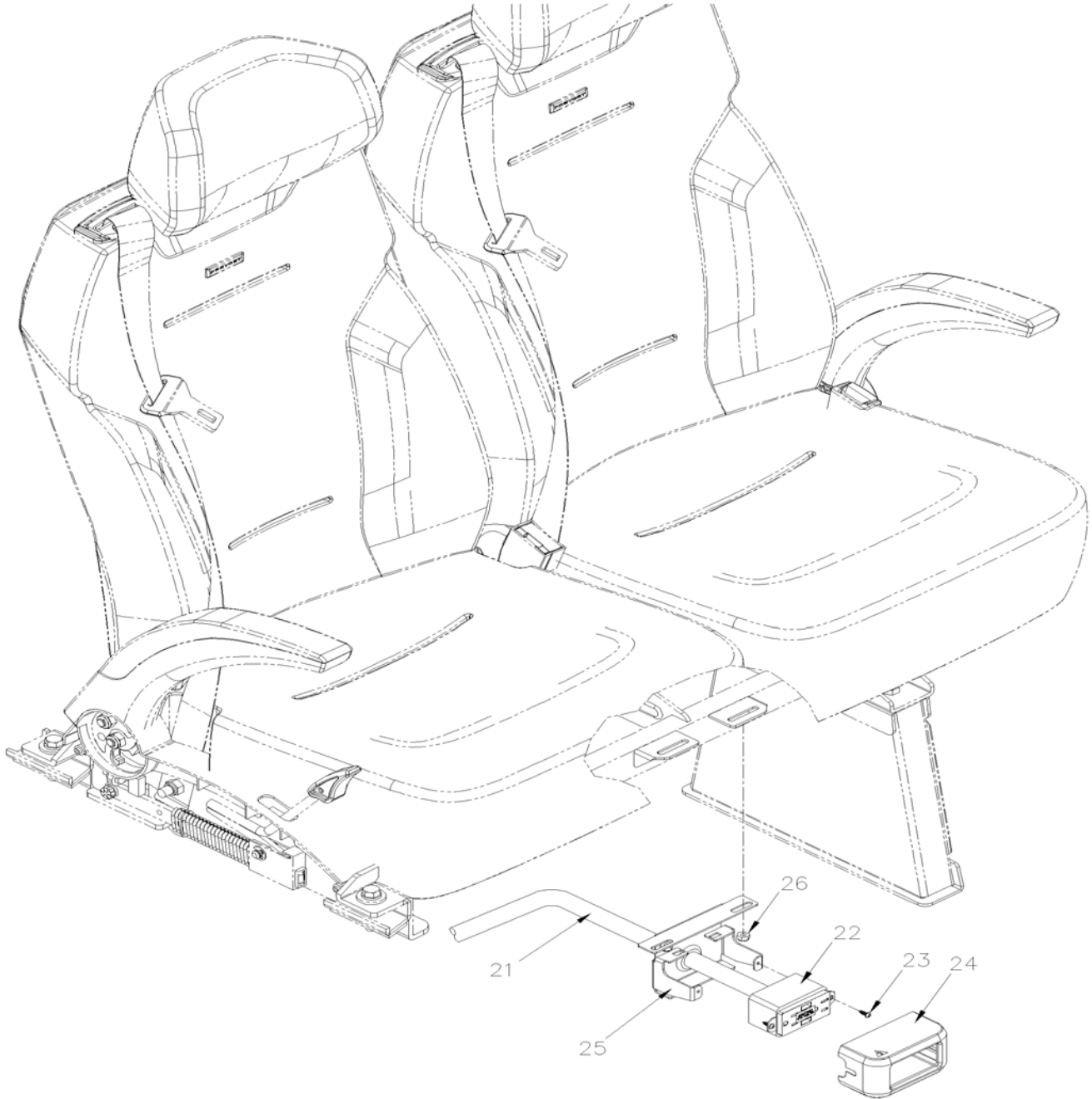


From N-1173

Date:07/2024

PAGE:H9-1828-21

ACCESSORIES PASSENGER'S SEAT / CLOUDONE



From N-1173	Date:07/2024	PAGE:H9-1828-21
ACCESSORIES PASSENGER'S SEAT / CLOUDONE		

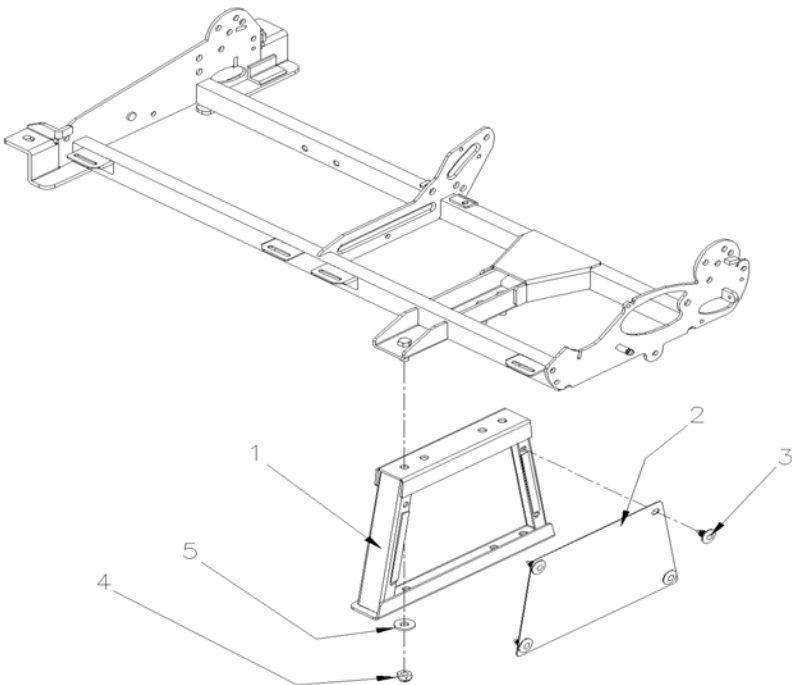
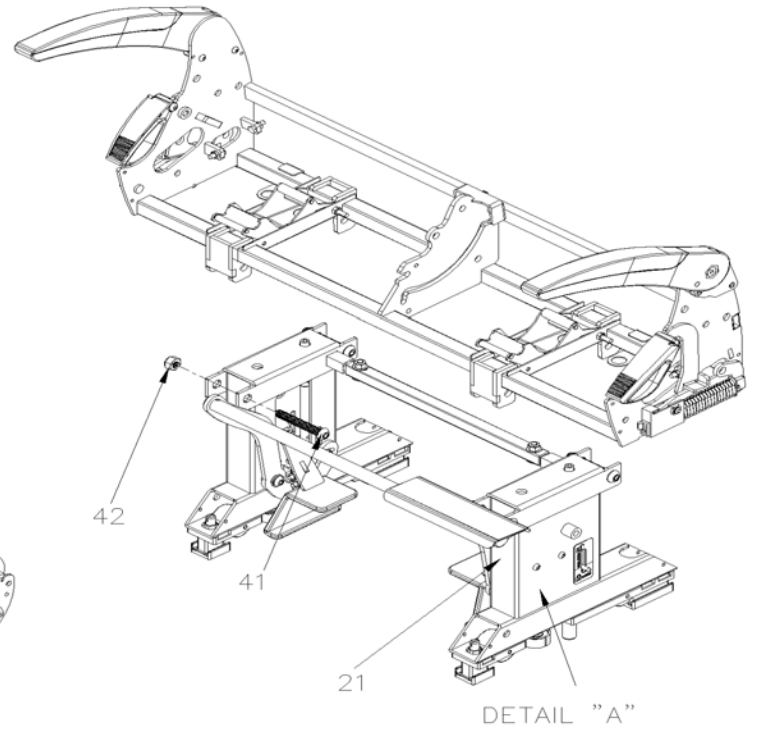
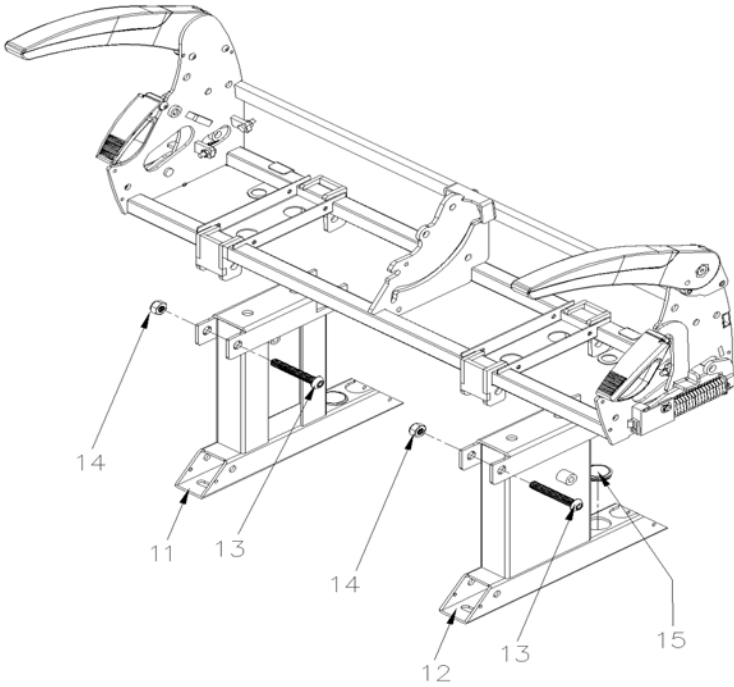
Item#	Part	Description	H 3 4 1	H 3 4 5	NOTES
1	862932	GLASS HOLDER / W/"AMAYA" / W/3 HOLES FOR SCREW	2	2	
2	868285	SCREW TP RND PH W/WASHER #10 x 1"	6	6	
3	868261	WASHER FL 1/4	2	2	
5	865278	MAGAZINE NET 14.5" x 5"	2	2	
6	865603	SCREW MA BUT PH M8x19	8	8	
8	860141	FOOTREST ASSY W/AUTOMATIC RETURN / "STELAM" STELAM TYPE	2	2	
11	868293	OUTLET 110 V / USB ASSY	1	1	
12	867863	PLUG DOUBLE 110 VAC MURAL W/2 USB PORT / WHITE	1	1	
NS	868404	DECAL WARNING FOR 110V CONNECTOR	1	1	
13	868289	SCREW TP OV PH #6x1/2"	2	2	
14	868292	BLACK PLASTIC COVER FOR 110V & USB CURRENT SOCKET	1	1	
NS	868405	DECAL	1	1	
15	868291	PLASTIC BACK BRACKET FOR CONNECTOR 110V & USB	1	1	
16	868294	SCREW BUT HEXS 3/16-24x2 3/4"	2	2	
17	868304	WASHER FL 3/16	4	4	
18		NUT HEX NYRT 3/16	1	1	
21	868296	FRONT CONNECTOR 110V-USB	1	1	
22	868290	FRONT CONNECTOR 110V-USB	1	1	
22	868404	DECAL WARNING FOR 110V CONNECTOR	1	1	
23	868289	SCREW TP OV PH #6x1/2"	2	2	
24	868292	BLACK PLASTIC COVER FOR 110V & USB CURRENT SOCKET	1	1	
NS	868406	DECAL	1	1	
25	868295	BRACKET FOR FRONT CONNECTOR	1	1	
26	865479	NUT HEX NYRT 1/4-20	1	1	

From N-1173

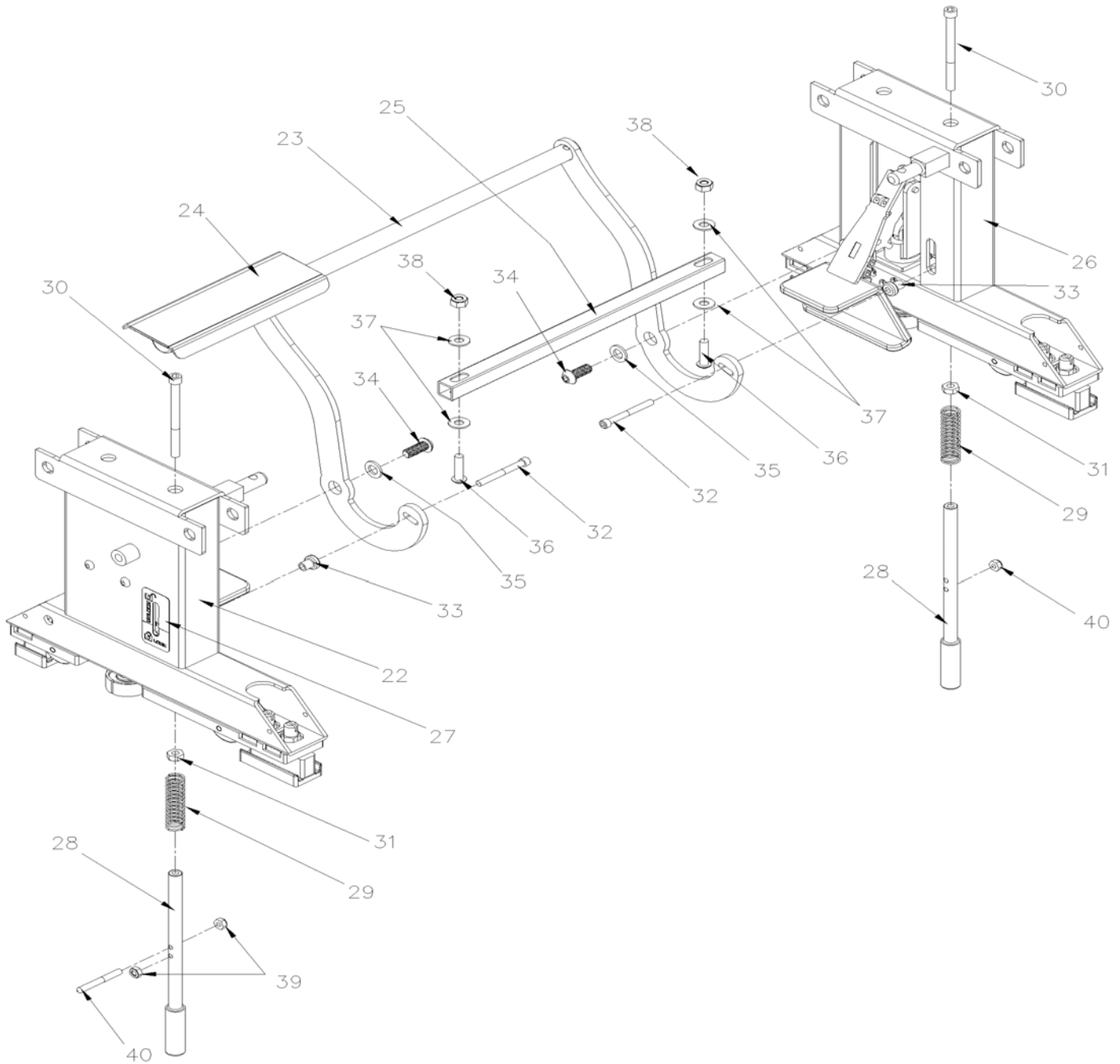
Date:07/2024

PAGE:H9-1828-41

PEDESTAL INSTALLATION / CLOUDONE



PEDESTAL INSTALLATION / CLOUDONE



DETAIL "A"

From N-1173	Date:07/2024	PAGE:H9-1828-41
--------------------	---------------------	------------------------

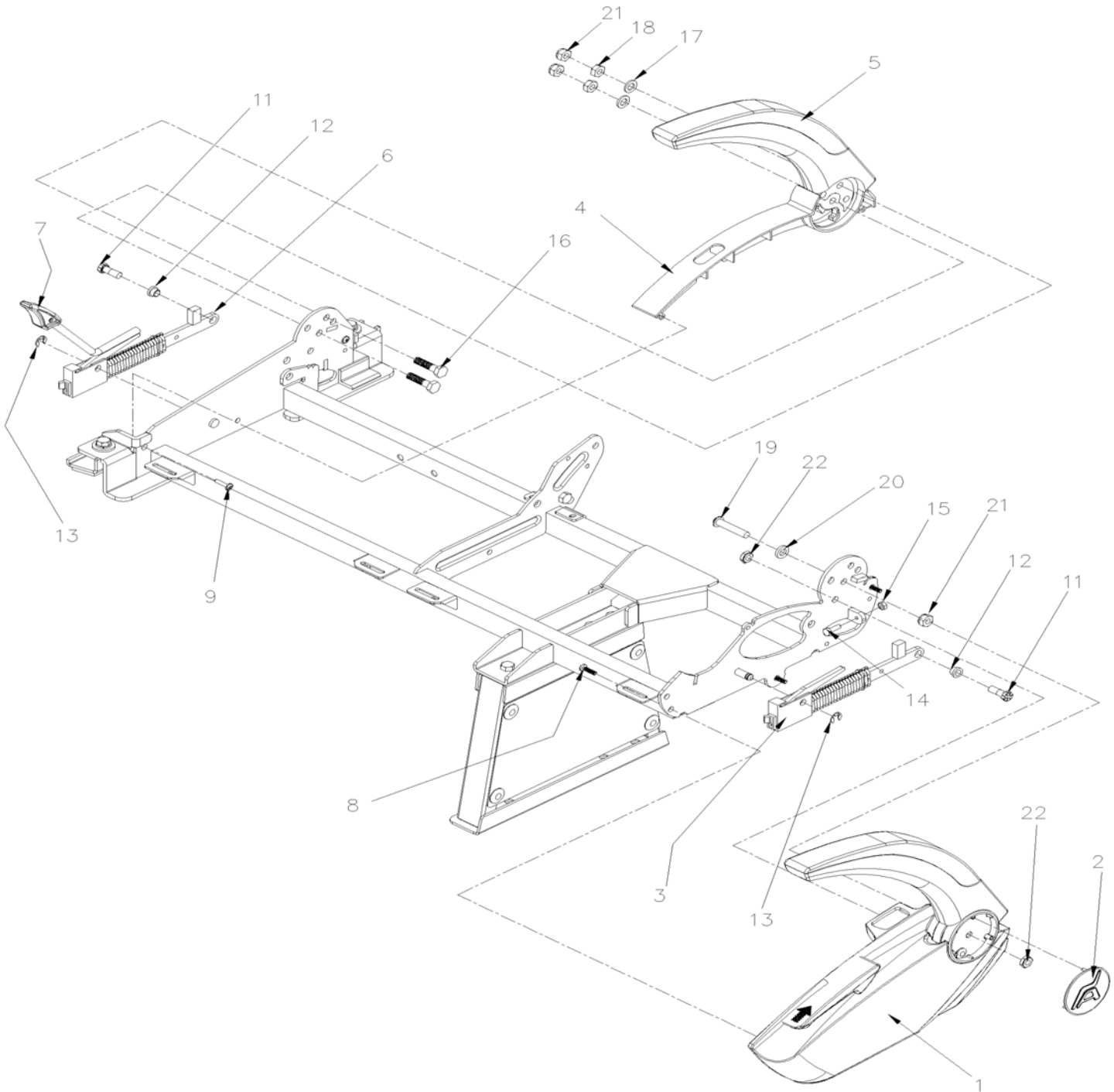
PEDESTAL INSTALLATION / CLOUDONE

Item#	Part	Description	H 3 4 1	H 3 4 5	N O T E S
1	868276	PEDESTAL GREY / CLOUDONE	1	1	
2	868399	COVER PEDESTAL / CLOUDONE	1	1	
3	864368	SCREW 3/8 PLASTIC	1	1	
4	865519	NUT HEX NYRT 7/16-20	2	2	
5	865520	WASHER FL 7/16	2	2	
11	868347	PEDESTAL HANDICAP STATIONNARY / RH / CLOUDONE	1	1	
11	868349	PEDESTAL HANDICAP STATIONNARY FIXED TO WALL / RH / CLOUDONE	1	1	A
12	868346	PEDESTAL HANDICAP STATIONNARY / LH / CLOUDONE	1	1	
12	868348	PEDESTAL HANDICAP STATIONNARY FIXED TO WALL / LH / CLOUDONE	1	1	A
13	868353	SCREW BUT HEXS M12x80mm	4	4	
14	868354	NUT HEX NYRT M12	4	4	
15	868303	PLUG	1	1	
21	868341	PEDESTAL ASSEMBLY CURBSIDE / CLOUDONE	1	1	
21	868342	PEDESTAL ASSEMBLY STREET SIDE / CLOUDONE	1	1	
22	868344	. PEDESTAL / LH / CLOUDONE	1	1	
22	868312	. . SPRING	1	1	
23	868338	. PEDAL CURBSIDE	1	1	
23	868339	. PEDAL STREET SIDE	1	1	
24	868340	. ANTI-SLIP ADHESIVE TAPE	1	1	
25	868345	. SPACE BAR / CLOUDONE	1	1	
26	868343	. PEDESTAL / RH / CLOUDONE	1	1	
26	868312	. . SPRING	1	1	
27	868309	. DECAL / INDICATOR OF HANDICAP DRIVE	1	1	
28	868337	. LOCK ASSY	2	2	
28	Call order desk	. . PIN	1	1	P
29	868350	. . SPRING	1	1	
30		. . SCREW CAP HEXS	1	1	
31		. . NUT HEX	1	1	
32	868320	. SCREW CAP HEXS 1/4-20x2 1 / 4	2	2	
33	867904	. PEDAL STOPPER / NYLON	2	2	
34	868319	. SCREW BUT HEXS M10-1.5 x 25mm SS	2	2	
35	7770346	. WASHER FL 7/16	2	2	
36	868313	. SCREW BUT HEXS 5/16" x 1/4" SS	2	2	
37	868263	. WASHER FL 5/16"	4	4	
38	868268	. NUT HEX NYRT 5/16"	2	2	
39	868308	. CLOSE INDICATOR BOLT	1	1	
40	865479	. NUT HEX NYRT 1/4-20	3	3	
41	868353	SCREW BUT HEXS M12x80mm	4	4	
42	868354	NUT HEX NYRT M12	4	4	

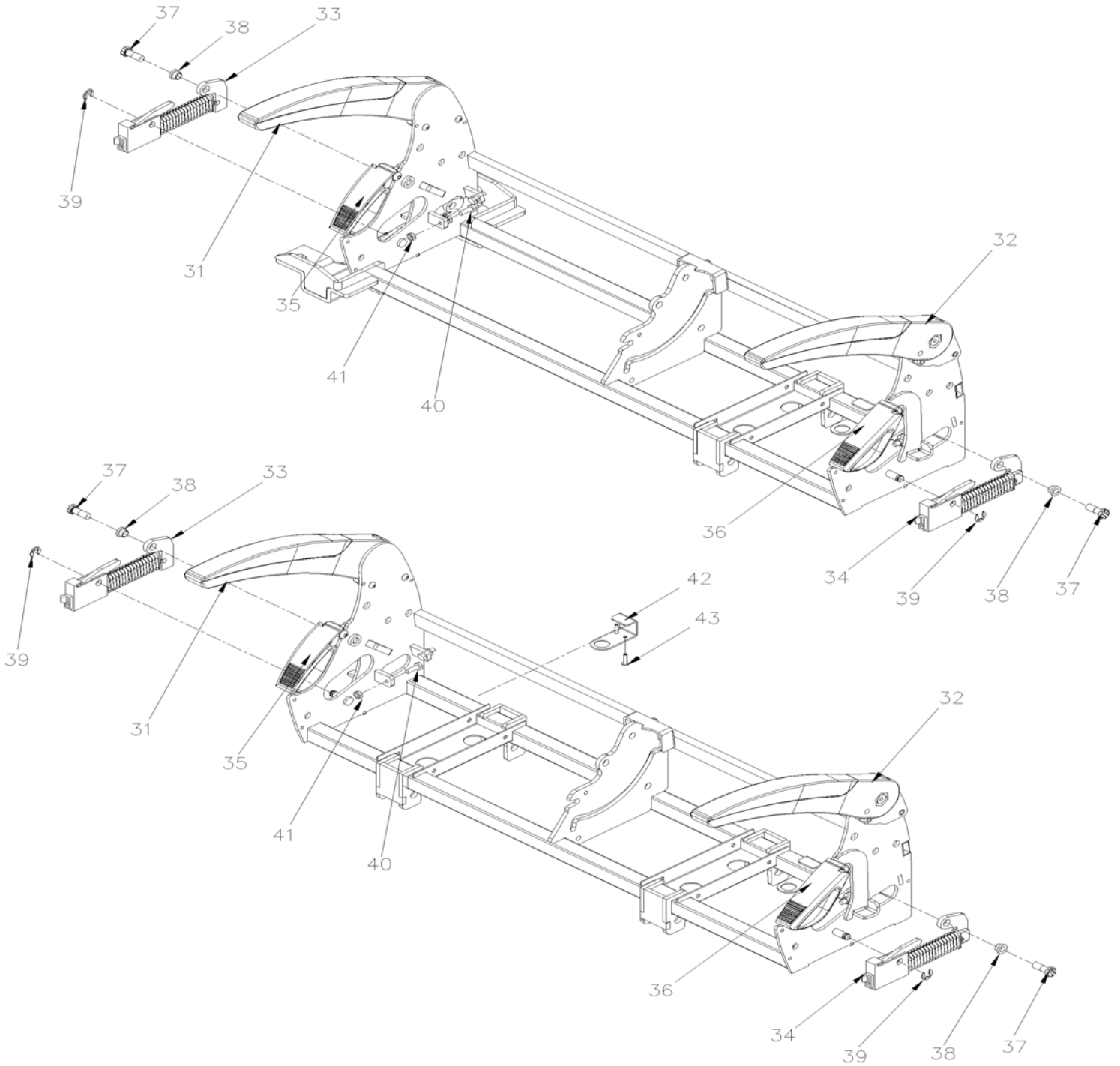
From N-1173	Date:07/2024	PAGE:H9-1828-41
PEDESTAL INSTALLATION / CLOUDONE		

Item#	Part	Description	H 3 4 1	H 3 4 5	N O T E S
		A) USE ONLY WITH FLIP-UP SEAT FIXE TO THE WALL			
		P) CALL ORDER DESK FOR SPECIFIC APPLICATION (V.I.N.)			

From N-1173	Date:07/2024	PAGE:H9-1828-51
ARMREST / CLOUDONE		



From N-1173	Date:07/2024	PAGE:H9-1828-51
ARMREST / CLOUDONE		



From N-1173		Date:07/2024	PAGE:H9-1828-51
ARMREST / CLOUDONE			

Item#	Part	Description	H 3 4 1	H 3 4 5	N O T E S
1	23210423	ARMREST / LH	1	1	
. NS	868206	. RECLINING LEVER, LH	1	1	
1	23210425	ARMREST / RH	1	1	
. NS	868205	. RECLINING LEVER, RH	1	1	
2	868274	CAP WITH LOGO	1	1	
2	868819	PLAQUE LOGO PREVOST	1	1	
3	865086	RECLINING MECHANISM ASSY / "TORINO" AILSE	1	1	
4	868301	PLASTIC COVER / CLOUDONE	1	1	
5	865070	ARMREST R.H. WINDOW SIDE	1	1	
6	865061	RECLINING MECHANISM ASSY / "TORINO" WINDOW	1	1	
7	864117	KNOB W/SQUARE ROD INSERT MECHANISM (CURRENT)	1	1	
8	868260	SCREW SELF TAPPING M6x20MM	3	3	
9	868264	SCREW SELF TAPPING #10 x 1"	2	2	
11	860092	SCREW CAP HEX 3/8" x 1" G8	2	2	
12	865215	BUSHING NYLON	2	2	
13	865488	RETAINING RING	2	2	
14	865498	SCREW CAP HEX 1/4-20 x 3/4 LG	2	2	
15	865497	NUT HEX 1/4	2	2	
16	868270	SCREW CAP HEX M10-1.5x40MM	2	2	
17	865465	WASHER FL / 7/16	2	2	
18	860005	NUT HEX STO M10-1.5 ZP	2	2	
19	860280	SCREW BUT HEXS M10-1.5x50MM	1	1	
20	868302	WASHER FL 7/16x2.5MM	1	1	
21	868266	NUT HEX M10-1.5	3	3	
22	868269	NUT HEX / GRIPCO M10-1.5	2	2	
31	867737	HINGED ARMREST / RH	1	1	
32	867738	HINGED ARMREST / LH	1	1	
33	868318	RECLINING MECHANISM ASSY / RH	1	1	
34	868317	RECLINING MECHANISM ASSY / LH	1	1	
35	868280	MECHANISM HANDLE ASSY / RH	1	1	
36	868281	MECHANISM HANDLE ASSY / LH	1	1	
37	860092	SCREW CAP HEX 3/8" x 1" G8	2	2	
38	865215	BUSHING NYLON	2	2	
39	865488	RETAINING RING	2	2	
40	865498	SCREW CAP HEX 1/4-20 x 3/4 LG	4	4	
41	865497	NUT HEX 1/4	4	4	
42	868330	BELT SUPPORT HOOK	2	2	
43	868120	RIVET 3/16 X 3/4 BLACK	4	4	

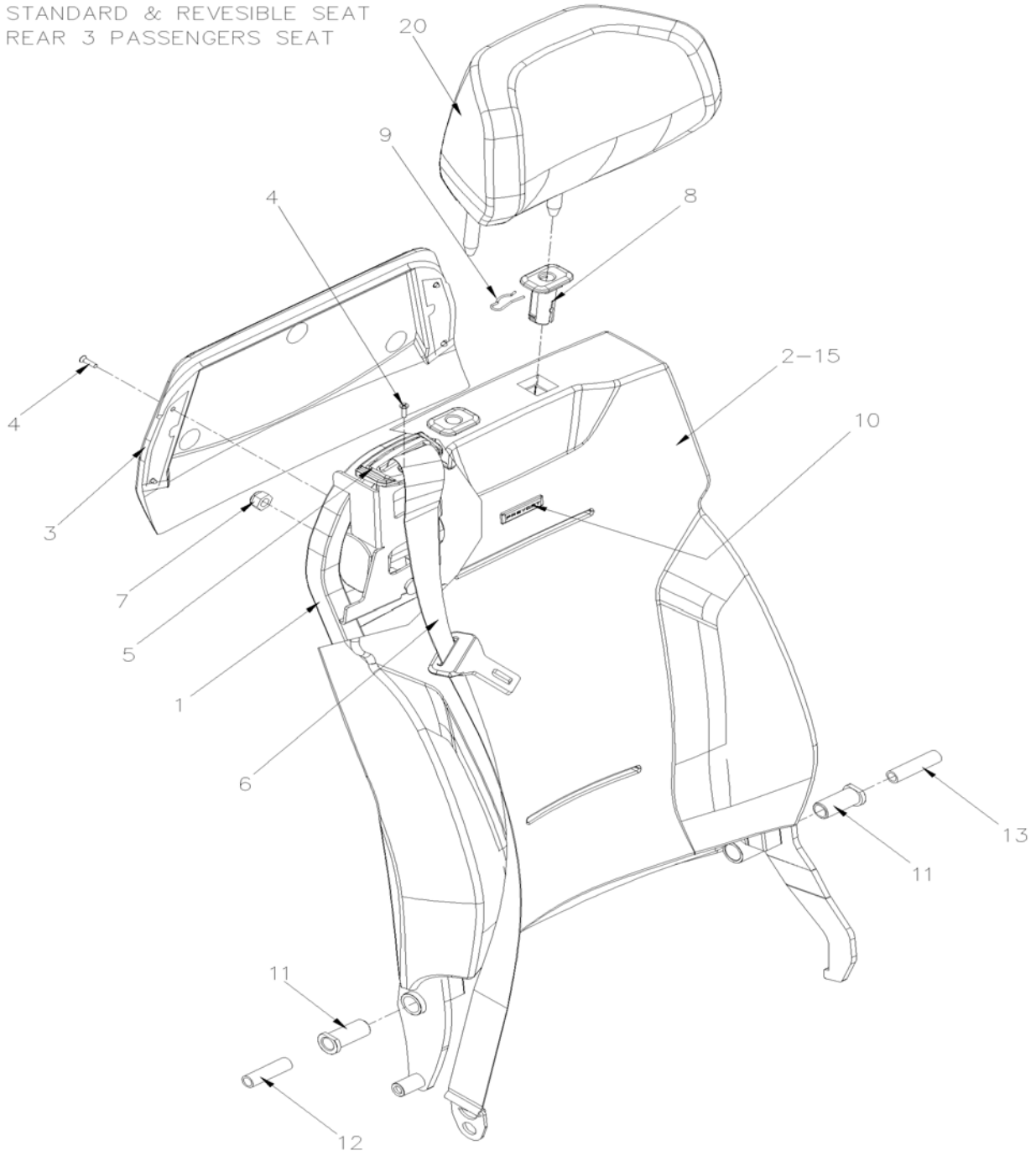
From N-1173

Date:07/2024

PAGE:H9-1828-61

BACKREST / CLOUDONE

WITH STANDARD & REVERSIBLE SEAT
WITH REAR 3 PASSENGERS SEAT



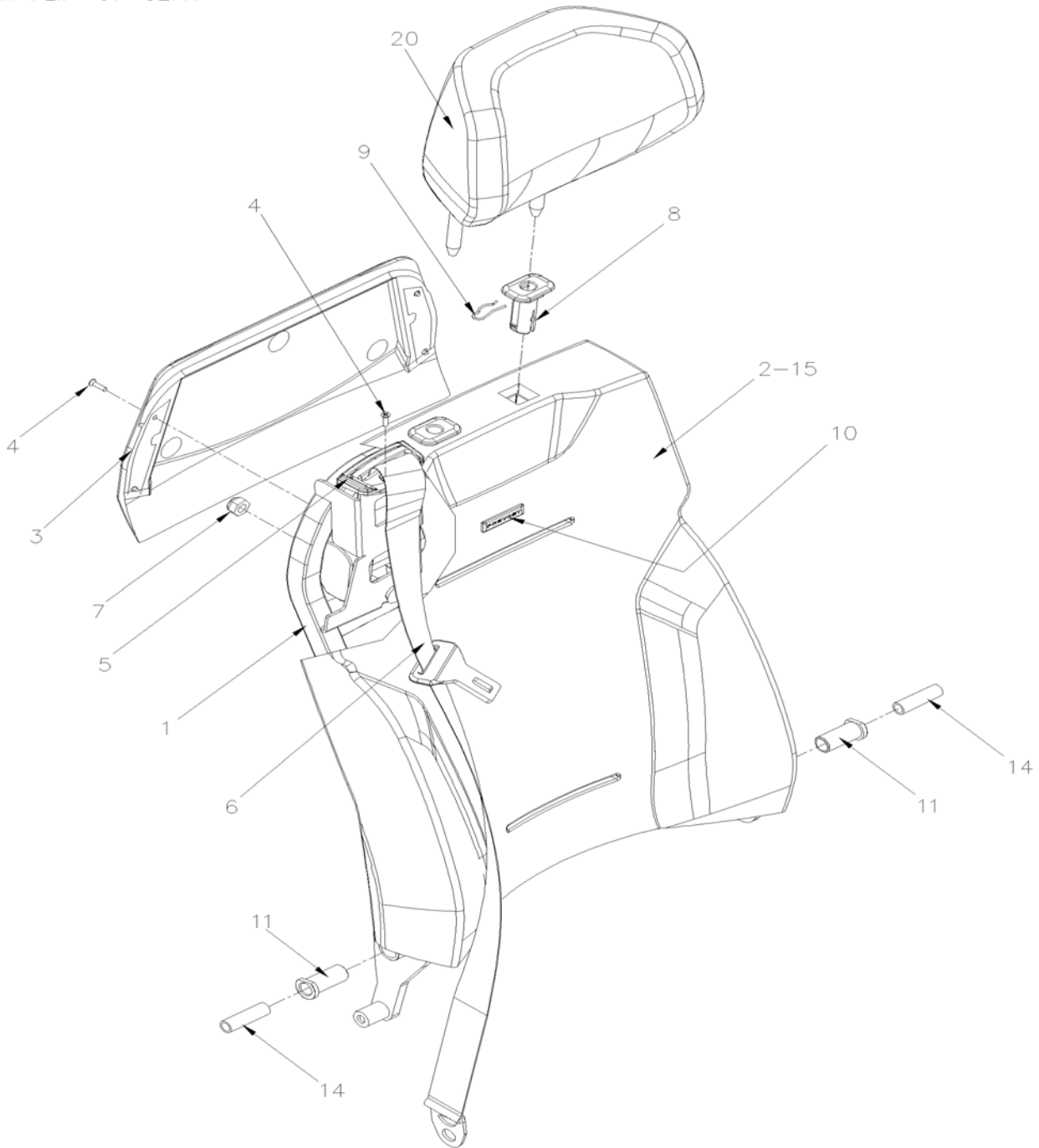
From N-1173

Date:07/2024

PAGE:H9-1828-61

BACKREST / CLOUDONE

WITH FLIP-UP SEAT



From N-1173		Date:07/2024	PAGE:H9-1828-61
BACKREST / CLOUDONE			

Item#	Part	Description	H 3 4 1	H 3 4 5	N O T E S
		BACKREST ASSY WCOVERING	1	1	
	868368	. BACKREST ASSY WINDOW SIDE / CURBSIDE / STANDARD / CLOUDONE	1	1	
	868369	. BACKREST ASSY WINDOW SIDE / STREET SIDE / STANDARD / CLOUDONE	1	1	
	868370	. BACKREST ASSY AISLE SIDE / STREET SIDE / STANDARD / CLOUDONE	1	1	
	868371	. BACKREST ASSY AISLE SIDE / CURBSIDE / STANDARD / CLOUDONE	1	1	
	868378	. BACKREST ASSY WINDOW SIDE / CURBSIDE / FLIP-UP / CLOUDONE	1	1	
	868379	. BACKREST ASSY WINDOW SIDE / STREET SIDE / FLIP-UP / CLOUDONE	1	1	
	868380	. BACKREST ASSY AISLE SIDE / CURBSIDE / FLIP-UP / CLOUDONE	1	1	
	868381	. BACKREST ASSY AISLE SIDE / STREET SIDE / FLIP-UP / CLOUDONE	1	1	
	868388	. BACKREST ASSY WINDOW SIDE / CURBSIDE / REVERSIBLE / CLOUDONE	1	1	
	868389	. BACKREST ASSY WINDOW SIDE / STREET SIDE / REVERSIBLE / CLOUDONE	1	1	
	868390	. BACKREST ASSY AISLE SIDE / STREET SIDE / REVERSIBLE / CLOUDONE	1	1	
	868391	. BACKREST ASSY AISLE SIDE / CURBSIDE / REVERSIBLE / CLOUDONE	1	1	
1	868372	. BACKREST FRAME WINDOW SIDE / CURBSIDE / STANDARD / CLOUDONE	1	1	
1	868373	. BACKREST FRAME WINDOW SIDE / STREET SIDE / STANDARD / CLOUDONE	1	1	
1	868374	. BACKREST FRAME AISLE SIDE / STREET SIDE / STANDARD / CLOUDONE	1	1	
1	868375	. BACKREST FRAME AISLE SIDE / CURBSIDE / STANDARD / CLOUDONE	1	1	
1	868384	. BACKREST FRAME WINDOW SIDE / CURBSIDE / FLIP-UP / CLOUDONE	1	1	
1	868385	. BACKREST FRAME WINDOW SIDE / STREET SIDE / FLIP-UP / CLOUDONE	1	1	
1	868386	. BACKREST FRAME AISLE SIDE / CURBSIDE / FLIP-UP / CLOUDONE	1	1	
1	868387	. BACKREST FRAME AISLE SIDE / STREET SIDE / FLIP-UP / CLOUDONE	1	1	
1	868392	. BACKREST FRAME WINDOW SIDE / CURBSIDE / REVERSIBLE / CLOUDONE	1	1	
1	868393	. BACKREST FRAME WINDOW SIDE / STREET SIDE / REVERSIBLE / CLOUDONE	1	1	
1	868394	. BACKREST FRAME AISLE SIDE / STREET SIDE / REVERSIBLE / CLOUDONE	1	1	
1	868395	. BACKREST FRAME AISLE SIDE / CURBSIDE / REVERSIBLE / CLOUDONE	1	1	
2	868376	. BACKREST FOAM RH / STANDARD & REVESIBLE / CLOUDONE	1	1	
2	868377	. BACKREST FOAM LH / STANDARD & REVESIBLE / CLOUDONE	1	1	
2	868382	. BACKREST FOAM RH / FLIP-UP / CLOUDONE	1	1	
2	868383	. BACKREST FOAM LH / FLIP-UP / CLOUDONE	1	1	
NS	868364	. VELCRO / STANDARD & REVESIBLE / FLIP-UP	1	1	
NS	868365	. VELCRO	1	1	
3	868335	. ENERGY ABSORBER / CURBSIDE	1	1	
3	868336	. ENERGY ABSORBER / STREET SIDE	1	1	
4	865603	. SCREW MA BUT PH M8x19	6	6	
5	868334	. PLASTIC BELT GUIDE	1	1	
6	867726	. SAFETY BELT W/ ALR/ELR	1	1	
6	867726	. SAFETY BELT W/ ALR/ELR	1	1	
7	865519	. NUT HEX NYRT 7/16-20	1	1	
8	866205	. BUSHING	2	2	
9	866204	. BACKREST CLIP	2	2	
10	868272	. LOGO PREVOST	1	1	
11	868402	. BUSHING 45MM	2	2	

From N-1173	Date:07/2024	PAGE:H9-1828-61
BACKREST / CLOUDONE		

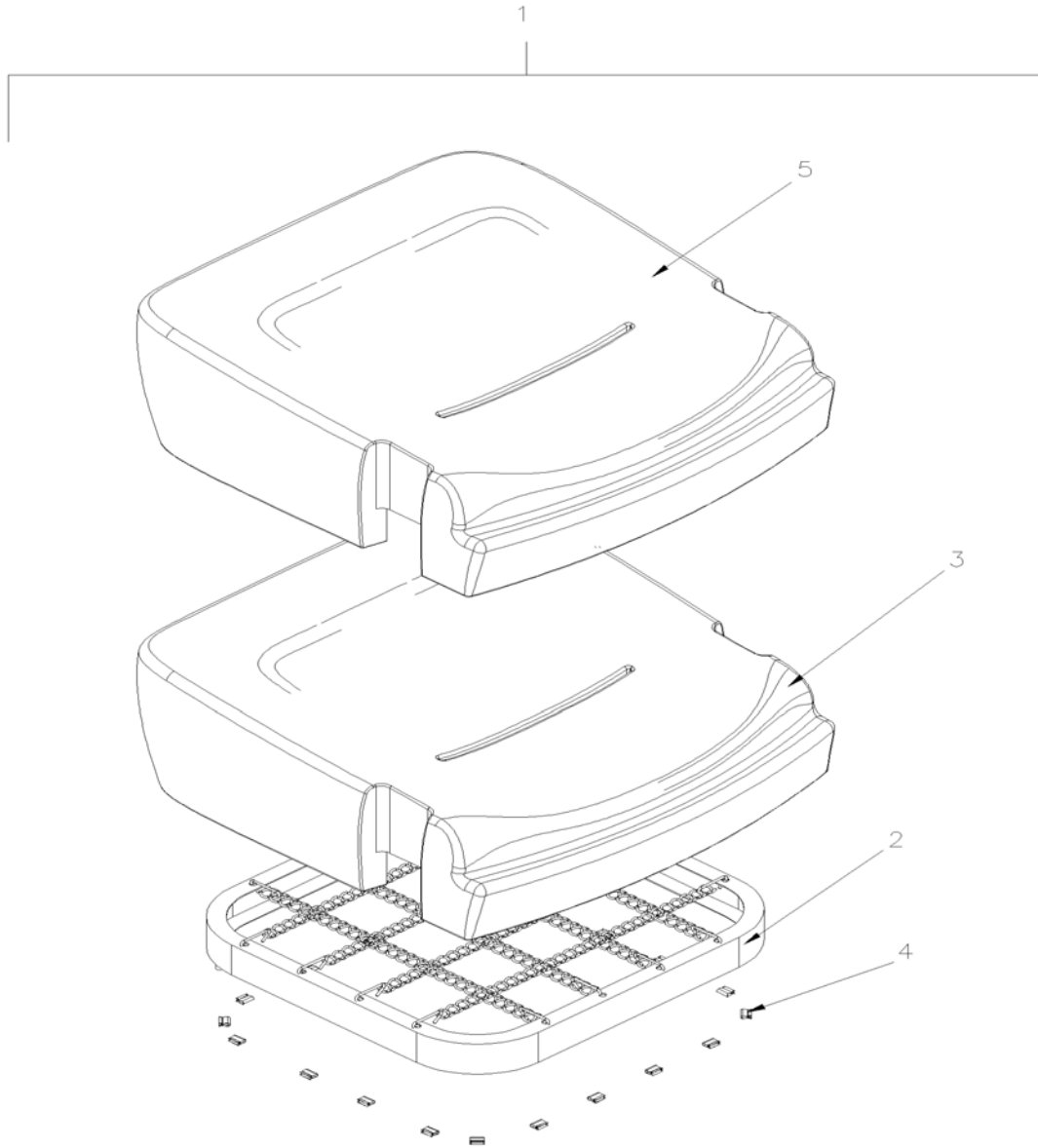
Item#	Part	Description	H 3 4 1	H 3 4 5	NOTES
12	868400	. . BUSHING 55MM	1	1	
13	865561	. . BUSHING 49MM	1	1	
14	865561	. . BUSHING 49MM	2	2	
15		COVERING, BACKREST / CLOUDONE	1	1	
20	Call order desk	HEADREST ASSY W/COVERING	1	1	P
20	869024	HEADREST W/COVERING 19116-CO From R-1728 To R-1728		1	
20	Call order desk	. HEADREST VIP / CLOUDONE	1	1	P
20	Call order desk	. COVERING, HEADREST	1	1	P
NS	869025	HANDLE, XL PASSENGER SEAT		1	
NS	869026	HOOK FOR HANDLE FOR SEAT		1	
		P) CALL ORDER DESK FOR SPECIFIC APPLICATION (V.I.N.)			

From N-1173

Date:07/2024

PAGE:H9-1828-71

SEAT CUSHIONS / CLOUDONE

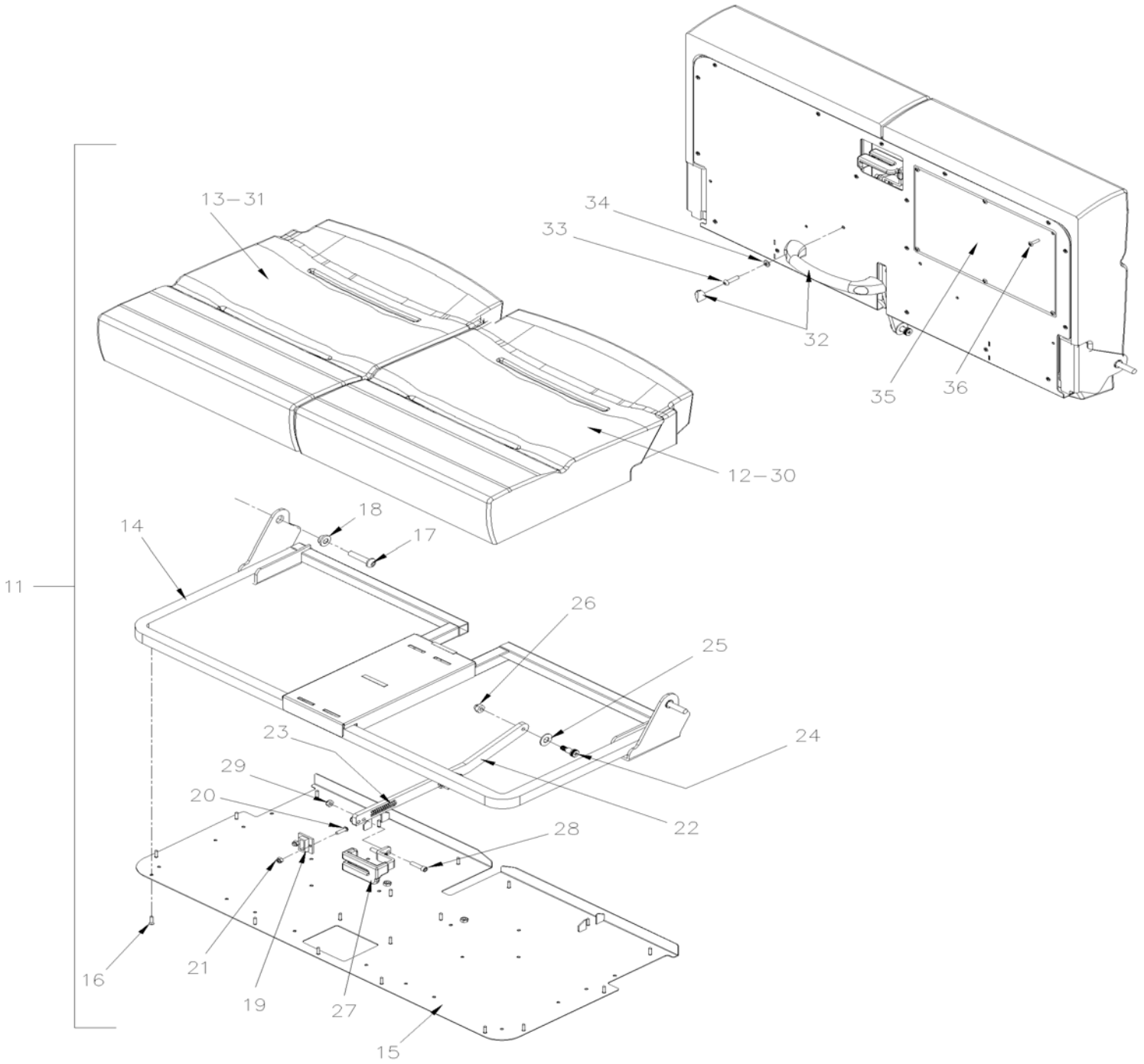


From N-1173

Date:07/2024

PAGE:H9-1828-71

SEAT CUSHIONS / CLOUDONE



From N-1173		Date:07/2024	PAGE:H9-1828-71
SEAT CUSHIONS / CLOUDONE			

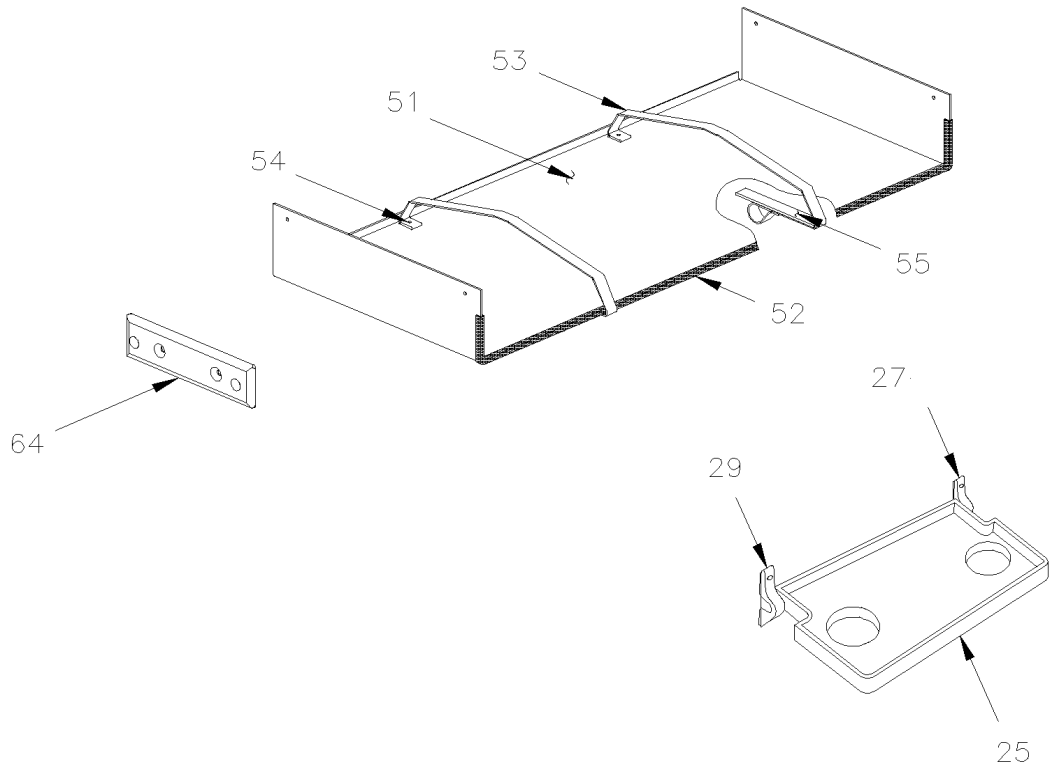
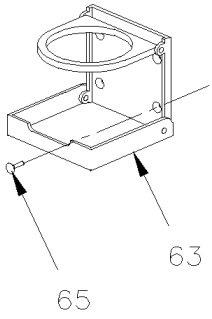
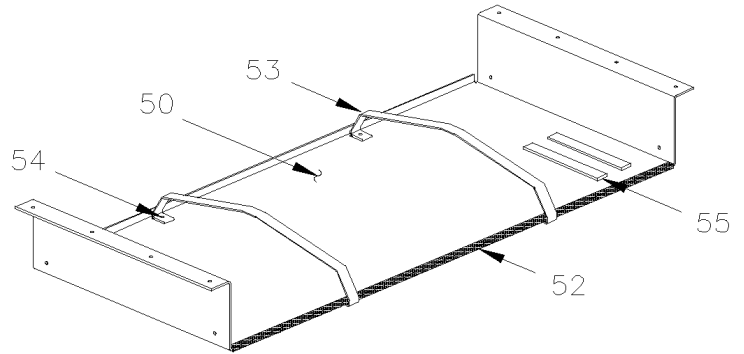
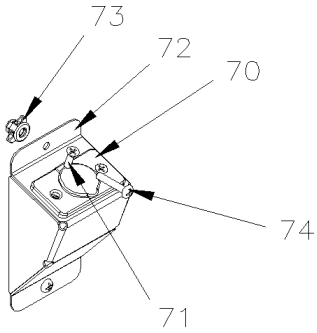
Item#	Part	Description	H 3 4 1	H 3 4 5	N O T E S
1		CUSHION ASSY WITH COVERING	1	1	
1	868366	. CUSHION ASSY / CLOUDONE			
2	868396	. . FRAME ASSY / CLOUDONE	1	1	
3	868367	. . FOAM - CUSHION / CLOUDONE	1	1	
4	867931	. . CLIP FOR CUSHION	15	15	
5		. COVERING CUSHION	1	1	
11		CUSHION ASSY WITH COVERING	1	1	
11	868351	. CUSHION ASSY / FLIP	1	1	
12	868324	. . FOAM - CUSHION	1	1	
13	868325	. . FOAM - CUSHION	1	1	
14	868321	. . FRAME ASSY	1	1	
15	868352	. . CUSHION COVER ASSEMBLY	1	1	
16	865603	. . SCREW MA BUT PH M8x19	19	19	
17	868326	. . SCREW BUT HEXS 3/8-16x1 3/4 SS	2	2	
18	868323	. . BUSHING	2	2	
19	868322	. . NYLON BUSHING FOR SLIDE CUSHION MECHANISM	2	2	
20	868328	. . SCREW BUT HEXS #10-32x3/4	4	4	
21	868196	. . NUT HEX NYRT #10-24	4	4	
22	868314	. . CUSHION MECHANISM	1	1	
22	868316	. . . MOVING ARM FLIPPING SEAT	1	1	
23	868131	. . . SPRING	1	1	
24	867944	. . . SCREW SHR HEXS 5/16-18	1	1	
25	867945	. . . WASHER	1	1	
26	867946	. . . CAP NUT 5/16-18	1	1	
27	868315	. . . HANDLE	1	1	
28	868327	. . . SCREW CAP HEXS 1/4-20x1	1	1	
29	865479	. . . NUT HEX NYRT 1/4-20	1	1	
30		. . COVERING CUSHION	1	1	
31		. . COVERING CUSHION	1	1	
32	865358	HANDLE GREY	1	1	
33	865524	SCREW CAP BUT HEXS 1/4x1	2	2	
33	865479	NUT HEX NYRT 1/4-20	2	2	
34	868261	WASHER FL 1/4	2	2	
35	868329	PLATE WITH INSTRUCTION LABEL	1	1	
36	868120	RIVET 3/16 X 3/4 BLACK	6	6	

From K-0185

Date:07/2024

PAGE:H9-1829-00

ACCESSORIES PASSENGER'S SEAT - "PREVOST"

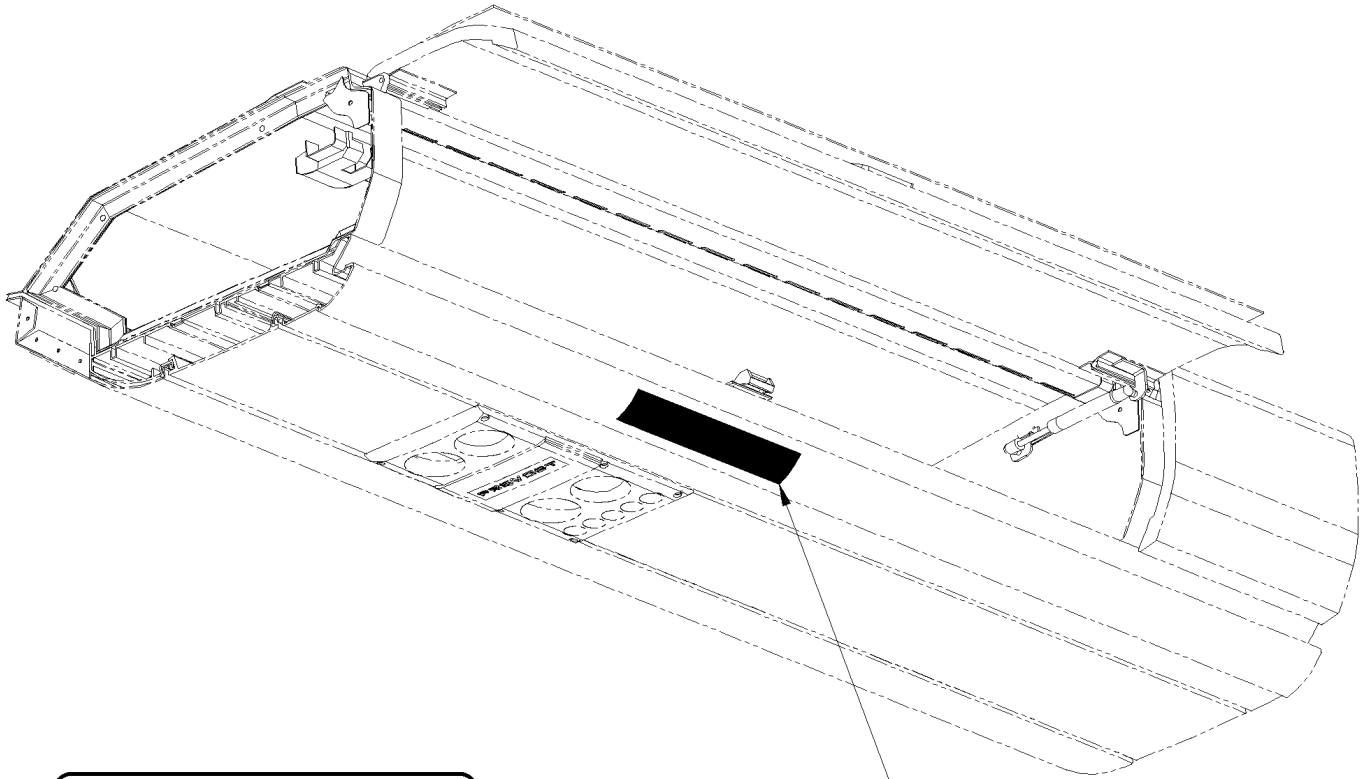


From K-0185

Date:07/2024

PAGE:H9-1829-00

ACCESSORIES PASSENGER'S SEAT - "PREVOST"



1 ↑ ↓ 2

90

90-91-92-93-94-95

1 ↓ ↑ 2

91



100

3 ↑ ↓ 4

92

3 ↓ ↑ 4

93

1 ↑

2 ↑ ↓ 3

94

ROW 1

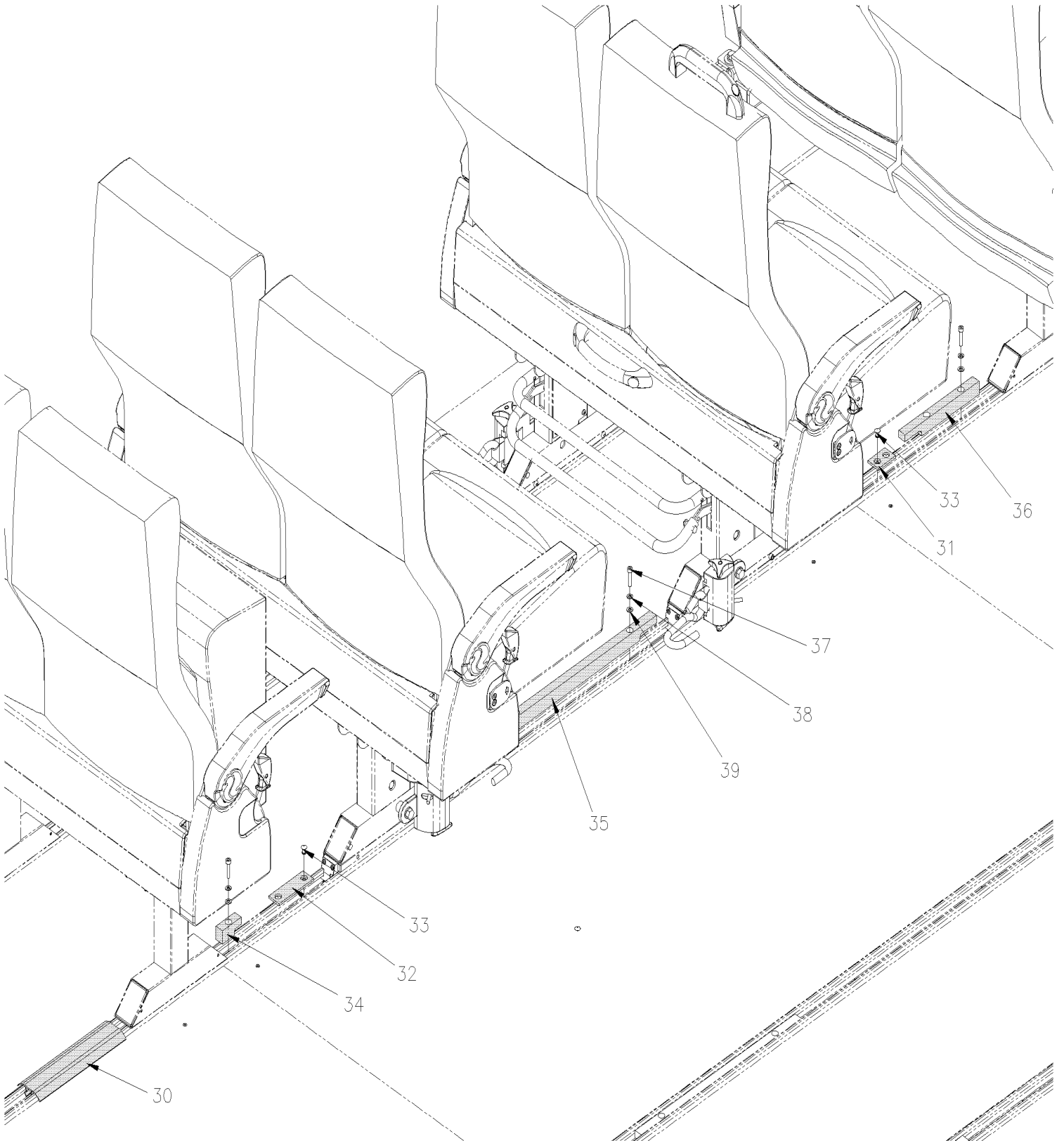
95

From K-0185

Date:07/2024

PAGE:H9-1829-00

ACCESSORIES PASSENGER'S SEAT - "PREVOST"

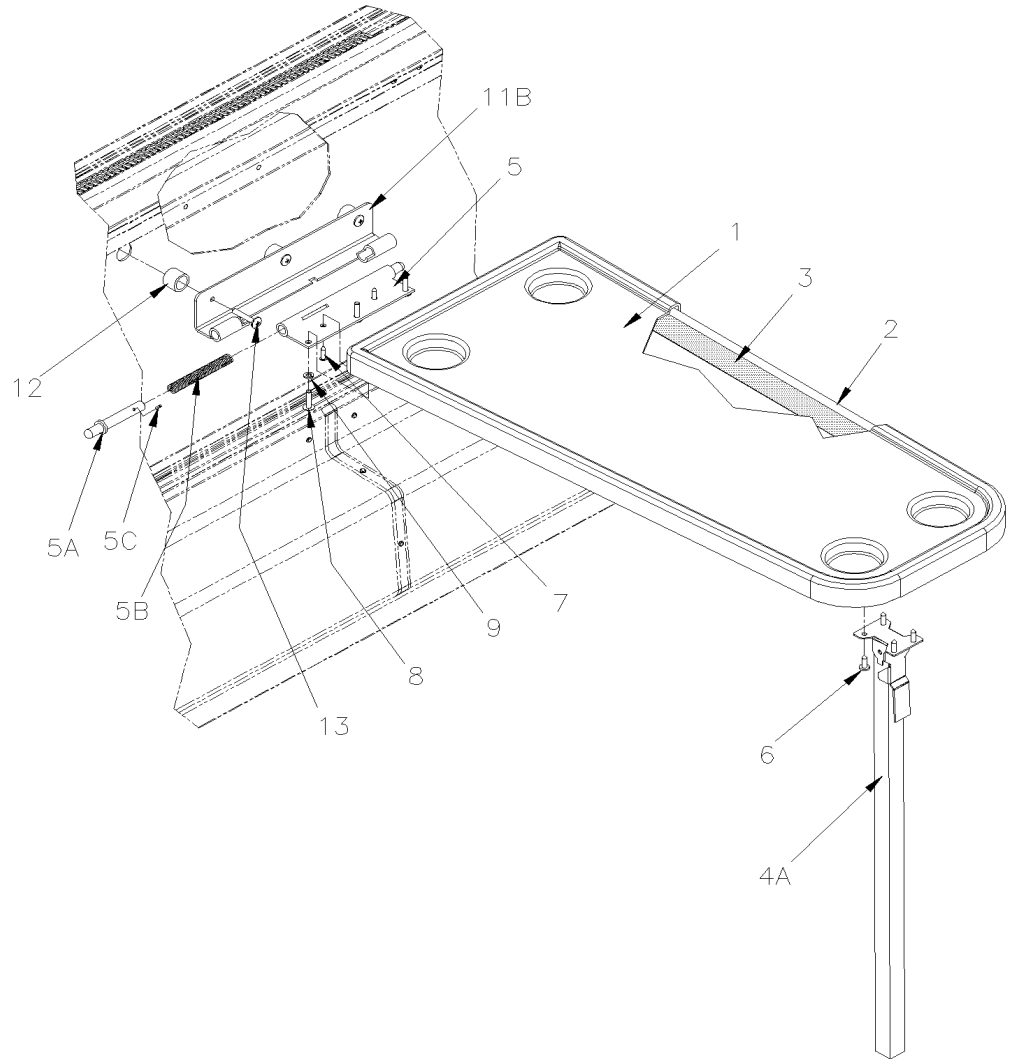


From K-0185

Date:07/2024

PAGE:H9-1829-00

ACCESSORIES PASSENGER'S SEAT - "PREVOST"



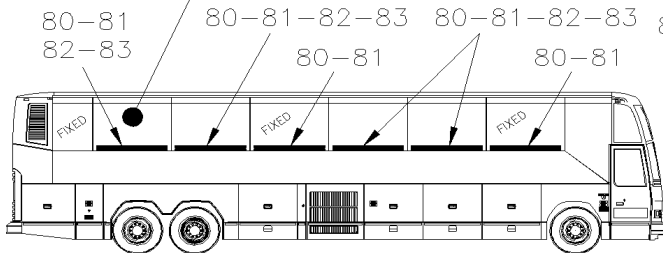
From K-0185

Date:07/2024

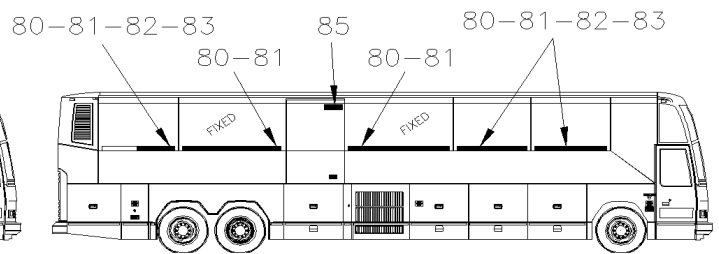
PAGE:H9-1829-00

ACCESSORIES PASSENGER'S SEAT - "PREVOST"

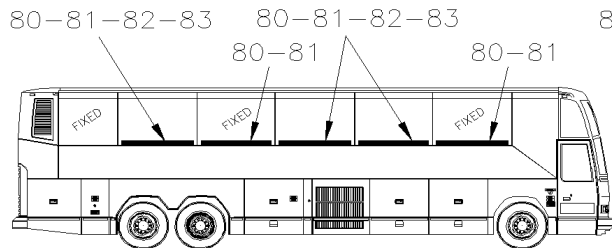
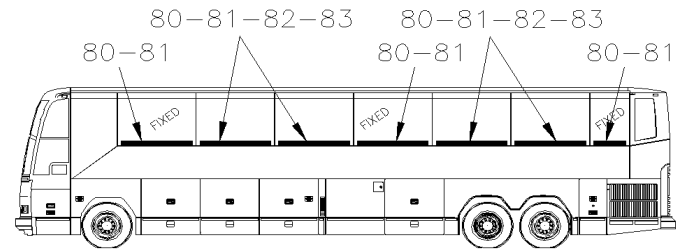
LESS THAN 57 PASS. = FIXED WINDOW
 MORE THAN 58 PASS. = PUSH OUT WINDOW



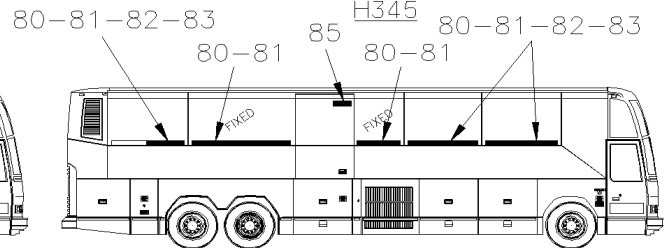
H345



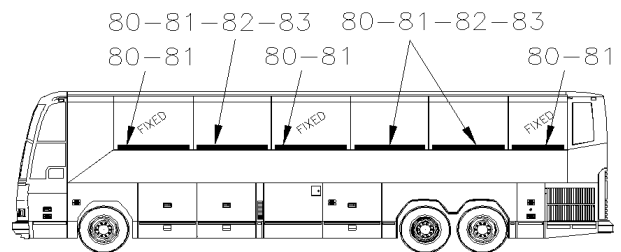
H345 AVEC WCL RIC-9



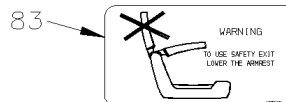
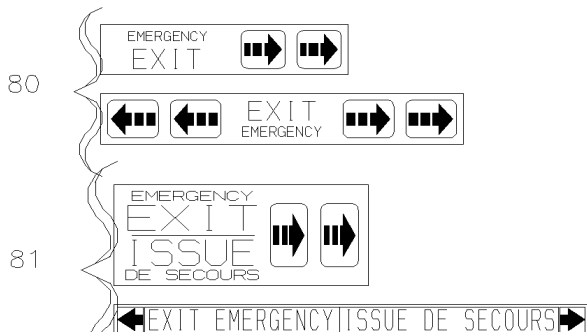
H341



H341 AVEC WCL RIC-9



H341



- | | | | |
|----|---------------------------------|--|-----------------------------------|
| 80 | EMERGENCY EXIT | 1. pull up bar
2. push out window | WARNING EMERGENCY EXIT ONLY |
| 81 | EMERGENCY EXIT ISSUE DE SECOURS | 1. pull up bar
2. push out window | AVERTISSEMENT EMERGENCY EXIT ONLY |
| 82 | EMERGENCY EXIT ISSUE DE SECOURS | 1. tirer la barre
2. pousser la fenetre | AVERTISSEMENT EMERGENCY EXIT ONLY |

From K-0185		Date:07/2024	PAGE:H9-1829-00
ACCESSORIES PASSENGER'S SEAT - "PREVOST"			

Item#	Part	Description	H 3 4 1	H 3 4 5	N O T E S
	364350	TABLE ASSY / GREY ABS COVERING W/4 GLASS 857MM	1	1	
	364306	TABLE ASSY / GREY ABS COVERING W/4 GLASS 1070MM	1	1	
1	364157	. COVERING W/4 GLASS HOLDER / MID CHARCOALD 857MM	1	1	
1	364169	. COVERING W/4 GLASS HOLDER / MEDIUM GREY 1070MM	1	1	
2	N.S.S.	. TABLE BOTTOM 844MM	1	1	1
2	N.S.S.	. TABLE BOTTOM 1056MM	1	1	1
2	360325	. DECAL "INSTALLATION OF CARD TABLE...." "BILINGUAL"	1	1	
3	682259	. SEALANT TAPE / CLEAR / 1/32"x1 1/2"x65' / 1795	AR	AR	
4A	865342	. LEG & HINGE ASSY, CARD TABLE / 26 1/2" - 673MM	1	1	S
4A	865343	. LEG & HINGE ASSY, CARD TABLE / 25" - 636MM	1	1	S
5	360255	. HINGE / TABLE SECTION	1	1	
. A	360620	. . ROD LOCK	1	1	
. B	363604	. . SPRING COMPRESSION / .500 O.D. x 6.25 x .062	1	1	
. C	505221	. . SPRING, PIN 1/8 X 3/8	1	1	
6	500841	. SCREW TP PAN PH #14x3/4 Z050	4	4	
7	500642	. SCREW TP PAN PH #10x3/4 Z050	2	2	
8	500556	. SCREW MA TR PH 1/4-20x3/4 SS	3	3	
9	500473	. WASHER LO SPT .262x.489x.062 Z050	3	3	
10	360622	. ENVELOPE ASSY TABLE	1	1	
11A	364115	HINGE / WALL SECTION 25x33x10 "J"	1	1	
11B	364140	HINGE / WALL SECTION	1	1	
12	363002	SPACER 25.4MM O.D x 20MM	3	3	
13	500559	SCREW MA TR PH 1/4-20x1 1/2 SS EMN	3	3	
		UTILITY TABLE			
27	860659	ATTACHMENT	2	2	
NS	860892	PIVOT ASSY	2	2	
29	500871	SCREW TP OV PH #8x1 BK	4	4	
30	329689	SEAT TRACK COVER 12' / EACH SEAT / W/COVERING FLOOR	AR	AR	
31	329994	SEAT STOPPER 56MM x 31.75MM	AR	AR	WCL
31	3200521	SEAT STOPPER 95MM x 31.75MM	AR	AR	WCL
32	322246	SEAT STOPPER BLOCK 100MM x 31.75MM	AR	AR	WCL
32	329177	SEAT STOPPER BLOCK 275MM x 31.75MM	AR	AR	WCL
33	504459	RIVET MGLP PRDG 1/4x3/8 SS	AR	AR	WCL
33	680532	SEALANT SIKA #221 / GREY / 310ml CARTRIDGE	AR	AR	WCL
34	3200626	STOPPER / SEAT POSITION / 55MM	AR	AR	WCL
35	3200625	STOPPER / SEAT POSITION / 465MM	AR	AR	WCL
36	3200807	STOPPER / SEAT POSITION / 308MM	AR	AR	WCL
36	3200624	STOPPER / SEAT POSITION / 215MM	AR	AR	WCL
37	5001611	SCREW CAP HEXS M6-1.0x30 SS BK	AR	AR	WCL

From K-0185		Date:07/2024	PAGE:H9-1829-00
ACCESSORIES PASSENGER'S SEAT - "PREVOST"			

Item#	Part	Description	H 3 4 1	H 3 4 5	N O T E S
38	502570	WASHER LO SPT 6.1x11.8x1.6 SS	AR	AR	WCL
39	502573	WASHER FL 6.4x12.5x1.6 SS	AR	AR	WCL
NS	323809	DECAL/ ARROW > SEAT POSITION 25MM x 35MM	AR	AR	
		SEAT PARTITION OPTION A210/220 AMAYA SEAT			
45	7771098	POLYCARBONATE, WINDOW SIDE LH A210/220 A210/220 AMAYA SEAT	AR	AR	
45	7771099	POLYCARBONATE, AISLE SIDE LH A210/220	AR	AR	
45	7771100	POLYCARBONATE, WINDOW SIDE RH A210/220	AR	AR	
45	7771101	POLYCARBONATE, AISLE SIDE RH A210/220	AR	AR	
45	7771102	DECAL "DO NOT PULL/PUSH.." ENGLISH / FRENCH / SPANISH	AR	AR	
45	504637	CABLE TIE / 3/16" x 13"	AR	AR	
NS	364141	KIT FOR RETROFIT TABLE / SPACER WALL AND STRUCTURE	AR	AR	
. NS	IS-91077	. SEE INSTRUCTION SHEET	1	1	
50	364021	SUPPORT ASSY CARD TABLE UPPER 900MM	1	1	
. NS	364020	. SUPPORT UPPER	1	1	
50	364182	SUPPORT UPPER 1133MM	1	1	
51	364024	SUPPORT ASSY CARD TABLE LOWER 900MM	1	1	
. NS	364023	. SUPPORT LOWER	1	1	
52	506025	. RUBBER CHANNEL / 1/18" x 5/16" INT "U" SHAPE / SQUARE C.T.L.	AR	AR	
53	364022	. STRAP RETAINER	2	2	
54	504113	. RIVET POP DOME CLE 3/16x1/4 AL	2	2	
55	506756	. VELCRO / LOOP ADHESIF 1" x 75'	AR	AR	
63	900527	GLASS HOLDER	AR	AR	
63	900788	GLASS HOLDER	AR	AR	
NS	860642	GLASS HOLDER / W/"AMAYA" / W/2 HOLES FOR SCREW	1	1	
64	860875	TRASH BAG, SUPPORT / BLACK FIXED TO WALL	AR	AR	
NS	861107	TRASH BAG / BOX OF 5000	AR	AR	
65	500353	SCREW TP FL PH #8x3/4 BK	2	2	
65	500260	SCREW TC FL PH #8-32x3/4 BK	2	2	A
65	500678	NUT WELL #8-32x.450	2	2	A
		12 VOLTS POWER OUTLET			
70	562796	12 VOLTS POWER OUTLET	1	1	
NS	067422	CABLE / 12 VOLTS POWER OUTLET	1	1	
71	500353	SCREW TP FL PH #8x3/4 BK	2	2	
72	406241	SUPPORT / 12 VOLTS POWER OUTLET	1	1	
73	500888	NUT AN JK #10-24	2	2	
74	500388	SCREW MA RND PH #10-24x1 Z050	2	2	

From K-0185		Date:07/2024	PAGE:H9-1829-00
ACCESSORIES PASSENGER'S SEAT - "PREVOST"			

Item#	Part	Description	H 3 4 1	H 3 4 5	N O T E S
80	408204	DECAL EMERGENCY >>>> PICTOGRAPM LEFT>>>>	AR	AR	
80	403694	DECAL / BRAILLE / EMERGENCY EXIT TO YOUR RIGHT To P-1369	AR	AR	
80	408203	DECAL EMERGENCY >>>> PICTOGRAPM RIGHT>>>>	AR	AR	
80	406844	DECAL / BRAILLE / EMERGENCY EXIT TO YOUR RIGHT From P-1370	AR	AR	
80	403695	DECAL / BRAILLE / EMERGENCY EXIT TO YOUR LEFT To P-1369	AR	AR	
80	406845	DECAL / BRAILLE / EMERGENCY EXIT TO YOUR LEFT From P-1370	AR	AR	
81	408206	DECAL / "EMERGENCY EXIT" / ENGLISH To R-1723	AR	AR	
81	406939	DECAL / "EMERGENCY EXIT" / "1.PULL UP BAR 2. PUSH OUT WINDOW" / ENGLISH From R-1724		AR	
81	408205	DECAL / "EMERGENCY EXIT" : ISSUE DE SECOURS / ENGLISH & FRANCAIS To R-1723	AR	AR	
81	406941	DECAL / "EMERGENCY EXIT" / "1.PULL UP BAR 2. PUSH OUT WINDOW" / ENGLISH & FRANCAIS From R-1724		AR	
81	408207	DECAL / "EMERGENCY EXIT" : SALIDA DE EMERGENCIA / ENGLISH & SPANISH To R-1723	AR	AR	
81	406940	DECAL / "EMERGENCY EXIT" / "1.PULL UP BAR 2. PUSH OUT WINDOW" / ENGLISH & SPANISH From R-1724		AR	
NS	405775	DECAL / BRAILLE / EMERGENCY EXIT ONLY / ENGLISH & FRANCAIS To P-1369	AR	AR	
NS	406847	DECAL / BRAILLE / EMERGENCY EXIT ONLY / ENGLISH & FRENCH From P-1370	1	1	
81	400873	DECAL / "EMERGENCY EXIT" : SALIDA DE EMERGENCIA / ENGLISH & FRANCAIS & ESPAÑOL	AR	AR	
81	504108	RIVET POP DOME OE 1/8x1/2 AL	AR	AR	
82	408209	DECAL 1.PULL UP BAR 2. PUSH OUT WINDOW" / ENGLISH To R-1723	AR	AR	
82	406939	DECAL / "EMERGENCY EXIT" / "1.PULL UP BAR 2. PUSH OUT WINDOW" / ENGLISH From R-1724		AR	
82	408208	DECAL 1.PULL UP BAR 2. PUSH OUT WINDOW" / ENGLISH & FRANCAIS To R-1723	AR	AR	
82	406941	DECAL / "EMERGENCY EXIT" / "1.PULL UP BAR 2. PUSH OUT WINDOW" / ENGLISH & FRANCAIS From R-1724		AR	
82	408210	DECAL 1.PULL UP BAR 2. PUSH OUT WINDOW" / ENGLISH & SPANISH To R-1723	AR	AR	
82	406940	DECAL / "EMERGENCY EXIT" / "1.PULL UP BAR 2. PUSH OUT WINDOW" / ENGLISH & SPANISH From R-1724		AR	
82	409447	DECAL 1.PULL UP BAR 2. PUSH OUT WINDOW" / ENGLISH From R-1453		AR	B
82	504108	RIVET POP DOME OE 1/8x1/2 AL From R-1453		AR	B
82	403693	DECAL / BRAILLE / PULL UP BAR PUSH OUT WINDOW / ENGLISH To P-1369	AR	AR	
82	406843	DECAL / BRAILLE / PULL UP BAR PUSH OUT WINDOW / ENGLISH From P-1370	AR	AR	
82	403707	DECAL / BRAILLE / TIRER LA BARRE POUSSER LA FENETRE / FRENCH To P-1369	AR	AR	
82	406846	DECAL / BRAILLE / TIRER LA BARRE POUSSER LA FENETRE / FRENCH From P-1370	AR	AR	
82	400850	DECAL EMERGENCY >>>> OPENING WINDOW >>>> / ENGLISH & FRANCAIS & ESPAÑOL	AR	AR	
82	504108	RIVET POP DOME OE 1/8x1/2 AL	AR	AR	
83	400466	DECAL / "WARNING ...LOWER THE ARMREST / ENGLISH	AR	AR	
84	408204	DECAL EMERGENCY >>>> PICTOGRAPM LEFT>>>>	1	1	
85	400466	DECAL / "WARNING ...LOWER THE ARMREST / ENGLISH	1	1	
85	400467	DECAL / "WARNING ...LOWER THE ARMREST / ENGLISH & SPANISH	1	1	
85	400464	DECAL / "WARNING ...LOWER THE ARMREST / ENGLISH & FRANCAIS	1	1	
86	400265	DECAL, PRIORITY SEATING / ENGLISH & FRANCAIS	1	1	
86	400266	DECAL, PRIORITY SEATING / ENGLISH & SPANISH	1	1	
86	400267	DECAL, PRIORITY SEATING / ENGLISH & SPANISH & FRANCAIS	1	1	
86	400310	DECAL, PRIORITY SEATING / ENGLISH	1	1	
89	406247	DECAL SEAT NUMBER 1A, 1B-1C UP 13A 13B-13C GREY	1	1	
90	406011	DECAL SEAT NUMBER 1-2 UP TO 57-58 SAND	AR	AR	

From K-0185	Date:07/2024	PAGE:H9-1829-00
ACCESSORIES PASSENGER'S SEAT - "PREVOST"		

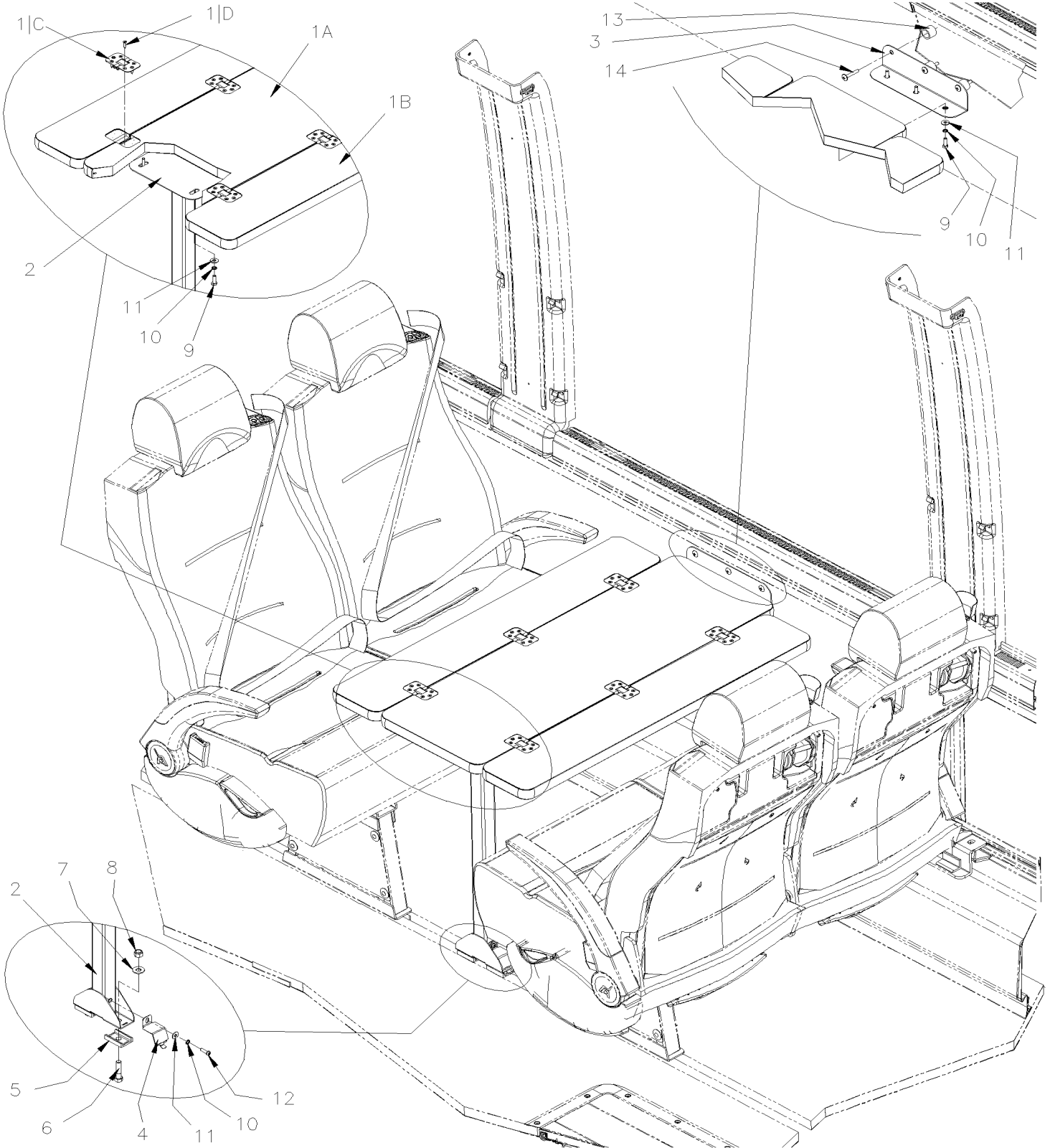
Item#	Part	Description	H 3 4 1	H 3 4 5	NOTES
91	406010	DECAL SEAT NUMBER 1-2 UP TO 57-58 SAND	AR	AR	
92	406013	DECAL SEAT NUMBER 3-4 UP TO 59-60 SAND	AR	AR	
93	406014	DECAL SEAT NUMBER 3-4 UP TO 59-60 SAND	AR	AR	
94	406012	DECAL V.I.P. SEAT NUMBER SAND	AR	AR	
95	406021	DECAL SEAT / W/ROW NUMBER SAND	AR	AR	
NS	406806	DECAL SEAT NUMBER 1-2 UP TO 51-52 / FRENCH / BLACK From R-1453 To R-1559			1
96	406932	DECAL SEAT NUMBER 1-2 UP TO 51-52 / FRENCH BLACK From R-1560			1
100	323810	DECAL / "SEAT BELT PICTOGRAMME" BEIGE	AR	AR	
100	323811	DECAL / "SEAT BELT PICTOGRAMME" GREY	AR	AR	
100	323557	DECAL / "SEAT BELT PICTOGRAMME" BLUE	AR	AR	
101	406548	DECAL / QR CODE / PASSENGER SEAT To P-1452	AR	AR	
101	406926	DECAL / QR CODE / PASSENGER SEAT From R-1453			AR
101	408357	DECAL / QR CODE / DRIVER SEAT To P-1452	AR	AR	
101	406927	DECAL / QR CODE / DRIVER SEAT From R-1453			AR
		A) USE TO FIXE TO MODESTY PANEL			
		B) FIXE WITH RIVETS			
		S) SERVICE			
		WCL) WITH WHEEL CHAIR LIFT			
		1) NOT SOLD SEPARATELY			

From K-0185

Date:07/2024

PAGE:H9-1829-10

TABLE WITH EXTENSION



From K-0185	Date:07/2024	PAGE:H9-1829-10
-------------	--------------	-----------------

TABLE WITH EXTENSION

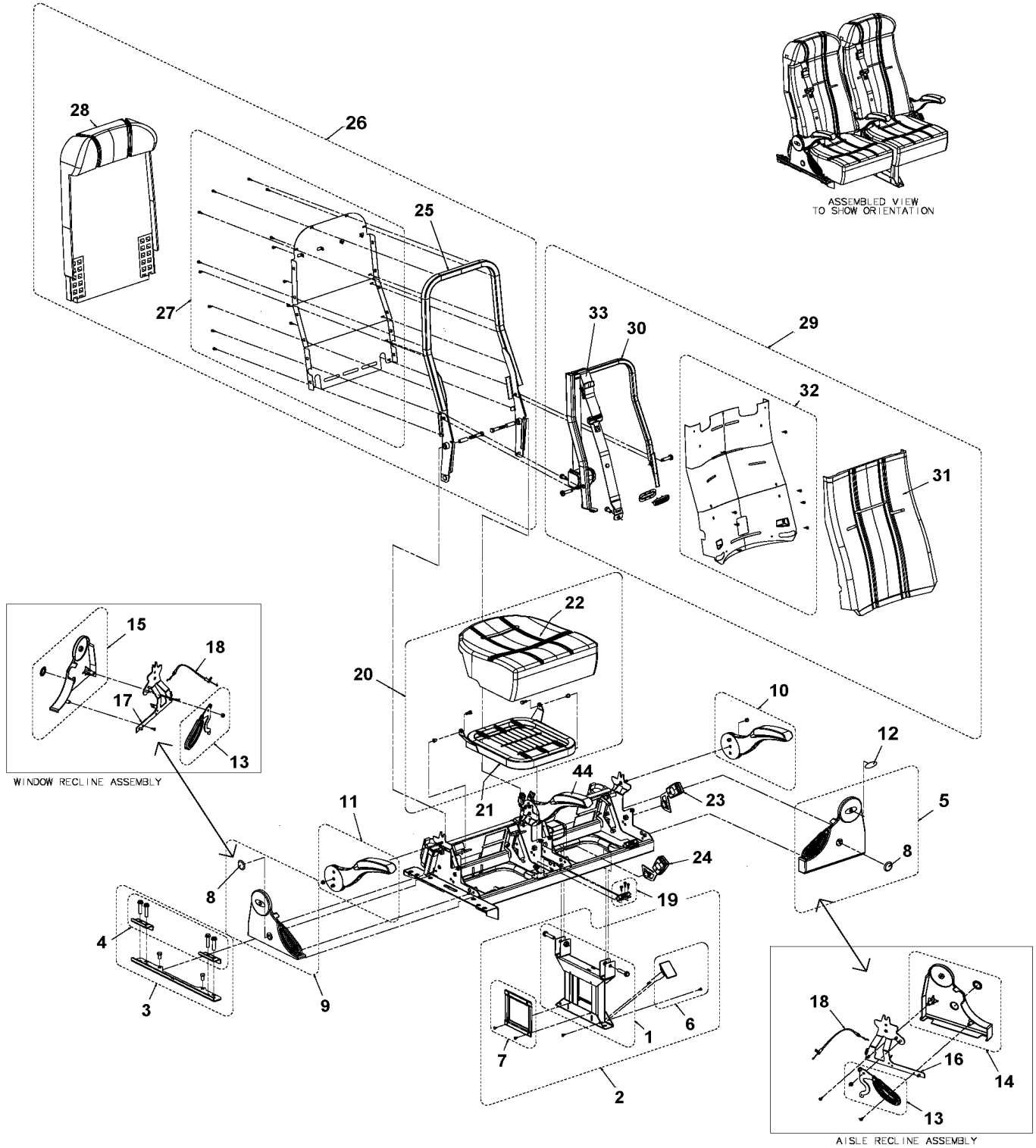
Item#	Part	Description	H 3 4 1	H 3 4 5	N O T E S
	400644P	ASSEMBLY TABLE WITH EXTENSION	1	1	
1	400572	. TABLE WITH EXTENSION	1	1	
1A	400571	. . MAIN PANEL, TABLE	1	1	
1B	400574	. . EXTENTION PANEL, TABLE	2	2	
1C	900239	. . FLUSH HINGE	6	6	
1D	500353	. . SCREW TP FL PH #8x3/4 BK	36	36	
2	400589	. LEG, TABLE	1	1	
3	400593	. SQUARE BRACKET	1	1	
4	400591	. TABLE LEG COVER	2	2	
5	364272	. BLOCK ANCHOR / 26.8MM INSIDE / 35MM x 50MM x 19MM Height	2	2	
6	5001735	. SCREW CAP HEX 7/16-20x1 3/4 G8 G500	2	2	
7	500897	. WASHER FL .437x1.000x.083 N500	2	2	
8	5001734	. NUT HEX 7/16-20 G8 N500	2	2	
9	502830	. SCREW CAP HEX M6-1.0x20 G8.8 N500	7	7	
10	5001739	. WASHER LO EXT 6.4x11.0x0.7 N500	9	9	
11	502709	. WASHER FL .260x.687x.050 XLN BK	9	9	
12	502626	. SCREW MA PAN PH M6-1.0x20 N500	2	2	
13	363002	. SPACER 25.4MM O.D x 20MM	3	3	
14	500559	. SCREW MA TR PH 1/4-20x1 1/2 SS EMN	3	3	

From K-0185

Date:07/2024

PAGE:H9-1830-00

PASSENGER'S SEAT - "AMERICAN" & "IMMI" "PREMIER"&"SAFEGUARD PREMIER"

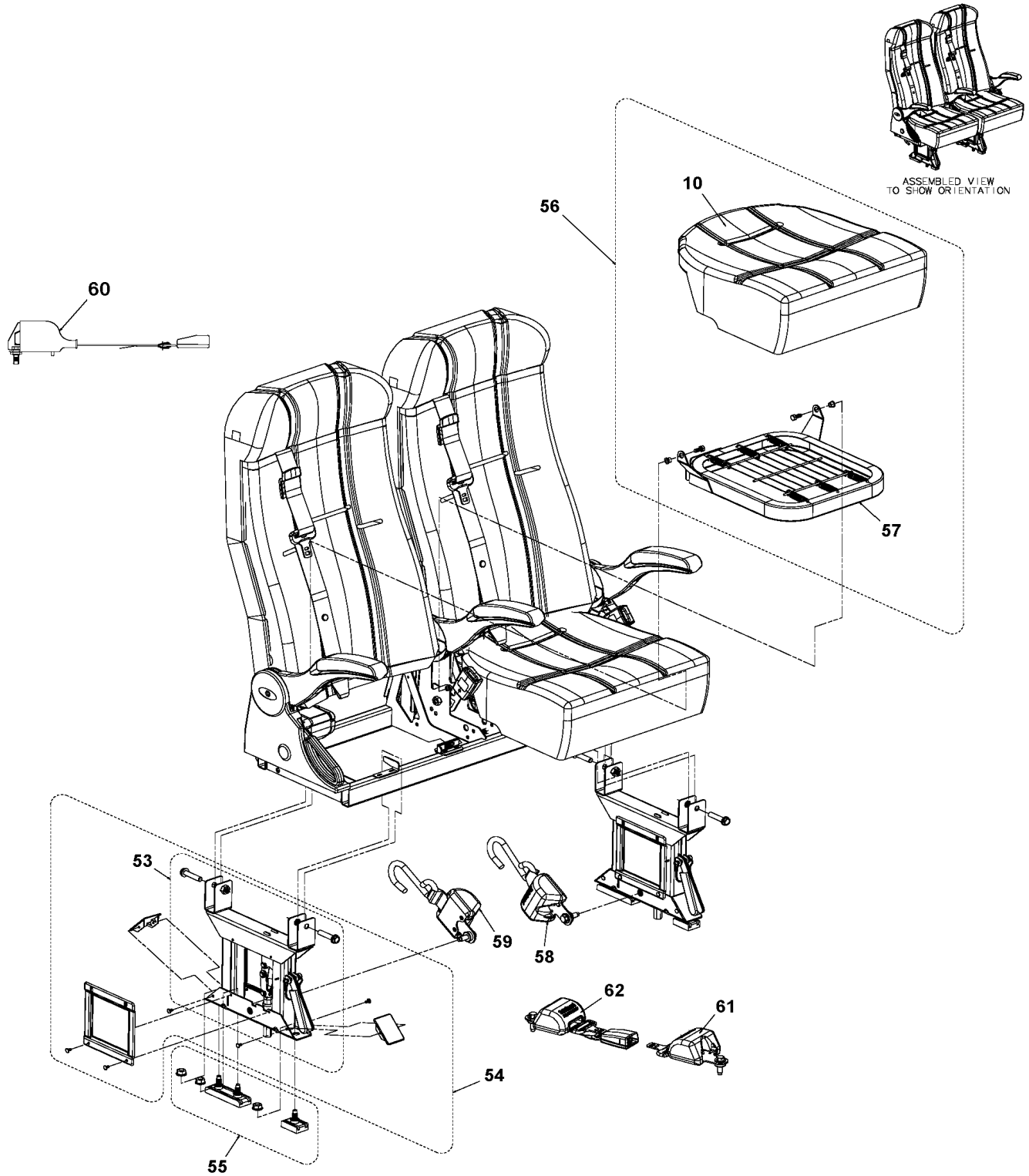


From K-0185

Date:07/2024

PAGE:H9-1830-00

PASSENGER'S SEAT - "AMERICAN" & "IMMI" "PREMIER"&"SAFEGUARD PREMIER"

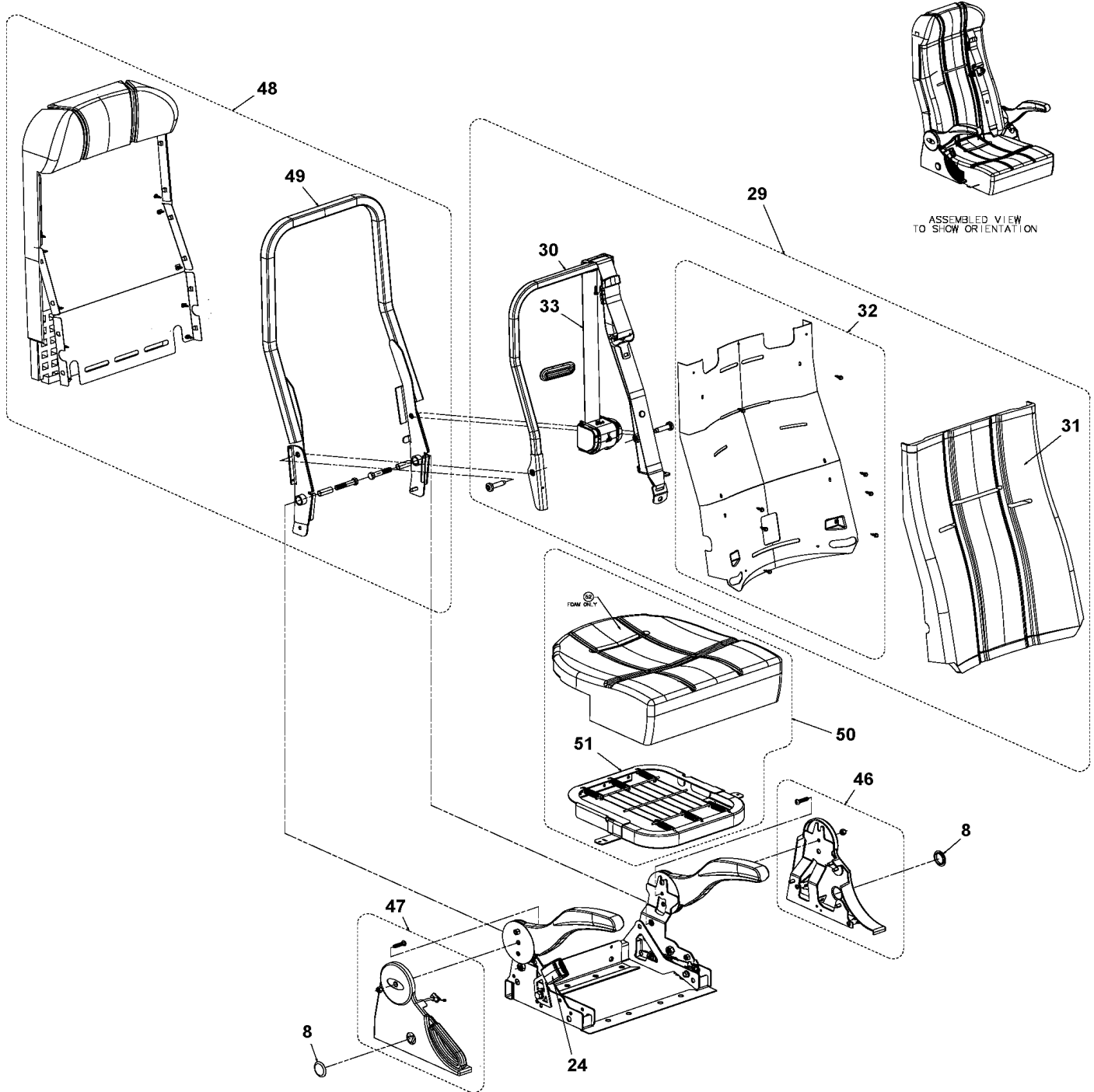


From K-0185

Date:07/2024

PAGE:H9-1830-00

PASSENGER'S SEAT - "AMERICAN" & "IMMI" "PREMIER"&"SAFEGUARD PREMIER"

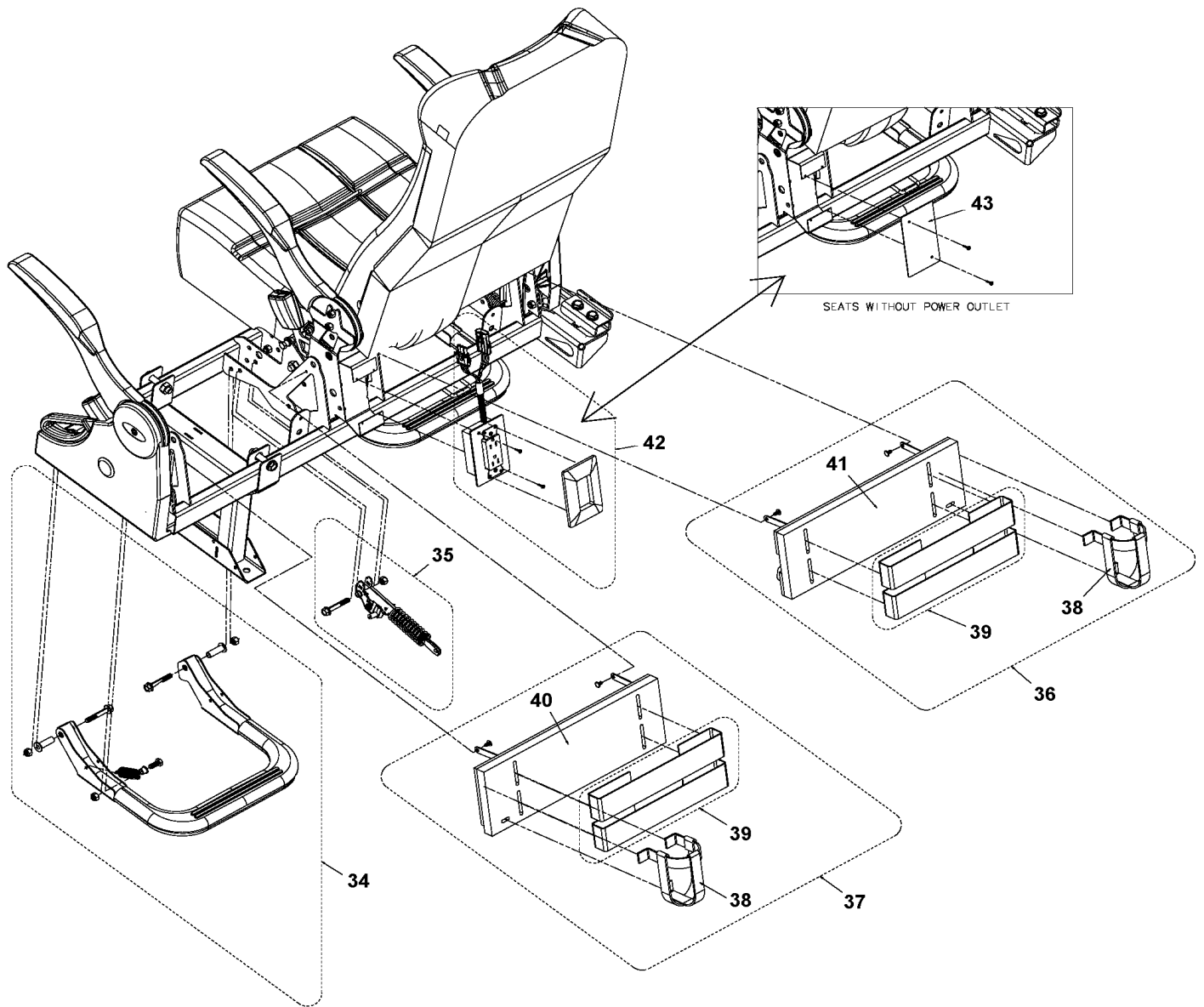
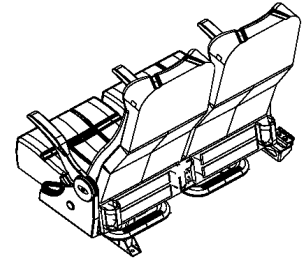


From K-0185

Date:07/2024

PAGE:H9-1830-00

PASSENGER'S SEAT - "AMERICAN" & "IMMI" "PREMIER"&"SAFEGUARD PREMIER"



From K-0185		Date:07/2024	PAGE:H9-1830-00
PASSENGER'S SEAT - "AMERICAN" & "IMMI" "PREMIER"&"SAFEGUARD PREMIER"			

Item#	Part	Description	H 3 4 1	H 3 4 5	N O T E S
	329177	SEAT STOPPER BLOCK 275MM x 31.75MM	AR	AR	
	329994	SEAT STOPPER 56MM x 31.75MM	AR	AR	
	3200521	SEAT STOPPER 95MM x 31.75MM	AR	AR	
	504459	RIVET MGLP PRDG 1/4x3/8 SS	12	12	
	323809	DECAL/ ARROW > SEAT POSITION 25MM x 35MM	6	6	
1	Call order desk	PEDESTAL WELDMENT STANDARD / KIT	1	1	P
2	Call order desk	PEDESTAL, WELDMENT STANDARD / KIT	1	1	P
2	Call order desk	PEDESTAL, WELDMENT STANDARD (WTOR FIX) / KIT	1	1	P
3	Call order desk	CLAMP BRACKET WITH TOOTH / KIT	1	1	P
4	867800	CLAMP BRACKET	2	2	
4	867802	BOLT	4	4	
5	Call order desk	RECLINE ASSY / CURBE SIDE / KIT	1	1	P
5	Call order desk	RECLINE ASSY / STREET SIDE / KIT	1	1	P
6	864431	COVER, TUBE END / KIT	20	20	
7	866092	COVER, PLASTIC PED SIDE / KIT	20	20	
8	864432	PLUG, FLUSH MOUNT	8	8	
9	Call order desk	RECLINE ASSY / CURBE SIDE / KIT	1	1	P
9	Call order desk	RECLINE ASSY / STREET SIDE / KIT	1	1	P
10	864433	ROTATE ARMREST ASSY / CURBE SIDE / KIT	1	1	
10	864434	ROTATE ARMREST ASSY / STREET SIDE / KIT	1	1	
11	867626	STATIONARY ARMREST ASSY / CURBE SIDE / KIT	1	1	
11	867627	STATIONARY ARMREST ASSY / STREET SIDE / KIT	1	1	
12	Call order desk	STICKER, "PREMIER"	10	10	P
13	864435	RECLINE HANDLE / KIT	1	1	
14	864436	COVER, AISLE / CURBE SIDE / KIT	1	1	
14	864437	COVER, AISLE / STREET SIDE / KIT	1	1	
15	Call order desk	COVER, WINDOW / CURBE SIDE / KIT	1	1	P
15	Call order desk	COVER, WINDOW / STREET SIDE / KIT	1	1	P
16	Call order desk	COVER BRACKET ASSY RIGHT / KIT	1	1	P
17	Call order desk	COVER BRACKET ASSY LEFT / KIT	1	1	P
18	864438	CABLE	1	1	
19	861717	SLAM LATCH ASSY / KIT	4	4	
20	Call order desk	SEAT BUN ASSY / KIT	1	1	P
21	Call order desk	BUN WELDMENT W/ FLEX-O-LATOR ASSY	1	1	P
22	Call order desk	BUN FOAM	1	1	P
23	864439	K-12 NARROW BUCKLE #1 / CURBSIDE	1	1	
23	864441	K-12 NARROW BUCKLE #2 / STREET SIDE	1	1	
23	860132	NARROW BUCKLE ASS	1	1	
24	864440	K-12 NARROW BUCKLE #2 / CURBSIDE	1	1	
24	864442	K-12 NARROW BUCKLE #1 / STREET SIDE	1	1	
24	860132	NARROW BUCKLE ASS	1	1	
25	Call order desk	OUTER FRAME WELDMENT	1	1	P

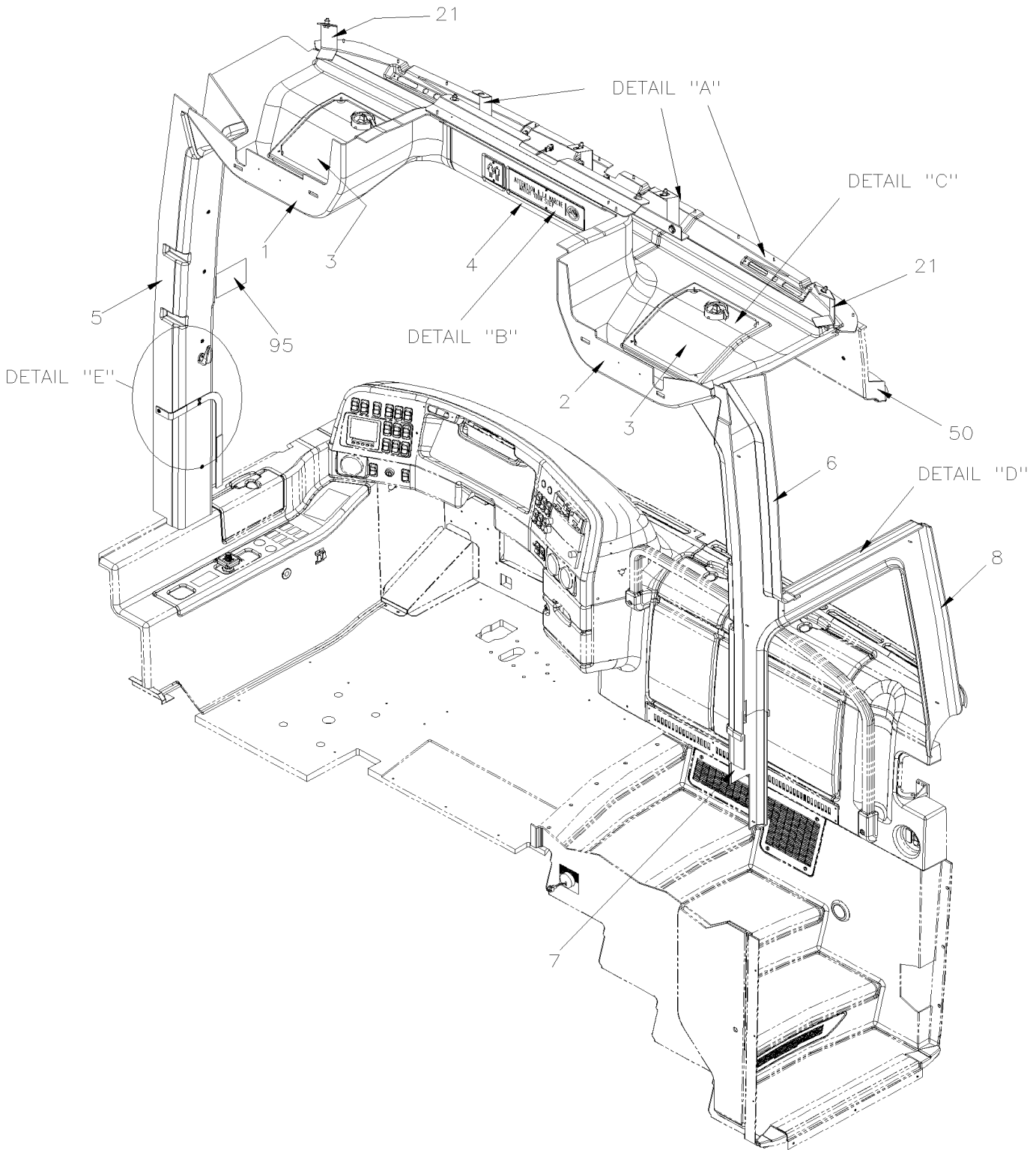
From K-0185	Date:07/2024	PAGE:H9-1830-00
PASSENGER'S SEAT - "AMERICAN" & "IMMI" "PREMIER"&"SAFEGUARD PREMIER"		

Item#	Part	Description	H 3 4 1	H 3 4 5	NOTES
25	868141	. BUSHING ID 0.45xOD 0.8x0.86	2	2	
26	Call order desk	OUTER FRAME ASSY / KIT	1	1	P
27	Call order desk	SEAT BACK PAN / KIT	1	1	P
28	Call order desk	UPPER REAR SEAT FOAM / KIT	1	1	P
29	Call order desk	INNER MODULE ASSY / CURBE SIDE / KIT	1	1	P
29	Call order desk	INNER MODULE ASSY / STREET SIDE / KIT	1	1	P
30	Call order desk	INNER FRAME WELDMENT / CURBE SIDE	1	1	P
30	Call order desk	INNER FRAME WELDMENT / STREET SIDE	1	1	P
31	Call order desk	INNER FRAME FOAM	1	1	P
32	864443	BACK PLASTIC PANEL / KIT / LH	1	1	
32	864448	BACK PLASTIC PANEL / KIT / RH	1	1	
33	867837	SEAT BELT ASSY / KIT	1	1	
33	867679	BEZAL BACK BLACK	1	1	
33	867680	BEZAL FRONT BLACK	1	1	
34	Call order desk	FOOTREST WELDMENT / KIT	1	1	P
35	864444	CLAMPING LEVER ASSY / CURBE SIDE / KIT	1	1	
35	864445	CLAMPING LEVER ASSY / STREET SIDE / KIT	1	1	
36	N.S.S.	MAGAZINE W/CUP HOLDER ASSY LH / KIT	1	1	1
37	N.S.S.	MAGAZINE W/CUP HOLDER ASSY RH / KIT	1	1	1
38	864890	CUP HOLDER	10	10	
39	864891	ELASTIC STRAP / KIT	20	20	
40	N.S.S.	KICK PANEL ASSY REAR SEAT RH / KIT	1	1	1
41	N.S.S.	KICK PANEL ASSY REAR SEAT LH / KIT	1	1	1
42	868964	OUTLET PLUG ASSY KIT	1	1	
43	864449	BLANK COVER / KIT	10	10	
44	864450	ROTATE ARMREST ASSY / STREET SIDE / KIT	1	1	
44	864451	ROTATE ARMREST ASSY / CURBE SIDE / KIT	1	1	
46	Call order desk	RECLINE ASSY LEFT / KIT	1	1	P
47	Call order desk	RECLINE ASSY RIGHT / KIT	1	1	P
48	Call order desk	OUTER FRAME ASSY / KIT	1	1	P
49	Call order desk	OUTER FRAME WELDMENT	1	1	P
50	Call order desk	SEAT BUN ASSY	1	1	P
51	Call order desk	SEAT BUN WELDMENT	1	1	P
52	Call order desk	BUN FOAM	1	1	P
53	Call order desk	PEDESTAL WELDMENT ASSY - SLIDER / KIT	1	1	P
54	Call order desk	PEDESTAL WELDMENT ASSY - SLIDER / KIT	1	1	P
55	864452	BLOCK MOUNT ASSY / KIT / FOWARD	1	1	
55	864446	BLOCK MOUNT ASSY / KIT / REARWARD	1	1	
56	Call order desk	SEAT BUN ASSY - SLIDER / KIT	1	1	P
57	Call order desk	SEAT BUN FRAME ASSY	1	1	P
58	863736	TIEDOWN RIGHT	1	1	
59	863737	TIEDOWN LEFT	1	1	

From K-0185	Date:07/2024	PAGE:H9-1830-00
PASSENGER'S SEAT - "AMERICAN" & "IMMI" "PREMIER"&"SAFEGUARD PREMIER"		

Item#	Part	Description	H 3 4 1	H 3 4 5	N O T E S
60	864453	SHOULDER BELT RETRACTOR	1	1	
61	864454	PED SHOULDER BELT RETRACTOR	1	1	
62	864455	RETRACTOR, TONGUE, BUCKLE	1	1	
NS	Call order desk	CLIP, PUSH-IN	100	100	P
NS	Call order desk	U-TYPE FASTENER	100	100	P
NS	Call order desk	SCREW, #10 SELF DRILLING	100	100	P
		1) NOT SOLD SEPARATELY			
		P) CALL ORDER DESK FOR SPECIFIC APPLICATION (V.I.N.)			

FRONT FINISHING CAP W/TAN FINISHING

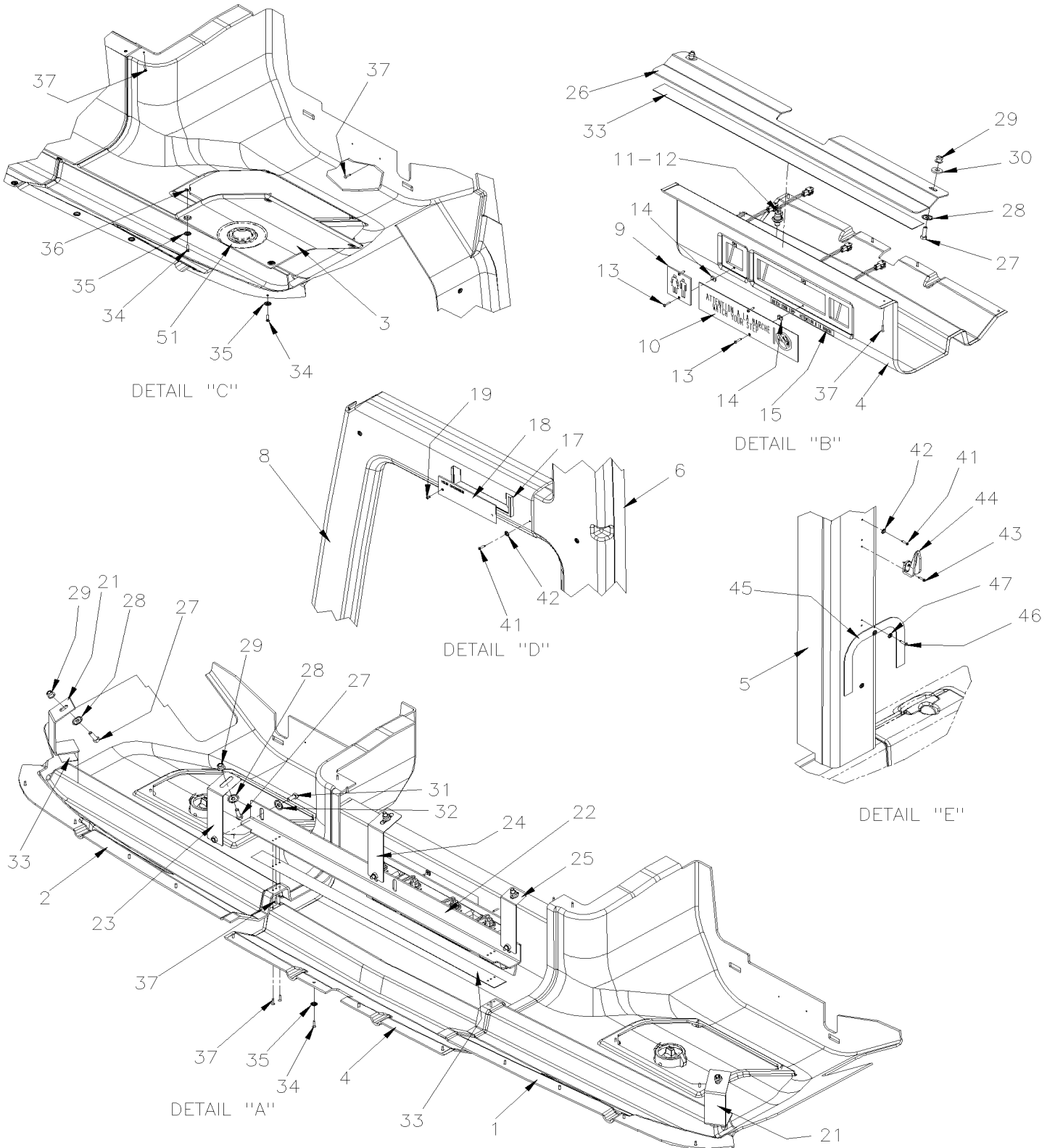


From K-0185 To P-1452

Date:07/2024

PAGE:H9-1832-01

FRONT FINISHING CAP W/TAN FINISHING



From K-0185 To P-1452	Date:07/2024	PAGE:H9-1832-01
FRONT FINISHING CAP W/TAN FINISHING		

Item#	Part	Description	H 3 4 1	H 3 4 5	N O T E S
1	340140	PANEL, L.H. / FRONT CAP CEILING TAN	1	1	
1	340141	PANEL, L.H. / FRONT CAP CEILING W/CAMERA TAN	1	1	B
2	340147	PANEL, R.H. / FRONT CAP CEILING TAN	1	1	
3	340153	COVER, L.H. & R.H. / FRONT CAP CEILING TAN	1	1	
4	340142	PANEL, FRONT CENTRAL TAN	1	1	
4	340143	PANEL, FRONT CENTRAL W/CAMERA TAN	1	1	B
4	340145	PANEL, FRONT CENTRAL / W/CLOCK TAN	1	1	
NS	3211032	DECAL "STEP DOWN"	1	1	SP
5	328466	CAP FINISHING / POST / FRONT L.H. / MIDNIGHT CHARCOAL	1	1	
6	329551	CAP FINISHING / POST / FRONT R.H. / MIDNIGHT CHARCOAL	1	1	
7	328469	CAP FINISHING / POST / MIDNIGHT CHARCOAL	1	1	
8	329552	CAP FINISHING / POST / UPPER DOOR SECTION / MIDNIGHT CHARCOAL	1	1	
9	322967	LENS / "RESTROOM OCCUPIED"	1	1	
10	328208	LENS / "WATCH ..." ATTENTION..." & "NO- SMOKING" / ENGLISH & FRANCAIS	1	1	
10	328207	LENS / "WATCH ..." ATTENTION..." & "NO- SMOKING" / ENGLISH & SPANISH	1	1	
10	328209	LENS/"WATCH YOUR STEP" & "NO-SMOKING" / ENGLISH	1	1	
10	5061289	TAPE RUB ADH2 CC POL 1/8" x 3/8" x 100' / BLACK I1C-NGL-1	AR	AR	
11	330265	SOCKET ASSY W/CONNECTOR / W2.1x9.Dd	3	3	
. NS	562295	. SOCKET BULB / PLASTIC W/WIRE / W2.1x9.5d	1	1	
. NS	561248	. CONNECTOR / UNIVERSAL MATE-N-LOK / PH 2C / AMP 1-480699-0	1	1	
. NS	562122	. PIN TERMINAL / 20-14 / AMP 350547-1	2	2	
12	561166	BULB / 3WATT-24VOLTS / SAE# 464	3	3	
13	500504	SCREW TC OV PH #6-32x1/2 BK	4	4	
14	500422	NUT SPR U #6-32 .110-.120 SS	4	4	
15	405905	DECAL / "WATCH YOUR STEP" 16 x 200	1	1	
15	405689	DECAL / "ATTENTION À LA MARCHE" / BILINGUAL	1	1	
15	405906	DECAL / "ATTENTION À LA MARCHE" / BILINGUAL 43 x241	1	1	
17	400638	MOULDING / 11" / "U" SHAPE DRIVER'S NAME HO	1	1	
18	402352	PLATE FRONT / STAMPED "NAME OF DRIVER & BUS NUMBER" /	1	1	
18	400601	PLATE (BLANK) / FOR DRIVER'S NAME / SPECIFY NAME	1	1	
18	400637	PLATE / STAMPED "DRIVER'S NAME" / REAR	1	1	
18	400636	PLATE / STAMPED "NOM DU CONDUCTEUR"	1	1	
19	504105	RIVET POP DOME OE 1/8x3/16 AL	2	2	
21	340078	SUPPORT	2	2	
22	340080	ANGLE, BRIDGE / LOWER	1	1	
23	340101	ANGLE 170MM	1	1	
24	340101	ANGLE 170MM	1	1	
25	340082	ANGLE 160MM	1	1	
26	340150	SUPPORT PLATE / CEILING PANEL / 1110MM	1	1	
26	340149	BRACKET	2	2	
27	5001745	SCREW CAP HEX M8-1.25x25 G8.8 N500	7	7	
28	502584	WASHER LO SERR 8.2x26.3x1.8 Z050	7	7	

From K-0185 To P-1452	Date:07/2024	PAGE:H9-1832-01
FRONT FINISHING CAP W/TAN FINISHING		

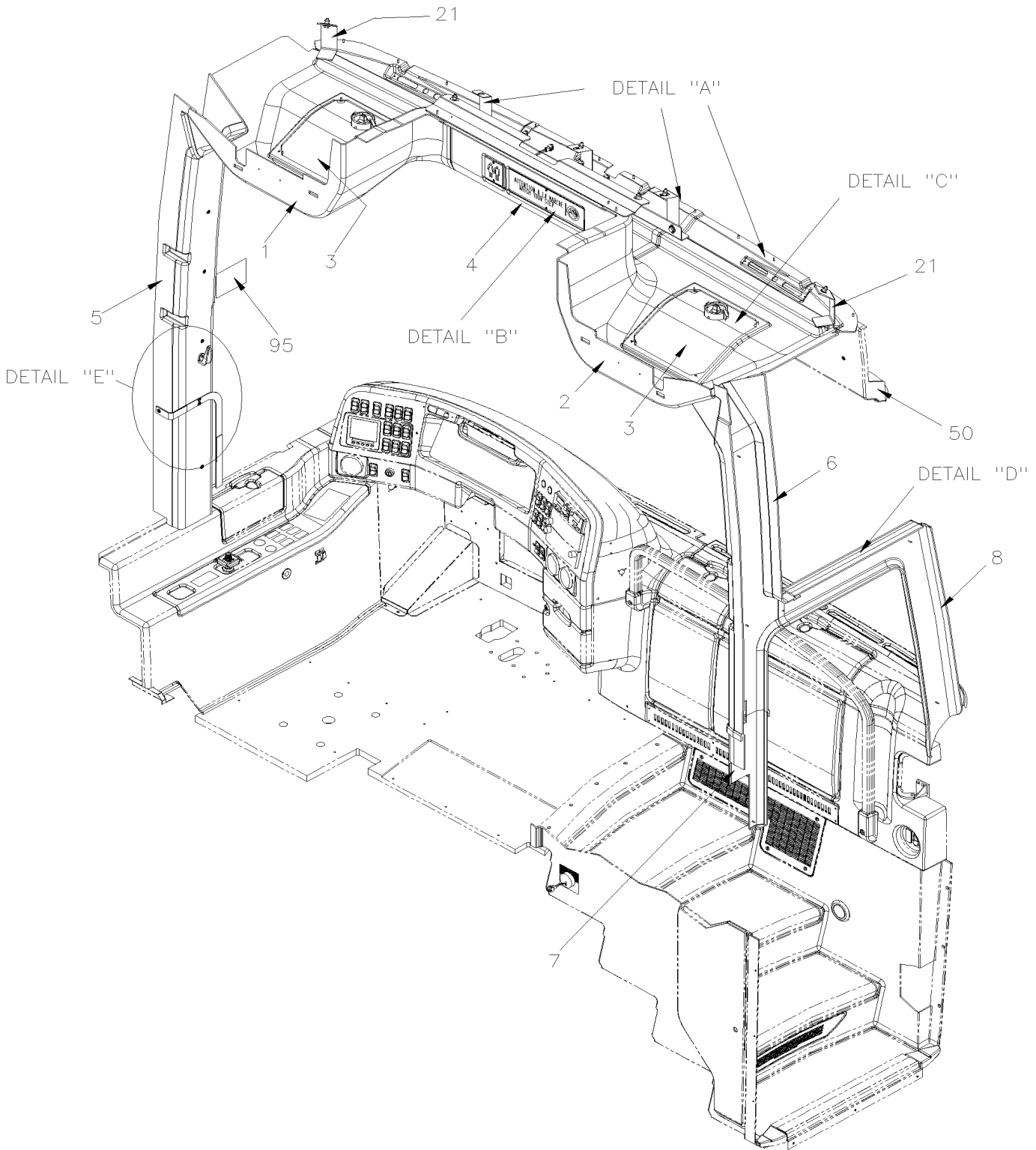
Item#	Part	Description	H 3 4 1	H 3 4 5	N O T E S
29	5002013	RIVET NUT FL KNURLED OKS M8-1.25 3.8-7.9 ZP	1	1	
30	502220	WASHER FL .375x1.000x.125 RUB	2	2	
31	502862	SCREW CAP HEX M8-1.25x20 G8.8 N500	3	3	
32	502584	WASHER LO SERR 8.2x26.3x1.8 Z050	3	3	
33	506466	TAPE RUB ADH1 CC POL 1/16" x 1 1/2" x 100 / GREY 2520	AR	AR	
34	500626	SCREW TP OV PH #8x3/4 Z050	AR	AR	
35	500464	WASHER FN CKF .210x.540 SS	AR	AR	
36	500996	NUT SPR U #6-32 .135-.150	8	8	
37	500614	SCREW TP FL PH #6x3/4 Z050	AR	AR	
41	500333	SCREW TP OV PH #6x3/4 BK	AR	AR	
42	500345	WASHER FN CKF .187x.500x.090 BR BK	AR	AR	
43	5001155	SCREW TP PAN PH #8X3/4 N050	2	2	
44	900065	HOOK / COAT	1	1	
44	900066	CAP, COAT HOOK	1	1	
NS	400490	SUPPORT / COAT HOOK	1	1	
NS	504339	RIVET POP DOME OE 1/8x3/8 SS	2	2	
45	409112	JACKET BAND	1	1	
46	5001414	SCREW MA FL PH M4-0.7x16 BK	2	2	
NS	500589	NUT WELL M4-0.7x13.5	2	2	
47	500345	WASHER FN CKF .187x.500x.090 BR BK	2	2	
50	H9-1814-01	DESTINATION SIGN - "BALIOS"			
50	H9-1814-20	DESTINATION SIGN - "AESYS"			
50	H9-1814-30	DESTINATION SIGN - "AXION"			
51	H9-0655-01	INTERIOR LIGHTING LED			
52	H9-1833-01	WINDOW FINISHING CAP & WALL W/TAN FINISHING To K-0484			
52	H9-1833-02	WINDOW FINISHING CAP & WALL FINISHING From K-0485			
95	0691001	DECAL EMISSION WARNING CALIFORNIA	1	1	C
		B) USE WITH CAMERA SYSTEM			
		C) REGULATIONS OF CALIFORNIA			
		SP) SPECIAL CUSTOMER ADAPTATION			

From K-0185 To P-1452

Date:07/2024

PAGE:H9-1832-02

FRONT FINISHING CAP W/GREY FINISHING

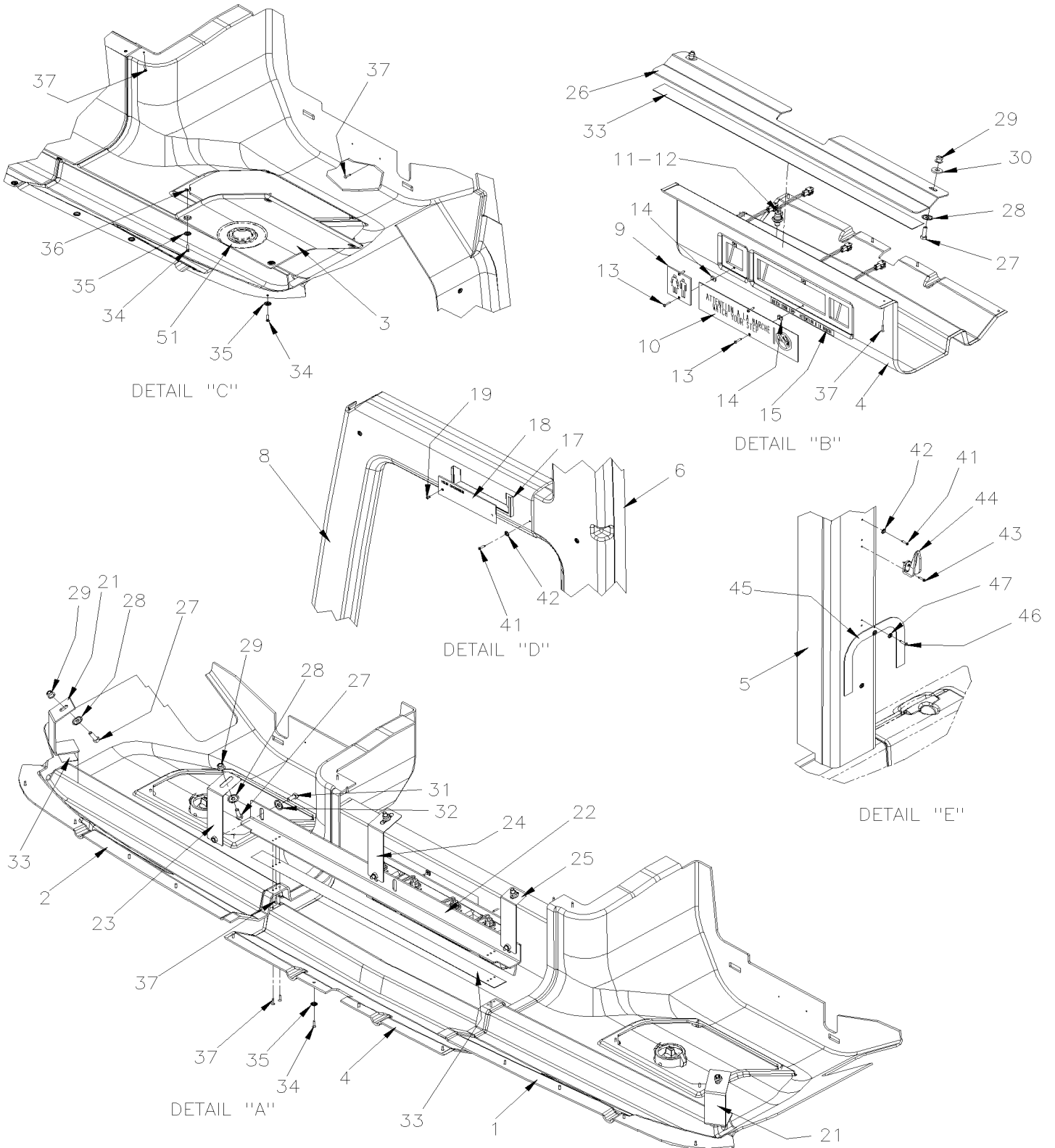


From K-0185 To P-1452

Date:07/2024

PAGE:H9-1832-02

FRONT FINISHING CAP W/GREY FINISHING



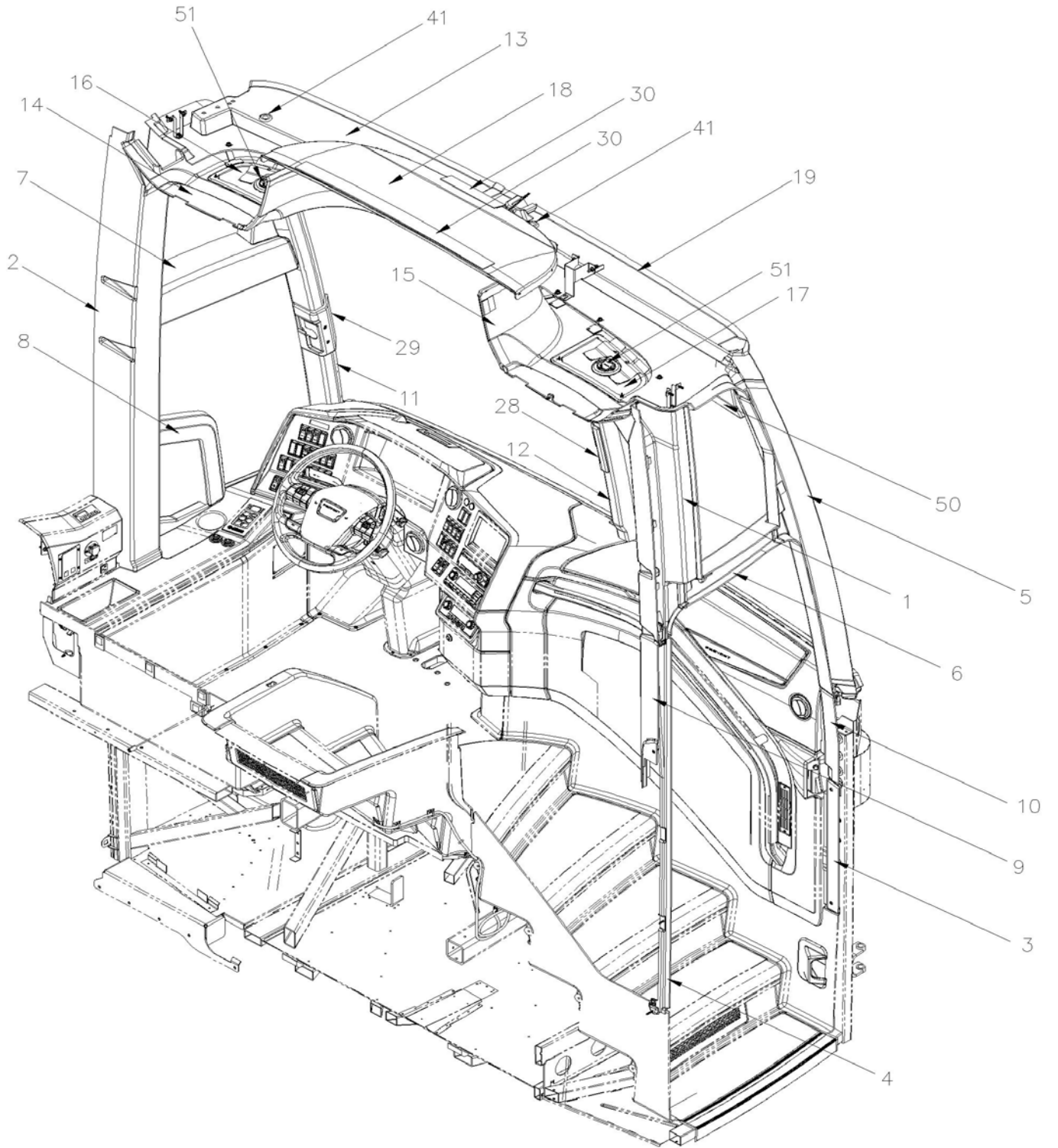
From K-0185 To P-1452	Date:07/2024	PAGE:H9-1832-02
FRONT FINISHING CAP W/GREY FINISHING		

Item#	Part	Description	H 3 4 1	H 3 4 5	N O T E S
1	340083	PANEL, L.H. / FRONT CAP CEILING GREY		1	
1	340416	PANEL, L.H. / FRONT CAP CEILING GREY		1	SP
1	340442	PANEL, L.H. / FRONT CAP CEILING W/CAMERA GREY		1	SP1
1	340745	PANEL, L.H. / FRONT CAP CEILING W/2 CAMERAS GREY		1	SP1
2	340094	PANEL, R.H. / FRONT CAP CEILING GREY		1	
2	340513	PANEL, R.H. / FRONT CAP CEILING W/CAMERA GREY		1	SP1
3	340154	COVER, L.H. & R.H. / FRONT CAP CEILING GREY		2	
4	340096	PANEL, FRONT CENTRAL GREY		1	
4	340418	PANEL, FRONT CENTRAL GREY		1	SP
4	340481	PANEL, FRONT CENTRAL W/CAMERA GREY		1	SP1
4	340480	PANEL, FRONT CENTRAL W/CAMERA & CLOCK GREY		1	SP1
NS	3211032	DECAL "STEP DOWN"	1	1	
5	328466	CAP FINISHING / POST / FRONT L.H. / MIDNIGHT CHARCOAL	1	1	
6	329551	CAP FINISHING / POST / FRONT R.H. / MIDNIGHT CHARCOAL	1	1	
7	328469	CAP FINISHING / POST / MIDNIGHT CHARCOAL	1	1	
8	329552	CAP FINISHING / POST / UPPER DOOR SECTION / MIDNIGHT CHARCOAL	1	1	
9	322967	LENS / "RESTROOM OCCUPIED"	1	1	
10	328208	LENS / "WATCH ..." ATTENTION..." & "NO- SMOKING" / ENGLISH & FRANCAIS	1	1	
10	328207	LENS / "WATCH ..." ATTENTION..." & "NO- SMOKING" / ENGLISH & SPANISH	1	1	
10	328209	LENS/"WATCH YOUR STEP" & "NO-SMOKING" / ENGLISH	1	1	
10	5061289	TAPE RUB ADH2 CC POL 1/8" x 3/8" x 100' / BLACK I1C-NGL-1	AR	AR	
11	330265	SOCKET ASSY W/CONNECTOR / W2.1x9.Dd	3	3	
. NS	562295	. SOCKET BULB / PLASTIC W/WIRE / W2.1x9.5d	1	1	
. NS	561248	. CONNECTOR / UNIVERSAL MATE-N-LOK / PH 2C / AMP 1-480699-0	1	1	
. NS	562122	. PIN TERMINAL / 20-14 / AMP 350547-1	2	2	
12	561166	BULB / 3WATT-24VOLTS / SAE# 464	3	3	
13	500504	SCREW TC OV PH #6-32x1/2 BK	4	4	
14	500422	NUT SPR U #6-32 .110-.120 SS	4	4	
15	405905	DECAL / "WATCH YOUR STEP" 16 x 200	1	1	
15	405689	DECAL / "ATTENTION À LA MARCHE" / BILINGUAL	1	1	
15	405906	DECAL / "ATTENTION À LA MARCHE" / BILINGUAL 43 x241	1	1	
17	400638	MOULDING / 11" / "U" SHAPE DRIVER'S NAME HO	1	1	
18	402352	PLATE FRONT / STAMPED "NAME OF DRIVER & BUS NUMBER" /	1	1	
18	400601	PLATE (BLANK) / FOR DRIVER'S NAME / SPECIFY NAME	1	1	
18	400637	PLATE / STAMPED "DRIVER'S NAME" / REAR	1	1	
18	400636	PLATE / STAMPED "NOM DU CONDUCTEUR"	1	1	
19	504105	RIVET POP DOME OE 1/8x3/16 AL	2	2	
21	340078	SUPPORT	2	2	
22	340080	ANGLE, BRIDGE / LOWER	1	1	
23	340101	ANGLE 170MM	1	1	
24	340101	ANGLE 170MM	1	1	
25	340082	ANGLE 160MM	1	1	

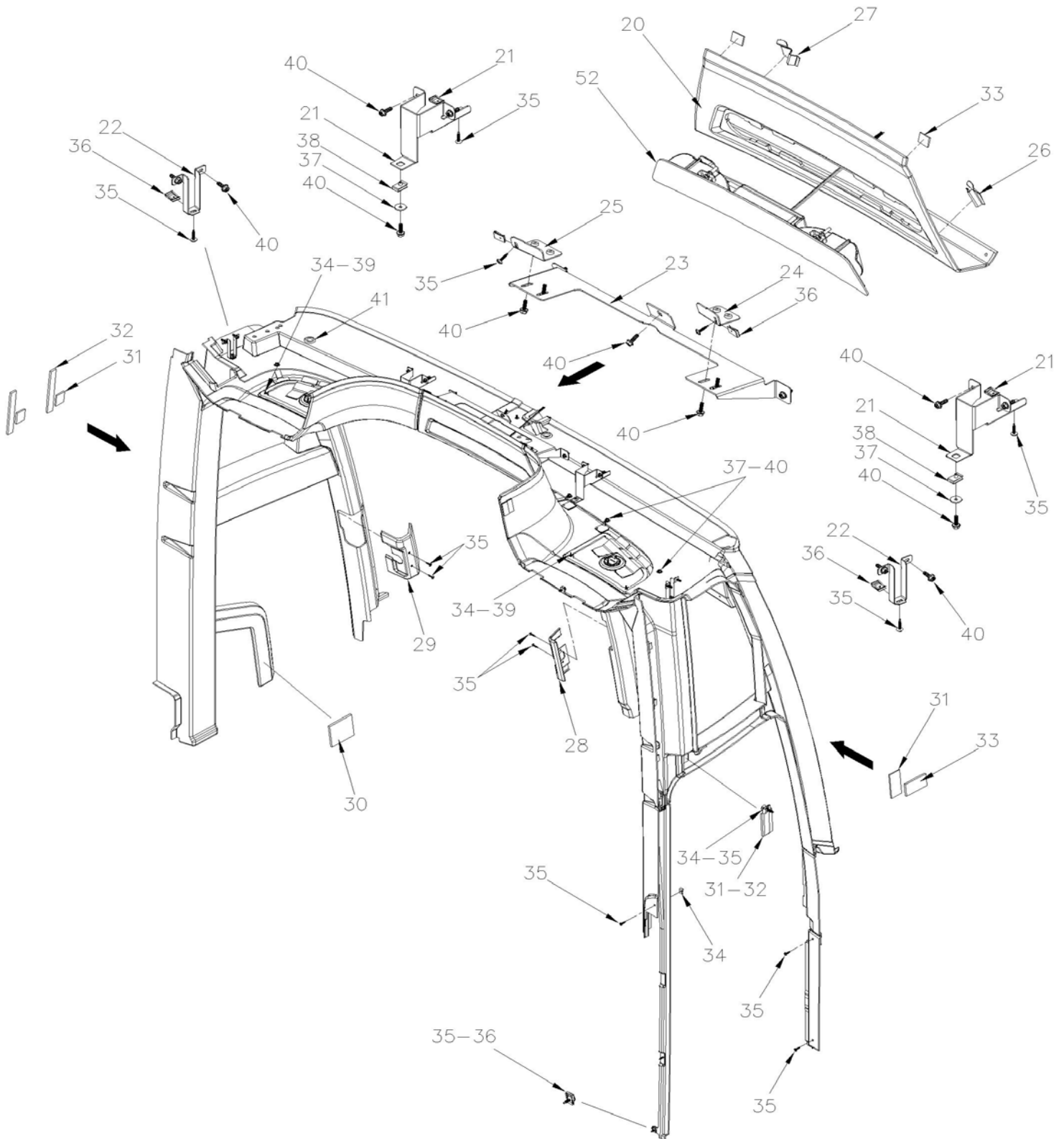
From K-0185 To P-1452	Date:07/2024	PAGE:H9-1832-02
FRONT FINISHING CAP W/GREY FINISHING		

Item#	Part	Description	H 3 4 1	H 3 4 5	N O T E S
26	340150	SUPPORT PLATE / CEILING PANEL / 1110MM	1	1	
26	340149	BRACKET	2	2	
27	5001745	SCREW CAP HEX M8-1.25x25 G8.8 N500	7	7	
28	502584	WASHER LO SERR 8.2x26.3x1.8 Z050	7	7	
29	5002013	RIVET NUT FL KNURLED OKS M8-1.25 3.8-7.9 ZP	1	1	
30	502220	WASHER FL .375x1.000x.125 RUB	2	2	
31	502862	SCREW CAP HEX M8-1.25x20 G8.8 N500	3	3	
32	502584	WASHER LO SERR 8.2x26.3x1.8 Z050	3	3	
33	506466	TAPE RUB ADH1 CC POL 1/16" x 1 1/2" x 100 / GREY 2520	AR	AR	
34	500626	SCREW TP OV PH #8x3/4 Z050	AR	AR	
35	500464	WASHER FN CKF .210x.540 SS	AR	AR	
36	500996	NUT SPR U #6-32 .135-.150	8	8	
37	500614	SCREW TP FL PH #6x3/4 Z050	AR	AR	
41	500333	SCREW TP OV PH #6x3/4 BK	AR	AR	
42	500345	WASHER FN CKF .187x.500x.090 BR BK	AR	AR	
43	5001155	SCREW TP PAN PH #8X3/4 N050	2	2	
44	900065	HOOK / COAT	1	1	
44	900066	CAP, COAT HOOK	1	1	
NS	400490	SUPPORT / COAT HOOK	1	1	
NS	504339	RIVET POP DOME OE 1/8x3/8 SS	2	2	
45	409112	JACKET BAND	1	1	
46	5001414	SCREW MA FL PH M4-0.7x16 BK	2	2	
NS	500589	NUT WELL M4-0.7x13.5	2	2	
47	500345	WASHER FN CKF .187x.500x.090 BR BK	2	2	
50	H9-1814-01	DESTINATION SIGN - "BALIOS"			
50	H9-1814-20	DESTINATION SIGN - "AESYS"			
50	H9-1814-30	DESTINATION SIGN - "AXION"			
51	H9-0655-01	INTERIOR LIGHTING LED			
52	H9-1833-02	WINDOW FINISHING CAP & WALL FINISHING			
95	0691001	DECAL EMISSION WARNING CALIFORNIA	1	1	C
96	7770449	DECAL, "VEHICLE ANNUAL INSPECTION" DOT ENGLISH From M-1183	1	1	
		C) REGULATIONS OF CALIFORNIA			
		SP) SPECIAL WITH CAMERA SURV, SEON ORLEANS			
		SP1) SPECIAL WITH CAMERA BRIGADE			

From R-1453	Date:07/2024	PAGE:H9-1832-03
FRONT FINISHING CAP		



From R-1453	Date:07/2024	PAGE:H9-1832-03
FRONT FINISHING CAP		

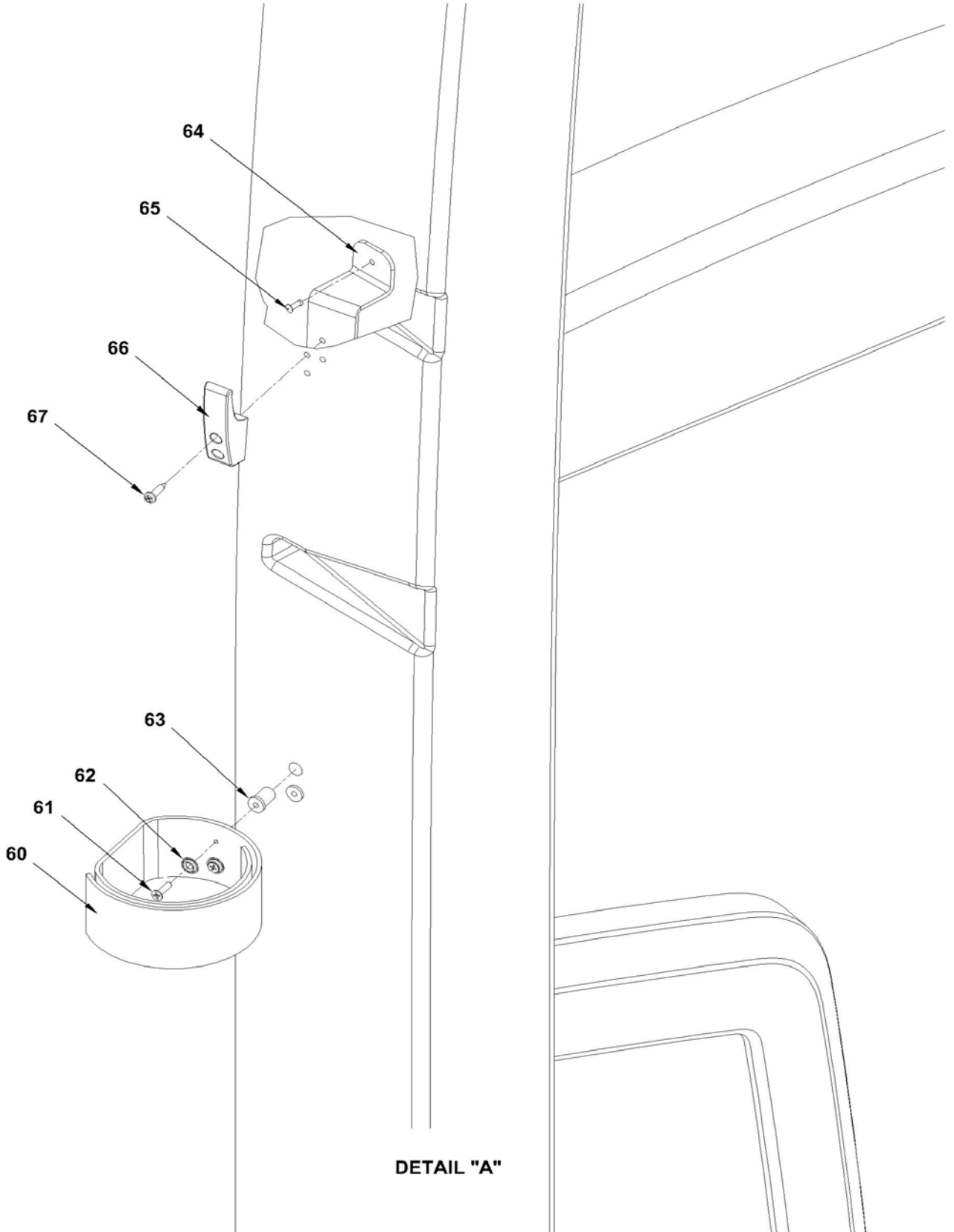


From R-1453

Date:07/2024

PAGE:H9-1832-03

FRONT FINISHING CAP



DETAIL "A"

From R-1453		Date:07/2024	PAGE:H9-1832-03
FRONT FINISHING CAP			

Item#	Part	Description	H 3 4 1	H 3 4 5	N O T E S
1	3211204	RIGHT STRUCTURE COVER TRIM		1	
2	3211205	LEFT ROOF STRUCTURE COVER TRIM		1	
3	3211206	LOWER RIGHT PILLAR COVER		1	
4	3211207	LOWER RIGHT ROOF STRUCTURE TRIM		1	
5	3211209	RIGHT PILLAR		1	
6	3211211	ENTRANCE DOOR UPPER TRIM		1	
7	3211212	DRIVER WINDOW UPPER TRIM		1	
8	3211399	DRIVER WINDOW COVER		1	
9	3211412	LOWER RIGHT ROOF STRUCTURE TRIM		1	
10	3211415	LOWER RIGHT PILLAR		1	
11	3211680	LEFT PILLAR WITH E-MIRROR		1	B
11	3211208	LEFT PILLAR		1	A
12	3211682	CENTRAL PILLAR W E-MIR,W DEST.SIGN		1	C
12	3211210	CENTRAL PILLAR WO E-MIR,WO DEST.SIGN		1	F
12	3211681	CENTRAL PILLAR W E-MIR,WO DEST.SIGN		1	D
12	3211538	CENTRAL PILLAR WO E-MIR,W DEST.SIGN		1	E
13	341302	CEILING LEFT CENTRAL DRIVER H		1	
14	Call order desk	CEILING TRANSITION, FRONT LH ASM		1	P
15	Call order desk	CEILING TRANSITION, FRONT RH ASM		1	P
16	341361P	PANEL, ACCESS LEFT FRONT ASM		1	
17	341362P	PANEL, ACCESS RIGHT FRONT ASM		1	
18	341421P	FRONT CEILING, H		1	
. NS	341503	. DI-LOC PRE CUT, FRONT CEILING, H		AR	
19	341374	CEILING RIGHT CENTRAL DRIVER H W DEST.SI		1	G
19	341303	CEILING RIGHT CENTRAL DRIVER H		1	H
20	341306	CEILING, TRANSITION CENTRAL, CLOCK		1	
21	273464	SUPPORT CEILING RIGHT CENTRAL DRIVER		2	
22	3211248	BRACKET ROOF		2	
23	341355	FRONT SUPPORT, CEILLING H INST		1	
24	341356	FRONT SUPPORT RIGHT, CEILLING H INST		1	
25	341357	FRONT SUPPORT LEFT, CEILLING H INST		1	
26	341407	PANEL FIXATION, CENTRAL TRANSITION		1	
27	341408	PANEL FIXATION, CENTRAL TRANSITION		1	
28	3211684	CENTRAL PILLAR E-MIRROR		1	
28	3211684	CENTRAL PILLAR E-MIRROR		1	
29	3211685	LEFT PILLAR E-MIRROR		1	
30	505537	TAPE DUAL LOCK 2" X 50 YARD / BLACK SJ3551		AR	
31	505538	TAPE DUAL LOCK 1" x 50 YARD / BLACK SJ3551		AR	
32	505547	TAPE DUAL LOCK 1/2" x 50YRD / BLACK SJ3551		AR	
33	506318	TAPE DUAL LOCK 1" x 150' / BLACK SJ3541		AR	
34	5002071	NUT SPR U #8 .110-.187 BK		9	
35	5002083	SCREW DR SEMS FN OV PH #8X1 N050		22	

From R-1453		Date:07/2024	PAGE:H9-1832-03
FRONT FINISHING CAP			

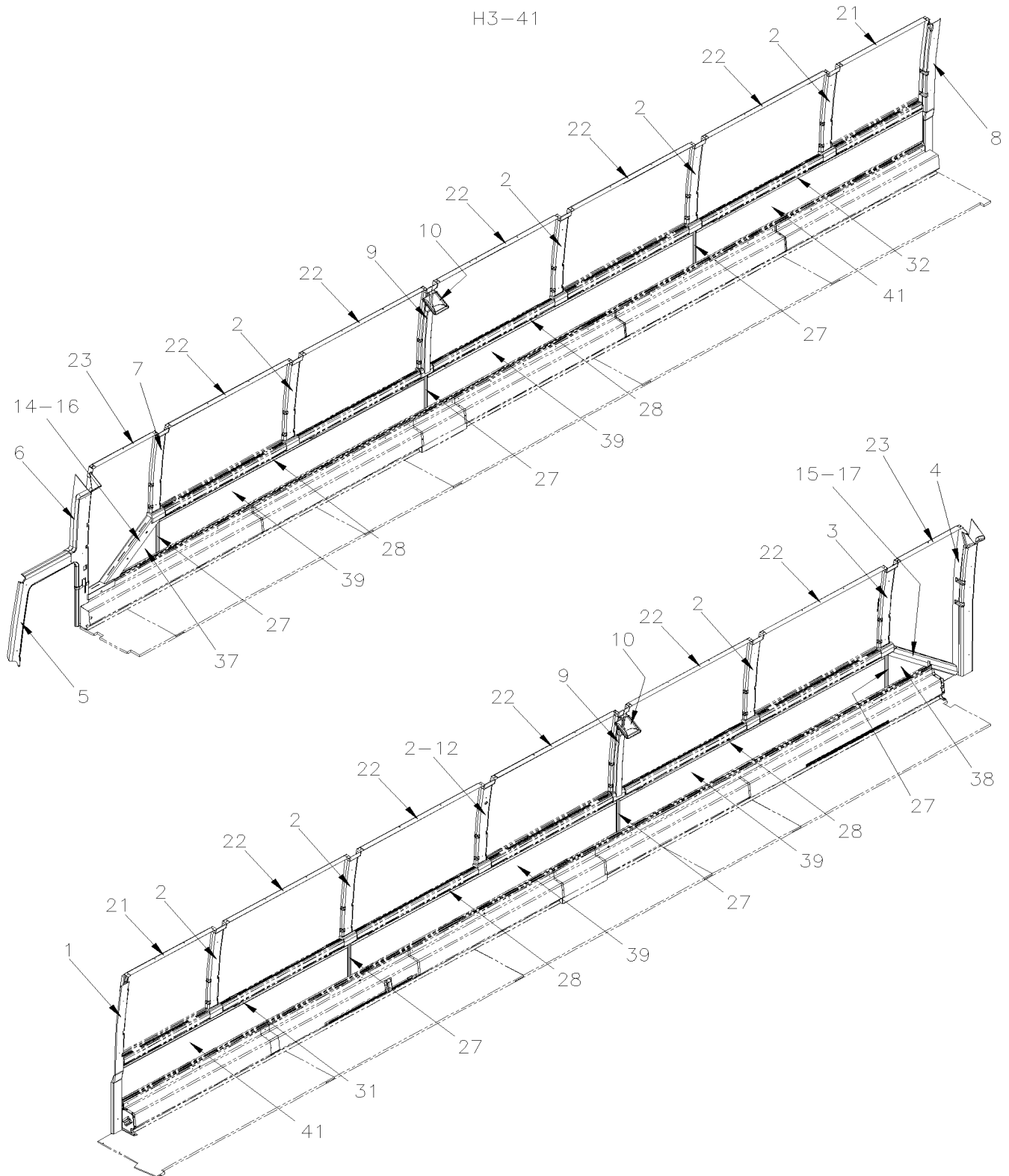
Item#	Part	Description	H 3 4 1	H 3 4 5	N O T E S
36	500684	NUT SPR U #8A .025-.064		11	
37	500142	WASHER FL 6.6x22.0x2.0 SS		8	
38	5001965	NUT SPR U M6-1.0 0.6-4.0 N500		8	
39	5002070	SCREW DR SEMS FN OV PH #8x1 Z050		6	
40	5002100	SCREW CAP HEXF AD M6-1.0x20 G10.9 N500		23	
41	504534	GROMMET / .875x1.250x.187x.562x1.625		2	
50	H9-1814-21	DESTINATION SIGN - "AESYS"			
51	H9-0655-02	INTERIOR LIGHTING			
52	H9-2318-02	CLOCK (DIGITAL)			
60	409112	JACKET BAND		1	
61	5001414	SCREW MA FL PH M4-0.7x16 BK		2	
62	500345	WASHER FN CKF .187x.500x.090 BR BK		2	
63	500589	NUT WELL M4-0.7x13.5		2	
64	406959	BRACKET HOOK JACKET		1	
65	504339	RIVET POP DOME OE 1/8x3/8 SS		2	
66	900065	HOOK / COAT		1	
67	5001155	SCREW TP PAN PH #8X3/4 N050		2	
NS	0691001	DECAL EMISSION WARNING CALIFORNIA		1	
NS	7770449	DECAL, "VEHICLE ANNUAL INSPECTION" DOT ENGLISH		1	
		A) USE WITHOUT E-MIRROR ONLY			
		B) USE WITH E-MIRROR ONLY			
		C) USE WITH E-MIRROR & DEST. SIGN			
		D) USE WITH E-MIRROR & WITHOUT DEST. SIGN			
		E) USE WITHOUT E-MIRROR & WITH DEST. SIGN			
		F) USE WITHOUT E-MIRROR & DEST. SIGN.			
		G) USE WITH DEST. SIGN.			
		H) USE WITHOUT DEST. SIGN.			
		P) CALL ORDER DESK FOR SPECIFIC APPLICATION (V.I.N.)			

From K-0185 To K-0484

Date:07/2024

PAGE:H9-1833-01

WINDOW FINISHING CAP & WALL W/TAN FINISHING



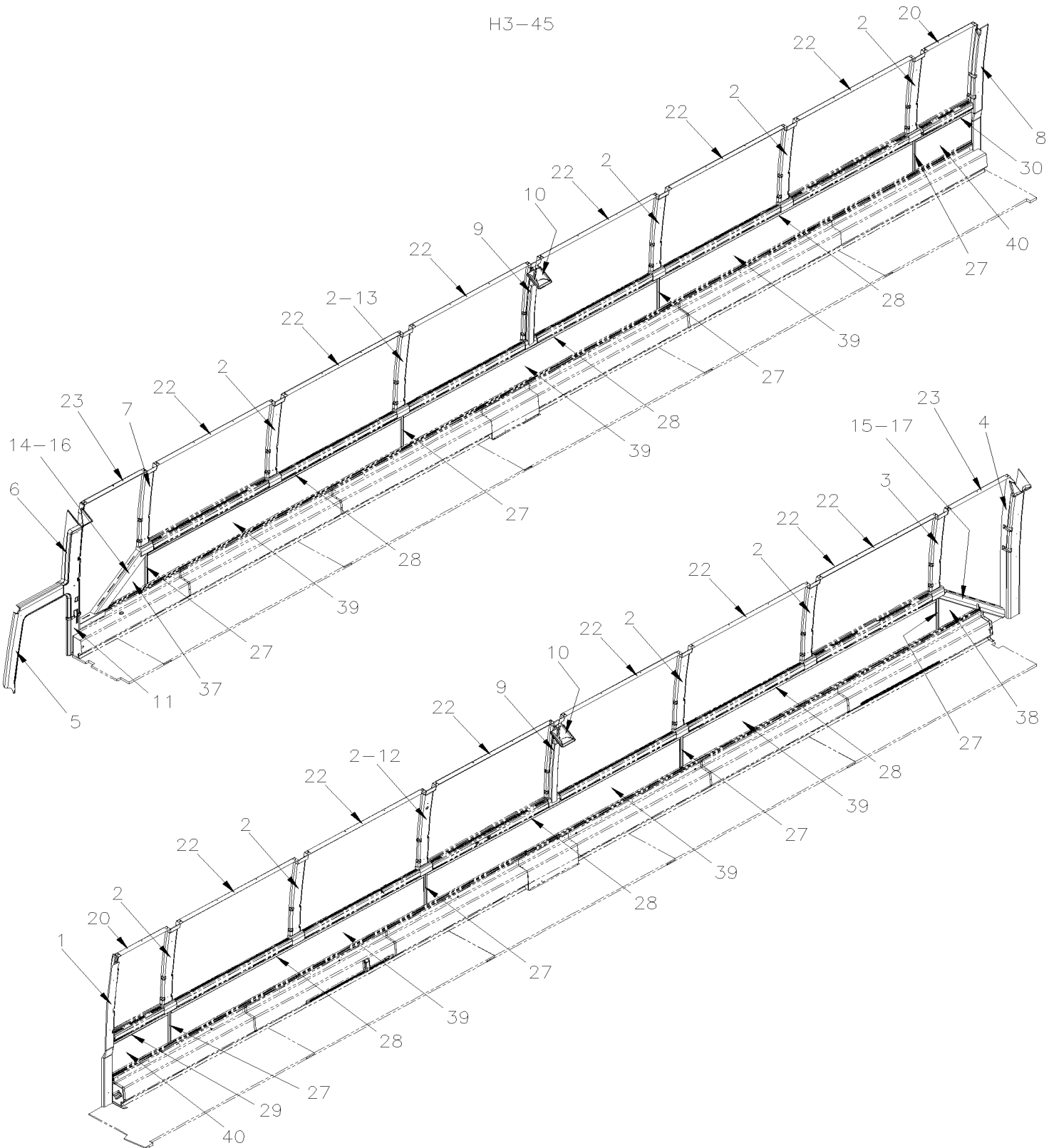
From K-0185 To K-0484

Date:07/2024

PAGE:H9-1833-01

WINDOW FINISHING CAP & WALL W/TAN FINISHING

H3-45

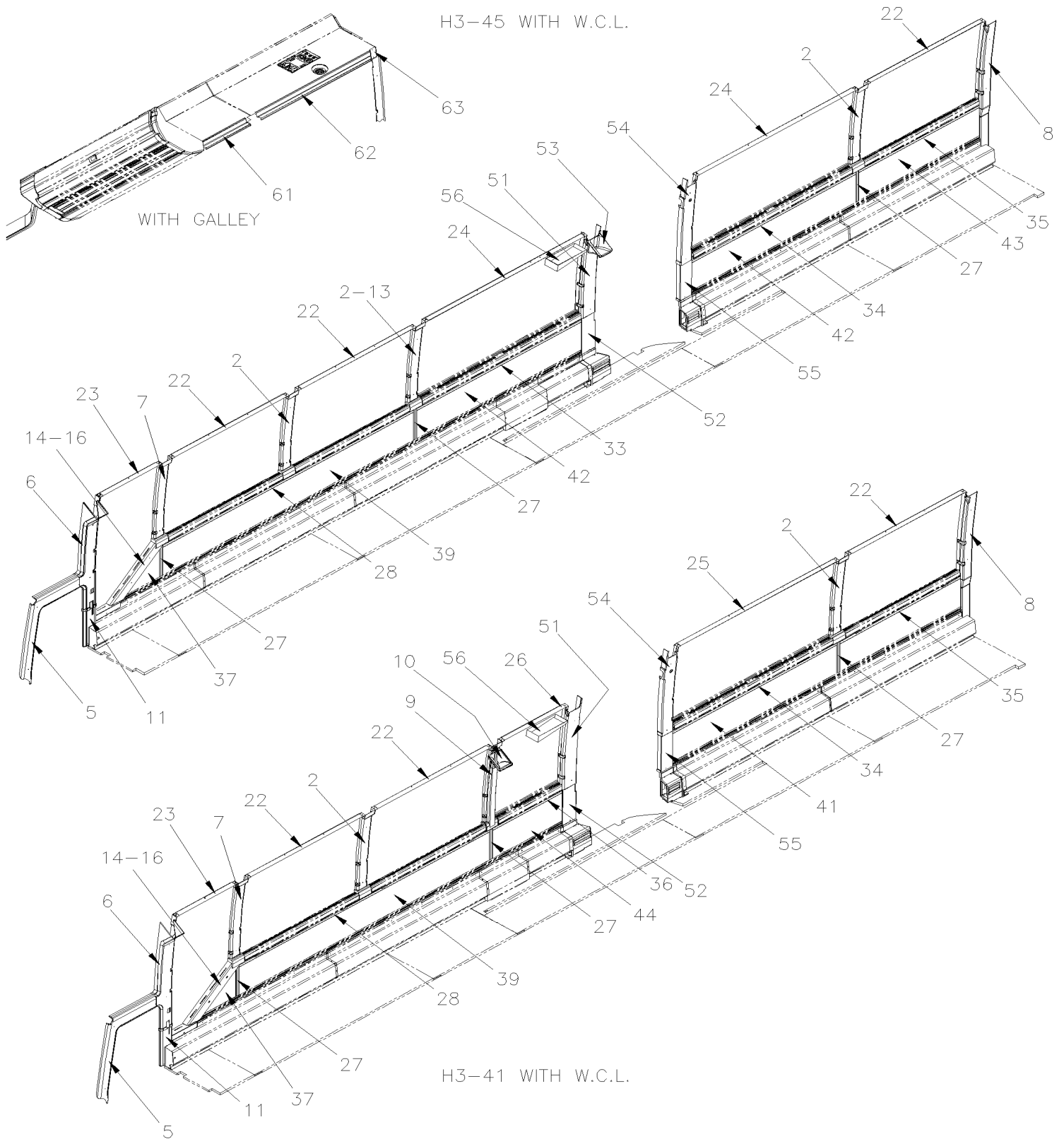


From K-0185 To K-0484

Date:07/2024

PAGE:H9-1833-01

WINDOW FINISHING CAP & WALL W/TAN FINISHING

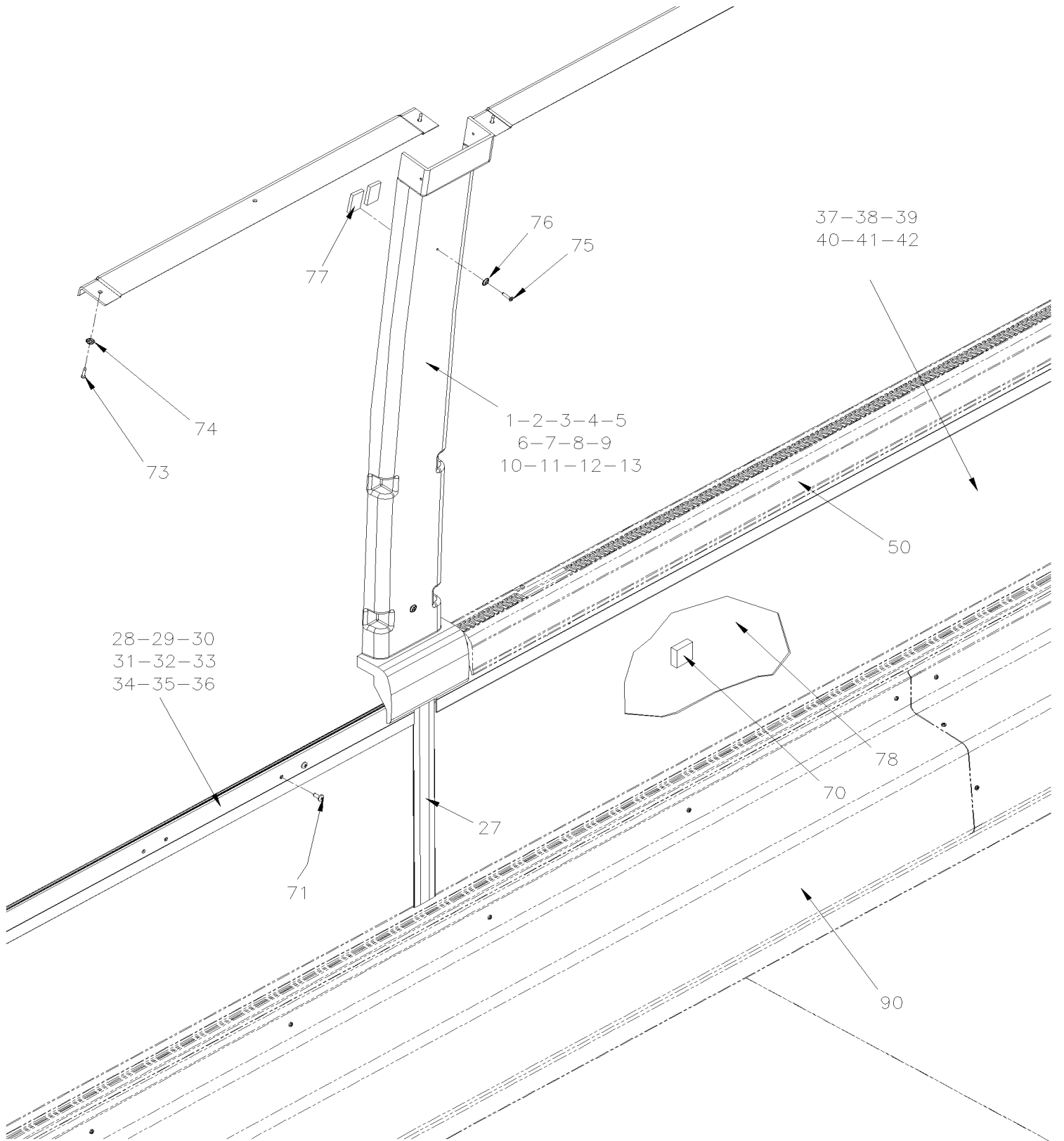


From K-0185 To K-0484

Date:07/2024

PAGE:H9-1833-01

WINDOW FINISHING CAP & WALL W/TAN FINISHING

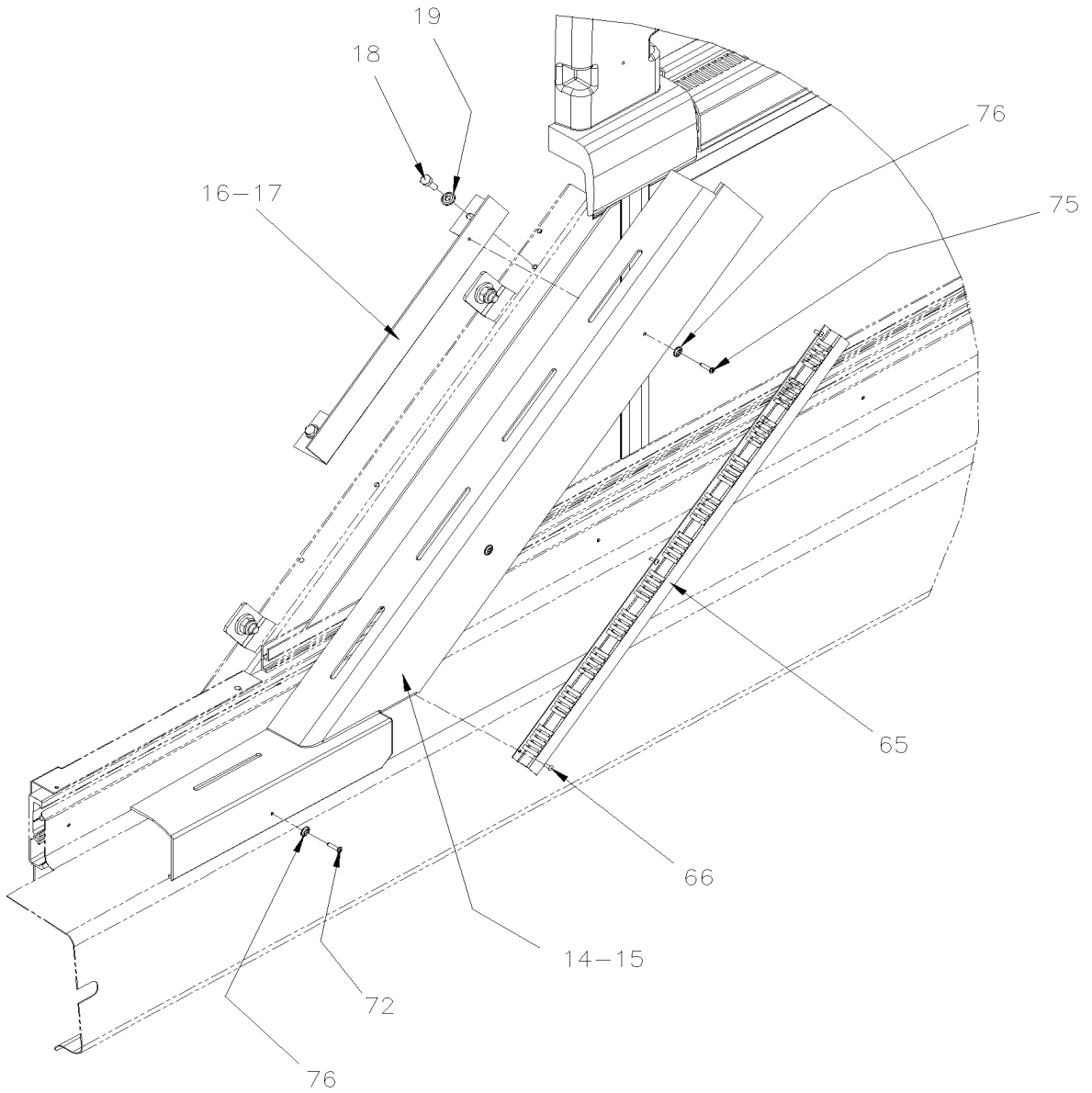


From K-0185 To K-0484

Date:07/2024

PAGE:H9-1833-01

WINDOW FINISHING CAP & WALL W/TAN FINISHING



From K-0185 To K-0484	Date:07/2024	PAGE:H9-1833-01
WINDOW FINISHING CAP & WALL W/TAN FINISHING		

Item#	Part	Description	H 3 4 1	H 3 4 5	N O T E S
1	329555	CAP FINISHING / POST / W/SINGLE GLASS / TAN / REAR L.H.	1	1	
1	329550	CAP FINISHING / POST / W/THERMO GLASS / TAN / REAR L.H.	1	1	
1	322294	CAP FINISHING / POST / W/THERMO GLASS / GREY / REAR L.H.		1	E
NS	506035	TAPE RUB ADH1 NEO 1/2" x 1" x 15' / BLACK 1220X	AR	AR	
2	329547	CAP FINISHING / POST / W/SINGLE GLASS / TAN / #2-4-5-6 L.H. & R.H.	8		X
2	329547	CAP FINISHING / POST / W/SINGLE GLASS / TAN / #2-3-5-6-7 L.H. & R.H.		10	X
2	329547	CAP FINISHING / POST / W/SINGLE GLASS / TAN / #2-3-6-7 L.H. & #2-3-6 R.H.		7	W X
2	3200038	CAP FINISHING / POST / W/SINGLE GLASS / TAN / #2-4-5-6 L.H. & R.H.	8		
2	3200038	CAP FINISHING / POST / W/SINGLE GLASS / TAN / #2-3-5-6-7 L.H. & R.H.		10	
2	3200038	CAP FINISHING / POST / W/SINGLE GLASS / TAN / #2-3-6-7 L.H. & #2-3-6 R.H.		7	W
2	328472	CAP FINISHING / POST / W/THERMO GLASS / TAN / #2-4-5-6 L.H. & R.H.	8		X
2	328472	CAP FINISHING / POST / W/THERMO GLASS / TAN / #2-5-6 L.H. & #2-6 R.H.	5		W X
2	328472	CAP FINISHING / POST / W/THERMO GLASS / TAN / #2-3-5-6-7 L.H. & R.H.		10	X
2	328472	CAP FINISHING / POST / W/THERMO GLASS / TAN / #2-3-6-7 L.H. & #2-3-6 R.H.		7	W X
2	3200030	CAP FINISHING / POST / W/THERMO GLASS / TAN / #2-4-5-6 L.H. & R.H.	8		
2	3200030	CAP FINISHING / POST / W/THERMO GLASS / TAN / #2-5-6 L.H. & #2-6 R.H.	5		W
2	3200030	CAP FINISHING / POST / W/THERMO GLASS / TAN / #2-3-5-6-7 L.H. & R.H.		10	
2	3200030	CAP FINISHING / POST / W/THERMO GLASS / TAN / #2-3-6-7 L.H. & #2-3-6 R.H.		7	W
2	Call order desk	CAP FINISHING / POST / W/THERMO GLASS / GREY / #2-3-5-6-7 L.H. & R.H.		10	P E
. NS	322766	. CAP FINISHING / POST / W/THERMO GLASS / GREY		1	E
NS	900979	ATTACHMENT CLIP-ON	AR	AR	
NS	504107	RIVET POP DOME OE 1/8x5/16 AL	AR	AR	
NS	500437	WASHER FL .125x.375x.040 Z050	AR	AR	
3	329546	CAP FINISHING / POST / W/SINGLE GLASS / TAN / #1 L.H.	1	1	X
3	3200037	CAP FINISHING / POST / W/SINGLE GLASS / TAN / #1 L.H.	1	1	
3	328471	CAP FINISHING / POST / W/THERMO GLASS / TAN / #1 L.H.	1	1	X
3	3200029	CAP FINISHING / POST / W/THERMO GLASS / TAN / #1 L.H.	1	1	
3	Call order desk	CAP FINISHING / POST / W/THERMO GLASS / GREY / #1 L.H.		1	P E
. NS	322762	. CAP FINISHING / POST / W/THERMO GLASS / GREY		1	E
NS	900979	ATTACHMENT CLIP-ON	AR	AR	
NS	500437	WASHER FL .125x.375x.040 Z050	AR	AR	
3	504107	RIVET POP DOME OE 1/8x5/16 AL	1	1	
4	328466	CAP FINISHING / POST / FRONT L.H. / MIDNIGHT CHARCOAL	1	1	
5	329552	CAP FINISHING / POST / UPPER DOOR SECTION / MIDNIGHT CHARCOAL	1	1	
6	329551	CAP FINISHING / POST / FRONT R.H. / MIDNIGHT CHARCOAL	1	1	
7	328468	CAP FINISHING / POST / W/SINGLE GLASS / TAN / #1 R.H.	1	1	X
7	3200027	CAP FINISHING / POST / W/SINGLE GLASS / TAN / #1 R.H.	1	1	
7	328476	CAP FINISHING / POST / W/THERMO GLASS / TAN / #1 R.H.	1	1	X
7	3200031	CAP FINISHING / POST / W/THERMO GLASS / TAN / #1 R.H.	1	1	
7	Call order desk	CAP FINISHING / POST / W/THERMO GLASS / GREY / #1 R.H.		1	P E
. NS	322650	. CAP FINISHING / POST / W/THERMO GLASS / GREY		1	E
NS	900979	ATTACHMENT CLIP-ON	AR	AR	

From K-0185 To K-0484	Date:07/2024	PAGE:H9-1833-01
------------------------------	---------------------	------------------------

WINDOW FINISHING CAP & WALL W/TAN FINISHING

Item#	Part	Description	H 3 4 1	H 3 4 5	N O T E S
NS	500437	WASHER FL .125x.375x.040 Z050	AR	AR	
7	504107	RIVET POP DOME OE 1/8x5/16 AL	AR	AR	
8	328470	CAP FINISHING / POST / W/SINGLE GLASS / TAN / REAR R.H.	1	1	
8	328477	CAP FINISHING / POST / W/THERMO GLASS / TAN / REAR R.H.	1	1	
8	322767	CAP FINISHING / POST / W/THERMO GLASS / GREY / REAR R.H.		1	E
9	328487	CAP FINISHING / POST / W/SINGLE GLASS / TAN / #3 R.H.& #3 L.H.	2		X
9	328487	CAP FINISHING / POST / W/SINGLE GLASS / TAN / #4 R.H.& #4 L.H.		2	X
9	3200072	CAP FINISHING / POST / W/SINGLE GLASS / TAN / #3 R.H.& #3 L.H.	2		
9	3200072	CAP FINISHING / POST / W/SINGLE GLASS / TAN / #4 R.H.& #4 L.H.		2	
9	328489	CAP FINISHING / POST / W/THERMO GLASS / TAN / #3 R.H.& #3 L.H.	2		X
9	328489	CAP FINISHING / POST / W/THERMO GLASS / TAN / #4 R.H.& #4 L.H.		2	X
9	3200073	CAP FINISHING / POST / W/THERMO GLASS / TAN / #3 R.H.& #3 L.H.	1		
9	3200073	CAP FINISHING / POST / W/THERMO GLASS / TAN / #4 R.H.& #4 L.H.		1	
9	Call order desk	CAP FINISHING / POST / W/THERMO GLASS / GREY / #4 R.H.& #4 L.H.		1	P E
. NS	322687	. CAP FINISHING / POST /W/THERMO GLASS / GREY		1	E
NS	900979	ATTACHMENT CLIP-ON	AR	AR	
NS	500437	WASHER FL .125x.375x.040 Z050	AR	AR	
NS	504107	RIVET POP DOME OE 1/8x5/16 AL	AR	AR	
10	328488	CAP FINISHING / CLOSING POST / TAN	2	2	
10	328488	CAP FINISHING / CLOSING POST / TAN	1	1	W
10	322345	CAP FINISHING / CLOSING POST / GREY / GREY		2	E
10	322345	CAP FINISHING / CLOSING POST / GREY / GREY		1	E W
11	328469	CAP FINISHING / POST / MIDNIGHT CHARCOAL	1	1	
12	320032	CAP FINISHING / POST / W/SINGLE GLASS / W/W.C.L. SAFETY BELT HOLE / TAN / #5 L.H		1	W X
12	320009	CAP FINISHING / POST / W/SINGLE GLASS / W/W.C.L. SAFETY BELT HOLE / TAN / #5 L.H		1	W
12	320031	CAP FINISHING / POST / W/THERMO GLASS / W/W.C.L. SAFETY BELT HOLE / TAN / #5 L.H		1	W X
12	320031	CAP FINISHING / POST / W/THERMO GLASS / W/W.C.L. SAFETY BELT HOLE / TAN / #5 L.H	1		W X
12	320008	CAP FINISHING / POST / W/THERMO GLASS / W/W.C.L. SAFETY BELT HOLE / TAN / #5 L.H		1	W
12	320008	CAP FINISHING / POST / W/THERMO GLASS / W/W.C.L. SAFETY BELT HOLE / TAN / #4 L.H	1		W
12	322571	CAP FINISHING / POST / W/THERMO GLASS / W/W.C.L. SAFETY BELT HOLE / GREY / #5 L.H		1	W
NS	900979	ATTACHMENT CLIP-ON	AR	AR	
12	500437	WASHER FL .125x.375x.040 Z050	AR	AR	
12	504107	RIVET POP DOME OE 1/8x5/16 AL	AR	AR	
13	328478	CAP FINISHING / POST / W/SINGLE GLASS / W/W.C.L. / TAN / #3 R.H.		1	W X
13	3200033	CAP FINISHING / POST / W/SINGLE GLASS / W/W.C.L. / TAN / #3 R.H.	1	1	
NS	900979	ATTACHMENT CLIP-ON	AR	AR	
13	500437	WASHER FL .125x.375x.040 Z050	AR	AR	
13	504107	RIVET POP DOME OE 1/8x5/16 AL	AR	AR	
14	328467	FINISHING CAP R.H. LOWER WINDOW / MIDNIGHT CHARCOAL	1	1	
NS	506007	TAPE RUB ADH1 CC NEO 3/4" x 1" x 10' / BLACK 1220	AR	AR	
15	329544	FINISHING CAP L.H. LOWER WINDOW / MIDNIGHT CHARCOAL	1	1	
15	3201347	FINISHING CAP L.H. LOWER WINDOW / MIDNIGHT CHARCOAL WITH 2 INVERTER DISPLAY	1	1	C

From K-0185 To K-0484	Date:07/2024	PAGE:H9-1833-01
------------------------------	---------------------	------------------------

WINDOW FINISHING CAP & WALL W/TAN FINISHING

Item#	Part	Description	H 3 4 1	H 3 4 5	N O T E S
15	320926	FINISHING CAP L.H. LOWER WINDOW / MIDNIGHT CHARCOAL WITH 1 INVERTER DISPLAY	1	1	C
NS	506007	TAPE RUB ADH1 CC NEO 3/4" x 1" x 10' / BLACK 1220	AR	AR	
16	326317	ANGLE SUPPORT / TO FIX CAP / 350MM	1	1	
17	327661	ANGLE SUPPORT / TO FIX CAP / 507MM	1	1	
17	327662	ANGLE SUPPORT / TO FIX CAP / 204MM	1	1	
18	500923	SCREW TC CAP HEX 1/4-20x3/4 Z050	6	6	
19	502582	WASHER LO SERR 6.1x16.2x0.9 Z050	6	6	
20	329549	FINISHING MOULDING / W/SINGLE GLASS / REAR		2	
20	328474	FINISHING MOULDING / W/THERMO GLASS / REAR		2	
21	328485	FINISHING MOULDING / W/SINGLE GLASS / REAR	2		
21	328486	FINISHING MOULDING / W/THERMO GLASS / REAR	2		
22	329548	FINISHING MOULDING / W/SINGLE GLASS	10		
22	329548	FINISHING MOULDING / W/SINGLE GLASS		12	
22	329548	FINISHING MOULDING / W/SINGLE GLASS		9	W
22	328473	FINISHING MOULDING / W/THERMO GLASS	10		
22	328473	FINISHING MOULDING / W/THERMO GLASS	8		W
22	328473	FINISHING MOULDING / W/THERMO GLASS		12	
22	328473	FINISHING MOULDING / W/THERMO GLASS		9	W
23	329545	FINISHING MOULDING / UPPER TRAPEZ WINDOW	2	2	
NS	404654	DECAL / BLACK 3" X 63" / BLOCK -OFF UPPER WIN	AR	AR	
24	328480	FINISHING MOULDING / W/SINGLE GLASS & W/W.C.L		2	W
24	328483	FINISHING MOULDING / W/THERMO GLASS & W/W.C.L		2	W
25	328483	FINISHING MOULDING / W/THERMO GLASS & W/W.C.L	1		W
26	3201158	FINISHING MOULDING / W/THERMO GLASS & W/W.C.L	1		W
27	329639	EXTRUSION, WALL SEPARATOR 389MM	6		
27	329639	EXTRUSION, WALL SEPARATOR 389MM		8	
27	329639	EXTRUSION, WALL SEPARATOR 389MM		7	W
28	293967	EXTRUSION, UPPER WALL 3278MM	4		
28	293967	EXTRUSION, UPPER WALL 3278MM		6	
29	293970	EXTRUSION, UPPER WALL 730MM		1	
30	293971	EXTRUSION, UPPER WALL 740MM		1	
31	293968	EXTRUSION, UPPER WALL 2804MM	1		
32	293969	EXTRUSION, UPPER WALL 2814MM	1		
33	293974	EXTRUSION, UPPER WALL SLIDING DOOR 2181MM		1	
34	293972	EXTRUSION, UPPER WALL 2198.6MM	1	1	
35	293973	EXTRUSION, UPPER WALL 1600MM	1	1	
36	297300	EXTRUSION, UPPER WALL 935MM	1		
37	327913P	PANEL ASSY / FABRIC / TRIANGULAR SHAPE / #1 R.H.	1	1	
37	327917P	PANEL ASSY / CARPET / TRIANGULAR SHAPE / #1 R.H.	1	1	
37	Call order desk	PANEL ASSY / THIN CARPET / TRIANGULAR SHAPE / #1 R.H.	1	1	P
37	Call order desk	PANEL ASSY / FLOOR COVERING / TRIANGULAR SHAPE / #1 R.H.		1	P
38	327914P	PANEL ASSY / FABRIC / TRIANGULAR SHAPE / #1 L.H.	1	1	

From K-0185 To K-0484	Date:07/2024	PAGE:H9-1833-01
WINDOW FINISHING CAP & WALL W/TAN FINISHING		

Item#	Part	Description	H 3 4 1	H 3 4 5	N O T E S
38	327918P	PANEL ASSY / CARPET / TRIANGULAR SHAPE / #1 L.H.	1	1	
38	Call order desk	PANEL ASSY / THIN CARPET / TRIANGULAR SHAPE / #1 L.H.	1	1	P
38	Call order desk	PANEL ASSY / FLOOR COVERING / TRIANGULAR SHAPE / #1 L.H.		1	P
39	327912P	PANEL ASSY / FABRIC / #2-3 L.H. & R.H.	4		
39	327912P	PANEL ASSY / FABRIC / #2-3 L.H. & #2R.H.	3		W
39	327912P	PANEL ASSY / FABRIC / #2-3-4 L.H. & R.H.		6	
39	327912P	PANEL ASSY / FABRIC / #2-3-4 L.H. & #2 R.H.		4	W
39	327916P	PANEL ASSY / CARPET / #2-3 L.H. & R.H.	4		
39	327916P	PANEL ASSY / CARPET / #2-3 L.H. & #2R.H.	3		W
39	327916P	PANEL ASSY / CARPET / #2-3-4 L.H. & R.H.		6	
39	327916P	PANEL ASSY / CARPET / #2-3-4 L.H. & #2 R.H.		4	W
39	Call order desk	PANEL ASSY / THIN CARPET / #2-3 L.H. & R.H.	4		P
39	Call order desk	PANEL ASSY / THIN CARPET / #2-3 L.H. & #2R.H.	3		P W
39	Call order desk	PANEL ASSY / THIN CARPET / #2-3-4 L.H. & R.H.		6	P
39	Call order desk	PANEL ASSY / THIN CARPET / #2-3-4 L.H. & #2 R.H.		4	P W
39	Call order desk	PANEL ASSY / FLOOR COVERING / #2-3-4 L.H. & R.H.		6	P
39	Call order desk	PANEL ASSY / FLOOR COVERING / #2-3-4 L.H. & #2 R.H.		4	P W
40	Call order desk	PANEL ASSY / FABRIC / #5 L.H. & #5 R.H.		2	P
40	Call order desk	PANEL ASSY / FABRIC / #5 L.H.		1	P W
40	327926P	PANEL ASSY / CARPET / #5 L.H. & #5 R.H.		2	
40	327926P	PANEL ASSY / CARPET / #5 L.H.		1	W
40	Call order desk	PANEL ASSY / THIN CARPET / #5 L.H. & #5 R.H.		2	P
40	Call order desk	PANEL ASSY / THIN CARPET / #5 L.H.		1	P W
40	Call order desk	PANEL ASSY / FLOOR COVERING / #5 L.H. & #5 R.H.		2	P
40	Call order desk	PANEL ASSY / FLOOR COVERING / #5 L.H.		1	P W
NS	506007	TAPE RUB ADH1 CC NEO 3/4" x 1" x 10' / BLACK 1220		AR	
41	Call order desk	PANEL ASSY / FABRIC / #4 L.H. & #4 R.H.	2		P
41	Call order desk	PANEL ASSY / FABRIC / #4 L.H.	1		P W
41	Call order desk	PANEL ASSY / CARPET / #4 L.H. & #4 R.H.	2		P
41	Call order desk	PANEL ASSY / CARPET / #4 L.H.	1		P W
41	Call order desk	PANEL ASSY / THIN CARPET / #3 / #4 L.H. & #4 R.H.	2		P
41	Call order desk	PANEL ASSY / THIN CARPET / #3 / #4 L.H.	1		P W
NS	506007	TAPE RUB ADH1 CC NEO 3/4" x 1" x 10' / BLACK 1220		AR	
42	327939P	PANEL ASSY / FABRIC / #3 R.H. & #4 R.H.		2	W
42	327939P	PANEL ASSY / FABRIC / #4 R.H.	1		W
42	Call order desk	PANEL ASSY / CARPET / #3 R.H. & #4 R.H.		2	P W
42	Call order desk	PANEL ASSY / CARPET / #4 R.H.	1		P W
42	Call order desk	PANEL ASSY / THIN CARPET / #3 R.H. & #4 R.H.		2	P W
42	Call order desk	PANEL ASSY / THIN CARPET / #4 R.H.	1		P W
42	Call order desk	PANEL ASSY / FLOOR COVERING / #3 R.H. & #4 R.H.		2	P W
43	Call order desk	PANEL ASSY / FABRIC / #5 R.H.		1	P W
43	Call order desk	PANEL ASSY / FABRIC / #5 R.H.	1		P W

From K-0185 To K-0484	Date:07/2024	PAGE:H9-1833-01
WINDOW FINISHING CAP & WALL W/TAN FINISHING		

Item#	Part	Description	H 3 4 1	H 3 4 5	N O T E S
43	Call order desk	PANEL ASSY / CARPET / #5 R.H.		1	P W
43	Call order desk	PANEL ASSY / CARPET / #5 R.H.	1		P W
43	Call order desk	PANEL ASSY / THIN CARPET / #5 R.H.		1	P W
43	Call order desk	PANEL ASSY / THIN CARPET / #5 R.H.	1		P W
43	Call order desk	PANEL ASSY / FLOOR COVERING / #5 R.H.		1	P W
44	Call order desk	PANEL ASSY / FABRIC / #3 R.H.	1		P W
44	Call order desk	PANEL ASSY / CARPET / #3 R.H.	1		P W
44	Call order desk	PANEL ASSY / THIN CARPET / #3 R.H.	1		P W
NS	506264	TAPE RUB ADH1 URE 3/4" x 1" x 12.5' / GREY 1820X	AR	AR	
50	H9-1884-00	SIDE WINDOW - BUS			
51	328516	CAP FINISHING / POST / W/SINGLE GLASS / TAN / UPPER SECTION / UPPER SECTION To K-0184		1	
51	3210185	CAP FINISHING / POST / W/SINGLE GLASS / TAN / UPPER SECTION / UPPER SECTION From K-0185		1	
51	328519	CAP FINISHING / POST / W/THERMO GLASS / TAN / UPPER SECTION To K-0184	1	1	
51	3210187	CAP FINISHING / POST / W/THERMO GLASS / TAN / UPPER SECTION From K-0185	1	1	
51	328513	CAP FINISHING / POST / W/SINGLE GLASS / TAN / UPPER SECTION To K-0184		1	A W
51	3210184	CAP FINISHING / POST / W/SINGLE GLASS / TAN / UPPER SECTION From K-0185		1	A W
51	328518	CAP FINISHING / POST / W/THERMO GLASS / TAN / UPPER SECTION To K-0184		1	A W
51	3210186	CAP FINISHING / POST / W/THERMO GLASS / TAN / UPPER SECTION From K-0185		1	A W
51	322659	CAP FINISHING / POST / W/THERMO GLASS / GREY / UPPER SECTION		1	A E W
NS	506007	TAPE RUB ADH1 CC NEO 3/4" x 1" x 10' / BLACK 1220	AR	AR	
52	328515	CAP FINISHING / POST / LOWER SECTION	1	1	
53	328512	CAP FINISHING / CLOSING POST / TAN / W/W.C.L. DOOR		1	A
53	322399	CAP FINISHING / CLOSING POST / GREY / W/W.C.L. DOOR		1	A E
54	328481	CAP FINISHING / POST / W/SINGLE GLASS / TAN / UPPER SECTION		1	
54	328484	CAP FINISHING / POST / W/THERMO GLASS / TAN / UPPER SECTION	1	1	
54	322283	CAP FINISHING / POST / W/THERMO GLASS / GREY / UPPER SECTION		1	E
55	328482	CAP FINISHING / WALL / LOWER SECTION	1	1	
56	328562	FINISHING MOULDING TAN	1	1	
56	326601	FINISHING MOULDING GREY		1	E
61	329607	FINISHING MOULDING / W/THERMO GLASS & W/W.C.L / OPTION "RED ARROW"		1	R
62	329608	FINISHING MOULDING / W/THERMO GLASS & W/W.C.L		1	R
63	329609	EXTENSION POST CAP / OPTION "RED ARROW"		1	R
65	327953	GRILLE SPACER 600MM	2	2	
66	504106	RIVET POP DOME OE 1/8x1/4 AL	6	6	
70	3202947	WOOD SPACER 13 MM X 32 MM X 32 MM	AR	AR	
71	500611	SCREW TC PAN PH #10-24x1/2 Z050	AR	AR	
72	5001085	SCREW TP PAN PH #6x1 1/4 Z050	AR	AR	
73	500345	WASHER FN CKF .187x.500x.090 BR BK	AR	AR	
74	500333	SCREW TP OV PH #6x3/4 BK	AR	AR	
75	500552	SCREW TP OV PH #6x3/4 Z050	AR	AR	
76	500463	WASHER FN CKF .187x.500x.090 BR Z050	AR	AR	
77	790597	RUBBER BLOCK ADJUSTEMENT 20MM x 31.75MM x 4.7 60 DURO	AR	AR	

From K-0185 To K-0484	Date:07/2024	PAGE:H9-1833-01
WINDOW FINISHING CAP & WALL W/TAN FINISHING		

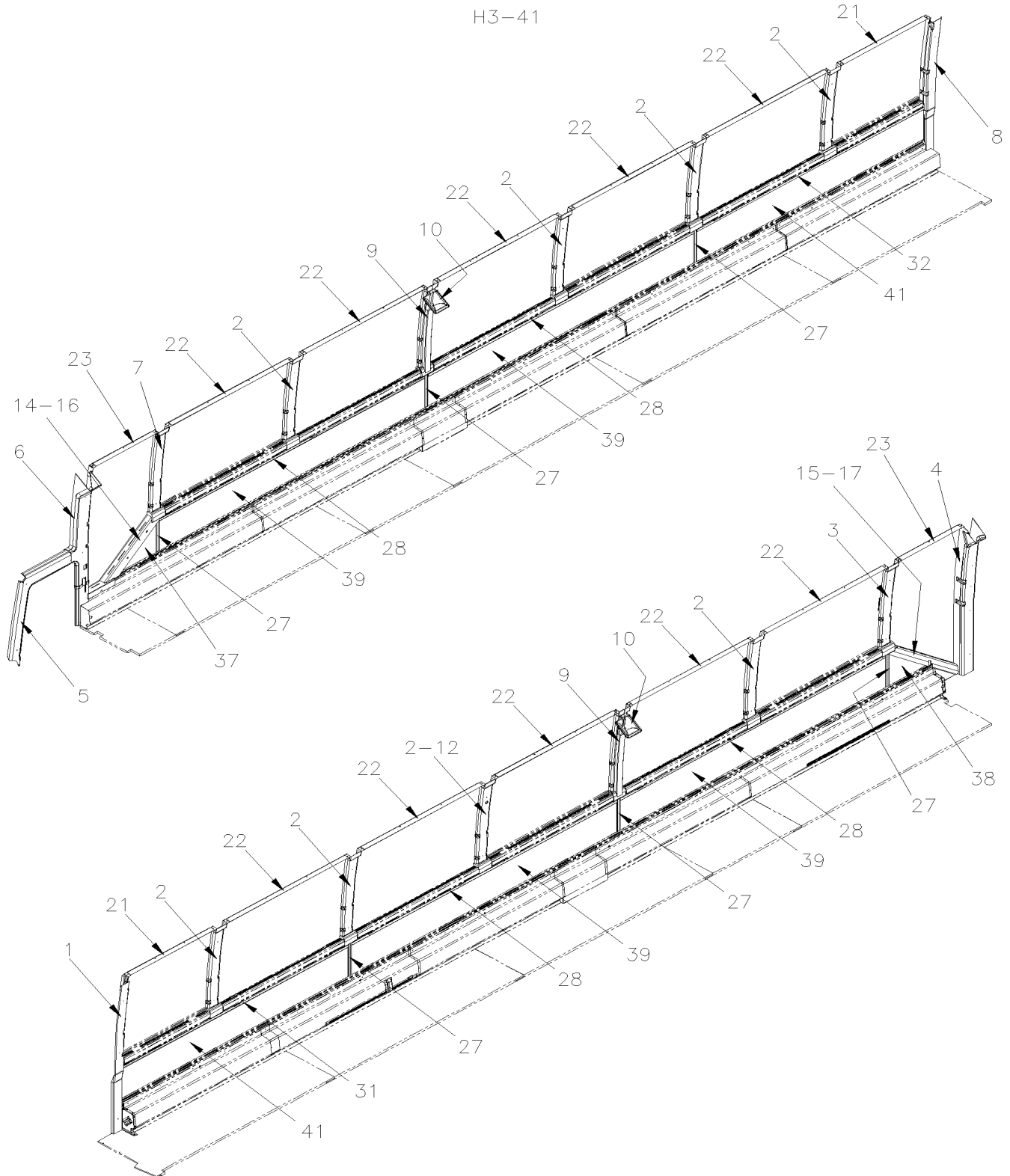
Item#	Part	Description	H 3 4 1	H 3 4 5	N O T E S
78	684196	PRIMER ELASTOCOL # 593	AR	AR	
78	320104	INSULATING PLATE / ALUMINUM 18GA / "E" SHAPE 90MM X 102MM	34	34	
78	850092	WHITE WALL COVERING ADHESIVE / 28 3/8" X 448"	AR	AR	
78	850104	WHITE WALL COVERING ADHESIVE 178 x 178 / 56 x 46	AR	AR	
78	850103	WHITE WALL COVERING ADHESIVE 178 x 178 / 56 x 106	AR	AR	
78	680415	TAPE ADHESIVE 3" WIDE BLUE	AR	AR	
90	H9-2221-10	DUCTING HEATER & A/C			
		A) WITH A/C IN PARCEL RACK			
		C) USE WITH INVERTER DISPLAY INSTALL BESIDE DRIVER			
		E) BAUER'S TRANSPORTATION" OPTION			
		R) WITH "GALLEY			
		W) WITH WCL			
		X) W/O ROLLER BLIND			
		P) CALL ORDER DESK FOR SPECIFIC APPLICATION (V.I.N.)			

From K-0485 To P-1452

Date:07/2024

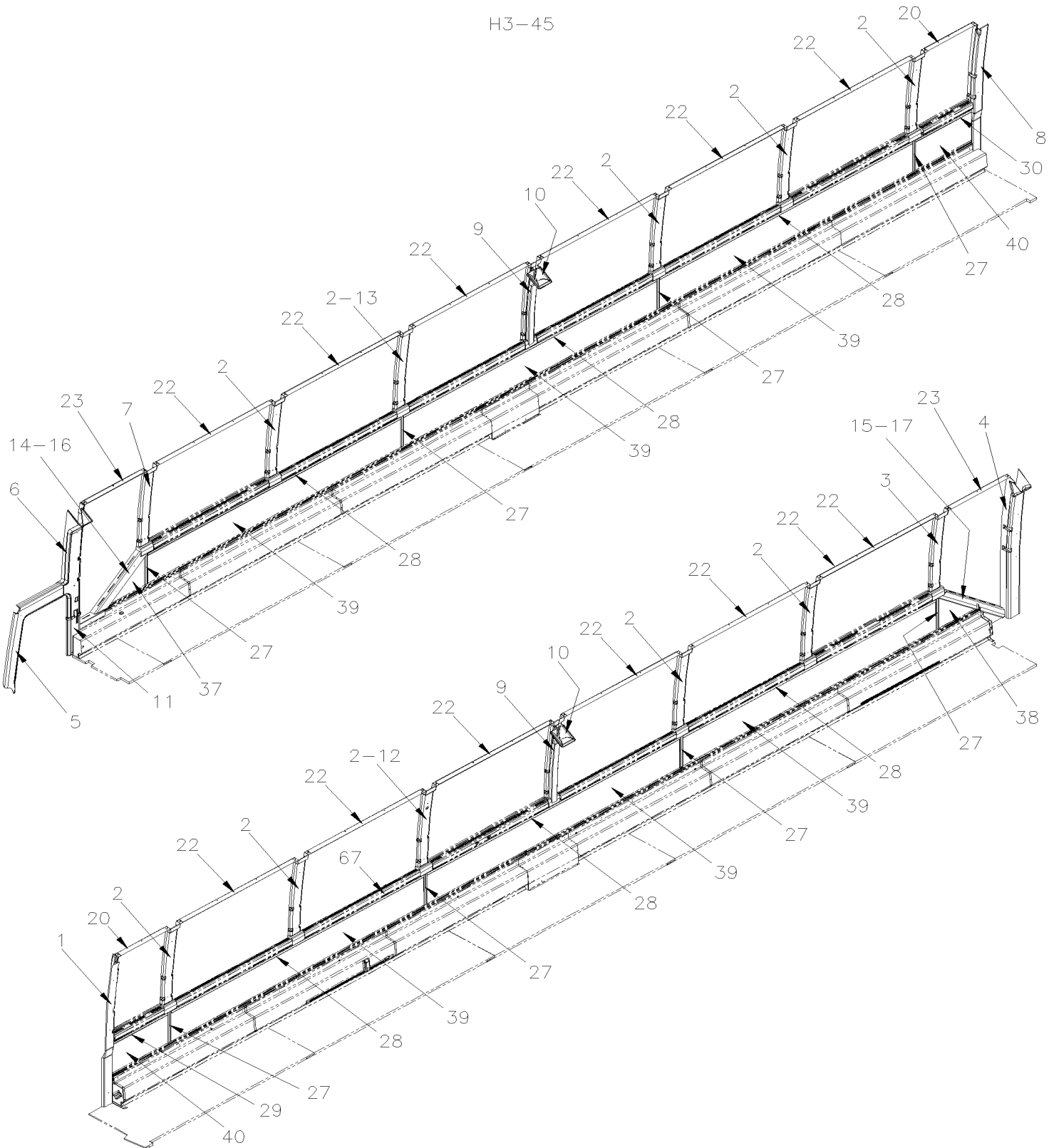
PAGE:H9-1833-02

WINDOW FINISHING CAP & WALL FINISHING



From K-0485 To P-1452	Date:07/2024	PAGE:H9-1833-02
WINDOW FINISHING CAP & WALL FINISHING		

H3-45

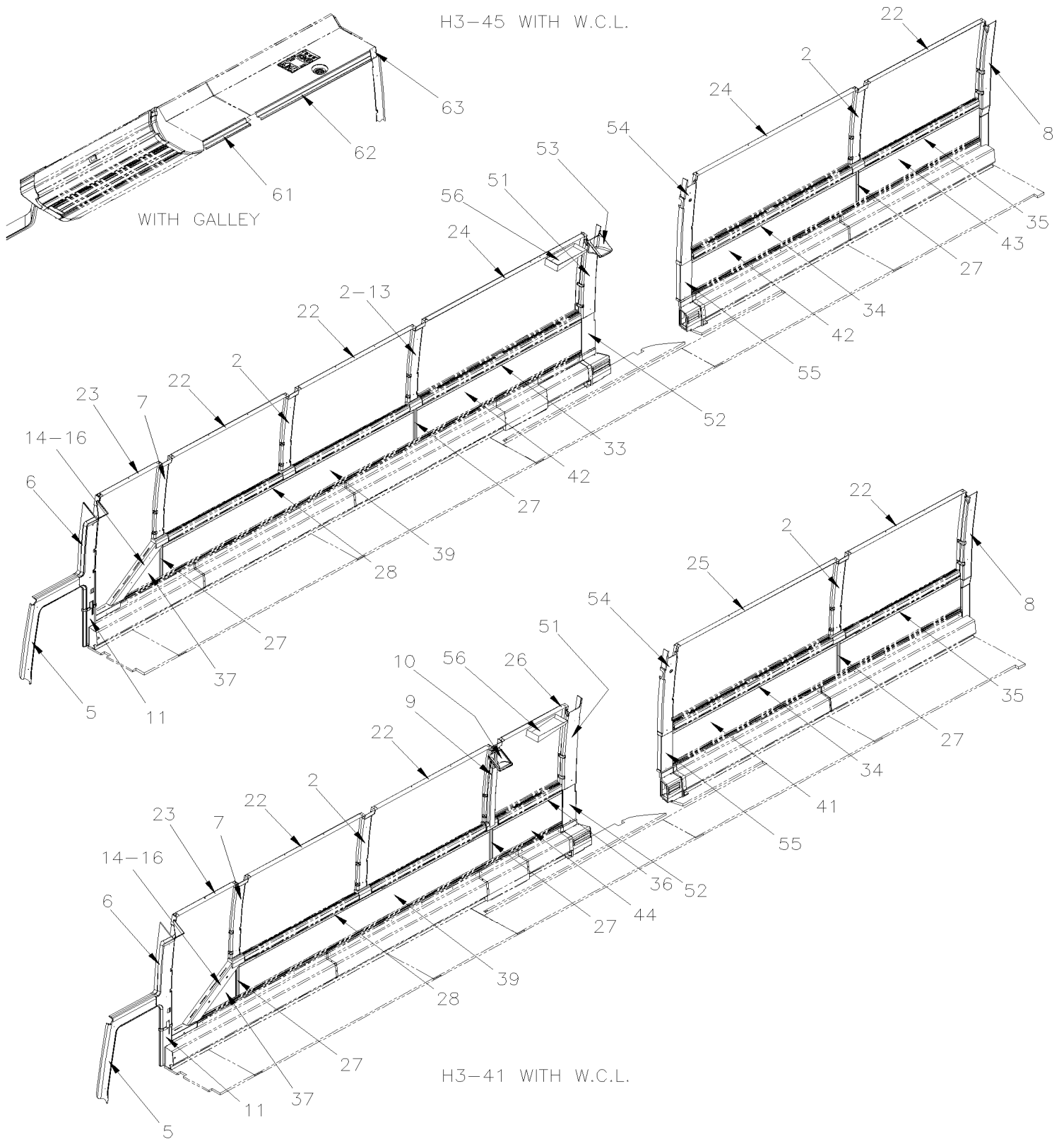


From K-0485 To P-1452

Date:07/2024

PAGE:H9-1833-02

WINDOW FINISHING CAP & WALL FINISHING

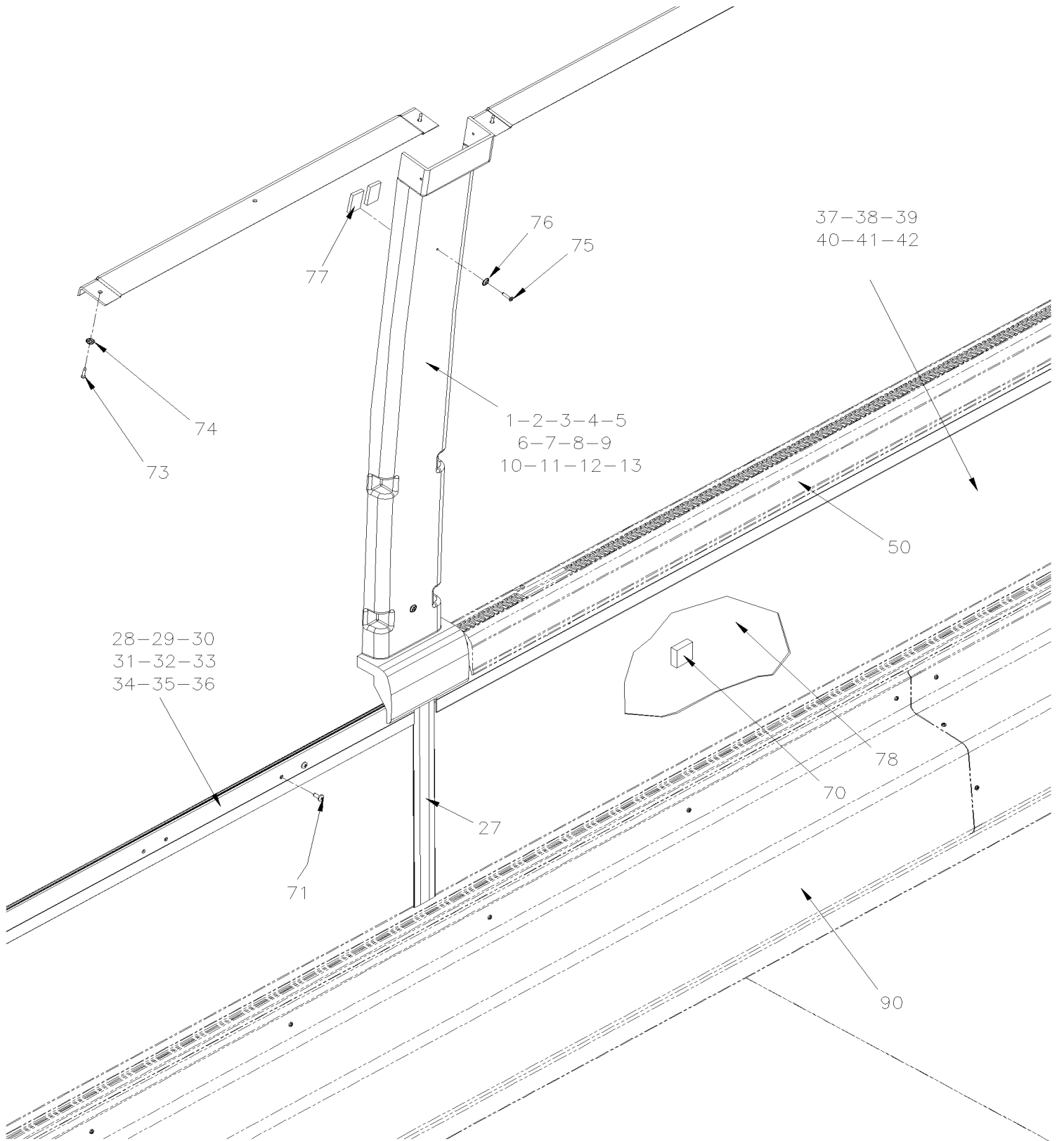


From K-0485 To P-1452

Date:07/2024

PAGE:H9-1833-02

WINDOW FINISHING CAP & WALL FINISHING

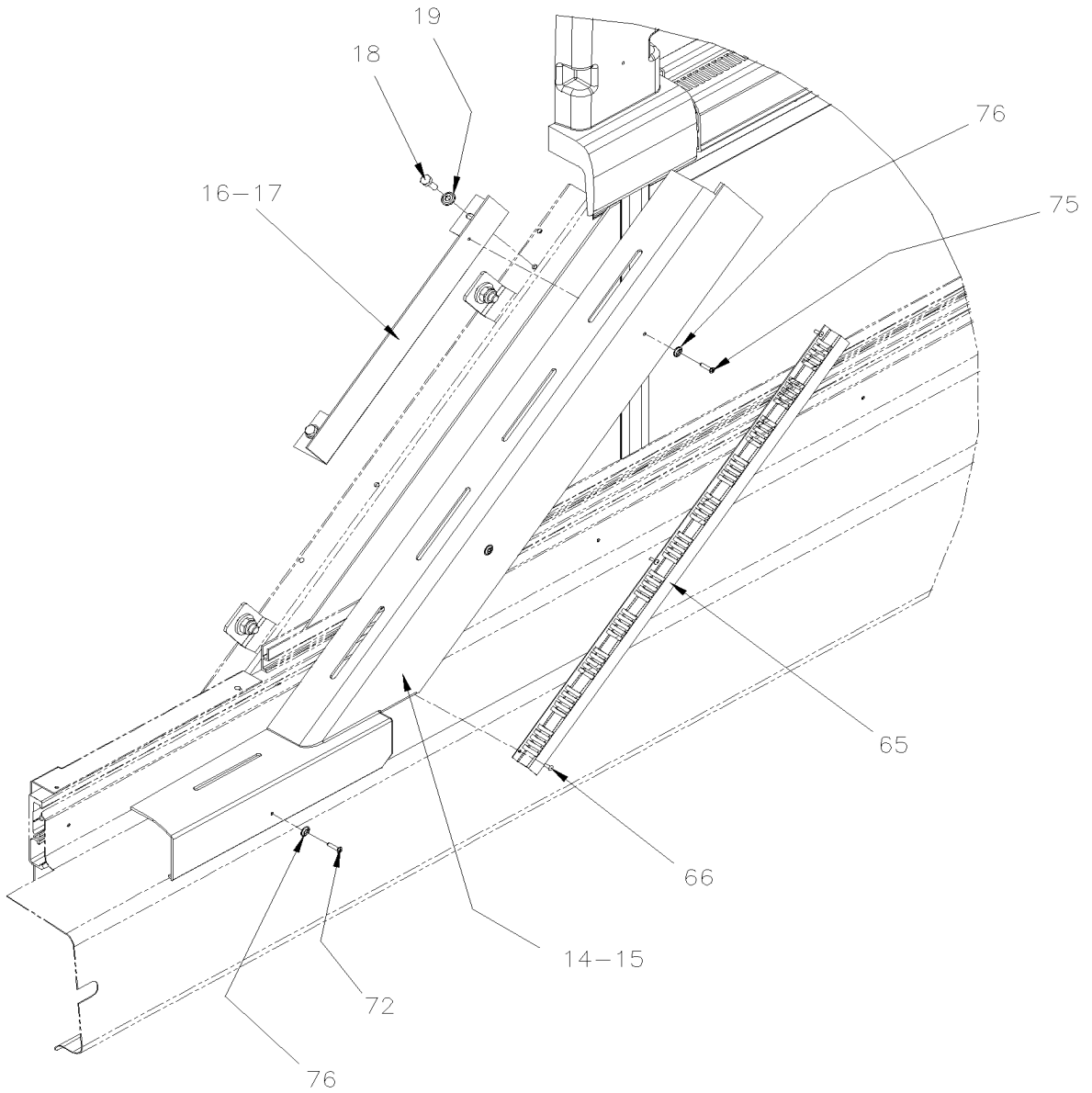


From K-0485 To P-1452

Date:07/2024

PAGE:H9-1833-02

WINDOW FINISHING CAP & WALL FINISHING



From K-0485 To P-1452	Date:07/2024	PAGE:H9-1833-02
WINDOW FINISHING CAP & WALL FINISHING		

Item#	Part	Description	H 3 4 1	H 3 4 5	N O T E S
1	3210530	CAP FINISHING / POST / W/SINGLE GLASS / MIDNIGHT CHARCOAL / REAR L.H.	1	1	
1	329555	CAP FINISHING / POST / W/SINGLE GLASS / TAN / REAR L.H.	1	1	O
1	3210532	CAP FINISHING / POST / W/THERMO GLASS / MIDNIGHT CHARCOAL / REAR L.H.	1	1	
1	329550	CAP FINISHING / POST / W/THERMO GLASS / TAN / REAR L.H.	1	1	O
NS	506035	TAPE RUB ADH1 NEO 1/2" x 1" x 15' / BLACK 1220X	AR	AR	
2	3210493	CAP FINISHING / POST / W/SINGLE GLASS / MIDNIGHT CHARCOAL / #2-4-5-6 L.H. & R.H.	8		X
2	329547	CAP FINISHING / POST / W/SINGLE GLASS / TAN / #2-4-5-6 L.H. & R.H.	8		O X
2	3210493	CAP FINISHING / POST / W/SINGLE GLASS / MIDNIGHT CHARCOAL / #2-3-5-6-7 L.H. & R.H.		10	X
2	329547	CAP FINISHING / POST / W/SINGLE GLASS / TAN / #2-3-5-6-7 L.H. & R.H.		10	O X
2	3210493	CAP FINISHING / POST / W/SINGLE GLASS / MIDNIGHT CHARCOAL / #2-3-6-7 L.H. & #2-3-6 R.H.		7	W X
2	329547	CAP FINISHING / POST / W/SINGLE GLASS / TAN / #2-3-6-7 L.H. & #2-3-6 R.H.		7	O W X
2	3210482	CAP FINISHING / POST / W/SINGLE GLASS / MIDNIGHT CHARCOAL / #2-4-5-6 L.H. & R.H.	8		
2	3200038	CAP FINISHING / POST / W/SINGLE GLASS / TAN / #2-4-5-6 L.H. & R.H.	8		O
2	3210482	CAP FINISHING / POST / W/SINGLE GLASS / MIDNIGHT CHARCOAL / #2-3-5-6-7 L.H. & R.H.		10	
2	3200038	CAP FINISHING / POST / W/SINGLE GLASS / TAN / #2-3-5-6-7 L.H. & R.H.		10	O
2	3210482	CAP FINISHING / POST / W/SINGLE GLASS / MIDNIGHT CHARCOAL / #2-3-6-7 L.H. & #2-3-6 R.H.		7	
2	3200038	CAP FINISHING / POST / W/SINGLE GLASS / TAN / #2-3-6-7 L.H. & #2-3-6 R.H.		7	O W
2	326254	CAP FINISHING / POST / W/THERMO GLASS / BLACK / #2-4-5-6 L.H. & R.H.	8		X
2	3210519	CAP FINISHING / POST / W/THERMO GLASS / MIDNIGHT CHARCOAL / #2-4-5-6 L.H. & R.H.	8		X
2	328472	CAP FINISHING / POST / W/THERMO GLASS / TAN / #2-4-5-6 L.H. & R.H.	8		O X
2	326254	CAP FINISHING / POST / W/THERMO GLASS / BLACK / #2-5-6 L.H. & #2-6 R.H.	5		W X
2	328472	CAP FINISHING / POST / W/THERMO GLASS / TAN / #2-5-6 L.H. & #2-6 R.H.	5		O W X
2	326254	CAP FINISHING / POST / W/THERMO GLASS / BLACK / #2-3-5-6-7 L.H. & R.H. From K-0485		10	X
2	3210519	CAP FINISHING / POST / W/THERMO GLASS / MIDNIGHT CHARCOAL / #2-3-5-6-7 L.H. & R.H. To L-0888		10	
2	3210890	CAP FINISHING / POST / W/THERMO GLASS / MIDNIGHT CHARCOAL / #2-3-5-6-7 L.H. & R.H. From L-0889		10	
2	328472	CAP FINISHING / POST / W/THERMO GLASS / TAN / #2-3-5-6-7 L.H. & R.H.		10	O X
2	326254	CAP FINISHING / POST / W/THERMO GLASS / BLACK / #2-3-6-7 L.H. & #2-3-6 R.H.		7	W X
2	328472	CAP FINISHING / POST / W/THERMO GLASS / TAN / #2-3-6-7 L.H. & #2-3-6 R.H.		7	O W X
2	3210527	CAP FINISHING / POST / W/THERMO GLASS / MIDNIGHT CHARCOAL / #2-4-5-6 L.H. & R.H.	8		
2	3200030	CAP FINISHING / POST / W/THERMO GLASS / TAN / #2-4-5-6 L.H. & R.H.	8		O
2	3210527	CAP FINISHING / POST / W/THERMO GLASS / MIDNIGHT CHARCOAL / #2-5-6 L.H. & #2-6 R.H.	5		W
2	3200030	CAP FINISHING / POST / W/THERMO GLASS / TAN / #2-5-6 L.H. & #2-6 R.H.	5		O W
2	3210527	CAP FINISHING / POST / W/THERMO GLASS / MIDNIGHT CHARCOAL / #2-3-5-6-7 L.H. & R.H.		10	
2	3200030	CAP FINISHING / POST / W/THERMO GLASS / TAN / #2-3-5-6-7 L.H. & R.H.		10	O
2	3210527	CAP FINISHING / POST / W/THERMO GLASS / MIDNIGHT CHARCOAL / #2-3-6-7 L.H. & #2-3-6 R.H.		7	W
2	3200030	CAP FINISHING / POST / W/THERMO GLASS / TAN / #2-3-6-7 L.H. & #2-3-6 R.H.		7	O W
NS	900979	ATTACHMENT CLIP-ON	AR	AR	
NS	504107	RIVET POP DOME OE 1/8x5/16 AL	AR	AR	
NS	500437	WASHER FL .125x.375x.040 Z050	AR	AR	
3	3210492	CAP FINISHING / POST / W/SINGLE GLASS / MIDNIGHT CHARCOAL / #1 L.H.	1	1	X
3	329546	CAP FINISHING / POST / W/SINGLE GLASS / TAN / #1 L.H.	1	1	O X
3	3210484	CAP FINISHING / POST / W/SINGLE GLASS / MIDNIGHT CHARCOAL / #1 L.H.	1	1	

From K-0485 To P-1452	Date:07/2024	PAGE:H9-1833-02
WINDOW FINISHING CAP & WALL FINISHING		

Item#	Part	Description	H 3 4 1	H 3 4 5	N O T E S
3	3200037	CAP FINISHING / POST / W/SINGLE GLASS / TAN / #1 L.H.	1	1	O
3	326326	CAP FINISHING / POST / W/THERMO GLASS / BLACK / #1 L.H.	1	1	
3	3210518	CAP FINISHING / POST / W/THERMO GLASS / MIDNIGHT CHARCOAL / #1 L.H. To L-0888	1	1	X
3	3210518	CAP FINISHING / POST / W/THERMO GLASS / MIDNIGHT CHARCOAL / #1 L.H. From L-0889	1		
3	3210892	CAP FINISHING / POST / W/THERMO GLASS / MIDNIGHT CHARCOAL / #1 L.H. From L-0889		1	
3	328471	CAP FINISHING / POST / W/THERMO GLASS / TAN / #1 L.H.	1	1	O X
3	3210523	CAP FINISHING / POST / W/THERMO GLASS / MIDNIGHT CHARCOAL / #1 L.H.	1	1	
3	3200029	CAP FINISHING / POST / W/THERMO GLASS / TAN / #1 L.H.	1	1	O
NS	900979	ATTACHMENT CLIP-ON	AR	AR	
NS	500437	WASHER FL .125x.375x.040 Z050	AR	AR	
NS	504107	RIVET POP DOME OE 1/8x5/16 AL	1	1	
4	328466	CAP FINISHING / POST / FRONT L.H. / MIDNIGHT CHARCOAL	1	1	
5	329552	CAP FINISHING / POST / UPPER DOOR SECTION / MIDNIGHT CHARCOAL	1	1	
6	329551	CAP FINISHING / POST / FRONT R.H. / MIDNIGHT CHARCOAL	1	1	
7	3210490	CAP FINISHING / POST / W/SINGLE GLASS / MIDNIGHT CHARCOAL / #1 R.H.	1	1	X
7	328468	CAP FINISHING / POST / W/SINGLE GLASS / TAN / #1 R.H.	1	1	O X
7	3210483	CAP FINISHING / POST / W/SINGLE GLASS / MIDNIGHT CHARCOAL / #1 R.H.	1	1	
7	3200027	CAP FINISHING / POST / W/SINGLE GLASS / TAN / #1 R.H.	1	1	O
7	326325	CAP FINISHING / POST / W/THERMO GLASS / BLACK / #1 R.H.	1	1	X
7	3210521	CAP FINISHING / POST / W/THERMO GLASS / MIDNIGHT CHARCOAL / #1 R.H. To L-0888	1	1	X
7	3210521	CAP FINISHING / POST / W/THERMO GLASS / MIDNIGHT CHARCOAL / #1 R.H. From L-0889	1		X
7	3210899	CAP FINISHING / POST / W/THERMO GLASS / MIDNIGHT CHARCOAL / #1 R.H. From L-0889		1	
7	328476	CAP FINISHING / POST / W/THERMO GLASS / TAN / #1 R.H.	1	1	O X
7	3210526	CAP FINISHING / POST / W/THERMO GLASS / MIDNIGHT CHARCOAL / #1 R.H.	1	1	
7	3200031	CAP FINISHING / POST / W/THERMO GLASS / TAN / #1 R.H.	1	1	O
NS	900979	ATTACHMENT CLIP-ON	AR	AR	
NS	500437	WASHER FL .125x.375x.040 Z050	AR	AR	
NS	504107	RIVET POP DOME OE 1/8x5/16 AL	AR	AR	
8	3210531	CAP FINISHING / POST / W/SINGLE GLASS / MIDNIGHT CHARCOAL / REAR R.H.	1	1	
8	328470	CAP FINISHING / POST / W/SINGLE GLASS / TAN / REAR R.H.	1	1	O
8	3210533	CAP FINISHING / POST / W/THERMO GLASS / MIDNIGHT CHARCOAL / REAR R.H.	1	1	
8	328477	CAP FINISHING / POST / W/THERMO GLASS / TAN / REAR R.H.	1	1	O
9	3210489	CAP FINISHING / POST / W/SINGLE GLASS / MIDNIGHT CHARCOAL / #3 R.H.& #3 L.H.	2		X
9	328487	CAP FINISHING / POST / W/SINGLE GLASS / TAN / #3 R.H.& #3 L.H.	2		O X
9	3210489	CAP FINISHING / POST / W/SINGLE GLASS / MIDNIGHT CHARCOAL / #4 R.H.& #4 L.H.		2	X
9	328487	CAP FINISHING / POST / W/SINGLE GLASS / TAN / #4 R.H.& #4 L.H.		2	O X
9	3210517	CAP FINISHING / POST / W/SINGLE GLASS / MIDNIGHT CHARCOAL / #3 R.H.& #3 L.H.	2		
9	3200072	CAP FINISHING / POST / W/SINGLE GLASS / TAN / #3 R.H.& #3 L.H.	2		O
9	3210517	CAP FINISHING / POST / W/SINGLE GLASS / MIDNIGHT CHARCOAL / #4 R.H.& #4 L.H.		2	
9	3200072	CAP FINISHING / POST / W/SINGLE GLASS / TAN / #4 R.H.& #4 L.H.		2	O
9	326450	CAP FINISHING / POST W/A/C PARCEL RACK / W/THERMO GLASS / BLACK / #3 R.H.& #3 L.H.	2		X
9	3210520	CAP FINISHING / POST / W/THERMO GLASS / MIDNIGHT CHARCOAL / #3 R.H.& #3 L.H.	2		X

From K-0485 To P-1452	Date:07/2024	PAGE:H9-1833-02
------------------------------	---------------------	------------------------

WINDOW FINISHING CAP & WALL FINISHING

Item#	Part	Description	H 3 4 1	H 3 4 5	N O T E S
9	328489	CAP FINISHING / POST / W/THERMO GLASS / TAN / #3 R.H.& #3 L.H.	2		O X
9	3210520	CAP FINISHING / POST / W/THERMO GLASS / MIDNIGHT CHARCOAL / #4 R.H.& #4 L.H. To L-0888		2	X
9	3210895	CAP FINISHING / POST / W/THERMO GLASS / MIDNIGHT CHARCOAL / #4 R.H.& #4 L.H. From L-0889		2	
9	328489	CAP FINISHING / POST / W/THERMO GLASS / TAN / #4 R.H.& #4 L.H.		2	O X
9	3210524	CAP FINISHING / POST / W/THERMO GLASS / MIDNIGHT CHARCOAL / #3 R.H.& #3 L.H.	1		
9	3200073	CAP FINISHING / POST / W/THERMO GLASS / TAN / #3 R.H.& #3 L.H.	1		O
9	3210524	CAP FINISHING / POST / W/THERMO GLASS / MIDNIGHT CHARCOAL / #4 R.H.& #4 L.H.		1	
9	3200073	CAP FINISHING / POST / W/THERMO GLASS / TAN / #4 R.H.& #4 L.H.		1	O
NS	900979	ATTACHMENT CLIP-ON	AR	AR	
NS	500437	WASHER FL .125x.375x.040 Z050	AR	AR	
NS	504107	RIVET POP DOME OE 1/8x5/16 AL	AR	AR	
10	3210529	CAP FINISHING / CLOSING POST / MIDNIGHT CHARCOAL	2	2	
10	328488	CAP FINISHING / CLOSING POST / TAN	2	2	O
10	3210529	CAP FINISHING / CLOSING POST / MIDNIGHT CHARCOAL	1	1	W
10	328488	CAP FINISHING / CLOSING POST / TAN	1	1	O W
11	328469	CAP FINISHING / POST / MIDNIGHT CHARCOAL	1	1	
12	3210491	CAP FINISHING / POST / W/SINGLE GLASS / W/W.C.L. SAFETY BELT HOLE / MIDNIGHT CHARCOAL / #5 L.H		1	W X
12	320032	CAP FINISHING / POST / W/SINGLE GLASS / W/W.C.L. SAFETY BELT HOLE / TAN / #5 L.H		1	O W X
12	3210486	CAP FINISHING / POST / W/SINGLE GLASS / W/W.C.L. SAFETY BELT HOLE / MIDNIGHT CHARCOAL / #5 L.H		1	W
12	320009	CAP FINISHING / POST / W/SINGLE GLASS / W/W.C.L. SAFETY BELT HOLE / TAN / #5 L.H		1	O W
12	3210485	CAP FINISHING / POST / W/THERMO GLASS / W/W.C.L. SAFETY BELT HOLE / MIDNIGHT CHARCOAL / #5 L.H		1	W X
12	320031	CAP FINISHING / POST / W/THERMO GLASS / W/W.C.L. SAFETY BELT HOLE / TAN / #5 L.H		1	O W X
12	3210485	CAP FINISHING / POST / W/THERMO GLASS / W/W.C.L. SAFETY BELT HOLE / MIDNIGHT CHARCOAL / #5 L.H	1		W X
12	320031	CAP FINISHING / POST / W/THERMO GLASS / W/W.C.L. SAFETY BELT HOLE / TAN / #5 L.H	1		O W X
12	3210528	CAP FINISHING / POST / W/THERMO GLASS / W/W.C.L. SAFETY BELT HOLE / MIDNIGHT CHARCOAL / #5 L.H	1		W
12	320008	CAP FINISHING / POST / W/THERMO GLASS / W/W.C.L. SAFETY BELT HOLE / TAN / #5 L.H		1	O W
12	3210528	CAP FINISHING / POST / W/THERMO GLASS / W/W.C.L. SAFETY BELT HOLE / MIDNIGHT CHARCOAL / #4 L.H		1	W
12	320008	CAP FINISHING / POST / W/THERMO GLASS / W/W.C.L. SAFETY BELT HOLE / TAN / #4 L.H	1		O W
12	322571	CAP FINISHING / POST / W/THERMO GLASS / W/W.C.L. SAFETY BELT HOLE / GREY / #5 L.H		1	O W
NS	900979	ATTACHMENT CLIP-ON	AR	AR	
NS	500437	WASHER FL .125x.375x.040 Z050	AR	AR	
NS	504107	RIVET POP DOME OE 1/8x5/16 AL	AR	AR	
13	3210488	CAP FINISHING / POST / W/SINGLE GLASS / W/W.C.L. / MIDNIGHT CHARCOAL / #3 R.H.		1	W X
13	328478	CAP FINISHING / POST / W/SINGLE GLASS / W/W.C.L. / TAN / #3 R.H.		1	O W X
13	3210487	CAP FINISHING / POST / W/SINGLE GLASS / W/W.C.L. / MIDNIGHT CHARCOAL / #3 R.H.	1	1	
13	3200033	CAP FINISHING / POST / W/SINGLE GLASS / W/W.C.L. / TAN / #3 R.H.	1	1	O
NS	900979	ATTACHMENT CLIP-ON	AR	AR	
13	500437	WASHER FL .125x.375x.040 Z050	AR	AR	
13	504107	RIVET POP DOME OE 1/8x5/16 AL	AR	AR	
14	328467	FINISHING CAP R.H. LOWER WINDOW / MIDNIGHT CHARCOAL	1	1	
NS	506007	TAPE RUB ADH1 CC NEO 3/4" x 1" x 10' / BLACK 1220	AR	AR	
15	329544	FINISHING CAP L.H. LOWER WINDOW / MIDNIGHT CHARCOAL	1	1	

From K-0485 To P-1452	Date:07/2024	PAGE:H9-1833-02
WINDOW FINISHING CAP & WALL FINISHING		

Item#	Part	Description	H 3 4 1	H 3 4 5	NOTES
15	3201347	FINISHING CAP L.H. LOWER WINDOW / MIDNIGHT CHARCOAL WITH 2 INVERTER DISPLAY	1	1	C
15	320926	FINISHING CAP L.H. LOWER WINDOW / MIDNIGHT CHARCOAL WITH 1 INVERTER DISPLAY	1	1	C
NS	506007	TAPE RUB ADH1 CC NEO 3/4" x 1" x 10' / BLACK 1220	AR	AR	
16	326317	ANGLE SUPPORT / TO FIX CAP / 350MM	1	1	
17	327661	ANGLE SUPPORT / TO FIX CAP / 507MM	1	1	
17	327662	ANGLE SUPPORT / TO FIX CAP / 204MM	1	1	
18	500923	SCREW TC CAP HEX 1/4-20x3/4 Z050	6	6	
19	502582	WASHER LO SERR 6.1x16.2x0.9 Z050	6	6	
20	329549	FINISHING MOULDING / W/SINGLE GLASS / REAR		2	
20	328474	FINISHING MOULDING / W/THERMO GLASS / REAR		2	
21	328485	FINISHING MOULDING / W/SINGLE GLASS / REAR	2		
21	328486	FINISHING MOULDING / W/THERMO GLASS / REAR	2		
22	329548	FINISHING MOULDING / W/SINGLE GLASS	10		
22	329548	FINISHING MOULDING / W/SINGLE GLASS		12	
22	329548	FINISHING MOULDING / W/SINGLE GLASS		9	W
22	328473	FINISHING MOULDING / W/THERMO GLASS	10		
22	328473	FINISHING MOULDING / W/THERMO GLASS	8		W
22	328473	FINISHING MOULDING / W/THERMO GLASS		12	
22	328473	FINISHING MOULDING / W/THERMO GLASS		9	W
23	329545	FINISHING MOULDING / UPPER TRAPEZ WINDOW	2	2	
NS	404654	DECAL / BLACK 3" X 63" / BLOCK -OFF UPPER WIN	AR	AR	
24	328480	FINISHING MOULDING / W/SINGLE GLASS & W/W.C.L		2	W
24	328483	FINISHING MOULDING / W/THERMO GLASS & W/W.C.L		2	W
25	328483	FINISHING MOULDING / W/THERMO GLASS & W/W.C.L	1		W
26	3201158	FINISHING MOULDING / W/THERMO GLASS & W/W.C.L	1		W
27	329639	EXTRUSION, WALL SEPARATOR 389MM	6		
27	329639	EXTRUSION, WALL SEPARATOR 389MM		8	
27	329639	EXTRUSION, WALL SEPARATOR 389MM		7	W
28	293967	EXTRUSION, UPPER WALL 3278MM	4		
28	293967	EXTRUSION, UPPER WALL 3278MM	4		
28	293967	EXTRUSION, UPPER WALL 3278MM		6	
28	293967	EXTRUSION, UPPER WALL 3278MM		6	
29	293970	EXTRUSION, UPPER WALL 730MM		1	
30	293971	EXTRUSION, UPPER WALL 740MM		1	
31	293968	EXTRUSION, UPPER WALL 2804MM	1		
32	293969	EXTRUSION, UPPER WALL 2814MM	1		
33	293974	EXTRUSION, UPPER WALL SLIDING DOOR 2181MM		1	
34	293972	EXTRUSION, UPPER WALL 2198.6MM	1	1	
35	293973	EXTRUSION, UPPER WALL 1600MM	1	1	
36	297300	EXTRUSION, UPPER WALL 935MM	1		
37	327913P	PANEL ASSY / FABRIC / TRIANGULAR SHAPE / #1 R.H.	1	1	
37	327917P	PANEL ASSY / CARPET / TRIANGULAR SHAPE / #1 R.H.	1	1	

From K-0485 To P-1452	Date:07/2024	PAGE:H9-1833-02
WINDOW FINISHING CAP & WALL FINISHING		

Item#	Part	Description	H 3 4 1	H 3 4 5	N O T E S
37	Call order desk	PANEL ASSY / THIN CARPET / TRIANGULAR SHAPE / #1 R.H.	1	1	P
37	Call order desk	PANEL ASSY / FLOOR COVERING / TRIANGULAR SHAPE / #1 R.H.		1	P
38	327914P	PANEL ASSY / FABRIC / TRIANGULAR SHAPE / #1 L.H.	1	1	
38	327918P	PANEL ASSY / CARPET / TRIANGULAR SHAPE / #1 L.H.	1	1	
38	Call order desk	PANEL ASSY / THIN CARPET / TRIANGULAR SHAPE / #1 L.H.	1	1	P
38	Call order desk	PANEL ASSY / FLOOR COVERING / TRIANGULAR SHAPE / #1 L.H.		1	P
39	327912P	PANEL ASSY / FABRIC / #2-3 L.H. & R.H.	4		
39	327912P	PANEL ASSY / FABRIC / #2-3 L.H. & #2R.H.	3		W
39	327912P	PANEL ASSY / FABRIC / #2-3-4 L.H. & R.H.		6	
39	327912P	PANEL ASSY / FABRIC / #2-3-4 L.H. & #2 R.H.		4	W
39	327916P	PANEL ASSY / CARPET / #2-3 L.H. & R.H.	4		
39	327916P	PANEL ASSY / CARPET / #2-3 L.H. & #2R.H.	3		W
39	327916P	PANEL ASSY / CARPET / #2-3-4 L.H. & R.H.		6	
39	327916P	PANEL ASSY / CARPET / #2-3-4 L.H. & #2 R.H.		4	W
39	Call order desk	PANEL ASSY / THIN CARPET / #2-3 L.H. & R.H.	4		P
39	Call order desk	PANEL ASSY / THIN CARPET / #2-3 L.H. & #2R.H.	3		P W
39	Call order desk	PANEL ASSY / THIN CARPET / #2-3-4 L.H. & R.H.		6	P
39	Call order desk	PANEL ASSY / THIN CARPET / #2-3-4 L.H. & #2 R.H.		4	P W
39	Call order desk	PANEL ASSY / FLOOR COVERING / #2-3-4 L.H. & R.H.		6	P
39	Call order desk	PANEL ASSY / FLOOR COVERING / #2-3-4 L.H. & #2 R.H.		4	P W
40	Call order desk	PANEL ASSY / FABRIC / #5 L.H. & #5 R.H.		2	P
40	Call order desk	PANEL ASSY / FABRIC / #5 L.H.		1	P W
40	327926P	PANEL ASSY / CARPET / #5 L.H. & #5 R.H.		2	
40	327926P	PANEL ASSY / CARPET / #5 L.H.		1	W
40	Call order desk	PANEL ASSY / THIN CARPET / #5 L.H. & #5 R.H.		2	P
40	Call order desk	PANEL ASSY / THIN CARPET / #5 L.H.		1	P W
40	Call order desk	PANEL ASSY / FLOOR COVERING / #5 L.H. & #5 R.H.		2	P
40	Call order desk	PANEL ASSY / FLOOR COVERING / #5 L.H.		1	P W
NS	506007	TAPE RUB ADH1 CC NEO 3/4" x 1" x 10' / BLACK 1220		AR	
41	Call order desk	PANEL ASSY / FABRIC / #4 L.H. & #4 R.H.	2		P
41	Call order desk	PANEL ASSY / FABRIC / #4 L.H.	1		P W
41	Call order desk	PANEL ASSY / CARPET / #4 L.H. & #4 R.H.	2		P
41	Call order desk	PANEL ASSY / CARPET / #4 L.H.	1		P W
41	Call order desk	PANEL ASSY / THIN CARPET / #3 / #4 L.H. & #4 R.H.	2		P
41	Call order desk	PANEL ASSY / THIN CARPET / #3 / #4 L.H.	1		P W
NS	506007	TAPE RUB ADH1 CC NEO 3/4" x 1" x 10' / BLACK 1220		AR	
42	327939P	PANEL ASSY / FABRIC / #3 R.H. & #4 R.H.		2	W
42	327939P	PANEL ASSY / FABRIC / #4 R.H.	1		W
42	Call order desk	PANEL ASSY / CARPET / #3 R.H. & #4 R.H.		2	P W
42	Call order desk	PANEL ASSY / CARPET / #4 R.H.	1		P W
42	Call order desk	PANEL ASSY / THIN CARPET / #3 R.H. & #4 R.H.		2	P W
42	Call order desk	PANEL ASSY / THIN CARPET / #4 R.H.	1		P W

From K-0485 To P-1452	Date:07/2024	PAGE:H9-1833-02
WINDOW FINISHING CAP & WALL FINISHING		

Item#	Part	Description	H 3 4 1	H 3 4 5	N O T E S
42	Call order desk	PANEL ASSY / FLOOR COVERING / #3 R.H. & #4 R.H.		2	P W
43	Call order desk	PANEL ASSY / FABRIC / #5 R.H.		1	P W
43	Call order desk	PANEL ASSY / FABRIC / #5 R.H.	1		P W
43	Call order desk	PANEL ASSY / CARPET / #5 R.H.		1	P W
43	Call order desk	PANEL ASSY / CARPET / #5 R.H.	1		P W
43	Call order desk	PANEL ASSY / THIN CARPET / #5 R.H.		1	P W
43	Call order desk	PANEL ASSY / THIN CARPET / #5 R.H.	1		P W
43	Call order desk	PANEL ASSY / FLOOR COVERING / #5 R.H.		1	P W
44	Call order desk	PANEL ASSY / FABRIC / #3 R.H.	1		P W
44	Call order desk	PANEL ASSY / CARPET / #3 R.H.	1		P W
44	Call order desk	PANEL ASSY / THIN CARPET / #3 R.H.	1		P W
NS	506264	TAPE RUB ADH1 URE 3/4" x 1" x 12.5' / GREY 1820X	AR	AR	
50	H9-1884-00	SIDE WINDOW - BUS			
51	3210479	CAP FINISHING / POST / W/SINGLE GLASS / MIDNIGHT CHARCOAL / UPPER SECTION / UPPER SECTION		1	
51	3210185	CAP FINISHING / POST / W/SINGLE GLASS / TAN / UPPER SECTION / UPPER SECTION		1	O
51	3210481	CAP FINISHING / POST / W/THERMO GLASS / MIDNIGHT CHARCOAL / UPPER SECTION	1	1	
51	3210187	CAP FINISHING / POST / W/THERMO GLASS / TAN / UPPER SECTION	1	1	O
51	3210478	CAP FINISHING / POST / W/SINGLE GLASS / MIDNIGHT CHARCOAL / UPPER SECTION		1	A W
51	3210184	CAP FINISHING / POST / W/SINGLE GLASS / TAN / UPPER SECTION		1	A O W
51	3210480	CAP FINISHING / POST / W/THERMO GLASS / MIDNIGHT CHARCOAL / UPPER SECTION		1	A W
51	3210186	CAP FINISHING / POST / W/THERMO GLASS / TAN / UPPER SECTION		1	A O W
51	322659	CAP FINISHING / POST / W/THERMO GLASS / GREY / UPPER SECTION		1	A E W
NS	506007	TAPE RUB ADH1 CC NEO 3/4" x 1" x 10' / BLACK 1220	AR	AR	
52	328515	CAP FINISHING / POST / LOWER SECTION	1	1	
53	322399	CAP FINISHING / CLOSING POST / GREY / W/W.C.L. DOOR To K-0484		1	A
53	3210691	CAP FINISHING / CLOSING POST // W/W.C.L. DOOR From K-0485		1	A
53	328512	CAP FINISHING / CLOSING POST / TAN / W/W.C.L. DOOR		1	A O
54	3210534	CAP FINISHING / POST / W/SINGLE GLASS / GREY / UPPER SECTION From K-0485		1	
54	328481	CAP FINISHING / POST / W/SINGLE GLASS / TAN / UPPER SECTION		1	O
54	3210535	CAP FINISHING / POST / W/THERMO GLASS / MIDNIGHT CHARCOAL / UPPER SECTION	1	1	
54	328484	CAP FINISHING / POST / W/THERMO GLASS / TAN / UPPER SECTION	1	1	O
54	322283	CAP FINISHING / POST / W/THERMO GLASS / GREY / UPPER SECTION		1	E
55	328482	CAP FINISHING / WALL / LOWER SECTION	1	1	
56	326601	FINISHING MOULDING GREY	1	1	E
56	328562	FINISHING MOULDING TAN	1	1	O
61	329607	FINISHING MOULDING / W/THERMO GLASS & W/W.C.L / OPTION "RED ARROW"		1	R
62	329608	FINISHING MOULDING / W/THERMO GLASS & W/W.C.L		1	R
63	329609	EXTENSION POST CAP / OPTION "RED ARROW"		1	R
65	327953	GRILLE SPACER 600MM	2	2	
66	504106	RIVET POP DOME OE 1/8x1/4 AL	6	6	
70	3202947	WOOD SPACER 13 MM X 32 MM X 32 MM	AR	AR	
71	500611	SCREW TC PAN PH #10-24x1/2 Z050	AR	AR	

From K-0485 To P-1452	Date:07/2024	PAGE:H9-1833-02
WINDOW FINISHING CAP & WALL FINISHING		

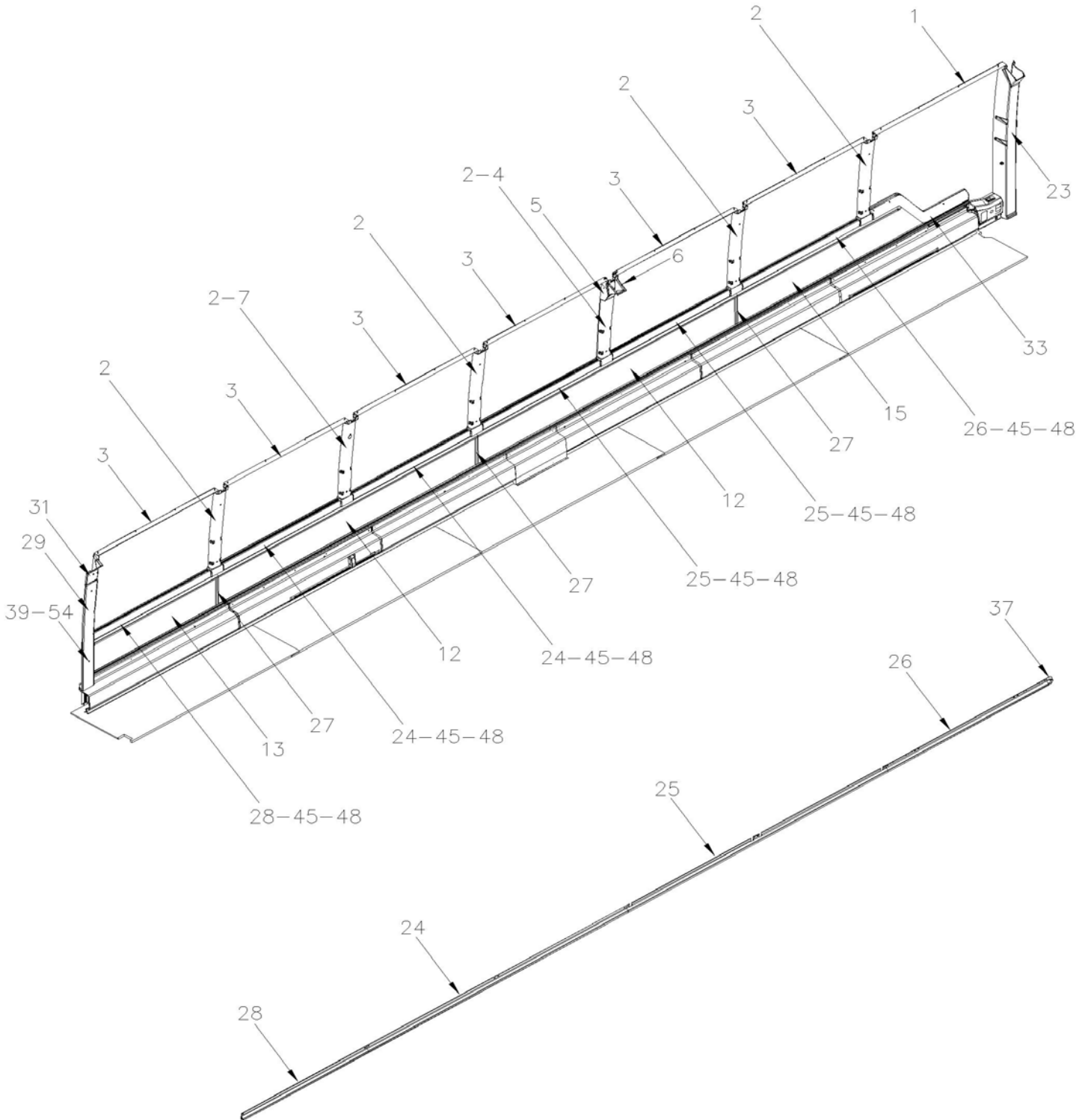
Item#	Part	Description	H 3 4 1	H 3 4 5	NOTES
72	5001085	SCREW TP PAN PH #6x1 1/4 Z050	AR	AR	
73	500345	WASHER FN CKF .187x.500x.090 BR BK	AR	AR	
74	500333	SCREW TP OV PH #6x3/4 BK	AR	AR	
75	500552	SCREW TP OV PH #6x3/4 Z050 To K-0484	AR	AR	
75	500333	SCREW TP OV PH #6x3/4 BK From K-0485	AR	AR	
75	500345	WASHER FN CKF .187x.500x.090 BR BK From K-0485	AR	AR	
76	500463	WASHER FN CKF .187x.500x.090 BR Z050	AR	AR	
77	790597	RUBBER BLOCK ADJUSTEMENT 20MM x 31.75MM x 4.7 60 DURO	AR	AR	
78	684196	PRIMER ELASTOCOL # 593	AR	AR	
78	320104	INSULATING PLATE / ALUMINUM 18GA / "E" SHAPE 90MM X 102MM	34	34	
78	850092	WHITE WALL COVERING ADHESIVE / 28 3/8" X 448"	AR	AR	
78	850104	WHITE WALL COVERING ADHESIVE 178 x 178 / 56 x 46	AR	AR	
78	850103	WHITE WALL COVERING ADHESIVE 178 x 178 / 56 x 106	AR	AR	
78	680415	TAPE ADHESIVE 3" WIDE BLUE	AR	AR	
90	H9-2221-10	DUCTING HEATER & A/C			
		A) WITH A/C IN PARCEL RACK			
		C) USE WITH INVERTER DISPLAY INSTALL BESIDE DRIVER'S			
		E) BAUER'S TRANSPORTATION OPTION			
		O) OPTIONAL			
		R) WITH "GALLEY			
		W) WITH WCL			
		X) W/O ROLLER BLIND			
		P) CALL ORDER DESK FOR SPECIFIC APPLICATION (V.I.N.)			

From R-1453

Date:07/2024

PAGE:H9-1833-03

WINDOW FINISHING CAP & WALL FINISHING

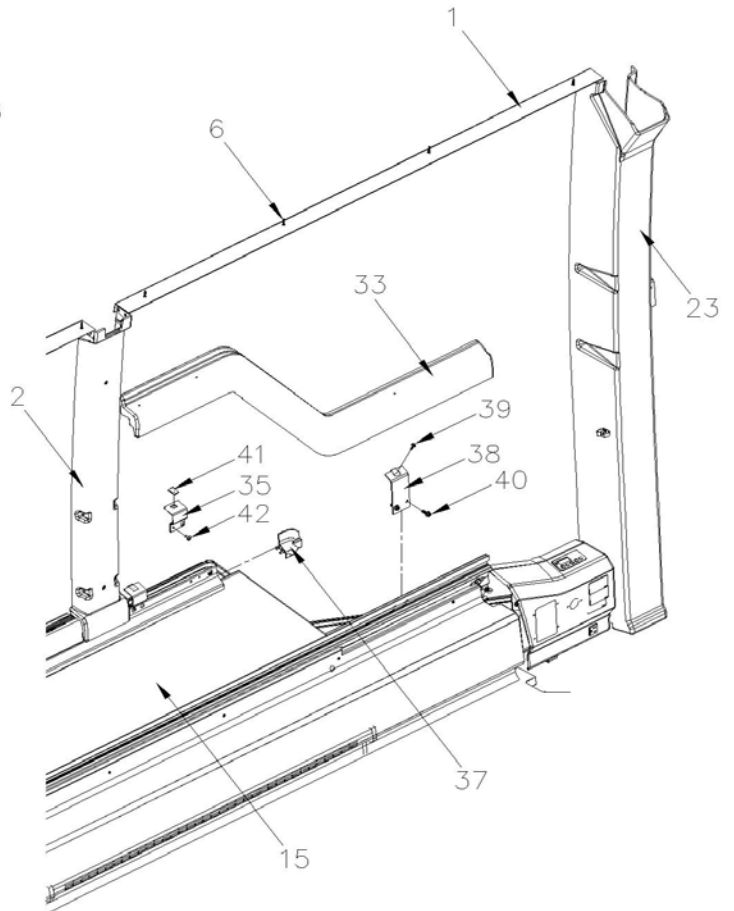
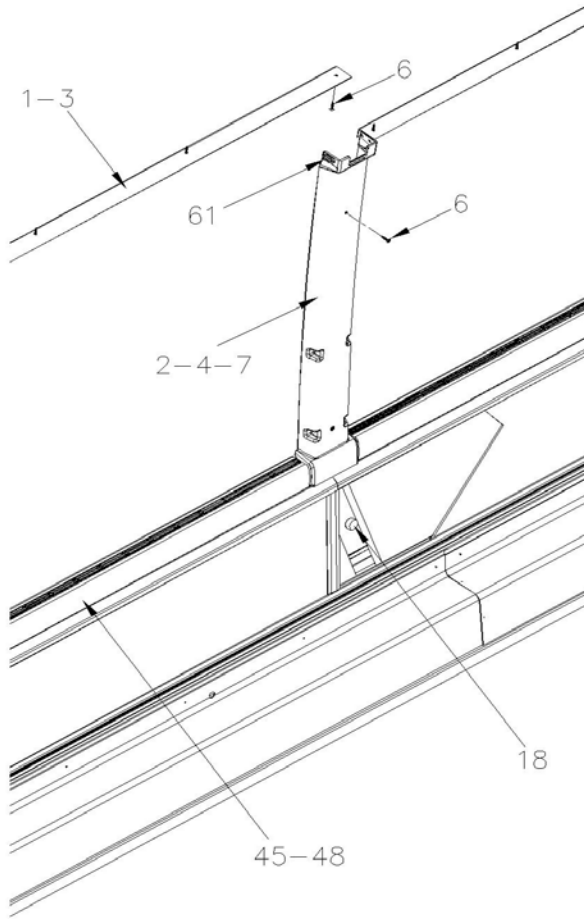


From R-1453

Date:07/2024

PAGE:H9-1833-03

WINDOW FINISHING CAP & WALL FINISHING

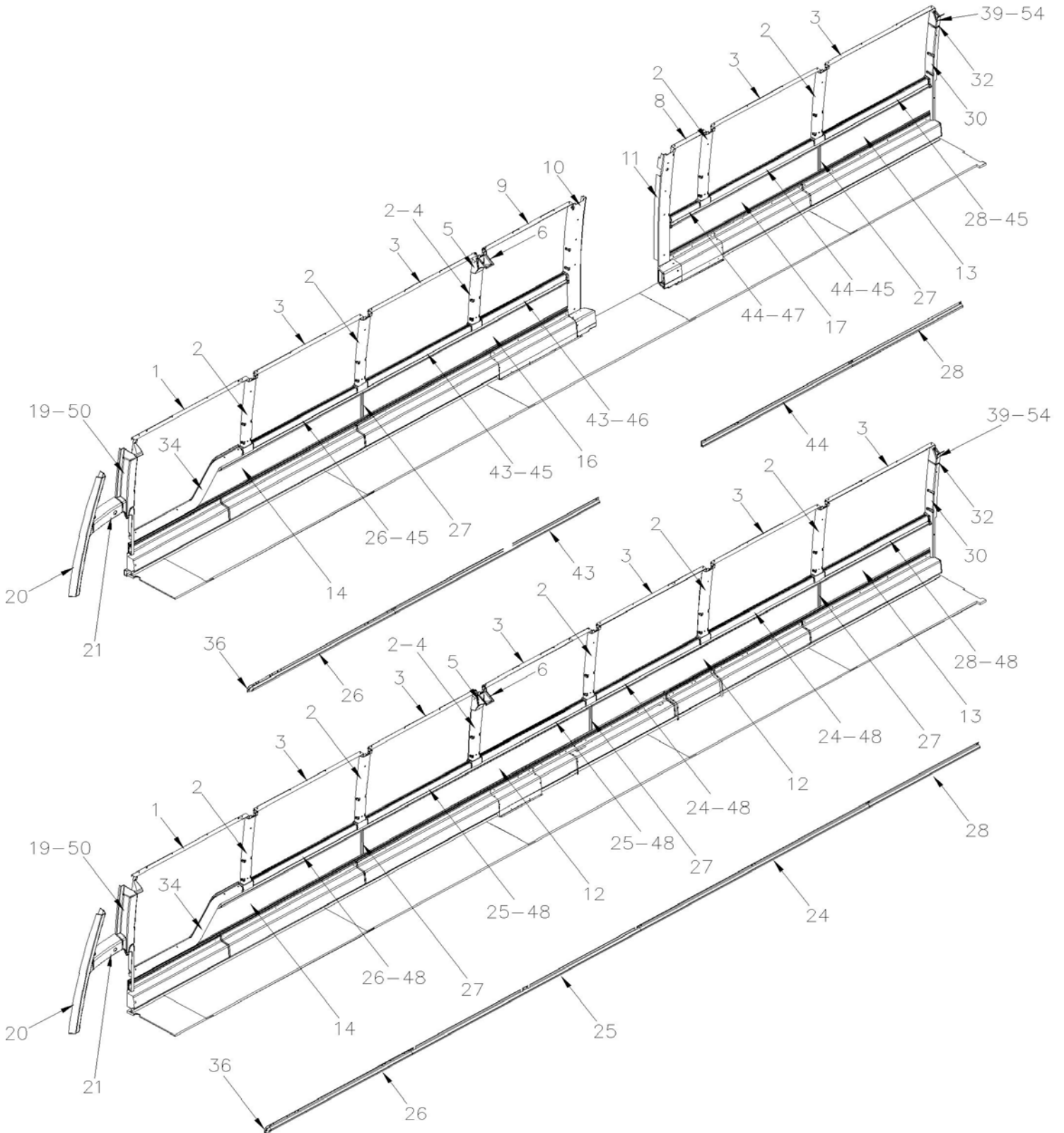


From R-1453

Date:07/2024

PAGE:H9-1833-03

WINDOW FINISHING CAP & WALL FINISHING

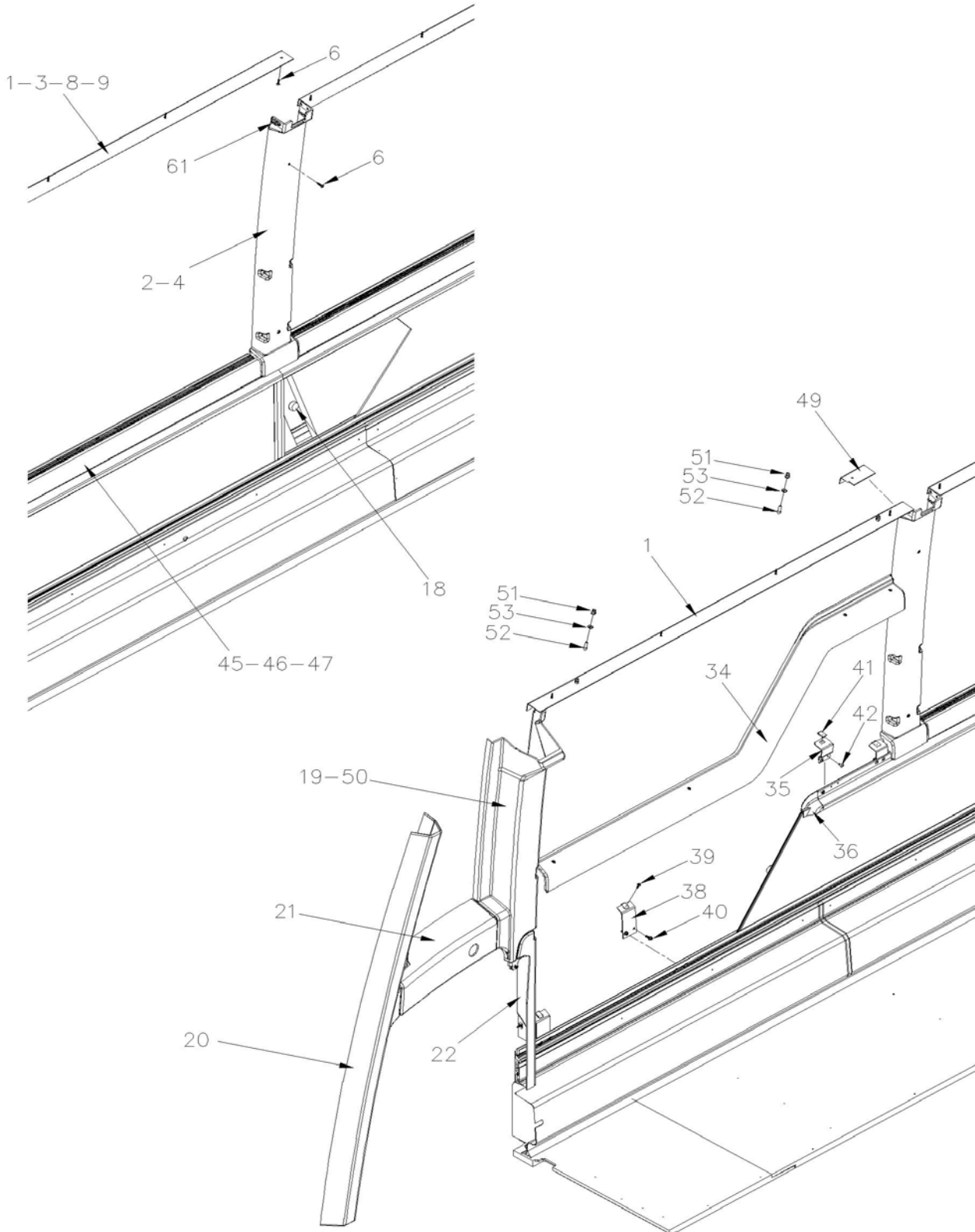


From R-1453

Date:07/2024

PAGE:H9-1833-03

WINDOW FINISHING CAP & WALL FINISHING



From R-1453	Date:07/2024	PAGE:H9-1833-03
WINDOW FINISHING CAP & WALL FINISHING		

Item#	Part	Description	H 3 4 1	H 3 4 5	N O T E S
1	3211363	MOULDING, FIN. UPPER TRAPEZO WINDOW		2	A
1	3211363	MOULDING, FIN. UPPER TRAPEZO WINDOW		2	
1	3211363	MOULDING, FIN. UPPER TRAPEZO WINDOW		2	A W
1	3211363	MOULDING, FIN. UPPER TRAPEZO WINDOW		2	W
2	3211252	MOULDING, FIN. BETWEEN WINDOW		12	
2	3211252	MOULDING, FIN. BETWEEN WINDOW		10	A
2	3211252	MOULDING, FIN. BETWEEN WINDOW		8	A W
2	3211252	MOULDING, FIN. BETWEEN WINDOW		9	W
3	3210427	MOULDING FINISHING / UPPER WINDOW		12	A
3	3210427	MOULDING FINISHING / UPPER WINDOW		12	
3	3210427	MOULDING FINISHING / UPPER WINDOW		10	A W
3	3210427	MOULDING FINISHING / UPPER WINDOW		10	W
4	3211127	MOULDING, FIN. BETWEEN WINDOW A/C P-R H		2	A
4	3211127	MOULDING, FIN. BETWEEN WINDOW A/C P-R H		2	A W
5	3211256	MOULDING FIN. A/C PARCEL-RACK		2	A
5	3211256	MOULDING FIN. A/C PARCEL-RACK		2	A W
NS	506318	TAPE DUAL LOCK 1" x 150' / BLACK SJ3541		AR	
NS	505538	TAPE DUAL LOCK 1" x 50 YARD / BLACK SJ3551		AR	
6	5002083	SCREW DR SEMS FN OV PH #8X1 N050		AR	
7	3211128	MOULD. FIN. BET. WIN. W/WCL WO-A/C P-R H		1	A W
7	3211128	MOULD. FIN. BET. WIN. W/WCL WO-A/C P-R H		1	W
8	3211365	MOULDING, FIN. UPPER WINDOW RR. WCL		1	A W
8	3211365	MOULDING, FIN. UPPER WINDOW RR. WCL		1	W
9	3211364	MOULDING, FIN. UPPER WINDOW FR. WCL		1	A W
9	3211364	MOULDING, FIN. UPPER WINDOW FR. WCL		1	W
10	3211138	MOLDING, FRONT DOOR WCL		1	A W
10	3211138	MOLDING, FRONT DOOR WCL		1	W
11	3211140	MOLDING, REAR DOOR WCL		1	A W
11	3211140	MOLDING, REAR DOOR WCL		1	W
12	Call order desk	PANEL STD, FABRIC ASSY.		4	P
12	Call order desk	PANEL STD, CARPET ASSY.		4	P
12	Call order desk	PANEL STD, FABRIC ASSY.		2	P
12	Call order desk	PANEL STD, CARPET ASSY.		2	P
12	3211087P	PANEL STD, THIN CARPET ASSY.		2	
12	3211087P	PANEL STD, THIN CARPET ASSY.		4	
13	Call order desk	PANEL REAR STD, CARPET ASSY.		2	P
13	Call order desk	PANEL REAR STD, FABRIC ASSY.		2	P
13	Call order desk	PANEL REAR STD, CARPET ASSY.		2	P
13	Call order desk	PANEL REAR STD, FABRIC ASSY.		2	P
13	Call order desk	PANEL REAR STD, THIN CARPET ASSY.		2	P
13	Call order desk	PANEL REAR STD, THIN CARPET ASSY.		2	P
14	Call order desk	PANEL FRONT R.H, CARPET ASSY.		1	P

From R-1453	Date:07/2024	PAGE:H9-1833-03
WINDOW FINISHING CAP & WALL FINISHING		

Item#	Part	Description	H 3 4 1	H 3 4 5	N O T E S
14	Call order desk	PANEL FRONT R.H, FABRIC ASSY.		1	P
14	Call order desk	PANEL FRONT R.H, CARPET ASSY.		1	P
14	Call order desk	PANEL FRONT R.H, FABRIC ASSY.		1	P
14	Call order desk	PANEL FRONT R.H, THIN CARPET ASSY.		1	P
14	Call order desk	PANEL FRONT R.H, THIN CARPET ASSY.		1	P
15	Call order desk	PANEL FRONT L.H., CARPET ASSY.		1	P
15	Call order desk	PANEL FRONT L.H., FABRIC ASSY.		1	P
15	Call order desk	PANEL FRONT L.H., CARPET ASSY.		1	P
15	Call order desk	PANEL FRONT L.H., FABRIC ASSY.		1	P
15	Call order desk	PANEL FRONT L.H., THIN CARPET ASSY.		1	P
15	Call order desk	PANEL FRONT L.H., THIN CARPET ASSY.		1	P
16	Call order desk	PANEL FRONT WCL, CARPET ASSY.		1	P
16	Call order desk	PANEL FRONT WCL, FABRIC ASSY.		1	P
16	Call order desk	PANEL FRONT WCL, THIN CARPET ASSY.		1	P
17	Call order desk	PANEL REAR WCL, CARPET ASSY.		1	P
17	Call order desk	PANEL REAR WCL, FABRIC ASSY.		1	P
17	Call order desk	PANEL REAR WCL, THIN CARPET ASSY.		1	P
18	370169	SPACER 31MM O.D x 12.7MM		AR	
19	3211204	RIGHT STRUCTURE COVER TRIM		1	
20	3211209	RIGHT PILLAR		1	
21	3211211	ENTRANCE DOOR UPPER TRIM		1	
22	3211412	LOWER RIGHT ROOF STRUCTURE TRIM		1	
23	3211205	LEFT ROOF STRUCTURE COVER TRIM		1	
24	3211040	EXTRUSION, UPPER WALL STD		1	
25	3211041	EXTRUSION, UPPER WALL W/AC STD		1	
26	3211042	EXTRUSION, UPPER WALL FR. END		2	
27	3211043	EXTRUSION, WALL JOINT		5	
28	3211044	EXTRUSION, UPPER WALL REAR END		2	
29	3211419	MOULDING,FIN.BN-WINDOW REAR LH		1	
30	3211421	MOULDING,FIN.BN-WINDOW REAR RH		1	
31	3211429	MOULDING,FIN. REAR LH CORNER		1	
32	3211431	MOULDING,FIN. REAR RH CORNER		1	
33	3211405	MOLDING, L.H. LOW TRAPO WIN.		1	
34	3211406	MOLDING, R.H. LOW TRAPO WIN.		1	
35	3211132	HOOK, TRAPEZO TRIM HIGHER		4	
36	3211407	FINISHING CAP RH		1	
37	3211408	FINISHING CAP LH		1	
38	3211677	HOOK, TRAPEZO TRIM LOWER FIXED		3	
39	5002083	SCREW DR SEMS FN OV PH #8X1 N050		7	
40	5002100	SCREW CAP HEXF AD M6-1.0x20 G10.9 N500		6	
41	500684	NUT SPR U #8A .025-.064		4	
42	504793	RIVET MNB OE LARGE HEAD 3/16x7/16 SS		8	

From R-1453	Date:07/2024	PAGE:H9-1833-03
-------------	--------------	-----------------

WINDOW FINISHING CAP & WALL FINISHING

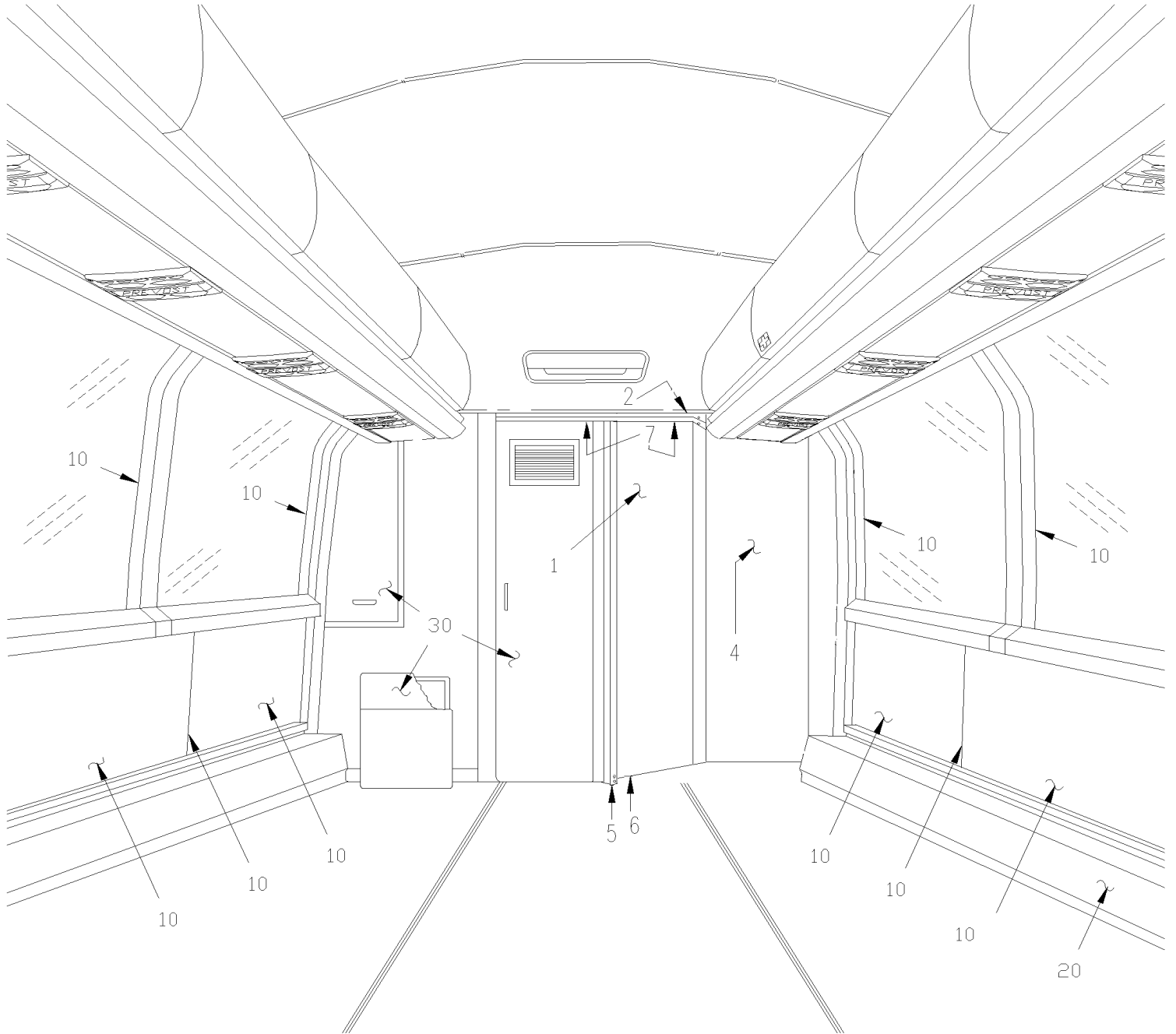
Item#	Part	Description	H 3 4 1	H 3 4 5	N O T E S
43	3211045	EXTRUSION, UPPER WALL FR. WCL		1	W
44	3211046	EXTRUSION, UPPER WALL REAR WCL		1	W
45	290167	HANDLE 1494MM		10	W
46	290430	HANDLE, FIXED WINDOW 1216MM		1	W
47	290587	HANDLE, FIXED WINDOW 408MM		1	W
48	290167	HANDLE 1494MM		12	
49	3201680	MOUL, FIN.UP WIND W/DEST. SIGN		1	S
50	3201681	RIGHT STRUCTURE COVER TRIM		1	S
51	5001337	NUT INS FL HEX M8-1.25 0.5-3.0 Z050		2	S
52	5001775	SCREW CAP HEXS M8-1.25x25 G8.8 G500		2	S
53	5001868	WASHER BEL SPR 8.4x18x2 SS		2	S
54	502741	NUT AN #8 NYL		4	
60	H9-2221-11	DUCTING HEATER & A/C			
61	H9-1816-11	SUN SHADE - PASSENGER'S WINDOW			
		A) WITH A/C IN PARCEL RACK			
		S) WITH SIDE SIGN			
		W) WITH WCL			
		P) CALL ORDER DESK FOR SPECIFIC APPLICATION (V.I.N.)			

From K-0185 To P-1452

Date:07/2024

PAGE:H9-1834-00

REAR FINISHING CAP



From K-0185 To P-1452	Date:07/2024	PAGE:H9-1834-00
REAR FINISHING CAP		

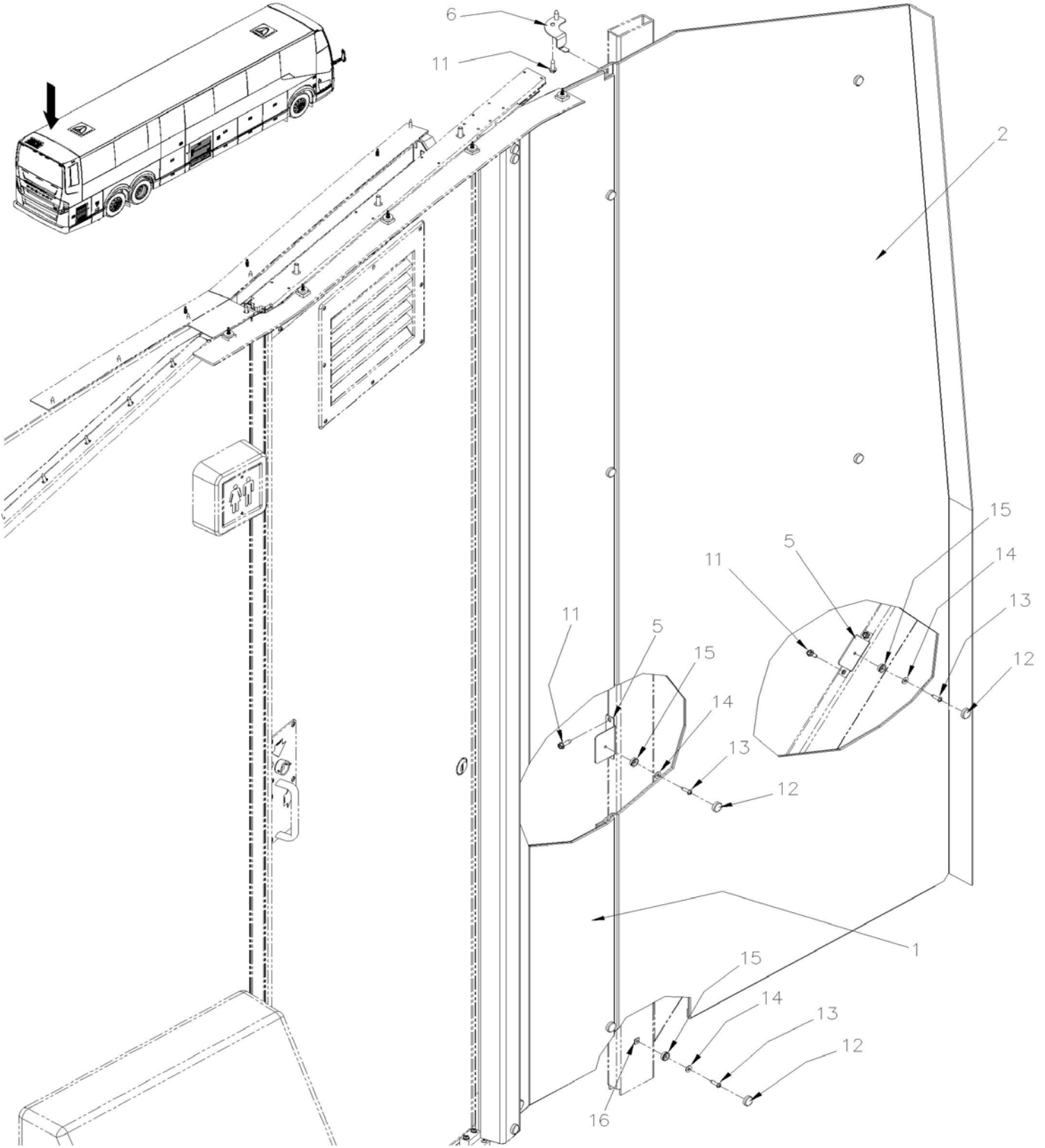
Item#	Part	Description	H 3 4 1	H 3 4 5	NOTES
1	328320P	WALL CLOSING DOOR VIEW ASSY	1	1	
1	328266	. WALL PANEL ALUMINUM	1	1	
NS	408104	. TUBE 1 1/2" X 1 1/2" X 1931MM	1	1	
1	504256	. RIVET POP CK OE 3/16x1/4 AL	6	6	
2	313119	FINISHING MOULDING PLASTIC	1	1	
4	Call order desk	REAR FIBERGLASS WALL ASSY W/TISSUS	1	1	P
4	328251	. REAR FIBERGLASS WALL FRONT OF SLIDING DOOR	1	1	
NS	504106	RIVET POP DOME OE 1/8x1/4 AL	AR	AR	
NS	500642	SCREW TP PAN PH #10x3/4 Z050	20	20	
NS	504400	SNAP CAP #10 FINISHING BLACK	20	20	
NS	504399	WASHER RETAINER SNAP CAP #10	20	20	
5	408179	ANGLE 25MM X 38MM X 250MM	1	1	
5	500641	SCREW TP PAN PH #8x3/4 Z050	6	6	
6	406269	LOWER DOOR ALIGNMENT SUPPORT ASSY	1	1	
. A	408168	. PLATE SUPPORT	1	1	
. B	408169	. BLOCK ALIGNMENT BACKWARD DOOR	1	1	
. C	500353	. SCREW TP FL PH #8x3/4 BK	2	2	
. D	406268	. BLOCK ALIGNMENT FORWARD DOOR	1	1	
. E	500873	. SCREW MA RND PH #8-32x3/4 SS BK	2	2	
. F	500591	. WASHER FL 4.3x9.0x0.8 Z050	2	2	
7	406033	CAP PROTECTOR TRACK OUTSIDE LAVATORY / MIDNIGHT CHARCOAL	1	1	
10	H9-1833-01	WINDOW FINISHING CAP & WALL W/TAN FINISHING To K-0484			
10	H9-1833-02	WINDOW FINISHING CAP & WALL FINISHING From K-0485			
20	H9-2221-10	DUCTING HEATER & A/C			
30	H9-2328-00	LAVATORY WALL - INSTALLATION WITH SLIDING DOOR To P-1297			
30	H9-2328-01	LAVATORY WALL - INSTALLATION WITH SLIDING DOOR From P-1298			
		P) CALL ORDER DESK FOR SPECIFIC APPLICATION (V.I.N.)			

From R-1453

Date:07/2024

PAGE:H9-1834-01

REAR FINISHING CAP



From R-1453	Date:07/2024	PAGE:H9-1834-01
REAR FINISHING CAP		

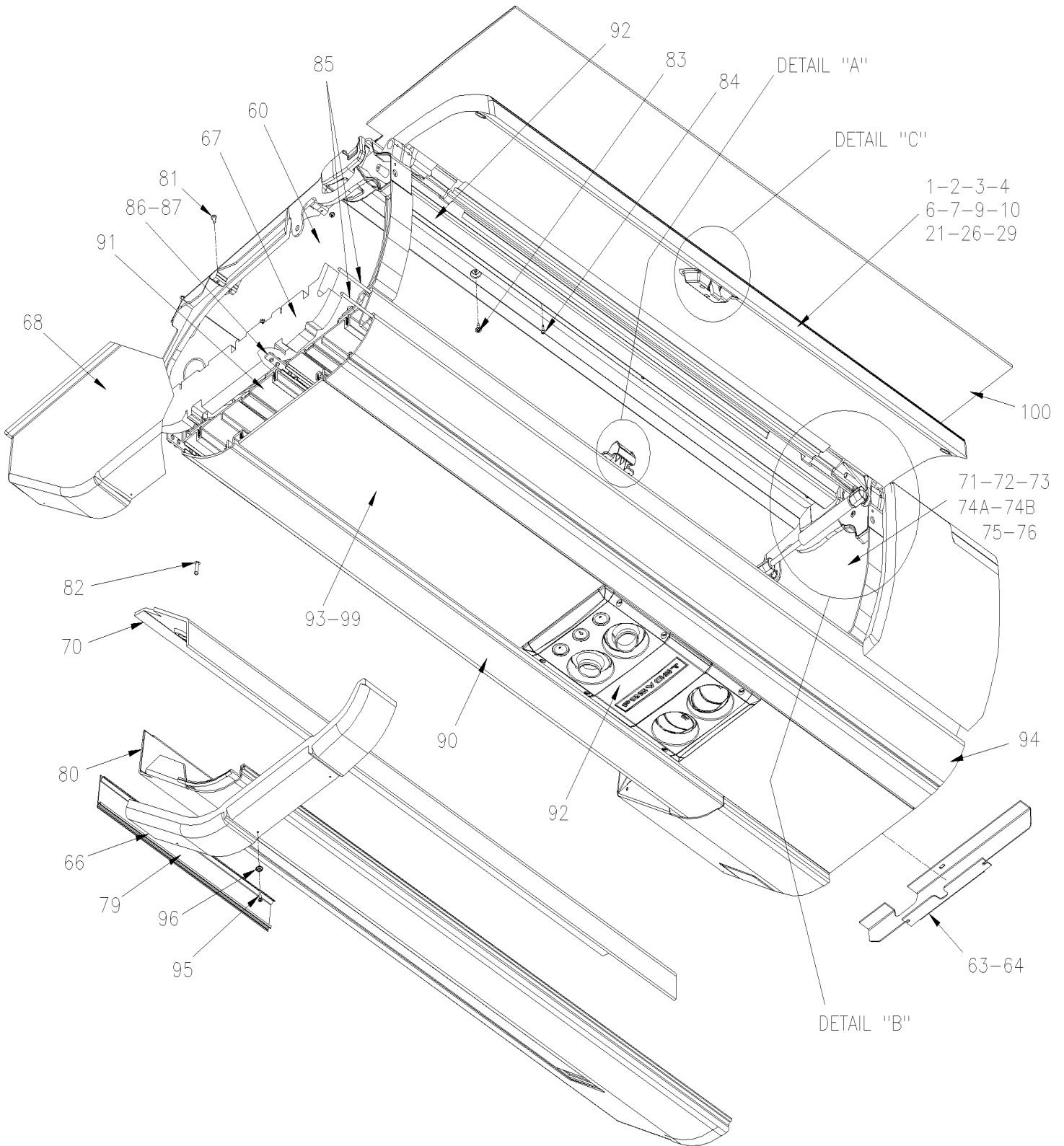
Item#	Part	Description	H 3 4 1	H 3 4 5	N O T E S
1	Call order desk	WALL DOOR COVER ASSY. W/FABRIC		1	P
2	Call order desk	WALL INSIDE, REAR LEFT ASSY		1	P
5	401442	REINFORCEMENT , LAVATORY WALL		7	
6	401556	SUPPORT		1	
11	500526	SCREW TP CAP HEXW #12x3/4 N500		14	
12	504400	SNAP CAP #10 FINISHING BLACK		12	
13	500641	SCREW TP PAN PH #8x3/4 Z050		12	
14	504357	WASHER FL .187x.437x.050 SS		12	
15	504399	WASHER RETAINER SNAP CAP #10		12	
16	502741	NUT AN #8 NYL		1	
50	H9-1833-03	WINDOW FINISHING CAP & WALL FINISHING			
51	H9-2328-02	LAVATORY WALL - INSTALLATION WITH SLIDING DOOR			
52	H9-2221-11	DUCTING HEATER & A/C			
		P) CALL ORDER DESK FOR SPECIFIC APPLICATION (V.I.N.)			

From K-0185 To P-1452

Date:07/2024

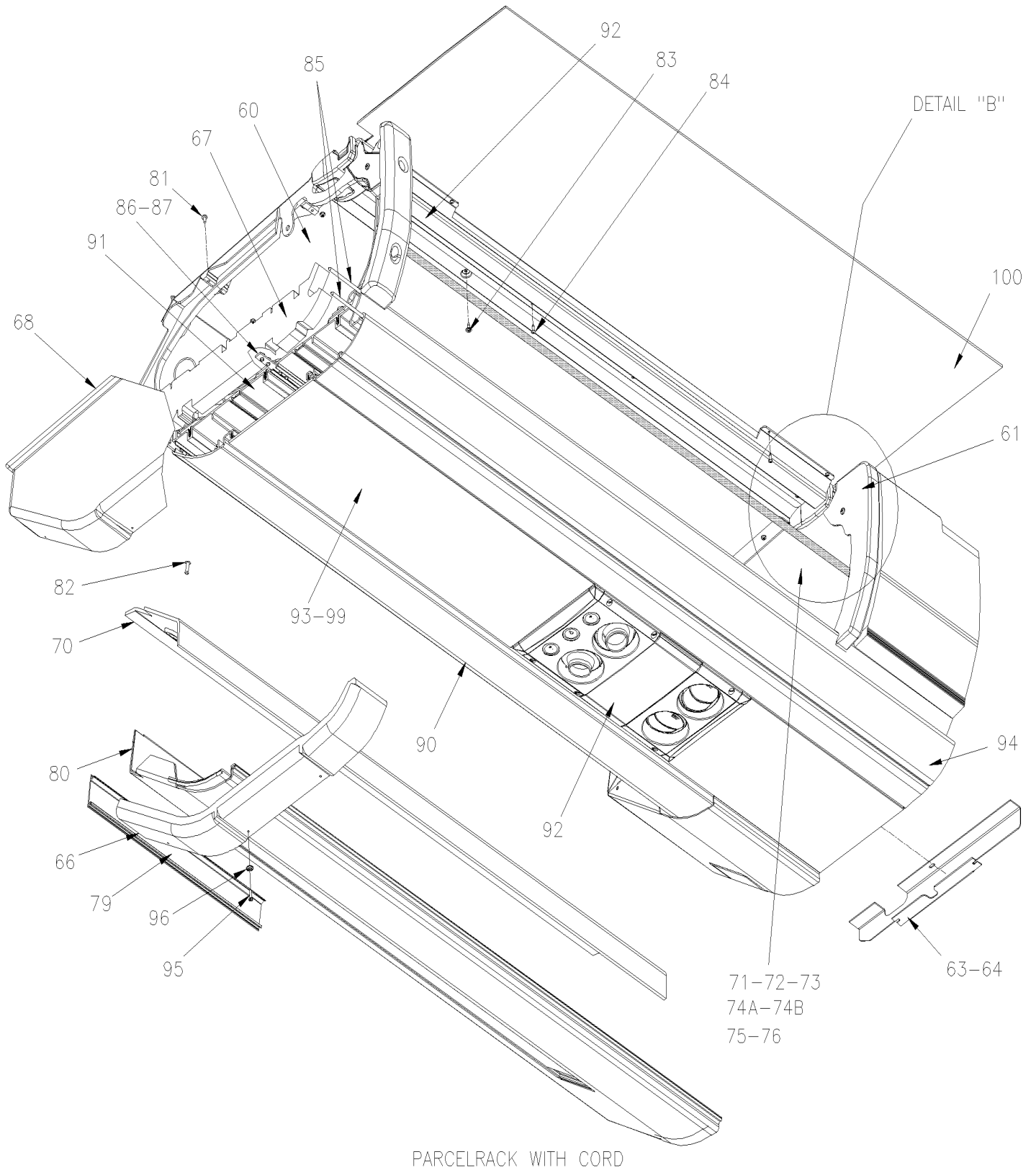
PAGE:H9-1836-02

PARCEL RACK W/TAN FINISHING

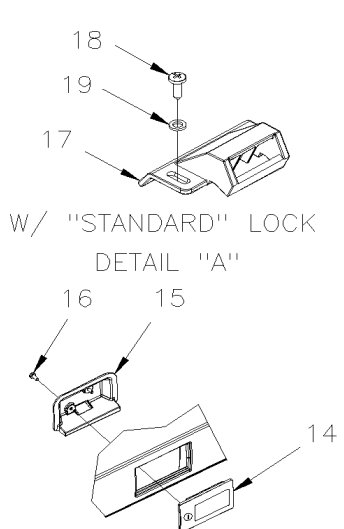


PARCEL RACK WITH DOOR

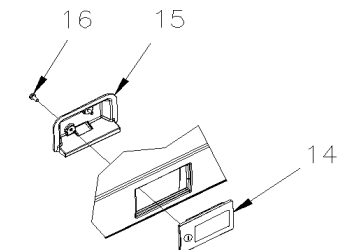
PARCEL RACK W/TAN FINISHING



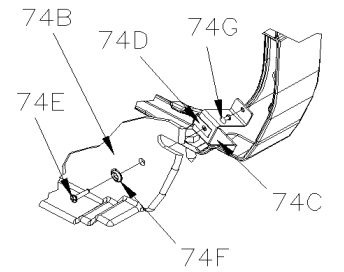
PARCEL RACK W/TAN FINISHING



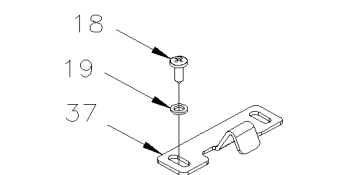
W/ "STANDARD" LOCK
DETAIL "A"



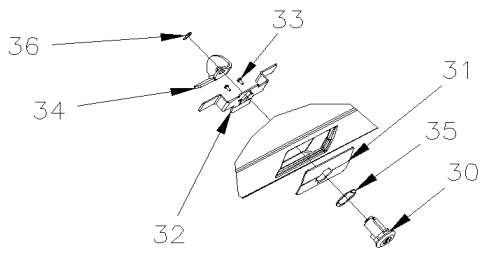
W/ "STANDARD" LOCK
DETAIL "C"



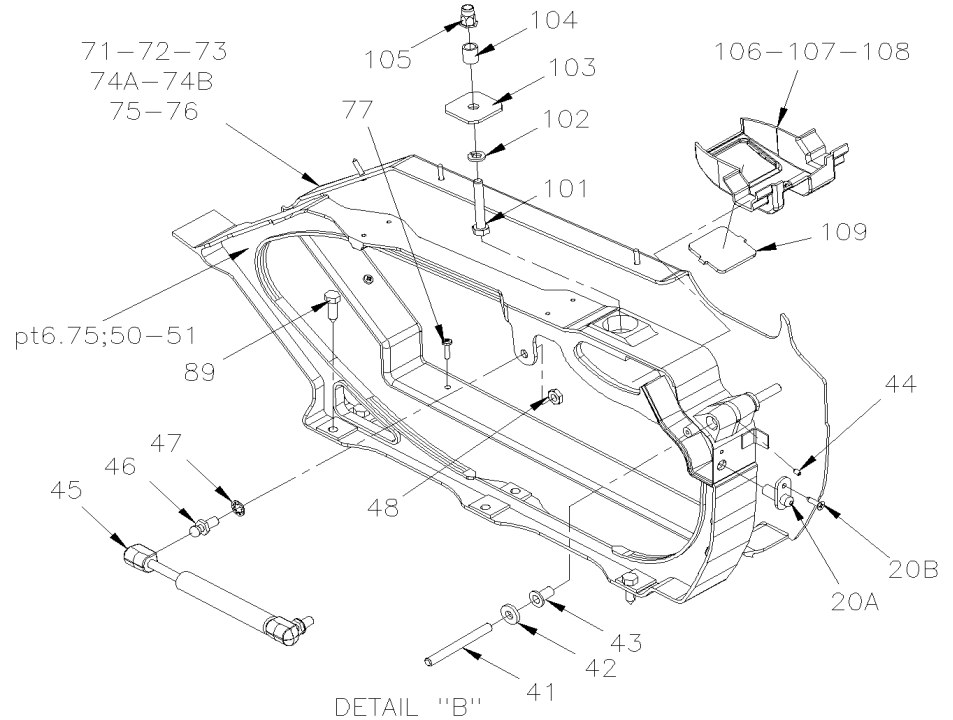
FROM G-3309



W/ "FORD" LOCK
DETAIL "A"

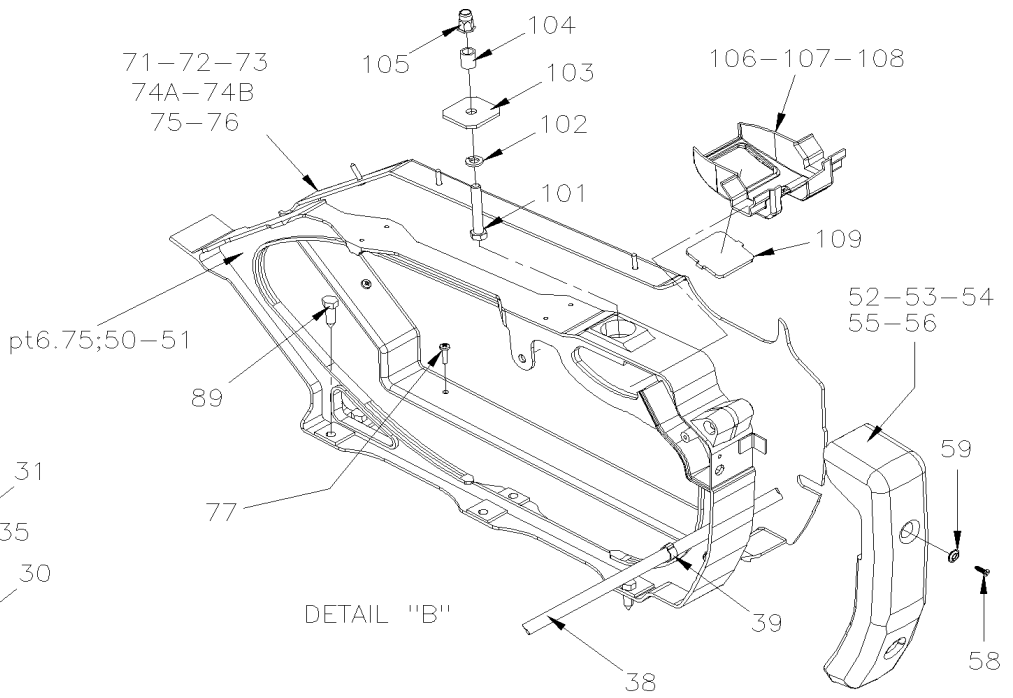


W/ "FORD" LOCK
DETAIL "C"



DETAIL "B"

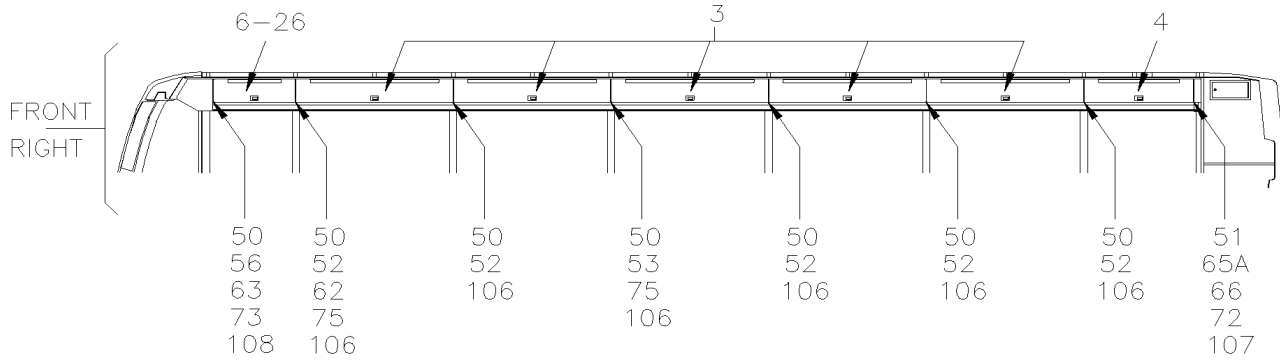
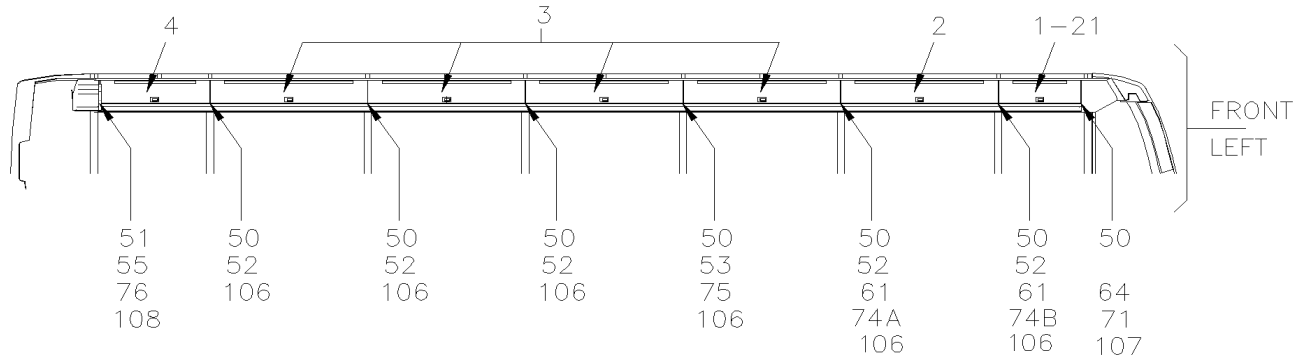
PARCEL RACK WITH DOOR



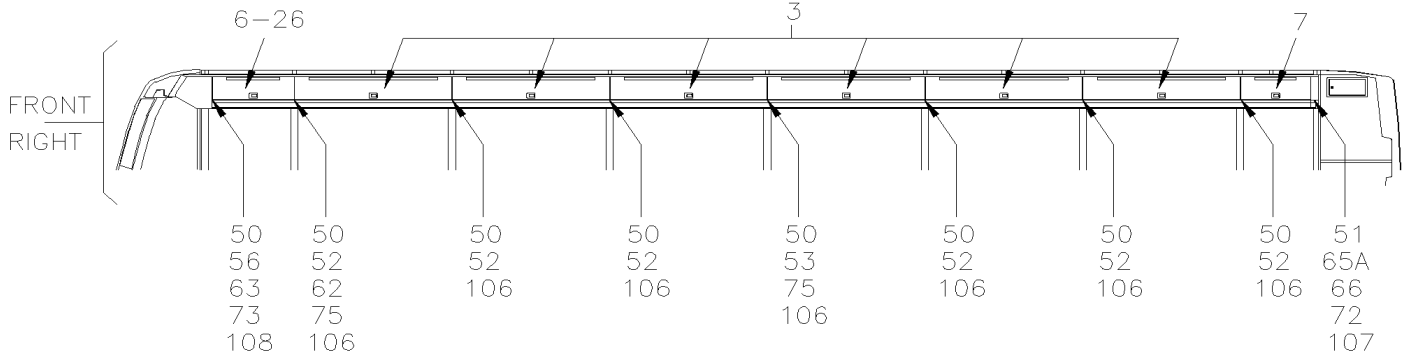
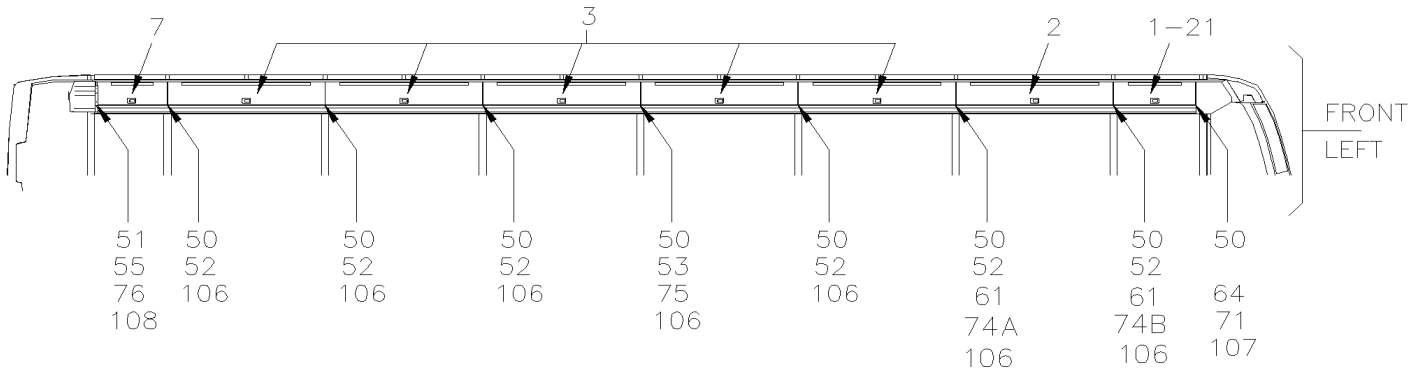
DETAIL "B"

PARCEL RACK WITH CORD

From K-0185 To P-1452	Date:07/2024	PAGE:H9-1836-02
PARCEL RACK W/TAN FINISHING		

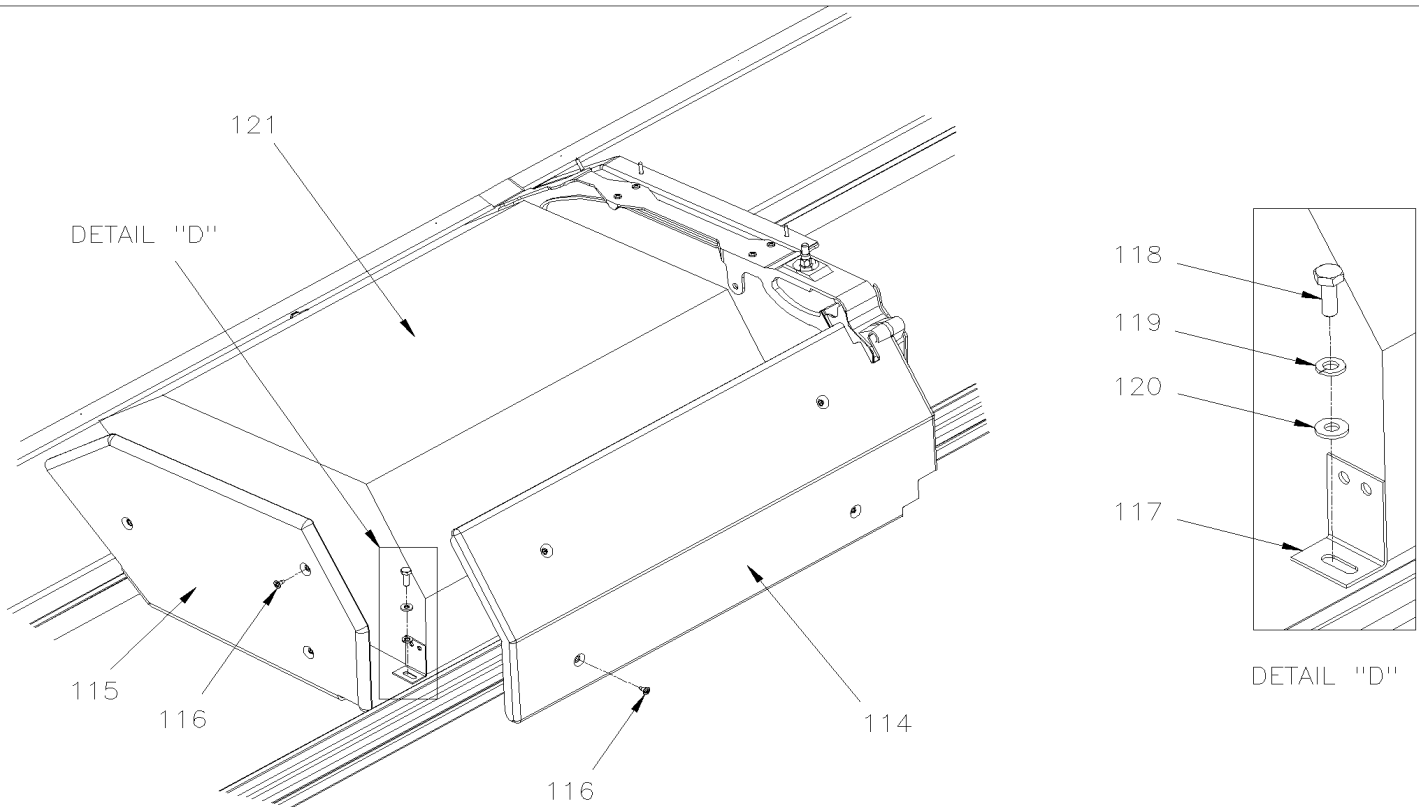
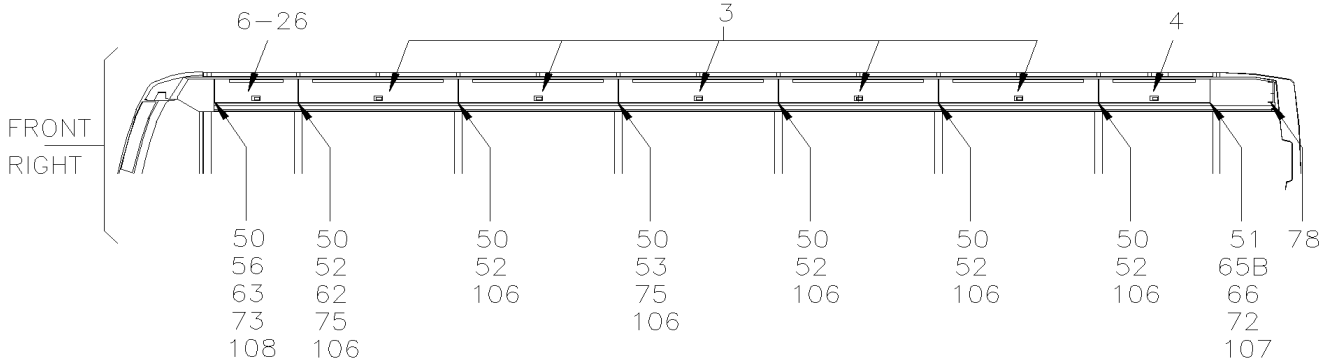
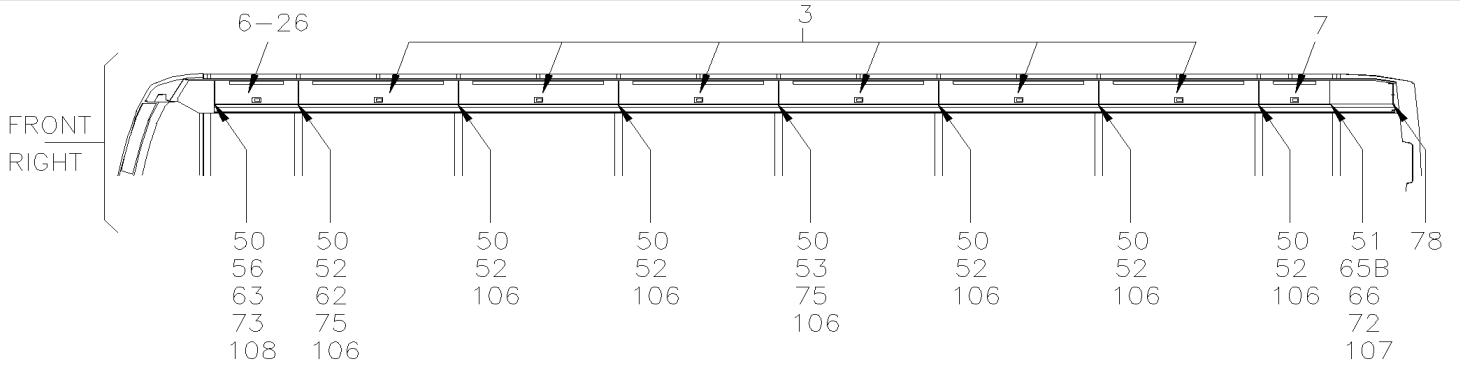


H3-41



H3-45

From K-0185 To P-1452	Date:07/2024	PAGE:H9-1836-02
PARCEL RACK W/TAN FINISHING		

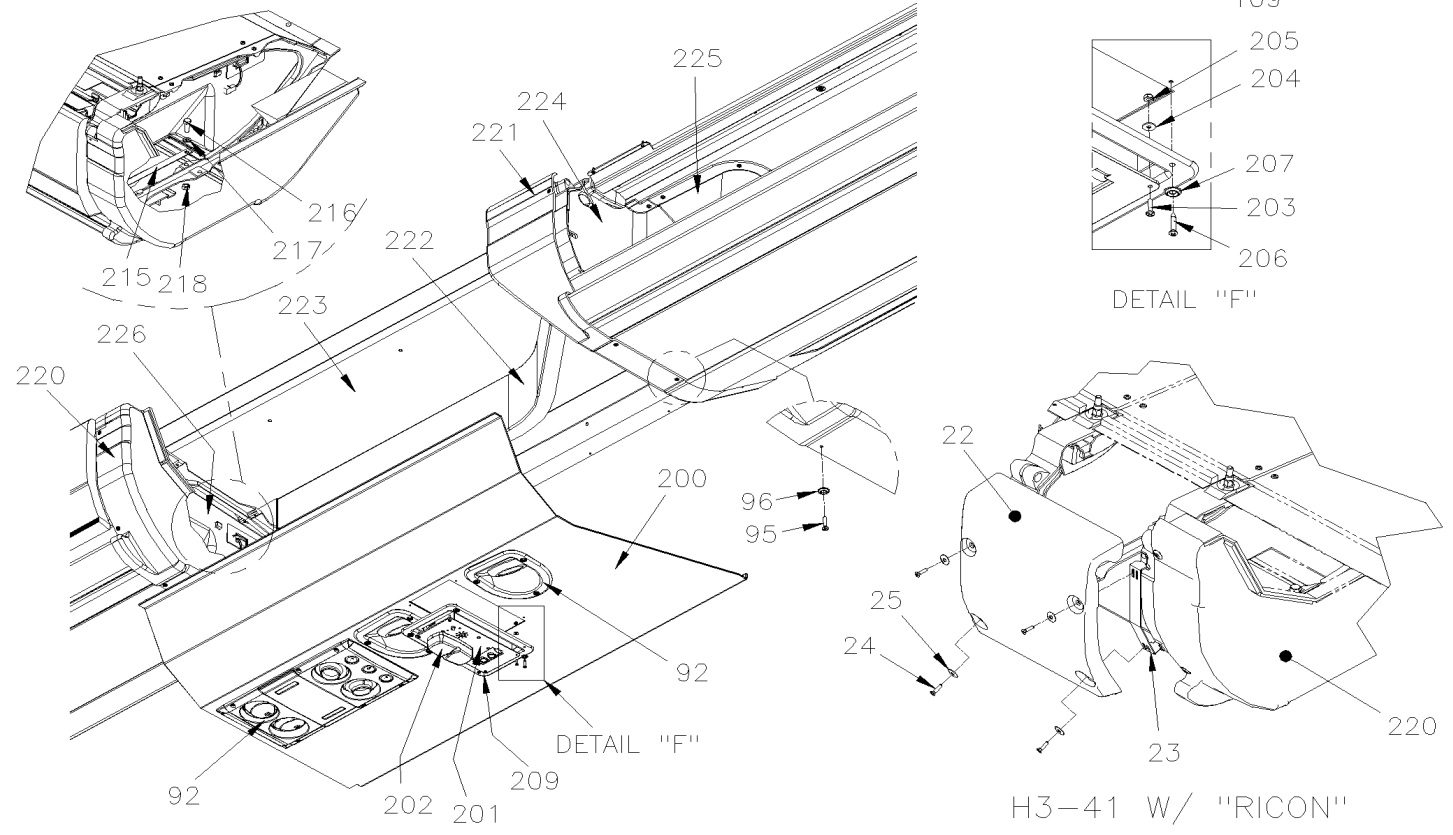
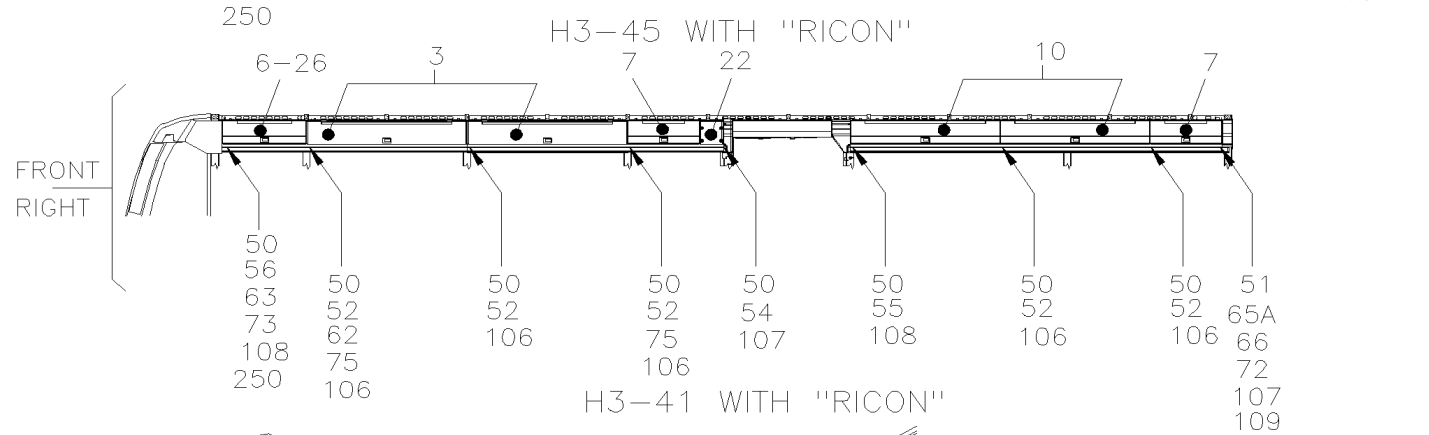
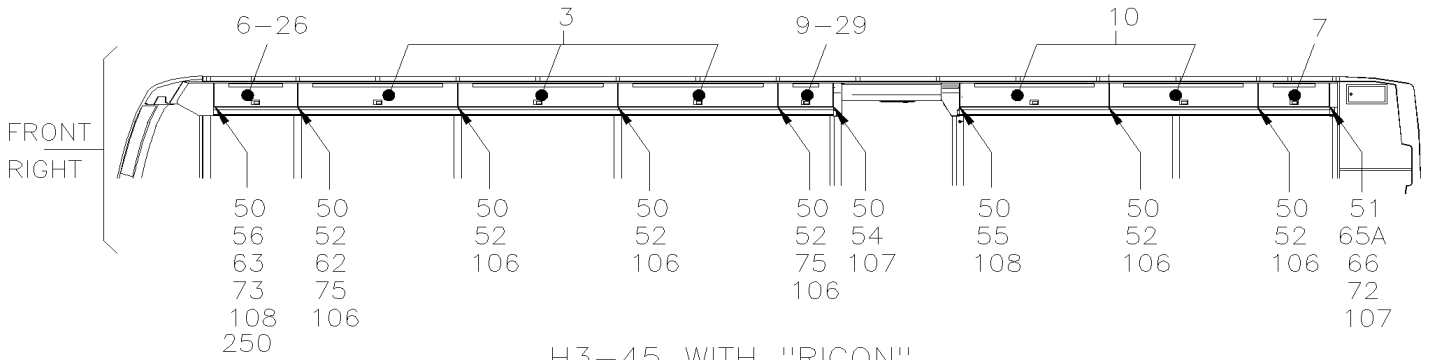


From K-0185 To P-1452

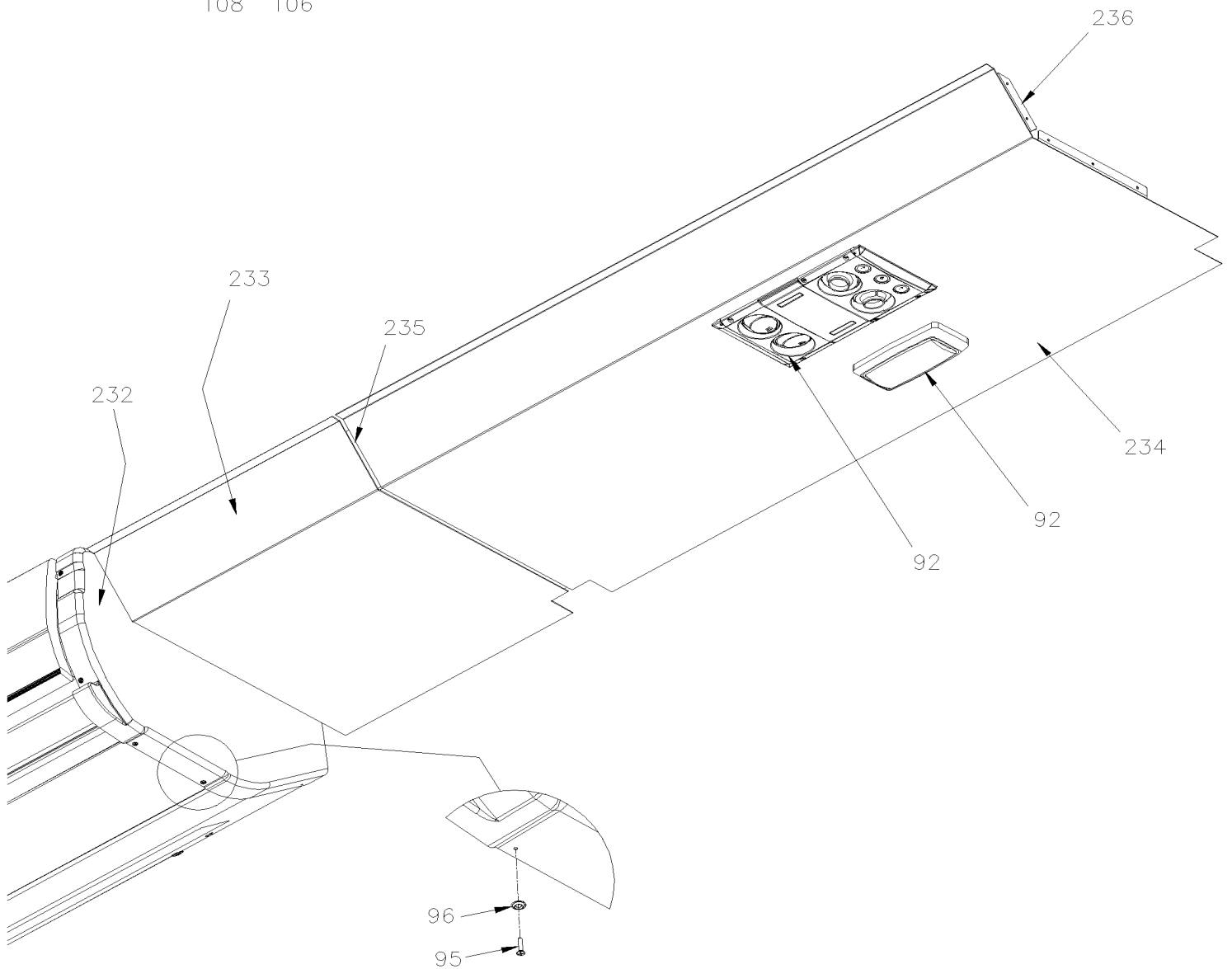
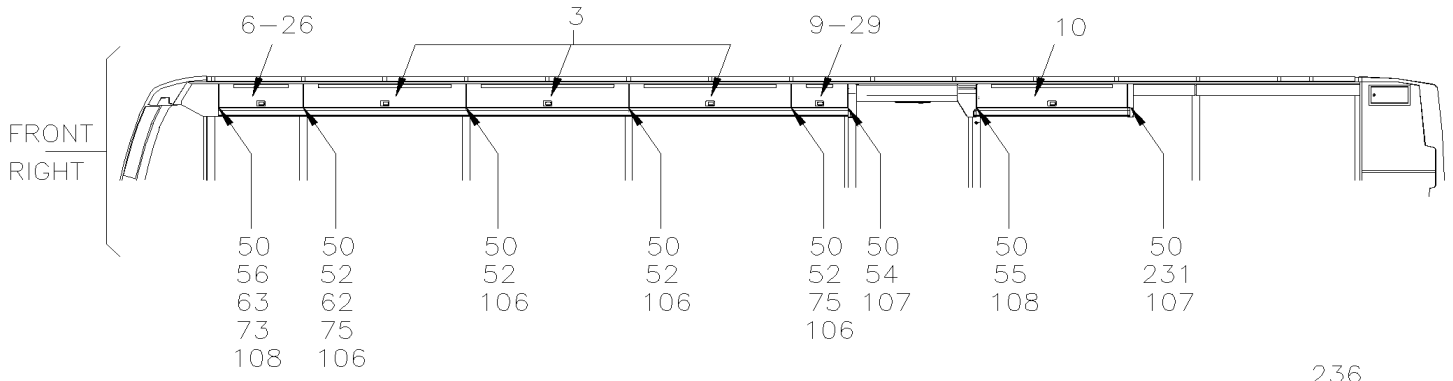
Date:07/2024

PAGE:H9-1836-02

PARCEL RACK W/TAN FINISHING



From K-0185 To P-1452	Date:07/2024	PAGE:H9-1836-02
PARCEL RACK W/TAN FINISHING		



H3-45 WITH "RICON" & "GALLEY"

From K-0185 To P-1452	Date:07/2024	PAGE:H9-1836-02
PARCEL RACK W/TAN FINISHING		

Item#	Part	Description	H 3 4 1	H 3 4 5	NOTES
1	310491	DOOR, PARCEL RACK / L.H. / W/LOCK / TAN / 860MM	1	1	M
1	310491-F01	DOOR, PARCEL RACK / L.H. / W/LOCK / WOODGRAIN / 860MM	1	1	M
1	310491-F02	DOOR, PARCEL RACK / L.H. / W/LOCK / GLOSS SILVER / 860MM	1	1	M
1	310491-F03	DOOR, PARCEL RACK / L.H. / W/LOCK / MATTE SILVER / 860MM	1	1	M
2	310490	DOOR, PARCEL RACK / W/LOCK / TAN / 1654MM	1	1	M
2	310490-F01	DOOR, PARCEL RACK / W/LOCK / WOODGRAIN / 1654MM	1	1	M
2	310490-F02	DOOR, PARCEL RACK / W/LOCK / GLOSS SILVER / 1654MM	1	1	M
2	310490-F03	DOOR, PARCEL RACK / W/LOCK / MATTE SILVER / 1654MM	1	1	M
3	310489	DOOR, PARCEL RACK / TAN / 1654MM	9		M
3	310489-F01	DOOR, PARCEL RACK / WOODGRAIN / 1654MM	9		M
3	310489-F02	DOOR, PARCEL RACK / GLOSS SILVER / 1654MM	9		M
3	310489-F03	DOOR, PARCEL RACK / MATTE SILVER / 1654MM	9		M
3	310489	DOOR, PARCEL RACK / TAN / 1654MM		11	M
3	310489-F01	DOOR, PARCEL RACK / WOODGRAIN / 1654MM		11	M
3	310489-F02	DOOR, PARCEL RACK / GLOSS SILVER / 1654MM		11	M
3	310489-F03	DOOR, PARCEL RACK / MATTE SILVER / 1654MM		11	M
4	310497	DOOR, PARCEL RACK / TAN / 1151MM	2		M
4	310497-F01	DOOR, PARCEL RACK / WOODGRAIN / 1151MM	2		M
4	310497-F02	DOOR, PARCEL RACK / GLOSS SILVER / 1151MM	2		M
4	310509	DOOR, PARCEL RACK / TAN / 736MM		1	F M
4	310509-F01	DOOR, PARCEL RACK / WOODGRAIN / 736MM		1	F M
4	310509-F02	DOOR, PARCEL RACK / GLOSS SILVER / 736MM		1	F M
6	310493	DOOR, PARCEL RACK / R.H. / TAN / 860MM	1	1	M
6	310493-F01	DOOR, PARCEL RACK / R.H. / WOODGRAIN / 860MM	1	1	M
6	310493-F02	DOOR, PARCEL RACK / R.H. / GLOSS SILVER / 860MM	1	1	M
6	310493-F03	DOOR, PARCEL RACK / R.H. / MATTE SILVER / 860MM	1	1	M
6	310492	DOOR, PARCEL RACK / R.H. W/LOCK / TAN / 860MM	1	1	M
6	310492-F01	DOOR, PARCEL RACK / R.H. W/LOCK / WOODGRAIN / 860MM	1	1	M
6	310492-F02	DOOR, PARCEL RACK / R.H. W/LOCK / GLOSS SILVER / 860MM	1	1	M
6	310492-F03	DOOR, PARCEL RACK / R.H. W/LOCK / MATTE SILVER / 860MM	1	1	M
7	310488	DOOR, PARCEL RACK / TAN / 736MM	3		M
7	310488-F01	DOOR, PARCEL RACK / WOODGRAIN / 736MM	3		M
7	310488-F02	DOOR, PARCEL RACK / GLOSS SILVER / 736MM	3		M
7	310488-F03	DOOR, PARCEL RACK / MATTE SILVER / 736MM	3		M
7	310488	DOOR, PARCEL RACK / TAN / 736MM		2	M
7	310488-F01	DOOR, PARCEL RACK / WOODGRAIN / 736MM		2	M
7	310488-F02	DOOR, PARCEL RACK / GLOSS SILVER / 736MM		2	M
7	310488-F03	DOOR, PARCEL RACK / MATTE SILVER / 736MM		2	M
7	310510	DOOR, PARCEL RACK / W/LOCK / TAN / 736MM		2	M O
9	310502	DOOR, PARCEL RACK / TAN / 568MM		1	M
9	310502-F01	DOOR, PARCEL RACK / WOODGRAIN / 568MM		1	M
9	310502-F02	DOOR, PARCEL RACK / GLOSS SILVER / 568MM		1	M

From K-0185 To P-1452	Date:07/2024	PAGE:H9-1836-02
PARCEL RACK W/TAN FINISHING		

Item#	Part	Description	H 3 4 1	H 3 4 5	N O T E S
9	310501	DOOR, PARCEL RACK / W/LOCK / TAN / 568MM		1	M
9	310501-F01	DOOR, PARCEL RACK / W/LOCK / WOODGRAIN / 568MM		1	M
9	310501-F02	DOOR, PARCEL RACK / W/LOCK / GLOSS SILVER / 568MM		1	M
10	310496	DOOR, PARCEL RACK / TAN / 1541MM	2	2	M
10	310496-F01	DOOR, PARCEL RACK / WOODGRAIN / 1541MM	2	2	M
10	310496-F02	DOOR, PARCEL RACK / GLOSS SILVER / 1541MM	2	2	M
10	310496-F03	DOOR, PARCEL RACK / MATTE SILVER / 1541MM	2	2	M
NS	313678	. RUBBER BUMPER	2	2	
14	810092	. HANDLE	1	1	
14	810093	. HANDLE W/LOCK	1	1	
. NS	810104	. . KEY (7216)	1	1	
15	314048	. COVER DOOR HANDLE PARCEL RACK NSS	1	1	
16	500557	. SCREW MA PAN PH #8-32x3/8 SS	2	2	
17	313997	CATCH TAN	AR	AR	
18	500638	SCREW TP PAN PH #8x1/2 Z050	AR	AR	
19	500470	WASHER LO SPT .193x.334x.047 Z050	AR	AR	
20A	561563	SWITCH / S.P.S.T. / N.C.	AR	AR	
20B	500896	SCREW TC FL PH #8-32x5/8 Z050	AR	AR	
21	310506	DOOR, PARCEL RACK / L.H. TO USE W/"FORD 860MM	1	1	M
22	316707	COVER FINISH, PARCEL RACK TAN	1		
23	316724	SUPPORT, PARCEL RACK FIN. COVER	2		
24	500626	SCREW TP OV PH #8x3/4 Z050	4		
25	500464	WASHER FN CKF .210x.540 SS	4		
26	310507	DOOR, PARCEL RACK / R.H. TO USE W/"FORD / 860MM	1	1	M
29	310508	DOOR, PARCEL RACK / TO USE W/"FORD / 568MM		1	M
30	H9-1864-31	HANDLE LOCK & KEYS - TYPE "NS" & "FORD"			
31	316170	PLATE FRONT FINISHING 85MM x 61.3MM	1	1	
32	316173	CYLINDER LOCK RETAINER HAT FORM	1	1	
33	5001053	SCREW MA PAN PH #4-40x1/4 ZP	2	2	
34	316174	PIVOT LOCK	1	1	
35	2800032	SEAL RUBBER 1/16" TH	1	1	
36	504402	RING RETAINER / EXT .250 x .210 x .025"	1	1	
37	316188	CATCH / W/"FORD" CYLINDER KEY	1	1	
38	313863	CORD, RUBBER 308"	1		
. NS	506066	. CORD, RUBBER EXTRUSION NEO 7/16" O.D. / C.T.L.	AR		
38	313864	CORD, RUBBER 373"	1		
. NS	506066	. CORD, RUBBER EXTRUSION NEO 7/16" O.D. / C.T.L.	AR		
38	312660	CORD, RUBBER 400"	1		
. NS	506066	. CORD, RUBBER EXTRUSION NEO 7/16" O.D. / C.T.L.	AR		
38	312661	CORD, RUBBER 407"	1		
. NS	506066	. CORD, RUBBER EXTRUSION NEO 7/16" O.D. / C.T.L.	AR		
38	312659	CORD, RUBBER 359"		1	

From K-0185 To P-1452	Date:07/2024	PAGE:H9-1836-02
PARCEL RACK W/TAN FINISHING		

Item#	Part	Description	H 3 4 1	H 3 4 5	N O T E S
. NS	506066	. CORD, RUBBER EXTRUSION NEO 7/16" O.D. / C.T.L.		AR	
38	312658	CORD, RUBBER 434"		1	
. NS	506066	. CORD, RUBBER EXTRUSION NEO 7/16" O.D. / C.T.L.		AR	
38	312654	CORD, RUBBER 456"		1	
. NS	506066	. CORD, RUBBER EXTRUSION NEO 7/16" O.D. / C.T.L.		AR	
38	312653	CORD, RUBBER 483"		1	
. NS	506066	. CORD, RUBBER EXTRUSION NEO 7/16" O.D. / C.T.L.		AR	
38	312423	CORD, RUBBER 230"		1	WCL
. NS	506066	. CORD, RUBBER EXTRUSION NEO 7/16" O.D. / C.T.L.		AR	WCL
38	312754	CORD, RUBBER 152"		1	WCL
. NS	506066	. CORD, RUBBER EXTRUSION NEO 7/16" O.D. / C.T.L.		AR	WCL
38	506066	. CORD, RUBBER EXTRUSION NEO 7/16" O.D. / C.T.L.	AR	AR	
39	504452	CLAMP "E-Z CLIP" / "TUBE-O" / 7/16" / HC9-7	AR	AR	
41	313677	PIVOT ROD 3"	AR	AR	
41	313676	PIVOT ROD 6"	AR	AR	
42	5001481	SPACER NYLON .323 I.D. X .750 O.D. X .125	AR	AR	
43	5001490	WASHER SHR .312 ID NYL	AR	AR	
44	500587	SCREW SET HEXS CUP M4-0.7x6	AR	AR	
45	980465	CYLINDER GAZ / 225NEWTON (50LBS) To K-0389	AR	AR	
45	980020	CYLINDER GAZ / 244/164MM C/C / 35LBS From K-0390	AR	AR	
45	980021	CYLINDER GAZ / 244/164MM C/C / 20LBS From K-0390	AR	AR	
46	980015	BALL STUD / W/10 MM X M8-1.25 / 29.18 MM	AR	AR	
46	980027	BALL STUD / W/10 MM X M8-1.25 / 36.5MM	AR	AR	M J
47	502509	WASHER LO INT 8.4x15.0x0.8 Z050	AR	AR	
47	502638	WASHER FL .312x.734x.065 N500	AR	AR	M
48	980016	NUT, CYLINDER RETAINER	AR	AR	
48	502847	NUT HEX NYRT M8-1.25 N500	AR	AR	M J
50	314005	SUPPORT, PARCEL RACK TAN	14		
50	314005	SUPPORT, PARCEL RACK TAN		16	
51	314006	SUPPORT, PARCEL RACK TAN	2	2	
52	314149	PILAR COVERING	AR		
52	314149	PILAR COVERING		11	
53	314150	PILAR COVERING	2	2	
54	314306	PILAR COVERING / FRONT W.C.L. DOOR	1	1	
55	316638	PILAR COVERING / BACKWARD END SECTION	1	1	
55	317078	CLOSING COVER L.H. BACKWARD PARCEL RACK		1	F
55A	314152	PILAR COVERING / BACKWARD END SECTION	1	1	
56	314118	PILAR COVERING L.H.	1	1	
58	500661	SCREW TC FL PH #6-32x1/2 Z050	AR	AR	
59	500463	WASHER FN CKF .187x.500x.090 BR Z050	AR	AR	
60	316600	CEILING PANEL 867MM #1 R.H.	1		
60	316599	CEILING PANEL 867MM #1 L.H.	1		

From K-0185 To P-1452	Date:07/2024	PAGE:H9-1836-02
PARCEL RACK W/TAN FINISHING		

Item#	Part	Description	H 3 4 1	H 3 4 5	N O T E S
60	317039	CEILING PANEL 1654MM #2,3,4,5 & 6 L.H. & R.H.	10		
60	317040	CEILING PANEL 1179MM #7 L.H.	1		
60	317041	CEILING PANEL 1179MM #7 R.H.	1		
60	316600	CEILING PANEL 867MM #1 R.H.		1	
60	316599	CEILING PANEL 867MM #1 L.H.		1	
60	317039	CEILING PANEL 1654MM #2,3,4,5, 6 & 7 L.H. & R.H.		12	
60	317039	CEILING PANEL 1654MM #2,3,4,5,6 & 7 LH & #2,3,4 RH		9	
60	317079	CEILING PANEL 720MM #7 L.H.		1	F
60	316602	CEILING PANEL / W/W.C.L. "RICON" 568MM #5 R.H.		1	
60	317043	CEILING PANEL / W/W.C.L. "RICON" 1544MM #7 R.H.		1	
60	Call order desk	CEILING PANEL / W/W.C.L. "RICON" 739MM #4 R.H.	1		P
60	316714	CEILING PANEL / W/W.C.L. "RICON" 1544MM #5 RH	1		
60	316714	CEILING PANEL / W/W.C.L. "RICON" 1544MM #6 RH		1	
60	316708	CEILING PANEL / W/W.C.L. "RICON" 241MM #5 RH	1		
60	316597	CEILING PANEL 736MM #8 L.H. & R.H.		2	
NS	312243	INSULATING / TOP PANEL & STRUCTURE 1371.6MM	10		
60	312243	INSULATING / TOP PANEL & STRUCTURE 1371.6MM		12	
NS	506227	TAPE RUB ADH1 CC POL 1/16" x 3/4" x 100' / GREY 2520	AR	AR	
NS	506268	TAPE RUB ADH1 URE 3/8" x 1/2" x 25' / GREY 1820	AR	AR	
61	316681	FINISHING CAP L.H. / FRONT OF P.R.	1	1	
62	314019	FINISHING CAP R.H. / FRONT OF P.R. TAN	1	1	
63	312904	SUPPORT FRONT R.H. / "C" FORM 390MM	1	1	
64	312902	SUPPORT FRONT R.H. / "C" FORM 390MM	1	1	
NS	500582	SCREW TP PAN PH #8x3/8 Z050	1	1	
65A	314459	FINISHING CAP R.H. / FRONT OF P.R. WITHOUT DOOR	1	1	
65A	313978	FINISHING CAP R.H. / FRONT OF P.R. WITH DOOR TAN	1	1	
65B	314019	FINISHING CAP R.H. / FRONT OF P.R. TAN	1	1	L
66	313980	FINISHING CAP R.H. / UNDER OF P.R. TAN	1	1	
67	319161	COVER END CLOSING	2	2	
68	329539	CLOSING COVER L.H. BACKWARD PACEL RACK TAN	1	1	
68	500626	SCREW TP OV PH #8x3/4 Z050	5	5	
68	500464	WASHER FN CKF .210x.540 SS	5	5	
NS	312922	ANGLE / TO FIX FINISHING CAP	2	2	
NS	506318	TAPE DUAL LOCK 1" x 150' / BLACK SJ3541	AR	AR	
68	316748	COVER FINISHING, PARCEL RACK END	1		S
70	312553P	PANEL, INTERIOR ASSY 868 MM #1 RH & LH	2		
70	Call order desk	PANEL, INTERIOR ASSY 1657 MM #2,3,5,6 LH & #2,4,5,6 RH	8		P
70	Call order desk	PANEL, INSIDE 1657MM #4 LH & #3 RH	1		P C
70	Call order desk	PANEL, INSIDE 1657MM #4 LH & #3 RH	1		P A
70	316715P	PANEL, INSIDE 1205.5MM #7 RH	1		
70	314407P	PANEL, INSIDE 1181.5MM #7 LH	1		
70	312553P	PANEL, INTERIOR ASSY 868 MM #1 RH & LH		1	

From K-0185 To P-1452	Date:07/2024	PAGE:H9-1836-02
PARCEL RACK W/TAN FINISHING		

Item#	Part	Description	H 3 4 1	H 3 4 5	NOTES
70	Call order desk	PANEL, INSIDE 745MM		1	P F
70	Call order desk	PANEL, INTERIOR ASSY 1657 MM #2,3,4,6,7 LH & #2,3,5,6,7 RH		10	P
70	Call order desk	PANEL, INSIDE 1657MM #5 LH & #4 RH	1	1	P C
70	Call order desk	PANEL, INSIDE 1657MM #5 LH & #4 RH	1	1	P A
70	312558P	PANEL, INSIDE / W/W.C.L. "RICON" 597MM #5 RH		1	
70	Call order desk	PANEL, INSIDE / W/W.C.L. "RICON" 1544MM #6 & #7 RH		1	P
70	Call order desk	PANEL, INSIDE / W/W.C.L. "RICON" 1544MM #5 & #6 RH	1		P
70	Call order desk	PANEL, INSIDE 791MM #8 RH		1	P
70	Call order desk	PANEL, INSIDE 766MM #8 LH		1	P
70	Call order desk	PANEL, INSIDE / W/W.C.L. & GALLEY 1594MM #6 RH		1	P G
70	Call order desk	PANEL, INSIDE / W/W.C.L. "RICON" 271MM #5 RH	1		P
NS	810034	. CARPET OZITE / S.L. 12 FT WIDE	AR	AR	
71	310151	COVER L.H. ASSY / W/LIGHT & VENT HOLE	1	1	
. NS	316650	. COVER, PARCEL RACK, VENTILATED	1	1	
. NS	565889	. LAMP LED	1	1	
. NS	504448	. CABLE CLIP 1/4" / ADHESIVE	2	2	
. NS	502752	. SCREW TP RND PH #4x3/4 ZP	2	2	
. NS	506755	. VELCRO / HOOK ADHESIF 1" x 75'	AR	AR	
. NS	506756	. VELCRO / LOOP ADHESIF 1" x 75'	AR	AR	
71	316611	COVER L.H. ASSY / W/LIGHT & FAN HOLE		1	
. NS	316610	. COVER L.H. W/LIGHT & FAN HOLE		1	
71	H9-0690-00	FAN PARCEL RACK	1	1	
71	060936	DECAL / POWER VIDEO COMPONENTS	1	1	
72	316655	COVER R.H. ASSY W/CORD	1	1	
72	316654	COVER R.H. / PLAIN OFFSET W/CORD & FAN VENT, SAND BEIGE	1	1	
72	316640	COVER R.H. ASSY / W/LIGHT OFFSET TAN	1	1	
. NS	316639	. COVER, REAR RIGHT	1	1	
. NS	565889	. LAMP LED	1	1	
72	316653	COVER R.H. ASSY / W/LIGHT OFFSET & FAN VENT SAND BEIGE	1	1	
. NS	316652	. COVER, REAR RIGHT	1	1	
. NS	565889	. LAMP LED	1	1	
72	310354	COVER R.H. ASSY / W/LIGHT OFFSET GREY	1	1	
. NS	316670	. COVER, PARCEL RACK	1	1	
. NS	565889	. LAMP LED	1	1	
73	310133	COVER R.H. ASSY / W/LIGHT	1	1	
. NS	310132	. COVER	1	1	
. NS	565889	. LAMP LED	1	1	
. NS	502752	. SCREW TP RND PH #4x3/4 ZP	2	2	
. NS	504448	. CABLE CLIP 1/4" / ADHESIVE	2	2	
73	310131	COVER / PLAIN / W/CORD	1	1	
73	310657	COVER ASSY / W/OUT LIGHT / PLAIN GREY		1	K
74A	316643	COVER / PLAIN / W/CORD TAN / NO LIGHT	1	1	

From K-0185 To P-1452	Date:07/2024	PAGE:H9-1836-02
PARCEL RACK W/TAN FINISHING		

Item#	Part	Description	H 3 4 1	H 3 4 5	N O T E S
74A	316442	COVER / PLAIN / PLAIN	1	1	
74B	310121	COVER / PLAIN / W/CORD	1	1	
. NS	310122	. COVER	1	1	
. NS	316627	. SUPPORT	1	1	
74B	060158	DECAL, O2 EL SOUND/VIDEO SYS P-RACK E	1	1	
74B	060157	DECAL, O2 EL MONITOR LAYOUT P-RACK E	1	1	
74C	310123	BRACKET	1	1	
74D	508423	NUT SPR U #6 .025 - .064	1	1	
74E	500552	SCREW TP OV PH #6x3/4 Z050	1	1	
74F	500463	WASHER FN CKF .187x.500x.090 BR Z050	1	1	
74G	504108	RIVET POP DOME OE 1/8x1/2 AL	1	1	
75	316644	COVER / PLAIN / W/CORD	1	1	
76	316686	COVER L.H. / PLAIN OFFSET W/CORD W/DECAL	1	1	
. NS	316646	. COVER L.H. / PLAIN OFFSET W/CORD	1	1	
. NS	069194	. DECAL "IOB"	1	1	
76	316649	COVER L.H. ASSY / W/LIGHT OFFSET	1	1	
. NS	316648	. COVER, REAR LEFT	1	1	
77	500641	SCREW TP PAN PH #8x3/4 Z050	AR	AR	
78	314161	SUPPORT REAR R.H. W/OUT LAVATORY W/CORD	1	1	
79	317130	SIDE ACCESS PANEL	1	1	
80	314103P	PANEL ASSY 868MM #1 RH & LH	2		
80	Call order desk	PANEL ASSY 1657MM #2,3,5,6 LH & #2,4,5,6 RH	8		P
80	Call order desk	PANEL ASSY 1657MM #4 LH & #3 RH	2		P
80	Call order desk	PANEL ASSY 1205.5MM #7 RH	1		P
80	Call order desk	PANEL ASSY 1205.5MM #7 LH	1		P
80	314103P	PANEL ASSY 868MM #1 RH & LH		2	
80	Call order desk	PANEL ASSY 1657MM #2,3,4,6,7 LH & #2,3,5,6,7 RH		10	P
80	Call order desk	PANEL ASSY 1657MM #5 LH & #4 RH		2	P
80	Call order desk	PANEL ASSY / W/W.C.L. "RICON" 1012MM #4 RH	1		P
80	Call order desk	PANEL ASSY / W/W.C.L. "RICON" 603MM #5 RH		1	P
80	Call order desk	PANEL ASSY / W/W.C.L. "RICON" 1578MM #6 RH		1	P
80	Call order desk	PANEL ASSY / W/W.C.L. "RICON" 1578MM #5 RH	1		P
80	Call order desk	PANEL ASSY / WITH GALLEY 1603MM #6 RH		1	P G
80	Call order desk	PANEL ASSY / W/W.C.L. "RICON" 2345MM #7 RH		1	P
80	Call order desk	PANEL ASSY / W/W.C.L. "RICON" 2345MM #6 RH	1		P
80	Call order desk	PANEL ASSY 796MM #8 RH		1	P
80	Call order desk	PANEL ASSY 770.5MM #8 LH		1	P
80	Call order desk	PANEL ASSY 747MM #7 LH		1	P F
80	Call order desk	PANEL, PARCEL RACK ASSY SPECIAL 1685MM #6 L.H.	1		P S
80	Call order desk	PANEL, PARCEL RACK ASSY SPECIAL 1685MM #4 R.H.	1		P S
80	504536	. CABLE CLIP 1/2" / ADHESIVE	AR	AR	
80	683660	. TAPE RUB ADH1 VHB 1/2" x .120" x 107'	AR	AR	

From K-0185 To P-1452	Date:07/2024	PAGE:H9-1836-02
PARCEL RACK W/TAN FINISHING		

Item#	Part	Description	H 3 4 1	H 3 4 5	N O T E S
NS	313469	INSULATION	1	1	
80	506264	TAPE RUB ADH1 URE 3/4" x 1" x 12.5' / GREY 1820X	AR	AR	
81	500582	SCREW TP PAN PH #8x3/8 Z050	AR	AR	
82	504118	RIVET POP DOME OE 3/16x3/8 AL	AR	AR	
82	504108	RIVET POP DOME OE 1/8x1/2 AL	AR	AR	
82	504107	RIVET POP DOME OE 1/8x5/16 AL	AR	AR	
82	500618	SCREW TP FL PH #10x1 Z050	AR	AR	
83	5001440	SCREW TP RND PH WSHR HD #8x1/2	14	14	
84	500583	SCREW TP PAN PH #6x1/2 Z050	1	1	
84	508423	NUT SPR U #6 .025 - .064	1	1	
85	311250	ROD / TO JOINT HAND RAIL EXTRUSION	AR	AR	
86	312511	PLATE, JUNCTION / EXTRUSION RETAINER	4	4	
87	504114	RIVET POP DOME OE 3/16x1/4 AL	AR	AR	
88	810087	CARPET (OZITE) SELF ADHESIVE	AR	AR	
89	502513	SCREW TP CAP HEX 5/16x1 Z050	AR		
90	Call order desk	EXTRUSION, REAR, ALUMINIUM 5850MM / S.C.C	2		P
90	Call order desk	EXTRUSION, REAR, ALUMINIUM 4527MM / S.C.C	1		P
90	Call order desk	EXTRUSION, REAR, ALUMINIUM 4503MM / S.C.C	1		P
90	Call order desk	EXTRUSION, REAR, ALUMINIUM 5148MM / S.C.C	1		P L
90	Call order desk	EXTRUSION, REAR, ALUMINIUM 5850MM / S.C.C		2	P
90	Call order desk	EXTRUSION, REAR, ALUMINIUM 5773MM / S.C.C		1	P
90	Call order desk	EXTRUSION, REAR, ALUMINIUM 5748MM / S.C.C		1	P
90	Call order desk	EXTRUSION, REAR, ALUMINIUM 6395MM / S.C.C		1	P L
90	Call order desk	EXTRUSION, REAR, ALUMINIUM 6450MM / S.C.C		1	P WCL
90	Call order desk	EXTRUSION, REAR, ALUMINIUM 5204MM / S.C.C	1		P WCL
90	Call order desk	EXTRUSION, REAR, ALUMINIUM 3913MM / S.C.C	1	1	P WCL
90	Call order desk	EXTRUSION, REAR, ALUMINIUM 1597MM / S.C.C		1	P G
90	Call order desk	EXTRUSION, REAR, ALUMINIUM 747MM / S.C.C		1	P F
90	Call order desk	EXTRUSION, REAR, ALUMINIUM 4067MM / S.C.C		1	P F
90	Call order desk	EXTRUSION, REAR, ALUMINIUM 4067MM / S.C.C		1	P F
90	Call order desk	EXTRUSION, REAR, ALUMINIUM 5850MM / S.C.C	1		P S
NS	504453	GROMMET / 1.500x1.750x.250x.625x2.125	2	2	
NS	504666	GROMMET / 1.000x1.375x.250x.625x1.750	1	1	
90	504622	GROMMET / 1.500x1.750x.062x.437x2.125	1		
NS	504567	GROMMET / .687x1.000x.250x.562x1.312		2	
90	504567	GROMMET / .687x1.000x.250x.562x1.312	1		
91	Call order desk	EXTRUSION, ALUMINIUM 5850MM / S.C.C	2		P
91	Call order desk	EXTRUSION, ALUMINIUM 4527MM / S.C.C	1		P
91	Call order desk	EXTRUSION, ALUMINIUM 4503MM / S.C.C	1		P
91	Call order desk	EXTRUSION, ALUMINIUM 5148MM / S.C.C	1		P L
91	Call order desk	EXTRUSION, ALUMINIUM 5850MM / S.C.C		2	P
91	Call order desk	EXTRUSION, ALUMINIUM 5773MM / S.C.C		1	P

From K-0185 To P-1452	Date:07/2024	PAGE:H9-1836-02
PARCEL RACK W/TAN FINISHING		

Item#	Part	Description	H 3 4 1	H 3 4 5	NOTES
91	Call order desk	EXTRUSION, ALUMINIUM 5748MM / S.C.C		1	P
91	Call order desk	EXTRUSION, ALUMINIUM 6395MM / S.C.C		1	PL
91	Call order desk	EXTRUSION, ALUMINIUM 6450MM / S.C.C		1	P WCL
91	Call order desk	EXTRUSION, ALUMINIUM 3600MM / S.C.C	1	1	P WCL
91	Call order desk	EXTRUSION, ALUMINIUM 5054MM / S.C.C	1		P WCL
91	Call order desk	EXTRUSION, ALUMINIUM 141MM / S.C.C	1		P WCL
91	Call order desk	EXTRUSION, ALUMINIUM 1597MM / S.C.C		1	PG
91	Call order desk	EXTRUSION, ALUMINIUM 5850MM / S.C.C	1		PS
91	Call order desk	EXTRUSION, ALUMINIUM 3346MM / S.C.C	1		PS
91	Call order desk	EXTRUSION, ALUMINIUM 3346MM / S.C.C	1		PS
91	Call order desk	EXTRUSION, ALUMINIUM 1686MM / S.C.C	2		PS
91	Call order desk	EXTRUSION, ALUMINIUM 5876MM / S.C.C	1		PS
91	Call order desk	EXTRUSION, ALUMINIUM 5876MM / S.C.C	1		PS
92	H9-0655-01	INTERIOR LIGHTING LED			D
93	312971P	PANEL 51MM	1	1	
93	Call order desk	PANEL 73MM	1	1	P
93	Call order desk	PANEL 80MM	1	1	P
93	Call order desk	PANEL 92MM	1	1	P
93	313682P	PANEL 100MM	1	1	
93	Call order desk	PANEL 114MM	1	1	P
93	316197P	PANEL 124MM	1	1	
93	Call order desk	PANEL 126MM	1	1	P
93	Call order desk	PANEL 132MM	1	1	P
93	Call order desk	PANEL 149MM	1	1	P
93	Call order desk	PANEL 158MM	1	1	P
93	315936P	PANEL 166MM	1	1	
93	Call order desk	PANEL 174MM	1	1	P
93	Call order desk	PANEL 181MM	1	1	P
93	315913P	PANEL 184MM	1	1	
93	313330P	PANEL 193MM	1	1	
93	Call order desk	PANEL 203MM	1	1	P
93	Call order desk	PANEL W/EMERGENCY LAMP HOLE 203MM From M-1162	1	1	PN
93	Call order desk	PANEL 213MM	1	1	P
93	313883P	PANEL 219MM	1	1	
93	315940P	PANEL 226MM	1	1	
93	Call order desk	PANEL 231MM	1	1	P
93	313334P	PANEL 235MM	1	1	
93	Call order desk	PANEL 243MM	1	1	P
93	312736P	PANEL 248MM	1	1	
93	313077P	PANEL 253MM	1	1	

From K-0185 To P-1452	Date:07/2024	PAGE:H9-1836-02
PARCEL RACK W/TAN FINISHING		

Item#	Part	Description	H 3 4 1	H 3 4 5	NOTES
93	Call order desk	PANEL 256MM	1	1	P
93	Call order desk	PANEL 264MM	1	1	P
93	Call order desk	PANEL 267MM	1	1	P
93	312760P	PANEL 269MM	1	1	
93	312721P	PANEL 279MM	1	1	
93	315923P	PANEL 289MM	1	1	
93	Call order desk	PANEL 292MM	1	1	P
93	312734P	PANEL 299 MM	1	1	
93	316018P	PANEL 304MM	1	1	
93	312762P	PANEL 310MM	1	1	
93	312761P	PANEL 315MM	1	1	
93	312764P	PANEL 325MM	1	1	
93	313075P	PANEL 335MM	1	1	
93	312724P	PANEL 343MM	1	1	
93	Call order desk	PANEL 352MM	1	1	P
93	312729P	PANEL 356MM	1	1	
93	Call order desk	PANEL 361MM	1	1	P
93	Call order desk	PANEL 366MM	1	1	P
93	Call order desk	PANEL 370MM	1	1	P
93	312839P	PANEL 375MM	1	1	
93	313328P	PANEL 388MM	1	1	
93	Call order desk	PANEL 391MM	1	1	P
93	Call order desk	PANEL 396MM	1	1	P
93	312735P	PANEL 402MM	1	1	
93	312751P	PANEL 408MM	1	1	
93	313333P	PANEL 415MM	1	1	
93	312749P	PANEL 421MM	1	1	
93	Call order desk	PANEL W/EMERGENCY LAMP HOLE 421MM From M-1162	1	1	P N
93	Call order desk	PANEL 426MM	1	1	P
93	312720P	PANEL 427MM	AR	AR	
93	Call order desk	PANEL W/EMERGENCY LAMP HOLE 427MM From M-1162	1	1	P N
93	312774P	PANEL 431MM	1	1	
93	Call order desk	PANEL W/EMERGENCY LAMP HOLE 431MM From M-1162	1	1	P N
93	312946P	PANEL 437MM	1	1	
93	310617P	PANEL 440MM	1	1	
93	312733P	PANEL 447MM	1	1	
93	Call order desk	PANEL W/EMERGENCY LAMP HOLE 427MM From M-1162	1	1	P N
93	Call order desk	PANEL 448MM	1	1	P
93	312747P	PANEL 454MM	1	1	
93	312767P	PANEL 457MM	1	1	
93	Call order desk	PANEL W/EMERGENCY LAMP HOLE 457MM From M-1162	1	1	P N
93	Call order desk	PANEL 462MM	1	1	P

From K-0185 To P-1452	Date:07/2024	PAGE:H9-1836-02
PARCEL RACK W/TAN FINISHING		

Item#	Part	Description	H 3 4 1	H 3 4 5	NOTES
93	312975P	PANEL 465MM	1	1	
93	Call order desk	PANEL W/EMERGENCY LAMP HOLE 465MM From M-1162	1	1	P N
93	312745P	PANEL 472MM	1	1	
93	312835P	PANEL 475MM	1	1	
93	312730P	PANEL 478MM	1	1	
93	312752P	PANEL 484MM	1	1	
93	313076P	PANEL 490MM	1	1	
93	312771P	PANEL 495MM	1	1	
93	312728P	PANEL 500MM	1	1	
93	Call order desk	PANEL 505MM	1	1	P
93	312725P	PANEL 510MM	1	1	
93	Call order desk	PANEL 516MM	1	1	P
93	312723P	PANEL 525MM	1	1	
93	Call order desk	PANEL 529MM	1	1	P
93	312741P	PANEL 538MM	1	1	
93	312737P	PANEL 542MM	1	1	
93	312739P	PANEL 550MM	1	1	
93	Call order desk	PANEL 553MM	1	1	P
93	313335P	PANEL 559MM	1	1	
93	Call order desk	PANEL 560MM	1	1	P
93	313125P	PANEL 565MM	1	1	
93	315952P	PANEL 570MM	1	1	
93	312756P	PANEL 575MM	1	1	
93	Call order desk	PANEL 580MM	1	1	P
93	315884P	PANEL 582MM	1	1	
93	Call order desk	PANEL 586MM	1	1	P
93	312766P	PANEL 590MM	1	1	
93	312757P	PANEL 598MM	1	1	
93	315945P	PANEL 601MM	1	1	
93	312722P	PANEL 605MM	1	1	
93	Call order desk	PANEL 612MM	1	1	P
93	313414P	PANEL 615MM	1	1	
93	Call order desk	PANEL 625MM	1	1	P
93	Call order desk	PANEL 631MM	1	1	P
93	Call order desk	PANEL 636MM	1	1	P
93	Call order desk	PANEL 640MM	1	1	P
93	Call order desk	PANEL 646MM	1	1	P
93	315983P	PANEL 655MM	1	1	
93	Call order desk	PANEL 656MM	1	1	P
93	Call order desk	PANEL 660MM	1	1	P
93	Call order desk	PANEL 665MM	1	1	P
93	Call order desk	PANEL 672MM	1	1	P

From K-0185 To P-1452	Date:07/2024	PAGE:H9-1836-02
PARCEL RACK W/TAN FINISHING		

Item#	Part	Description	H 3 4 1	H 3 4 5	NOTES
93	Call order desk	PANEL 674MM	1	1	P
93	Call order desk	PANEL 682MM	1	1	P
93	Call order desk	PANEL 686MM	1	1	P
93	Call order desk	PANEL 690MM	1	1	P
93	312748P	PANEL 700MM	1	1	
93	312746P	PANEL 705MM	1	1	
93	312759P	PANEL 711MM	1	1	
93	313079P	PANEL 716MM	1	1	
93	Call order desk	PANEL 722MM	1	1	P
93	312765P	PANEL 731MM	1	1	
93	Call order desk	PANEL 741MM	1	1	P
93	Call order desk	PANEL 747MM	1	1	P
93	312840P	PANEL 753MM	1	1	
93	312770P	PANEL 759MM	1	1	
93	312742P	PANEL 763MM	1	1	
93	312738P	PANEL 773MM	1	1	
93	Call order desk	PANEL 780MM	1	1	P
93	Call order desk	PANEL 788MM	1	1	P
93	Call order desk	PANEL 791MM	1	1	P
93	Call order desk	PANEL 796MM	1	1	P
93	Call order desk	PANEL 802MM	1	1	P
93	Call order desk	PANEL 811MM	1	1	P
93	Call order desk	PANEL 819MM	1	1	P
93	Call order desk	PANEL 830MM	1	1	P
93	Call order desk	PANEL 836MM	1	1	P
93	Call order desk	PANEL 843MM	1	1	P
93	Call order desk	PANEL 850MM	1	1	P
93	313617P	PANEL 866MM	1	1	
93	315929P	PANEL 878MM	1	1	
93	Call order desk	PANEL 885MM	1	1	P
93	Call order desk	PANEL 905MM	1	1	P
93	Call order desk	PANEL 913MM	1	1	P
93	Call order desk	PANEL 924MM	1	1	P
93	Call order desk	PANEL 936MM	1	1	P
93	315904P	PANEL 940MM	1	1	
93	Call order desk	PANEL 966MM	1	1	P
93	Call order desk	PANEL 990MM	1	1	P
93	316181	PANEL 1096MM	1	1	
93	Call order desk	PANEL 1123MM	1	1	P
93	Call order desk	PANEL 1212MM	1	1	P
93	Call order desk	PANEL 1296MM	1	1	P
93	Call order desk	PANEL 1316MM	1	1	P

From K-0185 To P-1452	Date:07/2024	PAGE:H9-1836-02
PARCEL RACK W/TAN FINISHING		

Item#	Part	Description	H 3 4 1	H 3 4 5	N O T E S
93	Call order desk	PANEL 1360MM	1	1	P
93	Call order desk	PANEL 1379MM	1	1	P
93	Call order desk	PANEL 1424MM	1	1	P
93	Call order desk	PANEL 1481MM	1	1	P
93	Call order desk	PANEL 1549MM	1	1	P
93	316485P	PANEL 1571MM	1	1	
93	Call order desk	PANEL 1605MM	1	1	P
93	Call order desk	PANEL 1724MM	1	1	P
93	Call order desk	PANEL 310MM / 112MM POSITION SCREEN	1	1	P
93	Call order desk	PANEL 376MM / 112MM POSITION SCREEN	1	1	P
93	Call order desk	PANEL 427MM / 315MM POSITION SCREEN	1	1	P
93	Call order desk	PANEL 475MM / 108MM POSITION FLAT MONITOR	1	1	P
93	Call order desk	PANEL 475MM / 108MM POSITION FLAT MONITOR	1	1	P
93	Call order desk	PANEL 475MM / 310MM POSITION SCREEN	1	1	P
93	Call order desk	PANEL 495MM / 310MM POSITION SCREEN	1	1	P
93	Call order desk	PANEL 510MM / 310MM POSITION SCREEN	1	1	P
93	310654P	PANEL 655MM / 382MM POSITION SCREEN / R.H. W/ LCD SCREEN	1	1	
93	310653P	PANEL 655MM / 382MM POSITION SCREEN / L.H. W/10" LCD SCREEN	1	1	
93	316123P	PANEL 655MM / 383MM POSITION SCREEN / W/15" LCD SCREEN	1	1	
93	Call order desk	PANEL 655MM / 544MM POSITION SCREEN	1	1	P
93	Call order desk	PANEL 705MM / 544MM POSITION SCREEN	1	1	P
93	Call order desk	PANEL 760MM / 427MM POSITION SCREEN / L.H. W/10" LCD SCREEN	1	1	P
93	Call order desk	PANEL 800MM / 128MM & 177MM HOLE POSITION / W/12.1" RETRACTABLE SCREEN	1	1	P
93	Call order desk	PANEL 915MM / 465MM POSITION SCREEN / L.H. W/10" LCD SCREEN	1	1	P
93	Call order desk	PANEL 980MM / 465MM POSITION SCREEN	1	1	P
93	Call order desk	PANEL 1015MM / 108MM POSITION SCREEN / L.H. LCD SCREEN	1	1	P
93	Call order desk	PANEL 500MM / 108MM POSITION SCREEN / LCD SCREEN	1	1	P
93	Call order desk	PANEL 1015MM / 465MM POSITION SCREEN / LCD SCREEN	1	1	P
93	Call order desk	PANEL 1015MM / 440MM POSITION SCREEN / LCD SCREEN	1	1	P
93	Call order desk	PANEL 980MM / 310MM POSITION SCREEN / LCD SCREEN	1	1	P
93	314357	PANEL 980MM / 310MM POSITION SCREEN / LCD SCREEN	1	1	
93	Call order desk	PANEL 763MM / 440MM POSITION SCREEN WITH DIFFUSER	1	1	P
. NS	870901	. LOUVER, ADJUSTABLE / ROUND 3" O.D.	2	2	
93	5001368	SCREW TC OV PH #8-32X1/2 BK	AR	AR	
93	5001949	WASHER FN CKF .220x.615 BK	AR	AR	
93	Call order desk	WOOD PANEL / LIGHTING MODULE SPECIAL			P
93	314272	DRAWING FOR WOOD PANEL SPECIAL			
93	314271	SPECIAL HOOK RETAINER WOOD PANEL 182MM x 38MM	AR	AR	
93	314273	SPECIAL PLATE RETAINER WOOD PANEL 198MM x 78MM	AR	AR	
93	316171	SPECIAL PLATE RETAINER WOOD PANEL / MONITOR 198MM x 80MM	AR	AR	

From K-0185 To P-1452	Date:07/2024	PAGE:H9-1836-02
PARCEL RACK W/TAN FINISHING		

Item#	Part	Description	H 3 4 1	H 3 4 5	N O T E S
94	Call order desk	HAND RAIL / EXTRUSION W/HOLE 4190MM / S.C.C.	1		P
94	Call order desk	HAND RAIL / EXTRUSION 4190MM / S.C.C.	2		P
94	Call order desk	HAND RAIL / EXTRUSION W/HOLE 3324MM / S.C.C.	1		P
94	Call order desk	HAND RAIL / EXTRUSION 3320MM / S.C.C.	1		P
94	Call order desk	HAND RAIL / EXTRUSION 2867MM / S.C.C.	1		P
94	Call order desk	HAND RAIL / EXTRUSION 2843MM / S.C.C.	1		P
94	Call order desk	HAND RAIL / EXTRUSION 1660MM / S.C.C.	1		P L
94	Call order desk	HAND RAIL / EXTRUSION 1829MM / S.C.C.	1		P L
94	Call order desk	HAND RAIL / EXTRUSION 4190MM / S.C.C.		2	P
94	Call order desk	HAND RAIL / EXTRUSION W/HOLE 3320MM / S.C.C.		2	P
94	Call order desk	HAND RAIL / EXTRUSION 1660MM / S.C.C.		2	P
94	Call order desk	HAND RAIL / EXTRUSION 2454MM / S.C.C.		1	P
94	Call order desk	HAND RAIL / EXTRUSION 2428MM / S.C.C.		1	P
94	Call order desk	HAND RAIL / EXTRUSION 3075MM / S.C.C.		1	P L
94	Call order desk	HAND RAIL / EXTRUSION W/HOLE 2260MM / S.C.C.		1	P WCL
94	Call order desk	HAND RAIL / EXTRUSION W/HOLE 2674.7MM / S.C.C.	1		P WCL
94	Call order desk	HAND RAIL / EXTRUSION 3913MM / S.C.C.	1	1	P WCL
94	Call order desk	HAND RAIL / EXTRUSION 2530MM / S.C.C.	1		P WCL
94	Call order desk	HAND RAIL / EXTRUSION 1597MM / S.C.C.		1	P G
94	Call order desk	HAND RAIL / EXTRUSION 4190MM / S.C.C.		1	P S
94	Call order desk	HAND RAIL / EXTRUSION W/HOLE 4190MM / S.C.C.	1		P S
94	Call order desk	HAND RAIL / EXTRUSION W/HOLE 3324MM / S.C.C.	1		P S
NS	506466	TAPE RUB ADH1 CC POL 1/16" x 1 1/2" x 100 / GREY 2520		AR	
95	500626	SCREW TP OV PH #8x3/4 Z050	AR	AR	
96	500464	WASHER FN CKF .210x.540 SS	AR	AR	
NS	060706	CABLE HARNESS / READING LIGHT STREETSIDE	1	1	
NS	061156	CABLE HARNESS / READING LIGHT CURBSIDE REAR	1	1	
NS	060704	CABLE HARNESS / READING LIGHT CURB SIDE	1	1	
NS	060091	CABLE / EMERGENCY LIGHT LH	1	1	
NS	060090	CABLE / EMERGENCY LIGHT RH	1	1	
NS	069545	CABLE HARNESS / IND, LIGHT FRONT RH & REAR LH	1	1	
NS	069544	CABLE HARNESS / IND, LIGHT FRONT LH & REAR RH	2	2	
NS	069546	CABLE HARNESS / IND, LIGHT	4		
NS	069546	CABLE HARNESS / IND, LIGHT		5	
NS	069547	CABLE HARNESS / IND, LIGHT / W/W.C.L.		1	
NS	068416	EXTENSION HARNESS, INDIRECT LIGHT	1	1	
NS	069789	CABLE HARNESS / SPECIAL	1	1	O
NS	504637	CABLE TIE / 3/16" x 13"	AR	AR	
NS	509815	TIE MOUNT / ATTACHMENT W/TREE MOUNT	AR	AR	
NS	680042	GLUE LOCTITE 430 BOTTLE 1OZ	AR	AR	
NS	506338	RUBBER CHANNEL / 1/16" x 1/4" INT "U" SHAPE / ROUND C.T.L.	AR	AR	

From K-0185 To P-1452	Date:07/2024	PAGE:H9-1836-02
PARCEL RACK W/TAN FINISHING		

Item#	Part	Description	H 3 4 1	H 3 4 5	N O T E S
99	314272-51	WOOD PANEL / COLOR TO BE SPECIFIED 51MM			
99	314272-124	WOOD PANEL / COLOR TO BE SPECIFIED 124MM			
99	314272-126	WOOD PANEL / COLOR TO BE SPECIFIED 126MM			
99	314272-219	WOOD PANEL / COLOR TO BE SPECIFIED 219MM			
99	314272-253	WOOD PANEL / COLOR TO BE SPECIFIED 253MM			
99	314272-264	WOOD PANEL / COLOR TO BE SPECIFIED 264MM			
99	314272-299	WOOD PANEL / COLOR TO BE SPECIFIED 299MM			
99	314272-304	WOOD PANEL / COLOR TO BE SPECIFIED 304MM			
99	314272-315	WOOD PANEL / COLOR TO BE SPECIFIED 315MM			
99	314272-325	WOOD PANEL / COLOR TO BE SPECIFIED 325MM			
99	314272-370	WOOD PANEL / COLOR TO BE SPECIFIED 370MM			
99	314272-375	WOOD PANEL / COLOR TO BE SPECIFIED 375MM			
99	314272-391	WOOD PANEL / COLOR & MONITOR PRESENCE TO BE SPECIFIED 391MM			
99	314272-402	WOOD PANEL / COLOR & MONITOR PRESENCE TO BE SPECIFIED 402MM			
99	314272-408	WOOD PANEL / COLOR TO BE SPECIFIED 408MM			
99	314272-421	WOOD PANEL / COLOR & MONITOR PRESENCE TO BE SPECIFIED 421MM			
99	314272-427	WOOD PANEL / COLOR & MONITOR PRESENCE TO BE SPECIFIED 427MM			
99	314272-431	WOOD PANEL / COLOR & MONITOR PRESENCE TO BE SPECIFIED 431MM			
99	314272-447	WOOD PANEL / COLOR & MONITOR PRESENCE TO BE SPECIFIED 447MM			
99	314272-454	WOOD PANEL / COLOR & MONITOR PRESENCE TO BE SPECIFIED 454MM			
99	314272-457	WOOD PANEL / COLOR & MONITOR PRESENCE TO BE SPECIFIED 457MM			
99	314472-472	WOOD PANEL / COLOR & MONITOR PRESENCE TO BE SPECIFIED 472MM			
99	314272-484	WOOD PANEL / COLOR & MONITOR PRESENCE TO BE SPECIFIED 484MM			
99	314272-490	WOOD PANEL / COLOR & MONITOR PRESENCE TO BE SPECIFIED 490MM			
99	314272-500	WOOD PANEL / COLOR TO BE SPECIFIED 500MM			
99	314272-510	WOOD PANEL / COLOR & MONITOR PRESENCE TO BE SPECIFIED 510MM			
99	314272-646	WOOD PANEL / COLOR TO BE SPECIFIED 646MM			
99	314272-682	WOOD PANEL / COLOR TO BE SPECIFIED 682MM			
99	314272-700	WOOD PANEL / COLOR TO BE SPECIFIED 700MM			
99	314272-753	WOOD PANEL / COLOR TO BE SPECIFIED 753MM			
99	314272-759	WOOD PANEL / COLOR TO BE SPECIFIED 759MM			
99	314450-51	WOOD PANEL / COLOR : COGNAC 51MM			
99	314450-76	WOOD PANEL / COLOR : COGNAC 76MM			
99	314450-322	WOOD PANEL / COLOR : COGNAC 322MM			
99	314450-377	WOOD PANEL / COLOR : COGNAC / MONITOR PRESENCE TO BE SPECIFIED 377MM			
99	314450-457	WOOD PANEL / COLOR : COGNAC 457MM			
99	314450-486	WOOD PANEL / COLOR : COGNAC / MONITOR PRESENCE TO BE SPECIFIED 486MM			
99	314450-499	WOOD PANEL / COLOR : COGNAC 499MM			
99	314450-509	WOOD PANEL / COLOR : COGNAC / MONITOR PRESENCE TO BE SPECIFIED 509MM			
99	314450-764	WOOD PANEL / COLOR : COGNAC / MONITOR PRESENCE TO BE SPECIFIED 764MM			
99	310338-256	WOOD PANEL / COLOR : COGNAC 256MM			
99	310338-402	WOOD PANEL / COLOR : COGNAC 402MM			

From K-0185 To P-1452	Date:07/2024	PAGE:H9-1836-02
PARCEL RACK W/TAN FINISHING		

Item#	Part	Description	H 3 4 1	H 3 4 5	NOTES
99	310338-402M	WOOD PANEL / COLOR : COGNAC / MONITOR PRESENCE TO BE SPECIFIED 402MM			
99	310338-421	WOOD PANEL / COLOR : COGNAC 421MM			
99	310338-421M	WOOD PANEL / COLOR : COGNAC / MONITOR PRESENCE TO BE SPECIFIED 421MM			
99	310338-458	WOOD PANEL / COLOR : COGNAC 458MM			
99	310338-489M	WOOD PANEL / COLOR : COGNAC / MONITOR PRESENCE TO BE SPECIFIED 489MM			
99	310338-591	WOOD PANEL / COLOR : COGNAC 591MM			
99	310338-993	WOOD PANEL / COLOR : COGNAC 993MM			
100	H9-1837-01	CEILING PANELS & MOULDING W/TAN FINISHING			
101	502927	SCREW CAP HEX M8-1.25x50 G8.8 N500	AR	AR	
102	500942	WASHER LO SPT 8.1x14.8x2.0 N500	AR	AR	
103	312367	FIXING PLATE	AR	AR	
104	313003	SPACER	AR	AR	
105	5001337	NUT INS FL HEX M8-1.25 0.5-3.0 Z050	AR	AR	
106	316596	COVER FINISHING PILAR LIGHTING MODULE TAN	11		
106	317085	COVER FINISHING PILAR LIGHTING MODULE TAN	1		
106	316596	COVER FINISHING PILAR LIGHTING MODULE TAN		13	
106	317085	COVER FINISHING PILAR LIGHTING MODULE TAN		1	
107	317088	RH COVER FINISHING PILAR LIGHTING MODULE TAN	2	2	
108	317088	RH COVER FINISHING PILAR LIGHTING MODULE TAN	2	2	
109	314239	COVER R.H. ASSY W/CORD	1		
114	316676	COVER / FRONT OF VENTILATOR BOX	2	2	
115	314124	COVER / L.H. SIDE OF VENTILATOR BOX	2	2	
116	5001440	SCREW TP RND PH WSHR HD #8x1/2	AR	AR	
117	373555	RETAINER, AIR BLOWER	6	6	
118	5001746	SCREW CAP HEX 1/4-20x3/4 G5 N500	6	6	
118	500841	SCREW TP PAN PH #14x3/4 Z050	6	6	
119	500473	WASHER LO SPT .262x.489x.062 Z050	6	6	
120	500877	WASHER FL .250x.562x.065 N500	6	6	
121	H9-2240-20	BLOWER VENTILATION - PARCEL RACK			
200	Call order desk	CEILING PANEL ASSY W/READING LIGHT & SPEAKER	1	1	P B
200	Call order desk	CEILING PANEL ASSY W/READING LIGHT & SPEAKER SILVER	1	1	P B
200	Call order desk	CEILING PANEL ASSY W/READING LIGHT W/LED & SPEAKER	1	1	P B
200	Call order desk	CEILING PANEL ASSY W/READING LIGHT W/LED & SPEAKER SILVER	1	1	P B
200	310049	. CEILING PANEL W/COVERING	1	1	
201	563592	. MODULE ALARM DETECTOR W.C.L. TWU	1	1	
202	563945	. . LIGHT TWS W.C.L.	1	1	
203	500518	. SCREW MA BDG PH #4-40x1/2 Z050	4	4	
204	500157	. WASHER FL .125x.375x.032 SS	4	4	
205	500425	. NUT HEX NYRT #4-40 SS	4	4	
206	500333	. SCREW TP OV PH #6x3/4 BK	4	4	
207	500345	. WASHER FN CKF .187x.500x.090 BR BK	4	4	
209	341120	. SUPPORT DETECTOR MODULE TWU	1	1	

From K-0185 To P-1452	Date:07/2024	PAGE:H9-1836-02
PARCEL RACK W/TAN FINISHING		

Item#	Part	Description	H 3 4 1	H 3 4 5	N O T E S
215	453786	AIR DEFLECTOR	1	1	
216	5001132	SCREW CAP HEX 5/16-18x7/8 G5 Z050		2	
216	5001132	SCREW CAP HEX 5/16-18x7/8 G5 Z050	1	1	
217	500942	WASHER LO SPT 8.1x14.8x2.0 N500		2	
217	500942	WASHER LO SPT 8.1x14.8x2.0 N500	1	1	
218	500778	NUT HEX 5/16-18 N500		2	
218	500778	NUT HEX 5/16-18 N500	1	1	
220	314331	COVER R.H. END CLOSING TAN		1	C
220	314042	COVER R.H. END CLOSING TAN	1	1	C
220	314043	COVER R.H. END CLOSING TAN		1	A
220	314332	COVER R.H. END CLOSING / W/CORD TAN		1	A
221	319172	COVER L.H. END CLOSING TAN	1	1	
222	314148	DUCT TAN To K-0184	1	1	
222	310078	DUCT TAN From K-0185	1	1	
223	316319	CEILING PANEL / W/W.C.L. "RICON" OVER W.C.L. DOOR 1305 MM #5 R.H. To K-0184	1	1	
223	310433	CEILING PANEL / W/W.C.L. "RICON" OVER W.C.L. DOOR 1305 MM From K-0185	1	1	
224	316658	COVER L.H. END CLOSING AILSE SECTION / W/CORD	1	1	WCL
225	314003	COVER L.H. END CLOSING WINDOW SECTION To K-0184	1	1	WCL
225	310079	COVER L.H. END CLOSING WINDOW SECTION From K-0185	1	1	WCL
226	316661	COVER R.H. ASSY / W/LIGHT		1	WCL
. NS	316660	. COVER		1	WCL
. NS	565889	. LAMP LED		1	WCL
226	316659	COVER R.H. / PLAIN / W/CORD		1	
226	316729	COVER R.H. / PLAIN / W/CORD	1		
231	314206	COVER R.H. / PLAIN /		1	G
232	314208	COVER PARCEL / REAR WITH GALLEY		1	G
233	Call order desk	CEILING PANEL WITH GALLEY 630MM		1	P G
234	Call order desk	CEILING PANEL WITH GALLEY 1670MM		1	P G
235	315895	UNION / CEILING PANEL WITH GALLEY		1	G
236	316015	SUPPORT / CEILING PANEL WITH GALLEY		1	G
250	316625	BRACKET FOR DIVIDER	1	1	
		A) WITH A/C IN PARCEL RACK			
		B) INCLUDE ALLS ITEMS 200 TO 207			
		C) WITHOUT A/C IN PARCEL RACK			
		D) WITH LED LIGHTING			
		F) USE WITH STREET SIDE PARCEL RACK 96"			

From K-0185 To P-1452	Date:07/2024	PAGE:H9-1836-02
PARCEL RACK W/TAN FINISHING		

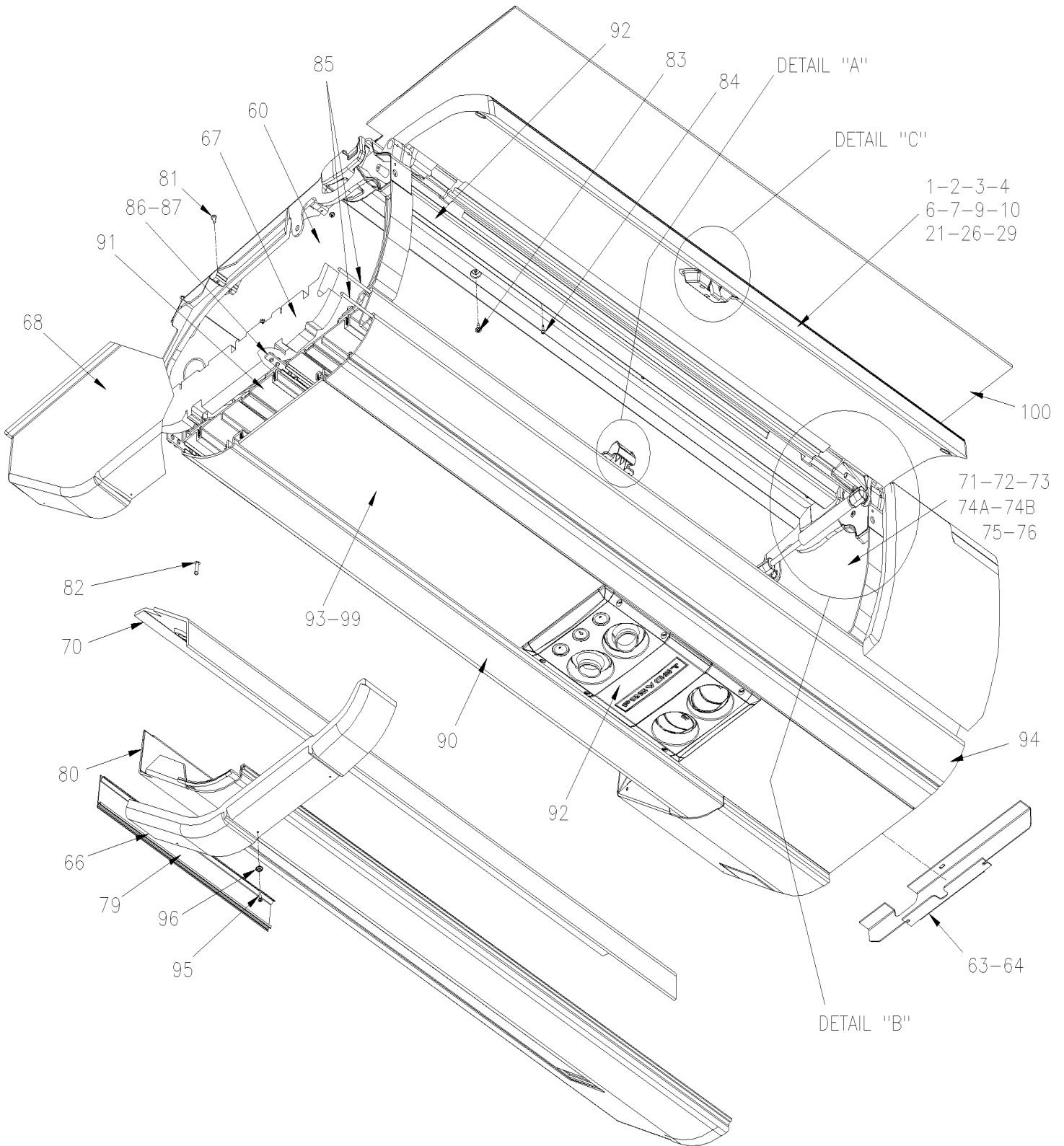
Item#	Part	Description	H 3 4 1	H 3 4 5	N O T E S
		G) WITH GALLEY			
		J) USE ON THE CYLINDER GAZ DOOR SIDE SUPPORT CYLINDER			
		K) WITH BMH1 OPTION			
		L) WITHOUT LAVATORY			
		M) FOR DOOR REPALCEMENT USE 1 EACH: 980027 (BALL STUD) ,502638 (FL WASHER) & 502847 (NUT)			
		N) CALIFORNIA REGULATIONS			
		O) SPECIAL OPTION			
		S) SPECIAL OPTION SHORT PARCEL W/GALLEY AND BED			
		WCL) WITH WHEEL CHAIR LIFT			
		P) CALL ORDER DESK FOR SPECIFIC APPLICATION (V.I.N.)			

From K-0185 To P-1452

Date:07/2024

PAGE:H9-1836-03

PARCEL RACK W/GREY FINISHING



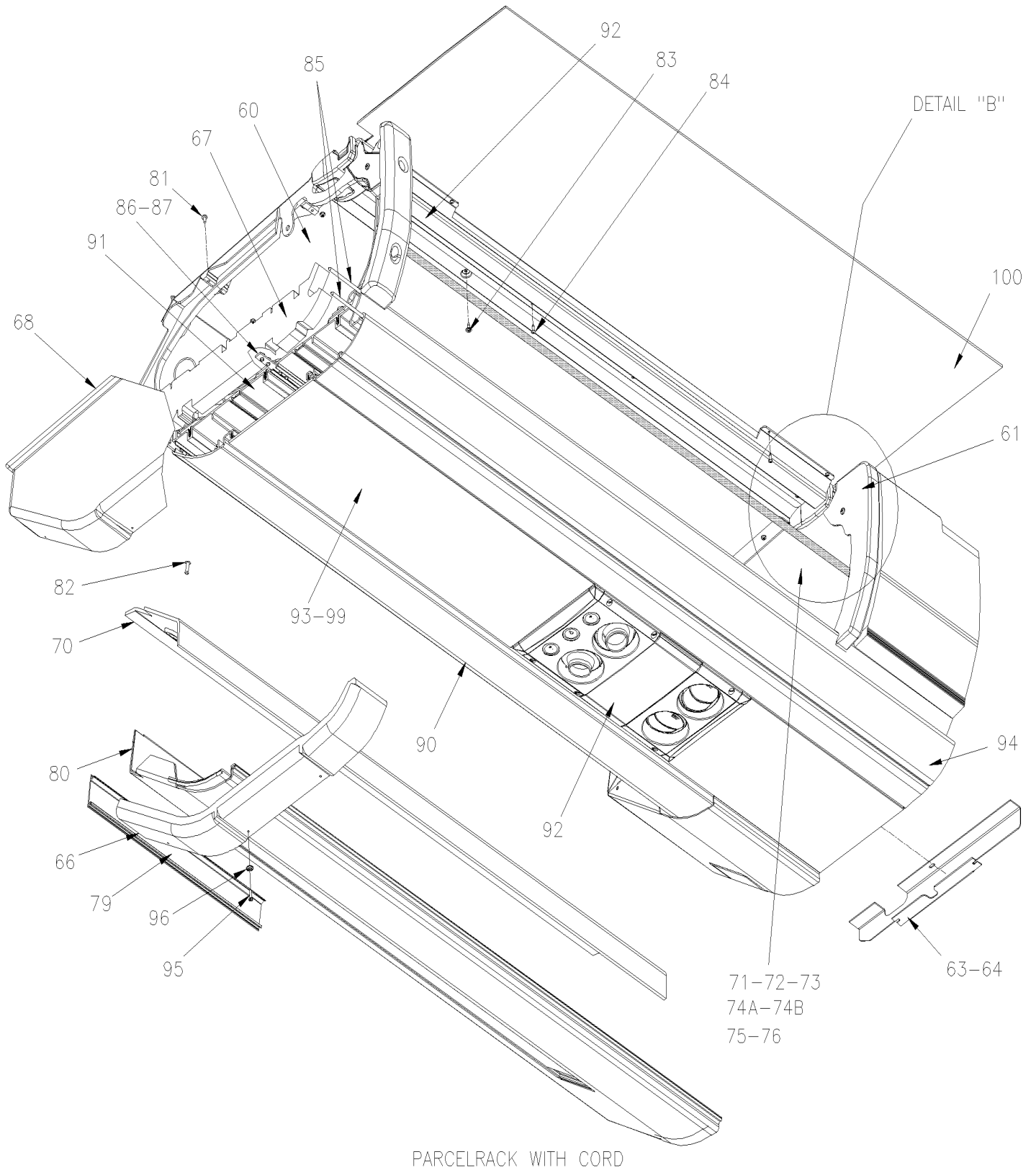
PARCEL RACK WITH DOOR

From K-0185 To P-1452

Date:07/2024

PAGE:H9-1836-03

PARCEL RACK W/GREY FINISHING

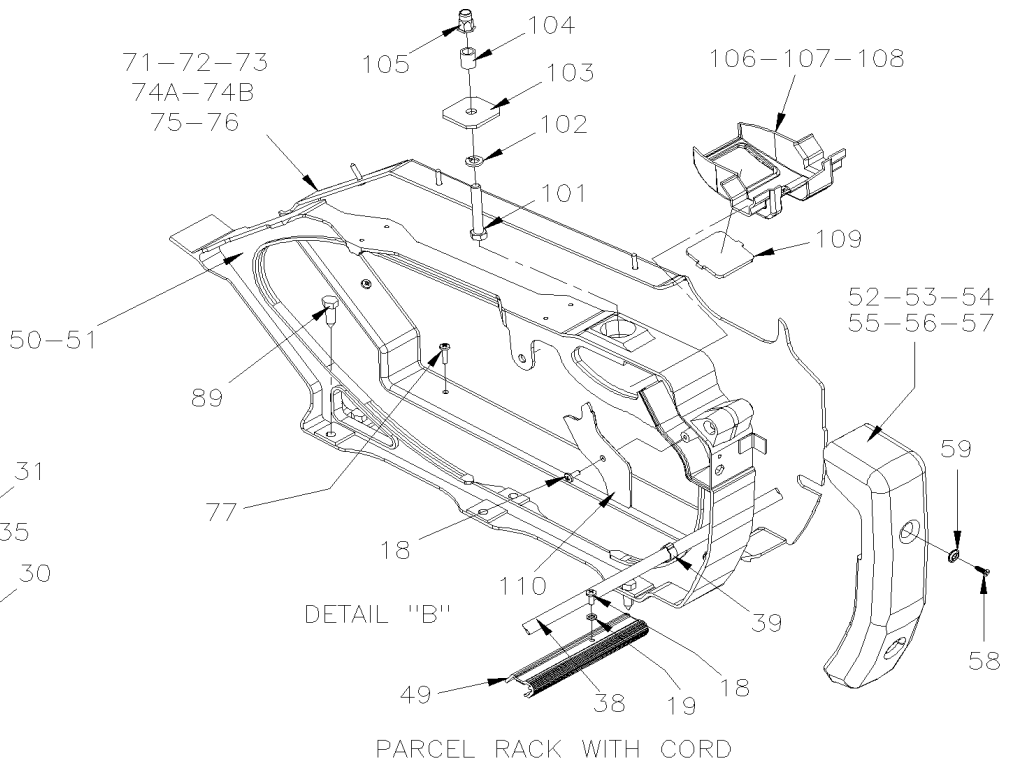
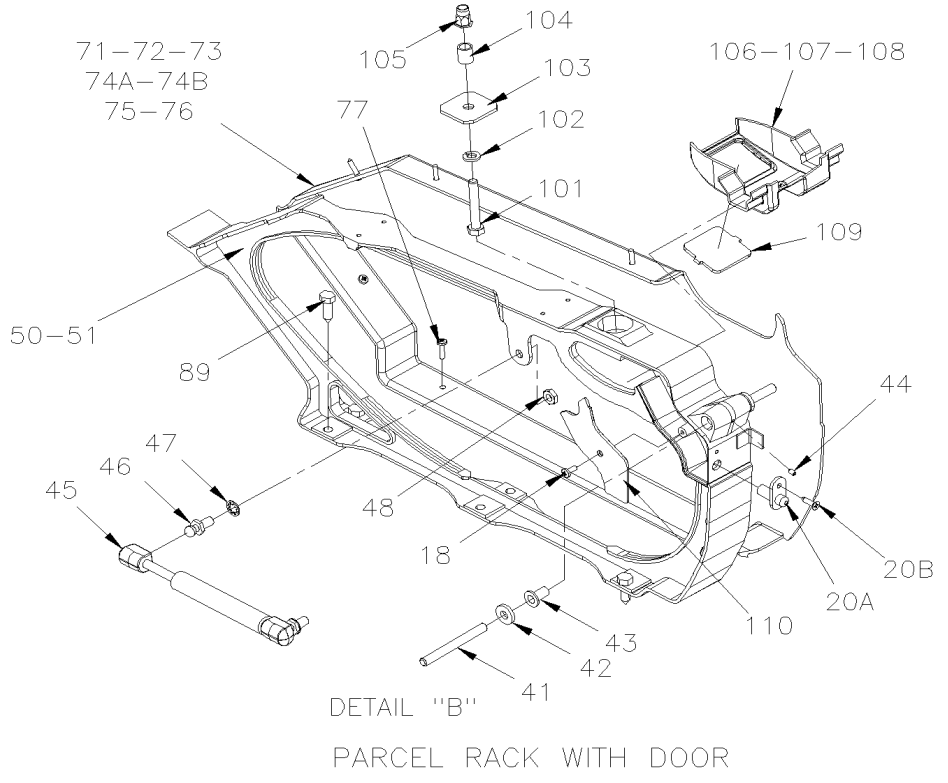
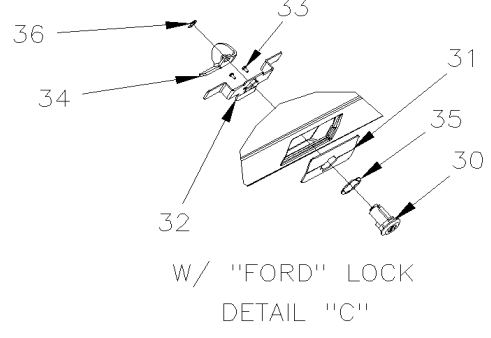
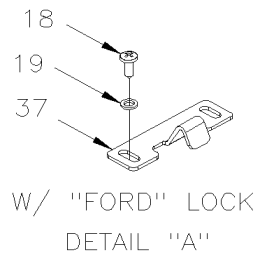
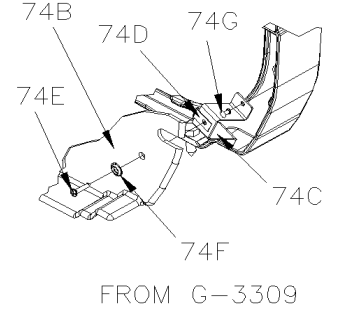
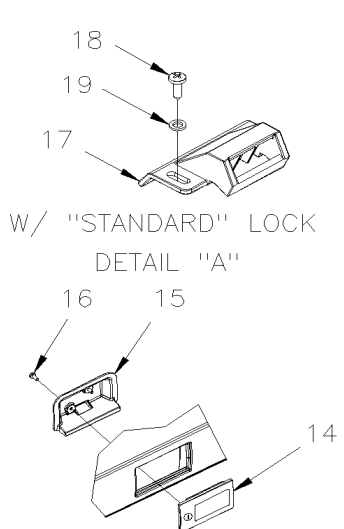


From K-0185 To P-1452

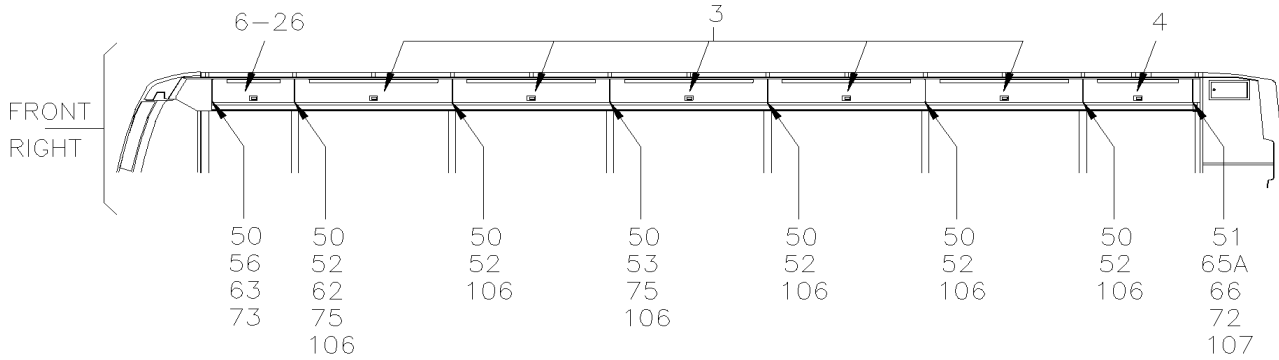
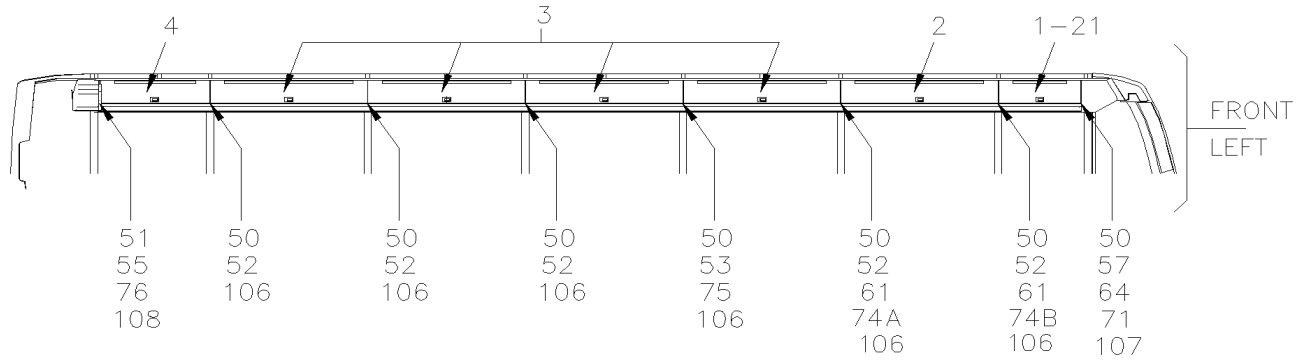
Date:07/2024

PAGE:H9-1836-03

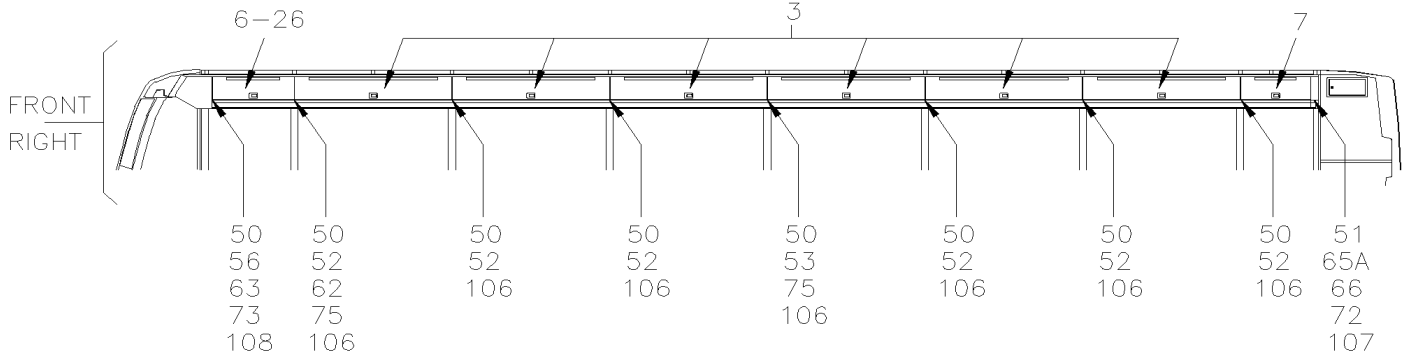
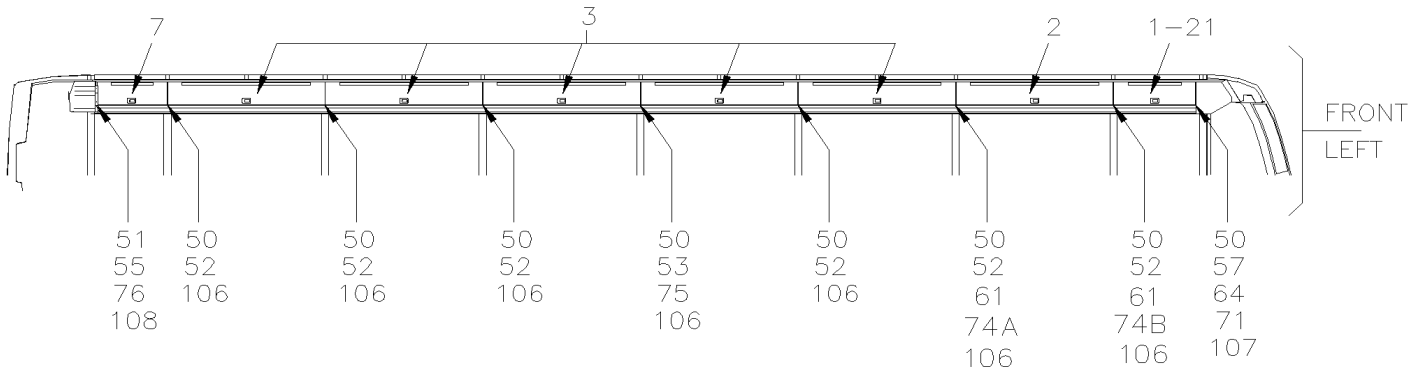
PARCEL RACK W/GREY FINISHING



From K-0185 To P-1452	Date:07/2024	PAGE:H9-1836-03
PARCEL RACK W/GREY FINISHING		



H3-41



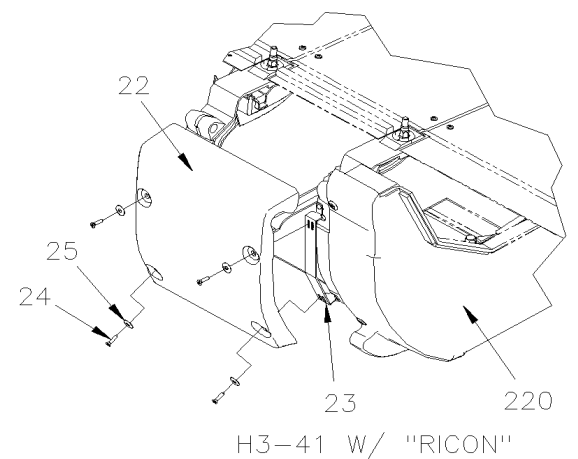
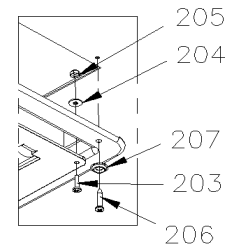
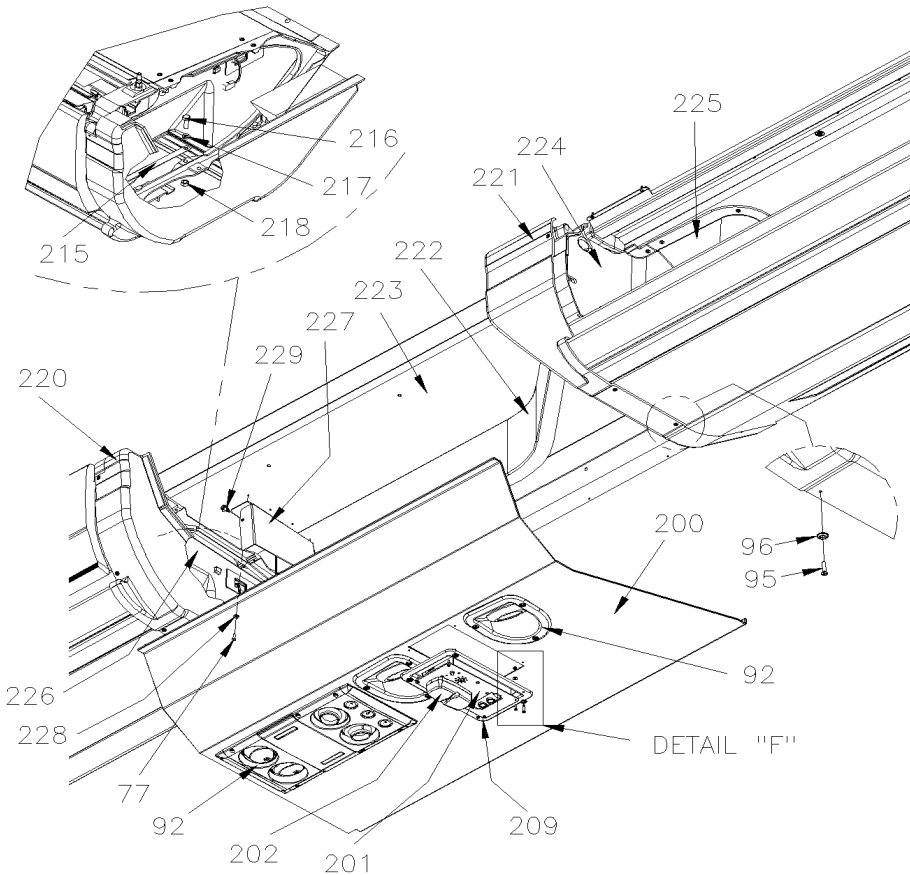
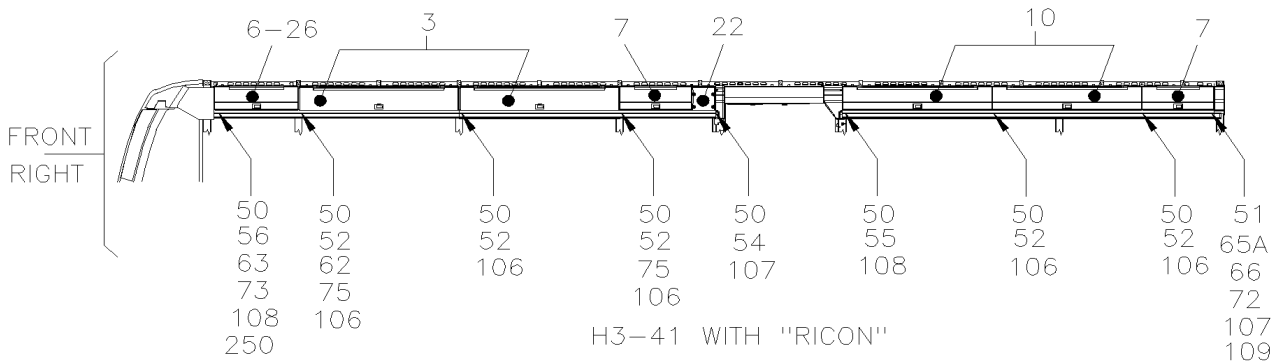
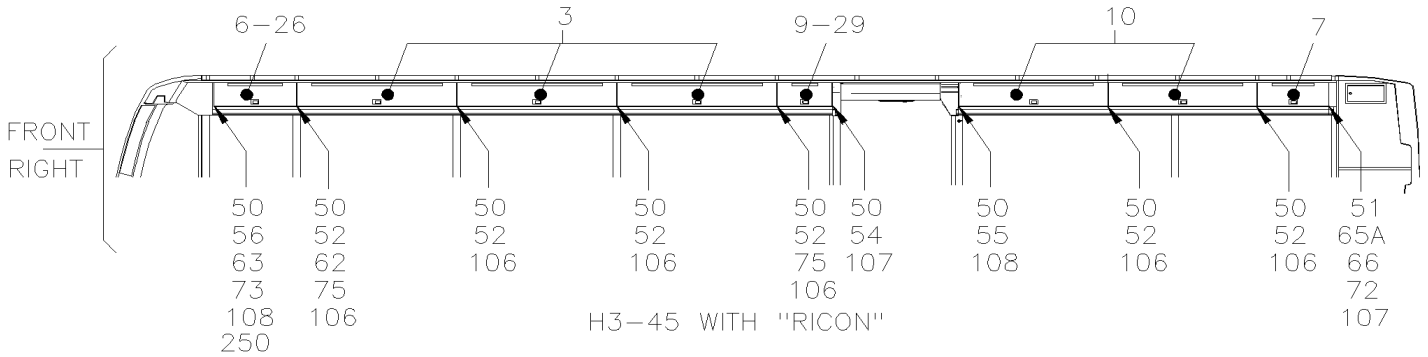
H3-45

From K-0185 To P-1452

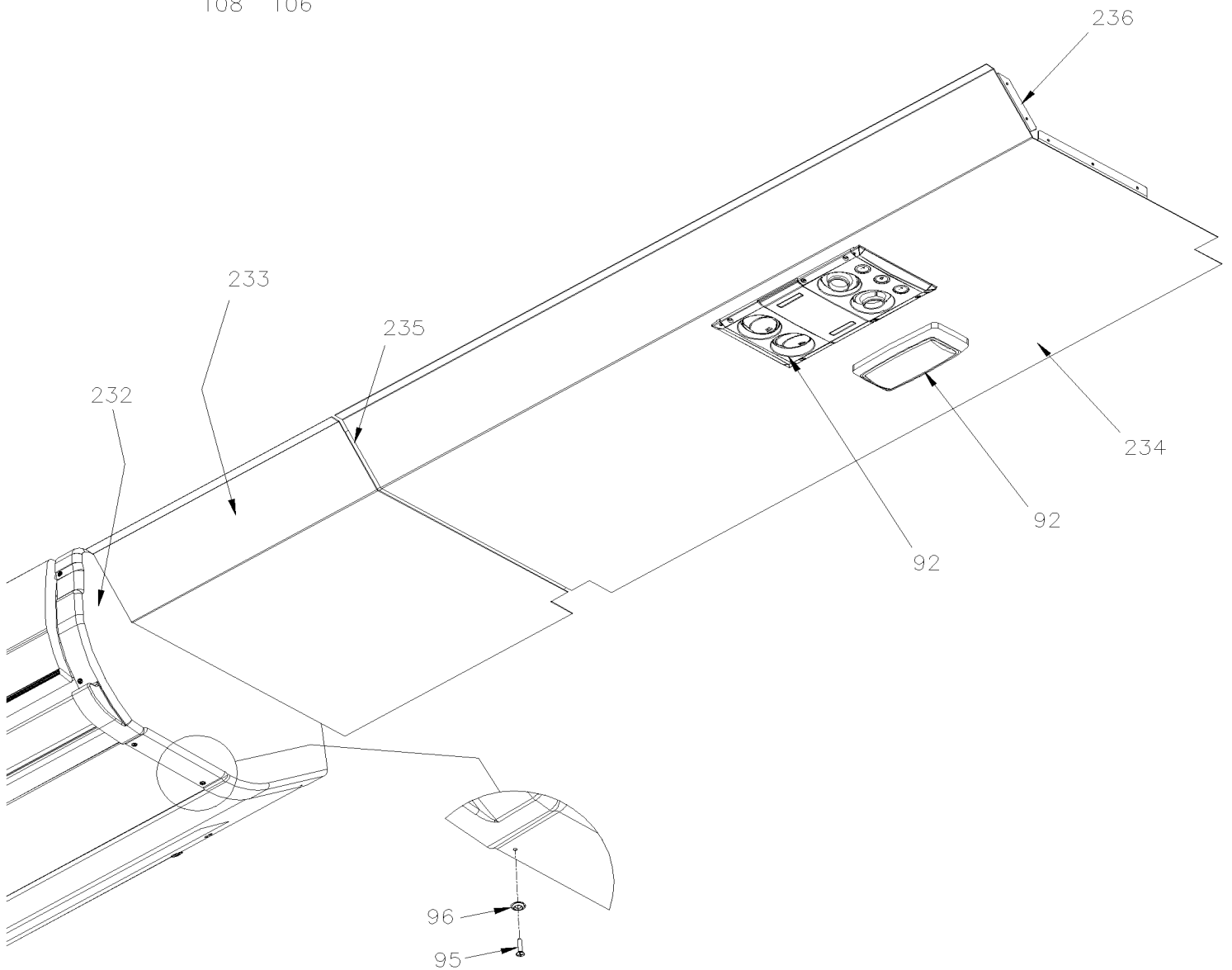
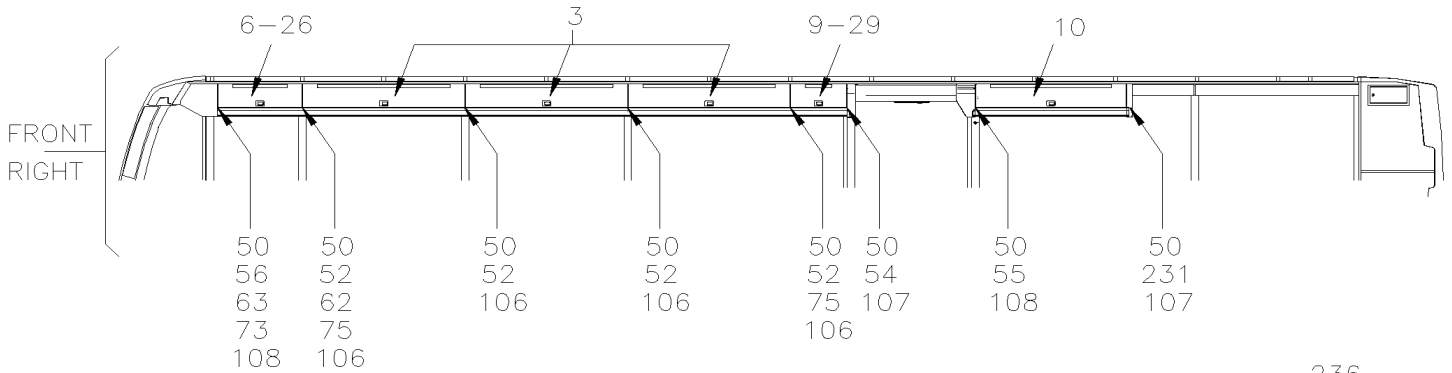
Date:07/2024

PAGE:H9-1836-03

PARCEL RACK W/GREY FINISHING



From K-0185 To P-1452	Date:07/2024	PAGE:H9-1836-03
PARCEL RACK W/GREY FINISHING		



H3-45 WITH "RICON" & "GALLEY"

From K-0185 To P-1452	Date:07/2024	PAGE:H9-1836-03
PARCEL RACK W/GREY FINISHING		

Item#	Part	Description	H 3 4 1	H 3 4 5	NOTES
1	310469	DOOR, PARCEL RACK / L.H. / W/LOCK / GREY / 860MM	1	1	M
1	310469-F01	DOOR, PARCEL RACK / L.H. / W/LOCK / WOODGRAIN / 860MM	1	1	M
1	310469-F02	DOOR, PARCEL RACK / L.H. / W/LOCK / GLOSS SILVER / 860MM	1	1	M
1	310469-F03	DOOR, PARCEL RACK / L.H. / W/LOCK / MATTE SILVER / 860MM	1	1	M
1	310469-F04	DOOR, PARCEL RACK / L.H. / W/LOCK / BIRDSEYE / 860MM	1	1	M
2	310471	DOOR, PARCEL RACK / W/LOCK / GREY / 1654MM	1	1	M
2	310471-F01	DOOR, PARCEL RACK / W/LOCK / WOODGRAIN / 1654MM	1	1	M
2	310471-F02	DOOR, PARCEL RACK / W/LOCK / GLOSS SILVER / 1654MM	1	1	M
2	310471-F03	DOOR, PARCEL RACK / W/LOCK / MATTE SILVER / 1654MM	1	1	M
2	310471-F04	DOOR, PARCEL RACK / W/LOCK / BIRDSEYE / 1654MM	1	1	M
3	310467	DOOR, PARCEL RACK / GREY / 1654MM	9		M
3	310467-F01	DOOR, PARCEL RACK / WOODGRAIN / 1654MM	9		M
3	310467-F02	DOOR, PARCEL RACK / GLOSS SILVER / 1654MM	9		M
3	310467-F03	DOOR, PARCEL RACK / MATTE SILVER / 1654MM	9		M
3	310467-F04	DOOR, PARCEL RACK / BIRDSEYE / 1654MM	9		M
3	310467	DOOR, PARCEL RACK / GREY / 1654MM		11	M
3	310467-F01	DOOR, PARCEL RACK / WOODGRAIN / 1654MM		11	M
3	310467-F02	DOOR, PARCEL RACK / GLOSS SILVER / 1654MM		11	M
3	310467-F03	DOOR, PARCEL RACK / MATTE SILVER / 1654MM		11	M
3	310467-F04	DOOR, PARCEL RACK / BIRDSEYE / 1654MM		11	M
4	311521	DOOR, PARCEL RACK / GREY / 1151MM	2		M
4	310465	DOOR, PARCEL RACK / GREY / 736MM		1	M
4	310465-F01	DOOR, PARCEL RACK / WOODGRAIN / 736MM		1	M
4	310465-F02	DOOR, PARCEL RACK / GLOSS SILVER / 736MM		1	M
4	310465-F03	DOOR, PARCEL RACK / MATTE SILVER / 736MM		1	M
4	310465-F04	DOOR, PARCEL RACK / BIRDSEYE / 736MM		1	M
6	310468	DOOR, PARCEL RACK / R.H. / GREY / 860MM		1	M
6	310468-F01	DOOR, PARCEL RACK / R.H. / WOODGRAIN / 860MM		1	M
6	310468-F02	DOOR, PARCEL RACK / R.H. / GLOSS SILVER / 860MM		1	M
6	310468-F03	DOOR, PARCEL RACK / R.H. / MATTE SILVER / 860MM		1	M
6	310468-F04	DOOR, PARCEL RACK / R.H. / BIRDSEYE / 860MM		1	M
6	310493	DOOR, PARCEL RACK / R.H. / TAN / 860MM		1	M
6	310493-F01	DOOR, PARCEL RACK / R.H. / WOODGRAIN / 860MM		1	M
6	310493-F02	DOOR, PARCEL RACK / R.H. / GLOSS SILVER / 860MM		1	M
6	310466	DOOR, PARCEL RACK / R.H. W/LOCK / GREY / 860MM		1	M
7	310465	DOOR, PARCEL RACK / GREY / 736MM	3		M
7	310465-F01	DOOR, PARCEL RACK / WOODGRAIN / 736MM	3		M
7	310465-F02	DOOR, PARCEL RACK / GLOSS SILVER / 736MM	3		M
7	310465-F03	DOOR, PARCEL RACK / MATTE SILVER / 736MM	3		M
7	310465-F04	DOOR, PARCEL RACK / BIRDSEYE / 736MM	3		M
7	310465	DOOR, PARCEL RACK / GREY / 736MM		2	M
7	310465-F01	DOOR, PARCEL RACK / WOODGRAIN / 736MM		2	M

From K-0185 To P-1452	Date:07/2024	PAGE:H9-1836-03
PARCEL RACK W/GREY FINISHING		

Item#	Part	Description	H 3 4 1	H 3 4 5	NOTES
7	310465-F02	DOOR, PARCEL RACK / GLOSS SILVER / 736MM		2	M
7	310465-F03	DOOR, PARCEL RACK / MATTE SILVER / 736MM		2	M
7	310465-F04	DOOR, PARCEL RACK / BIRDSEYE / 736MM		2	M
7	314547	DOOR, PARCEL RACK / W/LOCK / GREY / 736MM		1	M
9	310463	DOOR, PARCEL RACK / GREY / 568MM		1	M
9	310463-F01	DOOR, PARCEL RACK / WOODGRAIN / 568MM		1	M
9	310463-F02	DOOR, PARCEL RACK / GLOSS SILVER / 568MM		1	M
9	310463-F04	DOOR, PARCEL RACK / BIRDSEYE / 568MM		1	M
9	310472	DOOR, PARCEL RACK / W/LOCK / GREY / 568MM		1	
10	310457	DOOR, PARCEL RACK / GREY / 1541MM	2	2	M
10	310457-F04	DOOR, PARCEL RACK / BIRDSEYE / 1541MM	1	1	M
NS	313678	. RUBBER BUMPER	2	2	
NS	810092	. HANDLE	1	1	
NS	810093	. HANDLE W/LOCK	1	1	
. NS	810104	. . KEY (7216)	1	1	
NS	314048	. COVER DOOR HANDLE PARCEL RACK NSS	1	1	
NS	500557	. SCREW MA PAN PH #8-32x3/8 SS	2	2	
13	313678	RUBBER BUMPER	1	1	
14	810092	HANDLE	1	1	
14	810093	HANDLE W/LOCK	1	1	
. NS	810104	. KEY (7216)	1	1	
15	313532	COVER DOOR HANDLE PARCEL RACK NSS	1	1	
16	500557	SCREW MA PAN PH #8-32x3/8 SS	2	2	
17	313667	CATCH GREY	AR	AR	M
18	500638	SCREW TP PAN PH #8x1/2 Z050	AR	AR	
19	500470	WASHER LO SPT .193x.334x.047 Z050	AR	AR	
20A	561563	SWITCH / S.P.S.T. / N.C.	AR	AR	
20B	500896	SCREW TC FL PH #8-32x5/8 Z050	AR	AR	
21	310481	DOOR, PARCEL RACK / L.H. TO USE W/"FORD" OR "GM" / GREY / 860MM	1	1	M
22	314529	COVER FINISH, PARCEL RACK GREY	1		M
23	316724	SUPPORT, PARCEL RACK FIN. COVER	2		
24	500626	SCREW TP OV PH #8x3/4 Z050	4		
25	500464	WASHER FN CKF .210x.540 SS	4		
26	310482	DOOR, PARCEL RACK / R.H. TO USE W/"FORD" OR "GM" / GREY / 860MM	1	1	M
29	314546	DOOR, PARCEL RACK / TO USE W/"FORD" / 568MM	1	1	M
30	H9-1864-31	HANDLE LOCK & KEYS - TYPE "NS" & "FORD"			
31	316170	PLATE FRONT FINISHING 85MM x 61.3MM	1	1	
32	316173	CYLINDER LOCK RETAINER HAT FORM	1	1	
33	5001053	SCREW MA PAN PH #4-40x1/4 ZP	2	2	
34	316174	PIVOT LOCK	1	1	
35	2800032	SEAL RUBBER 1/16" TH	1	1	
36	504402	RING RETAINER / EXT .250 x .210 x .025"	1	1	

From K-0185 To P-1452	Date:07/2024	PAGE:H9-1836-03
PARCEL RACK W/GREY FINISHING		

Item#	Part	Description	H 3 4 1	H 3 4 5	NOTES
37	316188	CATCH / W/"FORD" CYLINDER KEY	1	1	
38	313863	CORD, RUBBER 308"	1		
. NS	506066	. CORD, RUBBER EXTRUSION NEO 7/16" O.D. / C.T.L.	AR		
38	313864	CORD, RUBBER 373"	1		
. NS	506066	. CORD, RUBBER EXTRUSION NEO 7/16" O.D. / C.T.L.	AR		
38	312660	CORD, RUBBER 400"	1		
. NS	506066	. CORD, RUBBER EXTRUSION NEO 7/16" O.D. / C.T.L.	AR		
38	312661	CORD, RUBBER 407"	1		
. NS	506066	. CORD, RUBBER EXTRUSION NEO 7/16" O.D. / C.T.L.	AR		
38	312659	CORD, RUBBER 359"		1	
. NS	506066	. CORD, RUBBER EXTRUSION NEO 7/16" O.D. / C.T.L.		AR	
38	312658	CORD, RUBBER 434"		1	
. NS	506066	. CORD, RUBBER EXTRUSION NEO 7/16" O.D. / C.T.L.		AR	
38	312654	CORD, RUBBER 456"		1	
. NS	506066	. CORD, RUBBER EXTRUSION NEO 7/16" O.D. / C.T.L.		AR	
38	312653	CORD, RUBBER 483"		1	
. NS	506066	. CORD, RUBBER EXTRUSION NEO 7/16" O.D. / C.T.L.		AR	
38	312423	CORD, RUBBER 230"		1	WCL
. NS	506066	. CORD, RUBBER EXTRUSION NEO 7/16" O.D. / C.T.L.		AR	WCL
38	312754	CORD, RUBBER 152"		1	WCL
. NS	506066	. CORD, RUBBER EXTRUSION NEO 7/16" O.D. / C.T.L.		AR	WCL
38	506066	. CORD, RUBBER EXTRUSION NEO 7/16" O.D. / C.T.L.	AR	AR	
39	504452	CLAMP "E-Z CLIP" / "TUBE-O" / 7/16" / HC9-7	AR	AR	
41	313677	PIVOT ROD 3"	AR	AR	
41	313676	PIVOT ROD 6"	AR	AR	
42	5001481	SPACER NYLON .323 I.D. X .750 O.D. X .125	AR	AR	
43	5001490	WASHER SHR .312 ID NYL	AR	AR	
44	500587	SCREW SET HEXS CUP M4-0.7x6	AR	AR	
45	980020	CYLINDER GAZ / 244/164MM C/C / 35LBS From K-0390	AR	AR	
45	980021	CYLINDER GAZ / 244/164MM C/C / 20LBS From K-0390	AR	AR	
46	980015	BALL STUD / W/10 MM X M8-1.25 / 29.18 MM	AR	AR	
46	980027	BALL STUD / W/10 MM X M8-1.25 / 36.5MM	AR	AR	M J
47	502509	WASHER LO INT 8.4x15.0x0.8 Z050	AR	AR	
47	502638	WASHER FL .312x.734x.065 N500	AR	AR	M
48	980016	NUT, CYLINDER RETAINER	AR	AR	
48	502847	NUT HEX NYRT M8-1.25 N500	AR	AR	M J
50	315887	SUPPORT, PARCEL RACK GREY	AR	AR	
50	314005	SUPPORT, PARCEL RACK TAN	14		
50	314005	SUPPORT, PARCEL RACK TAN		16	
51	310221	SUPPORT, PARCEL RACK GREY	2	2	
51	314006	SUPPORT, PARCEL RACK TAN	2	2	
52	312648	PILAR COVERING GREY	AR	AR	

From K-0185 To P-1452	Date:07/2024	PAGE:H9-1836-03
PARCEL RACK W/GREY FINISHING		

Item#	Part	Description	H 3 4 1	H 3 4 5	NOTES
53	312964	PILAR COVERING GREY	2	2	
54	314535	PILAR COVERING / FRONT W.C.L. DOOR GREY	2	2	
55	310055	PILAR COVERING / BACKWARD END SECTION GREY	1	1	
55	317093	COVER L.H. END CLOSING		1	F
55	313626	PILAR COVERING / BACKWARD W.C.L. DOOR	1	1	
56	312966	PILAR COVERING L.H.	1	1	
58	500661	SCREW TC FL PH #6-32x1/2 Z050	AR	AR	
59	500463	WASHER FN CKF .187x.500x.090 BR Z050	AR	AR	
60	310383	CEILING PANEL 867MM #1 R.H.	1	1	
60	310392	CEILING PANEL 867MM #1 L.H.	1	1	
60	310342	CEILING, PARCEL RACK 1654MM / GREY #2,3,4,5 & 6 L.H. & R.H.	10		
60	314531	CEILING PANEL 1179MM #7 L.H.	1		
60	314530	CEILING PANEL 1179MM #7 R.H.	1		
60	310342	CEILING, PARCEL RACK 1654MM / GREY #2,3,4,5, 6 & 7 L.H. & R.H. To K-0630		12	
60	310342	CEILING, PARCEL RACK 1654MM / GREY #3,7 R.H. & 3,5,7 L.H. From K-0631		5	
60	314610	CEILING W/ ACCES CUTOUT, PARCEL RACK 1654MM / GREY #2,6 L.H. & R.H. From K-0631		4	
60	314631	CEILING PANEL 1654MM / GREY #4,5 R.H. & 4 L.H. From K-0631		3	
60	314589	ACCESS HATCH 616MM From K-0631		7	
60	310342	CEILING, PARCEL RACK 1654MM / GREY #2,3,4,5, 6 & 7 L.H. & R.H.		12	
60	317039	CEILING PANEL 1654MM #2,3,4,5,6 & 7 LH & #2,3,4 RH		9	WCL
60	310342	CEILING, PARCEL RACK 1654MM / GREY #2,3,4,5,6 & 7 LH & #2,3,4 RH To K-0630		9	WCL
60	310342	CEILING, PARCEL RACK 1654MM / GREY #3 R.H., 3,5, & 7 L.H. From K-0631		4	WCL
60	314610	CEILING W/ ACCES CUTOUT, PARCEL RACK 1654MM / GREY #2 R.H., 2,6 L.H. From K-0631		3	WCL
60	314631	CEILING PANEL 1654MM / GREY #4 R.H., 4 L.H. From K-0631		2	WCL
60	314589	ACCESS HATCH 616MM #2,4 R.H., 2,4,6 L.H. From K-0631		5	
60	310345	CEILING PANEL / W/W.C.L. "RICON" 568MM / GREY #5 R.H. To K-0630		1	
60	314632	CEILING PANEL / W/W.C.L. "RICON" 568MM / GREY #5 R.H. From K-0631		1	
60	314641	ACCESS HATCH 311MM #5 R.H. From K-0631		1	
60	310352	CEILING PANEL / W/W.C.L. "RICON" 1544MM / GREY #7 R.H.		1	
60	310348	CEILING PANEL / W/W.C.L. "RICON" 1544MM / GREY #6 RH To K-0630		1	
60	314633	CEILING PANEL / W/W.C.L. "RICON" 1544MM / GREY #6 RH From K-0631		1	
60	314589	ACCESS HATCH 616MM #6 RH From K-0631		1	
60	314532	CEILING PANEL / W/W.C.L. "RICON" 241MM / GREY #5 RH	1	1	
60	310382	CEILING PANEL 736MM / GREY #8 L.H. & R.H.		2	
NS	312243	INSULATING / TOP PANEL & STRUCTURE 1371.6MM	10		
60	312243	INSULATING / TOP PANEL & STRUCTURE 1371.6MM		12	
NS	506227	TAPE RUB ADH1 CC POL 1/16" x 3/4" x 100' / GREY 2520	AR	AR	
NS	506268	TAPE RUB ADH1 URE 3/8" x 1/2" x 25' / GREY 1820	AR	AR	
61	316680	FINISHING CAP L.H. / FRONT OF P.R. / GREY	1	1	
62	314548	FINISHING CAP R.H. / FRONT OF P.R. GREY	1	1	
63	312904	SUPPORT FRONT R.H. / "C" FORM 390MM	1	1	
64	312902	SUPPORT FRONT R.H. / "C" FORM 390MM	1	1	

From K-0185 To P-1452	Date:07/2024	PAGE:H9-1836-03
PARCEL RACK W/GREY FINISHING		

Item#	Part	Description	H 3 4 1	H 3 4 5	NOTES
NS	500582	SCREW TP PAN PH #8x3/8 Z050	1	1	
65	310048	FINISHING CAP R.H. / FRONT OF P.R. WITHOUT DOOR	1	1	
65A	310232	FINISHING CAP R.H. / FRONT OF P.R. WITH DOOR GREY	1	1	
65B	314548	FINISHING CAP R.H. / FRONT OF P.R. GREY	1	1	L
66	310231	FINISHING CAP R.H. / UNDER OF P.R. GREY		1	
66	313980	FINISHING CAP R.H. / UNDER OF P.R. TAN	1	1	
67	319161	COVER END CLOSING	2	2	
68	322562	CLOSING COVER L.H. BACKWARD PACEL RACK GREY	1	1	
68	500626	SCREW TP OV PH #8x3/4 Z050	5	5	
68	500464	WASHER FN CKF .210x.540 SS	5	5	
NS	312922	ANGLE / TO FIX FINISHING CAP	2	2	
NS	506318	TAPE DUAL LOCK 1" x 150' / BLACK SJ3541	AR	AR	
68	316748	COVER FINISHING, PARCEL RACK END	1		S
70	312553P	PANEL, INTERIOR ASSY 868 MM #1 RH & LH	2		
70	Call order desk	PANEL, INTERIOR ASSY 1657 MM #2,3,5,6 LH & #2,4,5,6 RH	8		P
70	Call order desk	PANEL, INSIDE 1657MM #4 LH & #3 RH	1		PC
70	Call order desk	PANEL, INSIDE 1657MM #4 LH & #3 RH	1		PA
70	316715P	PANEL, INSIDE 1205.5MM #7 RH	1		
70	314407P	PANEL, INSIDE 1181.5MM #7 LH	1		
70	312553P	PANEL, INTERIOR ASSY 868 MM #1 RH & LH		1	
70	Call order desk	PANEL, INSIDE 745MM		1	PF
70	Call order desk	PANEL, INTERIOR ASSY 1657 MM #2,3,4,6,7 LH & #2,3,5,6,7 RH		10	P
70	Call order desk	PANEL, INSIDE 1657MM #5 LH & #4 RH	1	1	PC
70	Call order desk	PANEL, INSIDE 1657MM #5 LH & #4 RH	1	1	PA
70	312558P	PANEL, INSIDE / W/W.C.L. "RICON" 597MM #5 RH		1	
70	Call order desk	PANEL, INSIDE / W/W.C.L. "RICON" 1544MM #6 & #7 RH		1	P
70	Call order desk	PANEL, INSIDE / W/W.C.L. "RICON" 1544MM #5 & #6 RH	1		P
70	Call order desk	PANEL, INSIDE 791MM #8 RH		1	P
70	Call order desk	PANEL, INSIDE 766MM #8 LH		1	P
70	Call order desk	PANEL, INSIDE / W/W.C.L. & GALLEY 1594MM #6 RH		1	PG
70	Call order desk	PANEL, INSIDE / W/W.C.L. "RICON" 271MM #5 RH	1		P
NS	810034	. CARPET OZITE / S.L. 12 FT WIDE	AR	AR	
71	310367	COVER L.H. ASSY / W/LIGHT & VENT HOLE GREY	1	1	
. NS	310370	. COVER, PARCEL RACK, VENTILATED	1	1	
. NS	565889	. LAMP LED	1	1	
. NS	504448	. CABLE CLIP ¼" / ADHESIVE	2	2	
. NS	502752	. SCREW TP RND PH #4x3/4 ZP	2	2	
. NS	506755	. VELCRO / HOOK ADHESIF 1" x 75'	AR	AR	
. NS	506756	. VELCRO / LOOP ADHESIF 1" x 75'	AR	AR	
71	310368	COVER L.H. ASSY GREY	1	1	
. NS	310373	. COVER / PLAIN / W/CORD GREY	1	1	
. NS	060157	. DECAL, O2 EL MONITOR LAYOUT P-RACK E	1	1	

From K-0185 To P-1452	Date:07/2024	PAGE:H9-1836-03
PARCEL RACK W/GREY FINISHING		

Item#	Part	Description	H 3 4 1	H 3 4 5	NOTES
. NS	0610354	. DECAL, O2 EL SOUND/VIDEO SYS P-RACK E	1	1	
. NS	506339	. TAPE RUB ADH1 NIT 1/4" x 1" x 35' / BLACK 1220	AR	AR	
71	314541	COVER L.H. ASSY / W/LIGHT & FAN HOLE	1	1	
. NS	314542	. COVER L.H. / W/LIGHT & FAN HOLE	1	1	
. NS	060936	. DECAL / POWER VIDEO COMPONENTS	1	1	
71	H9-0690-00	FAN PARCEL RACK	1	1	
71	060936	DECAL / POWER VIDEO COMPONENTS	1	1	
71	311513	COVER ASSY W/ VENT HOLE	1	1	
. NS	311511	. COVER VENTED GREY	1	1	
. NS	060157	. DECAL, O2 EL MONITOR LAYOUT P-RACK E	1	1	
. NS	0610354	. DECAL, O2 EL SOUND/VIDEO SYS P-RACK E	1	1	
72	316667	COVER / PLAIN / W/CORD	1	1	
72	314539	COVER R.H. / PLAIN OFFSET W/CORD & FAN VENT, GREY To L-0936	1	1	
72	310354	COVER R.H. ASSY / W/LIGHT OFFSET GREY	1	1	
. NS	316670	. COVER, PARCEL RACK	1	1	
. NS	565889	. LAMP LED	1	1	
72	316653	COVER R.H. ASSY / W/LIGHT OFFSET & FAN VENT SAND BEIGE	1	1	
. NS	316652	. COVER, REAR RIGHT	1	1	
. NS	565889	. LAMP LED	1	1	
72	310361	COVER R.H. ASSY / W/LIGHT OFFSET & FAN VENT GREY To L-0936	1	1	
. NS	310369	. COVER, REAR RIGHT To L-0936	1	1	
. NS	565889	. LAMP LED To L-0936	1	1	
73	310161	COVER ASSY / W/LIGHT / PLAIN /W/HOLE FOR CABLE GREY	1	1	
. NS	310160	. COVER, PARCEL RACK	1	1	
. NS	565889	. LAMP LED	1	1	
. NS	504448	. CABLE CLIP 1/4" / ADHESIVE	2	2	
. NS	502752	. SCREW TP RND PH #4x3/4 ZP	2	2	
73	314536	COVER / PLAIN / W/CORD GREY	1	1	
73	310657	COVER ASSY / W/OUT LIGHT / PLAIN GREY		1	K
74A	310374	COVER / PLAIN / W/CORD GREY	1	1	
74A	310374	COVER / PLAIN / W/CORD GREY	1	1	
74A	316623	COVER / PLAIN / W/DOOR GREY From K-0485	1	1	O
74A	314561	COVER / PLAIN / PLAIN GREY From K-0485	1	1	O
74B	310373	COVER / PLAIN / W/CORD GREY	1	1	O
74B	060158	DECAL, O2 EL SOUND/VIDEO SYS P-RACK E To L-0975	1	1	
74B	0610354	DECAL, O2 EL SOUND/VIDEO SYS P-RACK E From L-0976	1	1	
74B	060157	DECAL, O2 EL MONITOR LAYOUT P-RACK E	1	1	
74C	310123	BRACKET	1	1	
74D	508423	NUT SPR U #6 .025 - .064	1	1	
74E	500552	SCREW TP OV PH #6x3/4 Z050	1	1	
74F	500463	WASHER FN CKF .187x.500x.090 BR Z050	1	1	
74G	504108	RIVET POP DOME OE 1/8x1/2 AL	1	1	

From K-0185 To P-1452	Date:07/2024	PAGE:H9-1836-03
PARCEL RACK W/GREY FINISHING		

Item#	Part	Description	H 3 4 1	H 3 4 5	N O T E S
75	310376	COVER / PLAIN GREY To K-0484	1	1	
75	314536	COVER / PLAIN / W/CORD GREY From K-0485	1	1	
76	316694	COVER FOR IOB MODULE GREY	1	1	
. NS	069194	. DECAL "IOB"	1	1	
76	316673	COVER ASSY / W/LIGHT / PLAIN	1	1	
. NS	316674	. COVER, PARCEL RACK	1	1	
. NS	565889	. LAMP LED	1	1	
. NS	504448	. CABLE CLIP ¼" / ADHESIVE	2	2	
. NS	502752	. SCREW TP RND PH #4x3/4 ZP	2	2	
77	500641	SCREW TP PAN PH #8x3/4 Z050	AR	AR	
78	314161	SUPPORT REAR R.H. W/OUT LAVATORY W/CORD	1	1	
79	317129	SIDE ACCESS PANEL GREY	1	1	
80	314103P	PANEL ASSY 868MM #1 RH & LH	2		
80	Call order desk	PANEL ASSY 1657MM #2,3,5,6 LH & #2,4,5,6 RH	8		P
80	Call order desk	PANEL ASSY 1657MM #4 LH & #3 RH	2		P
80	Call order desk	PANEL ASSY 1205.5MM #7 RH	1		P
80	Call order desk	PANEL ASSY 1205.5MM #7 LH	1		P
80	314103P	PANEL ASSY 868MM #1 RH & LH		2	
80	Call order desk	PANEL ASSY 1657MM #2,3,4,6,7 LH & #2,3,5,6,7 RH		10	P
80	Call order desk	PANEL ASSY 1657MM #5 LH & #4 RH		2	P
80	Call order desk	PANEL ASSY / W/W.C.L. "RICON" 1012MM #4 RH	1		P
80	Call order desk	PANEL ASSY / W/W.C.L. "RICON" 603MM #5 RH		1	P
80	Call order desk	PANEL ASSY / W/W.C.L. "RICON" 1578MM #6 RH		1	P
80	Call order desk	PANEL ASSY / W/W.C.L. "RICON" 1578MM #5 RH	1		P
80	Call order desk	PANEL ASSY / WITH GALLEY 1603MM #6 RH		1	P G
80	Call order desk	PANEL ASSY / W/W.C.L. "RICON" 2345MM #7 RH		1	P
80	Call order desk	PANEL ASSY / W/W.C.L. "RICON" 2345MM #6 RH	1		P
80	Call order desk	PANEL ASSY 796MM #8 RH		1	P
80	Call order desk	PANEL ASSY 770.5MM #8 LH		1	P
80	Call order desk	PANEL ASSY 747MM #7 LH		1	P F
80	Call order desk	PANEL, PARCEL RACK ASSY SPECIAL 1685MM #6 L.H.	1		P S
80	Call order desk	PANEL, PARCEL RACK ASSY SPECIAL 1685MM #4 R.H.	1		P S
80	504536	. CABLE CLIP ½" / ADHESIVE	AR	AR	
80	683660	. TAPE RUB ADH1 VHB 1/2" x .120" x 107'	AR	AR	
NS	313469	INSULATION	1	1	
80	506264	TAPE RUB ADH1 URE 3/4" x 1" x 12.5' / GREY 1820X	AR	AR	
81	500582	SCREW TP PAN PH #8x3/8 Z050	AR	AR	
82	504118	RIVET POP DOME OE 3/16x3/8 AL	AR	AR	
82	504108	RIVET POP DOME OE 1/8x1/2 AL	AR	AR	
82	504107	RIVET POP DOME OE 1/8x5/16 AL	AR	AR	
82	500618	SCREW TP FL PH #10x1 Z050	AR	AR	
83	5001440	SCREW TP RND PH WSHR HD #8x1/2	14	14	

From K-0185 To P-1452	Date:07/2024	PAGE:H9-1836-03
PARCEL RACK W/GREY FINISHING		

Item#	Part	Description	H 3 4 1	H 3 4 5	NOTES
84	500583	SCREW TP PAN PH #6x1/2 Z050	1	1	
84	508423	NUT SPR U #6 .025 - .064	1	1	
85	311250	ROD / TO JOINT HAND RAIL EXTRUSION	AR	AR	
86	312511	PLATE, JUNCTION / EXTRUSION RETAINER	4	4	
87	504114	RIVET POP DOME OE 3/16x1/4 AL	AR	AR	
88	810087	CARPET (OZITE) SELF ADHESIVE To K-0498	AR	AR	
88	810009	CARPET (OZITE) SELF ADHESIVE From K-0499	AR	AR	
89	502513	SCREW TP CAP HEX 5/16x1 Z050	AR		
90	Call order desk	EXTRUSION, REAR, ALUMINIUM 5850MM / S.C.C	2		P
90	Call order desk	EXTRUSION, REAR, ALUMINIUM 4527MM / S.C.C	1		P
90	Call order desk	EXTRUSION, REAR, ALUMINIUM 4503MM / S.C.C	1		P
90	Call order desk	EXTRUSION, REAR, ALUMINIUM 5148MM / S.C.C	1		P L
90	Call order desk	EXTRUSION, REAR, ALUMINIUM 5850MM / S.C.C		2	P
90	Call order desk	EXTRUSION, REAR, ALUMINIUM 5773MM / S.C.C		1	P
90	Call order desk	EXTRUSION, REAR, ALUMINIUM 5748MM / S.C.C		1	P
90	Call order desk	EXTRUSION, REAR, ALUMINIUM 6395MM / S.C.C		1	P L
90	Call order desk	EXTRUSION, REAR, ALUMINIUM 6450MM / S.C.C		1	P WCL
90	Call order desk	EXTRUSION, REAR, ALUMINIUM 5204MM / S.C.C	1		P WCL
90	Call order desk	EXTRUSION, REAR, ALUMINIUM 3913MM / S.C.C	1	1	P WCL
90	Call order desk	EXTRUSION, REAR, ALUMINIUM 1597MM / S.C.C		1	P G
90	Call order desk	EXTRUSION, REAR, ALUMINIUM 747MM / S.C.C		1	P F
90	Call order desk	EXTRUSION, REAR, ALUMINIUM 4067MM / S.C.C		1	P F
90	Call order desk	EXTRUSION, REAR, ALUMINIUM 4067MM / S.C.C		1	P F
90	Call order desk	EXTRUSION, REAR, ALUMINIUM 5850MM / S.C.C	1		P S
NS	504453	GROMMET / 1.500x1.750x.250x.625x2.125	2	2	
NS	504666	GROMMET / 1.000x1.375x.250x.625x1.750	1	1	
90	504622	GROMMET / 1.500x1.750x.062x.437x2.125	1		
NS	504567	GROMMET / .687x1.000x.250x.562x1.312		2	
90	504567	GROMMET / .687x1.000x.250x.562x1.312	1		
91	Call order desk	EXTRUSION, ALUMINIUM 5850MM / S.C.C	2		P
91	Call order desk	EXTRUSION, ALUMINIUM 4527MM / S.C.C	1		P
91	Call order desk	EXTRUSION, ALUMINIUM 4503MM / S.C.C	1		P
91	Call order desk	EXTRUSION, ALUMINIUM 5148MM / S.C.C	1		P L
91	Call order desk	EXTRUSION, ALUMINIUM 5850MM / S.C.C		2	P
91	Call order desk	EXTRUSION, ALUMINIUM 5773MM / S.C.C		1	P
91	Call order desk	EXTRUSION, ALUMINIUM 5748MM / S.C.C		1	P
91	Call order desk	EXTRUSION, ALUMINIUM 6395MM / S.C.C		1	P L
91	Call order desk	EXTRUSION, ALUMINIUM 6450MM / S.C.C		1	P WCL
91	Call order desk	EXTRUSION, ALUMINIUM 3600MM / S.C.C To L-0936	1	1	P WCL
91	Call order desk	EXTRUSION ALUMINIUM 3913MM / S.C.C From L-0937	1	1	P WCL
91	Call order desk	EXTRUSION, ALUMINIUM 5054MM / S.C.C	1		P WCL
91	Call order desk	EXTRUSION, ALUMINIUM 141MM / S.C.C To L-0936	1	1	P WCL

From K-0185 To P-1452	Date:07/2024	PAGE:H9-1836-03
PARCEL RACK W/GREY FINISHING		

Item#	Part	Description	H 3 4 1	H 3 4 5	N O T E S
91	Call order desk	EXTRUSION, ALUMINIUM 1597MM / S.C.C		1	P G
91	Call order desk	EXTRUSION, ALUMINIUM 5850MM / S.C.C	1		P S
91	Call order desk	EXTRUSION, ALUMINIUM 3346MM / S.C.C	1		P S
91	Call order desk	EXTRUSION, ALUMINIUM 3346MM / S.C.C	1		P S
91	Call order desk	EXTRUSION, ALUMINIUM 1686MM / S.C.C	2		P S
91	Call order desk	EXTRUSION, ALUMINIUM 5876MM / S.C.C	1		P S
91	Call order desk	EXTRUSION, ALUMINIUM 5876MM / S.C.C	1		P S
92	H9-0655-01	INTERIOR LIGHTING LED			D
93	312971P	PANEL 51MM	1	1	
93	Call order desk	PANEL 73MM	1	1	P
93	Call order desk	PANEL 80MM	1	1	P
93	Call order desk	PANEL 92MM	1	1	P
93	313682P	PANEL 100MM	1	1	
93	Call order desk	PANEL 114MM	1	1	P
93	316197P	PANEL 124MM	1	1	
93	Call order desk	PANEL 126MM	1	1	P
93	Call order desk	PANEL 132MM	1	1	P
93	Call order desk	PANEL 149MM	1	1	P
93	Call order desk	PANEL 158MM	1	1	P
93	315936P	PANEL 166MM	1	1	
93	Call order desk	PANEL 174MM	1	1	P
93	Call order desk	PANEL 181MM	1	1	P
93	315913P	PANEL 184MM	1	1	
93	313330P	PANEL 193MM	1	1	
93	Call order desk	PANEL 199MM	1	1	P
93	Call order desk	PANEL 203MM	1	1	P
93	Call order desk	PANEL 213MM	1	1	P
93	313883P	PANEL 219MM	1	1	
93	315940P	PANEL 226MM	1	1	
93	Call order desk	PANEL 231MM	1	1	P
93	313334P	PANEL 235MM	1	1	
93	Call order desk	PANEL 243MM	1	1	P
93	312736P	PANEL 248MM	1	1	
93	313077P	PANEL 253MM	1	1	
93	Call order desk	PANEL 256MM	1	1	P
93	Call order desk	PANEL 264MM	1	1	P
93	Call order desk	PANEL 267MM	1	1	P
93	312760P	PANEL 269MM	1	1	
93	312721P	PANEL 279MM	1	1	
93	315923P	PANEL 289MM	1	1	

From K-0185 To P-1452	Date:07/2024	PAGE:H9-1836-03
PARCEL RACK W/GREY FINISHING		

Item#	Part	Description	H 3 4 1	H 3 4 5	NOTES
93	Call order desk	PANEL 292MM	1	1	P
93	312734P	PANEL 299 MM	1	1	
93	316018P	PANEL 304MM	1	1	
93	312762P	PANEL 310MM	1	1	
93	312761P	PANEL 315MM	1	1	
93	312764P	PANEL 325MM	1	1	
93	313075P	PANEL 335MM	1	1	
93	312724P	PANEL 343MM	1	1	
93	Call order desk	PANEL 347MM	1	1	P
93	Call order desk	PANEL 352MM	1	1	P
93	312729P	PANEL 356MM	1	1	
93	Call order desk	PANEL 360MM	1	1	P
93	Call order desk	PANEL 361MM	1	1	P
93	Call order desk	PANEL 366MM	1	1	P
93	Call order desk	PANEL 370MM	1	1	P
93	312839P	PANEL 375MM	1	1	
93	Call order desk	PANEL 378MM	1	1	P
93	Call order desk	PANEL 378MM	1	1	P
NS	Call order desk	PANEL 382MM	1	1	P
93	313328P	PANEL 388MM	1	1	
93	Call order desk	PANEL 391MM	1	1	P
93	Call order desk	PANEL 396MM	1	1	P
93	312735P	PANEL 402MM	1	1	
93	312751P	PANEL 408MM	1	1	
93	313333P	PANEL 415MM	1	1	
93	Call order desk	PANEL 418MM	1	1	P
93	312749P	PANEL 421MM	1	1	
93	Call order desk	PANEL 426MM	1	1	P
93	312720P	PANEL 427MM	AR	AR	
93	312774P	PANEL 431MM	1	1	
93	312946P	PANEL 437MM	1	1	
93	310617P	PANEL 440MM	1	1	
93	Call order desk	PANEL 443MM	1	1	P
93	312733P	PANEL 447MM	1	1	
93	Call order desk	PANEL 448MM	1	1	P
93	312747P	PANEL 454MM	1	1	
93	312767P	PANEL 457MM	1	1	
93	Call order desk	PANEL 462MM	1	1	P
93	312975P	PANEL 465MM	1	1	
93	312745P	PANEL 472MM	1	1	
93	312835P	PANEL 475MM	1	1	
93	312730P	PANEL 478MM	1	1	

From K-0185 To P-1452	Date:07/2024	PAGE:H9-1836-03
PARCEL RACK W/GREY FINISHING		

Item#	Part	Description	H 3 4 1	H 3 4 5	NOTES
93	312752P	PANEL 484MM	1	1	
93	Call order desk	PANEL 487MM		1	P
93	313076P	PANEL 490MM	1	1	
93	312771P	PANEL 495MM	1	1	
93	312728P	PANEL 500MM	1	1	
93	Call order desk	PANEL 505MM	1	1	P
93	312725P	PANEL 510MM	1	1	
93	Call order desk	PANEL 516MM	1	1	P
93	312723P	PANEL 525MM	1	1	
93	Call order desk	PANEL 529MM	1	1	P
93	312741P	PANEL 538MM	1	1	
93	312737P	PANEL 542MM	1	1	
93	312739P	PANEL 550MM	1	1	
93	Call order desk	PANEL 553MM	1	1	P
93	313335P	PANEL 559MM	1	1	
93	Call order desk	PANEL 560MM	1	1	P
93	313125P	PANEL 565MM	1	1	
93	315952P	PANEL 570MM	1	1	
93	312756P	PANEL 575MM	1	1	
93	Call order desk	PANEL 580MM	1	1	P
93	315884P	PANEL 582MM	1	1	
93	Call order desk	PANEL 586MM	1	1	P
93	312766P	PANEL 590MM	1	1	
93	312757P	PANEL 598MM	1	1	
93	315945P	PANEL 601MM	1	1	
93	312722P	PANEL 605MM	1	1	
93	Call order desk	PANEL 612MM	1	1	P
93	313414P	PANEL 615MM	1	1	
93	Call order desk	PANEL 625MM	1	1	P
93	Call order desk	PANEL 631MM	1	1	P
93	Call order desk	PANEL 636MM	1	1	P
93	Call order desk	PANEL 640MM	1	1	P
93	Call order desk	PANEL 646MM	1	1	P
93	315983P	PANEL 655MM	1	1	
93	Call order desk	PANEL 656MM	1	1	P
93	Call order desk	PANEL 660MM	1	1	P
93	Call order desk	PANEL 665MM	1	1	P
93	Call order desk	PANEL 672MM	1	1	P
93	Call order desk	PANEL 674MM	1	1	P
93	Call order desk	PANEL 682MM	1	1	P
93	Call order desk	PANEL 686MM	1	1	P
93	Call order desk	PANEL 690MM	1	1	P

From K-0185 To P-1452	Date:07/2024	PAGE:H9-1836-03
PARCEL RACK W/GREY FINISHING		

Item#	Part	Description	H 3 4 1	H 3 4 5	NOTES
93	312748P	PANEL 700MM	1	1	
93	312746P	PANEL 705MM	1	1	
93	312759P	PANEL 711MM	1	1	
93	313079P	PANEL 716MM	1	1	
93	Call order desk	PANEL 719MM	1	1	P
93	Call order desk	PANEL 722MM	1	1	P
93	Call order desk	PANEL 725MM	1	1	P
93	312765P	PANEL 731MM	1	1	
93	Call order desk	PANEL 741MM	1	1	P
93	Call order desk	PANEL 747MM	1	1	P
93	312840P	PANEL 753MM	1	1	
93	312770P	PANEL 759MM	1	1	
93	312742P	PANEL 763MM	1	1	
93	312738P	PANEL 773MM	1	1	
93	Call order desk	PANEL 780MM	1	1	P
93	Call order desk	PANEL 788MM	1	1	P
93	Call order desk	PANEL 791MM	1	1	P
93	Call order desk	PANEL 796MM	1	1	P
93	Call order desk	PANEL 802MM	1	1	P
93	Call order desk	PANEL 811MM	1	1	P
93	Call order desk	PANEL 819MM	1	1	P
93	Call order desk	PANEL 825MM	1	1	P
93	Call order desk	PANEL 830MM	1	1	P
93	Call order desk	PANEL 836MM	1	1	P
93	Call order desk	PANEL 843MM	1	1	P
93	Call order desk	PANEL 848MM	1	1	P
93	Call order desk	PANEL 850MM	1	1	P
93	Call order desk	PANEL 859MM	1	1	P
93	313617P	PANEL 866MM	1	1	
93	315929P	PANEL 878MM	1	1	
93	Call order desk	PANEL 885MM	1	1	P
93	Call order desk	PANEL 884MM	1	1	P
93	Call order desk	PANEL 905MM	1	1	P
93	Call order desk	PANEL 909MM	1	1	P
93	Call order desk	PANEL 913MM	1	1	P
93	Call order desk	PANEL 924MM	1	1	P
93	Call order desk	PANEL 936MM	1	1	P
93	315904P	PANEL 940MM	1	1	
93	Call order desk	PANEL 953MM	1	1	P
93	Call order desk	PANEL 966MM	1	1	P
93	Call order desk	PANEL 990MM	1	1	P
93	Call order desk	PANEL 1004MM	1	1	P

From K-0185 To P-1452	Date:07/2024	PAGE:H9-1836-03
PARCEL RACK W/GREY FINISHING		

Item#	Part	Description	H 3 4 1	H 3 4 5	NOTES
93	316181	PANEL 1096MM	1	1	
93	Call order desk	PANEL 1044MM	1	1	P
93	Call order desk	PANEL 1123MM	1	1	P
93	Call order desk	PANEL 1141MM	1	1	P
93	Call order desk	PANEL 1212MM	1	1	P
93	Call order desk	PANEL 1296MM	1	1	P
93	Call order desk	PANEL 1316MM	1	1	P
93	Call order desk	PANEL 1360MM	1	1	P
93	Call order desk	PANEL 1379MM	1	1	P
93	Call order desk	PANEL 1405MM	1	1	P
93	Call order desk	PANEL 1424MM	1	1	P
93	Call order desk	PANEL 1449MM	1	1	P
93	Call order desk	PANEL 1481MM	1	1	P
93	Call order desk	PANEL 1549MM	1	1	P
93	316485P	PANEL 1571MM	1	1	
93	Call order desk	PANEL 1605MM	1	1	P
93	Call order desk	PANEL 1724MM	1	1	P
93	Call order desk	PANEL 1796MM	1	1	P
93	Call order desk	PANEL 1921MM	1	1	P
93	Call order desk	PANEL 310MM / 112MM POSITION SCREEN	1	1	P
93	Call order desk	PANEL 376MM / 112MM POSITION SCREEN	1	1	P
93	Call order desk	PANEL 427MM / 315MM POSITION SCREEN	1	1	P
93	Call order desk	PANEL 457MM / 147MM POSITION SCREEN	1	1	P
93	Call order desk	PANEL 475MM / 108MM POSITION FLAT MONITOR	1	1	P
93	Call order desk	PANEL 475MM / 108MM POSITION FLAT MONITOR	1	1	P
93	Call order desk	PANEL 475MM / 310MM POSITION SCREEN	1	1	P
93	Call order desk	PANEL 495MM / 310MM POSITION SCREEN	1	1	P
93	Call order desk	PANEL 510MM / 310MM POSITION SCREEN	1	1	P
93	Call order desk	PANEL 575MM / 265MM POSITION SCREEN	1	1	P
93	Call order desk	PANEL 601MM / 311MM POSITION SCREEN	1	1	P
93	Call order desk	PANEL 640MM / 330MM POSITION SCREEN	1	1	P
93	Call order desk	PANEL 655MM / 310MM POSITION SCREEN / LCD SCREEN	1	1	P
93	310654P	PANEL 655MM / 382MM POSITION SCREEN / R.H. W/ LCD SCREEN	1	1	
93	310653P	PANEL 655MM / 382MM POSITION SCREEN / L.H. W/10" LCD SCREEN	1	1	
93	316123P	PANEL 655MM / 383MM POSITION SCREEN / W/15" LCD SCREEN	1	1	
93	Call order desk	PANEL 655MM / 544MM POSITION SCREEN	1	1	P
93	Call order desk	PANEL 705MM / 544MM POSITION SCREEN	1	1	P
93	Call order desk	PANEL 760MM / 427MM POSITION SCREEN / L.H. W/10" LCD SCREEN	1	1	P
93	Call order desk	PANEL 796MM / 486MM POSITION SCREEN	1	1	P
93	Call order desk	PANEL 800MM / 128MM & 177MM HOLE POSITION / W/12.1" RETRACTABLE SCREEN	1	1	P
93	Call order desk	PANEL 915MM / 465MM POSITION SCREEN / L.H. W/10" LCD SCREEN	1	1	P
93	Call order desk	PANEL 980MM / 465MM POSITION SCREEN	1	1	P

From K-0185 To P-1452	Date:07/2024	PAGE:H9-1836-03
PARCEL RACK W/GREY FINISHING		

Item#	Part	Description	H 3 4 1	H 3 4 5	N O T E S
93	Call order desk	PANEL 1015MM / 108MM POSITION SCREEN / L.H. LCD SCREEN	1	1	P
93	Call order desk	PANEL 500MM / 108MM POSITION SCREEN / LCD SCREEN	1	1	P
93	Call order desk	PANEL 1015MM / 465MM POSITION SCREEN / LCD SCREEN	1	1	P
93	Call order desk	PANEL 1015MM / 440MM POSITION SCREEN / LCD SCREEN	1	1	P
93	Call order desk	PANEL 980MM / 310MM POSITION SCREEN / LCD SCREEN	1	1	P
93	314357	PANEL 980MM / 310MM POSITION SCREEN / LCD SCREEN	1	1	
93	Call order desk	PANEL 763MM / 440MM POSITION SCREEN WITH DIFFUSER	1	1	P
NS	870901	. LOUVER, ADJUSTABLE / ROUND 3" O.D.	2	2	
93	5001368	SCREW TC OV PH #8-32X1/2 BK	AR	AR	
93	5001949	WASHER FN CKF .220x.615 BK	AR	AR	
93	Call order desk	WOOD PANEL / LIGHTING MODULE SPECIAL			P
93	314272	DRAWING FOR WOOD PANEL SPECIAL	AR	AR	
93	314271	SPECIAL HOOK RETAINER WOOD PANEL 182MM x 38MM	AR	AR	
93	314273	SPECIAL PLATE RETAINER WOOD PANEL 198MM x 78MM	AR	AR	
93	316171	SPECIAL PLATE RETAINER WOOD PANEL / MONITOR 198MM x 80MM	AR	AR	
93	Call order desk	ARBORITE PANEL / 6 MONITOR MODULE SPECIAL			P
93	Call order desk	ARBORITE PANELS 6 MONITORS, KIT	AR	AR	P
93	314271	SPECIAL HOOK RETAINER WOOD PANEL 182MM x 38MM	AR	AR	
93	508027	LAMINATED ARBORITE BLACK .100 x 60 x 120"	AR	AR	
93	Call order desk	ARBORITE PANELS 6 MONITORS, KIT COGNAC	AR	AR	P
93	314271	SPECIAL HOOK RETAINER WOOD PANEL 182MM x 38MM	AR	AR	
93	508426	LAMINATED ARBORITE COGNAC .100 x 60 x 120"	AR	AR	
94	Call order desk	HAND RAIL / EXTRUSION W/HOLE 4190MM / S.C.C.	1		P
94	Call order desk	HAND RAIL / EXTRUSION 4190MM / S.C.C.	2		P
94	Call order desk	HAND RAIL / EXTRUSION W/HOLE 3324MM / S.C.C.	1		P
94	Call order desk	HAND RAIL / EXTRUSION 3320MM / S.C.C.	1		P
94	Call order desk	HAND RAIL / EXTRUSION 2867MM / S.C.C.	1		P
94	Call order desk	HAND RAIL / EXTRUSION 2843MM / S.C.C.	1		P
94	Call order desk	HAND RAIL / EXTRUSION 1660MM / S.C.C.	1		P L
94	Call order desk	HAND RAIL / EXTRUSION 1829MM / S.C.C.	1		P L
94	Call order desk	HAND RAIL / EXTRUSION 4190MM / S.C.C.		2	P
94	Call order desk	HAND RAIL / EXTRUSION W/HOLE 3320MM / S.C.C.		2	P
94	Call order desk	HAND RAIL / EXTRUSION 1660MM / S.C.C.		2	P
94	Call order desk	HAND RAIL / EXTRUSION 2454MM / S.C.C.		1	P
94	Call order desk	HAND RAIL / EXTRUSION 2428MM / S.C.C.		1	P
94	Call order desk	HAND RAIL / EXTRUSION 3075MM / S.C.C.		1	P L

From K-0185 To P-1452	Date:07/2024	PAGE:H9-1836-03
PARCEL RACK W/GREY FINISHING		

Item#	Part	Description	H 3 4 1	H 3 4 5	N O T E S
94	Call order desk	HAND RAIL / EXTRUSION W/HOLE 2260MM / S.C.C.		1	P WCL
94	Call order desk	HAND RAIL / EXTRUSION W/HOLE 2674.7MM / S.C.C.	1		P WCL
94	Call order desk	HAND RAIL / EXTRUSION 3913MM / S.C.C.	1	1	P WCL
94	Call order desk	HAND RAIL / EXTRUSION 2530MM / S.C.C.	1		P WCL
94	Call order desk	HAND RAIL / EXTRUSION 1597MM / S.C.C.		1	P G
94	Call order desk	HAND RAIL / EXTRUSION 4190MM / S.C.C.		1	P S
94	Call order desk	HAND RAIL / EXTRUSION W/HOLE 4190MM / S.C.C.	1		P S
94	Call order desk	HAND RAIL / EXTRUSION W/HOLE 3324MM / S.C.C.	1		P S
NS	506466	TAPE RUB ADH1 CC POL 1/16" x 1 1/2" x 100 / GREY 2520		AR	
95	500626	SCREW TP OV PH #8x3/4 Z050	AR	AR	
96	500464	WASHER FN CKF .210x.540 SS	AR	AR	
NS	060706	CABLE HARNESS / READING LIGHT STREETSIDE To K-0604	1	1	
NS	0610113	CABLE HARNESS / READING LIGHT STREETSIDE From K-0605	1	1	
NS	061156	CABLE HARNESS / READING LIGHT CURBSIDE REAR To K-0604	1	1	
NS	0610112	CABLE HARNESS / READING LIGHT CURBSIDE REAR From K-0605 To L-0936	1	1	
97	0610198	CABLE HARNESS / READING LIGHT CURBSIDE REAR From L-0937	1	1	
NS	060704	CABLE HARNESS / READING LIGHT CURB SIDE	1	1	
NS	060091	CABLE / EMERGENCY LIGHT LH	1	1	
NS	060090	CABLE / EMERGENCY LIGHT RH	1	1	
NS	069545	CABLE HARNESS / IND, LIGHT FRONT RH & REAR LH	1	1	
NS	069544	CABLE HARNESS / IND, LIGHT FRONT LH & REAR RH	2	2	
NS	069546	CABLE HARNESS / IND, LIGHT	4		
NS	069546	CABLE HARNESS / IND, LIGHT		5	
NS	069547	CABLE HARNESS / IND, LIGHT / W/W.C.L.		1	
NS	068416	EXTENSION HARNESS, INDIRECT LIGHT	1	1	
NS	069789	CABLE HARNESS / SPECIAL	1	1	O
NS	504637	CABLE TIE / 3/16" x 13"	AR	AR	
NS	509815	TIE MOUNT / ATTACHMENT W/TREE MOUNT	AR	AR	
NS	680042	GLUE LOCTITE 430 BOTTLE 1OZ	AR	AR	
NS	506338	RUBBER CHANNEL / 1/16" x 1/4" INT "U" SHAPE / ROUND C.T.L.	AR	AR	
99	314272-51	WOOD PANEL / COLOR TO BE SPECIFIED 51MM			
99	314272-124	WOOD PANEL / COLOR TO BE SPECIFIED 124MM			
99	314272-126	WOOD PANEL / COLOR TO BE SPECIFIED 126MM			
99	314272-219	WOOD PANEL / COLOR TO BE SPECIFIED 219MM			
99	314272-253	WOOD PANEL / COLOR TO BE SPECIFIED 253MM			
99	314272-264	WOOD PANEL / COLOR TO BE SPECIFIED 264MM			
99	314272-299	WOOD PANEL / COLOR TO BE SPECIFIED 299MM			
99	314272-304	WOOD PANEL / COLOR TO BE SPECIFIED 304MM			
99	314272-315	WOOD PANEL / COLOR TO BE SPECIFIED 315MM			
99	314272-325	WOOD PANEL / COLOR TO BE SPECIFIED 325MM			

From K-0185 To P-1452	Date:07/2024	PAGE:H9-1836-03
PARCEL RACK W/GREY FINISHING		

Item#	Part	Description	H 3 4 1	H 3 4 5	NOTES
99	314272-370	WOOD PANEL / COLOR TO BE SPECIFIED 370MM			
99	314272-375	WOOD PANEL / COLOR TO BE SPECIFIED 375MM			
99	314272-391	WOOD PANEL / COLOR & MONITOR PRESENCE TO BE SPECIFIED 391MM			
99	314272-402	WOOD PANEL / COLOR & MONITOR PRESENCE TO BE SPECIFIED 402MM			
99	314272-408	WOOD PANEL / COLOR TO BE SPECIFIED 408MM			
99	314272-421	WOOD PANEL / COLOR & MONITOR PRESENCE TO BE SPECIFIED 421MM			
99	314272-427	WOOD PANEL / COLOR & MONITOR PRESENCE TO BE SPECIFIED 427MM			
99	314272-431	WOOD PANEL / COLOR & MONITOR PRESENCE TO BE SPECIFIED 431MM			
99	314272-447	WOOD PANEL / COLOR & MONITOR PRESENCE TO BE SPECIFIED 447MM			
99	314272-454	WOOD PANEL / COLOR & MONITOR PRESENCE TO BE SPECIFIED 454MM			
99	314272-457	WOOD PANEL / COLOR & MONITOR PRESENCE TO BE SPECIFIED 457MM			
99	314472-472	WOOD PANEL / COLOR & MONITOR PRESENCE TO BE SPECIFIED 472MM			
99	314272-484	WOOD PANEL / COLOR & MONITOR PRESENCE TO BE SPECIFIED 484MM			
99	314272-490	WOOD PANEL / COLOR & MONITOR PRESENCE TO BE SPECIFIED 490MM			
99	314272-500	WOOD PANEL / COLOR TO BE SPECIFIED 500MM			
99	314272-510	WOOD PANEL / COLOR & MONITOR PRESENCE TO BE SPECIFIED 510MM			
99	314272-646	WOOD PANEL / COLOR TO BE SPECIFIED 646MM			
99	314272-682	WOOD PANEL / COLOR TO BE SPECIFIED 682MM			
99	314272-700	WOOD PANEL / COLOR TO BE SPECIFIED 700MM			
99	314272-753	WOOD PANEL / COLOR TO BE SPECIFIED 753MM			
99	314272-759	WOOD PANEL / COLOR TO BE SPECIFIED 759MM			
99	314450-51	WOOD PANEL / COLOR : COGNAC 51MM			
99	314450-76	WOOD PANEL / COLOR : COGNAC 76MM			
99	314450-322	WOOD PANEL / COLOR : COGNAC 322MM			
99	314450-377	WOOD PANEL / COLOR : COGNAC / MONITOR PRESENCE TO BE SPECIFIED 377MM			
99	314450-457	WOOD PANEL / COLOR : COGNAC 457MM			
99	314450-486	WOOD PANEL / COLOR : COGNAC / MONITOR PRESENCE TO BE SPECIFIED 486MM			
99	314450-499	WOOD PANEL / COLOR : COGNAC 499MM			
99	314450-509	WOOD PANEL / COLOR : COGNAC / MONITOR PRESENCE TO BE SPECIFIED 509MM			
99	314450-764	WOOD PANEL / COLOR : COGNAC / MONITOR PRESENCE TO BE SPECIFIED 764MM			
99	310338-256	WOOD PANEL / COLOR : COGNAC 256MM			
99	310338-402	WOOD PANEL / COLOR : COGNAC 402MM			
99	310338-402M	WOOD PANEL / COLOR : COGNAC / MONITOR PRESENCE TO BE SPECIFIED 402MM			
99	310338-421	WOOD PANEL / COLOR : COGNAC 421MM			
99	310338-421M	WOOD PANEL / COLOR : COGNAC / MONITOR PRESENCE TO BE SPECIFIED 421MM			
99	310338-458	WOOD PANEL / COLOR : COGNAC 458MM			
99	310338-489M	WOOD PANEL / COLOR : COGNAC / MONITOR PRESENCE TO BE SPECIFIED 489MM			
99	310338-591	WOOD PANEL / COLOR : COGNAC 591MM			
99	310338-993	WOOD PANEL / COLOR : COGNAC 993MM			
99	314630-457	WOOD PANEL / COLOR : COGNAC 457MM		1	O
99	314630-325	WOOD PANEL / COLOR : COGNAC 325MM		1	O
99	314630-510	WOOD PANEL / COLOR : COGNAC 510MM		10	O

From K-0185 To P-1452	Date:07/2024	PAGE:H9-1836-03
PARCEL RACK W/GREY FINISHING		

Item#	Part	Description	H 3 4 1	H 3 4 5	NOTES
99	314630-510M	WOOD PANEL / COLOR : COGNAC / MONITOR PRESENCE TO BE SPECIFIED 510MM		2	O
99	314630-559	WOOD PANEL / COLOR : COGNAC 559		9	O
99	314630-559M	WOOD PANEL / COLOR : COGNAC / MONITOR PRESENCE TO BE SPECIFIED 559MM		2	O
99	314630-375	WOOD PANEL / COLOR : COGNAC 375		1	O
99	314630-830	WOOD PANEL / COLOR : COGNAC 830		1	O
99	Call order desk	PANEL W/EMERGENCY LAMP HOLE 203MM		AR	P SB
99	Call order desk	PANEL W/EMERGENCY LAMP HOLE 325MM		AR	P SB
99	Call order desk	PANEL W/EMERGENCY LAMP HOLE 421MM		AR	P SB
99	Call order desk	PANEL W/EMERGENCY LAMP HOLE 427MM		AR	P SB
99	Call order desk	PANEL W/EMERGENCY LAMP HOLE 431MM		AR	P SB
99	Call order desk	PANEL W/EMERGENCY LAMP HOLE 447MM		AR	P SB
99	Call order desk	PANEL W/EMERGENCY LAMP HOLE 457MM		AR	P SB
99	Call order desk	PANEL W/EMERGENCY LAMP HOLE 465MM		AR	P SB
99	Call order desk	PANEL W/EMERGENCY LAMP HOLE 484MM		AR	P SB
99	Call order desk	PANEL W/EMERGENCY LAMP HOLE 510MM		AR	P SB
99	Call order desk	PANEL W/EMERGENCY LAMP HOLE 457MM		AR	P SB
100	H9-1837-01	CEILING PANELS & MOULDING W/TAN FINISHING			
101	502927	SCREW CAP HEX M8-1.25x50 G8.8 N500	AR	AR	
102	500942	WASHER LO SPT 8.1x14.8x2.0 N500	AR	AR	
103	312367	FIXING PLATE	AR	AR	
104	313003	SPACER	AR	AR	
105	5001337	NUT INS FL HEX M8-1.25 0.5-3.0 Z050	AR	AR	
106	316595	COVER FINISHING PILAR LIGHTING MODULE GREY		13	
106	316595	COVER FINISHING PILAR LIGHTING MODULE GREY	11		
106	317083	COVER FINISHING PILAR L.H. LIGHTING MODULE GREY		1	
106	317083	COVER FINISHING PILAR L.H. LIGHTING MODULE GREY	1		
107	317086	COVER FINISHING PILAR R.H. LIGHTING MODULE GREY	2	2	
109	314239	COVER R.H. ASSY W/CORD	1		
114	317089	COVER / FRONT OF VENTILATOR BOX GREY	2	2	
115	317090	COVER / L.H. SIDE OF VENTILATOR BOX	2	2	
116	5001440	SCREW TP RND PH WSHR HD #8x1/2	AR	AR	
117	373555	RETAINER, AIR BLOWER	6	6	
118	5001746	SCREW CAP HEX 1/4-20x3/4 G5 N500	6	6	
118	500841	SCREW TP PAN PH #14x3/4 Z050	6	6	
119	500473	WASHER LO SPT .262x.489x.062 Z050	6	6	
120	500877	WASHER FL .250x.562x.065 N500	6	6	
121	H9-2240-20	BLOWER VENTILATION - PARCEL RACK			
200	Call order desk	CEILING PANEL ASSY W/READING LIGHT & SPEAKER	1	1	P B
200	Call order desk	CEILING PANEL ASSY W/READING LIGHT & SPEAKER SILVER	1	1	P B
200	Call order desk	CEILING PANEL ASSY W/READING LIGHT W/LED & SPEAKER	1	1	P B
200	Call order desk	CEILING PANEL ASSY W/READING LIGHT W/LED & SPEAKER SILVER	1	1	P B
200	310049	. CEILING PANEL W/COVERING	1	1	

From K-0185 To P-1452	Date:07/2024	PAGE:H9-1836-03
PARCEL RACK W/GREY FINISHING		

Item#	Part	Description	H 3 4 1	H 3 4 5	NOTES
201	563592	. MODULE ALARM DETECTOR W.C.L. TWU	1	1	
202	563945	. . LIGHT TWS W.C.L.	1	1	
203	500518	. SCREW MA BDG PH #4-40x1/2 Z050	4	4	
204	500157	. WASHER FL .125x.375x.032 SS	4	4	
205	500425	. NUT HEX NYRT #4-40 SS	4	4	
206	500333	. SCREW TP OV PH #6x3/4 BK	4	4	
207	500345	. WASHER FN CKF .187x.500x.090 BR BK	4	4	
209	341120	. SUPPORT DETECTOR MODULE TWU	1	1	
215	453786	AIR DEFLECTOR	1	1	
216	5001132	SCREW CAP HEX 5/16-18x7/8 G5 Z050		2	
216	5001132	SCREW CAP HEX 5/16-18x7/8 G5 Z050	1	1	
217	500942	WASHER LO SPT 8.1x14.8x2.0 N500		2	
217	500942	WASHER LO SPT 8.1x14.8x2.0 N500	1	1	
218	500778	NUT HEX 5/16-18 N500		2	
218	500778	NUT HEX 5/16-18 N500	1	1	
220	311509	COVER R.H. END CLOSING GREY	1	1	C
220	310559	COVER R.H. END CLOSING GREY	1	1	C
220	310234	COVER R.H. END CLOSING GREY		1	A
220	311507	COVER R.H. END CLOSING / W/CORD GREY		1	A
221	310222	COVER L.H. END CLOSING GREY To L-0936	1	1	
221	310008	COVER L.H. END CLOSING GREY From L-0937	1	1	V
222	313915	DUCT GREY	1	1	
223	310433	CEILING PANEL / W/W.C.L. "RICON" OVER W.C.L. DOOR 1305 MM	1	1	
224	310363	COVER L.H. END CLOSING AILSE SECTION / W/CORD GREY	1	1	WCL
225	314538	COVER L.H. END CLOSING WINDOW SECTION	1	1	WCL
226	310362	COVER R.H. ASSY / W/LIGHT GREY		1	WCL
. NS	310393	. COVER		1	WCL
. NS	565889	. LAMP LED		1	WCL
226	314534	COVER R.H. / PLAIN / W/CORD		1	
226	314528	COVER R.H. / PLAIN / W/CORD	1		
227	310025	DEFLECTOR From L-0937	1	1	
228	500855	WASHER FL .188x.438x.049 N500 From L-0937	AR	AR	
229	509815	TIE MOUNT / ATTACHMENT W/TREE MOUNT	AR	AR	
NS	504637	CABLE TIE / 3/16" x 13"	AR	AR	
232	313629	COVER PARCEL / REAR W.GALLEY		1	G
233	Call order desk	CEILING PANEL WITH GALLEY 630MM		1	P G
234	Call order desk	CEILING PANEL WITH GALLEY 1670MM		1	P G
235	315895	UNION / CEILING PANEL WITH GALLEY		1	G
236	316015	SUPPORT / CEILING PANEL WITH GALLEY		1	G

From K-0185 To P-1452	Date:07/2024	PAGE:H9-1836-03
PARCEL RACK W/GREY FINISHING		

Item#	Part	Description	H 3 4 1	H 3 4 5	N O T E S
250	316625	BRACKET FOR DIVIDER	1	1	
		A) WITH A/C IN PARCEL RACK			
		B) INCLUDE ALLS ITEMS 200 TO 207			
		C) WITHOUT A/C IN PARCEL RACK			
		D) WITH LED LIGHTING			
		F) USE WITH STREET SIDE PARCEL RACK 96"			
		G) WITH GALLEY			
		J) USE ON THE CYLINDER GAZ DOOR SIDE SUPPORT CYLINDER			
		K) WITH BMH1 OPTION			
		L) WITHOUT LAVATORY			
		M) FOR DOOR REPALCEMENT USE 1 EACH: 980027 (BALL STUD) ,502638 (FL WASHER) & 502847 (NUT)			
		O) SPECIAL OPTION			
		S) SPECIAL OPTION SHORT PARCEL W/GALLEY AND BED			
		SB) WITH SB247 OPTION			
		V) COVERS USED WITH VENTILATION AS SHOWN AT PAGE H9-2240-31			
		WCL) WITH WHEEL CHAIR LIFT			
		P) CALL ORDER DESK FOR SPECIFIC APPLICATION (V.I.N.)			

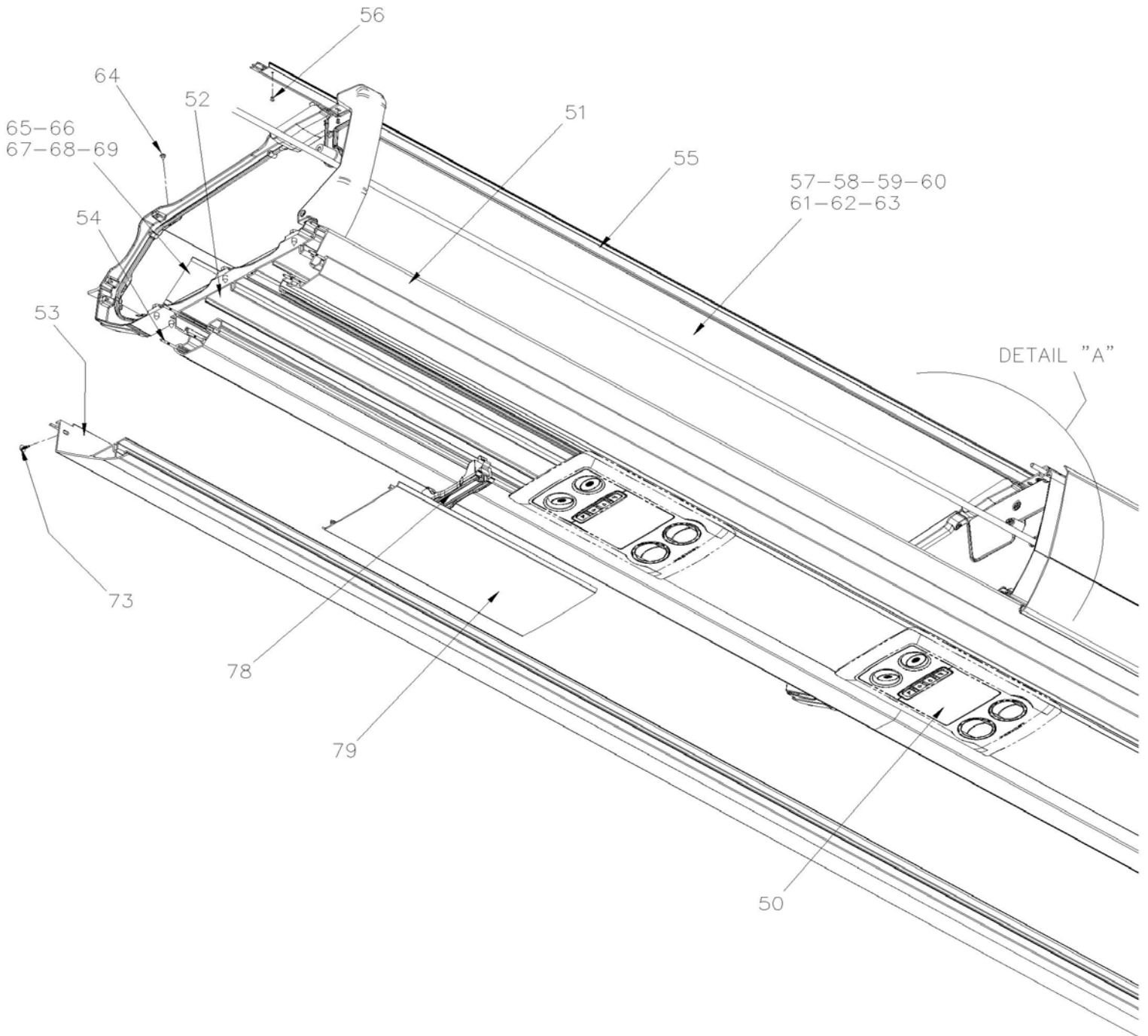
From R-1453

Date:07/2024

PAGE:H9-1836-04

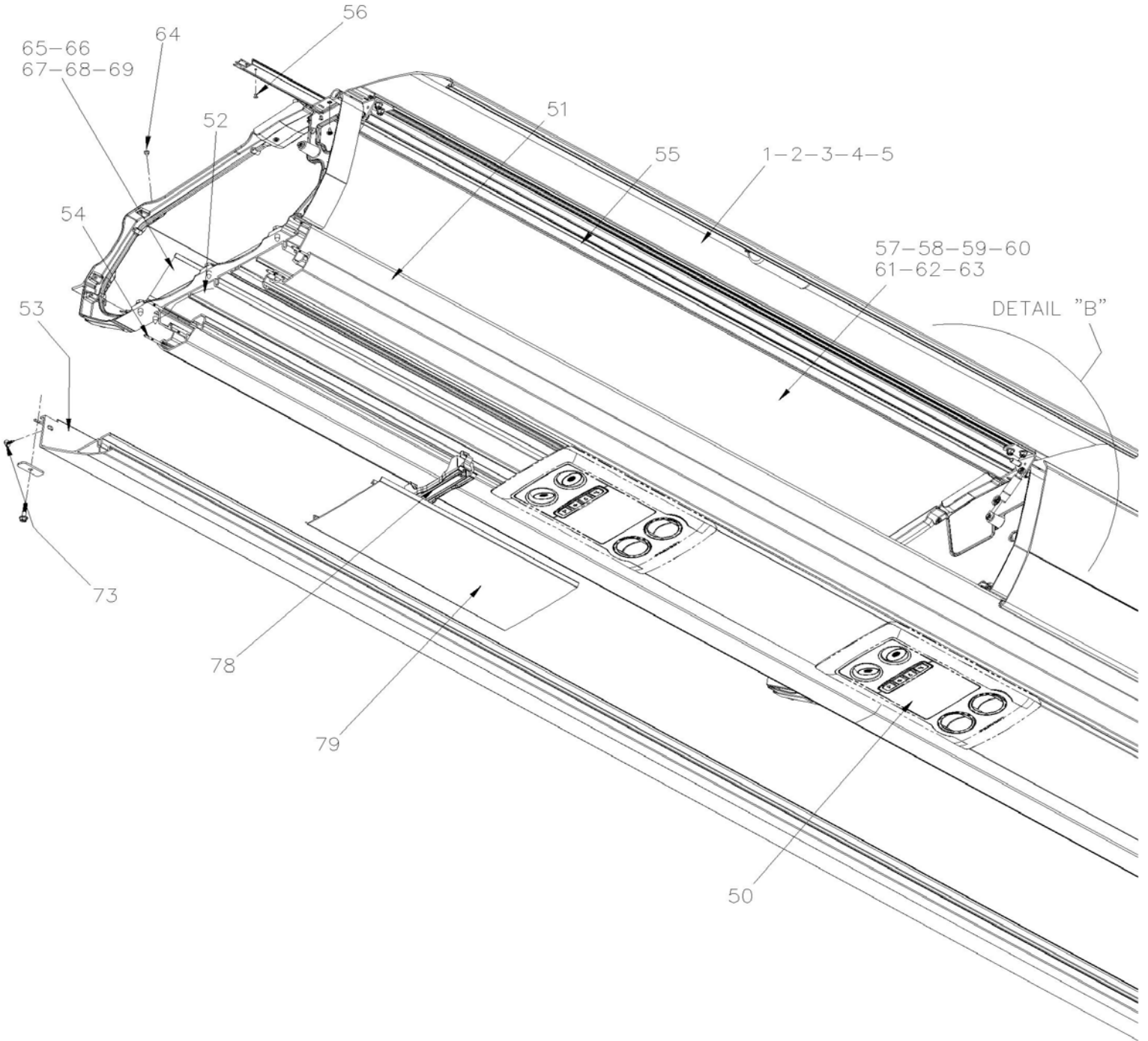
PARCEL RACK

WITHOUT DOOR



From R-1453	Date:07/2024	PAGE:H9-1836-04
PARCEL RACK		

WITH DOOR

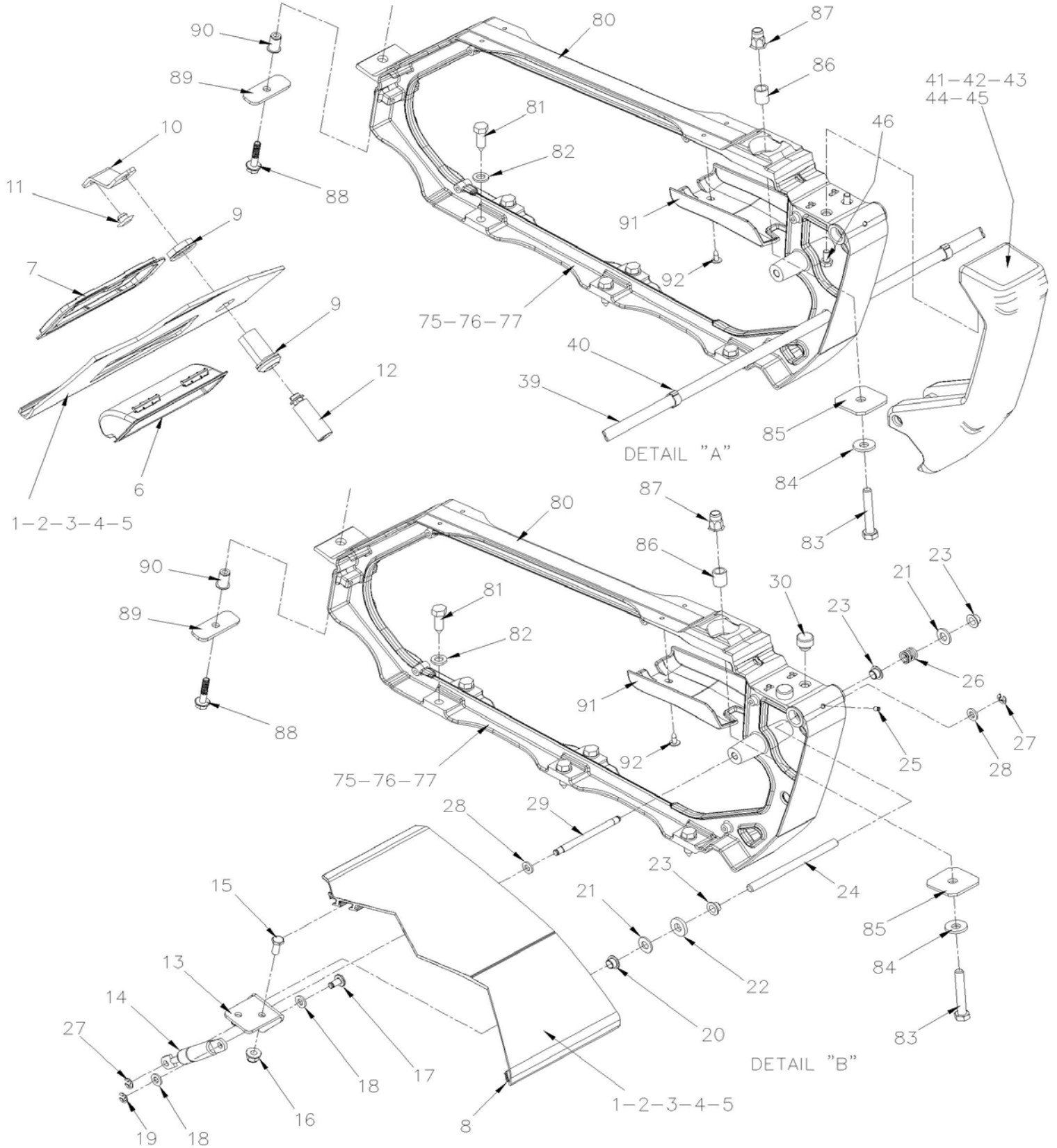


From R-1453

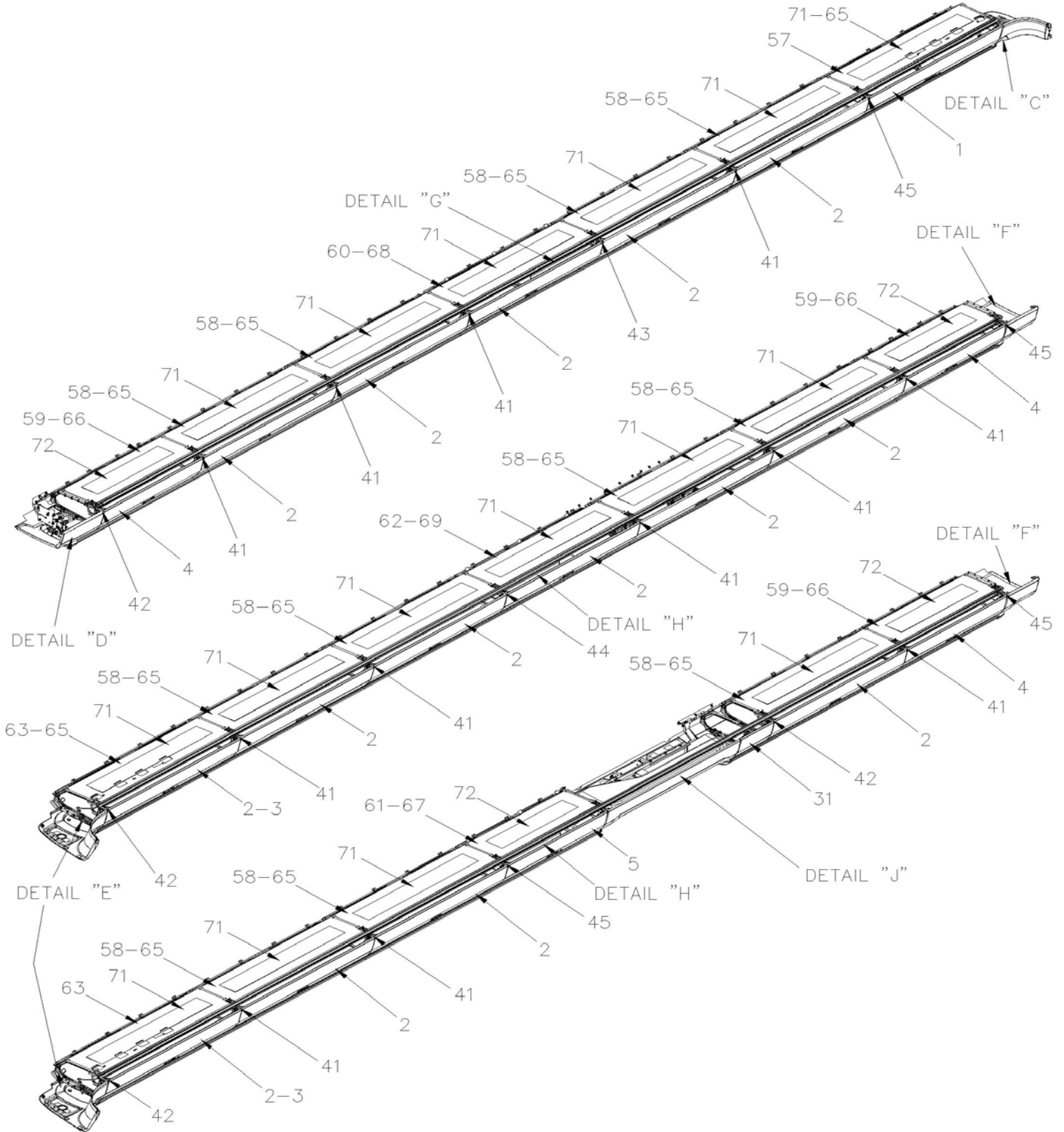
Date:07/2024

PAGE:H9-1836-04

PARCEL RACK



From R-1453	Date:07/2024	PAGE:H9-1836-04
PARCEL RACK		

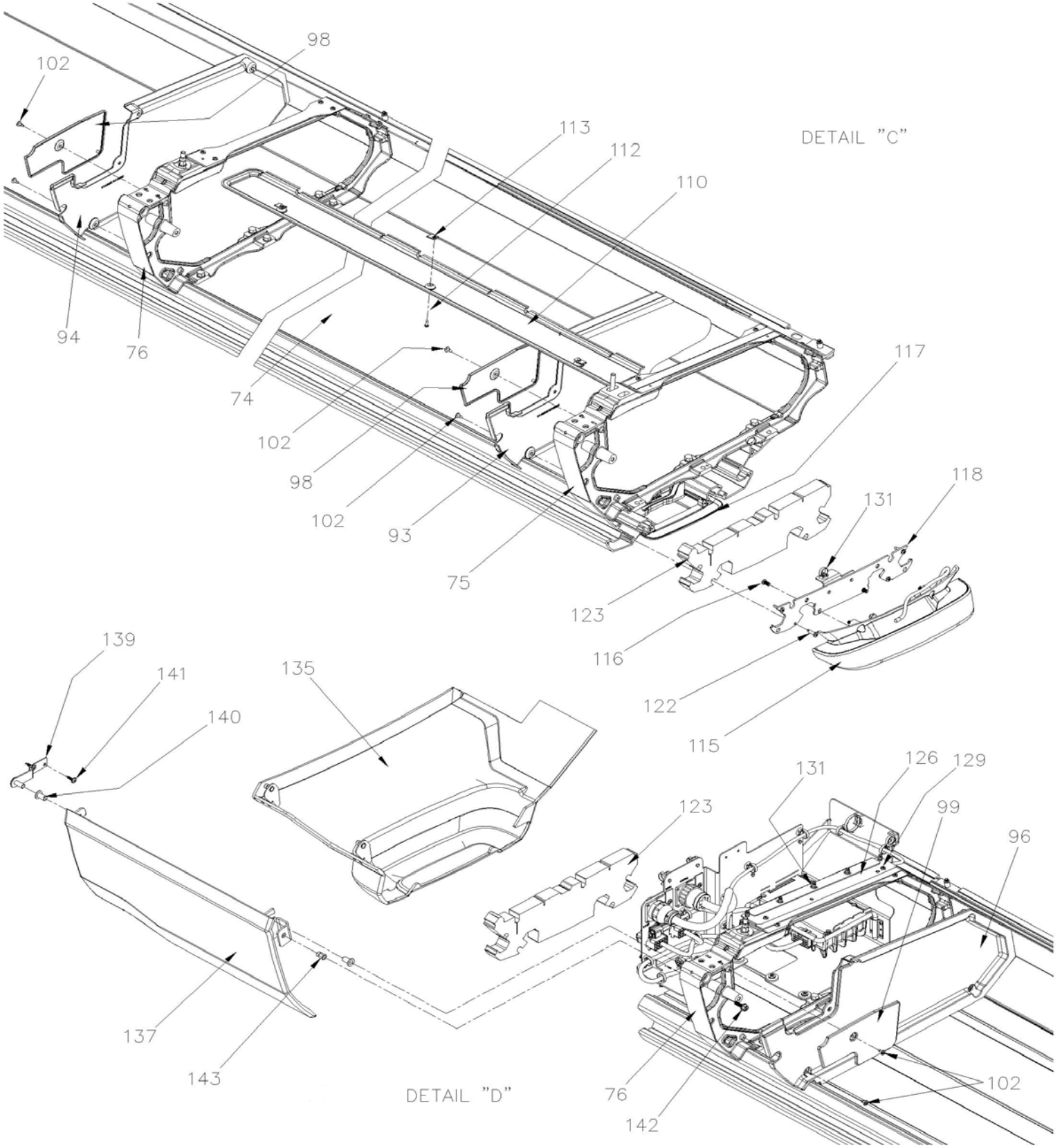


From R-1453

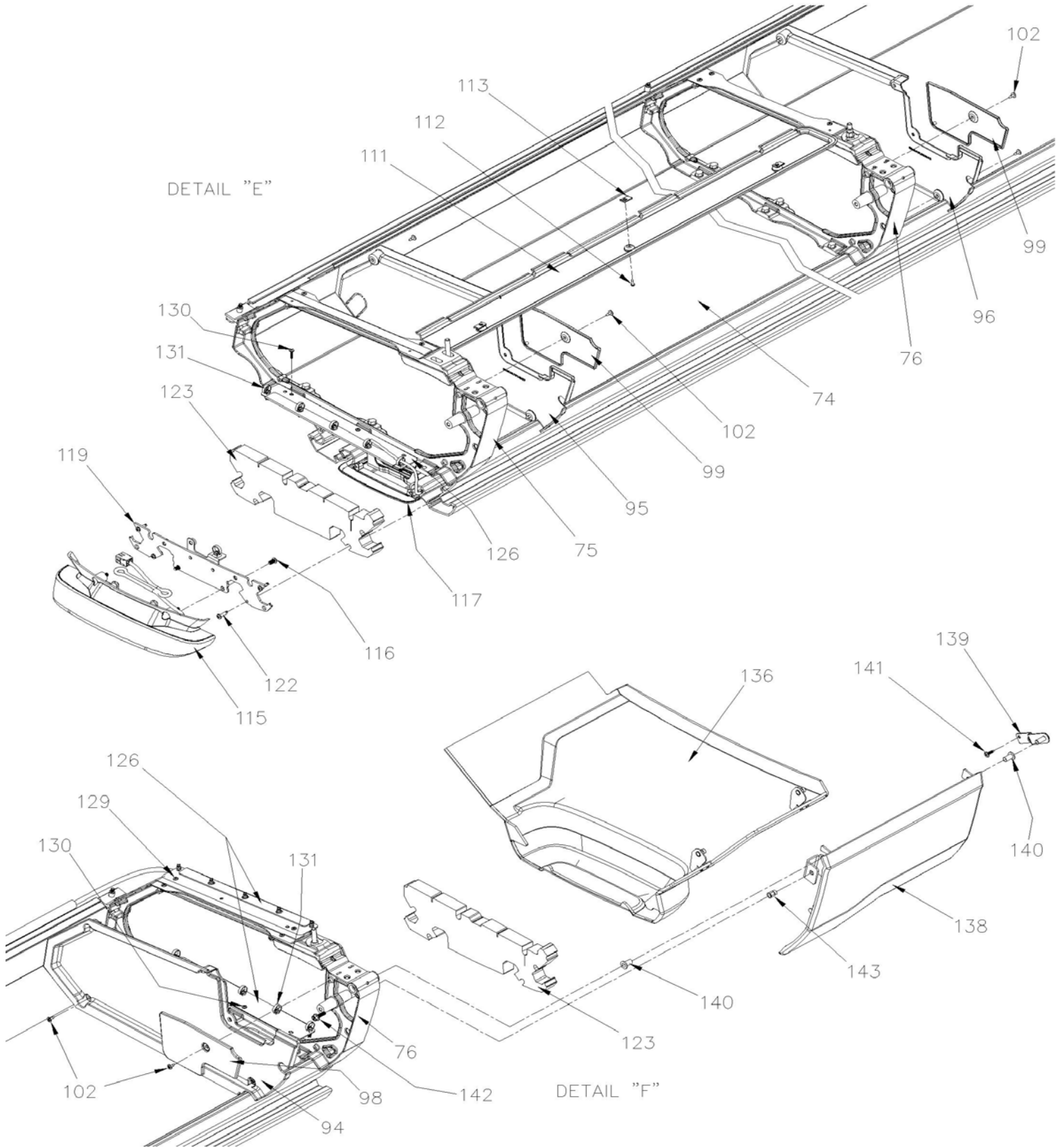
Date:07/2024

PAGE:H9-1836-04

PARCEL RACK



From R-1453	Date:07/2024	PAGE:H9-1836-04
PARCEL RACK		

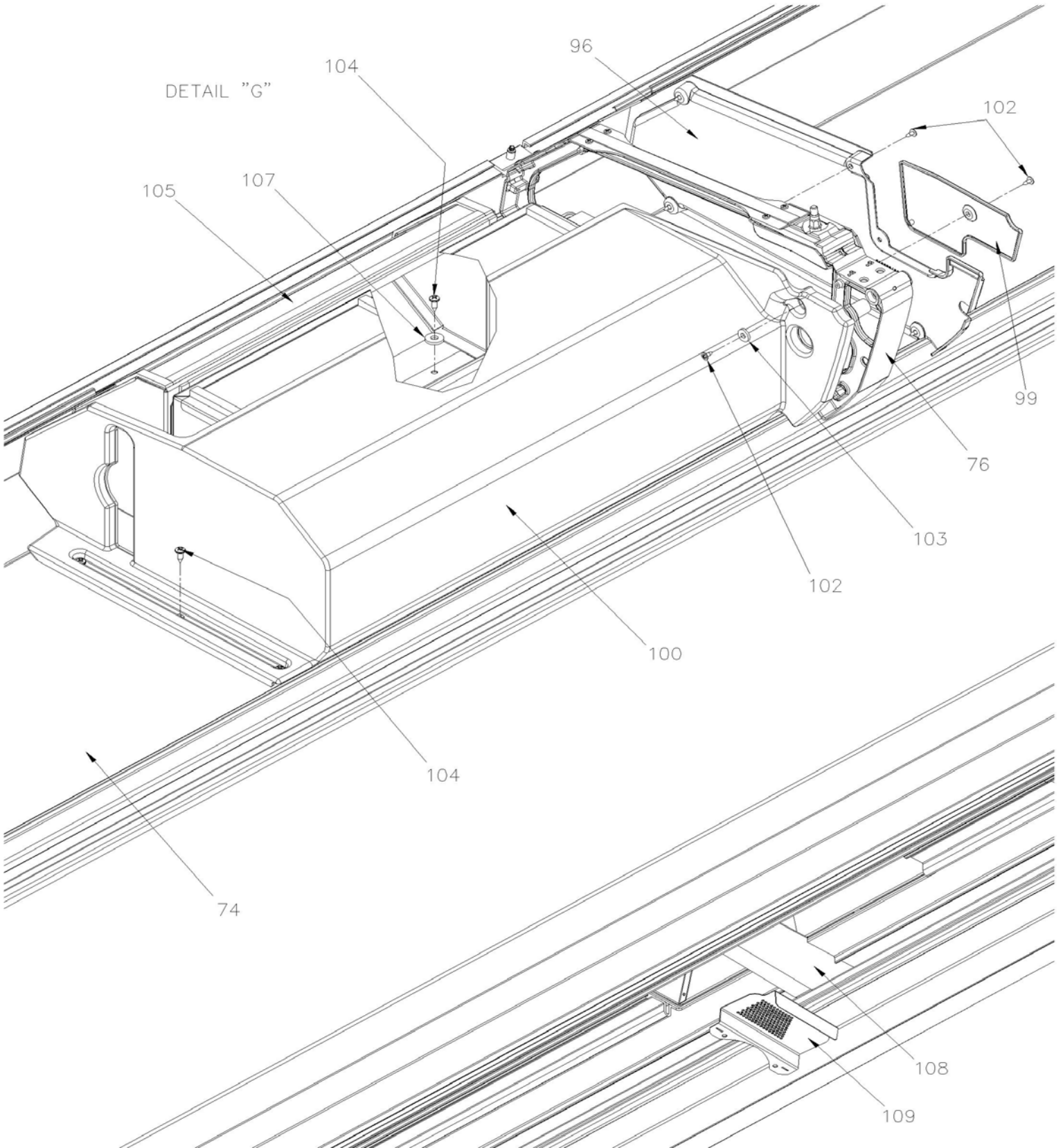


From R-1453

Date:07/2024

PAGE:H9-1836-04

PARCEL RACK

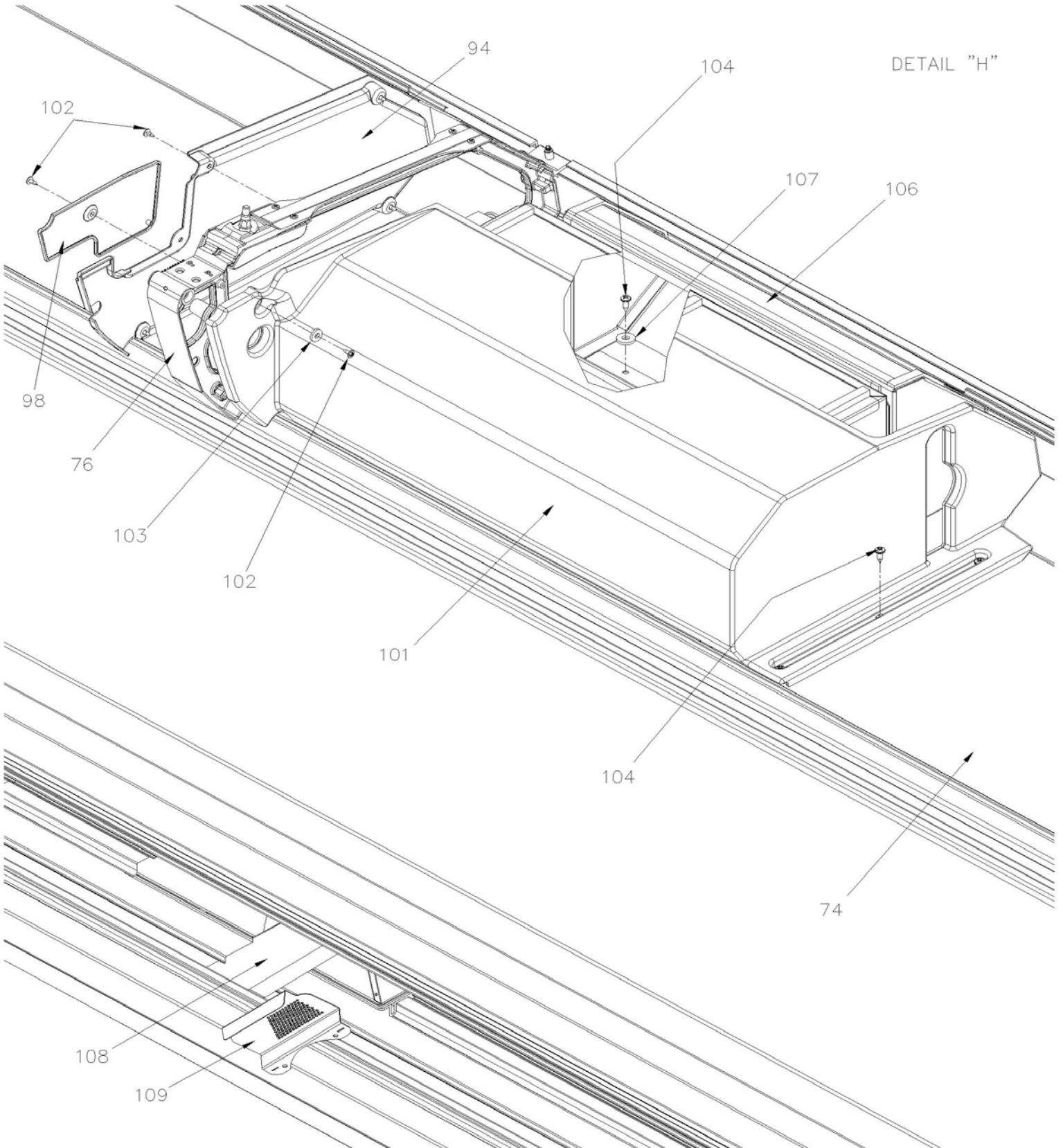


From R-1453

Date:07/2024

PAGE:H9-1836-04

PARCEL RACK

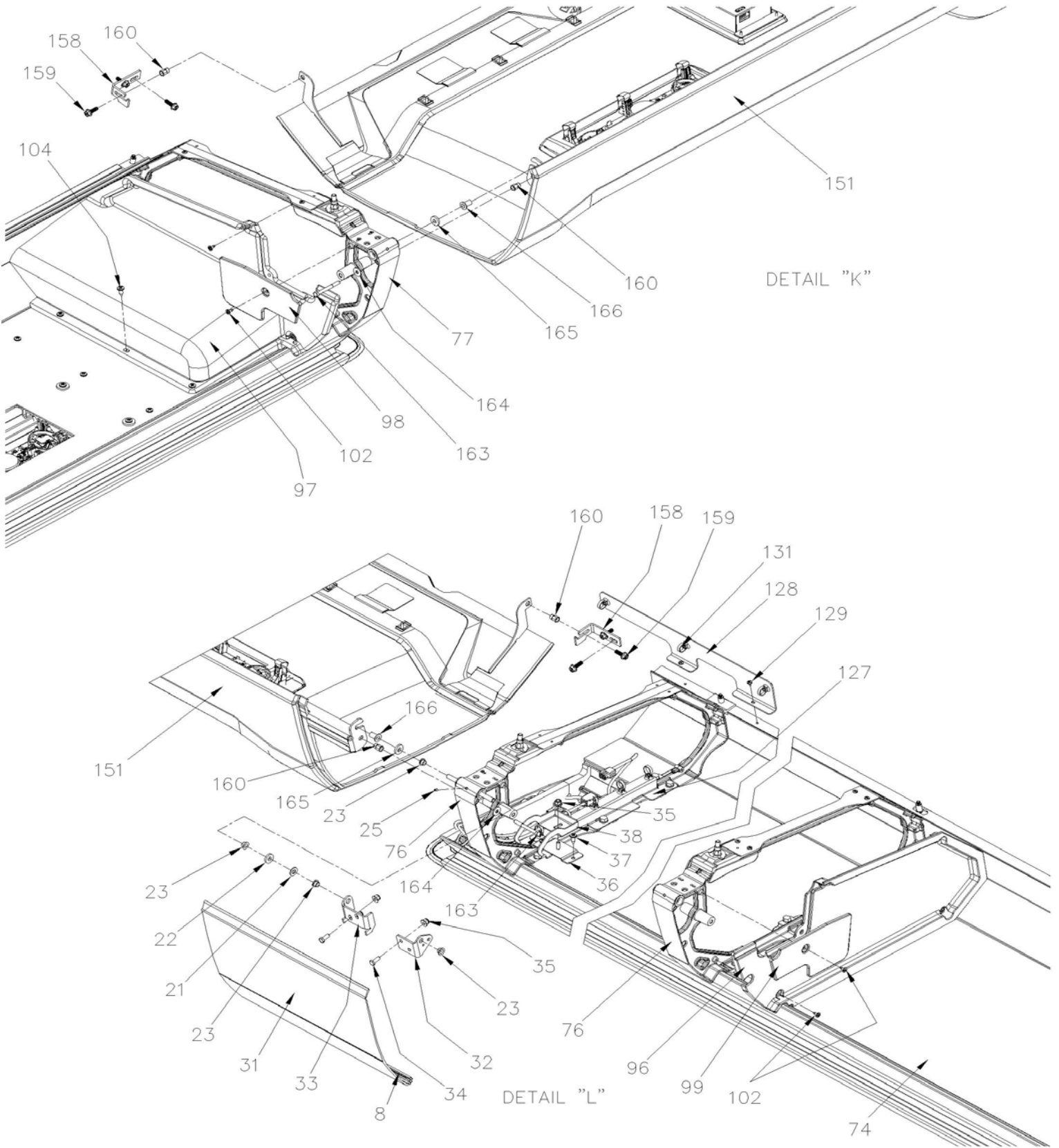


From R-1453

Date:07/2024

PAGE:H9-1836-04

PARCEL RACK



From R-1453	Date:07/2024	PAGE:H9-1836-04
PARCEL RACK		

Item#	Part	Description	H 3 4 1	H 3 4 5	N O T E S
1	314931	DOOR, PARCEL RACK / WITH LOCK 1654MM To R-1719		1	
1	315183	DOOR, PARCEL RACK / WITH LOCK 1654MM From R-1720		1	
2	314976	DOOR, PARCEL RACK / WITHOUT LOCK 1654MM To R-1719		11	A
2	315179	DOOR, PARCEL RACK / WITHOUT LOCK 1654MM From R-1720		11	A
2	314976	DOOR, PARCEL RACK / WITHOUT LOCK 1654MM To R-1719		9	WCL
2	315179	DOOR, PARCEL RACK / WITHOUT LOCK 1654MM From R-1720		9	WCL
3	314931	DOOR, PARCEL RACK / WITH LOCK 1654MM To R-1719		1	
3	315183	DOOR, PARCEL RACK / WITH LOCK 1654MM From R-1720		1	
4	314933	DOOR, PARCEL RACK / WITHOUT LOCK 1239MM To R-1719		2	
4	315180	DOOR, PARCEL RACK / WITHOUT LOCK 1239MM From R-1720		2	
5	314932	DOOR, PARCEL RACK / WITH LOCK 1239MM To R-1719		1	WCL
5	315182	DOOR, PARCEL RACK / WITH LOCK 1239MM From R-1720		1	WCL
6	314843	HANDLE, PARCEL RACK DOOR		1	
7	314904	HANDLE FIXATION		1	
8	506105	RUB EX EPDM CC BK 1/8"X3/8"X1000' To R-1811		AR	
8	506217	RUB EX 0.375" X 0.218" X 1000 FT From R-1812		AR	
9	780745	CYLINDER LOCK BODY		1	
10	314925	LOCK LEVER, PARCEL RACK		1	
11	5001419	SNAP-IN PLUG / .375 O.D.		1	
12	780691	CYLINDER LOCK / NS 8888		1	
. NS	780660	. KEY / NS 8888		1	
12	780692	CYLINDER LOCK / NS 8701		1	
. NS	780661	. KEY / NS 8701		1	
12	780693	CYLINDER LOCK / NS 8702		1	
. NS	780662	. KEY / NS 8702		1	
12	780694	CYLINDER LOCK / NS 8703		1	
. NS	780663	. KEY / NS 8703		1	
12	780695	CYLINDER LOCK / NS 8704		1	
. NS	780664	. KEY / NS 8704		1	
12	780696	CYLINDER LOCK / NS 8705		1	
. NS	780665	. KEY / NS 8705		1	
12	780697	CYLINDER LOCK / NS 8707		1	
. NS	780667	. KEY / NS 8707		1	
12	780698	CYLINDER LOCK / NS 8708		1	
. NS	780668	. KEY / NS 8708		1	
12	780699	CYLINDER LOCK / NS 8709		1	
. NS	780669	. KEY / NS 8709		1	
12	780700	CYLINDER LOCK / NS 8710		1	
. NS	780670	. KEY / NS 8710		1	
12	780701	CYLINDER LOCK / NS 8711		1	
. NS	780671	. KEY / NS 8711		1	
12	780702	CYLINDER LOCK / NS 8712		1	

From R-1453	Date:07/2024	PAGE:H9-1836-04
PARCEL RACK		

Item#	Part	Description	H 3 4 1	H 3 4 5	N O T E S
. NS	780672	. KEY / NS 8712		1	
12	780703	CYLINDER LOCK / NS 8713		1	
. NS	780673	. KEY / NS 8713		1	
12	780704	CYLINDER LOCK / NS 8714		1	
. NS	780674	. KEY / NS 8714		1	
12	780705	CYLINDER LOCK / NS 8715		1	
. NS	780675	. KEY / NS 8715		1	
12	780706	CYLINDER LOCK / NS 8716		1	
. NS	780676	. KEY / NS 8716		1	
12	780707	CYLINDER LOCK / NS 8717		1	
. NS	780677	. KEY / NS 8717		1	
12	780708	CYLINDER LOCK / NS 8718		1	
. NS	780678	. KEY / NS 8718		1	
12	780709	CYLINDER LOCK / NS 8719		1	
. NS	780679	. KEY / NS 8719		1	
12	780710	CYLINDER LOCK / NS 8720		1	
. NS	780680	. KEY / NS 8720		1	
12	780666	CYLINDER LOCK / NS 8721		1	
. NS	780681	. KEY / NS 8721		1	
12	780726	CYLINDER LOCK / NS 8722		1	
. NS	780682	. KEY / NS 8722		1	
12	780727	CYLINDER LOCK / NS 8723		1	
. NS	780683	. KEY / NS 8723		1	
12	780728	CYLINDER LOCK / NS 8724		1	
. NS	780684	. KEY / NS 8724		1	
12	780729	CYLINDER LOCK / NS 8725		1	
. NS	780685	. KEY / NS 8725		1	
12	780730	CYLINDER LOCK / NS 8726		1	
. NS	780686	. KEY / NS 8726		1	
12	780731	CYLINDER LOCK / NS 8727		1	
. NS	780687	. KEY / NS 8727		1	
12	780732	CYLINDER LOCK / NS 8728		1	
. NS	780688	. KEY / NS 8728		1	
12	780733	CYLINDER LOCK / NS 8729		1	
. NS	780689	. KEY / NS 8729		1	
12	780734	CYLINDER LOCK / NS 8730		1	
. NS	780690	. KEY / NS 8730		1	
12	780735	CYLINDER LOCK / NS 8731		1	
. NS	780716	. KEY / NS 8731		1	
12	780736	CYLINDER LOCK / NS 8732		1	
. NS	780717	. KEY / NS 8732		1	
12	780737	CYLINDER LOCK / NS 8733		1	

From R-1453	Date:07/2024	PAGE:H9-1836-04
PARCEL RACK		

Item#	Part	Description	H 3 4 1	H 3 4 5	NOTES
. NS	780718	. KEY / NS 8733		1	
12	780738	CYLINDER LOCK / NS 8734		1	
. NS	780719	. KEY / NS 8734		1	
12	780739	CYLINDER LOCK / NS 8735		1	
. NS	780720	. KEY / NS 8735		1	
12	780740	CYLINDER LOCK / NS 8736		1	
. NS	780721	. KEY / NS 8736		1	
12	780741	CYLINDER LOCK / NS 8737		1	
. NS	780722	. KEY / NS 8737		1	
12	780742	CYLINDER LOCK / NS 8738		1	
. NS	780723	. KEY / NS 8738		1	
12	780743	CYLINDER LOCK / NS 8739		1	
. NS	780724	. KEY / NS 8739		1	
12	780744	CYLINDER LOCK / NS 8740		1	
. NS	780725	. KEY / NS 8740		1	
13	314699	RIGHT HINGE		1	WCL
13	314698	LEFT HINGE		1	
14	980005	CYLINDRE GAZ / 350 NEWTONS		2	
15	5001530	SCREW CAP HEX M6-1.0x16 SS		4	WCL
16	5001932	NUT HEXF NYRT M6-1.0 G8.8 N500		4	WCL
17	314765	CYLINDER PIN		2	
18	502573	WASHER FL 6.4x12.5x1.6 SS		4	
19	70349120	RING		2	
20	504225	FLANGE BUSHING .312 I.D. X .250		2	
21	5001341	WASHER FL 8.4x17.0x1.6 SS		AR	
22	5001481	SPACER NYLON .323 I.D. X .750 O.D. X .125		14	WCL
23	504225	FLANGE BUSHING .312 I.D. X .250		AR	
24	316591	SHAFT, PIVOT P/R		16	
25	500587	SCREW SET HEXS CUP M4-0.7x6		16	
26	502020	SPRING COMPRESSION / .5 X .5 X 0.063		14	
27	70349120	RING		AR	
28	502573	WASHER FL 6.4x12.5x1.6 SS		AR	
29	314764	CYLINDER PIVOT		16	
30	504527	BUMPER PLUG / .625ODx.312THx.250HOLEx.125		AR	
31	314934	DOOR, PARCEL RACK / FAKE To R-1719		1	WCL
31	315181	DOOR, PARCEL RACK / FAKE From R-1720		1	WCL
32	314699	RIGHT HINGE		1	WCL
33	314989	LEFT HINGE WITH EDGE		1	WCL
34	5001530	SCREW CAP HEX M6-1.0x16 SS		4	WCL
35	5001932	NUT HEXF NYRT M6-1.0 G8.8 N500		5	WCL
36	314981	PLATE, MOUNTING		1	WCL
37	500841	SCREW TP PAN PH #14x3/4 Z050		2	WCL

From R-1453	Date:07/2024	PAGE:H9-1836-04
PARCEL RACK		

Item#	Part	Description	H 3 4 1	H 3 4 5	NOTES
38	314809	DOOR HOOK WCL		1	WCL
39	506066	CORD, RUBBER EXTRUSION NEO 7/16" O.D. / C.T.L.		AR	
40	504452	CLAMP "E-Z CLIP" / "TUBE-O" / 7/16" / HC9-7		AR	
41	315165	COVER, PARCEL RACK PILLAR		9	A
41	315165	COVER, PARCEL RACK PILLAR		7	WCL
42	315169	HALF COVER, PARCEL RACK PILLAR		2	A
42	315169	HALF COVER, PARCEL RACK PILLAR		3	WCL
43	315166	COVER, PARCEL RACK PILLAR		1	
44	315167	COVER, PARCEL RACK PILLAR		1	
45	315168	HALF COVER, PARCEL RACK PILLAR		2	A
45	315168	HALF COVER, PARCEL RACK PILLAR		3	WCL
46A	314764	CYLINDER PIVOT		11	A
46A	314764	CYLINDER PIVOT		9	WCL
46B	315170	COVER SHAFT, PARCEL RACK PILLAR		4	A
46B	315170	COVER SHAFT, PARCEL RACK PILLAR		6	WCL
47	502573	WASHER FL 6.4x12.5x1.6 SS		AR	
48	70349120	RING		AR	
49A	5001061	NUT HEX CAP M6-1.0 NP		AR	
49B	5000028	NUT HEX THN M6X1.0 Z050		AR	
50	H9-0655-02	INTERIOR LIGHTING			
51	314704	HAND RAIL / EXTRUSION 3320MM		4	A
51	314704	HAND RAIL / EXTRUSION 3320MM		3	WCL
51	314705	HAND RAIL / EXTRUSION 1474.7MM		1	A
51	314717	HAND RAIL / EXTRUSION 3332MM		1	WCL
51	314720	HAND RAIL / EXTRUSION 1254MM		1	
51	314722	HAND RAIL / EXTRUSION 3320MM		1	A
51	314726	HAND RAIL / EXTRUSION 2908MM		1	WCL
51	314729	HAND RAIL / EXTRUSION 3320MM		1	
52	314706	AIR DUCT / EXTRUSION 1660MM		2	
52	314707	AIR DUCT / EXTRUSION 3320MM		2	
52	314710	AIR DUCT / EXTRUSION 3134MM		1	
52	314723	AIR DUCT / EXTRUSION 3320MM		1	
52	314716	AIR DUCT / EXTRUSION 3332MM		1	WCL
52	314727	AIR DUCT / EXTRUSION 1248MM		1	WCL
52	314718	AIR DUCT / EXTRUSION 2914MM		1	A
52	314730	AIR DUCT / EXTRUSION 3320MM		1	A
53	314708	BACKGROUND PARCEL RACK / EXTRUSION 3320MM		3	WCL
53	314709	BACKGROUND PARCEL RACK / EXTRUSION 1474.7MM		1	
53	314725	BACKGROUND PARCEL RACK / EXTRUSION 3320MM		1	
53	314719	BACKGROUND PARCEL RACK / EXTRUSION 1254MM		1	A
53	314731	BACKGROUND PARCEL RACK / EXTRUSION 3320MM		1	A
53	314715	BACKGROUND PARCEL RACK / EXTRUSION 3332MM		1	WCL

From R-1453	Date:07/2024	PAGE:H9-1836-04
PARCEL RACK		

Item#	Part	Description	H 3 4 1	H 3 4 5	N O T E S
53	314728	BACKGROUND PARCEL RACK / EXTRUSION 2908MM		1	WCL
53	314708	BACKGROUND PARCEL RACK / EXTRUSION 3320MM To R-1683		4	A
53	314708	BACKGROUND PARCEL RACK / EXTRUSION 3320MM From R-1684		3	A
53	315136	BACKGROUND PARCEL RACK / EXTRUSION 3320MM From R-1684		1	A
54	314810	ROD JUNCTION, PARCEL RACK		AR	
55	314748	LIGHTNING CEILING / EXTRUSION 1660MM		4	
55	314749	LIGHTNING CEILING / EXTRUSION 3320MM		4	A
55	314749	LIGHTNING CEILING / EXTRUSION 3320MM		3	WCL
55	314750	LIGHTNING CEILING / EXTRUSION 1245MM		2	A
55	314750	LIGHTNING CEILING / EXTRUSION 1245MM		3	WCL
55	314751	LIGHTNING CEILING / EXTRUSION 2075MM		1	
56	504106	RIVET POP DOME OE 1/8x1/4 AL		AR	
57	314813	CEILING, PARCEL RACK 1655MM		1	
58	314742	CEILING, PARCEL RACK 1655MM		8	A
58	314742	CEILING, PARCEL RACK 1655MM		7	WCL
59	314745	CEILING, PARCEL RACK 1240MM		2	
60	314753	CEILING, PARCEL RACK 1655MM		1	
61	314754	CEILING, PARCEL RACK 1240MM		1	
62	314756	CEILING, PARCEL RACK 1655MM		1	
63	314815	CEILING, PARCEL RACK 1655MM		1	
64	500582	SCREW TP PAN PH #8x3/8 Z050		AR	
65	314589	ACCESS HATCH 616MM		20	A
65	314589	ACCESS HATCH 616MM		18	WCL
66	314759	ACCESS HATCH 563MM		4	
67	314761	ACCESS HATCH 451.5MM		1	
68	314762	ACCESS HATCH 770.5MM		1	
69	314763	ACCESS HATCH 770.5MM		1	
71	312243	INSULATING / TOP PANEL & STRUCTURE 1371.6MM		12	A
71	312243	INSULATING / TOP PANEL & STRUCTURE 1371.6MM		10	WCL
72	314766	INSULATING / TOP PANEL & STRUCTURE 950MM		2	A
72	314766	INSULATING / TOP PANEL & STRUCTURE 950MM		3	WCL
73	5002093	SCREW DR SEMS FN OV PH #8X3/4" Z050		AR	
74	810009	CARPET (OZITE) SELF ADHESIVE		AR	
75	314655	PILAR FRONT, PARCEL RACK To R-1724		2	
75	315070	PILAR FRONT, PARCEL RACK From R-1725 To £-23114		2	
75	315212	PILAR FRONT, PARCEL RACK From £-23114		2	
76	314654	PILAR REGULAR, PARCEL RACK To R-1723		14	
76	315069	PILAR REGULAR, PARCEL RACK From R-1724 To £-23114		14	
76	315211	PILAR REGULAR, PARCEL RACK From £-23114		14	
77	314656	PILAR CUTTED, PARCEL RACK To R-1811		1	WCL
77	315071	PILAR CUTTED, PARCEL RACK From R-1812 To £-23114		1	WCL
77	315213	PILAR CUTTED, PARCEL RACK From £-23114		1	WCL

From R-1453	Date:07/2024	PAGE:H9-1836-04
PARCEL RACK		

Item#	Part	Description	H 3 4 1	H 3 4 5	N O T E S
78	314868	RETAINING BRIDGE ASS.		AR	
79	314954	PANEL 60MM		AR	
79	315100	PANEL 144MM		AR	
79	315107	PANEL 154MM		AR	
79	314955	PANEL 175MM		AR	
79	315104	PANEL 180MM		AR	
79	314956	PANEL 244MM		AR	
79	315108	PANEL 288MM		AR	
79	315120	PANEL 330MM		AR	
79	314957	PANEL 424MM		AR	
79	315083	PANEL 442MM		AR	
79	315019	PANEL 456MM		AR	
79	315101	PANEL 462MM		AR	
79	314958	PANEL 465MM		AR	
79	315024	PANEL 470MM		AR	
79	315008	PANEL 475MM		AR	
79	314959	PANEL 483MM		AR	
79	315103	PANEL 486MM		AR	
79	314961	PANEL 494MM		AR	
79	315007	PANEL 499MM		AR	
79	314960	PANEL 516MM		AR	
79	315109	PANEL 532MM		AR	
79	315011	PANEL 540MM		AR	
79	315020	PANEL 548MM		AR	
79	315010	PANEL 566MM		AR	
79	315122	PANEL 592MM		AR	
79	315085	PANEL 598MM		AR	
79	315121	PANEL 612MM		AR	
79	315086	PANEL 630MM		AR	
79	314964	PANEL 711MM		AR	
79	315123	PANEL 744MM		AR	
79	315110	PANEL 824MM		AR	
79	315102	PANEL 848MM		AR	
79	315021	PANEL 854MM		AR	
79	315119	PANEL 1333MM		AR	
79	315177	PANEL 439MM		AR	
79	315106	PANEL 184MM / 94.3MM POSITION SCREEN		AR	
79	314963	PANEL 248MM / 94.3MM POSITION SCREEN		AR	
79	315088	PANEL 370MM / 94.3MM POSITION SCREEN		AR	
79	315105	PANEL 628MM / 449MM POSITION SCREEN		AR	
79	314962	PANEL 711MM / 449MM POSITION SCREEN		AR	
79	315087	PANEL 815MM / 449MM POSITION SCREEN		AR	

From R-1453	Date:07/2024	PAGE:H9-1836-04
PARCEL RACK		

Item#	Part	Description	H 3 4 1	H 3 4 5	NOTES
79	315132	PANEL WITH HOLE / SB247 / 244MM		AR	D
79	315138	PANEL WITH HOLE / SB247 / 412MM		AR	D
79	315014	PANEL WITH HOLE / SB247 / 424MM		AR	D
79	315188	PANEL WITH HOLE / SB247 / 441MM		1	
79	315112	PANEL WITH HOLE / SB247 / 457MM		AR	D
79	315015	PANEL WITH HOLE / SB247 / 465MM		AR	D
79	315113	PANEL WITH HOLE / SB247 / 471MM		AR	D
79	315066	PANEL WITH HOLE / SB247 / 475MM		AR	D
79	315017	PANEL WITH HOLE / SB247 / 483MM		AR	D
79	314988	PANEL WITH HOLE / SB247 / 494MM		AR	D
79	315067	PANEL WITH HOLE / SB247 / 499MM		AR	D
79	315016	PANEL WITH HOLE / SB247 / 516MM		AR	D
79	315133	PANEL WITH HOLE / SB247 / 540MM		AR	D
79	315134	PANEL WITH HOLE / SB247 / 566MM		1	D
80	506227	TAPE RUB ADH1 CC POL 1/16" x 3/4" x 100' / GREY 2520		AR	
81	502513	SCREW TP CAP HEX 5/16x1 Z050		AR	
82	500942	WASHER LO SPT 8.1x14.8x2.0 N500		AR	
83	502927	SCREW CAP HEX M8-1.25x50 G8.8 N500		AR	
84	500321	WASHER BEL SPR .331x.827x.098 N500		AR	
84	500401	WASHER FL .343x.875x.125 N500		2	
85	312367	FIXING PLATE		AR	
86	313003	SPACER		AR	
87	5001337	NUT INS FL HEX M8-1.25 0.5-3.0 Z050		AR	
88	5002235	SCREW CAP HEXF M6-1.0x30 G10.9 N500 AD		AR	
89	314982	FIXATION PLATE		AR	
90	502839	NUT INS TYPE "A-L" OE M6-1.0 4.2-6.6 Z050		AR	
91	314685	PILAR SCREW COVER		16	
92	5001440	SCREW TP RND PH WSHR HD #8x1/2		16	
93	314985	DIVIDER, FRONT LH		1	
94	314865	DIVIDER LH		3	
95	314987	DIVIDER, FRONT RH		1	
96	316350	DIVIDER RH		3	
97	314973	DIVIDER, WCL		1	
98	316349	FINISHING CAP UPPER LH		4	A
98	316349	FINISHING CAP UPPER LH		5	WCL
99	316351	FINISHING CAP UPPER RH		3	A
99	316351	FINISHING CAP UPPER RH		4	WCL
100	454476	DRESSING, FAN UNIT, LEFT / WITH PARCEL RACK DOOR		1	
100	455085	DRESSING, FAN UNIT, LEFT / WITHOUT PARCEL RACK DOOR		1	
101	454828	DRESSING, FAN UNIT, RIGHT / WITH PARCEL RACK DOOR		1	
101	455086	DRESSING, FAN UNIT, RIGHT / WITHOUT PARCEL RACK DOOR		1	
102	5001440	SCREW TP RND PH WSHR HD #8x1/2		AR	

From R-1453	Date:07/2024	PAGE:H9-1836-04
PARCEL RACK		

Item#	Part	Description	H 3 4 1	H 3 4 5	N O T E S
103	5001586	WASHER FL 6.4x17.0x3.0 Z050		2	
104	500841	SCREW TP PAN PH #14x3/4 Z050		AR	WCL
105	453756	TRANSITION, FAN UNIT, LEFT		1	
105	506268	TAPE RUB ADH1 URE 3/8" x 1/2" x 25' / GREY 1820		AR	
106	453957	TRANSITION, FAN UNIT, RIGHT		1	
106	506268	TAPE RUB ADH1 URE 3/8" x 1/2" x 25' / GREY 1820		AR	
107	500401	WASHER FL .343x.875x.125 N500		4	
108	314884	CLOSING,UNDER PARCEL RACK UNIT		2	
109	315025	CHOKE SERVICE SET		1	
110	314869	COVER FOR ANTENNA		1	
111	314903	COVER FOR ANTENNA RIGHT		1	
112	500583	SCREW TP PAN PH #6x1/2 Z050		6	
113	508423	NUT SPR U #6 .025 - .064		6	
114	500657	SCREW TC TR PH #10-24x1/2 Z050		2	
115	330017	PARCEL RACK END CAP, LIGHTNING RGBW		2	A
115	330017	PARCEL RACK END CAP, LIGHTNING RGBW		4	WCL
115	330020	PARCEL RACK END CAP, WHITE LIGHTING		2	A
115	330020	PARCEL RACK END CAP, WHITE LIGHTING		4	WCL
116	5000353	SCREW CAP BUT HEXS M6-1.0x12 N500		8	A
116	5000353	SCREW CAP BUT HEXS M6-1.0x12 N500		16	WCL
117	314783	END PANEL		2	A
117	314783	END PANEL		4	WCL
118	314690	SUPPORT, END CAP		1	
119	314691	SUPPORT, END CAP		1	
120	314839	SUPPORT, END CAP W/WCL ASSY.		1	
121	314840	SUPPORT, END CAP W/WCL ASSY.		1	
122	500623	SCREW TC PAN PH #10-24x3/4 N500		8	A
122	500623	SCREW TC PAN PH #10-24x3/4 N500		16	WCL
123	319213	CLOSING, PARCEL RACK		4	
124	314841	CLOSING, PARCEL RACK W/WCL		1	
125	314842	CLOSING, PARCEL RACK W/WCL		1	
126	314779	SUPPORT,HARNESS		4	
127	314780	SUPPORT,HARNESS		2	
128	314811	SUPPORT,HARNESS		1	
129	500582	SCREW TP PAN PH #8x3/8 Z050		AR	
130	5001961	SCREW MA FL PH M6-1.0x20 Z050		4	
130	5001833	WASHER BEL SPR 6.1x18x1.27 SS		4	
130	5001182	NUT HEX NYRT M6-1.0 SS		4	
131	504637	CABLE TIE / 3/16" x 13"		AR	
131	509815	TIE MOUNT / ATTACHMENT W/TREE MOUNT		AR	
132	504013	TIE MOUNT / 1/4" X 1/4" I.D.		1	
132	504637	CABLE TIE / 3/16" x 13"		AR	

From R-1453	Date:07/2024	PAGE:H9-1836-04
PARCEL RACK		

Item#	Part	Description	H 3 4 1	H 3 4 5	N O T E S
132	504114	RIVET POP DOME OE 3/16x1/4 AL		1	
133	504568	GROMMET / .437x.687x.250x.500x1.000		2	
135	Call order desk	FINISHING PARCEL RACK END, LOWER RR LH ASSY		1	P
135A	315092	. BRACKET LH, PARCEL RACK FINISH From R-1512		1	
135B	5002100	. SCREW CAP HEXF AD M6-1.0x20 G10.9 N500 From R-1512		1	
136	314825	FINISHING PARCEL RACK END, LOWER RR RH ASSY		1	
136A	315095	. BRACKET RH, PARCEL RACK FINISH From R-1512		2	
136B	5002100	. SCREW CAP HEXF AD M6-1.0x20 G10.9 N500 From R-1512		2	
137	314834	FINISHING PARCEL RACK END, UPPER RR LH ASSY To R-1511		1	
137	Call order desk	FINISHING PARCEL RACK END, UPPER RR LH ASSY From R-1512		1	P
138	314831	FINISHING PARCEL RACK END, UPPER RR RH ASSY		1	
139	314875	SUPPORT REAR, PARCEL RACK FINISH To R-1511		2	
139	314875	SUPPORT REAR, PARCEL RACK FINISH From R-1512		1	
140	5001490	WASHER SHR .312 ID NYL		4	
141	5001846	SCREW DR TR WASHER PH #10x3/4 Z050 To R-1511		4	
141	500409	SCREW TP PAN PH #8x1/2 BK From R-1512		4	
142	5002100	SCREW CAP HEXF AD M6-1.0x20 G10.9 N500		6	
143	5001344	NUT INS FL HEX M6-1.0 0.5-3.0 SS		6	
144	5002100	SCREW CAP HEXF AD M6-1.0x20 G10.9 N500 To R-1511	1	1	
144	502656	SCREW CAP HEX M6-1.0x50 SS From R-1512		1	
145	315094	SUPPORT REAR, PARCEL RACK FINISH From R-1512		1	
146	5002100	SCREW CAP HEXF AD M6-1.0x20 G10.9 N500 From R-1512		4	
147	5001467	WASHER FL .343x1.250x.062 SS18-8 From R-1512		4	
148	5001751	WASHER FL 10.5x26.0x2.0 N500 From R-1512		1	
149	315091	BRACKET LH, PARCEL RACK FINISH From R-1512		1	
149	505547	TAPE DUAL LOCK 1/2" x 50YRD / BLACK SJ3551 From R-1512		AR	
150	504105	RIVET POP DOME OE 1/8x3/16 AL From R-1512		2	
151	3211270	FIXED CEILING WCL ASM		1	WCL
152	3211304	REMOVABLE CEILLING WCL ASM		1	WCL
153	830191	LAMP ASSY / LAVATORY "FRILIGHT" BLACK		2	WCL
. NS	830196	. BULB / 20 WATTS-12V/SAE#Q20MR16/FL40D		1	WCL
154	502666	SCREW MA FL PH #6-32x3/4 SS BK		6	WCL
155	500385	NUT SPR U #6-32 .135-.150 N500		6	WCL
156	563592	MODULE ALARM DETECTOR W.C.L. TWU		1	WCL
157	5001306	SCREW TC PAN PH #4-40x5/8 Z050		4	WCL
158	3211324	FIXTURE, LITTLE ROOF WCL		2	WCL
159	5002100	SCREW CAP HEXF AD M6-1.0x20 G10.9 N500		6	WCL
160	5001344	NUT INS FL HEX M6-1.0 0.5-3.0 SS		4	WCL
161	5001119	SCREW TP BDG PH #8x3/4 SS		6	WCL
162	500684	NUT SPR U #8A .025-.064		6	WCL
163	5001710	SCREW CAP HEX M6-1.0x55 SS		2	WCL
164	5001462	WASHER FL 6.4x18.0x1.6 Z050		2	WCL

From R-1453	Date:07/2024	PAGE:H9-1836-04
PARCEL RACK		

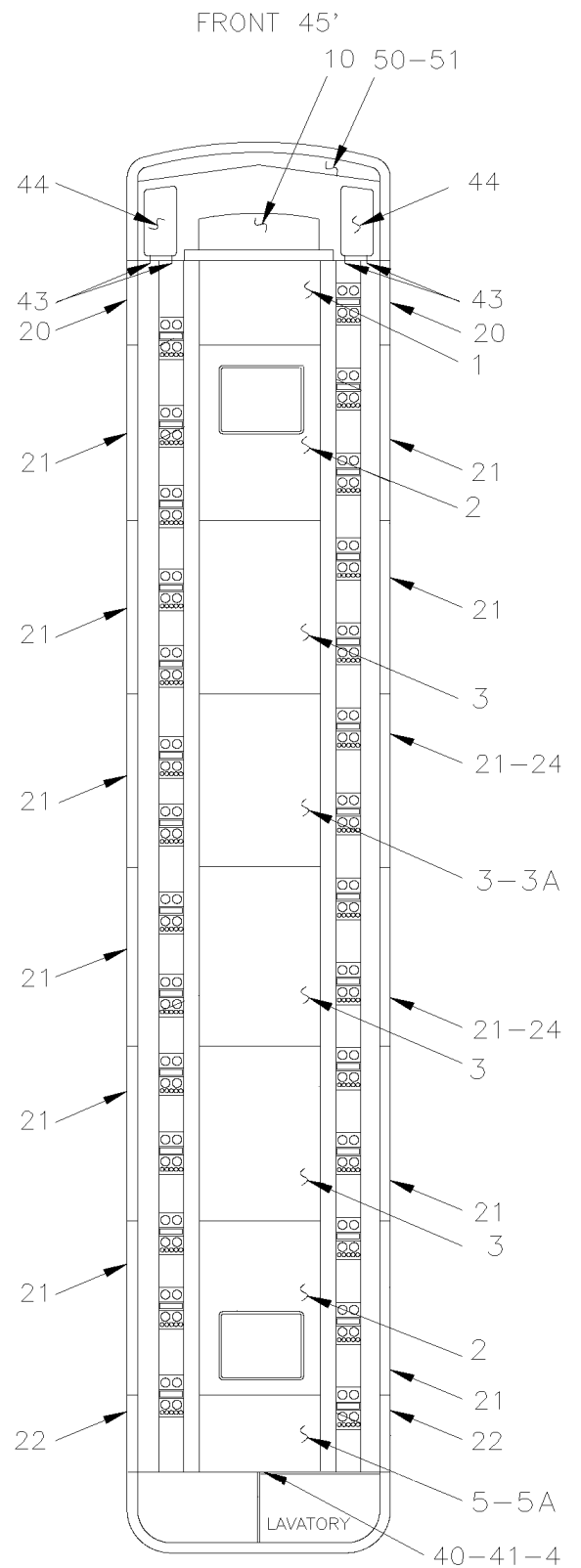
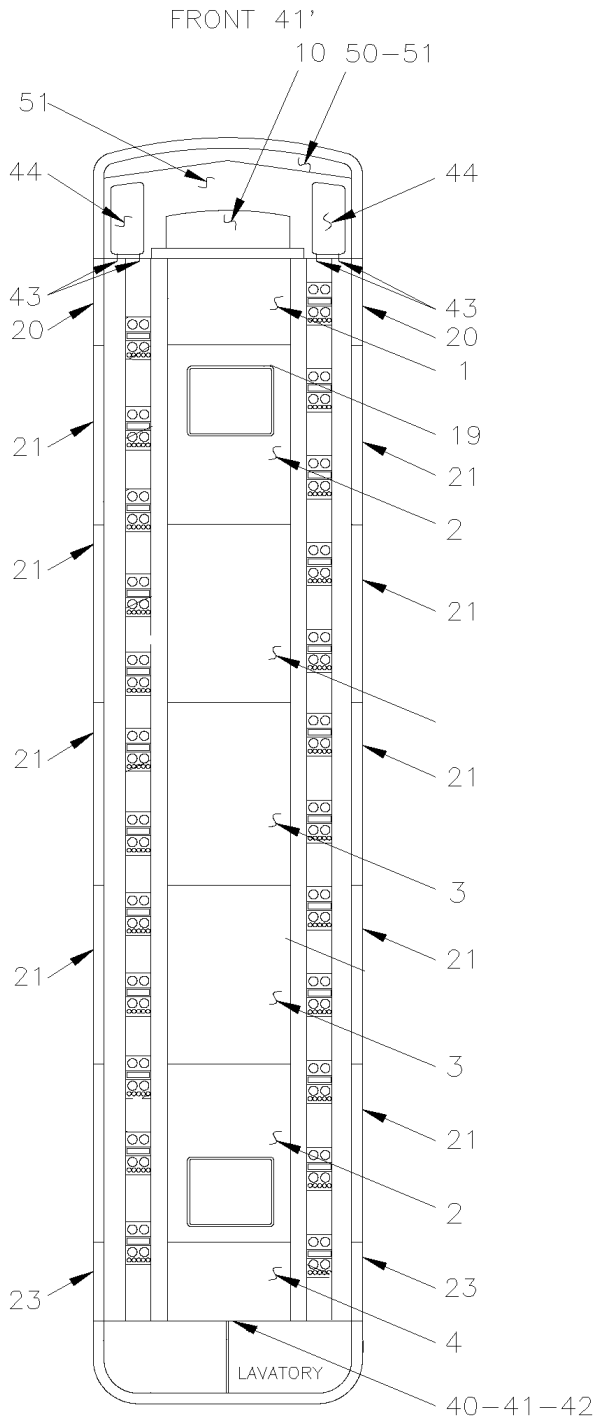
Item#	Part	Description	H 3 4 1	H 3 4 5	N O T E S
165	5001481	SPACER NYLON .323 I.D. X .750 O.D. X .125		2	WCL
166	5001490	WASHER SHR .312 ID NYL		2	WCL
		A) WITHOUT W.C.L.			
		D) WITH SB247 OPTION			
		WCL) WITH W.C.L.			
		P) CALL ORDER DESK FOR SPECIFIC APPLICATION (V.I.N.)			

From K-0185 To P-1452

Date:07/2024

PAGE:H9-1837-00

CEILING PANELS & MOULDING W/GREY FINISHING



From K-0185 To P-1452	Date:07/2024	PAGE:H9-1837-00
-----------------------	--------------	-----------------

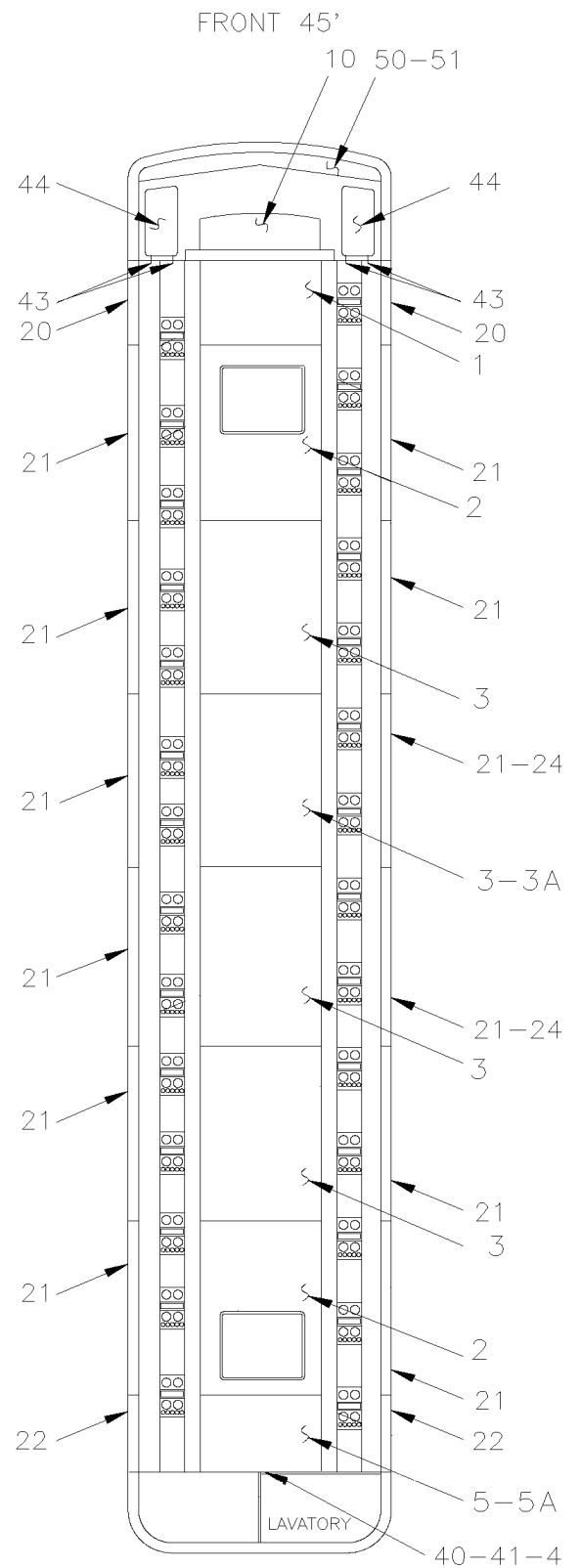
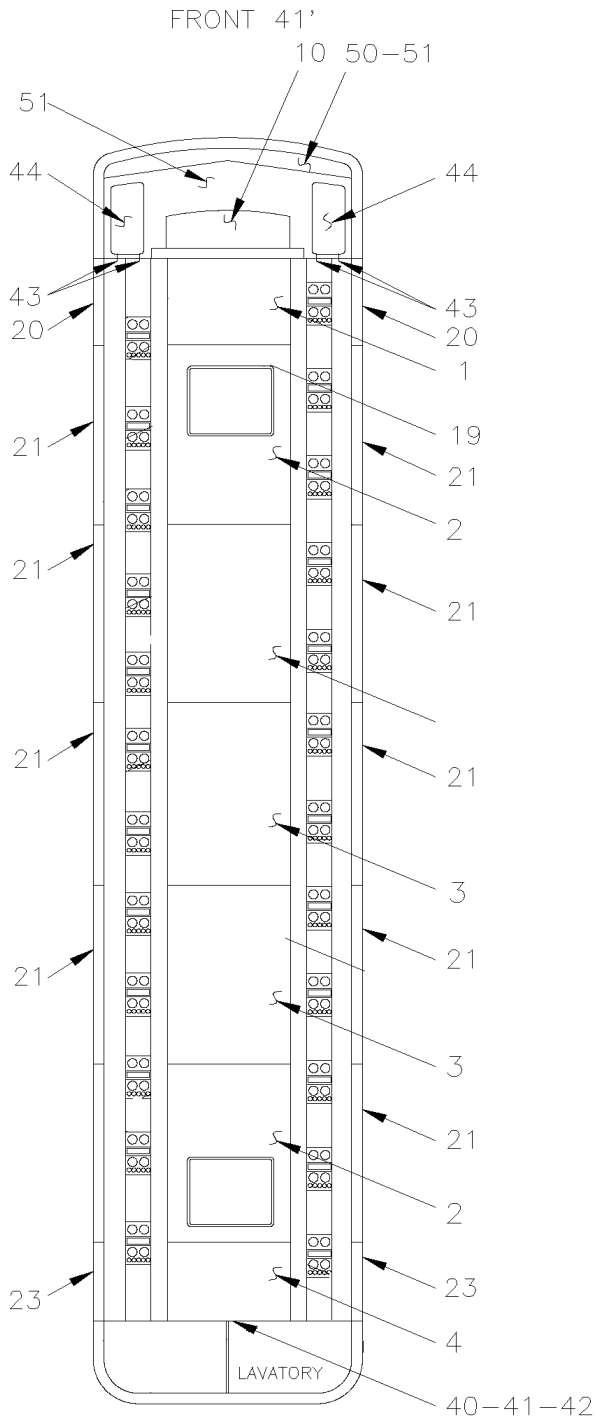
CEILING PANELS & MOULDING W/GREY FINISHING

Item#	Part	Description	H 3 4 1	H 3 4 5	NOTES
1	341462	CEILING PANEL ASSY #1 FRONT / WITHOUT SCREEN 922MM x 1140MM	1	1	
1	341468	CEILING PANEL ASSY #1 FRONT / W/SCREEN 19" 922MM x 1140MM	1	1	
1	341182	. CEILING PANEL ALUM. #1 FRONT / W/SCREEN 19" 922MM x 1140MM	1	1	
2	341466	CEILING PANEL ASSY W/ EMERGENCY EXIT 1658MM x 1140MM	2	2	
3	341465	CEILING PANEL ASSY STD 1656MM x 1140MM	3		
3	341465	CEILING PANEL ASSY STD 1656MM x 1140MM		4	
3A	Call order desk	CEILING PANEL ASSY 1656MM x 1140MM W/CAM.BRIGADE	1	1	P SP
4	Call order desk	CEILING PANEL ASSY #7 1203MM x 1140MM	1	1	P
5	341467	CEILING PANEL ASSY #8 788MM x 1140MM	1	1	
5A	Call order desk	CEILING PANEL ASSY #8 786MM x 1140MM	1	1	P SP
10	341464	CEILING PANEL ASSY TRANSITION 906MM x 320MM	1	1	
10	341463	CEILING PANEL ASSY TRANSITION / W/FLAT 10" 906MM x 320MM	1	1	
10	341461	CEILING PANEL ASSY TRANSITION / W/FLAT 15.4" 906MM x 320MM	1	1	
10	340017	TAPE DUAL LOCK 2" x 900MM / BLACK SJ3551	8	8	
. NS	505537	. TAPE DUAL LOCK 2" X 50 YARD / BLACK SJ3551	AR	AR	
10	340038	TAPE DUAL LOCK 2" x 110MM / BLACK SJ3551	8	8	
. NS	505537	. TAPE DUAL LOCK 2" X 50 YARD / BLACK SJ3551	AR	AR	
10	340055	TAPE DUAL LOCK 2" x 800MM / BLACK SJ3551	1	1	
NS	505537	. TAPE DUAL LOCK 2" X 50 YARD / BLACK SJ3551	AR	AR	
NS	680453	SEALANT TAPE / CLEAR / 1/32"x1/2"x65' / 1795	AR	AR	
NS	500333	SCREW TP OV PH #6x3/4 BK	AR	AR	
20	329545	FINISHING MOULDING / UPPER TRAPEZ WINDOW	2	2	A
21	329548	FINISHING MOULDING / W/SINGLE GLASS	10		A
21	329548	FINISHING MOULDING / W/SINGLE GLASS		12	A
21	328473	FINISHING MOULDING / W/THERMO GLASS	10		A
21	328473	FINISHING MOULDING / W/THERMO GLASS		12	A
22	329549	FINISHING MOULDING / W/SINGLE GLASS / REAR		2	A
22	328474	FINISHING MOULDING / W/THERMO GLASS / REAR		2	A
23	328485	FINISHING MOULDING / W/SINGLE GLASS / REAR	2		A
23	328486	FINISHING MOULDING / W/THERMO GLASS / REAR	2		A
24	328480	FINISHING MOULDING / W/SINGLE GLASS & W/W.C.L		1	
24	328483	FINISHING MOULDING / W/THERMO GLASS & W/W.C.L		1	
40	313119	FINISHING MOULDING PLASTIC	1	1	
41	500552	SCREW TP OV PH #6x3/4 Z050	5	5	
42	500463	WASHER FN CKF .187x.500x.090 BR Z050	5	5	
43	502249	SPRING PIN 3/16" x 1 1/2	4	4	
44	340153	COVER, L.H. & R.H. / FRONT CAP CEILING TAN	2	2	
44	340154	COVER, L.H. & R.H. / FRONT CAP CEILING GREY		2	B
45	340017	TAPE DUAL LOCK 2" x 900MM / BLACK SJ3551	AR	AR	
. NS	505537	. TAPE DUAL LOCK 2" X 50 YARD / BLACK SJ3551	AR	AR	

From K-0185 To P-1452	Date:07/2024	PAGE:H9-1837-00
CEILING PANELS & MOULDING W/GREY FINISHING		

Item#	Part	Description	H 3 4 1	H 3 4 5	NOTES
45	340055	TAPE DUAL LOCK 2" x 800MM / BLACK SJ3551	AR	AR	
45	340060	TAPE DUAL LOCK 2" x 530MM / BLACK SJ3551	AR	AR	
45	340059	TAPE DUAL LOCK 2" x 178MM / BLACK SJ3551	AR	AR	
45	340038	TAPE DUAL LOCK 2" x 110MM / BLACK SJ3551	AR	AR	
. NS	505537	. TAPE DUAL LOCK 2" X 50 YARD / BLACK SJ3551	AR	AR	
45	505537	. TAPE DUAL LOCK 2" X 50 YARD / BLACK SJ3551	AR	AR	
50	H9-0655-01	INTERIOR LIGHTING LED			
51	H9-1832-01	FRONT FINISHING CAP W/TAN FINISHING To K-0484			
51	H9-1832-02	FRONT FINISHING CAP W/GREY FINISHING From K-0485			
		A) THIS IS LOCATED UPPER SIDE WINDOWS			
		B) BAUER'S TRANSPORTATION OPTION			
		SP) SPECIAL WITH HOLES FOR CAMERA BRIGADE			
		P) CALL ORDER DESK FOR SPECIFIC APPLICATION (V.I.N.)			

CEILING PANELS & MOULDING W/TAN FINISHING



From K-0185 To P-1452	Date:07/2024	PAGE:H9-1837-01
------------------------------	---------------------	------------------------

CEILING PANELS & MOULDING W/TAN FINISHING

Item#	Part	Description	H 3 4 1	H 3 4 5	N O T E S
1	341459	CEILING PANEL ASSY #1 FRONT / WITHOUT SCREEN 922MM x 1140MM	1	1	
1	341460	CEILING PANEL ASSY #1 FRONT / W/SCREEN 19" 922MM x 1140MM	1	1	
1	341182	. CEILING PANEL ALUM. #1 FRONT / W/SCREEN 19" 922MM x 1140MM	1	1	
2	341455	CEILING PANEL ASSY W/ EMERGENCY EXIT 1658MM x 1140MM	2	2	
3	341454	CEILING PANEL ASSY STD 1656MM x 1140MM	3		
3	341454	CEILING PANEL ASSY STD 1656MM x 1140MM		4	
3A	Call order desk	CEILING PANEL ASSY 1656MM x 1140MM W/CAM.BRIGADE		1	P SP
4	Call order desk	CEILING PANEL ASSY #7 1203MM x 1140MM	1		P
5	341456	CEILING PANEL ASSY #8 788MM x 1140MM		1	
5A	Call order desk	CEILING PANEL ASSY #8 786MM x 1140MM		1	P SP
10	341453	CEILING PANEL ASSY TRANSITION 906MM x 320MM	1	1	
10	341452	CEILING PANEL ASSY TRANSITION / W/FLAT 10" 906MM x 320MM	1	1	
10	341458	CEILING PANEL ASSY TRANSITION / W/FLAT 15.4" 906MM x 320MM	1	1	
10	340017	TAPE DUAL LOCK 2" x 900MM / BLACK SJ3551	8	8	
. NS	505537	. TAPE DUAL LOCK 2" X 50 YARD / BLACK SJ3551	AR	AR	
10	340038	TAPE DUAL LOCK 2" x 110MM / BLACK SJ3551	8	8	
. NS	505537	. TAPE DUAL LOCK 2" X 50 YARD / BLACK SJ3551	AR	AR	
10	340055	TAPE DUAL LOCK 2" x 800MM / BLACK SJ3551	1	1	
NS	505537	. TAPE DUAL LOCK 2" X 50 YARD / BLACK SJ3551	AR	AR	
NS	680453	SEALANT TAPE / CLEAR / 1/32"x1/2"x65' / 1795	AR	AR	
NS	500333	SCREW TP OV PH #6x3/4 BK	AR	AR	
20	329545	FINISHING MOULDING / UPPER TRAPEZ WINDOW	2	2	A
21	329548	FINISHING MOULDING / W/SINGLE GLASS	10		A
21	329548	FINISHING MOULDING / W/SINGLE GLASS		12	A
21	328473	FINISHING MOULDING / W/THERMO GLASS	10		A
21	328473	FINISHING MOULDING / W/THERMO GLASS		12	A
22	329549	FINISHING MOULDING / W/SINGLE GLASS / REAR		2	A
22	328474	FINISHING MOULDING / W/THERMO GLASS / REAR		2	A
23	328485	FINISHING MOULDING / W/SINGLE GLASS / REAR	2		A
23	328486	FINISHING MOULDING / W/THERMO GLASS / REAR	2		A
24	328480	FINISHING MOULDING / W/SINGLE GLASS & W/W.C.L		1	
24	328483	FINISHING MOULDING / W/THERMO GLASS & W/W.C.L		1	
40	313119	FINISHING MOULDING PLASTIC	1	1	
41	500552	SCREW TP OV PH #6x3/4 Z050	5	5	
42	500463	WASHER FN CKF .187x.500x.090 BR Z050	5	5	
43	502249	SPRING PIN 3/16" x 1 1/2	4	4	
44	340153	COVER, L.H. & R.H. / FRONT CAP CEILING TAN	2	2	
44	340154	COVER, L.H. & R.H. / FRONT CAP CEILING GREY		2	B
45	340017	TAPE DUAL LOCK 2" x 900MM / BLACK SJ3551	AR	AR	
. NS	505537	. TAPE DUAL LOCK 2" X 50 YARD / BLACK SJ3551	AR	AR	

From K-0185 To P-1452	Date:07/2024	PAGE:H9-1837-01
CEILING PANELS & MOULDING W/TAN FINISHING		

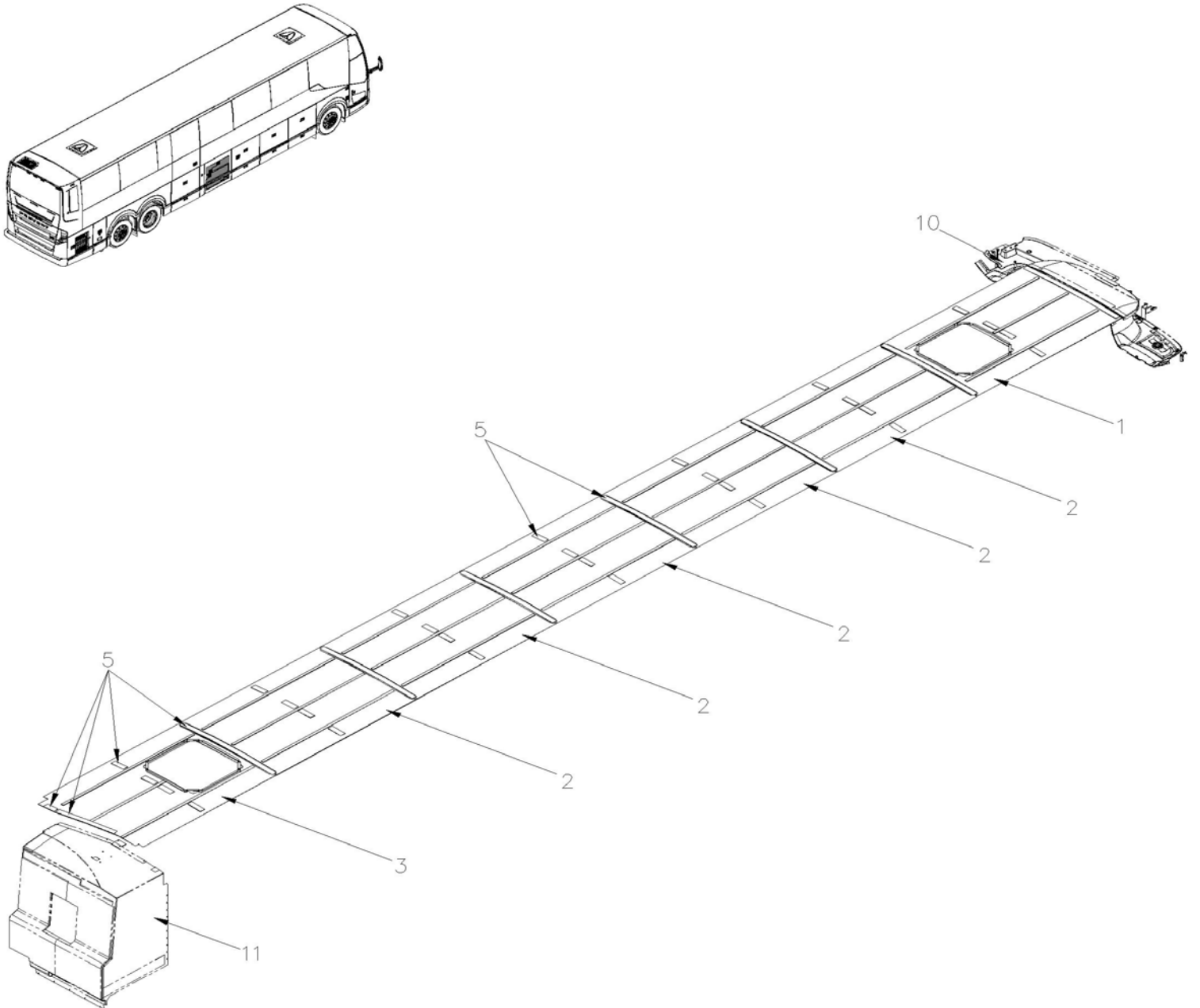
Item#	Part	Description	H 3 4 1	H 3 4 5	NOTES
45	340055	TAPE DUAL LOCK 2" x 800MM / BLACK SJ3551	AR	AR	
45	340060	TAPE DUAL LOCK 2" x 530MM / BLACK SJ3551	AR	AR	
45	340059	TAPE DUAL LOCK 2" x 178MM / BLACK SJ3551	AR	AR	
45	340038	TAPE DUAL LOCK 2" x 110MM / BLACK SJ3551	AR	AR	
. NS	505537	. TAPE DUAL LOCK 2" X 50 YARD / BLACK SJ3551	AR	AR	
45	505537	. TAPE DUAL LOCK 2" X 50 YARD / BLACK SJ3551	AR	AR	
50	H9-0655-01	INTERIOR LIGHTING LED			
51	H9-1832-01	FRONT FINISHING CAP W/TAN FINISHING To K-0484			
51	H9-1832-02	FRONT FINISHING CAP W/GREY FINISHING From K-0485			
		A) THIS IS LOCATED UPPER SIDE WINDOWS			
		B) BAUER'S TRANSPORTATION OPTION			
		SP) SPECIAL WITH HOLES FOR CAMERA BRIGADE			
		P) CALL ORDER DESK FOR SPECIFIC APPLICATION (V.I.N.)			

From R-1453

Date:07/2024

PAGE:H9-1837-02

CEILING PANELS



From R-1453	Date:07/2024	PAGE:H9-1837-02
CEILING PANELS		

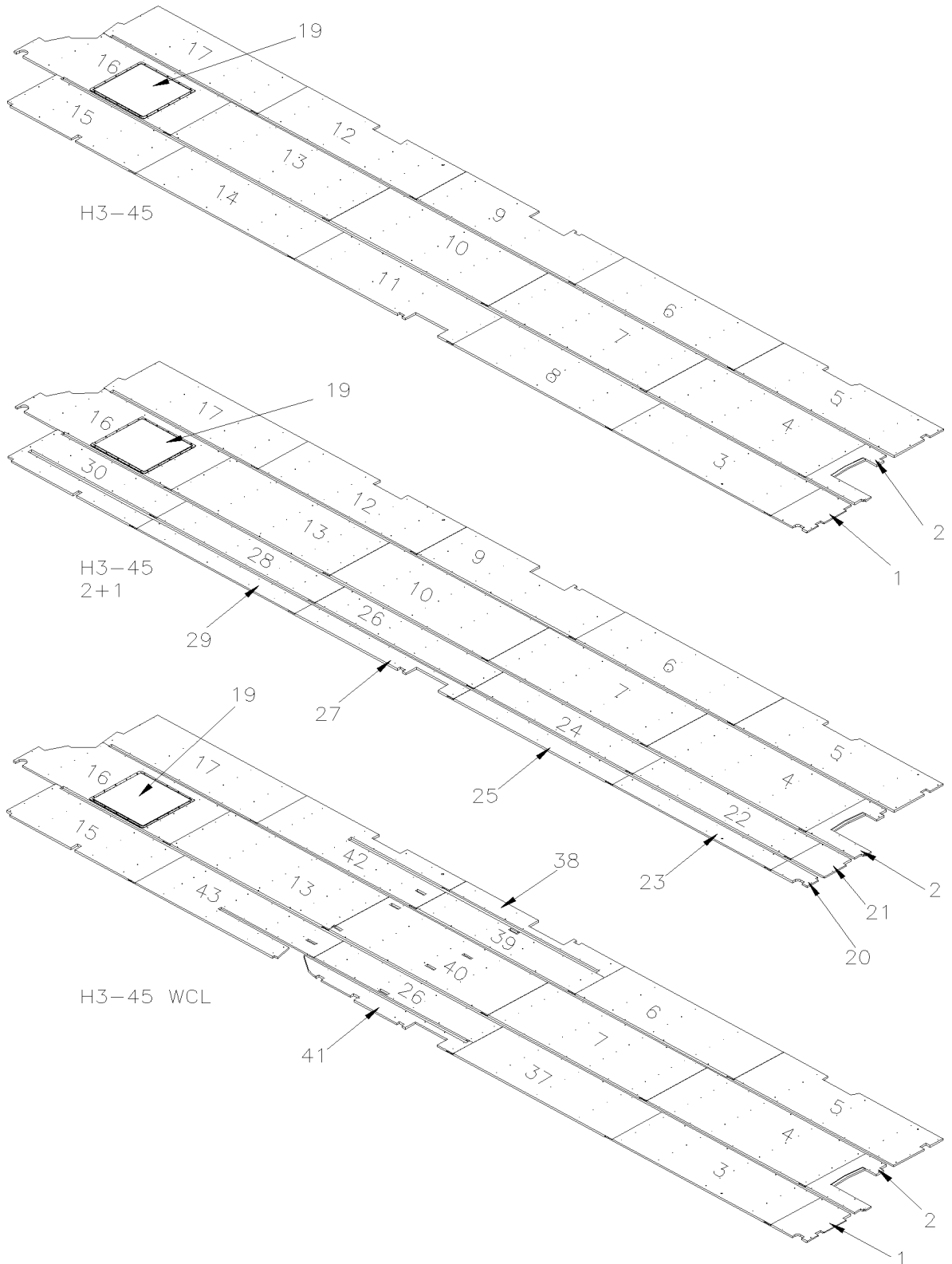
Item#	Part	Description	H 3 4 1	H 3 4 5	N O T E S
1	Call order desk	EMERGENCY EXIT CEILING / FRONT		1	P
. NS	505538	. TAPE DUAL LOCK 1" x 50 YARD / BLACK SJ3551		AR	
. NS	840005	. DI-NOC LE-1105		AR	
2	Call order desk	STANDARD CEILING		5	P
. NS	505538	. TAPE DUAL LOCK 1" x 50 YARD / BLACK SJ3551		AR	
. NS	840005	. DI-NOC LE-1105		AR	
3	341439P	EMERGENCY EXIT CEILING / BACK		1	
. NS	505538	. TAPE DUAL LOCK 1" x 50 YARD / BLACK SJ3551		AR	
. NS	840005	. DI-NOC LE-1105		AR	
5	505537	TAPE DUAL LOCK 2" X 50 YARD / BLACK SJ3551		AR	
10	H9-1832-03	FRONT FINISHING CAP			
11	H9-2328-02	LAVATORY WALL - INSTALLATION WITH SLIDING DOOR	1	1	
		P) CALL ORDER DESK FOR SPECIFIC APPLICATION (V.I.N.)			

From K-0185 To P-1452

Date:07/2024

PAGE:H9-1838-02

FLOOR - BUS

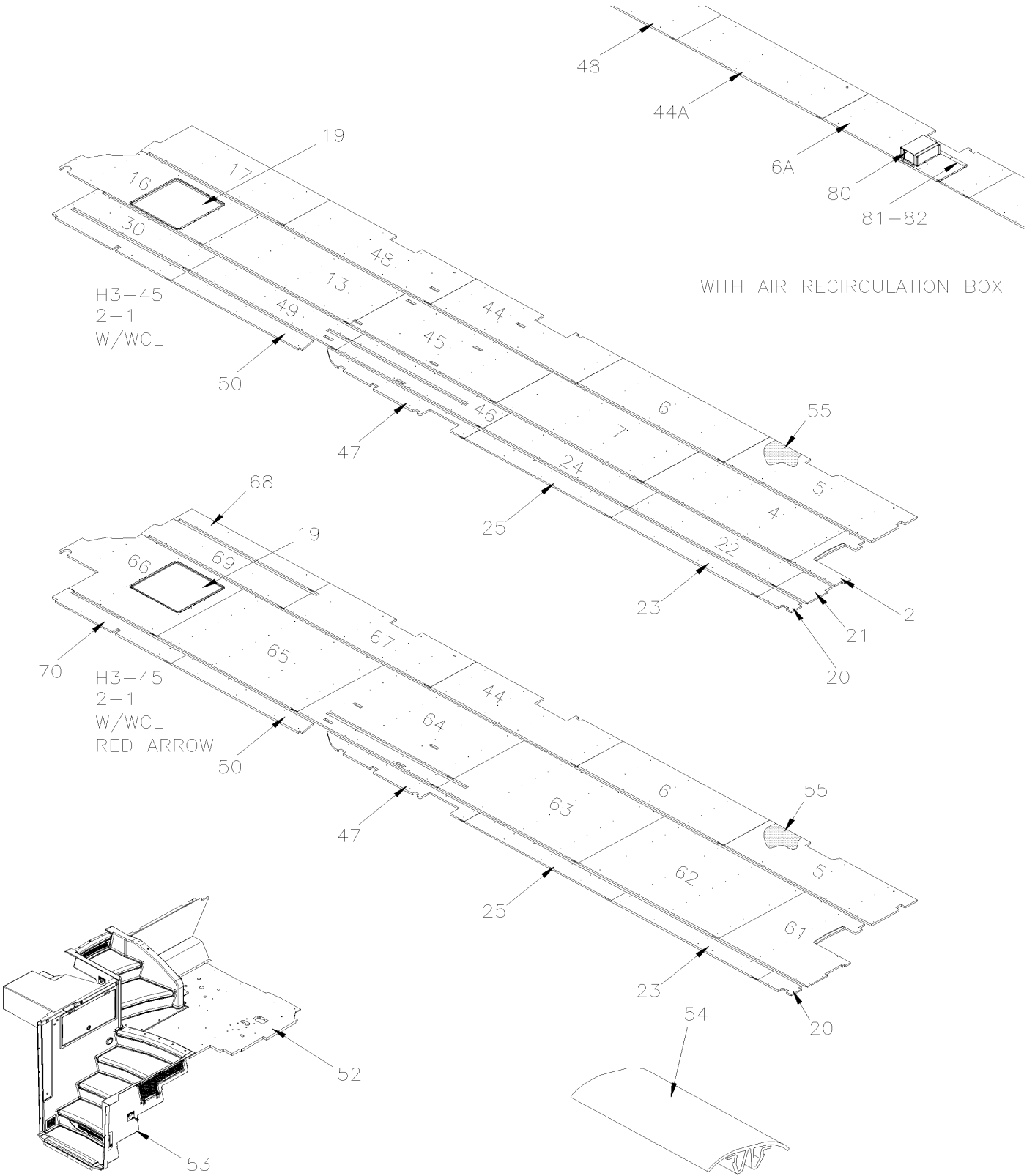


From K-0185 To P-1452

Date:07/2024

PAGE:H9-1838-02

FLOOR - BUS

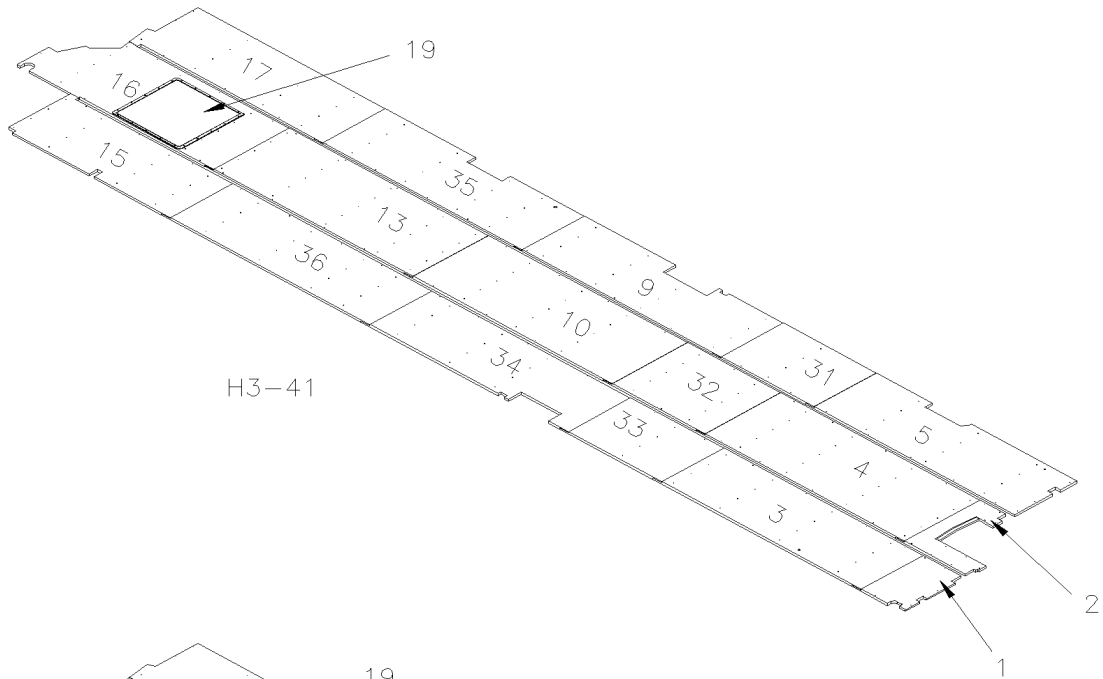


From K-0185 To P-1452

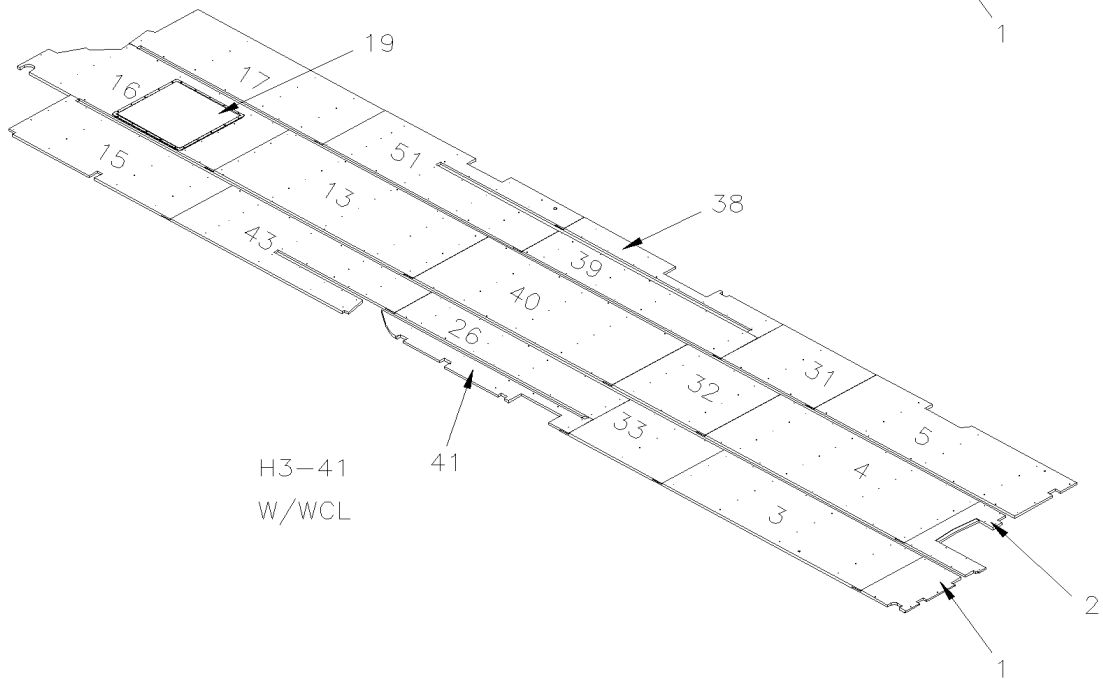
Date:07/2024

PAGE:H9-1838-02

FLOOR - BUS



H3-41



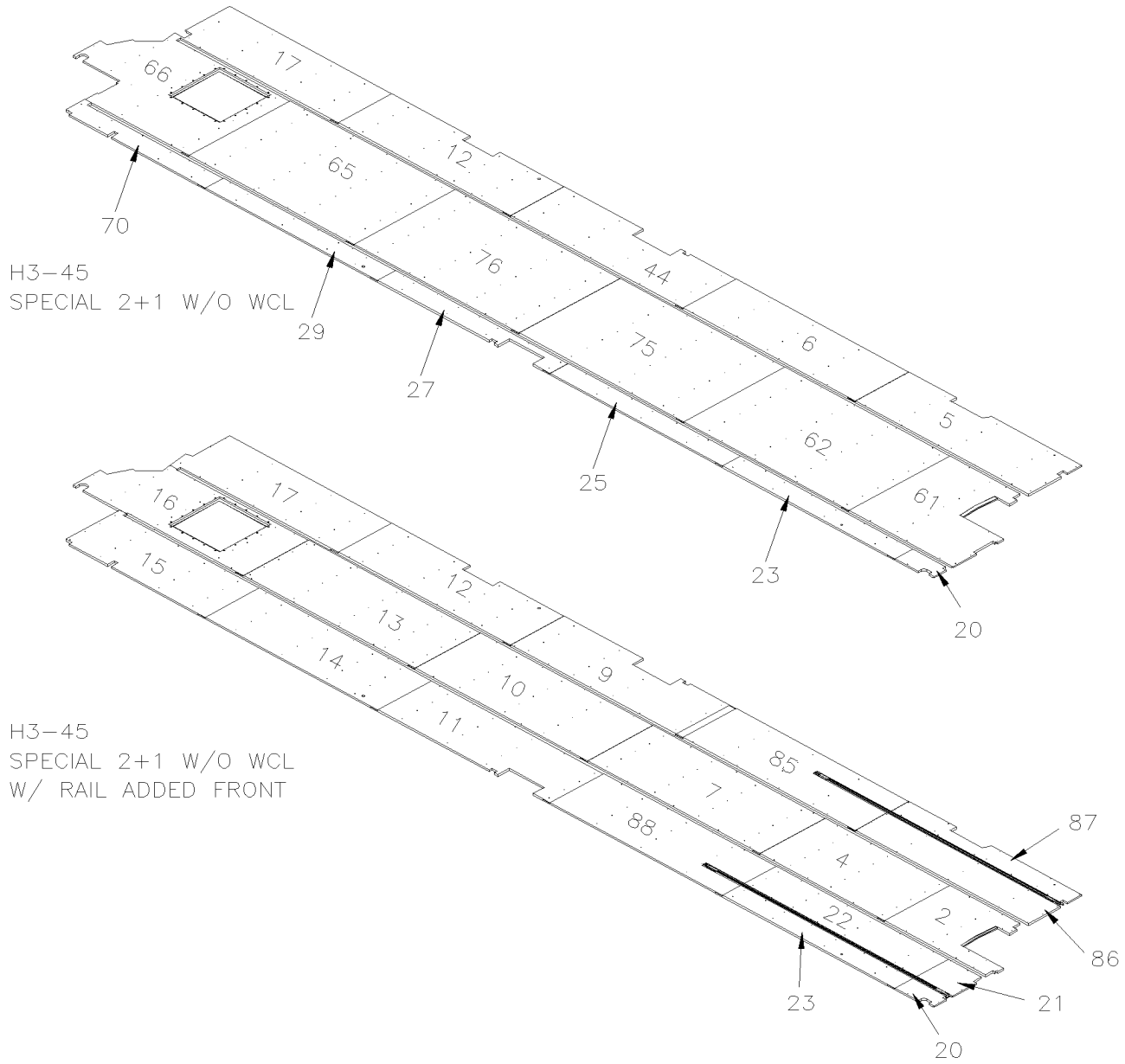
H3-41
W/WCL

From K-0185 To P-1452

Date:07/2024

PAGE:H9-1838-02

FLOOR - BUS



From K-0185 To P-1452	Date:07/2024	PAGE:H9-1838-02
FLOOR - BUS		

Item#	Part	Description	H 3 4 1	H 3 4 5	N O T E S
1	3201357	FLOOR W/STD SEAT	1	1	
1	3202737	FLOOR W/STD SEAT / W/EXTINGUISHER	1	1	
2	3201358	FLOOR W/STD SEAT	1	1	
3	3201359	FLOOR W/STD SEAT	1	1	
3	3202736	FLOOR W/STD SEAT / W/EXTINGUISHER	1	1	
3	3200742	FLOOR W/STD SEAT / W/EXTINGUISHER	1	1	
4	3201360	FLOOR W/STD SEAT	1	1	
5	3201361	FLOOR W/STD SEAT	1	1	
5	3202735	FLOOR W/STD SEAT / W/EXTINGUISHER	1	1	
5	3210856	FLOOR W/RECIRCULATION BOX From L-0889		1	
5	3200744	FLOOR W/STD SEAT / W/EXTINGUISHER	1	1	
6	3201362	FLOOR W/STD SEAT		1	
6A	3210589	FLOOR W/RECIRCULATION BOX		1	SP
6B	3210857	FLOOR W/RECIRCULATION BOX From L-0889		1	
7	3201363	FLOOR W/STD SEAT		1	
8	3202631	FLOOR W/STD SEAT		1	
9	3202624	FLOOR W/STD SEAT	1	1	
10	3201372	FLOOR W/STD SEAT	1	1	
11	3202629	FLOOR W/STD SEAT		1	
12	3202625	FLOOR W/STD SEAT		1	
13	3201367	FLOOR W/STD SEAT	1	1	
13	3202640	FLOOR W/STD SEAT & ANCHOR WCL HOLES		1	
14	3202627	FLOOR W/STD SEAT		1	
15	3210079	FLOOR W/STD SEAT	1	1	
16	321342	FLOOR W/STD SEAT	1	1	
17	3201371	FLOOR W/STD SEAT	1	1	
NS	5001535	SCREW DR WF RO #14x1 3/4 Z050	AR	AR	
NS	507333	PROTECTOR CAP / BLACK / .172 I.D. x .500	AR	AR	
NS	683838	PUTTY	AR	AR	
NS	685097	STRIP ETHAFOAM 3/8	AR	AR	
NS	680128	PLASTIC WOOD	AR	AR	
19	321321P	DOOR ASSY, ENGINE ACCESS W/O COVERING	1	1	
19	5001546	SCREW WO FL PH #8x7/8 Z050	AR	AR	
19	5000324	SCREW MA FL PH #10-24x7/8 SS	AR	AR	
19	500043	NUT AN INS THREADED #10-24x25/32 ZP	AR	AR	
20	3202641	FLOOR W/2+1 SEAT		1	
21	3202642	FLOOR W/2+1 SEAT		1	
22	3202644	FLOOR W/2+1 SEAT		1	
23	3202643	FLOOR W/2+1 SEAT		1	
24	3202647	FLOOR W/2+1 SEAT		1	
25	3202645	FLOOR W/2+1 SEAT		1	
26	3201365	FLOOR W/2+1 SEAT & WCL		1	

From K-0185 To P-1452	Date:07/2024	PAGE:H9-1838-02
FLOOR - BUS		

Item#	Part	Description	H 3 4 1	H 3 4 5	NOTES
26	3202664	FLOOR W/STD SEAT & ANCHOR WCL HOLES		1	
27	3202684	FLOOR W/2+1 SEAT		1	
28	3202671	FLOOR W/2+1 SEAT		1	
29	3202680	FLOOR W/2+1 SEAT		1	
30	3210080	FLOOR W/2+1 SEAT		1	
31	3202714	FLOOR W/STD SEAT & WCL	1		
32	3202715	FLOOR W/STD SEAT & WCL	1		
33	3202746	FLOOR W/STD SEAT & WCL	1		
34	3202745	FLOOR W/STD SEAT & WCL	1		
35	3202625	FLOOR W/STD SEAT	1		
36	3202744	FLOOR W/STD SEAT & WCL	1		
37	3201375	FLOOR W/STD SEAT & WCL		1	
38	3201374	FLOOR W/STD SEAT & WCL		1	
39	3201373	FLOOR W/STD SEAT & WCL		1	
39	3202660	FLOOR W/STD SEAT & ANCHOR WCL HOLES		1	
40	3201372	FLOOR W/STD SEAT		1	
40	3202661	FLOOR W/STD SEAT & ANCHOR WCL HOLES		1	
41	3201364	FLOOR W/STD SEAT & ANCHOR WCL HOLES To K-0356		1	
41	3201630	FLOOR W/STD SEAT & ANCHOR WCL HOLES From K-0357		1	
42	3201368	FLOOR W/STD SEAT & WCL		1	
42	3202666	FLOOR W/STD SEAT & ANCHOR WCL HOLES		1	
43	3201366	FLOOR W/STD SEAT & WCL To K-0356		1	
43	3201632	FLOOR W/STD SEAT & WCL From K-0357		1	
43	3202668	FLOOR W/STD SEAT & ANCHOR WCL HOLES To K-0356		1	
43	3202100	FLOOR W/STD SEAT & ANCHOR WCL HOLES From K-0357		1	
44	3202624	FLOOR W/STD SEAT		1	
44	3202634	FLOOR W/2+1 SEAT & WCL		1	
44A	3210590	FLOOR W/RECIRCULATION BOX		1	SP
44A	3210858	FLOOR W/RECIRCULATION BOX From L-0889		1	O
NS	353929	INSULATION STRIP From L-0889		1	
NS	5001964	SCREW DR WF RO M6-14x55 SS From L-0889		1	
NS	500261	WASHER FL .390x1.500x.083 N500 From L-0889	3	3	
45	3202637	FLOOR W/2+1 SEAT & WCL		1	
46	3202650	FLOOR W/2+1 SEAT & WCL		1	
47	3202649	FLOOR W/2+1 SEAT & WCL To K-0356		1	
47	3202102	FLOOR W/2+1 SEAT & WCL From K-0357		1	
48	3202635	FLOOR W/2+1 SEAT & WCL		1	
49	3202654	FLOOR W/2+1 SEAT & WCL		1	
50	3202652	FLOOR W/2+1 SEAT & WCL To K-0356		1	
50	3202103	FLOOR W/2+1 SEAT & WCL From K-0357		1	
51	3201368	FLOOR W/STD SEAT & WCL	1		
52	3202719	DRIVER'S FLOOR	1	1	

From K-0185 To P-1452	Date:07/2024	PAGE:H9-1838-02
FLOOR - BUS		

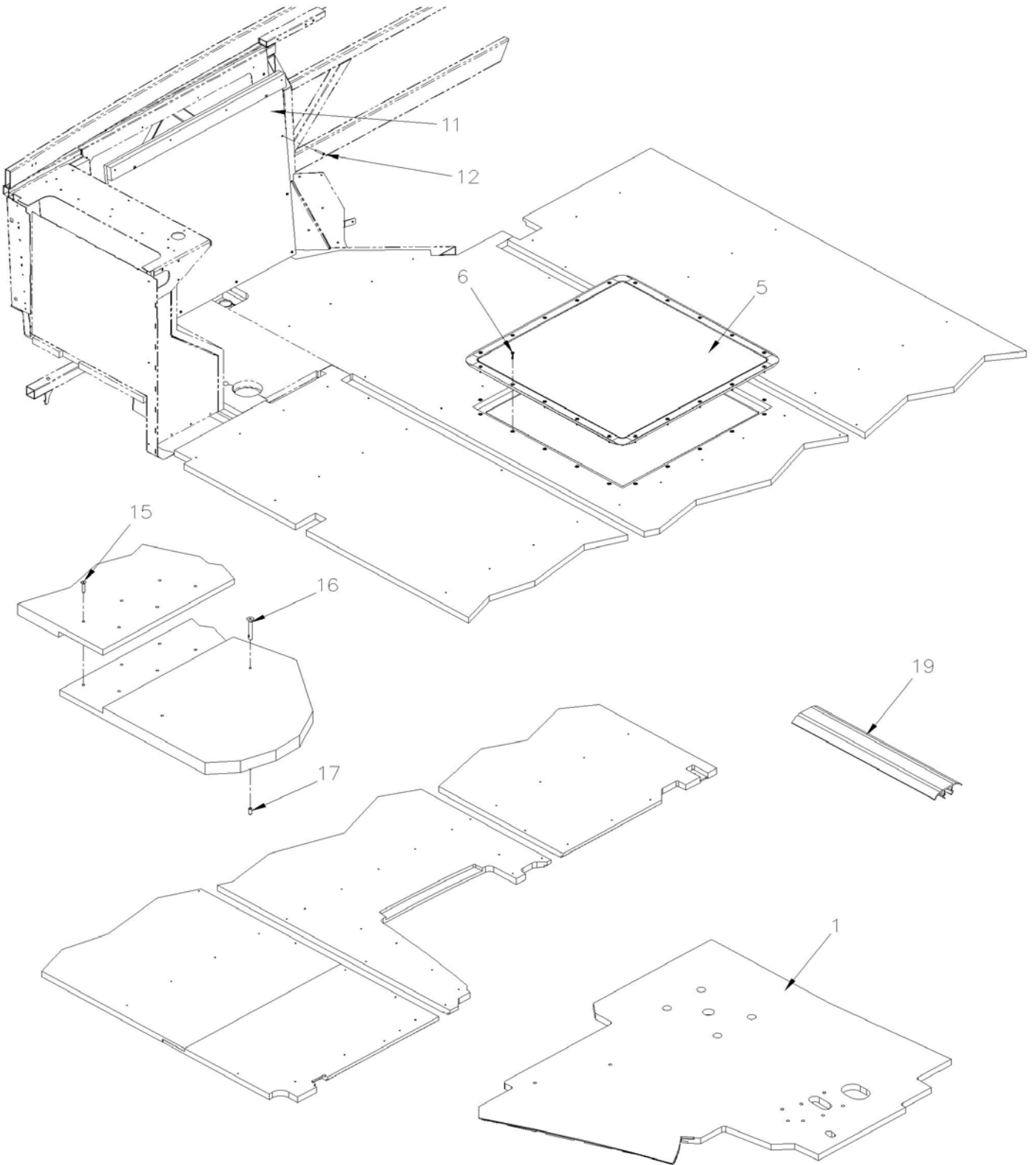
Item#	Part	Description	H 3 4 1	H 3 4 5	N O T E S
53	H9-1838-15	STEPWELL - COVERING	1	1	
54	329689	SEAT TRACK COVER 12' / EACH SEAT / W/COVERING FLOOR	AR	AR	
55	H9-1838-05	FLOOR COVERING - "R.C.A."	1	1	
55	H9-1838-10	FLOOR COVERING - "TARAFLEX"	1	1	
61	3202732	FLOOR W/2+1 SEAT		1	R
62	3202730	FLOOR W/2+1 SEAT		1	R
63	3202726	FLOOR W/2+1 SEAT		1	R
64	3202700	FLOOR W/2+1 SEAT		1	R
65	3202697	FLOOR W/2+1 SEAT		1	R
66	3201542	FLOOR W/2+1 SEAT		1	R
67	3202687	FLOOR W/2+1 SEAT		1	R
68	3202689	FLOOR W/2+1 SEAT		1	R
69	3202691	FLOOR W/2+1 SEAT		1	R
70	3210078	FLOOR W/2+1 SEAT		1	R
75	3210884	FLOOR W/2+1 SEAT SPECIAL From L-0727		1	SP1
76	3210881	FLOOR W/2+1 SEAT SPECIAL From L-0727		1	SP1
80	H9-2220-00	UNDER FLOOR AIR DUCTING		1	SP
81	3200402	MOLDING, AIR RETURN	1	1	SP
82	5001119	SCREW TP BDG PH #8x3/4 SS	AR	AR	SP
85	3210924	FLOOR W/2+1 SEAT SPECIAL		1	SP2
86	3210925	FLOOR W/2+1 SEAT SPECIAL		1	SP2
87	3210926	FLOOR W/2+1 SEAT SPECIAL		1	SP2
88	3210927	FLOOR W/2+1 SEAT SPECIAL		1	SP2
		O) OPTIONAL			
		R) WITH W/2+1 SEAT (RED ARROW, PWT OPTION)			
		SP) SPECIAL WITH RECIRCULATION AIR BOX			
		SP1) FLOOR, 2+1 W/O/WCL SPECIAL			
		SP2) SPECIAL FLOOR 2+1, ADD SPECIAL RAIL			

From R-1453

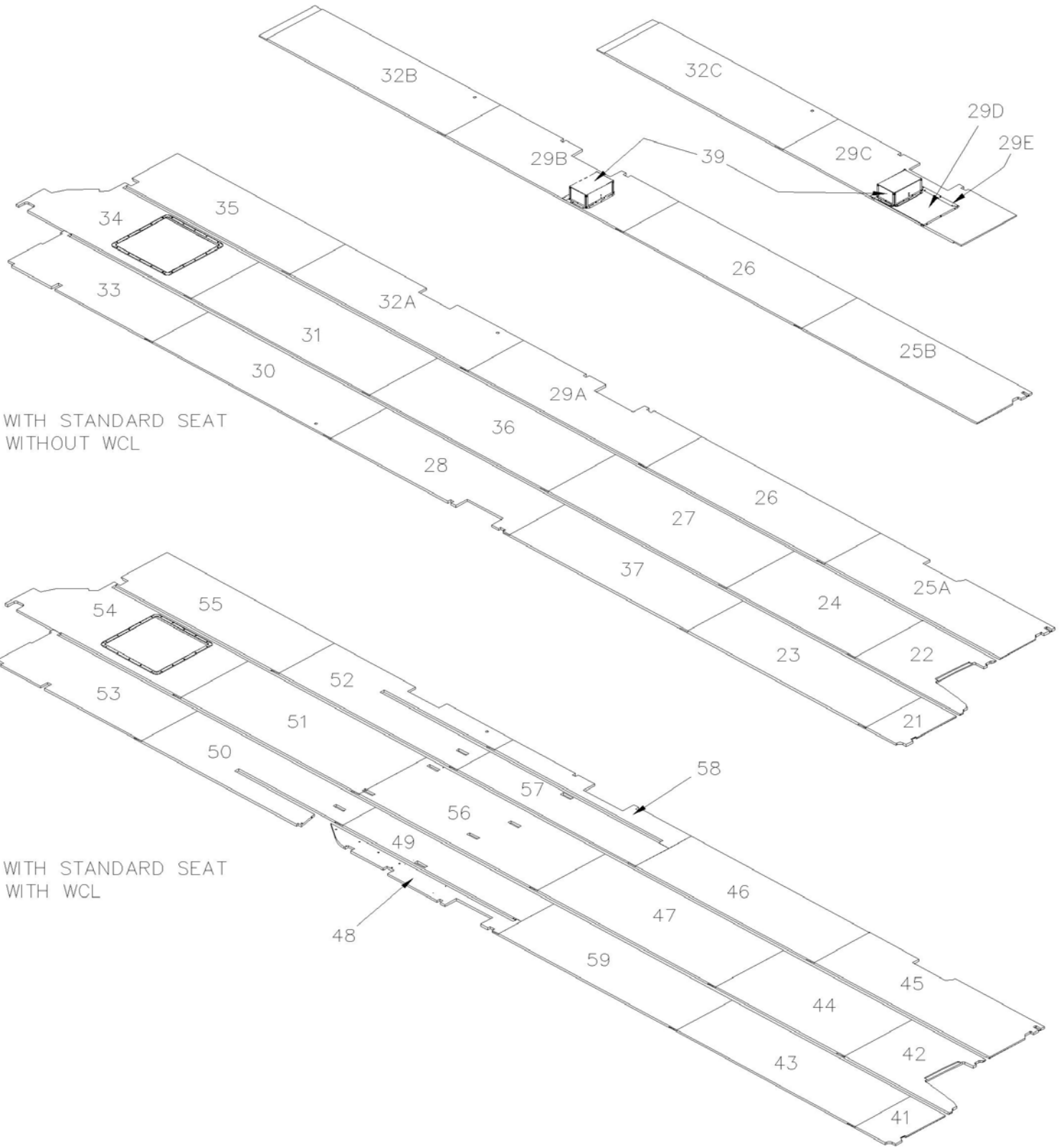
Date:07/2024

PAGE:H9-1838-03

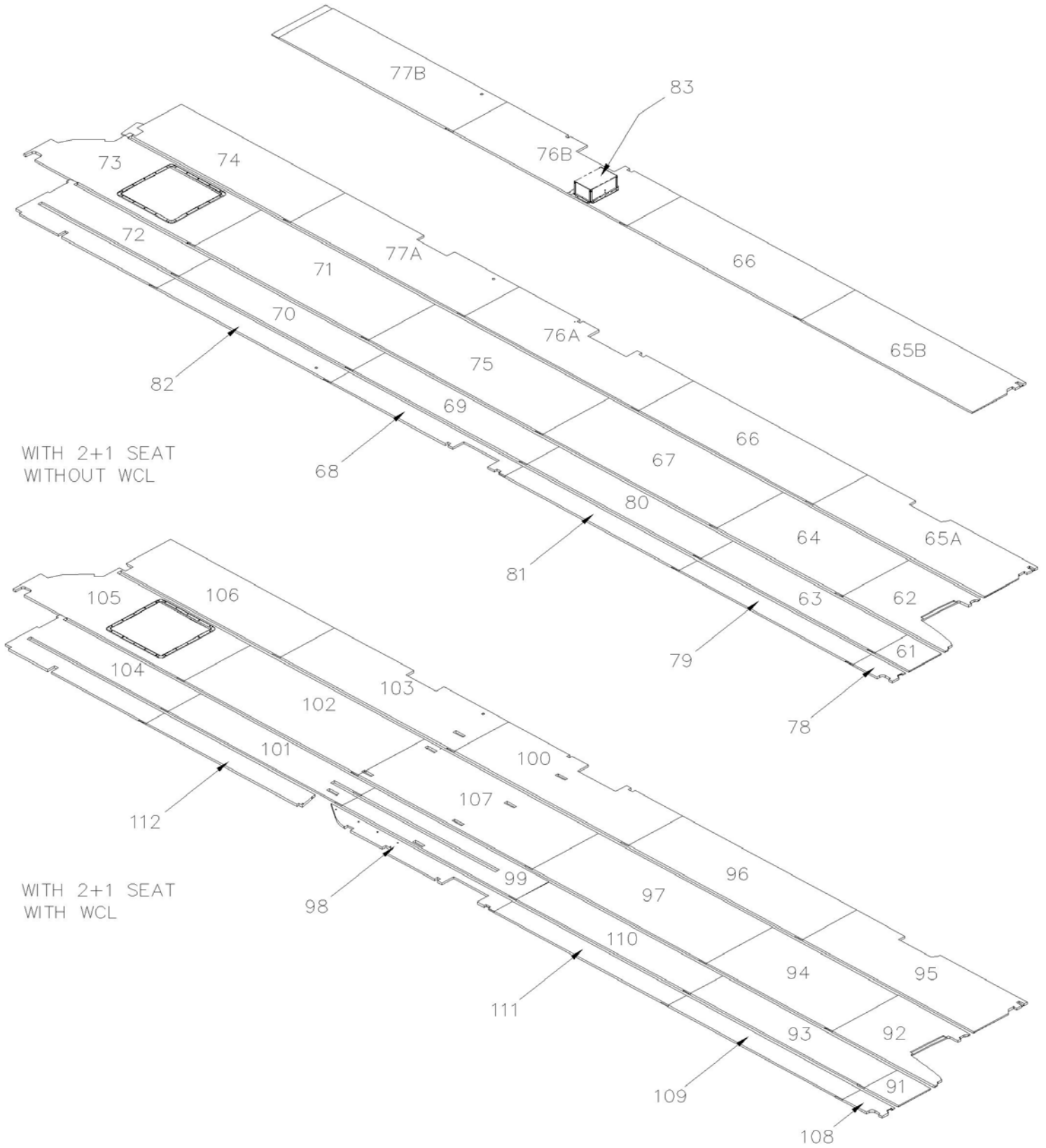
FLOOR - BUS



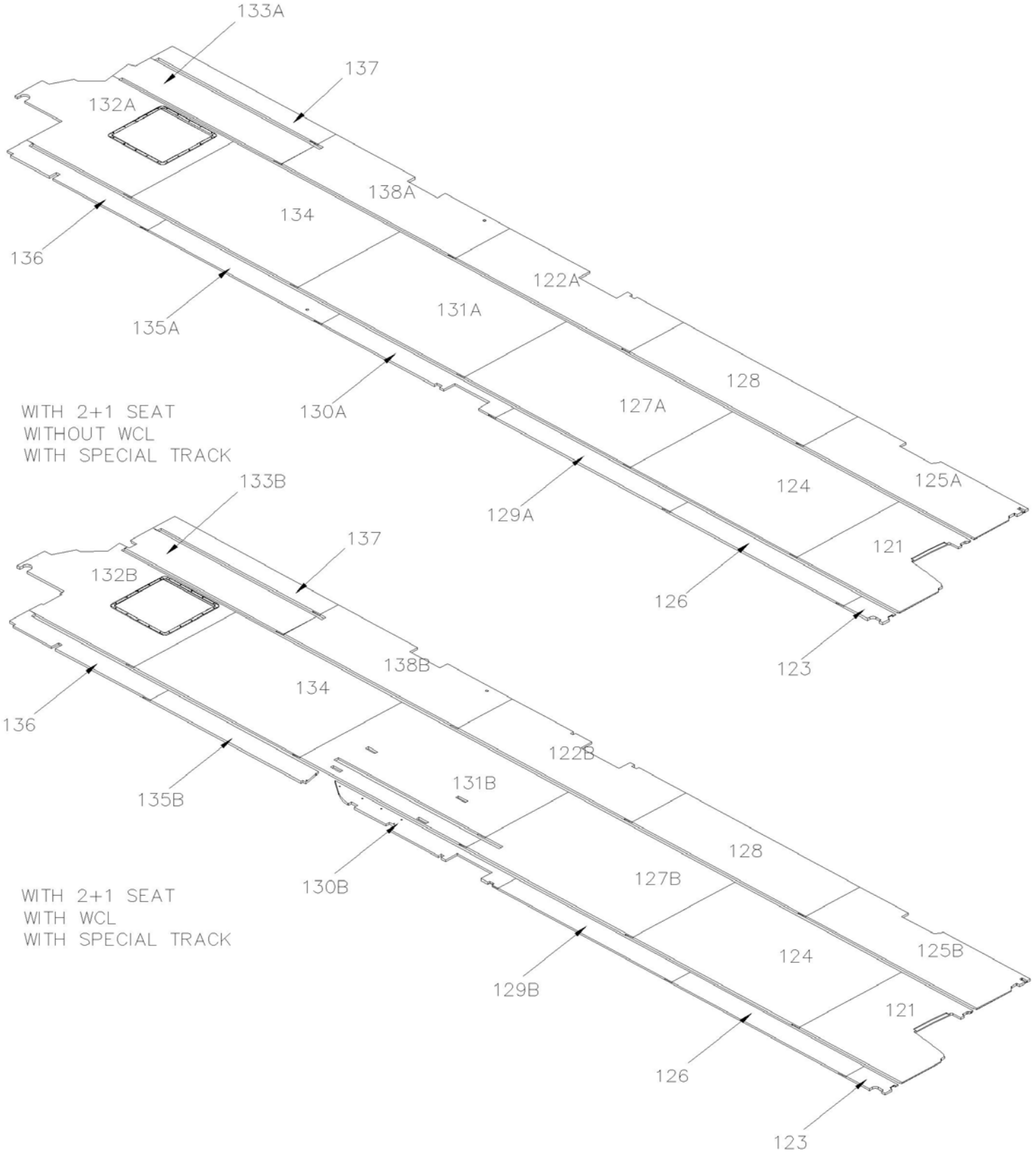
From R-1453	Date:07/2024	PAGE:H9-1838-03
FLOOR - BUS		



From R-1453	Date:07/2024	PAGE:H9-1838-03
FLOOR - BUS		



From R-1453	Date:07/2024	PAGE:H9-1838-03
FLOOR - BUS		

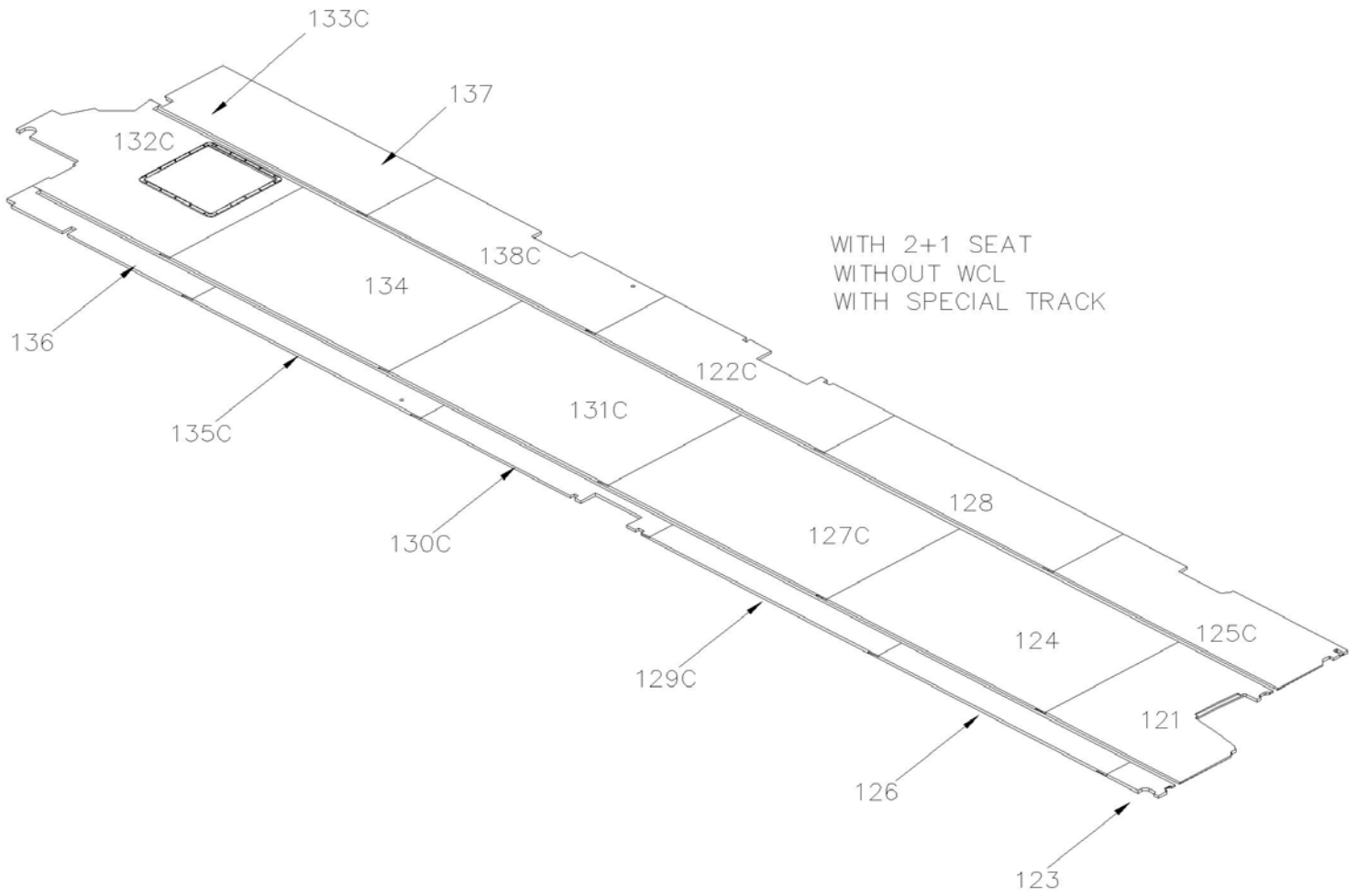


From R-1453

Date:07/2024

PAGE:H9-1838-03

FLOOR - BUS



From R-1453	Date:07/2024	PAGE:H9-1838-03
FLOOR - BUS		

Item#	Part	Description	H 3 4 1	H 3 4 5	N O T E S
1	3211291	DRIVER'S FLOOR To R-1719		1	
1	3201844	DRIVER'S FLOOR From R-1720		1	
NS	685387	GLUE MS POLYMER TEROSON MS 9399 / 400ml CARTRIDGE		AR	
5	321321P	DOOR ASSY, ENGINE ACCESS W/O COVERING		1	
6	5000324	SCREW MA FL PH #10-24x7/8 SS		20	
11	353992	PANEL ASSY		1	
12	500508	SCREW TC PAN PH #10-32x1 1/2 Z050		12	
15	5001546	SCREW WO FL PH #8x7/8 Z050		AR	
16	5001532	SCREW DR WF RO #14x1 3/4 Z050 / STRIP 100PCS		AR	
17	507333	PROTECTOR CAP / BLACK / .172 I.D. x .500		AR	
NS	683838	PUTTY		AR	
NS	683084	SEALANT SIKA #221 / GREY / 600 ml SAUSAGE		AR	
NS	685097	STRIP ETHAFOAM 3/8		AR	
NS	680128	PLASTIC WOOD		AR	
NS	680096	SEALANT BUTYL ALUM / GREY / 310ml CARTRIDGE To R-1727		AR	
18	685440	GLUE ADBOND 1502 WHITE, SAUSAGE 600ML From R-1728		AR	
19	329689	SEAT TRACK COVER 12' / EACH SEAT / WCOVERING FLOOR		AR	
21	3210957	FLOOR W/STD SEAT		1	
22	3210958	FLOOR W/STD SEAT To R-1704		1	
22	3201958	FLOOR PANEL AISLE STEP From R-1705	1	1	
23	3201359	FLOOR W/STD SEAT		1	
24	3201360	FLOOR W/STD SEAT		1	
25A	3210959	FLOOR W/STD SEAT		1	
25B	3211661	FLOOR W/STD SEAT		1	
26	3201362	FLOOR W/STD SEAT		1	
27	3201363	FLOOR W/STD SEAT		1	
28	3211265	FLOOR W/STD SEAT		1	
29A	3211247	FLOOR W/STD SEAT		1	
29B	3211239	FLOOR W/STD SEAT		1	
29C	3201661	FLOOR W/RECIRCULATION BOX		1	SP
29D	Call order desk	BOX ASSY / AIR RETURN		1	P SP
29E	3200402	MOLDING, AIR RETURN		1	SP
NS	5001119	SCREW TP BDG PH #8x3/4 SS		AR	SP
30	3202627	FLOOR W/STD SEAT		1	
31	3201367	FLOOR W/STD SEAT		1	
32A	3202625	FLOOR W/STD SEAT		1	
32B	3210858	FLOOR W/RECIRCULATION BOX		1	

From R-1453	Date:07/2024	PAGE:H9-1838-03
FLOOR - BUS		

Item#	Part	Description	H 3 4 1	H 3 4 5	N O T E S
32C	3210590	FLOOR W/RECIRCULATION BOX		1	SP
33	3210961	FLOOR W/STD SEAT		1	
34	3210964	FLOOR W/STD SEAT		1	
35	3210960	FLOOR W/STD SEAT		1	
36	3201372	FLOOR W/STD SEAT		1	
37	3211264	FLOOR W/STD SEAT		1	
39	H9-2220-01	UNDER FLOOR AIR DUCTING			
41	3210957	FLOOR W/STD SEAT		1	
42	3210958	FLOOR W/STD SEAT To R-1704		1	
42	3201958	FLOOR PANEL AISLE STEP From R-1705	1	1	
43	3201359	FLOOR W/STD SEAT		1	
44	3201360	FLOOR W/STD SEAT		1	
45	3210959	FLOOR W/STD SEAT		1	
46	3201362	FLOOR W/STD SEAT		1	
47	3201363	FLOOR W/STD SEAT		1	
48	3210952	FLOOR W/STD SEAT & WCL		1	
49	3201365	FLOOR W/2+1 SEAT & WCL		1	
49	3202664	FLOOR W/STD SEAT & ANCHOR WCL HOLES		1	
50	3201632	FLOOR W/STD SEAT & WCL		1	
50	3202100	FLOOR W/STD SEAT & ANCHOR WCL HOLES		1	
51	3201367	FLOOR W/STD SEAT		1	
51	3202640	FLOOR W/STD SEAT & ANCHOR WCL HOLES		1	
52	3201368	FLOOR W/STD SEAT & WCL		1	
52	3202666	FLOOR W/STD SEAT & ANCHOR WCL HOLES		1	
53	3210961	FLOOR W/STD SEAT		1	
54	3210964	FLOOR W/STD SEAT		1	
55	3210960	FLOOR W/STD SEAT		1	
56	3201372	FLOOR W/STD SEAT		1	
56	3202661	FLOOR W/STD SEAT & ANCHOR WCL HOLES		1	
57	3201373	FLOOR W/STD SEAT & WCL		1	
57	3202660	FLOOR W/STD SEAT & ANCHOR WCL HOLES		1	
58	3210954	FLOOR W/STD SEAT & WCL		1	
59	3211233	FLOOR W/STD SEAT & WCL		1	
61	3211660	FLOOR W/2+1 SEAT		1	
62	3210958	FLOOR W/STD SEAT To R-1704		1	
62	3201958	FLOOR PANEL AISLE STEP From R-1705	1	1	
63	3202644	FLOOR W/2+1 SEAT		1	
64	3201360	FLOOR W/STD SEAT		1	
65A	3210959	FLOOR W/STD SEAT		1	

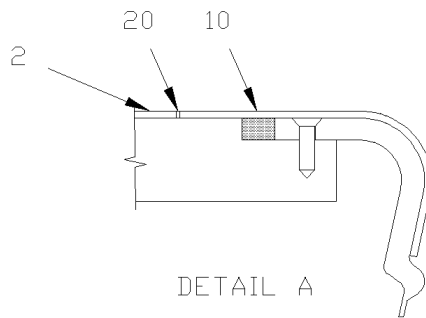
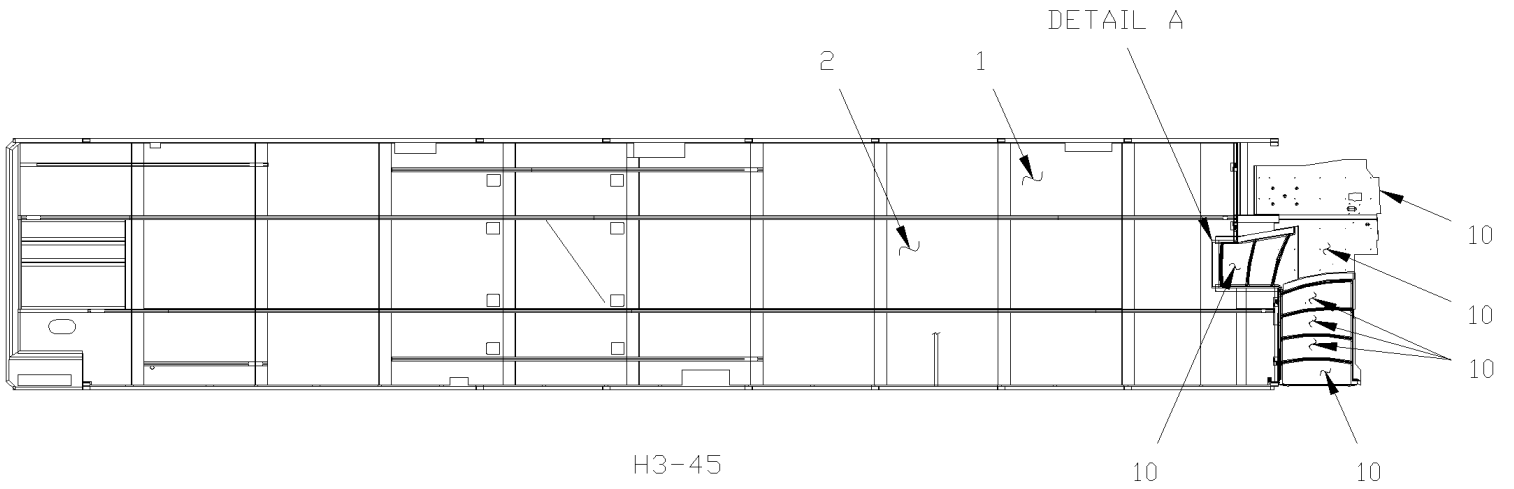
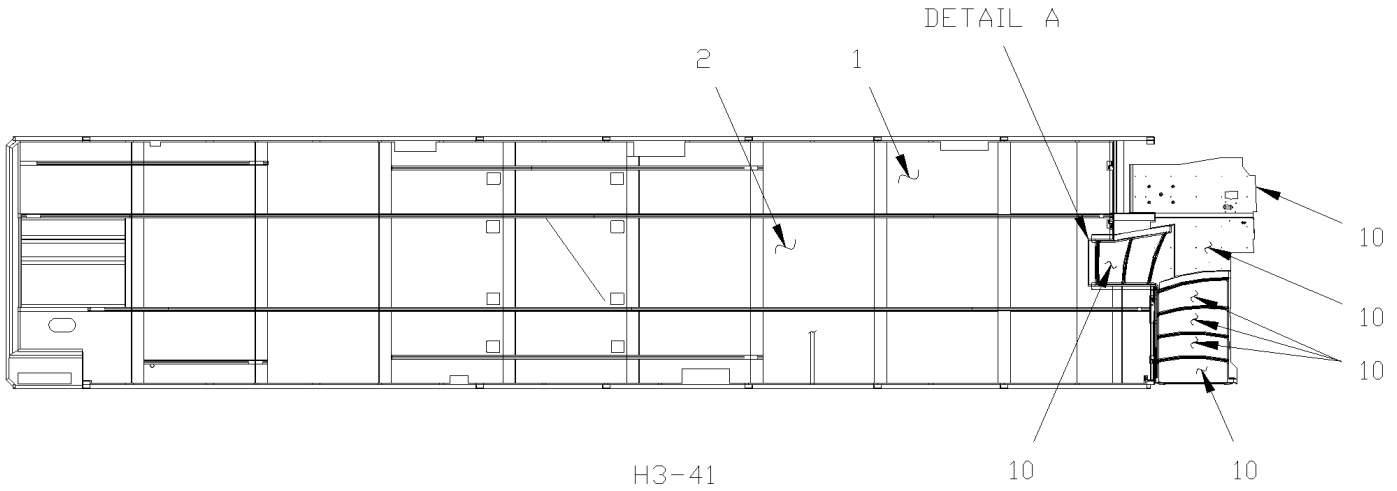
From R-1453	Date:07/2024	PAGE:H9-1838-03
FLOOR - BUS		

Item#	Part	Description	H 3 4 1	H 3 4 5	N O T E S
65B	3211661	FLOOR W/STD SEAT		1	
66	3201362	FLOOR W/STD SEAT		1	
67	3201363	FLOOR W/STD SEAT		1	
68	3211262	FLOOR W/2+1 SEAT		1	
69	3201365	FLOOR W/2+1 SEAT & WCL		1	
70	3202671	FLOOR W/2+1 SEAT		1	
71	3201367	FLOOR W/STD SEAT		1	
72	3210966	FLOOR W/2+1 SEAT		1	
73	3210964	FLOOR W/STD SEAT		1	
74	3210960	FLOOR W/STD SEAT		1	
75	3201372	FLOOR W/STD SEAT		1	
76A	3211247	FLOOR W/STD SEAT		1	
76B	3211239	FLOOR W/STD SEAT		1	
77A	3202625	FLOOR W/STD SEAT		1	
77B	3210858	FLOOR W/RECIRCULATION BOX		1	
78	3211659	FLOOR W/2+1 SEAT		1	
79	3202643	FLOOR W/2+1 SEAT		1	
80	3202647	FLOOR W/2+1 SEAT		1	
81	3211260	FLOOR W/2+1 SEAT		1	
82	3202680	FLOOR W/2+1 SEAT		1	
83	H9-2220-01	UNDER FLOOR AIR DUCTING			
91	3211660	FLOOR W/2+1 SEAT		1	
92	3210958	FLOOR W/STD SEAT To R-1704		1	
92	3201958	FLOOR PANEL AISLE STEP From R-1705	1	1	
93	3202644	FLOOR W/2+1 SEAT		1	
94	3201360	FLOOR W/STD SEAT		1	
95	3210959	FLOOR W/STD SEAT		1	
96	3201362	FLOOR W/STD SEAT		1	
97	3201363	FLOOR W/STD SEAT		1	
98	3211258	FLOOR W/2+1 SEAT & WCL		1	
99	3202650	FLOOR W/2+1 SEAT & WCL		1	
100	3211249	FLOOR W/2+1 SEAT & WCL		1	
101	3202654	FLOOR W/2+1 SEAT & WCL		1	
102	3202640	FLOOR W/STD SEAT & ANCHOR WCL HOLES		1	
103	3202635	FLOOR W/2+1 SEAT & WCL		1	
104	3210966	FLOOR W/2+1 SEAT		1	
105	3210964	FLOOR W/STD SEAT		1	
106	3210960	FLOOR W/STD SEAT		1	
107	3202637	FLOOR W/2+1 SEAT & WCL		1	
108	3211659	FLOOR W/2+1 SEAT		1	

From R-1453	Date:07/2024	PAGE:H9-1838-03
FLOOR - BUS		

Item#	Part	Description	H 3 4 1	H 3 4 5	NOTES
109	3202643	FLOOR W/2+1 SEAT		1	
110	3202647	FLOOR W/2+1 SEAT		1	
111	3211260	FLOOR W/2+1 SEAT		1	
112	3202103	FLOOR W/2+1 SEAT & WCL		1	
121	3201712	FLOOR W/2+1 SEAT SPECIAL		1	
121	3201712	FLOOR W/2+1 SEAT SPECIAL		1	
122A	3202624	FLOOR W/STD SEAT		1	
122B	3211247	FLOOR W/STD SEAT		1	
122B	3211247	FLOOR W/STD SEAT		1	
122C	3211247	FLOOR W/STD SEAT		1	
122C	3211247	FLOOR W/STD SEAT		1	
123	3211659	FLOOR W/2+1 SEAT		1	
123	3211659	FLOOR W/2+1 SEAT		1	
124	3202730	FLOOR W/2+1 SEAT		1	
124	3202730	FLOOR W/2+1 SEAT		1	
125A	3201361	FLOOR W/STD SEAT		1	
125B	3210959	FLOOR W/STD SEAT		1	
125B	3210959	FLOOR W/STD SEAT		1	
125C	3210959	FLOOR W/STD SEAT		1	
125C	3210959	FLOOR W/STD SEAT		1	
126	3202643	FLOOR W/2+1 SEAT		1	
126	3202643	FLOOR W/2+1 SEAT		1	
127A	3210884	FLOOR W/2+1 SEAT SPECIAL		1	
127A	3210884	FLOOR W/2+1 SEAT SPECIAL		1	
127B	3202726	FLOOR W/2+1 SEAT		1	
127C	3210884	FLOOR W/2+1 SEAT SPECIAL		1	
127C	3210884	FLOOR W/2+1 SEAT SPECIAL		1	
128	3201362	FLOOR W/STD SEAT		1	
128	3201362	FLOOR W/STD SEAT		1	
129A	3202645	FLOOR W/2+1 SEAT		1	
129B	3211260	FLOOR W/2+1 SEAT		1	
129B	3211260	FLOOR W/2+1 SEAT		1	
129C	3211260	FLOOR W/2+1 SEAT		1	
129C	3211260	FLOOR W/2+1 SEAT		1	
130A	3202684	FLOOR W/2+1 SEAT		1	
130B	3211258	FLOOR W/2+1 SEAT & WCL		1	
130C	3211262	FLOOR W/2+1 SEAT		1	
131A	3210881	FLOOR W/2+1 SEAT SPECIAL		1	
131A	3210881	FLOOR W/2+1 SEAT SPECIAL		1	
131B	3202700	FLOOR W/2+1 SEAT		1	
131C	3210881	FLOOR W/2+1 SEAT SPECIAL		1	

From K-0185	Date:07/2024	PAGE:H9-1838-05
FLOOR COVERING - "R.C.A."		



From K-0185		Date:07/2024	PAGE:H9-1838-05
FLOOR COVERING - "R.C.A."			

Item#	Part	Description	H 3 4 1	H 3 4 5	N O T E S
		FLOOR COVERING WINDOW SIDE SECTION / 26 /8" X 35' 1"	1		
		FLOOR COVERING WINDOW SIDE SECTION / 26 /8" X 39' 2"		1	
1	5061183	COVERING / CODE "A" = 702	1		
1	820258	COVERING / CODE "A" = 702		1	
1	5061184	COVERING / CODE "B" = 777	1		
1	820260	COVERING / CODE "B" = 777		1	
1	5061186	COVERING / CODE "C" = 653	1		
1	820262	COVERING / CODE "C" = 653		1	
1	5061188	COVERING / CODE "E" = 766	1		
1	820264	COVERING / CODE "E" = 766		1	
1	5061190	COVERING / CODE "F" = 604	2		
1	820266	COVERING / CODE "F" = 604		1	
1	5061192	COVERING / CODE "H" = 630	1		
1	820268	COVERING / CODE "H" = 630		1	
1	5061194	COVERING / CODE "I" = 895	1		
1	820270	COVERING / CODE "I" = 895		1	
1	5061196	COVERING / CODE "J" = 466	1		
1	820272	COVERING / CODE "J" = 466		1	
1	5061200	COVERING / CODE "M" = TR455	1		
1	820276	COVERING / CODE "X" = TR455		1	
1	5061202	COVERING / CODE "Q" = 788	1		
1	820280	COVERING / CODE "Q" = 788		1	
1	5061198	COVERING / CODE "K" = 852	1		
1	820274	COVERING / CODE "Y" = 852		1	
1	5061204	COVERING / CODE "R" = 411	1		
1	820282	COVERING / CODE "Z" = 411		1	
1	5061257	COVERING / CODE "N" = TR627	1		
1	820278	COVERING / CODE "X" = TR627		1	
		FLOOR COVERING CENTRAL AILES / 35 3/8" X 35' 1"			
		FLOOR COVERING CENTRAL AILES / 35 3/8" X 39' 1"			
2	5061182	COVERING / CODE "A" = 702	1		
2	820259	COVERING / CODE "A" = 702		1	
2	5061185	COVERING / CODE "B" = 777	1		
2	820261	COVERING / CODE "B" = 777		1	
2	5061187	COVERING / CODE "C" = 653	1		
2	820263	COVERING / CODE "C" = 653		1	
2	5061189	COVERING / CODE "E" = 766	1		
2	820265	COVERING / CODE "E" = 766		1	

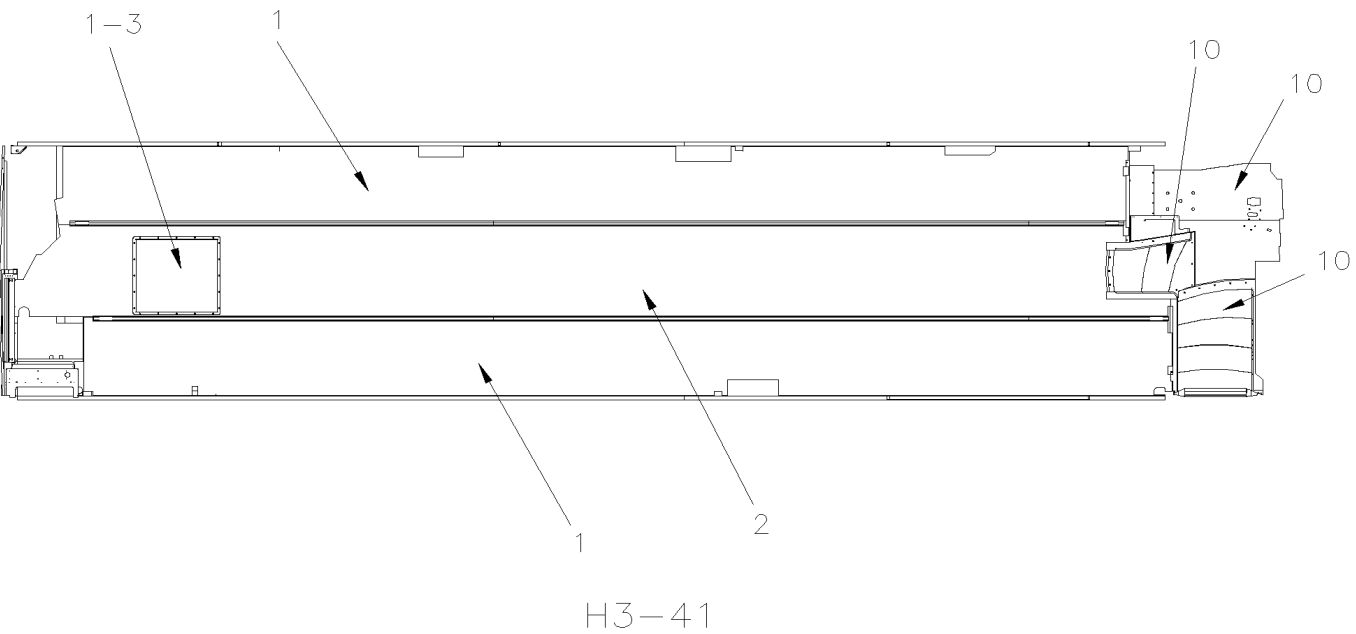
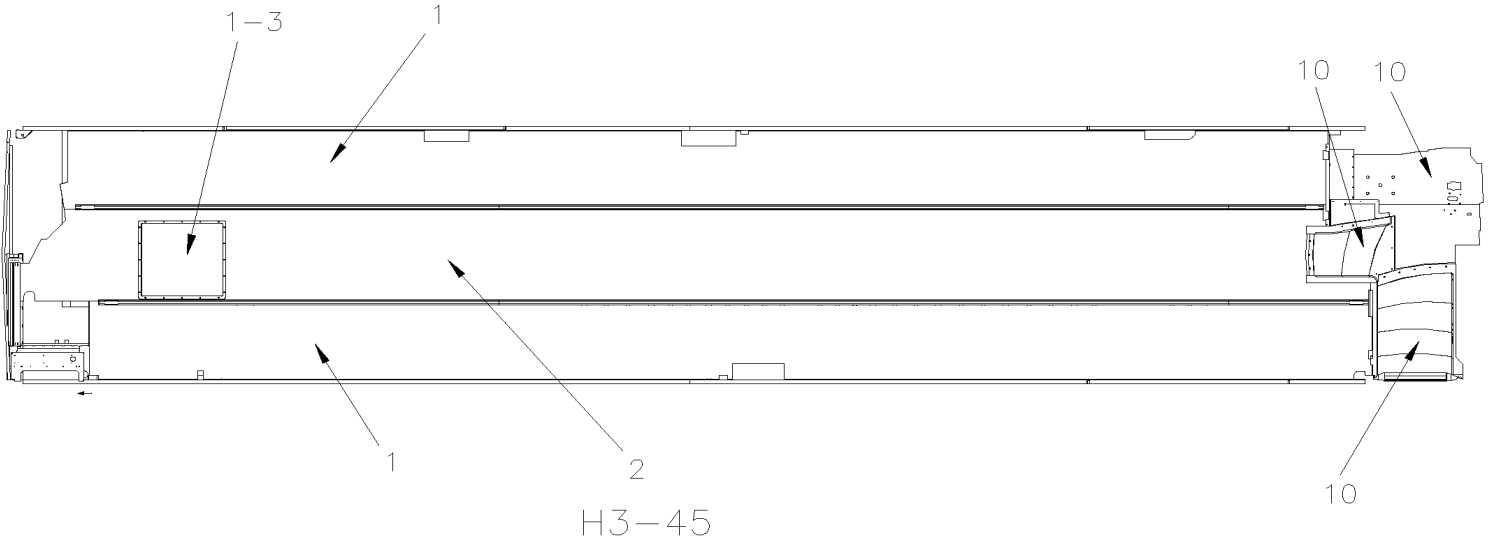
From K-0185		Date:07/2024	PAGE:H9-1838-05
FLOOR COVERING - "R.C.A."			

Item#	Part	Description	H 3 4 1	H 3 4 5	N O T E S
2	5061191	COVERING / CODE "F" = 604	1		
2	820267	COVERING / CODE "F" = 604		1	
2	5061193	COVERING / CODE "H" = 630	1		
2	820269	COVERING / CODE "H" = 630		1	
2	5061195	COVERING / CODE "I" = 895	1		
2	820271	COVERING / CODE "C" = 653		1	
2	5061197	COVERING / CODE "J" = 466	1		
2	820273	COVERING / CODE "J" = 466		1	
2	5061201	COVERING / CODE "M" = TR455	1		
2	820277	COVERING / CODE "M" = TR455		1	
2	5061203	COVERING / CODE "Q" = 788	1		
2	820281	COVERING / CODE "Q" = 788		1	
2	5061199	COVERING / CODE "K" = 852	1		
2	820275	COVERING / CODE "K" = 852		1	
2	5061205	COVERING / CODE "R" = 411	1		
2	820283	COVERING / CODE "R" = 411		1	
2	5061258	COVERING / CODE "N" = TR627	1		
2	820279	COVERING / CODE "N" = TR627		1	
		FLOOR COVERING ACCESS ENGINE W/VOLVO 610MM x 400MM			
3	Call order desk	COVERING / CODE "R" = TR627	1	1	P
3	820140N	. COVERING / CODE "R" = TR627	1	1	
3	Call order desk	COVERING / CODE "E" = 766	1	1	P
3	820171	. COVERING / CODE "E" = 766	1	1	
NS	688019	GLUE / MAPEI ECO-360 15LITERS	AR	AR	
5	CODE A	#702 R.C.A. LIGHT BLUE			
5	CODE B	#777 R.C.A. LIGHT CREAM			
5	CODE C	#653 R.C.A. LIGHT GREEN			
5	CODE E	#766 R.C.A. DARK GREY			
5	CODE F	#604 R.C.A. BLACK			
5	CODE H	#630 R.C.A. BROWN			
5	CODE I	#895 R.C.A. RED			
5	CODE J	#602 R.C.A. ORANGE			
5	CODE M	#793 R.C.A. GREEN			
5	CODE Q	#788 R.C.A. LIGHT GREY			
5	CODE R	#411 R.C.A. LIGHT GREY			
		#852 R.C.A. BLUE			
		#TR627 R.C.A. WALNUT BROWN			
		#TR455 R.C.A. RED			

From K-0185	Date:07/2024	PAGE:H9-1838-05
FLOOR COVERING - "R.C.A."		

Item#	Part	Description	H 3 4 1	H 3 4 5	N O T E S
10	H9-1838-15	STEPWELL - COVERING To P-1452			
10	H9-1838-16	STEPWELL - COVERING From R-1453			
20	682176	SEALANT SIKA #221 / BLACK / 310ml CARTRIDGE	AR	AR	
20	680532	SEALANT SIKA #221 / GREY / 310ml CARTRIDGE	AR	AR	
		P) CALL ORDER DESK FOR SPECIFIC APPLICATION (V.I.N.)			

From K-0185	Date:07/2024	PAGE:H9-1838-10
FLOOR COVERING - "TARAFLEX"		



From K-0185	Date:07/2024	PAGE:H9-1838-10
FLOOR COVERING - "TARAFLEX"		

Item#	Part	Description	H 3 4 1	H 3 4 5	NOTES
		FLOOR COVERING WINDOW SIDE SECTION / 664MM X 10693MM			
		FLOOR COVERING WINDOW SIDE SECTION / 664MM X 11938MM			
1	5061206	COVERING BLUE #8423 AQUILIA A	2		
1	820284	COVERING BLUE #8423 AQUILIA A		2	
1	5061208	COVERING DARK GREY TARABUS #8750 TUCUNA B	2		
1	820288	COVERING DARK GREY 664 X 11938 C		2	
1	5061210	COVERING LIGHT GREY #6768 GRIFFON D	2		
1	820292	COVERING LIGHT GREY #6768 GRIFFON D		2	
1	5061212	COVERING GRAPHITE #6801	2		
1	820296	COVERING GRAPHITE #6801		2	
1	5061216	COVERING DARK GREY #6782 URANUS F	2		
1	820304	COVERING DARK GREY #6782 URANUS F		2	
1	820133	COVERING GREY HELIOS #8333 SCANDIUM EE	2		
1	5061220	COVERING RED #6132 RUBIS I	2		
1	820314	COVERING RED #6132 RUBIS I		2	
1	5061242	COVERING DARK GREY #8816 SYCAMORE K	2		
1	820320	COVERING DARK GREY #8816 SYCAMORE K		2	
1	5061222	COVERING RED & GREY #8778 ARIES L	2		
1	820324	COVERING RED & GREY #8778 ARIES L		2	
1	5061224	COVERING GREEN #8544 ORION M	2		
1	820328	COVERING GREEN #8544 ORION M		2	
1	5061228	COVERING BROWN #8311 SWEDEN R	2		
1	820333	COVERING BROWN #8311 SWEDEN R		2	
1	5061230	COVERING GREY #8731 POLAND S	2		
1	5061172	COVERING GREY #8731 POLAND S		2	
1	820334	COVERING GREY #8731 POLAND S		2	
1	5061232	COVERING GREEN #8525 CHINA T	2		
1	5061174	COVERING GREEN #8525 CHINA T		2	
1	5061234	COVERING BLUE #8414 EGYPT U	2		
1	820336	COVERING BLUE #8414 EGYPT U		2	
1	5061236	COVERING BLUE #8414 EGYPT U	2		
1	5061238	COVERING GREY #8729 NORWAY X	2		
1	820338	COVERING GREY #8729 NORWAY X		2	
1	5061226	COVERING LIGHT GREY #8779 CYGNUS Q	2		
1	820330	COVERING LIGHT GREY #8779 CYGNUS Q		2	
1	5061214	COVERING DARK GREY #8780 PEGASUS E	2		
1	820300	COVERING DARK GREY #8780 PEGASUS E		2	
1	5061218	COVERING SIRIUS DUNE #6782 G	2		
1	820308	COVERING SIRIUS DUNE #6782 G		2	
1	5061251	COVERING MED BLUE #9418 OLYMPE AA	2		
1	820286	COVERING MED BLUE #9418 OLYMPE AA		2	

From K-0185		Date:07/2024	PAGE:H9-1838-10
FLOOR COVERING - "TARAFLEX"			

Item#	Part	Description	H 3 4 1	H 3 4 5	N O T E S
1	5061245	COVERING DARK GREY URANUS #6727 ANTHRACITE CC	2		
1	820294	COVERING DARK GREY URANUS #6727 ANTHRACITE CC		2	
1	820131	COVERING DARK GREY SIRIUS #6727 ANTHRACITE DD	2		
1	820298	COVERING DARK GREY SIRIUS #6727 ANTHRACITE DD		2	
1	820133	COVERING GREY HELIOS #8333 SCANDIUM EE	2		
1	820302	COVERING GREY HELIOS #8333 SCANDIUM EE		2	
1	820135	COVERING BLACK JUPITER #8764 ELARA ROT FF	2		
1	820306	COVERING BLACK JUPITER #8764 ELARA ROT FF		2	
1	820538	COVERING DARK GREY LUNA #8816 SINGAPORE NT BA		2	
1	5061253	COVERING DARK GREY #9727 ZEPHIR	2		
1	820290	COVERING DARK GREY #9727 ZEPHIR		2	
1	820188	COVERING DARK GREY #8820 KOREA HH	2		
1	820312	COVERING DARK GREY #8820 KOREA HH		2	
1	820310	COVERING BROWN HELIOS #8126 IRIDIUM GG		2	
1	820316	COVERING GALAXY #8360 LYRA II		2	
1	820318	COVERING NATURA CEDAR #8813 JJ		2	
1	820322	COVERING NATURA SEQUOIA #8005 KK		2	
1	820326	COVERING NATURA CYPRESS #8359 LL		2	
1	820401	COVERING ANTICWOOD #0782 MARRON QQ	2		
1	820389	COVERING ANTICWOOD #0782 MARRON QQ		2	
1	820402	COVERING ANTICWOOD #0658 SOFT BROWN RR	2		
1	820390	COVERING ANTICWOOD #0658 SOFT BROWN RR		2	
1	820403	COVERING SHIP #0764 NATURE SS	2		
1	820391	COVERING SHIP #0764 NATURE SS		2	
1	820404	COVERING SHIP #0765 EXOTIC TT	2		
1	820392	COVERING SHIP #0765 EXOTIC TT		2	
1	820509	COVERING HARMONIA #1455 TULIPWOOD		2	
1	820511	COVERING HARMONIA #1455 TULIPWOOD	2		
1	820518	COVERING HARMONIA #1456 ROSEWOOD		2	
1	820520	COVERING HARMONIA #1456 ROSEWOOD	2		
1	820542	COVERING TARABUS LUNA #8729 NORWAY NT	2	2	
1	820544	COVERING TARABUS SIRIUS #6451 CORSAIRE NT	2	2	
1	820544BA	COVERING TARABUS LUNA #8816 SINGAPORE	2	2	
1	820544BD	COVERING TARABUS LUNA #8729 NORWAY NT / 664MM X 11938MM	2	2	
1	820544BF	COVERING GAYA MOSAIC #4482 BABEL NT	2	2	
1	820544BG	COVERING HELIOS #8805 PALLADIUM	2	2	
1	820544BH	COVERING APOLLO #4479 KILIMANJARO	2	2	
1	820544BI	COVERING TARABUS APOLLO #4517 FUJI	2	2	
1	820544BJ	COVERING TARABUS GAYA MOSAIC #4519 GALATA	2	2	
1	820544BK	COVERING TARABUS GAYA WOOD #4521 YELLOWSTONE	2	2	
1	820544BK-1	COVERING TARABUS GAYA WOOD #4521 YELLOWSTONE WITH 2+1 SEAT		1	
1	820544BL	COVERING TARABUS SIRIUS #6451 CORSAIRE	2	2	

From K-0185	Date:07/2024	PAGE:H9-1838-10
FLOOR COVERING - "TARAFLEX"		

Item#	Part	Description	H 3 4 1	H 3 4 5	NOTES
1	820544BM	COVERING TARABUS GAYA WOOD #3724 KRUGER LT	2	2	
1	820544BP	COVERING TARABUS GAYA WOOD 6057 EVERGLADES	2	2	
1	820544BQ	COVERING TARABUS GAYA WOOD 8297 YOSEMITE NT	2	2	
1	820544BR	COVERING TARABUS WAPUSK NT #4362	2	2	
1	820544BS	COVERING TARABUS HARMONIA SHIP #0766 TROPICAL	2	2	
1	820544BT	COVERING TARABUS GAYA WOOD #4521WOP YELLOWSTONE	2	2	
1	820544QQ	COVERING ANTICWOOD #0782 MARRON	2	2	
1	820544SS	COVERING SHIP #0764 NATURE	2	2	
1	820544TT	COVERING SHIP #0765 EXOTIC	2	2	
		FLOOR COVERING CENTRAL AILSE SECTION / 898MMX10973MM			
		FLOOR COVERING CENTRAL AILSE SECTION / 898MMX12192MM			
2	5061207	COVERING BLUE #8423 AQUILIA A	1		
2	820285	COVERING BLUE #8423 AQUILIA A		1	
2	5061209	COVERING DARK GREY TARABUS #8750 TUCUNA B	1		
2	820289	COVERING DARK GREY #8758 TUCUNA		1	
2	5061211	COVERING LIGHT GREY #6768 GRIFFON	1		
2	820293	COVERING LIGHT GREY #6768 GRIFFON		1	
2	5061213	COVERING GRAPHITE #6801	1		
2	820297	COVERING GRAPHITE #6801		1	
2	5061217	COVERING DARK GREY #6782 URANUS F	1		
2	820305	COVERING DARK GREY #6782 URANUS F		1	
2	5061221	COVERING RED #6132 RUBIS I	1		
2	820315	COVERING RED #6132 RUBIS I		1	
2	5061241	COVERING DARK GREY #8816 SYCAMORE	1		
2	820321	COVERING DARK GREY #8816 SYCAMORE		1	
2	5061223	COVERING RED & GREY #8778 ARIES	1		
2	820325	COVERING RED & GREY #8778 ARIES		1	
2	5061225	COVERING GREEN #8544 ORION	1		
2	820329	COVERING GREEN #8544 ORION		1	
2	5061229	COVERING BROWN #8311 SWEDEN R	1		
2	820333	COVERING BROWN #8311 SWEDEN R		1	
2	5061231	COVERING GREY #8731 POLAND S	1		
2	820335	COVERING GREY #8731 POLAND S		1	
2	5061233	COVERING GREEN #8525 CHINA T	1		
2	5061235	COVERING BLUE #8414 EGYPT U	1		
2	820337	COVERING BLUE #8414 EGYPT U		1	
2	5061237	COVERING POUPRE #8720 RUSSIA W	1		
2	5061141	COVERING GREY #8729 NORWAY X	1		

From K-0185		Date:07/2024	PAGE:H9-1838-10
FLOOR COVERING - "TARAFLEX"			

Item#	Part	Description	H 3 4 1	H 3 4 5	N O T E S
2	820339	COVERING GREY #8729 NORWAY X		1	
2	5061227	COVERING LIGHT GREY #8779 CYGNUS Q	1		
2	820331	COVERING LIGHT GREY #8779 CYGNUS Q		1	
2	5061215	COVERING DARK GREY #8780 PEGASUS E	1		
2	820301	COVERING DARK GREY #8780 PEGASUS E		1	
2	5061219	COVERING SIRIUS DUNE #6782	1		
2	820309	COVERING SIRIUS DUNE #6782		1	
2	5061252	COVERING MED BLUE #9418 OLYMPE AA	1		
2	820287	COVERING MED BLUE #9418 OLYMPE AA		1	
2	5061246	COVERING DARK GREY URANUS #6727 ANTHRACITE CC	1		
2	820295	COVERING DARK GREY URANUS #6727 ANTHRACITE CC		1	
2	820132	COVERING DARK GREY SIRIUS #6727 ANTHRACITE DD	1		
2	820299	COVERING DARK GREY SIRIUS #6727 ANTHRACITE DD		1	
2	820134	COVERING GREY HELIOS #8333 SCANDIUM EE	1		
2	820303	COVERING GREY HELIOS #8333 SCANDIUM EE		1	
2	820136	COVERING BLACK JUPITER #8764 ELARA ROT FF	1		
2	820307	COVERING BLACK JUPITER #8764 ELARA ROT FF		1	
2	820539	COVERING DARK GREY LUNA #8816 SINGAPORE NT BA		1	
2	5061254	COVERING DARK GREY #9727 ZEPHIR BB	1		
2	820291	COVERING DARK GREY #9727 ZEPHIR BB		1	
2	820189	COVERING DARK GREY #8820 KOREA HH	1		
2	820313	COVERING DARK GREY #8820 KOREA HH		1	
2	820311	COVERING BROWN HELIOS #8126 IRIIDIUM		1	
2	820317	COVERING GALAXY #8360 LYRA		1	
2	820319	COVERING NATURA CEDAR #8813		1	
2	820323	COVERING NATURA SEQUOIA #8005		1	
2	820327	COVERING NATURA CYPRESS #8359		1	
2	820495	COVERING ANTICWOOD #0782 MARRON QQ	1		
2	820491	COVERING ANTICWOOD #0782 MARRON QQ		1	
2	820496	COVERING ANTICWOOD #0658 SOFT BROWN RR	1		
2	820492	COVERING ANTICWOOD #0658 SOFT BROWN RR		1	
2	820497	COVERING SHIP #0764 NATURE SS	1		
2	820493	COVERING SHIP #0764 NATURE SS		1	
2	820498	COVERING SHIP #0765 EXOTIC TT	1		
2	820494	COVERING SHIP #0765 EXOTIC TT		1	
2	820510	COVERING HARMONIA #1455 TULIPWOOD		1	
2	820512	COVERING HARMONIA #1455 TULIPWOOD	1		
2	820519	COVERING HARMONIA #1456 ROSEWOOD		1	
2	820521	COVERING HARMONIA #1456 ROSEWOOD	1		
2	820543	COVERING LUNA #8729 NORWAY NT	1	1	
2	820545	COVERING SIRIUS #6451 CORSAIRE NT	1	1	
2	820617	COVERING GRIFFON #6768 NT / 903MMX12192MM		1	

From K-0185		Date:07/2024	PAGE:H9-1838-10
FLOOR COVERING - "TARAFLEX"			

Item#	Part	Description	H 3 4 1	H 3 4 5	N O T E S
2	820545BA	COVERING LUNA #8816 SINGAPORE	1	1	
2	820545BD	COVERING TARABUS LUNA #8729 NORWAY NT	1	1	
2	820545BF	COVERING TARABUS GAYA MOSAIC #4482 BABEL	1	1	
2	820545BG	COVERING HELIOS #8805 PALLADIUM	1	1	
2	820545BH	COVERING APOLLO #4479 KILIMANJARO	1	1	
2	820545BI	COVERING APOLLO #4517 FUJI	1	1	
2	820545BJ	COVERING TARABUS GAYA MOSAIC #4519 GALATA	1	1	
2	820545BK	COVERING TARABUS GAYA WOOD #4521 YELLOWSTONE	1	1	
2	820545BK-1	COVERING TARABUS GAYA WOOD #4521 YELLOWSTONE WITH 2+1 SEAT		1	
2	820545BL	COVERING TARABUS SIRIUS #6451 CORSAIRE	1	1	
2	820545BM	COVERING TARABUS GAYA WOOD #3724 KRUGER LT	1	1	
2	820545BP	COVERING TARABUS GAYA WOOD 6057 EVERGLADES	1	1	
2	820545BQ	COVERING TARABUS GAYA WOOD 9297 YOSEMITE NT	1	1	
2	820545BR	COVERING TARABUS WAPUSK NT #4362	1	1	
2	820545BS	COVERING TARABUS HARMONIA SHIP #0766 TROPICAL	1	1	
2	820545BT	COVERING TARABUS GAYA WOOD #4521WOP YELLOWSTONE	1	1	
2	820545QQ	COVERING TARABUS ANTICWOOD #0782 BROWN	1	1	
2	820545SS	COVERING TARABUS SHIP #0764 NATURE	1	1	
2	820545TT	COVERING TARABUS SHIP #0765 EXOTIC	1	1	
		COVERING MOTOR ACCESS TRAP / 400MMX610MM			
3	329605	CUT OUT COVERING MOTOR ACCESS TRAP	1	1	
NS	684685	ADHESIVE SIMSON #ISR 70-03 / 310ml CARTRIDGE	AR	AR	
10	H9-1838-15	STEPWELL - COVERING			
20	820028	WELDING CORD / SIRIUS #6768 GRIFFON	AR	AR	
20	820029	WELDING CORD / GRAPHITE #6801 SIRIUS	AR	AR	
20	820030	WELDING CORD / GALAXY #8423 AQUILIA	AR	AR	
20	820031	WELDING CORD / GALAXY #8750 TUCANA	AR	AR	
20	820032	WELDING CORD / GALAXY #8778 ARIES	AR	AR	
20	820034	WELDING CORD / GALAXY #8780 PEGASUS	AR	AR	
20	820035	WELDING CORD / GALAXY #8544 ORION	AR	AR	
20	820046	WELDING CORD / SIRIUS #6132 RUBIS	AR	AR	
20	820036	WELDING CORD / LUNA #8311 SWEDEN	AR	AR	
20	820037	WELDING CORD / LUNA #8525 CHINA	AR	AR	
20	820038	WELDING CORD / LUNA #8731 POLAND	AR	AR	
20	820072	WELDING CORD / NATURA #8816 SYCAMORE	AR	AR	
20	820080	WELDING CORD / ODYSSEY #9418 OLYMPE	AR	AR	
20	820083	WELDING CORD / ODYSSEY #9727 SEPHIR	AR	AR	
20	820101	WELDING CORD / SIRIUS #6727 ANTHRACITE	AR	AR	

From K-0185	Date:07/2024	PAGE:H9-1838-10
FLOOR COVERING - "TARAFLEX"		

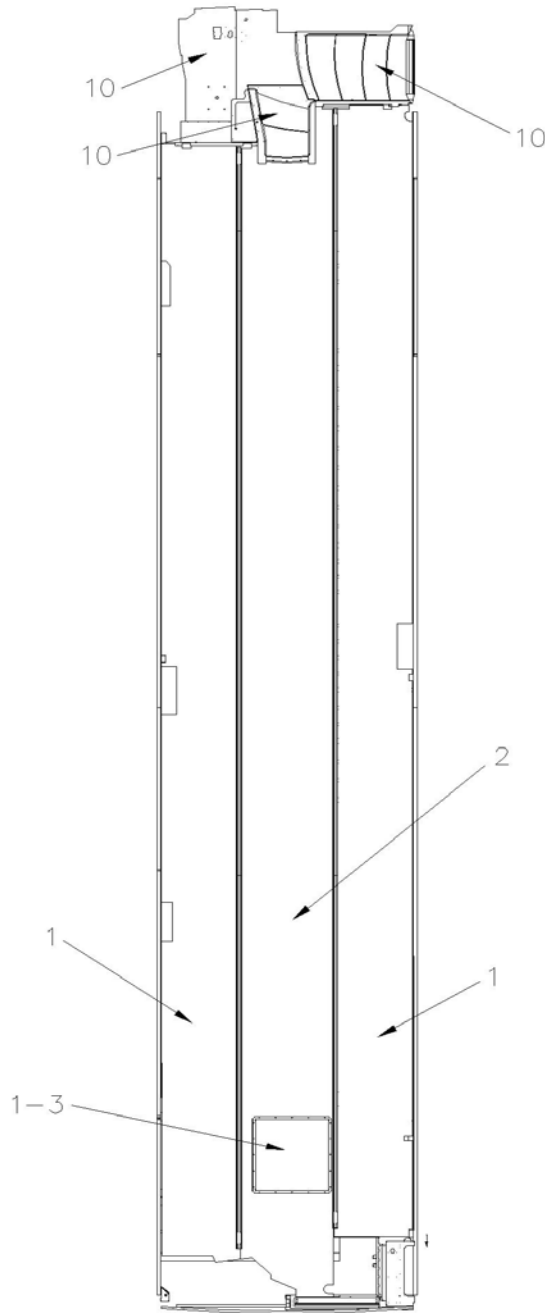
Item#	Part	Description	H 3 4 1	H 3 4 5	N O T E S
20	820111	WELDING CORD / HELIOS #8333 SCANDIUM	AR	AR	
20	820119	WELDING CORD / JUPITER #8764 ELARA ROT	AR	AR	
20	684517	ADHESIVE SIMSON #ISR 70-03 / GREY / 310ml CARTRIDGE	AR	AR	
20	684685	ADHESIVE SIMSON #ISR 70-03 / 310ml CARTRIDGE	AR	AR	
20	684655	GLUE CONTACT "SCOTCH-GRIP" / 3M #1357-NEUTRAL 3.8 LITERS	AR	AR	

From K-0185

Date:07/2024

PAGE:H9-1838-11

FLOOR COVERING - "GERFLOR"



From K-0185		Date:07/2024	PAGE:H9-1838-11
FLOOR COVERING - "GERFLOR"			

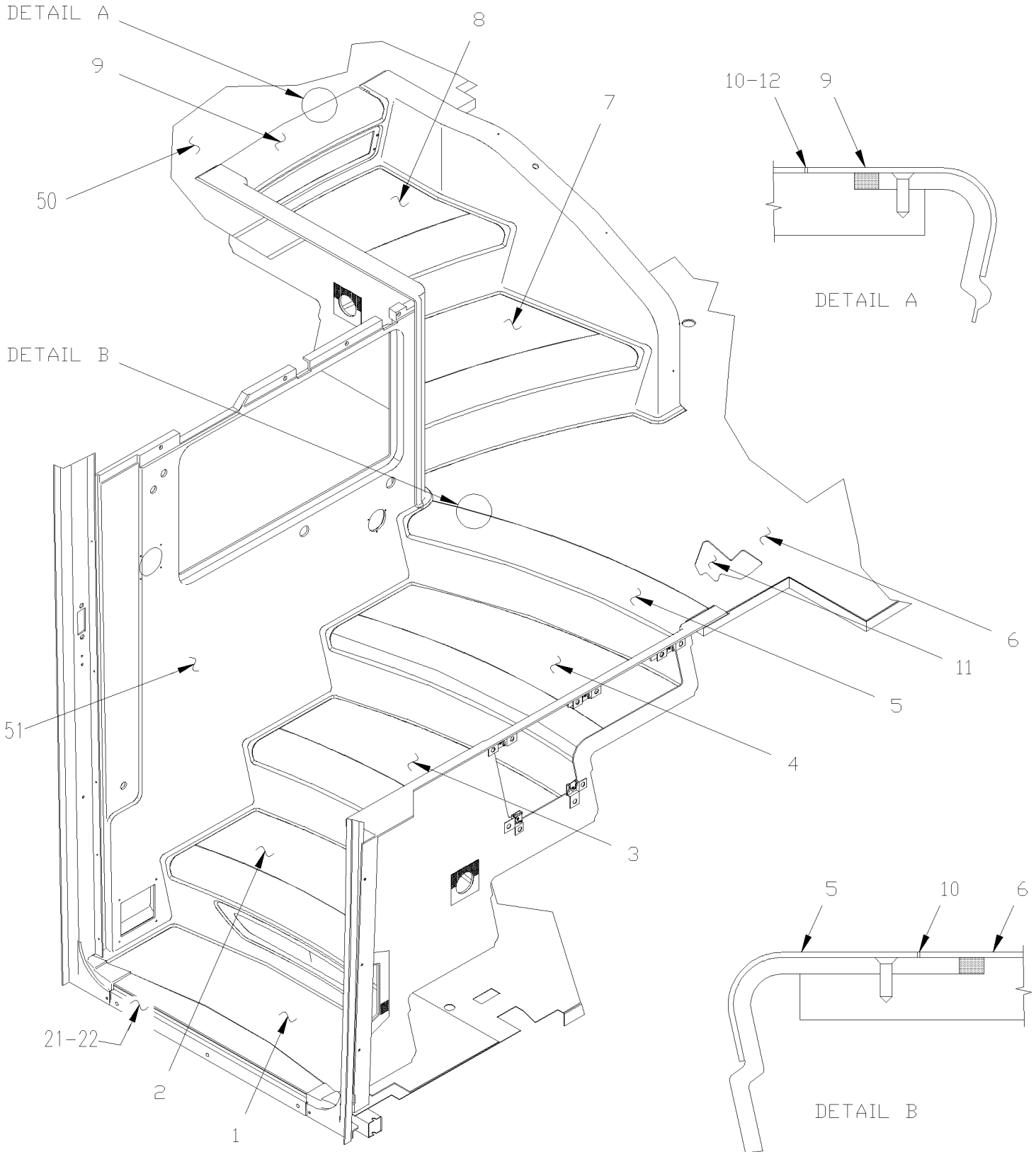
Item#	Part	Description	H 3 4 1	H 3 4 5	N O T E S
1		FLOOR COVERING WINDOW SIDE SECTION / 664MM X 11938MM			
1	820288	COVERING DARK GREY 664 X 11938 B		2	
1	820300	COVERING DARK GREY #8780 PEGASUS E		2	
1	820298	COVERING DARK GREY SIRIUS #6727 ANTHRACITE DD		2	
1	820390	COVERING ANTICWOOD #0658 SOFT BROWN RR		2	
1	820544BD	COVERING TARABUS LUNA #8729 NORWAY NT / 664MM X 11938MM		2	
1	820544BG	COVERING HELIOS #8805 PALLADIUM		2	
1	820544BK	COVERING TARABUS GAYA WOOD #4521 YELLOWSTONE		2	
1	820544BM	COVERING TARABUS GAYA WOOD #3724 KRUGER LT		2	
1	820544BP	COVERING TARABUS GAYA WOOD 6057 EVERGLADES		2	
1	820544BQ	COVERING TARABUS GAYA WOOD 8297 YOSEMITE NT		2	
1	820544BS	COVERING TARABUS HARMONIA SHIP #0766 TROPICAL		2	
1	820544BT	COVERING TARABUS GAYA WOOD #4521WOP YELLOWSTONE		2	
1	820544QQ	COVERING ANTICWOOD #0782 MARRON		2	
1	820544SS	COVERING SHIP #0764 NATURE		2	
1	820544TT	COVERING SHIP #0765 EXOTIC		2	
1	820544BK-1	COVERING TARABUS GAYA WOOD #4521 YELLOWSTONE WITH 2+1 SEAT		2	
2		FLOOR COVERING CENTRAL AILSE SECTION / 898MMX12192MM			
2	820289	COVERING DARK GREY #8758 TUCUNA B		1	
2	820301	COVERING DARK GREY #8780 PEGASUS E		1	
2	820299	COVERING DARK GREY SIRIUS #6727 ANTHRACITE DD		1	
2	820492	COVERING ANTICWOOD #0658 SOFT BROWN RR		1	
2	820545BD	COVERING TARABUS LUNA #8729 NORWAY NT		1	
2	820545BG	COVERING HELIOS #8805 PALLADIUM		1	
2	820545BK	COVERING TARABUS GAYA WOOD #4521 YELLOWSTONE		1	
2	820545BM	COVERING TARABUS GAYA WOOD #3724 KRUGER LT		1	
2	820545BP	COVERING TARABUS GAYA WOOD 6057 EVERGLADES		1	
2	820545BQ	COVERING TARABUS GAYA WOOD 9297 YOSEMITE NT		1	
2	820545BS	COVERING TARABUS HARMONIA SHIP #0766 TROPICAL		1	
2	820545BT	COVERING TARABUS GAYA WOOD #4521WOP YELLOWSTONE		1	
2	820545QQ	COVERING TARABUS ANTICWOOD #0782 BROWN		1	
2	820545SS	COVERING TARABUS SHIP #0764 NATURE		1	
2	820545TT	COVERING TARABUS SHIP #0765 EXOTIC		1	
2	820545BK-1	COVERING TARABUS GAYA WOOD #4521 YELLOWSTONE WITH 2+1 SEAT		1	
3		COVERING MOTOR ACCESS TRAP / 400MMX610MM			
3	329605	CUT OUT COVERING MOTOR ACCESS TRAP		1	
NS	684685	ADHESIVE SIMSON #ISR 70-03 / 310ml CARTRIDGE		AR	

From K-0185	Date:07/2024	PAGE:H9-1838-11
-------------	--------------	-----------------

FLOOR COVERING - "GERFLOR"

Item#	Part	Description	H 3 4 1	H 3 4 5	N O T E S
10	H9-1838-16	STEPWELL - COVERING			
NS	820031	WELDING CORD / GALAXY #8750 TUCANA		AR	
NS	820034	WELDING CORD / GALAXY #8780 PEGASUS		AR	
NS	820040	WELDING CORD / LUNA #8729 NORWAY		AR	
NS	820101	WELDING CORD / SIRIUS #6727 ANTHRACITE		AR	
NS	820554	WELDING CORD / HELIOS #8805 PALLADIUM		AR	
NS	820559	WELDING CORD / GAYA WOOD #4521 YELLOWSTONE		AR	
NS	820566	WELDING CORD / GAYA WOOD #3724 KRUGER LT		AR	
NS	820013	WELDING CORD / GAYA WOOD #6057 EVERGLADES		AR	
NS	820568	WELDING CORD / HARMONIA #0658 ANTICWOOD		AR	
NS	820029	WELDING CORD / GRAPHITE #6801 SIRIUS		AR	
NS	820558	WELDING CORD / HARMONIA #0782 ANTICWOOD		AR	
NS	820557	WELDING CORD / HARMONIA #0764 SHIP NATURE		AR	
NS	820556	WELDING CORD / HARMONIA #0765 SHIP EXOTIC		AR	
NS	684517	ADHESIVE SIMSON #ISR 70-03 / GREY / 310ml CARTRIDGE		AR	
NS	684685	ADHESIVE SIMSON #ISR 70-03 / 310ml CARTRIDGE		AR	
NS	684655	GLUE CONTACT "SCOTCH-GRIP" / 3M #1357-NEUTRAL 3.8 LITERS		AR	

From K-0185 To P-1452	Date:07/2024	PAGE:H9-1838-15
STEPWELL - COVERING		



From K-0185 To P-1452	Date:07/2024	PAGE:H9-1838-15
STEPWELL - COVERING		

Item#	Part	Description	H 3 4 1	H 3 4 5	N O T E S
1	328164	1ST STEP COVERING			
1	328164A	COVERING / GALAXY #8423 AQUILIA			
1	328164B	COVERING / GALAXY #8750 TUCANA			
1	328164C	COVERING / SIRIUS #6768 GRIFFON			
1	328164D	COVERING / GRAPHITE #6801 SIRIUS			
1	328164E	COVERING / GALAXY #8780 PEGASUS			
1	328164F	COVERING / URANUS #6782 DUNE			
1	328164G	COVERING / SIRIUS #6782 DUNE			
1	328164I	COVERING / SIRIUS #6132 RUBIS			
1	328164J	COVERING / GALAXY #8817 CERO			
1	328164K	COVERING / NATURA #8816 SYCAMORE			
1	328164L	COVERING / GALAXY #8778 ARIES			
1	328164M	COVERING / GALAXY #8544 ORION			
1	328164Q	COVERING / GALAXY #8779 CYGNUS			
1	328164R	COVERING / LUNA #8311 SWEDEN			
1	328164S	COVERING / LUNA #8731 POLAND			
1	328164T	COVERING / LUNA #8525 CHINA			
1	328164U	COVERING / LUNA #8414 EGYPT			
1	328164W	COVERING / VEGA #8720 RUSSIA			
1	328164X	COVERING / VEGA #8720 NORWAY			
1	328164AA	COVERING / ODYSSEY #9418 OLYMPE			
1	328164AB	COVERING / URANUS #6727 ANTHRACITE			
1	328164AD	COVERING / HARMONIA #0765 SHIP EXOTIC			
1	328164AG	COVERING / HARMONIA #1456 ROSEWOOD			
1	328164BA	COVERING / LUNA #8816 SINGAPORE			
1	328164BB	COVERING / ODYSSEY #9727 SEPHIR			
1	328164BC	COVERING / GAYA WOOD #4521 YELLOWSTONE			
1	328164BD	COVERING / LUNA #8729 NORWAY			
1	328164BE	COVERING / SIRIUS #6451 CORSAIRE			
1	328164BF	COVERING / GAYA MOSAIC #4482 BABEL			
1	328164BG	COVERING / HELIOS #8805 PALLADIUM			
1	328164BH	COVERING / APOLLO #4479 KILIMANJARO			
1	328164BI	COVERING / APOLLO #4517 FUJI			
1	328164BJ	COVERING / GAYA MOSAIC #4519 GALATA			
1	328164BK	COVERING / GAYA WOOD #4521 YELLOWSTONE			
1	328164BL	COVERING / SIRIUS #6451 CORSAIRE			
1	328164BM	COVERING / GAYA WOOD #3724 KRUGER LT			
1	328164BP	COVERING / GAYA WOOD #6057 EVERGLADES			
1	328164BQ	COVERING / GAYA WOOD #8297 YOSEMITE NT			
1	328164CC	COVERING / URANUS #6727 ANTHRACITE			
1	328164DD	COVERING / SIRIUS #6727 ANTHRACITE			

From K-0185 To P-1452	Date:07/2024	PAGE:H9-1838-15
STEPWELL - COVERING		

Item#	Part	Description	H 3 4 1	H 3 4 5	NOTES
1	328164EE	COVERING / HELIOS #8333 SCANDIUM			
1	328164FF	COVERING / JUPITER #8764 ELARA ROT			
1	328164GG	COVERING / HELIOS #8126 IRIDIUM			
1	328164HH	COVERING / LUNA #8820 KOREA			
1	328164II	COVERING / GALAXY #8360 LYRA			
1	328164JJ	COVERING / NATURA #8813 CEDAR			
1	328164KK	COVERING / NATURA #8005 SEQUIOA			
1	328164LL	COVERING / NATURA #8359 CYPRESS			
1	328164QQ	COVERING / HARMONIA #0782 ANTICWOOD			
1	328164RR	COVERING / HARMONIA #0658 ANTICWOOD			
1	328164SS	COVERING / HARMONIA #0764 SHIP NATURE			
1	328164TT	COVERING / HARMONIA #0658 SHIP EXOTIC			
2	329559	2ND STEP COVERING WITH GREY NOZZING			
2	329559A	COVERING / GALAXY #8423 AQUILIA & SIRIUS #6768 GRIFFON			
2	329559B	COVERING / GALAXY #8750 TUCANA & SIRIUS #6768 GRIFFON			
2	329559C	COVERING / SIRIUS #6768 GRIFFON & SIRIUS #6727 ANTHRACITE			
2	329559D	COVERING / GRAPHITE #6801 SIRIUS & SIRIUS #6768 GRIFFON			
2	329559E	COVERING / GALAXY #8780 PEGASUS & SIRIUS #6768 GRIFFON			
2	329559F	COVERING / URANUS #6782 DUNE & URANUS #6727 ANTHRACITE			
2	329559G	COVERING / SIRIUS #6782 DUNE & SIRIUS #6727 ANTHRACITE			
2	329559I	COVERING / SIRIUS #6132 RUBIS & SIRIUS #6727 ANTHRACITE			
2	329559J	COVERING / GALAXY #8817 CERO & SIRIUS #6768 GRIFFON			
2	329559K	COVERING / NATURA #8816 SYCAMORE & SIRIUS #6768 GRIFFON			
2	329559L	COVERING / GALAXY #8778 ARIES & SIRIUS #6727 ANTHRACITE			
2	329559M	COVERING / GALAXY #8544 ORION & SIRIUS #6768 GRIFFON			
2	329559Q	COVERING / GALAXY #8779 CYGNUS & SIRIUS #6727 ANTHRACITE			
2	329559R	COVERING / LUNA #8311 SWEDEN & SIRIUS #6768 GRIFFON			
2	329559S	COVERING / LUNA #8731 POLAND & SIRIUS #6727 ANTHRACITE			
2	329559U	COVERING / LUNA #8414 EGYPT & SIRIUS #6768 GRIFFON			
2	329559X	COVERING / LUNA #8729 NORWAY & SIRIUS #6768 GRIFFON			
2	329559AA	COVERING / ODYSSEY #9418 OLYMPE & SIRIUS #6768 GRIFFON			
2	329559AB	COVERING / URANUS #6727 ANTHRACITE & GALAXY #8360 LYRA			
2	329559AC	COVERING / URANUS #6782 DUNE & GALAXY #8360 LYRA			
2	329559AE	COVERING / LUNA #8311 SWEDEN & SIRIUS #6727 ANTHRACITE			
2	329559AD	COVERING / HARMONIA #0765 SHIP EXOTIC & SAFE BUS #6602 CALEDONIA			
2	329559AG-HH	COVERING / HARMONIA #1456 ROSEWOOD & SIRIUS #6768 GRIFFON			
2	329559AH	COVERING / NATURA #8816 SYCAMORE & GALAXY #8360 LYRA			
2	329559AK	COVERING / HARMONIA #0765 SHIP EXOTIC & GALAXY #8360 LYRA			
2	329559AL	COVERING / HARMONIA #0765 SHIP EXOTIC & SIRIUS #6768 GRIFFON			
2	329559B-AJ	COVERING / GALAXY #8750 TUCANA & SAFE BUS #6602 CALEDONIA			

From K-0185 To P-1452	Date:07/2024	PAGE:H9-1838-15
STEPWELL - COVERING		

Item#	Part	Description	H 3 4 1	H 3 4 5	N O T E S
2	329559BA-AJ	COVERING / LUNA #8816 SINGAPORE & SAFE BUS #6602 CALEDONIA			
2	329559BA-C	COVERING / LUNA #8816 SINGAPORE & SIRIUS #6768 GRIFFON			
2	329559BA-D	COVERING / LUNA #8816 SINGAPORE & GRAPHITE #6801 SIRIUS			
2	329559BA-HH	COVERING / LUNA #8816 SINGAPORE & HELIOS #8332 THALLIUM			
2	329559BB	COVERING / ODYSSEY #9727 SEPHIR & SIRIUS #6768 GRIFFON			
2	329559BC-DD	COVERING / GAYA WOOD #4521 YELLOWSTONE & SIRIUS #6727 ANTHRACITE			
2	329559BD-AJ	COVERING / LUNA #8729 NORWAY & SAFE BUS #6602 CALEDONIA			
2	329559BD-C	COVERING / LUNA #8729 NORWAY & SIRIUS #6768 GRIFFON			
2	329559BD-D	COVERING / LUNA #8729 NORWAY & GRAPHITE #6801 SIRIUS			
2	329559BD-HH	COVERING / LUNA #8729 NORWAY & HELIOS #8332 THALLIUM			
2	329559BE-C	COVERING / SIRIUS #6451 CORSAIRE & SIRIUS #6768 GRIFFON			
2	329559BF-D	COVERING / GAYA MOSAIC #4482 BABEL & GRAPHITE #6801 SIRIUS			
2	329559BG-AJ	COVERING / HELIOS #8805 PALLADIUM & SAFE BUS #6602 CALEDONIA			
2	329559BG-D	COVERING / HELIOS #8805 PALLADIUM & GRAPHITE #6801 SIRIUS			
2	329559BH-AJ	COVERING / APOLLO #4479 KILIMANJARO & SAFE BUS #6602 CALEDONIA			
2	329559BH-D	COVERING / APOLLO #4479 KILIMANJARO & GRAPHITE #6801 SIRIUS			
2	329559BI-AJ	COVERING / APOLLO #4517 FUJI & SAFE BUS #6602 CALEDONIA			
2	329559BI-D	COVERING / APOLLO #4517 FUJI & GRAPHITE #6801 SIRIUS			
2	329559BJ-AJ	COVERING / GAYA MOSAIC #4519 GALATA & SAFE BUS #6602 CALEDONIA			
2	329559BJ-D	COVERING / GAYA MOSAIC #4519 GALATA & GRAPHITE #6801 SIRIUS			
2	329559BK-AJ	COVERING / GAYA WOOD #4521 YELLOWSTONE & SAFE BUS #6602 CALEDONIA			
2	329559BK-D	COVERING / GAYA WOOD #4521 YELLOWSTONE & GRAPHITE #6801 SIRIUS			
2	329559BL-AJ	COVERING / SIRIUS #6451 CORSAIRE & SAFE BUS #6602 CALEDONIA			
2	329559BL-HH	COVERING / SIRIUS #6451 CORSAIRE & SIRIUS #6768 GRIFFON			
2	329559BM-AJ	COVERING / GAYA WOOD #3724 KRUGER LT & SAFE BUS #6602 CALEDONIA			
2	329559BM-HH	COVERING / GAYA WOOD #3724 KRUGER LT & SIRIUS #6768 GRIFFON			
2	329559BP-AJ	COVERING / GAYA WOOD #6057 EVERGLADES & SAFE BUS #6602 CALEDONIA			
2	329559BP-HH	COVERING / GAYA WOOD #6057 EVERGLADES & SIRIUS #6768 GRIFFON			
2	329559BQ-AJ	COVERING / GAYA WOOD #8297 YOSEMITE NT & SAFE BUS #6602 CALEDONIA			
2	329559BQ-HH	COVERING / GAYA WOOD #8297 YOSEMITE NT & SIRIUS #6768 GRIFFON			
2	329559CC	COVERING / URANUS #6727 ANTHRACITE & SIRIUS #6768 GRIFFON			
2	329559CC-EE	COVERING / URANUS #6727 ANTHRACITE & HELIOS #8333 SCANDIUM			
2	329559DD	COVERING / SIRIUS #6727 ANTHRACITE & SIRIUS #6768 GRIFFON			
2	329559DD-AJ	COVERING / SIRIUS #6727 ANTHRACITE & SAFE BUS #6602 CALEDONIA			
2	329559EE	COVERING / HELIOS #8333 SCANDIUM & SIRIUS #6727 ANTHRACITE			
2	329559E-AJ	COVERING / GALAXY #8780 PEGASUS & SAFE BUS #6602 CALEDONIA			
2	329559FF	COVERING / JUPITER #8764 ELARA ROT & SIRIUS #6768 GRIFFON			
2	329559GG	COVERING / HELIOS #8126 IRIDIUM & HELIOS #8332 THALLIUM			
2	329559HH	COVERING / LUNA #8820 KOREA & SIRIUS #6768 GRIFFON			
2	329559II	COVERING / GALAXY #8360 LYRA & SIRIUS #6727 ANTHRACITE			
2	329559JJ	COVERING / NATURA #8813 CEDAR & SIRIUS #6727 ANTHRACITE			
2	329559JJ-D	COVERING / NATURA #8813 CEDAR & GRAPHITE #6801 SIRIUS			

From K-0185 To P-1452	Date:07/2024	PAGE:H9-1838-15
STEPWELL - COVERING		

Item#	Part	Description	H 3 4 1	H 3 4 5	N O T E S
2	329559KK	COVERING / NATURA #8005 SEQUIOA & HELIOS #8332 THALLIUM			
2	329559LL	COVERING / NATURA #8359 CYPRESS & SIRIUS #6727 ANTHRACITE			
2	329559MM	COVERING / SIRIUS #6727 ANTHRACITE & JUPITER #8760 LABRADOR			
2	329559QQ	COVERING / HARMONIA #0782 ANTICWOOD & SIRIUS #6727 ANTHRACITE			
2	329559QQ-AJ	COVERING / HARMONIA #0782 ANTICWOOD & SAFE BUS #6602 CALEDONIA			
2	329559QQ-D	COVERING / HARMONIA #0782 ANTICWOOD & GRAPHITE #6801 SIRIUS			
2	329559RR	COVERING / HARMONIA #0658 ANTICWOOD & SIRIUS #6727 ANTHRACITE			
2	329559RR-AJ	COVERING / HARMONIA #0658 ANTICWOOD & SAFE BUS #6602 CALEDONIA			
2	329559RR-D	COVERING / HARMONIA #0658 ANTICWOOD & GRAPHITE #6801 SIRIUS			
2	329559SS	COVERING / HARMONIA #0764 SHIP NATURE & SIRIUS #6727 ANTHRACITE			
2	329559SS-AJ	COVERING / HARMONIA #0764 SHIP NATURE & SAFE BUS #6602 CALEDONIA			
2	329559SS-D	COVERING / HARMONIA #0764 SHIP NATURE & GRAPHITE #6801 SIRIUS			
2	329559SS-HH	COVERING / HARMONIA #0764 SHIP NATURE & SIRIUS #6768 GRIFFON			
2	329559TT	COVERING / HARMONIA #0765 SHIP EXOTIC & SIRIUS #6727 ANTHRACITE			
2	329559TT-AJ	COVERING / HARMONIA #0765 SHIP EXOTIC & SAFE BUS #6602 CALEDONIA			
2	329559TT-HH	COVERING / HARMONIA #0765 SHIP EXOTIC & SIRIUS #6768 GRIFFON			
2	329559UB	COVERING / SIRIUS #6727 ANTHRACITE & HELIOS #8332 THALLIUM			
2	329559UD	COVERING / URANUS #6727 ANTHRACITE & HELIOS #8332 THALLIUM			
2	329559I-AJ	COVERING / SIRIUS #6132 & SAFE BUS CALEDONIA #6602			
3	329558	3RD STEP COVERING WITH GREY NOZZING			
3	329558A	COVERING / GALAXY #8423 AQUILIA & SIRIUS #6768 GRIFFON			
3	329558B	COVERING / GALAXY #8750 TUCANA & SIRIUS #6768 GRIFFON			
3	329558C	COVERING / SIRIUS #6768 GRIFFON & SIRIUS #6727 ANTHRACITE			
3	329558D	COVERING / GRAPHITE #6801 SIRIUS & SIRIUS #6768 GRIFFON			
3	329558E	COVERING / GALAXY #8780 PEGASUS & SIRIUS #6768 GRIFFON			
3	329558F	COVERING / URANUS #6782 DUNE & SIRIUS #6727 ANTHRACITE			
3	329558G	COVERING / SIRIUS #6782 DUNE & SIRIUS #6727 ANTHRACITE			
3	329558I	COVERING / SIRIUS #6132 RUBIS & SIRIUS #6727 ANTHRACITE			
3	329558J	COVERING / GALAXY #8817 CERO & SIRIUS #6768 GRIFFON			
3	329558K	COVERING / NATURA #8816 SYCAMORE & SIRIUS #6768 GRIFFON			
3	329558L	COVERING / GALAXY #8778 ARIES & SIRIUS #6727 ANTHRACITE			
3	329558M	COVERING / GALAXY #8544 ORION & SIRIUS #6768 GRIFFON			
3	329558Q	COVERING / GALAXY #8779 CYGNUS & SIRIUS #6727 ANTHRACITE			
3	329558R	COVERING / LUNA #8311 SWEDEN & SIRIUS #6768 GRIFFON			
3	329558S	COVERING / LUNA #8731 POLAND & SIRIUS #6727 ANTHRACITE			
3	329558U	COVERING / LUNA #8414 EGYPT & SIRIUS #6768 GRIFFON			
3	329558X	COVERING / LUNA #8729 NORWAY & SIRIUS #6768 GRIFFON			
3	329558AA	COVERING / ODYSSEY #9418 OLYMPE & SIRIUS #6768 GRIFFON			
3	329558AB	COVERING / URANUS #6727 ANTHRACITE & GALAXY #8360 LYRA			
3	329558AC	COVERING / URANUS #6782 DUNE & GALAXY #8360 LYRA			

From K-0185 To P-1452	Date:07/2024	PAGE:H9-1838-15
STEPWELL - COVERING		

Item#	Part	Description	H 3 4 1	H 3 4 5	N O T E S
3	329558AD	COVERING / HARMONIA #0765 SHIP EXOTIC & SAFE BUS #6602 CALEDONIA			
3	329558AE	COVERING / LUNA #8311 SWEDEN & SIRIUS #6727 ANTHRACITE			
3	329558AG-HH	COVERING / HARMONIA #1456 ROSEWOOD & SIRIUS #6768 GRIFFON			
3	329558AH	COVERING / NATURA #8816 SYCAMORE & GALAXY #8360 LYRA			
3	329558AK	COVERING / HARMONIA #0765 SHIP EXOTIC & GALAXY #8360 LYRA			
3	329558AL	COVERING / HARMONIA #0765 SHIP EXOTIC & SIRIUS #6768 GRIFFON			
3	329558B-AJ	COVERING / GALAXY #8750 TUCANA & SAFE BUS #6602 CALEDONIA			
3	329558BB	COVERING / ODYSSEY #9727 SEPHIR & SIRIUS #6768 GRIFFON			
3	329558BA-AJ	COVERING / LUNA #8816 SINGAPORE & SAFE BUS #6602 CALEDONIA			
3	329558BA-C	COVERING / LUNA #8816 SINGAPORE & SIRIUS #6768 GRIFFON			
3	329558BA-D	COVERING / LUNA #8816 SINGAPORE & GRAPHITE #6801 SIRIUS			
3	329558BA-HH	COVERING / LUNA #8816 SINGAPORE & HELIOS #8332 THALLIUM			
3	329558BC-DD	COVERING / GAYA WOOD #4521 YELLOWSTONE & SIRIUS #6727 ANTHRACITE			
3	329558BD-AJ	COVERING / LUNA #8729 NORWAY & SAFE BUS #6602 CALEDONIA			
3	329558BD-C	COVERING / LUNA #8729 NORWAY & SIRIUS #6768 GRIFFON			
3	329558BD-D	COVERING / LUNA #8729 NORWAY & GRAPHITE #6801 SIRIUS			
3	329558BD-HH	COVERING / LUNA #8729 NORWAY & HELIOS #8332 THALLIUM			
3	329558BE-C	COVERING / SIRIUS #6451 CORSAIRE & SIRIUS #6768 GRIFFON			
3	329558BF-D	COVERING / GAYA MOSAIC #4482 BABEL & GRAPHITE #6801 SIRIUS			
3	329558BG-AJ	COVERING / HELIOS #8805 PALLADIUM & SAFE BUS #6602 CALEDONIA			
3	329558BG-D	COVERING / HELIOS #8805 PALLADIUM & GRAPHITE #6801 SIRIUS			
3	329558BH-AJ	COVERING / APOLLO #4479 KILIMANJARO & SAFE BUS #6602 CALEDONIA			
3	329558BH-D	COVERING / APOLLO #4479 KILIMANJARO & GRAPHITE #6801 SIRIUS			
3	329558BI-AJ	COVERING / APOLLO #4517 FUJI & SAFE BUS #6602 CALEDONIA			
3	329558BI-D	COVERING / APOLLO #4517 FUJI & GRAPHITE #6801 SIRIUS			
3	329558BJ-AJ	COVERING / GAYA MOSAIC #4519 GALATA & SAFE BUS #6602 CALEDONIA			
3	329558BJ-D	COVERING / GAYA MOSAIC #4519 GALATA & GRAPHITE #6801 SIRIUS			
3	329558BK-AJ	COVERING / GAYA WOOD #4521 YELLOWSTONE & SAFE BUS #6602 CALEDONIA			
3	329558BK-D	COVERING / GAYA WOOD #4521 YELLOWSTONE & GRAPHITE #6801 SIRIUS			
3	329558BL-AJ	COVERING / SIRIUS #6451 CORSAIRE & SAFE BUS #6602 CALEDONIA			
3	329558BL-HH	COVERING / SIRIUS #6451 CORSAIRE & SIRIUS #6768 GRIFFON			
3	329558BM-AJ	COVERING / GAYA WOOD #3724 KRUGER LT & SAFE BUS #6602 CALEDONIA			
3	329558BM-HH	COVERING / GAYA WOOD #3724 KRUGER LT & SIRIUS #6768 GRIFFON			
3	329558BP-AJ	COVERING / GAYA WOOD #6057 EVERGLADES & SAFE BUS #6602 CALEDONIA			
3	329558BP-HH	COVERING / GAYA WOOD #6057 EVERGLADES & SIRIUS #6768 GRIFFON			
3	329558BQ-AJ	COVERING / GAYA WOOD #8297 YOSEMITE NT & SAFE BUS #6602 CALEDONIA			
3	329558BQ-HH	COVERING / GAYA WOOD #8297 YOSEMITE NT & SIRIUS #6768 GRIFFON			
3	329558CC	COVERING / URANUS #6727 ANTHRACITE & SIRIUS #6768 GRIFFON			
3	329558CC-EE	COVERING / URANUS #6727 ANTHRACITE & HELIOS #8333 SCANDIUM			
3	329558DD	COVERING / SIRIUS #6727 ANTHRACITE & SIRIUS #6768 GRIFFON			
3	329558DD-AJ	COVERING / SIRIUS #6727 ANTHRACITE & SAFE BUS #6602 CALEDONIA			
3	329558EE	COVERING / HELIOS #8333 SCANDIUM & SIRIUS #6727 ANTHRACITE			

From K-0185 To P-1452	Date:07/2024	PAGE:H9-1838-15
STEPWELL - COVERING		

Item#	Part	Description	H 3 4 1	H 3 4 5	N O T E S
3	329558E-AJ	COVERING / GALAXY #8780 PEGASUS & SAFE BUS #6602 CALEDONIA			
3	329558FF	COVERING / JUPITER #8764 ELARA ROT & SIRIUS #6768 GRIFFON			
3	329558GG	COVERING / HELIOS #8126 IRIDIUM & HELIOS #8332 THALLIUM			
3	329558HH	COVERING / LUNA #8820 KOREA & SIRIUS #6768 GRIFFON			
3	329558II	COVERING / GALAXY #8360 LYRA & SIRIUS #6727 ANTHRACITE			
3	329558JJ	COVERING / NATURA #8813 CEDAR & SIRIUS #6727 ANTHRACITE			
3	329558JJ-D	COVERING / NATURA #8813 CEDAR & GRAPHITE #6801 SIRIUS			
3	329558KK	COVERING / NATURA #8005 SEQUIOIA & HELIOS #8332 THALLIUM			
3	329558LL	COVERING / NATURA #8359 CYPRESS & SIRIUS #6727 ANTHRACITE			
3	329558MM	COVERING / SIRIUS #6727 ANTHRACITE & JUPITER #8760 LABRADOR			
3	329558QQ	COVERING / HARMONIA #0782 ANTICWOOD & SIRIUS #6727 ANTHRACITE			
3	329558QQ-AJ	COVERING / HARMONIA #0782 ANTICWOOD & SAFE BUS #6602 CALEDONIA			
3	329558QQ-D	COVERING / HARMONIA #0782 ANTICWOOD & GRAPHITE #6801 SIRIUS			
3	329558RR	COVERING / HARMONIA #0658 ANTICWOOD & SIRIUS #6727 ANTHRACITE			
3	329558RR-AJ	COVERING / HARMONIA #0658 ANTICWOOD & SAFE BUS #6602 CALEDONIA			
3	329558RR-D	COVERING / HARMONIA #0658 SHIP EXOTIC & GRAPHITE #6801 SIRIUS			
3	329558SS	COVERING / HARMONIA #0764 SHIP NATURE & SIRIUS #6727 ANTHRACITE			
3	329558SS-AJ	COVERING / HARMONIA #0764 SHIP NATURE & SAFE BUS #6602 CALEDONIA			
3	329558SS-D	COVERING / HARMONIA #0764 SHIP NATURE & GRAPHITE #6801 SIRIUS			
3	329558SS-HH	COVERING / HARMONIA #0764 SHIP NATURE & SIRIUS #6768 GRIFFON			
3	329558TT	COVERING / HARMONIA #0765 SHIP EXOTIC & SIRIUS #6727 ANTHRACITE			
3	329558TT-AJ	COVERING / HARMONIA #0765 SHIP EXOTIC & SAFE BUS #6602 CALEDONIA			
3	329558TT-HH	COVERING / HARMONIA #0765 SHIP EXOTIC & SIRIUS #6768 GRIFFON			
3	329558UB	COVERING / SIRIUS #6727 ANTHRACITE & HELIOS #8332 THALLIUM			
3	329558UD	COVERING / URANUS #6727 ANTHRACITE & HELIOS #8332 THALLIUM			
3	329558I-AJ	COVERING / SIRIUS #6132 & SAFE BUS CALEDONIA #6602			
4	329557	4TH STEP COVERING WITH GREY NOZZING			
4	329557A	COVERING / GALAXY #8423 AQUILIA & SIRIUS #6768 GRIFFON			
4	329557B	COVERING / GALAXY #8750 TUCANA & SIRIUS #6768 GRIFFON			
4	329557C	COVERING / SIRIUS #6768 GRIFFON & SIRIUS #6727 ANTHRACITE			
4	329557D	COVERING / GRAPHITE #6801 SIRIUS & SIRIUS #6768 GRIFFON			
4	329557E	COVERING / GALAXY #8780 PEGASUS & SIRIUS #6768 GRIFFON			
4	329557F	COVERING / URANUS #6782 DUNE & SIRIUS #6727 ANTHRACITE			
4	329557G	COVERING / SIRIUS #6782 DUNE & SIRIUS #6727 ANTHRACITE			
4	329557I	COVERING / SIRIUS #6132 RUBIS & SIRIUS #6727 ANTHRACITE			
4	329557J	COVERING / GALAXY #8817 CERO & SIRIUS #6768 GRIFFON			
4	329557K	COVERING / NATURA #8816 SYCAMORE & SIRIUS #6768 GRIFFON			
4	329557L	COVERING / GALAXY #8778 ARIES & SIRIUS #6727 ANTHRACITE			
4	329557M	COVERING / GALAXY #8544 ORION & SIRIUS #6768 GRIFFON			
4	329557Q	COVERING / GALAXY #8779 CYGNUS & SIRIUS #6727 ANTHRACITE			

From K-0185 To P-1452	Date:07/2024	PAGE:H9-1838-15
STEPWELL - COVERING		

Item#	Part	Description	H 3 4 1	H 3 4 5	N O T E S
4	329557R	COVERING / LUNA #8311 SWEDEN & SIRIUS #6768 GRIFFON			
4	329557S	COVERING / LUNA #8731 POLAND & SIRIUS #6727 ANTHRACITE			
4	329557U	COVERING / LUNA #8414 EGYPT & SIRIUS #6768 GRIFFON			
4	329557X	COVERING / LUNA #8729 NORWAY & SIRIUS #6768 GRIFFON			
4	329557AA	COVERING / ODYSSEY #9418 OLYMPE & SIRIUS #6768 GRIFFON			
4	329557AB	COVERING / URANUS #6727 ANTHRACITE & GALAXY #8360 LYRA			
4	329557AC	COVERING / URANUS #6782 DUNE & GALAXY #8360 LYRA			
4	329557AD	COVERING / HARMONIA #0765 SHIP EXOTIC & SAFE BUS #6602 CALEDONIA			
4	329557AE	COVERING / LUNA #8311 SWEDEN & SIRIUS #6727 ANTHRACITE			
4	329557AG-HH	COVERING / HARMONIA #1456 ROSEWOOD & SIRIUS #6768 GRIFFON			
4	329557AH	COVERING / NATURA #8816 SYCAMORE & GALAXY #8360 LYRA			
4	329557AK	COVERING / HARMONIA #0765 SHIP EXOTIC & GALAXY #8360 LYRA			
4	329558AL	COVERING / HARMONIA #0765 SHIP EXOTIC & SIRIUS #6768 GRIFFON			
4	329557B-AJ	COVERING / GALAXY #8750 TUCANA & SAFE BUS #6602 CALEDONIA			
4	329557BB	COVERING / ODYSSEY #9727 SEPHIR & SIRIUS #6768 GRIFFON			
4	329557BA-AJ	COVERING / LUNA #8816 SINGAPORE & SAFE BUS #6602 CALEDONIA			
4	329557BA-C	COVERING / LUNA #8816 SINGAPORE & SIRIUS #6768 GRIFFON			
4	329557BA-D	COVERING / LUNA #8816 SINGAPORE & GRAPHITE #6801 SIRIUS			
4	329557BA-HH	COVERING / LUNA #8816 SINGAPORE & HELIOS #8332 THALLIUM			
4	329557BC-DD	COVERING / GAYA WOOD #4521 YELLOWSTONE & SIRIUS #6727 ANTHRACITE			
4	329557BD-AJ	COVERING / LUNA #8729 NORWAY & SAFE BUS #6602 CALEDONIA			
4	329557BD-C	COVERING / LUNA #8729 NORWAY & SIRIUS #6768 GRIFFON			
4	329557BD-D	COVERING / LUNA #8729 NORWAY & GRAPHITE #6801 SIRIUS			
4	329557BD-HH	COVERING / LUNA #8729 NORWAY & HELIOS #8332 THALLIUM			
4	329557BE-C	COVERING / SIRIUS #6451 CORSAIRE & SIRIUS #6768 GRIFFON			
4	329557BF-D	COVERING / GAYA MOSAIC #4482 BABEL & GRAPHITE #6801 SIRIUS			
4	329557BG-AJ	COVERING / HELIOS #8805 PALLADIUM & SAFE BUS #6602 CALEDONIA			
4	329557BG-D	COVERING / HELIOS #8805 PALLADIUM & GRAPHITE #6801 SIRIUS			
4	329557BH-AJ	COVERING / APOLLO #4479 KILIMANJARO & SAFE BUS #6602 CALEDONIA			
4	329557BH-D	COVERING / APOLLO #4479 KILIMANJARO & GRAPHITE #6801 SIRIUS			
4	329557BI-AJ	COVERING / APOLLO #4517 FUJI & SAFE BUS #6602 CALEDONIA			
4	329557BI-D	COVERING / APOLLO #4517 FUJI & GRAPHITE #6801 SIRIUS			
4	329557BJ-AJ	COVERING / GAYA MOSAIC #4519 GALATA & SAFE BUS #6602 CALEDONIA			
4	329557BJ-D	COVERING / GAYA MOSAIC #4519 GALATA & GRAPHITE #6801 SIRIUS			
4	329557BK-AJ	COVERING / GAYA WOOD #4521 YELLOWSTONE & SAFE BUS #6602 CALEDONIA			
4	329557BK-D	COVERING / GAYA WOOD #4521 YELLOWSTONE & GRAPHITE #6801 SIRIUS			
4	329557BL-AJ	COVERING / SIRIUS #6451 CORSAIRE & SAFE BUS #6602 CALEDONIA			
4	329557BL-HH	COVERING / SIRIUS #6451 CORSAIRE & SIRIUS #6768 GRIFFON			
4	329557BM-AJ	COVERING / GAYA WOOD #3724 KRUGER LT & SAFE BUS #6602 CALEDONIA			
4	329557BM-HH	COVERING / GAYA WOOD #3724 KRUGER LT & SIRIUS #6768 GRIFFON			
4	329557BP-AJ	COVERING / GAYA WOOD #6057 EVERGLADES & SAFE BUS #6602 CALEDONIA			
4	329557BP-HH	COVERING / GAYA WOOD #6057 EVERGLADES & SIRIUS #6768 GRIFFON			

From K-0185 To P-1452	Date:07/2024	PAGE:H9-1838-15
STEPWELL - COVERING		

Item#	Part	Description	H 3 4 1	H 3 4 5	N O T E S
4	329557BQ-AJ	COVERING / GAYA WOOD #8297 YOSEMITE NT & SAFE BUS #6602 CALEDONIA			
4	329557BQ-HH	COVERING / GAYA WOOD #8297 YOSEMITE NT & SIRIUS #6768 GRIFFON			
4	329557CC	COVERING / URANUS #6727 ANTHRACITE & SIRIUS #6768 GRIFFON			
4	329557CC-EE	COVERING / URANUS #6727 ANTHRACITE & HELIOS #8333 SCANDIUM			
4	329557DD	COVERING / SIRIUS #6727 ANTHRACITE & SIRIUS #6768 GRIFFON			
4	329557DD-AJ	COVERING / SIRIUS #6727 ANTHRACITE & SAFE BUS #6602 CALEDONIA			
4	329557EE	COVERING / HELIOS #8333 SCANDIUM & SIRIUS #6727 ANTHRACITE			
4	329557E-AJ	COVERING / GALAXY #8780 PEGASUS & SAFE BUS #6602 CALEDONIA			
4	329557FF	COVERING / JUPITER #8764 ELARA ROT & SIRIUS #6768 GRIFFON			
4	329557GG	COVERING / HELIOS #8126 IRIDIUM & HELIOS #8332 THALLIUM			
4	329557HH	COVERING / LUNA #8820 KOREA & SIRIUS #6768 GRIFFON			
4	329557II	COVERING / GALAXY #8360 LYRA & SIRIUS #6727 ANTHRACITE			
4	329557JJ	COVERING / NATURA #8813 CEDAR & SIRIUS #6727 ANTHRACITE			
4	329557JJ-D	COVERING / NATURA #8813 CEDAR & GRAPHITE #6801 SIRIUS			
4	329557KK	COVERING / NATURA #8005 SEQUIOIA & HELIOS #8332 THALLIUM			
4	329557LL	COVERING / NATURA #8359 CYPRESS & SIRIUS #6727 ANTHRACITE			
4	329557MM	COVERING / SIRIUS #6727 ANTHRACITE & JUPITER #8760 LABRADOR			
4	329557QQ	COVERING / HARMONIA #0782 ANTICWOOD & SIRIUS #6727 ANTHRACITE			
4	329557QQ-AJ	COVERING / HARMONIA #0782 ANTICWOOD & SAFE BUS #6602 CALEDONIA			
4	329557QQ-D	COVERING / HARMONIA #0782 ANTICWOOD & GRAPHITE #6801 SIRIUS			
4	329557RR	COVERING / HARMONIA #0658 ANTICWOOD & SIRIUS #6727 ANTHRACITE			
4	329557RR-AJ	COVERING / HARMONIA #0658 ANTICWOOD & SAFE BUS #6602 CALEDONIA			
4	329557RR-D	COVERING / HARMONIA #0658 SHIP EXOTIC & GRAPHITE #6801 SIRIUS			
4	329557SS	COVERING / HARMONIA #0764 SHIP NATURE & SIRIUS #6727 ANTHRACITE			
4	329557SS-AJ	COVERING / HARMONIA #0764 SHIP NATURE & SAFE BUS #6602 CALEDONIA			
4	329557SS-D	COVERING / HARMONIA #0764 SHIP NATURE & GRAPHITE #6801 SIRIUS			
4	329557SS-HH	COVERING / HARMONIA #0764 SHIP NATURE & SIRIUS #6768 GRIFFON			
4	329557TT	COVERING / HARMONIA #0765 SHIP EXOTIC & SIRIUS #6727 ANTHRACITE			
4	329557TT-AJ	COVERING / HARMONIA #0765 SHIP EXOTIC & SAFE BUS #6602 CALEDONIA			
4	329557TT-HH	COVERING / HARMONIA #0765 SHIP EXOTIC & SIRIUS #6768 GRIFFON			
4	329557UB	COVERING / SIRIUS #6727 ANTHRACITE & HELIOS #8332 THALLIUM			
4	329557UD	COVERING / URANUS #6727 ANTHRACITE & HELIOS #8332 THALLIUM			
4	329557I-AJ	COVERING / SIRIUS #6132 RUBIS & SAFE BUS #6602 CALEDONIA			
5	329556C	COVERING EDGE / SIRIUS #6768 GRIFFON			
5	329556D	COVERING EDGE / GRAPHITE #6801 SIRIUS			
5	329556AB	COVERING EDGE / GALAXY #8360 LYRA			
5	329556AJ	COVERING EDGE / SAFE BUS #6602 CALEDONIA			
5	329556DD	COVERING EDGE / SIRIUS #6727 ANTHRACITE			
5	329556EE	COVERING EDGE / HELIOS #8333 SCANDIUM			
5	329556HH	COVERING EDGE / HELIOS #8332 THALLIUM			
5	329556II	COVERING EDGE / GALAXY #8360 LYRA			

From K-0185 To P-1452	Date:07/2024	PAGE:H9-1838-15
STEPWELL - COVERING		

Item#	Part	Description	H 3 4 1	H 3 4 5	N O T E S
5	329556NN	COVERING EDGE / JUPITER #8760 LABRADOR			
6	328945A	COVERING / GALAXY #8423 AQUILIA			
6	328945B	COVERING / GALAXY #8750 TUCANA			
6	328945C	COVERING / SIRIUS #6768 GRIFFON			
6	328945D	COVERING / GRAPHITE #6801 SIRIUS			
6	328945E	COVERING / GALAXY #8780 PEGASUS			
6	328945G	COVERING / SIRIUS #6782 DUNE			
6	328945F	COVERING / URANUS #6782 DUNE			
6	328945I	COVERING / SIRIUS #6132 RUBIS			
6	328945K	COVERING / NATURA #8816 SYCAMORE			
6	328945L	COVERING / GALAXY #8778 ARIES			
6	328945M	COVERING / GALAXY #8544 ORION			
6	328945Q	COVERING / GALAXY #8779 CYGNUS			
6	328945R	COVERING / LUNA #8311 SWEDEN			
6	328945S	COVERING / LUNA #8731 POLAND			
6	328945U	COVERING / LUNA #8414 EGYPT			
6	328945X	COVERING / LUNA #8729 NORWAY			
6	328945AA	COVERING / ODYSSEY #9418 OLYMPE			
6	328945AG	COVERING / HARMONIA #1456 ROSEWOOD			
6	328945BA	COVERING / LUNA #8816 SINGAPORE			
6	328945BB	COVERING / ODYSSEY #9727 SEPHIR			
6	328945BC	COVERING / GAYA WOOD #4521 YELLOWSTONE			
6	328945BD	COVERING / LUNA #8729 NORWAY			
6	328945BE	COVERING / SIRIUS #6451 CORSAIRE			
6	328945BF	COVERING / GAYA MOSAIC #4482 BABEL			
6	328945BG	COVERING / HELIOS #8805 PALLADIUM			
6	328945BH	COVERING / APOLLO #4479 KILIMANJARO			
6	328945BI	COVERING / APOLLO #4517 FUJI			
6	328945BJ	COVERING / GAYA MOSAIC #4519 GALATA			
6	328945BK	COVERING / GAYA WOOD #4521 YELLOWSTONE			
6	328945BL	COVERING / SIRIUS #6451 CORSAIRE			
6	328945BM	COVERING / GAYA WOOD #3724 KRUGER LT			
6	328945BP	COVERING / GAYA WOOD #6057 EVERGLADES			
6	328945BQ	COVERING / GAYA WOOD #8297 YOSEMITE NT			
6	328945BR	COVERING / WAPUSK NT #4362			
6	328945BT	COVERING / GAYA WOOD #4521WOP YELLOWSTONE			
6	328945CC	COVERING / URANUS #6727 ANTHRACITE			
6	328945DD	COVERING / SIRIUS #6727 ANTHRACITE			
6	328945EE	COVERING / HELIOS #8333 SCANDIUM			
6	328945FF	COVERING / JUPITER #8764 ELARA ROT			
6	328945GG	COVERING / HELIOS #8126 IRIDIUM			

From K-0185 To P-1452	Date:07/2024	PAGE:H9-1838-15
STEPWELL - COVERING		

Item#	Part	Description	H 3 4 1	H 3 4 5	N O T E S
6	328945HH	COVERING / LUNA #8820 KOREA			
6	328945HH-1	COVERING / GRIFFON #6768			
6	328945II	COVERING / GALAXY #8360 LYRA			
6	328945JJ	COVERING / NATURA #8813 CEDAR			
6	328945KK	COVERING / NATURA #8005 SEQUIOA			
6	328945LL	COVERING / NATURA #8359 CYPRESS			
6	328945QQ	COVERING / HARMONIA #0782 ANTICWOOD			
6	328945RR	COVERING / HARMONIA #0658 ANTICWOOD			
6	328945SS	COVERING / HARMONIA #0764 SHIP NATURE			
6	328945TT	COVERING / HARMONIA #0765 SHIP EXOTIC			
6	328945BS	COVERING / TARABUS HARMONIA #0766 SHIP TROPICAL			
7	329579	1ST STEP COVERING / AISLE			
7	329579A	COVERING / GALAXY #8423 AQUILIA & SIRIUS #6768 GRIFFON			
7	329579B	COVERING / GALAXY #8750 TUCANA & SIRIUS #6768 GRIFFON			
7	329579C	COVERING / SIRIUS #6768 GRIFFON & SIRIUS #6727 ANTHRACITE			
7	329579D	COVERING / GRAPHITE #6801 SIRIUS & SIRIUS #6768 GRIFFON			
7	329579E	COVERING / GALAXY #8780 PEGASUS & SIRIUS #6768 GRIFFON			
7	329579F	COVERING / URANUS #6782 DUNE & SIRIUS #6727 ANTHRACITE			
7	329579G	COVERING / SIRIUS #6782 DUNE & SIRIUS #6727 ANTHRACITE			
7	329579I	COVERING / SIRIUS #6132 RUBIS & SIRIUS #6727 ANTHRACITE			
7	329579J	COVERING / GALAXY #8817 CERO & SIRIUS #6768 GRIFFON			
7	329579K	COVERING / NATURA #8816 SYCAMORE & SIRIUS #6768 GRIFFON			
7	329579L	COVERING / GALAXY #8778 ARIES & SIRIUS #6727 ANTHRACITE			
7	329579M	COVERING / GALAXY #8544 ORION & SIRIUS #6768 GRIFFON			
7	329579Q	COVERING / GALAXY #8779 CYGNUS & SIRIUS #6727 ANTHRACITE			
7	329579R	COVERING / LUNA #8311 SWEDEN & SIRIUS #6768 GRIFFON			
7	329579S	COVERING / LUNA #8731 POLAND & SIRIUS #6727 ANTHRACITE			
7	329579U	COVERING / LUNA #8414 EGYPT & SIRIUS #6768 GRIFFON			
7	329579X	COVERING / LUNA #8729 NORWAY & SIRIUS #6768 GRIFFON			
7	329579AA	COVERING / ODYSSEY #9418 OLYMPE & SIRIUS #6768 GRIFFON			
7	329579AB	COVERING / URANUS #6727 ANTHRACITE & GALAXY #8360 LYRA			
7	329579AC	COVERING / URANUS #6782 DUNE & GALAXY #8360 LYRA			
7	329579AD	COVERING / HARMONIA #0765 SHIP EXOTIC & SAFE BUS #6602 CALEDONIA			
7	329579AE	COVERING / LUNA #8311 SWEDEN & SIRIUS #6727 ANTHRACITE			
7	329579AG-HH	COVERING / HARMONIA #1456 ROSEWOOD & SIRIUS #6768 GRIFFON			
7	329579AH	COVERING / NATURA #8816 SYCAMORE & GALAXY #8360 LYRA			
7	329579AK	COVERING / HARMONIA #0765 SHIP EXOTIC & GALAXY #8360 LYRA			
7	329579AL	COVERING / HARMONIA #0765 SHIP EXOTIC & SIRIUS #6768 GRIFFON			
7	329579B-AJ	COVERING / GALAXY #8750 TUCANA & SAFE BUS #6602 CALEDONIA			
7	329579BB	COVERING / ODYSSEY #9727 SEPHIR & SIRIUS #6768 GRIFFON			

From K-0185 To P-1452	Date:07/2024	PAGE:H9-1838-15
STEPWELL - COVERING		

Item#	Part	Description	H 3 4 1	H 3 4 5	N O T E S
7	329579BA-AJ	COVERING / LUNA #8816 SINGAPORE & SAFE BUS #6602 CALEDONIA			
7	329579BA-C	COVERING / LUNA #8816 SINGAPORE & SIRIUS #6768 GRIFFON			
7	329579BA-D	COVERING / LUNA #8816 SINGAPORE & GRAPHITE #6801 SIRIUS			
7	329579BA-HH	COVERING / LUNA #8816 SINGAPORE & HELIOS #8332 THALLIUM			
7	329579BC-DD	COVERING / GAYA WOOD #4521 YELLOWSTONE & SIRIUS #6727 ANTHRACITE			
7	329579BD-AJ	COVERING / LUNA #8729 NORWAY & SAFE BUS #6602 CALEDONIA			
7	329579BD-C	COVERING / LUNA #8729 NORWAY & SIRIUS #6768 GRIFFON			
7	329579BD-D	COVERING / LUNA #8729 NORWAY & GRAPHITE #6801 SIRIUS			
7	329579BD-HH	COVERING / LUNA #8729 NORWAY & HELIOS #8332 THALLIUM			
7	329579BE-C	COVERING / SIRIUS #6451 CORSAIRE & SIRIUS #6768 GRIFFON			
7	329579BF-D	COVERING / GAYA MOSAIC #4482 BABEL & GRAPHITE #6801 SIRIUS			
7	329579BG-AJ	COVERING / HELIOS #8805 PALLADIUM & SAFE BUS #6602 CALEDONIA			
7	329579BG-D	COVERING / HELIOS #8805 PALLADIUM & GRAPHITE #6801 SIRIUS			
7	329579BH-AJ	COVERING / APOLLO #4479 KILIMANJARO & SAFE BUS #6602 CALEDONIA			
7	329579BH-D	COVERING / APOLLO #4479 KILIMANJARO & GRAPHITE #6801 SIRIUS			
7	329579BI-AJ	COVERING / APOLLO #4517 FUJI & SAFE BUS #6602 CALEDONIA			
7	329579BI-D	COVERING / APOLLO #4517 FUJI & GRAPHITE #6801 SIRIUS			
7	329579BJ-AJ	COVERING / GAYA MOSAIC #4519 GALATA & SAFE BUS #6602 CALEDONIA			
7	329579BJ-D	COVERING / GAYA MOSAIC #4519 GALATA & GRAPHITE #6801 SIRIUS			
7	329579BK-AJ	COVERING / GAYA WOOD #4521 YELLOWSTONE & SAFE BUS #6602 CALEDONIA			
7	329579BK-D	COVERING / GAYA WOOD #4521 YELLOWSTONE & GRAPHITE #6801 SIRIUS			
7	329579BL-AJ	COVERING / SIRIUS #6451 CORSAIRE & SAFE BUS #6602 CALEDONIA			
7	329579BL-HH	COVERING / SIRIUS #6451 CORSAIRE & SIRIUS #6768 GRIFFON			
7	329579BM-AJ	COVERING / GAYA WOOD #3724 KRUGER LT & SAFE BUS #6602 CALEDONIA			
7	329579BM-HH	COVERING / GAYA WOOD #3724 KRUGER LT & SIRIUS #6768 GRIFFON			
7	329579BP-AJ	COVERING / GAYA WOOD #6057 EVERGLADES & SAFE BUS #6602 CALEDONIA			
7	329579BP-HH	COVERING / GAYA WOOD #6057 EVERGLADES & SIRIUS #6768 GRIFFON			
7	329579BQ-AJ	COVERING / GAYA WOOD #8297 YOSEMITE NT & SAFE BUS #6602 CALEDONIA			
7	329579BQ-HH	COVERING / GAYA WOOD #8297 YOSEMITE NT & SIRIUS #6768 GRIFFON			
7	329579CC	COVERING / URANUS #6727 ANTHRACITE & SIRIUS #6768 GRIFFON			
7	329579CC-EE	COVERING / URANUS #6727 ANTHRACITE & HELIOS #8333 SCANDIUM			
7	329579DD	COVERING / SIRIUS #6727 ANTHRACITE & SIRIUS #6768 GRIFFON			
7	329579DD-AJ	COVERING / SIRIUS #6727 ANTHRACITE & SAFE BUS #6602 CALEDONIA			
7	329579EE	COVERING / HELIOS #8333 SCANDIUM & SIRIUS #6727 ANTHRACITE			
7	329579E-AJ	COVERING / GALAXY #8780 PEGASUS & SAFE BUS #6602 CALEDONIA			
7	329579FF	COVERING / JUPITER #8764 ELARA ROT & SIRIUS #6768 GRIFFON			
7	329579GG	COVERING / HELIOS #8126 IRIDIUM & HELIOS #8332 THALLIUM			
7	329579HH	COVERING / LUNA #8820 KOREA & SIRIUS #6768 GRIFFON			
7	329579II	COVERING / GALAXY #8360 LYRA & SIRIUS #6727 ANTHRACITE			
7	329579JJ	COVERING / NATURA #8813 CEDAR & SIRIUS #6727 ANTHRACITE			
7	329579JJ-D	COVERING / NATURA #8813 CEDAR & GRAPHITE #6801 SIRIUS			
7	329579KK	COVERING / NATURA #8005 SEQUIOA & HELIOS #8332 THALLIUM			

From K-0185 To P-1452	Date:07/2024	PAGE:H9-1838-15
STEPWELL - COVERING		

Item#	Part	Description	H 3 4 1	H 3 4 5	N O T E S
7	329579LL	COVERING / NATURA #8359 CYPRESS & SIRIUS #6727 ANTHRACITE			
7	329579MM	COVERING / SIRIUS #6727 ANTHRACITE & JUPITER #8760 LABRADOR			
7	329579QQ	COVERING / HARMONIA #0782 ANTICWOOD & SIRIUS #6727 ANTHRACITE			
7	329579QQ-AJ	COVERING / HARMONIA #0782 ANTICWOOD & SAFE BUS #6602 CALEDONIA			
7	329579QQ-D	COVERING / HARMONIA #0782 ANTICWOOD & GRAPHITE #6801 SIRIUS			
7	329579RR	COVERING / HARMONIA #0658 ANTICWOOD & SIRIUS #6727 ANTHRACITE			
7	329579RR-AJ	COVERING / HARMONIA #0658 ANTICWOOD & SAFE BUS #6602 CALEDONIA			
7	329579RR-D	COVERING / HARMONIA #0658 SHIP EXOTIC & GRAPHITE #6801 SIRIUS			
7	329579SS	COVERING / HARMONIA #0764 SHIP NATURE & SIRIUS #6727 ANTHRACITE			
7	329579SS-AJ	COVERING / HARMONIA #0764 SHIP NATURE & SAFE BUS #6602 CALEDONIA			
7	329579SS-D	COVERING / HARMONIA #0764 SHIP NATURE & GRAPHITE #6801 SIRIUS			
7	329579SS-HH	COVERING / HARMONIA #0764 SHIP NATURE & SIRIUS #6768 GRIFFON			
7	329579TT	COVERING / HARMONIA #0765 SHIP EXOTIC & SIRIUS #6727 ANTHRACITE			
7	329579TT-AJ	COVERING / HARMONIA #0765 SHIP EXOTIC & SAFE BUS #6602 CALEDONIA			
7	329579TT-HH	COVERING / HARMONIA #0765 SHIP EXOTIC & SIRIUS #6768 GRIFFON			
7	329579UB	COVERING / SIRIUS #6727 ANTHRACITE & HELIOS #8332 THALLIUM			
7	329579UD	COVERING / URANUS #6727 ANTHRACITE & HELIOS #8332 THALLIUM			
7	329579I-AJ	COVERING / SIRIUS #6132 RUBIS & SAFE BUS #6602 CALEDONIA			
8	329554	2ND STEP COVERING / AISLE			
8	329554A	COVERING / GALAXY #8423 AQUILIA & SIRIUS #6768 GRIFFON			
8	329554B	COVERING / GALAXY #8750 TUCANA & SIRIUS #6768 GRIFFON			
8	329554C	COVERING / SIRIUS #6768 GRIFFON & SIRIUS #6727 ANTHRACITE			
8	329554D	COVERING / GRAPHITE #6801 SIRIUS & SIRIUS #6768 GRIFFON			
8	329554E	COVERING / GALAXY #8780 PEGASUS & SIRIUS #6768 GRIFFON			
8	329554F	COVERING / URANUS #6782 DUNE & SIRIUS #6727 ANTHRACITE			
8	329554G	COVERING / SIRIUS #6782 DUNE & SIRIUS #6727 ANTHRACITE			
8	329554I	COVERING / SIRIUS #6132 RUBIS & SIRIUS #6727 ANTHRACITE			
8	329554J	COVERING / GALAXY #8817 CERO & SIRIUS #6768 GRIFFON			
8	329554K	COVERING / NATURA #8816 SYCAMORE & SIRIUS #6768 GRIFFON			
8	329554L	COVERING / GALAXY #8778 ARIES & SIRIUS #6727 ANTHRACITE			
8	329554M	COVERING / GALAXY #8544 ORION & SIRIUS #6768 GRIFFON			
8	329554Q	COVERING / GALAXY #8779 CYGNUS & SIRIUS #6727 ANTHRACITE			
8	329554R	COVERING / LUNA #8311 SWEDEN & SIRIUS #6768 GRIFFON			
8	329554S	COVERING / LUNA #8731 POLAND & SIRIUS #6727 ANTHRACITE			
8	329554U	COVERING / LUNA #8414 EGYPT & SIRIUS #6768 GRIFFON			
8	329554X	COVERING / LUNA #8729 NORWAY & SIRIUS #6768 GRIFFON			
8	329554AA	COVERING / ODYSSEY #9418 OLYMPE & SIRIUS #6768 GRIFFON			
8	329554AB	COVERING / URANUS #6727 ANTHRACITE & GALAXY #8360 LYRA			
8	329554AC	COVERING / URANUS #6782 DUNE & GALAXY #8360 LYRA			
8	329554AD	COVERING / HARMONIA #0765 SHIP EXOTIC & SAFE BUS #6602 CALEDONIA			

From K-0185 To P-1452	Date:07/2024	PAGE:H9-1838-15
STEPWELL - COVERING		

Item#	Part	Description	H 3 4 1	H 3 4 5	NOTES
8	329554AE	COVERING / LUNA #8311 SWEDEN & SIRIUS #6727 ANTHRACITE			
8	329554AG-HH	COVERING / HARMONIA #1456 ROSEWOOD & SIRIUS #6768 GRIFFON			
8	329554AH	COVERING / NATURA #8816 SYCAMORE & GALAXY #8360 LYRA			
8	329554AK	COVERING / HARMONIA #0765 SHIP EXOTIC & GALAXY #8360 LYRA			
8	329554AL	COVERING / HARMONIA #0765 SHIP EXOTIC & SIRIUS #6768 GRIFFON			
8	329554B-AJ	COVERING / GALAXY #8750 TUCANA & SAFE BUS #6602 CALEDONIA			
8	329554BB	COVERING / ODYSSEY #9727 SEPHIR & SIRIUS #6768 GRIFFON			
8	329554BA-AJ	COVERING / LUNA #8816 SINGAPORE & SAFE BUS #6602 CALEDONIA			
8	329554BA-C	COVERING / LUNA #8816 SINGAPORE & SIRIUS #6768 GRIFFON			
8	329554BA-D	COVERING / LUNA #8816 SINGAPORE & GRAPHITE #6801 SIRIUS			
8	329554BA-HH	COVERING / LUNA #8816 SINGAPORE & HELIOS #8332 THALLIUM			
8	329554BC-DD	COVERING / GAYA WOOD #4521 YELLOWSTONE & SIRIUS #6727 ANTHRACITE			
8	329554BD-AJ	COVERING / LUNA #8729 NORWAY & SAFE BUS #6602 CALEDONIA			
8	329554BD-C	COVERING / LUNA #8729 NORWAY & SIRIUS #6768 GRIFFON			
8	329554BD-D	COVERING / LUNA #8729 NORWAY & GRAPHITE #6801 SIRIUS			
8	329554BD-HH	COVERING / LUNA #8729 NORWAY & HELIOS #8332 THALLIUM			
8	329554BE-C	COVERING / SIRIUS #6451 CORSAIRE & SIRIUS #6768 GRIFFON			
8	329554BF-D	COVERING / GAYA MOSAIC #4482 BABEL & GRAPHITE #6801 SIRIUS			
8	329554BG-AJ	COVERING / HELIOS #8805 PALLADIUM & SAFE BUS #6602 CALEDONIA			
8	329554BG-D	COVERING / HELIOS #8805 PALLADIUM & GRAPHITE #6801 SIRIUS			
8	329554BH-AJ	COVERING / APOLLO #4479 KILIMANJARO & SAFE BUS #6602 CALEDONIA			
8	329554BH-D	COVERING / APOLLO #4479 KILIMANJARO & GRAPHITE #6801 SIRIUS			
8	329554BI-AJ	COVERING / APOLLO #4517 FUJI & SAFE BUS #6602 CALEDONIA			
8	329554BI-D	COVERING / APOLLO #4517 FUJI & GRAPHITE #6801 SIRIUS			
8	329554BJ-AJ	COVERING / GAYA MOSAIC #4519 GALATA & SAFE BUS #6602 CALEDONIA			
8	329554BJ-D	COVERING / GAYA MOSAIC #4519 GALATA & GRAPHITE #6801 SIRIUS			
8	329554BK-AJ	COVERING / GAYA WOOD #4521 YELLOWSTONE & SAFE BUS #6602 CALEDONIA			
8	329554BK-D	COVERING / GAYA WOOD #4521 YELLOWSTONE & GRAPHITE #6801 SIRIUS			
8	329554BL-AJ	COVERING / SIRIUS #6451 CORSAIRE & SAFE BUS #6602 CALEDONIA			
8	329554BL-HH	COVERING / SIRIUS #6451 CORSAIRE & SIRIUS #6768 GRIFFON			
8	329554BM-AJ	COVERING / GAYA WOOD #3724 KRUGER LT & SAFE BUS #6602 CALEDONIA			
8	329554BM-HH	COVERING / GAYA WOOD #3724 KRUGER LT & SIRIUS #6768 GRIFFON			
8	329554BP-AJ	COVERING / GAYA WOOD #6057 EVERGLADES & SAFE BUS #6602 CALEDONIA			
8	329554BP-HH	COVERING / GAYA WOOD #6057 EVERGLADES & SIRIUS #6768 GRIFFON			
8	329554BQ-AJ	COVERING / GAYA WOOD #8297 YOSEMITE NT & SAFE BUS #6602 CALEDONIA			
8	329554BQ-HH	COVERING / GAYA WOOD #8297 YOSEMITE NT & SIRIUS #6768 GRIFFON			
8	329554CC	COVERING / URANUS #6727 ANTHRACITE & SIRIUS #6768 GRIFFON			
8	329554CC-EE	COVERING / URANUS #6727 ANTHRACITE & HELIOS #8333 SCANDIUM			
8	329554DD	COVERING / SIRIUS #6727 ANTHRACITE & SIRIUS #6768 GRIFFON			
8	329554DD-AJ	COVERING / SIRIUS #6727 ANTHRACITE & SAFE BUS #6602 CALEDONIA			
8	329554EE	COVERING / HELIOS #8333 SCANDIUM & SIRIUS #6727 ANTHRACITE			
8	329554E-AJ	COVERING / GALAXY #8780 PEGASUS & SAFE BUS #6602 CALEDONIA			

From K-0185 To P-1452	Date:07/2024	PAGE:H9-1838-15
STEPWELL - COVERING		

Item#	Part	Description	H 3 4 1	H 3 4 5	N O T E S
8	329554FF	COVERING / JUPITER #8764 ELARA ROT & SIRIUS #6768 GRIFFON			
8	329554GG	COVERING / HELIOS #8126 IRIDIUM & HELIOS #8332 THALLIUM			
8	329554HH	COVERING / LUNA #8820 KOREA & SIRIUS #6768 GRIFFON			
8	329554II	COVERING / GALAXY #8360 LYRA & SIRIUS #6727 ANTHRACITE			
8	329554JJ	COVERING / NATURA #8813 CEDAR & SIRIUS #6727 ANTHRACITE			
8	329554JJ-D	COVERING / NATURA #8813 CEDAR & GRAPHITE #6801 SIRIUS			
8	329554KK	COVERING / NATURA #8005 SEQUIOA & HELIOS #8332 THALLIUM			
8	329554LL	COVERING / NATURA #8359 CYPRESS & SIRIUS #6727 ANTHRACITE			
8	329554MM	COVERING / SIRIUS #6727 ANTHRACITE & JUPITER #8760 LABRADOR			
8	329554QQ	COVERING / HARMONIA #0782 ANTICWOOD & SIRIUS #6727 ANTHRACITE			
8	329554QQ-AJ	COVERING / HARMONIA #0782 ANTICWOOD & SAFE BUS #6602 CALEDONIA			
8	329554QQ-D	COVERING / HARMONIA #0782 ANTICWOOD & GRAPHITE #6801 SIRIUS			
8	329554RR	COVERING / HARMONIA #0658 ANTICWOOD & SIRIUS #6727 ANTHRACITE			
8	329554RR-AJ	COVERING / HARMONIA #0658 ANTICWOOD & SAFE BUS #6602 CALEDONIA			
8	329554RR-D	COVERING / HARMONIA #0658 SHIP EXOTIC & GRAPHITE #6801 SIRIUS			
8	329554SS	COVERING / HARMONIA #0764 SHIP NATURE & SIRIUS #6727 ANTHRACITE			
8	329554SS-AJ	COVERING / HARMONIA #0764 SHIP NATURE & SAFE BUS #6602 CALEDONIA			
8	329554SS-D	COVERING / HARMONIA #0764 SHIP NATURE & GRAPHITE #6801 SIRIUS			
8	329554SS-HH	COVERING / HARMONIA #0764 SHIP NATURE & SIRIUS #6768 GRIFFON			
8	329554TT	COVERING / HARMONIA #0765 SHIP EXOTIC & SIRIUS #6727 ANTHRACITE			
8	329554TT-AJ	COVERING / HARMONIA #0765 SHIP EXOTIC & SAFE BUS #6602 CALEDONIA			
8	329554TT-HH	COVERING / HARMONIA #0765 SHIP EXOTIC & SIRIUS #6768 GRIFFON			
8	329554UB	COVERING / SIRIUS #6727 ANTHRACITE & HELIOS #8332 THALLIUM			
8	329554UD	COVERING / URANUS #6727 ANTHRACITE & HELIOS #8332 THALLIUM			
8	329554I-AJ	COVERING / SIRIUS #6132 & SAFE BUS CALEDONIA #6602			
9	329553C	COVERING EDGE / SIRIUS #6768 GRIFFON			
9	329553DD	COVERING EDGE / SIRIUS #6727 ANTHRACITE			
9	329553EE	COVERING EDGE / HELIOS #8333 SCANDIUM	1	1	
9	329553NN	COVERING EDGE / JUPITER #8760 LABRADOR			
9	329553II	COVERING EDGE / GALAXY #8360 LYRA			
9	329553HH	COVERING EDGE / HELIOS #8332 THALLIUM			
9	329553D	COVERING EDGE / GRAPHITE #6801 SIRIUS			
10	820013	WELDING CORD / GAYA WOOD #6057 EVERGLADES			
10	820028	WELDING CORD / SIRIUS #6768 GRIFFON			
10	820029	WELDING CORD / GRAPHITE #6801 SIRIUS			
10	820030	WELDING CORD / GALAXY #8423 AQUILIA			
10	820031	WELDING CORD / GALAXY #8750 TUCANA			
10	820032	WELDING CORD / GALAXY #8778 ARIES			
10	820033	WELDING CORD / GALAXY #8779 CYGNUS			
10	820034	WELDING CORD / GALAXY #8780 PEGASUS			

From K-0185 To P-1452	Date:07/2024	PAGE:H9-1838-15
STEPWELL - COVERING		

Item#	Part	Description	H 3 4 1	H 3 4 5	N O T E S
10	820035	WELDING CORD / GALAXY #8544 ORION			
10	820036	WELDING CORD / LUNA #8311 SWEDEN			
10	820037	WELDING CORD / LUNA #8525 CHINA			
10	820038	WELDING CORD / LUNA #8731 POLAND			
10	820039	WELDING CORD / LUNA #8414 EGYPT			
10	820040	WELDING CORD / LUNA #8729 NORWAY			
10	820046	WELDING CORD / SIRIUS #6132 RUBIS			
10	820072	WELDING CORD / NATURA #8816 SYCAMORE			
10	820080	WELDING CORD / ODYSSEY #9418 OLYMPE			
10	820083	WELDING CORD / ODYSSEY #9727 SEPHIR			
10	820101	WELDING CORD / SIRIUS #6727 ANTHRACITE			
10	820111	WELDING CORD / HELIOS #8333 SCANDIUM			
10	820119	WELDING CORD / JUPITER #8764 ELARA ROT			
10	820146	WELDING CORD / HELIOS #8126 IRIIDIUM			
10	820151	WELDING CORD / HARMONIA #0765 SHIP EXOTIC			
10	820156	WELDING CORD / NATURA #8813 CEDAR			
10	820161	WELDING CORD / NATURA #8005 SEQUIOIA			
10	820166	WELDING CORD / NATURA #8359 CYPRESS			
10	820190	WELDING CORD / LUNA #8820 KOREA			
10	820553	WELDING CORD / GAYA MOSAIC #4519 GALATA			
10	820554	WELDING CORD / HELIOS #8805 PALLADIUM			
10	820555	WELDING CORD / APOLLO #4479 KILIMANJARO			
10	820556	WELDING CORD / HARMONIA #0765 SHIP EXOTIC			
10	820557	WELDING CORD / HARMONIA #0764 SHIP NATURE			
10	820558	WELDING CORD / HARMONIA #0782 ANTICWOOD			
10	820559	WELDING CORD / GAYA WOOD #4521 YELLOWSTONE			
10	820566	WELDING CORD / GAYA WOOD #3724 KRUGER LT			
10	820567	WELDING CORD / HARMONIA #1456 ROSEWOOD			
10	820568	WELDING CORD / HARMONIA #0658 ANTICWOOD			
11	688019	GLUE / MAPEI ECO-360 15LITERS			
11	684654	GLUE CONTACT "SCOTCH-GRIP" / 3M #1357-NEUTRAL 18.9 LITERS			
11	684655	GLUE CONTACT "SCOTCH-GRIP" / 3M #1357-NEUTRAL 3.8 LITERS			
11	684517	ADHESIVE SIMSON #ISR 70-03 / GREY / 310ml CARTRIDGE			
12	682176	SEALANT SIKA #221 / BLACK / 310ml CARTRIDGE			
21	509855	EXTRUSION "STEPBUS" 565MM			
22	506088	WHITE STRIP "STEPBUS" 34MM x 565MM			
22	502903	SCREW TC FL PH #10-24x1 1/4 N500			
22	327765	FINISHING CAP L.H.			
22	327766	FINISHING CAP R.H.			
50	H9-1838-05	FLOOR COVERING - "R.C.A."			

From K-0185 To P-1452		Date:07/2024	PAGE:H9-1838-15
-----------------------	--	--------------	-----------------

STEPWELL - COVERING

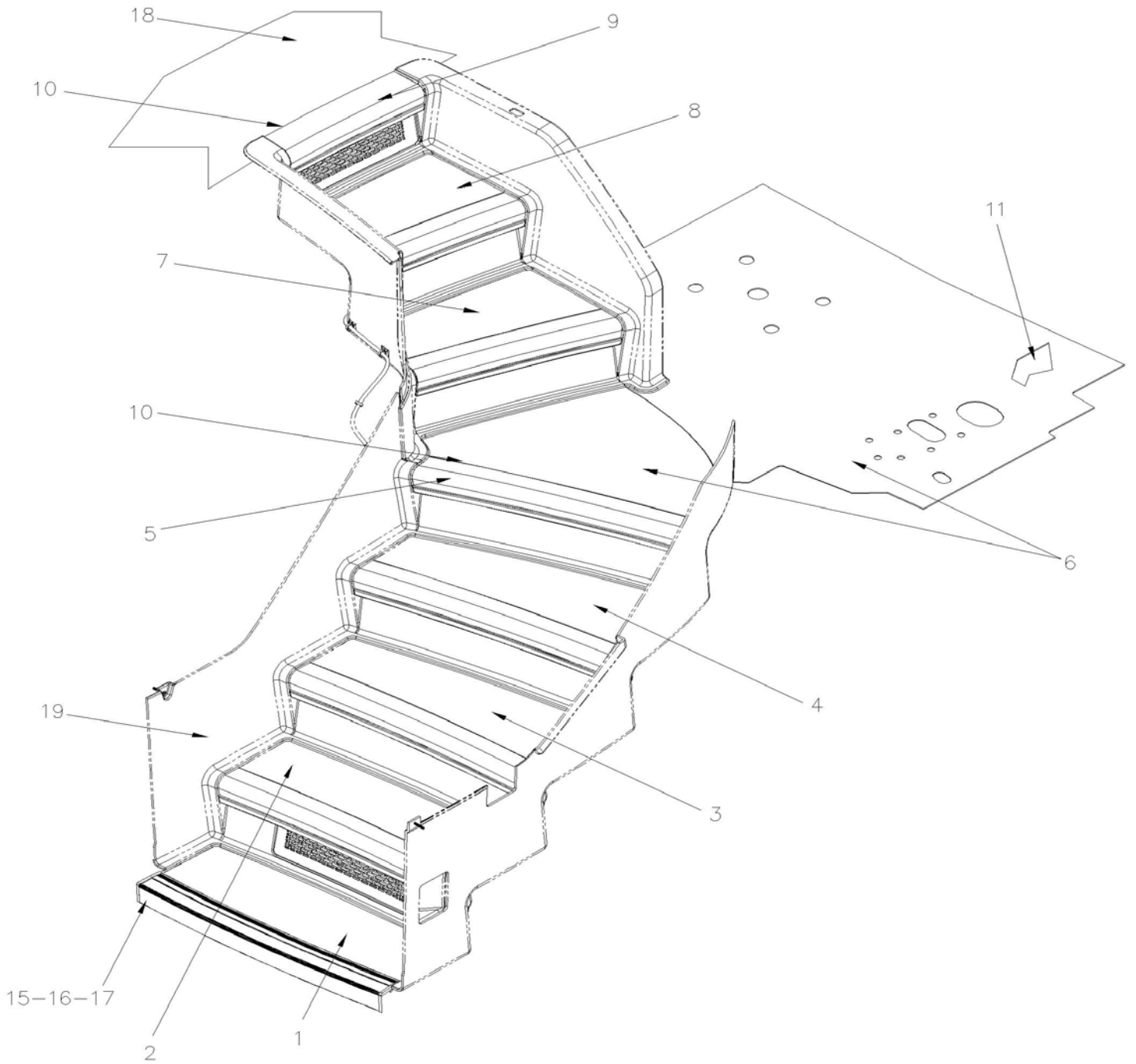
Item#	Part	Description	H 3 4 1	H 3 4 5	N O T E S
50	H9-1838-10	FLOOR COVERING - "TARAFLEX"			
51	H9-1800-00	FRONT STEPWELL - INSTALLATION			

From R-1453

Date:07/2024

PAGE:H9-1838-16

STEPWELL - COVERING



From R-1453		Date:07/2024	PAGE:H9-1838-16
STEPWELL - COVERING			

Item#	Part	Description	H 3 4 1	H 3 4 5	N O T E S
1	3211356	1ST STEP COVERING			
1	3211356B	COVERING / GALAXY #8750 TUCANA & SIRIUS #6768 GRIFFON			
1	3211356BD	COVERING / LUNA #8729 NORWAY & SAFE BUS #6602 CALEDONIA			
1	3211356BG	COVERING / HELIOS #8805 PALLADIUM & SAFE BUS #6602 CALEDONIA			
1	3211356BI	COVERING / APOLLO #4517 FUJI			
1	3211356BK	COVERING / GAYA WOOD #4521 YELLOWSTONE & SAFE BUS #6602 CALEDONIA			
1	3211356BM	COVERING / GAYA WOOD #3724 KRUGER LT & SIRIUS #6768 GRIFFON			
1	3211356BP	COVERING / GAYA WOOD #6057 EVERGLADES & SIRIUS #6768 GRIFFON			
1	3211356BQ	COVERING / GAYA WOOD #8297 YOSEMITE NT & SAFE BUS #6602 CALEDONIA			
1	3211356BS	COVERING / HARMONIA #0766 SHIP TROPICAL & GRAPHITE #6801 SIRIUS			
1	3211356BT	COVERING / GAYA WOOD #4521WOP YELLOWSTONE & GRAPHITE #6801 SIRIUS			
1	3211356DD	COVERING / SIRIUS #6727S ANTHRACITE & SAFE BUS #6602 CALEDONIA			
1	3211356E	COVERING / GALAXY #8780 PEGASUS & SIRIUS #6768 GRIFFON			
1	3211356QQ	COVERING / HARMONIA #0782 ANTICWOOD & SAFE BUS #6602 CALEDONIA			
1	3211356RR	COVERING / HARMONIA #0658 ANTICWOOD & GRAPHITE #6801 SIRIUS			
1	3211356SS	COVERING / HARMONIA #0764 SHIP NATURE & SAFE BUS #6602 CALEDONIA			
1	3211356TT	COVERING / HARMONIA #0765 SHIP EXOTIC & SAFE BUS #6602 CALEDONIA			
2	3211361	2ND STEP COVERING WITH NOZZING			
2	3211361RR-D	COVERING / HARMONIA #0658 ANTICWOOD & GRAPHITE #6801 SIRIUS			
2	3211361B-HH	COVERING / GALAXY #8750 TUCANA & SIRIUS #6768 GRIFFON			
2	3211361BD-AJ	COVERING / LUNA #8729 NORWAY & SAFE BUS #6602 CALEDONIA			
2	3211361BG-AJ	COVERING / HELIOS #8805 PALLADIUM & SAFE BUS #6602 CALEDONIA			
2	3211361BI-D	COVERING / APOLLO #4517 FUJI & SIRIUS #6801 GRAPHIT			1
2	3211361BK-AJ	COVERING / GAYA WOOD #4521 YELLOWSTONE & SAFE BUS #6602 CALEDONIA			
2	3211361BK-D	COVERING / GAYA WOOD #4521 YELLOWSTONE & GRAPHITE #6801 SIRIUS			
2	3211361BM-AJ	COVERING / GAYA WOOD #3724 KRUGER LT & SAFE BUS #6602 CALEDONIA			
2	3211361BM-HH	COVERING / GAYA WOOD #3724 KRUGER LT & SIRIUS #6768 GRIFFON			
2	3211361BP-HH	COVERING / GAYA WOOD #6057 EVERGLADES & SIRIUS #6768 GRIFFON			
2	3211361BQ-AJ	COVERING / GAYA WOOD #8297 YOSEMITE NT & SAFE BUS #6602 CALEDONIA			
2	3211361BQ-HH	COVERING / GAYA WOOD #8297 YOSEMITE NT & SIRIUS #6768 GRIFFON			
2	3211361BS-D	COVERING / HARMONIA #0766 SHIP TROPICAL & GRAPHITE #6801 SIRIUS			
2	3211361BT-D	COVERING / GAYA WOOD #4521WOP YELLOWSTONE & GRAPHITE #6801 SIRIUS			
2	3211361DD-AJ	COVERING / SIRIUS #6727S ANTHRACITE & SAFE BUS #6602 CALEDONIA			
2	3211361E-HH	COVERING / GALAXY #8780 PEGASUS & SIRIUS #6768 GRIFFON			
2	3211361QQ-AJ	COVERING / HARMONIA #0782 ANTICWOOD & SAFE BUS #6602 CALEDONIA			
2	3211361SS-AJ	COVERING / HARMONIA #0764 SHIP NATURE & SAFE BUS #6602 CALEDONIA			
2	3211361SS-D	COVERING / HARMONIA #0764 SHIP NATURE & GRAPHITE #6801 SIRIUS			

From R-1453		Date:07/2024	PAGE:H9-1838-16
STEPWELL - COVERING			

Item#	Part	Description	H 3 4 1	H 3 4 5	N O T E S
2	3211361TT-AJ	COVERING / HARMONIA #0765 SHIP EXOTIC & SAFE BUS #6602 CALEDONIA			
2	3211361TT-HH	COVERING / HARMONIA #0765 SHIP EXOTIC & SIRIUS #6768 GRIFFON			
3	3211360	3ND STEP COVERING WITH NOZZING			
3	3211360B-HH	COVERING / GALAXY #8750 TUCANA & SIRIUS #6768 GRIFFON			
3	3211360BD-AJ	COVERING / LUNA #8729 NORWAY & SAFE BUS #6602 CALEDONIA			
3	3211360BG-AJ	COVERING / HELIOS #8805 PALLADIUM & SAFE BUS #6602 CALEDONIA			
3	3211360BI-D	COVERING / APOLLO #4517 FUJI & SIRIUS #6801 GRAPHIT		1	
3	3211360BK-AJ	COVERING / GAYA WOOD #4521 YELLOWSTONE & SAFE BUS #6602 CALEDONIA			
3	3211360BK-D	COVERING / GAYA WOOD #4521 YELLOWSTONE & GRAPHITE #6801 SIRIUS			
3	3211360BM-AJ	COVERING / GAYA WOOD #3724 KRUGER LT & SAFE BUS #6602 CALEDONIA			
3	3211360BM-HH	COVERING / GAYA WOOD #3724 KRUGER LT & SIRIUS #6768 GRIFFON			
3	3211360BP-HH	COVERING / GAYA WOOD #6057 EVERGLADES & SIRIUS #6768 GRIFFON			
3	3211360BQ-AJ	COVERING / GAYA WOOD #8297 YOSEMITE NT & SAFE BUS #6602 CALEDONIA			
3	3211360BQ-HH	COVERING / GAYA WOOD #8297 YOSEMITE NT & SIRIUS #6768 GRIFFON			
3	3211360BS-D	COVERING / HARMONIA #0766 SHIP TROPICAL & GRAPHITE #6801 SIRIUS			
3	3211360BT-D	COVERING / GAYA WOOD #4521WOP YELLOWSTONE & GRAPHITE #6801 SIRIUS			
3	3211360DD-AJ	COVERING / SIRIUS #6727S ANTHRACITE & SAFE BUS #6602 CALEDONIA			
3	3211360E-HH	COVERING / GALAXY #8780 PEGASUS & SIRIUS #6768 GRIFFON			
3	3211360QQ-AJ	COVERING / HARMONIA #0782 ANTICWOOD & SAFE BUS #6602 CALEDONIA			
3	3211360RR-D	COVERING / HARMONIA #0658 ANTICWOOD & GRAPHITE #6801 SIRIUS			
3	3211360SS-AJ	COVERING / HARMONIA #0764 SHIP NATURE & SAFE BUS #6602 CALEDONIA			
3	3211360SS-D	COVERING / HARMONIA #0764 SHIP NATURE & GRAPHITE #6801 SIRIUS			
3	3211360TT-AJ	COVERING / HARMONIA #0765 SHIP EXOTIC & SAFE BUS #6602 CALEDONIA			
3	3211360TT-HH	COVERING / HARMONIA #0765 SHIP EXOTIC & SIRIUS #6768 GRIFFON			
4	3211358	4ND STEP COVERING WITH NOZZING			
4	3211358B-HH	COVERING / GALAXY #8750 TUCANA & SIRIUS #6768 GRIFFON			
4	3211358BD-AJ	COVERING / LUNA #8729 NORWAY & SAFE BUS #6602 CALEDONIA			
4	3211358BG-AJ	COVERING / HELIOS #8805 PALLADIUM & SAFE BUS #6602 CALEDONIA			
4	3211358BI-D	COVERING / APOLLO #4517 FUJI & SIRIUS #6801 GRAPHIT			
4	3211358BK-AJ	COVERING / GAYA WOOD #4521 YELLOWSTONE & SAFE BUS #6602 CALEDONIA			
4	3211358BK-D	COVERING / GAYA WOOD #4521 YELLOWSTONE & GRAPHITE #6801 SIRIUS			
4	3211358BM-AJ	COVERING / GAYA WOOD #3724 KRUGER LT & SAFE BUS #6602 CALEDONIA			
4	3211358BM-HH	COVERING / GAYA WOOD #3724 KRUGER LT & SIRIUS #6768 GRIFFON			
4	3211358BP-HH	COVERING / GAYA WOOD #6057 EVERGLADES & SIRIUS #6768 GRIFFON			
4	3211358BQ-AJ	COVERING / GAYA WOOD #8297 YOSEMITE NT & SAFE BUS #6602 CALEDONIA			
4	3211358BQ-HH	COVERING / GAYA WOOD #8297 YOSEMITE NT & SIRIUS #6768 GRIFFON			
4	3211358BS-D	COVERING / HARMONIA #0766 SHIP TROPICAL & GRAPHITE #6801 SIRIUS			
4	3211358BT-D	COVERING / GAYA WOOD #4521WOP YELLOWSTONE & GRAPHITE #6801 SIRIUS			

From R-1453		Date:07/2024	PAGE:H9-1838-16
STEPWELL - COVERING			

Item#	Part	Description	H 3 4 1	H 3 4 5	N O T E S
4	3211358DD-AJ	COVERING / SIRIUS #6727S ANTHRACITE & SAFE BUS #6602 CALEDONIA			
4	3211358E-HH	COVERING / GALAXY #8780 PEGASUS & SIRIUS #6768 GRIFFON			
4	3211358QQ-AJ	COVERING / HARMONIA #0782 ANTICWOOD & SAFE BUS #6602 CALEDONIA			
4	3211358RR-D	COVERING / HARMONIA #0658 ANTICWOOD & GRAPHITE #6801 SIRIUS			
4	3211358SS-AJ	COVERING / HARMONIA #0764 SHIP NATURE & SAFE BUS #6602 CALEDONIA			
4	3211358SS-D	COVERING / HARMONIA #0764 SHIP NATURE & GRAPHITE #6801 SIRIUS			
4	3211358TT-AJ	COVERING / HARMONIA #0765 SHIP EXOTIC & SAFE BUS #6602 CALEDONIA			
4	3211358TT-HH	COVERING / HARMONIA #0765 SHIP EXOTIC & SIRIUS #6768 GRIFFON			
5	3211357HH	COVERING EDGE / GALAXY #8750 TUCANA & SIRIUS #6768 GRIFFON			
5	3211357D	COVERING EDGE / GAYA WOOD #4521 YELLOWSTONE & GRAPHITE #6801 SIRIUS			
5	3211357AJ	COVERING EDGE / LUNA #8729 NORWAY & SAFE BUS #6602 CALEDONIA			
6	3201555B-D	COVERING / GALAXY #8750 TUCANA & GRAPHITE #6801 SIRIUS			
6	3201555BD-D	COVERING / LUNA #8729 NORWAY & GRAPHITE #6801 SIRIUS			
6	3201555BG-D	COVERING / HELIOS #8805 PALLADIUM & GRAPHITE #6801 SIRIUS			
6	3201555BI-D	COVERING / APOLLO #4517 FUJI & SIRIUS #6801 GRAPHIT	1	1	
6	3201555BK-D	COVERING / GAYA WOOD #4521 YELLOWSTONE & GRAPHITE #6801 SIRIUS			
6	3201555BM-D	COVERING / GAYA WOOD #3724 KRUGER LT & GRAPHITE #6801 SIRIUS			
6	3201555BP-D	COVERING / GAYA WOOD #6057 EVERGLADES & GRAPHITE #6801 SIRIUS			
6	3201555BQ-D	COVERING / GAYA WOOD #8297 YOSEMITE NT & GRAPHITE #6801 SIRIUS			
6	3201555BS-D	COVERING / HARMONIA #0764 SHIP TROPICAL & GRAPHITE #6801 SIRIUS			
6	3201555BT-D	COVERING / GAYA WOOD #4521WOP YELLOWSTONE & GRAPHITE #6801 SIRIUS			
6	3201555DD-D	COVERING / SIRIUS #6727S ANTHRACITE & GRAPHITE #6801 SIRIUS			
6	3201555E-D	COVERING / GALAXY #8780 PEGASUS & GRAPHITE #6801 SIRIUS			
6	3201555QQ-D	COVERING / HARMONIA #0782 ANTICWOOD & GRAPHITE #6801 SIRIUS			
6	3201555RR-D	COVERING / HARMONIA #0658 ANTICWOOD & GRAPHITE #6801 SIRIUS			
6	3201555SS-D	COVERING / HARMONIA #0764 SHIP NATURE & GRAPHITE #6801 SIRIUS			
6	3201555TT-D	COVERING / HARMONIA #0765 SHIP EXOTIC & GRAPHITE #6801 SIRIUS			
7	3211362	1ST STEP COVERING WITH NOZZING / AISLE			
7	3211362B-HH	COVERING / GALAXY #8750 TUCANA & SIRIUS #6768 GRIFFON			
7	3211362BD-AJ	COVERING / LUNA #8729 NORWAY & SAFE BUS #6602 CALEDONIA			
7	3211362BG-AJ	COVERING / HELIOS #8805 PALLADIUM & SAFE BUS #6602 CALEDONIA			
7	3211362BI-D	COVERING / APOLLO #4517 FUJI & SIRIUS #6801 GRAPHIT		1	
7	3211362BK-AJ	COVERING / GAYA WOOD #4521 YELLOWSTONE & SAFE BUS #6602 CALEDONIA			
7	3211362BK-D	COVERING / GAYA WOOD #4521 YELLOWSTONE & GRAPHITE #6801 SIRIUS			
7	3211362BM-AJ	COVERING / GAYA WOOD #3724 KRUGER LT & SAFE BUS #6602 CALEDONIA			
7	3211362BM-HH	COVERING / GAYA WOOD #3724 KRUGER LT & SIRIUS #6768 GRIFFON			
7	3211362BP-HH	COVERING / GAYA WOOD #6057 EVERGLADES & SIRIUS #6768 GRIFFON			
7	3211362BQ-AJ	COVERING / GAYA WOOD #8297 YOSEMITE NT & SAFE BUS #6602 CALEDONIA			

From R-1453		Date:07/2024	PAGE:H9-1838-16
STEPWELL - COVERING			

Item#	Part	Description	H 3 4 1	H 3 4 5	N O T E S
7	3211362BQ-HH	COVERING / GAYA WOOD #8297 YOSEMITE NT & SIRIUS #6768 GRIFFON			
7	3211362BS-D	COVERING / HARMONIA #0766 SHIP TROPICAL & GRAPHITE #6801 SIRIUS			
7	3211362BT-D	COVERING / GAYA WOOD #4521WOP YELLOWSTONE & GRAPHITE #6801 SIRIUS			
7	3211362DD-AJ	COVERING / SIRIUS #6727S ANTHRACITE & SAFE BUS #6602 CALEDONIA			
7	3211362E-HH	COVERING / GALAXY #8780 PEGASUS & SIRIUS #6768 GRIFFON			
7	3211362QQ-AJ	COVERING / HARMONIA #0782 ANTICWOOD & SAFE BUS #6602 CALEDONIA			
7	3211362RR-D	COVERING / HARMONIA #0658 ANTICWOOD & GRAPHITE #6801 SIRIUS			
7	3211362SS-AJ	COVERING / HARMONIA #0764 SHIP NATURE & SAFE BUS #6602 CALEDONIA			
7	3211362SS-D	COVERING / HARMONIA #0764 SHIP NATURE & GRAPHITE #6801 SIRIUS			
7	3211362TT-AJ	COVERING / HARMONIA #0765 SHIP EXOTIC & SAFE BUS #6602 CALEDONIA			
7	3211362TT-HH	COVERING / HARMONIA #0765 SHIP EXOTIC & SIRIUS #6768 GRIFFON			
8	3211359	2ST STEP COVERING WITH NOZZING / AISLE			
8	3211359B-HH	COVERING / GALAXY #8750 TUCANA & SIRIUS #6768 GRIFFON			
8	3211359BD-AJ	COVERING / LUNA #8729 NORWAY & SAFE BUS #6602 CALEDONIA			
8	3211359BG-AJ	COVERING / HELIOS #8805 PALLADIUM & SAFE BUS #6602 CALEDONIA			
8	3211359BI-D	COVERING / APOLLO #4517 FUJI & SIRIUS #6801 GRAPHIT		1	
8	3211359BK-AJ	COVERING / GAYA WOOD #4521 YELLOWSTONE & SAFE BUS #6602 CALEDONIA			
8	3211359BK-D	COVERING / GAYA WOOD #4521 YELLOWSTONE & GRAPHITE #6801 SIRIUS			
8	3211359BM-AJ	COVERING / GAYA WOOD #3724 KRUGER LT & SAFE BUS #6602 CALEDONIA			
8	3211359BM-HH	COVERING / GAYA WOOD #3724 KRUGER LT & SIRIUS #6768 GRIFFON			
8	3211359BP-HH	COVERING / GAYA WOOD #6057 EVERGLADES & SIRIUS #6768 GRIFFON			
8	3211359BQ-AJ	COVERING / GAYA WOOD #8297 YOSEMITE NT & SAFE BUS #6602 CALEDONIA			
8	3211359BQ-HH	COVERING / GAYA WOOD #8297 YOSEMITE NT & SIRIUS #6768 GRIFFON			
8	3211359BS-D	COVERING / HARMONIA #0766 SHIP TROPICAL & GRAPHITE #6801 SIRIUS			
8	3211359BT-D	COVERING / GAYA WOOD #4521WOP YELLOWSTONE & GRAPHITE #6801 SIRIUS			
8	3211359DD-AJ	COVERING / SIRIUS #6727S ANTHRACITE & SAFE BUS #6602 CALEDONIA			
8	3211359E-HH	COVERING / GALAXY #8780 PEGASUS & SIRIUS #6768 GRIFFON			
8	3211359QQ-AJ	COVERING / HARMONIA #0782 ANTICWOOD & SAFE BUS #6602 CALEDONIA			
8	3211359RR-D	COVERING / HARMONIA #0658 ANTICWOOD & GRAPHITE #6801 SIRIUS			
8	3211359SS-AJ	COVERING / HARMONIA #0764 SHIP NATURE & SAFE BUS #6602 CALEDONIA			
8	3211359SS-D	COVERING / HARMONIA #0764 SHIP NATURE & GRAPHITE #6801 SIRIUS			
8	3211359TT-AJ	COVERING / HARMONIA #0765 SHIP EXOTIC & SAFE BUS #6602 CALEDONIA			
8	3211359TT-HH	COVERING / HARMONIA #0765 SHIP EXOTIC & SIRIUS #6768 GRIFFON			
9	3201553HH	COVERING EDGE/ SIRIUS #6768 GRIFFON			
9	3201553DD	COVERING EDGE/ URANUS #6727 ANTHRACITE			
9	3201553AJ	COVERING EDGE/ SAFE BUS #6602 CALEDONIA			
9	3201553D	COVERING EDGE/ GRAPHITE #6801 SIRIUS			
10	820013	WELDING CORD / GAYA WOOD #6057 EVERGLADES			

From R-1453	Date:07/2024	PAGE:H9-1838-16
STEPWELL - COVERING		

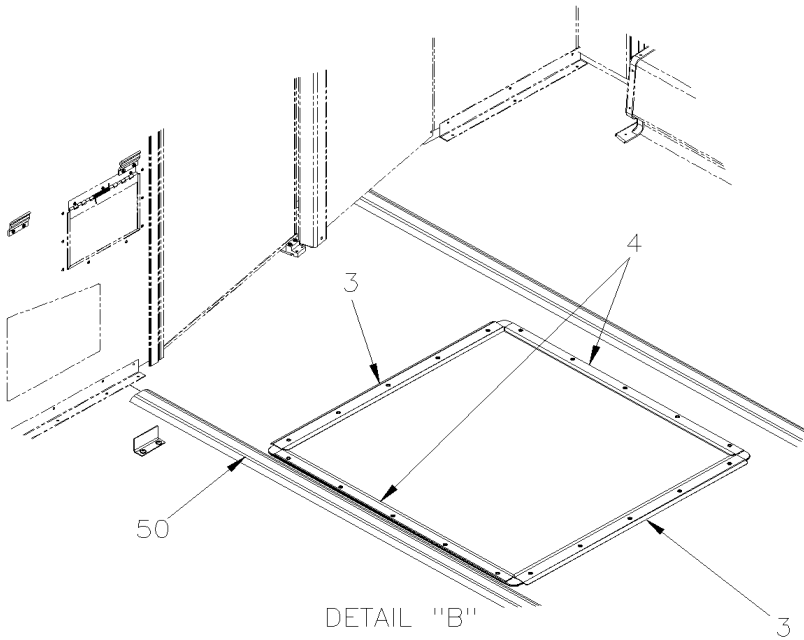
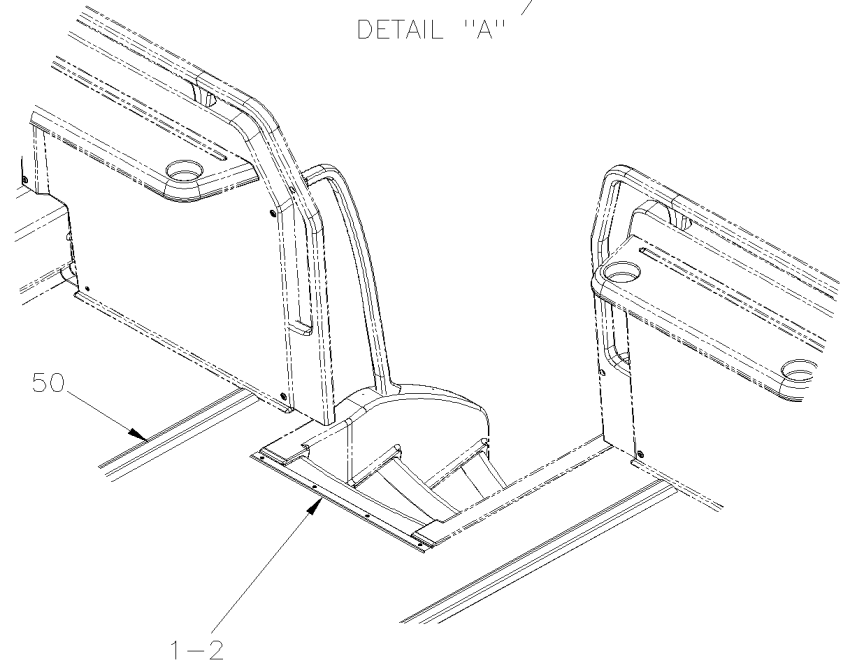
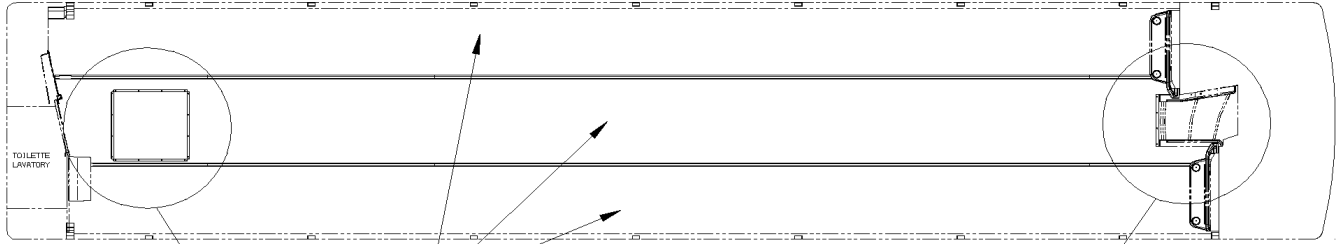
Item#	Part	Description	H 3 4 1	H 3 4 5	N O T E S
10	820568	WELDING CORD / HARMONIA #0658 ANTICWOOD			
10	820029	WELDING CORD / GRAPHITE #6801 SIRIUS			
10	820031	WELDING CORD / GALAXY #8750 TUCANA			
10	820101	WELDING CORD / SIRIUS #6727 ANTHRACITE			
10	820554	WELDING CORD / HELIOS #8805 PALLADIUM			
10	820556	WELDING CORD / HARMONIA #0765 SHIP EXOTIC			
10	820557	WELDING CORD / HARMONIA #0764 SHIP NATURE			
10	820558	WELDING CORD / HARMONIA #0782 ANTICWOOD			
10	820559	WELDING CORD / GAYA WOOD #4521 YELLOWSTONE			
11	688019	GLUE / MAPEI ECO-360 15LITERS			
11	684654	GLUE CONTACT "SCOTCH-GRIP" / 3M #1357-NEUTRAL 18.9 LITERS			
11	684655	GLUE CONTACT "SCOTCH-GRIP" / 3M #1357-NEUTRAL 3.8 LITERS			
11	684517	ADHESIVE SIMSON #ISR 70-03 / GREY / 310ml CARTRIDGE			
11	684685	ADHESIVE SIMSON #ISR 70-03 / 310ml CARTRIDGE			
15	502903	SCREW TC FL PH #10-24x1 1/4 N500			
16	3211273	DOOR STEP			
17	3211307	WHITE BAND / DOOR STEP			
18	H9-1838-05	FLOOR COVERING - "R.C.A."			
18	H9-1838-11	FLOOR COVERING - "GERFLOR"			
19	H9-1800-01	FRONT STEPWELL - INSTALLATION			

From K-0185

Date:07/2024

PAGE:H9-1838-20

FLOOR COVERING - CARPET

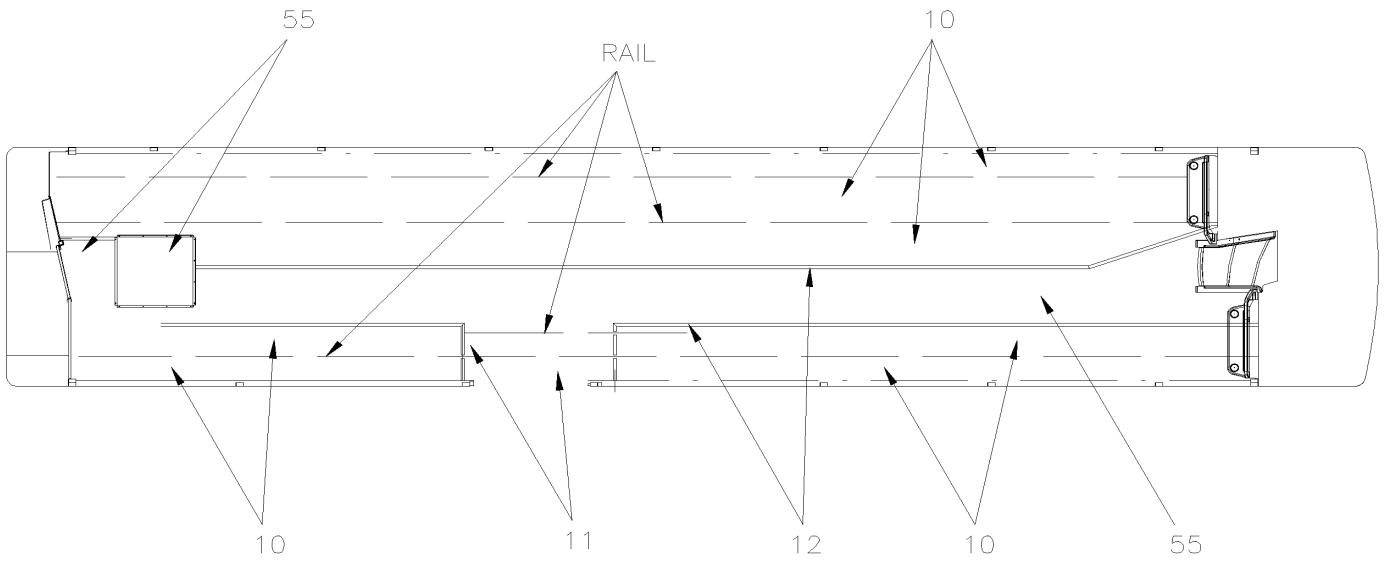


From K-0185

Date:07/2024

PAGE:H9-1838-20

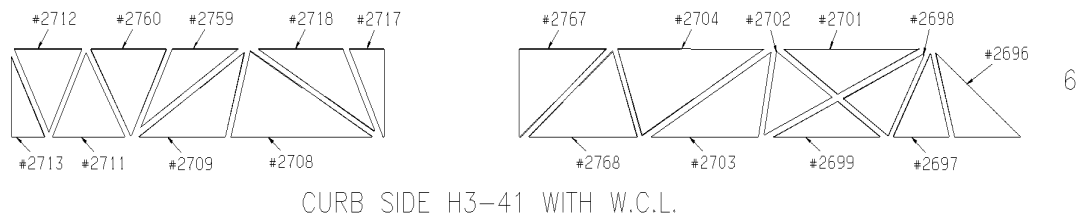
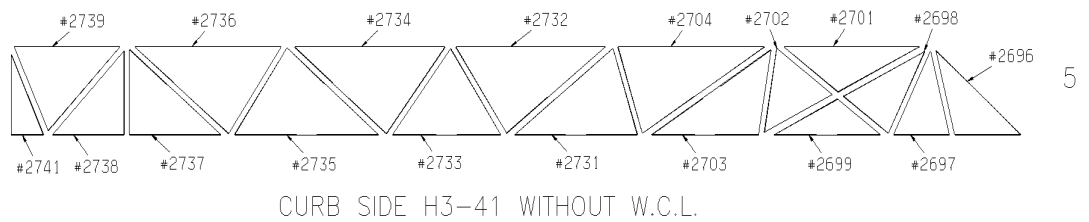
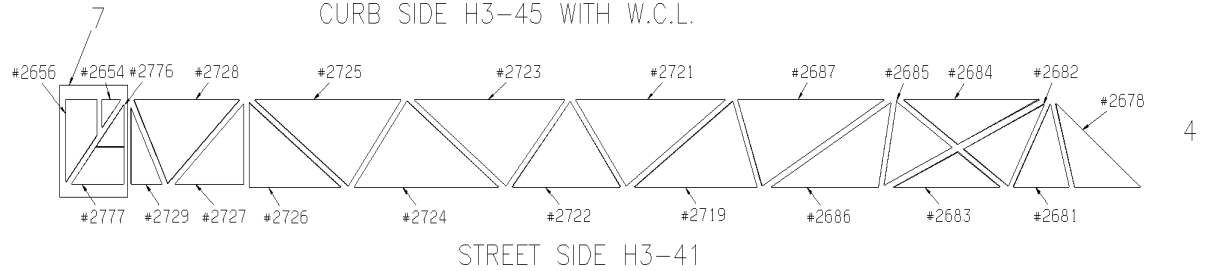
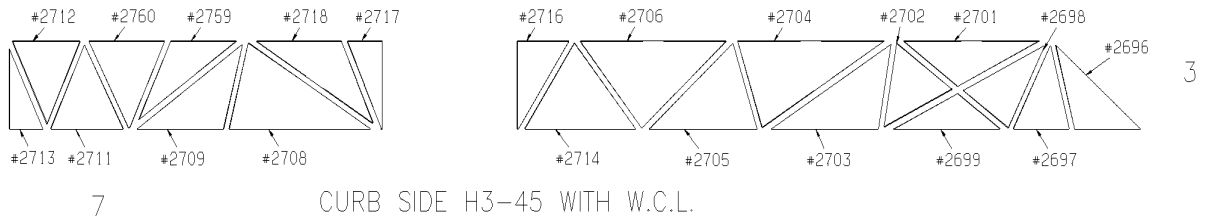
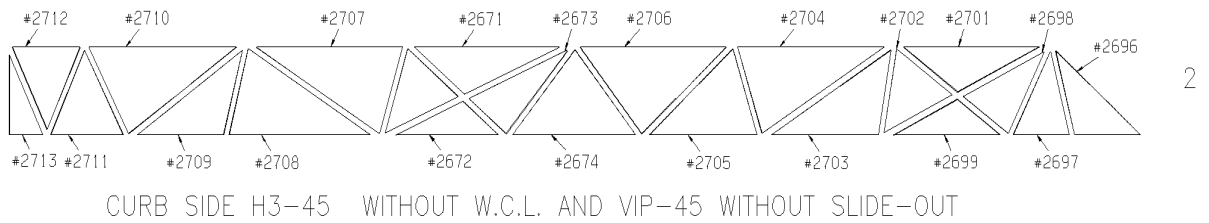
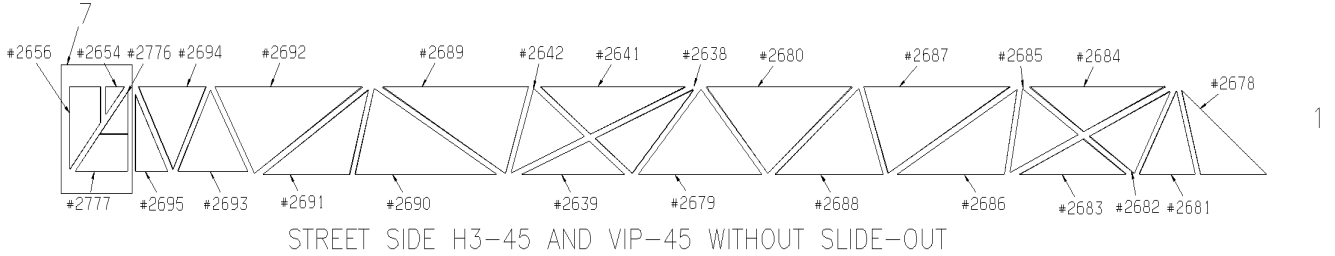
FLOOR COVERING - CARPET



From K-0185	Date:07/2024	PAGE:H9-1838-20
FLOOR COVERING - CARPET		

Item#	Part	Description	H 3 4 1	H 3 4 5	N O T E S
1	328388	MOULDING, FINISHING,AISLE STEPWELL 558MM	1	1	
2	5001118	SCREW TP FL PH #8x1 SS410	AR	AR	
3	3200967	TRIM FINISH, TRAP DOOR W/CARPET 713MM	2	2	
4	3200968	TRIM FINISH, TRAP DOOR W/CARPET 744MM	2	2	
5	Call order desk	CARPET	AR	AR	P
10	810011	CARPET MELTRENO VARIO M 4M WIDE From K-0539		AR	SP
11	820618	COVERING TARABUS GRIFFON #6768 NT 592MM X 1506MM From K-0539		1	SP
12	324791	MOULDING CARPET PROTECTOR / W/CARPET ON FLOOR / 29MM X 2438MM SS From K-0539		AR	SP
NS	5001118	SCREW TP FL PH #8x1 SS410 From K-0539		AR	SP
50	H9-1838-05	FLOOR COVERING - "R.C.A."			
55	H9-1838-10	FLOOR COVERING - "TARAFLEX" To P-1452			
55	H9-1838-11	FLOOR COVERING - "GERFLOR" From R-1453			
		SP) SPECIAL PWT			
		P) CALL ORDER DESK FOR SPECIFIC APPLICATION (V.I.N.)			

From K-0185 To P-1452	Date:07/2024	PAGE:H9-1839-01
INSULATING SIDE WALL - LOWER PANEL		



From K-0185 To P-1452	Date:07/2024	PAGE:H9-1839-01
INSULATING SIDE WALL - LOWER PANEL		

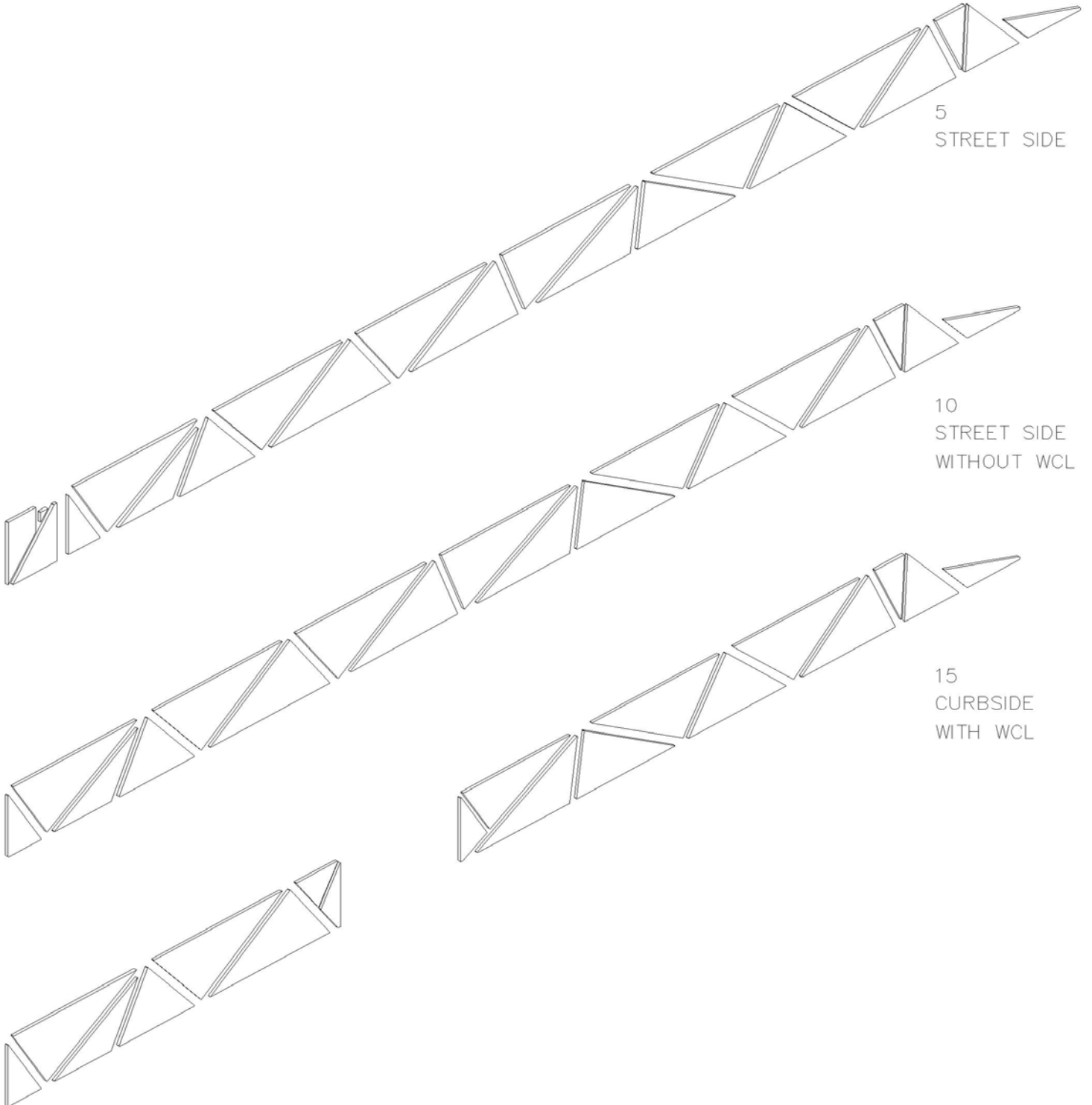
Item#	Part	Description	H 3 4 1	H 3 4 5	N O T E S
1	353131	KIT INSULATING LOWER SIDE WALL STREET SIDE		1	
2	352700	KIT INSULATING LOWER SIDE WALL CURB SIDE		1	
3	352715	KIT INSULATING LOWER SIDE WALL CURB SIDE W/ WCL		1	W
4	353147	KIT INSULATING LOWER SIDE WALL STREET SIDE	1		
5	352730	KIT INSULATING LOWER SIDE WALL CURB SIDE	1		
6	352766	KIT INSULATING LOWER SIDE WALL CURB SIDE W/ WCL	1		W
7	352899	KIT INSULATING LOWER SIDE WALL STREET SIDE	1	1	
NS	683084	SEALANT SIKA #221 / GREY / 600 ml SAUSAGE	AR		
NS	850092	WHITE WALL COVERING ADHESIVE / 28 3/8" X 448"		2	
NS	684196	PRIMER ELASTOCOL # 593	AR	AR	
		W) W/ WCL			

From R-1453

Date:07/2024

PAGE:H9-1839-02

INSULATING SIDE WALL - LOWER PANEL



From R-1453	Date:07/2024	PAGE:H9-1839-02
-------------	--------------	-----------------

INSULATING SIDE WALL - LOWER PANEL

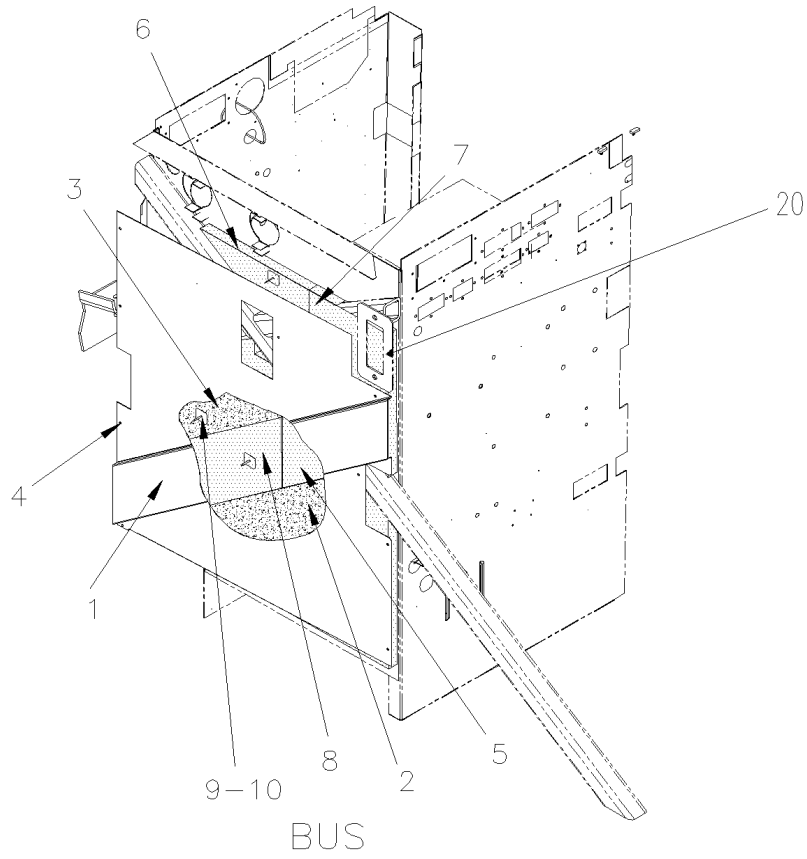
Item#	Part	Description	H 3 4 1	H 3 4 5	N O T E S
5	353488	KIT INSULATION LEFT SIDE		1	
5	353484	KIT INSULATION LEFT SIDE		1	
10	353519	KIT INSULATION RIGHT SIDE, W/O WCL		1	
15	353464	KIT INSULATION RIGHT SIDE, W/WCL		1	
NS	850114	MEMBRANE		1	
NS	684196	PRIMER ELASTOCOL # 593		AR	
NS	320104	INSULATING PLATE / ALUMINUM 18GA / "E" SHAPE 90MM X 102MM		AR	
NS	850104	WHITE WALL COVERING ADHESIVE 178 x 178 / 56 x 46		AR	
NS	850103	WHITE WALL COVERING ADHESIVE 178 x 178 / 56 x 106		AR	
NS	680415	TAPE ADHESIVE 3" WIDE BLUE		1	

From K-0185

Date:07/2024

PAGE:H9-1839-05

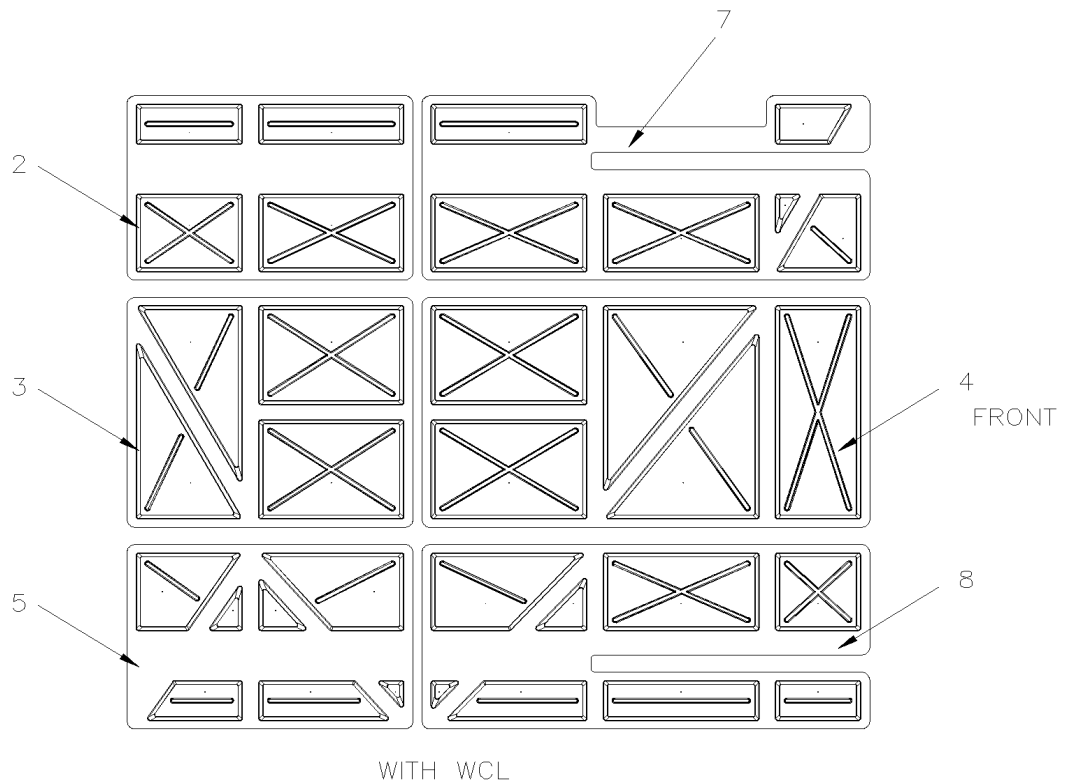
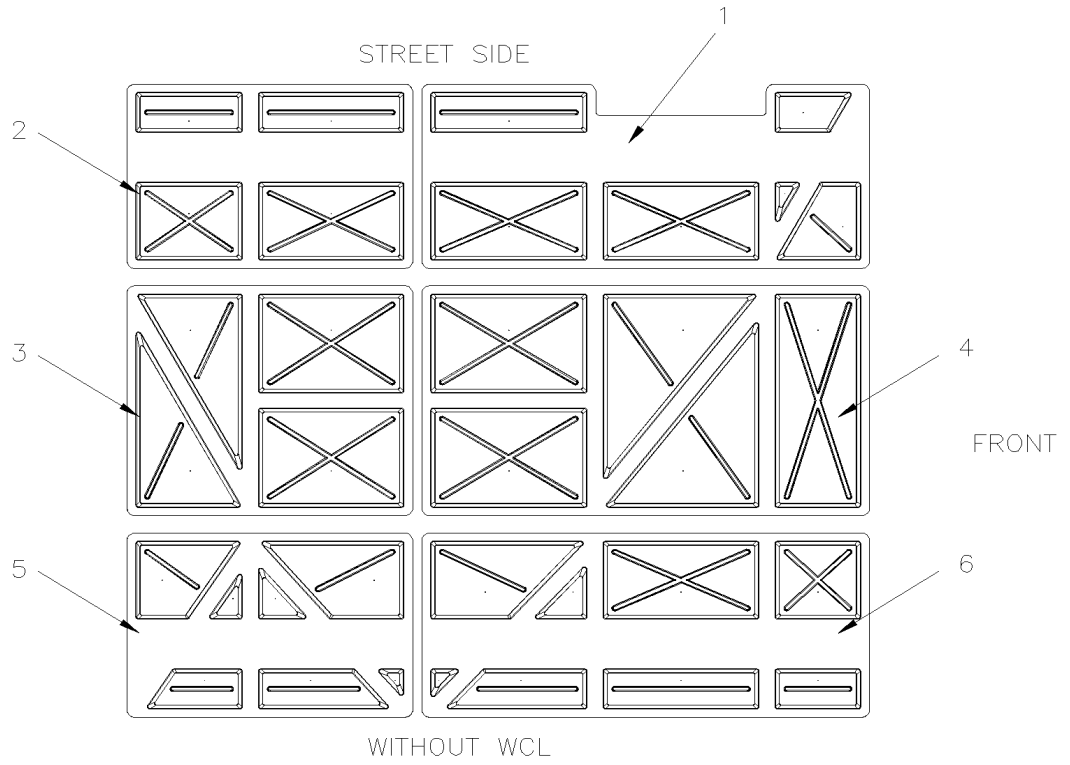
INSULATING REAR BATTERIES COMPARTMENT



From K-0185	Date:07/2024	PAGE:H9-1839-05
INSULATING REAR BATTERIES COMPARTMENT		

Item#	Part	Description	H 3 4 1	H 3 4 5	NOTES
1	210758	PROTECTOR PANEL R.H.ELECTRICAL BOX	1	1	
2	353160	PANEL INSULATION PANEL LOWER	1	1	
3	351425	PANEL INSULATION PANEL UPPER 1/16"	1	1	
4	504488	RIVET MGLP PRDG 3/16x17/64 SS	AR	AR	
4	353161	KIT INSULATING PANEL	1	1	A
5	351517	. INSULATION PANEL LOWER BACKWARD	1	1	
6	351515	. INSULATION PANEL UPPER FORWARD	1	1	
7	351518	. INSULATION PANEL UPPER BACKWARD	1	1	
8	353163	. INSULATION PANEL LOWER FORWARD	1	1	
9	500748	WASHER INSU G.10x1.125x1.250 Z050	AR	AR	
10	503550	ANCHOR SELF-STICK 2" SS	AR	AR	
20	142151	SUPPORT PING AIR TANK	1	1	
20	149000	SUPPORT PING AIR TANK	1	1	
		A) INCLUDE ITEMS # 5,6,7 & 10			

INSULATING FLOOR REAR AXLE

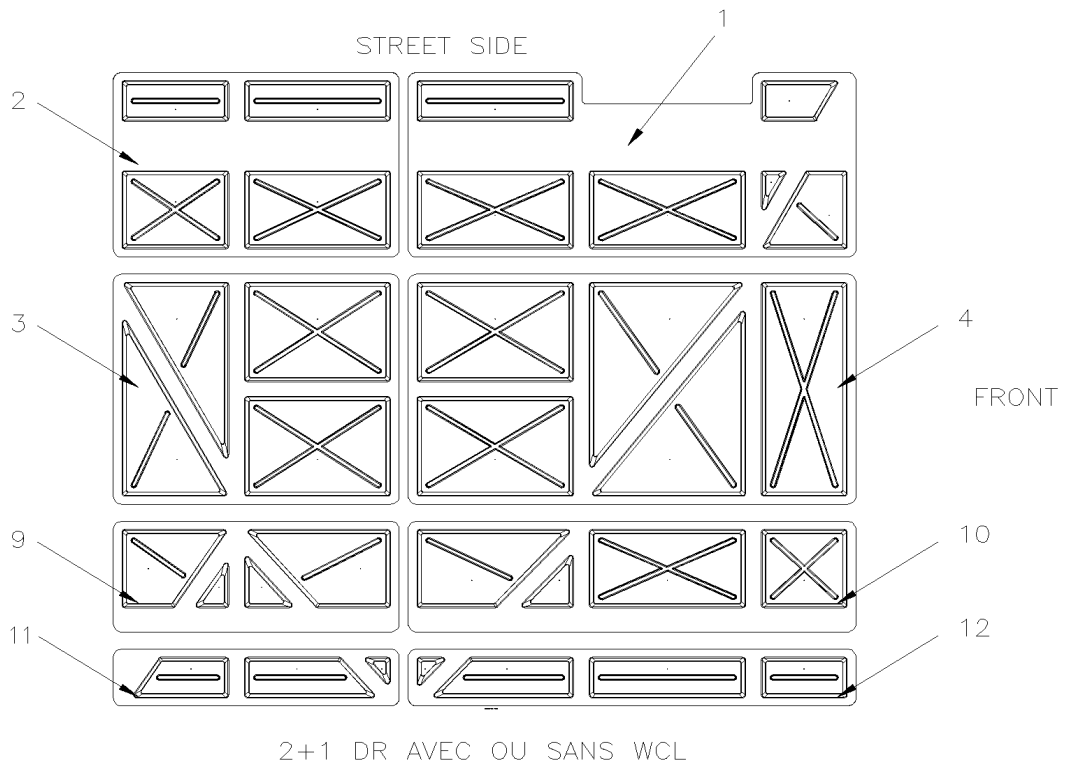
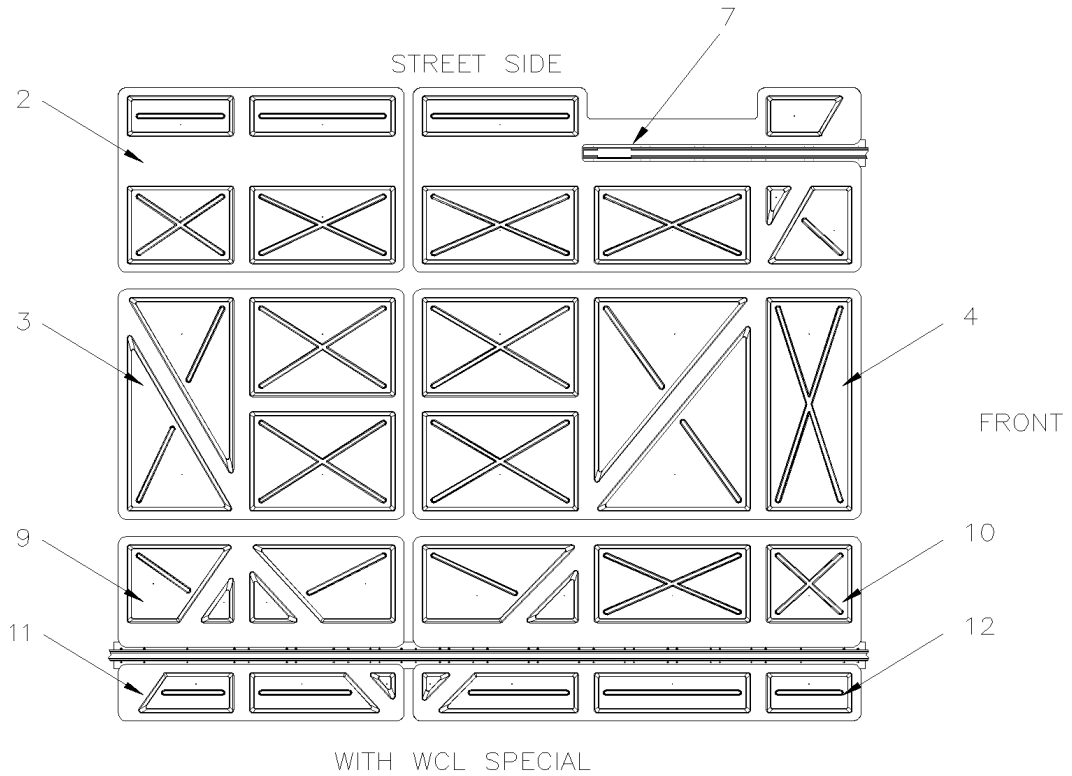


From K-0185

Date:07/2024

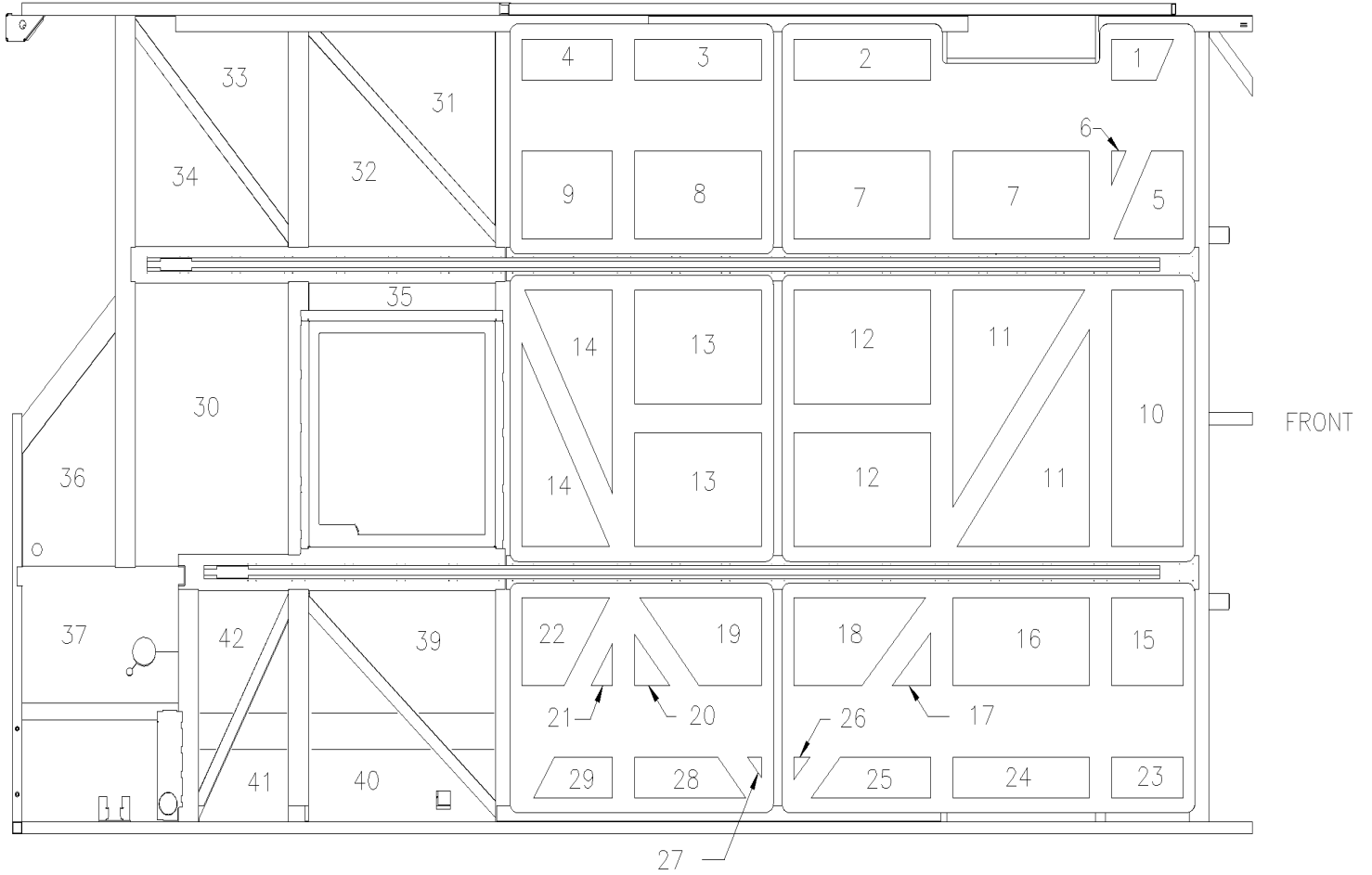
PAGE:H9-1839-12

INSULATING FLOOR REAR AXLE



From K-0185	Date:07/2024	PAGE:H9-1839-12
INSULATING FLOOR REAR AXLE		

STREET SIDE



FOR SERVICE: NOT SOLD SEPARATELY, ASK PART NUMBER 352974 FOR CUT TO FIT ISOLATION KIT

From K-0185		Date:07/2024	PAGE:H9-1839-12
--------------------	--	---------------------	------------------------

INSULATING FLOOR REAR AXLE

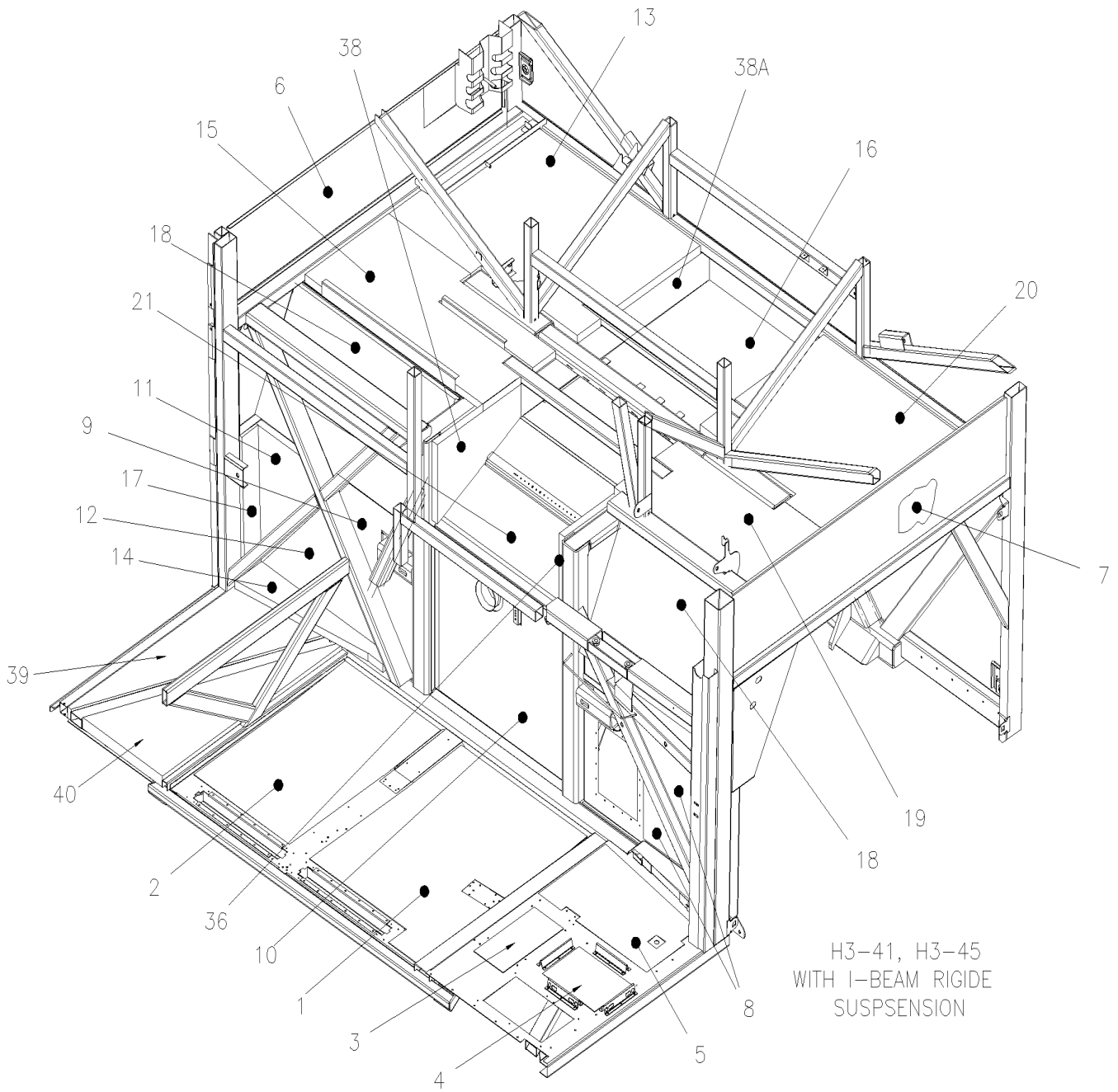
Item#	Part	Description	H 3 4 1	H 3 4 5	N O T E S
		FOR REPLACEMENT INSULATING PAD KIT PLEASE ASK FOR PART NUMBER 352974			
	353097	INSULATING KIT To K-0323	1	1	
	353378	INSULATING KIT From K-0324 To P-1452	1	1	
	353879	INSULATING KIT From R-1453		1	
1	Call order desk	INSULATING HOLDER	1	1	P
2	Call order desk	INSULATING HOLDER	1	1	P
3	Call order desk	INSULATING HOLDER	1	1	P
4	Call order desk	INSULATING HOLDER	1	1	P
5	Call order desk	INSULATING HOLDER	1	1	P
6	Call order desk	INSULATING HOLDER	1	1	P
7	Call order desk	INSULATING HOLDER	1	1	P
8	Call order desk	INSULATING HOLDER	1	1	P
9	Call order desk	INSULATING HOLDER	1	1	P
10	Call order desk	INSULATING HOLDER	1	1	P
11	Call order desk	INSULATING HOLDER	1	1	P
12	Call order desk	INSULATING HOLDER	1	1	P
		P) CALL ORDER DESK FOR SPECIFIC APPLICATION (V.I.N.)			

From K-0185 To P-1452

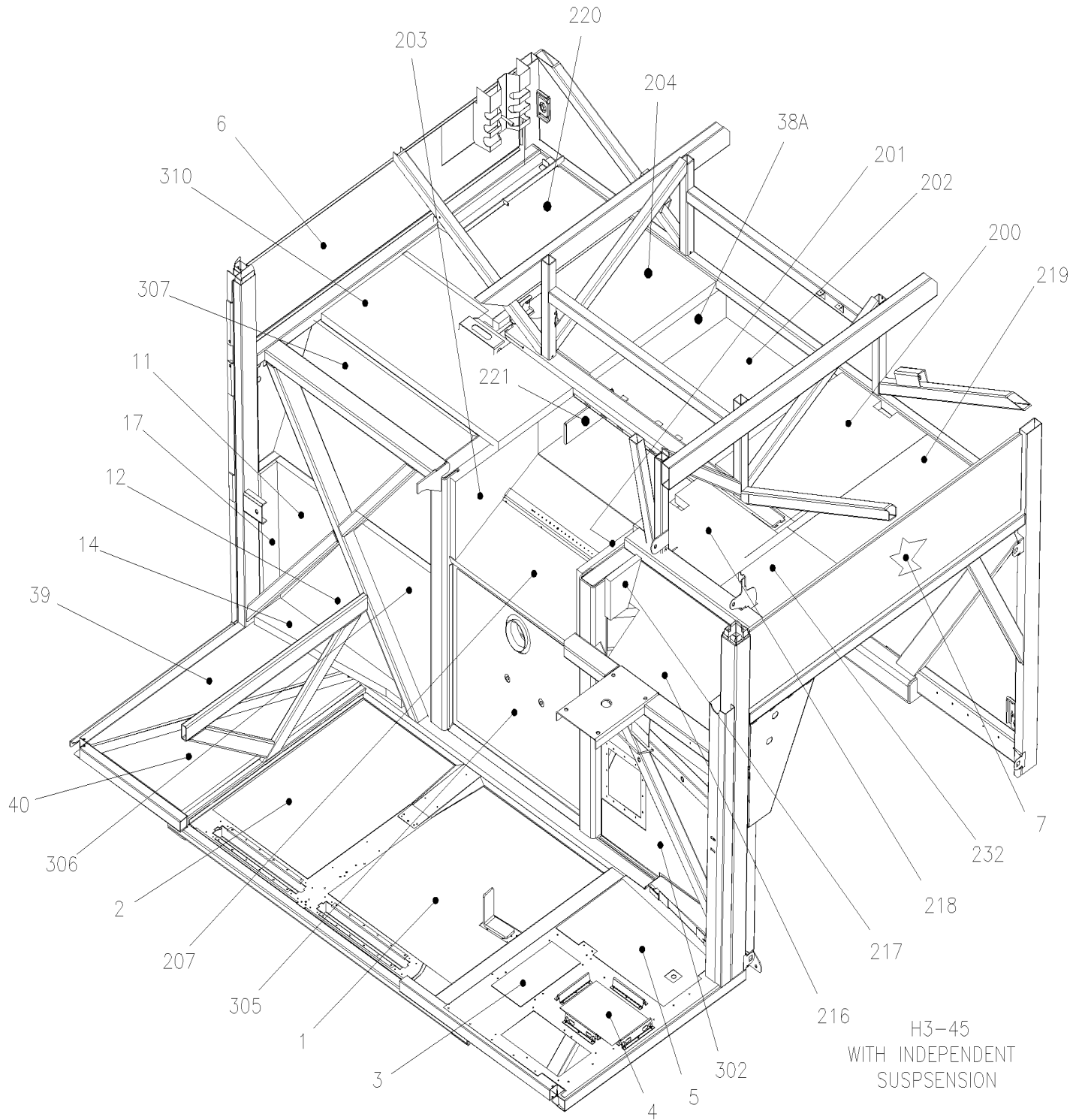
Date:07/2024

PAGE:H9-1839-17

INSULATING FRONT - SUBFRAME



From K-0185 To P-1452	Date:07/2024	PAGE:H9-1839-17
INSULATING FRONT - SUBFRAME		



From K-0185 To P-1452	Date:07/2024	PAGE:H9-1839-17
INSULATING FRONT - SUBFRAME		

Item#	Part	Description	H 3 4 1	H 3 4 5	NOTES
1	357389	SOUND INSULATOR PANEL	1	1	
2	357388	SOUND INSULATOR PANEL	1	1	
3	351776	SOUND INSULATOR PANEL	1	1	
4	350219	SOUND INSULATOR PANEL	1	1	
5	357376	SOUND INSULATOR PANEL	1	1	
6	350196	SOUND INSULATOR PANEL	1	1	
6	357387	SOUND INSULATION / 1" 1/16	1		
7	350347	SOUND INSULATOR PANEL	1	1	
8	357384	SOUND INSULATOR PANEL	1	1	
9	357390	SOUND INSULATOR PANEL	1	1	
10	357385	SOUND INSULATOR PANEL	1	1	
11	357378	INSULATING PAD 1" 1/16	1	1	
12	357379	INSULATING PAD 1" 1/16	1	1	
13	357381	INSULATING PAD 1" 1/16	1	1	
14	357386	INSULATING PAD 1" 1/16 To K-0428	1	1	
14	353560	INSULATING PAD 1" 1/16 From K-0429	1	1	
14	353561	INSULATING PAD 1" 1/16 From K-0429	1	1	
15	357380	INSULATING PAD 1" 1/16	1	1	
16	3201195	INSULATING PAD 1"1/16	1	1	
17	357387	SOUND INSULATION / 1" 1/16	1	1	
17	353083	SOUND INSULATION	1	1	C
17	353081	SOUND INSULATION	2	2	C
17	353082	SOUND INSULATION	2	2	C
18	357377	INSULATING PAD 1" 1/16	2	2	
19	357382	INSULATING PAD 1" 1/16	1	1	
20	357383	INSULATING PAD 1" 1/16	1	1	
21	326520	INSULATING PAD 1"1/16	1	1	
22	350559	SOUND INSULATOR PANEL	2	2	
36	3201198	INSULATING PAD NOISE 1"	1	1	
38	3201199	INSULATING PAD NOISE 1"	1	1	
38A	3201196	INSULATING PAD	2	2	
39	352628	INSULATING PAD	1	1	
40	352629	INSULATING PAD	1	1	
200	352531	INSULATING PAD 1" 1/16		1	
201	3201198	INSULATING PAD NOISE 1"		1	
202	3201195	INSULATING PAD 1"1/16		1	
203	3201199	INSULATING PAD NOISE 1"		1	
204	352530	INSULATING PAD 1" 1/16		1	
207	356520	SOUND INSULATOR PANEL	1	1	
216	357398	INSULATING PAD 1" 1/16		1	
217	326082	INSULATING PAD 1" 1/16		1	
218	352527	INSULATING PAD 1" 1/16 To P-1452		1	

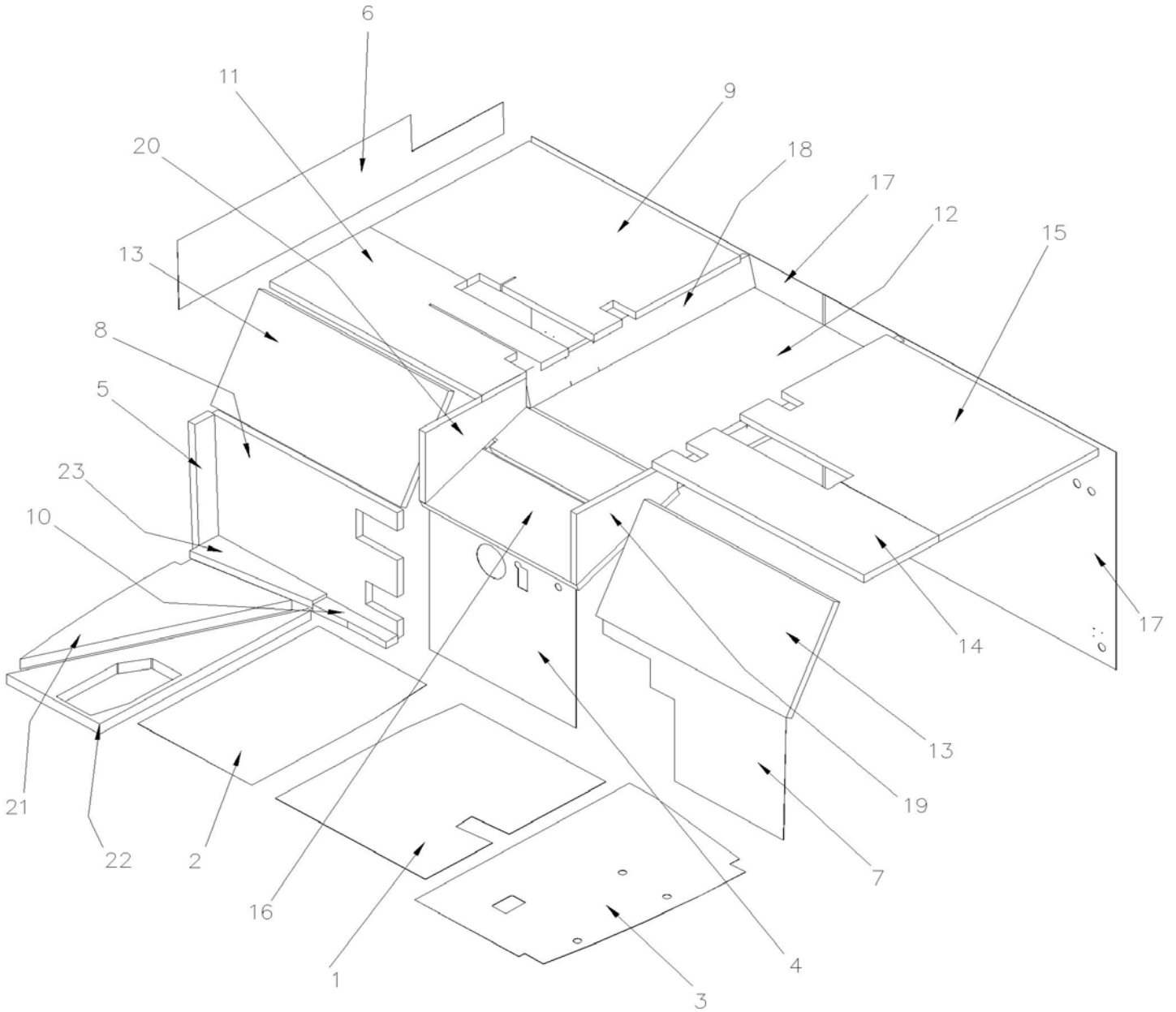
From K-0185 To P-1452	Date:07/2024	PAGE:H9-1839-17
-----------------------	--------------	-----------------

INSULATING FRONT - SUBFRAME

Item#	Part	Description	H 3 4 1	H 3 4 5	N O T E S
218	353995	INSULATING PAD From R-1453		1	
219	326253	INSULATING PAD 1" 1/16		1	
220	326124	INSULATING PAD 1" 1/16		1	
232	326684	INSULATING PAD 1" 1/16 To P-1452		1	
232	353996	INSULATING PAD From R-1453		1	
241	357376	SOUND INSULATOR PANEL		1	
302	353092	SOUND INSULATOR PANEL		1	
305	351994	INSULATING PAD 1" 1/16		1	
306	357393	INSULATING PAD 1" 1/16		1	
307	357391	INSULATING PAD 1" 1/16		1	
310	357392	INSULATING PAD 1" 1/16		1	
NS	293382	SHIM RUBBER 100MM X 20MM	2	2	
		C) SPECIAL OPTION HARD INSULATION			

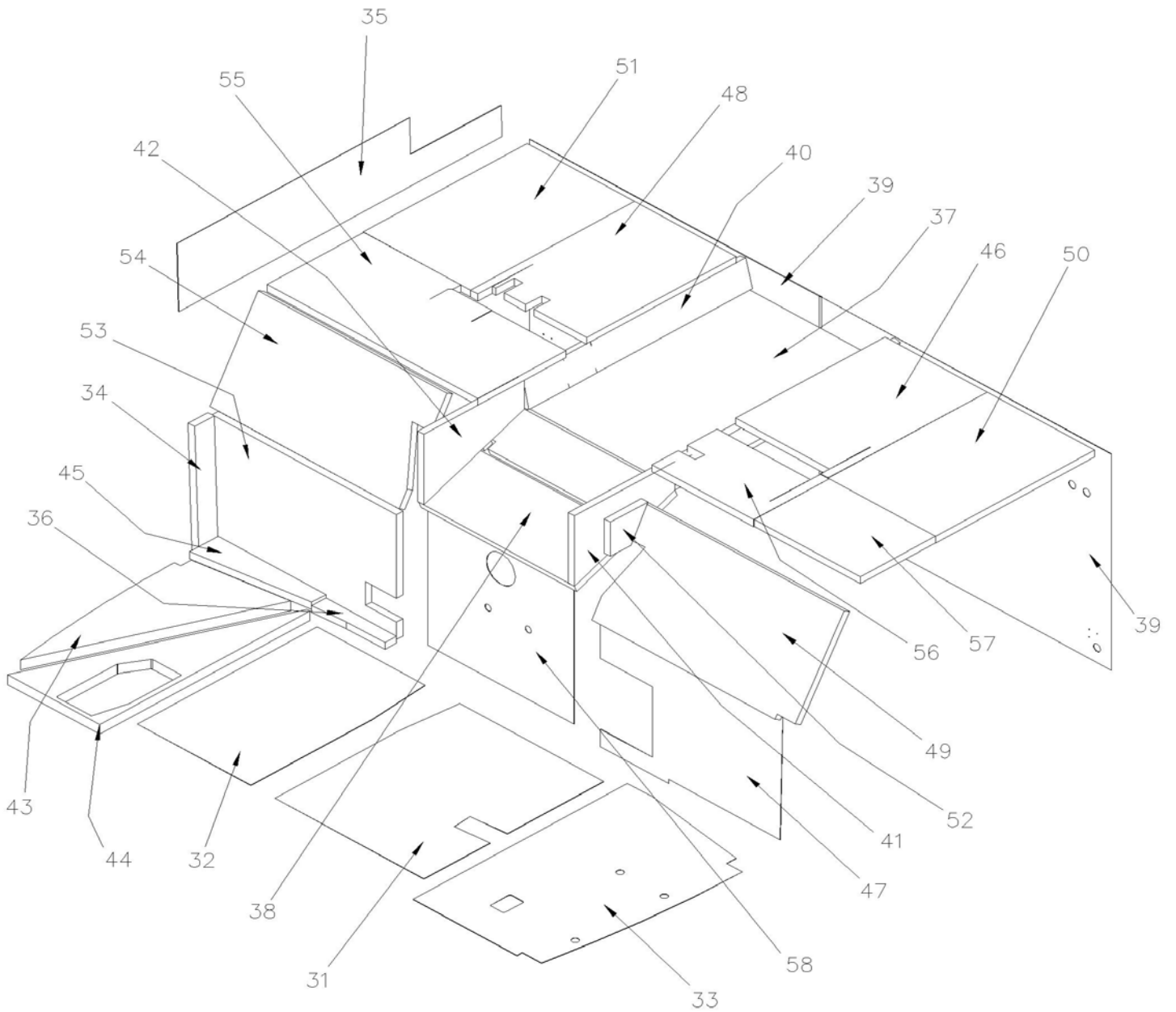
INSULATING FRONT - SUBFRAME

WITH I BEAM SUSPENSION



INSULATING FRONT - SUBFRAME

WITH INDEPENDANT SUSPENSION



From R-1453	Date:07/2024	PAGE:H9-1839-18
--------------------	---------------------	------------------------

INSULATING FRONT - SUBFRAME

Item#	Part	Description	H 3 4 1	H 3 4 5	N O T E S
1	357389	SOUND INSULATOR PANEL		1	R
2	357388	SOUND INSULATOR PANEL		1	R
3	353816	INSULATING PAD		1	R
4	357385	SOUND INSULATOR PANEL		1	R
5	353856	SOUND INSULATOR PANEL		1	R
6	350196	SOUND INSULATOR PANEL		1	R
7	357384	SOUND INSULATOR PANEL		1	R
8	353817	SOUND INSULATOR PANEL		1	R
9	357381	INSULATING PAD 1" 1/16		1	R
10	353857	SOUND INSULATOR PANEL		1	R
11	357380	INSULATING PAD 1" 1/16		1	R
12	3201195	INSULATING PAD 1"1/16		1	R
13	357377	INSULATING PAD 1" 1/16		2	R
14	353997	SOUND INSULATOR PANEL		1	R
15	357383	INSULATING PAD 1" 1/16		1	R
16	326520	INSULATING PAD 1"1/16		1	R
17	350559	SOUND INSULATOR PANEL		2	R
18	3201196	INSULATING PAD		2	R
19	3201198	INSULATING PAD NOISE 1"		1	R
20	3201199	INSULATING PAD NOISE 1"		1	R
21	353813	INSULATING PAD		1	R
22	353814	INSULATING PAD		1	R
23	353561	INSULATING PAD 1" 1/16		1	R
NS	680437	TAPE TRANSFER ADH2 CLEAR 12.7MM x 55M / TRM950-0500			R
31	357389	SOUND INSULATOR PANEL		1	I
32	357388	SOUND INSULATOR PANEL		1	I
33	353816	INSULATING PAD		1	I
34	353856	SOUND INSULATOR PANEL		1	I
35	350196	SOUND INSULATOR PANEL		1	I
36	353857	SOUND INSULATOR PANEL		1	I
37	3201195	INSULATING PAD 1"1/16		1	I
38	326520	INSULATING PAD 1"1/16		1	I
39	350559	SOUND INSULATOR PANEL		2	I
40	3201196	INSULATING PAD		2	I
41	3201198	INSULATING PAD NOISE 1"		1	I
42	3201199	INSULATING PAD NOISE 1"		1	I
43	353813	INSULATING PAD		1	I
44	353814	INSULATING PAD		1	I
45	353561	INSULATING PAD 1" 1/16		1	I
46	352531	INSULATING PAD 1" 1/16		1	I
47	353092	SOUND INSULATOR PANEL		1	I

From R-1453	Date:07/2024	PAGE:H9-1839-18
INSULATING FRONT - SUBFRAME		

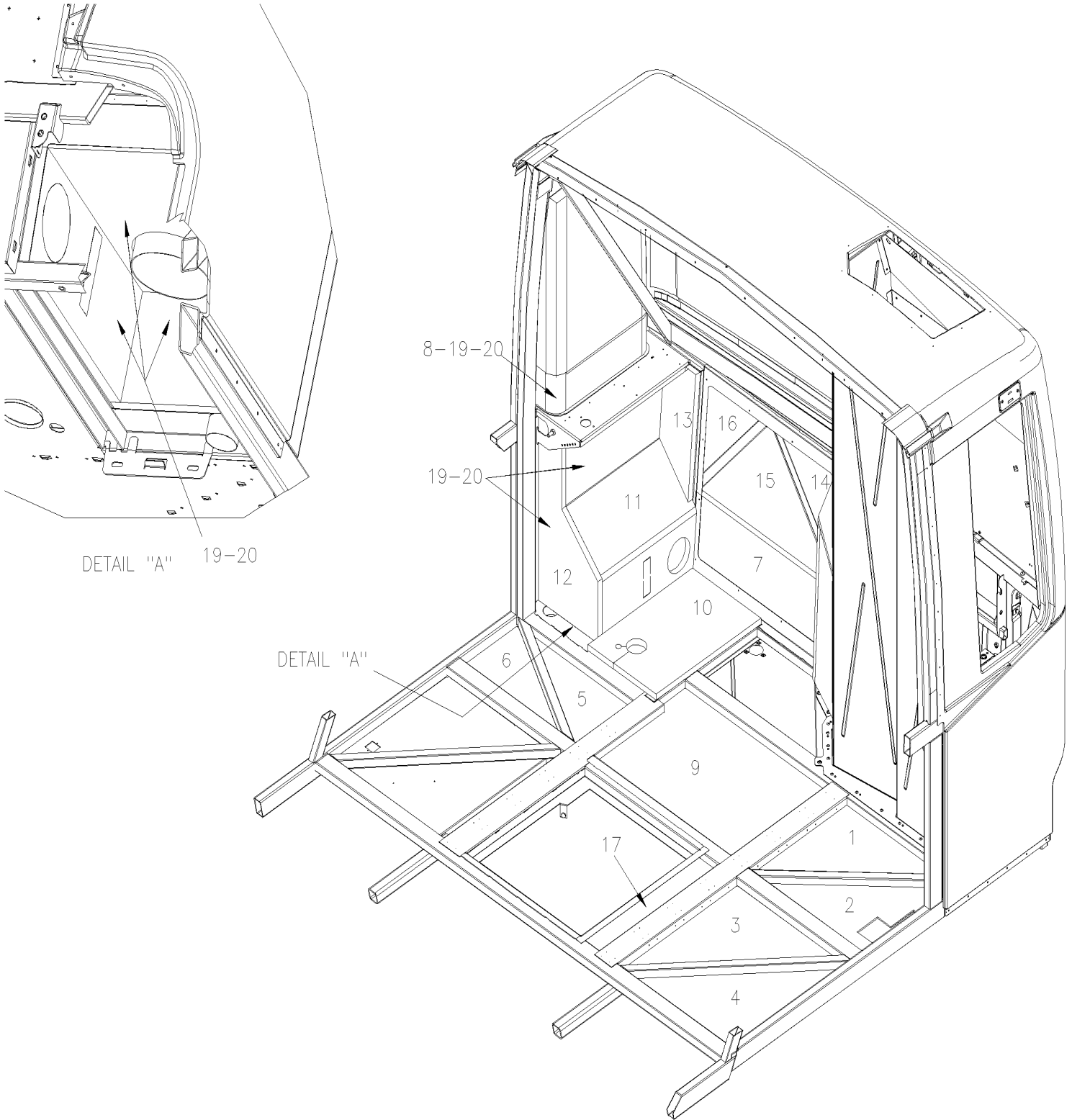
Item#	Part	Description	H 3 4 1	H 3 4 5	N O T E S
48	352530	INSULATING PAD 1" 1/16		1	I
49	357398	INSULATING PAD 1" 1/16		1	I
50	326253	INSULATING PAD 1" 1/16		1	I
51	326124	INSULATING PAD 1" 1/16		1	I
52	326082	INSULATING PAD 1" 1/16		1	I
53	353815	INSULATING PAD		1	I
54	357391	INSULATING PAD 1" 1/16		1	I
55	357392	INSULATING PAD 1" 1/16		1	I
56	353995	INSULATING PAD		1	I
57	353996	INSULATING PAD		1	I
58	351994	INSULATING PAD 1" 1/16		1	I
NS	680437	TAPE TRANSFER ADH2 CLEAR 12.7MM x 55M / TRM950-0500			I
		I) WITH INDEPENDANT SUSPENSION			
		R) WITH "I" BEAM SUSPENSION			

From K-0185

Date:07/2024

PAGE:H9-1839-21

INSULATING REAR ENGINE COMPARTMENT



From K-0185	Date:07/2024	PAGE:H9-1839-21
INSULATING REAR ENGINE COMPARTMENT		

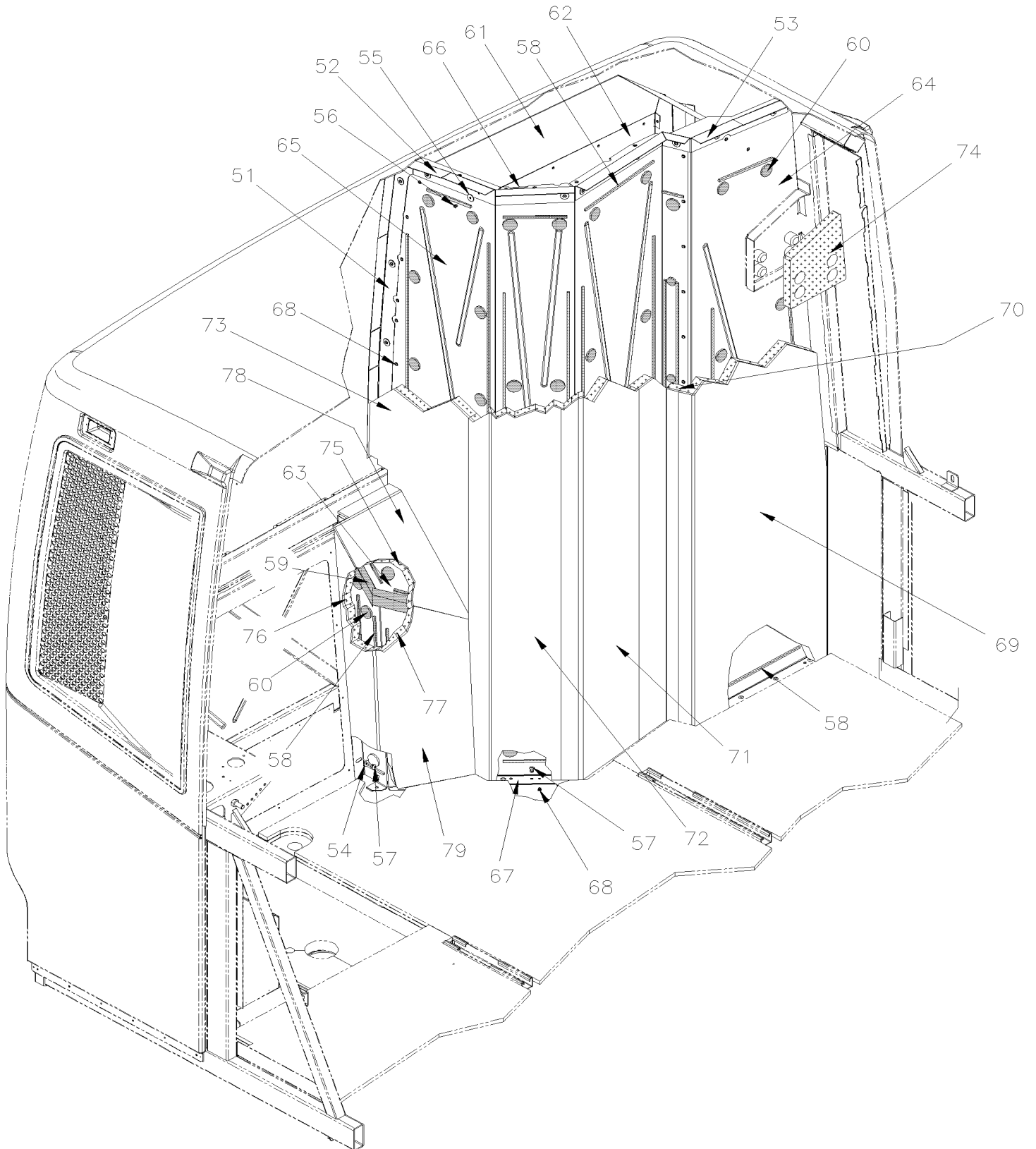
Item#	Part	Description	H 3 4 1	H 3 4 5	NOTES
1	353110	INSULATION To P-1452	1	1	
1	354069	INSULATION From R-1453		1	
1	353111	INSULATION To P-1452	1	1	
2	353109	INSULATION To P-1452	1	1	
2	354070	INSULATION From R-1453		1	
3	353108	INSULATION	1	1	
4	353105	INSULATION	1	1	
4	353106	INSULATION	1	1	
4	353107	INSULATION	1	1	
5	352159	INSULATION	1	1	
6	352160	INSULATION	1	1	
7	356093	INSULATION	1	1	
8	356094	INSULATION To P-1452	1	1	
9	356095	INSULATION To P-1452	1	1	
9	354071	INSULATION From R-1453		1	
10	352612	INSULATION	1	1	
11	356106	INSULATION	1	1	
12	356107	INSULATION	1	1	
13	356318	INSULATION	1	1	
14	356111	INSULATION	1	1	
15	356112	INSULATION	1	1	
16	356113	INSULATION	1	1	
17	352975	INSULATION	1	1	
19	680397	CONTACT GLUE / AEROSOL 17oz	AR	AR	
20	682484	TAPE ALUMINUM ADH1 .005" x 3" x 300' ALUMINUM FSK3"	AR	AR	
21	356323	INSULATION KIT To K-0323	1	1	
21	353376	INSULATION KIT From K-0324 To N-1172	1	1	
21	354162	INSULATION KIT From N-1173 To P-1452	1	1	
21	354040	INSULATION KIT From R-1453		1	

From K-0185 To P-1452

Date:07/2024

PAGE:H9-1839-25

INSULATING REAR END



From K-0185 To P-1452	Date:07/2024	PAGE:H9-1839-25
INSULATING REAR END		

Item#	Part	Description	H 3 4 1	H 3 4 5	N O T E S
51	353966	ANGLE SEALING / REAR CAP From R-1453		1	
51	352126	ANGLE SEALING / REAR CAP To P-1452	1	1	
51	353865	ANGLE SEALING / REAR CAP From R-1453		1	
52	353870	ANGLE SEALING / REAR CAP From R-1453		1	
52	352377	ANGLE SEALING / REAR CAP To P-1452	1	1	
53	353871	ANGLE SEALING / REAR CAP From R-1453		1	
53	352378	ANGLE SEALING / REAR CAP To P-1452	1	1	
54	5001976	WASHER FL .266x.718x.060 SS	AR	AR	
55	500142	WASHER FL 6.6x22.0x2.0 SS From R-1453		11	
55	500805	WASHER FL .218x.875x.062 N500	12	12	
56	502848	SCREW TC CAP HEXF 1/4-20x3/4 N500 From R-1453		11	
56	504488	RIVET MGLP PRDG 3/16x17/64 SS	12	12	
57	504735	RIVET HKL PRDG 1/4x3/8 STL	AR	AR	
58	507000	TAPE RUB ADH2 POL 3/16" x 1/4" x 50' / BLACK V2206	AR	AR	
59	680257	TAPE ALUMINUM ADH1 .005" x 2" x 300' TRM425-2	AR	AR	
NS	684685	ADHESIVE SIMSON #ISR 70-03 / 310ml CARTRIDGE From R-1453		AR	
NS	685124	ADHESIVE SIMSON #ISR 70-03 / BLACK / 600ml SAUSAGE From R-1453		AR	
NS	684517	ADHESIVE SIMSON #ISR 70-03 / GREY / 310ml CARTRIDGE From R-1453		AR	
60	684517	ADHESIVE SIMSON #ISR 70-03 / GREY / 310ml CARTRIDGE To P-1452	AR	AR	
60	685126	ADHESIVE SIMSON #ISR 70-03 / GREY / 600ml SAUSAGE To P-1452	AR	AR	
61	352022	PANEL FIRE WALL To L-1093	1	1	
61	353977	PANEL FIRE WALL From L-1094	1	1	
62	353153	PANEL FIRE WALL To L-1093	1	1	
62	353976	PANEL FIRE WALL 1 From L-1094	1	1	
63	352842	BOX / SWIRL PIPE	1	1	
63	352841	SUPPORT / COOLANT HOSE	1	1	
63	504488	RIVET MGLP PRDG 3/16x17/64 SS	AR	AR	
64	354418	WALL SHEET PANEL / SCR From R-1453		1	
64	352372	WALL SHEET PANEL / SCR To P-1452	1	1	
NS	477213	SUPPORT ATTACHMENT ROD	1	1	
NS	504734	ATTACHMENT ROD	1	1	
65	353868	WALL SHEET PANEL / SCR From R-1453		1	
65	352373	WALL SHEET PANEL / SCR To P-1452	1	1	
NS	506191	TAPE RUB ADH1 CC POL 1/8" x 1/4" x 50' / GREY 2520X	AR	AR	
66	353869	CONFORMATOR / PANEL SCR From R-1453		1	
66	352374	CONFORMATOR / PANEL SCR To P-1452	1	1	
67	352375	CONFORMATOR / PANEL SCR	1	1	
68	504488	RIVET MGLP PRDG 3/16x17/64 SS	AR	AR	
69	353858	INSULATING PANEL ASSY From R-1453		1	
69	353985	INSULATING PANEL ASSY From R-1453		1	
69	352379	INSULATING PANEL ASSY To P-1452	1	1	
70	353859	INSULATING PANEL From R-1453		1	

From K-0185 To P-1452	Date:07/2024	PAGE:H9-1839-25
INSULATING REAR END		

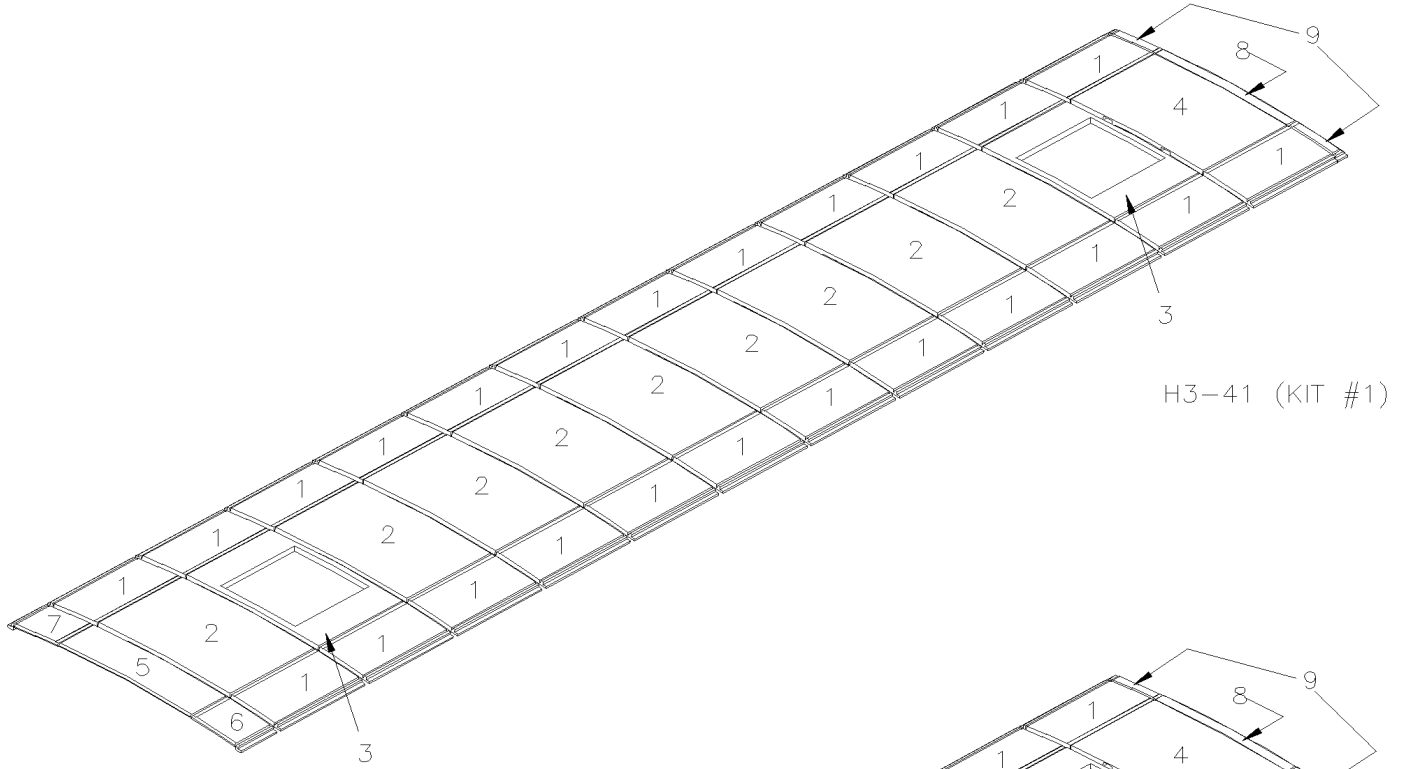
Item#	Part	Description	H 3 4 1	H 3 4 5	NOTES
70	352380	INSULATING PANEL To P-1452	1	1	
71	353860	INSULATING PANEL ASSY From R-1453		1	
71	352381	INSULATING PANEL ASSY To P-1452	1	1	
72	353861	INSULATING PANEL ASSY From R-1453		1	
72	352382	INSULATING PANEL ASSY To P-1452	1	1	
73	353862	INSULATING PANEL ASSY From R-1453		1	
73	352383	INSULATING PANEL ASSY To P-1452	1	1	
74	352384	INSULATING PANEL	1	1	
75	352385	INSULATING PANEL	1	1	
76	352386	INSULATING PANEL	1	1	
77	352387	INSULATING PANEL	1	1	
78	352388	INSULATING PANEL	1	1	
79	352389	INSULATING PANEL	1	1	
NS	354117	INSULATING From R-1453		1	

From K-0185 To P-1452

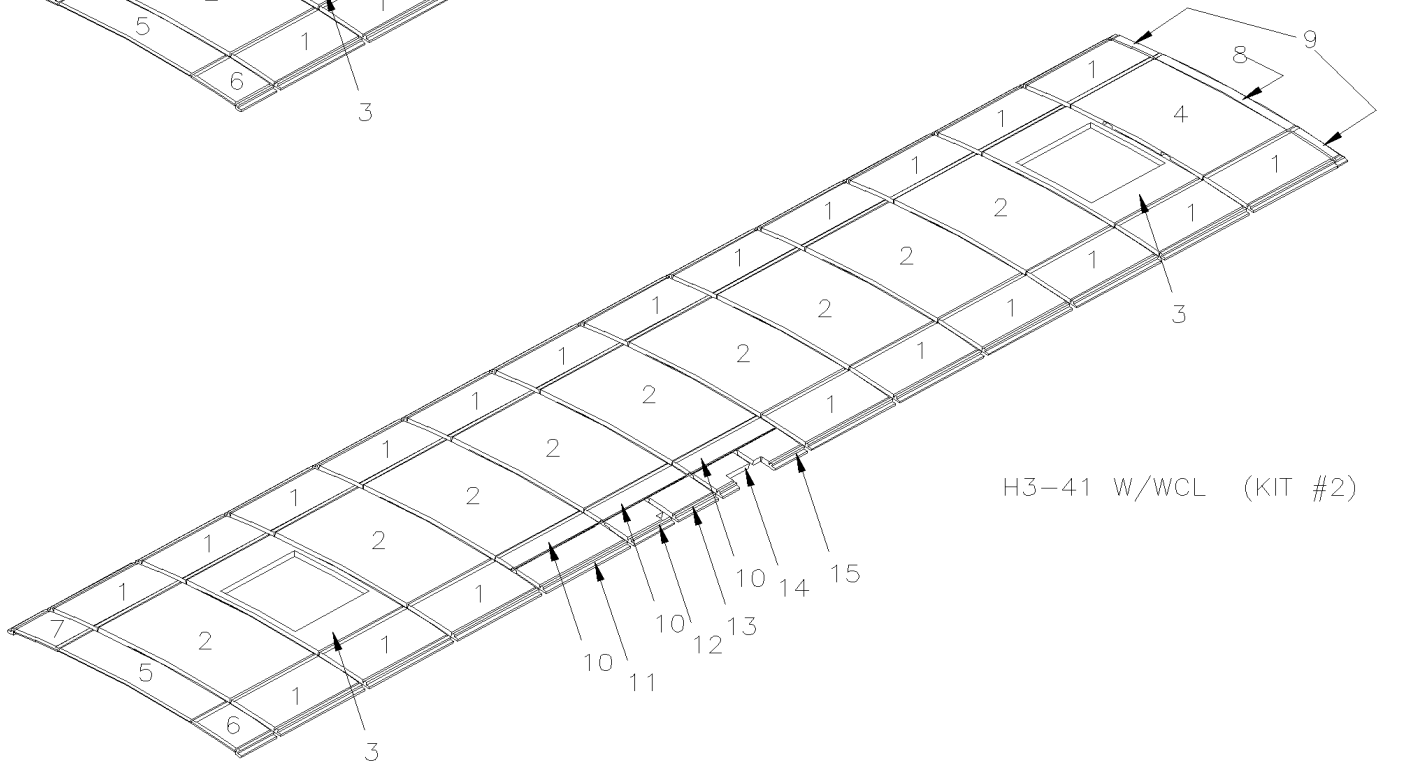
Date:07/2024

PAGE:H9-1839-31

INSULATING ROOF PANELS



H3-41 (KIT #1)



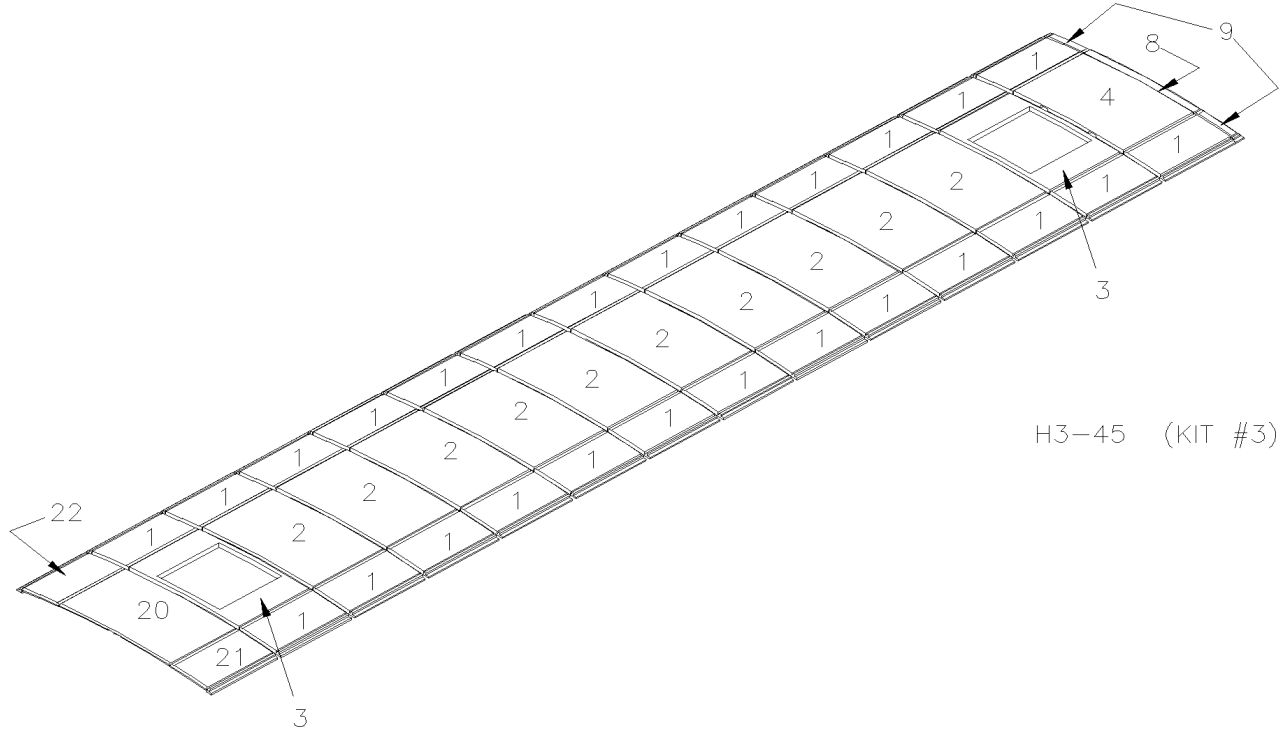
H3-41 W/WCL (KIT #2)

From K-0185 To P-1452

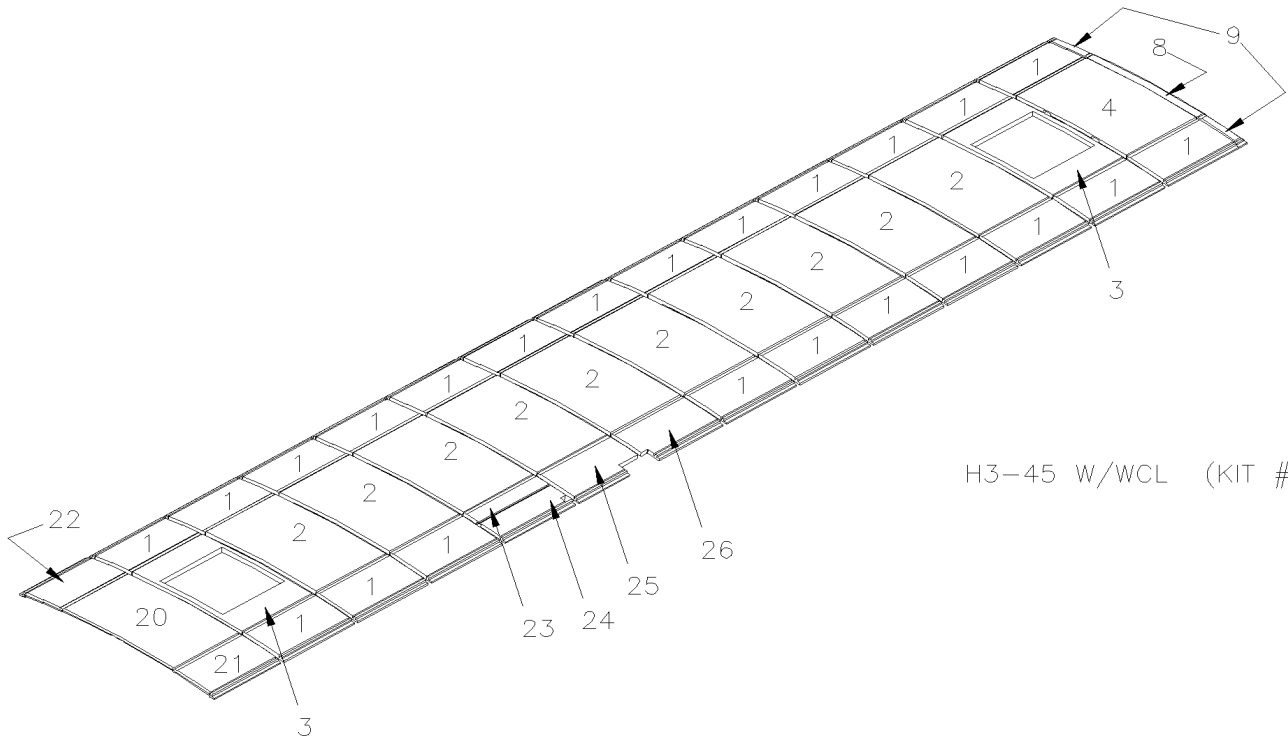
Date:07/2024

PAGE:H9-1839-31

INSULATING ROOF PANELS



H3-45 (KIT #3)



H3-45 W/WCL (KIT #4)

From K-0185 To P-1452	Date:07/2024	PAGE:H9-1839-31
INSULATING ROOF PANELS		

Item#	Part	Description	H 3 4 1	H 3 4 5	N O T E S
1	356257	KIT INSULATING ROOF PANEL To K-0520			
.01	356220	. ROOF INSULATION PANEL To K-0520	24		
.02	356219	. ROOF INSULATION PANEL To K-0520	9		
.03	356223	. ROOF INSULATION PANEL To K-0520	2		
.04	356270	. ROOF INSULATION PANEL To K-0520	1		
.05	356266	. ROOF INSULATION PANEL To K-0520	1		
.06	356264	. ROOF INSULATION PANEL To K-0520	1		
.07	356265	. ROOF INSULATION PANEL To K-0520	1		
.08	356273	. ROOF INSULATION PANEL To K-0520	1		
.09	356217	. ROOF INSULATION PANEL To K-0520	2		
1	353532	KIT INSULATING ROOF PANEL From K-0521			
.01	356220	. ROOF INSULATION PANEL From K-0521	24		
.02	356219	. ROOF INSULATION PANEL From K-0521	9		
.03	356223	. ROOF INSULATION PANEL From K-0521	2		
.04	353527	. ROOF INSULATION PANEL From K-0521	1		
.05	356266	. ROOF INSULATION PANEL From K-0521	1		
.06	356264	. ROOF INSULATION PANEL From K-0521	1		
.07	356265	. ROOF INSULATION PANEL From K-0521	1		
.08	356273	. ROOF INSULATION PANEL From K-0521	1		
.09	356217	. ROOF INSULATION PANEL From K-0521	2		
2	356290	KIT INSULATING ROOF PANEL / W/"RICON" To K-0520			
.01	356220	. ROOF INSULATION PANEL To K-0520	21		
.02	356219	. ROOF INSULATION PANEL To K-0520	9		
.03	356223	. ROOF INSULATION PANEL To K-0520	2		
.04	356270	. ROOF INSULATION PANEL To K-0520	1		
.05	356266	. ROOF INSULATION PANEL To K-0520	1		
.06	356264	. ROOF INSULATION PANEL To K-0520	1		
.07	356265	. ROOF INSULATION PANEL To K-0520	1		
.08	356273	. ROOF INSULATION PANEL To K-0520	1		
.09	356217	. ROOF INSULATION PANEL To K-0520	2		
.10	356246	. ROOF INSULATION PANEL To K-0520	3		
.11	356291	. ROOF INSULATION PANEL To K-0520	1		
.12	356292	. ROOF INSULATION PANEL To K-0520	1		
.13	356293	. ROOF INSULATION PANEL To K-0520	1		
.14	356294	. ROOF INSULATION PANEL To K-0520	1		
.15	356295	. ROOF INSULATION PANEL To K-0520	1		
2	353533	KIT INSULATING ROOF PANEL / W/"RICON" From K-0521			
.01	356220	. ROOF INSULATION PANEL From K-0521	21		
.02	356219	. ROOF INSULATION PANEL From K-0521	9		
.03	356223	. ROOF INSULATION PANEL From K-0521	2		
.04	353527	. ROOF INSULATION PANEL From K-0521	1		
.05	356266	. ROOF INSULATION PANEL From K-0521	1		

From K-0185 To P-1452	Date:07/2024	PAGE:H9-1839-31
INSULATING ROOF PANELS		

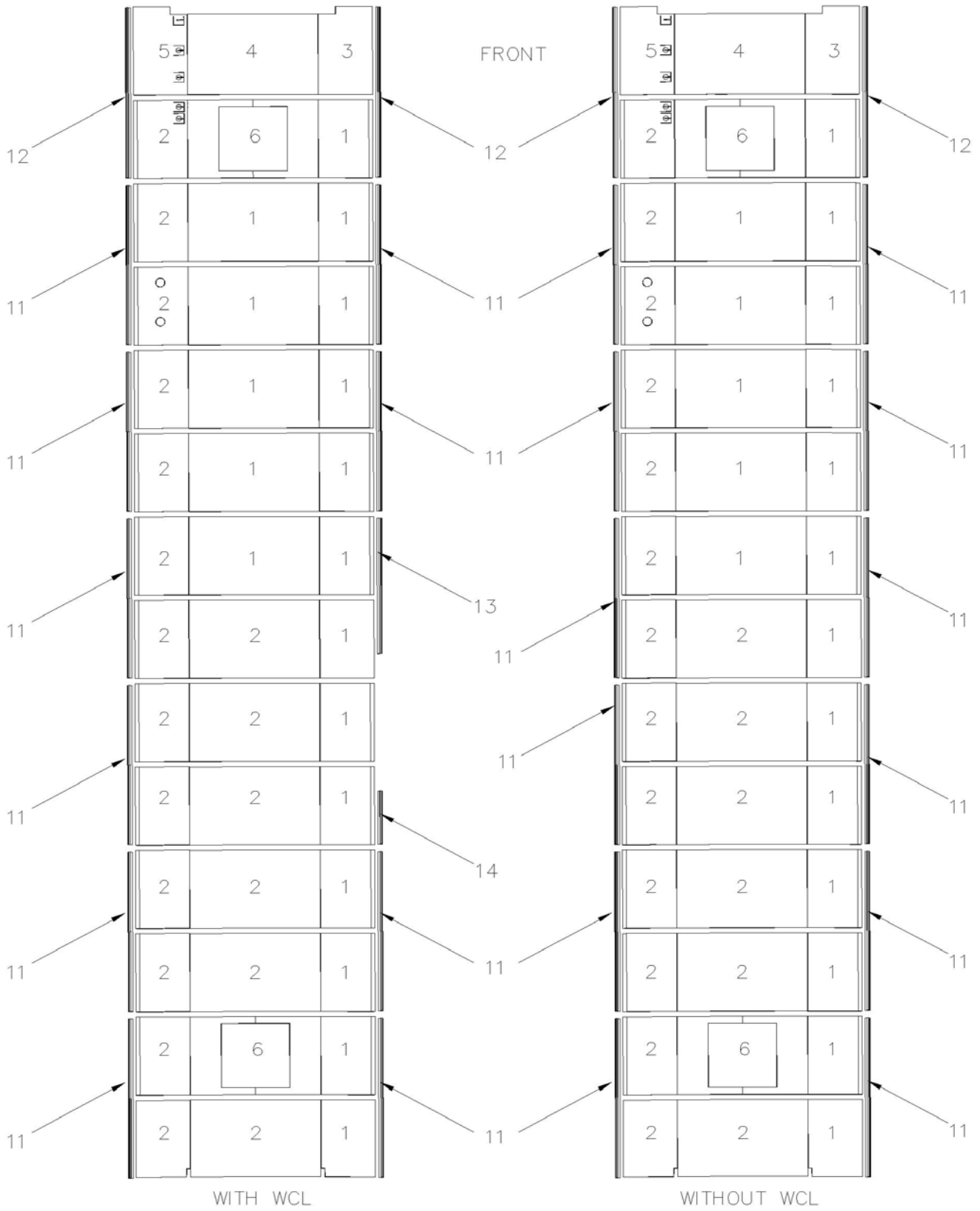
Item#	Part	Description	H 3 4 1	H 3 4 5	N O T E S
.06	356264	. ROOF INSULATION PANEL From K-0521	1		
.07	356265	. ROOF INSULATION PANEL From K-0521	1		
.08	356273	. ROOF INSULATION PANEL From K-0521	1		
.09	356217	. ROOF INSULATION PANEL From K-0521	2		
.10	356246	. ROOF INSULATION PANEL From K-0521	3		
.11	356291	. ROOF INSULATION PANEL From K-0521	1		
.12	356292	. ROOF INSULATION PANEL From K-0521	1		
.13	356293	. ROOF INSULATION PANEL From K-0521	1		
.14	356294	. ROOF INSULATION PANEL From K-0521	1		
.15	356295	. ROOF INSULATION PANEL From K-0521	1		
3	352610	KIT INSULATING ROOF PANEL To K-0520			
.01	356220	. ROOF INSULATION PANEL To K-0520		26	
.02	356219	. ROOF INSULATION PANEL To K-0520		10	
.03	356223	. ROOF INSULATION PANEL To K-0520		2	
.04	356270	. ROOF INSULATION PANEL To K-0520		1	
.08	356273	. ROOF INSULATION PANEL To K-0520		1	
.09	356217	. ROOF INSULATION PANEL To K-0520		2	
.20	356224	. ROOF INSULATION PANEL To K-0520		1	
.21	356225	. ROOF INSULATION PANEL To K-0520		1	
.22	356226	. ROOF INSULATION PANEL To K-0520		1	
3	353530	KIT INSULATING ROOF PANEL From K-0521 To L-0888			
.01	356220	. ROOF INSULATION PANEL From K-0521 To L-0888		26	
.02	356219	. ROOF INSULATION PANEL From K-0521 To L-0888		10	
.03	356223	. ROOF INSULATION PANEL From K-0521 To L-0888		2	
.04	353527	. ROOF INSULATION PANEL From K-0521 To L-0888		1	
.08	356273	. ROOF INSULATION PANEL From K-0521 To L-0888		1	
.09	356217	. ROOF INSULATION PANEL From K-0521 To L-0888		2	
.20	356224	. ROOF INSULATION PANEL From K-0521 To L-0888		1	
.21	356225	. ROOF INSULATION PANEL From K-0521 To L-0888		1	
.22	356226	. ROOF INSULATION PANEL From K-0521 To L-0888		1	
3	353981	KIT INSULATING ROOF PANEL From L-0889 To N-1219			
.01	356220	. ROOF INSULATION PANEL From L-0889 To N-1219		26	
.02	356219	. ROOF INSULATION PANEL From L-0889 To N-1219		10	
.03	353980	. ROOF INSULATION PANEL From L-0889 To N-1219		2	
.04	353527	. ROOF INSULATION PANEL From L-0889 To N-1219		1	
.08	356273	. ROOF INSULATION PANEL From L-0889 To N-1219		1	
.09	356217	. ROOF INSULATION PANEL From L-0889 To N-1219		2	
.20	356224	. ROOF INSULATION PANEL From L-0889 To N-1219		1	
.21	356225	. ROOF INSULATION PANEL From L-0889 To N-1219		1	
.22	356226	. ROOF INSULATION PANEL From L-0889 To N-1219		1	
3	354281	KIT INSULATING ROOF PANEL From N-1220 To P-1452			
3	354404	KIT INSULATING ROOF PANEL From R-1453			

From K-0185 To P-1452	Date:07/2024	PAGE:H9-1839-31
------------------------------	---------------------	------------------------

INSULATING ROOF PANELS

Item#	Part	Description	H 3 4 1	H 3 4 5	N O T E S
4	356238	KIT INSULATING ROOF PANEL / W/"RICON" To K-0520			
.01	356220	. ROOF INSULATION PANEL To K-0520		23	
.02	356219	. ROOF INSULATION PANEL To K-0520		10	
.03	356223	. ROOF INSULATION PANEL To K-0520		2	
.04	356270	. ROOF INSULATION PANEL To K-0520		1	
.08	356273	. ROOF INSULATION PANEL To K-0520		1	
.09	356217	. ROOF INSULATION PANEL To K-0520		2	
.20	356224	. ROOF INSULATION PANEL To K-0520		1	
.21	356225	. ROOF INSULATION PANEL To K-0520		1	
.22	356226	. ROOF INSULATION PANEL To K-0520		1	
.23	356246	. ROOF INSULATION PANEL To K-0520		1	
.24	356245	. ROOF INSULATING PANEL To K-0520		1	
.25	356242	. ROOF INSULATING PANEL To K-0520		1	
.26	356243	. ROOF INSULATION PANEL To K-0520		1	
4	353531	KIT INSULATING ROOF PANEL / W/"RICON" From K-0521 To N-1219			
.01	356220	. ROOF INSULATION PANEL From K-0521 To N-1219		23	
.02	356219	. ROOF INSULATION PANEL From K-0521 To N-1219		10	
.03	356223	. ROOF INSULATION PANEL From K-0521 To N-1219		2	
.04	353527	. ROOF INSULATION PANEL From K-0521 To N-1219		1	
.08	356273	. ROOF INSULATION PANEL From K-0521 To N-1219		1	
.09	356217	. ROOF INSULATION PANEL From K-0521 To N-1219		2	
.20	356224	. ROOF INSULATION PANEL From K-0521 To N-1219		1	
.21	356225	. ROOF INSULATION PANEL From K-0521 To N-1219		1	
.22	356226	. ROOF INSULATION PANEL From K-0521 To N-1219		1	
.23	356246	. ROOF INSULATION PANEL From K-0521 To N-1219		1	
.24	356245	. ROOF INSULATING PANEL From K-0521 To N-1219		1	
.25	356242	. ROOF INSULATING PANEL From K-0521 To N-1219		1	
.26	356243	. ROOF INSULATION PANEL From K-0521 To N-1219		1	
4	354282	KIT INSULATING ROOF PANEL / W/"RICON" From N-1220 To P-1452			
4	354403	KIT INSULATING ROOF PANEL / W/"RICON" From R-1453			
NS	683084	SEALANT SIKA #221 / GREY / 600 ml SAUSAGE	AR	AR	
NS	683083	ADHESIVE SIKA #252 / BLACK / 600 ml SAUSAGE	AR	AR	

From R-1453	Date:07/2024	PAGE:H9-1839-32
INSULATING ROOF PANELS		



From R-1453	Date:07/2024	PAGE:H9-1839-32
INSULATING ROOF PANELS		

Item#	Part	Description	H 3 4 1	H 3 4 5	NOTES
1	354259	KIT INSULATING ROOF PANEL		1	
2	354260	KIT INSULATING ROOF PANEL		1	
3	354286	INSULATING PANEL		1	
4	354292	INSULATING PANEL		1	
5	354291	INSULATING PANEL		1	
6	354363	INSULATING PANEL/ W/EMERGENCY EXIT		2	
NS	683084	SEALANT SIKA #221 / GREY / 600 ml SAUSAGE		AR	
11	353772	INSULATING PANEL		12	
11	353772	INSULATING PANEL		10	A
12	353943	INSULATING PANEL		2	
13	353926	INSULATING PANEL		1	A
14	353927	INSULATING PANEL		1	A
NS	685124	ADHESIVE SIMSON #ISR 70-03 / BLACK / 600ml SAUSAGE		AR	
		A) WITH WCL			

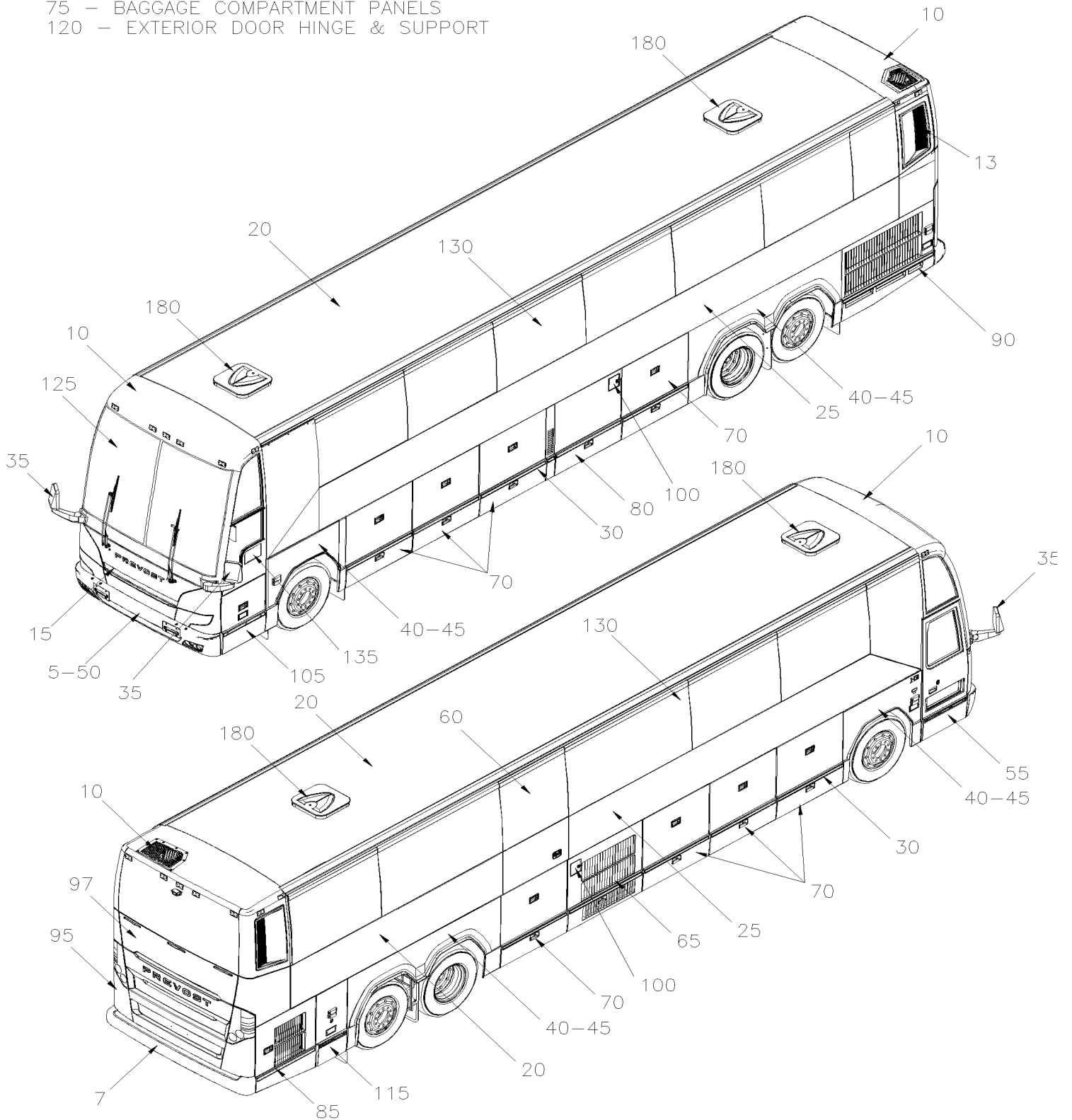
From K-0185

Date:07/2024

PAGE:H9-18-EXT

BODY EXTERIOR

75 - BAGGAGE COMPARTMENT PANELS
120 - EXTERIOR DOOR HINGE & SUPPORT



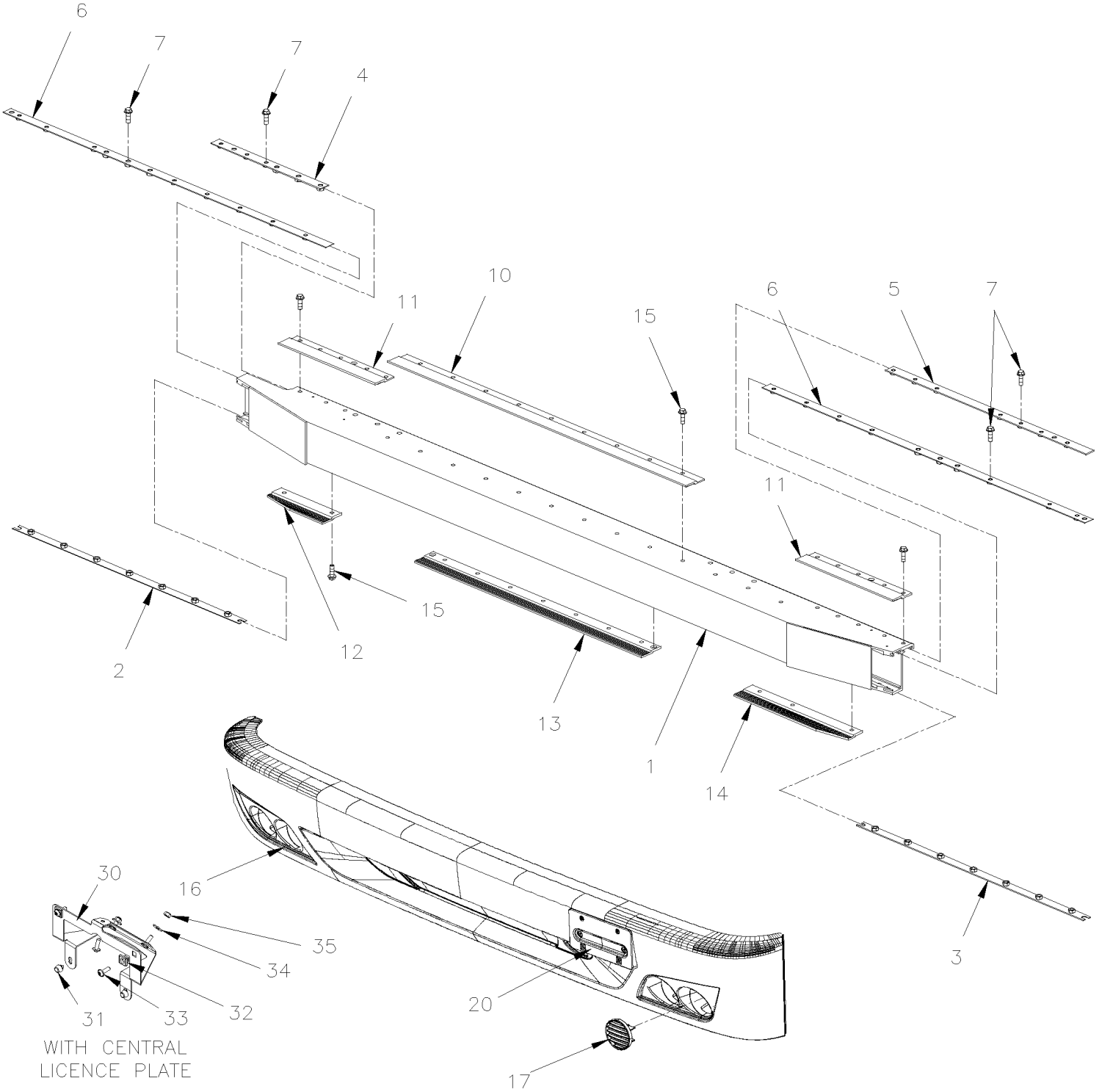
From K-0185		Date:07/2024	PAGE:H9-18-EXT
BODY EXTERIOR			

Item#	Part	Description	H 3 4 1	H 3 4 5	N O T E S
5	H9-1850-01	BUMPER FRONT From K-0185 To P-1452			
5	H9-1850-02	BUMPER FRONT From R-1453			
7	H9-1850-10	BUMPER REAR From K-0185			
7	H9-1850-15	BUMPER REAR - BUS "OPTION" / "ROMEO RIM" From K-0185			
10	H9-1851-02	CAP - FRONT & REAR - INSTALLATION From K-0185 To P-1452			
10	H9-1851-03	FRONT CAP - INSTALLATION From R-1453			
13	H9-1851-05	REAR CAP - DOOR DPF & SCR From K-0185 To P-1452			
13	H9-1851-06	REAR CAP - DOOR DPF & SCR From R-1453			
15	H9-1851-11	FRONT PANEL - INSTALLATION From K-0185 To P-1452			
17	H9-1851-15	FRONT CAP - ACCESS PANEL From R-1453			
19	H9-1851-20	REAR CAP - INSTALLATION From R-1453			
20	H9-1852-00	ROOF PANELS From K-0185 To P-1452			
20	H9-1852-01	ROOF PANELS From R-1453			
25	H9-1854-00	SIDE PANELS - BUS From K-0185 To P-1452			
25	H9-1854-01	SIDE PANELS - BUS From R-1453			
30	H9-1855-00	EXTERIOR TRIMS & CREST From K-0185 To P-1452			
30	H9-1855-01	EXTERIOR TRIMS & CREST From R-1453			
35	H9-1856-01	MIRROR 2 GLASSES / CHROME From R-1453			
35	H9-1856-10	"E-MIRROR" INSTALLATION From K-0185 To P-1452			
35	H9-1856-11	"E-MIRROR" INSTALLATION From R-1453			
35	H9-1856-25	MIRROR "RAMCO" FLAT GLASS / BLACK PAINTED From K-0185 To P-1452			
35	H9-1856-26	MIRROR "RAMCO" FLAT GLASS / BLACK PAINTED WITH DIRECTIONAL From K-0185 To P-1452			
35	H9-1856-50	MIRROR "RAMCO" FLAT GLASS / CHROME From K-0185 To P-1452			
35	H9-1856-51	MIRROR "RAMCO" FLAT GLASS / CHROME WITH DIRECTIONAL From K-0185 To P-1452			
35	H9-1856-60	MIRROR "RAMCO" 2 GLASSES / CHROME From K-0185 To P-1452			
35	H9-1856-90	MIRRORS - EMERGENCY From R-1453			
40	H9-1857-02	FENDERS From K-0185 To P-1452			
40	H9-1857-03	FENDERS From R-1453			
45	H9-1859-01	SPLASH GUARD - FRONT & REAR From K-0185			
50	H9-1860-11	SPARE WHEEL DOOR MECHANISM FRONT BUMPER From K-0185 To P-1452			
50	H9-1860-12	SPARE WHEEL DOOR MECHANISM FRONT BUMPER From R-1453			
55	H9-1862-10	ENTRANCE DOOR ASSY - SEDAN From K-0185 To P-1452			
55	H9-1862-11	ENTRANCE DOOR ASSY - SEDAN From R-1453			
55	H9-1862-60	ENTRANCE DOOR FRAME - INSTALLATION From K-0185 To P-1452			
55	H9-1862-61	ENTRANCE DOOR - INSTALLATION From R-1453			
60	H9-1862-82	ENTRANCE DOOR SLIDING - WCL From K-0185 To P-1452			
60	H9-1862-83	ENTRANCE DOOR SLIDING - WCL From R-1453			
60	H9-1862-87	SLIDING DOOR - INSTALLATION From K-0185 To P-1452			
60	H9-1862-88	SLIDING DOOR - INSTALLATION From R-1453			
65	H9-1863-01	CONDENSOR DOOR ASSY "EPA 2010" From K-0185			
70	H9-1864-00	BAGGAGE COMPARTMENT DOOR From K-0185			
70	H9-1864-30	PNEUMATIC DOOR LOCK CONTROL VALVE From K-0185			

From K-0185		Date:07/2024	PAGE:H9-18-EXT
BODY EXTERIOR			

Item#	Part	Description	H 3 4 1	H 3 4 5	N O T E S
70	H9-1864-31	HANDLE LOCK & KEYS - TYPE "NS" & "FORD" From K-0185 To P-1452			
70	H9-1864-32	HANDLE LOCK & KEYS - TYPE "NS" & "FORD" From R-1453			
70	H9-1864-81	BAGGAGE DOOR - W.C.L. "RICON" From K-0185			
75	H9-1865-00	BAGGAGE COMPARTMENT PANELS From K-0185			
75	H9-1865-22	EVAPORATOR & CONDENSOR WALL INSTALLATION From K-0185			
80	H9-1866-00	EVAPORATOR DOOR ASSY From K-0185			
85	H9-1868-01	A/C COMPRESSOR DOOR ASSY From K-0185			
90	H9-1869-01	RADIATOR DOOR ASSY From K-0185			
95	H9-1870-01	ENGINE DOOR ASSY From K-0185			
95	H9-1870-11	REAR ENGINE DOOR - INSTALLATION From K-0185			
97	H9-1870-21	REAR ENGINE UPPER DOOR From K-0185 To P-1452			
97	H9-1870-22	REAR ENGINE UPPER DOOR From R-1453			
100	H9-1875-01	FUEL TANK & UREA FILLING DOOR From K-0185			
105	H9-1879-00	FRONT SERVICE DOOR ASSY From K-0185 To P-1452			
105	H9-1879-01	FRONT SERVICE DOOR ASSY From R-1453			
105	H9-1879-10	FRONT SERVICE DOOR - INSTALLATION From K-0185 To P-1452			
105	H9-1879-11	FRONT SERVICE DOOR INSTALLATION From R-1453			
115	H9-1879-60	REAR SIDE SERVICE DOOR ASSY R.H. From K-0185			
120	H9-1879-90	EXTERIOR DOOR HINGE AND SUPPORT From K-0185			
125	H9-1880-01	WINDSHIELD & CHANNEL From K-0185 To P-1452			
125	H9-1880-02	WINDSHIELD & CHANNEL From R-1453			
130	H9-1884-00	SIDE WINDOW - BUS From K-0185 To P-1452			
130	H9-1884-01	SIDE WINDOW - BUS From R-1453			
135	H9-1886-00	POWER WINDOW - ELECTRICAL INSTALLATION From K-0185 To P-1452			
135	H9-1886-01	POWER WINDOW - ELECTRICAL INSTALLATION From R-1453			
140	H9-189X-XX	STRUCTURE / CALL ORDER DESK From K-0185			
180	H9-1898-00	ESCAPE HATCH - INSTALLATION From K-0185 To P-1452			
180	H9-1898-01	ESCAPE HATCH - INSTALLATION From R-1453			
180	H9-1898-10	ESCAPE HATCH - INSTALLATION - VENTILATION "OPTION" From K-0185 To P-1452			
180	H9-1898-11	ESCAPE HATCH - INSTALLATION - VENTILATION From R-1453			
180	H9-1898-20	ESCAPE HATCH - INSTALLATION - GLASS HATCH "OPTION" From L-0731 To P-1452			

From K-0185 To P-1452	Date:07/2024	PAGE:H9-1850-01
BUMPER FRONT		



WITH CENTRAL LICENCE PLATE

From K-0185 To P-1452	Date:07/2024	PAGE:H9-1850-01
BUMPER FRONT		

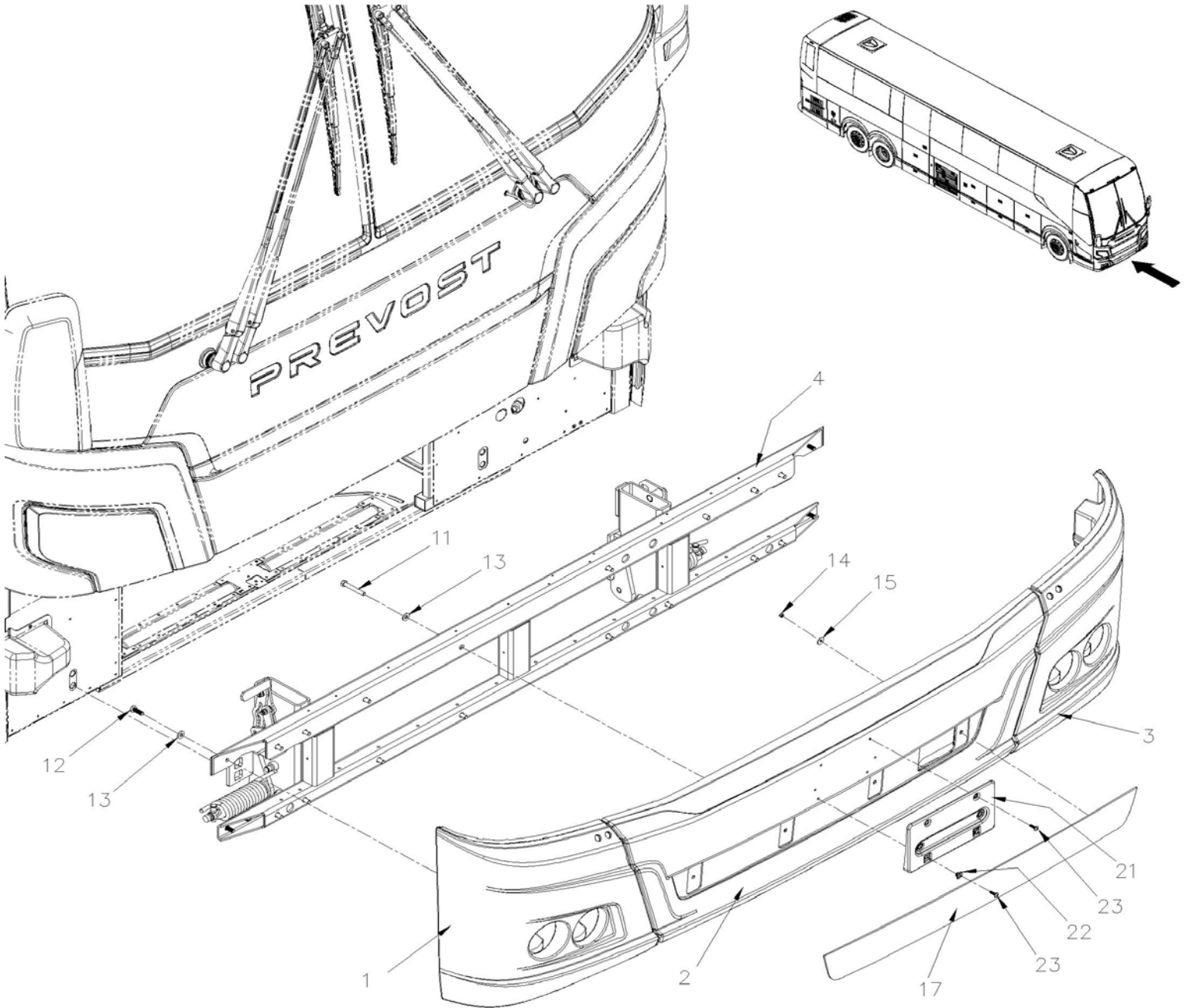
Item#	Part	Description	H 3 4 1	H 3 4 5	N O T E S
	411435	BUMPER FRONT ASSY / BUS W/OUT WASHER W/OUT ACB	1	1	A
	411437	BUMPER FRONT ASSY / BUS W/HEADLAMP WASHER W/OUT ACB	1	1	A
	410037	BUMPER FRONT ASSY / BUS W/OUT WASHER W/ACB	1	1	A
	Call order desk	BUMPER FRONT ASSY / BUS W/HEADLAMP WASHER W/ACB	1	1	PA
1	411133	. BEAM ASSY / FRONT	1	1	
2	411164	. ATTACHMENT 1139MM	1	1	
3	411165	. ATTACHMENT 1201MM	1	1	
4	411065	. ATTACHMENT 400MM	1	1	
5	411064	. ATTACHMENT 735MM	1	1	
6	411086	. ATTACHMENT 400MM	2	2	
7	5001742	. SCREW CAP HEXF M8-1.25x30 G8.8 N500	4	4	
10	411087	. EXTRUSION ALLUMINUM 831MM	2	2	
11	411069	. EXTRUSION ALLUMINUM 355MM	2	2	
12	411071	. EXTRUSION ALUMINUM 220MM	1	1	
13	411080	. EXTRUSION ALUMINUM 1090MM	1	1	
13	5001533	. SCREW TC FL PH #10-24x1 1/4 Z050 SS410	4	4	
14	411070	. EXTRUSION ALLUMINUM 402MM	1	1	
15	946472	. SCREW CAP HEXF M10-1.5x30 G8.8 ZG603	12	12	
16	411368	. BUMPER SKIN, FRONT BUS	1	1	
16	411348	. BUMPER SKIN, FRONT BUS WITH ACB SYSTEM	1	1	
NS	411168	. SUPPORT BOTTOM BUMPER SKIN	1	1	
NS	411001	. PLATE	2	2	
NS	504339	. RIVET POP DOME OE 1/8x3/8 SS	4	4	
17	430645	PLUG BUMPER / W/O FOG LAMP	4	4	
17	5001547	SCREW PTR TR PH M4x20 G500	8	8	
20	411162	LICENSE PLATE HOLDER	1	1	
NS	5001009	NUT AN 1/4 NYL	2	2	
NS	5001630	SCREW TP BUTF TORX M6x20 SS	6	6	
30	411381	LICENSE PLATE HOLDER	1	1	
31	506499	BUMPER PLUG / .500ODx.312THx.250HOLEx.093	2	2	
32	5001009	NUT AN 1/4 NYL	2	2	
33	5001630	SCREW TP BUTF TORX M6x20 SS	3	3	
34	500411	WASHER FL .260x.697x.050 SS	2	2	
35	502681	NUT HEX NYRT M6-1.0 N500 G8	2	2	
35	5061020	TAPE RUB ADH1 CC POL 1/32" x 1/2" x 50' / BLACK H1C-N	AR	AR	
		A) SPARE WHELL DOOR IS NOT INLCUDE			
		P) CALL ORDER DESK FOR SPECIFIC APPLICATION (V.I.N.)			

From R-1453

Date:07/2024

PAGE:H9-1850-02

BUMPER FRONT



From R-1453		Date:07/2024	PAGE:H9-1850-02
BUMPER FRONT			

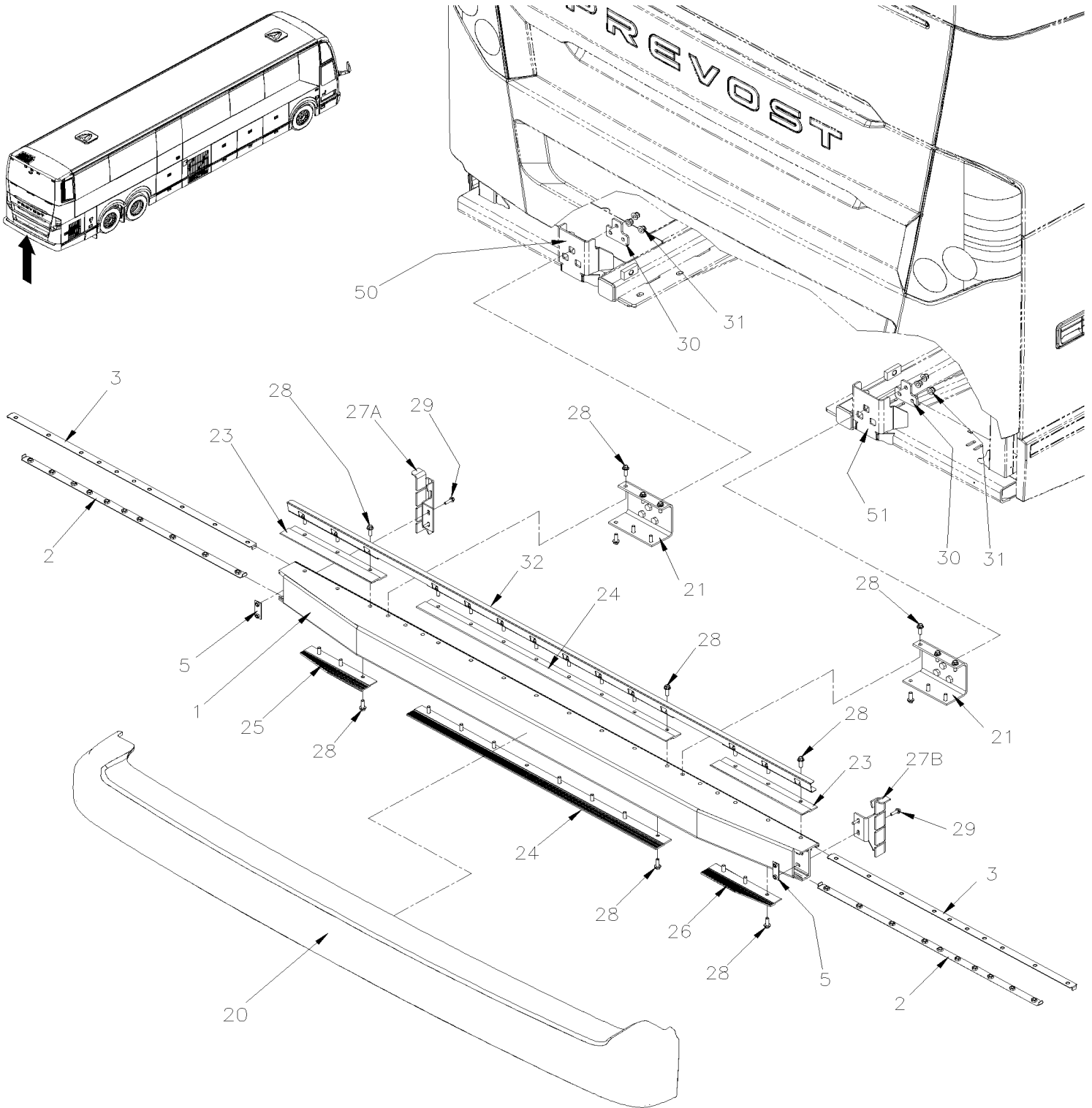
Item#	Part	Description	H 3 4 1	H 3 4 5	N O T E S
	410150P	FRONT BUMPER ASSY		1	
1	411453	. BUMPER FRONT / RIGHT		1	
2	411454	. FRONT BUMPER / CENTER		1	
3	411455	. BUMPER FRONT / LEFT		1	
4	410141	. BUMPER ASSY		1	
11	5001493	. SCREW CAP HEX M10-1.5x70 SS		16	
12	5001418	. SCREW CAP HEX M10-1.5x30 SS		4	
13	5001834	. WASHER BEL SPR 10.5X23X2.5 N500		20	
14	5001182	. NUT HEX NYRT M6-1.0 SS		4	
15	500142	. WASHER FL 6.6x22.0x2.0 SS		4	
17	410025	BUMPER TRIM WITH OPENING		1	B C
17	411456	BUMPER TRIM WITHOUT HOLE		1	B C
21	410251	LICENSE PLATE HOLDER ASS	1	1	
21	410250	. LICENSE PLATE HOLDER	1	1	
22	5001009	. NUT AN 1/4 NYL	2	2	
23	5001630	. SCREW TP BUTF TORX M6x20 SS	6	6	
51	H9-1860-12	SPARE WHEEL DOOR MECHANISM FRONT BUMPER			
		B) WITHOUT "ACB"			
		C) NOT INCLUDE WITH BUMPER ASSEMBLY			

From K-0185

Date:07/2024

PAGE:H9-1850-10

BUMPER REAR



From K-0185	Date:07/2024	PAGE:H9-1850-10
BUMPER REAR		

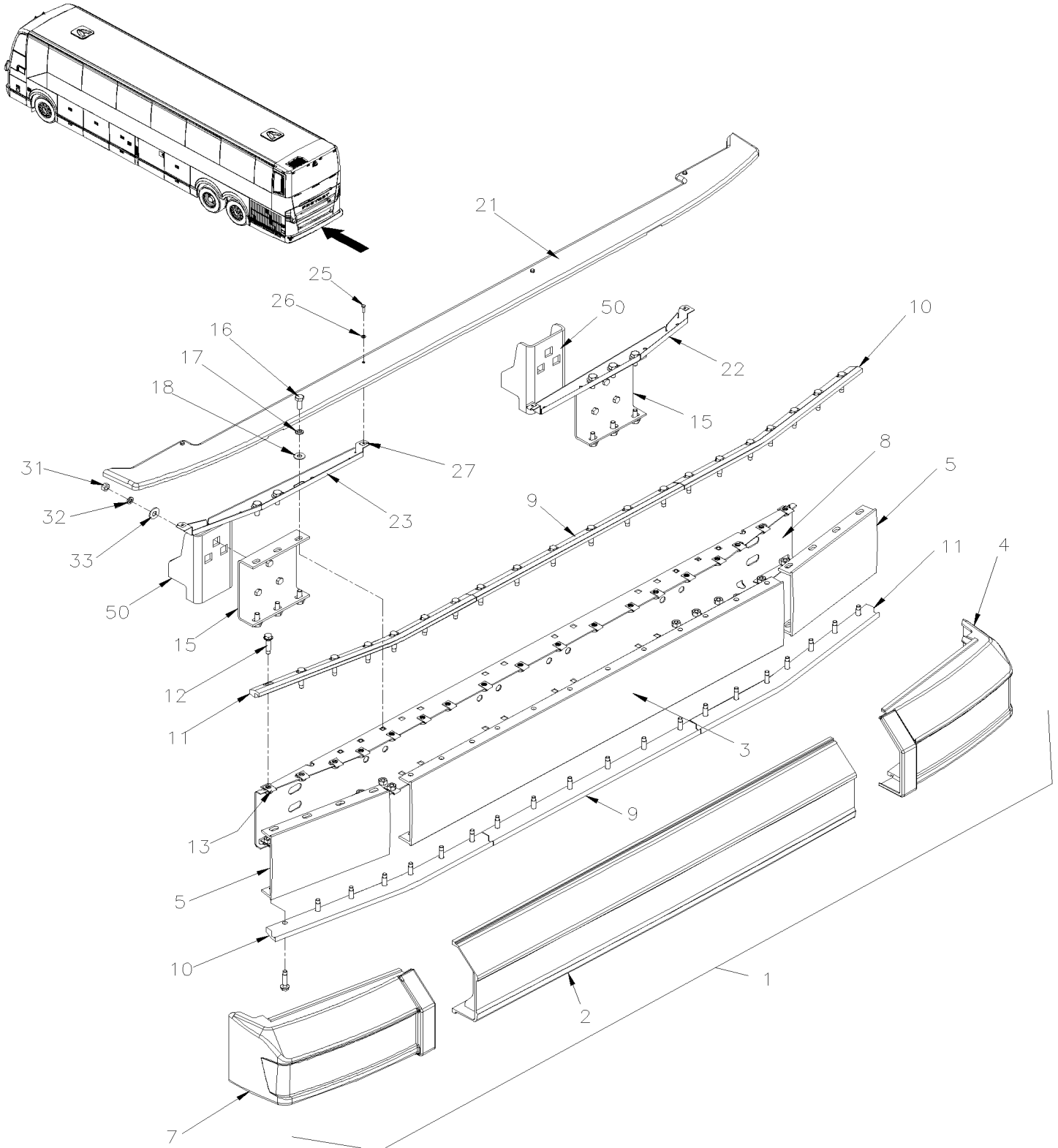
Item#	Part	Description	H 3 4 1	H 3 4 5	NOTES
	410994	BUMPER REAR ASSY / BUS	1	1	
	411119	BUMPER REAR ASSY / VIP	1	1	C
1	411074	. BEAM ASSY REAR	1	1	
2	411072	. ATTACHMENT 1033MM	2	2	
3	411073	. ATTACHMENT 1143MM	2	2	
5	410939	. ATTACHMENT 69MM	2	2	
20	410881	. BUMPER SKIN, REAR BUS To £-17026	1	1	
20	410042	. BUMPER SKIN, REAR BUS From £-17026	1	1	
20	410988	. BUMPER SKIN, REAR VIP To £-17026	1	1	C
20	410043	. BUMPER SKIN, REAR VIP From £-17026	1	1	C
21	410865	. SUPPORT REAR	2	2	
23	411076	. EXTRUSION ALUMINUM 420MM	2	2	
24	411075	. EXTRUSION ALUMINUM 1144MM	2	2	
25	411078	. EXTRUSION ALUMINUM 300MM	1	1	
26	411077	. EXTRUSION ALUMINUM 300MM	1	1	
27A	411265	. REINFORCEMENT / STREET SIDE	1	1	
27B	411264	. REINFORCEMENT / CURBSIDE	1	1	
28	5001741	. SCREW CAP HEXF M10-1.5x30 G8.8 N500	40	40	
29	5001742	. SCREW CAP HEXF M8-1.25x30 G8.8 N500	4	4	
30	410923	. PLATE ATTACHMENT	2	2	
31	5001761	. NUT HEXF NYRT M12-1.75 G8 N500	6	6	
32	411079	. REINFORCEMENT	1	1	
33	411447	SHIM From M-1173	AR	AR	
50	216819	BRACKET BUMPER L.H. & R.H. / WELDED TO STRUCTURE	1	1	
51	216819	BRACKET BUMPER L.H. & R.H. / WELDED TO STRUCTURE	1	1	
		C) BUS WITH TRAILER HITCH			

From K-0185

Date:07/2024

PAGE:H9-1850-15

BUMPER REAR - BUS "OPTION" / "ROMEO RIM"



From K-0185	Date:07/2024	PAGE:H9-1850-15
BUMPER REAR - BUS "OPTION" / "ROMEO RIM"		

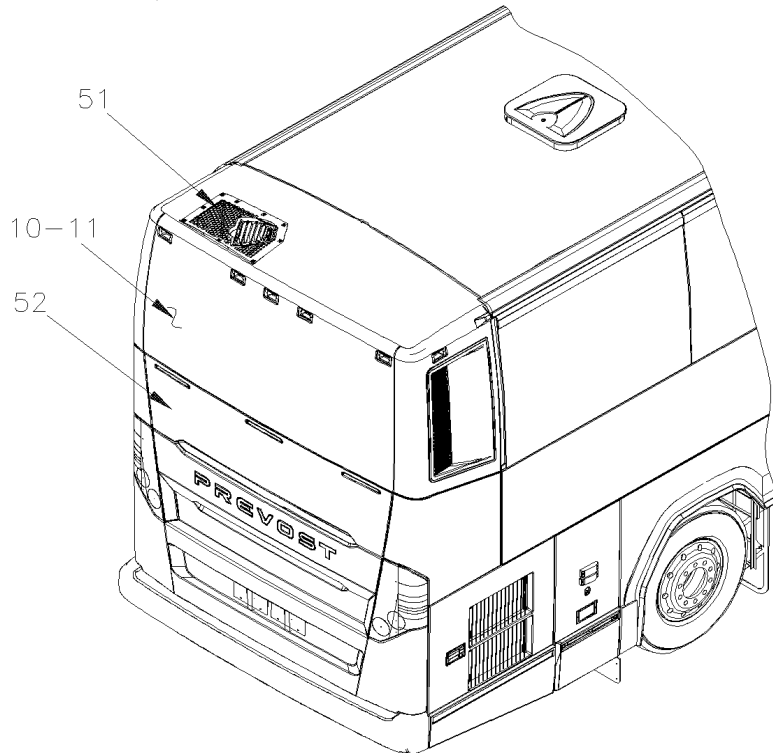
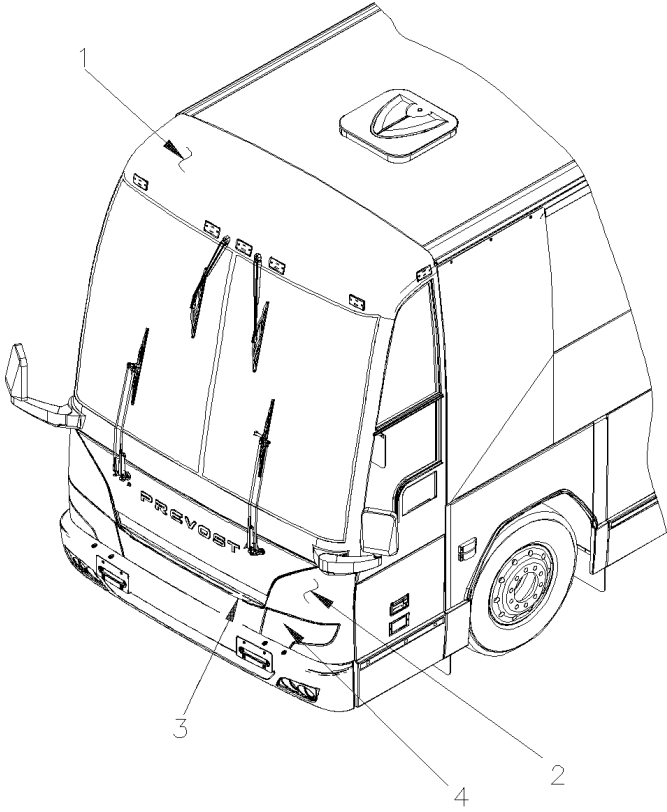
Item#	Part	Description	H 3 4 1	H 3 4 5	NOTES
1	410624	BUMPER ASSY To K-0256	1	1	
1	410092	BUMPER ASSY From K-0257	1	1	
2	910010	. MODULE CENTER	1	1	
3	910013	. PLATE BACK / CENTER	1	1	
4	410592	. MODULE END / R.H.	1	1	
5	910016	. PLATE BACK / L.H. & R.H.	2	2	
6	910015	. SPACER PLASTIC	1	1	
7	410591	. MODULE END / L.H.	1	1	
8	910007	. STRUCTURE BACK-UP To K-0256	1	1	
8	910047	. STRUCTURE BACK-UP From K-0257	1	1	
9	910014	. CLAMP CENTER	2	2	
10	910029	. CLAMP END / L.H. TOP & R.H. BOTTOM	2	2	
11	910028	. CLAMP END / R.H. TOP & L.H. BOTTOM	2	2	
12	910023	. SCREW CAP HEXF 1/2-13x2 1/4 BKC	38	38	
13	910024	. NUT RETAINER SPRING	34	34	
13	910025	. NUT HEXF 1/2-13 BK / 2 EACH CORNER	4	4	
15	910031	. SUPPORT W/3 BOLTS To K-0256	2	2	
15	910048	. SUPPORT W/3 BOLTS From K-0257	2	2	
16	N33927	. SCREW CAP HEX 1/2-13x1 1/2 G8 ZP	12	12	
17	500482	. WASHER LO SPT .506x.873x.125 Z050	12	12	
18	500446	. WASHER FL .531x1.250x.125 Z050	12	12	
21	410523	PANEL / BLACK PAINTED	1	1	
21	410475	. PANEL / UNPAINT	1	1	
22	410473	ATTACHMENT R.H. MOUNTING / REAR BUMPER	1	1	
23	410472	ATTACHMENT L.H. MOUNTING / REAR BUMPER	1	1	
25	502531	SCREW CAP HEX M6-1.0x16 G8.8 Z050 To K-0256	4	4	
25	502622	SCREW CAP HEX M6-1.0x20 SS BK From K-0257	4	4	
26	502573	WASHER FL 6.4x12.5x1.6 SS	4	4	
27	5001965	NUT SPR U M6-1.0 0.6-4.0 N500	4	4	
31	500789	NUT HEX 1/2-13 Z050	6	6	
32	500482	WASHER LO SPT .506x.873x.125 Z050	6	6	
33	500446	WASHER FL .531x1.250x.125 Z050	6	6	
50	216926	BRACKET BUMPER L.H. & R.H. / WELDED TO STRUCTURE To K-0256	2	2	
50	216819	BRACKET BUMPER L.H. & R.H. / WELDED TO STRUCTURE From K-0257	2	2	

From K-0185 To P-1452

Date:07/2024

PAGE:H9-1851-02

CAP - FRONT & REAR - INSTALLATION

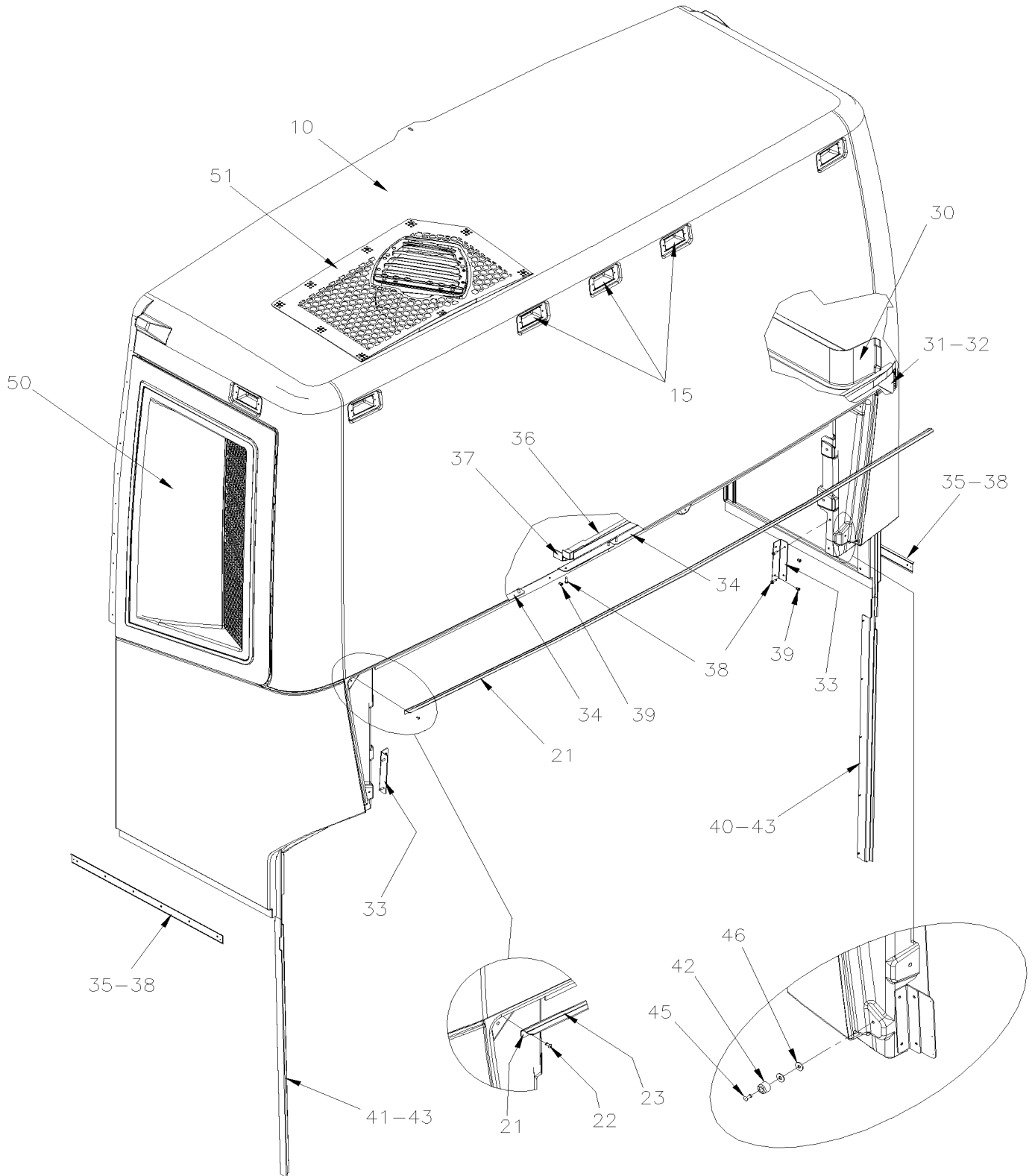


From K-0185 To P-1452

Date:07/2024

PAGE:H9-1851-02

CAP - FRONT & REAR - INSTALLATION



From K-0185 To P-1452	Date:07/2024	PAGE:H9-1851-02
CAP - FRONT & REAR - INSTALLATION		

Item#	Part	Description	H 3 4 1	H 3 4 5	N O T E S
1	470915	FRONT CAP ASSY / BUS W/SINGLE GLASS	1	1	B
1	470451P	. CAP, FRONT / PAINTED MIDNIGHT CHARCOALD / W/UPPER WIPER HOLES	1	1	
1	470904	FRONT CAP ASSY / BUS W/THERMO GLASS	1	1	B
1	470451P	. CAP, FRONT / PAINTED MIDNIGHT CHARCOALD / W/UPPER WIPER HOLES	1	1	
2	478441	FRONT LOWER PANEL ASSY / W/LIGHTS & CONNECTOR / W/HALOGENE LIGHT	1	1	
2	478442	FRONT LOWER PANEL ASSY / W/LIGHTS & CONNECTOR / W/XENON LIGHT	1	1	
2	4705135	FRONT LOWER PANEL ASSY / W/O LIGHTS	1	1	A
2	478400P	. PANEL LOWER FACE / FIBERGLASS / painted	1	1	
2	478630	. . PANEL LOWER FACE / FIBERGLASS /	1	1	
3	478747	. MOULDING "U" SS CHOME FINISH / HEADLAMP 1332MM	1	1	
NS	684685	. ADHESIVE SIMSON #ISR 70-03 / 310ml CARTRIDGE	AR	AR	
3	681283	. TAPE RUB ADH2 ACRYLIC .045" x 1/2" x 108' / WHITE 4945	AR	AR	
NS	475707	KIT STONE PROTECTOR / VINYL FILM / "H3 FACE LIFT	1	1	
4	H9-0660-02	HEADLAMP & FRONT DIRECTIONAL LAMPS			
10	470461	CAP, REAR / COACH	1	1	
NS	502761	SCREW TP BDG PH #10x3/4 SS BK From M-1110	4	4	C
15	H9-0662-00	CLEARANCE & MARKER LIGHT			
21	470218	DRIP EDGE UPPER 2220MM	1	1	
22	504643	RIVET POP DOME OE 1/8x1/2 SS	AR	AR	
23	506869	TAPE RUB ADH2 POL .031" X 1/4" X 300' / BLACK	AR	AR	
30	478449	ANGLE FIBERGLASS SEALING LOWER AIR INLET	1	1	
31	478462	ANGLE SEALING LOWER AIR INLET 737MM	1	1	
32	478463	ANGULAR DOUBLE CLOSING FRT AIR INLET 28MM WIDE	1	1	
33	479296	SUPPORT ANGLE 154MM X 30MM X 30MM	2	2	
34	479297	SUPPORT / LOWER REAR CAP SIDE / ANGLE 950MM X 38MM 30MM	2	2	
35	473364	SUPPORT / LOWER REAR CAP EACH SIDE / 633 MM	2	2	
36	478464	ANGULAR DOUBLE CLOSING CENTER CAP 1424MM	1	1	
37	478467	ANGULAR DOUBLE CLOSING CENTER CAP 58MM WIDE	1	1	
NS	504487	RIVET MGLP PRDG 3/16x7/16 SS	AR	AR	
38	504248	RIVET CHY Q PRDG 3/16x1/4 SS	AR	AR	
39	500414	SCREW TP BDG PH #10x3/4 SS	AR	AR	
40	478589	MOULDING REAR R.H. 1259MM SS	1	1	
41	478588	MOULDING REAR L.H. 1259MM SS	1	1	
42	5001168	BUMPER RUBBER / .750 OD x .562 TH x .187 HOLE To K-0337	2	2	
42	5002023	BUMPER NEOPRENE / .750 OD x .562 TH x .187 HOLE From K-0338	2	2	

From K-0185 To P-1452	Date:07/2024	PAGE:H9-1851-02
CAP - FRONT & REAR - INSTALLATION		

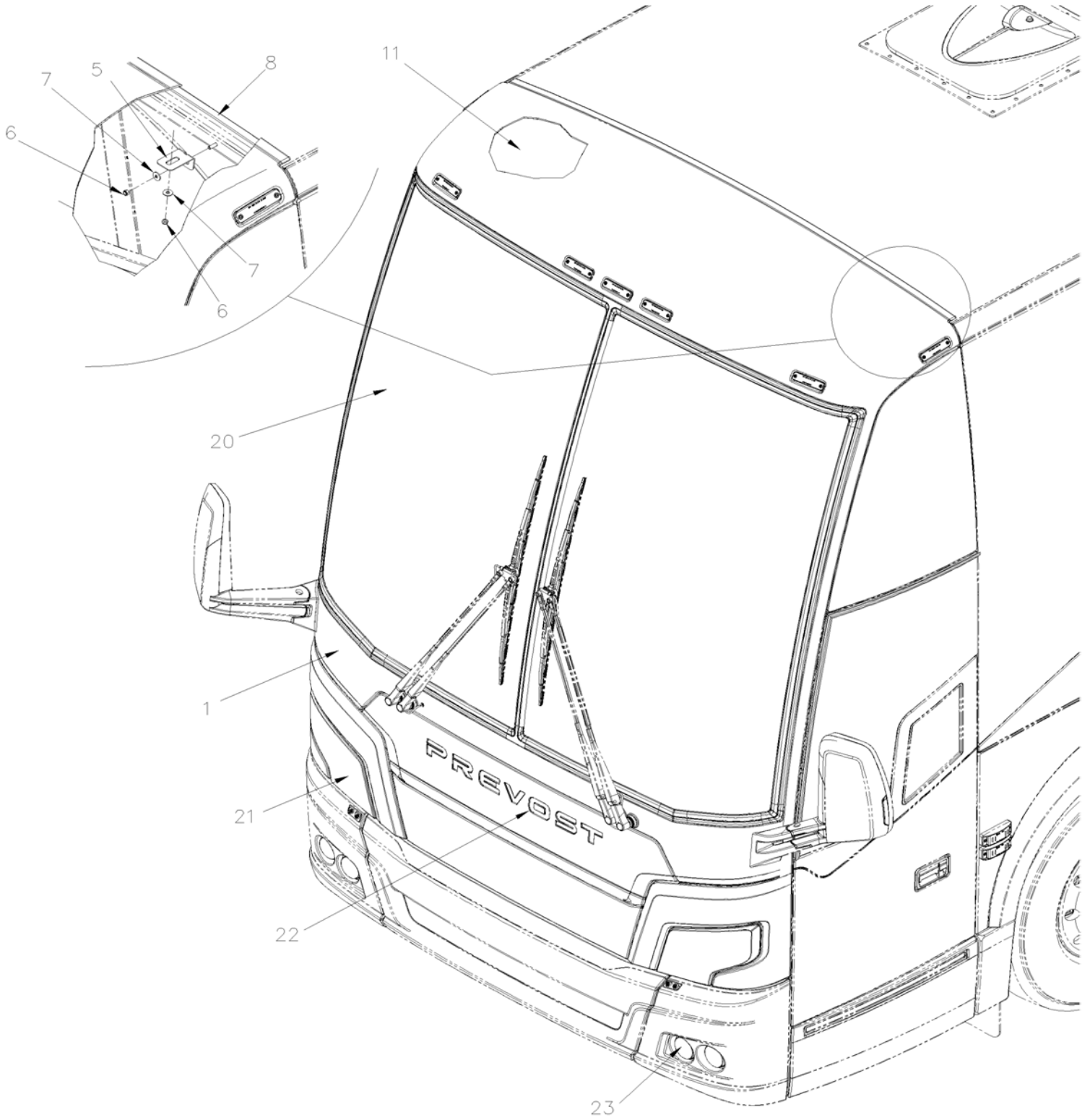
Item#	Part	Description	H 3 4 1	H 3 4 5	N O T E S
43	504340	RIVET POP DOME OE 1/8x3/16 SS	AR	AR	
45	504416	RIVET POP DOME OE 3/16x5/8 SS	2	2	
46	500411	WASHER FL .260x.697x.050 SS	2	2	
50	H9-1851-05	REAR CAP - DOOR DPF & SCR			
51	H9-0405-02	MUFFLER - INSTALLATION WITH DPF & SCR WITH VOLVO D13			
52	H9-1870-21	REAR ENGINE UPPER DOOR			
53	H9-1854-00	SIDE PANELS - BUS			
		A) ORDER LOWER ASSEMBLY PANEL WITHOUT LIGHTS AND ORDER LIGHT NEEDED: HALLOGENE: 930010 L.H. & 930011 R.H. / XENON: 930013 L.H. & 930014 R.H. / LED IS22055			
		B) THOSE FRONT CAP ASSY INCLUDE 2 UPPER SIDE WINDOW & DRIVER'S WINDOW			
		C) USE FIXE THE AIR INTAKE			

From R-1453

Date:07/2024

PAGE:H9-1851-03

FRONT CAP - INSTALLATION



From R-1453	Date:07/2024	PAGE:H9-1851-03
FRONT CAP - INSTALLATION		

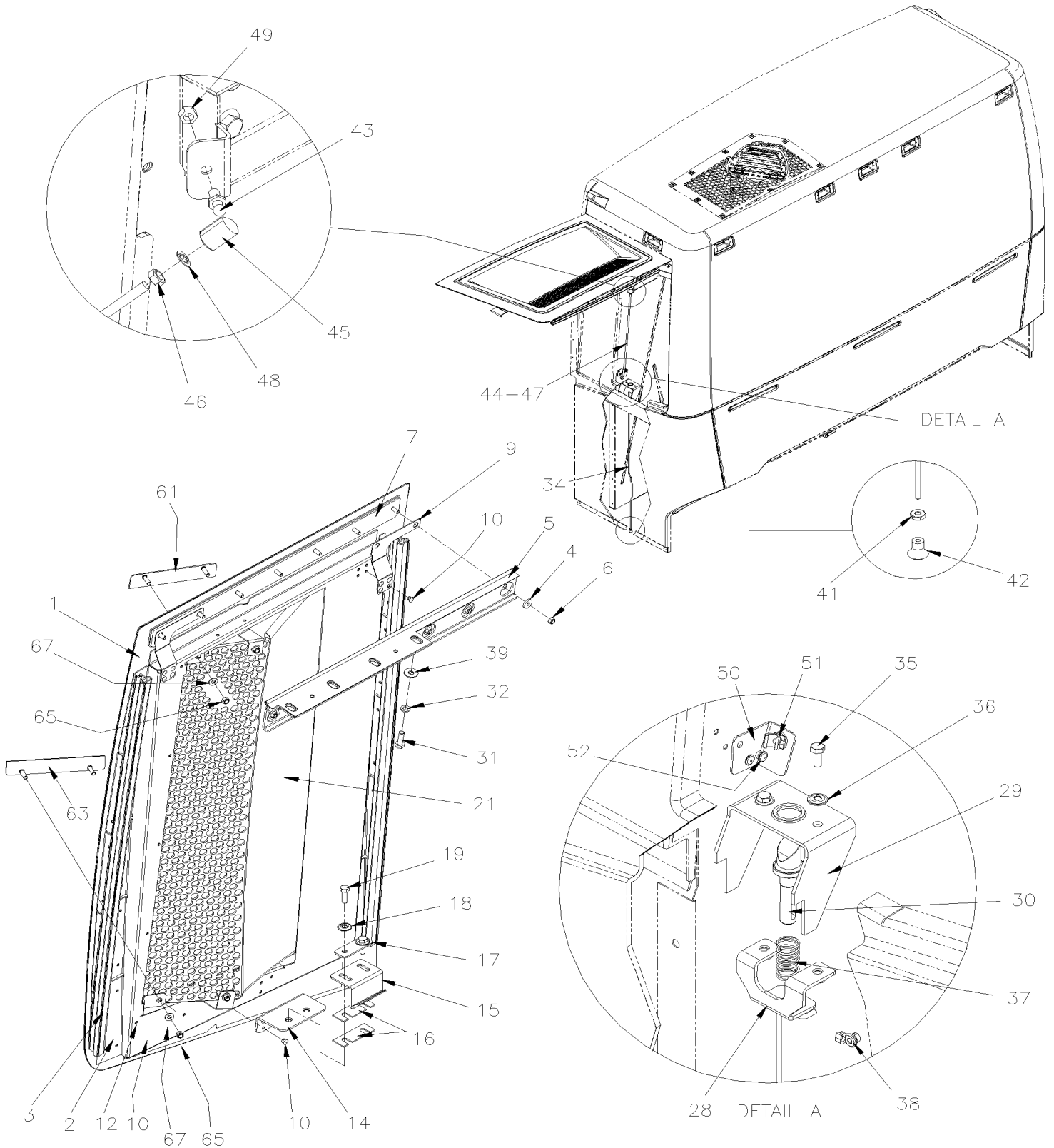
Item#	Part	Description	H 3 4 1	H 3 4 5	N O T E S
1	472245	FRONT CAP		1	
5	4710284	BONDING BRACKET		2	
6	502847	NUT HEX NYRT M8-1.25 N500		4	
7	5001849	WASHER FL 8.4x24.0x2.0 SS		4	
8	685385	GLUE MS POLYMER TEROSON MS 9399 / "A" 14.8 Liters		AR	
8	685386	GLUE MS POLYMER TEROSON MS 9399 / "B" 14.8 Liters		AR	
8	685387	GLUE MS POLYMER TEROSON MS 9399 / 400ml CARTRIDGE		AR	
8	685124	ADHESIVE SIMSON #ISR 70-03 / BLACK / 600ml SAUSAGE		AR	
11	353986	FRONT CAP LH CEILING INSULATION		1	
11	353987	FRONT CAP RH CEILING INSULATION		1	
20	H9-1880-02	WINDSHIELD & CHANNEL			
21	H9-0660-03	HEADLAMP & FRONT DIRECTIONAL LAMPS			
22	H9-1851-15	FRONT CAP - ACCESS PANEL			
23	H9-0661-02	FOG LAMP / LED			

From K-0185 To P-1452

Date:07/2024

PAGE:H9-1851-05

REAR CAP - DOOR DPF & SCR



From K-0185 To P-1452	Date:07/2024	PAGE:H9-1851-05
REAR CAP - DOOR DPF & SCR		

Item#	Part	Description	H 3 4 1	H 3 4 5	N O T E S
	478178P	DOOR ASSY / D.P.F.	1	1	
1	479287	. PANEL DOOR / PRIIMER	1	1	
. NS	479286	. . PANEL DOOR / UNPAINT	1	1	
1	478288	. GRILLE FIBERGLASS / AIR INLET BUS	1	1	
. NS	478277	. . GRILLE FIBERGLASS / AIR INLET BUS / UNPAINT	1	1	
2	479544	. FRAME DOOR	1	1	
3	506303	. RUBBER SEAL EXTRUSION	AR	AR	
4	5001654	. WASHER FL 6.4x17.0x3.0 SS	7	7	
5	478177	. HINGE 549MM	1	1	
6	502681	. NUT HEX NYRT M6-1.0 N500 G8	AR	AR	
7	478175	. ATTACHMENT PLATE ASSY W/STUD 7	1	1	
9	479243	. ATTACHMENT PLATE "L" SHAPE	1	1	
10	504379	. RIVET POP DOME OE 3/16x1/4 SS	AR	AR	
12	506191	. TAPE RUB ADH1 CC POL 1/8" x 1/4" x 50' / GREY 2520X	AR	AR	
NS	680066	. ADHESIVE / ADBOND #5014 / 23.6ML BOTTLE	AR	AR	
14	471147	. ANGLE ATTACHMENT CATCH RETAINER	1	1	
15	289463	. CATCH PIN / RETAINER 49.8MMx43MM 90°	1	1	
16	287452	. SHIM SPACER 70MM X 25 X 14GA	AR	AR	
17	288088	. PLATE RETAINER 66MM X 25.4MM	1	1	
18	502857	. WASHER LO SERR 8.2x26.3x1.8 N500	2	2	
19	940142	. SCREW CAP HEX M8-1.25x30 G8.8 ZG603	2	2	
NS	684743	. GLUE METHACRYLATE PLEXUS MA832GB 380 ml	AR	AR	
21	478288	. GRILLE FIBERGLASS / AIR INLET BUS	1	1	
. NS	478277	. . GRILLE FIBERGLASS / AIR INLET BUS / UNPAINT	1	1	
28	288061	SUPPORT CATCH PIN	1	1	
29	478193	STOPPER CATCH PIN 90MM HEIGHT	1	1	
30	2801056	CATCH PIN BLACK ACETAL	1	1	
31	502780	SCREW CAP HEX M8-1.25x25 SS BK	4	4	
32	5001161	WASHER LO SPT 8.1x14.8x2.0 SS-304	4	4	
33	504488	RIVET MGLP PRDG 3/16x17/64 SS	1	1	
34	470941	ROD OPENING P.D.F. DOOR 858MM	1	1	
35	955271	SCREW CAP HEX M6-1.0x16 G8.8 ZG603	2	2	
36	500356	WASHER LO SERR 6.1x16.0x0.9 N500	2	2	
37	502910	SPRING COMPRESSION / .720 O.D. 1.75 x .055	1	1	
38	780340	CLIP, RETAINER ROD	1	1	
39	5001448	WASHER FL .343x.875x.062 SS18-8	4	4	
41	500986	NUT HEX #8-32 N500	1	1	
42	505504	KNOB, PULL / 8-32	1	1	
43	980015	BALL STUD / W/10 MM X M8-1.25 / 29.18 MM	1	1	
44	478292	ROD DOOR SUPPORT ASS	1	1	
44	478293	. ROD DOOR SUPPORT	1	1	
45	502937	. BALL SOCKET FITTING 10MM X M8-1.25	1	1	

From K-0185 To P-1452	Date:07/2024	PAGE:H9-1851-05
REAR CAP - DOOR DPF & SCR		

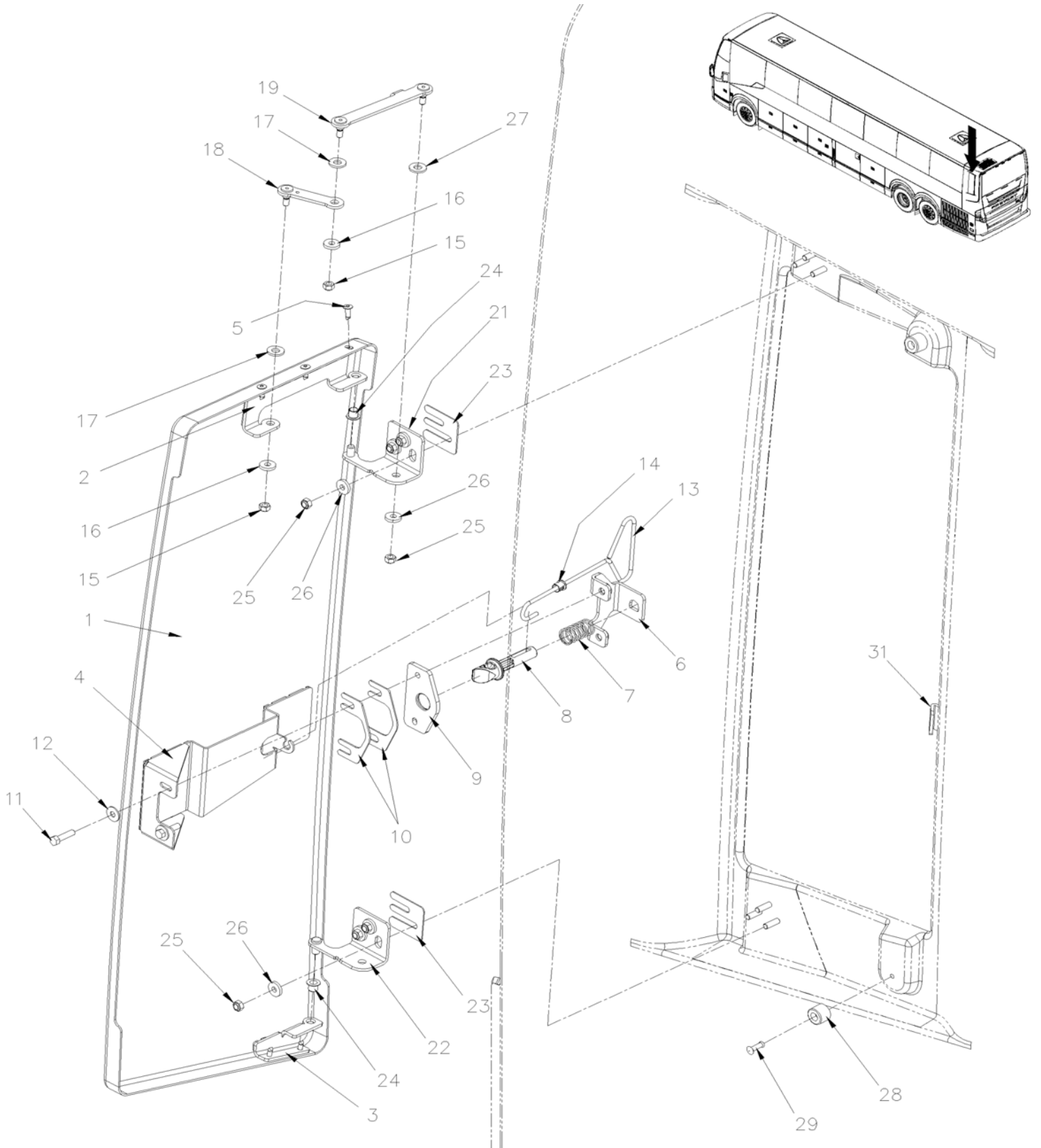
Item#	Part	Description	H 3 4 1	H 3 4 5	N O T E S
46	5001188	. NUT HEX M8-1.25 SS	1	1	
47	5001654	. WASHER FL 6.4x17.0x3.0 SS	1	1	
48	500475	. WASHER LO INT .320x.610x.034 Z050	1	1	
49	502838	NUT HEX TWAY M8-1.25 N500	1	1	
50	477213	SUPPORT ATTACHMENT ROD	1	1	
51	504734	ATTACHMENT ROD	1	1	
52	504488	RIVET MGLP PRDG 3/16x17/64 SS	2	2	
61	478963	UPPER PLATE	1	1	
63	478964	LOWER PLATE	1	1	
65	5001851	NUT HEX M6-1.0 SS BK	4	4	
67	500877	WASHER FL .250x.562x.065 N500	4	4	

From R-1453

Date:07/2024

PAGE:H9-1851-06

REAR CAP - DOOR DPF & SCR



From R-1453		Date:07/2024	PAGE:H9-1851-06
REAR CAP - DOOR DPF & SCR			

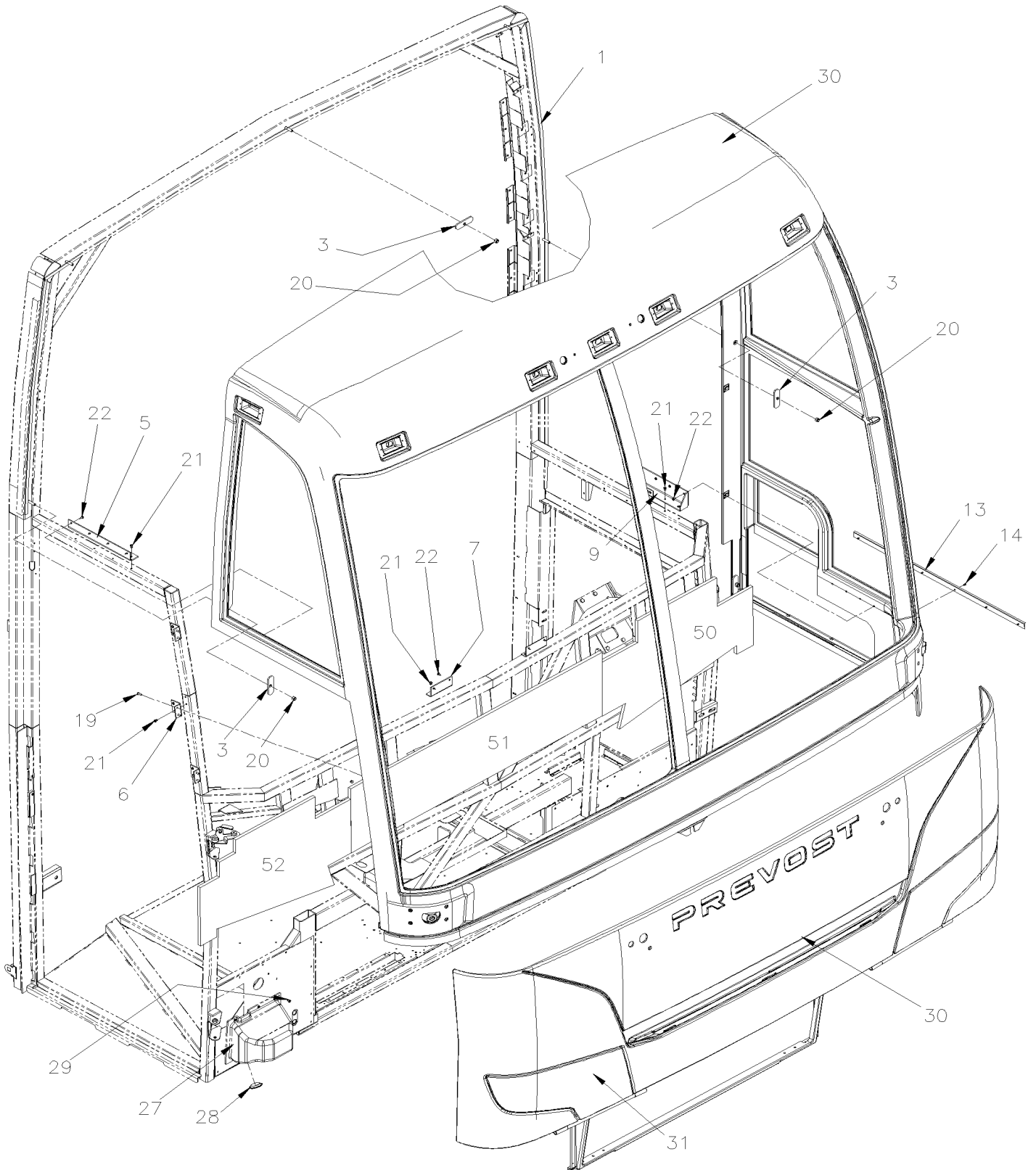
Item#	Part	Description	H 3 4 1	H 3 4 5	N O T E S
1	2810261	DOOR ACCESS, ASS		1	
2	283341	. SUPPORT, TOP HINGE		1	
NS	685387	. GLUE MS POLYMER TEROSON MS 9399 / 400ml CARTRIDGE		AR	
NS	506785	. TAPE RUB ADH2 CC POL 1/16" X 1/4" X 200' / BLACK I1C-N-A		AR	
3	283288	. SUPPORT, BOTTOM HINGE		1	
NS	685387	. GLUE MS POLYMER TEROSON MS 9399 / 400ml CARTRIDGE		AR	
NS	506785	. TAPE RUB ADH2 CC POL 1/16" X 1/4" X 200' / BLACK I1C-N-A		AR	
4	283078	. SUPPORT, DOOR LATCH		1	
NS	685387	. GLUE MS POLYMER TEROSON MS 9399 / 400ml CARTRIDGE		AR	
NS	506785	. TAPE RUB ADH2 CC POL 1/16" X 1/4" X 200' / BLACK I1C-N-A		AR	
5	504379	. RIVET POP DOME OE 3/16x1/4 SS		5	
6	283223	. SUPPORT, LATCH		1	
7	502910	. SPRING COMPRESSION / .720 O.D. 1.75 x .055		1	
8	2801056	. CATCH PIN BLACK ACETAL		1	
9	283126	. GUIDE, LATCH		1	
10	287878	. SHIM		2	
11	502737	. SCREW CAP HEX M6-1.0x25 SS BK		2	
12	5001833	. WASHER BEL SPR 6.1x18x1.27 SS		2	
13	283287	. ROD, DOOR OPENING		1	
14	504083	. SNAP BUSHING / .250x.468.406		1	
15	5001182	. NUT HEX NYRT M6-1.0 SS		2	
16	5001654	. WASHER FL 6.4x17.0x3.0 SS		2	
17	5001850	. WASHER FL 8.4 x 18 x 2 NYL		2	
18	283401	. ARM, LOCKING (SHORT) ASSY.		1	
19	283399	. ARM, LOCKING (LONG) ASSY.		1	
21	283352	HINGE, TOP		1	
22	283353	HINGE, BOTTOM		1	
23	283396	SHIM		2	
24	507378	BUSHING W/SHOULDER		2	
25	5001182	NUT HEX NYRT M6-1.0 SS		7	
26	5001654	WASHER FL 6.4x17.0x3.0 SS		7	
27	5001850	WASHER FL 8.4 x 18 x 2 NYL		1	
28	5002023	BUMPER NEOPRENE / .750 OD x .562 TH x .187 HOLE		2	
29	504416	RIVET POP DOME OE 3/16x5/8 SS		2	
31	471140	LATCH, DOOR 1		1	
31	685387	GLUE MS POLYMER TEROSON MS 9399 / 400ml CARTRIDGE		AR	
31	506785	TAPE RUB ADH2 CC POL 1/16" X 1/4" X 200' / BLACK I1C-N-A		AR	

From K-0185 To P-1452

Date:07/2024

PAGE:H9-1851-11

FRONT PANEL - INSTALLATION



From K-0185 To P-1452	Date:07/2024	PAGE:H9-1851-11
FRONT PANEL - INSTALLATION		

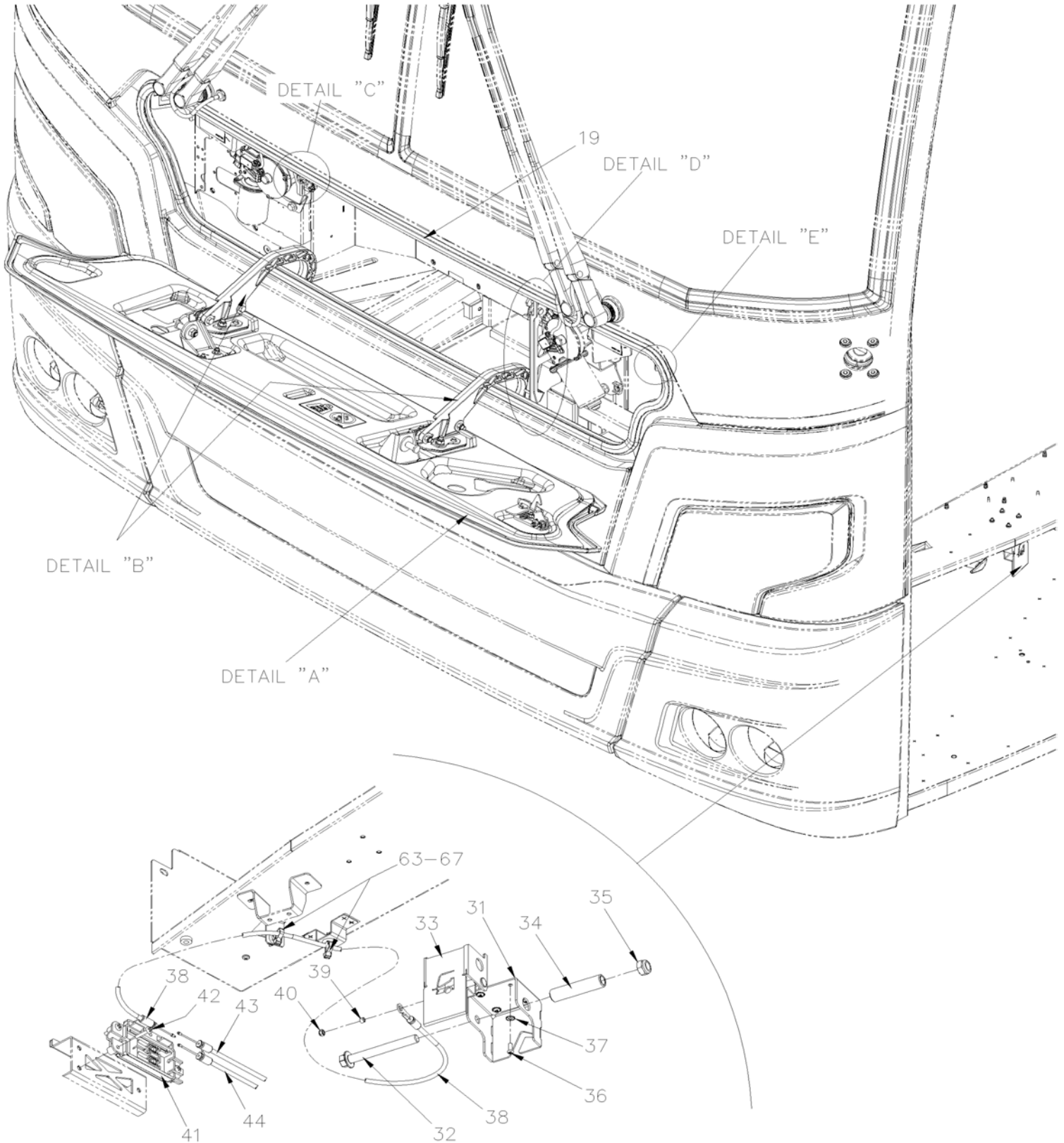
Item#	Part	Description	H 3 4 1	H 3 4 5	N O T E S
1	475140	RUBBER SEAL EXTRUSION 13.0x5.5	AR	AR	A
3	476595	PLATE REINFORCEMENT	6	6	
5	472141	ANGLE RETAINER / ABOVE FRONT DOOR	1	1	
6	283917	ANGLE RETAINER & SUPPORT	3	3	
7	472142	ANGLE RETAINER / BOTTOM OF LOWER WINDSHIELD	2	2	
9	473716	ANGLE RETAINER / BOTTOM OF DRIVER'S WINDOW	6	6	
NS	500310	SCREW TC FL PH #10-24x1 1/4 SS410	4	4	
NS	502582	WASHER LO SERR 6.1x16.2x0.9 Z050	4	4	
NS	506644	TAPE RUB ADH1 CC NEO 1/8" x 21" x 25" / BLACK 1220SC	AR	AR	
13	285334	ANGLE / TO FIX FRONT CAP	1	1	
14	504339	RIVET POP DOME OE 1/8x3/8 SS	AR	AR	
19	500642	SCREW TP PAN PH #10x3/4 Z050	6	6	
20	502600	NUT HEX NYRT 5/16-18 Z050	6	6	
21	504488	RIVET MGLP PRDG 3/16x17/64 SS	18	18	
22	500638	SCREW TP PAN PH #8x1/2 Z050	12	12	
NS	685124	ADHESIVE SIMSON #ISR 70-03 / BLACK / 600ml SAUSAGE	AR	AR	
NS	684685	ADHESIVE SIMSON #ISR 70-03 / 310ml CARTRIDGE	AR	AR	
NS	685126	ADHESIVE SIMSON #ISR 70-03 / GREY / 600ml SAUSAGE	AR	AR	
NS	687961	GLUE MS POLYMER TEROSON MS 9399 / "A" 21 Liters To M-1153	AR	AR	
NS	685385	GLUE MS POLYMER TEROSON MS 9399 / "A" 14.8 Liters From M-1154	AR	AR	
NS	687962	GLUE MS POLYMER TEROSON MS 9399 / "B" 21 Liters To M-1153	AR	AR	
NS	685386	GLUE MS POLYMER TEROSON MS 9399 / "B" 14.8 Liters From M-1154	AR	AR	
NS	687957	GLUE MS POLYMER TEROSON MS 9399 / 400ml CARTRIDGE To M-1153	AR	AR	
NS	685387	GLUE MS POLYMER TEROSON MS 9399 / 400ml CARTRIDGE From M-1154	AR	AR	
NS	680067	SEALANT TAPE BUTYL / BLACK / 1/8"x3/4"x25' / 75211E760	8	8	
NS	683084	SEALANT SIKA #221 / GREY / 600 ml SAUSAGE	3	3	
27	287245	COVER LOWER HINGE / REAR OF BUMPER	1	1	
28	504443	SNAP-IN PLUG / 1.500 O.D.	1	1	
29	504581	RIVET MGLP PRDG 3/16x7/16 SS BK	AR	AR	
30	H9-1851-02	CAP - FRONT & REAR - INSTALLATION	1	1	
31	H9-0660-02	HEADLAMP & FRONT DIRECTIONAL LAMPS			
50	356076	INSULATING PAD	1	1	
51	356075	INSULATING PAD	1	1	
52	356074	INSULATING PAD	1	1	
NS	682525	GLUE, CONTACT ADBOND 8399 (205 LI) 205 LITER	AR	AR	
		A) QUANTITY REQUIRED 5 METERS			

From R-1453

Date:07/2024

PAGE:H9-1851-15

FRONT CAP - ACCESS PANEL

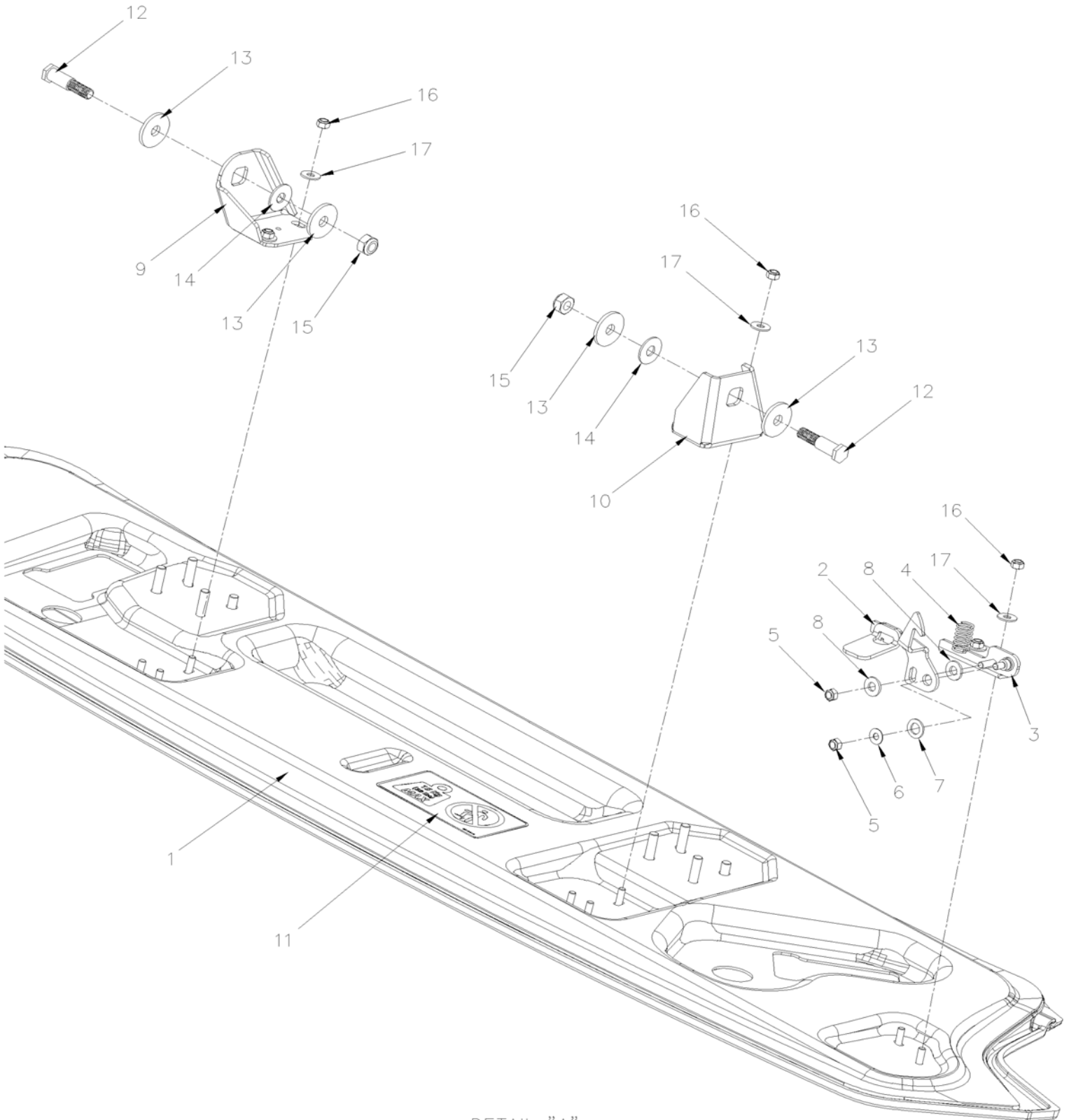


From R-1453

Date:07/2024

PAGE:H9-1851-15

FRONT CAP - ACCESS PANEL



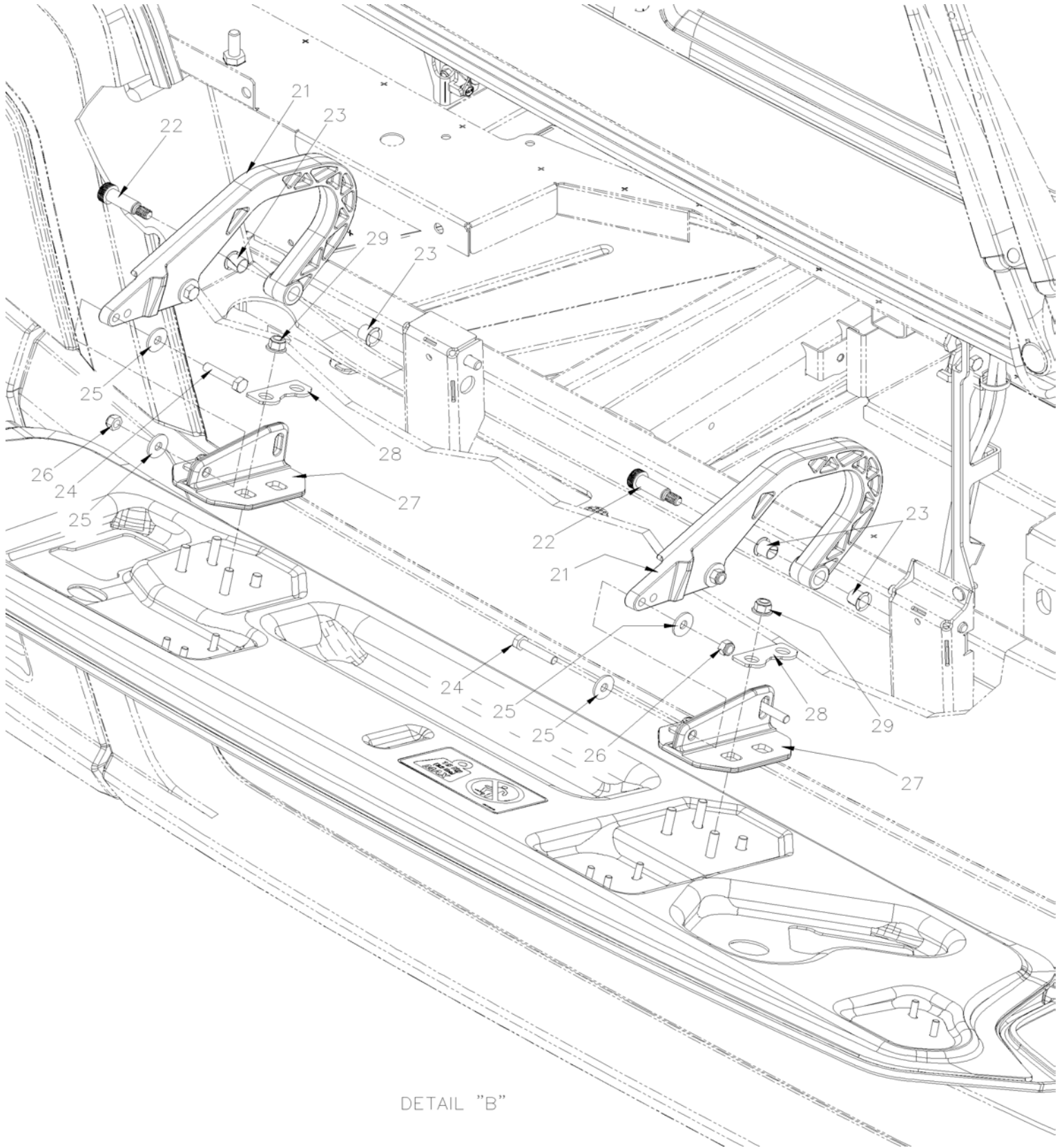
DETAIL "A"

From R-1453

Date:07/2024

PAGE:H9-1851-15

FRONT CAP - ACCESS PANEL

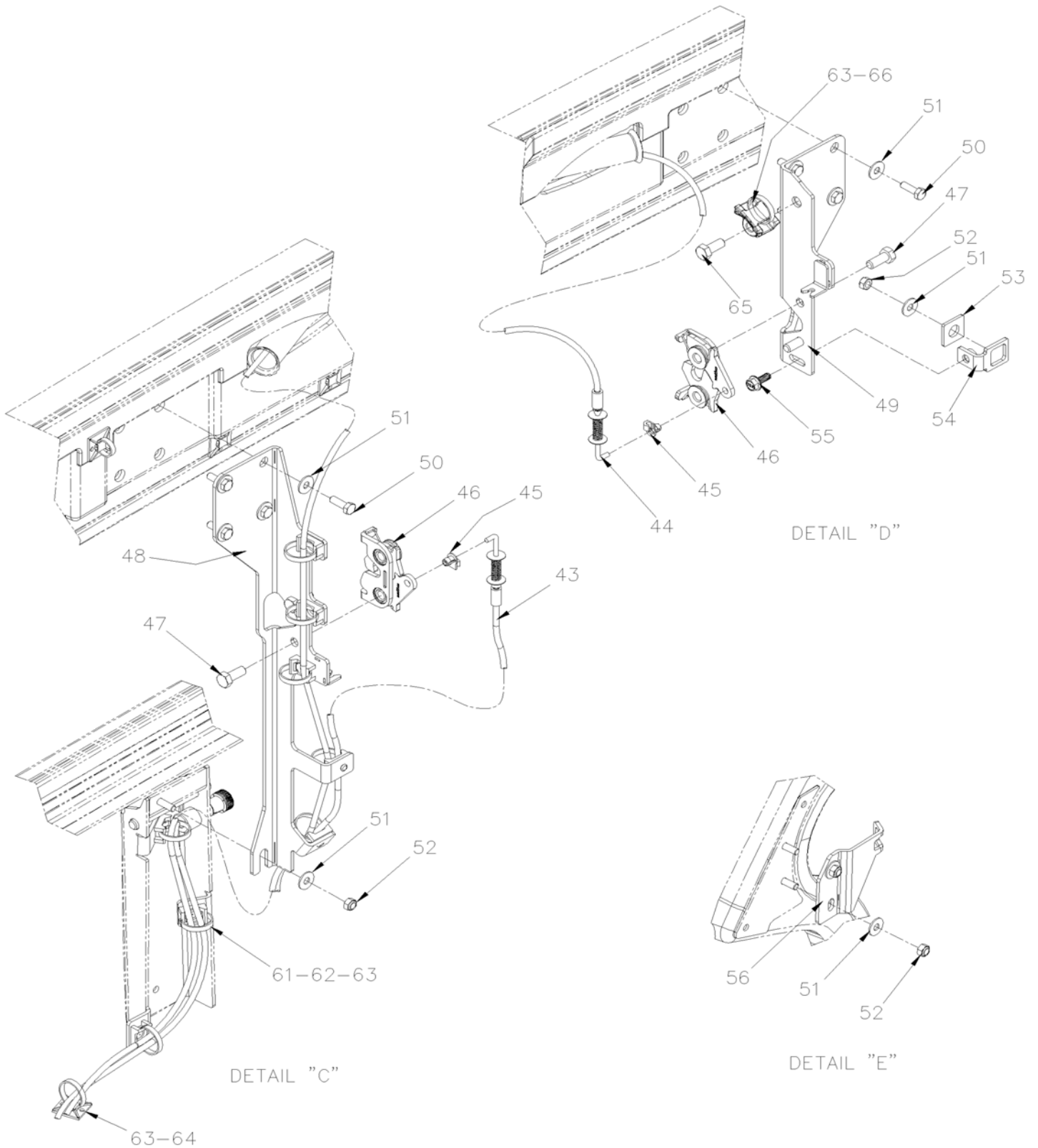


From R-1453

Date:07/2024

PAGE:H9-1851-15

FRONT CAP - ACCESS PANEL



From R-1453		Date:07/2024	PAGE:H9-1851-15
FRONT CAP - ACCESS PANEL			

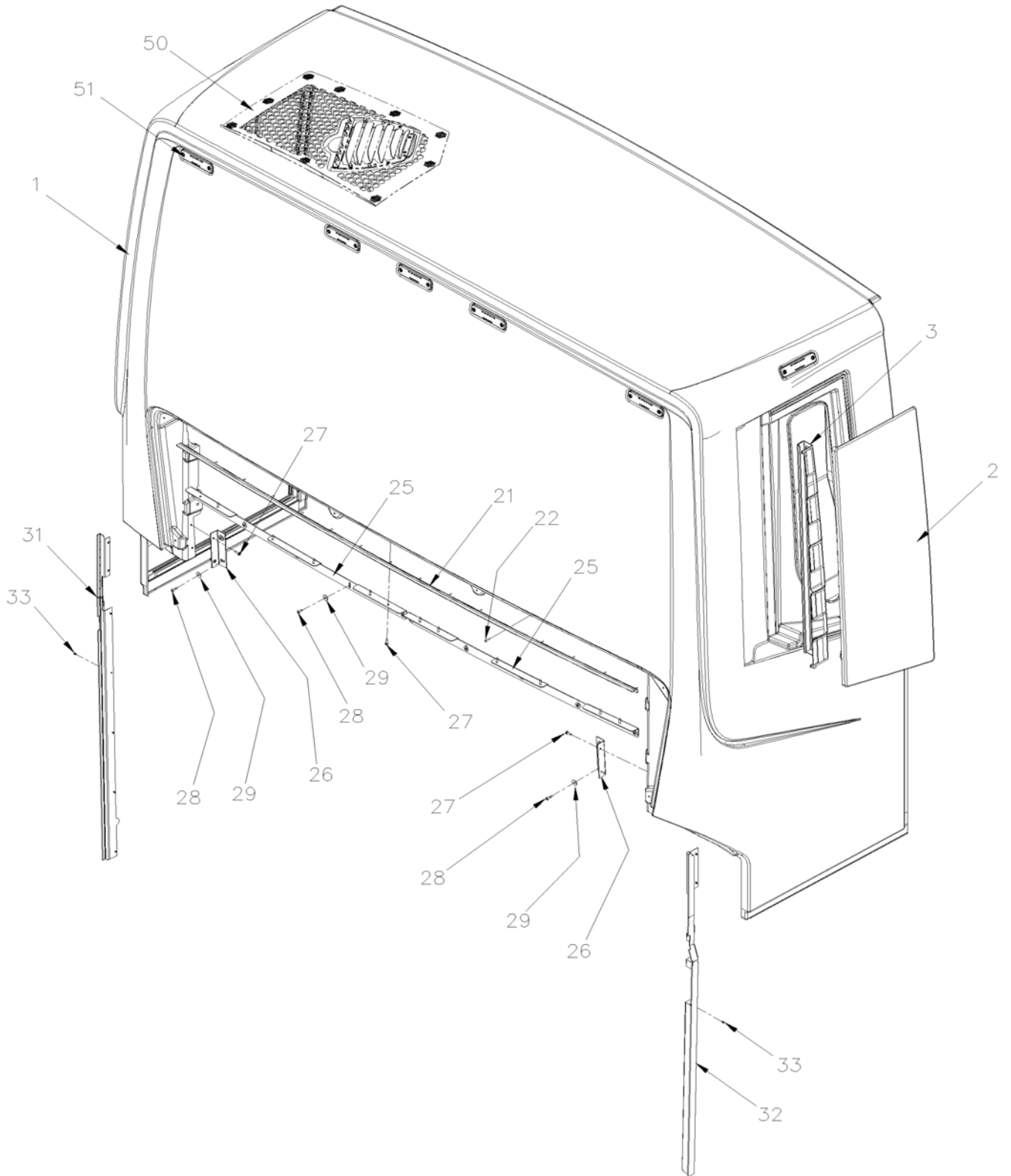
Item#	Part	Description	H 3 4 1	H 3 4 5	N O T E S
	Call order desk	FRONT SERVICE PANEL ASS		1	P
1	2810652	. FRONT SERVICE PANEL		1	
2	2810365	. . LATCH HANDLE		1	
2	2810364	. LATCH ASSY		0	
3	2810369	. . LATCH HANDLE		1	
4	502245	. . SPRING COMPRESSION / .600 O.D. x 1.25 x .059		1	
5	502681	. . NUT HEX NYRT M6-1.0 N500 G8		1	
6	5001608	. . WASHER BEL SPR 6.2x15.0x0.7 G500		1	
7	5001935	. . WASHER FL 10.5x18.0x1.6 SS		1	
8	5001850	. . WASHER FL 8.4 x 18 x 2 NYL		2	
9	478862	. RIGHT MOBILE LATCH BRACKET To R-1481		1	
9	4705194	. RIGHT MOBILE LATCH BRACKET From R-1482		1	
10	478864	. LEFT MOBILE LATCH BRACKET To R-1481		1	
10	4705193	. LEFT MOBILE LATCH BRACKET From R-1482		1	
11	2810612	. DECAL, FRONT SERVICE PANEL		1	
12	780057	. STRIKER PIN		2	
13	2810659	. WASHER FLAT 10.4 X 34 X 3.2 SS To R-1481		4	
13	2800698	. WASHER FLAT 10.4 X 34 X 3.2 SS From R-1482		4	
14	5001718	. WASHER BEL SPR 10.2x27x1.6 MAGNI 565		2	
15	502859	. NUT HEX NYRT M10-1.5 N500		2	
16	502681	. NUT HEX NYRT M6-1.0 N500 G8		8	
17	5001833	. WASHER BEL SPR 6.1x18x1.27 SS		8	
19	2810547	WEATHER STRIP, FRONT SERVICE PANEL 3295MM		1	
21	2810562	HINGE DOOR		2	
22	5002161	SCREW SHR HEXS 1/2x1 1/4 {3/8-16} SS		2	
23	507142	BUSHING, NYLINER W/SHOULDER (8-L-8-F)		4	
24	5001319	SCREW CAP HEX M8-1.25x40 SS		4	
25	5001849	WASHER FL 8.4x24.0x2.0 SS		8	
26	502847	NUT HEX NYRT M8-1.25 N500		4	
27	2810452	SUPPORT FRONT SERVICE PANEL		2	
28	2810650	SPACER, FRONT SERVICE PANEL		4	
29	5001931	NUT HEXF NYRT M8-1.25 G8.8 N500		6	
31	411442	HOUSING, FRONT SERVICE PANEL RELEASE		1	
32	5001784	SCREW CAP HEXF M10-1.5x90 G8.8 AD N500		1	
33	411443	ACTUATOR, FRONT SERVICE PANEL RELEASE		1	
34	287337	SPACER / BEARING FLANGE		1	
35	502859	NUT HEX NYRT M10-1.5 N500		1	
36	5001996	SCREW MA PAN PH M4-0.7x12 N500		4	
37	5001544	WASHER LO EXT .195x.410x.025 SS		4	
38	780070	CABLE, PULL LATCH HANDLE		1	
39	5002252	SPACER 4.2ID X 6OD X 4 LG		1	
40	500539	NUT HEX NYRT M4-0.7 N500		1	

From R-1453

Date:07/2024

PAGE:H9-1851-20

REAR CAP - INSTALLATION

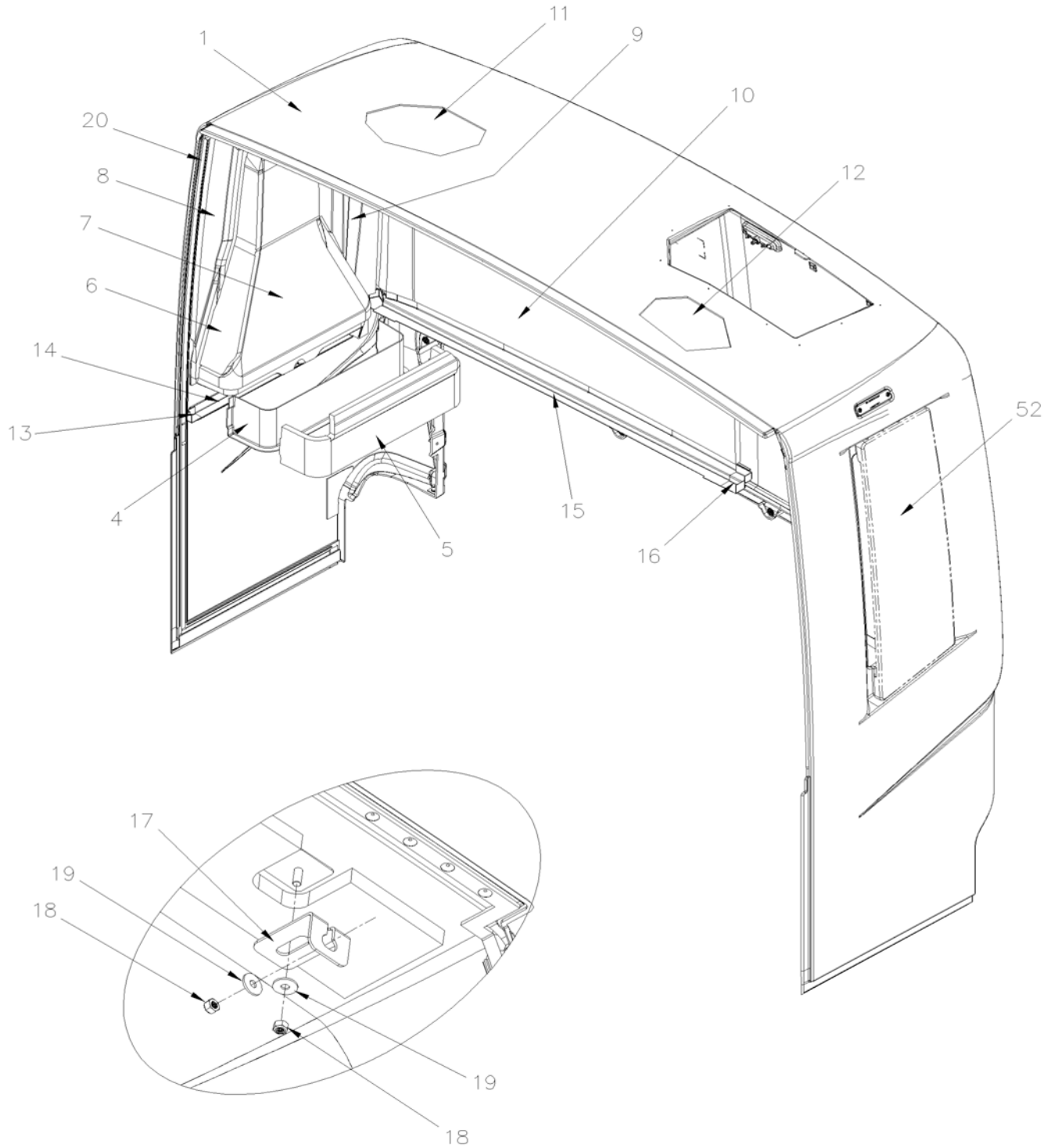


From R-1453

Date:07/2024

PAGE:H9-1851-20

REAR CAP - INSTALLATION



From R-1453		Date:07/2024	PAGE:H9-1851-20
REAR CAP - INSTALLATION			

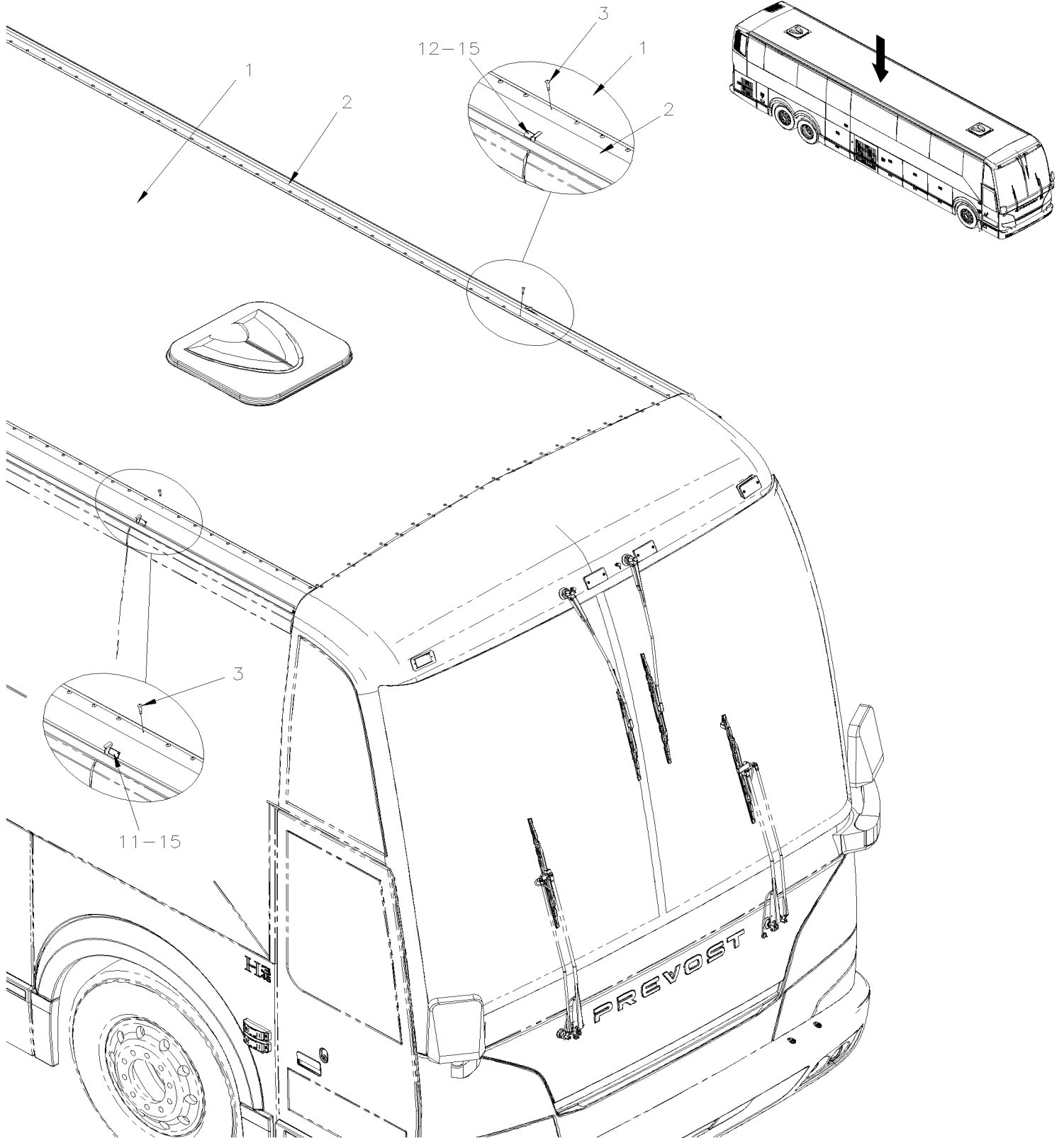
Item#	Part	Description	H 3 4 1	H 3 4 5	N O T E S
1	478867	REAR CAPE H		1	
NS	685124	ADHESIVE SIMSON #ISR 70-03 / BLACK / 600ml SAUSAGE		AR	
NS	685387	GLUE MS POLYMER TEROSON MS 9399 / 400ml CARTRIDGE		AR	
NS	562679	4 WAY ADH. BACKED MOUNTS 1.000 x 1.000 x .160		AR	
NS	504637	CABLE TIE / 3/16" x 13"		AR	
2	478870	PANEL AIR TAKE		1	
NS	506785	TAPE RUB ADH2 CC POL 1/16" X 1/4" X 200' / BLACK I1C-N-A		AR	
NS	685387	GLUE MS POLYMER TEROSON MS 9399 / 400ml CARTRIDGE		AR	
3	479732	BRACKET AIR TAKE PANEL		1	
4	479755	SEALING JOINT		1	
5	353878	REAR CAP INSULATION		1	
6	353877	REAR CAP INSULATION		1	
7	353876	REAR CAP INSULATION		1	
8	353873	REAR CAP INSULATION		1	
9	353874	REAR CAP INSULATION		1	
10	353872	REAR CAP INSULATION		1	
11	353875	REAR CAP INSULATION		1	
12	353978	REAR CAP INSULATION		1	
13	478463	ANGULAR DOUBLE CLOSING FRT AIR INLET 28MM WIDE		1	
14	479441	ANGLE, SEALING		1	
15	479440	SEALING ANGLE		1	
16	478467	ANGULAR DOUBLE CLOSING CENTER CAP 58MM WIDE		1	
17	4710284	BONDING BRACKET		2	
18	5001983	NUT HEX NYRT M8-1.25 SS SS BK		4	
19	5001849	WASHER FL 8.4x24.0x2.0 SS		4	
20	290586	SEAL, VERTICAL WINDOW 1258MM		2	
21	479750	UPPER DRIP EDGE, REAR FACE		1	
NS	506869	TAPE RUB ADH2 POL .031" X 1/4" X 300' / BLACK		AR	
22	504643	RIVET POP DOME OE 1/8x1/2 SS		18	
25	479446	SUPPORT, REAR CAP		2	
26	479752	SUPPORT, REAR CAP		2	
27	500414	SCREW TP BDG PH #10x3/4 SS		16	
28	504379	RIVET POP DOME OE 3/16x1/4 SS		14	
29	508401	WASHER FL .218x.875x.062 SS XL BK		14	
31	478588	MOULDING REAR L.H. 1259MM SS		1	
32	478589	MOULDING REAR R.H. 1259MM SS		1	
33	504340	RIVET POP DOME OE 1/8x3/16 SS		14	
50	H9-0405-03	MUFFLER - INSTALLATION WITH DPF & SCR WITH VOLVO D13			
51	H9-0662-01	CLEARANCE & MARKER LIGHT			
52	H9-1851-06	REAR CAP - DOOR DPF & SCR			

From K-0185 To P-1452

Date:07/2024

PAGE:H9-1852-00

ROOF PANELS



From K-0185 To P-1452	Date:07/2024	PAGE:H9-1852-00
ROOF PANELS		

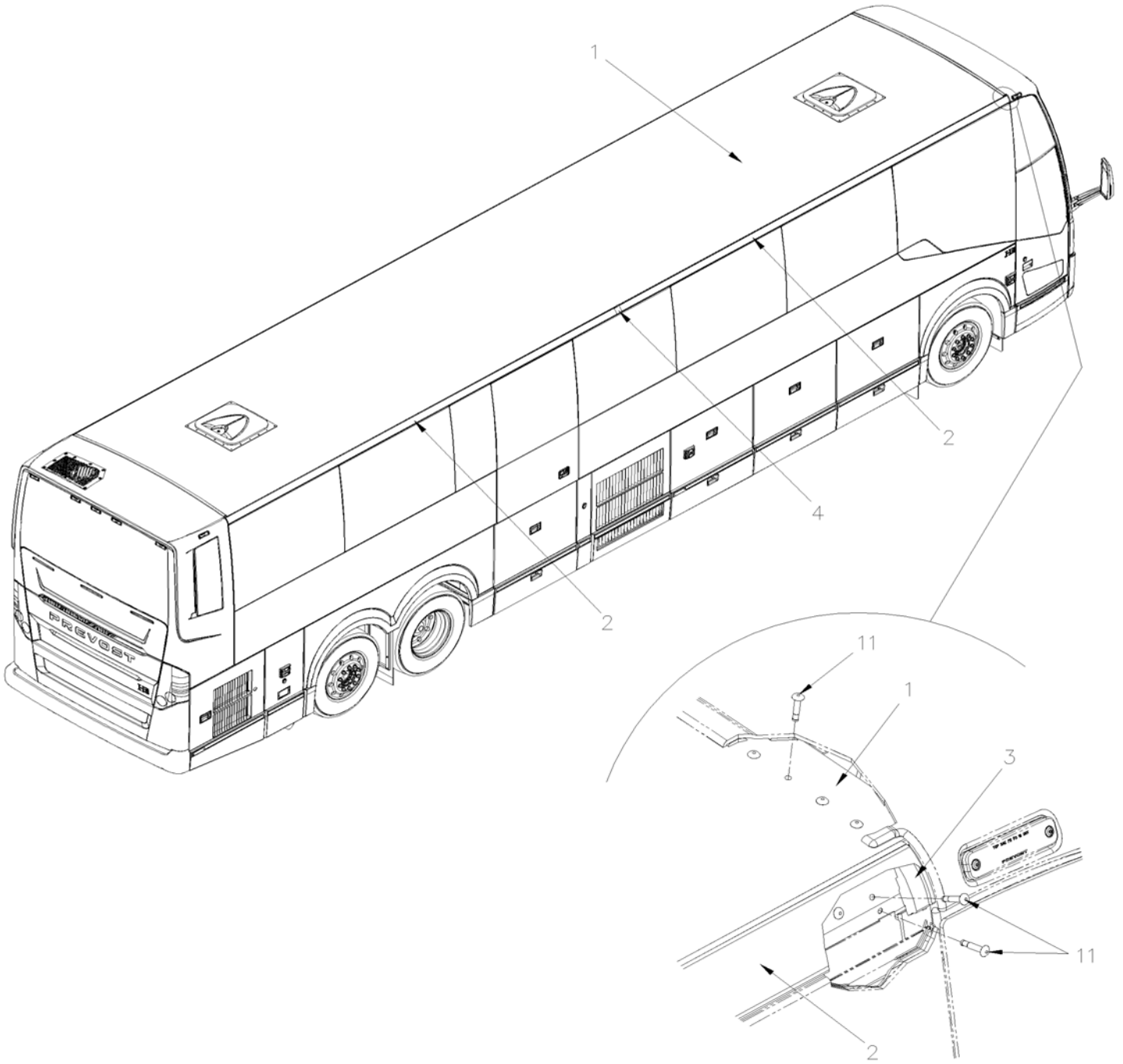
Item#	Part	Description	H 3 4 1	H 3 4 5	N O T E S
1	472937P	SHEET, ALUMINUM / ROOF	1		
1	472805P	SHEET, ALUMINUM / ROOF		1	
NS	683084	SEALANT SIKA #221 / GREY / 600 ml SAUSAGE	AR	AR	
2	292900	EXTRUSION, ALUMINUM 10540MM	2		
2	292899	EXTRUSION ALUMINUM 11786MM		2	
3	504787	RIVET CHY MONOLOK PRDG 1/4x5/8 ZP	AR	AR	
11	421398	DEFLECTOR CURBSIDE	1	1	
12	421399	DEFLECTOR STREET SIDE	1	1	
15	506785	TAPE RUB ADH2 CC POL 1/16" X 1/4" X 200' / BLACK I1C-N-A	AR	AR	
15	684685	ADHESIVE SIMSON #ISR 70-03 / 310ml CARTRIDGE	AR	AR	

From R-1453

Date:07/2024

PAGE:H9-1852-01

ROOF PANELS



From R-1453	Date:07/2024	PAGE:H9-1852-01
ROOF PANELS		

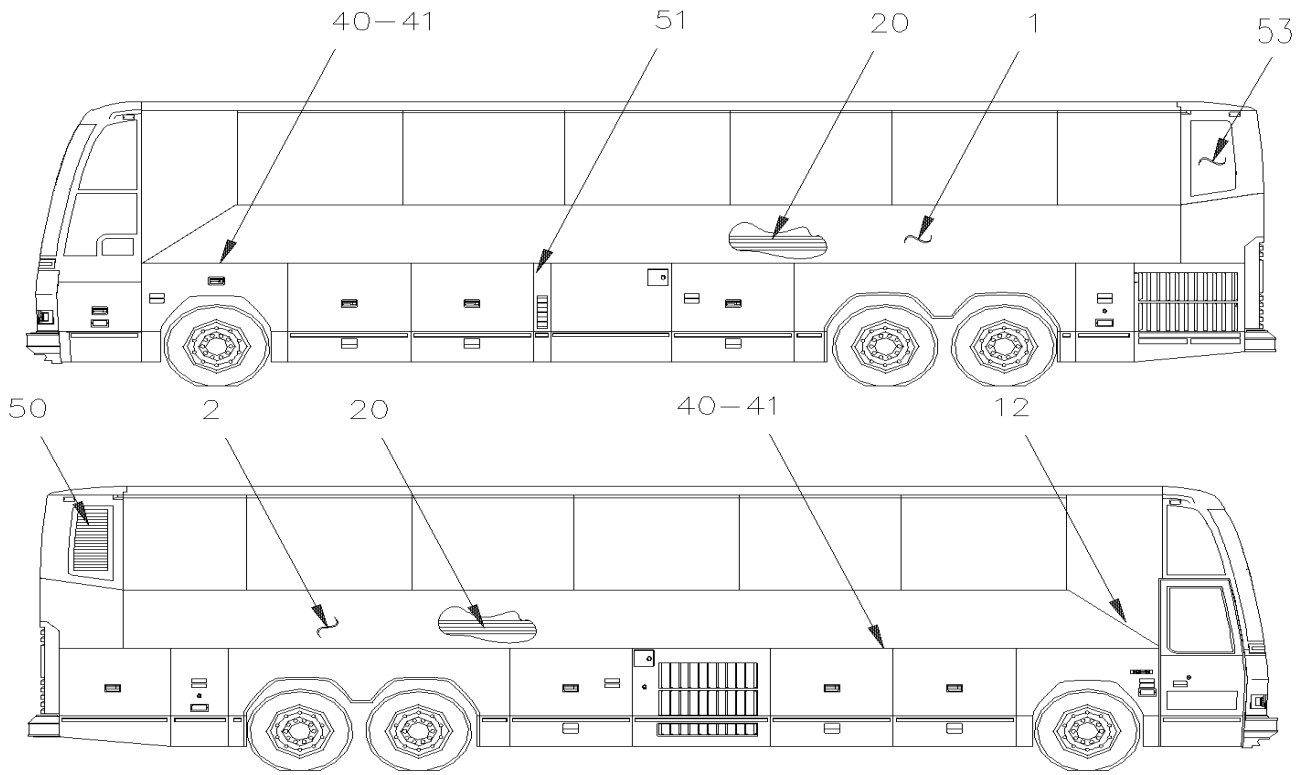
Item#	Part	Description	H 3 4 1	H 3 4 5	NOTES
1	970003	ALUMINUM SHEET 5052 WHITE 18GA X 94 1/2"		AR	
1	685385	GLUE MS POLYMER TEROSON MS 9399 / "A" 14.8 Liters		AR	
1	685386	GLUE MS POLYMER TEROSON MS 9399 / "B" 14.8 Liters		AR	
1	683084	SEALANT SIKA #221 / GREY / 600 ml SAUSAGE		AR	
2	290781	EXTRUSION, ROOF		4	
3	290255	PLUG		8	
3	680066	ADHESIVE / ADBOND #5014 / 23.6ML BOTTLE		AR	
4	479765	ROOF EXTRUSION SEAL MOLDING		2	
. NS	290256	. ROOF EXTRUSION SEAL MOLDING		1	
. NS	506869	. TAPE RUB ADH2 POL .031" X 1/4" X 300' / BLACK		AR	
4	685124	ADHESIVE SIMSON #ISR 70-03 / BLACK / 600ml SAUSAGE		AR	
11	504787	RIVET CHY MONOLOK PRDG 1/4x5/8 ZP		AR	

From K-0185 To P-1452

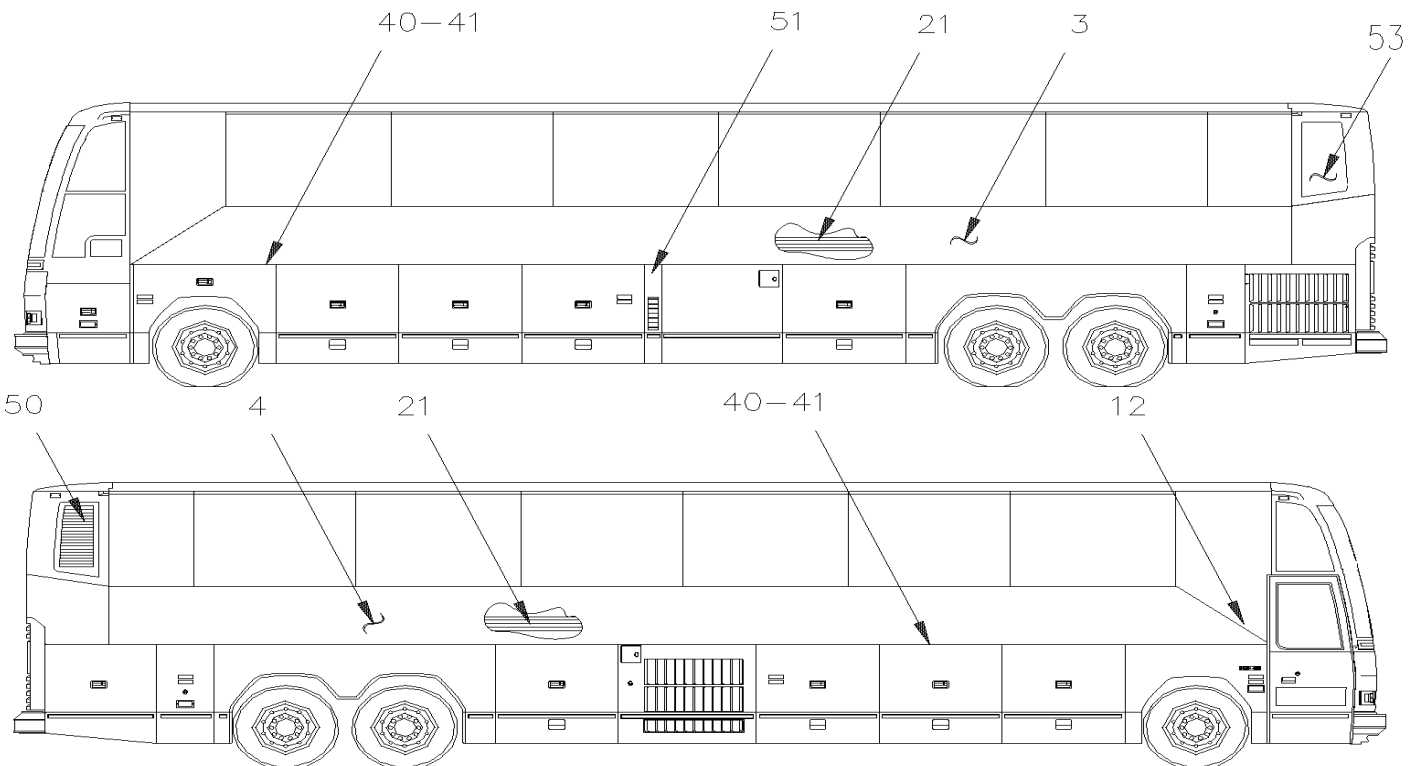
Date:07/2024

PAGE:H9-1854-00

SIDE PANELS - BUS



H3-41



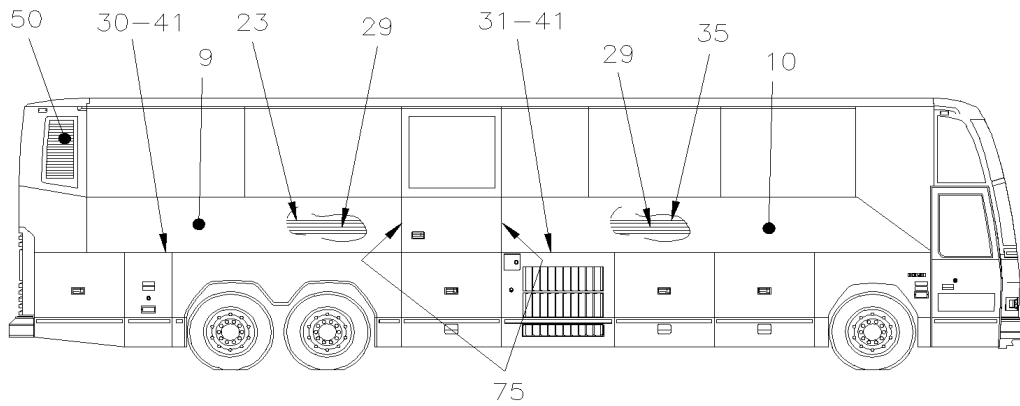
H3-45

From K-0185 To P-1452

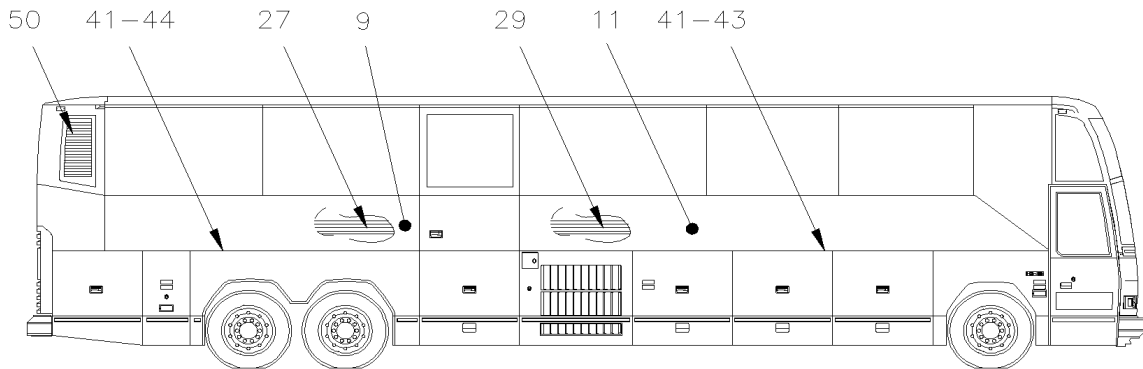
Date:07/2024

PAGE:H9-1854-00

SIDE PANELS - BUS



H3-41 WITH W.C.L. RICON



H3-45 WITH W.C.L. RICON

From K-0185 To P-1452	Date:07/2024	PAGE:H9-1854-00
SIDE PANELS - BUS		

Item#	Part	Description	H 3 4 1	H 3 4 5	N O T E S
1	470290	SIDE PANEL L.H.	1		
2	470289	SIDE PANEL R.H.	1		
3	470288	SIDE PANEL L.H.		1	
4	470287	SIDE PANEL R.H.		1	
9	470292	REAR SIDE PANEL R.H. 3952MM	1	1	W
10	470293	FRONT SIDE PANEL R.H. 5307MM	1		W
11	470291	FRONT SIDE PANEL R.H. 6553MM		1	W
20	473170	SUPPORT / 9008MM	2		
21	473165	SUPPORT / 9754MM		2	
23	473312	SUPPORT / 2900MM	1		
27	473310	REINFORCEMENT PANEL 1482 MM		1	
29	473313	SUPPORT / 4854MM		1	
29	5060038	TAPE RUB ADH1 CC POL 1/4" x 1" x 35' / BLACK H1C	AR	AR	
NS	504340	RIVET POP DOME OE 1/8x3/16 SS	AR	AR	
30	479694	DRIP MOULDING	1		W
31	479693	DRIP MOULDING	1		W
35	470839	SUPPORT / 3608MM	1		W
40	479687	SUPPORT LOWER / FRONT L.H. & R.H. / 727MM SS		2	
40	479684	DRIP MOULDING		2	
40	683621	TAPE RUB ADH2 ACRYLIC .045" x 1" x 108' / WHITE 4945	AR	AR	
41	473627	DRIP MOULDING / L.H. & R.H. / 2438MM SS ADH	6		
. NS	683621	. TAPE RUB ADH2 ACRYLIC .045" x 1" x 108' / WHITE 4945	AR		
41	473627	DRIP MOULDING / L.H. & R.H. / 2438MM SS ADH	3		W
. NS	683621	. TAPE RUB ADH2 ACRYLIC .045" x 1" x 108' / WHITE 4945	AR		W
41	479691	DRIP MOULDING 2438MM SS ADH		8	
. NS	680108	. TAPE RUB ADH2 VHB 1" x .045" x 108'		AR	
42	473628	DRIP MOULDING 1919.5MM SS ADH		1	
. NS	683621	. TAPE RUB ADH2 ACRYLIC .045" x 1" x 108' / WHITE 4945		AR	
43	683621	TAPE RUB ADH2 ACRYLIC .045" x 1" x 108' / WHITE 4945		AR	
43	479685	SUPPORT LOWER 1665.5MM SS ADH		1	
44	683478	TAPE VHB ADH2 1.1MMx18MMx32.9M	AR	AR	
44	682462	ADHESIVE SIKA #252 / BLACK / 310ml CARTRIDGE	AR	AR	
50	478448	GRILLE FIBERGLASS / AIR INLET	1	1	
. NS	478447	. GRILLE FIBERGLASS / AIR INLET	1	1	
NS	685124	ADHESIVE SIMSON #ISR 70-03 / BLACK / 600ml SAUSAGE	AR	AR	
51	473639	PANEL AIR INTAKE EVAPORATOR / W/SCREEN	1	1	
NS	5001639	NUT SPR U M6-1.0 0.34-4 MAG565	AR	AR	
NS	500468	WASHER FL .281x1.250x.065 Z050	AR	AR	
53	H9-1851-05	REAR CAP - DOOR DPF & SCR	1	1	
75	687961	GLUE MS POLYMER TEROSON MS 9399 / "A" 21 Liters To M-1153	AR	AR	
75	685385	GLUE MS POLYMER TEROSON MS 9399 / "A" 14.8 Liters From M-1154	AR	AR	
75	687962	GLUE MS POLYMER TEROSON MS 9399 / "B" 21 Liters To M-1153	AR	AR	

From K-0185 To P-1452	Date:07/2024	PAGE:H9-1854-00
SIDE PANELS - BUS		

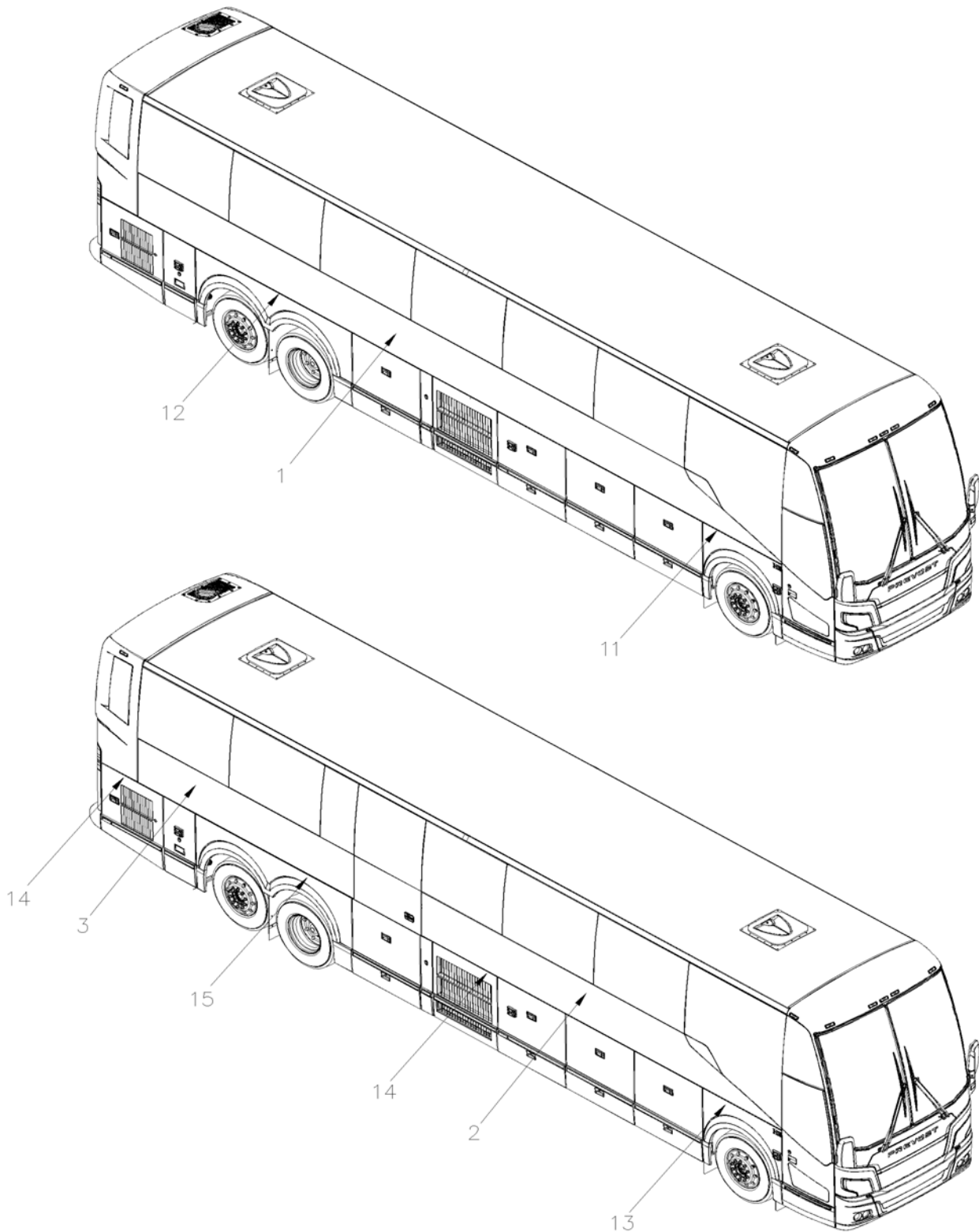
Item#	Part	Description	H 3 4 1	H 3 4 5	N O T E S
75	685386	GLUE MS POLYMER TEROSON MS 9399 / "B" 14.8 Liters From M-1154	AR	AR	
75	685124	ADHESIVE SIMSON #ISR 70-03 / BLACK / 600ml SAUSAGE	AR	AR	
		W) WITH WCL			

From R-1453

Date:07/2024

PAGE:H9-1854-01

SIDE PANELS - BUS

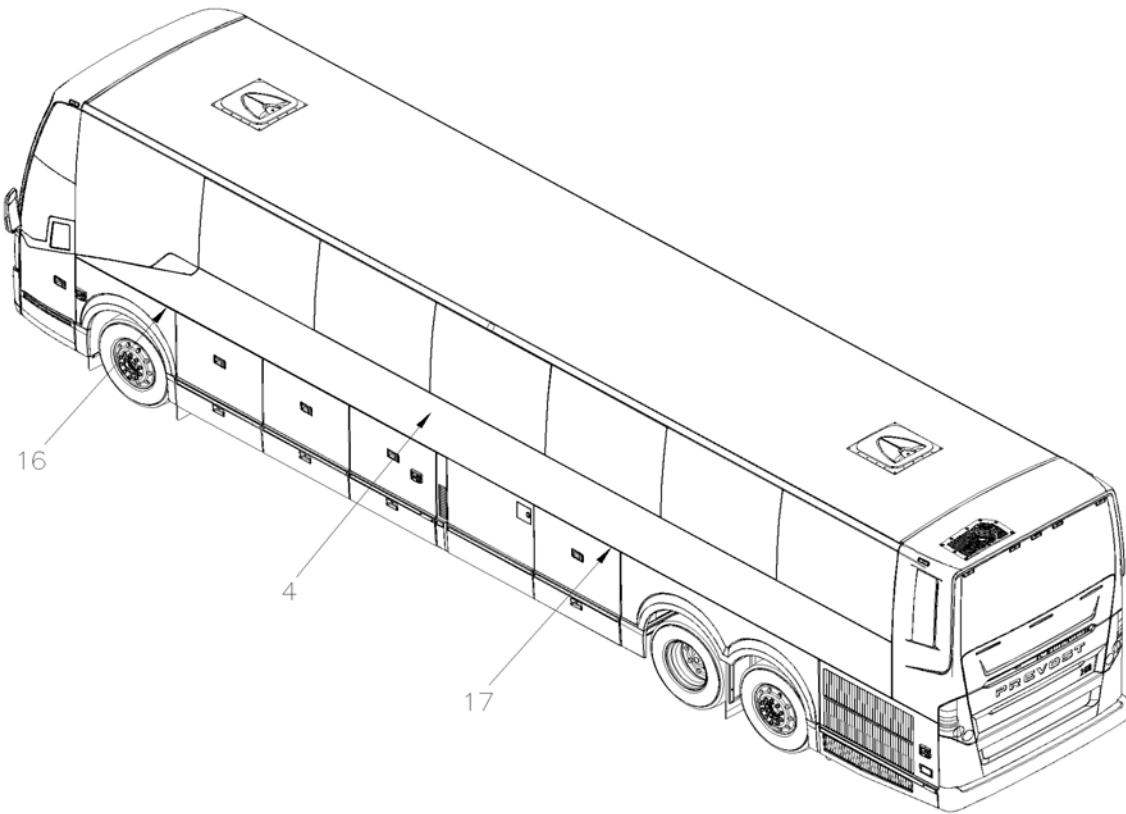


From R-1453

Date:07/2024

PAGE:H9-1854-01

SIDE PANELS - BUS



From R-1453	Date:07/2024	PAGE:H9-1854-01
SIDE PANELS - BUS		

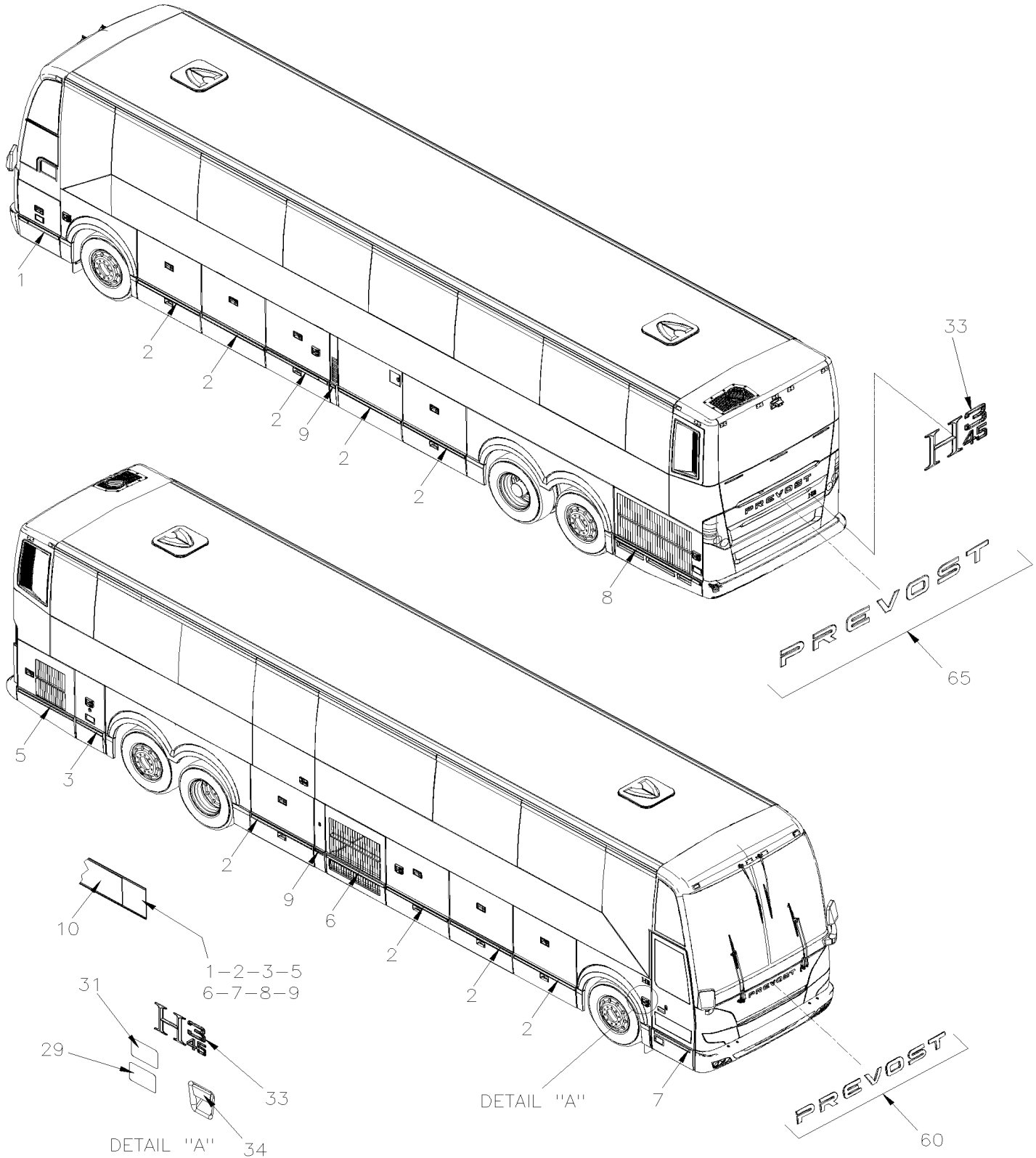
Item#	Part	Description	H 3 4 1	H 3 4 5	NOTES
1	479777	SIDE PANEL R.H.		1	
2	479778	SIDE PANEL R.H. FRONT		1	
3	479780	SIDE PANEL R.H. REAR		1	
4	479781	SIDE PANEL L.H.		1	
NS	685385	GLUE MS POLYMER TEROSON MS 9399 / "A" 14.8 Liters		AR	
NS	685386	GLUE MS POLYMER TEROSON MS 9399 / "B" 14.8 Liters		AR	
NS	685124	ADHESIVE SIMSON #ISR 70-03 / BLACK / 600ml SAUSAGE		AR	
NS	506738	TAPE RUB ADH1 CC POL 1/8" x 1" x 50' / GREY 2520		AR	
NS	506761	TAPE RUB ADH2 POL 1/16" x 3/8" x 200' / BLACK		AR	
NS	290808	SEAL, WINDOW BOTTOM		AR	
11	479808	DRIP MOULDING 1312.7MM SS ADH		2	
. NS	680108	. TAPE RUB ADH2 VHB 1" x .045" x 108'		AR	
12	479691	DRIP MOULDING 2438MM SS ADH		4	
. NS	680108	. TAPE RUB ADH2 VHB 1" x .045" x 108'		AR	
13	479696	DRIP MOULDING 1666MM SS ADH		1	
. NS	680108	. TAPE RUB ADH2 VHB 1" x .045" x 108'		AR	
14	479691	DRIP MOULDING 2438MM SS ADH		3	
. NS	680108	. TAPE RUB ADH2 VHB 1" x .045" x 108'		AR	
15	479804	DRIP MOULDING 2156MM SS ADH		1	
. NS	680108	. TAPE RUB ADH2 VHB 1" x .045" x 108'		AR	
16	479808	DRIP MOULDING 1312.7MM SS ADH		2	
. NS	680108	. TAPE RUB ADH2 VHB 1" x .045" x 108'		AR	
17	479691	DRIP MOULDING 2438MM SS ADH		4	
. NS	680108	. TAPE RUB ADH2 VHB 1" x .045" x 108'		AR	

From K-0185 To P-1452

Date:07/2024

PAGE:H9-1855-00

EXTERIOR TRIMS & CREST



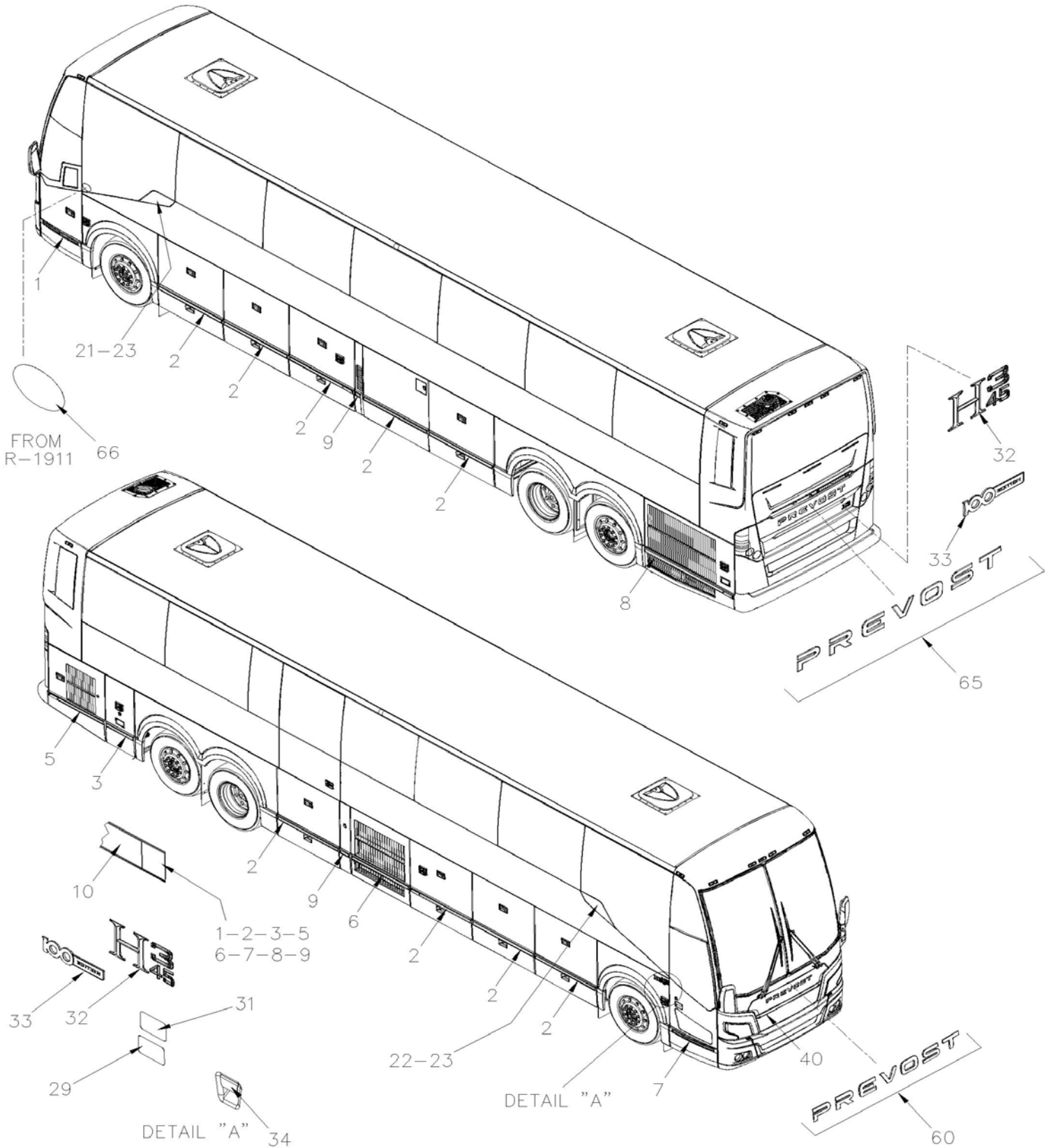
From K-0185 To P-1452	Date:07/2024	PAGE:H9-1855-00
EXTERIOR TRIMS & CREST		

Item#	Part	Description	H 3 4 1	H 3 4 5	N O T E S
1	280230	EXTRUSION BACKING ASSY W/REFLECTOR 759MM / THIN EXTRUSION .090"	1	1	
. NS	280120	. EXTRUSION 759MM	1	1	
1	280120	EXTRUSION 759MM	1	1	D
1	491508	STRIPE, REFLECTIVE BLACK / 5FT	1	1	D
2	280237	EXTRUSION BACKING ASSY W/REFLECTOR 1185MM	6		
. NS	280116	. EXTRUSION 1185MM	1		
2	280237	EXTRUSION BACKING ASSY W/REFLECTOR 1185MM		8	
. NS	280116	. EXTRUSION 1185MM		1	
2	280116	EXTRUSION 1185MM		8	D
2	491508	STRIPE, REFLECTIVE BLACK / 5FT		8	D
3	280229	EXTRUSION BACKING ASSY W/REFLECTOR 511MM	1	1	
. NS	280121	. EXTRUSION 511MM	1	1	
3	280121	EXTRUSION 511MM	1	1	D
3	491508	STRIPE, REFLECTIVE BLACK / 5FT	1	1	D
5	280234	EXTRUSION BACKING ASSY W/REFLECTOR 1070MM	1	1	
. NS	280119	. EXTRUSION 1070MM	1	1	
5	280119	EXTRUSION 1070MM	1	1	D
5	491508	STRIPE, REFLECTIVE BLACK / 5FT	1	1	D
6	280222	EXTRUSION BACKING ASSY W/REFLECTOR 1114MM	1	1	
. NS	280123	. EXTRUSION 1114MM	1	1	
6	280123	EXTRUSION 1114MM	1	1	D
6	491508	STRIPE, REFLECTIVE BLACK / 5FT	1	1	D
7	280235	EXTRUSION BACKING ASSY W/REFLECTOR 768MM	1	1	
. NS	280118	. EXTRUSION 768MM	1	1	
7	280118	EXTRUSION 768MM	1	1	D
7	491508	STRIPE, REFLECTIVE BLACK / 5FT	1	1	D
8	287877	EXTRUSION BACKING ASSY W/REFLECTOR 1664MM	1	1	
. NS	287876	. EXTRUSION 1664MM	1	1	
8	287876	EXTRUSION 1664MM	1	1	D
8	491508	STRIPE, REFLECTIVE BLACK / 5FT	1	1	D
9	280221	EXTRUSION BACKING ASSY W/REFLECTOR 154MM	1	1	
. NS	280124	. EXTRUSION 154MM	1	1	
9	280124	EXTRUSION 154MM	1	1	D
9	491508	STRIPE, REFLECTIVE BLACK / 5FT	1	1	D
10	283100	STRIPE, REFLECTIVE WHITE / 38MM X 15' ROLL	AR	AR	
. NS	780277	. STRIPE, REFLECTIVE WHITE / 38MM X 150' ROLL	AR	AR	
NS	283100	STRIPE, REFLECTIVE WHITE / 38MM X 15' ROLL	AR	AR	
. NS	780277	. STRIPE, REFLECTIVE WHITE / 38MM X 150' ROLL	AR	AR	
10	491508	STRIPE, REFLECTIVE BLACK / 5FT	AR	AR	D
NS	684685	ADHESIVE SIMSON #ISR 70-03 / 310ml CARTRIDGE	AR	AR	
29	138588	DECAL "THIS BUS KNEELS" / BLACK ON ALUMINIUM / ENGLISH & FRANCAIS	1	1	
29	138589	DECAL "THIS BUS KNEELS" / BLACK ON ALUMINIUM / ENGLISH	1	1	

From K-0185 To P-1452	Date:07/2024	PAGE:H9-1855-00
EXTERIOR TRIMS & CREST		

Item#	Part	Description	H 3 4 1	H 3 4 5	NOTES
29	138590	DECAL "THIS BUS KNEELS" / BLACK ON ALUMINIUM / ENGLISH & SPANISH	1	1	
31	287681	DECAL / "AUTOMATIC DOOR" / HAND OFF / ALU / ENGLISH & FRANCAIS	1	1	
31	287682	DECAL / "AUTOMATIC DOOR" / HAND OFF / ALU / ENGLISH	1	1	
31	287683	DECAL / "AUTOMATIC DOOR" / HAND OFF / ALU / ENGLISH & SPANISH	1	1	
31	491468	DECAL "NO STANDEES" / W/"NEW-JERSEY"	1	1	
33	491073	CREST "H3-41" / SELF ADHESIVE	2		
33	491072	CREST "H3-45" / SELF ADHESIVE		2	
34	479710	SWITCH SUPPORT & COVER To L-0974	1	1	
34	479899	SWITCH SUPPORT & COVER From L-0975	1	1	
34	5000342	SCREW TC PAN PH #6-32x3/8 SS	2	2	
60	491167	CREST "PREVOST" CHROME	1	1	
65	491236	CREST "PREVOST" BLACK REAR	1	1	
65	491247	CREST "PREVOST" SILVER REAR	1	1	
NS	684685	ADHESIVE SIMSON #ISR 70-03 / 310ml CARTRIDGE	AR	AR	
		D) BAUER'S TRANSPORTATION OPTION			

From R-1453	Date:07/2024	PAGE:H9-1855-01
EXTERIOR TRIMS & CREST		



From R-1453		Date:07/2024	PAGE:H9-1855-01
EXTERIOR TRIMS & CREST			

Item#	Part	Description	H 3 4 1	H 3 4 5	N O T E S
1	2810624	EXTRUSION, SERVICE DOOR ASSY		1	
. NS	780277	. STRIPE, REFLECTIVE WHITE / 38MM X 150' ROLL		AR	
2	280237	EXTRUSION BACKING ASSY W/REFLECTOR 1185MM		8	
. NS	280116	. EXTRUSION 1185MM		1	
3	280229	EXTRUSION BACKING ASSY W/REFLECTOR 511MM		1	
. NS	280121	. EXTRUSION 511MM		1	
5	280234	EXTRUSION BACKING ASSY W/REFLECTOR 1070MM		1	
. NS	280119	. EXTRUSION 1070MM		1	
6	280222	EXTRUSION BACKING ASSY W/REFLECTOR 1114MM		1	
. NS	280123	. EXTRUSION 1114MM		1	
6	287867	EXTRUSION BACKING ASSY W/REFLECTOR 816MM		1	
. NS	287866	. EXTRUSION		1	
. NS	780277	. STRIPE, REFLECTIVE WHITE / 38MM X 150' ROLL		AR	
6	287871	EXTRUSION BACKING ASSY W/REFLECTOR 468MM		1	
. NS	287870	. EXTRUSION		1	
. NS	283100	. STRIPE, REFLECTIVE WHITE / 38MM X 15' ROLL		AR	
. . NS	780277	. . STRIPE, REFLECTIVE WHITE / 38MM X 150' ROLL		AR	
7	2810613	EXTRUSION ASSY		1	
. NS	780277	. STRIPE, REFLECTIVE WHITE / 38MM X 150' ROLL		AR	
8	287877	EXTRUSION BACKING ASSY W/REFLECTOR 1664MM		1	
. NS	287876	. EXTRUSION 1664MM		1	
9	280221	EXTRUSION BACKING ASSY W/REFLECTOR 154MM		1	
. NS	280124	. EXTRUSION 154MM		1	
10	283100	STRIPE, REFLECTIVE WHITE / 38MM X 15' ROLL		AR	
. NS	780277	. STRIPE, REFLECTIVE WHITE / 38MM X 150' ROLL		AR	
NS	283100	STRIPE, REFLECTIVE WHITE / 38MM X 15' ROLL		AR	
. NS	780277	. . STRIPE, REFLECTIVE WHITE / 38MM X 150' ROLL		AR	
NS	684685	ADHESIVE SIMSON #ISR 70-03 / 310ml CARTRIDGE		AR	
21	4710287	MEDAL, LH ASSY		1	
. NS	680796	. TAPE RUB ADH2 ACRYLIQUE 3/4x.045x36YARD		AR	
22	4710286	MEDAL, RH ASSY		1	
. NS	680796	. TAPE RUB ADH2 ACRYLIQUE 3/4x.045x36YARD		AR	
23	685124	ADHESIVE SIMSON #ISR 70-03 / BLACK / 600ml SAUSAGE		AR	
29	138588	DECAL "THIS BUS KNEELS" / BLACK ON ALUMINIUM / ENGLISH & FRANCAIS		1	
29	138589	DECAL "THIS BUS KNEELS" / BLACK ON ALUMINIUM / ENGLISH		1	
29	138590	DECAL "THIS BUS KNEELS" / BLACK ON ALUMINIUM / ENGLISH & SPANISH		1	
31	287681	DECAL / "AUTOMATIC DOOR" / HAND OFF / ALU / ENGLISH & FRANCAIS		1	
31	287682	DECAL / "AUTOMATIC DOOR" / HAND OFF / ALU / ENGLISH		1	
31	287683	DECAL / "AUTOMATIC DOOR" / HAND OFF / ALU / ENGLISH & SPANISH		1	
31	491468	DECAL "NO STANDEES" / W/"NEW-JERSEY"		1	
32	491072	CREST "H3-45" / SELF ADHESIVE		2	
33	492176	LOGO 100E EDITION From R-1575		2	L

From R-1453	Date:07/2024	PAGE:H9-1855-01
EXTERIOR TRIMS & CREST		

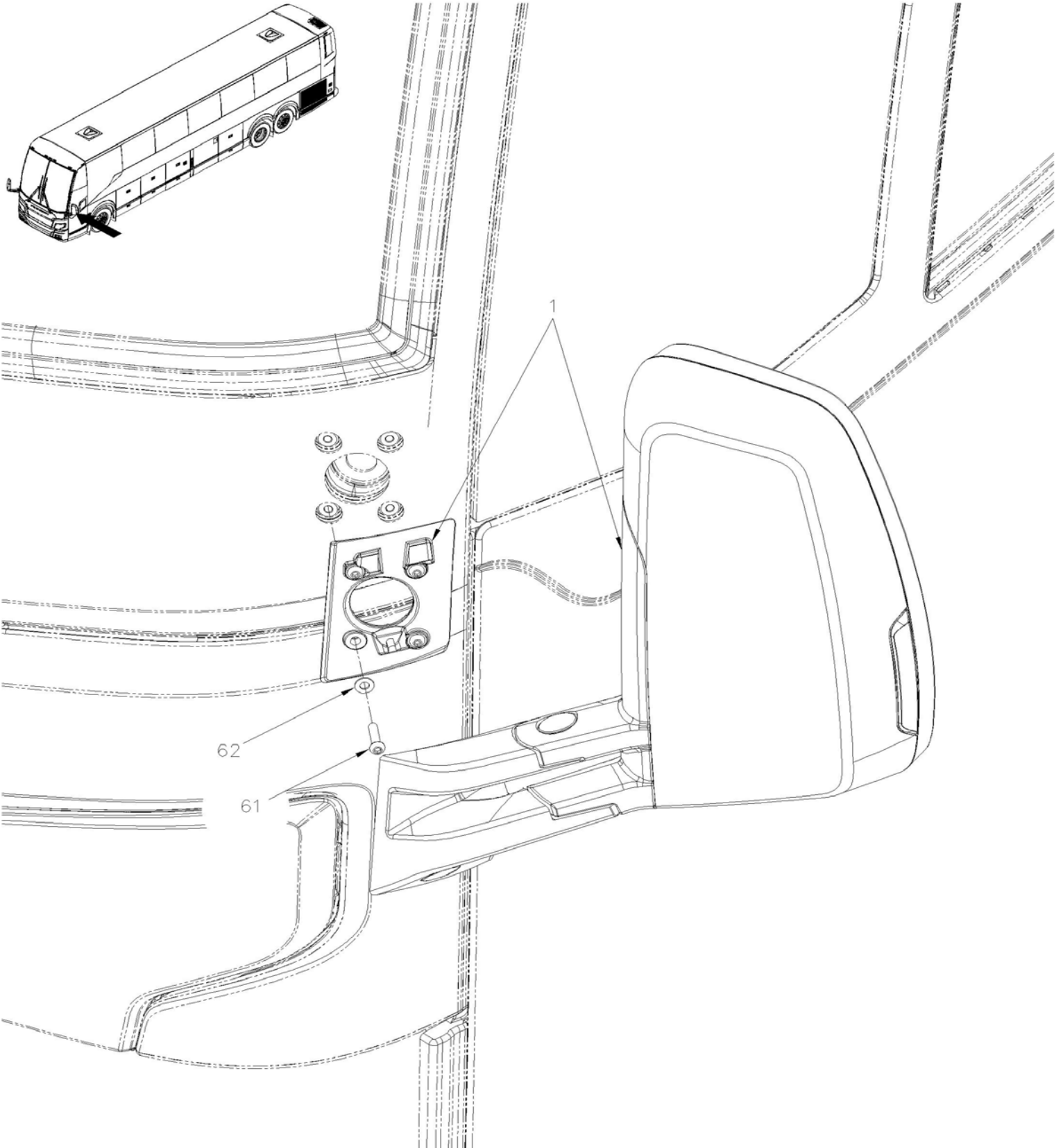
Item#	Part	Description	H 3 4 1	H 3 4 5	NOTES
34	479899	SWITCH SUPPORT & COVER		1	
34	5000342	SCREW TC PAN PH #6-32x3/8 SS		2	
40	478872	TRIM FRONT		1	
60	491167	CREST "PREVOST" CHROME		1	
65	491236	CREST "PREVOST" BLACK REAR		1	
65	491247	CREST "PREVOST" SILVER REAR		1	
66	21127346	DECAL, LOW NOX (CARB) From R-1874 To R-1874		1	
66	21127346	DECAL, LOW NOX (CARB) From R-1910		1	
NS	684685	ADHESIVE SIMSON #ISR 70-03 / 310ml CARTRIDGE		AR	
		L) FOR VEHICLE 2024 ONLY			

From R-1453

Date:07/2024

PAGE:H9-1856-01

MIRROR 2 GLASSES / CHROME

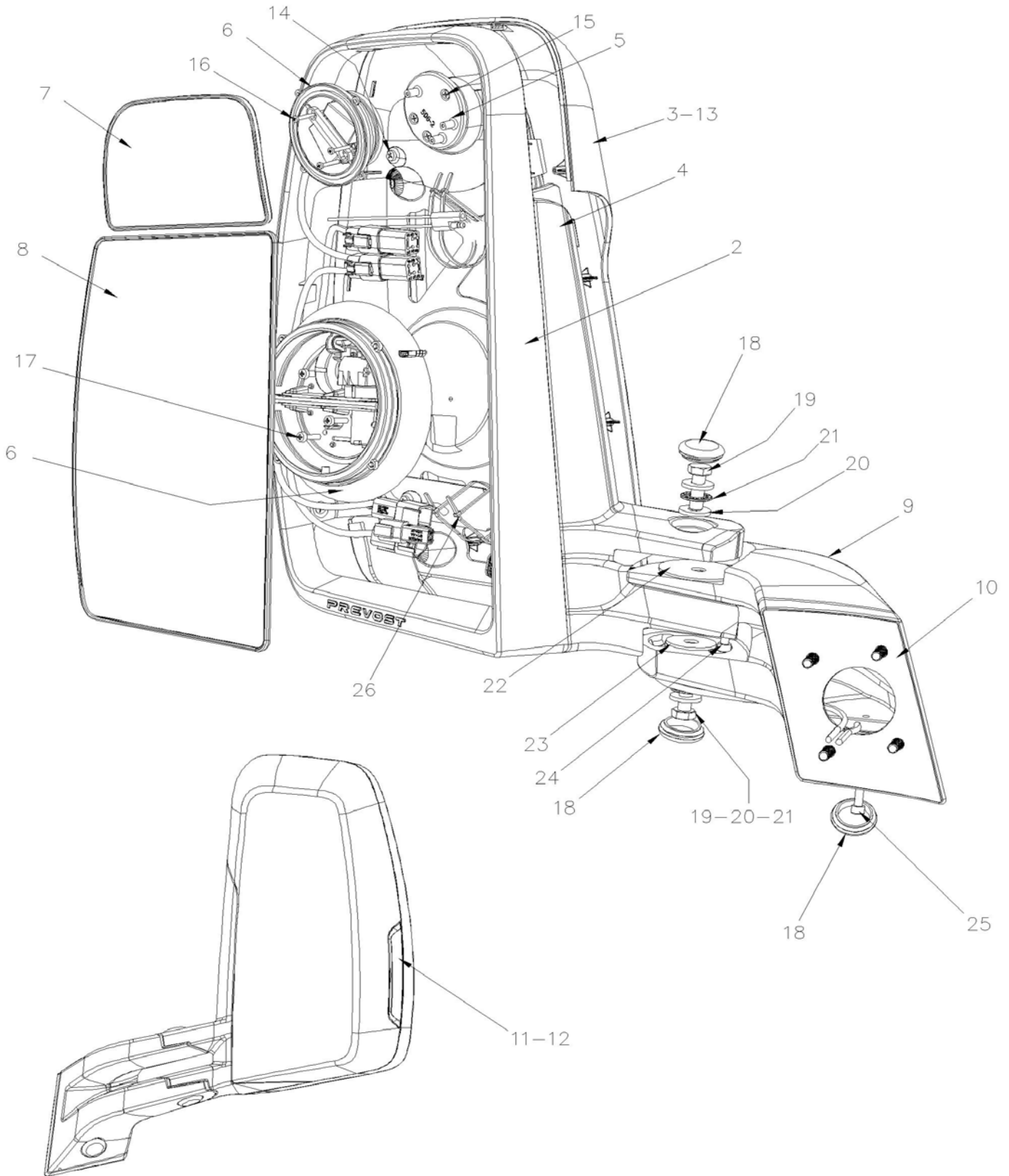


From R-1453

Date:07/2024

PAGE:H9-1856-01

MIRROR 2 GLASSES / CHROME

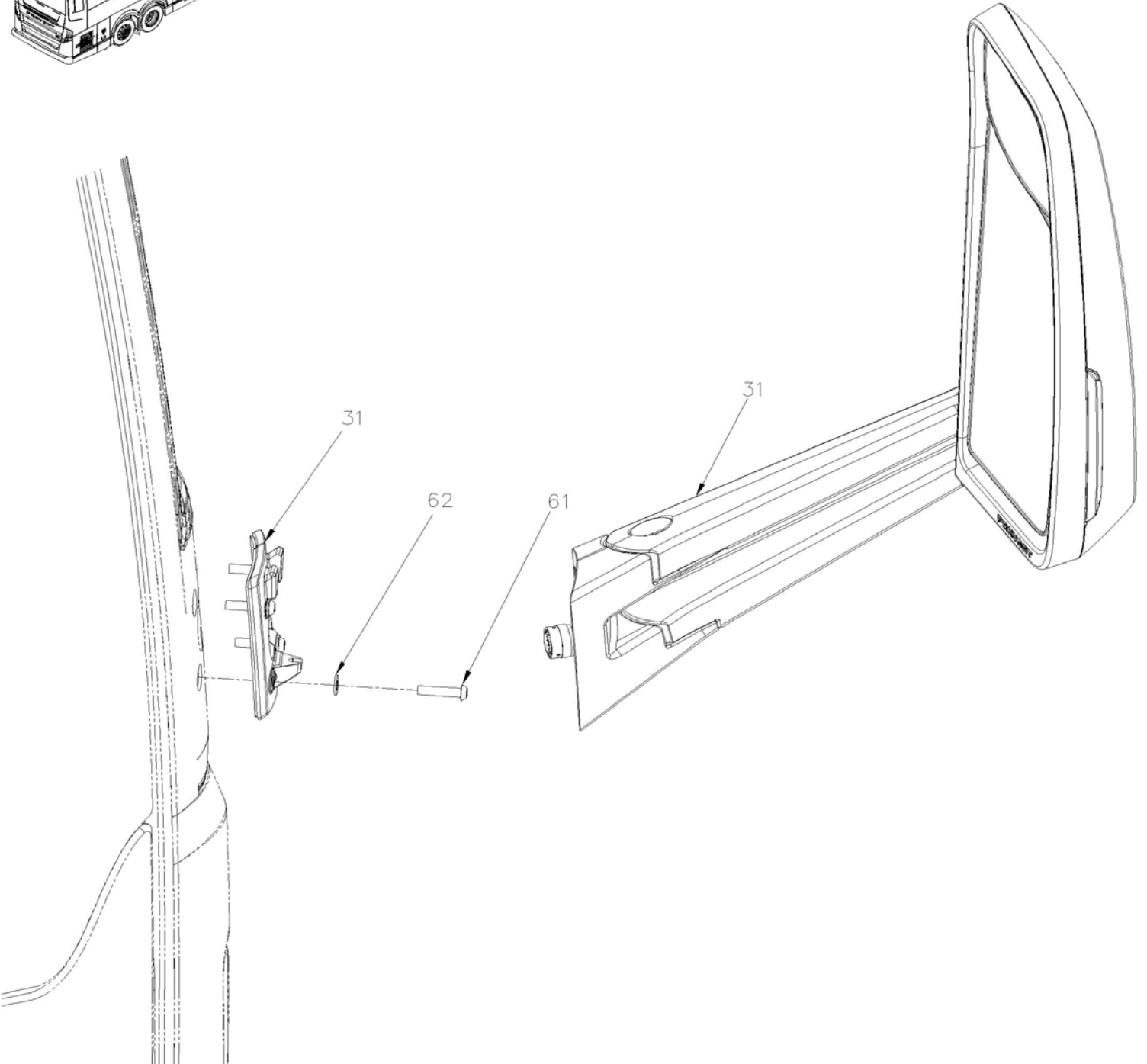
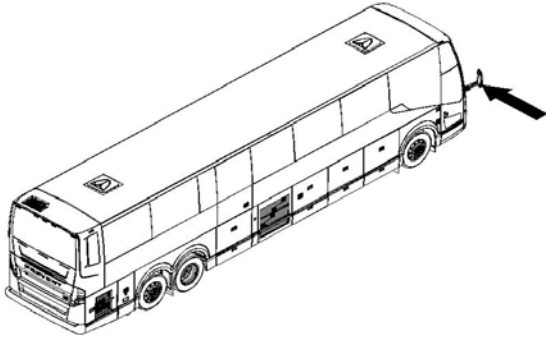


From R-1453

Date:07/2024

PAGE:H9-1856-01

MIRROR 2 GLASSES / CHROME

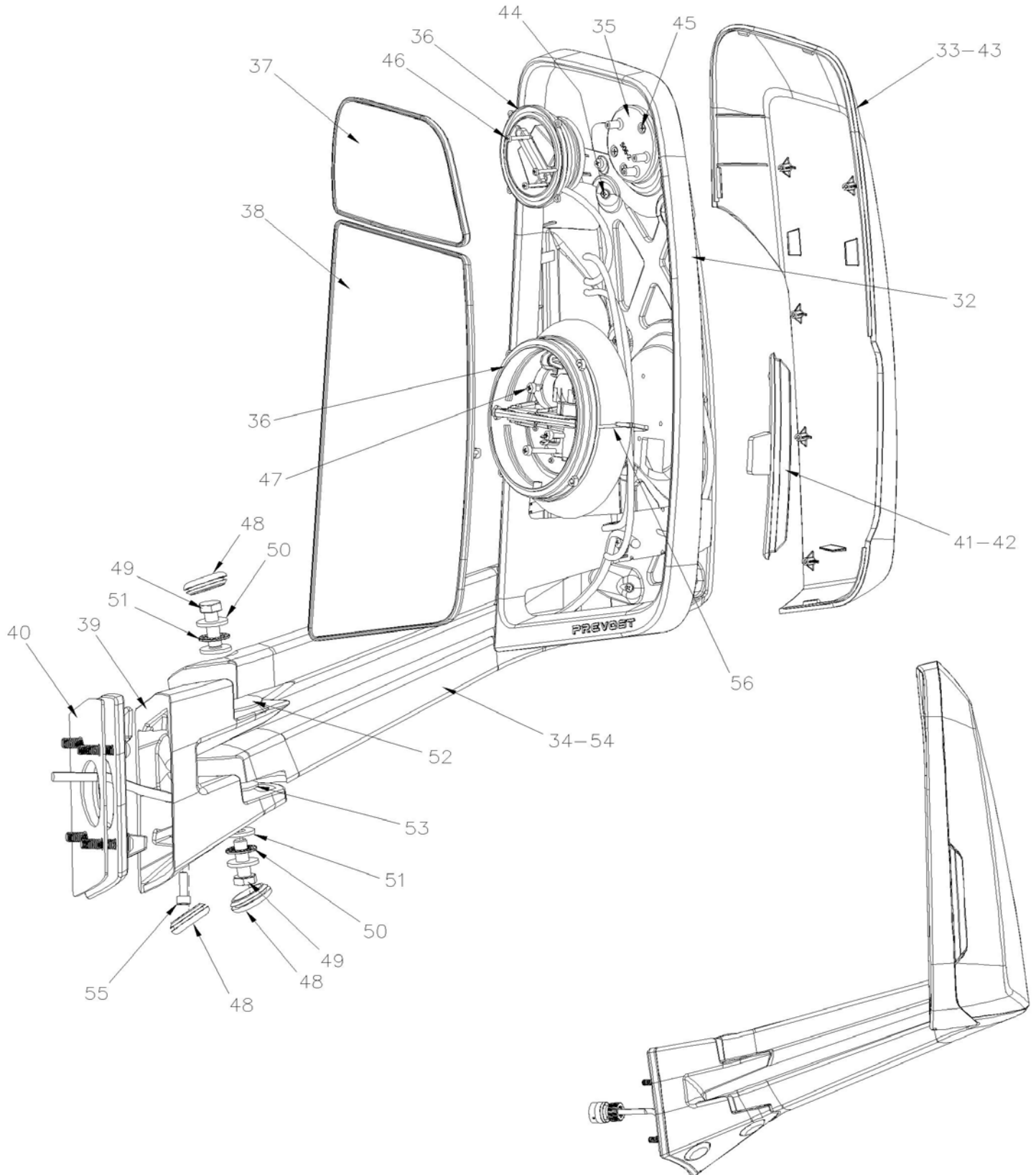


From R-1453

Date:07/2024

PAGE:H9-1856-01

MIRROR 2 GLASSES / CHROME



From R-1453		Date:07/2024	PAGE:H9-1856-01
MIRROR 2 GLASSES / CHROME			

Item#	Part	Description	H 3 4 1	H 3 4 5	N O T E S
1	990569	REARVIEW MIRROR, LH, H-SERIES, CHROME To R-1621		1	
1	990636	REARVIEW MIRROR, LH, H-SERIES, CHROME From R-1622		1	
2	492091	. BEZEL, LH REARVIEW MIRROR		1	
3	492089	. COVER,CHROMED LH REARVIEW MIRROR		1	
4	492090	. ARM, LH REARVIEW MIRROR To R-1621		1	
4	492187	ARM, LH REARVIEW MIRROR From R-1622		1	
5	990647	. MOTOR PLATE		1	
6	990640	. MOTOR LARGE & SMALL / 24V		1	
7	492094	. CONVEX GLASS ASM, LH R-VIEW MIRROR		1	
8	492093	. FLAT GLASS ASM, LH REARVIEW MIRROR		1	
9	492088	. BASE, LH REARVIEW MIRROR To R-1621		1	
9	492188	. BASE, LH REARVIEW MIRROR From R-1622		1	
10	492139	. ANCHOR PLATE ASSY, REARVIEW MIRROR LH To R-1621		1	
10	492189	ANCHOR PLATE ASSY, REARVIEW MIRROR LH From R-1622		1	
11	492092	. TURN SIGNAL, LH REARVIEW MIRROR		1	
12	Call order desk	. SCREW MA FL PH #8-32x3/8		2	P
13	Call order desk	. SCREW TP PAN PH #6x5/8 BLK		6	P
14	Call order desk	. SCREW TC PAN PH #8-32x3/8 BLK		4	P
15	Call order desk	. SCREW TC FL PH #8-32x1/2		3	P
16	Call order desk	. SCREW TP PAN PH #4x7/8		3	P
17	Call order desk	. SCREW TP PAN PH #8x1 1/2 STL		3	P
18	990623	. BLACK PLASTIC CAP		3	
19	Call order desk	. SCREW CAP HEX M10-1.25x30		2	P
20	Call order desk	. WASHER THRUST BEARING M10		4	P
21	Call order desk	. WASHER THRUST BEARING M10		2	P
22	Call order desk	. WASHER FRICTION LARGE 33GF NYL		1	P
23	Call order desk	. WASHER FRICTION SMALL 33GF NYL		1	P
24	Call order desk	. SCREW CAP HEXS M6-1.0x12		1	P
25	990646	. SCREW CAP HEXS M6-1.0x20		1	
26	Call order desk	. CABLE TIE 5.5" BLACK		8	P
31	990570	REARVIEW MIRROR, RH, H-SERIES, CHROMED To R-1621		1	
31	990637	REARVIEW MIRROR, RH, H-SERIES, CHROMED From R-1622		1	
32	492079	. BEZEL, RH REARVIEW MIRROR		1	
33	492078	. COVER,CHROMED RH REARVIEW MIRROR		1	
34	492081	. ARM, RH REARVIEW MIRROR To R-1621		1	
34	492191	. ARM, RH REARVIEW MIRROR From R-1622		1	
35	990647	. MOTOR PLATE		1	
36	990640	. MOTOR LARGE & SMALL / 24V		1	
37	492084	. CONVEX GLASS ASM, RH R-VIEW MIRROR		1	
38	492083	. FLAT GLASS ASM, RH REARVIEW MIRROR		1	
39	492081	. ARM, RH REARVIEW MIRROR To R-1621		1	

From R-1453		Date:07/2024	PAGE:H9-1856-01
MIRROR 2 GLASSES / CHROME			

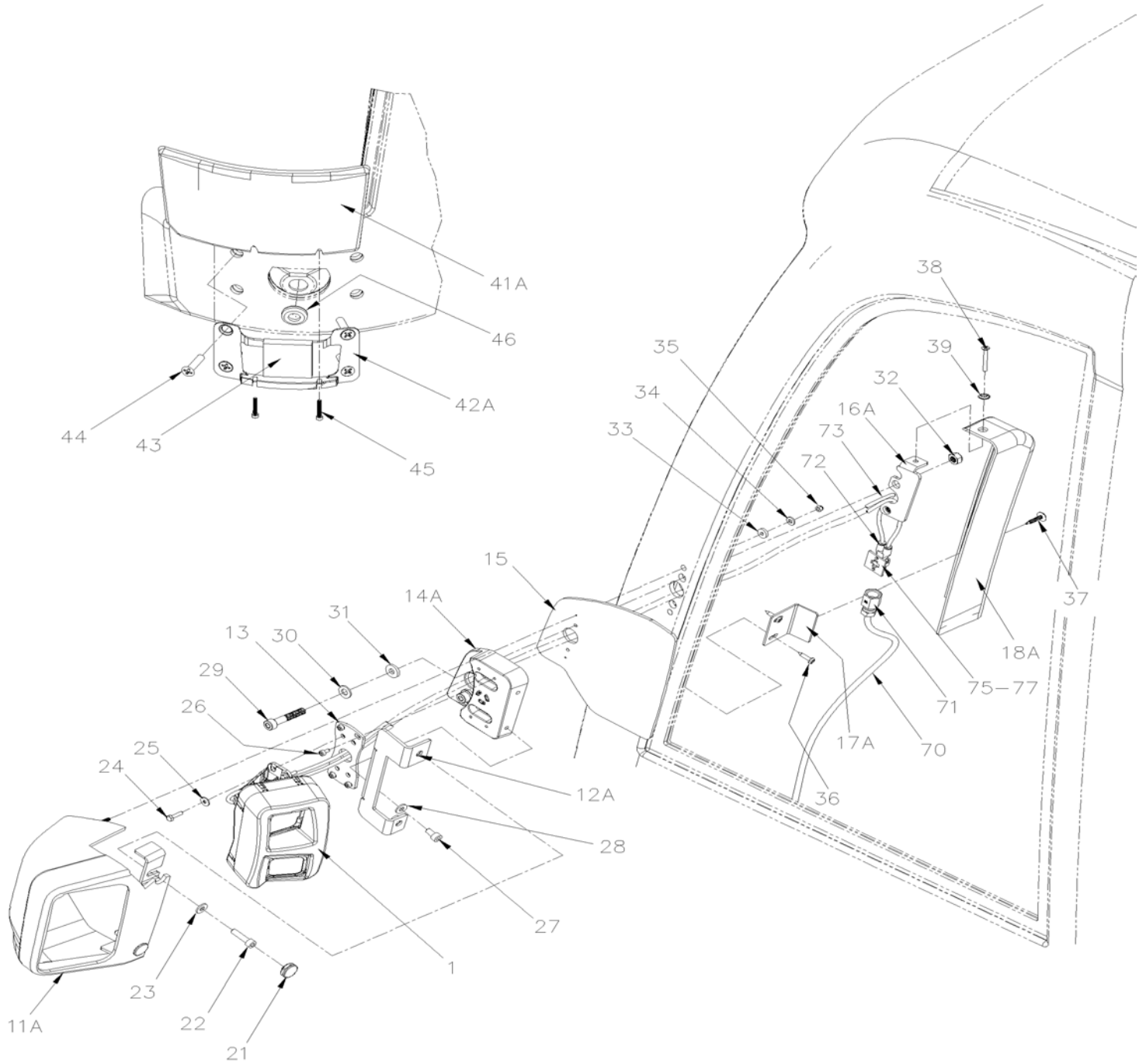
Item#	Part	Description	H 3 4 1	H 3 4 5	N O T E S
39	492190	. BASE,RH REARVIEW MIRROR From R-1622		1	
40	492138	. ANCHOR PLATE ASSY, REARVIEW MIRROR RH To R-1621		1	
40	492192	. ANCHOR PLATE ASSY, REARVIEW MIRROR RH From R-1622		1	
41	492085	. TURN SIGNAL, RH REARVIEW MIRROR		1	
42	Call order desk	. SCREW MA FL PH #8-32x3/8		2	P
43	Call order desk	. SCREW TP PAN PH #6x5/8 BLK		6	P
44	Call order desk	. SCREW TC PAN PH #8-32x3/8 BLK		4	P
45	Call order desk	. SCREW TC FL PH #8-32x1/2		3	P
46	Call order desk	. SCREW TP PAN PH #4x7/8		3	P
47	Call order desk	. SCREW TP PAN PH #8x1 1/2 STL		3	P
48	990623	. BLACK PLASTIC CAP		3	
49	Call order desk	. SCREW CAP HEX M10-1.25x30		2	P
50	Call order desk	. WASHER THRUST BEARING M10		4	P
51	Call order desk	. WASHER THRUST BEARING M10		2	P
52	Call order desk	. WASHER FRICTION LARGE 33GF NYL		1	P
53	Call order desk	. WASHER FRICTION SMALL 33GF NYL		1	P
54	Call order desk	. SCREW CAP HEXS M6-1.0x12		1	P
55	990646	. SCREW CAP HEXS M6-1.0x20		1	
56	Call order desk	. CABLE TIE 5.5" BLACK		8	P
61	5002142	SCREW CAP BUT HEXS M8-1.25x35 SS		8	
62	5001341	WASHER FL 8.4x17.0x1.6 SS		8	
		P) CALL ORDER DESK FOR SPECIFIC APPLICATION (V.I.N.)			

From K-0185 To P-1452

Date:07/2024

PAGE:H9-1856-10

"E-MIRROR" INSTALLATION

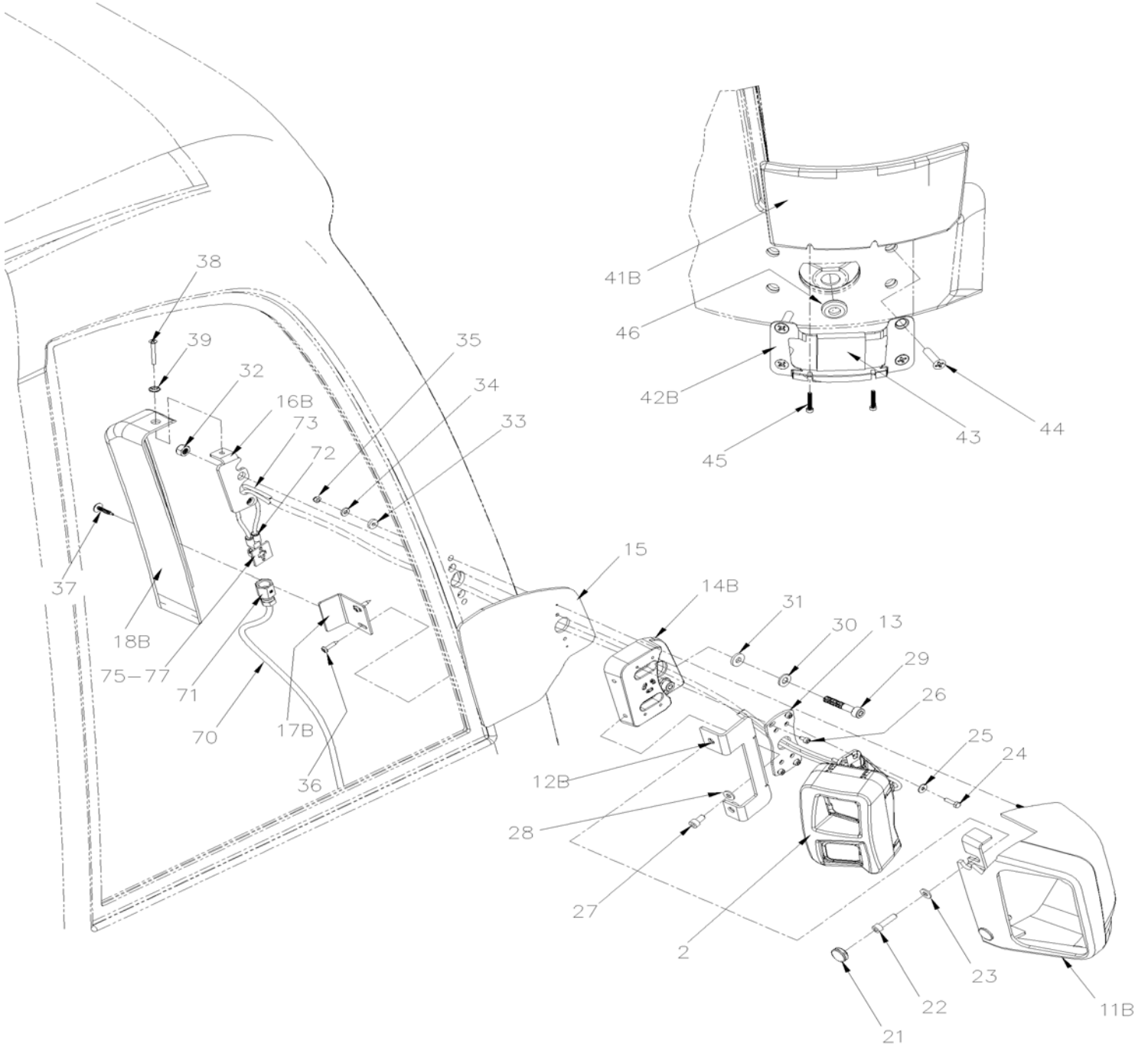


From K-0185 To P-1452

Date:07/2024

PAGE:H9-1856-10

"E-MIRROR" INSTALLATION

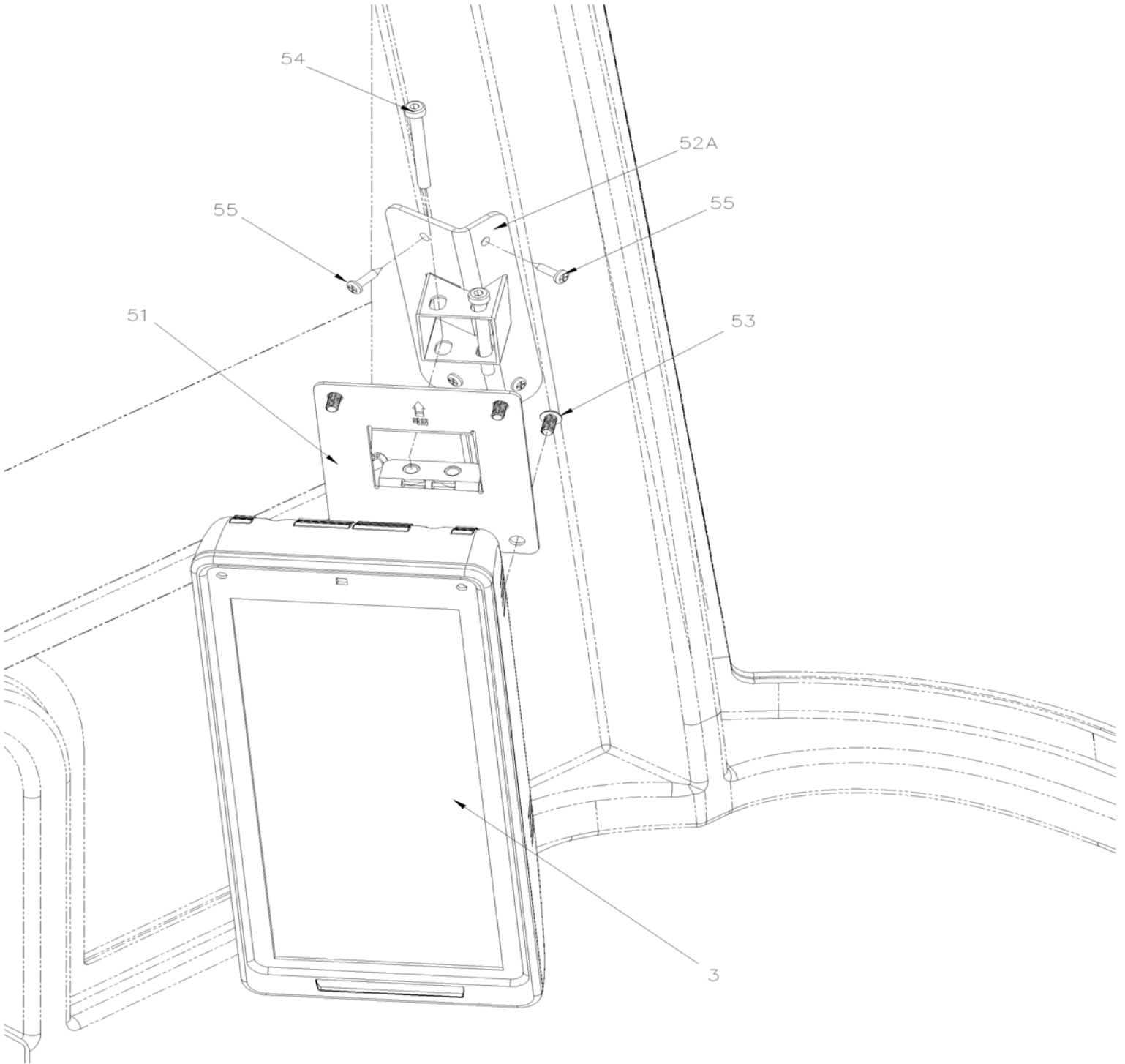


From K-0185 To P-1452

Date:07/2024

PAGE:H9-1856-10

"E-MIRROR" INSTALLATION

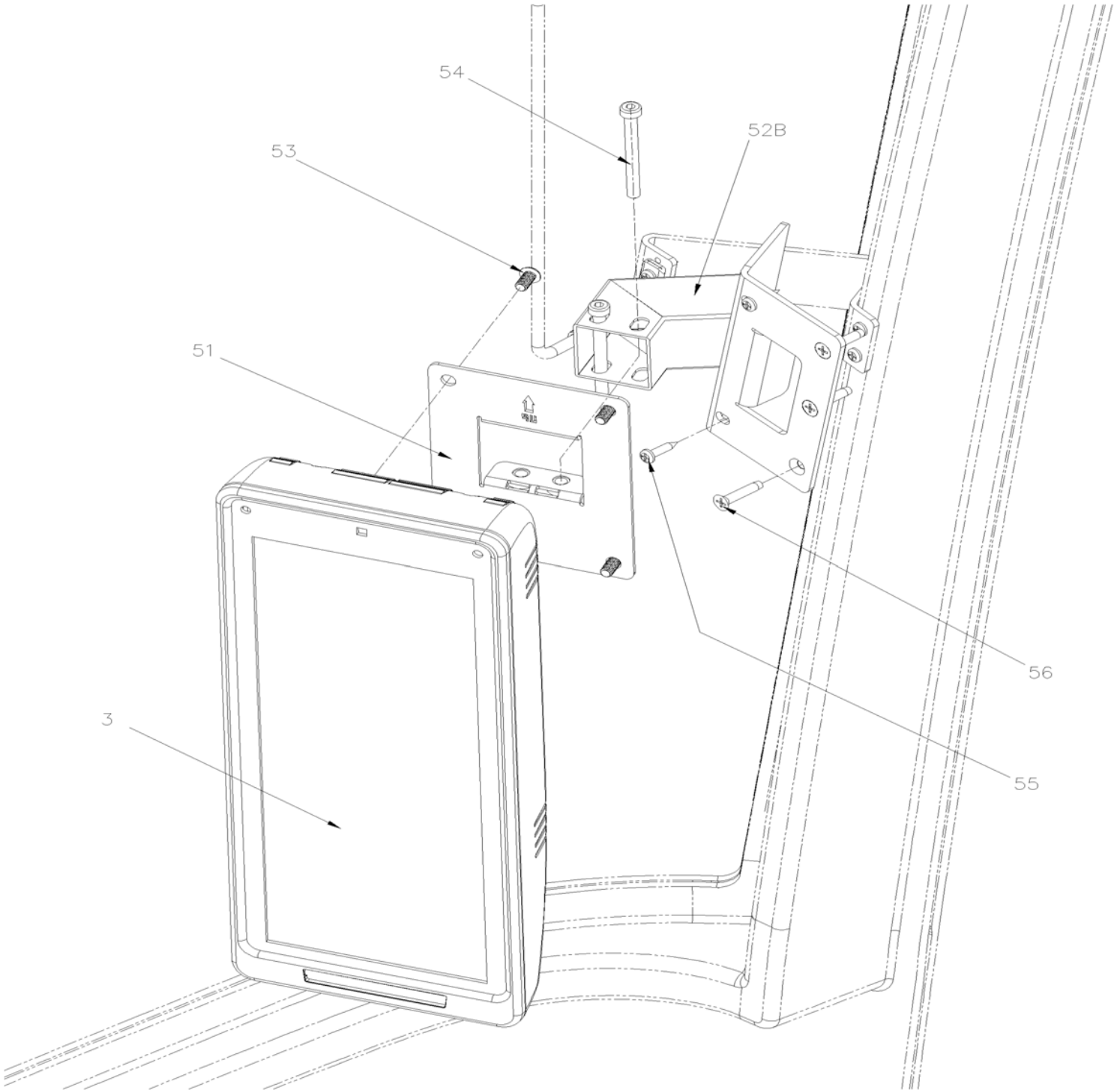


From K-0185 To P-1452

Date:07/2024

PAGE:H9-1856-10

"E-MIRROR" INSTALLATION

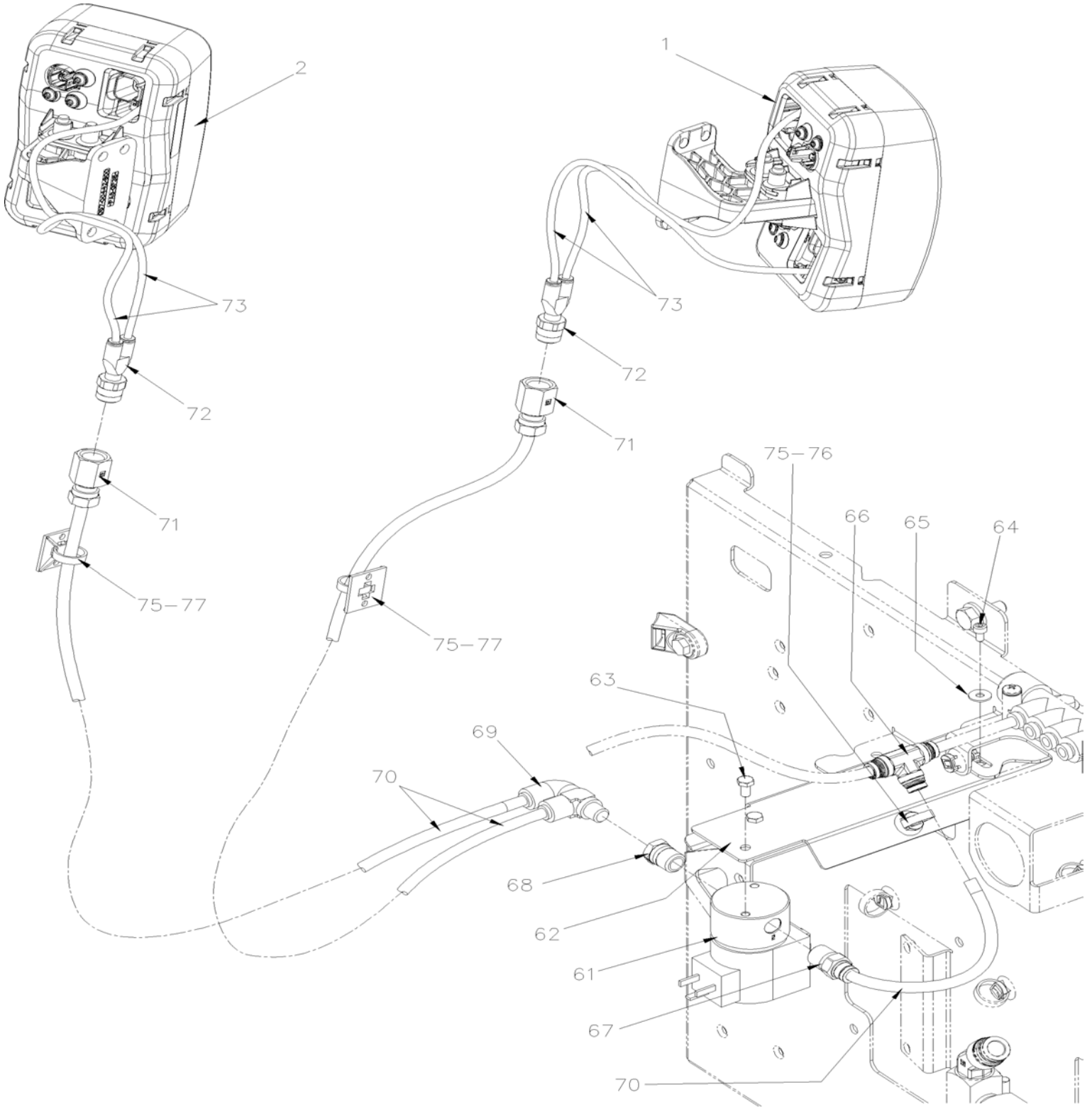


From K-0185 To P-1452

Date:07/2024

PAGE:H9-1856-10

"E-MIRROR" INSTALLATION



From K-0185 To P-1452	Date:07/2024	PAGE:H9-1856-10
"E-MIRROR" INSTALLATION		

Item#	Part	Description	H 3 4 1	H 3 4 5	N O T E S
1	901812	CAMERA LEFT "E-MIRROR"	1	1	
2	901814	CAMERA RIGHT "E-MIRROR"	1	1	
3	901815	MONITOR 12" "E-MIRROR"	2	2	
NS	901816	CABLE BLACK "E-MIRROR"	1	1	
NS	901817	CABLE WHITE "E-MIRROR"	1	1	
NS	901895	CABLE VIDEO EMIRROR WHITE 4M	1	1	
NS	901896	CABLE VIDEO EMIRROR BLACK 4M	1	1	
NS	901897	POWER CABLE EMIRRORS 2M	2	2	
NS	901901	CABLE Y HEATER EMIRROR	1	1	
NS	0610480	ELECTRONIC MIRROR HARNESS VISION SYSTEM	1	1	
11A	420005	COVER LF EMIRROR H345	1	1	
11B	420006	COVER RH EMIRROR H345	1	1	
12A	491980	BRACKET, LF COVER EMIRROR	1	1	
12B	491972	BRACKET, RH COVER EMIRROR	1	1	
13	491971	PLATE, EMIRROR ANGULAR ADJUSTMENT	2	2	
14A	420069	SUPPORT, LH CAMERA EMIRROR H345	1	1	
14B	420040	SUPPORT, RH CAMERA EMIRROR H345	1	1	
15	420107	SEAL CAMERA BASE EMIRROR H345	2	2	
16A	491921	BRACKET, INSIDE CAMERA LH	1	1	
16B	491920	BRACKET, INSIDE CAMERA RH	1	1	
17A	491974	BRACKET, MOLDING WINDOW EMIRROR H345	1	1	
17B	491973	BRACKET, MOLDING WINDOW EMIRROR H345	1	1	
18A	3211309	MOULDING, FIN WINDOW LF EMIRROR	1	1	
18B	3211308	MOULDING, FIN WINDOW RH EMIRROR	1	1	
21	5002204	PLUG SNAPIN1 POL BK .625X8GA	4	4	
22	5001610	SCREW CAP HEXS M6-1.0x25 SS EMN	4	4	
23	500877	WASHER FL .250x.562x.065 N500	4	4	
24	502799	SCREW CAP HEX M4-0.7X16 G8.8 N500	8	8	
25	5002031	WASHER FL 4.3X12X1 SS	8	8	
26	5001670	SCREW CAP HEXS M4-0.7x8 G8.8 Z050	8	8	
27	5001025	SCREW CAP HEXS M6-1.0x12 G8.8	4	4	
28	500877	WASHER FL .250x.562x.065 N500	4	4	
29	5002178	SCREW CAP HEXS M8-1.25x45MM PT SS	4	4	
30	5001341	WASHER FL 8.4x17.0x1.6 SS	4	4	
31	5002205	WASHER FL RUB .290x.688x.090	4	4	
32	5001983	NUT HEX NYRT M8-1.25 SS SS BK	4	4	
33	5002203	WASHER FL RUB .170x.500x.090	4	4	
34	5001137	WASHER FL .203x.438x.050 SS	4	4	
35	502557	NUT HEX NYRT M4-0.7 SS	4	4	
36	5001155	SCREW TP PAN PH #8X3/4 N050	4	4	
37	5002083	SCREW DR SEMS FN OV PH #8X1 N050	2	2	

From K-0185 To P-1452	Date:07/2024	PAGE:H9-1856-10
"E-MIRROR" INSTALLATION		

Item#	Part	Description	H 3 4 1	H 3 4 5	N O T E S
38	5002026	SCREW MA OV PH M4-0.7x35 SS XLN	2	2	
39	500463	WASHER FN CKF .187x.500x.090 BR Z050	2	2	
41A	420015	MIRROR COVER LEFT H345	1	1	
41B	420016	MIRROR COVER RIGHT H345	1	1	
42A	420108	BASE MIRROR COVER LEFT H345	1	1	
42B	420109	BASE MIRROR COVER RIGHT H345	1	1	
43	420112	SEAL MIRROR COVER	2	2	
44	5000361	SCREW MA FL PH M8-1.25x35 SS	8	8	
45	5002211	SCREW CAP HEXS M4-0.7x25MM G12.9	4	4	
46	504555	GROMMET / .500x.812x.125x.344x1.062x.031	2	2	
51	401975	MOUNTING PLATE, EMIRROR SCREEN	2	2	
52A	402119	BRACKET, LF EMIRROR SCREEN H345	1	1	
52B	402118	BRACKET, RH EMIRROR SCREEN H345	1	1	
53	5000353	SCREW CAP BUT HEXS M6-1.0x12 N500	8	8	
54	5001698	SCREW CAP HEXS M6-1.0x60 SS XYLAN	4	4	
55	5001155	SCREW TP PAN PH #8X3/4 N050	6	6	
56	500168	SCREW TC FL PH #10-24x1 Z050 SS410	3	3	
61	562804	VALVE, 2 WAYS N.C.	1	1	
. NS	562848	. CONNECTOR / SOCKET HOUSING ASSY 3C / PNEUMAC 54933-05	1	1	
61	0611001	WIRING HARNESS SPECIAL E-MIRRORS ON X3 To M-1153	1	1	
62	140374	SUPPORT SOLENOID EMIRROR	1	1	
63	502751	SCREW CAP HEX #10-32x3/8 Z050	2	2	
64	5001670	SCREW CAP HEXS M4-0.7x8 G8.8 Z050	2	2	
65	5002031	WASHER FL 4.3X12X1 SS	2	2	
66	641955	UNION TEE / PUSH-IN FITTING / #4x#4x#4 BR To M-1153	1	1	
67	641332	MALE CONNECTOR / PUSH-IN FITTING / #4x1/4NPT-M BR	1	1	
68	501312	BUSHING REDUCER / PIPE FITTING / 1/4NTP-Mx1/8NPT-F BR	1	1	
69	642127	MALE ELBOW 90° SWIVEL DUAL PORT / PUSH-IN / #4x#4x1/8NPT-M BR	1	1	
70	503402	TUBE, NYLON 1/4 O.D. / BLACK S.L.	AR	AR	
71	641028	FEMALE CONNECTOR / NTA FITTING / #4x1/4NPT-F BR	2	2	
72	640058	MALE BRANCH "Y" / PUSH-IN FITTING / 4MMx4MMx1/4NPT-M	2	2	
73	503420	TUBE, NYLON 4MM O.D. / BLACK S.L.	AR	AR	
75	504637	CABLE TIE / 3/16" x 13"	AR	AR	
76	509815	TIE MOUNT / ATTACHMENT W/TREE MOUNT	1	1	
77	562679	4 WAY ADH. BACKED MOUNTS 1.000 x 1.000 x .160	AR	AR	
NS	563332	RELAY 24V S.P.D.T. W/RESISTOR / "VOLVO" (20374662) To M-1153	2	2	
NS	563337	RELAY 12V S.P.D.T. W/RESISTOR / To M-1153	1	1	

From K-0185 To P-1452	Date:07/2024	PAGE:H9-1856-10
-----------------------	--------------	-----------------

"E-MIRROR" INSTALLATION

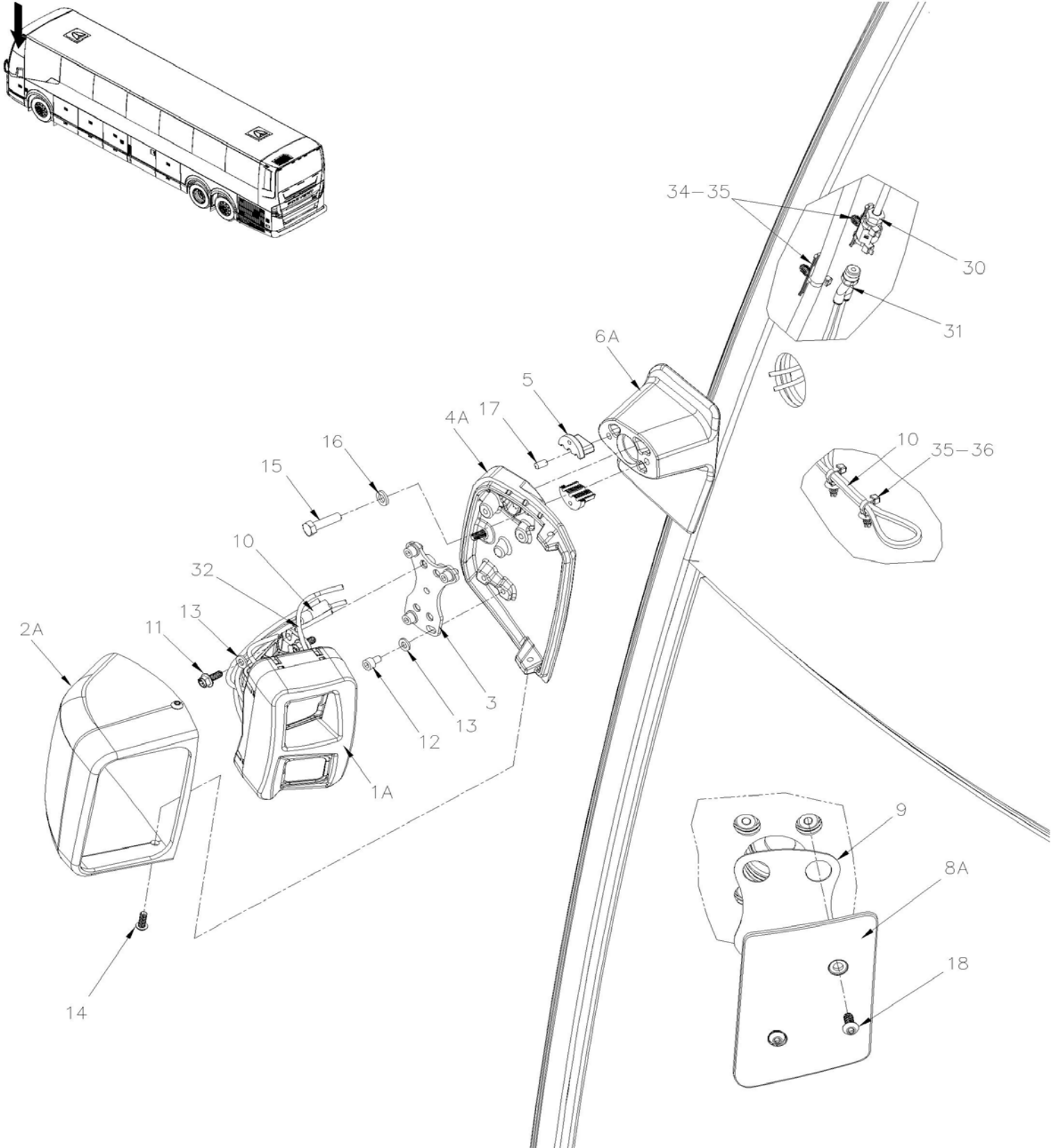
Item#	Part	Description	H 3 4 1	H 3 4 5	N O T E S
NS	563622	BUTT SPLICE / 22-18 / RED / W/THERMORETRAC / PANDUIT BSH18-Q To M-1153	6	6	
NS	562698	SWITCH / OFF-M/ON / D.P.S.T. / W/GREEN LED To M-1153	1	1	
NS	563855	CAP, COMMANDE SWITCH ON OFF, NGR To M-1153	1	1	
NS	680038	THREAD LOCKER LOCTITE #243 / BLUE / 50ml	AR	AR	
NS	680110	SEALANT TAPE / TEFLON / 1/2"	AR	AR	
NS	680323	LUBRICANT DOOR EASE 47.6 GR.	AR	AR	
NS	684685	ADHESIVE SIMSON #ISR 70-03 / 310ml CARTRIDGE	AR	AR	

From R-1453

Date:07/2024

PAGE:H9-1856-11

"E-MIRROR" INSTALLATION

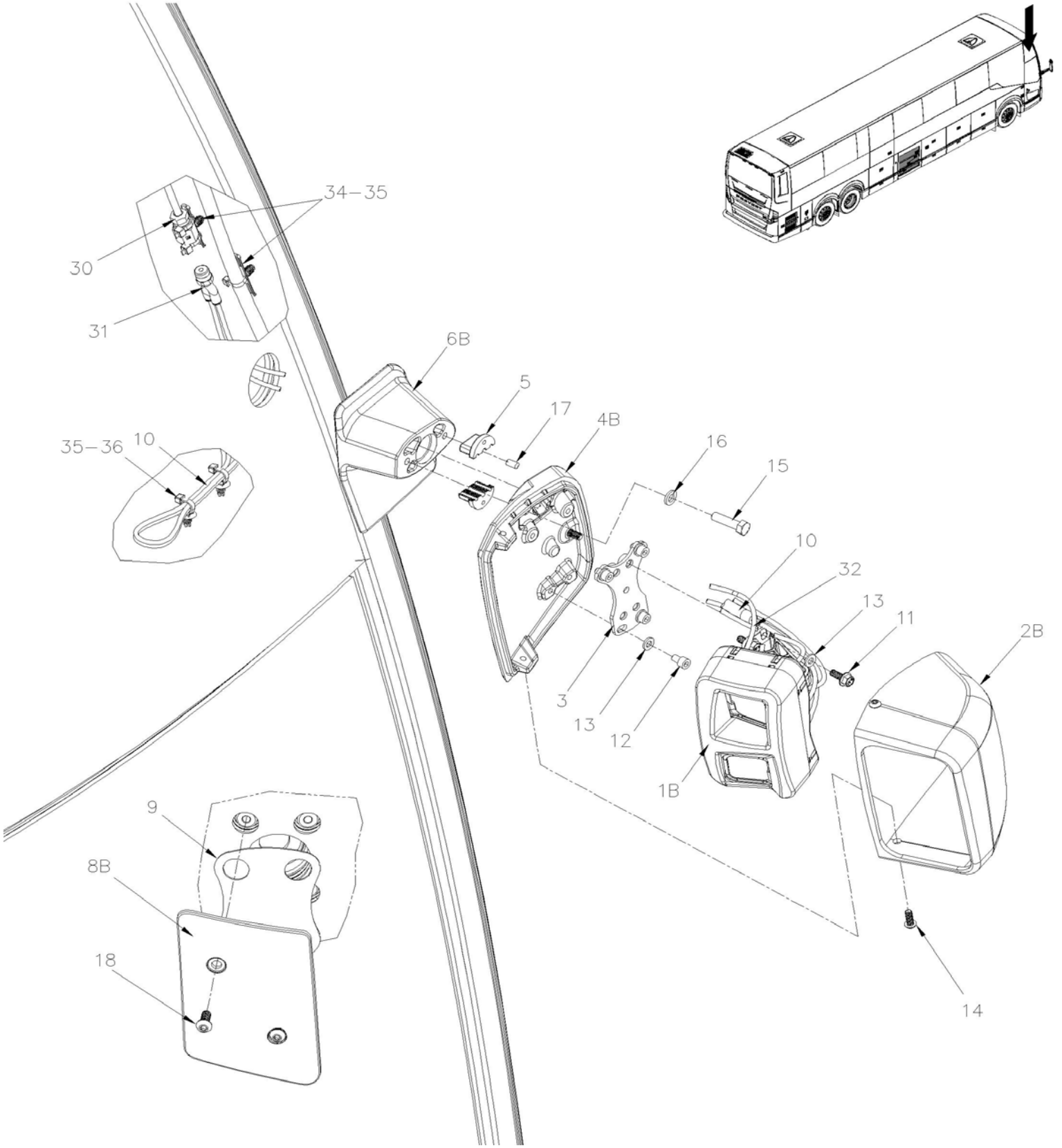


From R-1453

Date:07/2024

PAGE:H9-1856-11

"E-MIRROR" INSTALLATION

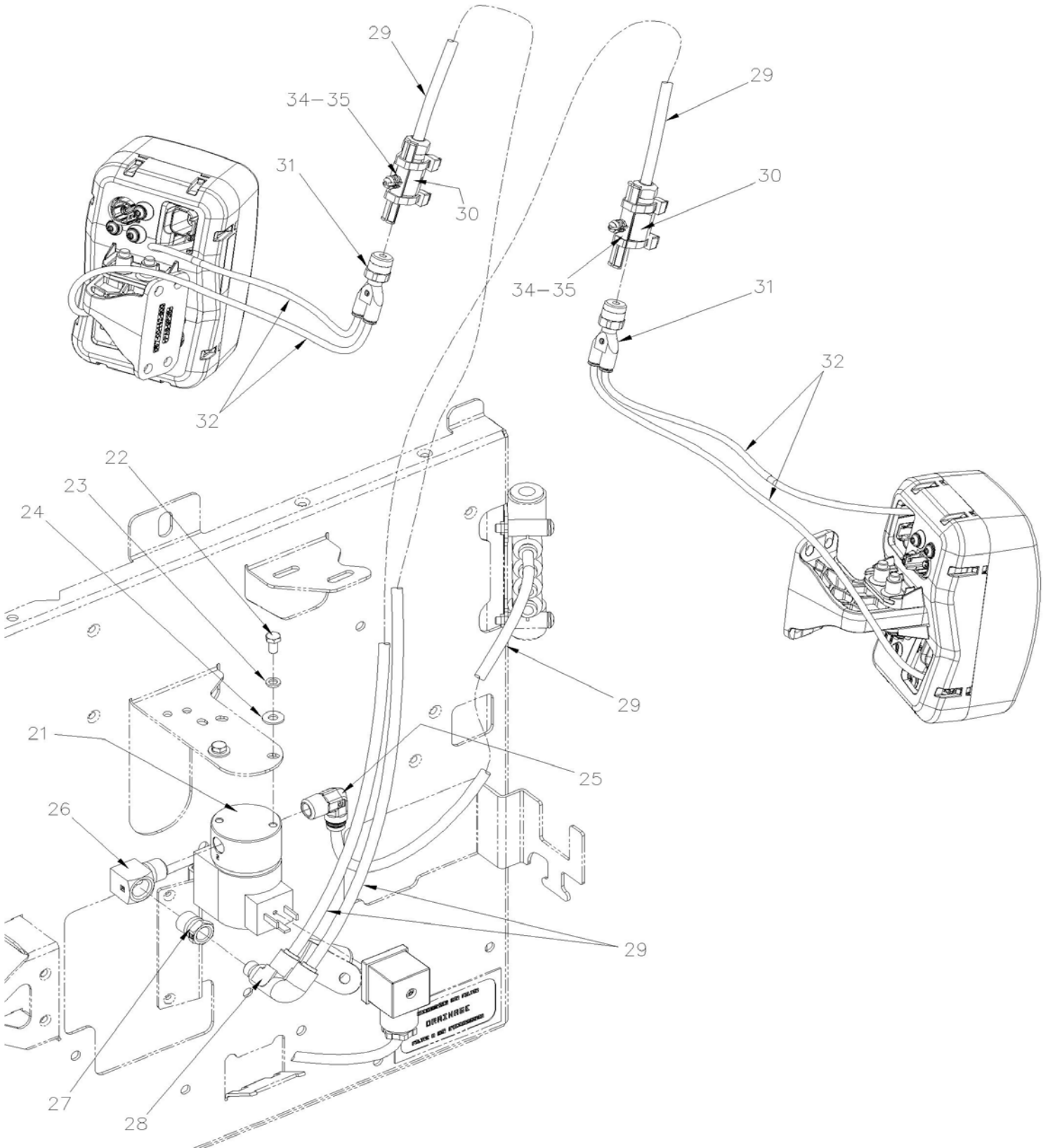


From R-1453

Date:07/2024

PAGE:H9-1856-11

"E-MIRROR" INSTALLATION

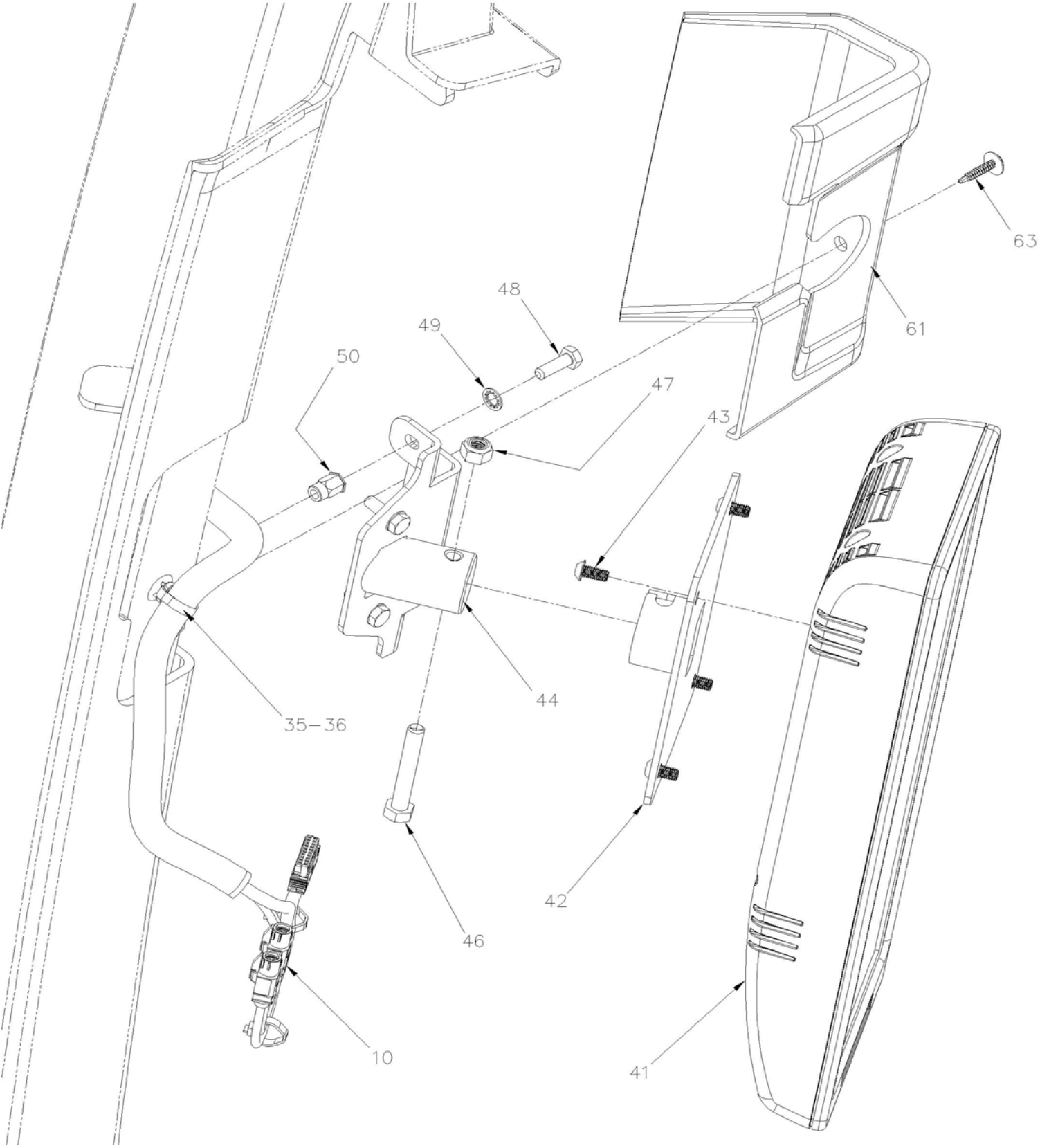


From R-1453

Date:07/2024

PAGE:H9-1856-11

"E-MIRROR" INSTALLATION

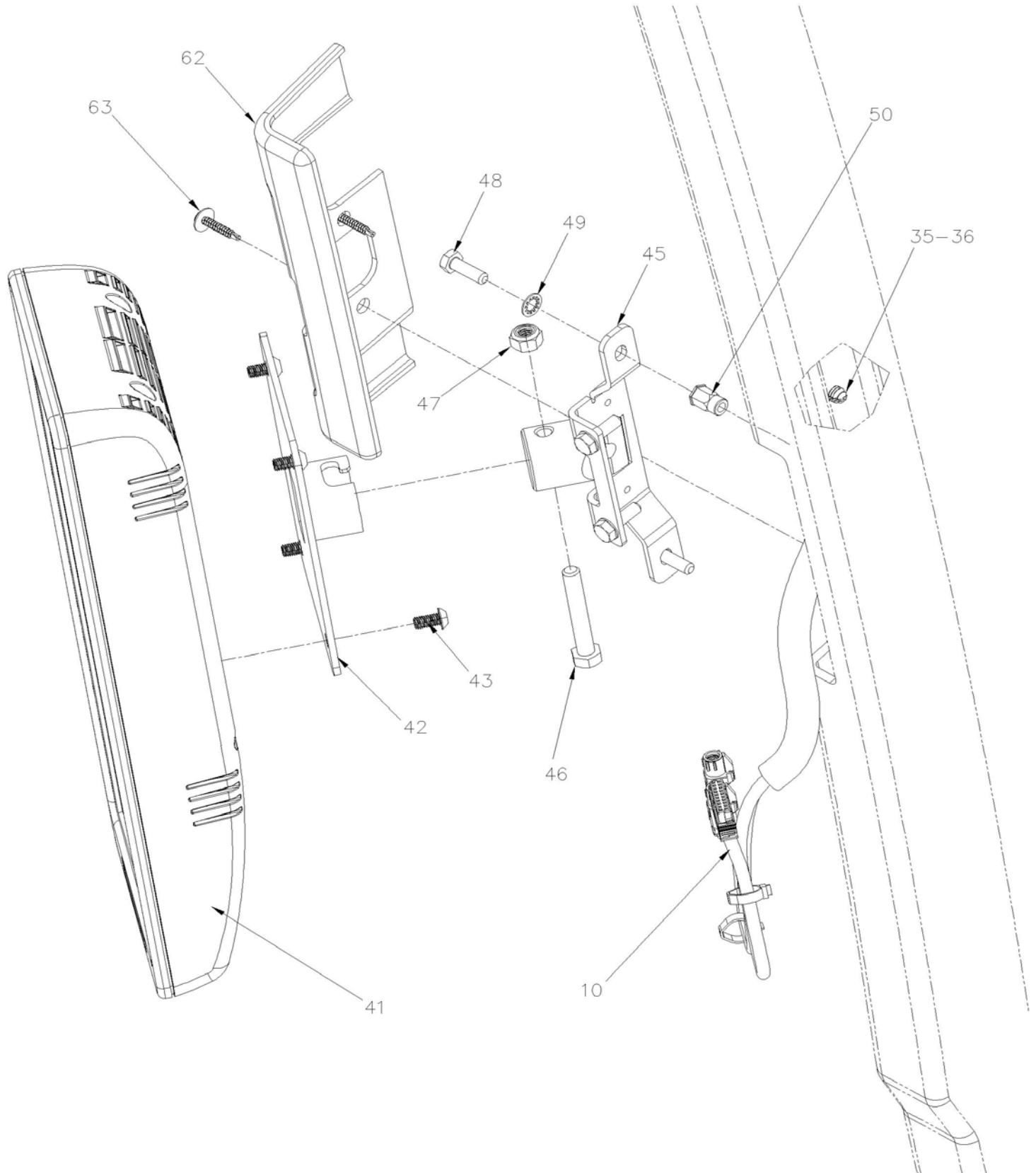


From R-1453

Date:07/2024

PAGE:H9-1856-11

"E-MIRROR" INSTALLATION



From R-1453		Date:07/2024	PAGE:H9-1856-11
"E-MIRROR" INSTALLATION			

Item#	Part	Description	H 3 4 1	H 3 4 5	N O T E S
1A	901812	CAMERA LEFT "E-MIRROR"		1	
1B	901814	CAMERA RIGHT "E-MIRROR"		1	
2A	492119	COVER LH		1	
2B	492128	COVER RH		1	
3	492113	PLATE ANGULAR AJUSTEMENT		2	
3	492178	SPACER		AR	
4A	492118	SUPPORT WING LH		1	
4B	492115	SUPPORT WING RH		1	
5	492112	GROMMET		4	
6A	492114	SUPPORT BASE RH		1	
6B	492117	SUPPORT BASE LH		1	
NS	685387	GLUE MS POLYMER TEROSON MS 9399 / 400ml CARTRIDGE		AR	
NS	506785	TAPE RUB ADH2 CC POL 1/16" X 1/4" X 200' / BLACK I1C-N-A		AR	
8A	420117	MIRROR COVER LH		1	
8B	420115	MIRROR COVER RH		1	
9	420120	GASKET, MIRROR BASE COVER PLATE		2	
10	0610486	ELECTRONIC MIRROR HARNESS		1	
11	5002027	SCREW CAP HEXF AD M6-1.0x16 G10.9 N500		8	
12	5002245	SCREW CAP HEXS M6-10.0x10 FT AD SS NSS		8	
13	502573	WASHER FL 6.4x12.5x1.6 SS		16	
14	5002236	SCREW CAP BUT HEXS M6-1 X 16 SS NSS		6	
15	5001912	SCREW CAP HEX M8-1.25x30 SS BK		2	
16	5001161	WASHER LO SPT 8.1x14.8x2.0 SS-304		2	
17	403848	SCREEN SUPPORT ASSY		2	
18	5000002	SCREW CAP BUT HEXS M8-1.25X20 AD NSS		4	
21	562804	VALVE, 2 WAYS N.C.		1	
. NS	562848	. CONNECTOR / SOCKET HOUSING ASSY 3C / PNEUMAC 54933-05		1	
22	502751	SCREW CAP HEX #10-32x3/8 Z050		2	
23	500470	WASHER LO SPT .193x.334x.047 Z050		2	
24	500964	WASHER FL .203x.500x.047 Z050		2	
25	641371	MALE ELBOW 90° NON-SWIVEL / PUSH-IN FITTING / #4x1/4NPT-M BR		1	
26	501332	STREET ELBOW 90° / PIPE FITTING / 1/4NPT-Mx1/4NPT-F BR		1	
27	501312	BUSHING REDUCER / PIPE FITTING / 1/4NTP-Mx1/8NPT-F BR		1	
28	642127	MALE ELBOW 90° SWIVEL DUAL PORT / PUSH-IN / #4x#4x1/8NPT-M BR		1	
29	503402	TUBE, NYLON 1/4 O.D. / BLACK S.L.		AR	
30	641028	FEMALE CONNECTOR / NTA FITTING / #4x1/4NPT-F BR		1	
31	640058	MALE BRANCH "Y" / PUSH-IN FITTING / 4MMx4MMx1/4NPT-M		1	
32	503420	TUBE, NYLON 4MM O.D. / BLACK S.L.		AR	
NS	680098	THREAD SEALANT LOCTITE #567 / WHITE / 250ml		AR	
34	504262	BUNDLING TAPE CLIP WITH FIR TREE		AR	
35	504637	CABLE TIE / 3/16" x 13"		AR	

From R-1453	Date:07/2024	PAGE:H9-1856-11
-------------	--------------	-----------------

"E-MIRROR" INSTALLATION

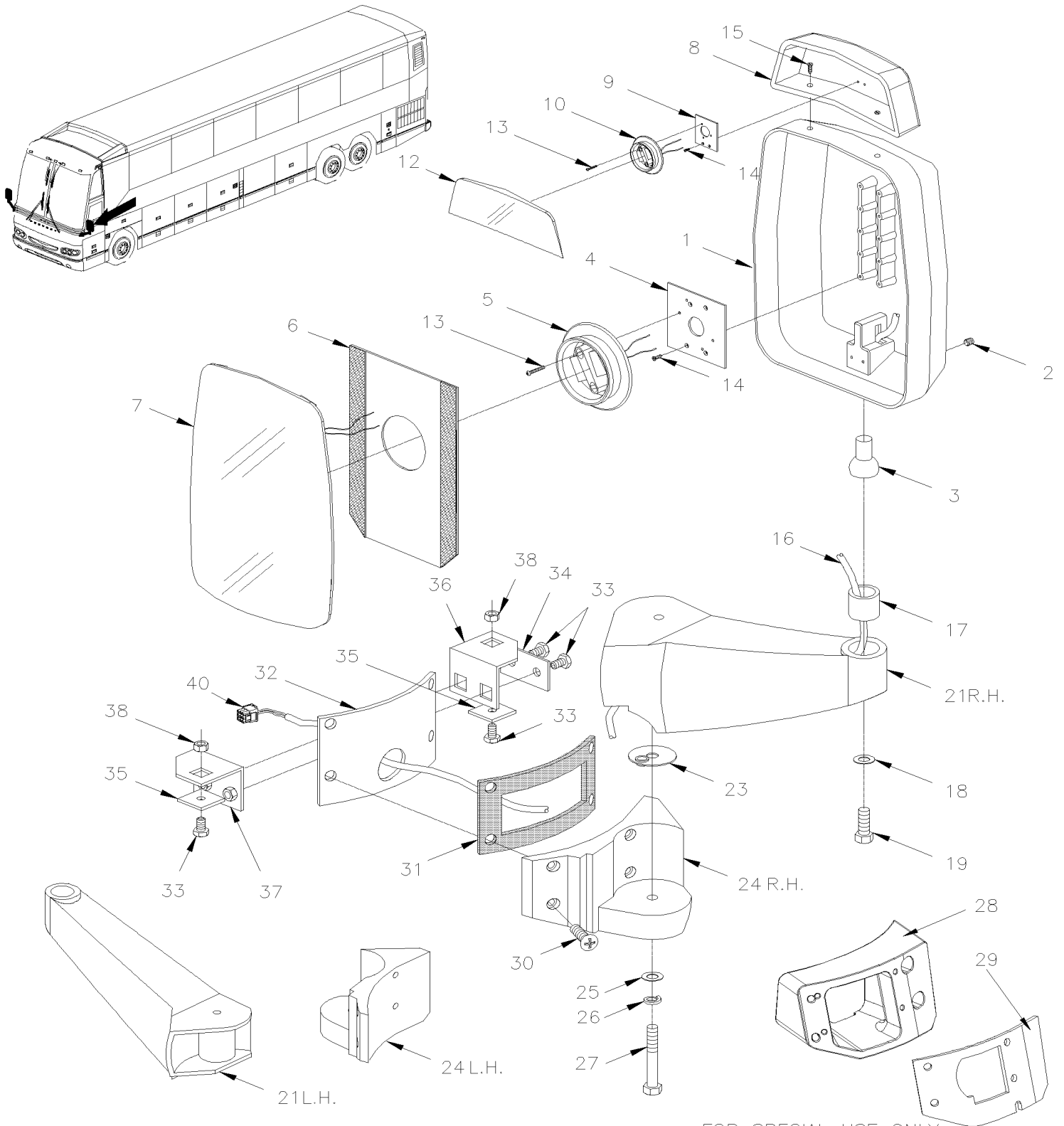
Item#	Part	Description	H 3 4 1	H 3 4 5	N O T E S
36	509815	TIE MOUNT / ATTACHMENT W/TREE MOUNT		AR	
41	901902	MONITOR 12.3 IN E-MIRROR		2	
42	502006	PIN DOWEL 6x10 SS		2	
43	5000353	SCREW CAP BUT HEXS M6-1.0x12 N500		8	
44	406737	FIXATION ASSY LH		1	
45	405289	FIXATION CENTER		1	
46	502927	SCREW CAP HEX M8-1.25x50 G8.8 N500		2	
47	5001983	NUT HEX NYRT M8-1.25 SS SS BK		2	
48	502622	SCREW CAP HEX M6-1.0x20 SS BK		8	
49	5001432	WASHER LO INT .256x.478x.028 SS 410		8	
50	5001344	NUT INS FL HEX M6-1.0 0.5-3.0 SS		8	
61	3211685	LEFT PILLAR E-MIRROR		1	
62	3211684	CENTRAL PILLAR E-MIRROR		1	
63	5002083	SCREW DR SEMS FN OV PH #8X1 N050		4	
70	H9-1856-90	MIRRORS - EMERGENCY			

From K-0185

Date:07/2024

PAGE:H9-1856-25

MIRROR "RAMCO" FLAT GLASS / BLACK PAINTED



FOR SPECIAL USE ONLY

From K-0185		Date:07/2024	PAGE:H9-1856-25
MIRROR "RAMCO" FLAT GLASS / BLACK PAINTED			

Item#	Part	Description	H 3 4 1	H 3 4 5	N O T E S
	990021	MIRROR ASSY, R.H. / W/CONVEX ELECTRIC / W/9 PINS CONNECTOR	1	1	
	990137	MIRROR ASSY, L.H. / W/CONVEX ELECTRIC / W/9 PINS CONNECTOR	1	1	
1	990515	. HEAD ASSY / W/CONVEX ELECTRIC / W/9 PINS CONNECTOR	1	1	
. NS	060776	. . CABLE ASSY / W/CONNECTOR 9PIN 54"	1	1	
2	502812	. . SCREW SET HEXS CUP 3/8-16X3/8 SS	1	1	
3	990478	. . STUD, BALL	1	1	
4	990272	. . NOTCHED BACK MOUNTING PLATE (2" X 3")	1	1	
5	990349	. . MOTOR 12V / MEDIUM / BLACK / 108MM / 4 1/4" O.D. OLD STYLE MOUNTING To P-1340	1	1	
. NS	564494	. . . TAB TERMINAL / 20-16 / AMP 63138-1 To P-1340	4	4	
5	990631	. . MOTOR 12V / NEW STYLE MOUNTING NEW STYLE MOUNTING From P-1341	1	1	
6	990268	. . VELCRO PLATE / 8" X 8" OLD STYLE MOUNTING To P-1340	1	1	
6	990630	. . SNAP RING / NEW STYLE MOUNTING NEW STYLE MOUNTING From P-1341	1	1	
7	990199	. . GLASS ASSY W/HEATER 12V OLD STYLE MOUNTING To P-1340	1	1	
7	990632	. . GLASS ASSY W/HEATER 12V / NEW STYLE MOUNTING NEW STYLE MOUNTING From P-1341	1	1	
8	990297	. MIRROR ASSY / CONVEX ELECTRIC	1	1	
9	990295	. . PLATE, TOP MOTOR MOUNTING	1	1	
10	990300	. . MOTOR 12V / SMALL / BLACK / 85MM / 3 5/16" O.D.	1	1	
. NS	564494	. . . TAB TERMINAL / 20-16 / AMP 63138-1	4	4	
12	990339	. . GLASS CONVEX ASSY W/HEATER 12V	1	1	
13	N.P.N.	. . SCREW TC FL PH ZP 6-32 X 1 1/8"	3	3	4
14	500660	. . SCREW TC FL PH #6-32x3/8 Z050	2	2	
15	990530	. . SCREW CAP HEX #10-24x1" SS	2	2	
NS	500787	. . NUT HEX #10-24 SS	2	2	
16	N.P.N.	. . CABLE ASSY / W/CONNECTOR / SEE ITEM # 40	1	1	4
17	990379	. . CUP, BALL STUD RETAINER / ONE PIECE	1	1	
18	500270	. . WASHER FL .406x1.000x.063 SS	1	1	
19	N.P.N.	. . SCREW CAP HEX SS 3/8-24 X 1.250	1	1	4
21	990308	. ARM, R.H.	1	1	
21	990399	. ARM, L.H. / DIRTY FREE	1	1	
23	990265	. WASHER ALUMINUM / 2 " O.D.	1	1	
NS	504082	. . SNAP BUSHING / .125x.312x.312	1	1	
24	990305	. BRACKET, MOUNTING R.H.	1	1	
24	990306	. BRACKET, MOUNTING L.H.	1	1	
25	500958	. WASHER FL .531x1.062x.095 SS	1	1	
26	500035	. WASHER LO SPT .317x.586x.078 SS	1	1	
27	990500	. SCREW 1/2-13x2 HHCS SS	1	1	
28	491498	MIRROR SPACER	1	1	D
28	501000	SCREW CAP BUT HEXS M8-1.25x45 SS	4	4	D
29	490012	GASKET, RH	1	1	D
30	5001581	SCREW CAP BUT HEXS M8-1.25x40 SS To M-1135	4	4	
30	5002142	SCREW CAP BUT HEXS M8-1.25x35 SS From M-1136	4	4	
NS	5001341	WASHER FL 8.4x17.0x1.6 SS	4	4	

From K-0185	Date:07/2024	PAGE:H9-1856-25
MIRROR "RAMCO" FLAT GLASS / BLACK PAINTED		

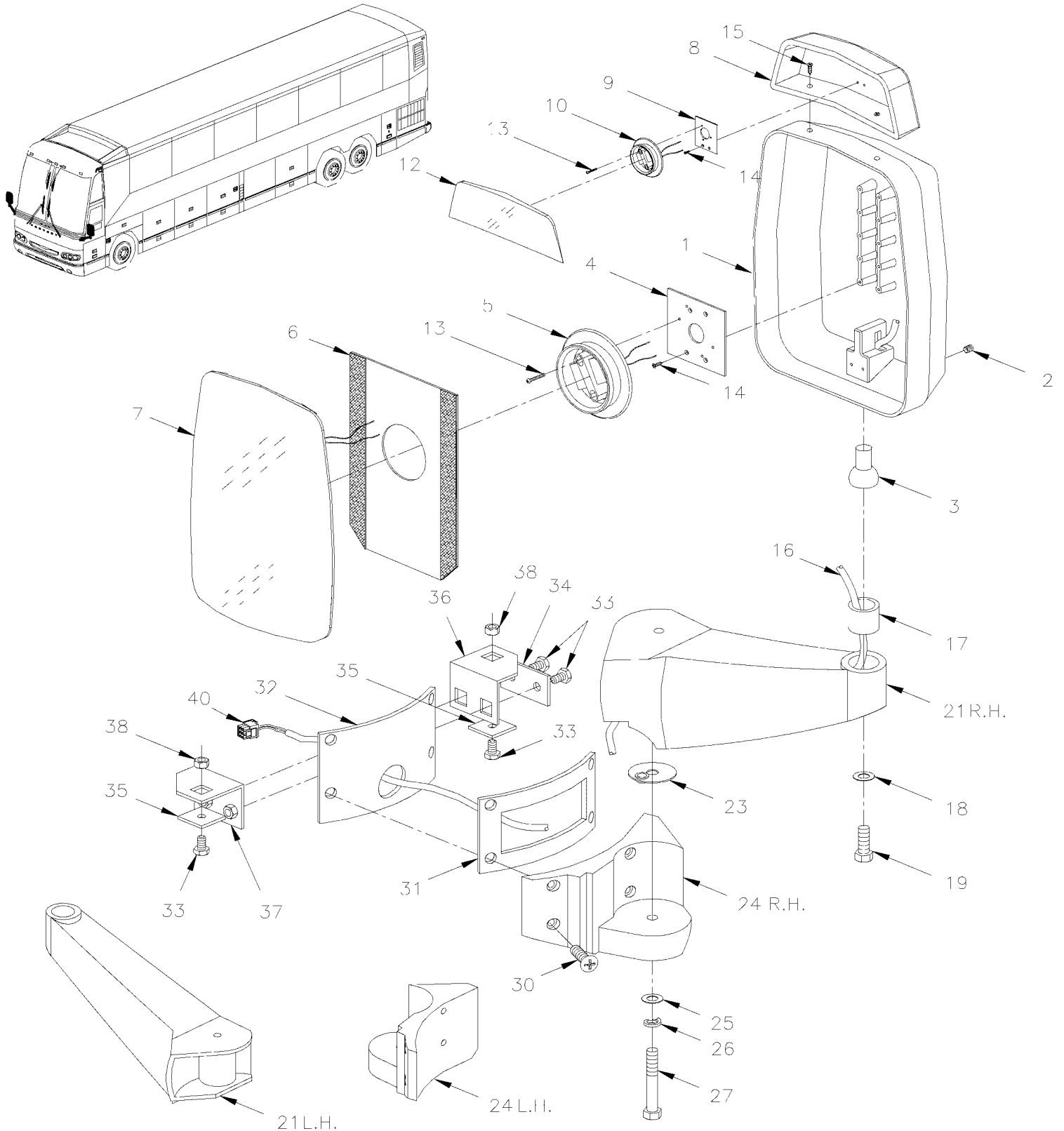
Item#	Part	Description	H 3 4 1	H 3 4 5	NOTES
30	5001461	SCREW MA FL PH M8-1.25x40 SS To M-1135	4	4	
30	5000361	SCREW MA FL PH M8-1.25x35 SS From M-1136	4	4	
NS	680098	THREAD SEALANT LOCTITE #567 / WHITE / 250ml	AR	AR	
31	490873	GASKET, RH	1	1	
31	490894	GASKET, LH	1	1	
32	490102	ANCHOR PLATE R.H.	1	1	A
32	490103	ANCHOR PLATE L.H.	1	1	A
33	502589	SCREW CAP HEX M8-1.25x25 G8.8 Z050	8	8	
34	490940	PLATE	2	2	
35	490951	PLATE	4	4	
36	490906	ANGLE	2	2	
37	490907	ANGLE W/NUT	2	2	
38	5001337	NUT INS FL HEX M8-1.25 0.5-3.0 Z050	2	2	B
40	563802	CONNECTOR / W 45" CABLE ASSY / PH 9C	2	2	
NS	563801	CONNECTOR / MULTI CON X / SH 9C / CONXALL 4280-9SG-300	2	2	C
41	MI16-28	DRIP EDGE ADDITION ON FRONT MIRRORS / PRODUCT IMPROVMENT	1	1	
		A) PART OF FRONT LOWER CAP			
		B) FIXED INSIDE OF TUBE			
		C) THIS CONNECTOR IT USED ON CABLE HARNESS FROM INSIDE OF VEHICULE			
		D) SPECIAL			
		4) NO PARTS NUMBER			

From K-0185

Date:07/2024

PAGE:H9-1856-26

MIRROR "RAMCO" FLAT GLASS / BLACK PAINTED WITH DIRECTIONAL



From K-0185	Date:07/2024	PAGE:H9-1856-26
MIRROR "RAMCO" FLAT GLASS / BLACK PAINTED WITH DIRECTIONAL		

Item#	Part	Description	H 3 4 1	H 3 4 5	NOTES
	990469	MIRROR ASSY, R.H. / DIRECTIONAL / W/CONVEX / W/9 PINS CONNECTOR	1	1	
	990471	MIRROR ASSY, L.H. / DIRECTIONAL / W/CONVEX / W/9 PINS CONNECTOR	1	1	
1	990521	. HEAD ASSY / ELECTRIC L.H. / W/9 PINS CONNECTOR	1	1	
. NS	060776	. . CABLE ASSY / W/CONNECTOR 9PIN 54"	1	1	
1	990519	. HEAD ASSY / ELECTRIC R.H. / W/9 PINS CONNECTOR	1	1	
. NS	060776	. . CABLE ASSY / W/CONNECTOR 9PIN 54"	1	1	
2	502812	. . SCREW SET HEXS CUP 3/8-16X3/8 SS	1	1	
3	990478	. . STUD, BALL	1	1	
4	990272	. . NOTCHED BACK MOUNTING PLATE (2" X 3")	1	1	
5	990349	. . MOTOR 12V / MEDIUM / BLACK / 108MM / 4 1/4" O.D. OLD STYLE MOUNTING To P-1340	1	1	
. NS	564494	. . . TAB TERMINAL / 20-16 / AMP 63138-1 To P-1340	4	4	
5	990631	. . MOTOR 12V / NEW STYLE MOUNTING NEW STYLE MOUNTING From P-1341	1	1	
6	990474	. . VELCRO PLATE / 8" X 8" / W/RECESS FOR FLASHER OLD STYLE MOUNTING To P-1340	1	1	
6	990630	. . SNAP RING / NEW STYLE MOUNTING NEW STYLE MOUNTING From P-1341	1	1	
7	990427	. . GLASS ASSY W/DIRECTIONAL ARROW L.H. OLD STYLE MOUNTING To P-1340	1	1	
7	990633	. . GLASS ASSY W/DIRECTIONAL ARROW L.H. / NEW STYLE MOUNTING NEW STYLE MOUNTING From P-1341	1	1	
7	990428	. . GLASS ASSY W/DIRECTIONAL ARROW R.H. OLD STYLE MOUNTING To P-1340	1	1	
7	990634	. . GLASS ASSY W/DIRECTIONAL ARROW R.H. / NEW STYLE MOUNTING NEW STYLE MOUNTING From P-1341	1	1	
8	990297	. MIRROR ASSY / CONVEX ELECTRIC	1	1	
9	990295	. . PLATE, TOP MOTOR MOUNTING	1	1	
10	990300	. . MOTOR 12V / SMALL / BLACK / 85MM / 3 5/16" O.D.	1	1	
. NS	564494	. . . TAB TERMINAL / 20-16 / AMP 63138-1	4	4	
12	990339	. . GLASS CONVEX ASSY W/HEATER 12V	1	1	
13	N.P.N.	. . SCREW TC FL PH ZP 6-32 X 1 1/8"	3	3	4
14	500660	. . SCREW TC FL PH #6-32x3/8 Z050	2	2	
15	990530	. . SCREW CAP HEX #10-24x1" SS	2	2	
NS	500787	. . NUT HEX #10-24 SS	2	2	
16	N.P.N.	. . CABLE ASSY / W/CONNECTOR / SEE ITEM # 40	1	1	4
17	990379	. . CUP, BALL STUD RETAINER / ONE PIECE	1	1	
18	500270	. . WASHER FL .406x1.000x.063 SS	1	1	
19	N.P.N.	. . SCREW CAP HEX SS 3/8-24 X 1.250	1	1	4
21	990308	. ARM, R.H.	1	1	
21	990399	. ARM, L.H. / DIRTY FREE	1	1	
23	990265	. WASHER ALUMINUM / 2 " O.D.	1	1	
NS	504082	. . SNAP BUSHING / .125x.312x.312	1	1	
24	990305	. BRACKET, MOUNTING R.H.	1	1	
24	990306	. BRACKET, MOUNTING L.H.	1	1	
25	500958	. WASHER FL .531x1.062x.095 SS	1	1	
26	500035	. WASHER LO SPT .317x.586x.078 SS	1	1	
27	990500	. SCREW 1/2-13x2 HHCS SS	1	1	
30	5001581	SCREW CAP BUT HEXS M8-1.25x40 SS To M-1135	4	4	
30	5002142	SCREW CAP BUT HEXS M8-1.25x35 SS From M-1136	4	4	

From K-0185	Date:07/2024	PAGE:H9-1856-26
-------------	--------------	-----------------

MIRROR "RAMCO" FLAT GLASS / BLACK PAINTED WITH DIRECTIONAL

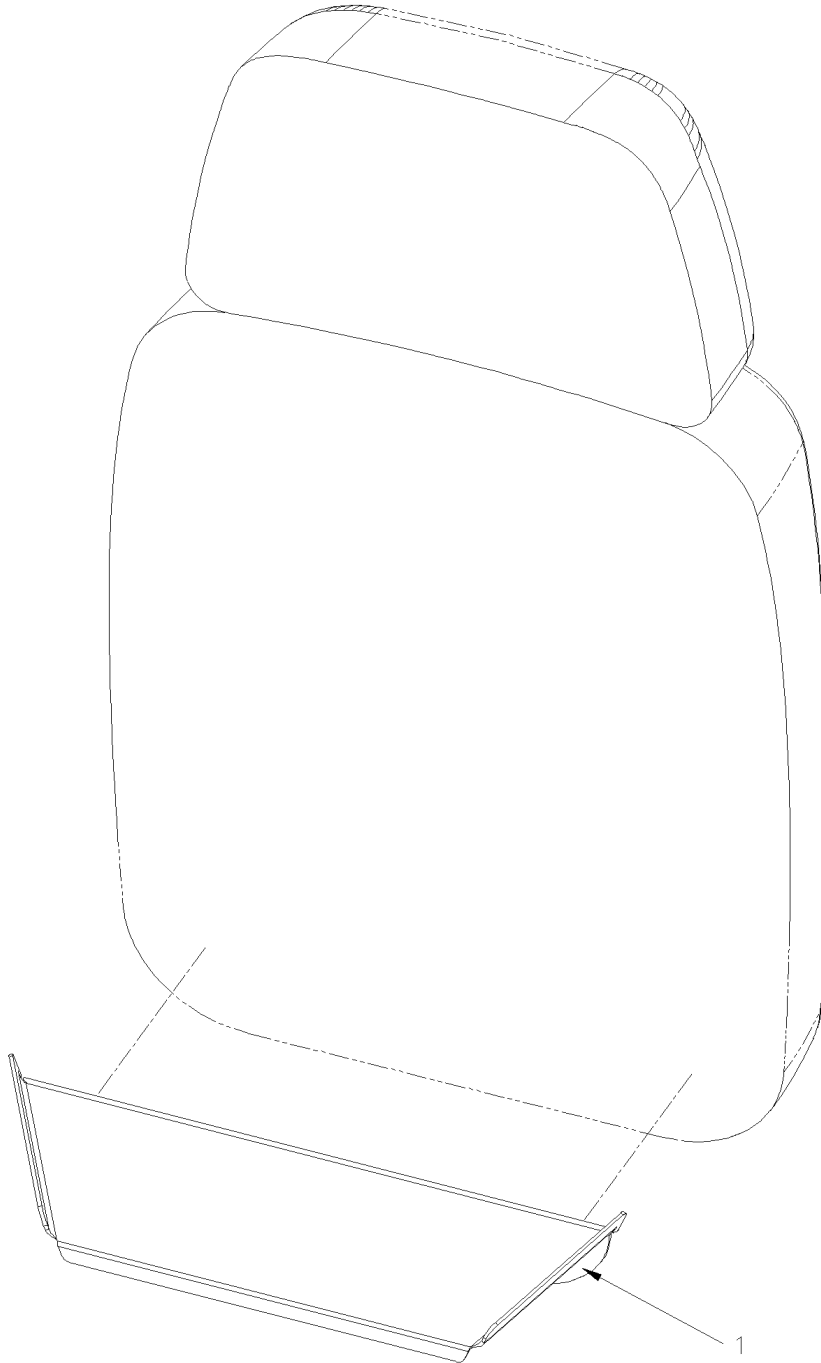
Item#	Part	Description	H 3 4 1	H 3 4 5	NOTES
NS	5001341	WASHER FL 8.4x17.0x1.6 SS	4	4	
30	5001461	SCREW MA FL PH M8-1.25x40 SS To M-1135	4	4	
30	5000361	SCREW MA FL PH M8-1.25x35 SS From M-1136	4	4	
31	490873	GASKET, RH	1	1	
31	490894	GASKET, LH	1	1	
32	490102	ANCHOR PLATE R.H.	1	1	A
32	490103	ANCHOR PLATE L.H.	1	1	A
33	502589	SCREW CAP HEX M8-1.25x25 G8.8 Z050	8	8	
34	490940	PLATE	2	2	
35	490951	PLATE	4	4	
36	490906	ANGLE	2	2	
37	490907	ANGLE W/NUT	2	2	
38	5001337	NUT INS FL HEX M8-1.25 0.5-3.0 Z050	2	2	B
40	563802	CONNECTOR / W 45" CABLE ASSY / PH 9C	2	2	
NS	563801	CONNECTOR / MULTI CON X / SH 9C / CONXALL 4280-9SG-300	2	2	C
NS	MI16-28	DRIP EDGE ADDITION ON FRONT MIRRORS / PRODUCT IMPROVMENT	1	1	
		A) PART OF FRONT LOWER CAP			
		B) FIXED INSIDE OF TUBE			
		C) THIS CONNECTOR IT USED ON CABLE HARNESS FROM INSIDE OF VEHICULE			
		4) NO PARTS NUMBER			

From K-0185 To P-1452

Date:07/2024

PAGE:MI16-28

DRIP EDGE ADDITION ON FRONT MIRRORS / PRODUCT IMPROVMENT



From K-0185 To P-1452	Date:07/2024	PAGE:MI16-28
-----------------------	--------------	--------------

DRIP EDGE ADDITION ON FRONT MIRRORS / PRODUCT IMPROVMENT

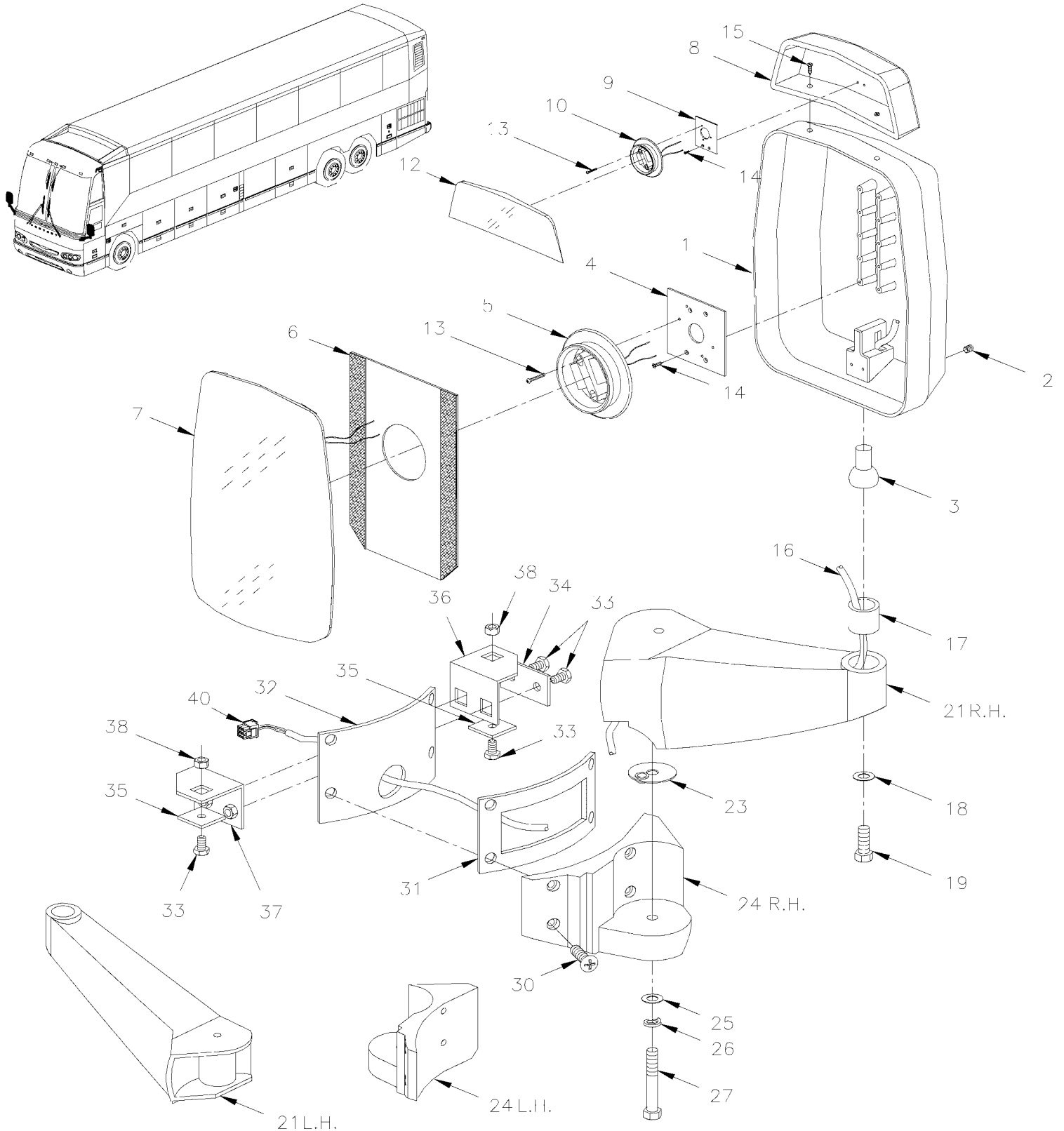
Item#	Part	Description	H 3 4 1	H 3 4 5	N O T E S
1	491507	MIRROR EXT. DRIP MOLDING ASSY	2	2	
2		MAINTENANCE INFORMATION	1	1	

From K-0185

Date:07/2024

PAGE:H9-1856-50

MIRROR "RAMCO" FLAT GLASS / CHROME



From K-0185	Date:07/2024	PAGE:H9-1856-50
MIRROR "RAMCO" FLAT GLASS / CHROME		

Item#	Part	Description	H 3 4 1	H 3 4 5	N O T E S
	990022	MIRROR ASSY, R.H. / W/CONVEX ELECTRIC / W/9 PINS CONNECTOR	1	1	
	990458	MIRROR ASSY, L.H. / W/CONVEX ELECTRIC / W/9 PINS CONNECTOR	1	1	
1	990516	. HEAD ASSY / W/CONVEX ELECTRIC / W/9 PINS CONNECTOR	1	1	
. NS	060776	. . CABLE ASSY / W/CONNECTOR 9PIN 54"	1	1	
2	502812	. . SCREW SET HEXS CUP 3/8-16X3/8 SS	1	1	
3	990478	. . STUD, BALL	1	1	
4	990272	. . NOTCHED BACK MOUNTING PLATE (2" X 3")	1	1	
5	990349	. . MOTOR 12V / MEDIUM / BLACK / 108MM / 4 1/4" O.D. OLD STYLE MOUNTING To P-1340	1	1	
. NS	564494	. . . TAB TERMINAL / 20-16 / AMP 63138-1 To P-1340	4	4	
5	990631	. . MOTOR 12V / NEW STYLE MOUNTING NEW STYLE MOUNTING From P-1341	1	1	
6	990268	. . VELCRO PLATE / 8" X 8" OLD STYLE MOUNTING To P-1340	1	1	
6	990630	. . SNAP RING / NEW STYLE MOUNTING NEW STYLE MOUNTING From P-1341	1	1	
7	990199	. . GLASS ASSY W/HEATER 12V OLD STYLE MOUNTING To P-1340	1	1	
7	990632	. . GLASS ASSY W/HEATER 12V / NEW STYLE MOUNTING NEW STYLE MOUNTING From P-1341	1	1	
8	990302	. MIRROR ASSY / CONVEX ELECTRIC	1	1	
9	990295	. . PLATE, TOP MOTOR MOUNTING	1	1	
10	990219	. . MOTOR 12V / SMALL / BLACK / 85MM / 3 5/16" O.D.	1	1	
. NS	564494	. . . TAB TERMINAL / 20-16 / AMP 63138-1	4	4	
12	990339	. . GLASS CONVEX ASSY W/HEATER 12V	1	1	
13	N.P.N.	. . SCREW TC FL PH ZP 6-32 X 1 1/8"	3	3	4
14	500660	. . SCREW TC FL PH #6-32x3/8 Z050	2	2	
15	990530	. . SCREW CAP HEX #10-24x1" SS	2	2	
NS	500787	. . NUT HEX #10-24 SS	2	2	
16	N.P.N.	. . CABLE ASSY / W/CONNECTOR / SEE ITEM # 40	1	1	4
17	990379	. . CUP, BALL STUD RETAINER / ONE PIECE	1	1	
18	500270	. . WASHER FL .406x1.000x.063 SS	1	1	
19	N.P.N.	. . SCREW CAP HEX SS 3/8-24 X 1.250	1	1	4
21	990316	. ARM, R.H.	1	1	
21	990401	. ARM, L.H. / DIRTY FREE	1	1	
23	990265	. WASHER ALUMINUM / 2 " O.D.	1	1	
NS	504082	. . SNAP BUSHING / .125x.312x.312	1	1	
24	990310	. BRACKET, MOUNTING R.H.	1	1	
24	990312	. BRACKET, MOUNTING L.H.	1	1	
25	500958	. WASHER FL .531x1.062x.095 SS	1	1	
26	500035	. WASHER LO SPT .317x.586x.078 SS	1	1	
27	990500	. SCREW 1/2-13x2 HHCS SS	1	1	
30	5001581	SCREW CAP BUT HEXS M8-1.25x40 SS To M-1135	4	4	
30	5002142	SCREW CAP BUT HEXS M8-1.25x35 SS From M-1136	4	4	
NS	5001341	WASHER FL 8.4x17.0x1.6 SS	4	4	
30	5001461	SCREW MA FL PH M8-1.25x40 SS To M-1135	4	4	
30	5000361	SCREW MA FL PH M8-1.25x35 SS From M-1136	4	4	
31	490873	GASKET, RH	1	1	

From K-0185	Date:07/2024	PAGE:H9-1856-50
MIRROR "RAMCO" FLAT GLASS / CHROME		

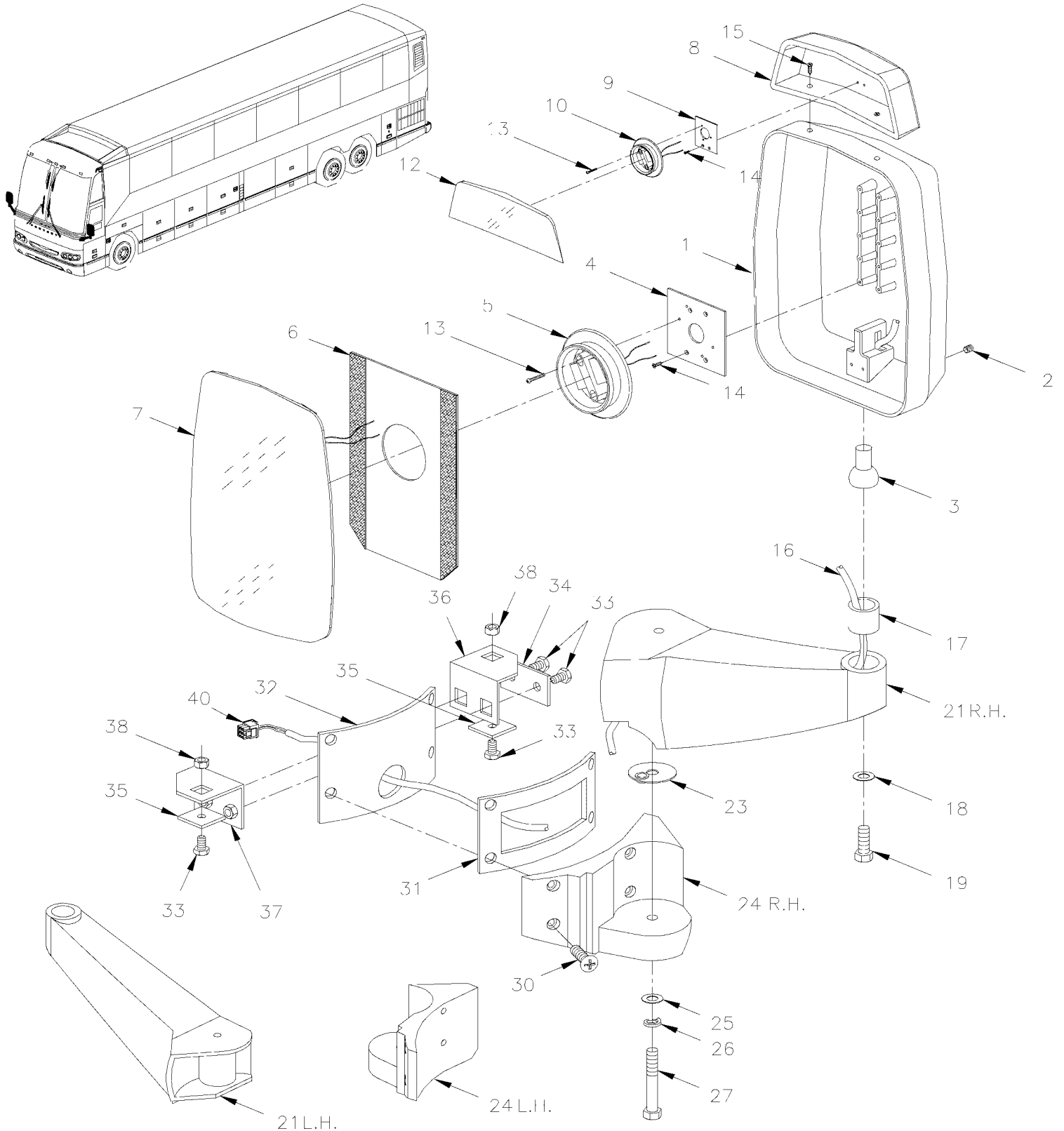
Item#	Part	Description	H 3 4 1	H 3 4 5	N O T E S
31	490894	GASKET, LH	1	1	
32	490102	ANCHOR PLATE R.H.	1	1	A
32	490103	ANCHOR PLATE L.H.	1	1	A
33	502589	SCREW CAP HEX M8-1.25x25 G8.8 Z050	8	8	
34	490940	PLATE	2	2	
35	490951	PLATE	4	4	
36	490906	ANGLE	2	2	
37	490907	ANGLE W/NUT	2	2	
38	5001337	NUT INS FL HEX M8-1.25 0.5-3.0 Z050	2	2	B
40	563802	CONNECTOR / W 45" CABLE ASSY / PH 9C	2	2	
NS	563801	CONNECTOR / MULTI CON X / SH 9C / CONXALL 4280-9SG-300	2	2	C
NS	MI16-28	DRIP EDGE ADDITION ON FRONT MIRRORS / PRODUCT IMPROVMENT	1	1	
		A) PART OF FRONT LOWER CAP			
		B) FIXED INSIDE OF TUBE			
		C) THIS CONNECTOR IT USED ON CABLE HARNESS FROM INSIDE OF VEHICULE			
		4) NO PARTS NUMBER			

From K-0185

Date:07/2024

PAGE:H9-1856-51

MIRROR "RAMCO" FLAT GLASS / CHROME WITH DIRECTIONAL



From K-0185		Date:07/2024	PAGE:H9-1856-51
MIRROR "RAMCO" FLAT GLASS / CHROME WITH DIRECTIONAL			

Item#	Part	Description	H 3 4 1	H 3 4 5	N O T E S
	990467	MIRROR ASSY, R.H. / DIRECTIONAL / W/CONVEX / W/9 PINS CONNECTOR	1	1	
	990470	MIRROR ASSY, L.H. / DIRECTIONAL / W/CONVEX / W/9 PINS CONNECTOR	1	1	
1	990520	. HEAD ASSY / ELECTRIC L.H. / W/9 PINS CONNECTOR	1	1	
. NS	060776	. . CABLE ASSY / W/CONNECTOR 9PIN 54"	1	1	
1	990518	. HEAD ASSY / ELECTRIC R.H. / W/9 PINS CONNECTOR	1	1	
. NS	060776	. . CABLE ASSY / W/CONNECTOR 9PIN 54"	1	1	
2	502812	. . SCREW SET HEXS CUP 3/8-16X3/8 SS	1	1	
3	990478	. . STUD, BALL	1	1	
4	990272	. . NOTCHED BACK MOUNTING PLATE (2" X 3")	1	1	
5	990349	. . MOTOR 12V / MEDIUM / BLACK / 108MM / 4 1/4" O.D. OLD STYLE MOUNTING To P-1340	1	1	
. NS	564494	. . . TAB TERMINAL / 20-16 / AMP 63138-1 To P-1340	4	4	
5	990631	. . MOTOR 12V / NEW STYLE MOUNTING NEW STYLE MOUNTING From P-1341	1	1	
6	990474	. . VELCRO PLATE / 8" X 8" / W/RECESS FOR FLASHER OLD STYLE MOUNTING To P-1340	1	1	
6	990630	. . SNAP RING / NEW STYLE MOUNTING NEW STYLE MOUNTING From P-1341	1	1	
7	990427	. . GLASS ASSY W/DIRECTIONAL ARROW L.H. OLD STYLE MOUNTING To P-1340	1	1	
7	990633	. . GLASS ASSY W/DIRECTIONAL ARROW L.H. / NEW STYLE MOUNTING NEW STYLE MOUNTING From P-1341	1	1	
7	990428	. . GLASS ASSY W/DIRECTIONAL ARROW R.H. OLD STYLE MOUNTING To P-1340	1	1	
7	990634	. . GLASS ASSY W/DIRECTIONAL ARROW R.H. / NEW STYLE MOUNTING NEW STYLE MOUNTING From P-1341	1	1	
8	990302	. MIRROR ASSY / CONVEX ELECTRIC	1	1	
9	990295	. . PLATE, TOP MOTOR MOUNTING	1	1	
10	990219	. . MOTOR 12V / SMALL / BLACK / 85MM / 3 5/16" O.D.	1	1	
. NS	564494	. . . TAB TERMINAL / 20-16 / AMP 63138-1	4	4	
12	990339	. . GLASS CONVEX ASSY W/HEATER 12V	1	1	
13	N.P.N.	. . SCREW TC FL PH ZP 6-32 X 1 1/8"	3	3	4
14	500660	. . SCREW TC FL PH #6-32x3/8 Z050	2	2	
15	990530	. . SCREW CAP HEX #10-24x1" SS	2	2	
NS	500787	. . NUT HEX #10-24 SS	2	2	
16	N.P.N.	. . CABLE ASSY / W/CONNECTOR / SEE ITEM # 40	1	1	4
17	990379	. . CUP, BALL STUD RETAINER / ONE PIECE	1	1	
18	500270	. . WASHER FL .406x1.000x.063 SS	1	1	
19	N.P.N.	. . SCREW CAP HEX SS 3/8-24 X 1.250	1	1	4
21	990316	. ARM, R.H.	1	1	
21	990401	. ARM, L.H. / DIRTY FREE	1	1	
23	990265	. WASHER ALUMINUM / 2 " O.D.	1	1	
NS	504082	. . SNAP BUSHING / .125x.312x.312	1	1	
24	990310	. BRACKET, MOUNTING R.H.	1	1	
24	990312	. BRACKET, MOUNTING L.H.	1	1	
25	500958	. WASHER FL .531x1.062x.095 SS	1	1	
26	500035	. WASHER LO SPT .317x.586x.078 SS	1	1	
27	990500	. SCREW 1/2-13x2 HHCS SS	1	1	
30	5001581	SCREW CAP BUT HEXS M8-1.25x40 SS To M-1135	4	4	

From K-0185	Date:07/2024	PAGE:H9-1856-51
MIRROR "RAMCO" FLAT GLASS / CHROME WITH DIRECTIONAL		

Item#	Part	Description	H 3 4 1	H 3 4 5	NOTES
30	5002142	SCREW CAP BUT HEXS M8-1.25x35 SS From M-1136	4	4	
NS	5001341	WASHER FL 8.4x17.0x1.6 SS	4	4	
30	5001461	SCREW MA FL PH M8-1.25x40 SS To M-1135	4	4	
30	5000361	SCREW MA FL PH M8-1.25x35 SS From M-1136	4	4	
31	490873	GASKET, RH	1	1	
31	490894	GASKET, LH	1	1	
32	490102	ANCHOR PLATE R.H.	1	1	A
32	490103	ANCHOR PLATE L.H.	1	1	A
33	502589	SCREW CAP HEX M8-1.25x25 G8.8 Z050	8	8	
34	490940	PLATE	2	2	
35	490951	PLATE	4	4	
36	490906	ANGLE	2	2	
37	490907	ANGLE W/NUT	2	2	
38	5001337	NUT INS FL HEX M8-1.25 0.5-3.0 Z050	2	2	B
40	563802	CONNECTOR / W 45" CABLE ASSY / PH 9C	2	2	
NS	563801	CONNECTOR / MULTI CON X / SH 9C / CONXALL 4280-9SG-300	2	2	C
NS	MI16-28	DRIP EDGE ADDITION ON FRONT MIRRORS / PRODUCT IMPROVMENT	1	1	
		A) PART OF FRONT LOWER CAP			
		B) FIXED INSIDE OF TUBE			
		C) THIS CONNECTOR IT USED ON CABLE HARNESS FROM INSIDE OF VEHICULE			
		4) NO PARTS NUMBER			

From K-0185		Date:07/2024	PAGE:H9-1856-60
MIRROR "RAMCO" 2 GLASSES / CHROME			

Item#	Part	Description	H 3 4 1	H 3 4 5	N O T E S
	990510	MIRROR ASSY, R.H. / ELECTRIC / W/9 PINS CONNECTOR	1	1	
	990512	MIRROR ASSY, L.H. / ELECTRIC / W/9 PINS CONNECTOR	1	1	
1	990524	. HEAD ASSY / ELECTRIC / W/9 PINS CONNECTOR	1	1	
. NS	060776	. . CABLE ASSY / W/CONNECTOR 9PIN 54"	1	1	
2	502812	. . SCREW SET HEXS CUP 3/8-16X3/8 SS	1	1	
3	990478	. . STUD, BALL	1	1	
4	990272	. . NOTCHED BACK MOUNTING PLATE (2" X 3")	1	1	
5	990349	. . MOTOR 12V / MEDIUM / BLACK / 108MM / 4 1/4" O.D. OLD STYLE MOUNTING To P-1340	1	1	
. NS	564494	. . . TAB TERMINAL / 20-16 / AMP 63138-1 To P-1340	4	4	
5	990631	. . MOTOR 12V / NEW STYLE MOUNTING NEW STYLE MOUNTING From P-1341	1	1	
6	990266	. . VELCRO PLATE / 6" X 7" OLD STYLE MOUNTING To P-1340	1	1	
6	990630	. . SNAP RING / NEW STYLE MOUNTING NEW STYLE MOUNTING From P-1341	1	1	
7	990182	. . FLAT GLASS ASSY W/HEATER 12V OLD STYLE MOUNTING To P-1340	1	1	
7	990635	. . FLAT GLASS ASSY W/HEATER 12V / NEW STYLE MOUNTING NEW STYLE MOUNTING From P-1341	1	1	
8	990273	. . POWER CONVEX MOTOR BASE PLATE	1	1	
9	990219	. . MOTOR 12V / SMALL / BLACK / 85MM / 3 5/16" O.D.	1	1	
. NS	564494	. . . TAB TERMINAL / 20-16 / AMP 63138-1	4	4	
11	990338	. . CONVEX GLASS ASSY W/HEATER 12V	1	1	
13	N.P.N.	. . SCREW TC FL PH ZP 6-32 X 1 1/8"	3	3	4
14	500660	. . SCREW TC FL PH #6-32x3/8 Z050	2	2	
16	N.P.N.	. . CABLE ASSY / W/CONNECTOR / SEE ITEM # 40	1	1	4
17	990379	. . CUP, BALL STUD RETAINER / ONE PIECE	1	1	
18	500270	. . WASHER FL .406x1.000x.063 SS	1	1	
19	N.P.N.	. . SCREW CAP HEX 3/8-24 X 1 1/4 SS	1	1	4
21	990316	. . ARM, R.H.	1	1	
21	990401	. . ARM, L.H. / DIRTY FREE	1	1	
23	990265	. . WASHER ALUMINUM / 2 " O.D.	1	1	
NS	504082	. . SNAP BUSHING / .125x.312x.312	1	1	
24	990310	. . BRACKET, MOUNTING R.H.	1	1	
24	990312	. . BRACKET, MOUNTING L.H.	1	1	
25	500958	. . WASHER FL .531x1.062x.095 SS	1	1	
26	500035	. . WASHER LO SPT .317x.586x.078 SS	1	1	
27	990500	. . SCREW 1/2-13x2 HHCS SS	1	1	
30	5001581	SCREW CAP BUT HEXS M8-1.25x40 SS To M-1135	4	4	
30	5002142	SCREW CAP BUT HEXS M8-1.25x35 SS From M-1136	4	4	
NS	5001341	WASHER FL 8.4x17.0x1.6 SS	4	4	
30	5001461	SCREW MA FL PH M8-1.25x40 SS To M-1135	4	4	
30	5000361	SCREW MA FL PH M8-1.25x35 SS From M-1136	4	4	
31	490873	GASKET, RH	1	1	
31	490894	GASKET, LH	1	1	
32	490102	ANCHOR PLATE R.H.	1	1	A
32	490103	ANCHOR PLATE L.H.	1	1	A

From K-0185	Date:07/2024	PAGE:H9-1856-60
MIRROR "RAMCO" 2 GLASSES / CHROME		

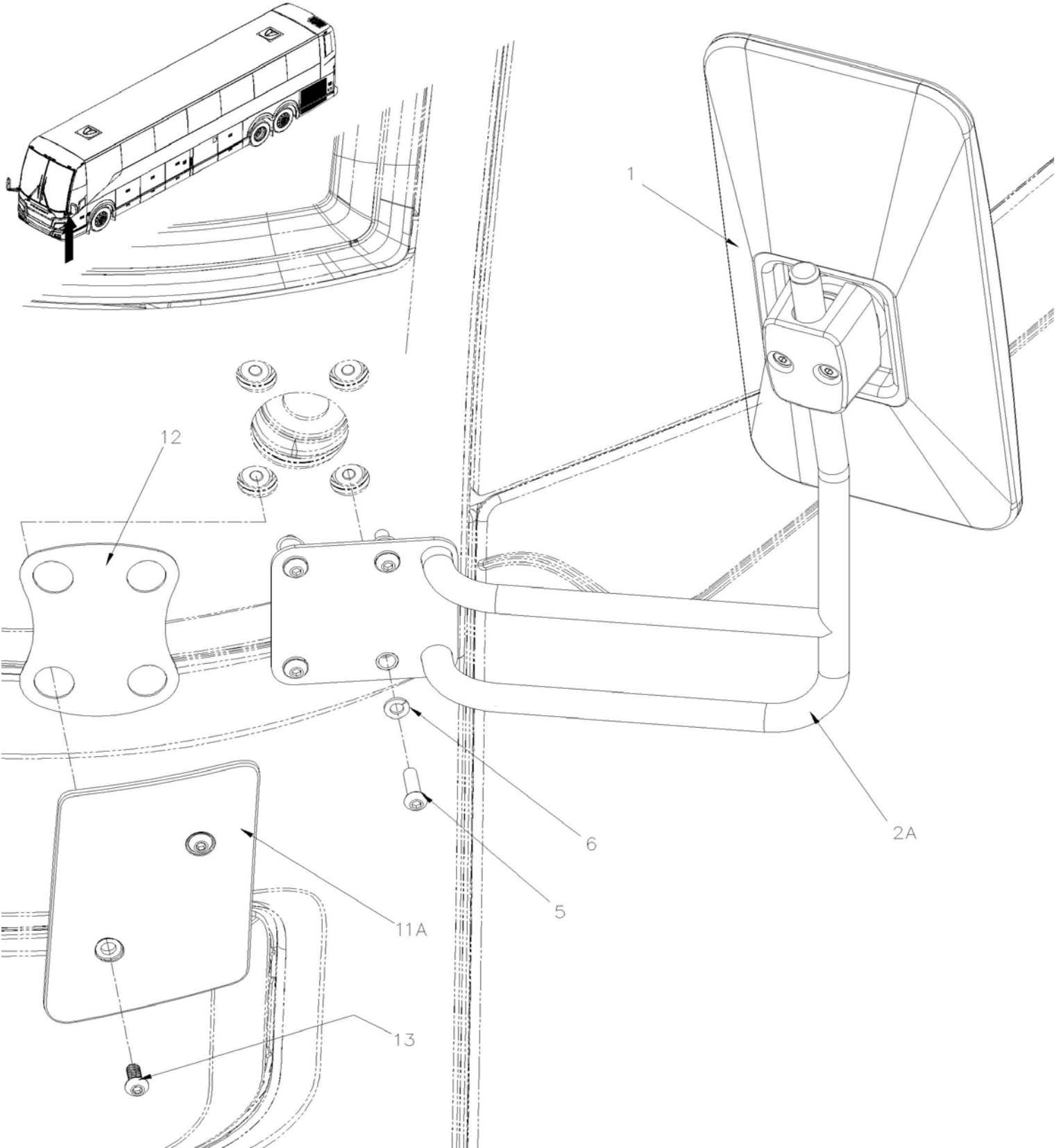
Item#	Part	Description	H 3 4 1	H 3 4 5	NOTES
33	502589	SCREW CAP HEX M8-1.25x25 G8.8 Z050	8	8	
34	490940	PLATE	2	2	
35	490951	PLATE	4	4	
36	490906	ANGLE	2	2	
37	490907	ANGLE W/NUT	2	2	
38	5001337	NUT INS FL HEX M8-1.25 0.5-3.0 Z050	2	2	B
40	563802	CONNECTOR / W 45" CABLE ASSY / PH 9C	2	2	
41	563801	CONNECTOR / MULTI CON X / SH 9C / CONXALL 4280-9SG-300	2	2	D
		A) PART OF FRONT LOWER CAP			
		B) FIXED INSIDE OF TUBE			
		D) THIS CONNECTOR IT USED ON CABLE HARNESS FROM INSIDE OF VEHICULE			
		4) NO PARTS NUMBER			

From R-1453

Date:07/2024

PAGE:H9-1856-90

MIRRORS - EMERGENCY

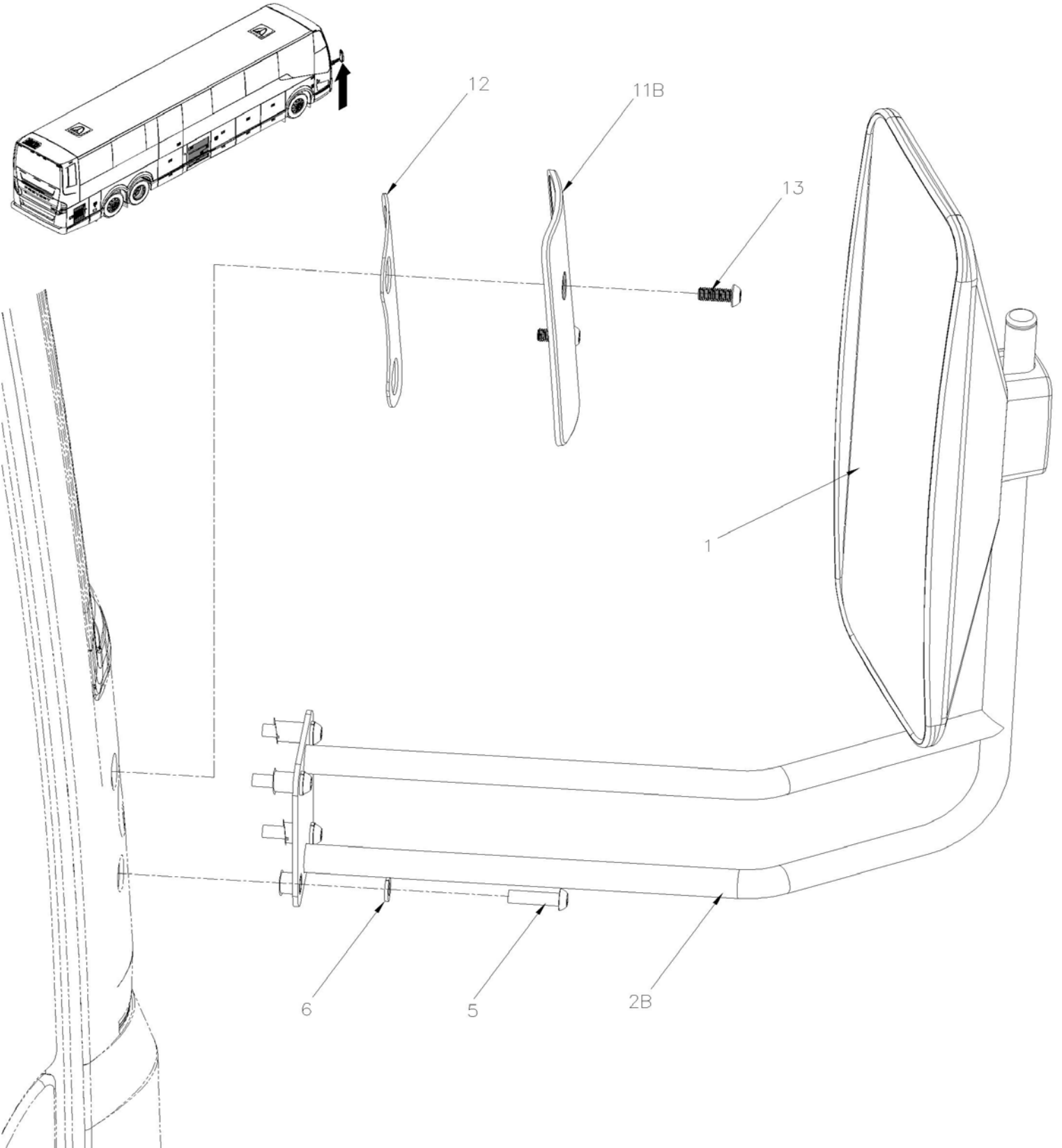


From R-1453

Date:07/2024

PAGE:H9-1856-90

MIRRORS - EMERGENCY



From R-1453	Date:07/2024	PAGE:H9-1856-90
MIRRORS - EMERGENCY		

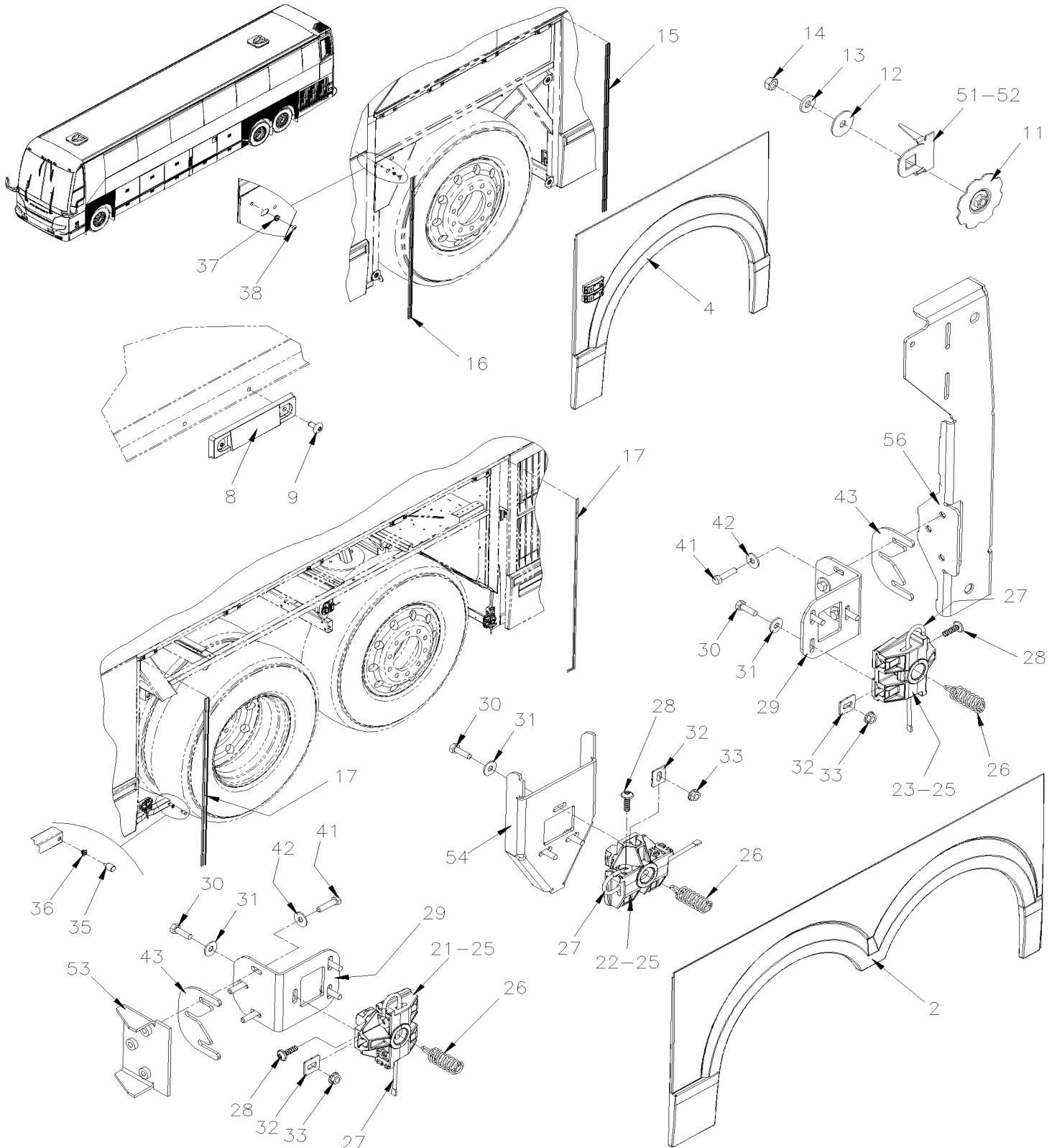
Item#	Part	Description	H 3 4 1	H 3 4 5	N O T E S
	492144	KIT EMERGENCY MIRRORS		1	
1	990625	. EMERGENCY MIRROR		2	
2A	492145	. LEFT MIRROR BRACKET		1	
2B	492146	. RIGHT MIRROR BRACKET		1	
5	Call order desk	. SCREW CAP BUT HEXS M8-1.25X30		8	P
6	5001161	. WASHER LO SPT 8.1x14.8x2.0 SS-304		8	
11A	420117	MIRROR COVER LH		1	
11B	420115	MIRROR COVER RH		1	
12	420120	GASKET, MIRROR BASE COVER PLATE		2	
13	5000002	SCREW CAP BUT HEXS M8-1.25X20 AD NSS		4	
		P) CALL ORDER DESK FOR SPECIFIC APPLICATION (V.I.N.)			

From K-0185 To P-1452

Date:07/2024

PAGE:H9-1857-02

FENDERS



From K-0185 To P-1452	Date:07/2024	PAGE:H9-1857-02
FENDERS		

Item#	Part	Description	H 3 4 1	H 3 4 5	N O T E S
1	479657	FENDER ALUMINUM R.H. REAR	1	1	
. NS	479666	. PIN ASSEMBLY / UPPER	1	1	
. NS	479669	. PIN ASSEMBLY / LOWER	2	2	
. NS	479664	. BRACKET UPPER FENDER	1	1	
2	479656	FENDER ALUMINUM L.H. REAR	1	1	
. NS	479666	. PIN ASSEMBLY / UPPER	1	1	
. NS	479669	. PIN ASSEMBLY / LOWER	2	2	
. NS	479664	. BRACKET UPPER FENDER	1	1	
. NS	506225	. TAPE RUB ADH1 CC POL 1/16" x 1/4" x 100' / GREY 2520	AR	AR	
. NS	685126	. ADHESIVE SIMSON #ISR 70-03 / GREY / 600ml SAUSAGE	AR	AR	
. NS	687957	. GLUE MS POLYMER TEROSON MS 9399 / 400ml CARTRIDGE	AR	AR	
3	479659	FENDER ALUMINUM R.H. FRONT	1	1	
. NS	479660	. PIN ASSEMBLY / UPPER	1	1	
. NS	479661	. PIN ASSEMBLY / LOWER	2	2	
. NS	479663	. BRACKET UPPER FENDER	1	1	
. NS	506225	. TAPE RUB ADH1 CC POL 1/16" x 1/4" x 100' / GREY 2520	AR	AR	
. NS	685126	. ADHESIVE SIMSON #ISR 70-03 / GREY / 600ml SAUSAGE	AR	AR	
. NS	687957	. GLUE MS POLYMER TEROSON MS 9399 / 400ml CARTRIDGE	1	1	
NS	479710	SWITCH SUPPORT & COVER To L-0974	1	1	
3	479899	SWITCH SUPPORT & COVER From L-0975	1	1	
NS	5000342	SCREW TC PAN PH #6-32x3/8 SS	2	2	
4	479658	FENDER ALUMINUM L.H. FRONT	1	1	
. NS	479660	. PIN ASSEMBLY / UPPER	1	1	
. NS	479661	. PIN ASSEMBLY / LOWER	1	1	
. NS	479662	. BRACKET UPPER FENDER	1	1	
. NS	506225	. TAPE RUB ADH1 CC POL 1/16" x 1/4" x 100' / GREY 2520	AR	AR	
. NS	685126	. ADHESIVE SIMSON #ISR 70-03 / GREY / 600ml SAUSAGE	AR	AR	
. NS	687957	. GLUE MS POLYMER TEROSON MS 9399 / 400ml CARTRIDGE	AR	AR	
6	506007	TAPE RUB ADH1 CC NEO 3/4" x 1" x 10' / BLACK 1220	AR	AR	
6	506035	TAPE RUB ADH1 NEO 1/2" x 1" x 15' / BLACK 1220X	AR	AR	
7	479423	CAOUTCHOUC 315 MM	1	1	
8	470880	RETAINER PLASTIC	18	18	
9	504793	RIVET MNB OE LARGE HEAD 3/16x7/16 SS	36	36	
11	478432	NUT "SPECIAL" ADJUSTEMENT M8-1.25 SS	6	6	
12	5001467	WASHER FL .343x1.250x.062 SS18-8	6	6	
13	5001848	WASHER BEL SPR .827 x .331 x .098 th SS	6	6	
14	5001852	NUT HEX M8-1.25 SS BK	6	6	
15	280419	LATERAL EXTRUSION	2	2	
16	280421	LATERAL EXTRUSION	1	1	
17	289558	LATERAL EXTRUSION 31MM x 1203MM	5	5	

From K-0185 To P-1452	Date:07/2024	PAGE:H9-1857-02
FENDERS		

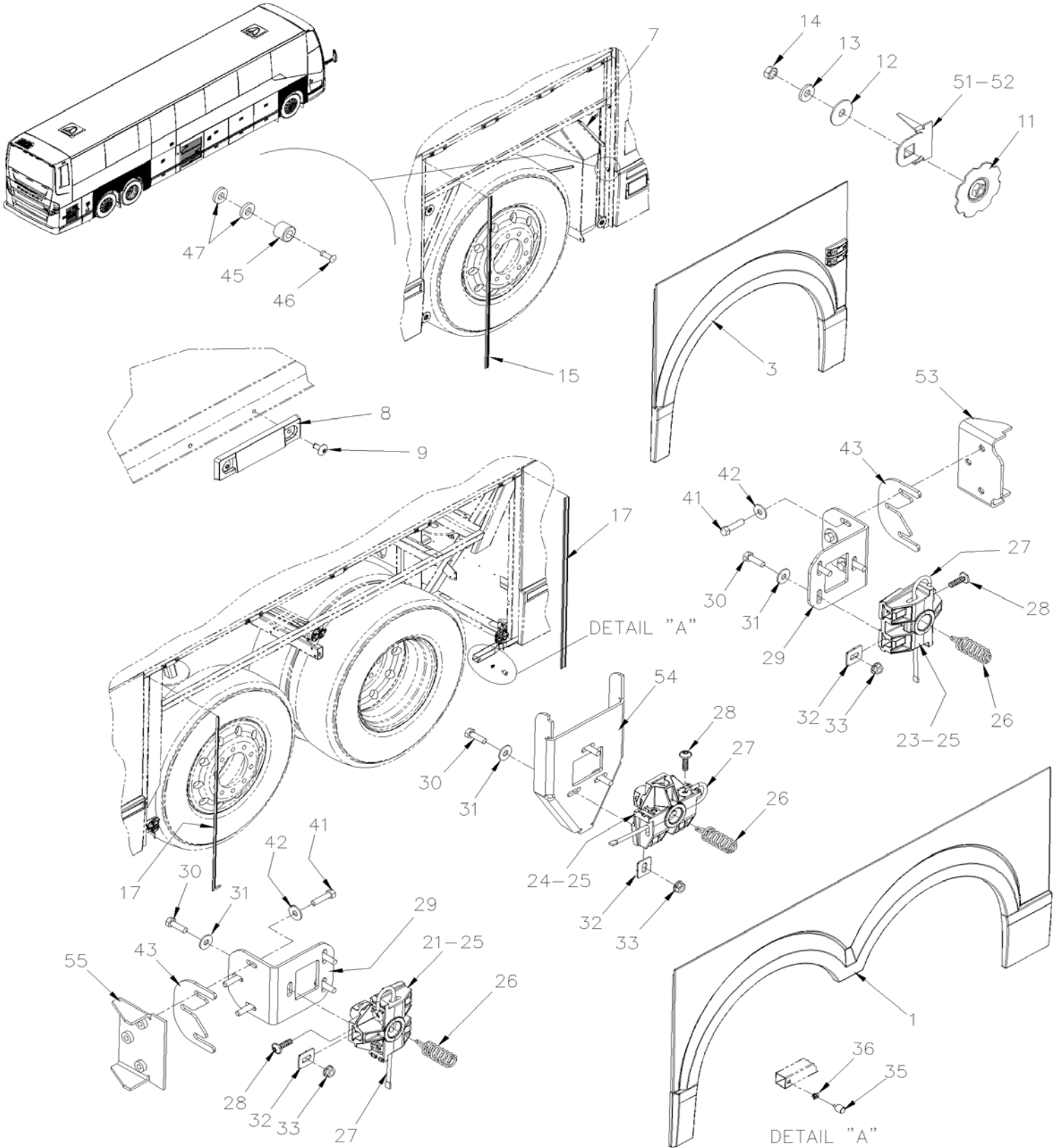
Item#	Part	Description	H 3 4 1	H 3 4 5	N O T E S
NS	506236	TAPE RUB ADH1 CC POL 1/16" x 1/2" x 100' / GREY 2520	AR	AR	
21	478472P	RECEPTACLE ASSY W/ANGLE SUPPORT	2	2	
22	478473P	RECEPTACLE ASSY W/O SUPPORT / CENTRAL STREET SIDE	1	1	
23	478474P	RECEPTACLE ASSY W/ANGLE SUPPORT	2	2	
24	478481P	RECEPTACLE ASSY W/O SUPPORT / CENTRAL CURBSIDE	1	1	
25	479311	. GUIDE PIN RECEPTACLE / PLASTIC To K-0674	1	1	
25	471795	. GUIDE PIN RECEPTACLE / PLASTIC From K-0675	1	1	
26	472829	. SPRING COMPRESSION / .610 O.D. x 2.18 x .072	1	1	
27	472830	. SPRING GUIDE HOLDER	1	1	
28	5001630	. SCREW TP BUTF TORX M6x20 SS	1	1	
29	479320	. ANGLE SUPPORT / TO FIX FENDER TO FRAME	1	1	
30	502622	. SCREW CAP HEX M6-1.0x20 SS BK	3	3	
31	5001833	. WASHER BEL SPR 6.1x18x1.27 SS	3	3	
32	479321	. REINFORCMENT PLATE 20.2MMx22MM SS To K-0674	3	3	
32	471787	. REINFORCMENT PLATE 20.2MMx22MMx10MM SS From K-0675	3	3	
33	5001835	. NUT HEXF M6-1.0 SS	3	3	
35	504454	BUMPER RUBBER BOLT / 20MM ODx20MM TH X M6X15MM STUD	2	2	
36	5001009	NUT AN 1/4 NYL	2	2	
37	504529	GROMMET / .250x.375x.062x.281x.625	1	1	
38	504793	RIVET MNB OE LARGE HEAD 3/16x7/16 SS	1	1	
41	502622	SCREW CAP HEX M6-1.0x20 SS BK	12	12	
42	5001833	WASHER BEL SPR 6.1x18x1.27 SS	12	12	
43	289816	SHIM	AR	AR	
45	5002023	BUMPER NEOPRENE / .750 OD x .562 TH x .187 HOLE	2	2	
46	504416	RIVET POP DOME OE 3/16x5/8 SS	2	2	
47	5001869	WASHER FL .343x.750x.12 SS	4	4	
51	218495	ATTACHMENT UPPER (WELDED AT STRUCTURE)	2	2	
52	218433	ATTACHMENT LOWER (WELDED AT STRUCTURE)	4	4	
53	218539	SUPPORT RECEPTACLE ASSY (WELDED AT STRUCTURE)	2	2	
54	170009	SUPPORT RECEPTACLE ASSY / CENTER (WELDED AT STRUCTURE)	2	2	
55	218467	SUPPORT RECEPTACLE ASSY (WELDED AT STRUCTURE)	1	1	
56	218483	SUPPORT RECEPTACLE ASSY (WELDED AT STRUCTURE)	1	1	

From R-1453

Date:07/2024

PAGE:H9-1857-03

FENDERS

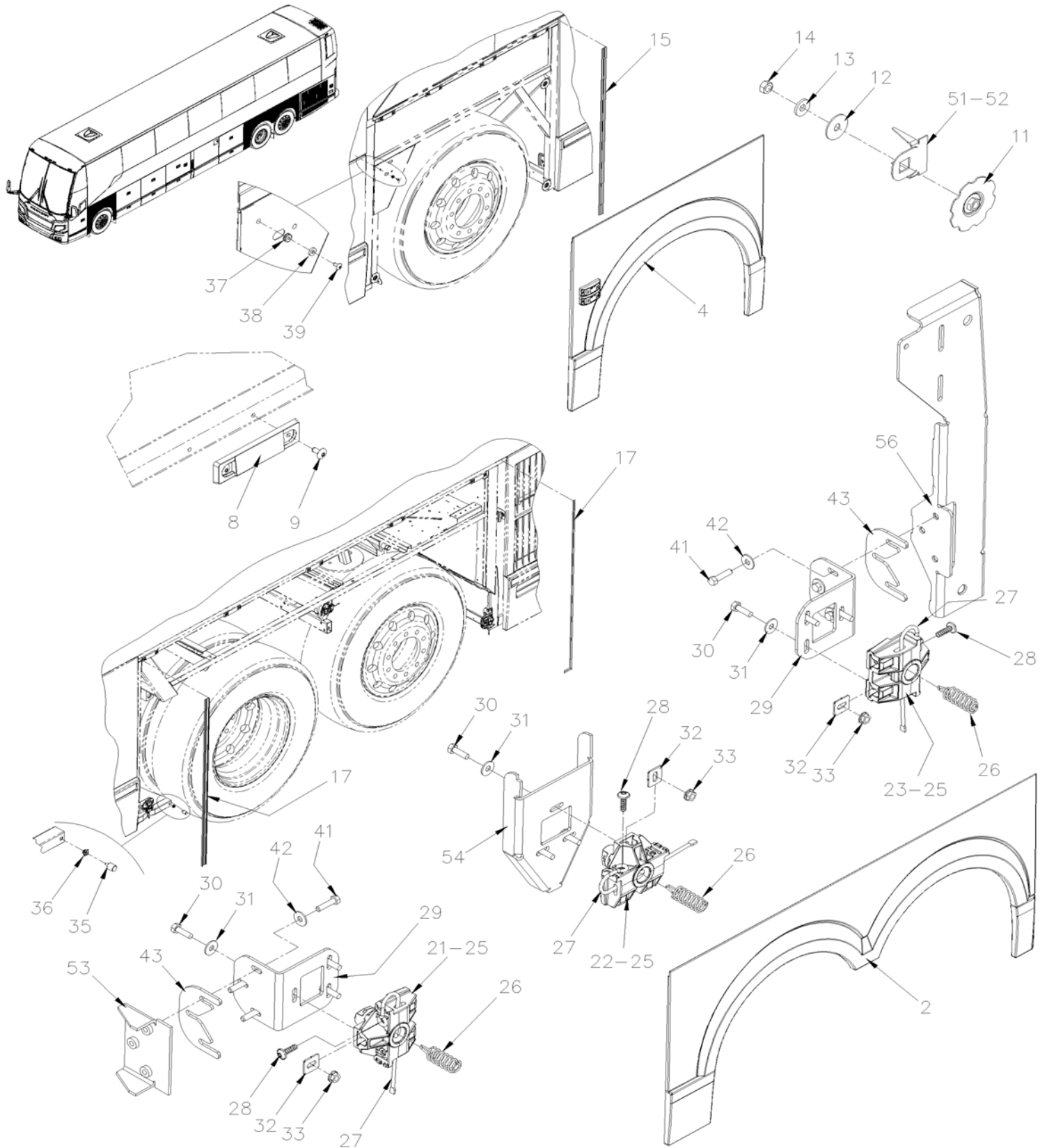


From R-1453

Date:07/2024

PAGE:H9-1857-03

FENDERS



From R-1453	Date:07/2024	PAGE:H9-1857-03
FENDERS		

Item#	Part	Description	H 3 4 1	H 3 4 5	N O T E S
1	479657	FENDER ALUMINUM R.H. REAR		1	
. NS	479666	. PIN ASSEMBLY / UPPER		1	
. NS	479669	. PIN ASSEMBLY / LOWER		2	
. NS	479664	. BRACKET UPPER FENDER		1	
2	479656	FENDER ALUMINUM L.H. REAR		1	
. NS	479666	. PIN ASSEMBLY / UPPER		1	
. NS	479669	. PIN ASSEMBLY / LOWER		2	
. NS	479664	. BRACKET UPPER FENDER		1	
. NS	506225	. TAPE RUB ADH1 CC POL 1/16" x 1/4" x 100' / GREY 2520		AR	
. NS	685126	. ADHESIVE SIMSON #ISR 70-03 / GREY / 600ml SAUSAGE		AR	
. NS	687957	. GLUE MS POLYMER TEROSON MS 9399 / 400ml CARTRIDGE		AR	
3	478992	FENDER ALUMINUM R.H. FRONT		1	
. NS	479660	. PIN ASSEMBLY / UPPER		1	
. NS	479661	. PIN ASSEMBLY / LOWER		2	
. NS	479663	. BRACKET UPPER FENDER		1	
. NS	506225	. TAPE RUB ADH1 CC POL 1/16" x 1/4" x 100' / GREY 2520		AR	
. NS	685126	. ADHESIVE SIMSON #ISR 70-03 / GREY / 600ml SAUSAGE		AR	
. NS	687957	. GLUE MS POLYMER TEROSON MS 9399 / 400ml CARTRIDGE		1	
3	479899	SWITCH SUPPORT & COVER		1	
NS	5000342	SCREW TC PAN PH #6-32x3/8 SS		2	
4	478993	FENDER ALUMINUM L.H. FRONT		1	
. NS	479660	. PIN ASSEMBLY / UPPER		1	
. NS	479661	. PIN ASSEMBLY / LOWER		1	
. NS	479662	. BRACKET UPPER FENDER		1	
. NS	506225	. TAPE RUB ADH1 CC POL 1/16" x 1/4" x 100' / GREY 2520		AR	
. NS	685126	. ADHESIVE SIMSON #ISR 70-03 / GREY / 600ml SAUSAGE		AR	
. NS	687957	. GLUE MS POLYMER TEROSON MS 9399 / 400ml CARTRIDGE		AR	
7	479423	CAOUTCHOUC 315 MM		1	
8	470880	RETAINER PLASTIC		18	
9	504793	RIVET MNB OE LARGE HEAD 3/16x7/16 SS		36	
11	478432	NUT "SPECIAL" ADJUSTEMENT M8-1.25 SS		6	
12	5001467	WASHER FL .343x1.250x.062 SS18-8		6	
13	5001848	WASHER BEL SPR .827 x .331 x .098 th SS		6	
14	5001852	NUT HEX M8-1.25 SS BK		6	
15	280419	LATERAL EXTRUSION		2	
17	289558	LATERAL EXTRUSION 31MM x 1203MM		5	
NS	506236	TAPE RUB ADH1 CC POL 1/16" x 1/2" x 100' / GREY 2520		AR	
21	478472P	RECEPTACLE ASSY W/ANGLE SUPPORT		2	
22	478473P	RECEPTACLE ASSY W/O SUPPORT / CENTRAL STREET SIDE		1	

From R-1453	Date:07/2024	PAGE:H9-1857-03
FENDERS		

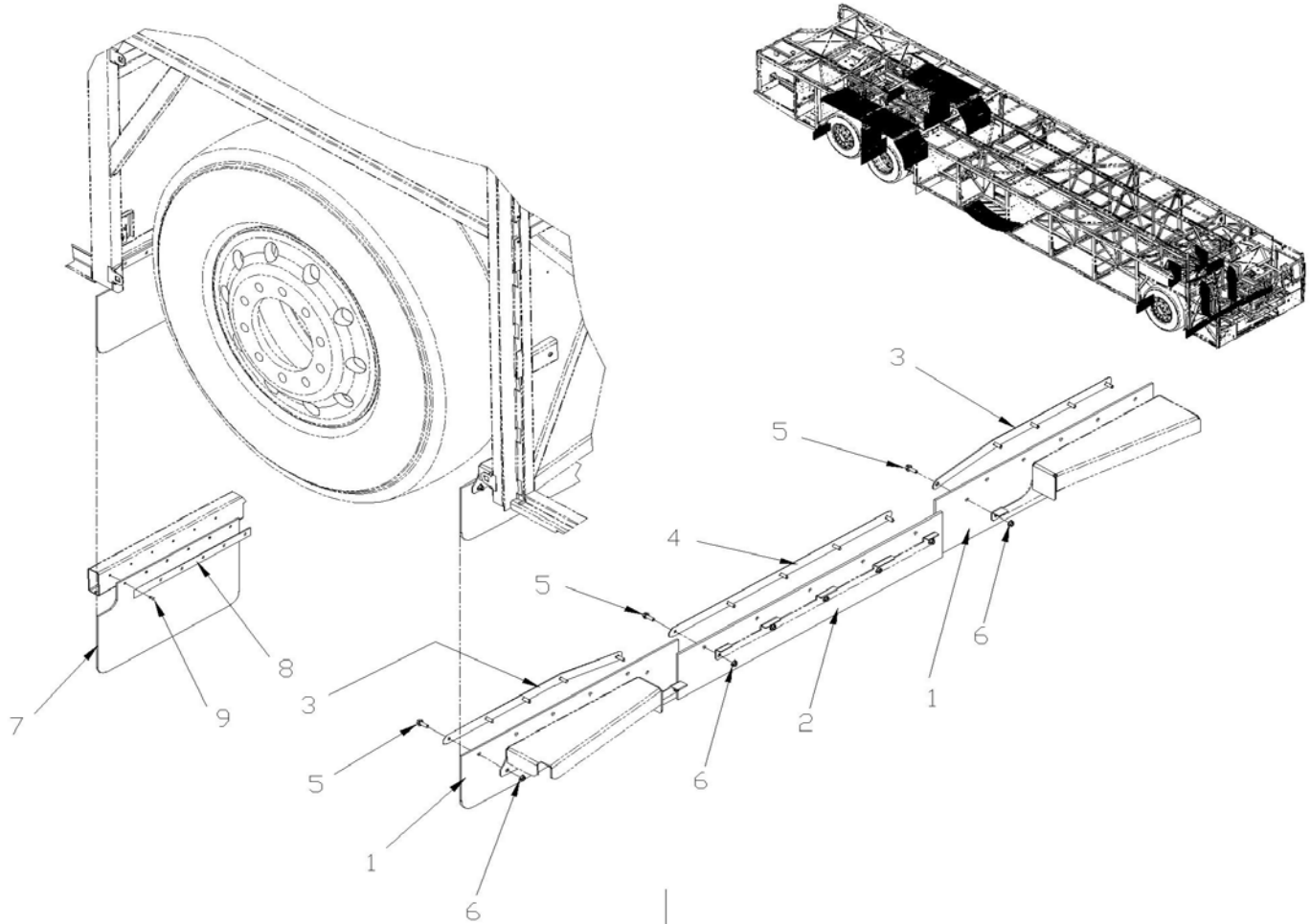
Item#	Part	Description	H 3 4 1	H 3 4 5	N O T E S
23	478474P	RECEPTACLE ASSY W/ANGLE SUPPORT		2	
24	478481P	RECEPTACLE ASSY W/O SUPPORT / CENTRAL CURBSIDE		1	
25	471795	. GUIDE PIN RECEPTACLE / PLASTIC		1	
26	472829	. SPRING COMPRESSION / .610 O.D. x 2.18 x .072		1	
27	472830	. SPRING GUIDE HOLDER		1	
28	5001630	. SCREW TP BUTF TORX M6x20 SS		1	
29	479320	. ANGLE SUPPORT / TO FIX FENDER TO FRAME		1	
30	502622	. SCREW CAP HEX M6-1.0x20 SS BK		3	
31	5001833	. WASHER BEL SPR 6.1x18x1.27 SS		3	
32	471787	. REINFORCMENT PLATE 20.2MMx22MMx10MM SS		3	
33	5001835	. NUT HEXF M6-1.0 SS		3	
35	504454	BUMPER RUBBER BOLT / 20MM ODx20MM TH X M6X15MM STUD		2	
36	5001009	NUT AN 1/4 NYL		2	
37	504529	GROMMET / .250x.375x.062x.281x.625		1	
38	502571	WASHER FL SEAL .281x.625x20GA SS		1	
39	504793	RIVET MNB OE LARGE HEAD 3/16x7/16 SS		1	
41	502622	SCREW CAP HEX M6-1.0x20 SS BK		12	
42	5001833	WASHER BEL SPR 6.1x18x1.27 SS		12	
43	289816	SHIM		AR	
45	5002023	BUMPER NEOPRENE / .750 OD x .562 TH x .187 HOLE		2	
46	504416	RIVET POP DOME OE 3/16x5/8 SS		2	
47	5001869	WASHER FL .343x.750x.12 SS		4	
51	218495	ATTACHMENT UPPER (WELDED AT STRUCTURE)		2	
52	218433	ATTACHMENT LOWER (WELDED AT STRUCTURE)		4	
52	218433	ATTACHMENT LOWER (WELDED AT STRUCTURE)		4	
53	218539	SUPPORT RECEPTACLE ASSY (WELDED AT STRUCTURE)		2	
54	170009	SUPPORT RECEPTACLE ASSY / CENTER (WELDED AT STRUCTURE)		2	
55	218467	SUPPORT RECEPTACLE ASSY (WELDED AT STRUCTURE)		1	
56	218483	SUPPORT RECEPTACLE ASSY (WELDED AT STRUCTURE)		1	
60	218972	PANEL SIDE FRONT LEFT		1	
61	504793	RIVET MNB OE LARGE HEAD 3/16x7/16 SS		3	
62	685126	ADHESIVE SIMSON #ISR 70-03 / GREY / 600ml SAUSAGE		AR	
63	350347	SOUND INSULATOR PANEL		1	

From K-0185

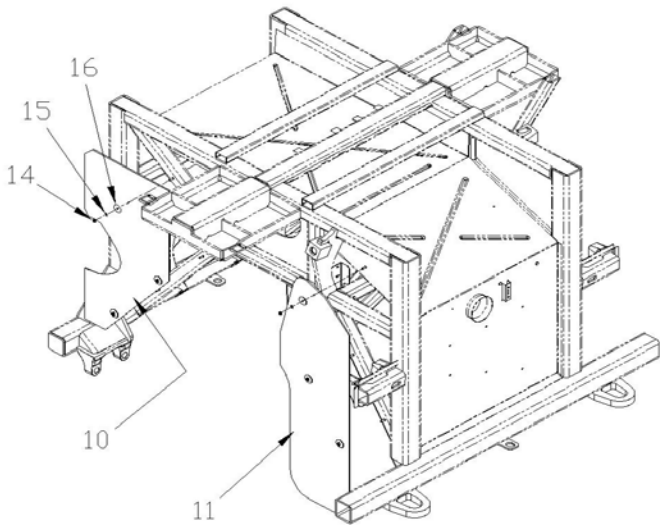
Date:07/2024

PAGE:H9-1859-01

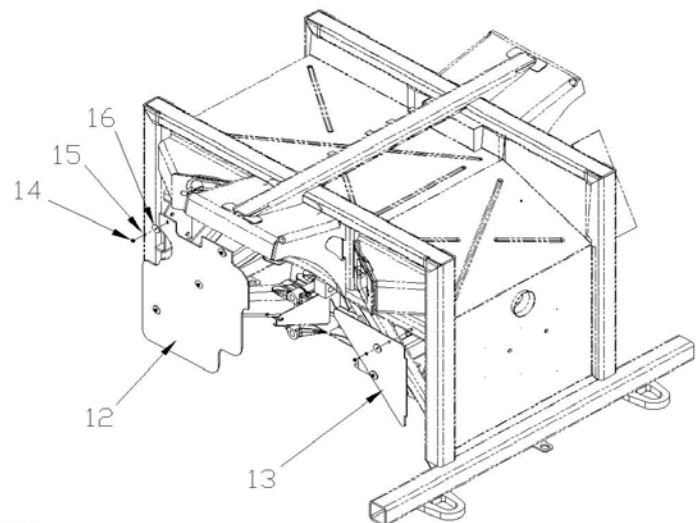
SPLASH GUARD - FRONT & REAR



I-BEAM SUSPENSION



INDEPENDANTE SUSPENSION



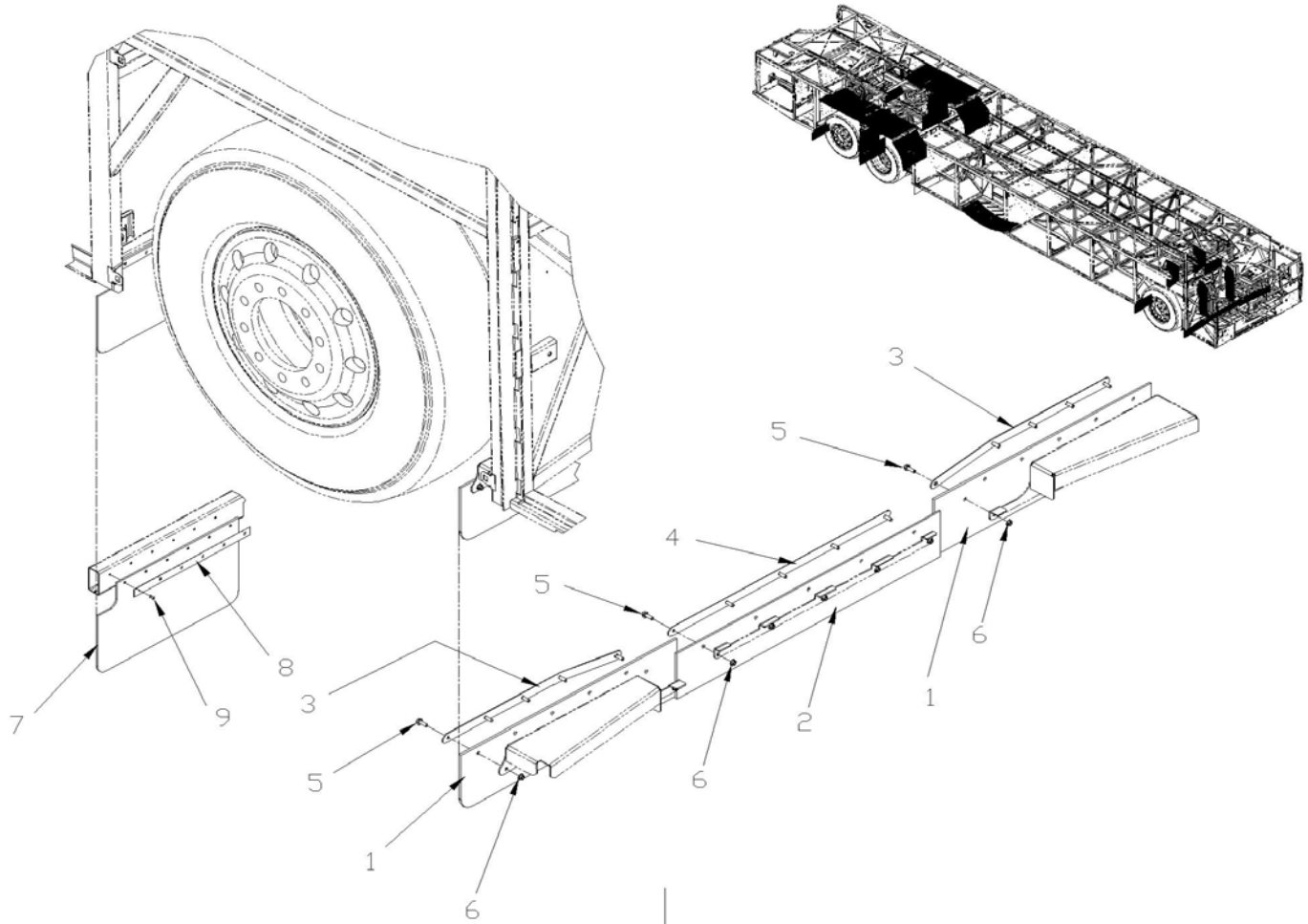
UP TO

From K-0185

Date:07/2024

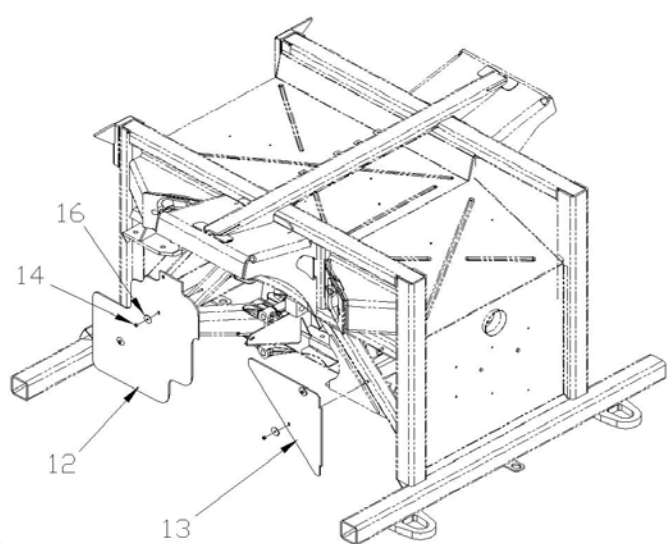
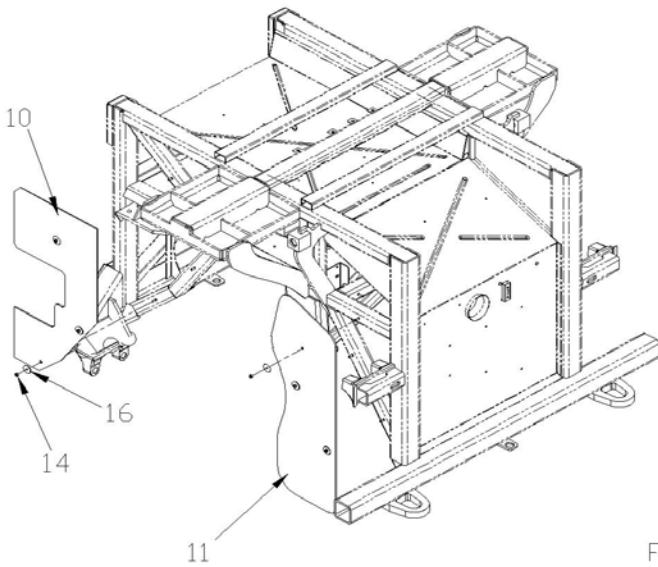
PAGE:H9-1859-01

SPLASH GUARD - FRONT & REAR



I-BEAM SUSPENSION

INDEPENDANTE SUSPENSION



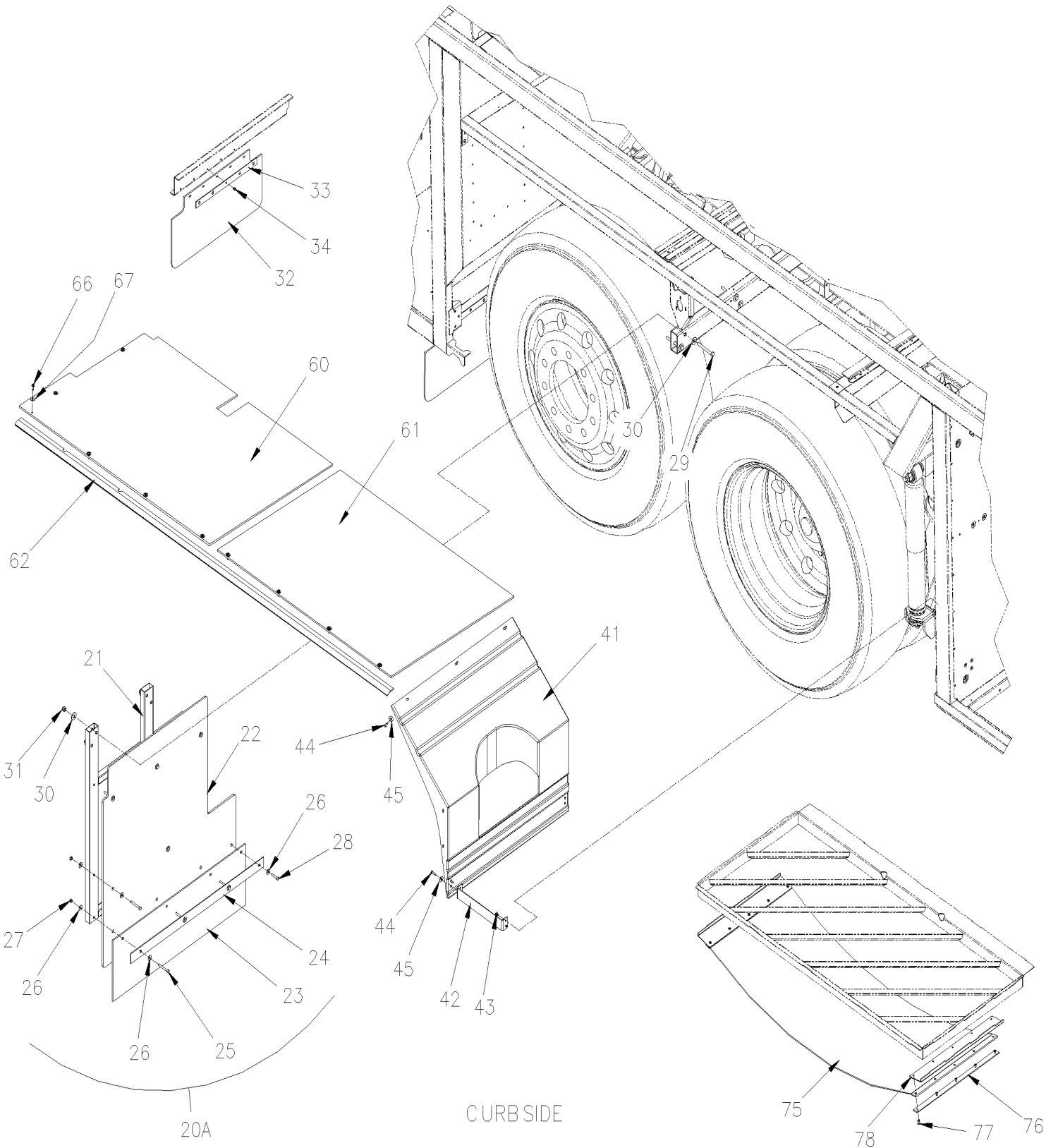
FROM

From K-0185

Date:07/2024

PAGE:H9-1859-01

SPLASH GUARD - FRONT & REAR

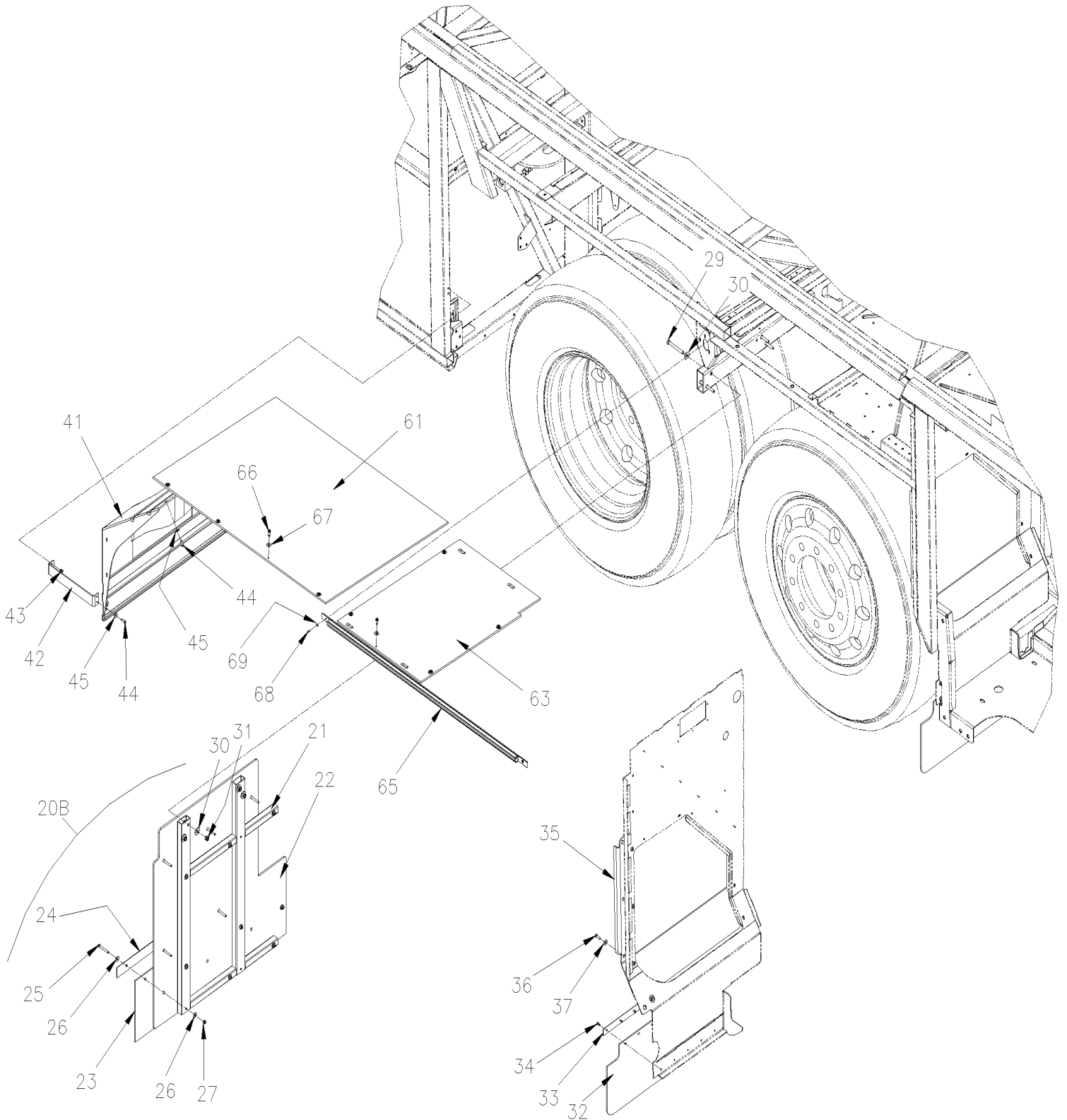


From K-0185

Date:07/2024

PAGE:H9-1859-01

SPLASH GUARD - FRONT & REAR

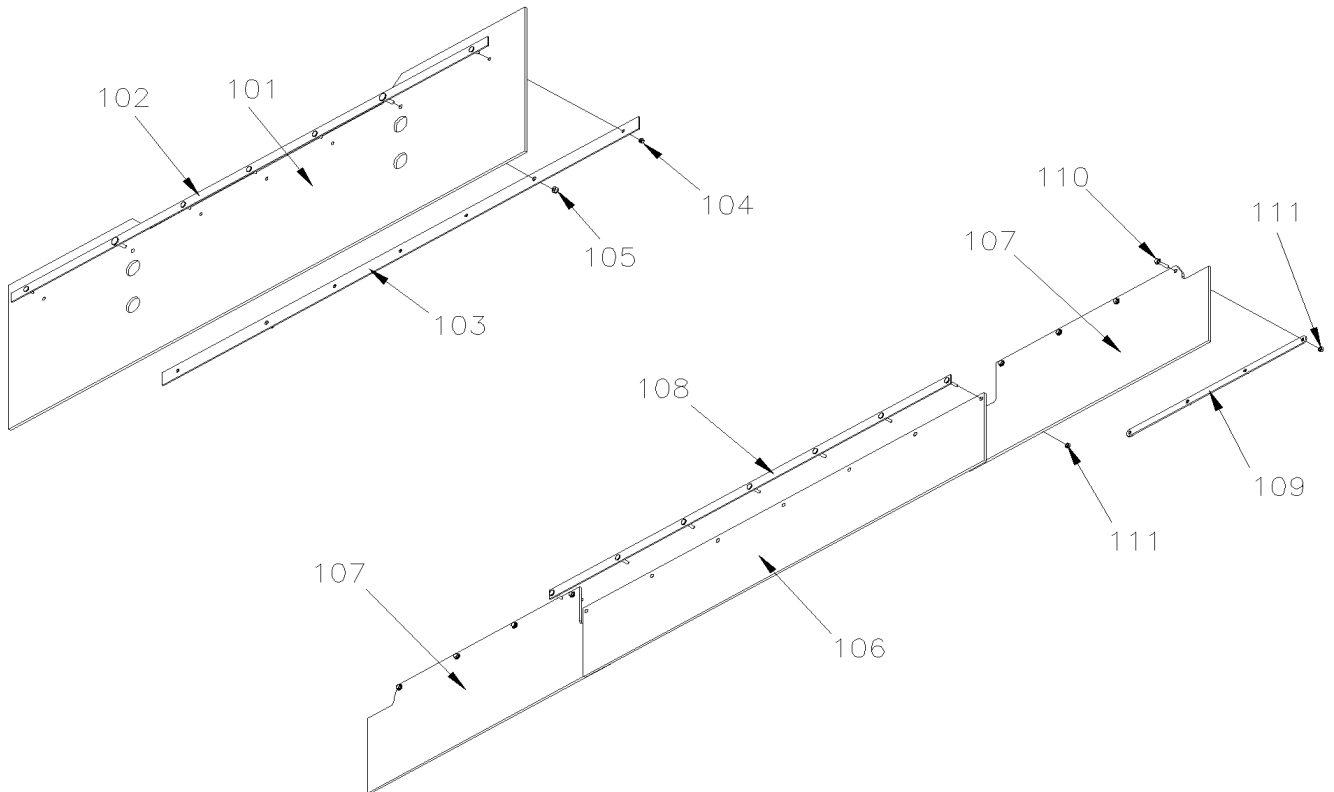
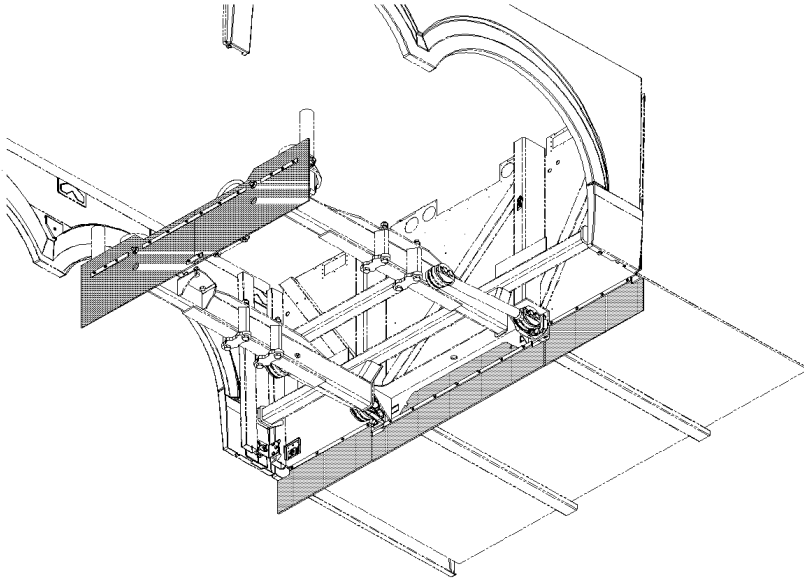


From K-0185

Date:07/2024

PAGE:H9-1859-01

SPLASH GUARD - FRONT & REAR



From K-0185		Date:07/2024	PAGE:H9-1859-01
SPLASH GUARD - FRONT & REAR			

Item#	Part	Description	H 3 4 1	H 3 4 5	N O T E S
1	460443	AIR SHIELD DEFLECTOR	2	2	
2	460444	AIR SHIELD DEFLECTOR / CENTER	1	1	
3	464731	STRIP DEFELECTOR 645MM	2	2	
4	464732	STRIP DEFELECTOR 804MM	1	1	
5	502911	NUT HEXF M8-1.25 SS	AR	AR	
6	502912	SCREW CAP HEXF M8-1.25x25 SS BK	AR	AR	
7	460599	SPLASH GUARD FRONT	2	2	
8	460601	PLATE REINFORCEMENT 418MM	2	2	
9	504416	RIVET POP DOME OE 3/16x5/8 SS	AR	AR	
NS		UP TO R-1917 To R-1917			
NS		FROM R-1918 From R-1918			
10	464766	PANEL, DEFLECT. REAR To R-1917	2	2	
10	460198	PANEL, DEFLECT. REAR From R-1918		2	
11	464767	PANEL, DEFLECT. FRONT	2	2	
12	460001	DEFLECTOR, INDEPENDENT FRONT SUSPENSION To R-1917	2	2	
12	460196	DEFLECTOR, INDEPENDENT FRONT SUSPENSION From R-1918		2	
13	460456	DEFLECTOR, FRONT	2	2	
14	502565	NUT HEX M6-1.0 SS To L-1006	AR	AR	B
14	5001182	NUT HEX NYRT M6-1.0 SS From L-1007	AR	AR	B
14	502565	NUT HEX M6-1.0 SS To R-1917	AR	AR	A
14	5001182	NUT HEX NYRT M6-1.0 SS From R-1918		AR	A
15	502570	WASHER LO SPT 6.1x11.8x1.6 SS To L-1006	AR	AR	B
15	502570	WASHER LO SPT 6.1x11.8x1.6 SS To R-1917	AR	AR	A
16	500913	WASHER FL .281x1.250x.065 N500 To R-1917	AR	AR	
16	5001467	WASHER FL .343x1.250x.062 SS18-8 From R-1918		AR	
20	IS23516	KIT, MUDGUARDS BETWEEN REAR WHEELS INST.	1	1	C
. NS	460566P	. SPLASH GUARD / R.H. DRIVE & TAG	1	1	C
. NS	460565P	. SPLASH GUARD / L.H. DRIVE & TAG	1	1	C
. NS	5001185	. SCREW CAP HEX M8-1.25x80 SS BK	8	8	C
. NS	500270	. WASHER FL .406x1.000x.063 SS	16	16	C
. NS	5001787	. NUT HEX NYRT M8-1.25 SS	8	8	C
20A	460566P	SPLASH GUARD / R.H. DRIVE & TAG	1	1	
20B	460565P	SPLASH GUARD / L.H. DRIVE & TAG	1	1	
21	460561	. SUPPORT L.H. & R.H.	1	1	
22	460562	. PAD L.H. & R.H. 749MM x 762MM	1	1	
23	460563	. PAD LOWER 749MM x 237MM	1	1	
24	460564	. REINFORCMENT STRIP SS 749MM x 38MM	1	1	
25	5001636	. SCREW CAP HEX M6-1.0x50 SS BK	8	8	
26	500411	. WASHER FL .260x.697x.050 SS	18	18	
27	5001182	. NUT HEX NYRT M6-1.0 SS	9	9	
28	502686	. SCREW CAP HEX M6-1.0x30 SS BK	1	1	
29	5001185	. SCREW CAP HEX M8-1.25x80 SS BK	8	8	

From K-0185		Date:07/2024	PAGE:H9-1859-01
SPLASH GUARD - FRONT & REAR			

Item#	Part	Description	H 3 4 1	H 3 4 5	N O T E S
30	500270	WASHER FL .406x1.000x.063 SS	16	16	
31	5001787	NUT HEX NYRT M8-1.25 SS	8	8	
32	466964	SPLASH GUARD TAG To M-1153	2	2	
32	460109	SPLASH GUARD TAG From M-1154	2	2	
33	460030	PLATE REINFORCEMENT 380MM W/4 HOLES	2	2	
34	504416	RIVET POP DOME OE 3/16x5/8 SS	AR	AR	
35	053558	FENDER ACCESS PANEL PLASTIC BLACK	1	1	
36	502830	SCREW CAP HEX M6-1.0x20 G8.8 N500	4	4	
37	5001833	WASHER BEL SPR 6.1x18x1.27 SS	4	4	
41	464755	SPLASH GUARD / DRIVE	1	1	
42	460711	SUPPORT	1	1	
43	504793	RIVET MNB OE LARGE HEAD 3/16x7/16 SS	4	4	
44	5001169	SCREW TP CAP HEXW #12x3/4 SS410	14	14	
45	500411	WASHER FL .260x.697x.050 SS	14	14	
60	460728	SPLASH GUARD PANEL 1072MM X 694MM	1	1	
NS	504568	GROMMET / .437x.687x.250x.500x1.000	AR	AR	
61	460712	SPLASH GUARD PANEL 978MM X 694MM	1	1	
62	460724	SEAL RUBBER EXTRUSION EPDM 2400MM	1	1	
63	460738	SPLASH GUARD PANEL 494MM X 695MM To K-0377	1	1	
63	460073	SPLASH GUARD PANEL 494MM X 695MM From K-0378	1	1	
63	504568	GROMMET / .437x.687x.250x.500x1.000	AR	AR	
65	460724	SEAL RUBBER EXTRUSION EPDM 2400MM	1	1	
66	500526	SCREW TP CAP HEXW #12x3/4 N500	AR	AR	
67	500411	WASHER FL .260x.697x.050 SS	AR	AR	
68	504339	RIVET POP DOME OE 1/8x3/8 SS	AR	AR	
69	500157	WASHER FL .125x.375x.032 SS	AR	AR	
75	460660	SPLASH GUARD / CONDENSOR GRILL	1	1	
76	460661	PLATE RETAINER DEFLECTOR EVAPORATOR H3	2	2	
77	504793	RIVET MNB OE LARGE HEAD 3/16x7/16 SS	AR	AR	
78	217075	SUPPORT / SPLASH GUARD	2	2	
101	460228	SPLASH GUARD / BETWEEN DRIVE AXLE & TAG AXLE		1	
102	460227	STRIP, FIXATION / SS		1	
103	460226	STRIP, FIXATION / SS		1	
104	502681	NUT HEX NYRT M6-1.0 N500 G8		5	
105	502847	NUT HEX NYRT M8-1.25 N500		2	
106	460222	SPLASH GUARD / UNDER FUEL TANK		1	
107	464741	SPLASH GUARD		2	
108	460223	STRIP, FIXATION / SS		1	
109	460726	STRIP, FIXATION / SS		2	
110	5001815	SCREW CAP HEXF M6-1.0x30 G 8.8 N500		8	
111	502681	NUT HEX NYRT M6-1.0 N500 G8		AR	

From K-0185	Date:07/2024	PAGE:H9-1859-01
SPLASH GUARD - FRONT & REAR		

Item#	Part	Description	H 3 4 1	H 3 4 5	N O T E S
		A) WITH INDEPENDANT SUSPENSION			
		B) WITH I-BEAM SUSPENSION			
		C) SEE IS-23516 FOR ALL DETAILS			

From K-0185 To P-1452	Date:07/2024	PAGE:H9-1860-11
SPARE WHEEL DOOR MECHANISM FRONT BUMPER		

Item#	Part	Description	H 3 4 1	H 3 4 5	NOTES
1	411349	SUPPORT ASSY	1	1	
2	411128P	SPARE WHEEL DOOR ASSEMBLY WITH HARDWARE	1	1	C
2	411181	SPARE WHEEL DOOR ASSEMBLY WITHOUT HARDWARE	1	1	B
2	411129	. FRAME ASSY	1	1	
3	411215	. PANEL CLOSING / SPARE COMPARTMENT / PLASTIC	1	1	
NS	502939	. NUT AN 1/4 NYL	3	3	
4	410901	RUBBER PAD 75MM X 106MM	2	2	
NS	504416	RIVET POP DOME OE 3/16x5/8 SS	4	4	
5	411341	BRACKET ASSY / R.H.	1	1	
6	411340	BRACKET ASSY / L.H.	1	1	
7	410984	SPRING / L.H.	1	1	A
8	410983	SPRING / R.H.	1	1	A
9	410975	BUSHING TEFLON 1" I.D. X 1 1/2" O.D. X 5"	2	2	
10	507362	BUSHING TEFLON 1" I.D. X 1 1/2" O.D. X 3/4"	2	2	
11	410648	SPACER WASHER	2	2	
12	410640	STOPPER	4	4	
13	411171	SUPPORT MOBILE "L" SHAPE	1	1	
14	411174	SUPPORT MOBILE	1	1	
15	411176	LEVER LOCK W/PIN	1	1	
16	500975	WASHER FL .378x.620x.094 NYL	5	5	
17	5001233	WASHER FL .500x1.250x.062 NYL	4	4	
18	5001787	NUT HEX NYRT M8-1.25 SS To N-1179	5	5	
18	5001983	NUT HEX NYRT M8-1.25 SS SS BK From N-1180	5	5	
19	946472	SCREW CAP HEXF M10-1.5x30 G8.8 ZG603	15	15	
20	411167	SUPPORT STREET SIDE	1	1	
21	411166	SUPPORT CURBSIDE	1	1	
22	5001697	SCREW CAP HEX M6-1.0x16 SS BK	6	6	
23	502570	WASHER LO SPT 6.1x11.8x1.6 SS	6	6	
24	502573	WASHER FL 6.4x12.5x1.6 SS	6	6	
25	411083	ATTACHMENT "U" SHAPE	2	2	
26	502780	SCREW CAP HEX M8-1.25x25 SS BK	2	2	
27	411271	RUBBER SEAL EXTRUSION // SPARE WHEEL DOOR	1	1	
28	411168	SUPPORT BOTTOM BUMPER SKIN	1	1	
28	411001	PLATE	2	2	
28	504339	RIVET POP DOME OE 1/8x3/8 SS	4	4	
29	502567	NUT HEX M10-1.5 SS	3	3	
30	411120	CABLE HANDLE ASSY	1	1	
. NS	504777	. CLAMP	1	1	
31	411347	SUPPORT / HANDLE / WELDED	1	1	
32	287290	DECAL / "UNLATCH FRONT BUMPER" / ENGLISH & FRANCAIS	1	1	
32	288199	DECAL / "UNLATCH FRONT BUMPER" / ENGLISH & SPANISH	1	1	
33	411005	GUIDE PIN PLATE	1	1	

From K-0185 To P-1452	Date:07/2024	PAGE:H9-1860-11
SPARE WHEEL DOOR MECHANISM FRONT BUMPER		

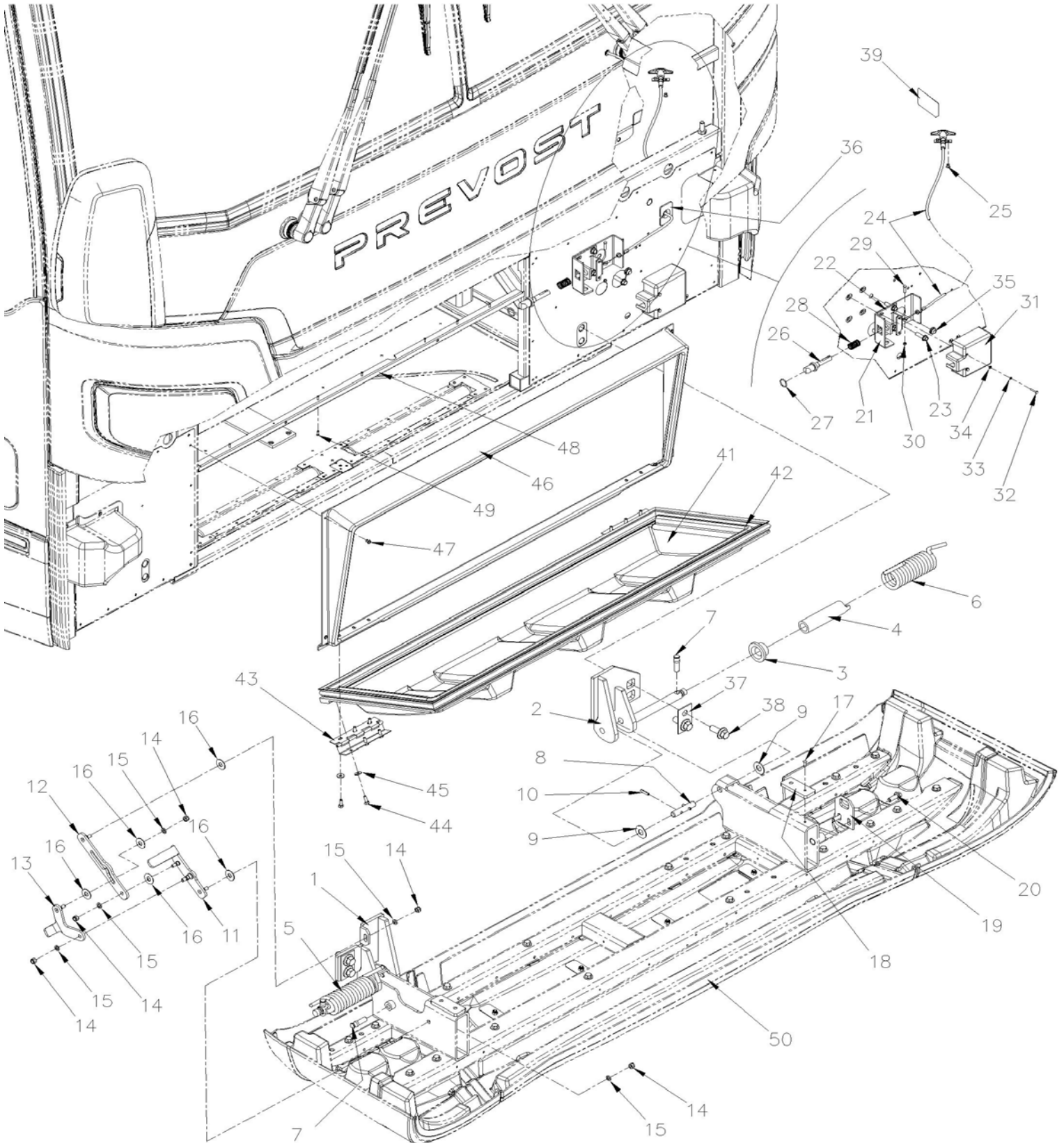
Item#	Part	Description	H 3 4 1	H 3 4 5	NOTES
34	287391	CATCH PIN SS / 90.5MM	1	1	
35	411007	GUIDE PIN WELDED	1	1	
36	410895	COVER GUIDE PIN / PLASTIC	1	1	
37	410921	CATCH PIN LOCK PLATE	1	1	
38	502910	SPRING COMPRESSION / .720 O.D. 1.75 x .055	3	3	
39	507212	O-RING	3	3	
40	502685	SCREW CAP HEX M4-0.7x20 SS EMN	3	3	
41	502557	NUT HEX NYRT M4-0.7 SS	1	1	
42	502556	WASHER FL 4.3x9.0x0.8 SS	4	4	
43	955917	WASHER LO SPT 4.1x7.1x0.9 ZP	2	2	
44	5001742	SCREW CAP HEXF M8-1.25x30 G8.8 N500	8	8	
45	410460	PLATE 76MM X 30MM	2	2	
46	968435	SCREW CAP HEXF M16-2.0x40 G8.8 BKC	4	4	
47	946472	SCREW CAP HEXF M10-1.5x30 G8.8 ZG603	2	2	
48	410968	CLOSING CAP / PLASTIC	1	1	
49	504379	RIVET POP DOME OE 3/16x1/4 SS	2	2	
50	509843	SPRING, PIN 1/4 x 1 1/8 SS	2	2	
51	500449	WASHER FL .625x1.500 SS	4	4	
60	H9-1850-01	BUMPER FRONT			
100	410671	KIT TOOL BUMPER SPRING INSTALLATION	1	1	
. NS	IS-97064	. SEE INSTRUCTION SHEET	1	1	
		A) FOR SPRING INSTALLATION USE KIT #410671			
		B) INCLUS ITEMS 2,3 & 27			
		C) INCLUS ITEMS 2,3, 22,23,24 & 27			

From R-1453

Date:07/2024

PAGE:H9-1860-12

SPARE WHEEL DOOR MECHANISM FRONT BUMPER



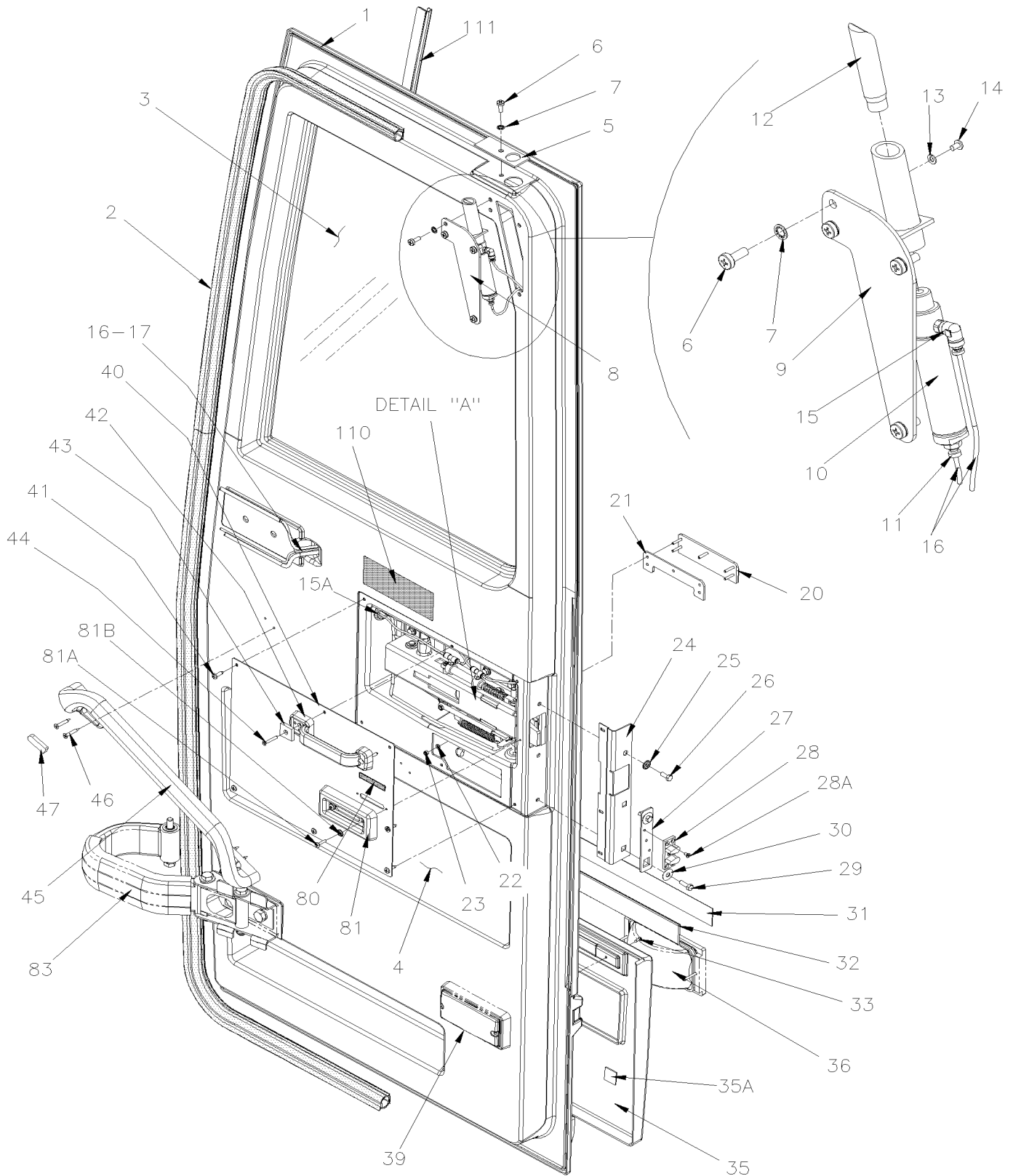
From R-1453	Date:07/2024	PAGE:H9-1860-12
SPARE WHEEL DOOR MECHANISM FRONT BUMPER		

Item#	Part	Description	H 3 4 1	H 3 4 5	N O T E S
1	410155	BRACE RIGHT (WELDED)	1	1	
2	410167	BRACE LEFT (WELDED)	1	1	
3	410160	BUSHING	2	2	
4	410975	BUSHING TEFLON 1" I.D. X 1 1/2" O.D. X 5"	2	2	
5	410983	SPRING / R.H.	1	1	
6	410984	SPRING / L.H.	1	1	
7	410640	STOPPER To R-1521		4	
7	411477	STOPPER From R-1522		4	
8	410229	HINGE AXIS To R-1521	2	2	
8	411478	HINGE AXIS From R-1522		2	
9	500449	WASHER FL .625x1.500 SS	4	4	
10	509843	SPRING, PIN 1/4 x 1 1/8 SS	4	4	
11	411171	SUPPORT MOBILE "L" SHAPE	1	1	
12	411174	SUPPORT MOBILE	1	1	
13	411176	LEVER LOCK W/PIN	1	1	
14	5001787	NUT HEX NYRT M8-1.25 SS	5	5	
15	500975	WASHER FL .378x.620x.094 NYL	5	5	
16	5001233	WASHER FL .500x1.250x.062 NYL		5	
17	410011	RUBBER PAD, FRONT BUMPER	2	2	
18	504416	RIVET POP DOME OE 3/16x5/8 SS	4	4	
19	410921	CATCH PIN LOCK PLATE	1	1	
20	5001307	SCREW CAP HEXF M10-1.5x20 8.8 N500		2	
21	411007	GUIDE PIN WELDED	1	1	
22	411005	GUIDE PIN PLATE	1	1	
23	5001742	SCREW CAP HEXF M8-1.25x30 G8.8 N500	4	4	
24	411450	CABLE HANDLE ASSY	1	1	
NS	504637	CABLE TIE / 3/16" x 13"	1	1	
25	504379	RIVET POP DOME OE 3/16x1/4 SS	2	2	
26	287391	CATCH PIN SS / 90.5MM	1	1	
27	507212	O-RING	1	1	
28	502910	SPRING COMPRESSION / .720 O.D. 1.75 x .055	1	1	
29	502685	SCREW CAP HEX M4-0.7x20 SS EMN	1	1	
30	502557	NUT HEX NYRT M4-0.7 SS	1	1	
31	410895	COVER GUIDE PIN / PLASTIC	1	1	
32	502685	SCREW CAP HEX M4-0.7x20 SS EMN	2	2	
33	502636	WASHER LO SPT 4.1x7.6x0.9 Z050	2	2	
34	502556	WASHER FL 4.3x9.0x0.8 SS	2	2	
35	974683	GROMMET / 19.7x15x12.7x2.2x11	1	1	
36	410968	CLOSING CAP / PLASTIC	1	1	
37	410214	SUPPORT. PLATE	2	2	
38	5001753	SCREW CAP HEXF M16-2.0x40 G8.8 BKC	4	4	
39	2800685	DECAL / "UNLATCH FRONT BUMPER"		1	

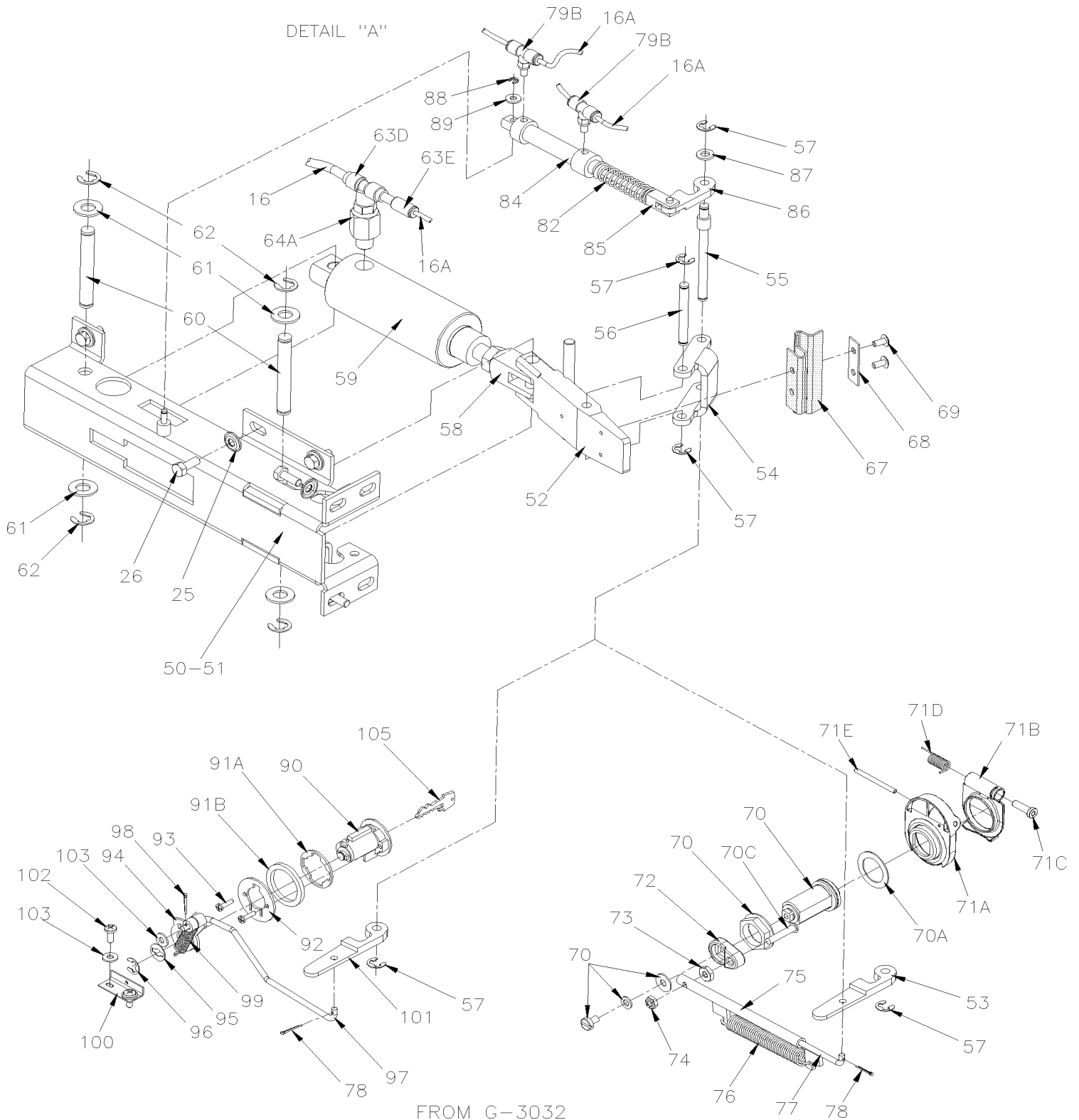
From R-1453	Date:07/2024	PAGE:H9-1860-12
SPARE WHEEL DOOR MECHANISM FRONT BUMPER		

Item#	Part	Description	H 3 4 1	H 3 4 5	NOTES
40	411476	SPACER, FRONT BUMPER From R-1522		AR	
41	410328P	DOOR, ACCES, SPARE-WHEEL ASSY		1	
41	410240	. SPARE WHEEL COVER	1	1	
42	410356	. RUBBER SEAL	1	1	
NS	684685	. ADHESIVE SIMSON #ISR 70-03 / 310ml CARTRIDGE		AR	
43	410337	HINGE	2	2	
44	5001697	SCREW CAP HEX M6-1.0x16 SS BK	12	12	
45	5001833	WASHER BEL SPR 6.1x18x1.27 SS	12	12	
46	410241	FRAMING	1	1	
47	504581	RIVET MGLP PRDG 3/16x7/16 SS BK	4	4	
48	251532	ANGLE	1	1	
49	504339	RIVET POP DOME OE 1/8x3/8 SS	7	7	
NS	680739	GREASE SYNTHETIC / RED 20KG		AR	
NS	685124	ADHESIVE SIMSON #ISR 70-03 / BLACK / 600ml SAUSAGE		AR	
50	H9-1850-02	BUMPER FRONT			

ENTRANCE DOOR ASSY - SEDAN



ENTRANCE DOOR ASSY - SEDAN

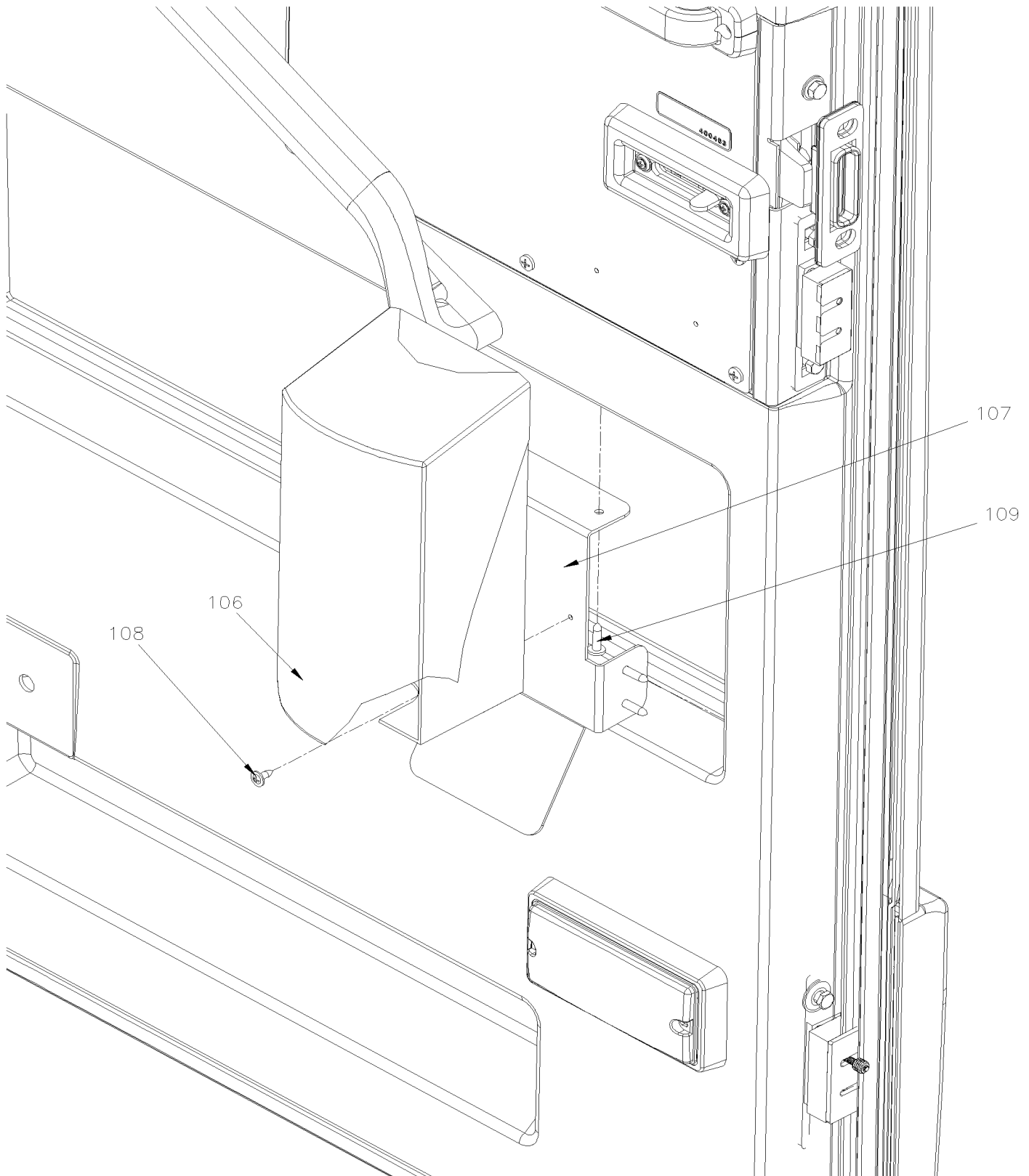


From K-0185 To P-1452

Date:07/2024

PAGE:H9-1862-10

ENTRANCE DOOR ASSY - SEDAN



From K-0185 To P-1452	Date:07/2024	PAGE:H9-1862-10
ENTRANCE DOOR ASSY - SEDAN		

Item#	Part	Description	H 3 4 1	H 3 4 5	NOTES
	2810250	ENTRANCE DOOR ASSY / SEDAN / WITH LOCK "NS" & DOCKING LIGHT CHARCOAL	1	1	
	2810249	ENTRANCE DOOR ASSY / SEDAN / WITH LOCK "FORD" & DOCKING LIGHT CHARCOAL	1	1	
1	288738	. DOOR MOULDED / FIBERGLASS To K-0186	1	1	
1	280606	. DOOR MOULDED / FIBERGLASS From K-0187	1	1	
1	289691	. DOOR MOULDED / FIBERGLASS W/O WIRE HOLE FOR DOCKING LAMP To K-0186	1	1	
1	289188	. DOOR MOULDED / FIBERGLASS W/O WIRE HOLE FOR DOCKING LAMP From K-0187	1	1	
1	288739	. DOOR MOULDED / FIBERGLASS / W/"FORD" KEY To K-0186	1	1	
1	289214	. DOOR MOULDED / FIBERGLASS / W/"FORD" KEY From K-0187	1	1	
2	2800115	. RUBBER SEAL EXTRUSION 5800MM	1	1	
3	290094	. GLASS, THERMOS	1	1	
4	293205	. GLASS, THERMOS	1	1	
NS	681089	. SEALANT TAPE BUTYL / BLACK / 1/8"x5/16"x15' / 753152760	AR	AR	
NS	681091	. PRIMER SIKA #206 / BLACK / 250ml	AR	AR	
NS	681092	. ADHESIVE SIKA #255FC / BLACK / 310ml CARTRIDGE	AR	AR	
5	285876	. PLATE FINISHING	1	1	
6	502569	. SCREW MA PAN PH M6-1.0x16 BK	1	1	
7	500472	. WASHER LO INT .256x.478x.028 Z050	1	1	
8	289950	. LOCK ASSY, UPPER	1	1	
8	685371	. GREASE / GREY BLACK MOBIL XHP 222 SPECIAL 400 g	AR	AR	
9	288901	. PLATE, LOCK	1	1	
10	641983	. CYLINDER 7/8" X 1" STROKE / DOUBLE ACTION	1	1	
NS	680038	. THREAD LOCKER LOCTITE #243 / BLUE / 50ml	AR	AR	
11	641126	. MALE CONNECTOR / PUSH-IN FITTING / #2x1/8NPT-M BR	2	2	
12	282383	. CATCH	1	1	
13	502636	. WASHER LO SPT 4.1x7.6x0.9 Z050	1	1	
14	500560	. SCREW MA PAN PH M4-0.7x6 Z050	1	1	
15	642062	. MALE ELBOW 90° / PUSH-IN FITTING / #2x1/8NPT-M PLAS	1	1	
15A	504567	. GROMMET / .687x1.000x.250x.562x1.312	3	3	
16	503402	. TUBE, NYLON 1/4 O.D. / BLACK S.L.	AR	AR	
16A	503536	. TUBE, NYLON 1/8 O.D. / BLACK S.L.	AR	AR	
17	060670	. CABLE ASSY / DOOR ACCESSORIES	1	1	
17	562679	4 WAY ADH. BACKED MOUNTS 1.000 x 1.000 x .160	1	1	
17	504637	CABLE TIE / 3/16" x 13"	AR	AR	
17	504273	CABLE TIE / 1/8" X 3"1/2	AR	AR	
20	283956	. HANDLE ASSY / W/5 STUDS	1	1	
21	283954	. GASKET / HANDLE & BODY	1	1	
22	502556	. WASHER FL 4.3x9.0x0.8 SS	5	5	Q
23	502557	. NUT HEX NYRT M4-0.7 SS	5	5	Q
24	288944	. PLATE, FINISHING	1	1	
25	500356	. WASHER LO SERR 6.1x16.0x0.9 N500	11	11	
26	5001744	. SCREW CAP HEX M6-1.0x16 G8.8 N500	11	11	
27	283929	. PLATE / TO FIX DOVETAIL	1	1	

From K-0185 To P-1452	Date:07/2024	PAGE:H9-1862-10
ENTRANCE DOOR ASSY - SEDAN		

Item#	Part	Description	H 3 4 1	H 3 4 5	N O T E S
28	780496	. DOVETAIL, MALE	1	1	
28	2800587	. SPACER	AR	AR	
28A	5001058	. SCREW MA FL PH M4-0.7x8 Z050	3	3	
29	502622	. SCREW CAP HEX M6-1.0x20 SS BK	2	2	
30	5001699	. WASHER BEL SPR 8.2x22x1.4 N500	2	2	
31	283100	. STRIPE, REFLECTIVE WHITE / 38MM X 15' ROLL	AR	AR	
. NS	780277	. STRIPE, REFLECTIVE WHITE / 38MM X 150' ROLL	AR	AR	
32	280238	. EXTRUSION BACKING ASSY W/REFLECTOR 698MM	1	1	
. NS	280115	. EXTRUSION BACKING 698MM	1	1	
32	685126	. ADHESIVE SIMSON #ISR 70-03 / GREY / 600ml SAUSAGE	AR	AR	
NS	682348	. TAPE, DOUBLE COATED ACRYLIC	AR	AR	
33	500952	. SCREW TP BDG PH #8x1/2 SS	4	4	
35	289597	. PROTECTOR PANEL / SH W/DUCT LAMP	1	1	
35	685124	. ADHESIVE SIMSON #ISR 70-03 / BLACK / 600ml SAUSAGE	AR	AR	
35A	681348	. TAPE RUB ADH2 ACRYLIC .045" x 1" x 108' / VHB4952	AR	AR	
36	H9-0663-00	. DOCK & CORNERING LIGHT			
NS	502530	. SCREW MA OV PH M4-0.7x40 SS	2	2	
NS	500589	. NUT WELL M4-0.7x13.5	2	2	
39	H9-0655-01	. INTERIOR LIGHTING LED			
NS	500503	. SCREW WO FL PH #8x1 1/4 Z050	2	2	S
40	288896	. PLATE, CLOSING	1	1	
41	502761	. SCREW TP BDG PH #10x3/4 SS BK	7	7	
42	860422	. HANDLE	1	1	
43	284049	. PLUG / SQUARE / BLACK	1	1	
44	500360	. SCREW TP FL PH #8x1 1/4 BK	2	2	
45	900489	. HANDLE	1	1	
46	500618	. SCREW TP FL PH #10x1 Z050 To K-0414	4	4	
46	502903	. SCREW TC FL PH #10-24x1 1/4 N500 From K-0415	4	4	
47	900490	. CAP / W/HANDLE	2	2	
50	2800200	. CATCH ASSY	1	1	
51	287609	. . BASE	1	1	
52	287607	. . CATCH	1	1	
53	283968	. . HOOK	1	1	
54	283945	. . LEVER	1	1	
55	287604	. . AXE LONG W/SHOULDER / 86.5MM	1	1	
56	283946	. . AXE SHORT / 54.4MM	1	1	
56	683652	. . GREASE SYNTHETIC / RED BOX 50 TUBE	AR	AR	
57	504402	. . RING RETAINER / EXT .250 x .210 x .025"	6	6	
58	641216	. . YOKE	1	1	
. NS	642225	. . . CLIP	2	2	
59	641984	. . CYLINDER 1 3/4" X 3/4" STROKE	1	1	
60	283948	. . AXE	2	2	

From K-0185 To P-1452	Date:07/2024	PAGE:H9-1862-10
ENTRANCE DOOR ASSY - SEDAN		

Item#	Part	Description	H 3 4 1	H 3 4 5	NOTES
61	500832	. . WASHER FL .406x.812x.065 N500	2	2	
62	504477	. . RING RETAINER / EXT 14.0 X 13.4 X 1.0MM	2	2	
63	641006	. . MALE BRANCH TEE / NTA FITTING / #4x#4x1/4NPT-M BR	1	1	
63D	642094	. . MALE BRANCH TEE / PUSH-IN FITTING / #4x#4x1/4NPT-M COMPOSITE	1	1	
63E	642063	. . REDUCER / PUSH-IN FITTING / #4x#2 PLAS	1	1	
64A	501308	. . ADAPTER / PIPE FITTING / 1/4NPT-Fx1/4NPT-M BR	1	1	
67	284051	. RUBBER, CLOSING	1	1	
67	680066	. ADHESIVE / ADBOND #5014 / 23.6ML BOTTLE	AR	AR	
68	284052	. PLATE / TO FIX CLOSING RUBBER	1	1	
69	500028	. SCREW TC TR PH #8-32x3/8 SS	1	1	
70	H9-1864-31	. HANDLE LOCK & KEYS - TYPE "NS" & "FORD"			
70A	5001138	. WASHER FL .812x1.187x.031 ZP	1	1	
70A	680025	. CAULKING STRIP 3/16" O.D. X 14'	AR	AR	
70C	500418	. SCREW MA RND SLT #8-32x1 ZP	1	1	
71	280011	. LOCK COVER ASSEMBLY	1	1	
. A	N.S.S.	. . RECEIVER	1	1	1
. B	N.S.S.	. . COVER	1	1	1
. C	N.S.S.	. . GUIDE, SPRING	1	1	1
. D	N.S.S.	. . SPRING	1	1	1
. E	N.S.S.	. . AXLE	1	1	1
NS	680067	. SEALANT TAPE BUTYL / BLACK / 1/8"x3/4"x25' / 75211E760	AR	AR	
72	288324	. LEVER, LOCK / CYLINDER / PLASTIC BLACK / 8MM SQ HOLE	1	1	
NS	500804	. WASHER FL .203x.500x.047 N500	1	1	
73	500764	. NUT HEX #8-32 Z050	1	1	
74	500670	. NUT HEX NYRT #8-32 Z050	1	1	
75	283962	. ROD / LOCK CYLINDER SIDE / 136 MM	1	1	
76	502147	. SPRING EXTENSION / .500 O.D. 3.5 x .054	1	1	
77	283960	. ROD "L" SHAPE 173MM	1	1	
78	502094	. PIN, COTTER 1/16 x 1/2 SS	1	1	
79B	642061	MALE BRANCH TEE SWIVEL / PUSH-IN FITTING / #2x#2x10-32 BR	1	1	
80	408266	. DECAL / CLOSE - OPEN / ENGLISH & SPANISH	1	1	
80	408253	DECAL / CLOSE - OPEN / ENGLISH	1	1	
80	400463	. DECAL / CLOSE - OPEN / ENGLISH & FRENCH	1	1	
81	289464	CAP, FINISHING	1	1	
81A	500672	SCREW TP OV PH #6x1/2 N500	2	2	
81B	500345	WASHER FN CKF .187x.500x.090 BR BK	2	2	
82	291978	SPRING, COMP. / .511 O.D. x 52MM x .055	1	1	
83	H9-1862-60	ENTRANCE DOOR FRAME - INSTALLATION			
84	642030	CYLINDER 7/16" X 1" STROKE	1	1	
85	950202	YOKE	1	1	
86	287603	HOOK SAFETY LOCK	1	1	
87	502573	WASHER FL 6.4x12.5x1.6 SS	1	1	

From K-0185 To P-1452	Date:07/2024	PAGE:H9-1862-10
ENTRANCE DOOR ASSY - SEDAN		

Item#	Part	Description	H 3 4 1	H 3 4 5	N O T E S
88	504714	RING RETAINER / EXT .156 x .114 x .025"	1	1	
89	504357	WASHER FL .187x.437x.050 SS	1	1	
		FOLLOWING PARTS ARE RELATED TO "FORD"			
		ENTRANCE DOOR CYLINDER LOCK "OPTION"			
90	H9-1864-31	HANDLE LOCK & KEYS - TYPE "NS" & "FORD"			
91A	2800032	SEAL RUBBER 1/16" TH	1	1	
91B	289961	SHIM FOR "FORD" CYLINDER 27 I.D.x35 O.D.3.17	1	1	
92	285811	WASHER / CYLINDER LOCK RETAINER	1	1	
93	500518	SCREW MA BDG PH #4-40x1/2 Z050	2	2	
94	284358	LEVER ASSY	1	1	
95	283853	SPACER / WASHER 9/16" O.D. X 1/4" I.D.	1	1	
96	504402	RING RETAINER / EXT .250 x .210 x .025"	1	1	
97	284363	ROD / 178MM	1	1	
98	502094	PIN, COTTER 1/16 x 1/2 SS	1	1	
99	502184	SPRING EXTENSION / .360 O.D. x 1.25 x .031	1	1	
100	285639	SUPPORT	1	1	
101	284852	HOOK	1	1	
102	500638	SCREW TP PAN PH #8x1/2 Z050	2	2	
103	500855	WASHER FL .188x.438x.049 N500	3	3	
105	H9-1864-31	HANDLE LOCK & KEYS - TYPE "NS" & "FORD"			
106	900088	DISPENSER / SOAP	1	1	
107	3211278	BRACKET ANTISEPTIC GEL DISPENSER	1	1	
108	5001440	SCREW TP RND PH WSHR HD #8x1/2	4	4	
109	502761	SCREW TP BDG PH #10x3/4 SS BK	4	4	
110	406050	DECAL / "C.W.A." & "T.C.A."	1	1	
110	157729	DECAL / WALL TO WALL TURNING DIAM 90' 3" WITH VIN #	1	1	
. NS	157730	. DECAL / WALL TO WALL TURNING DIAM 90' 3" W/OUT VIN RAW MATERIAL	1	1	
110	400095	DECAL / "WATCH YOUR STEP" / ENGLISH & FRANCAIS	1	1	
110	406151	DECAL / "WATCH YOUR STEP" / "CUINDADO CON EL / ENGLISH & SPANISH	1	1	
110	408278	DECAL / "WATCH YOUR STEP" / ENGLISH & FRANCAIS	1	1	
110	408279	DECAL / "WATCH YOUR STEP" / "CUINDADO CON EL / ENGLISH & SPANISH	1	1	
110	400297	DECAL / "WATCH YOUR STEP" / ENGLISH	1	1	
111	290082	GUTTER VERTICAL	1	1	
111	680796	TAPE RUB ADH2 ACRYLIQUE 3/4x.045x36YARD	AR	AR	
		Q) TO FIX HANDLE			

From K-0185 To P-1452	Date:07/2024	PAGE:H9-1862-10
ENTRANCE DOOR ASSY - SEDAN		

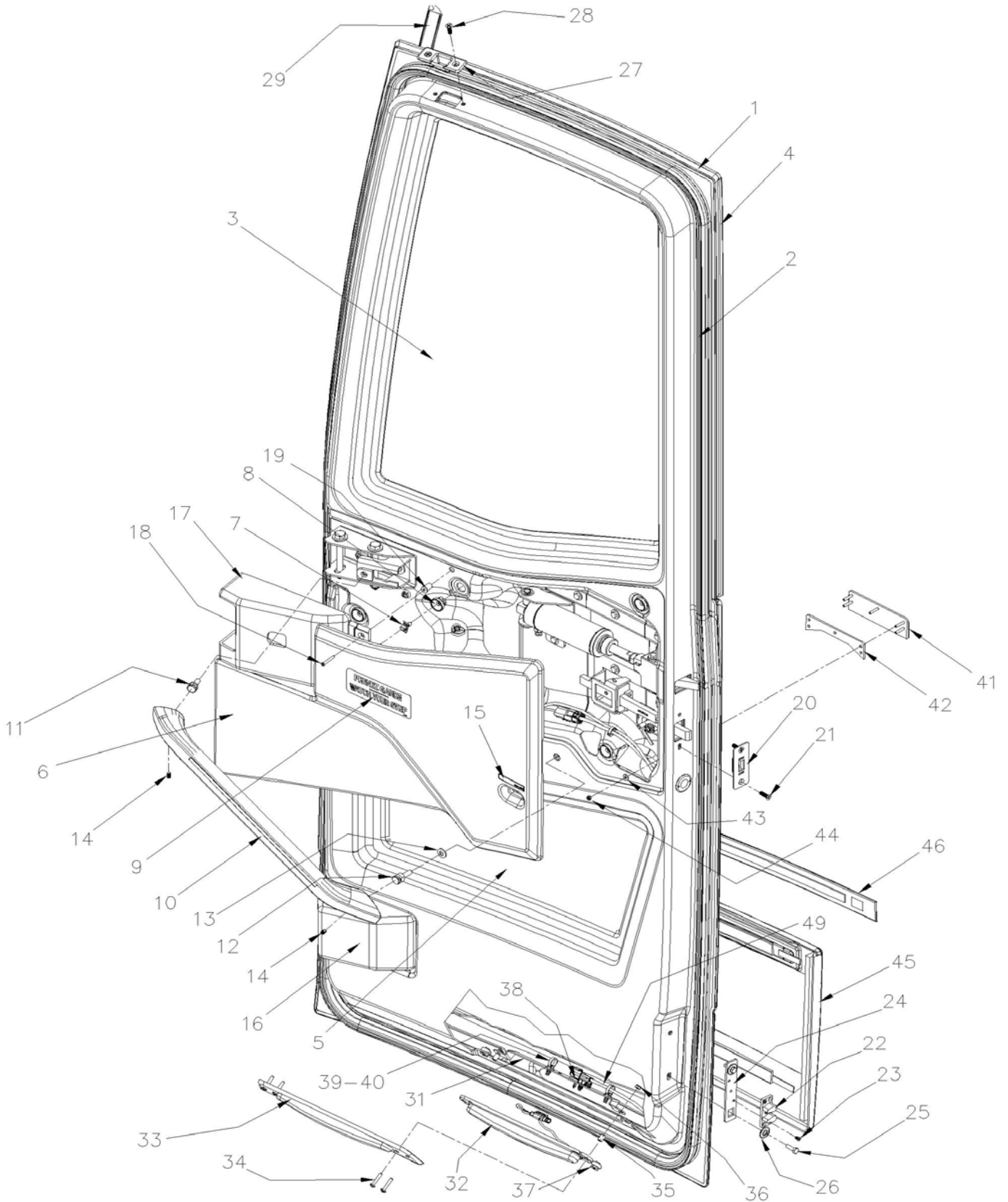
Item#	Part	Description	H 3 4 1	H 3 4 5	N O T E S
		S) TO FIX LAMP			
		1) NOT SOLD SEPARATELY			

From R-1453

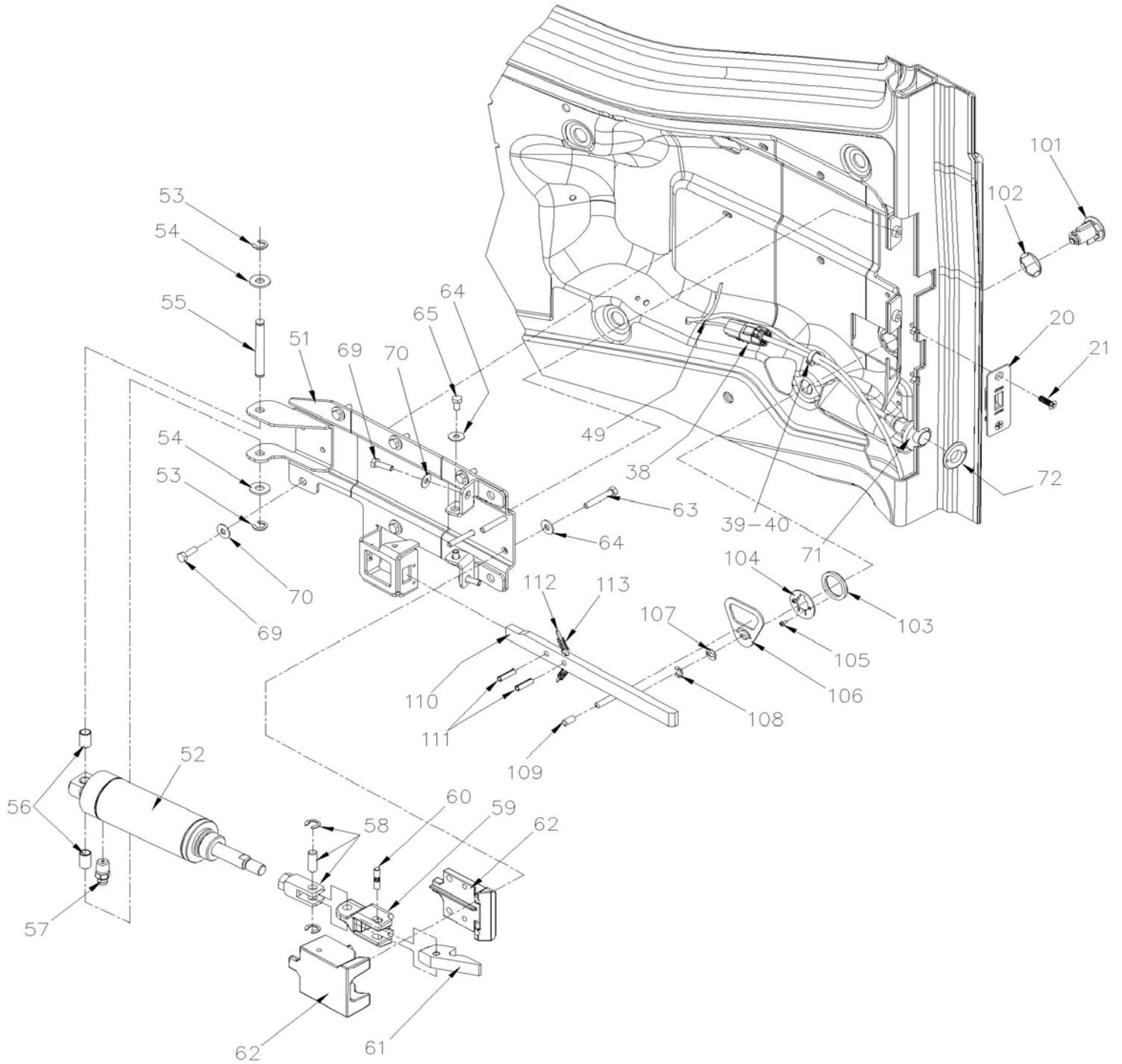
Date:07/2024

PAGE:H9-1862-11

ENTRANCE DOOR ASSY - SEDAN



ENTRANCE DOOR ASSY - SEDAN



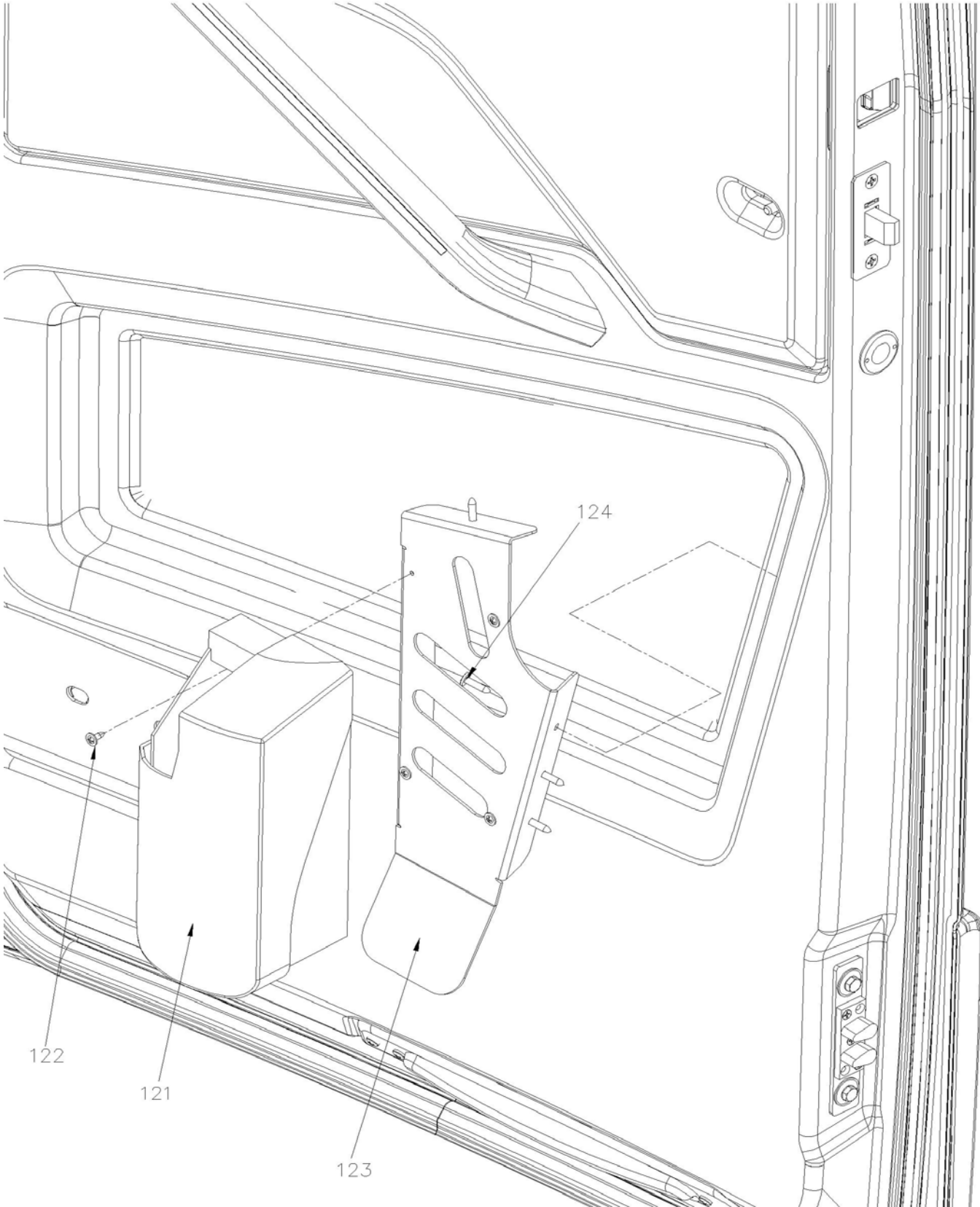
WITH "FORD" LOCK

From R-1453

Date:07/2024

PAGE:H9-1862-11

ENTRANCE DOOR ASSY - SEDAN



From R-1453		Date:07/2024	PAGE:H9-1862-11
ENTRANCE DOOR ASSY - SEDAN			

Item#	Part	Description	H 3 4 1	H 3 4 5	N O T E S
	2800786	ENTRANCE DOOR ASSY / SEDAN / WITH LOCK "NS"		1	
	2800784	ENTRANCE DOOR ASSY / SEDAN / WITH LOCK "FORD"		1	
1	2810143	. FRONT DOOR H3 ASSY. GLUED, HAPPICH		1	
1	2810141	. FRONT DOOR H3 ASSY. GLUED, FORD		1	
2	2810101	. RUBBER SEAL, EXTRUSION		1	
NS	684685	. ADHESIVE SIMSON #ISR 70-03 / 310ml CARTRIDGE		AR	
NS	506191	. TAPE RUB ADH1 CC POL 1/8" x 1/4" x 50' / GREY 2520X		AR	
NS	685387	. GLUE MS POLYMER TEROSON MS 9399 / 400ml CARTRIDGE		AR	
3	790392	. RUBBER BLOCK ADJUSTEMENT 1" x 5/16" x 1/8" 80DURO		8	
3	290395	. ENTRANCE DOOR TOP WINDOW To £-21133		1	
3	290945	. ENTRANCE DOOR TOP WINDOW From £-21133		1	
4	2810100	. REAR MOLDING ENTRANCE DOOR		1	
NS	680914	. TAPE RUB ADH2 ACRYLIQUE 1/2x.045x36YARD		AR	
5	290367	. LOW WINDOW, ENTANCE DOOR To £-21133		1	
NS	506769	. TAPE RUB ADH2 CC POL 1/8" x 1/4" x 60' / BLACK H1CC-N-#14		AR	
NS	685387	. GLUE MS POLYMER TEROSON MS 9399 / 400ml CARTRIDGE		AR	
5	290946	. LOW WINDOW, ENTANCE DOOR From £-21133		1	
6	2810203	. REMOVABLE PANEL		1	
7	504211	. SNAPLOC STUD D08 PA6-GF50		6	
8	504271	. SNAPLOC COUPLING D8 TPC-ET 40D		6	
9	406916	. DECAL / "WATCH YOUR STEP" / ENGLISH & FRANCAIS		1	
9	406918	. DECAL / "WATCH YOUR STEP" / ENGLISH		1	
9	406917	. DECAL / "WATCH YOUR STEP" / ENGLISH & SPANISH		1	
10	2810251	. INSIDE RAMP ASSY. ENTRANCE DOOR		1	
11	2810265	. RAMP FIXATION, UPPER		1	
12	2810266	. RAMP FIXATION, LOWER		1	
13	5001868	. WASHER BEL SPR 8.4x18x2 SS		1	
14	5002117	. SCREW SET HEXS CONE M6-1.0x12 SS		2	
15	406920	. DECAL / CLOSE - OPEN / ENGLISH		1	
15	406921	. DECAL / CLOSE - OPEN / ENGLISH & SPANISH		1	
15	406919	. DECAL / CLOSE - OPEN / ENGLISH & FRENCH		1	
16	2810202	. BOTTOM HINGE COVER		1	
NS	505537	. TAPE DUAL LOCK 2" X 50 YARD / BLACK SJ3551		AR	
NS	505538	. TAPE DUAL LOCK 1" x 50 YARD / BLACK SJ3551		AR	
17	2810201	. TOP HINGE COVER		1	
18	5002233	. SCREW MA FL PH M4-0.7X30 N500		1	
19	500589	. NUT WELL M4-0.7x13.5		1	
20	2810385	. GUIDE		1	
21	5002238	. SCREW MA FL PH M6-1.0X20 N500		2	
22	780496	. DOVETAIL, MALE		1	
23	500371	. SCREW MA FL PH M4-0.7x8 N500		3	
24	283929	. PLATE / TO FIX DOVETAIL		1	

From R-1453		Date:07/2024	PAGE:H9-1862-11
ENTRANCE DOOR ASSY - SEDAN			

Item#	Part	Description	H 3 4 1	H 3 4 5	N O T E S
25	502622	. SCREW CAP HEX M6-1.0x20 SS BK		2	
26	5001699	. WASHER BEL SPR 8.2x22x1.4 N500		2	
27	2810182	. BUMPER PLATE		1	
28	5002238	. SCREW MA FL PH M6-1.0X20 N500		2	
29	290850	. WEATHER STRIP VERT. ENTRY DOOR H SERIES		1	
31	2810610	. ATTACHMENT		1	
32	830009	. LAMP ASSY 24V / LED		1	
. NS	563589	. CONNECTOR / DTM SERIES / SH 2C / GRAY / DEUTSCH DTM06-2S-E007		1	
33	2810641	. BOTTOM LIGHT COVER		1	
34	5001027	. SCREW MA PAN PH #10-32x1 SS EMN		4	
35	504616	. SPACER 5/16 O.D. x 7/16 x .190 NYL		2	
36	500423	. NUT HEX NYRT #10-32 SS		2	
37	502774	. NUT WELL #10-32x.625		2	
38	564108	. SELF MOUNTING STUD // DEUTSCH 1011-310-0205		3	
39	509815	. TIE MOUNT / ATTACHMENT W/TREE MOUNT		7	
40	504637	. CABLE TIE / 3/16" x 13"		7	
41	2810352	. HANDLE		1	
42	2810353	. GASKET		1	
43	500855	. WASHER FL .188x.438x.049 N500		5	
44	500539	. NUT HEX NYRT M4-0.7 N500		5	
45	2810223	. PROTECTOR, ENTRANCE DOOR		1	
NS	685393	. TAPE AD2 VHB N/A BK 0.063 X 1/2" X36YD		AR	
NS	685387	. GLUE MS POLYMER TEROSON MS 9399 / 400ml CARTRIDGE		AR	
46	2810613	. EXTRUSION ASSY		1	
. NS	780277	. STRIPE, REFLECTIVE WHITE / 38MM X 150' ROLL		AR	
NS	684517	. ADHESIVE SIMSON #ISR 70-03 / GREY / 310ml CARTRIDGE		AR	
NS	682348	. TAPE, DOUBLE COATED ACRYLIC		AR	
49	0600013	. ENTRANCE DOOR HARNESS H3		1	
51	2810183	. SUPPORT ASSY. WELDED		1	
52	640024	. CYLINDER 2 X 1 1/2		1	
53	504477	. RING RETAINER / EXT 14.0 X 13.4 X 1.0MM		2	
54	502510	. WASHER FL .375x.875x.083		2	
55	2810298	. PIN, CLEVIS		1	
56	2810345	. SLEEVE		2	
57	641332	. MALE CONNECTOR / PUSH-IN FITTING / #4x1/4NPT-M BR		1	
58	641216	. YOKE		1	
. NS	642225	. CLIP		2	
59	2810319	. GUIDE DOOR AIR LOCK		1	
60	286694	. ENTRANCE DOOR PIN		1	
61	2810191	. ENTRANCE DOOR LOCK		1	
62	2810192	. GUIDING BLOCK ASSY DOOR AIR LOCK		1	
63	5000310	. SCREW CAP HEX M6-1.0x40 BK		4	

From R-1453	Date:07/2024	PAGE:H9-1862-11
ENTRANCE DOOR ASSY - SEDAN		

Item#	Part	Description	H 3 4 1	H 3 4 5	NOTES
64	5001833	. WASHER BEL SPR 6.1x18x1.27 SS		6	
65	5001181	. SCREW CAP HEX M6-1.0x12 SS		2	
69	502830	. SCREW CAP HEX M6-1.0x20 G8.8 N500		8	
70	5001833	. WASHER BEL SPR 6.1x18x1.27 SS		8	
71	0610482	. PROXIMITY SHIELDED SWITCH ASSY To R-1662		1	
71	0600170	. PROXIMITY SHIELDED SWITCH ASSY From R-1663		1	
72	2810582	. RING FIXING		1	
75	H9-1864-32	. HANDLE LOCK & KEYS - TYPE "NS" & "FORD"			A
76	5001138	. WASHER FL .812x1.187x.031 ZP		1	A
NS	680025	. CAULKING STRIP 3/16" O.D. X 14'		AR	A
77	2810625	. LEVER, LOCK		1	A
78	288806	. SPACER / 8MM SQ X 17MM O.D X 16GA		1	A
79	500804	. WASHER FL .203x.500x.047 N500		1	
80	5001377	. SCREW MA PAN PH M5-0.8x8 SS		1	
81	2810642	. STOPPER		1	
82	504487	. RIVET MGLP PRDG 3/16x7/16 SS		2	A
83	2810616	. LATCH ASSY SOLDER		1	A
84	505421	. SPRING, PIN M3 x 18		2	A
85	504282	. VINYL PROTECTOR,YELLOW .234X.500		1	A
86	2810639	. ROD		1	A
87	502169	. SPRING COMPRESSION / .240 O.D. x 1.5 x .032		2	A
88	2810615	. LATCH ASSY SOLDER		1	A
89	505188	. PIN, SPRING 1/4" X 7/8"		2	A
90	481564	. ROD GUIDE		2	A
91	502151	. SPRING COMPRESSION / .300 O.D. x 1 x .032		2	A
NS	506785	. TAPE RUB ADH2 CC POL 1/16" X 1/4" X 200' / BLACK 11C-N-A		AR	
NS	683083	. ADHESIVE SIKA #252 / BLACK / 600 ml SAUSAGE		AR	
NS	683652	. GREASE SYNTHETIC / RED BOX 50 TUBE		AR	
NS	680098	. THREAD SEALANT LOCTITE #567 / WHITE / 250ml		AR	
NS	680100	. THREAD LOCKER LOCTITE #271 / RED / 250ml		AR	
NS	680038	. THREAD LOCKER LOCTITE #243 / BLUE / 50ml		AR	
101	H9-1864-32	. HANDLE LOCK & KEYS - TYPE "NS" & "FORD"			
102	2800032	. SEAL RUBBER 1/16" TH		1	
103	289961	. SHIM FOR "FORD" CYLINDER 27 I.D.x35 O.D.3.17		1	
NS	680025	. CAULKING STRIP 3/16" O.D. X 14'		AR	
104	285811	. WASHER / CYLINDER LOCK RETAINER		1	
105	5001053	. SCREW MA PAN PH #4-40x1/4 ZP		2	
106	2810216	. LEVER		1	F
107	283853	. SPACER / WASHER 9/16" O.D. X 1/4" I.D.		1	F
108	504402	. RING RETAINER / EXT .250 x .210 x .025"		1	F
109	504282	. VINYL PROTECTOR,YELLOW .234X.500		1	F
110	2810185	. LATCH BOLT ASSY		1	F

From R-1453	Date:07/2024	PAGE:H9-1862-11
ENTRANCE DOOR ASSY - SEDAN		

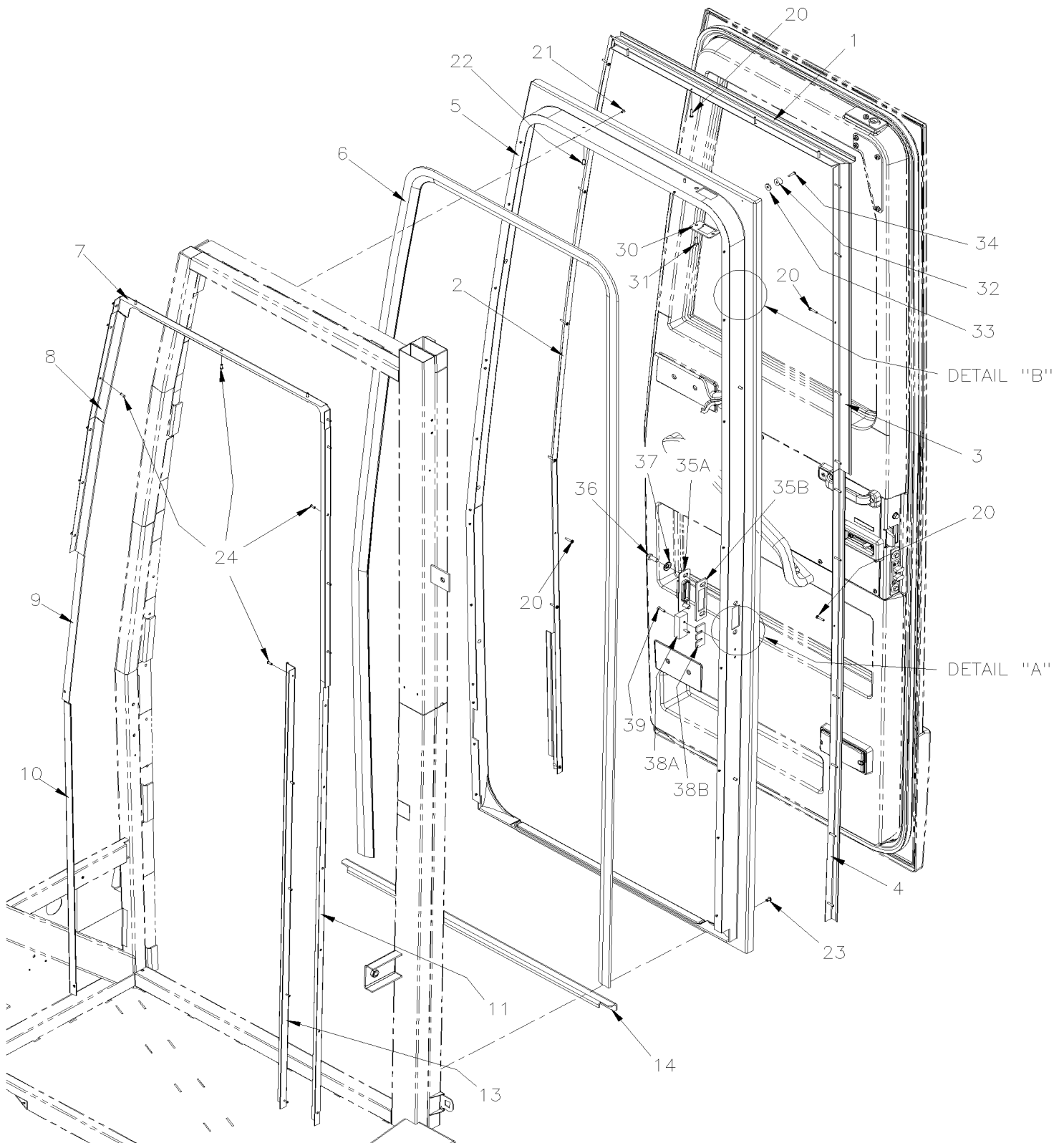
Item#	Part	Description	H 3 4 1	H 3 4 5	N O T E S
111	505188	. PIN, SPRING 1/4" X 7/8"		2	F
112	481564	. ROD GUIDE		2	F
113	502151	. SPRING COMPRESSION / .300 O.D. x 1 x .032		2	F
120	406946	ANTISEPTIC GEL DISPENSER		1	B
121	900088	. DISPENSER / SOAP		1	B
122	5001440	. SCREW TP RND PH WSHR HD #8x1/2		4	B
122	507331	. PROTECTOR CAP / BLACK / .137 I.D. x .500		1	B
123	3211787	. BRACKET ANTISEPTIC GEL DISPENSER		1	B
124	502761	. SCREW TP BDG PH #10x3/4 SS BK		4	B
		A) WITH "NS" LOCK			
		B) WITH ANTISEPTIC GEL DISPENSE OPTION			
		F) WITH "FORD" LOCK			

From K-0185 To P-1452

Date:07/2024

PAGE:H9-1862-60

ENTRANCE DOOR FRAME - INSTALLATION

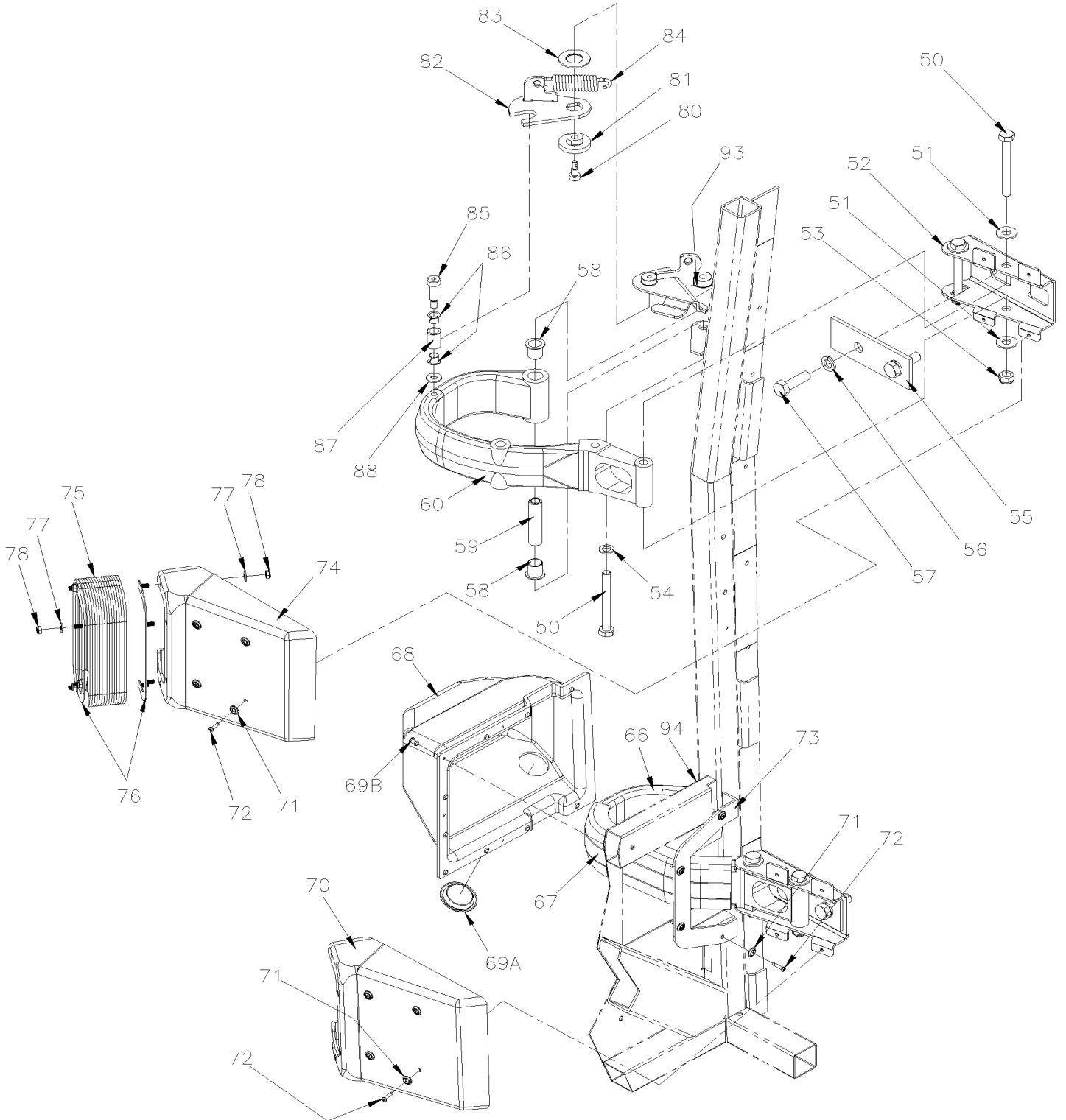


From K-0185 To P-1452

Date:07/2024

PAGE:H9-1862-60

ENTRANCE DOOR FRAME - INSTALLATION



From K-0185 To P-1452	Date:07/2024	PAGE:H9-1862-60
ENTRANCE DOOR FRAME - INSTALLATION		

Item#	Part	Description	H 3 4 1	H 3 4 5	N O T E S
1	285893	DRIP MOULDING	1	1	
2	288724	FINISHING MOULDING FRONT	1	1	
3	285894	FINISHING MOULDING REAR / UPPER SECTION	1	1	
4	280446	FINISHING MOULDING REAR / LOWER SECTION	1	1	
5	285661	FRAME, MOULDED	1	1	
5	680437	TAPE TRANSFER ADH2 CLEAR 12.7MM x 55M / TRM950-0500	AR	AR	
5	680066	ADHESIVE / ADBOND #5014 / 23.6ML BOTTLE	AR	AR	
6	280151	SEAL, INTERIOR	1	1	
7	283507	SEAL RETAINER / TOP / 662MM	1	1	
8	283510	SEAL RETAINER / FRONT UPPER / 758MM	1	1	
9	283779	SEAL RETAINER / FRONT CENTER / 439MM	1	1	
10	283781	SEAL RETAINER / FRONT LOWER / 808MM	1	1	
11	285910	SEAL RETAINER / REAR / 1977MM	1	1	
13	329632	FINISHING MOULDING REAR TAN / 1237MM To K-0484	1	1	
13	327762	FINISHING MOULDING REAR GREY / 1237MM To K-0484		1	A
13	327762	FINISHING MOULDING REAR GREY / 1237MM From K-0485	1	1	
13	329632	FINISHING MOULDING REAR TAN / 1237MM From K-0485	1	1	O
14	214075	FRAME SUPPORT	1	1	
20	5001040	SCREW TC PAN PH #6-32x3/4 SS	20	20	
21	504263	RIVET POP DOME OE 1/8x3/8 AL	23	23	
22	504582	RIVET POP DOME OE 3/16x1/4 SS BK	8	8	
23	504581	RIVET MGLP PRDG 3/16x7/16 SS BK	2	2	
24	504339	RIVET POP DOME OE 1/8x3/8 SS	AR	AR	
30	284808	FINITION PLATE	1	1	
31	500623	SCREW TC PAN PH #10-24x3/4 N500	1	1	
32	504334	BUMPER RUBBER / .625 OD x .406 TH x .156 HOLE To K-0337	1	1	
32	5002025	BUMPER NEOPRENE / .625 OD x .406 TH x .156 HOLE From K-0338	1	1	
33	500950	WASHER FL .187x.625x.094 RUB	AR	AR	
34	500235	SCREW TP BDG PH #6x3/4 N500	1	1	
35A	283969	STRIKING PLATE	1	1	
35B	287794	STRIKING PLATE SHIM	1	1	
36	502862	SCREW CAP HEX M8-1.25x20 G8.8 N500	2	2	
37	5001699	WASHER BEL SPR 8.2x22x1.4 N500	2	2	
38A	780497	DOVETAIL, FEMALE / FIXED ON STRUCTURE	1	1	
38B	2800587	SPACER	AR	AR	
39	500329	SCREW TC FL PH #8-32x3/4 N500	2	2	
50	502890	SCREW CAP HEX M10-1.5x90 G8.8 N500	6	6	
51	500897	WASHER FL .437x1.000x.083 N500	8	8	
52	284040	ATTACHMENT	2	2	
53	502859	NUT HEX NYRT M10-1.5 N500	4	4	
54	5001737	WASHER LO SPT 10.2x18.1x2.2 N500	2	2	
55	286998	SUPPORT PLATE 134MM X 48MM	2	2	

From K-0185 To P-1452	Date:07/2024	PAGE:H9-1862-60
ENTRANCE DOOR FRAME - INSTALLATION		

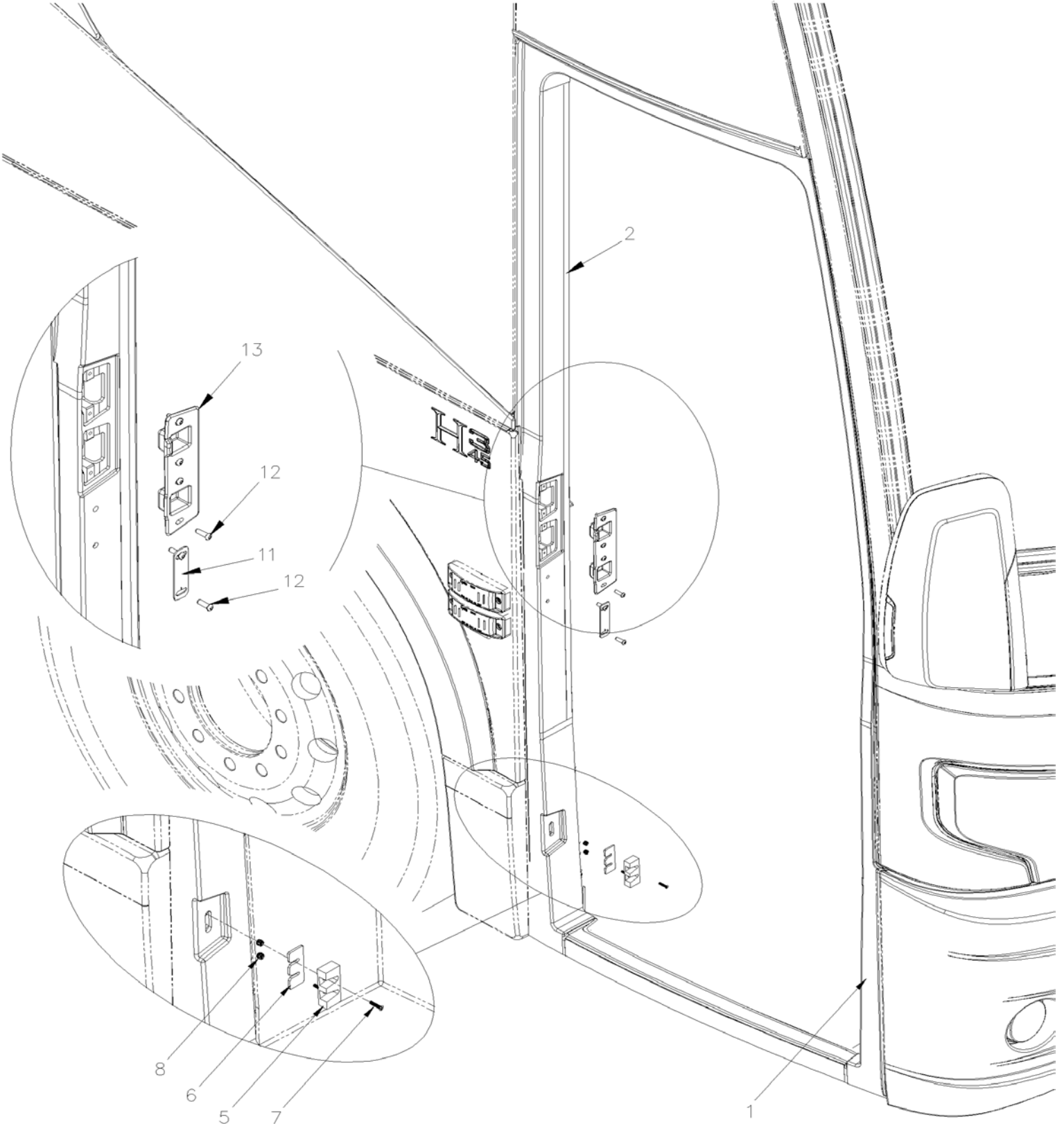
Item#	Part	Description	H 3 4 1	H 3 4 5	N O T E S
56	500747	WASHER LO SPT 12.2x21.1x2.5 N500	4	4	
57	5001885	SCREW CAP HEX M12-1.75X40 G10.9 N500	4	4	
58	507326	BEARING FLANGE	2	2	
NS	680739	GREASE SYNTHETIC / RED 20KG	AR	AR	
59	287337	SPACER / BEARING FLANGE	2	2	
60	2800608	HINGE UPPER	1	1	
66	287341	HINGE	1	1	
67	329602	COVER HINGE LOWER / PLASTIC	1	1	
NS	680437	TAPE TRANSFER ADH2 CLEAR 12.7MM x 55M / TRM950-0500	AR	AR	
68	287245	COVER LOWER HINGE / REAR OF BUMPER	1	1	
69A	504443	SNAP-IN PLUG / 1.500 O.D.	1	1	
69B	504581	RIVET MGLP PRDG 3/16x7/16 SS BK	10	10	
70	329601	CAP COVER LOWER	1	1	
71	500950	WASHER FL .187x.625x.094 RUB	12	12	
72	500409	SCREW TP PAN PH #8x1/2 BK	12	12	
73	329603	PANEL FINISHING LOWER	1	1	
74	329604	CAP COVER UPPER	1	1	
75	285492	BELLOWS / RUBBER To N-1267	1	1	
75	2810577	BELLOWS / RUBBER From N-1268	1	1	
76	285491	PLATE BELLOW RETAINER	2	2	
77	500964	WASHER FL .203x.500x.047 Z050	8	8	
78	502841	NUT HEX NYRT M5-0.8 N500	8	8	
80	5002010	SCREW SHR HEXS 8x10 {M6-1.0 STL	1	1	
81	281304	PIVOT SLEEVE	1	1	
82	282509	PIVOT ASSY	1	1	
83	281303	SPACER	1	1	
84	502255	SPRING EXTENSION / .814 O.D. x 3.14 x .148	1	1	
85	5002009	SCREW SHR HEXS 10x25 {M8-1.25 SS	1	1	
86	507693	BUSHING 10x11.6x10x15 NYL	2	2	
87	280303	SLEEVE	1	1	
88	502638	WASHER FL .312x.734x.065 N500	1	1	
93	251705	HINGE SUPPORT / (WELDED TO STRUCTURE)	1	1	
93	211987	PLATE / "V" SHAPE 48MM X 57MM 45°	1	1	
93	211992	PLATE	2	2	
94	211983	HINGE SUPPORT / (WELDED TO STRUCTURE)	1	1	
94	211992	PLATE	2	2	
94	211987	PLATE / "V" SHAPE 48MM X 57MM 45°	1	1	
		A) BAUER'S TRANSPORTATION OPTION			
		O) OPTIONAL			

From R-1453

Date:07/2024

PAGE:H9-1862-61

ENTRANCE DOOR - INSTALLATION

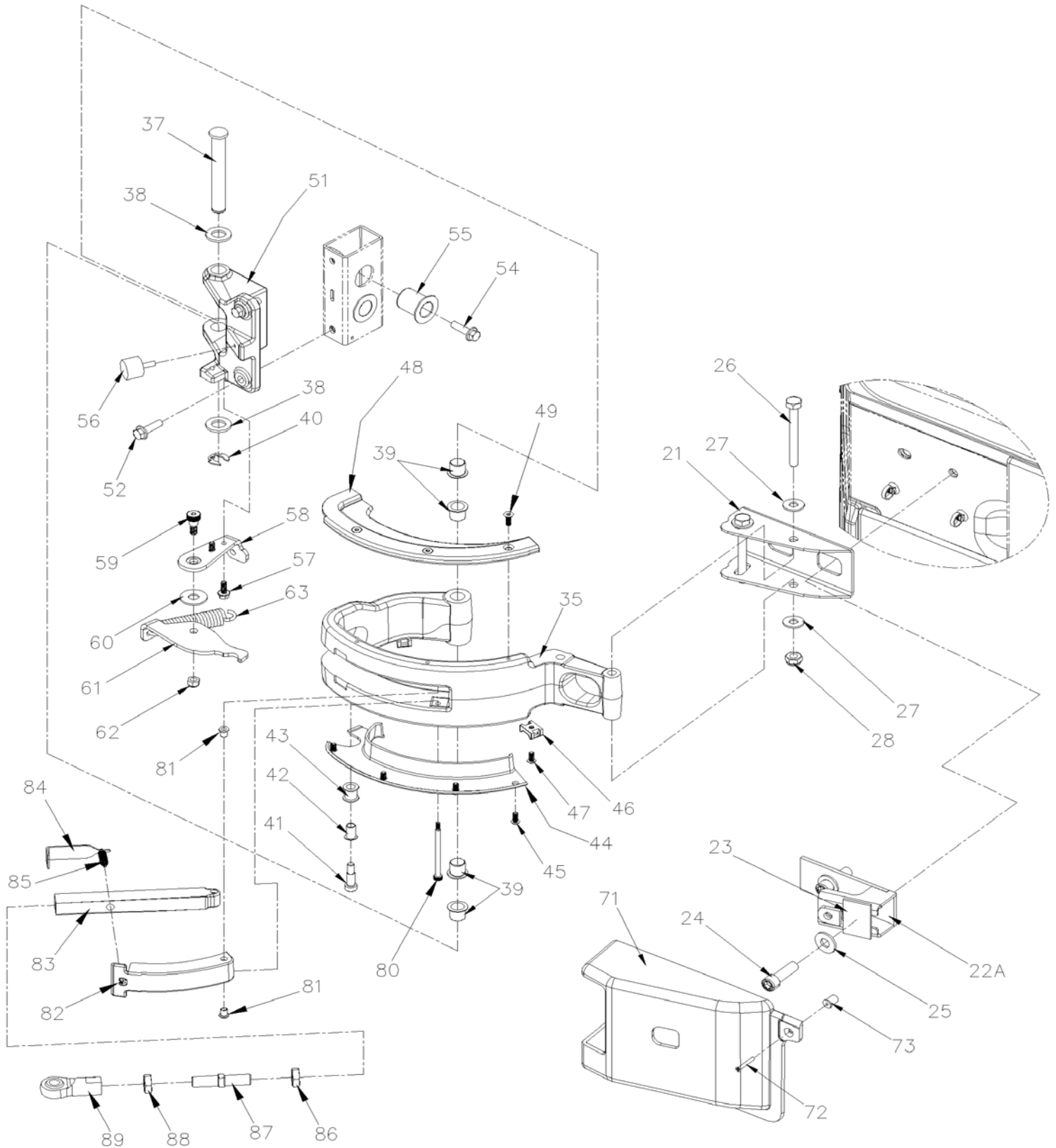


From R-1453

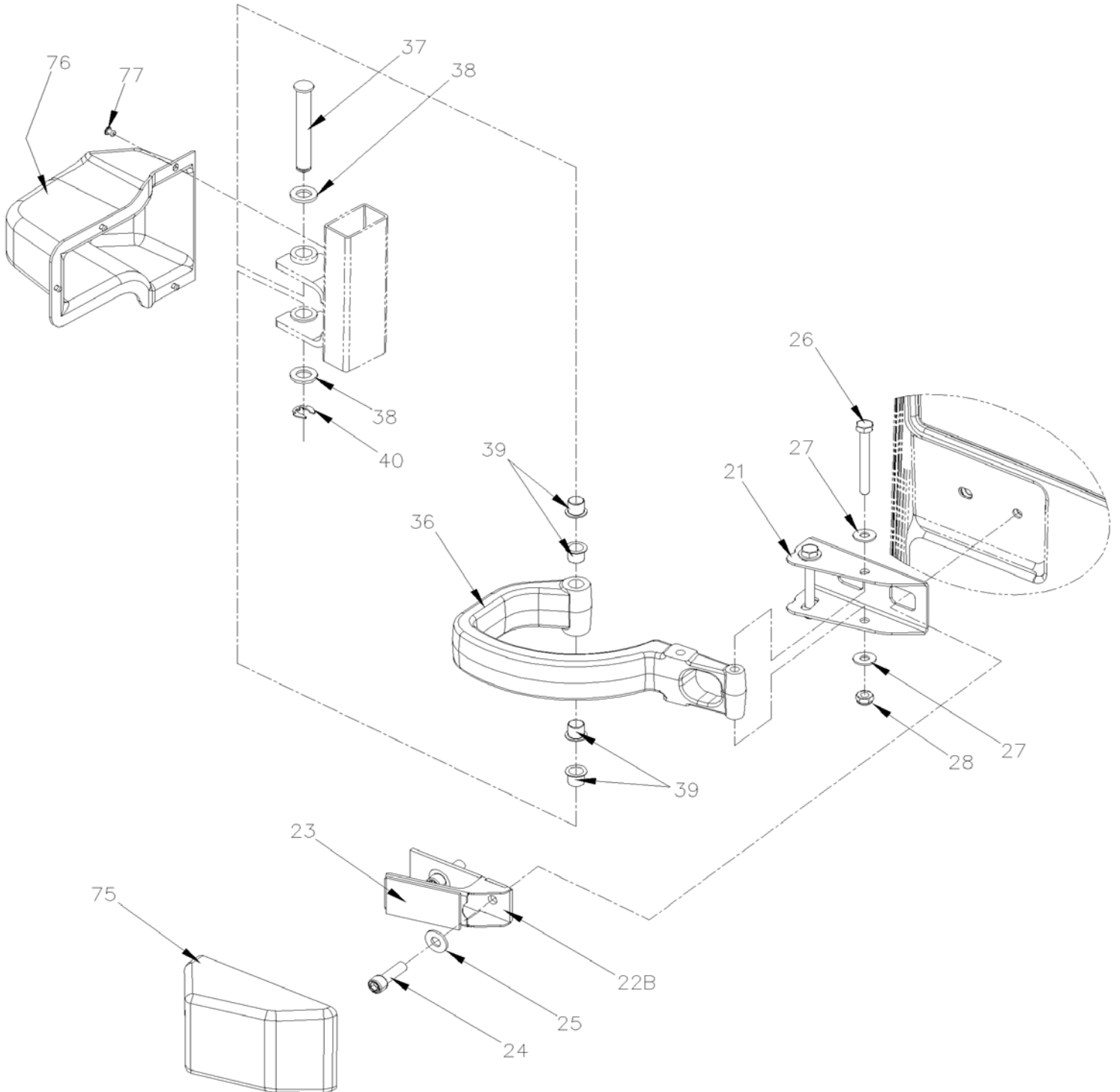
Date:07/2024

PAGE:H9-1862-61

ENTRANCE DOOR - INSTALLATION



From R-1453	Date:07/2024	PAGE:H9-1862-61
ENTRANCE DOOR - INSTALLATION		



From R-1453		Date:07/2024	PAGE:H9-1862-61
ENTRANCE DOOR - INSTALLATION			

Item#	Part	Description	H 3 4 1	H 3 4 5	N O T E S
1	2810114	FRAME		1	
NS	506191	TAPE RUB ADH1 CC POL 1/8" x 1/4" x 50' / GREY 2520X		AR	
NS	685387	GLUE MS POLYMER TEROSON MS 9399 / 400ml CARTRIDGE		AR	
2	3211327	FRAME SEAL DOOR To R-1681		1	
2	3201715	FRAME SEAL DOOR From R-1682		1	
5	780497	DOVETAIL, FEMALE / FIXED ON STRUCTURE		1	
6	2800587	SPACER		1	
7	5001411	SCREW MA FL PH M4-0.7x20 BK		2	
8	5002127	NUT AN INS THREADED M4-07 / M8-1.25 SS		2	
11	2810580	SENSING PLATE		1	
12	5002242	SCREW CAP BUT HEXS M6-1.0X20 N500		6	
13	2810234	STRIKE		1	
21	2810138	BRACE		2	
22A	2810264	RAMP BRACE, UPPER, ASSY.		1	
22B	2810348	COVER BRACE ASSY.		1	
23	505537	TAPE DUAL LOCK 2" X 50 YARD / BLACK SJ3551		AR	
23	505538	TAPE DUAL LOCK 1" x 50 YARD / BLACK SJ3551		AR	
24	5001589	SCREW CAP HEXS M12-1.75x40 G8.8 Z050		4	
25	500967	WASHER BEL SPR .512x1.142x.098 N500		4	
26	502890	SCREW CAP HEX M10-1.5x90 G8.8 N500 To R-1877		4	
26	5000017	SCREW CAP HEX M10-1.5X90 G10.9 N500 From R-1878		4	
27	500897	WASHER FL .437x1.000x.083 N500		8	
28	502859	NUT HEX NYRT M10-1.5 N500		4	
35	2810112	HINGE, MACHINED		1	
36	2810113	HINGE, MACHINED		1	
37	2810532	HINGE AXLE		2	
38	5002164	WASHER FL 17X30X3.0 NYL		4	
39	507021	FLANGE BEARING ID 16MM OD 18MM		8	
40	508398	RING RETAINER / EXT .625 x .500 x .050" / SS		2	
41	500876	SCREW SHR HEXS 3/8x3/4 {5/16-18		1	
42	507628	BUSHING NYLINER		1	
43	287405	ROLLER SS 11MM I.D.x14.5 O.D. 19Fix17Th		1	
44	0610312	WIRE COVER		1	
45	5000353	SCREW CAP BUT HEXS M6-1.0x12 N500		4	
46	504013	TIE MOUNT / 1/4" X 1/4" I.D.		1	
47	5000353	SCREW CAP BUT HEXS M6-1.0x12 N500		2	
48	2810673	COVER		1	
49	5002251	SCREW CAP FL HEXS M6-1.0x16 G10.9 N500		3	
51	2810111	HINGE RETAINER		1	
52	5002109	SCREW CAP HEXF SERR M8-1.25x30 SS NSS		2	
54	5002109	SCREW CAP HEXF SERR M8-1.25x30 SS NSS		2	
55	251530	SLEEVE		2	

From R-1453	Date:07/2024	PAGE:H9-1862-61
ENTRANCE DOOR - INSTALLATION		

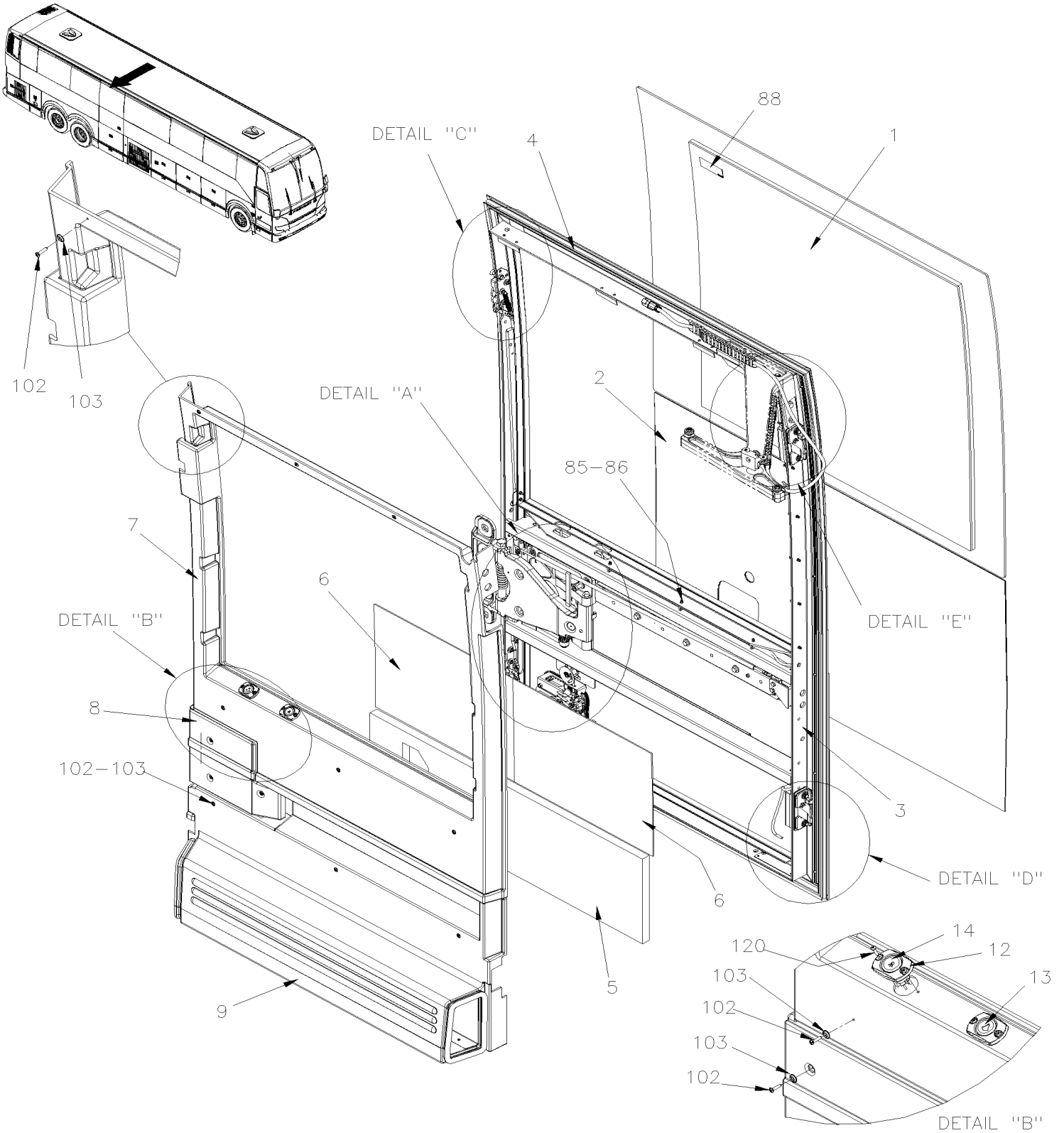
Item#	Part	Description	H 3 4 1	H 3 4 5	N O T E S
56	504790	BUMPER RUBBER BOLT / 25.5MM ODx20MM TH M6X18MM STUD		1	
57	5002027	SCREW CAP HEXF AD M6-1.0x16 G10.9 N500		2	
58	2810539	SUPPORT DOOR STOPPER		1	
59	5002104	SCREW SHR HEXS 10x10 {M8-1.25 SS		1	
60	5001233	WASHER FL .500x1.250x.062 NYL		1	
61	2810110	DOOR STOPPER		1	
62	502847	NUT HEX NYRT M8-1.25 N500		1	
63	502191	SPRING EXTENSION / .814 O.D. x 3.975 x .148		1	
71	2810201	TOP HINGE COVER		1	
72	5002233	SCREW MA FL PH M4-0.7X30 N500		1	
73	500589	NUT WELL M4-0.7x13.5		1	
75	2810202	BOTTOM HINGE COVER		1	
76	2810153	HINGE COVER, RIGHT		1	
77	504581	RIVET MGLP PRDG 3/16x7/16 SS BK		4	
77	5001137	WASHER FL .203x.438x.050 SS		4	
80	5002102	SCREW SHR HEXS 6x70 {M5-0.8 SS To R-1777		1	
80	5000031	SCREW SHR HEXS 6X70 (M5X0.8) From R-1778		1	
81	507017	FLANGE BEARING ID 6MM x OD 8MM		2	
82	2810108	CAP, ROD END		1	
83	2810107	ROD END		1	
84	2810106	SPRING CLIP		1	
85	502183	SPRING EXTENSION / .312 O.D. x .281 x .023		1	
86	5001806	NUT HEX JAM LH THN 1/2-20x5/16 N500		1	
87	281252	STUD / 1/2-20x 1/2-20 L.H. x 2.67"		1	
88	5001798	NUT HEX JAM THN 1/2-20x5/16 N500		1	
89	502196	ROD END FEMALE 1/2-20 / 1/2 I.D.		1	
NS	680100	THREAD LOCKER LOCTITE #271 / RED / 250ml			AR
NS	680038	THREAD LOCKER LOCTITE #243 / BLUE / 50ml			AR

From K-0185 To P-1452

Date:07/2024

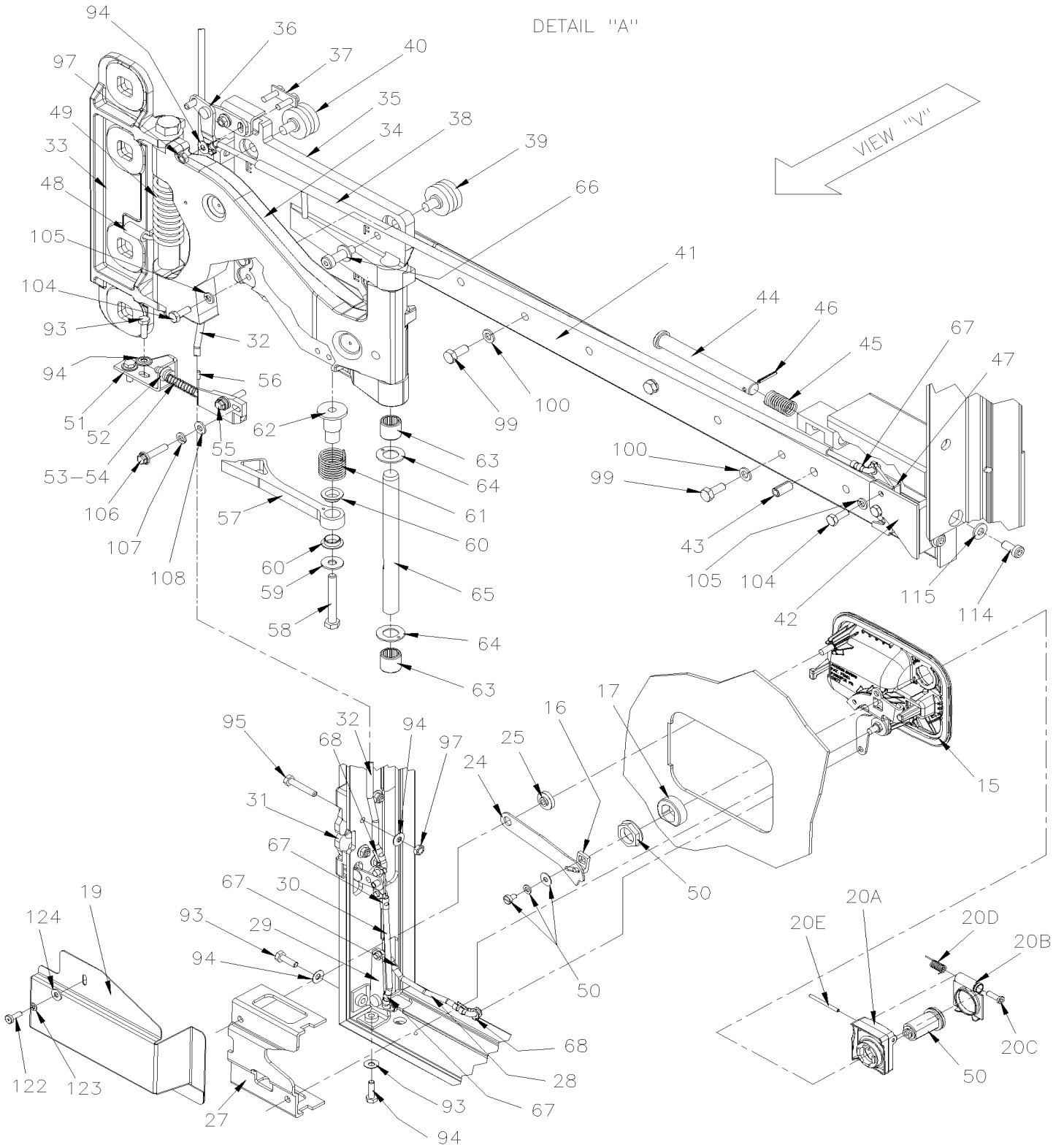
PAGE:H9-1862-82

ENTRANCE DOOR SLIDING - WCL



ENTRANCE DOOR SLIDING - WCL

DETAIL "A"

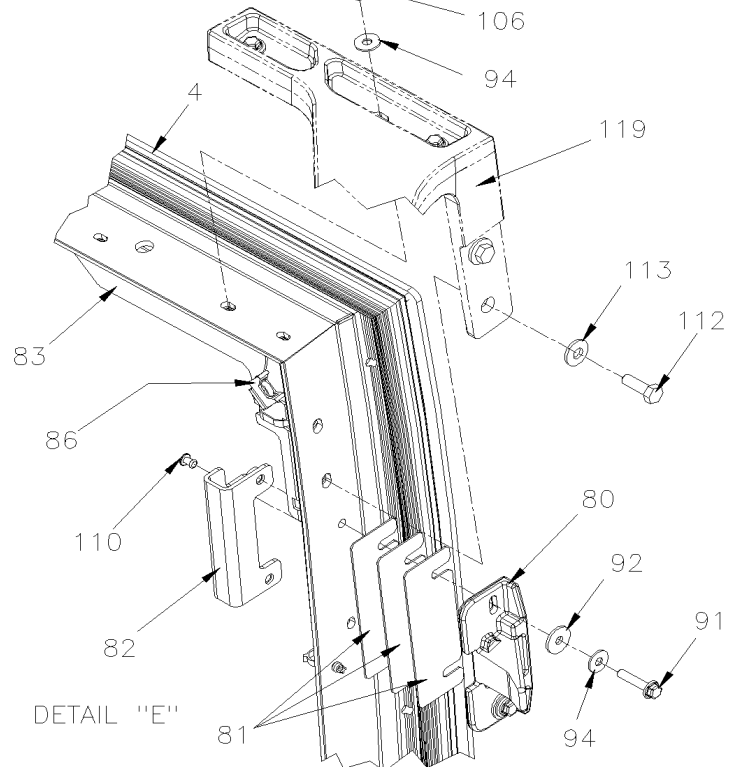
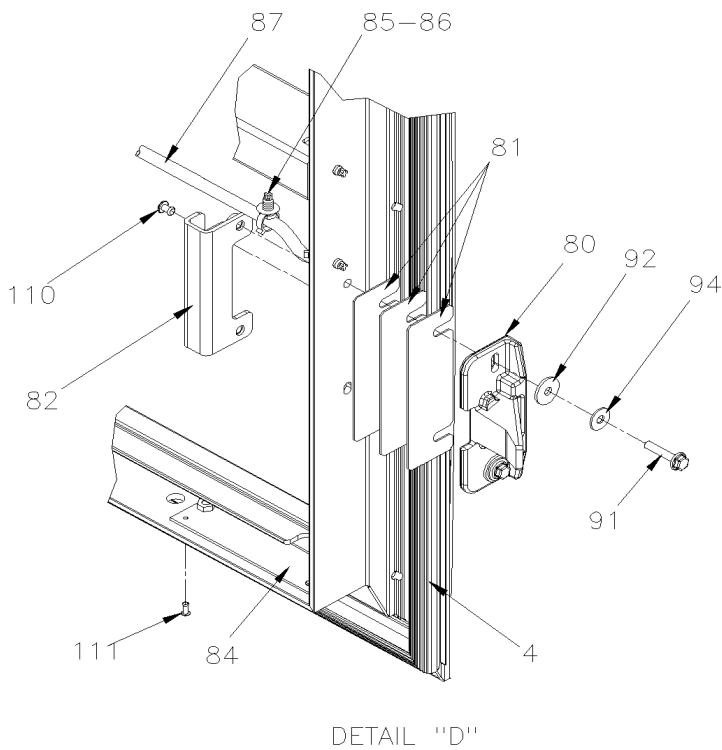
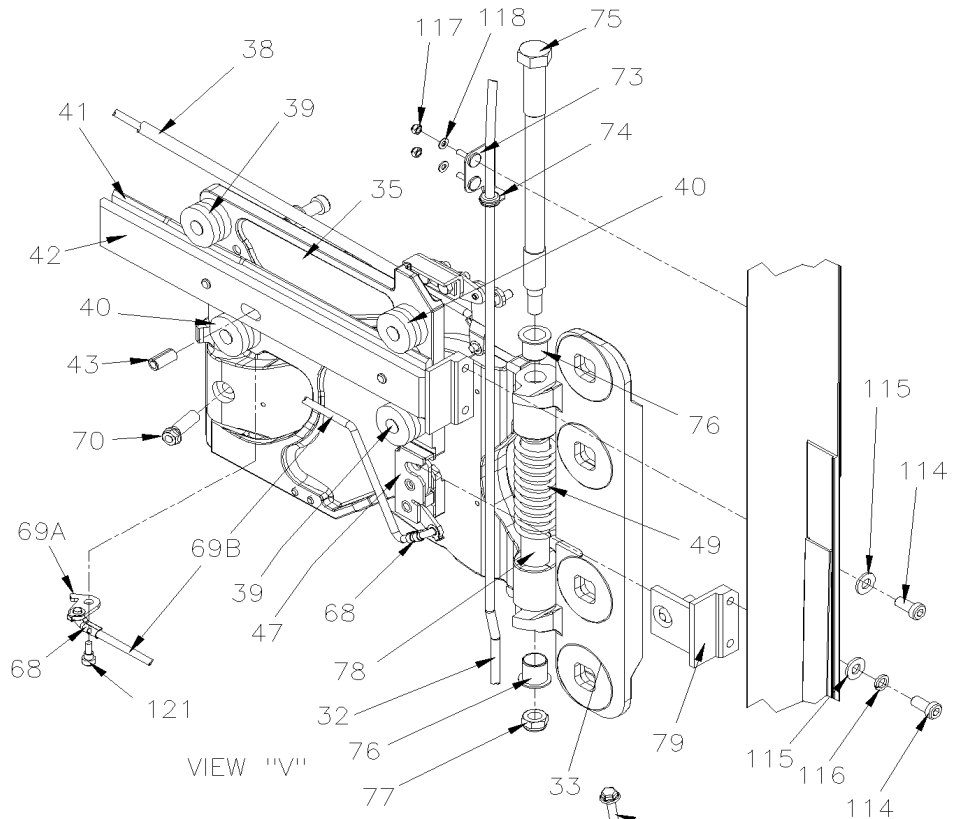
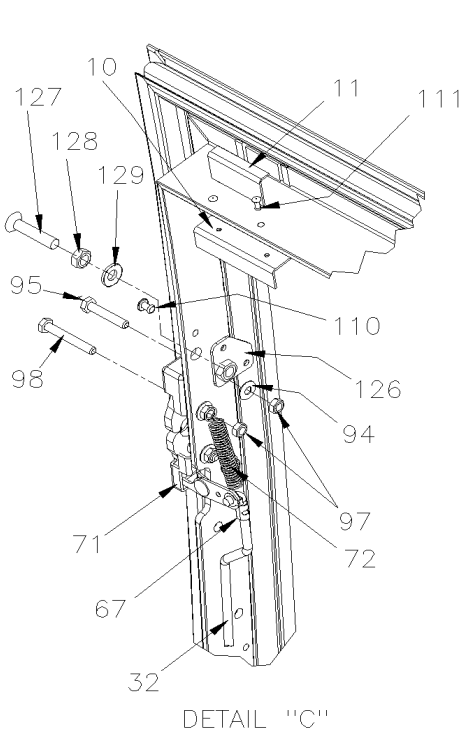


From K-0185 To P-1452

Date:07/2024

PAGE:H9-1862-82

ENTRANCE DOOR SLIDING - WCL



From K-0185 To P-1452	Date:07/2024	PAGE:H9-1862-82
ENTRANCE DOOR SLIDING - WCL		

Item#	Part	Description	H 3 4 1	H 3 4 5	NOTES
	2810020	DOOR S ASSY W.C.L. DOOR SLIDING	1	1	
1	293797	GLASS, THERMOS 13% W.C.L. DOOR SLIDING	1	1	
NS	287501	UPPER EXTRUSION, SLIDING DOOR	1	1	
NS	506769	TAPE RUB ADH2 CC POL 1/8" x 1/4" x 60' / BLACK H1CC-N-#14	AR	AR	
NS	506785	TAPE RUB ADH2 CC POL 1/16" X 1/4" X 200' / BLACK I1C-N-A	AR	AR	
NS	687957	GLUE MS POLYMER TEROSON MS 9399 / 400ml CARTRIDGE To M-1153	AR	AR	
NS	685387	GLUE MS POLYMER TEROSON MS 9399 / 400ml CARTRIDGE From M-1154	AR	AR	
NS	684685	ADHESIVE SIMSON #ISR 70-03 / 310ml CARTRIDGE	AR	AR	
2	288609	PANEL LOWER 1215.5MM x 738.6MM	1	1	
3	280612	STRUCTURE DOOR To M-1129	1	1	
3	2810401	STRUCTURE DOOR From M-1130	1	1	
4	2800141	RUBBER SEAL EXTRUSION / 1821MM X 1111MM	1	1	
5	289907	INSULATING LOWER	1	1	
6	289906	INSULATING UPPER	2	2	
7	281797	CAP FINISHING	1	1	
NS	506466	TAPE RUB ADH1 CC POL 1/16" x 1 1/2" x 100' / GREY 2520	1	1	
8	3200791	CAP FINISHING WITH ONE PIECE CASTING	1	1	
9	281449	DUCT DOOR / PLASTIC	1	1	
9	H9-2221-80	AIR DUCT W.C.L. DOOR "RICON"			
10	288648	ANGLE 18MM x 18MM x 76MM	3	3	
11	068192	PLATE ANGLE 50MM x 25MM	1	1	
11	506785	TAPE RUB ADH2 CC POL 1/16" X 1/4" X 200' / BLACK I1C-N-A	AR	AR	
11	684685	ADHESIVE SIMSON #ISR 70-03 / 310ml CARTRIDGE	AR	AR	
12	409259	PROTECTOR SWITCH / CAP	2	2	
NS	288728	REINFORCMENT FOR SCREW PROTECTOR CAP	1	1	
13	830159	SWITCH / OFF-M/ON / S.P.S.T. / CHIME	1	1	
14	830158	SWITCH / OFF-ON / S.P.S.T. / READING LIGHT	1	1	
15	288652	HANDLE ASSY W"HAPPITCH" NS SERIES KEY	1	1	
15	780785	HANDLE BODY W"HAPPITCH" NS SERIES KEY	1	1	
15	780823	HANDLE W.C.L. DOOR PLASTIC	1	1	
15	288653	PLATE REINFORCMENT 19MM x 6.35MM x 11GA	1	1	
15	680038	THREAD LOCKER LOCTITE #243 / BLUE / 50ml	AR	AR	
16	280014	ACTUATOR ROD	1	1	
17	289321	SPACER CYLINDER KEY	1	1	
17	506869	TAPE RUB ADH2 POL .031" X 1/4" X 300' / BLACK	AR	AR	
17	684743	GLUE METHACRYLATE PLEXUS MA832GB 380 ml	AR	AR	
19	2800060	PLATE, SEALING HANDLE	1	1	
19	684685	ADHESIVE SIMSON #ISR 70-03 / 310ml CARTRIDGE	AR	AR	
19	506004	TAPE RUB ADH1 CC POL 3/8" x 1/2" x 20' / GREY 2520X	AR	AR	
19	506001	TAPE RUB ADH1 CC POL 1/8" x 3/4" x 50' / GREY 2520X	AR	AR	
20	280020	LOCK COVER ASSEMBLY	1	1	

From K-0185 To P-1452	Date:07/2024	PAGE:H9-1862-82
ENTRANCE DOOR SLIDING - WCL		

Item#	Part	Description	H 3 4 1	H 3 4 5	N O T E S
. A	N.S.S.	. RECEIVER	1	1	1
. B	N.S.S.	. COVER	1	1	1
. C	N.S.S.	. GUIDE, SPRING	1	1	1
. D	N.S.S.	. SPRING	1	1	1
. E	N.S.S.	. AXLE	1	1	1
24	289317	ACTUATOR LEVER	1	1	
25	289322	SPACER W/SHOULDER FOR BE	1	1	
27	780787	SUPPORT HANDLE	1	1	
28	289314	ROD LOWER 123MM	1	1	
29	289910	PIVOT ASSY	1	1	
30	289922	ROD LOWER 152MM	1	1	
31	289916	LOCK LOWER / FORWARD	1	1	
32	289919	ROD UPPER 1229MM	1	1	
33	2800194	HINGE / POST SECTION / MACHINED ONE PIECE CASTING	1	1	
34	2800193	HINGE / MOVABLE SECTION ONE PIECE CASTING	1	1	
35	289996	HINGE / RAIL SECTION ONE PIECE CASTING	1	1	
36	289913	PIVOT ASSY	1	1	
37	289924	ATTACHMENT PLATE	1	1	
38	289920	ROD UPPER 937MM	1	1	
NS	289929	TUBE REINFORCMENT 9.5 Diam x 800 MM	1	1	
39	780782	WHEEL "V"	2	2	
40	780783	WHEEL "V" W/ECCENTRIC	2	2	
41	285614	RAIL TRACK	1	1	
42	280213	SUPPORT RAIL SLIDING / FIXED AT DOOR FRAME	1	1	
43	504719	SPRING, PIN M10 X 20	2	2	
44	289901	BUMPER PIN	1	1	
45	502181	SPRING COMPRESSION / .720 O.D. x 3 x .067	1	1	
46	505513	SPRING, PIN M3 x 24 SS	1	1	
47	780778	LOCK L.H.	2	2	
48	285576	BUSHING 12.7 O.D. x 6.6 I.D. x 24MM	1	1	
49	2800348	SPRING, TORSION / 1.061" I.D. x 3.23 x .162	1	1	
50	H9-1864-31	HANDLE LOCK & KEYS - TYPE "NS" & "FORD"			
51	289325	BUMPER ANGLE	1	1	
52	504718	RIVET DRV BDG 1/4X1/2 NYL	1	1	
53	289324	PLUNGER	1	1	
54	289326	SPRING , COMPRESSION	1	1	
55	289323	PLATE SLIDING DOOR	1	1	
56	505221	SPRING, PIN 1/8 X 3/8	1	1	
57	288499	STOPPER BUMPER	1	1	
58	5001178	SCREW CAP HEX M8-1.25x60 SS BK	1	1	
59	500332	WASHER FL .328x.875x.062 N500	1	1	
60	507379	BUSHING FLANGE 14MM I.D. x 16MM O.D. x 6MM L x SHOULDER 22MM O.D.	2	2	

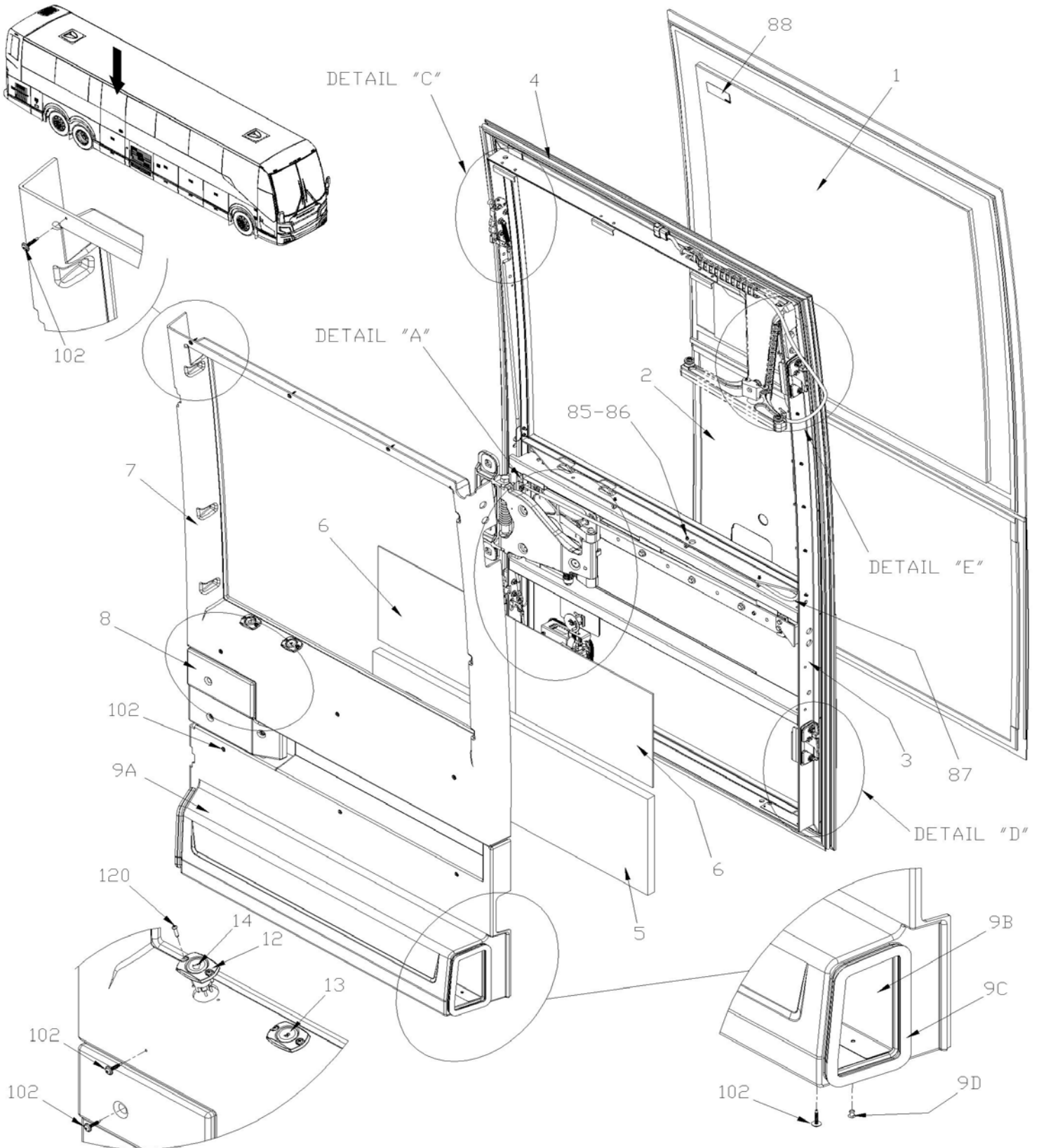
From K-0185 To P-1452	Date:07/2024	PAGE:H9-1862-82
ENTRANCE DOOR SLIDING - WCL		

Item#	Part	Description	H 3 4 1	H 3 4 5	N O T E S
61	286237	SPRING, TORSION / 25MM I.D. x 25.2 x .068	1	1	
62	288498	BUSHING 8MM ID x 14MM OD x 20MM OD	1	1	
63	507374	NEEDLES BEARING 5/8 I.D. x 13/16 O.D. x 3/4	2	2	
64	507377	WASHER 5/8x1 1/8x.0585	2	2	
65	286524	AXE 178MM	1	1	
66	780779	BOLT, STRIKER ASSY.	1	1	
67	504243	CLIP ROD 1/4" L.H.	6	6	
68	504541	CLIP ROD 1/4" R.H.	5	5	
69A	289923	PIVOT	1	1	
69B	289917	ROD CARRIER 188MM	1	1	
70	280028	KEY DRAW	1	1	
70	5001835	NUT HEXF M6-1.0 SS	1	1	
71	780776	LOCK UPPER / FORWARD	1	1	
72	502156	SPRING EXTENSION / .437 O.D. x 2 x .041	1	1	
73	2800056	GUIDE	1	1	
74	504069	GROMMET / .281x.375x.062x.250x.562	1	1	
75	286151	AXE BOLT SPECIAL 250MM	1	1	
76	507376	BUSHING FLANGE	2	2	
77	502859	NUT HEX NYRT M10-1.5 N500	1	1	
78	287520	BUSHING 16MM I.D. x 21MM O.D. x 122MM	1	1	
79	289926	ATTACHMENT	1	1	
80	289825	CATCH SLIDING DOOR	2	2	
81	2800296	SPACER 44MM x 132MM x 24GA	AR	AR	
81	288588	SPACER 44MM x 132MM x 18GA	AR	AR	
82	470568	REINFORCMENT	2	2	
83	280481	PLATE UPPER SLIDING DOOR	1	1	
83	504013	TIE MOUNT / 1/4" X 1/4" I.D.	1	1	
83	5001377	SCREW MA PAN PH M5-0.8x8 SS	1	1	
83	5001587	NUT HEX NYRT M5-0.8 SS	1	1	
84	288470	PLATE ATTACHMENT 136MM x 35MM	1	1	
85	509815	TIE MOUNT / ATTACHMENT W/TREE MOUNT	AR	AR	
86	504637	CABLE TIE / 3/16" x 13"	AR	AR	
87	060694	WCL RICON SLIDING DOOR HARNESS To K-0574	1	1	
87	069992	WCL RICON SLIDING DOOR HARNESS From K-0575	1	1	
88	408203	DECAL EMERGENCY >>>> PICTOGRAPM RIGHT>>>>	1	1	
91	5001815	SCREW CAP HEXF M6-1.0x30 G 8.8 N500	4	4	
92	500142	WASHER FL 6.6x22.0x2.0 SS	4	4	
93	502830	SCREW CAP HEX M6-1.0x20 G8.8 N500	4	4	
94	5001833	WASHER BEL SPR 6.1x18x1.27 SS	21	21	
95	502888	SCREW CAP HEX M6-1.0x35 G8.8 N500	7	7	
97	502854	NUT HEX M6-1.0 N500	11	11	

From K-0185 To P-1452	Date:07/2024	PAGE:H9-1862-82
ENTRANCE DOOR SLIDING - WCL		

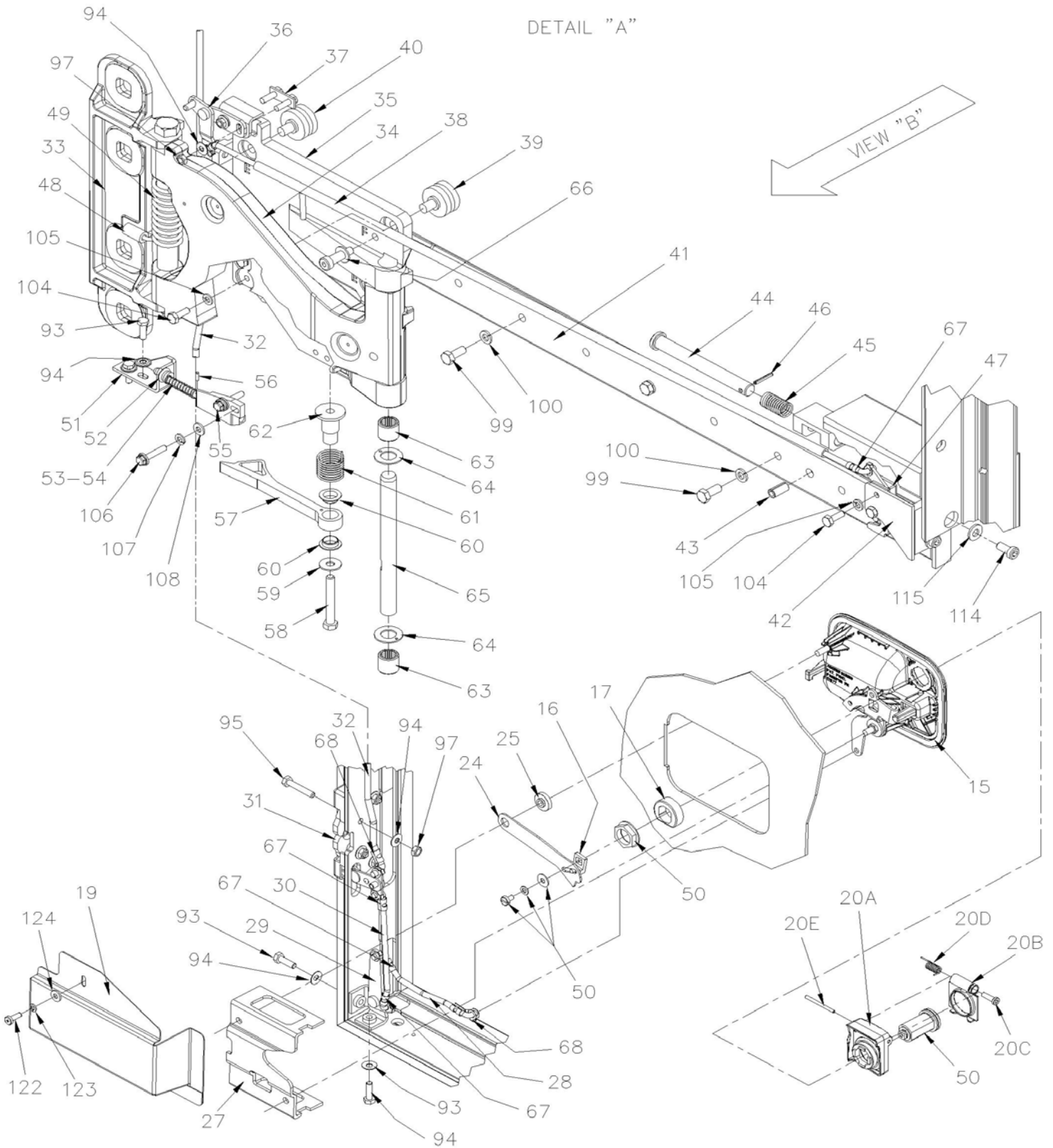
Item#	Part	Description	H 3 4 1	H 3 4 5	N O T E S
98	502843	SCREW CAP HEX M6-1.0x45 G8.8 N500	1	1	
99	502862	SCREW CAP HEX M8-1.25x20 G8.8 N500	6	6	
100	5001161	WASHER LO SPT 8.1x14.8x2.0 SS-304 To L-1097	6	6	
100	5001848	WASHER BEL SPR .827 x .331 x .098 th SS From L-1098	6	6	
102	500333	SCREW TP OV PH #6x3/4 BK	AR	AR	
103	500345	WASHER FN CKF .187x.500x.090 BR BK	AR	AR	
104	5001746	SCREW CAP HEX 1/4-20x3/4 G5 N500	4	4	
105	5001749	WASHER LO SPT 6.5x11.5x1.6 N500	4	4	
106	5001815	SCREW CAP HEXF M6-1.0x30 G 8.8 N500	AR	AR	
107	5001749	WASHER LO SPT 6.5x11.5x1.6 N500	AR	AR	
108	500877	WASHER FL .250x.562x.065 N500	2	2	
110	504581	RIVET MGLP PRDG 3/16x7/16 SS BK	8	8	
111	504339	RIVET POP DOME OE 1/8x3/8 SS	8	8	
112	5001745	SCREW CAP HEX M8-1.25x25 G8.8 N500	2	2	
113	5001848	WASHER BEL SPR .827 x .331 x .098 th SS	2	2	
114	5001573	SCREW CAP HEXS M8-1.25x18 G8.8	6	6	
115	5001736	WASHER FL 8.4x18.0x2.0 N500	6	6	
116	500942	WASHER LO SPT 8.1x14.8x2.0 N500	2	2	
117	500539	NUT HEX NYRT M4-0.7 N500	2	2	
118	502556	WASHER FL 4.3x9.0x0.8 SS	2	2	
119	H9-1862-87	SLIDING DOOR - INSTALLATION			
120	500814	SCREW TP BDG PH #6x3/4 BK	4	4	
121	5001606	SCREW SHR HEXS 1/4x3/16 (#10-24 SS	1	1	
122	500965	SCREW TC BDG PH #8-32x1/2 N500	1	1	
123	502834	WASHER LO SPT 4.1x7.6x0.9 N500	1	1	
124	504357	WASHER FL .187x.437x.050 SS	1	1	
126	479570	WELD PLATE NUT ASSY	1	1	
127	500117	SCREW CAP FL HEXS M8-1.25x40 GR10.9 BK	1	1	
128	5001188	NUT HEX M8-1.25 SS	1	1	
129	5001868	WASHER BEL SPR 8.4x18x2 SS	1	1	
NS	680038	THREAD LOCKER LOCTITE #243 / BLUE / 50ml	AR	AR	
NS	680122	TUBE, LUBRIPLATE 10 OZ.	AR	AR	
NS	680397	CONTACT GLUE / AEROSOL 17oz	AR	AR	
NS	680739	GREASE SYNTHETIC / RED 20KG	AR	AR	A
		1) NOT SOLD SEPARATELY			

ENTRANCE DOOR SLIDING - WCL

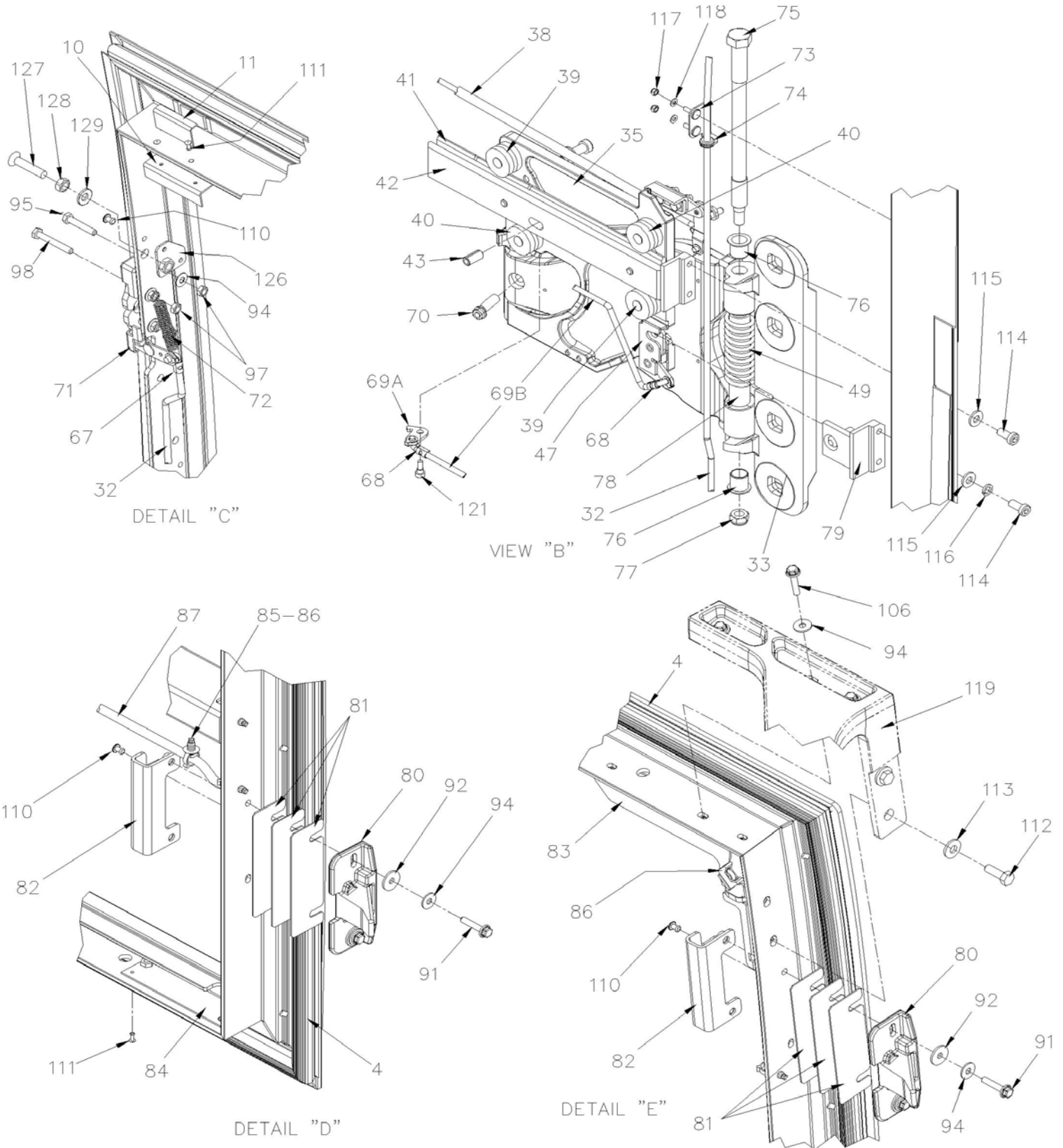


ENTRANCE DOOR SLIDING - WCL

DETAIL "A"



ENTRANCE DOOR SLIDING - WCL



From R-1453		Date:07/2024	PAGE:H9-1862-83
ENTRANCE DOOR SLIDING - WCL			

Item#	Part	Description	H 3 4 1	H 3 4 5	N O T E S
	Call order desk	DOOR S ASSY W.C.L. DOOR SLIDING		1	P
1	2810477	GLASS, THERMOS / W.C.L. DOOR SLIDING		1	
NS	287501	UPPER EXTRUSION, SLIDING DOOR		1	
NS	506769	TAPE RUB ADH2 CC POL 1/8" x 1/4" x 60' / BLACK H1CC-N-#14		AR	
NS	506785	TAPE RUB ADH2 CC POL 1/16" X 1/4" X 200' / BLACK I1C-N-A		AR	
NS	685387	GLUE MS POLYMER TEROSON MS 9399 / 400ml CARTRIDGE		AR	
NS	684685	ADHESIVE SIMSON #ISR 70-03 / 310ml CARTRIDGE		AR	
2	2800717	PANEL LOWER 1215.5MM X 736.5MM		1	
3	2810403	STRUCTURE DOOR		1	
4	2810120	RUBBER SEAL EXTRUSION / 112MM X 1795MM		1	
5	289907	INSULATING LOWER		1	
6	289906	INSULATING UPPER		2	
7	2810504	FINISHING INTERIOR SLIDING DOOR		1	
NS	506466	TAPE RUB ADH1 CC POL 1/16" x 1 1/2" x 100' / GREY 2520		1	
8	3211326	FINISHING, WCL HINGE COVER		1	
9	2810475	DUCT DOOR / PLASTIC ASSY		1	
9A	3211160	. AIR DUCT SLIDING DOOR		1	
9A	2800261	. PLATE REINFORCMENT SS LOZANGE 148MM x 114MM		1	
9A	506869	. TAPE RUB ADH2 POL .031" X 1/4" X 300' / BLACK		AR	
9A	684743	. GLUE METHACRYLATE PLEXUS MA832GB 380 ml		AR	
9B	2810474	. DUCT PLATE, SLIDING DOOR		1	
9C	329615	. SEAL DUCT 600MM		1	
. NS	5061011	. RUBBER EXTRUSION TRIM SEAL / GRIP .090/.120 / 5/8" HOLLOW BULB C.T.L.		AR	
9C	680066	. ADHESIVE / ADBOND #5014 / 23.6ML BOTTLE		1	
9D	504113	. RIVET POP DOME CLE 3/16x1/4 AL		3	
10	289166	ANGLE		6	
NS	0610617	PLATE ANGLE 50MM x 31MM		1	
11	506785	TAPE RUB ADH2 CC POL 1/16" X 1/4" X 200' / BLACK I1C-N-A		AR	
11	684685	ADHESIVE SIMSON #ISR 70-03 / 310ml CARTRIDGE		AR	
12	409259	PROTECTOR SWITCH / CAP		2	
. NS	288728	. REINFORCMENT FOR SCREW PROTECTOR CAP		1	
13	564778	SWITCH / CHIME		1	
14	564777	SWITCH / READING LIGHT		1	
15	288652	HANDLE ASSY W"HAPPITCH" NS SERIES KEY		1	
15	780785	. HANDLE BODY W"HAPPITCH" NS SERIES KEY		1	
15	780823	. HANDLE W.C.L. DOOR PLASTIC		1	
15	288653	. PLATE REINFORCMENT 19MM x 6.35MM x 11GA		1	
15	680038	. THREAD LOCKER LOCTITE #243 / BLUE / 50ml		AR	
16	280014	ACTUATOR ROD		1	
17	289321	SPACER CYLINDER KEY		1	
17	506869	TAPE RUB ADH2 POL .031" X 1/4" X 300' / BLACK		AR	

From R-1453		Date:07/2024	PAGE:H9-1862-83
ENTRANCE DOOR SLIDING - WCL			

Item#	Part	Description	H 3 4 1	H 3 4 5	N O T E S
17	684743	GLUE METHACRYLATE PLEXUS MA832GB 380 ml		AR	
19	2800060	PLATE, SEALING HANDLE		1	
19	684685	ADHESIVE SIMSON #ISR 70-03 / 310ml CARTRIDGE		AR	
19	506004	TAPE RUB ADH1 CC POL 3/8" x 1/2" x 20' / GREY 2520X		AR	
19	506001	TAPE RUB ADH1 CC POL 1/8" x 3/4" x 50' / GREY 2520X		AR	
20	280020	LOCK COVER ASSEMBLY		1	
. A	N.S.S.	. RECEIVER		1	1
. B	N.S.S.	. COVER		1	1
. C	N.S.S.	. GUIDE, SPRING		1	1
. D	N.S.S.	. SPRING		1	1
. E	N.S.S.	. AXLE		1	1
24	289317	ACTUATOR LEVER		1	
25	289322	SPACER W/SHOULDER FOR BE		1	
27	780787	SUPPORT HANDLE		1	
28	289314	ROD LOWER 123MM		1	
29	289910	PIVOT ASSY		1	
30	289922	ROD LOWER 152MM		1	
31	289916	LOCK LOWER / FORWARD		1	
32	289919	ROD UPPER 1229MM		1	
33	2800194	HINGE / POST SECTION / MACHINED ONE PIECE CASTING		1	
34	289852	HINGE / MOVABLE SECTION ONE PIECE CASTING		1	
35	289996	HINGE / RAIL SECTION ONE PIECE CASTING		1	
36	289913	PIVOT ASSY		1	
37	289924	ATTACHMENT PLATE		1	
38	289920	ROD UPPER 937MM		1	
NS	289929	TUBE REINFORCMENT 9.5 Diam x 800 MM		1	
39	780782	WHEEL "V"		2	
40	780783	WHEEL "V" W/ECCENTRIC		2	
41	285614	RAIL TRACK		1	
42	280213	SUPPORT RAIL SLIDING / FIXED AT DOOR FRAME		1	
43	504719	SPRING, PIN M10 X 20		2	
44	289901	BUMPER PIN		1	
45	502181	SPRING COMPRESSION / .720 O.D. x 3 x .067		1	
46	505513	SPRING, PIN M3 x 24 SS		1	
47	780778	LOCK L.H.		2	
48	285576	BUSHING 12.7 O.D. x 6.6 I.D. x 24MM		1	
49	2800348	SPRING, TORSION / 1.061" I.D. x 3.23 x .162		1	
50	H9-1864-32	HANDLE LOCK & KEYS - TYPE "NS" & "FORD"			
51	289325	BUMPER ANGLE		1	
52	504718	RIVET DRV BDG 1/4X1/2 NYL		1	
53	289324	PLUNGER		1	
54	289326	SPRING , COMPRESSION		1	

From R-1453		Date:07/2024	PAGE:H9-1862-83
ENTRANCE DOOR SLIDING - WCL			

Item#	Part	Description	H 3 4 1	H 3 4 5	N O T E S
55	289323	PLATE SLIDING DOOR		1	
56	505221	SPRING, PIN 1/8 X 3/8		1	
57	288499	STOPPER BUMPER		1	
58	5001178	SCREW CAP HEX M8-1.25x60 SS BK		1	
59	500332	WASHER FL .328x.875x.062 N500		1	
60	507379	BUSHING FLANGE 14MM I.D. x 16MM O.D. x 6MM L x SHOULDER 22MM O.D.		2	
61	286237	SPRING, TORSION / 25MM I.D. x 25.2 x .068		1	
62	288498	BUSHING 8MM ID x 14MM OD x 20MM OD		1	
63	507374	NEEDLES BEARING 5/8 I.D. x 13/16 O.D. x 3/4		2	
64	507377	WASHER 5/8x1 1/8x.0585		2	
65	286524	AXE 178MM		1	
66	780779	BOLT, STRIKER ASSY.		1	
67	504243	CLIP ROD 1/4" L.H.		6	
68	504541	CLIP ROD 1/4" R.H.		5	
69A	289923	PIVOT		1	
69B	289917	ROD CARRIER 188MM		1	
70	280028	KEY DRAW		1	
70	5001835	NUT HEXF M6-1.0 SS		1	
71	780776	LOCK UPPER / FORWARD		1	
72	502156	SPRING EXTENSION / .437 O.D. x 2 x .041		1	
73	2800056	GUIDE		1	
74	504069	GROMMET / .281x.375x.062x.250x.562		1	
75	286151	AXE BOLT SPECIAL 250MM		1	
76	507376	BUSHING FLANGE		2	
77	502859	NUT HEX NYRT M10-1.5 N500		1	
78	287520	BUSHING 16MM I.D. x 21MM O.D. x 122MM		1	
79	289926	ATTACHMENT		1	
80	289825	CATCH SLIDING DOOR		2	
81	2800296	SPACER 44MM x 132MM x 24GA		AR	
81	288588	SPACER 44MM x 132MM x 18GA		AR	
82	471210	REINFORCMENT		2	
83	280481	PLATE UPPER SLIDING DOOR		1	
83	504013	TIE MOUNT / 1/4" X 1/4" I.D.		1	
83	5001377	SCREW MA PAN PH M5-0.8x8 SS		1	
83	5001587	NUT HEX NYRT M5-0.8 SS		1	
84	288470	PLATE ATTACHMENT 136MM x 35MM		1	
85	509815	TIE MOUNT / ATTACHMENT W/TREE MOUNT		AR	
86	504637	CABLE TIE / 3/16" x 13"		AR	
87	069997	WCL RICON SLIDING DOOR HARNESS / W/WCL		1	
. NS	560768	. CHAIN SYSTEM MICRO		AR	
88	408203	DECAL EMERGENCY >>>> PICTOGRAPM RIGHT>>>>		1	

From R-1453		Date:07/2024	PAGE:H9-1862-83
ENTRANCE DOOR SLIDING - WCL			

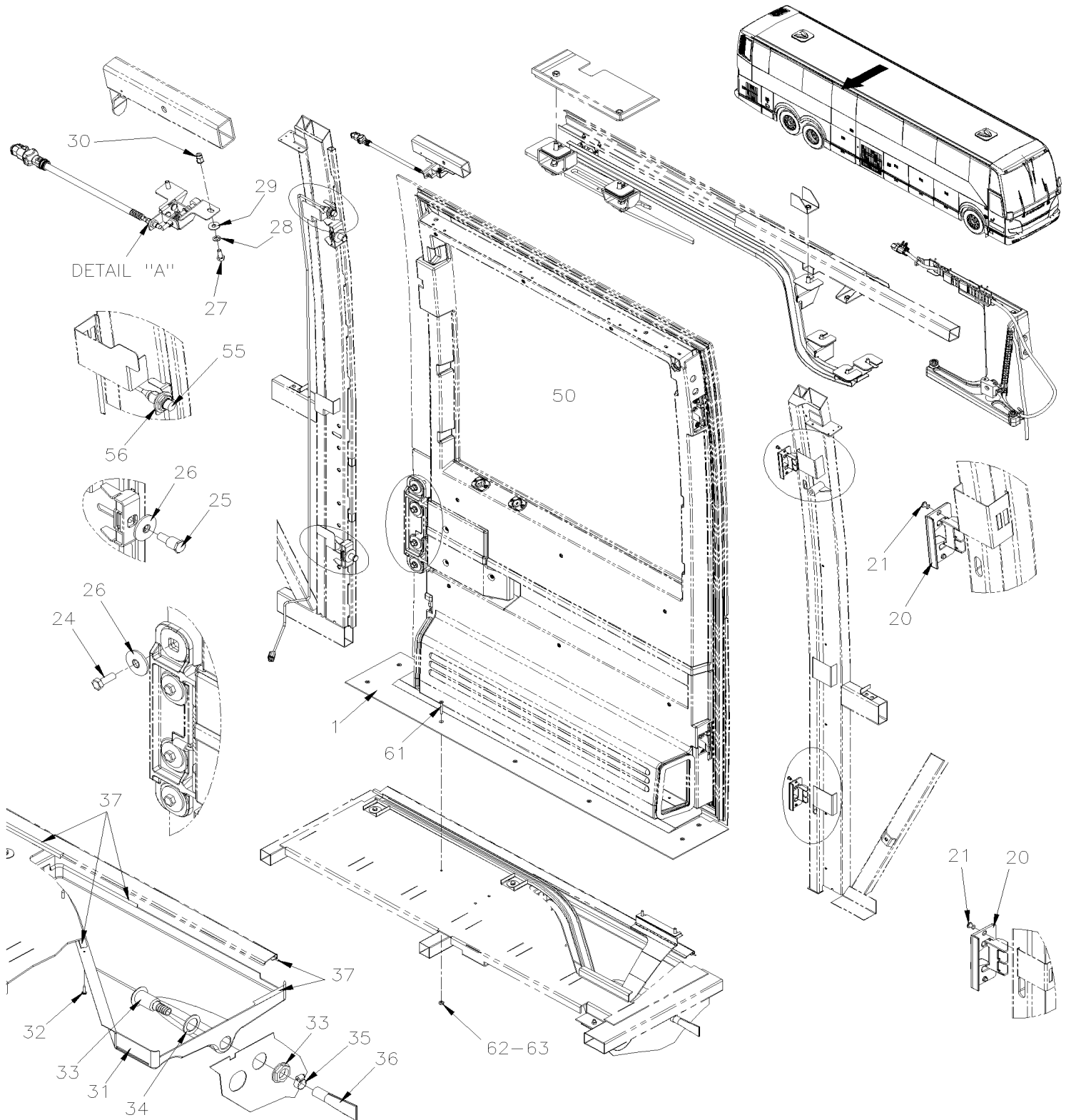
Item#	Part	Description	H 3 4 1	H 3 4 5	N O T E S
		1) NOT SOLD SEPARATELY			

From K-0185 To P-1452

Date:07/2024

PAGE:H9-1862-87

SLIDING DOOR - INSTALLATION

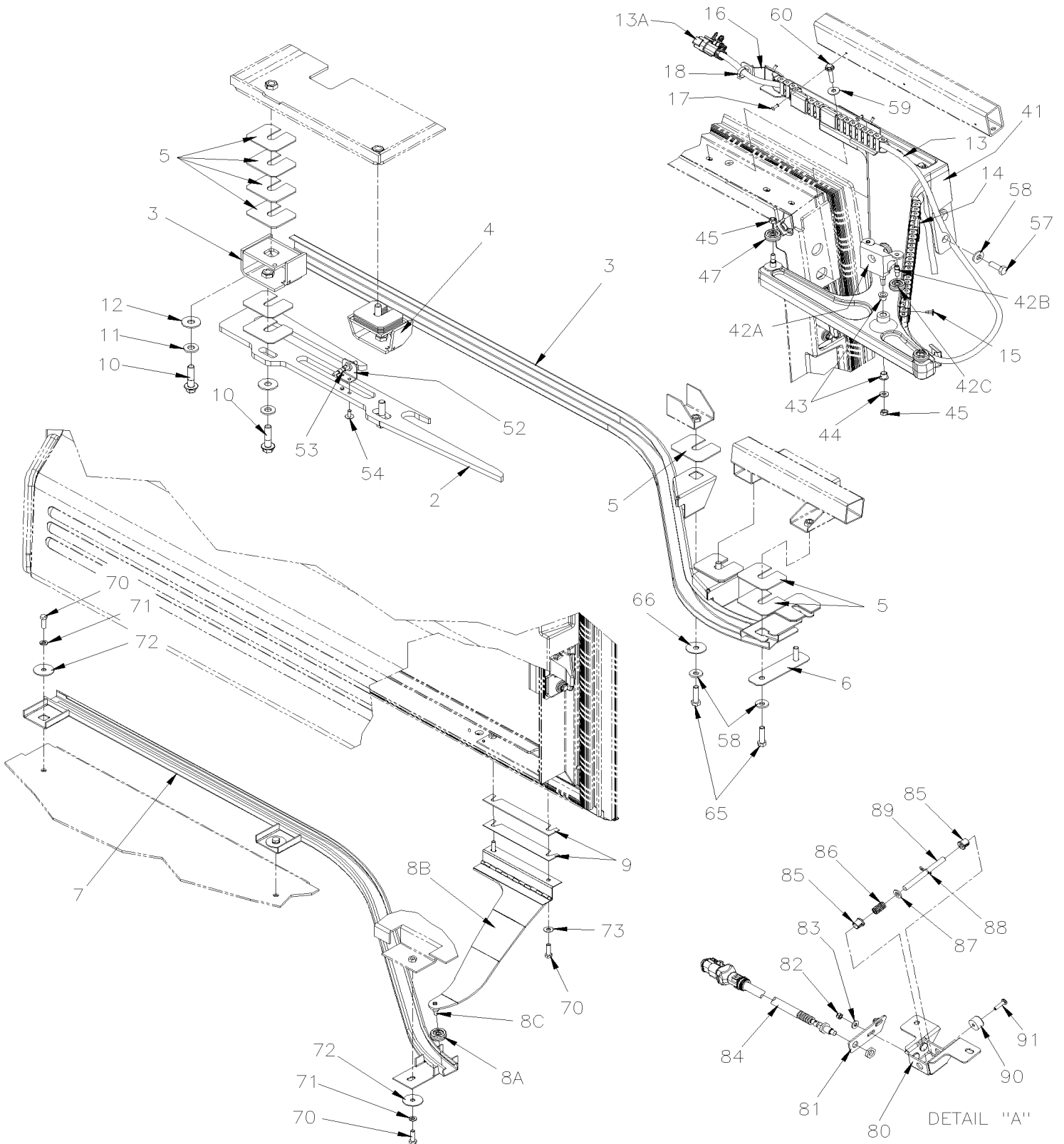


From K-0185 To P-1452

Date:07/2024

PAGE:H9-1862-87

SLIDING DOOR - INSTALLATION



From K-0185 To P-1452	Date:07/2024	PAGE:H9-1862-87
SLIDING DOOR - INSTALLATION		

Item#	Part	Description	H 3 4 1	H 3 4 5	N O T E S
1	288488	STEP PROTECTOR 1340 x 255 MM To K-0356	1	1	
1	283878	STEP PROTECTOR 1340 x 255 MM From K-0357	1	1	
2	2800088	DOOR SUPPORT	1	1	
3	2800235	TRACK UPPER ASSY	1	1	
4	288489	SUPPORT	1	1	
5	286421	SPACER "U" 54MM X 66MM X 14GA	AR	AR	
6	2800242	REINFORCEMENT PLATE	1	1	
7	288482	TRACK LOWER ASSY	1	1	
8	289012P	LOWER ARM ASSY / W/BEARING / W/BEARING	1	1	
. A	288460	. WHEEL ASSY W/BEARING	1	1	
. B	288472	. LOWER ARM ASSY	1	1	
. C	288468	. RIVET	1	1	
9	288471	SPACER 22MM x 146MM x 16GA	2	2	
10	5001308	SCREW CAP HEXF M10-1.5x40 G10.9 N500	AR	AR	
11	5001834	WASHER BEL SPR 10.5X23X2.5 N500	AR	AR	
12	502644	WASHER FL 10.5x30.0x2.5 Z050	AR	AR	
13	060694	WCL RICON SLIDING DOOR HARNESS To K-0574	1	1	
13	069992	WCL RICON SLIDING DOOR HARNESS From K-0575	1	1	
13A	564108	SELF MOUNTING STUD // DEUTSCH 1011-310-0205	1	1	
14	280461	RAIL SUPPORT ON ARM To K-0184	3	3	
14	280461	RAIL SUPPORT ON ARM From K-0185 To K-0574	2	2	
14	2810007	RAIL SUPPORT ON ARM From K-0575	2	2	
14	288752	RAIL SUPPORT ON ARM From K-0185 To K-0574	1	1	
14	2810008	RAIL SUPPORT ON ARM From K-0575	1	1	
15	5001440	SCREW TP RND PH WSHR HD #8x1/2 To K-0432	AR	AR	
15	500654	SCREW TC BDG PH #8-32x1/2 Z050 From K-0433	AR	AR	
16	280462	CABLE PAST BRACKET 310 x 43.4 x 23.2 MM To K-0574	1	1	
16	289164	CABLE PAST BRACKET From K-0575	1	1	
17	504339	RIVET POP DOME OE 1/8x3/8 SS	AR	AR	
18	504637	CABLE TIE / 3/16" x 13" To K-0184	AR	AR	
NS	509815	TIE MOUNT / ATTACHMENT W/TREE MOUNT To K-0184	AR	AR	
18	8631155	CABLE TIE / 4.6MM x 200 / CHRISTMAS TREE From K-0185	AR	AR	
20	280080	CATCH	2	2	
21	504581	RIVET MGLP PRDG 3/16x7/16 SS BK	4	4	
24	5001308	SCREW CAP HEXF M10-1.5x40 G10.9 N500	8	8	
25	780809	STRIKER PIN .675 O.D. x 1.715 -7/16-14	2	2	
NS	500496	WASHER FL .437x.750x.054 Z050 To L-0978	2	2	
NS	5000106	WASHER FL .454X.913X.106 ECOGUARD From L-0979	2	2	
26	500494	WASHER BEL SPR .470x1.680x.125 N500	6	6	
27	502799	SCREW CAP HEX M4-0.7X16 G8.8 N500	2	2	
28	502834	WASHER LO SPT 4.1x7.6x0.9 N500	2	2	
29	502556	WASHER FL 4.3x9.0x0.8 SS	2	2	

From K-0185 To P-1452	Date:07/2024	PAGE:H9-1862-87
SLIDING DOOR - INSTALLATION		

Item#	Part	Description	H 3 4 1	H 3 4 5	N O T E S
30	5001344	NUT INS FL HEX M6-1.0 0.5-3.0 SS	2	2	
31	288462	DRIP PAN To K-0356	1	1	
31	283879	DRIP PAN From K-0357	1	1	
32	5001155	SCREW TP PAN PH #8X3/4 N050	2	2	
33	900280	THRU HULL, CONNECTOR / PLASTIC	1	1	
34	409038	GASKET	1	1	
35	504018	HOSE CLAMP / 7/16"-1" SS / HS-8	1	1	
36	590286	DRAIN BOOT 1 1/4" I.D. X 4" / FLAT	1	1	
37	684685	ADHESIVE SIMSON #ISR 70-03 / 310ml CARTRIDGE	AR	AR	
41	280491	ARM ASSY (CASTING)	1	1	
42	281454	UP CARRIAGE DOOR ASSY	1	1	
. A	281410	. CARRIER ASSY	1	1	
. B	288469	. RIVET W/DOUBLE SHOULDER	3	3	
. C	288460	. WHEEL ASSY W/BEARING	3	3	
43	507378	BUSHING W/SHOULDER	2	2	
44	500877	WASHER FL .250x.562x.065 N500	1	1	
45	502681	NUT HEX NYRT M6-1.0 N500 G8	3	3	
47	288460	WHEEL ASSY W/BEARING	5	5	
50	H9-1862-82	ENTRANCE DOOR SLIDING - WCL			
52	068417	BRACKET, PROXIMITY SENSOR	1	1	
53	068358	PROXIMITY SENSOR, NO ENTRANCE DOOR ASS.	1	1	
. NS	564163	. SWITCH PROXIMITY / S.P.D.T. / W/3 WIRES	1	1	
. NS	564099	. TAPE ADHESIF ELECTRICAL TISSUS / BLACK 838MM	1	1	
. NS	562387	. CONVOLUTED TUBING / SLIT / BLACK / .250"	1	1	
. NS	562477	. CONNECTOR / DT SERIES / SH 4C / GRAY / DEUTSCH DT06-4S	1	1	
. NS	562478	. SECONDARY LOCK / DT SERIES / SH 4C / DEUTSCH W4S	1	1	
. NS	561608	. SOCKET TERMINAL / 18-16 / DEUTSCH 0462-201-16141	3	3	
. NS	563606	. SEALING PLUG TYPE 20 / DEUTSCH 0413-204-2005	1	1	
54	504793	RIVET MNB OE LARGE HEAD 3/16x7/16 SS	2	2	
55	068991	PROXIMITY SWITCH ASSY	1	1	
56	500126	WASHER FL 19.0x34.0x3.0 SS	1	1	
57	5001745	SCREW CAP HEX M8-1.25x25 G8.8 N500	2	2	
58	5001848	WASHER BEL SPR .827 x .331 x .098 th SS	2	2	
59	5001833	WASHER BEL SPR 6.1x18x1.27 SS	21	21	
60	5001815	SCREW CAP HEXF M6-1.0x30 G 8.8 N500	2	2	
61	5001626	SCREW MA FL PH 1/4-20x1 3/4 SS To K-0356	6	6	
61	502748	SCREW TP FL PH #14x1 1/4 EMN To K-0356	1	1	
61	5001626	SCREW MA FL PH 1/4-20x1 3/4 SS From K-0357	7	7	
62	5001251	NUT HEX NYRT 1/4-20 SS To K-0356	3	3	
62	502874	NUT HEX NYRT 1/4-20 N500 From K-0357	7	7	
63	502638	WASHER FL .312x.734x.065 N500 From K-0357	7	7	

From K-0185 To P-1452	Date:07/2024	PAGE:H9-1862-87
SLIDING DOOR - INSTALLATION		

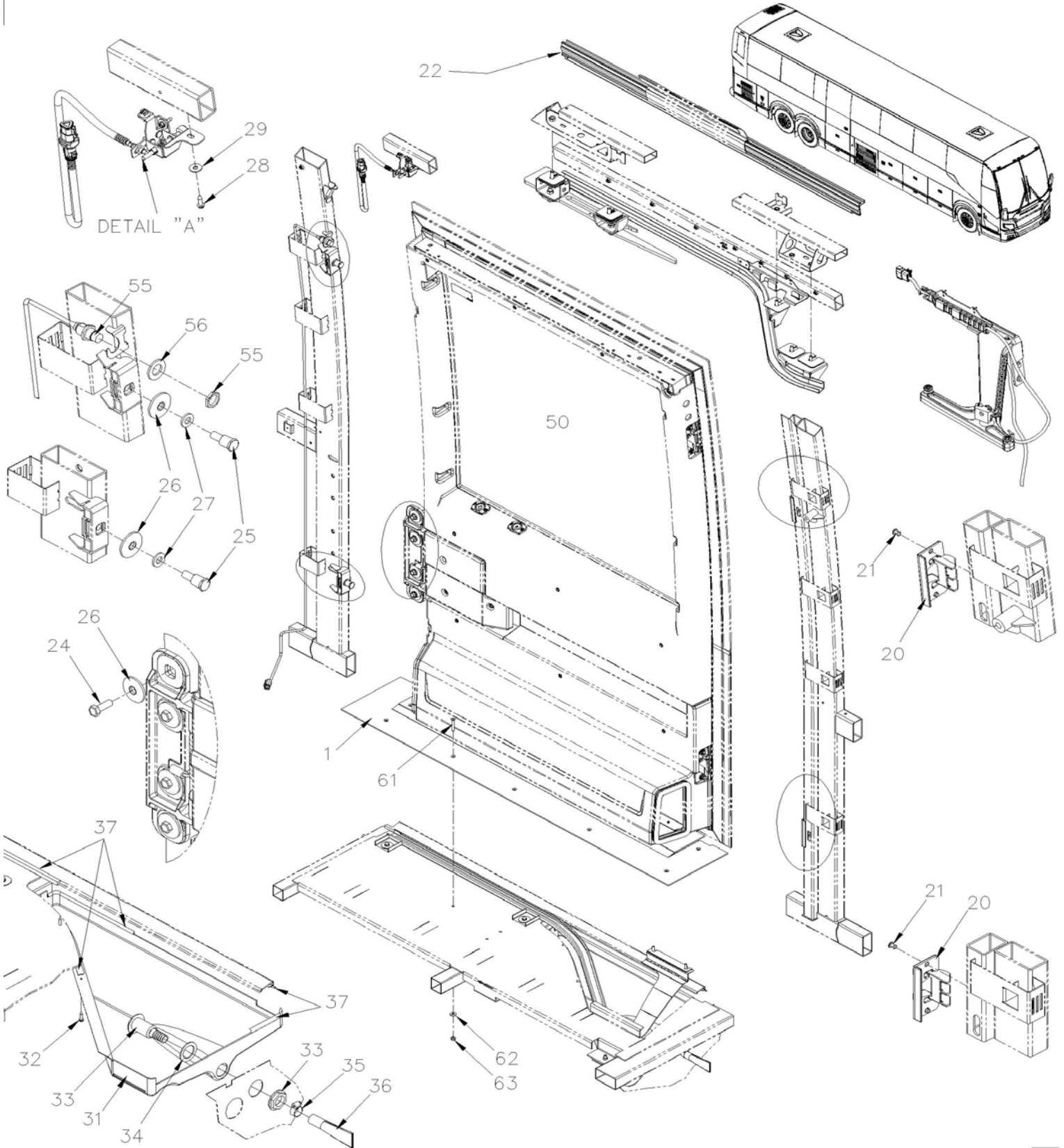
Item#	Part	Description	H 3 4 1	H 3 4 5	NOTES
65	5001738	SCREW CAP HEX M8-1.25x30 G8.8 N500	4	4	
66	5001467	WASHER FL .343x1.250x.062 SS18-8	AR	AR	
70	502830	SCREW CAP HEX M6-1.0x20 G8.8 N500	3	3	
71	502853	WASHER LO SPT 6.1x11.8x1.6 N500	3	3	
72	500913	WASHER FL .281x1.250x.065 N500	3	3	
73	5001608	WASHER BEL SPR 6.2x15.0x0.7 G500	2	2	
80	062316P	DETECTOR WCL DOOR ASSEMBLY /SAV	1	1	
80	062317	. SUPPORT SWITCH	1	1	
81	060928	. SUPPORT PLATE SWITCH	1	1	
82	500539	. NUT HEX NYRT M4-0.7 N500	2	2	
83	500855	. WASHER FL .188x.438x.049 N500	2	2	
84	068076	. SWITCH PROXIMITY WITH LED ASSY	1	1	
. NS	564176	. . SWITCH PROXIMITY / S.P.D.T. / W/3 WIRES W/LED	1	1	
85	504083	. SNAP BUSHING / .250x.468.406	2	2	
86	5021001	. SPRING COMPRESSION / .360 O.D. x 1.5 x .038	1	1	
87	502573	. WASHER FL 6.4x12.5x1.6 SS	1	1	
88	5001860	. PIN HITCH CLIP .054 x 3/4 SS	1	1	
89	060600	. SWITCH ROD	1	1	
89	0610619	. SERVICE KIT WCL DOOR SENSOR	1	1	
. NS	0610617	. . PLATE ANGLE 50MM x 31MM	1	1	
. NS	5002025	. . BUMPER NEOPRENE / .625 OD x .406 TH x .156 HOLE	1	1	
. NS	500142	. . WASHER FL 6.6x22.0x2.0 SS	1	1	
90	504334	. BUMPER RUBBER / .625 OD x .406 TH x .156 HOLE To K-0337	1	1	
90	5002025	. BUMPER NEOPRENE / .625 OD x .406 TH x .156 HOLE From K-0338	1	1	
91	502698	. SCREW MA PAN PH M4-0.7x16 SS BK	1	1	
200		REFERENCE ONLY From P-1317	1	1	

From R-1453

Date:07/2024

PAGE:H9-1862-88

SLIDING DOOR - INSTALLATION

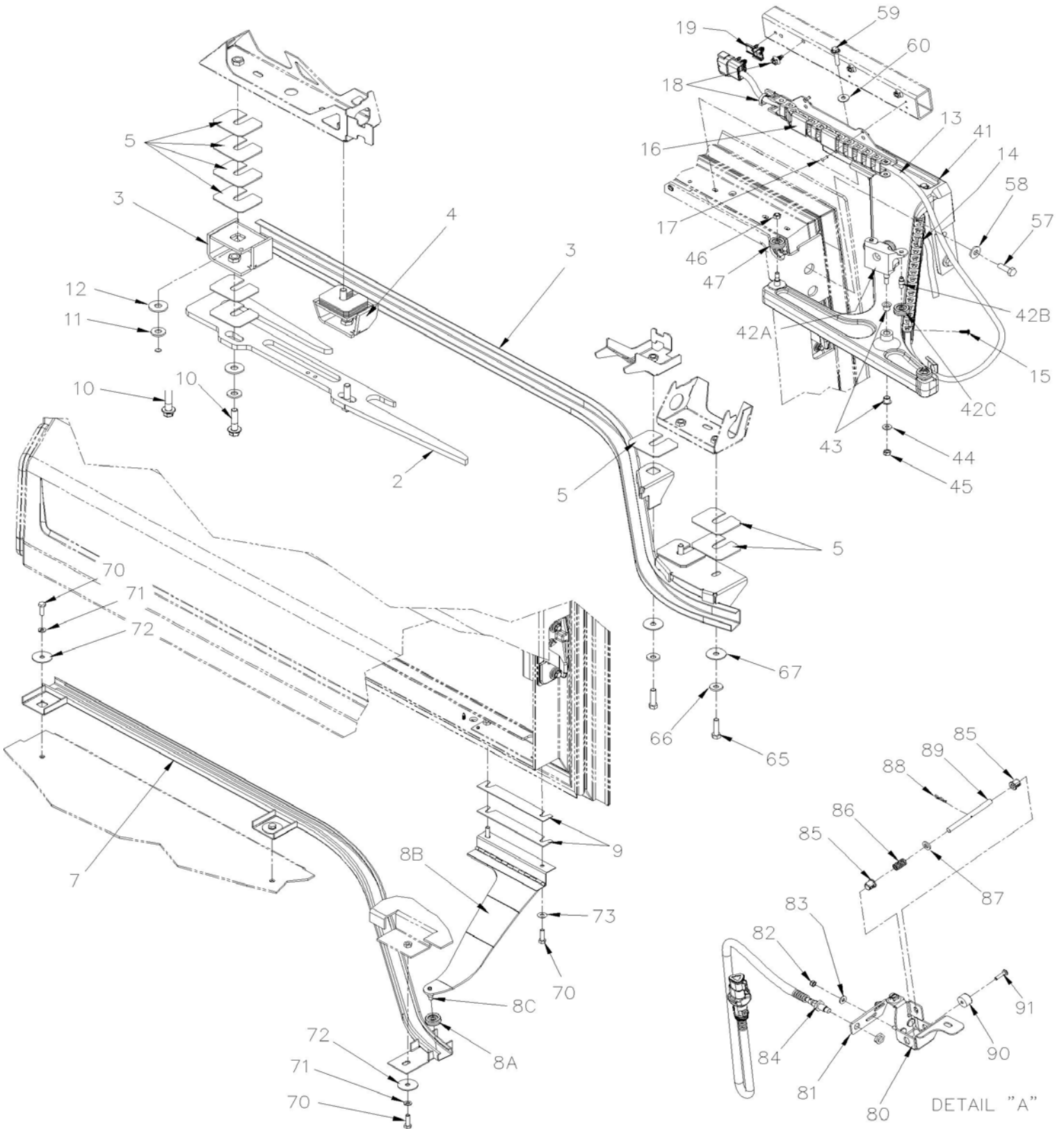


From R-1453

Date:07/2024

PAGE:H9-1862-88

SLIDING DOOR - INSTALLATION



From R-1453		Date:07/2024	PAGE:H9-1862-88
SLIDING DOOR - INSTALLATION			

Item#	Part	Description	H 3 4 1	H 3 4 5	N O T E S
1	283878	STEP PROTECTOR 1340 x 255 MM		1	
2	2800088	DOOR SUPPORT		1	
3	280811	TRACK UPPER ASSY		1	
4	288489	SUPPORT		1	
5	286421	SPACER "U" 54MM X 66MM X 14GA		AR	
7	288482	TRACK LOWER ASSY		1	
8	289012P	LOWER ARM ASSY / W/BEARING / W/BEARING		1	
. A	288460	. WHEEL ASSY W/BEARING		1	
. B	288472	. LOWER ARM ASSY		1	
. C	288468	. RIVET		1	
9	288471	SPACER 22MM x 146MM x 16GA		2	
10	5001308	SCREW CAP HEXF M10-1.5x40 G10.9 N500		4	
11	5001834	WASHER BEL SPR 10.5X23X2.5 N500		4	
12	502644	WASHER FL 10.5x30.0x2.5 Z050		4	
13	069997	WCL RICON SLIDING DOOR HARNESS / W/WCL		1	
. NS	560768	. CHAIN SYSTEM MICRO		AR	
14	280461	RAIL SUPPORT ON ARM		3	
15	500654	SCREW TC BDG PH #8-32x1/2 Z050		4	
NS	5001440	SCREW TP RND PH WSHR HD #8x1/2		1	
16	281355	CABLE PAST BRACKET		1	
17	504339	RIVET POP DOME OE 1/8x3/8 SS		4	
18	509815	TIE MOUNT / ATTACHMENT W/TREE MOUNT		AR	
18	504637	CABLE TIE / 3/16" x 13"		AR	
19	564108	SELF MOUNTING STUD // DEUTSCH 1011-310-0205		1	
20	280080	CATCH		2	
21	504581	RIVET MGLP PRDG 3/16x7/16 SS BK		4	
22	420039	GUTTER, DOOR WCL		1	
NS	506785	TAPE RUB ADH2 CC POL 1/16" X 1/4" X 200' / BLACK I1C-N-A		AR	
NS	685124	ADHESIVE SIMSON #ISR 70-03 / BLACK / 600ml SAUSAGE		AR	
24	5001308	SCREW CAP HEXF M10-1.5x40 G10.9 N500		8	
25	780809	STRIKER PIN .675 O.D. x 1.715 -7/16-14		2	
26	500494	WASHER BEL SPR .470x1.680x.125 N500		6	
27	5000106	WASHER FL .454X.913X.106 ECOGUARD		2	
28	500526	SCREW TP CAP HEXW #12x3/4 N500		2	
29	5001833	WASHER BEL SPR 6.1x18x1.27 SS		2	
31	283879	DRIP PAN		1	
32	5001155	SCREW TP PAN PH #8X3/4 N050		2	
33	900280	THRU HULL, CONNECTOR / PLASTIC		1	
34	409038	GASKET		1	
35	504018	HOSE CLAMP / 7/16"-1" SS / HS-8		1	
36	590286	DRAIN BOOT 1 1/4" I.D. X 4" / FLAT		1	
37	684685	ADHESIVE SIMSON #ISR 70-03 / 310ml CARTRIDGE		AR	

From R-1453		Date:07/2024	PAGE:H9-1862-88
SLIDING DOOR - INSTALLATION			

Item#	Part	Description	H 3 4 1	H 3 4 5	N O T E S
41	280491	ARM ASSY (CASTING)		1	
42	281454	UP CARRIAGE DOOR ASSY		1	
. A	281410	. CARRIER ASSY		1	
. B	288469	. RIVET W/DOUBLE SHOULDER		3	
. C	288460	. WHEEL ASSY W/BEARING		3	
43	507378	BUSHING W/SHOULDER		2	
44	500877	WASHER FL .250x.562x.065 N500		1	
45	502681	NUT HEX NYRT M6-1.0 N500 G8		1	
46	502681	NUT HEX NYRT M6-1.0 N500 G8		2	
47	288460	WHEEL ASSY W/BEARING		2	
50	H9-1862-83	ENTRANCE DOOR SLIDING - WCL			
55	068991	PROXIMITY SWITCH ASSY To £-22046		1	
55	0600169	PROXIMITY SWITCH ASSY From £-22046		1	
56	500126	WASHER FL 19.0x34.0x3.0 SS		1	
57	5001745	SCREW CAP HEX M8-1.25x25 G8.8 N500		2	
58	5001848	WASHER BEL SPR .827 x .331 x .098 th SS		2	
59	5001815	SCREW CAP HEXF M6-1.0x30 G 8.8 N500		2	
60	5001833	WASHER BEL SPR 6.1x18x1.27 SS		3	
61	5001626	SCREW MA FL PH 1/4-20x1 3/4 SS		7	
62	502638	WASHER FL .312x.734x.065 N500		7	
63	502874	NUT HEX NYRT 1/4-20 N500		7	
65	5001738	SCREW CAP HEX M8-1.25x30 G8.8 N500		3	
66	5001848	WASHER BEL SPR .827 x .331 x .098 th SS		3	
67	5001467	WASHER FL .343x1.250x.062 SS18-8		3	
70	502830	SCREW CAP HEX M6-1.0x20 G8.8 N500		5	
71	502853	WASHER LO SPT 6.1x11.8x1.6 N500		3	
72	500913	WASHER FL .281x1.250x.065 N500		3	
73	5001608	WASHER BEL SPR 6.2x15.0x0.7 G500		2	
80	0610396	SUPPORT SWITCH		1	
81	060928	. SUPPORT PLATE SWITCH		1	
82	500539	. NUT HEX NYRT M4-0.7 N500		2	
83	500855	. WASHER FL .188x.438x.049 N500		2	
84	068076	. SWITCH PROXIMITY WITH LED ASSY		1	
. NS	564176	. SWITCH PROXIMITY / S.P.D.T. / W/3 WIRES W/LED		1	
85	504083	. SNAP BUSHING / .250x.468.406		2	
86	5021001	. SPRING COMPRESSION / .360 O.D. x 1.5 x .038		1	
87	502573	. WASHER FL 6.4x12.5x1.6 SS		1	
88	5001860	. PIN HITCH CLIP .054 x 3/4 SS		1	
89	0610618	SWITCH ROD		1	

From R-1453	Date:07/2024	PAGE:H9-1862-88
SLIDING DOOR - INSTALLATION		

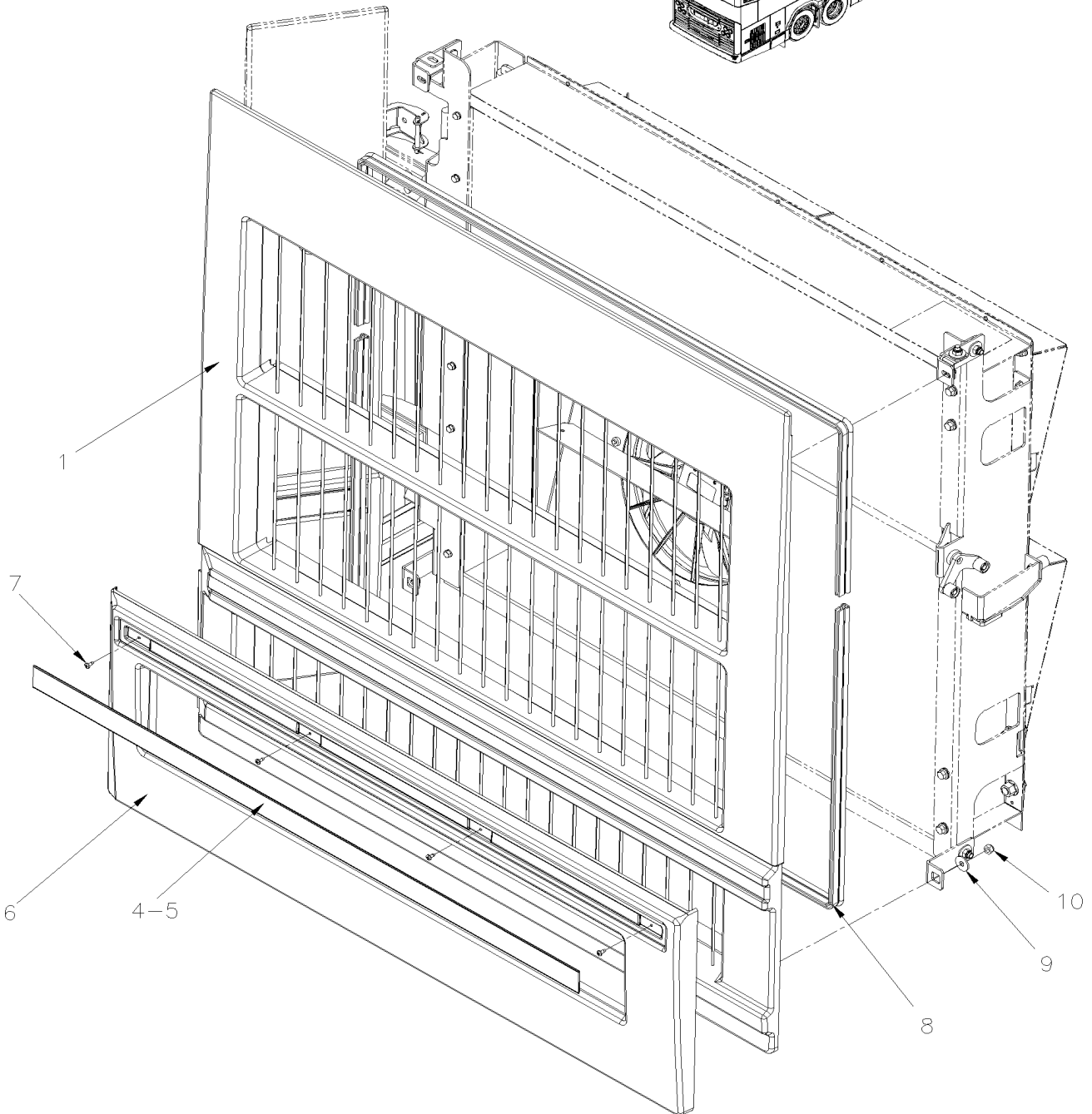
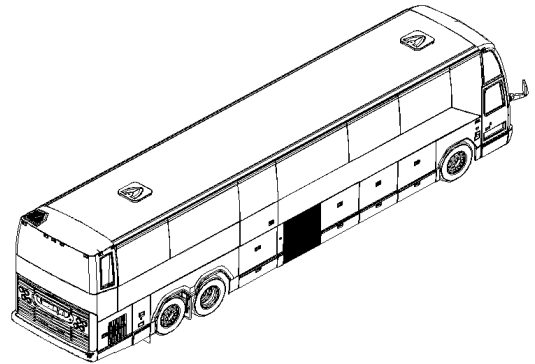
Item#	Part	Description	H 3 4 1	H 3 4 5	N O T E S
90	5002025	. BUMPER NEOPRENE / .625 OD x .406 TH x .156 HOLE		1	
91	502698	. SCREW MA PAN PH M4-0.7x16 SS BK		1	

From K-0185

Date:07/2024

PAGE:H9-1863-01

CONDENSOR DOOR ASSY "EPA 2010"



From K-0185		Date:07/2024	PAGE:H9-1863-01
CONDENSOR DOOR ASSY "EPA 2010"			

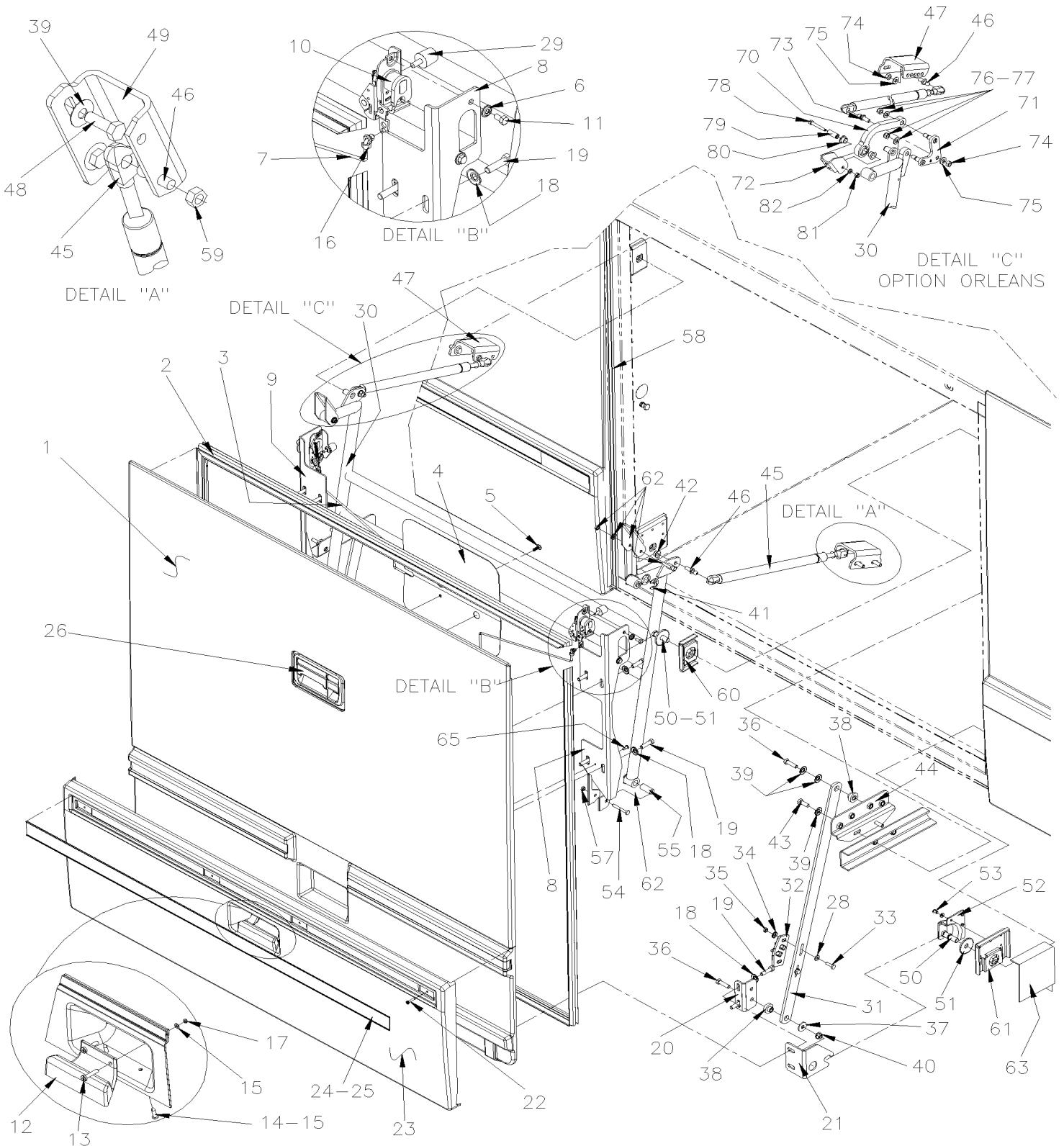
Item#	Part	Description	H 3 4 1	H 3 4 5	N O T E S
1	289576	CONDENSOR DOOR ASSY 1118MM	1	1	
. NS	288096	. LOUVER ROD 37 1/4"	AR	AR	
4	280222	EXTRUSION BACKING ASSY W/REFLECTOR 1114MM	1	1	
. NS	280123	. EXTRUSION 1114MM	1	1	
5	283100	. STRIPE, REFLECTIVE WHITE / 38MM X 15' ROLL	AR	AR	
. NS	780277	. . STRIPE, REFLECTIVE WHITE / 38MM X 150' ROLL	AR	AR	
NS	684685	ADHESIVE SIMSON #ISR 70-03 / 310ml CARTRIDGE	AR	AR	
6	289580	PROTECTOR PANEL / SH 1180.7MM	1	1	
NS	682462	ADHESIVE SIKA #252 / BLACK / 310ml CARTRIDGE	AR	AR	B
7	500952	SCREW TP BDG PH #8x1/2 SS	4	4	
8	506302	RUBBER EXTRUSION TRIM SEAL / GRIP .024 / 7/16" HOLLOW BULB C.T.L.	16	16	
9	5001443	WASHER FL 10.3x38.0x3.0 SS	4	4	
10	502847	NUT HEX NYRT M8-1.25 N500	4	4	
NS	780884	DECAL "BE SURE TO CLOSE..." / ENGLISH & FRANCAIS	1	1	
NS	780885	DECAL "BE SURE TO CLOSE..." / ENGLISH	1	1	
50	H9-1875-01	FUEL TANK & UREA FILLING DOOR			
		B) TO FIX PANELS			

From K-0185

Date:07/2024

PAGE:H9-1864-00

BAGGAGE COMPARTMENT DOOR



From K-0185		Date:07/2024	PAGE:H9-1864-00
BAGGAGE COMPARTMENT DOOR			

Item#	Part	Description	H 3 4 1	H 3 4 5	N O T E S
	285632	BAGGAGE DOOR ASSY 48"	1	1	
1	286973	. DOOR MOULDED / FIBERGLASS "SMC"	1	1	
1	286976	. DOOR MOULDED / FIBERGLASS "SMC"	1	1	G
1	286977	. DOOR MOULDED / FIBERGLASS "SMC"	1	1	H
2	2800122	. RUBBER SEAL EXTRUSION / 1152MM X 1121MM To L-1003	1	1	
2	IS19064	. BAGGAGE DOOR SEAL REPLACEMENT To L-1003	1	1	
. NS	2810326	. RUBBER SEAL EXTRUSION / 1152MM X 1121MM To L-1003	1	1	
. NS	506004	. TAPE RUB ADH1 CC POL 3/8" x 1/2" x 20' / GREY 2520X To L-1003	AR	AR	
. NS	IS-19064	. SEE INSTRUCTION SHEET To L-1003	1	1	
. NS	FI-19064	. FEUILLE D'INSTRUCTION To L-1003	1	1	
2	2810326	. RUBBER SEAL EXTRUSION / 1152MM X 1121MM From L-1004	1	1	
2	684685	. ADHESIVE SIMSON #ISR 70-03 / 310ml CARTRIDGE	1	1	
3	289333	. ROD L.H. 529.8MM	1	1	
4	287848	. PLATE CLOSING / 289MM X 314MM	1	1	
4	506071	. TAPE RUB ADH1 CC POL 1/8" x 1/2" x 50' / GREY 2520X	AR	AR	
5	5002054	. SCREW TP BUTF TORX M6x20 SS	4	4	
6	5002015	. WASHER BEL SPR 6.65x17.4x0.9 SS	4	4	
7	289337	. ROD R.H. 497MM	1	1	
8	280081	. FIXTURE R.H.	1	1	
9	280073	. FIXTURE L.H.	1	1	
10	780839	. LOCK SPAGNOLET L.H.	1	1	
10	564272	. LOCK SPAGNOLET R.H. / WITH SWITCH	1	1	
. NS	565205	. MICRO SWITCH	1	1	
. NS	563864	. HARDWARES FOR SWITCH	1	1	
10	509815	. TIE MOUNT / ATTACHMENT W/TREE MOUNT	5	5	B
10	504637	. CABLE TIE / 3/16" x 13"	2	2	B
10	564108	. SELF MOUNTING STUD // DEUTSCH 1011-310-0205	1	1	B
10	504013	. TIE MOUNT / 1/4" X 1/4" I.D.	2	2	B
10	504488	. RIVET MGLP PRDG 3/16x17/64 SS	2	2	B
10	5001137	. WASHER FL .203x.438x.050 SS	2	2	B
11	5001697	. SCREW CAP HEX M6-1.0x16 SS BK	4	4	
12	282562	. HANDLE / DOOR	1	1	
12	680025	. CAULKING STRIP 3/16" O.D. X 14'	AR	AR	
13	502532	. SCREW MA PAN PH M5-0.8x25 SS EMN	2	2	
14	500957	. SCREW TP BDG PH #10x3/4 N500	2	2	
15	500804	. WASHER FL .203x.500x.047 N500	4	4	
16	780340	. CLIP, RETAINER ROD	3	3	
17	502841	. NUT HEX NYRT M5-0.8 N500	2	2	
18	5001848	. WASHER BEL SPR .827 x .331 x .098 th SS	AR	AR	
19	5001912	. SCREW CAP HEX M8-1.25x30 SS BK	12	12	
20	285543	. FASTNER	2	2	
21	285493	. LOWER HOOK R.H. To K-0276	1	1	

From K-0185		Date:07/2024	PAGE:H9-1864-00
BAGGAGE COMPARTMENT DOOR			

Item#	Part	Description	H 3 4 1	H 3 4 5	N O T E S
21	289114	. LOWER HOOK R.H. From K-0277	1	1	
21	285501	. LOWER HOOK L.H. To K-0276	1	1	
21	289122	. LOWER HOOK L.H. From K-0277	1	1	
22	500952	. SCREW TP BDG PH #8x1/2 SS	4	4	
23	285504	. PROTECTOR PANEL / SH	1	1	
23	285800	. PROTECTOR PANEL / WITH GRAVEL GUARD / SH	1	1	A
23	682462	. ADHESIVE SIKA #252 / BLACK / 310ml CARTRIDGE	AR	AR	E
23	681348	. TAPE RUB ADH2 ACRYLIC .045" x 1" x 108' / VHB4952	AR	AR	
23	682348	. TAPE, DOUBLE COATED ACRYLIC	AR	AR	
24	280237	. EXTRUSION BACKING ASSY W/REFLECTOR 1185MM	1	1	
. NS	280116	. . EXTRUSION 1185MM	1	1	
25	283100	. . STRIPE, REFLECTIVE WHITE / 38MM X 15' ROLL	AR	AR	
. NS	780277	. . . STRIPE, REFLECTIVE WHITE / 38MM X 150' ROLL	AR	AR	
NS	684685	. ADHESIVE SIMSON #ISR 70-03 / 310ml CARTRIDGE	AR	AR	
NS	683083	. ADHESIVE SIKA #252 / BLACK / 600 ml SAUSAGE	AR	AR	
26	H9-1864-31	HANDLE LOCK & KEYS - TYPE "NS" & "FORD" To P-1452			
26	H9-1864-32	HANDLE LOCK & KEYS - TYPE "NS" & "FORD" From R-1453			
28	500411	WASHER FL .260x.697x.050 SS	4	4	
29	504454	BUMPER RUBBER BOLT / 20MM ODx20MM TH X M6X15MM STUD	2	2	O
30	287839	ARM PANTOGRAPH	1	1	
30	281560	ARM PANTOGRAPH	1	1	SP
30	281563	ARM PANTOGRAPH	1	1	SP
30	502868	SCREW TC TR PH #10-16x1/2 N500	2	2	
30	680343	GREASE CLEAR SPRAY BOTTLE 283GR	AR	AR	
31	283236	ARM AUXILIARY 638MM C/C	2	2	
32	288012	DOOR STOPPER L.H.	1	1	
32	288011	DOOR STOPPER R.H.	1	1	
32	288794	SPACER SS DOOR STOPER	1	1	
33	502737	SCREW CAP HEX M6-1.0x25 SS BK	4	4	
34	5001833	WASHER BEL SPR 6.1x18x1.27 SS	4	4	
35	502581	NUT HEX M6-1.0 Z050	4	4	
35	5001851	NUT HEX M6-1.0 SS BK	4	4	
36	5001912	SCREW CAP HEX M8-1.25x30 SS BK	4	4	
37	5001849	WASHER FL 8.4x24.0x2.0 SS	AR	AR	
38	286716	SPACER BUSHING FLANGE / AUX. ARM & SUPPORT ACETAL 8.3MM I.D.	4	4	
39	5001848	WASHER BEL SPR .827 x .331 x .098 th SS	AR	AR	
40	5001787	NUT HEX NYRT M8-1.25 SS	AR	AR	
41	504660	RING RETAINER / EXT .750 x 0575 x .050"	AR	AR	
42	502686	SCREW CAP HEX M6-1.0x30 SS BK	2	2	
43	502780	SCREW CAP HEX M8-1.25x25 SS BK	8	8	
44	281066	SUPPORT / 24MM OFFSET	6		
44	281066	SUPPORT / 24MM OFFSET		8	

From K-0185	Date:07/2024	PAGE:H9-1864-00
BAGGAGE COMPARTMENT DOOR		

Item#	Part	Description	H 3 4 1	H 3 4 5	N O T E S
44	2800009	SUPPORT / 62MM OFFSET	4		
44	2800009	SUPPORT / 62MM OFFSET		6	
45	980030	CYLINDER GAZ / 669/409MM C/C / 210LBS	2	2	
46	980015	BALL STUD / W/10 MM X M8-1.25 / 29.18 MM	4	4	
47	287070	SUPPORT / LUGGAGE DOOR CYLINDER W/WCL	1	1	K
47	281480	CYLINDER FIXATION	2	2	SP
48	502780	SCREW CAP HEX M8-1.25x25 SS BK	AR	AR	
49	289826	CYLINDER FIXATION	2	2	
50	284438	PIN STRIKER	4	4	
50	680025	CAULKING STRIP 3/16" O.D. X 14'	AR	AR	
51	284447	WASHERS BELLEVILLE	4	4	D
52	288009	PROTECTOR L.H.	1	1	
52	288010	PROTECTOR R.H.	1	1	
53	504416	RIVET POP DOME OE 3/16x5/8 SS	6	6	
53	5001137	WASHER FL .203x.438x.050 SS	6	6	
54	502656	SCREW CAP HEX M6-1.0x50 SS	4	4	
55	285710	BUSHING SPACER ACETAL 6.5MM I.D. x 14.15MM O.D. x 31	2	2	
57	5001932	NUT HEXF NYRT M6-1.0 G8.8 N500	4	4	
58	289558	LATERAL EXTRUSION 31MM x 1203MM	8	8	
59	502838	NUT HEX TWAY M8-1.25 N500	2	2	
60	287943	FLOATING NUT ASSY WITH CASE	AR	AR	
61	287903	SUPPORT LOWER / (WELDED TO STRUCTURE)	1	1	
62	H9-1879-90	EXTERIOR DOOR HINGE AND SUPPORT			
63	482777	SPLASH PROTECTOR PLASTIC / REAR LOWER / 123MM X 192MM X 30MM	2	2	
63	482778	SPLASH PROTECTOR PLASTIC / REAR UPPER / 66MM X 184MM X 30MM	2	2	
63	482779	SPLASH PROTECTOR PLASTIC / FRONT LOWER / 142MM X 142MM X 36MM	2	2	
63	688022	SEALANT FLEXTEC 5510 183 LITERS	AR	AR	
65	502868	SCREW TC TR PH #10-16x1/2 N500	2	2	
70	281493	ARM LINK	1	1	SP
71	281528	PLATE PIVOT	1	1	SP
71	281490	PLATE PIVOT	1	1	SP
72	281481	SUPPORT / LUGGAGE DOOR CYLINDER	1	1	SP
73	980027	BALL STUD / W/10 MM X M8-1.25 / 36.5MM	1	1	SP
NS	680098	THREAD SEALANT LOCTITE #567 / WHITE / 250ml	AR	AR	SP
74	502838	NUT HEX TWAY M8-1.25 N500	AR	AR	SP
75	502638	WASHER FL .312x.734x.065 N500	AR	AR	SP
76	502847	NUT HEX NYRT M8-1.25 N500	AR	AR	SP
77	5001341	WASHER FL 8.4x17.0x1.6 SS	AR	AR	SP
78	5001923	SCREW CAP HEX M6-1.0x45 SS BK	AR	AR	SP
79	2800446	BUSHING 12.4MM O.D.x29MM	1	1	SP
80	507217	FLANGE BEARING 12MM I.D. 20MM O.D. X 10MM	2	2	SP
81	5001182	NUT HEX NYRT M6-1.0 SS	AR	AR	SP

From K-0185	Date:07/2024	PAGE:H9-1864-00
BAGGAGE COMPARTMENT DOOR		

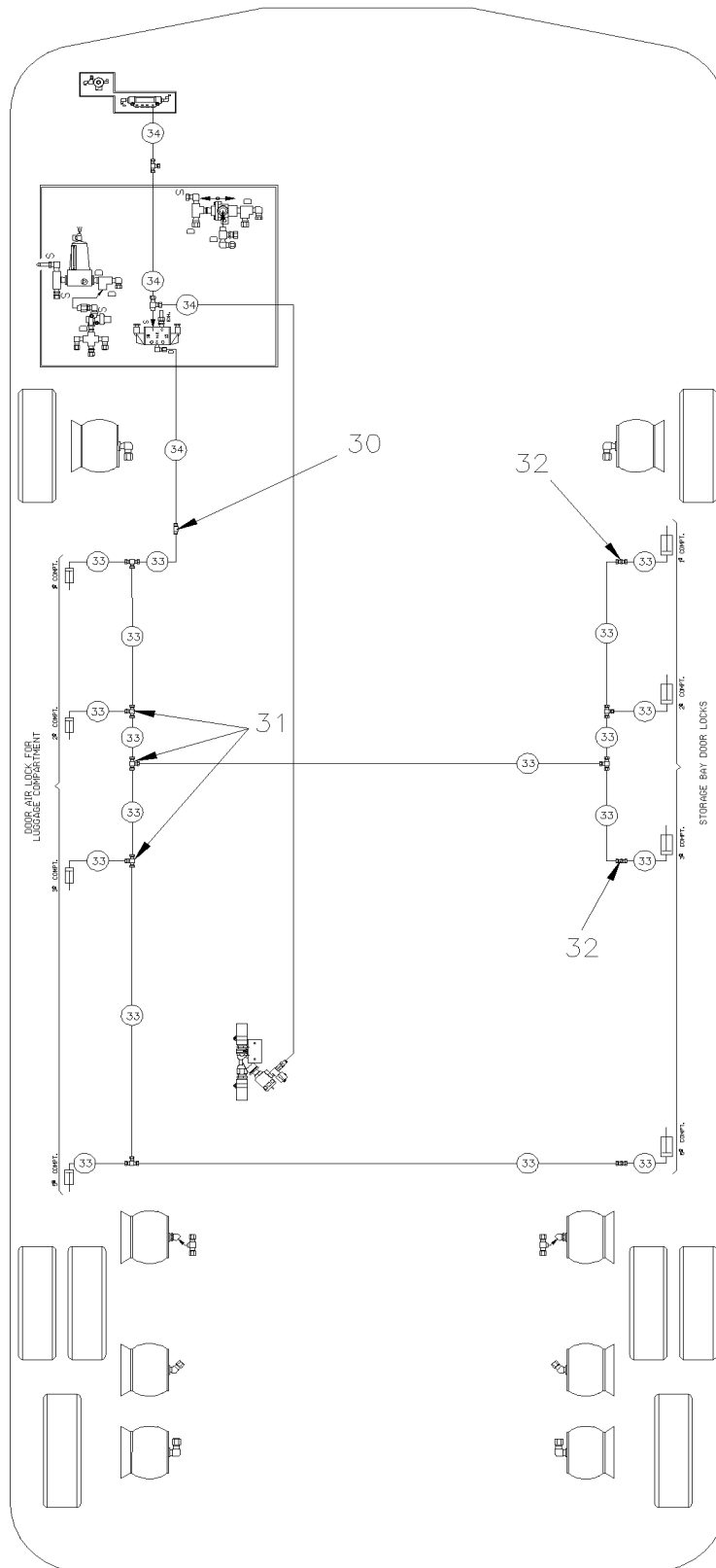
Item#	Part	Description	H 3 4 1	H 3 4 5	N O T E S
82	502573	WASHER FL 6.4x12.5x1.6 SS	AR	AR	SP
		A) THIS PROTECTOR ASSY WITH HANDLE IS COATED WITH GRAVEL GUARD AND IS BLACK PAINTED, READY TO INSTALL			
		B) TO FIX CABLE OF THE SWITCH			
		D) STRIKER & BODY			
		E) TO FIX PANELS			
		G) THOSE DOORS HAVE HOLES FOR MARKER LIGHT LH SIDE OF HANDLE			
		H) THOSE DOORS HAVE HOLES FOR MARKER LIGHT RH SIDE OF HANDLE			
		K) USE WITH WHEEL CHAIR LIFT MODULE			
		O) USE TO PREVENT CONTACT WITH GLASS WINDOW "OPTION"			
		SP) SPECIAL OPTION "ORLEANS"			

From K-0185

Date:07/2024

PAGE:H9-1864-30

PNEUMATIC DOOR LOCK CONTROL VALVE



From K-0185	Date:07/2024	PAGE:H9-1864-30
PNEUMATIC DOOR LOCK CONTROL VALVE		

Item#	Part	Description	H 3 4 1	H 3 4 5	N O T E S
30	641507	UNION / PUSH-IN FITTING / #4 x 6MM NP	AR	AR	
31	641188	UNION TEE / PUSH-IN FITTING / 6MM x 6MM x 6MM PLAS	AR	AR	
32	641203	UNION / PUSH-IN FITTING / 6MM x 6MM PLAS	AR	AR	
33	503747	TUBE, NYLON 6MM O.D. / BLACK S.L.	AR	AR	
34	503402	TUBE, NYLON 1/4 O.D. / BLACK S.L.	AR	AR	
40	H9-1630-02	FRONT KNEELING - CONTROL PANEL To P-1452			
40	H9-1630-03	FRONT KNEELING - CONTROL PANEL From R-1453			

From K-0185 To P-1452	Date:07/2024	PAGE:H9-1864-31
HANDLE LOCK & KEYS - TYPE "NS" & "FORD"		

Item#	Part	Description	H 3 4 1	H 3 4 5	N O T E S
6	780691	CYLINDER LOCK / NS 8888	AR	AR	
. NS	780660	. KEY / NS 8888	1	1	
6	780692	CYLINDER LOCK / NS 8701	AR	AR	
. NS	780661	. KEY / NS 8701	1	1	
6	780693	CYLINDER LOCK / NS 8702	AR	AR	
. NS	780662	. KEY / NS 8702	1	1	
6	780694	CYLINDER LOCK / NS 8703	AR	AR	
. NS	780663	. KEY / NS 8703	1	1	
6	780695	CYLINDER LOCK / NS 8704	AR	AR	
. NS	780664	. KEY / NS 8704	1	1	
6	780696	CYLINDER LOCK / NS 8705	AR	AR	
. NS	780665	. KEY / NS 8705	1	1	
6	780697	CYLINDER LOCK / NS 8707	AR	AR	
. NS	780667	. KEY / NS 8707	1	1	
6	780698	CYLINDER LOCK / NS 8708	AR	AR	
. NS	780668	. KEY / NS 8708	1	1	
6	780699	CYLINDER LOCK / NS 8709	AR	AR	
. NS	780669	. KEY / NS 8709	1	1	
6	780700	CYLINDER LOCK / NS 8710	AR	AR	
. NS	780670	. KEY / NS 8710	1	1	
6	780701	CYLINDER LOCK / NS 8711	AR	AR	
. NS	780671	. KEY / NS 8711	1	1	
6	780702	CYLINDER LOCK / NS 8712	AR	AR	
. NS	780672	. KEY / NS 8712	1	1	
6	780703	CYLINDER LOCK / NS 8713	AR	AR	
. NS	780673	. KEY / NS 8713	1	1	
6	780704	CYLINDER LOCK / NS 8714	AR	AR	
. NS	780674	. KEY / NS 8714	1	1	
6	780705	CYLINDER LOCK / NS 8715	AR	AR	
. NS	780675	. KEY / NS 8715	1	1	
6	780706	CYLINDER LOCK / NS 8716	AR	AR	
. NS	780676	. KEY / NS 8716	1	1	
6	780707	CYLINDER LOCK / NS 8717	AR	AR	
. NS	780677	. KEY / NS 8717	1	1	
6	780708	CYLINDER LOCK / NS 8718	AR	AR	
. NS	780678	. KEY / NS 8718	1	1	
6	780709	CYLINDER LOCK / NS 8719	AR	AR	
. NS	780679	. KEY / NS 8719	1	1	
6	780710	CYLINDER LOCK / NS 8720	AR	AR	
. NS	780680	. KEY / NS 8720	1	1	
6	780666	CYLINDER LOCK / NS 8721	AR	AR	
. NS	780681	. KEY / NS 8721	1	1	

From K-0185 To P-1452	Date:07/2024	PAGE:H9-1864-31
HANDLE LOCK & KEYS - TYPE "NS" & "FORD"		

Item#	Part	Description	H 3 4 1	H 3 4 5	N O T E S
6	780726	CYLINDER LOCK / NS 8722	AR	AR	
. NS	780682	. KEY / NS 8722	1	1	
6	780727	CYLINDER LOCK / NS 8723	AR	AR	
. NS	780683	. KEY / NS 8723	1	1	
6	780728	CYLINDER LOCK / NS 8724	AR	AR	
. NS	780684	. KEY / NS 8724	1	1	
6	780729	CYLINDER LOCK / NS 8725	AR	AR	
. NS	780685	. KEY / NS 8725	1	1	
6	780730	CYLINDER LOCK / NS 8726	AR	AR	
. NS	780686	. KEY / NS 8726	1	1	
6	780731	CYLINDER LOCK / NS 8727	AR	AR	
. NS	780687	. KEY / NS 8727	1	1	
6	780732	CYLINDER LOCK / NS 8728	AR	AR	
. NS	780688	. KEY / NS 8728	1	1	
6	780733	CYLINDER LOCK / NS 8729	AR	AR	
. NS	780689	. KEY / NS 8729	1	1	
6	780734	CYLINDER LOCK / NS 8730	AR	AR	
. NS	780690	. KEY / NS 8730	1	1	
6	780735	CYLINDER LOCK / NS 8731	AR	AR	
. NS	780716	. KEY / NS 8731	1	1	
6	780736	CYLINDER LOCK / NS 8732	AR	AR	
. NS	780717	. KEY / NS 8732	1	1	
6	780737	CYLINDER LOCK / NS 8733	AR	AR	
. NS	780718	. KEY / NS 8733	1	1	
6	780738	CYLINDER LOCK / NS 8734	AR	AR	
. NS	780719	. KEY / NS 8734	1	1	
6	780739	CYLINDER LOCK / NS 8735	AR	AR	
. NS	780720	. KEY / NS 8735	1	1	
6	780740	CYLINDER LOCK / NS 8736	AR	AR	
. NS	780721	. KEY / NS 8736	1	1	
6	780741	CYLINDER LOCK / NS 8737	AR	AR	
. NS	780722	. KEY / NS 8737	1	1	
6	780742	CYLINDER LOCK / NS 8738	AR	AR	
. NS	780723	. KEY / NS 8738	1	1	
6	780743	CYLINDER LOCK / NS 8739	AR	AR	
. NS	780724	. KEY / NS 8739	1	1	
6	780744	CYLINDER LOCK / NS 8740	AR	AR	
. NS	780725	. KEY / NS 8740	1	1	
7	780780	KEY, UNCUT / NS SERIE NS SERIES	AR	AR	
7	780660	KEY / NS 8888	AR	AR	
7	780661	KEY / NS 8701	AR	AR	
7	780662	KEY / NS 8702	AR	AR	

From K-0185 To P-1452	Date:07/2024	PAGE:H9-1864-31
HANDLE LOCK & KEYS - TYPE "NS" & "FORD"		

Item#	Part	Description	H 3 4 1	H 3 4 5	NOTES
7	780663	KEY / NS 8703	AR	AR	
7	780664	KEY / NS 8704	AR	AR	
7	780665	KEY / NS 8705	AR	AR	
7	780667	KEY / NS 8707	AR	AR	
7	780668	KEY / NS 8708	AR	AR	
7	780669	KEY / NS 8709	AR	AR	
7	780670	KEY / NS 8710	AR	AR	
7	780671	KEY / NS 8711	AR	AR	
7	780672	KEY / NS 8712	AR	AR	
7	780673	KEY / NS 8713	AR	AR	
7	780674	KEY / NS 8714	AR	AR	
7	780675	KEY / NS 8715	AR	AR	
7	780676	KEY / NS 8716	AR	AR	
7	780677	KEY / NS 8717	AR	AR	
7	780678	KEY / NS 8718	AR	AR	
7	780679	KEY / NS 8719	AR	AR	
7	780680	KEY / NS 8720	AR	AR	
7	780681	KEY / NS 8721	AR	AR	
7	780682	KEY / NS 8722	AR	AR	
7	780683	KEY / NS 8723	AR	AR	
7	780684	KEY / NS 8724	AR	AR	
7	780685	KEY / NS 8725	AR	AR	
7	780686	KEY / NS 8726	AR	AR	
7	780687	KEY / NS 8727	AR	AR	
7	780688	KEY / NS 8728	AR	AR	
7	780689	KEY / NS 8729	AR	AR	
7	780690	KEY / NS 8730	AR	AR	
7	780716	KEY / NS 8731	AR	AR	
7	780717	KEY / NS 8732	AR	AR	
7	780718	KEY / NS 8733	AR	AR	
7	780719	KEY / NS 8734	AR	AR	
7	780720	KEY / NS 8735	AR	AR	
7	780721	KEY / NS 8736	AR	AR	
7	780722	KEY / NS 8737	AR	AR	
7	780723	KEY / NS 8738	AR	AR	
7	780724	KEY / NS 8739	AR	AR	
7	780725	KEY / NS 8740	AR	AR	
9	780745	CYLINDER LOCK BODY	AR	AR	
NS	5001377	SCREW MA PAN PH M5-0.8x8 SS	AR	AR	
10	280011	LOCK COVER ASSEMBLY	1	1	
. A	N.S.S.	. RECEIVER	1	1	1
. B	N.S.S.	. COVER	1	1	1

From K-0185 To P-1452	Date:07/2024	PAGE:H9-1864-31
HANDLE LOCK & KEYS - TYPE "NS" & "FORD"		

Item#	Part	Description	H 3 4 1	H 3 4 5	N O T E S
. C	N.S.S.	. GUIDE, SPRING	1	1	1
. D	N.S.S.	. SPRING	1	1	1
. E	N.S.S.	. AXLE	1	1	1
11	280020	LOCK COVER ASSEMBLY	1	1	WCL
. A	N.S.S.	. RECEIVER	1	1	1 WCL
. B	N.S.S.	. COVER	1	1	1 WCL
. C	N.S.S.	. GUIDE, SPRING	1	1	1 WCL
. D	N.S.S.	. SPRING	1	1	1 WCL
. E	N.S.S.	. AXLE	1	1	1 WCL
12	280015	SPACER / LOCK COVER	1	1	E
16	780238	KEY BLANK UNCUT	1	1	
16	282295	KEY CODE / CODE A / FA 0000	1	1	
16	282296	KEY CODE / CODE B / FA 0050	1	1	
16	282298	KEY CODE / CODE D / FA 0221	1	1	
16	282299	KEY CODE / CODE E / FA 0225	1	1	
16	282300	KEY CODE / CODE F / FA 0300	1	1	
16	282301	KEY CODE / CODE G / FA 0400	1	1	
16	282302	KEY CODE / CODE H / FA 0500	1	1	
16	282303	KEY CODE / CODE I / FA 0600	1	1	
16	282304	KEY CODE / CODE J / FA 0800	1	1	
16	287663	KEY CODE / CODE K / FA 1212	1	1	A
16	287630	KEY CODE / CODE L / FA 0329	1	1	
16	287402	KEY CODE / CODE M / FA 0013	1	1	A
16	2800164	KEY CODE / CODE N / FA 0020	1	1	
16	287319	KEY CODE / CODE O / FA 0028	1	1	
16	287336	KEY CODE / CODE P / FA 0055	1	1	
16	2800165	KEY CODE / CODE Q / FA 0107	1	1	
16	287461	KEY CODE / CODE R / FA 0109	1	1	
16	287101	KEY CODE / CODE S / FA 0113	1	1	
16	285726	KEY CODE / CODE T / FA 0261	1	1	
16	285022	KEY CODE / CODE U / FA 0169	1	1	
16	285947	KEY CODE / CODE V / FA 0190	1	1	
16	284514	KEY CODE / CODE W / FA 0199	1	1	
16	2800166	KEY CODE / CODE X / FA 0206	1	1	
16	288155	KEY CODE / CODE Y / FA 0208	1	1	
16	287206	KEY CODE / CODE Z / FA 0268	1	1	
16	285585	KEY CODE / CODE AA / FA 0368	1	1	
16	2800167	KEY CODE / CODE AB / FA 0443	1	1	
16	286461	KEY CODE / CODE AC / FA 0506	1	1	
16	286984	KEY CODE / CODE AD / FA 0528	1	1	
16	285671	KEY CODE / CODE AE / FA 0532	1	1	
16	2800168	KEY CODE / CODE AF / FA 0563	1	1	

From K-0185 To P-1452	Date:07/2024	PAGE:H9-1864-31
HANDLE LOCK & KEYS - TYPE "NS" & "FORD"		

Item#	Part	Description	H 3 4 1	H 3 4 5	NOTES
16	2800169	KEY CODE / CODE AG / FA 0625	1	1	
16	2800170	KEY CODE / CODE AH / FA 0648	1	1	
16	2800171	KEY CODE / CODE AI / FA 0668	1	1	
16	287921	KEY CODE / CODE AJ / FA 0692	1	1	
16	287248	KEY CODE / CODE AK / FA 0704	1	1	
16	287343	KEY CODE / CODE AL / FA 0714	1	1	
16	2800172	KEY CODE / CODE AM / FA 0721	1	1	
16	289393	KEY CODE / CODE AN / FA 0726	1	1	
16	2800173	KEY CODE / CODE AO / FA 1116	1	1	
16	286050	KEY CODE / CODE AP / FA 1252	1	1	
16	2800174	KEY CODE / CODE AQ / FA 1316	1	1	
16	287658	KEY CODE / CODE AR / FA 1320	1	1	
16	287251	KEY CODE / CODE AS / FA 1343	1	1	
16	2800175	KEY CODE / CODE AT / FA 1486	1	1	
16	287660	KEY CODE / CODE AU / FA 1549	1	1	
16	287642	KEY CODE / CODE AV / FA 0890	1	1	
16	287650	KEY CODE / CODE AW / FA 1465	1	1	A
16	287700	KEY CODE / CODE AX / FA 0899	1	1	
16	287737	KEY CODE / CODE AY / FA 0150	1	1	
16	287745	KEY CODE / CODE AZ / FA 1509	1	1	
16	2800163	KEY CODE / CODE BA / FA 0001	1	1	
16	287797	KEY CODE / CODE BB / FA 0144	1	1	
16	2800273	KEY CODE / CODE BC / FA 1513	1	1	
16	2800503	KEY CODE / CODE BD / FA 1363	1	1	
16	287820	KEY CODE / CODE BE / FA 1093	1	1	
16	280448	KEY CODE / CODE BF / FA 1864	1	1	
16	280823	KEY CODE / CODE BG / FA 0231	1	1	
16	2810309	KEY CODE / CODE BJ / FA 1315	1	1	
17	282285	CYLINDER LOCK / CODE A / FA 0000	1	1	
17	282286	CYLINDER LOCK / CODE B / FA 0050	1	1	
17	282287	CYLINDER LOCK / CODE C / FA 0100	1	1	
17	282288	CYLINDER LOCK / CODE D / FA 0221	1	1	
17	282289	CYLINDER LOCK / CODE E / FA 0225	1	1	
17	282290	CYLINDER LOCK / CODE F / FA 0300	1	1	
17	282291	CYLINDER LOCK / CODE G / FA 0400	1	1	
17	282292	CYLINDER LOCK / CODE H / FA 0500	1	1	
17	282293	CYLINDER LOCK / CODE I / FA 0600	1	1	
17	282294	CYLINDER LOCK / CODE J / FA 0800	1	1	
17	287662	CYLINDER LOCK / CODE K / FA 1212	1	1	
17	287629	CYLINDER LOCK / CODE L & CODE BH CODE FA 0329 FA 0325	1	1	
17	286156	CYLINDER LOCK / CODE M / FA 0013	1	1	

From K-0185 To P-1452	Date:07/2024	PAGE:H9-1864-31
HANDLE LOCK & KEYS - TYPE "NS" & "FORD"		

Item#	Part	Description	H 3 4 1	H 3 4 5	NOTES
17	287125	CYLINDER LOCK / CODE N / FA 0020	1	1	
17	287079	CYLINDER LOCK / CODE O / FA 0028	1	1	
17	287335	CYLINDER LOCK / CODE P / FA 0055	1	1	
17	287926	CYLINDER LOCK / CODE Q / FA 0107	1	1	
17	287460	CYLINDER LOCK / CODE R / FA 0109	1	1	
17	287100	CYLINDER LOCK / CODE S / FA 0113	1	1	
17	285604	CYLINDER LOCK / CODE T / FA 0261	1	1	
17	285021	CYLINDER LOCK / CODE U / FA 0169	1	1	
17	285946	CYLINDER LOCK / CODE V / FA 0190	1	1	
17	284513	CYLINDER LOCK / CODE W / FA 0199	1	1	
17	287138	CYLINDER LOCK / CODE X / FA 0206	1	1	
17	288154	CYLINDER LOCK / CODE Y / FA 0208	1	1	
17	285496	CYLINDER LOCK / CODE Z / FA 0268	1	1	
17	285584	CYLINDER LOCK / CODE AA / FA 0368	1	1	
17	285264	CYLINDER LOCK / CODE AB / FA 0443	1	1	
17	286459	CYLINDER LOCK / CODE AC / FA 0506	1	1	
17	286983	CYLINDER LOCK / CODE AD / FA 0528	1	1	
17	285670	CYLINDER LOCK / CODE AE / FA 0532	1	1	
17	288640	CYLINDER LOCK / CODE AF / FA 0563	1	1	
17	285545	CYLINDER LOCK / CODE AG / FA 0625	1	1	
17	284373	CYLINDER LOCK / CODE AH / FA 0648	1	1	
17	285276	CYLINDER LOCK / CODE AI / FA 0668	1	1	
17	287920	CYLINDER LOCK / CODE AJ / FA 0692	1	1	
17	287247	CYLINDER LOCK / CODE AK / FA 0704	1	1	
17	286418	CYLINDER LOCK / CODE AL / FA 0714	1	1	
17	285861	CYLINDER LOCK / CODE AM / FA 0721	1	1	
17	289392	CYLINDER LOCK / CODE AN / FA 0726	1	1	
17	284935	CYLINDER LOCK / CODE AO / FA 1116	1	1	
17	286049	CYLINDER LOCK / CODE AP / FA 1252	1	1	
17	285572	CYLINDER LOCK / CODE AQ / FA 1316	1	1	
17	287657	CYLINDER LOCK / CODE AR / FA 1320	1	1	
17	287250	CYLINDER LOCK / CODE AS / FA 1343	1	1	
17	285066	CYLINDER LOCK / CODE AT / FA 1486	1	1	
17	287659	CYLINDER LOCK / CODE AU / FA 1549	1	1	
17	287641	CYLINDER LOCK / CODE AV / FA 0890	1	1	
17	287649	CYLINDER LOCK / CODE AW / FA 1465	1	1	
17	287699	CYLINDER LOCK / CODE AX / FA 0899	1	1	
17	287736	CYLINDER LOCK / CODE AY / FA 0150	1	1	
17	287744	CYLINDER LOCK / CODE AZ / FA 1509	1	1	
17	287379	CYLINDER LOCK / CODE BA / FA 0001	1	1	
17	287795	CYLINDER LOCK / CODE BB / FA 0144	1	1	
17	2800272	CYLINDER LOCK / CODE BC / FA 1513	1	1	

From K-0185 To P-1452	Date:07/2024	PAGE:H9-1864-31
HANDLE LOCK & KEYS - TYPE "NS" & "FORD"		

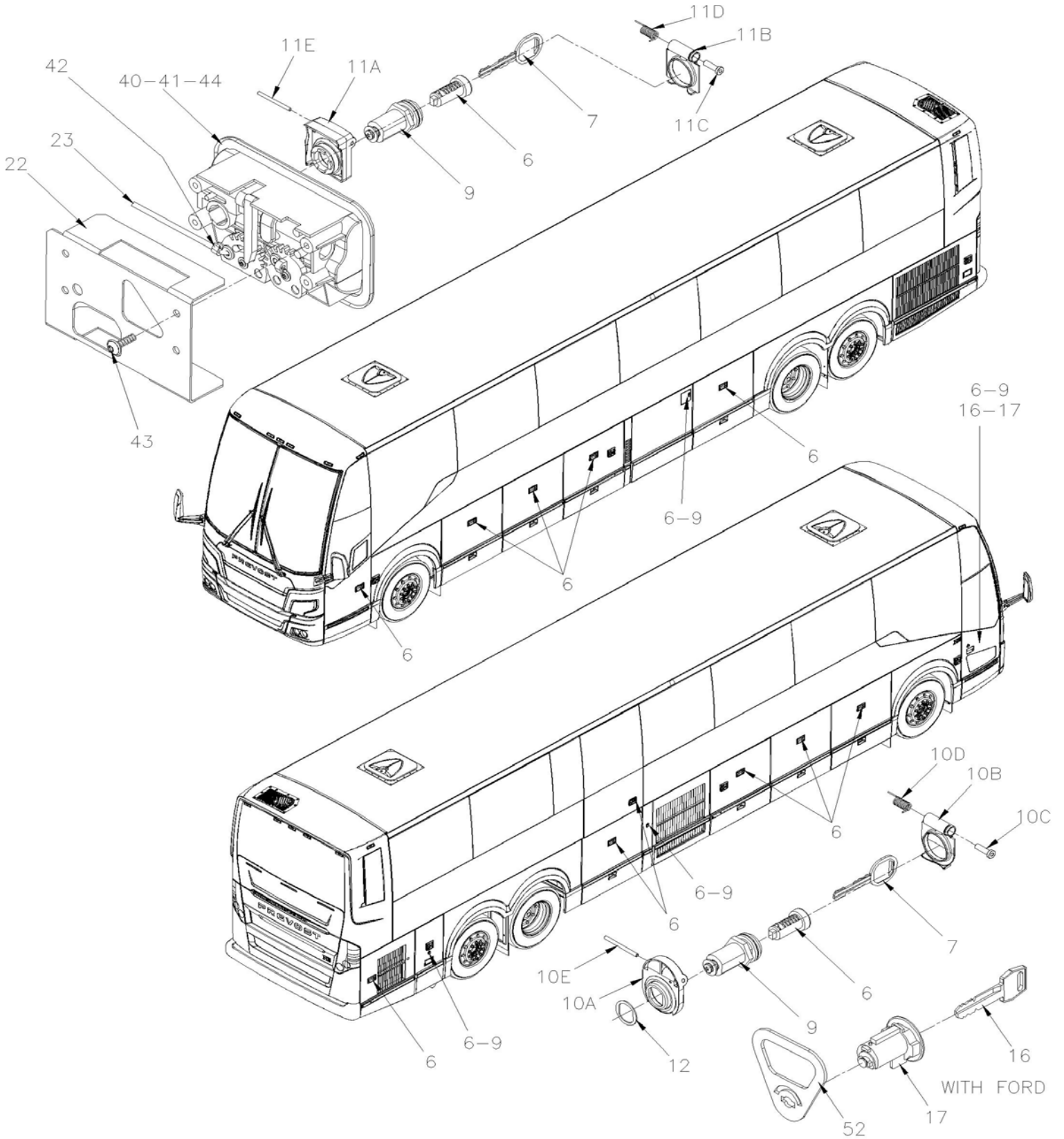
Item#	Part	Description	H 3 4 1	H 3 4 5	N O T E S
17	2800502	CYLINDER LOCK / CODE BD / FA 1363	1	1	
17	287819	CYLINDER LOCK / CODE BE / FA 1093	1	1	
17	280445	CYLINDER LOCK / CODE BF / FA 1864	1	1	
17	280822	CYLINDER LOCK / CODE BG / FA 0231	1	1	
17	2810311	CYLINDER LOCK / CODE BJ / FA 1315	1	1	
18	289467	CYLINDER LOCK MODIFIED / WITH 2 HOLES #4-40 / CODE A / FA 0000	1	1	
18	289468	CYLINDER LOCK MODIFIED / WITH 2 HOLES #4-40 / CODE B / FA 0050	1	1	
18	289469	CYLINDER LOCK MODIFIED / WITH 2 HOLES #4-40 / CODE C / FA 0100	1	1	
18	289470	CYLINDER LOCK MODIFIED / WITH 2 HOLES #4-40 / CODE D / FA 0221	1	1	
18	289471	CYLINDER LOCK MODIFIED / WITH 2 HOLES #4-40 / CODE E / FA 0225	1	1	
18	289472	CYLINDER LOCK MODIFIED / WITH 2 HOLES #4-40 / CODE F / FA 0300	1	1	
18	289473	CYLINDER LOCK MODIFIED / WITH 2 HOLES #4-40 / CODE G / FA 0400	1	1	
18	289474	CYLINDER LOCK MODIFIED / WITH 2 HOLES #4-40 / CODE H / FA 0500	1	1	
18	289475	CYLINDER LOCK MODIFIED / WITH 2 HOLES #4-40 / CODE I / FA 0600	1	1	
18	289476	CYLINDER LOCK MODIFIED / WITH 2 HOLES #4-40 / CODE J / FA 0800	1	1	
18	289477	CYLINDER LOCK MODIFIED / WITH 2 HOLES #4-40 / CODE K / FA 1212	1	1	
18	287633	CYLINDER LOCK MODIFIED / WITH 2 HOLES #4-40 / CODE L / FA 0329	1	1	
18	2800006	CYLINDER LOCK MODIFIED / WITH 2 HOLES #4-40 / CODE M / FA 0013	1	1	
18	2800004	CYLINDER LOCK MODIFIED / WITH 2 HOLES #4-40 / CODE O / FA 0028	1	1	
18	289492	CYLINDER LOCK MODIFIED / WITH 2 HOLES #4-40 / CODE P / FA 0055	1	1	
18	2800007	CYLINDER LOCK MODIFIED / WITH 2 HOLES #4-40 / CODE R / FA 0109	1	1	
18	289489	CYLINDER LOCK MODIFIED / WITH 2 HOLES #4-40 / CODE S / FA 0113	1	1	
18	289466	CYLINDER LOCK MODIFIED / WITH 2 HOLES #4-40 / CODE T / FA 0261	1	1	
18	289478	CYLINDER LOCK MODIFIED / WITH 2 HOLES #4-40 / CODE U / FA 0169	1	1	
18	289485	CYLINDER LOCK MODIFIED / WITH 2 HOLES #4-40 / CODE V / FA 0190	1	1	
18	289479	CYLINDER LOCK MODIFIED / WITH 2 HOLES #4-40 / CODE W / FA 0199	1	1	
18	2800008	CYLINDER LOCK MODIFIED / WITH 2 HOLES #4-40 / CODE Y / FA 0208	1	1	
18	2800002	CYLINDER LOCK MODIFIED / WITH 2 HOLES #4-40 / CODE Z / FA 0268	1	1	
18	289482	CYLINDER LOCK MODIFIED / WITH 2 HOLES #4-40 / CODE AA / FA 0368	1	1	
18	289487	CYLINDER LOCK MODIFIED / WITH 2 HOLES #4-40 / CODE AC / FA 0506	1	1	
18	289488	CYLINDER LOCK MODIFIED / WITH 2 HOLES #4-40 / CODE AD / FA 0528	1	1	
18	289483	CYLINDER LOCK MODIFIED / WITH 2 HOLES #4-40 / CODE AE / FA 0532	1	1	
18	289493	CYLINDER LOCK MODIFIED / WITH 2 HOLES #4-40 / CODE AJ / FA 0692	1	1	
18	289490	CYLINDER LOCK MODIFIED / WITH 2 HOLES #4-40 / CODE AK / FA 0704	1	1	
18	2800005	CYLINDER LOCK MODIFIED / WITH 2 HOLES #4-40 / CODE AL / FA 0714	1	1	
18	287654	CYLINDER LOCK MODIFIED / WITH 2 HOLES #4-40 / CODE AN / FA 0726	1	1	
18	2800003	CYLINDER LOCK MODIFIED / WITH 2 HOLES #4-40 / CODE AO / FA 1116	1	1	
18	289486	CYLINDER LOCK MODIFIED / WITH 2 HOLES #4-40 / CODE AP / FA 1252	1	1	
18	289481	CYLINDER LOCK MODIFIED / WITH 2 HOLES #4-40 / CODE AR / FA 1320	1	1	
18	289491	CYLINDER LOCK MODIFIED / WITH 2 HOLES #4-40 / CODE AS / FA 1343	1	1	
18	289480	CYLINDER LOCK MODIFIED / WITH 2 HOLES #4-40 / CODE AU / FA 1549	1	1	

From R-1453

Date:07/2024

PAGE:H9-1864-32

HANDLE LOCK & KEYS - TYPE "NS" & "FORD"



From R-1453	Date:07/2024	PAGE:H9-1864-32
HANDLE LOCK & KEYS - TYPE "NS" & "FORD"		

Item#	Part	Description	H 3 4 1	H 3 4 5	N O T E S
6	780691	CYLINDER LOCK / NS 8888		AR	
. NS	780660	. KEY / NS 8888		1	
6	780692	CYLINDER LOCK / NS 8701		AR	
. NS	780661	. KEY / NS 8701		1	
6	780693	CYLINDER LOCK / NS 8702		AR	
. NS	780662	. KEY / NS 8702		1	
6	780694	CYLINDER LOCK / NS 8703		AR	
. NS	780663	. KEY / NS 8703		1	
6	780695	CYLINDER LOCK / NS 8704		AR	
. NS	780664	. KEY / NS 8704		1	
6	780696	CYLINDER LOCK / NS 8705		AR	
. NS	780665	. KEY / NS 8705		1	
6	780697	CYLINDER LOCK / NS 8707		AR	
. NS	780667	. KEY / NS 8707		1	
6	780698	CYLINDER LOCK / NS 8708		AR	
. NS	780668	. KEY / NS 8708		1	
6	780699	CYLINDER LOCK / NS 8709		AR	
. NS	780669	. KEY / NS 8709		1	
6	780700	CYLINDER LOCK / NS 8710		AR	
. NS	780670	. KEY / NS 8710		1	
6	780701	CYLINDER LOCK / NS 8711		AR	
. NS	780671	. KEY / NS 8711		1	
6	780702	CYLINDER LOCK / NS 8712		AR	
. NS	780672	. KEY / NS 8712		1	
6	780703	CYLINDER LOCK / NS 8713		AR	
. NS	780673	. KEY / NS 8713		1	
6	780704	CYLINDER LOCK / NS 8714		AR	
. NS	780674	. KEY / NS 8714		1	
6	780705	CYLINDER LOCK / NS 8715		AR	
. NS	780675	. KEY / NS 8715		1	
6	780706	CYLINDER LOCK / NS 8716		AR	
. NS	780676	. KEY / NS 8716		1	
6	780707	CYLINDER LOCK / NS 8717		AR	
. NS	780677	. KEY / NS 8717		1	
6	780708	CYLINDER LOCK / NS 8718		AR	
. NS	780678	. KEY / NS 8718		1	
6	780709	CYLINDER LOCK / NS 8719		AR	
. NS	780679	. KEY / NS 8719		1	
6	780710	CYLINDER LOCK / NS 8720		AR	
. NS	780680	. KEY / NS 8720		1	
6	780666	CYLINDER LOCK / NS 8721		AR	
. NS	780681	. KEY / NS 8721		1	

From R-1453	Date:07/2024	PAGE:H9-1864-32
HANDLE LOCK & KEYS - TYPE "NS" & "FORD"		

Item#	Part	Description	H 3 4 1	H 3 4 5	N O T E S
6	780726	CYLINDER LOCK / NS 8722		AR	
. NS	780682	. KEY / NS 8722		1	
6	780727	CYLINDER LOCK / NS 8723		AR	
. NS	780683	. KEY / NS 8723		1	
6	780728	CYLINDER LOCK / NS 8724		AR	
. NS	780684	. KEY / NS 8724		1	
6	780729	CYLINDER LOCK / NS 8725		AR	
. NS	780685	. KEY / NS 8725		1	
6	780730	CYLINDER LOCK / NS 8726		AR	
. NS	780686	. KEY / NS 8726		1	
6	780731	CYLINDER LOCK / NS 8727		AR	
. NS	780687	. KEY / NS 8727		1	
6	780732	CYLINDER LOCK / NS 8728		AR	
. NS	780688	. KEY / NS 8728		1	
6	780733	CYLINDER LOCK / NS 8729		AR	
. NS	780689	. KEY / NS 8729		1	
6	780734	CYLINDER LOCK / NS 8730		AR	
. NS	780690	. KEY / NS 8730		1	
6	780735	CYLINDER LOCK / NS 8731		AR	
. NS	780716	. KEY / NS 8731		1	
6	780736	CYLINDER LOCK / NS 8732		AR	
. NS	780717	. KEY / NS 8732		1	
6	780737	CYLINDER LOCK / NS 8733		AR	
. NS	780718	. KEY / NS 8733		1	
6	780738	CYLINDER LOCK / NS 8734		AR	
. NS	780719	. KEY / NS 8734		1	
6	780739	CYLINDER LOCK / NS 8735		AR	
. NS	780720	. KEY / NS 8735		1	
6	780740	CYLINDER LOCK / NS 8736		AR	
. NS	780721	. KEY / NS 8736		1	
6	780741	CYLINDER LOCK / NS 8737		AR	
. NS	780722	. KEY / NS 8737		1	
6	780742	CYLINDER LOCK / NS 8738		AR	
. NS	780723	. KEY / NS 8738		1	
6	780743	CYLINDER LOCK / NS 8739		AR	
. NS	780724	. KEY / NS 8739		1	
6	780744	CYLINDER LOCK / NS 8740		AR	
. NS	780725	. KEY / NS 8740		1	
7	780780	KEY, UNCUT / NS SERIE NS SERIES		AR	
7	780660	KEY / NS 8888		AR	
7	780661	KEY / NS 8701		AR	
7	780662	KEY / NS 8702		AR	

From R-1453	Date:07/2024	PAGE:H9-1864-32
HANDLE LOCK & KEYS - TYPE "NS" & "FORD"		

Item#	Part	Description	H 3 4 1	H 3 4 5	NOTES
7	780663	KEY / NS 8703		AR	
7	780664	KEY / NS 8704		AR	
7	780665	KEY / NS 8705		AR	
7	780667	KEY / NS 8707		AR	
7	780668	KEY / NS 8708		AR	
7	780669	KEY / NS 8709		AR	
7	780670	KEY / NS 8710		AR	
7	780671	KEY / NS 8711		AR	
7	780672	KEY / NS 8712		AR	
7	780673	KEY / NS 8713		AR	
7	780674	KEY / NS 8714		AR	
7	780675	KEY / NS 8715		AR	
7	780676	KEY / NS 8716		AR	
7	780677	KEY / NS 8717		AR	
7	780678	KEY / NS 8718		AR	
7	780679	KEY / NS 8719		AR	
7	780680	KEY / NS 8720		AR	
7	780681	KEY / NS 8721		AR	
7	780682	KEY / NS 8722		AR	
7	780683	KEY / NS 8723		AR	
7	780684	KEY / NS 8724		AR	
7	780685	KEY / NS 8725		AR	
7	780686	KEY / NS 8726		AR	
7	780687	KEY / NS 8727		AR	
7	780688	KEY / NS 8728		AR	
7	780689	KEY / NS 8729		AR	
7	780690	KEY / NS 8730		AR	
7	780716	KEY / NS 8731		AR	
7	780717	KEY / NS 8732		AR	
7	780718	KEY / NS 8733		AR	
7	780719	KEY / NS 8734		AR	
7	780720	KEY / NS 8735		AR	
7	780721	KEY / NS 8736		AR	
7	780722	KEY / NS 8737		AR	
7	780723	KEY / NS 8738		AR	
7	780724	KEY / NS 8739		AR	
7	780725	KEY / NS 8740		AR	
9	780745	CYLINDER LOCK BODY		AR	
NS	5001377	SCREW MA PAN PH M5-0.8x8 SS		AR	
10	280011	LOCK COVER ASSEMBLY		1	
. A	N.S.S.	. RECEIVER		1	1
. B	N.S.S.	. COVER		1	1

From R-1453	Date:07/2024	PAGE:H9-1864-32
HANDLE LOCK & KEYS - TYPE "NS" & "FORD"		

Item#	Part	Description	H 3 4 1	H 3 4 5	N O T E S
. C	N.S.S.	. GUIDE, SPRING		1	1
. D	N.S.S.	. SPRING		1	1
. E	N.S.S.	. AXLE		1	1
11	280020	LOCK COVER ASSEMBLY		1	WCL
. A	N.S.S.	. RECEIVER		1	1 WCL
. B	N.S.S.	. COVER		1	1 WCL
. C	N.S.S.	. GUIDE, SPRING		1	1 WCL
. D	N.S.S.	. SPRING		1	1 WCL
. E	N.S.S.	. AXLE		1	1 WCL
12	280015	SPACER / LOCK COVER		1	E
16	780238	KEY BLANK UNCUT		1	
16	282295	KEY CODE / CODE A / FA 0000		1	
16	282296	KEY CODE / CODE B / FA 0050		1	
16	282298	KEY CODE / CODE D / FA 0221		1	
16	282299	KEY CODE / CODE E / FA 0225		1	
16	282300	KEY CODE / CODE F / FA 0300		1	
16	282301	KEY CODE / CODE G / FA 0400		1	
16	282302	KEY CODE / CODE H / FA 0500		1	
16	282303	KEY CODE / CODE I / FA 0600		1	
16	282304	KEY CODE / CODE J / FA 0800		1	
16	287663	KEY CODE / CODE K / FA 1212		1	
16	287630	KEY CODE / CODE L / FA 0329		1	
16	287402	KEY CODE / CODE M / FA 0013		1	
16	2800164	KEY CODE / CODE N / FA 0020		1	
16	287319	KEY CODE / CODE O / FA 0028		1	
16	287336	KEY CODE / CODE P / FA 0055		1	
16	2800165	KEY CODE / CODE Q / FA 0107		1	
16	287461	KEY CODE / CODE R / FA 0109		1	
16	287101	KEY CODE / CODE S / FA 0113		1	
16	285726	KEY CODE / CODE T / FA 0261		1	
16	285022	KEY CODE / CODE U / FA 0169		1	
16	285947	KEY CODE / CODE V / FA 0190		1	
16	284514	KEY CODE / CODE W / FA 0199		1	
16	2800166	KEY CODE / CODE X / FA 0206		1	
16	288155	KEY CODE / CODE Y / FA 0208		1	
16	287206	KEY CODE / CODE Z / FA 0268		1	
16	285585	KEY CODE / CODE AA / FA 0368		1	
16	2800167	KEY CODE / CODE AB / FA 0443		1	
16	286461	KEY CODE / CODE AC / FA 0506		1	
16	286984	KEY CODE / CODE AD / FA 0528		1	
16	285671	KEY CODE / CODE AE / FA 0532		1	
16	2800168	KEY CODE / CODE AF / FA 0563		1	

From R-1453	Date:07/2024	PAGE:H9-1864-32
HANDLE LOCK & KEYS - TYPE "NS" & "FORD"		

Item#	Part	Description	H 3 4 1	H 3 4 5	N O T E S
16	2800169	KEY CODE / CODE AG / FA 0625		1	
16	2800170	KEY CODE / CODE AH / FA 0648		1	
16	2800171	KEY CODE / CODE AI / FA 0668		1	
16	287921	KEY CODE / CODE AJ / FA 0692		1	
16	287248	KEY CODE / CODE AK / FA 0704		1	
16	287343	KEY CODE / CODE AL / FA 0714		1	
16	2800172	KEY CODE / CODE AM / FA 0721		1	
16	289393	KEY CODE / CODE AN / FA 0726		1	
16	2800173	KEY CODE / CODE AO / FA 1116		1	
16	286050	KEY CODE / CODE AP / FA 1252		1	
16	2800174	KEY CODE / CODE AQ / FA 1316		1	
16	287658	KEY CODE / CODE AR / FA 1320		1	
16	287251	KEY CODE / CODE AS / FA 1343		1	
16	2800175	KEY CODE / CODE AT / FA 1486		1	
16	287660	KEY CODE / CODE AU / FA 1549		1	
16	287642	KEY CODE / CODE AV / FA 0890		1	
16	287650	KEY CODE / CODE AW / FA 1465		1	
16	287700	KEY CODE / CODE AX / FA 0899		1	
16	287737	KEY CODE / CODE AY / FA 0150		1	
16	287745	KEY CODE / CODE AZ / FA 1509		1	
16	2800163	KEY CODE / CODE BA / FA 0001		1	
16	287797	KEY CODE / CODE BB / FA 0144		1	
16	2800273	KEY CODE / CODE BC / FA 1513		1	
16	2800503	KEY CODE / CODE BD / FA 1363		1	
16	287820	KEY CODE / CODE BE / FA 1093		1	
16	280448	KEY CODE / CODE BF / FA 1864		1	
16	280823	KEY CODE / CODE BG / FA 0231		1	
16	2810309	KEY CODE / CODE BJ / FA 1315		1	
17	282285	CYLINDER LOCK / CODE A / FA 0000		1	
17	282286	CYLINDER LOCK / CODE B / FA 0050		1	
17	282287	CYLINDER LOCK / CODE C / FA 0100		1	
17	282288	CYLINDER LOCK / CODE D / FA 0221		1	
17	282289	CYLINDER LOCK / CODE E / FA 0225		1	
17	282290	CYLINDER LOCK / CODE F / FA 0300		1	
17	282291	CYLINDER LOCK / CODE G / FA 0400		1	
17	282292	CYLINDER LOCK / CODE H / FA 0500		1	
17	282293	CYLINDER LOCK / CODE I / FA 0600		1	
17	282294	CYLINDER LOCK / CODE J / FA 0800		1	
17	287662	CYLINDER LOCK / CODE K / FA 1212		1	
17	287629	CYLINDER LOCK / CODE L & CODE BH CODE FA 0329 FA 0325		1	
17	286156	CYLINDER LOCK / CODE M / FA 0013		1	

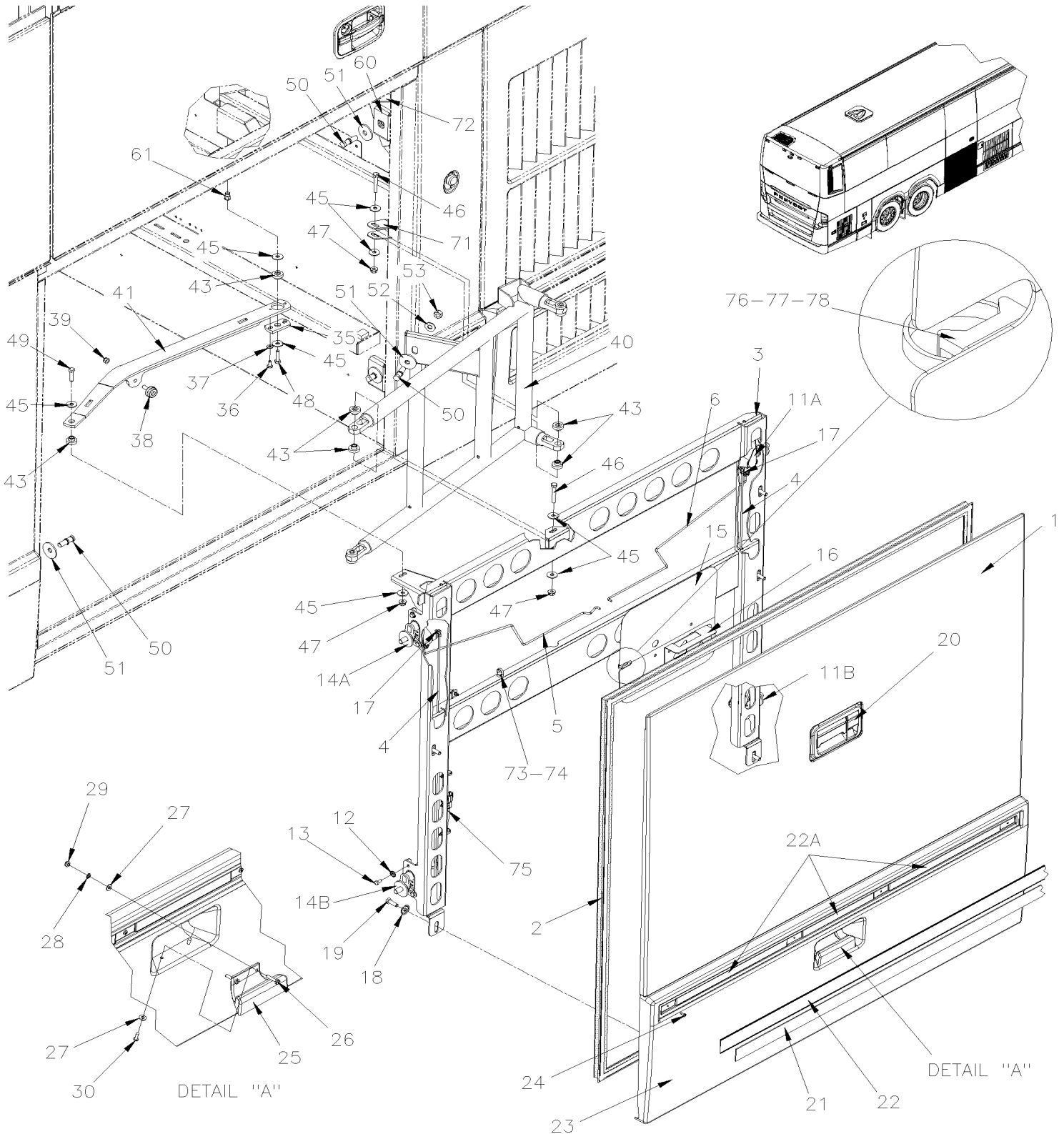
From R-1453	Date:07/2024	PAGE:H9-1864-32
HANDLE LOCK & KEYS - TYPE "NS" & "FORD"		

Item#	Part	Description	H 3 4 1	H 3 4 5	NOTES
17	287125	CYLINDER LOCK / CODE N / FA 0020		1	
17	287079	CYLINDER LOCK / CODE O / FA 0028		1	
17	287335	CYLINDER LOCK / CODE P / FA 0055		1	
17	287926	CYLINDER LOCK / CODE Q / FA 0107		1	
17	287460	CYLINDER LOCK / CODE R / FA 0109		1	
17	287100	CYLINDER LOCK / CODE S / FA 0113		1	
17	285604	CYLINDER LOCK / CODE T / FA 0261		1	
17	285021	CYLINDER LOCK / CODE U / FA 0169		1	
17	285946	CYLINDER LOCK / CODE V / FA 0190		1	
17	284513	CYLINDER LOCK / CODE W / FA 0199		1	
17	287138	CYLINDER LOCK / CODE X / FA 0206		1	
17	288154	CYLINDER LOCK / CODE Y / FA 0208		1	
17	285496	CYLINDER LOCK / CODE Z / FA 0268		1	
17	285584	CYLINDER LOCK / CODE AA / FA 0368		1	
17	285264	CYLINDER LOCK / CODE AB / FA 0443		1	
17	286459	CYLINDER LOCK / CODE AC / FA 0506		1	
17	286983	CYLINDER LOCK / CODE AD / FA 0528		1	
17	285670	CYLINDER LOCK / CODE AE / FA 0532		1	
17	288640	CYLINDER LOCK / CODE AF / FA 0563		1	
17	285545	CYLINDER LOCK / CODE AG / FA 0625		1	
17	284373	CYLINDER LOCK / CODE AH / FA 0648		1	
17	285276	CYLINDER LOCK / CODE AI / FA 0668		1	
17	287920	CYLINDER LOCK / CODE AJ / FA 0692		1	
17	287247	CYLINDER LOCK / CODE AK / FA 0704		1	
17	286418	CYLINDER LOCK / CODE AL / FA 0714		1	
17	285861	CYLINDER LOCK / CODE AM / FA 0721		1	
17	289392	CYLINDER LOCK / CODE AN / FA 0726		1	
17	284935	CYLINDER LOCK / CODE AO / FA 1116		1	
17	286049	CYLINDER LOCK / CODE AP / FA 1252		1	
17	285572	CYLINDER LOCK / CODE AQ / FA 1316		1	
17	287657	CYLINDER LOCK / CODE AR / FA 1320		1	
17	287250	CYLINDER LOCK / CODE AS / FA 1343		1	
17	285066	CYLINDER LOCK / CODE AT / FA 1486		1	
17	287659	CYLINDER LOCK / CODE AU / FA 1549		1	
17	287641	CYLINDER LOCK / CODE AV / FA 0890		1	
17	287649	CYLINDER LOCK / CODE AW / FA 1465		1	
17	287699	CYLINDER LOCK / CODE AX / FA 0899		1	
17	287736	CYLINDER LOCK / CODE AY / FA 0150		1	
17	287744	CYLINDER LOCK / CODE AZ / FA 1509		1	
17	287379	CYLINDER LOCK / CODE BA / FA 0001		1	
17	287795	CYLINDER LOCK / CODE BB / FA 0144		1	
17	2800272	CYLINDER LOCK / CODE BC / FA 1513		1	

From R-1453	Date:07/2024	PAGE:H9-1864-32
HANDLE LOCK & KEYS - TYPE "NS" & "FORD"		

Item#	Part	Description	H 3 4 1	H 3 4 5	NOTES
17	2800502	CYLINDER LOCK / CODE BD / FA 1363		1	
17	287819	CYLINDER LOCK / CODE BE / FA 1093		1	
17	280445	CYLINDER LOCK / CODE BF / FA 1864		1	
17	280822	CYLINDER LOCK / CODE BG / FA 0231		1	
17	2810311	CYLINDER LOCK / CODE BJ / FA 1315		1	
22	289340	SUPPORT, HANDLE		AR	
23		FOR RODS SEE RESPECTIVE PAGES FOR APPLICATION		1	
40	780795	HANDLE ASSY / W/AIR CYLINDER TYPE "NS"		AR	
. NS	780800	. CYLINDER AIR		1	
. NS	780340	. CLIP, RETAINER ROD		2	
40	780794	HANDLE ASSY / MANUAL TYPE "NS"		AR	A
. NS	780340	. CLIP, RETAINER ROD		2	A
41	780303	. GASKET		1	
42	780340	. CLIP, RETAINER ROD		1	
43	5002054	SCREW TP BUTF TORX M6x20 SS		4	
44	288652	HANDLE ASSY W"HAPPITCH" NS SERIES KEY		1	WCL
44	780785	. HANDLE BODY W"HAPPITCH" NS SERIES KEY		1	WCL
44	780823	. HANDLE W.C.L. DOOR PLASTIC		1	WCL
44	288653	. PLATE REINFORCMENT 19MM x 6.35MM x 11GA		1	WCL
44	680038	. THREAD LOCKER LOCTITE #243 / BLUE / 50ml		AR	WCL
50	H9-2328-02	LAVATORY WALL - INSTALLATION WITH SLIDING DOOR			
51	H9-1836-04	PARCEL RACK			
52	H9-1862-11	ENTRANCE DOOR ASSY - SEDAN			
		A) MANUAL OR ELECTRIC			
		E) USE ONLY WITH FUEL DOOR STREET SIDE WITH BUS & LARGE A/C SYSTEM			
		WCL) USE WITH WHEEL CHAIR ENTRANCE DOOR ONLY			
		1) NOT SOLD SEPARATELY			

BAGGAGE DOOR - W.C.L. "RICON"



From K-0185	Date:07/2024	PAGE:H9-1864-81
BAGGAGE DOOR - W.C.L. "RICON"		

Item#	Part	Description	H 3 4 1	H 3 4 5	N O T E S
	288186P	BAGGAGE DOOR W.C.L. ASSY	1	1	
1	286973	. DOOR MOULDED / FIBERGLASS "SMC"	1	1	
2	2800122	. RUBBER SEAL EXTRUSION / 1152MM X 1121MM To L-1003	1	1	
2	IS19064	. BAGGAGE DOOR SEAL REPLACEMENT To L-1003	1	1	
. NS	2810326	. RUBBER SEAL EXTRUSION / 1152MM X 1121MM To L-1003	1	1	
. NS	506004	. TAPE RUB ADH1 CC POL 3/8" x 1/2" x 20' / GREY 2520X To L-1003	AR	AR	
. NS	IS-19064	. SEE INSTRUCTION SHEET To L-1003	1	1	
. NS	FI-19064	. FEUILLE D'INSTRUCTION To L-1003	1	1	
2	2810326	. RUBBER SEAL EXTRUSION / 1152MM X 1121MM From L-1004	1	1	
2	684685	. ADHESIVE SIMSON #ISR 70-03 / 310ml CARTRIDGE	AR	AR	
3	287845	. DOOR FRAME	1	1	
4	288173	. DOOR ROD L.H. TRANFERT LEVER	2	2	
5	289345	. ROD L.H. 534.8MM	1	1	
6	289332	. ROD R.H. 496.8MM	1	1	
11A	289836	. LOCK SPAGNOLET	1	1	
11A	289836	. LOCK SPAGNOLET	1	1	
. NS	780839	. LOCK SPAGNOLET L.H.	1	1	
11B	289836	. LOCK SPAGNOLET	1	1	
11B	289836	. LOCK SPAGNOLET	1	1	
. NS	780839	. LOCK SPAGNOLET L.H.	1	1	
12	5002015	. WASHER BEL SPR 6.65x17.4x0.9 SS	8	8	
13	5001697	. SCREW CAP HEX M6-1.0x16 SS BK	8	8	
14A	289835	. LOCK SPAGNOLET	1	1	
. NS	780840	. LOCK SPAGNOLET R.H.	1	1	
14B	287846	. LOCK SPAGNOLET R.H. WITH SWITCH	1	1	
. NS	565205	. MICRO SWITCH	1	1	
. NS	563864	. HARDWARES FOR SWITCH	1	1	
15	287848	. PLATE CLOSING / 289MM X 314MM	1	1	
15	5002054	. SCREW TP BUTF TORX M6x20 SS	4	4	
15	506071	. TAPE RUB ADH1 CC POL 1/8" x 1/2" x 50' / GREY 2520X	AR	AR	
16	289340	. SUPPORT, HANDLE	1	1	
16	5001630	. SCREW TP BUTF TORX M6x20 SS To K-0216	4	4	
16	5002054	. SCREW TP BUTF TORX M6x20 SS From K-0217	4	4	
17	780340	. CLIP, RETAINER ROD	4	4	
18	5001848	. WASHER BEL SPR .827 x .331 x .098 th SS	6	6	
19	502780	. SCREW CAP HEX M8-1.25x25 SS BK	6	6	
20	H9-1864-31	. HANDLE LOCK & KEYS - TYPE "NS" & "FORD" To P-1452			
20	H9-1864-32	. HANDLE LOCK & KEYS - TYPE "NS" & "FORD" From R-1453			
20	503747	. TUBE, NYLON 6MM O.D. / BLACK S.L.	AR	AR	P
20	504637	. CABLE TIE / 3/16" x 13"	5	5	P
21	283100	. STRIPE, REFLECTIVE WHITE / 38MM X 15' ROLL	AR	AR	
. NS	780277	. STRIPE, REFLECTIVE WHITE / 38MM X 150' ROLL	AR	AR	

From K-0185	Date:07/2024	PAGE:H9-1864-81
BAGGAGE DOOR - W.C.L. "RICON"		

Item#	Part	Description	H 3 4 1	H 3 4 5	N O T E S
22	280237	. EXTRUSION BACKING ASSY W/REFLECTOR 1185MM	1	1	
. NS	280116	. EXTRUSION 1185MM	1	1	
NS	684685	. ADHESIVE SIMSON #ISR 70-03 / 310ml CARTRIDGE	AR	AR	
NS	682348	. TAPE, DOUBLE COATED ACRYLIC	AR	AR	
23	285504	. PROTECTOR PANEL / SH	1	1	
23	285800	. PROTECTOR PANEL / WITH GRAVEL GUARD / SH	1	1	A
23	683083	. ADHESIVE SIKA #252 / BLACK / 600 ml SAUSAGE	AR	AR	
23	681348	. TAPE RUB ADH2 ACRYLIC .045" x 1" x 108' / VHB4952	AR	AR	
24	500952	. SCREW TP BDG PH #8x1/2 SS	4	4	
25	282562	. HANDLE / DOOR	1	1	
25	680025	. CAULKING STRIP 3/16" O.D. X 14'	AR	AR	
26	502746	. SCREW MA PAN PH M5-0.8x20 SS BK	2	2	
27	500804	. WASHER FL .203x.500x.047 N500	4	4	
28	500840	. WASHER LO EXT .195x.410x.025 N500	2	2	
29	502827	. NUT HEX CAP M5-0.8 N500	2	2	
30	500957	. SCREW TP BDG PH #10x3/4 N500	2	2	
35	288162	SUPPORT, FRAME ASSY.	1	1	
36	502772	SCREW CAP HEX 1/4-20x1/2 G5 N500	2	2	
36	680038	THREAD LOCKER LOCTITE #243 / BLUE / 50ml	AR	AR	
37	502573	WASHER FL 6.4x12.5x1.6 SS	2	2	
38	780789	ADJUSTMENT DEVICE 5/16-18	1	1	
39	500685	NUT HEX NYRT 5/16-18 SS	1	1	
40	287841	PANTOGRAPH ARM	1	1	
NS	504637	CABLE TIE / 3/16" x 13"	AR	AR	
NS	504013	TIE MOUNT / 1/4" X 1/4" I.D.	4	4	
NS	504488	RIVET MGLP PRDG 3/16x17/64 SS	4	4	
NS	504357	WASHER FL .187x.437x.050 SS	4	4	
41	288637	ARM AUXILIARY	1	1	
43	286716	SPACER BUSHING FLANGE / AUX. ARM & SUPPORT ACETAL 8.3MM I.D.	10	10	
45	5001849	WASHER FL 8.4x24.0x2.0 SS	12	12	
46	5001981	SCREW CAP HEX M8-1.25x50 SS BK	4	4	
47	5001983	NUT HEX NYRT M8-1.25 SS SS BK	5	5	
48	5001912	SCREW CAP HEX M8-1.25x30 SS BK	1	1	
49	5001319	SCREW CAP HEX M8-1.25x40 SS	1	1	
50	284438	PIN STRIKER	5	5	
51	284447	WASHERS BELLEVILLE	5	5	
51	680025	CAULKING STRIP 3/16" O.D. X 14'	AR	AR	
52	500897	WASHER FL .437x1.000x.083 N500	2	2	
53	502883	NUT HEX 7/16-14 N500	1	1	
60	287943	FLOATING NUT ASSY WITH CASE	4	4	
60	287942	. FLOATING NUT	1	1	
61	5001337	NUT INS FL HEX M8-1.25 0.5-3.0 Z050	1	1	

From K-0185	Date:07/2024	PAGE:H9-1864-81
BAGGAGE DOOR - W.C.L. "RICON"		

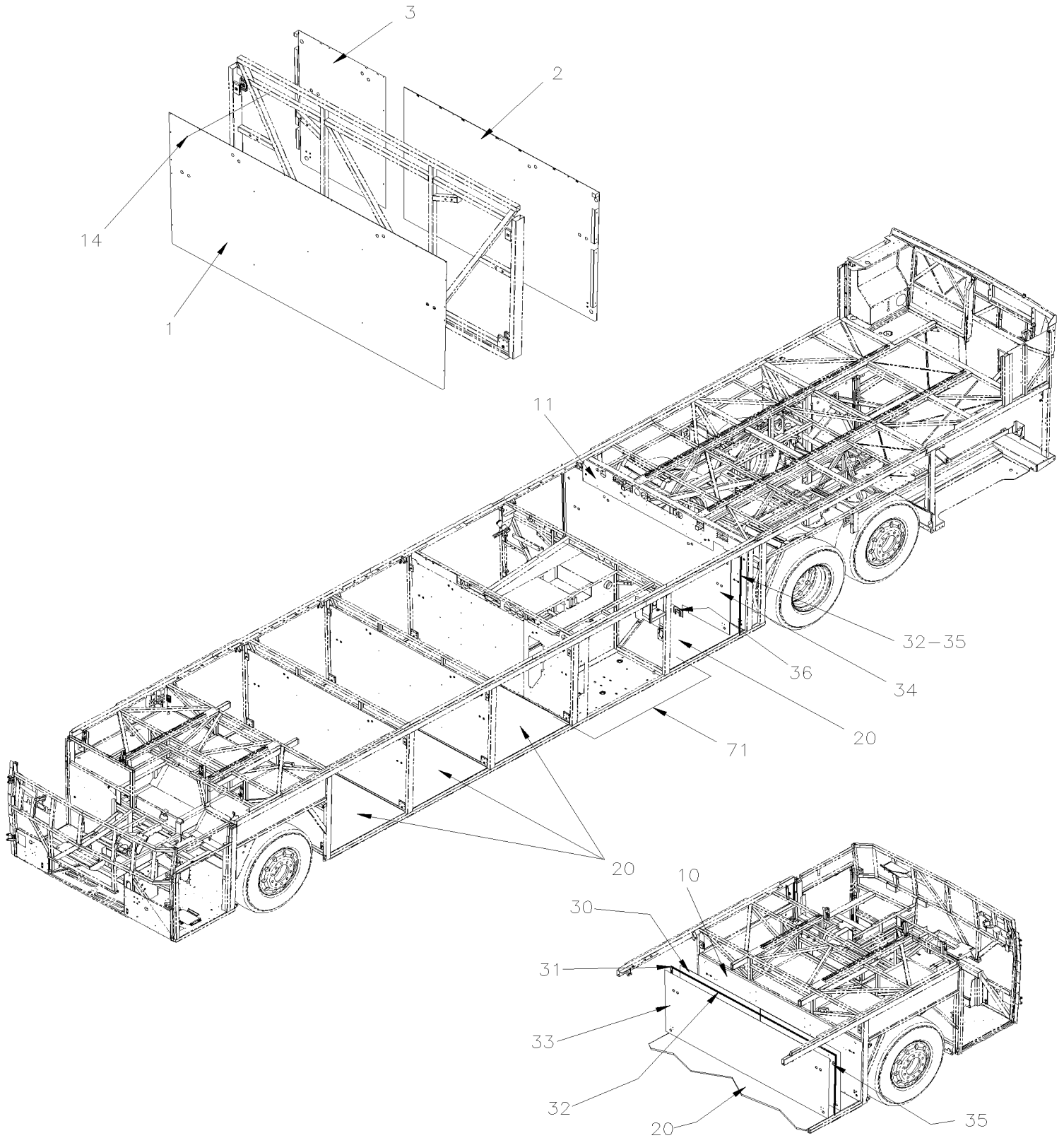
Item#	Part	Description	H 3 4 1	H 3 4 5	N O T E S
71	215214	LOWER HINGE, PANTO DOOR	1	1	
72	215215	HIGHER HINGE, PANTO DOOR	1	1	
73	504637	. CABLE TIE / 3/16" x 13"	AR	AR	B
74	509815	. TIE MOUNT / ATTACHMENT W/TREE MOUNT	AR	AR	B
75	564108	. SELF MOUNTING STUD // DEUTSCH 1011-310-0205	AR	AR	B
76	504013	. TIE MOUNT / 1/4" X 1/4" I.D.	AR	AR	B
77	504488	. RIVET MGLP PRDG 3/16x17/64 SS	AR	AR	B
78	5001137	. WASHER FL .203x.438x.050 SS	AR	AR	B
NS	562679	4 WAY ADH. BACKED MOUNTS 1.000 x 1.000 x .160	AR	AR	
		A) THIS PROTECTOR IS COATED WITH GRAVEL GUARD AND BLACK PAINTED READY TO INSTALL			
		B) USE TO FIX CABLE ON DOOR			
		P) W/ AIR ACTIVATED HANDLE			

From K-0185

Date:07/2024

PAGE:H9-1865-00

BAGGAGE COMPARTMENT PANELS

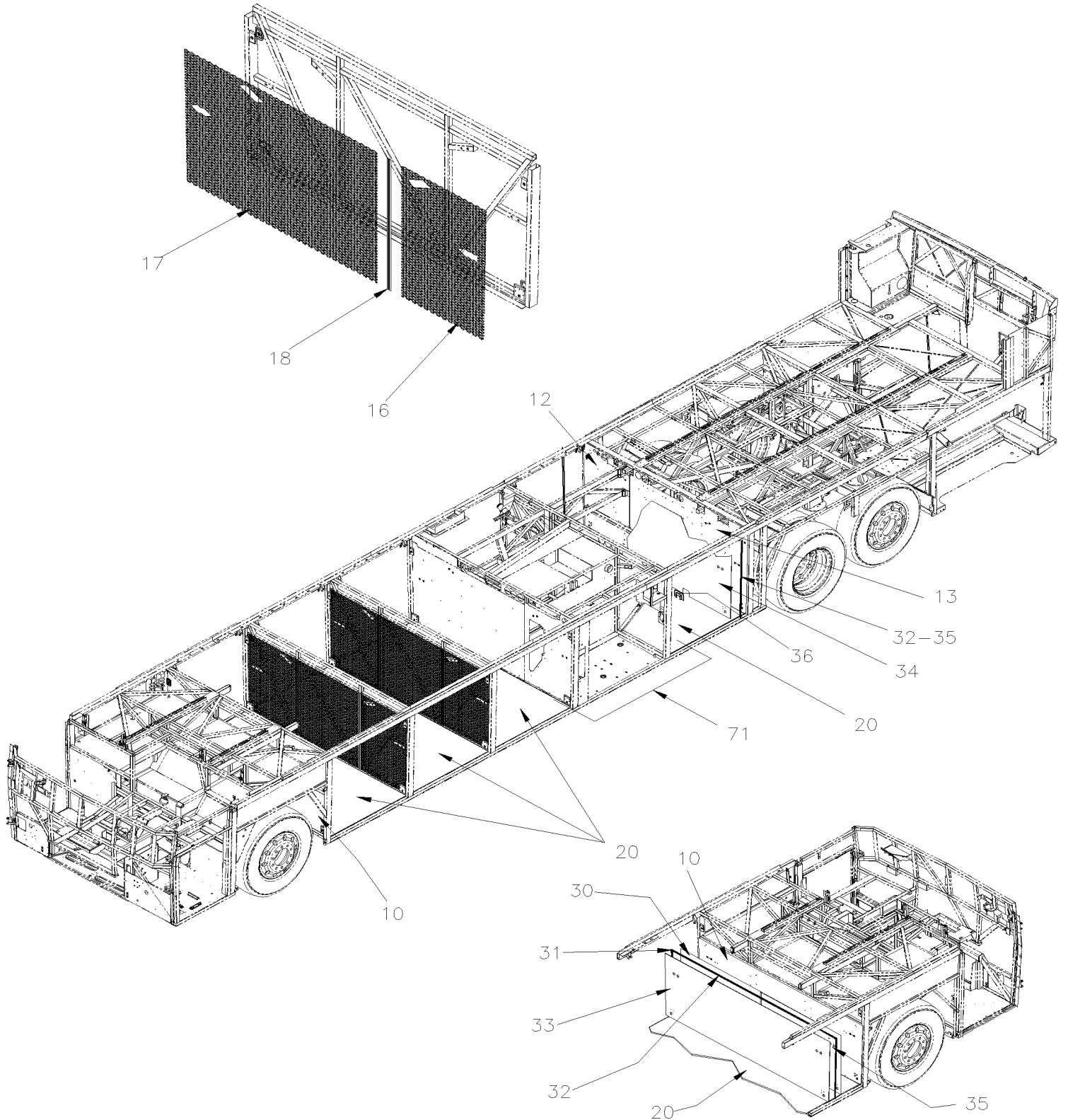


From K-0185

Date:07/2024

PAGE:H9-1865-00

BAGGAGE COMPARTMENT PANELS

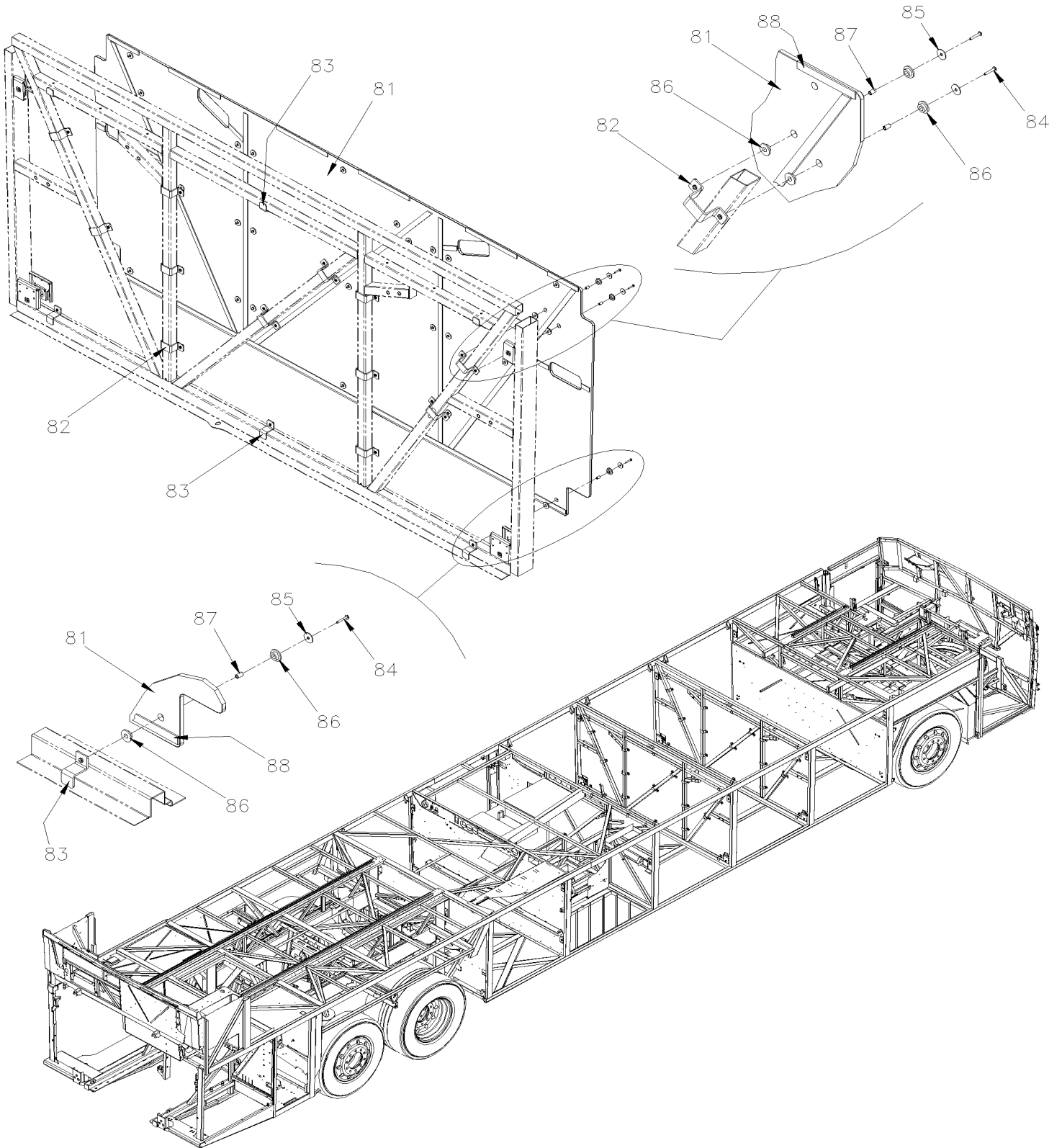


From K-0185

Date:07/2024

PAGE:H9-1865-00

BAGGAGE COMPARTMENT PANELS



From K-0185	Date:07/2024	PAGE:H9-1865-00
BAGGAGE COMPARTMENT PANELS		

Item#	Part	Description	H 3 4 1	H 3 4 5	N O T E S
1	482638	PANEL 2450MM / FRONT OF WALL To P-1452	1		
1	482638	PANEL 2450MM / FRONT OF WALL		2	
2	482636	PANEL / REAR OF WALL / 1724MM To P-1452	1		
2	482636	PANEL / REAR OF WALL / 1724MM		2	
3	482637	PANEL 770MM / REAR OF WALL	1		
3	482637	PANEL 770MM / REAR OF WALL		2	
10	213417	PANEL / FRONT BAGGAGE COMPARTMENT	1	1	
11	217666	PANEL / REAR W/O W.C.L.	1	1	
11	217685	PANEL / REAR / W/AIR DRYER W/O W.C.L.	1	1	
11	217639	PANEL / REAR W/W.C.L.	1	1	
12	H9-189X-XX	STRUCTURE / CALL ORDER DESK	1	1	
13	H9-189X-XX	STRUCTURE / CALL ORDER DESK	1	1	
14	504488	RIVET MGLP PRDG 3/16x17/64 SS	AR	AR	
NS	680532	SEALANT SIKA #221 / GREY / 310ml CARTRIDGE	AR	AR	
		NEXT FOLLOWING ITEMS ARE RELATED			
		GRILL, LUGGAGE SEPARATOR			
16	484357	GRILL, LUGGAGE SEPARATOR 1069MM X 742MM		2	C
17	484358	GRILL, LUGGAGE SEPARATOR 1069MM X 1696MM		2	C
18	484359	JOINT COVER, GRILL LUGGAGE SEPARATOR		2	C
20	482533	PANEL / FLOOR 1181MM WIDE / FIBERGLASS To P-1452	3		
. NS	IS-96037	. SEE INSTRUCTION SHEET To P-1452	1		
20	482533	PANEL / FLOOR 1181MM WIDE / FIBERGLASS		4	
. NS	IS-96037	. SEE INSTRUCTION SHEET		1	
NS	790392	RUBBER BLOCK ADJUSTEMENT 1" x 5/16" x 1/8" 80DURO	AR	AR	
NS	685126	ADHESIVE SIMSON #ISR 70-03 / GREY / 600ml SAUSAGE	AR	AR	
NS	683084	SEALANT SIKA #221 / GREY / 600 ml SAUSAGE	AR	AR	
		BAGGAGE FINISHING WITH CARPET			
		ON WALLS FOR ANY POSITIONS			
30	850027	INSULATING PAD NOISE ADH2 1/16" x 39" x 48"	AR	AR	
31	481776	MOULDING "J" FORM / 2510MM (98 13/16") / A/A	2	2	
32	482213	MOULDING "J" FORM / 1047MM (41 1/4") / A/A	2	2	
33	984977	CARPET (OZITE) FRONT / SELF ADHESIVE To K-0498	1	1	
33	980004	CARPET (OZITE) FRONT / SELF ADHESIVE From K-0499	1	1	
34	984976	CARPET (OZITE) REAR / SELF ADHESIVE To K-0498	1	1	
34	980003	CARPET (OZITE) REAR / SELF ADHESIVE From K-0499	1	1	

From K-0185	Date:07/2024	PAGE:H9-1865-00
--------------------	---------------------	------------------------

BAGGAGE COMPARTMENT PANELS

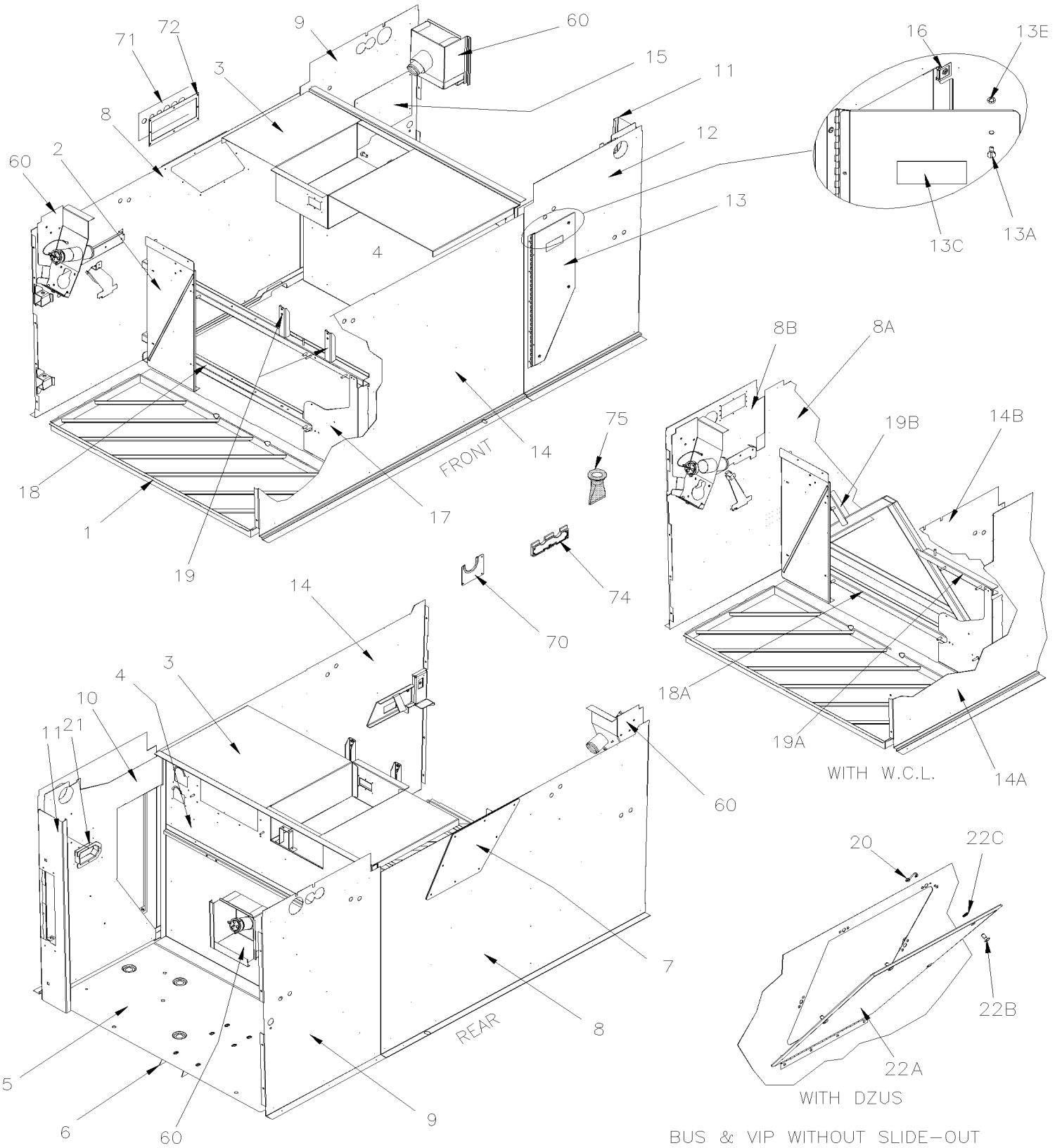
Item#	Part	Description	H 3 4 1	H 3 4 5	N O T E S
35	504103	RIVET POP DOME OE 1/8x1/8 AL	AR	AR	
36	483403	BOLT PROTECTOR PLASTIC / 140MM X 92MM X 15MM	2	2	
36	684517	ADHESIVE SIMSON #ISR 70-03 / GREY / 310ml CARTRIDGE	AR	AR	
71	H9-1865-22	EVAPORATOR & CONDENSOR WALL INSTALLATION			
		NEXT FOLLOWING ITEMS ARE RELATED			
		PLEXIGLASS, LUGGAGE SEPARATOR			
81	480048	PLEXIGLASS, LUGGAGE SEPARATOR		2	C
82	480049	BRACKET		24	C
83	480050	BRACKET		12	C
84	502677	SCREW MA RND PH M4-0.7x25 SS		60	C
85	508401	WASHER FL .218x.875x.062 SS XL BK		60	C
86	900251	BUSHING, RUBBER		120	C
87	505539	SPACER 5/16 O.D. x 17/32" x 18GA		60	C
88	506001	TAPE RUB ADH1 CC POL 1/8" x 3/4" x 50' / GREY 2520X		AR	C
		C) OPTION ORLEAN			

From K-0185

Date:07/2024

PAGE:H9-1865-22

EVAPORATOR & CONDENSOR WALL INSTALLATION



BUS & VIP WITHOUT SLIDE-OUT

From K-0185		Date:07/2024	PAGE:H9-1865-22
EVAPORATOR & CONDENSOR WALL INSTALLATION			

Item#	Part	Description	H 3 4 1	H 3 4 5	N O T E S
1	217474	FLOOR PANEL / CONDENSOR	1	1	
2	216572	PANEL REAR WALL CONDENSOR FORWARD	1	1	
3	215527	CLOSING TOP / EVAPORATOR PANEL	1	1	
4	216360	WALL PANEL / EVAP, & FUEL COMPARTMENT	1	1	
NS	850043	INSULATING RIGID / 5/8" x 24" x 48" / YELLOW & BLACK	AR	AR	
NS	503550	ANCHOR SELF-STICK 2" SS	AR	AR	
NS	500748	WASHER INSU G.10x1.125x1.250 Z050	AR	AR	
5	210390	FLOOR PANEL / EVAPORATOR	1	1	
6	216363	ANGLE SUPPORT 625MM	2	2	
7	480098	ACCESS PANEL	1	1	
NS	031163	DECAL / "FUEL TANK ACCESS" / ENGLISH	1	1	
NS	032561	DECAL / "FUEL TANK ACCESS" / ENGLISH & SPANISH	1	1	
NS	5060120	GROMMET EDGING ADHESIVE .036-.062	AR	AR	
8	218456	PANEL / FUEL & COND BACKWARD	1	1	
8	218457	PANEL / FUEL & COND BACKWARD / W/"DZUS" FASTENER	1	1	
8A	218455	PANEL / FUEL & COND BACKWARD W/W.C.L.		1	
8B	216827	PANEL / CONDENSOR SIDE UPPER W/W.C.L.		1	
9	216367	PANEL / EVAPORATOR BACKWARD	1	1	
10	216369	PANEL / INTERIOR / FRONT EVAPORATOR	1	1	
11	215697	EXTERIOR PANEL ASSY / W/HINGE SUPPORT	1	1	
12	216416	PANEL / EVAPORATOR FORWARD	1	1	
NS	453070	INSULATING / CENTER SECTION	1	1	
NS	453069	INSULATING / LOWER SECTION	1	1	
NS	329650	INSULATING	1	1	
13	374371	DOOR ASSY FORWARD	1	1	
. A	504603	. STUD 6 MM (DZUS)	3	3	
. B	504604	. FASTENER	3	3	
. C	370354	. DECAL / AIR FILTER / ENGLISH & FRANCAIS	1	1	
. C	370354	. DECAL / AIR FILTER / ENGLISH & FRANCAIS	1	1	
NS	370354	DECAL / AIR FILTER / ENGLISH & FRANCAIS	1	1	
NS	374207	DECAL / AIR FILTER / ENGLISH & SPANISH	1	1	
NS	5060120	GROMMET EDGING ADHESIVE .036-.062 APPLY ON SHARP EDGES	AR	AR	
14	216364	PANEL / FUEL & COND FORWARD FIINIR	1	1	
14A	216606	PANEL / FUEL & COND FORWARD W/W.C.L.		1	
14B	485602	PANEL / CONDENSOR UPPER FORWARD W/W.C.L.		1	
15	216368	PLATE SUPPORT MUX BOX	1	1	
16	504605	RECEPTACLE 6 MM	AR	AR	
17	216573	PANEL REAR WALL CONDENSOR BACKWARD	1	1	
18	218435	SUPPORT ASSY / "HAT" SHAPE 1402MM	2	2	
18A	218436	SUPPORT ASSY / "HAT" SHAPE 1297MM		1	
19	216604	SUPPORT ASSY / "C" SHAPE 174MM	2	2	
19A	218437	SUPPORT ASSY / "C" SHAPE 486MM		1	

From K-0185	Date:07/2024	PAGE:H9-1865-22
EVAPORATOR & CONDENSOR WALL INSTALLATION		

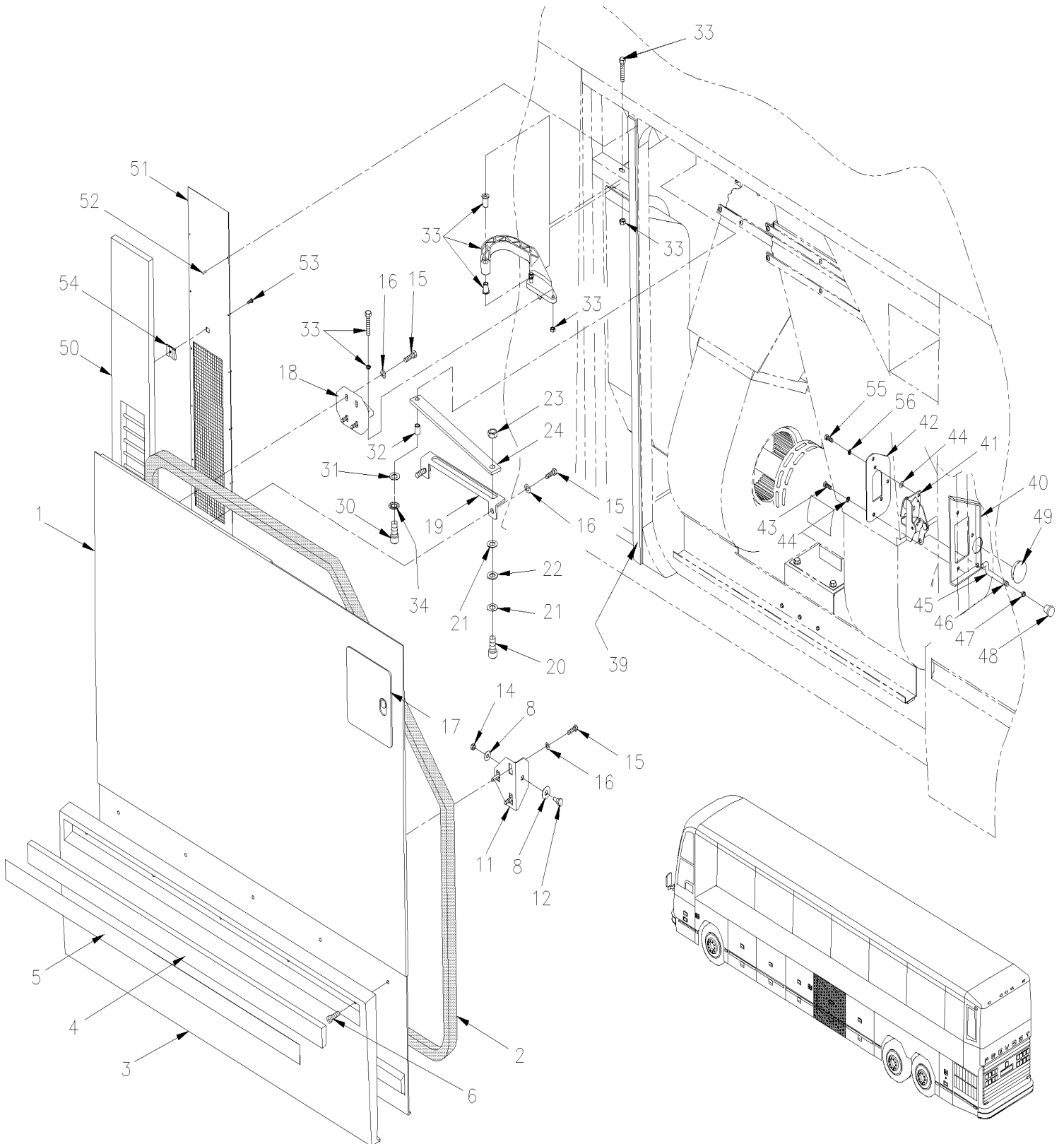
Item#	Part	Description	H 3 4 1	H 3 4 5	N O T E S
19B	218438	SUPPORT ASSY / "C" SHAPE 178MM		1	
20	504365	SPRING HOOK / DZUS 5/16	AR	AR	
NS	504717	RIVET POP DOME OE 1/8x1/4 SS	AR	AR	
NS	500157	WASHER FL .125x.375x.032 SS	AR	AR	
21	452041	BOX PLASTIC / HINGE CLEARANCE	2	2	
21	504339	RIVET POP DOME OE 1/8x3/8 SS	6	6	
22	484271	ACCESS PANEL / W/"DZUS" FASTENER	1	1	
. A	483663	. ACCESS PANEL / W/"DZUS" FASTENER	1	1	
. B	504363	. STUD 5/16 O.D. X 7/16 (DZUS)	4	4	
. C	504353	. RETAINER, 5/16"DIA. (DZUS) STUD	4	4	
. NS	506268	. TAPE RUB ADH1 URE 3/8" x 1/2" x 25' / GREY 1820	AR	AR	
60	H9-0310-10	FUEL FILLING CAP			
70	454325	CLOSING / PIPE TUNNEL SS 110MM X 95MM	1	1	
70	454326	CLOSING / PIPE TUNNEL SS 100MM X 75MM	1	1	
70	5060120	GROMMET EDGING ADHESIVE .036-.062	AR	AR	
71	481899	RUBBER CLOSING AROUND 6 TUBES 81MM x 244MM	1	1	
72	481889	PLATE HOLDING RUBBER 81MM x 244MM	1	1	
72	500623	SCREW TC PAN PH #10-24x3/4 N500	8	8	
74	457424	CLOSING / PIPE TUNNEL PLASTIC / RH 57.2MM x 181MM	1	1	
74	457425	CLOSING / PIPE TUNNEL PLASTIC / LH 57.2MM x 181MM	1	1	
75	414654	DRAIN BOOT 1" I.D. W/GROOVE 1.5 x 35MM I.D. x 85MM	3	3	
NS	505307	ANCHOR SELF-STICK	AR	AR	
NS	500748	WASHER INSU G.10x1.125x1.250 Z050	AR	AR	

From K-0185

Date:07/2024

PAGE:H9-1866-00

EVAPORATOR DOOR ASSY



From K-0185		Date:07/2024	PAGE:H9-1866-00
EVAPORATOR DOOR ASSY			

Item#	Part	Description	H 3 4 1	H 3 4 5	N O T E S
	287618	EVAPORATOR DOOR ASSY	1	1	
1	285772	DOOR MOULDED / FIBERGLASS	1	1	
2	2800123	. RUBBER SEAL EXTRUSION / EVAPORATOR DOOR / 1146MM X 1115MM	1	1	
NS	680066	. ADHESIVE / ADBOND #5014 / 23.6ML BOTTLE	AR	AR	
3	285771	. PROTECTOR PANEL / SH	1	1	
3	285905	. PROTECTOR PANEL / WITH GRAVEL GUARD / SH	1	1	
NS	681348	. TAPE RUB ADH2 ACRYLIC .045" x 1" x 108' / VHB4952	AR	AR	
NS	682462	. ADHESIVE SIKA #252 / BLACK / 310ml CARTRIDGE	AR	AR	
4	280237	. EXTRUSION BACKING ASSY W/REFLECTOR 1185MM	1	1	
. NS	280116	. EXTRUSION 1185MM	1	1	
NS	684685	. ADHESIVE SIMSON #ISR 70-03 / 310ml CARTRIDGE	AR	AR	
5	283100	. STRIPE, REFLECTIVE WHITE / 38MM X 15' ROLL	AR	AR	
. NS	780277	. . STRIPE, REFLECTIVE WHITE / 38MM X 150' ROLL	AR	AR	
NS	680025	. CAULKING STRIP 3/16" O.D. X 14'	AR	AR	
6	500120	. SCREW TP BDG PH #6x1/2 SS	5	5	
8	284447	. WASHERS BELLEVILLE	2	2	
11	285773	. ANGLE / STRIKER PIN SUPPORT	1	1	
12	284438	. PIN STRIKER	1	1	
14	502883	. NUT HEX 7/16-14 N500	1	1	
15	5001912	. SCREW CAP HEX M8-1.25x30 SS BK	AR	AR	
16	5001848	. WASHER BEL SPR .827 x .331 x .098 th SS	13	13	
17	H9-1875-01	FUEL TANK & UREA FILLING DOOR			
18	H9-1879-90	EXTERIOR DOOR HINGE AND SUPPORT			
19	2800914	. GUIDE RETAINING ARM	1	1	
20	502625	. SCREW SHR HEXS 5/16x3/8 {1/4-20	1	1	
21	5001341	. WASHER FL 8.4x17.0x1.6 SS	2	2	
22	502768	. WASHER FL RUB .312x.625x.125 NEO	1	1	
23	5001980	. NUT HEX JAM 1/4-20 SS BK	1	1	
24	283774	. ARM RETAINING	1	1	
30	502780	SCREW CAP HEX M8-1.25x25 SS BK	1	1	
NS	5001337	NUT INS FL HEX M8-1.25 0.5-3.0 Z050	1	1	
31	5001848	WASHER BEL SPR .827 x .331 x .098 th SS	1	1	
32	283770	SPACER / TO FIX RETAINING ARM	1	1	
33	H9-1879-90	EXTERIOR DOOR HINGE AND SUPPORT			
34	5001848	WASHER BEL SPR .827 x .331 x .098 th SS	1	1	
39	285488	LATERAL EXTRUSION	1	1	
40	282988	PLATE HOLDER / WELDED TO STRUCTURE	1	1	
41	780587	LOCK SPAGNOLET L.H. / W/G-FITTING	1	1	
. NS	507607	. GREASE FITTING / M6-1.00	1	1	
42	285765	PLATE ADAPTOR	1	1	
43	5001982	SCREW CAP HEX M6-1.0x12 SS BK	AR	AR	
44	5001833	WASHER BEL SPR 6.1x18x1.27 SS	AR	AR	

From K-0185	Date:07/2024	PAGE:H9-1866-00
EVAPORATOR DOOR ASSY		

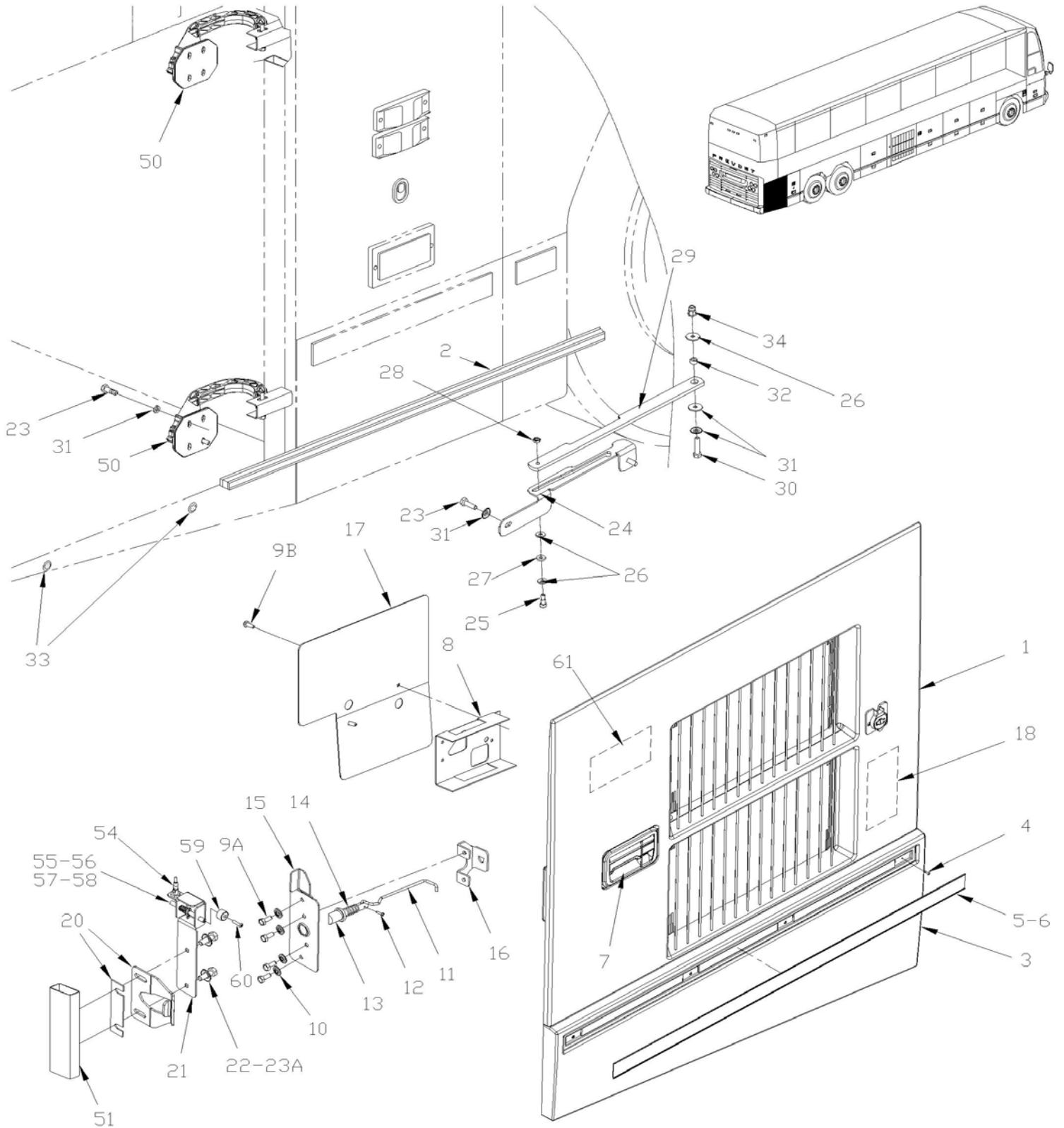
Item#	Part	Description	H 3 4 1	H 3 4 5	NOTES
45	282984	ROD OPENING 52MM	1	1	
46	504083	SNAP BUSHING / .250x.468.406	1	1	
47	500764	NUT HEX #8-32 Z050	1	1	
48	505504	KNOB, PULL / 8-32	1	1	
49	504393	SNAP-IN PLUG / 1.200 O.D.	1	1	
50	473639	PANEL AIR INTAKE EVAPORATOR / W/SCREEN	1	1	
51	213544	EXTERIOR PANEL SS	1	1	
52	504248	RIVET CHY Q PRDG 3/16x1/4 SS	AR	AR	
53	502622	SCREW CAP HEX M6-1.0x20 SS BK	AR	AR	
NS	502820	WASHER FL .187x1.000x.125 RUB BK	AR	AR	
54	5001639	NUT SPR U M6-1.0 0.34-4 MAG565	AR	AR	
55	5001982	SCREW CAP HEX M6-1.0x12 SS BK	2	2	
56	5002015	WASHER BEL SPR 6.65x17.4x0.9 SS	2	2	

From K-0185

Date:07/2024

PAGE:H9-1868-01

A/C COMPRESSOR DOOR ASSY

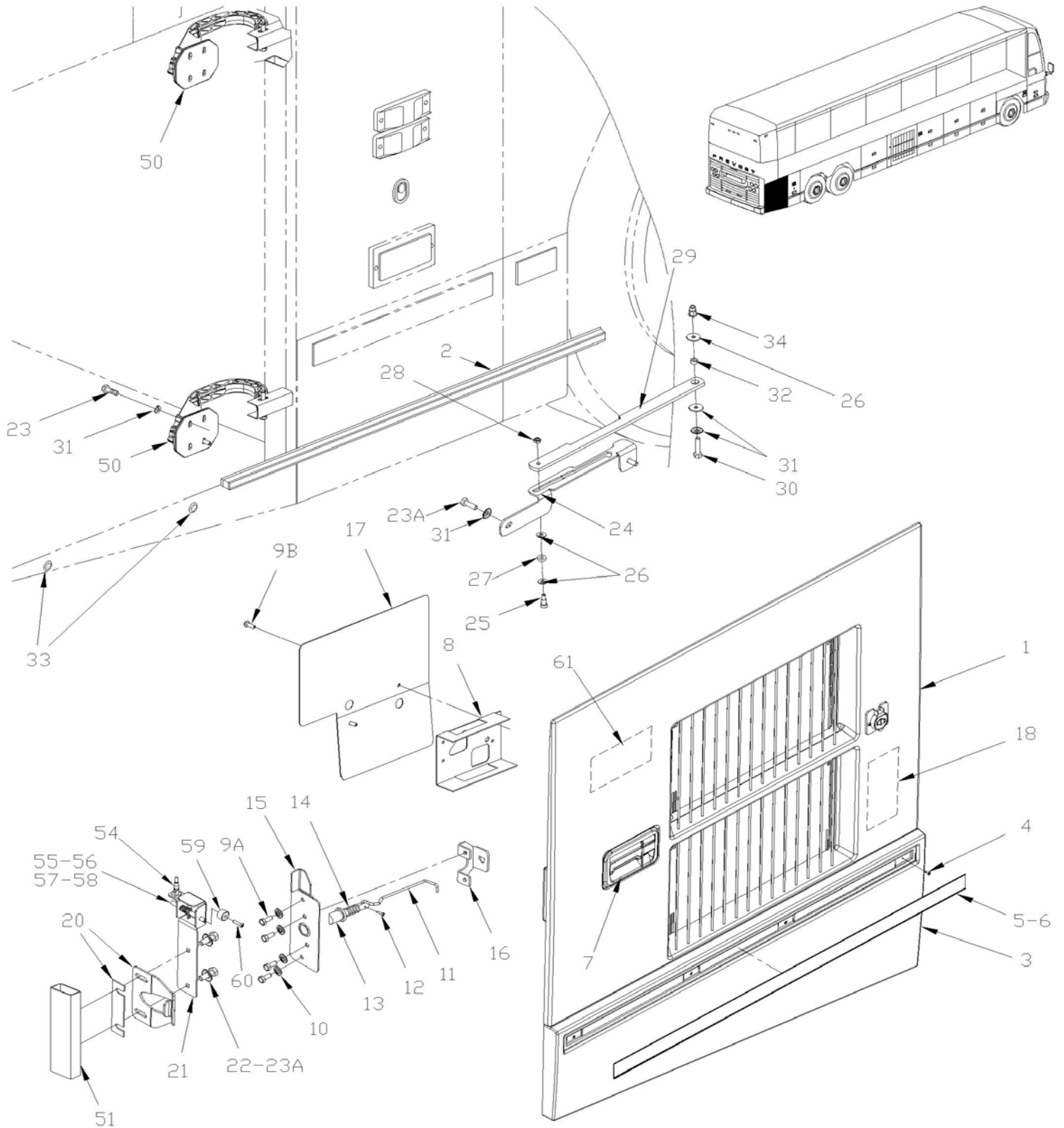


From K-0185

Date:07/2024

PAGE:H9-1868-01

A/C COMPRESSOR DOOR ASSY



From K-0185	Date:07/2024	PAGE:H9-1868-01
A/C COMPRESSOR DOOR ASSY		

Item#	Part	Description	H 3 4 1	H 3 4 5	NOTES
	2810643	A/C COMPRESSOR DOOR ASSY To L-0943			
	2810478	COMPRESSOR DOOR ASSY From L-0944	1	1	
1	280083	. COMPRESSOR DOOR / FIBERGLASS / VENTED	1	1	
1	287998	. COMPRESSOR DOOR / FIBERGLASS / VENTED	1	1	C
NS	288097	. GRILL PERFORATED SS / INSIDE OF DOOR To L-0943	1	1	
NS	509805	. SCREW TP PAN PH #10x1/2 BK To L-0943	8	8	
1	504709	. BUMPER PLUG / 9/32X1 1/16 X 5/8 X 1/16 To L-0943	2	2	
2	293281	. RUBBER SEAL EXTRUSION / ADHESIVE / LOWER WINDOW	1	1	
3	285863	. PROTECTOR PANEL / SH	1	1	
3	286213	. PROTECTOR PANEL / WITH GRAVEL GUARD / SH	1	1	A
NS	683083	. ADHESIVE SIKA #252 / BLACK / 600 ml SAUSAGE	AR	AR	
NS	681348	. TAPE RUB ADH2 ACRYLIC .045" x 1" x 108' / VHB4952	AR	AR	
NS	683885	. ADHESIVE SIKA TACK ULTRA FAST 2 / BLACK / 325ml	AR	AR	
4	500120	. SCREW TP BDG PH #6x1/2 SS	4	4	
5	280234	. EXTRUSION BACKING ASSY W/REFLECTOR 1070MM	1	1	
. NS	280119	. EXTRUSION 1070MM	1	1	
NS	684685	. ADHESIVE SIMSON #ISR 70-03 / 310ml CARTRIDGE	AR	AR	
6	283100	. STRIPE, REFLECTIVE WHITE / 38MM X 15' ROLL	AR	AR	
. NS	780277	. STRIPE, REFLECTIVE WHITE / 38MM X 150' ROLL	AR	AR	
7	H9-1864-31	. HANDLE LOCK & KEYS - TYPE "NS" & "FORD" To P-1452			
7	H9-1864-32	. HANDLE LOCK & KEYS - TYPE "NS" & "FORD" From R-1453			
8	289340	. SUPPORT, HANDLE	1	1	
9A	5001697	. SCREW CAP HEX M6-1.0x16 SS BK	4	4	
9B	5001630	. SCREW TP BUTF TORX M6x20 SS To K-0216	4	4	
9B	5002054	. SCREW TP BUTF TORX M6x20 SS From K-0217	4	4	
10	5002015	. WASHER BEL SPR 6.65x17.4x0.9 SS	4	4	
11	289334	. ROD / HANDLE & CATCH PIN / 135.1MM	1	1	
12	780340	. CLIP, RETAINER ROD	1	1	
13	2801056	. CATCH PIN BLACK ACETAL	1	1	
14	502910	. SPRING COMPRESSION / .720 O.D. 1.75 x .055	1	1	
15	2800535	. GUIDE PIN PLATE / 60MM X 140MM	1	1	
16	288061	. SUPPORT CATCH PIN	1	1	
17	288065	. PLATE CLOSING / 309MM X 298MM	1	1	
18	405194	. DECAL "OPENING & CLOSING SUMP TANK PICTOGRA	1	1	
20	289589	CATCH PIN / RETAINER	1	1	
NS	287452	SHIM SPACER 70MM X 25 X 14GA	AR	AR	
21	2800534	PLATE RETAINER / W/SWITCH SUPPORT / 66MM X 25.4MM	1	1	
22	502857	WASHER LO SERR 8.2x26.3x1.8 N500	2	2	
23	5001912	SCREW CAP HEX M8-1.25x30 SS BK	AR	AR	
23A	502780	SCREW CAP HEX M8-1.25x25 SS BK To R-1943	2	2	
23A	502780	SCREW CAP HEX M8-1.25x25 SS BK From R-1944		4	
24	287043	GUIDE RETAINING ARM	1	1	

From K-0185		Date:07/2024	PAGE:H9-1868-01
A/C COMPRESSOR DOOR ASSY			

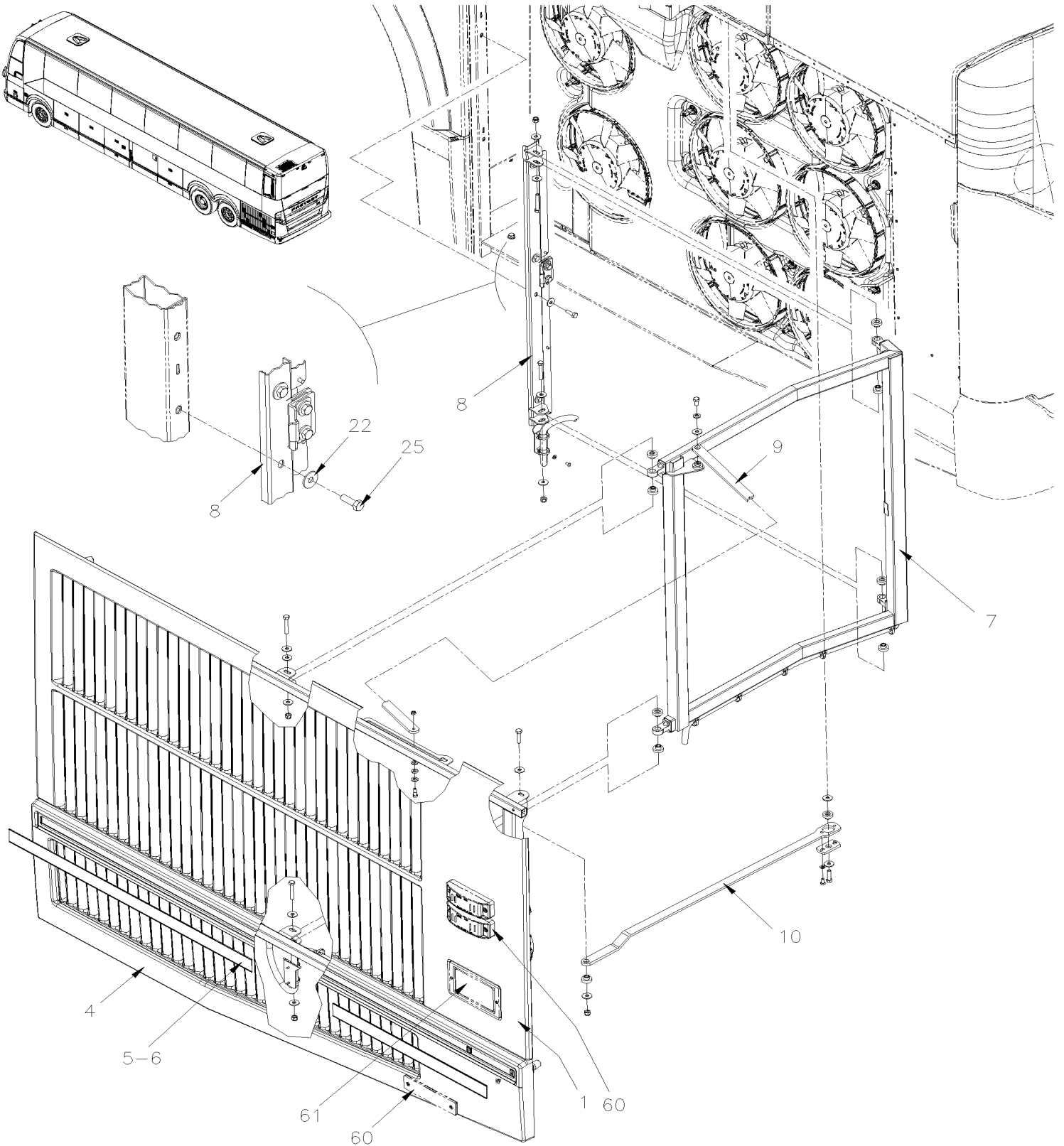
Item#	Part	Description	H 3 4 1	H 3 4 5	N O T E S
25	5001560	SCREW SHR HEXS 5/16x3/8 (1/4-20 SS	1	1	
26	5001341	WASHER FL 8.4x17.0x1.6 SS	2	2	
27	502768	WASHER FL RUB .312x.625x.125 NEO	1	1	
28	5001980	NUT HEX JAM 1/4-20 SS BK	1	1	
29	2800976	ARM RETAINING	1	1	
30	502780	SCREW CAP HEX M8-1.25x25 SS BK To M-1121	1	1	
30	5001912	SCREW CAP HEX M8-1.25x30 SS BK From M-1121	1	1	
31	5001699	WASHER BEL SPR 8.2x22x1.4 N500	6	6	
31	5001848	WASHER BEL SPR .827 x .331 x .098 th SS	11	11	
32	283770	SPACER / TO FIX RETAINING ARM	1	1	
33	5001168	BUMPER RUBBER / .750 OD x .562 TH x .187 HOLE To K-0337	2	2	
33	5002023	BUMPER NEOPRENE / .750 OD x .562 TH x .187 HOLE From K-0338 To K-0516	2	2	
33	5001009	NUT AN 1/4 NYL From K-0517	2	2	
NS	504416	RIVET POP DOME OE 3/16x5/8 SS To K-0516	2	2	
NS	504454	BUMPER RUBBER BOLT / 20MM ODx20MM TH X M6X15MM STUD From K-0517	2	2	
34	5001692	NUT INS FL HEX M8-1.25 0.5-3.0 SS	1	1	
50	H9-1879-90	EXTERIOR DOOR HINGE AND SUPPORT			
51	H9-189X-XX	STRUCTURE / CALL ORDER DESK			
54	H9-0665-11	SWITCHES, LIGHTS, AJAR - UNDER FLOOR & ENGINE COMPARTMENT To P-1452	1	1	
54	H9-0665-12	SWITCHES, LIGHTS, AJAR - UNDER FLOOR & ENGINE COMPARTMENT From R-1453			
55	2800875	ROD / SWITCH	1	1	
56	5021001	SPRING COMPRESSION / .360 O.D. x 1.5 x .038	1	1	
57	502573	WASHER FL 6.4x12.5x1.6 SS	1	1	
58	5001860	PIN HITCH CLIP .054 x 3/4 SS	1	1	
59	504334	BUMPER RUBBER / .625 OD x .406 TH x .156 HOLE To K-0337	1	1	
59	5002025	BUMPER NEOPRENE / .625 OD x .406 TH x .156 HOLE From K-0338	1	1	
60	502698	SCREW MA PAN PH M4-0.7x16 SS BK	1	1	
61	453066	DECAL R134A / NOMINAL CHARGE 24 LBS // ENGLISH & FRANCAIS	1	1	
61	453244	DECAL R134A / NOMINAL CHARGE 26 LBS // ENGLISH & FRANCAIS	1	1	
		A) THIS PROTECTOR IS COATED WITH GRAVEL GUARD AND IS BLACK PAINTED, READY TO INSTALL			
		C) USE WITHOUT BLOCK HEATER HOLE PLUG			

From K-0185

Date:07/2024

PAGE:H9-1869-01

RADIATOR DOOR ASSY

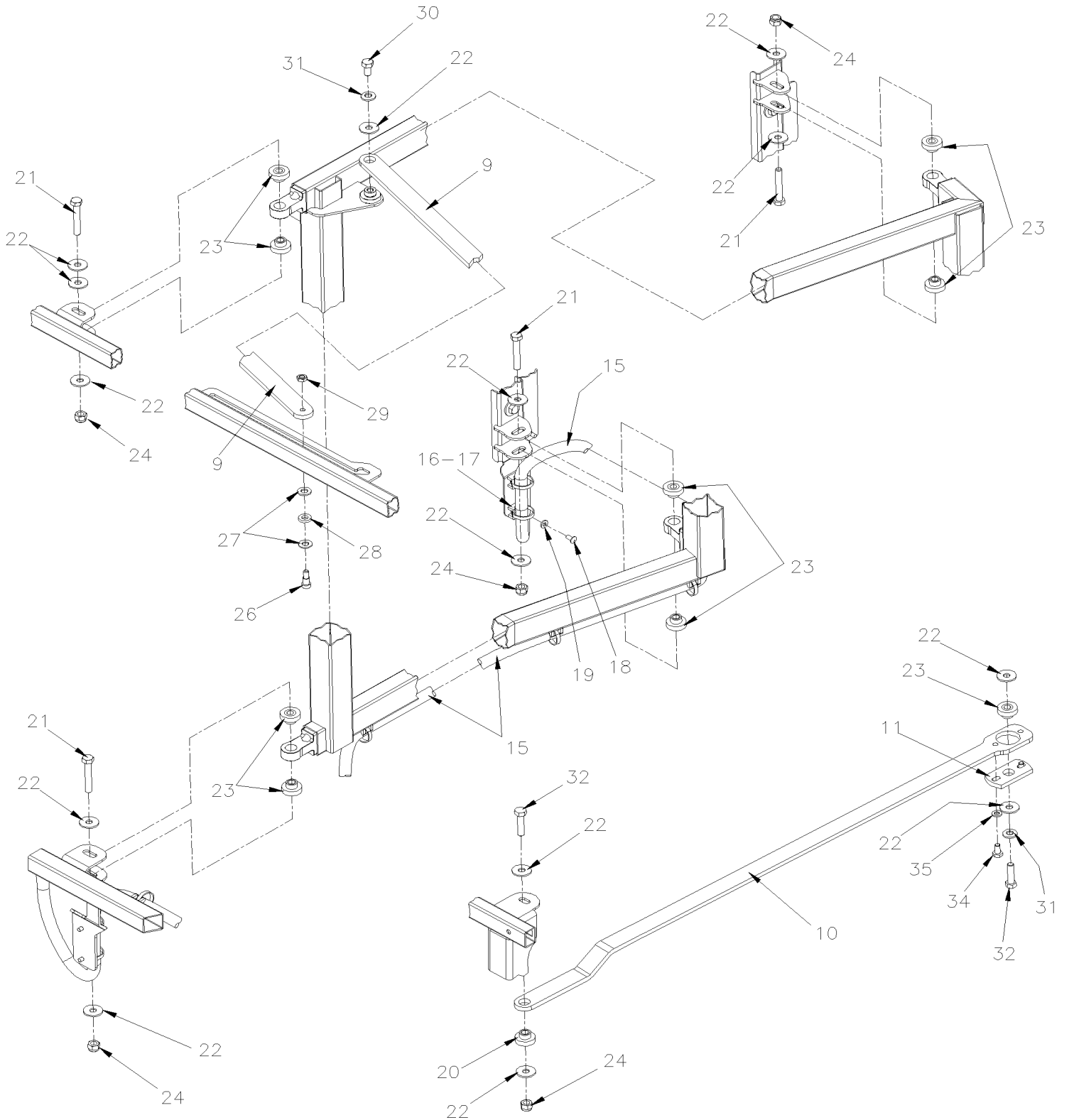


From K-0185

Date:07/2024

PAGE:H9-1869-01

RADIATOR DOOR ASSY



From K-0185		Date:07/2024	PAGE:H9-1869-01
RADIATOR DOOR ASSY			

Item#	Part	Description	H 3 4 1	H 3 4 5	N O T E S
	281311P	RADIATOR DOOR ASSY To L-0958	1	1	
	2810299	RADIATOR DOOR ASSY From L-0959	1	1	
1	281573	. RADIATOR DOOR To L-0958	1	1	
1	2810226	. RADIATOR DOOR From L-0959	1	1	
NS	685126	. . ADHESIVE SIMSON #ISR 70-03 / GREY / 600ml SAUSAGE	AR	AR	
NS	687957	. . GLUE MS POLYMER TEROSON MS 9399 / 400ml CARTRIDGE To M-1153	AR	AR	
NS	685387	. . GLUE MS POLYMER TEROSON MS 9399 / 400ml CARTRIDGE From M-1154	AR	AR	
2	280906	. . FRAME ASSY / RADIATOR DOOR To L-0958	1	1	
2	2810227	. . FRAME ASSY / RADIATOR DOOR From L-0959	1	1	
3	470973	. . INSULATOR SUPPORT	3	3	
NS	501091	. . FEMALE CONNECTOR / POLY-TITE FITTING / #8x3/8NPT-F BR	AR	AR	
4	281300	. PROTECTOR PANEL	1	1	
NS	506785	. TAPE RUB ADH2 CC POL 1/16" X 1/4" X 200' / BLACK I1C-N-A	AR	AR	
NS	683083	. ADHESIVE SIKA #252 / BLACK / 600 ml SAUSAGE	AR	AR	
5	287877	. EXTRUSION BACKING ASSY W/REFLECTOR 1664MM	1	1	
. NS	287876	. . EXTRUSION 1664MM	1	1	
NS	684685	. ADHESIVE SIMSON #ISR 70-03 / 310ml CARTRIDGE	AR	AR	
6	283100	. . STRIPE, REFLECTIVE WHITE / 38MM X 15' ROLL	1	1	
. NS	780277	. . . STRIPE, REFLECTIVE WHITE / 38MM X 150' ROLL	AR	AR	
7	280908	. ARM PANTOGRAPH	1	1	
8	281314	. REMOVABLE SUPPORT	1	1	
9	281408	. STOP BAR To L-0958	1	1	
9	2810217	. STOP BAR From L-0959	1	1	
10	281305	. STABILIZER ARM To K-0370	1	1	
10	289859	. STABILIZER ARM From K-0371	1	1	
11	288162	. SUPPORT, FRAME ASSY. To K-0370	1	1	
11	289860	. SUPPORT, FRAME ASSY. From K-0371	1	1	
13	504454	. BUMPER RUBBER BOLT / 20MM ODx20MM TH X M6X15MM STUD	4	4	
14	5001009	. NUT AN 1/4 NYL	4	4	
15	061153	. HARNESS RADIATOR DOOR	1	1	
16	504013	. TIE MOUNT / 1/4" X 1/4" I.D.	21	21	
17	504637	. CABLE TIE / 3/16" x 13"	21	21	
18	504488	. RIVET MGLP PRDG 3/16x17/64 SS	21	21	
19	5001137	. WASHER FL .203x.438x.050 SS	21	21	
20	286716	. SPACER BUSHING FLANGE / AUX. ARM & SUPPORT ACETAL 8.3MM I.D. To L-0958	1	1	
20	2810218	. SPACER BUSHING FLANGE / AUX. ARM & SUPPORT ACETAL 8.3MM I.D. 17MM LG From L-0959	1	1	
21	5001981	. SCREW CAP HEX M8-1.25x50 SS BK	4	4	
22	5001849	. WASHER FL 8.4x24.0x2.0 SS	14	14	
23	286716	. SPACER BUSHING FLANGE / AUX. ARM & SUPPORT ACETAL 8.3MM I.D.	9	9	
24	5001787	. NUT HEX NYRT M8-1.25 SS	5	5	
25	502780	. SCREW CAP HEX M8-1.25x25 SS BK	4	4	
26	5001560	. SCREW SHR HEXS 5/16x3/8 {1/4-20 SS	1	1	

From K-0185		Date:07/2024	PAGE:H9-1869-01
RADIATOR DOOR ASSY			

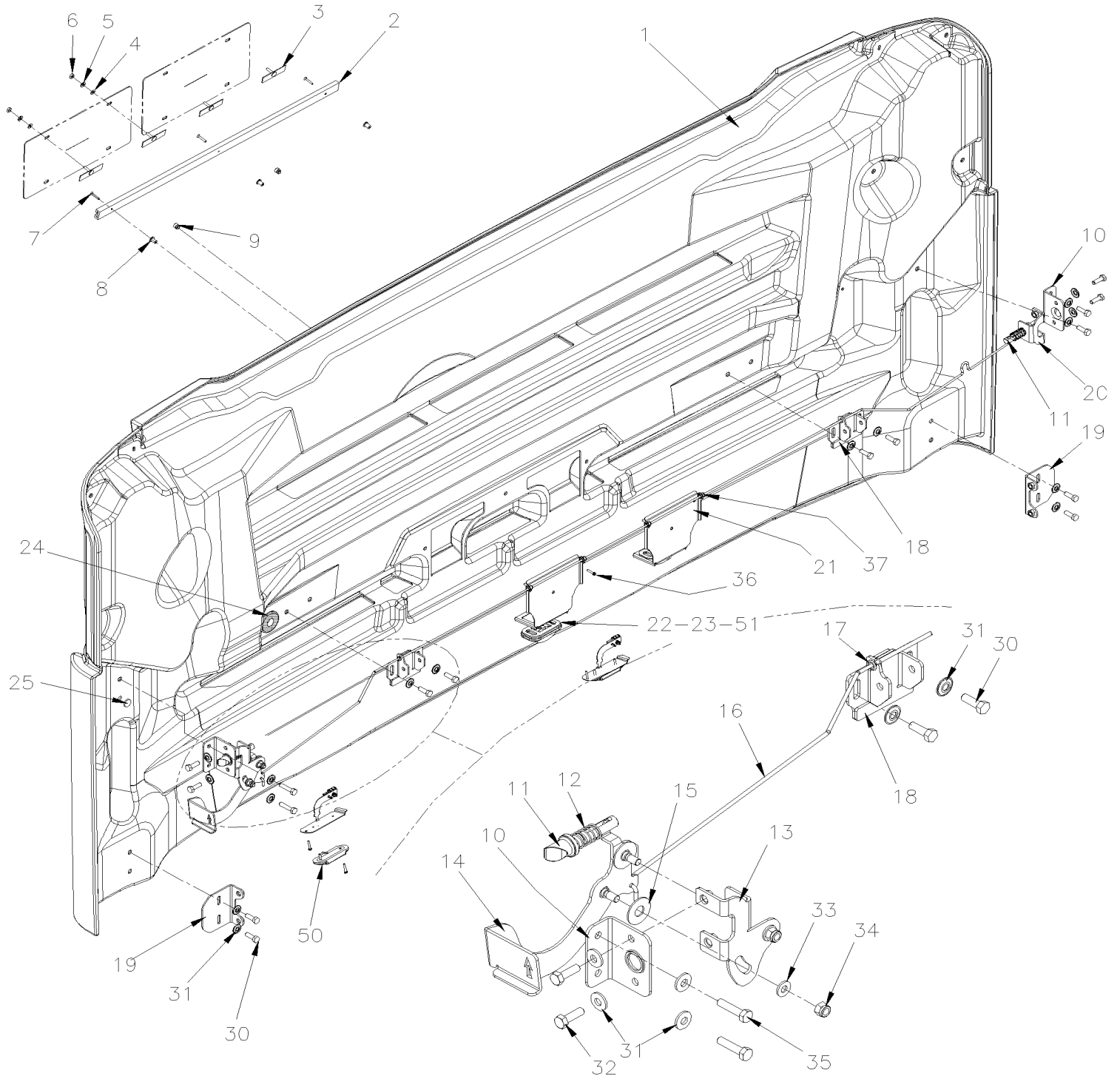
Item#	Part	Description	H 3 4 1	H 3 4 5	N O T E S
27	5001341	. WASHER FL 8.4x17.0x1.6 SS	2	2	
28	502768	. WASHER FL RUB .312x.625x.125 NEO	1	1	
29	5001980	. NUT HEX JAM 1/4-20 SS BK	1	1	
30	5001527	. SCREW CAP HEX M8-1.25x16 SS BK	1	1	
31	5001868	. WASHER BEL SPR 8.4x18x2 SS	1	1	
32	5001559	. SCREW CAP HEX M8-1.25x35 SS BK	2	2	
34	502772	. SCREW CAP HEX 1/4-20x1/2 G5 N500 To K-0370	2	2	
34	5001982	. SCREW CAP HEX M6-1.0x12 SS BK From K-0371	2	2	
35	502573	. WASHER FL 6.4x12.5x1.6 SS	2	2	
36	502181	. SPRING COMPRESSION / .720 O.D. x 3 x .067	1	1	
37	502013	. PIN, COTTER 5MM x 32MM SS	1	1	
40	2810046	. PLATE FOR LATCH - RAD. DOOR	1	1	
41	289591	. SPACER	1	1	
42	502780	. SCREW CAP HEX M8-1.25x25 SS BK	8	8	
43	5001848	. WASHER BEL SPR .827 x .331 x .098 th SS	8	8	
44	5001692	. NUT INS FL HEX M8-1.25 0.5-3.0 SS	2	2	
45	287856	. LATCH GUIDE	2	2	
46	2801055	. CATCH PIN BLACK ACETAL	2	2	
47	502910	. SPRING COMPRESSION / .720 O.D. 1.75 x .055	2	2	
48	2810045	. CATCH PIN / RETAINER	1	1	
49	287452	. SHIM SPACER 70MM X 25 X 14GA	2	2	
50	288088	. PLATE RETAINER 66MM X 25.4MM	1	1	
51	281322	. TRIGGER RADIATOR DOOR	1	1	
52	5001233	. WASHER FL .500x1.250x.062 NYL	2	2	
53	5001850	. WASHER FL 8.4 x 18 x 2 NYL	2	2	
54	5001787	. NUT HEX NYRT M8-1.25 SS	2	2	
55	281320	. ROD FOR OPENING RADDIATOR DOOR	1	1	
56	504083	. SNAP BUSHING / .250x.468.406	4	4	
57	5001852	. NUT HEX M8-1.25 SS BK	4	4	
60	H9-0662-00	CLEARANCE & MARKER LIGHT To P-1452			
60	H9-0662-01	CLEARANCE & MARKER LIGHT From R-1453			
61	H9-0663-00	DOCK & CORNERING LIGHT To P-1452			
61	H9-0663-01	DOCK & CORNERING LIGHT From R-1453			

From K-0185

Date:07/2024

PAGE:H9-1870-01

ENGINE DOOR ASSY



From K-0185		Date:07/2024	PAGE:H9-1870-01
ENGINE DOOR ASSY			

Item#	Part	Description	H 3 4 1	H 3 4 5	N O T E S
	2810130	REAR ENGINE DOOR ASSY W/LIGHTS	1	1	
1	280137	. DOOR MOULDED / FIBERGLASS To L-0934	1	1	
1	2810347	. DOOR MOULDED / FIBERGLASS From L-0935	1	1	
2	491388	. TRACK / LICENCE PLATE HOLDER 678.1 MM	1	1	A
3	504286	. T SCREW 10-24 X 3/4" / SS / PLATE HOLDER	4	4	
3	507333	. PROTECTOR CAP / BLACK / .172 I.D. x .500	4	4	
4	5001137	. WASHER FL .203x.438x.050 SS	4	4	
5	502570	. WASHER LO SPT 6.1x11.8x1.6 SS	4	4	
6	500787	. NUT HEX #10-24 SS	4	4	
7	502666	. SCREW MA FL PH #6-32x3/4 SS BK	3	3	
8	500286	. NUT WELL #6-32	3	3	
9	504498	. BUMPER PLUG / .406ODx.218THx.250HOLEx.125	2	2	
10	289644	. ANGLE SUPPORT CATCH PIN To K-0400	2	2	
10	289216	. ANGLE SUPPORT CATCH PIN From K-0401	2	2	
11	2801055	. CATCH PIN BLACK ACETAL	2	2	
12	502910	. SPRING COMPRESSION / .720 O.D. 1.75 x .055	2	2	
13	289727	. SUPPORT CATCH PIN W/PIVOT To K-0400	1	1	
13	289878	. SUPPORT CATCH PIN From K-0401	1	1	
14	289730	. ACTUATOR DOOR LATCH To K-0400	1	1	
14	289879	. ACTUATOR DOOR LATCH From K-0401	1	1	
NS	287271	. RIVET SHR FL 9.95x3.6{4.8x4.8 SS	1	1	
15	479302	. RIVET SHR FL	1	1	
16	289637	. ROD OPENING 2088MM	1	1	
17	504462	. SNAP BUSHING / .187x.375x.312	2	2	
18	289725	. BRACKET / TO FIX PANTHOGRAPH 116MM WIDE	2	2	
19	289638	. BRACKET ASSY	2	2	
20	289674	. SUPPORT CATCH PIN W/OUT PIVOT	1	1	
21	2800462	. LICENSE PLATE LAMP HOLDER	2	2	
22	930208	. GROMMET RUBBER RETAINER / LICENCE LAMP TL 15700	2	2	
22	930408	. GROMMET RUBBER RETAINER / LICENCE LAMP TL 150702	2	2	
23	930368	. SEAL LEDS / W/CONNECTOR LEDS - 12VOLTS	2	2	
. NS	12015378	. . CONNECTOR / WEATHER PACK / SH 2C / GRAY / PED 12015378	1	1	
. NS	N.P.N.	. . SEAL LEDS / W/CONNECTOR			4
. NS	562348	. . CONNECTOR / WEATHER PACK / PH 2C / GRAY / PED 12034074	1	1	
. NS	561786	. . CABLE SEAL / GRAY / PED 15324980	2	2	
. NS	561568	. . PIN TERMINAL / 16-14 / PED 12089305	2	2	
24	504579	. GROMMET / .750x1.625x.125x.437x2.000	2	2	
25	562949	. MAGNET ROUND .200x.700 DIA	1	1	
30	502780	. SCREW CAP HEX M8-1.25x25 SS BK	16	16	
31	5001868	. WASHER BEL SPR 8.4x18x2 SS	16	16	
32	502780	. SCREW CAP HEX M8-1.25x25 SS BK	2	2	
33	5001850	. WASHER FL 8.4 x 18 x 2 NYL	2	2	

From K-0185	Date:07/2024	PAGE:H9-1870-01
ENGINE DOOR ASSY		

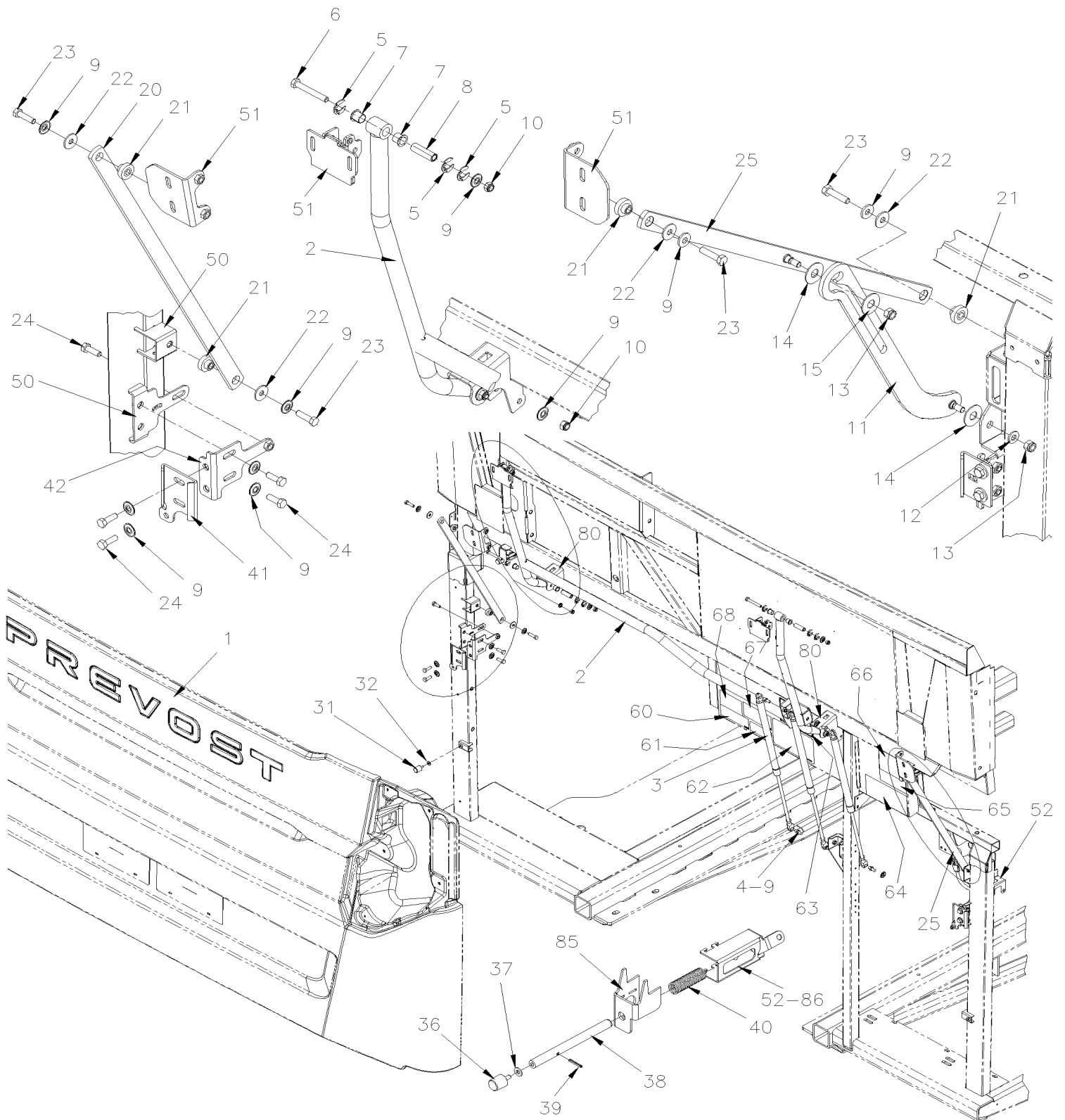
Item#	Part	Description	H 3 4 1	H 3 4 5	N O T E S
34	5001787	. NUT HEX NYRT M8-1.25 SS	1	1	
35	502780	. SCREW CAP HEX M8-1.25x25 SS BK	2	2	
36	5001040	. SCREW TC PAN PH #6-32x3/4 SS	4	4	
37	504083	. SNAP BUSHING / .250x.468.406	4	4	
NS	280722	KIT LICENSE HOLDER - IMPROVMENT	1	1	
. NS	280616	. LICENCE SUPPORT ALUMINIUM	1	1	
. NS	5001955	. SCREW MA RND PH #6-32x1/2 SS	3	3	
. NS	502556	. WASHER FL 4.3x9.0x0.8 SS	3	3	
50	H9-0665-11	SWITCHES, LIGHTS, AJAR - UNDER FLOOR & ENGINE COMPARTMENT To P-1452			
50	H9-0665-12	SWITCHES, LIGHTS, AJAR - UNDER FLOOR & ENGINE COMPARTMENT From R-1453			
51	H9-0664-01	REAR EXTERIOR LIGHTS & PLATE HOLDER			
		A) FOR PRODUCT IMPROVMENT ASK KIT#280722			
		4) NO PARTS NUMBER			

From K-0185

Date:07/2024

PAGE:H9-1870-11

REAR ENGINE DOOR - INSTALLATION



From K-0185		Date:07/2024	PAGE:H9-1870-11
REAR ENGINE DOOR - INSTALLATION			

Item#	Part	Description	H 3 4 1	H 3 4 5	N O T E S
1	H9-1870-01	ENGINE DOOR ASSY			
2	2800982	PANTOGRAPH LEVER	1	1	
3	980030	CYLINDER GAZ / 669/409MM C/C / 210LBS	3	3	
4	980015	BALL STUD / W/10 MM X M8-1.25 / 29.18 MM	6	6	
4	680038	THREAD LOCKER LOCTITE #243 / BLUE / 50ml	AR	AR	
5	508398	RING RETAINER / EXT .625 x .500 x .050" / SS	AR	AR	
6	5001847	SCREW CAP HEX M8-1.25x65 SS To K-0360	4	4	
6	5001178	SCREW CAP HEX M8-1.25x60 SS BK From K-0361	4	4	
7	507142	BUSHING, NYLINER W/SHOULDER (8-L-8-F)	8	8	
8	289664	SPACER TUBE 41.4MM x 12.7MM x 8.5MM	4	4	
9	5001868	WASHER BEL SPR 8.4x18x2 SS	AR	AR	
10	5001852	NUT HEX M8-1.25 SS BK	4	4	
11	289720	ARM SAFETY LOCK	1	1	
12	5001850	WASHER FL 8.4 x 18 x 2 NYL	2	2	
13	5001787	NUT HEX NYRT M8-1.25 SS	2	2	
14	5001233	WASHER FL .500x1.250x.062 NYL	2	2	
15	5001467	WASHER FL .343x1.250x.062 SS18-8	1	1	
20	288092	ARM STABILIZER 627MM C/C / PROTO	1	1	
21	286716	SPACER BUSHING FLANGE / AUX. ARM & SUPPORT ACETAL 8.3MM I.D.	4	4	
22	5001869	WASHER FL .343x.750x.12 SS	4	4	
23	5001559	SCREW CAP HEX M8-1.25x35 SS BK	4	4	
24	502780	SCREW CAP HEX M8-1.25x25 SS BK	10	10	
24	5001745	SCREW CAP HEX M8-1.25x25 G8.8 N500	10	10	
25	289722	ARM STABILIZER 627MM C/C / PROTO	1	1	
31	504790	BUMPER RUBBER BOLT / 25.5MM ODx20MM TH M6X18MM STUD	4	4	
32	502567	NUT HEX M10-1.5 SS	4	4	
32	287803	ROD, ADJUSTMENT ENGINE DOOR STOPPER	4	4	
36	504454	BUMPER RUBBER BOLT / 20MM ODx20MM TH X M6X15MM STUD	2	2	
37	500877	WASHER FL .250x.562x.065 N500	2	2	
38	289662	STOPPER 155MM	2	2	
NS	502180	PIN HITCH CLIP 3/32 x 1/2 Z050	2	2	
39	505513	SPRING, PIN M3 x 24 SS	2	2	
40	502940	SPRING COMPRESSION / .720 O.D. x 6 x .067 SS	2	2	
41	287051	CATCH PIN / RETAINER 52MM x 70MM	2	2	
42	287052	DOOR LATCH ADJUSTABLE	2	2	
50	H9-189X-XX	STRUCTURE / CALL ORDER DESK			
51	H9-1870-01	ENGINE DOOR ASSY			
52	H9-0665-11	SWITCHES, LIGHTS, AJAR - UNDER FLOOR & ENGINE COMPARTMENT To P-1452			
52	H9-0665-12	SWITCHES, LIGHTS, AJAR - UNDER FLOOR & ENGINE COMPARTMENT From R-1453			

From K-0185		Date:07/2024	PAGE:H9-1870-11
REAR ENGINE DOOR - INSTALLATION			

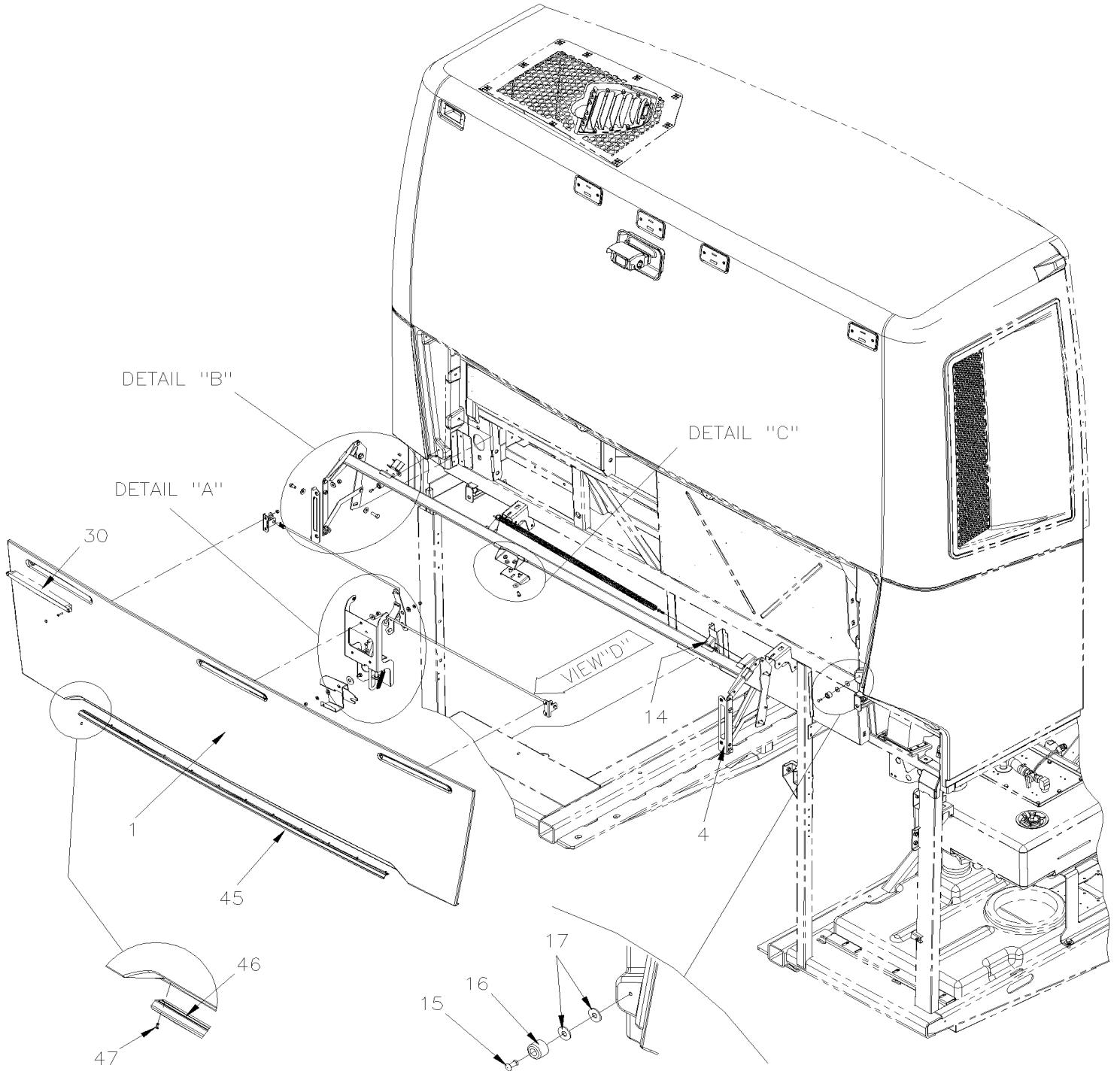
Item#	Part	Description	H 3 4 1	H 3 4 5	N O T E S
60	011229P	DECAL "VEHICLE EMISSION INFORMATION" / CANADA / ENGLISH To L-0930	1	1	
60	Call order desk	DECAL "VEHICLE EMISSION INFORMATION" / CANADA / ENGLISH From L-0931 To R-1474	1	1	P
60	Call order desk	DECAL "VEHICLE EMISSION INFORMATION" / CANADA / ENGLISH From R-1475 To R-1486	1	1	P
60	Call order desk	DECAL "VEHICLE EMISSION INFORMATION" / CANADA / ENGLISH From R-1487 To R-1909	1	1	P
60	Call order desk	DECAL "VEHICLE EMISSION INFORMATION" / CANADA / ENGLISH From R-1874 To R-1874		1	PA
60	Call order desk	DECAL "INFORMATION EMISSIONS VEHICULE" / CANADA / FRANCAIS From R-1874 To R-1874		1	PA
60	Call order desk	DECAL "VEHICLE EMISSION INFORMATION" / CANADA / ENGLISH From R-1910		1	PA
60	Call order desk	DECAL "INFORMATION EMISSIONS VEHICULE" / CANADA / FRANCAIS From R-1910		1	PA
61	040011	DECAL "CLEAN IDLE EXEMPTION" To R-1909	1	1	
62	010060	DECAL / "BELT ROUTING"	1	1	
62	010111	DECAL / "BELT ROUTING" W/REMY	1	1	
63	143039	DECAL / TRAILER FRENCH	1	1	
64	071249	DECAL "TranSynd OIL ONLY" / ENGLISH & FRANCAIS	1	1	
65	405730	DECAL THIS VEHICULE EQUIPED ... FIRE SUPPRES / ENGLISH & FRANCAIS	1	1	
66	405729	DECAL THIS VEHICULE EQUIPED ... FIRE SUPPRES / ENGLISH	1	1	
67	012824P	DECAL, S3 ENGINE CERTIFICATION FR / ENG To R-1486	1	1	
67	Call order desk	DECAL, S3 ENGINE CERTIFICATION From R-1487 To R-1909	1	1	P
68	012702	DECAL "OIL SPEC" 10W/40 / ENGLISH & FRANCAIS / SPANISH To L-1023	1	1	
68	010315	DECAL "OIL SPEC" 5W/30 / ENGLISH & FRANCAIS / SPANISH From L-1024 To M-1118	1	1	
68	010329	DECAL "OIL SPEC" 5W/30 / ENGLISH & FRANCAIS / SPANISH From M-1119	1	1	
80	H9-189X-XX	STRUCTURE / CALL ORDER DESK	1	1	
NS	060748	CABLE ASSY LAMP / REAR ENGINE DOOR	1	1	
NS	504531	TIE MOUNT / 3/16" #10 SCREW / TA1S8-C	3	3	
NS	504104	RIVET POP DOME OE 1/8x1/8 SS	3	3	
NS	504637	CABLE TIE / 3/16" x 13"	4	4	
NS	509815	TIE MOUNT / ATTACHMENT W/TREE MOUNT	5	5	
NS	289679	PLATE CONNECTOR RETAINER TYPE 16 70MMx70MM W/SLOT SS	4	4	
NS	5001040	SCREW TC PAN PH #6-32x3/4 SS	14	14	
85	272624	GUIDE PIN (WEDED TO STRUCTURE) To M-1156	2	2	
85	273498	GUIDE PIN (WEDED TO STRUCTURE) From M-1157	2	2	
86	287709	GUIDE PIN REMOVABLE To M-1156	2	2	
86	2810510	GUIDE PIN REMOVABLE From M-1157	2	2	
NS	507034	CLIP BEARING 1/2" DIA From M-1157	4	4	
		A) BOTH ENGLISH AND FRENCH DECALS ARE REQUIRED			
		P) CALL ORDER DESK FOR SPECIFIC APPLICATION (V.I.N.)			

From K-0185 To P-1452

Date:07/2024

PAGE:H9-1870-21

REAR ENGINE UPPER DOOR

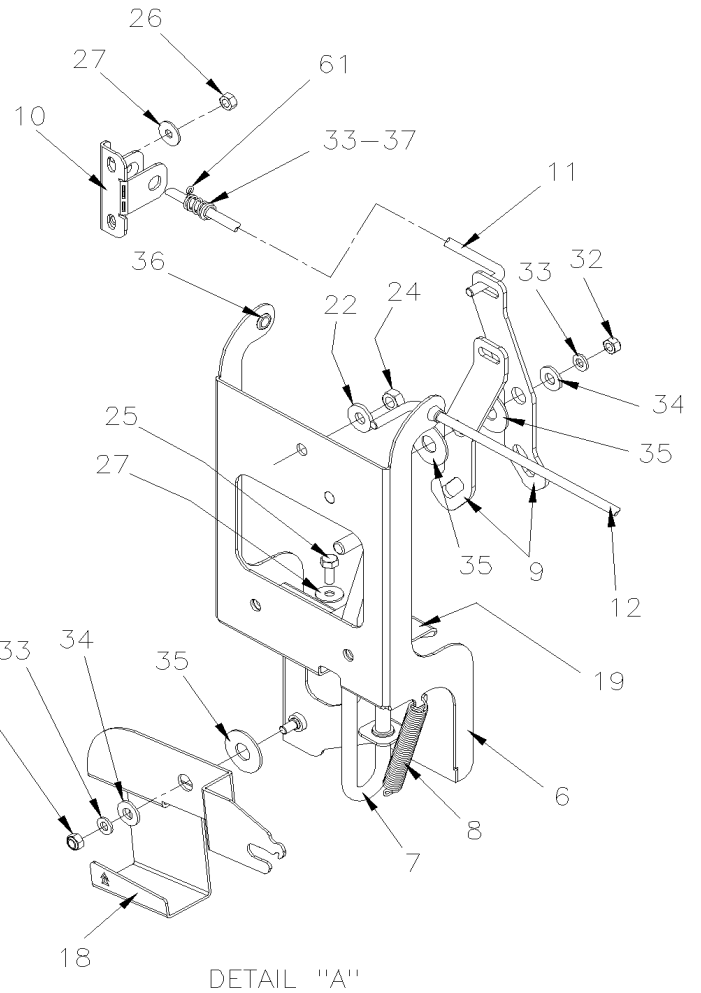
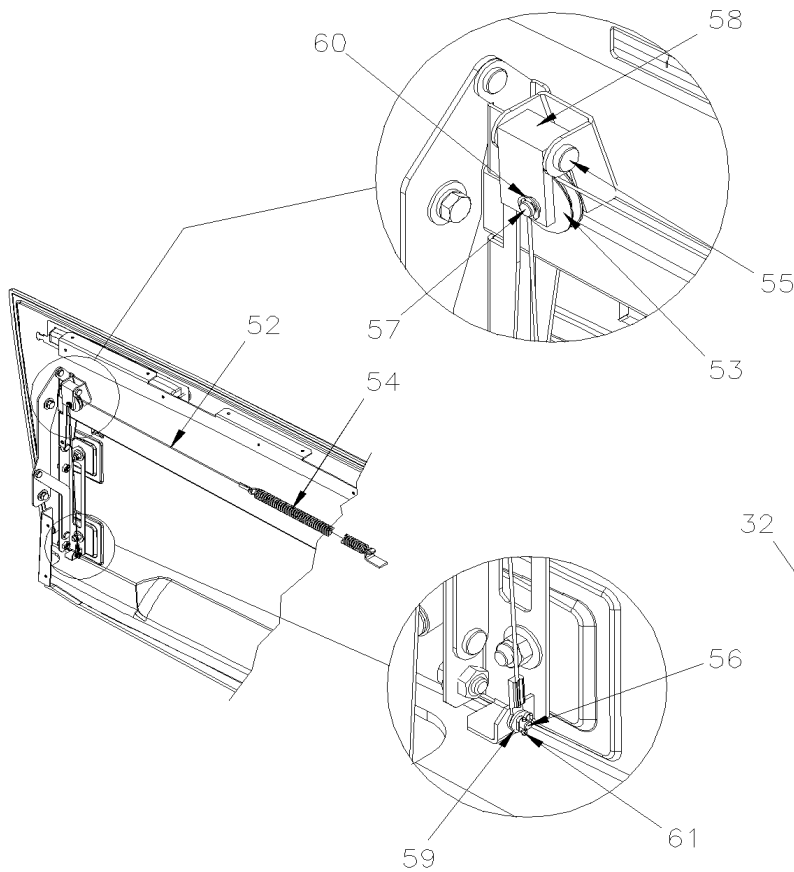
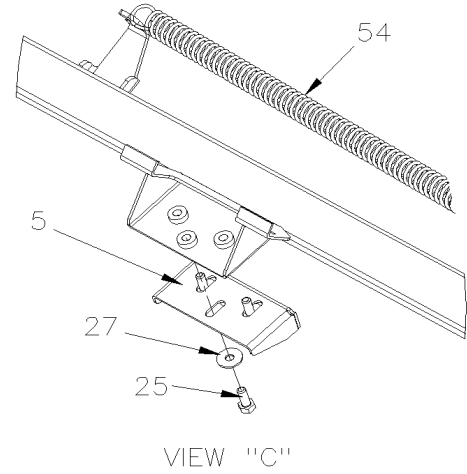
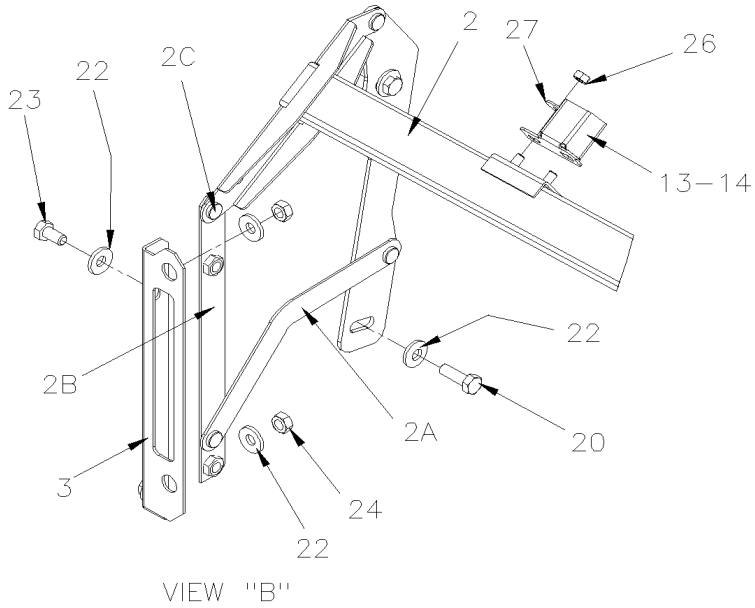


From K-0185 To P-1452

Date:07/2024

PAGE:H9-1870-21

REAR ENGINE UPPER DOOR



From K-0185 To P-1452	Date:07/2024	PAGE:H9-1870-21
REAR ENGINE UPPER DOOR		

Item#	Part	Description	H 3 4 1	H 3 4 5	N O T E S
1	470324	ENGINE UPPER DOOR	1	1	
1	060745	CABLE ASSY DPF DOOR LIGHTS	1	1	
2	289805	PANTOGRAPH LEVER	1	1	
. A	289563	. ARM STABILIZER	3	3	
. B	281151	. UNION ARM L.H.	1	1	
. C	289343	. RIVET SHR FL 7.08x2.2{6.2x6 SS	4	4	
. D	287047	. UNION ARM R.H.	1	1	
3	281152	ATTACH STREET SIDE	1	1	
4	289573	ATTACH CURBSIDE	1	1	
5	289572	PIN STRIKER , ADJUSTABLE	1	1	
6	289755	SUPPORT CENTRAL ASS.	1	1	
7	289753	ROD OPENING "Z" SHAPE 226MM	1	1	
8	502147	SPRING EXTENSION / .500 O.D. 3.5 x .054	1	1	
9	289751	ARM RELEASE	2	2	
10	478480	GUIDE ROD "U" SHAPE	2	2	
11	289798	ROD "L" SHAPE 835MM x 41MM	1	1	
12	289799	ROD "L" SHAPE 520MM x 36MM	1	1	
13	289747	STRIKER PLATE L.H.	1	1	
14	289748	STRIKER PLATE R.H.	1	1	
15	504416	RIVET POP DOME OE 3/16x5/8 SS To L-0853	6	6	
15	504200	RIVET POP DOME OE 3/16x3/4 SS From L-0854	6	6	
16	5001168	BUMPER RUBBER / .750 OD x .562 TH x .187 HOLE To K-0337	6	6	
16	5002023	BUMPER NEOPRENE / .750 OD x .562 TH x .187 HOLE From K-0338	6	6	
17	500411	WASHER FL .260x.697x.050 SS	12	12	
18	289804	LEVER CONTROL ROD	1	1	
19	289756	GUIDE ROD ANGLE PLATE W/2 HOLES	1	1	
20	502780	SCREW CAP HEX M8-1.25x25 SS BK	4	4	
22	5001848	WASHER BEL SPR .827 x .331 x .098 th SS To £-13073	15	15	
22	5001868	WASHER BEL SPR 8.4x18x2 SS From £-13073	15	15	
23	5001527	SCREW CAP HEX M8-1.25x16 SS BK	4	4	
24	5001852	NUT HEX M8-1.25 SS BK	7	7	
25	5001697	SCREW CAP HEX M6-1.0x16 SS BK	6	6	
26	5001851	NUT HEX M6-1.0 SS BK	4	4	
27	5001654	WASHER FL 6.4x17.0x3.0 SS	10	10	
30	H9-0664-01	REAR EXTERIOR LIGHTS & PLATE HOLDER			
32	502681	NUT HEX NYRT M6-1.0 N500 G8	2	2	
33	502573	WASHER FL 6.4x12.5x1.6 SS	4	4	
34	5001850	WASHER FL 8.4 x 18 x 2 NYL	2	2	
35	5001233	WASHER FL .500x1.250x.062 NYL	3	3	
36	504083	SNAP BUSHING / .250x.468.406	2	2	
37	474008	SPRING COMPRESSION / .360 O.D. x .625 x .035 To K-0558	1	1	
37	471755	SPRING COMPRESSION / .360 O.D. x .750 x .035 From K-0559	1	1	

From K-0185 To P-1452	Date:07/2024	PAGE:H9-1870-21
REAR ENGINE UPPER DOOR		

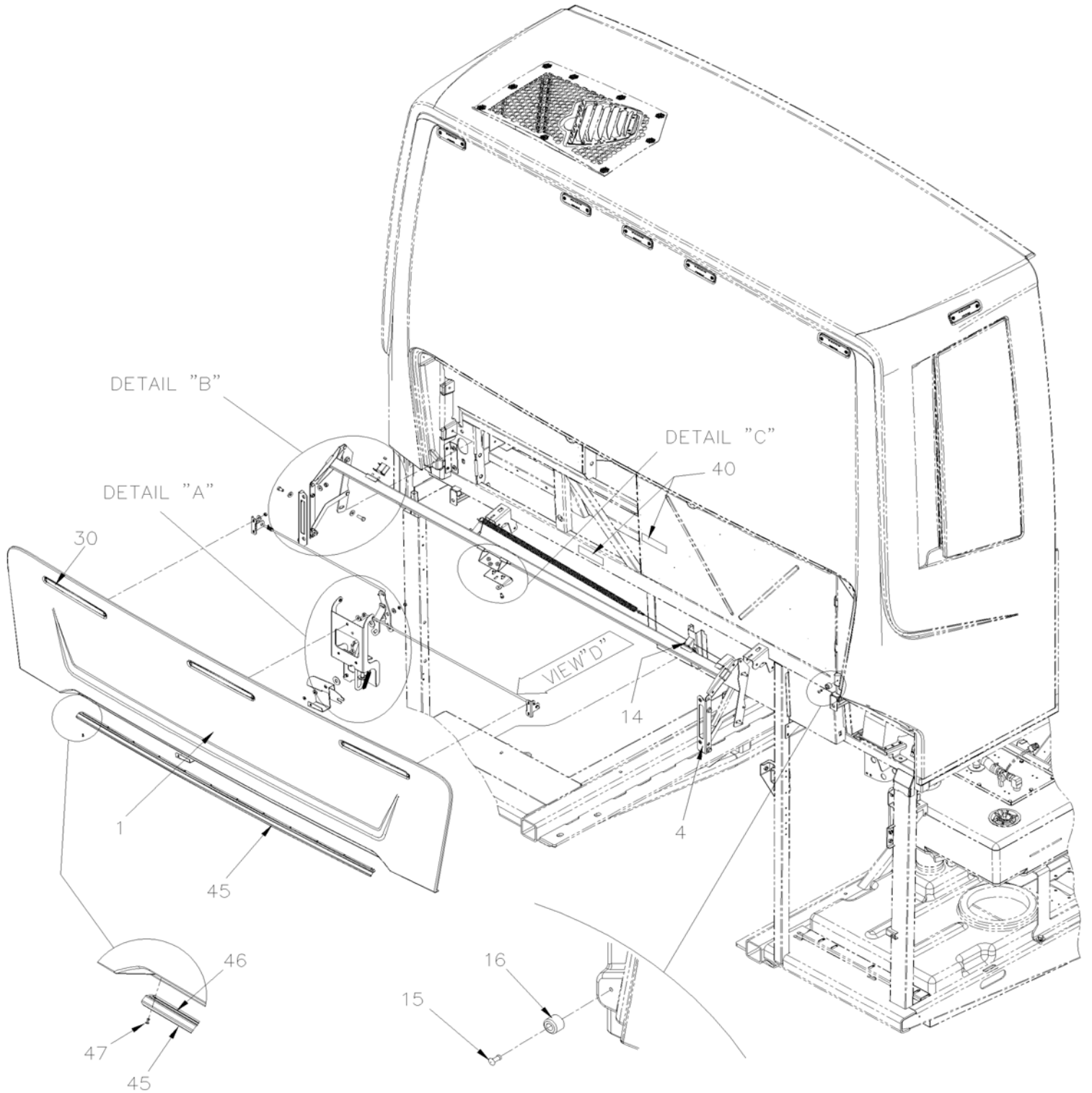
Item#	Part	Description	H 3 4 1	H 3 4 5	NOTES
40	780816	DECAL / "CAUTION" MANUPULATE BOTH HAND / ENGLISH & FRANCAIS	1	1	
41	780817	DECAL / "CAUTION" MANUPULATE BOTH HAND / ENGLISH & SPANISH	1	1	
42	780818	DECAL / "CAUTION" MANUPULATE BOTH HAND / ENGLISH	1	1	
45	470219	DRIP EDGE LOWER 1454MM	1	1	
46	506869	TAPE RUB ADH2 POL .031" X 1/4" X 300' / BLACK	AR	AR	
47	504339	RIVET POP DOME OE 1/8x3/8 SS	12	12	
52	287539	CABLE ASSY W/END STAINLESS 825MM	1	1	
53	287540	PULLEY CABLE 36MM O.D.	1	1	
54	287541	SPRING, EXT. / .75 O.D x 15.25 X .0915	1	1	
55	288743	AXE PIVOT 7.8MM O.D. x 38MM	1	1	
56	287698	AXE PIVOT 4.5MM O.D. x 10MM	1	1	
57	288744	AXE PIVOT 7.8MM O.D. x 24MM	1	1	
58	288745	BLOCK / YOKE 28MM x 45MM x 19MM	1	1	
NS	507301	BUSHING NYLINER	1	1	
59	504357	WASHER FL .187x.437x.050 SS	1	1	
60	504689	RING RETAINER / EXT .312 x .243 x .025 / SS	1	1	
61	5001860	PIN HITCH CLIP .054 x 3/4 SS	3	3	

From R-1453

Date:07/2024

PAGE:H9-1870-22

REAR ENGINE UPPER DOOR

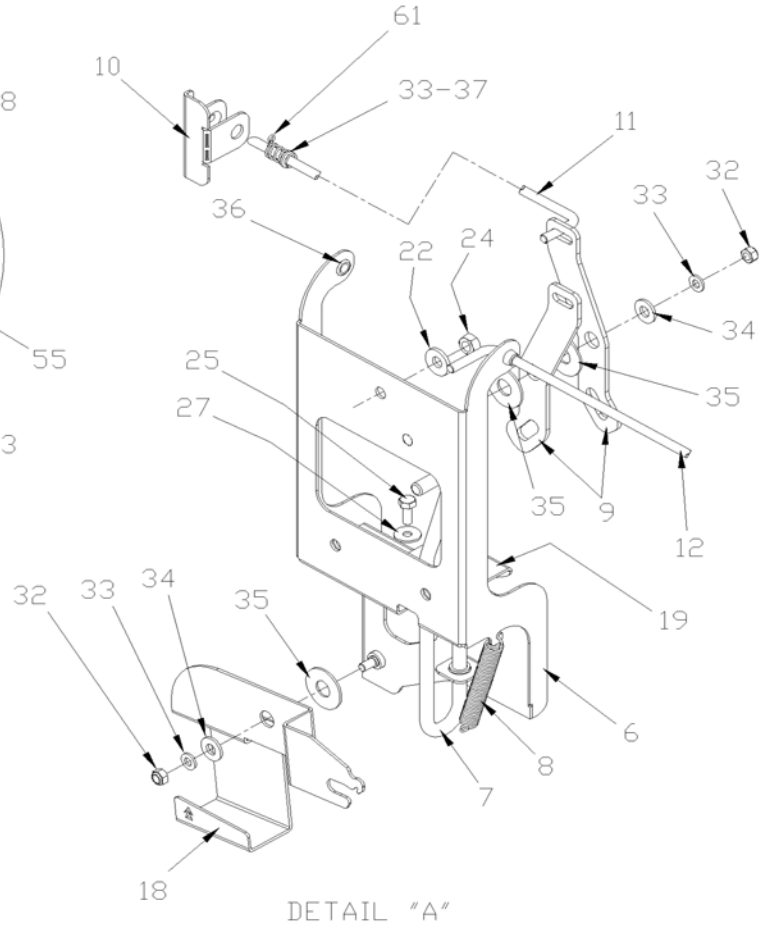
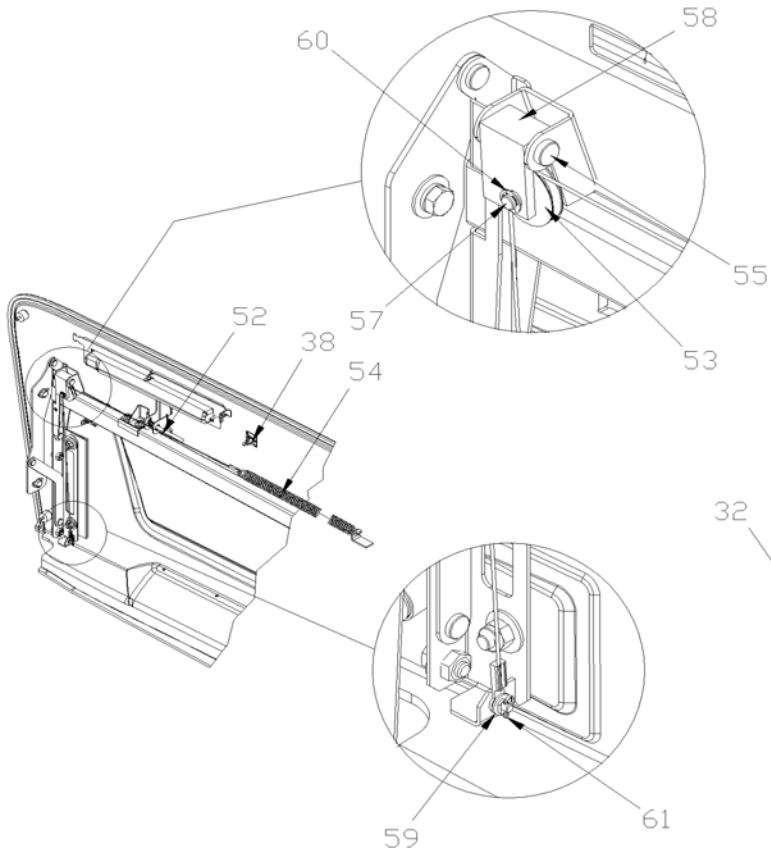
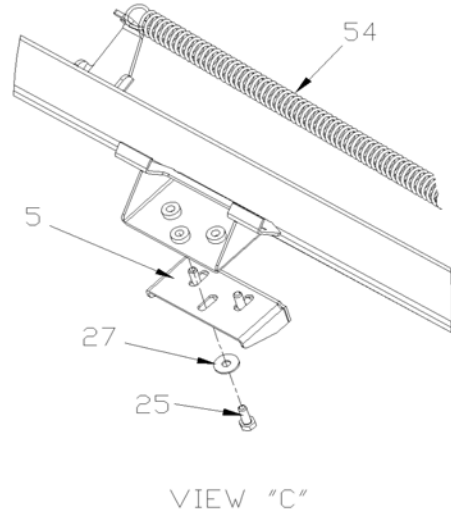
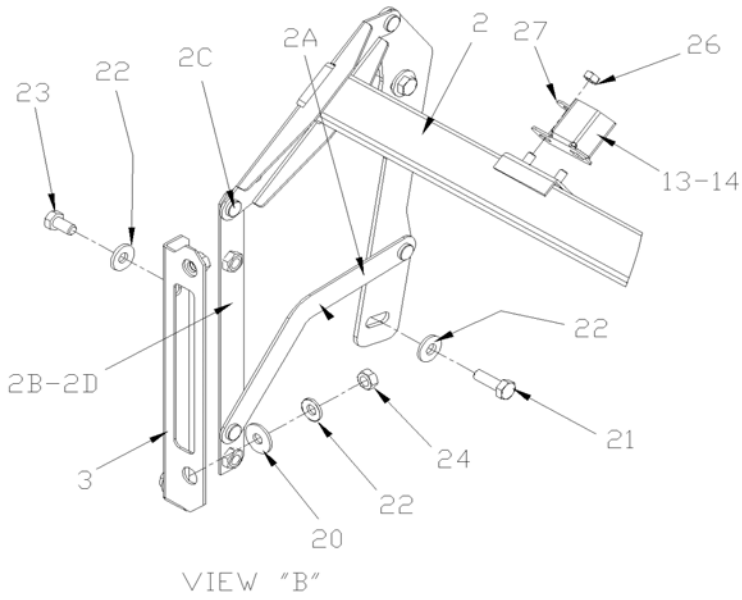


From R-1453

Date:07/2024

PAGE:H9-1870-22

REAR ENGINE UPPER DOOR



From R-1453		Date:07/2024	PAGE:H9-1870-22
REAR ENGINE UPPER DOOR			

Item#	Part	Description	H 3 4 1	H 3 4 5	N O T E S
1	478869	ENGINE UPPER DOOR To P-1536		1	
1	4705292	ACCES PANEL DPF AUTOCAR From R-1537		1	
NS	0600046	CABLE ASSY DPF DOOR LIGHTS		1	
2	289805	PANTOGRAPH LEVER		1	
. A	289563	. ARM STABILIZER		3	
. B	281151	. UNION ARM L.H.		1	
. C	289343	. RIVET SHR FL 7.08x2.2{6.2x6 SS		4	
. D	287047	. UNION ARM R.H.		1	
3	281152	ATTACH STREET SIDE		1	
4	289573	ATTACH CURBSIDE		1	
5	289572	PIN STRIKER , ADJUSTABLE		1	
6	2810268	SUPPORT CENTRAL ASS.		1	
7	289753	ROD OPENING "Z" SHAPE 226MM		1	
8	502147	SPRING EXTENSION / .500 O.D. 3.5 x .054		1	
9	289751	ARM RELEASE		2	
10	478480	GUIDE ROD "U" SHAPE		2	A
11	289798	ROD "L" SHAPE 835MM x 41MM		1	
12	289799	ROD "L" SHAPE 520MM x 36MM		1	
13	289747	STRIKER PLATE L.H.		1	
14	289748	STRIKER PLATE R.H.		1	
15	504200	RIVET POP DOME OE 3/16x3/4 SS		6	
16	5002023	BUMPER NEOPRENE / .750 OD x .562 TH x .187 HOLE		6	
17	500411	WASHER FL .260x.697x.050 SS		12	
18	289804	LEVER CONTROL ROD		1	
19	289756	GUIDE ROD ANGLE PLATE W/2 HOLES		1	
20	5001849	WASHER FL 8.4x24.0x2.0 SS		4	
21	5001745	SCREW CAP HEX M8-1.25x25 G8.8 N500		4	
22	5001868	WASHER BEL SPR 8.4x18x2 SS		15	
23	5001527	SCREW CAP HEX M8-1.25x16 SS BK		4	
24	5001852	NUT HEX M8-1.25 SS BK		7	
25	5001697	SCREW CAP HEX M6-1.0x16 SS BK		6	
26	5001851	NUT HEX M6-1.0 SS BK		4	
27	5001833	WASHER BEL SPR 6.1x18x1.27 SS		10	
30	H9-0664-01	REAR EXTERIOR LIGHTS & PLATE HOLDER			
32	502681	NUT HEX NYRT M6-1.0 N500 G8		2	
33	502573	WASHER FL 6.4x12.5x1.6 SS		4	
34	5001850	WASHER FL 8.4 x 18 x 2 NYL		2	
35	5001233	WASHER FL .500x1.250x.062 NYL		3	
36	504083	SNAP BUSHING / .250x.468.406		2	
37	471755	SPRING COMPRESSION / .360 O.D. x .750 x .035		1	
38	562679	4 WAY ADH. BACKED MOUNTS 1.000 x 1.000 x .160		AR	
38	504273	CABLE TIE / 1/8" X 3"1/2		AR	

From R-1453	Date:07/2024	PAGE:H9-1870-22
REAR ENGINE UPPER DOOR		

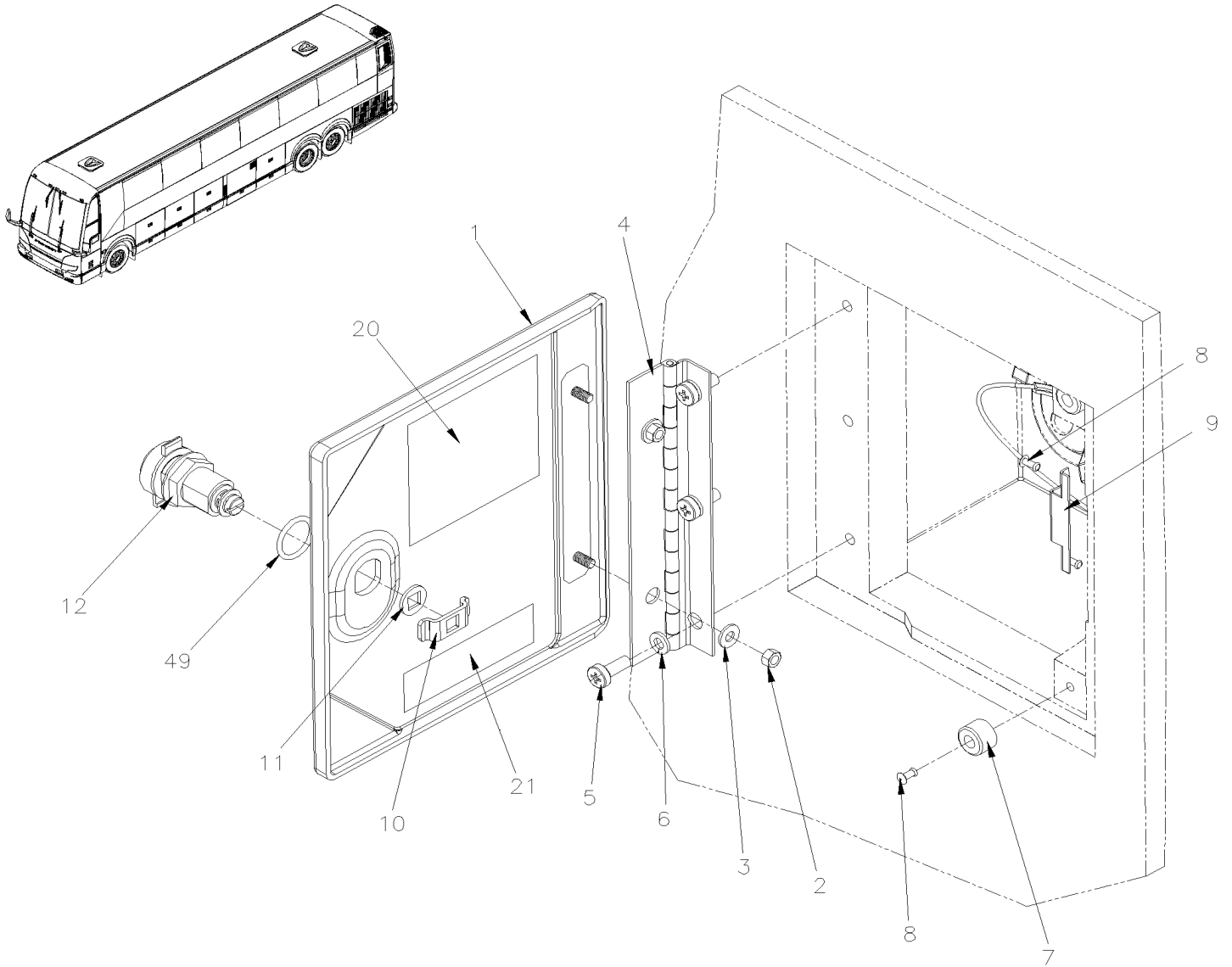
Item#	Part	Description	H 3 4 1	H 3 4 5	NOTES
40	780816	DECAL / "CAUTION" MANUPULATE BOTH HAND / ENGLISH & FRANCAIS		1	
40	780817	DECAL / "CAUTION" MANUPULATE BOTH HAND / ENGLISH & SPANISH		1	
40	780818	DECAL / "CAUTION" MANUPULATE BOTH HAND / ENGLISH		1	
45	479749	DRIP EDGE LOWER		1	
46	506869	TAPE RUB ADH2 POL .031" X 1/4" X 300' / BLACK		AR	
47	504339	RIVET POP DOME OE 1/8x3/8 SS		12	
52	287539	CABLE ASSY W/END STAINLESS 825MM		1	
53	287540	PULLEY CABLE 36MM O.D.		1	
54	287541	SPRING, EXT. / .75 O.D x 15.25 X .0915		1	
55	288743	AXE PIVOT 7.8MM O.D. x 38MM		1	
57	288744	AXE PIVOT 7.8MM O.D. x 24MM		1	
58	288745	BLOCK / YOKE 28MM x 45MM x 19MM		1	
NS	507301	BUSHING NYLINER		1	
59	504357	WASHER FL .187x.437x.050 SS		1	
60	504689	RING RETAINER / EXT .312 x .243 x .025 / SS		1	
61	5001860	PIN HITCH CLIP .054 x 3/4 SS		3	
		A) INCLUDE WITH ENGINE UPPER DOOR			

From K-0185

Date:07/2024

PAGE:H9-1875-01

FUEL TANK & UREA FILLING DOOR

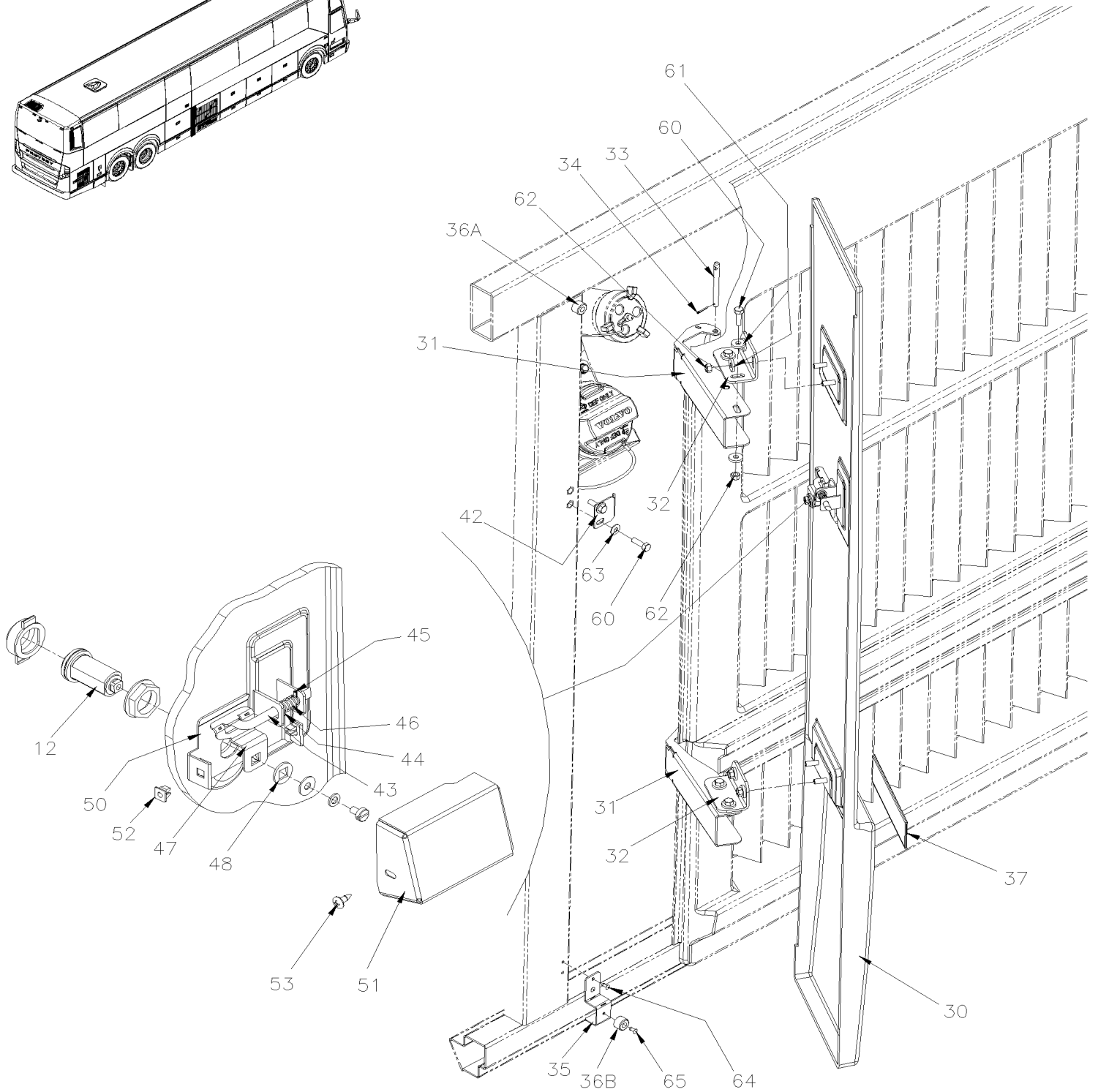
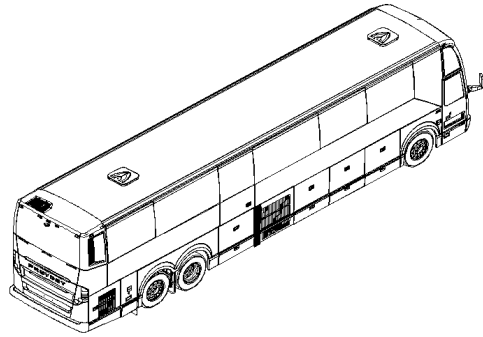


From K-0185

Date:07/2024

PAGE:H9-1875-01

FUEL TANK & UREA FILLING DOOR



From K-0185	Date:07/2024	PAGE:H9-1875-01
FUEL TANK & UREA FILLING DOOR		

Item#	Part	Description	H 3 4 1	H 3 4 5	N O T E S
1	283214	FUEL DOOR / LH FIXED AT EVAPORATOR DOOR	1	1	
2	502841	NUT HEX NYRT M5-0.8 N500	2	2	
3	500964	WASHER FL .203x.500x.047 Z050	2	2	
4	282610	HINGE / FUEL DOOR	1	1	
5	502817	SCREW MA PAN PH M6-1.0x16 N500	3	3	
6	502582	WASHER LO SERR 6.1x16.2x0.9 Z050	3	3	
7	504334	BUMPER RUBBER / .625 OD x .406 TH x .156 HOLE To K-0337	2	2	
7	5002025	BUMPER NEOPRENE / .625 OD x .406 TH x .156 HOLE From K-0338	2	2	
8	504339	RIVET POP DOME OE 1/8x3/8 SS	4	4	
9	289099	SPRING, CATCH	1	1	
10	288807	PLATE, LOCK / 8MM SQ HOLE	1	1	J
11	288806	SPACER / 8MM SQ X 17MM O.D X 16GA	1	1	
12	H9-1864-31	HANDLE LOCK & KEYS - TYPE "NS" & "FORD" To P-1452			
12	H9-1864-32	HANDLE LOCK & KEYS - TYPE "NS" & "FORD" From R-1453			
20	400052	DECAL / "TANK CAPACITY" ENGLISH 222 U.S. GALLONS	AR	AR	
20	400053	DECAL / "TANK CAPACITY" ENGLISH / FRENCH 222 U.S. GALLONS	AR	AR	
20	400054	DECAL / "TANK CAPACITY" ENGLISH / SPANISH 222 U.S. GALLONS	AR	AR	
21	402789	DECAL / "CARBURANT" DIESEL #1	AR	AR	
21	032824	DECAL / ULTRA LOW SULFURE DIESEL / ENGLISH	1	1	
21	21298228	DECAL / ULTRA LOW SULFURE DIESEL (ULSD) / ENGLISH & SPANISH	1	1	
21	21298562	DECAL / ULTRA LOW SULFURE DIESEL / ENGLISH & FRANCAIS	1	1	
30	289577	FUEL DOOR / RH 211MM x 1257MM	1	1	
NS	780884	DECAL "BE SURE TO CLOSE..." / ENGLISH & FRANCAIS	1	1	
30	780885	DECAL "BE SURE TO CLOSE..." / ENGLISH	1	1	
31	289574	HINGE, FUEL DOOR	2	2	
32	289609	SUPPORT, FUEL DOOR	2	2	
33	289646	PIN, HINGE 1/4" x 70MM	2	2	
34	502094	PIN, COTTER 1/16 x 1/2 SS	2	2	
35	289653	BRACKET, STOPPER To L-0988	1	1	
35	2810350	BRACKET, STOPPER From L-0989	1	1	
35	5001009	NUT AN 1/4 NYL From L-0989	1	1	
36A	509828	BUMPER RUBBER / .750 OD x .312 TH x .125 HOLE To L-0988	1	1	
36A	509828	BUMPER RUBBER / .750 OD x .312 TH x .125 HOLE To L-0988	1	1	
36A	504205	BUMPER RUBBER BOLT / .750 OD x .4375TH x #8-32x3/8 From L-0989	1	1	
36A	504717	RIVET POP DOME OE 1/8x1/4 SS To L-0988	1	1	
36A	500411	WASHER FL .260x.697x.050 SS To L-0988	2	2	
36B	509828	BUMPER RUBBER / .750 OD x .312 TH x .125 HOLE To L-0988	1	1	
36B	509828	BUMPER RUBBER / .750 OD x .312 TH x .125 HOLE To L-0988	1	1	
36B	504454	BUMPER RUBBER BOLT / 20MM ODx20MM TH X M6X15MM STUD From L-0989	1	1	
37	280221	EXTRUSION BACKING ASSY W/REFLECTOR 154MM	1	1	

From K-0185		Date:07/2024	PAGE:H9-1875-01
FUEL TANK & UREA FILLING DOOR			

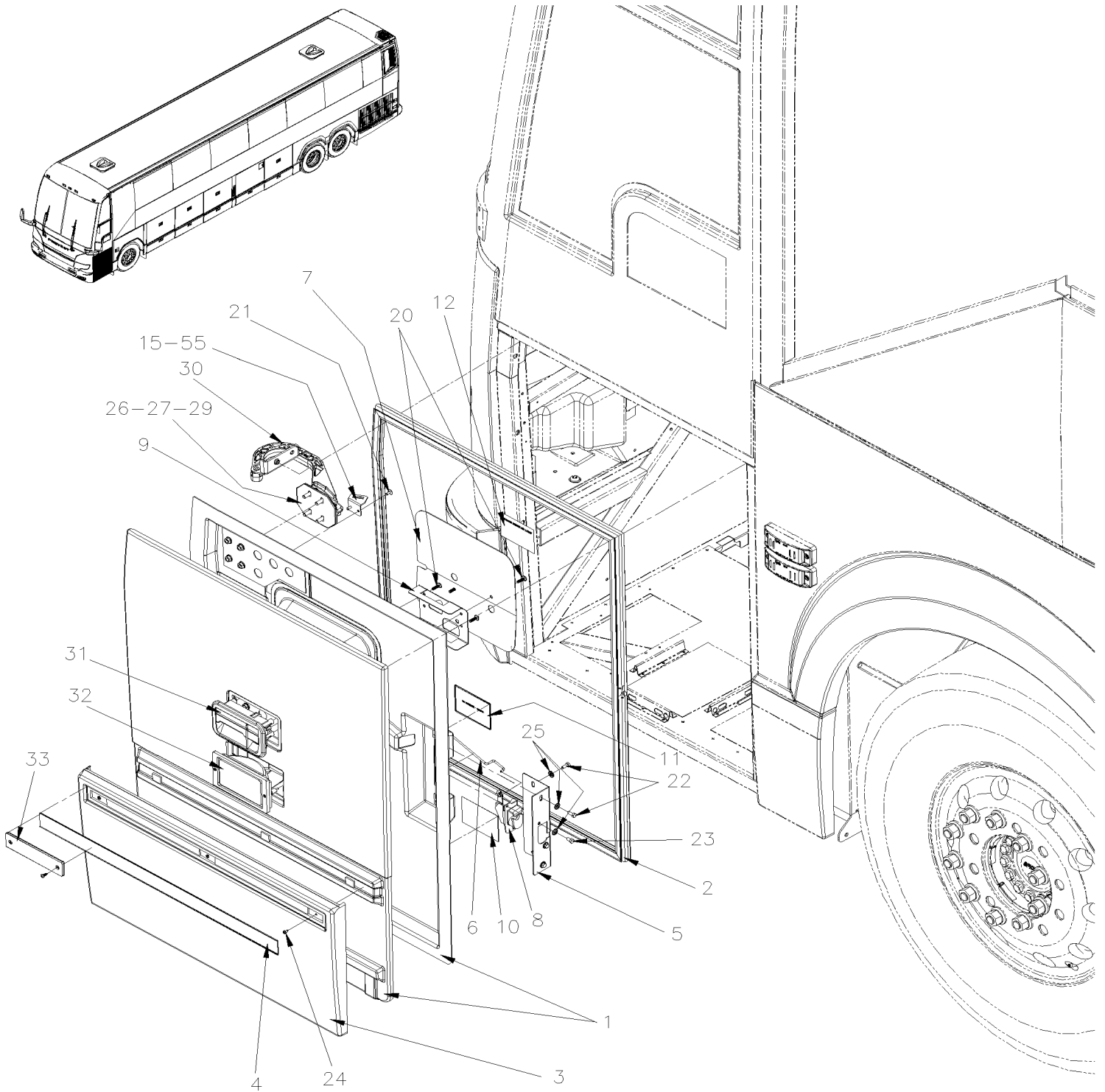
Item#	Part	Description	H 3 4 1	H 3 4 5	N O T E S
. NS	280124	. EXTRUSION 154MM	1	1	
37	685126	ADHESIVE SIMSON #ISR 70-03 / GREY / 600ml SAUSAGE	AR	AR	
42	289632	STRIKER, PLATE	1	1	
43	289800	ROD	1	1	
44	502573	WASHER FL 6.4x12.5x1.6 SS	1	1	
45	505532	SPRING, PIN 3/32 x 5/8 SS	1	1	
46	474008	SPRING COMPRESSION / .360 O.D. x .625 x .035 To K-0558	1	1	
46	471755	SPRING COMPRESSION / .360 O.D. x .750 x .035 From K-0559	1	1	
47	289634	PLATE, LOCK	1	1	
48	288806	SPACER / 8MM SQ X 17MM O.D X 16GA	1	1	
49	507212	O-RING	1	1	
50	289698	SUPPORT HOLDER / BOX PROTECTOR DOOR LOCK	1	1	
51	289697	BOX PROTECTOR DOOR LOCK 92MM x 56MM	1	1	
52	502741	NUT AN #8 NYL	2	2	
53	500124	SCREW TP TR PH #8x1/2 SS	2	2	
60	502622	SCREW CAP HEX M6-1.0x20 SS BK	6	6	
61	5002015	WASHER BEL SPR 6.65x17.4x0.9 SS	10	10	
62	502681	NUT HEX NYRT M6-1.0 N500 G8	8	8	
63	5001608	WASHER BEL SPR 6.2x15.0x0.7 G500	2	2	
64	504339	RIVET POP DOME OE 1/8x3/8 SS	2	2	
65	504339	RIVET POP DOME OE 1/8x3/8 SS To L-0988	1	1	
		J) SEE KIT AT END OF PAGE HF-1864-32			

From K-0185 To P-1452

Date:07/2024

PAGE:H9-1879-00

FRONT SERVICE DOOR ASSY



From K-0185 To P-1452	Date:07/2024	PAGE:H9-1879-00
FRONT SERVICE DOOR ASSY		

Item#	Part	Description	H 3 4 1	H 3 4 5	N O T E S
	285461	FRONT SERVICE DOOR ASSY	1	1	
1	287368	. DOOR MOULDED / FIBERGLASS	1	1	
2	2800116	. RUBBER SEAL EXTRUSION / FRONT SERVICE DOOR	1	1	
NS	684685	. ADHESIVE SIMSON #ISR 70-03 / 310ml CARTRIDGE	AR	AR	
NS	506005	. TAPE RUB ADH1 CC POL 3/8" x 5/8" x 25' / GREY 2520X	AR	AR	
3	287316	. PROTECTOR PANEL / SH THIN EXTRUSION .090"	1	1	
4	280230	. EXTRUSION BACKING ASSY W/REFLECTOR 759MM / THIN EXTRUSION .090"	1	1	
. NS	280120	. EXTRUSION 759MM	1	1	
4	682348	. TAPE, DOUBLE COATED ACRYLIC	AR	AR	
4	684685	. ADHESIVE SIMSON #ISR 70-03 / 310ml CARTRIDGE	AR	AR	
5	285766	. PLATE / LOCK HOLDER / R.H. DOOR	1	1	
6	289331	. ROD / HANDLE & LATCH / 296.8MM	1	1	
7	287848	. PLATE CLOSING / 289MM X 314MM	1	1	
7	506071	. TAPE RUB ADH1 CC POL 1/8" x 1/2" x 50' / GREY 2520X	AR	AR	
8	780653	. LOCK SPAGNOLET R.H. / W/G-FITTING	1	1	
. NS	780340	. CLIP, RETAINER ROD	1	1	
. NS	507607	. GREASE FITTING / M6-1.00	1	1	
NS	780340	. CLIP, RETAINER ROD	1	1	
NS	680739	. GREASE SYNTHETIC / RED 20KG	AR	AR	
9	289340	. SUPPORT, HANDLE	1	1	
10	140095	. DECAL / COLOR CODE / PNEUMATIC SYSTEM / ENGLISH & FRANCAIS	1	1	
10	140096	. DECAL / COLOR CODE / PNEUMATIC SYSTEM / ENGLISH & SPANISH	1	1	
11	160295	. DECAL / "IT FORBIDDEN TO STOCK ANYTING IN TH. / ENGLISH & FRANCAIS	1	1	
11	161191	. DECAL / "IT FORBIDDEN TO STOCK ANYTING IN TH. / ENGLISH & SPANISH	1	1	
12	180246	. DECAL / VEHICULE WHEELHOUSING....TREATED / ENGLISH & FRANCAIS	1	1	
15	285224	. LH SUPPORT, BELT	1	1	
20	5002054	. SCREW TP BUTF TORX M6x20 SS	4	4	
21	504793	. RIVET MNB OE LARGE HEAD 3/16x7/16 SS	2	2	
22	5001697	. SCREW CAP HEX M6-1.0x16 SS BK	4	4	
23	5001982	. SCREW CAP HEX M6-1.0x12 SS BK	2	2	
24	500952	. SCREW TP BDG PH #8x1/2 SS	3	3	
25	5002015	. WASHER BEL SPR 6.65x17.4x0.9 SS	6	6	
26	5001912	. SCREW CAP HEX M8-1.25x30 SS BK	8	8	
27	5001848	. WASHER BEL SPR .827 x .331 x .098 th SS	8	8	
29	285814	. SUPPORT	2	2	
30	H9-1879-90	. EXTERIOR DOOR HINGE AND SUPPORT	2	2	
31	H9-1864-31	. HANDLE LOCK & KEYS - TYPE "NS" & "FORD"	1	1	
32	H9-0663-00	. DOCK & CORNERING LIGHT	1	1	
33	H9-0662-00	. CLEARANCE & MARKER LIGHT	1	1	
NS	066436	. DECAL / "CAUTION" BEFORE WELDING...." // ENGLISH	1	1	
NS	062403	. DECAL / "CAUTION" BEFORE WELDING...." // ENGLISH & FRANCAIS	1	1	
NS	509815	. TIE MOUNT / ATTACHMENT W/TREE MOUNT	1	1	

From K-0185 To P-1452	Date:07/2024	PAGE:H9-1879-00
FRONT SERVICE DOOR ASSY		

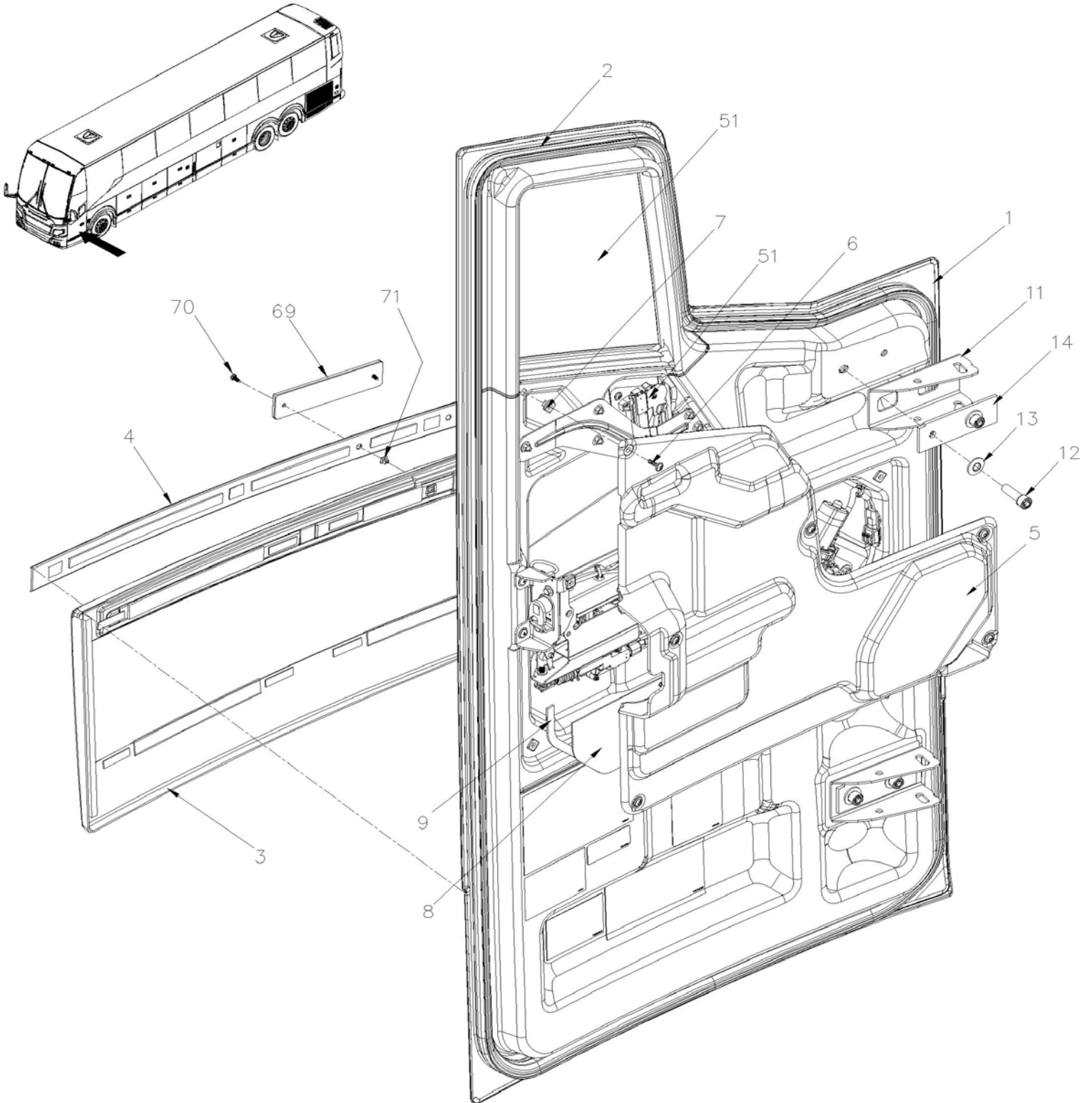
Item#	Part	Description	H 3 4 1	H 3 4 5	NOTES
NS	180246	. DECAL / VEHICULE WHEELHOUSING....TREATED / ENGLISH & FRANCAIS	1	1	
NS	180252	. DECAL / VEHICULE WHEELHOUSING....TREATED / ENGLISH & SPANISH	1	1	
NS	063711	. DECAL / "WELDING..." / W/SERIES 60 & "WORLD TRANSMISSION / ENGLISH	1	1	
NS	066046	. DECAL / "WELDING..." / W/SERIES 60 & "WORLD TRANSMISSION / ENGLISH & SPANISH	1	1	
NS	145268	. DECAL / COLOR CODE / PNEUMATIC SYSTEM / ENGLISH & SPANISH	1	1	
55	505507	STRAP NYLON 1" WIDE / S.L.	AR	AR	
NS	0610390	DECAL "EMERGENCY LIGHTING..." From M-1162	1	1	A
		A) CALIFORNIA REGULATIONS			

From R-1453

Date:07/2024

PAGE:H9-1879-01

FRONT SERVICE DOOR ASSY

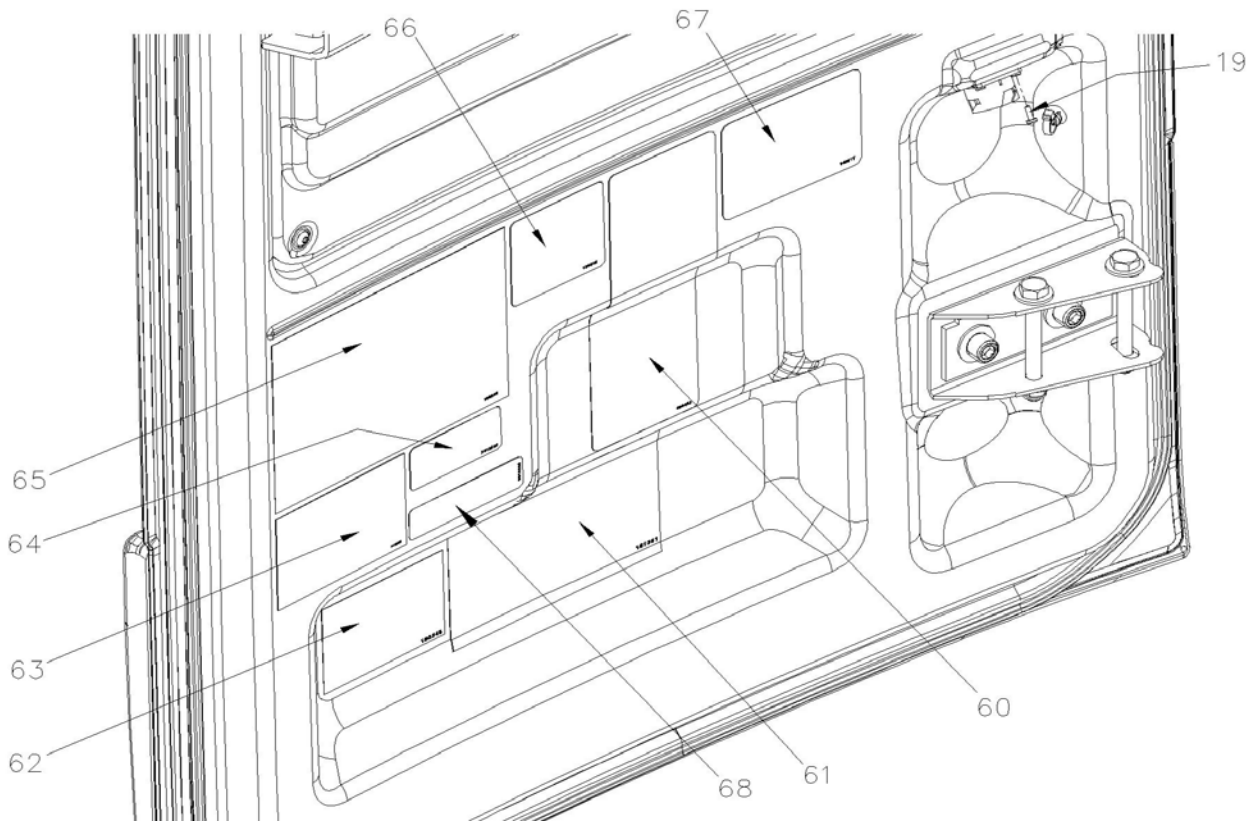
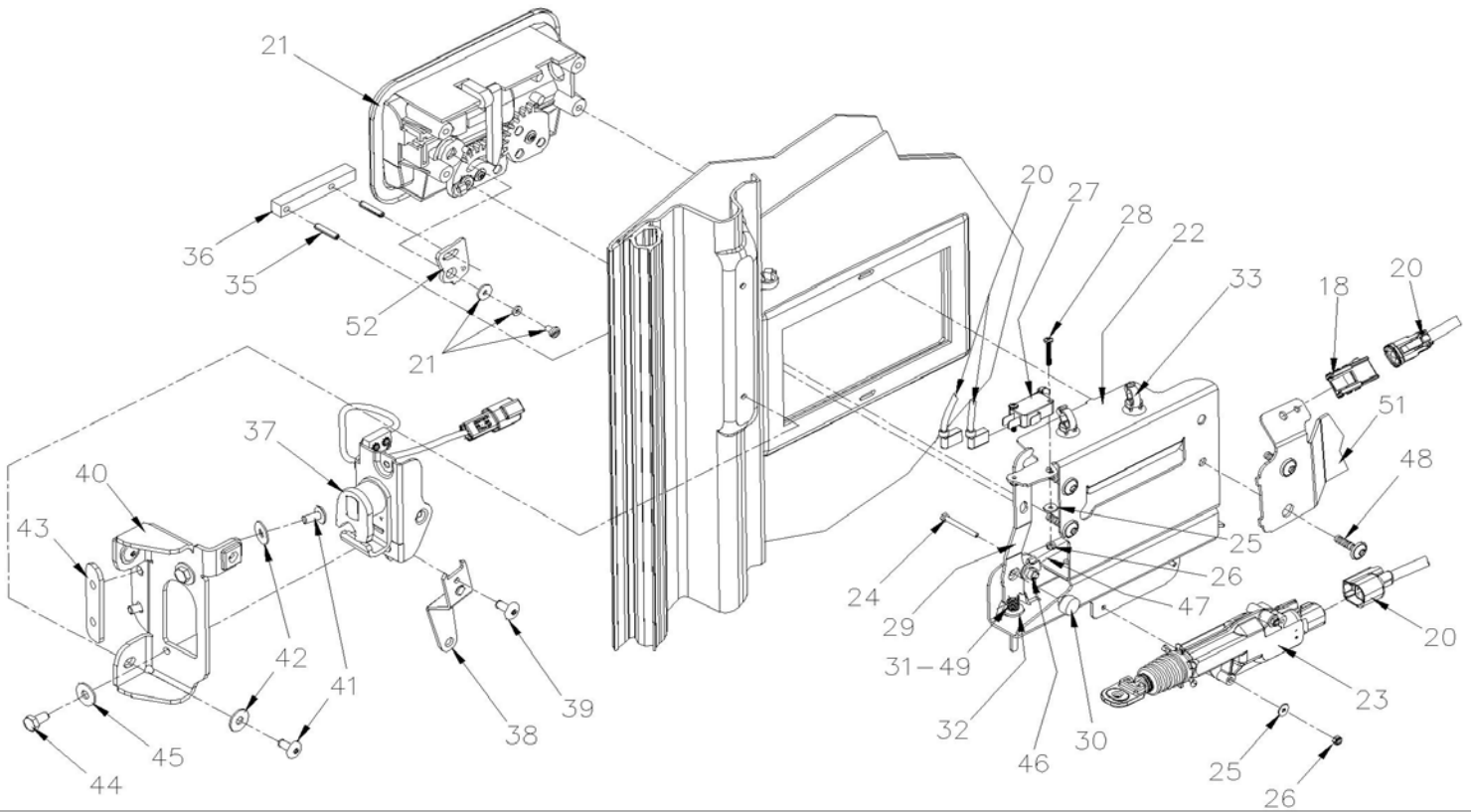


From R-1453

Date:07/2024

PAGE:H9-1879-01

FRONT SERVICE DOOR ASSY

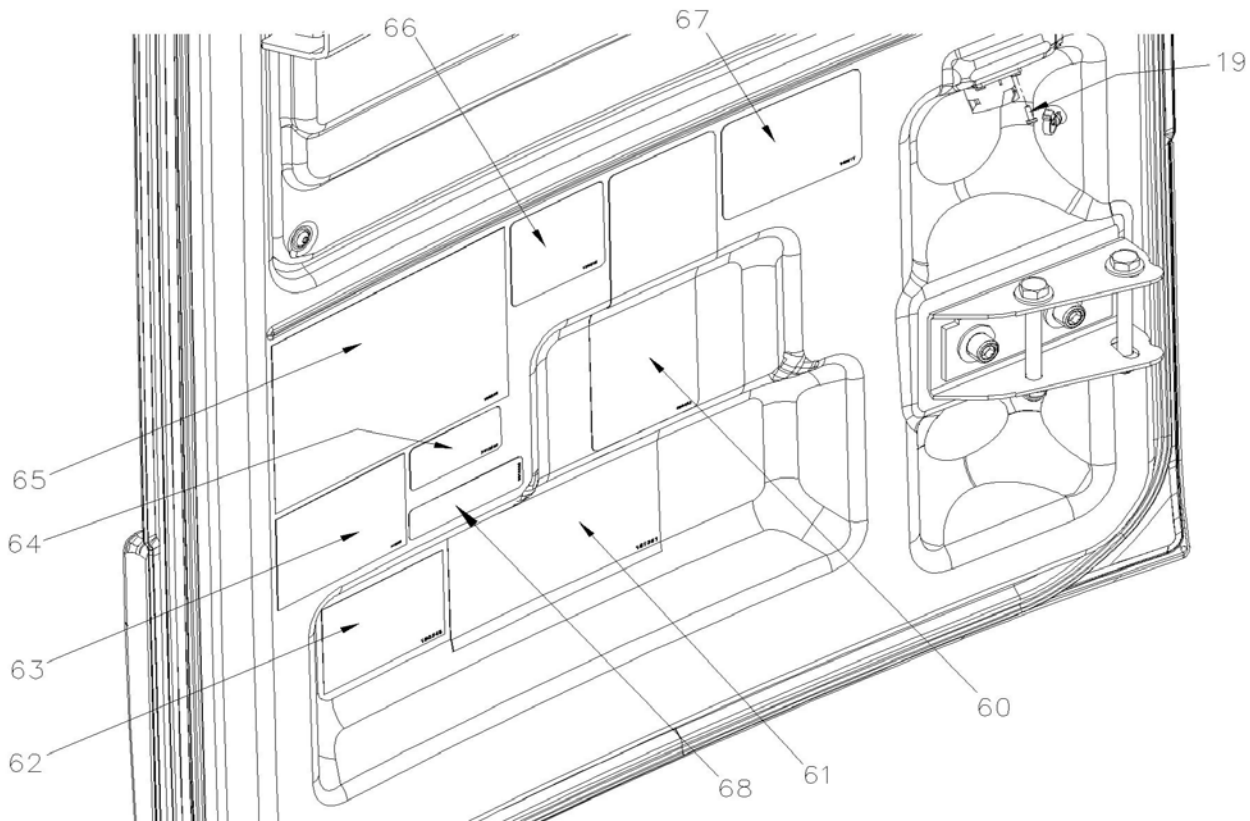
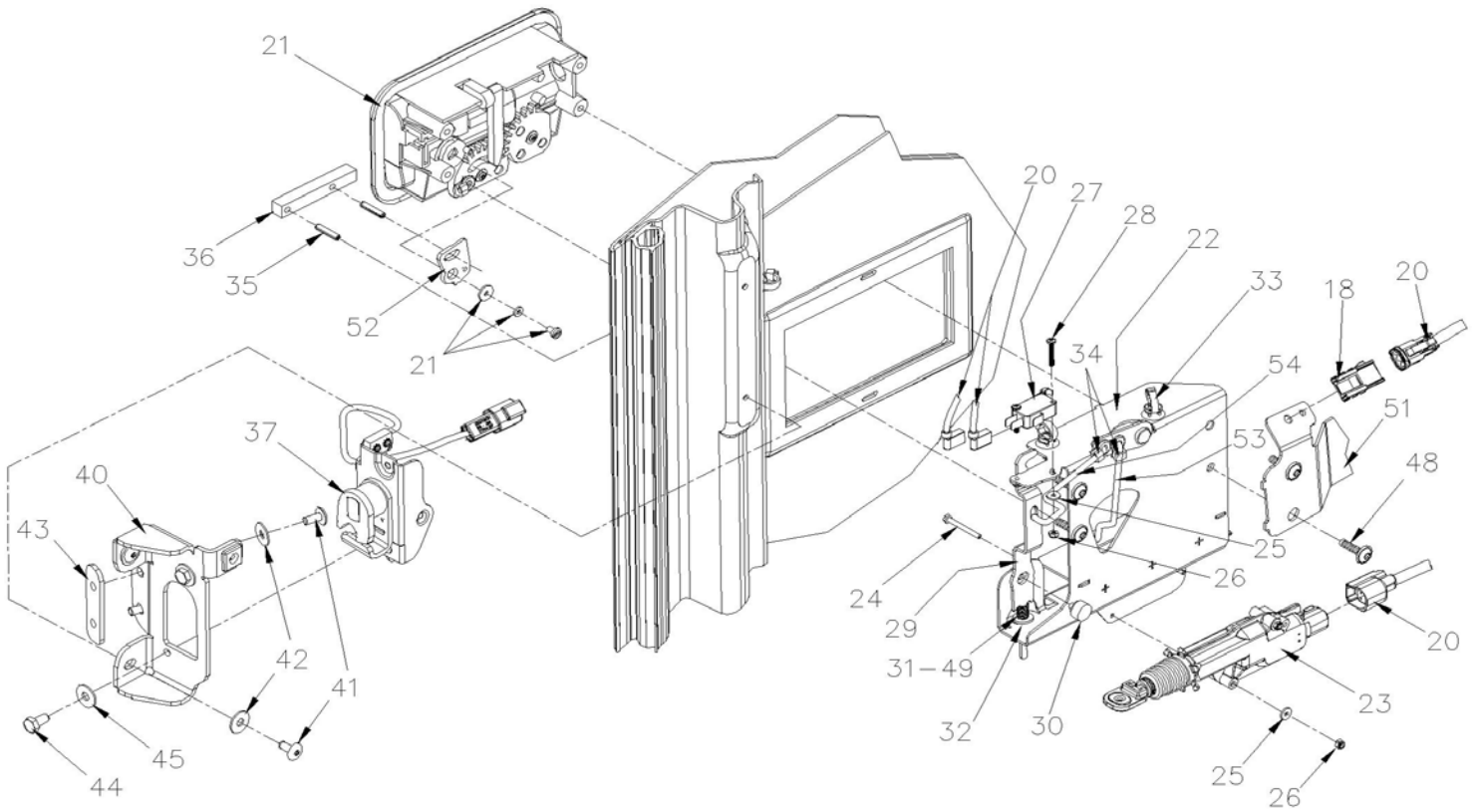


From R-1453

Date:07/2024

PAGE:H9-1879-01

FRONT SERVICE DOOR ASSY



From R-1453	Date:07/2024	PAGE:H9-1879-01
FRONT SERVICE DOOR ASSY		

Item#	Part	Description	H 3 4 1	H 3 4 5	NOTES
	2800806	FRONT SERVICE DOOR ASSY		1	
1	2810099	. SERVICE DOOR ASSEMBLY		1	
2	2810157	. SEAL SERVICE DOOR		1	
NS	680066	. ADHESIVE / ADBOND #5014 / 23.6ML BOTTLE		AR	
3	2810225	. PORTECTOR, SERVICE DOOR		1	
NS	685387	. GLUE MS POLYMER TEROSON MS 9399 / 400ml CARTRIDGE		AR	
NS	685393	. TAPE AD2 VHB N/A BK 0.063 X 1/2" X36YD		AR	
4	2810624	. EXTRUSION, SERVICE DOOR ASSY		1	
. NS	780277	. STRIPE, REFLECTIVE WHITE / 38MM X 150' ROLL		AR	
NS	684685	. ADHESIVE SIMSON #ISR 70-03 / 310ml CARTRIDGE		AR	
NS	682348	. TAPE, DOUBLE COATED ACRYLIC		AR	
5	2810242	. FINISHING PANEL, SERVICE DOOR		1	
6	5001630	. SCREW TP BUTF TORX M6x20 SS		2	
7	5001009	. NUT AN 1/4 NYL		6	
8	2810551	. SERVICE DOOR WATERPROOF PROTECTOR		1	
9	685382	. SCELLANT TAPE BLACK 1/8 X 1/2		AR	
11	2810138	. BRACE		2	
12	5001589	. SCREW CAP HEXS M12-1.75x40 G8.8 Z050		4	
13	500967	. WASHER BEL SPR .512x1.142x.098 N500		4	
14	2810181	. PLATE		2	
18	564108	. SELF MOUNTING STUD // DEUTSCH 1011-310-0205		1	
19	5000342	. SCREW TC PAN PH #6-32x3/8 SS		4	
20	0600012	. SERVICE DOOR HARNESS		1	
21	H9-1864-32	HANDLE LOCK & KEYS - TYPE "NS" & "FORD"			
22	Call order desk	. BRACKET, DOOR HANDLE ASSY To R-1482		1	P
22	2800700P	. BRACKET, DOOR HANDLE ASSY From R-1483		1	
22	2810334	. BRACKET, DOOR HANDLE ASSY To R-1482		1	
22	2800694	. BRACKET, DOOR HANDLE ASSY From R-1483		1	
23	2800049	. LOCK ACTUATOR / 12V		1	
24	5001100	. SCREW CAP HEX M3-0.5x30 G8.8 ZP		2	
25	500437	. WASHER FL .125x.375x.040 Z050		4	
26	5001408	. NUT HEX STO M3-0.5 ZP		4	
27	562096	. MICRO SWITCH		1	
28	5000339	. SCREW MA PAN PH M3-0.5x20 SS		2	
29	2810335	. LEVER, ACTUATOR To R-1482		1	
29	2800691	. LEVER, ACTUATOR From R-1483		1	
30	289382	. RIVET SHR FL 9.95x2.2{4.8x3.6 SS		1	
31	502934	. SPRING COMPRESSION / .300 O.D. x 1 x .026		1	
32	500877	. WASHER FL .250x.562x.065 N500		1	
33	504637	. CABLE TIE / 3/16" x 13"		11	
33	509815	. TIE MOUNT / ATTACHMENT W/TREE MOUNT		9	
34	780340	. CLIP, RETAINER ROD From R-1483		2	

From R-1453	Date:07/2024	PAGE:H9-1879-01
-------------	--------------	-----------------

FRONT SERVICE DOOR ASSY

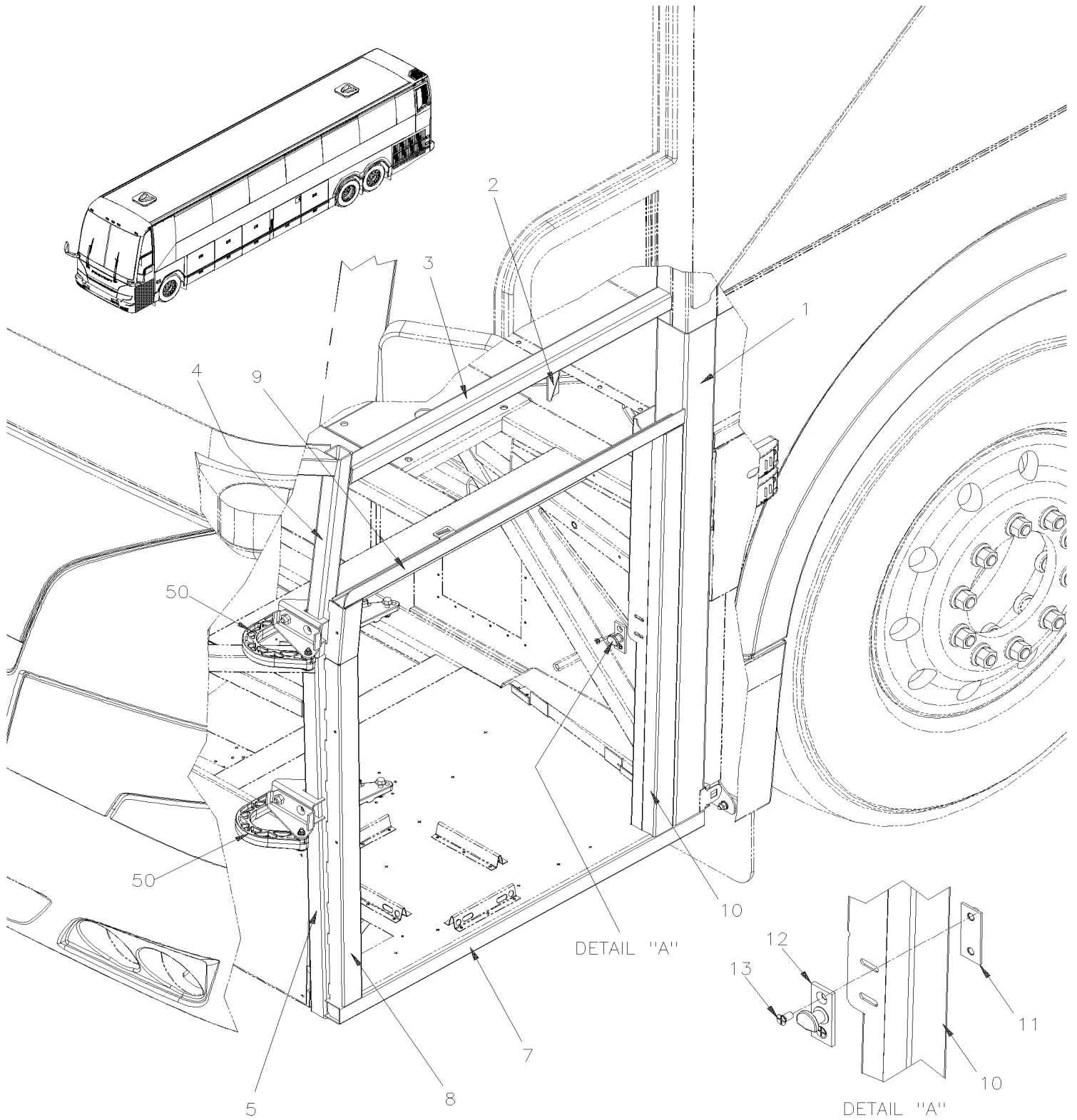
Item#	Part	Description	H 3 4 1	H 3 4 5	NOTES
35	505420	. SPRING, PIN M4.5 x 20		2	
36	283513	. GUIDE		1	
37	564273	. LATCH WITH SW DOOR LH		1	
38	2810657	. LEVER, SERVICE DOOR LOCK ASSY. To R-1482		1	
39	504793	. RIVET MNB OE LARGE HEAD 3/16x7/16 SS To R-1482		1	
40	2810186	. KETCH SUPPORT SERVICE DOOR		1	
41	504793	. RIVET MNB OE LARGE HEAD 3/16x7/16 SS		4	
42	5001833	. WASHER BEL SPR 6.1x18x1.27 SS		4	
43	2810488	. SPACER LATCH BRACKET		1	
44	5001982	. SCREW CAP HEX M6-1.0x12 SS BK		2	
45	5001833	. WASHER BEL SPR 6.1x18x1.27 SS		2	
46	780340	. CLIP, RETAINER ROD		1	
47	2810243	. ROD To R-1482		1	
48	5001630	. SCREW TP BUTF TORX M6x20 SS		2	
49	680739	. GREASE SYNTHETIC / RED 20KG		AR	
51	H9-1886-01	. POWER WINDOW - ELECTRICAL INSTALLATION			
52	288539	. LEVER / W/MANUAL OPERATION & ELECTRIC		1	
53	2800692	. ROD From R-1483		1	
54	2800693	. ROD From R-1483		1	
60	062403	DECAL / "CAUTION" BEFORE WELDING...." // ENGLISH & FRANCAIS		1	
60	062403	DECAL / "CAUTION" BEFORE WELDING...." // ENGLISH & FRANCAIS		1	
61	161301	DECAL "WARNING SPARE TIRE...." BILINGUAL 315/80/R22.5 Tag & Dr125		1	
62	180246	DECAL / VEHICULE WHEELHOUSING....TREATED / ENGLISH & FRANCAIS		1	
63	140095	DECAL / COLOR CODE / PNEUMATIC SYSTEM / ENGLISH & FRANCAIS		1	
64	2810552	DECAL "ENTRANCE DOOR MANUAL RELEASE"		1	
65	160295	DECAL / "IT FORBIDDEN TO STOCK ANYTING IN TH. / ENGLISH & FRANCAIS		1	
66	130048	DECAL "CAUTION" TAG LIFTING		1	
67	142639	DECAL "CAUTION... THIS VEHICLE EQUIPPED...ELECTRONIC STABILITY...." / ENGLISH		1	
67	142617	DECAL "CAUTION... THIS VEHICLE EQUIPPED...ELECTRONIC STABILITY...." / ENGLISH & FRANCAIS		1	
68	0610390	DECAL "EMERGENCY LIGHTING..."		1	
69	930374	REFLECTOR AMBER 40MM x 180MM		1	
70	5001243	SCREW TP PAN PH #10x5/8 SS		2	
71	5001052	NUT AN #10 NYL		2	
		P) CALL ORDER DESK FOR SPECIFIC APPLICATION (V.I.N.)			

From K-0185 To P-1452

Date:07/2024

PAGE:H9-1879-10

FRONT SERVICE DOOR - INSTALLATION



From K-0185 To P-1452	Date:07/2024	PAGE:H9-1879-10
FRONT SERVICE DOOR - INSTALLATION		

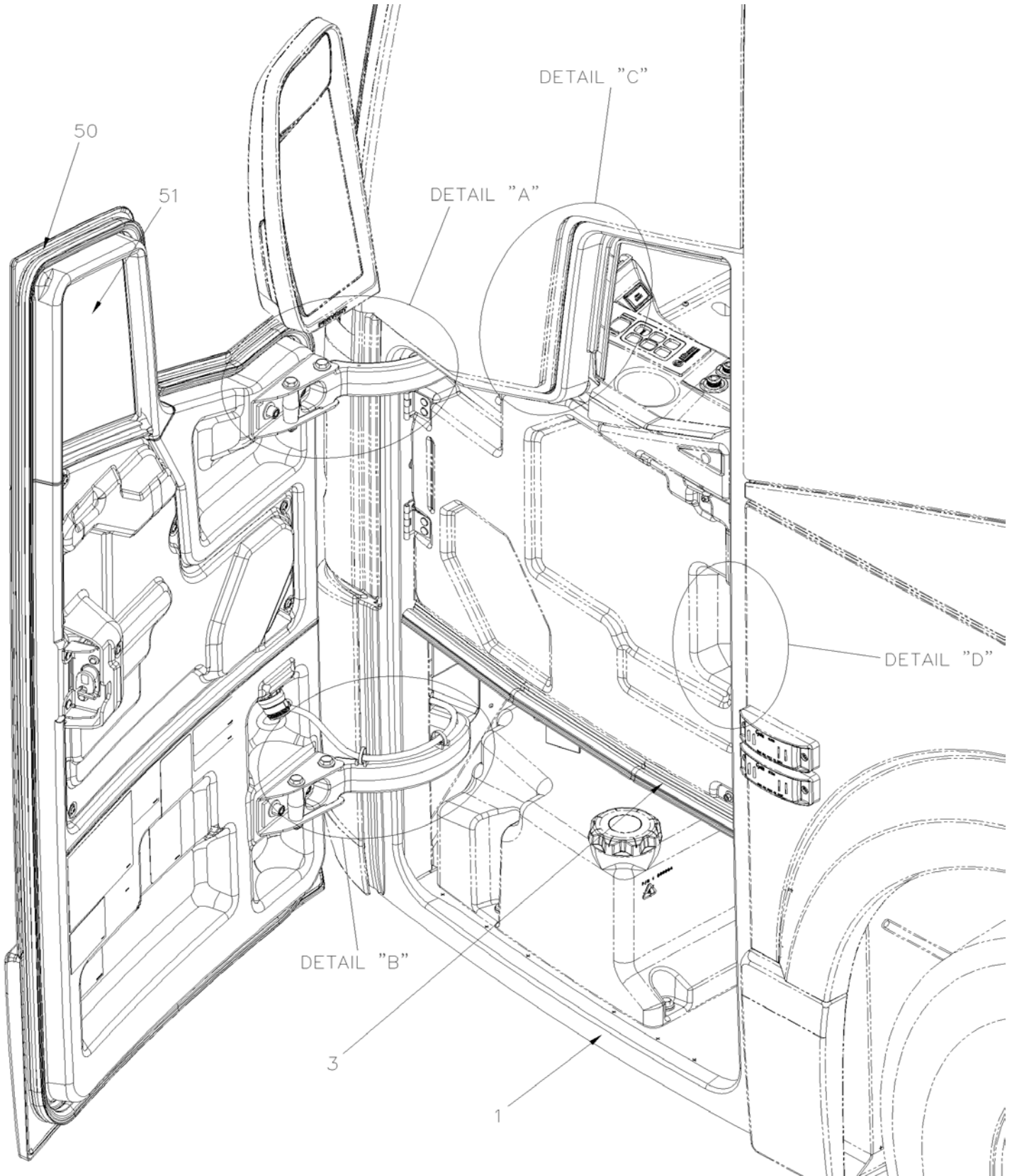
Item#	Part	Description	H 3 4 1	H 3 4 5	NOTES
1	217258	TUBE ASSY	1	1	
2	211976	ANGLE / TO FIX DRIVER'S WINDOW MOTOR	1	1	
3	215854	TUBE	1	1	
4	250874	TUBE	1	1	
5	251658	TUBE ASSY	1	1	
7	173947	TUBE ASSY 900MM	1	1	
8	285325	ANGLE SUPPORT	1	1	
9	287504	ANGLE "J" FORM TOP	1	1	
10	218799	ANGLE POST REAR	1	1	
11	284217	PLATE TIE	1	1	
12	780278	PIN, STRIKER STUD	1	1	
13	500541	SCREW MA FL PH 1/4-20x1/2 SS BK	2	2	
NS	680038	THREAD LOCKER LOCTITE #243 / BLUE / 50ml	AR	AR	
50	H9-1879-90	EXTERIOR DOOR HINGE AND SUPPORT			

From R-1453

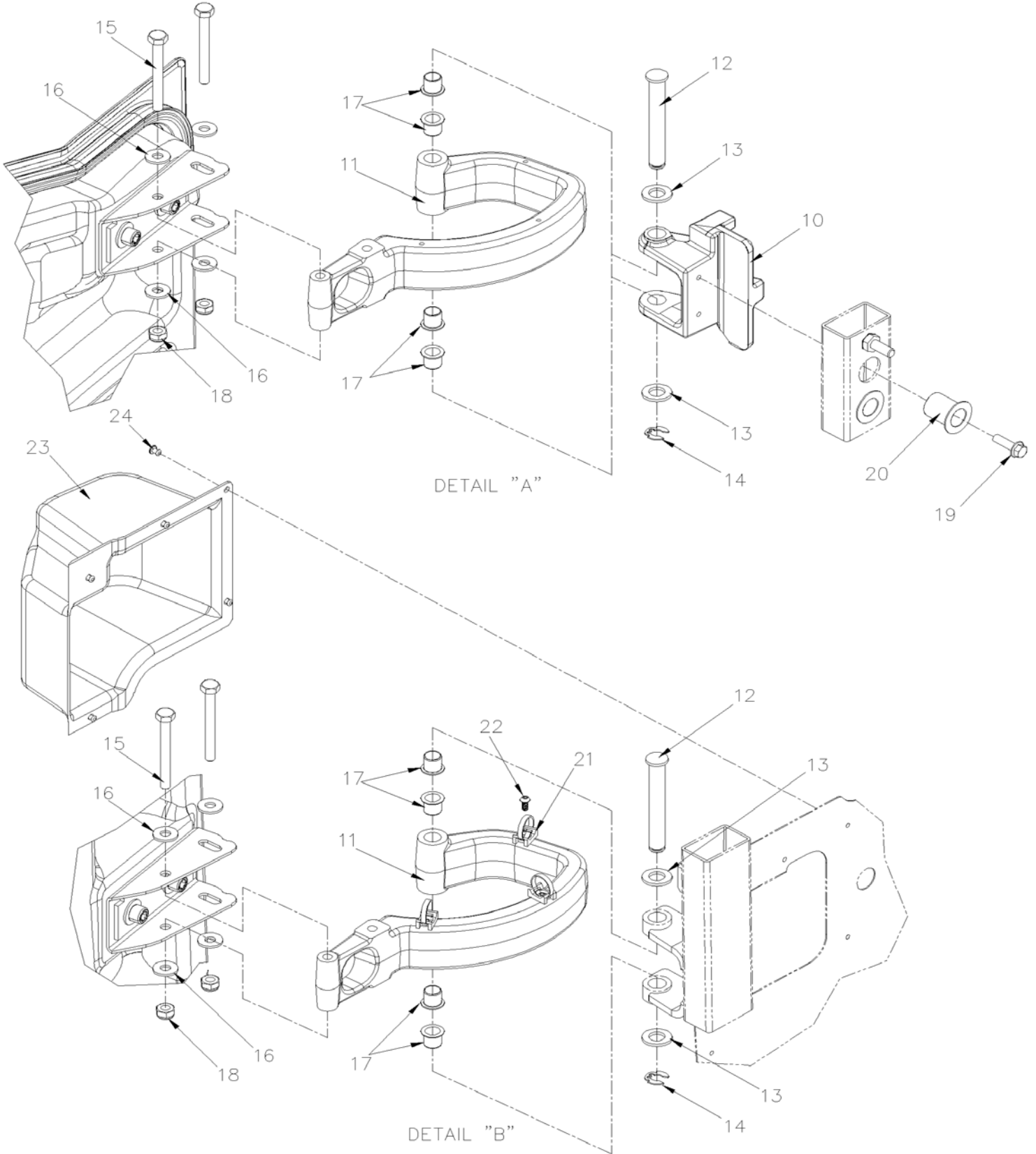
Date:07/2024

PAGE:H9-1879-11

FRONT SERVICE DOOR INSTALLATION



FRONT SERVICE DOOR INSTALLATION

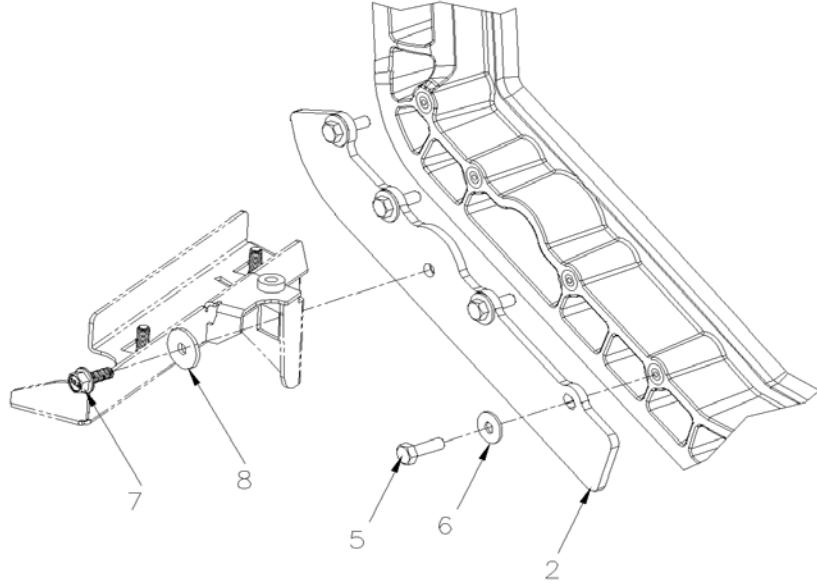


From R-1453

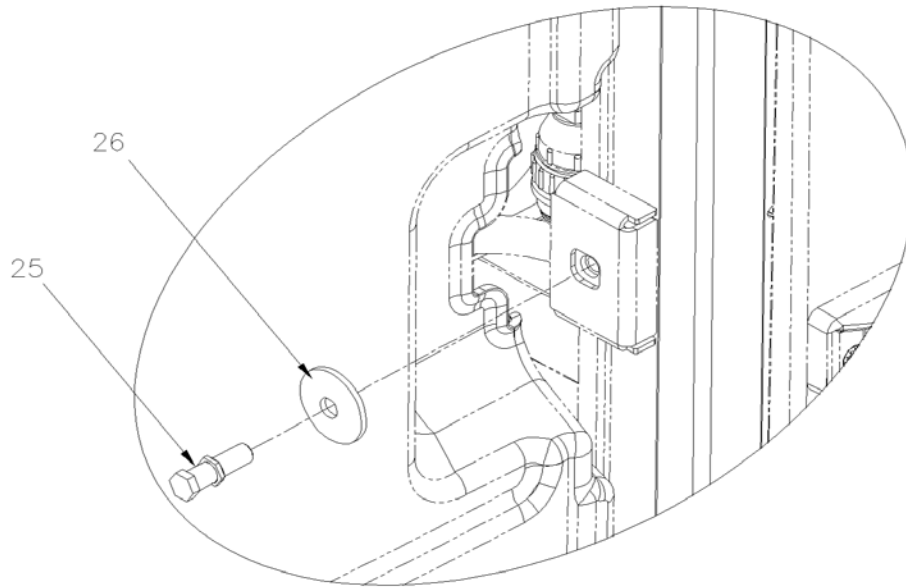
Date:07/2024

PAGE:H9-1879-11

FRONT SERVICE DOOR INSTALLATION



DETAIL "C"



DETAIL "D"

From R-1453	Date:07/2024	PAGE:H9-1879-11
FRONT SERVICE DOOR INSTALLATION		

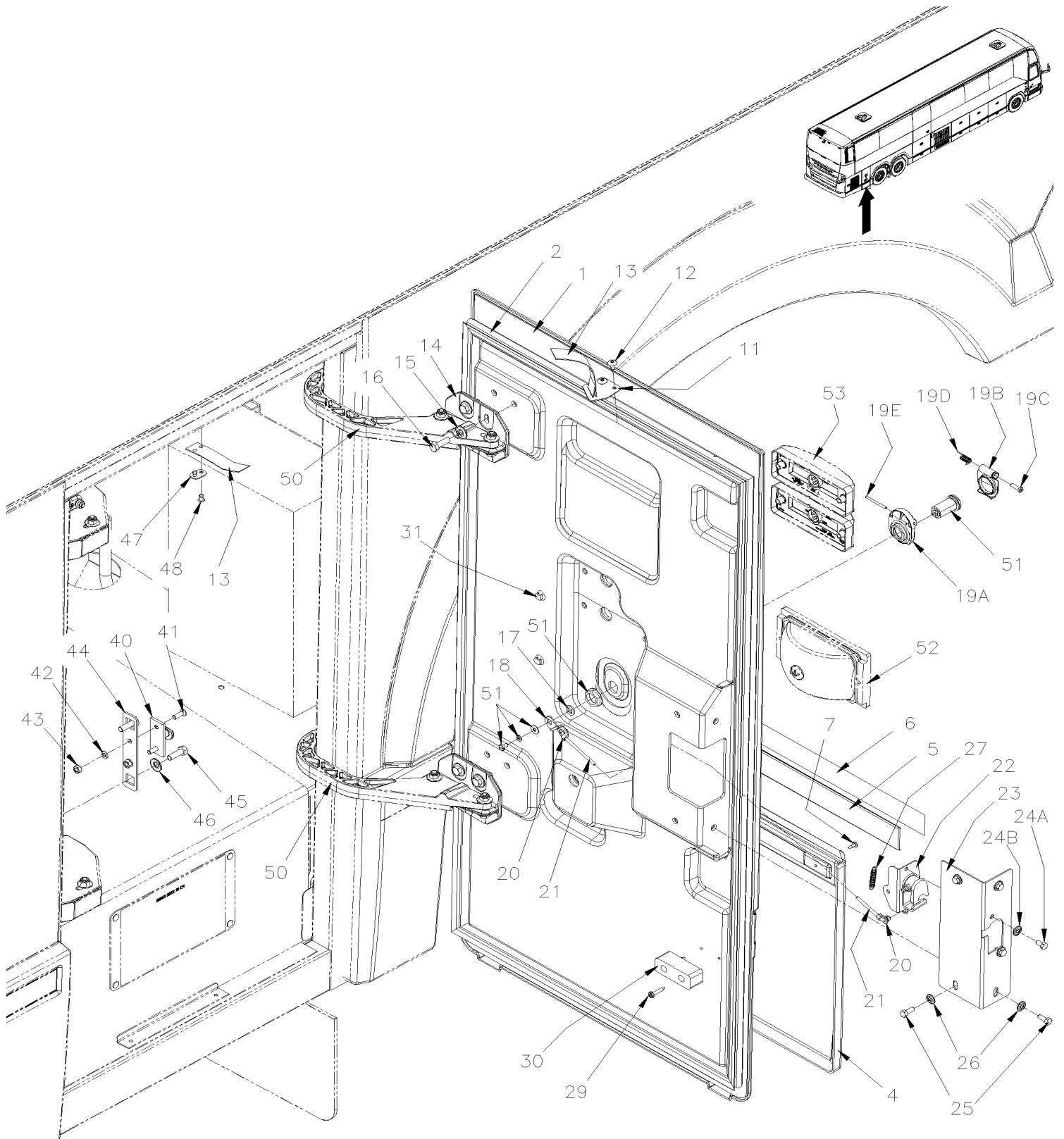
Item#	Part	Description	H 3 4 1	H 3 4 5	N O T E S
1	2810126	TRANSITION FRAME SERVICE DOOR		1	
NS	685387	GLUE MS POLYMER TEROSON MS 9399 / 400ml CARTRIDGE		AR	
NS	506191	TAPE RUB ADH1 CC POL 1/8" x 1/4" x 50' / GREY 2520X		AR	
2	2810389	BRACKET, LEFT CONSOLE		1	
3	2810548	SEAL 782MM		1	
5	502830	SCREW CAP HEX M6-1.0x20 G8.8 N500		4	
6	5001833	WASHER BEL SPR 6.1x18x1.27 SS		4	
7	5002027	SCREW CAP HEXF AD M6-1.0x16 G10.9 N500		1	
8	500142	WASHER FL 6.6x22.0x2.0 SS		1	
10	2810148	HINGE RETAINER		1	
11	2810273	HINGE, MACHINED		2	
12	2810532	HINGE AXLE		2	
13	5002164	WASHER FL 17X30X3.0 NYL		4	
14	508398	RING RETAINER / EXT .625 x .500 x .050" / SS		2	
15	502890	SCREW CAP HEX M10-1.5x90 G8.8 N500 To R-1877		4	
15	5000017	SCREW CAP HEX M10-1.5X90 G10.9 N500 From R-1878		4	
16	500897	WASHER FL .437x1.000x.083 N500		8	
17	507021	FLANGE BEARING ID 16MM OD 18MM		8	
18	502859	NUT HEX NYRT M10-1.5 N500		4	
19	5002109	SCREW CAP HEXF SERR M8-1.25x30 SS NSS		2	
20	251530	SLEEVE		2	
21	504013	TIE MOUNT / 1/4" X 1/4" I.D.		3	
21	504637	CABLE TIE / 3/16" x 13"		3	
22	5000353	SCREW CAP BUT HEXS M6-1.0x12 N500		3	
23	2810154	HINGE COVER, LEFT		1	
NS	684685	ADHESIVE SIMSON #ISR 70-03 / 310ml CARTRIDGE		AR	
24	504581	RIVET MGLP PRDG 3/16x7/16 SS BK		5	
24	5001137	WASHER FL .203x.438x.050 SS		5	
25	284438	PIN STRIKER		1	
26	284447	WASHERS BELLEVILLE		1	
50	H9-1879-01	FRONT SERVICE DOOR ASSY			
51	H9-1886-01	POWER WINDOW - ELECTRICAL INSTALLATION			

From K-0185

Date:07/2024

PAGE:H9-1879-60

REAR SIDE SERVICE DOOR ASSY R.H.



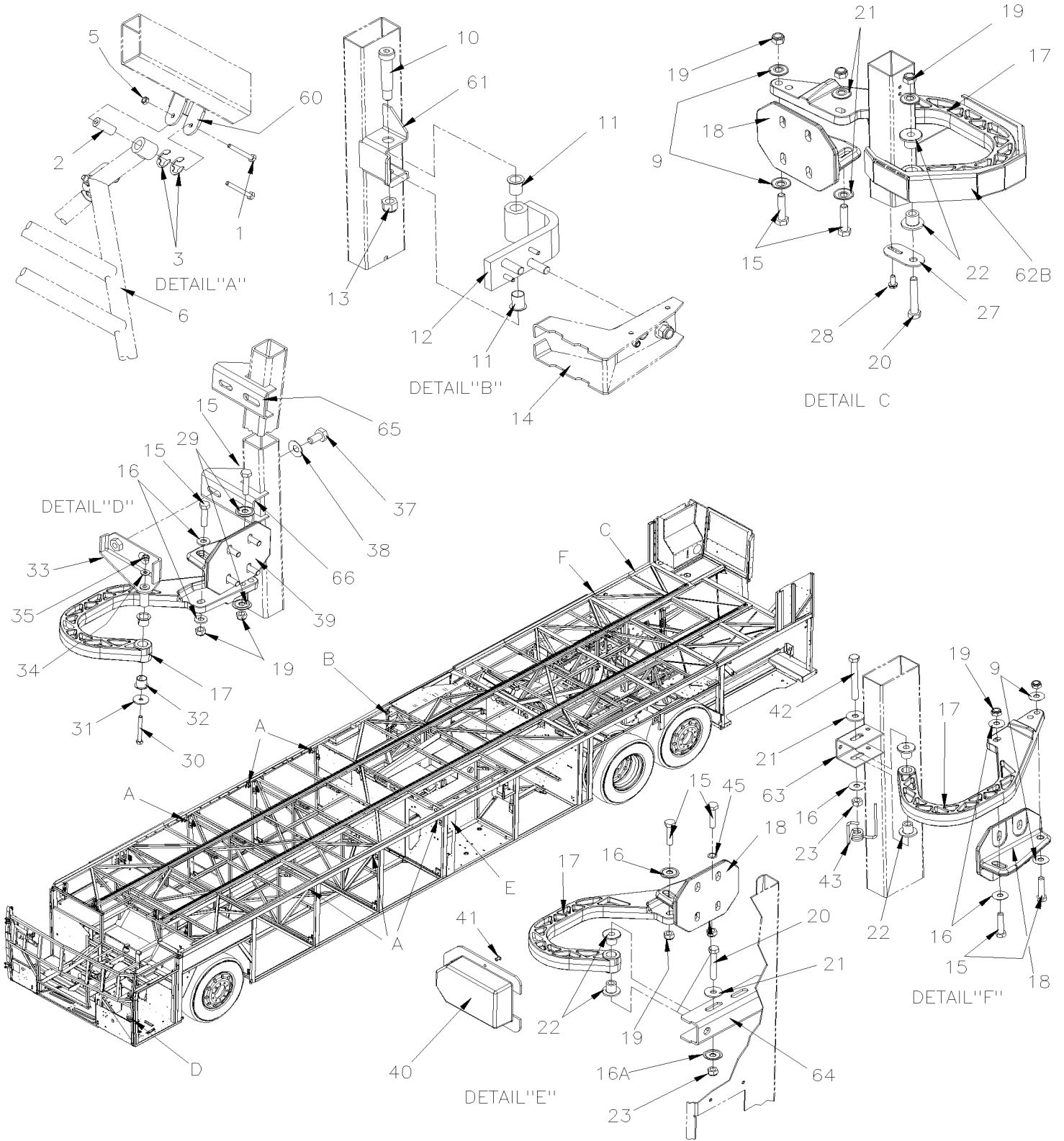
From K-0185		Date:07/2024	PAGE:H9-1879-60
REAR SIDE SERVICE DOOR ASSY R.H.			

Item#	Part	Description	H 3 4 1	H 3 4 5	N O T E S
	2800997	REAR SERVICE DOOR ASSY R.H	1	1	
1	287928	. DOOR MOULDED R.H. / FIBERGLASS SMC	1	1	
NS	684685	. ADHESIVE SIMSON #ISR 70-03 / 310ml CARTRIDGE	AR	AR	
NS	682348	. TAPE, DOUBLE COATED ACRYLIC	AR	AR	
2	2800127	. RUBBER SEAL EXTRUSION / REAR SERVICE DOOR / 1095MM X 515MM	1	1	
4	2801057	. PROTECTOR PANEL / SH	1	1	
4	289899	. PROTECTOR PANEL / WITH GRAVEL GUARD / SH	1	1	B
NS	683083	. ADHESIVE SIKA #252 / BLACK / 600 ml SAUSAGE	AR	AR	
NS	681348	. TAPE RUB ADH2 ACRYLIC .045" x 1" x 108' / VHB4952	AR	AR	
5	2811036	. EXTRUSION BACKING ASSY W/REFLECTOR 511MM	1	1	
5	684685	. ADHESIVE SIMSON #ISR 70-03 / 310ml CARTRIDGE	AR	AR	
6	283100	. STRIPE, REFLECTIVE WHITE / 38MM X 15' ROLL	AR	AR	
. NS	780277	. STRIPE, REFLECTIVE WHITE / 38MM X 150' ROLL	AR	AR	
7	500952	. SCREW TP BDG PH #8x1/2 SS	3	3	
11	284440	. SUPPORT	1	1	
12	504793	. RIVET MNB OE LARGE HEAD 3/16x7/16 SS	2	2	
13	505507	. STRAP NYLON 1" WIDE / S.L.	AR	AR	
14	285273	. SUPPORT	2	2	
15	5001848	. WASHER BEL SPR .827 x .331 x .098 th SS	4	4	
16	5001912	. SCREW CAP HEX M8-1.25x30 SS BK	4	4	
17	288806	. SPACER / 8MM SQ X 17MM O.D X 16GA	1	1	
18	288538	. LEVER / 8MM SQ HOLE	1	1	
19	280011	. LOCK COVER ASSEMBLY	1	1	
. A	N.S.S.	. RECEIVER	1	1	1
. B	N.S.S.	. COVER	1	1	1
. C	N.S.S.	. GUIDE, SPRING	1	1	1
. D	N.S.S.	. SPRING	1	1	1
. E	N.S.S.	. AXLE	1	1	1
20	780340	. CLIP, RETAINER ROD	2	2	
21	288015	. ROD LOCK 208MM	1	1	
22	780653	. LOCK SPAGNOLET R.H. / W/G-FITTING	1	1	
. NS	780340	. CLIP, RETAINER ROD	1	1	
. NS	507607	. GREASE FITTING / M6-1.00	1	1	
22	680739	. GREASE SYNTHETIC / RED 20KG	AR	AR	
23	285766	. PLATE / LOCK HOLDER / R.H. DOOR	1	1	
24A	5001982	. SCREW CAP HEX M6-1.0x12 SS BK	2	2	
24B	5002015	. WASHER BEL SPR 6.65x17.4x0.9 SS	2	2	
25	5001697	. SCREW CAP HEX M6-1.0x16 SS BK	4	4	
26	5001833	. WASHER BEL SPR 6.1x18x1.27 SS	4	4	
27	285063	. SPRING EXTENSION / .287 O.D. x 1.562 x .051	1	1	
29	500293	. SCREW TP PAN PH #10x1 SS	2	2	
30	506250	. RUBBER BUMPER	1	1	

From K-0185		Date:07/2024	PAGE:H9-1879-60
REAR SIDE SERVICE DOOR ASSY R.H.			

Item#	Part	Description	H 3 4 1	H 3 4 5	N O T E S
31	509815	. TIE MOUNT / ATTACHMENT W/TREE MOUNT	2	2	
38	504273	. CABLE TIE / 1/8" X 3"1/2	AR	AR	
40	780278	PIN, STRIKER STUD	1	1	
41	500316	SCREW MA FL PH 1/4-28x3/4 SS	2	2	
42	5001749	WASHER LO SPT 6.5x11.5x1.6 N500	2	2	
43	500970	NUT HEX 1/4-28 N500	2	2	
44	284770	PLATE SUPPORT / STRIKER PIN	1	1	
45	502780	SCREW CAP HEX M8-1.25x25 SS BK	2	2	
46	5001848	WASHER BEL SPR .827 x .331 x .098 th SS	2	2	
47	284439	PLATE, STRAP RETAINING / OBLONG 16.5MM x 25.4MM W/2 HOLES	1	1	
48	504379	RIVET POP DOME OE 3/16x1/4 SS	2	2	
50	H9-1879-90	EXTERIOR DOOR HINGE AND SUPPORT			
51	H9-1864-31	HANDLE LOCK & KEYS - TYPE "NS" & "FORD" To P-1452			
51	H9-1864-32	HANDLE LOCK & KEYS - TYPE "NS" & "FORD" From R-1453			
52	H9-0663-00	DOCK & CORNERING LIGHT To P-1452			
52	H9-0663-01	DOCK & CORNERING LIGHT From R-1453			
53	H9-0662-00	CLEARANCE & MARKER LIGHT To P-1452			
53	H9-0662-01	CLEARANCE & MARKER LIGHT From R-1453			
		B) THIS PROTECTOR IS COATED WITH GRAVEL GUARD AND BLACK PAINTED, READY TO INSTALL			
		1) NOT SOLD SEPARATELY			

EXTERIOR DOOR HINGE AND SUPPORT



From K-0185	Date:07/2024	PAGE:H9-1879-90
EXTERIOR DOOR HINGE AND SUPPORT		

Item#	Part	Description	H 3 4 1	H 3 4 5	N O T E S
1	502843	SCREW CAP HEX M6-1.0x45 G8.8 N500	1	1	
2	285710	BUSHING SPACER ACETAL 6.5MM I.D. x 14.15MM O.D. x 31	2	2	
3	504660	RING RETAINER / EXT .750 x 0575 x .050"	AR	AR	
5	502681	NUT HEX NYRT M6-1.0 N500 G8	1	1	
6	H9-1864-00	BAGGAGE COMPARTMENT DOOR			
9	5001341	WASHER FL 8.4x17.0x1.6 SS	4	4	
10	5000323	SCREW SHR HEXS 5/8x2 1/4 {1/2-13 SS	2	2	
11	507299	BUSHING NYLINER	2	2	
12	287646	HINGE / CONDENSER DOOR	2	2	
13	502595	NUT HEX NYRT 1/2-13 Z050	1	1	
14	H9-2255-01	CONDENSOR - INSTALLATION			
15	5001319	SCREW CAP HEX M8-1.25x40 SS	AR	AR	
16	5001849	WASHER FL 8.4x24.0x2.0 SS	AR	AR	
16A	5001848	WASHER BEL SPR .827 x .331 x .098 th SS	2	2	
16B	5001849	WASHER FL 8.4x24.0x2.0 SS	3	3	
17	285272	HINGE DOOR To N-1232	AR	AR	
17	2810562	HINGE DOOR From N-1233	1	1	
18	285273	SUPPORT	AR	AR	
19	5001983	NUT HEX NYRT M8-1.25 SS SS BK	AR	AR	
20A	5001981	SCREW CAP HEX M8-1.25x50 SS BK	AR	AR	
20A	5001981	SCREW CAP HEX M8-1.25x50 SS BK	AR	AR	
20B	5001981	SCREW CAP HEX M8-1.25x50 SS BK To P-1447	2	2	
20B	5001981	SCREW CAP HEX M8-1.25x50 SS BK To P-1447	2	2	
20B	5000004	SCREW SHR HEXS 8x40 {M6-1.0 SS From P-1448 To R-1832	2	2	
20B	5001981	SCREW CAP HEX M8-1.25x50 SS BK From R-1833	2	2	
20B	5001981	SCREW CAP HEX M8-1.25x50 SS BK From R-1833	2	2	
21	5001849	WASHER FL 8.4x24.0x2.0 SS	1	1	
22A	285478	FLANGE BUSHING	AR	AR	
22A	285478	FLANGE BUSHING	AR	AR	
22B	285478	FLANGE BUSHING To P-1447	4	4	
22B	285478	FLANGE BUSHING To P-1447	4	4	
22B	2800684	BUSHING From P-1448 To R-1832	2	2	
22B	285478	FLANGE BUSHING From R-1833	4	4	
22B	285478	FLANGE BUSHING From R-1833	4	4	
23	5001852	NUT HEX M8-1.25 SS BK	1	1	
24	285272	HINGE DOOR To N-1232	2	2	
24	2810562	HINGE DOOR From N-1233	2	2	
25	5001983	NUT HEX NYRT M8-1.25 SS SS BK To P-1447	2	2	
25	5001835	NUT HEXF M6-1.0 SS From P-1448 To R-1832	2	2	
25	5001983	NUT HEX NYRT M8-1.25 SS SS BK From R-1833	2	2	
26	5001848	WASHER BEL SPR .827 x .331 x .098 th SS To P-1447	2	2	
26	5001833	WASHER BEL SPR 6.1x18x1.27 SS From P-1448 To R-1832	2	2	

From K-0185	Date:07/2024	PAGE:H9-1879-90
EXTERIOR DOOR HINGE AND SUPPORT		

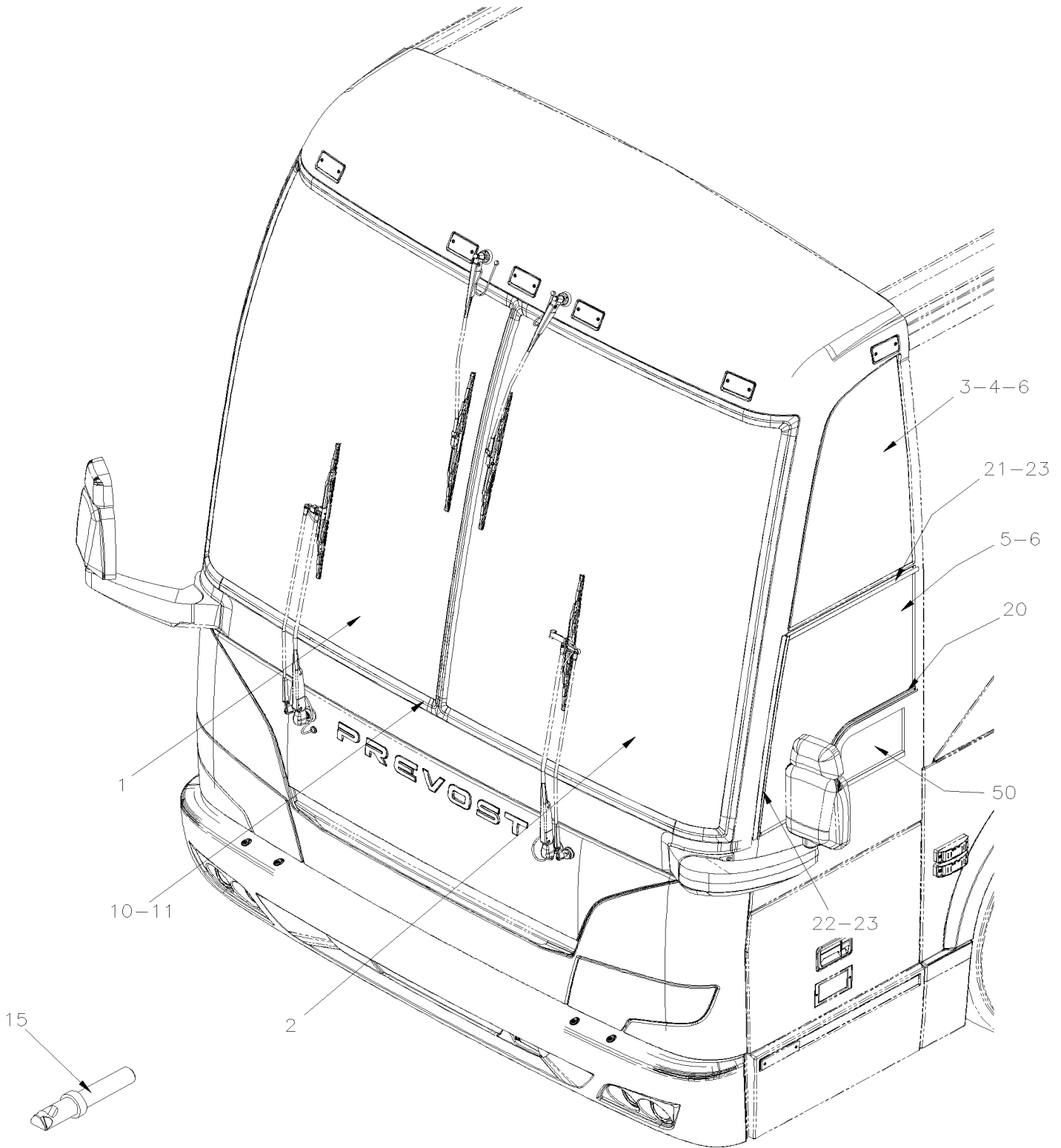
Item#	Part	Description	H 3 4 1	H 3 4 5	N O T E S
27	2800381	BLOCKER, HINGE To P-1447	2	2	
27	2800678	BLOCKER, HINGE From P-1448 To R-1832	2	2	
27	2800678	BLOCKER, HINGE From R-1833	4	4	
28	5001017	SCREW TC CAP HEXW #10-24x1/2 Z050 To P-1447	2	2	
28	5002027	SCREW CAP HEXF AD M6-1.0x16 G10.9 N500 From P-1448 To R-1832	2	2	
28	5002027	SCREW CAP HEXF AD M6-1.0x16 G10.9 N500 From R-1833	4	4	
29	5001736	WASHER FL 8.4x18.0x2.0 N500	2	2	
29	5001849	WASHER FL 8.4x24.0x2.0 SS	4	4	
30	502870	SCREW CAP HEX M5-0.8x45 G8.8 N500	2	2	
31	500805	WASHER FL .218x.875x.062 N500	2	2	
32	507142	BUSHING, NYLINER W/SHOULDER (8-L-8-F)	4	4	
33	285333	SUPPORT UPPER & LOWER	2	2	
34	500804	WASHER FL .203x.500x.047 N500	2	2	
35	502841	NUT HEX NYRT M5-0.8 N500	2	2	
37	502719	SCREW CAP HEX M10-1.5x20 SS EMN	2	2	
38	502871	WASHER LO SERR 10.2x26.3x1.4 N500	2	2	
39	285814	SUPPORT	2	2	
40	452041	BOX PLASTIC / HINGE CLEARANCE	2	2	
41	504717	RIVET POP DOME OE 1/8x1/4 SS	6	6	
42	5001347	SCREW CAP HEX M8-1.25x70 SS	2	2	
43	285502	SPRING, TORSION / .625 O.D. x .629 x .125	1	1	C
45	5001341	WASHER FL 8.4x17.0x1.6 SS	AR	AR	
60	285711	SUPPORT / (WELDED)	14		
60	285711	SUPPORT / (WELDED)		16	
61	218486	SUPPORT UPPER W/O W.C.L.	1	1	
61	218487	SUPPORT UPPER W/W.C.L.	1	1	
61	289683	SUPPORT LOWER	1	1	
62B	217678	SUPPORT / (WELDED) To P-1447	2	2	
62B	218971	HINGE COVER ASS (WELDED) From P-1448 To R-1832	2	2	
62B	219142	HINGE COVER ASS (WELDED) From R-1833	2	2	
63	285399	SUPPORT / (WELDED)	4	4	
64	285768	SUPPORT / (WELDED)	2	2	
65	285332	SUPPORT UPPER	1	1	
66	285323	SUPPORT LOWER	1	1	
		C) UPPER			

From K-0185 To P-1452

Date:07/2024

PAGE:H9-1880-01

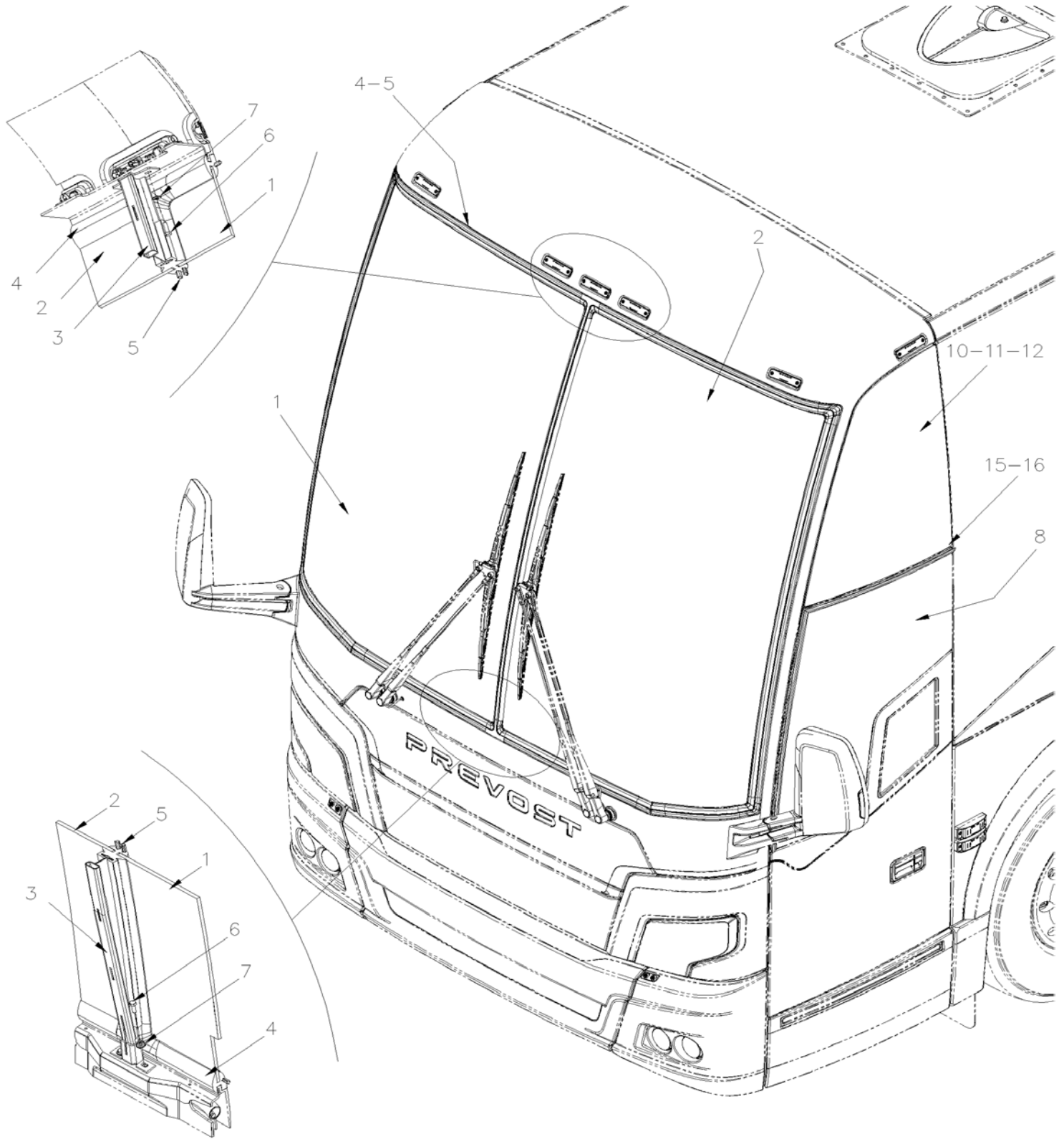
WINDSHIELD & CHANNEL



From K-0185 To P-1452	Date:07/2024	PAGE:H9-1880-01
WINDSHIELD & CHANNEL		

Item#	Part	Description	H 3 4 1	H 3 4 5	N O T E S
1	300010	WINDSHIELD R.H. To M-1109	1	1	
1	300720	WINDSHIELD R.H. From M-1110	1	1	
1	G37362	TEMPLATE, CAMERA POSITION MARKINGS H3	1	1	A
2	300009	WINDSHIELD L.H.	1	1	
3	293092	GLASS UPPER L.H. THERMOS	1	1	
3	293094	GLASS UPPER L.H. SINGLE	1	1	
3	293093	GLASS UPPER R.H. THERMOS	1	1	
3	293095	GLASS UPPER R.H. SINGLE	1	1	
4	506962	RUB POL 1/4 X 7/16 X 1 LG	AR	AR	
5	290075	GLASS DRIVER'S WINDOW	1	1	
6	681092	ADHESIVE SIKA #255FC / BLACK / 310ml CARTRIDGE	AR	AR	
6	5060013	TAPE RUB ADH2 CC POL 1/8" x 1/8" x 100' / BLACK I1C-N-A	AR	AR	
10	300657	CHANNEL / WINDSHIELD RUBBER	1	1	
NS	800355	LUBRICANT CLEAR LUBE 32A / 20 LITER	AR	AR	
NS	689819	LUBRICANT CLEAR LUBE 32A / 2 LBS	AR	AR	
NS	800356	LUBRICANT CLEAR LUBE 32A / 430 Gr	AR	AR	
10	685124	ADHESIVE SIMSON #ISR 70-03 / BLACK / 600ml SAUSAGE	AR	AR	
11	296264	STRIP, LOCKING / S.L.	40FT	40FT	
15	680755	HANDLE ASSY (TO FIX FRONT GLASS CHANNEL)	1	1	
20	293401	DRIP MOULDING DRIVER'S WINDOW	1	1	
20	680066	ADHESIVE / ADBOND #5014 / 23.6ML BOTTLE	AR	AR	
21	290083	DRIP MOULDING DRIVER'S WINDOW	1	1	
22	290084	DRIP MOULDING DRIVER'S WINDOW	1	1	
23	680796	TAPE RUB ADH2 ACRYLIQUE 3/4x.045x36YARD	AR	AR	
50	H9-1886-00	POWER WINDOW - ELECTRICAL INSTALLATION			
		A) USE IF WINDSHIELD DOESN'T ALREADY HAVE POSITION MARKINGS			

From R-1453	Date:07/2024	PAGE:H9-1880-02
WINDSHIELD & CHANNEL		



From R-1453		Date:07/2024	PAGE:H9-1880-02
WINDSHIELD & CHANNEL			

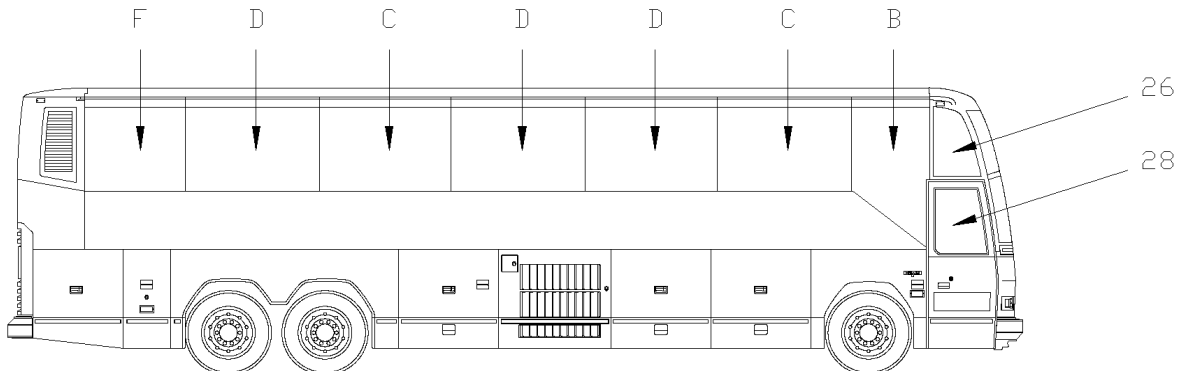
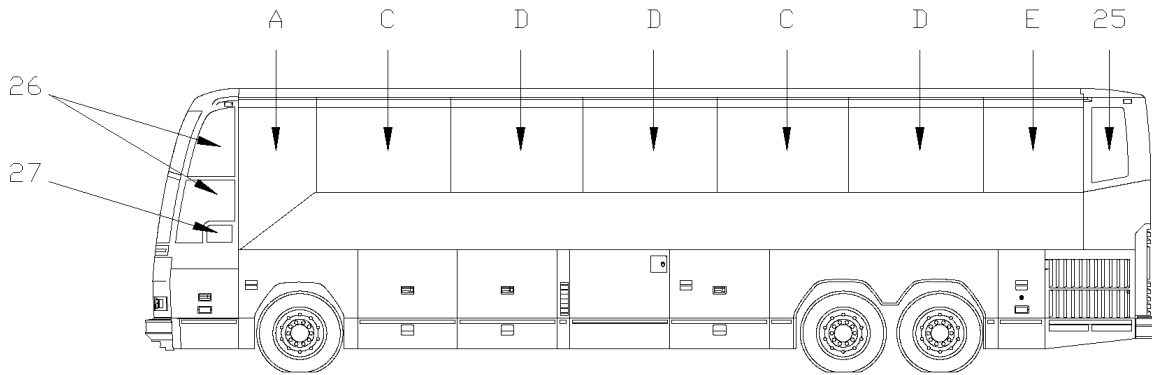
Item#	Part	Description	H 3 4 1	H 3 4 5	N O T E S
1	300664	WINDSHIELD R.H.		1	
2	300663	WINDSHIELD L.H.		1	
3	4710276	CENTRAL POST		1	
4	300665	CHANNEL / WINDSHIELD RUBBER		1	
5	296264	STRIP, LOCKING / S.L.		AR	
6	502830	SCREW CAP HEX M6-1.0x20 G8.8 N500		4	
7	502582	WASHER LO SERR 6.1x16.2x0.9 Z050		4	
8	290362	DRIVER'S WINDOW To £-21133		1	
8	290952	DRIVER'S WINDOW From £-21133		1	
NS	506769	TAPE RUB ADH2 CC POL 1/8" x 1/4" x 60' / BLACK H1CC-N-#14		AR	
NS	684685	ADHESIVE SIMSON #ISR 70-03 / 310ml CARTRIDGE		AR	
NS	685387	GLUE MS POLYMER TEROSON MS 9399 / 400ml CARTRIDGE		AR	
10	290360	UPPER LATERAL WINDOW, L..H. To £-21133		1	
10	290948	UPPER LATERAL WINDOW, L..H. From £-21133		1	
10	290902	UPPER LATERAL WINDOW, L.H. W/E-MIRROR To £-21133		1	A
10	290954	UPPER LATERAL WINDOW, L.H. W/E-MIRROR From £-21133		1	A
11	290361	UPPER LATERAL WINDOW, R.H. To £-21133		1	
11	290951	UPPER LATERAL WINDOW, R.H. From £-21133		1	
11	290905	UPPER LATERAL WINDOW, R.H. W/E-MIRROR To £-21133		1	
11	290960	UPPER LATERAL WINDOW, R.H. W/E-MIRROR From £-21133		1	A
12	685387	GLUE MS POLYMER TEROSON MS 9399 / 400ml CARTRIDGE		AR	
15	290882	WEATHERSTRIP ASM DRIVER WINDOW		1	
16	290864	WEATHERSTRIP ENTRY DOOR		1	
NS	293842	HANDLE ASSY (TO FIX FRONT GLASS CHANNEL)		1	
NS	293843	END TIP "PRÉVOST"		AR	
NS	800355	LUBRICANT CLEAR LUBE 32A / 20 LITER		AR	
NS	689819	LUBRICANT CLEAR LUBE 32A / 2 LBS		AR	
NS	800356	LUBRICANT CLEAR LUBE 32A / 430 Gr		AR	
NS	685387	GLUE MS POLYMER TEROSON MS 9399 / 400ml CARTRIDGE		AR	
		A) WITH E-MIRROR			

From K-0185 To P-1452

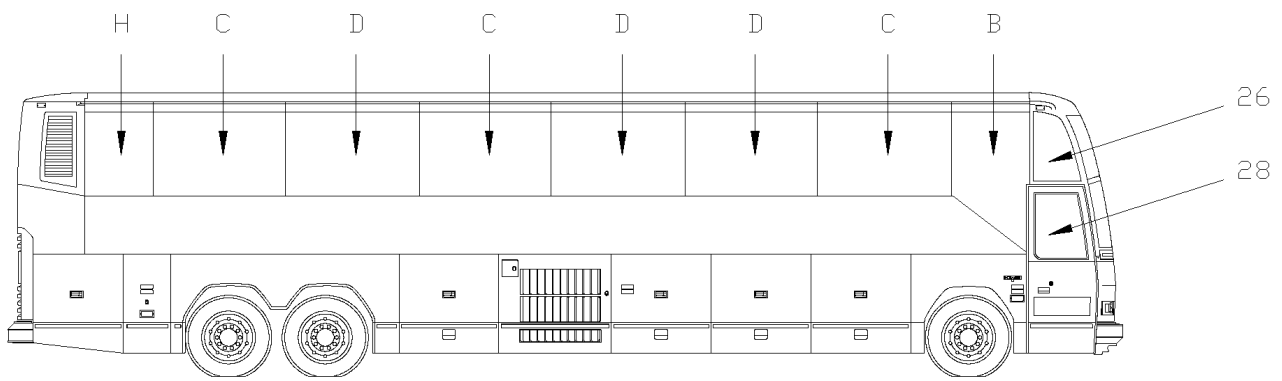
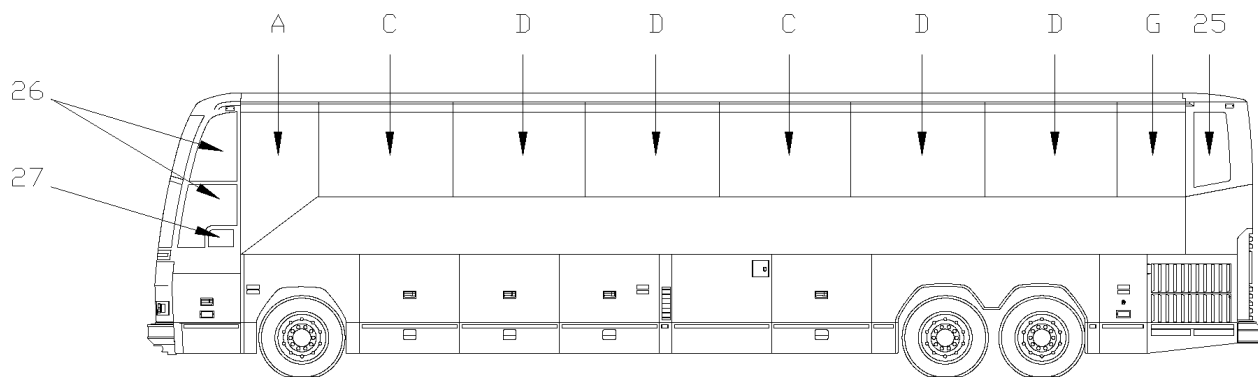
Date:07/2024

PAGE:H9-1884-00

SIDE WINDOW - BUS



H3-41



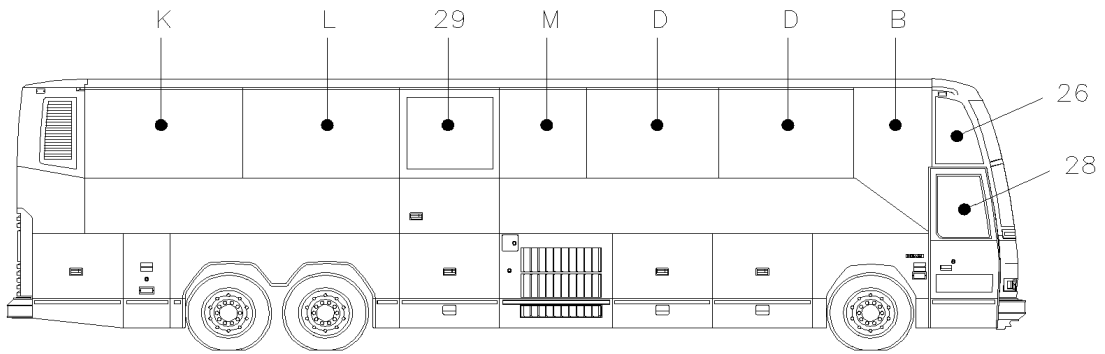
H3-45

From K-0185 To P-1452

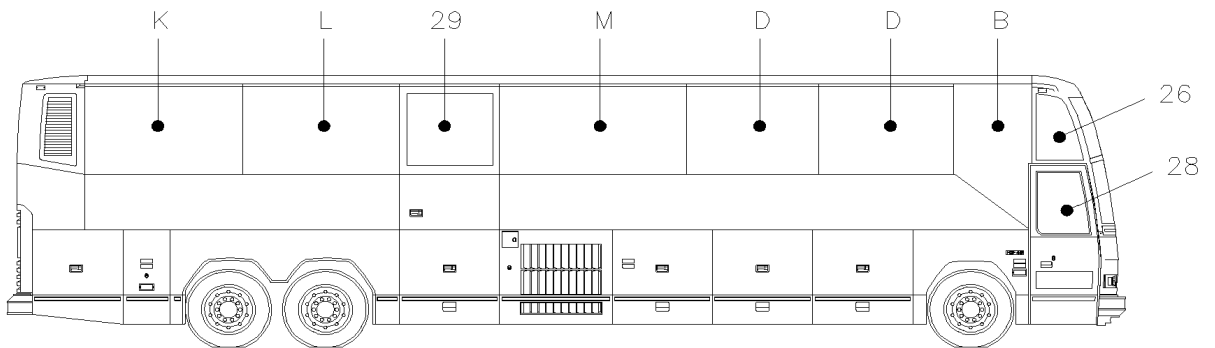
Date:07/2024

PAGE:H9-1884-00

SIDE WINDOW - BUS



H3-41 WITH W.C.L. RICON



H3-45 WITH W.C.L. RICON

From K-0185 To P-1452	Date:07/2024	PAGE:H9-1884-00
SIDE WINDOW - BUS		

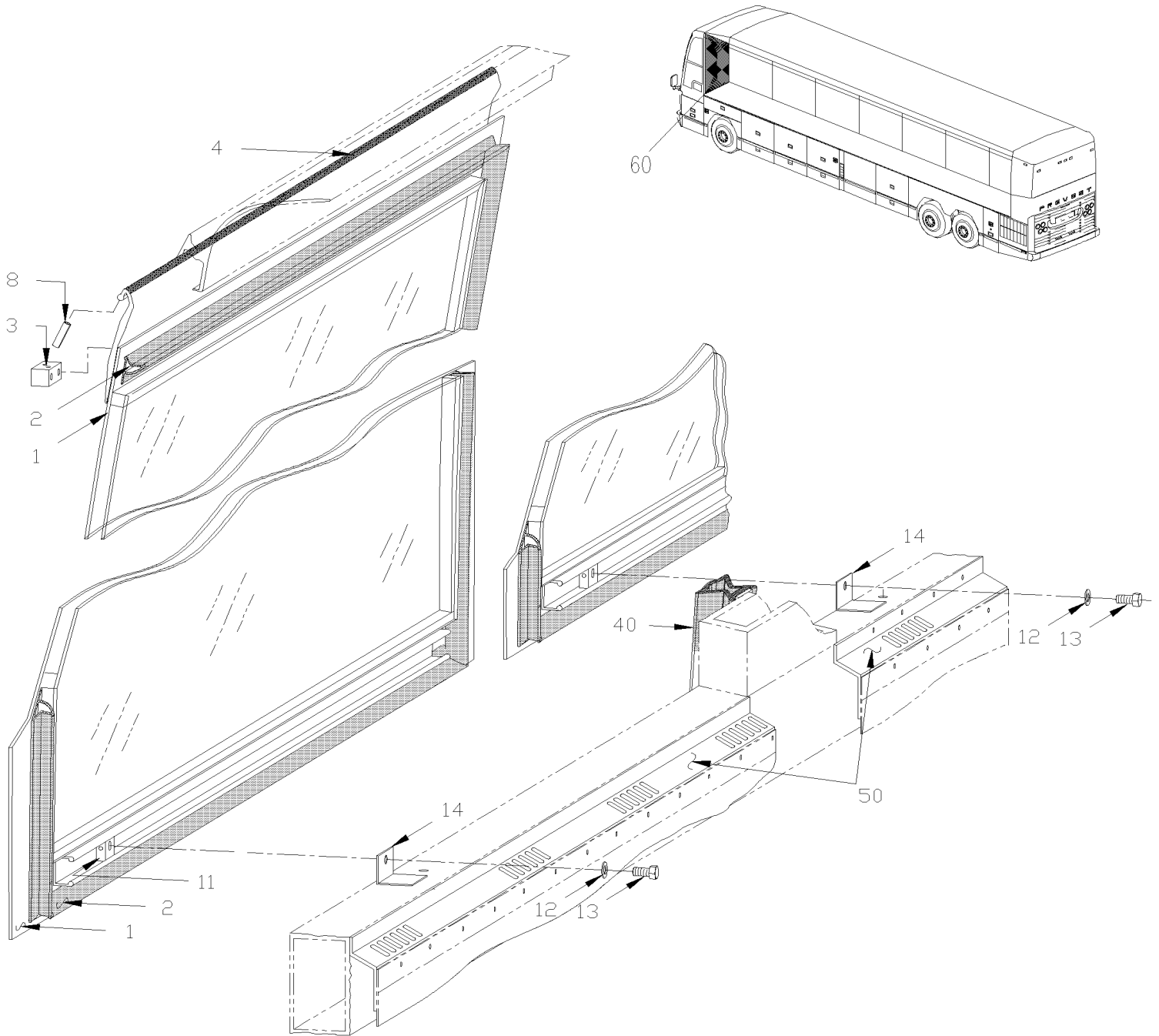
Item#	Part	Description	H 3 4 1	H 3 4 5	N O T E S
25	H9-1851-05	REAR CAP - DOOR DPF & SCR			
26	H9-1880-01	WINDSHIELD & CHANNEL			
27	H9-1886-00	POWER WINDOW - ELECTRICAL INSTALLATION			
28	H9-1862-10	ENTRANCE DOOR ASSY - SEDAN			
29	H9-1862-82	ENTRANCE DOOR SLIDING - WCL			
NS	293084	EMERGENCY KIT / PLASTIC WINDOW	1	1	A
. NS	293087	. EMERGENCY PLEXIGLASS WINDOW 1652MM	1	1	A
. NS	293189	. SUPPORT	2	2	A
. NS	293216	. DECAL	1	1	A
. NS	504114	. RIVET POP DOME OE 3/16x1/4 AL	4	4	A
. NS	5001381	. SCREW TC CAP HEX 1/4-20x1/2 Z050	2	2	A
. NS	506004	. TAPE RUB ADH1 CC POL 3/8" x 1/2" x 20' / GREY 2520X	AR	AR	A
. NS	IS-98076	. SEE INSTRUCTION SHEET	1	1	A
NS	060754	CABLE HARNESS / STREETSIDE WINDOW AJAR	1	1	
NS	060756	CABLE HARNESS / CURBSIDE WINDOW AJAR	1	1	
NS	680415	TAPE ADHESIVE 3" WIDE BLUE	AR	AR	
A	H9-1884-00A	POSITION "A"			
B	H9-1884-00B	POSITION "B"			
C	H9-1884-00C	POSITION "C" (FIX TYPE)			
D	H9-1884-00D	POSITION "D" (OPENING TYPE)			
E	H9-1884-00E	POSITION "E"			
F	H9-1884-00F	POSITION "F"			
G	H9-1884-00G	POSITION "G"			
H	H9-1884-00H	POSITION "H"			
K	H9-1884-00K	POSITION "K" (OPENING TYPE)			
L	H9-1884-00L	POSITION "L"			
M	H9-1884-00M	POSITION "M"			
		A) THIS ITEM IS LOCATED IN BAGGAGE COMPARTMENT			

From K-0185 To P-1452

Date:07/2024

PAGE:H9-1884-00A

POSITION "A"



From K-0185 To P-1452	Date:07/2024	PAGE:H9-1884-00A
POSITION "A"		

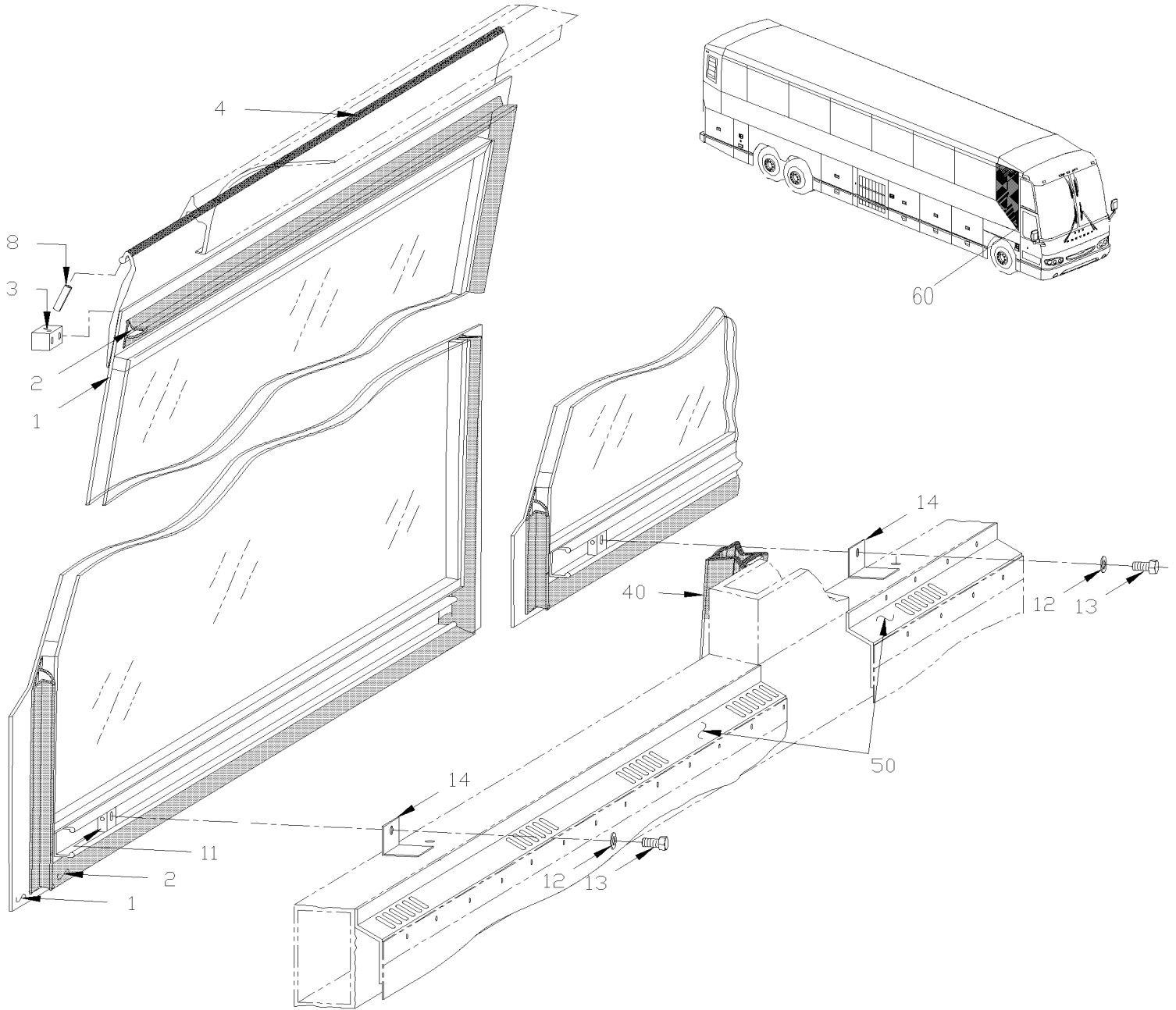
Item#	Part	Description	H 3 4 1	H 3 4 5	NOTES
1	292937	GLASS ASSY, THERMO 13% / TRAPEZOIDAL / LH BUS	1	1	
2	297264	. WINDOW SEAL / TRAPEZOIDAL LH 1822MM X 896MM	1	1	
3	293020	. STOPPER BLOCK W/EDGE	1	1	
3	293021	. STOPPER BLOCK	1	1	
NS	500260	. SCREW TC FL PH #8-32x3/4 BK	2	2	
4	564099	. TAPE ADHESIF ELECTRICAL TISSUS / BLACK 838MM	AR	AR	
8	505421	. SPRING, PIN M3 x 18	AR	AR	
11	290302	ANCHOR BLOCK W/SCREW M10-1.5 x 30	2	2	
12	502585	WASHER LO SERR 10.2x26.3x1.4 ZP	2	2	
12	5001443	WASHER FL 10.3x38.0x3.0 SS	2	2	
NS	505213	SHIM 1/16" THICK	AR	AR	
13	5001628	NUT HEX NYRT M10-1.5 SS	2	2	
14	292931	ANGLE / (WELDED)	2	2	
40	298923	SEAL RUBBER 1125MM	AR	AR	
50	H9-1833-01	WINDOW FINISHING CAP & WALL W/TAN FINISHING To K-0484			
50	H9-1833-02	WINDOW FINISHING CAP & WALL FINISHING From K-0485			
60	5001168	BUMPER RUBBER / .750 OD x .562 TH x .187 HOLE To K-0337	1	1	
60	5002023	BUMPER NEOPRENE / .750 OD x .562 TH x .187 HOLE From K-0338	1	1	
NS	680066	ADHESIVE / ADBOND #5014 / 23.6ML BOTTLE	AR	AR	

From K-0185 To P-1452

Date:07/2024

PAGE:H9-1884-00B

POSITION "B"



From K-0185 To P-1452	Date:07/2024	PAGE:H9-1884-00B
POSITION "B"		

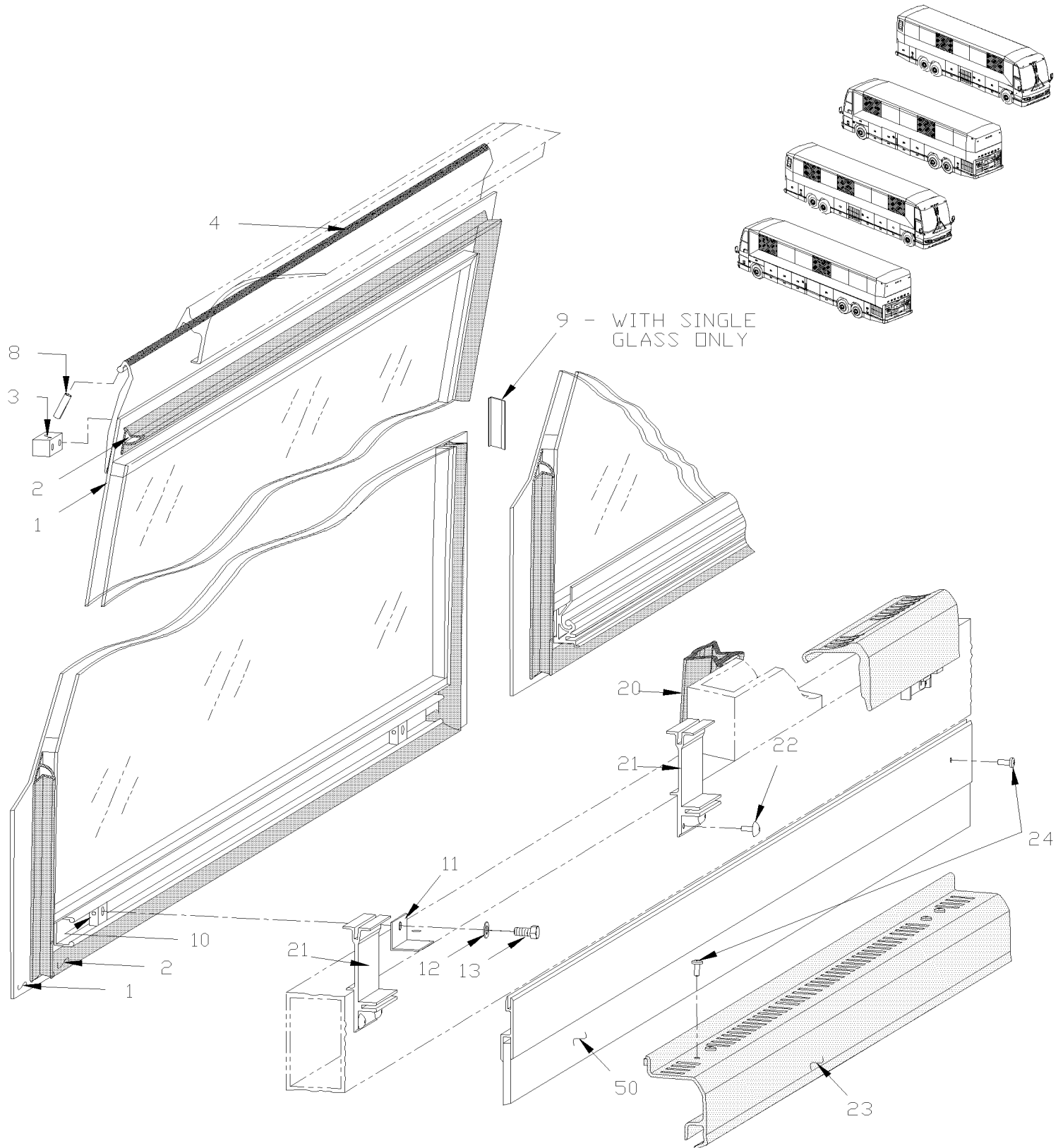
Item#	Part	Description	H 3 4 1	H 3 4 5	NOTES
1	292881	GLASS ASSY, THERMO 13% / TRAPEZOIDAL / RH BUS	1	1	
2	297271	. WINDOW SEAL / TRAPEZOIDAL RH 1822MM X 896MM	1	1	
3	293020	. STOPPER BLOCK W/EDGE	1	1	
3	293021	. STOPPER BLOCK	1	1	
3	290304	. STOPPER BLOCK From K-0679	1	1	
NS	500260	. SCREW TC FL PH #8-32x3/4 BK	2	2	
4	564099	. TAPE ADHESIF ELECTRICAL TISSUS / BLACK 838MM	AR	AR	
8	505421	. SPRING, PIN M3 x 18	AR	AR	
11	290302	ANCHOR BLOCK W/SCREW M10-1.5 x 30	2	2	
12	502585	WASHER LO SERR 10.2x26.3x1.4 ZP	2	2	
NS	5001443	WASHER FL 10.3x38.0x3.0 SS	2	2	
NS	505213	SHIM 1/16" THICK	AR	AR	
13	5001628	NUT HEX NYRT M10-1.5 SS	2	2	
14	292931	ANGLE / (WELDED)	2	2	
40	298923	SEAL RUBBER 1125MM	AR	AR	
50	H9-1833-01	WINDOW FINISHING CAP & WALL W/TAN FINISHING To K-0484			
50	H9-1833-02	WINDOW FINISHING CAP & WALL FINISHING From K-0485			
60	5001168	BUMPER RUBBER / .750 OD x .562 TH x .187 HOLE To K-0337	1	1	
60	5002023	BUMPER NEOPRENE / .750 OD x .562 TH x .187 HOLE From K-0338	1	1	
60	680066	ADHESIVE / ADBOND #5014 / 23.6ML BOTTLE	AR	AR	

From K-0185 To P-1452

Date:07/2024

PAGE:H9-1884-00C

POSITION "C" (FIX TYPE)



From K-0185 To P-1452	Date:07/2024	PAGE:H9-1884-00C
POSITION "C" (FIX TYPE)		

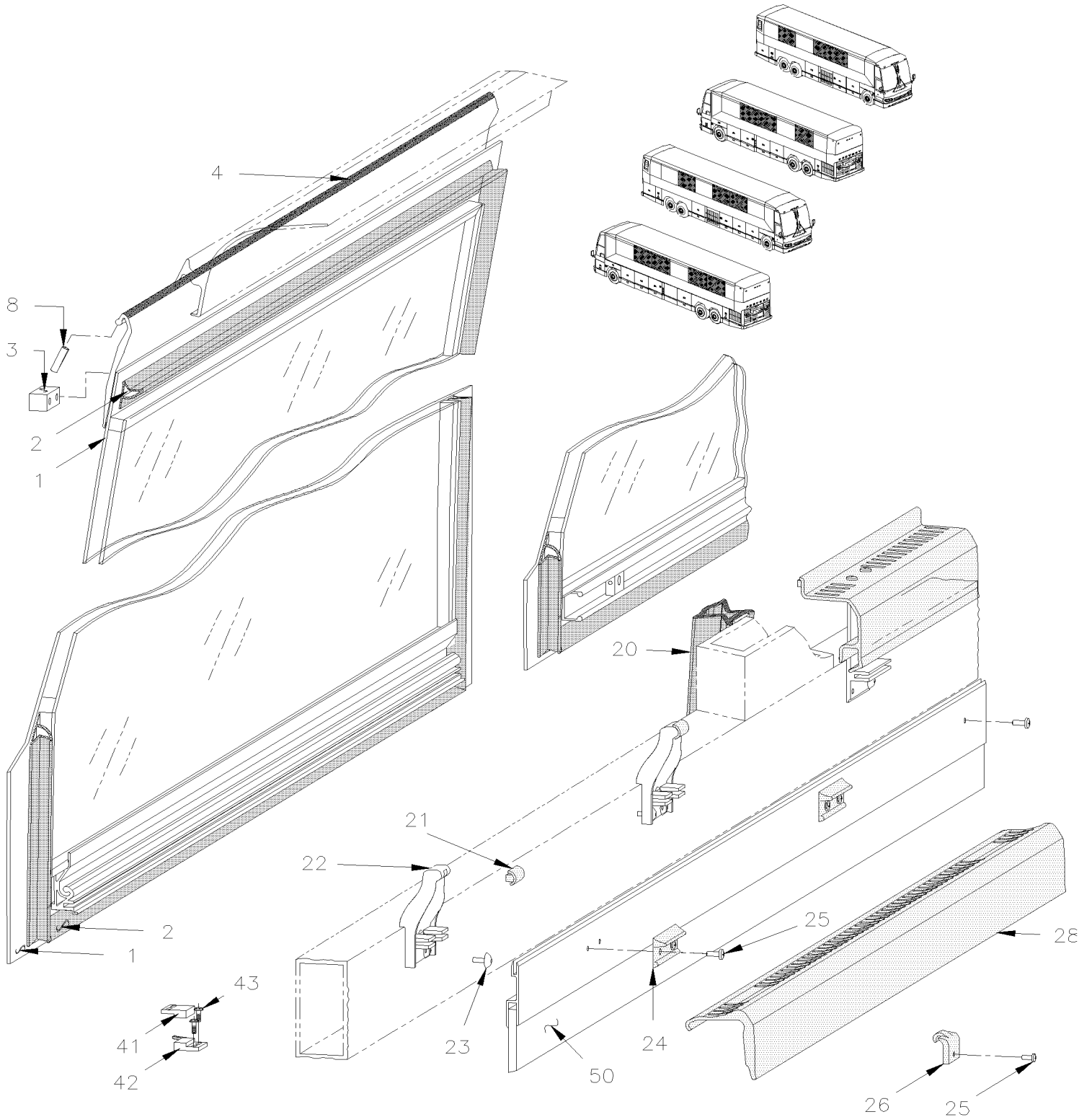
Item#	Part	Description	H 3 4 1	H 3 4 5	N O T E S
1	292934	GLASS ASSY, THERMOS 13% / FIX TYPE / 1652MM	4		
1	292934	GLASS ASSY, THERMOS 13% / FIX TYPE / 1652MM	2		W
1	292934	GLASS ASSY, THERMOS 13% / FIX TYPE / 1652MM		5	
1	292935	GLASS ASSY, SINGLE 13% / FIX TYPE / 1652MM	4		
1	292935	GLASS ASSY, SINGLE 13% / FIX TYPE / 1652MM	2		W
1	292935	GLASS ASSY, SINGLE 13% / FIX TYPE / 1652MM		5	
2	297269	WINDOW SEAL / 1083MM X 1613MM	1	1	
3	293020	STOPPER BLOCK W/EDGE	1	1	
3	293021	STOPPER BLOCK	1	1	
3	290304	STOPPER BLOCK From K-0679	1	1	
NS	500260	SCREW TC FL PH #8-32x3/4 BK	2	2	
4	564099	TAPE ADHESIF ELECTRICAL TISSUS / BLACK 838MM	AR	AR	
8	505421	SPRING, PIN M3 x 18	AR	AR	
9	293068	REINFORCEMENT ANGLE / W/SINGLE FIXED GLASS	8		
9	293068	REINFORCEMENT ANGLE / W/SINGLE FIXED GLASS		10	
10	290302	ANCHOR BLOCK W/SCREW M10-1.5 x 30	2	2	
11	292931	ANGLE / (WELDED)	3	3	
12	502585	WASHER LO SERR 10.2x26.3x1.4 ZP	2	2	
NS	5001443	WASHER FL 10.3x38.0x3.0 SS	2	2	
NS	505213	SHIM 1/16" THICK	AR	AR	
13	5001628	NUT HEX NYRT M10-1.5 SS	2	2	
20	298923	SEAL RUBBER 1125MM	AR	AR	
21	293585	SUPPORT MOULDING	2	2	
22	504249	RIVET CHY Q PRDG 3/16x3/8 SS	8	8	
23	293951	FINISHING MOULDING W/THERMOS GLASS / 1496MM	8		
23	299084	FINISHING MOULDING W/THERMOS GLASS W/W.C.L. STREETSIDE / 1496MM	1		
23	293596	FINISHING MOULDING / 1496MM		10	
23	293951	FINISHING MOULDING W/THERMOS GLASS / 1496MM	10	10	
23	299083	FINISHING MOULDING 1360MM W/THERMOS GLASS W/W.C.L. STREETSIDE	1	1	
24	500611	SCREW TC PAN PH #10-24x1/2 Z050	AR	AR	
NS	404654	DECAL / BLACK 3" X 63" / BLOCK -OFF UPPER WIN	AR	AR	
50	H9-1833-01	WINDOW FINISHING CAP & WALL W/TAN FINISHING To K-0484			
50	H9-1833-02	WINDOW FINISHING CAP & WALL FINISHING From K-0485			
		W) WITH WCL			

From K-0185 To P-1452

Date:07/2024

PAGE:H9-1884-00D

POSITION "D" (OPENING TYPE)



From K-0185 To P-1452	Date:07/2024	PAGE:H9-1884-00D
POSITION "D" (OPENING TYPE)		

Item#	Part	Description	H 3 4 1	H 3 4 5	N O T E S
1	293606	GLASS ASSY, THERMOS 13% / OPEN TYPE / 1652MM	6		
1	293606	GLASS ASSY, THERMOS 13% / OPEN TYPE / 1652MM	5		W
1	293606	GLASS ASSY, THERMOS 13% / OPEN TYPE / 1652MM		7	
1	293605	GLASS ASSY, SINGLE 13% / OPEN TYPE / 1652MM	6		
1	293605	GLASS ASSY, SINGLE 13% / OPEN TYPE / 1652MM	5		W
1	293605	GLASS ASSY, SINGLE 13% / OPEN TYPE / 1652MM		7	
2	297269	. WINDOW SEAL / 1083MM X 1613MM	1	1	
3	293020	. STOPPER BLOCK W/EDGE	1	1	
3	293021	. STOPPER BLOCK	1	1	
3	290304	. STOPPER BLOCK From K-0679	1	1	
NS	500260	. SCREW TC FL PH #8-32x3/4 BK	2	2	
4	564099	. TAPE ADHESIF ELECTRICAL TISSUS / BLACK 838MM	AR	AR	
8	505421	. SPRING, PIN M3 x 18	AR	AR	
20	298923	SEAL RUBBER 1125MM	AR	AR	
21	292837	CUSHION 2.0MM TH / BLACK PLASTIC	2	2	S
21	298215	CUSHION / BLACK PLASTIC / 1.5MM TH	2	2	A L
21	298225	CUSHION / BLACK PLASTIC / 2.5MM TH	2	2	A M
NS	680066	ADHESIVE / ADBOND #5014 / 23.6ML BOTTLE	AR	AR	
22	293584	SUPPORT	2	2	
23	504249	RIVET CHY Q PRDG 3/16x3/8 SS	4	4	
24	293975	PROTECTOR	2	2	
25	500611	SCREW TC PAN PH #10-24x1/2 Z050	AR	AR	
26	791007	SUPPORT W/STOPPER (ONE PIECE)	2	2	
28	293952	HANDLE WINDOW OPENING 1496MM	1	1	
28	H9-1829-00	ACCESSORIES PASSENGER'S SEAT - "PREVOST"			
29	294051	DEFLECTOR AIR FOR SENSOR NITRIL 1210MM x 54MM #6 L.H.	1	1	D
41	562641	MAGNET	6		
41	562641	MAGNET		7	
42	064360	SWITCH MAGNETIC ASSY	6		
42	064360	SWITCH MAGNETIC ASSY		7	
42	064678	SWITCH MAGNETIC ASSY W/TAPE DUAL LOCK	AR	AR	
43	500862	SCREW TC PAN PH #6-32x3/4 Z050	12	12	
NS	404654	DECAL / BLACK 3" X 63" / BLOCK -OFF UPPER WIN	AR	AR	
50	H9-1833-01	WINDOW FINISHING CAP & WALL W/TAN FINISHING From K-0484			
50	H9-1833-02	WINDOW FINISHING CAP & WALL FINISHING From K-0485			
		A) USED IN PRODUCTION SINCE JANUARY 2007			
		D) FOR PRODUCT IMPROVEMENT TO PREVENT WARM AIR TO SENSOR INSTALL THIS ON WINDOW HANDLE			
		L) LESS TENSION			
		M) MORE TENSION			

From K-0185 To P-1452		Date:07/2024	PAGE:H9-1884-00D
POSITION "D" (OPENING TYPE)			

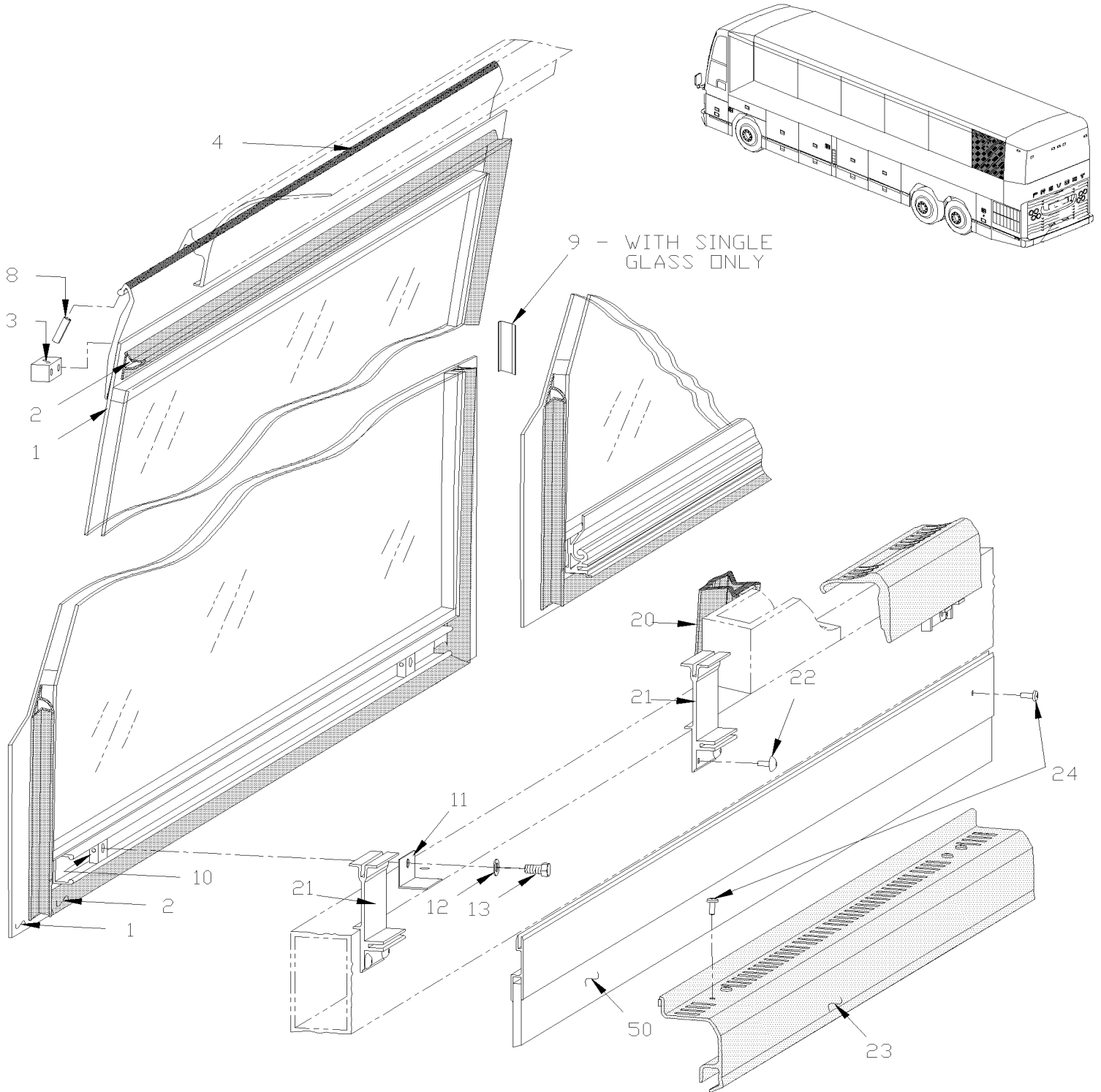
Item#	Part	Description	H 3 4 1	H 3 4 5	N O T E S
		S) STANDARD TENSION			
		W) WITH WCL			

From K-0185 To P-1452

Date:07/2024

PAGE:H9-1884-00E

POSITION "E"



From K-0185 To P-1452	Date:07/2024	PAGE:H9-1884-00E
POSITION "E"		

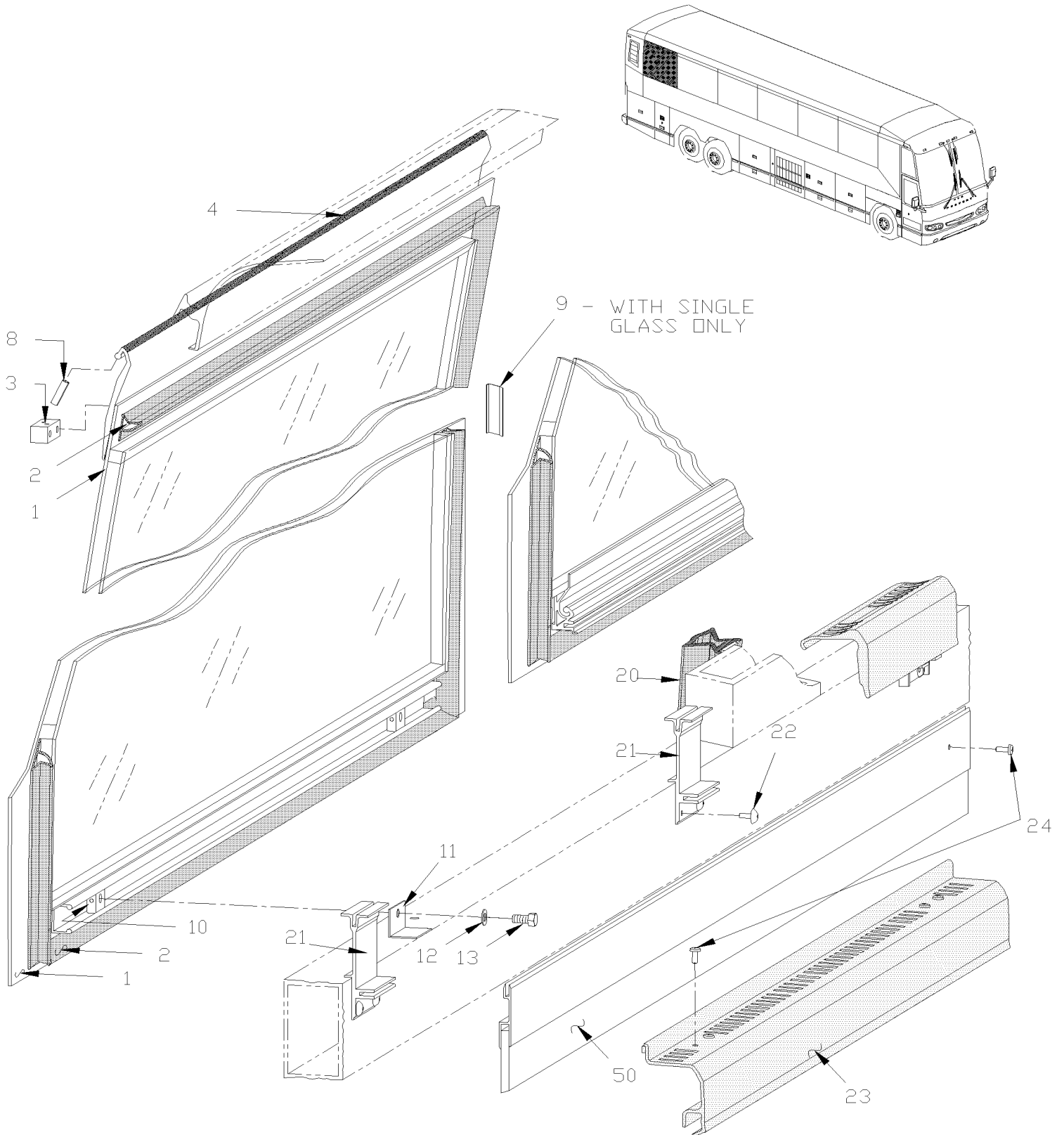
Item#	Part	Description	H 3 4 1	H 3 4 5	NOTES
1	292938	GLASS ASSY, THERMOS 13% / 1254MM	1		
1	292950	GLASS ASSY, SINGLE 13% / 1254MM	1		
2	297268	. WINDOW SEAL / 1083MM X 1174MM	1		
3	293020	. STOPPER BLOCK W/EDGE	1		
3	293021	. STOPPER BLOCK	1		
3	290304	. STOPPER BLOCK From K-0679	1		
NS	500260	. SCREW TC FL PH #8-32x3/4 BK	2		
4	564099	. TAPE ADHESIF ELECTRICAL TISSUS / BLACK 838MM	AR		
8	505421	. SPRING, PIN M3 x 18	AR		
9	293068	REINFORCEMENT ANGLE / W/SINGLE FIXED GLASS	1		
10	290302	ANCHOR BLOCK W/SCREW M10-1.5 x 30	2		
11	292931	ANGLE / (WELDED)	3		
12	502585	WASHER LO SERR 10.2x26.3x1.4 ZP	2		
NS	5001443	WASHER FL 10.3x38.0x3.0 SS	2		
NS	505213	SHIM 1/16" THICK	AR		
13	5001628	NUT HEX NYRT M10-1.5 SS	2		
20	298923	SEAL RUBBER 1125MM	AR		
21	293585	SUPPORT MOULDING	2		
22	504249	RIVET CHY Q PRDG 3/16x3/8 SS	8		
23	293955	FINISHING MOULDING W/THERMOS GLASS / 1057MM	1		
24	500611	SCREW TC PAN PH #10-24x1/2 Z050	AR		
50	H9-1833-01	WINDOW FINISHING CAP & WALL W/TAN FINISHING To K-0484			
50	H9-1833-02	WINDOW FINISHING CAP & WALL FINISHING From K-0485			

From K-0185 To P-1452

Date:07/2024

PAGE:H9-1884-00F

POSITION "F"



From K-0185 To P-1452	Date:07/2024	PAGE:H9-1884-00F
POSITION "F"		

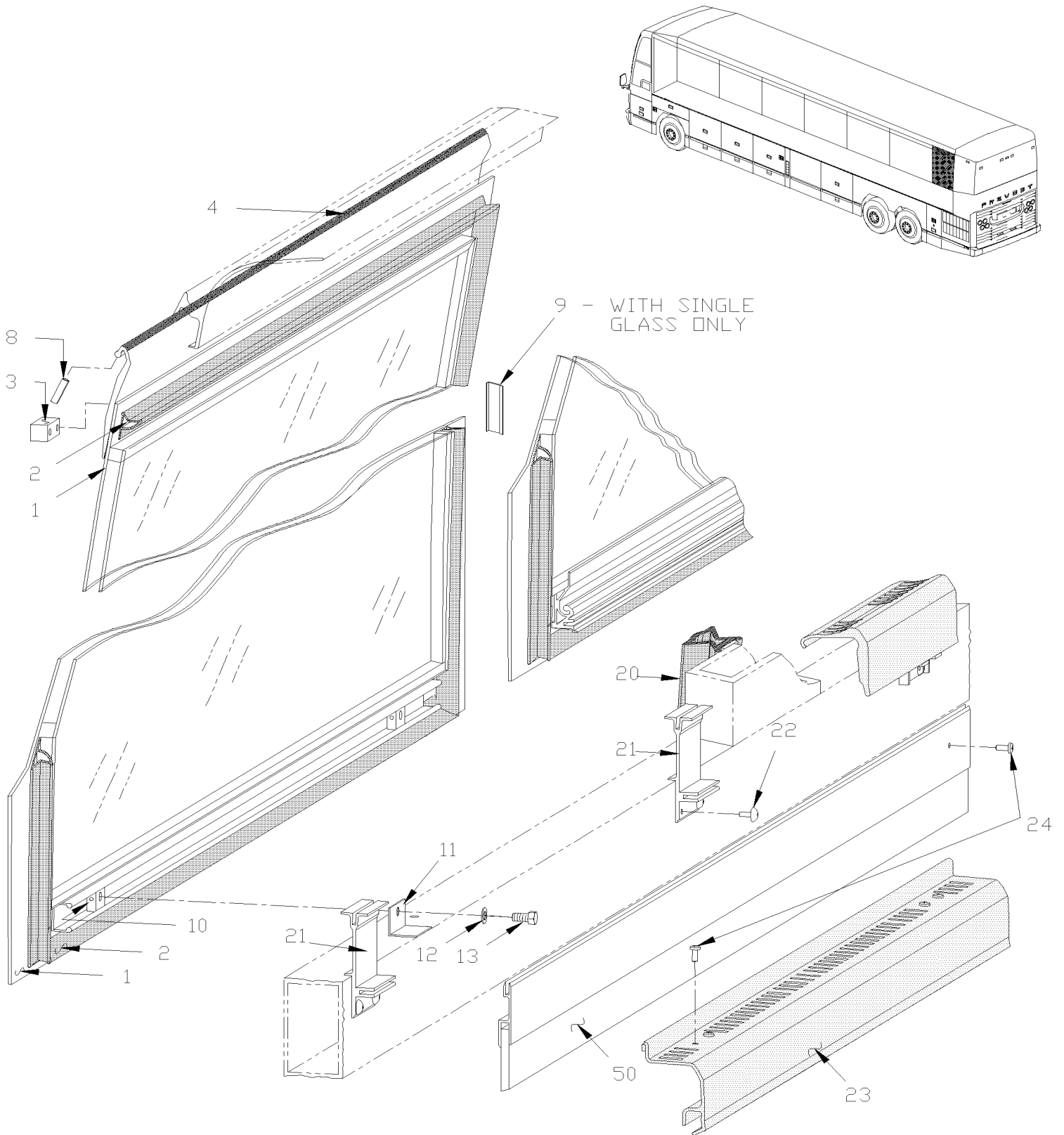
Item#	Part	Description	H 3 4 1	H 3 4 5	N O T E S
1	292933	GLASS ASSY, THERMOS 13% / 1254MM	1		
1	292945	GLASS ASSY, SINGLE 13% / 1254MM	1		
2	297234	. WINDOW SEAL / 1083MM X 1174MM	1		
3	293020	. STOPPER BLOCK W/EDGE	1		
3	293021	. STOPPER BLOCK	1		
3	290304	. STOPPER BLOCK From K-0679	1		
NS	500260	. SCREW TC FL PH #8-32x3/4 BK	2		
4	564099	. TAPE ADHESIF ELECTRICAL TISSUS / BLACK 838MM	AR		
8	505421	. SPRING, PIN M3 x 18	AR		
9	293068	REINFORCEMENT ANGLE / W/SINGLE FIXED GLASS	2		
10	290302	ANCHOR BLOCK W/SCREW M10-1.5 x 30	2		
11	292931	ANGLE / (WELDED)	3		
12	502585	WASHER LO SERR 10.2x26.3x1.4 ZP	2		
NS	5001443	WASHER FL 10.3x38.0x3.0 SS	2		
NS	505213	SHIM 1/16" THICK	AR		
13	5001628	NUT HEX NYRT M10-1.5 SS	2		
20	298923	SEAL RUBBER 1125MM	AR		
21	293585	SUPPORT MOULDING	2		
22	504249	RIVET CHY Q PRDG 3/16x3/8 SS	8		
23	293598	FINISHING MOULDING W/THERMOS GLASS / 1057MM	1		
23	293955	FINISHING MOULDING W/THERMOS GLASS / 1057MM	1		
24	500611	SCREW TC PAN PH #10-24x1/2 Z050	AR		
50	H9-1833-01	WINDOW FINISHING CAP & WALL W/TAN FINISHING To K-0484			
50	H9-1833-02	WINDOW FINISHING CAP & WALL FINISHING From K-0485			

From K-0185 To P-1452

Date:07/2024

PAGE:H9-1884-00G

POSITION "G"



From K-0185 To P-1452	Date:07/2024	PAGE:H9-1884-00G
POSITION "G"		

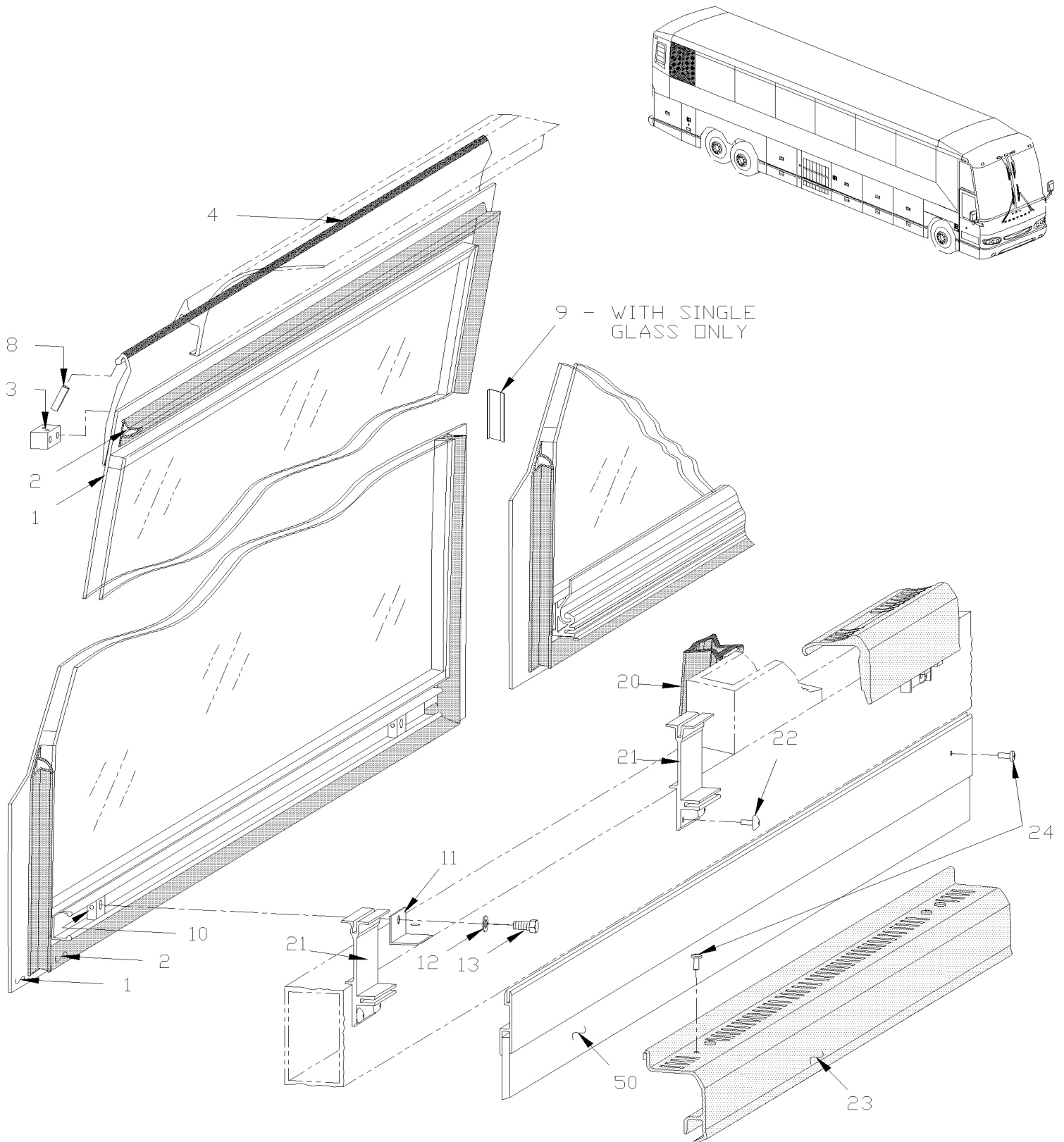
Item#	Part	Description	H 3 4 1	H 3 4 5	NOTES
1	292936	GLASS ASSY, THERMOS 13% / 840MM		1	
1	292948	GLASS ASSY, SINGLE 13% / 840MM		1	
2	297236	. WINDOW SEAL / 1083MM X 760MM		1	
3	293020	. STOPPER BLOCK W/EDGE		1	
3	293021	. STOPPER BLOCK		1	
3	290304	. STOPPER BLOCK From K-0679		1	
NS	500260	. SCREW TC FL PH #8-32x3/4 BK		2	
4	564099	. TAPE ADHESIF ELECTRICAL TISSUS / BLACK 838MM		AR	
8	505421	. SPRING, PIN M3 x 18		AR	
9	293068	REINFORCEMENT ANGLE / W/SINGLE FIXED GLASS		2	
10	290302	ANCHOR BLOCK W/SCREW M10-1.5 x 30		2	
11	292931	ANGLE / (WELDED)		3	
12	502585	WASHER LO SERR 10.2x26.3x1.4 ZP		2	
NS	5001443	WASHER FL 10.3x38.0x3.0 SS		2	
NS	505213	SHIM 1/16" THICK		AR	
13	5001628	NUT HEX NYRT M10-1.5 SS		2	
20	298923	SEAL RUBBER 1125MM		AR	
21	293585	SUPPORT MOULDING		2	
22	504249	RIVET CHY Q PRDG 3/16x3/8 SS		8	
23	293950	FINISHING MOULDING W/THERMOS GLASS / 643MM		1	
24	500611	SCREW TC PAN PH #10-24x1/2 Z050		AR	
50	H9-1833-01	WINDOW FINISHING CAP & WALL W/TAN FINISHING To K-0484			
50	H9-1833-02	WINDOW FINISHING CAP & WALL FINISHING From K-0485	1	1	

From K-0185 To P-1452

Date:07/2024

PAGE:H9-1884-00H

POSITION "H"



From K-0185 To P-1452	Date:07/2024	PAGE:H9-1884-00H
POSITION "H"		

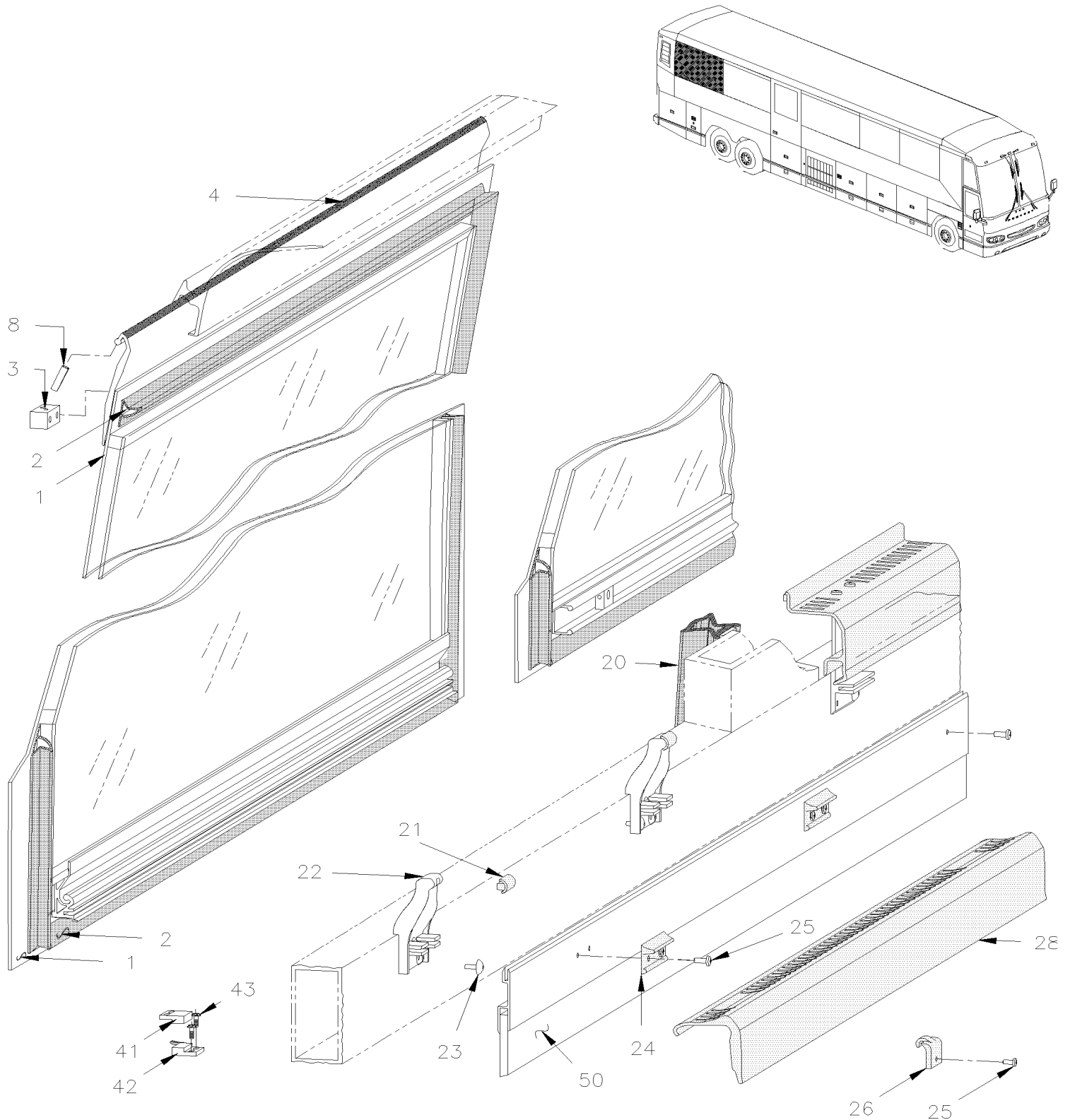
Item#	Part	Description	H 3 4 1	H 3 4 5	NOTES
1	292932	GLASS ASSY, THERMOS 13% / 840MM		1	
1	292944	GLASS ASSY, SINGLE 13% / 840MM		1	
2	297236	. WINDOW SEAL / 1083MM X 760MM		1	
3	293020	. STOPPER BLOCK W/EDGE		1	
3	293021	. STOPPER BLOCK		1	
3	290304	. STOPPER BLOCK From K-0679		1	
NS	500260	. SCREW TC FL PH #8-32x3/4 BK		2	
4	564099	. TAPE ADHESIF ELECTRICAL TISSUS / BLACK 838MM		AR	
8	505421	. SPRING, PIN M3 x 18		AR	
9	293068	REINFORCEMENT ANGLE / W/SINGLE FIXED GLASS		2	
10	290302	ANCHOR BLOCK W/SCREW M10-1.5 x 30		2	
11	292931	ANGLE / (WELDED)		3	
12	502585	WASHER LO SERR 10.2x26.3x1.4 ZP		2	
NS	5001443	WASHER FL 10.3x38.0x3.0 SS		2	
NS	505213	SHIM 1/16" THICK		AR	
13	5001628	NUT HEX NYRT M10-1.5 SS		2	
20	298923	SEAL RUBBER 1125MM		AR	
21	293585	SUPPORT MOULDING		2	
22	504249	RIVET CHY Q PRDG 3/16x3/8 SS		8	
23	293950	FINISHING MOULDING W/THERMOS GLASS / 643MM		1	
24	500611	SCREW TC PAN PH #10-24x1/2 Z050		AR	
50	H9-1833-01	WINDOW FINISHING CAP & WALL W/TAN FINISHING To K-0484			
50	H9-1833-02	WINDOW FINISHING CAP & WALL FINISHING From K-0485			

From K-0185 To P-1452

Date:07/2024

PAGE:H9-1884-00K

POSITION "K" (OPENING TYPE)



From K-0185 To P-1452	Date:07/2024	PAGE:H9-1884-00K
POSITION "K" (OPENING TYPE)		

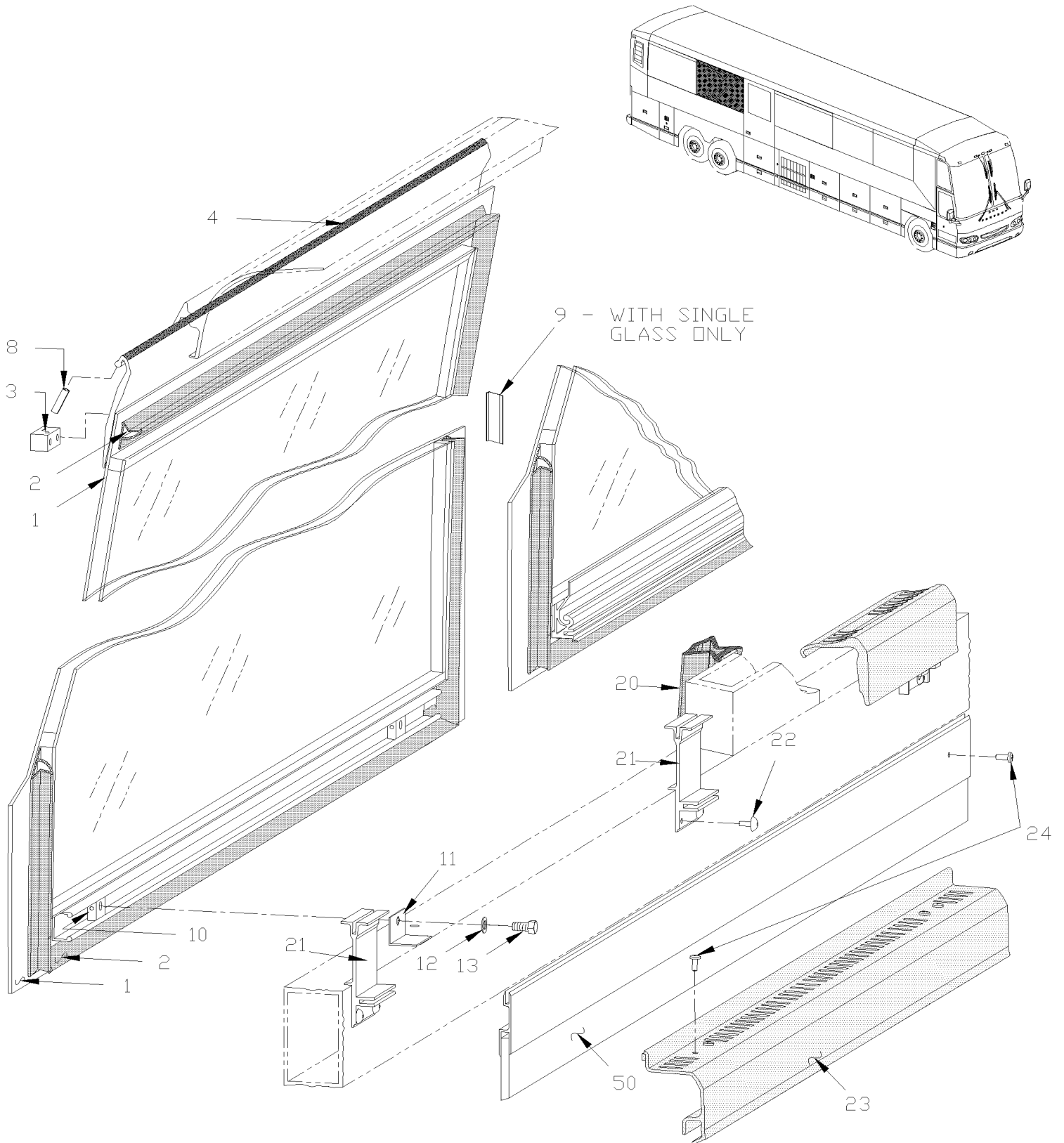
Item#	Part	Description	H 3 4 1	H 3 4 5	NOTES
1	293616	GLASS ASSY, THERMOS 13% / OPEN TYPE / 1693.1MM	1	1	
1	293615	GLASS ASSY, SINGLE 13% / OPEN TYPE / 1693.1MM	1	1	
2	297269	. WINDOW SEAL / 1083MM X 1613MM	1	1	
3	293020	. STOPPER BLOCK W/EDGE	1	1	
3	293021	. STOPPER BLOCK	1	1	
3	290304	. STOPPER BLOCK From K-0679	1	1	
NS	500260	. SCREW TC FL PH #8-32x3/4 BK	2	2	
4	564099	. TAPE ADHESIF ELECTRICAL TISSUS / BLACK 838MM	AR	AR	
8	505421	. SPRING, PIN M3 x 18	AR	AR	
20	298923	SEAL RUBBER 1125MM	AR	AR	
21	292837	CUSHION 2.0MM TH / BLACK PLASTIC	2	2	S
21	298215	CUSHION / BLACK PLASTIC / 1.5MM TH	2	2	AL
21	298225	CUSHION / BLACK PLASTIC / 2.5MM TH	2	2	AM
NS	680066	ADHESIVE / ADBOND #5014 / 23.6ML BOTTLE	AR	AR	
22	293584	SUPPORT	2	2	
23	504249	RIVET CHY Q PRDG 3/16x3/8 SS	4	4	
24	293975	PROTECTOR	2	2	
25	500611	SCREW TC PAN PH #10-24x1/2 Z050	AR	AR	
26	791007	SUPPORT W/STOPPER (ONE PIECE)	2	2	
28	293952	HANDLE WINDOW OPENING 1496MM	1	1	
28	H9-1829-00	ACCESSORIES PASSENGER'S SEAT - "PREVOST"			
41	562641	MAGNET	1	1	
42	064360	SWITCH MAGNETIC ASSY	1	1	
42	064678	SWITCH MAGNETIC ASSY W/TAPE DUAL LOCK	1	1	
43	500862	SCREW TC PAN PH #6-32x3/4 Z050	12	12	
50	H9-1833-01	WINDOW FINISHING CAP & WALL W/TAN FINISHING To K-0484			
50	H9-1833-02	WINDOW FINISHING CAP & WALL FINISHING From K-0485			
		A) USED IN PRODUCTION SINCE JANUARY 2007			
		L) LESS TENSION			
		M) MORE TENSION			
		S) STANDARD TENSION			

From K-0185 To P-1452

Date:07/2024

PAGE:H9-1884-00L

POSITION "L"



From K-0185 To P-1452	Date:07/2024	PAGE:H9-1884-00L
POSITION "L"		

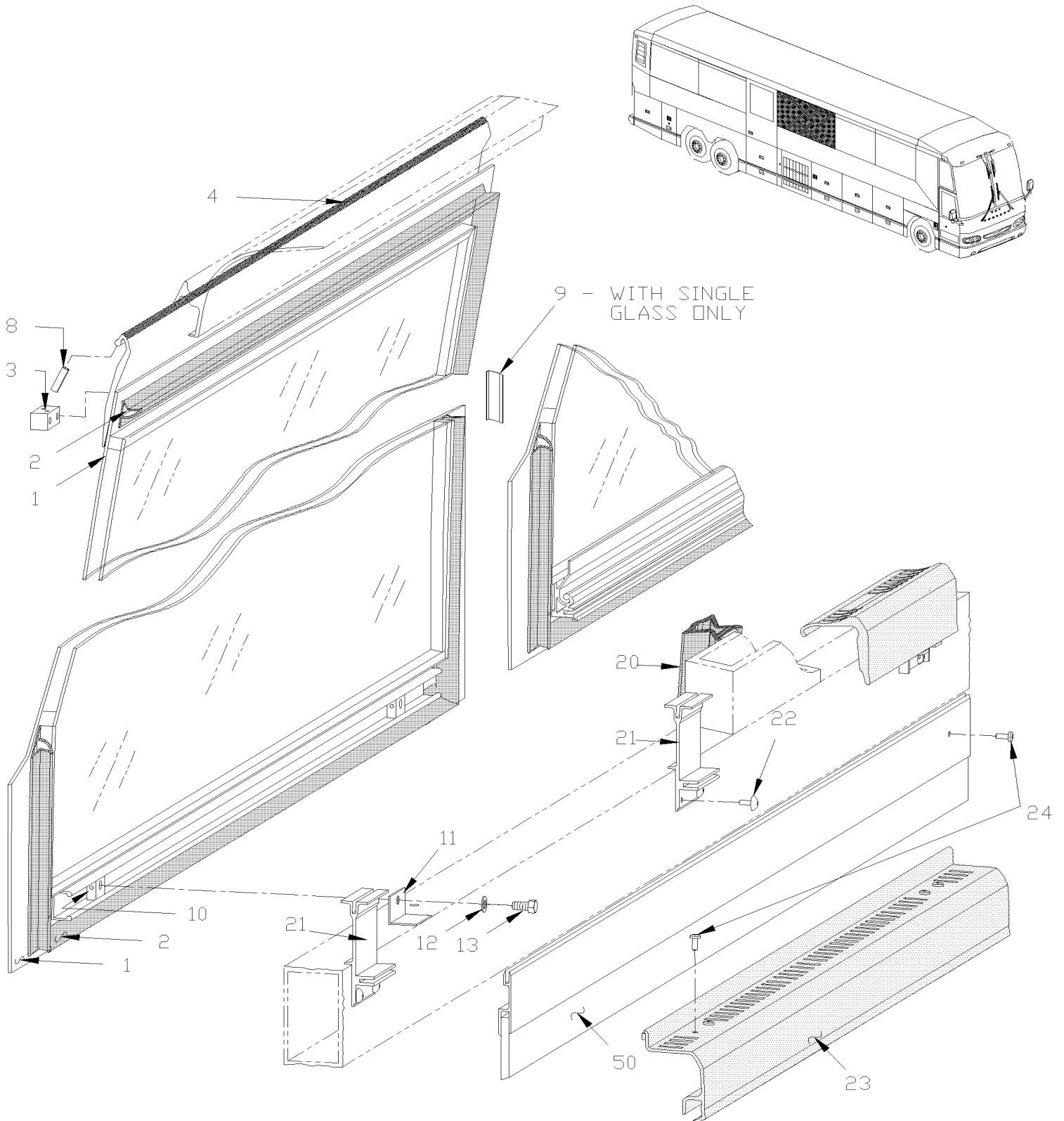
Item#	Part	Description	H 3 4 1	H 3 4 5	N O T E S
1	293803	GLASS ASSY, THERMOS 13% / 2251.5MM	1	1	
1	293803	GLASS ASSY, THERMOS 13% / 2251.5MM	2		W
1	293802	GLASS ASSY, SINGLE 13% / 2251.5MM	1	1	
1	293802	GLASS ASSY, SINGLE 13% / 2251.5MM	2		W
2	297263	. WINDOW SEAL / 1083MM X 2194MM	1	1	
3	293020	. STOPPER BLOCK W/EDGE	1	1	
3	293021	. STOPPER BLOCK	1	1	
3	290304	. STOPPER BLOCK From K-0679	1	1	
NS	500260	. SCREW TC FL PH #8-32x3/4 BK	2	2	
4	564099	. TAPE ADHESIF ELECTRICAL TISSUS / BLACK 838MM	AR	AR	
8	505421	. SPRING, PIN M3 x 18	AR	AR	
9	293068	REINFORCEMENT ANGLE / W/SINGLE FIXED GLASS	2	2	
10	290302	ANCHOR BLOCK W/SCREW M10-1.5 x 30	2	2	
NS	294044	FRONT SUPPORT ANGLE 44MM x 19MM	1	1	A
NS	294045	REAR SUPPORT ANGLE 44MM x 19MM	1	1	A
11	292931	ANGLE / (WELDED)	3	3	
12	502585	WASHER LO SERR 10.2x26.3x1.4 ZP	2	2	
NS	5001443	WASHER FL 10.3x38.0x3.0 SS	2	2	
NS	505213	SHIM 1/16" THICK	AR	AR	
13	502859	NUT HEX NYRT M10-1.5 N500	2	2	
20	298923	SEAL RUBBER 1125MM	AR	AR	
21	293585	SUPPORT MOULDING	2	2	
22	504249	RIVET CHY Q PRDG 3/16x3/8 SS	8	8	
23	293604	FINISHING MOULDING W/THERMOS GLASS / 2076MM		1	
23	293953	FINISHING MOULDING W/THERMOS GLASS / 2076.6MM	1		
24	500611	SCREW TC PAN PH #10-24x1/2 Z050	AR	AR	
50	H9-1833-01	WINDOW FINISHING CAP & WALL W/TAN FINISHING To K-0484			
50	H9-1833-02	WINDOW FINISHING CAP & WALL FINISHING From K-0485			
		A) FOR GLASS WINDOW STABILITY FIX THIS COMPONENT			
		W) WITH WCL			

From K-0185 To P-1452

Date:07/2024

PAGE:H9-1884-00M

POSITION "M"



From K-0185 To P-1452	Date:07/2024	PAGE:H9-1884-00M
POSITION "M"		

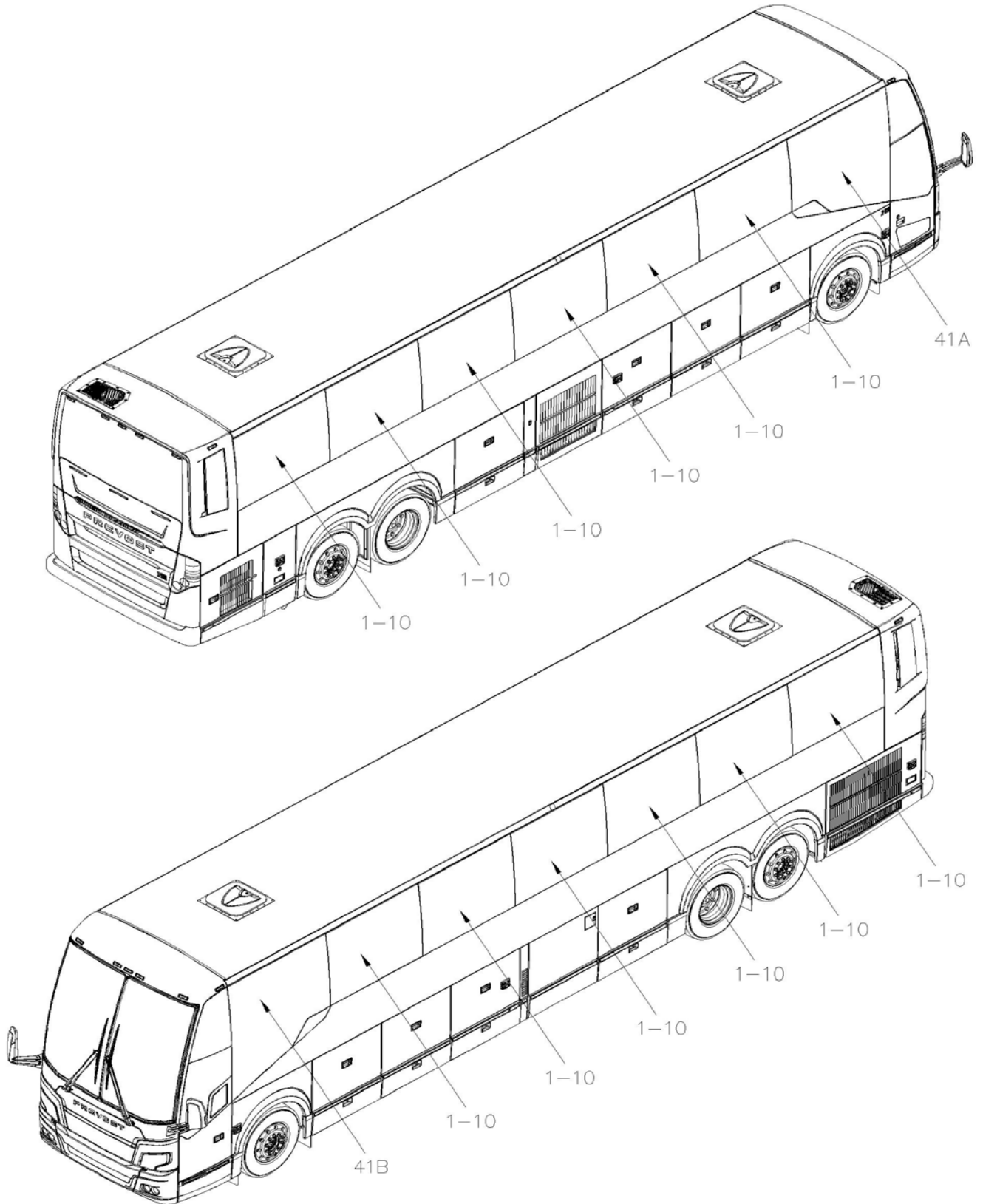
Item#	Part	Description	H 3 4 1	H 3 4 5	NOTES
1	293798	GLASS ASSY, THERMOS 13% / 2296MM		1	
1	299070	GLASS ASSY, THERMOS 13% / 1050MM	2		
1	293799	GLASS ASSY, SINGLE 13% / 2296MM		1	
2	290041	. WINDOW SEAL / 1083MM X 2194MM		1	
2	297303	. WINDOW SEAL / 921MM X 1041MM	1		
3	293020	. STOPPER BLOCK W/EDGE	1	1	
3	293021	. STOPPER BLOCK	1	1	
3	290304	. STOPPER BLOCK From K-0679	1	1	
NS	500260	. SCREW TC FL PH #8-32x3/4 BK	2	2	
4	564099	. TAPE ADHESIF ELECTRICAL TISSUS / BLACK 838MM	AR	AR	
8	505421	. SPRING, PIN M3 x 18	AR	AR	
9	293068	REINFORCEMENT ANGLE / W/SINGLE FIXED GLASS	2	2	
10	290302	ANCHOR BLOCK W/SCREW M10-1.5 x 30	2	2	
10	294044	FRONT SUPPORT ANGLE 44MM x 19MM	1	1	A
10	294045	REAR SUPPORT ANGLE 44MM x 19MM	1	1	A
11	292931	ANGLE / (WELDED)	2	2	
12	502585	WASHER LO SERR 10.2x26.3x1.4 ZP	2	2	
NS	5001443	WASHER FL 10.3x38.0x3.0 SS	2	2	
NS	505213	SHIM 1/16" THICK	AR	AR	
13	502859	NUT HEX NYRT M10-1.5 N500	2	2	
20	298923	SEAL RUBBER 1125MM	AR	AR	
21	293585	SUPPORT MOULDING	2	2	
22	504249	RIVET CHY Q PRDG 3/16x3/8 SS	8	8	
23	293604	FINISHING MOULDING W/THERMOS GLASS / 2076MM		1	
23	297298	FINISHING MOULDING W/THERMOS GLASS / 830.6MM	1		
24	500611	SCREW TC PAN PH #10-24x1/2 Z050	AR	AR	
50	H9-1833-01	WINDOW FINISHING CAP & WALL W/TAN FINISHING To K-0484			
50	H9-1833-02	WINDOW FINISHING CAP & WALL FINISHING From K-0485			
		A) FOR GLASS WINDOW STABILITY FIX THIS COMPONENT			

From R-1453

Date:07/2024

PAGE:H9-1884-01

SIDE WINDOW - BUS

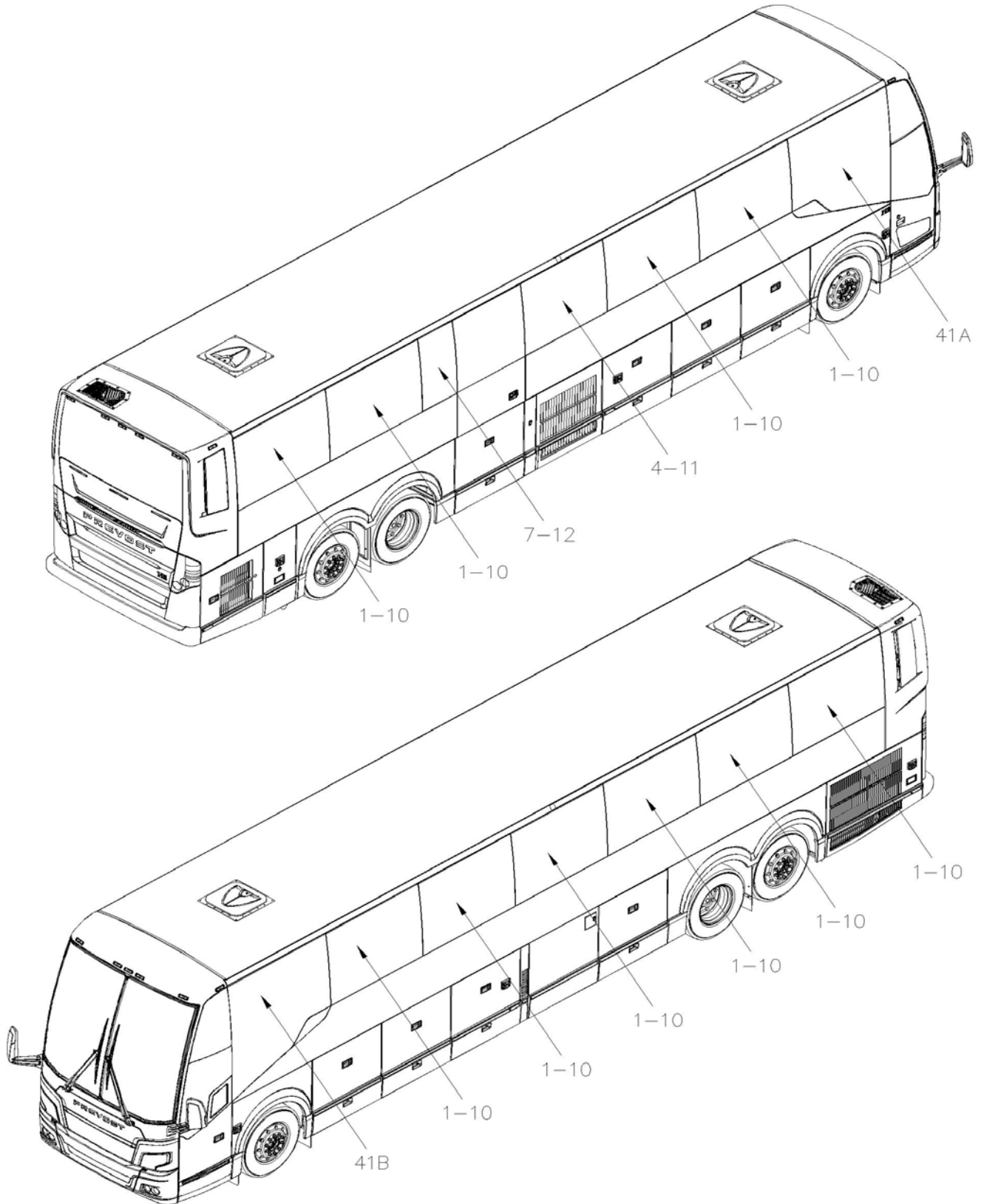


From R-1453

Date:07/2024

PAGE:H9-1884-01

SIDE WINDOW - BUS

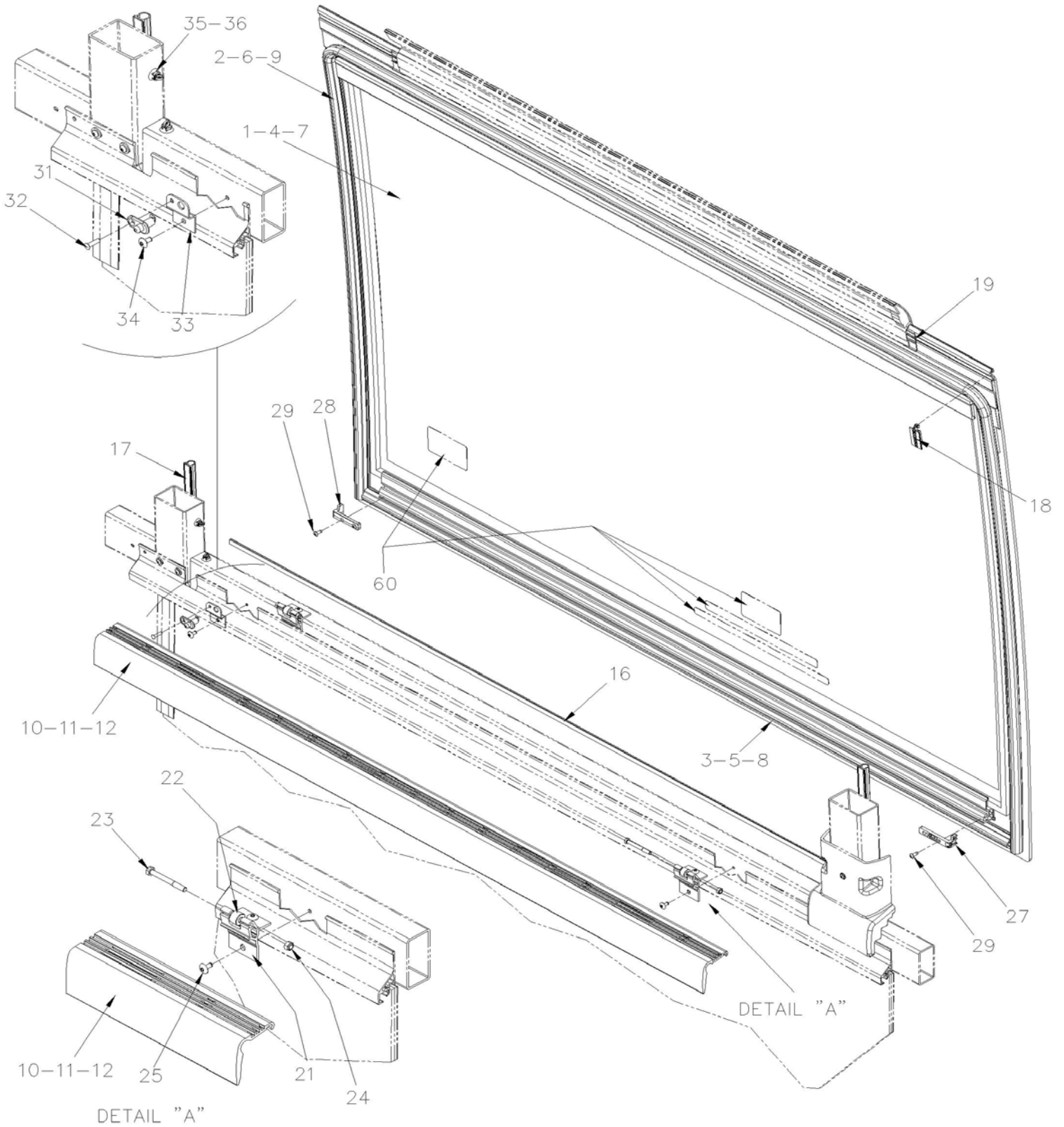


From R-1453

Date:07/2024

PAGE:H9-1884-01

SIDE WINDOW - BUS

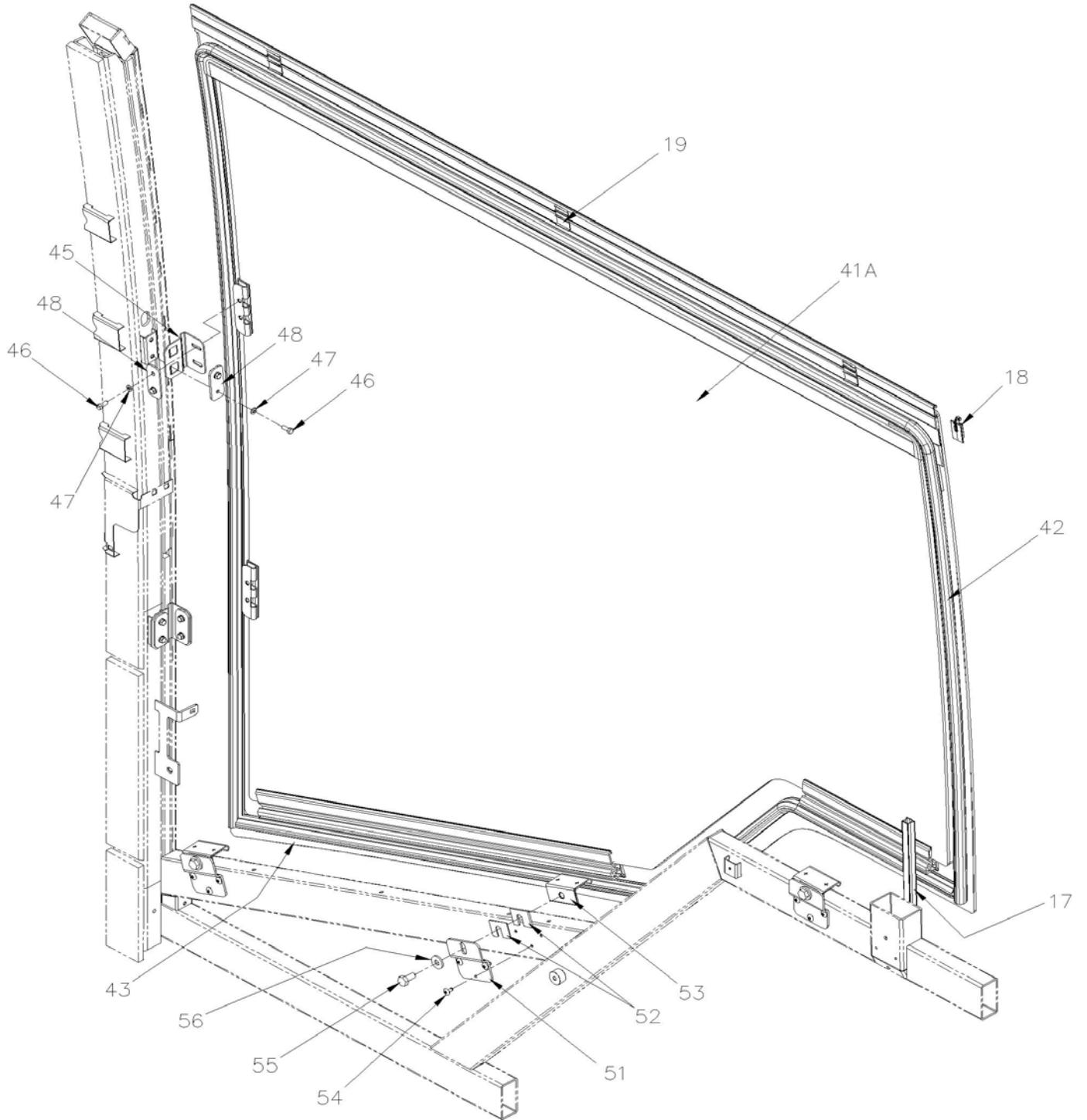


From R-1453

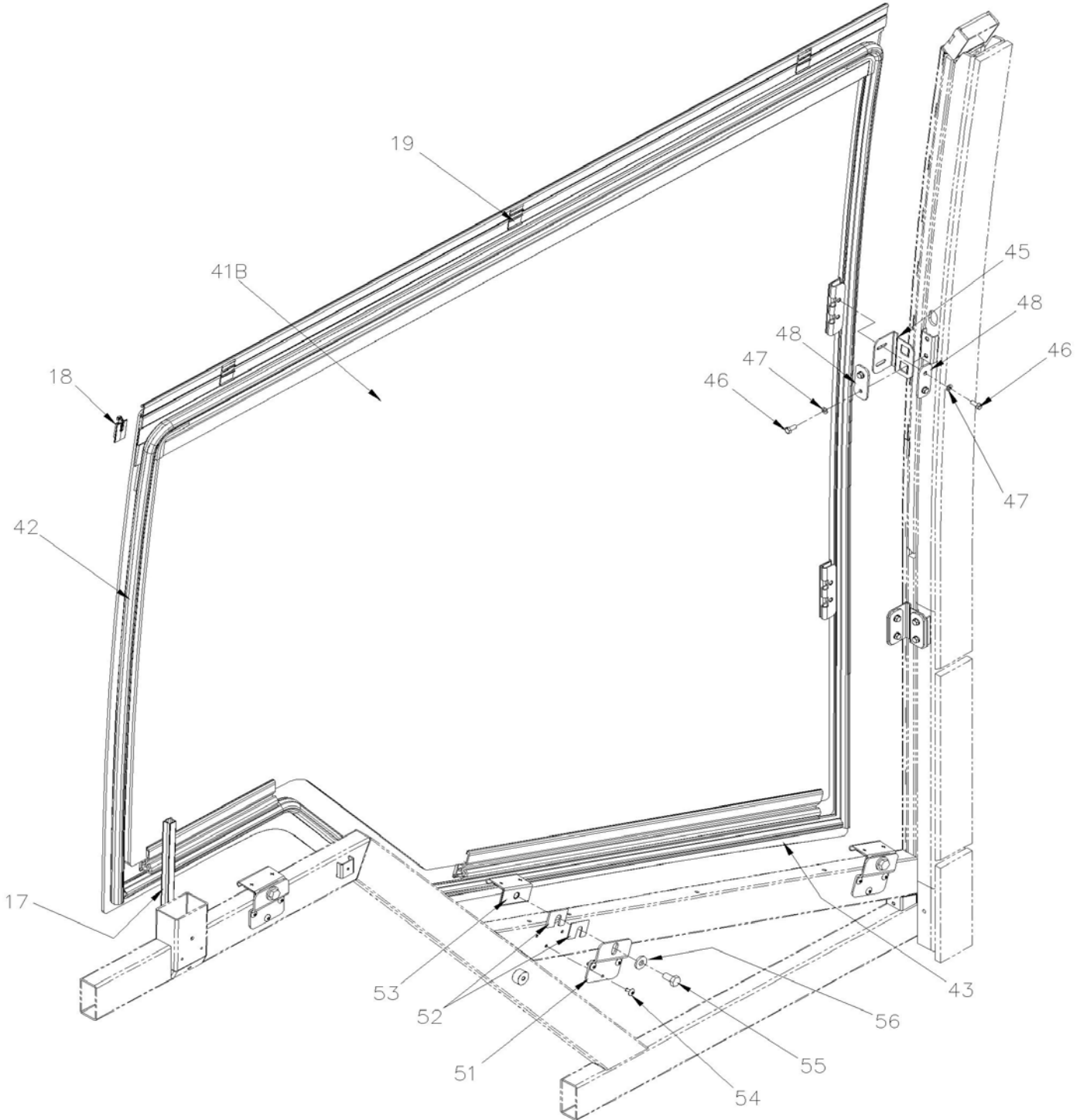
Date:07/2024

PAGE:H9-1884-01

SIDE WINDOW - BUS



From R-1453	Date:07/2024	PAGE:H9-1884-01
SIDE WINDOW - BUS		



From R-1453	Date:07/2024	PAGE:H9-1884-01
SIDE WINDOW - BUS		

Item#	Part	Description	H 3 4 1	H 3 4 5	N O T E S
1	290588	WINDOW, THERMOS ASSY. 1651MM		10	B
1	290588	WINDOW, THERMOS ASSY. 1651MM		12	A
2	290258	. SEAL, RUBBER 3775MM		1	
3	290259	. SEAL, RUBBER 1584MM		1	
4	290414	WINDOW, THERMOS ASSY. 1465MM		1	B
5	290405	. SEAL, RUBBER 1381MM		1	B
6	290404	. SEAL, RUBBER 3480MM		1	B
7	290579	WINDOW, THERMOS ASSY. 613.6MM		1	B
8	290583	. SEAL, RUBBER 530MM		1	B
9	290582	. SEAL, RUBBER 2630MM		1	B
10	290167	HANDLE 1494MM		12	A
10	290167	HANDLE 1494MM		10	B
11	290430	HANDLE, FIXED WINDOW 1216MM		1	B
12	290587	HANDLE, FIXED WINDOW 408MM		1	B
16	290808	SEAL, WINDOW BOTTOM		10	
17	290283	SEAL, RUBBER 1106MM		2	
17	290465	SEAL, RUBBER 1105MM		12	A
17	290465	SEAL, RUBBER 1105MM		11	B
18	290180	WINDOW STOPPER		14	A
18	290180	WINDOW STOPPER		15	
19	290254	WINDOW LOCK		30	
21	290156	HOLDER WITH LOCK		24	
22	504091	NYLON ROUND SPACER 1/4 X 5/8OD X 7/16		24	
23	5001710	SCREW CAP HEX M6-1.0x55 SS		24	
24	502681	NUT HEX NYRT M6-1.0 N500 G8		24	
25	504793	RIVET MNB OE LARGE HEAD 3/16x7/16 SS		48	
NS	683652	GREASE SYNTHETIC / RED BOX 50 TUBE		AR	
27	290494	STOPPER, R.H. To R-1921		12	
27	291192	STOPPER, R.H. From R-1922		12	
28	290495	STOPPER, L.H. To R-1921		12	
28	291193	STOPPER, L.H. From R-1922		12	
29	500611	SCREW TC PAN PH #10-24x1/2 Z050		48	
31	561563	SWITCH / S.P.S.T. / N.C.		12	
NS	0600083	WINDOW AJAR,CURBSIDE LIGHTS AND SOUND SYSTEM POWER LH		1	
NS	0600084	WINDOWS AJAR CURBSIDE		1	
32	5001360	RIVET POP CK OE 3/16x1/2 AL		12	
33	290496	HOLDER WINDOW SENSOR		12	
34	504793	RIVET MNB OE LARGE HEAD 3/16x7/16 SS		12	
35	509815	TIE MOUNT / ATTACHMENT W/TREE MOUNT		AR	
36	504273	CABLE TIE / 1/8" X 3"1/2		AR	

From R-1453		Date:07/2024	PAGE:H9-1884-01
SIDE WINDOW - BUS			

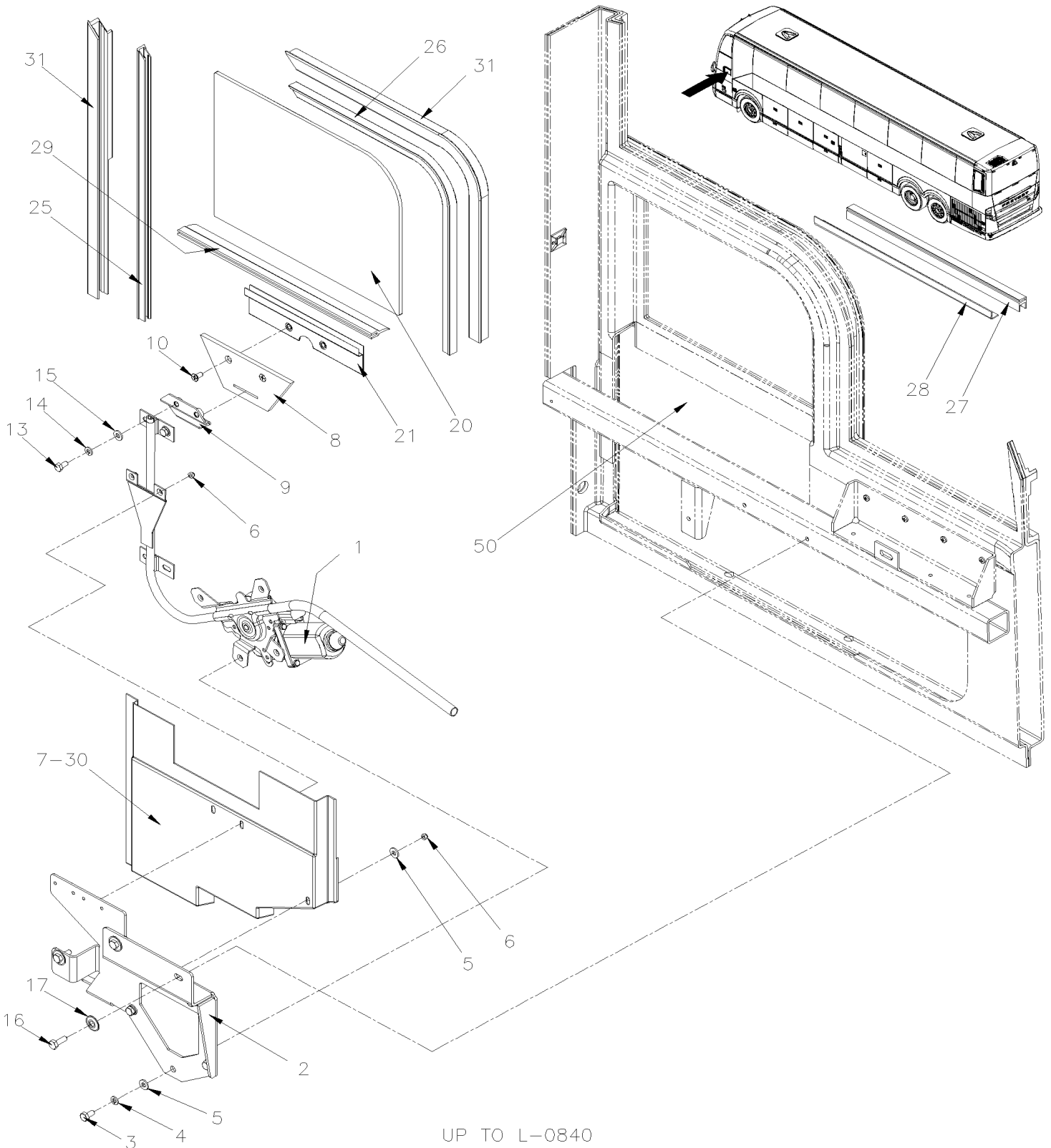
Item#	Part	Description	H 3 4 1	H 3 4 5	N O T E S
41A	290469	WINDOW, THERMOS ASSY / TRAPEZOIDAL / RH To R-1646		1	
41A	291086	WINDOW, THERMOS ASSY / TRAPEZOIDAL / RH From R-1647		1	
41B	290471	WINDOW, THERMOS ASSY / TRAPEZOIDAL / LH To R-1646		1	
41B	291087	WINDOW, THERMOS ASSY / TRAPEZOIDAL / LH From R-1647		1	
42	290504	SEAL, RUBBER 4510MM		1	
43	290508	SEAL, RUBBER 1945MM		1	
45	290942	BRACE, WINDOW TRAPEZE To R-1646		4	
45	290942	BRACE, WINDOW TRAPEZE From R-1647		6	
46	5001744	SCREW CAP HEX M6-1.0x16 G8.8 N500 To R-1646		16	
46	5001744	SCREW CAP HEX M6-1.0x16 G8.8 N500 From R-1647		24	
47	502573	WASHER FL 6.4x12.5x1.6 SS To R-1646		16	
47	502573	WASHER FL 6.4x12.5x1.6 SS From R-1647		24	
48	290941	PLATE To R-1646		8	
48	290941	PLATE From R-1647		12	
51	290533	FIX BRACE		6	
52	505193	SHIM 1/8" THICK		6	
52	505213	SHIM 1/16" THICK		6	
53	290530	MOBILE BRACE		6	
54	504793	RIVET MNB OE LARGE HEAD 3/16x7/16 SS		18	
55	500359	SCREW CAP HEX M10-1.5x22 G8.8 N500		6	
56	5001443	WASHER FL 10.3x38.0x3.0 SS		6	
60	H9-1829-00	ACCESSORIES PASSENGER'S SEAT - "PREVOST"			
		A) WITHOUT WHEEL CHAIR LIFT			
		B) WITH WHEEL CHAIR LIFT			

From K-0185 To P-1452

Date:07/2024

PAGE:H9-1886-00

POWER WINDOW - ELECTRICAL INSTALLATION

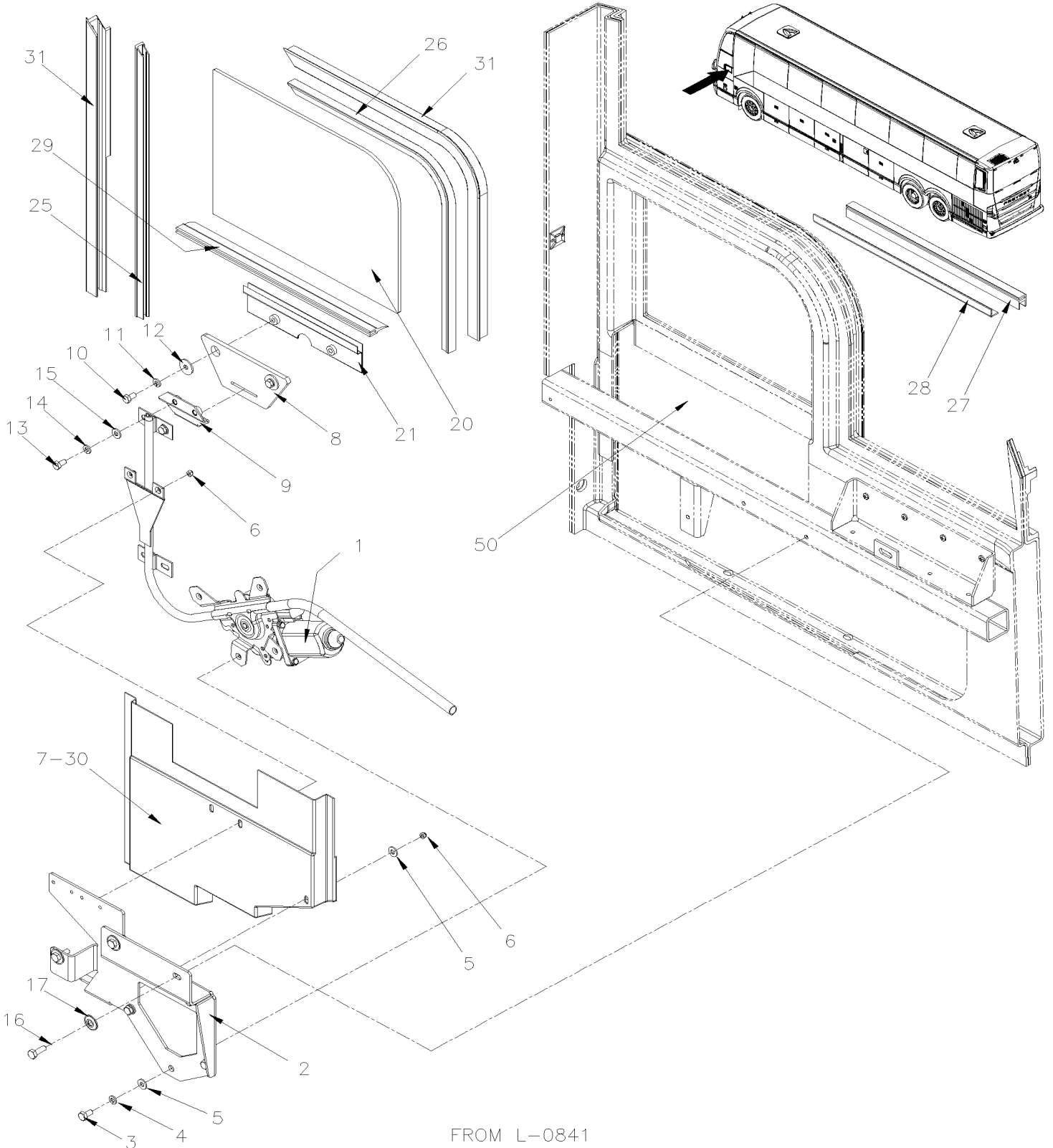


From K-0185 To P-1452

Date:07/2024

PAGE:H9-1886-00

POWER WINDOW - ELECTRICAL INSTALLATION



From K-0185 To P-1452	Date:07/2024	PAGE:H9-1886-00
POWER WINDOW - ELECTRICAL INSTALLATION		

Item#	Part	Description	H 3 4 1	H 3 4 5	N O T E S
	293855P	MOTOR ASSY W/SUPPORT	1	1	
1	790501	. MOTOR & REGULATOR ASSY / SERIES "H"	1	1	
2	293846	. SUPPORT ASSY	1	1	
3	502772	. SCREW CAP HEX 1/4-20x1/2 G5 N500	4	4	
4	500270	. WASHER FL .406x1.000x.063 SS	4	4	
5	500877	. WASHER FL .250x.562x.065 N500	5	5	
6	502557	. NUT HEX NYRT M4-0.7 SS	3	3	
7	293867	. PROTECTOR, WATER / WHITE PLASTIC	1	1	
8	293902	ADAPTOR TRANSITION ASSY To L-0840	1	1	B
8	290522	ADAPTOR TRANSITION ASSY From L-0841	1	1	B
8	293899	. SUPPORT "Z" SHAPE To L-0840	1	1	
8	290523	. SUPPORT From L-0841	1	1	
9	293898	. SUPPORT TRANSITION PLASTIC BLACK	1	1	
10	5001633	SCREW MA FL PH M6-1.0x12 Z050 To L-0840	2	2	
10	5001743	SCREW CAP HEX M6-1.0x12 G8.8 N500 From L-0841	2	2	
NS	680038	THREAD LOCKER LOCTITE #243 / BLUE / 50ml	AR	AR	
11	502570	WASHER LO SPT 6.1x11.8x1.6 SS From L-0841	2	2	
12	500142	WASHER FL 6.6x22.0x2.0 SS From L-0841	2	2	
13	5001743	SCREW CAP HEX M6-1.0x12 G8.8 N500	2	2	
14	502570	WASHER LO SPT 6.1x11.8x1.6 SS	2	2	
15	500877	WASHER FL .250x.562x.065 N500	2	2	
16	502848	SCREW TC CAP HEXF 1/4-20x3/4 N500 To L-0840	3	3	
16	500923	SCREW TC CAP HEX 1/4-20x3/4 Z050 From L-0841	3	3	
17	5001699	WASHER BEL SPR 8.2x22x1.4 N500	3	3	
20	291948	GLASS ASSY To L-0840	1	1	
20	290520	GLASS ASSY From L-0841	1	1	
20	299045	. GLASS / DRIVER'S WINDOW	1	1	
21	299049	. SUPPORT ASSY To L-0840	1	1	
21	290521	. SUPPORT ASSY From L-0841	1	1	
NS	687957	. GLUE MS POLYMER TEROSON MS 9399 / 400ml CARTRIDGE To M-1153	AR	AR	
NS	685387	. GLUE MS POLYMER TEROSON MS 9399 / 400ml CARTRIDGE From M-1154	AR	AR	
25	291855	FELT SLIDING 375MM	1	1	
26	291854	FELT SLIDING 610MM	1	1	
27	299050	ALUMINIUM EXTRUSION, DRIVER WINDOW / TO FIX FELT LOWER SEAL	1	1	
28	292277	FLAP SEAL / W/FLOCKING 25MM x 312MM	1	1	
29	293085	SEAL INTERIOR / CONSOLE & GLASS / 340MM	1	1	
30	680092	SEALANT TAPE BUTYL / GREY / 1/16"x3/4x50' / 71011V1760	AR	AR	
31	292798	ALUMINIUM EXTRUSION / TO FIX SIDE & TOP FELT	1	1	
31	506769	TAPE RUB ADH2 CC POL 1/8" x 1/4" x 60' / BLACK H1CC-N-#14	AR	AR	
50	H9-1851-02	CAP - FRONT & REAR - INSTALLATION			

From K-0185 To P-1452	Date:07/2024	PAGE:H9-1886-00
-----------------------	--------------	-----------------

POWER WINDOW - ELECTRICAL INSTALLATION

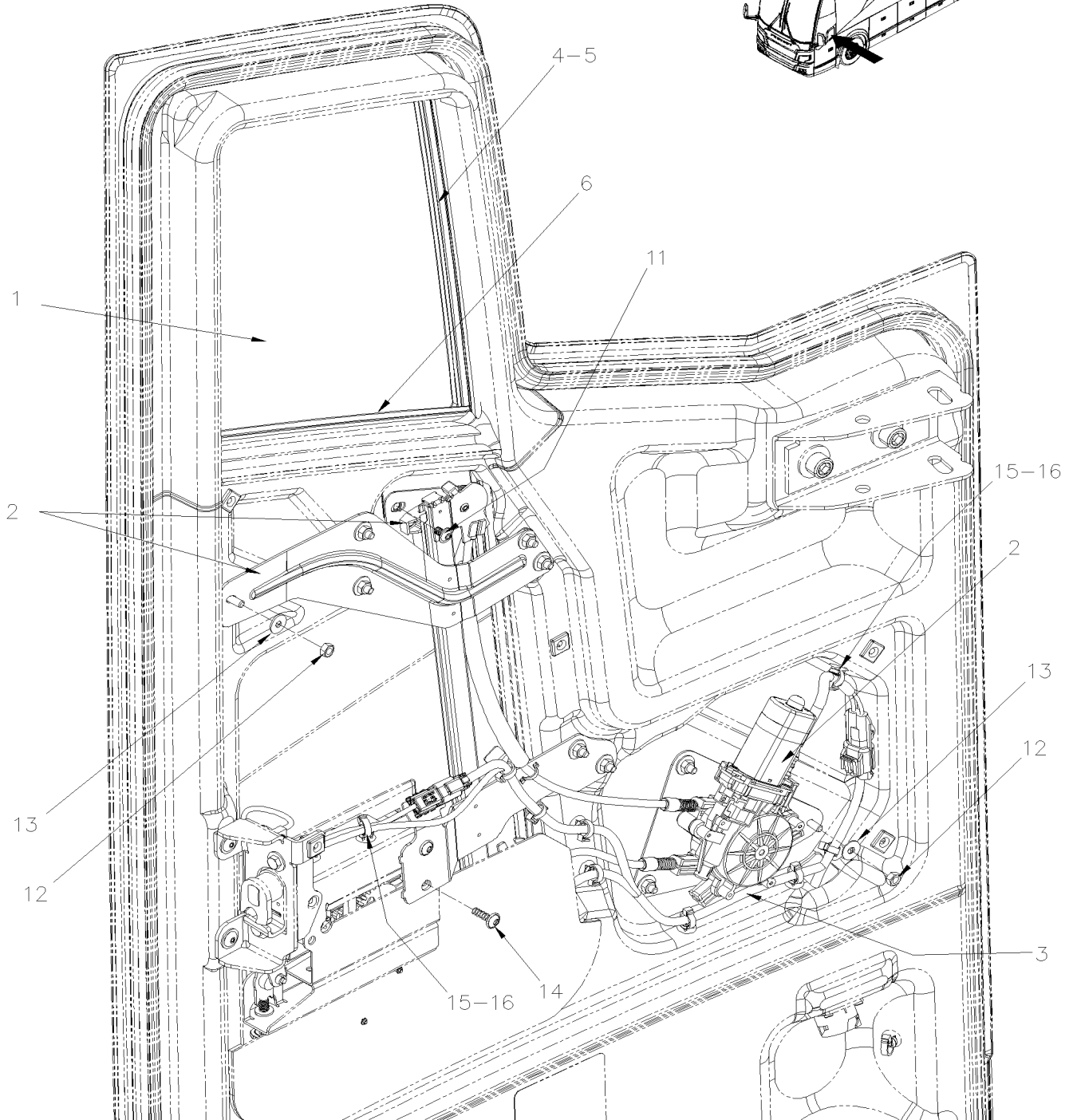
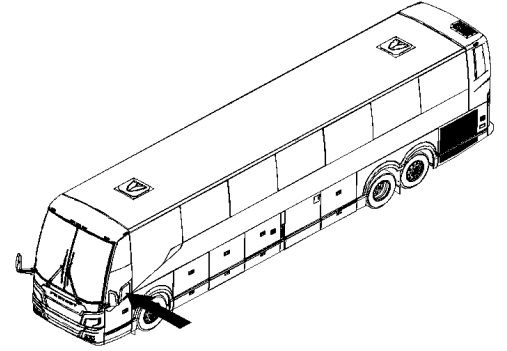
Item#	Part	Description	H 3 4 1	H 3 4 5	N O T E S
		B) INCLUDE ITEM 8 & 9			

From R-1453

Date:07/2024

PAGE:H9-1886-01

POWER WINDOW - ELECTRICAL INSTALLATION



From R-1453	Date:07/2024	PAGE:H9-1886-01
POWER WINDOW - ELECTRICAL INSTALLATION		

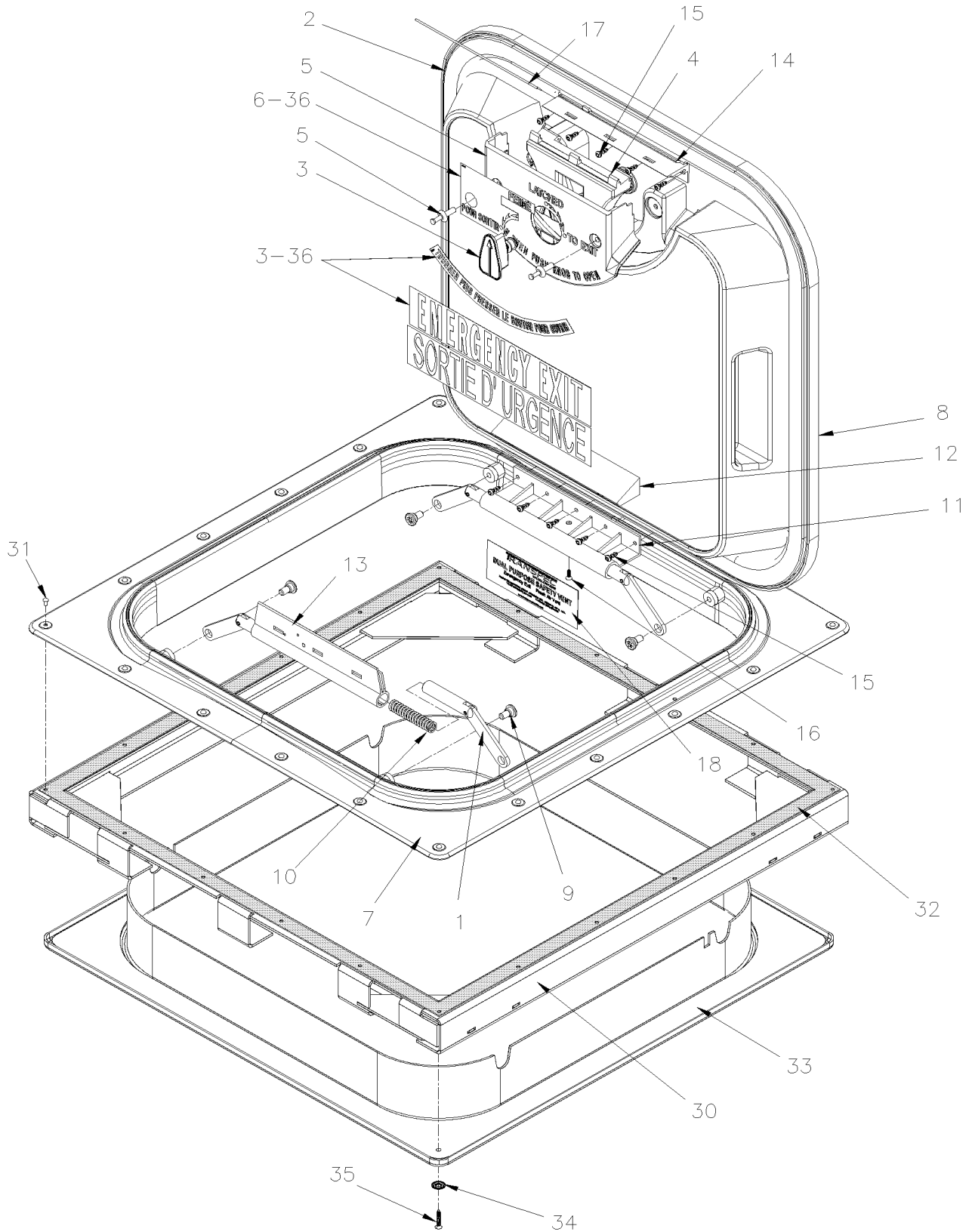
Item#	Part	Description	H 3 4 1	H 3 4 5	N O T E S
1	2810404	ELECTRICAL WINDOW, SERVICE DOOR ASSY		1	
2	2810533	REGULATOR, WINDOW		1	
3	0600012	SERVICE DOOR HARNESS		1	
4	2810429	SLIDE, SERVICE DOOR WINDOW		1	
5	2810515	EXTRUSION, SERVICE DOOR WINDOW		1	
6	2810606	FRAME FINISHING, SERVICE DOOR ASSY		1	
11	5001630	SCREW TP BUTF TORX M6x20 SS		2	
NS	680038	THREAD LOCKER LOCTITE #243 / BLUE / 50ml		AR	
12	5001851	NUT HEX M6-1.0 SS BK		10	
13	5001833	WASHER BEL SPR 6.1x18x1.27 SS		10	
14	5002181	SCREW CAP BUTF TORX M6-1.0X10 SS		2	
15	509815	TIE MOUNT / ATTACHMENT W/TREE MOUNT			
16	504637	CABLE TIE / 3/16" x 13"			

From K-0185 To P-1452

Date:07/2024

PAGE:H9-1898-00

ESCAPE HATCH - INSTALLATION



From K-0185 To P-1452	Date:07/2024	PAGE:H9-1898-00
ESCAPE HATCH - INSTALLATION		

Item#	Part	Description	H 3 4 1	H 3 4 5	N O T E S
	950470	HATCH ASSY / 23" X 23" BEIGE / LOW PROFILE BEIGE To K-0484	1	1	
	950470	HATCH ASSY / 23" X 23" BEIGE / LOW PROFILE BEIGE From K-0485 To L-0758	1	1	O
	950468	HATCH ASSY / 23" X 23" GREY / LOW PROFILE GREY / ENG & FRENCH To K-0484		1	A
	950468	HATCH ASSY / 23" X 23" GREY / LOW PROFILE GREY / ENG & FRENCH From K-0485 To N-1250	1	1	
	950396	HATCH ASSY / 23" X 23" GREY / LOW PROFILE GREY / ENG & FRENCH From N-1251 To P-1452	1	1	
	950665	HATCH ASSY / 23" X 23" GREY / LOW PROFILE GREY / ENG & FRENCH From R-1453		1	
1	790436	. LINK & LEVER ASSY	4	4	
2	950069	. SEAL, GASKET KIT	1	1	
3	790663	. RELEASE KNOB W/SCREW / RED	1	1	
4	950472	. HANDLE, RELEASE W/SPRING / BEIGE To K-0484	1	1	
4	950472	. HANDLE, RELEASE W/SPRING / BEIGE From K-0485 To L-0758	1	1	O
4	790371	. HANDLE, RELEASE W/SPRING / GREY To K-0484		1	A
4	790371	. HANDLE, RELEASE W/SPRING / GREY From K-0485	1	1	
5	950476	. RELEASE HINGE SHIELD ASSY BEIGE To K-0484	1	1	
5	950476	. RELEASE HINGE SHIELD ASSY BEIGE From K-0485 To L-0758	1	1	O
5	790662	. RELEASE HINGE SHIELD ASSY GREY To K-0484		1	A
5	790662	. RELEASE HINGE SHIELD ASSY GREY From K-0485	1	1	
NS	950229	. DECAL KIT INSTRUCTION / ENGLISH & FRANCAIS	1	1	
6	950690	. DECAL KIT INSTRUCTION / ENGLISH & FRANCAIS		1	A
NS	403651	. DECAL, "EMERGEGENCY... JAPAN"	AR	AR	
NS	405775	. DECAL / BRAILLE / EMERGENCY EXIT ONLY / ENGLISH & FRANCAIS To P-1369	AR	AR	
6	406847	. DECAL / BRAILLE / EMERGENCY EXIT ONLY / ENGLISH & FRENCH From P-1370	1	1	
6	500373	. SCREW TP BDG PH #6x1/2 N500	2	2	
7	950477	. FRAME ASSY, EXTERIOR FIBERGLASS / 23" X 23" BEIGE To K-0484	1	1	
7	950477	. FRAME ASSY, EXTERIOR FIBERGLASS / 23" X 23" BEIGE From K-0485 To L-0758	1	1	O
7	950205	. FRAME ASSY, EXTERIOR FIBERGLASS / 23" X 23" GREY To K-0484		1	A
7	950205	. FRAME ASSY, EXTERIOR FIBERGLASS / 23" X 23" GREY From K-0485	1	1	
8	950473	. COVER ASSY / LOW PROFILE BEIGE To K-0484	1	1	
8	950473	. COVER ASSY / LOW PROFILE BEIGE From K-0485 To L-0758	1	1	O
8	950478	. COVER ASSY / LOW PROFILE / THIN GREY ENGLISH & FRENCH To K-0484		1	A
8	950478	. COVER ASSY / LOW PROFILE / THIN GREY ENGLISH & FRENCH From K-0485 To N-1250	1	1	
8	950464	. COVER ASSY / LOW PROFILE / GREY ENGLISH & FRENCH From N-1251	1	1	
9	790372	. SCREW SHR HEXS 7/16x3/16 {5/16-18	4	4	
9	950449	. SCREW CAP BUT TORX 5/16-18x3/4 BK G8	4	4	
NS	950450	. SPACER BUSHING 5/16I.D.x 7/16O.D.x 3/16TH	4	4	
10	790449	. SPRING COMPRESSION / .549 O.D. x 2.590 x .078	4	4	
11	N.S.S.	. HINGE COVER SECTION	1	1	1
12	950475	. HINGE COVER BEIGE To K-0484	1	1	
12	950475	. HINGE COVER BEIGE From K-0485 To L-0758	1	1	O
12	950479	. HINGE COVER GREY To K-0484		1	A
12	950479	. HINGE COVER GREY From K-0485	1	1	
13	950472	. HANDLE, RELEASE W/SPRING / BEIGE To K-0484	1	1	

From K-0185 To P-1452	Date:07/2024	PAGE:H9-1898-00
ESCAPE HATCH - INSTALLATION		

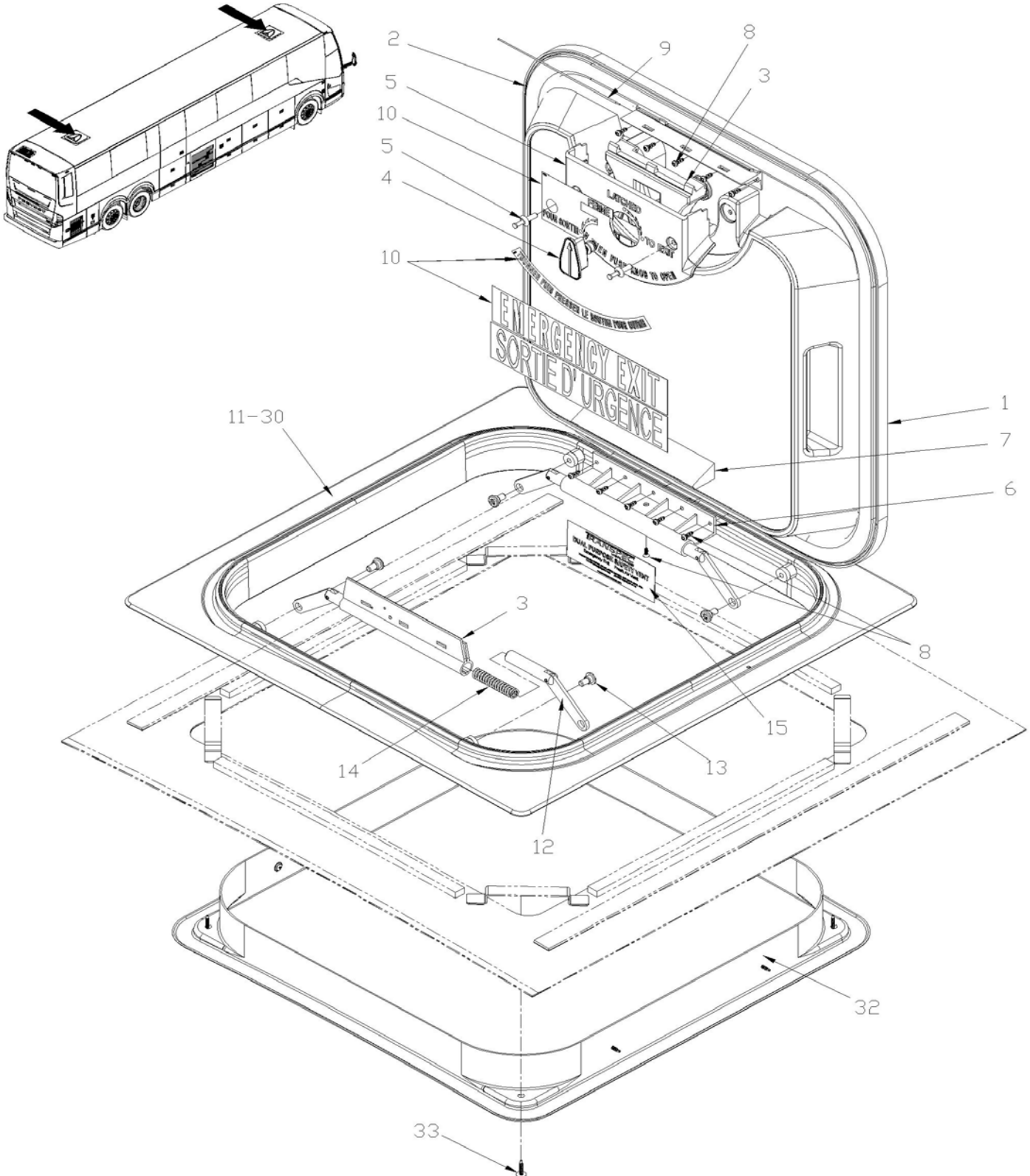
Item#	Part	Description	H 3 4 1	H 3 4 5	N O T E S
13	950472	. HANDLE, RELEASE W/SPRING / BEIGE From K-0485 To L-0758	1	1	O
13	790375	. HINGE, RELEASE / GREY To K-0484		1	A
13	790375	. HINGE, RELEASE / GREY From K-0485	1	1	
14	6982866	. HANDLE BASE	1	1	
15	N8880007	. SPECIAL TORX SCREW #10 x 1/2 SS	10	10	
16	7775130	. SCREW FL PH #8 x 1/2 SS	1	1	
17	950693	. HINGE PIN SS	1	1	
18	N8891500	DECAL PURPOSE SAFETY VENT	1	1	
30	292398	FRAME ASSY, MOUNTING 23" X 23" To P-1452	1	1	
NS	685126	ADHESIVE SIMSON #ISR 70-03 / GREY / 600ml SAUSAGE	AR	AR	
30	685387	GLUE MS POLYMER TEROSON MS 9399 / 400ml CARTRIDGE From R-1453		AR	
30	506769	TAPE RUB ADH2 CC POL 1/8" x 1/4" x 60' / BLACK H1CC-N-#14 From R-1453		AR	
31	504058	RIVET CHY MONOLOK PRDG 1/4x5/8 AL To P-1452	20	20	
32	680093	SEALANT TAPE BUTYL / GREY / 1/16"x1 1/2"x50' /71079B11760	AR	AR	
33	293939	MOULDING, INTERIOR 23" X 23" BEIGE To K-0484	1	1	
33	293939	MOULDING, INTERIOR 23" X 23" BEIGE From K-0485 To L-0758	1	1	O
33	291720	MOULDING, INTERIOR 23" X 23" GREY To K-0484		1	A
33	291720	MOULDING, INTERIOR 23" X 23" GREY From K-0485 To P-1452	1	1	
33	290974	MOULDING, INTERIOR 23" X 23" GREY From R-1453		1	
33	340591	INSULATION FIBERGLASS	AR	AR	
34	500464	WASHER FN CKF .210x.540 SS To P-1452	4	4	
35	500629	SCREW TP OV PH #8x1 Z050 To P-1452	4	4	
35	5002070	SCREW DR SEMS FN OV PH #8x1 Z050 From R-1453		16	
36	297090	DECAL / "PARA SALIR" / SPANISH	1	1	
36	297089	DECAL / "CERRADO" / SPANISH	1	1	
36	297091	DECAL / "GIRE Y EMPUHE EL BUTON.." / SPANISH	1	1	
36	297092	DECAL / "EMERGENCY..." / ENGLISH & SPANISH	1	1	
36	406161	DECAL / DO NOT OPEN... MOTION / ENGLISH & SPANISH	1	1	
		A) "BAUER'S TRANSPORTATION" OPTION			
		O) OPTION WITH BEIGE INTERIOR			
		1) NOT SOLD SEPARATELY			

From R-1453

Date:07/2024

PAGE:H9-1898-01

ESCAPE HATCH - INSTALLATION



From R-1453		Date:07/2024	PAGE:H9-1898-01
ESCAPE HATCH - INSTALLATION			

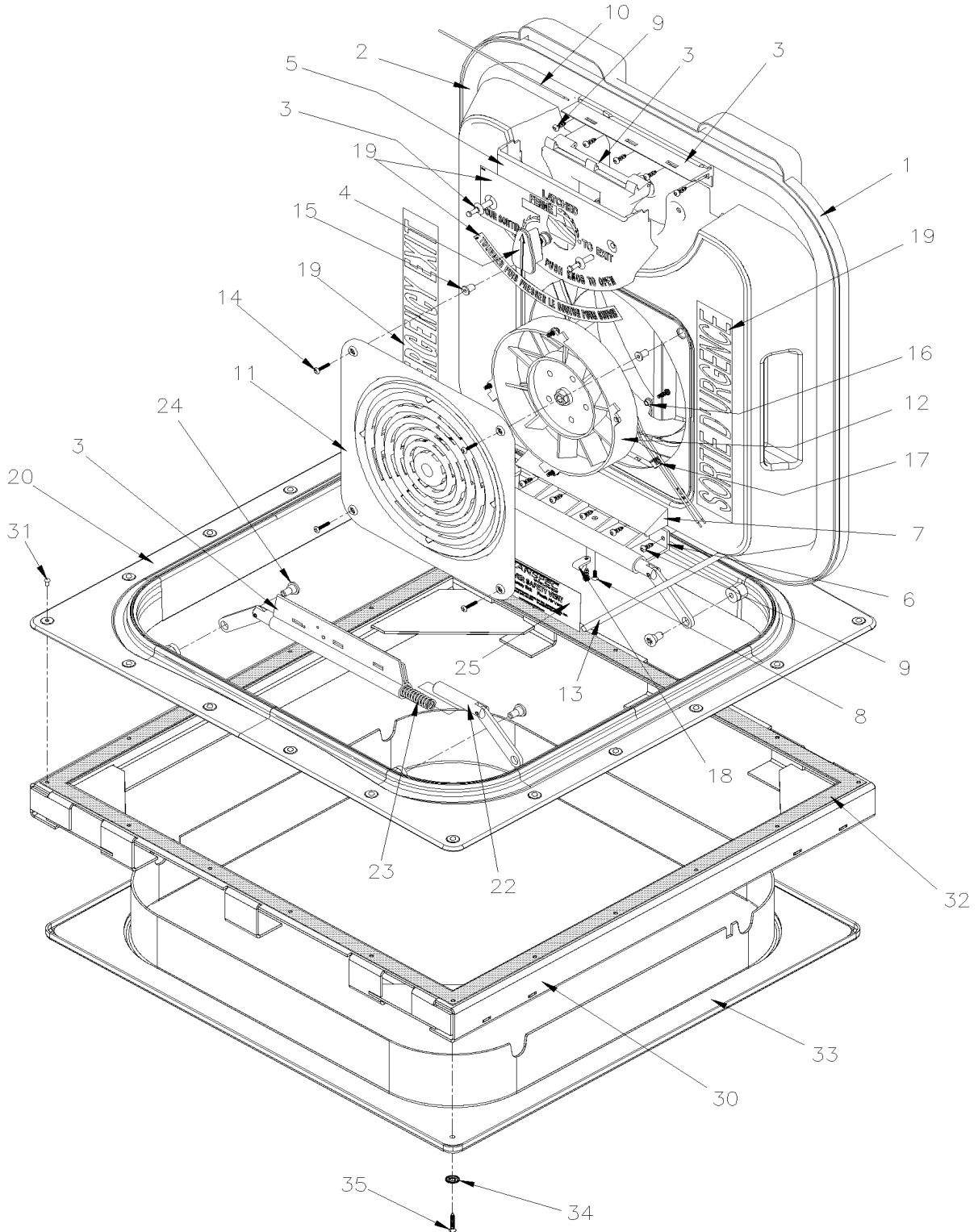
Item#	Part	Description	H 3 4 1	H 3 4 5	N O T E S
	950656	HATCH ASSY / WHITE / ENGLISH & FRENCH		1	
1	950681	. LID ASSY / LOW PROFILE / WHITE / ENGLISH & FRENCH		1	
2	950069	. SEAL, GASKET KIT		1	
3	950689	. RELEASE HANDLE ASSY / WHITE		1	
4	790663	. RELEASE KNOB W/SCREW / RED		1	
5	950476	. RELEASE HINGE SHIELD ASSY BEIGE		1	
6	N.S.S.	. HINGE - FIXED		1	1
7	950691	. HINGE COVER / WHITE		1	
8	7775131	. SCREW #10 X .54" TORX HI/LO, SS		11	
9	7775132	. HINGE PIN SS		1	
10	950690	. DECAL KIT INSTRUCTION / ENGLISH & FRANCAIS		1	
NS	403651	. DECAL, "EMERGEGENCY... JAPAN"		AR	
10	406847	. DECAL / BRAILLE / EMERGENCY EXIT ONLY / ENGLISH & FRENCH		1	
10	500373	. SCREW TP BDG PH #6x1/2 N500		2	
11	950696	. FRAME ASSY / 23" X 23" WHITE		1	
12	790436	. LINK & LEVER ASSY		4	
13	950680	. BOLT, 5/16-18 SHOULDER		4	
14	790449	. SPRING COMPRESSION / .549 O.D. x 2.590 x .078		4	
15	950699	DECAL "DUAL PURPOSE SAFETY VENT"		1	
30	685126	ADHESIVE SIMSON #ISR 70-03 / GREY / 600ml SAUSAGE		AR	
30	685387	GLUE MS POLYMER TEROSON MS 9399 / 400ml CARTRIDGE		AR	
30	506769	TAPE RUB ADH2 CC POL 1/8" x 1/4" x 60' / BLACK H1CC-N-#14		AR	
32	290944	MOULDING, INTERIOR 23" X 23" WHITE		1	
32	340591	INSULATION FIBERGLASS		AR	
33	5002027	SCREW CAP HEXF AD M6-1.0x16 G10.9 N500		8	
		1) NOT SOLD SEPARATELY			

From K-0185 To P-1452

Date:07/2024

PAGE:H9-1898-10

ESCAPE HATCH - INSTALLATION - VENTILATION "OPTION"



From K-0185 To P-1452	Date:07/2024	PAGE:H9-1898-10
ESCAPE HATCH - INSTALLATION - VENTILATION "OPTION"		

Item#	Part	Description	H 3 4 1	H 3 4 5	NOTES
	950456	HATCH ASSY / 23" X 23" BEIGE / W/VENTILATION To K-0463	1	1	
	950583	HATCH ASSY / 23" X 23" GREY / W/VENTILATION / ENGLISH To K-0463	1	1	O
	950583	HATCH ASSY / 23" X 23" GREY / W/VENTILATION / ENGLISH From K-0464 To P-1452	1	1	
	950666	HATCH ASSY / 23" X 23" GREY / W/VENTILATION / ENGLISH From R-1453		1	
	950587	HATCH ASSY / 23" X 23" GREY / W/VENTILATION / ENGLISH / FRENCH To K-0463	1	1	O
	950587	HATCH ASSY / 23" X 23" GREY / W/VENTILATION / ENGLISH / FRENCH From K-0464 To P-1452	1	1	
	950667	HATCH ASSY / 23" X 23" GREY / W/VENTILATION / ENGLISH / FRENCH From R-1453		1	
	950558	HATCH ASSY / 23" X 23" GREY / W/VENTILATION / ENGLISH & SPANISH To K-0463	1	1	O
	950558	HATCH ASSY / 23" X 23" GREY / W/VENTILATION / ENGLISH & SPANISH From K-0464 To P-1452	1	1	
	950668	HATCH ASSY / 23" X 23" GREY / W/VENTILATION / ENGLISH & SPANISH From R-1453		1	
1	951083	. LID POWER VENT BEIGE To K-0463	1	1	A
1	950684	. LID POWER VENT GREY / ENGLISH To K-0463	1	1	A O
1	950684	. LID POWER VENT GREY / ENGLISH From K-0464	1	1	A
1	950685	. LID POWER VENT GREY / ENGLISH / FRENCH To K-0463	1	1	A O
1	950685	. LID POWER VENT GREY / ENGLISH / FRENCH From K-0464	1	1	A
1	950686	. LID POWER VENT GREY / ENGLISH / SPANISH To K-0463	1	1	A O
1	950686	. LID POWER VENT GREY / ENGLISH / SPANISH From K-0464	1	1	A
2	N8889278	. SEAL, GASKET KIT	1	1	
3	950689	. RELEASE HANDLE ASSY / WHITE To K-0463	1	1	
3	790373	. BASE, RELEASE / GREY To K-0463	1	1	
3	790373	. BASE, RELEASE / GREY From K-0464	1	1	
4	790663	. RELEASE KNOB W/SCREW / RED	1	1	
5	950688	. RELEASE HINGE SHIELD / WHITE To K-0463	1	1	
5	790662	. RELEASE HINGE SHIELD ASSY GREY To K-0463	1	1	
5	790662	. RELEASE HINGE SHIELD ASSY GREY From K-0464	1	1	
6	N.S.S.	. HINGE FIXED	1	1	1
7	N8902738	. HINGE COVER BEIGE To K-0463	1	1	
7	950479	. HINGE COVER GREY To K-0463	1	1	
7	950479	. HINGE COVER GREY From K-0464	1	1	
8	7775130	. SCREW FL PH #8 x 1/2 SS	1	1	
9	N8880007	. SPECIAL TORX SCREW #10 x 1/2 SS	14	14	
10	950693	. HINGE PIN SS	1	1	
11	950682	. GRILL-POWER VENT BEIGE To K-0463	1	1	
11	951085	. GRILL-POWER VENT GREY To K-0463	1	1	
11	951085	. GRILL-POWER VENT GREY From K-0464	1	1	
12	950701	. FAN 8" 24V	1	1	
13	951086	. CORD ASSEMBLY- W/ INSUL. TERMINALS	1	1	
14	950703	. SCREW MA RND PH #6-32x3/4 SS	4	4	
15	950702	. NUT WELL #6-32	4	4	
16	950694	. WASHER NYLON	4	4	
17	950704	. INSULATING BUSHING	1	1	
18	950697	. CLAMP 5/16"	2	2	

From K-0185 To P-1452	Date:07/2024	PAGE:H9-1898-10
ESCAPE HATCH - INSTALLATION - VENTILATION "OPTION"		

Item#	Part	Description	H 3 4 1	H 3 4 5	NOTES
19	950698	. DECAL KIT INSTRUCTION / ENGLISH	1	1	
19	950690	. DECAL KIT INSTRUCTION / ENGLISH & FRANCAIS	1	1	
19	N8898772	. DECAL KIT INSTRUCTION / ENGLISH & SPANISH	1	1	
20	N8893671	. FRAME ASSY, EXTERIOR FIBERGLASS / 23" X 23" BEIGE To K-0463	1	1	
20	950205	. FRAME ASSY, EXTERIOR FIBERGLASS / 23" X 23" GREY To K-0463	1	1	
20	950205	. FRAME ASSY, EXTERIOR FIBERGLASS / 23" X 23" GREY From K-0464	1	1	
22	790436	. LINK & LEVER ASSY	4	4	
23	790449	. SPRING COMPRESSION / .549 O.D. x 2.590 x .078	4	4	
24	790372	. SCREW SHR HEXS 7/16x3/16 {5/16-18	4	4	
25	950700	. DECAL "POWER SAFETY VENT"	1	1	
NS	N8893675	. DECAL- "FRONT OF VEHICLE"	1	1	
30	292398	FRAME ASSY, MOUNTING 23" X 23" To P-1452	1	1	
30	680532	SEALANT SIKA #221 / GREY / 310ml CARTRIDGE From R-1453	AR	AR	
30	685387	GLUE MS POLYMER TEROSON MS 9399 / 400ml CARTRIDGE From R-1453		AR	
30	506769	TAPE RUB ADH2 CC POL 1/8" x 1/4" x 60' / BLACK H1CC-N-#14		AR	
31	504058	RIVET CHY MONOLOK PRDG 1/4x5/8 AL To P-1452	AR	AR	
32	680093	SEALANT TAPE BUTYL / GREY / 1/16"x1 1/2"x50' /71079B11760	AR	AR	
33	293939	MOULDING, INTERIOR 23" X 23" BEIGE To K-0463	1	1	
33	291720	MOULDING, INTERIOR 23" X 23" GREY To K-0463	1	1	
33	291720	MOULDING, INTERIOR 23" X 23" GREY From K-0464 To P-1452	1	1	
33	290974	MOULDING, INTERIOR 23" X 23" GREY From R-1453		1	
33	340591	INSULATION FIBERGLASS	AR	AR	
34	500464	WASHER FN CKF .210x.540 SS To P-1452	4	4	
35	500629	SCREW TP OV PH #8x1 Z050 To P-1452	4	4	
35	5002070	SCREW DR SEMS FN OV PH #8x1 Z050 From R-1453		16	
40	061396	WIRING HARNESS ROOF HATCH REAR & FAN To L-1092	1	1	C
40	0610000	WIRING HARNESS ROOF HATCH REAR & FAN To L-0822	1	1	B
40	0611106	WIRING HARNESS ROOF HATCH REAR & FAN From L-0823	1	1	B
40	061395	WIRING HARNESS ROOF HATCH & FAN FJB DASH To L-1092	1	1	C
40	0610003	WIRING HARNESS ROOF HATCH & FAN FJB DASH	1	1	B
NS	562697	SWITCH / ON-ON / D.P.D.T. / CH-OVER / W/RED & GREEN LED	1	1	
NS	562716	CAP / DRIVER'S LAMP	1	1	
NS	563284	FUSE / ATM 15 AMPS BLUE	1	1	
NS	IS-18905_1	INSTALLATION OF HATCHES WITH FAN ON H3 MODELS BEIGE To K-0463	1	1	
50	IS-18905_2	INSTALLATION OF HATCHES WITH FAN ON H3 MODELS GREY To K-0463	1	1	
NS	IS-18905_2	INSTALLATION OF HATCHES WITH FAN ON H3 MODELS GREY From K-0464	1	1	

From K-0185 To P-1452	Date:07/2024	PAGE:H9-1898-10
-----------------------	--------------	-----------------

ESCAPE HATCH - INSTALLATION - VENTILATION "OPTION"

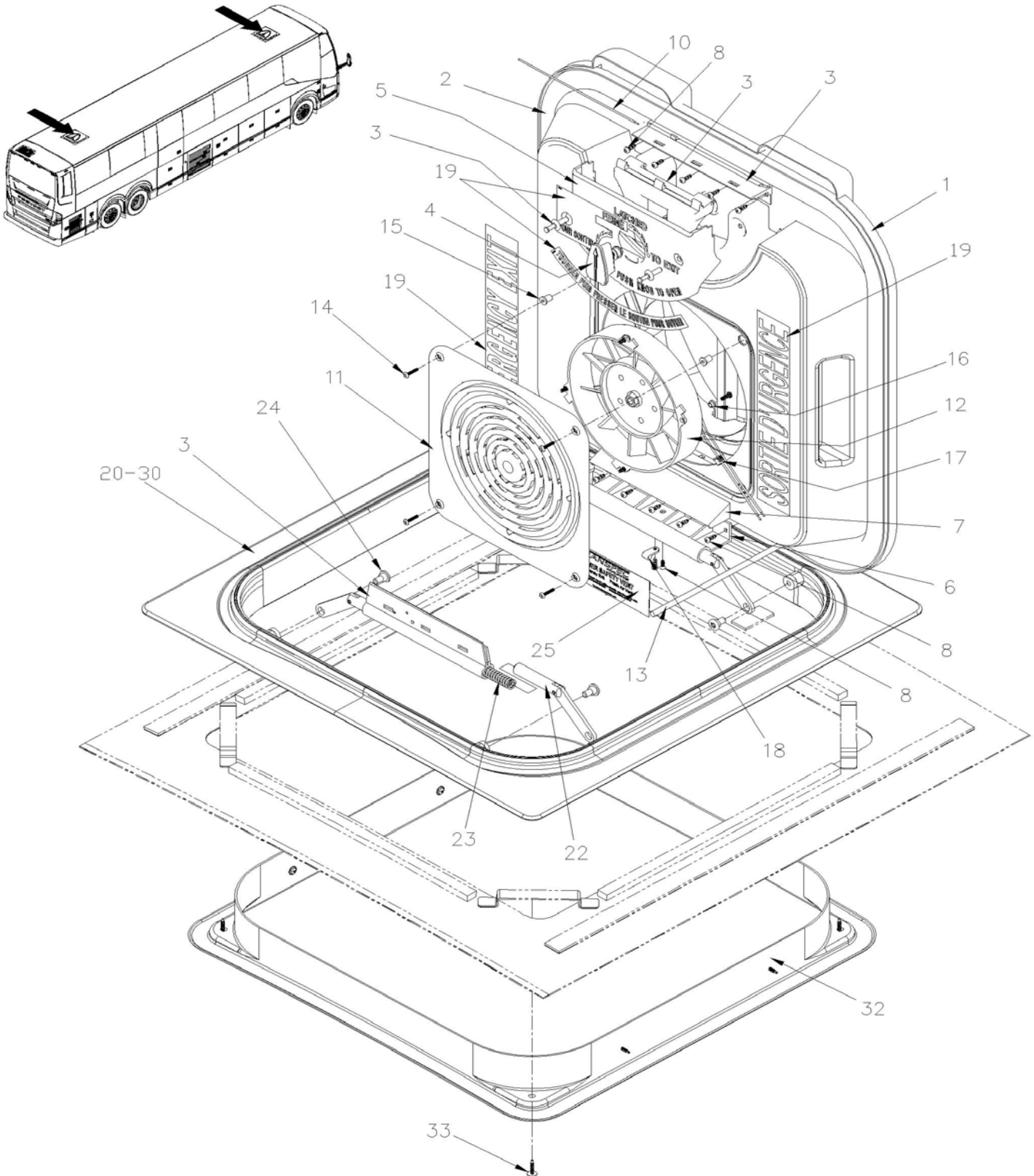
Item#	Part	Description	H 3 4 1	H 3 4 5	N O T E S
		A) INCLUDE ITEM 1 TO 19			
		B) WITH ONE SWITCH			
		C) WITH TWO SWITCHS			
		O) OPTIONAL			
		1) NOT SOLD SEPARATELY			

From R-1453

Date:07/2024

PAGE:H9-1898-11

ESCAPE HATCH - INSTALLATION - VENTILATION



From R-1453		Date:07/2024	PAGE:H9-1898-11
-------------	--	--------------	-----------------

ESCAPE HATCH - INSTALLATION - VENTILATION

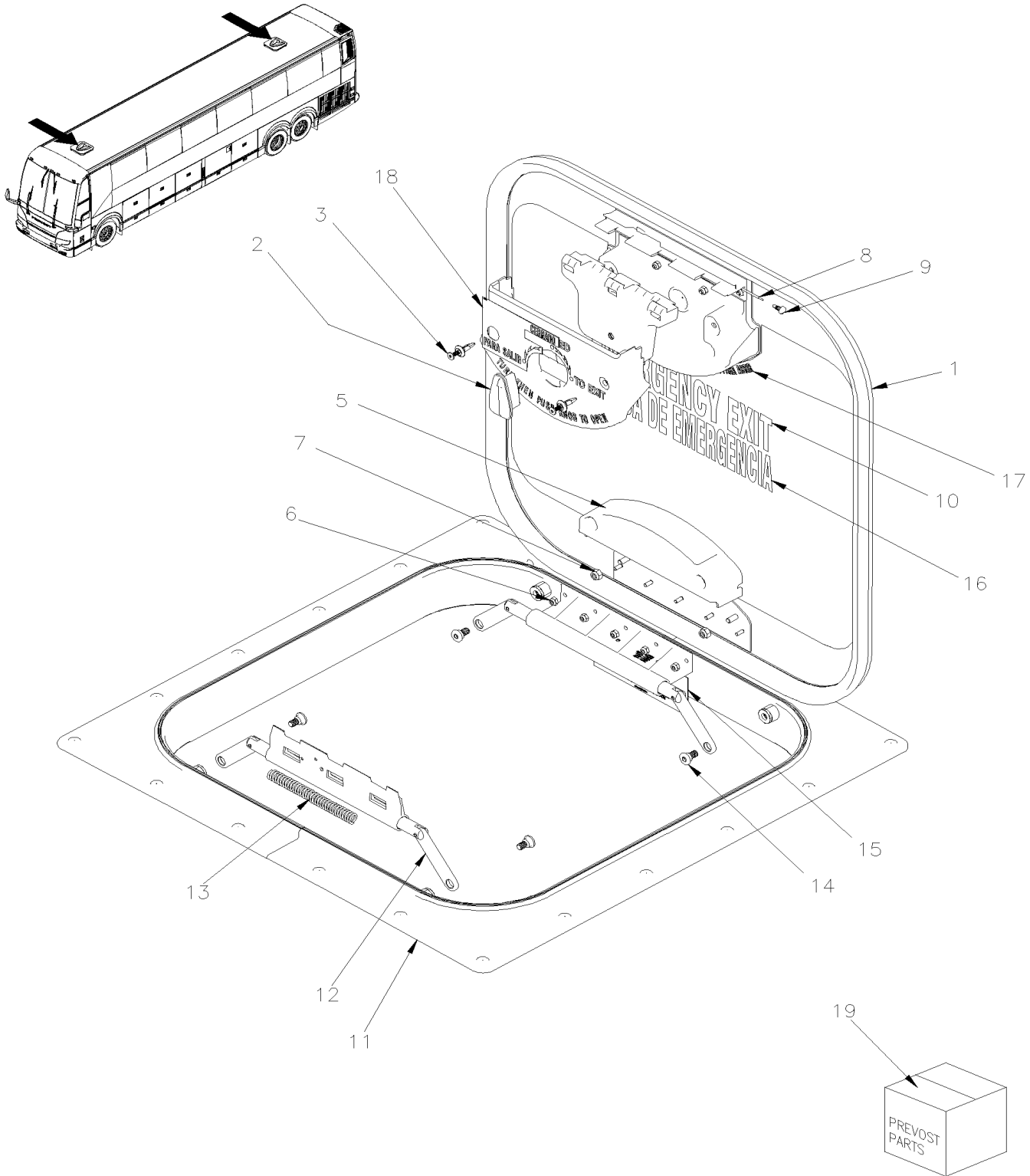
Item#	Part	Description	H 3 4 1	H 3 4 5	N O T E S
	950657	HATCH ASSY / 23" X 23" WHITE / W/VENTILATION / ENGLISH		1	
	950662	HATCH ASSY / 23" X 23" WHITE / W/VENTILATION / ENGLISH / FRENCH		1	
1	950683	. LID W/FAN ASSY / LOW PROFILE / WHITE / ENGLISH		1	A
1	950687	. LID W/FAN ASSY / LOW PROFILE / WHITE / ENGLISH/FRENCH		1	A
2	950069	. SEAL, GASKET KIT		1	
3	950689	. RELEASE HANDLE ASSY / WHITE		1	
4	790663	. RELEASE KNOB W/SCREW / RED		1	
5	950476	. RELEASE HINGE SHIELD ASSY BEIGE		1	
6	N.S.S.	. HINGE FIXED		1	1
7	950691	. HINGE COVER / WHITE		1	
8	7775131	. SCREW #10 X .54" TORX HI/LO, SS		17	
10	7775132	. HINGE PIN SS		1	
11	950682	. GRILL-POWER VENT BEIGE		1	
12	950701	. FAN 8" 24V		1	
13	950692	. POWER CORD / FAN		1	
14	950703	. SCREW MA RND PH #6-32x3/4 SS		4	
15	950702	. NUT WELL #6-32		4	
16	950694	. WASHER NYLON		4	
17	950704	. INSULATING BUSHING		1	
18	950697	. CLAMP 5/16"		2	
19	950698	. DECAL KIT INSTRUCTION / ENGLISH		1	
19	950690	. DECAL KIT INSTRUCTION / ENGLISH & FRANCAIS		1	
19	N8898772	. DECAL KIT INSTRUCTION / ENGLISH & SPANISH		1	
20	950695	. FRAME ASSY / 23" X 23" WHITE		1	
22	790436	. LINK & LEVER ASSY		4	
23	790449	. SPRING COMPRESSION / .549 O.D. x 2.590 x .078		4	
24	950680	. BOLT, 5/16-18 SHOULDER		4	
25	950700	. DECAL "POWER SAFETY VENT"		1	
30	685126	ADHESIVE SIMSON #ISR 70-03 / GREY / 600ml SAUSAGE		AR	
30	685387	GLUE MS POLYMER TEROSON MS 9399 / 400ml CARTRIDGE		AR	
30	506769	TAPE RUB ADH2 CC POL 1/8" x 1/4" x 60' / BLACK H1CC-N-#14		AR	
32	290944	MOULDING, INTERIOR 23" X 23" WHITE		1	
NS	340591	INSULATION FIBERGLASS		4	
33	5002070	SCREW DR SEMS FN OV PH #8x1 Z050		8	
NS	0600108	WIRING HARNESS ROOF HATCH & FAN		2	
		A) INCLUDE ITEM 1 TO 19			
		1) NOT SOLD SEPARATELY			

From L-0731 To P-1452

Date:07/2024

PAGE:H9-1898-20

ESCAPE HATCH - INSTALLATION - GLASS HATCH "OPTION"

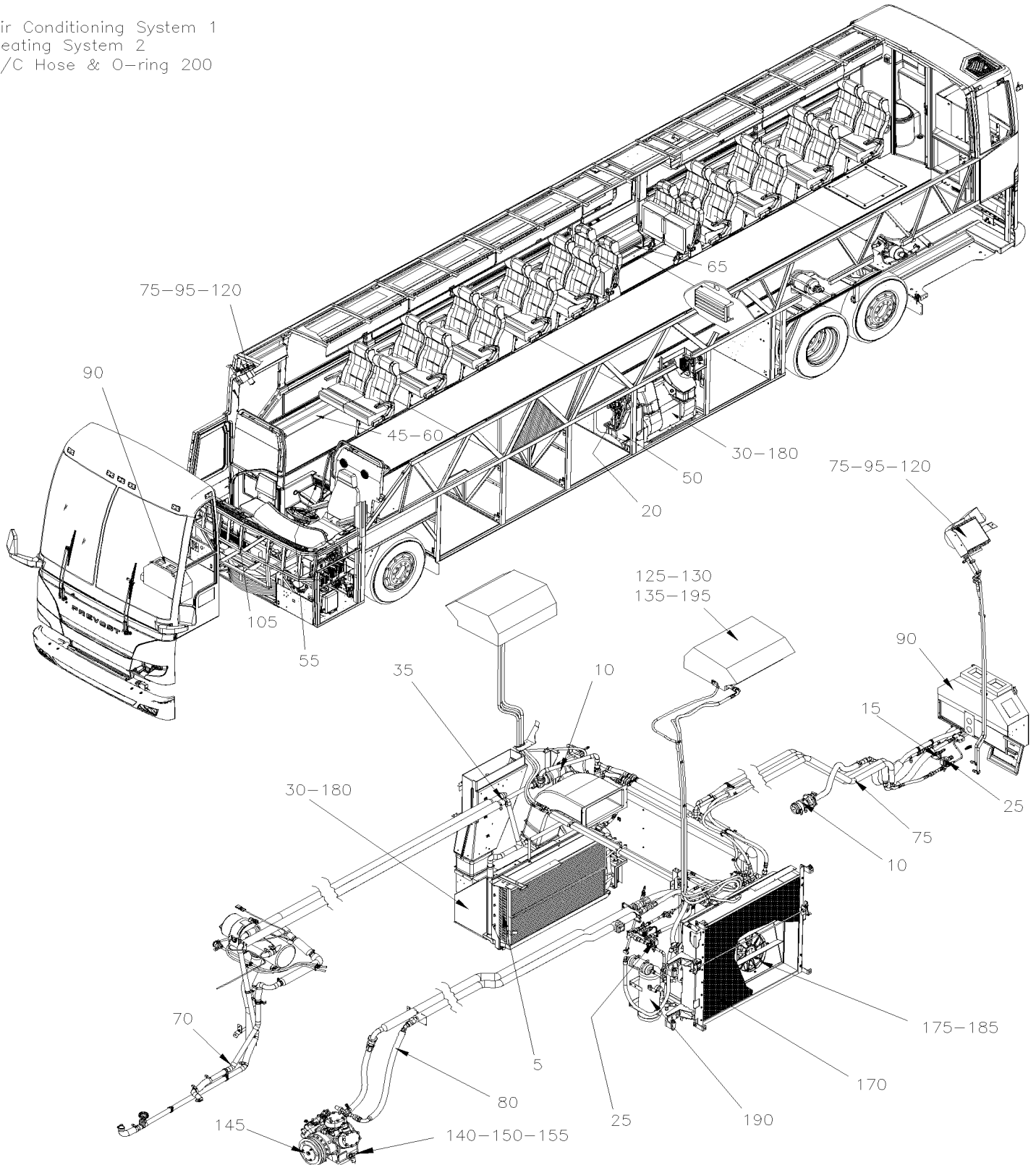


From L-0731 To P-1452	Date:07/2024	PAGE:H9-1898-20
ESCAPE HATCH - INSTALLATION - GLASS HATCH "OPTION"		

Item#	Part	Description	H 3 4 1	H 3 4 5	NOTES
	950610	HATCH ASSY / 23" X 23" GREY / W/GLASS To P-1452	1	1	
	950670	HATCH ASSY / 23" X 23" GREY / W/GLASS From R-1453		1	
1	N8899910	. GLASS ASSY- W/ PLATES & GASKET	1	1	
2	7775128	. RELEASE ASSEMBLY- KNOB	1	1	
3	790662	. RELEASE HINGE SHIELD ASSY GREY	1	1	
4	790003	. BASE- SHIELD, (DK GRAY)	1	1	
5	790004	. COVER- FIXED HINGE, GLASS, (DK GRAY)	1	1	
6	N8899917	. NUT HEX NYRT #8-32	12	12	
7	N8899918	. NUT HEX NYRT 1/4-20 SS	2	2	
8	N8900091	. PIN- HINGE, SS, GLASS	1	1	
9	N8900092	. FASTENER- PLASTIC	2	2	
10	N8899919	. DECAL- EMERGENCY EXIT, TRANSFER (WHITE)	1	1	
11	950502	. ADAPTOR / SHRADER FITTING / 1/8NPT-M	1	1	
12	790436	. LINK & LEVER ASSY	1	1	
13	790449	. SPRING COMPRESSION / .549 O.D. x 2.590 x .078	1	1	
14	15514646	. BOLT 5/16-18	4	4	
15	N8903988	. DECAL-GLASS SAFETY VENT	1	1	
16	N8910653	. DECAL- SALIDA DE EMERGENCIA, TRANSFER, WHITE	1	1	
17	N8910652	. DECAL- INSTRUCTIONAL - SPANISH	1	1	
18	951087	. CONNECTION PIECE M6	1	1	
19	790005	. COVER ASSY / LOW PROFILE / GLASS HATCH	1	1	A
		A) BILINGUAL FRENCH & ENGLISH			

	Date:07/2024	H9-22
HEATING & AIR CONDITIONING		

Air Conditioning System 1
Heating System 2
A/C Hose & O-ring 200



		Date:07/2024	H9-22		
HEATING & AIR CONDITIONING					
Item#	Part	Description	H 3 4 1	H 3 4 5	N O T E S
	H9-2200-00	AIR CONDITIONING SYSTEM From K-0185			
	H9-2200-05	HEATING SYSTEM From K-0185			
	H9-2206-03	WATER PUMP "AMETEK" / SEALLESS & BRUSHLESS From K-0185 To P-1452			
	H9-2206-04	WATER PUMP "AMETEK" / SEALLESS & BRUSHLESS From R-1453			
5	H9-2205-01	HEATER & EVAPORATOR COIL - INSTALLATION From K-0185			
15	H9-2207-00	WATER VALVE - W/3 WAYS BY-PASS From K-0185 To P-1452			
15	H9-2207-01	WATER VALVE - W/3 WAYS BY-PASS From R-1453			
15	H9-2207-06	WATER VALVE - W/2 WAYS From K-0185 To P-1452			
15	H9-2207-07	WATER VALVE - W/2 WAYS From R-1453			
20	H9-2208-00	A/C EXPANSION VALVE From K-0185 To K-0686			
20	H9-2208-01	A/C EXPANSION VALVE From K-0687			
25	H9-2208-10	REFRIGERENT SOLENOID VALVE From K-0185			
30	H9-2210-02	HEATER & EVAPORATOR BLOWER - INSTALLATION From K-0185			
30	H9-2210-06	HEATER & EVAPORATOR BLOWER - INSTALLATION From K-0185 To P-1452			
30	H9-2210-07	HEATER & EVAPORATOR BLOWER - INSTALLATION From R-1453			
35	H9-2210-12	WATER HEATER PUMP - INSTALLATION From K-0185 To P-1452			
35	H9-2210-13	WATER HEATER PUMP - INSTALLATION From R-1453			
45	H9-2210-50	AIR MAIN SENSOR From K-0185			
50	H9-2215-00	EVAPORATOR & DAMPER CONTROL COMPONENTS From K-0185			
55	H9-2220-00	UNDER FLOOR AIR DUCTING From K-0185 To P-1452			
55	H9-2220-01	UNDER FLOOR AIR DUCTING From R-1453			
60	H9-2221-10	DUCTING HEATER & A/C From K-0185 To P-1452			
60	H9-2221-11	DUCTING HEATER & A/C From R-1453			
65	H9-2221-80	AIR DUCT W.C.L. DOOR "RICON" From K-0185 To P-1452			
65	H9-2221-81	AIR DUCT W.C.L. DOOR "RICON" From R-1453			
67	H9-2221-90	DUST ABATEMENT SYSTEM From K-0185			
70	H9-2222-07	HEATER LINE REAR SECTION WITH "VOLVO" ENGINE From K-0185 To P-1452			
70	H9-2222-08	HEATER LINE REAR SECTION From R-1453			
75	H9-2222-10	A/C & HEATING LINE FRONT SECTION From K-0185 To P-1452			
75	H9-2222-11	A/C & HEATING LINE FRONT SECTION From R-1453			
80	H9-2222-16	A/C LINE REAR SECTION From K-0185			
90	H9-2225-01	DRIVER'S HEATER & DEFROSTER ASSY From K-0185 To K-0492			
90	H9-2225-02	DRIVER'S HEATER & DEFROSTER ASSY From K-0493 To P-1452			
90	H9-2225-03	DRIVER'S HEATER & DEFROSTER ASSY From R-1453			
95	H9-2225-10	UPPER WINDSHIELD - DEFROSTER ASSY From K-0185 To P-1452			
105	H9-2230-00	DEFROSTER - INSTALLATION From K-0185 To P-1452			
105	H9-2230-01	DEFROSTER - INSTALLATION From R-1453			
120	H9-2240-10	UPPER WINDSHIELD FAN - INSTALLATION From K-0185 To P-1452			
125	H9-2240-20	BLOWER VENTILATION - PARCEL RACK From K-0185 To P-1452			
125	H9-2240-21	BLOWER VENTILATION - PARCEL RACK WITH A/C SYSTEM From R-1453			
130	H9-2240-25	BLOWER ASSY - PARCEL RACK From K-0185 To P-1452			
135	H9-2240-30	BLOWER VENTILATION - PARCEL RACK WITH W.C.L. From K-0185 To L-0936			

	Date:07/2024	H9-22
HEATING & AIR CONDITIONING		

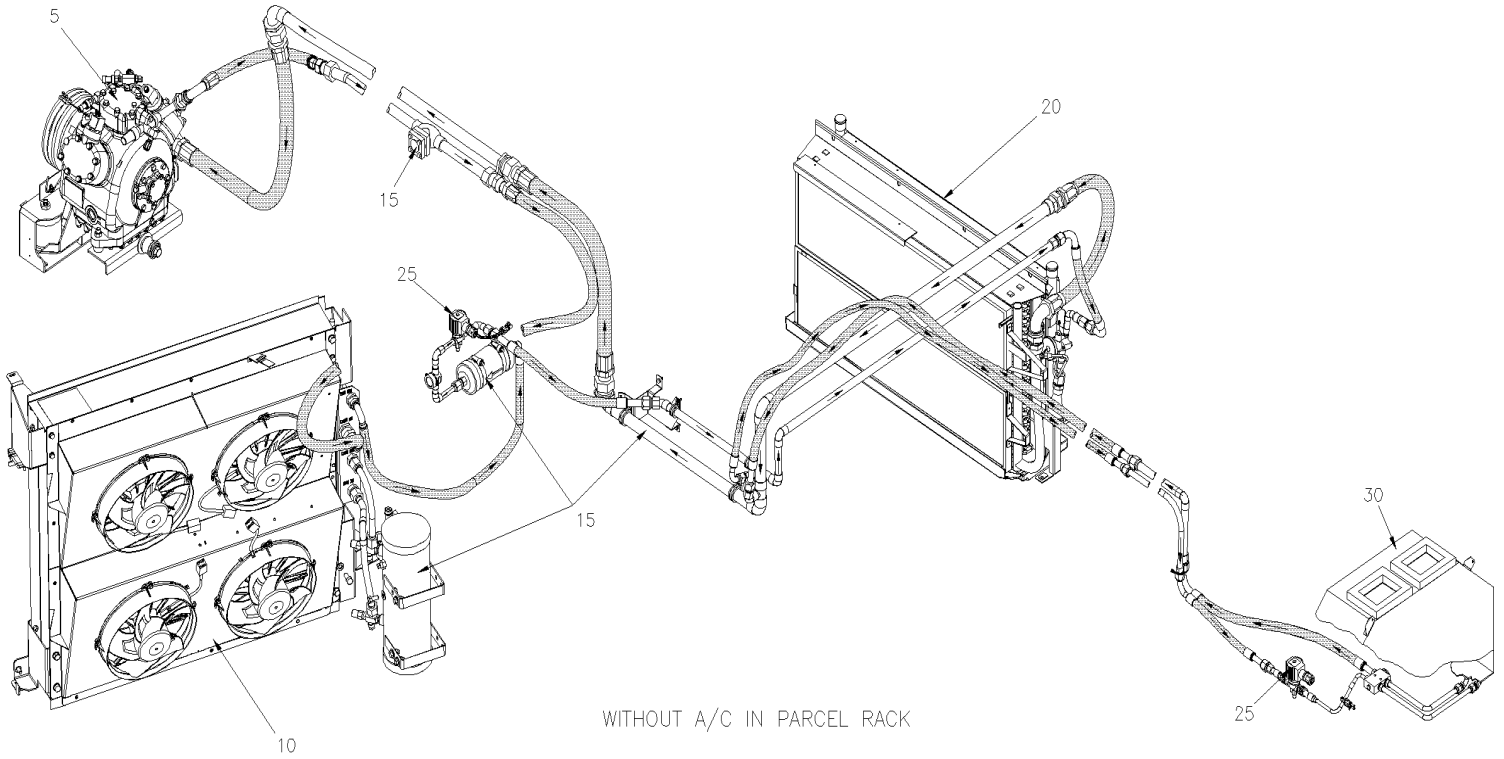
Item#	Part	Description	H 3 4 1	H 3 4 5	N O T E S
135	H9-2240-31	BLOWER VENTILATION - PARCEL RACK WITH W.C.L. From L-0937 To P-1452			
140	H9-2245-02	A/C COMPRESSOR "BITZER" - INSTALLATION From K-0185			
140	H9-2245-20	A/C COMPRESSOR "BOCK" - INSTALLATION From N-1269			
145	H9-2246-01	A/C CLUTCH - WITH "BITZER" COMPRESSOR From K-0185			
145	H9-2246-20	A/C CLUTCH - WITH "BOCK" COMPRESSOR From N-1269			
150	H9-2250-01	A/C COMPRESSOR "BITZER" 4NFCY From K-0185			
150	H9-2250-20	A/C COMPRESSOR "BOCK" From N-1269			
155	H9-2250-16	A/C ELECTRIC UNLOADER - WITH "BITZER" COMPRESSOR From K-0185			
155	H9-2250-35	A/C ELECTRIC UNLOADER - WITH "BOCK" COMPRESSOR From N-1269			
170	H9-2255-01	CONDENSOR - INSTALLATION From K-0185			
175	H9-2260-01	CONDENSOR FANS - INSTALLATION W/4 MOTORS From K-0185			
180	H9-2265-01	MOTOR - EVAPORATOR BRUSHLESS From K-0185			
185	H9-2265-51	MOTOR - CONDENSOR BRUSHLESS From K-0185			
190	H9-2270-01	RECEIVER TANK & FILTER DRYER From K-0185 To P-1452			
190	H9-2270-02	RECEIVER TANK & FILTER DRYER From R-1453			
195	H9-2270-11	A/C HOSE PARCEL RACK - INSTALLATION From K-0185 To P-1452			
195	H9-2270-12	A/C HOSE PARCEL RACK - INSTALLATION From R-1453			
200	H9-2299-00	A/C HOSE & O-RING - W/R-134A From K-0185			

From K-0185

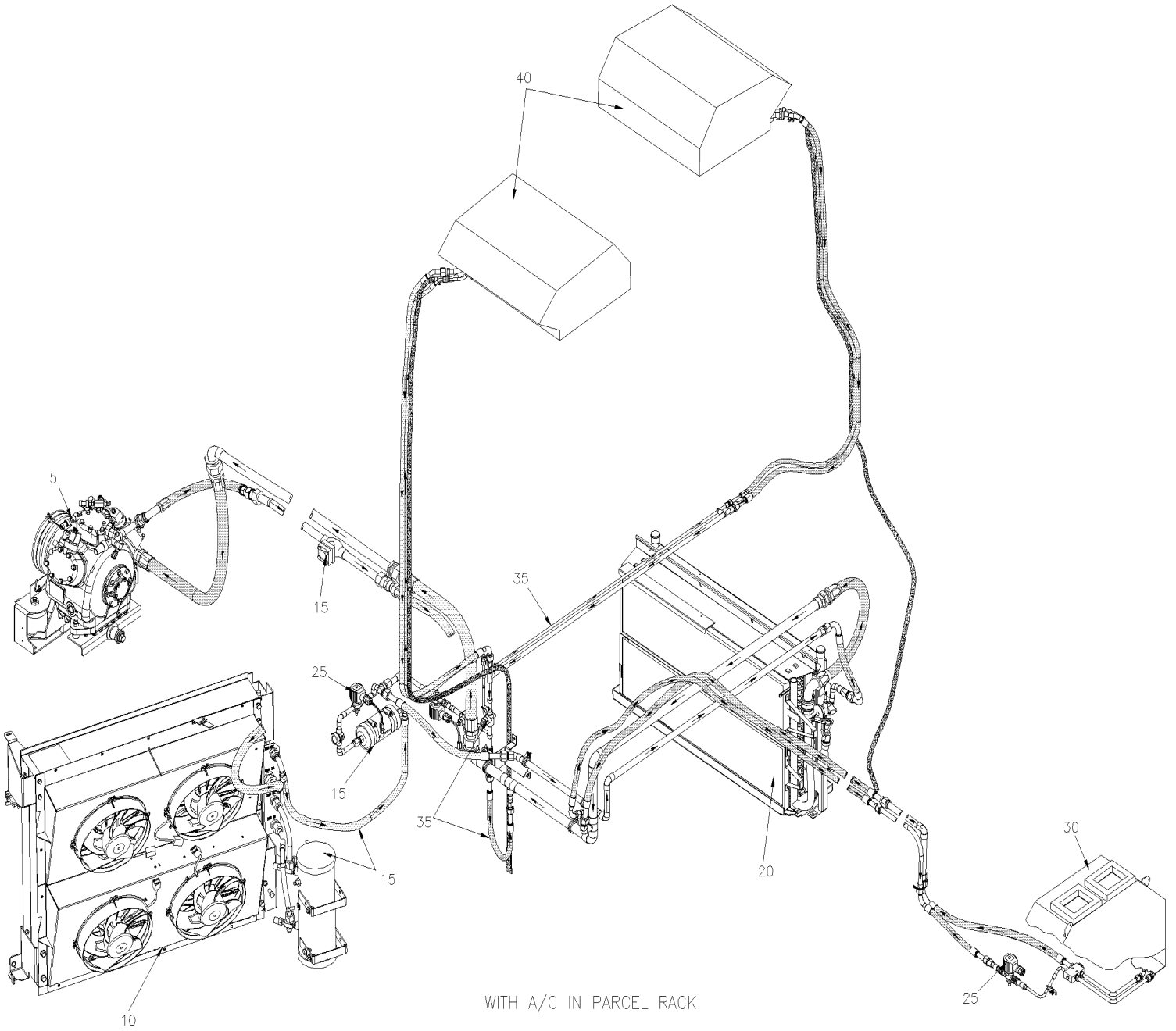
Date:07/2024

PAGE:H9-2200-00

AIR CONDITIONING SYSTEM



From K-0185	Date:07/2024	PAGE:H9-2200-00
AIR CONDITIONING SYSTEM		



From K-0185	Date:07/2024	PAGE:H9-2200-00
AIR CONDITIONING SYSTEM		

Item#	Part	Description	H 3 4 1	H 3 4 5	N O T E S
5	H9-2245-02	A/C COMPRESSOR "BITZER" - INSTALLATION			
5	H9-2245-20	A/C COMPRESSOR "BOCK" - INSTALLATION From N-1269	1	1	
5	H9-2250-01	A/C COMPRESSOR "BITZER" 4NFCY			
5	H9-2250-20	A/C COMPRESSOR "BOCK" From N-1269	1	1	
10	H9-2255-01	CONDENSOR - INSTALLATION			
10	H9-2260-01	CONDENSOR FANS - INSTALLATION W/4 MOTORS			
15	H9-2270-01	RECEIVER TANK & FILTER DRYER To P-1452			
15	H9-2270-02	RECEIVER TANK & FILTER DRYER From R-1453			
20	H9-2205-01	HEATER & EVAPORATOR COIL - INSTALLATION			
20	H9-2210-06	HEATER & EVAPORATOR BLOWER - INSTALLATION To P-1452			
20	H9-2210-07	HEATER & EVAPORATOR BLOWER - INSTALLATION From R-1453			
25	H9-2208-10	REFRIGERENT SOLENOID VALVE			
30	H9-2225-01	DRIVER'S HEATER & DEFROSTER ASSY To K-0492			
30	H9-2225-02	DRIVER'S HEATER & DEFROSTER ASSY From K-0493 To P-1452			
30	H9-2225-03	DRIVER'S HEATER & DEFROSTER ASSY From R-1453			
35	H9-2270-11	A/C HOSE PARCEL RACK - INSTALLATION To P-1452			
35	H9-2270-12	A/C HOSE PARCEL RACK - INSTALLATION From R-1453			
40	H9-2240-20	BLOWER VENTILATION - PARCEL RACK To P-1452			

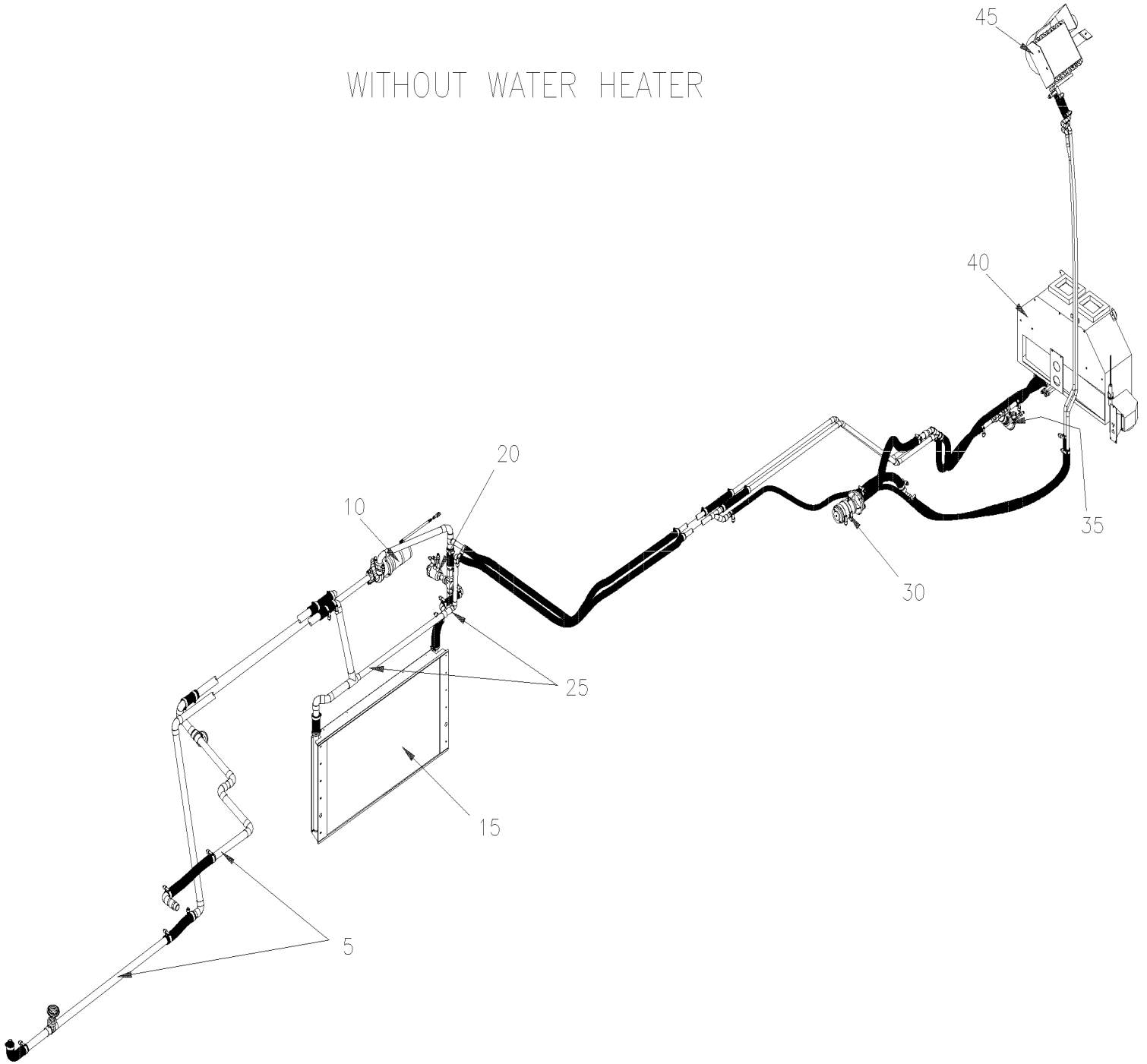
From K-0185

Date:07/2024

PAGE:H9-2200-05

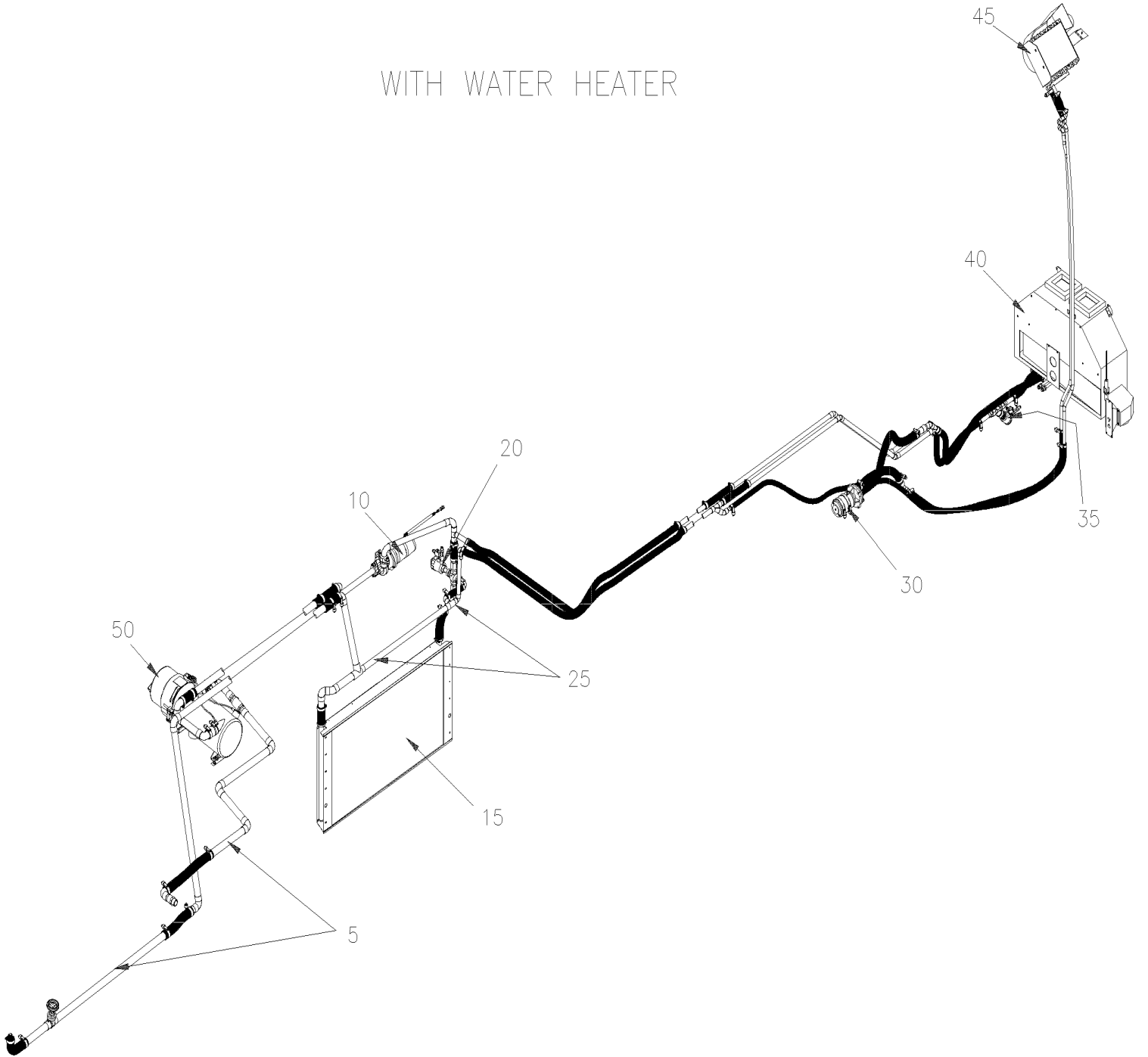
HEATING SYSTEM

WITHOUT WATER HEATER



From K-0185	Date:07/2024	PAGE:H9-2200-05
HEATING SYSTEM		

WITH WATER HEATER



From K-0185	Date:07/2024	PAGE:H9-2200-05
HEATING SYSTEM		

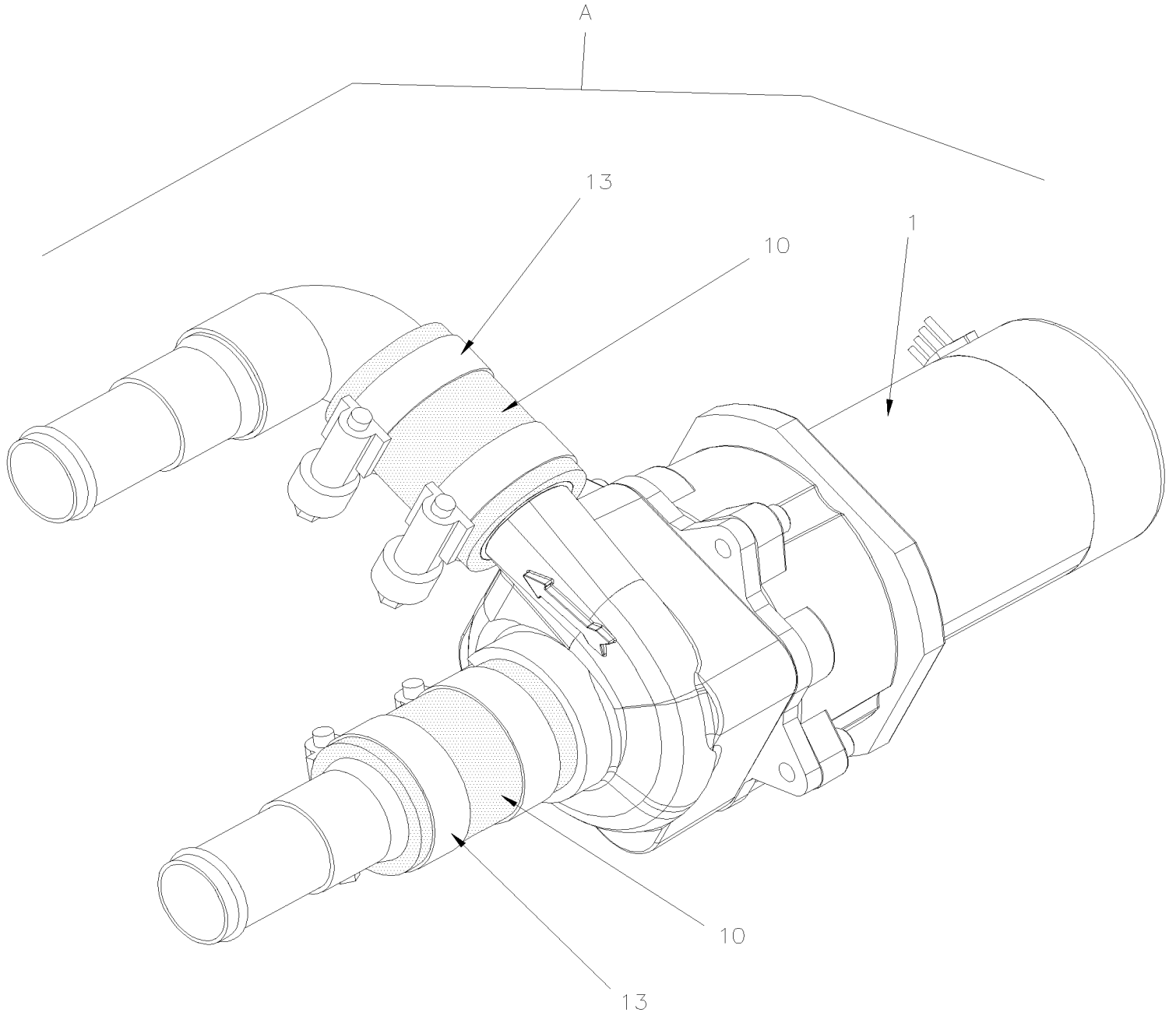
Item#	Part	Description	H 3 4 1	H 3 4 5	N O T E S
5	H9-2222-07	HEATER LINE REAR SECTION WITH "VOLVO" ENGINE To P-1452			
5	H9-2222-08	HEATER LINE REAR SECTION From R-1453			
10	H9-2206-03	WATER PUMP "AMETEK" / SEALLESS & BRUSHLESS To P-1452			
10	H9-2206-04	WATER PUMP "AMETEK" / SEALLESS & BRUSHLESS From R-1453			
15	H9-2205-01	HEATER & EVAPORATOR COIL - INSTALLATION			
15	H9-2210-02	HEATER & EVAPORATOR BLOWER - INSTALLATION			
20	H9-2207-00	WATER VALVE - W/3 WAYS BY-PASS To P-1452			
20	H9-2207-01	WATER VALVE - W/3 WAYS BY-PASS From R-1453			
25	H9-2210-12	WATER HEATER PUMP - INSTALLATION To P-1452			
25	H9-2210-13	WATER HEATER PUMP - INSTALLATION From R-1453			
30	H9-2206-03	WATER PUMP "AMETEK" / SEALLESS & BRUSHLESS To P-1452			
30	H9-2206-04	WATER PUMP "AMETEK" / SEALLESS & BRUSHLESS From R-1453			
35	H9-2207-06	WATER VALVE - W/2 WAYS To P-1452			
35	H9-2207-07	WATER VALVE - W/2 WAYS From R-1453			
40	H9-2230-00	DEFROSTER - INSTALLATION To P-1452			
40	H9-2230-01	DEFROSTER - INSTALLATION From R-1453			
45	H9-2225-10	UPPER WINDSHIELD - DEFROSTER ASSY To P-1452			
45	H9-2240-10	UPPER WINDSHIELD FAN - INSTALLATION To P-1452			
50	H9-2350-10	WATER HEATER - INSTALLATION			
NS	871202	WATER HEATER - "SPHEROS" 100,000 B.T.U.			
NS	871345	WATER HEATER - "PROHEAT" 80,000 B.T.U.			

From K-0185 To P-1452

Date:07/2024

PAGE:H9-2206-03

WATER PUMP "AMETEK" / SEALLESS & BRUSHLESS

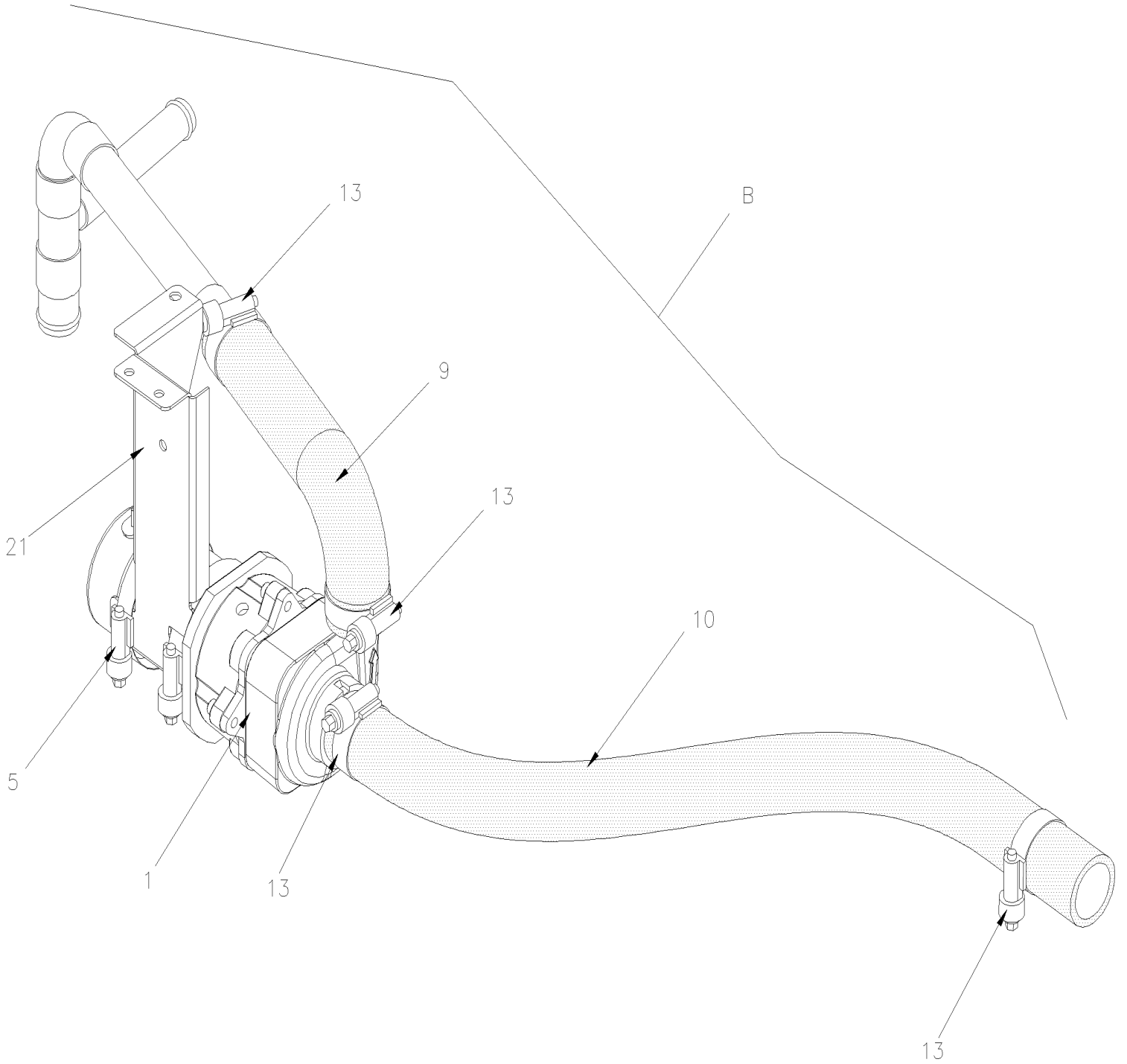


From K-0185 To P-1452

Date:07/2024

PAGE:H9-2206-03

WATER PUMP "AMETEK" / SEALLESS & BRUSHLESS



From K-0185 To P-1452	Date:07/2024	PAGE:H9-2206-03
WATER PUMP "AMETEK" / SEALLESS & BRUSHLESS		

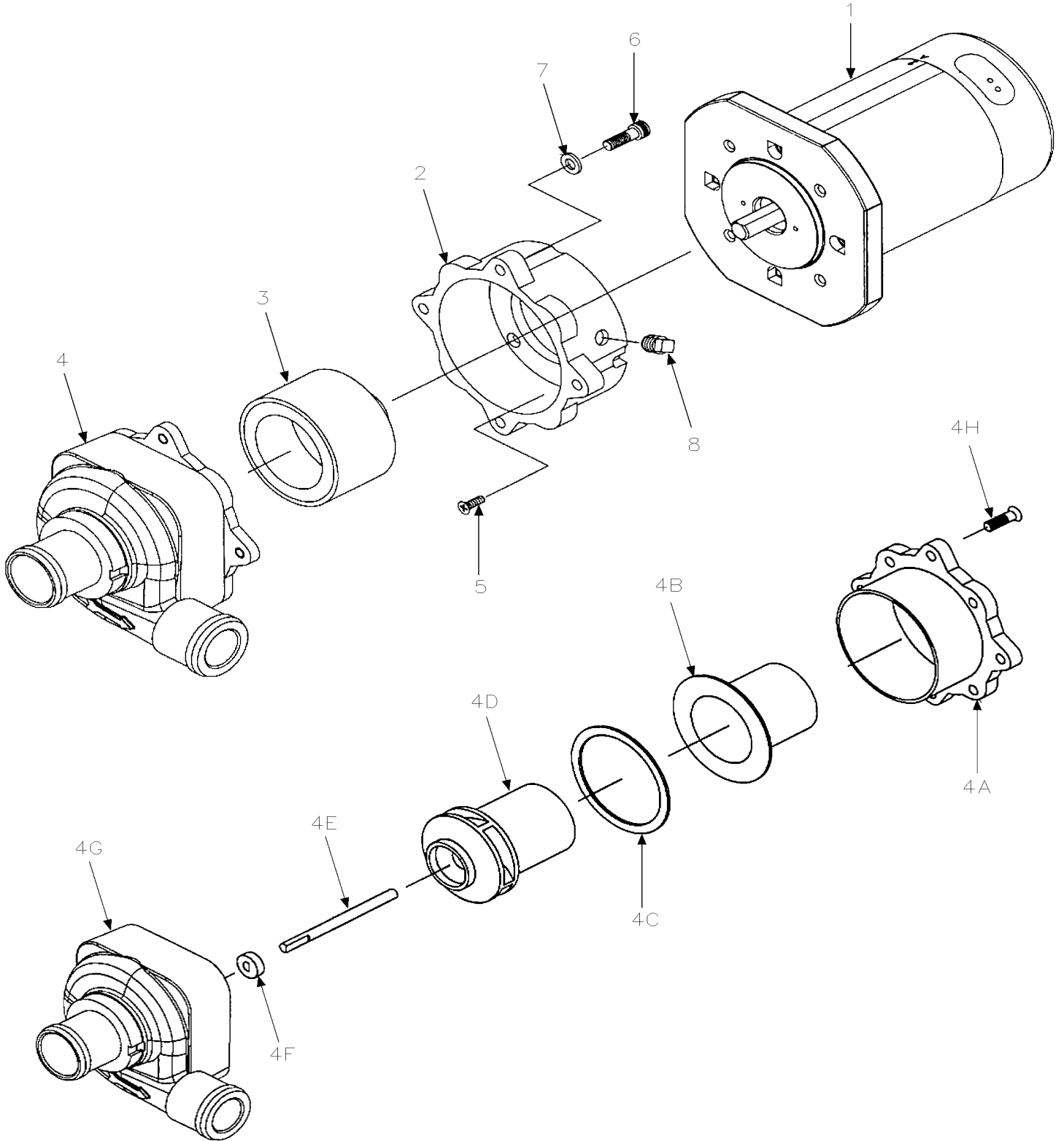
Item#	Part	Description	H 3 4 1	H 3 4 5	N O T E S
1	874297	WATER PUMP "AMETEK" / SEALLESS & BRUSHLESS	1	1	
NS	561781	CONNECTOR / WEATHER PACK / PH 3C / BLACK / PED 12010717	1	1	
NS	561568	PIN TERMINAL / 16-14 / PED 12089305	2	2	
NS	561786	CABLE SEAL / GRAY / PED 15324980	2	2	
NS	561783	SEAL PLUG CAVITY / GREEN / PED 12010300	1	1	
NS	680319	TAPE ADHESIF ELECTRIC / BLACK 3/4"	AR	AR	
NS	562387	CONVOLUTED TUBING / SLIT / BLACK / .250"	AR	AR	
5	504026	HOSE CLAMP / 2"13/16-3"3/4 SS / HS-52	2	2	
6	504235	HOSE CLAMP / 3"9/16"-4"1/2 SS / HS-64	2	2	
7	506728	TAPE RUB ADH1 NEO 1/4" x 3/4" x 10' / BLACK	AR	AR	
9	378924	ELBOW 90° X 1 3/8" I.D. / 75MM x 194MM C/C / SILICONE	1	1	
10	503783	HOSE SILICONE 4PLY / NOMEX-ARAMID 34MM I.D. x 6'	AR	AR	
11	503783	HOSE SILICONE 4PLY / NOMEX-ARAMID 34MM I.D. x 6'	AR	AR	
12	503803	HOSE SILICONE 1 PLY / NOMEX-ARAMID 7/8" I.D. x 100' / S.L.	AR	AR	
13	992086	HOSE CLAMP / 32MM/52MM	4	4	
13	504692	HOSE CLAMP STEPLESS SPRING SS / OETIKER / 1.5-1.8	4	4	A
14	992084	HOSE CLAMP / 23MM/35MM	2	2	
14	504693	HOSE CLAMP STEPLESS SPRING SS / OETIKER / .94-1.1	2	2	A
15	501794	ADAPTER / COPPER @ PIPE / 1Mx3/4NPT-M	1	1	
16	501866	ADAPTER / COPPER @ PIPE / 3/4Fx3/4NPT-M	1	1	
17	H9-2207-06	WATER VALVE - W/2 WAYS			
21	374670	SUPPORT / WATER PUMP	1	1	
22	373565	SUPPORT W/PUMP / OUTPUT	1	1	
23	952639	CLAMP / 1"1/4 I.D.	2	2	
24	500658	SCREW TC PAN PH #10-24x3/4 Z050	1	1	
A	374659P	WATER PUMP ASSY WITH PIPE / UPPER DEFROSTER To N-1209	1	1	
. NS	374831	. PUMP OUTPUT PIPE To N-1209	1	1	
. NS	374832	. PUMP INPUT PIPE To N-1209	1	1	
A	874297	. WATER PUMP "AMETEK" / SEALLESS & BRUSHLESS From N-1210	1	1	
A	370365	. ELBOW PUMP From N-1210	1	1	
A	370414	. TUYAU PUMP From N-1210	1	1	
B	Call order desk	WATER PUMP ASSY WITH PIPE / LARGE A/C	1	1	P
B	370413	. PIPE, PUMP ASSY From N-1210	1	1	
		A) WITH OPTION "OETIKER" HOSE CLAMP			
		P) CALL ORDER DESK FOR SPECIFIC APPLICATION (V.I.N.)			

From K-0185 To P-1452

Date:07/2024

PAGE:874297

WATER PUMP "AMETEK" / SEALLESS & BRUSHLESS



From K-0185 To P-1452	Date:07/2024	PAGE:874297
WATER PUMP "AMETEK" / SEALLESS & BRUSHLESS		

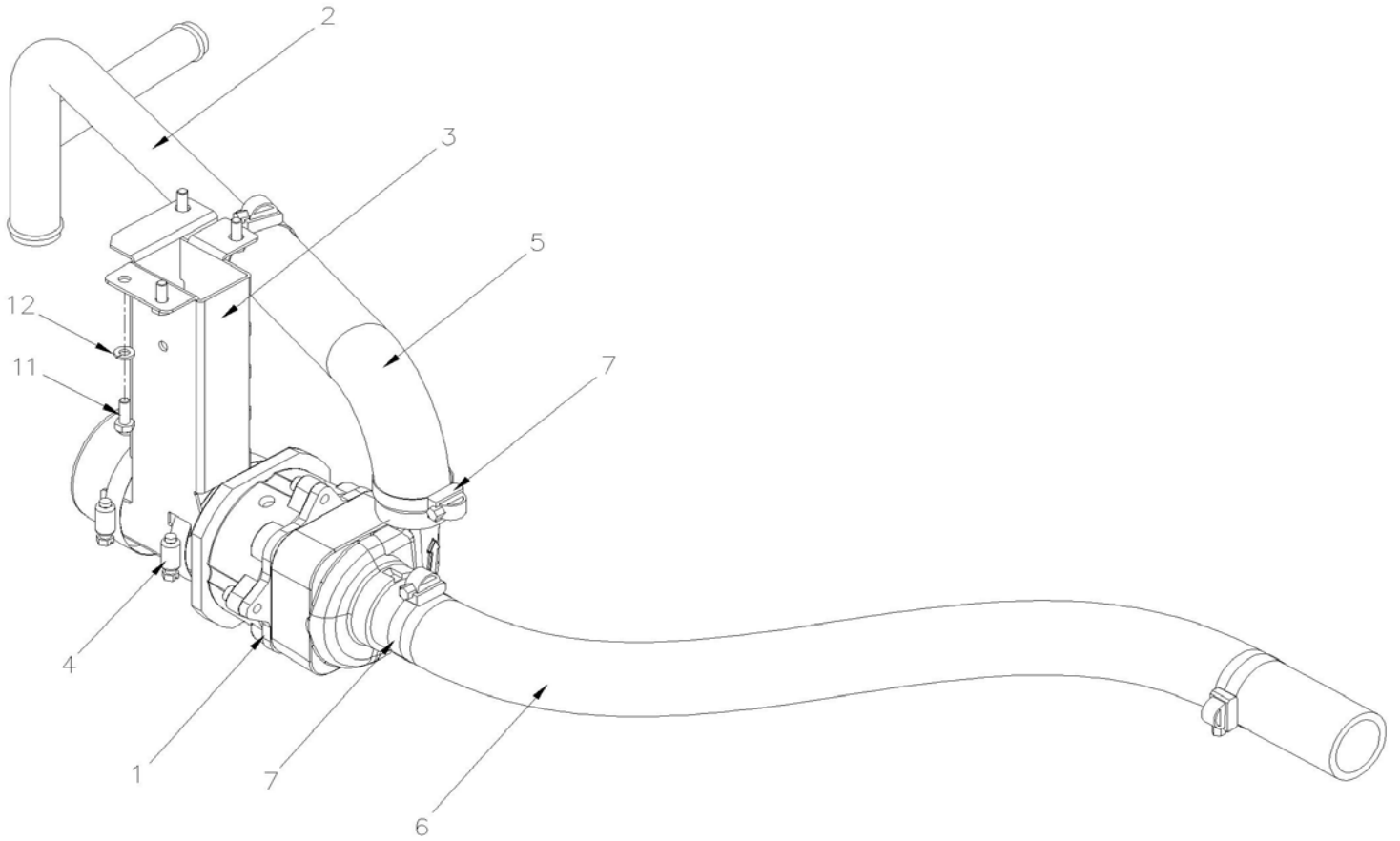
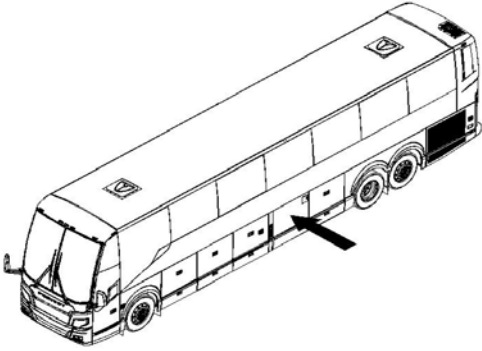
Item#	Part	Description	H 3 4 1	H 3 4 5	NOTES
1	N.P.N.	MOTOR ASSEMBLY WITHOUT BASEPLATE	1	1	4
2	N8896645	CONNECTING HOUSING	1	1	
3	N8896646	DRIVE MAGNET	1	1	
4	19517742	HOUSING	1	1	
4A	G1091780	. HOUSING CONNECTOR RING	1	1	
4B	G1091781	. IMPELLER HOUSING	1	1	
4C	G1091782	. GASKET ROUND	1	1	
4D	G1091783	. IMPELLER ASSY	1	1	
4E	G1091785	. IMPELLER SHAFT	1	1	
4F	G1091784	. THRUST WASHER	1	1	
4G	870074	. PUMP HOUSING BRASS	1	1	
4H	19508912	. SCREW FLAT HEAD	4	4	
5	N.P.N.	SCREW FLAT HEAD	4	4	4
6	N8896647	SCREW SOCKET HEAD	4	4	
7	N8896640	FLAT WASHER	4	4	
8	195971	PLUG, TREATED	1	1	
		4) NO PARTS NUMBER			

From R-1453

Date:07/2024

PAGE:H9-2206-04

WATER PUMP "AMETEK" / SEALLESS & BRUSHLESS



From R-1453		Date:07/2024	PAGE:H9-2206-04
WATER PUMP "AMETEK" / SEALLESS & BRUSHLESS			

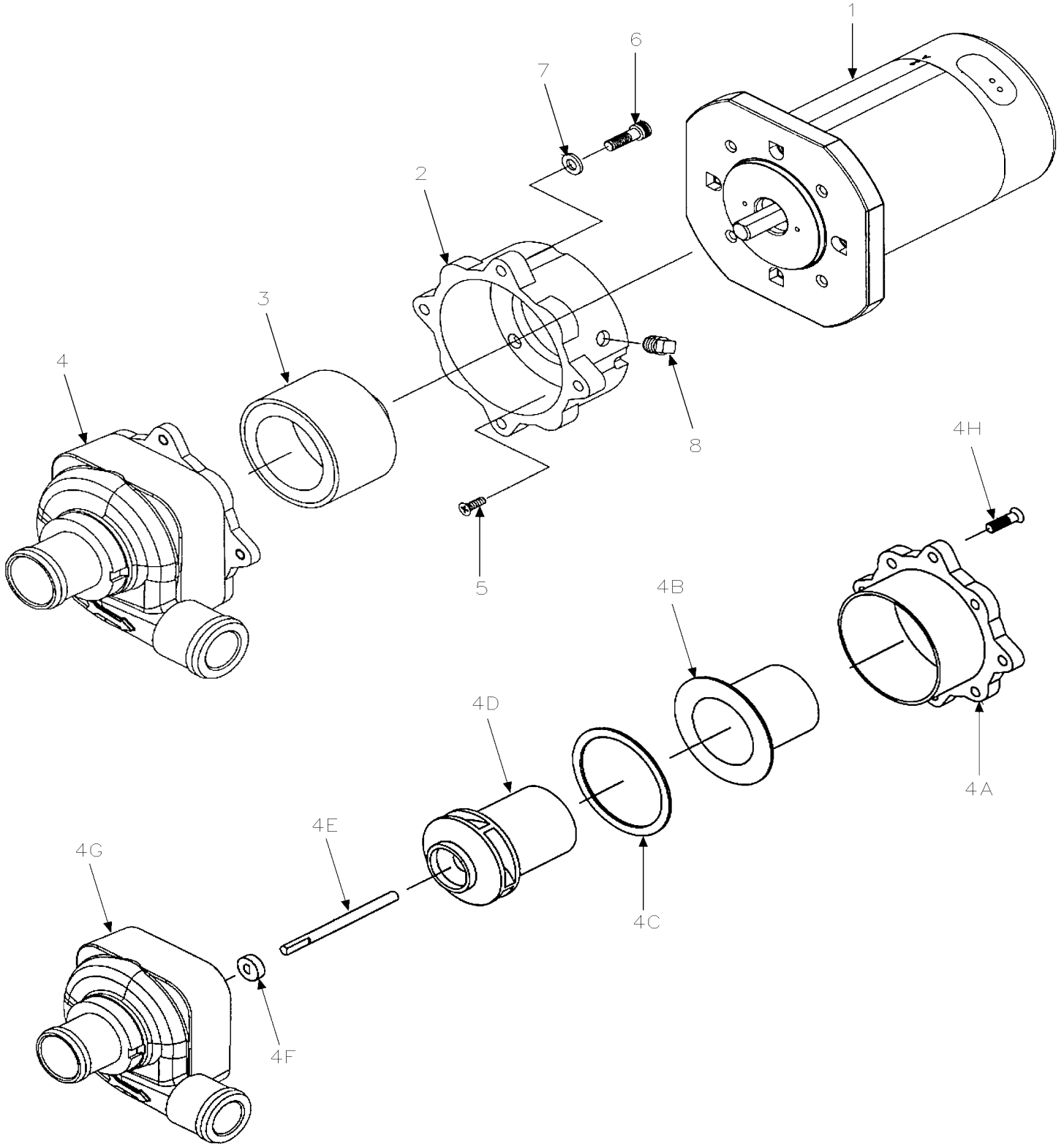
Item#	Part	Description	H 3 4 1	H 3 4 5	N O T E S
	Call order desk	WATER PUMP ASSY WITH PIPE / LARGE A/C		1	P
1	874297	WATER PUMP "AMETEK" / SEALLESS & BRUSHLESS		1	
NS	561781	. . CONNECTOR / WEATHER PACK / PH 3C / BLACK / PED 12010717		1	
NS	561568	. . PIN TERMINAL / 16-14 / PED 12089305		2	
NS	561786	. . CABLE SEAL / GRAY / PED 15324980		1	
NS	561783	. . SEAL PLUG CAVITY / GREEN / PED 12010300		1	
NS	680319	. . TAPE ADHESIF ELECTRIC / BLACK 3/4"		AR	
NS	562387	. . CONVOLUTED TUBING / SLIT / BLACK / .250"		AR	
2	370413	. PIPE, PUMP ASSY		1	
3	374670	. SUPPORT / WATER PUMP		1	
4	504025	. HOSE CLAMP / 2"5/16-3"1/4 SS / HS-44		2	
5	378924	. ELBOW 90° X 1 3/8" I.D. / 75MM x 194MM C/C / SILICONE		1	
6	503783	. HOSE SILICONE 4PLY / NOMEX-ARAMID 34MM I.D. x 6'		AR	
7	992086	. HOSE CLAMP / 32MM/52MM		4	
7	504451	HOSE CLAMP STEPLESS SPRING SS / OETIKER / 1.3-1.6		4	A
11	5001744	SCREW CAP HEX M6-1.0x16 G8.8 N500		4	
12	502853	WASHER LO SPT 6.1x11.8x1.6 N500		4	
		A) WITH OPTION "OETIKER" HOSE CLAMP			
		P) CALL ORDER DESK FOR SPECIFIC APPLICATION (V.I.N.)			

From R-1453

Date:07/2024

PAGE:874297

WATER PUMP "AMETEK" / SEALLESS & BRUSHLESS



From R-1453	Date:07/2024	PAGE:874297
WATER PUMP "AMETEK" / SEALLESS & BRUSHLESS		

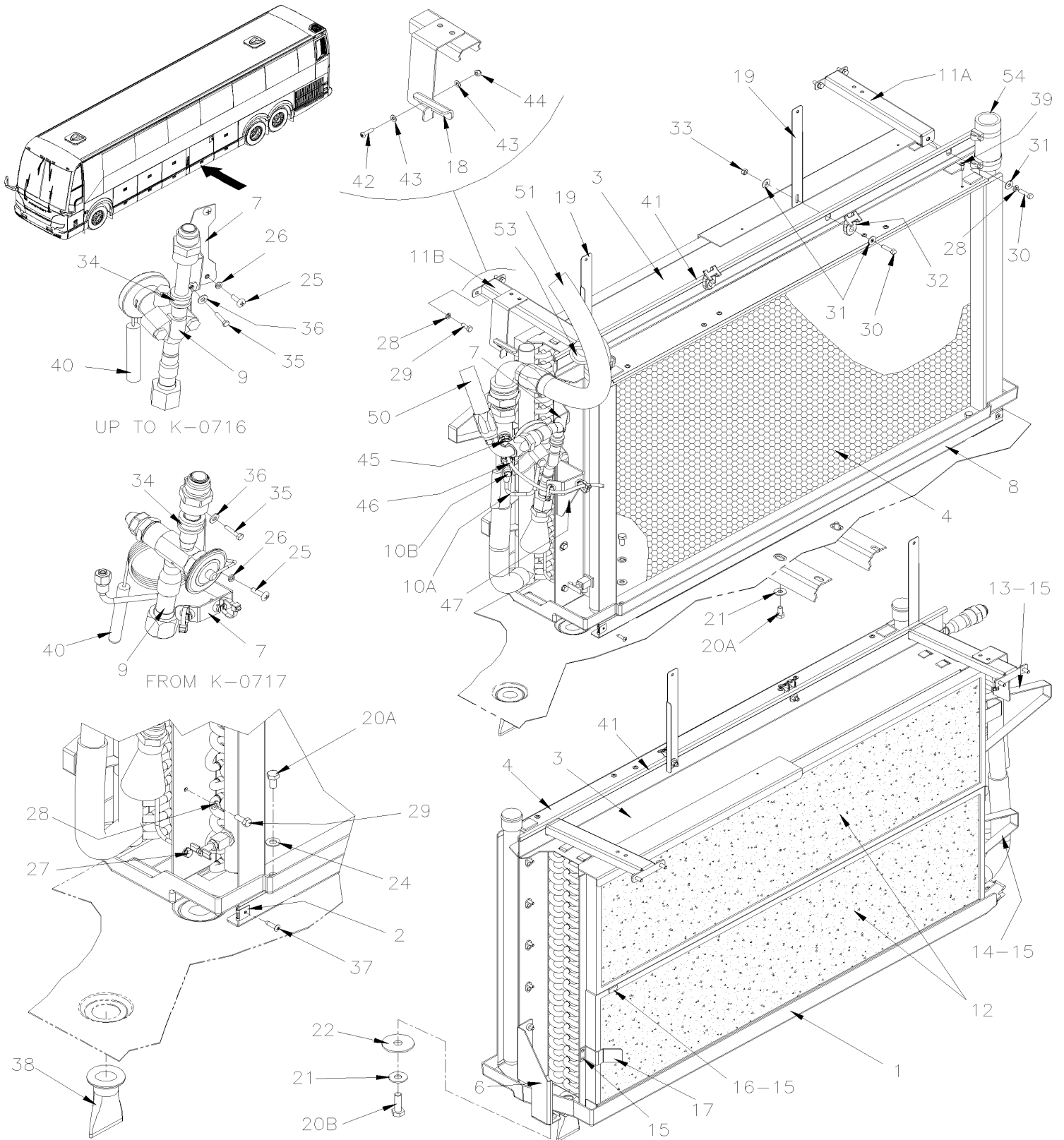
Item#	Part	Description	H 3 4 1	H 3 4 5	N O T E S
1	N.P.N.	MOTOR ASSEMBLY WITHOUT BASEPLATE	1	1	4
2	N8896645	CONNECTING HOUSING	1	1	
3	N8896646	DRIVE MAGNET	1	1	
4	19517742	HOUSING	1	1	
4A	G1091780	. HOUSING CONNECTOR RING	1	1	
4B	G1091781	. IMPELLER HOUSING	1	1	
4C	G1091782	. GASKET ROUND	1	1	
4D	G1091783	. IMPELLER ASSY	1	1	
4E	G1091785	. IMPELLER SHAFT	1	1	
4F	G1091784	. THRUST WASHER	1	1	
4G	870074	. PUMP HOUSING BRASS	1	1	
4H	19508912	. SCREW FLAT HEAD	4	4	
5	N.P.N.	SCREW FLAT HEAD	4	4	4
6	N8896647	SCREW SOCKET HEAD	4	4	
7	N8896640	FLAT WASHER	4	4	
8	195971	PLUG, TREATED	1	1	
		4) NO PARTS NUMBER			

From K-0185

Date:07/2024

PAGE:H9-2205-01

HEATER & EVAPORATOR COIL - INSTALLATION



From K-0185		Date:07/2024	PAGE:H9-2205-01
HEATER & EVAPORATOR COIL - INSTALLATION			

Item#	Part	Description	H 3 4 1	H 3 4 5	N O T E S
1	453994	DRAIN PAN	1	1	
2	500981	NUT SPR U #10-23/32x5/8	2	2	
3	950584	COIL EVAPORATOR To P-1319	1	1	
. NS	501829	. O-RING / ORS FITTING / #12 NEO To P-1319	1	1	
. NS	501803	. O-RING / ORS FITTING / #20 NEO To P-1319	1	1	
3	950650	COIL EVAPORATOR From P-1320	1	1	
. NS	501829	. O-RING / ORS FITTING / #12 NEO From P-1320	1	1	
. NS	501803	. O-RING / ORS FITTING / #20 NEO From P-1320	1	1	
4	871372	COIL HEATER To K-0370	1	1	
4	871465	COIL HEATER From K-0371	1	1	
. NS	870125	. DRAIN COCK 1/4 From K-0371	1	1	
6	453984	SUPPORT EVAPORATOR / BACKWARD	1	1	
7	454257	SUPPORT VALVE EXPANSION To K-0686	1	1	
7	450971	SUPPORT VALVE EXPANSION From K-0687	1	1	
7	509815	TIE MOUNT / ATTACHMENT W/TREE MOUNT From K-0687	AR	AR	
7	504637	CABLE TIE / 3/16" x 13" From K-0687	AR	AR	
8	453982	SUPPORT HEATER CORE	1	1	
9	H9-2208-00	A/C EXPANSION VALVE To K-0686	1	1	
9	H9-2208-01	A/C EXPANSION VALVE From K-0687	1	1	
10A	450078	TUBE STABILISATOR A/C PRESSURE To K-0686	1	1	
NS	680869	THREAD SEALANT LOCTITE #554 / REFRIG. / 250ml To K-0686	1	1	
10B	501069	SWIVEL NUT ELBOW 90° / SAE 45° FITTING / WITH SCHRADER VALVE #4FL-Fx#4FLC-M BR W-VALVE	1	1	
11A	374368	SUPPORT ASSY	1	1	
11B	374369	SUPPORT ASSY	1	1	
12	871383	FILTER 1" x 38" x 10 1/2"	2	2	
12	871466	AIR FILTER PLEATED 1" x 38" x 10 1/2" - MERV8	2	2	M
12	870142	AIR FILTER PLEATED 1" x 38" x 10 1/2" - MERV13	2	2	M
13	374228	HANDLE UPPER W/RETAINER SLOT To N-1219	1	1	
13	370486	HANDLE UPPER W/RETAINER SLOT From N-1220	1	1	
13	370480	AIR FILTER FRAME / UPPER 1" X 38" X 10-1/2"	1	1	M
14	374229	HANDLE LOWER W/GUIDE	1	1	
14	370479	AIR FILTER FRAME / LOWER 1" X 38" X 10-1/2"	1	1	M
15	504104	RIVET POP DOME OE 1/8x1/8 SS To N-1219	9	9	
15	504104	RIVET POP DOME OE 1/8x1/8 SS From N-1220	11	11	
16	374231	SLIDING GUIDE 55MM To N-1219	1	1	
16	370487	SLIDING GUIDE From N-1220	1	1	
17	374232	SUPPORT LOWER GUIDE	1	1	
18	453903	PLATE FOR FILTER STOPPER A/C	1	1	
19	374266	SUPPORT HEATER PIPE RETURN	2	2	
20A	5001527	SCREW CAP HEX M8-1.25x16 SS BK	6	6	
20A	5001527	SCREW CAP HEX M8-1.25x16 SS BK	6	6	
20B	5001527	SCREW CAP HEX M8-1.25x16 SS BK	1	1	

From K-0185		Date:07/2024	PAGE:H9-2205-01
HEATER & EVAPORATOR COIL - INSTALLATION			

Item#	Part	Description	H 3 4 1	H 3 4 5	N O T E S
20B	5001527	SCREW CAP HEX M8-1.25x16 SS BK	1	1	
21	5001448	WASHER FL .343x.875x.062 SS18-8	6	6	
22	500462	WASHER FL .343x1.500x.083 SS	1	1	
24	5001848	WASHER BEL SPR .827 x .331 x .098 th SS	2	2	
25	500510	SCREW MA BDG PH #10-32x3/4 SS EMN	8	8	
26	500914	WASHER LO SPT .193x.334x.047 N500	8	8	
27	5001744	SCREW CAP HEX M6-1.0x16 G8.8 N500	2	2	
28	502853	WASHER LO SPT 6.1x11.8x1.6 N500	8	8	
29	5001744	SCREW CAP HEX M6-1.0x16 G8.8 N500	4	4	
30	502737	SCREW CAP HEX M6-1.0x25 SS BK	4	4	
31	500411	WASHER FL .260x.697x.050 SS	6	6	
32	507383	TIE MOUNT HOLE 3/8"	2	2	
33	502681	NUT HEX NYRT M6-1.0 N500 G8	2	2	
34	952629	CLAMP / 5/8" I.D. To K-0686	1	1	
34	952631	CLAMP / 3/4" I.D. From K-0687	1	1	
35	500588	SCREW CAP HEX M4-0.7x20 G8.8 Z050	1	1	
36	500964	WASHER FL .203x.500x.047 Z050	1	1	
37	500957	SCREW TP BDG PH #10x3/4 N500	2	2	
38	414654	DRAIN BOOT 1" I.D. W/GROOVE 1.5 x 35MM I.D. x 85MM	4	4	
39	502868	SCREW TC TR PH #10-16x1/2 N500	6	6	
40	680091	TAPE INSULATING / 1/8" x 2" x 30' / BLACK PT-1	AR	AR	
41	506338	RUBBER CHANNEL / 1/16" x 1/4" INT "U" SHAPE / ROUND C.T.L.	AR	AR	
42	5001332	SCREW MA PAN PH M4-0.7x16 SS	1	1	
43	502556	WASHER FL 4.3x9.0x0.8 SS	2	2	
44	502557	NUT HEX NYRT M4-0.7 SS	1	1	
45	950546	SENSOR,COMBINED PRESSURE-TEMPERATURE	1	1	
46	060804	HVAC CONTROL HARNESS	1	1	
47	370155	SUPPORT,SENSOR HARNESS To K-0686	1	1	
NS	500510	SCREW MA BDG PH #10-32x3/4 SS EMN To K-0686	2	2	
NS	509815	TIE MOUNT / ATTACHMENT W/TREE MOUNT To K-0686	AR	AR	
NS	504637	CABLE TIE / 3/16" x 13" To K-0686	AR	AR	
50	457724	HOSE ASSY / #12 402MM To K-0686	1	1	
. NS	507280	. O-RING / ORS FITTING / #12 NEO To K-0686	1	1	
50	450989	HOSE ASSY / #12 830MM From K-0687	1	1	
. NS	507280	. O-RING / ORS FITTING / #12 NEO From K-0687	1	1	
50	507280	O-RING / ORS FITTING / #12 NEO	1	1	
51	457721	HOSE ASSY / #20 800MM	1	1	
51	501803	O-RING / ORS FITTING / #20 NEO	1	1	
53	374247	ELBOW 90° REDUCER 1 1/8" I.D.W/3 1/4" x 1 3/8" I.D. W 3 15/16" C/C	1	1	
54	051383	HOSE / W/CENTRAL A/C SYSTEM / 1 3/8" I.D. X 150MM	1	1	
54	503783	. HOSE SILICONE 4PLY / NOMEX-ARAMID 34MM I.D. x 6'	AR	AR	

From K-0185	Date:07/2024	PAGE:H9-2205-01
-------------	--------------	-----------------

HEATER & EVAPORATOR COIL - INSTALLATION

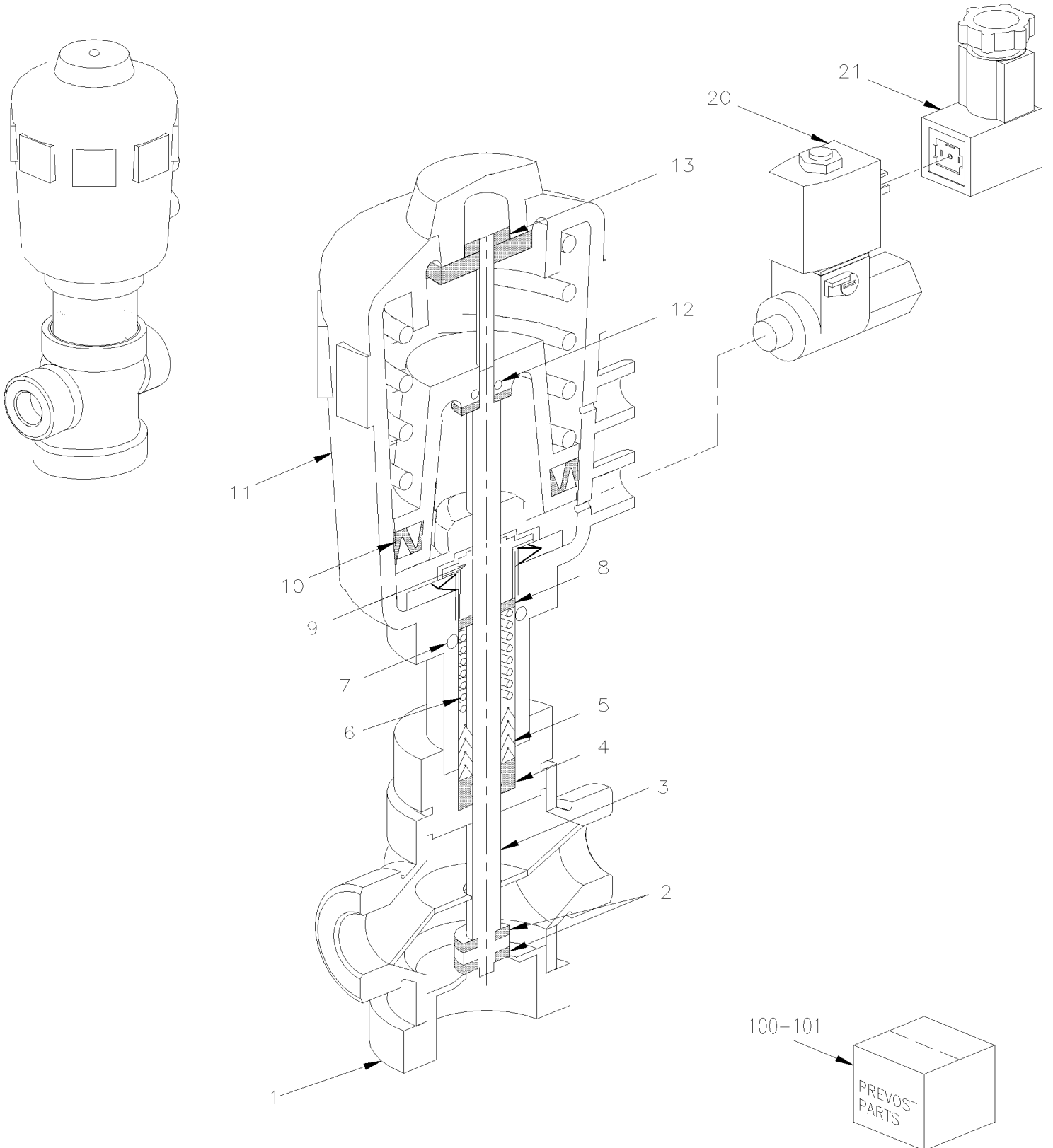
Item#	Part	Description	H 3 4 1	H 3 4 5	N O T E S
		M) USE WITH FILTER MERV			

From K-0185 To P-1452

Date:07/2024

PAGE:H9-2207-00

WATER VALVE - W/3 WAYS BY-PASS

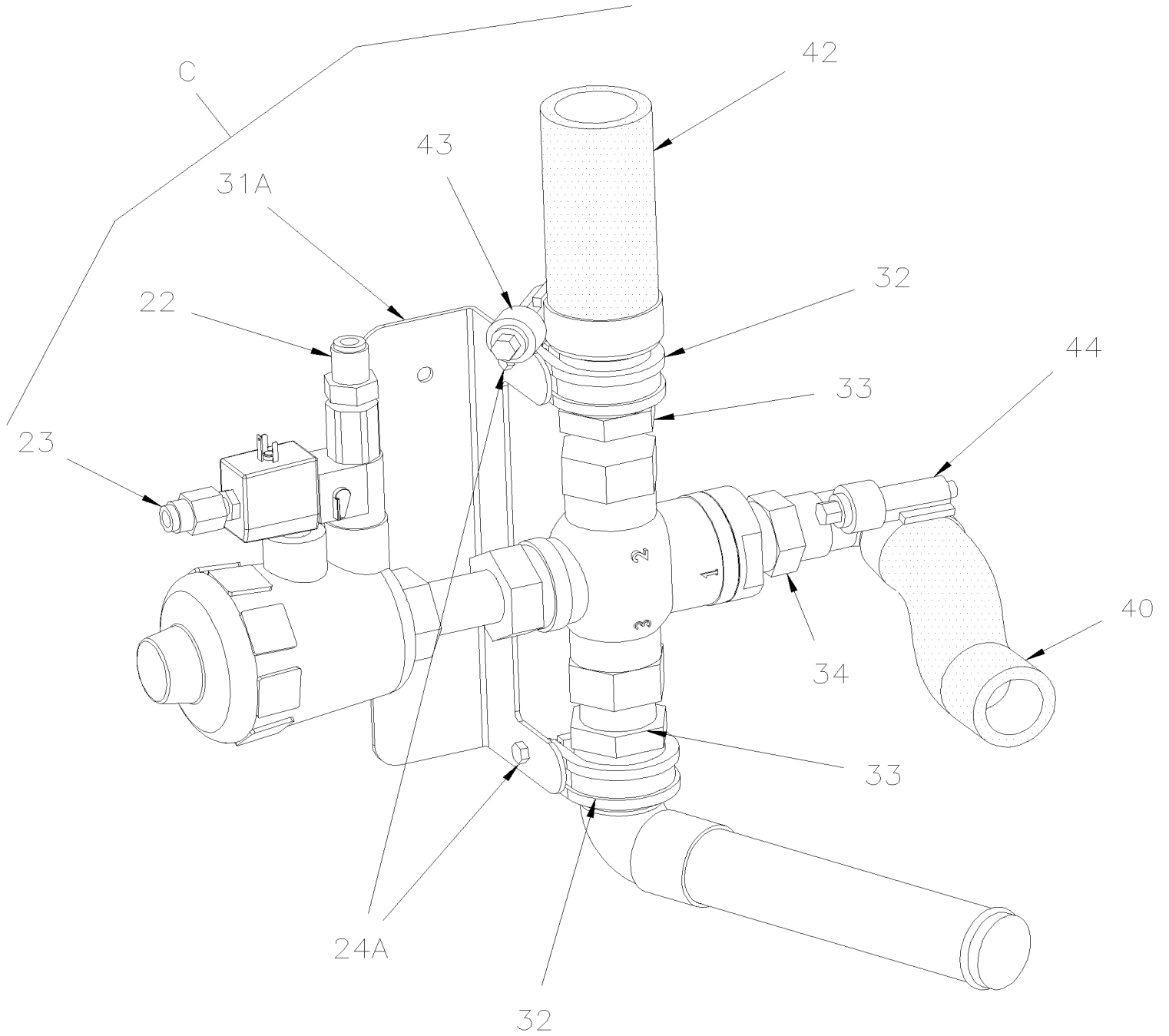


From K-0185 To P-1452

Date:07/2024

PAGE:H9-2207-00

WATER VALVE - W/3 WAYS BY-PASS



From K-0185 To P-1452	Date:07/2024	PAGE:H9-2207-00
WATER VALVE - W/3 WAYS BY-PASS		

Item#	Part	Description	H 3 4 1	H 3 4 5	N O T E S
	871430	. WATER VALVE ASSY / 24V / 3/WAY 3/4" NPT To L-1025	1	1	
	870136	. WATER VALVE ASSY / 24V / 3/WAY 3/4" NPT From L-1026	1	1	
1	N.S.S.	. BODY	1	1	1
2	N.S.S.	. SEAL	1	1	1
3	N.S.S.	. SPINDLE	1	1	1
4	N.S.S.	. WIPER	1	1	1
5	N.S.S.	. V-SEAL	3	3	1
6	N.S.S.	. SPRING	1	1	1
7	N.S.S.	. O-RING	1	1	1
8	N.S.S.	. LIP SEAL	1	1	1
9	N.S.S.	. SCREW PISTON	1	1	1
10	N.S.S.	. CYLINDER SEAL	1	1	1
11	N.S.S.	. ACTUATOR CASING	1	1	1
12	N.S.S.	. O-RING.	1	1	1
13	N.S.S.	. LIP SEAL	1	1	1
14	N.S.S.	. CONE GLAND 1/8"	2	2	1
20	871390	. SOLENOID VALVE / 24V 4 WATTS	1	1	
. NS	871391	. . COIL 24V 4 WATTS	1	1	
21	563204	. CONNECTOR / SOCKET HOUSING ASSY 4C / BURKET 303148	1	1	
22	641332	MALE CONNECTOR / PUSH-IN FITTING / #4x1/4NPT-M BR	1	1	
23	871374	MUFFLER M5 PLASTIC	1	1	
24	500283	SCREW TC TR PH #10-24x3/4 SS	1	1	
24A	502685	SCREW CAP HEX M4-0.7x20 SS EMN	AR	AR	
NS	504357	WASHER FL .187x.437x.050 SS	AR	AR	
NS	502557	NUT HEX NYRT M4-0.7 SS	AR	AR	
NS	641371	MALE ELBOW 90° NON-SWIVEL / PUSH-IN FITTING / #4x1/4NPT-M BR	1	1	
31A	374594	SUPPORT WATER VALVE To L-1025	1	1	
31A	370044	SUPPORT WATER VALVE From L-1026	1	1	
32	952639	CLAMP / 1"1/4 I.D.	1	1	
33	501794	ADAPTER / COPPER @ PIPE / 1Mx3/4NPT-M	2	2	
34	501866	ADAPTER / COPPER @ PIPE / 3/4Fx3/4NPT-M	1	1	
40	503803	. HOSE SILICONE 1 PLY / NOMEX-ARAMID 7/8" I.D. x 100' / S.L.	AR	AR	
41	504782	HOSE CLAMP / 1 3/16-1 13/16 SS / C.T. W.S.	1	1	
42	503796	HOSE SILICONE 2 PLY / NOMEX-ARAMID 1 1/8" I.D. x 6'	AR	AR	
43	992086	HOSE CLAMP / 32MM/52MM	2	2	
43	504451	HOSE CLAMP STEPLESS SPRING SS / OETIKER / 1.3-1.6	2	2	A
44	992084	HOSE CLAMP / 23MM/35MM	1	1	
44	504569	HOSE CLAMP STEPLESS SPRING / HC12-20 / 1"	1	1	A
100	871389	SEAL KIT / WATER SIDE	1	1	
102	870241	VALVE SET SERVICE KIT From L-1026	1	1	
C	370150	WATER VALVE ASSY W/PIPE & SUPPORT To L-1025	1	1	C
C	370045	WATER VALVE ASSY W/PIPE & SUPPORT From L-1026 To N-1209	1	1	C

From K-0185 To P-1452	Date:07/2024	PAGE:H9-2207-00
WATER VALVE - W/3 WAYS BY-PASS		

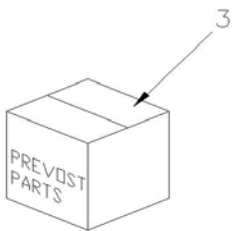
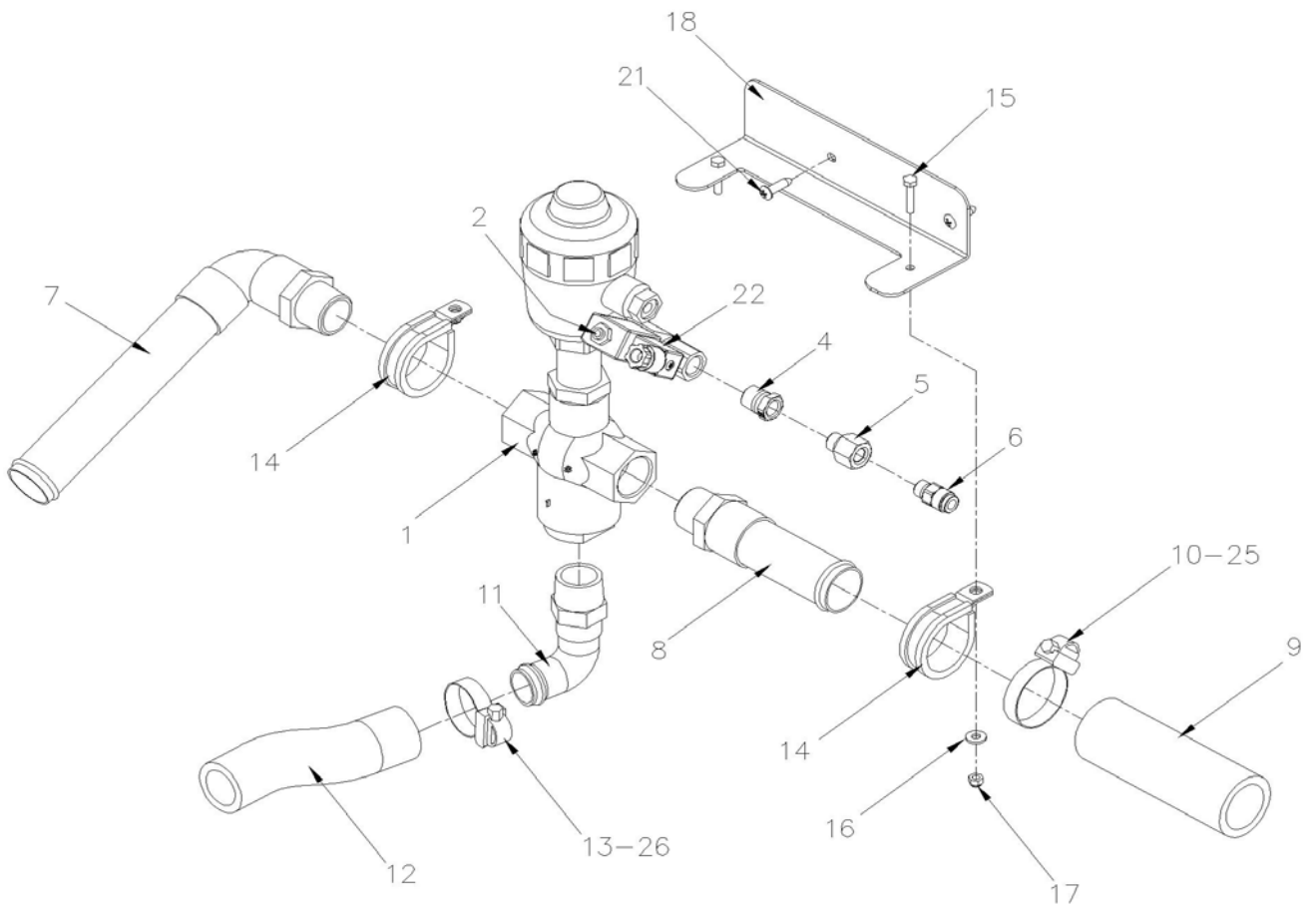
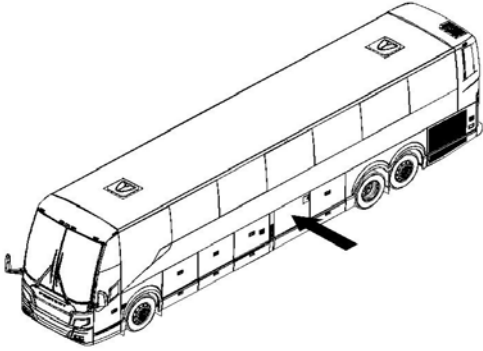
Item#	Part	Description	H 3 4 1	H 3 4 5	NOTES
C	Call order desk	WATER VALVE ASSY W/PIPE & SUPPORT From N-1210	1	1	P
. NS	370433	. PIPE, VALVE ASSY 90 DEG From N-1210	1	1	
. NS	370432	. PIPE, VALVE ASSY 90DEG From N-1210	1	1	
. NS	370447	. PIPE, VALVE ASSY From N-1210	1	1	
		A) WITH OPTION "OETIKER" HOSE CLAMP			
		C) NO LONGER AVAILABLE PURCHASE COMPONENTS SEPARATELY			
		1) NOT SOLD SEPARATELY			
		P) CALL ORDER DESK FOR SPECIFIC APPLICATION (V.I.N.)			

From R-1453

Date:07/2024

PAGE:H9-2207-01

WATER VALVE - W/3 WAYS BY-PASS



From R-1453		Date:07/2024	PAGE:H9-2207-01
WATER VALVE - W/3 WAYS BY-PASS			

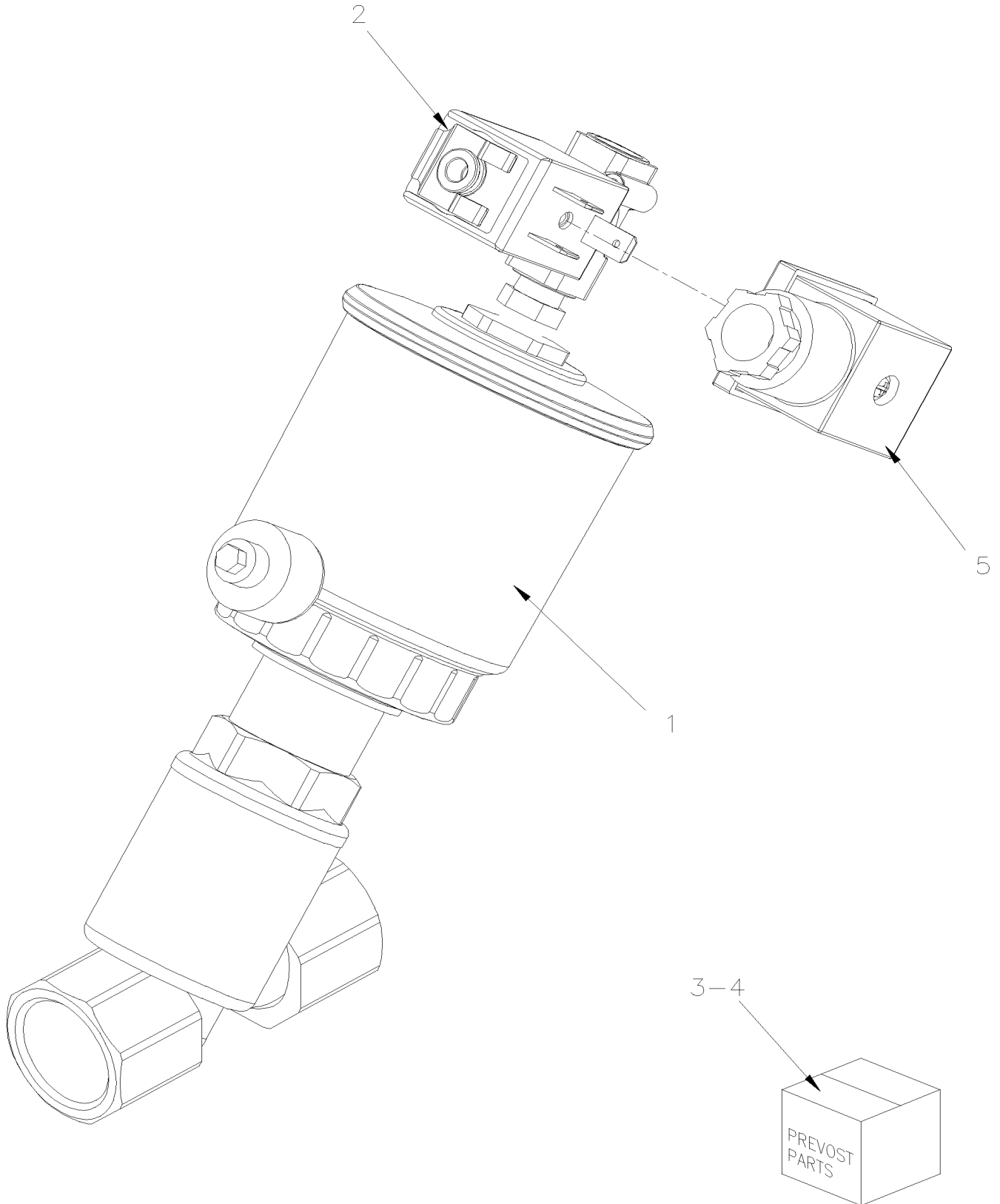
Item#	Part	Description	H 3 4 1	H 3 4 5	N O T E S
	Call order desk	WATER VALVE ASSY W/PIPE & SUPPORT		1	P
1	870136	WATER VALVE ASSY / 24V / 3/WAY 3/4" NPT		1	
2	871390	SOLENOID VALVE / 24V 4 WATTS		1	
NS	871391	COIL 24V 4 WATTS		1	
3	871389	SEAL KIT / WATER SIDE		1	
3	871388	SEAL KIT / AIR PISTON SIDE		1	
3	870241	VALVE SET SERVICE KIT		1	
4	501312	BUSHING REDUCER / PIPE FITTING / 1/4NTP-Mx1/8NPT-F BR		1	
5	140485	RESTRICTION W/0.80" HOLE / W/FLANGE		1	
6	641242	MALE CONNECTOR / PUSH-IN FITTING / #4x1/8NPT-M BR		1	
7	370432	PIPE, VALVE ASSY 90DEG		1	
8	370447	PIPE, VALVE ASSY		1	
9	503796	HOSE SILICONE 2 PLY / NOMEX-ARAMID 1 1/8" I.D. x 6'		AR	
10	992086	HOSE CLAMP / 32MM/52MM		1	
11	370433	PIPE, VALVE ASSY 90 DEG		1	
12	503803	HOSE SILICONE 1 PLY / NOMEX-ARAMID 7/8" I.D. x 100' / S.L.		AR	
13	992084	HOSE CLAMP / 23MM/35MM		1	
14	952639	CLAMP / 1"1/4 I.D.		2	
15	502685	SCREW CAP HEX M4-0.7x20 SS EMN		2	
16	504357	WASHER FL .187x.437x.050 SS		2	
17	502557	NUT HEX NYRT M4-0.7 SS		2	
18	370044	SUPPORT WATER VALVE		1	
21	500957	SCREW TP BDG PH #10x3/4 N500		2	
22	563204	CONNECTOR / SOCKET HOUSING ASSY 4C / BURKET 303148		1	
25	504451	HOSE CLAMP STEPLESS SPRING SS / OETIKER / 1.3-1.6		2	A
26	504569	HOSE CLAMP STEPLESS SPRING / HC12-20 / 1"		2	A
		A) WITH OPTION "OETIKER" HOSE CLAMP			
		P) CALL ORDER DESK FOR SPECIFIC APPLICATION (V.I.N.)			

From K-0185 To P-1452

Date:07/2024

PAGE:H9-2207-06

WATER VALVE - W/2 WAYS

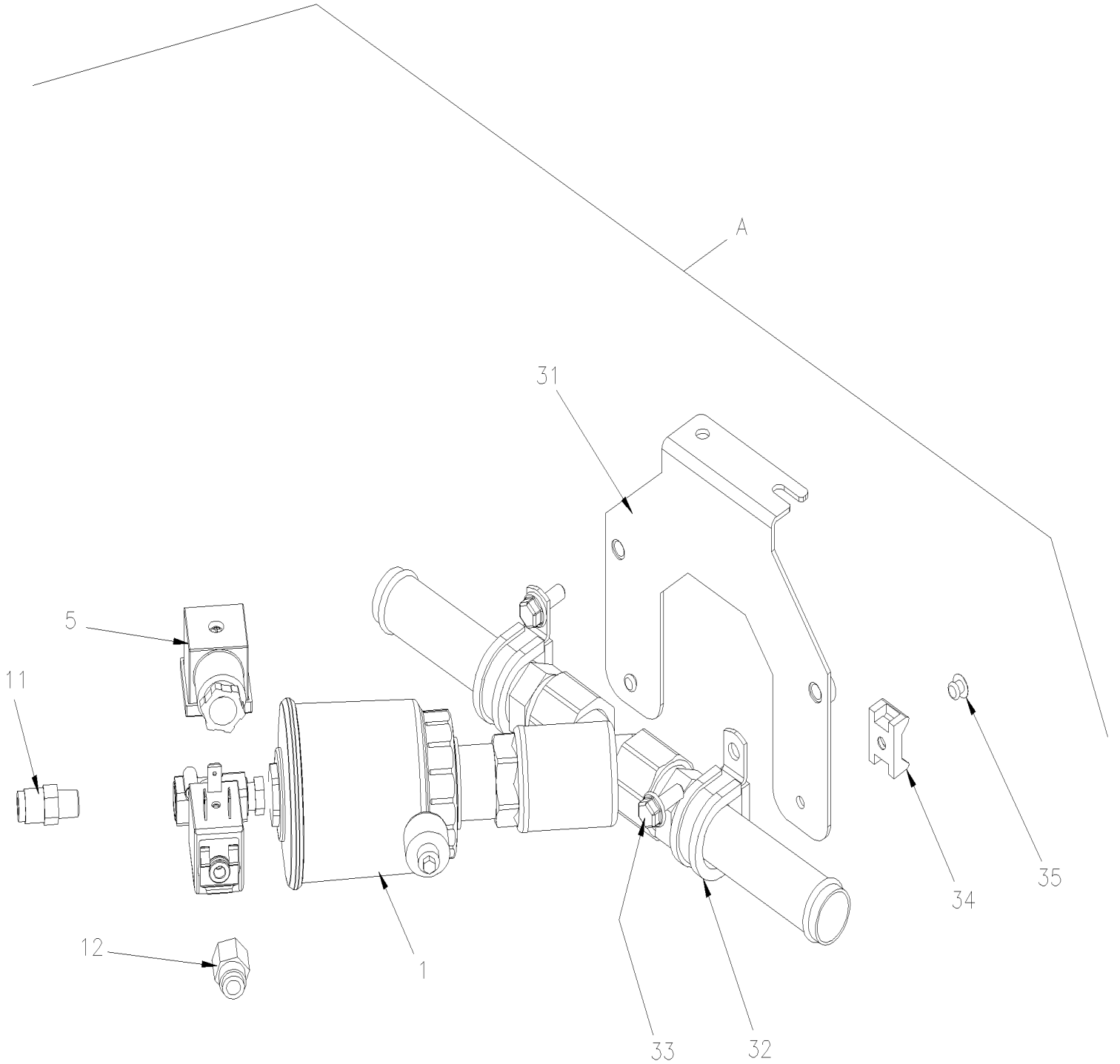


From K-0185 To P-1452

Date:07/2024

PAGE:H9-2207-06

WATER VALVE - W/2 WAYS



From K-0185 To P-1452	Date:07/2024	PAGE:H9-2207-06
WATER VALVE - W/2 WAYS		

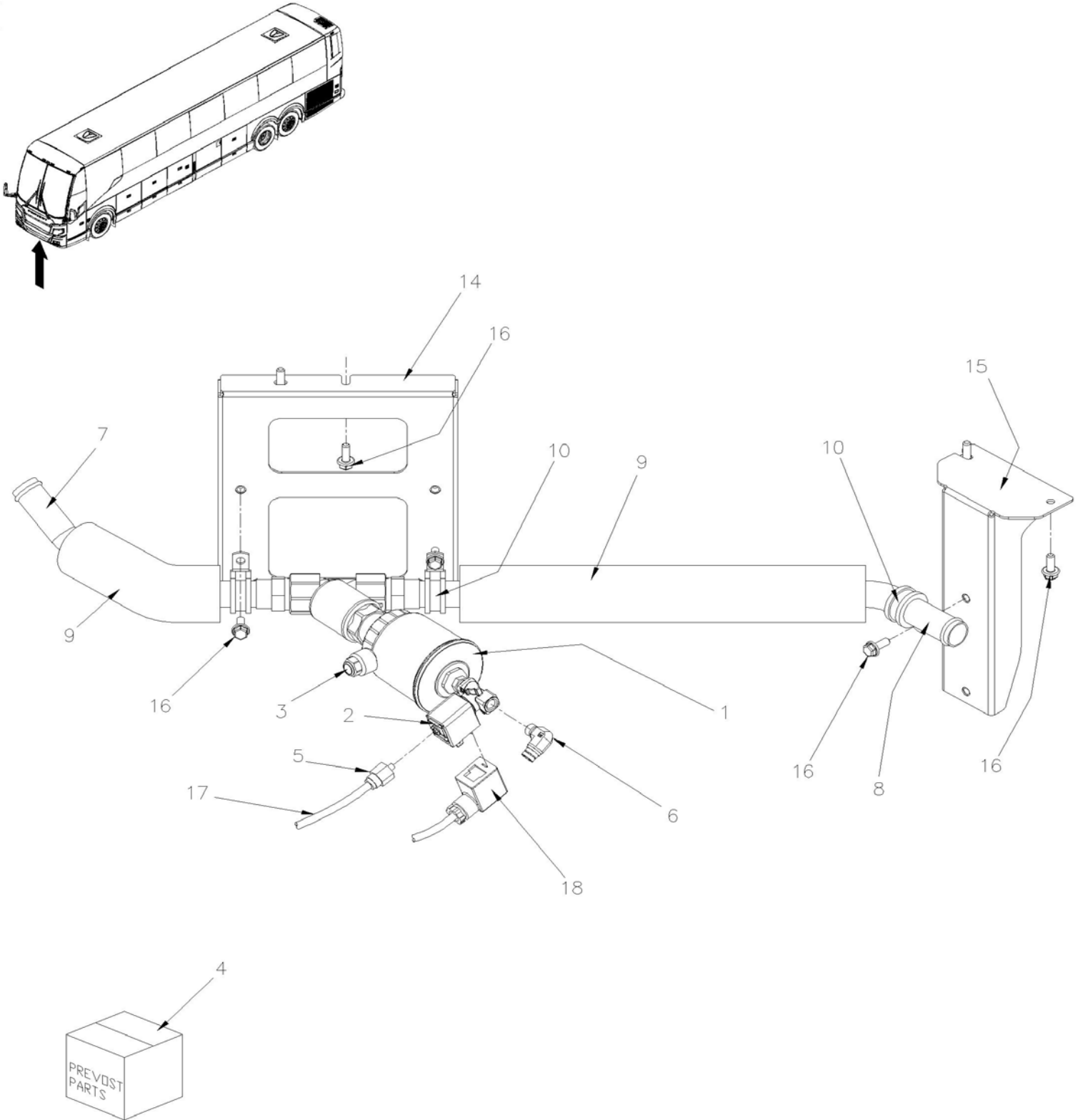
Item#	Part	Description	H 3 4 1	H 3 4 5	N O T E S
1	871454	WATER VALVE ASSY / 24V	1	1	
2	871458	. VALVE PILOT	1	1	
3	871459	. VALVE PSITON SERVICE KIT	1	1	
. NS	N.S.S.	. . VALVE PSITON SERVICE KIT	1	1	1
. NS	N.S.S.	. . WASHER	1	1	1
. NS	N.S.S.	. . WASHER	1	1	1
. NS	N.S.S.	. . SEAL	1	1	1
4	871460	. CONNECTOR KIT	1	1	
5	641385	CONNECTOR / SOCKET HOUSING ASSY 3C / PNEUMAC 54934-01	1	1	
11	641242	MALE CONNECTOR / PUSH-IN FITTING / #4x1/8NPT-M BR	1	1	
12	642028	MALE CONNECTOR / PUSH-IN FITTING / 6MM x M5-0.8 BR	1	1	
12	503040	TUBE, NYLON 6MM O.D. / WHITE S.L.	AR	AR	
NS	680098	THREAD SEALANT LOCTITE #567 / WHITE / 250ml	AR	AR	
16	503796	HOSE SILICONE 2 PLY / NOMEX-ARAMID 1 1/8" I.D. x 6'	AR	AR	E L
17	992086	HOSE CLAMP / 32MM/52MM	1	1	E L
18	503803	HOSE SILICONE 1 PLY / NOMEX-ARAMID 7/8" I.D. x 100' / S.L.	AR	AR	
19	992084	HOSE CLAMP / 23MM/35MM	2	2	
31	374869	SUPPORT VALVE	1	1	
32	952635	CLAMP / 1" I.D.	2	2	
33	5001730	SCREW CAP HEXF M6-1.0x16 G10.9 N500	2	2	
34	504013	TIE MOUNT / 1/4" X 1/4" I.D.	2	2	
35	504379	RIVET POP DOME OE 3/16x1/4 SS	2	2	
A	370151	WATER VALVE ASSY W/PIPE To N-1209	1	1	
A	370418P	WATER VALVE ASSY W/PIPE From N-1210	1	1	
. NS	370417	. PIPE, VALVE ASSY From N-1210	2	2	
		E) BILINGUAL FRENCH & ENGLISH			
		L) BILINGUAL FRENCH & ENGLISH			
		1) NOT SOLD SEPARATELY			

From R-1453

Date:07/2024

PAGE:H9-2207-07

WATER VALVE - W/2 WAYS



From R-1453		Date:07/2024	PAGE:H9-2207-07
WATER VALVE - W/2 WAYS			

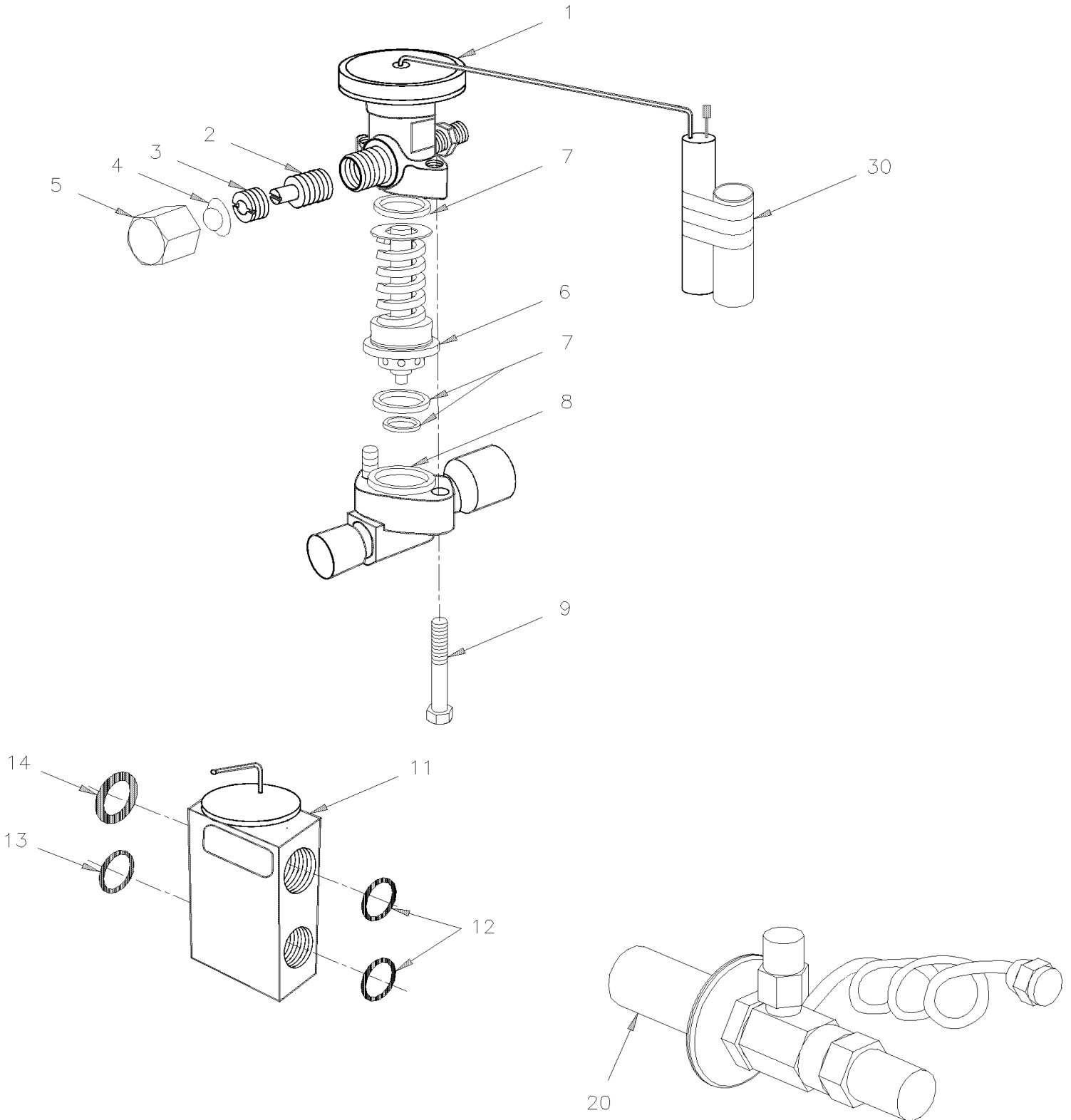
Item#	Part	Description	H 3 4 1	H 3 4 5	N O T E S
	Call order desk	WATER VALVE ASSY WITH PIPE / FRONT		1	P
1	871454	. WATER VALVE ASSY / 24V		1	
2	871458	. . VALVE PILOT		1	
3	641926	. . SILENCER / MUFFLER / 1/4NPT-M		1	
4	871459	. . VALVE PSITON SERVICE KIT		1	
. NS	N.S.S.	. . . VALVE PSITON SERVICE KIT		1	1
. NS	N.S.S.	. . . WASHER		1	1
. NS	N.S.S.	. . . WASHER		1	1
. NS	N.S.S.	. . . SEAL		1	1
4	871460	. . CONNECTOR KIT		1	
5	642028	. MALE CONNECTOR / PUSH-IN FITTING / 6MM x M5-0.8 BR		1	
6	641369	. MALE ELBOW 90° NON-SWIVEL / PUSH-IN FITTING / #4x1/8NPT-M BR		1	
7	370468	. PIPE, VALVE ASSY		1	
8	370466	. PIPE, VALVE ASSY		1	
9	506276	. PIPE INSULATING / 7/8" I.D. X 1/2" TH. X 72 / APT07812		AR	
NS	680098	. THREAD SEALANT LOCTITE #567 / WHITE / 250ml		AR	
10	952633	. CLAMP / 7/8" I.D.		3	
14	370359	SUPPORT, FRONT WATER VALVE ASSY.		1	
15	370360	SUPPORT, FRONT WATER VALVE ASSY.		1	
16	5001730	SCREW CAP HEXF M6-1.0x16 G10.9 N500		7	
17	503040	TUBE, NYLON 6MM O.D. / WHITE S.L.		AR	
18	641385	CONNECTOR / SOCKET HOUSING ASSY 3C / PNEUMAC 54934-01		1	
		P) CALL ORDER DESK FOR SPECIFIC APPLICATION (V.I.N.)			
		1) NOT SOLD SEPARATELY			

From K-0185 To K-0686

Date:07/2024

PAGE:H9-2208-00

A/C EXPANSION VALVE



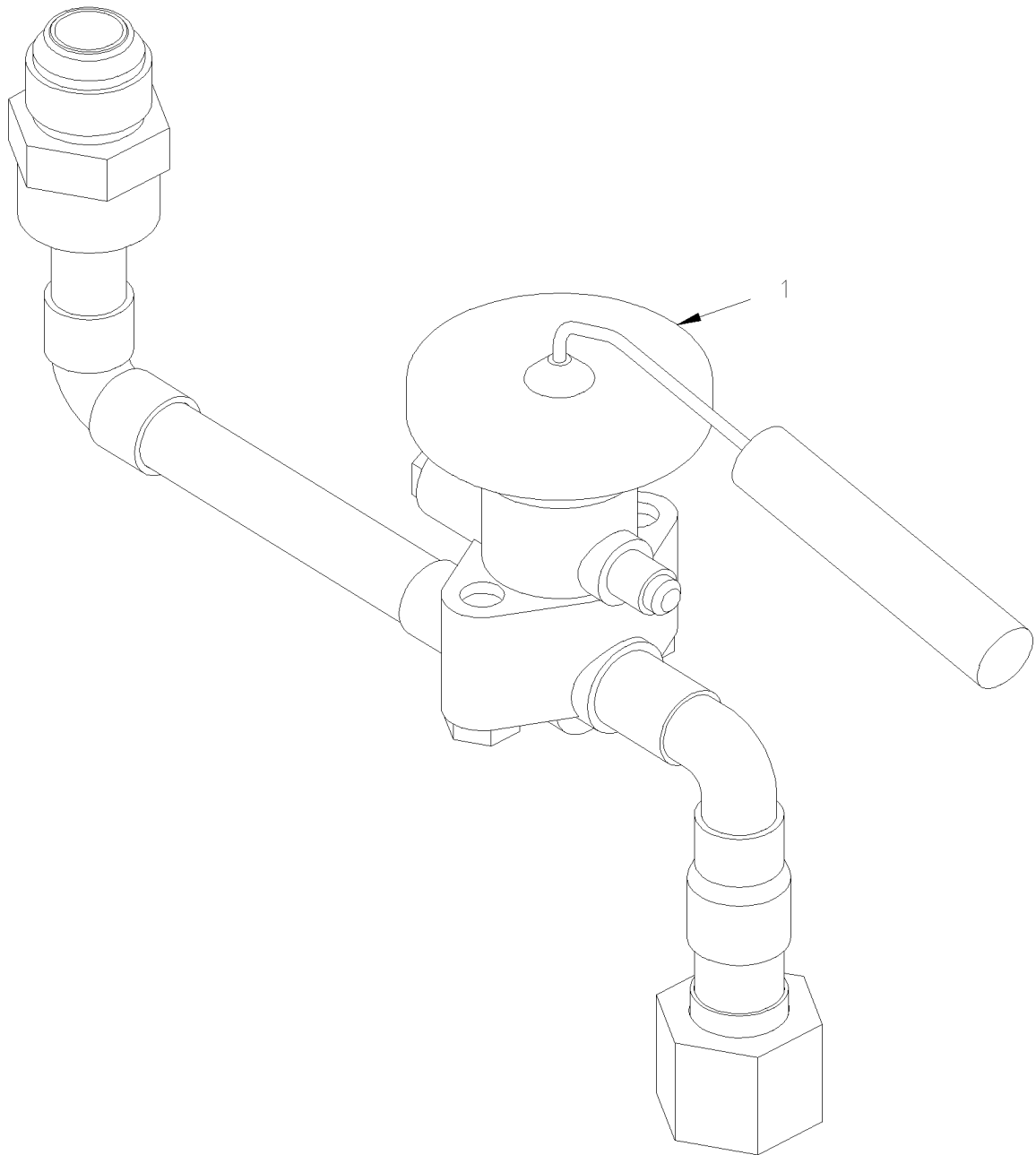
From K-0185 To K-0686

Date:07/2024

PAGE:H9-2208-00

A/C EXPANSION VALVE

A



From K-0185 To K-0686	Date:07/2024	PAGE:H9-2208-00
-----------------------	--------------	-----------------

A/C EXPANSION VALVE

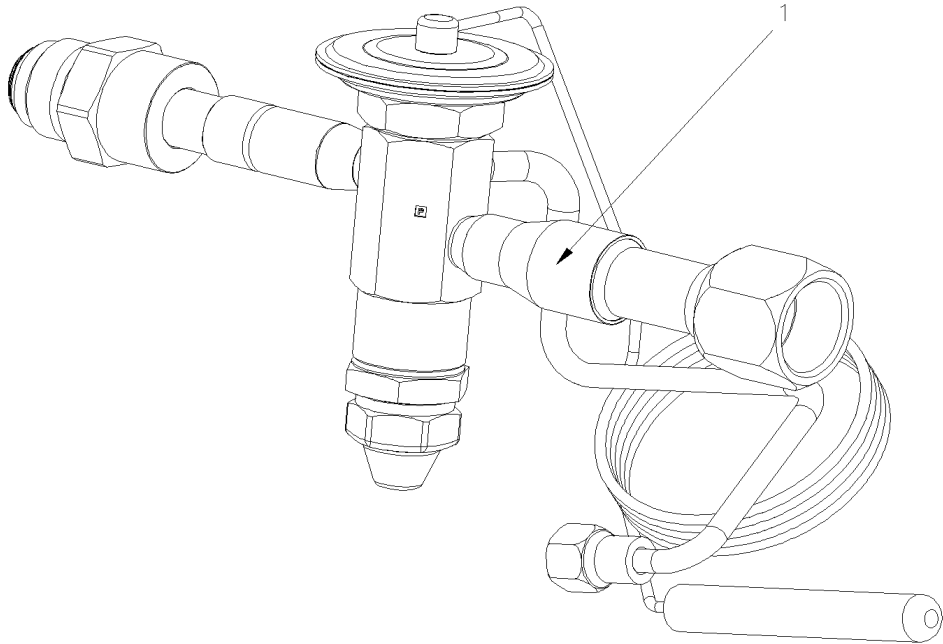
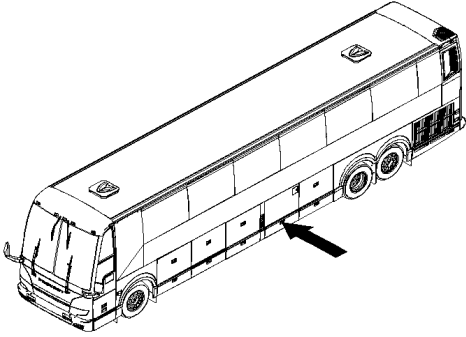
Item#	Part	Description	H 3 4 1	H 3 4 5	NOTES
	950320	VALVE, EXPANSION 5 1/2 TON	1	1	
1	950241	. ELEMENT POWER R134A	1	1	
2	870622	. ADJUSTING STEM & PACKING ASSY	1	1	
3	870621	. NUT PACKING	1	1	
4	N.S.S.	. SEAL	1	1	1
5	870619	. NUT CAP	1	1	
6	950317	. CAGE ASSY & SPRING / B6B	1	1	
7	870709	. SET GASKET	1	1	
8	N.S.S.	. FLANGE BODY	1	1	1
9	500054	. SCREW CAP HEX 3/8-24x2 1/2 G5 ZP	2	2	
11	950221	VALVE, EXPANSION / DRIVER'S W/R134A	1	1	
12	507279	O-RING / ORS FITTING / #8 NEO	2	2	
13	507278	O-RING / ORS FITTING / #4 NEO	1	1	
14	507344	O-RING / ORS FITTING / #10 NEO	1	1	
20	950322	VALVE, EXPANSION R-134 / PARCEL-RACK	1	1	
30	680091	TAPE INSULATING / 1/8" x 2" x 30' / BLACK PT-1	AR	AR	F
A	457761	VALVE, EXPANSION ASSY / WITH PIPE	1	1	
. NS	501829	. O-RING / ORS FITTING / #12 NEO	1	1	
		F) BILINGUAL FRENCH & ENGLISH			
		1) NOT SOLD SEPARATELY			

From K-0687

Date:07/2024

PAGE:H9-2208-01

A/C EXPANSION VALVE



From K-0687	Date:07/2024	PAGE:H9-2208-01
A/C EXPANSION VALVE		

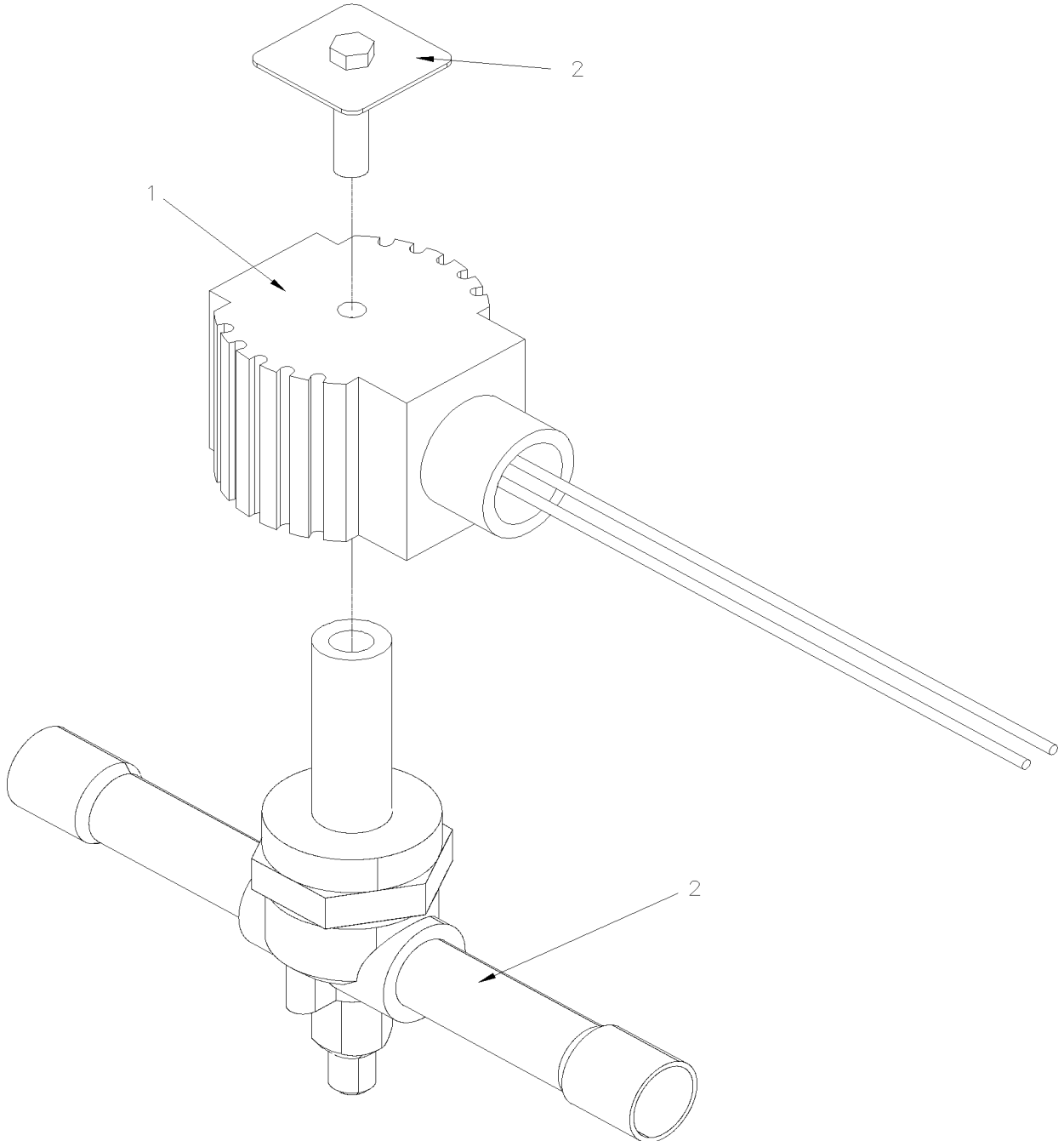
Item#	Part	Description	H 3 4 1	H 3 4 5	N O T E S
1	950588	VALVE, EXPANSION ASSY / WITH PIPE	1	1	
. NS	501829	. O-RING / ORS FITTING / #12 NEO	AR	AR	
11	950221	VALVE, EXPANSION / DRIVER'S W/R134A To P-1452	1	1	
12	507343	O-RING / ORS FITTING / #8 NEO To P-1452	2	2	
13	507278	O-RING / ORS FITTING / #4 NEO To P-1452	1	1	
14	507344	O-RING / ORS FITTING / #10 NEO To P-1452	1	1	

From K-0185

Date:07/2024

PAGE:H9-2208-10

REFRIGERENT SOLENOID VALVE

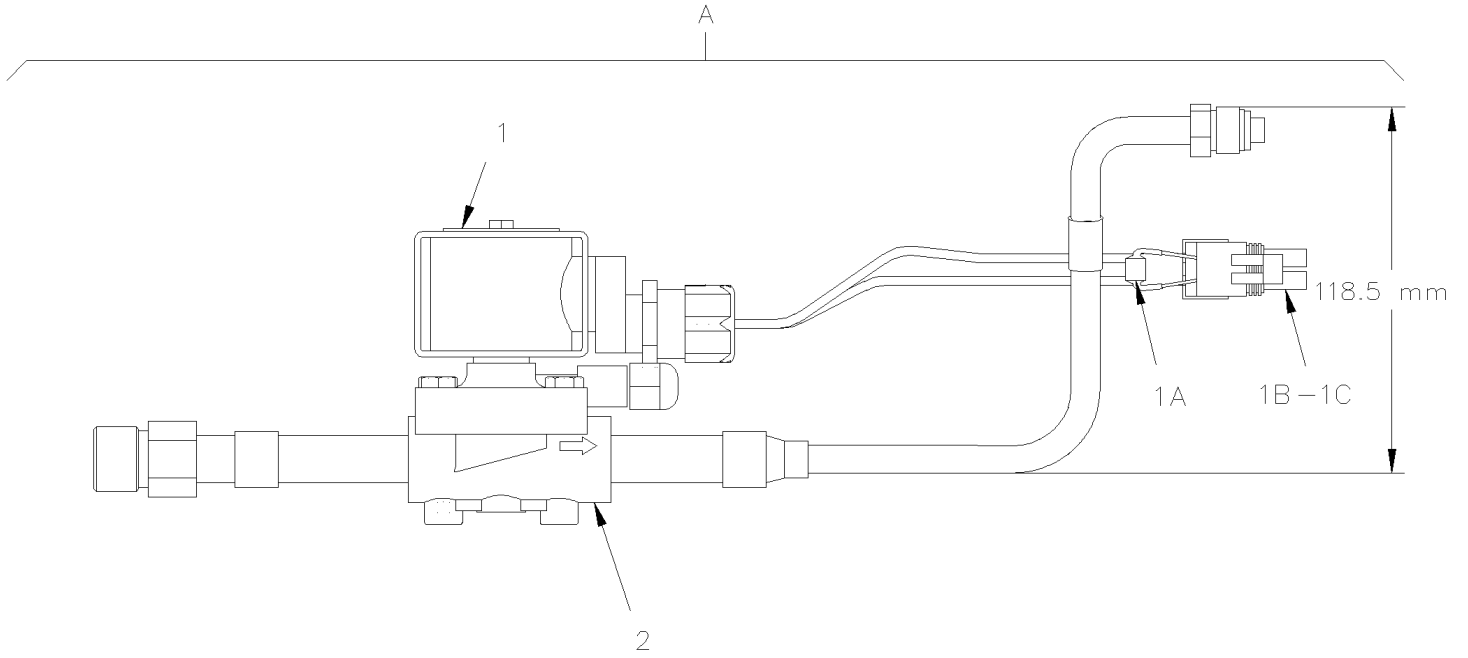


From K-0185

Date:07/2024

PAGE:H9-2208-10

REFRIGERENT SOLENOID VALVE



From K-0185	Date:07/2024	PAGE:H9-2208-10
REFRIGERENT SOLENOID VALVE		

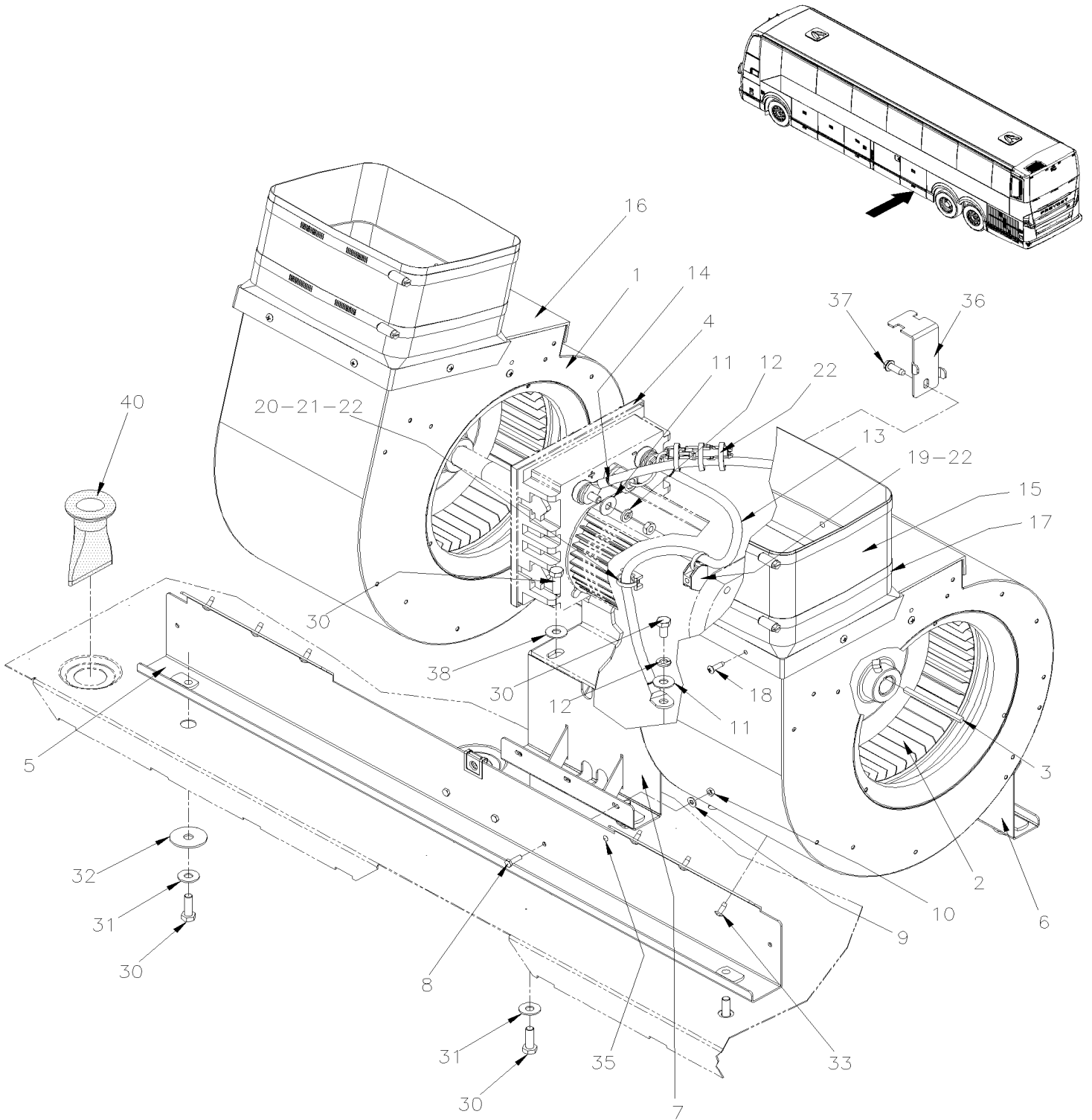
Item#	Part	Description	H 3 4 1	H 3 4 5	NOTES
1	457708	SOLENOID ASSY	1	1	
1	950953	. COIL 24V / SERVICE	1	1	
1A	560931	. DIODE / 3AMPS	1	1	
1B	560434	. CONNECTOR 1/2" PIPE	1	1	
1C	561690	. CONNECTOR / WEATHER PACK / SH 2C / BLACK / PED 12015792	1	1	
NS	561565	. CABLE SEAL / GREEN / PED 15324982	2	2	
NS	561578	. SOCKET TERMINAL / 16-14 / PED 12010182	2	2	
2	950951	VALVE REFRIGERANT SOLENOID	1	1	
NS	507278	O-RING / ORS FITTING / #4 NEO	1	1	
A	454939P	VALVE ASSY / REFRIGERANT SOLENOID	1	1	
. NS	454938	. SUPPORT, VALVE A/C ASSY	1	1	
. NS	502681	. NUT HEX NYRT M6-1.0 N500 G8	2	2	
. NS	500877	. WASHER FL .250x.562x.065 N500	2	2	

From K-0185

Date:07/2024

PAGE:H9-2210-02

HEATER & EVAPORATOR BLOWER - INSTALLATION



From K-0185		Date:07/2024	PAGE:H9-2210-02
HEATER & EVAPORATOR BLOWER - INSTALLATION			

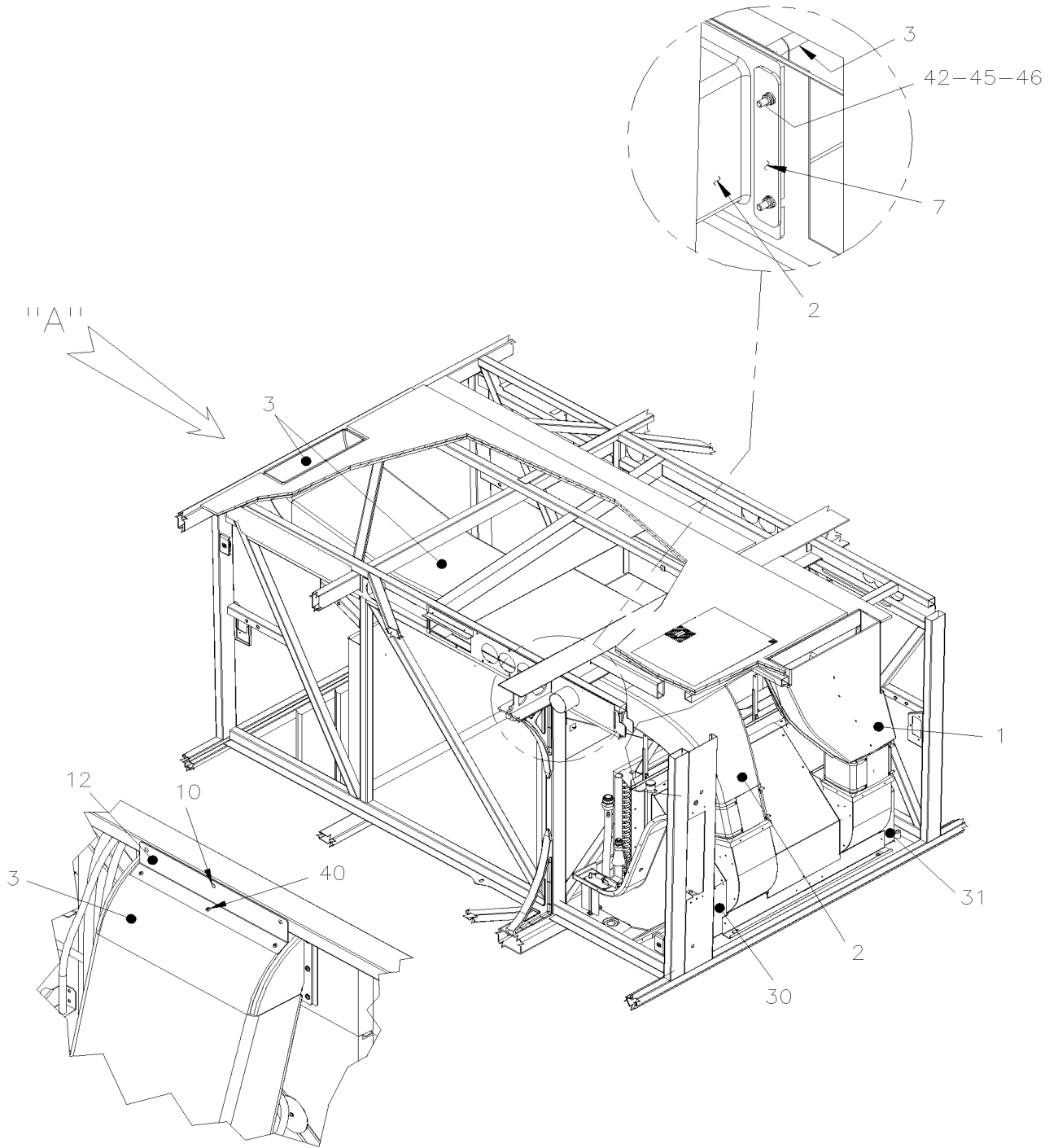
Item#	Part	Description	H 3 4 1	H 3 4 5	N O T E S
1	871306	HOUSING ASSY W/BLOWER WHEEL	2	2	
1	871308	. HOUSING ASSY, GALVANISED	1	1	
2	870956	. BLOWER WHEEL	1	1	
3	452085	KEY 3/16 X 82 MM	2	2	
4	H9-2265-01	MOTOR - EVAPORATOR BRUSHLESS			
5	450103	SUPPORT	1	1	
6	453995	SUPPORT	1	1	
7	457414	BASE SUB ASSY	1	1	
8	5001447	SCREW CAP HEX #10-24x5/8 PT SS BK	6	6	
9	5001137	WASHER FL .203x.438x.050 SS	6	6	
10	5001180	NUT HEX NYRT #10-24 SS	6	6	
11	5001448	WASHER FL .343x.875x.062 SS18-8	3	3	
12	500035	WASHER LO SPT .317x.586x.078 SS	3	3	
13	060527	EVAPORATOR POWER HARNESS GROUND	1	1	
14	060529	EVAPORATOR POWER HARNESS	1	1	
15	454439	FLEXIBLE DUCT / HEIGHT 160MM	2	2	
16	453992	TRANSITION ADAPTOR FLEXIBLE DUCT	2	2	
17	504729	CLAMP HOSE SS/CR 203-279	2	2	
18	500957	SCREW TP BDG PH #10x3/4 N500	10	10	
19	509492	CABLE TIE MOUNT FOR THREADED STUD 1/4	1	1	
20	504013	TIE MOUNT / 1/4" X 1/4" I.D.	1	1	
21	504379	RIVET POP DOME OE 3/16x1/4 SS	1	1	
22	504637	CABLE TIE / 3/16" x 13"	1	1	
30	5001527	SCREW CAP HEX M8-1.25x16 SS BK	AR	AR	
31	5001448	WASHER FL .343x.875x.062 SS18-8	AR	AR	
32	500462	WASHER FL .343x1.500x.083 SS	AR	AR	
33	502868	SCREW TC TR PH #10-16x1/2 N500	AR	AR	
35	504112	RIVET POP DOME OE 1/8x1/8 AL	2	2	
36	068359	SUPPORT WIRING HARNESS	1	1	
37	502848	SCREW TC CAP HEXF 1/4-20x3/4 N500	1	1	
38	5001448	WASHER FL .343x.875x.062 SS18-8	4	4	
38	5001848	WASHER BEL SPR .827 x .331 x .098 th SS	4	4	
40	453981	DRAIN BOOT 1" I.D. W/GROOVE 1.5 x 35MM I.D. x 62MM	4	4	
40	414654	DRAIN BOOT 1" I.D. W/GROOVE 1.5 x 35MM I.D. x 85MM	1	1	

From K-0185 To P-1452

Date:07/2024

PAGE:H9-2210-06

HEATER & EVAPORATOR BLOWER - INSTALLATION



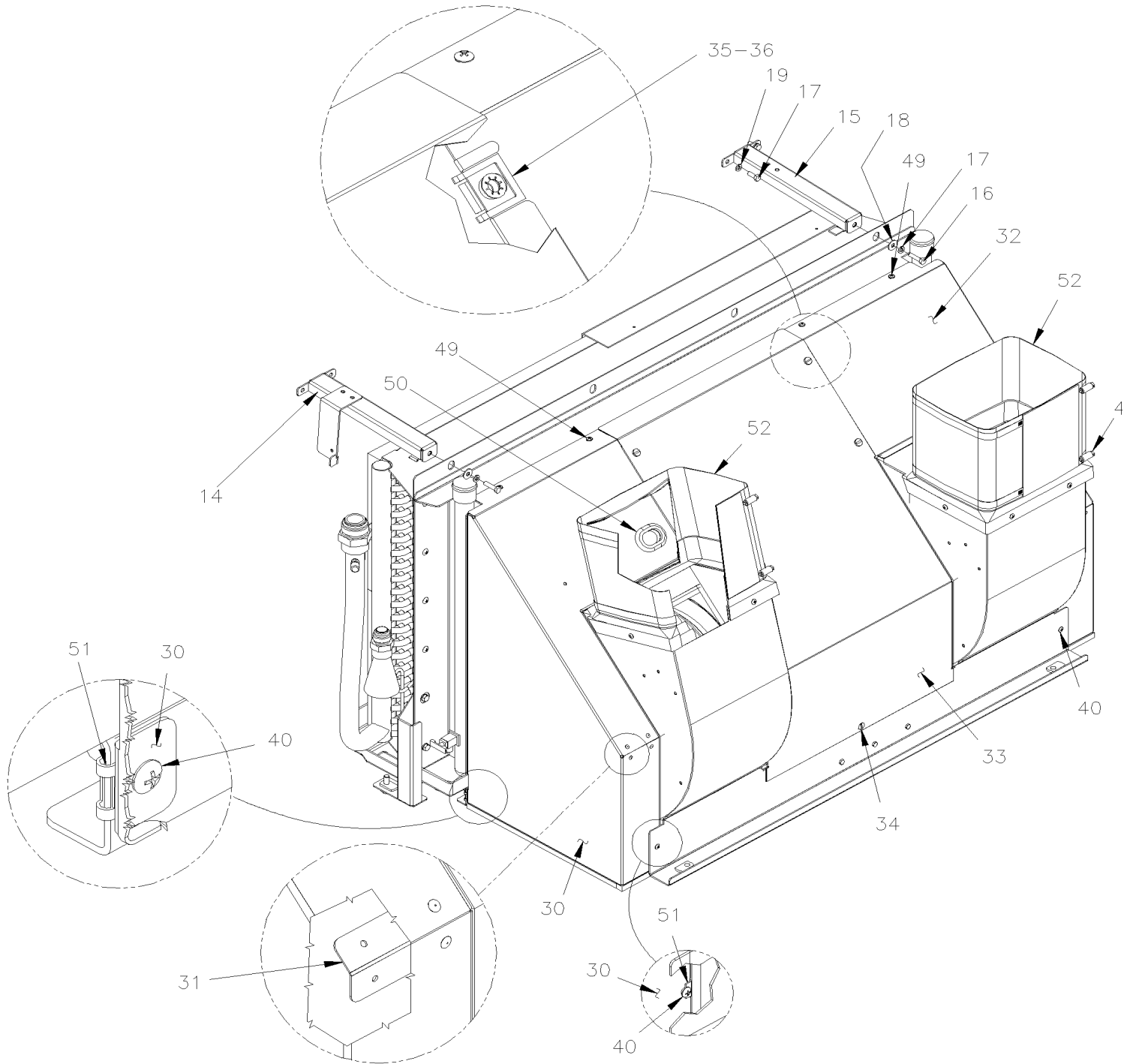
VIEW "A"

From K-0185 To P-1452

Date:07/2024

PAGE:H9-2210-06

HEATER & EVAPORATOR BLOWER - INSTALLATION



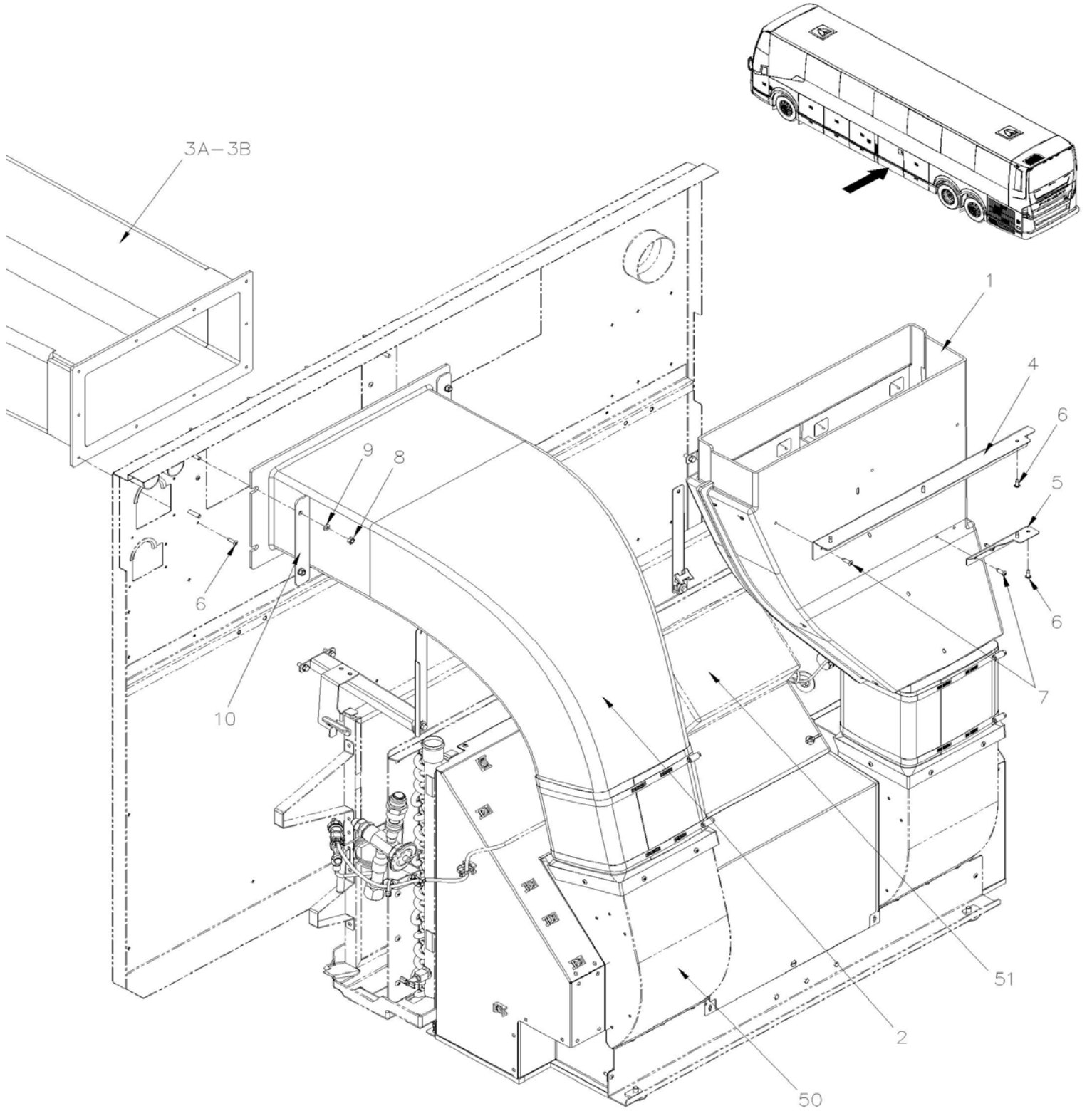
From K-0185 To P-1452	Date:07/2024	PAGE:H9-2210-06
HEATER & EVAPORATOR BLOWER - INSTALLATION		

Item#	Part	Description	H 3 4 1	H 3 4 5	N O T E S
1	454602P	DUCT, R,H, OUTLET EVAPORATOR FAN	1	1	
1	454995	DUCT, R,H, OUTLET EVAPORATOR FAN / W/ENVIROCARE	1	1	E
NS	454547	SUPPORT, VERTICAL EVAPORATOR DUCT	1	1	
NS	500957	SCREW TP BDG PH #10x3/4 N500	2	2	
NS	502868	SCREW TC TR PH #10-16x1/2 N500	2	2	
2	454362	DUCT, L.H. OUTLET EVAPORATOR FAN	1	1	
3	Call order desk	DUCT, L.H. OUTLET EVAPORATOR FAN	1	1	P WCL
. NS	454646	. DUCT, L.H.	1	1	WCL
. NS	454651	. INSULATING CONDENSOR DUCT	1	1	WCL
. NS	454363	. INSULATING CONDENSOR DUCT	1	1	WCL
3	455006	DUCT, L.H. / W/ENVIROCARE	1	1	E WCL
3	Call order desk	DUCT, L.H. OUTLET EVAPORATOR FAN	1	1	P
. NS	454598	. DUCT, L.H.	1	1	
3	454993	DUCT, L.H. / W/ENVIROCARE	1	1	E
4	504729	CLAMP HOSE SS/CR 203-279	4	4	
7	454327	PLATE ATTACHMENT	2	2	
10	504347	RIVET POP DOME OE 3/16x1/4 AL	3	3	
12	454546	SUPPORT, CONDENSER DUCT	1	1	
14	374369	SUPPORT ASSY	1	1	
15	374368	SUPPORT ASSY	1	1	
16	502737	SCREW CAP HEX M6-1.0x25 SS BK	1	1	
17	5001744	SCREW CAP HEX M6-1.0x16 G8.8 N500	2	2	
18	500411	WASHER FL .260x.697x.050 SS	1	1	
19	502853	WASHER LO SPT 6.1x11.8x1.6 N500	3	3	
30	Call order desk	PLENUM FORWARD SECTION	1	1	P
31	453991	REINFORCMENT	1	1	
32	Call order desk	PLENUM BACKWARD SECTION	1	1	P
32	504356	. GROMMET / .625x.875x.062x.312x1.125 To K-0304	1	1	
32	504264	. GROMMET / .750x1.250x.062x.250x1.625 From K-0305	1	1	
33	457562P	PLENUM CENTRAL SECTION	1	1	
NS	457569	SUPPORT PLENUM CENTRAL SECTION	1	1	
34	504681	STUD 6MM (DZUS)	1	1	
35	504604	FASTENER	1	1	
36	504605	RECEPTACLE 6 MM	1	1	
40	500414	SCREW TP BDG PH #10x3/4 SS	AR	AR	
41	502737	SCREW CAP HEX M6-1.0x25 SS BK	AR	AR	
42	502681	NUT HEX NYRT M6-1.0 N500 G8	AR	AR	
43	500642	SCREW TP PAN PH #10x3/4 Z050	AR	AR	
45	502573	WASHER FL 6.4x12.5x1.6 SS	AR	AR	
46	502853	WASHER LO SPT 6.1x11.8x1.6 N500	AR	AR	
47	500804	WASHER FL .203x.500x.047 N500	AR	AR	
48	500411	WASHER FL .260x.697x.050 SS	AR	AR	

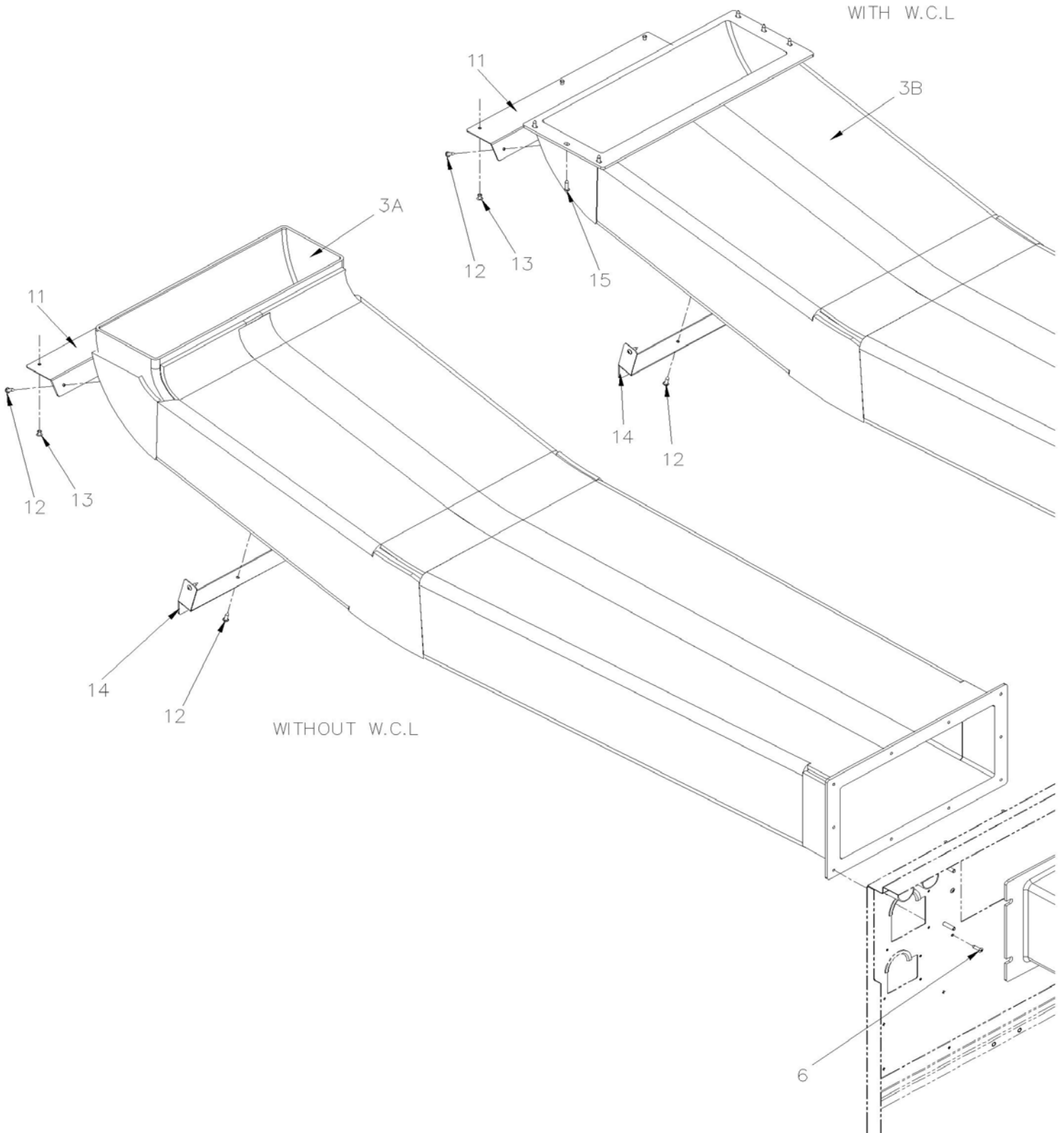
From K-0185 To P-1452	Date:07/2024	PAGE:H9-2210-06
HEATER & EVAPORATOR BLOWER - INSTALLATION		

Item#	Part	Description	H 3 4 1	H 3 4 5	N O T E S
49	502868	SCREW TC TR PH #10-16x1/2 N500	AR	AR	
50	504534	GROMMET / .875x1.250x.187x.562x1.625	1	1	
51	502904	NUT SPR J #10A .035-.050 N500	AR	AR	
52	454439	FLEXIBLE DUCT / HEIGHT 160MM	2	2	
NS	871542	THERMOSTAT BIMETAL COLD 50-90°F	1	1	O
NS	564580	RECEPTACLE BOX / 110Vac outlet / GRAY	1	1	O
NS	504637	CABLE TIE / 3/16" x 13"	8	8	O
NS	500957	SCREW TP BDG PH #10x3/4 N500	4	4	O
NS	IS20929	UV LIGHTS INSTALLATION IN AC COMPARTMENT	1	1	
. NS	7771178	. UVC LIGHT KIT	1	1	
. NS	N91098	. CABLE TIE / .135" X 8" / BLEU	20	20	
. NS	IS-20929	. SEE INSTRUCTION SHEET	1	1	
. NS	FI-20929	. VOIR FEUILLE D'INSTRUCTION	1	1	
		E) WITH ENVIROCARE			
		O) WITH "ORLEAN" OPTION			
		WCL) WITH WHEEL CHAIR LIFT			
		P) CALL ORDER DESK FOR SPECIFIC APPLICATION (V.I.N.)			

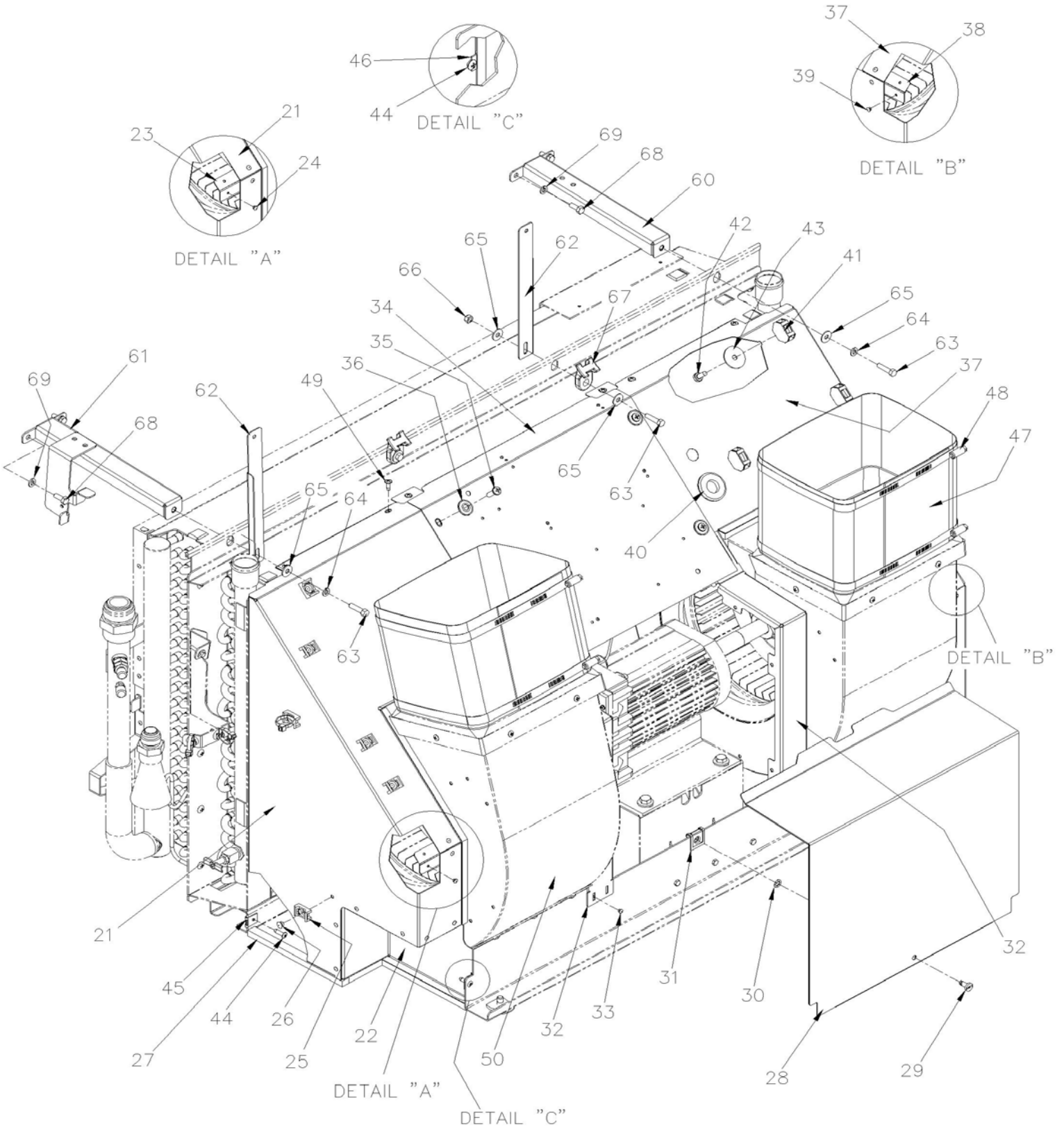
	Date:07/2024	PAGE:H9-2210-07
HEATER & EVAPORATOR BLOWER - INSTALLATION		



	Date:07/2024	PAGE:H9-2210-07
HEATER & EVAPORATOR BLOWER - INSTALLATION		



	Date:07/2024	PAGE:H9-2210-07
HEATER & EVAPORATOR BLOWER - INSTALLATION		



	Date:07/2024	PAGE:H9-2210-07
HEATER & EVAPORATOR BLOWER - INSTALLATION		

Item#	Part	Description	H 3 4 1	H 3 4 5	N O T E S
1	454602P	DUCT, R,H, OUTLET EVAPORATOR FAN		1	
1	454995	DUCT, R,H, OUTLET EVAPORATOR FAN / W/ENVIROCARE		1	E
2	454362	DUCT, L.H. OUTLET EVAPORATOR FAN		1	
3	455006	DUCT, L.H. / W/ENVIROCARE		1	E WCL
3A	454166	DUCT, L.H. OUTLET EVAPORATOR FAN		1	
. NS	454598	. DUCT, L.H.		1	
. NS	453634	. INSULATING CONDENSOR DUCT		1	
. NS	454363	. INSULATING CONDENSOR DUCT		1	
3A	454167	DUCT, L.H. OUTLET EVAPORATOR FAN		1	A
. NS	454598	. DUCT, L.H.		1	A
. NS	453634	. INSULATING CONDENSOR DUCT		1	A
. NS	454363	. INSULATING CONDENSOR DUCT		1	A
3A	454993	DUCT, L.H. / W/ENVIROCARE		1	E
3B	454165	DUCT, L.H. OUTLET EVAPORATOR FAN		1	WCL
. NS	454646	. DUCT, L.H.		1	WCL
. NS	454651	. INSULATING CONDENSOR DUCT		1	WCL
. NS	454363	. INSULATING CONDENSOR DUCT		1	WCL
3B	454164	DUCT, L.H. OUTLET EVAPORATOR FAN		1	WCL A
. NS	454646	. DUCT, L.H.		1	WCL A
. NS	454651	. INSULATING CONDENSOR DUCT		1	WCL A
. NS	454363	. INSULATING CONDENSOR DUCT		1	WCL A
4	454545	SUPPORT, VERTICAL EVAPORATOR DUCT		1	
5	454547	SUPPORT, VERTICAL EVAPORATOR DUCT		1	
6	500957	SCREW TP BDG PH #10x3/4 N500		AR	
7	502868	SCREW TC TR PH #10-16x1/2 N500		5	
8	502681	NUT HEX NYRT M6-1.0 N500 G8		4	
9	502573	WASHER FL 6.4x12.5x1.6 SS		4	
10	454327	PLATE ATTACHMENT		2	
11	454546	SUPPORT, CONDENSER DUCT		1	
12	500414	SCREW TP BDG PH #10x3/4 SS		AR	
13	504347	RIVET POP DOME OE 3/16x1/4 AL		3	
14	451360	SUPPORT, A/C HOSE ASSY.		1	A
15	500957	SCREW TP BDG PH #10x3/4 N500		6	WCL
21	Call order desk	PLENUM FORWARD SECTION		1	P
21	450150	. PLENUM FORWARD SECTION		1	
22	450104	. PLENUM CLOSING		1	
23	453991	. REINFORCMENT		1	
24	504112	. RIVET POP DOME OE 1/8x1/8 AL		10	
25	504013	. TIE MOUNT / 1/4" X 1/4" I.D.		8	
26	504379	. RIVET POP DOME OE 3/16x1/4 SS		8	
27	506268	. TAPE RUB ADH1 URE 3/8" x 1/2" x 25' / GREY 1820		AR	

	Date:07/2024	PAGE:H9-2210-07
HEATER & EVAPORATOR BLOWER - INSTALLATION		

Item#	Part	Description	H 3 4 1	H 3 4 5	N O T E S
28	457562P	PLENUM CENTRAL SECTION		1	
NS	506500	. TAPE RUB ADH2 NEO .045" x 1" x 100' / BLACK 4965		AR	
29	504681	. STUD 6MM (DZUS)		1	
30	504604	. FASTENER		1	
31	504605	RECEPTACLE 6 MM		1	
32	457569	SUPPORT PLENUM CENTRAL SECTION		2	
33	504112	RIVET POP DOME OE 1/8x1/8 AL		2	
34	450198	CENTRAL UPPER PANEL PLENUM		1	
35	502626	SCREW MA PAN PH M6-1.0x20 N500		4	
36	5001699	WASHER BEL SPR 8.2x22x1.4 N500		4	
37	Call order desk	PLENUM BACKWARD SECTION		1	P
37	450462	. PLENUM BACKWARD SECTION		1	
37	506268	. TAPE RUB ADH1 URE 3/8" x 1/2" x 25' / GREY 1820		AR	
38	453991	. REINFORCMENT		1	
39	504112	. RIVET POP DOME OE 1/8x1/8 AL		4	
40	504264	. GROMMET / .750x1.250x.062x.250x1.625		1	
41	509492	. CABLE TIE MOUNT FOR THREADED STUD 1/4		3	
42	502817	. SCREW MA PAN PH M6-1.0x16 N500		3	
43	500913	. WASHER FL .281x1.250x.065 N500		3	
44	500957	SCREW TP BDG PH #10x3/4 N500		4	
45	500981	NUT SPR U #10-23/32x5/8		2	
46	502904	NUT SPR J #10A .035-.050 N500		2	
47	454439	FLEXIBLE DUCT / HEIGHT 160MM		2	
48	504729	CLAMP HOSE SS/CR 203-279		4	
49	502868	SCREW TC TR PH #10-16x1/2 N500		2	
50	H9-2210-02	HEATER & EVAPORATOR BLOWER - INSTALLATION			
51	H9-0621-12	A/C ELECTRICAL PANEL ASSY / EVAPORATOR COMPARTMENT			
60	374368	SUPPORT ASSY		1	
61	374369	SUPPORT ASSY		1	
62	374266	SUPPORT HEATER PIPE RETURN		2	
63	502737	SCREW CAP HEX M6-1.0x25 SS BK		4	
64	502853	WASHER LO SPT 6.1x11.8x1.6 N500		2	
65	500411	WASHER FL .260x.697x.050 SS		4	
66	502681	NUT HEX NYRT M6-1.0 N500 G8		2	
67	507383	TIE MOUNT HOLE 3/8"		2	
68	5001744	SCREW CAP HEX M6-1.0x16 G8.8 N500		4	
69	502853	WASHER LO SPT 6.1x11.8x1.6 N500		4	

	Date:07/2024	PAGE:H9-2210-07
HEATER & EVAPORATOR BLOWER - INSTALLATION		

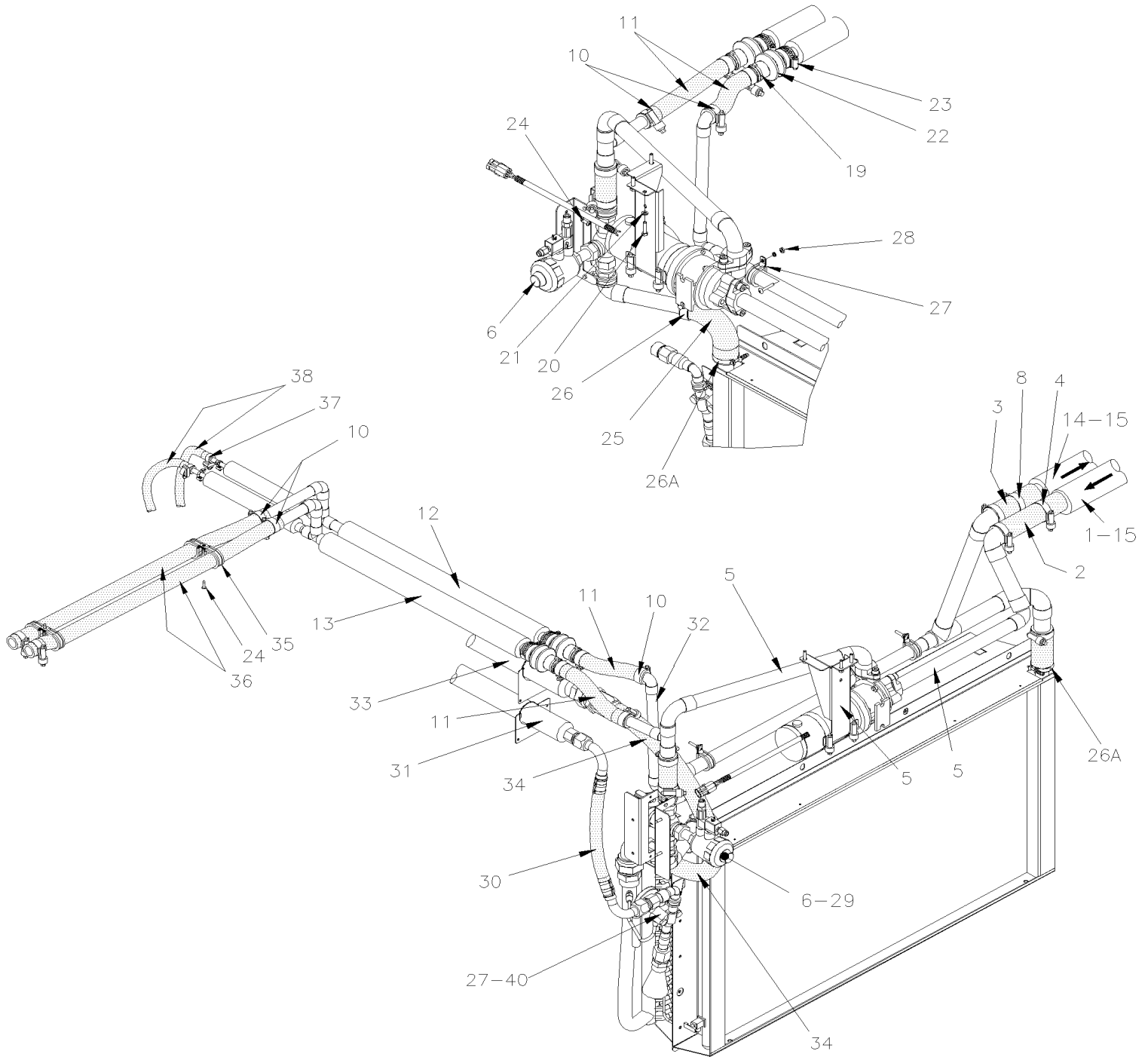
Item#	Part	Description	H 3 4 1	H 3 4 5	N O T E S
		A) WITH A/C PARCEL RACK			
		E) WITH ENVIROCARE			
		WCL) WITH WHEEL CHAIR LIFT			
		P) CALL ORDER DESK FOR SPECIFIC APPLICATION (V.I.N.)			

From K-0185 To P-1452

Date:07/2024

PAGE:H9-2210-12

WATER HEATER PUMP - INSTALLATION



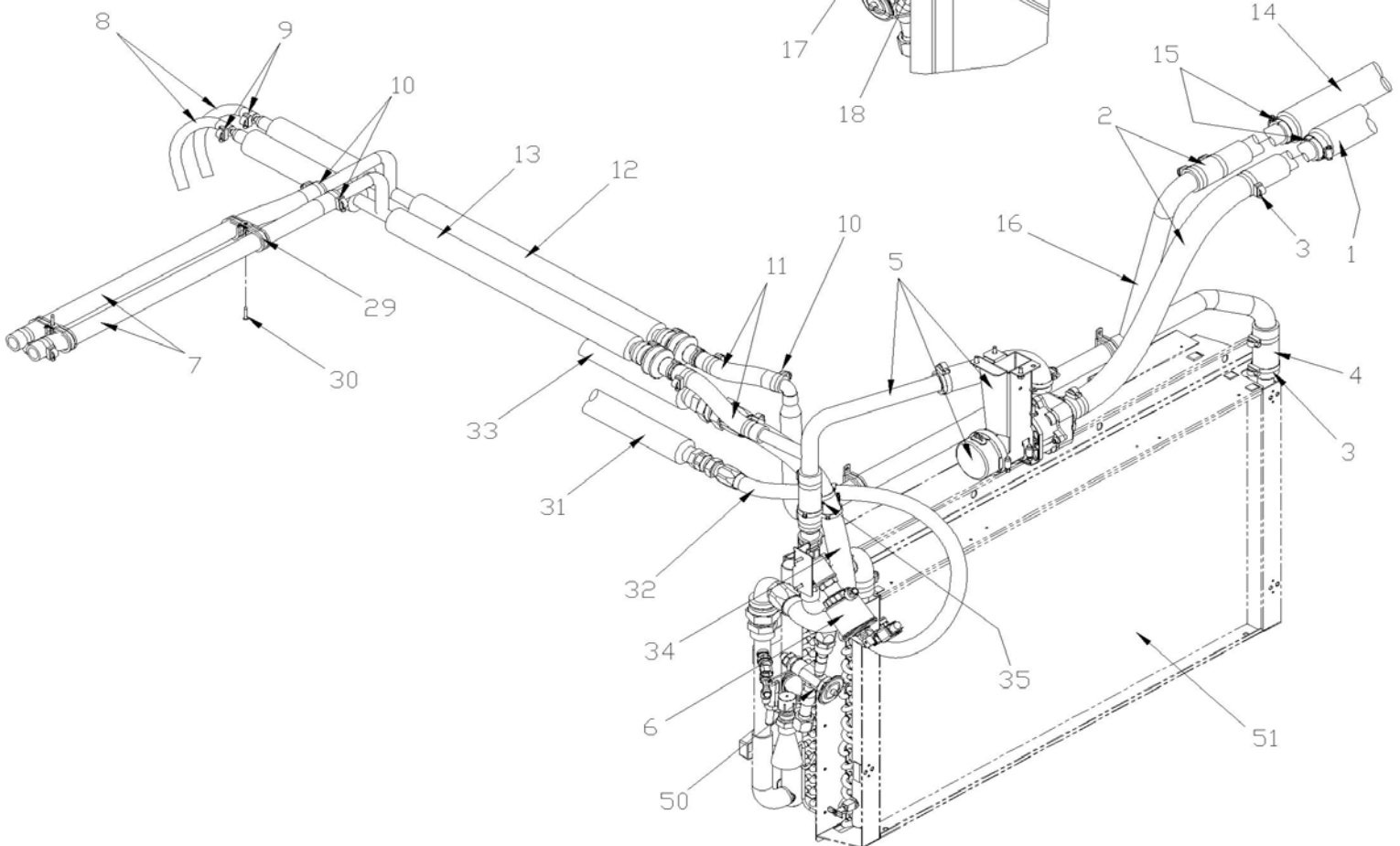
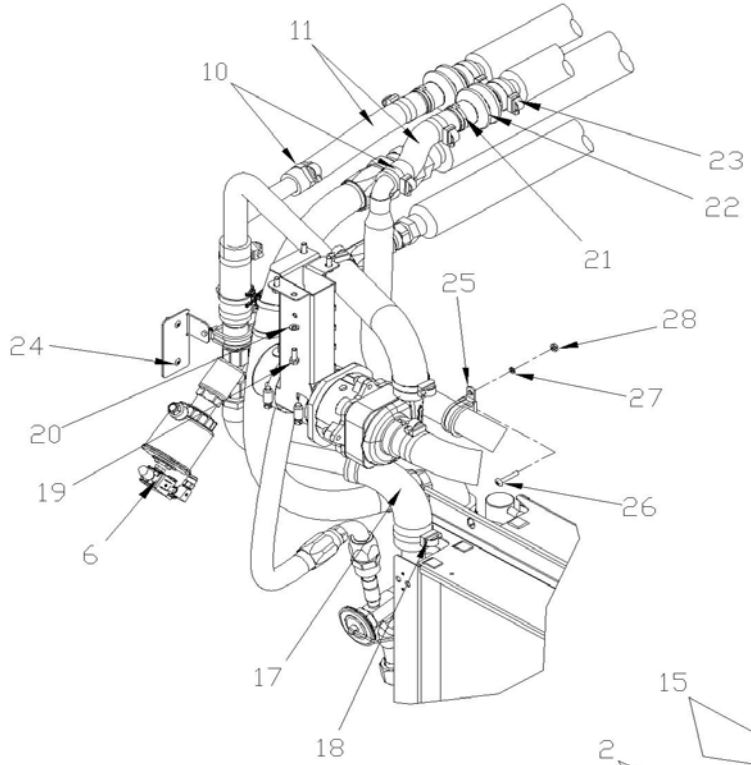
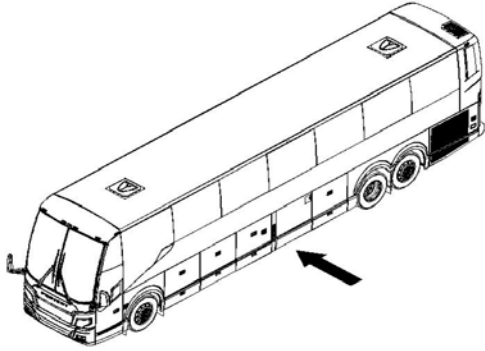
From K-0185 To P-1452	Date:07/2024	PAGE:H9-2210-12
WATER HEATER PUMP - INSTALLATION		

Item#	Part	Description	H 3 4 1	H 3 4 5	N O T E S
1	Call order desk	PIPE ASSY / ENGINE COMP & WATER FILTER	1	1	P
1	Call order desk	PIPE ASSY WITH VALVE / ENGINE COMP & WATER FILTER To L-0870	1	1	P B
. NS	871419	. BALL VALVE 1" NPT-F To L-0870	1	1	B
. NS	501997	. ADAPTER / COPPER @ PIPE / 1 1/4Fx1NPT-M To L-0870	2	2	B
1	370330	PIPE ASSY WITH VALVE / ENGINE COMP & WATER FILTER From L-0871	1	1	B
. NS	870115	. BALL VALVE 1 3/8 HOSE From L-0871	1	1	B
. NS	503783	. HOSE SILICONE 4PLY / NOMEX-ARAMID 34MM I.D. x 6' From L-0871	2	2	B
. NS	992086	. HOSE CLAMP / 32MM/52MM From L-0871	4	4	B
2	503783	HOSE SILICONE 4PLY / NOMEX-ARAMID 34MM I.D. x 6'	AR	AR	
3	371535	HOSE 1 3/8" I.D. X 127MM	1	1	
3	503783	. HOSE SILICONE 4PLY / NOMEX-ARAMID 34MM I.D. x 6'	AR	AR	
4	992086	HOSE CLAMP / 32MM/52MM	AR	AR	
4	504692	HOSE CLAMP STEPLESS SPRING SS / OETIKER / 1.5-1.8	AR	AR	A
5	H9-2206-03	WATER PUMP "AMETEK" / SEALLESS & BRUSHLESS			
6	H9-2207-06	WATER VALVE - W/2 WAYS			
7	H9-2207-00	WATER VALVE - W/3 WAYS BY-PASS			
8	992086	HOSE CLAMP / 32MM/52MM	2	2	
8	504692	HOSE CLAMP STEPLESS SPRING SS / OETIKER / 1.5-1.8	2	2	A
10	992084	HOSE CLAMP / 23MM/35MM	AR	AR	
10	504569	HOSE CLAMP STEPLESS SPRING / HC12-20 / 1"	1	1	A
11	372632	HOSE 7/8" I.D. X 1848MM	2	2	
11	503803	. HOSE SILICONE 1 PLY / NOMEX-ARAMID 7/8" I.D. x 100' / S.L.	AR	AR	
12	Call order desk	PIPE ASSY / FEED LINE TO UREA To N-1209	1	1	P
12	370051	PIPE ASSY / FEED LINE TO UREA From N-1210	1	1	
13	Call order desk	PIPE ASSY / RETURN LINE FROM UREA To N-1209	1	1	P
13	370052	PIPE ASSY / RETURN LINE FROM UREA From N-1210	1	1	
14	Call order desk	PIPE ASSY / RETURN LINE TO ENGINE COMPARTMENT To N-1209	1	1	P
14	370378	PIPE ASSY / RETURN LINE TO ENGINE COMPARTMENT From N-1210	1	1	
15	370060	PROTECTOR / SILICONE	AR	AR	
15	504023	HOSE CLAMP / 1"5/16-2"1/4 SS / HS-28	2	2	
19	504637	CABLE TIE / 3/16" x 13"	2	2	
20	502737	SCREW CAP HEX M6-1.0x25 SS BK	AR	AR	
21	502853	WASHER LO SPT 6.1x11.8x1.6 N500	AR	AR	
22	504444	CUFF END BELLOW / 1 1/4" I.D. x 1 x 3 7/8"	2	2	
23	992086	HOSE CLAMP / 32MM/52MM	2	2	
24	500608	SCREW TP BDG PH #10x1 N500	1	1	
25	374247	ELBOW 90° REDUCER 1 1/8" I.D.W/3 1/4" x 1 3 I.D. W 3 15/16" C/C	1	1	
26	992086	HOSE CLAMP / 32MM/52MM	1	1	
26	992086	HOSE CLAMP / 32MM/52MM	1	1	
26	504687	HOSE CLAMP STEPLESS SPRING SS / OETIKER / 1.2-1.4	1	1	A
26	504451	HOSE CLAMP STEPLESS SPRING SS / OETIKER / 1.3-1.6	1	1	A
26A	504692	HOSE CLAMP STEPLESS SPRING SS / OETIKER / 1.5-1.8	2	2	A

From K-0185 To P-1452	Date:07/2024	PAGE:H9-2210-12
WATER HEATER PUMP - INSTALLATION		

Item#	Part	Description	H 3 4 1	H 3 4 5	N O T E S
26A	992086	HOSE CLAMP / 32MM/52MM	1	1	
26A	992086	HOSE CLAMP / 32MM/52MM	1	1	
26A	504455	HOSE CLAMP STEPLESS SPRING SS / OETIKER / 1.7-1.9	1	1	A
27	952637	CLAMP / 1"1/16 I.D.	4	4	
28	500574	SCREW MA TR PH #10-24x1 1/4 SS	2	2	
NS	500914	WASHER LO SPT .193x.334x.047 N500	2	2	
NS	502882	NUT HEX #10-24 N500	2	2	
29	500957	SCREW TP BDG PH #10x3/4 N500	2	2	
30	457724	HOSE ASSY / #12 402MM To K-0686	1	1	
. NS	507280	. O-RING / ORS FITTING / #12 NEO To K-0686	1	1	
30	450989	HOSE ASSY / #12 830MM From K-0687	1	1	
. NS	507280	. O-RING / ORS FITTING / #12 NEO From K-0687	1	1	
NS	504751	ROTATIF SPACER DOUBLE / SMALL From K-0687	2	2	
NS	504016	CABLE TIE / 5/16" X 14"1/2 From K-0687	AR	AR	
31	457735P	PIPE ASSY / PRESSURE To N-1209	1	1	
. NS	501829	. O-RING / ORS FITTING / #12 NEO To N-1209	1	1	
31	453665	PIPE ASSY / PRESSURE From N-1210	1	1	
. NS	501829	. O-RING / ORS FITTING / #12 NEO From N-1210	2	2	
32	374728	PIPE ASSY / RETURN LINE To N-1209	1	1	
32	370021	PIPE ASSY / RETURN LINE From N-1210	1	1	
32	374727	PIPE ASSY / RETURN LINE To N-1209	1	1	A
32	370020	PIPE ASSY / RETURN LINE From N-1210	1	1	A
33	Call order desk	PIPE ASSY / SUCTION To N-1209	1	1	P
. NS	501803	. O-RING / ORS FITTING / #20 NEO To N-1209	2	2	
. NS	501829	. O-RING / ORS FITTING / #12 NEO To N-1209	1	1	
33	454380	PIPE ASSY / SUCTION From N-1210	1	1	
. NS	501803	. O-RING / ORS FITTING / #20 NEO From N-1210	2	2	
. NS	501829	. O-RING / ORS FITTING / #12 NEO From N-1210	1	1	
34	457721	HOSE ASSY / #20 800MM	1	1	
NS	501803	O-RING / ORS FITTING / #20 NEO	1	1	
35	952639	CLAMP / 1"1/4 I.D.	AR	AR	
36	503803	HOSE SILICONE 1 PLY / NOMEX-ARAMID 7/8" I.D. x 100' / S.L.	AR	AR	
37	992081	HOSE CLAMP / 12MM/22MM	2	2	
38	503821	HOSE SILICONE 4 PLY / NOMEX-ARAMID 3/8" x 144"	AR	AR	
40	H9-2208-00	A/C EXPANSION VALVE			
		A) WITH OPTION "OETIKER" HOSE CLAMP			
		B) LOCATION CHARTAND OPTION			
		P) CALL ORDER DESK FOR SPECIFIC APPLICATION (V.I.N.)			

	Date:07/2024	PAGE:H9-2210-13
WATER HEATER PUMP - INSTALLATION		



		Date:07/2024	PAGE:H9-2210-13
WATER HEATER PUMP - INSTALLATION			

Item#	Part	Description	H 3 4 1	H 3 4 5	N O T E S
1	Call order desk	PIPE ASSY / ENGINE COMP & WATER FILTER		1	P
2	503783	HOSE SILICONE 4PLY / NOMEX-ARAMID 34MM I.D. x 6'		AR	
3	992086	HOSE CLAMP / 32MM/52MM		AR	
3	504692	HOSE CLAMP STEPLESS SPRING SS / OETIKER / 1.5-1.8		AR	A
4	051383	HOSE / W/CENTRAL A/C SYSTEM / 1 3/8" I.D. X 150MM		1	
4	503783	. HOSE SILICONE 4PLY / NOMEX-ARAMID 34MM I.D. x 6'		AR	
5	H9-2206-04	WATER PUMP "AMETEK" / SEALLESS & BRUSHLESS			
6	H9-2207-01	WATER VALVE - W/3 WAYS BY-PASS			
7	374421	HOSE 7/8" I.D. X 715MM		2	
7	503803	. HOSE SILICONE 1 PLY / NOMEX-ARAMID 7/8" I.D. x 100' / S.L.		AR	
8	503821	HOSE SILICONE 4 PLY / NOMEX-ARAMID 3/8" x 144"		AR	
9	992081	HOSE CLAMP / 12MM/22MM		2	
10	992084	HOSE CLAMP / 23MM/35MM		AR	
10	504569	HOSE CLAMP STEPLESS SPRING / HC12-20 / 1"		AR	A
11	503803	HOSE SILICONE 1 PLY / NOMEX-ARAMID 7/8" I.D. x 100' / S.L.		AR	
12	370052	PIPE ASSY / RETURN LINE FROM UREA		1	
13	370051	PIPE ASSY / FEED LINE TO UREA		1	
14	370378	PIPE ASSY / RETURN LINE TO ENGINE COMPARTMENT		1	
15	370060	PROTECTOR / SILICONE		AR	
15	504023	HOSE CLAMP / 1"5/16-2"1/4 SS / HS-28		2	
16	370021	PIPE ASSY / RETURN LINE		1	
16	370020	PIPE ASSY / RETURN LINE		1	A
17	374247	ELBOW 90° REDUCER 1 1/8" I.D.W/3 1/4" x 1 3/4" I.D. W 3 15/16" C/C		1	
18	992086	HOSE CLAMP / 32MM/52MM		2	
18	504455	HOSE CLAMP STEPLESS SPRING SS / OETIKER / 1.7-1.9		2	A
19	5001744	SCREW CAP HEX M6-1.0x16 G8.8 N500		4	
20	502853	WASHER LO SPT 6.1x11.8x1.6 N500		4	
21	504637	CABLE TIE / 3/16" x 13"		2	
22	504444	CUFF END BELLOW / 1 1/4" I.D. x 1 x 3 7/8"		2	
23	992086	HOSE CLAMP / 32MM/52MM		2	
23	504692	HOSE CLAMP STEPLESS SPRING SS / OETIKER / 1.5-1.8		2	A
24	500957	SCREW TP BDG PH #10x3/4 N500		2	
25	952641	CLAMP P STL ZP RUB 34.9 ID		2	
26	500574	SCREW MA TR PH #10-24x1 1/4 SS		2	
27	500914	WASHER LO SPT .193x.334x.047 N500		2	
28	502882	NUT HEX #10-24 N500		2	
29	952639	CLAMP / 1"1/4 I.D.		4	
30	500608	SCREW TP BDG PH #10x1 N500		2	
31	453841	PIPE ASSY / PRESSURE		1	
. NS	501829	. O-RING / ORS FITTING / #12 NEO		2	
32	450989	HOSE ASSY / #12 830MM		1	
. NS	507280	. O-RING / ORS FITTING / #12 NEO		1	

		Date:07/2024	PAGE:H9-2210-13
WATER HEATER PUMP - INSTALLATION			

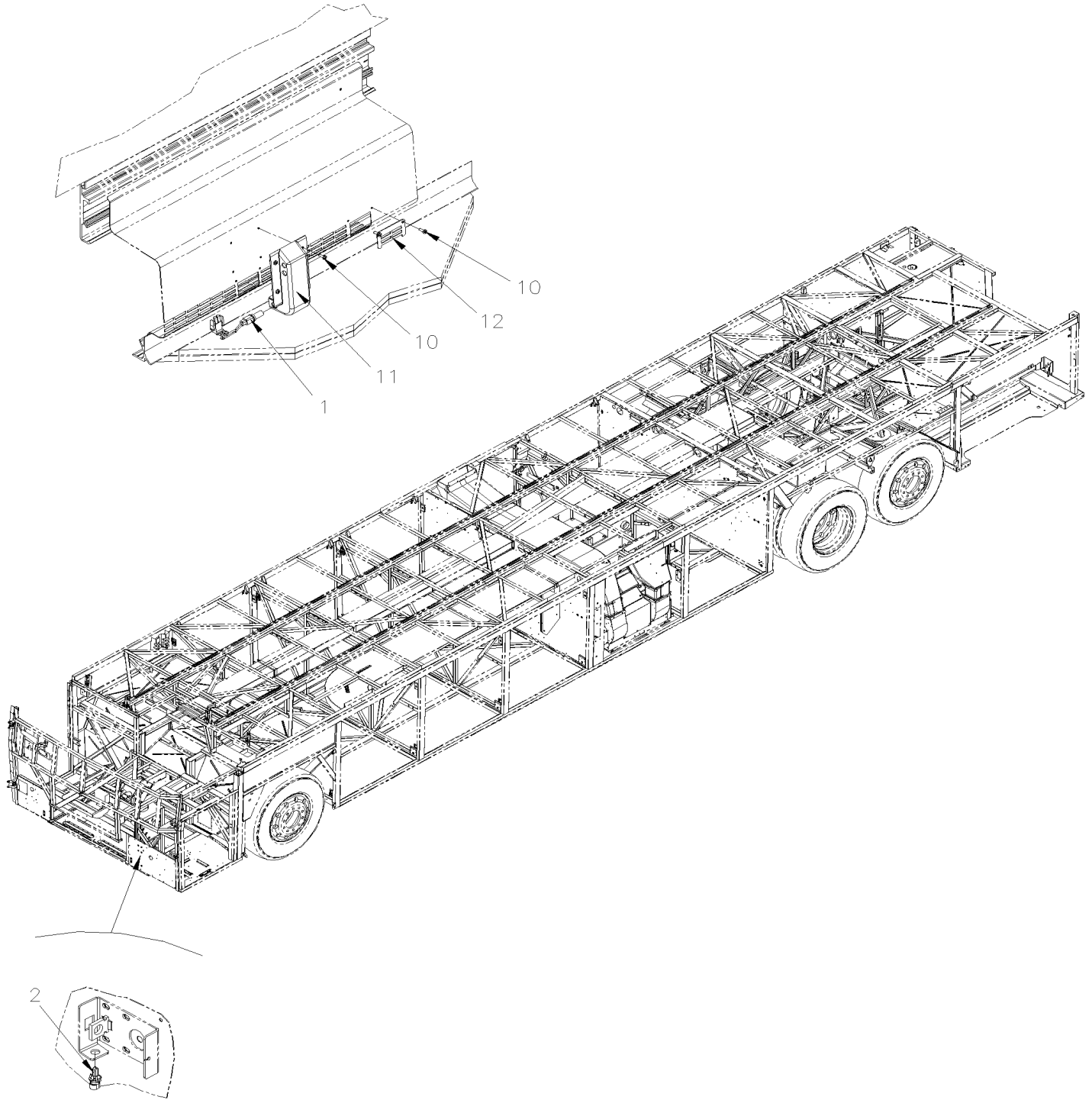
Item#	Part	Description	H 3 4 1	H 3 4 5	N O T E S
33	454176	PIPE ASSY / SUCTION		1	
. NS	501803	. O-RING / ORS FITTING / #20 NEO		2	
. NS	501829	. O-RING / ORS FITTING / #12 NEO		1	
33	453818	PIPE ASSY / SUCTION / W/A/C PARCEL RACK		1	
34	457721	HOSE ASSY / #20 800MM		1	
NS	501803	O-RING / ORS FITTING / #20 NEO		1	
35	504751	ROTATIF SPACER DOUBLE / SMALL		2	
35	504016	CABLE TIE / 5/16" X 14"1/2		AR	
50	H9-2208-01	A/C EXPANSION VALVE			
51	H9-2205-01	HEATER & EVAPORATOR COIL - INSTALLATION			
		A) WITH OPTION "OETIKER" HOSE CLAMP			
		P) CALL ORDER DESK FOR SPECIFIC APPLICATION (V.I.N.)			

From K-0185

Date:07/2024

PAGE:H9-2210-50

AIR MAIN SENSOR



FROM ?-18001

From K-0185	Date:07/2024	PAGE:H9-2210-50
AIR MAIN SENSOR		

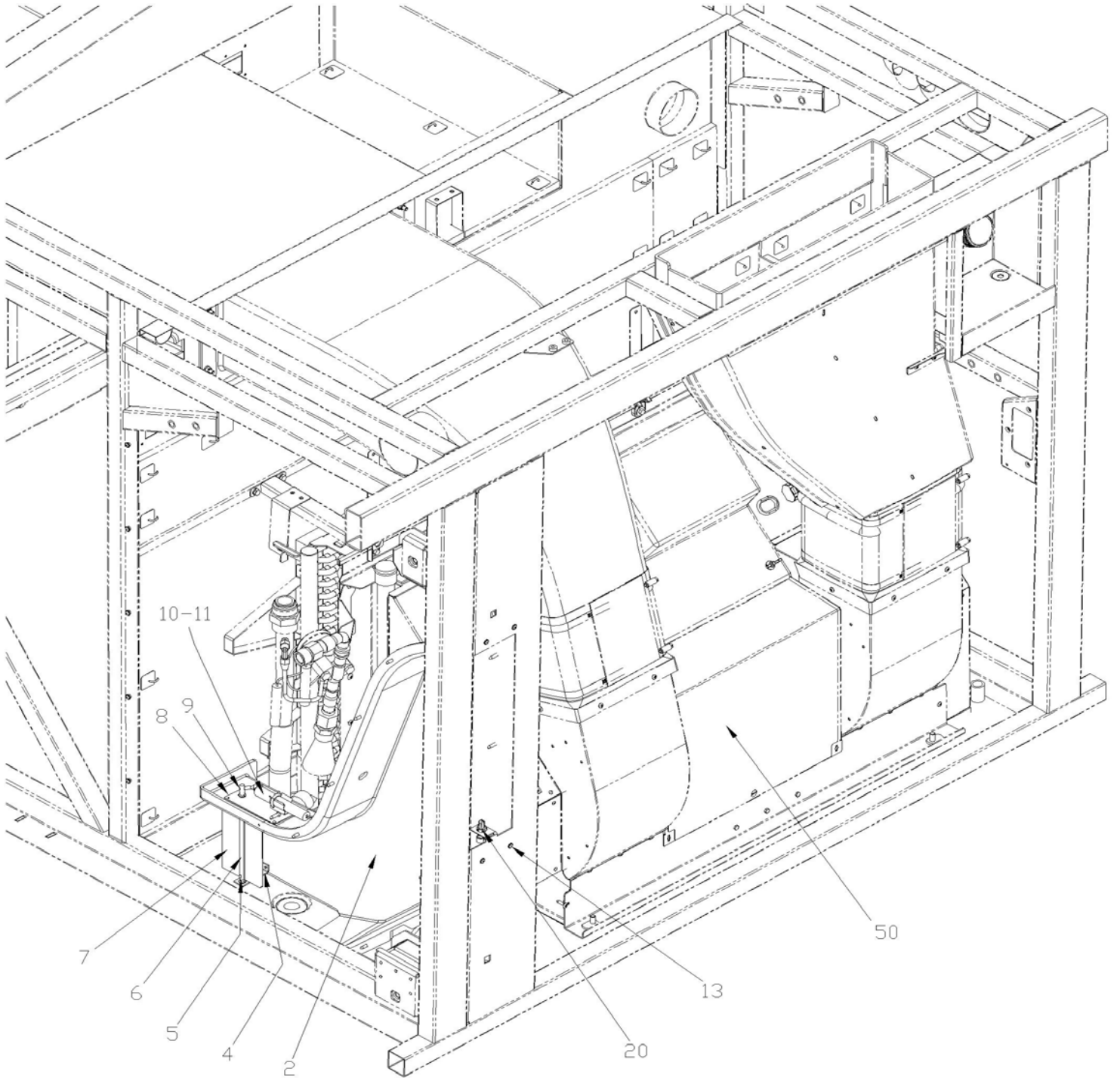
Item#	Part	Description	H 3 4 1	H 3 4 5	NOTES
1	563063	SENSOR THERMISTOR ASSY / TEMPERATURE / ("DELPHI")	1	1	
2	563335	SENSOR THERMISTOR ASSY / OUTSIDE // PED 15416387	1	1	A
10	5001015	SCREW TP BDG PH #6x1/2 SS BK	6	6	
11	328507	SENSOR BOX / CENTRAL AIR SENSOR / FIXED OUTSIDE OF DUCT	1	1	
12	328182	PLATE COVER / W/4 VENT HOLES / 64MM x 33MM	1	1	
NS	294051	DEFLECTOR AIR FOR SENSOR NITRIL 1210MM x 54MM	1	1	D
50	H9-2221-10	DUCTING HEATER & A/C To P-1452			
50	H9-2221-11	DUCTING HEATER & A/C From R-1453			
		A) USE WITH CONSOLE THERMOMETER AT PAGE H9-0645-30			
		D) FOR PRODUCT IMPROVEMENT TO PREVENT WARM AIR TO SENSOR INSTALL THIS ON WINDOW HANDLE			

From K-0185

Date:07/2024

PAGE:H9-2215-00

EVAPORATOR & DAMPER CONTROL COMPONENTS



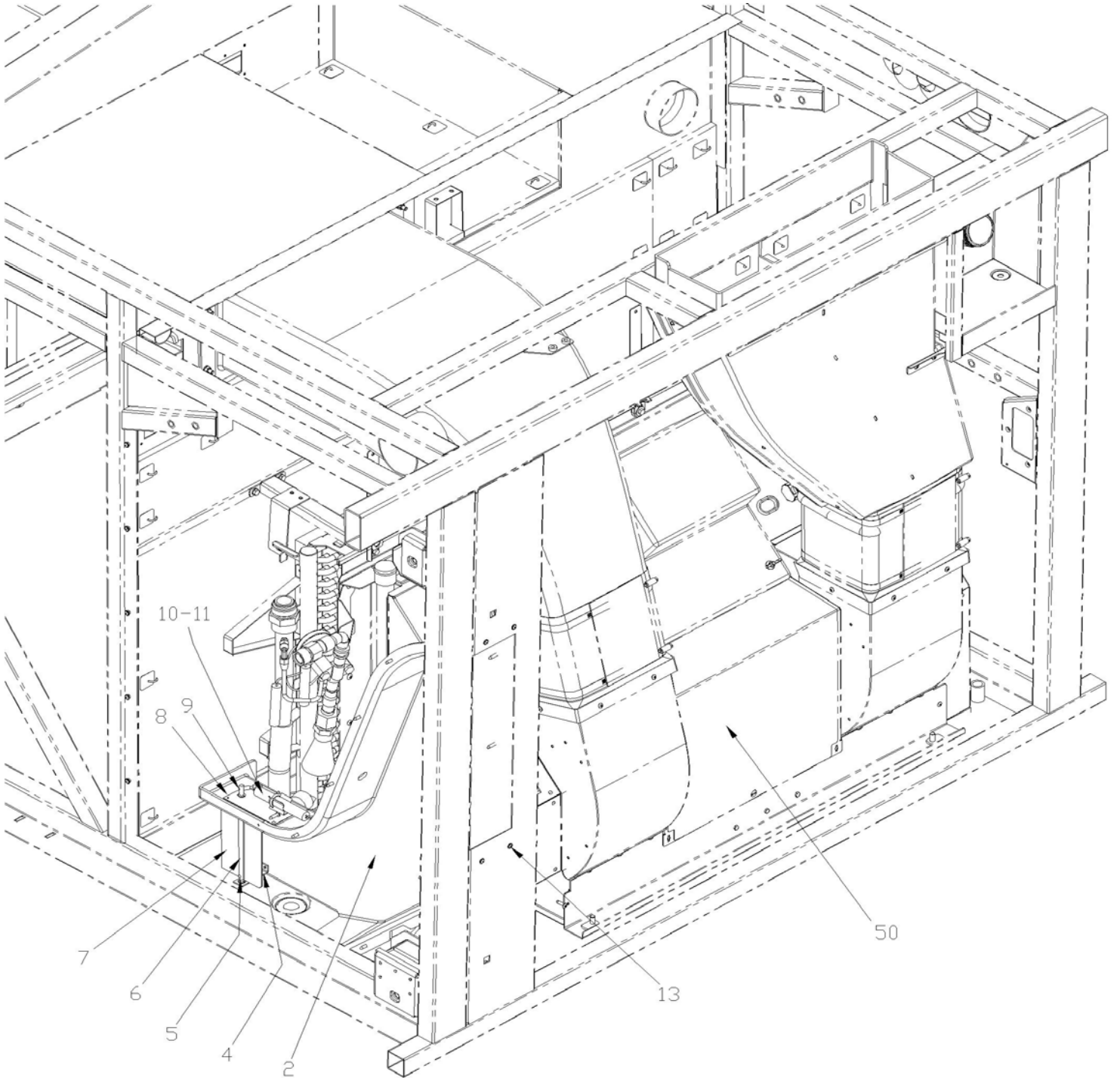
UP TO P-1452

From K-0185

Date:07/2024

PAGE:H9-2215-00

EVAPORATOR & DAMPER CONTROL COMPONENTS



FROM R-1453

From K-0185		Date:07/2024	PAGE:H9-2215-00
EVAPORATOR & DAMPER CONTROL COMPONENTS			

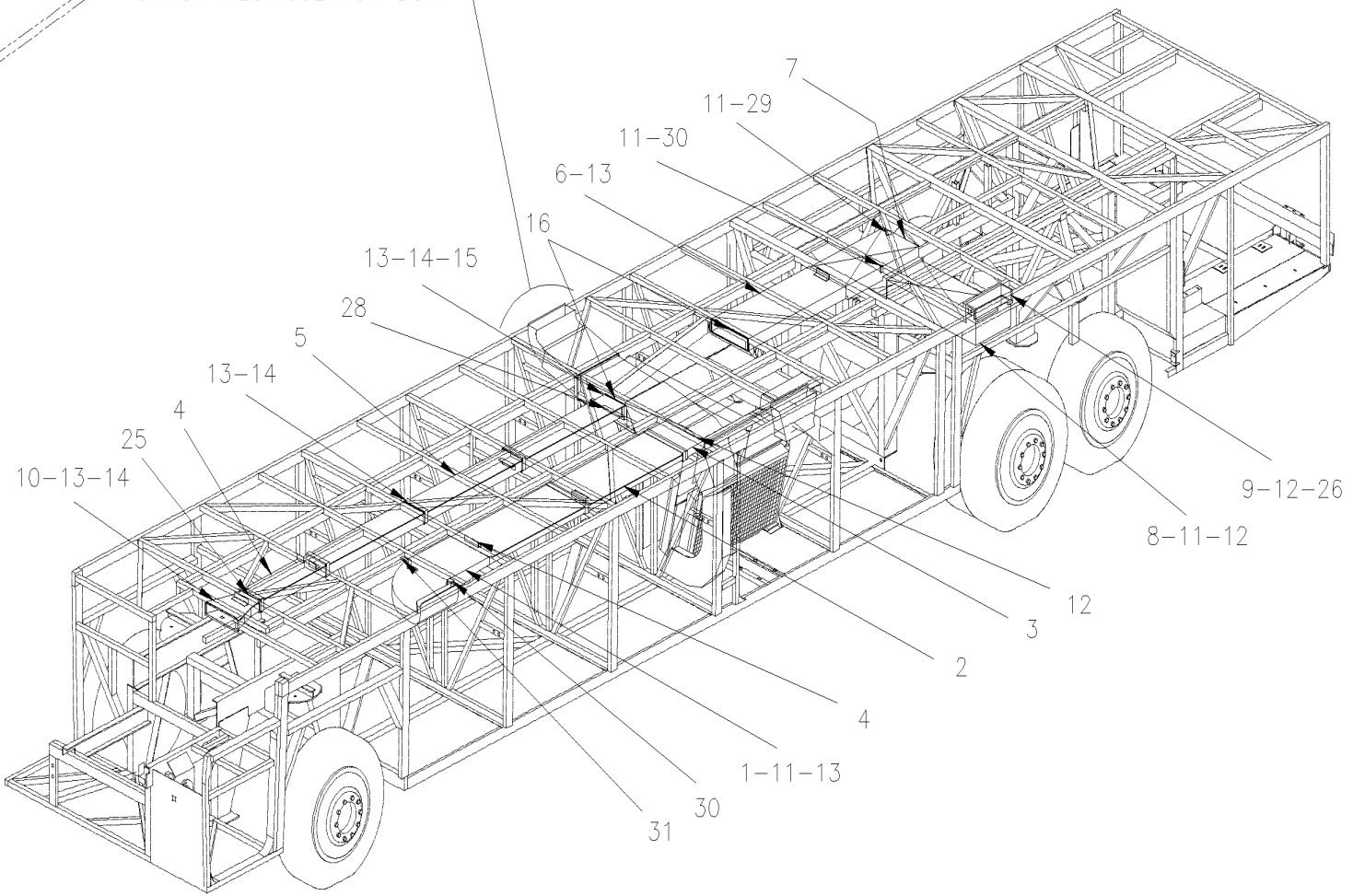
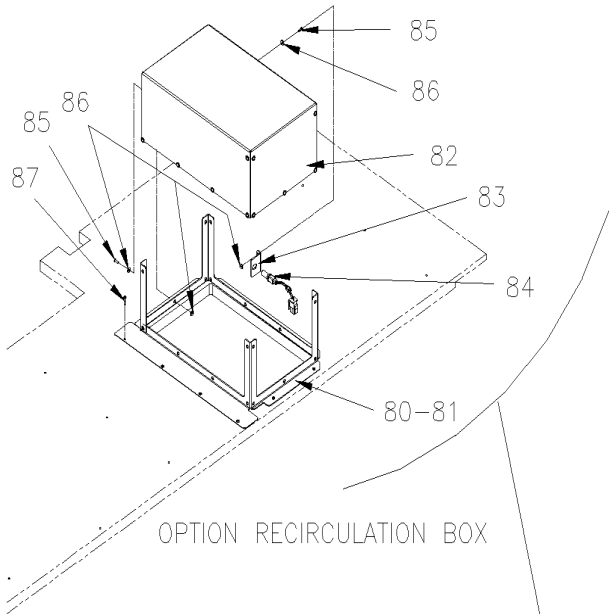
Item#	Part	Description	H 3 4 1	H 3 4 5	N O T E S
1	370125	DAMPER DUCT ASSY W/ACTUATOR To P-1452	1	1	
1	370506	DAMPER DUCT ASSY W/ACTUATOR From R-1453 To R-1839		1	
1	370593	AIR INTAKE FRESH ASSY. From R-1840		1	
2	370124	. PLASTIC BLACK DUCT To P-1452	1	1	
2	370503	. PLASTIC BLACK DUCT From R-1453 To R-1839		1	
2	370594	. AIR INTAKE FRESH VEH.H3 From R-1840		1	
NS	504421	. GROMMET / .625x.875x.187x.437x1.125 To P-1452	1	1	
NS	504397	. GROMMET / .750x1.062x.062x.375x1.375 From R-1453 To R-1839		1	
NS	509815	. TIE MOUNT / ATTACHMENT W/TREE MOUNT From R-1840		1	
4	453426	. SUPPORT	1	1	
5	504339	. RIVET POP DOME OE 1/8x3/8 SS	2	2	
6	454337	. SHAFT	1	1	
NS	504689	. RING RETAINER / EXT .312 x .243 x .025 / SS	1	1	
7	454336	. DAMPER	1	1	
8	452966	. FIXTURE PLATE	1	1	
9	502243	. SPRING PIN	1	1	
9	503402	. TUBE, NYLON 1/4 O.D. / BLACK S.L.	AR	AR	
NS	507309	. BUSHING NYLINED .312x.375x.078x.500	1	1	
10	871180	. ACTUATOR W/BOOT	1	1	G
. NS	871452	. . CLIP MOUTING ACTUATOR	1	1	G
. NS	N.S.S.	. . ACTUATOR	1	1	1 G
. NS	N.S.S.	. . BOOT	1	1	1 G
10	870135	. ACTUATOR W/BOOT W/E-COAT PROTECTION	1	1	
. NS	871452	. . CLIP MOUTING ACTUATOR	1	1	
11	562486	. . CONNECTOR / DT SERIES / PH 2C / GRAY / DEUTSCH DT04-2P	2	2	
NS	562487	. . SECONDARY LOCK / DT SERIES / PH 2C / DEUTSCH W2P	2	2	
NS	562286	. . PIN TERMINAL / 18-16 / DEUTSCH 0460-202-16141	4	4	
13	500957	SCREW TP BDG PH #10x3/4 N500	8	8	
13	504488	RIVET MGLP PRDG 3/16x17/64 SS	7	7	
13	5001137	WASHER FL .203x.438x.050 SS	4	4	
20	H9-2210-50	AIR MAIN SENSOR			
50	H9-2265-01	MOTOR - EVAPORATOR BRUSHLESS			
51	H9-2206-03	WATER PUMP "AMETEK" / SEALLESS & BRUSHLESS To P-1452			
51	H9-2206-04	WATER PUMP "AMETEK" / SEALLESS & BRUSHLESS From R-1453			
		G) FOR PRODUCT IMPROVEMENT ASK FOR 870135			
		1) NOT SOLD SEPARATELY			

From K-0185 To P-1452

Date:07/2024

PAGE:H9-2220-00

UNDER FLOOR AIR DUCTING



From K-0185 To P-1452	Date:07/2024	PAGE:H9-2220-00
UNDER FLOOR AIR DUCTING		

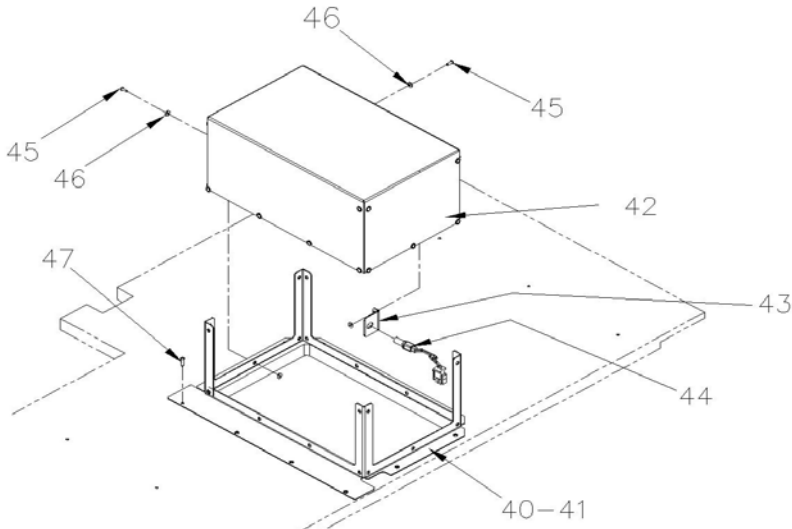
Item#	Part	Description	H 3 4 1	H 3 4 5	N O T E S
1	Call order desk	DUCT LEFT	1	1	P
2	455678	DUCT RIGHT 954MM	1		
2	455678	DUCT RIGHT 954MM		1	
2	452397	DUCT RIGHT 1164MM		1	
3	454638	DUCT ASSY	1	1	
4	452522	DUCT, AIR INLET ASSY #1 812MM	1		
4	452413	DUCT, AIR INLET ASSY #1 886MM		1	
5	452410	FRONT DUCT ASSY	2		
5	452410	FRONT DUCT ASSY		3	
6	455418	DUCT ASSY	1	1	
7	452377	CENTER REAR DUCT ASSY	1	1	
8	452376	REAR DUCT	1	1	
9	454313	REAR DUCT	1	1	
10	453085	FRONT OUTFLOW DUCT	1	1	
11	500957	SCREW TP BDG PH #10x3/4 N500	AR	AR	
12	680096	SEALANT BUTYL ALUM / GREY / 310ml CARTRIDGE	AR	AR	
13	504114	RIVET POP DOME OE 3/16x1/4 AL	AR	AR	
14	506227	TAPE RUB ADH1 CC POL 1/16" x 3/4" x 100' / GREY 2520	AR	AR	
15	451835	ANGULAR BRACKET	2	2	
16	506002	TAPE RUB ADH1 CC POL 3/16" x 1/2" x 40' / GREY 2520	AR	AR	
NS	684517	ADHESIVE SIMSON #ISR 70-03 / GREY / 310ml CARTRIDGE	AR	AR	
25	506236	TAPE RUB ADH1 CC POL 1/16" x 1/2" x 100' / GREY 2520	AR	AR	
26	500865	SCREW TP PAN PH #12x1 1/2 Z050	4	4	
28	451801	DUCT SUPPORT	1	1	
29	454898	SUPPORT	1	1	
30	452509	SUPPORT	3	3	
31	452510	SUPPORT	1	1	
40	H9-2210-06	HEATER & EVAPORATOR BLOWER - INSTALLATION			
60	H9-2205-01	HEATER & EVAPORATOR COIL - INSTALLATION			
61	H9-2215-00	EVAPORATOR & DAMPER CONTROL COMPONENTS			
80	329898P	BOX ASSY / AIR RETURN	1	1	O
81	3200734	. BASE FRAME, BASE, AIR RECIRCULATION BOX	1	1	
82	3200735	. GRILL / AIR RETURN BOX	1	1	
83	3200730	. SUPPORT / TEMPERATURE SENSOR	1	1	
84	563063	. SENSOR THERMISTOR ASSY / TEMPERATURE / ("DELPHI")	1	1	
85	504107	. RIVET POP DOME OE 1/8x5/16 AL	AR	AR	
86	500437	. WASHER FL .125x.375x.040 Z050	AR	AR	
87	500235	. SCREW TP BDG PH #6x3/4 N500	11	11	
		O) OPTIONAL			

From K-0185 To P-1452	Date:07/2024	PAGE:H9-2220-00
-----------------------	--------------	-----------------

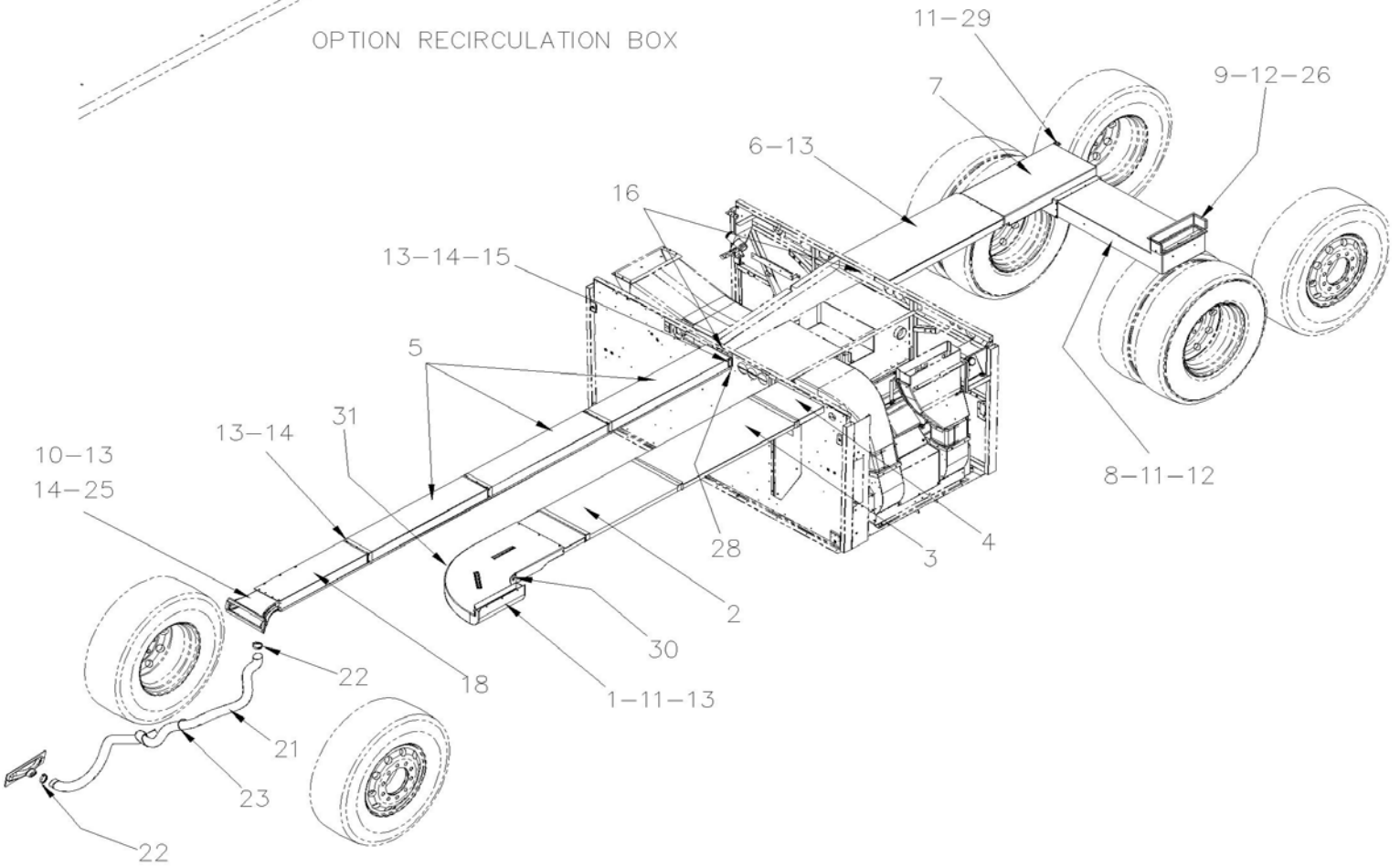
UNDER FLOOR AIR DUCTING

Item#	Part	Description	H 3 4 1	H 3 4 5	N O T E S
		P) CALL ORDER DESK FOR SPECIFIC APPLICATION (V.I.N.)			

From R-1453	Date:07/2024	PAGE:H9-2220-01
UNDER FLOOR AIR DUCTING		



OPTION RECIRCULATION BOX



From R-1453		Date:07/2024	PAGE:H9-2220-01
UNDER FLOOR AIR DUCTING			

Item#	Part	Description	H 3 4 1	H 3 4 5	N O T E S
1	Call order desk	DUCT LEFT		1	P
2	455678	DUCT RIGHT 954MM		1	
3	452397	DUCT RIGHT 1164MM		1	
4	452404	DUCT ASSY		1	
5	452410	FRONT DUCT ASSY		3	
6	455418	DUCT ASSY		1	
7	452377	CENTER REAR DUCT ASSY		1	
8	452376	REAR DUCT		1	
9	454313	REAR DUCT		1	
10	Call order desk	RETURN AIR DUCT ASSY, STAIR		1	P
11	500957	SCREW TP BDG PH #10x3/4 N500		AR	
12	680532	SEALANT SIKA #221 / GREY / 310ml CARTRIDGE		AR	
13	504114	RIVET POP DOME OE 3/16x1/4 AL		AR	
14	506227	TAPE RUB ADH1 CC POL 1/16" x 3/4" x 100' / GREY 2520		AR	
15	451835	ANGULAR BRACKET		2	
16	506002	TAPE RUB ADH1 CC POL 3/16" x 1/2" x 40' / GREY 2520		AR	
NS	684517	ADHESIVE SIMSON #ISR 70-03 / GREY / 310ml CARTRIDGE		AR	
18	452413	DUCT, AIR INLET ASSY #1 886MM		1	
21	453387	HOSE 2 1/2" I.D. X 89"		1	
21	503031	. HOSE FLEXIBLE / AIR DUCT 2 1/2" I.D. X 12' / RUBBER		AR	
22	504025	HOSE CLAMP / 2"5/16-3"1/4 SS / HS-44		2	
23	504637	CABLE TIE / 3/16" x 13"		2	
25	506466	TAPE RUB ADH1 CC POL 1/16" x 1 1/2" x 100 / GREY 2520		AR	
26	500865	SCREW TP PAN PH #12x1 1/2 Z050		4	
28	451801	DUCT SUPPORT		1	
29	454898	SUPPORT		1	
30	452509	SUPPORT		3	
31	452510	SUPPORT		1	
40	329898P	BOX ASSY / AIR RETURN		1	O
41	3200734	. BASE FRAME, BASE, AIR RECIRCULATION BOX		1	O
42	3200735	. GRILL / AIR RETURN BOX		1	O
43	3200730	. SUPPORT / TEMPERATURE SENSOR		1	O
44	563063	. SENSOR THERMISTOR ASSY / TEMPERATURE / ("DELPHI")		1	O
45	504107	. RIVET POP DOME OE 1/8x5/16 AL		AR	O
46	500437	. WASHER FL .125x.375x.040 Z050		AR	O
47	500235	. SCREW TP BDG PH #6x3/4 N500		11	O
50	H9-2205-01	HEATER & EVAPORATOR COIL - INSTALLATION			
51	H9-2215-00	EVAPORATOR & DAMPER CONTROL COMPONENTS			
52	H9-2210-07	HEATER & EVAPORATOR BLOWER - INSTALLATION			

From R-1453	Date:07/2024	PAGE:H9-2220-01
UNDER FLOOR AIR DUCTING		

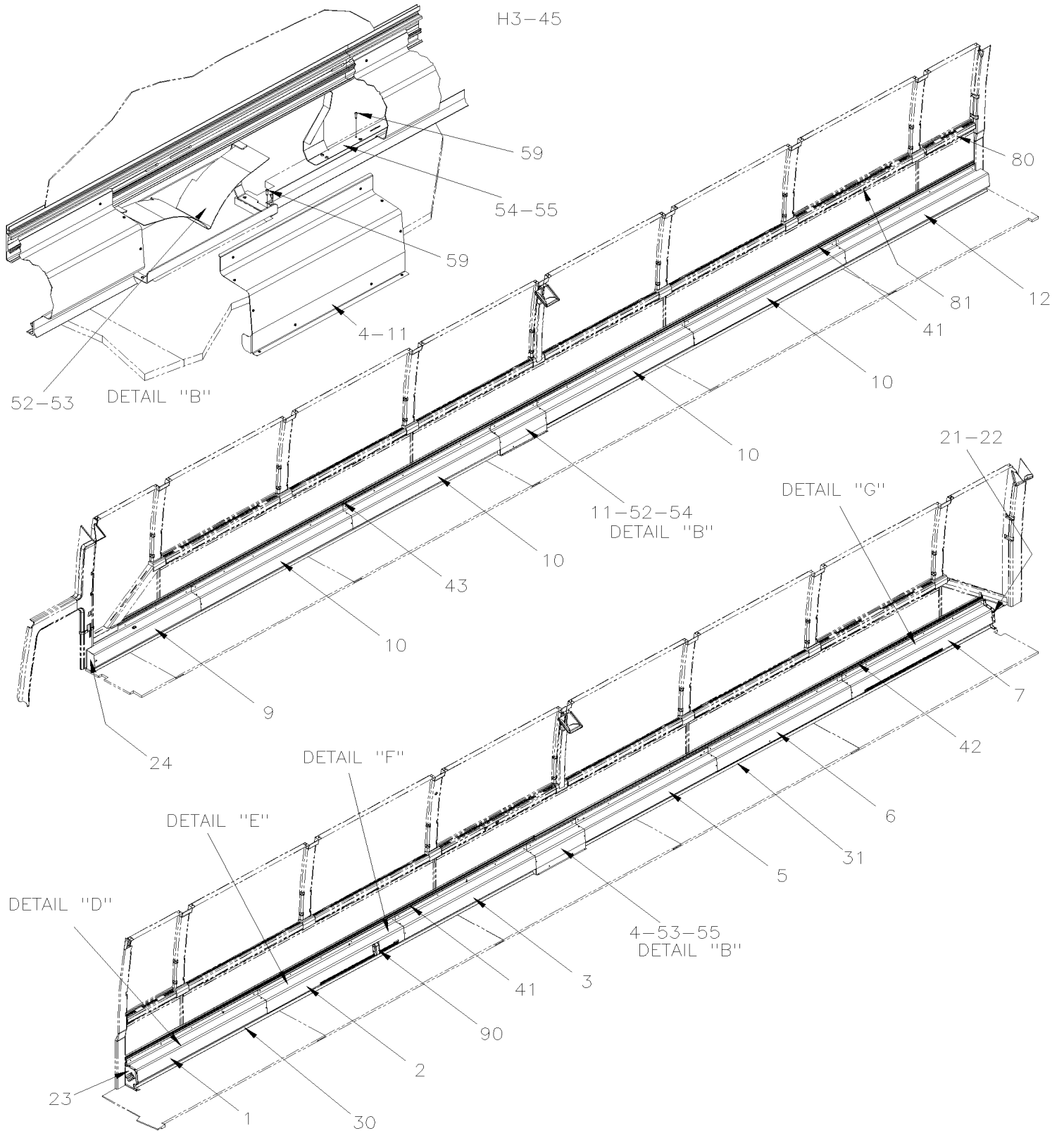
Item#	Part	Description	H 3 4 1	H 3 4 5	N O T E S
		O) OPTIONAL			
		P) CALL ORDER DESK FOR SPECIFIC APPLICATION (V.I.N.)			

From K-0185 To P-1452

Date:07/2024

PAGE:H9-2221-10

DUCTING HEATER & A/C

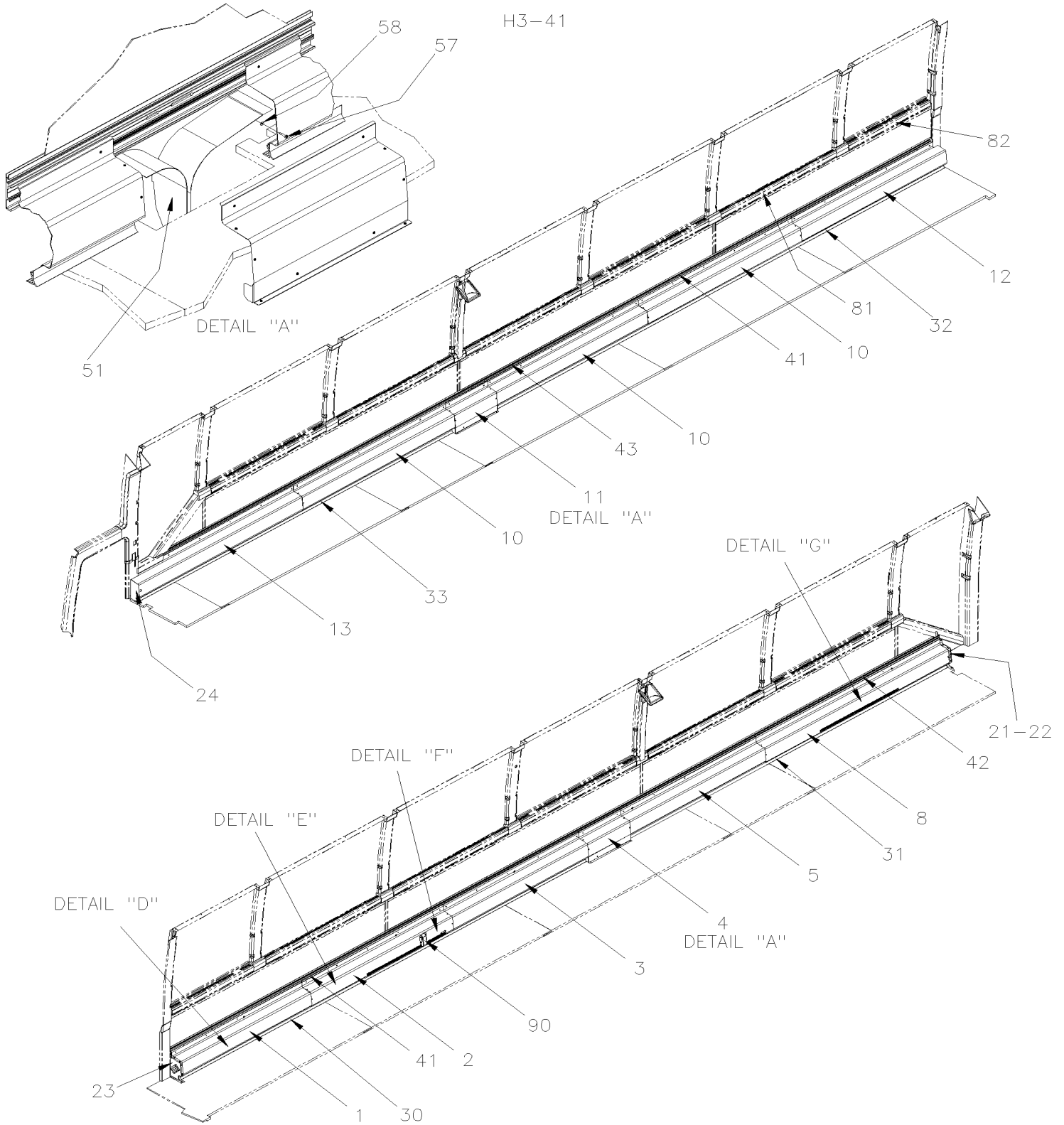


From K-0185 To P-1452

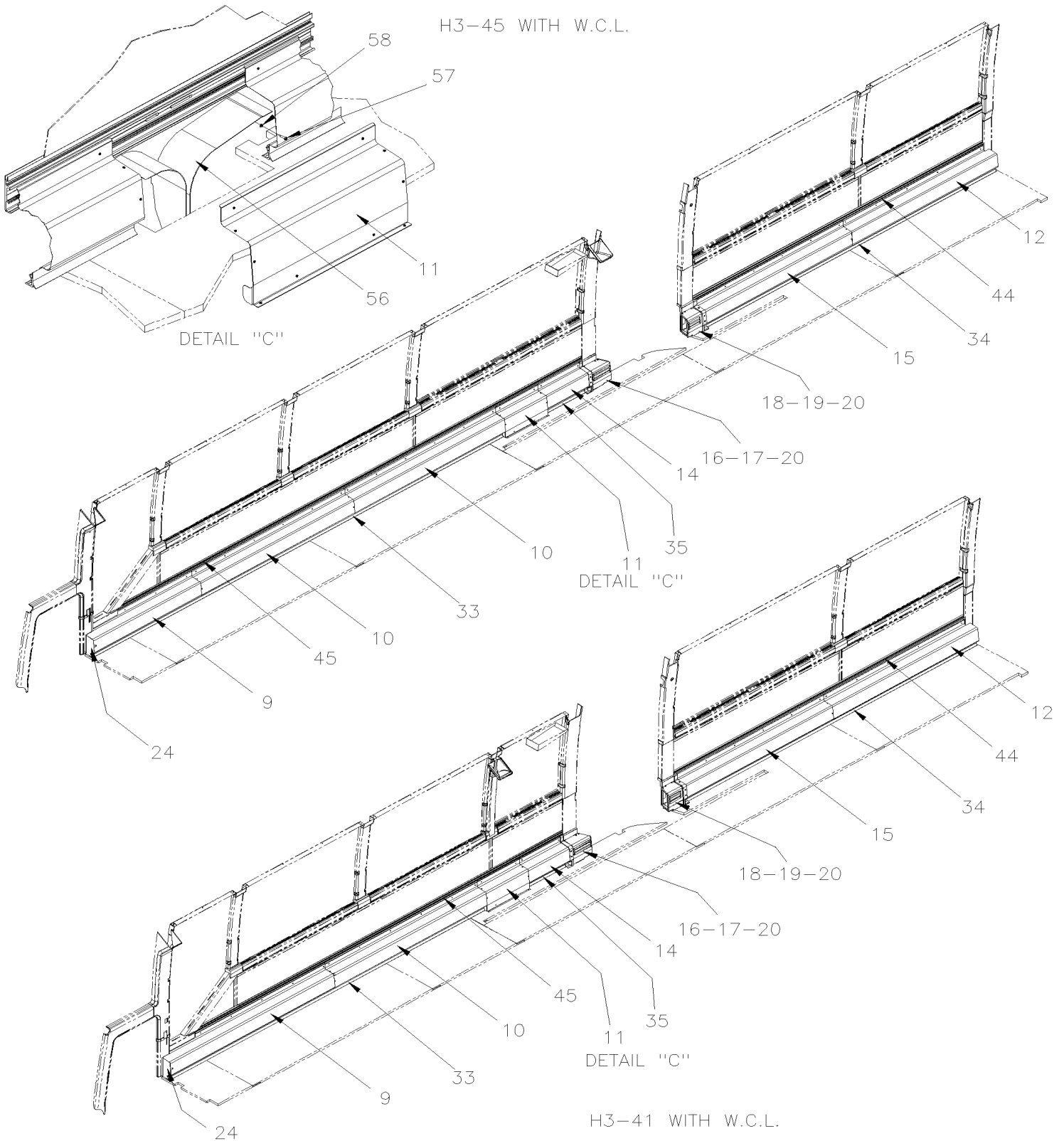
Date:07/2024

PAGE:H9-2221-10

DUCTING HEATER & A/C



DUCTING HEATER & A/C

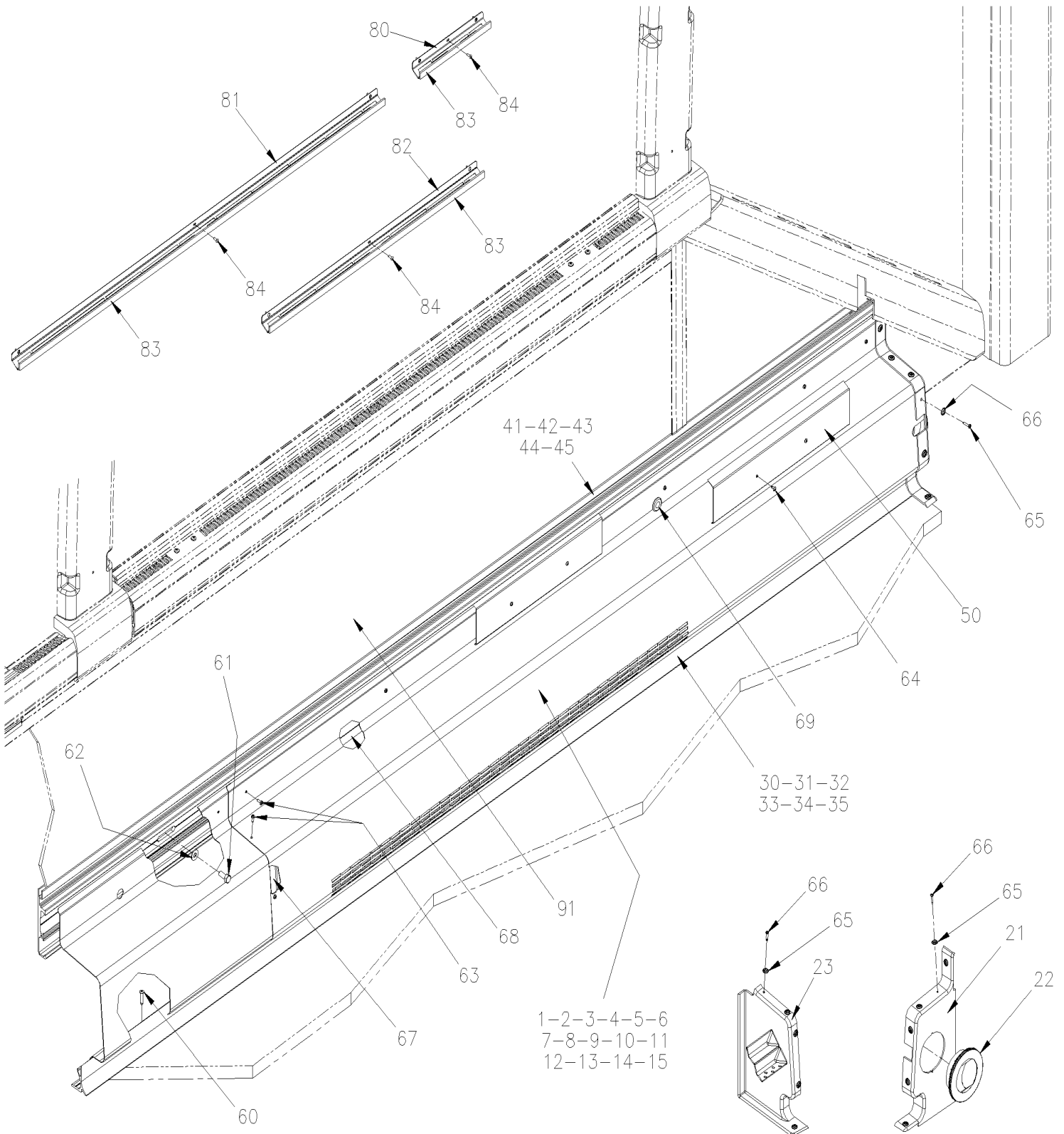


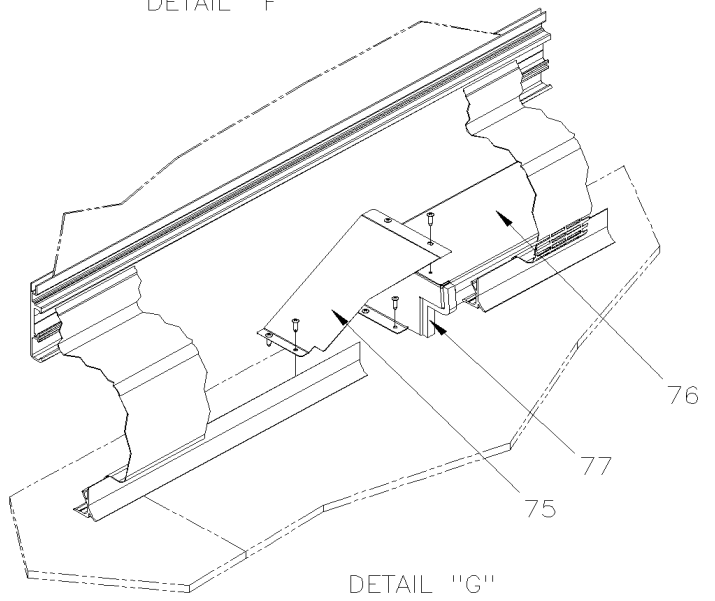
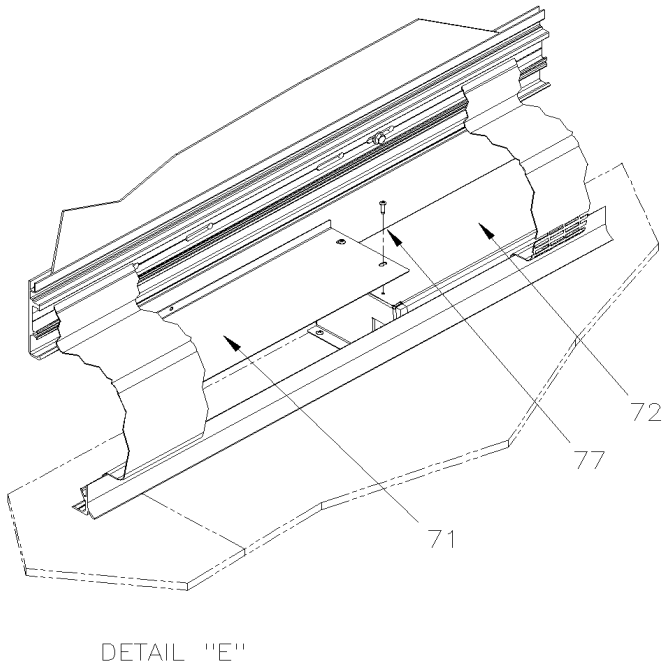
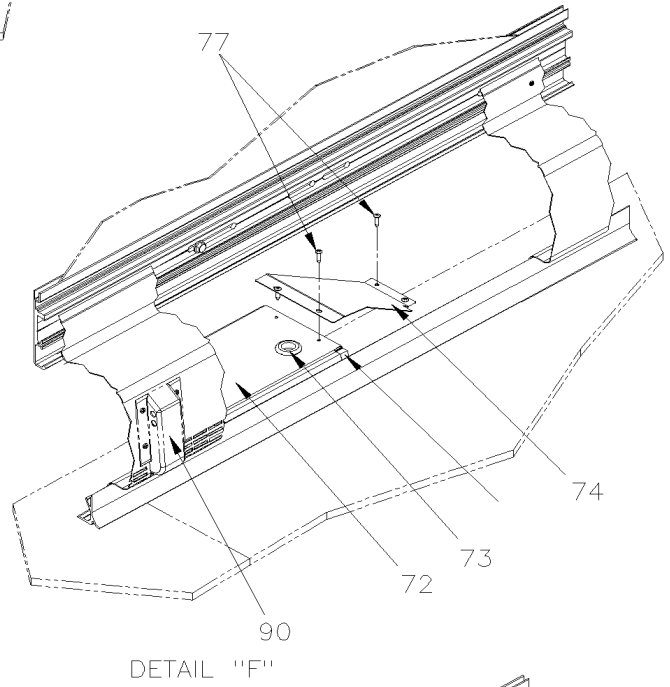
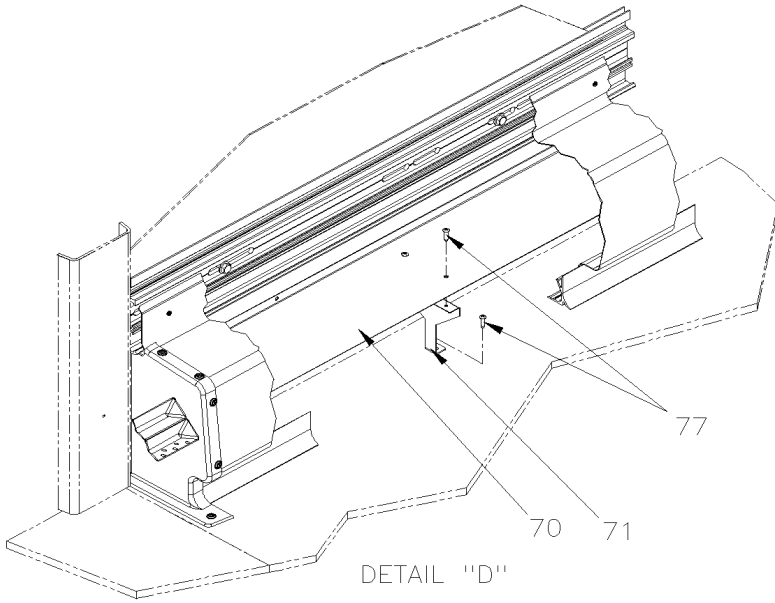
From K-0185 To P-1452

Date:07/2024

PAGE:H9-2221-10

DUCTING HEATER & A/C





From K-0185 To P-1452	Date:07/2024	PAGE:H9-2221-10
DUCTING HEATER & A/C		

Item#	Part	Description	H 3 4 1	H 3 4 5	N O T E S
1	329524	DUCT, AIR 2000 MM	1	1	
2	329642	DUCT, AIR 1843 MM	1	1	
2	3201318	DUCT, AIR 1843 MM		1	SP
3	329525	DUCT, AIR 1800 MM W/1 HOLE 940MM	1		
4	320919	DUCT, AIR 1744 MM		1	
4	329527	DUCT, AIR 548 MM	1		
4	320907	DUCT, AIR 653 MM		1	
4	3210862	DUCT, AIR 1843 MM From L-0889		1	
NS	506264	TAPE RUB ADH1 URE 3/4" x 1" x 12.5' / GREY 1820X	AR	AR	
5	329526	DUCT, AIR 1800MM W/2 HOLES 166MM/ 1706MM	1		
5	320920	DUCT, AIR 1756 MM		1	
6	329535	DUCT, AIR 1800 MM W/1 HOLE 1468MM		1	
7	329528	DUCT, AIR W/VENT 1877MM W/1 HOLE 1227MM		1	
7	3210861	DUCT, AIR W/O/VENT 1877MM W/1 HOLE 1227MM From L-0889		1	
8	329529	DUCT, AIR W/VENT 2411MM W/1 HOLE 1141MM	1		
9	327687	DUCT, AIR 1422 MM		1	
10	327688	DUCT, AIR 2000 MM / GREY	3		
10	327688	DUCT, AIR 2000 MM / GREY	1		WCL
10	320943	DUCT, AIR 1990 MM		4	
10	320943	DUCT, AIR 1990 MM		2	WCL
11	329527	DUCT, AIR 548 MM	1		
11	3200162	DUCT, AIR 615 MM/ GREY		1	
11	329527	DUCT, AIR 548 MM		1	WCL
11	506264	TAPE RUB ADH1 URE 3/4" x 1" x 12.5' / GREY 1820X	AR	AR	
12	327689	DUCT, AIR 1908 MM	1	1	
13	327691	DUCT, AIR 2156 MM	1		
14	327692	DUCT, AIR 578 MM	1		
15	327693	DUCT, AIR 1948 MM	1		
16	3200789	DUCT END FORWARD AIR DUCT		1	WCL
16	3200789	DUCT END FORWARD AIR DUCT	1	1	WCL
17	3200831	CLOSING PANEL FORWARD AIR DUCT	1	1	WCL
18	329619	DUCT END BACKWARD AIR DUCT	1	1	WCL
19	328510	CLOSING PANEL BACKWARD AIR DUCT	1	1	WCL
20	504105	RIVET POP DOME OE 1/8x3/16 AL	AR	AR	WCL
21	328506	CAP CLOSING / L.H. FRONT DUCT	1	1	
22	870901	LOUVER, ADJUSTABLE / ROUND 3" O.D.	1	1	
23	328505	CAP CLOSING / L.H. REAR DUCT	1	1	
24	328961	INSULATING PANEL / DUCT END	1	1	
30	326629	EXTRUSION, FLOOR 5303MM	1		
30	320922	EXTRUSION, FLOOR 5264MM		1	
31	326651	EXTRUSION, FLOOR 4165MM	1		
31	320921	EXTRUSION, FLOOR 5393MM		1	

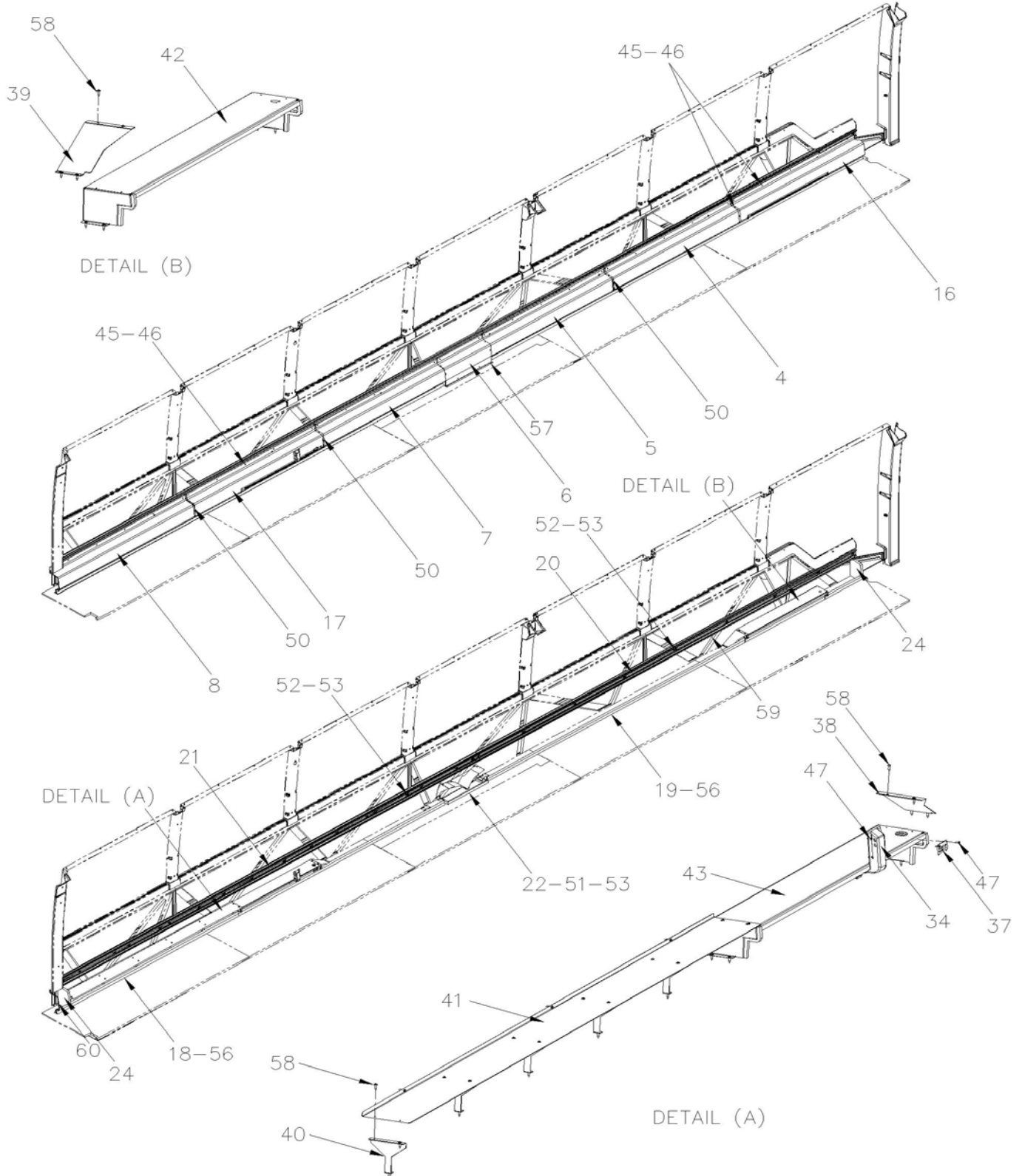
From K-0185 To P-1452	Date:07/2024	PAGE:H9-2221-10
DUCTING HEATER & A/C		

Item#	Part	Description	H 3 4 1	H 3 4 5	N O T E S
32	326632	EXTRUSION, FLOOR 5864MM	1		
32	320944	EXTRUSION, FLOOR 5836MM		1	
33	327756	EXTRUSION, FLOOR 4124 MM	1		
33	320945	EXTRUSION, FLOOR 5351 MM		1	
34	326650	EXTRUSION, FLOOR 3875 MM	1	1	
35	326649	EXTRUSION, FLOOR 606 MM	1	1	WCL
41	3210073	EXTRUSION, LOWER WALL 4123 MM	2		
41	3201599	EXTRUSION, LOWER WALL 5370 MM		2	
42	320002	EXTRUSION, LOWER WALL 5890 MM	1	1	
43	320005	EXTRUSION, LOWER WALL 6236 MM	1	1	
44	320004	EXTRUSION, LOWER WALL 3771.5 MM	1	1	
45	320003	EXTRUSION, LOWER WALL 6395 MM		1	
45	3201157	EXTRUSION, LOWER WALL 5149 MM	1		
50	329521	MOULDING, COVER CABLE / GREY / 203MM To N-1268	AR	AR	
50	3211708	MOULDING, COVER CABLE / GREY / 300MM From P-1269	AR	AR	
50	329522	MOULDING, COVER CABLE / GREY / 330MM	AR	AR	
50	329518	MOULDING, COVER CABLE / GREY / 360MM	AR	AR	
50	329519	MOULDING, COVER CABLE / GREY / 390MM	AR	AR	
50	329520	MOULDING, COVER CABLE / GREY / 465MM	AR	AR	
50	329517	MOULDING, COVER CABLE / GREY / 530MM	AR	AR	
51	452689	DEFLECTOR / OUTPUT DUCT LH & RH	2		
51	452689	DEFLECTOR / OUTPUT DUCT LH & RH	1		WCL
52	450007	DEFLECTOR / RH		1	
53	450003	DEFLECTOR / LH		1	
54	370066	DEFLECTOR / RH / "U" SHAPE		1	
55	370065	DEFLECTOR / LH / "U" SHAPE		1	
56	457440	DEFLECTOR / OUTPUT DUCT RH		1	
57	500659	SCREW TC PAN PH #10-32x1 Z050	8		
57	500659	SCREW TC PAN PH #10-32x1 Z050		4	WCL
58	500855	WASHER FL .188x.438x.049 N500	8		
58	500855	WASHER FL .188x.438x.049 N500		4	WCL
59	500957	SCREW TP BDG PH #10x3/4 N500		20	
59	500957	SCREW TP BDG PH #10x3/4 N500		10	WCL
60	500879	SCREW TP PAN PH #10x1 Z050	AR	AR	
61	5001473	SCREW CAP HEXS 5/16-18x3/4 NYRT	AR	AR	
62	502638	WASHER FL .312x.734x.065 N500 To N-1242	AR	AR	
62	5001848	WASHER BEL SPR .827 x .331 x .098 th SS From N-1243	AR	AR	
63	500583	SCREW TP PAN PH #6x1/2 Z050	AR	AR	
64	500852	SCREW TP BDG PH #6x3/8 N500	AR	AR	
65	500333	SCREW TP OV PH #6x3/4 BK	AR	AR	
66	500345	WASHER FN CKF .187x.500x.090 BR BK	AR	AR	
67	506104	TAPE RUB ADH1 URE 1/8" x 1/2" x 75' / GREY 1820	AR	AR	

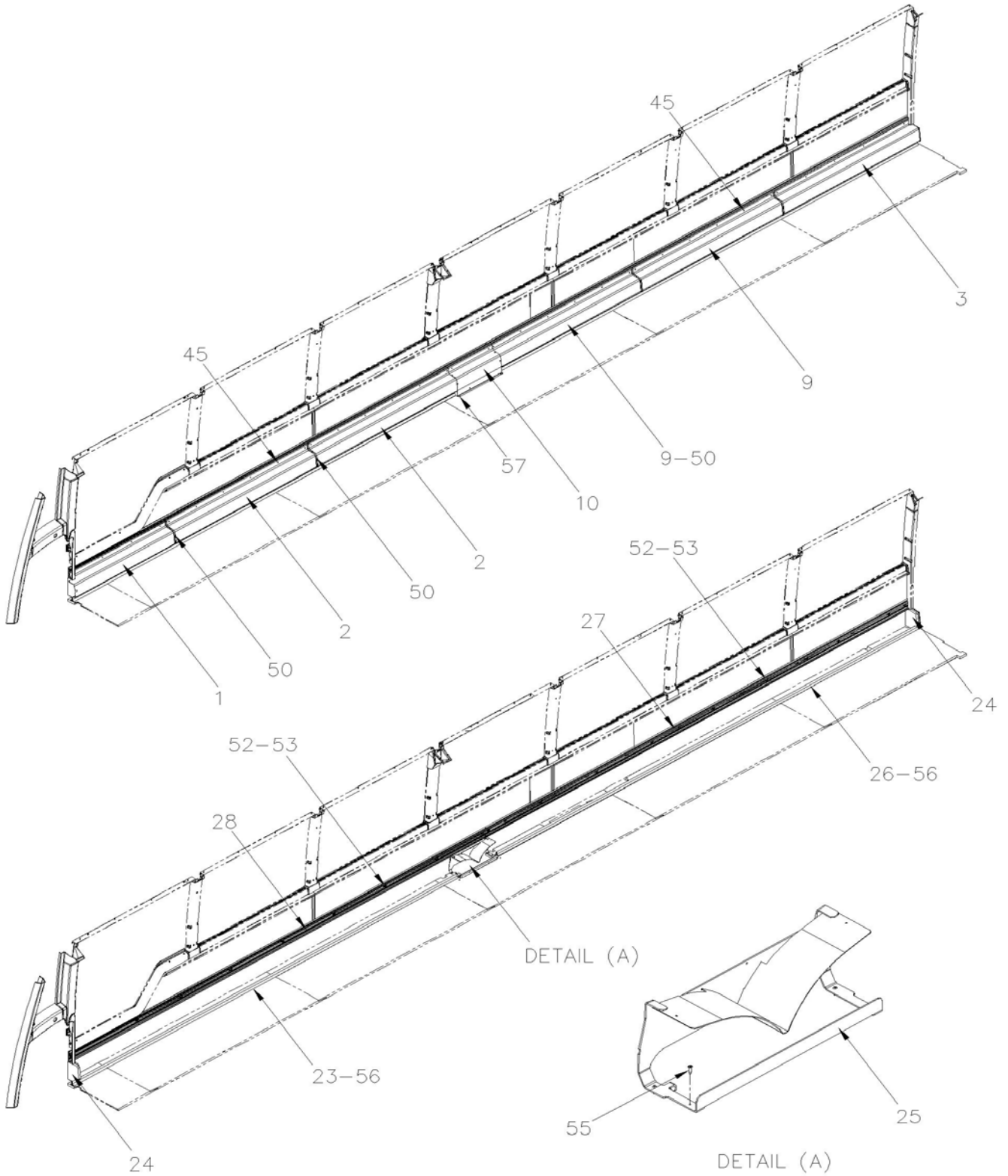
From K-0185 To P-1452	Date:07/2024	PAGE:H9-2221-10
DUCTING HEATER & A/C		

Item#	Part	Description	H 3 4 1	H 3 4 5	N O T E S
68	506191	TAPE RUB ADH1 CC POL 1/8" x 1/4" x 50' / GREY 2520X	AR	AR	
69	504061	GROMMET / .4375x.687x.062x.312x.937	AR	AR	
70	454690	DEFLECTOR, ANGLE / REAR L.H. SIDE / TOP OF RETURN	1	1	
71	454689	SUPPORT / "Y" SHAPED	5	5	
72	Call order desk	DUCT, AIR RETURN (1143 MM)	1	1	P
72	506268	. TAPE RUB ADH1 URE 3/8" x 1/2" x 25' / GREY 1820	AR	AR	
73	504397	. GROMMET / .750x1.062x.062x.375x1.375	1	1	
74	454687	DEFLECTOR / L.H. /END OF RETURN DUCT)	1	1	
75	454688	DEFLECTOR / R.H. /END OF RETURN DUCT)	1	1	
76	Call order desk	DUCT, AIR RETURN (1143 MM)	1	1	P
76	506268	. TAPE RUB ADH1 URE 3/8" x 1/2" x 25' / GREY 1820	AR	AR	
77	500642	SCREW TP PAN PH #10x3/4 Z050	AR	AR	
80	453732	AIR DIFFUSOR RESTRICTION 202MM		1	
81	453731	AIR DIFFUSOR RESTRICTION 1048MM	1	1	
82	457495	AIR DIFFUSOR RESTRICTION 616MM	1		
83	506104	. TAPE RUB ADH1 URE 1/8" x 1/2" x 75' / GREY 1820	1	1	
84	504106	RIVET POP DOME OE 1/8x1/4 AL	AR	AR	
90	H9-2210-50	AIR MAIN SENSOR			
91	H9-1833-01	WINDOW FINISHING CAP & WALL W/TAN FINISHING To K-0484			
91	H9-1833-02	WINDOW FINISHING CAP & WALL FINISHING From K-0485			
92	H9-1839-01	INSULATING SIDE WALL - LOWER PANEL			
		SP) SPECIAL WITH BOX, AIR RECIRCULATION			
		WCL) WITH WHEEL CHAIR LIFT			
		P) CALL ORDER DESK FOR SPECIFIC APPLICATION (V.I.N.)			

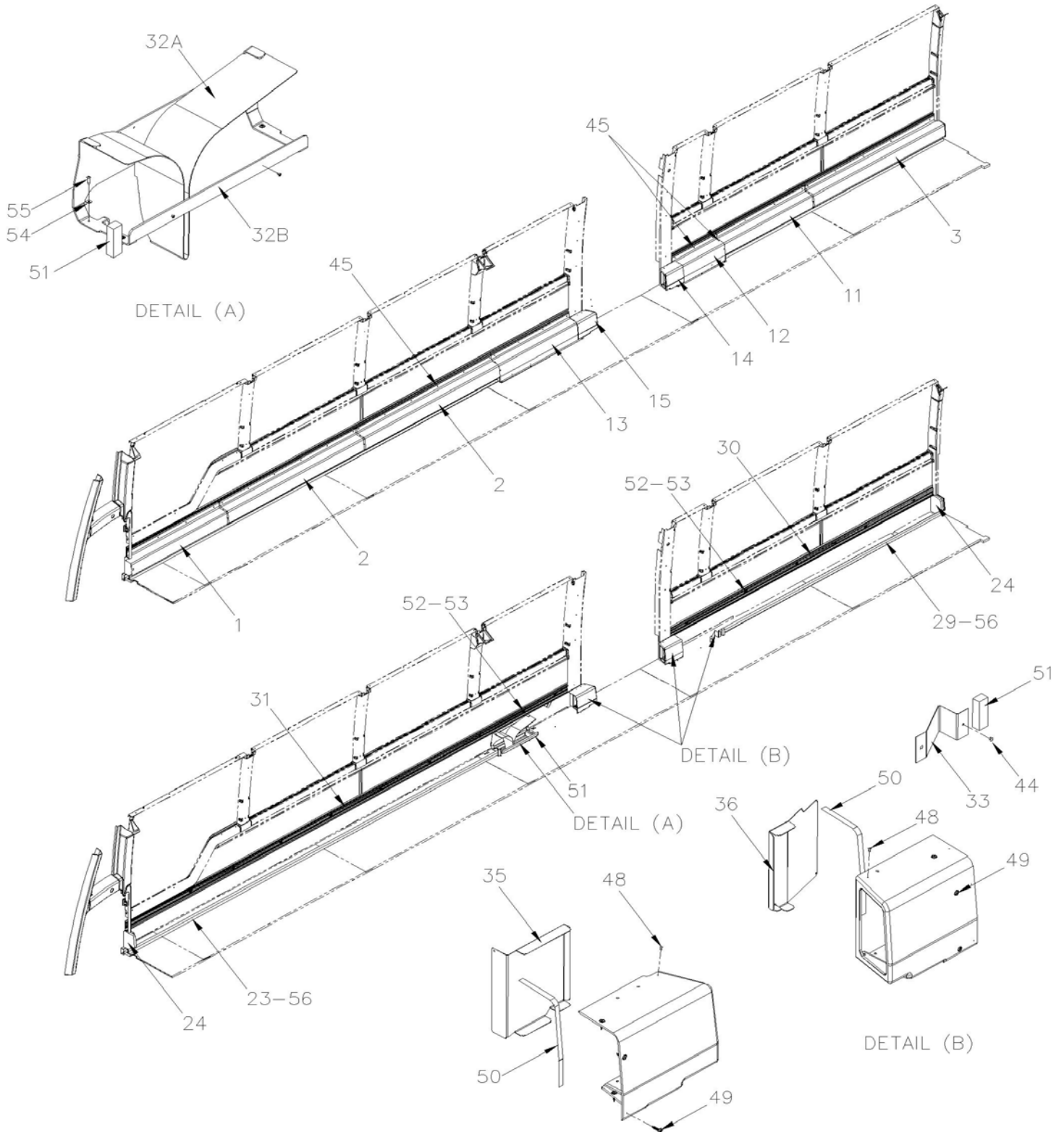
	Date:07/2024	PAGE:H9-2221-11
DUCTING HEATER & A/C		



	Date:07/2024	PAGE:H9-2221-11
DUCTING HEATER & A/C		



	Date:07/2024	PAGE:H9-2221-11
DUCTING HEATER & A/C		



	Date:07/2024	PAGE:H9-2221-11
DUCTING HEATER & A/C		

Item#	Part	Description	H 3 4 1	H 3 4 5	N O T E S
1	3210904	DUCK AIR		1	
2	320943	DUCT, AIR 1990 MM		2	
3	3211438	DUCK AIR		1	
4	329535	DUCT, AIR 1800 MM W/1 HOLE 1468MM		1	
5	320920	DUCT, AIR 1756 MM		1	
6	320907	DUCT, AIR 653 MM		1	
7	320919	DUCT, AIR 1744 MM		1	
8	3211413	DUCT VENT.ALU.REAR LEFT		1	
9	320943	DUCT, AIR 1990 MM		2	
10	3200162	DUCT, AIR 615 MM/ GREY		1	
11	321028	DUCT, AIR 1326MM / GREY		1	
12	3210451	DUCT VENTILATION WCL		1	
13	3210972	DUCT VENT.ALU.		1	
14	3211027	REAR END DUCT, SLIDING DOOR		1	
15	3211028	FRONT END DUCT, SLIDING DOOR		1	
16	3210900	DUCT VENT. ALU. FRONT.LEFT		1	*
16	3210903	DUCT VENT. ALU. FRONT.LEFT		1	**
17	329642	DUCT, AIR 1843 MM		1	*
17	3210862	DUCT, AIR 1843 MM		1	**
18	3211437	EXTRUSION FLOOR		1	
19	3210901	EXTRUSION FLOOR		1	
20	3210905	WALL EXTRUSION		1	
21	3210909	WALL EXTRUSION		1	
22	450003	DEFLECTOR / LH		1	
23	3211286	EXTRUSION FLOOR		1	
24	353145	INSULATION AIR DUCT		4	
25	450007	DEFLECTOR / RH		1	
26	320944	EXTRUSION, FLOOR 5836MM		1	
27	3210909	WALL EXTRUSION		1	
28	3210914	WALL EXTRUSION		1	
29	3210147	EXTRUSION FLOOR		1	
30	3210910	WALL EXTRUSION		1	
31	3210911	WALL EXTRUSION		1	
32	451979	DEFLECTOR, RIGHT W/WCL ASSY.		1	
. A	451957	. DEFLECTOR WCL CPA		1	
. B	450008	. SUPPORT DEFLECTOR CPA		1	
33	3200362	DEFLECTOR		1	
34	H9-2210-50	AIR MAIN SENSOR			
35	3210298	CLOSING PANEL FOWARD AIR DUCT		1	
36	3210346	CLOSING PANEL BACKWARD AIR DUCT		1	
37	328182	PLATE COVER / W/4 VENT HOLES / 64MM x 33MM		1	
38	454687	DEFLECTOR / L.H. /END OF RETURN DUCT)		1	

		Date:07/2024	PAGE:H9-2221-11
DUCTING HEATER & A/C			

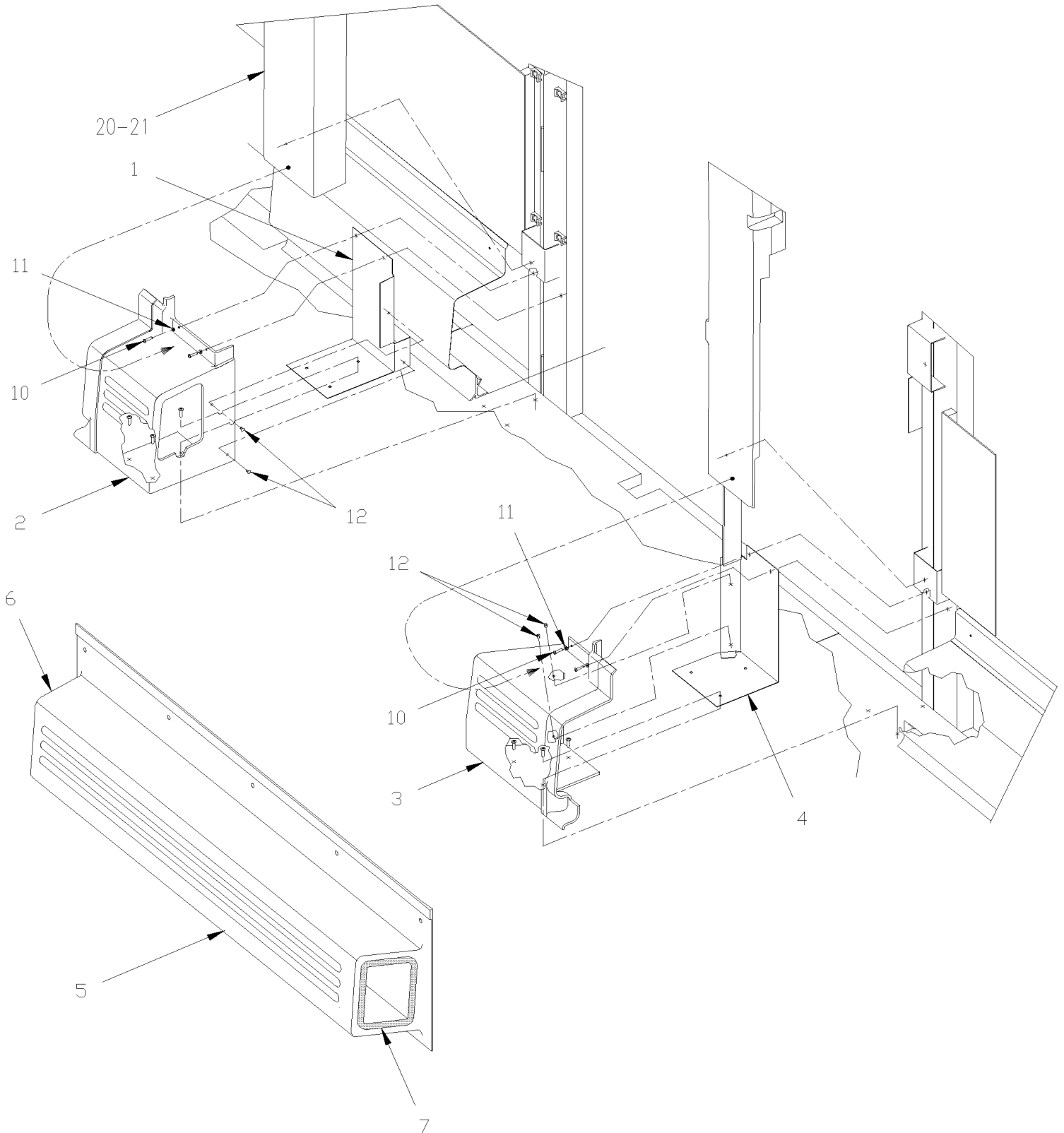
Item#	Part	Description	H 3 4 1	H 3 4 5	N O T E S
39	454688	DEFLECTOR / R.H. /END OF RETURN DUCT)		1	
40	454689	SUPPORT / "Y" SHAPED		5	
41	454690	DEFLECTOR, ANGLE / REAR L.H. SIDE / TOP OF RETURN		1	
42	Call order desk	DUCT, AIR RETURN (1143 MM)		1	P
43	Call order desk	DUCT, AIR RETURN (1143 MM)		1	P
44	504347	RIVET POP DOME OE 3/16x1/4 AL		2	
45	500417	SCREW TP PAN PH #6x3/8 Z050			
46	500583	SCREW TP PAN PH #6x1/2 Z050			
47	5001015	SCREW TP BDG PH #6x1/2 SS BK		6	
48	504105	RIVET POP DOME OE 1/8x3/16 AL		13	
49	5002083	SCREW DR SEMS FN OV PH #8X1 N050		10	
50	506104	TAPE RUB ADH1 URE 1/8" x 1/2" x 75' / GREY 1820			
51	506264	TAPE RUB ADH1 URE 3/4" x 1" x 12.5' / GREY 1820X			
52	502638	WASHER FL .312x.734x.065 N500			
53	5001473	SCREW CAP HEXS 5/16-18x3/4 NYRT			
54	500804	WASHER FL .203x.500x.047 N500		4	
55	500957	SCREW TP BDG PH #10x3/4 N500			
56	500879	SCREW TP PAN PH #10x1 Z050			
57	500640	SCREW TP PAN PH #6x3/4 Z050			
58	500642	SCREW TP PAN PH #10x3/4 Z050			
59	506191	TAPE RUB ADH1 CC POL 1/8" x 1/4" x 50' / GREY 2520X			
60	506338	RUBBER CHANNEL / 1/16" x 1/4" INT "U" SHAPE / ROUND C.T.L.			
		*) WITHOUT RECIRCULATION BOX			
		**) WITH RECIRCULATION BOX			
		P) CALL ORDER DESK FOR SPECIFIC APPLICATION (V.I.N.)			

From K-0185 To P-1452

Date:07/2024

PAGE:H9-2221-80

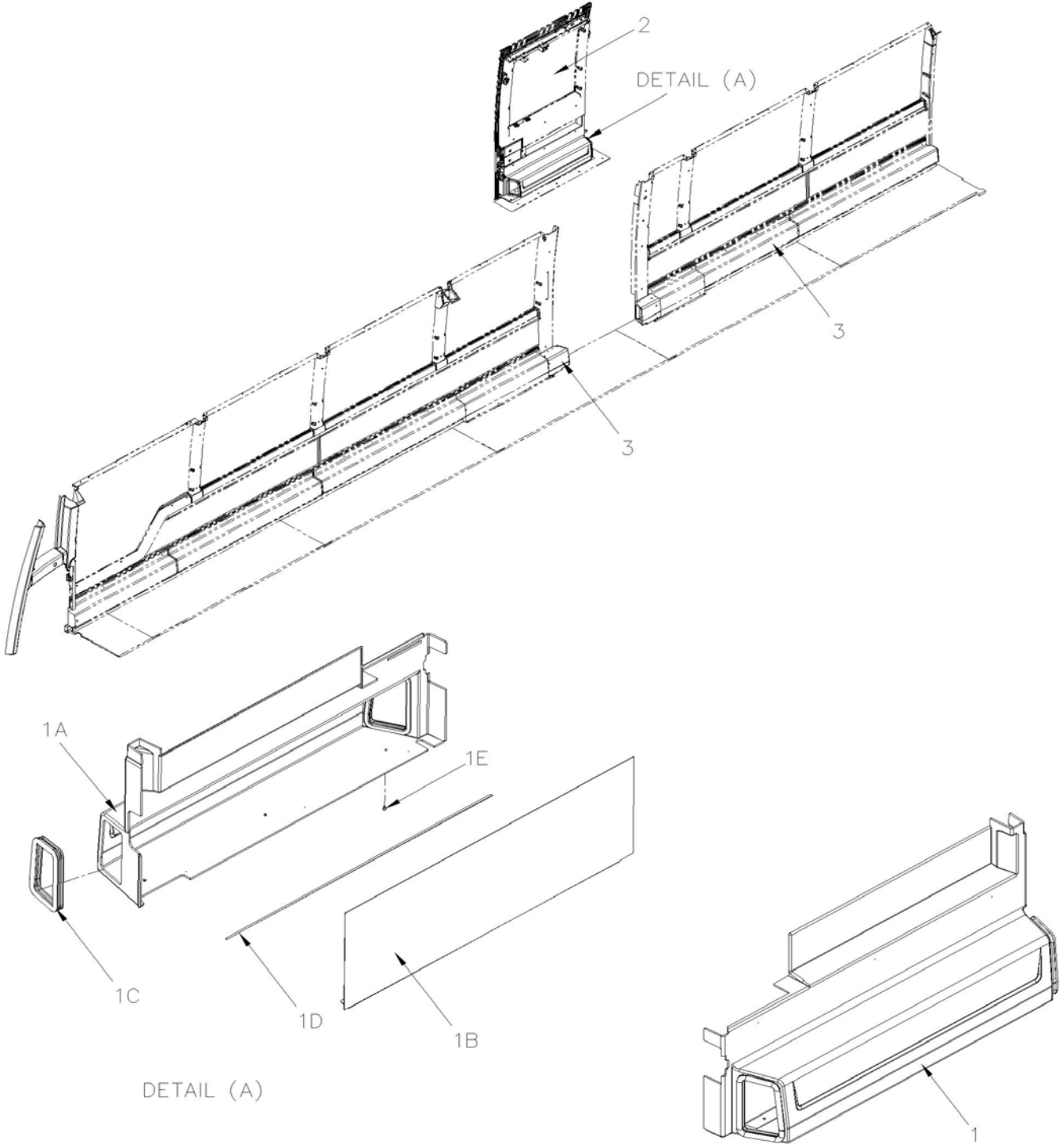
AIR DUCT W.C.L. DOOR "RICON"



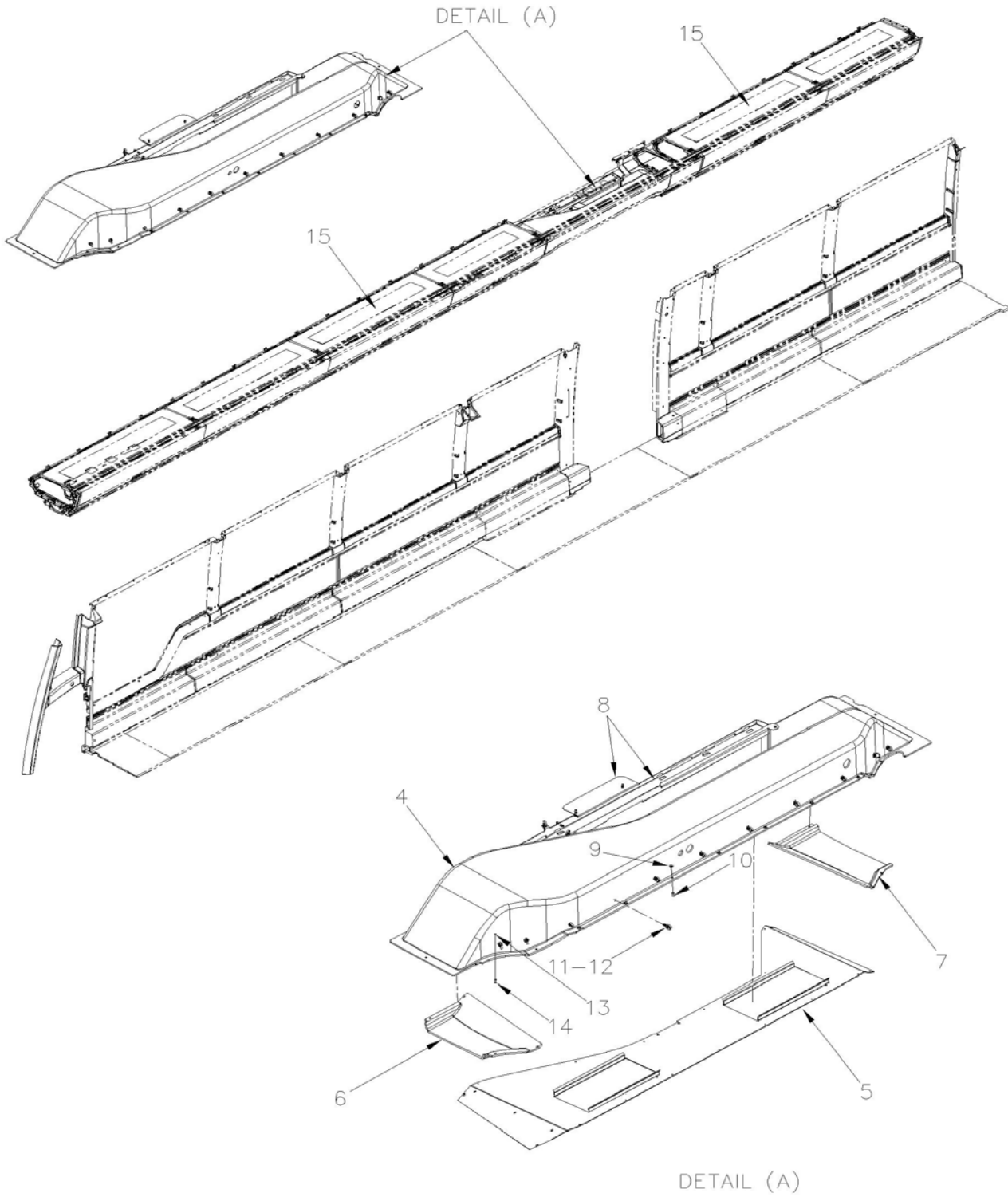
From K-0185 To P-1452	Date:07/2024	PAGE:H9-2221-80
AIR DUCT W.C.L. DOOR "RICON"		

Item#	Part	Description	H 3 4 1	H 3 4 5	NOTES
1	3200831	CLOSING PANEL FORWARD AIR DUCT	1	1	
2	3200789	DUCT END FORWARD AIR DUCT	1	1	
2	3200789	DUCT END FORWARD AIR DUCT	1	1	B
3	329619	DUCT END BACKWARD AIR DUCT	1	1	
4	328510	CLOSING PANEL BACKWARD AIR DUCT	1	1	
5	3200790	DUCT DOOR / PLASTIC To K-0184	1	1	
5	281449	DUCT DOOR / PLASTIC From K-0185	1	1	
6	329615	SEAL DUCT 600MM	1	1	
. NS	5061011	. RUBBER EXTRUSION TRIM SEAL / GRIP .090/.120 / 5/8" HOLLOW BULB C.T.L.	AR	AR	
7	329615	SEAL DUCT 600MM	1	1	
. NS	5061011	. RUBBER EXTRUSION TRIM SEAL / GRIP .090/.120 / 5/8" HOLLOW BULB C.T.L.	AR	AR	
10	500552	SCREW TP OV PH #6x3/4 Z050	AR	AR	
11	500463	WASHER FN CKF .187x.500x.090 BR Z050	AR	AR	
12	504105	RIVET POP DOME OE 1/8x3/16 AL	AR	AR	
20	H9-1833-01	WINDOW FINISHING CAP & WALL W/TAN FINISHING To K-0484			
20	H9-1833-02	WINDOW FINISHING CAP & WALL FINISHING From K-0485			
21	H9-1862-82	ENTRANCE DOOR SLIDING - WCL			
NS	506264	TAPE RUB ADH1 URE 3/4" x 1" x 12.5' / GREY 1820X	AR	AR	
		B) WITH A/C IN PARCEL RACK			

	Date:07/2024	PAGE:H9-2221-81
AIR DUCT W.C.L. DOOR "RICON"		



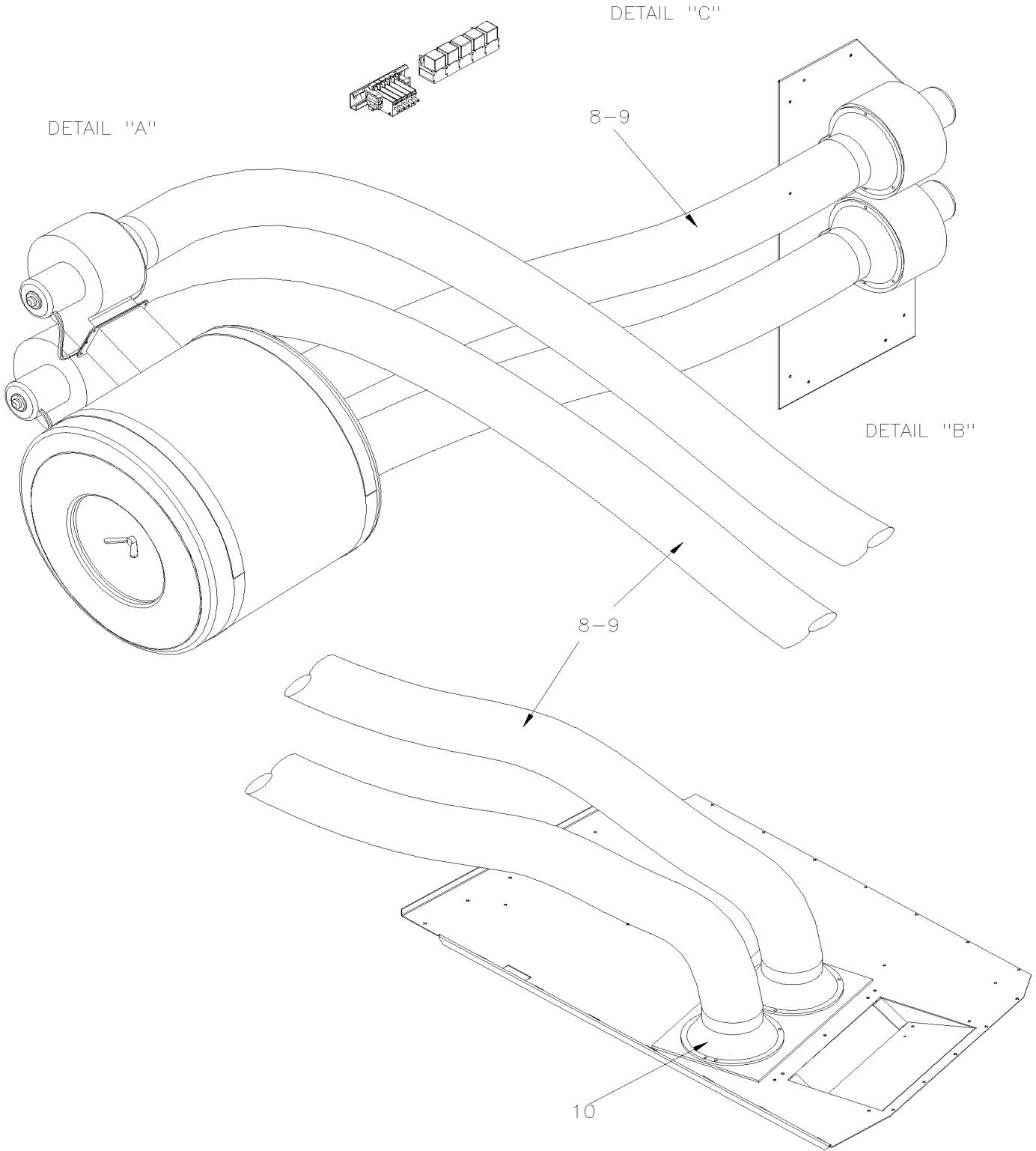
	Date:07/2024	PAGE:H9-2221-81
AIR DUCT W.C.L. DOOR "RICON"		



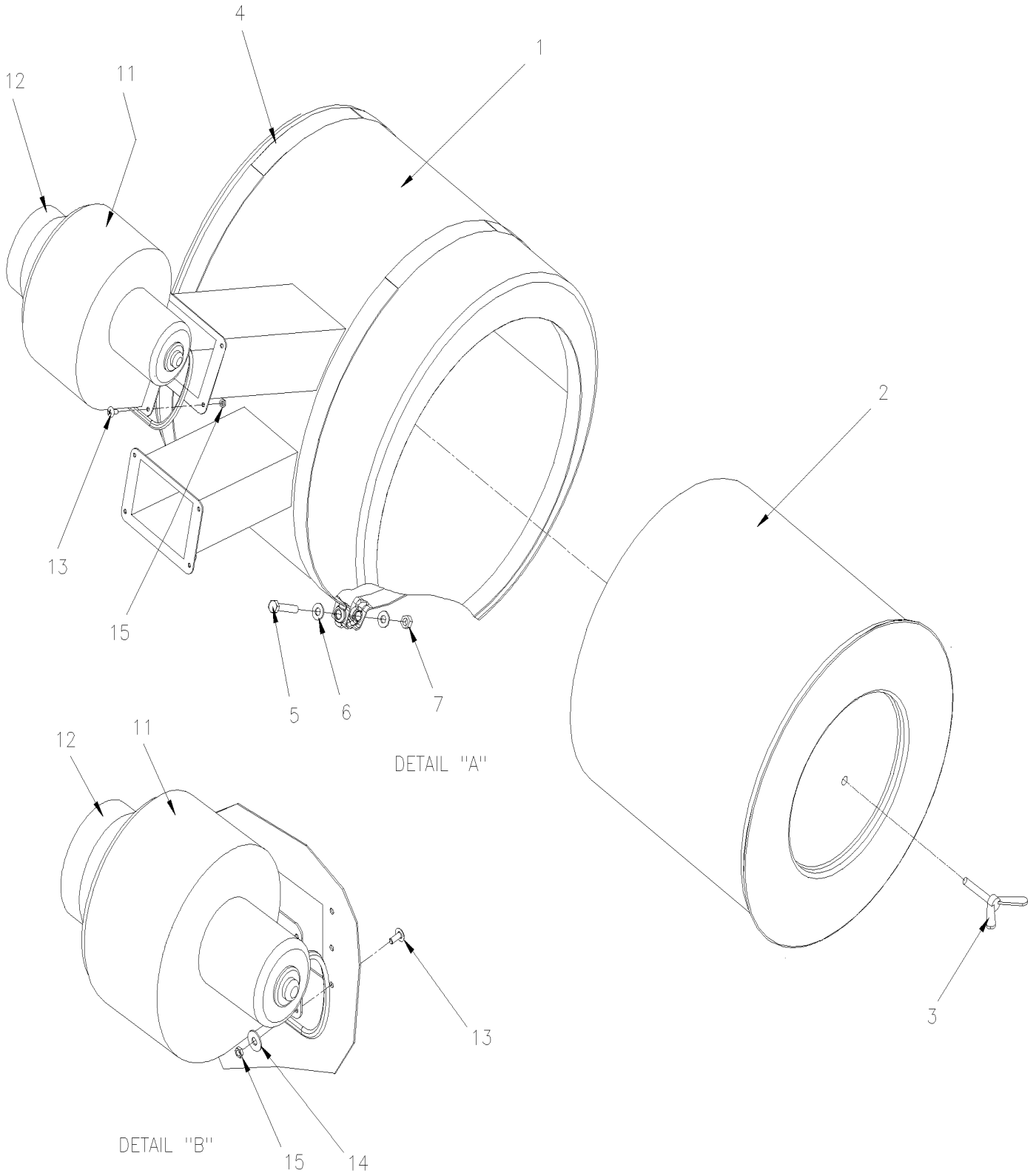
	Date:07/2024	PAGE:H9-2221-81
AIR DUCT W.C.L. DOOR "RICON"		

Item#	Part	Description	H 3 4 1	H 3 4 5	N O T E S
1	2810475	DUCT DOOR / PLASTIC ASSY		1	
1A	3211160	. AIR DUCT SLIDING DOOR		1	
1A	2800261	. PLATE REINFORCMENT SS LOZANGE 148MM x 114MM		1	
1B	2810474	. DUCT PLATE, SLIDING DOOR		1	
1C	329615	. SEAL DUCT 600MM		2	
. NS	5061011	. . RUBBER EXTRUSION TRIM SEAL / GRIP .090/.120 / 5/8" HOLLOW BULB C.T.L.		AR	
1D	506869	. TAPE RUB ADH2 POL .031" X 1/4" X 300' / BLACK		4	
1E	504113	. RIVET POP DOME CLE 3/16x1/4 AL		3	
2	H9-1862-83	ENTRANCE DOOR SLIDING - WCL			
3	H9-2221-11	DUCTING HEATER & A/C			
4	453921	DUCT AIR OVER WCL DOOR		1	
5	453920	PANEL AIR DUCT OVER WCL DOOR		1	
6	453922	DEFLECTOR FRONT DUCT WCL DOOR		1	
7	453923	DEFLECTOR REAR DUCTWCL DOOR		1	
8	3211323	HOLDER ROOF WCL		1	
9	500804	WASHER FL .203x.500x.047 N500		12	
10	504118	RIVET POP DOME OE 3/16x3/8 AL		15	
11	509815	TIE MOUNT / ATTACHMENT W/TREE MOUNT		21	
12	504637	CABLE TIE / 3/16" x 13"		21	
13	502578	WASHER FL 3.2x7.0x0.5 Z050		8	
14	504108	RIVET POP DOME OE 1/8x1/2 AL		8	
15	H9-1836-04	PARCEL RACK			

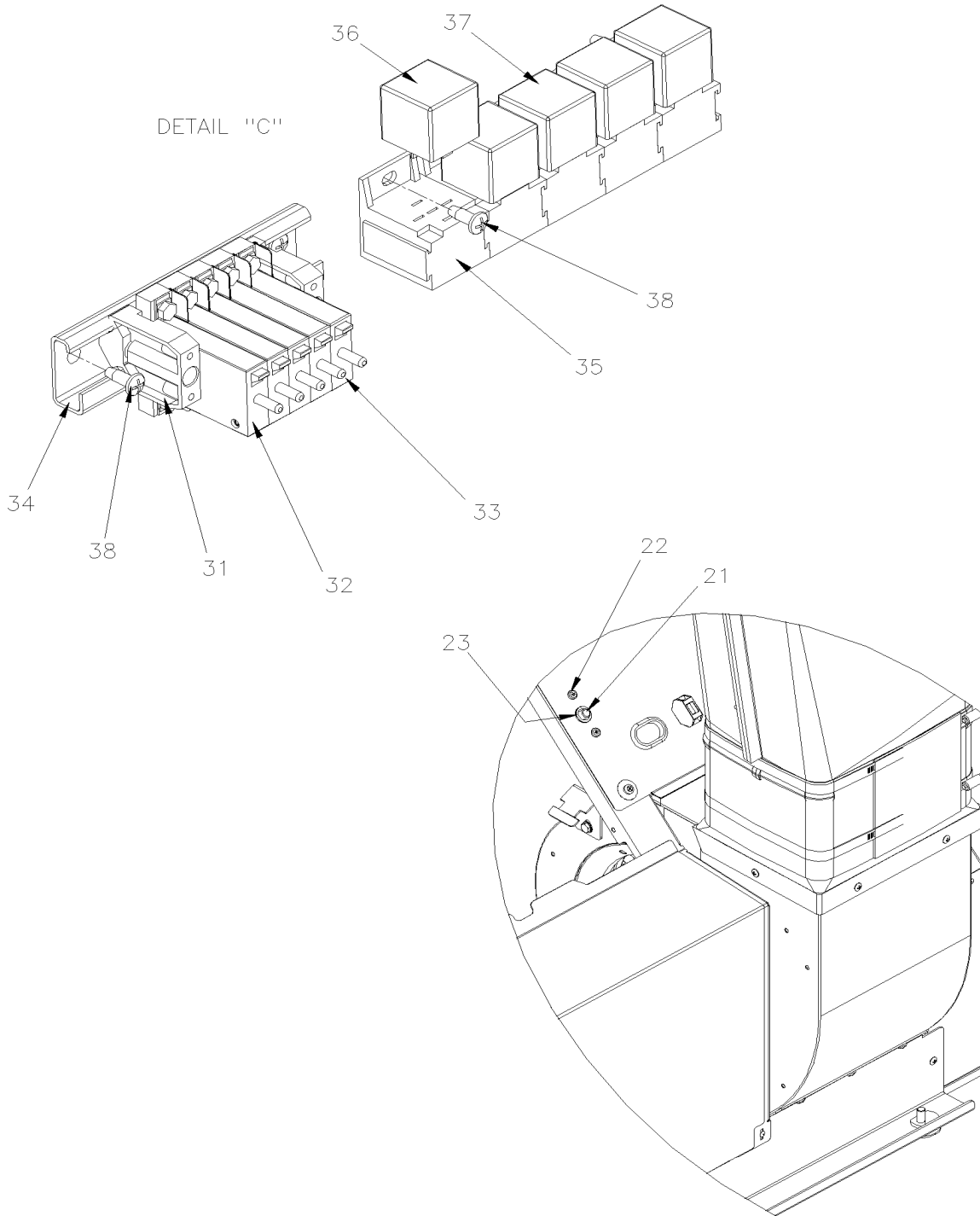
To £-22024	Date:07/2024	PAGE:H9-2221-90
DUST ABATEMENT SYSTEM		



To £-22024	Date:07/2024	PAGE:H9-2221-90
DUST ABATEMENT SYSTEM		



DUST ABATEMENT SYSTEM



To £-22024		Date:07/2024	PAGE:H9-2221-90
DUST ABATEMENT SYSTEM			

Item#	Part	Description	H 3 4 1	H 3 4 5	N O T E S
1	N.P.N.	FILTER AIR 18" / MODIFIED		1	4
2	530197	ELEMENT AIR FILTER 18"		1	
3	531420	NUT WING 1/2-13 NY		1	
3	213951	SUPPORT AIR FILTER		1	
NS	500544	SCREW CAP HEX M8-1.25x30 G8.8 Z050		4	
NS	500381	WASHER FL 8.4x25.0x2.0 N500		4	
NS	502744	NUT HEX STO M8-1.25 Z050		4	
4	031465	STRAP MOUNTING / W/18" AIR FILTER		2	
5	5001178	SCREW CAP HEX M8-1.25x60 SS BK		2	
6	5001740	NUT HEX STO M8-1.25 N500		2	
7	5001736	WASHER FL 8.4x18.0x2.0 N500		4	
8	7770015	DUST HOSE 4"		AR	
NS	504013	TIE MOUNT / 1/4" X 1/4" I.D.		AR	
NS	504747	RIVET HKL MMS 3/16x3/8 SS		AR	
NS	504016	CABLE TIE / 5/16" X 14"1/2		AR	
NS	504637	CABLE TIE / 3/16" x 13"		AR	
9	7770016	CLAMP 4"		8	
10	373503	TRANSITION AIR INLET		2	
10	504748	RIVET HKL MMS 3/16x1/2 SS		6	
10	970101	GRILL		AR	
10	N.P.N.	PLASTIC PANEL 1/4 BLACK		1	4
11	870844	BLOWER & MOTOR ASSY - "M.C.C." "CW" / FAN END To £-22024		4	
11	406804	BLOWER & MOTOR ASSY From £-22024		4	
12	404692	ADAPTOR		4	
13	5001241	SCREW MA TR PH #10-24x1/2 SS		20	
14	500411	WASHER FL .260x.697x.050 SS		12	
15	5001180	NUT HEX NYRT #10-24 SS		20	
NS	506236	TAPE RUB ADH1 CC POL 1/16" x 1/2" x 100' / GREY 2520		AR	
NS	506003	TAPE RUB ADH1 CC POL 3/16" x 3/4" x 40' / GREY 2520X		AR	
NS	506465	TAPE RUB ADH1 CC NEO 1/8" x 1/4" x 60' / BLACK 1220		AR	
NS	506071	TAPE RUB ADH1 CC POL 1/8" x 1/2" x 50' / GREY 2520X		AR	
NS	687957	GLUE MS POLYMER TEROSON MS 9399 / 400ml CARTRIDGE To M-6660		AR	
NS	685387	GLUE MS POLYMER TEROSON MS 9399 / 400ml CARTRIDGE From M-6661		AR	
NS	687958	MIXER QUADRO 10.7MM W/"V" ADAPTOR / "B"		AR	
NS	7770072	ADHESIVE SIMSON #ISR 70-03 / WHITE / 310ml CARTRIDGE		1	
21	870093	BREAKER 40AMPS / 24V /		1	
22	500510	SCREW MA BDG PH #10-32x3/4 SS EMN		2	
22	500423	NUT HEX NYRT #10-32 SS		2	
23	504085	SNAP BUSHING / .500x.718x.406		1	
31	561729	STOPPER		2	
32	561797	BREAKER 3AMPS / 24V /		1	
33	561791	BREAKER 8AMPS / 24V /		4	

To £-22024	Date:07/2024	PAGE:H9-2221-90
DUST ABATEMENT SYSTEM		

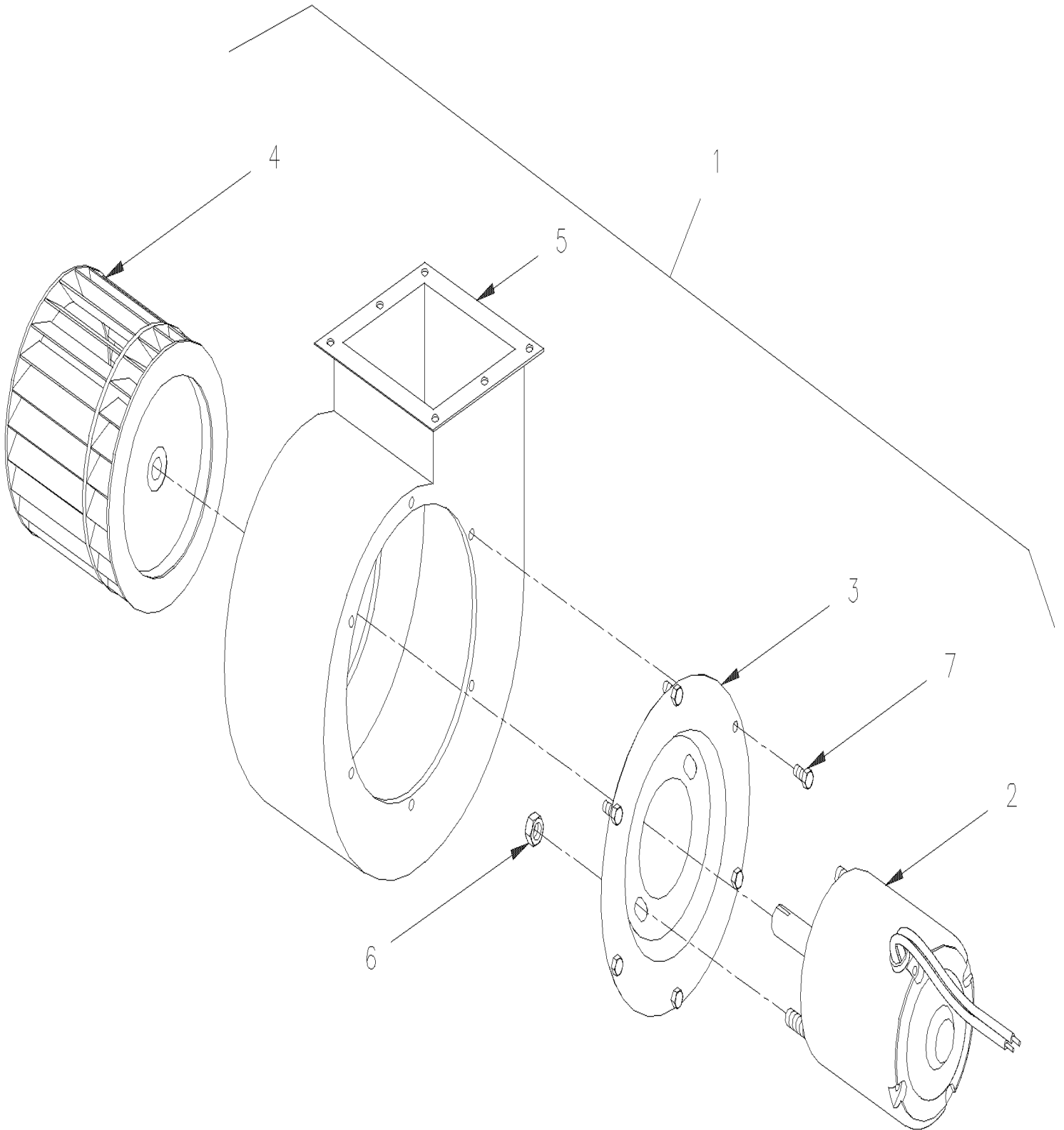
Item#	Part	Description	H 3 4 1	H 3 4 5	N O T E S
34	380905	RAIL SUPPORT / 150MM		1	
35	561183	RELAY BASE / TAB TERMINAL / BOSCH 3334485008		5	
36	563337	RELAY 12V S.P.D.T. W/RESISTOR /		1	
37	561707	RELAY 24V S.P.D.T. W/RESISTOR /		4	
38	500414	SCREW TP BDG PH #10x3/4 SS		4	
40	7770129	HARNESS KIT		1	
40	7770125	. MAIN HARNESS		1	
40	7770126	. HARNESS BREAKER		1	
40	7770127	. MAIN HARNESS		1	
40	7770128	. HARNESS OUTSIDE TEMPERATURE SENSOR		1	
		4) NO PARTS NUMBER			

From K-0185

Date:07/2024

PAGE:870844

BLOWER & MOTOR ASSY - "M.C.C." "CW" / FAN END



From K-0185	Date:07/2024	PAGE:870844
-------------	--------------	-------------

BLOWER & MOTOR ASSY - "M.C.C." "CW" / FAN END

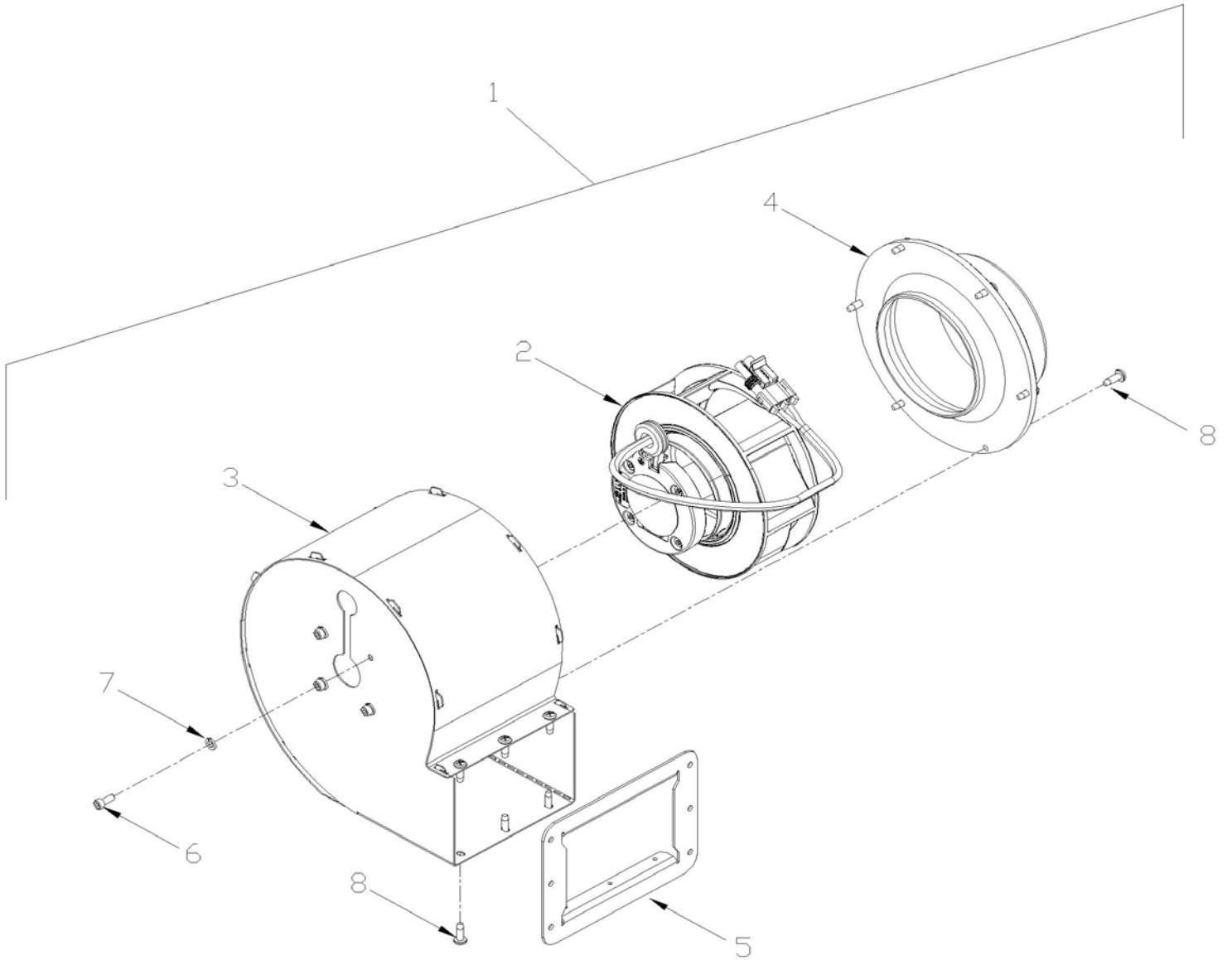
Item#	Part	Description	H 3 4 1	H 3 4 5	N O T E S
1		BLOWER ASSY 24V / CW	1	1	
2	562167	MOTOR ASSY / 24V	1	1	
3	871020	PLATE MOUNTING / MOTOR	1	1	
4	871017	BLOWER WHEEL / STEEL	1	1	
5	871440	HOUSING BLOWER	1	1	
6	500786	NUT HEX #10-24 Z050	2	2	
7	500978	SCREW CAP HEX #10-24x3/4 Z050	6	6	

From K-0185

Date:07/2024

PAGE:406804

BLOWER & MOTOR ASSY



From K-0185	Date:07/2024	PAGE:406804
-------------	--------------	-------------

BLOWER & MOTOR ASSY

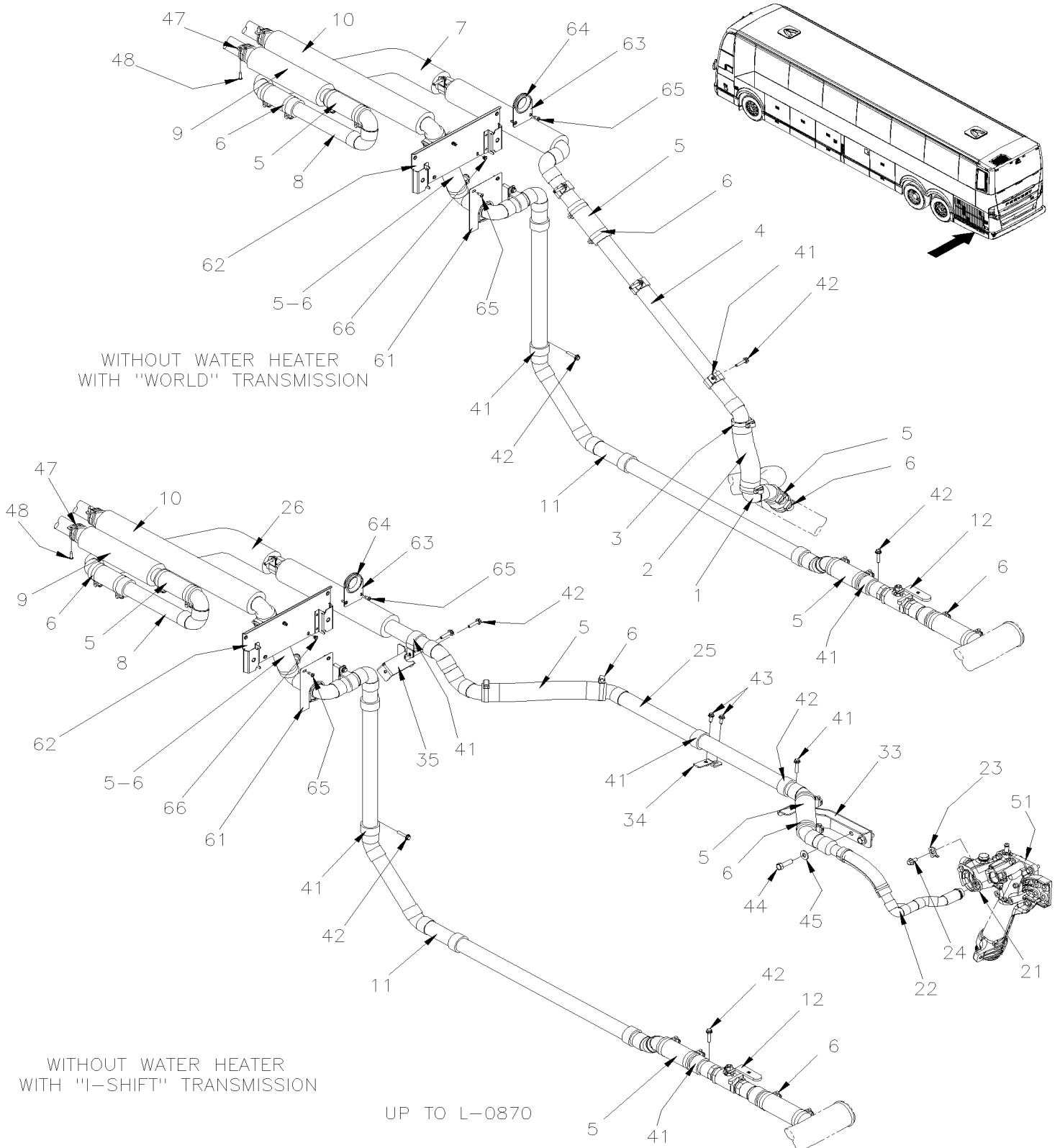
Item#	Part	Description	H 3 4 1	H 3 4 5	N O T E S
1		BLOWER FAN ASSY	1	1	
2	950624	. FAN BRUSHLESS	1	1	
. NS	561690	. . CONNECTOR / WEATHER PACK / SH 2C / BLACK / PED 12015792	1	1	
3	406798	. BOX FAN/BLOWER	1	1	
4	406803	. HOSE ADAPTER	1	1	
5	406794	. FLANGE FAN	1	1	
6	5002180	. SCREW CAP HEXS M4-0.7x10 SS	4	4	
7	500914	. WASHER LO SPT .193x.334x.047 N500	4	4	
8	500965	. SCREW TC BDG PH #8-32x1/2 N500	12	12	
NS	684517	. ADHESIVE SIMSON #ISR 70-03 / GREY / 310ml CARTRIDGE	AR	AR	

From K-0185 To P-1452

Date:07/2024

PAGE:H9-2222-07

HEATER LINE REAR SECTION WITH "VOLVO" ENGINE

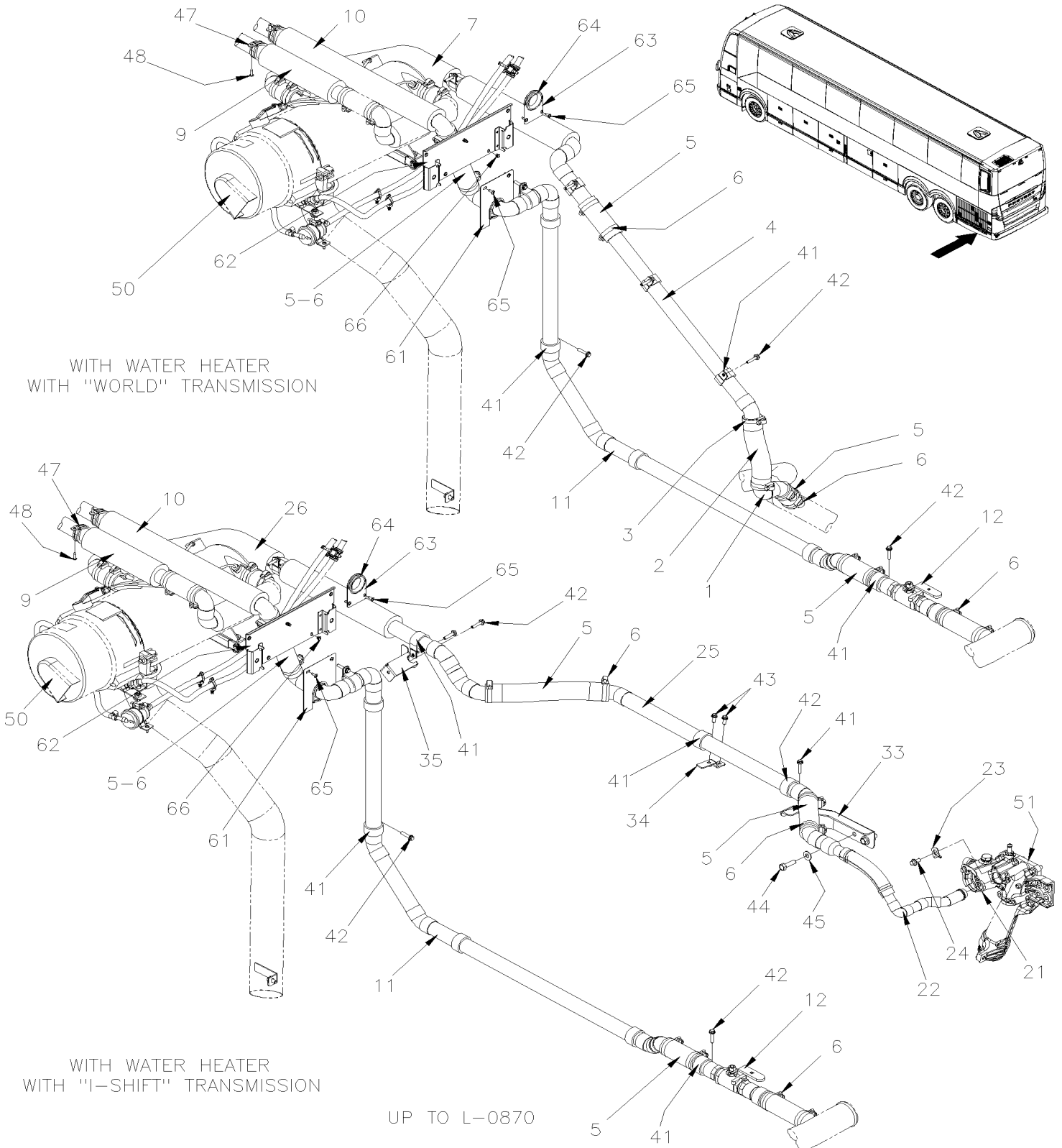


From K-0185 To P-1452

Date:07/2024

PAGE:H9-2222-07

HEATER LINE REAR SECTION WITH "VOLVO" ENGINE

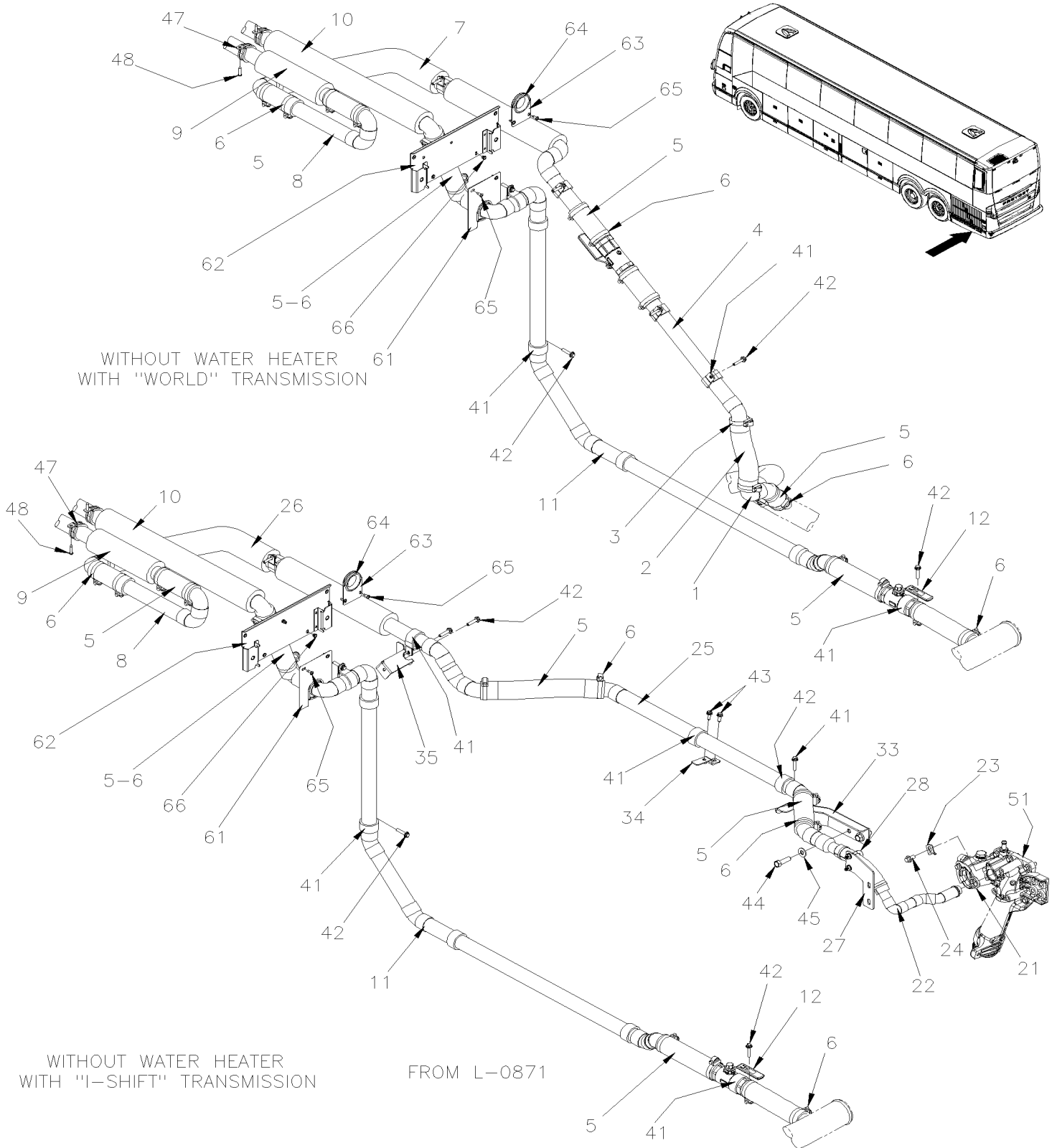


From K-0185 To P-1452

Date:07/2024

PAGE:H9-2222-07

HEATER LINE REAR SECTION WITH "VOLVO" ENGINE

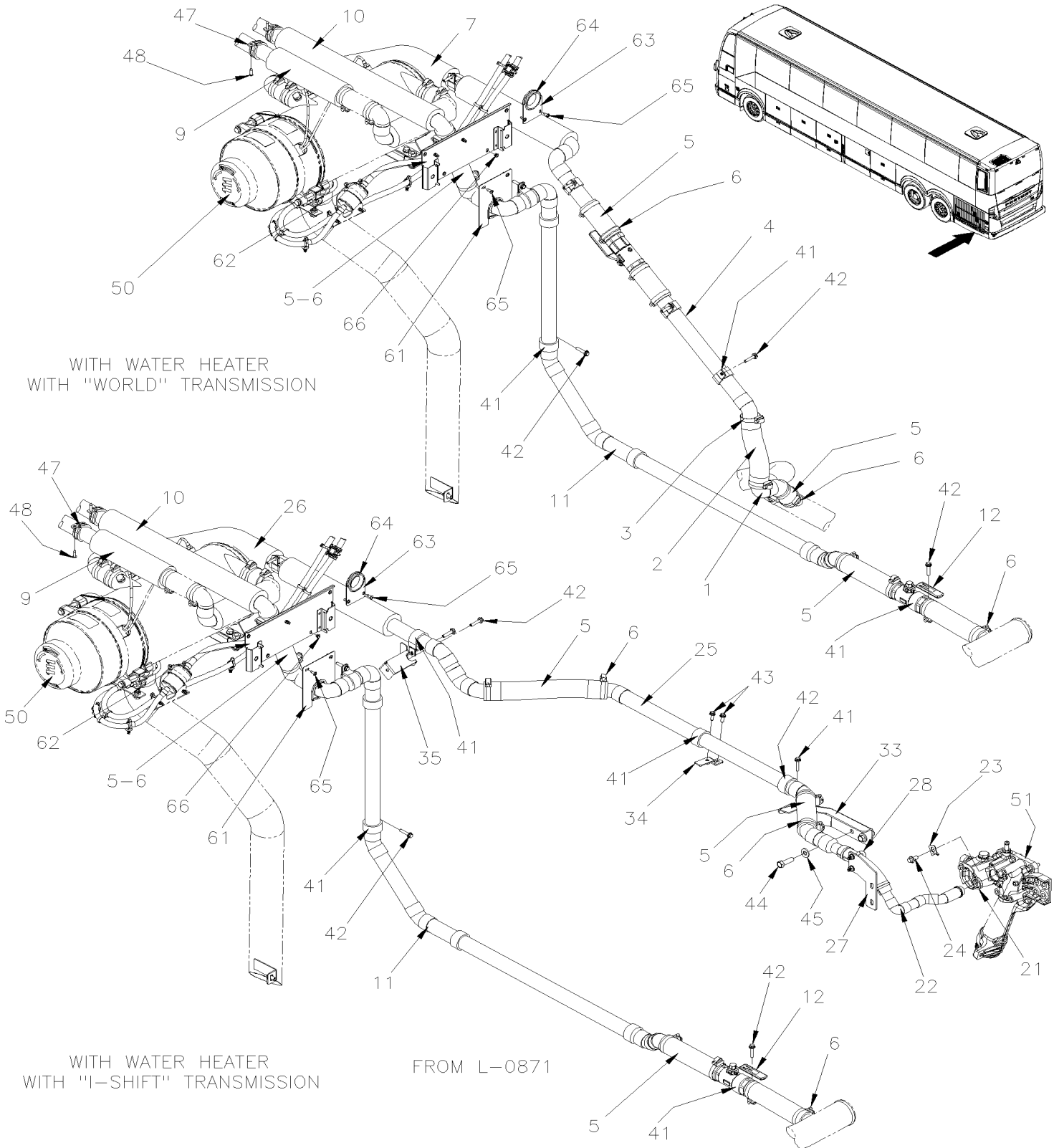


From K-0185 To P-1452

Date:07/2024

PAGE:H9-2222-07

HEATER LINE REAR SECTION WITH "VOLVO" ENGINE



From K-0185 To P-1452	Date:07/2024	PAGE:H9-2222-07
------------------------------	---------------------	------------------------

HEATER LINE REAR SECTION WITH "VOLVO" ENGINE

Item#	Part	Description	H 3 4 1	H 3 4 5	N O T E S
1	370105	PIPE ASSY HEATING / FEED LINE / LOWER SECTION W/"WORLD" TRANS	1	1	
2	503392	. HOSE SILICONE 4PLY 1 3/8" I.D. x 4' To K-0552	AR	AR	
2	503783	. HOSE SILICONE 4PLY / NOMEX-ARAMID 34MM I.D. x 6' From K-0553	AR	AR	
3	992086	. HOSE CLAMP / 32MM/52MM	2	2	
4	370103	PIPE ASSY HEATING / FEED LINE / MIDDLE SECTION W/"WORLD" TRANS To L-0870	1	1	
4	370318	PIPE ASSY HEATING / FEED LINE / MIDDLE SECTION W/"WORLD" TRANS From L-0871	1	1	
4	870115	. BALL VALVE 1 3/8 HOSE From L-0871	1	1	
4	370331	PIPE ASSY HEATING / FEED LINE / UPPER SECTION W/O VALVE From L-0871	1	1	B
5	503783	HOSE SILICONE 4PLY / NOMEX-ARAMID 34MM I.D. x 6'	AR	AR	
6	992086	HOSE CLAMP / 32MM/52MM	AR	AR	
6	504692	HOSE CLAMP STEPLESS SPRING SS / OETIKER / 1.5-1.8	AR	AR	C
7	370104	PIPE ASSY HEATING / FEED LINE / UPPER SECTION W/"WORLD" TRANS To L-0870	1	1	
7	370322	PIPE ASSY HEATING / FEED LINE / UPPER SECTION W/"WORLD" TRANS From L-0871	1	1	
7	370162	PIPE ASSY HEATING / FEED LINE / UPPER SECTION W/O VALVE W/"WORLD" TRANS To L-0870	1	1	B
7	871419	. BALL VALVE 1" NPT-F To L-0870	1	1	
7	501997	. ADAPTER / COPPER @ PIPE / 1 1/4Fx1NPT-M To L-0870	2	2	
8	374666P	PIPE "U" / BY-PASS W/O WATER HEATER To N-1209	1	1	
8	370053	PIPE "U" / BY-PASS W/O WATER HEATER From N-1210	1	1	
9	Call order desk	PIPE ASSY / ENGINE COMP & WATER FILTER	1	1	P
9	Call order desk	PIPE ASSY WITH VALVE / ENGINE COMP & WATER FILTER To L-0870	1	1	P B
. NS	871419	. BALL VALVE 1" NPT-F To L-0870	1	1	B
. NS	501997	. ADAPTER / COPPER @ PIPE / 1 1/4Fx1NPT-M To L-0870	2	2	B
9	370330	PIPE ASSY WITH VALVE / ENGINE COMP & WATER FILTER From L-0871	1	1	B
. NS	870115	. BALL VALVE 1 3/8 HOSE From L-0871	1	1	B
. NS	503783	. HOSE SILICONE 4PLY / NOMEX-ARAMID 34MM I.D. x 6' From L-0871	2	2	B
. NS	992086	. HOSE CLAMP / 32MM/52MM From L-0871	4	4	B
NS	370336	SUPPORT From L-0871	1	1	B
NS	5001815	. SCREW CAP HEXF M6-1.0x30 G 8.8 N500 From L-0871	1	1	
NS	500443	. SCREW TP PAN PH #8x1/2 N500 From L-0871	2	2	
10	370093	PIPE ASSY / RETURN LINE TO ENGINE COMPARTMENT To N-1209	1	1	
10	370378	PIPE ASSY / RETURN LINE TO ENGINE COMPARTMENT From N-1210	1	1	
11	370094	PIPE RETURN / RETURN LINE To L-0870	1	1	
11	370313	PIPE RETURN / RETURN LINE From L-0871 To P-1452	1	1	
11	370491	PIPE RETURN / RETURN LINE From R-1453	1	1	
12	871419	. BALL VALVE 1" NPT-F To L-0870	1	1	
12	870115	. BALL VALVE 1 3/8 HOSE From L-0871	1	1	
12	501997	. ADAPTER / COPPER @ PIPE / 1 1/4Fx1NPT-M To L-0870	2	2	
NS	504210	. CLAMP / SS / SILICONE RUBBER / 41.3 ID x 7.1MM HOLE From L-0871	1	1	
21	1547252	RUBBER JOINT 21MM I.D.	1	1	
22	374443P	PIPE ASSY HEATING / FEED LINE / LOWER SECTION W/"I-SHIFT TRANS To M-1129	1	1	

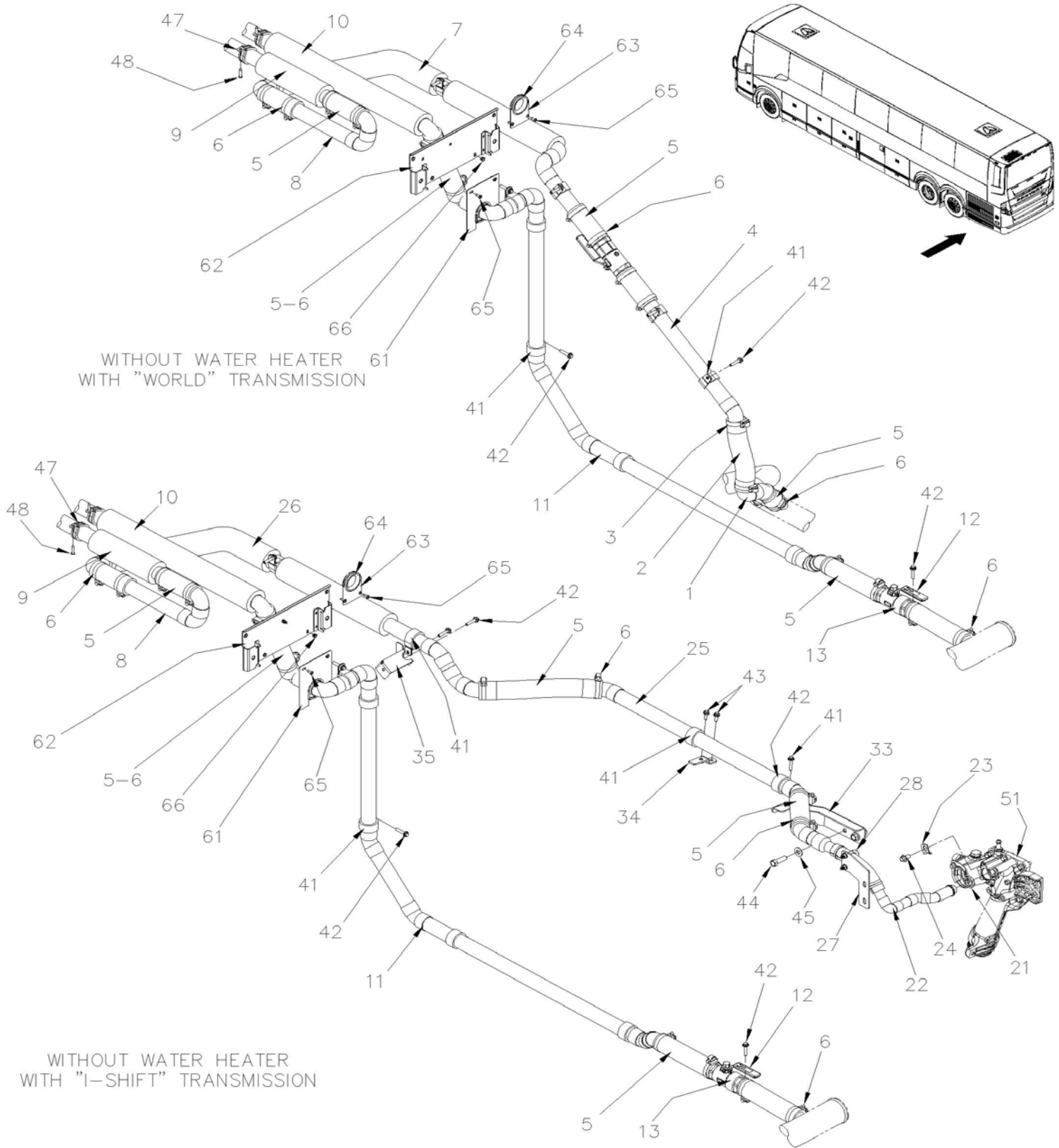
From K-0185 To P-1452	Date:07/2024	PAGE:H9-2222-07
HEATER LINE REAR SECTION WITH "VOLVO" ENGINE		

Item#	Part	Description	H 3 4 1	H 3 4 5	N O T E S
. NS	503803	. HOSE SILICONE 1 PLY / NOMEX-ARAMID 7/8" I.D. x 100' / S.L. To M-1129	AR	AR	
. NS	504637	. CABLE TIE / 3/16" x 13" To M-1129	2	2	
22	374908	PIPE ASSY HEATING / FEED LINE / LOWER SECTION W/"I-SHIFT TRANS From M-1130 To N-1209	1	1	
. NS	503803	. HOSE SILICONE 1 PLY / NOMEX-ARAMID 7/8" I.D. x 100' / S.L. From M-1130 To N-1209	AR	AR	
. NS	504637	. CABLE TIE / 3/16" x 13" From M-1130 To N-1209	2	2	
22	370034	PIPE ASSY HEATING / FEED LINE / LOWER SECTION W/"I-SHIFT TRANS From N-1210	1	1	
. NS	503803	. HOSE SILICONE 1 PLY / NOMEX-ARAMID 7/8" I.D. x 100' / S.L. From N-1210	AR	AR	
. NS	504637	. CABLE TIE / 3/16" x 13" From N-1210	2	2	
23	1546531	ANGLE RETAINER 13MM I.D.	1	1	
24	984734	SCREW CAP HEXF M8x20	1	1	
25	370122	PIPE ASSY HEATING / FEED LINE / MIDDLE SECTION W/"I-SHIFT TRANS	1	1	
26	370121	PIPE ASSY HEATING / FEED LINE / UPPER SECTION To N-1209	1	1	
26	370022	PIPE ASSY HEATING / FEED LINE / UPPER SECTION From N-1210	1	1	
26	871419	. BALL VALVE 1" NPT-F	1	1	
26	501997	. ADAPTER / COPPER @ PIPE / 1 1/4Fx1NPT-M	2	2	
27	053726	SUPPORT WATER PIPE From M-1130	1	1	
28	504809	U-BOLT 1" I.D. x 2 x 1/4-20 GLV From M-1130	1	1	
33	370077	SUPPORT	1	1	
33	370077	SUPPORT	1	1	
34	374809	SUPPORT	1	1	
35	370123	SUPPORT	1	1	
41	504779	CLAMP / SS / SILICONE RUBBER / 1 3/8" I.D. x .281 HOLE	AR	AR	
42	5001815	SCREW CAP HEXF M6-1.0x30 G 8.8 N500	AR	AR	
43	5001730	SCREW CAP HEXF M6-1.0x16 G10.9 N500	2	2	
44	5001754	SCREW CAP HEX M10-1.5x35 G8.8 N500	2	2	
45	5001834	WASHER BEL SPR 10.5X23X2.5 N500	2	2	
47	952641	CLAMP P STL ZP RUB 34.9 ID	4	4	
48	500957	SCREW TP BDG PH #10x3/4 N500	4	4	
50	H9-2350-10	WATER HEATER - INSTALLATION			
51	Refer To Volvo	SEE IMPACT OR CALL ORDER DESK			V
61	370095	CLOSING PLATE	1	1	
61	5060120	GROMMET EDGING ADHESIVE .036-.062	AR	AR	
62	370098	CLOSING PLATE	1	1	
63	370097	CLOSING PLATE	1	1	
64	504664	GROMMET / 1.375x1.625x.062x.500x2.000	1	1	
65	502868	SCREW TC TR PH #10-16x1/2 N500	4	4	
66	504488	RIVET MGLP PRDG 3/16x17/64 SS	4	4	

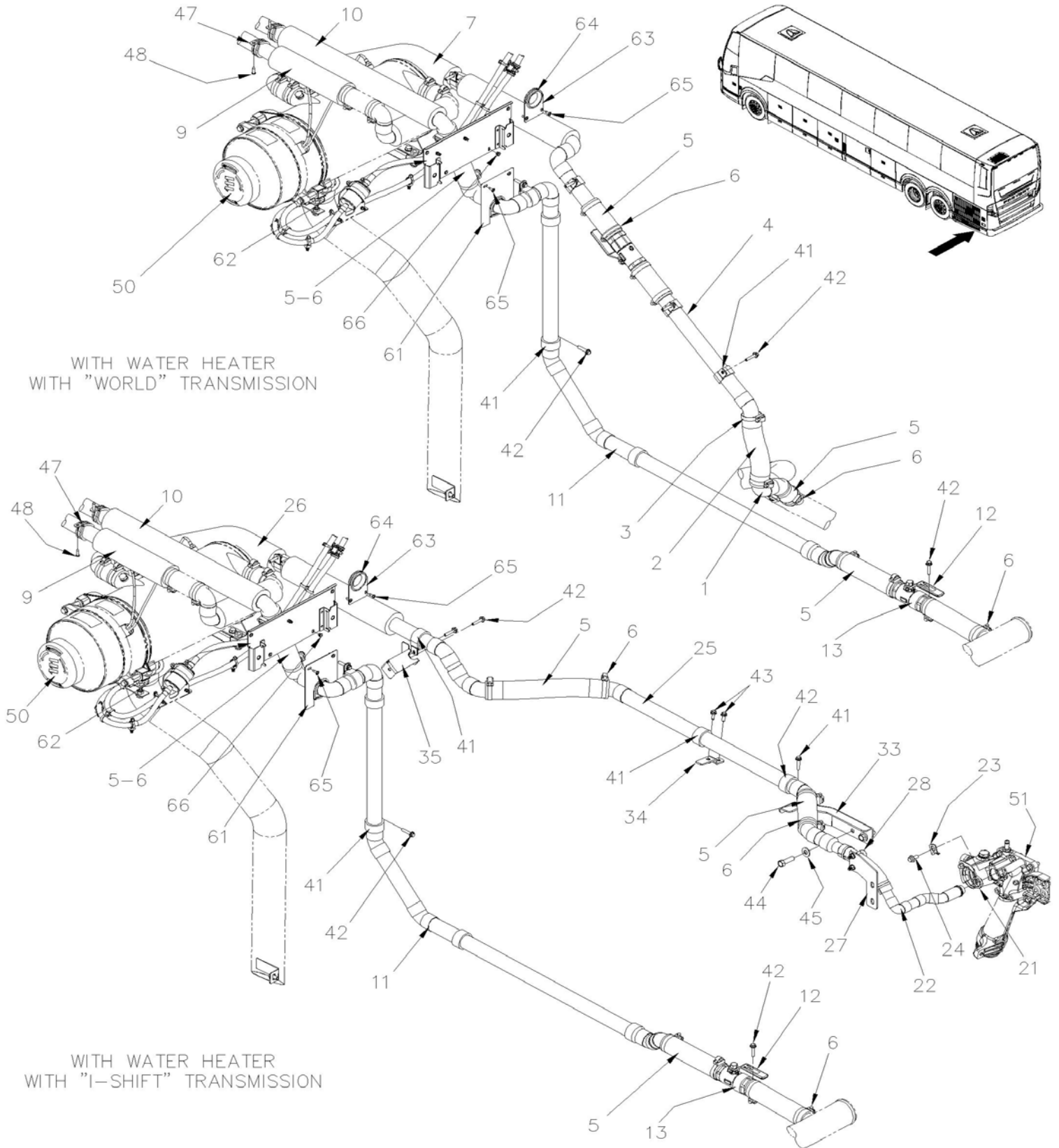
From K-0185 To P-1452	Date:07/2024	PAGE:H9-2222-07
HEATER LINE REAR SECTION WITH "VOLVO" ENGINE		

Item#	Part	Description	H 3 4 1	H 3 4 5	N O T E S
		B) USE WITH VALVE RELOCATION CHARTRAND OPTION			
		C) WITH OPTION "OETIKER" HOSE CLAMP			
		P) CALL ORDER DESK FOR SPECIFIC APPLICATION (V.I.N.)			
		V) SEE IMPACT OR CALL ORDER DESK			

	Date:07/2024	PAGE:H9-2222-08
HEATER LINE REAR SECTION		



HEATER LINE REAR SECTION



	Date:07/2024	PAGE:H9-2222-08
HEATER LINE REAR SECTION		

Item#	Part	Description	H 3 4 1	H 3 4 5	N O T E S
1	370105	PIPE ASSY HEATING / FEED LINE / LOWER SECTION W/"WORLD" TRANS		1	
2	503392	. HOSE SILICONE 4PLY 1 3/8" I.D. x 4'		AR	
3	992086	. HOSE CLAMP / 32MM/52MM		2	
4	370318	PIPE ASSY HEATING / FEED LINE / MIDDLE SECTION W/"WORLD" TRANS		1	
4	870115	. BALL VALVE 1 3/8 HOSE		1	
4	370331	PIPE ASSY HEATING / FEED LINE / UPPER SECTION W/O VALVE		1	B
5	503783	HOSE SILICONE 4PLY / NOMEX-ARAMID 34MM I.D. x 6'		AR	
6	992086	HOSE CLAMP / 32MM/52MM		AR	
6	504692	HOSE CLAMP STEPLESS SPRING SS / OETIKER / 1.5-1.8		AR	C
7	370322	PIPE ASSY HEATING / FEED LINE / UPPER SECTION W/"WORLD" TRANS		1	
8	370053	PIPE "U" / BY-PASS W/O WATER HEATER		1	
9	374833	PIPE ASSY / ENGINE COMP & WATER FILTER		1	
9	370330	PIPE ASSY WITH VALVE / ENGINE COMP & WATER FILTER		1	B
. NS	870115	. BALL VALVE 1 3/8 HOSE		1	B
. NS	503783	. HOSE SILICONE 4PLY / NOMEX-ARAMID 34MM I.D. x 6'		2	B
. NS	992086	. HOSE CLAMP / 32MM/52MM		4	B
NS	370336	SUPPORT		1	B
NS	5001815	. SCREW CAP HEXF M6-1.0x30 G 8.8 N500		1	B
NS	500443	. SCREW TP PAN PH #8x1/2 N500		2	B
10	370378	PIPE ASSY / RETURN LINE TO ENGINE COMPARTMENT		1	
11	370313	PIPE RETURN / RETURN LINE To P-1452		1	
11	370491	PIPE RETURN / RETURN LINE From R-1453		1	
12	870115	. BALL VALVE 1 3/8 HOSE		1	
13	504210	. CLAMP / SS / SILICONE RUBBER / 41.3 ID x 7.1MM HOLE		1	
21	1547252	RUBBER JOINT 21MM I.D.		1	
22	370034	PIPE ASSY HEATING / FEED LINE / LOWER SECTION W/"I-SHIFT TRANS		1	
. NS	503803	. HOSE SILICONE 1 PLY / NOMEX-ARAMID 7/8" I.D. x 100' / S.L.		AR	
. NS	504637	. CABLE TIE / 3/16" x 13"		2	
23	1546531	ANGLE RETAINER 13MM I.D.		1	
24	984734	SCREW CAP HEXF M8x20		1	
25	370122	PIPE ASSY HEATING / FEED LINE / MIDDLE SECTION W/"I-SHIFT TRANS		1	
26	370022	PIPE ASSY HEATING / FEED LINE / UPPER SECTION		1	
26	871419	. BALL VALVE 1" NPT-F		1	
26	501997	. ADAPTER / COPPER @ PIPE / 1 1/4Fx1NPT-M		2	
27	053726	SUPPORT WATER PIPE		1	
28	504809	U-BOLT 1" I.D. x 2 x 1/4-20 GLV		1	
33	370077	SUPPORT		1	
34	374809	SUPPORT		1	
35	370123	SUPPORT		1	

	Date:07/2024	PAGE:H9-2222-08
HEATER LINE REAR SECTION		

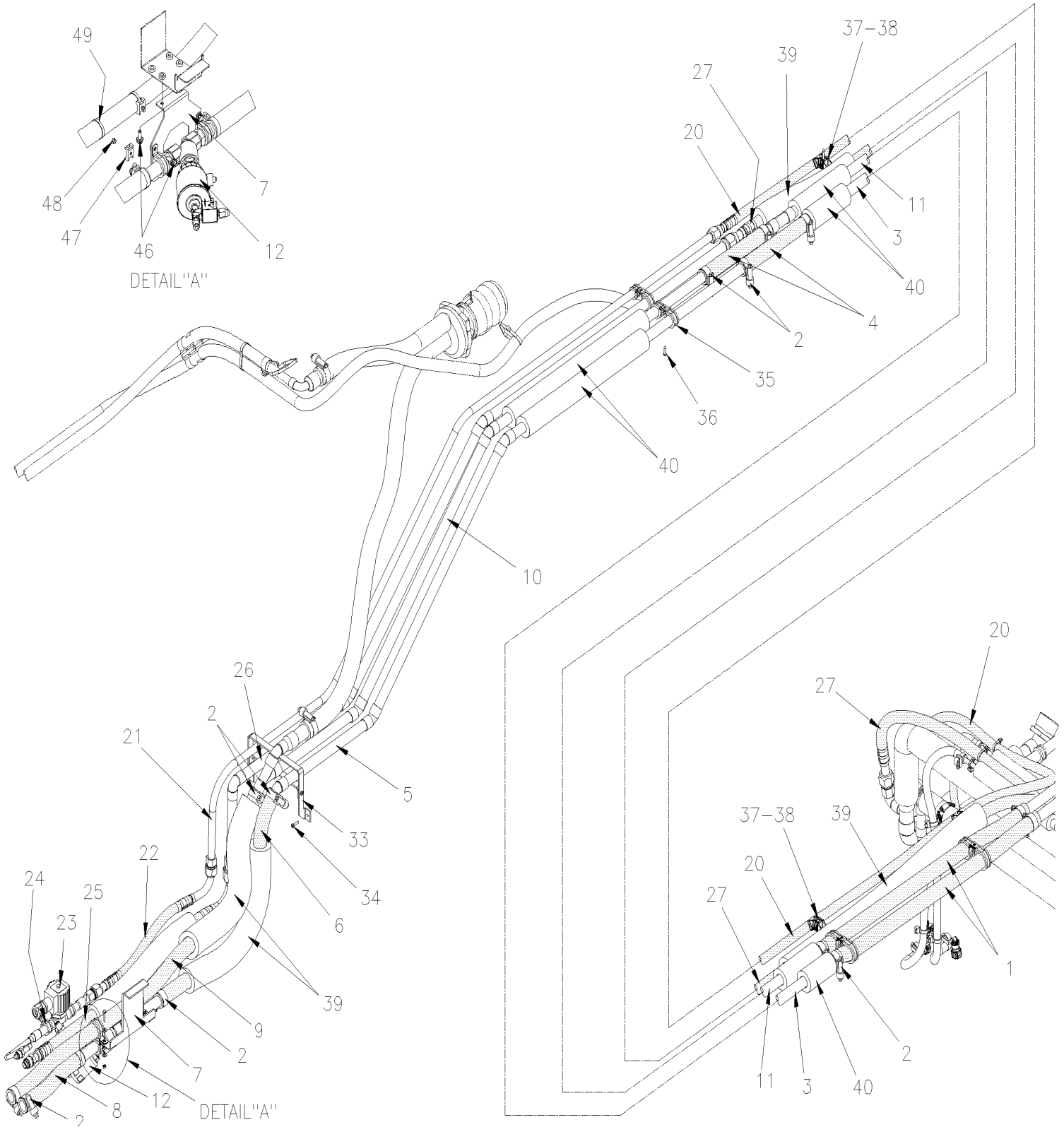
Item#	Part	Description	H 3 4 1	H 3 4 5	N O T E S
41	504779	CLAMP / SS / SILICONE RUBBER / 1 3/8" I.D. x .281 HOLE		AR	
42	5001815	SCREW CAP HEXF M6-1.0x30 G 8.8 N500		AR	
43	5001730	SCREW CAP HEXF M6-1.0x16 G10.9 N500		2	
44	5001754	SCREW CAP HEX M10-1.5x35 G8.8 N500		2	
45	5001834	WASHER BEL SPR 10.5X23X2.5 N500		2	
47	952641	CLAMP P STL ZP RUB 34.9 ID		4	
48	500957	SCREW TP BDG PH #10x3/4 N500		4	
50	H9-2350-10	WATER HEATER - INSTALLATION			
51	Refer To Volvo	SEE IMPACT OR CALL ORDER DESK			V
61	370095	CLOSING PLATE		1	
61	5060120	GROMMET EDGING ADHESIVE .036-.062		AR	
62	370098	CLOSING PLATE		1	
63	370097	CLOSING PLATE		1	
64	504664	GROMMET / 1.375x1.625x.062x.500x2.000		1	
65	502868	SCREW TC TR PH #10-16x1/2 N500		4	
66	504488	RIVET MGLP PRDG 3/16x17/64 SS		4	
		B) USE WITH VALVE RELOCATION CHARTRAND OPTION			
		C) WITH OPTION "OETIKER" HOSE CLAMP			
		V) SEE IMPACT OR CALL ORDER DESK			

From K-0185 To P-1452

Date:07/2024

PAGE:H9-2222-10

A/C & HEATING LINE FRONT SECTION



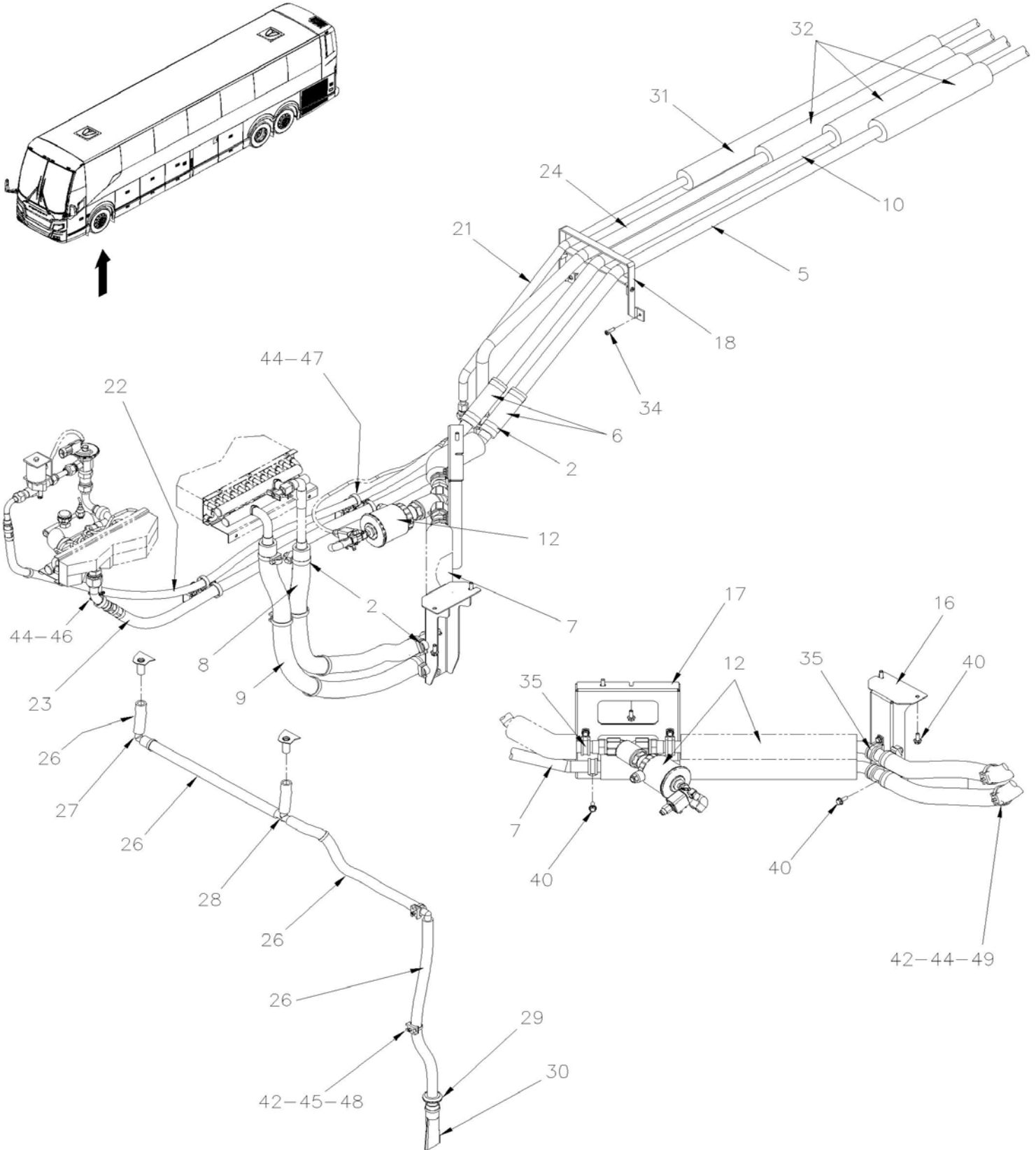
From K-0185 To P-1452	Date:07/2024	PAGE:H9-2222-10
A/C & HEATING LINE FRONT SECTION		

Item#	Part	Description	H 3 4 1	H 3 4 5	NOTES
1	374421	HOSE 7/8" I.D. X 715MM	2	2	
1	503803	. HOSE SILICONE 1 PLY / NOMEX-ARAMID 7/8" I.D. x 100' / S.L.	AR	AR	
2	992084	HOSE CLAMP / 23MM/35MM	AR	AR	
2	504569	HOSE CLAMP STEPLESS SPRING / HC12-20 / 1"	AR	AR	C
3	373453	PIPE ASSY 1294MM	1		
3	373450	PIPE ASSY 2450MM		1	
4	373134	HOSE /WATER VALVE & HEATER / 7/8" I.D. 229MM	2	2	
4	503803	. HOSE SILICONE 1 PLY / NOMEX-ARAMID 7/8" I.D. x 100' / S.L.	AR	AR	
5	Call order desk	PIPE ASSY	1	1	P
6	374867	HOSE / PIPE & WATER VALVE / 7/8" I.D. 635MM	1	1	
6	503803	. HOSE SILICONE 1 PLY / NOMEX-ARAMID 7/8" I.D. x 100' / S.L.	AR	AR	
7	374869	SUPPORT VALVE	1	1	
8	374868	HOSE /WATER VALVE & HEATER / 7/8" I.D. 255MM	1	1	
8	503803	. HOSE SILICONE 1 PLY / NOMEX-ARAMID 7/8" I.D. x 100' / S.L.	AR	AR	
9	374866	HOSE / PIPE & HEATER / 7/8" I.D. 1105MM	1	1	
9	503803	. HOSE SILICONE 1 PLY / NOMEX-ARAMID 7/8" I.D. x 100' / S.L.	AR	AR	
10	Call order desk	PIPE ASSY / W/BY-PASS FOR UPPER DEFROSTER	1	1	P
11	373882	PIPE W/Y / 2639MM		1	
11	378907	PIPE W/Y / 2639MM		1	B
11	373892	PIPE W/Y / 1393MM	1		
12	H9-2207-06	WATER VALVE - W/2 WAYS			
20	455322	HOSE ASSY / #10 2920MM	1		
. NS	507344	. O-RING / ORS FITTING / #10 NEO	2		
20	455306	HOSE ASSY / #10 4165MM		1	
. NS	507344	. O-RING / ORS FITTING / #10 NEO		2	
21	Call order desk	PIPE ASSY PRESSURE A/C To N-1209	1	1	P
21	453915	PIPE ASSY PRESSURE A/C From N-1210	1	1	
22	454817	HOSE ASSY / #10 308MM	1	1	
. NS	507344	. O-RING / ORS FITTING / #10 NEO	2	2	
23	H9-2208-10	REFRIGERENT SOLENOID VALVE			
24	952629	CLAMP / 5/8" I.D.	3	3	
24	500957	SCREW TP BDG PH #10x3/4 N500	AR	AR	
25	450126	HOSE ASSY / #12 665 MM	1	1	
. NS	507280	. O-RING / ORS FITTING / #12 NEO	1	1	
. NS	507344	. O-RING / ORS FITTING / #10 NEO	1	1	
26	Call order desk	PIPE ASSY RETURN A/C	1	1	P
27	457728	HOSE ASSY / #12 2950MM	1		
27	457725	HOSE ASSY / #12 4215MM		1	
33	372722	PIPE SUPPORT / UNDER AISLE STEPWELL	1	1	
34	500638	SCREW TP PAN PH #8x1/2 Z050	2	2	
34	500641	SCREW TP PAN PH #8x3/4 Z050	2	2	
35	952633	CLAMP / 7/8" I.D.	AR	AR	

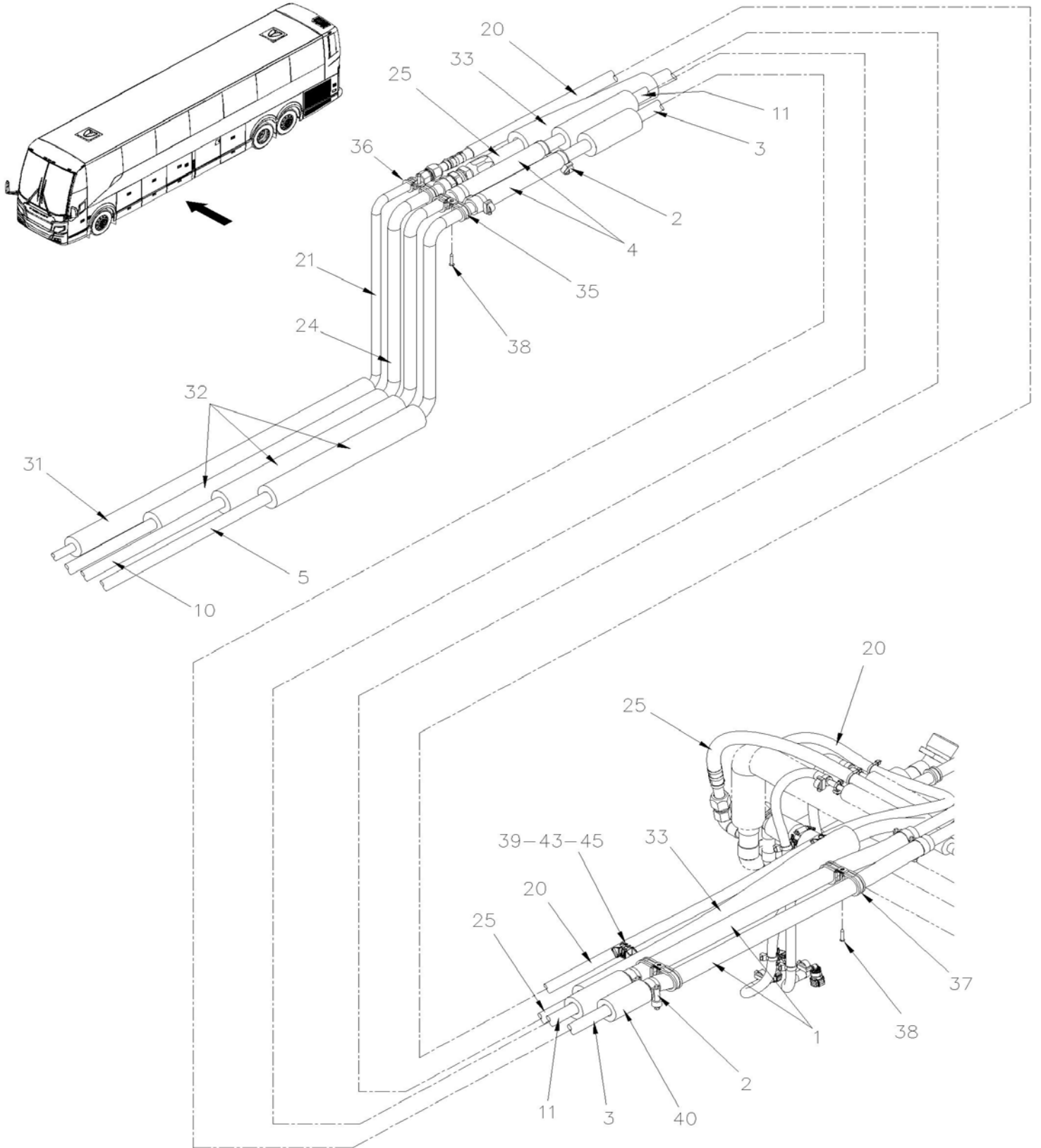
From K-0185 To P-1452	Date:07/2024	PAGE:H9-2222-10
A/C & HEATING LINE FRONT SECTION		

Item#	Part	Description	H 3 4 1	H 3 4 5	NOTES
36	500957	SCREW TP BDG PH #10x3/4 N500	AR	AR	
37	509490	ATTACHMENT DOUBLE USE WITH CABLE TIE	AR	AR	
38	500539	NUT HEX NYRT M4-0.7 N500	AR	AR	
39	506267	PIPE INSULATING / 1 1/8" I.D. X 1/2" TH. X / APT11812	AR	AR	
40	506267	PIPE INSULATING / 1 1/8" I.D. X 1/2" TH. X / APT11812	AR	AR	
46	5001730	SCREW CAP HEXF M6-1.0x16 G10.9 N500	4	4	
47	504013	TIE MOUNT / 1/4" X 1/4" I.D.	2	2	
47	504637	CABLE TIE / 3/16" x 13"	2	2	
48	504379	RIVET POP DOME OE 3/16x1/4 SS	2	2	
49	504637	CABLE TIE / 3/16" x 13"	2	2	
		B) WITH WINDSHIELD WASHER HEATER			
		C) WITH OPTION "OETIKER" HOSE CLAMP			
		P) CALL ORDER DESK FOR SPECIFIC APPLICATION (V.I.N.)			

	Date:07/2024	PAGE:H9-2222-11
A/C & HEATING LINE FRONT SECTION		



	Date:07/2024	PAGE:H9-2222-11
A/C & HEATING LINE FRONT SECTION		



A/C & HEATING LINE FRONT SECTION

Item#	Part	Description	H 3 4 1	H 3 4 5	N O T E S
1	374421	HOSE 7/8" I.D. X 715MM		2	
1	503803	. HOSE SILICONE 1 PLY / NOMEX-ARAMID 7/8" I.D. x 100' / S.L.		AR	
2	992084	HOSE CLAMP / 23MM/35MM		AR	
2	504687	HOSE CLAMP STEPLESS SPRING SS / OETIKER / 1.2-1.4	AR	AR	C
3	370329	PIPE ASSY		1	
4	503803	HOSE SILICONE 1 PLY / NOMEX-ARAMID 7/8" I.D. x 100' / S.L.		AR	
5	370029	PIPE ASSY		1	
6	503803	HOSE SILICONE 1 PLY / NOMEX-ARAMID 7/8" I.D. x 100' / S.L.		AR	
7	370027	PIPE ASSY / RETURN FRONT SECTION		1	
8	370235	HOSE / PIPE & HEATER / 7/8" I.D. 645MM		1	
8	503803	. HOSE SILICONE 1 PLY / NOMEX-ARAMID 7/8" I.D. x 100' / S.L.		AR	
9	370236	HOSE / PIPE & HEATER / 7/8" I.D. 736MM		1	
9	503803	. HOSE SILICONE 1 PLY / NOMEX-ARAMID 7/8" I.D. x 100' / S.L.		AR	
10	370029	PIPE ASSY		1	
11	370329	PIPE ASSY		1	
12	H9-2207-07	WATER VALVE - W/2 WAYS			
16	370360	SUPPORT, FRONT WATER VALVE ASSY.		1	
17	370359	SUPPORT, FRONT WATER VALVE ASSY.		1	
18	373510	PIPE SUPPORT		1	
20	451025	HOSE ASSY / #10 4305MM		1	
21	453847	PIPE ASSY PRESSURE A/C		1	
22	450773	HOSE ASSY / #6 1270MM		1	
23	450774	HOSE ASSY / #10 860MM		1	
24	453846	PIPE ASSY PRESSURE A/C		1	
25	451026	HOSE ASSY / #12 4395MM		1	
26	503707	HOSE / PVC REINFORCED 1/2" I.D. 100' / S.L.		AR	
27	5011230	UNION ELBOW 90° / HOSE BARB FITTING / #8x#8 PLAS		2	
28	5011293	UNION TEE / HOSE BARB FITTING / #8x#8x#8 NYL		1	
29	504397	GROMMET / .750x1.062x.062x.375x1.375		1	
30	590286	DRAIN BOOT 1 1/4" I.D. X 4" / FLAT		1	
30	504637	CABLE TIE / 3/16" x 13"		1	
31	506216	PIPE INSULATING / 5/8" I.D. X 1/2" TH. X 72 / APT05812		AR	
32	506276	PIPE INSULATING / 7/8" I.D. X 1/2" TH. X 72 / APT07812		AR	
33	506267	PIPE INSULATING / 1 1/8" I.D. X 1/2" TH. X / APT11812		AR	
34	500638	SCREW TP PAN PH #8x1/2 Z050		2	
34	500641	SCREW TP PAN PH #8x3/4 Z050		2	
35	952633	CLAMP / 7/8" I.D.		AR	
36	952629	CLAMP / 5/8" I.D.		1	
37	952639	CLAMP / 1"1/4 I.D.		AR	
38	500608	SCREW TP BDG PH #10x1 N500		1	

	Date:07/2024	PAGE:H9-2222-11
A/C & HEATING LINE FRONT SECTION		

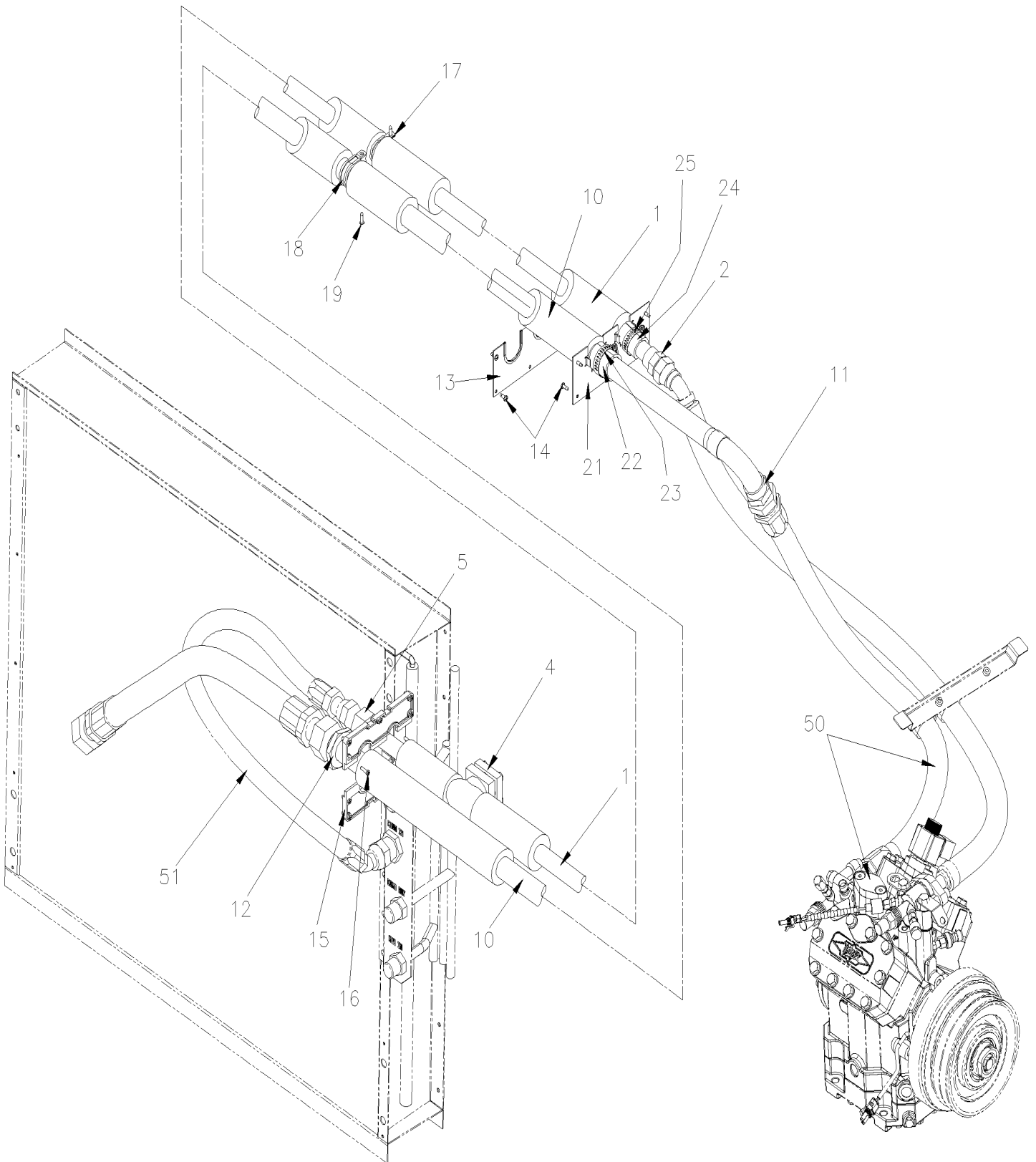
Item#	Part	Description	H 3 4 1	H 3 4 5	N O T E S
39	500939	SCREW TP OV PH #10x1 1/2 ZP		AR	
40	5001730	SCREW CAP HEXF M6-1.0x16 G10.9 N500		12	
42	504013	TIE MOUNT / 1/4" X 1/4" I.D.		AR	
42	504114	RIVET POP DOME OE 3/16x1/4 AL		AR	
43	509490	ATTACHMENT DOUBLE USE WITH CABLE TIE		AR	
44	504016	CABLE TIE / 5/16" X 14"1/2		2	
45	504637	CABLE TIE / 3/16" x 13"		2	
46	504751	ROTATIF SPACER DOUBLE / SMALL		AR	
47	504051	ATTACHMENT 3-WAY USE WITH CABLE TIE		2	
47	5002105	SCREW CAP HEXF M6-1.0x20 G10.9 N500		2	
48	504379	RIVET POP DOME OE 3/16x1/4 SS		AR	
49	504114	RIVET POP DOME OE 3/16x1/4 AL		AR	
		C) WITH OPTION "OETIKER" HOSE CLAMP			

From K-0185

Date:07/2024

PAGE:H9-2222-16

A/C LINE REAR SECTION



From K-0185		Date:07/2024	PAGE:H9-2222-16
A/C LINE REAR SECTION			

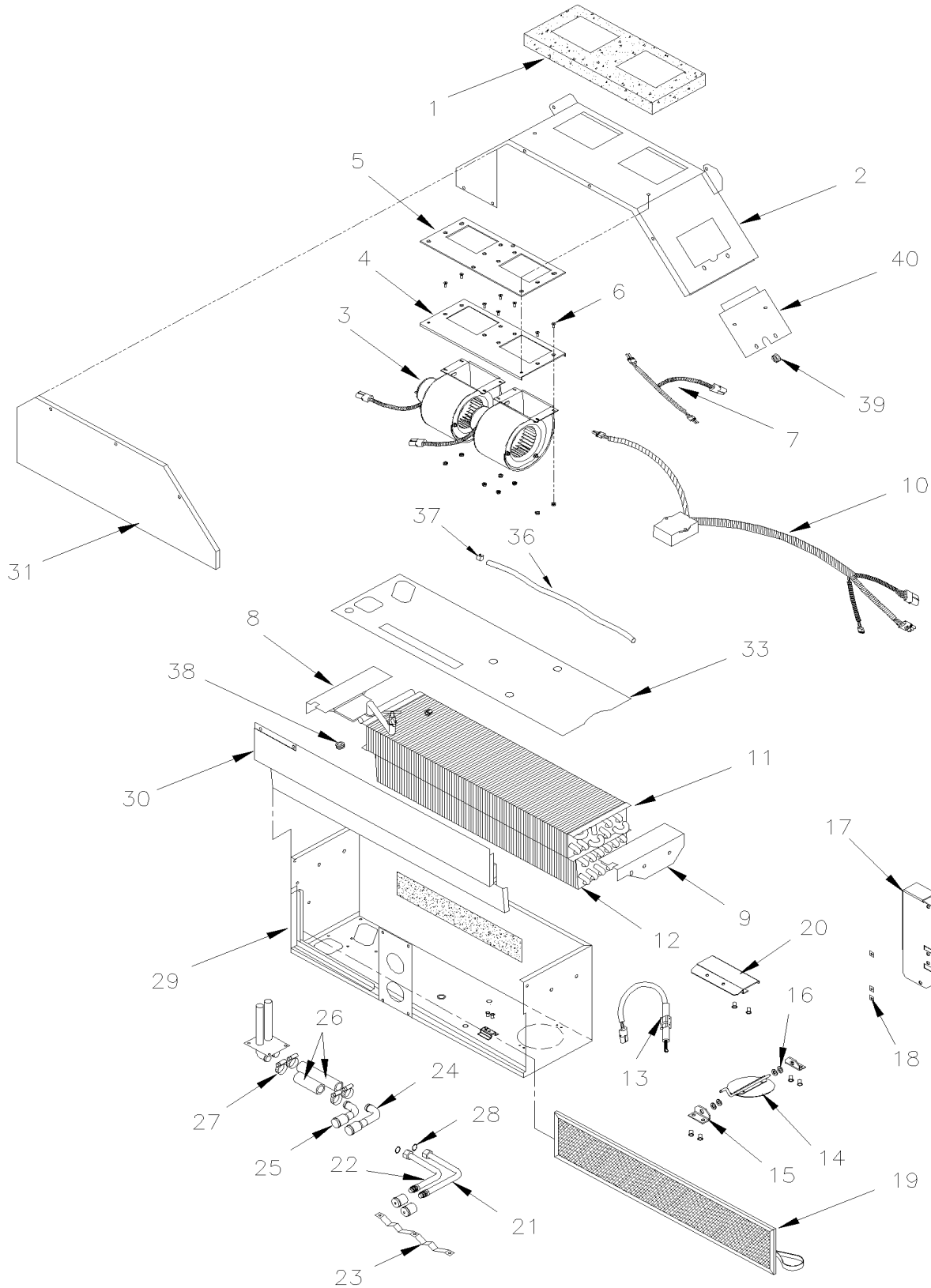
Item#	Part	Description	H 3 4 1	H 3 4 5	N O T E S
1	455015	TUBE ASSY, PRESSURE / A/C COMPRESSOR	1	1	
2	501718	. ADAPTER JIC @ BRAZE W/O-RING // #16JIC-Mx#18BRAZE-F BR	1	1	
. NS	501802	. . O-RING / ORS FITTING / #16 NEO	1	1	
4	870386	. CHECK VALVE	1	1	
. NS	870615	. . SPRING	1	1	
. NS	870616	. . PISTON	1	1	
. NS	870617	. . GASKET	1	1	
5	5011106	. BULKHEAD MALE CONNECTOR / ORS FITTING / #16ORS-Mx#18BRAZE-F BR	1	1	
. NS	507345	. . O-RING / ORS FITTING / #16 NEO	1	1	
10	457742	TUBE ASSY, VACUUM / A/C COMPRESSOR	1	1	
. NS	501803	. O-RING / ORS FITTING / #20 NEO	1	1	
11	501717	ADAPTER JIC @ BRAZE W/O-RING // #20JIC-Mx#22BRAZE-F BR	1	1	
. NS	501803	. O-RING / ORS FITTING / #20 NEO	1	1	
12	5011107	BULKHEAD MALE CONNECTOR / ORS FITTING / #24ORS-Mx#22BRAZE-F BR	1	1	
. NS	507346	. O-RING / ORS FITTING / #24 NEO	1	1	
13	370143	CLOSING / PIPE TUNNEL SS 83MM x 172MM	1	1	
13	5060120	GROMMET EDGING ADHESIVE .036-.062	AR	AR	
14	502868	SCREW TC TR PH #10-16x1/2 N500	10	10	
15	457424	CLOSING / PIPE TUNNEL PLASTIC / RH 57.2MM x 181MM	4	4	
16	500623	SCREW TC PAN PH #10-24x3/4 N500	AR	AR	
17	504778	CLAMP / SS / SILICONE RUBBER / 1 1/8" I.D. x .281 HOLE	1	1	
18	504779	CLAMP / SS / SILICONE RUBBER / 1 3/8" I.D. x .281 HOLE	1	1	
19	5001815	SCREW CAP HEXF M6-1.0x30 G 8.8 N500	2	2	
21	450409	CLOSING / PIPE TUNNEL 86MM x 181MM	1	1	
22	455014	PROTECTOR 1 3/8" I.D. x 45MM	1	1	
22	503392	. HOSE SILICONE 4PLY 1 3/8" I.D. x 4' To K-0552	AR	AR	
22	503783	. HOSE SILICONE 4PLY / NOMEX-ARAMID 34MM I.D. x 6' From K-0553	AR	AR	
23	504413	HOSE CLAMP / 1"1/16-2" SS / HAS-24	1	1	
24	455013	PROTECTOR 1 1/8" I.D. x 45MM	1	1	
24	503796	. HOSE SILICONE 2 PLY / NOMEX-ARAMID 1 1/8" I.D. x 6'	AR	AR	
25	504022	HOSE CLAMP / 3/4"-1"3/4 SS / HS-20	1	1	
50	H9-2245-02	A/C COMPRESSOR "BITZER" - INSTALLATION			
50	H9-2245-20	A/C COMPRESSOR "BOCK" - INSTALLATION From N-1269	1	1	
51	H9-2270-01	RECEIVER TANK & FILTER DRYER To P-1452			
51	H9-2270-02	RECEIVER TANK & FILTER DRYER From R-1453			

From K-0185 To K-0492

Date:07/2024

PAGE:H9-2225-01

DRIVER'S HEATER & DEFROSTER ASSY



From K-0185 To K-0492	Date:07/2024	PAGE:H9-2225-01
DRIVER'S HEATER & DEFROSTER ASSY		

Item#	Part	Description	H 3 4 1	H 3 4 5	NOTES
	871422	DEFROSTER & A/C UNIT ASSY To K-0492	1	1	
	870013	DEFROSTER & A/C UNIT ASSY From K-0493	1	1	
1	871129	. SEAL	2	2	
2	871399	. TOP	1	1	
3	871359	. BLOWER ASSY 24V / W/DOUBLE MOTOR MOUNT	1	1	
3	871360	. BLOWER & MOTOR ASSY - "M.C.C." "CCW" / FAN END	2	2	
4	871410	. PLATE MOUNTING	1	1	
5	871411	. FOAM ASSY	1	1	
6	684605	. SCREW CAP HEXS #10-32x1/2	8	8	
6	500423	. NUT HEX NYRT #10-32 SS	8	8	
7	871364	. CABLE HARNESS	1	1	
8	871137	. BRACKET L.H.	1	1	
9	871138	. BRACKET R.H.	1	1	
10	871353	. MODULE CONTROL FAN SPEED / W/DOUBLE MOTOR	1	1	
11	871140	. HEATER COIL	1	1	
. NS	870127	. DRAIN VALVE ROBINET VIDANGE	1	1	
12	871141	. EVAPORATOR COIL	1	1	
13	871142	. ACTUATOR, THERMAL	1	1	
NS	374436	SUPPORT ACTUATOR DEFROSTER FOR FACE LIFT W/2009 FACE LIFT	1	1	
14	871425	. FLAPPER DOOR	1	1	
15	871426	. BRACKET	2	2	
NS	504431	. RIVET POP DOME OE 1/8x3/8 AL	AR	AR	
16	N8889689	. WASHER FLAT 5MM SS	8	8	
17	871427	. BRACKET	1	1	
18	N.S.P.	. SPRING NUT	3	3	2
19	871147	. FILTER / RECIRCULATING 1/4" x 6 1/4" x 28"	1	1	
20	N.S.P.	. DRIP PROTECTOR	1	1	2
21	871149	. TUBE, A/C	1	1	
22	871150	. TUBE, A/C	1	1	
23	871405	. TUBE SUPPORT	1	1	
24	871152	. TUBE HEATER	1	1	
25	871153	. TUBE HEATER	1	1	
26	871442	. HOSE SILICONE 4 PLY 5/8 OD x 4"	AR	AR	
27	871443	. HOSE CLAMP /	4	4	
28	507279	. O-RING / ORS FITTING / #8 NEO	2	2	
28	H9-2208-00	. A/C EXPANSION VALVE			
29	870151	. CASING	1	1	
30	871401	. COVER	1	1	
31	871403	. COVER / BLOWER ACCESS	1	1	
33	871412	. INSULATION	1	1	
36	8860148	. TUBE, NYLON 5/16 O.D. / BLACK S.L.	1	1	
37	N8888160	. SPRING CLIP	1	1	

From K-0185 To K-0492	Date:07/2024	PAGE:H9-2225-01
DRIVER'S HEATER & DEFROSTER ASSY		

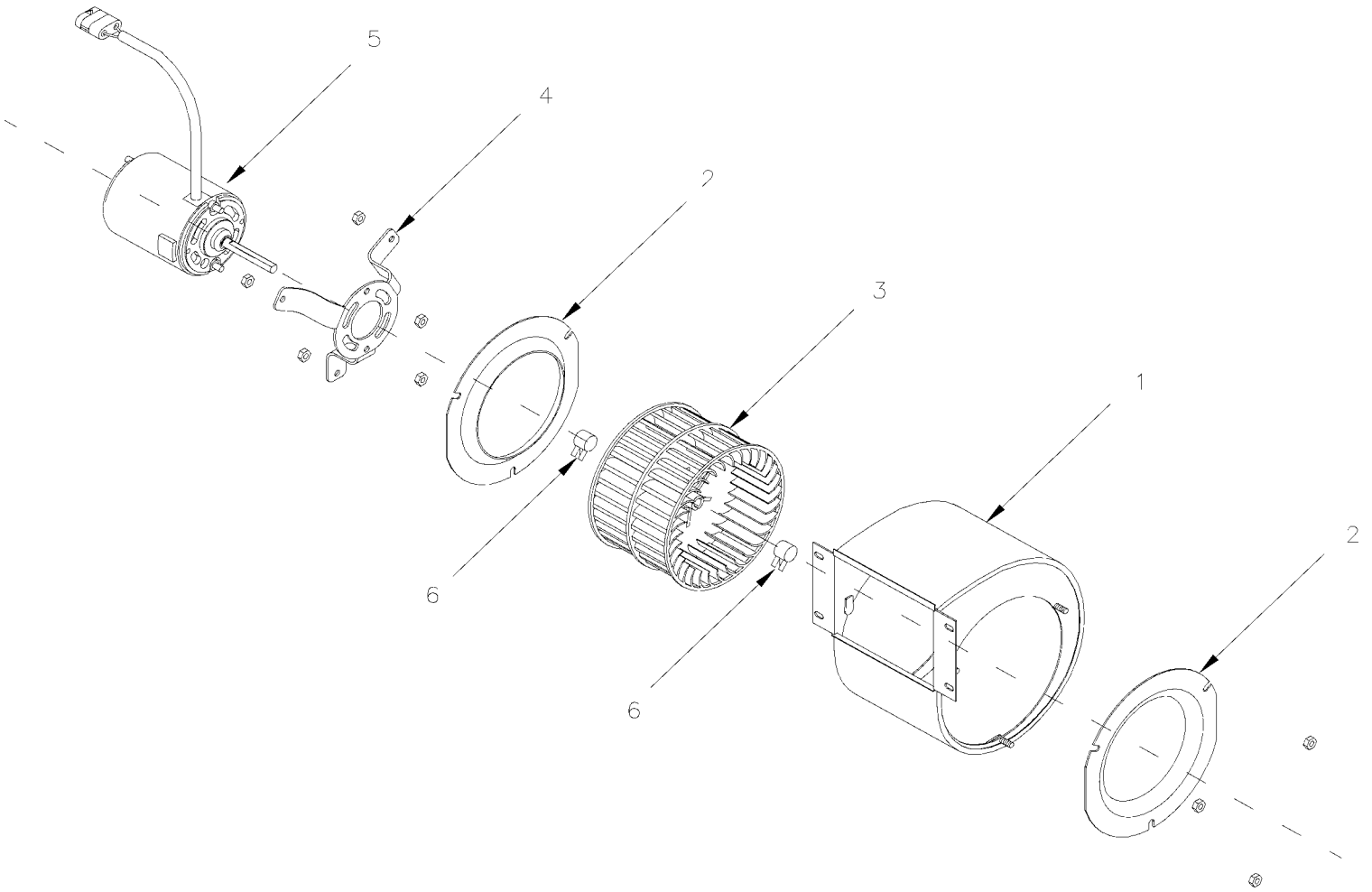
Item#	Part	Description	H 3 4 1	H 3 4 5	N O T E S
38	N8889483	. GROMMET	1	1	
39	N8885879	. GROMMET	1	1	
40	871407	. HARNESS COVER	1	1	
		2) NOT SOLD BY PREVOST (SEE MANUFACTURING PART NUMBER AT END OF DESCRIPTION LINE)			

From K-0185 To K-0492

Date:07/2024

PAGE:871360

BLOWER & MOTOR ASSY - "M.C.C." "CCW" / FAN END



From K-0185 To K-0492	Date:07/2024	PAGE:871360
-----------------------	--------------	-------------

BLOWER & MOTOR ASSY - "M.C.C." "CCW" / FAN END

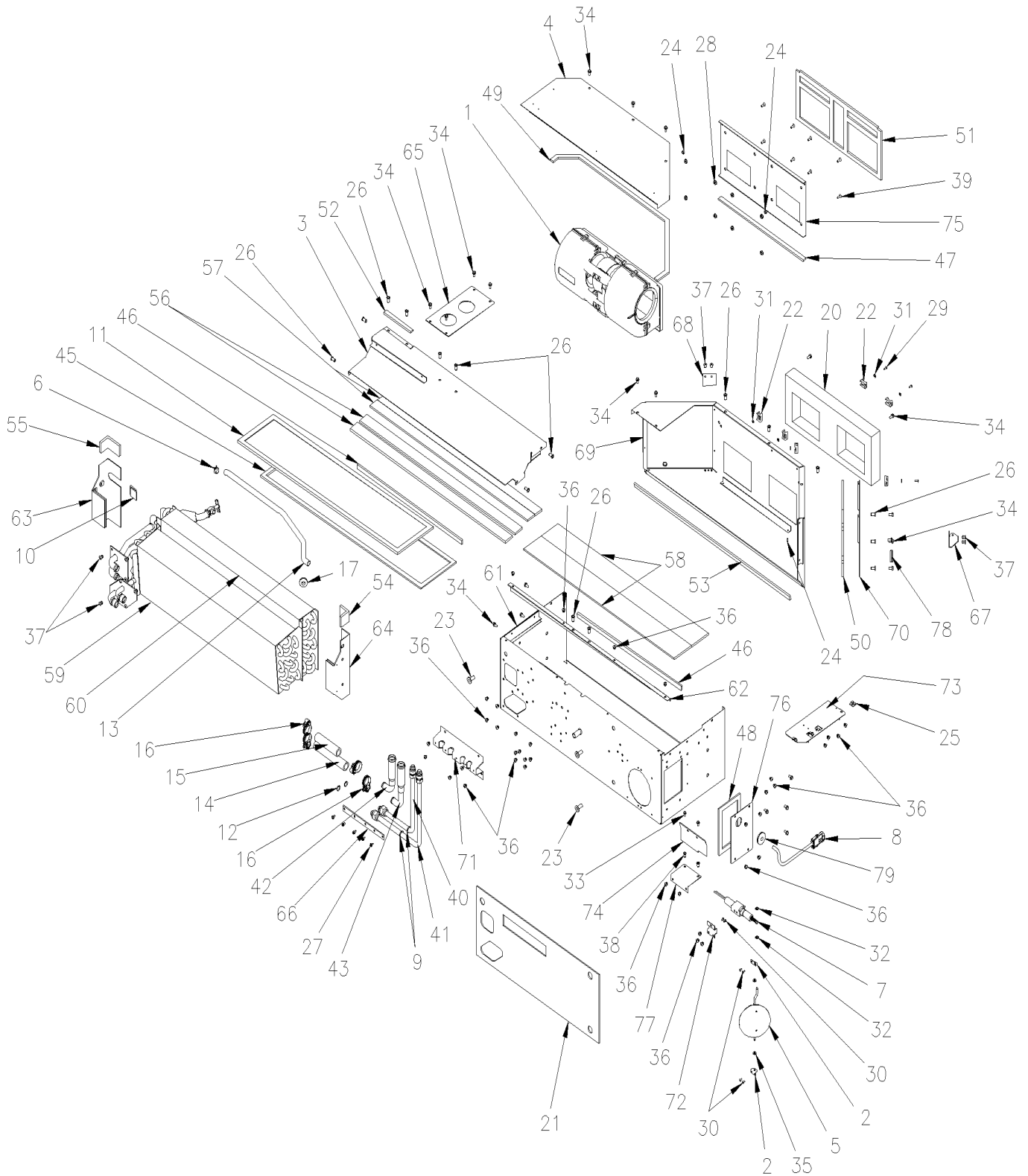
Item#	Part	Description	H 3 4 1	H 3 4 5	N O T E S
		BLOWER ASSY 24V / CCW	1	1	
1	871365	. BLOWER HOUSING	1	1	
2	N8889479	. VENTURY	2	2	
3	871133	. BLOWER WHEEL / PLASTIC 5 1/8" x 3 1/2" x 5/16" x I.D.	1	1	
4	N8890530	. MOUNTING MOTOR BRACKET	1	1	
5	871366	. MOTOR ASSY 24V / CCW	1	1	
6	N8888160	. SPRING CLIP	2	2	

From K-0493 To P-1452

Date:07/2024

PAGE:H9-2225-02

DRIVER'S HEATER & DEFROSTER ASSY



From K-0493 To P-1452	Date:07/2024	PAGE:H9-2225-02
DRIVER'S HEATER & DEFROSTER ASSY		

Item#	Part	Description	H 3 4 1	H 3 4 5	N O T E S
	870013	DEFROSTER & A/C UNIT ASSY	1	1	
1	19519329	. BLOWER ASSY 24V / W/BRUSHLESS MOTOR	1	1	
2	871426	. BRACKET	2	2	
3	871401	. COVER	1	1	
4	871403	. COVER / BLOWER ACCESS	1	1	
5	871425	. FLAPPER DOOR	1	1	
6	N8888160	. SPRING CLIP	1	1	
7	871142	. ACTUATOR, THERMAL	1	1	
8	870067	. WIRING HARNESS	1	1	
9	N8887060	. INSULATION TAPE	2	2	
10	N8887060	. INSULATION TAPE	2	2	
11	871147	. FILTER / RECIRCULATING 1/4" x 6 1/4" x 28"	1	1	
12	N8887061	. O-RING #8	2	2	
13	8860534	. TUBE, NYLON 1/2 O.D. / BLACK S.L.	AR	AR	
14	N8903249	. HOSE SILICONE 5/8"	1	1	
15	N8903249	. HOSE SILICONE 5/8"	1	1	
16	N8903248	. CLAMP 5/8"	4	4	
17	N8889483	. GROMMET	1	1	
20	871129	. SEAL	1	1	
21	Call order desk	. INSULATION 1/8"	1	1	P
22	870059	. TIE MOUNT	6	6	
23	Call order desk	. RIVNUT 5/16"-18 AL	3	3	P
24	N8889858	. NUT M5	3	3	
25	871429	. SPRING NUT	4	4	
26	870050	. RIVET NUT M5	16	16	
27	N8889859	. SCREW #8x3/8"	5	5	
28	N8894865	. LOCK NUT #8-32	8	8	
29	N8893405	. POP RIVET 1/8" X .390	3	3	
30	N8890513	. POP RIVET 1/8"x.265"	6	6	
31	N8893407	. FLAT WASHER #4	6	6	
32	19508962	. PUSHNUT 3/16"	2	2	
33	N8895770	. PUSHNUT 3/16"	2	2	
34	N8889857	. SCREW CAP HEX M5x10	23	23	
35	N8889689	. WASHER FLAT 5MM SS	4	4	
36	870047	. POP RIVET 3/16"x.345"	37	37	
37	870046	. POP RIVET 3/16"	12	12	
38	870049	. RIVNUT M4	2	2	
39	Call order desk	. SCREW #8-32x1/2" SS	8	8	P
40	871150	. TUBE, A/C	1	1	
41	871149	. TUBE, A/C	1	1	
42	871153	. TUBE HEATER	1	1	
43	871152	. TUBE HEATER	1	1	

From K-0493 To P-1452 Date:07/2024 PAGE:H9-2225-02

DRIVER'S HEATER & DEFROSTER ASSY

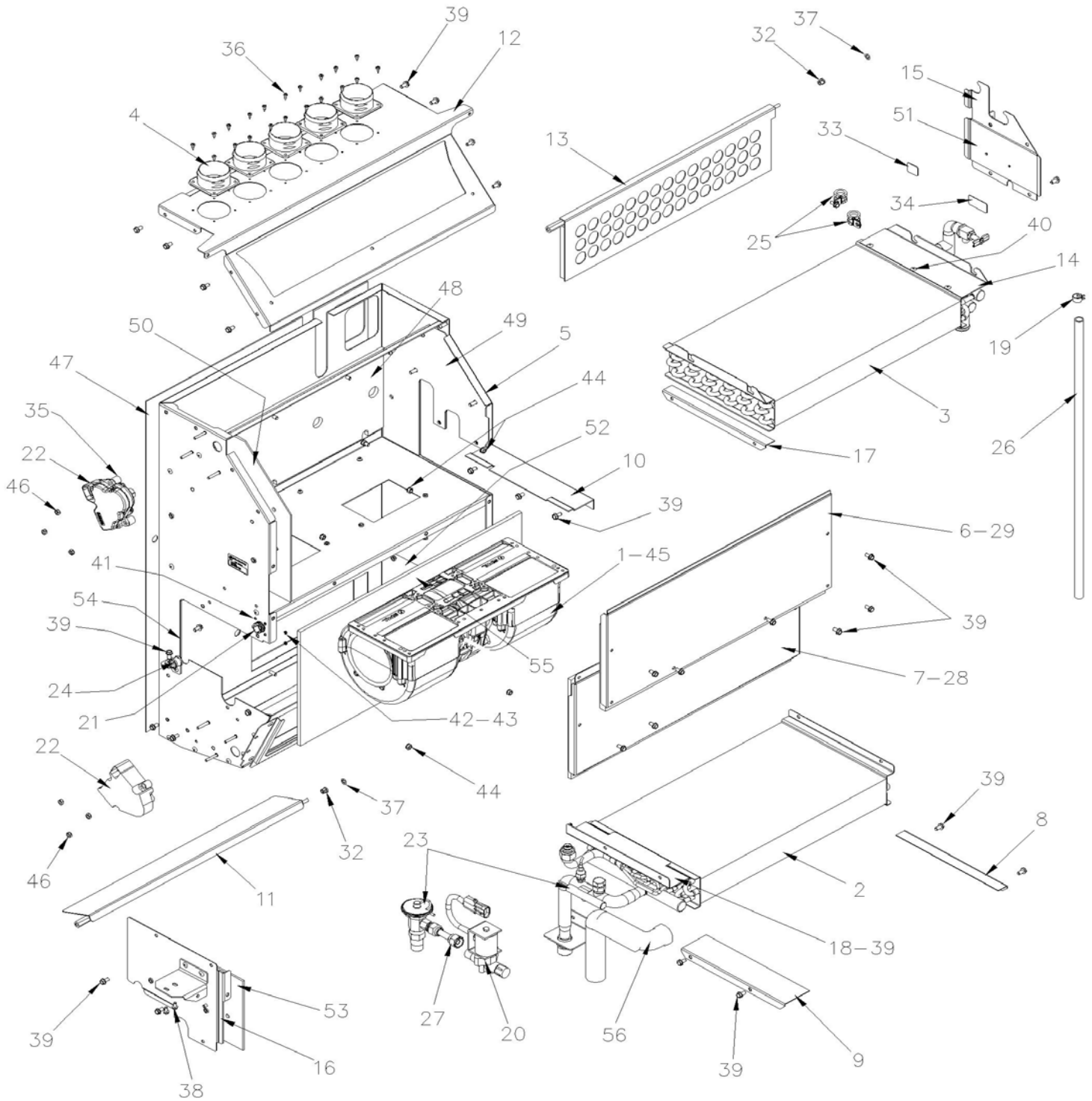
Item#	Part	Description	H 3 4 1	H 3 4 5	N O T E S
45	N8889679	FOAM / 3/16"x1 /2"	1	1	
46	N8889679	FOAM / 3/16"x1 /2"	2	2	
47	N8889679	FOAM / 3/16"x1 /2"	1	1	
48	N8889679	FOAM / 3/16"x1 /2"	1	1	
49	N8889679	FOAM / 3/16"x1 /2"	1	1	
50	N8889679	FOAM / 3/16"x1 /2"	1	1	
51	N8889679	FOAM / 3/16"x1 /2"	1	1	
52	N8889679	FOAM / 3/16"x1 /2"	1	1	
53	N8889679	FOAM / 3/16"x1 /2"	1	1	
54	N8895172	FOAM / 1/4"x1 1 /4"	1	1	
55	N8895172	FOAM / 1/4"x1 1 /4"	1	1	
56	N8895172	FOAM / 1/4"x1 1 /4"	2	2	
57	N8895172	FOAM / 1/4"x1 1 /4"	2	2	
58	N8893438	FOAM / 3/16"x3"	2	2	
59	870038	EVAPORATOR COIL	1	1	
60	870041	HEATER COIL	1	1	
61	870028	CASING	1	1	
62	870019	BRACKET	1	1	
63	870032	BRACKET L.H.	1	1	
64	870033	BRACKET R.H.	1	1	
65	870043	PLATE	1	1	
66	Call order desk	BRACKET	1	1	P
67	870024	BRACKET (R)	1	1	
68	870025	BRACKET (L)	1	1	
69	870060	TOP COVER	1	1	
70	Call order desk	HARNES COVER	1	1	P
71	Call order desk	TUBES SUPPORT	1	1	P
72	870021	ACTUATOR BRACKET	1	1	
73	870023	BRACKET	1	1	
74	870020	BRACKET	1	1	
75	870247	BLOWER PLATE	1	1	
76	870055	SIDE COVER	1	1	
77	870022	BRACKET	1	1	
78	870150	CABLE HARNESS	1	1	
79	G1091875	GROMMET	1	1	
		P) CALL ORDER DESK FOR SPECIFIC APPLICATION (V.I.N.)			

From R-1453

Date:07/2024

PAGE:H9-2225-03

DRIVER'S HEATER & DEFROSTER ASSY



From R-1453		Date:07/2024	PAGE:H9-2225-03
DRIVER'S HEATER & DEFROSTER ASSY			

Item#	Part	Description	H 3 4 1	H 3 4 5	N O T E S
	370327	DEFROSTER & A/C UNIT ASSY		1	
1	950623	BLOWER 24V		1	
2	870164	EVAPORATOR COIL		1	
3	870165	HEATER COIL		1	
. NS	870127	DRAIN VALVE ROBINET VIDANGE		1	
3	641936	BALL VALVE 1/4 NPT M x 1/4 NPT F		1	D
3	501332	STREET ELBOW 90° / PIPE FITTING / 1/4NPT-Mx1/4NPT-F BR		1	D
3	642196	MALE CONNECTOR / HOSE BARB FITTING / #6x1/4NPT-M BR		1	D
4	870166	HOSE ADAPTER 2"		5	
5	Call order desk	CASING		1	P
6	870167	COVER		1	
7	870168	COVER		1	
8	870169	BRACKET		1	
9	870170	BRACKET		1	
10	870171	BRACKET		1	
11	870172	FLAPPER DOOR ASS'Y		1	
12	870173	AIR DISTRIBUTOR		1	
13	870174	FLAPPER DOOR ASS'Y		1	
14	870175	BRACKET		1	
15	870176	ACCESS COVER ASSY		1	
16	870179	ACCESS COVER ASSY		1	
17	870180	BRACKET		1	
18	870183	BRACKET		1	
19	870185	CLIP		1	
20	870187	SOLENOID VALVE ASSY 24V		1	
21	870188	WIRE HARNESS		1	
22	870189	ACTUATOR 24V		1	
23	870039	EXPANSION VALVE		1	
24	950567	CLAMP #8		1	
25	870190	CLAMP #10		2	
26	870191	TUBE PVC / 560mm		1	
27	870192	COPPER TUBE ASSY		1	
28	N8885811	FOAM 1/4"		1	
29	N8885811	FOAM 1/4"		1	
32	870194	SNAP BUSHING / 3/16"		2	
33	870195	DECAL "IN"		1	
34	870196	DECAL "OUT"		1	
35	870201	NYLON SPACER 1/2"		6	
36	870202	SCREW TP PAN PH #6X3/8"		20	
37	870203	PUSHNUT 3/16"		2	
38	870204	SCREW CAP HEXF M4-0.7x8 YP		2	
39	870205	SCREW CAP HEXF M5-0.8x10 YP		39	

From R-1453	Date:07/2024	PAGE:H9-2225-03
DRIVER'S HEATER & DEFROSTER ASSY		

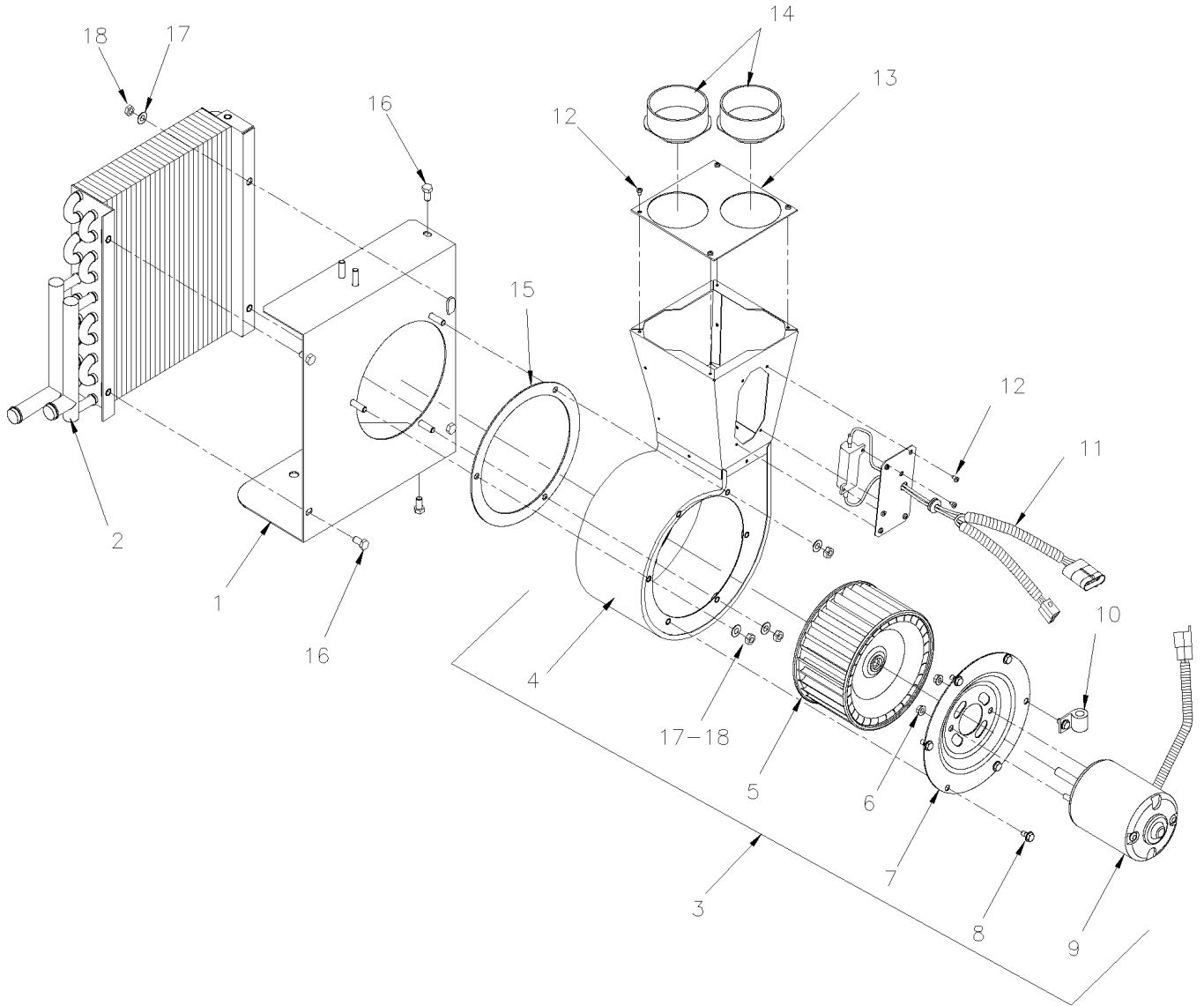
Item#	Part	Description	H 3 4 1	H 3 4 5	N O T E S
40	870047	. POP RIVET 3/16"x.345"		3	
41	870206	. SCREW MA PAN SLT #2-56x1/2		4	
42	870208	. NUT HEX #2-56		4	
43	870209	. WASHER FL #2		4	
44	870210	. NUT HEX LOCK M5X0.8		10	
45	870211	. SCREW MA PAN PH M4-0.7x10 ZP		4	
46	870212	. NUT HEX LOCK M4-0.7		6	
47	Call order desk	. INSULATION 1/16"		1	P
48	Call order desk	. INSULATION 1/4"		1	P
49	Call order desk	. INSULATION 1/8"		1	P
50	T38-0615	. INSULATION 1/8"		1	
51	T38-0616	. INSULATION 1/8"		1	
52	T38-0617	. INSULATION 1/8"		1	
53	T38-0618	. INSULATION 1/8"		1	
54	T38-0619	. INSULATION 1/8"		1	
55	Call order desk	. INSULATION 1/4"		1	P
56	Call order desk	. TAPE / CORK		AR	P
		D) ALTERNATIVE SOLUTION FOR 870127 BEFORE MCC UPDATE			
		P) CALL ORDER DESK FOR SPECIFIC APPLICATION (V.I.N.)			

From K-0185 To P-1452

Date:07/2024

PAGE:H9-2225-10

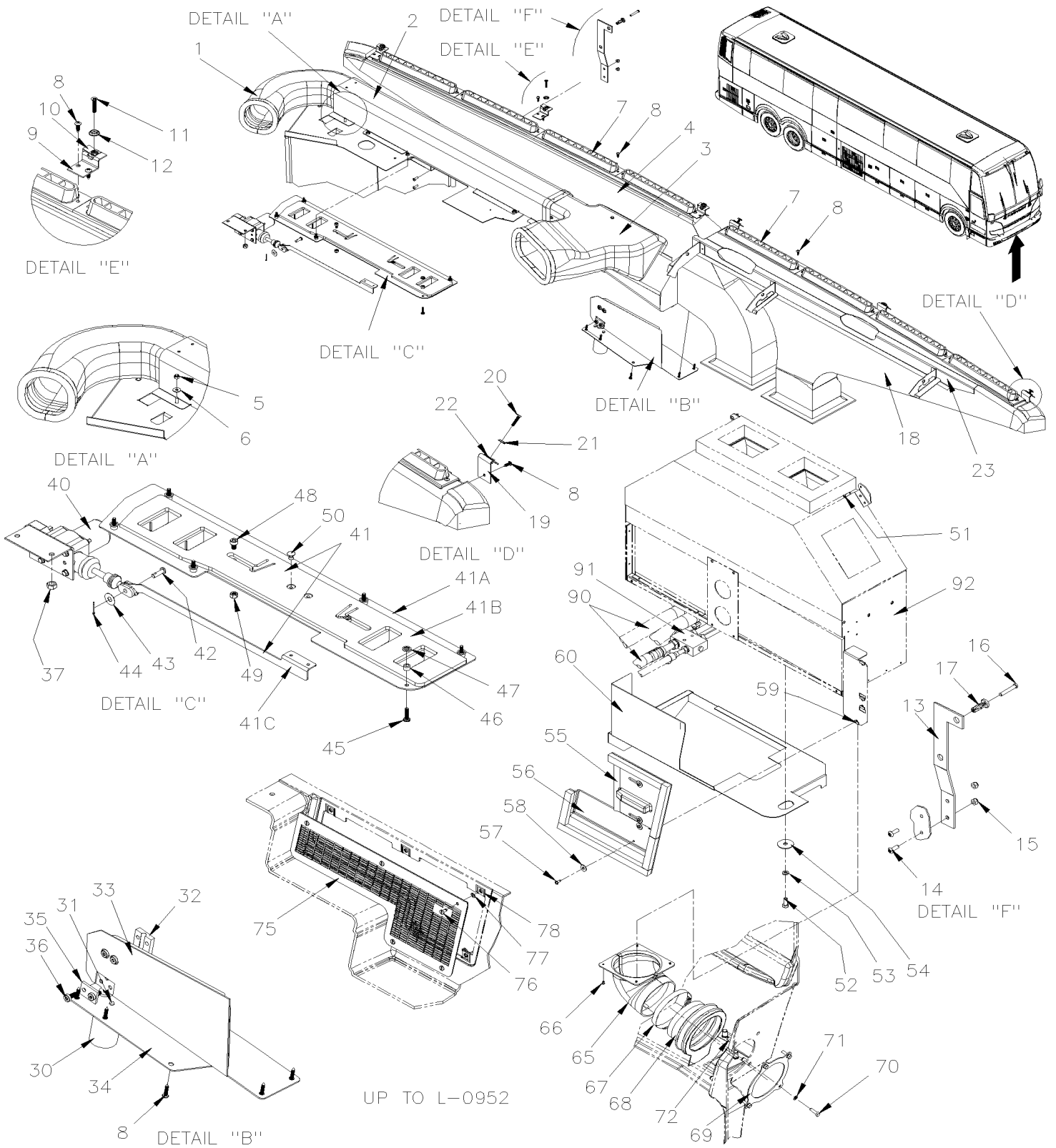
UPPER WINDSHIELD - DEFROSTER ASSY



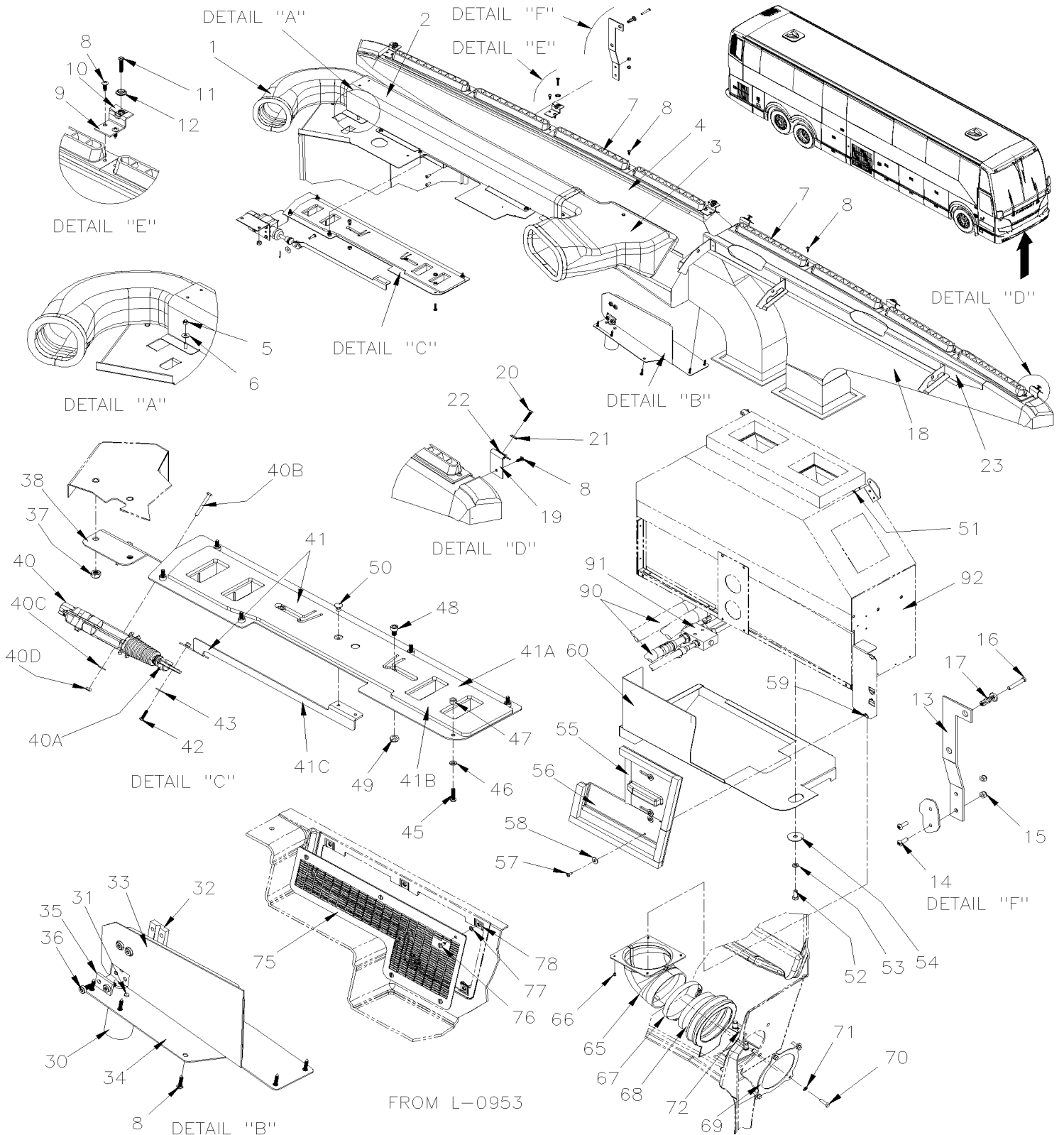
From K-0185 To P-1452	Date:07/2024	PAGE:H9-2225-10
UPPER WINDSHIELD - DEFROSTER ASSY		

Item#	Part	Description	H 3 4 1	H 3 4 5	N O T E S
	374072	UPPER DEFROSTER ASSY / W/MOTOR	1	1	
1	871253	. SUPPORT PLATE	1	1	
2	871254	. HEATER COIL	1	1	
3	871255	. BLOWER ASSY 24V	1	1	
4	871256	. BLOWER HOUSING	1	1	
5	871017	. BLOWER WHEEL / STEEL	1	1	
6	500423	. NUT HEX NYRT #10-32 SS	2	2	
7	871020	. PLATE MOUNTING / MOTOR	1	1	
8	N.P.N.	. SCR CAP HEX ZP M5-10	6	6	4
9	562167	. MOTOR ASSY / 24V	1	1	
10	952625	. CLAMP / 3/8" I.D.	1	1	
11	871351	. HARNESS ASSY / W/COVER & RESISTOR 6 ohms	1	1	
. NS	563436	. RESISTOR / 6 OHMS 50 WATTS RCD	1	1	
12	502783	. SCREW TP CAP HEXW #6x3/8 ZP	10	10	
13	871258	. ADAPTOR PLATE	1	1	
14	871257	. HOSE ADAPTOR 2 1/2"	2	2	
15	506002	. TAPE RUB ADH1 CC POL 3/16" x 1/2" x 40' / GREY 2520	AR	AR	
16	5001106	SCREW CAP HEX M6-1.0x10 G8.8 Z050	5	5	
17	500473	WASHER LO SPT .262x.489x.062 Z050	4	4	
18	502581	NUT HEX M6-1.0 Z050	4	4	
NS	374474	KIT UPPER DEFROSTER RETROFIT	1	1	
. A	328921	. FINISHING POST CAP / FRONT R.H.	1	1	
. B	373829	. HOSE 1 1/8" I.D. x 1160MM	2	2	
. C	373835	. HOSE ASSY REDUCER 1 1/8" TO 5/8"	1	1	
. D	373882	. PIPE W/Y / 2639MM	1	1	
. E	374072	. UPPER DEFROSTER ASSY / W/MOTOR	1	1	
. F	374261	. PIPE ASSY / W/BY-PASS FOR UPPER DEFROSTER	1	1	
. G	503031	. HOSE FLEXIBLE / AIR DUCT 2 1/2" I.D. X 12' / RUBBER	1	1	
. H	503720	. HOSE SILICONE 1 PLY 5/8" I.D. x 25' / S.L.	1	1	
. I	561566	. CONNECTOR / WEATHER PACK / PH 2C / BLACK / PED 12010973	1	1	
. J	561568	. PIN TERMINAL / 16-14 / PED 12089305	2	2	
. K	561786	. CABLE SEAL / GRAY / PED 15324980	2	2	
. L	870900	. NOZZLE AIR	2	2	
. M	874296	. WATER PUMP ASSY / 24V / "MP PUMPS"	1	1	
		4) NO PARTS NUMBER			

DEFROSTER - INSTALLATION



DEFROSTER - INSTALLATION



From K-0185 To P-1452	Date:07/2024	PAGE:H9-2230-00
DEFROSTER - INSTALLATION		

Item#	Part	Description	H 3 4 1	H 3 4 5	N O T E S
1	392479	DUCT DRIVER LH SECTION	1	1	
2	392488	DUCT DRIVER CENTER SECTION	1	1	
3	392212	DUCT DRIVER RH SECTION	1	1	
. NS	391003	. SEAL DUCT	1	1	
4	391925	DEFROSTER DUCT STREETSIDE	1	1	
NS	391979	DEFLECTOR / (INSIDE OF DUCT)	1	1	
NS	890014	SCREW TP PAN PH ST3.9x16 BKP	7	7	
5	502557	NUT HEX NYRT M4-0.7 SS	4	4	
6	5001971	WASHER FL 4.3x12.0x1.6 ZP	4	4	
7	392519	LOUVER, LOW SHAPE	8	8	
8	890014	SCREW TP PAN PH ST3.9x16 BKP	AR	AR	
9	890001	SUPPORT	3	3	
10	5001406	NUT SPR U M4-0.7 0.8-4.0x13.5	3	3	
11	5001411	SCREW MA FL PH M4-0.7x20 BK	3	3	
12	500345	WASHER FN CKF .187x.500x.090 BR BK	3	3	
13	392016	STRAP / TO FIX DUCT LH TO STRUCTURE	2	2	
14	890013	SCREW MA PAN PH M4-0.7x10 BKP KONGSBERG	4	4	
15	502557	NUT HEX NYRT M4-0.7 SS	4	4	
16	5001402	SCREW MA CHE PH M4-0.7x25 Z050	3	3	
17	Call order desk	NUT AN JK M4-0.7	3	3	P
18	391923	DEFROSTER DUCT CURBSIDE	1	1	
19	890025	SUPPORT	3	3	
20	5001411	SCREW MA FL PH M4-0.7x20 BK	3	3	
21	500345	WASHER FN CKF .187x.500x.090 BR BK	3	3	
22	5001405	NUT SPR U M4-0.7 0.8-4.0x9.5	3	3	
23	391956	STRUCTURE / R.H.	1	1	
30	392540	DAMPER ASSY	1	1	
30	390084	. MOTOR	1	1	
31	5001398	. SCREW MA CHE PH M3-0.5x10 SS	3	3	
31	5001407	. WASHER LO EXT 3.2x6.0x0.4 SS	3	3	
32	390040	. FIXING PLATE DAMPER	1	1	
33	390994	. TRAP ASSY	1	1	
34	390024	. BASE DAMPER MOTOR	1	1	
35	390046	. SPACER FIXING DAMPER	1	1	
36	5002051	. SCREW MA PAN TORX M5-0.8x12 SS	4	4	
37	5001182	NUT HEX NYRT M6-1.0 SS To L-0952	2	2	
37	5002044	NUT HEX NYRT M6-1.0 SS NSS From L-0953	2	2	
38	392792	SUPPORT, TRAP ACTUATOR From L-0953	1	1	
NS	563429	SWITCH MAGNETIC ASSY	1	1	
. NS	562641	. MAGNET	1	1	
NS	562641	. MAGNET	1	1	

From K-0185 To P-1452	Date:07/2024	PAGE:H9-2230-00
DEFROSTER - INSTALLATION		

Item#	Part	Description	H 3 4 1	H 3 4 5	N O T E S
40	890009	LOCK ACTUATOR / 12V To L-0952	1	1	
. NS	562076	. CONNECTOR / PACK-CON I / FEMALE HOUSING / 2C / PED 8911772 To L-0952	1	1	
40	392814	KIT ACTUATOR VENTILATION TRAP DASH BOARD To L-0952	1	1	
40	780814	LOCK ACTUATOR / 12V From L-0953	1	1	
. NS	562076	. CONNECTOR / PACK-CON I / FEMALE HOUSING / 2C / PED 8911772 From L-0953	1	1	
40A	780883	END EFFECTOR PADDLE From L-0953	1	1	
40B	5001100	SCREW CAP HEX M3-0.5x30 G8.8 ZP From L-0953	2	2	
40C	500437	WASHER FL .125x.375x.040 Z050 From L-0953	2	2	
40D	5001408	NUT HEX STO M3-0.5 ZP From L-0953	2	2	
41	392484	DAMPER, FOOT ASSY To L-0952	1	1	
41	Call order desk	DAMPER, FOOT ASSY From L-0953	1	1	P
41A	390077	. CLUSTER SLIDING PLATE	1	1	
41B	390048	. VENTILATION SUPPORT PLATE	1	1	
41C	390045	. ARM, VENTILATION TRAP To L-0952	1	1	
41C	392793	. ARM, VENTILATION TRAP From L-0953	1	1	
42	502023	. PIN, CLEVIS 1/4 x 51/64 To L-0952	1	1	
42	5001399	. SCREW MA CHE PH M3-0.5x12 SS From L-0953	1	1	
43	5001137	. WASHER FL .203x.438x.050 SS To L-0952	1	1	
43	500437	. WASHER FL .125x.375x.040 Z050 From L-0953	1	1	
44	502180	. PIN HITCH CLIP 3/32 x 1/2 Z050 To L-0952	1	1	
45	5001410	. SCREW MA CHE PH M4-0.7x16 SS	6	6	
46	890016	. SPACER 3/16IDx5/16ODx3/16	6	6	
47	5001968	. WASHER FL RET .198 X .328 X .031 NYL	6	6	
48	5001969	. SCREW CAP HEXS M5-0.8x8 SS	2	2	
49	502782	. NUT HEX NYRT M5-0.8 Z050	2	2	
50	504097	. RIVET POP DOME LARGE HEAD 1/8x1/4 N050	2	2	
51	500642	SCREW TP PAN PH #10x3/4 Z050	2	2	
52	500836	SCREW CAP HEX 5/16-18x3/4 G5 N500	3	3	
53	500942	WASHER LO SPT 8.1x14.8x2.0 N500	3	3	
54	500462	WASHER FL .343x1.500x.083 SS	3	3	
55	373851	DEFLECTOR, UPPER / PLASTIC GREY	1	1	
56	373850	DEFLECTOR, LOWER / PLASTIC GREY	1	1	
56	506210	. TAPE RUB ADH1 URE 1/2" x 3/4" x 20' / GREY 1820	1	1	
57	502868	SCREW TC TR PH #10-16x1/2 N500	4	4	
58	502709	WASHER FL .260x.687x.050 XLN BK	4	4	
59	871429	SPRING NUT	4	4	
60	216355	SUPPORT, DEFROSTER	1	1	
65	374366	ELBOW 90 DEG AIR INLET	1	1	
NS	684517	ADHESIVE SIMSON #ISR 70-03 / GREY / 310ml CARTRIDGE	AR	AR	
66	504105	RIVET POP DOME OE 1/8x3/16 AL	4	4	
67	504235	HOSE CLAMP / 3"9/16"-4"1/2 SS / HS-64	1	1	
68	374627	CUFF END BELLOW / WITH FLAP	1	1	

From K-0185 To P-1452	Date:07/2024	PAGE:H9-2230-00
DEFROSTER - INSTALLATION		

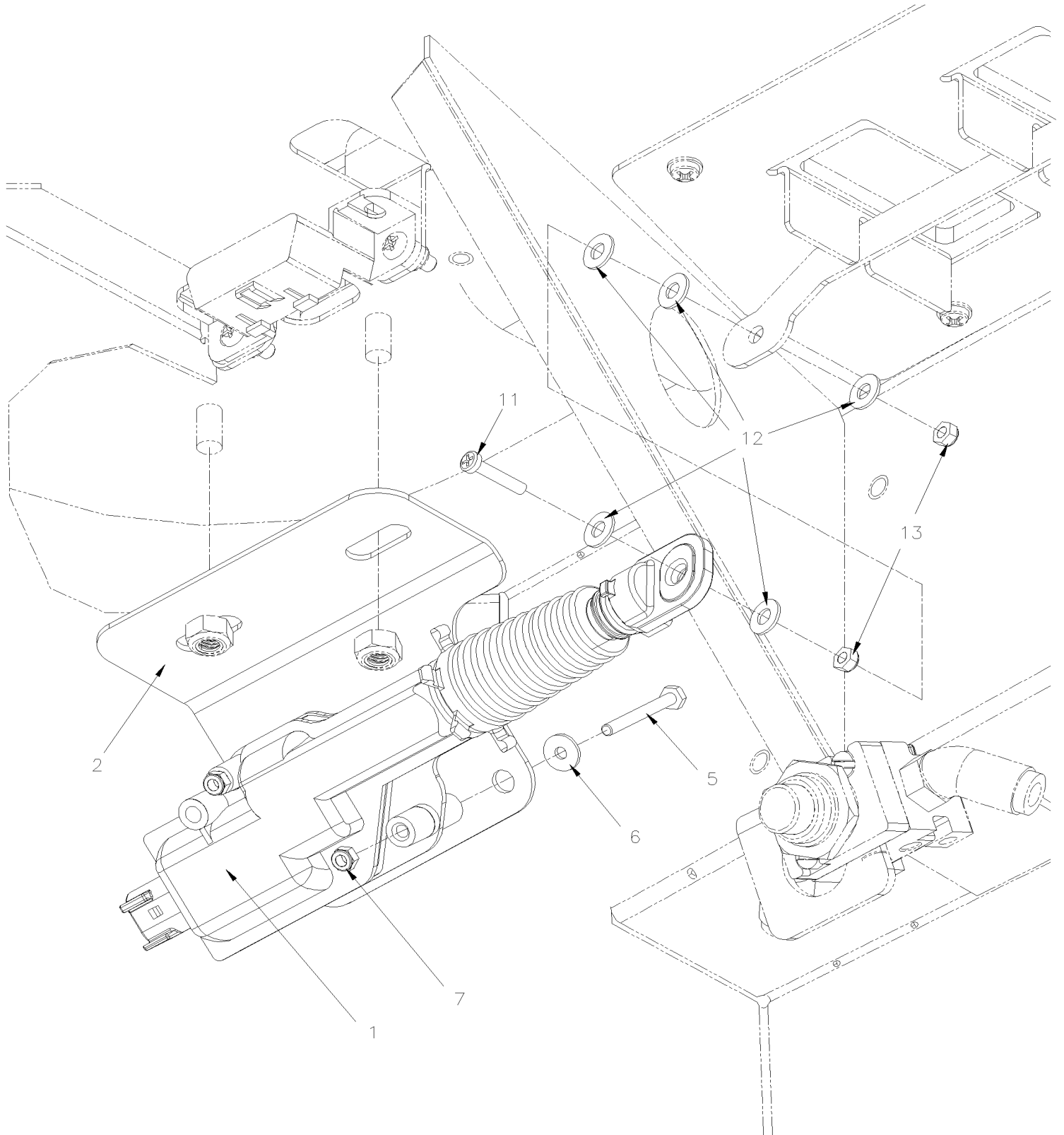
Item#	Part	Description	H 3 4 1	H 3 4 5	NOTES
69	374381	GRILL ASSY / 130MM O.D. SS	1	1	
70	502622	SCREW CAP HEX M6-1.0x20 SS BK	4	4	
71	502570	WASHER LO SPT 6.1x11.8x1.6 SS	4	4	
72	374380	ANCHOR, AIR INTAKE FILTER ASSY	1	1	
75	454003	GRILL AIR / FRONT STEPWELL / RETURN	1	1	
. NS	452770	. GRILL AIR / FRONT STEPWELL / RETURN	1	1	
. NS	504604	. FASTENER	5	5	
. NS	504681	. STUD 6MM (DZUS)	5	5	
76	504681	. STUD 6MM (DZUS)	5	5	
77	504604	. FASTENER	5	5	
78	504605	RECEPTACLE 6 MM	5	5	
90	H9-2222-10	A/C & HEATING LINE FRONT SECTION			
91	H9-2208-00	A/C EXPANSION VALVE			
92	H9-2225-01	DRIVER'S HEATER & DEFROSTER ASSY To K-0492			
92	H9-2225-02	DRIVER'S HEATER & DEFROSTER ASSY From K-0493			
		P) CALL ORDER DESK FOR SPECIFIC APPLICATION (V.I.N.)			

To L-0952

Date:07/2024

PAGE:392814

KIT ACTUATOR VENTILATION TRAP DASH BOARD

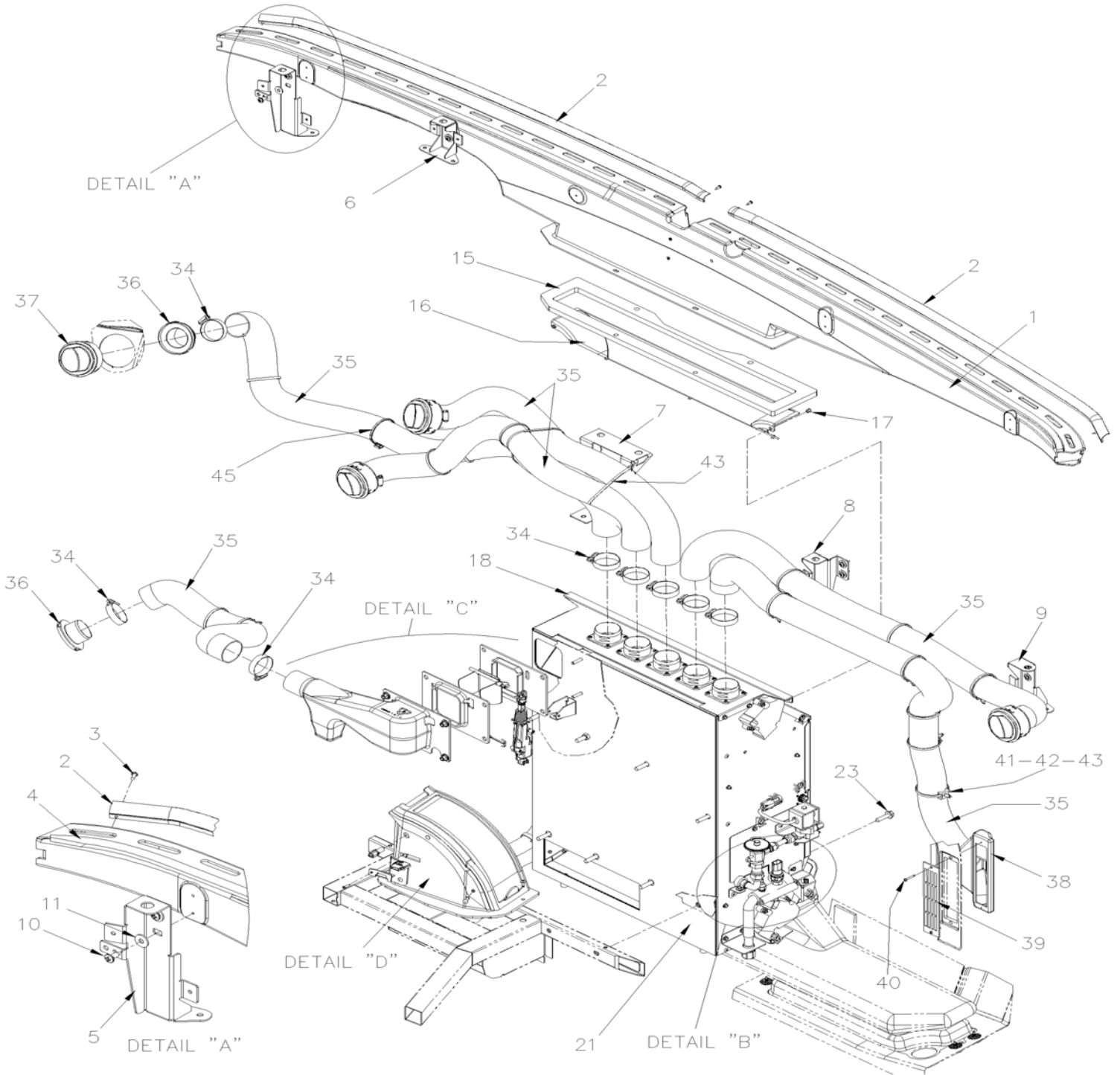


To L-0952	Date:07/2024	PAGE:392814
-----------	--------------	-------------

KIT ACTUATOR VENTILATION TRAP DASH BOARD

Item#	Part	Description	H 3 4 1	H 3 4 5	N O T E S
1	392816	ACTUATOR VENTILATION TRAP DASH ASSY	1	1	
1	068011	CABLE INTERFACE DOOR LOCK ACTUATOR (780428 vs 2800049)	1	1	
2	392783	SUPPORT, ACTUATOR	1	1	
5	5001100	SCREW CAP HEX M3-0.5x30 G8.8 ZP	2	2	
6	500437	WASHER FL .125x.375x.040 Z050	2	2	
7	5001408	NUT HEX STO M3-0.5 ZP	2	2	
11	502577	SCREW MA PAN PH M3-0.5x16 ZP	1	1	
12	5001310	WASHER FL RET .173x.375x.031 NYL BK	5	5	
13	5001408	NUT HEX STO M3-0.5 ZP	2	2	

From R-1453	Date:07/2024	PAGE:H9-2230-01
DEFROSTER - INSTALLATION		

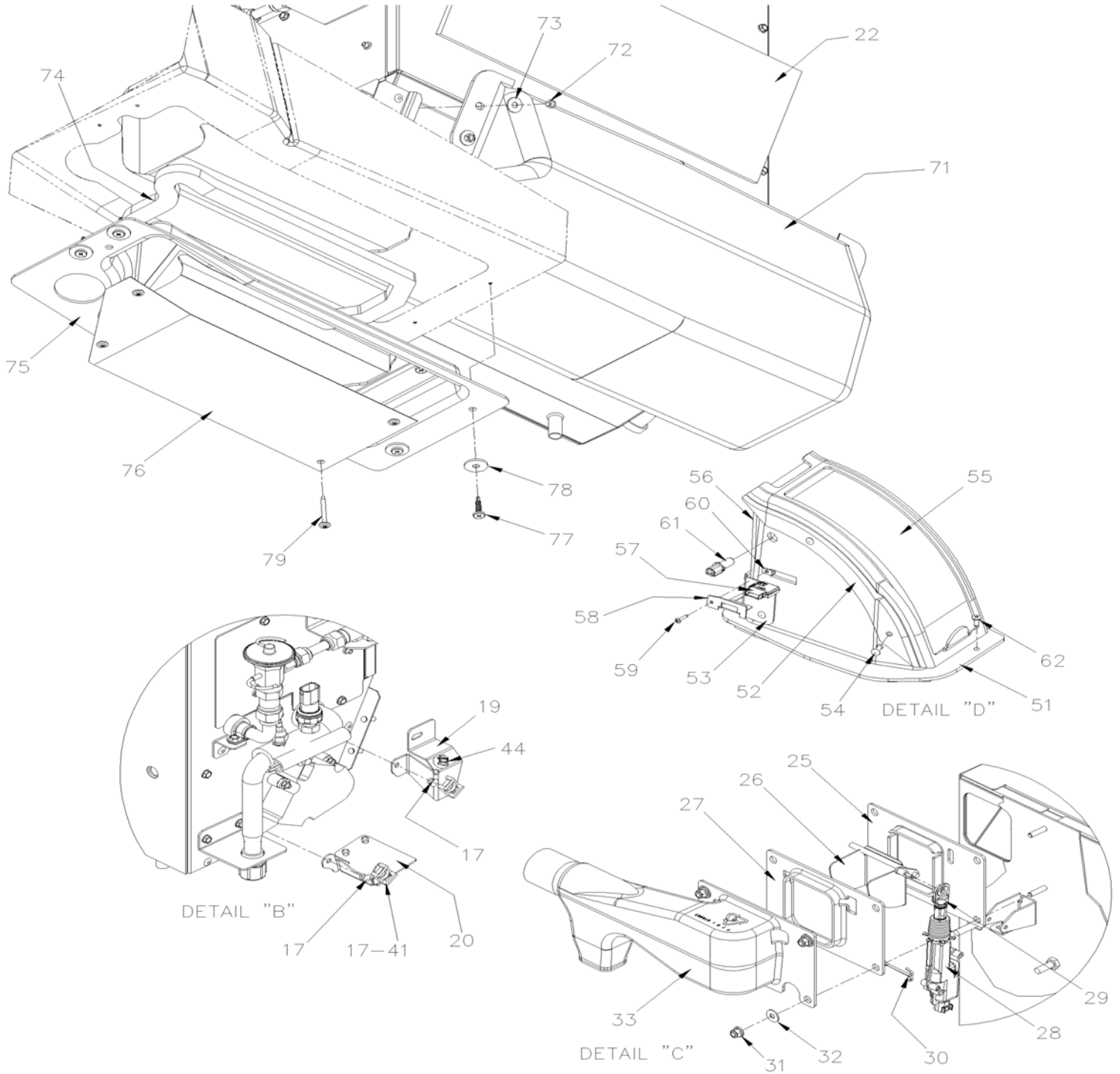


From R-1453

Date:07/2024

PAGE:H9-2230-01

DEFROSTER - INSTALLATION



From R-1453	Date:07/2024	PAGE:H9-2230-01
DEFROSTER - INSTALLATION		

Item#	Part	Description	H 3 4 1	H 3 4 5	N O T E S
1	370258	WINDSHIELD AIR DUCT ASS		1	
2	470095	. RUBBER EXTRUSION / RAW MATERIAL		2	
3	500120	. SCREW TP BDG PH #6x1/2 SS		6	
4	5060037	. TAPE RUB ADH1 CC POL 1/4" x 1/2" x 35' / BLACK H1C		AR	
5	370249	SUPPORT WINDSHIELD VENTILATION DUCT		1	
6	370254	SUPPORT WINDSHIELD VENTILATION DUCT		1	
7	370251	SUPPORT WINDSHIELD VENTILATION DUCT		1	
8	370252	SUPPORT WINDSHIELD VENTILATION DUCT		1	
9	370253	SUPPORT WINDSHIELD VENTILATION DUCT		1	
10	500841	SCREW TP PAN PH #14x3/4 Z050		9	
11	5001462	WASHER FL 6.4x18.0x1.6 Z050		9	
15	370323	GASKET, WINDSHIELD AIR DUCT		1	
16	370247	TRANSITION DUCT		1	
17	504114	RIVET POP DOME OE 3/16x1/4 AL		AR	
18	506104	TAPE RUB ADH1 URE 1/8" x 1/2" x 75' / GREY 1820		AR	
19	451264	SUPPORT,A/C HOSES		1	
20	451315	SUPPORT,A/C HOSES		1	
21	H9-2225-03	DRIVER'S HEATER & DEFROSTER ASSY			
22	870119	FILTER AIR INTAKE 16.5" X 5.5" X 1/4"		1	
23	5002109	SCREW CAP HEXF SERR M8-1.25x30 SS NSS		8	
25	370260	AIR DUCT FLANGE		1	
26	370284	HOT AIR CLAPET		1	
27	370032	AIR DUCT FLANGE		1	
28	780814	LOCK ACTUATOR / 12V		1	
. NS	562076	. CONNECTOR / PACK-CON I / FEMALE HOUSING / 2C / PED 8911772		1	
29	780883	END EFFECTOR PADDLE		1	
30	502022	PIN COTTER 7/64X2		1	
31	5001932	NUT HEXF NYRT M6-1.0 G8.8 N500		4	
32	5001833	WASHER BEL SPR 6.1x18x1.27 SS		4	
33	370261	AIR DUCT FEET		1	
34	504023	HOSE CLAMP / 1"5/16-2"1/4 SS / HS-28		11	
35	503076	PLASTIC TUBE / 2" x 25'		AR	
36	950606	CONNECTOR, AIR DIFFUSER		5	
37	950607	AIR DIFFUSER		4	
38	370248	STAIR AIR NOZZLE		1	
39	870118	AIR GRID, STAIR H		1	
40	5001145	SCREW TP BDG PH #6x1 BK		2	
41	504013	TIE MOUNT / 1/4" X 1/4" I.D.		AR	
42	504379	RIVET POP DOME OE 3/16x1/4 SS		AR	
43	504637	CABLE TIE / 3/16" x 13"		AR	
44	509815	TIE MOUNT / ATTACHMENT W/TREE MOUNT		AR	
45	564534	CABLE TIE / WITH EDGE CLIP / T50REC5A 10 MM x 200 MM		1	

From R-1453		Date:07/2024	PAGE:H9-2230-01
DEFROSTER - INSTALLATION			

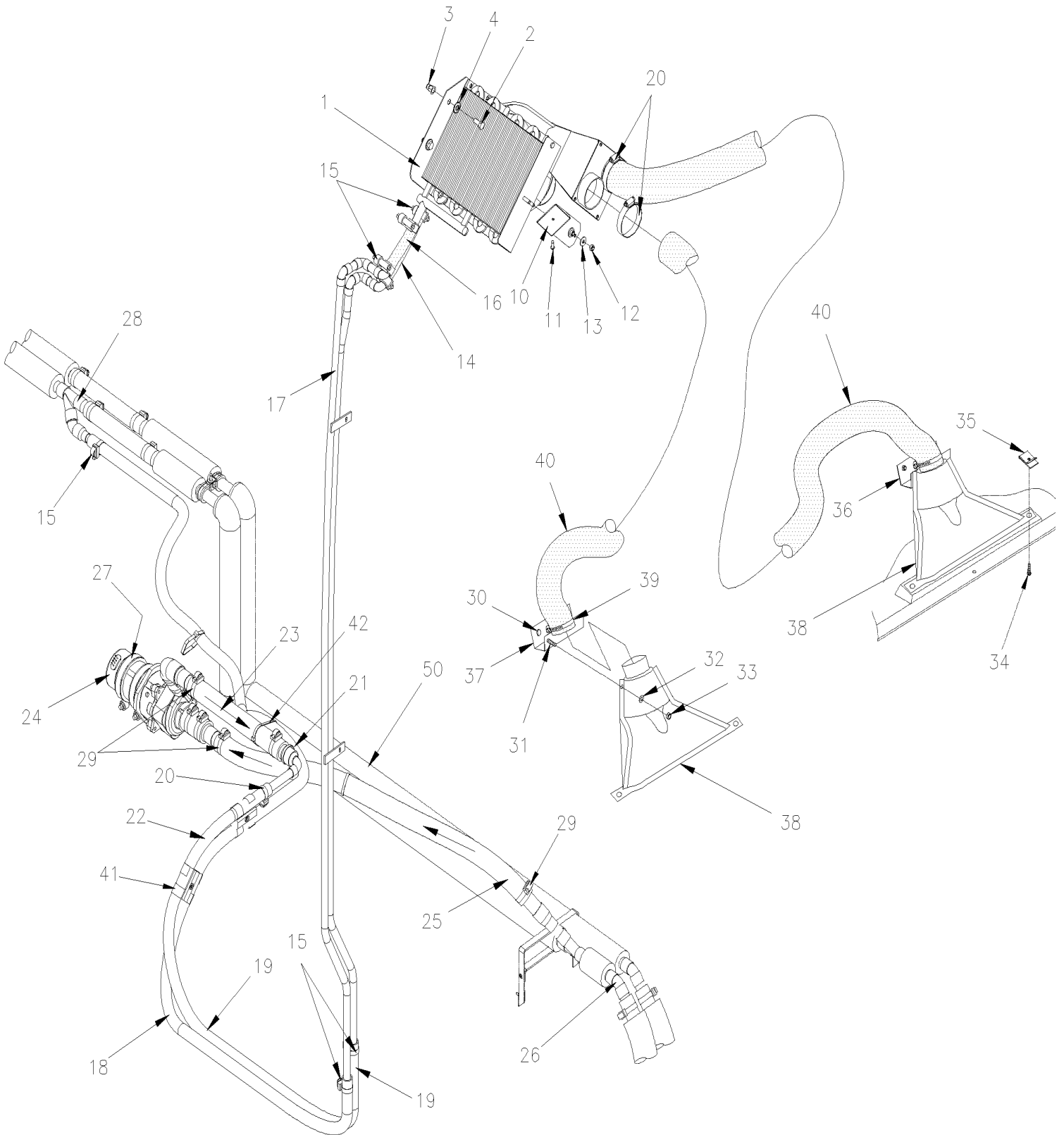
Item#	Part	Description	H 3 4 1	H 3 4 5	N O T E S
46	370546	BRACKET From R-1472		1	
51	Call order desk	RECIRCULATION FILTER ASSEMBLY		1	P
51	370004	. AIR FILTER HOLDER To R-1731		1	
51	370578	. AIR FILTER HOLDER From R-1732		1	
NS	506001	. TAPE RUB ADH1 CC POL 1/8" x 3/4" x 50' / GREY 2520X		AR	
52	370007	. AIR FILTER CARRIER		1	
53	370011	. AIR FILTER HOLDER		1	
54	504118	. RIVET POP DOME OE 3/16x3/8 AL		8	
55	870120	. FILTER HVAC UNIT 12.5" X 4" X 1/4"		1	
56	870123	. FILTER HVAC UNIT 6.75" X 4.5" X 1/4"		1	
57	564759	. HUMIDITY SENSOR		1	
58	454861	. SUPPORT, HUMIDITY SENSOR		1	
59	500862	. SCREW TC PAN PH #6-32x3/4 Z050		1	
60	500385	. NUT SPR U #6-32 .135-.150 N500		1	
61	564318	. SENSOR, TEMPERATURE HVAC		1	
62	504379	RIVET POP DOME OE 3/16x1/4 SS		3	
71	370244	FRESH AIR DUCT		1	
72	502816	NUT HEX M5-0.8 N500		4	
73	5001833	WASHER BEL SPR 6.1x18x1.27 SS		4	
74	370312	GASKET, AIR INTAKE		1	
75	370245	FRESH AIR INPUT MOUTH		1	
76	370305	SCREEN, AIR INTAKE		1	
NS	684685	ADHESIVE SIMSON #ISR 70-03 / 310ml CARTRIDGE		AR	
NS	506785	TAPE RUB ADH2 CC POL 1/16" X 1/4" X 200' / BLACK I1C-N-A		AR	
77	5001957	SCREW DR TR PH #10x1 Z050		4	
78	500142	WASHER FL 6.6x22.0x2.0 SS		4	
79	5001840	SCREW DR TR WASHER PH #8x1 5/8 BK		4	
		P) CALL ORDER DESK FOR SPECIFIC APPLICATION (V.I.N.)			

From K-0185 To P-1452

Date:07/2024

PAGE:H9-2240-10

UPPER WINDSHIELD FAN - INSTALLATION



From K-0185 To P-1452	Date:07/2024	PAGE:H9-2240-10
UPPER WINDSHIELD FAN - INSTALLATION		

Item#	Part	Description	H 3 4 1	H 3 4 5	N O T E S
1	H9-2225-10	UPPER WINDSHIELD - DEFROSTER ASSY			
2	502790	SCREW CAP HEX M8-1.25x20 G8.8 Z050	2	2	
3	5001337	NUT INS FL HEX M8-1.25 0.5-3.0 Z050	2	2	
4	5001699	WASHER BEL SPR 8.2x22x1.4 N500	2	2	
10	373836	SUPPORT / UPPER DEFROSTER	1	1	
11	500643	SCREW TP PAN PH #12x3/4 Z050	1	1	
12	502511	NUT HEX NYRT M6-1.0 Z050	2	2	
13	5001462	WASHER FL 6.4x18.0x1.6 Z050	2	2	
14	373828	HOSE 5/8" I.D. 165MM	1	1	
14	503802	. HOSE SILICONE 1 PLY / NOMEX-ARAMID 5/8" I.D. x 100' / S.L.	AR	AR	
15	992082	HOSE CLAMP / 16MM/27MM	7	7	
15	504569	HOSE CLAMP STEPLESS SPRING / HC12-20 / 1"	7	7	C
15	504704	HOSE CLAMP / 3/4"-15/16" / C.T.	AR	AR	C
16	373827	HOSE 5/8" I.D. 113MM	1	1	
16	503802	. HOSE SILICONE 1 PLY / NOMEX-ARAMID 5/8" I.D. x 100' / S.L.	AR	AR	
17	373847	PIPE ASSY / UPPER DEFROSTER & PUMP To N-1209	1	1	
17	370036	PIPE ASSY / UPPER DEFROSTER & PUMP From N-1210	1	1	
18	374417	HOSE 5/8" I.D. 2623MM	1	1	
18	503802	. HOSE SILICONE 1 PLY / NOMEX-ARAMID 5/8" I.D. x 100' / S.L.	AR	AR	
19	374671	HOSE ASSY REDUCER 1 1/8" TO 5/8"	1	1	
19	378906	HOSE ASSY REDUCER 1 1/8" TO 5/8"	1	1	B
19	378905	HOSE ASSY REDUCER 1 1/8" TO 5/8"	1	1	B I
19	374801	HOSE ASSY REDUCER 1 1/8" TO 5/8"	1	1	C
20	992082	. HOSE CLAMP / 16MM/27MM	1	1	
20	504704	. HOSE CLAMP / 3/4"-15/16" / C.T.	1	1	C
21	992086	. HOSE CLAMP / 32MM/52MM	1	1	
21	504451	. HOSE CLAMP STEPLESS SPRING SS / OETIKER / 1.3-1.6	1	1	C
22	503802	. HOSE SILICONE 1 PLY / NOMEX-ARAMID 5/8" I.D. x 100' / S.L.	AR	AR	
23	503796	. HOSE SILICONE 2 PLY / NOMEX-ARAMID 1 1/8" I.D. x 6'	AR	AR	
24	H9-2206-03	WATER PUMP "AMETEK" / SEALLESS & BRUSHLESS			
25	Call order desk	HOSE 1 1/8" I.D. x 960MM	1	1	P
25	503796	. HOSE SILICONE 2 PLY / NOMEX-ARAMID 1 1/8" I.D. x 6'	AR	AR	
26	Call order desk	PIPE ASSY / W/BY-PASS FOR UPPER DEFROSTER	1	1	P
27	504026	HOSE CLAMP / 2"13/16-3"3/4 SS / HS-52	2	2	
27	506728	TAPE RUB ADH1 NEO 1/4" x 3/4" x 10' / BLACK	AR	AR	
28	373892	PIPE W/Y / 1393MM	1		
28	373882	PIPE W/Y / 2639MM		1	
28	378907	PIPE W/Y / 2639MM		1	B
29	992086	HOSE CLAMP / 32MM/52MM	AR	AR	
29	504687	HOSE CLAMP STEPLESS SPRING SS / OETIKER / 1.2-1.4	AR	AR	C
29	504451	HOSE CLAMP STEPLESS SPRING SS / OETIKER / 1.3-1.6	AR	AR	C
30	500638	SCREW TP PAN PH #8x1/2 Z050	6	6	

From K-0185 To P-1452	Date:07/2024	PAGE:H9-2240-10
UPPER WINDSHIELD FAN - INSTALLATION		

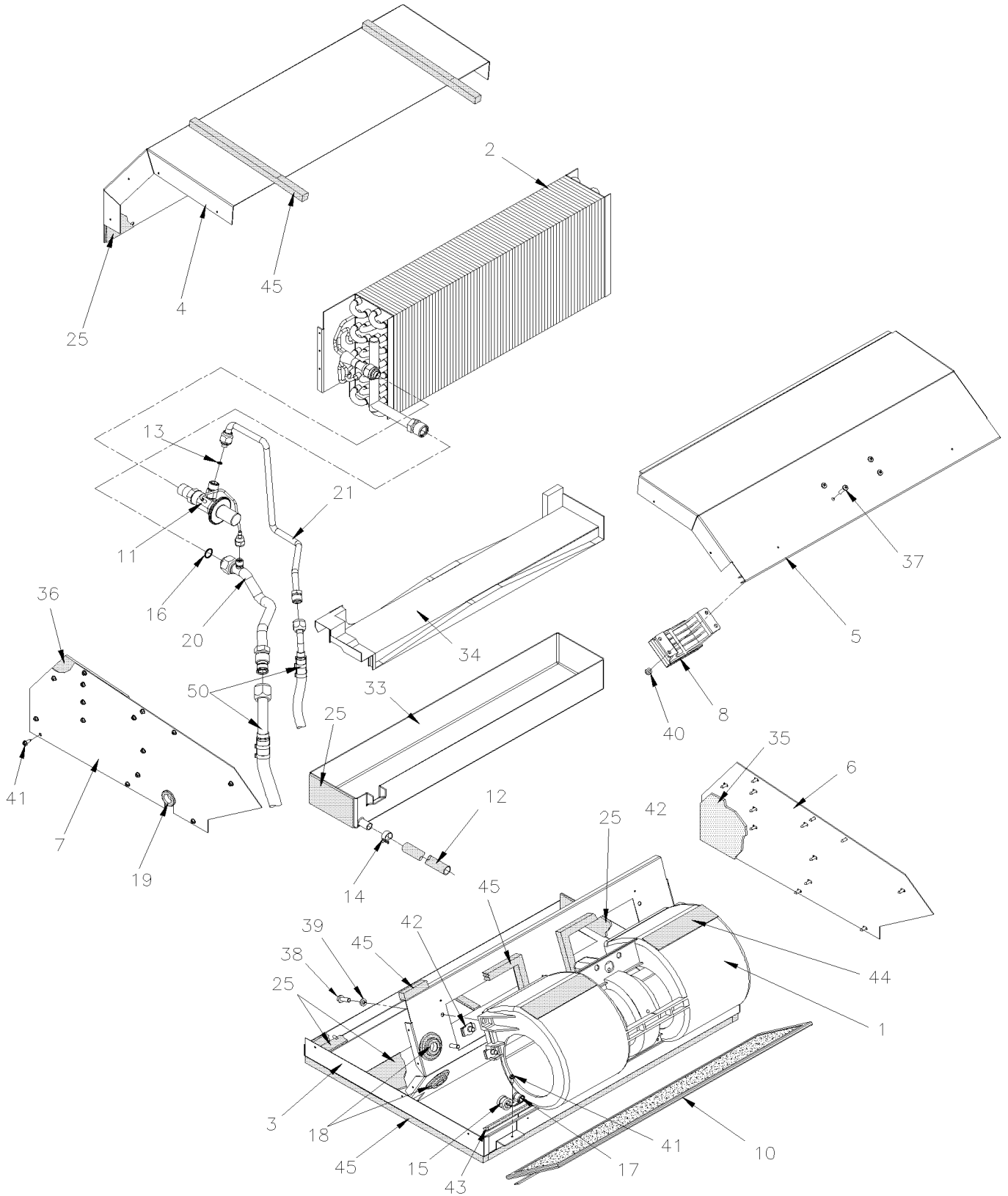
Item#	Part	Description	H 3 4 1	H 3 4 5	N O T E S
31	502531	SCREW CAP HEX M6-1.0x16 G8.8 Z050	4	4	
32	500877	WASHER FL .250x.562x.065 N500	8	8	
33	502511	NUT HEX NYRT M6-1.0 Z050	4	4	
34	500432	SCREW TC PAN PH #8-32x3/4 Z050	4	4	
35	500563	NUT SPR U #8-32 .094-.125	4	4	
36	340048	SUPPORT AIR NOZZLE / L.H.	1	1	
37	340049	SUPPORT AIR NOZZLE / L.H.	1	1	
38	870900	NOZZLE AIR	2	2	
39	504024	HOSE CLAMP / 1"13/16"-2"3/4 SS / HS-36	4	4	
40	503031	HOSE FLEXIBLE / AIR DUCT 2 1/2" I.D. X 12' / RUBBER	AR	AR	
41	504634	T-CLIP / 7/8" - 1"	AR	AR	
42	504637	CABLE TIE / 3/16" x 13"	AR	AR	
NS	374474	KIT UPPER DEFROSTER RETROFIT	1	1	
. A	328921	. FINISHING POST CAP / FRONT R.H.	1	1	
. B	373829	. HOSE 1 1/8" I.D. x 1160MM	2	2	
. C	373835	. HOSE ASSY REDUCER 1 1/8" TO 5/8"	1	1	
. D	373882	. PIPE W/Y / 2639MM	1	1	
. E	374072	. UPPER DEFROSTER ASSY / W/MOTOR	1	1	
. F	374261	. PIPE ASSY / W/BY-PASS FOR UPPER DEFROSTER	1	1	
. G	503031	. HOSE FLEXIBLE / AIR DUCT 2 1/2" I.D. X 12' / RUBBER	1	1	
. H	503720	. HOSE SILICONE 1 PLY 5/8" I.D. x 25' / S.L.	1	1	
. I	561566	. CONNECTOR / WEATHER PACK / PH 2C / BLACK / PED 12010973	1	1	
. J	561568	. PIN TERMINAL / 16-14 / PED 12089305	2	2	
. K	561786	. CABLE SEAL / GRAY / PED 15324980	2	2	
. L	870900	. NOZZLE AIR	2	2	
. M	874296	. WATER PUMP ASSY / 24V / "MP PUMPS"	1	1	
50	H9-2222-10	A/C & HEATING LINE FRONT SECTION			
51	OC2019133	REFERENCE ONLY N-1210 / N-6714 / N-7941 From N-1210	1	1	
		B) WITH WINDSHIELD WASHER HEATER			
		C) WITH OPTION "OETIKER" HOSE CLAMP			
		I) WITH INDEPENDANTE SUSPENSION			
		P) CALL ORDER DESK FOR SPECIFIC APPLICATION (V.I.N.)			

From K-0185 To P-1452

Date:07/2024

PAGE:H9-2240-20

BLOWER VENTILATION - PARCEL RACK

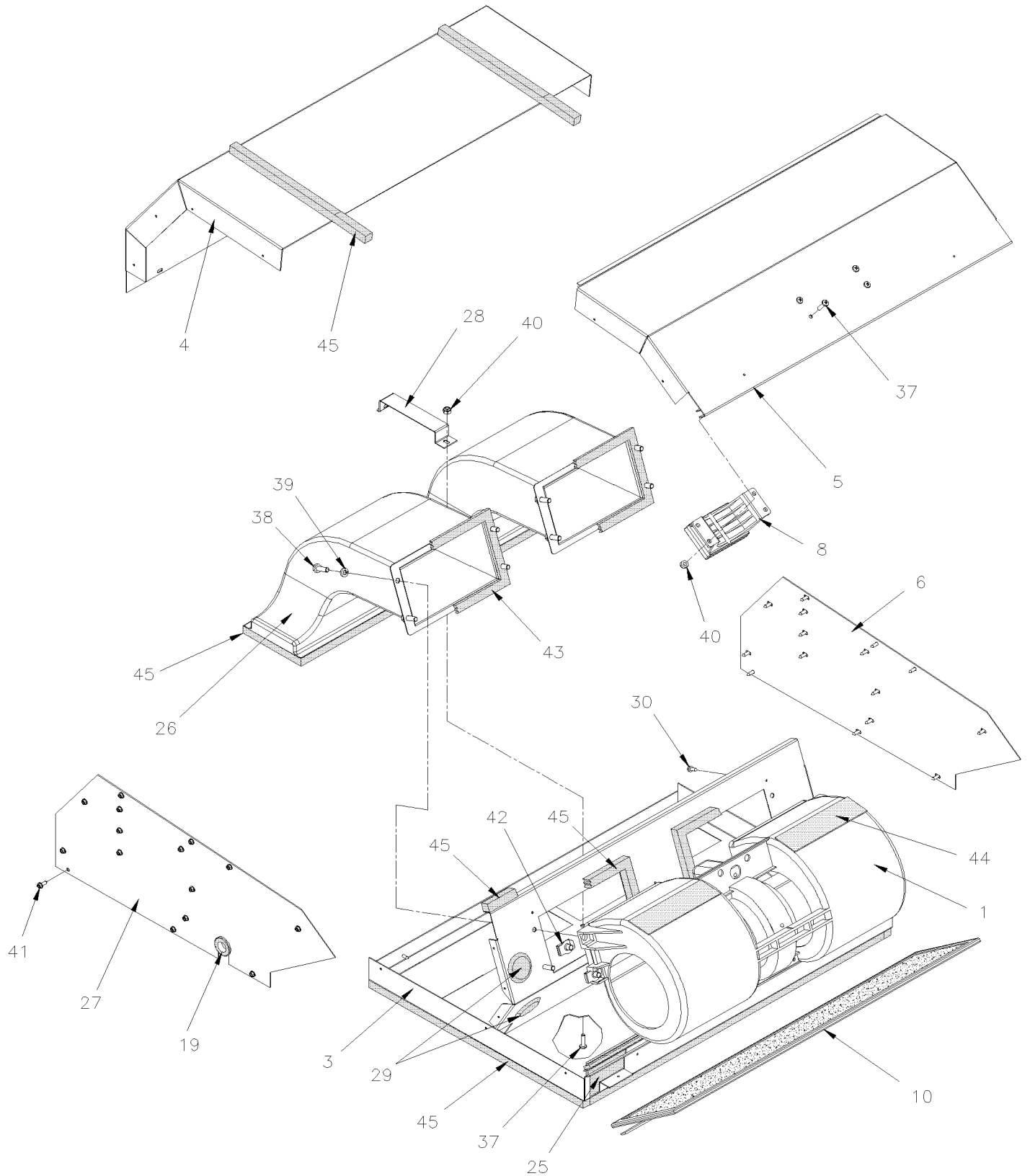


From K-0185 To P-1452

Date:07/2024

PAGE:H9-2240-20

BLOWER VENTILATION - PARCEL RACK



From K-0185 To P-1452	Date:07/2024	PAGE:H9-2240-20
BLOWER VENTILATION - PARCEL RACK		

Item#	Part	Description	H 3 4 1	H 3 4 5	NOTES
	952645	VENTILATION UNIT ASSY W/A/C SYSTEM	1	1	
	871173	VENTILLATION UNIT ASSY	1	1	
1	H9-2240-25	. BLOWER ASSY - PARCEL RACK			A
NS	871264	. WIRE HARNESS	1	1	
NS	IS20004-4	. PARCEL RACK BRUSHLESS FAN KIT / GROUP 4	1	1	
2	950321	. EVAPORATOR COIL	1	1	
3	871266	. BASE PLATE ASSY	1	1	
4	871189	. TOP COVER	1	1	
5	871268	. BLOWER COVER	1	1	
6	871267	. LEFT SIDE PANEL	1	1	
7	871267	. LEFT SIDE PANEL	1	1	
8	871453	. MODULE RESISTOR 100 WATT	1	1	
10	871159	. FILTER 1/4" x 5 3/4" x 23"	1	1	
11	950322	. VALVE, EXPANSION R-134 / PARCEL-RACK	1	1	
11	871445	. O-RING #4	1	1	
12	503707	. HOSE / PVC REINFORCED 1/2" I.D. 100' / S.L.	1	1	
13	N8894484	. O-RING #6	1	1	
14	Call order desk	. HOSE CLAMP / 1 /2"	1	1	P
15	N8887164	. CLAMP / #10	1	1	
16	871444	. O-RING #10	1	1	
17	N8895767	. CLAMP / 3/8"	1	1	
18	G5009550	. GROMMET 5/8"	2	2	
19	N8889852	. GROMMET	1	1	
20	871272	. LO-SIDE HARDLINE	1	1	
21	871271	. HI-SIDE HARDLINE	1	1	
25	Call order desk	. NEOPRENE / 1 /8"	2	2	P
26	871262	. DUCT ASSY	2	2	
27	871265	. RIGHT SIDE PANEL	1	1	
28	Call order desk	. BRACKET	1	1	P
29	Call order desk	. HOLE PLUG / 1 1/4"	2	2	P
30	Call order desk	. SCREW TP PAN PH #8x1/2	4	4	P
33	950568	. DRAIN PAN	1	1	
34	Call order desk	. DRAIN PAN INSERT	1	1	P
35	Call order desk	. FOAM / 1/8"	1	1	P
36	Call order desk	. FOAM / 1/8"	1	1	P
37	N8890509	. SCREW MA PAN PH #10-32x3/4 ZP	4	4	
38	Call order desk	. SCREW CAP HEX 1/4-20x3/4	4	4	P
39	N8892465	. WASHER LO SPT 1/4	4	4	
40	Call order desk	. NUT HEX NYRT #10-32	4	4	P
41	Call order desk	. SCREW TC CAP HEXW SLT #8-32 X 1/2"	34	34	P
42	Call order desk	. NUT SPR U 1/4-20	4	4	P
43	N8889679	. FOAM / 3/16"x1 /2"	1	1	

From K-0185 To P-1452	Date:07/2024	PAGE:H9-2240-20
BLOWER VENTILATION - PARCEL RACK		

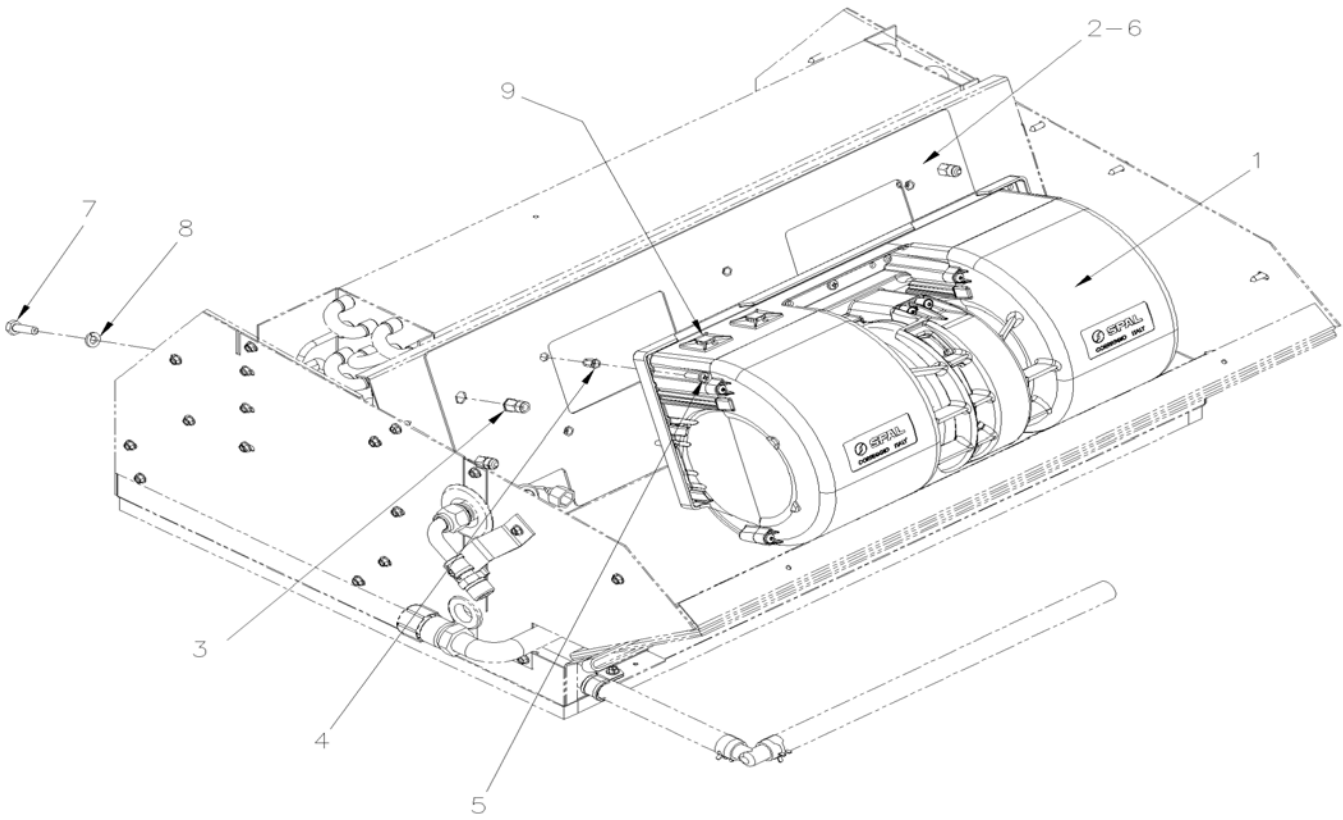
Item#	Part	Description	H 3 4 1	H 3 4 5	N O T E S
44	Call order desk	. FOAM / 1/16"x5"	2	2	P
45	Call order desk	. FOAM / 1/2"x1/2"	2	2	P
50	H9-2270-11	A/C HOSE PARCEL RACK - INSTALLATION			
		A) FOR PRODUCT IMPROVMENT ASK FOR KIT IS20004-4			
		P) CALL ORDER DESK FOR SPECIFIC APPLICATION (V.I.N.)			

From K-0185 To P-1452

Date:07/2024

PAGE:IS20004-4

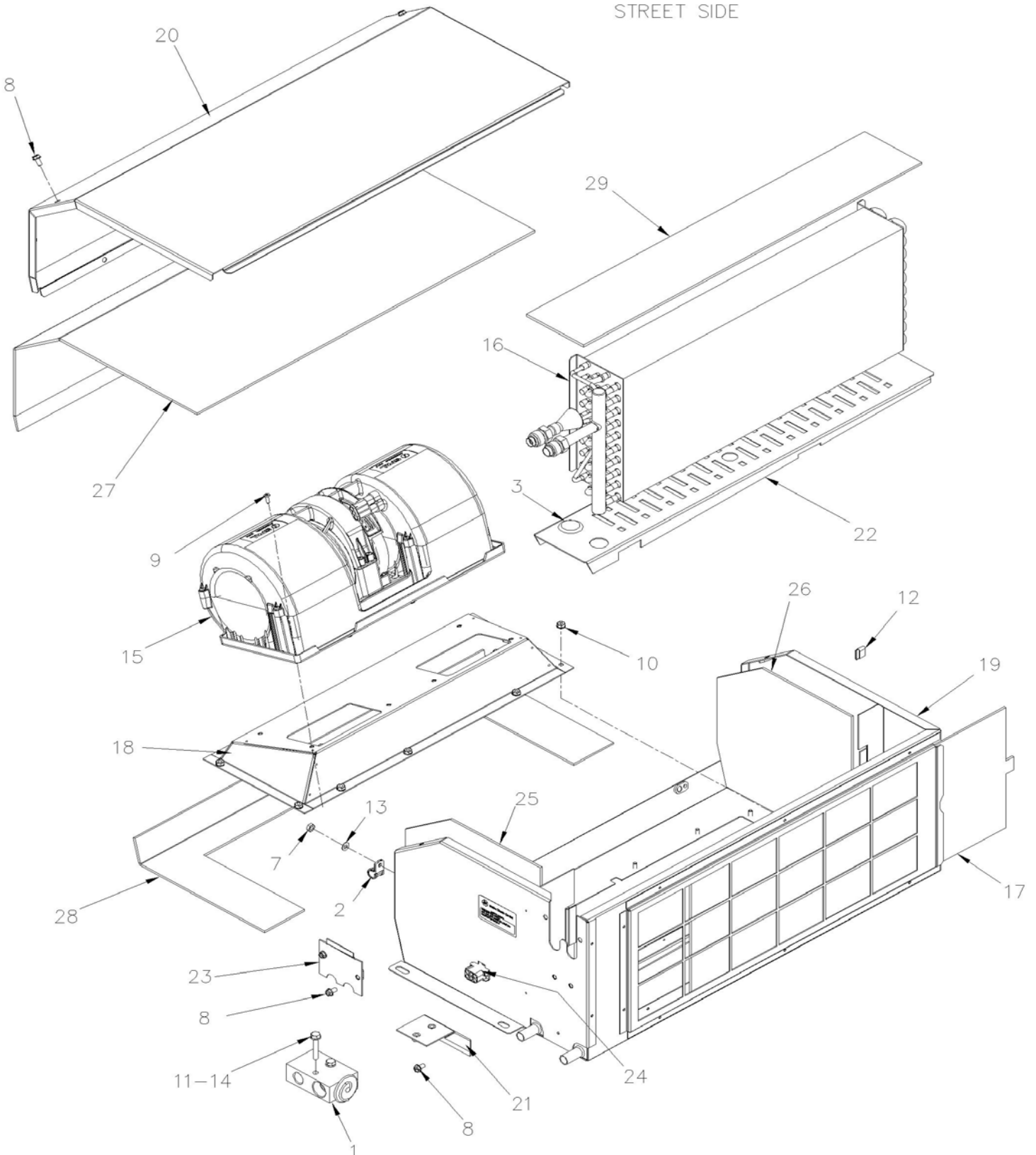
PARCEL RACK BRUSHLESS FAN KIT / GROUP 4



From K-0185 To P-1452	Date:07/2024	PAGE:IS20004-4
PARCEL RACK BRUSHLESS FAN KIT / GROUP 4		

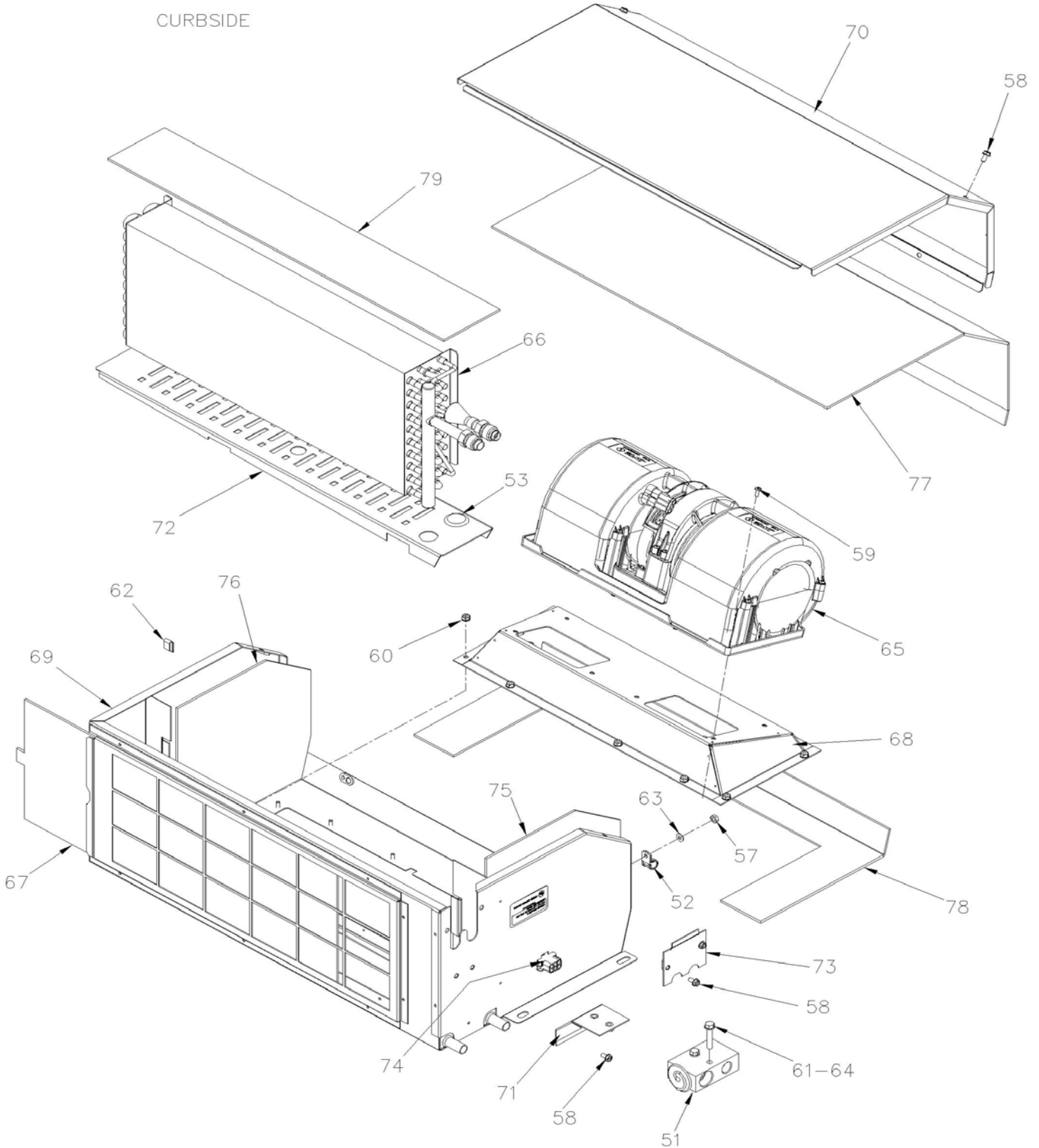
Item#	Part	Description	H 3 4 1	H 3 4 5	N O T E S
1	950623	BLOWER 24V	2	2	
2	453961	TRANSITION PLATE	2	2	
3	5001344	. NUT INS FL HEX M6-1.0 0.5-3.0 SS	4	4	
4	504726	. NUT INS FL HEX M4-0.7 0.5-2.0 DP	5	5	
5	502698	SCREW MA PAN PH M4-0.7x16 SS BK	10	10	
5	502636	WASHER LO SPT 4.1x7.6x0.9 Z050	10	10	
5	500591	WASHER FL 4.3x9.0x0.8 Z050	10	10	
6	506071	TAPE RUB ADH1 CC POL 1/8" x 1/2" x 50' / GREY 2520X	AR	AR	
7	502622	SCREW CAP HEX M6-1.0x20 SS BK	8	8	
8	502853	WASHER LO SPT 6.1x11.8x1.6 N500	8	8	
9	562679	4 WAY ADH. BACKED MOUNTS 1.000 x 1.000 x .160	4	4	
9	504637	CABLE TIE / 3/16" x 13"	15	15	
NS	0610518	HARNESS PARCEL RACK FAN	1	1	
NS	0610582	HARNESS PARCEL RACK FAN G3 & 4 SAV PIN OUT	2	2	
NS	560587	RING TERMINAL .250 / 18-14 / INSULATED / AMP 160337-2	1	1	
NS	562953	BUTT SPLICE / 16-14 / BLUE / AMP 55825-1	4	4	
NS	560784	SHRINK TUBING / .250" - .080" / BLACK / ALPHA FIT-300-1/4-4B	AR	AR	
NS	IS-20004	SEE INSTRUCTION SHEET			
NS	FI-20004	VOIR FEUILLE D'INSTRUCTION			

	Date:07/2024	PAGE:H9-2240-21
BLOWER VENTILATION - PARCEL RACK WITH A/C SYSTEM		



	Date:07/2024	PAGE:H9-2240-21
BLOWER VENTILATION - PARCEL RACK WITH A/C SYSTEM		

CURBSIDE



BLOWER VENTILATION - PARCEL RACK WITH A/C SYSTEM

Item#	Part	Description	H 3 4 1	H 3 4 5	N O T E S
	950621	VENTILATION UNIT ASSY W/A/C SYSTEM STREET SIDE		1	S
1	950221	. VALVE, EXPANSION / DRIVER'S W/R134A		1	S
2	N8895767	. CLAMP / 3/8"		1	S
3	Call order desk	. HOLE PLUG 7/8"		1	P S
7	N8889484	. NUT HEX #10-32		1	S
8	N8890408	. SCREW CAP HEXF SLT #10-32x3/8"		10	S
9	N8894785	. SCREW MA PAN PH #8-32x3/8"		6	S
10	N8894865	. LOCK NUT #8-32		10	S
11	N8890477	. WASHER FL M6		2	S
12	19517501	. PANEL-COIL CLIP		2	S
13	N8895170	. WASHER FL #10 S.S.		1	S
14	Call order desk	. SCREW M6x35MM ZP		2	P S
15	950623	. BLOWER 24V			S
16	950631	. EVAPORATOR COIL		1	S
17	950632	. FILTER, PERMATRON		1	S
18	Call order desk	. BLOWER PLATE ASSY		1	P S
19	950715	. CASING		1	S
20	Call order desk	. COVER		1	P S
21	Call order desk	. BRACKET		1	P S
22	Call order desk	. COIL SUPPORT		1	P S
23	Call order desk	. COIL COVER		1	P S
24	950633	. WIRING HARNESS (NS)		1	S
25	Call order desk	. CCF 1/8" FOAM		1	P S
26	Call order desk	. CCF 1/8" FOAM		1	P S
27	Call order desk	. CCF 1/8" FOAM		1	P S
28	Call order desk	. CCF 1/8" FOAM		1	P S
29	Call order desk	. CCF 1/8" FOAM		1	P S
50	950622	VENTILATION UNIT ASSY W/A/C SYSTEM CURBSIDE		1	C
51	950221	. VALVE, EXPANSION / DRIVER'S W/R134A		1	C
52	N8895767	. CLAMP / 3/8"		1	C
53	Call order desk	. HOLE PLUG 7/8"		1	P C
57	N8889484	. NUT HEX #10-32		1	C
58	N8890408	. SCREW CAP HEXF SLT #10-32x3/8"		10	C
59	N8894785	. SCREW MA PAN PH #8-32x3/8"		6	C
60	N8894865	. LOCK NUT #8-32		10	C
61	N8890477	. WASHER FL M6		2	C
62	19517501	. PANEL-COIL CLIP		2	C
63	N8895170	. WASHER FL #10 S.S.		1	C
64	Call order desk	. SCREW M6x35MM ZP		2	P C
65	950623	. BLOWER 24V			C

	Date:07/2024	PAGE:H9-2240-21
BLOWER VENTILATION - PARCEL RACK WITH A/C SYSTEM		

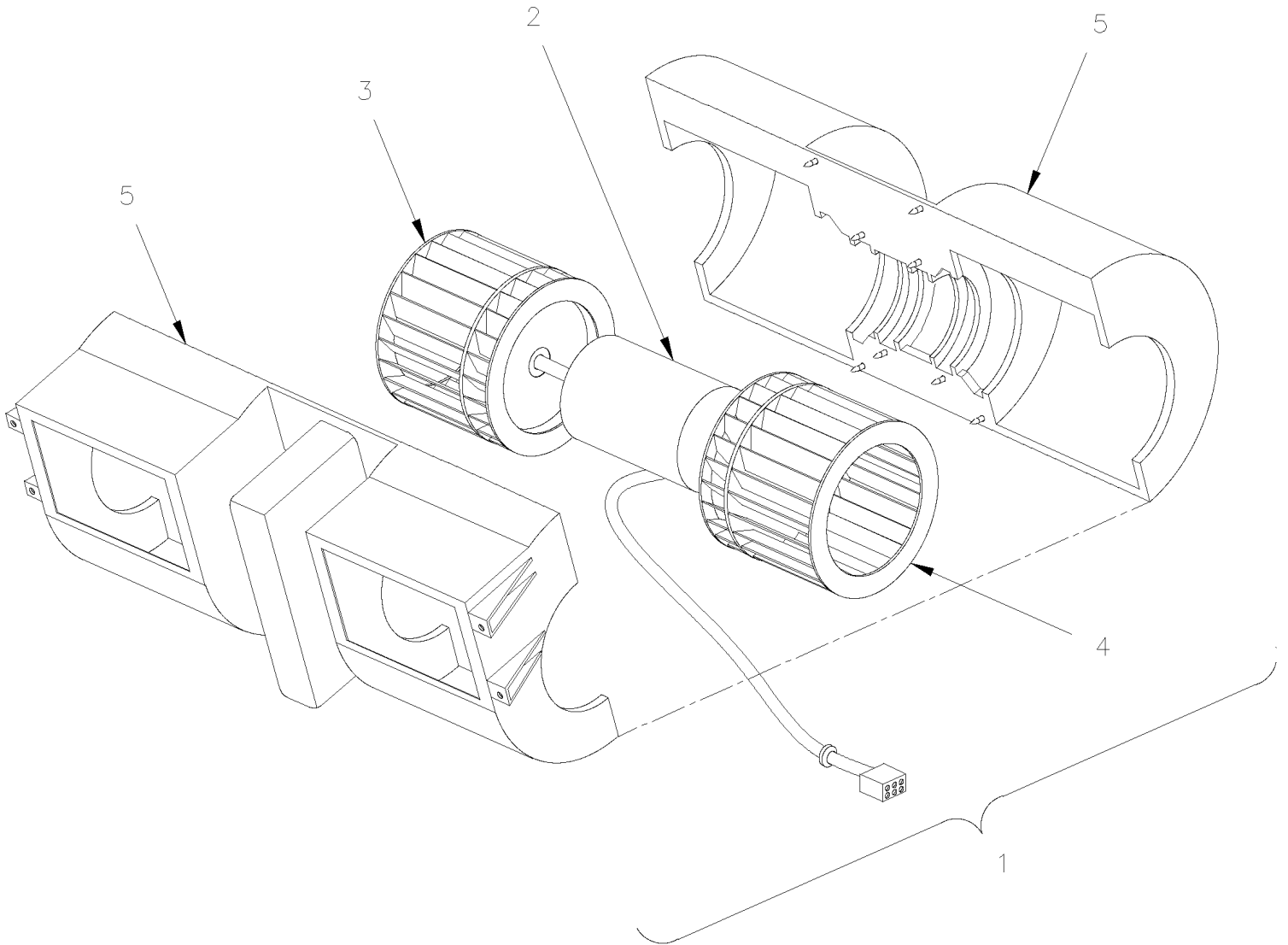
Item#	Part	Description	H 3 4 1	H 3 4 5	N O T E S
66	950705	. EVAPORATOR COIL		1	C
67	950632	. FILTER, PERMATRON		1	C
68	Call order desk	. BLOWER PLATE ASSY		1	PC
69	Call order desk	. CASING		1	PC
70	Call order desk	. COVER		1	PC
71	Call order desk	. BRACKET		1	PC
72	Call order desk	. COIL SUPPORT		1	PC
73	Call order desk	. COIL COVER		1	PC
74	950633	. WIRING HARNESS (NS)		1	C
75	Call order desk	. CCF 1/8" FOAM		1	PC
76	Call order desk	. CCF 1/8" FOAM		1	PC
77	Call order desk	. CCF 1/8" FOAM		1	PC
78	Call order desk	. CCF 1/8" FOAM		1	PC
79	Call order desk	. CCF 1/8" FOAM		1	PC
		C) CURBSIDE / RIGHT			
		S) STREET SIDE / LEFT			
		P) CALL ORDER DESK FOR SPECIFIC APPLICATION (V.I.N.)			

From K-0185 To P-1452

Date:07/2024

PAGE:H9-2240-25

BLOWER ASSY - PARCEL RACK



From K-0185 To P-1452	Date:07/2024	PAGE:H9-2240-25
BLOWER ASSY - PARCEL RACK		

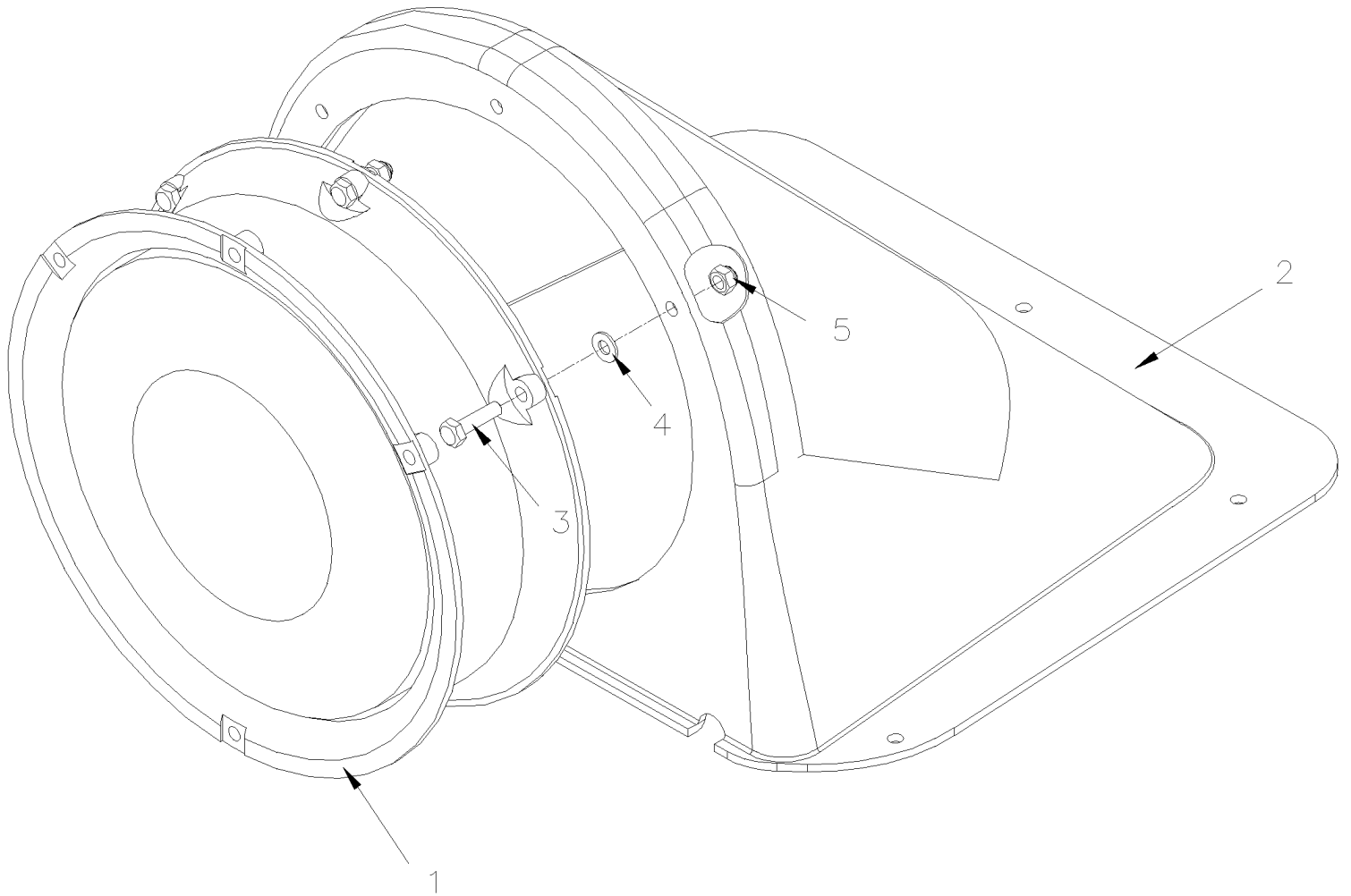
Item#	Part	Description	H 3 4 1	H 3 4 5	N O T E S
1	871157	BLOWER ASSY 24V	2	2	
2	N.P.N.	. MOTOR 24V	1	1	4
3	N.P.N.	. BLOWER WHEEL	1	1	4
4	N.P.N.	. BLOWER WHEEL	1	1	4
5	N.P.N.	. HOUSING	1	1	4
		4) NO PARTS NUMBER			

From K-0185 To L-0936

Date:07/2024

PAGE:H9-2240-30

BLOWER VENTILATION - PARCEL RACK WITH W.C.L.



From K-0185 To L-0936	Date:07/2024	PAGE:H9-2240-30
BLOWER VENTILATION - PARCEL RACK WITH W.C.L.		

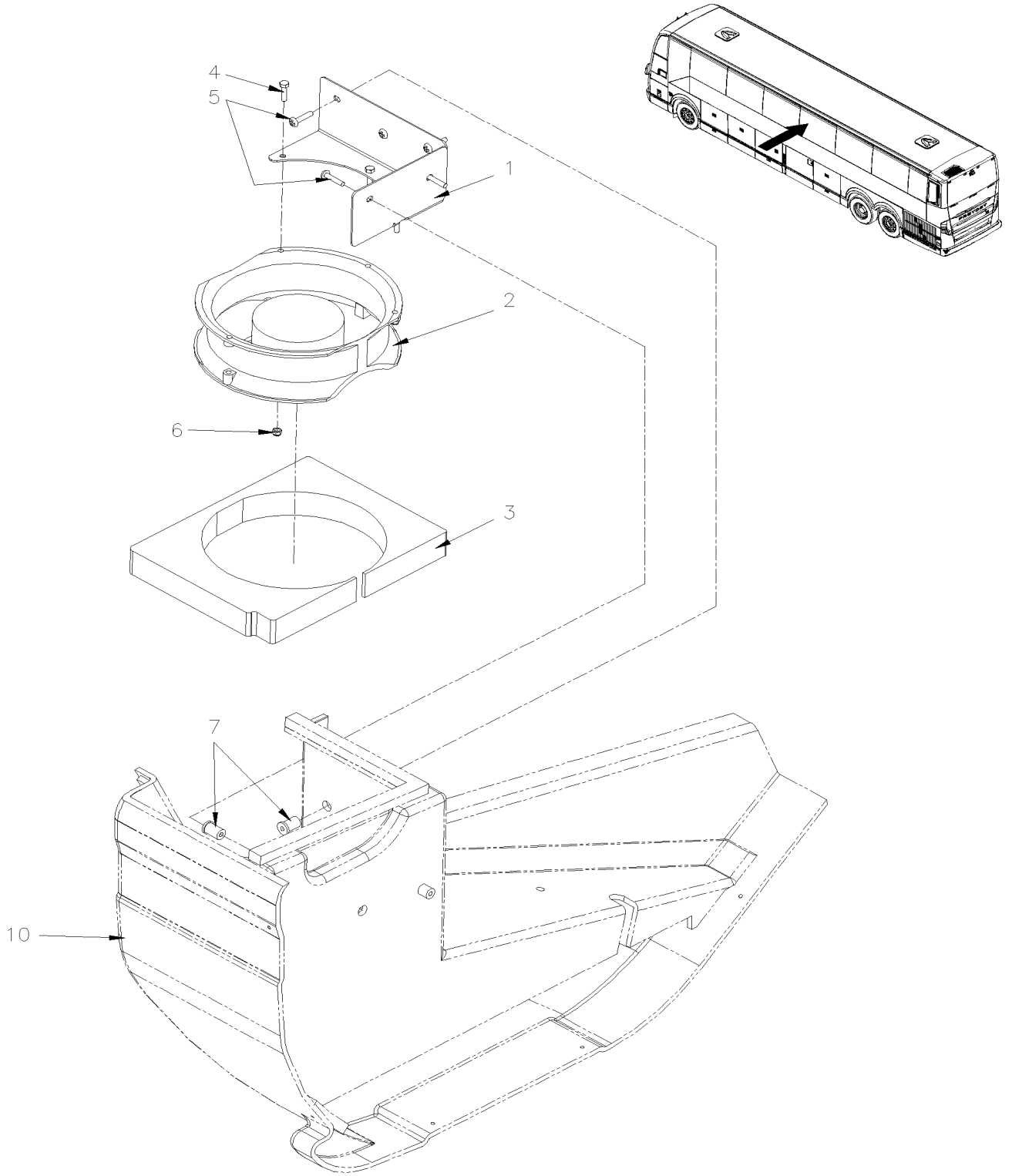
Item#	Part	Description	H 3 4 1	H 3 4 5	NOTES
	Call order desk	FAN AXIAL 24V ASSY / W/DEFLECTOR	1	1	P
1	454419	. AXIAL FAN ASSY / W/CONNECTOR	1	1	
. NS	871361	. . AXIAL FAN ASSY 12/28V / 230CFM	1	1	
. NS	561247	. . CONNECTOR / UNIVERSAL MATE-N-LOK / SH 2C / AMP 1-480698-0	1	1	
. NS	561673	. . SOCKET TERMINAL / 24-18 / AMP 350689-1	2	2	
. NS	562387	. . CONVOLUTED TUBING / SLIT / BLACK / .250"	AR	AR	
. NS	680319	. . TAPE ADHESIF ELECTRIC / BLACK 3/4"	AR	AR	
2	374356	. SUPPORT FAN DEFLECTOR / TAN To K-0484	1	1	
2	374315	. SUPPORT FAN DEFLECTOR / GREY To K-0484		1	H
2	374315	SUPPORT FAN DEFLECTOR / GREY From K-0485	1	1	
2	374356	SUPPORT FAN DEFLECTOR / TAN From K-0485	1	1	O
3	502799	. SCREW CAP HEX M4-0.7X16 G8.8 N500	4	4	
4	502556	. WASHER FL 4.3x9.0x0.8 SS	4	4	
5	500539	. NUT HEX NYRT M4-0.7 N500	4	4	
NS	316116	COVER R.H. / PLAIN OFFSET W/CORD & FAN VENT, GREY	1	1	
NS	316112	COVER R.H. ASSY / W/LIGHT OFFSET & FAN VENT GREY	1	1	
. NS	316113	. COVER R.H. / W/LIGHT HOLE & VENT HOLE	1	1	
15	310018	BLOWER VENTILATION - PARCEL RACK - NEW LOCATION WITH W.C.L.	1	1	
		H) BAUER'S TRANSPORTATION OPTION			
		O) OPTIONAL			
		P) CALL ORDER DESK FOR SPECIFIC APPLICATION (V.I.N.)			

From L-0937 To P-1452

Date:07/2024

PAGE:H9-2240-31

BLOWER VENTILATION - PARCEL RACK WITH W.C.L.



From L-0937 To P-1452	Date:07/2024	PAGE:H9-2240-31
BLOWER VENTILATION - PARCEL RACK WITH W.C.L.		

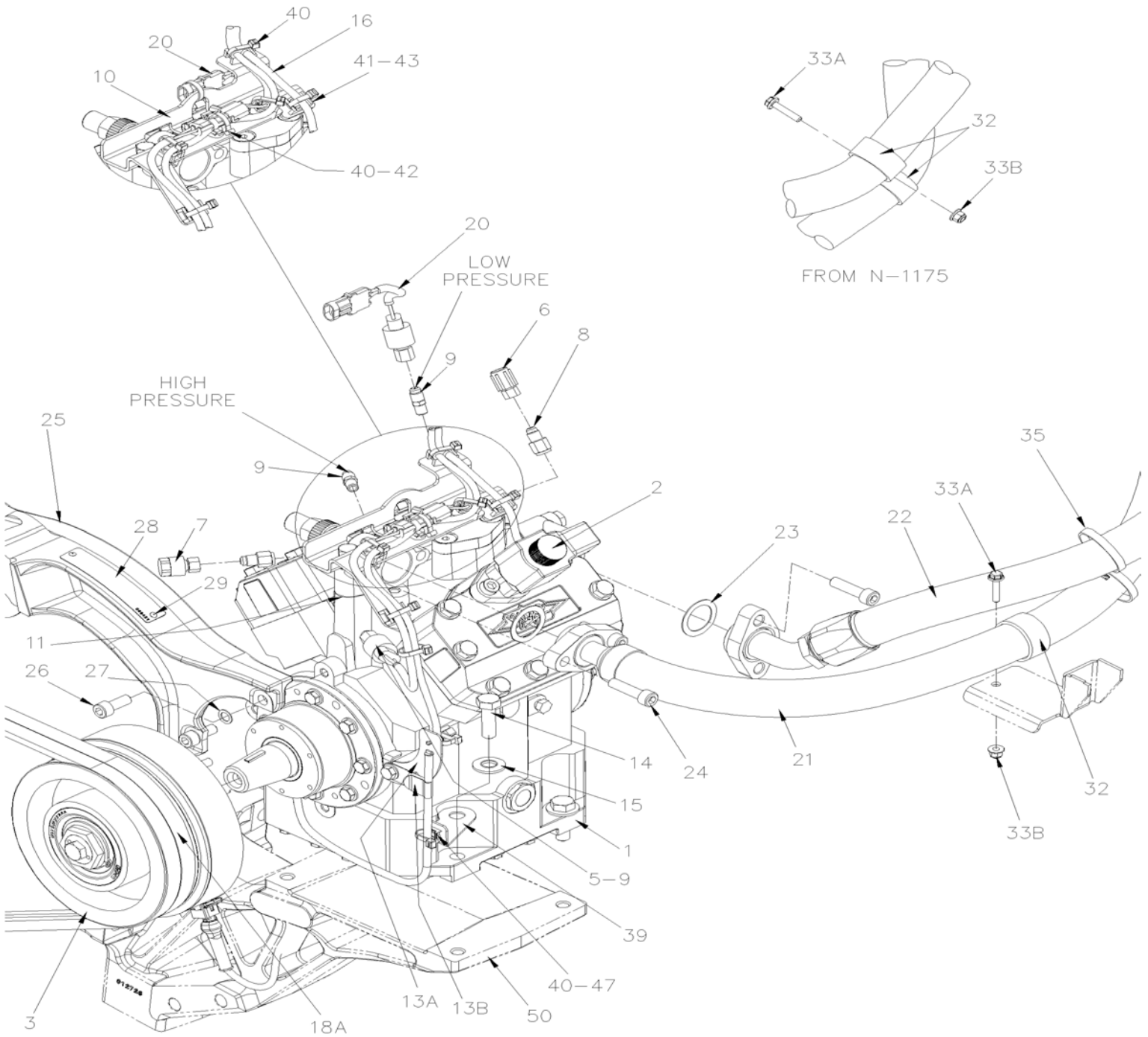
Item#	Part	Description	H 3 4 1	H 3 4 5	N O T E S
	310013	FAN AXIAL 24V ASSY / W/DEFLECTOR	1	1	
1	370001	. FAN BRACKET	1	1	
2	871361	. AXIAL FAN ASSY 12/28V / 230CFM	1	1	
3	370002	. FAN INSULATING FOAM	1	1	
4	502799	. SCREW CAP HEX M4-0.7X16 G8.8 N500	3	3	
5	509827	. SCREW MA RND PH M4-0.7x20 SS	5	5	
6	500539	. NUT HEX NYRT M4-0.7 N500	3	3	
7	500589	. NUT WELL M4-0.7x13.5	5	5	
10	H9-1836-03	PARCEL RACK W/GREY FINISHING			

From K-0185

Date:07/2024

PAGE:H9-2245-02

A/C COMPRESSOR "BITZER" - INSTALLATION



From K-0185		Date:07/2024	PAGE:H9-2245-02
-------------	--	--------------	-----------------

A/C COMPRESSOR "BITZER" - INSTALLATION

Item#	Part	Description	H 3 4 1	H 3 4 5	N O T E S
	950580	A/C COMPRESSOR ASSY 4 CYLINDERS W/O CLUTCH - "BITZER"	1	1	A
	5001775	SCREW CAP HEXS M8-1.25x25 G8.8 G500	4	4	C
	950494	A/C COMPRESSOR ASSY 4 CYLINDERS W/O CLUTCH W/O VALVES - "BITZER"	1	1	
. NS	680801	. OIL, BITZER COMPRESSOR, POE 134A 1 GALLON	AR	AR	
1	H9-2250-01	. A/C COMPRESSOR "BITZER" 4NFCY			
2	H9-2250-16	. A/C ELECTRIC UNLOADER - WITH "BITZER" COMPRESSOR			
3	H9-2246-01	. A/C CLUTCH - WITH "BITZER" COMPRESSOR			
5	950498	. PRESSURE SWITCH ASSY	1	1	
. NS	561690	. . CONNECTOR / WEATHER PACK / SH 2C / BLACK / PED 12015792	1	1	
. NS	561567	. . PIN TERMINAL / 20-18 / PED 12089040	2	2	
. NS	561786	. . CABLE SEAL / GRAY / PED 15324980	2	2	
6	950499	. ADAPTOR 7/16-20 x R134 13MM	1	1	
7	950500	. ADAPTOR 7/16-20 x R134 16MM	1	1	
8	950466	. ADAPTOR 7/16-20-F x 7/16-20-M	2	2	
9	950502	. ADAPTOR / SHRADER FITTING / 1/8NPT-M	3	3	
10	069449	. BRACKET WIRIING HARNESS COMPRESSOR	1	1	
11	950503	. MUFFLER 14MM / 56MM C/C	1	1	
13A	069450	. BRACKET WIRIING HARNESS COMPRESSOR	1	1	
13B	950532	. BRACKET OIL TUBING	1	1	
13B	950975	. HOSE	1	1	
14	5001885	SCREW CAP HEX M12-1.75X40 G10.9 N500 To P-1268	4	4	
14	5001582	SCREW CAP HEX M12-1.75x50 G10.9 DP From P-1269	4	4	
15	500967	WASHER BEL SPR .512x1.142x.098 N500 To P-1268	4	4	
15	5001877	WASHER BEL SPR .512x1.000x.073 SS From P-1269	4	4	
16	069785	CABLE ASSY / WITH "ALISSON" TRANSMISSION To P-1268	1	1	
16	0610548	CABLE ASSY / WITH "ALISSON" TRANSMISSION From P-1269	1	1	
16	060747	CABLE HARNESS I-SHIFT TRANS To P-1268	1	1	
16	0610549	CABLE HARNESS I-SHIFT TRANS From P-1269	1	1	
16	061482	CABLE ASSY / A/C COMPRESSOR W/LARGE SYSTEM From P-1269	1	1	
18A	5060134	V-BELT / BX-71 / SET OF 2 To K-0486	1	1	
18A	5060142	V-BELT / BX-71 From K-0487 To L-0777	2	2	
18A	5060134	V-BELT / BX-71 / SET OF 2 From L-0778 To N-1274	1	1	
18A	5060137	SUPER V-BELT / 5VX740 From P-1275	2	2	
20	452831	PRESSURE SWITCH N.O. 30-5 20SP001MA030C005C	1	1	
21	950578	HOSE ASSY / DISCHARGE / #16 / 1070MM	1	1	
22	950579	HOSE ASSY / SUCTION / #20 / 821MM	1	1	
23	950957	GASKET	2	2	
24	950488	SCREW CAP HEXS M10-1.5x40 G10.9	4	4	
25	457750	SUPPORT, TENSIONNER CASTING To K-0604	1	1	
25	450580	SUPPORT, TENSIONNER CASTING From K-0605 To P-1268	1	1	
25	454767	SUPPORT, TENSIONNER CASTING From P-1269	1	1	
26	5001616	SCREW CAP HEXS M10-1.5X25 G10.9 DP	2	2	

From K-0185		Date:07/2024	PAGE:H9-2245-02
A/C COMPRESSOR "BITZER" - INSTALLATION			

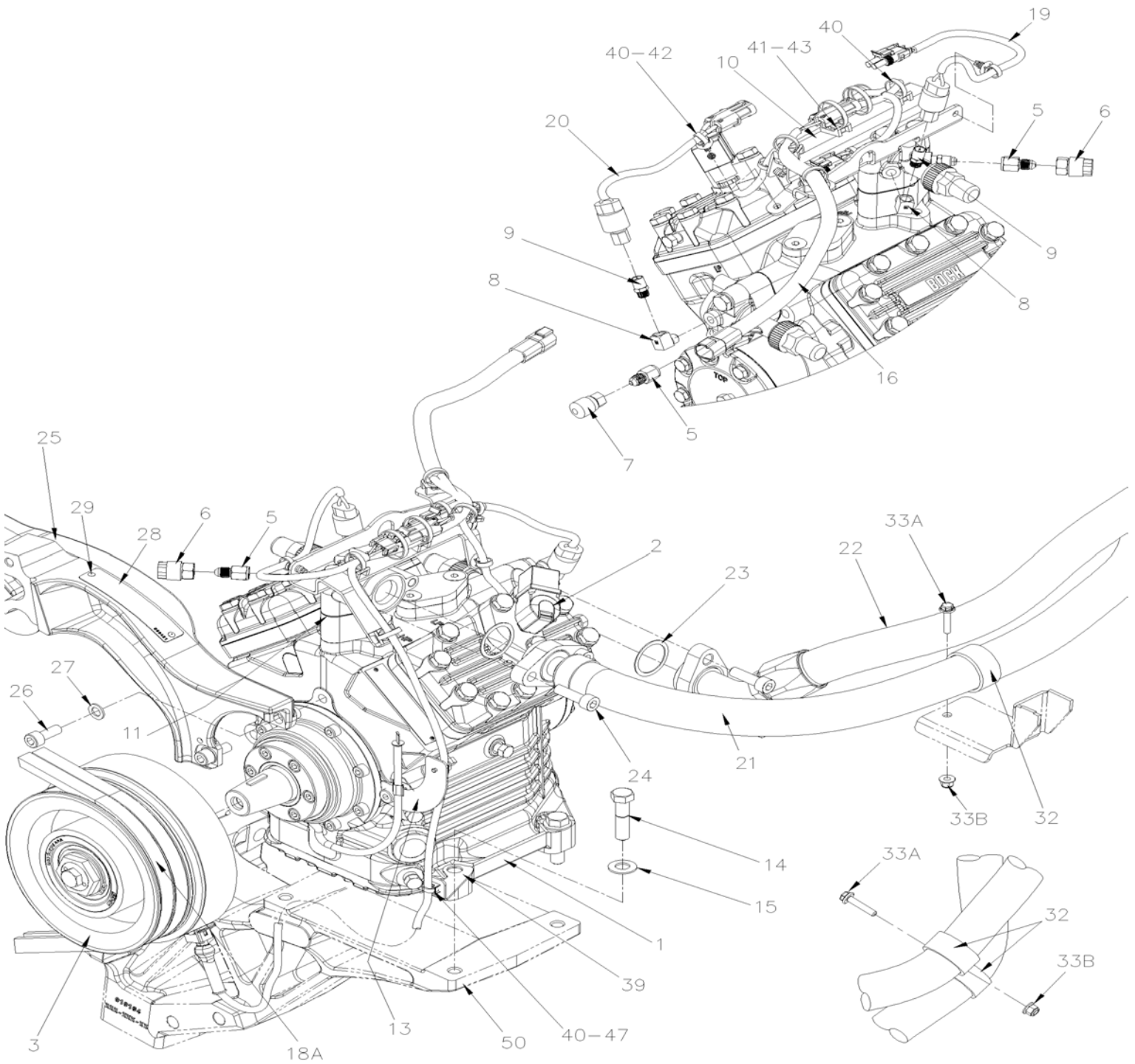
Item#	Part	Description	H 3 4 1	H 3 4 5	N O T E S
27	502867	WASHER FL .406x.625x.040 N500 To P-1268	2	2	
27	5001935	WASHER FL 10.5x18.0x1.6 SS From P-1269	2	2	
28	069421	DECAL "DO NOT POWER WASH ALTERNATORS"	1	1	
29	504339	RIVET POP DOME OE 1/8x3/8 SS	2	2	
NS	680038	THREAD LOCKER LOCTITE #243 / BLUE / 50ml	AR	AR	
NS	680098	THREAD SEALANT LOCTITE #567 / WHITE / 250ml	AR	AR	
32	504785	CLAMP / SS / SILICONE RUBBER / 1 1/2" I.D. x .281 HOLE To N-1174	1	1	
32	504785	CLAMP / SS / SILICONE RUBBER / 1 1/2" I.D. x .281 HOLE From N-1175	3	3	
33A	5001815	SCREW CAP HEXF M6-1.0x30 G 8.8 N500 To N-1174	1	1	
33A	5001815	SCREW CAP HEXF M6-1.0x30 G 8.8 N500 From N-1175	3	3	
33B	5001932	NUT HEXF NYRT M6-1.0 G8.8 N500 To N-1174	1	1	
33B	5001932	NUT HEXF NYRT M6-1.0 G8.8 N500 From N-1175	3	3	
35	504751	ROTATIF SPACER DOUBLE / SMALL To N-1174	1	1	
35	504016	CABLE TIE / 5/16" X 14"1/2 To N-1174	2	2	
39	069481	BRACKET WIRIING HARNESS COMPRESSOR	1	1	
40	504637	CABLE TIE / 3/16" x 13"	AR	AR	
41	504379	RIVET POP DOME OE 3/16x1/4 SS	5	5	
42	509815	TIE MOUNT / ATTACHMENT W/TREE MOUNT	3	3	
43	504013	TIE MOUNT / 1/4" X 1/4" I.D.	5	5	
47	504810	TIE MOUNT / #8	2	2	
47	504340	RIVET POP DOME OE 1/8x3/16 SS	2	2	
50	H9-0150-03	ENGINE CRADLE - WITH VOLVO D13			
		A) IF YOU HAVE A "BOCK" COMPRESSOR SEE PAGES FOR "BOCK"			
		C) USE TO FIX THE CLUTCH TO THE COMPRESSOR			

From N-1269

Date:07/2024

PAGE:H9-2245-20

A/C COMPRESSOR "BOCK" - INSTALLATION



From N-1269		Date:07/2024	PAGE:H9-2245-20
A/C COMPRESSOR "BOCK" - INSTALLATION			

Item#	Part	Description	H 3 4 1	H 3 4 5	N O T E S
	950612	A/C COMPRESSOR ASSY 4 CYLINDERS W/CLUTCH - "BOCK" FK40/655K	1	1	A
NS	680801	OIL, BITZER COMPRESSOR, POE 134A 1 GALLON	AR	AR	
1	H9-2250-20	. A/C COMPRESSOR "BOCK"			
2	H9-2250-35	. A/C ELECTRIC UNLOADER - WITH "BOCK" COMPRESSOR			
3	H9-2246-20	. A/C CLUTCH - WITH "BOCK" COMPRESSOR			
5	950501	ADAPTOR 7/16-20-F x 7/16-20-M	2	2	
6	950500	ADAPTOR 7/16-20 x R134 16MM	1	1	
7	950499	ADAPTOR 7/16-20 x R134 13MM	1	1	
8	501331	STREET ELBOW 90° / PIPE FITTING / 1/8NPT-Mx1/8NPT-F BR	2	2	
9	950030	SCHRADER VALVE 1/8NPT-M	2	2	
10	0610598	BRACKET WIRIING HARNESS COMPRESSOR	1	1	
11	950642	GASKET- VALVE FLANGE	2	2	
13	0610265	BRACKET WIRIING HARNESS COMPRESSOR	1	1	
14	5001582	SCREW CAP HEX M12-1.75x50 G10.9 DP	4	4	
15	5001877	WASHER BEL SPR .512x1.000x.073 SS	4	4	
16	0610550	CABLE ASSY / A/C COMPRESSOR W/LARGE SYSTEM	1	1	
18A	5060134	V-BELT / BX-71 / SET OF 2 To N-1274	1	1	
18A	5060137	SUPER V-BELT / 5VX740 From P-1275	2	2	
19	950498	PRESSURE SWITCH ASSY	1	1	
. NS	561690	. CONNECTOR / WEATHER PACK / SH 2C / BLACK / PED 12015792	1	1	
. NS	561567	. PIN TERMINAL / 20-18 / PED 12089040	2	2	
. NS	561786	. CABLE SEAL / GRAY / PED 15324980	2	2	
20	452831	PRESSURE SWITCH N.O. 30-5 20SP001MA030C005C	1	1	
21	950578	HOSE ASSY / DISCHARGE / #16 / 1070MM	1	1	
22	950579	HOSE ASSY / SUCTION / #20 / 821MM	1	1	
23	950643	GASKET RING	2	2	
24	5001620	SCREW CAP HEXS M10-1.5X35 G10.9 G500	4	4	
25	454767	SUPPORT, TENSIONNER CASTING	1	1	
26	5001616	SCREW CAP HEXS M10-1.5X25 G10.9 DP	2	2	
27	5001935	WASHER FL 10.5x18.0x1.6 SS	2	2	
28	069421	DECAL "DO NOT POWER WASH ALTERNATORS"	1	1	
29	504339	RIVET POP DOME OE 1/8x3/8 SS	2	2	
NS	680038	THREAD LOCKER LOCTITE #243 / BLUE / 50ml	AR	AR	
NS	680098	THREAD SEALANT LOCTITE #567 / WHITE / 250ml	AR	AR	
32	504785	CLAMP / SS / SILICONE RUBBER / 1 1/2" I.D. x .281 HOLE	3	3	
33A	5001815	SCREW CAP HEXF M6-1.0x30 G 8.8 N500	3	3	
33B	5001932	NUT HEXF NYRT M6-1.0 G8.8 N500	3	3	
39	0610264	BRACKET WIRIING HARNESS COMPRESSOR	1	1	
40	504637	CABLE TIE / 3/16" x 13"	AR	AR	
41	504379	RIVET POP DOME OE 3/16x1/4 SS	5	5	
42	509815	TIE MOUNT / ATTACHMENT W/TREE MOUNT	5	5	
43	504013	TIE MOUNT / 1/4" X 1/4" I.D.	5	5	

From N-1269	Date:07/2024	PAGE:H9-2245-20
A/C COMPRESSOR "BOCK" - INSTALLATION		

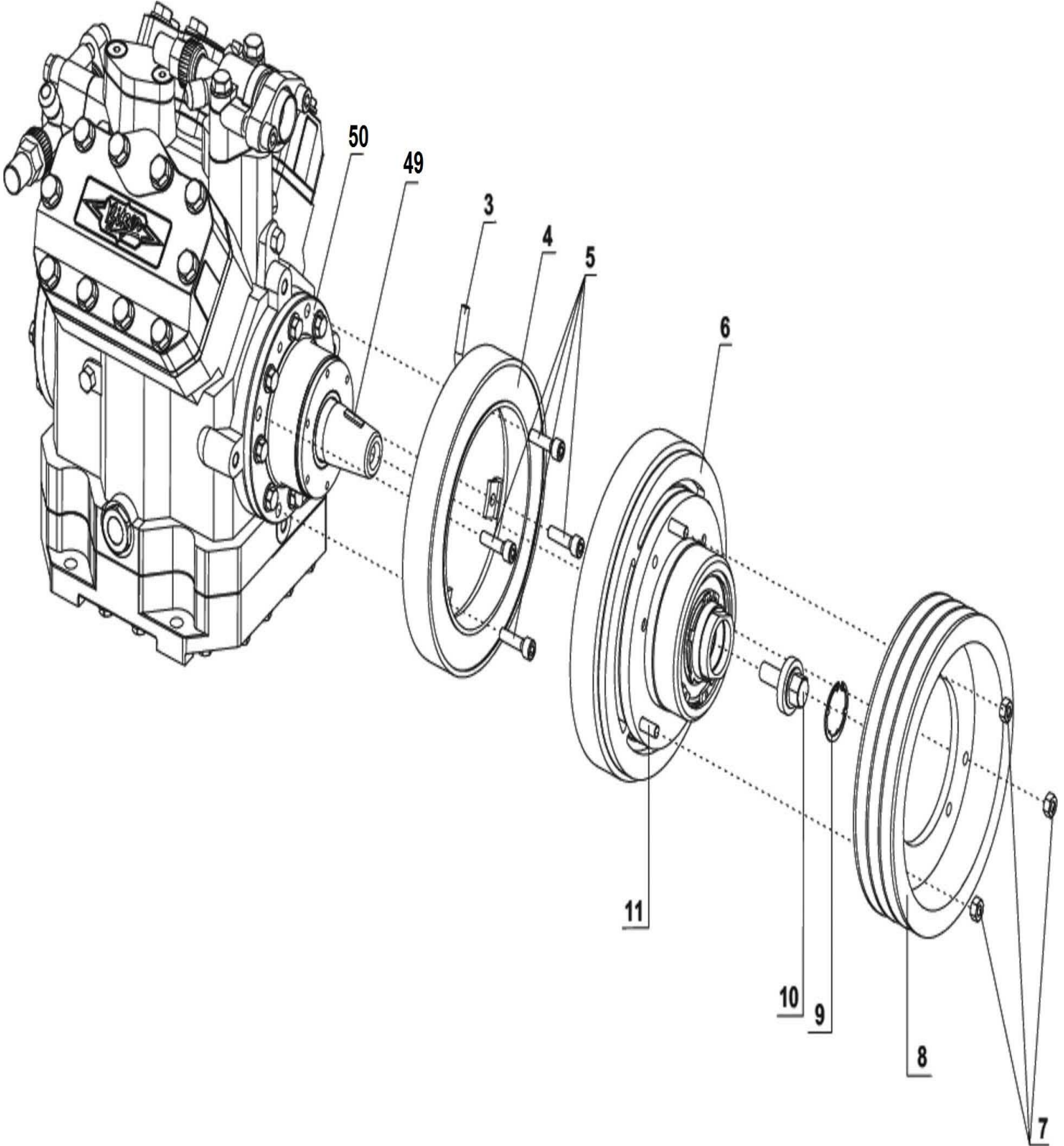
Item#	Part	Description	H 3 4 1	H 3 4 5	N O T E S
47	504810	TIE MOUNT / #8	2	2	
47	504340	RIVET POP DOME OE 1/8x3/16 SS	2	2	
50	H9-0150-03	ENGINE CRADLE - WITH VOLVO D13			
		A) IF YOU HAVE A "BITZER" COMPRESSOR SEE "BITZER" PAGES			

From K-0185

Date:07/2024

PAGE:H9-2246-01

A/C CLUTCH - WITH "BITZER" COMPRESSOR



From K-0185

Date:07/2024

PAGE:H9-2246-01

A/C CLUTCH - WITH "BITZER" COMPRESSOR



From K-0185	Date:07/2024	PAGE:H9-2246-01
A/C CLUTCH - WITH "BITZER" COMPRESSOR		

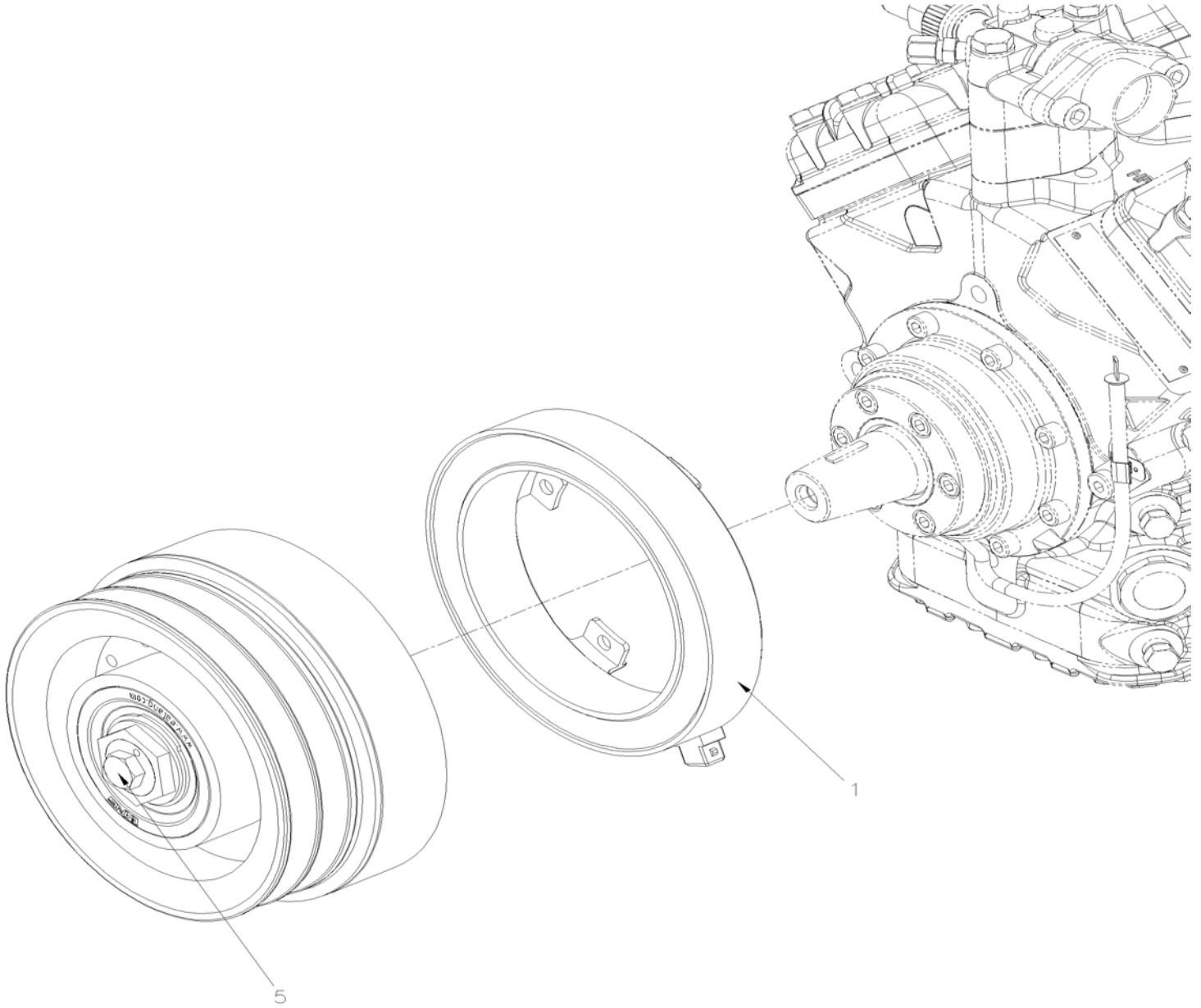
Item#	Part	Description	H 3 4 1	H 3 4 5	N O T E S
	950539	CLUTCH ASSY 24V To K-0622	1	1	
	950601	CLUTCH ASSY 24V From K-0623	1	1	
NS	950561	. BALL BEARING 50MM X 90MM X 30.2MM	1	1	
3	N.S.S.	. CABLE	1	1	1
4	950534	. MAGNET / W/CONNECTOR To K-0622	1	1	
4	950604	. MAGNET / W/CONNECTOR From K-0623	1	1	
5	5001775	SCREW CAP HEXS M8-1.25x25 G8.8 G500	4	4	
6	N.S.S.	ROTOR	1	1	1
7	N.S.S.	NUT HEX M8-1.25	1	1	1
8	N.S.S.	PULLEY	1	1	1
9	N.S.S.	CIRCLIP	1	1	1
10	N.S.S.	SCREW CAP HEX M12-1.75x40 G8.8 N50	1	1	1
11	N.S.S.	STUD M8-1.25x20	1	1	1
49	950520	WOODRUFF KEY 5 x 9	1	1	
50	H9-2250-01	A/C COMPRESSOR "BITZER" 4NFCY			
60	680888	TOOL M16-2.0x70MM PLAIN FIN HEX CAP SCREW WITH LANG CLUTCH	1	1	
		1) NOT SOLD SEPARATELY			

From N-1269

Date:07/2024

PAGE:H9-2246-20

A/C CLUTCH - WITH "BOCK" COMPRESSOR



From N-1269	Date:07/2024	PAGE:H9-2246-20
A/C CLUTCH - WITH "BOCK" COMPRESSOR		

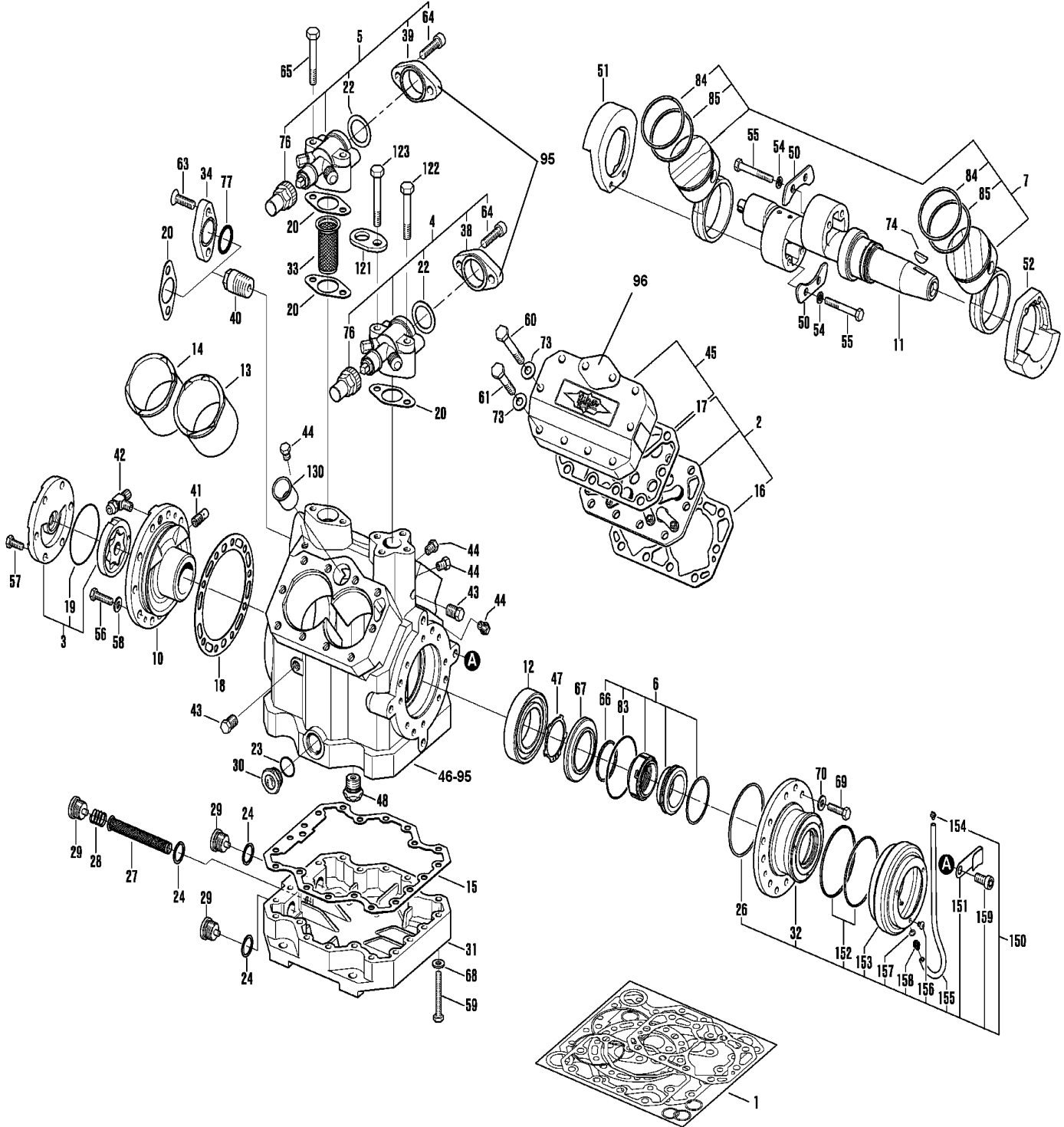
Item#	Part	Description	H 3 4 1	H 3 4 5	N O T E S
	950601	CLUTCH ASSY 24V	1	1	
1	950604	. MAGNET / W/CONNECTOR	1	1	
NS	950561	. BALL BEARING 50MM X 90MM X 30.2MM	1	1	
5	Call order desk	SET TO FIX CLUTCH ON SHAFT	1	1	P
		P) CALL ORDER DESK FOR SPECIFIC APPLICATION (V.I.N.)			

From K-0185

Date:07/2024

PAGE:H9-2250-01

A/C COMPRESSOR "BITZER" 4NFCY



From K-0185		Date:07/2024	PAGE:H9-2250-01
A/C COMPRESSOR "BITZER" 4NFCY			

Item#	Part	Description	H 3 4 1	H 3 4 5	N O T E S
	950494	A/C COMPRESSOR ASSY 4 CYLINDERS W/O CLUTCH W/O VALVES - "BITZER"	1	1	
. NS	680801	. OIL, BITZER COMPRESSOR, POE 134A 1 GALLON	AR	AR	
1	950510	. KIT GASKET	1	1	A
2	950517	. VALVE COMPLET WITH GASKET	3	3	B
3	950518	. OIL PUMP W/ O-RING	1	1	C
4	950956	. DISCHARGE & SUCTION SHUT-OFF VALVE	1	1	D
. NS	950557	. . GASKET KIT FOR VALVE	1	1	D
. . 20	950506	. . . GASKET	3	3	D
. . 22	950957	. . . GASKET	2	2	D
5	950956	. DISCHARGE & SUCTION SHUT-OFF VALVE	1	1	D
. NS	950557	. . GASKET KIT FOR VALVE	1	1	D
. . 20	950506	. . . GASKET	3	3	D
. . 22	950957	. . . GASKET	2	2	D
6	950509	. SHAFT SEAL COMPLETE	1	1	E
7	950627	. CONNECTING ROD W/PISTON COMPLETE	4	4	F
8	N.S.S.	. . PISTON STD	4	4	1
9	N.S.S.	. . CONNECTING ROD	4	4	1
10	950541	. BEARING COVER	1	1	G
11	950628	. ECCENTRIC SHAFT	1	1	H
12	950585	. CYLINDRIC ROLLER BEARING	1	1	
13	Call order desk	. CYLINDER LINER RIGHT	3	3	P
14	Call order desk	. CYLINDER LINER LEFT	3	3	P
15	N.S.S.	. GASKET	1	1	1
16	950516	. GASKET	3	3	
17	950625	. GASKET	2	2	
18	950542	. GASKET	1	1	
19	950519	. O-RING 74 x 2	1	1	
20	950506	. GASKET	3	3	
22	950957	. GASKET	2	2	
23	950515	. O-RING 23.5 x 1.8	2	2	
24	950544	. GASKET RING ALUMINUM	1	1	
26	950626	. O-RING 85 x 3.53 MM	1	1	
27	951082	. OIL FILTER	1	1	
28	950600	. PRESSURE SPRING	1	1	
29	950545	. MAGNETIC SCREW M22-1.5	3	3	
30	950514	. SIGHT GLASS	2	2	
31	Call order desk	. BOTTOM PLATE	1	1	P
32	950605	. SHAFT SEAL COVER	1	1	
33	950973	. SUCTION GAS FILTER	2	2	
34	Call order desk	. BLIND FLANGE 80x44.5x15	1	1	P
34	950644	. BLIND FLANGE 80x44.5x15	1	1	
38	Call order desk	. COMPANION FLANGE 35 (1 3/8")	1	1	P

From K-0185	Date:07/2024	PAGE:H9-2250-01
A/C COMPRESSOR "BITZER" 4NFCY		

Item#	Part	Description	H 3 4 1	H 3 4 5	N O T E S
39	Call order desk	. COMPANION FLANGE 35 (1 3/8")	2	2	P
40	Call order desk	. PRESSURE RELIEF VALVE	2	2	P
41	Call order desk	. OIL PRESSURE RELIEF VALVE	1	1	P
42	950540	. SCHRADER VALVE 7/16 UNF	1	1	
43	Call order desk	. SEALING PLUG	2	2	P
44	Call order desk	. SEALING PLUG	2	2	P
45	Call order desk	. CYLINDER HEAD	2	2	P J
45	950511	. CYLINDER HEAD W/MUFFLER	2	2	J
45	Call order desk	. GASKET CYLINDER HEAD	1	1	P
46	Call order desk	. HOUSING	1	1	P
47	950970	. RETAINING RING W/LUGS	1	1	
48	Call order desk	. GAS EQUALISING VALVE	1	1	P
50	Call order desk	. THRUST SEGMENT	2	2	P
51	Call order desk	. BALANCE WEIGHT	1	1	P
52	Call order desk	. BALANCE WEIGHT	1	1	P
54	Call order desk	. WASHER A 8 DIN 134	4	4	P
55	Call order desk	. SCREW CAP HEX M8-1.25x60 G10.9 ZP	4	4	P
56	Call order desk	. SCREW CAP HEX M8-1.25x30 G10.9 FT	10	10	P
57	Call order desk	. SCREW CAP HEX M8-1.25x20 G10.9 FT	6	6	P
58	Call order desk	. WASHER A 8 DIN 134	16	16	P
59	Call order desk	. SCREW CAP HEX M8-1.25x60 G10.9 FT	20	20	P
60	Call order desk	. SCREW CAP HEX M10-1.5x75 G10.9	18	18	P
61	Call order desk	. SCREW CAP HEX M10-1.5x55 G10.9	8	8	P
63	Call order desk	. SCREW CAP CK HEXS M10-1.5x35 G10.9	1	1	P
64	950488	. SCREW CAP HEXS M10-1.5x40 G10.9	4	4	
65	950641	. SCREW CAP HEX M10-1.5x65 G10.9	2	2	
66	Call order desk	. GASKET	1	1	P
67	950565	. BLANKING PLATE	1	1	
68	Call order desk	. WASHER A 8 DIN 134	20	20	P
69	Call order desk	. SCREW CAP HEX M8-1.25x30 G10.9 FT	8	8	P
70	Call order desk	. WASHER A 8 DIN 134	8	8	P
73	Call order desk	. WASHER A10 DIN 134	20	20	P
74	950520	. WOODRUFF KEY 5 x 9	1	1	
NS	950634	. SPIRAL PIN 3 x 20	1	1	
76	950564	. PROTECTIVE CAP	3	3	
77	Call order desk	. O RING 33x3.5	1	1	P
77	950645	. O RING 33x3.5	1	1	
83	950519	. O-RING 74 x 2	1	1	
84	Call order desk	. GROOVE # 1 COMPRESSION RING	4	4	P
85	Call order desk	. GROOVE # 2 COMPRESSION RING	4	4	P
NS	Call order desk	. FLANGE KIT INTERMEDIATE	1	1	P
NS	Call order desk	. CROSS FLANGE KIT	1	1	P

From K-0185		Date:07/2024	PAGE:H9-2250-01
A/C COMPRESSOR "BITZER" 4NFCY			

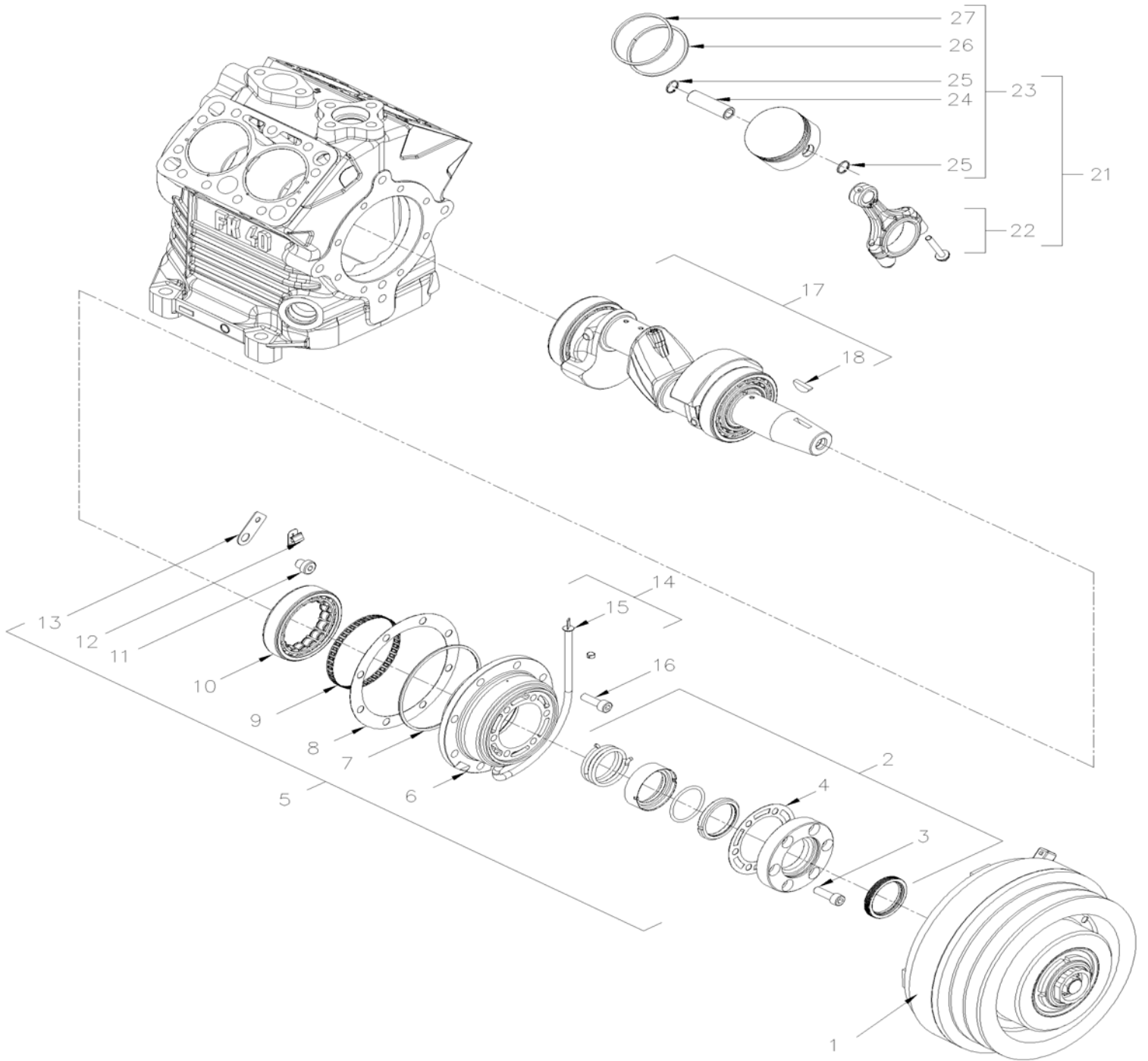
Item#	Part	Description	H 3 4 1	H 3 4 5	N O T E S
NS	Call order desk	. SEALING SCREW M36 x 1.5	2	2	P
NS	Call order desk	. GASKET RING	2	2	P
95	H9-2245-02	. A/C COMPRESSOR "BITZER" - INSTALLATION			
95	H9-2246-01	. A/C CLUTCH - WITH "BITZER" COMPRESSOR			
96	H9-2250-16	. A/C ELECTRIC UNLOADER - WITH "BITZER" COMPRESSOR			
121	950505	. LIFTING LUG	1	1	
122	950641	. SCREW CAP HEX M10-1.5x65 G10.9	1	1	
123	Call order desk	. SCREW CAP HEX M10-1.5x70 G10.9	1	1	P
123	950646	. SCREW CAP HEX M10-1.5x70 G10.9	1	1	
130	Call order desk	. BUSHING DRAIN INSERT	1	1	P
150	950968	. RETROFIT KIT OF SEALING COVER	1	1	
151	950532	. . BRACKET OIL TUBING	1	1	
152	950969	. . O RING 85x2	2	2	
153	950713	. . OIL COLLECTION CHAMBER	1	1	
154	950507	. . SEALING PLUG	1	1	
155	950975	. . HOSE	1	1	
156	950555	. . SCREW MA BUT M5x6	1	1	
157	950560	. . GASKET 9.5	1	1	
158	951087	. . CONNECTION PIECE M6	1	1	
159	Call order desk	. . SCREW CAP HEXS M10x16 G10.9	1	1	P
200	680801	OIL, BITZER COMPRESSOR, POE 134A 1 GALLON	AR	AR	
		A) INCLUDE ITEMS # 15 to 26 + 66,77,83,94 & 266			
		B) INCLUDE ITEMS # 16 & 17			
		C) INCLUDE ITEM # 19			
		D) INCLUDE ITEMS # 22, 35, 38, 64 & 76			
		E) INCLUDE ITEMS # 26, 66, 83, 152 & 156			
		F) INCLUDE ITEMS # 8, 9, 84, 85			
		G) INCLUDE ITEM # 105			
		H) INCLUDE ITEM # 75			
		J) INCLUDE ITEM # 17			
		1) NOT SOLD SEPARATELY			
		P) CALL ORDER DESK FOR SPECIFIC APPLICATION (V.I.N.)			

From N-1269

Date:07/2024

PAGE:H9-2250-20

A/C COMPRESSOR "BOCK"

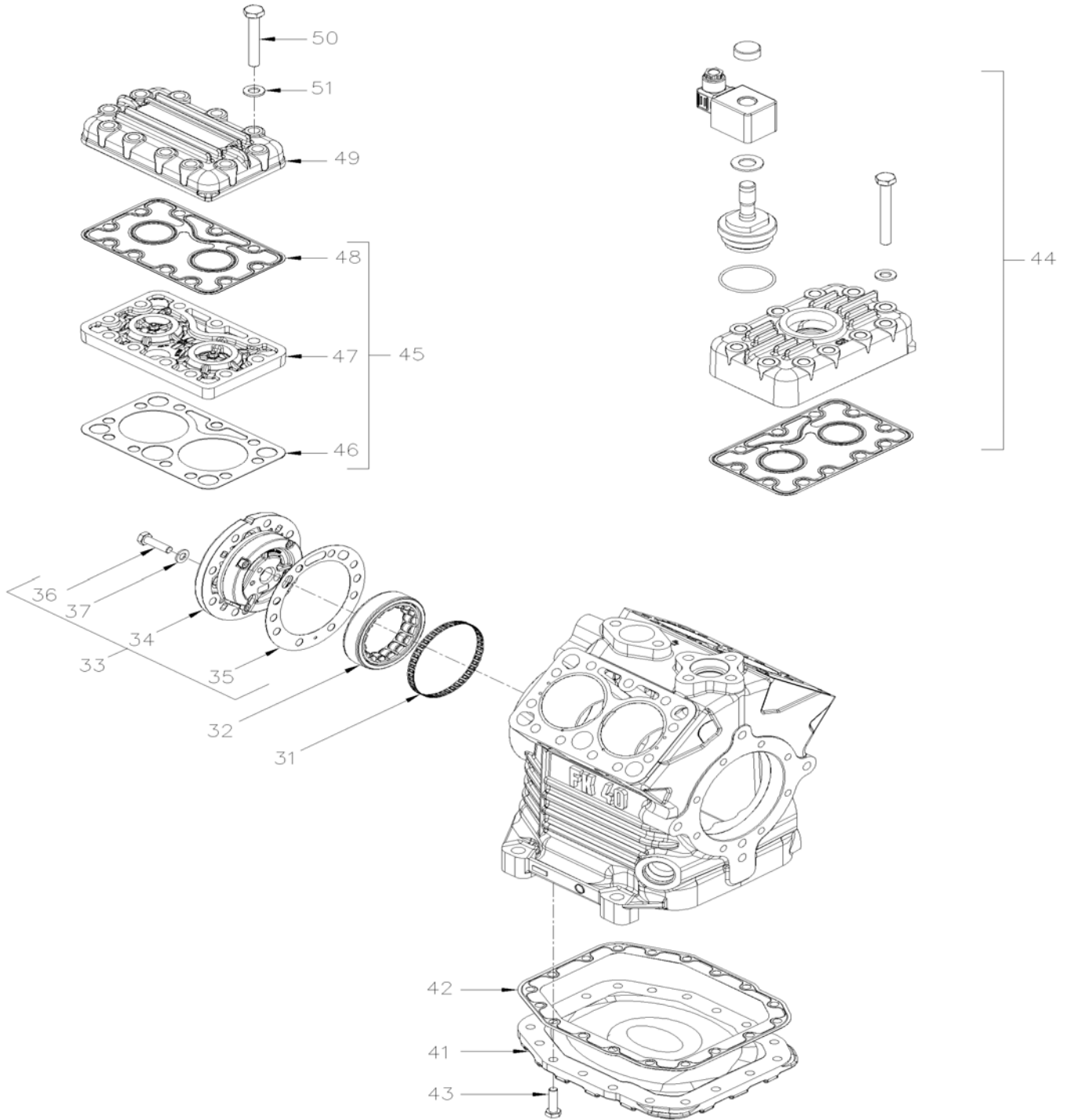


From N-1269

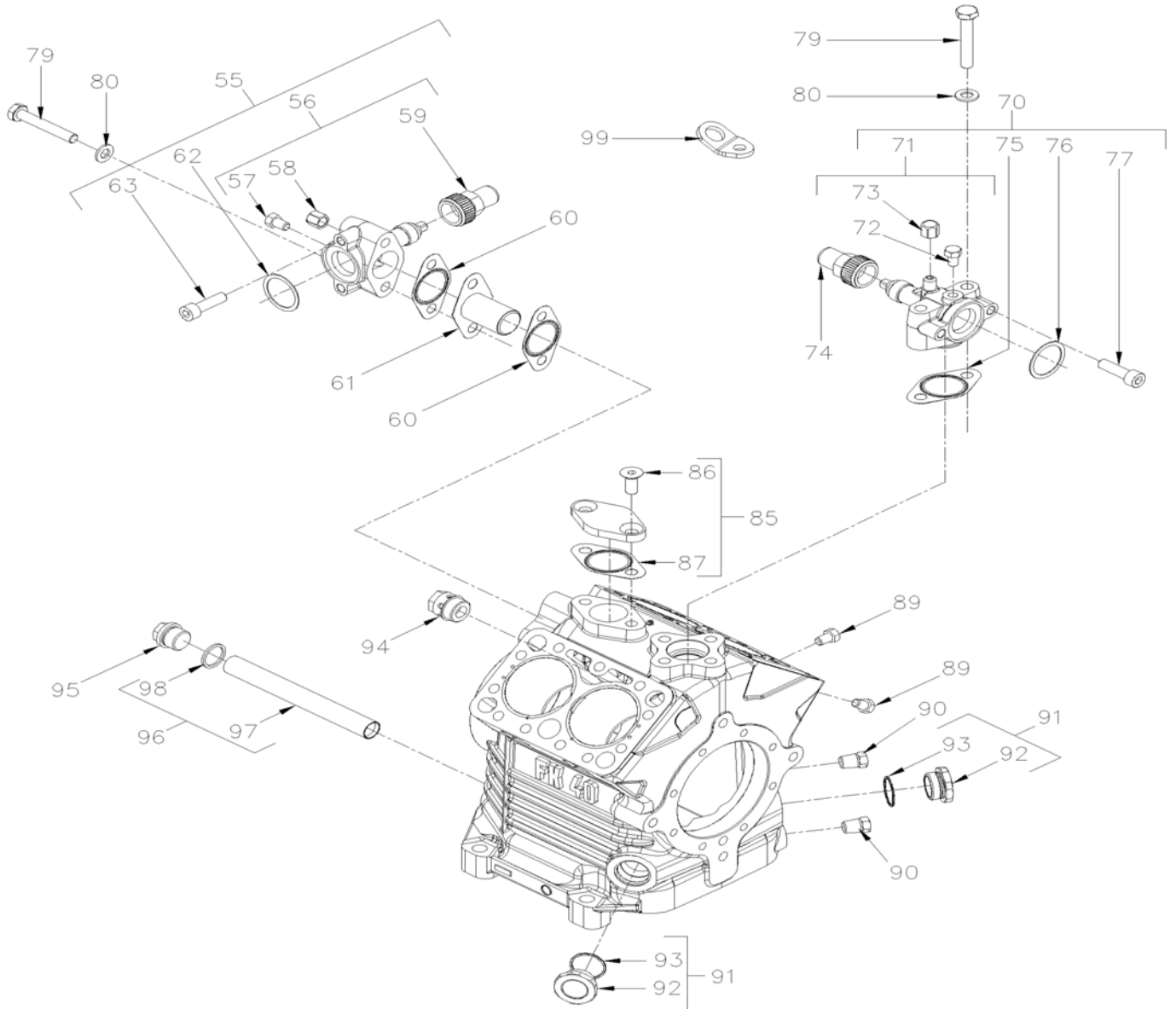
Date:07/2024

PAGE:H9-2250-20

A/C COMPRESSOR "BOCK"



From N-1269	Date:07/2024	PAGE:H9-2250-20
A/C COMPRESSOR "BOCK"		



From N-1269		Date:07/2024	PAGE:H9-2250-20
A/C COMPRESSOR "BOCK"			

Item#	Part	Description	H 3 4 1	H 3 4 5	N O T E S
	950612	A/C COMPRESSOR ASSY 4 CYLINDERS W/CLUTCH - "BOCK" FK40/655K	1	1	
1	H9-2246-20	. A/C CLUTCH - WITH "BOCK" COMPRESSOR			
2	950613	. SET-SHAFT SEAL W/ESTER OIL	1	1	
3	Call order desk	. . SCREW CAP HEXS M8X25	6	6	P
4	Call order desk	. . GASKET-SHAFT SEAL COVER	1	1	P
5	Call order desk	. SET-FRONT BEARING FLANGE	1	1	P
6	Call order desk	. . FRONT BEARING FLANGE	1	1	P
7	Call order desk	. . O-RING 101,19X3,53	1	1	P
8	Call order desk	. . GASKET-FRONT BEARING FLANGE	1	1	P
9	Call order desk	. . TOLERANCE RING FOR BEARING DIA 90	1	1	P
10	Call order desk	. . SET-CYLINDRICAL ROLLER BEARING	1	1	P
11	Call order desk	. . SCREW CAP HEXS M10X10	1	1	P
12	Call order desk	. . HOSE CLAMP	1	1	P
13	Call order desk	. . CABLE/HOSE HOLDER	1	1	P
14	Call order desk	. . SET-OIL DRAIN HOSE	1	1	P
15	Call order desk	. . . HAFT PLUG DIA 5 BLACK	1	1	P
16	Call order desk	. . SCREW CAP HEXS M8X25	8	8	P
17	Call order desk	. SET-CRANKSHAFT	1	1	P
18	Call order desk	. . KEY WOODRUFF A5X9	1	1	P
21	Call order desk	. SET-PISTON, CONNECTNG ROD W/RINGS	4	4	P
22	Call order desk	. . SET-CONNECTING ROD	4	4	P
23	Call order desk	. . SET-PISTON	4	4	P
24	Call order desk	. . . PIN PISTON 15X10X50	4	4	P
25	Call order desk	. . . CIRCLIP 15X1	8	8	P
26	Call order desk	. . . OIL SCRAPER RING	4	4	P
27	Call order desk	. . . COMPRESSION RING	4	4	P
31	Call order desk	. TOLERANCE RING FOR BEARING DIA 90	1	1	P
32	Call order desk	. SET-CYLINDRICAL ROLLER BEARING	1	1	P
33	Call order desk	. SET-OIL PUMP	1	1	P
34	Call order desk	. . OIL PUMP COMPLETE	1	1	P
35	Call order desk	. . GASKET	1	1	P
36	Call order desk	. . SCREW CAP HEX M8X30	8	8	P
37	Call order desk	. . WASHER A8,4	8	8	P
41	Call order desk	. BASE PLATE	1	1	P
42	Call order desk	. GASKET-BASE PLATE	1	1	P
43	Call order desk	. SCREW CAP HEX M8X30	18	18	P
44	H9-2250-35	. A/C ELECTRIC UNLOADER - WITH "BOCK" COMPRESSOR			
45	950754	. SET-VALVE PLATE	2	2	
46	950755	. . GASKET-LOWER VALVE PLATE, DIA 65	2	2	
47	950756	. . VALVE PLATE COUPLING, DIA 50/55/60/65	2	2	
48	950757	. . GASKET-UPPER VALVE PLATE	2	2	
49	Call order desk	. CYLINDER COVER	2	2	P

From N-1269		Date:07/2024	PAGE:H9-2250-20
A/C COMPRESSOR "BOCK"			

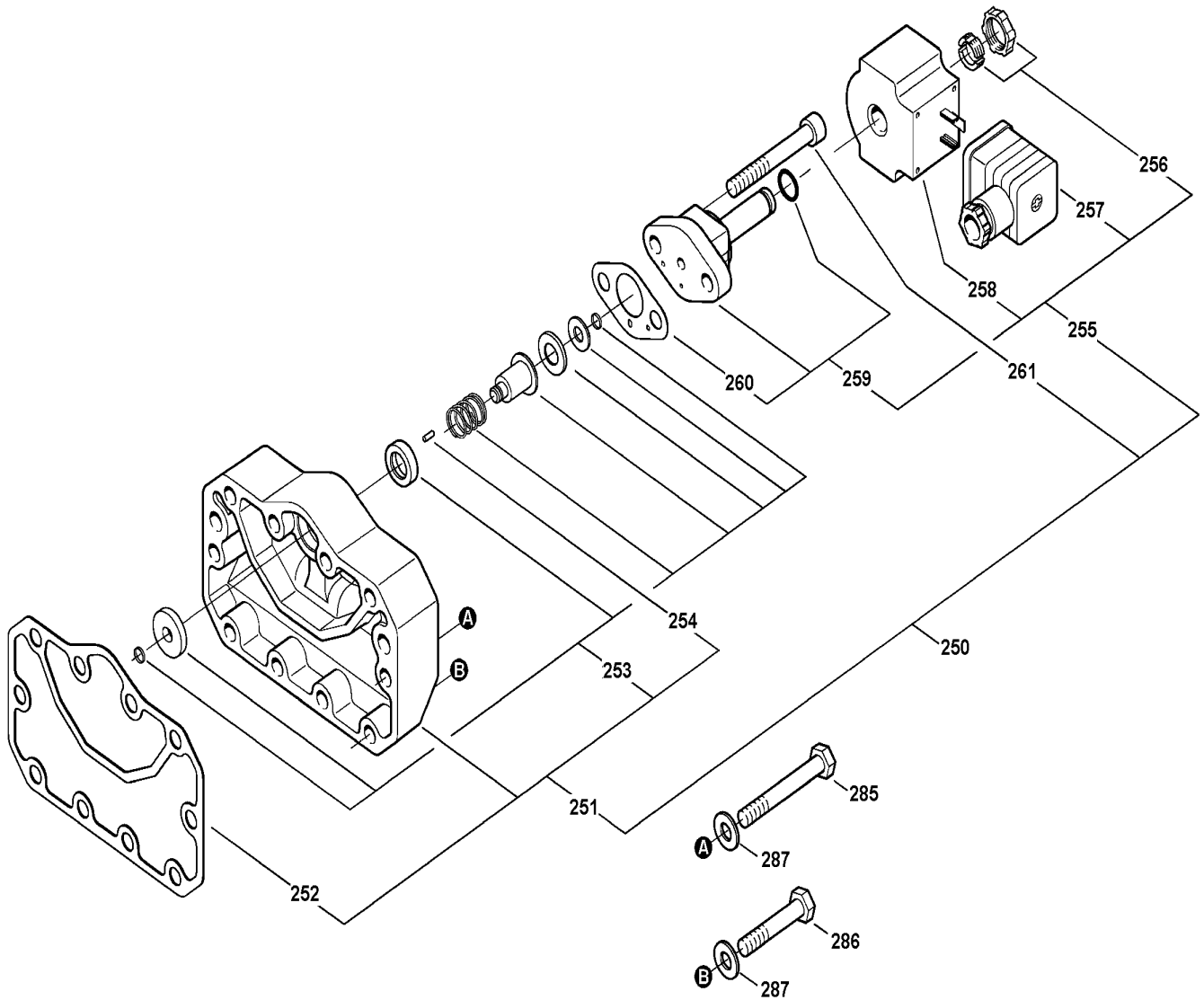
Item#	Part	Description	H 3 4 1	H 3 4 5	N O T E S
50	Call order desk	. SCREW CAP HEX M10X70	11	11	P
51	Call order desk	. WASHER A10,5	11	11	P
55	Call order desk	. SET-SHUT-OFF VALVE	1	1	P
56	Call order desk	. SHUT-OFF VALVE	1	1	P
57	Call order desk	. . . LOCKING SCREW 1/8"NPT	1	1	P
58	Call order desk	. . . NUT HEX CAP 7/16"UNF	1	1	P
59	950710	. . . NUT HEX CAP M22X1,5	1	1	
60	Call order desk	. GASKET-VALVE FLANGE	2	2	P
61	Call order desk	. FILTER SUCTION SIDE	1	1	P
62	Call order desk	. GASKET RING 42X34X1	1	1	P
63	Call order desk	. SCREW CAP HEXS M10X35	2	2	P
70	Call order desk	. SET-SHUT-OFF VALVE	1	1	P
71	Call order desk	. SHUT-OFF VALVE	1	1	P
72	Call order desk	. . . LOCKING SCREW 1/8"NPT	1	1	P
73	Call order desk	. . . NUT HEX CAP 7/16"UNF	1	1	P
74	950710	. . . NUT HEX CAP M22X1,5	1	1	
75	Call order desk	. GASKET-VALVE FLANGE	1	1	P
76	Call order desk	. GASKET RING 42X34X1	1	1	P
77	Call order desk	. SCREW CAP HEXS M10X35	2	2	P
79	Call order desk	. SCREW CAP HEX M10X65	4	4	P
80	Call order desk	. WASHER A10,5	3	3	P
85	Call order desk	. SET-BLANK FLANGE 9MM	1	1	P
86	Call order desk	. SCREW CAP FL HEXS M10X25	2	2	P
87	Call order desk	. GASKET-VALVE FLANGE	1	1	P
89	Call order desk	. LOCKING SCREW 1/8"NPT	2	2	P
90	Call order desk	. LOCKING SCREW 1/4"NPT	2	2	P
91	Call order desk	. SET-SIGHT GLASS DIA 22	2	2	P
92	Call order desk	. SIGHT GLASS-INSERT DIA 22	2	2	P
93	Call order desk	. O-RING 28,30X1,78	2	2	P
94	Call order desk	. DECOMPRESSION VALVE M24X1,5	1	1	P
95	Call order desk	. LOCKING SCREW M22X1,5	1	1	P
96	Call order desk	. SET-OIL STRAINER	1	1	P
97	Call order desk	. OIL STRAINER	1	1	P
98	Call order desk	. SEAL RING 27x22x2	1	1	P
99	Call order desk	. TRANSPORT BRACKET	1	1	P
NS	Call order desk	. SET-GASKETS	1	1	P
		P) CALL ORDER DESK FOR SPECIFIC APPLICATION (V.I.N.)			

From K-0185

Date:07/2024

PAGE:H9-2250-16

A/C ELECTRIC UNLOADER - WITH "BITZER" COMPRESSOR



From K-0185	Date:07/2024	PAGE:H9-2250-16
A/C ELECTRIC UNLOADER - WITH "BITZER" COMPRESSOR		

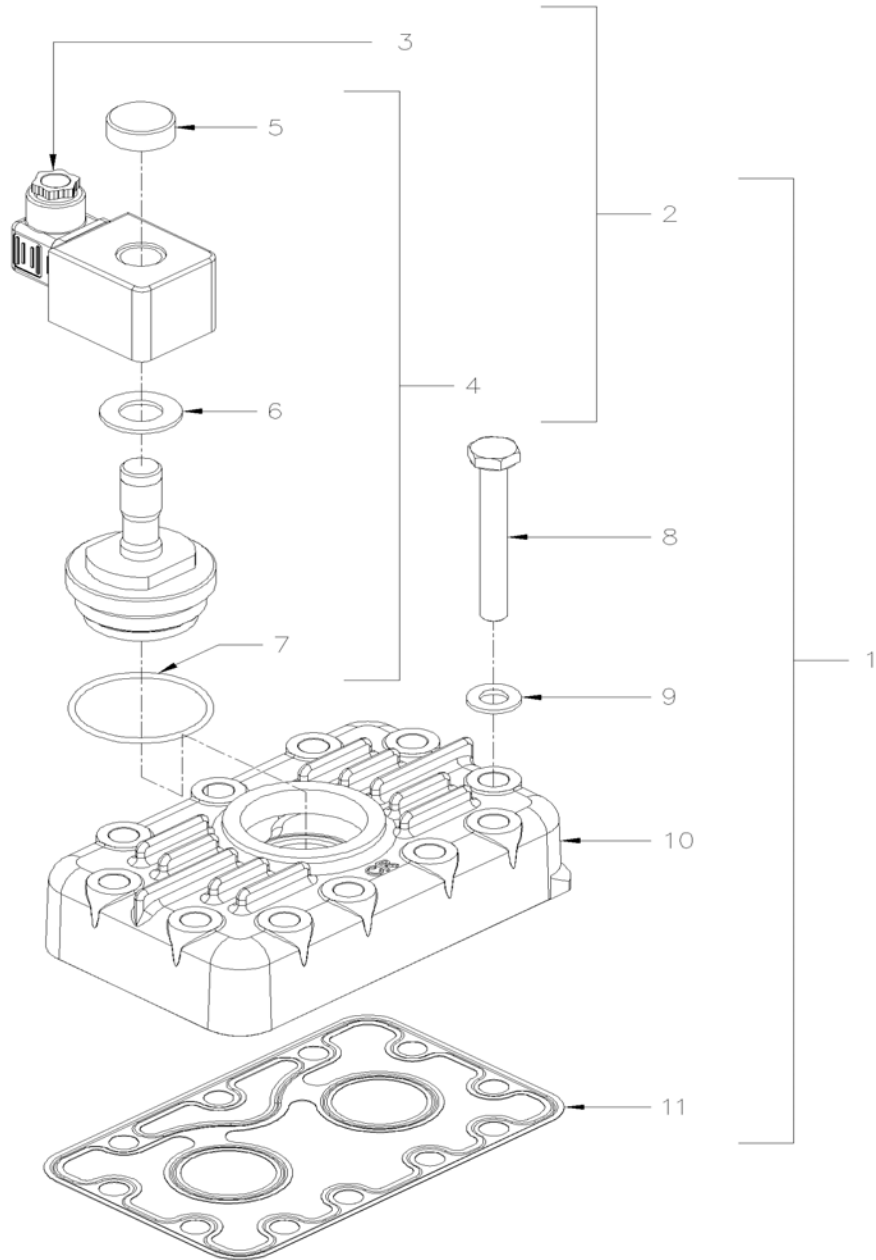
Item#	Part	Description	H 3 4 1	H 3 4 5	N O T E S
250	950513	CAPACITY REGULATOR COMPLETE 24 VOLT	1	1	
251	950512	. CYLINDER HEAD W/PISTON "CR"	1	1	
252	950625	. . GASKET	1	1	
253	N.S.S.	. . CONTROL PISTON COMPLETE	1	1	1
254	Call order desk	. . HALF LENGHT RESERVE TAPER GROVE DOWEL PIN 3 x 8	1	1	P
255	950521	. SOLOINOID VALVE COMPLET 24VOLT	1	1	
256	950563	. . COIL FIXATION	1	1	
257	950971	. . ELECTRICAL CONNECTOR ASSY	1	1	
258	950576	. . COIL 24 VOLT W/CONNECTOR	1	1	
258	950577	. . O-RING	1	1	
259	950522	. . SOLOINOID VALVE W/OUT COIL	1	1	
260	950965	. . . GASKET	1	1	
261	950721	. SCREW CAP HEXS M10 x 80 GR 10.9	1	1	
285	Call order desk	SCREW CAP HEX M10x75 G10.9	4	4	P
286	Call order desk	SCREW CAP HEX M10x55 G10.9	4	4	P
287	Call order desk	WASHER 10	8	8	P
		1) NOT SOLD SEPARATELY			
		P) CALL ORDER DESK FOR SPECIFIC APPLICATION (V.I.N.)			

From N-1269

Date:07/2024

PAGE:H9-2250-35

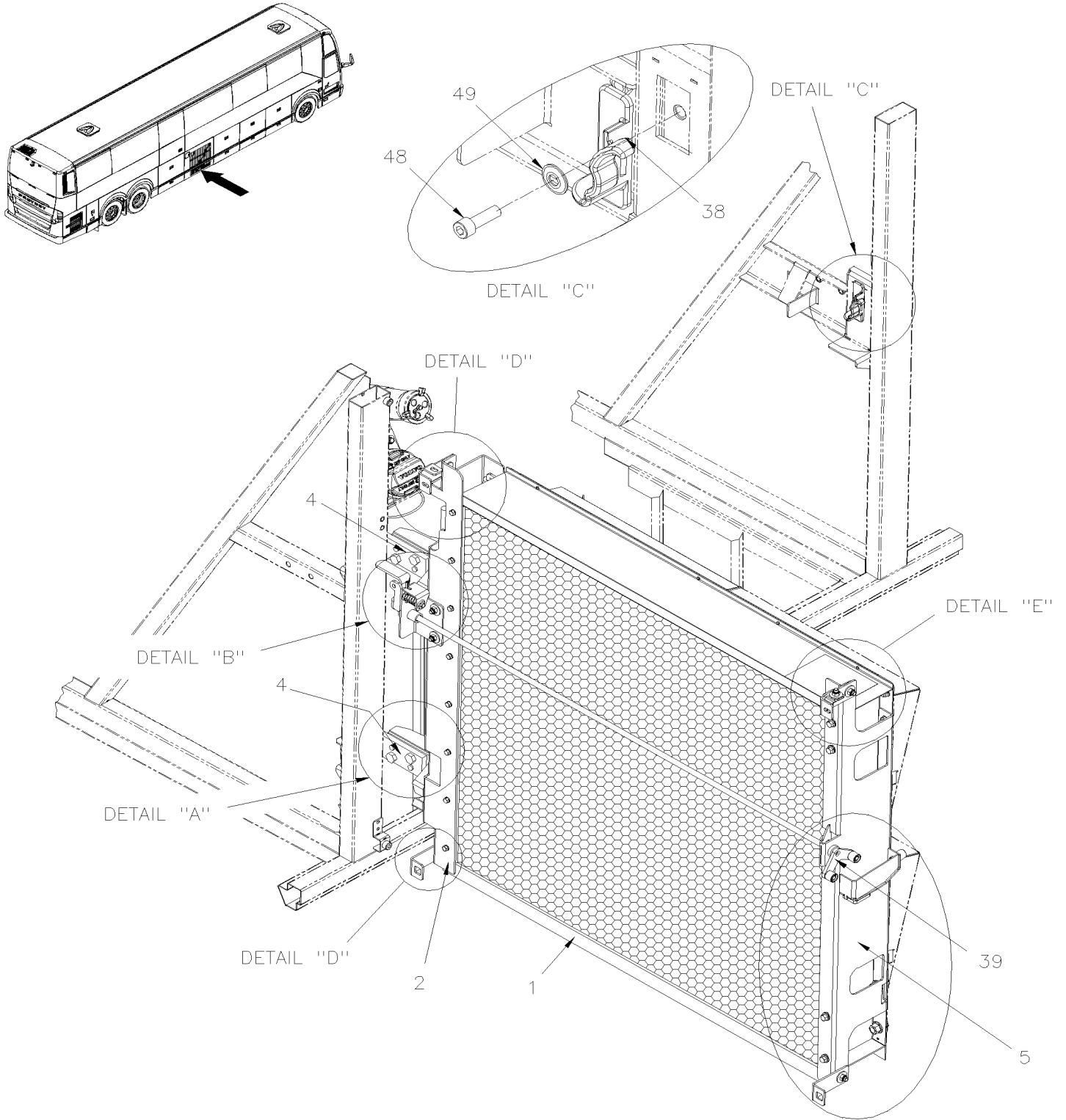
A/C ELECTRIC UNLOADER - WITH "BOCK" COMPRESSOR



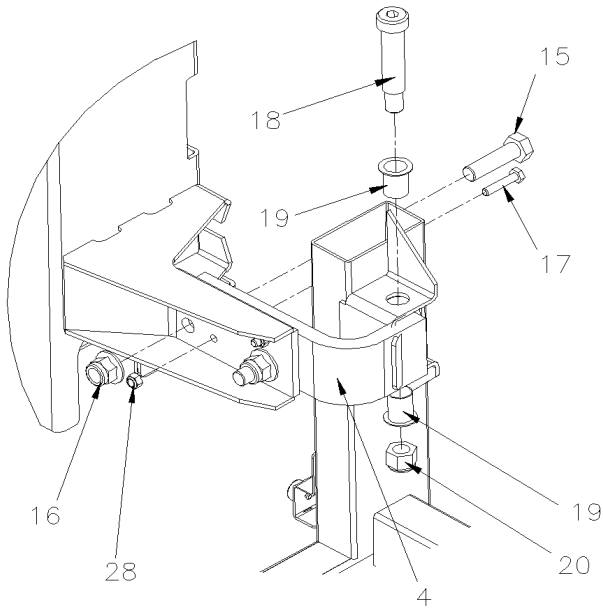
From N-1269	Date:07/2024	PAGE:H9-2250-35
A/C ELECTRIC UNLOADER - WITH "BOCK" COMPRESSOR		

Item#	Part	Description	H 3 4 1	H 3 4 5	NOTES
1	950760	SET-CAPACITY REGULATOR W/COVER 24V	1	1	
2	950708	SET-CAPACITY REGULATOR 24V	1	1	
3	950745	SOLENOID COIL 24V	1	1	
4	Call order desk	VALVE BODY	1	1	P
5	Call order desk	KNURLED NUT M15X1 W/O-RING	1	1	P
6	Call order desk	WASHER 30X16X2,0	1	1	P
7	Call order desk	O-RING 48,0X2,5 GREEN	1	1	P
8	Call order desk	SCREW CAP HEX M10X85	11	11	P
9	Call order desk	WASHER A10,5	11	11	P
10	Call order desk	CYLINDER COVER	1	1	P
11	950757	GASKET-UPPER VALVE PLATE	1	1	
		P) CALL ORDER DESK FOR SPECIFIC APPLICATION (V.I.N.)			

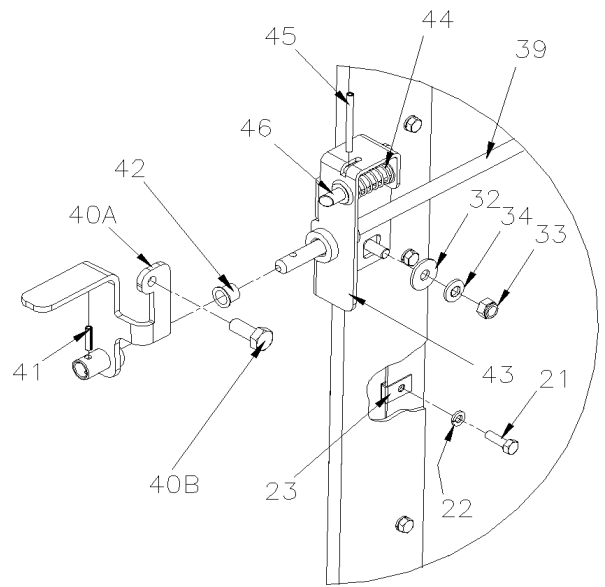
From K-0185	Date:07/2024	PAGE:H9-2255-01
CONDENSOR - INSTALLATION		



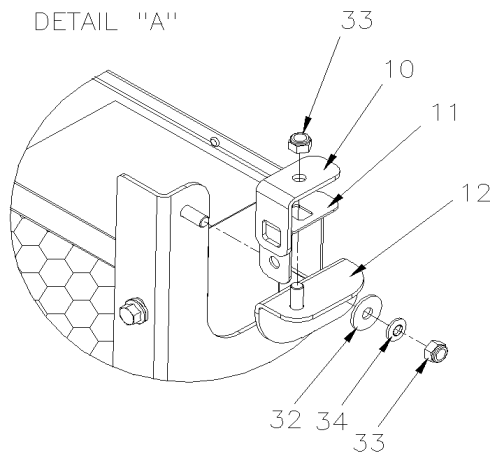
CONDENSOR - INSTALLATION



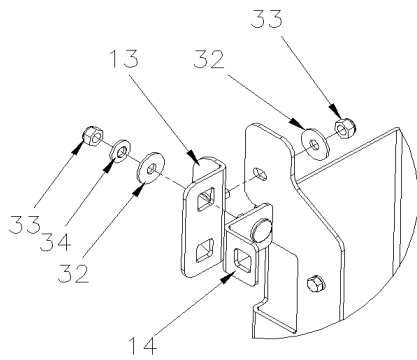
DETAIL "A"



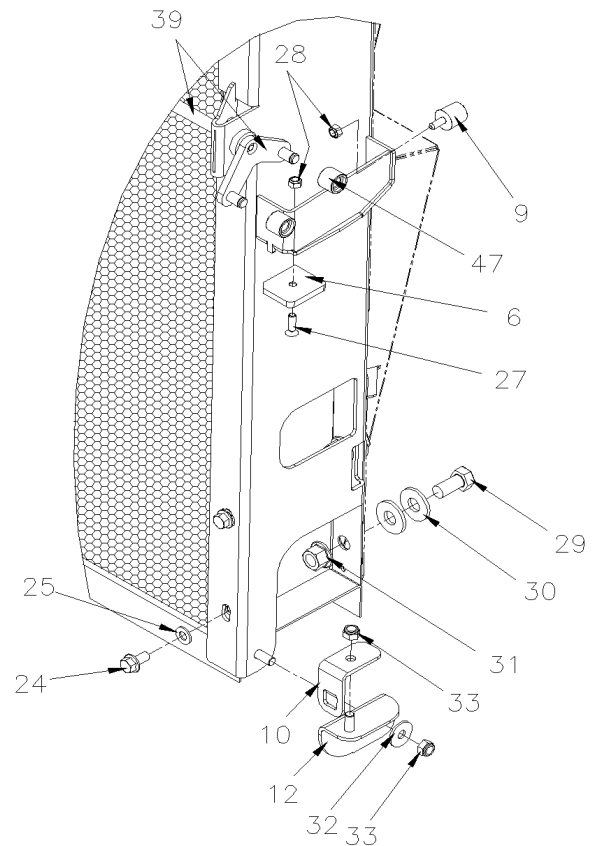
DETAIL "B"



DETAIL "E"
FROM C-1887



DETAIL "D"
FROM C-1887



DETAIL "B"

From K-0185		Date:07/2024	PAGE:H9-2255-01
CONDENSOR - INSTALLATION			

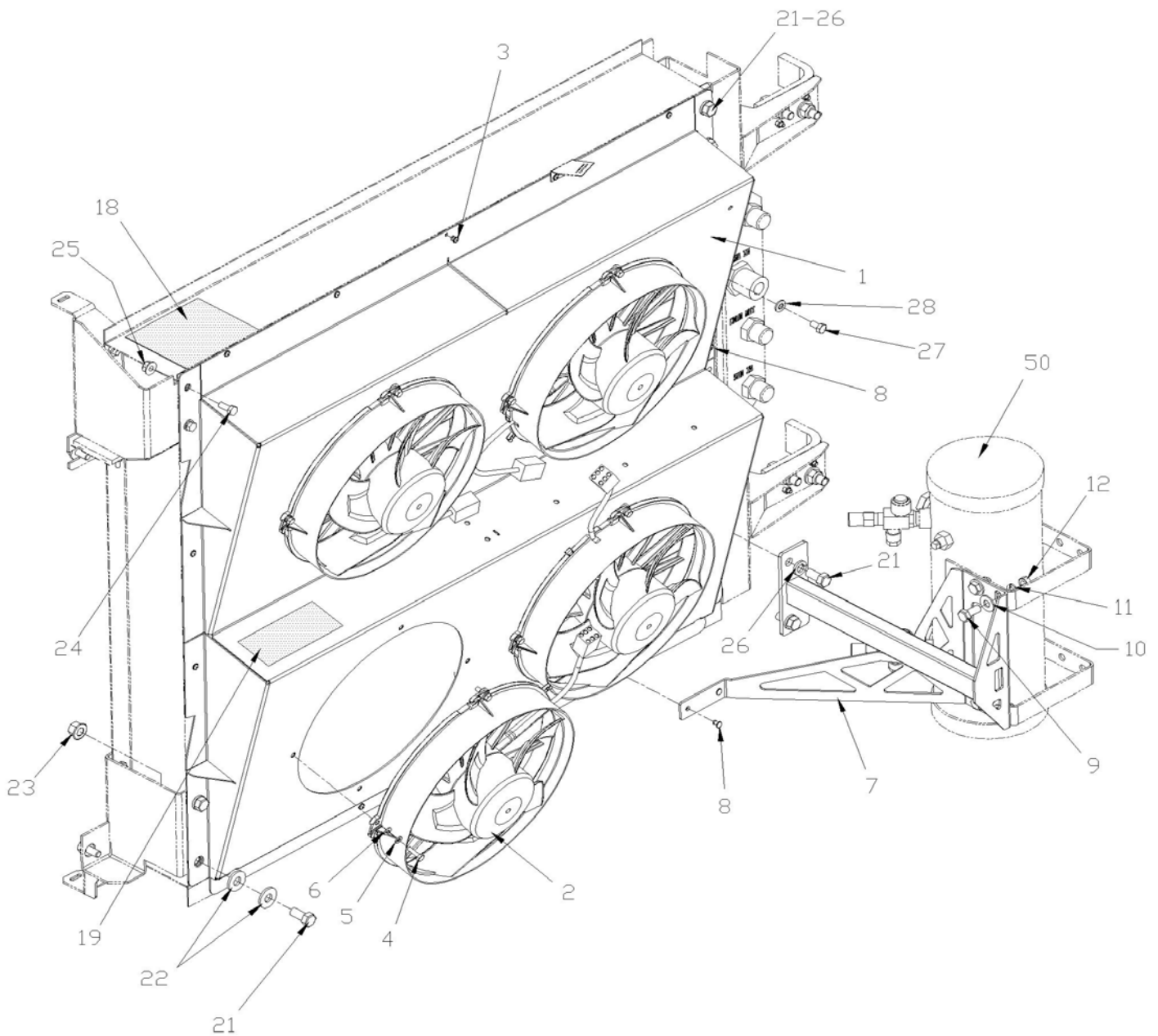
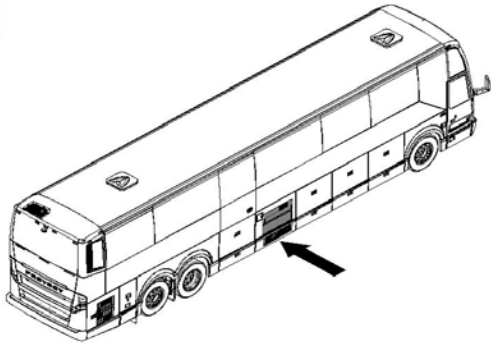
Item#	Part	Description	H 3 4 1	H 3 4 5	N O T E S
1	453013	CONDENSOR COPPER To N-1339	1	1	
. NS	501829	. O-RING / ORS FITTING / #12 NEO To N-1339	3	3	
. NS	N8892888	. O-RING ORS-16, .921 ID X .139 THK To N-1339	1	1	
. NS	N8908582	. FITTING #16 ORS To N-1339	1	1	
. NS	950636	. FITTING To N-1339	3	3	
1	950649	CONDENSOR COPPER From P-1340 To P-1398	1	1	
. NS	501829	. O-RING / ORS FITTING / #12 NEO From P-1340 To P-1398	3	3	
. NS	N8892888	. O-RING ORS-16, .921 ID X .139 THK From P-1340 To P-1398	1	1	
. NS	N8908582	. FITTING #16 ORS From P-1340 To P-1398	1	1	
. NS	950636	. FITTING From P-1340 To P-1398	3	3	
1	453013	CONDENSOR COPPER From £-23096	1	1	
. NS	501829	. O-RING / ORS FITTING / #12 NEO From £-23096	3	3	
. NS	N8892888	. O-RING ORS-16, .921 ID X .139 THK From £-23096	1	1	
. NS	N8908582	. FITTING #16 ORS From £-23096	1	1	
. NS	950636	. FITTING From £-23096	3	3	
1	453125P	CONDENSOR COPPER / PAINTED BLACK	1	1	O
. NS	501829	. O-RING / ORS FITTING / #12 NEO	3	3	O
. NS	N8892888	. O-RING ORS-16, .921 ID X .139 THK	1	1	O
2	454683	ATTACHMENT / HINGE / E-COAT BLACK	1	1	
2	285598	SPACER SHIM	1	1	
4	287646	HINGE / CONDENSER DOOR	2	2	
5	454693	SUPPORT R.H. SIDE / E-COAT BLACK	1	1	
6	289616	BLOCK SUPPORT	1	1	
NS	483730	SHIM 14GA 73.2MM x 38.1MM SS	1	1	
9	504454	BUMPER RUBBER BOLT / 20MM ODx20MM TH X M6X15MM STUD	1	1	
10	289818	BRACKET, HINGE, CONDENSER DOOR	2	2	
11	289819	BRACKET, LOCK, CONDENSER DOOR	1	1	
12	289820	BRACKET, CONDENSER DOOR	2	2	
13	289821	BRACKET, CONDENSER DOOR	2	2	
14	289822	BRACKET, CONDENSER DOOR	2	2	
15	5001338	SCREW CAP HEX M12-1.75x45 G10.9 N500	4	4	
16	5001761	NUT HEXF NYRT M12-1.75 G8 N500	4	4	
17	502758	SCREW CAP HEX M6-1.0x30 G8.8 N500	4	4	
18	5000323	SCREW SHR HEXS 5/8x2 1/4 {1/2-13 SS	2	2	
19	507299	BUSHING NYLINER	4	4	
20	502595	NUT HEX NYRT 1/2-13 Z050	2	2	
21	502622	SCREW CAP HEX M6-1.0x20 SS BK	4	4	
22	5001868	WASHER BEL SPR 8.4x18x2 SS	4	4	
23	5001965	NUT SPR U M6-1.0 0.6-4.0 N500	8	8	
24	5001527	SCREW CAP HEX M8-1.25x16 SS BK	4	4	
25	5001868	WASHER BEL SPR 8.4x18x2 SS	4	4	
27	5001497	SCREW MA OV PH M6-1.0x20 SS	1	1	

From K-0185

Date:07/2024

PAGE:H9-2260-01

CONDENSOR FANS - INSTALLATION W/4 MOTORS

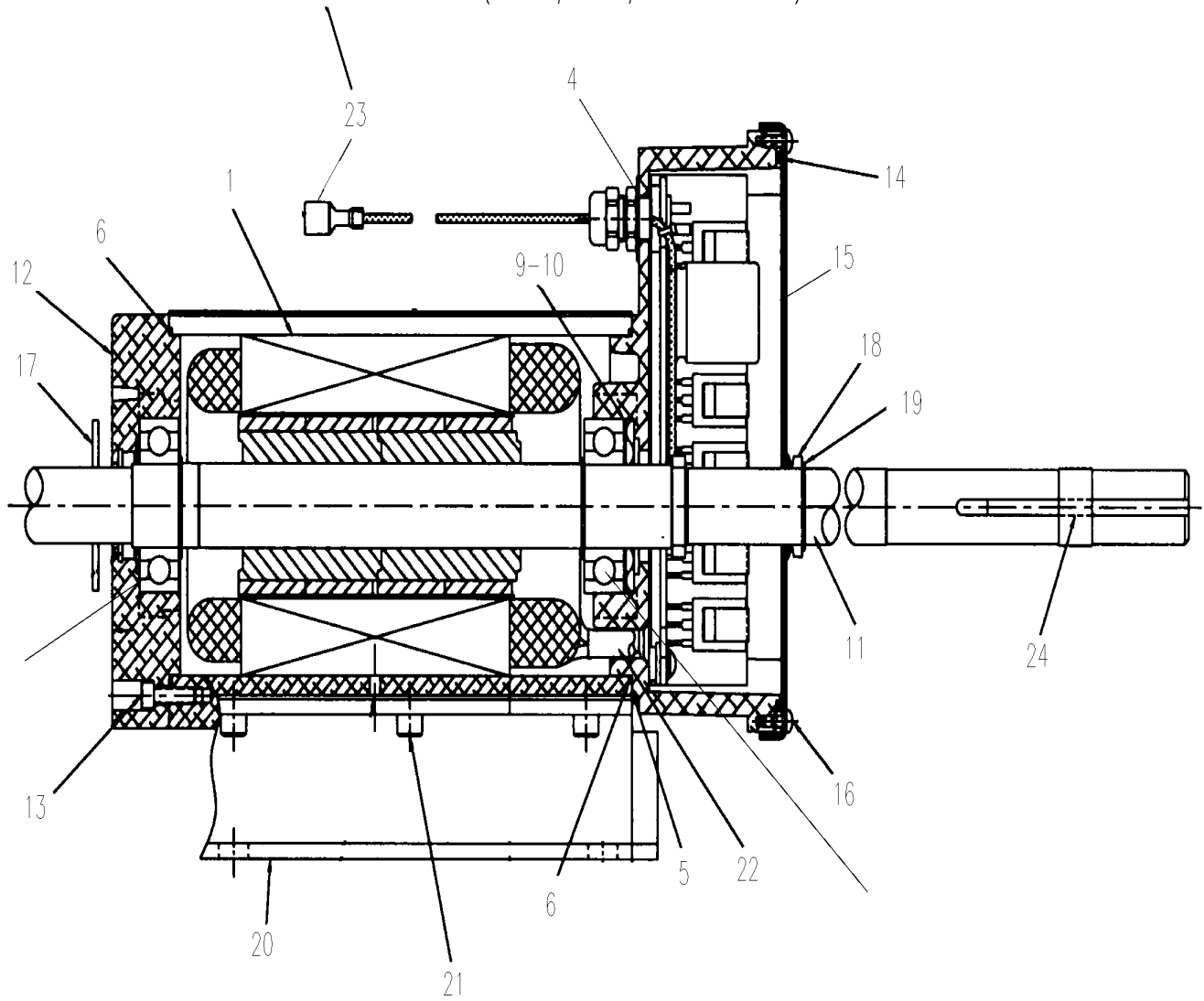


From K-0185		Date:07/2024	PAGE:H9-2260-01
CONDENSOR FANS - INSTALLATION W/4 MOTORS			

Item#	Part	Description	H 3 4 1	H 3 4 5	N O T E S
1	455324	SHROUD FAN To N-1239	1	1	
1	453817	SHROUD FAN From N-1240 To R-1783	1	1	
1	455077	SHROUD FAN From R-1784	1	1	
2	565881	CONDENSOR FAN ASSY 24V To N-1239	4	4	
. NS	563691	. CONNECTOR / JUNIOR POWER TIMER / SH 6C / AMP 1-963212-1 To N-1239	1	1	
2	870011	CONDENSOR FAN ASSY 24V From N-1240 To R-1783	4	4	
2	870246	CONDENSOR FAN ASSY 24V From R-1784		1	
3	504488	RIVET MGLP PRDG 3/16x17/64 SS	AR	AR	
4	502622	SCREW CAP HEX M6-1.0x20 SS BK To N-1239	16	16	
4	502686	SCREW CAP HEX M6-1.0x30 SS BK From N-1240 To R-1783	16	16	
4	502622	SCREW CAP HEX M6-1.0x20 SS BK From R-1784	AR	AR	
5	5001833	WASHER BEL SPR 6.1x18x1.27 SS	16	16	
6	502573	WASHER FL 6.4x12.5x1.6 SS	16	16	
7	454678	SUPPORT RECEIVER TANK	1	1	
8	504487	RIVET MGLP PRDG 3/16x7/16 SS	2	2	
9	502559	SCREW CAP HEX M10-1.5x25 G8.8 Z050	2	2	
10	500445	WASHER FL .437x1.000x.083 Z050	2	2	
11	500257	WASHER LO SPT 10.2x18.1x2.2 Z050	2	2	
12	500256	NUT HEX M10-1.5 Z050	2	2	
NS	509815	TIE MOUNT / ATTACHMENT W/TREE MOUNT	AR	AR	
NS	504013	TIE MOUNT / 1/4" X 1/4" I.D.	AR	AR	
18	402792	DECAL / "DANGER" SHUT DOWN A/C BEFORE SERVI. / ENGLISH & FRANCAIS	1	1	
18	405637	DECAL / "DANGER" SHUT DOWN A/C BEFORE SERVI. / ENGLISH & SPANISH	1	1	
19	453066	DECAL R134A / NOMINAL CHARGE 24 LBS // ENGLISH & FRANCAIS	1	1	
19	454180	DECAL R134A / NOMINAL CHARGE 24 LBS // ENGLISH & SPANISH	1	1	
19	453244	DECAL R134A / NOMINAL CHARGE 26 LBS // ENGLISH & FRANCAIS	1	1	
19	454181	DECAL R134A / 26LBS / W/A/C PARCEL RACK / ENGLISH & SPANISH	1	1	
21	502705	SCREW CAP HEX M12-1.75X25 G8.8 N500	6	6	
22	500211	WASHER FL .531x1.250x.125 N500	4	4	
23	5001728	NUT HEXF STO M12-1.75 N500 G10	2	2	
24	502862	SCREW CAP HEX M8-1.25x20 G8.8 N500	2	2	
25	5001852	NUT HEX M8-1.25 SS BK	2	2	
26	500482	WASHER LO SPT .506x.873x.125 Z050	4	4	
27	5001527	SCREW CAP HEX M8-1.25x16 SS BK	2	2	
28	5001868	WASHER BEL SPR 8.4x18x2 SS	2	2	
50	H9-2270-01	RECEIVER TANK & FILTER DRYER To P-1452			
50	H9-2270-02	RECEIVER TANK & FILTER DRYER From R-1453			

From K-0185	Date:07/2024	PAGE:H9-2265-01
MOTOR - EVAPORATOR BRUSHLESS		

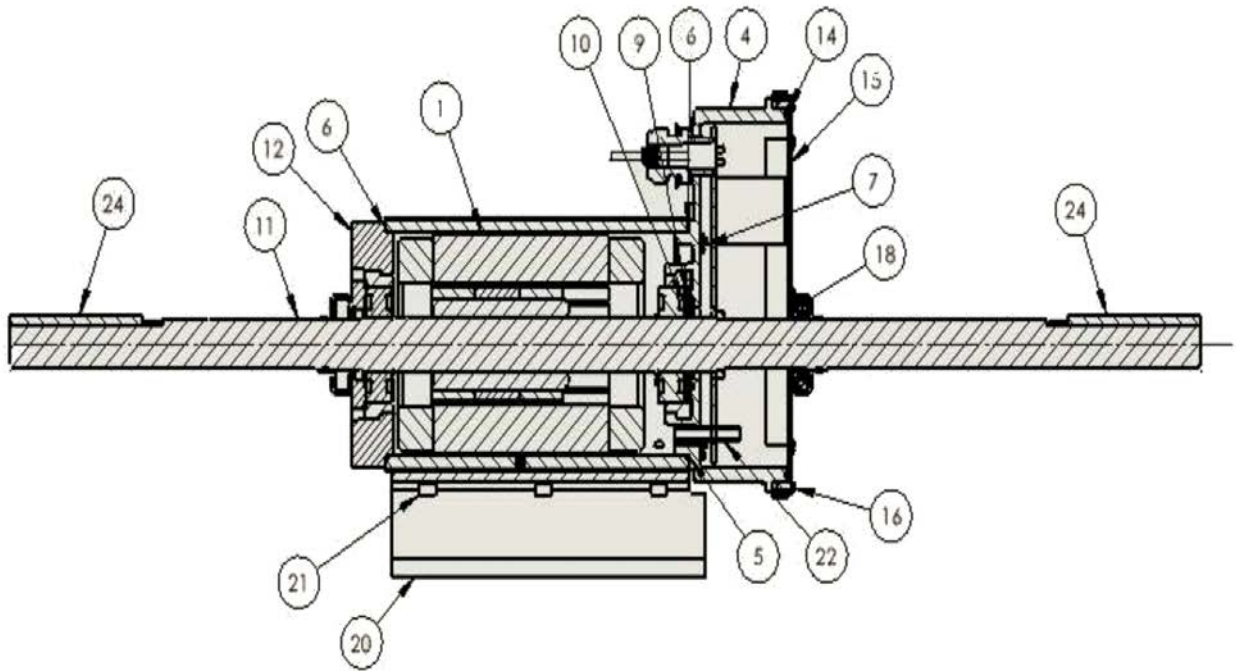
NOTE.: IN REPLACEMENT OF FORMER MOTOR MODEL YOU REQUIRE THOSE PARTS
TO MODIFIED ITEM # 23 ONE OF EACH (561577,561578, 561786 & 563623)



From K-0185		Date:07/2024	PAGE:H9-2265-01
MOTOR - EVAPORATOR BRUSHLESS			

Item#	Part	Description	H 3 4 1	H 3 4 5	N O T E S
	564216	MOTOR EVAPORATOR BRUSHLESS / 2 SPEEDS To R-1909	1	1	
	564793	MOTOR EVAPORATOR BRUSHLESS / 2 SPEEDS From R-1910	1	1	
	565898	MOTOR EVAPORATOR BRUSHLESS / 3 SPEEDS To R-1909	1	1	O
	564794	MOTOR EVAPORATOR BRUSHLESS / 3 SPEEDS From R-1910	1	1	
1	Call order desk	. MOTOR ASSY / COMPLETE	1	1	P
4	Call order desk	. CONTROLLER ASSEMBLY	1	1	P
5	Call order desk	. GASKET	1	1	P
6	Call order desk	. O-RING 3.989" x .070"	1	1	P
7	Call order desk	. SCREW MA PAN 8-32 x ?	1	1	P
8	Call order desk	. HEAT-SHRINK TUBING	3	3	P
9	Call order desk	. WAVE SPRING	1	1	P
10	Call order desk	. SHIM	1	1	P
11	Call order desk	. SHAFT / ROTOR ASSY W/KEYS	1	1	P
12	Call order desk	. ENDBELL	1	1	P
13	Call order desk	. SCREW MA PAN 8-32 x .875"	4	4	P
14	Call order desk	. O-RING SEAL	1	1	P
15	Call order desk	. COVER	1	1	P
16	Call order desk	. SCREW MA PAN #6-32	12	12	P
17	Call order desk	. SLINGER	1	1	P
18	Call order desk	. V-SEAL	1	1	P
19	Call order desk	. EXTERNAL RETAINING RING	1	1	P
20	Call order desk	. BASE PLATE	1	1	P
21	Call order desk	. SCREW CAP HEXS 1/4-20 x ?	6	6	P
22	Call order desk	. TUBING	1	1	P
23	Call order desk	. TERMINAL (0.032 X 0.25)	1	1	P
24	Call order desk	. KEY SQUARE 3/16" x 3" 452085	2	2	P
30	032937	KIT / SHAFT SHIELD			S
. NS	033188	. SHIELD / SHAFT	1	1	S
. NS	500443	. SCREW TP PAN PH #8x1/2 N500	5	5	S
. NS	IS-10125	. SEE INSTRUCTION SHEET	1	1	S
		O) WITH "ORLEANS" OPTION			
		S) USE WITH OLD MOTOR 563586 WITHOUT SEAL ON THE SHAFT			
		P) CALL ORDER DESK FOR SPECIFIC APPLICATION (V.I.N.)			

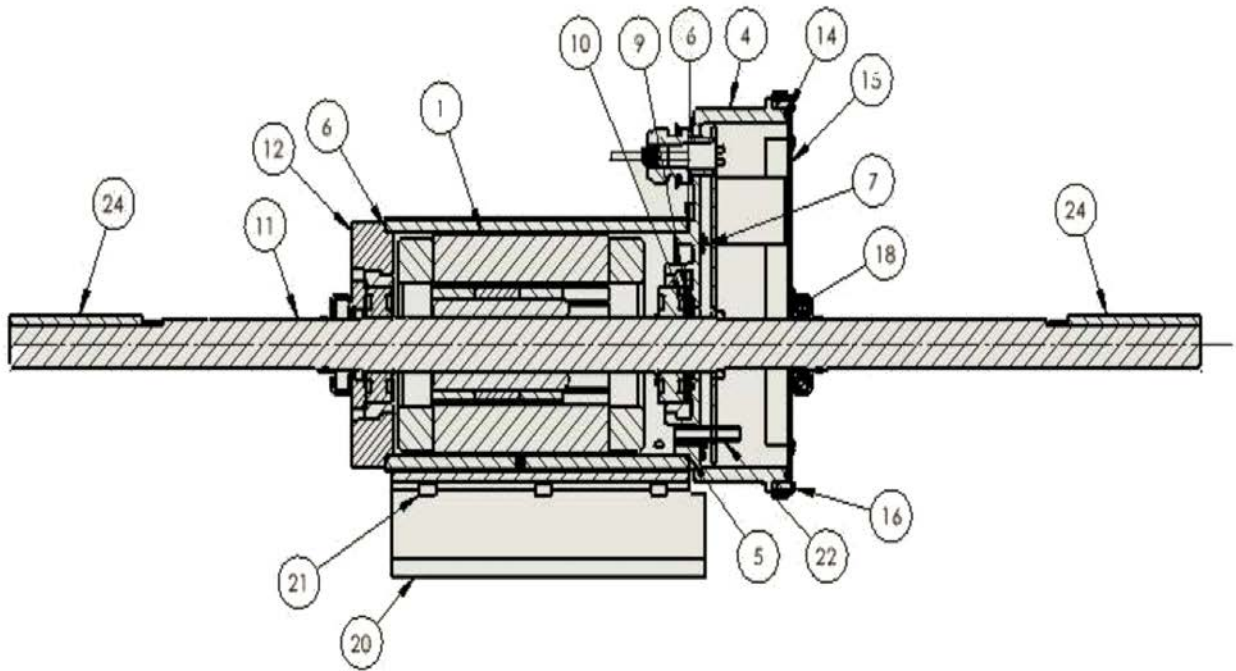
From R-1910	Date:07/2024	PAGE:564793
MOTOR EVAPORATOR BRUSHLESS / 2 SPEEDS		



From R-1910	Date:07/2024	PAGE:564793
MOTOR EVAPORATOR BRUSHLESS / 2 SPEEDS		

Item#	Part	Description	H 3 4 1	H 3 4 5	N O T E S
1	Call order desk	MOTOR ASSY / COMPLETE	1	1	P
4	Call order desk	CONTROLLER ASSEMBLY	1	1	P
5	Call order desk	GASKET	1	1	P
6	19504444	O-RING 3.989" x .070"	2	2	
7	Call order desk	SCREW MA PAN 8-32 x ?	4	4	P
9	Call order desk	WAVE SPRING	1	1	P
10	Call order desk	SHIM	1	1	P
11	Call order desk	SHAFT / ROTOR ASSY W/KEYS	1	1	P
12	Call order desk	ENDBELL	1	1	P
14	Call order desk	O-RING SEAL	1	1	P
15	Call order desk	COVER	1	1	P
16	Call order desk	SCREW MA PAN #6-32	1	1	P
18	Call order desk	RADIAL LIP SEAL	1	1	P
20	Call order desk	BASE PLATE	1	1	P
21	Call order desk	SCREW CAP HEXS 1/4-20 x ?	6	6	P
22	Call order desk	TUBING	1	1	P
24	Call order desk	KEY SQUARE 3/16" x 3"	2	2	P
NS	Call order desk	HEAT-SHRINK TUBING	3	3	P
		P) CALL ORDER DESK FOR SPECIFIC APPLICATION (V.I.N.)			

From R-1910	Date:07/2024	PAGE:564794
MOTOR EVAPORATOR BRUSHLESS / 3 SPEEDS		



From R-1910	Date:07/2024	PAGE:564794
MOTOR EVAPORATOR BRUSHLESS / 3 SPEEDS		

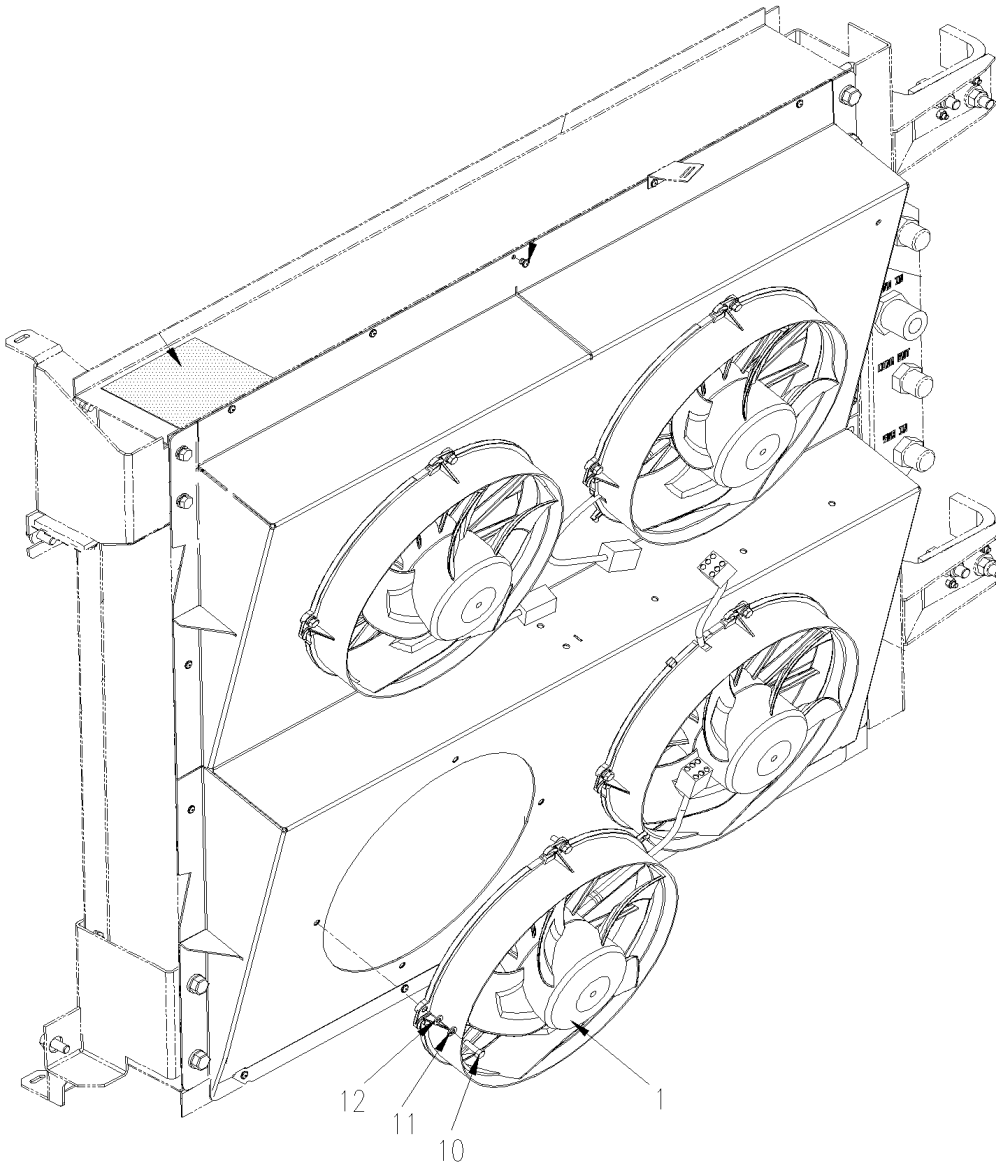
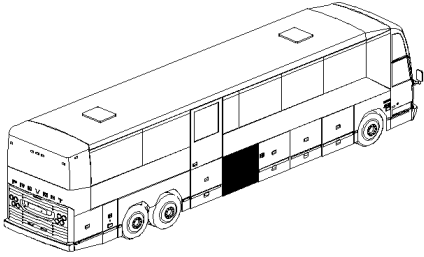
Item#	Part	Description	H 3 4 1	H 3 4 5	N O T E S
1	Call order desk	MOTOR ASSY / COMPLETE	1	1	P
4	Call order desk	CONTROLLER ASSEMBLY	1	1	P
5	Call order desk	GASKET	1	1	P
6	19504444	O-RING 3.989" x .070"	2	2	
7	Call order desk	SCREW MA PAN 8-32 x ?	4	4	P
9	Call order desk	WAVE SPRING	1	1	P
10	Call order desk	SHIM	1	1	P
11	Call order desk	SHAFT / ROTOR ASSY W/KEYS	1	1	P
12	Call order desk	ENDBELL	1	1	P
14	Call order desk	O-RING SEAL	1	1	P
15	Call order desk	COVER	1	1	P
16	Call order desk	SCREW MA PAN #6-32	1	1	P
18	Call order desk	RADIAL LIP SEAL	1	1	P
20	Call order desk	BASE PLATE	1	1	P
21	Call order desk	SCREW CAP HEXS 1/4-20 x ?	6	6	P
22	Call order desk	TUBING	1	1	P
24	Call order desk	KEY SQUARE 3/16" x 3"	2	2	P
NS	Call order desk	HEAT-SHRINK TUBING	AR	AR	P
		P) CALL ORDER DESK FOR SPECIFIC APPLICATION (V.I.N.)			

From K-0185

Date:07/2024

PAGE:H9-2265-51

MOTOR - CONDENSOR BRUSHLESS



From K-0185	Date:07/2024	PAGE:H9-2265-51
MOTOR - CONDENSOR BRUSHLESS		

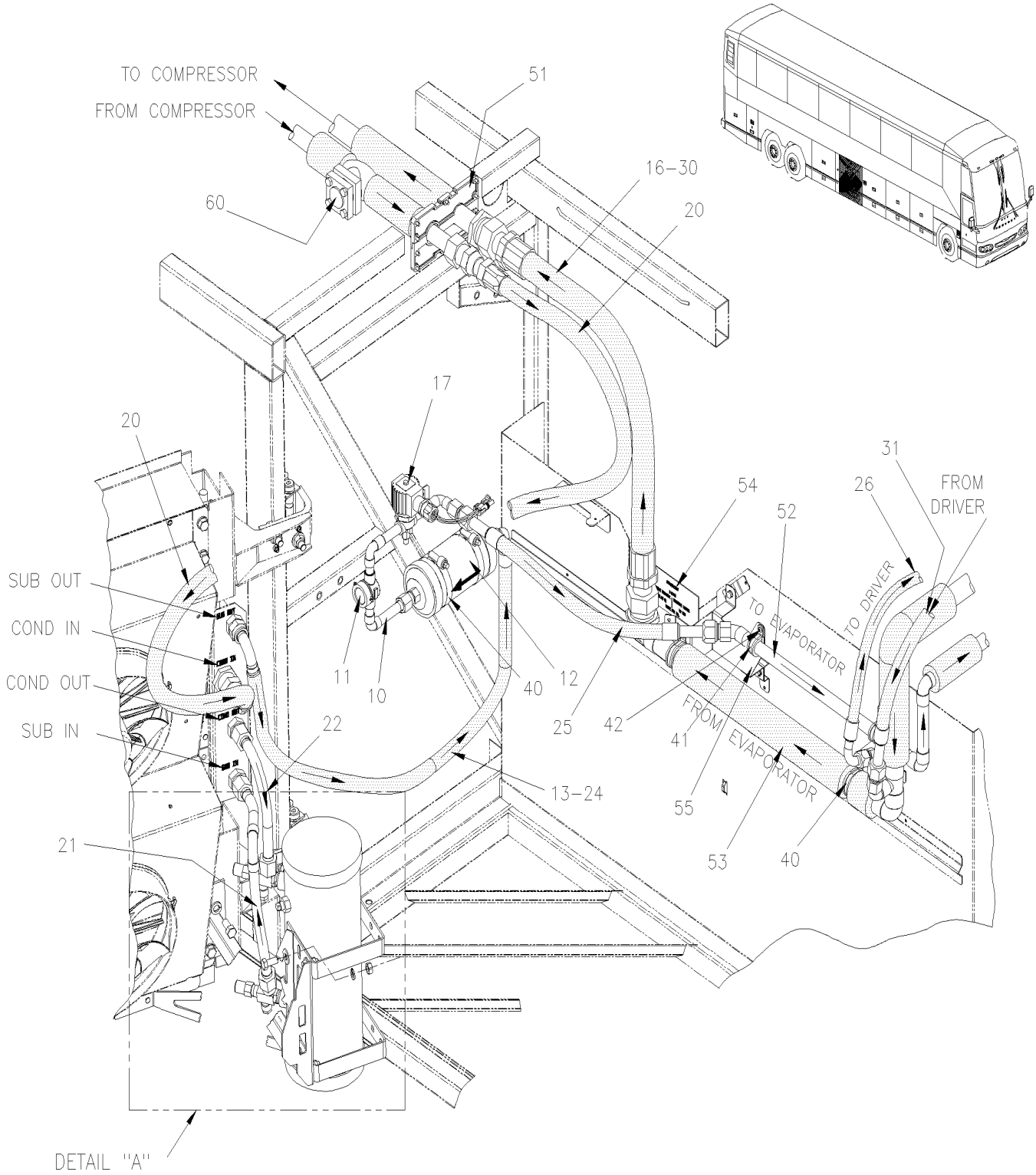
Item#	Part	Description	H 3 4 1	H 3 4 5	N O T E S
1	565881	CONDENSOR FAN ASSY 24V	4	4	
. NS	563691	. CONNECTOR / JUNIOR POWER TIMER / SH 6C / AMP 1-963212-1	1	1	
10	502633	SCREW MA PAN SLT M6-1.0x40	16	16	
11	502570	WASHER LO SPT 6.1x11.8x1.6 SS	16	16	
12	502573	WASHER FL 6.4x12.5x1.6 SS	16	16	

From K-0185 To P-1452

Date:07/2024

PAGE:H9-2270-01

RECEIVER TANK & FILTER DRYER

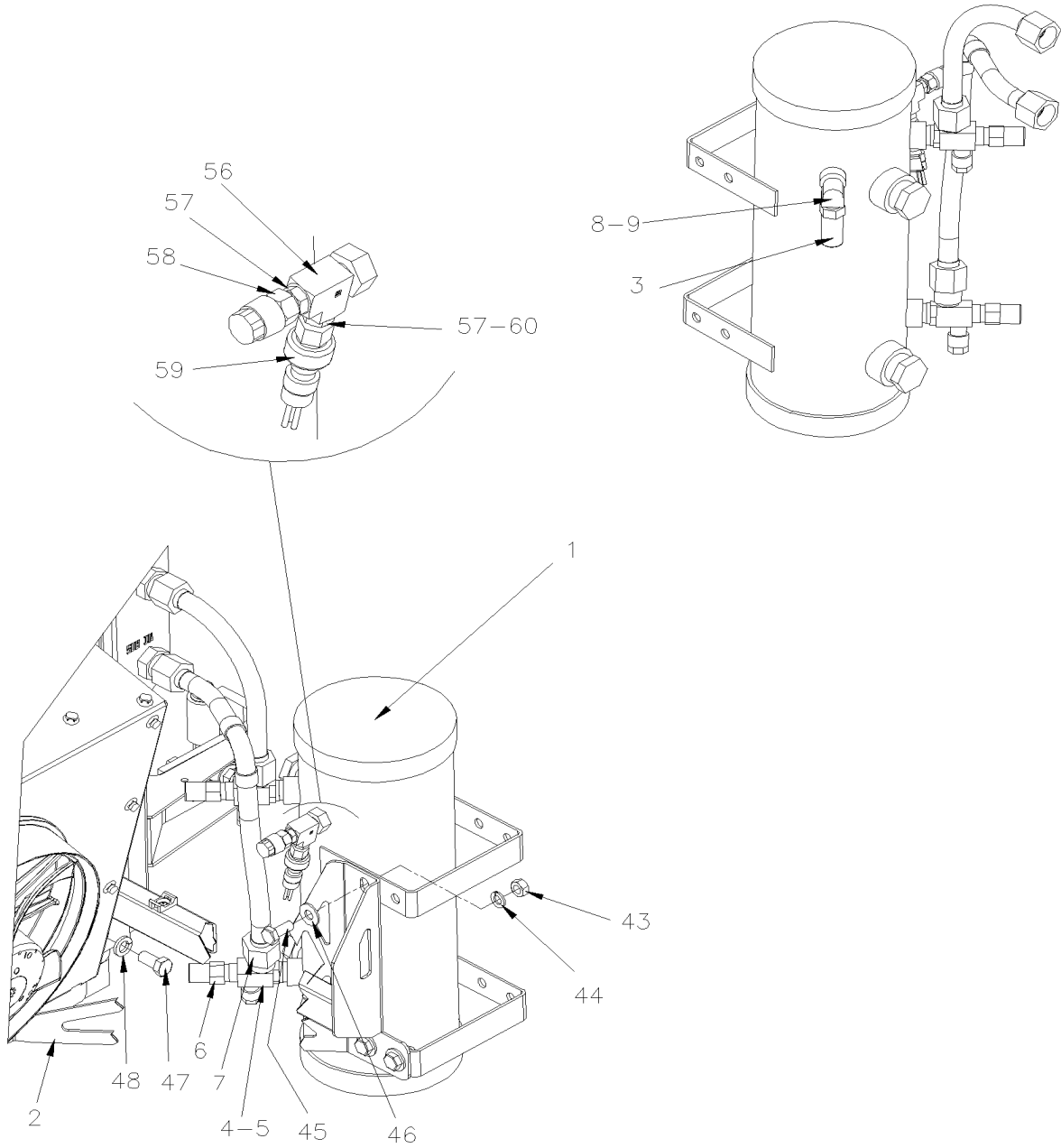


From K-0185 To P-1452

Date:07/2024

PAGE:H9-2270-01

RECEIVER TANK & FILTER DRYER



DETAIL "A"

From K-0185 To P-1452	Date:07/2024	PAGE:H9-2270-01
RECEIVER TANK & FILTER DRYER		

Item#	Part	Description	H 3 4 1	H 3 4 5	N O T E S
1	950261	RECEIVER TANK ASSY	1	1	
. NS	950428	. SIGHTGLASS / W/BALL 1NPT-M (FORMER)	1	1	
. NS	951198	. SIGHTGLASS / W/BALL 1 1/4NPT-F (CURRENT)	1	1	
2	H9-2260-01	CONDENSOR FANS - INSTALLATION W/4 MOTORS			
3	870890	VALVE, SAFETY 450 PSI	1	1	
4	950228	VALVE ASSY / SERVICE / INLET & OUTLET	2	2	
. NS	950284	. CAP / PROTECTOR / FOR GAUGE	1	1	
. NS	507169	. O-RING 1/2 I.D.	1	1	
5	950285	. CAP VALVE / PROTECTOR / PLASTIC	1	1	
6	950284	. CAP / PROTECTOR / FOR GAUGE	1	1	
7	507169	O-RING 1/2 I.D.	AR	AR	
8	501333	STREET ELBOW 90° / PIPE FITTING / 3/8NPT-Mx3/8NPT-F BR	1	1	
9	680869	THREAD SEALANT LOCTITE #554 / REFRIG. / 250ml	AR	AR	
10	Call order desk	MOISTURE INDICATOR ASSY	1	1	P
10	457740	MOISTURE INDICATOR ASSY W/O SOLENOID To N-1209	1	1	
10	453664	MOISTURE INDICATOR ASSY W/O SOLENOID From N-1210	1	1	
11	950029	. CAP, MOISTURE INDICATOR	1	1	
11	950333	. MOISTURE INDICATOR	1	1	
. NS	950711	. . LENS ASSY KIT MOISTURE INDICATOR	1	1	
. . NS	950712	. . . O-RING MOISTURE INDICATOR	1	1	
12	950332	FILTER DRYER	1	1	
. NS	507370	. O-RING #10	1	1	U
13	507280	O-RING / ORS FITTING / #12 NEO	2	2	
14	507344	O-RING / ORS FITTING / #10 NEO	AR	AR	
15	507345	O-RING / ORS FITTING / #16 NEO	AR	AR	
16	507346	O-RING / ORS FITTING / #24 NEO	AR	AR	
17	451187	SOLENOID ASSY W/WEATHER PACK CONNECTOR			
. NS	950953	. COIL 24V / SERVICE	1	1	
. NS	560434	. CONNECTOR 1/2" PIPE	1	1	
. NS	561690	. CONNECTOR / WEATHER PACK / SH 2C / BLACK / PED 12015792	1	1	
. NS	561578	. SOCKET TERMINAL / 16-14 / PED 12010182	2	2	
. NS	561565	. CABLE SEAL / GREEN / PED 15324982	2	2	
17	950951	VALVE REFRIGERANT SOLENOID	1	1	
20	950256	HOSE ASSY / W/R-134a / #16 1096MM / SS BELLOW O	1	1	
21	452999	TUBE ASSY / CONDENSOR OUT & RECEIVER TANK To N-1209	1	1	
21	454852	TUBE ASSY / CONDENSOR OUT & RECEIVER TANK From N-1210 To N-1339	1	1	
21	454887	TUBE ASSY / CONDENSOR OUT & RECEIVER TANK From P-1340 To P-1398	1	1	
21	454852	TUBE ASSY / CONDENSOR OUT & RECEIVER TANK From £-23096	1	1	
22	452990	TUBE ASSY / RECEIVER TANK & COND-SUB-OUT	1	1	
24	453696	HOSE ASSY / COND SUB-OUT / #12 1100MM	1	1	
25	457723	HOSE ASSY / #12 515MM	1	1	
. NS	507280	. O-RING / ORS FITTING / #12 NEO	2	2	

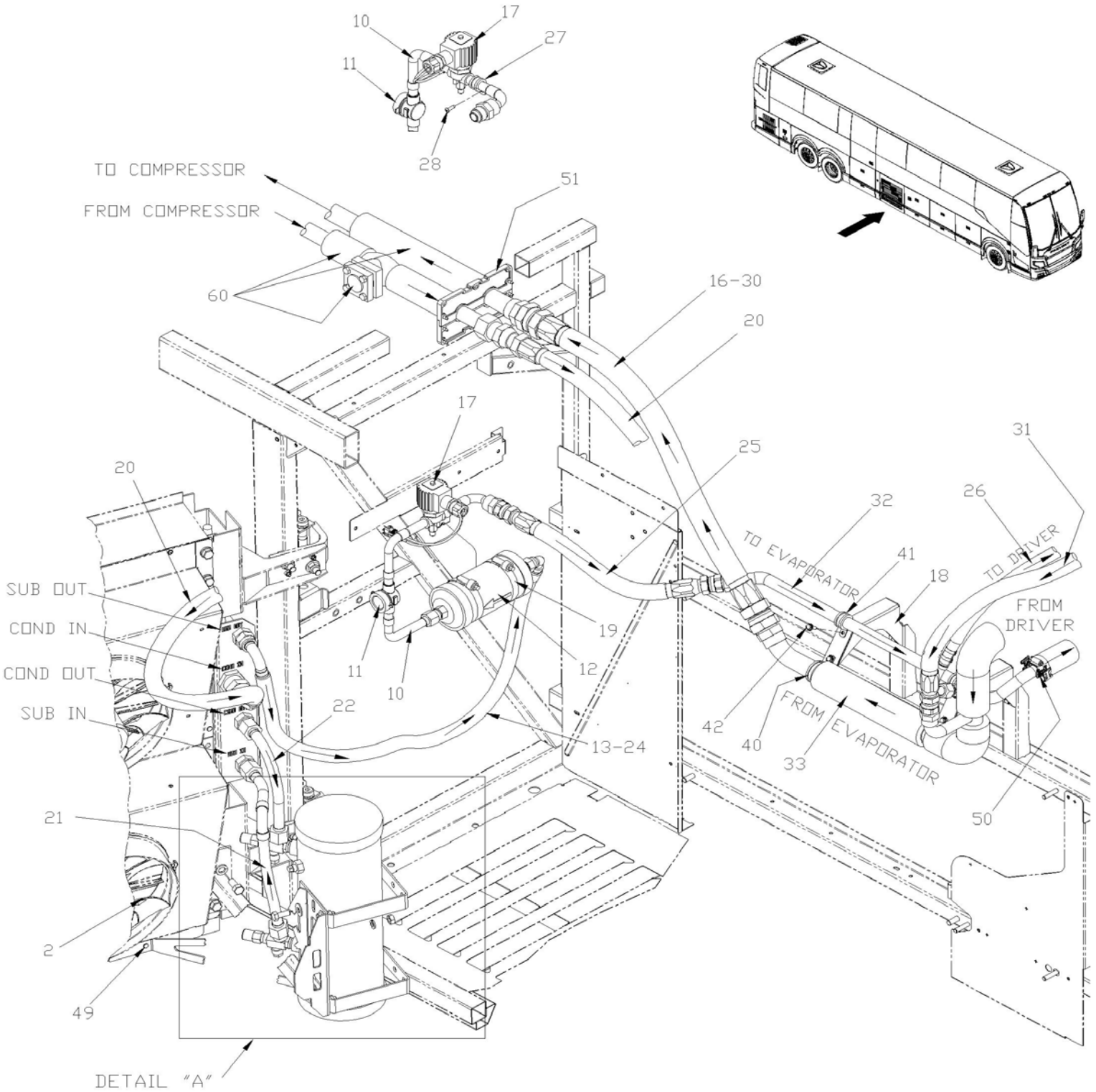
From K-0185 To P-1452	Date:07/2024	PAGE:H9-2270-01
RECEIVER TANK & FILTER DRYER		

Item#	Part	Description	H 3 4 1	H 3 4 5	N O T E S
26	455322	HOSE ASSY / #10 2920MM	1		
. NS	507344	. O-RING / ORS FITTING / #10 NEO	2		
26	455306	HOSE ASSY / #10 4165MM		1	
. NS	507344	. O-RING / ORS FITTING / #10 NEO		2	
30	457720	HOSE ASSY / #20 865MM	1	1	
31	457725	HOSE ASSY / #12 4215MM		1	
31	457728	HOSE ASSY / #12 2950MM	1		
40	952641	CLAMP P STL ZP RUB 34.9 ID	AR	AR	
41	952633	CLAMP / 7/8" I.D.	6	6	
42	500957	SCREW TP BDG PH #10x3/4 N500	AR	AR	
43	500847	NUT HEX M10-1.5 N500	3	3	
44	500257	WASHER LO SPT 10.2x18.1x2.2 Z050	AR	AR	
45	502804	SCREW CAP HEX M10-1.5x25 G8.8 N500	3	3	
46	500897	WASHER FL .437x1.000x.083 N500	3	3	
47	5001942	SCREW CAP HEX M12-1.75x25 CL10.9 N500	2	2	
48	500482	WASHER LO SPT .506x.873x.125 Z050	2	2	
49	504487	RIVET MGLP PRDG 3/16x7/16 SS	2	2	
50	H9-2222-16	A/C LINE REAR SECTION			
51	457424	CLOSING / PIPE TUNNEL PLASTIC / RH 57.2MM x 181MM	2	2	
51	457426	CLOSING / PIPE TUNNEL PLASTIC 85MM x 181MM	2	2	
51	370143	CLOSING / PIPE TUNNEL SS 83MM x 172MM	1	1	
51	450409	CLOSING / PIPE TUNNEL 86MM x 181MM	1	1	
NS	500623	SCREW TC PAN PH #10-24x3/4 N500	AR	AR	
52	457735P	PIPE ASSY / PRESSURE To N-1209	1	1	
. NS	501829	. O-RING / ORS FITTING / #12 NEO To N-1209	1	1	
52	453665	PIPE ASSY / PRESSURE From N-1210	1	1	
. NS	501829	. O-RING / ORS FITTING / #12 NEO From N-1210	2	2	
53	Call order desk	PIPE ASSY / SUCTION To N-1209	1	1	P
. NS	501803	. O-RING / ORS FITTING / #20 NEO To N-1209	2	2	
. NS	501829	. O-RING / ORS FITTING / #12 NEO To N-1209	1	1	
53	454380	PIPE ASSY / SUCTION From N-1210	1	1	
. NS	501803	. O-RING / ORS FITTING / #20 NEO From N-1210	2	2	
. NS	501829	. O-RING / ORS FITTING / #12 NEO From N-1210	1	1	
54	453066	DECAL R134A / NOMINAL CHARGE 24 LBS // ENGLISH & FRANCAIS	1	1	
54	454180	DECAL R134A / NOMINAL CHARGE 24 LBS // ENGLISH & SPANISH	1	1	
54	453244	DECAL R134A / NOMINAL CHARGE 26 LBS // ENGLISH & FRANCAIS	1	1	
54	454181	DECAL R134A / 26LBS / W/A/C PARCEL RACK / ENGLISH & SPANISH	1	1	
55	456978	SUPPORT HOSE	2	2	
56	501338	MALE RUN TEE / PIPE FITTING / 1/4NPT-Mx1/4NPT-Fx1/4NPT-F BR	1	1	
57	501027	MALE CONNECTOR / SAE 45° FITTING / #4FL-Mx1/4NPT-M BR	1	1	
58	950500	ADAPTOR 7/16-20 x R134 16MM	1	1	
59	950504	TRANSDUCER 0-500 PSIG	1	1	

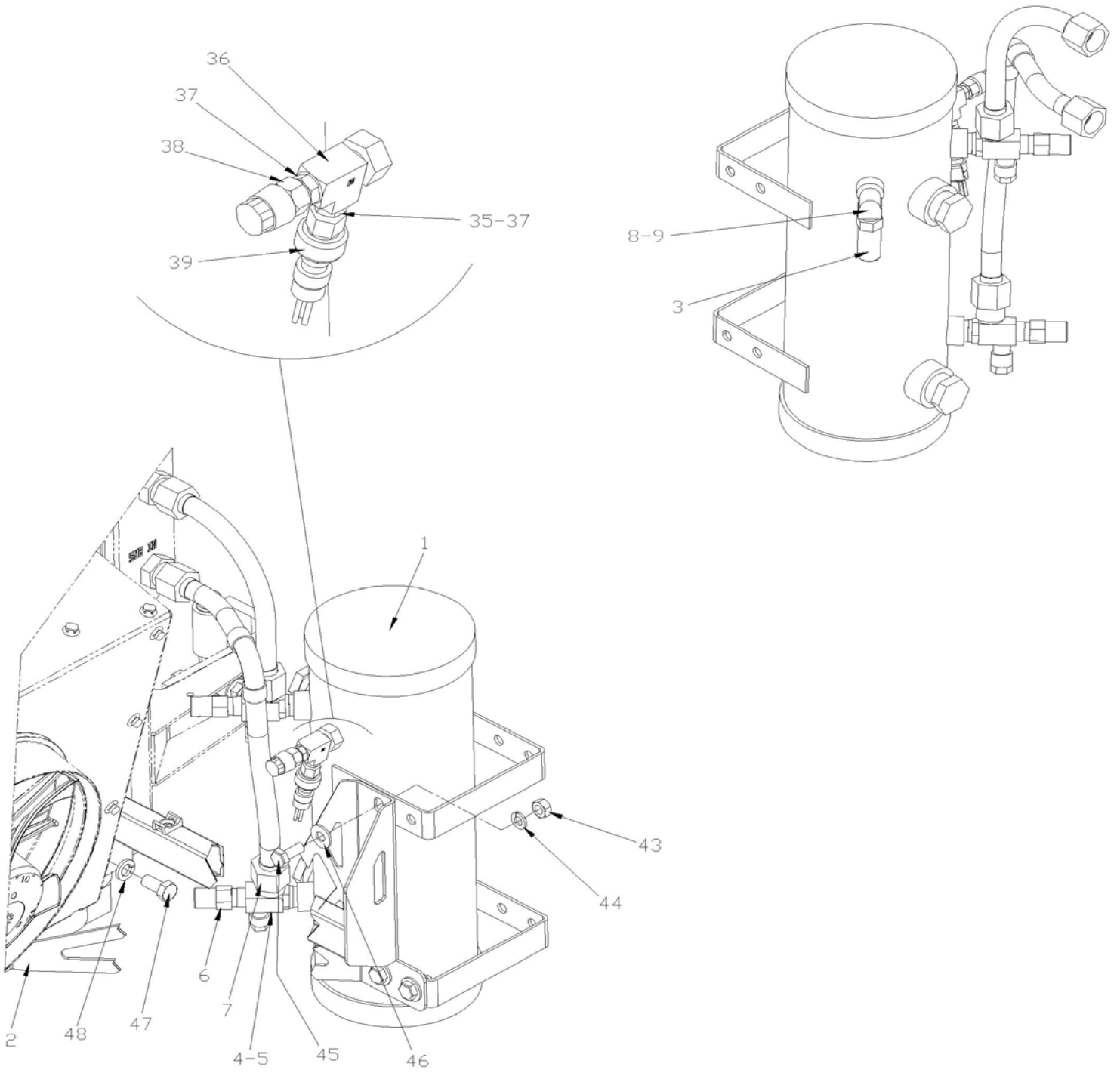
From K-0185 To P-1452	Date:07/2024	PAGE:H9-2270-01
RECEIVER TANK & FILTER DRYER		

Item#	Part	Description	H 3 4 1	H 3 4 5	N O T E S
60	950249	SCHRADER VALVE 1/4NPT-M	1	1	
		P) CALL ORDER DESK FOR SPECIFIC APPLICATION (V.I.N.)			
		U) UNDER CONSTRUCTION			

	Date:07/2024	PAGE:H9-2270-02
RECEIVER TANK & FILTER DRYER		



	Date:07/2024	PAGE:H9-2270-02
RECEIVER TANK & FILTER DRYER		



DETAIL "A"

	Date:07/2024	PAGE:H9-2270-02
RECEIVER TANK & FILTER DRYER		

Item#	Part	Description	H 3 4 1	H 3 4 5	N O T E S
1	950261	RECEIVER TANK ASSY		1	
. NS	950428	. SIGHTGLASS / W/BALL 1NPT-M (FORMER)		1	
. NS	951198	. SIGHTGLASS / W/BALL 1 1/4NPT-F (CURRENT)		1	
2	H9-2260-01	CONDENSOR FANS - INSTALLATION W/4 MOTORS			
3	870890	VALVE, SAFETY 450 PSI		1	
4	950228	VALVE ASSY / SERVICE / INLET & OUTLET		2	
. NS	950284	. CAP / PROTECTOR / FOR GAUGE		1	
. NS	507169	. O-RING 1/2 I.D.		1	
5	950285	. CAP VALVE / PROTECTOR / PLASTIC		1	
6	950284	. CAP / PROTECTOR / FOR GAUGE		1	
7	507169	O-RING 1/2 I.D.		AR	
8	501333	STREET ELBOW 90° / PIPE FITTING / 3/8NPT-Mx3/8NPT-F BR		1	
9	680869	THREAD SEALANT LOCTITE #554 / REFRIG. / 250ml		AR	
10	453664	MOISTURE INDICATOR ASSY W/O SOLENOID		1	
10	950951	. VALVE REFRIGERANT SOLENOID		1	
11	950333	. MOISTURE INDICATOR		1	
. NS	950711	. . LENS ASSY KIT MOISTURE INDICATOR		1	
. . NS	950712	. . . O-RING MOISTURE INDICATOR		1	
11	950029	. CAP, MOISTURE INDICATOR		1	
12	950332	FILTER DRYER		1	
. NS	507370	. O-RING #10		1	U
13	507280	O-RING / ORS FITTING / #12 NEO		2	
14	507344	O-RING / ORS FITTING / #10 NEO		AR	
15	507345	O-RING / ORS FITTING / #16 NEO		AR	
16	507346	O-RING / ORS FITTING / #24 NEO		AR	
17	451187	SOLENOID ASSY W/WEATHER PACK CONNECTOR			
. NS	950953	. COIL 24V / SERVICE		1	
. NS	560434	. CONNECTOR 1/2" PIPE		1	
. NS	561690	. CONNECTOR / WEATHER PACK / SH 2C / BLACK / PED 12015792		1	
. NS	561578	. SOCKET TERMINAL / 16-14 / PED 12010182		2	
. NS	561565	. CABLE SEAL / GREEN / PED 15324982		2	
18	451361	SUPPORT PIPE		1	
19	504026	HOSE CLAMP / 2"13/16-3"3/4 SS / HS-52		2	
20	950256	HOSE ASSY / W/R-134a / #16 1096MM / SS BELLOW O		1	
21	454852	TUBE ASSY / CONDENSOR OUT & RECEIVER TANK To N-1339		1	
21	454887	TUBE ASSY / CONDENSOR OUT & RECEIVER TANK From P-1340 To P-1398		1	
21	454852	TUBE ASSY / CONDENSOR OUT & RECEIVER TANK From £-23096		1	
22	452990	TUBE ASSY / RECEIVER TANK & COND-SUB-OUT		1	
24	453696	HOSE ASSY / COND SUB-OUT / #12 1100MM		1	
25	451477	HOSE ASSY / #12 425MM		1	
26	451025	HOSE ASSY / #10 4305MM		1	
27	952629	CLAMP / 5/8" I.D.		1	

Date:07/2024

PAGE:H9-2270-02

RECEIVER TANK & FILTER DRYER

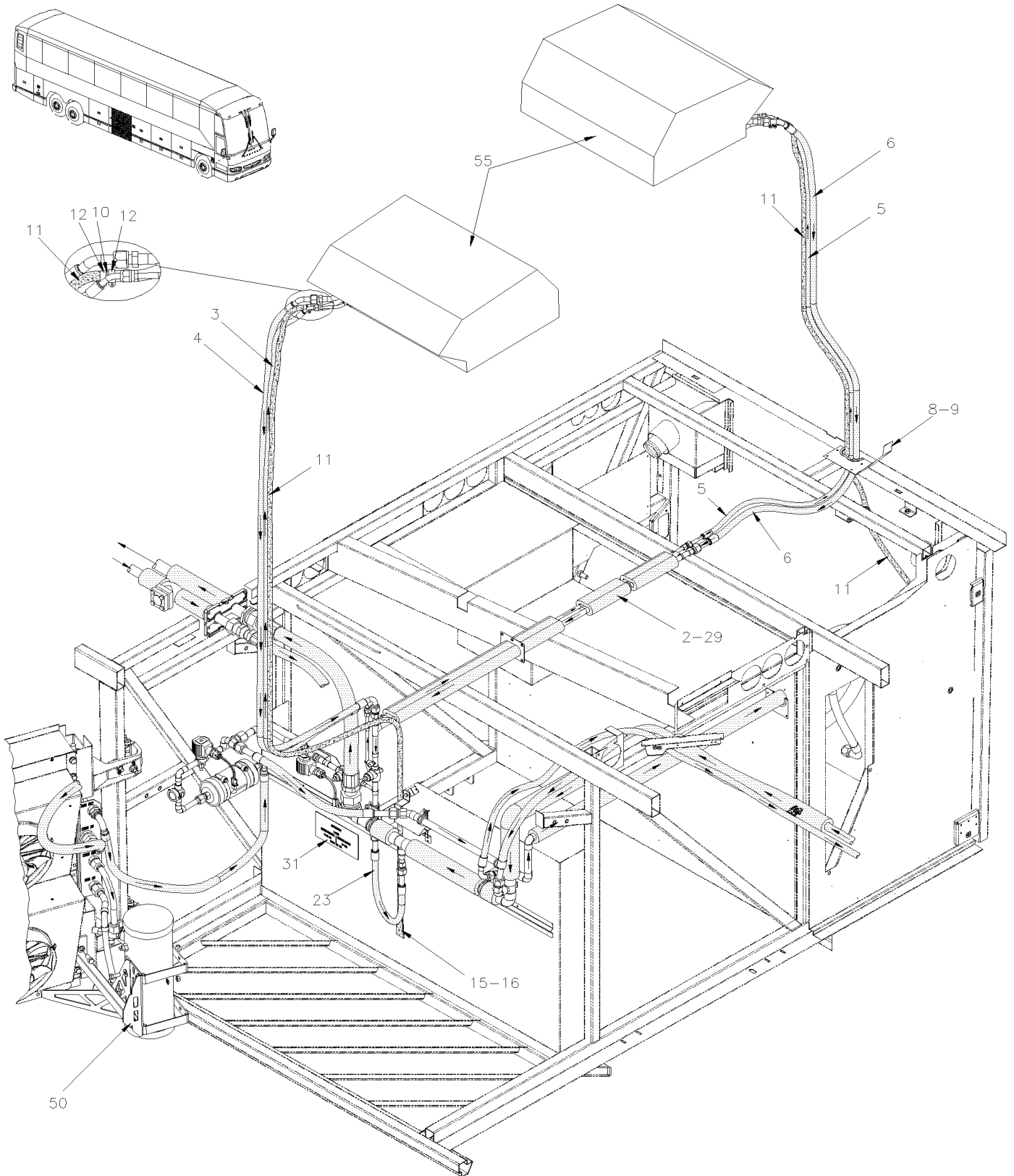
Item#	Part	Description	H 3 4 1	H 3 4 5	N O T E S
28	500957	SCREW TP BDG PH #10x3/4 N500		1	
30	451507	HOSE ASSY / #20 830MM		1	
31	451026	HOSE ASSY / #12 4395MM		1	
32	453841	PIPE ASSY / PRESSURE		1	
. NS	501829	. O-RING / ORS FITTING / #12 NEO		2	
33	454176	PIPE ASSY / SUCTION		1	
. NS	501803	. O-RING / ORS FITTING / #20 NEO		2	
. NS	501829	. O-RING / ORS FITTING / #12 NEO		1	
35	950249	SCHRADER VALVE 1/4NPT-M		1	
36	501338	MALE RUN TEE / PIPE FITTING / 1/4NPT-Mx1/4NPT-Fx1/4NPT-F BR		1	
37	501027	MALE CONNECTOR / SAE 45° FITTING / #4FL-Mx1/4NPT-M BR		1	
38	950500	ADAPTOR 7/16-20 x R134 16MM		1	
39	950504	TRANSDUCER 0-500 PSIG		1	
40	952641	CLAMP P STL ZP RUB 34.9 ID		2	
41	952633	CLAMP / 7/8" I.D.		6	
42	5001730	SCREW CAP HEXF M6-1.0x16 G10.9 N500		AR	
43	500847	NUT HEX M10-1.5 N500		3	
44	500257	WASHER LO SPT 10.2x18.1x2.2 Z050		AR	
45	502804	SCREW CAP HEX M10-1.5x25 G8.8 N500		3	
46	500897	WASHER FL .437x1.000x.083 N500		3	
47	5001942	SCREW CAP HEX M12-1.75x25 CL10.9 N500		2	
48	500482	WASHER LO SPT .506x.873x.125 Z050		2	
49	504487	RIVET MGLP PRDG 3/16x7/16 SS		2	
50	504019	HOSE CLAMP / 9/16"-1"1/16 SS / HS-10		1	
50	504751	ROTATIF SPACER DOUBLE / SMALL		2	
51	457424	CLOSING / PIPE TUNNEL PLASTIC / RH 57.2MM x 181MM		2	
51	457426	CLOSING / PIPE TUNNEL PLASTIC 85MM x 181MM		2	
51	370143	CLOSING / PIPE TUNNEL SS 83MM x 172MM		1	
51	450409	CLOSING / PIPE TUNNEL 86MM x 181MM		1	
NS	500623	SCREW TC PAN PH #10-24x3/4 N500		AR	
NS	502868	SCREW TC TR PH #10-16x1/2 N500		AR	
60	H9-2222-16	A/C LINE REAR SECTION			
		U) UNDER CONSTRUCTION			

From K-0185 To P-1452

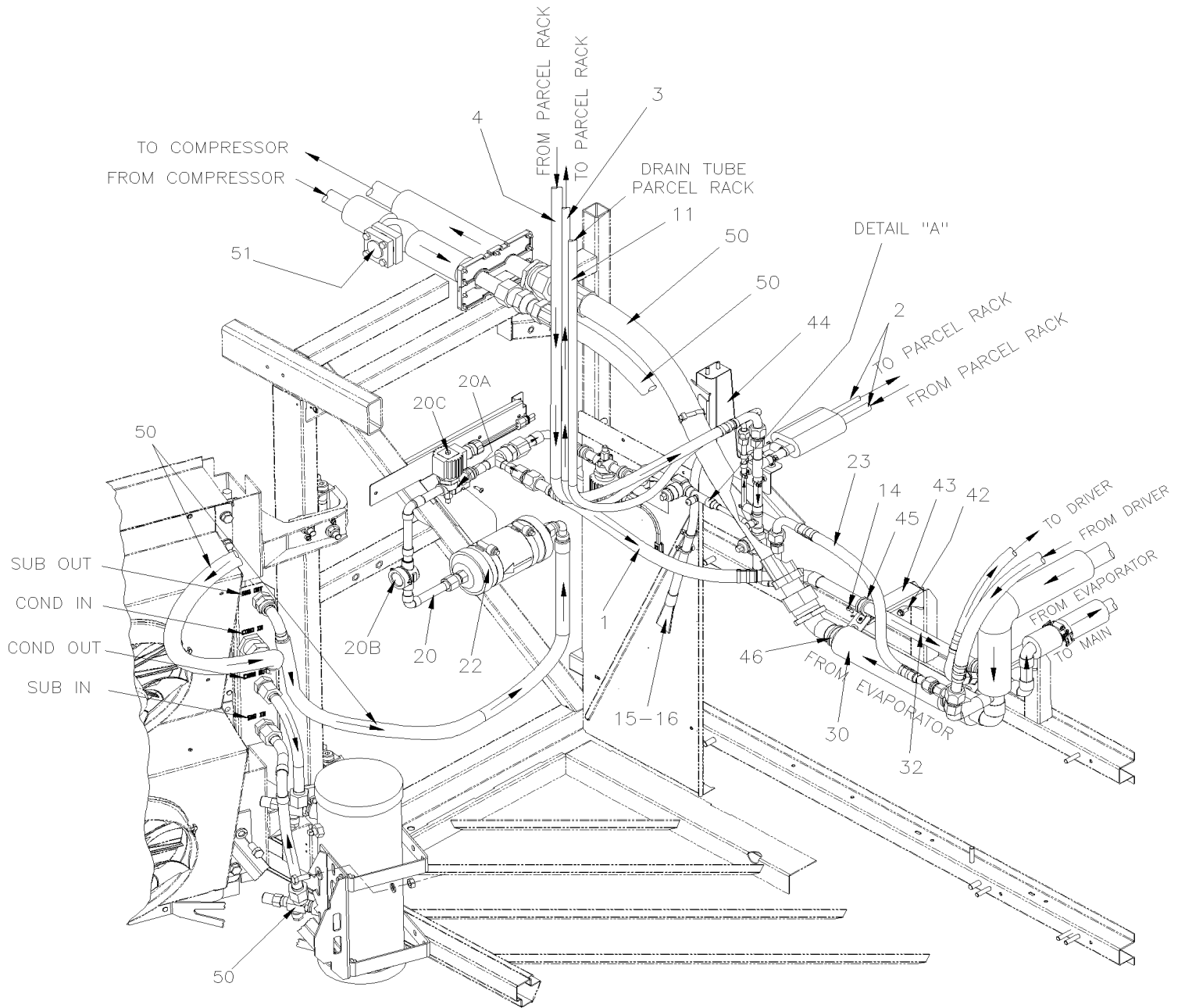
Date:07/2024

PAGE:H9-2270-11

A/C HOSE PARCEL RACK - INSTALLATION



A/C HOSE PARCEL RACK - INSTALLATION



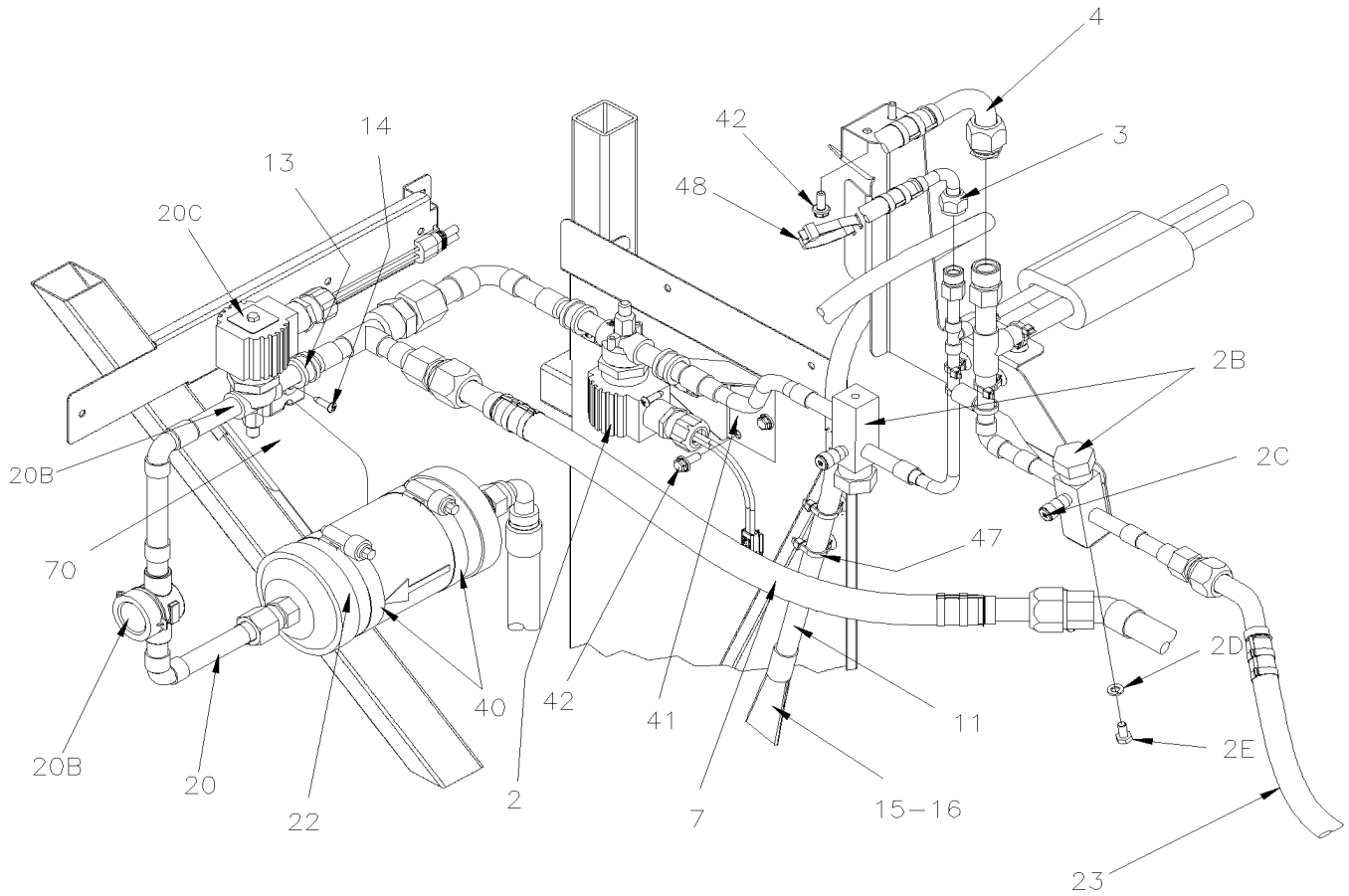
From K-0185 To P-1452

Date:07/2024

PAGE:H9-2270-11

A/C HOSE PARCEL RACK - INSTALLATION

DETAIL "A"



From K-0185 To P-1452	Date:07/2024	PAGE:H9-2270-11
A/C HOSE PARCEL RACK - INSTALLATION		

Item#	Part	Description	H 3 4 1	H 3 4 5	N O T E S
1	455309	HOSE ASSY / #12 490MM 0 VOIR 50	1	1	
. NS	507280	. O-RING / ORS FITTING / #12 NEO	2	2	
2	454723P	PIPE ASSY / PRESSURE & RETURN To N-1273	1	1	
. NS	450719	. SOLENOID VALVE ASSY To N-1273	1	1	
. . NS	451031	. . SOLENOID ASSY W/DEUTCH CONNECTOR To N-1273	1	1	
. . . NS	950953	. . . COIL 24V / SERVICE To N-1273	1	1	
. . . NS	560434	. . . CONNECTOR 1/2" PIPE To N-1273	1	1	
. . . NS	562486	. . . CONNECTOR / DT SERIES / PH 2C / GRAY / DEUTSCH DT04-2P To N-1273	1	1	
. . . NS	562487	. . . SECONDARY LOCK / DT SERIES / PH 2C / DEUTSCH W2P To N-1273	1	1	
. . . NS	562286	. . . PIN TERMINAL / 18-16 / DEUTSCH 0460-202-16141 To N-1273	2	2	
2	454968	PIPE ASSY / PRESSURE & RETURN From N-1274	1	1	
2B	950376	. VALVE SERVICE HIGH PRESSURE To N-1273	1	1	
2B	950659	VALVE SERVICE HIGH PRESSURE From N-1274	1	1	
2C	950483	. SEAL CAP, SHRADER VALVE	1	1	
NS	950499	. ADAPTOR 7/16-20 x R134 13MM	1	1	
2D	502772	. SCREW CAP HEX 1/4-20x1/2 G5 N500	1	1	
2E	5001749	. WASHER LO SPT 6.5x11.5x1.6 N500	1	1	
3	455216	HOSE ASSY / #6 2400MM	1		
. NS	507278	. O-RING / ORS FITTING / #4 NEO	2		
3	455257	HOSE ASSY / #6 2315MM		1	
. NS	507278	. O-RING / ORS FITTING / #4 NEO		2	
3	455254	HOSE ASSY / #6 3435MM		1	W
. NS	507278	. O-RING / ORS FITTING / #4 NEO		2	W
4	455214	HOSE ASSY / #10 2400MM	1		
. NS	507344	. O-RING / ORS FITTING / #10 NEO	2		
4	455205	HOSE ASSY / #10 2240MM		1	
. NS	507344	. O-RING / ORS FITTING / #10 NEO		2	
4	455258	HOSE ASSY / #10 2240MM		1	
. NS	507344	. O-RING / ORS FITTING / #10 NEO		2	
4	455255	HOSE ASSY / #10 3385MM		1	W
. NS	507344	. O-RING / ORS FITTING / #10 NEO		2	W
NS	504634	T-CLIP / 7/8" - 1"	AR	AR	
NS	500267	SCREW TC FL PH #10-32x1 1/2 Z050	AR	AR	
5	455217	HOSE ASSY / #6 2800MM	1		
. NS	507278	. O-RING / ORS FITTING / #4 NEO	2		
5	455203	HOSE ASSY / #6 2315MM		1	
. NS	507278	. O-RING / ORS FITTING / #4 NEO		2	
NS	504016	CABLE TIE / 5/16" X 14"1/2	2	2	
NS	504751	ROTATIF SPACER DOUBLE / SMALL	1	1	
6	455215	HOSE ASSY / #10 2800MM	1		
. NS	507344	. O-RING / ORS FITTING / #10 NEO	2		
6	455205	HOSE ASSY / #10 2240MM		1	

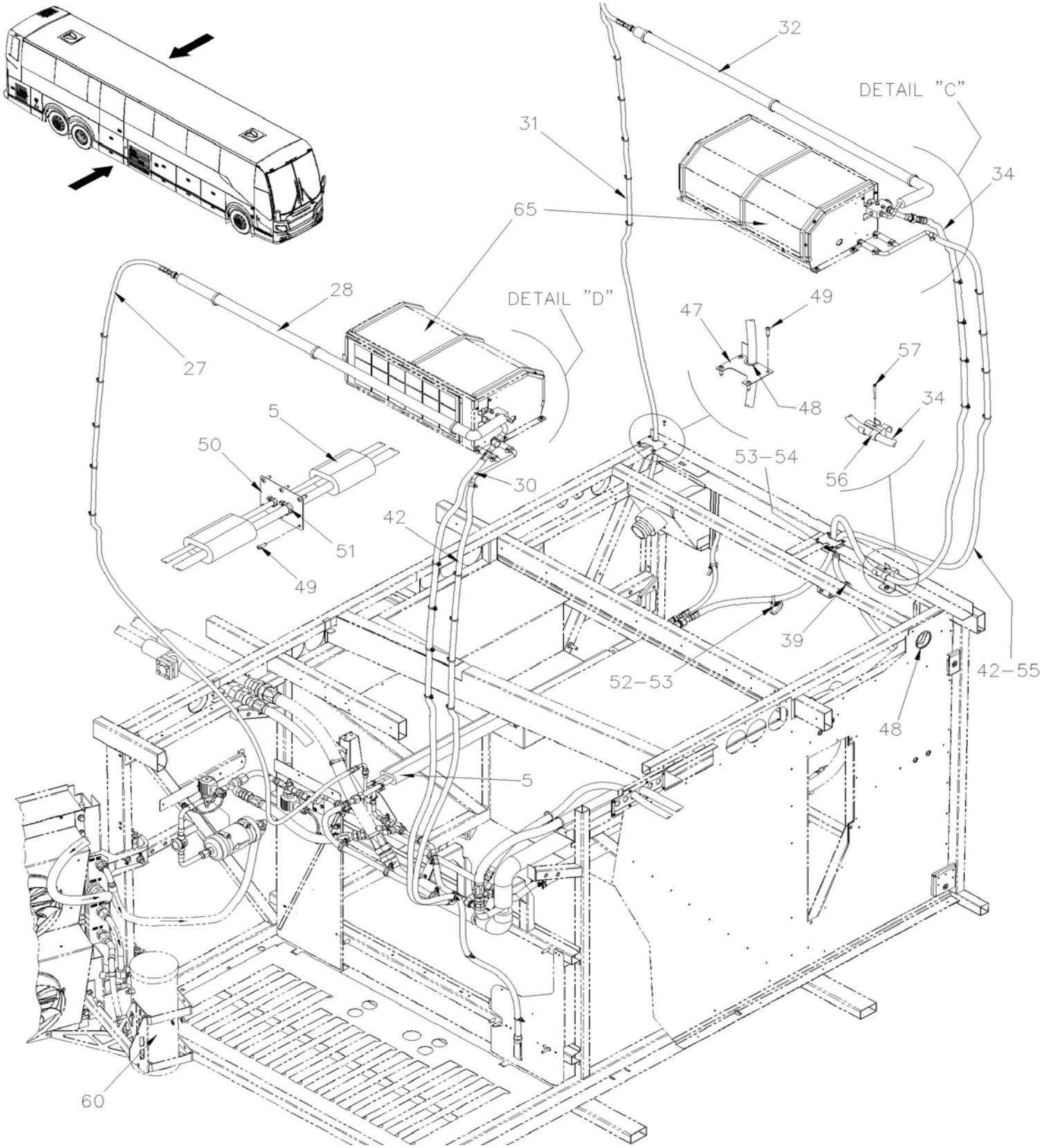
From K-0185 To P-1452	Date:07/2024	PAGE:H9-2270-11
A/C HOSE PARCEL RACK - INSTALLATION		

Item#	Part	Description	H 3 4 1	H 3 4 5	N O T E S
. NS	507344	. O-RING / ORS FITTING / #10 NEO		2	
7	457723	HOSE ASSY / #12 515MM	1	1	
. NS	507280	. O-RING / ORS FITTING / #12 NEO	2	2	
8	454788	CLOSING PLATE FLOOR	1	1	W
8	450073	CLOSING PLATE FLOOR	1	1	
8	5060120	GROMMET EDGING ADHESIVE .036-.062	AR	AR	
9	500641	SCREW TP PAN PH #8x3/4 Z050	AR	AR	
10	453234	UNION / DRAIN	2	2	
11	453232	HOSE POLYETHYLENE / 1/2 ID 3175MM	2	2	
11	453556	HOSE POLYETHYLENE / 1/2 ID 3825MM	1	1	
11	503666	. HOSE 1/2" I.D. 100' / S.L.	AR	AR	
NS	5011230	UNION ELBOW 90° / HOSE BARB FITTING / #8x#8 PLAS	1	1	
12	504230	HOSE CLAMP / 3/8"-7/8" SS / HS-6	4	4	
13	952629	CLAMP / 5/8" I.D.	AR	AR	
14	500957	SCREW TP BDG PH #10x3/4 N500	AR	AR	
15	504637	CABLE TIE / 3/16" x 13"	AR	AR	
15	504013	TIE MOUNT / 1/4" X 1/4" I.D.	AR	AR	
16	590286	DRAIN BOOT 1 1/4" I.D. X 4" / FLAT	2	2	
20	457739P	MOISTURE INDICATOR ASSY / W/A/C PARCEL RACK	1	1	
20	457741	. MOISTURE INDICATOR ASSY W/O SOLENOID To N-1209	1	1	
20	453638	. MOISTURE INDICATOR ASSY W/O SOLENOID From N-1210	1	1	
20A	950951	. VALVE REFRIGERANT SOLENOID	1	1	
20B	950333	. MOISTURE INDICATOR	1	1	
. NS	950711	. . LENS ASSY KIT MOISTURE INDICATOR	1	1	
. . NS	950712	. . . O-RING MOISTURE INDICATOR	1	1	
20B	950029	. CAP, MOISTURE INDICATOR	1	1	
20C	451187	. SOLENOID ASSY W/WEATHER PACK CONNECTOR	1	1	
. NS	950953	. . COIL 24V / SERVICE	1	1	
. NS	560434	. . CONNECTOR 1/2" PIPE	1	1	
. NS	561690	. . CONNECTOR / WEATHER PACK / SH 2C / BLACK / PED 12015792	1	1	
. NS	561578	. . SOCKET TERMINAL / 16-14 / PED 12010182	2	2	
. NS	561565	. . CABLE SEAL / GREEN / PED 15324982	2	2	
22	950332	FILTER DRYER	1	1	
. NS	507370	. O-RING #10	1	1	U
NS	501338	MALE RUN TEE / PIPE FITTING / 1/4NPT-Mx1/4NPT-Fx1/4NPT-F BR	1	1	
NS	501027	MALE CONNECTOR / SAE 45° FITTING / #4FL-Mx1/4NPT-M BR	2	2	
NS	950500	ADAPTOR 7/16-20 x R134 16MM	2	2	
23	454702	HOSE ASSY / #10 235MM	1	1	
29	506267	PIPE INSULATING / 1 1/8" I.D. X 1/2" TH. X / APT11812	1	1	
290	503390	TUBE / PVC PIPE / 3"x10' WHITE PVC	AR	AR	
30	457737P	PIPE ASSY / SUCTION / W/A/C PARCEL RACK To N-1209	1	1	
30	454381	PIPE ASSY / SUCTION / W/A/C PARCEL RACK From N-1210	1	1	

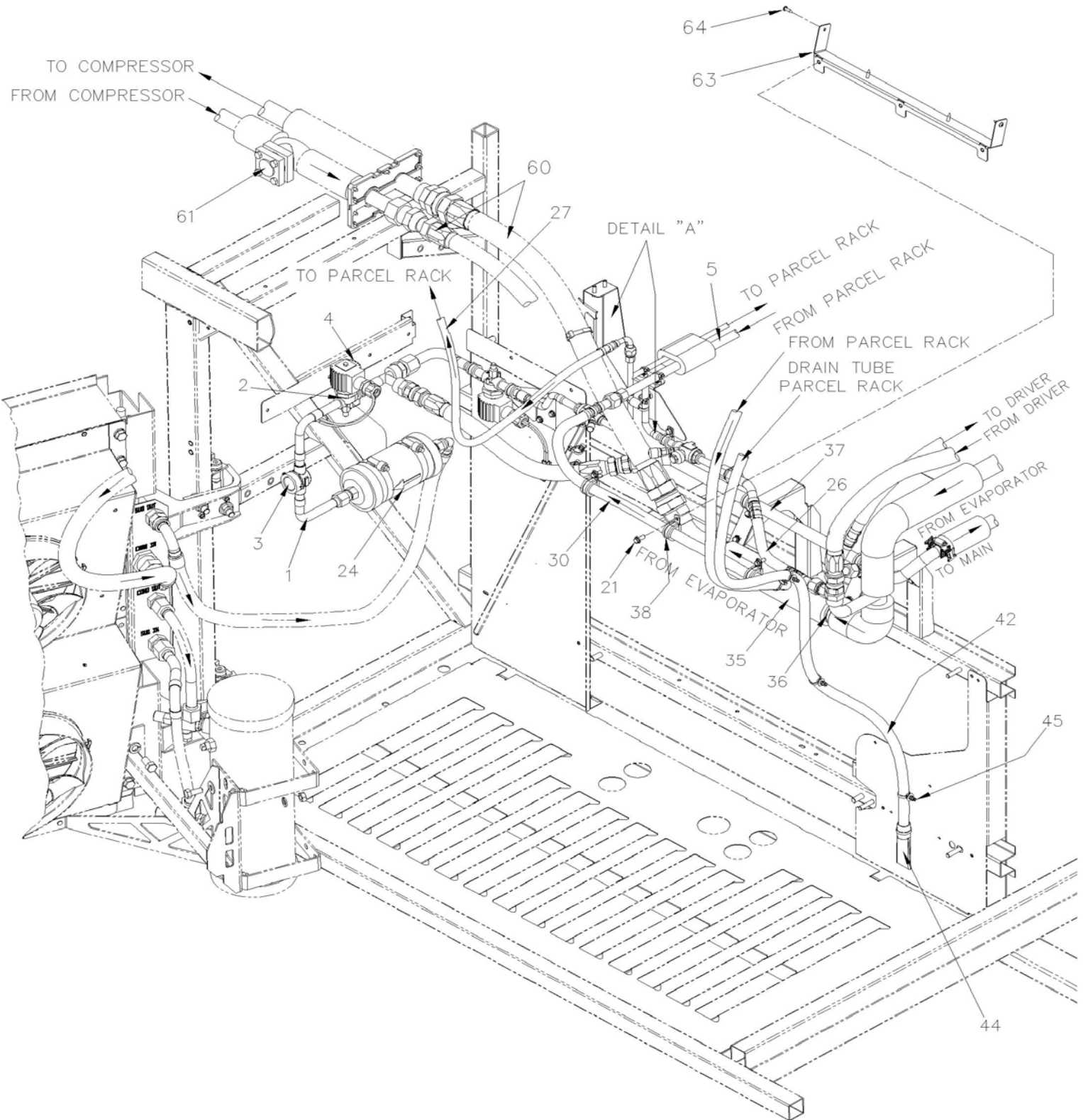
From K-0185 To P-1452	Date:07/2024	PAGE:H9-2270-11
A/C HOSE PARCEL RACK - INSTALLATION		

Item#	Part	Description	H 3 4 1	H 3 4 5	NOTES
31	453244	DECAL R134A / NOMINAL CHARGE 26 LBS // ENGLISH & FRANCAIS	1	1	
31	454181	DECAL R134A / 26LBS / W/A/C PARCEL RACK / ENGLISH & SPANISH	1	1	
32	457735P	PIPE ASSY / PRESSURE To N-1209	1	1	
. NS	501829	. O-RING / ORS FITTING / #12 NEO To N-1209	1	1	
32	453665	PIPE ASSY / PRESSURE From N-1210	1	1	
. NS	501829	. O-RING / ORS FITTING / #12 NEO From N-1210	2	2	
33	950306	BALL VALVE MANUAL SHUT OFF A/C LINE W/SHREADER (WELDED)	1	1	
40	504026	HOSE CLAMP / 2"13/16-3"3/4 SS / HS-52	2	2	
41	456976	SUPPORT "Y" SHAPE	1	1	
42	5001730	SCREW CAP HEXF M6-1.0x16 G10.9 N500	3	3	
43	456978	SUPPORT HOSE	2	2	
43	456982	SUPPORT HOSE	2	2	W
44	450001	SUPPORT HOSE	1	1	
44	504016	CABLE TIE / 5/16" X 14"1/2	1	1	
NS	564204	CABLE TIE / WITH EDGE CLIP / T50REC4A 10MMx200MM	1	1	
44	680091	TAPE INSULATING / 1/8" x 2" x 30' / BLACK PT-1	AR	AR	
45	952633	CLAMP / 7/8" I.D.	2	2	
46	952641	CLAMP P STL ZP RUB 34.9 ID	2	2	
47	8631155	CABLE TIE / 4.6MM x 200 / CHRISMAS TREE	AR	AR	
48	504016	CABLE TIE / 5/16" X 14"1/2	AR	AR	
49	504586	WASHER FL SPACER .450x.625x.875 NYL	AR	AR	
49	504637	CABLE TIE / 3/16" x 13"	AR	AR	
50	H9-2270-01	RECEIVER TANK & FILTER DRYER			
51	H9-2222-16	A/C LINE REAR SECTION			
55	H9-2240-20	BLOWER VENTILATION - PARCEL RACK			
60	H9-2208-10	REFRIGERENT SOLENOID VALVE			
70	216582	SUPPORT	1	1	
		W) WITH W.C.L. RICON			
		U) UNDER CONSTRUCTION			

	Date:07/2024	PAGE:H9-2270-12
A/C HOSE PARCEL RACK - INSTALLATION		

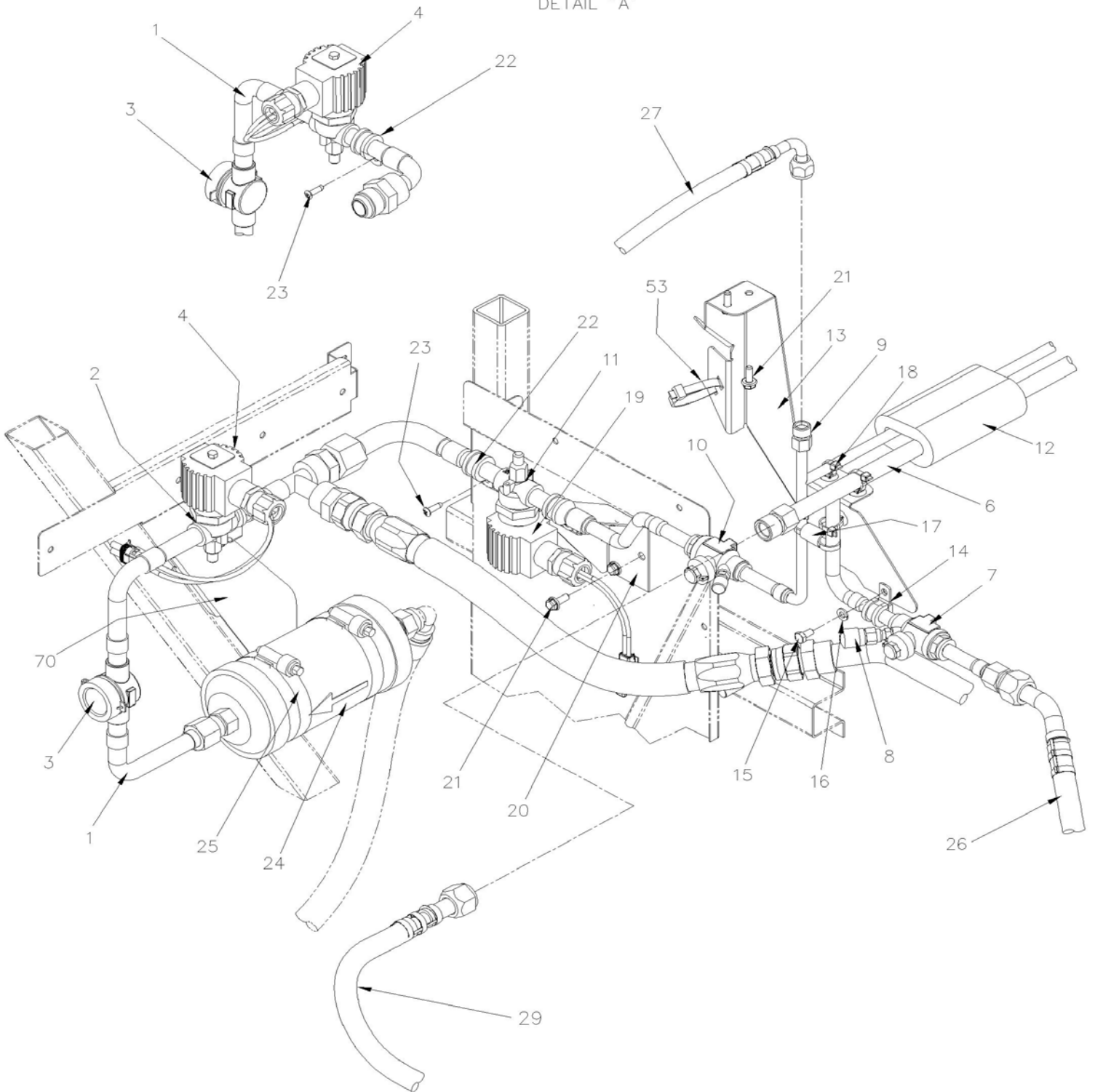


	Date:07/2024	PAGE:H9-2270-12
A/C HOSE PARCEL RACK - INSTALLATION		

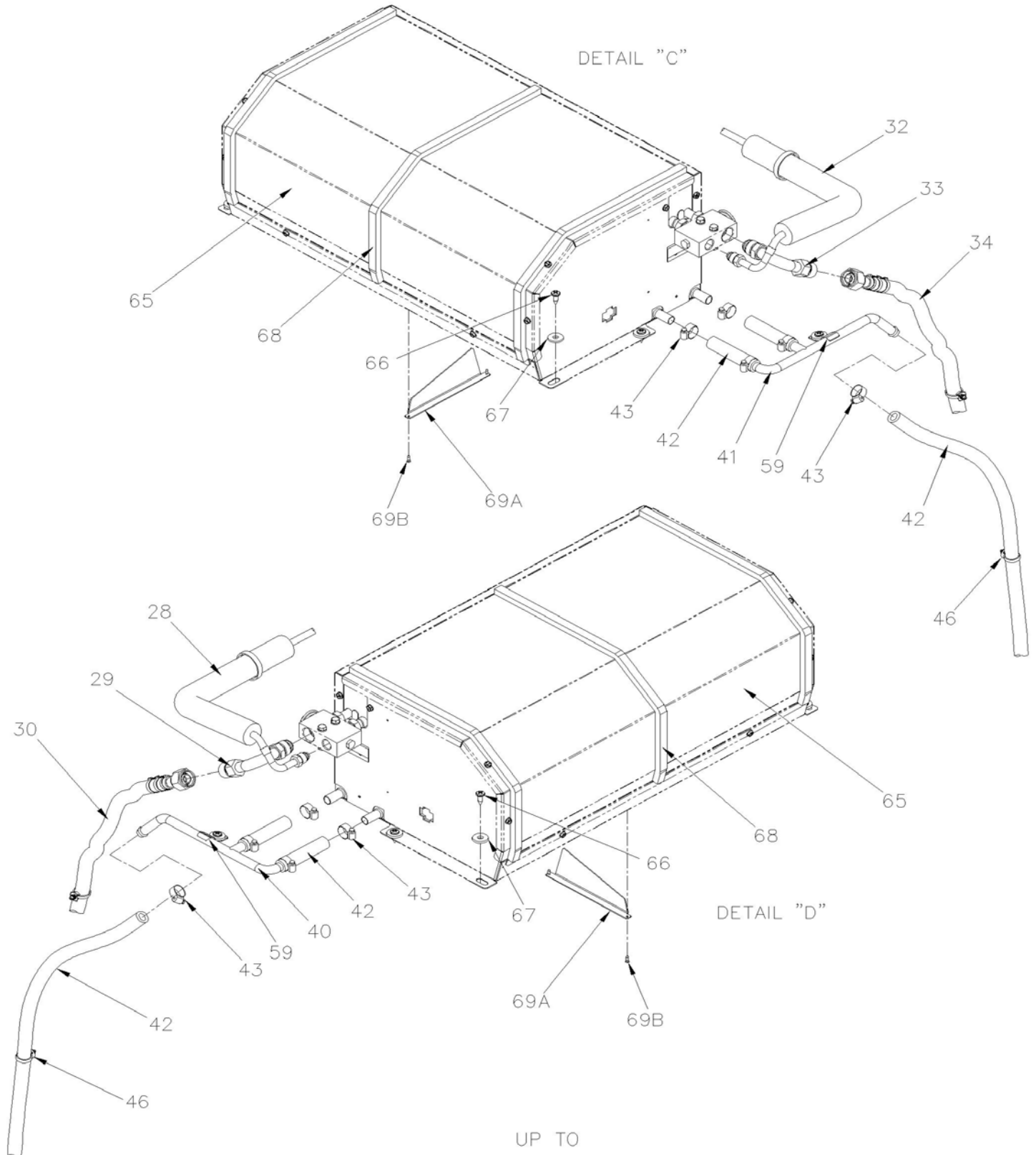


	Date:07/2024	PAGE:H9-2270-12
A/C HOSE PARCEL RACK - INSTALLATION		

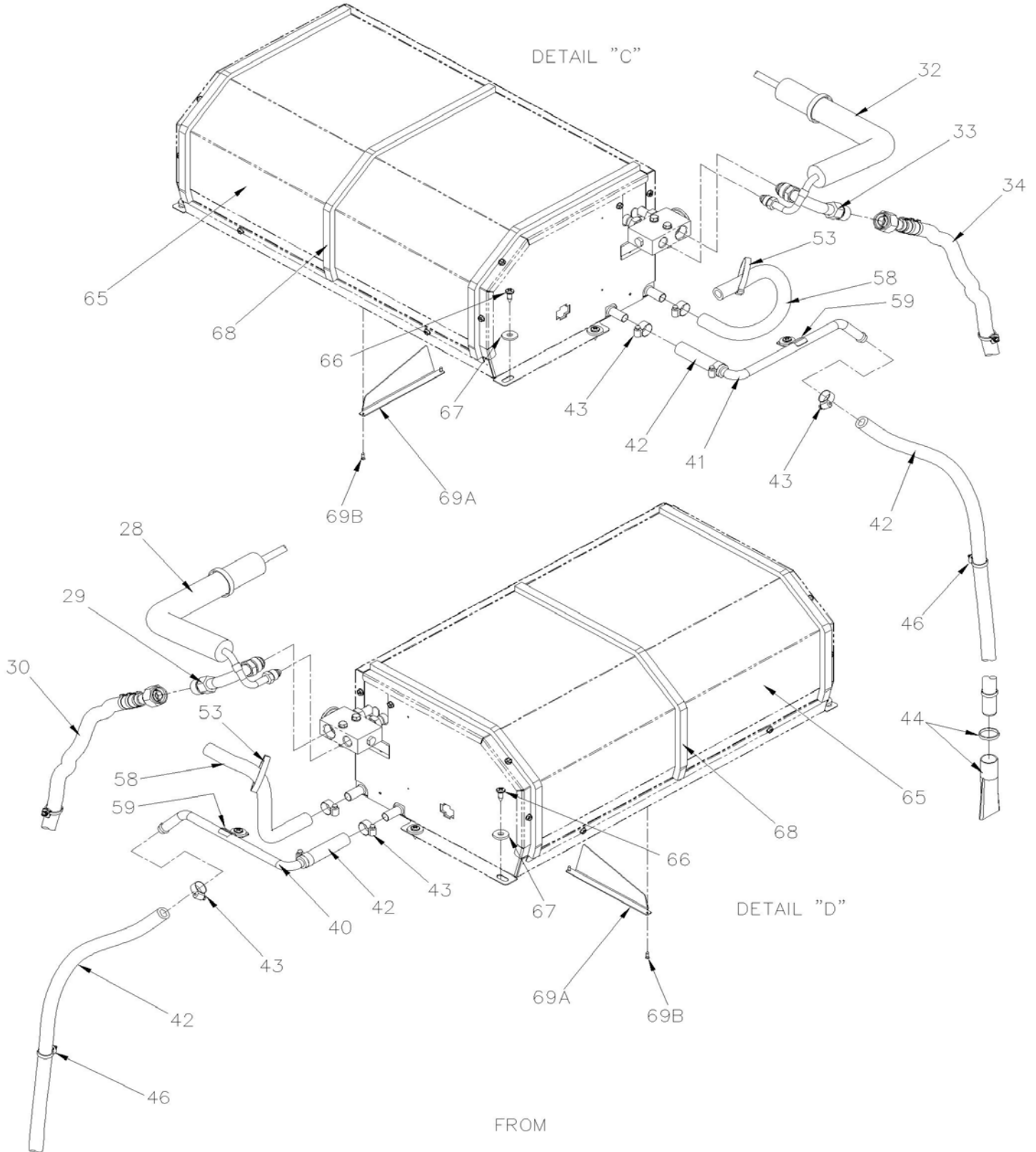
DETAIL "A"



	Date:07/2024	PAGE:H9-2270-12
A/C HOSE PARCEL RACK - INSTALLATION		



	Date:07/2024	PAGE:H9-2270-12
A/C HOSE PARCEL RACK - INSTALLATION		



	Date:07/2024	PAGE:H9-2270-12
A/C HOSE PARCEL RACK - INSTALLATION		

Item#	Part	Description	H 3 4 1	H 3 4 5	N O T E S
1	453638	MOISTURE INDICATOR ASSY W/O SOLENOID		1	
2	950951	. VALVE REFRIGERANT SOLENOID		1	
3	950333	. MOISTURE INDICATOR		1	
. NS	950711	. . LENS ASSY KIT MOISTURE INDICATOR		1	
. . NS	950712	. . . O-RING MOISTURE INDICATOR		1	
3	950029	. CAP, MOISTURE INDICATOR		1	
4	451187	SOLENOID ASSY W/WEATHER PACK CONNECTOR		1	
. NS	950953	. COIL 24V / SERVICE		1	
. NS	560434	. CONNECTOR 1/2" PIPE		1	
. NS	561690	. CONNECTOR / WEATHER PACK / SH 2C / BLACK / PED 12015792		1	
. NS	561578	. SOCKET TERMINAL / 16-14 / PED 12010182		2	
. NS	561565	. CABLE SEAL / GREEN / PED 15324982		2	
5	454971	PIPE, DISCHARGE/SUCTION A/C PARCEL RACK ASSY.		1	
6	454972	. PIPE, SUCTION / A/C PARCEL RACK ASSY.		1	
7	950659	. . VALVE SERVICE HIGH PRESSURE		1	
8	950499	. ADAPTOR 7/16-20 x R134 13MM		1	
9	454973	. PIPE, DISCHARGE / A/C PARCEL RACK ASSY.		1	
10	950659	. . VALVE SERVICE HIGH PRESSURE		1	
11	950951	. . VALVE REFRIGERANT SOLENOID		1	
12	506267	. PIPE INSULATING / 1 1/8" I.D. X 1/2" TH. X / APT11812		1	
13	454977	. SUPPORT, OVERHEAD PIPE		AR	
14	952627	. CLAMP / 1/2" I.D.		1	
15	5001743	. SCREW CAP HEX M6-1.0x12 G8.8 N500		1	
16	5001749	. WASHER LO SPT 6.5x11.5x1.6 N500		1	
17	504586	. WASHER FL SPACER .450x.625x.875 NYL		1	
17	504637	. CABLE TIE / 3/16" x 13"		2	
18	8631155	. CABLE TIE / 4.6MM x 200 / CHRISTMAS TREE		4	
19	451031	SOLENOID ASSY W/DEUTCH CONNECTOR		4	
. NS	950953	. COIL 24V / SERVICE		1	
. NS	560434	. CONNECTOR 1/2" PIPE		1	
. NS	562486	. CONNECTOR / DT SERIES / PH 2C / GRAY / DEUTSCH DT04-2P		1	
. NS	562487	. SECONDARY LOCK / DT SERIES / PH 2C / DEUTSCH W2P		1	
. NS	562286	. PIN TERMINAL / 18-16 / DEUTSCH 0460-202-16141		2	
20	456976	SUPPORT "Y" SHAPE		1	
21	5001730	SCREW CAP HEXF M6-1.0x16 G10.9 N500		8	
22	952629	CLAMP / 5/8" I.D.		3	
23	500957	SCREW TP BDG PH #10x3/4 N500		3	
24	950332	FILTER DRYER		1	
. NS	507370	. O-RING #10		1	U
25	504026	HOSE CLAMP / 2"13/16-3"3/4 SS / HS-52		2	
26	454702	HOSE ASSY / #10 235MM		1	
27	454458	HOSE ASSY / #6 3076MM		1	

	Date:07/2024	PAGE:H9-2270-12
A/C HOSE PARCEL RACK - INSTALLATION		

Item#	Part	Description	H 3 4 1	H 3 4 5	N O T E S
. NS	507278	. O-RING / ORS FITTING / #4 NEO		2	
27	451369	HOSE ASSY / #6 2650MM		1	W
. NS	507278	. O-RING / ORS FITTING / #4 NEO		2	W
28	451806	PIPE, DISCHARGE RIGHT PARCEL-RACK WOWCL ASSY.		1	
28	451363	PIPE, DISCHARGE RIGHT P RACK W/WCL ASSY.		1	W
28	506214	. PIPE INSULATING / 3/8" I.D. X 1/2" TH. X 72" / APT03812		AR	
29	453859	CONNECTION PILOT TUBE 5/8OD		1	
30	451368	HOSE ASSY / #10 3015MM		1	
. NS	507344	. O-RING / ORS FITTING / #10 NEO		2	
30	454984	HOSE ASSY / #10 3080MM		1	W
. NS	507344	. O-RING / ORS FITTING / #10 NEO		2	W
31	451467	HOSE ASSY / #6 3072MM		1	
. NS	507278	. O-RING / ORS FITTING / #4 NEO		2	
32	453944	PIPE, DISCHARGE LEFT PARCEL RACK ASSY.		1	
32	506214	. PIPE INSULATING / 3/8" I.D. X 1/2" TH. X 72" / APT03812		AR	
33	453859	CONNECTION PILOT TUBE 5/8OD		1	
34	451461	HOSE ASSY / #10 3065MM		1	
. NS	507344	. O-RING / ORS FITTING / #10 NEO		2	
35	453818	PIPE ASSY / SUCTION / W/A/C PARCEL RACK		1	
36	952641	. CLAMP P STL ZP RUB 34.9 ID		2	
37	453841	PIPE ASSY / PRESSURE		1	
. NS	501829	. O-RING / ORS FITTING / #12 NEO		2	
38	952633	CLAMP / 7/8" I.D.		3	
39	952631	CLAMP / 3/4" I.D.		1	
40	454457	PIPE, DRAIN PARCEL RACK RH ASSY. To R-1839		1	
40	455088	PIPE, DRAIN PARCEL RACK UNIT ASSY. From R-1840		1	
NS		DETAILS "C" AND "D" : UP TO R-1839 To R-1839			
NS		DETAILS "C" AND "D" : FROM R-1840 From R-1840		1	
41	453946	PIPE, DRAIN PARCEL RACK LH ASSY. To R-1839		1	
41	455087	PIPE, DRAIN PARCEL RACK UNIT ASSY. From R-1840		1	
42	503707	HOSE / PVC REINFORCED 1/2" I.D. 100' / S.L.		AR	
43	504230	HOSE CLAMP / 3/8"-7/8" SS / HS-6		AR	
44	590286	DRAIN BOOT 1 1/4" I.D. X 4" / FLAT To R-1839		2	
44	504637	CABLE TIE / 3/16" x 13" To R-1839		2	
44	590286	DRAIN BOOT 1 1/4" I.D. X 4" / FLAT From R-1840		3	
44	504637	CABLE TIE / 3/16" x 13" From R-1840		3	
45	509815	TIE MOUNT / ATTACHMENT W/TREE MOUNT		AR	
45	504637	CABLE TIE / 3/16" x 13"		AR	
46	8631155	CABLE TIE / 4.6MM x 200 / CHRISTMAS TREE		AR	
47	451599	CLOSING		4	
48	5060120	GROMMET EDGING ADHESIVE .036-.062		AR	
49	500957	SCREW TP BDG PH #10x3/4 N500		16	

	Date:07/2024	PAGE:H9-2270-12
A/C HOSE PARCEL RACK - INSTALLATION		

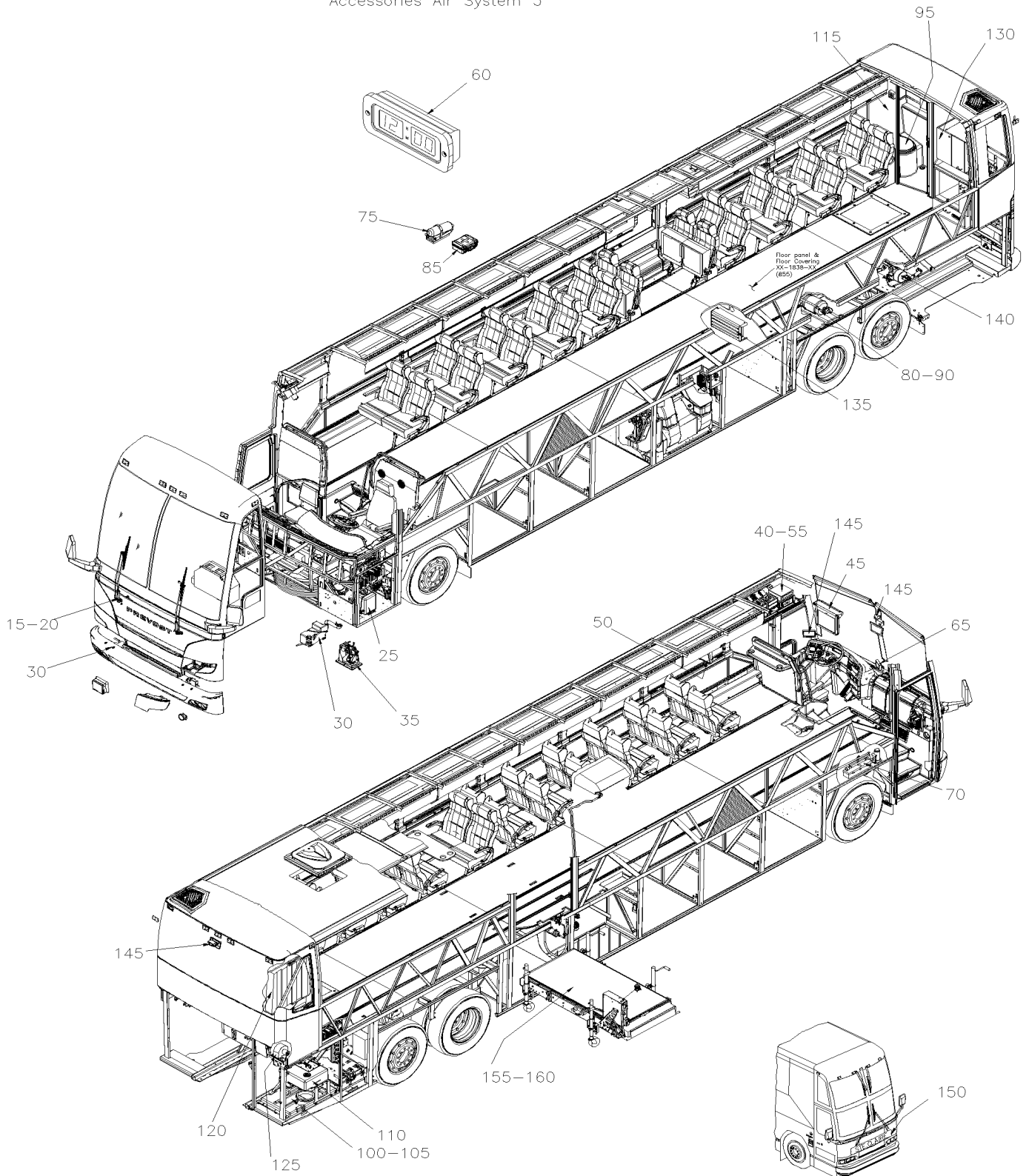
Item#	Part	Description	H 3 4 1	H 3 4 5	N O T E S
50	454617	CLOSING PLATE		1	
51	504637	CABLE TIE / 3/16" x 13"		2	
52	504751	ROTATIF SPACER DOUBLE / SMALL		2	
53	504016	CABLE TIE / 5/16" X 14"1/2		AR	
54	504013	TIE MOUNT / 1/4" X 1/4" I.D.		1	
54	500957	SCREW TP BDG PH #10x3/4 N500		1	
55	5011230	UNION ELBOW 90° / HOSE BARB FITTING / #8x#8 PLAS		1	
56	504634	T-CLIP / 7/8" - 1"		1	
57	500436	SCREW TP OV PH #10x2 Z050		1	
58	455090	HOSE 300 MM LG. From R-1840		2	
59	455034	BRACKET, PIPE A/C PARCEL RACK		2	
NS	500841	SCREW TP PAN PH #14x3/4 Z050		2	
NS	500401	WASHER FL .343x.875x.125 N500		2	
60	H9-2270-02	RECEIVER TANK & FILTER DRYER			
61	H9-2222-16	A/C LINE REAR SECTION			
63	451360	SUPPORT, A/C HOSE ASSY.		1	
64	500414	SCREW TP BDG PH #10x3/4 SS		4	
65	H9-2240-21	BLOWER VENTILATION - PARCEL RACK WITH A/C SYSTEM			
66	500841	SCREW TP PAN PH #14x3/4 Z050		8	
67	500401	WASHER FL .343x.875x.125 N500		8	
68	506268	TAPE RUB ADH1 URE 3/8" x 1/2" x 25' / GREY 1820		AR	
69A	454177	DEFLECTOR, PARCEL RACK UNIT		2	
69B	504104	RIVET POP DOME OE 1/8x1/8 SS		4	
70	216582	SUPPORT		1	
NS	680038	THREAD LOCKER LOCTITE #243 / BLUE / 50ml		AR	
NS	680801	OIL, BITZER COMPRESSOR, POE 134A 1 GALLON		AR	
NS	680091	TAPE INSULATING / 1/8" x 2" x 30' / BLACK PT-1		AR	
NS	683084	SEALANT SIKA #221 / GREY / 600 ml SAUSAGE		AR	
NS	684420	SCREW MARKER LOCK 90ml		AR	
NS	455089	KIT RETROFIT DRAIN AC PARCEL DOOR		1	
. NS	455087	. PIPE, DRAIN PARCEL RACK UNIT ASSY.		1	
. NS	455088	. PIPE, DRAIN PARCEL RACK UNIT ASSY.		1	
. NS	455090	. HOSE 300 MM LG.		2	
. NS	504230	. HOSE CLAMP / 3/8"-7/8" SS / HS-6		2	
. NS	504016	. CABLE TIE / 5/16" X 14"1/2		2	
. NS	590286	. DRAIN BOOT 1 1/4" I.D. X 4" / FLAT		1	
. NS	680469	. CAP PLUG ID 1.03 OD 1.11		1	

	Date:07/2024	PAGE:H9-2270-12
A/C HOSE PARCEL RACK - INSTALLATION		

Item#	Part	Description	H 3 4 1	H 3 4 5	N O T E S
. NS	509815	. TIE MOUNT / ATTACHMENT W/TREE MOUNT		1	
. NS	504637	. CABLE TIE / 3/16" x 13"		2	
		W) WITH W.C.L. RICON			
		U) UNDER CONSTRUCTION			

	Date:07/2024	H9-23
ACCESSORIES		

Accessories Air System 5



		Date:07/2024	H9-23
ACCESSORIES			

Item#	Part	Description	H 3 4 1	H 3 4 5	N O T E S
5	H9-2300-01	ACCESSORIES AIR SYSTEM From K-0185			
15	H9-2305-00	LOWER WINDSHIELD WIPER From K-0185 To P-1452			
15	H9-2305-01	LOWER WINDSHIELD WIPER From R-1453			
15	H9-2305-06	LOWER WINDSHIELD WIPER - INSTALLATION From K-0185 To P-1452			
15	H9-2305-07	LOWER WINDSHIELD WIPER - INSTALLATION From R-1453			
20	H9-2305-10	UPPER WINDSHIELD WIPER From K-0185 To P-1452			
20	H9-2305-16	UPPER WINDSHIELD WIPER - INSTALLATION From K-0185 To P-1452			
25	H9-2305-20	WINDSHIELD WASHER - INSTALLATION From K-0185 To P-1452			
25	H9-2305-21	WINDSHIELD WASHER TANK - INSTALLATION From R-1453			
30	H9-2305-26	HEAD LAMP CLEANING WASHER TANK From K-0185 To P-1452			
35	H9-2310-01	HORN - INSTALLATION From K-0185 To P-1452			
35	H9-2310-02	HORN - INSTALLATION From R-1453			
40	H9-2315-01	SOUND SYSTEM & ACCESSORIES W/HHED From K-0185			
40	H9-2315-06	"USB" & "RCA" CABLE & CONVERTER & 12 VOLTS W/HHED From K-0185 To P-1452			
40	H9-2315-07	"USB" & "HDMI" & AUDIO/VIDEO CONTROL From R-1453			
40	H9-2315-15	SUBWOOFER - INSTALLATION From K-0185			
40	H9-2315-21	INDIVIDUAL STATIONS - "R.E.I." W/HHED From K-0185			
40	H9-2315-60	ANTENNA SATELLITE KVH INDUSTRIES TRACKVISION A9 From K-0185			
45	H9-2317-00	FRONT MONITOR FLAT SCREEN - VIDEO From K-0185 To P-1452			
50	H9-2317-10	SIDE MONITOR FLAT SCREEN - VIDEO -"R.E.I." From K-0185 To P-1452			
50	H9-2317-11	SIDE MONITOR FLAT SCREEN - VIDEO From R-1453			
55	H9-2317-21	SCREEN VIDEO & POWER - INSTALLATION W/HHED From K-0185			
55	H9-2317-25	WI-FI MODULE "MOOVBOX M220"- INSTALLATION From K-0185 To L-0864			
55	H9-2317-26	"WI-FI" MODULE - INSTALLTION From K-0185			
55	H9-2317-27	"WI-FI" MODULE - INSTALLTION ICOMERA NEXCOM VTC ICR2 From L-0865			B
55	H9-2317-31	VIDEO & AUDIO SYSTEM - INSTALLATION W/HHED From K-0185 To P-1452			
55	H9-2317-32	VIDEO & AUDIO SYSTEM - INSTALLATION W/HHED From R-1453			
55	H9-2317-35	"WI-FI" MODULE MOOVBOX From K-0185			
55	H9-2317-40	MEDIA PLAYER From K-0185 To P-1452			
55	H9-2317-60	"WI-FI" ICOMERA X CUBED From K-0374 To P-1452			
55	H9-2317-61	"WI-FI" ICOMERA X CUBED From R-1453			
55	H9-2317-70	TRACVISION SUPPORT INSTALLATION TV SATELLITE From K-0415			
60	H9-2318-01	CLOCK (DIGITAL) From K-0185 To P-1452			
60	H9-2318-02	CLOCK (DIGITAL) From R-1453			
65	H9-2319-01	VOLVO LINK ANTENNA - INSTALLATION From K-0185			
67	H9-2319-10	CAMERA SYSTEM - POWER & SIGNAL From R-1453			
67	H9-2319-20	CAMERA SYSTEM - "SEON" 3 CAMERAS KEOLIS From K-0185			
67	H9-2319-21	CAMERA SYSTEM - "SEON" 4 CAMERAS "MUTUAL TRANS" From K-0185			
67	H9-2319-30	CAMERA SYSTEM & ITS SYSTEM - "SAUCON" 8 CAMERAS "STARR TRANSIT" From K-0185			
67	H9-2319-31	CAMERA SYSTEM & ITS SYSTEM - "SAUCON" 6 CAMERAS From K-0185			
67	H9-2319-35	ITS SYSTEM - "SAUCON" From K-0185			
67	H9-2319-40	CAMERA SYSTEM - "S-VISION" 4 CAMERAS From K-0185			

		Date:07/2024	H9-23		
ACCESSORIES					

Item#	Part	Description	H 3 4 1	H 3 4 5	N O T E S
67	H9-2319-41	CAMERA SYSTEM - "S-VISION" 8 CAMERAS From K-0185			
67	H9-2319-50	CAMERA SYSTEM - "BRIGADE" 8 CAMERAS "SURERIDE" / "ALL ABOARD" From K-0185			
67	H9-2319-52	CAMERA SYSTEM - "BRIGADE" 4 CAMERAS POSITION 1-2-3-4 From L-0910			
67	H9-2319-53	CAMERA SYSTEM - "BRIGADE" 4 CAMERAS POSITION 1-2-4-6 From L-1008			
67	H9-2319-54	CAMERA SYSTEM - "BRIGADE" 4 CAMERAS POSITION 1-2-4-8 From L-0867			
67	H9-2319-55	CAMERA SYSTEM - "BRIGADE" 4 CAMERAS POSITION 1-3-4-8 From L-0867			
67	H9-2319-56	CAMERA SYSTEM - "BRIGADE" 4 CAMERAS POSITION 1-3-4-6 From L-1033			
67	H9-2319-57	CAMERA SYSTEM - "BRIGADE" 3 CAMERAS POSITION 1-2-4 From K-0185			
67	H9-2319-58	CAMERA SYSTEM - "BRIGADE" 4 CAMERAS POSITION 1-2-4-22 From L-0947			
67	H9-2319-59	CAMERA SYSTEM - "BRIGADE" 4 CAMERAS POSITION 1-2-4-7 From L-1092			
67	H9-2319-60	CAMERA SYSTEM - "REI" 5 CAMERAS CUSTOMER INSTALLATION From J-0124			
67	H9-2319-80	SURROUNDING CAMERA SYSTEM INSTALLATION "BRIGADE" From L-0823 To P-1452			
67	H9-2319-81	SURROUNDING CAMERA SYSTEM INSTALLATION "BRIGADE" From R-1453			
67	H9-2319-90	OMNITRACS XRS SYSTEM INSTALLATION From L-0865			B
70	H9-2320-00	JACK & FLARE KIT - INSTALLATION From K-0185			
75	H9-2320-30	EXTINGUISHER - INSTALLATION From K-0185 To P-1452			
75	H9-2320-31	EXTINGUISHER - INSTALLATION From R-1453			
80	H9-2320-38	FIRE PROTECTION SYSTEM INSTALLATION From K-0185			
85	H9-2320-40	FIRST AID KIT & AXE - INSTALLATION From K-0185 To P-1452			
85	H9-2320-41	FIRST AID KIT & AXE - INSTALLATION From R-1453			
90	H9-2322-00	CENTRAL VACUUMING SYSTEM INSTALLATION W/O WCL From L-0959			
95	H9-2325-00	LAVATORY - ACCESSORIES From K-0185			
100	H9-2326-01	TOILET PUMP ASSY / WITH HEATER From K-0185			
105	H9-2327-00	SUMP TANK - PLASTIC 30 GALLONS From K-0185			
110	H9-2327-10	SUMP TANK - AUXILIARY 13 GALLONS From K-0185			
115	H9-2328-00	LAVATORY WALL - INSTALLATION WITH SLIDING DOOR From K-0185 To P-1297			
115	H9-2328-01	LAVATORY WALL - INSTALLATION WITH SLIDING DOOR From P-1298 To P-1452			
115	H9-2328-02	LAVATORY WALL - INSTALLATION WITH SLIDING DOOR From R-1453			
120	H9-2330-01	WATER & SUMP TANK - INSTALLATION From K-0185			
125	H9-2337-00	LAVATORY FAN - INSTALLATION From K-0185 To N-1172			
125	H9-2337-01	LAVATORY FAN - INSTALLATION From N-1173 To P-1452			
125	H9-2337-02	LAVATORY FAN - INSTALLATION From R-1453			
127	H9-2340-00	PLASMA CLUSTER IONS AIR SANITIZER - ENVIROCARE From N-1173 To P-1452			
127	H9-2340-01	PLASMA CLUSTER IONS AIR SANITIZER - ENVIROCARE From R-1453			
130	H9-2345-00	GALLEY ASSY From K-0185			
130	H9-2345-10	GALLEY ACCESSORIES From K-0185			
130	H9-2345-30	FRONT TRASH CAN AND COOLER From K-0185	1	1	
135	H9-2345-41	POWERVERTER - INSTALLATION From K-0185 To P-1452			
135	H9-2345-42	POWERVERTER - INSTALLATION From R-1453			
140	H9-2350-10	WATER HEATER - INSTALLATION From K-0185			
145	H9-2355-10	FRONT CAMERA - INSTALLATION From K-0185 To P-1452			
145	H9-2355-11	FRONT CAMERA - INSTALLATION From R-1453			

		Date:07/2024	H9-23		
ACCESSORIES					

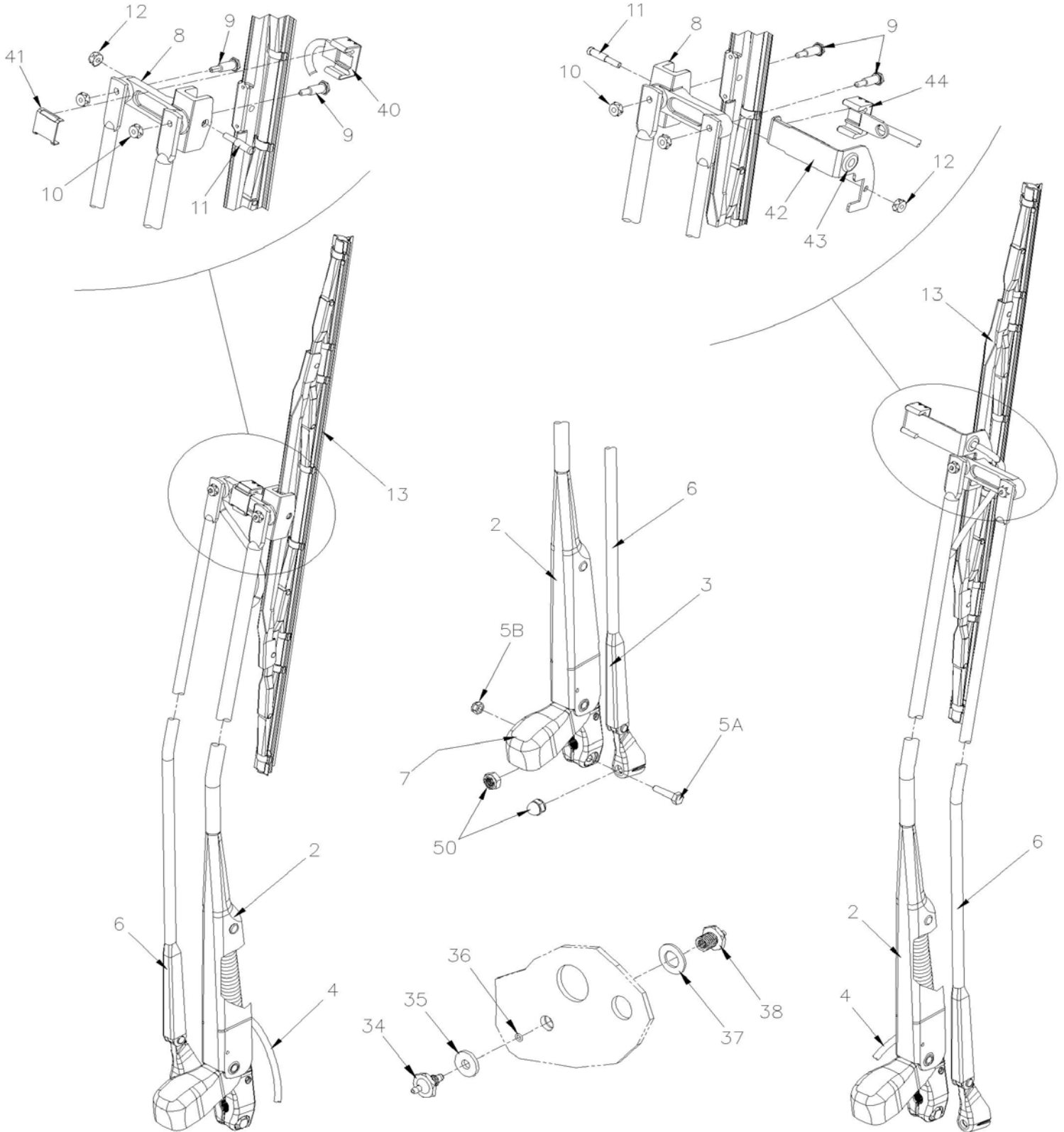
Item#	Part	Description	H 3 4 1	H 3 4 5	N O T E S
145	H9-2355-20	FRONT MONITOR BACK-UP - INSTALLATION From K-0185 To P-1452			
145	H9-2355-21	BACK-UP CAMERA - INSTALLATION From R-1453			
150	H9-2360-00	MONOGRAM ASSY & LETTERS From K-0185			
153	H9-2365-00	SNOW CHAIN SYSTEM From P-1315			
155	H9-2370-10	W.C.L. - DECAL From K-0185			
155	H9-2370-20	W.C.L. SEAT BELTS From K-0185			
155	H9-2370-25	W.C.L. SEAT BELTS "SAFEGUARD" (IMMI) From K-0185			
160	H9-2380-01	W.C.L. "RICON" REMOVABLE - INSTALLATION MODEL "F9TF" & "F9TH" From K-0185			
160	H9-2380-06	W.C.L. "RICON" REMOVABLE MODEL "F9TF" From K-0185			
160	H9-2380-07	W.C.L. "RICON" REMOVABLE MODEL "F9TH" From K-0185			A
160	H9-2380-11	W.C.L. "RICON" - LIFT ENCLOSURE ASSY MODEL "F9TF" From K-0185			
160	H9-2380-12	W.C.L. "RICON" - LIFT ENCLOSURE ASSY MODEL "F9TH" From K-0185			A
160	H9-2380-21	W.C.L. "RICON" - PLATFORM ASSY MODEL "F9TF" From K-0185			
160	H9-2380-22	W.C.L. "RICON" - PLATFORM ASSY MODEL "F9TH" From K-0185			A
160	H9-2380-31	W.C.L. "RICON" - TRAVELING FRAME ASSY MODEL "F9TF" From K-0185			
160	H9-2380-32	W.C.L. "RICON" - TRAVELING FRAME ASSY MODEL "F9TH" From K-0185			A
160	H9-2380-41	W.C.L. "RICON" - CARRIAGE ASSY MODEL "F9TF" From K-0185			
160	H9-2380-42	W.C.L. "RICON" - CARRIAGE ASSY MODEL "F9TH" From K-0185			A
160	H9-2380-51	W.C.L. "RICON" - BRIDGE PLATE ASSY MODEL "F9TF" From K-0185			
160	H9-2380-52	W.C.L. "RICON" - BRIDGE PLATE ASSY MODEL "F9TH" From K-0185			A
160	H9-2380-61	W.C.L. "RICON" - PUMP INSTALLATION MODEL "F9TF" From K-0185			
160	H9-2380-62	W.C.L. "RICON" - PUMP INSTALLATION MODEL "F9TH" From K-0185			A
160	H9-2380-66	W.C.L. "RICON" - PUMP ASSY MODEL "F9TF" From K-0185			
160	H9-2380-67	W.C.L. "RICON" - PUMP ASSY MODEL "F9TH" From K-0185			A
		A) EAST CAROLINA UNIVERSITY TRANSIT OPTION			
		B) OPTION MONCTON WILDCATS			

From K-0185 To P-1452

Date:07/2024

PAGE:H9-2305-00

LOWER WINDSHIELD WIPER



From K-0185 To P-1452	Date:07/2024	PAGE:H9-2305-00
LOWER WINDSHIELD WIPER		

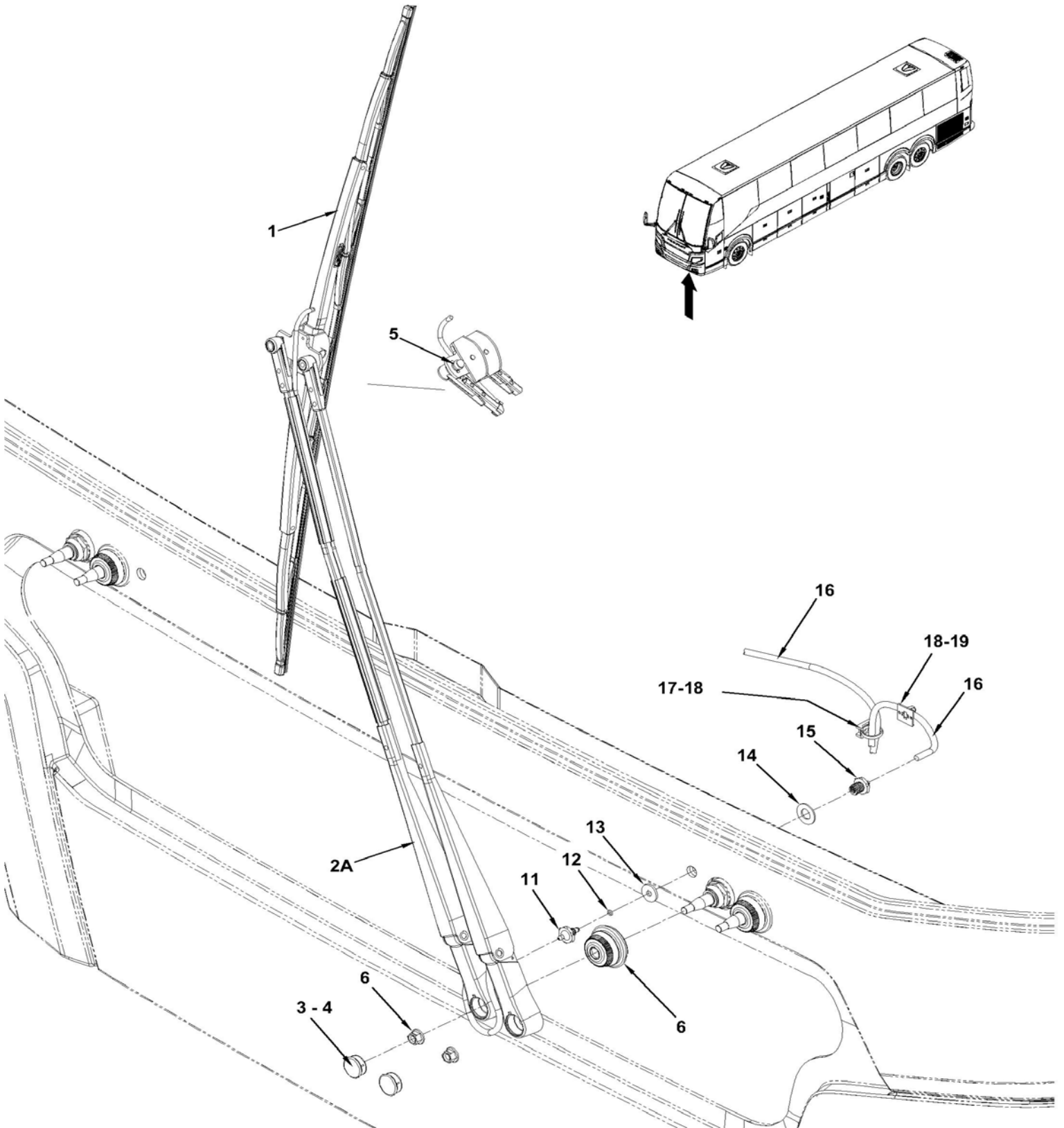
Item#	Part	Description	H 3 4 1	H 3 4 5	N O T E S
	300465P	WIPER ARM ASSY / RH	1	1	
	300488P	WIPER ARM ASSY / LH	1	1	
	800002	WIPER ARM ASSY 33" C/C / W/PLASTIC LINK ("H" MODEL)	1	1	
2	800006	WIPER ARM / MAIN 33" C/C	1	1	
3	800312	SPRING EXTENSION / .528 O.D. x 5.41 x .118	1	1	
4	503011	HOSE / RUBBER 3MM I.D.	AR	AR	A
5A	800023	SCREW CAP HEX	1	1	
5B	800025	LOCKNUT	1	1	
6	800008	WIPER ARM / IDLER 33" C/C	1	1	
7	800033	ARM HEAD COVER	1	1	
8	800308	LINK ASSY	1	1	
9	800243	SCREW SHR CAP HEX 1/4x33/64{10-32	2	2	
10	N22777	STOP NUT THIN HEIGHT #10-32	2	2	
11	800309	SCREW #10-32x.390 SS	1	1	
12	N22777	STOP NUT THIN HEIGHT #10-32	1	1	
13	800284	WIPER BLADE ASSY 22" To N-1182	1	1	
. NS	800383	RUBBER BLADE REFILL / (ONLY) WIPER REFILL 22" To N-1182	1	1	
13	800392	WIPER BLADE ASSY 22" From N-1183	1	1	
NS	191104	WIPER BLADE ASSY 22" ALTERNATIVE PART	1	1	
. NS	800316	RUBBER BLADE REFILL / (ONLY) WIPER REFILL 22"	1	1	
. NS	800180	CLIP / RETAINER END	2	2	
34	300645	ADAPTOR HOSE #3 / WET ARM M10-1.5 x 36MM	2	2	
35	502220	WASHER FL .375x1.000x.125 RUB	2	2	
36	507198	O RING 3/16I.D. x 5/16O.D. x 1/16	2	2	
37	5001460	WASHER FL .640x1.188x0.073 SS	2	2	
38	300644	ADAPTOR HOSE #3 / WET ARM	2	2	
40	800330	NOZZLE, WINDSHIELD WASHER / "BOSCH"	1	1	
NS	300474	NOZZLE, WINDSHIELD WASHER / "BOSCH" / MODIFIED	1	1	
41	300473	CLIP RETAINER / NOZZLE W/W "BOSCH"	2	2	A
42	300487	SUPPORT NOZZLE ASSY	1	1	A
43	504529	GROMMET / .250x.375x.062x.281x.625	1	1	A
44	800330	NOZZLE, WINDSHIELD WASHER / "BOSCH"	1	1	
NS	300474	NOZZLE, WINDSHIELD WASHER / "BOSCH" / MODIFIED	1	1	A
50	H9-2305-06	LOWER WINDSHIELD WIPER - INSTALLATION			
		A) THESE COMPONENTS ARE INSTALLED BY "PREVOST" AND NOT INCLUDE WITH ARM ASSY # 800283			

From R-1453

Date:07/2024

PAGE:H9-2305-01

LOWER WINDSHIELD WIPER

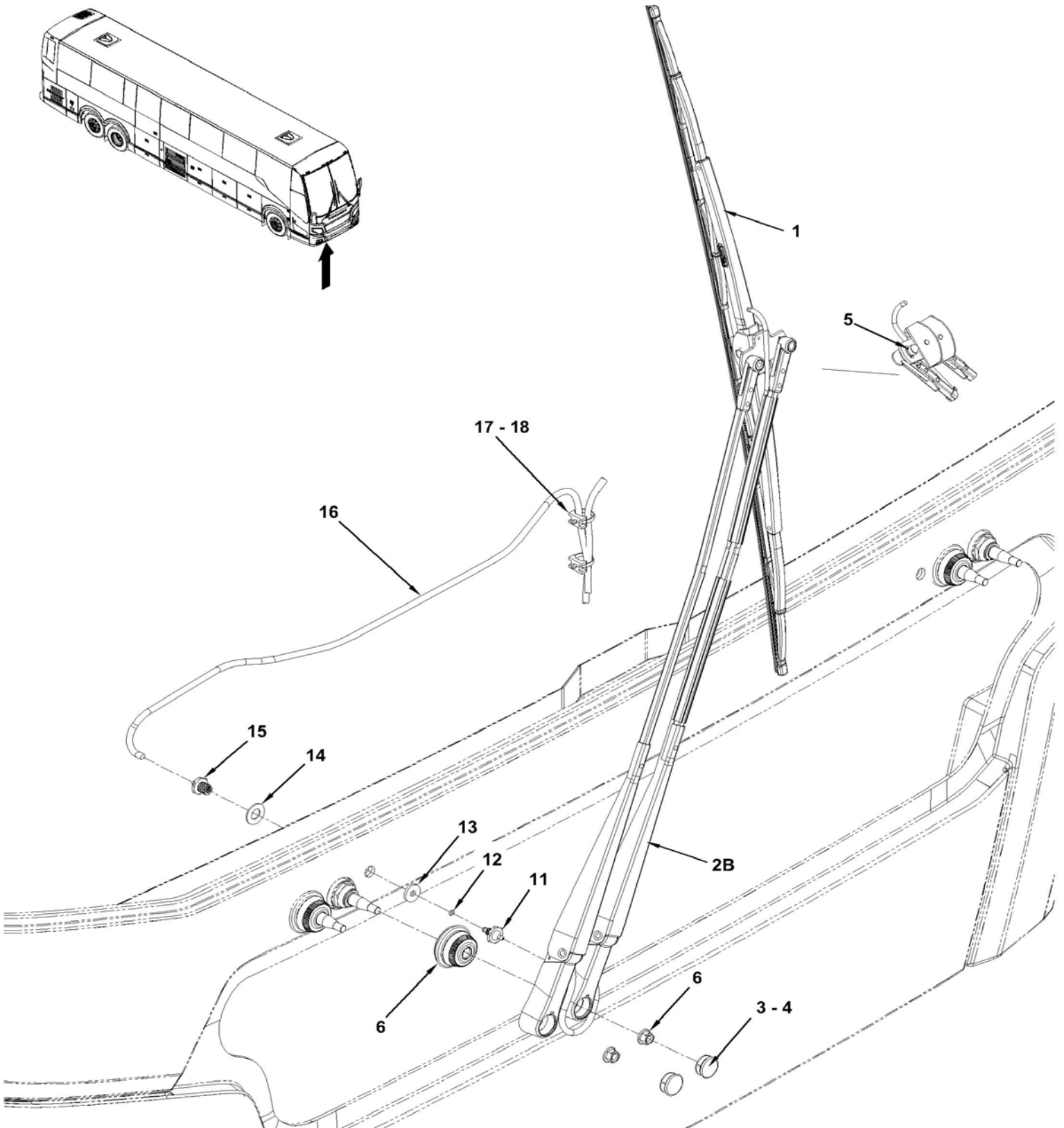


From R-1453

Date:07/2024

PAGE:H9-2305-01

LOWER WINDSHIELD WIPER



From R-1453	Date:07/2024	PAGE:H9-2305-01
LOWER WINDSHIELD WIPER		

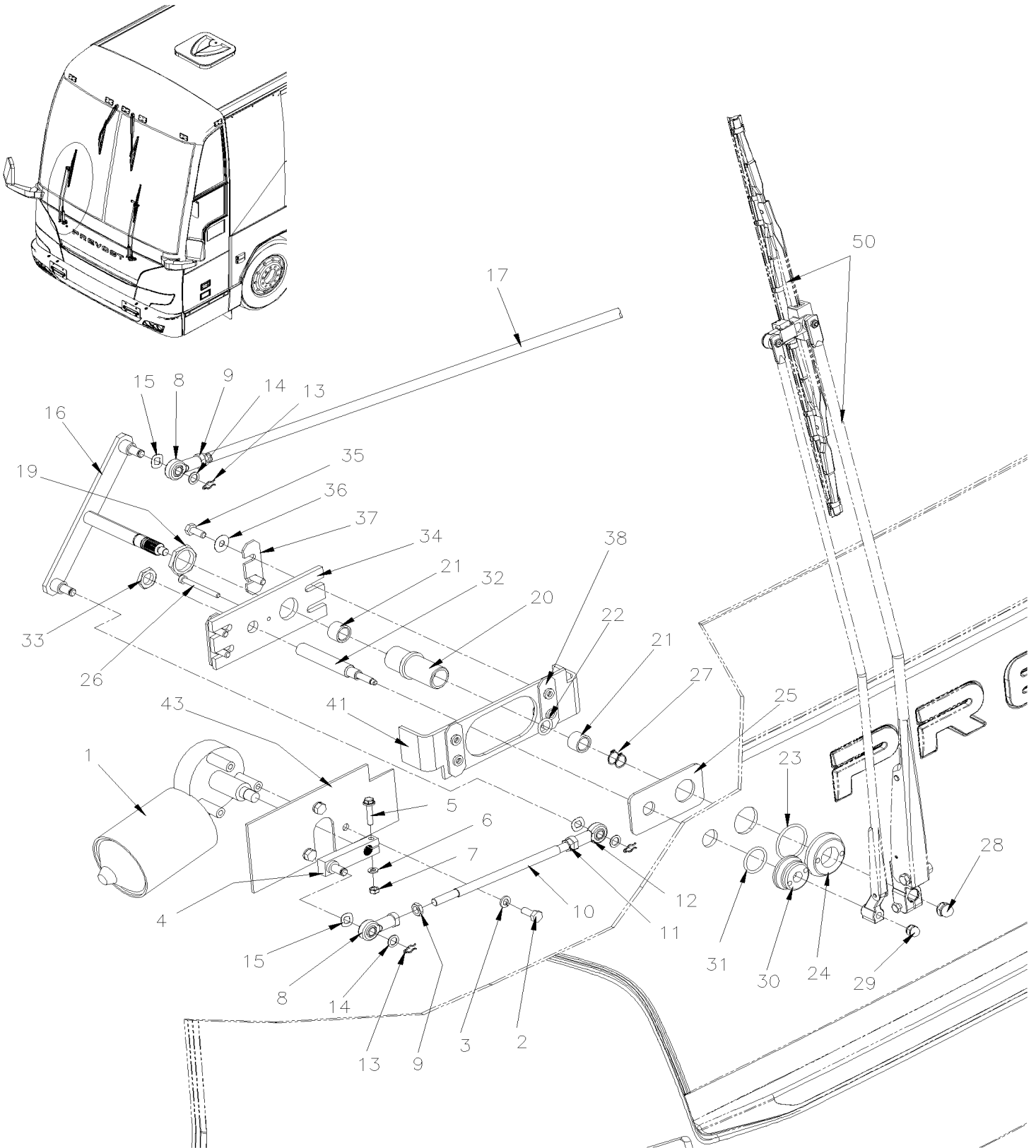
Item#	Part	Description	H 3 4 1	H 3 4 5	NOTES
1	800399	WIPER BLADE,INTEGRATED NOZZLES 1M		2	
2A	800400	WIPER ARM LEFT To R-1599		1	
2A	800403	WIPER ARM LEFT From R-1600		1	
2B	300721P	WIPER ARM RIGHT		1	
3	800362	. CAP CLOSING LOWER MAIN ARM To R-1599		2	
4	800362	CAP CLOSING LOWER MAIN ARM From R-1600		2	
5	800405	NUT CAP From R-1600		1	
6	800385	KIT. WIPER FINISHING		2	
. NS	5001727	. NUT HEXF NYRT M10-1.5 N500		1	
11	300645	ADAPTOR HOSE #3 / WET ARM M10-1.5 x 36MM		2	
12	507198	O RING 3/16I.D. x 5/16O.D. x 1/16		2	
13	502220	WASHER FL .375x1.000x.125 RUB		2	
14	5001460	WASHER FL .640x1.188x0.073 SS		2	
15	300644	ADAPTOR HOSE #3 / WET ARM		2	
16	503002	HOSE / EPDM 5/32" I.D. / S.L.		AR	
17	504013	TIE MOUNT / 1/4" X 1/4" I.D.		8	
17	504114	RIVET POP DOME OE 3/16x1/4 AL		8	
18	504637	CABLE TIE / 3/16" x 13"		13	
19	562679	4 WAY ADH. BACKED MOUNTS 1.000 x 1.000 x .160		3	
NS	509815	TIE MOUNT / ATTACHMENT W/TREE MOUNT		2	

From K-0185 To P-1452

Date:07/2024

PAGE:H9-2305-06

LOWER WINDSHIELD WIPER - INSTALLATION

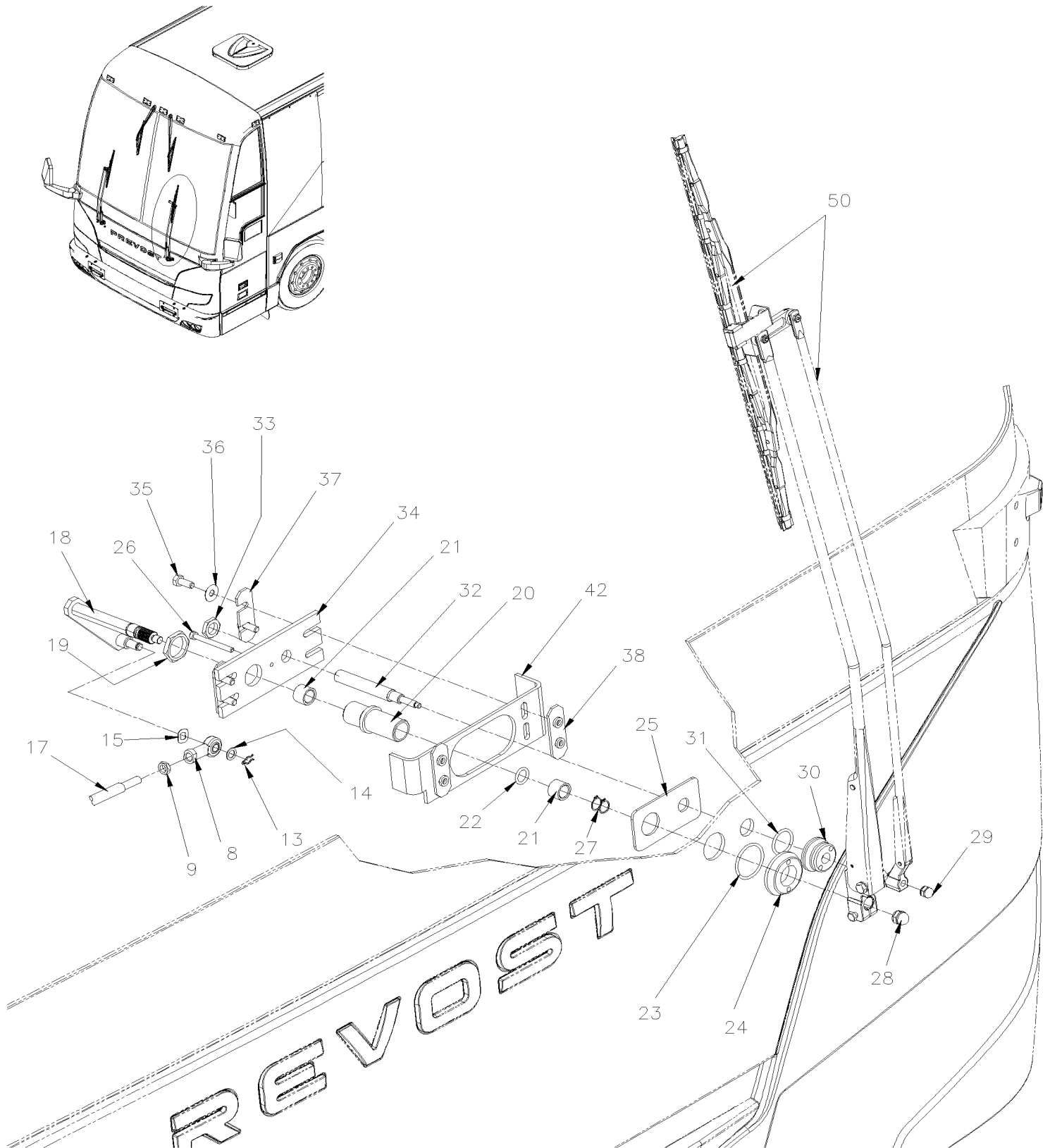


From K-0185 To P-1452

Date:07/2024

PAGE:H9-2305-06

LOWER WINDSHIELD WIPER - INSTALLATION



From K-0185 To P-1452	Date:07/2024	PAGE:H9-2305-06
LOWER WINDSHIELD WIPER - INSTALLATION		

Item#	Part	Description	H 3 4 1	H 3 4 5	N O T E S
1	800380	MOTOR WIPER ASSY / 24V / BOSCH	1	1	
2	5001217	SCREW CAP HEX M8-1.25x20 G10.9	3	3	
3	500942	WASHER LO SPT 8.1x14.8x2.0 N500	3	3	
4	300184	LEVER / MOTOR	1	1	
5	5001815	SCREW CAP HEXF M6-1.0x30 G 8.8 N500	1	1	
6	502565	NUT HEX M6-1.0 SS	1	1	
7	502564	WASHER LO SPT 6.1x11.8x1.6 Z050	1	1	
8	502174	ROD END MALE 3/8-24 / 3/8 I.D.	3	3	
8	680739	GREASE SYNTHETIC / RED 20KG	AR	AR	
9	500956	NUT HEX JAM 3/8-24 Z050	3	3	
10	300253	ROD, W/R.H. & L.H. THREAD	1	1	
11	5001039	NUT HEX JAM LH 3/8-24 Z050	1	1	
12	502186	ROD END MALE L.H. 3/8-24-L.H./ 3/8 I.D.	1	1	
12	680739	GREASE SYNTHETIC / RED 20KG	AR	AR	
13	502185	PIN HAIR CUTTER .062 X 9/32	4	4	
14	502867	WASHER FL .406x.625x.040 N500	4	4	
15	500905	WASHER SPR WAVE .750x.015	4	4	
16	300047	RIGHT PIVOT ASSY	1	1	
NS	680739	GREASE SYNTHETIC / RED 20KG	AR	AR	
17	309026	ROD, L.H. / L.H. WIPER	1	1	
18	300622	LEFT PIVOT ASSY	1	1	
NS	680739	GREASE SYNTHETIC / RED 20KG	AR	AR	
19	502821	NUT HEX JAM 1 1/8-18 Z050	2	2	
20	300198	TUBE ASSY	1	1	
21	800125	BUSHING 5/8" I.D. X 7/8" O.D. X 5/8" L	4	4	
22	800276	V-RING	2	2	
23	507321	O-RING 1 5/8" I.D. X 1/8"	2	2	
24	300598	NUT SPECIAL 1 1/8 - 18 BK AL	2	2	
25	300600	PLATE SPACER W/2 HOLES	2	2	
26	5001698	SCREW CAP HEXS M6-1.0x60 SS XYLAN	2	2	
27	504691	RING RETAINER / EXT .625 x .588 x .035" / SS	4	4	
28	800003	NUT HEX NYRT 3/8-24	1	1	
29	800078	NUT HEX CAP 1/4-28 BK	2	2	
30	300597	NUT SPECIAL 5/8-18 AL BK	2	2	
31	507320	O-RING 1 1/8" I.D. X 1/8"	2	2	
32	300599	SECONDARY SHAFT IDLE ARM	2	2	
33	502822	NUT HEX JAM THN 5/8-18x3/16 Z050	2	2	
NS	680038	THREAD LOCKER LOCTITE #243 / BLUE / 50ml	AR	AR	
34	300601	PLATE, MOUNTING	2	2	
35	5001745	SCREW CAP HEX M8-1.25x25 G8.8 N500	8	8	
36	5001699	WASHER BEL SPR 8.2x22x1.4 N500	8	8	
37	300471	SPACER	4	4	

From K-0185 To P-1452	Date:07/2024	PAGE:H9-2305-06
LOWER WINDSHIELD WIPER - INSTALLATION		

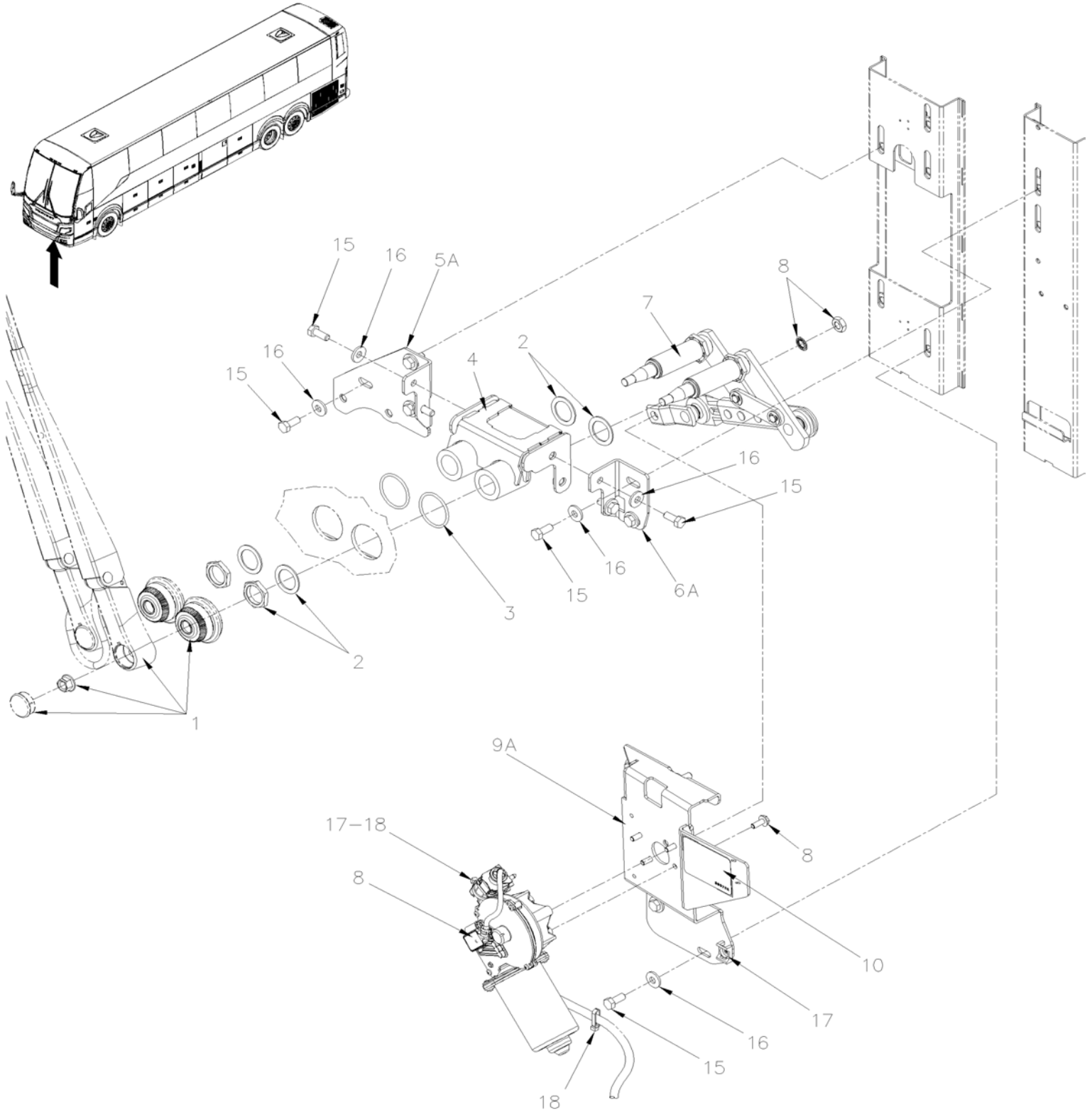
Item#	Part	Description	H 3 4 1	H 3 4 5	N O T E S
38	300206	PLATE, THREADED	4	4	
41	250741	SUPPORT, WIPER PIVOT R.H. / (WELDED AT STRUCTURE)	1	1	
42	250742	SUPPORT, WIPER PIVOT L.H. / (WELDED AT STRUCTURE)	1	1	
43	285322	SUPPORT	1	1	
50	H9-2305-00	LOWER WINDSHIELD WIPER			

From R-1453

Date:07/2024

PAGE:H9-2305-07

LOWER WINDSHIELD WIPER - INSTALLATION

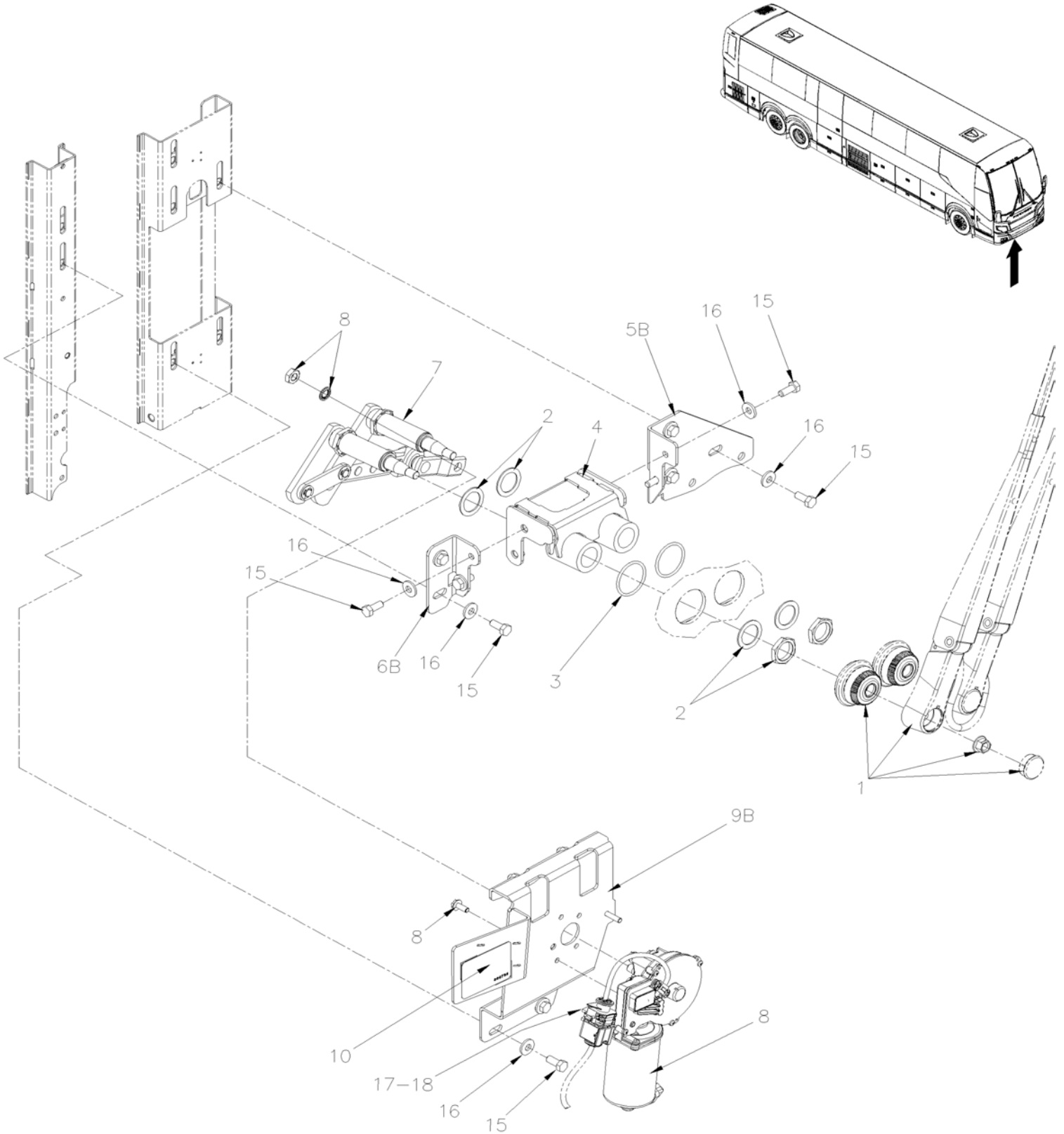


From R-1453

Date:07/2024

PAGE:H9-2305-07

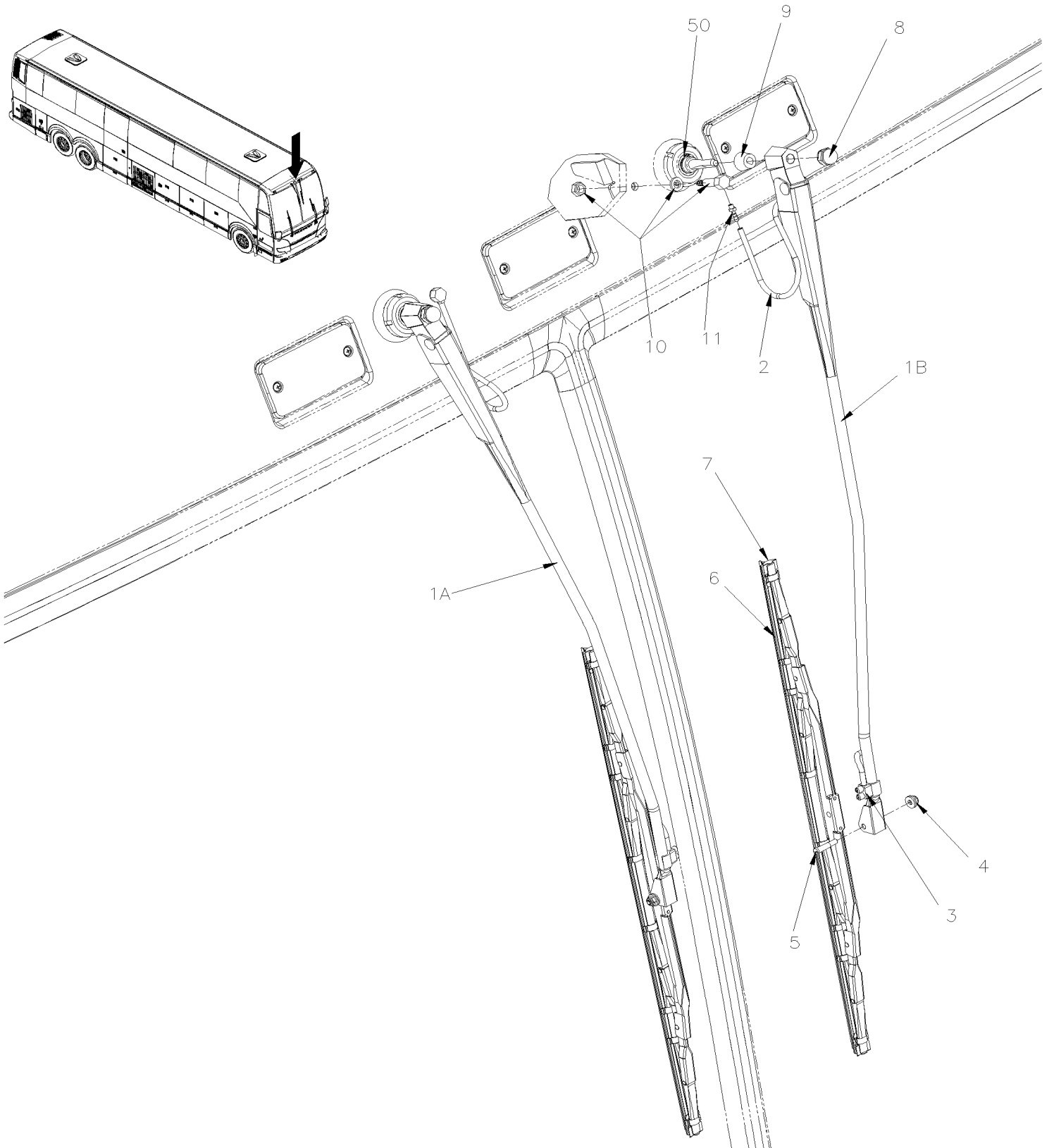
LOWER WINDSHIELD WIPER - INSTALLATION



From R-1453	Date:07/2024	PAGE:H9-2305-07
LOWER WINDSHIELD WIPER - INSTALLATION		

Item#	Part	Description	H 3 4 1	H 3 4 5	N O T E S
1	H9-2305-01	LOWER WINDSHIELD WIPER	1	1	
2	880054	KIT. WIPER HARDWARE		2	
3	5002253	O-RING 35MM I.D.x41MM O.D.x3MM		4	
4	300687	SUPPORT, WIPER		2	
5A	300715	BRAKET, WIPER LEFT		1	
5B	300716	BRAKET, WIPER RIGHT		1	
6A	300693	BRACKET, WIPER LEFT		1	
6B	300691	BRACKET, WIPER RIGHT		1	
7	300700	LINKAGE ASSEMBLY, WIPER		2	
8	800387	WIPER MOTOR		2	
9A	300728	MOTOR PLATE, WIPER LEFT		1	
9B	300718	MOTOR PLATE, WIPER RIGHT		1	
10	300722	DECAL, CAUTION WIPER		2	
15	5001450	SCREW CAP HEX M8-1.25x20 G10.9 DP		26	
16	500321	WASHER BEL SPR .331x.827x.098 N500		26	
17	504013	TIE MOUNT / 1/4" X 1/4" I.D.		4	
17	504379	RIVET POP DOME OE 3/16x1/4 SS		4	
18	504637	. . CABLE TIE / 3/16" x 13"		4	

From K-0185 To P-1452	Date:07/2024	PAGE:H9-2305-10
UPPER WINDSHIELD WIPER		



From K-0185 To P-1452	Date:07/2024	PAGE:H9-2305-10
UPPER WINDSHIELD WIPER		

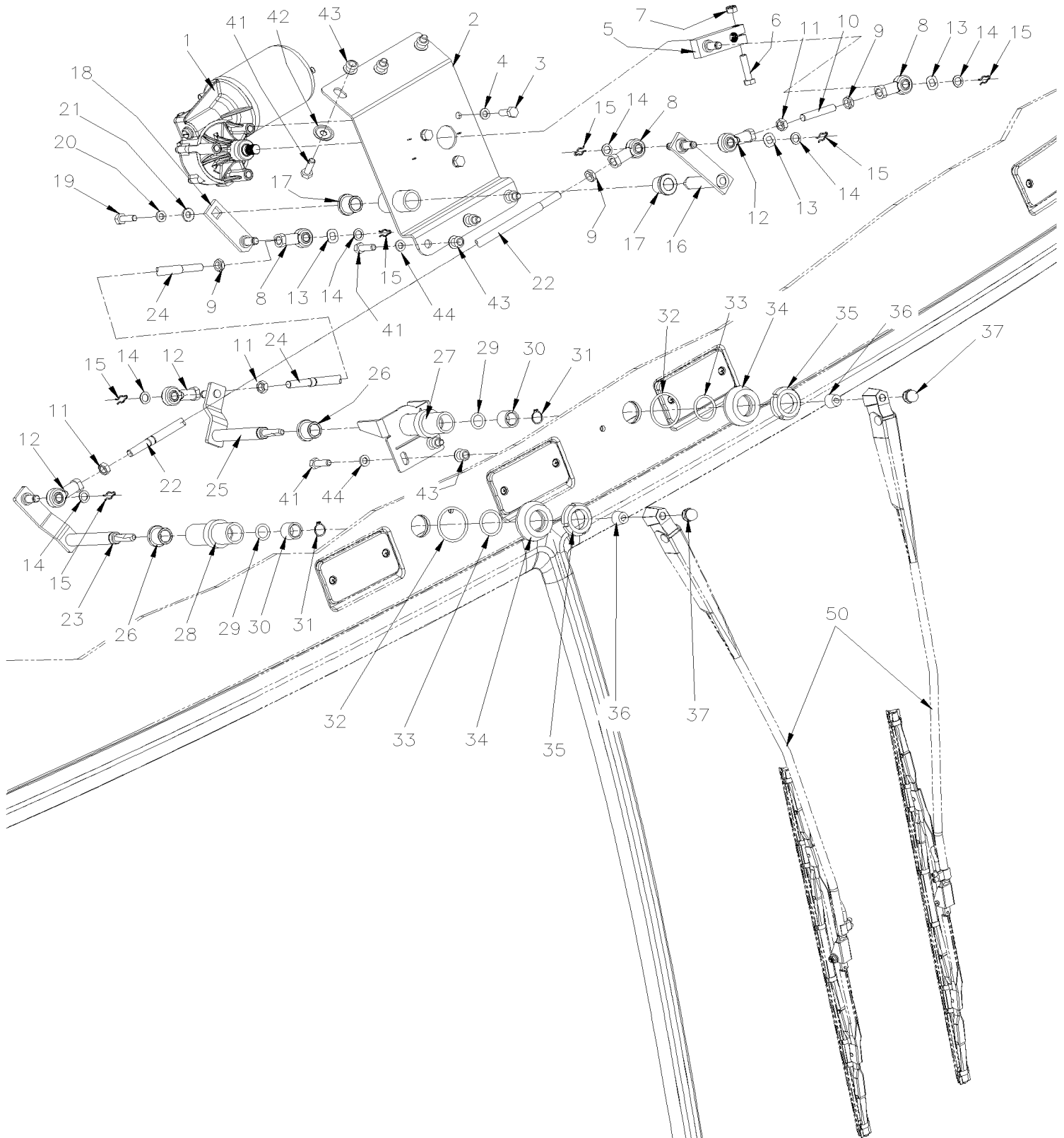
Item#	Part	Description	H 3 4 1	H 3 4 5	NOTES
1A	800626	ARM WIPER, R.H. UPPER	1	1	
1B	800625	ARM WIPER, L.H. UPPER	1	1	
2	300292	. HOSE #2 54"	AR	AR	
2	300106	. HOSE #2 30"	AR	AR	
2	300250	. HOSE #2 33"	AR	AR	
2	300107	. HOSE #2 42"	AR	AR	
2	300269	. HOSE #2 50'	AR	AR	
2	800227	. HOSE WINDSHIELD WASHER WIPER ARM 100 FT	AR	AR	
3	800357	. NOZZLE, WINDSHIELD WASHER / R.H.	1	1	
3	800358	. NOZZLE, WINDSHIELD WASHER / L.H.	1	1	
4	500423	. NUT HEX NYRT #10-32 SS	1	1	
5	800309	. SCREW #10-32x.390 SS	1	1	
6	800284	WIPER BLADE ASSY 22" To N-1182	1	1	
. NS	800383	. RUBBER BLADE REFILL / (ONLY) WIPER REFILL 22" To N-1182	1	1	
6	800392	WIPER BLADE ASSY 22" From N-1183	1	1	
6	191104	WIPER BLADE ASSY 22" ALTERNATIVE PART	1	1	
. NS	800316	. RUBBER BLADE REFILL / (ONLY) WIPER REFILL 22"	1	1	
. NS	800180	. CLIP / RETAINER END	2	2	
7	800180	. CLIP / RETAINER END	1	1	
8	800003	NUT HEX NYRT 3/8-24	1	1	
8	800003	NUT HEX NYRT 3/8-24	1	1	
9	800282	ADAPTOR, DRIVE KNURLED	1	1	
10	800321	ADAPTOR ASSY 90 DEG / #3 TO #2 WET ARM	1	1	
11	800317	. ADAPTOR HOSE #2 (ALUMINUM)	1	1	
50	H9-2305-16	UPPER WINDSHIELD WIPER - INSTALLATION	1	1	

From K-0185 To P-1452

Date:07/2024

PAGE:H9-2305-16

UPPER WINDSHIELD WIPER - INSTALLATION



From K-0185 To P-1452	Date:07/2024	PAGE:H9-2305-16
UPPER WINDSHIELD WIPER - INSTALLATION		

Item#	Part	Description	H 3 4 1	H 3 4 5	N O T E S
1	800380	MOTOR WIPER ASSY / 24V / BOSCH	1	1	
2	300013	SUPPORT	1	1	
3	5001217	SCREW CAP HEX M8-1.25x20 G10.9	3	3	
4	500942	WASHER LO SPT 8.1x14.8x2.0 N500	3	3	
5	300014	LEVER / MOTOR	1	1	
6	502836	. SCREW CAP HEX M8-1.25x35 G8.8 N500	1	1	
7	502847	. NUT HEX NYRT M8-1.25 N500	1	1	
8	502174	ROD END MALE 3/8-24 / 3/8 I.D.	3	3	
NS	680739	GREASE SYNTHETIC / RED 20KG	AR	AR	
9	500956	NUT HEX JAM 3/8-24 Z050	3	3	
10	300248	ROD THREADED / W/3/8-24 LH & RH THREAD 54MM	1	1	
11	5001039	NUT HEX JAM LH 3/8-24 Z050	3	3	
12	502186	ROD END MALE L.H. 3/8-24-L.H./ 3/8 I.D.	3	3	
NS	680739	GREASE SYNTHETIC / RED 20KG	AR	AR	
13	500905	WASHER SPR WAVE .750x.015	3	3	
14	502867	WASHER FL .406x.625x.040 N500	6	6	
15	502185	PIN HAIR CUTTER .062 X 9/32	6	6	
16	300480	INVERTION PIVOT	1	1	
17	800274	BUSHING FLANGE 5/8" I.D. X 7/8" O.D. X 3/4" L	2	2	
18	300632	LEVER ARM	1	1	
19	502780	SCREW CAP HEX M8-1.25x25 SS BK	1	1	
NS	680038	THREAD LOCKER LOCTITE #243 / BLUE / 50ml	AR	AR	
20	500942	WASHER LO SPT 8.1x14.8x2.0 N500	1	1	
21	5001868	WASHER BEL SPR 8.4x18x2 SS	1	1	
22	300016	ROD THREADED / W/3/8-24 LH & RH THREAD 540MM	1	1	
23	300026	RIGHT PIVOT	1	1	
24	300032	ROD THREADED / W/3/8-24 LH & RH THREAD 163MM	1	1	
25	300030	LEFT PIVOT	1	1	
26	800274	BUSHING FLANGE 5/8" I.D. X 7/8" O.D. X 3/4" L	2	2	
27	300038	UPPER WIPER PIVOT SUPORT ASSY	1	1	
28	300507	MAIN WIPER ARM THREADED TUBE	1	1	
29	800276	V-RING	2	2	
30	800125	BUSHING 5/8" I.D. X 7/8" O.D. X 5/8" L	2	2	
NS	680100	THREAD LOCKER LOCTITE #271 / RED / 250ml	AR	AR	
31	504691	RING RETAINER / EXT .625 x .588 x .035" / SS	2	2	
32	507321	O-RING 1 5/8" I.D. X 1/8"	2	2	
33	507320	O-RING 1 1/8" I.D. X 1/8"	2	2	
34	300271	SPACER	2	2	
35	800064	NUT SPANNER 1 1/8-18 / PLASTIC	2	2	
36	800282	ADAPTOR, DRIVE KNURLED	2	2	
37	800062	NUT HEX CAP 3/8-24 BK	2	2	
41	5001745	SCREW CAP HEX M8-1.25x25 G8.8 N500	8	8	

From K-0185 To P-1452	Date:07/2024	PAGE:H9-2305-16
-----------------------	--------------	-----------------

UPPER WINDSHIELD WIPER - INSTALLATION

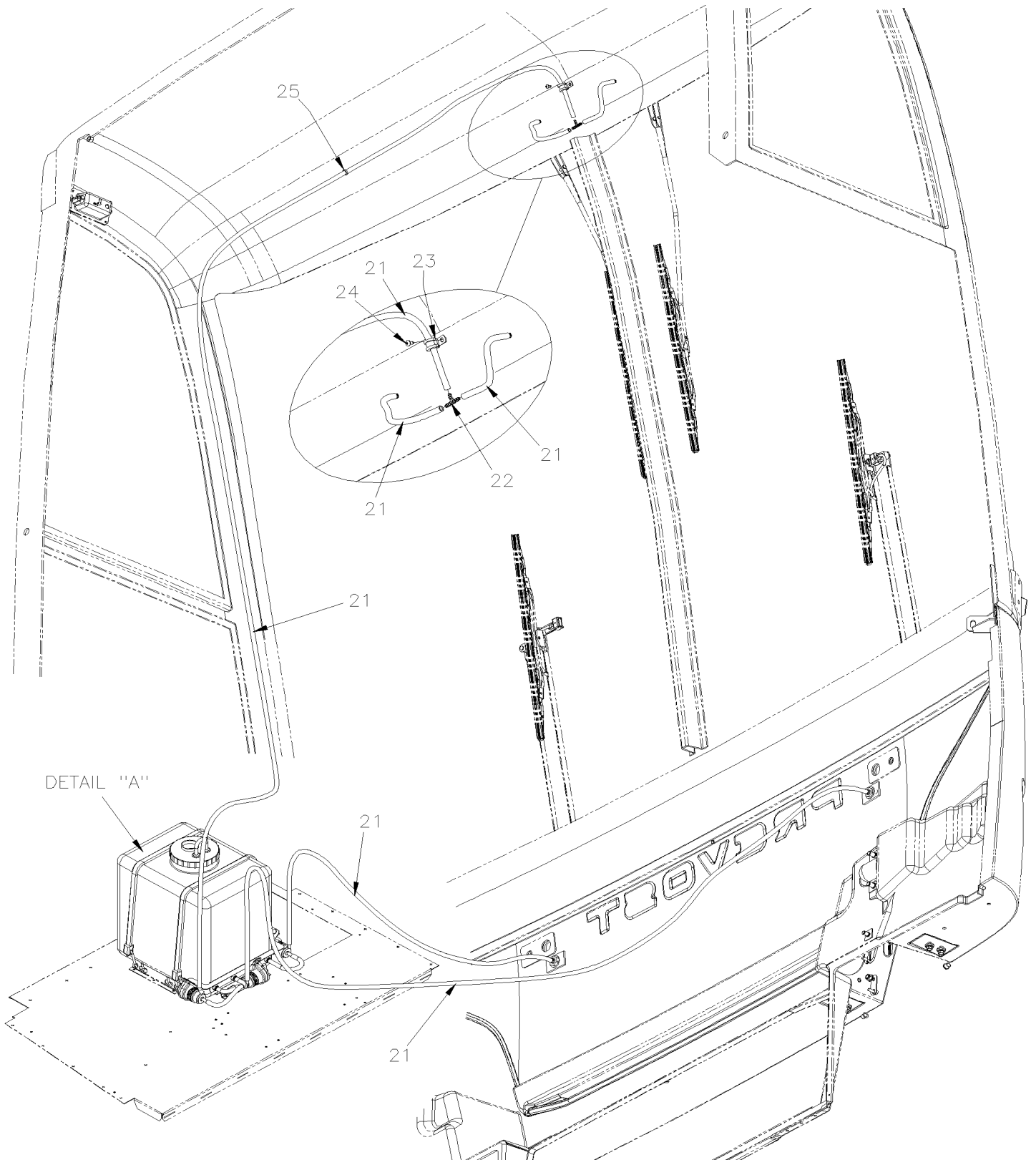
Item#	Part	Description	H 3 4 1	H 3 4 5	N O T E S
42	502584	WASHER LO SERR 8.2x26.3x1.8 Z050	3	3	
43	5002013	RIVET NUT FL KNURLED OKS M8-1.25 3.8-7.9 ZP	8	8	
44	500942	WASHER LO SPT 8.1x14.8x2.0 N500	5	5	
50	H9-2305-10	UPPER WINDSHIELD WIPER			

From K-0185 To P-1452

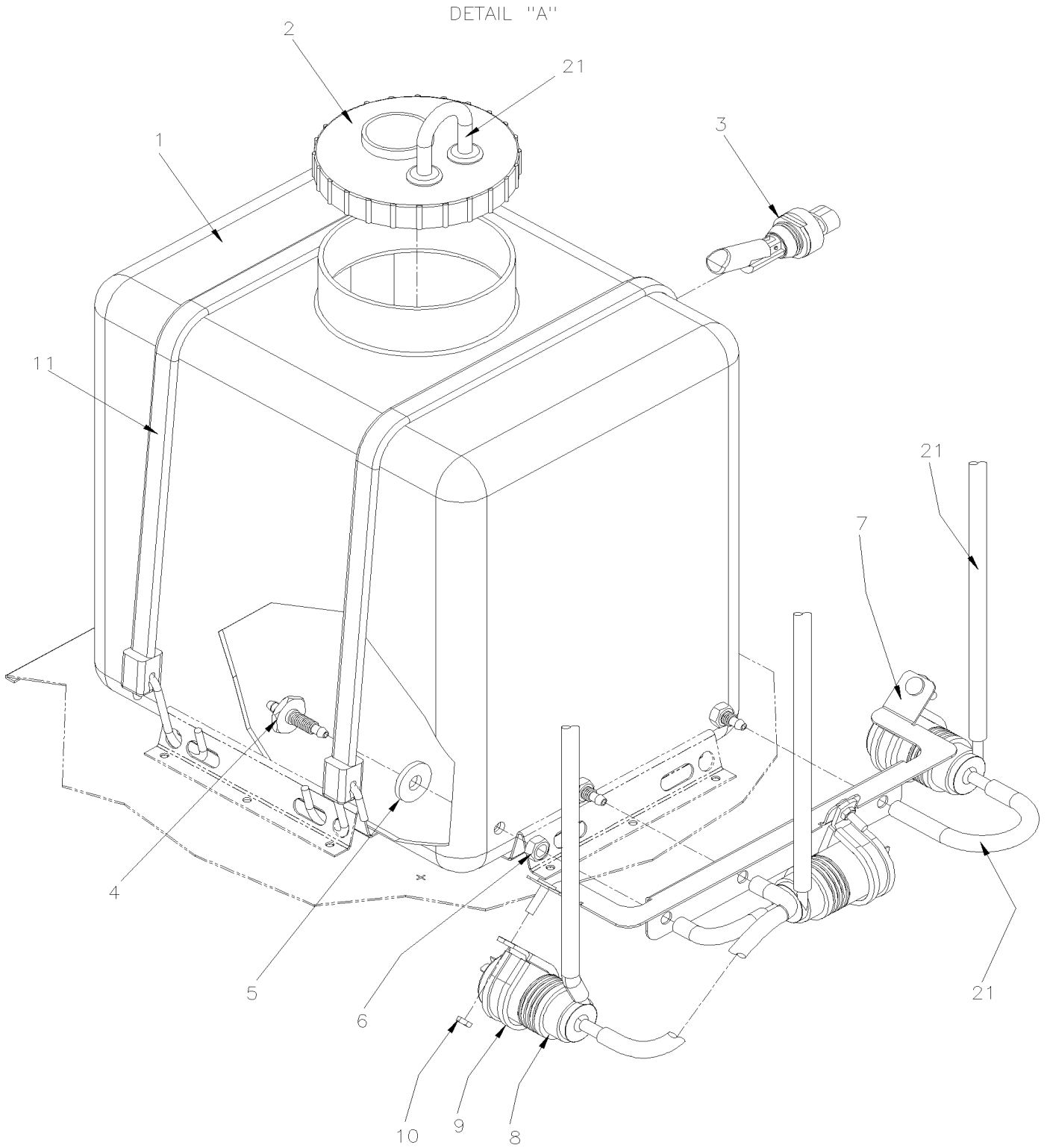
Date:07/2024

PAGE:H9-2305-20

WINDSHIELD WASHER - INSTALLATION



WINDSHIELD WASHER - INSTALLATION



From K-0185 To P-1452	Date:07/2024	PAGE:H9-2305-20
WINDSHIELD WASHER - INSTALLATION		

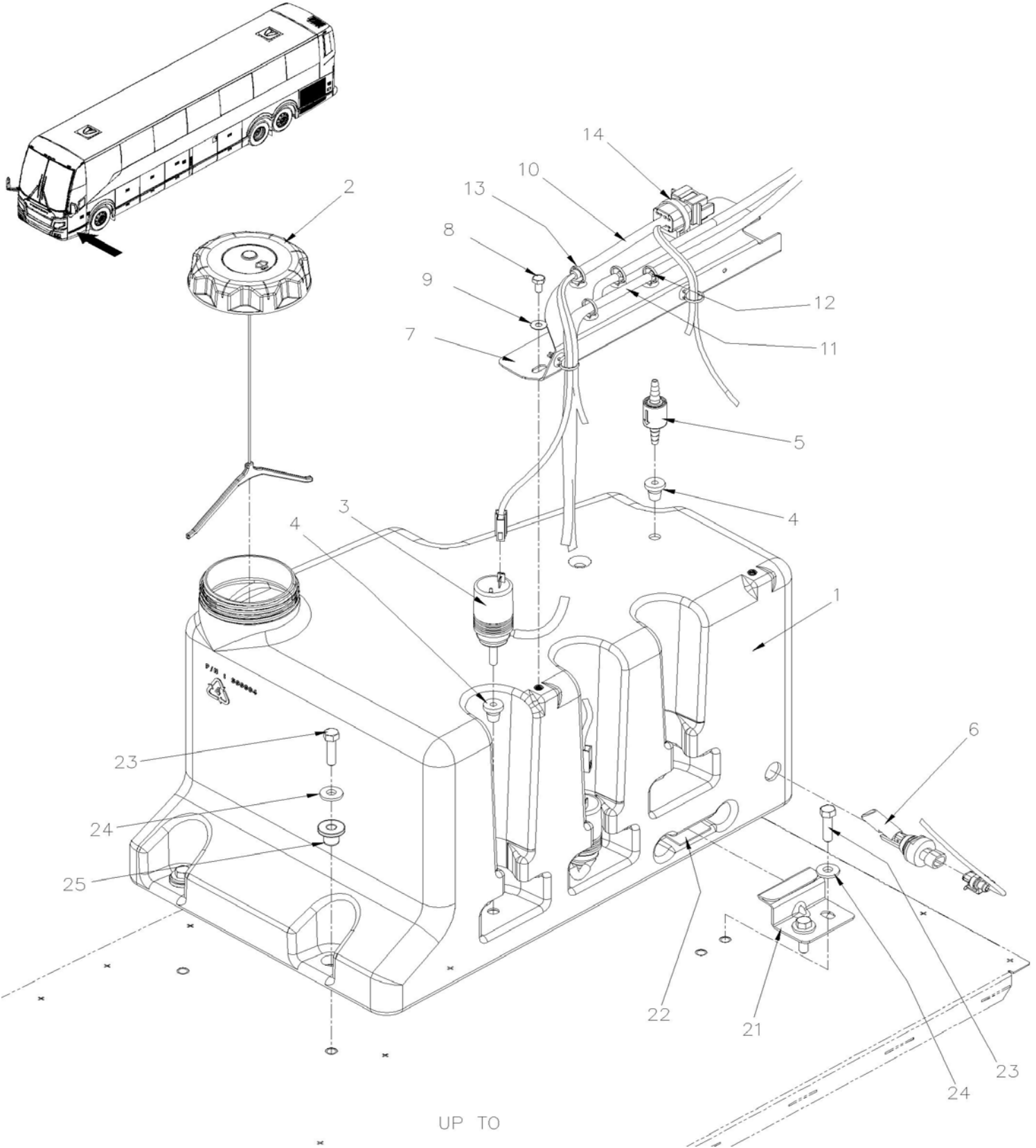
Item#	Part	Description	H 3 4 1	H 3 4 5	N O T E S
1	800285	TANK, WINDSHIELD WASHER	1	1	
2	800286	COVER ASSY W/PLUG	1	1	
3	800364	SENSOR LEVEL-LOW	1	1	
. NS	563409	. CONNECTOR / SUPERSEAL 1.5 SERIES / SH 2C / AMP 282080-1	1	1	
. NS	562607	. SOCKET TERMINAL / 20-16 / AMP 183025-1	2	2	
4	300469	ADAPTOR HOSE #3 / WET ARM M8-1.25 x 44MM	3	3	
5	502820	WASHER FL .187x1.000x.125 RUB BK	3	3	
6	5001188	NUT HEX M8-1.25 SS	3	3	
7	300562	SUPPORT W/WASHER PUMP	1	1	
8	800346	PUMP WINDSHIELD WASHER 24V	3	3	
9	952639	CLAMP / 1"1/4 I.D.	3	3	
10	5001180	NUT HEX NYRT #10-24 SS	3	3	
11	504483	TIE RUBBER BELT, W/HOOK 23"	2	2	
21	503002	HOSE / EPDM 5/32" I.D. / S.L.	AR	AR	
22	800322	UNION TEE / HOSE BARB FITTING / 5/32x5/32x5/32 PLAS	1	1	
23	952625	CLAMP / 3/8" I.D.	3	3	
24	500582	SCREW TP PAN PH #8x3/8 Z050	3	3	
25	504273	CABLE TIE / 1/8" X 3"1/2	8	8	
50	H9-2305-00	LOWER WINDSHIELD WIPER			
51	H9-2305-10	UPPER WINDSHIELD WIPER			

From R-1453

Date:07/2024

PAGE:H9-2305-21

WINDSHIELD WASHER TANK - INSTALLATION

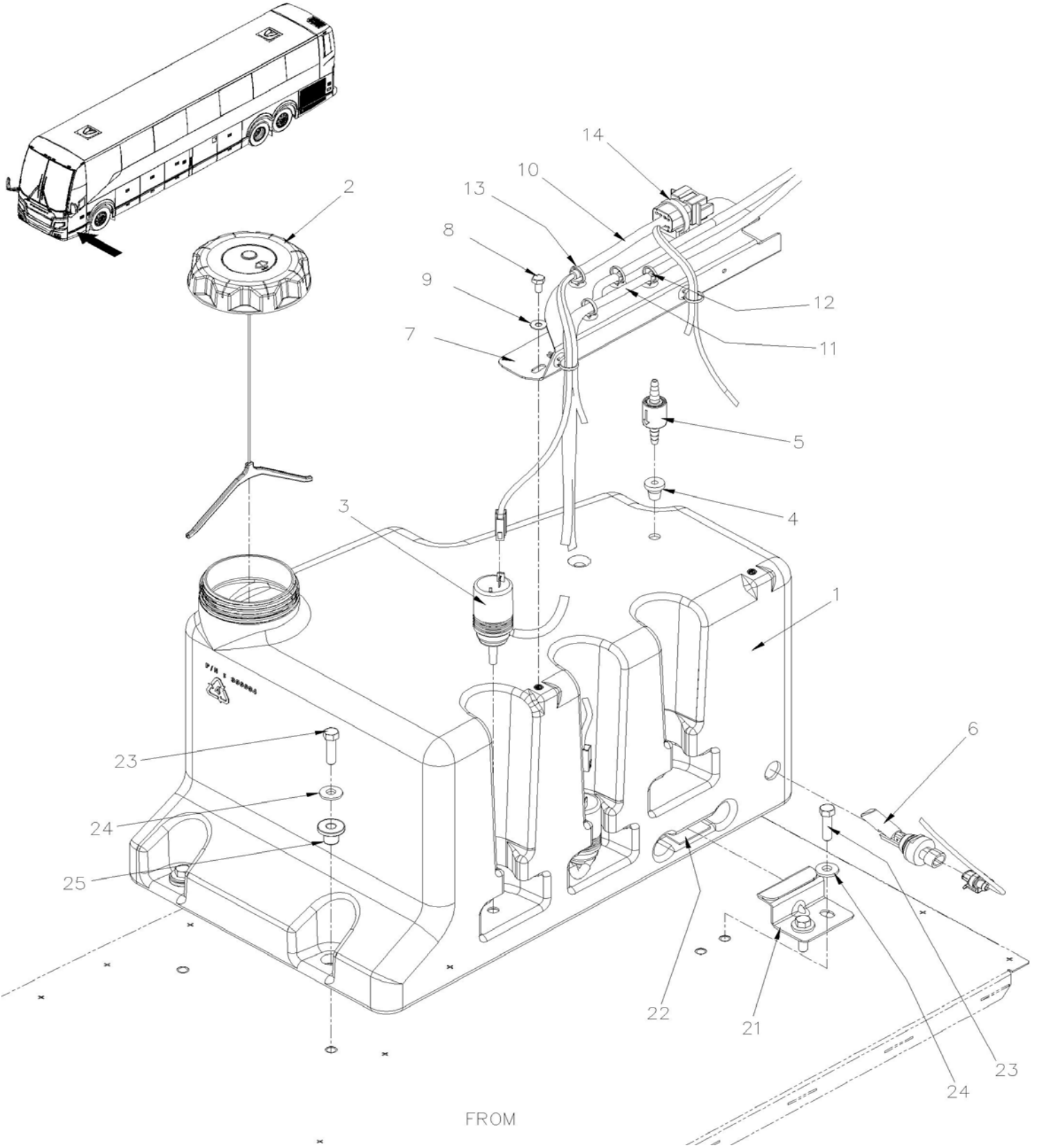


From R-1453

Date:07/2024

PAGE:H9-2305-21

WINDSHIELD WASHER TANK - INSTALLATION



From R-1453		Date:07/2024	PAGE:H9-2305-21
-------------	--	--------------	-----------------

WINDSHIELD WASHER TANK - INSTALLATION

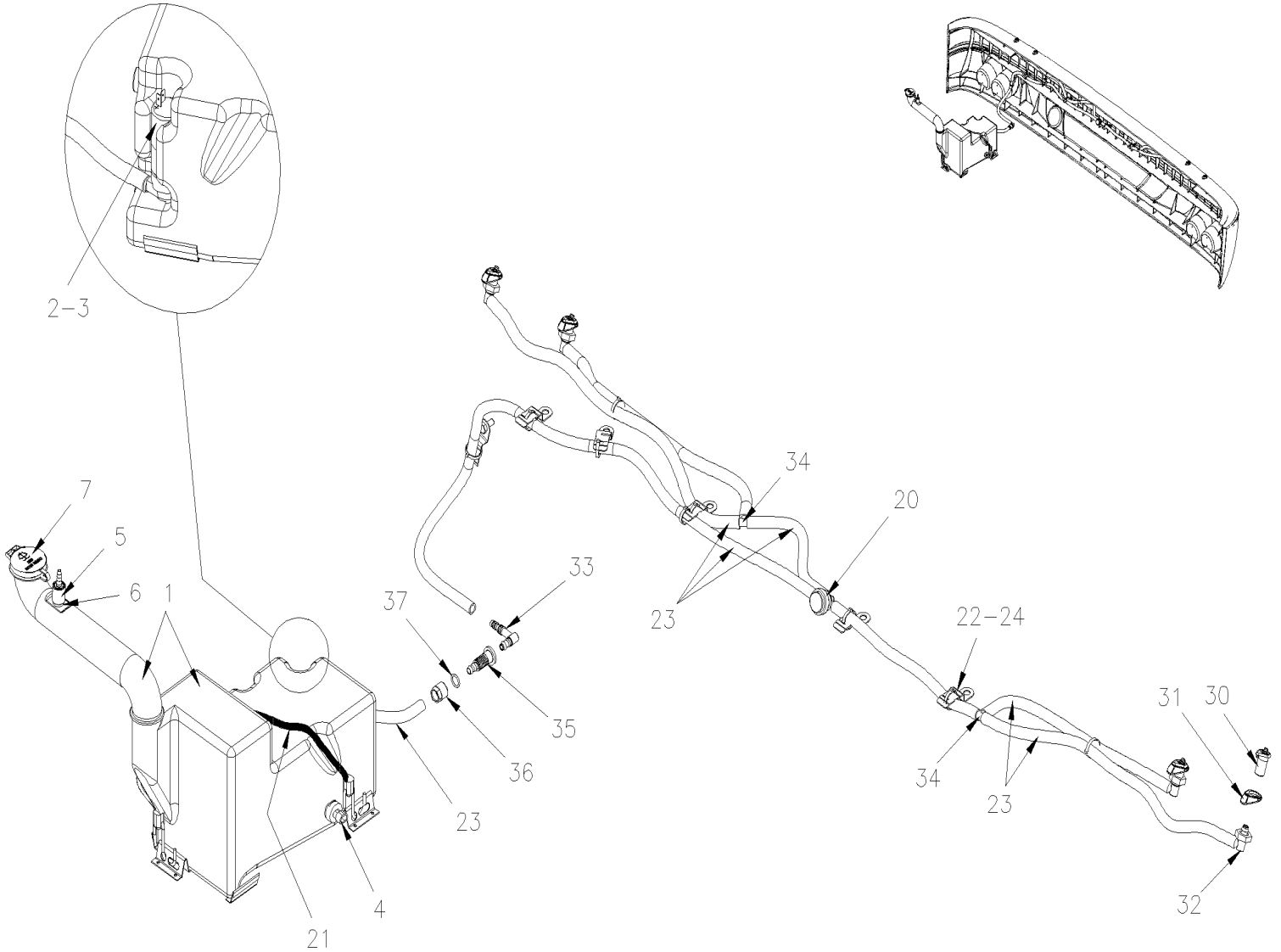
Item#	Part	Description	H 3 4 1	H 3 4 5	N O T E S
NS		UP TO £-23077 To £-23077			
NS		FROM £-23077 From £-23077			
1	Call order desk	WINDSHIELD WASHER TANK ASS	1	1	P
1	300004	. WINDSHIELD WASHER TANK	1	1	
2	800104	. LID, WINDSHILD WASHER TANK	1	1	
3	800346	. PUMP WINDSHIELD WASHER 24V To £-23077	2	2	
3	800408	. PUMP WINDSHIELD WASHER 24V From £-23077	2	2	
4	800348	. SEAL RETAINER To £-23077	3	3	
4	800348	. SEAL RETAINER From £-23077	1	1	
5	800351	. CHECK VALVE	1	1	
6	800364	. SENSOR LEVEL-LOW	1	1	
. NS	563409	. CONNECTOR / SUPERSEAL 1.5 SERIES / SH 2C / AMP 282080-1	1	1	
. NS	562607	. SOCKET TERMINAL / 20-16 / AMP 183025-1	2	2	
7	300003	. ROUTING PLATE, WINDSHIELD WASHER TANK	1	1	
8	5001743	. SCREW CAP HEX M6-1.0x12 G8.8 N500	2	2	
9	5001608	. WASHER BEL SPR 6.2x15.0x0.7 G500	2	2	
10	0600019	. CABLE INTERFACE WINDSHEILD WASHER	1	1	
11	503002	. HOSE / EPDM 5/32" I.D. / S.L.	AR	AR	
12	501126	. UNION / HOSE BARB FITTING / 5/32x5/32 NYL	2	2	
13	509815	. TIE MOUNT / ATTACHMENT W/TREE MOUNT	6	6	
13	504273	. CABLE TIE / 1/8" X 3" 1/2	6	6	
14	504637	. CABLE TIE / 3/16" x 13"	1	1	
14	504013	. TIE MOUNT / 1/4" X 1/4" I.D.	1	1	
14	504379	. RIVET POP DOME OE 3/16x1/4 SS	1	1	
21	300001	PLATE, WINDSHIELD WASHER TANK	1	1	
22	506728	TAPE RUB ADH1 NEO 1/4" x 3/4" x 10' / BLACK	AR	AR	
23	5001738	SCREW CAP HEX M8-1.25x30 G8.8 N500	5	5	
24	500321	WASHER BEL SPR .331x.827x.098 N500	5	5	
25	300002	SPACER, WINDSHIELD WASHER TANK	3	3	
		P) CALL ORDER DESK FOR SPECIFIC APPLICATION (V.I.N.)			

From K-0185 To P-1452

Date:07/2024

PAGE:H9-2305-26

HEAD LAMP CLEANING WASHER TANK

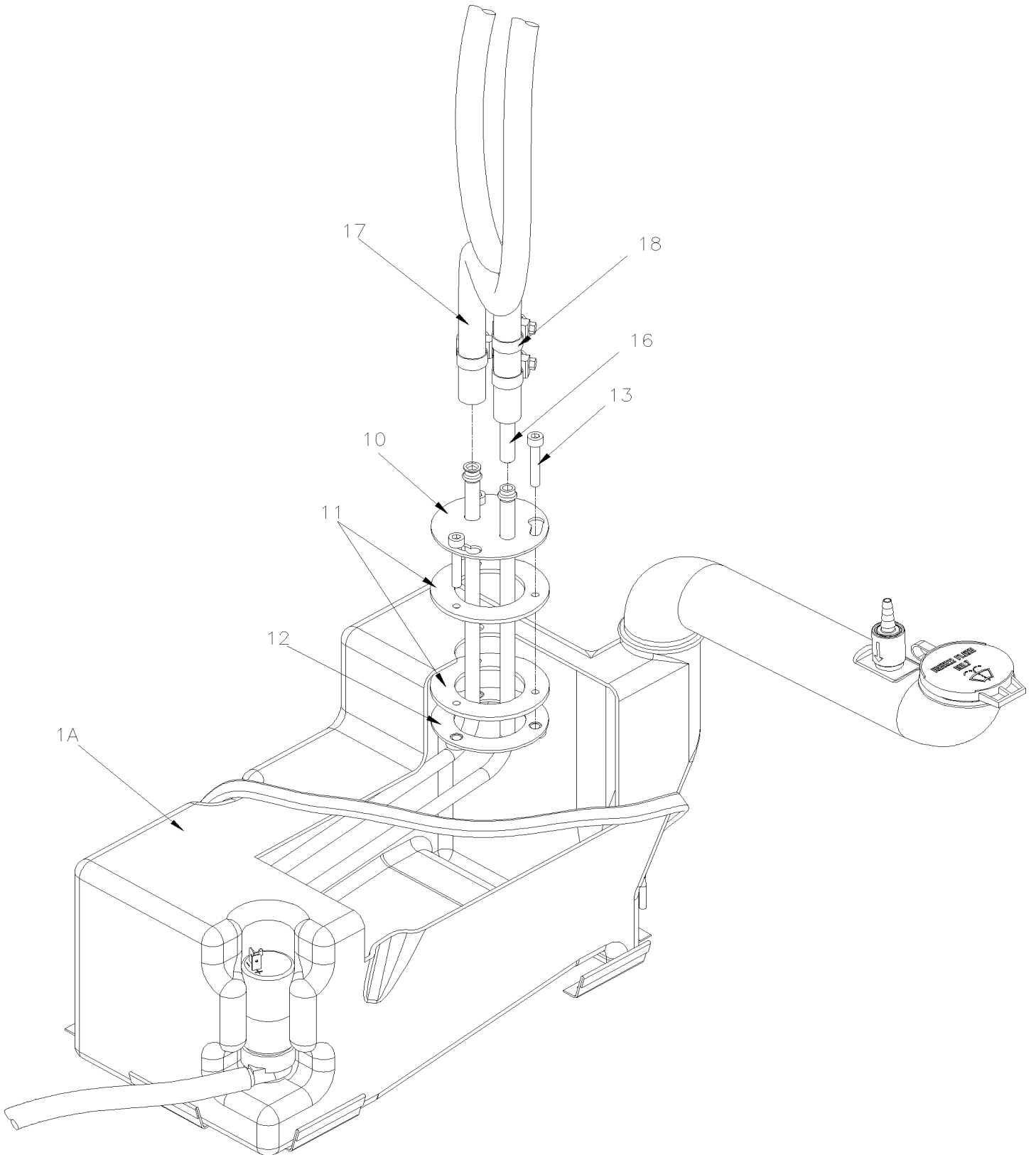


From K-0185 To P-1452

Date:07/2024

PAGE:H9-2305-26

HEAD LAMP CLEANING WASHER TANK



From K-0185 To P-1452	Date:07/2024	PAGE:H9-2305-26
HEAD LAMP CLEANING WASHER TANK		

Item#	Part	Description	H 3 4 1	H 3 4 5	N O T E S
	Call order desk	HEADLAMP WASHER TANK ASSY	1	1	P
	Call order desk	HEADLAMP WASHER TANK ASSY WITH HEATER	1	1	PA
1	800365	. HEADLAMP WASHER TANK	1	1	
1A	800381	. HEADLAMP WASHER TANK	1	1	A
2	800367	. PUMP SEALBEAM WASHER	1	1	
3	800368	. GROMMET PUMP	1	1	
4	800364	. SENSOR LEVEL-LOW	1	1	
. NS	563409	. . CONNECTOR / SUPERSEAL 1.5 SERIES / SH 2C / AMP 282080-1	1	1	
. NS	562607	. . SOCKET TERMINAL / 20-16 / AMP 183025-1	2	2	
5	800351	. CHECK VALVE	1	1	
6	800348	. SEAL RETAINER	1	1	
7	20462640	. COVER WASHER RESERVOIR	1	1	
7	300621	. GASKET / COVER WASHER RESERVOIR	1	1	
10	430686P	ELEMENT, HEATING ASSY	1	1	A
11	430689	GASKET	2	2	A
12	430690	ANCHOR PLATE	1	1	A
13	5001641	SCREW CAP HEXS M6-1.0x35 SS EMN	3	3	A
16	053672	CHOKE 2.5 MM	1	1	A
17	503821	HOSE SILICONE 4 PLY / NOMEX-ARAMID 3/8" x 144"	AR	AR	A
18	992081	HOSE CLAMP / 12MM/22MM	1	1	A
20	800371	VALVE CENTRAL	1	1	
21	504731	TIE RUBBER BELT, W/HOOK 15"	1	1	
22	504637	CABLE TIE / 3/16" x 13"	6	6	
23	800376	HOSE HEADLAMP WASHER / 5M	AR	AR	
24	300603	SUPPORT "Z" / TO FIX HOSE H.L. WASHER	6	6	
30	800372	NOZZLE SEALBEAM WASHER	4	4	
NS	800377	TOOL, ALIGNMENT NOZZLE HEADLAMP	AR	AR	
31	300589	BASE NOZZLE WASHER	4	4	
32	5001717	NUT HEX JAM THN M16-1.5x8 SS	4	4	
33	800369	ELBOW NOZZLE ADAPTOR	6	6	
34	800370	TEE CONNECTOR	2	2	
35	800375	ADAPTOR WALL / FRONT FACE	2	2	
36	800373	NUT NOZZLE ADAPTOR	2	2	
37	507214	O-RING	2	2	
		A) USE ONLY WITH WINDSHEILD WASHER HEATER			
		P) CALL ORDER DESK FOR SPECIFIC APPLICATION (V.I.N.)			

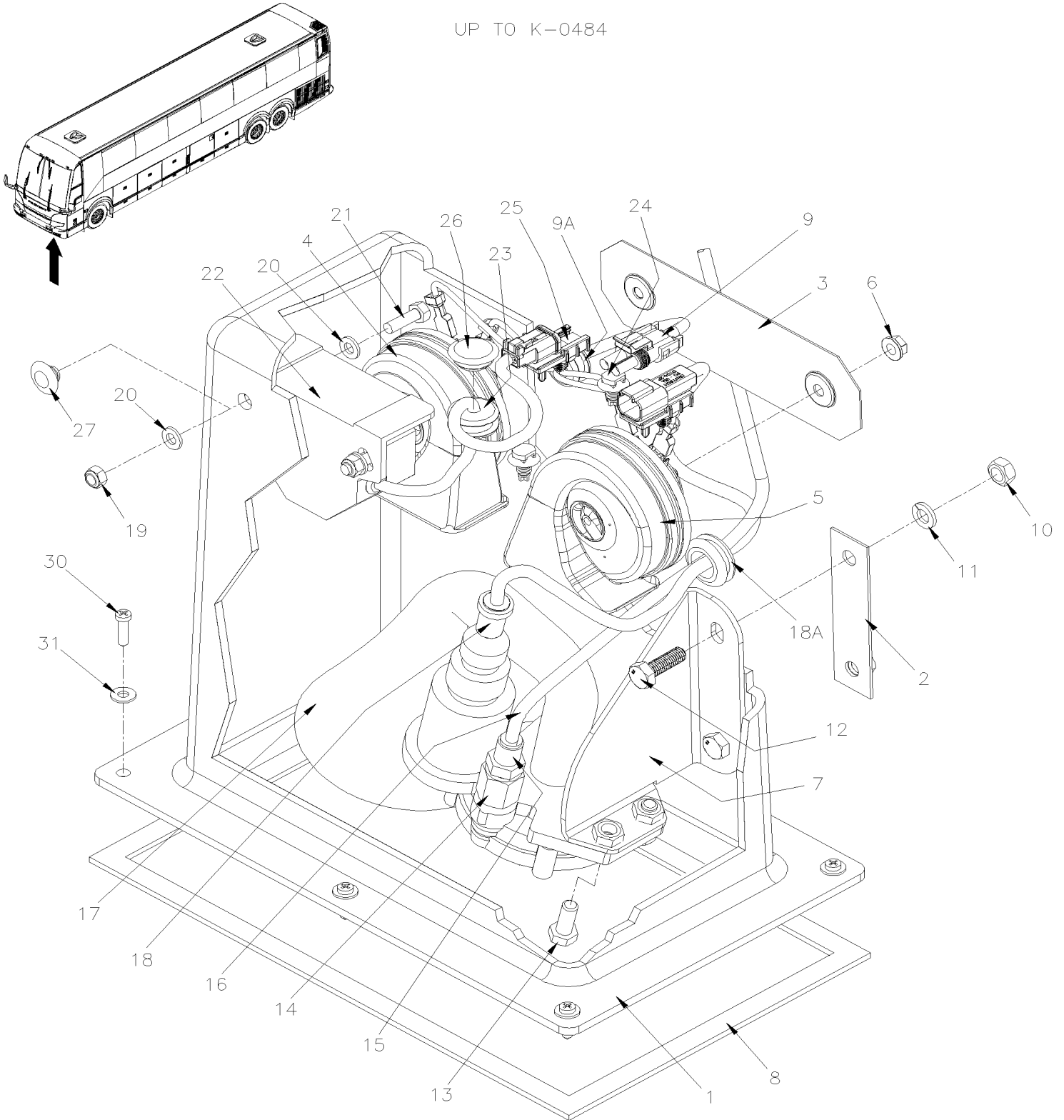
From K-0185 To P-1452

Date:07/2024

PAGE:H9-2310-01

HORN - INSTALLATION

UP TO K-0484



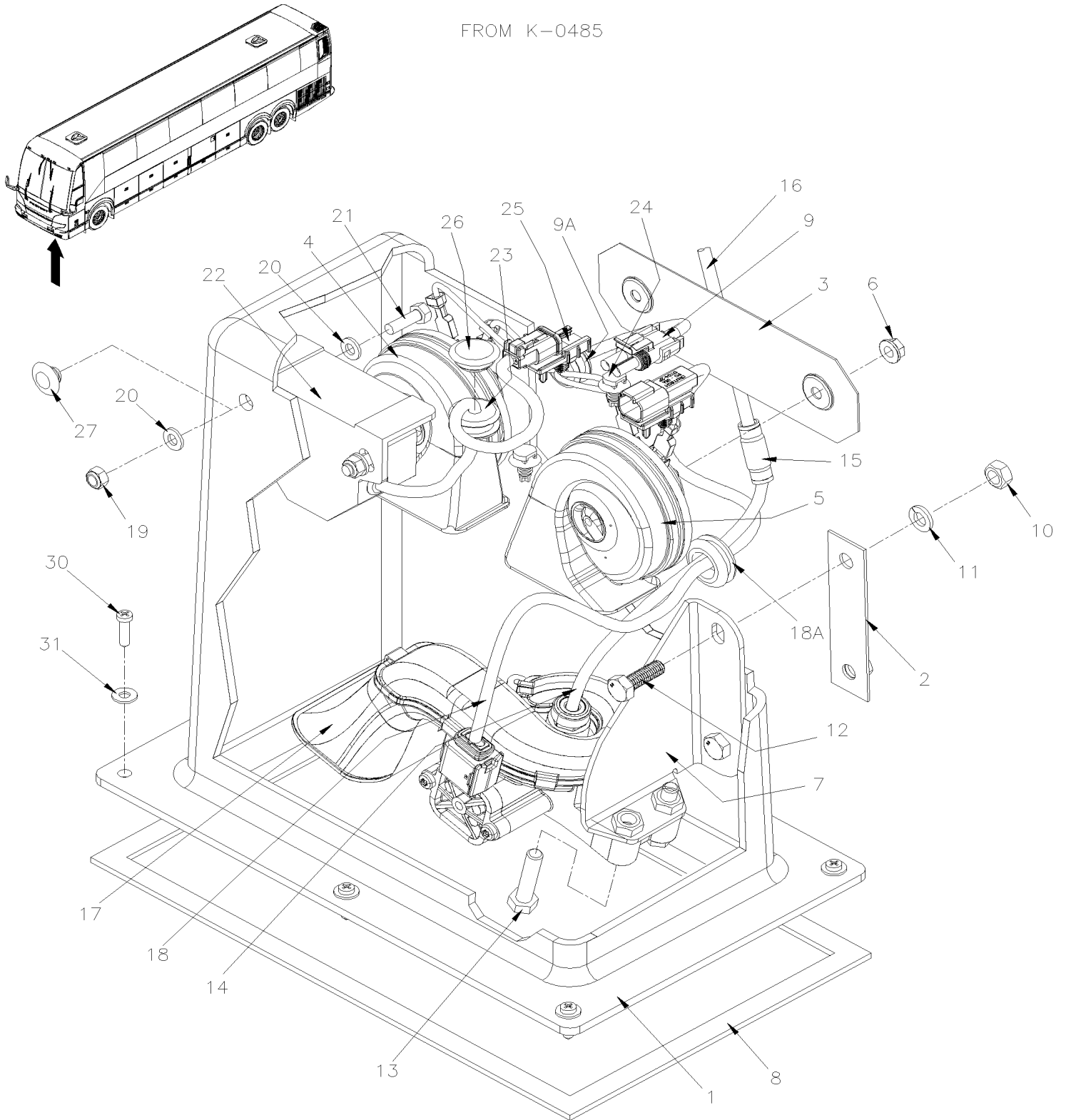
From K-0185 To P-1452

Date:07/2024

PAGE:H9-2310-01

HORN - INSTALLATION

FROM K-0485



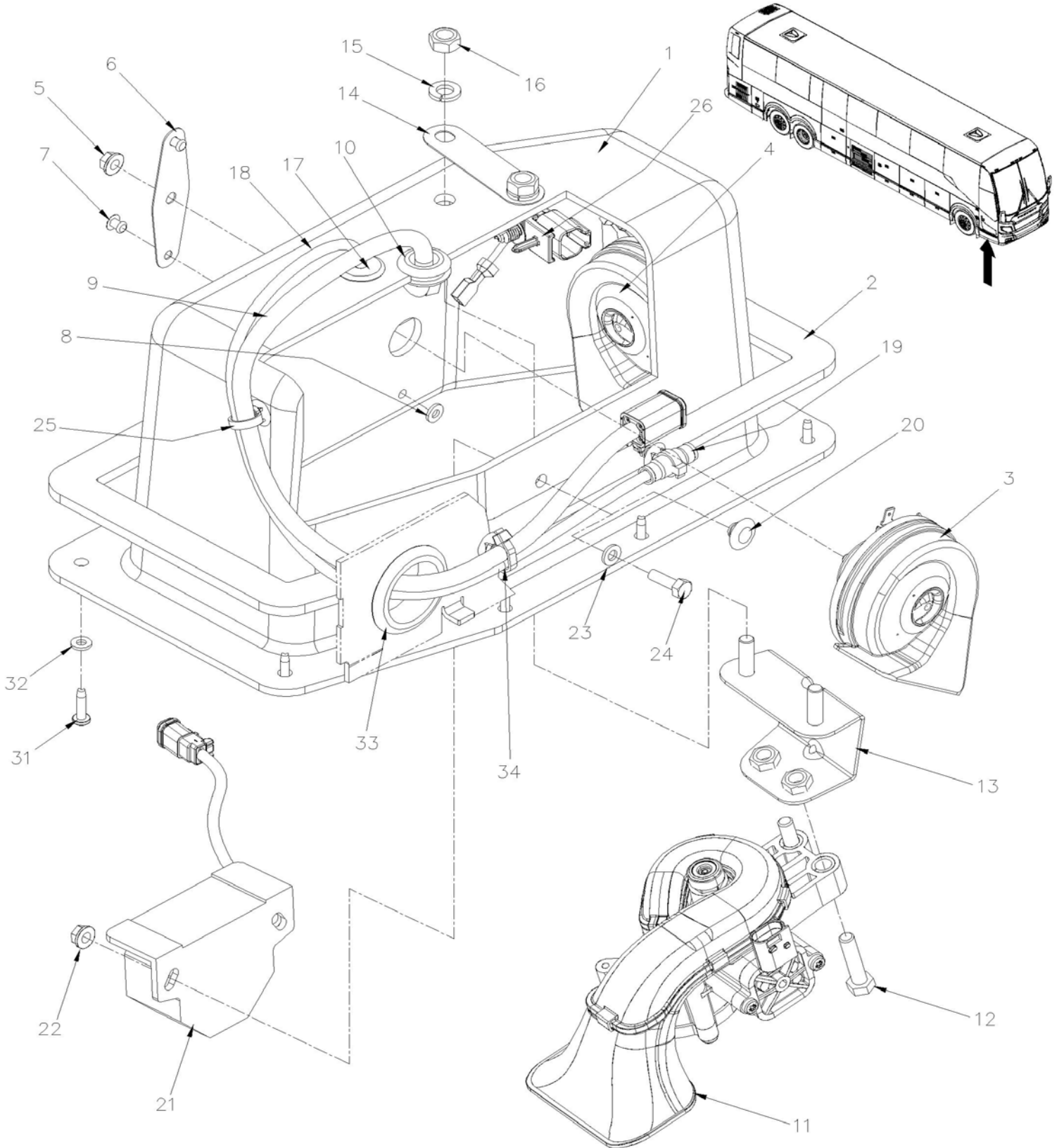
From K-0185 To P-1452	Date:07/2024	PAGE:H9-2310-01
HORN - INSTALLATION		

Item#	Part	Description	H 3 4 1	H 3 4 5	N O T E S
	142443	BOX ASSY W/ELECTRIC HORN 12V AND "KNEELING ALARM"	1	1	
	142442	BOX ASSY W/ELECTRIC HORN 12V	1	1	A
1	140092	. BOX, COVER / ELECTRICAL & AIR	1	1	
2	142840	. ATTACHMENT PLATE AIR HORN	1	1	
3	142846	. ATTACHMENT PLATE ELECTRICAL HORN	1	1	
4	563015	. HORN, ELECTRIC / LOW 405HZ / 12V "FIAM" SERVICE To K-0204	1	1	
4	560624	. HORN, ELECTRIC / LOW 405HZ / 12V "FIAM" SERVICE From K-0205	1	1	
5	563023	. HORN, ELECTRIC / HIGH 485HZ / 12V "FIAM" SERVICE To K-0204	1	1	
5	560625	. HORN, ELECTRIC / HIGH 485HZ / 12V "FIAM" SERVICE From K-0205	1	1	
6	5001835	. NUT HEXF M6-1.0 SS	2	2	
7	142828	. SUPPORT AIR HORN To K-0510	1	1	
7	142852	. SUPPORT AIR HORN From K-0511	1	1	
8	506643	. TAPE RUB ADH1 CC NEO 1/8" x 1/2" x 60' / BLACK 2011	AR	AR	
9	060074	. HARNESS / HORN & CONNECTOR	1	1	
9A	504568	. . GROMMET / .437x.687x.250x.500x1.000	1	1	
NS	680111	. GREASE PROTECTIVE / NYK77 (8 oz)	AR	AR	
10	5001188	. NUT HEX M8-1.25 SS	2	2	
11	5001161	. WASHER LO SPT 8.1x14.8x2.0 SS-304	2	2	
12	5001745	. SCREW CAP HEX M8-1.25x25 G8.8 N500	2	2	
13	502862	. SCREW CAP HEX M8-1.25x20 G8.8 N500 To K-0510	2	2	
13	502836	. SCREW CAP HEX M8-1.25x35 G8.8 N500 From K-0511	2	2	
14	5011304	. FEMALE CONNECTOR / PIPE @ ORB / 1/4NPT-FxM12-1.5 ORB-M To K-0510	14	14	
14	503040	. TUBE, NYLON 6MM O.D. / WHITE S.L. From K-0511	AR	AR	
15	641332	. MALE CONNECTOR / PUSH-IN FITTING / #4x1/4NPT-M BR To K-0510	1	1	
NS	680098	. THREAD SEALANT LOCTITE #567 / WHITE / 250ml To K-0510	AR	AR	
15	641507	. UNION / PUSH-IN FITTING / #4 x 6MM NP From K-0511	1	1	
16	503402	. TUBE, NYLON 1/4 O.D. / BLACK S.L.	AR	AR	
17	21246652	. HORN AIR To K-0510	1	1	B
17	23150684	. HORN AIR From K-0511	1	1	
18	060077	. CABLE ASSY / AIR HORN To K-0510	1	1	
18	0610004	. CABLE ASSY / AIR HORN From K-0511	1	1	
18A	504421	. . GROMMET / .625x.875x.187x.437x1.125	1	1	
19	5001182	. NUT HEX NYRT M6-1.0 SS	2	2	
20	502573	. WASHER FL 6.4x12.5x1.6 SS	4	4	
21	502622	. SCREW CAP HEX M6-1.0x20 SS BK	2	2	
22	065593	. ALARM "KNEELING"	1	1	
. NS	563164	. . ALARM "KNEELING"	1	1	
23	504625	. . GROMMET / .250x.750x.250x.437x1.000	1	1	
24	509815	. TIE MOUNT / ATTACHMENT W/TREE MOUNT	3	3	
25	564108	. SELF MOUNTING STUD // DEUTSCH 1011-310-0205	2	2	
26	5001419	. SNAP-IN PLUG / .375 O.D.	1	1	A
27	504690	. SNAP-IN PLUG / .750 O.D.	2	2	A

From K-0185 To P-1452	Date:07/2024	PAGE:H9-2310-01
HORN - INSTALLATION		

Item#	Part	Description	H 3 4 1	H 3 4 5	N O T E S
30	500623	SCREW TC PAN PH #10-24x3/4 N500	6	6	
31	500804	WASHER FL .203x.500x.047 N500	6	6	
		A) WITHOUT KNEELING			
		B) WHEN YOU REPLACE THE HORN BY THE NEW 23150684 YOU ALSO NEED HARNESS 0610004 , TUBE 145591, ADAPTER 641507, SUPPORT 142852 & SCREW 2X 502836			

	Date:07/2024	PAGE:H9-2310-02
HORN - INSTALLATION		



	Date:07/2024	PAGE:H9-2310-02
HORN - INSTALLATION		

Item#	Part	Description	H 3 4 1	H 3 4 5	N O T E S
	Call order desk	HORN BOX ASSY W/KNEELING ALARM		1	PA
	Call order desk	HORN BOX ASSY W/O KNEELING ALARM		1	PB
1	140131	. HORN BOX		1	
2	140133	. GASKET, HORN BOX		1	
3	560624	. HORN, ELECTRIC / LOW 405HZ / 12V "FIAM" SERVICE		1	
4	560625	. HORN, ELECTRIC / HIGH 485HZ / 12V "FIAM" SERVICE		1	
5	5001835	. NUT HEXF M6-1.0 SS		2	
6	140267	. HORN SUPPORT PLATE		1	
7	504379	. RIVET POP DOME OE 3/16x1/4 SS		4	
8	5001137	. WASHER FL .203x.438x.050 SS		4	
9	0600018	. ELECTRIC HORN HARNESS		1	
10	504567	. GROMMET / .687x1.000x.250x.562x1.312		1	
11	23150684	. HORN AIR		1	
12	502836	. SCREW CAP HEX M8-1.25x35 G8.8 N500		2	
13	142450	. HORN AIR BRACKET		1	
14	142449	. PLATE, FASTENER HORN BOX		1	
15	5001161	. WASHER LO SPT 8.1x14.8x2.0 SS-304		2	
16	5001188	. NUT HEX M8-1.25 SS		2	
17	504625	. GROMMET / .250x.750x.250x.437x1.000		1	
18	503040	. TUBE, NYLON 6MM O.D. / WHITE S.L.		1	
19	641507	. UNION / PUSH-IN FITTING / #4 x 6MM NP		1	
20	5001419	. SNAP-IN PLUG / .375 O.D.		2	B
21	0600149	. ALARM "KNEELING"		1	A
. NS	563164	. . ALARM "KNEELING"		1	A
. NS	562485	. . CONNECTOR / DT SERIES / SH 2C / GRAY / DEUTSCH DT06-2S		1	A
. NS	562488	. . SECONDARY LOCK / DT SERIES / SH 2C / DEUTSCH W2S		1	A
. NS	561608	. . SOCKET TERMINAL / 18-16 / DEUTSCH 0462-201-16141		2	A
22	5001835	. NUT HEXF M6-1.0 SS		2	A
23	5001833	. WASHER BEL SPR 6.1x18x1.27 SS		2	A
24	502622	. SCREW CAP HEX M6-1.0x20 SS BK		2	A
25	509815	. TIE MOUNT / ATTACHMENT W/TREE MOUNT		1	
25	504637	. CABLE TIE / 3/16" x 13"		1	
26	564108	. SELF MOUNTING STUD // DEUTSCH 1011-310-0205		1	
NS	680111	. GREASE PROTECTIVE / NYK77 (8 oz)			AR
31	500623	SCREW TC PAN PH #10-24x3/4 N500		8	
32	5001137	WASHER FL .203x.438x.050 SS		8	
33	504453	GROMMET / 1.500x1.750x.250x.625x2.125		1	
34	509815	TIE MOUNT / ATTACHMENT W/TREE MOUNT		2	
34	504637	CABLE TIE / 3/16" x 13"		2	

		Date:07/2024	PAGE:H9-2310-02
HORN - INSTALLATION			

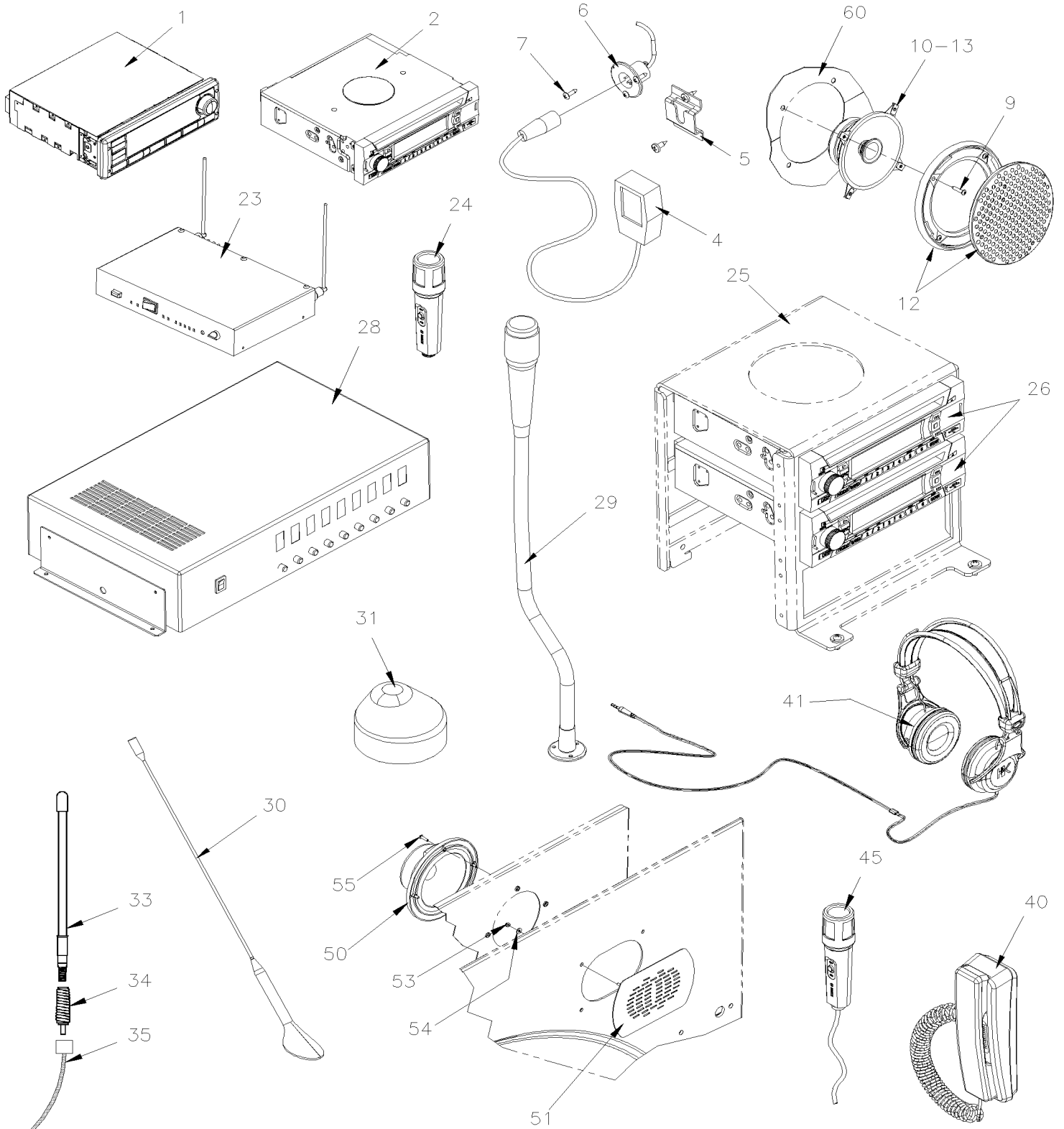
Item#	Part	Description	H 3 4 1	H 3 4 5	N O T E S
		A) WITH KNEELING ALARM			
		B) WITHOUT KNEELING ALARM			
		P) CALL ORDER DESK FOR SPECIFIC APPLICATION (V.I.N.)			

From K-0185

Date:07/2024

PAGE:H9-2315-01

SOUND SYSTEM & ACCESSORIES W/HHED



From K-0185		Date:07/2024	PAGE:H9-2315-01
SOUND SYSTEM & ACCESSORIES W/HHED			

Item#	Part	Description	H 3 4 1	H 3 4 5	N O T E S
1	21516503	CONTROL HEAD / "VOLVO" (VSS-05) To K-0203	1	1	
. NS	21251311	. REMOTE CONTROL / CONTROL HEAD VOLVO / VSS05 To K-0203	1	1	
1	900238	CONTROL HEAD / "VOLVO" (VSS-05A) From K-0204 To N-1172	1	1	
. NS	21251311	. REMOTE CONTROL / CONTROL HEAD VOLVO / VSS05 From K-0204 To N-1172	1	1	
1	563856	CONTROL HEAD / "VOLVO" (VSS-06) From N-1173	1	1	
. NS	21251311	. REMOTE CONTROL / CONTROL HEAD VOLVO / VSS05 From N-1173	1	1	
2	23000462	RADIO "PREVOST" AM/FM/CD & MP3 BLUETOOTH (PANA PACIFIC) To N-1172	1	1	
2	901882	RADIO AM/FM SD CARD USB DEA710 (PANA PACIFIC) From N-1173	1	1	
2	23000444	RADIO "PREVOST" AM/FM/CD & MP3 BLUETOOTH & XM & SIRIUS (PANA PACIFIC) To N-1172	1	1	
2	901883	RADIO "PREVOST" AM/FM/CD & MP3 BLUETOOTH & XM & SIRIUS (PANA PACIFIC) From N-1173	1	1	
NS	406440	ATTACHMENT / RADIO	AR	AR	
NS	500989	WASHER FL .219x.875x.062 Z050	AR	AR	
NS	500470	WASHER LO SPT .193x.334x.047 Z050	AR	AR	
NS	502816	NUT HEX M5-0.8 N500	AR	AR	
4	900808	MICROPHONE / W/6' CORD / "REI" TYPE C.B.	1	1	
. NS	900721	. CONNECTOR MICROPHONE 90° / R4F	1	1	
4	900829	MICROPHONE / W/10' CORD / "REI" TYPE C.B.	1	1	
. NS	900721	. CONNECTOR MICROPHONE 90° / R4F	1	1	
. NS	900900	. CABLE MICROPHONE 10' / "REI"	1	1	
4	901286	MICROPHONE / W/10' CORD / "REI" TYPE C.B.	1	1	
. NS	900721	. CONNECTOR MICROPHONE 90° / R4F	1	1	
. NS	900900	. CABLE MICROPHONE 10' / "REI"	1	1	
4	7770304	HANDS FREE MICROPHONE	1	1	
5	900859	BRACKET, MOUNTING / MICROPHONE	AR	AR	
NS	500583	SCREW TP PAN PH #6x1/2 Z050 To P-1452	AR	AR	
NS	5001332	SCREW MA PAN PH M4-0.7x16 SS From R-1453		2	
NS	5002031	WASHER FL 4.3X12X1 SS From R-1453		2	
NS	5001409	NUT HEX STO M4-0.7 Z050 From R-1453		2	
6	404226	OUTLET, MICROPHONE / 12" W/CONNECTOR	AR	AR	
7	500798	SCREW TP PAN PH #4-3/8 ZP To P-1452	AR	AR	
7	502577	SCREW MA PAN PH M3-0.5x16 ZP From R-1453		3	
7	5001970	WASHER FL 3.2x9.0x1.0 ZP From R-1453		3	
7	5001408	NUT HEX STO M3-0.5 ZP From R-1453		3	
9	500814	SCREW TP BDG PH #6x3/4 BK To P-1452	4	4	
9	500854	SCREW TC BDG PH #8-32x3/4 N500 From R-1453		4	
10	500996	NUT SPR U #6-32 .135-.150 To P-1452	4	4	
12	901195	SPEAKER COAXIAL To R-1497	1	1	
12	901908	SPEAKER 100MM From R-1498		1	
12	901261	GRILLE / SPEAKER NO STAMPED To R-1497	1	1	
12	901909	GRILLE / SPEAKER From R-1498		1	
12	0611003	CABLE / LAVATORY SPEAKER	1	1	C
13	066704	CABLE SPEAKER / JCT & LH & RH	1	1	

From K-0185		Date:07/2024	PAGE:H9-2315-01
SOUND SYSTEM & ACCESSORIES W/HHED			

Item#	Part	Description	H 3 4 1	H 3 4 5	N O T E S
23	901657	RECEIVER WIRELESS MICROPHONE / 200 CHANNEL To K-0624	1	1	
23	901702	RECEIVER WIRELESS MICROPHONE / 200 CHANNEL From K-0625	1	1	
NS	500799	SCREW TC PAN PH #8-32x3/8 N500	4	4	
24	901640	MICROPHONE, WIRELESS / 100 CHANNEL To K-0624	1	1	
24	901701	MICROPHONE, WIRELESS / 100 CHANNEL From K-0625	1	1	
. NS	685199	. BATTERY 1.5V / TYPE "AA" / RECHARGEABLE From K-0625	2	2	
24	IS23524	KIT, WIRELESS MICROPHONE INST. From K-0625	1	1	D
24	901639	STATION WIRELESS BATTERY CHARGING 100 CHANNEL	1	1	
25	H9-2317-31	VIDEO & AUDIO SYSTEM - INSTALLATION W/HHED To P-1452			
25	H9-2317-32	VIDEO & AUDIO SYSTEM - INSTALLATION W/HHED From R-1453	1	1	
26	23000444	RADIO "PREVOST" AM/FM/CD & MP3 BLUETOOTH & XM & SIRIUS (PANA PACIFIC) To N-1172	1	1	
26	901883	RADIO "PREVOST" AM/FM/CD & MP3 BLUETOOTH & XM & SIRIUS (PANA PACIFIC) From N-1173	1	1	
26	23000462	RADIO "PREVOST" AM/FM/CD & MP3 BLUETOOTH (PANA PACIFIC) To N-1172	1	1	
26	901882	RADIO AM/FM SD CARD USB DEA710 (PANA PACIFIC) From N-1173	1	1	
27	901748	KIT SATELLITE TV ANTENNA. KVH RV1 From L-0865	1	1	A
27	901749	KIT, TRACKVISION RECEIVER DIRECT TV From L-0865	1	1	A
28	H9-2315-21	INDIVIDUAL STATIONS - "R.E.I." W/HHED			
29	901045	MICROPHONE / W/GOOSE NECK 36"	1	1	
NS	500862	SCREW TC PAN PH #6-32x3/4 Z050	3	3	
NS	504234	SPRING CLIP 5/16" To P-1452	2	2	
NS	504234	SPRING CLIP 5/16" From R-1453		1	
NS	500409	SCREW TP PAN PH #8x1/2 BK To P-1452	2	2	
NS	5001155	SCREW TP PAN PH #8X3/4 N050 From R-1453		1	
NS	500996	NUT SPR U #6-32 .135-.150 From R-1453		1	
30	901371	ANTENNA, RADIO / W/AMPLIFIER To L-0822	1	1	
30	23037107	ANTENNA AM/FM/DAB W/SPRING 200MM From L-0823	1	1	
30	22571367	ANTENNA AM/FM/DAB 200MM From L-0823	1	1	
30	22472986	ANTENNA AM/FM/DAB FLEXABLE From L-0823	1	1	
30	900060	EXTENSION CABLE FOR RADIO ANTENNA 20' To L-0822	1	1	
30	901728	CABLE RG58 AM-FM ANTENNA FAKRA B FEM WHT 25' From L-0823	1	1	
30	901371	ANTENNA, RADIO / W/AMPLIFIER	1	1	O
30	900060	EXTENSION CABLE FOR RADIO ANTENNA 20'	1	1	O
30	901372	CABLE ADAPTOR / RADIO & ANTENNA CABLE / MOTOROLA / M TO EURO / F	1	1	O
NS	900775	Y RADIO ANTENNA CABLE / TO USE W/2 RADIOS	AR	AR	
NS	900663	ADAPTOR / RADIO & ANTENNA CABLE / MOTOROLA MALE to EURO FEMA	AR	AR	
NS	901219	ANTENNA ROOF "XM" & SIRIUS"	1	1	
. NS	901220	. CABLE, ANTENNA EXTENSION / "XM & SIRIUS"	1	1	
31	901124	ANTENNA ASSY / CELLULAR	1	1	
33	900888	ANTENNA ASSY / C.B. / 12"	1	1	
33	901563	ANTENNA ASSY 170MM	1	1	
34	900895	SPRING EXTENSION / .828 O.D. x 3.010 X .104 W/3/8	1	1	
35	900889	CABLE, ANTENNA 22' / 511386	1	1	

From K-0185		Date:07/2024	PAGE:H9-2315-01
SOUND SYSTEM & ACCESSORIES W/HHED			

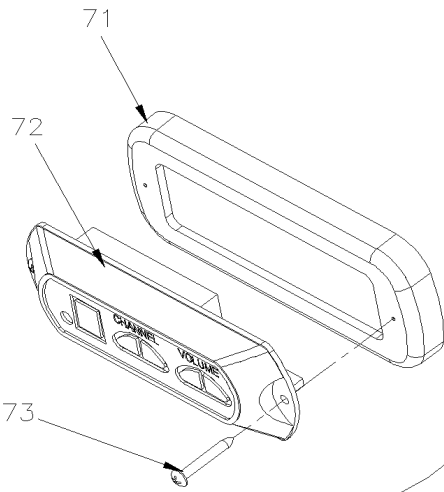
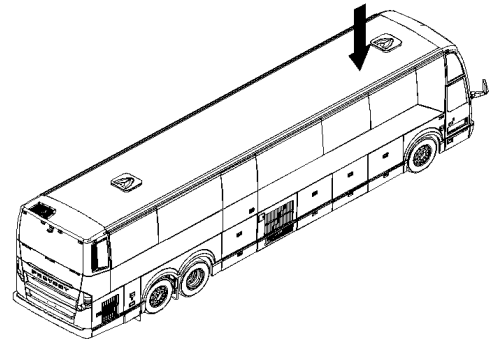
Item#	Part	Description	H 3 4 1	H 3 4 5	N O T E S
NS	5001242	WASHER SHR .375x.110 NYL	2	2	
NS	403488	WASHER	1	1	
NS	685126	ADHESIVE SIMSON #ISR 70-03 / GREY / 600ml SAUSAGE	AR	AR	
40	901446	INTERCOM SYS. DUAL HANDSET AT-406B	1	1	
40	901447	POWER ADAPTER 120VAC TO 6VDC	1	1	
41	900881	HEAD SET EARPHONE	AR	AR	
. NS	900882	. FOAM CUSHION PAD / (SET OF 2) / FOR 900881	1	1	
41	900882	. FOAM CUSHION PAD / (SET OF 2) / FOR 900881	AR	AR	
45	900745	MICROPHONE / W/10' CORD / "SHURE" / TYPE ENTERTAINER	1	1	
. NS	900900	. CABLE MICROPHONE 10' / "REI"	1	1	
50	563011	SPEAKER / EXTERIOR / PIONEER	1	1	B
51	491474	GRILLE SS / SPEAKER / EXTERIOR 200MM X 130	1	1	B
53	502557	NUT HEX NYRT M4-0.7 SS	4	4	B
54	504357	WASHER FL .187x.437x.050 SS	4	4	B
55	502698	SCREW MA PAN PH M4-0.7x16 SS BK	4	4	B
60	H9-1812-00	MODESTY PANEL L.H. To P-1452			
60	H9-1812-01	MODESTY PANEL L.H. From R-1453			
		A) MONCTON WILDCAT OPTION			
		B) WITH EXTERIOR SPEAKER FIXED FRONT FENDER PANEL			
		C) USE WITH LAVATORY WALL SPEAKER			
		D) SEE IS-23524 FOR ALL DETAILS			
		O) USE WITH INDIVIDUAL HEADSET			

From K-0185 To P-1452

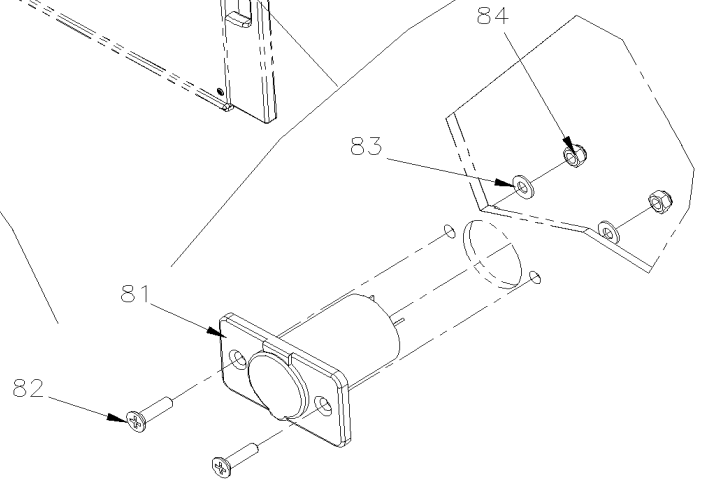
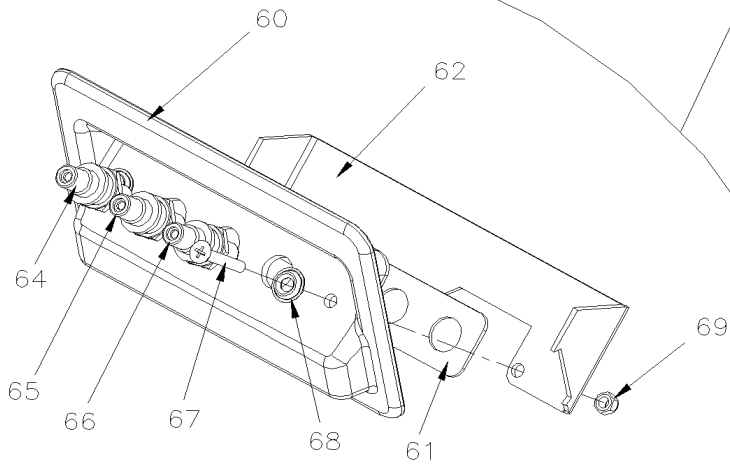
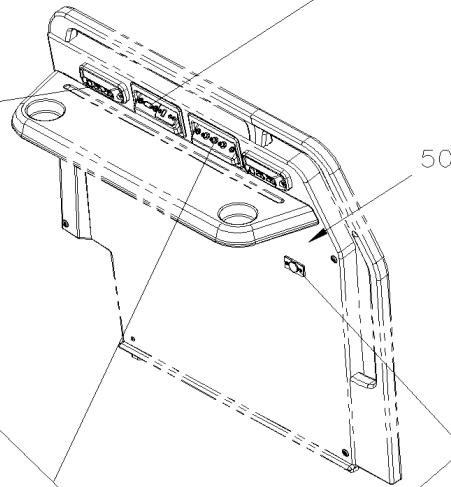
Date:07/2024

PAGE:H9-2315-06

"USB" & "RCA" CABLE & CONVERTER & 12 VOLTS W/HHD



DETAIL "A"

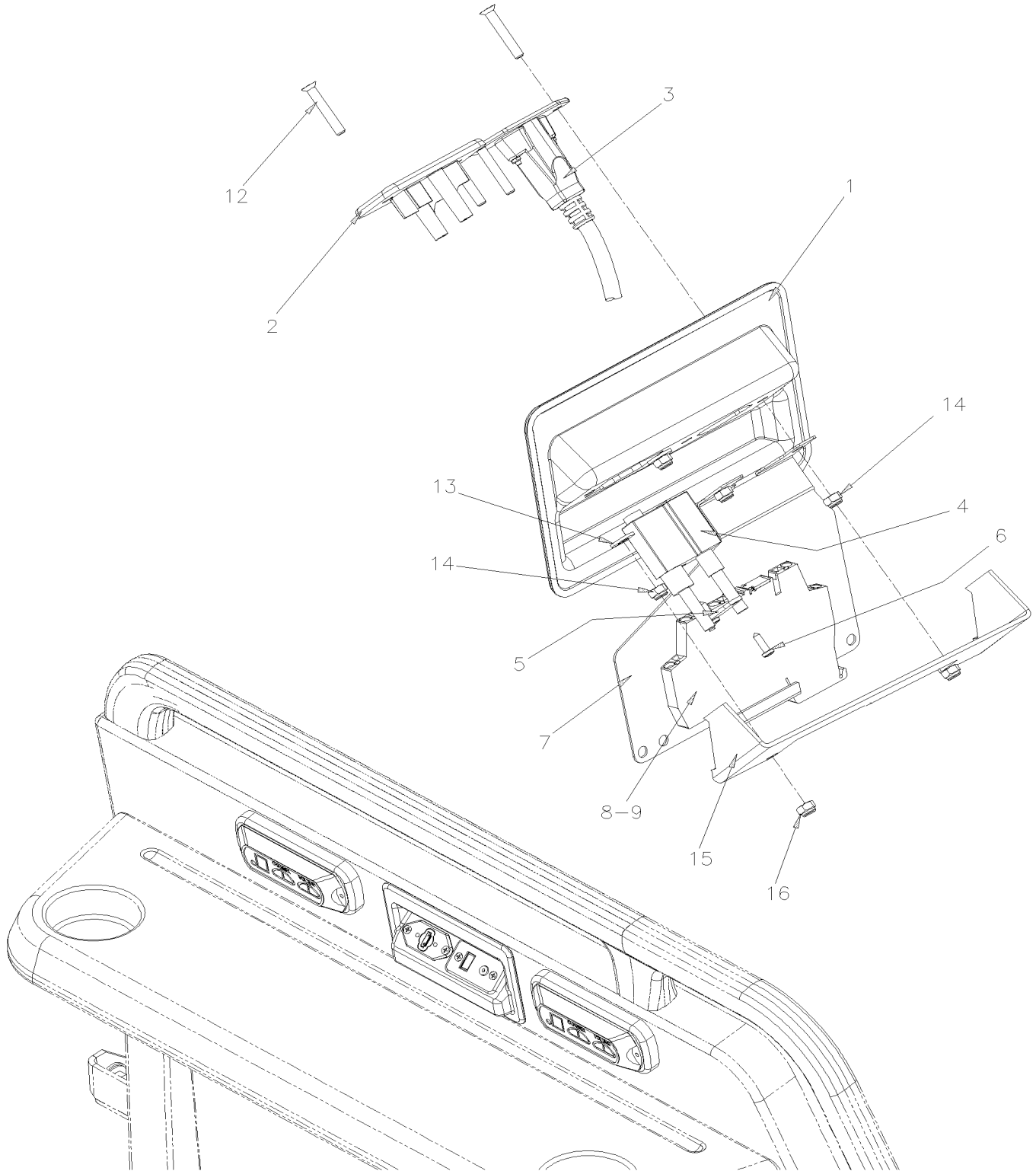


From K-0185 To P-1452

Date:07/2024

PAGE:H9-2315-06

"USB" & "RCA" CABLE & CONVERTER & 12 VOLTS W/HHD

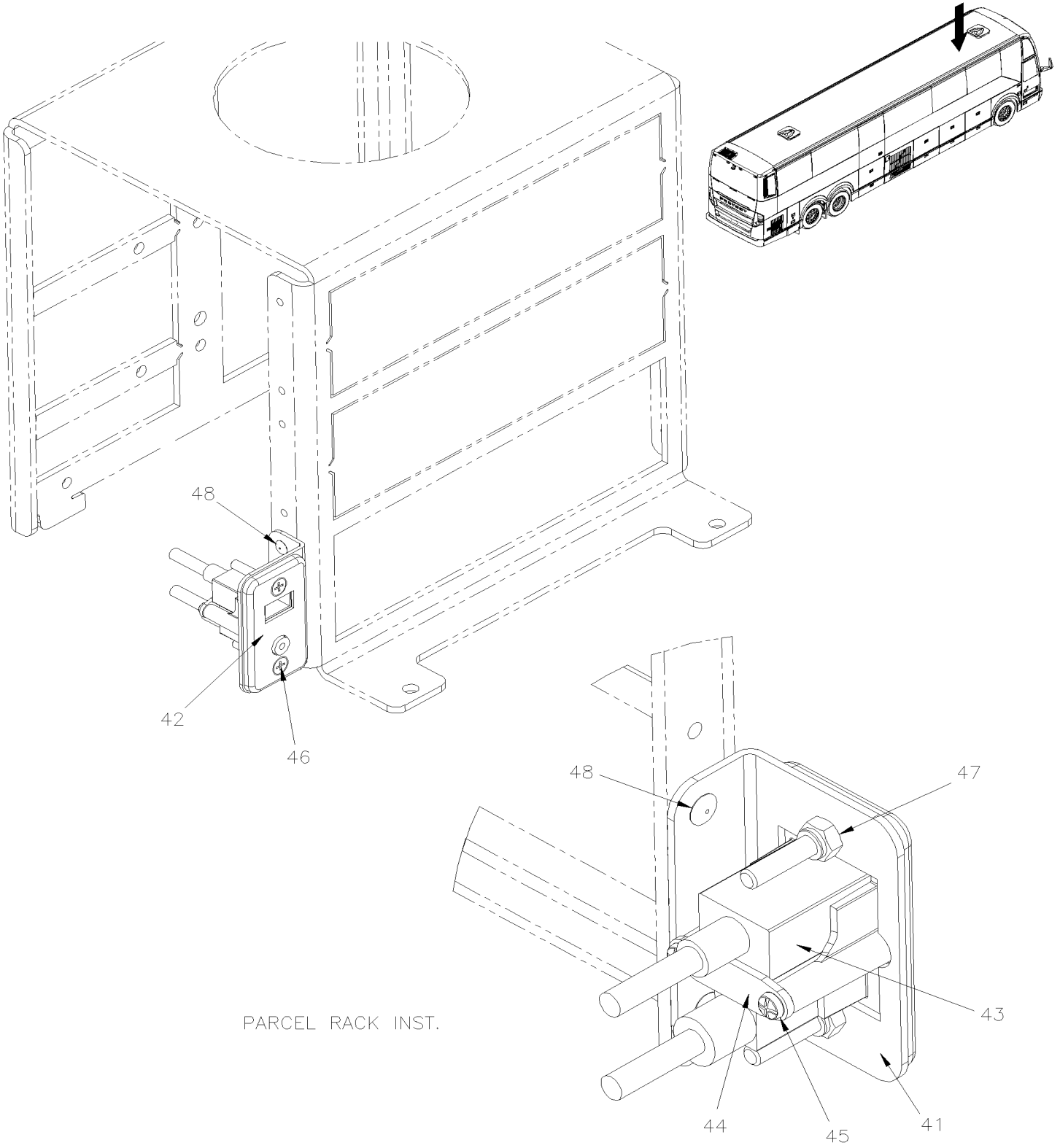


From K-0185 To P-1452

Date:07/2024

PAGE:H9-2315-06

"USB" & "RCA" CABLE & CONVERTER & 12 VOLTS W/HED



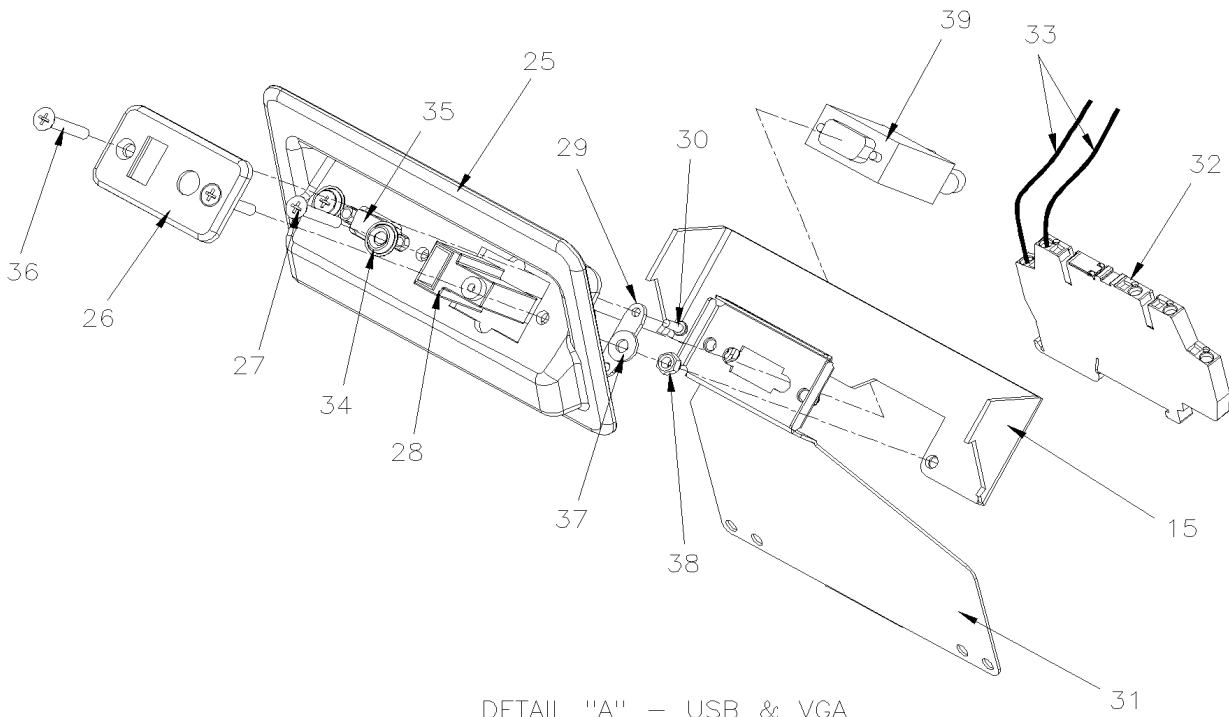
PARCEL RACK INST.

From K-0185 To P-1452

Date:07/2024

PAGE:H9-2315-06

"USB" & "RCA" CABLE & CONVERTER & 12 VOLTS W/HHD



DETAIL "A" - USB & VGA

From K-0185 To P-1452	Date:07/2024	PAGE:H9-2315-06
"USB" & "RCA" CABLE & CONVERTER & 12 VOLTS W/HHD		

Item#	Part	Description	H 3 4 1	H 3 4 5	NOTES
	400183P	CONVERTER & HDMI / USB PLUG ASSY	1	1	
1	400185	. COVER CONVERTER MODULE "HDMI" / "USB"	1	1	
2	406413	. SUPPORT "USB" CONNECTOR	1	1	
3	900053	. HDMI CONNECTOR ASSY	1	1	
4	901349	. CABLE USB ASSY W/2 RESISTORS 870MM	1	1	
5	406414	. PLATE RETAINER "USB" CONECTOR	1	1	
6	500798	. SCREW TP PAN PH #4-3/8 ZP	2	2	
7	400184	. PANEL, HDMI OUTLET	1	1	
8	901345	. REGULATOR 5 Volt 500ma	1	1	
9	060660	. CABLE HARNESS "USB" 5 Volt	1	1	
12	5001429	. SCREW MA FL PH M4-0.7x25 BK	4	4	
13	500855	. WASHER FL .188x.438x.049 N500	2	2	
14	500539	. NUT HEX NYRT M4-0.7 N500	4	4	
15	406406	BRACKET MODULE RETAINER REAR OF PANEL	1	1	
16	500539	NUT HEX NYRT M4-0.7 N500	2	2	
NS	901352	CABLE EXTENSION 3.5MM 3 FT / MALE-MALE	1	1	
NS	900034	CABLE HDMI E / 15'	1	1	
NS	900047	CABLE HDMI E / 25'	1	1	
NS	069182	POWER CABLE USB OPTION	1	1	
23	0610228	CABLE, 12V C_AUX BOTH MOD. PANEL	1	1	SP
24	409993P	CONVERTER VGA & "USB" PLUG ASSY	1	1	
24	409317P	CONVERTER & "USB" / MP3 PLUG ASSY	1	1	
25	406384	. COVER CONVERTER MODULE "USB" & "VGA"	1	1	
25	406399	. COVER CONVERTER MODULE "USB" / MP3	1	1	
26	406413	. SUPPORT "USB" CONNECTOR	1	1	
27	5001429	. SCREW MA FL PH M4-0.7x25 BK	4	4	
28	901349	. CABLE USB ASSY W/2 RESISTORS 870MM	1	1	
29	406414	. PLATE RETAINER "USB" CONECTOR	1	1	
30	500798	. SCREW TP PAN PH #4-3/8 ZP	2	2	
31	406385	. SUPPORT PANEL "VGA" SOCKET ALUMINUM	1	1	
32	901345	. REGULATOR 5 Volt 500ma	1	1	
32	504273	. CABLE TIE / 1/8" X 3" 1/2	2	2	
33	068007	. CABLE HARNESS "USB" 5 Volt			
33	060660	. CABLE HARNESS "USB" 5 Volt	1	1	
34	500345	. WASHER FN CKF .187x.500x.090 BR BK	2	2	
35	901351	. ADAPTOR "VGA" / DB15 / FEMALE-FEMALE	1	1	
36	5001429	. SCREW MA FL PH M4-0.7x25 BK	4	4	
37	500855	. WASHER FL .188x.438x.049 N500	2	2	
38	500539	. NUT HEX NYRT M4-0.7 N500	6	6	
39	068301	WIRING HARNESS SOUND SYSTEM BELL HORIZON	1	1	
41	406501	SUPPORT "USB" CONECTOR	1	1	
42	406413	SUPPORT "USB" CONNECTOR	1	1	

From K-0185 To P-1452	Date:07/2024	PAGE:H9-2315-06
"USB" & "RCA" CABLE & CONVERTER & 12 VOLTS W/HHD		

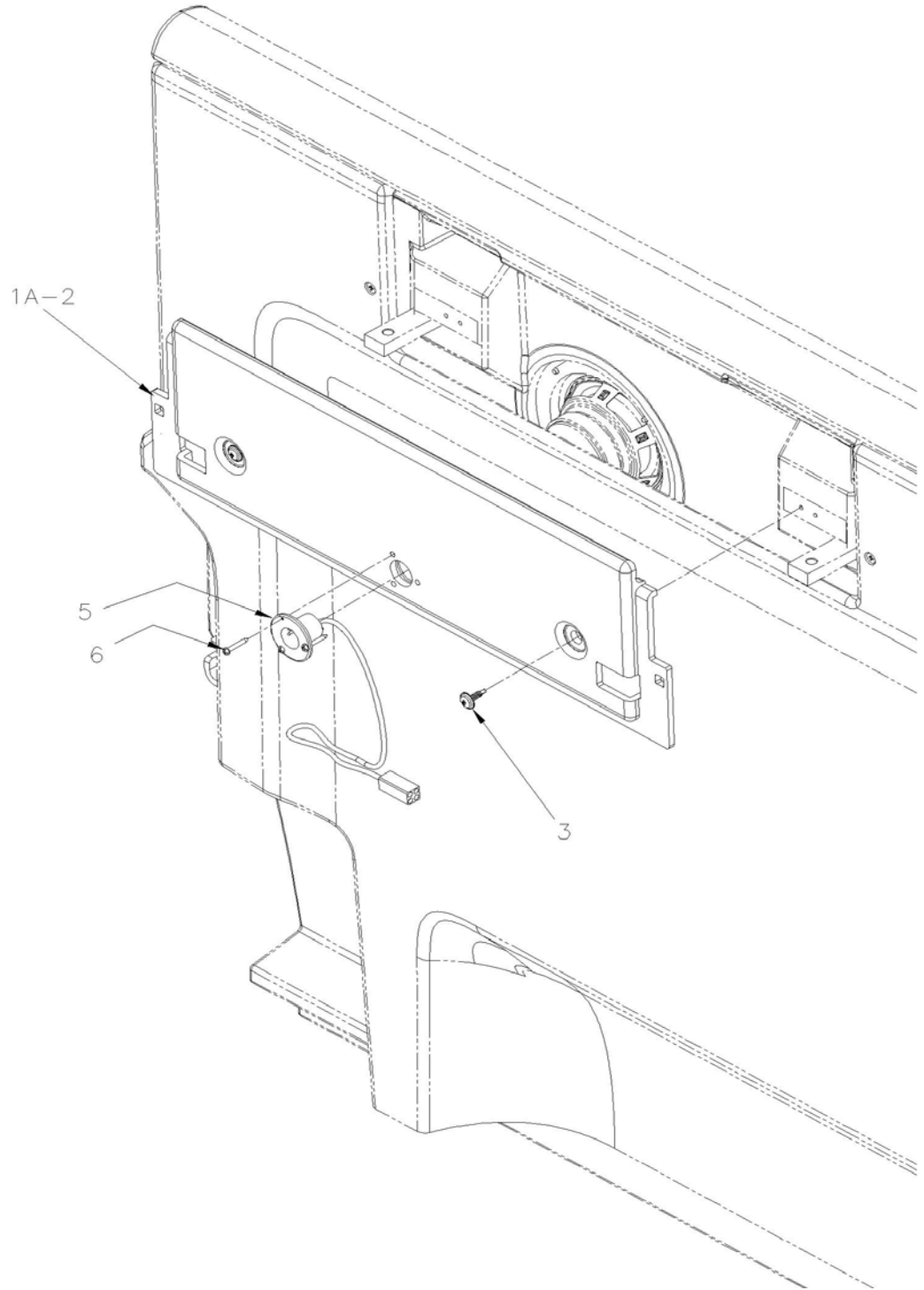
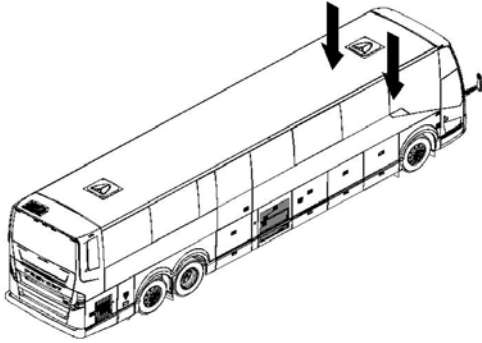
Item#	Part	Description	H 3 4 1	H 3 4 5	N O T E S
43	21280133	CABLE USB / (DRAWER TO RADIO) / I-POD CONECTOR	1	1	
44	406414	PLATE RETAINER "USB" CONECTOR	1	1	
45	500798	SCREW TP PAN PH #4-3/8 ZP	2	2	
46	5001429	SCREW MA FL PH M4-0.7x25 BK	2	2	
47	500539	NUT HEX NYRT M4-0.7 N500	2	2	
48	504105	RIVET POP DOME OE 1/8x3/16 AL	AR	AR	
50	H9-1810-00	MODESTY PANEL R.H.			
50	H9-1812-00	MODESTY PANEL L.H.			
60	409996	CASE, RCA OUTLET	1	1	
61	406503	REINFORCEMENT, RCA OUTLET	1	1	
62	406406	BRACKET MODULE RETAINER REAR OF PANEL	1	1	
64	901404	ADAPTOR FEMALE / FEMALE JOINT / NUT / RED / RCA	1	1	
65	901405	ADAPTOR FEMALE / FEMALE JOINT / NUT / WHITE / RCA	1	1	
66	901406	ADAPTOR FEMALE / FEMALE JOINT / NUT / YELLOW / RCA	1	1	
67	5001429	SCREW MA FL PH M4-0.7x25 BK	2	2	
68	500345	WASHER FN CKF .187x.500x.090 BR BK	2	2	
69	500539	NUT HEX NYRT M4-0.7 N500	2	2	
71	405199	RECEPTACLE BOX / PLASTIC	2	2	
72	901006	SELECTOR HEAD SET MODULE	2	2	
73	5001145	SCREW TP BDG PH #6x1 BK	4	4	
		12 VOLTS POWER OUTLET PARCEL RACK INSTALLATION			
76	382598	12 VOLTS POWER OUTLET ASSY	1	1	
NS	562796	12 VOLTS POWER OUTLET	1	1	
81	562796	12 VOLTS POWER OUTLET	1	1	
NS	561566	CONNECTOR / WEATHER PACK / PH 2C / BLACK / PED 12010973	1	1	
NS	561568	PIN TERMINAL / 16-14 / PED 12089305	2	2	
NS	561690	CONNECTOR / WEATHER PACK / SH 2C / BLACK / PED 12015792	1	1	
NS	561578	SOCKET TERMINAL / 16-14 / PED 12010182	2	2	
NS	561539	TAB RECEPTACLE TERMINAL INSUL. NYLON / 16 / AMP 3-520141-2	2	2	
NS	562229	BUTT SPLICE / 22-16 / AMP 31818	2	2	
NS	562585	WIRE CABLE 14 / BLACK / TXL	AR	AR	
NS	562591	WIRE CABLE 14 / YELLOW / TXL	AR	AR	
NS	560784	SHRINK TUBING / .250" - .080" / BLACK / ALPHA FIT-300-1/4-4B	AR	AR	
NS	561681	CONVOLUTED TUBING / SLIT / BLACK & GRAY / .350"	AR	AR	
NS	504637	CABLE TIE / 3/16" x 13"	AR	AR	
82	5001414	SCREW MA FL PH M4-0.7x16 BK	2	2	
83	502690	WASHER FL 4.3x9.0x0.8 Z050	2	2	
84	500539	NUT HEX NYRT M4-0.7 N500	2	2	

From K-0185 To P-1452	Date:07/2024	PAGE:H9-2315-06
-----------------------	--------------	-----------------

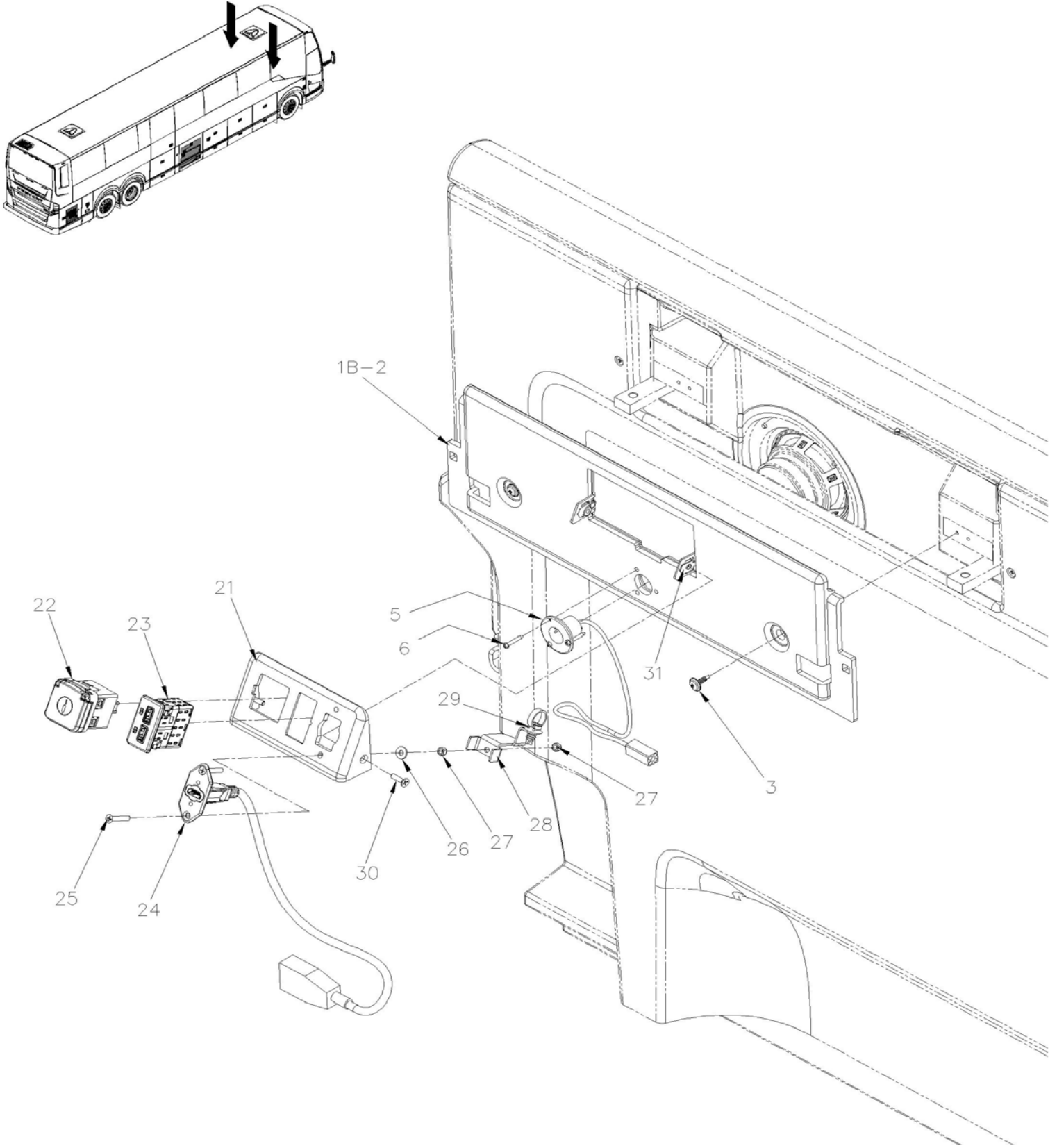
"USB" & "RCA" CABLE & CONVERTER & 12 VOLTS W/HHED

Item#	Part	Description	H 3 4 1	H 3 4 5	N O T E S
		SP) SPECIAL, CUSTOMER ADAPTATION			

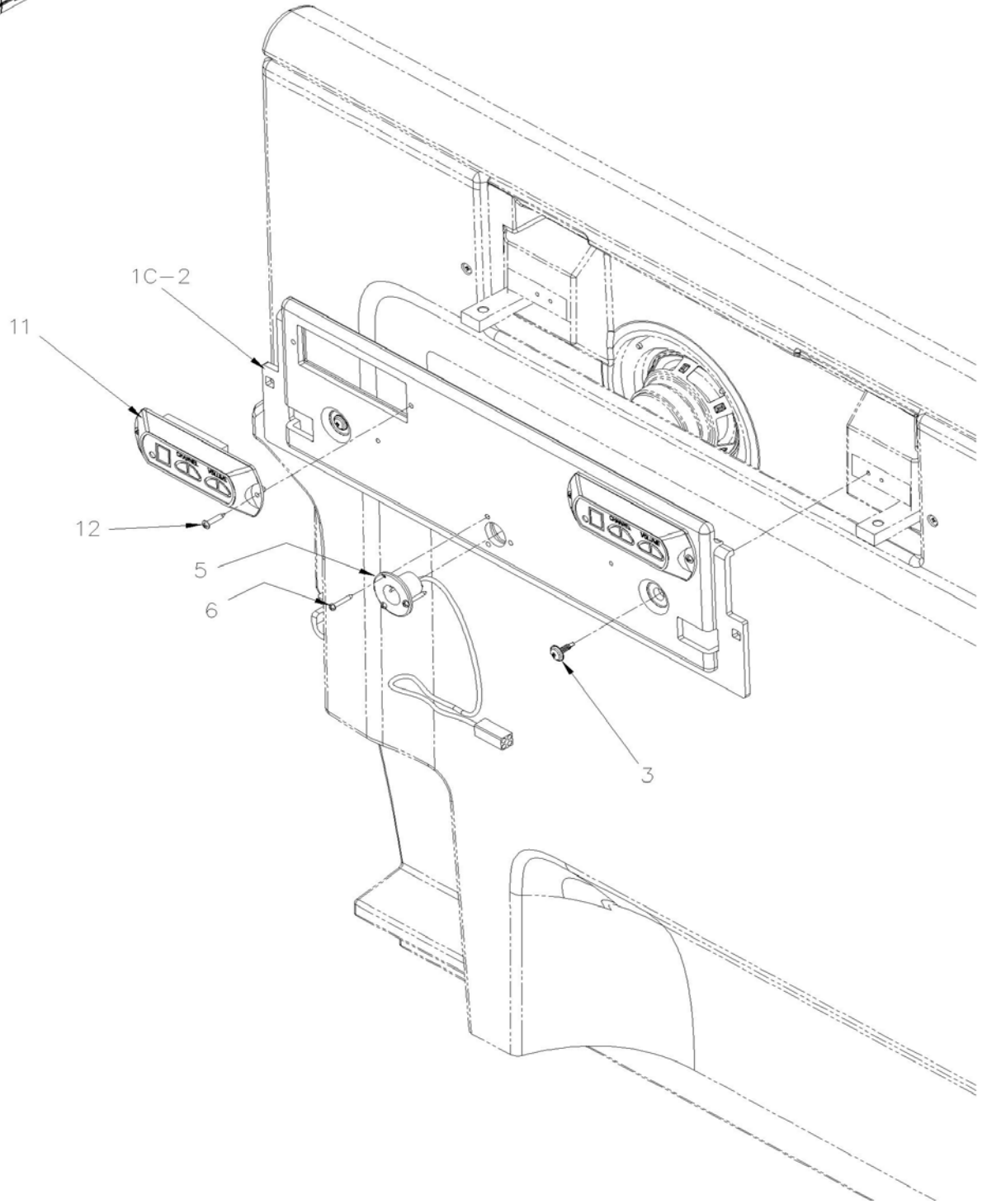
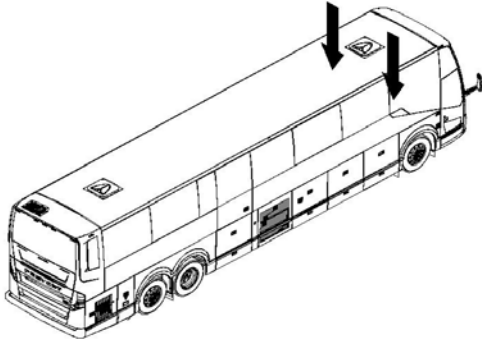
	Date:07/2024	PAGE:H9-2315-07
"USB" & "HDMI" & AUDIO/VIDEO CONTROL		



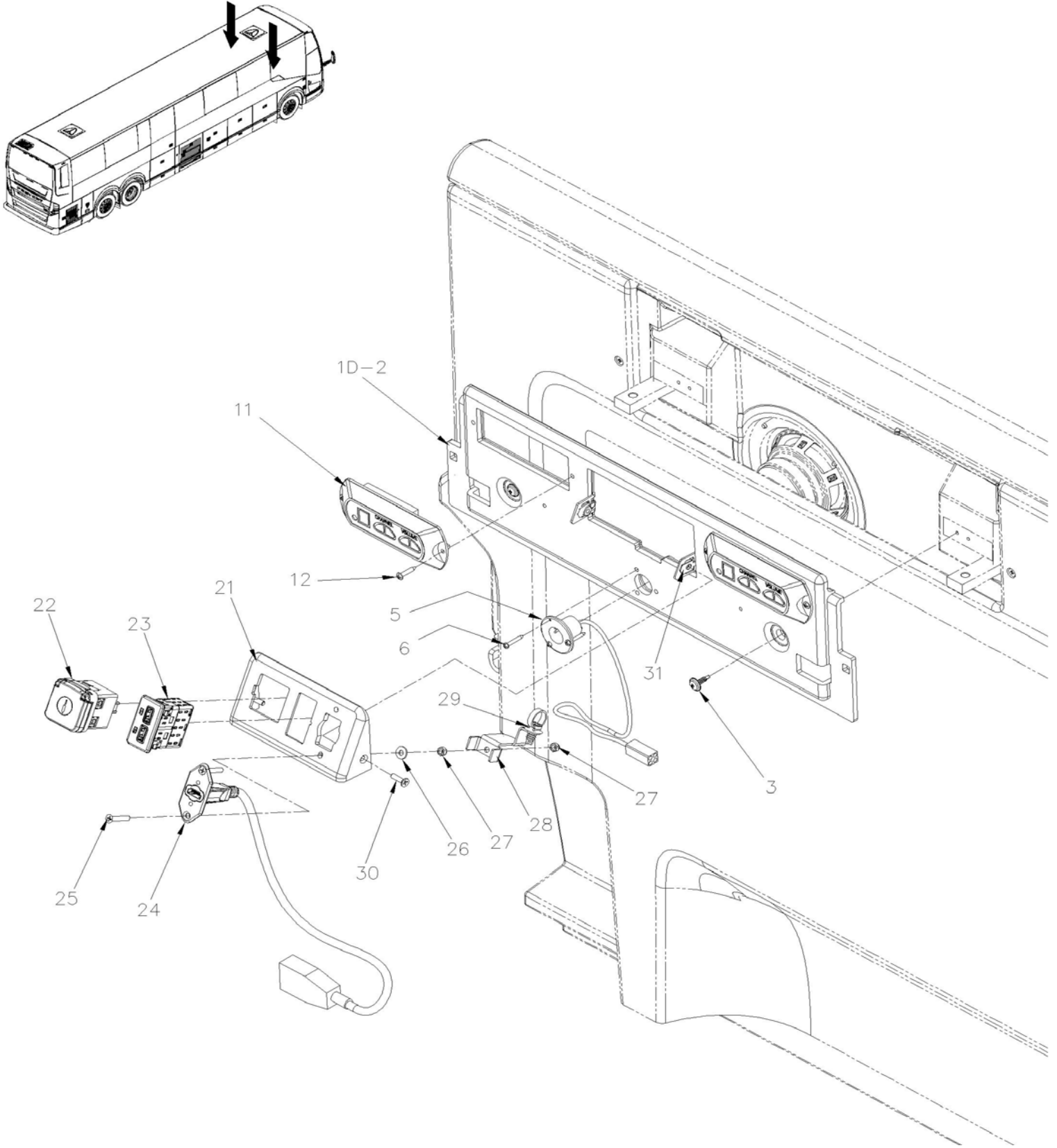
	Date:07/2024	PAGE:H9-2315-07
"USB" & "HDMI" & AUDIO/VIDEO CONTROL		



	Date:07/2024	PAGE:H9-2315-07
"USB" & "HDMI" & AUDIO/VIDEO CONTROL		



	Date:07/2024	PAGE:H9-2315-07
"USB" & "HDMI" & AUDIO/VIDEO CONTROL		



		Date:07/2024	PAGE:H9-2315-07
"USB" & "HDMI" & AUDIO/VIDEO CONTROL			

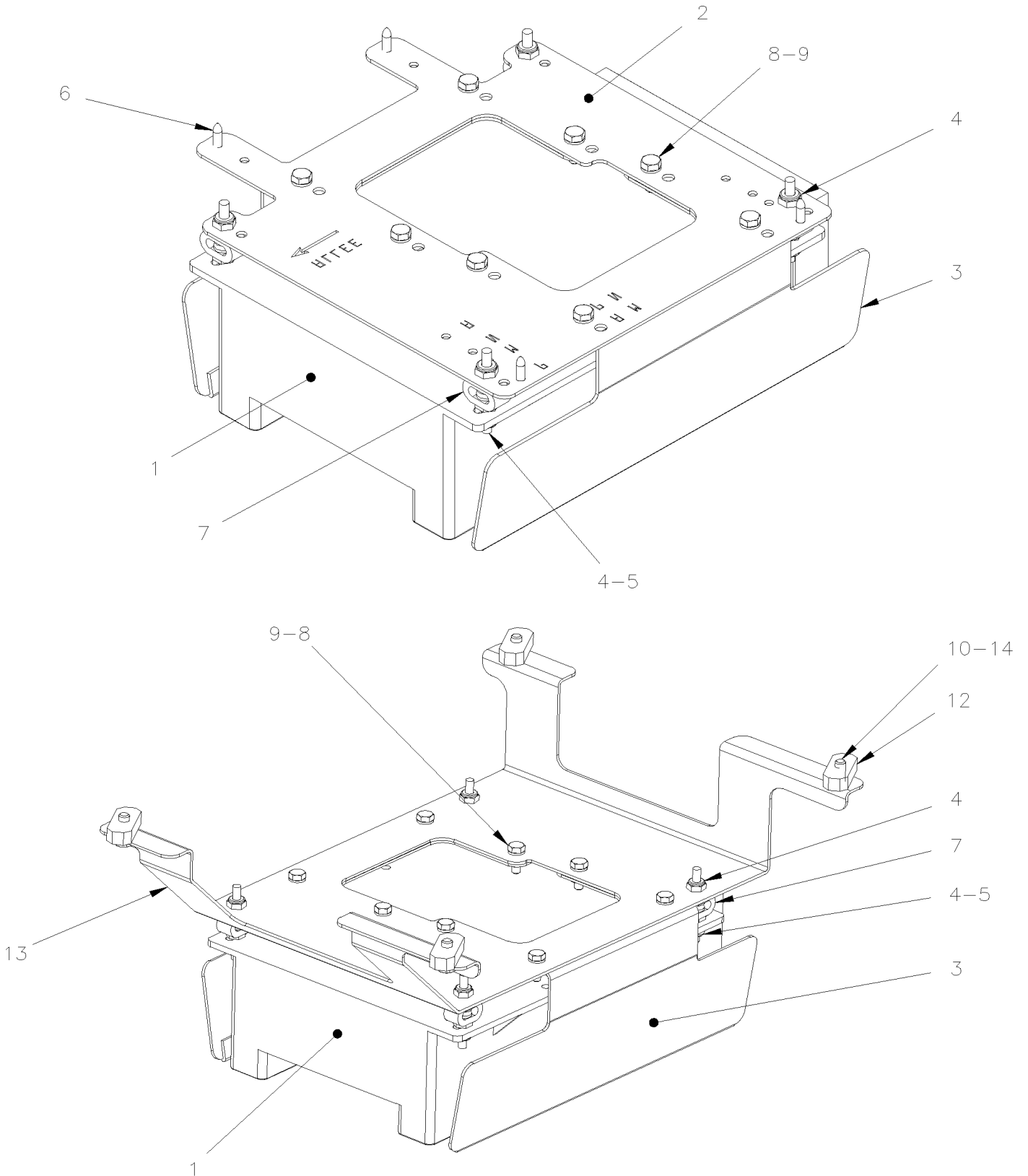
Item#	Part	Description	H 3 4 1	H 3 4 5	N O T E S
1A	3211628	PANEL, NO OPTION		1	
1B	3211629	PANEL, AUDIO/VIDEO		1	
1C	3211631	PANEL, 8 CHANELS		1	
1D	3211630	PANEL, AUDIO/VIDEO , 8 CHANELS		1	
2	3211335	PLATE, PANEL		2	
NS	685393	TAPE AD2 VHB N/A BK 0.063 X 1/2" X36YD		AR	
3	5002083	SCREW DR SEMS FN OV PH #8X1 N050		2	
5	404226	OUTLET, MICROPHONE / 12" W/CONNECTOR		1	
NS	0610365	EXTENSION FOR MICRO. (RIGHT MODESTY)		1	
6	502752	SCREW TP RND PH #4x3/4 ZP		3	
11	901006	SELECTOR HEAD SET MODULE		2	
12	500814	SCREW TP BDG PH #6x3/4 BK		4	
21	402250	CASE, HDMI OUTLET		1	
22	22529879	AUDIO JACK 3.5 MM		1	
23	564723	CHARGING MODULE DOUBLE USB		1	
24	900053	HDMI CONNECTOR ASSY		1	
NS	900047	CABLE HDMI E / 25'		1	
25	5001429	SCREW MA FL PH M4-0.7x25 BK		2	
26	500855	WASHER FL .188x.438x.049 N500		2	
27	500539	NUT HEX NYRT M4-0.7 N500		3	
28	3211693	SUPPORT		1	
29	504637	CABLE TIE / 3/16" x 13"		1	
29	509815	TIE MOUNT / ATTACHMENT W/TREE MOUNT		1	
30	5001414	SCREW MA FL PH M4-0.7x16 BK		2	
31	3211624	NUT SPR U SPECIAL M4		2	

From K-0185

Date:07/2024

PAGE:H9-2315-15

SUBWOOFER - INSTALLATION



From K-0185		Date:07/2024	PAGE:H9-2315-15
SUBWOOFER - INSTALLATION			

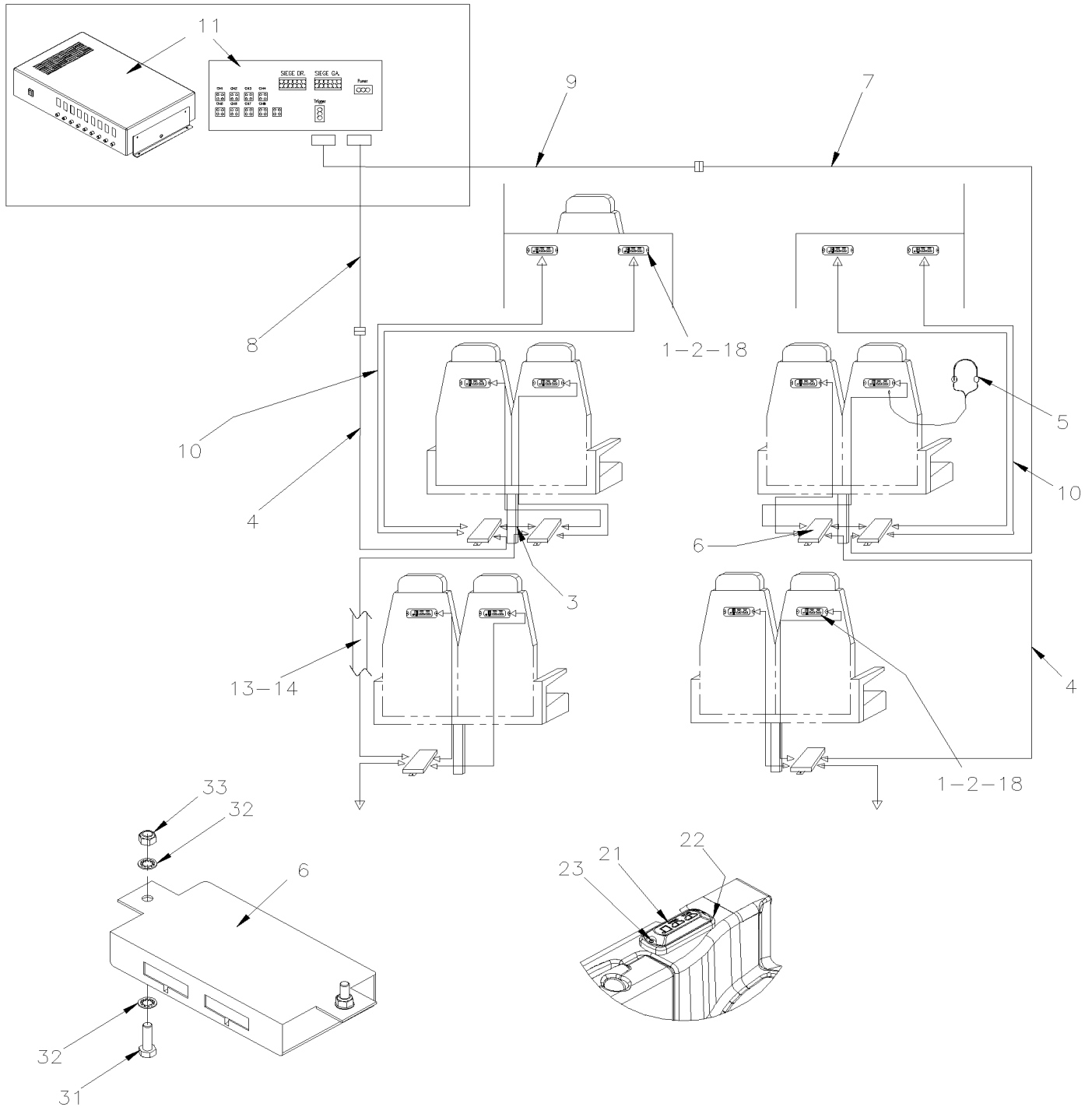
Item#	Part	Description	H 3 4 1	H 3 4 5	N O T E S
1	901193	SUBWOOFER ASSY	1	1	
1	IS23505	KIT, SUBWOOFER INSTALLATION		1	B
2	406292	PLATE MOUNTING "IMMI" SEATING ONLY" W/3 POINTS SAFETY BELT	1	1	
2	406293	PLATE MOUNTING "AMAYA SEATING ONLY" W/3 POINTS SAFETY BELT	1	1	
3	406302	DEFLECTOR SPEAKER "IMMI" SEATING ONLY" W/3 POINTS SAFETY BELT	2	2	
4	502874	NUT HEX NYRT 1/4-20 N500	8	8	
5	500877	WASHER FL .250x.562x.065 N500	8	8	
6	500526	SCREW TP CAP HEXW #12x3/4 N500	4	4	
7	5060076	RUBBER CUSHION ABSORBANT	4	4	
8	500163	SCREW CAP HEX 1/4-20x3/4 G5 Z050	16	16	
9	500473	WASHER LO SPT .262x.489x.062 Z050	16	16	
10	500942	WASHER LO SPT 8.1x14.8x2.0 N500	4	4	A
12	5001642	T NUT 5/16-18	4	4	A
13	405787	PLATE MOUNTING "AMERICAN SEATING ONLY"	1	1	A
14	500179	SCREW CAP HEX 5/16-18x3/4 G5 Z050	4	4	A
16	060086	CABLE ASSY TO AISLE LAMP	1	1	
16	061918	CABLE EXTENSION 2M / SUBWOOFER	1	1	
		A) USE ONLY WITH "AMERICAN SEATING" ONLY			
		B) SEE IS-23505 FOR ALL DETAILS			

From K-0185

Date:07/2024

PAGE:H9-2315-21

INDIVIDUAL STATIONS - "R.E.I." W/HHD



From K-0185	Date:07/2024	PAGE:H9-2315-21
INDIVIDUAL STATIONS - "R.E.I." W/HHED		

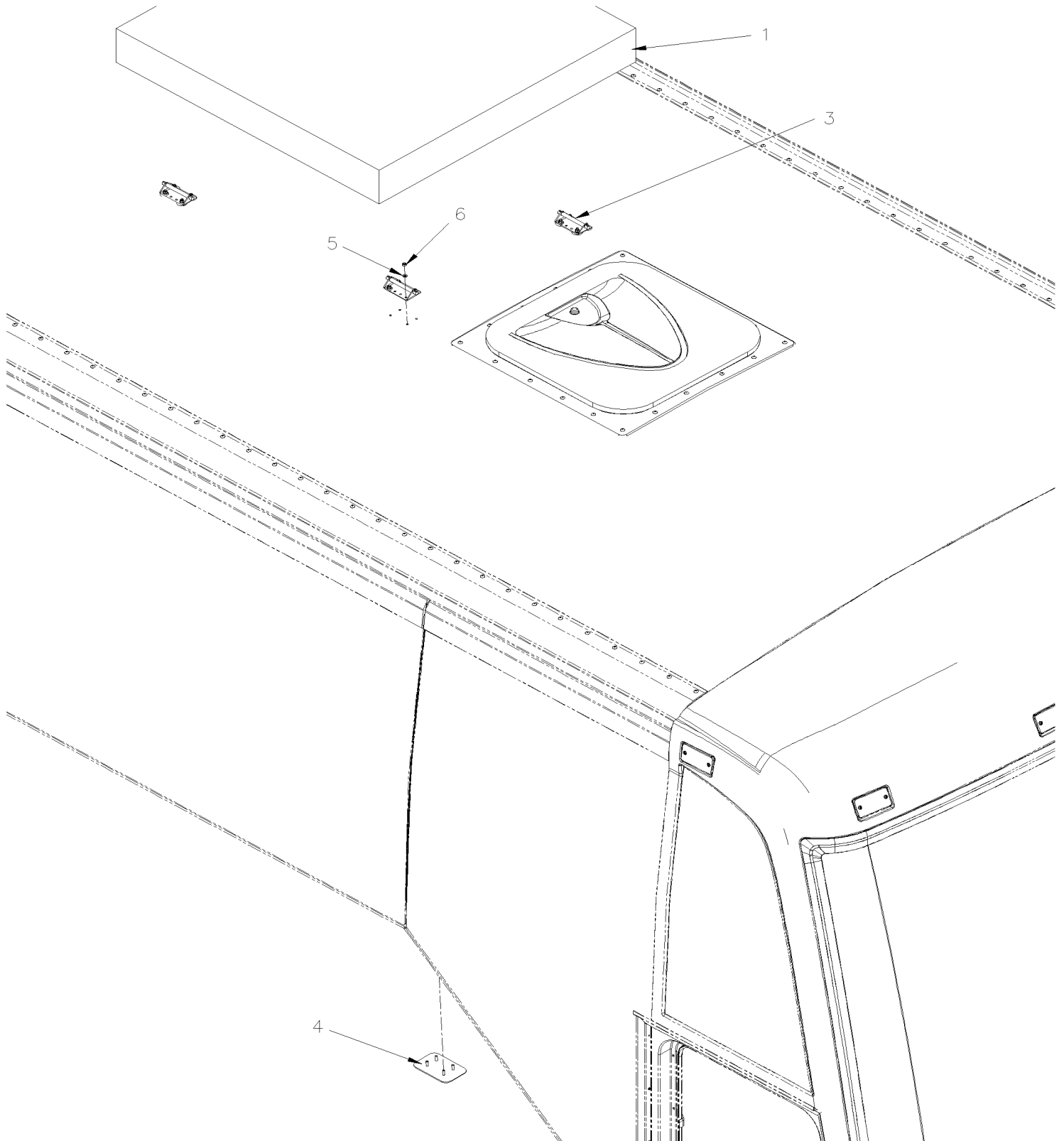
Item#	Part	Description	H 3 4 1	H 3 4 5	NOTES
1	405199	RECEPTACLE BOX / PLASTIC	1	1	
2	901006	SELECTOR HEAD SET MODULE	AR	AR	
3	065567	CABLE ASSY / 2 JCT BOX MODULES	AR	AR	
4	901018	CABLE ASSY / 2 JCT BOX MODULES	1	1	
5	900881	HEAD SET EARPHONE	AR	AR	
. NS	900882	. FOAM CUSHION PAD / (SET OF 2) / FOR 900881	1	1	
6	901094	MODULE, 8CH AUDIO SEAT	AR	AR	
NS	408270	SUPPORT	AR	AR	
NS	502830	SCREW CAP HEX M6-1.0x20 G8.8 N500	AR	AR	
NS	5001432	WASHER LO INT .256x.478x.028 SS 410	AR	AR	
NS	502681	NUT HEX NYRT M6-1.0 N500 G8	AR	AR	
7	901021	CABLE ASSY	1	1	
8	901019	CABLE ASSY / ENTERTAINMENT MODULE LEFT SEAT	1	1	
9	901020	CABLE ASSY / ENTERTAINMENT MODULE RIGHT SEAT	1	1	
10	564575	CABLE, MODULAR TELEPHONE 4 COND.	1	1	
11	901102	8 CHANNEL AMPLIFIER MODULE	1	1	
NS	500442	SCREW MA OV PH 1/4-20x3/4 ZP	4	4	
13	329517	MOULDING, COVER CABLE / GREY / 530MM	1	1	
14	329521	MOULDING, COVER CABLE / GREY / 203MM To N-1268	1	1	
14	3211708	MOULDING, COVER CABLE / GREY / 300MM From P-1269	1	1	
18	500814	SCREW TP BDG PH #6x3/4 BK	4	4	
18	5001145	SCREW TP BDG PH #6x1 BK	4	4	
21	901006	SELECTOR HEAD SET MODULE	1	1	
22	405199	RECEPTACLE BOX / PLASTIC	1	1	
23	5001145	SCREW TP BDG PH #6x1 BK	2	2	
31	502830	SCREW CAP HEX M6-1.0x20 G8.8 N500	4	4	
32	5001432	WASHER LO INT .256x.478x.028 SS 410	4	4	
33	502681	NUT HEX NYRT M6-1.0 N500 G8	4	4	
100		REFERENCE ONLY From P-1269	1	1	

From K-0185

Date:07/2024

PAGE:H9-2315-60

ANTENNA SATELLITE KVH INDUSTRIES TRACKVISION A9



From K-0185	Date:07/2024	PAGE:H9-2315-60
ANTENNA SATELLITE KVH INDUSTRIES TRACKVISION A9		

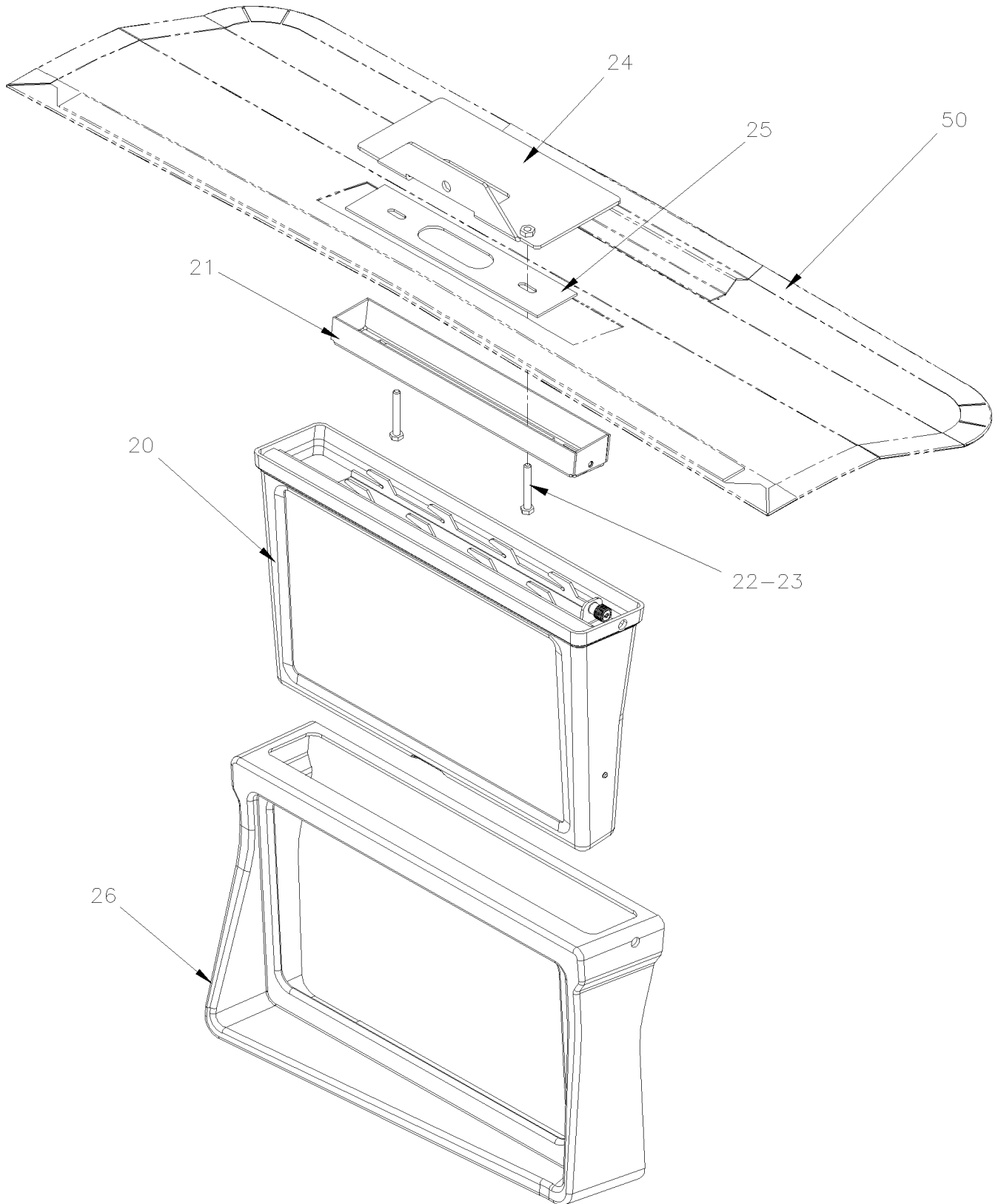
Item#	Part	Description	H 3 4 1	H 3 4 5	N O T E S
1	901795	TRACVISION A9 DIGITAL SATELLITE ANTENNA	1	1	
NS	901796	TRACVISION TV-HUB	1	1	IN
3	900180PC	ANCHOR ANTENNA	4	4	A
4	491492	FIXATION FOR SATELLITE ANTENNA	4	4	
5	502573	WASHER FL 6.4x12.5x1.6 SS	16	16	
6	502681	NUT HEX NYRT M6-1.0 N500 G8	16	16	
NS	685126	ADHESIVE SIMSON #ISR 70-03 / GREY / 600ml SAUSAGE	AR	AR	
		A) INCLUDE WITH 901795			
		IN) INSTALLED IN FIRST PARCEL RACK LH			

From K-0185 To P-1452

Date:07/2024

PAGE:H9-2317-00

FRONT MONITOR FLAT SCREEN - VIDEO

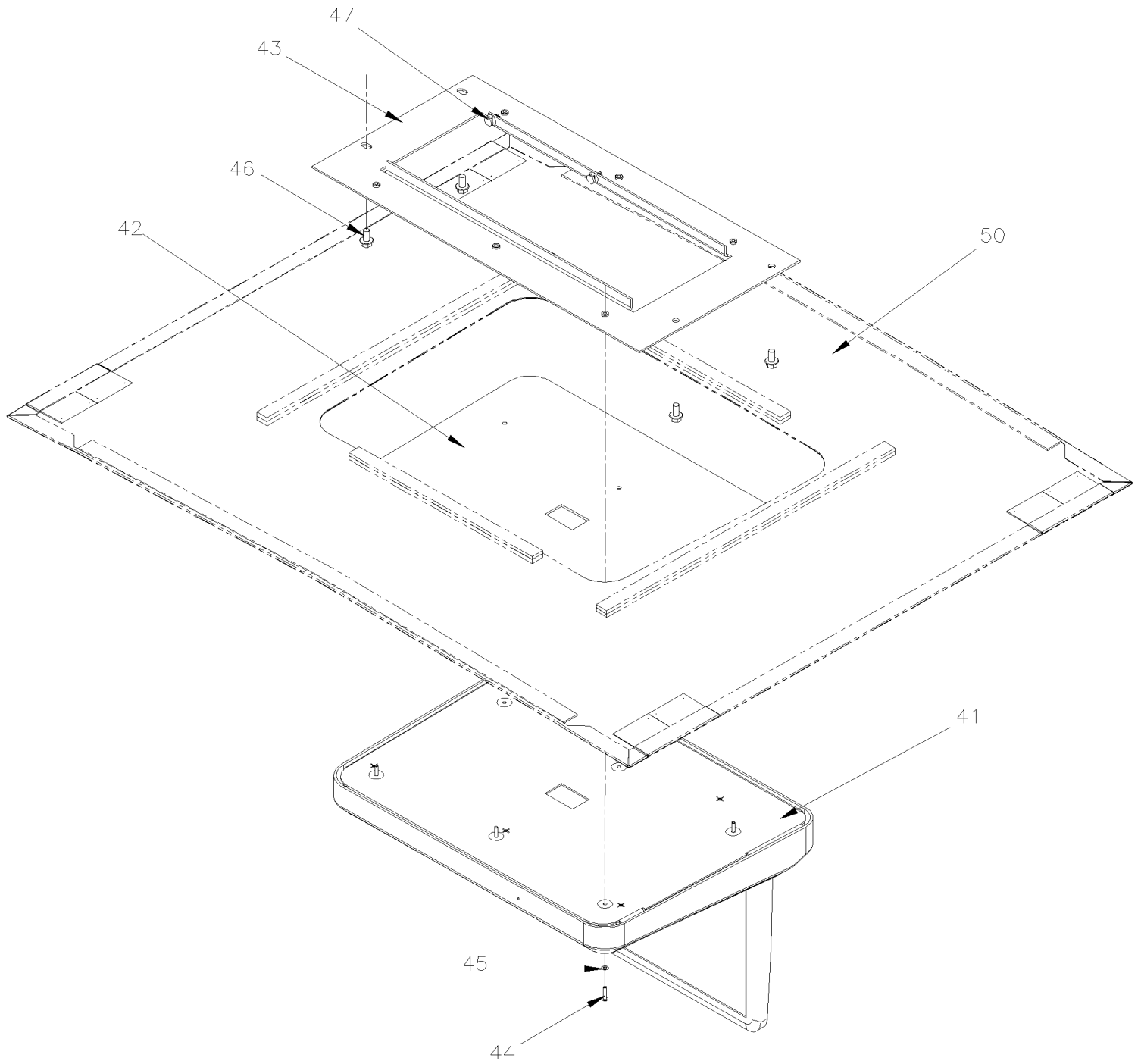


From K-0185 To P-1452

Date:07/2024

PAGE:H9-2317-00

FRONT MONITOR FLAT SCREEN - VIDEO



From K-0185 To P-1452	Date:07/2024	PAGE:H9-2317-00
FRONT MONITOR FLAT SCREEN - VIDEO		

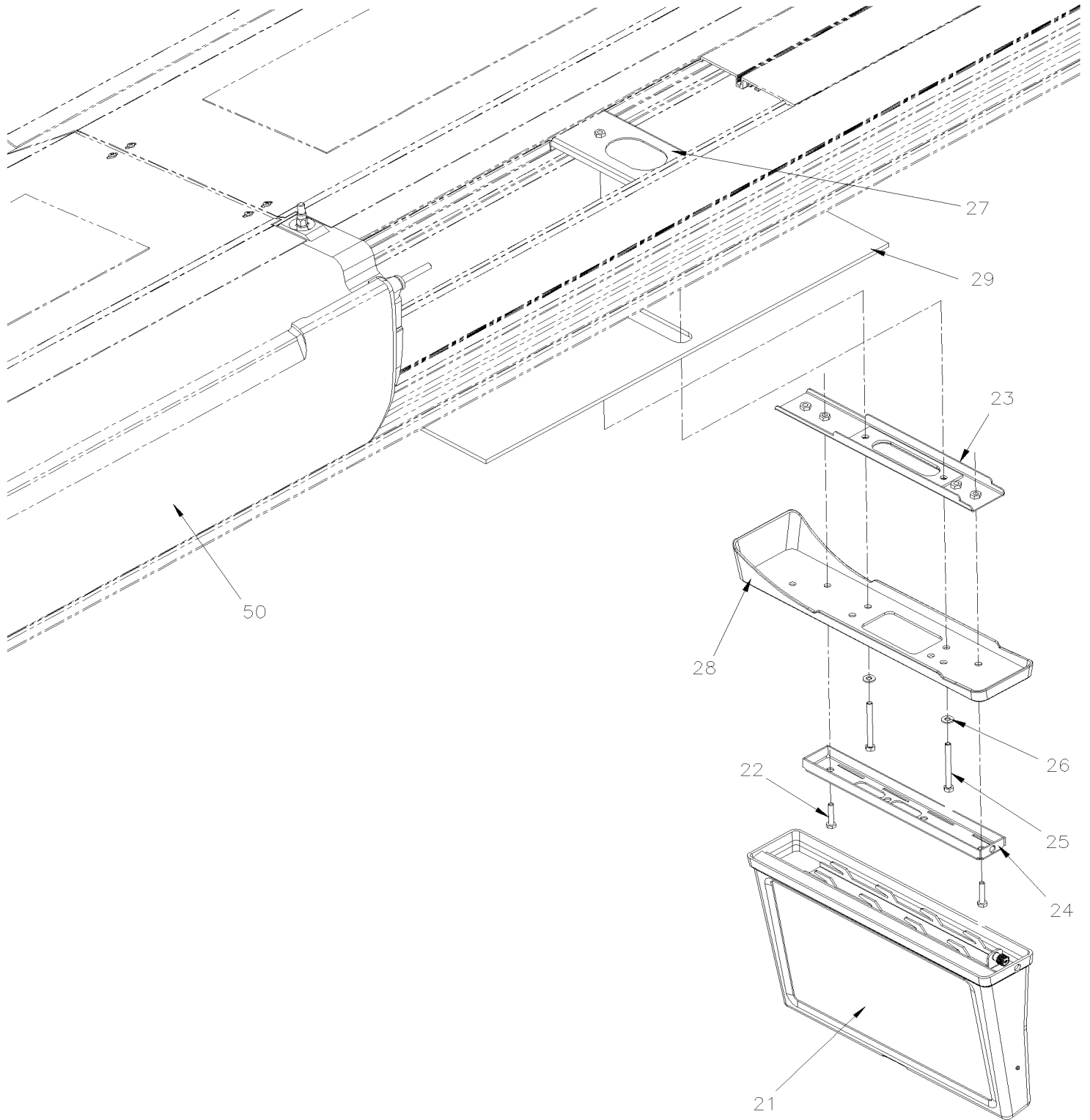
Item#	Part	Description	H 3 4 1	H 3 4 5	N O T E S
		PARTS RELATED WITH			
		10" OR 15.6" CENTRAL MONITOR			
20	900016	MONITOR 15.6" LCD 24V	1	1	
20	900021	MONITOR 15.6" LCD 24V W/ DEFLECTOR	1	1	
20	400038	TRANSITION MOLDING	1	1	
21	901358	SUPPORT MONITOR 15.4" 16/9 SCREEN	1	1	
22	5001923	SCREW CAP HEX M6-1.0x45 SS BK	2	2	
23	502582	WASHER LO SERR 6.1x16.2x0.9 Z050	2	2	
24	406702	REINFORCEMENT FRONT MONITOR 15.4" SUPPORT	1	1	
25	406703	SHIM	1	1	
26	402819	SHIELD SCREEN DEFLECTOR / W/15.6" SCREEN / PLASTIC SAND BEIGE	1	1	
		PARTS RELATED WITH 19" CENTRAL MONITOR			
		ELECTRICAL RETRACTABLE MODEL 16 : 9			
41	901336	MONITOR 19" LCD 24V	1	1	
41	060099	CABLE ASSY / FLIP SCREEN To P-1452	1	1	
NS	0610043	CABLE ASSY / FLIP SCREEN From R-1453		1	
42	406335	BOX RECEPTACLE	1	1	
43	409274	PLATE SUPPORT W/19" MONITOR	1	1	
44	5001305	SCREW MA RND PH #8-32X3/4 SS	6	6	
45	500834	WASHER LO INT .168x.340x.023 N500	6	6	
46	5001780	SCREW CAP HEXF M8-1.25x16 G8.8 N500	4	4	
47	509815	TIE MOUNT / ATTACHMENT W/TREE MOUNT	4	4	
		USE WITH FRONT CENTRAL MONITOR SWITCH OPTION			
49	562697	SWITCH / ON-ON / D.P.D.T. / CH-OVER / W/RED & GREEN LED	1	1	
49	565925	CAP / "MONITOR"	1	1	
49	068338	WIRING HARNESS SWITCH FRONT MONITOR	1	1	
50	H9-1837-01	CEILING PANELS & MOULDING W/TAN FINISHING To P-1452			
60	564183	REMOTE CONTROL / CENTERING SCREEN PLAY TOOL	AR	AR	
		PARTS RELATED WITH ALLS CENTRAL MONITOR			
61	405905	DECAL / "WATCH YOUR STEP" 16 x 200	1	1	
61	405906	DECAL / "ATTENTION À LA MARCHE" / BILINGUAL 43 x241	1	1	
61	405907	DECAL / "WATCH YOUR STEP" / "CUINDADO CON EL 43 x 241	1	1	

From K-0185 To P-1452

Date:07/2024

PAGE:H9-2317-10

SIDE MONITOR FLAT SCREEN - VIDEO - "R.E.I."

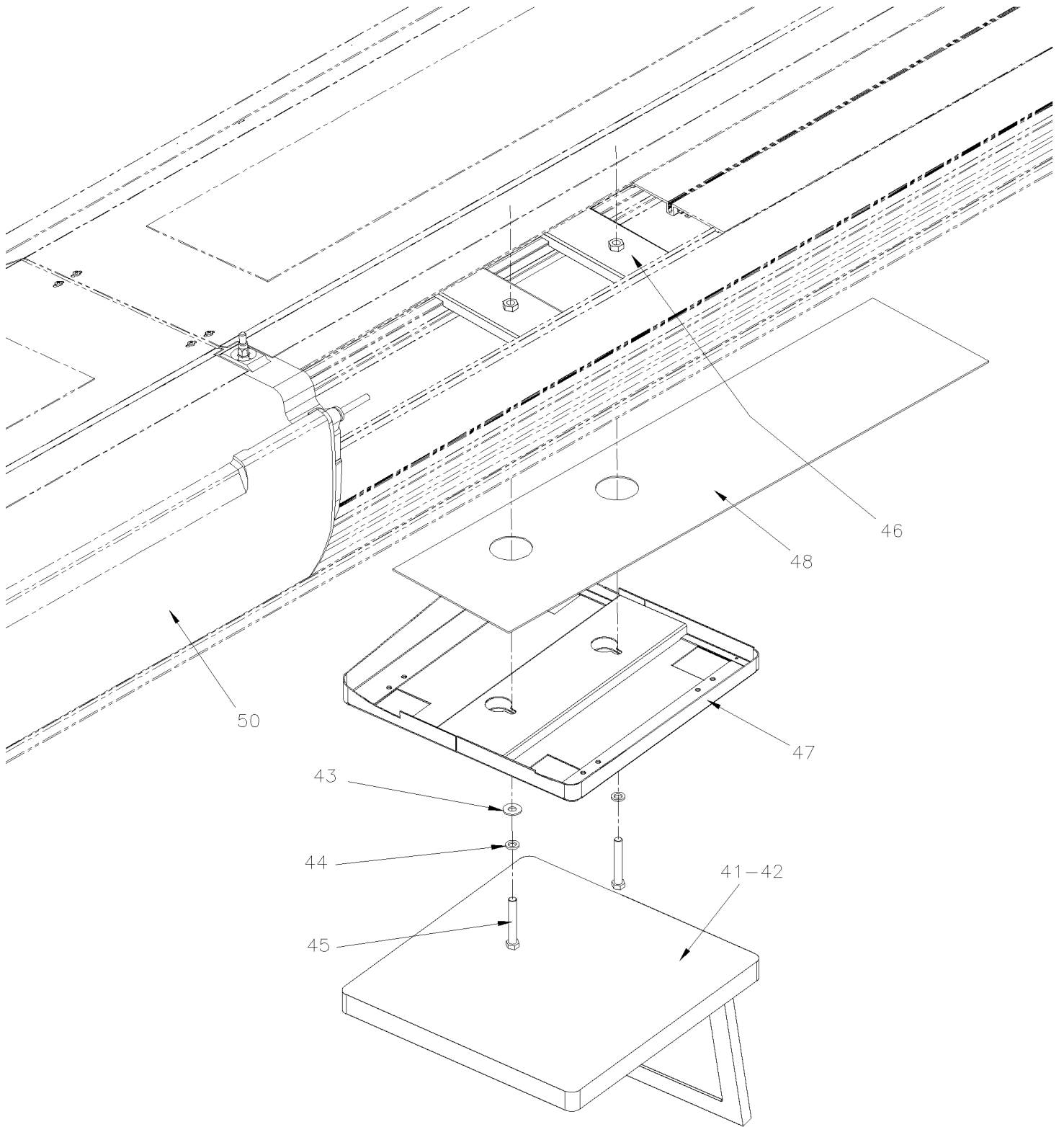


From K-0185 To P-1452

Date:07/2024

PAGE:H9-2317-10

SIDE MONITOR FLAT SCREEN - VIDEO - "R.E.I."



From K-0185 To P-1452	Date:07/2024	PAGE:H9-2317-10
------------------------------	---------------------	------------------------

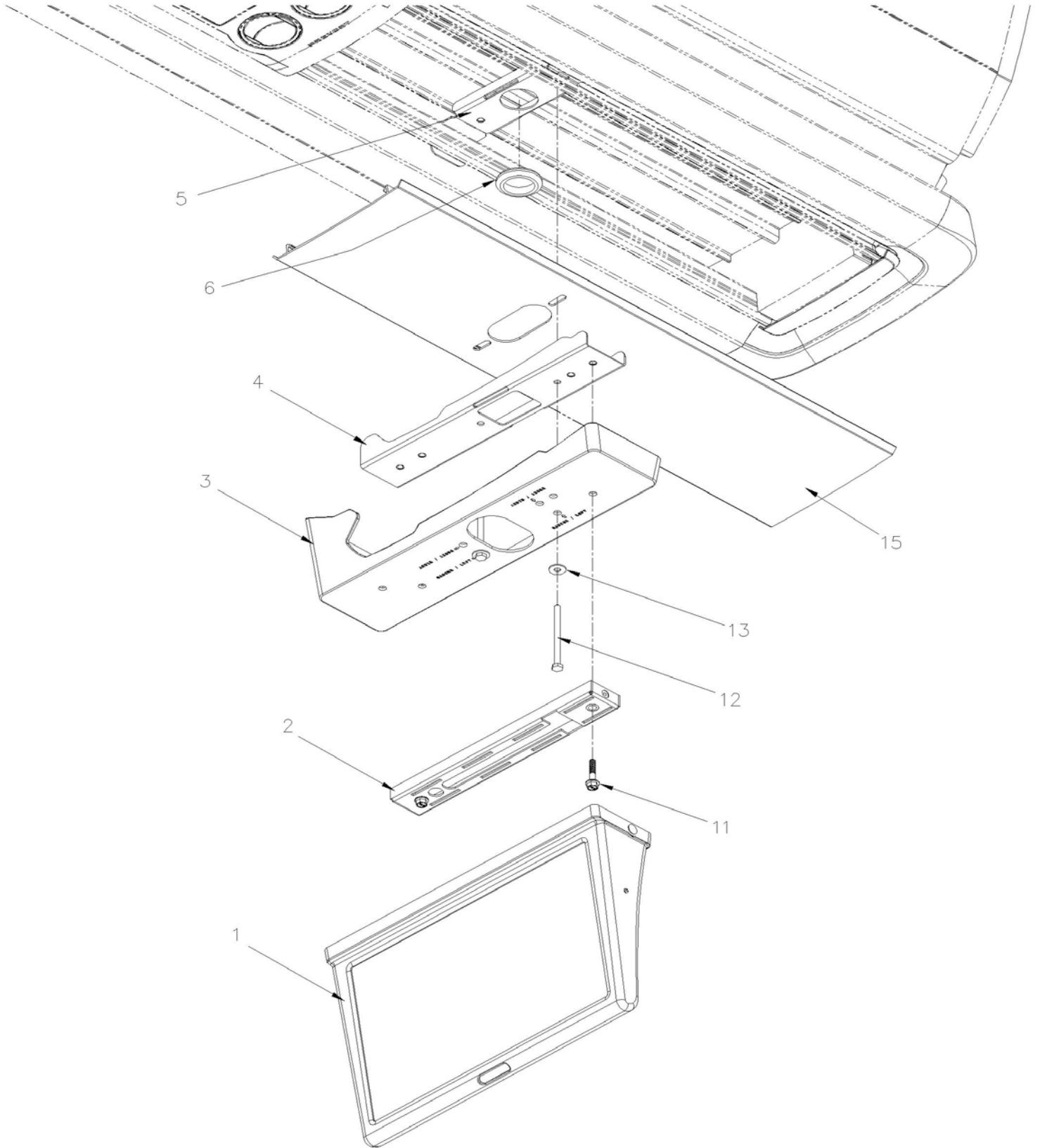
SIDE MONITOR FLAT SCREEN - VIDEO -"R.E.I."

Item#	Part	Description	H 3 4 1	H 3 4 5	N O T E S
		FOLLOWING ITEMS ARE RELATED ONLY WITH			
		FLAT SCREEN 15.6" MONITOR 16/9			
21	900016	MONITOR 15.6" LCD 24V	1	1	
NS	561681	CONVOLUTED TUBING / SLIT / BLACK & GRAY / .350"	AR	AR	
22	502533	SCREW CAP HEX M6-1.0x30 G8.8 Z050	2	2	
22	680038	THREAD LOCKER LOCTITE #243 / BLUE / 50ml	AR	AR	
23	406332	SUPPORT MONITOR	1	1	
24	901358	SUPPORT MONITOR 15.4" 16/9 SCREEN	1	1	
25	502541	SCREW CAP HEX M6-1.0x65 G8.8 Z050	2	2	
26	500877	WASHER FL .250x.562x.065 N500	2	2	
27	402823	SUPPORT MONITOR	1	1	
28	900013	FINISHING CAP W/15.6" MONITOR	1	1	
29	Call order desk	PANEL 376MM / 112MM POSITION SCREEN	1	1	P
29	Call order desk	PANEL 475MM / 310MM POSITION SCREEN	1	1	P
29	Call order desk	PANEL 495MM / 310MM POSITION SCREEN	1	1	P
29	Call order desk	PANEL 510MM / 310MM POSITION SCREEN	1	1	P
29	Call order desk	PANEL 655MM / 310MM POSITION SCREEN / LCD SCREEN	1	1	P
29	316123P	PANEL 655MM / 383MM POSITION SCREEN / W/15" LCD SCREEN	1	1	
29	Call order desk	PANEL 705MM / 544MM POSITION SCREEN	1	1	P
		FOLLOWING ITEMS ARE RELATED ONLY WITH			
		FLAT SCREEN FOLDING 12" MONITOR			
41	901086	MONITOR 12" LCD / FOLDING	AR	AR	
42	405461	CABLE ASSY / 24V POWER / W/12" MONITOR / 10' / 511824	AR	AR	
42	405462	CABLE ASSY / 24V POWER / W/12" MONITOR / 511693 / 15'	AR	AR	
42	405463	CABLE ASSY / 24V POWER / W/12" MONITOR / 35' / 511825	AR	AR	
43	500195	SCREW CAP HEX 3/8-16x2 1/2 G5 Z050	AR	AR	
44	502510	WASHER FL .375x.875x.083	AR	AR	
45	500478	WASHER LO SPT .380x.683x.094 Z050	AR	AR	
46	901089	SUPPORT MONITOR / W/FLAT SCREEN 12" FOLDING	AR	AR	
47	901087	SUPPORT SIDE MONITOR TRANSITION L.H.	AR	AR	
47	901088	SUPPORT SIDE MONITOR TRANSITION R.H.	AR	AR	
48	312761P	PANEL 315MM	1	1	
48	312840P	PANEL 753MM	1	1	
48	Call order desk	PANEL 243MM	1	1	P
48	313328P	PANEL 388MM	1	1	
50	H9-1836-02	PARCEL RACK W/TAN FINISHING			
51	H9-2317-21	SCREEN VIDEO & POWER - INSTALLATION W/HHED			
NS	564183	REMOTE CONTROL / CENTERING SCREEN PLAY TOOL	1	1	

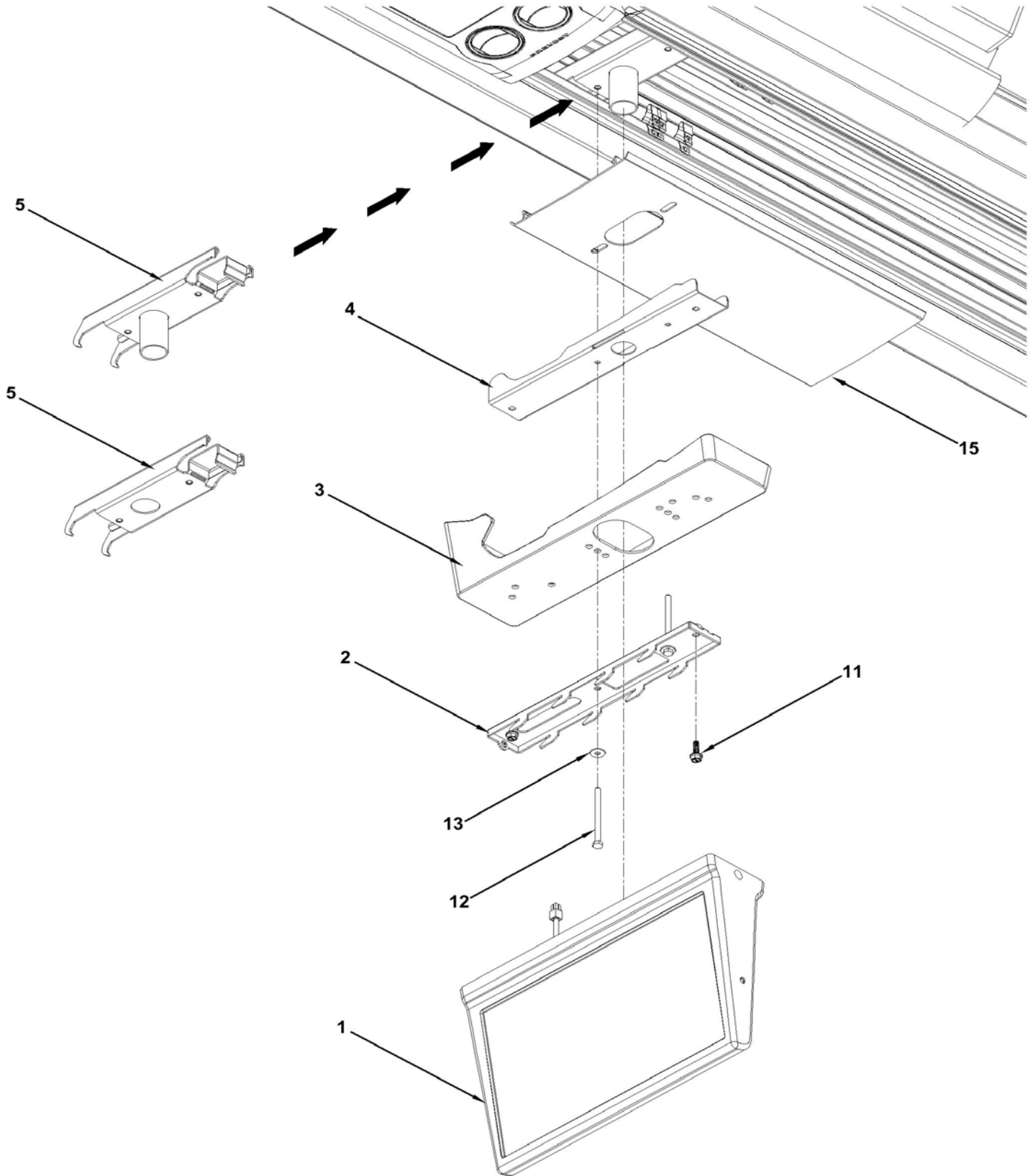
From K-0185 To P-1452	Date:07/2024	PAGE:H9-2317-10
SIDE MONITOR FLAT SCREEN - VIDEO -"R.E.I."		

Item#	Part	Description	H 3 4 1	H 3 4 5	N O T E S
		P) CALL ORDER DESK FOR SPECIFIC APPLICATION (V.I.N.)			

	Date:07/2024	PAGE:H9-2317-11
SIDE MONITOR FLAT SCREEN - VIDEO		



	Date:07/2024	PAGE:H9-2317-11
SIDE MONITOR FLAT SCREEN - VIDEO		



	Date:07/2024	PAGE:H9-2317-11
SIDE MONITOR FLAT SCREEN - VIDEO		

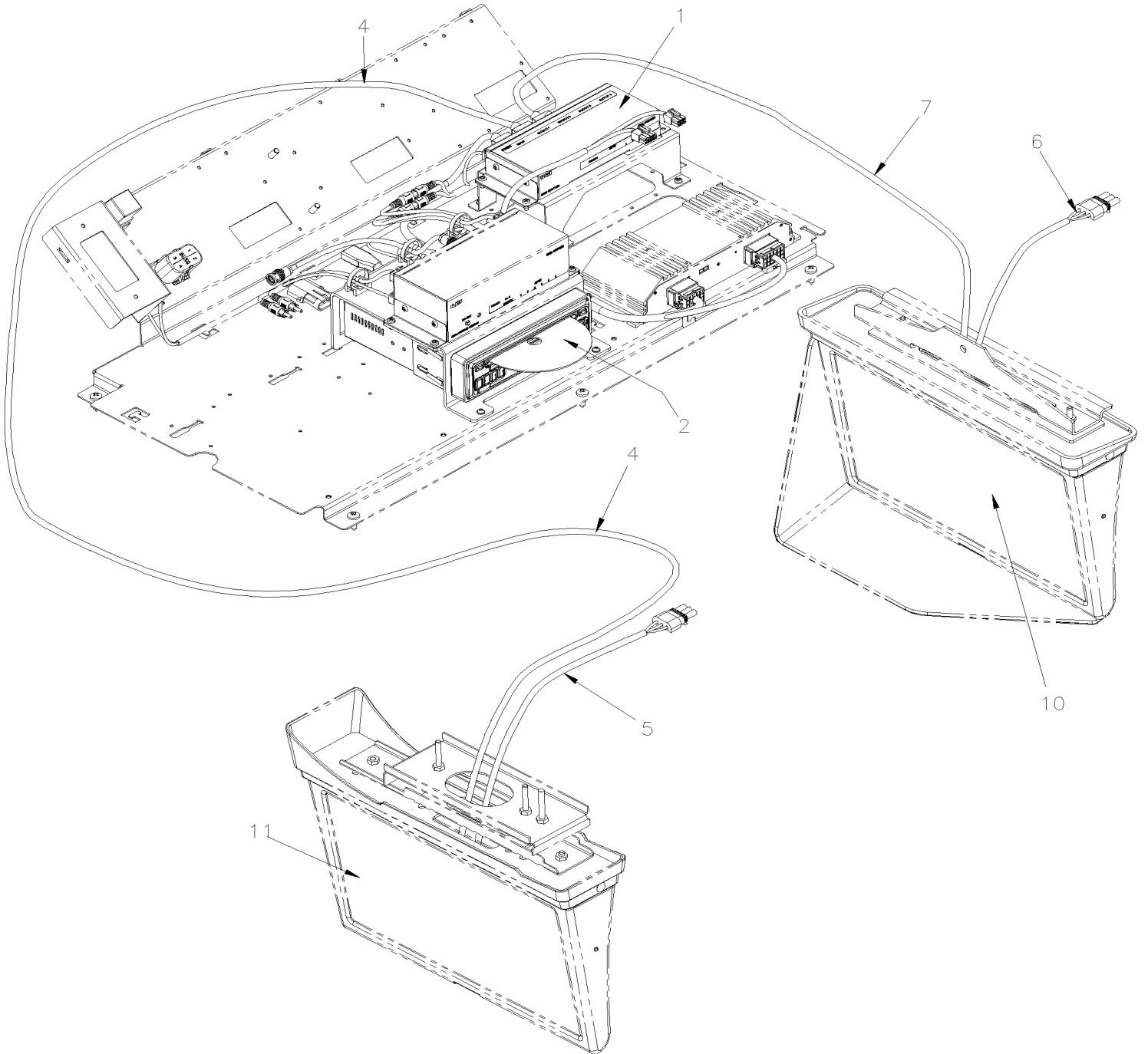
Item#	Part	Description	H 3 4 1	H 3 4 5	N O T E S
1	900016	MONITOR 15.6" LCD 24V To R-1753		1	
1	900006	MONITOR 15.6" LCD INTRETECH From R-1754		1	
NS	400836	CABLE ASSY / 24V POWER / 10'		1	
NS	400837	CABLE ASSY / 24V POWER / 15'		1	
NS	400838	CABLE ASSY / 24V POWER / 20'		1	
NS	400839	CABLE ASSY / 24V POWER / 25'		1	
NS	400840	CABLE ASSY / 24V POWER / 30'		1	
NS	400841	CABLE ASSY / 24V POWER / 35'		1	
NS	400842	CABLE ASSY / 24V POWER / 45'		1	
NS	900032	CABLE HDMI E / 7'		1	
NS	900034	CABLE HDMI E / 15'		1	
NS	900036	CABLE HDMI E / 20'		1	
NS	900047	CABLE HDMI E / 25'		1	
NS	900037	CABLE HDMI E / 35'		1	
2	901358	SUPPORT MONITOR 15.4" 16/9 SCREEN To R-1753		1	
2	901943	SUPPORT MONITOR INTRETECH From R-1754		1	
3	314980	TRIM, MONITOR 15.6" To R-1753		1	
3	315063	TRIM MONITOR 15.6" From R-1754		1	
4	401460	SUPPORT, MONITOR To R-1753		1	
4	406858	SUPPORT MONITOR LCD INTRETECH From R-1754 To R-1893		1	
4	407013	SUPPORT MONITOR LCD INTRETECH From R-1894		1	
5	401458	SUPPORT, MONITOR To R-1753		1	
5	406859	SUPPORT UPPER MONITOR LCD INTRETECH From R-1754 To R-1893		1	
5	401458	SUPPORT, MONITOR From R-1894		1	
6	504059	GROMMET / 1.250x1.500x.094x.375x1.875 To R-1753		1	
11	5002235	SCREW CAP HEXF M6-1.0x30 G10.9 N500 AD To R-1753		2	
11	5002100	SCREW CAP HEXF AD M6-1.0x20 G10.9 N500 From R-1754		12	
12	5001826	SCREW CAP HEX M6-1.0x80 FT Z050		2	
13	5001833	WASHER BEL SPR 6.1x18x1.27 SS		2	
15	H9-1836-04	PARCEL RACK			

From K-0185

Date:07/2024

PAGE:H9-2317-21

SCREEN VIDEO & POWER - INSTALLATION W/HHED



From K-0185		Date:07/2024	PAGE:H9-2317-21
SCREEN VIDEO & POWER - INSTALLATION W/HHED			

Item#	Part	Description	H 3 4 1	H 3 4 5	N O T E S
1	900208	MODULE HDMI VIDEO SPLITTER	1	1	
2	901339	DVD PLAYER 12V To K-0352	1	1	
. NS	901377	. REMOTE CONTROL / DVD R.E.I. To K-0352	1	1	
2	901436	DVD PLAYER 12V From K-0353	1	1	
. NS	901264	. REMOTE CONTROL / DVD REI From K-0353	1	1	
2	IS23506	KIT, DVD PLAYER INSTALLATION From K-0353		1	C
. NS	901436	. DVD PLAYER 12V From K-0353		1	C
. . NS	901264	. . REMOTE CONTROL / DVD REI From K-0353		1	C
. NS	901157	. CABLE COAXIAL 3' BNC From K-0353		1	C
. NS	N25187	. VELCRO TAPE HOOK From K-0353		AR	C
. NS	506268	. TAPE RUB ADH1 URE 3/8" x 1/2" x 25' / GREY 1820 From K-0353		AR	C
. NS	504273	. CABLE TIE / 1/8" X 3" 1/2 From K-0353		2	C
. NS	504637	. CABLE TIE / 3/16" x 13" From K-0353		7	C
. NS	564099	. TAPE ADHESIF ELECTRICAL TISSUS / BLACK 838MM From K-0353		AR	C
NS	900029	POWER CABLE ON REI SWITCH AND SPLITTER	1	1	
4	900031	CABLE HDMI E / 3'	AR	AR	
4	900032	CABLE HDMI E / 7'	AR	AR	
4	900033	CABLE HDMI E / 10'	AR	AR	
4	900034	CABLE HDMI E / 15'	AR	AR	
4	900036	CABLE HDMI E / 20'	AR	AR	
4	900047	CABLE HDMI E / 25'	AR	AR	
4	900048	CABLE HDMI E / 30'	AR	AR	
4	900037	CABLE HDMI E / 35'	AR	AR	
4	900038	CABLE HDMI E / 45'	AR	AR	
5	409287	CABLE ASSY / 24V POWER / 10'	AR	AR	
5	409288	CABLE ASSY / 24V POWER / 15'	AR	AR	
5	409289	CABLE ASSY / 24V POWER / 20'	AR	AR	
5	409290	CABLE ASSY / 24V POWER / 25'	AR	AR	
5	409291	CABLE ASSY / 24V POWER / 30'	AR	AR	
5	409292	CABLE ASSY / 24V POWER / 35'	AR	AR	
5	409293	CABLE ASSY / 24V POWER / 45'	AR	AR	
6	405732	CABLE ASSY / 24V POWER / 6'	1	1	A
6	060099	CABLE ASSY / FLIP SCREEN	1	1	B
7	900032	CABLE HDMI E / 7'	1	1	
10	H9-2317-00	FRONT MONITOR FLAT SCREEN - VIDEO To P-1452			
11	H9-2317-10	SIDE MONITOR FLAT SCREEN - VIDEO -"R.E.I." To P-1452			
11	H9-2317-11	SIDE MONITOR FLAT SCREEN - VIDEO From R-1453			
		A) WITH FIXE MONITOR			
		B) WITH FLIP MONITOR			

From K-0185	Date:07/2024	PAGE:H9-2317-21
-------------	--------------	-----------------

SCREEN VIDEO & POWER - INSTALLATION W/HHED

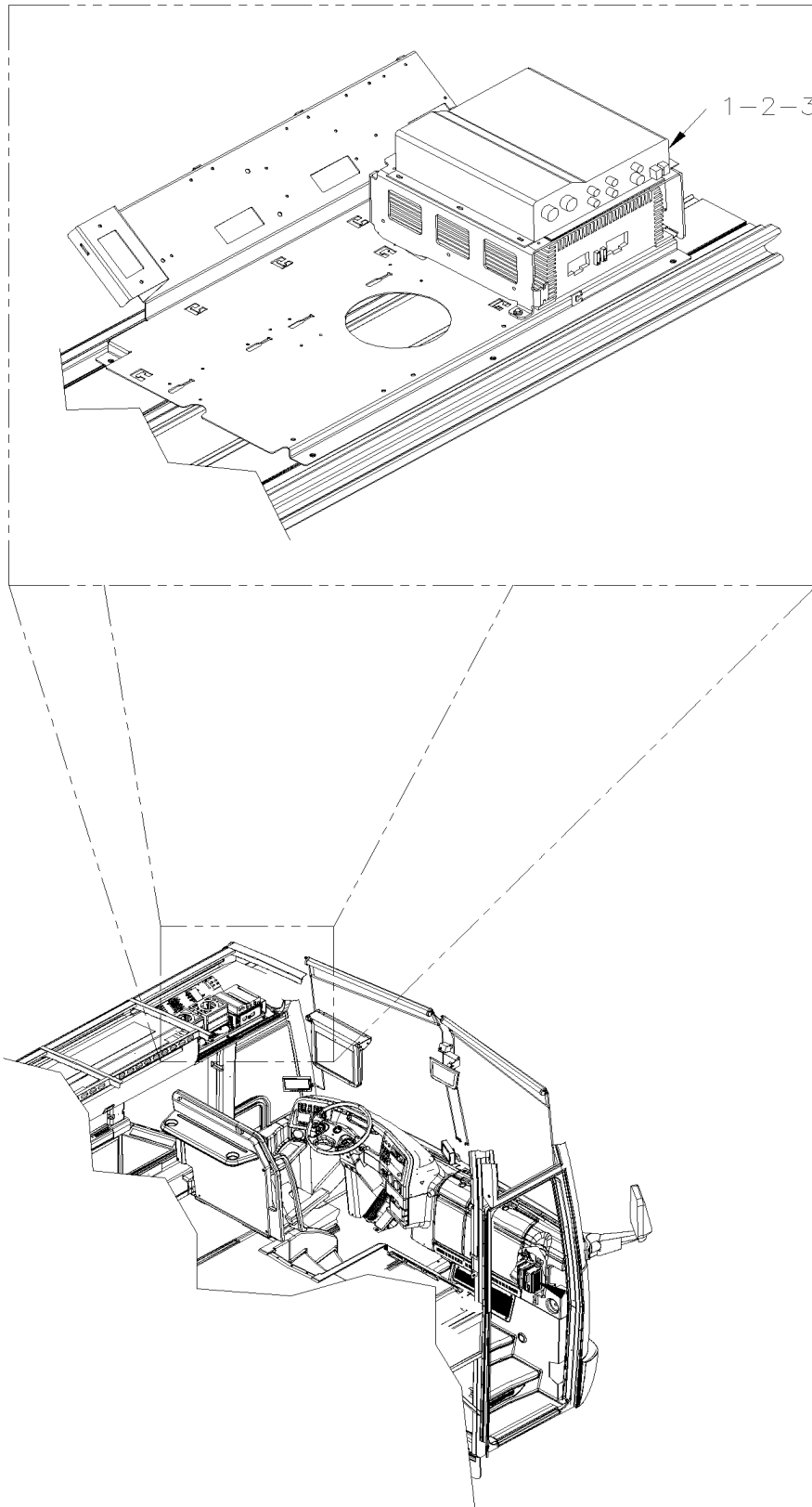
Item#	Part	Description	H 3 4 1	H 3 4 5	N O T E S
		C) SEE IS-23506 TO SEE ALL DETAILS			

From K-0185 To L-0864

Date:07/2024

PAGE:H9-2317-25

WI-FI MODULE "MOOVBOX M220" - INSTALLATION



From K-0185 To L-0864	Date:07/2024	PAGE:H9-2317-25
WI-FI MODULE "MOOVBOX M220" - INSTALLATION		

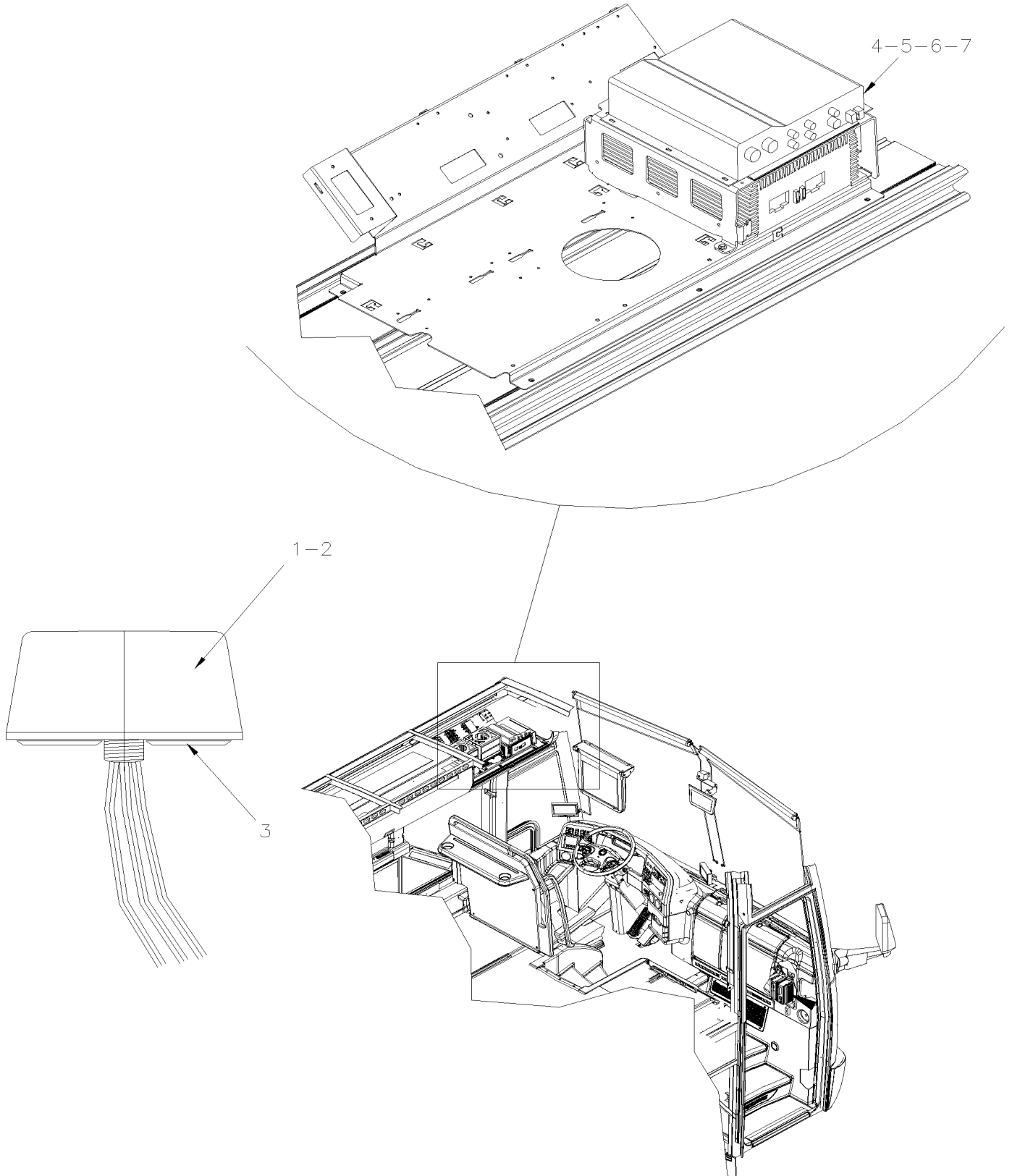
Item#	Part	Description	H 3 4 1	H 3 4 5	N O T E S
1	901432	WIFI SYSTEM MOOVBOX M220 AT&T, TELUS	1	1	
NS	901508	ROOF ANTENNA (LTE-LTE-GPS) CABLE 15'	1	1	
2	506756	VELCRO / LOOP ADHESIF 1" x 75'	AR	AR	
3	506755	VELCRO / HOOK ADHESIF 1" x 75'	AR	AR	
4	901449	MULTIBAND CELLULAR AND GPS ANTENNA	1	1	
5	901451	PATCH ANTENNA (7-9DBI WIFI 2.4GHZ)	1	1	

From K-0185

Date:07/2024

PAGE:H9-2317-26

"WI-FI" MODULE - INSTALLTION



From K-0185	Date:07/2024	PAGE:H9-2317-26
"WI-FI" MODULE - INSTALLTION		

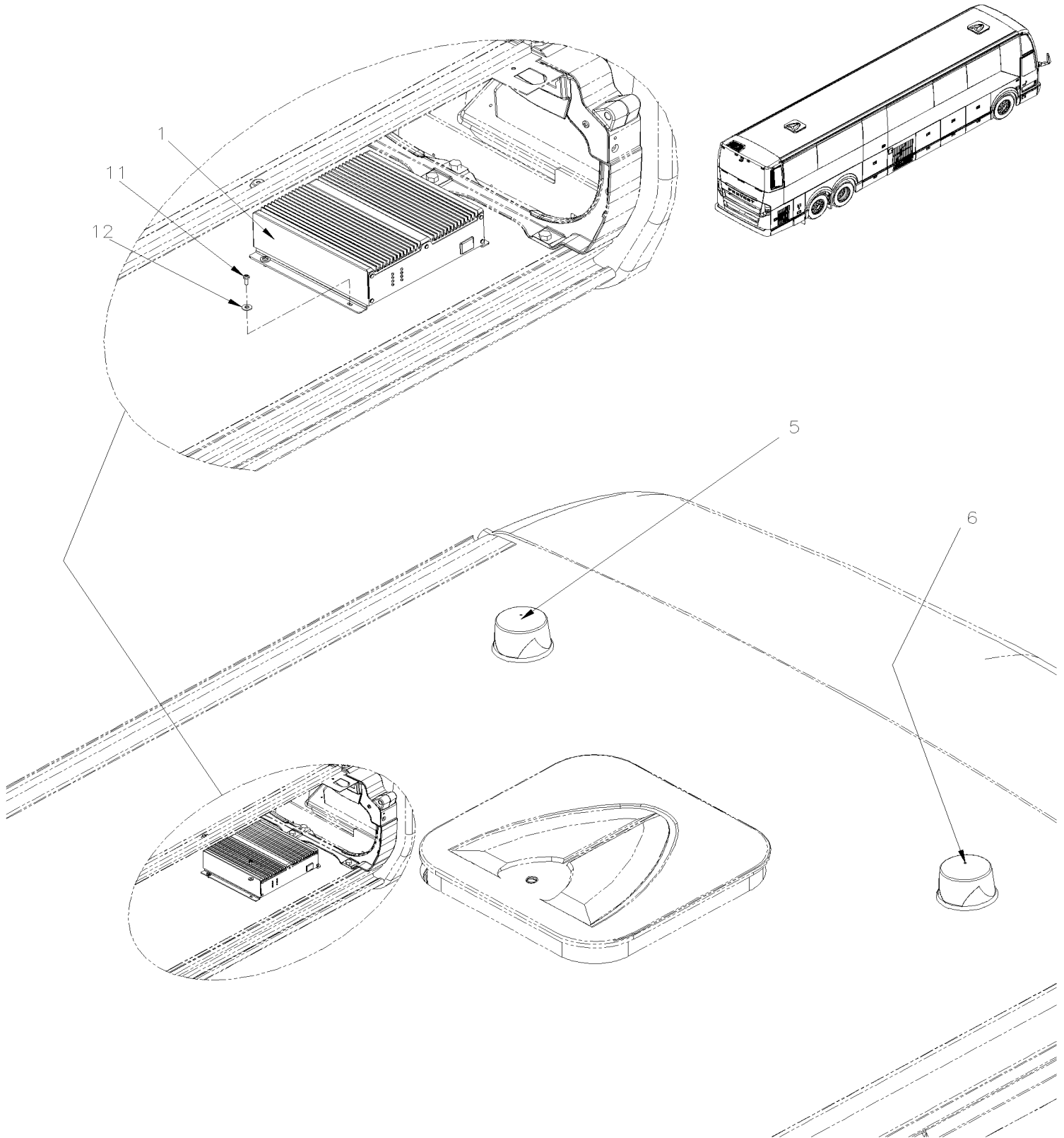
Item#	Part	Description	H 3 4 1	H 3 4 5	N O T E S
1	901508	ROOF ANTENNA (LTE-LTE-GPS) CABLE 15'	1	1	
2	901509	ROOF ANTENNA (LTE-LTE) WIRES 15 FT To £-16059	1	1	
2	900201	ROOF ANTENNA (LTE) CABLE 17' From £-16059	1	1	
3	680532	SEALANT SIKA #221 / GREY / 310ml CARTRIDGE	AR	AR	
4	N.S.P.	WIFI SYSTEM MOOVBOX M220	1	1	2
4	N.S.P.	WIFI SYSTEM MOOVBOX M310	1	1	2
4	N.S.P.	WIFI SYSTEM MOOVBOX M340	1	1	2
5	500654	SCREW TC BDG PH #8-32x1/2 Z050	3	3	
6	069125	CABLE ALIMENTATION MODULE WIFI	1	1	
7	504637	CABLE TIE / 3/16" x 13"	AR	AR	
		2) NOT SOLD BY PREVOST (SEE MANUFACTURING PART NUMBER AT END OF DESCRIPTION LINE)			

From L-0865

Date:07/2024

PAGE:H9-2317-27

"WI-FI" MODULE - INSTALLTION ICOMERA NEXCOM VTC ICR2



From L-0865	Date:07/2024	PAGE:H9-2317-27
"WI-FI" MODULE - INSTALLTION ICOMERA NEXCOM VTC ICR2		

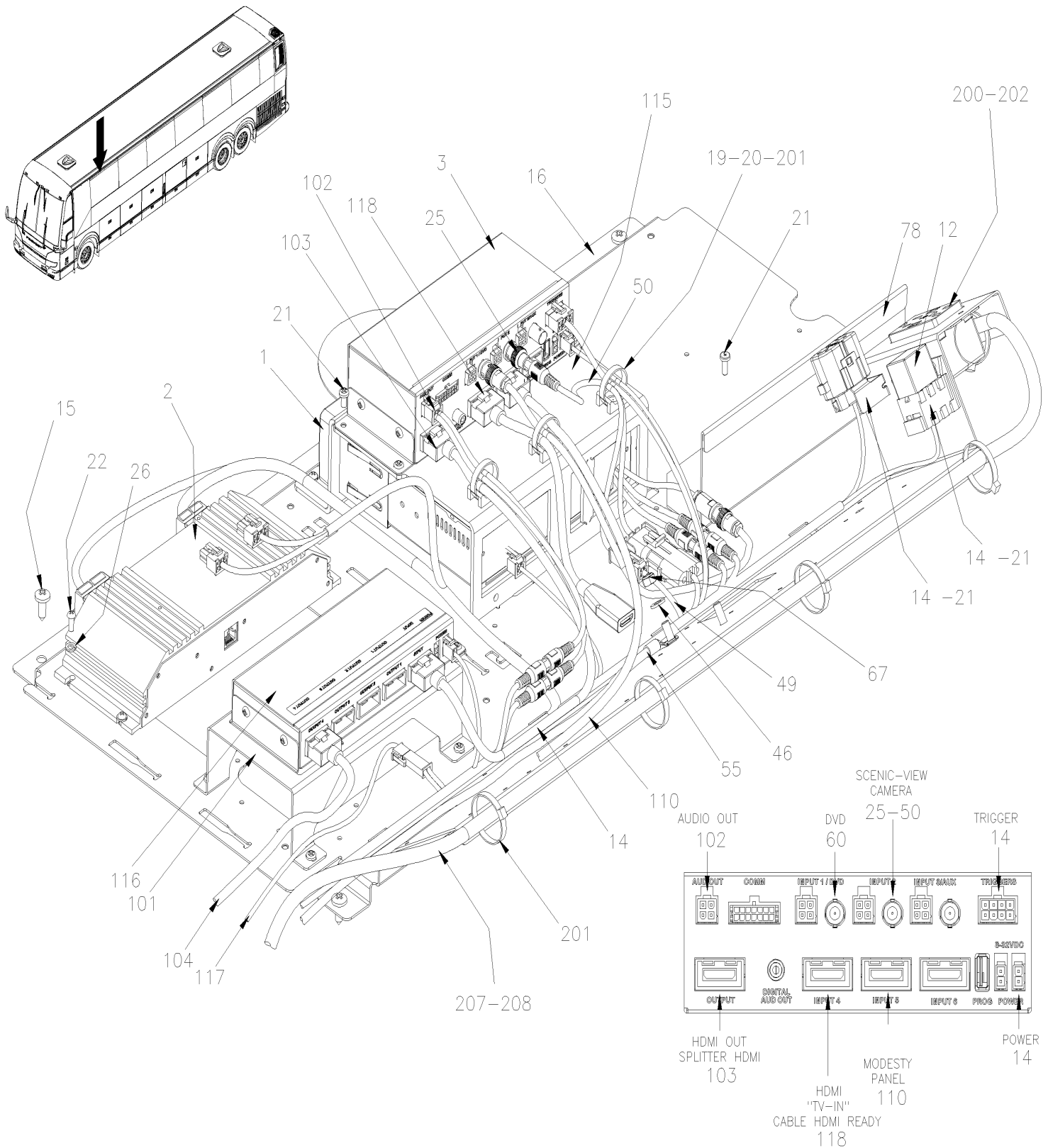
Item#	Part	Description	H 3 4 1	H 3 4 5	N O T E S
1	901750	MODULE "WIFI" SYSTEM VTC ICR-2 STD	1	1	
1	561667	CONNECTOR / UNIVERSAL MATE-N-LOK / PH 3C / AMP 1-480701-0	1	1	
1	562122	PIN TERMINAL / 20-14 / AMP 350547-1	2	2	
5	901751	ANTENNA DOUBLE LTE / DOUBLE WIFI GPS 17FT	1	1	
5	685126	ADHESIVE SIMSON #ISR 70-03 / GREY / 600ml SAUSAGE	AR	AR	
6	901752	ANTENNA DOUBLE LTE / 17FT, M-SERIE + ICR	1	1	
6	685126	ADHESIVE SIMSON #ISR 70-03 / GREY / 600ml SAUSAGE	AR	AR	
11	500601	SCREW TC PAN PH #6-32x3/8 N500	4	4	
12	500855	WASHER FL .188x.438x.049 N500	4	4	

From K-0185 To P-1452

Date:07/2024

PAGE:H9-2317-31

VIDEO & AUDIO SYSTEM - INSTALLATION W/HHD

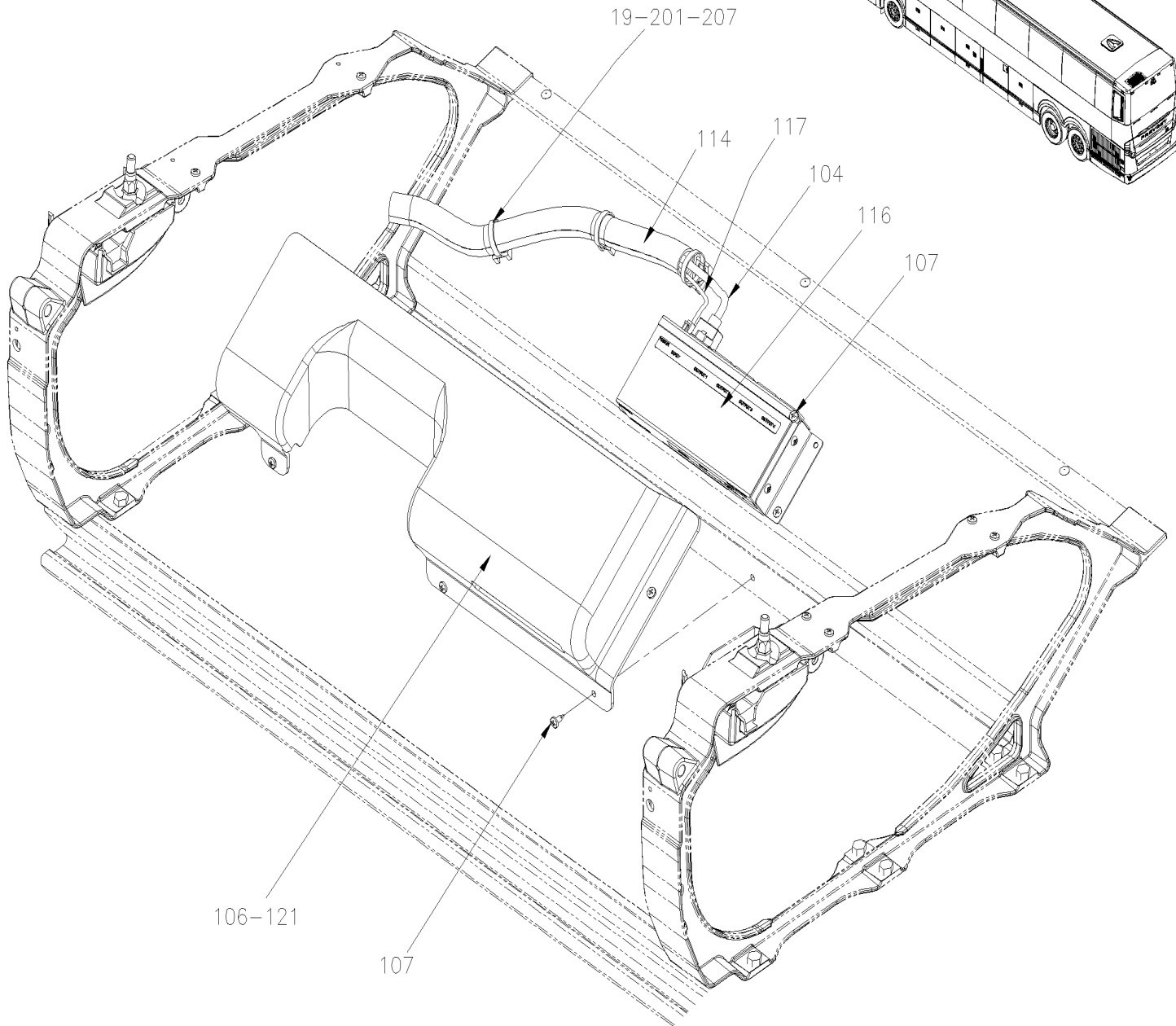
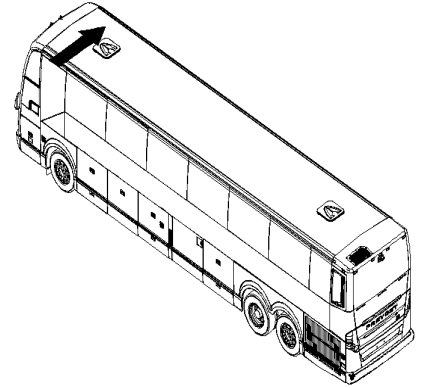


From K-0185 To P-1452

Date:07/2024

PAGE:H9-2317-31

VIDEO & AUDIO SYSTEM - INSTALLATION W/HHED

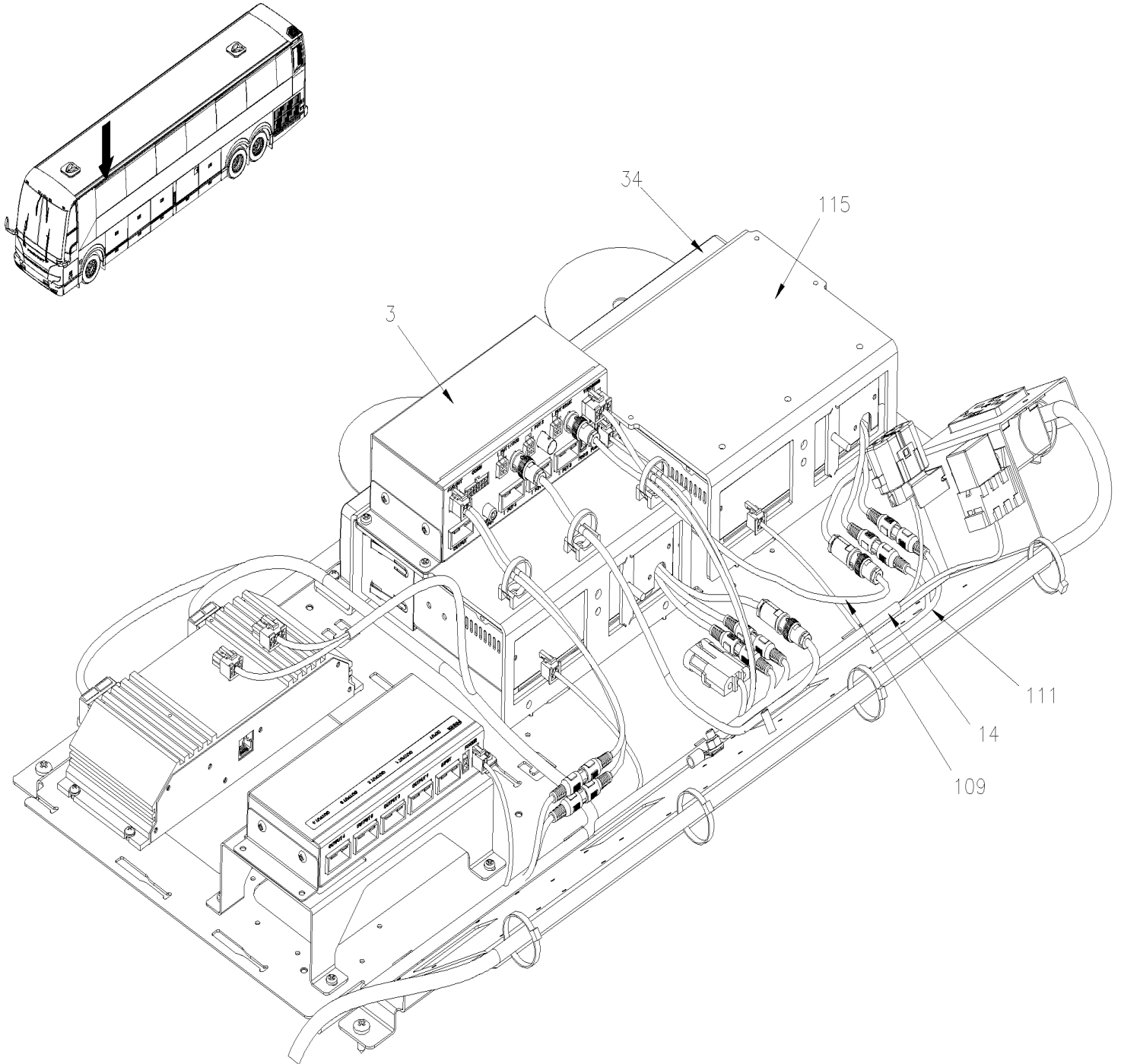


From K-0185 To P-1452

Date:07/2024

PAGE:H9-2317-31

VIDEO & AUDIO SYSTEM - INSTALLATION W/HHD

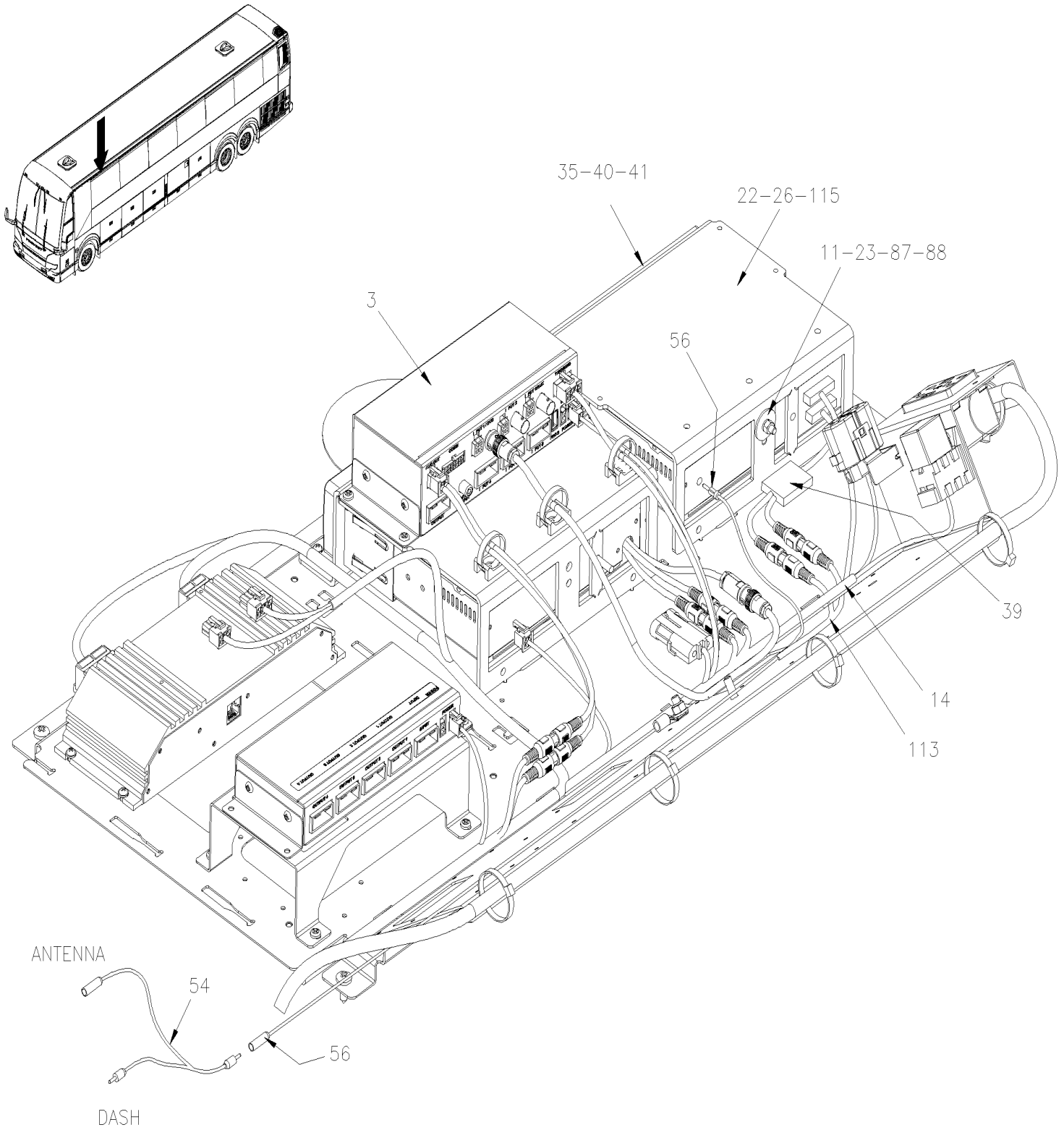


From K-0185 To P-1452

Date:07/2024

PAGE:H9-2317-31

VIDEO & AUDIO SYSTEM - INSTALLATION W/HHD

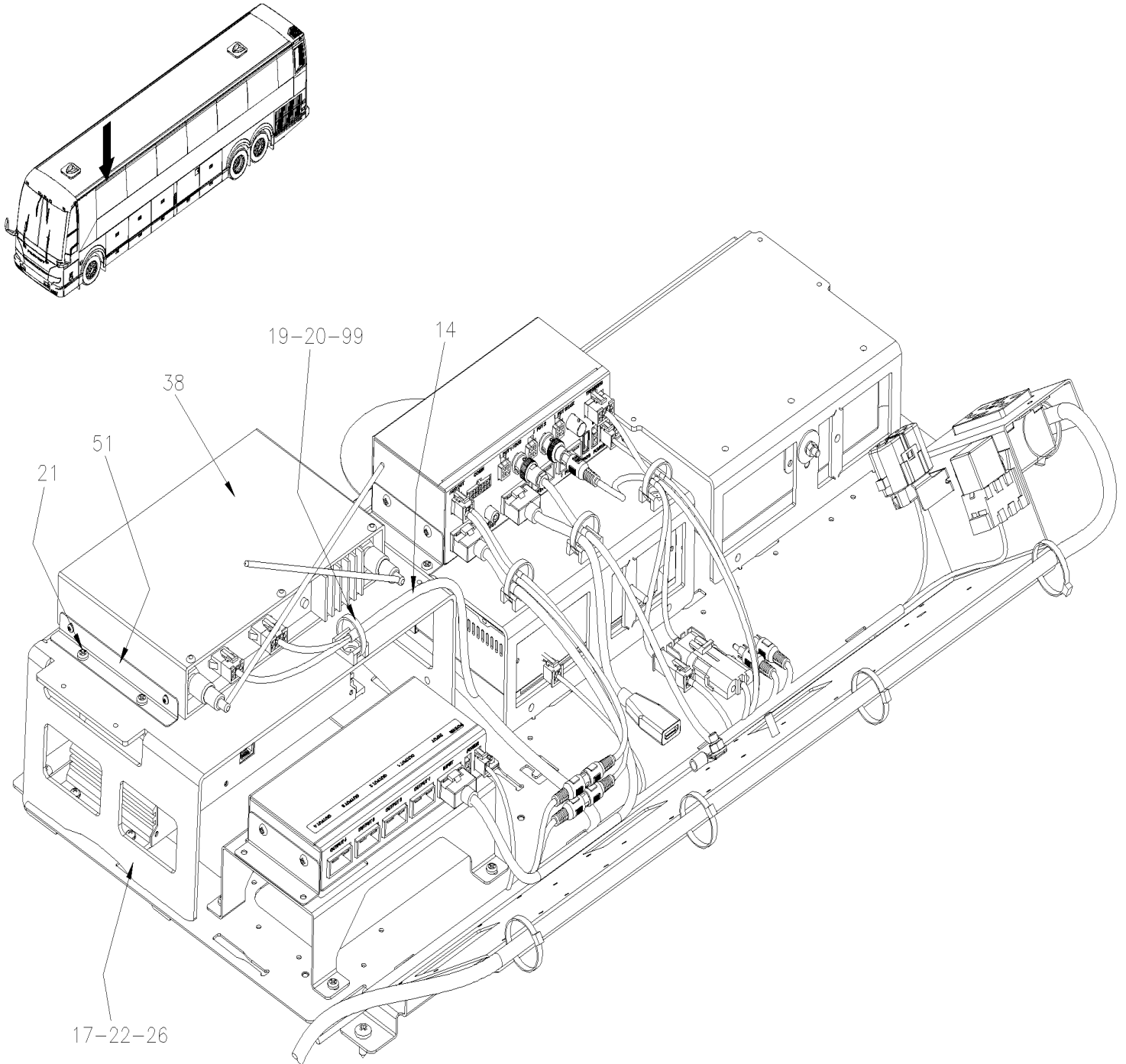


From K-0185 To P-1452

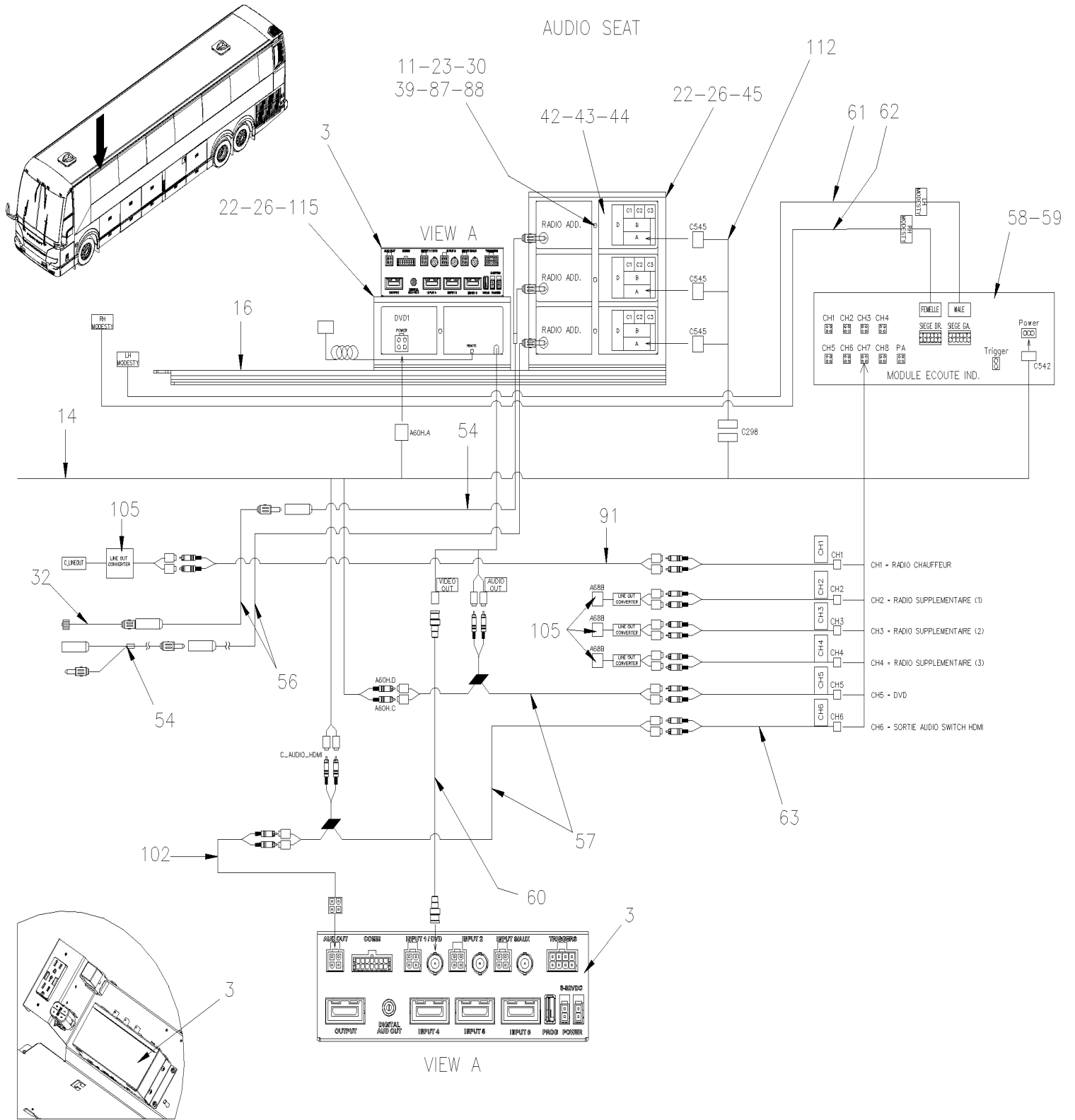
Date:07/2024

PAGE:H9-2317-31

VIDEO & AUDIO SYSTEM - INSTALLATION W/HHED



VIDEO & AUDIO SYSTEM - INSTALLATION W/HHD

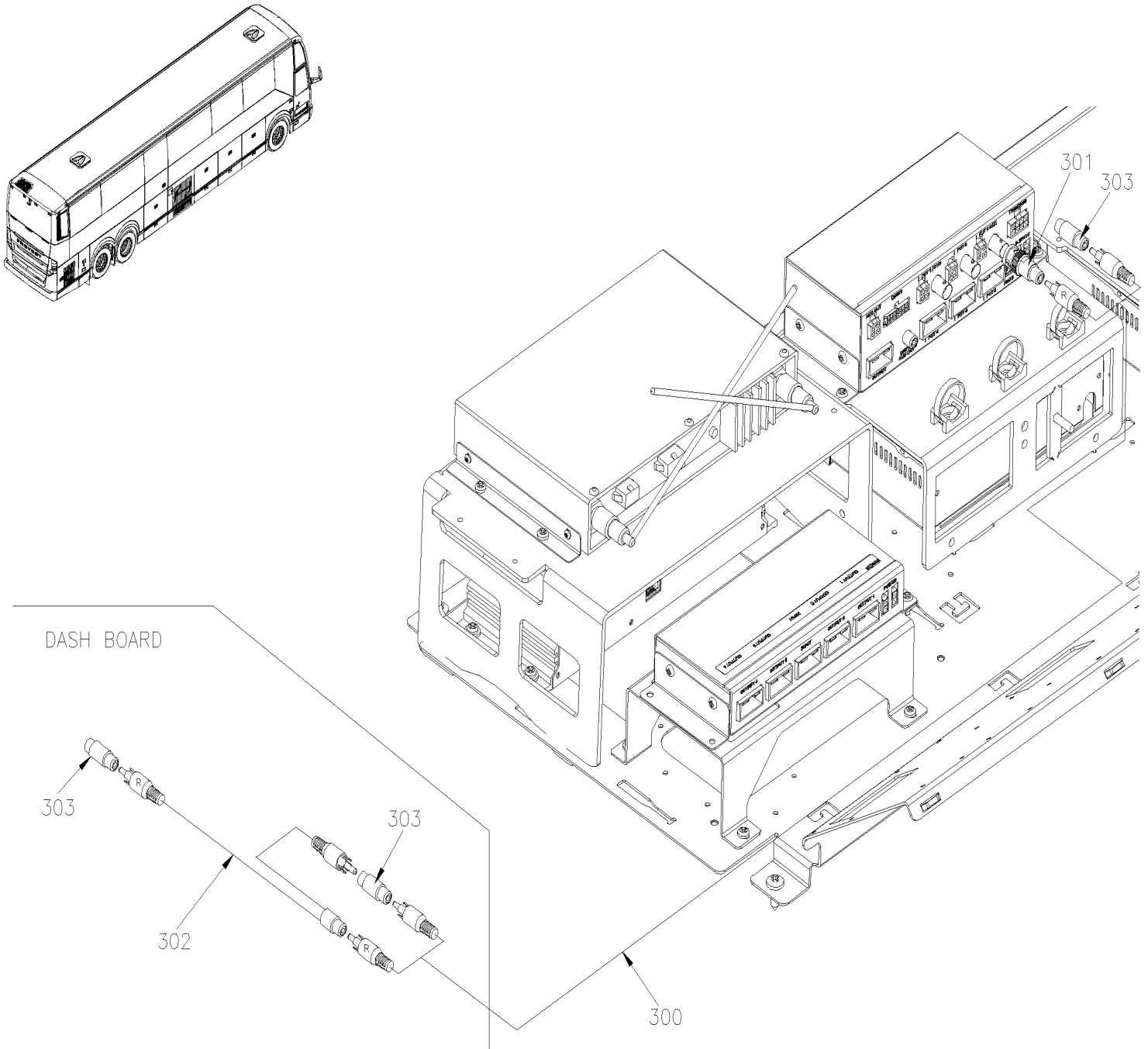


From K-0185 To P-1452

Date:07/2024

PAGE:H9-2317-31

VIDEO & AUDIO SYSTEM - INSTALLATION W/HHD

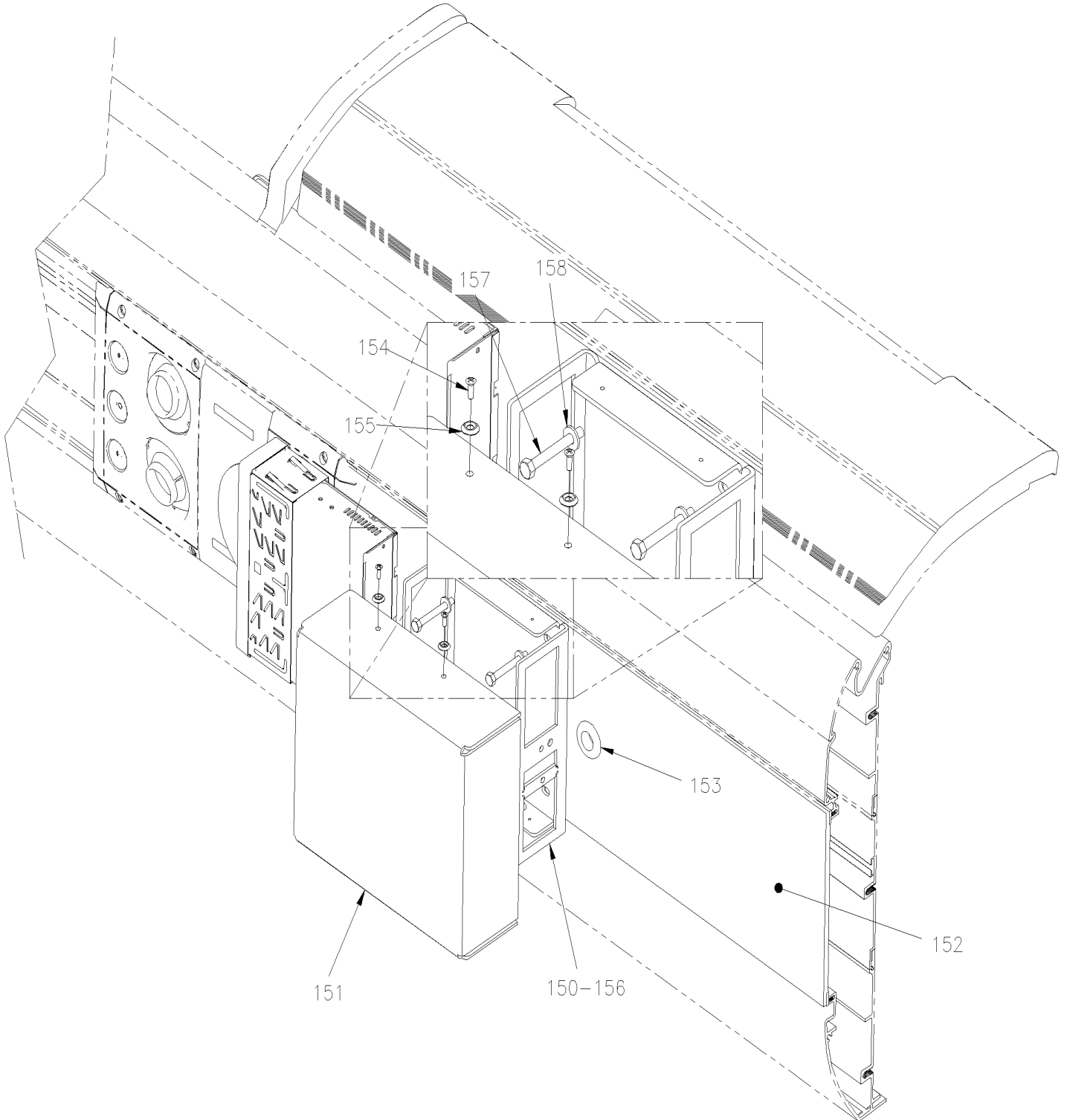


From K-0185 To P-1452

Date:07/2024

PAGE:H9-2317-31

VIDEO & AUDIO SYSTEM - INSTALLATION W/HHD



From K-0185 To P-1452	Date:07/2024	PAGE:H9-2317-31
VIDEO & AUDIO SYSTEM - INSTALLATION W/HHED		

Item#	Part	Description	H 3 4 1	H 3 4 5	N O T E S
1	901339	DVD PLAYER 12V To K-0352	1	1	
. NS	901377	. REMOTE CONTROL / DVD R.E.I. To K-0352	1	1	
1	901436	DVD PLAYER 12V From K-0353	1	1	
. NS	901264	. REMOTE CONTROL / DVD REI From K-0353	1	1	
1	IS23506	KIT, DVD PLAYER INSTALLATION From K-0353	1	1	J
. NS	901436	. DVD PLAYER 12V From K-0353	1	1	J
. . NS	901264	. . REMOTE CONTROL / DVD REI From K-0353	1	1	J
. NS	901157	. CABLE COAXIAL 3' BNC From K-0353	1	1	J
. NS	N25187	. VELCRO TAPE HOOK From K-0353	AR	AR	J
. NS	506268	. TAPE RUB ADH1 URE 3/8" x 1/2" x 25' / GREY 1820 From K-0353	AR	AR	J
. NS	504273	. CABLE TIE / 1/8" X 3" 1/2 From K-0353	2	2	J
. NS	504637	. CABLE TIE / 3/16" x 13" From K-0353	7	7	J
. NS	564099	. TAPE ADHESIF ELECTRICAL TISSUS / BLACK 838MM From K-0353	AR	AR	J
1	900179PC	DIGITAL MEDIA PLAYER	1	1	F
NS	506755	VELCRO / HOOK ADHESIF 1" x 75'	AR	AR	
NS	506756	VELCRO / LOOP ADHESIF 1" x 75'	AR	AR	
2	901538	AMPLIFICATOR AUDIO / 400 WATTS / FISCHER To P-1358	1	1	
2	901907	AMPLIFICATOR AUDIO / 400 WATTS / FISCHER From P-1381	1	1	
3	900204	MODULE HDMI SWITCH To K-0342	1	1	
3	900398	MODULE HDMI SWITCH From K-0343	1	1	
NS	562697	SWITCH / ON-ON / D.P.D.T. / CH-OVER / W/RED & GREEN LED	1	1	B
NS	565925	CAP / "MONITOR"	1	1	B
NS	068338	WIRING HARNESS SWITCH FRONT MONITOR	1	1	B
11	500470	WASHER LO SPT .193x.334x.047 Z050	2	2	
12	563332	RELAY 24V S.P.D.T. W/RESISTOR / "VOLVO" (20374662)	1	1	
14	060643	HARNESS, SOUND SYSTEM To L-0822	1	1	
14	0611105	HARNESS, SOUND SYSTEM From L-0823 To N-1172	1	1	
14	0610513	HARNESS, SOUND SYSTEM From N-1173	1	1	
14	062828	HARNESS, SOUND SYSTEM	1	1	C
. NS	564560	. FUSE HOLDER / SHORT / BUSSMANN CFH-ASE	1	1	C
. NS	564496	. CONNECTOR / METRI-PACK 630 / SH 5C / PED 12033871	1	1	C
15	502513	SCREW TP CAP HEX 5/16x1 Z050	5	5	
15	500942	WASHER LO SPT 8.1x14.8x2.0 N500	5	5	
15	500401	WASHER FL .343x.875x.125 N500	5	5	
16	406630	PLATE SUPPORT MAIN SYSTEM To K-0373	1	1	
16	400682	PLATE SUPPORT MAIN SYSTEM From K-0374 To L-0822	1	1	
16	401365	VIDEO PLATE From L-0823	1	1	
17	400066	SUPPORT VIDEO ON AMPLIFICATOR	1	1	
NS	069296	CABLE ASSY POWER SOUND SYSTEM	1	1	
19	504013	TIE MOUNT / 1/4" X 1/4" I.D.	AR	AR	
20	504347	RIVET POP DOME OE 3/16x1/4 AL	AR	AR	
21	500799	SCREW TC PAN PH #8-32x3/8 N500	AR	AR	

From K-0185 To P-1452	Date:07/2024	PAGE:H9-2317-31
VIDEO & AUDIO SYSTEM - INSTALLATION W/HHED		

Item#	Part	Description	H 3 4 1	H 3 4 5	N O T E S
22	500344	SCREW MA RND PH M4-0.7x12 Z050	AR	AR	
23	502816	NUT HEX M5-0.8 N500	AR	AR	
25	900777	CONNECTOR BNC PLUG TO RCA ADAPTOR / ELEC 21-142-0	1	1	
26	500914	WASHER LO SPT .193x.334x.047 N500	2	2	
30	5001146	SCREW CAP HEX M5-0.8x20 SS BK	1	1	
32	901372	CABLE ADAPTOR / RADIO & ANTENNA CABLE / MOTOROLA / M TO EURO / F	1	1	
34	901339	DVD PLAYER 12V To K-0352	1	1	
. NS	901377	. REMOTE CONTROL / DVD R.E.I. To K-0352	1	1	
34	901436	DVD PLAYER 12V From K-0353	1	1	
. NS	901264	. REMOTE CONTROL / DVD REI From K-0353	1	1	
NS	506755	VELCRO / HOOK ADHESIF 1" x 75'	1	1	
NS	506756	VELCRO / LOOP ADHESIF 1" x 75'	1	1	
35	23000462	RADIO "PREVOST" AM/FM/CD & MP3 BLUETOOTH (PANA PACIFIC) To N-1172	1	1	
35	901882	RADIO AM/FM SD CARD USB DEA710 (PANA PACIFIC) From N-1173	1	1	
35	901881	JUMPER HARNESS FOR DEA5XX RADIO From N-1173	1	1	
38	901657	RECEIVER WIRELESS MICROPHONE / 200 CHANNEL	1	1	
39	066804	ADAPTOR AUDIO SIRIUS SH 8C x 2F RCA To K-0254	1	1	
. NS	903217	. CONVERTISSOR AUDIO To K-0254	1	1	
39	069811	AUDIO OUTPUT CONVERTER SH 8C x 2F RCA From K-0255	1	1	
. NS	903217	. CONVERTISSOR AUDIO From K-0255	1	1	
40	23000444	RADIO "PREVOST" AM/FM/CD & MP3 BLUETOOTH & XM & SIRIUS (PANA PACIFIC) To N-1172	1	1	
40	901883	RADIO "PREVOST" AM/FM/CD & MP3 BLUETOOTH & XM & SIRIUS (PANA PACIFIC) From N-1173	1	1	
NS	901881	JUMPER HARNESS FOR DEA5XX RADIO From N-1173	1	1	
41	23000444	RADIO "PREVOST" AM/FM/CD & MP3 BLUETOOTH & XM & SIRIUS (PANA PACIFIC) To N-1172	1	1	
41	901883	RADIO "PREVOST" AM/FM/CD & MP3 BLUETOOTH & XM & SIRIUS (PANA PACIFIC) From N-1173	1	1	
NS	901881	JUMPER HARNESS FOR DEA5XX RADIO From N-1173	1	1	
42	23000462	RADIO "PREVOST" AM/FM/CD & MP3 BLUETOOTH (PANA PACIFIC) To N-1172	1	1	
42	901882	RADIO AM/FM SD CARD USB DEA710 (PANA PACIFIC) From N-1173	1	1	
NS	901881	JUMPER HARNESS FOR DEA5XX RADIO From N-1173	1	1	
43	23000444	RADIO "PREVOST" AM/FM/CD & MP3 BLUETOOTH & XM & SIRIUS (PANA PACIFIC) To N-1172	1	1	
43	901883	RADIO "PREVOST" AM/FM/CD & MP3 BLUETOOTH & XM & SIRIUS (PANA PACIFIC) From N-1173	1	1	
NS	901881	JUMPER HARNESS FOR DEA5XX RADIO From N-1173	1	1	
44	23000444	RADIO "PREVOST" AM/FM/CD & MP3 BLUETOOTH & XM & SIRIUS (PANA PACIFIC) To N-1172	1	1	
44	901883	RADIO "PREVOST" AM/FM/CD & MP3 BLUETOOTH & XM & SIRIUS (PANA PACIFIC) From N-1173	1	1	
NS	901881	JUMPER HARNESS FOR DEA5XX RADIO From N-1173	1	1	
45	406361	SUPPORT, RADIO (3 RADIO) & DVD REI To K-0373	1	1	
45	400651	SUPPORT, RADIO (4 RADIO) & DVD REI From K-0374 To N-1172	1	1	
45	402235	SUPPORT, RADIO (4 RADIO) & DVD From N-1173	1	1	
NS	500654	SCREW TC BDG PH #8-32x1/2 Z050 From K-0374	4	4	
NS	500591	WASHER FL 4.3x9.0x0.8 Z050 From K-0374	4	4	
NS	506769	TAPE RUB ADH2 CC POL 1/8" x 1/4" x 60' / BLACK H1CC-N-#14 From K-0374	AR	AR	
46	502573	WASHER FL 6.4x12.5x1.6 SS	2	2	

From K-0185 To P-1452	Date:07/2024	PAGE:H9-2317-31
VIDEO & AUDIO SYSTEM - INSTALLATION W/HHED		

Item#	Part	Description	H 3 4 1	H 3 4 5	N O T E S
49	900912	CABLE ASSY / FRONT CAMERA	1	1	
50	066822	CABLE ASSY / VIDEO & FRONT CAMERA To L-0822	1	1	
50	0611107	CABLE ASSY / VIDEO & FRONT CAMERA From L-0823	1	1	
54	900775	Y RADIO ANTENNA CABLE / TO USE W/2 RADIOS	1	1	
55	068086	CABLE, NSS GROUND	1	1	
56	900774	CABLE, ANTENNA EXTENSION / 12'	1	1	
57	901283	ADAPTOR "Y" RCA / 1M/2F / 6" To N-1172	4	4	
57	901283	ADAPTOR "Y" RCA / 1M/2F / 6" From N-1173	2	2	
58	901102	8 CHANNEL AMPLIFIER MODULE	1	1	
NS	500443	SCREW TP PAN PH #8x1/2 N500 To K-0373	4	4	
NS	500564	SCREW MA RND PH #8-32x3/4 Z050 From K-0374	4	4	
NS	500914	WASHER LO SPT .193x.334x.047 N500 From K-0374	4	4	
NS	500855	WASHER FL .188x.438x.049 N500 From K-0374	4	4	
59	400649	SUPPORT AMPLIFIER 8 CHANNEL From K-0374 To N-1172	1	1	
59	402236	SUPPORT AMPLIFIER From N-1173	1	1	
59	502513	SCREW TP CAP HEX 5/16x1 Z050 From K-0374	4	4	
59	500942	WASHER LO SPT 8.1x14.8x2.0 N500 From K-0374	4	4	
59	500401	WASHER FL .343x.875x.125 N500 From K-0374	4	4	
60	901347	CABLE ASSY / W/2 BNC FEMALE/ FEMALE 1" To N-1172	1	1	
60	900045	CABLE HDMI E / 1' From N-1173	1	1	
61	901019	CABLE ASSY / ENTERTAINMENT MODULE LEFT SEAT	1	1	
62	901020	CABLE ASSY / ENTERTAINMENT MODULE RIGHT SEAT	1	1	
63	901107	CABLE ADAPTOR RCA TO MOLEX / 4"	6	6	
67	5001182	NUT HEX NYRT M6-1.0 SS	2	2	
78	405924	PROTECTOR COVER ALLUMINUM / OVER FUSE HOLDER / BLACK	1	1	
87	406440	ATTACHMENT / RADIO	1	1	
88	500805	WASHER FL .218x.875x.062 N500	1	1	
91	901062	CABLE RCA / 2M/2F / 23'	1	1	
99	504637	CABLE TIE / 3/16" x 13"	AR	AR	
101	400056	BRACKET HDMI VIDEO SPLITTER	1	1	
102	901565	HARNESS, AUDIO BETWEEN CONV AND DVD	1	1	
103	900031	CABLE HDMI E / 3'	1	1	
104	900034	CABLE HDMI E / 15'	1	1	
105	066804	ADAPTOR AUDIO SIRIUS SH 8C x 2F RCA	1	1	
. NS	903217	. CONVERTISSOR AUDIO	1	1	
105	069811	AUDIO OUTPUT CONVERTER SH 8C x 2F RCA From K-0255	1	1	O
. NS	903217	. CONVERTISSOR AUDIO From K-0255	1	1	O
106	310135	COVER MODULE HDMI VIDEO SPLITTER TAN To K-0484	1	1	
106	310353	COVER MODULE HDMI VIDEO SPLITTER GREY To K-0484		1	H
106	314540	COVER MODULE HDMI VIDEO SPLITTER GREY From K-0485	1	1	
106	310135	COVER MODULE HDMI VIDEO SPLITTER TAN From K-0485	1	1	O
107	500638	SCREW TP PAN PH #8x1/2 Z050	7	7	

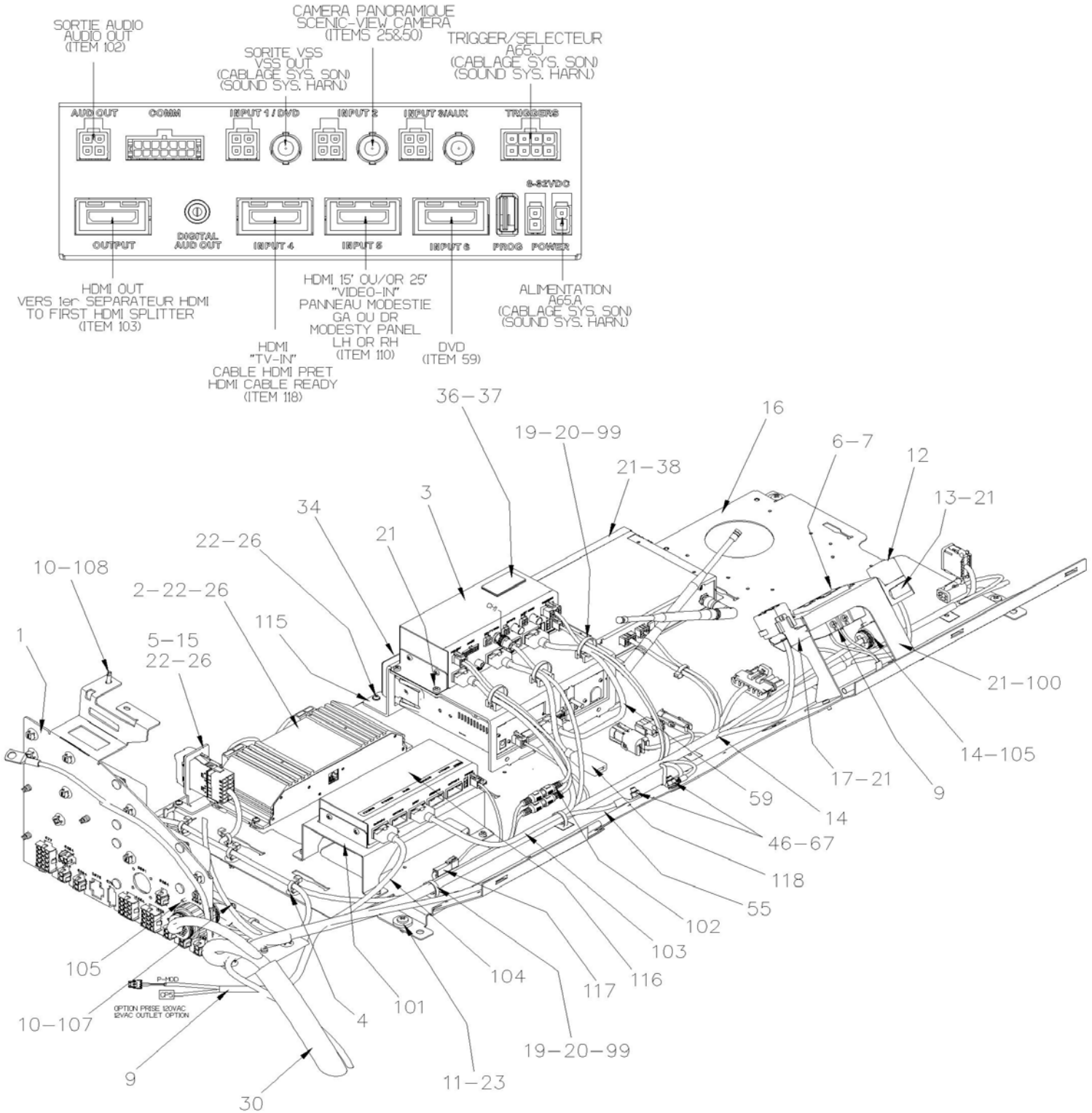
From K-0185 To P-1452	Date:07/2024	PAGE:H9-2317-31
VIDEO & AUDIO SYSTEM - INSTALLATION W/HHED		

Item#	Part	Description	H 3 4 1	H 3 4 5	N O T E S
109	901347	CABLE ASSY / W/2 BNC FEMALE/ FEMALE 1" To N-1172	1	1	
109	900045	CABLE HDMI E / 1' From N-1173	1	1	
110	900034	CABLE HDMI E / 15'	1	1	
111	901110	CABLE RCA / 2M/2M / 25' To N-1172	1	1	
112	405847	CABLE ASSY ENTERTAINER MODULE POWER To L-0822	1	1	
112	401420	CABLE ASSY ENTERTAINER MODULE POWER From L-0823	1	1	
113	901110	CABLE RCA / 2M/2M / 25'	1	1	
114	561451	CONVOLUTED TUBING / SLIT / GRAY / .750	AR	AR	
115	406360	SUPPORT, RADIO (1RADIO) & DVD REI To L-0822	1	1	
115	401259	SUPPORT, RADIO (1RADIO) & DVD SUPP. From L-0823	1	1	
115	400679	SUPPORT, RADIO (1RADIO) & DVD SIRIUS From K-0374 To L-0822	1	1	O
NS	500344	SCREW MA RND PH M4-0.7x12 Z050 From K-0374 To L-0822	2	2	O
NS	500914	WASHER LO SPT .193x.334x.047 N500 From K-0374 To L-0822	2	2	O
115	401261	SUPPORT, RADIO (1RADIO) & DVD SIRIUS From L-0823	1	1	O
115	500799	SCREW TC PAN PH #8-32x3/8 N500 From L-0823	4	4	O
116	900208	MODULE HDMI VIDEO SPLITTER	1	1	
117	060654	HARNESS, POWER RH HDMI	1	1	
118	900030	CABLE HDMI ADAPTER E RECEP. TO A PLUG	1	1	
NS	900208	MODULE HDMI VIDEO SPLITTER	1	1	
121	060157	DECAL, O2 EL MONITOR LAYOUT P-RACK E	1	1	
NS	507661	PROTECTOR, VINYL / , .437x1.500	1	1	
150	408369	DVD, SUPPORT	1	1	
151	408370	DVD, COVER	1	1	
152	316717	DVD, FINISHING PANEL	1	1	
153	504671	GROMMET / .687x1.000x.125x.437x1.312	1	1	
154	500686	SCREW TP OV PH #6x1/2 BK	4	4	
155	500345	WASHER FN CKF .187x.500x.090 BR BK	4	4	
156	402823	SUPPORT MONITOR	2	2	
157	502656	SCREW CAP HEX M6-1.0x50 SS	4	4	
158	500877	WASHER FL .250x.562x.065 N500	4	4	
200	565200	PLUG DOUBLE 110 VAC MURAL W/2 USB PORT / GREY	1	1	
201	504637	CABLE TIE / 3/16" x 13"	AR	AR	
202	680319	TAPE ADHESIF ELECTRIC / BLACK 3/4"	AR	AR	
207	068339	CABLE / 120VAC / PARCEL RACK OUTLET	1	1	
208	560784	SHRINK TUBING / .250" - .080" / BLACK / ALPHA FIT-300-1/4-4B	AR	AR	
NS	565924	CAP / "INTERNET"	1	1	DE
NS	562697	SWITCH / ON-ON / D.P.D.T. / CH-OVER / W/RED & GREEN LED	1	1	DE
NS	068535	WIRING HARNESS 12V POWER, DASH TO PARCEL-RACK	1	1	D
NS	069918	HARNESS 12V INTERNET ON DASHBOARD From K-0218	1	1	E
NS	069919	HARNESS 12V INTERNET P-RACK From K-0218	1	1	E
NS	069920	ADAPTER INTERCONNECT "Y" C600 From K-0218	1	1	E

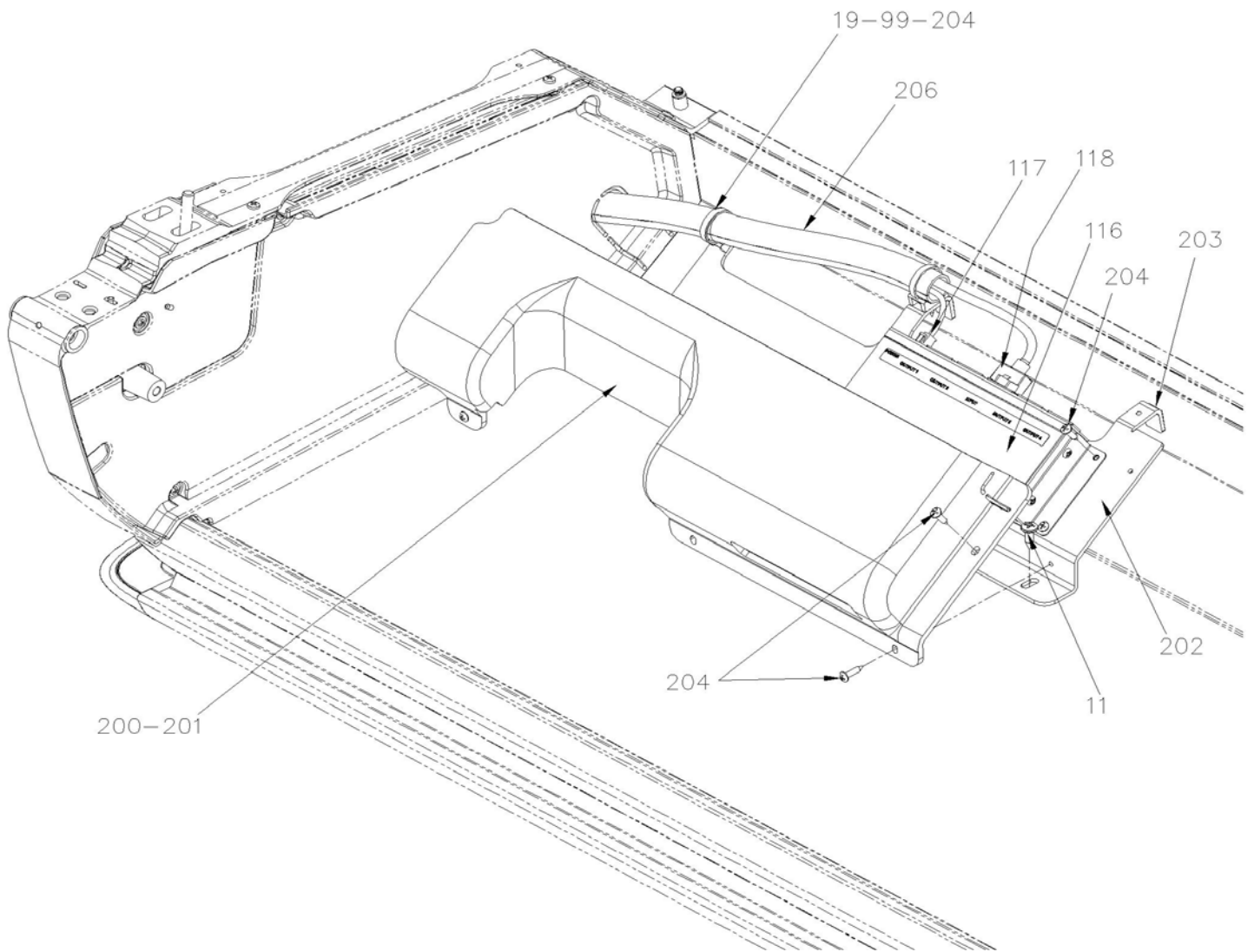
From K-0185 To P-1452	Date:07/2024	PAGE:H9-2317-31
VIDEO & AUDIO SYSTEM - INSTALLATION W/HHED		

Item#	Part	Description	H 3 4 1	H 3 4 5	N O T E S
300	901110	CABLE RCA / 2M/2M / 25'	1	1	A
301	900777	CONNECTOR BNC PLUG TO RCA ADAPTOR / ELEC 21-142-0	1	1	A
302	900758	ADAPTOR "Y" RCA / 1F/2M / 9"	1	1	A
303	562652	ADAPTOR FEMALE / FEMALE JOINT / RCA	3	3	A
304	680319	TAPE ADHESIF ELECTRIC / BLACK ¾"	AR	AR	A
		A) USE WITH GPS INSTALLATION			
		B) USE WITH FRONT CENTRAL MONITOR SWITCH OPTION			
		C) USE ONLY WITH SYSTEM INSTALL IN SECOND DOOR OF PARCEL RACK			
		D) WITH"WIFI" SWITCH			
		E) WITH INTERNET SWITCH OPTION			
		F) SUPPLY BY CUSTOMER			
		H) BAUER'S TRANSPORTATION OPTION			
		J) SEE IS-23506 FOR ALL DETAILS			
		O) OPTIONAL			

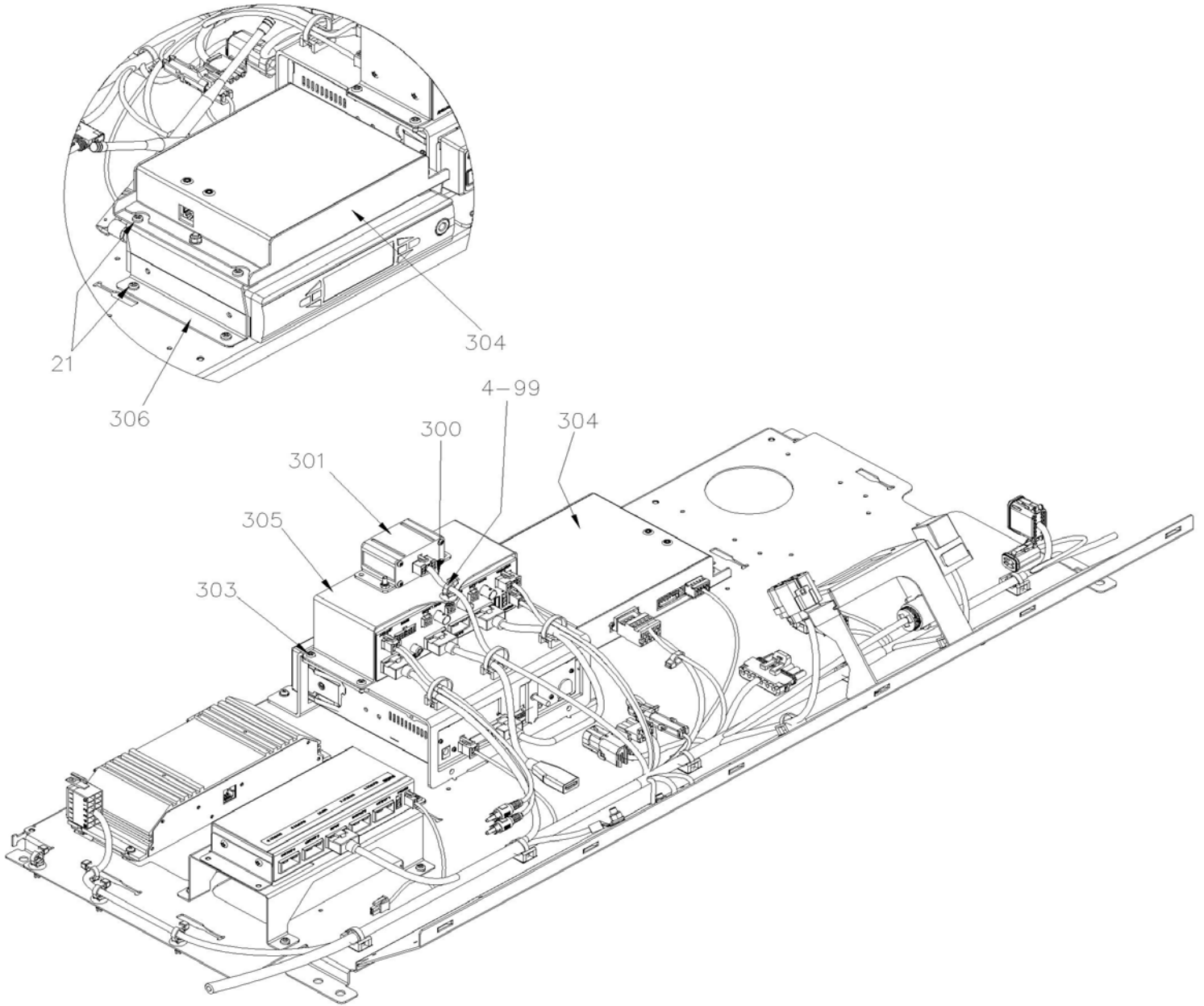
	Date:07/2024	PAGE:H9-2317-32
VIDEO & AUDIO SYSTEM - INSTALLATION W/HHED		



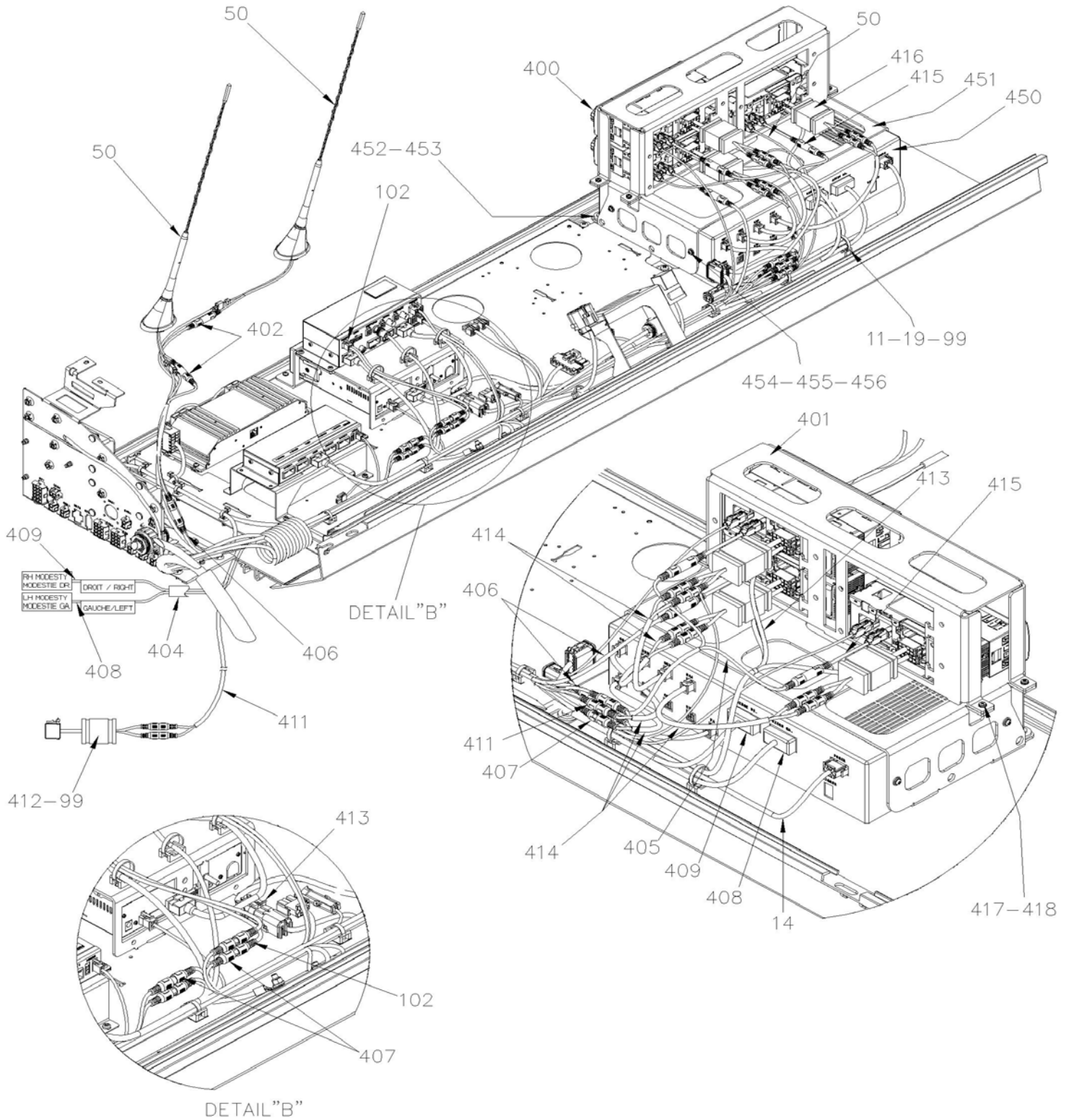
		Date:07/2024	PAGE:H9-2317-32
VIDEO & AUDIO SYSTEM - INSTALLATION W/HHED			



	Date:07/2024	PAGE:H9-2317-32
VIDEO & AUDIO SYSTEM - INSTALLATION W/HHED		



	Date:07/2024	PAGE:H9-2317-32
VIDEO & AUDIO SYSTEM - INSTALLATION W/HHD		



	Date:07/2024	PAGE:H9-2317-32
VIDEO & AUDIO SYSTEM - INSTALLATION W/HHED		

Item#	Part	Description	H 3 4 1	H 3 4 5	N O T E S
1	0610381	SUPPORT / WIRING HARNESS		1	
2	901907	AMPLIFICATOR AUDIO / 400 WATTS / FISCHER		1	
3	900398	MODULE HDMI SWITCH		1	
4	509815	TIE MOUNT / ATTACHMENT W/TREE MOUNT		AR	
5	401607	SUPPORT COLCOR SELECTOR RGB		1	
6	564354	PLUG DOUBLE 110 VAC MURAL W/2 USB PORT / BLACK		1	
7	680319	TAPE ADHESIF ELECTRIC / BLACK 3/4"		AR	
9	0600131	CABLE OUTLET 120VAC PARCEL RACK		1	
10	5001137	WASHER FL .203x.438x.050 SS		AR	
11	500841	SCREW TP PAN PH #14x3/4 Z050		AR	
12	563332	RELAY 24V S.P.D.T. W/RESISTOR / "VOLVO" (20374662)		1	
13	564496	CONNECTOR / METRI-PACK 630 / SH 5C / PED 12033871			
14	063106	HARNESS, SOUND SYSTEM PARCEL-RACK		1	
15	564286	SWITCH "RGB COLOR "		1	
16	406772	VIDEO PLATE		1	
17	564560	FUSE HOLDER / SHORT / BUSSMANN CFH-ASE			
18	504379	RIVET POP DOME OE 3/16x1/4 SS		AR	
19	504013	TIE MOUNT / 1/4" X 1/4" I.D.		AR	
20	504347	RIVET POP DOME OE 3/16x1/4 AL		AR	
21	500799	SCREW TC PAN PH #8-32x3/8 N500		AR	
22	500344	SCREW MA RND PH M4-0.7x12 Z050		AR	
23	500401	WASHER FL .343x.875x.125 N500		4	
26	500914	WASHER LO SPT .193x.334x.047 N500		AR	
30	062799	HARNESS, SOUND SYSTEM To P-6883			
30	0600180	HARNESS, SOUND SYSTEM From P-6884			
34	901436	DVD PLAYER 12V		1	
. NS	901264	. REMOTE CONTROL / DVD REI		1	
36	506755	VELCRO / HOOK ADHESIF 1" x 75'		AR	
37	506756	VELCRO / LOOP ADHESIF 1" x 75'		AR	
38	901702	RECEIVER WIRELESS MICROPHONE / 200 CHANNEL		1	
46	502573	WASHER FL 6.4x12.5x1.6 SS		2	
50	H9-2315-01	SOUND SYSTEM & ACCESSORIES W/HHED			
55	069776	CABLE, NSS GROUND		1	
59	900045	CABLE HDMI E / 1'		1	
67	5001182	NUT HEX NYRT M6-1.0 SS		2	
99	504637	CABLE TIE / 3/16" x 13"		AR	
100	401609	SUPPORT, SOCKET 120V		1	
101	400056	BRACKET HDMI VIDEO SPLITTER		1	
102	901565	HARNESS, AUDIO BETWEEN CONV AND DVD		1	
103	900031	CABLE HDMI E / 3'		1	
104	900034	CABLE HDMI E / 15'		1	
105	500601	SCREW TC PAN PH #6-32x3/8 N500		8	

	Date:07/2024	PAGE:H9-2317-32
VIDEO & AUDIO SYSTEM - INSTALLATION W/HHD		

Item#	Part	Description	H 3 4 1	H 3 4 5	N O T E S
107	500638	SCREW TP PAN PH #8x1/2 Z050		2	
108	500623	SCREW TC PAN PH #10-24x3/4 N500		1	
115	401259	SUPPORT, RADIO (1RADIO) & DVD SUPP.		1	
116	900208	MODULE HDMI VIDEO SPLITTER		1	
117	060654	HARNESS, POWER RH HDMI		1	
118	900030	CABLE HDMI ADAPTER E RECEP. TO A PLUG		1	
200	401698	COVER MODULE HDMI VIDEO SPLITTER		1	
201	060157	DECAL, O2 EL MONITOR LAYOUT P-RACK E		1	
202	401702	BRACKET, MODULE HDMI VIDEO SPLITTER		1	
203	506227	TAPE RUB ADH1 CC POL 1/16" x 3/4" x 100' / GREY 2520		AR	
204	500641	SCREW TP PAN PH #8x3/4 Z050		10	
206	561451	CONVOLUTED TUBING / SLIT / GRAY / .750		AR	
300	0610438	EMERGENCY LIGHTS MAIN HARNESS		1	
301	901837	MOUDLE, ELM LED STATUS REI		1	
303	500539	NUT HEX NYRT M4-0.7 N500		2	
304	901831	EMERGENCY UNIT 24VDC TEKNOWARE		1	
305	0610509	SUPPORT STATUS LED		1	
306	402238	BATTERIE STAND WITH WIRELESS MICROPHONE		1	
400	901883	RADIO "PREVOST" AM/FM/CD & MP3 BLUETOOTH & XM & SIRIUS (PANA PACIFIC)		1	
401	402235	SUPPORT, RADIO (4 RADIO) & DVD		1	
402	901372	CABLE ADAPTOR / RADIO & ANTENNA CABLE / MOTOROLA / M TO EURO / F		2	
403	500564	SCREW MA RND PH #8-32x3/4 Z050		4	
404	562218	CONVOLUTED TUBING / UNSLIT / BLACK & GRAY / 1.000"		AR	
405	900775	Y RADIO ANTENNA CABLE / TO USE W/2 RADIOS		1	
406	900774	CABLE, ANTENNA EXTENSION / 12'		2	
407	901283	ADAPTOR "Y" RCA / 1M/2F / 6"		1	
408	901019	CABLE ASSY / ENTERTAINMENT MODULE LEFT SEAT		1	
409	901020	CABLE ASSY / ENTERTAINMENT MODULE RIGHT SEAT		1	
410	901107	CABLE ADAPTOR RCA TO MOLEX / 4"		5	
411	901062	CABLE RCA / 2M/2F / 23'		1	
412	066804	ADAPTOR AUDIO SIRIUS SH 8C x 2F RCA		1	
. NS	903217	. CONVERTISSOR AUDIO		1	
413	401420	CABLE ASSY ENTERTAINER MODULE POWER		1	
414	901107	CABLE ADAPTOR RCA TO MOLEX / 4"		5	
415	901881	JUMPER HARNESS FOR DEA5XX RADIO		1	
416	069811	AUDIO OUTPUT CONVERTER SH 8C x 2F RCA		1	
. NS	903217	. CONVERTISSOR AUDIO		1	
417	500654	SCREW TC BDG PH #8-32x1/2 Z050		4	
418	500591	WASHER FL 4.3x9.0x0.8 Z050		4	
450	901102	8 CHANNEL AMPLIFIER MODULE		1	
451	406773	SUPPORT AMPLIFIER 8 CHANNEL		1	
452	500841	SCREW TP PAN PH #14x3/4 Z050		3	

		Date:07/2024	PAGE:H9-2317-32
VIDEO & AUDIO SYSTEM - INSTALLATION W/HHED			

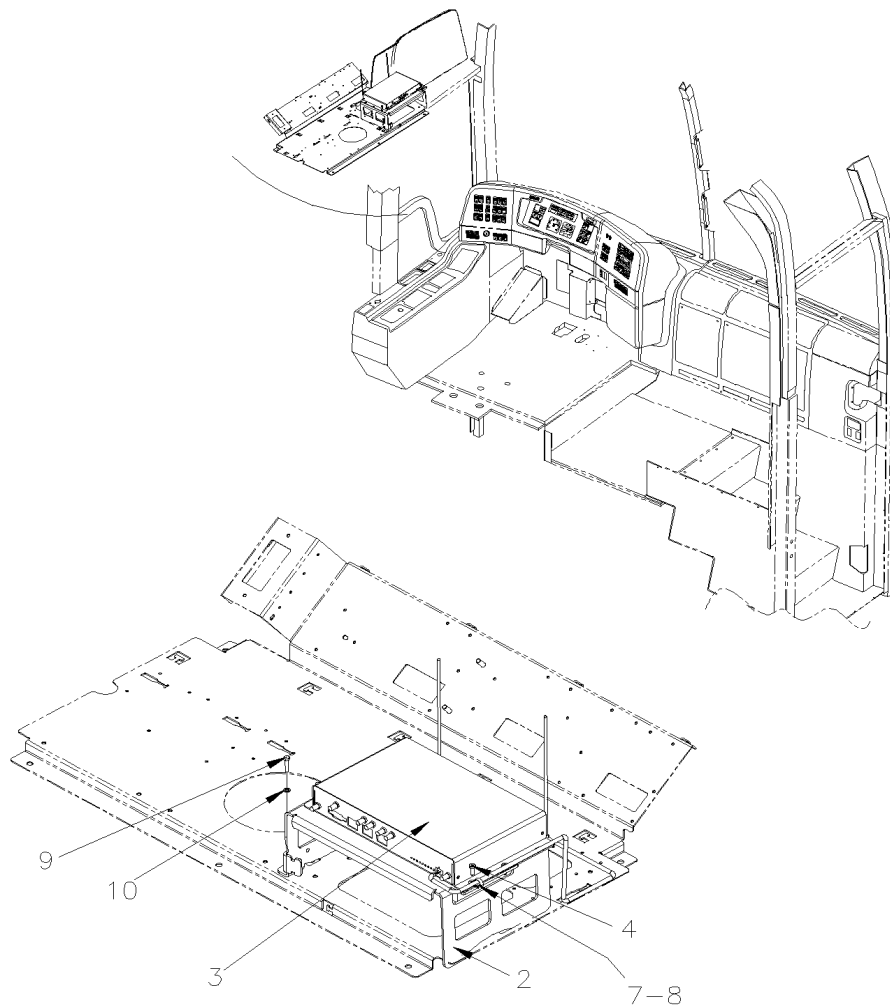
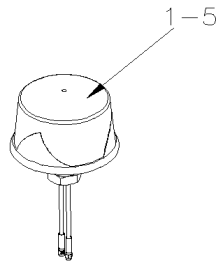
Item#	Part	Description	H 3 4 1	H 3 4 5	N O T E S
453	500401	WASHER FL .343x.875x.125 N500		3	
454	500564	SCREW MA RND PH #8-32x3/4 Z050		4	
455	500914	WASHER LO SPT .193x.334x.047 N500		4	
456	500591	WASHER FL 4.3x9.0x0.8 Z050		4	

From K-0185

Date:07/2024

PAGE:H9-2317-35

"WI-FI" MODULE MOOVBOX



From K-0185	Date:07/2024	PAGE:H9-2317-35
"WI-FI" MODULE MOOVBOX		

Item#	Part	Description	H 3 4 1	H 3 4 5	N O T E S
1	901508	ROOF ANTENNA (LTE-LTE-GPS) CABLE 15'	1	1	
1	900200	ROOF ANTENNA (LTE-GPS) CABLE 17'	1	1	
1	900201	ROOF ANTENNA (LTE) CABLE 17'	1	1	
2	400066	SUPPORT VIDEO ON AMPLIFICATOR	1	1	
3	901591	SYSTEM WIFI / MOOVBOX M310	1	1	
3	901577	SYSTEM WIFI / MOOVBOX M320	1	1	
3	901577-01	SYSTEM WIFI / MOOVBOX M320	1	1	
4	500799	SCREW TC PAN PH #8-32x3/8 N500	4	4	
5	685126	ADHESIVE SIMSON #ISR 70-03 / GREY / 600ml SAUSAGE	AR	AR	
6	069125	CABLE ALIMENTATION MODULE WIFI	1	1	
7	504637	CABLE TIE / 3/16" x 13"	AR	AR	
8	504428	TIE MOUNT / 3/16" #10 SCREW / TA1S10-C	1	1	
9	500588	SCREW CAP HEX M4-0.7x20 G8.8 Z050	1	1	
10	500470	WASHER LO SPT .193x.334x.047 Z050	1	1	

From K-0185 To P-1452

Date:07/2024

PAGE:H9-2317-40

MEDIA PLAYER

4 DVD PLAYER, SYSTEM, 12/24V

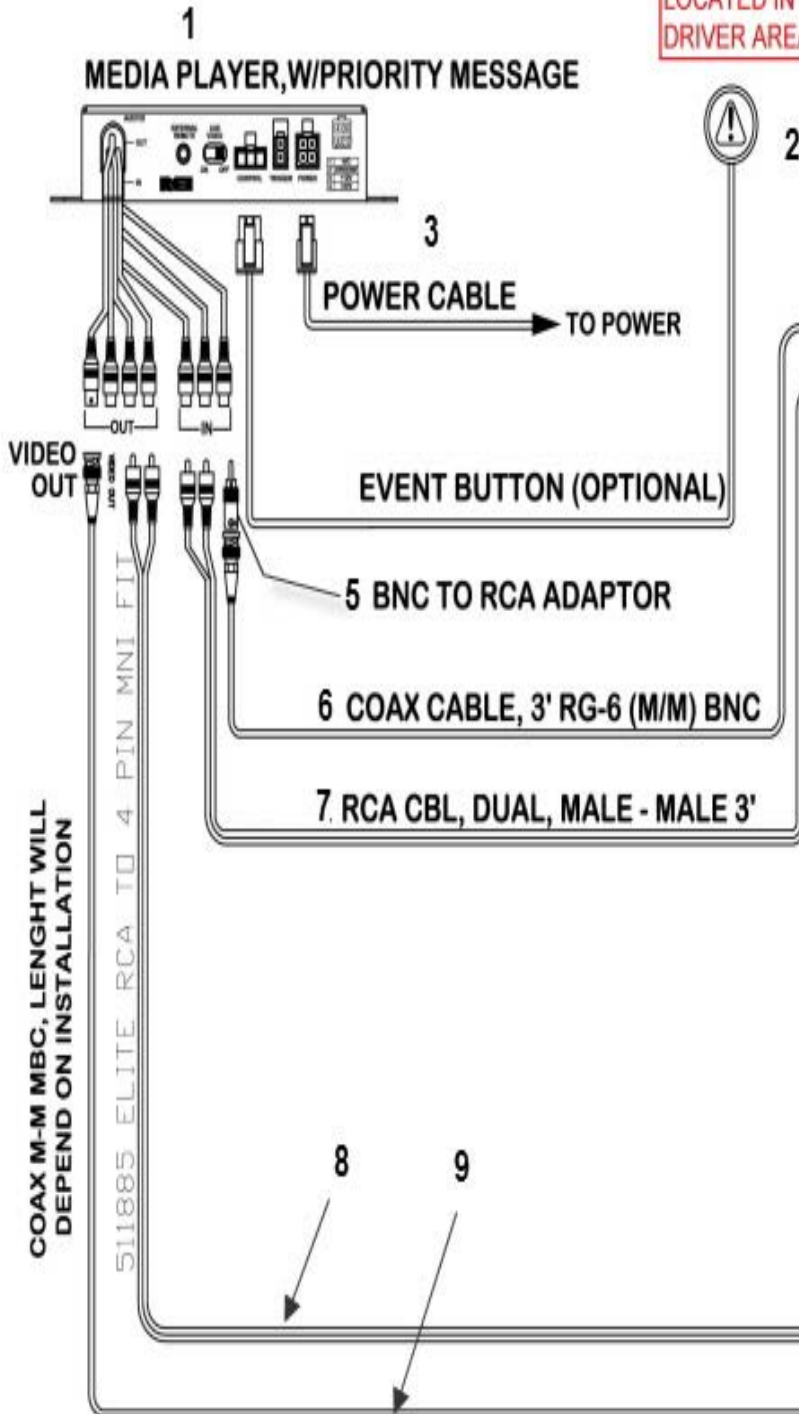
PUSH BUTTON LOCATED IN DRIVER AREA



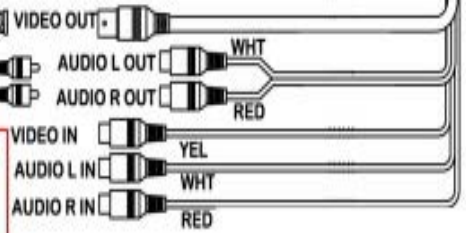
FRONT VIEW



REAR VIEW



WIRES FROM A158 HDMI CONVERTER



Single Video Sousse use the A153 VGA Converter, Multiple Video Sources use the A65 Video Selector

From K-0185 To P-1452	Date:07/2024	PAGE:H9-2317-40
MEDIA PLAYER		

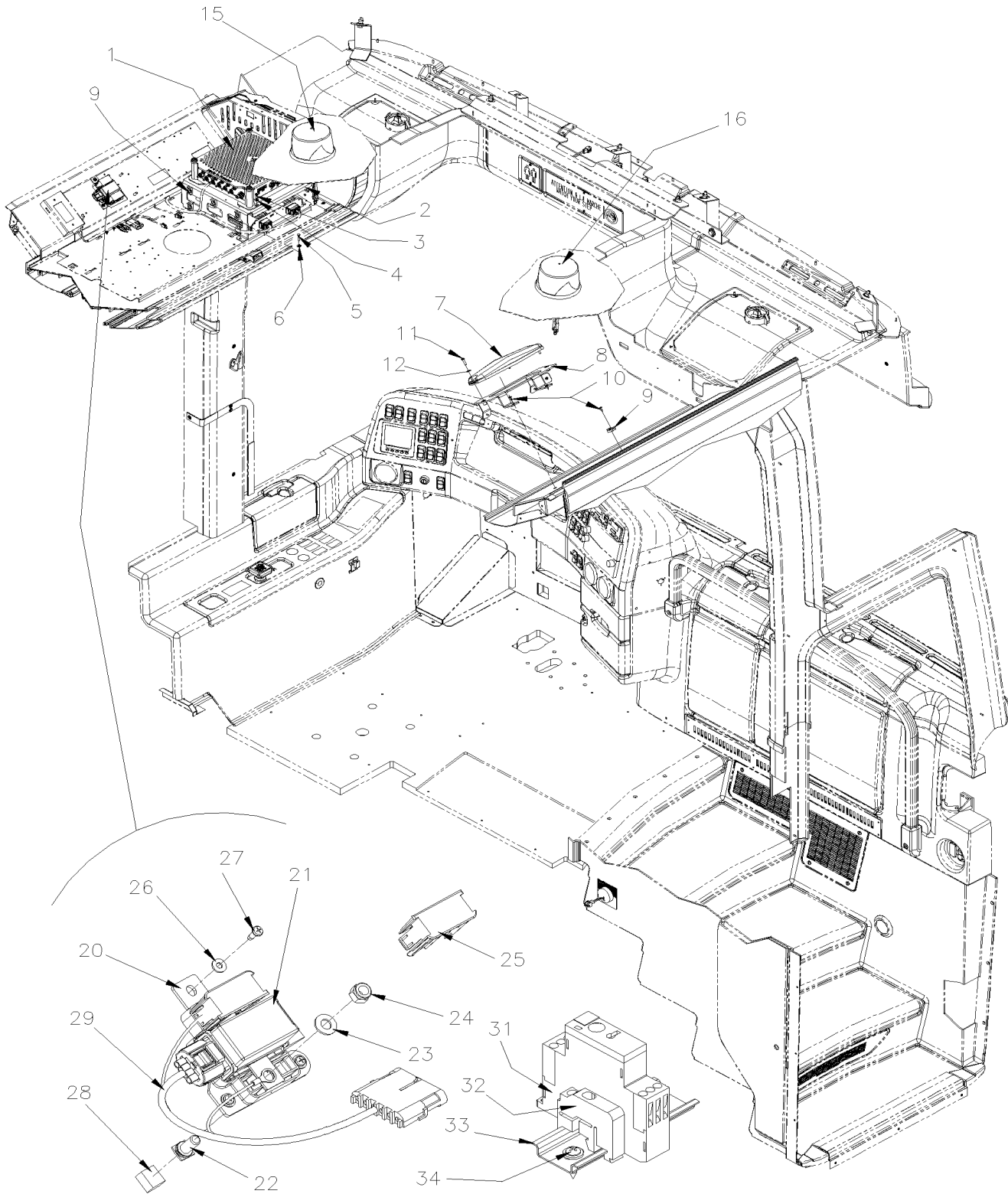
Item#	Part	Description	H 3 4 1	H 3 4 5	N O T E S
1	901575	MULTIMEDIA PLAYER MP1000 To L-1092	1	1	
1	901807	MULTIMEDIA PLAYER MP1200 From L-1093	1	1	
1	500654	SCREW TC BDG PH #8-32x1/2 Z050	4	4	
2	901576	CABLE AND PUSH BUTTON / MULTIMEDIA PLAYER MP1000 To L-1092	1	1	
2	901810	CABLE AND PUSH BUTTON / MULTIMEDIA PLAYER MP1200 From L-1093	1	1	
2	901809	ADAPTER CABLE MEDIA PLAYER MP1200 From L-1093	1	1	
3	901079	CABLE POWER DVD ADAPTOR / 6'	1	1	
4	901339	DVD PLAYER 12V To K-0352	1	1	
. NS	901377	. REMOTE CONTROL / DVD R.E.I. To K-0352	1	1	
4	901436	DVD PLAYER 12V From K-0353	1	1	
. NS	901264	. REMOTE CONTROL / DVD REI From K-0353	1	1	
4	IS23506	KIT, DVD PLAYER INSTALLATION From K-0353	1	1	
. NS	901436	. DVD PLAYER 12V From K-0353	1	1	
. . NS	901264	. . REMOTE CONTROL / DVD REI From K-0353	1	1	
. NS	901157	. CABLE COAXIAL 3' BNC From K-0353	1	1	
. NS	N25187	. VELCRO TAPE HOOK From K-0353	AR	AR	
. NS	506268	. TAPE RUB ADH1 URE 3/8" x 1/2" x 25' / GREY 1820 From K-0353	AR	AR	
. NS	504273	. CABLE TIE / 1/8" X 3" 1/2 From K-0353	2	2	
. NS	504637	. CABLE TIE / 3/16" x 13" From K-0353	7	7	
. NS	564099	. TAPE ADHESIF ELECTRICAL TISSUS / BLACK 838MM From K-0353	AR	AR	
5	901564	ADAPTOR, RCA MALE TO BNC FEMALE	1	1	
6	901157	CABLE COAXIAL 3' BNC	1	1	
7	900052	CABLE RCA / DUAL / MALE-MALE 3'	1	1	
8	901565	HARNESS, AUDIO BETWEEN CONV AND DVD	1	1	
9	901347	CABLE ASSY / W/2 BNC FEMALE/ FEMALE 1"	1	1	
10	506493	TAPE DUAL LOCK 1/2" x 150' / BLACK SJ3541	AR	AR	
NS	900012	ADAPTOR, RCA MALE TO RCA MALE	1	1	

From K-0374 To P-1452

Date:07/2024

PAGE:H9-2317-60

"WI-FI" ICOMERA X CUBED



From K-0374 To P-1452	Date:07/2024	PAGE:H9-2317-60
"WI-FI" ICOMERA X CUBED		

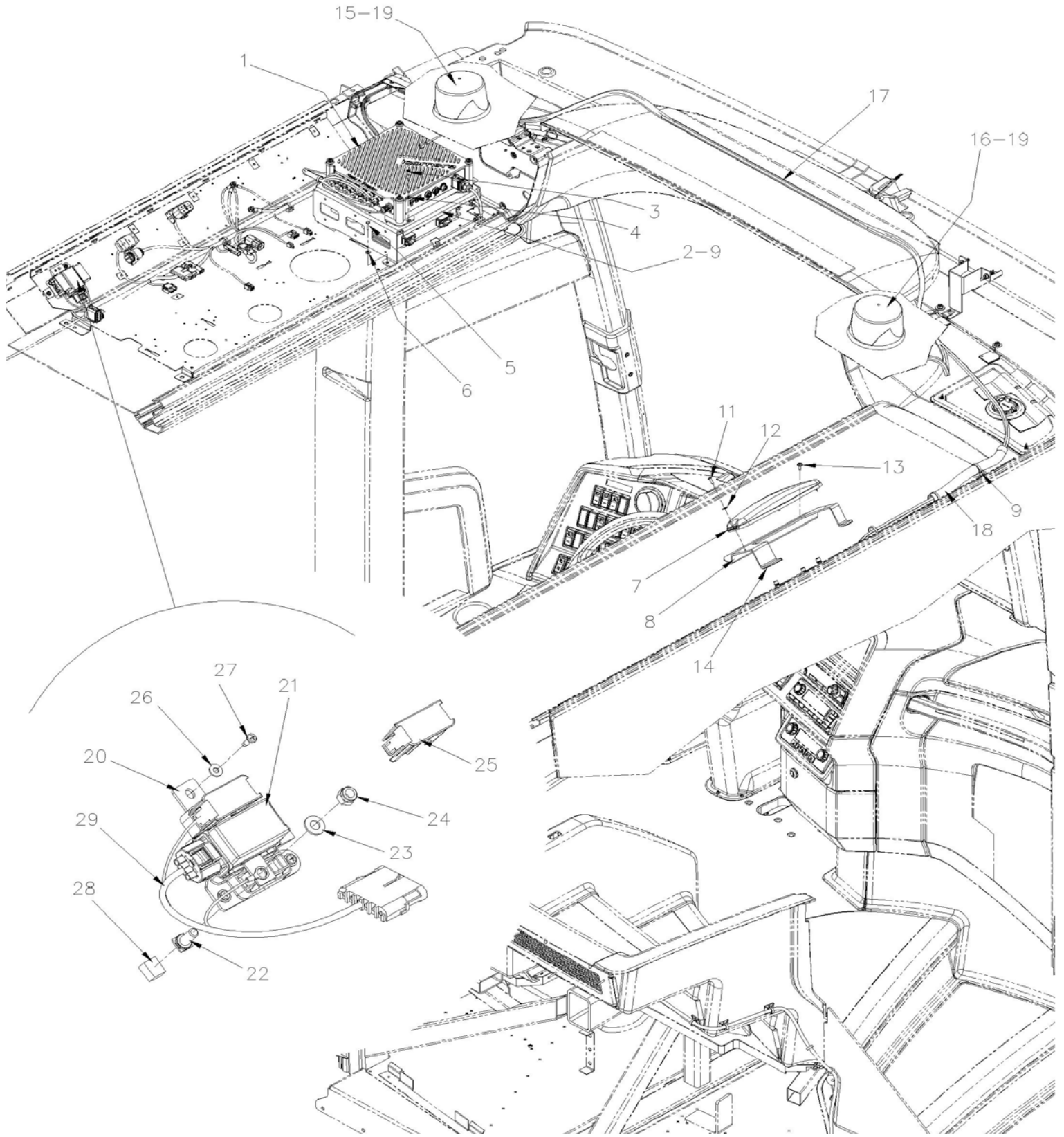
Item#	Part	Description	H 3 4 1	H 3 4 5	N O T E S
1	900240	MODULE ICOMERA X CUBE ADVANCED / 1 TB	1	1	
NS	900268	HARNESS POWER MODULE ICOMERA X-CUBED	1	1	
NS	061515	CABLE WIFI TO CHASSIS GROUND To K-0373	1	1	
NS	069925	CABLE WIFI TO CHASSIS GROUND From K-0374	1	1	
NS	900401	CABLE ANTENNA WIFI RFC CAT2 5M (PORT 1)	1	1	
2	400662	SUPPORT VIDEO ON AMPLIFICATER XCUBED	1	1	
3	500965	SCREW TC BDG PH #8-32x1/2 N500	4	4	
4	500855	WASHER FL .188x.438x.049 N500	4	4	
5	500344	SCREW MA RND PH M4-0.7x12 Z050	2	2	
6	500914	WASHER LO SPT .193x.334x.047 N500	2	2	
7	900223	ANTENNA WIFI HS SENSITY MIMO / 2.4-5GHZ	1	1	
8	400648	SUPPORT ANTENNA	1	1	
NS	509815	TIE MOUNT / ATTACHMENT W/TREE MOUNT	1	1	
NS	504637	CABLE TIE / 3/16" x 13"	AR	AR	
9	504013	TIE MOUNT / 1/4" X 1/4" I.D.	10	10	
10	500638	SCREW TP PAN PH #8x1/2 Z050	5	5	
11	5001299	SCREW MA PAN PH #10-32x3/4 SS	2	2	
12	500964	WASHER FL .203x.500x.047 Z050	2	2	
15	900224	ANTENNA DUAL LTE,WIFI, GPS M-BAND / 17' To K-0373	1	1	
15	900274	ANTENNA 2X LTE,2X WIFI, GPS, 90DEG / 6' From K-0374	1	1	
16	900254	ANTENNA DUAL LTE, MULTIBAND / 17' To K-0373	1	1	
16	900275	ANTENNA 4X LTE, 90DEG CONN. / 15' From K-0374	1	1	
NS	900402	CABLE ANTENNA WIFI RFC CAT2 5M (PORT 2)	1	1	
NS	900403	CABLE ANTENNA WIFI RFC CAT2 5M (PORT 3)	1	1	
20	560529	BASE FOR LACTHING RELAY BDS-A 24V	1	1	
21	560493	LACTHING RELAY BDS-A 24V	1	1	
22	560539	SCREW FOR LACTHING RELAY BDS-A 24V / M8	2	2	
23	5001341	WASHER FL 8.4x17.0x1.6 SS	2	2	
24	5001787	NUT HEX NYRT M8-1.25 SS	2	2	
25	560538	COVER RELAY	2	2	
26	500855	WASHER FL .188x.438x.049 N500	3	3	
27	500965	SCREW TC BDG PH #8-32x1/2 N500	3	3	
28	506004	TAPE RUB ADH1 CC POL 3/8" x 1/2" x 20' / GREY 2520X	AR	AR	
29	0610200	WIR. HARN. ISM RELAY P-RACK	AR	AR	
31	563929	TIMER RELAY From L-0972		1	A
32	N11544	STOPPER From L-0972		2	A
33	N24586-18	RAIL SUPPORT / 75MM From L-0972		1	A
34	500432	SCREW TC PAN PH #8-32x3/4 Z050 From L-0972		2	A
34	500834	WASHER LO INT .168x.340x.023 N500 From L-0972		2	A

From K-0374 To P-1452	Date:07/2024	PAGE:H9-2317-60
-----------------------	--------------	-----------------

"WI-FI" ICOMERA X CUBED

Item#	Part	Description	H 3 4 1	H 3 4 5	N O T E S
		A) OPTION MAHEUX TIMER RELAY ON ISM SYSTEM			

	Date:07/2024	PAGE:H9-2317-61
"WI-FI" ICOMERA X CUBED		



	Date:07/2024	PAGE:H9-2317-61
"WI-FI" ICOMERA X CUBED		

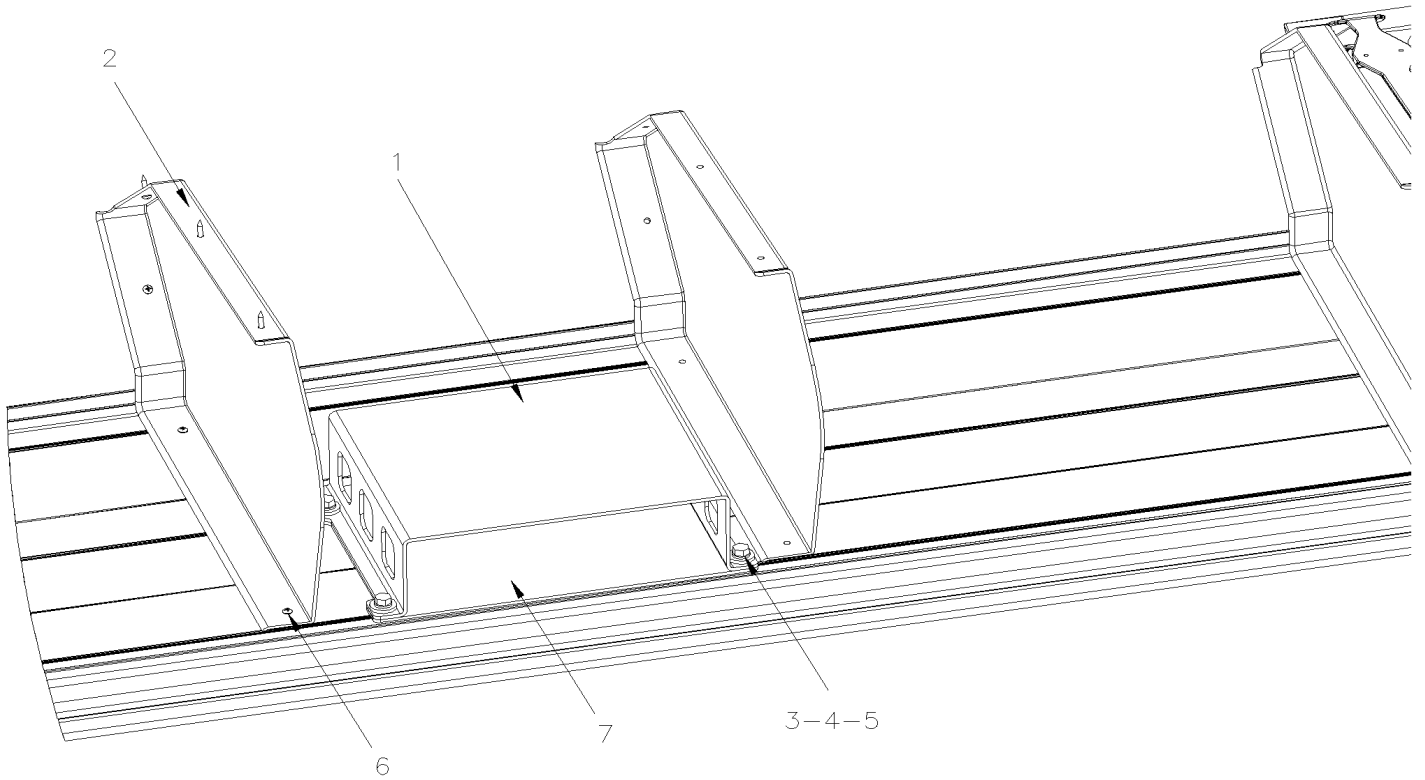
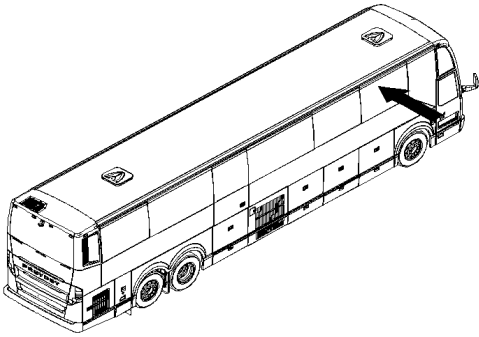
Item#	Part	Description	H 3 4 1	H 3 4 5	N O T E S
1	900240	MODULE ICOMERA X CUBE ADVANCED / 1 TB		1	
NS	900268	HARNESS POWER MODULE ICOMERA X-CUBED		1	
NS	069925	CABLE WIFI TO CHASSIS GROUND		1	
NS	563040	CONNECTOR / MINI FIT JR / PH 4C / MOLEX 39-01-3043		1	
NS	563041	PIN TERMINAL 24-18 / MOLEX 39-00-0041		2	
2	401608	SUPPORT VIDEO ON AMPLIFICATER		1	
3	500965	SCREW TC BDG PH #8-32x1/2 N500		4	
4	500855	WASHER FL .188x.438x.049 N500		4	
5	500588	SCREW CAP HEX M4-0.7x20 G8.8 Z050		1	
6	502564	WASHER LO SPT 6.1x11.8x1.6 Z050		1	
7	900223	ANTENNA WIFI HS SENSITY MIMO / 2.4-5GHZ		1	
8	401709	SUPPORT ANTENNA		1	
9	504013	TIE MOUNT / 1/4" X 1/4" I.D.		7	
9	504637	CABLE TIE / 3/16" x 13"		AR	
9	504114	RIVET POP DOME OE 3/16x1/4 AL		4	
9	500641	SCREW TP PAN PH #8x3/4 Z050		3	
11	500641	SCREW TP PAN PH #8x3/4 Z050		2	
12	500964	WASHER FL .203x.500x.047 Z050		2	
13	500841	SCREW TP PAN PH #14x3/4 Z050		2	
14	506227	TAPE RUB ADH1 CC POL 1/16" x 3/4" x 100' / GREY 2520		AR	
15	900274	ANTENNA 2X LTE,2X WIFI, GPS, 90DEG / 6'		1	
16	900275	ANTENNA 4X LTE, 90DEG CONN. / 15'		1	
17	900401	CABLE ANTENNA WIFI RFC CAT2 5M (PORT 1)		1	
17	900402	CABLE ANTENNA WIFI RFC CAT2 5M (PORT 2)		1	
17	900403	CABLE ANTENNA WIFI RFC CAT2 5M (PORT 3)		1	
18	561451	CONVOLUTED TUBING / SLIT / GRAY / .750		AR	
19	685126	ADHESIVE SIMSON #ISR 70-03 / GREY / 600ml SAUSAGE		AR	
20	560529	BASE FOR LACTHING RELAY BDS-A 24V		1	
21	Call order desk	LACTHING RELAY BDS-A 24V		1	P M
22	560539	SCREW FOR LACTHING RELAY BDS-A 24V / M8		2	
23	5001341	WASHER FL 8.4x17.0x1.6 SS		2	
24	5001787	NUT HEX NYRT M8-1.25 SS		2	
25	560538	COVER RELAY		2	
26	500855	WASHER FL .188x.438x.049 N500		3	
27	500965	SCREW TC BDG PH #8-32x1/2 N500		3	
28	506004	TAPE RUB ADH1 CC POL 3/8" x 1/2" x 20' / GREY 2520X		AR	
29	0610200	WIR. HARN. ISM RELAY P-RACK		AR	
		P) CALL ORDER DESK FOR SPECIFIC APPLICATION (V.I.N.)			

From K-0415

Date:07/2024

PAGE:H9-2317-70

TRACVISION SUPPORT INSTALLATION TV SATELLITE



From K-0415	Date:07/2024	PAGE:H9-2317-70
TRACVISION SUPPORT INSTALLATION TV SATELLITE		

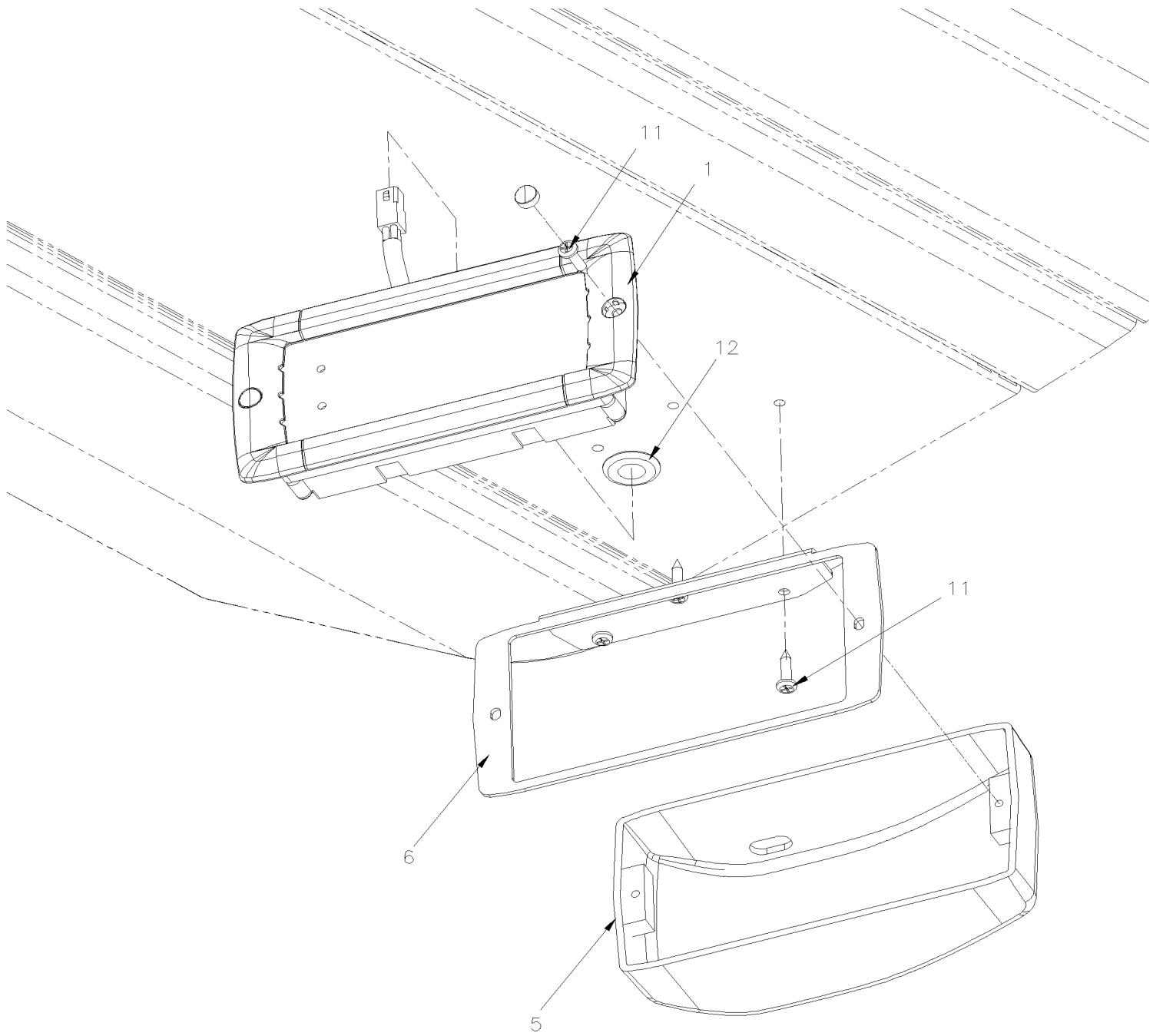
Item#	Part	Description	H 3 4 1	H 3 4 5	N O T E S
1	400971	TRACVISION BRACKET	1	1	
2	316623	COVER / PLAIN / W/DOOR GREY To L-1091	1	1	
2	311513	COVER ASSY W/ VENT HOLE From L-1092 To P-1452	1	1	
. NS	311511	. COVER VENTED GREY From L-1092 To P-1452	1	1	
. NS	060157	. DECAL, O2 EL MONITOR LAYOUT P-RACK E From L-1092 To P-1452	1	1	
. NS	0610354	. DECAL, O2 EL SOUND/VIDEO SYS P-RACK E From L-1092 To P-1452	1	1	
3	502513	SCREW TP CAP HEX 5/16x1 Z050	4	4	
4	500401	WASHER FL .343x.875x.125 N500	4	4	
5	500942	WASHER LO SPT 8.1x14.8x2.0 N500	4	4	
6	500641	SCREW TP PAN PH #8x3/4 Z050	6	6	
7	401250	BASE PLATE	1	1	

From K-0185 To P-1452

Date:07/2024

PAGE:H9-2318-01

CLOCK (DIGITAL)

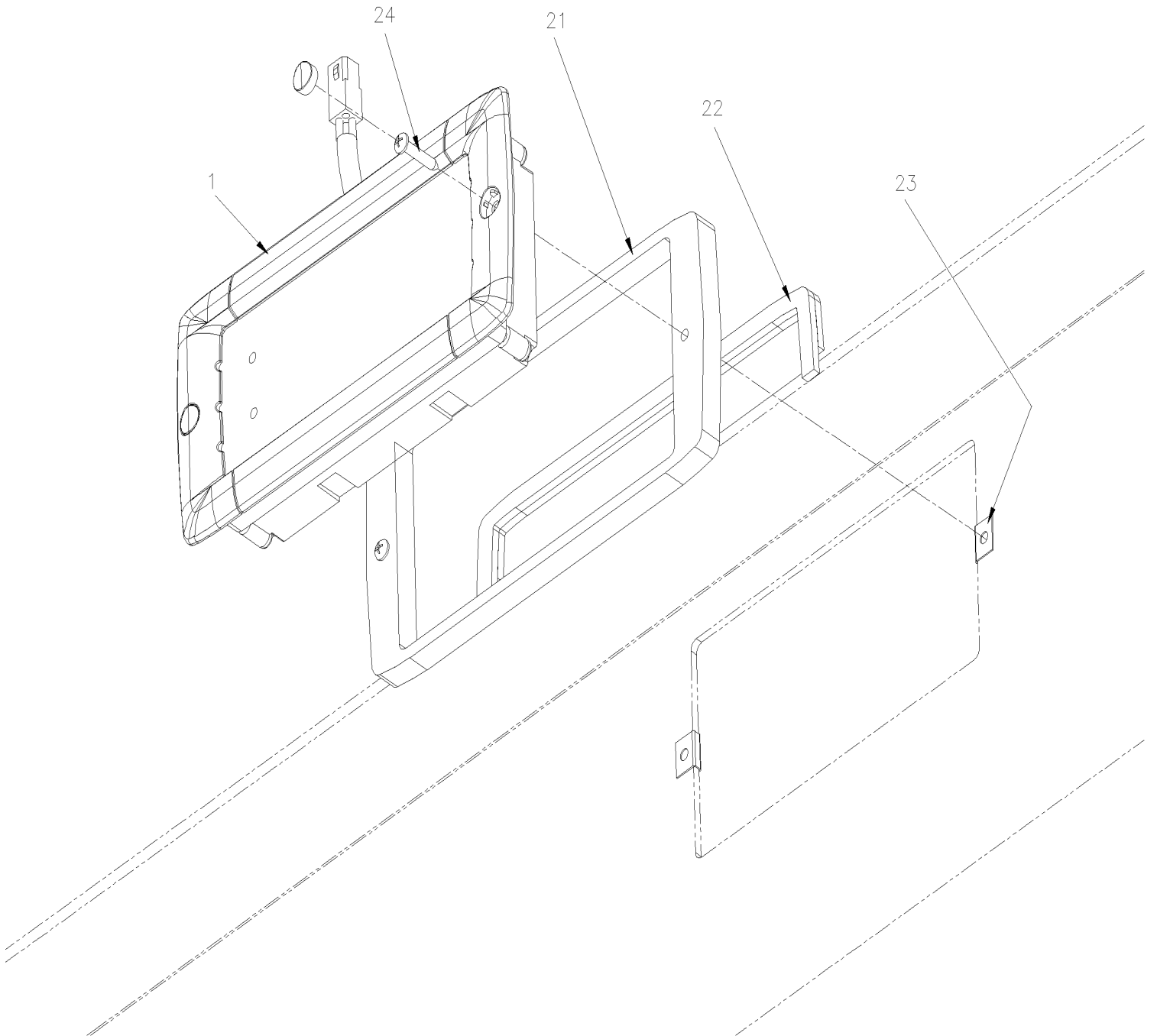


From K-0185 To P-1452

Date:07/2024

PAGE:H9-2318-01

CLOCK (DIGITAL)



From K-0185 To P-1452	Date:07/2024	PAGE:H9-2318-01
CLOCK (DIGITAL)		

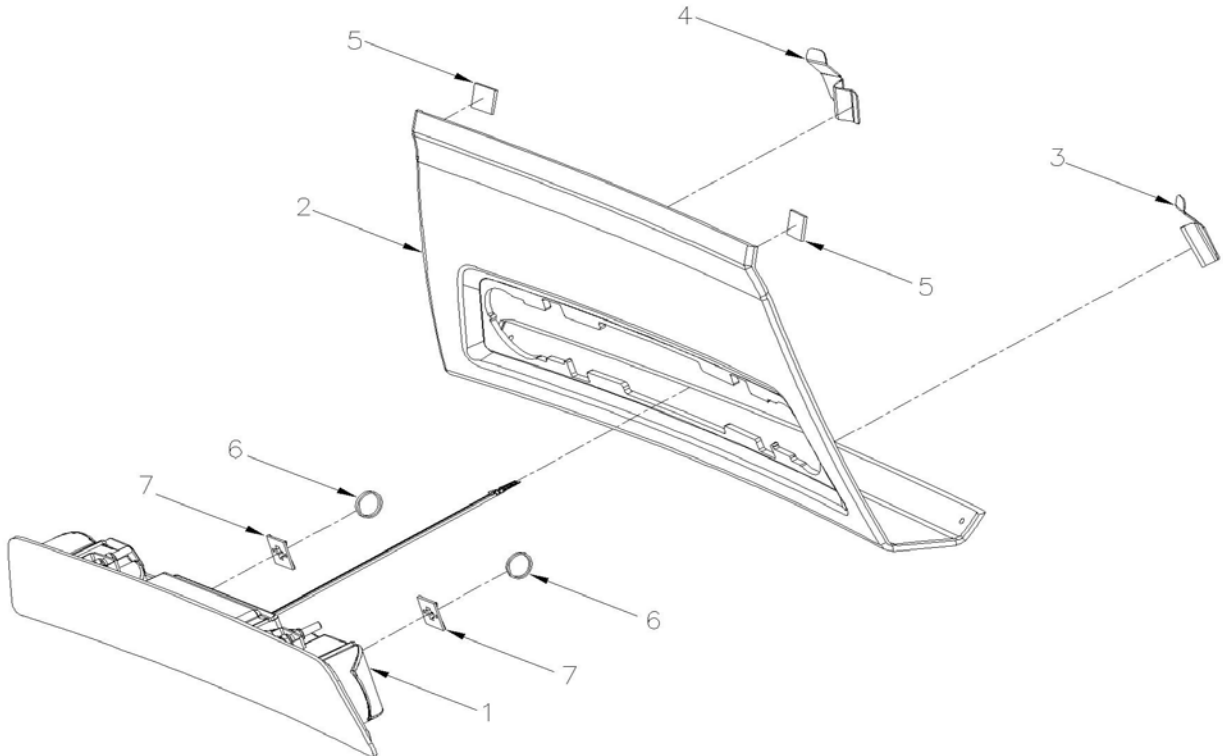
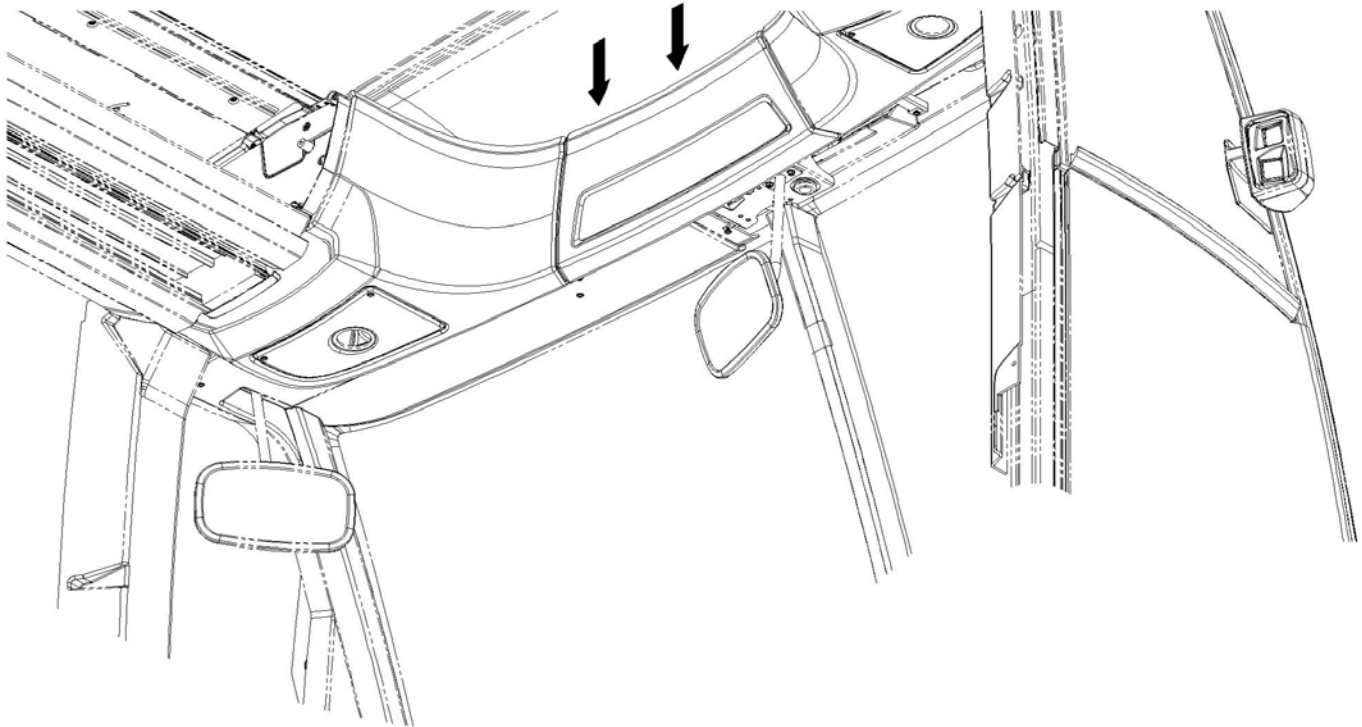
Item#	Part	Description	H 3 4 1	H 3 4 5	N O T E S
1	901569	DIGITAL CLOCK, GREEN LEDS - 12H	1	1	
1	901570	DIGITAL CLOCK, GREEN LEDS - 24H	1	1	
1	061296	CABLE ASSY TO DIGITAL CLOCK	1	1	
1	061303	CABLE ASSY TO DIGITAL CLOCK / CENTRAL INSTALLTION	1	1	
5	400236	COVER DIGITAL CLOCK	1	1	
6	400133	SUPPORT DIGITAL CLOCK / STREET SIDE	1	1	
6	400454	SUPPORT DIGITAL CLOCK / CURBSIDE	1	1	
11	5001155	SCREW TP PAN PH #8X3/4 N050	5	5	
12	504568	GROMMET / .437x.687x.250x.500x1.000	1	1	
21	340228	SPACER, DIGITAL CLOCK	1	1	
22	506191	TAPE RUB ADH1 CC POL 1/8" x 1/4" x 50' / GREY 2520X	AR	AR	
23	5001145	SCREW TP BDG PH #6x1 BK	2	2	
24	500422	NUT SPR U #6-32 .110-.120 SS	2	2	

From R-1453

Date:07/2024

PAGE:H9-2318-02

CLOCK (DIGITAL)



From R-1453	Date:07/2024	PAGE:H9-2318-02
CLOCK (DIGITAL)		

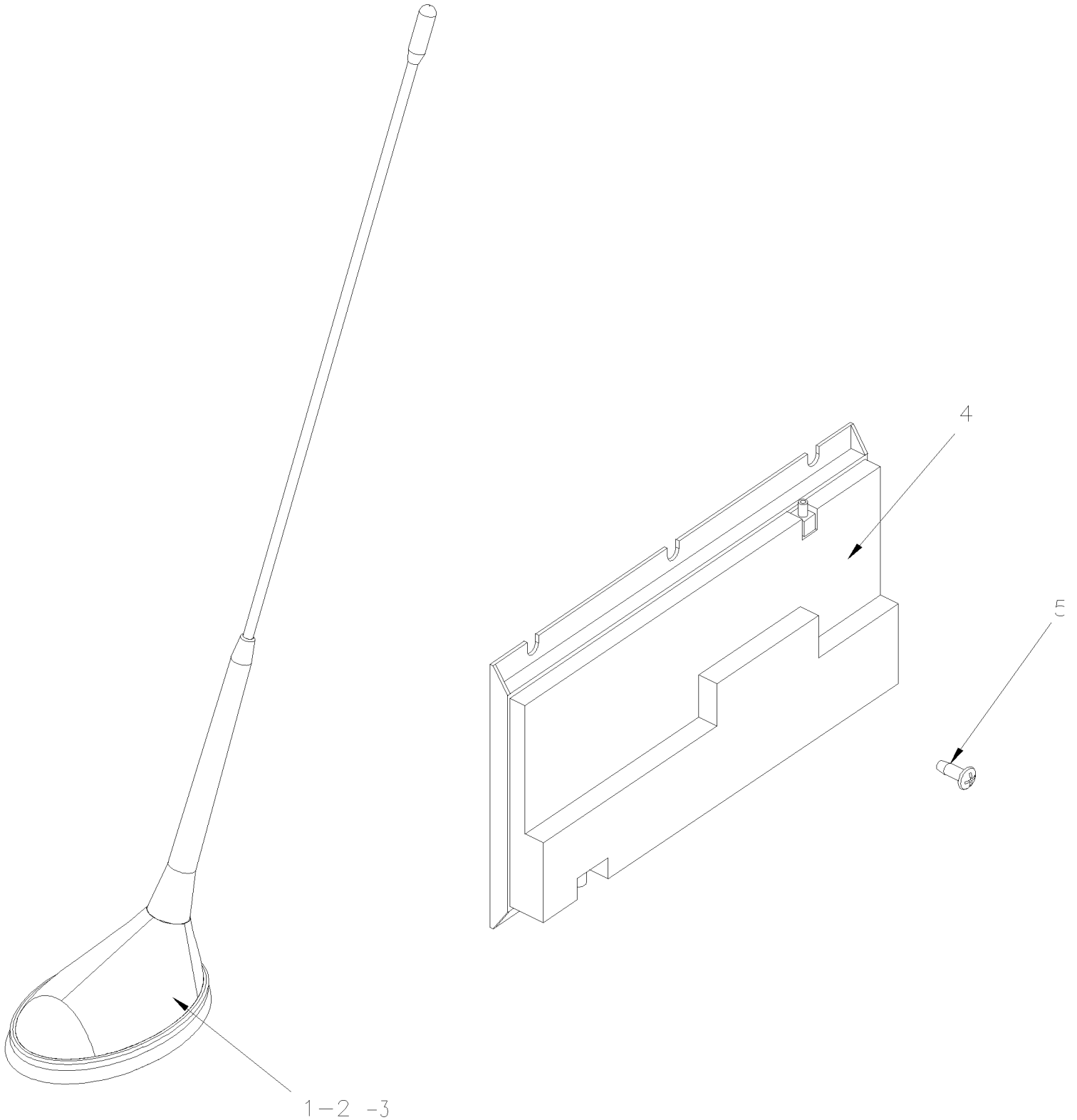
Item#	Part	Description	H 3 4 1	H 3 4 5	NOTES
1	401683	CLOCK PANEL ENGLISH		1	
1	401694	CLOCK PANEL ENGLISH/FRENCH		1	
1	401695	CLOCK PANEL ENGLISH/SPANISH		1	
2	341306	CEILING, TRANSITION CENTRAL, CLOCK		1	
3	341407	PANEL FIXATION, CENTRAL TRANSITION		1	
4	341408	PANEL FIXATION, CENTRAL TRANSITION		1	
5	506318	TAPE DUAL LOCK 1" x 150' / BLACK SJ3541		AR	
6	504273	CABLE TIE / 1/8" X 3"1/2		2	
7	562679	4 WAY ADH. BACKED MOUNTS 1.000 x 1.000 x .160		2	
NS	685387	GLUE MS POLYMER TEROSON MS 9399 / 400ml CARTRIDGE		AR	

From K-0185

Date:07/2024

PAGE:H9-2319-01

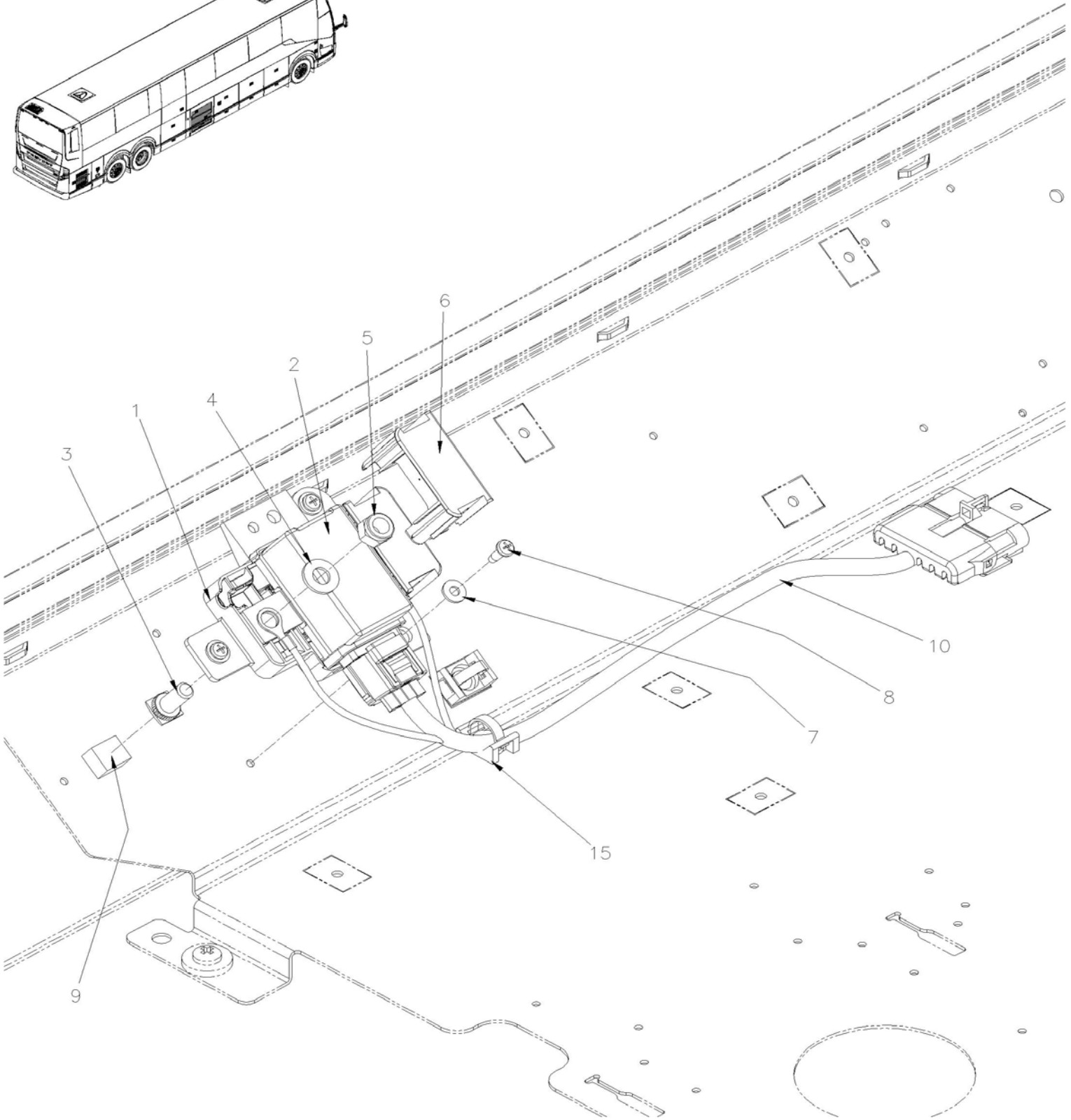
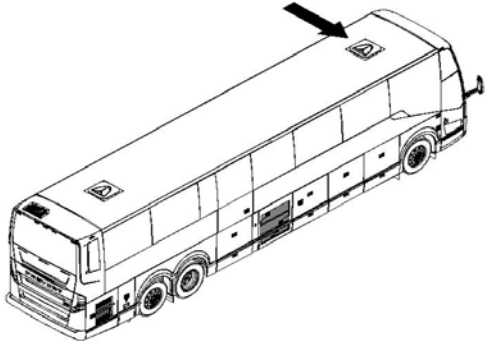
VOLVO LINK ANTENNA - INSTALLATION



From K-0185	Date:07/2024	PAGE:H9-2319-01
VOLVO LINK ANTENNA - INSTALLATION		

Item#	Part	Description	H 3 4 1	H 3 4 5	NOTES
1	21705662	ANTENNA (VOLVO LINK) To K-0520	1	1	
1	22472979	ANTENNA (VOLVO LINK) From K-0521	1	1	
1	880050	WASHER FL 19X24.4X3.2 RUB	1	1	
2	903230	NUT RETAINER ANTENNA	1	1	
3	21385255	CABLE ANTENNA (RF-in VOLVO LINK) To K-0520	1	1	
3	560762	CABLE, 4G TGW ANTENNA (ANTENNA TO JUNCT) From K-0521 To M-1110	1	1	
3	563913	CABLE, 4G TGW ANTENNA (ANTENNA TO JUNCT) From M-1111	1	1	
3	560764	CABLE, 4G TGW ANTENNA (JUNCT TO TGW ECU) From K-0521 To M-1110	1	1	
3	563914	CABLE, 4G TGW ANTENNA (JUNCT TO TGW ECU) From M-1111	1	1	
NS	684517	ADHESIVE SIMSON #ISR 70-03 / GREY / 310ml CARTRIDGE To L-0882	AR	AR	
3	684685	ADHESIVE SIMSON #ISR 70-03 / 310ml CARTRIDGE From L-0883	AR	AR	
4	22861158	ECU VOLVO LINK MODULE To L-0766	1	1	
4	23359380	ECU VOLVO LINK MODULE From L-0767 To L-0999	1	1	
4	23593814	ECU VOLVO LINK MODULE From L-1000 To R-1621	1	1	
4	23163299	ECU VOLVO LINK MODULE From R-1622		1	
NS	22990242	SIM CARD VOLVO LINK MODULE FOR SERVICE To R-1621	1	1	
NS	23004613	SIM CARD VOLVO LINK MODULE From R-1622		1	
5	502568	SCREW MA PAN PH M6-1.0x20 EMN	2	2	
NS	562679	4 WAY ADH. BACKED MOUNTS 1.000 x 1.000 x .160	AR	AR	
NS	504637	CABLE TIE / 3/16" x 13"	AR	AR	
NS	504671	GROMMET / .687x1.000x.125x.437x1.312	1	1	

	Date:07/2024	PAGE:H9-2319-10
CAMERA SYSTEM - POWER & SIGNAL		



	Date:07/2024	PAGE:H9-2319-10
CAMERA SYSTEM - POWER & SIGNAL		

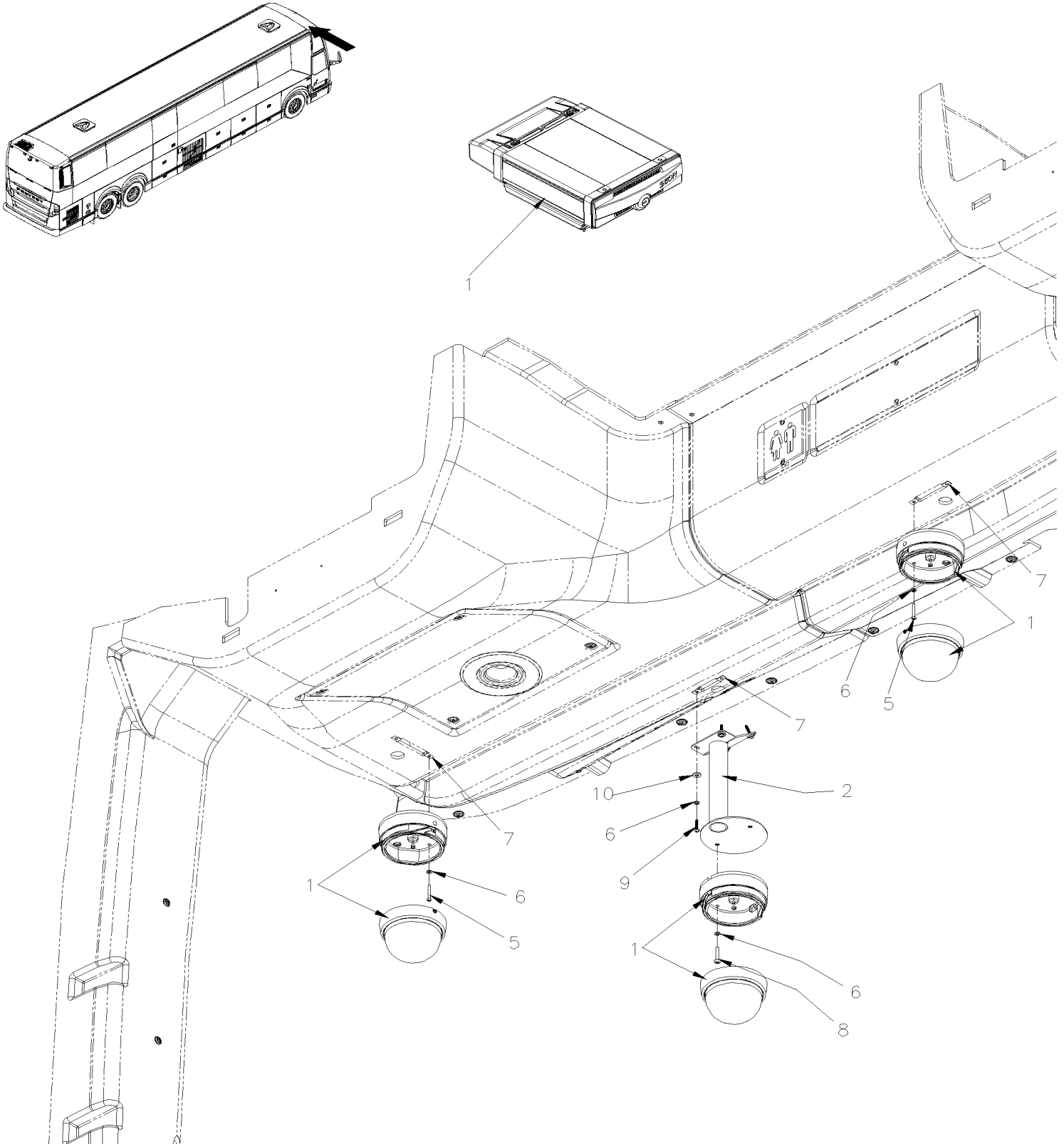
Item#	Part	Description	H 3 4 1	H 3 4 5	N O T E S
1	560529	BASE FOR LACTHING RELAY BDS-A 24V		1	
2	560493	LACTHING RELAY BDS-A 24V		1	
3	560539	SCREW FOR LACTHING RELAY BDS-A 24V / M8		2	
4	5001341	WASHER FL 8.4x17.0x1.6 SS		2	
5	5001787	NUT HEX NYRT M8-1.25 SS		2	
6	560538	COVER RELAY		2	
7	500855	WASHER FL .188x.438x.049 N500		3	
8	500965	SCREW TC BDG PH #8-32x1/2 N500		3	
9	506004	TAPE RUB ADH1 CC POL 3/8" x 1/2" x 20' / GREY 2520X		AR	
10	0610200	WIR. HARN. ISM RELAY P-RACK		1	
NS	0610420	SIGNALS AND POWER CAMERA HARNESS	1	1	
15	504013	TIE MOUNT / 1/4" X 1/4" I.D.		AR	
15	504379	RIVET POP DOME OE 3/16x1/4 SS		AR	
15	504637	CABLE TIE / 3/16" x 13"		AR	

From K-0185

Date:07/2024

PAGE:H9-2319-20

CAMERA SYSTEM - "SEON" 3 CAMERAS KEOLIS



From K-0185	Date:07/2024	PAGE:H9-2319-20
CAMERA SYSTEM - "SEON" 3 CAMERAS KEOLIS		

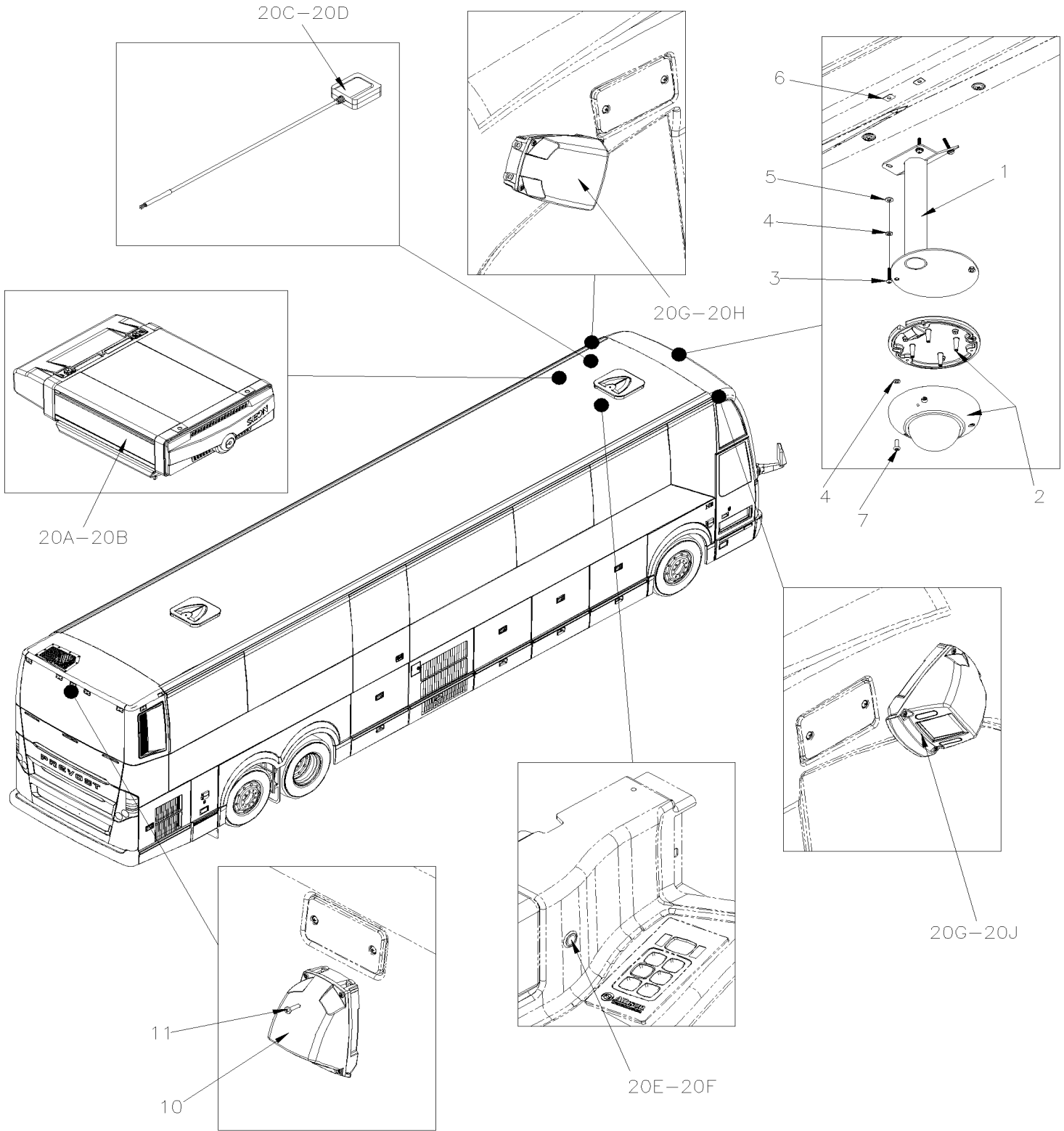
Item#	Part	Description	H 3 4 1	H 3 4 5	NOTES
1	N.S.P.	KIT CAMERAS, DVR SEON / SUPPLY BY "ORELAN"	1	1	2
NS	069702	CABLE, VIDEO CAM REC. PWR 12V - SEON	1	1	
NS	504637	CABLE TIE / 3/16" x 13"	AR	AR	
2	400349	SUPPORT / MINI-DOME SEON	1	1	
5	502612	SCREW MA RND PH #6-32x1 Z050	4	4	
6	502834	WASHER LO SPT 4.1x7.6x0.9 N500	8	8	
7	500996	NUT SPR U #6-32 .135-.150	8	8	
8	509827	SCREW MA RND PH M4-0.7x20 SS	2	2	
9	500339	SCREW MA RND PH #6-32x3/4 SS	4	4	
10	502556	WASHER FL 4.3x9.0x0.8 SS	4	4	
		2) NOT SOLD BY PREVOST (SEE MANUFACTURING PART NUMBER AT END OF DESCRIPTION LINE)			

From K-0185

Date:07/2024

PAGE:H9-2319-21

CAMERA SYSTEM - "SEON" 4 CAMERAS "MUTUAL TRANS"



From K-0185	Date:07/2024	PAGE:H9-2319-21
CAMERA SYSTEM - "SEON" 4 CAMERAS "MUTUAL TRANS"		

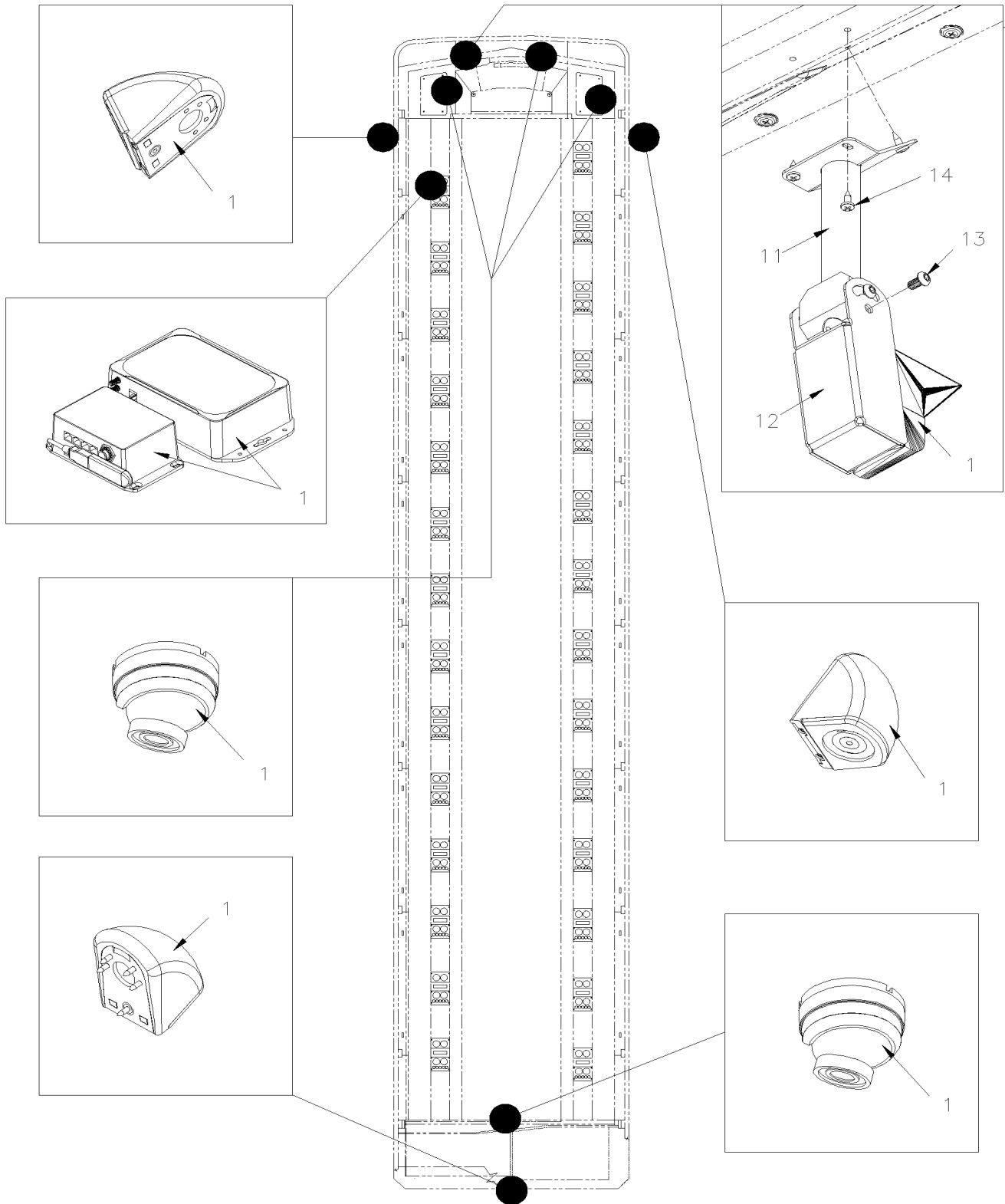
Item#	Part	Description	H 3 4 1	H 3 4 5	NOTES
1	400908	SUPPORT / CAMERA SEON	1	1	
2	900433	CAMERA SEON / FRONT FACING DOME	1	1	
. NS	N91227-01	. CAMERA	1	1	
. NS	N49037-15	. HARNESS / CAMERA SEON 15' M-M	1	1	
NS	504637	CABLE TIE / 3/16" x 13"	AR	AR	
3	500339	SCREW MA RND PH #6-32x3/4 SS	4	4	
4	502834	WASHER LO SPT 4.1x7.6x0.9 N500	6	6	
5	502556	WASHER FL 4.3x9.0x0.8 SS	4	4	
6	500996	NUT SPR U #6-32 .135-.150	4	4	
7	5001996	SCREW MA PAN PH M4-0.7x12 N500	2	2	
10	900505	BACKUP CAMERA SEON W/CABLES	1	1	
. NS	Call order desk	. CAMERA OUTSIDE SEON	1	1	P
. NS	N49037-20	. HARNESS / CAMERA SEON 20' M-M	1	1	
. NS	N49037-50	. HARNESS / CAMERA SEON 50' M-M	1	1	
NS	504637	CABLE TIE / 3/16" x 13"	AR	AR	
11	5001119	SCREW TP BDG PH #8x3/4 SS	3	3	
20	900465	RECORD SYSTEM WITH CAMERAS SEON W/CABLES	1	1	
. A	Call order desk	. RECORD SYSTEM SEON	1	1	P
. B	N71560	. HARNESS EXPANSION	1	1	
. C	N69252	. ANTENNA GPS SEON	1	1	
. D	N69253	. CABLE ANTENNA GPS SEON	1	1	
. E	N58744-01	. INDICATOR SWITCH SEON	1	1	
. F	N69149	. HARNESS INDICATOR SWITCH SEON	1	1	
. G	Call order desk	. CAMERA OUTSIDE SEON	2	2	P
. H	N49037-15	. HARNESS / CAMERA SEON 15' M-M	1	1	
. J	N49037-20	. HARNESS / CAMERA SEON 20' M-M	1	1	
NS	504637	CABLE TIE / 3/16" x 13"	AR	AR	
		P) CALL ORDER DESK FOR SPECIFIC APPLICATION (V.I.N.)			

From K-0185

Date:07/2024

PAGE:H9-2319-30

CAMERA SYSTEM & ITS SYSTEM - "SAUCON" 8 CAMERAS "STARR TRANSIT"



From K-0185	Date:07/2024	PAGE:H9-2319-30
CAMERA SYSTEM & ITS SYSTEM - "SAUCON" 8 CAMERAS "STARR TRANSIT"		

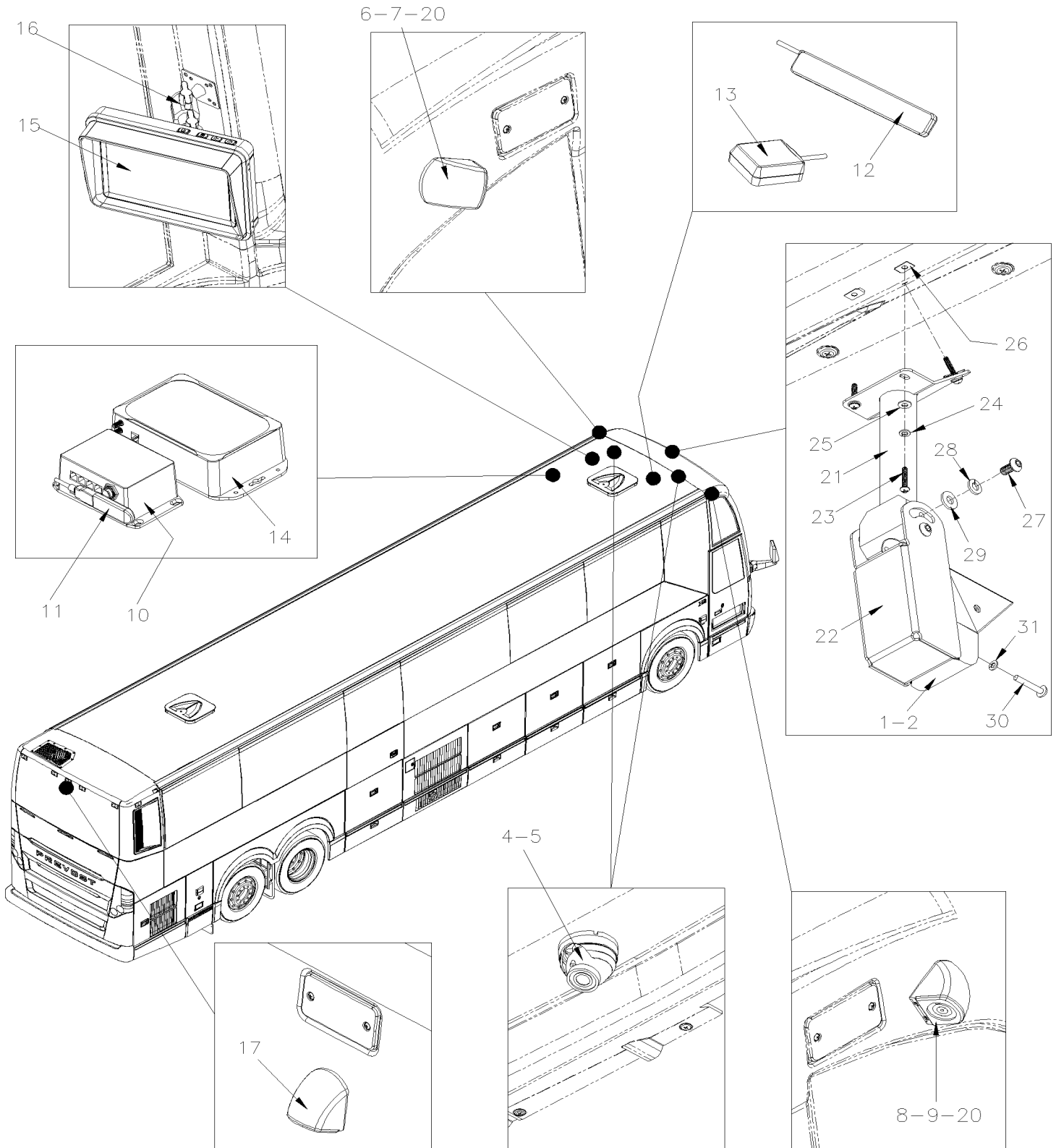
Item#	Part	Description	H 3 4 1	H 3 4 5	N O T E S
1	N.S.P.	CAMERA SYSTEM - "SAUCON" 8 CAMERAS		1	2 A
11	400757	BASE		1	
12	400502	BRACKET ASSY. "SAUCON" CAMERA		1	
13	5000353	SCREW CAP BUT HEXS M6-1.0x12 N500		4	
14	500638	SCREW TP PAN PH #8x1/2 Z050		4	
NS	061488	CONNECTOR C-700 BYPASSED (CTGI)		1	
. NS	562637	. HEAT DETECTOR SENSOR 2500MM		1	
. NS	561240	. SOCKET TERMINAL / 18-16 / SIGNAL CONTACT / AMP 66101-2		4	
. NS	561653	. CABLE CLAMP / CPC / #13 / AMP 206966-1		1	
. NS	562593	. WIRE CABLE 18 / YELLOW / TXL		1	
. NS	563623	. BUTT SPLICE / 16-14 / BLUE / W/THERMORETRAC / PANDUIT BSH14-Q		1	
NS	504637	CABLE TIE / 3/16" x 13"		AR	
16	685126	ADHESIVE SIMSON #ISR 70-03 / GREY / 600ml SAUSAGE		AR	
		A) SUPPLY BY CUSTOMER			
		2) NOT SOLD BY PREVOST (SEE MANUFACTURING PART NUMBER AT END OF DESCRIPTION LINE)			

From K-0185

Date:07/2024

PAGE:H9-2319-31

CAMERA SYSTEM & ITS SYSTEM - "SAUCON" 6 CAMERAS



From K-0185		Date:07/2024	PAGE:H9-2319-31
CAMERA SYSTEM & ITS SYSTEM - "SAUCON" 6 CAMERAS			

Item#	Part	Description	H 3 4 1	H 3 4 5	N O T E S
1	901667	PLASTIC COVER / "SAUCON"		1	
2	901677	CAMERA FRONT / "SAUCON"		1	
2	901691	HARNESS / CAMERA "SAUCON" 15'		1	
3	901681	ITS SYSTEM WITH CAMERA RECORDER "SAUCON" To K-0568		1	
3	901684	KIT AUCON ITS PROX, CAMERAS, WIFI From K-0569		1	
3	901686	KIT SAUCON WIFI ROUTER (AT&T) W/ CABLE From K-0569		1	
NS	901626	. INTERFACE MAIN HARNESS PREVOST / "SAUCON"		1	
4	901636	. CAMERA INSIDE / "SAUCON"		2	
5	901690	. ETHERNET CABLE CAT5E RJ45 BLUE 10'		1	
5	901691	. HARNESS / CAMERA "SAUCON" 15'		1	
6	901634	. CAMERA OUTSIDE STREET SIDE / "SAUCON"		1	
7	901691	. HARNESS / CAMERA "SAUCON" 15'		1	
8	901635	. CAMERA OUTSIDE CURBSIDE		1	
9	901692	. HARNESS / CAMERA "SAUCON" 20'		1	
10	901632	. VIDEO BOX 128GB / "SAUCON"		1	
10	Call order desk	. VIDEO COMMUNICATION CABLE / "SAUCON"		1	P
10	Call order desk	. VIDEO POWER CABLE / "SAUCON"		1	P
11	901633	. USB STICK 64GB / "SAUCON"		1	
11	Call order desk	. S-VIDEO USB 6FT / "SAUCON"		1	P
12	901629	. DISPLAY CABLE 25 FT / "SAUCON"		1	
13	901630	. ANTENNA GPS / "SAUCON"		1	
14	901631	. PROX VIDEO 8 CAM / "SAUCON"		1	
15	901688	. DISPLAY TOUCH / "SAUCON"		1	
15	Call order desk	. S-DISPLAY CABLE 25'		1	P
16	901627	. ARM DISPLAY / "SAUCON"		1	
17	901682	BACKUP CAMERA W/CABLES / "SAUCON" To K-0568		1	
17	901685	BACKUP CAMERA W/CABLES From K-0569		1	
17	563356	PLUGS, TELEPHONE 8 CIRC		1	
17	901691	HARNESS / CAMERA "SAUCON" 15'		1	
17	901695	HARNESS / CAMERA "SAUCON" 50' BLUE		1	
17	504637	CABLE TIE / 3/16" x 13"		1	
20	401606	BACKING PLATE, OUT. SAUCON CAMERA From N-1158		1	
20	509827	SCREW MA RND PH M4-0.7x20 SS From N-1158		4	
20	5002031	WASHER FL 4.3X12X1 SS From N-1158		4	
20	5001409	NUT HEX STO M4-0.7 Z050 From N-1158		4	
21	400757	BASE		1	
22	400502	BRACKET ASSY. "SAUCON" CAMERA		1	
23	500339	SCREW MA RND PH #6-32x3/4 SS		4	
24	502834	WASHER LO SPT 4.1x7.6x0.9 N500		4	
25	502556	WASHER FL 4.3x9.0x0.8 SS		4	
26	500996	NUT SPR U #6-32 .135-.150		4	
27	5000353	SCREW CAP BUT HEXS M6-1.0x12 N500		4	

From K-0185	Date:07/2024	PAGE:H9-2319-31
CAMERA SYSTEM & ITS SYSTEM - "SAUCON" 6 CAMERAS		

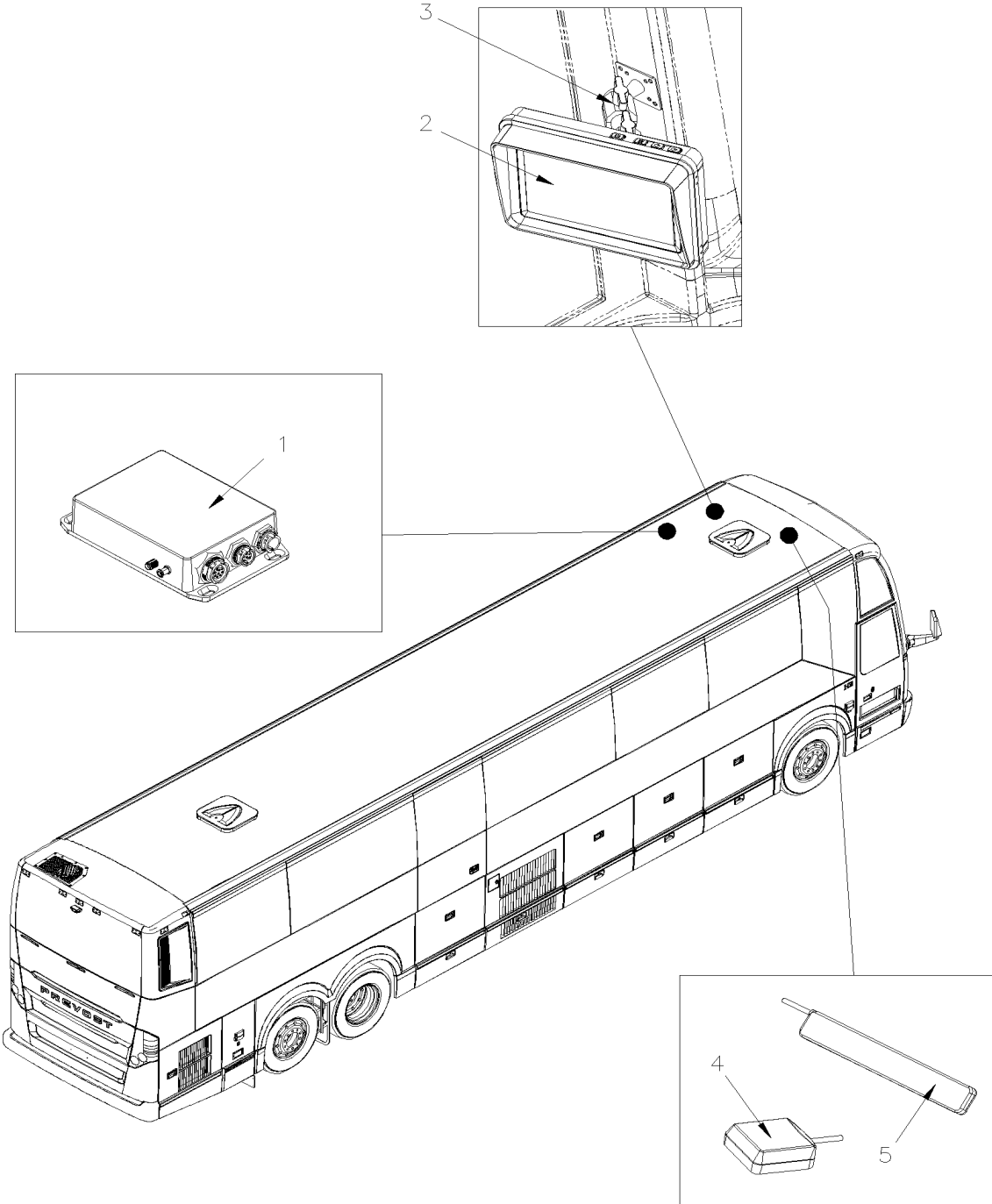
Item#	Part	Description	H 3 4 1	H 3 4 5	N O T E S
28	502853	WASHER LO SPT 6.1x11.8x1.6 N500		2	
29	500877	WASHER FL .250x.562x.065 N500		2	
30	502677	SCREW MA RND PH M4-0.7x25 SS		2	
31	502834	WASHER LO SPT 4.1x7.6x0.9 N500		2	
		P) CALL ORDER DESK FOR SPECIFIC APPLICATION (V.I.N.)			

From K-0185

Date:07/2024

PAGE:H9-2319-35

ITS SYSTEM - "SAUCON"



From K-0185	Date:07/2024	PAGE:H9-2319-35
ITS SYSTEM - "SAUCON"		

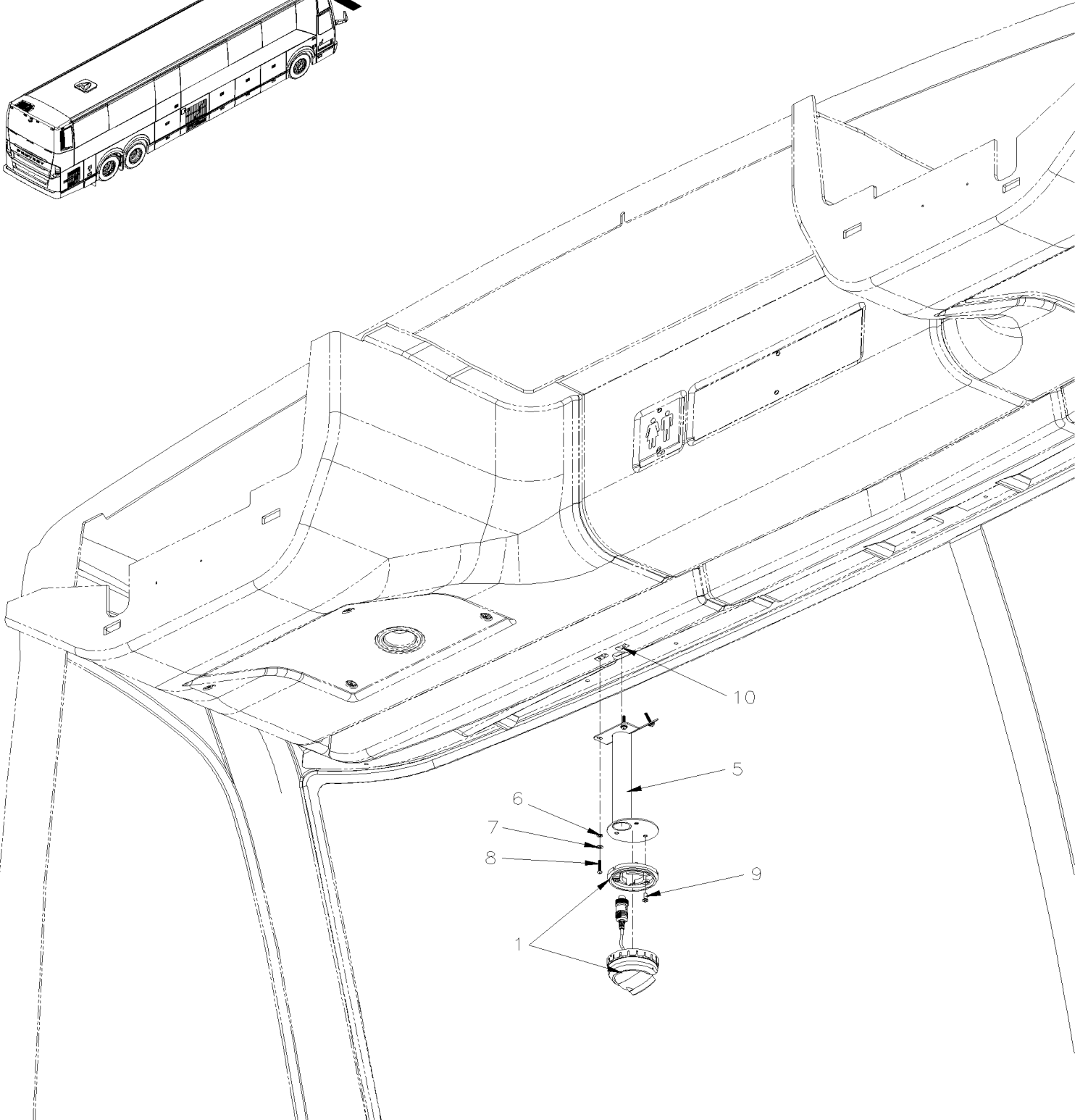
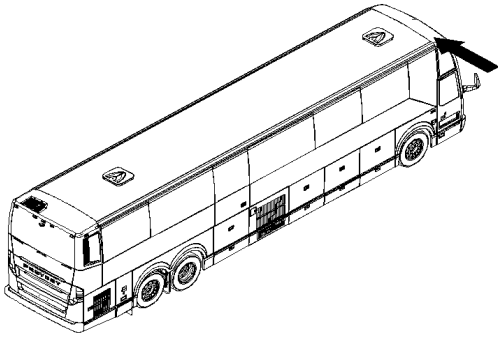
Item#	Part	Description	H 3 4 1	H 3 4 5	N O T E S
	901680	BASIC KIT, ITS SUCON (PROX & DISPLAY)	1	1	
1	Call order desk	. PROX MODULE / "SAUCON"	1	1	P
2	901688	. DISPLAY TOUCH / "SAUCON"	1	1	
2	Call order desk	. S-DISPLAY CABLE / "SAUCON"	1	1	P
3	901627	. ARM DISPLAY / "SAUCON"	1	1	
4	901630	. ANTENNA GPS / "SAUCON"	1	1	
5	901629	. DISPLAY CABLE 25 FT / "SAUCON"	1	1	
NS	901626	. INTERFACE MAIN HARNESS PREVOST / "SAUCON"	1	1	
11	061488	CONNECTOR C-700 BYPASSED (CTGI)	1	1	
. NS	562637	. HEAT DETECTOR SENSOR 2500MM	1	1	
. NS	561240	. SOCKET TERMINAL / 18-16 / SIGNAL CONTACT / AMP 66101-2	4	4	
. NS	561653	. CABLE CLAMP / CPC / #13 / AMP 206966-1	1	1	
. NS	562593	. WIRE CABLE 18 / YELLOW / TXL	1	1	
. NS	563623	. BUTT SPLICE / 16-14 / BLUE / W/THERMORETRAC / PANDUIT BSH14-Q	1	1	
12	504637	CABLE TIE / 3/16" x 13"	AR	AR	
12	507664	CABLE TIE / 3/16" 11" / DOUBLE LOOP HEAD	AR	AR	
13	506318	TAPE DUAL LOCK 1" x 150' / BLACK SJ3541	AR	AR	
21	3201455	MOULDING HIDE CABLE	1	1	
		P) CALL ORDER DESK FOR SPECIFIC APPLICATION (V.I.N.)			

From K-0185

Date:07/2024

PAGE:H9-2319-40

CAMERA SYSTEM - "S-VISION" 4 CAMERAS

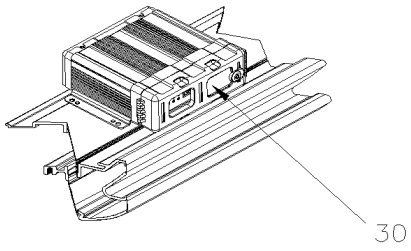


From K-0185

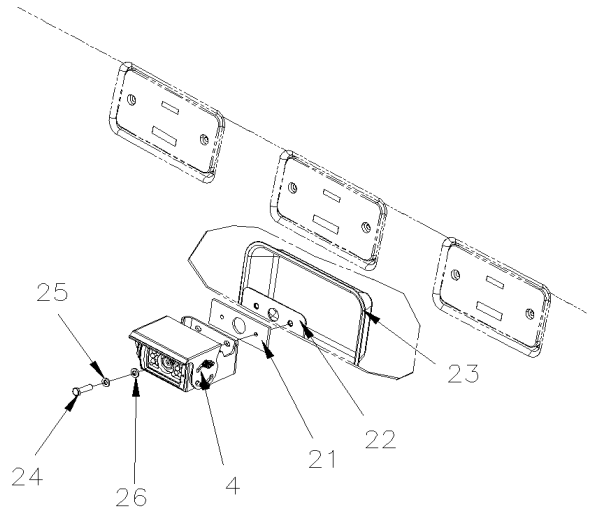
Date:07/2024

PAGE:H9-2319-40

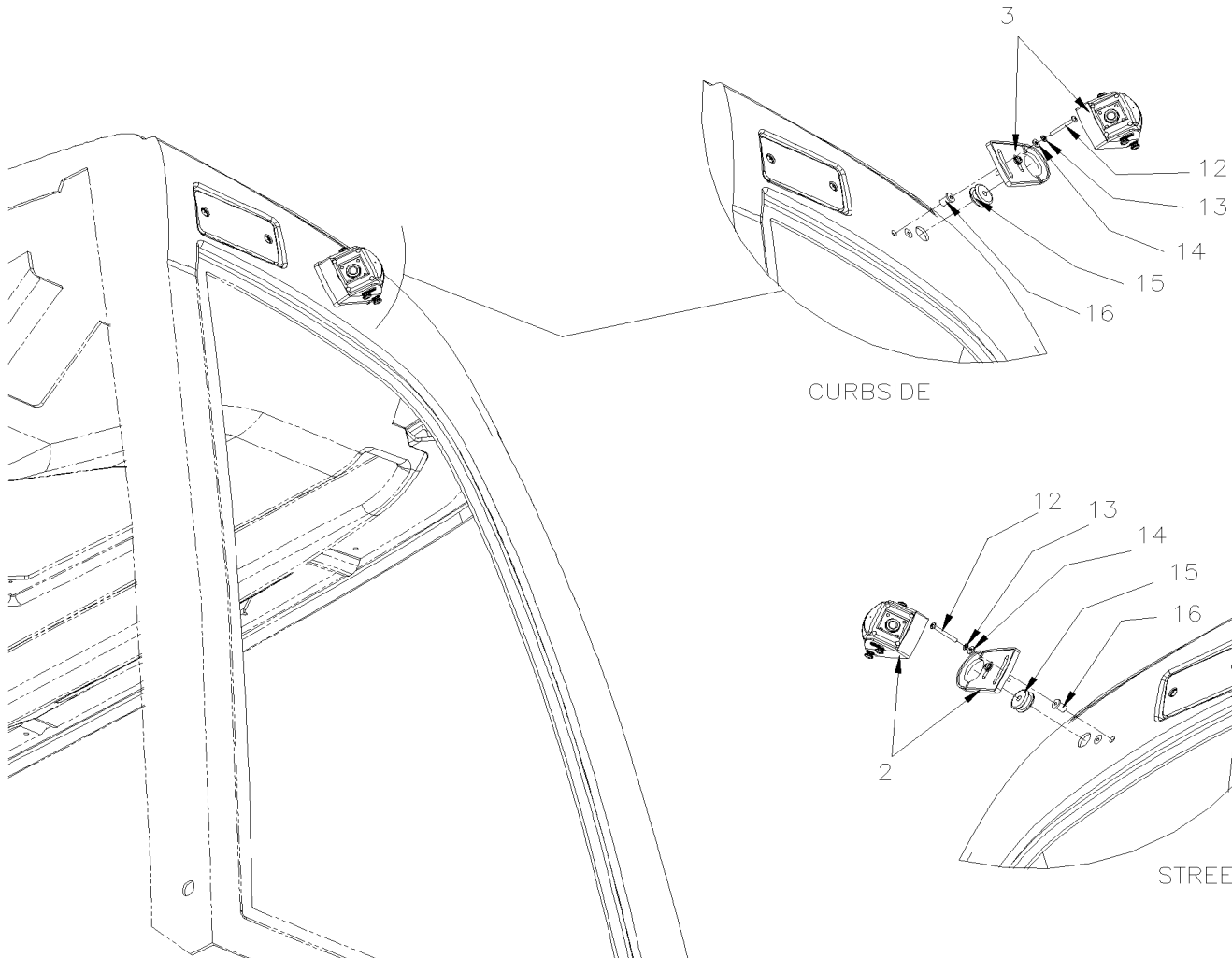
CAMERA SYSTEM - "S-VISION" 4 CAMERAS



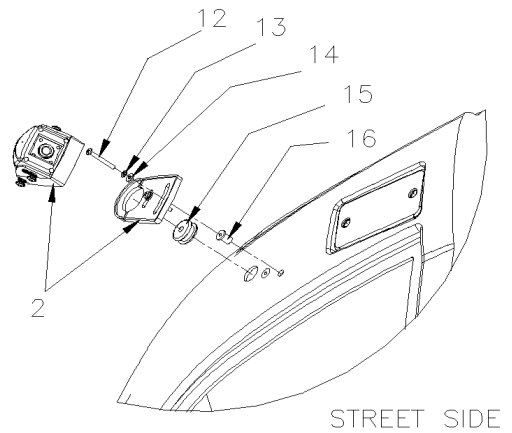
VIDEO RECORDER



REAR VIEW



CURBSIDE



STREET SIDE

From K-0185	Date:07/2024	PAGE:H9-2319-40
CAMERA SYSTEM - "S-VISION" 4 CAMERAS		

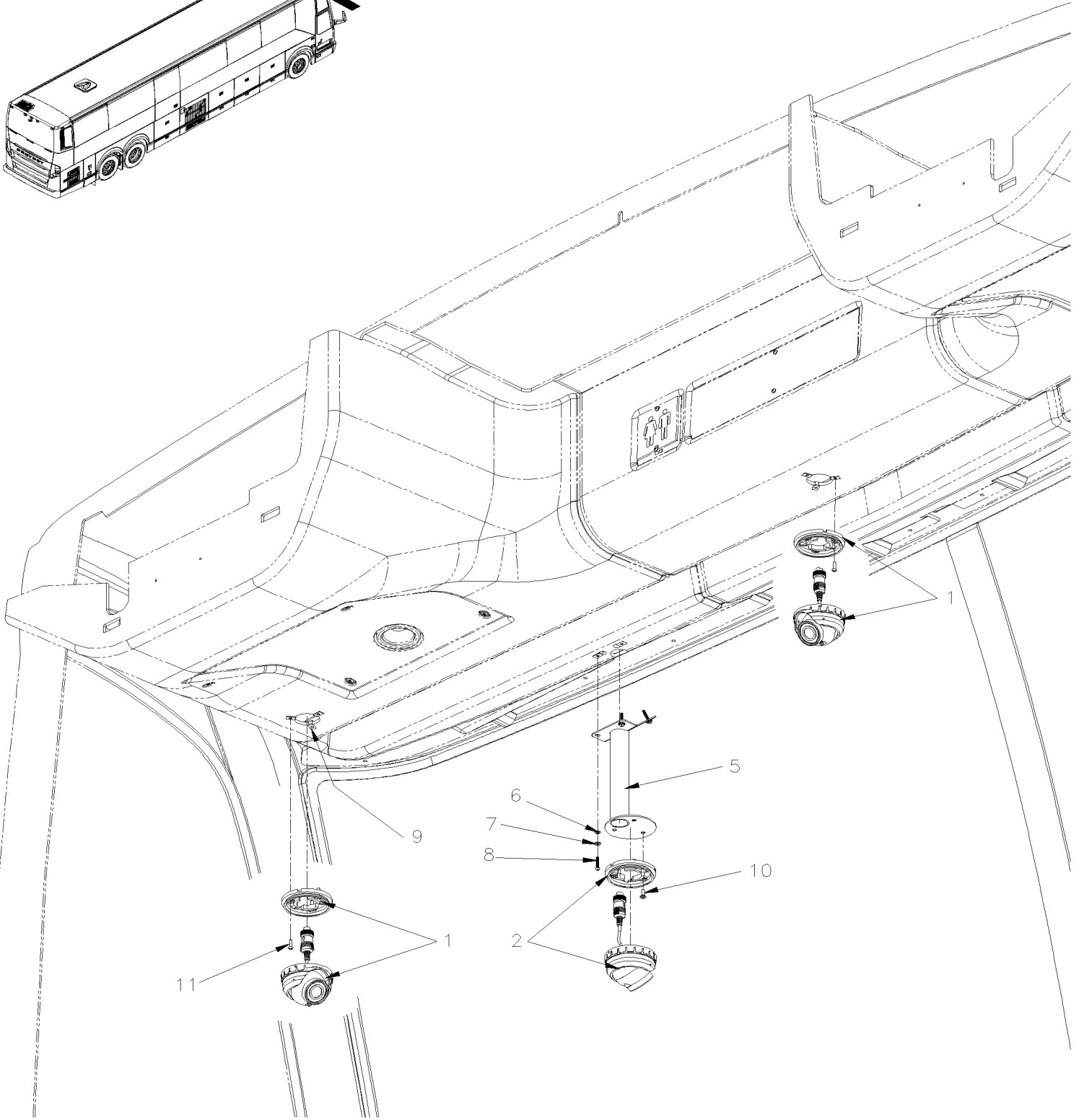
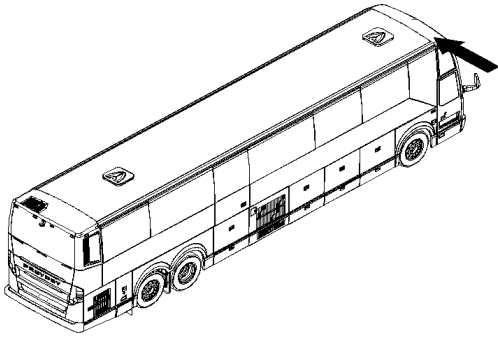
Item#	Part	Description	H 3 4 1	H 3 4 5	NOTES
1	901645	CAMERA WINDSHIELD W/MIC / 2.8 BLK S-VISION	1	1	
2	901647	CAMERA OUTSIDE LH, STREET SIDE / SILVER S-VISION	1	1	
3	901648	CAMERA OUTSIDE RH, CURBSIDE / SILVER S-VISION	1	1	
4	901663	BACK-UP CAMERA - "SAFETY VISION" / COLOR	1	1	
5	400536	BRACKET ASSY FOR CAMERA "SAFETY VISION"	1	1	
6	502556	WASHER FL 4.3x9.0x0.8 SS	AR	AR	
7	502834	WASHER LO SPT 4.1x7.6x0.9 N500	AR	AR	
8	500339	SCREW MA RND PH #6-32x3/4 SS	AR	AR	
9	5001414	SCREW MA FL PH M4-0.7x16 BK	AR	AR	
10	500996	NUT SPR U #6-32 .135-.150	AR	AR	
12	500339	SCREW MA RND PH #6-32x3/4 SS	AR	AR	
13	502834	WASHER LO SPT 4.1x7.6x0.9 N500	AR	AR	
14	502556	WASHER FL 4.3x9.0x0.8 SS	AR	AR	
15	504625	GROMMET / .250x.750x.250x.437x1.000	AR	AR	
16	500286	NUT WELL #6-32	AR	AR	
21	400612	PLATE	1	1	
22	409266	PLATE, FIXATION / (INSIDE OF REAR CAP)	1	1	
23	682177	LIGHT PROTECTOR	1	1	
24	5001433	SCREW CAP HEX M6-1.0x25 SS	AR	AR	
25	502570	WASHER LO SPT 6.1x11.8x1.6 SS	AR	AR	
26	502573	WASHER FL 6.4x12.5x1.6 SS	AR	AR	
30	901662	VIDEO RECORDER S-VISION 128G	1	1	
NS	901650	CABLE FOR S-VISION CAMERA / 3M	AR	AR	
NS	901651	CABLE FOR S-VISION CAMERA / 5M	AR	AR	
NS	901653	CABLE FOR S-VISION CAMERA / 15M	AR	AR	

From K-0185

Date:07/2024

PAGE:H9-2319-41

CAMERA SYSTEM - "S-VISION" 8 CAMERAS

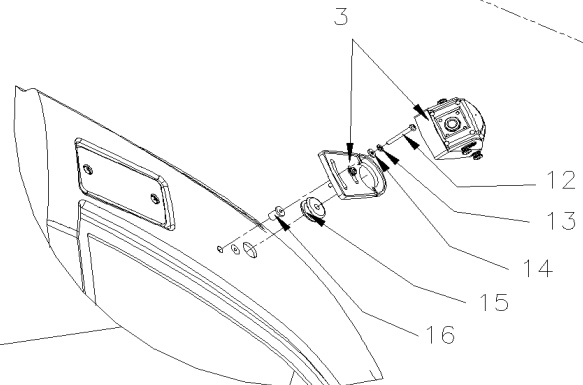
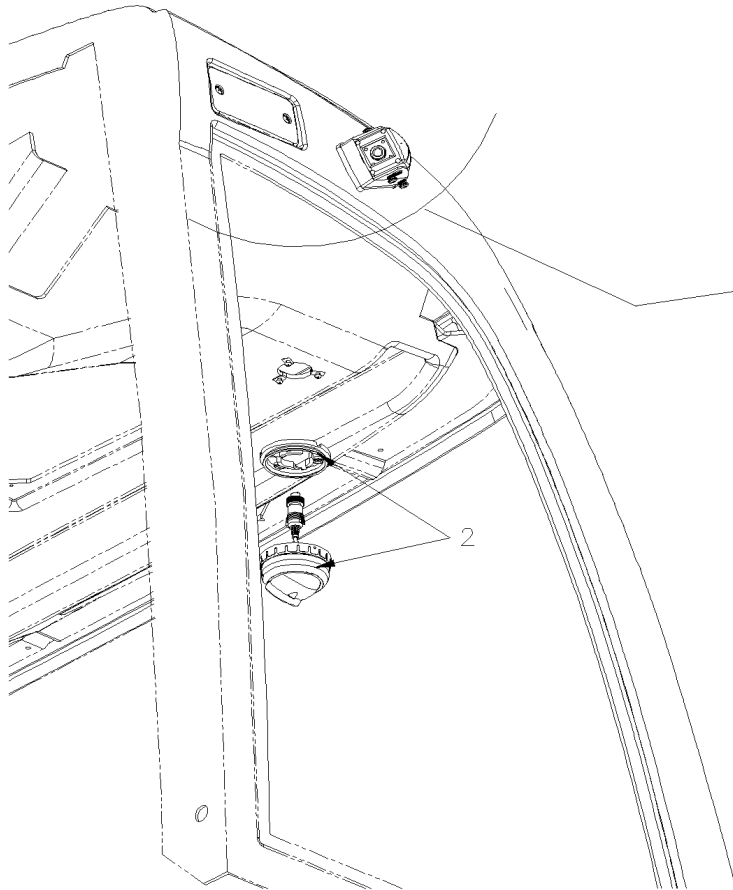
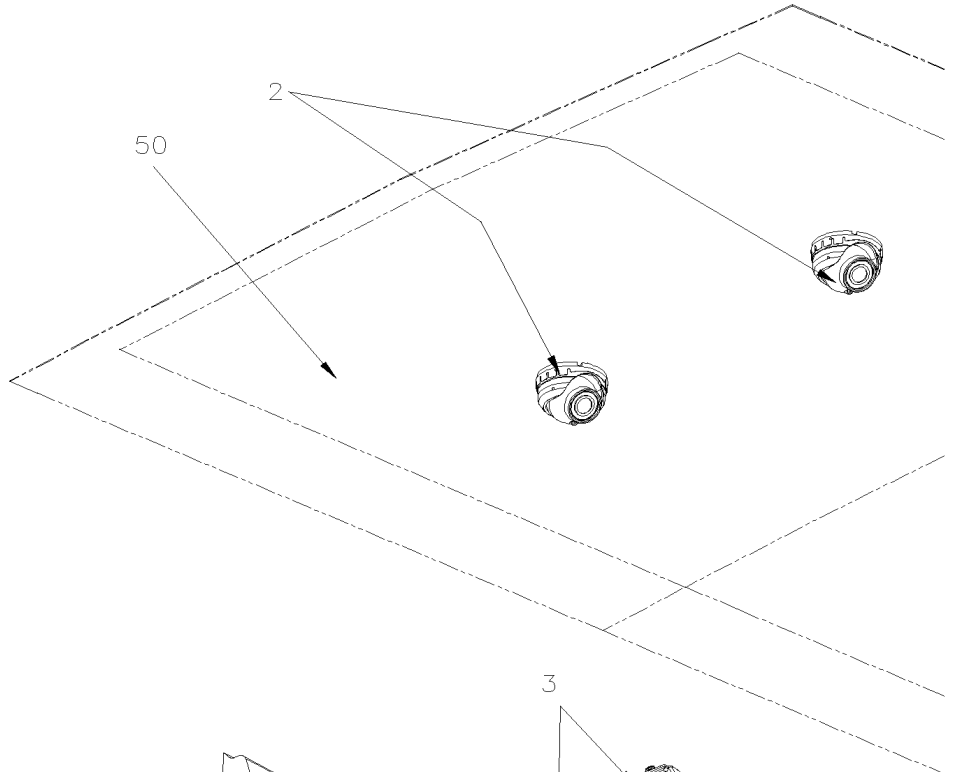
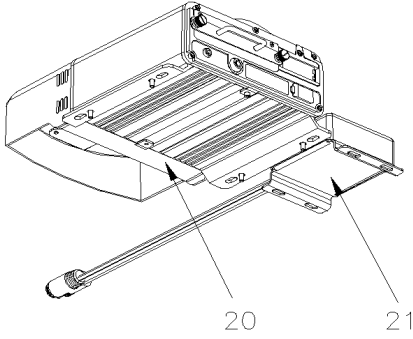


From K-0185

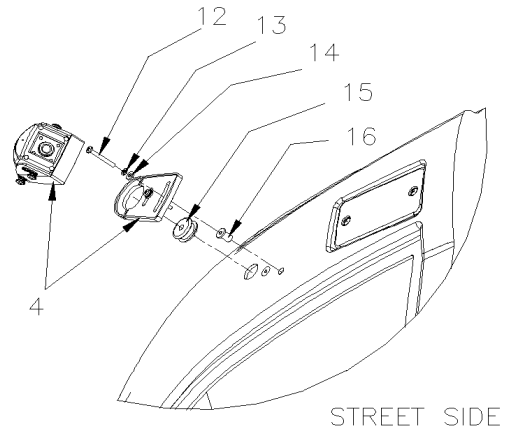
Date:07/2024

PAGE:H9-2319-41

CAMERA SYSTEM - "S-VISION" 8 CAMERAS



CURBSIDE



STREET SIDE

From K-0185	Date:07/2024	PAGE:H9-2319-41
CAMERA SYSTEM - "S-VISION" 8 CAMERAS		

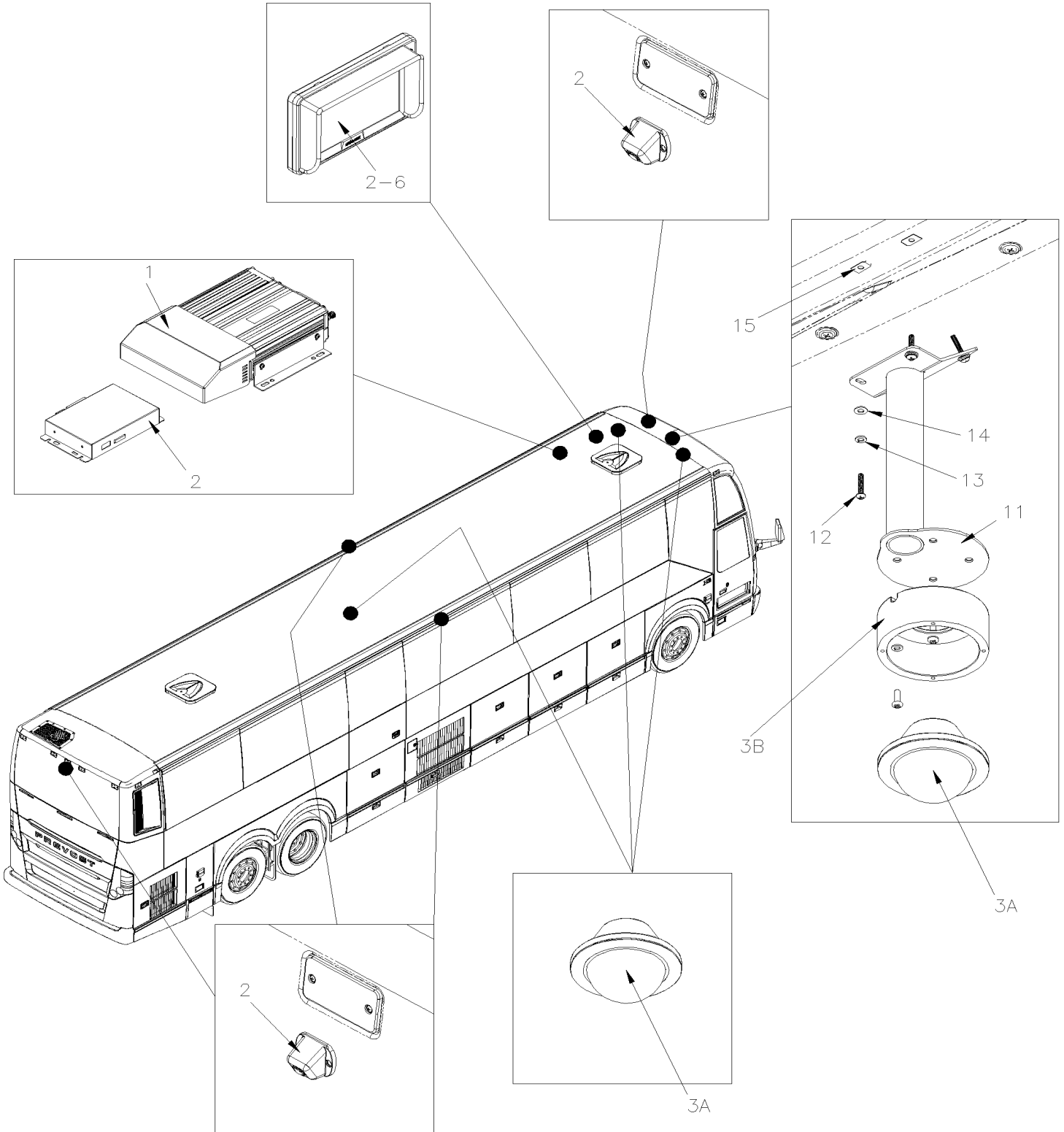
Item#	Part	Description	H 3 4 1	H 3 4 5	NOTES
1	901646	CAMERA INT. W/MIC & IR / 2.8 WHT S-VISION	5	5	
2	901645	CAMERA WINDSHIELD W/MIC / 2.8 BLK S-VISION	1	1	
3	901648	CAMERA OUTSIDE RH, CURBSIDE / SILVER S-VISION	1	1	
4	901647	CAMERA OUTSIDE LH, STREET SIDE / SILVER S-VISION	1	1	
5	400536	BRACKET ASSY FOR CAMERA "SAFETY VISION"	1	1	
6	502834	WASHER LO SPT 4.1x7.6x0.9 N500	4	4	
7	502556	WASHER FL 4.3x9.0x0.8 SS	4	4	
8	500339	SCREW MA RND PH #6-32x3/4 SS	4	4	
9	500996	NUT SPR U #6-32 .135-.150	AR	AR	
10	5001414	SCREW MA FL PH M4-0.7x16 BK	AR	AR	
11	500148	SCREW MA RND PH #6-32x1/2 SS	AR	AR	
12	500339	SCREW MA RND PH #6-32x3/4 SS	AR	AR	
13	502636	WASHER LO SPT 4.1x7.6x0.9 Z050	AR	AR	
14	502630	WASHER FL .156x.375x.049 Z050	AR	AR	
15	504625	GROMMET / .250x.750x.250x.437x1.000	AR	AR	
16	500286	NUT WELL #6-32	AR	AR	
NS	901656	ACCELEROMETER 6 AXIS S-VISION	1	1	
20	901642	DIGITAL VIDEO RECORDER / S-VISION 1TB	1	1	
NS	901649	SD CARD 32G FOR DVR / S-VISION	1	1	
21	901643	UPS BATTERY BACKUP / FOR DVR-4108	1	1	
NS	901644	ADAPTOR CABLE FOR UPS BATT. BACKUP	1	1	
NS	901650	CABLE FOR S-VISION CAMERA / 3M	2	2	
NS	901651	CABLE FOR S-VISION CAMERA / 5M	4	4	
NS	901653	CABLE FOR S-VISION CAMERA / 15M	2	2	
NS	901658	DECAL "S-VISION"	1	1	
NS	D400486	DIAG. INST. 8 CAMERAS S-VISION (J3949)	1	1	
50	H9-1837-01	CEILING PANELS & MOULDING W/TAN FINISHING To P-1452			

From K-0185

Date:07/2024

PAGE:H9-2319-50

CAMERA SYSTEM - "BRIGADE" 8 CAMERAS "SURERIDE" / "ALL ABOARD"



From K-0185		Date:07/2024	PAGE:H9-2319-50
CAMERA SYSTEM - "BRIGADE" 8 CAMERAS "SURERIDE" / "ALL ABOARD"			

Item#	Part	Description	H 3 4 1	H 3 4 5	N O T E S
1	900270	CAMERA RECORDER KIT "BRIGADE" GPS	1	1	
. NS	Call order desk	. RECORDER "BRIGADE"	1	1	P
. NS	Call order desk	. SPLITTER CABLE "BRIGADE"	4	4	P
1	Call order desk	CAMERA RECORDER KIT "BRIGADE" WIFI	1	1	P OP
2	900273	CAMERA EXTERIOR & MONITOR KIT "BRIGADE"	1	1	
. NS	901706	. ELECTRONIC MODULE ECU PERIF.CAM. "BRIGADE"	1	1	
. NS	990565	. SURROUNDING CAMERA "BRIGADE"	4	4	
. NS	901716	. CABLE INTERFACE CAMERAS TO ECU, "BRIGADE"	1	1	
. NS	901714	. CABLE VIDEO VBV-L ECU TO MONITOR, "BRIGADE"	1	1	
. NS	901718	. BUTTON SELECT/ADJUST. W/WIRE, "BRIGADE"	1	1	
. NS	901717	. CABLE FOR IR REMOTE SENSOR, "BRIGADE"	1	1	
. NS	901738	. REMOTE CONTROL FOR CAMERAS SYSTEM	1	1	
. NS	990001	. HOUSING, SURROUNDING CAMERA "BRIGADE"	4	4	
. NS	990575	. GASKET, BLK SURROUNDING CAMERA "BRIGADE"	1	1	
. NS	901711	. HARNESS / CAMERA "BRIGADE" 5M	2	2	
. NS	901712	. HARNESS / CAMERA "BRIGADE" 10M	1	1	
. NS	901713	. HARNESS / CAMERA "BRIGADE" 15M	2	2	
. NS	901715	. CABLE VBV-L ECU TO MONITOR 5M, BRIGADE	1	1	
. NS	901708	. MONITOR, 7" DIG. LDC, SURR. CAM. "BRIGADE"	1	1	
. NS	901904	. MONITOR	1	1	
. NS	901911	. CABLE ADAPTER	1	1	
. NS	901737	. MONITOR MOUNT, WITH 3" ARM FOR BRIGADE	1	1	
. NS	901736	. MONITOR BACK "T" SLOT TO BALL MOUNT	1	1	
3	900272	CAMERA INTERIOR KIT "BRIGADE" /W 4 CAMERA	1	1	
. A	901789	. CAMERA INTERIOR "BRIGADE"	3	3	
. B	Call order desk	. CAMERA SUPPORT "BRIGADE"	1	1	P
. C	Call order desk	. CAMERA EYE BALL	1	1	P
. NS	901742	. CABLE ADAPTER "BRIGADE"	4	4	
. NS	901711	. HARNESS / CAMERA "BRIGADE" 5M	3	3	
. NS	901712	. HARNESS / CAMERA "BRIGADE" 10M	1	1	
. NS	901713	. HARNESS / CAMERA "BRIGADE" 15M	1	1	
NS	069875	WIRING HARNESS "BRIGADE"	1	1	
NS	504637	CABLE TIE / 3/16" x 13"	AR	AR	
6	3201455	MOULDING HIDE CABLE	1	1	
6	500344	SCREW MA RND PH M4-0.7x12 Z050	10	10	
6	500914	WASHER LO SPT .193x.334x.047 N500	10	10	
6	504637	CABLE TIE / 3/16" x 13"	AR	AR	
11	400769	BRACKET ASSY. CAMERA "BRIGADE"	1	1	
12	500339	SCREW MA RND PH #6-32x3/4 SS	4	4	
13	502834	WASHER LO SPT 4.1x7.6x0.9 N500	4	4	
14	502556	WASHER FL 4.3x9.0x0.8 SS	4	4	
15	500996	NUT SPR U #6-32 .135-.150	4	4	

From K-0185	Date:07/2024	PAGE:H9-2319-50
CAMERA SYSTEM - "BRIGADE" 8 CAMERAS "SURERIDE" / "ALL ABOARD"		

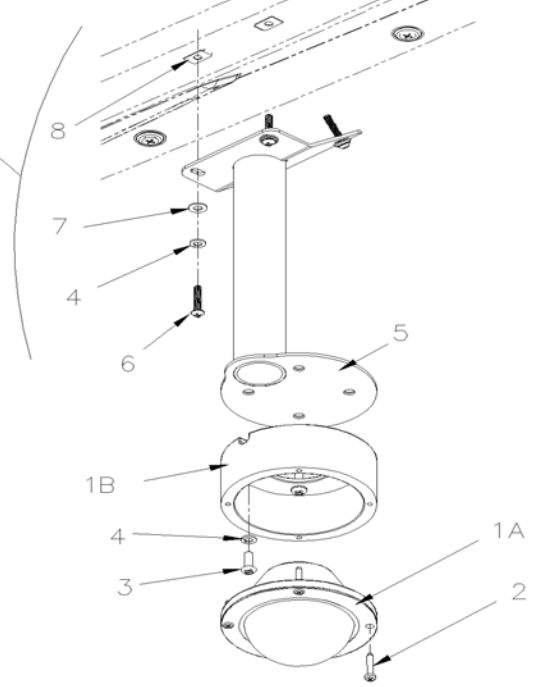
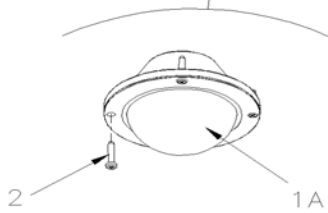
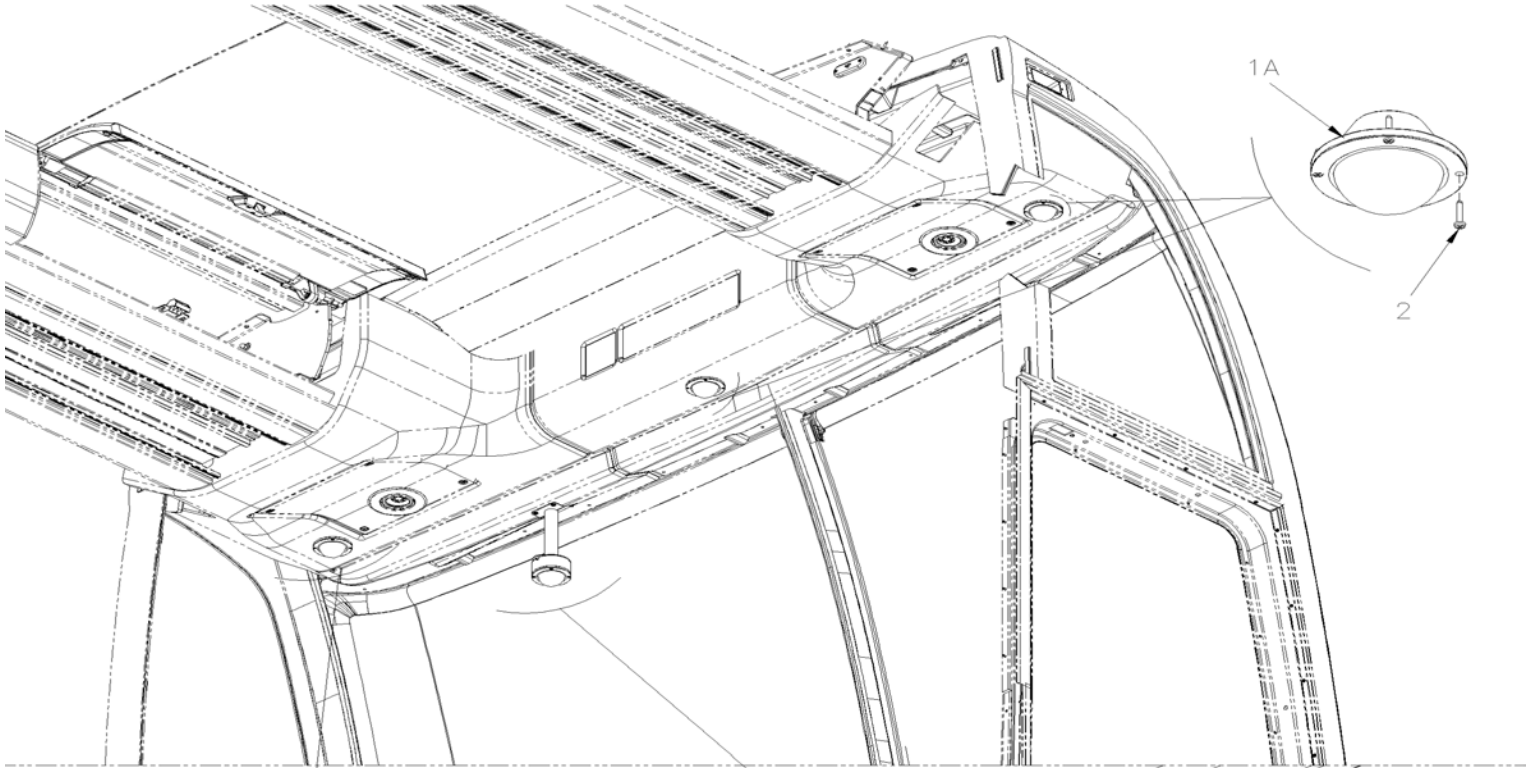
Item#	Part	Description	H 3 4 1	H 3 4 5	N O T E S
		OP) OPTION			
		P) CALL ORDER DESK FOR SPECIFIC APPLICATION (V.I.N.)			
		P) CALL ORDER DESK FOR SPECIFIC APPLICATION (V.I.N.)			

From L-0910

Date:07/2024

PAGE:H9-2319-52

CAMERA SYSTEM - "BRIGADE" 4 CAMERAS POSITION 1-2-3-4



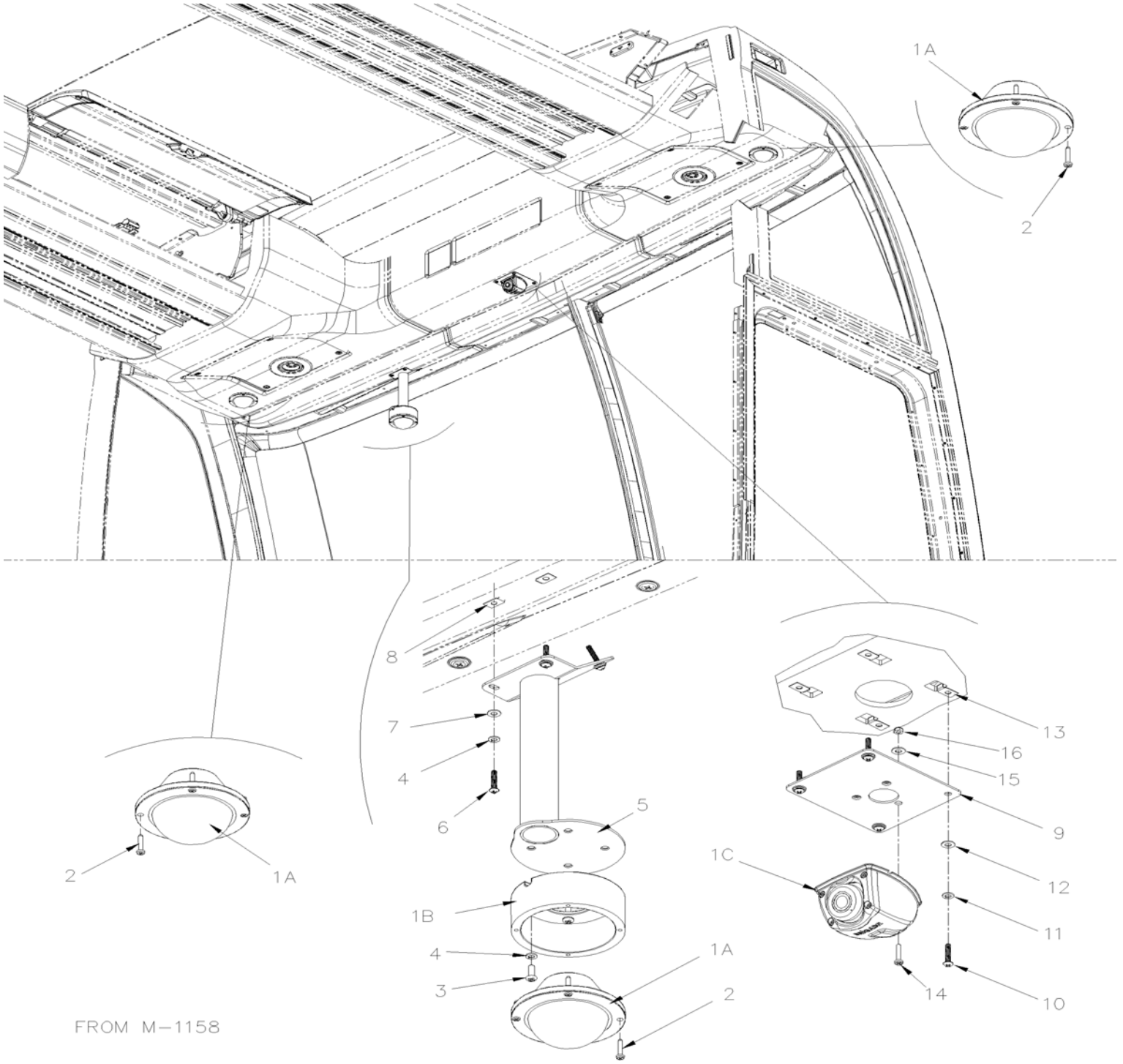
UP TO M-1157

From L-0910

Date:07/2024

PAGE:H9-2319-52

CAMERA SYSTEM - "BRIGADE" 4 CAMERAS POSITION 1-2-3-4



From L-0910	Date:07/2024	PAGE:H9-2319-52
CAMERA SYSTEM - "BRIGADE" 4 CAMERAS POSITION 1-2-3-4		

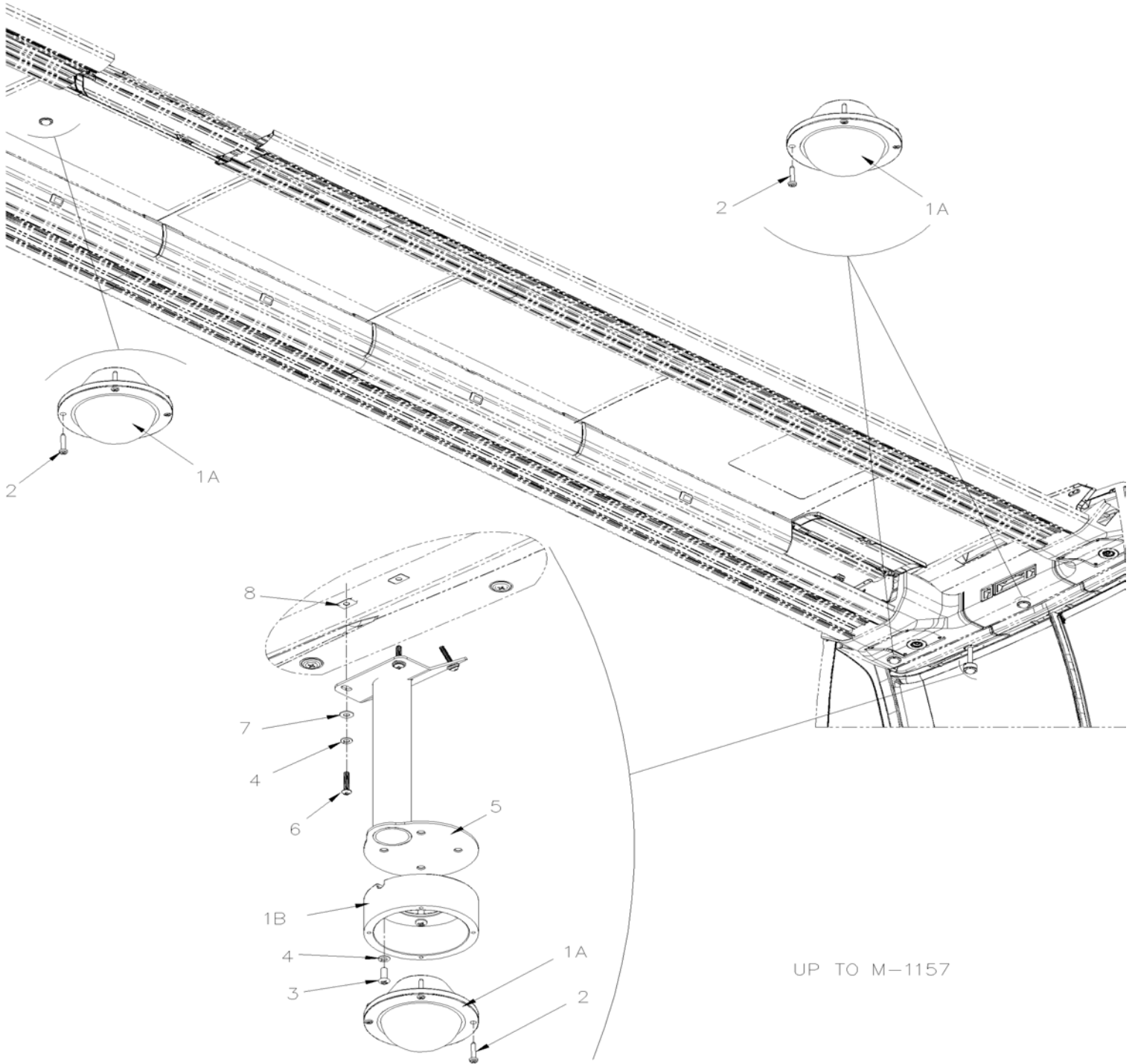
Item#	Part	Description	H 3 4 1	H 3 4 5	NOTES
1	900272	CAMERA INTERIOR KIT "BRIGADE" /W 4 CAMERA	1	1	
. A	901789	. CAMERA INTERIOR "BRIGADE"	3	3	
. B	Call order desk	. CAMERA SUPPORT "BRIGADE"	1	1	P
. C	Call order desk	. CAMERA EYE BALL	1	1	P
. NS	901742	. CABLE ADAPTER "BRIGADE"	4	4	
. NS	901711	. HARNESS / CAMERA "BRIGADE" 5M	3	3	
. NS	901712	. HARNESS / CAMERA "BRIGADE" 10M	1	1	
. NS	901713	. HARNESS / CAMERA "BRIGADE" 15M	1	1	
2	5001306	SCREW TC PAN PH #4-40x5/8 Z050	16	16	
3	5001996	SCREW MA PAN PH M4-0.7x12 N500	4	4	
4	502834	WASHER LO SPT 4.1x7.6x0.9 N500	8	8	
5	400769	BRACKET ASSY. CAMERA "BRIGADE"	1	1	
6	500339	SCREW MA RND PH #6-32x3/4 SS	4	4	
7	502556	WASHER FL 4.3x9.0x0.8 SS	4	4	
8	500996	NUT SPR U #6-32 .135-.150	4	4	
9	3211556	MOUNTING PLATE WIDE ANGLE CAMERA From M-1158	1	1	
10	500339	SCREW MA RND PH #6-32x3/4 SS From M-1158	4	4	
11	502834	WASHER LO SPT 4.1x7.6x0.9 N500 From M-1158	4	4	
12	502556	WASHER FL 4.3x9.0x0.8 SS From M-1158	4	4	
13	500996	NUT SPR U #6-32 .135-.150 From M-1158	4	4	
14	502577	SCREW MA PAN PH M3-0.5x16 ZP From M-1158	3	3	
15	502556	WASHER FL 4.3x9.0x0.8 SS From M-1158	3	3	
16	5001408	NUT HEX STO M3-0.5 ZP From M-1158	3	3	
		P) CALL ORDER DESK FOR SPECIFIC APPLICATION (V.I.N.)			

From L-1008

Date:07/2024

PAGE:H9-2319-53

CAMERA SYSTEM - "BRIGADE" 4 CAMERAS POSITION 1-2-4-6



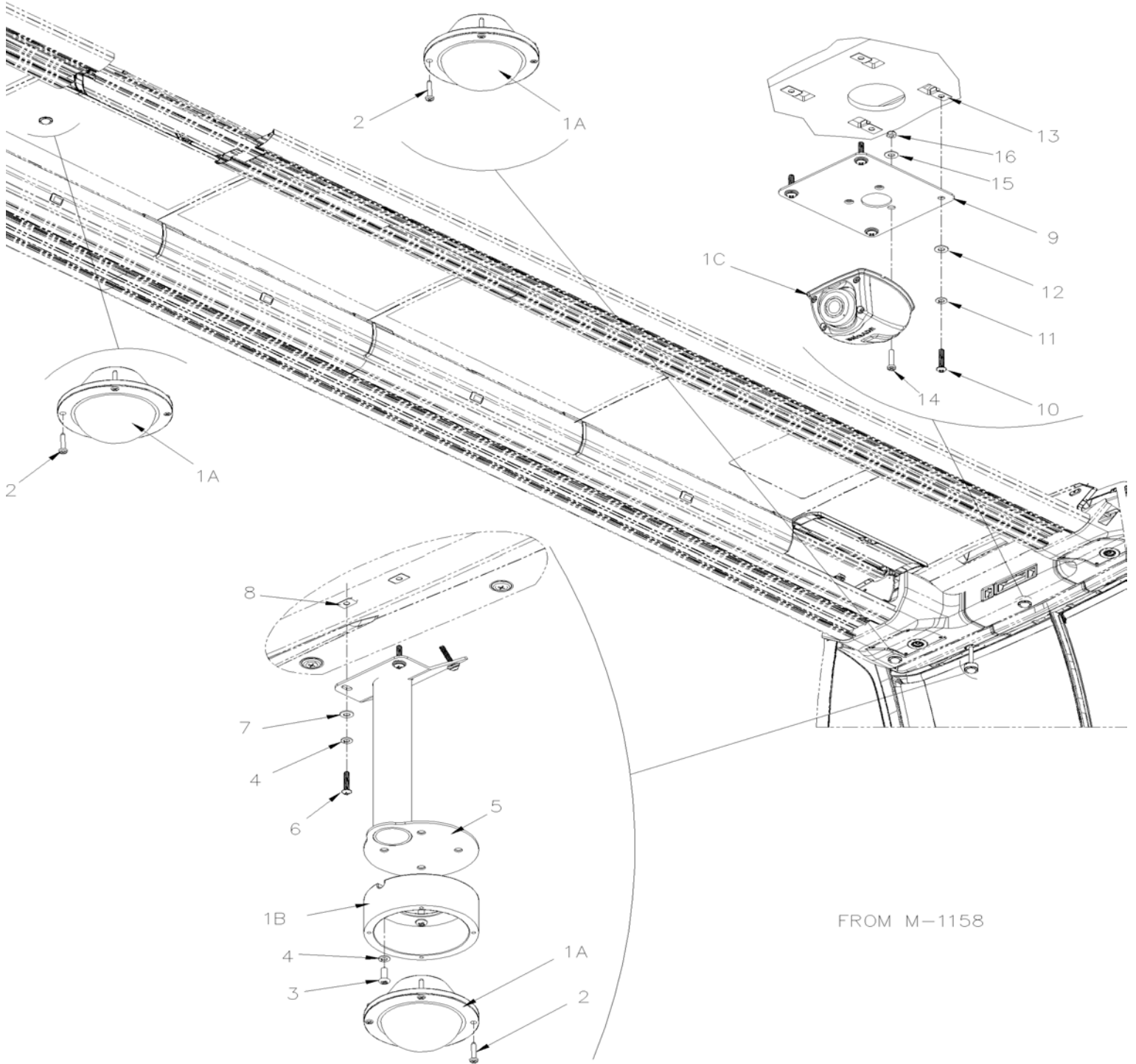
UP TO M-1157

From L-1008

Date:07/2024

PAGE:H9-2319-53

CAMERA SYSTEM - "BRIGADE" 4 CAMERAS POSITION 1-2-4-6



From L-1008	Date:07/2024	PAGE:H9-2319-53
CAMERA SYSTEM - "BRIGADE" 4 CAMERAS POSITION 1-2-4-6		

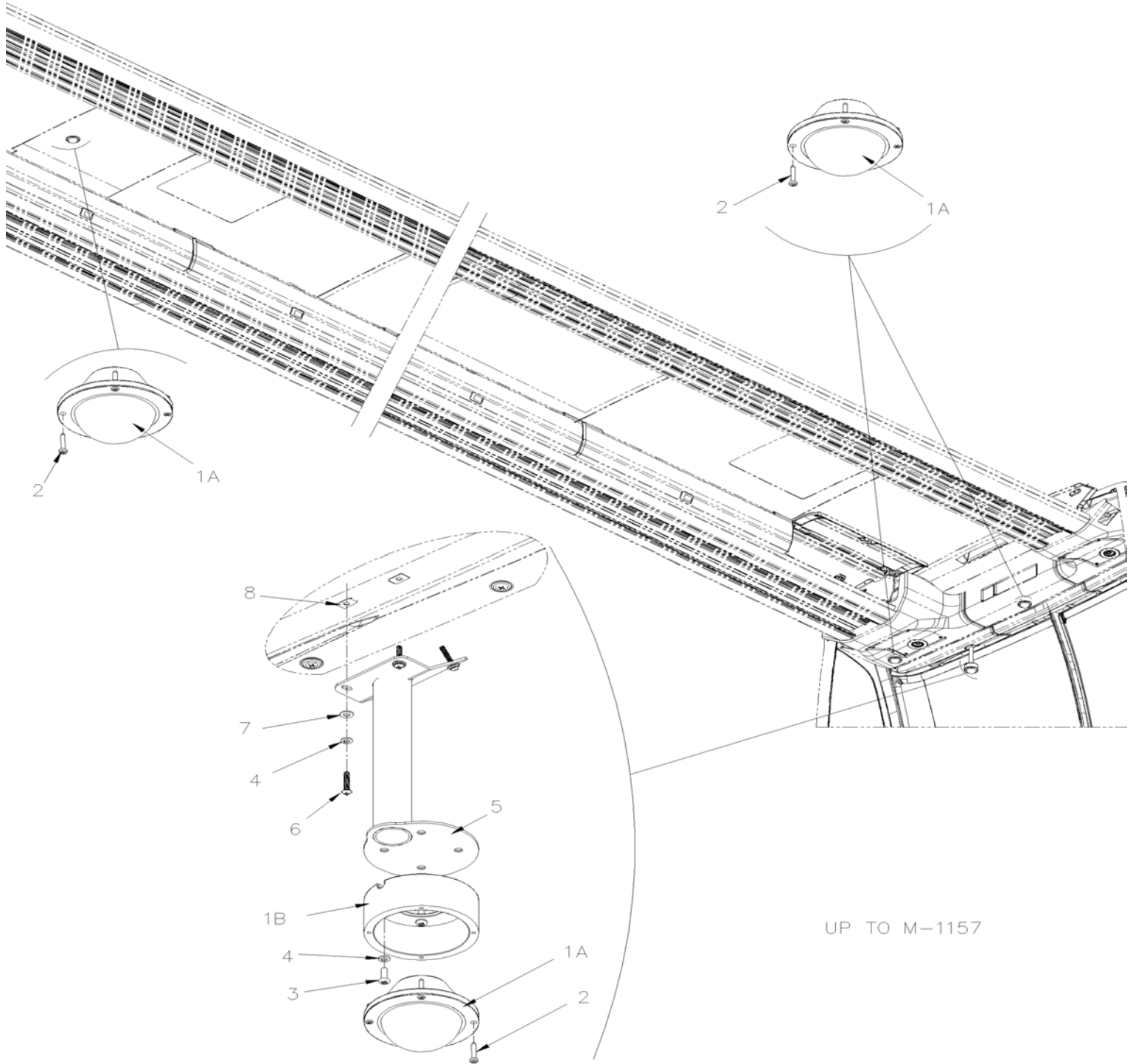
Item#	Part	Description	H 3 4 1	H 3 4 5	NOTES
1	900272	CAMERA INTERIOR KIT "BRIGADE" /W 4 CAMERA	1	1	
. A	901789	. CAMERA INTERIOR "BRIGADE"	3	3	
. B	Call order desk	. CAMERA SUPPORT "BRIGADE"	1	1	P
. C	Call order desk	. CAMERA EYE BALL	1	1	P
. NS	901742	. CABLE ADAPTER "BRIGADE"	4	4	
. NS	901711	. HARNESS / CAMERA "BRIGADE" 5M	3	3	
. NS	901712	. HARNESS / CAMERA "BRIGADE" 10M	1	1	
. NS	901713	. HARNESS / CAMERA "BRIGADE" 15M	1	1	
2	5001306	SCREW TC PAN PH #4-40x5/8 Z050	16	16	
3	5001996	SCREW MA PAN PH M4-0.7x12 N500	4	4	
4	502834	WASHER LO SPT 4.1x7.6x0.9 N500	8	8	
5	400769	BRACKET ASSY. CAMERA "BRIGADE"	1	1	
6	500339	SCREW MA RND PH #6-32x3/4 SS	4	4	
7	502556	WASHER FL 4.3x9.0x0.8 SS	4	4	
8	500996	NUT SPR U #6-32 .135-.150	4	4	
9	3211556	MOUNTING PLATE WIDE ANGLE CAMERA From M-1158	1	1	
10	500339	SCREW MA RND PH #6-32x3/4 SS From M-1158	4	4	
11	502834	WASHER LO SPT 4.1x7.6x0.9 N500 From M-1158	4	4	
12	502556	WASHER FL 4.3x9.0x0.8 SS From M-1158	4	4	
13	500996	NUT SPR U #6-32 .135-.150 From M-1158	4	4	
14	502577	SCREW MA PAN PH M3-0.5x16 ZP From M-1158	3	3	
15	502556	WASHER FL 4.3x9.0x0.8 SS From M-1158	3	3	
16	5001408	NUT HEX STO M3-0.5 ZP From M-1158	3	3	
		P) CALL ORDER DESK FOR SPECIFIC APPLICATION (V.I.N.)			

From L-0867

Date:07/2024

PAGE:H9-2319-54

CAMERA SYSTEM - "BRIGADE" 4 CAMERAS POSITION 1-2-4-8

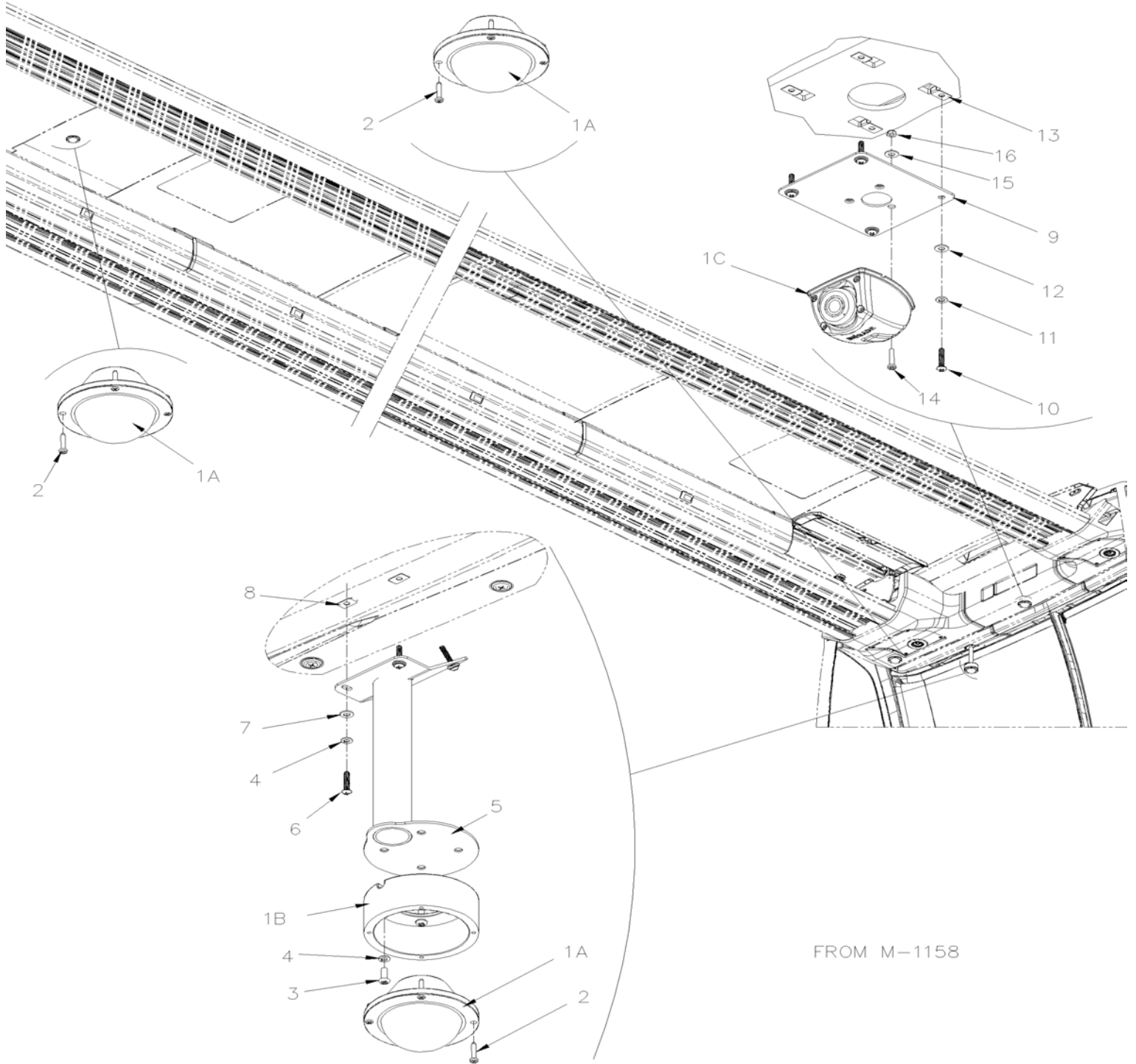


From L-0867

Date:07/2024

PAGE:H9-2319-54

CAMERA SYSTEM - "BRIGADE" 4 CAMERAS POSITION 1-2-4-8



From L-0867	Date:07/2024	PAGE:H9-2319-54
CAMERA SYSTEM - "BRIGADE" 4 CAMERAS POSITION 1-2-4-8		

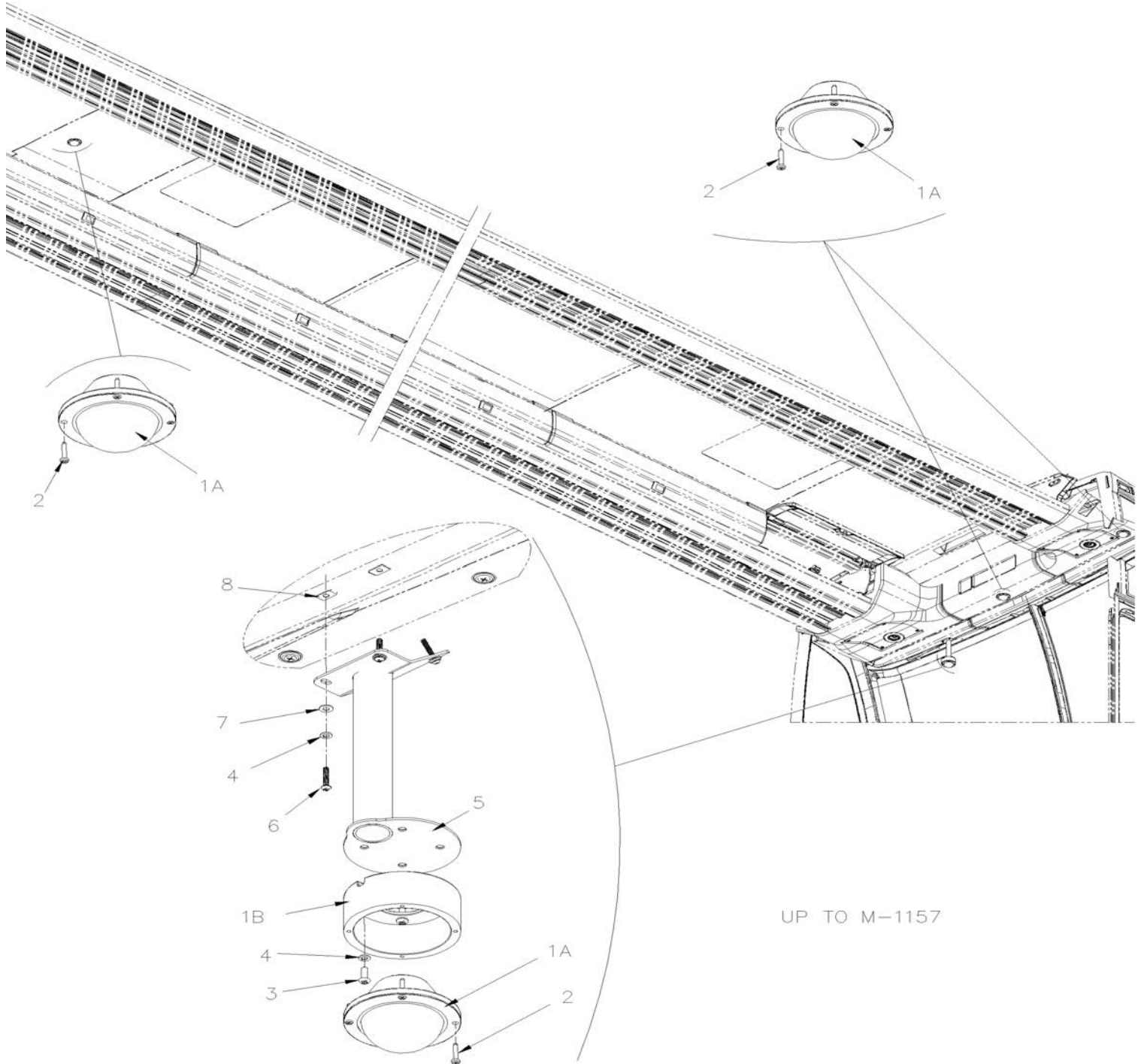
Item#	Part	Description	H 3 4 1	H 3 4 5	NOTES
1	900272	CAMERA INTERIOR KIT "BRIGADE" /W 4 CAMERA	1	1	
. A	901789	. CAMERA INTERIOR "BRIGADE"	3	3	
. B	Call order desk	. CAMERA SUPPORT "BRIGADE"	1	1	P
. C	Call order desk	. CAMERA EYE BALL	1	1	P
. NS	901742	. CABLE ADAPTER "BRIGADE"	4	4	
. NS	901711	. HARNESS / CAMERA "BRIGADE" 5M	3	3	
. NS	901712	. HARNESS / CAMERA "BRIGADE" 10M	1	1	
. NS	901713	. HARNESS / CAMERA "BRIGADE" 15M	1	1	
2	5001306	SCREW TC PAN PH #4-40x5/8 Z050	16	16	
3	5001996	SCREW MA PAN PH M4-0.7x12 N500	4	4	
4	502834	WASHER LO SPT 4.1x7.6x0.9 N500	8	8	
5	400769	BRACKET ASSY. CAMERA "BRIGADE"	1	1	
6	500339	SCREW MA RND PH #6-32x3/4 SS	4	4	
7	502556	WASHER FL 4.3x9.0x0.8 SS	4	4	
8	500996	NUT SPR U #6-32 .135-.150	4	4	
9	3211556	MOUNTING PLATE WIDE ANGLE CAMERA From M-1158	1	1	
10	500339	SCREW MA RND PH #6-32x3/4 SS From M-1158	4	4	
11	502834	WASHER LO SPT 4.1x7.6x0.9 N500 From M-1158	4	4	
12	502556	WASHER FL 4.3x9.0x0.8 SS From M-1158	4	4	
13	500996	NUT SPR U #6-32 .135-.150 From M-1158	4	4	
14	502577	SCREW MA PAN PH M3-0.5x16 ZP From M-1158	3	3	
15	502556	WASHER FL 4.3x9.0x0.8 SS From M-1158	3	3	
16	5001408	NUT HEX STO M3-0.5 ZP From M-1158	3	3	
		P) CALL ORDER DESK FOR SPECIFIC APPLICATION (V.I.N.)			

From L-0867

Date:07/2024

PAGE:H9-2319-55

CAMERA SYSTEM - "BRIGADE" 4 CAMERAS POSITION 1-3-4-8



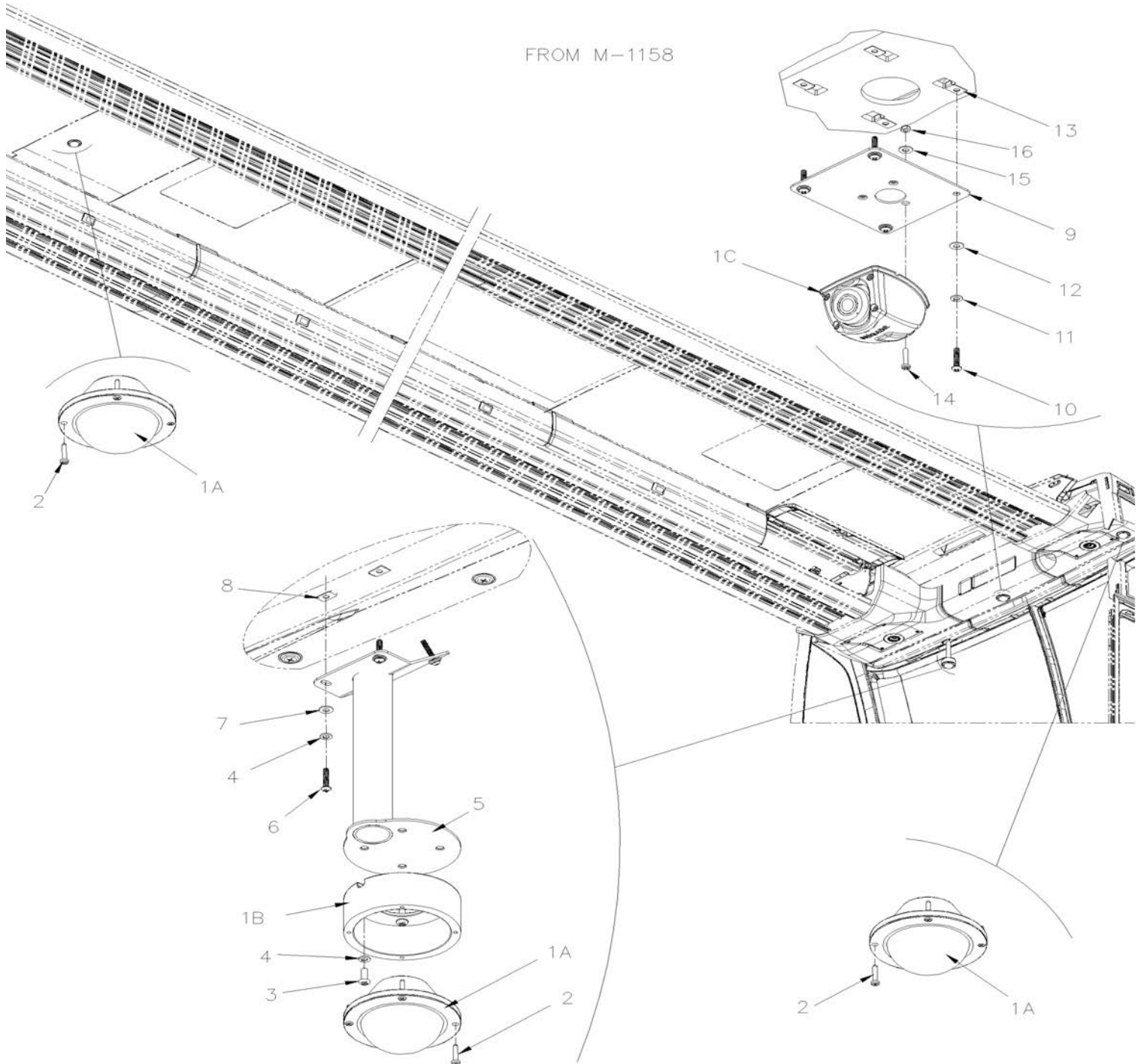
UP TO M-1157

From L-0867

Date:07/2024

PAGE:H9-2319-55

CAMERA SYSTEM - "BRIGADE" 4 CAMERAS POSITION 1-3-4-8



From L-0867	Date:07/2024	PAGE:H9-2319-55
CAMERA SYSTEM - "BRIGADE" 4 CAMERAS POSITION 1-3-4-8		

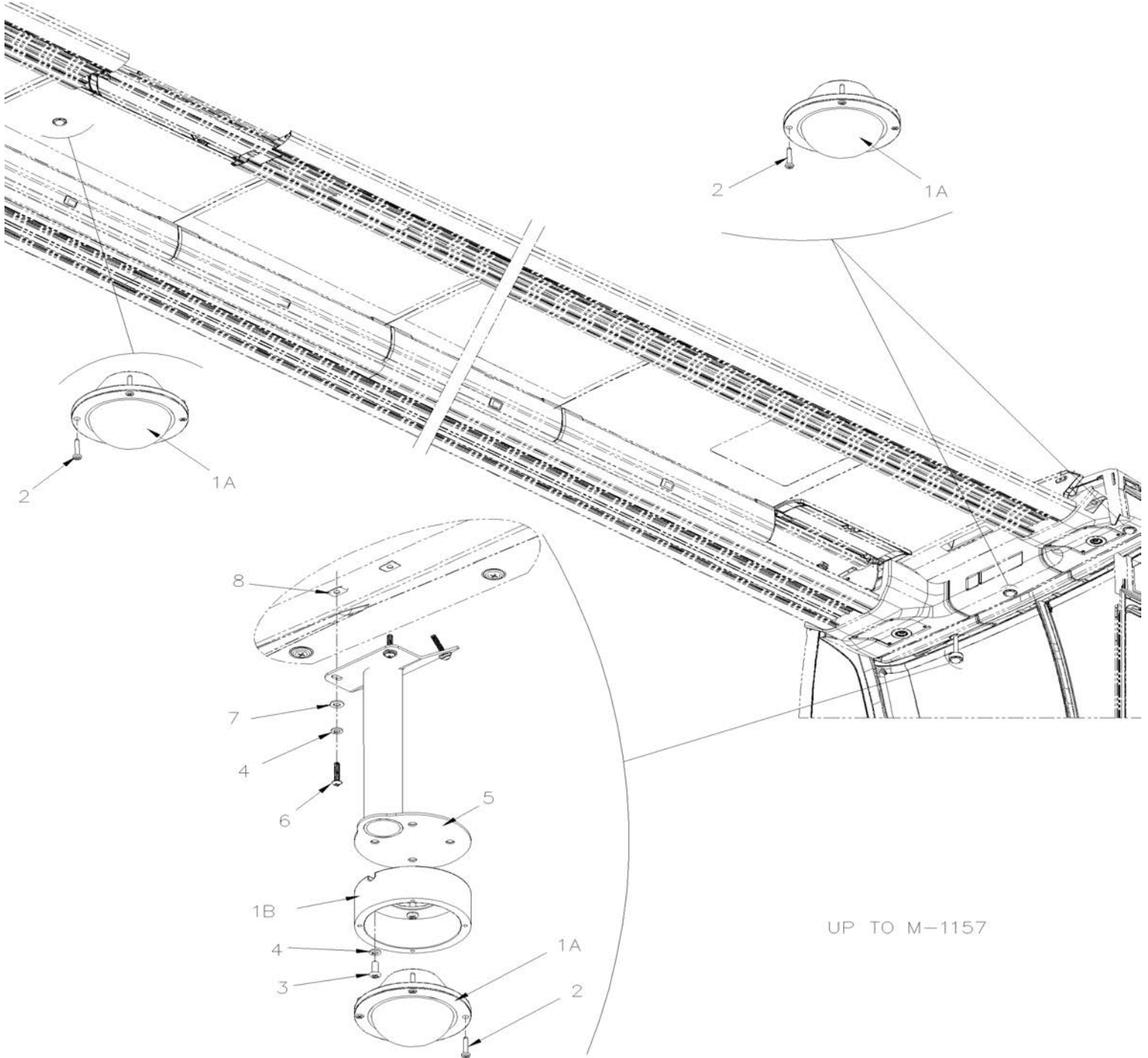
Item#	Part	Description	H 3 4 1	H 3 4 5	NOTES
1	900272	CAMERA INTERIOR KIT "BRIGADE" /W 4 CAMERA	1	1	
. A	901789	. CAMERA INTERIOR "BRIGADE"	3	3	
. B	Call order desk	. CAMERA SUPPORT "BRIGADE"	1	1	P
. C	Call order desk	. CAMERA EYE BALL	1	1	P
. NS	901742	. CABLE ADAPTER "BRIGADE"	4	4	
. NS	901711	. HARNESS / CAMERA "BRIGADE" 5M	3	3	
. NS	901712	. HARNESS / CAMERA "BRIGADE" 10M	1	1	
. NS	901713	. HARNESS / CAMERA "BRIGADE" 15M	1	1	
2	5001306	SCREW TC PAN PH #4-40x5/8 Z050	16	16	
3	5001996	SCREW MA PAN PH M4-0.7x12 N500	4	4	
4	502834	WASHER LO SPT 4.1x7.6x0.9 N500	8	8	
5	400769	BRACKET ASSY. CAMERA "BRIGADE"	1	1	
6	500339	SCREW MA RND PH #6-32x3/4 SS	4	4	
7	502556	WASHER FL 4.3x9.0x0.8 SS	4	4	
8	500996	NUT SPR U #6-32 .135-.150	4	4	
9	3211556	MOUNTING PLATE WIDE ANGLE CAMERA From M-1158	1	1	
10	500339	SCREW MA RND PH #6-32x3/4 SS From M-1158	4	4	
11	502834	WASHER LO SPT 4.1x7.6x0.9 N500 From M-1158	4	4	
12	502556	WASHER FL 4.3x9.0x0.8 SS From M-1158	4	4	
13	500996	NUT SPR U #6-32 .135-.150 From M-1158	4	4	
14	502577	SCREW MA PAN PH M3-0.5x16 ZP From M-1158	3	3	
15	502556	WASHER FL 4.3x9.0x0.8 SS From M-1158	3	3	
16	5001408	NUT HEX STO M3-0.5 ZP From M-1158	3	3	
		P) CALL ORDER DESK FOR SPECIFIC APPLICATION (V.I.N.)			

From L-1033

Date:07/2024

PAGE:H9-2319-56

CAMERA SYSTEM - "BRIGADE" 4 CAMERAS POSITION 1-3-4-6

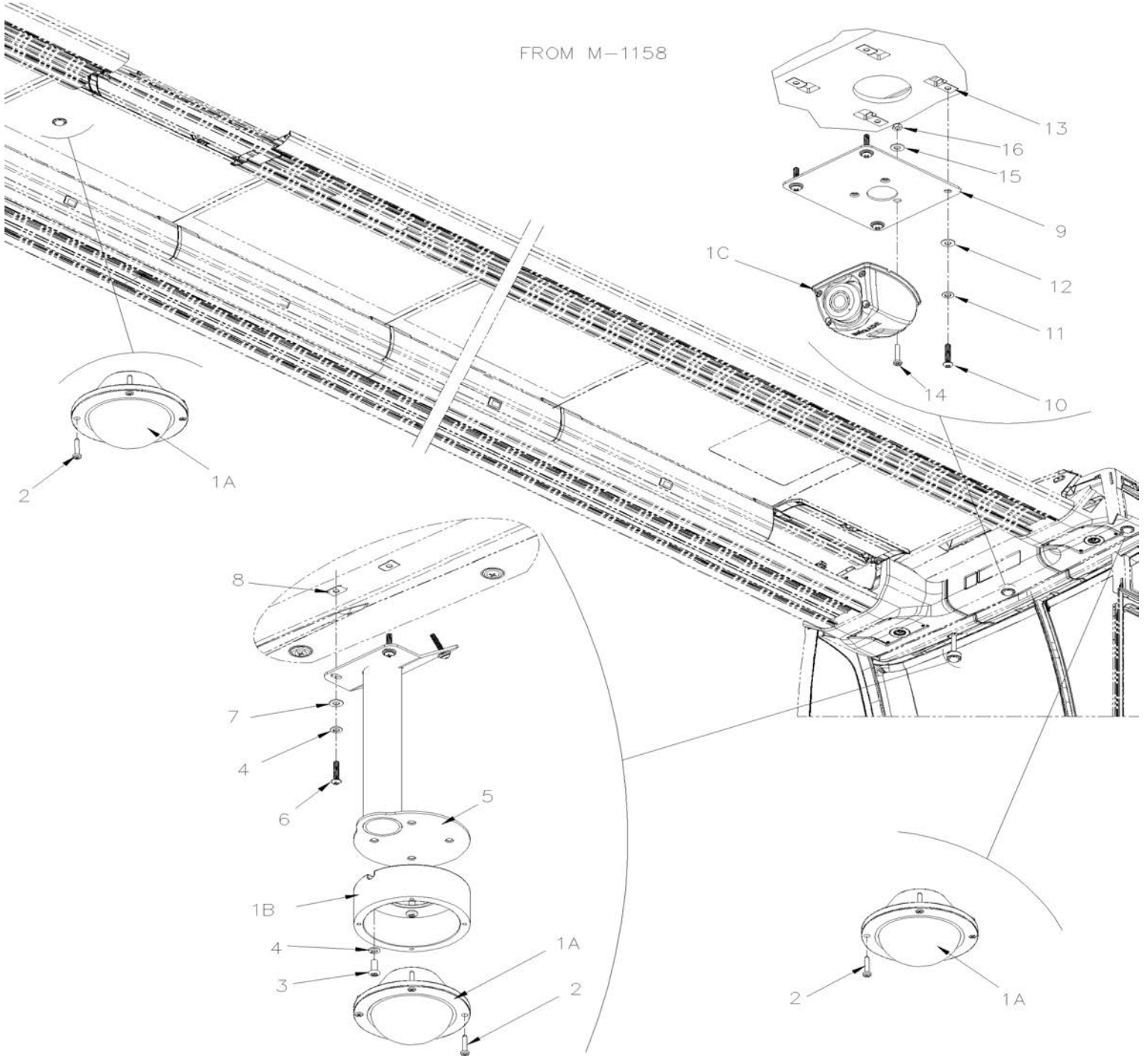


From L-1033

Date:07/2024

PAGE:H9-2319-56

CAMERA SYSTEM - "BRIGADE" 4 CAMERAS POSITION 1-3-4-6



From L-1033	Date:07/2024	PAGE:H9-2319-56
CAMERA SYSTEM - "BRIGADE" 4 CAMERAS POSITION 1-3-4-6		

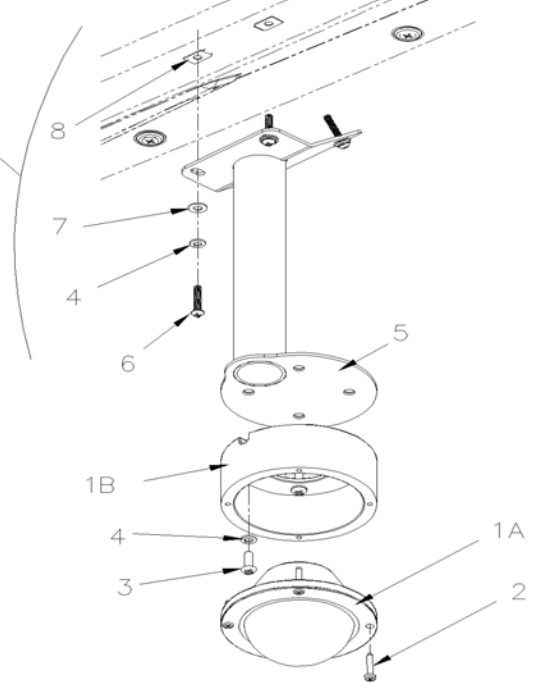
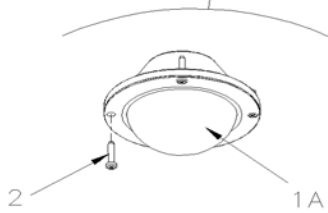
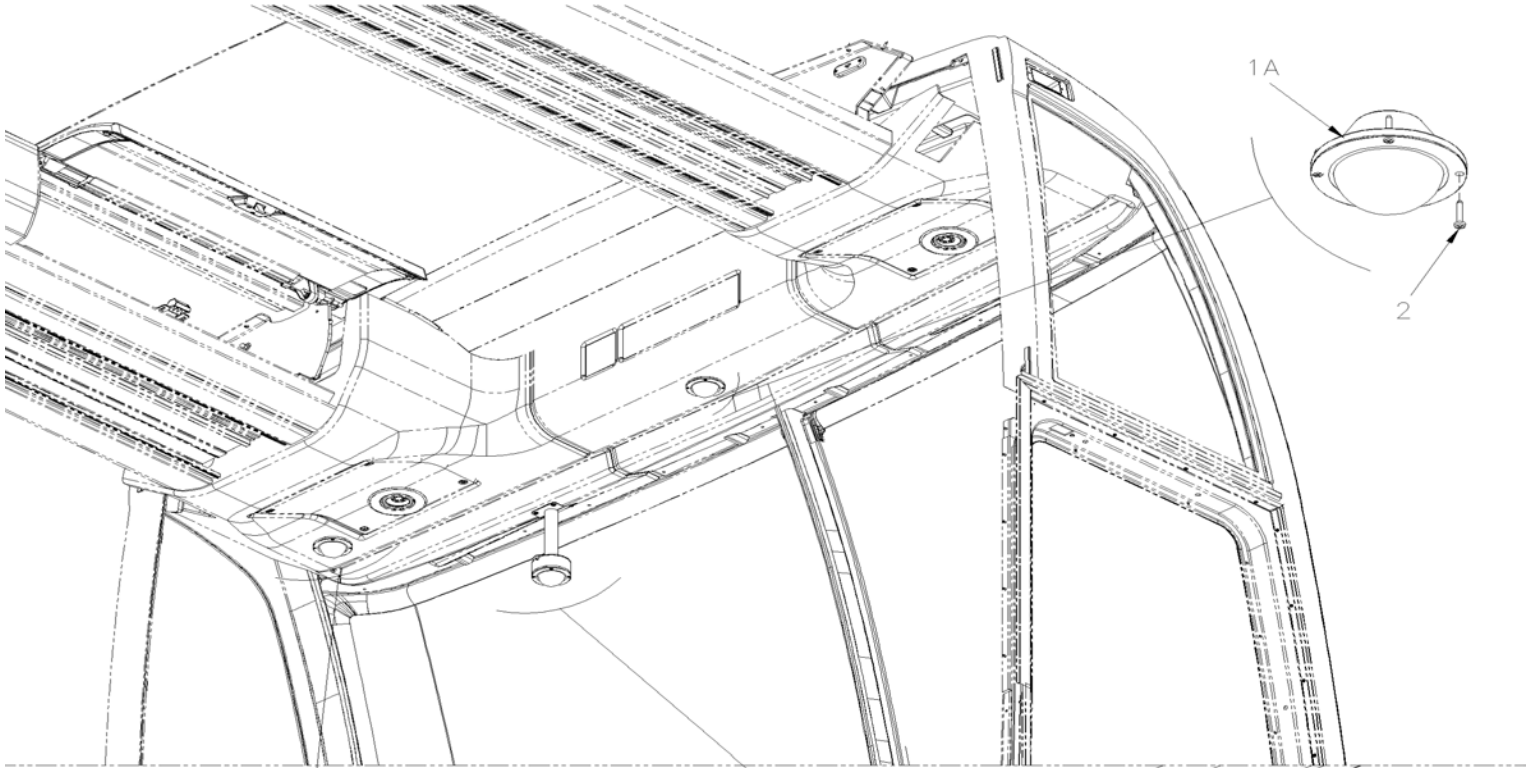
Item#	Part	Description	H 3 4 1	H 3 4 5	NOTES
1	900272	CAMERA INTERIOR KIT "BRIGADE" /W 4 CAMERA	1	1	
. A	901789	. CAMERA INTERIOR "BRIGADE"	3	3	
. B	Call order desk	. CAMERA SUPPORT "BRIGADE"	1	1	P
. C	Call order desk	. CAMERA EYE BALL	1	1	P
. NS	901742	. CABLE ADAPTER "BRIGADE"	4	4	
. NS	901711	. HARNESS / CAMERA "BRIGADE" 5M	3	3	
. NS	901712	. HARNESS / CAMERA "BRIGADE" 10M	1	1	
. NS	901713	. HARNESS / CAMERA "BRIGADE" 15M	1	1	
2	5001306	SCREW TC PAN PH #4-40x5/8 Z050	16	16	
3	5001996	SCREW MA PAN PH M4-0.7x12 N500	4	4	
4	502834	WASHER LO SPT 4.1x7.6x0.9 N500	8	8	
5	400769	BRACKET ASSY. CAMERA "BRIGADE"	1	1	
6	500339	SCREW MA RND PH #6-32x3/4 SS	4	4	
7	502556	WASHER FL 4.3x9.0x0.8 SS	4	4	
8	500996	NUT SPR U #6-32 .135-.150	4	4	
9	3211556	MOUNTING PLATE WIDE ANGLE CAMERA From M-1158	1	1	
10	500339	SCREW MA RND PH #6-32x3/4 SS From M-1158	4	4	
11	502834	WASHER LO SPT 4.1x7.6x0.9 N500 From M-1158	4	4	
12	502556	WASHER FL 4.3x9.0x0.8 SS From M-1158	4	4	
13	500996	NUT SPR U #6-32 .135-.150 From M-1158	4	4	
14	502577	SCREW MA PAN PH M3-0.5x16 ZP From M-1158	3	3	
15	502556	WASHER FL 4.3x9.0x0.8 SS From M-1158	3	3	
16	5001408	NUT HEX STO M3-0.5 ZP From M-1158	3	3	
		P) CALL ORDER DESK FOR SPECIFIC APPLICATION (V.I.N.)			

From K-0185

Date:07/2024

PAGE:H9-2319-57

CAMERA SYSTEM - "BRIGADE" 3 CAMERAS POSITION 1-2-4



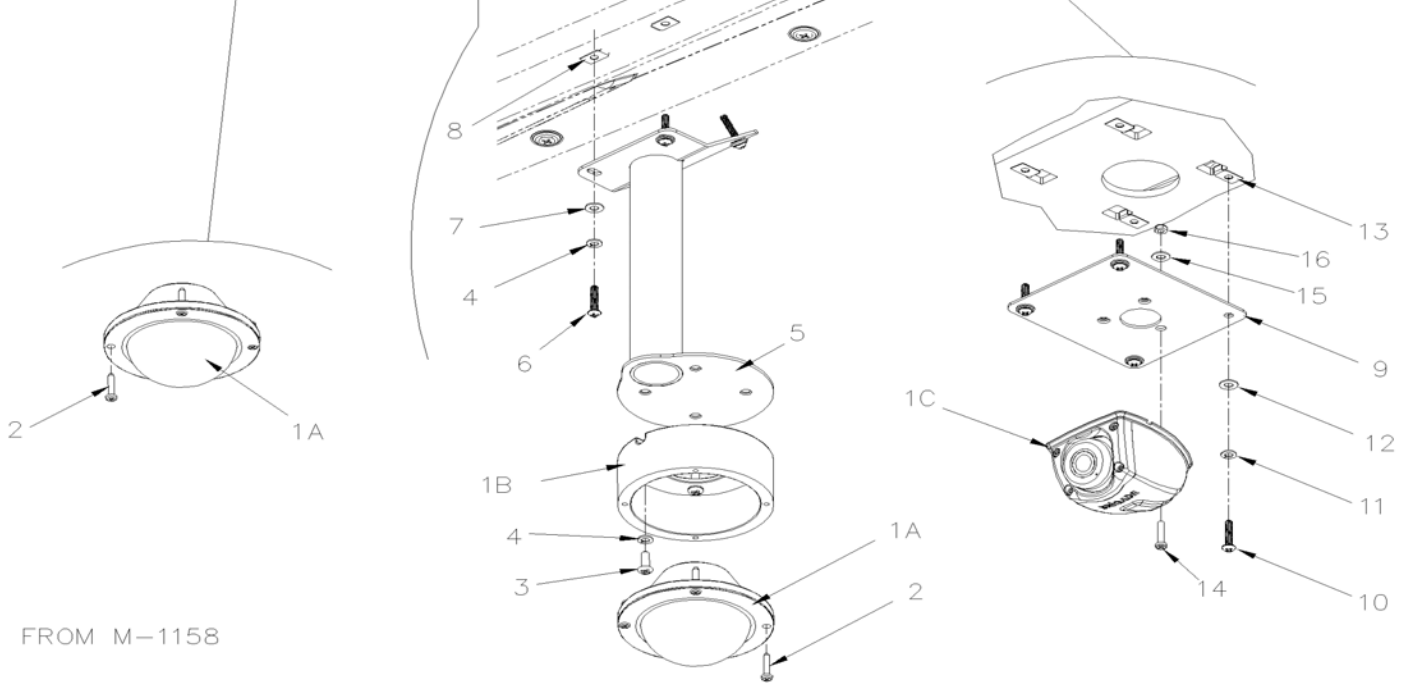
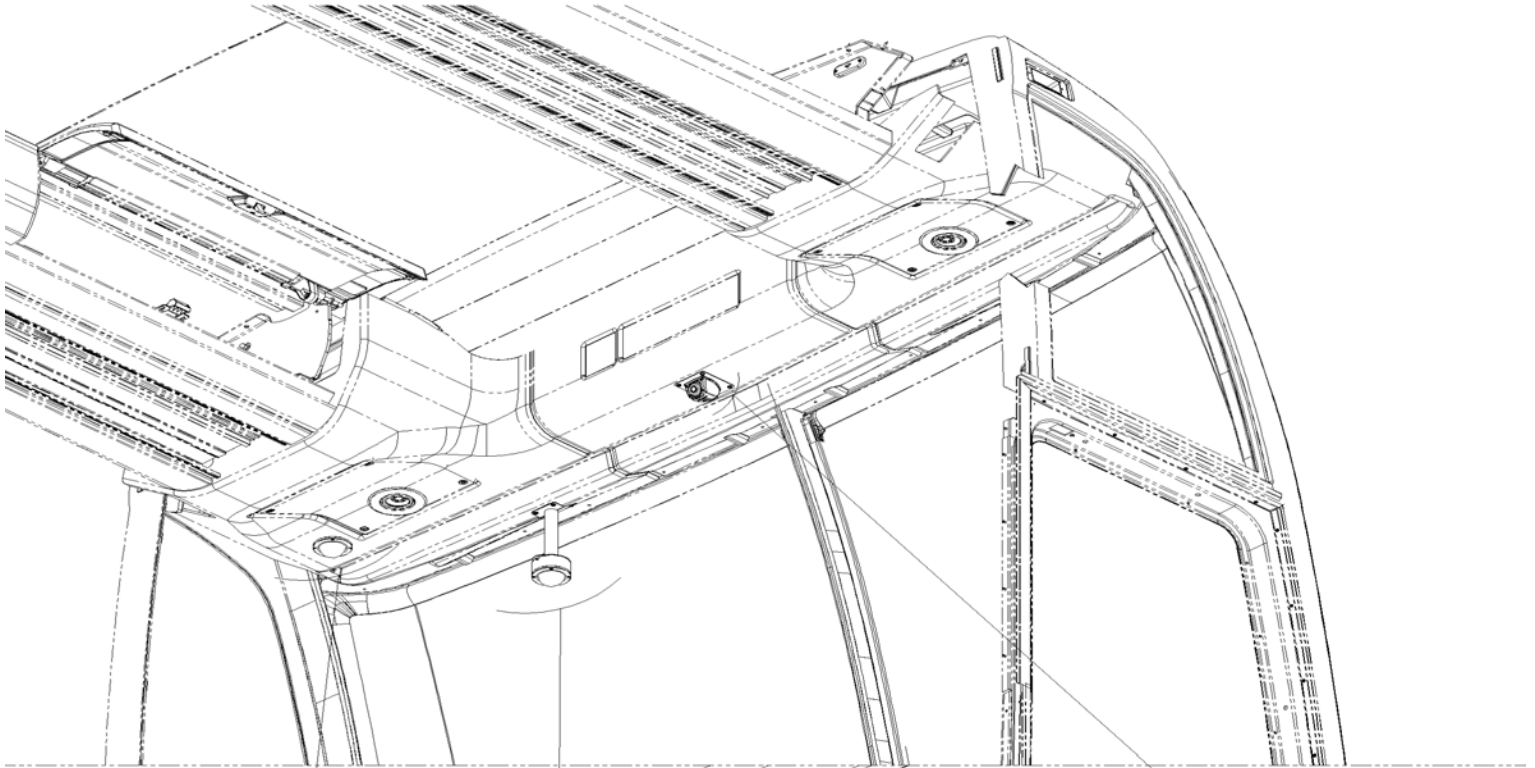
UP TO M-1157

From K-0185

Date:07/2024

PAGE:H9-2319-57

CAMERA SYSTEM - "BRIGADE" 3 CAMERAS POSITION 1-2-4



FROM M-1158

From K-0185	Date:07/2024	PAGE:H9-2319-57
CAMERA SYSTEM - "BRIGADE" 3 CAMERAS POSITION 1-2-4		

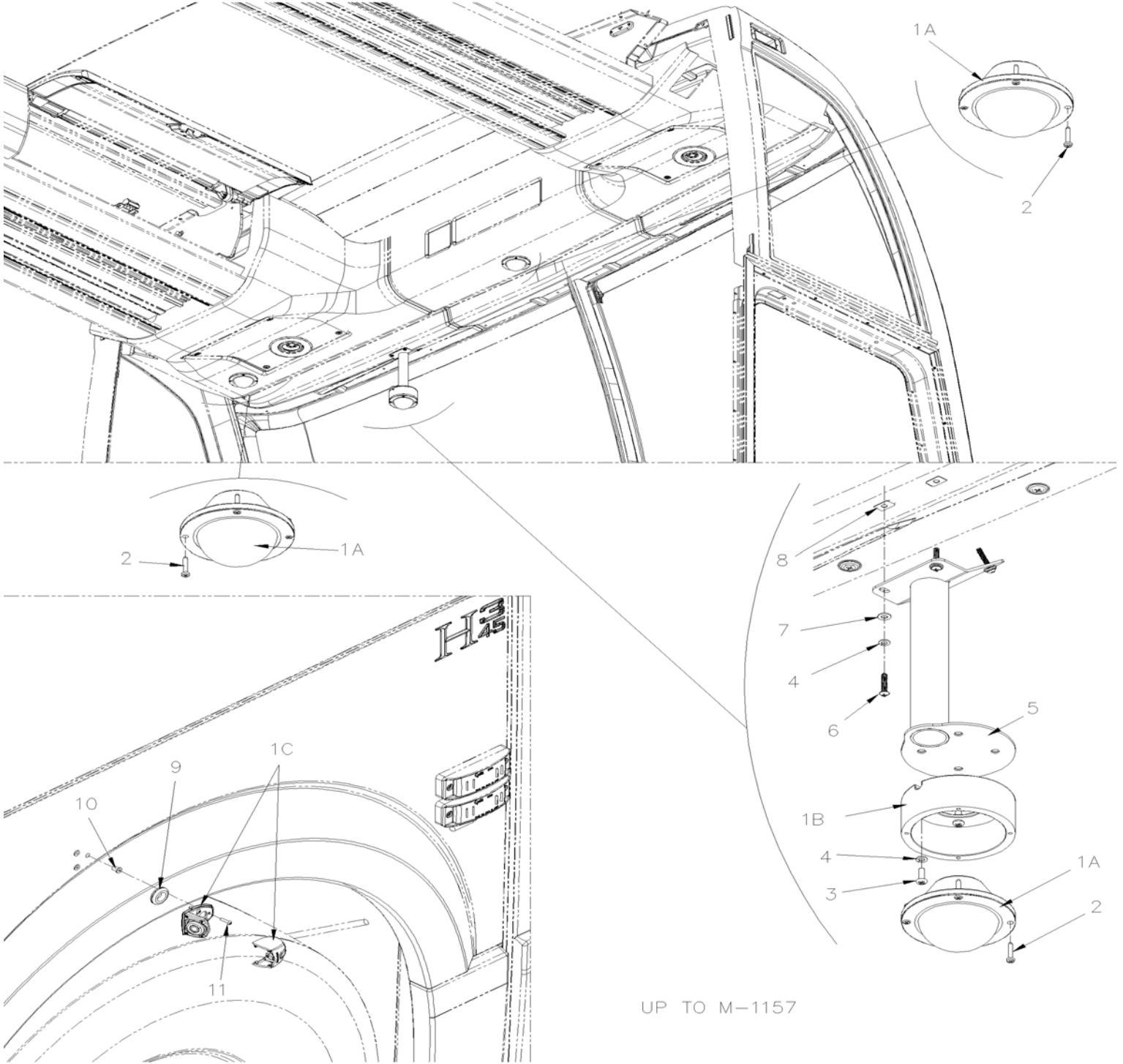
Item#	Part	Description	H 3 4 1	H 3 4 5	NOTES
1	901744	CAMERA INTERIOR KIT "BRIGADE" /W 3 CAMERA	1	1	
. A	901789	. CAMERA INTERIOR "BRIGADE"	1	1	
. B	Call order desk	. CAMERA SUPPORT "BRIGADE"	1	1	P
. C	Call order desk	. CAMERA EYE BALL	1	1	P
. NS	Call order desk	. CABLE ADAPTER "BRIGADE"	1	1	P
. NS	901711	. HARNESS / CAMERA "BRIGADE" 5M	3	3	
. NS	901712	. HARNESS / CAMERA "BRIGADE" 10M	1	1	
2	5001306	SCREW TC PAN PH #4-40x5/8 Z050	12	12	
3	5001996	SCREW MA PAN PH M4-0.7x12 N500	4	4	
4	502834	WASHER LO SPT 4.1x7.6x0.9 N500	8	8	
5	400769	BRACKET ASSY. CAMERA "BRIGADE"	1	1	
6	500339	SCREW MA RND PH #6-32x3/4 SS	4	4	
7	502556	WASHER FL 4.3x9.0x0.8 SS	4	4	
8	500996	NUT SPR U #6-32 .135-.150	4	4	
9	3211556	MOUNTING PLATE WIDE ANGLE CAMERA From M-1158	1	1	
10	500339	SCREW MA RND PH #6-32x3/4 SS From M-1158	4	4	
11	502834	WASHER LO SPT 4.1x7.6x0.9 N500 From M-1158	4	4	
12	502556	WASHER FL 4.3x9.0x0.8 SS From M-1158	4	4	
13	500996	NUT SPR U #6-32 .135-.150 From M-1158	4	4	
14	502577	SCREW MA PAN PH M3-0.5x16 ZP From M-1158	3	3	
15	502556	WASHER FL 4.3x9.0x0.8 SS From M-1158	3	3	
16	5001408	NUT HEX STO M3-0.5 ZP From M-1158	3	3	
		P) CALL ORDER DESK FOR SPECIFIC APPLICATION (V.I.N.)			

From L-0947

Date:07/2024

PAGE:H9-2319-58

CAMERA SYSTEM - "BRIGADE" 4 CAMERAS POSITION 1-2-4-22



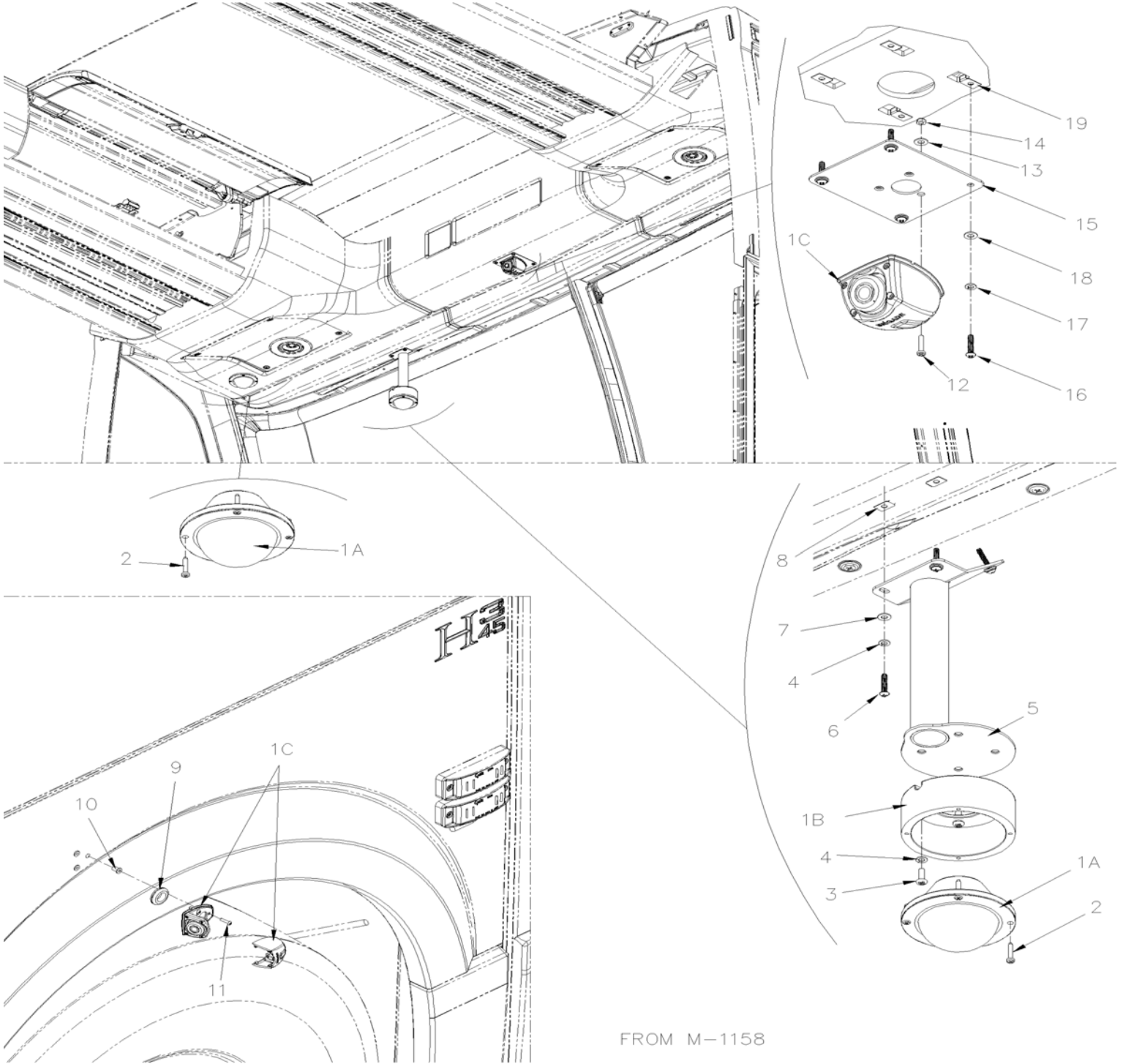
UP TO M-1157

From L-0947

Date:07/2024

PAGE:H9-2319-58

CAMERA SYSTEM - "BRIGADE" 4 CAMERAS POSITION 1-2-4-22



FROM M-1158

From L-0947	Date:07/2024	PAGE:H9-2319-58
CAMERA SYSTEM - "BRIGADE" 4 CAMERAS POSITION 1-2-4-22		

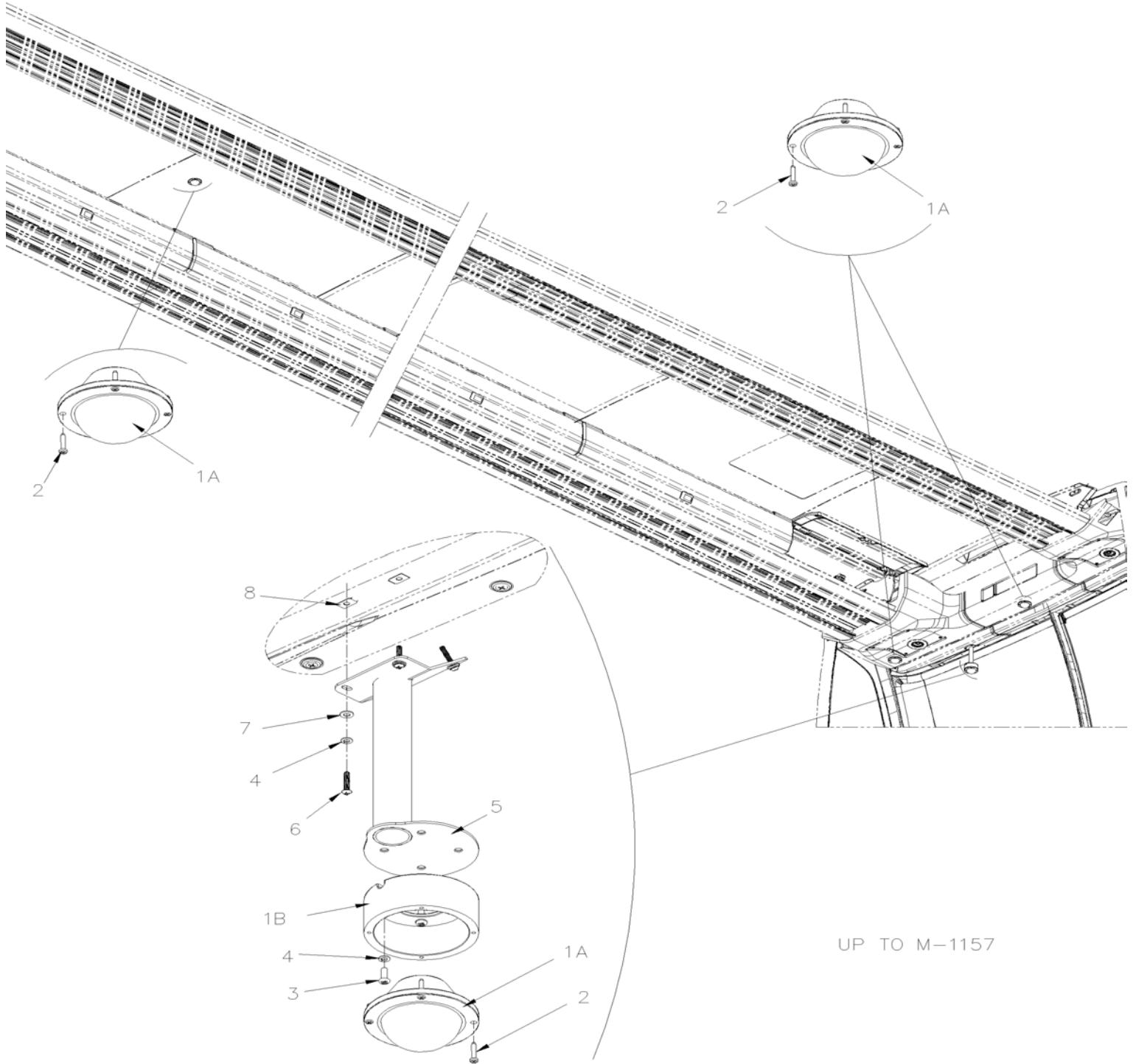
Item#	Part	Description	H 3 4 1	H 3 4 5	NOTES
1	901770	CAMERA INTERIOR & EXTERIOR. KIT "BRIGADE" 3 CAMERA INT., 1 CAMERA EXT.	1	1	
. A	901789	. CAMERA INTERIOR "BRIGADE"	1	1	
. B	MD-50SM-30	. CAMERA SUPPORT "BRIGADE"	1	1	
. C	VBV-321C	. EXTERNAL CAMERA RU-IGHT SIDE VIEW	2	2	
2	5001306	SCREW TC PAN PH #4-40x5/8 Z050	12	12	
3	5001996	SCREW MA PAN PH M4-0.7x12 N500	4	4	
4	502834	WASHER LO SPT 4.1x7.6x0.9 N500	8	8	
5	400769	BRACKET ASSY. CAMERA "BRIGADE"	1	1	
6	500339	SCREW MA RND PH #6-32x3/4 SS	4	4	
7	502556	WASHER FL 4.3x9.0x0.8 SS	4	4	
8	500996	NUT SPR U #6-32 .135-.150	4	4	
9	504397	GROMMET / .750x1.062x.062x.375x1.375	1	1	
10	500678	NUT WELL #8-32x.450	3	3	
11	5001305	SCREW MA RND PH #8-32X3/4 SS	3	3	
12	502577	SCREW MA PAN PH M3-0.5x16 ZP From M-1158	3	3	
13	502556	WASHER FL 4.3x9.0x0.8 SS From M-1158	3	3	
14	5001408	NUT HEX STO M3-0.5 ZP From M-1158	3	3	
15	3211556	MOUNTING PLATE WIDE ANGLE CAMERA From M-1158	1	1	
16	500339	SCREW MA RND PH #6-32x3/4 SS From M-1158	4	4	
17	502834	WASHER LO SPT 4.1x7.6x0.9 N500 From M-1158	4	4	
18	502556	WASHER FL 4.3x9.0x0.8 SS From M-1158	4	4	
19	500996	NUT SPR U #6-32 .135-.150 From M-1158	4	4	

From L-1092

Date:07/2024

PAGE:H9-2319-59

CAMERA SYSTEM - "BRIGADE" 4 CAMERAS POSITION 1-2-4-7

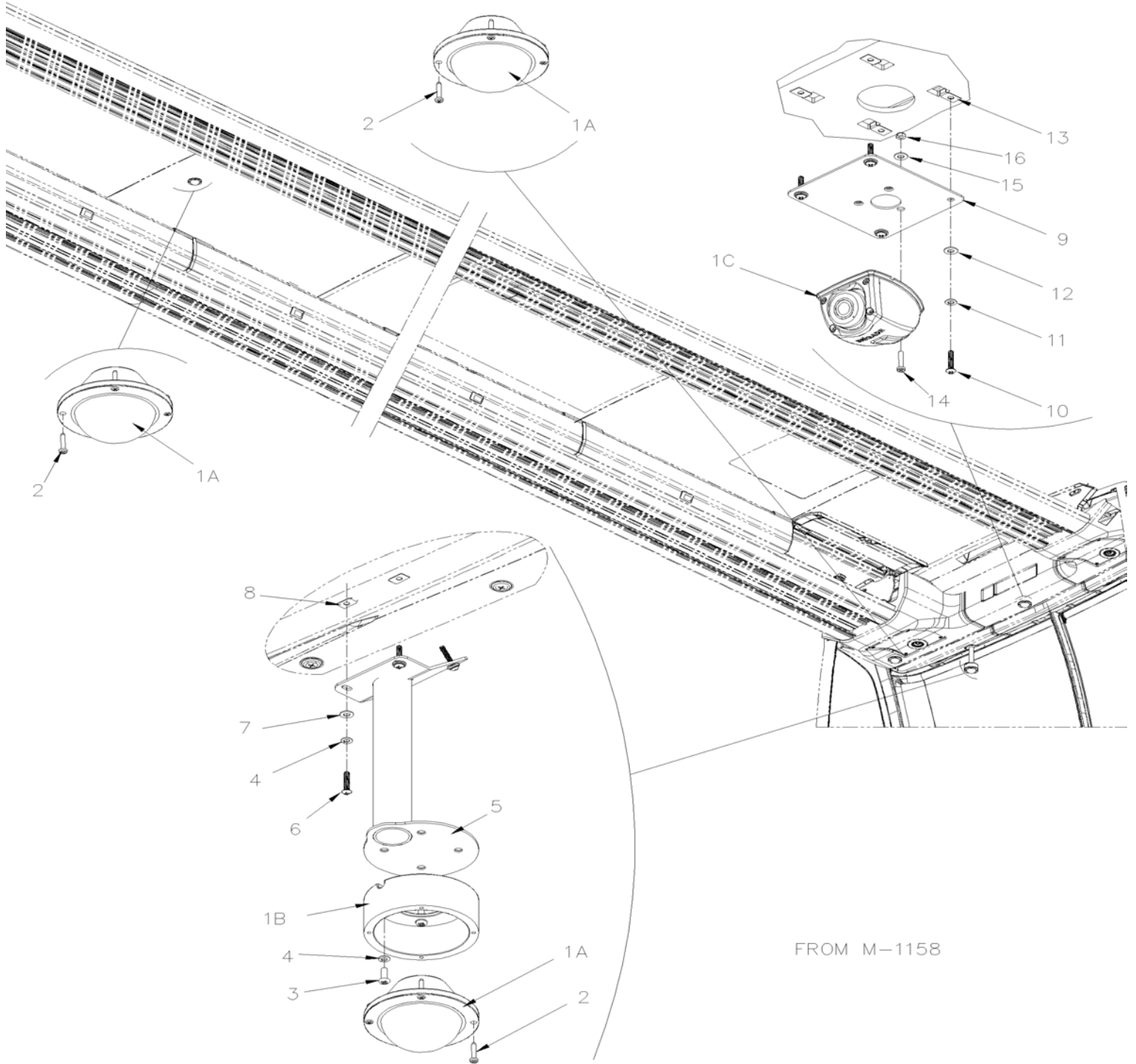


From L-1092

Date:07/2024

PAGE:H9-2319-59

CAMERA SYSTEM - "BRIGADE" 4 CAMERAS POSITION 1-2-4-7



From L-1092	Date:07/2024	PAGE:H9-2319-59
CAMERA SYSTEM - "BRIGADE" 4 CAMERAS POSITION 1-2-4-7		

Item#	Part	Description	H 3 4 1	H 3 4 5	NOTES
1	900272	CAMERA INTERIOR KIT "BRIGADE" /W 4 CAMERA	1	1	
. A	901789	. CAMERA INTERIOR "BRIGADE"	3	3	
. B	Call order desk	. CAMERA SUPPORT "BRIGADE"	1	1	P
. C	Call order desk	. CAMERA EYE BALL	1	1	P
. NS	901742	. CABLE ADAPTER "BRIGADE"	4	4	
. NS	901711	. HARNESS / CAMERA "BRIGADE" 5M	3	3	
. NS	901712	. HARNESS / CAMERA "BRIGADE" 10M	1	1	
. NS	901713	. HARNESS / CAMERA "BRIGADE" 15M	1	1	
2	5001306	SCREW TC PAN PH #4-40x5/8 Z050	16	16	
3	5001996	SCREW MA PAN PH M4-0.7x12 N500	4	4	
4	502834	WASHER LO SPT 4.1x7.6x0.9 N500	8	8	
5	400769	BRACKET ASSY. CAMERA "BRIGADE"	1	1	
6	500339	SCREW MA RND PH #6-32x3/4 SS	4	4	
7	502556	WASHER FL 4.3x9.0x0.8 SS	4	4	
8	500996	NUT SPR U #6-32 .135-.150	4	4	
9	3211556	MOUNTING PLATE WIDE ANGLE CAMERA From M-1158	1	1	
10	500339	SCREW MA RND PH #6-32x3/4 SS From M-1158	4	4	
11	502834	WASHER LO SPT 4.1x7.6x0.9 N500 From M-1158	4	4	
12	500339	SCREW MA RND PH #6-32x3/4 SS From M-1158	4	4	
13	500996	NUT SPR U #6-32 .135-.150 From M-1158	4	4	
14	502577	SCREW MA PAN PH M3-0.5x16 ZP From M-1158	3	3	
15	502556	WASHER FL 4.3x9.0x0.8 SS From M-1158	3	3	
16	5001408	NUT HEX STO M3-0.5 ZP From M-1158	3	3	
		P) CALL ORDER DESK FOR SPECIFIC APPLICATION (V.I.N.)			

From J-0124

Date:07/2024

PAGE:H9-2319-60

CAMERA SYSTEM - "REI" 5 CAMERAS CUSTOMER INSTALLATION

From J-0124	Date:07/2024	PAGE:H9-2319-60
-------------	--------------	-----------------

CAMERA SYSTEM - "REI" 5 CAMERAS CUSTOMER INSTALLATION

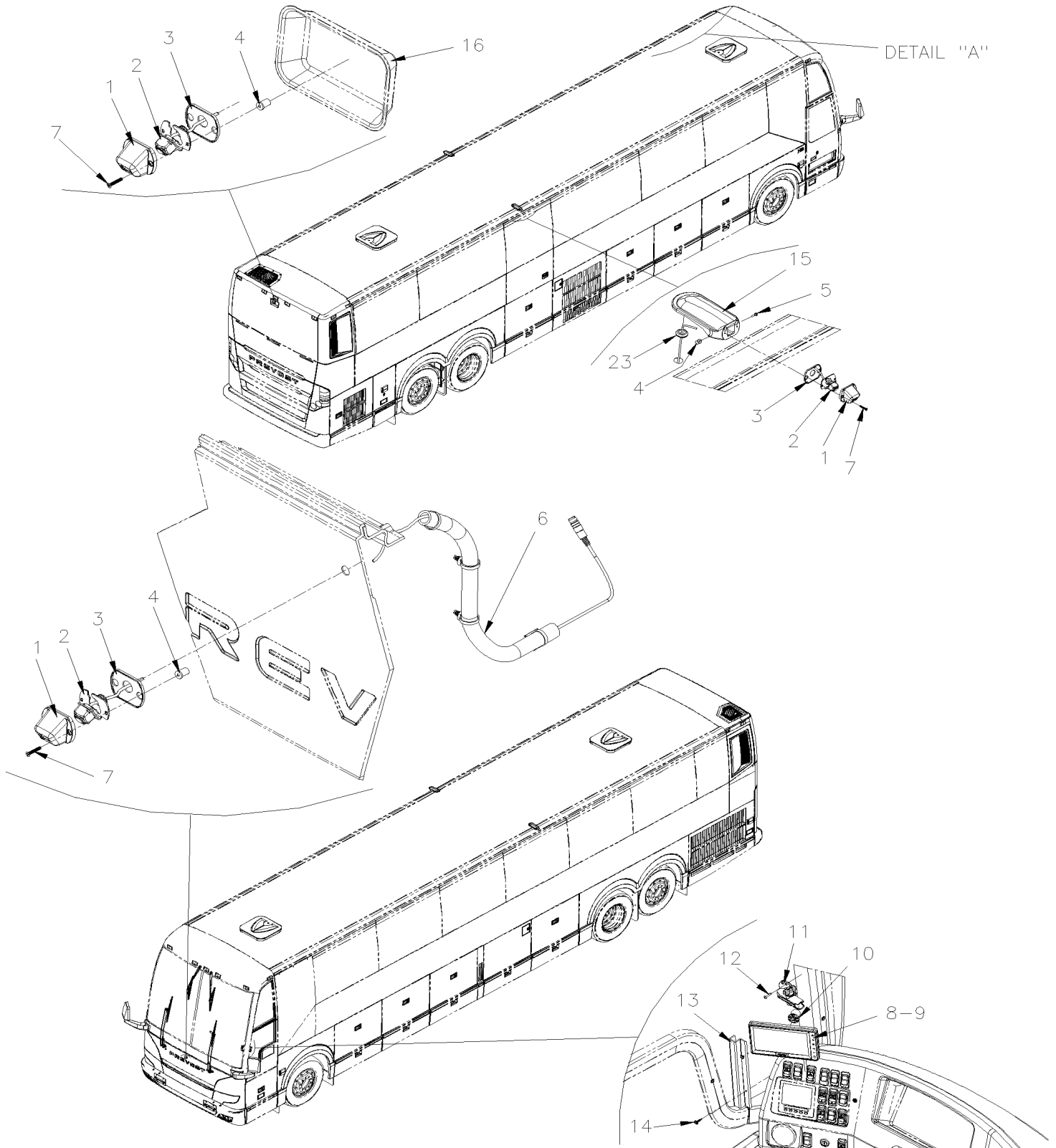
Item#	Part	Description	H 3 4 1	H 3 4 5	N O T E S
		"REI" CAMERA SYSTEM PROVIDED BY CUSTOMER			
NS	069826	HARNESS, REI DVR POWER		1	
NS	504637	CABLE TIE / 3/16" x 13"		AR	

From L-0823 To P-1452

Date:07/2024

PAGE:H9-2319-80

SURROUNDING CAMERA SYSTEM INSTALLATION "BRIGADE"

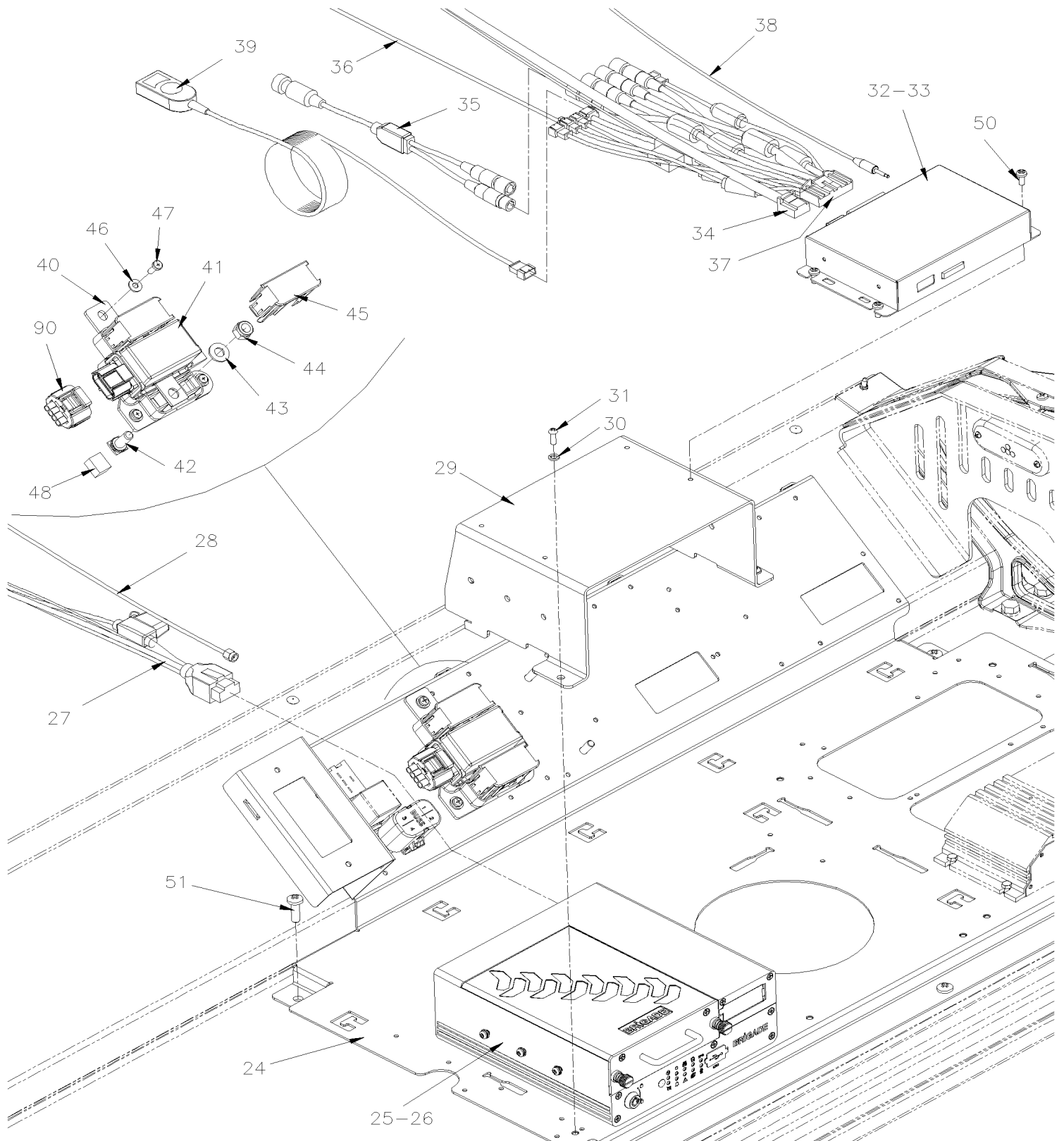


From L-0823 To P-1452

Date:07/2024

PAGE:H9-2319-80

SURROUNDING CAMERA SYSTEM INSTALLATION "BRIGADE"



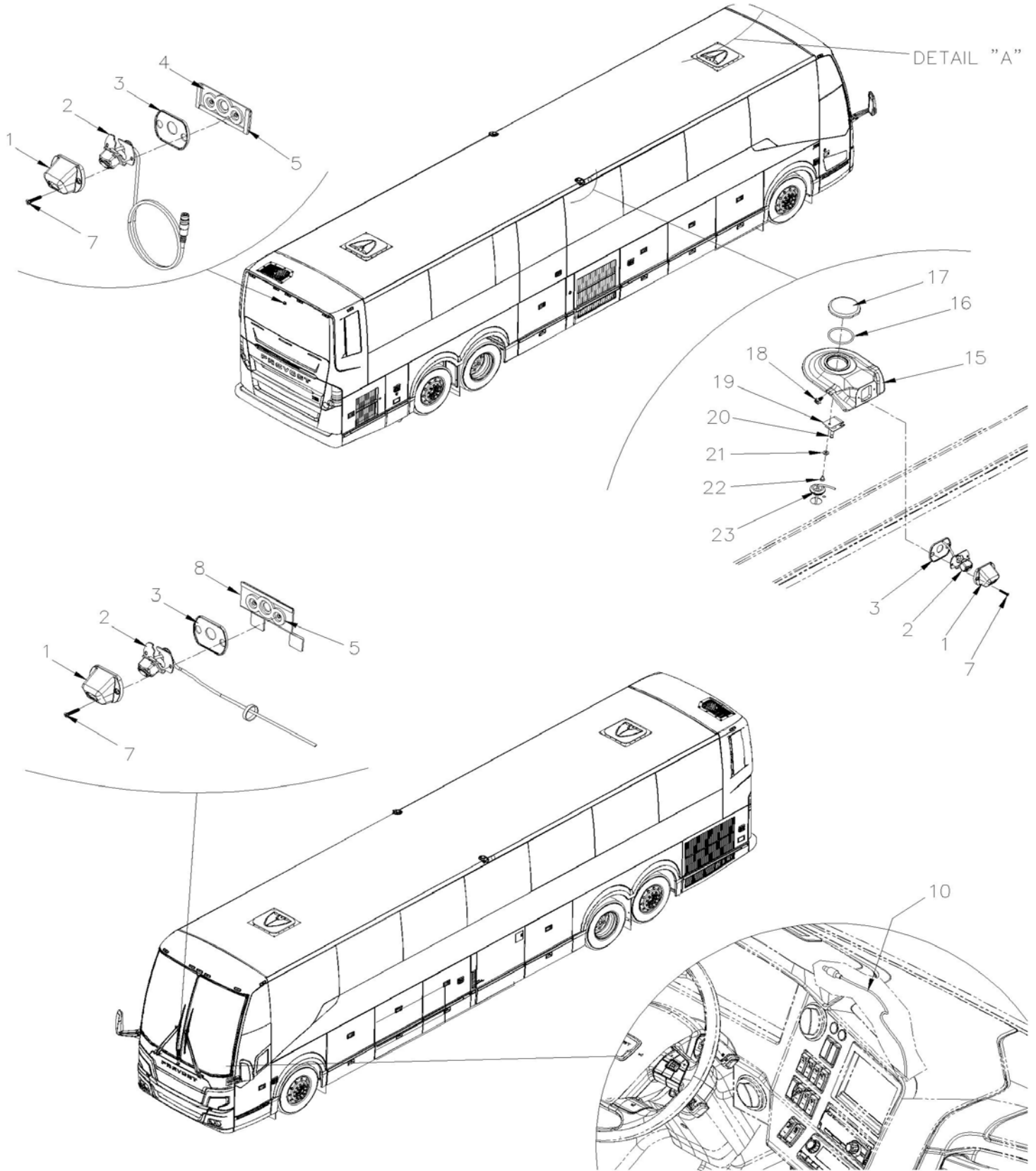
From L-0823 To P-1452	Date:07/2024	PAGE:H9-2319-80
SURROUNDING CAMERA SYSTEM INSTALLATION "BRIGADE"		

Item#	Part	Description	H 3 4 1	H 3 4 5	NOTES
1	990001	HOUSING, SURROUNDING CAMERA "BRIGADE"	4	4	
2	990565	SURROUNDING CAMERA "BRIGADE"	4	4	
3	990575	GASKET, BLK SURROUNDING CAMERA "BRIGADE"	4	4	
NS	684685	ADHESIVE SIMSON #ISR 70-03 / 310ml CARTRIDGE	AR	AR	
4	471605	PLATE, ANCHOR M4	2	2	
5	509827	SCREW MA RND PH M4-0.7x20 SS	4	4	
6	900220	TUBE PVC / 5/8" I.D. / S.L.	AR	AR	
NS	504637	CABLE TIE / 3/16" x 13"	3	3	
NS	562679	4 WAY ADH. BACKED MOUNTS 1.000 x 1.000 x .160	1	1	
NS	509815	TIE MOUNT / ATTACHMENT W/TREE MOUNT	2	2	
7	505011	SCREW MA FL PH M4-0.7X25 SS NSS	AR	AR	
8	901735	KIT MONITOR, 7" LDC, SURR. CAM. "BRIGADE"	1	1	
NS	901707	. HARN. ASSY. MONITOR PWR & SIGN. "BRIGADE"	1	1	
NS	562479	. . CONNECTOR / DT SERIES / PH 4C / GRAY / DEUTSCH DT04-4P-C015	1	1	
NS	504637	CABLE TIE / 3/16" x 13"	AR	AR	
9	901708	. MONITOR, 7" DIG. LDC, SURR. CAM. "BRIGADE"	1	1	
. NS	901904	. . MONITOR	1	1	
. NS	901911	. . CABLE ADAPTER	1	1	
10	901736	. MONITOR BACK "T" SLOT TO BALL MOUNT	1	1	
11	901737	. MONITOR MOUNT, WITH 3" ARM FOR BRIGADE	1	1	
12	500608	. SCREW TP BDG PH #10x1 N500	3	3	
13	3201455	MOULDING HIDE CABLE	1	1	
14	5002083	SCREW DR SEMS FN OV PH #8X1 N050	2	2	
15	491803	SUPPORT, SURROUNDING CAMERA	2	2	
NS	684685	ADHESIVE SIMSON #ISR 70-03 / 310ml CARTRIDGE	AR	AR	
NS	687957	GLUE MS POLYMER TEROSON MS 9399 / 400ml CARTRIDGE To M-1153	AR	AR	
NS	685387	GLUE MS POLYMER TEROSON MS 9399 / 400ml CARTRIDGE From M-1154	AR	AR	
NS	506785	TAPE RUB ADH2 CC POL 1/16" X 1/4" X 200' / BLACK I1C-N-A	AR	AR	
16	682177	LIGHT PROTECTOR	1	1	
23	504066	GROMMET / .687x1.000x.062x.375x1.312	2	2	
24	401365	VIDEO PLATE	1	1	
25	901730	KIT MOBILE DIGIT.RECORDER ACC., "BRIGADE"	1	1	
26	901704	. MOBILE DIGITAL RECORDER 500 SERIES 8 CH.	1	1	
. NS	901824	. . SECURITY KEY	1	1	
. NS	902025	. . MDR-500 CADDY UNIT, 2TB SSD (GEN 2)	1	1	
27	901703	. WIR. HARN. ASSY PWR & VIDEO MDR "BRIGADE"	1	1	
NS	562479	. CONNECTOR / DT SERIES / PH 4C / GRAY / DEUTSCH DT04-4P-C015	1	1	
28	901709	. ANTENNA GPS FOR MDR "BRIGADE"	1	1	
29	401271	. STAND MDR_ECU "BRIGADE"	1	1	
30	500914	WASHER LO SPT .193x.334x.047 N500	2	2	
31	500344	SCREW MA RND PH M4-0.7x12 Z050	2	2	
32	901733	KIT PERIF. CAMERAS SYSTEM W/ACCESSORIES	1	1	

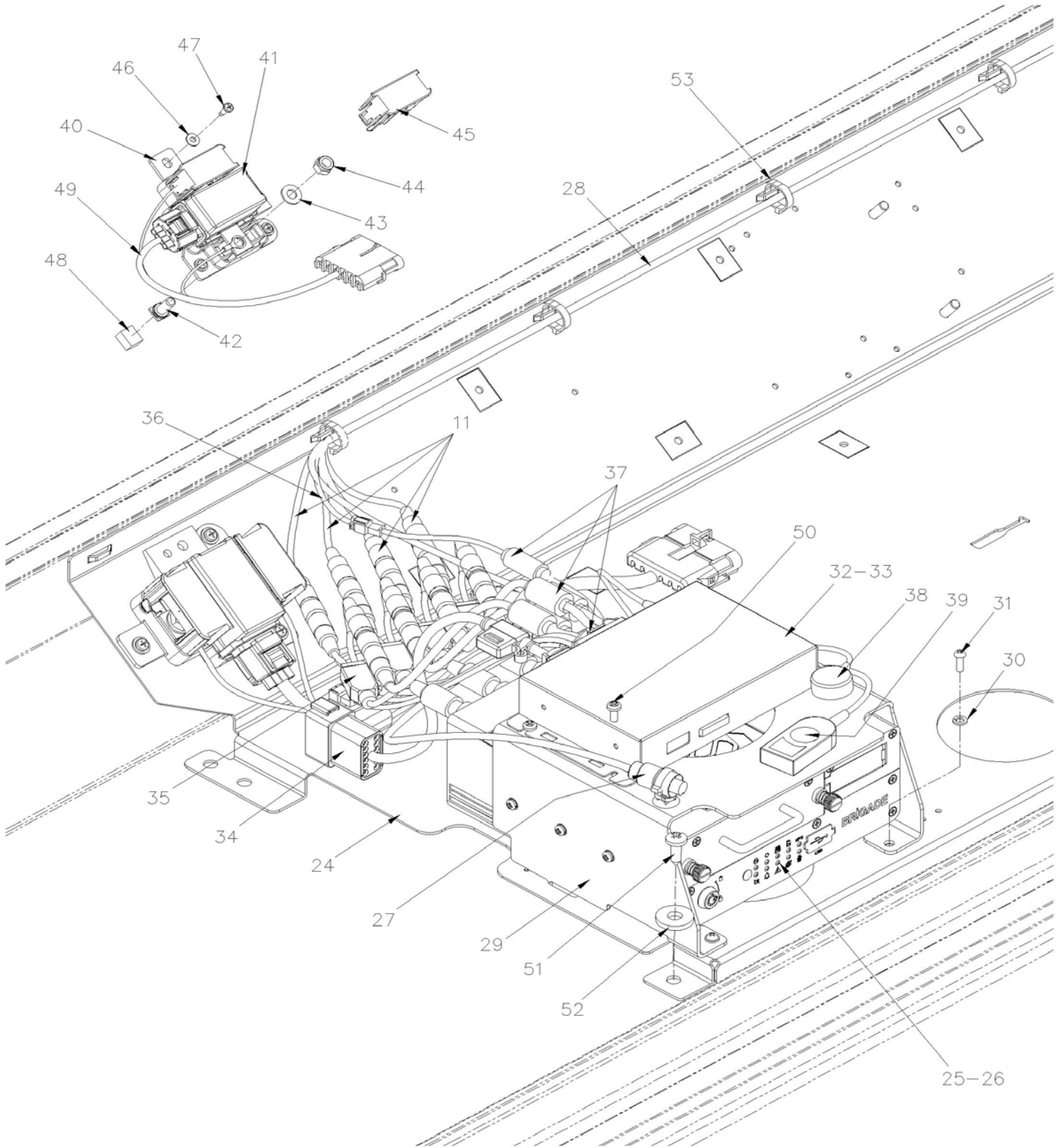
From L-0823 To P-1452	Date:07/2024	PAGE:H9-2319-80
SURROUNDING CAMERA SYSTEM INSTALLATION "BRIGADE"		

Item#	Part	Description	H 3 4 1	H 3 4 5	N O T E S
NS	901715	. CABLE VBV-L ECU TO MONITOR 5M, BRIGADE	1	1	
NS	901738	. REMOTE CONTROL FOR CAMERAS SYSTEM	1	1	
33	901706	. ELECTRONIC MODULE ECU PERIF.CAM. "BRIGADE"	1	1	
34	901705	. WIR. HARN. ASSY. ECU 360 PWR "BRIGADE"	1	1	
35	901710	. CABLE Y SPLITTER SURROUND. CAM, "BRIGADE"	4	4	
36	901714	. CABLE VIDEO VBV-L ECU TO MONITOR, "BRIGADE"	1	1	
37	901716	. CABLE INTERFACE CAMERAS TO ECU, "BRIGADE"	1	1	
38	901717	. CABLE FOR IR REMOTE SENSOR, "BRIGADE"	1	1	
39	901718	. BUTTON SELECT/ADJUST. W/WIRE, "BRIGADE"	1	1	
40	560529	BASE FOR LACTHING RELAY BDS-A 24V	1	1	
41	560493	LACTHING RELAY BDS-A 24V	1	1	
42	560539	SCREW FOR LACTHING RELAY BDS-A 24V / M8	2	2	
43	5001341	WASHER FL 8.4x17.0x1.6 SS	2	2	
44	5001787	NUT HEX NYRT M8-1.25 SS	2	2	
45	560538	COVER RELAY	2	2	
46	500855	WASHER FL .188x.438x.049 N500	3	3	
47	500965	SCREW TC BDG PH #8-32x1/2 N500	3	3	
48	506004	TAPE RUB ADH1 CC POL 3/8" x 1/2" x 20' / GREY 2520X	AR	AR	
50	500799	SCREW TC PAN PH #8-32x3/8 N500	4	4	
51	500841	SCREW TP PAN PH #14x3/4 Z050	AR	AR	
NS	901711	HARNESS / CAMERA "BRIGADE" 5M	2	2	A
NS	901712	HARNESS / CAMERA "BRIGADE" 10M	1	1	A
NS	901713	HARNESS / CAMERA "BRIGADE" 15M	2	2	A
NS	504637	CABLE TIE / 3/16" x 13"	AR	AR	
90	0610200	WIR. HARN. ISM RELAY P-RACK	1	1	
NS	560076	RING TERMINAL .3125 / 16-14 / INSULATED / PANDUIT PN14-56R	2	2	
		A) FROM CAMERA TO CABLE Y SPLITTER			

	Date:07/2024	PAGE:H9-2319-81
SURROUNDING CAMERA SYSTEM INSTALLATION "BRIGADE"		



	Date:07/2024	PAGE:H9-2319-81
SURROUNDING CAMERA SYSTEM INSTALLATION "BRIGADE"		



		Date:07/2024	PAGE:H9-2319-81
SURROUNDING CAMERA SYSTEM INSTALLATION "BRIGADE"			

Item#	Part	Description	H 3 4 1	H 3 4 5	NOTES
1	990001	HOUSING, SURROUNDING CAMERA "BRIGADE" To R-1678		4	
1	901919	CAMERA 360 HOUSING BLACK HD "BRIGADE" From R-1679		4	
2	990565	SURROUNDING CAMERA "BRIGADE" To R-1678		4	
2	901913	SURROUNDING CAMERA "BRIGADE", HD From R-1679		4	
3	990575	GASKET, BLK SURROUNDING CAMERA "BRIGADE"		4	
NS	684685	ADHESIVE SIMSON #ISR 70-03 / 310ml CARTRIDGE		AR	
4	471605	PLATE, ANCHOR M4 To R-1678		1	
4	4705234	PLATE, ANCHOR M4 HD From R-1679		1	
5	506769	TAPE RUB ADH2 CC POL 1/8" x 1/4" x 60' / BLACK H1CC-N-#14		AR	
6	900220	TUBE PVC / 5/8" I.D. / S.L.		AR	
NS	504637	CABLE TIE / 3/16" x 13"		3	
NS	562679	4 WAY ADH. BACKED MOUNTS 1.000 x 1.000 x .160		1	
NS	509815	TIE MOUNT / ATTACHMENT W/TREE MOUNT		2	
7	505011	SCREW MA FL PH M4-0.7X25 SS NSS		AR	
8	479791	PLATE, ANCHOR To R-1678		1	
8	506225	TAPE RUB ADH1 CC POL 1/16" x 1/4" x 100' / GREY 2520		AR	
8	4705235	PLATE, ANCHOR M4, HD To R-1679		1	
10	0610604	HARNESS, BRIGADE TO INFOTAINMENT		1	
11	901711	HARNESS / CAMERA "BRIGADE" 5M To R-1678		2	
11	901923	HARNESS / CAMERA "BRIGADE" HD, 5M From R-1679		1	
11	901712	HARNESS / CAMERA "BRIGADE" 10M To R-1678		1	
11	901924	HARNESS / CAMERA "BRIGADE" HD, 10M From R-1679		1	
11	901713	HARNESS / CAMERA "BRIGADE" 15M To R-1678		2	
11	901925	HARNESS / CAMERA "BRIGADE" HD, 15M From R-1679		2	
15	491847	SUPPORT, SURROUNDING CAMERA To R-1678		2	
15	492179	SUPPORT, SURROUNDING CAMERA HD From R-1679		1	
NS	684685	ADHESIVE SIMSON #ISR 70-03 / 310ml CARTRIDGE		AR	
NS	685387	GLUE MS POLYMER TEROSON MS 9399 / 400ml CARTRIDGE		AR	
NS	506785	TAPE RUB ADH2 CC POL 1/16" X 1/4" X 200' / BLACK I1C-N-A		AR	
16	507022	O-RING 1.984 ID x 2.262 OD x 0.139 W		2	
17	491549	PLUG, SUPPORT ACCESS " BRIGADE"		2	
18	509815	TIE MOUNT / ATTACHMENT W/TREE MOUNT		2	
18	504273	CABLE TIE / 1/8" X 3"1/2		2	
19	491848	RETAINING STRAP		2	
19	682177	LIGHT PROTECTOR		AR	
20	504787	RIVET CHY MONOLOK PRDG 1/4x5/8 ZP		2	
21	502573	WASHER FL 6.4x12.5x1.6 SS		2	
22	5001377	SCREW MA PAN PH M5-0.8x8 SS		2	
23	504066	GROMMET / .687x1.000x.062x.375x1.312		2	
24	406772	VIDEO PLATE		1	
25	901730	KIT MOBILE DIGIT.RECORDER ACC., "BRIGADE"		1	
26	901704	. MOBILE DIGITAL RECORDER 500 SERIES 8 CH.		1	

		Date:07/2024	PAGE:H9-2319-81		
SURROUNDING CAMERA SYSTEM INSTALLATION "BRIGADE"					

Item#	Part	Description	H 3 4 1	H 3 4 5	NOTES
. NS	901824	. SECURITY KEY		1	
. NS	902025	. MDR-500 CADDY UNIT, 2TB SSD (GEN 2)		1	
27	901703	. WIR. HARN. ASSY PWR & VIDEO MDR "BRIGADE"		1	
28	901709	. ANTENNA GPS FOR MDR "BRIGADE"		1	
29	406774	STAND MDR_ECU To R-1678		1	
29	406930	STAND MDR_ECU HD From R-1679		1	
30	500914	WASHER LO SPT .193x.334x.047 N500		2	
31	500344	SCREW MA RND PH M4-0.7x12 Z050		2	
32	901733	KIT PERIF. CAMERAS SYSTEM W/ACCESSORIES To R-1678		1	
NS	901715	. CABLE VBV-L ECU TO MONITOR 5M, BRIGADE To R-1678		1	
NS	901738	. REMOTE CONTROL FOR CAMERAS SYSTEM To R-1678		1	
32	901933	KIT PERIF. CAMERAS SYSTEM HD W/ACCESSORIES From R-1679		1	
NS	901940	. CABLE VBV-H405 ECU TO MONITOR 5M, BRIGADE From R-1679		1	
NS	901920	. VIDEO OUTPUT INTERFACE HARNESS HD From R-1679		1	
NS	901916	. INTERFACE HARNESS REMOTE ECU "BRIGADE" From R-1679		1	
33	901706	. ELECTRONIC MODULE ECU PERIF.CAM. "BRIGADE" To R-1678		1	
33	900007	. ELECTRONIC MODULE ECU PERIF.CAM. "BRIGADE", HD From R-1679		1	
34	901705	. WIR. HARN. ASSY. ECU 360 PWR "BRIGADE" To R-1678		1	
34	901915	. WIR. HARN. ASSY. ECU 360 PWR "BRIGADE", HD From R-1679		1	
35	901710	. CABLE Y SPLITTER SURROUND. CAM, "BRIGADE" To R-1678		4	
35	901926	. CABLE Y SPLITTER HD CAM "BRIGADE" From R-1679		4	
36	901714	. CABLE VIDEO VBV-L ECU TO MONITOR, "BRIGADE" To R-1678		1	
36	901922	. CABLE VIDEO VBV-L ECU TO MONITOR, "BRIGADE", HD From R-1679		1	
37	901716	. CABLE INTERFACE CAMERAS TO ECU, "BRIGADE" To R-1678		1	
37	901914	. CABLE INTERFACE CAMERAS TO ECU, "BRIGADE", HD From R-1679		1	
38	901717	. CABLE FOR IR REMOTE SENSOR, "BRIGADE" To R-1678		1	
39	901718	. BUTTON SELECT/ADJUST. W/WIRE, "BRIGADE" To R-1678		1	
39	901921	. BUTTON SELECT/ADJUST. W/WIRE, "BRIGADE", HD From R-1679		1	
40	560529	BASE FOR LACTHING RELAY BDS-A 24V		1	
41	560493	LACTHING RELAY BDS-A 24V		1	
42	560539	SCREW FOR LACTHING RELAY BDS-A 24V / M8		2	
43	5001341	WASHER FL 8.4x17.0x1.6 SS		2	
44	5001787	NUT HEX NYRT M8-1.25 SS		2	
45	560538	COVER RELAY		2	
46	500855	WASHER FL .188x.438x.049 N500		3	
47	500965	SCREW TC BDG PH #8-32x1/2 N500		3	
48	506004	TAPE RUB ADH1 CC POL 3/8" x 1/2" x 20' / GREY 2520X		AR	
49	0610200	WIR. HARN. ISM RELAY P-RACK		1	
50	500799	SCREW TC PAN PH #8-32x3/8 N500 To R-1678		4	
50	502825	SCREW MA PAN PH M3-0.5x16 N500 From R-1677		4	
50	500437	WASHER FL .125x.375x.040 Z050 From R-1677		4	
51	500841	SCREW TP PAN PH #14x3/4 Z050		AR	

		Date:07/2024	PAGE:H9-2319-81
--	--	--------------	-----------------

SURROUNDING CAMERA SYSTEM INSTALLATION "BRIGADE"

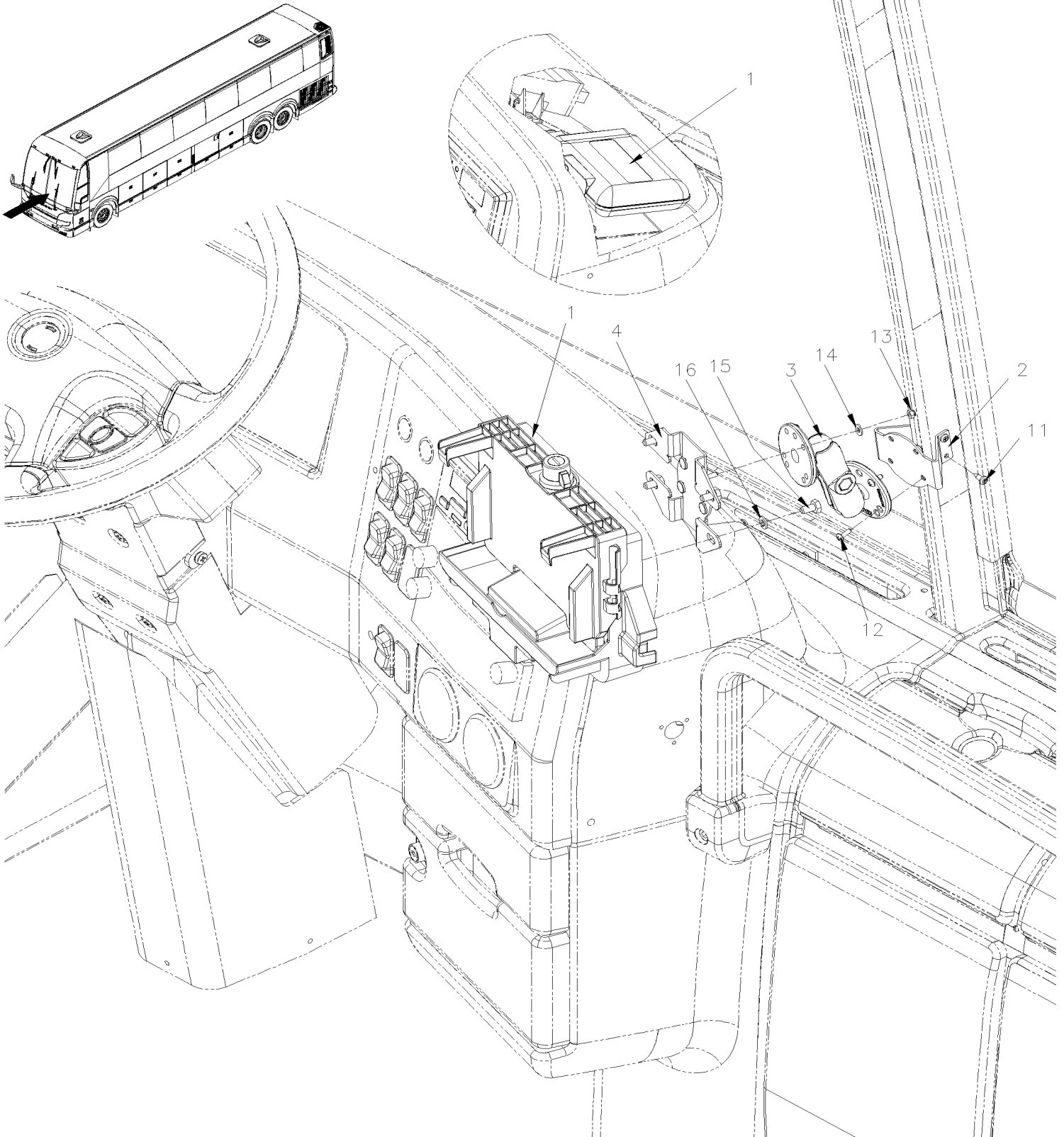
Item#	Part	Description	H 3 4 1	H 3 4 5	NOTES
52	500401	WASHER FL .343x.875x.125 N500		4	
53	504637	CABLE TIE / 3/16" x 13"		AR	

From L-0865

Date:07/2024

PAGE:H9-2319-90

OMNITRACS XRS SYSTEM INSTALLATION



From L-0865	Date:07/2024	PAGE:H9-2319-90
-------------	--------------	-----------------

OMNITRACS XRS SYSTEM INSTALLATION

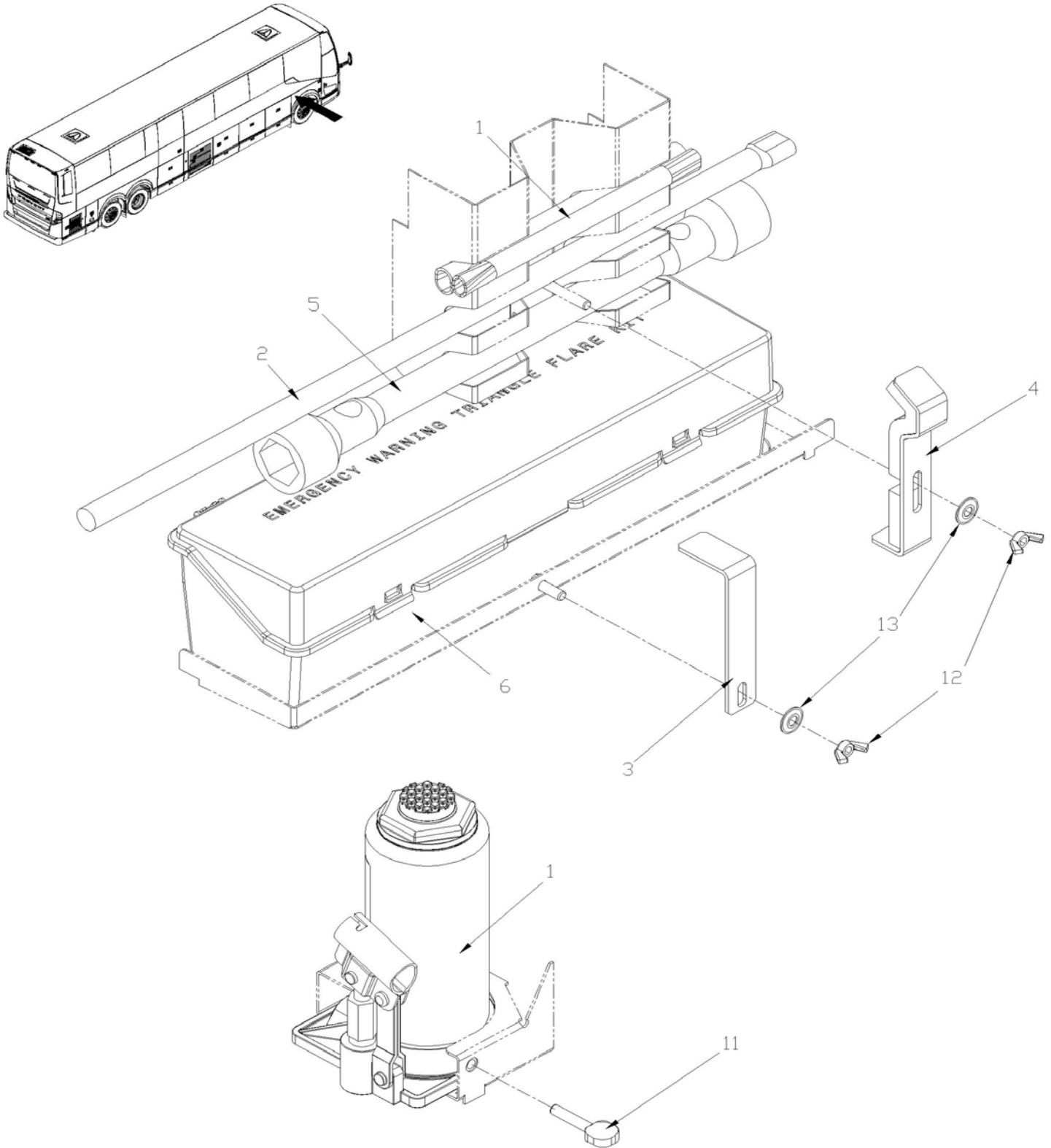
Item#	Part	Description	H 3 4 1	H 3 4 5	N O T E S
1	N.S.P.	KIT, OMNITRACS XRS SYSTEM		1	2 A
NS	506493	TAPE DUAL LOCK 1/2" x 150' / BLACK SJ3541		AR	
NS	504637	CABLE TIE / 3/16" x 13"		AR	
2	401470	BRACKET, OMNITRONIC ELD SCREEN		1	
3	901737	MONITOR MOUNT, WITH 3" ARM FOR BRIGADE		1	
4	401471	BRACKET, ELD SYSTEM		1	
11	500409	SCREW TP PAN PH #8x1/2 BK		4	
12	500344	SCREW MA RND PH M4-0.7x12 Z050		4	
13	502557	NUT HEX NYRT M4-0.7 SS		4	
14	504357	WASHER FL .187x.437x.050 SS		4	
15	5001381	SCREW TC CAP HEX 1/4-20x1/2 Z050		4	
16	5001749	WASHER LO SPT 6.5x11.5x1.6 N500		4	
		A) SUPPLY BY THE CUSTOMER			
		2) NOT SOLD BY PREVOST (SEE MANUFACTURING PART NUMBER AT END OF DESCRIPTION LINE)			

From K-0185

Date:07/2024

PAGE:H9-2320-00

JACK & FLARE KIT - INSTALLATION



From K-0185	Date:07/2024	PAGE:H9-2320-00
JACK & FLARE KIT - INSTALLATION		

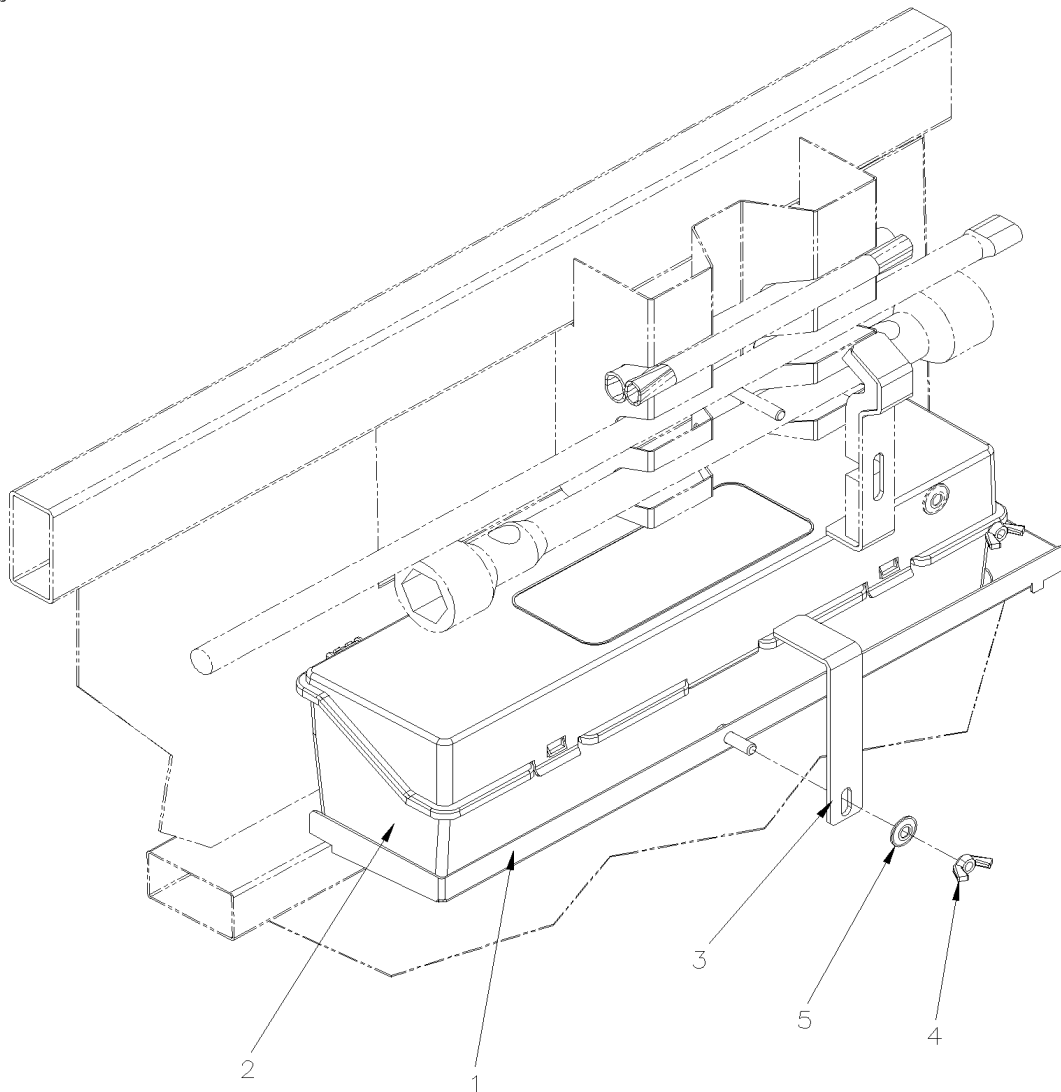
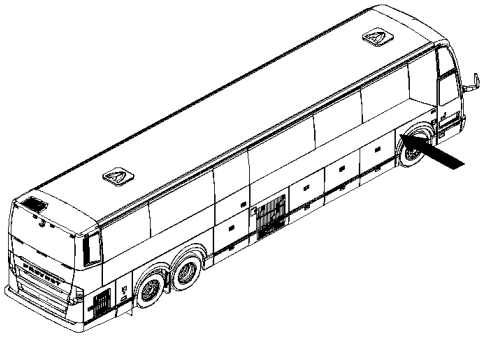
Item#	Part	Description	H 3 4 1	H 3 4 5	NOTES
1	505505	JACK, 12TONS To L-0978	1	1	
1	690426	JACK, 12TONS From L-0979	1	1	
2	690002	HANDLE, W/WRENCH WHEEL NUT	1	1	
3	3211621	ANGLE FIXING, EMERGENCY TRIANGLE KIT From M-1163	1	1	
4	3200921	ANGULAR BRACKET / FIX JACK & TOOL To L-0978	1	1	
4	3210948	ANGULAR BRACKET / FIX JACK & TOOL From L-0979 To M-1162	1	1	
4	3211619	ANGULAR BRACKET / FIX JACK & TOOL From M-1163	1	1	
5	690005	WRENCH, WHEEL 33 MM	1	1	
6	930442	FLARE KIT, TRIANGULAR To M-1162	1	1	
6	930045	FLARE KIT, TRIANGULAR From M-1163	1	1	
NS	3211639	KIT, EMERGENCY WARNING TRIANGLE H3 To M-1162	1	1	
11	5001012	SCREW TH 5/16-18x1 1/2 BZC	1	1	
12	500782	NUT WING 5/16-18 Z050	1	1	
13	5001699	WASHER BEL SPR 8.2x22x1.4 N500	1	1	

To M-1162

Date:07/2024

PAGE:3211639

KIT, EMERGENCY WARNING TRIANGLE H3



To M-1162	Date:07/2024	PAGE:3211639
-----------	--------------	--------------

KIT, EMERGENCY WARNING TRIANGLE H3

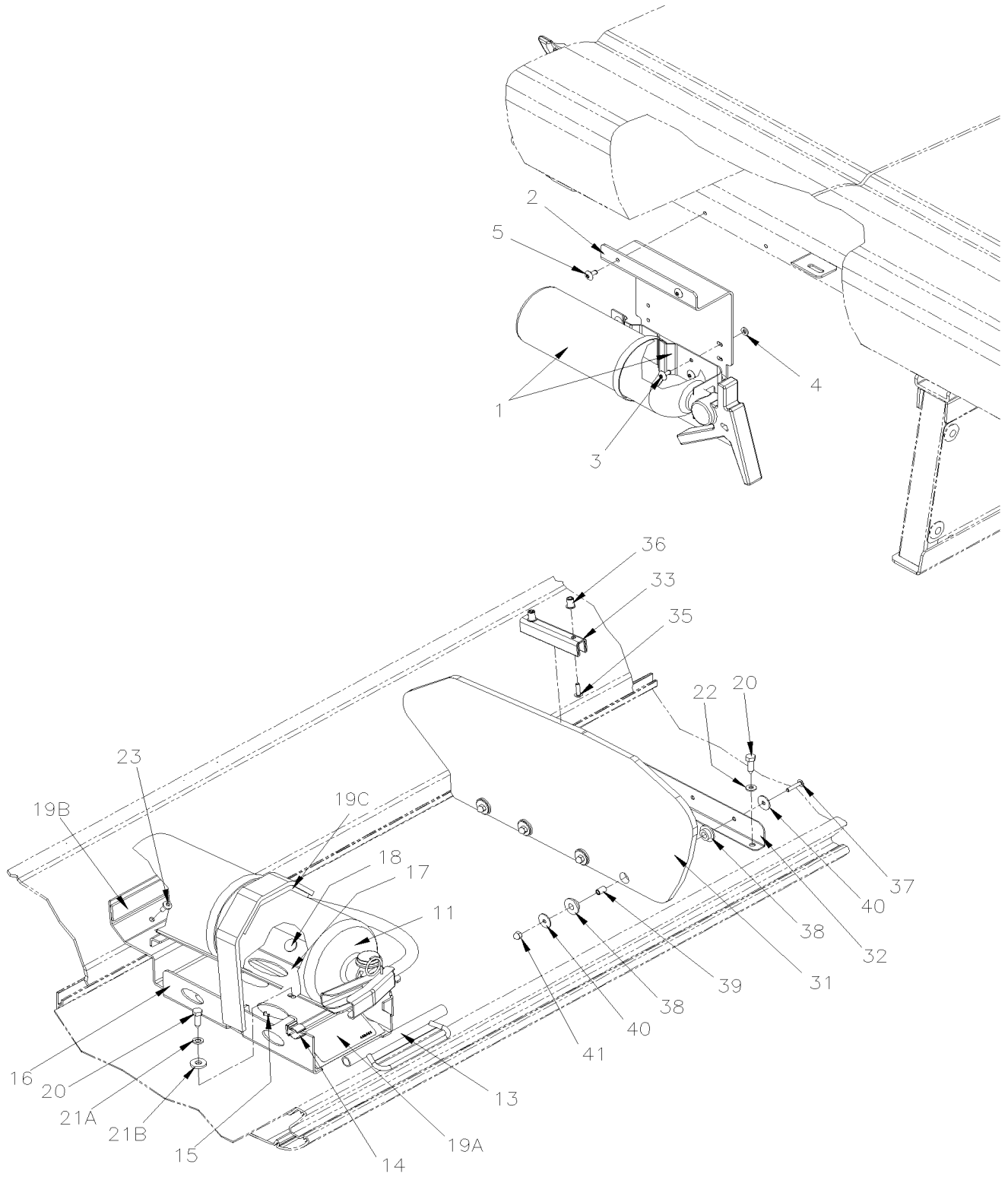
Item#	Part	Description	H 3 4 1	H 3 4 5	NOTES
1	218897	SUPPORT, FLARE KIT / WELDED TO STRUCTURE	1	1	
2	930045	FLARE KIT, TRIANGULAR	1	1	
3	3211621	ANGLE FIXING, EMERGENCY TRIANGLE KIT	1	1	
4	500782	NUT WING 5/16-18 Z050	1	1	
5	5001699	WASHER BEL SPR 8.2x22x1.4 N500	1	1	

From K-0185 To P-1452

Date:07/2024

PAGE:H9-2320-30

EXTINGUISHER - INSTALLATION

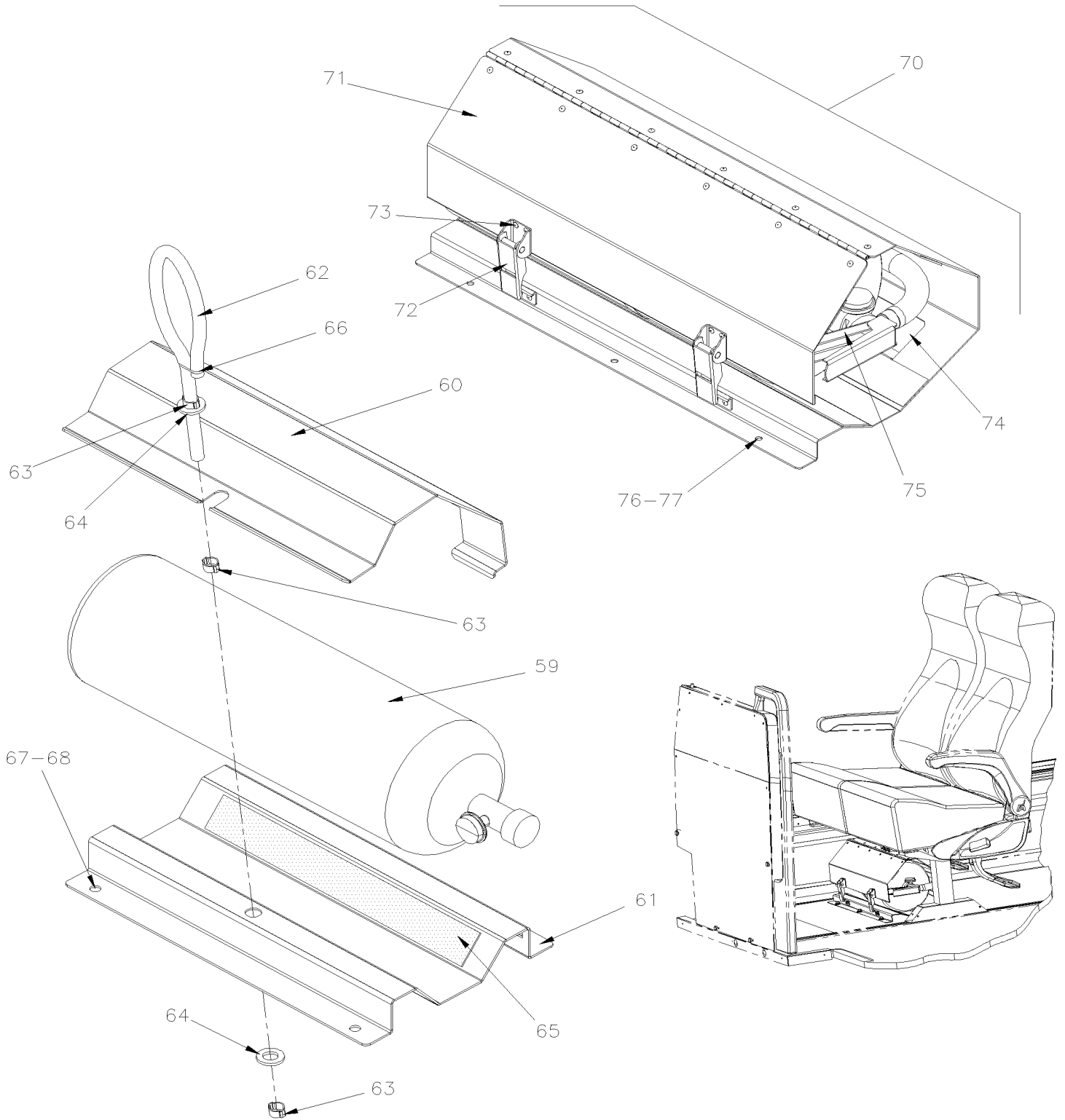


From K-0185 To P-1452

Date:07/2024

PAGE:H9-2320-30

EXTINGUISHER - INSTALLATION

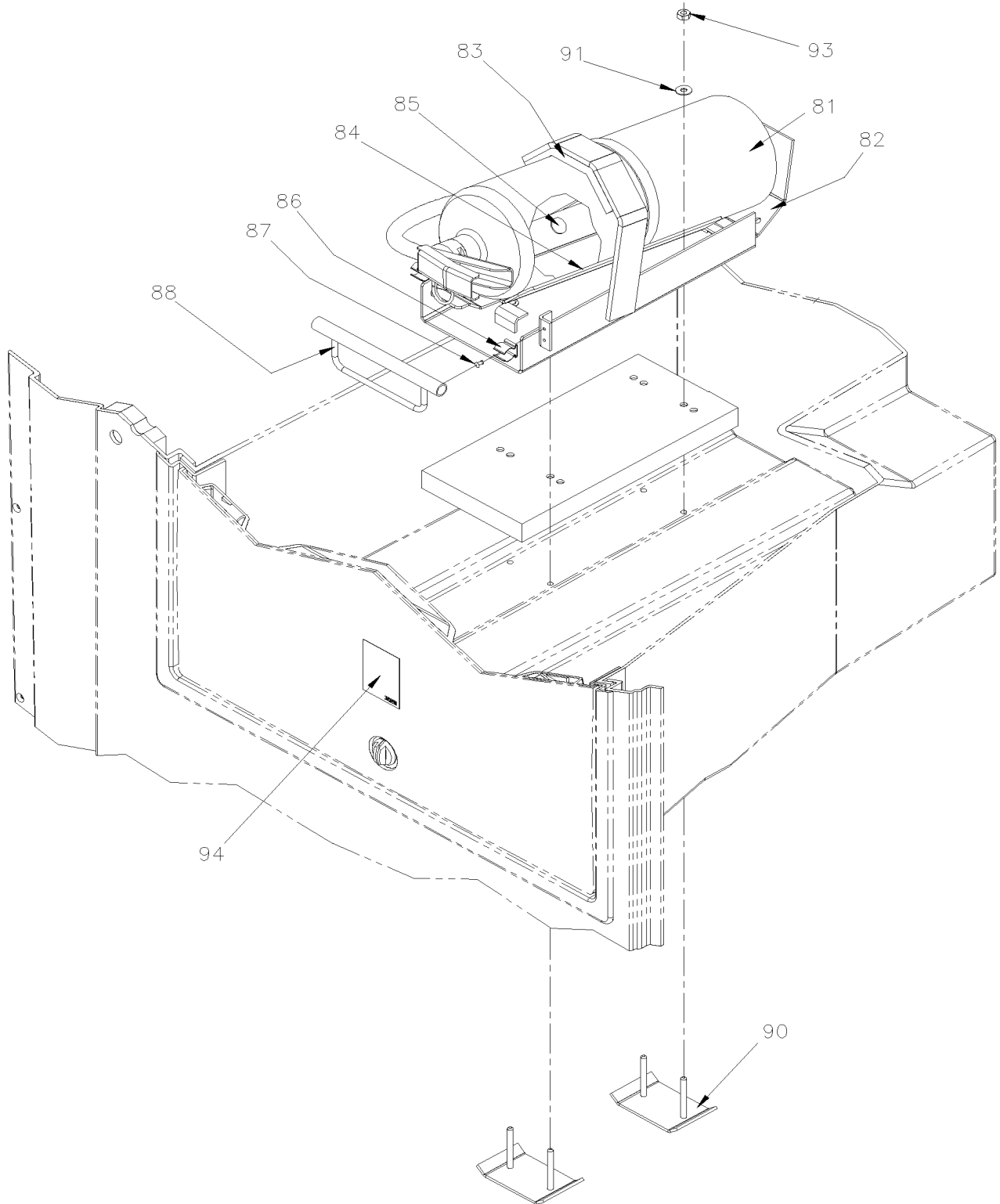


From K-0185 To P-1452

Date:07/2024

PAGE:H9-2320-30

EXTINGUISHER - INSTALLATION



From K-0185 To P-1452	Date:07/2024	PAGE:H9-2320-30
EXTINGUISHER - INSTALLATION		

Item#	Part	Description	H 3 4 1	H 3 4 5	N O T E S
		UNDER PASSENGER'S SEAT / EXTINGUISHER 2.5 LBS			
1	901414	EXTINGUISHER 2.5 LBS / W/STEEL HANDLE To M-1131	2	2	
1	900267	EXTINGUISHER 2.5 LBS / W/METAL HANDLE From M-1132	2	2	
1	901361	SUPPORT ASSY / EXTINGUISHER From M-1132	2	2	
2	324349	SUPPORT ASSY / EXTINGUISHER	1	1	
3	504793	RIVET MNB OE LARGE HEAD 3/16x7/16 SS	4	4	
4	5001137	WASHER FL .203x.438x.050 SS	4	4	
5	504793	RIVET MNB OE LARGE HEAD 3/16x7/16 SS	4	4	
NS	402763	DECAL / UNDER SEAT EXTINGUISHER	AR	AR	
		INSIDE PARCEL RACK / EXTINGUISHER 10 LBS			
11	900449	EXTINGUISHER 10 LBS	1	1	
NS	900618	SUPPORT	1	1	
12	403581	SUPPORT ASSY / 10 LBS INTINGUISHER / IN PARCEL RACK	1	1	
13	408406	HANDLE ASSY / TILTING SUPPORT	1	1	
14	402571	CLIP, SPRING To N-1234	2	2	
14	504815	CLIP, SPRING 5/8 From N-1235	2	2	
15	504105	RIVET POP DOME OE 1/8x3/16 AL	1	1	
16	408408	BRACKET ASSY / TILTING SUPPORT	1	1	
17	505188	PIN, SPRING 1/4" X 7/8"	1	1	
18	470949	SPACER RUBBER 3/4" O.D. / S.Q.	6	6	
19A	408405	DECAL / FIRE EXTINGUISHER	1	1	
19B	506035	TAPE RUB ADH1 NEO 1/2" x 1" x 15' / BLACK 1220X	AR	AR	
19C	506235	TAPE RUB ADH1 PVC.NITRIL 1/2" x 1" x 15' / BLACK 1210	AR	AR	
20	502513	SCREW TP CAP HEX 5/16x1 Z050	6	6	
21A	500942	WASHER LO SPT 8.1x14.8x2.0 N500	2	2	
21B	500401	WASHER FL .343x.875x.125 N500	2	2	
22	500942	WASHER LO SPT 8.1x14.8x2.0 N500	3	3	
23	5001736	WASHER FL 8.4x18.0x2.0 N500	1	1	
23	500841	SCREW TP PAN PH #14x3/4 Z050	1	1	
NS	402763	DECAL / UNDER SEAT EXTINGUISHER	1	1	
31	404645	GUARD, PLEXIGLASS	1	1	
32	404644	FIXTURE, LOWER	1	1	
33	402555	FIXTURE, UPPER	2	2	
35	500510	SCREW MA BDG PH #10-32x3/4 SS EMN	4	4	
36	500519	NUT WELL #10-32x.518	4	4	
37	500607	SCREW MA TR PH #10-24x1 SS	4	4	
38	900251	BUSHING, RUBBER	8	8	
39	505539	SPACER 5/16 O.D. x 17/32" x 18GA	4	4	

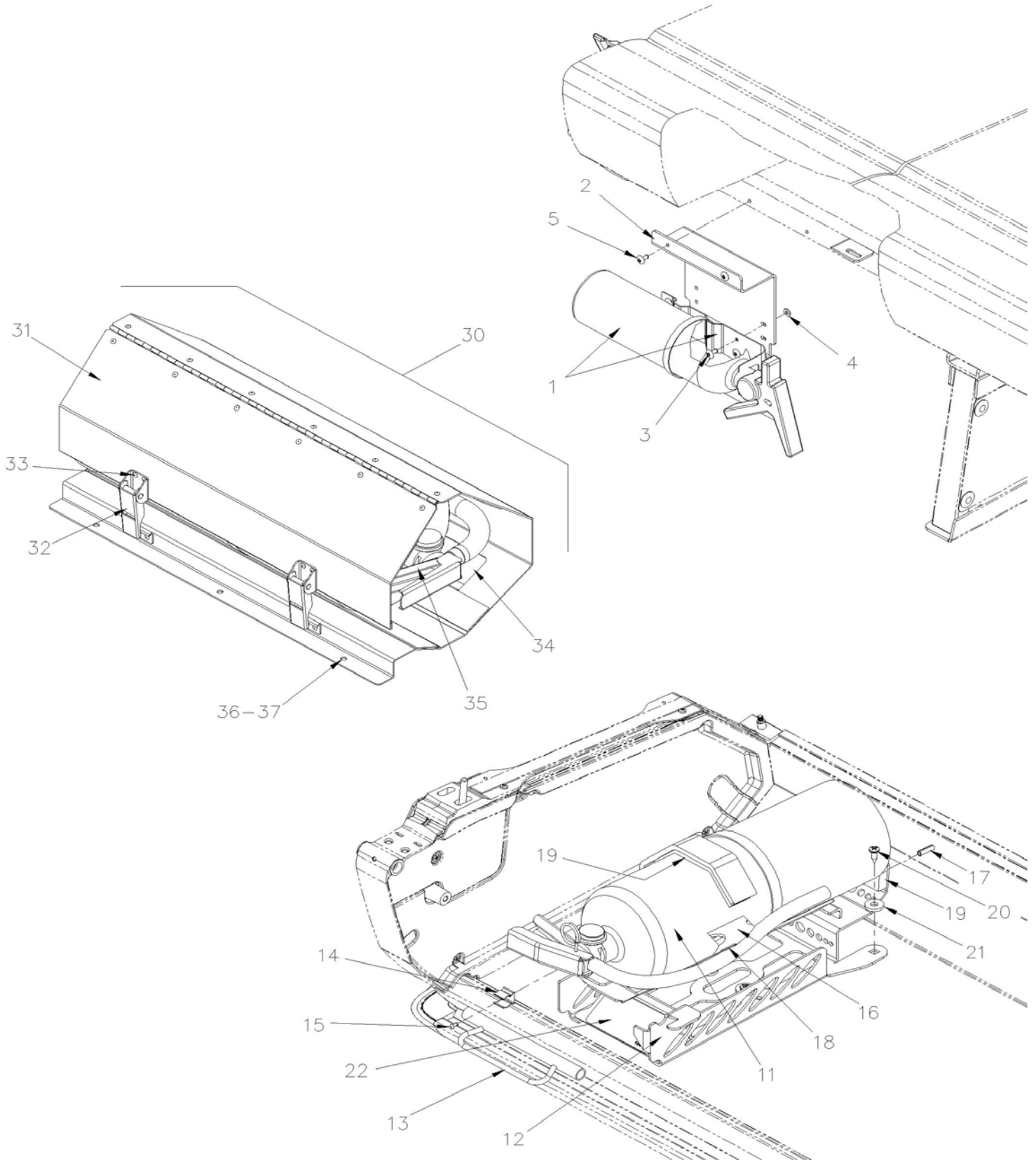
From K-0185 To P-1452	Date:07/2024	PAGE:H9-2320-30
EXTINGUISHER - INSTALLATION		

Item#	Part	Description	H 3 4 1	H 3 4 5	N O T E S
40	500805	WASHER FL .218x.875x.062 N500	8	8	
41	500891	NUT HEX CAP #10-24 Z050	4	4	
NS	323290	DECAL / FIRE EXTINGUISHER	1	1	
NS	407692	DECAL "FIRE EXTINGUISHER INSIDE" TAN To K-0484	1	1	B
NS	407693	DECAL "FIRE EXTINGUISHER INSIDE" GREY From K-0485	1	1	B
NS	402763	DECAL / UNDER SEAT EXTINGUISHER	1	1	
NS	327523	DECAL / FIRE EXTINGUISHER / (PARCEL RACK DOOR	1	1	
		UNDER PASSENGER'S SEAT / EXTINGUISHER 10 LBS			
59	900449	EXTINGUISHER 10 LBS	1	1	
NS	900618	SUPPORT	1	1	
60	405273	COVER, EXTINGUISHER 10 LBS	1	1	
61	405274	BASE SUPPORT EXTINGUISHER 10LBS	1	1	
62	405276	CORD, RUBBER 370MM	1	1	
NS	506066	CORD, RUBBER EXTRUSION NEO 7/16" O.D. / C.T.L.	AR	AR	
63	504452	CLAMP "E-Z CLIP" / "TUBE-O" / 7/16" / HC9-7	3	3	
64	5001458	WASHER FL 12.0x24.0x2.5 NYL	2	2	
65	506466	TAPE RUB ADH1 CC POL 1/16" x 1 1/2" x 100 / GREY 2520	AR	AR	
66	504637	CABLE TIE / 3/16" x 13"	1	1	
67	502686	SCREW CAP HEX M6-1.0x30 SS BK	4	4	
68	500411	WASHER FL .260x.697x.050 SS	4	4	
68	500477	WASHER LO SPT .262x.489x.062 SS	4	4	
NS	402763	DECAL / UNDER SEAT EXTINGUISHER	1	1	
		UNDER PASSENGER'S SEAT / EXTINGUISHER 20 LBS			
70	406145P	BOX ASSY / USED W/20LBS INSTINGUISHER	1	1	
70	406146	BOX ASSY	1	1	
71	406147	COVER	1	1	
71	405839	HINGE	1	1	
72	504749	LOCK SS	2	2	
73	504104	RIVET POP DOME OE 1/8x1/8 SS	AR	AR	
74	506466	TAPE RUB ADH1 CC POL 1/16" x 1 1/2" x 100 / GREY 2520	AR	AR	
75	900651	EXTINGUISHER 20 LBS	1	1	
76	502656	SCREW CAP HEX M6-1.0x50 SS	6	6	
76	500477	WASHER LO SPT .262x.489x.062 SS	6	6	
76	500411	WASHER FL .260x.697x.050 SS	6	6	
77	216414	ANCHOR STRIP UNDER FLOOR 150.7MM LG	1	1	
77	216413	ANCHOR STRIP UNDER FLOOR 303.9MM LG	1	1	
77	216412	ANCHOR STRIP UNDER FLOOR 456.7MM LG	1	1	

From K-0185 To P-1452	Date:07/2024	PAGE:H9-2320-30
EXTINGUISHER - INSTALLATION		

Item#	Part	Description	H 3 4 1	H 3 4 5	NOTES
77	216415	ANCHOR STRIP UNDER FLOOR 543.4MM LG	1	1	
NS	402763	DECAL / UNDER SEAT EXTINGUISHER	1	1	
79		STEPWELL COMPARTMENT / EXTINGUISHER 10 LBS	1	1	
81	900449	EXTINGUISHER 10 LBS	1	1	
. NS	900618	. SUPPORT	1	1	
82	408408	BRACKET ASSY / TILTING SUPPORT	1	1	
83	506235	TAPE RUB ADH1 PVC.NITRIL 1/2" x 1" x 15' / BLACK 1210	AR	AR	
84	409279	SUPPORT, TILTING	1	1	
84	505188	PIN, SPRING 1/4" X 7/8"	1	1	
85	470949	SPACER RUBBER 3/4" O.D. / S.Q.	6	6	
86	402571	CLIP, SPRING To £-20028	1	1	
86	504815	CLIP, SPRING 5/8 From £-20028	1	1	
87	504105	RIVET POP DOME OE 1/8x3/16 AL	1	1	
88	408406	HANDLE ASSY / TILTING SUPPORT	1	1	
90	408411	PLATE RETAINING WITH STUDS	2	2	
91	500381	WASHER FL 8.4x25.0x2.0 N500	4	4	
93	5001931	NUT HEXF NYRT M8-1.25 G8.8 N500	4	4	
94	408405	DECAL / FIRE EXTINGUISHER	1	1	
94	407692	DECAL "FIRE EXTINGUISHER INSIDE" TAN To K-0484	1	1	
94	407693	DECAL "FIRE EXTINGUISHER INSIDE" GREY From K-0485	1	1	
		B) ALBERTA REGULATION			

	Date:07/2024	PAGE:H9-2320-31
EXTINGUISHER - INSTALLATION		



EXTINGUISHER - INSTALLATION

Item#	Part	Description	H 3 4 1	H 3 4 5	N O T E S
		UNDER PASSENGER'S SEAT / EXTINGUISHER 2.5 LBS			
1	900267	EXTINGUISHER 2.5 LBS / W/METAL HANDLE		2	
1	901361	SUPPORT ASSY / EXTINGUISHER		2	
2	324349	SUPPORT ASSY / EXTINGUISHER		1	
3	504793	RIVET MNB OE LARGE HEAD 3/16x7/16 SS		4	
4	5001137	WASHER FL .203x.438x.050 SS		4	
5	504793	RIVET MNB OE LARGE HEAD 3/16x7/16 SS		4	
NS	402763	DECAL / UNDER SEAT EXTINGUISHER		AR	
		INSIDE PARCEL RACK / EXTINGUISHER 10 LBS			
11	900449	EXTINGUISHER 10 LBS		1	
NS	900618	SUPPORT		1	
12	402155	SUPPORT ASSY / 10 LBS INTINGUISHER / IN PARCEL RACK		1	
13	408406	HANDLE ASSY / TILTING SUPPORT		1	
14	504815	CLIP, SPRING 5/8		1	
15	504105	RIVET POP DOME OE 1/8x3/16 AL		1	
16	409279	SUPPORT, TILTING		1	
17	505188	PIN, SPRING 1/4" X 7/8"		1	
18	470949	SPACER RUBBER 3/4" O.D. / S.Q.		6	
19	506035	TAPE RUB ADH1 NEO 1/2" x 1" x 15' / BLACK 1220X		AR	
20	500841	SCREW TP PAN PH #14x3/4 Z050		4	
21	500401	WASHER FL .343x.875x.125 N500		4	
22	408405	DECAL / FIRE EXTINGUISHER		1	
31	402555	FIXTURE, UPPER		1	
32	500510	SCREW MA BDG PH #10-32x3/4 SS EMN		2	
33	500519	NUT WELL #10-32x.518		2	
34	402159	BRACKET, EXTINGUISHER PROTECTOR		1	
35	500841	SCREW TP PAN PH #14x3/4 Z050		3	
36	500401	WASHER FL .343x.875x.125 N500		3	
37	402158	PROTECTOR, EXTINGUISHER		1	
38	500607	SCREW MA TR PH #10-24x1 SS		3	
39	900251	BUSHING, RUBBER		6	
40	505539	SPACER 5/16 O.D. x 17/32" x 18GA		3	
41	500805	WASHER FL .218x.875x.062 N500		3	
42	500891	NUT HEX CAP #10-24 Z050		3	
59		UNDER PASSENGER'S SEAT / EXTINGUISHER 20 LBS			

	Date:07/2024	PAGE:H9-2320-31
EXTINGUISHER - INSTALLATION		

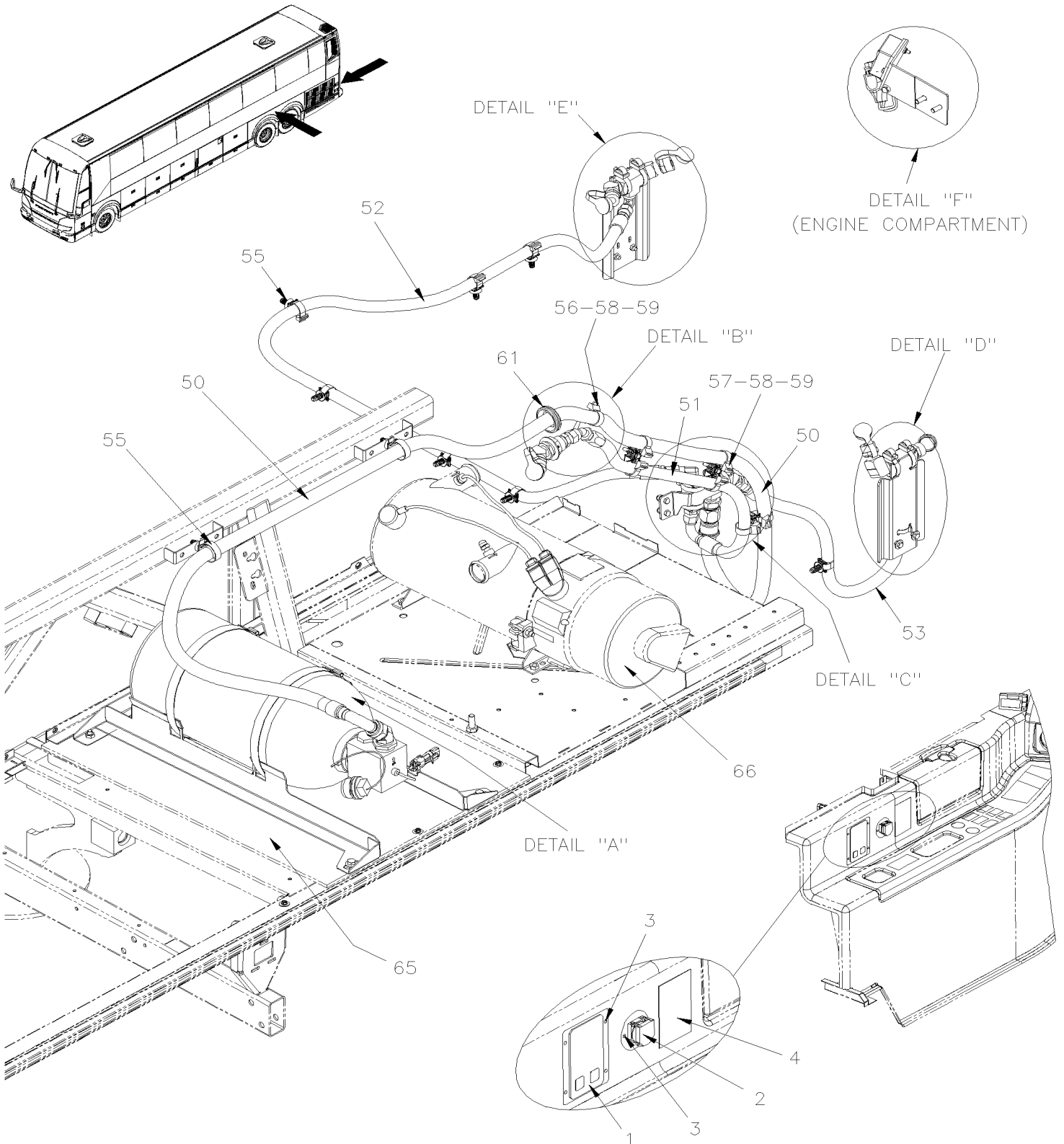
Item#	Part	Description	H 3 4 1	H 3 4 5	N O T E S
60	406145P	BOX ASSY / USED W/20LBS INSTINGUISHER		1	
60	406146	. BOX ASSY		1	
61	406147	. COVER		1	
61	405839	. HINGE		1	
62	504749	. LOCK SS		2	
63	504104	. RIVET POP DOME OE 1/8x1/8 SS		AR	
64	506466	. TAPE RUB ADH1 CC POL 1/16" x 1 1/2" x 100 / GREY 2520		AR	
65	900651	EXTINGUISHER 20 LBS		1	
66	502656	SCREW CAP HEX M6-1.0x50 SS		6	
66	500477	WASHER LO SPT .262x.489x.062 SS		6	
66	500411	WASHER FL .260x.697x.050 SS		6	
67	216414	ANCHOR STRIP UNDER FLOOR 150.7MM LG		1	
67	216413	ANCHOR STRIP UNDER FLOOR 303.9MM LG		1	
67	216412	ANCHOR STRIP UNDER FLOOR 456.7MM LG		1	
67	216415	ANCHOR STRIP UNDER FLOOR 543.4MM LG		1	
NS	402763	DECAL / UNDER SEAT EXTINGUISHER		1	
NS	407693	DECAL "FIRE EXTINGUISHER INSIDE" GREY To R-1559		1	B
75	406945	DECAL "FIRE EXTINGUISHER INSIDE" From R-1560		1	B
NS	323290	DECAL / FIRE EXTINGUISHER To R-1559		1	
NS	3201767	DECAL / FIRE EXTINGUISHER From R-1560		1	
		B) ALBERTA REGULATION			

From K-0185

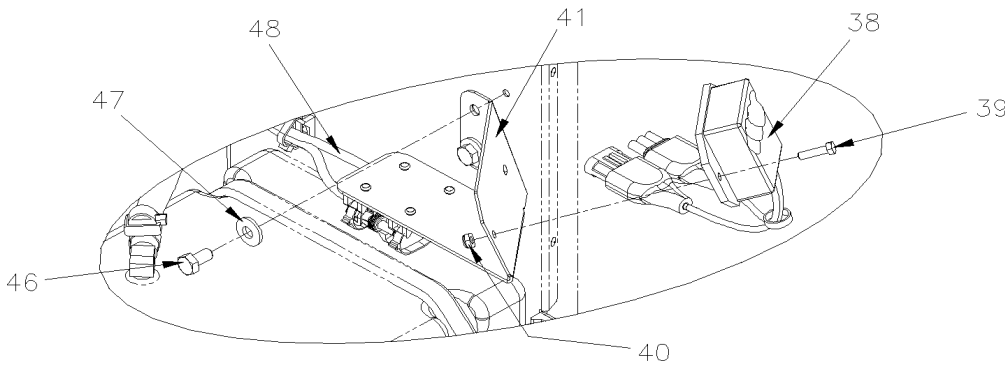
Date:07/2024

PAGE:H9-2320-38

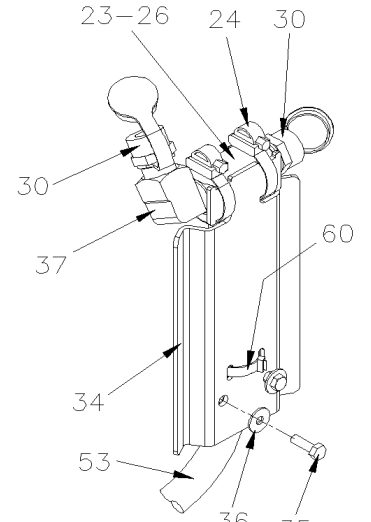
FIRE PROTECTION SYSTEM INSTALLATION



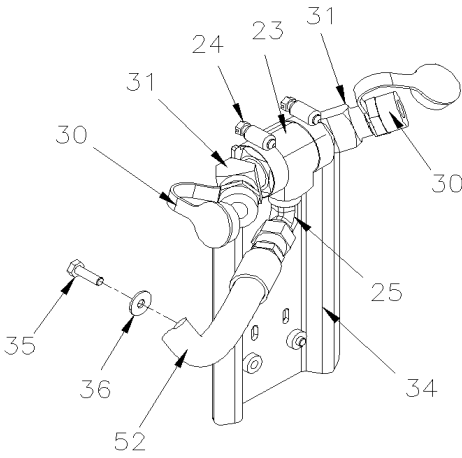
FIRE PROTECTION SYSTEM INSTALLATION



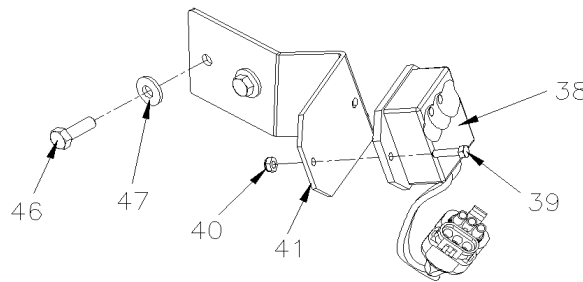
DETAIL "F" FROM K-0605
(ENGINE COMPARTMENT)



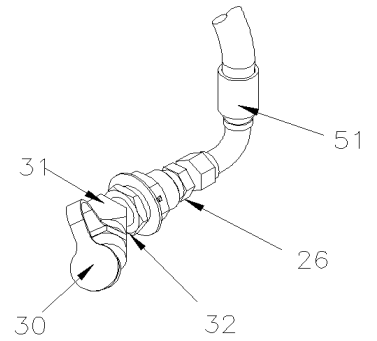
DETAIL "D"



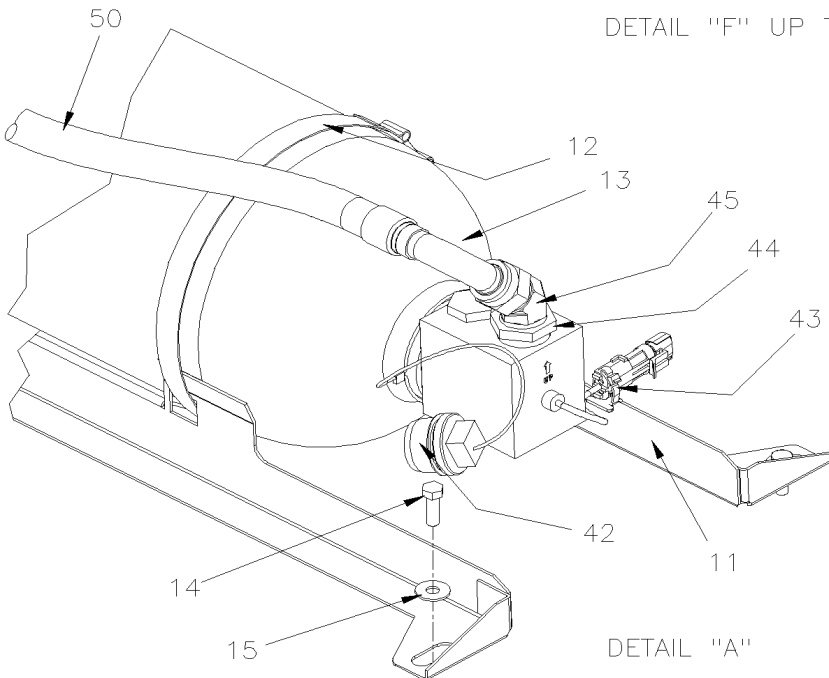
DETAIL "E"



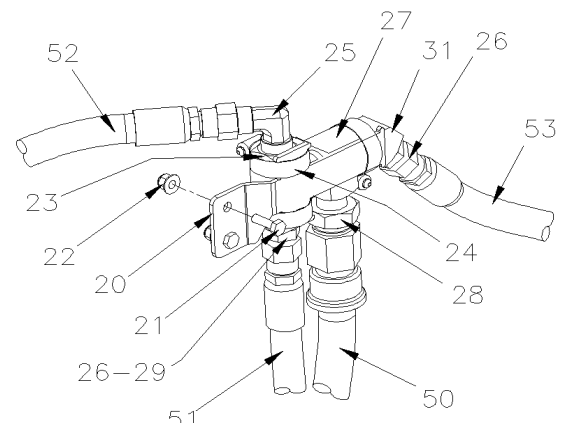
DETAIL "F" UP TO K-0604



DETAIL "B"



DETAIL "A"



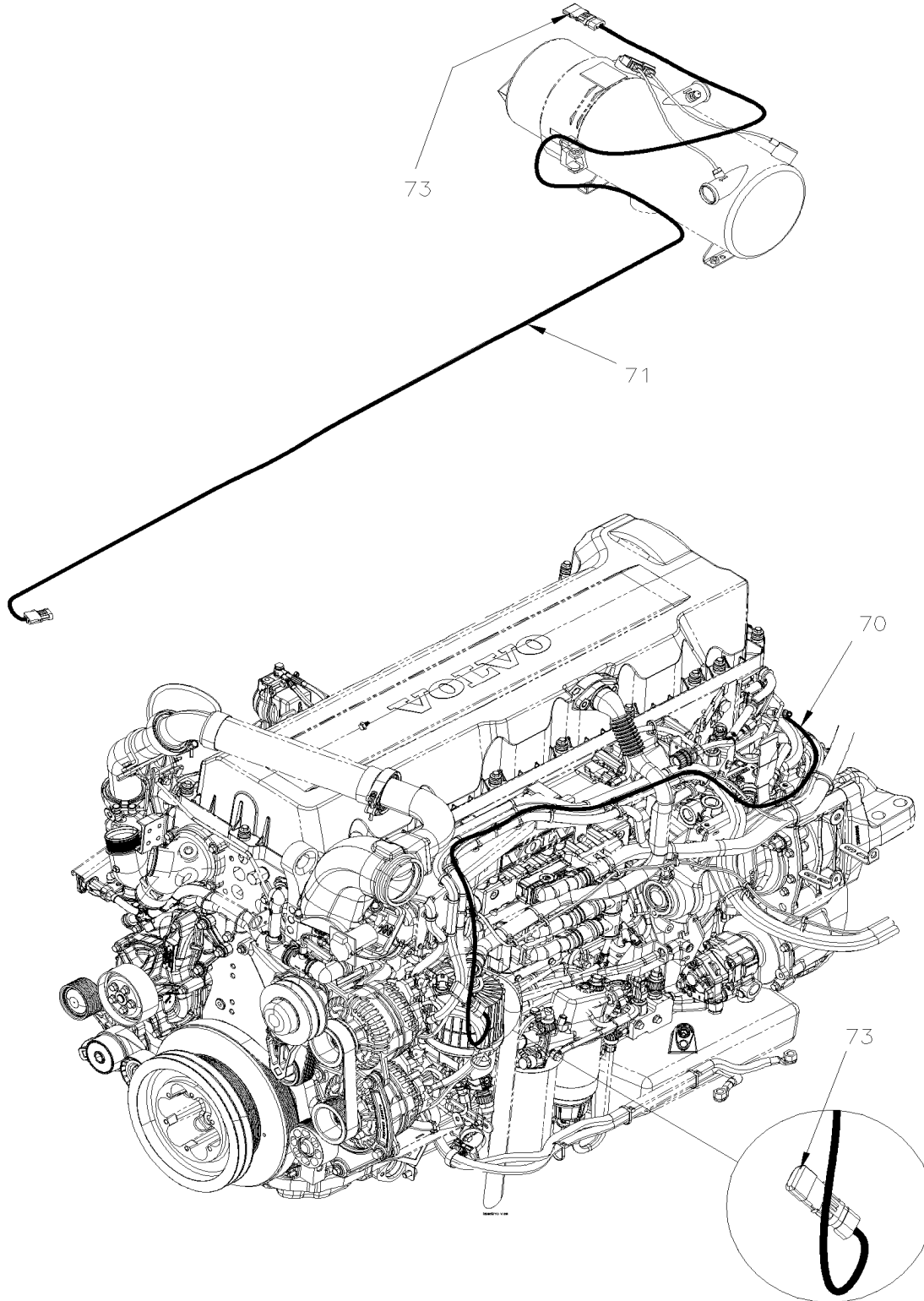
DETAIL "C"

From K-0185

Date:07/2024

PAGE:H9-2320-38

FIRE PROTECTION SYSTEM INSTALLATION



From K-0185	Date:07/2024	PAGE:H9-2320-38
FIRE PROTECTION SYSTEM INSTALLATION		

Item#	Part	Description	H 3 4 1	H 3 4 5	N O T E S
1	563455	PANEL FIRE PROTECTOR DISPLAY	1	1	
2	563456	BUTTON FIRE / MANUAL OPERATING To M-1167	1	1	
. NS	563462	. SEAL BUTTON FIRE / MANUAL OPERATING To M-1167	1	1	
2	564346	BUTTON FIRE / MANUAL OPERATING From M-1168	1	1	
. NS	564392	. TAMPER SEAL BUTTON From M-1168	1	1	
. NS	564349	. TAMPER SEAL FOR BUTTON From M-1168	1	1	
. . NS	564392	. . TAMPER SEAL BUTTON From M-1168	1	1	
3	500814	SCREW TP BDG PH #6x3/4 BK	6	6	
4	405725	DECAL / "IN CASE OF FIRE..." / ENGLISH & FRANCAIS To N-1232	1	1	
4	402941	DECAL / "IN CASE OF FIRE..." / ENGLISH & FRANCAIS From N-1233	1	1	
4	405724	DECAL / "IN CASE OF FIRE..." / ENGLISH To N-1232	1	1	
4	402784	DECAL / "IN CASE OF FIRE..." / ENGLISH From N-1233	1	1	
4	400032	DECAL / "IN CASE OF FIRE..." / ENGLISH & FRANCAIS & SPANISH To N-1232	1	1	
4	402940	DECAL / "IN CASE OF FIRE..." / ENGLISH & FRANCAIS & SPANISH From N-1233	1	1	
11	400565	SUPPORT EXTINGUISHER	1	1	
NS	8631155	CABLE TIE / 4.6MM x 200 / CHRISTMAS TREE	1	1	
11	506758	TAPE RUB ADH1 NEO 1/16"X 1 1/2"X50'	AR	AR	
12	509955	T-BOLT BAND CLAMP/ 8.56" ID	2	2	
13	900211	EXTINGUISHER 25 LBS To N-1187	1	1	
. NS	N8900111	. REBUILT KIT To N-1187	1	1	
13	901743	EXTINGUISHER 22 LBS From N-1188	1	1	
. NS	501026	. MALE CONNECTOR / SAE 45° FITTING / #4FL-Mx1/8NPT-M BR From N-1188	1	1	
. NS	561566	. CONNECTOR / WEATHER PACK / PH 2C / BLACK / PED 12010973 From N-1188	1	1	
. NS	950483	. SEAL CAP, SHRADER VALVE From N-1188	1	1	
. NS	990559	. CYLINDER, V25 ABC W/PRESSURE SWITCH From N-1188	1	1	
NS	504637	CABLE TIE / 3/16" x 13"	2	2	
14	502780	SCREW CAP HEX M8-1.25x25 SS BK	4	4	
15	5001848	WASHER BEL SPR .827 x .331 x .098 th SS	4	4	
20	400057	SUPPORT HOSE	1	1	
21	502622	SCREW CAP HEX M6-1.0x20 SS BK	2	2	
22	5001932	NUT HEXF NYRT M6-1.0 G8.8 N500	2	2	
23	501472	FEMALE UNION TEE / PIPE FITTING / 1/2NPT-Fx1/2NPT-Fx1/2NPT-F BR	3	3	
24	992084	HOSE CLAMP / 23MM/35MM	6	6	
25	501612	MALE ELBOW 90° / SAE 45° FITTING / #8FL-Mx1/2NPT-M BR	2	2	
26	501616	MALE CONNECTOR / SAE 45° FITTING / #8FL-Mx1/2NPT-M BR	3	3	
27	501473	MALE RUN TEE / PIPE FITTING / 1/2NPT-Mx1/2NPT-Fx1/2NPT-F BR	1	1	
28	501600	MALE CONNECTOR / JIC 37° FITTING / #12JIC-Mx1/2NPT-M STL	1	1	
29	501966	PLUG HEXS / PIPE FITTING / 1/2NPT-M STL	1	1	B
30	901128	NOZZLE DRY CHEMICAL	5	5	
. NS	901184	. CAP PROTECTOR NOZZLE	1	1	

From K-0185	Date:07/2024	PAGE:H9-2320-38
FIRE PROTECTION SYSTEM INSTALLATION		

Item#	Part	Description	H 3 4 1	H 3 4 5	N O T E S
31	501528	STREET ELBOW 45° / PIPE FITTING / 1/2NPT-Mx1/2NPT-F BR	4	4	
32	501796	BULKHEAD COUPLING / PIPE FITTING / 1/2NPT-Fx1/2NPT-Fx1 1/2 BR	1	1	
34	406403	SUPPORT NOZZLE	2	2	
35	502622	SCREW CAP HEX M6-1.0x20 SS BK	4	4	
36	5001833	WASHER BEL SPR 6.1x18x1.27 SS	4	4	
37	507557	STREET ELBOW 90° / PIPE FITTING / 1/2NPT-Mx1/2NPT-F BR	1	1	
38	563457	FIRE SENSOR PM-3M	1	1	
39	5001146	SCREW CAP HEX M5-0.8x20 SS BK	2	2	
40	5001587	NUT HEX NYRT M5-0.8 SS	2	2	
41	061167	SUPPORT, SENSOR To K-0604	1	1	
41	0610076	SUPPORT, SENSOR From K-0605	1	1	
42	680470	CAP PLUG ID 1.364 OD 1.423	1	1	
43	504637	CABLE TIE / 3/16" x 13"	1	1	
44	501564	ADAPTER / PIPE FITTING / 3/4NPT-Fx1NPT-M BR	1	1	
45	501890	MALE CONNECTOR / PIPE FITTING / TEFLON / 1/4NPT-Mx#4	1	1	
46	502780	SCREW CAP HEX M8-1.25x25 SS BK To K-0604	2	2	
46	5001527	SCREW CAP HEX M8-1.25x16 SS BK From K-0605	AR	AR	
47	5001848	WASHER BEL SPR .827 x .331 x .098 th SS	2	2	
48	061046	HARNESS EXTENSION, FLAME DETECTOR	1	1	
NS	504013	TIE MOUNT / 1/4" X 1/4" I.D.	AR	AR	
NS	504379	RIVET POP DOME OE 3/16x1/4 SS	AR	AR	
NS	504637	CABLE TIE / 3/16" x 13"	AR	AR	
49	505045	NYLON SPACER 5.3MM x 13MM x 5MM From R-1582	2	2	
50	400288P	HOSE ASSY / #12 2700MM To K-0184	1	1	
50	406977P	HOSE ASSY / #12 2770MM From K-0185	1	1	
51	400289P	HOSE ASSY / #8 1250MM	1	1	
52	400101	HOSE ASSY / #8 1965MM	1	1	
53	400094	HOSE ASSY / #8 665MM	1	1	
55	504750	CABLE TIE / 1/2" x 15" / CHRISTMAS TREE	AR	AR	
56	509894	TIE MOUNT HOLE 7.8MM	1	1	
57	509490	ATTACHMENT DOUBLE USE WITH CABLE TIE	3	3	
58	509491	CABLE TIE / 13MM x 383MM	AR	AR	
59	5001815	SCREW CAP HEXF M6-1.0x30 G 8.8 N500	4	4	
60	504016	CABLE TIE / 5/16" X 14"1/2	1	1	
61	504664	GROMMET / 1.375x1.625x.062x.500x2.000	1	1	
NS	509815	TIE MOUNT / ATTACHMENT W/TREE MOUNT	AR	AR	
NS	504637	CABLE TIE / 3/16" x 13"	AR	AR	
65	H9-1859-01	SPLASH GUARD - FRONT & REAR			
66	H9-2350-10	WATER HEATER - INSTALLATION			
70	069738	CABLE THERMO DETECTOR (LINEAR FIRE CABLE) / 2.46M / 168C/180C // 334F/356F To K-0604	1	1	

From K-0185		Date:07/2024	PAGE:H9-2320-38
FIRE PROTECTION SYSTEM INSTALLATION			

Item#	Part	Description	H 3 4 1	H 3 4 5	N O T E S
70	0610154	FIRE WIRE LTD RED From K-0605 To £-23156	1	1	
70	0600387	SERVICE KIT FIRE WIRE LTD From K-0605 To £-23156	1	1	
. NS	0600386	. WHITE WIRE FIRE EXTENTION HARNESS From K-0605 To £-23156	1	1	
. NS	902005	. FIRE WIRE LTD WHITE From K-0605 To £-23156	1	1	
. NS	504300	. GROMMET LTD From K-0605 To £-23156	36	36	
. NS	507664	. CABLE TIE / 3/16" 11" / DOUBLE LOOP HEAD From K-0605 To £-23156	42	42	
70	902005	FIRE WIRE LTD WHITE From £-23156		1	
70	504300	GROMMET LTD From £-23156		36	
70	507664	CABLE TIE / 3/16" 11" / DOUBLE LOOP HEAD From £-23156		42	
70	069853	CABLE THERMO DETECTOR ARMORED 9FT	1	1	G
70	5000362	PIPE CLIP W/CABLE TIE 8"	15	15	G
70	069175	CABLE THERMO DETECTOR (LINEAR FIRE CABLE) / 0.9M / 168C/180C // 334F/356F	1	1	A C
70	8631155	CABLE TIE / 4.6MM x 200 / CHRISTMAS TREE	AR	AR	A C
71	067676	CABLE THERMO DETECTOR (LINEAR FIRE CABLE) / 1M / 168C/180C // 334F/356F	1	1	W
. NS	563587	. MODULE DETECTOR / END CIRCUIT	1	1	W
71	069852	CABLE THERMO DETECTOR ARMORED 3FT	1	1	G W
71	5000362	PIPE CLIP W/CABLE TIE 8"	3	3	G W
71	504013	TIE MOUNT / 1/4" X 1/4" I.D.	4	4	W
71	504637	CABLE TIE / 3/16" x 13"	4	4	W
NS	060042	CABLE ASSY / FIRE DETECTOR FRT JCT BOX	1	1	F
73	563587	MODULE DETECTOR / END CIRCUIT	2	2	
75	19500355	TEST KIT EXTINGUISHER 25LBS / WSIMULATOR & POWER CABLE	1	1	
. NS	685536	. POWER CABLE / USED W 24VOLT	1	1	
. NS	685537	. SOURCE SIMILATOR	1	1	
. NS	901301	. TEST KIT EXTINGUISHER 25LBS	1	1	
. NS	685128	. VALVE SIMULATOR / EXTINGUISHER 25LBS	1	1	
. NS	685129	. TEST SWITCH W/CABLE 48" / EXTINGUISHER 25LBS	1	1	
. NS	N.P.N.	. STORAGE CASE	1	1	4
75	901301	TEST KIT EXTINGUISHER 25LBS	1	1	
. NS	685128	. VALVE SIMULATOR / EXTINGUISHER 25LBS	1	1	
. NS	685129	. TEST SWITCH W/CABLE 48" / EXTINGUISHER 25LBS	1	1	
. NS	N.P.N.	. STORAGE CASE	1	1	4
		A) USE WHEN YOU DO NOT HAVE A FIRE SUPPRESSIONS SYSTEM			
		B) WITHOUT WATER HEATER			
		C) FIX TO THE PANEL OVER THE ENGINE			
		F) LOCATED IN FRONT JCT BOX PANEL			

From K-0185	Date:07/2024	PAGE:H9-2320-38
-------------	--------------	-----------------

FIRE PROTECTION SYSTEM INSTALLATION

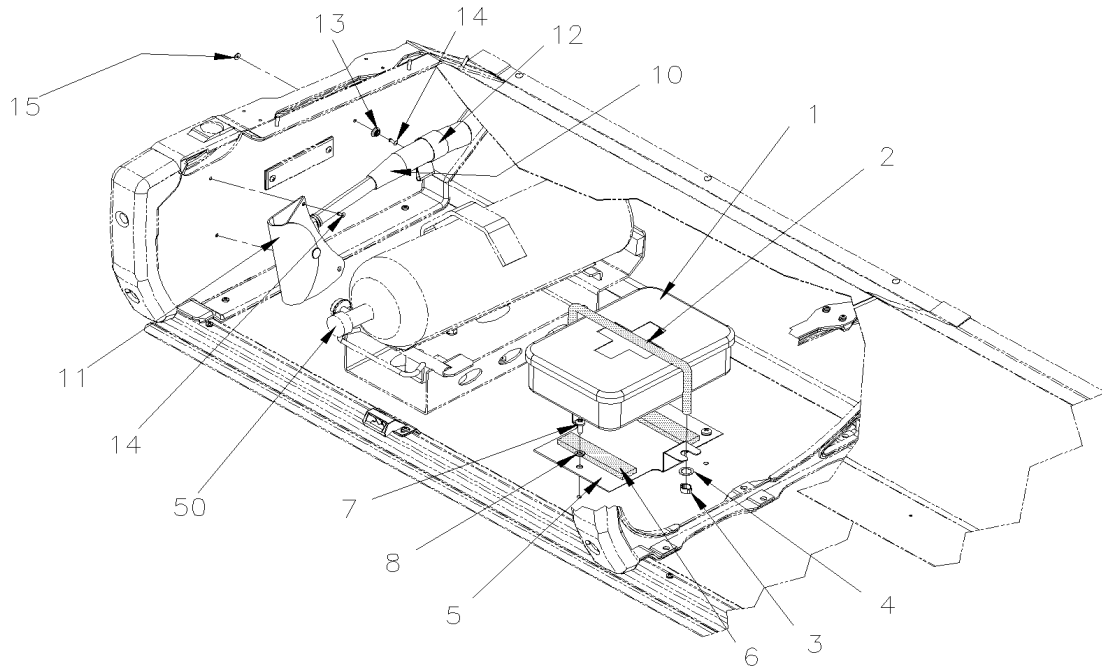
Item#	Part	Description	H 3 4 1	H 3 4 5	N O T E S
		G) WITH FIRE DETECTOR CABLE ARMORED OPTION			
		W) INSTALL WITH WATER HEATER			
		4) NO PARTS NUMBER			

From K-0185 To P-1452

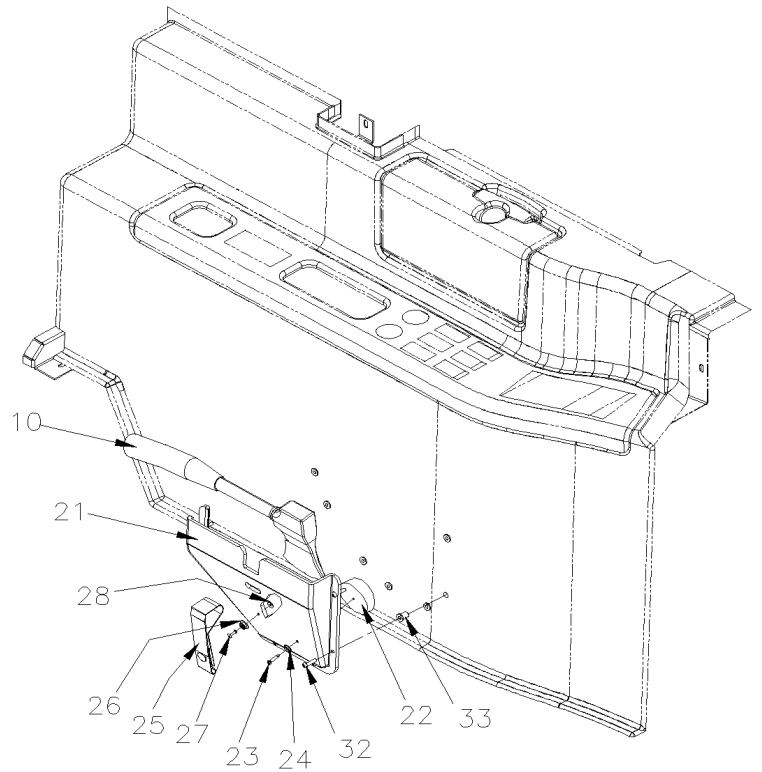
Date:07/2024

PAGE:H9-2320-40

FIRST AID KIT & AXE - INSTALLATION



FRONT CURBSIDE PARCEL RACK



From K-0185 To P-1452	Date:07/2024	PAGE:H9-2320-40
FIRST AID KIT & AXE - INSTALLATION		

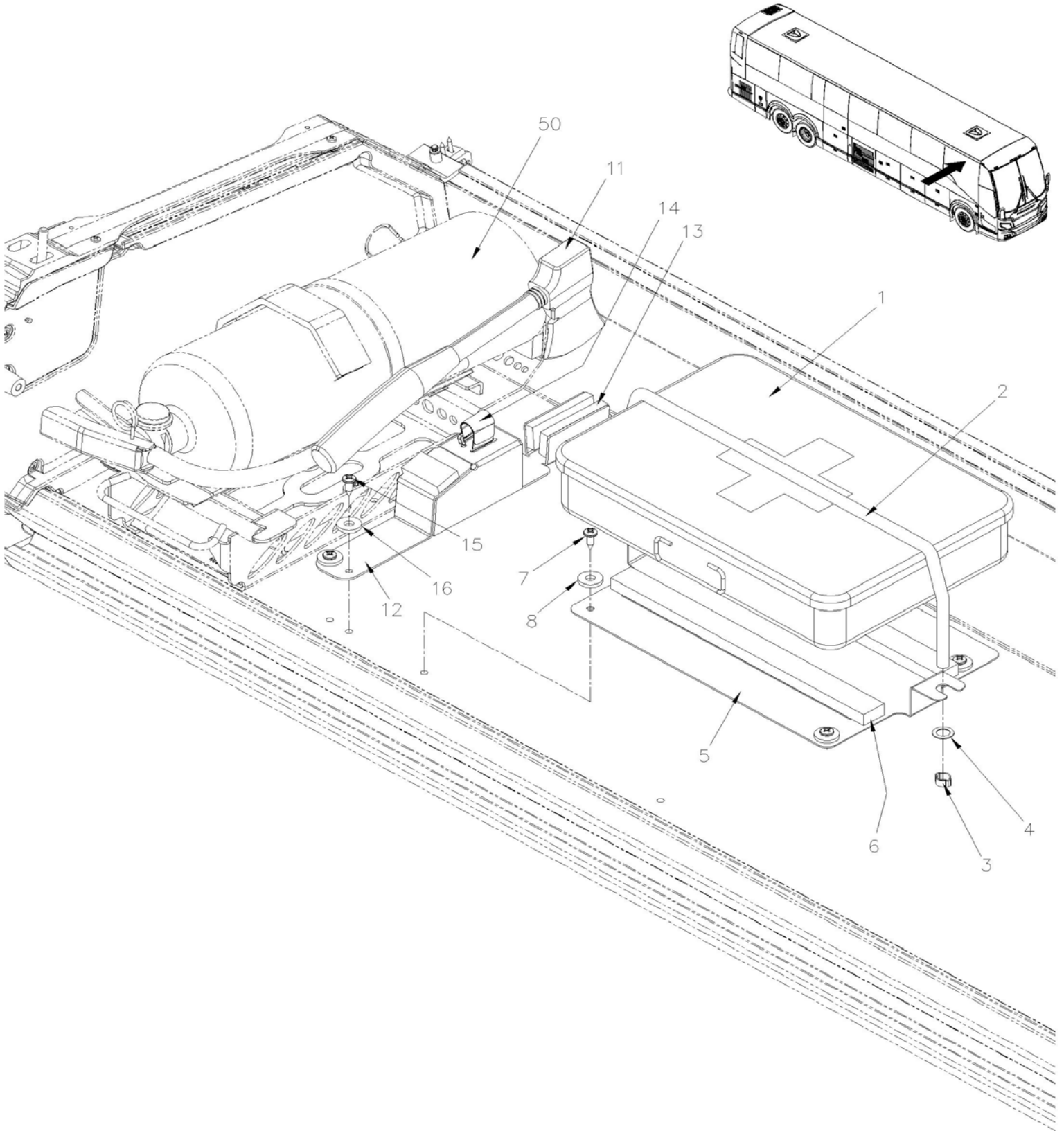
Item#	Part	Description	H 3 4 1	H 3 4 5	NOTES
1	900014	KIT, FIRST AID (SMALL)	1	1	
1	900767	KIT, FIRST AID (EXTRA LARGE) / W / W.C.L.	1	1	
1	900990	KIT, FIRST AID / SASKATCHEWAN MODEL	1	1	
1	900991	KIT, FIRST AID / MANITOBA & N-BRUNSWICK MODEL	1	1	
1	900992	KIT, FIRST AID / NOVA-SCOTIA MODEL	1	1	
1	901388	KIT, FIRST AID / ALBERTA MODEL	1	1	
1	900994	KIT, FIRST AID / NEWFUNLAND MODEL	1	1	
1	900995	KIT, FIRST AID / QUEBEC & BRI. COLUMBIA MODEL	1	1	
1	900996	KIT, FIRST AID / ONTARIO, I.P.E. & USA MODEL	1	1	
NS	323292	DECAL / FIRST AID	1	1	
NS	327524	DECAL / FIRST AID / (PARCEL RACK DOOR)	1	1	
NS	195889	KIT "EMERGENCY CLEANING" BIOHAZARD CASE OF 25	1	1	
NS	19503251	KIT "EMERGENCY CLEANING" STANDARD	1	1	
2	506066	CORD, RUBBER EXTRUSION NEO 7/16" O.D. / C.T.L.	1	1	
3	504452	CLAMP "E-Z CLIP" / "TUBE-O" / 7/16" / HC9-7	1	1	
4	502525	WASHER FL .484x.750x.031 Z050	1	1	
5	312807	SUPPORT ASSY / W/FIRST AID KIT (SMALL) / 139MM	1	1	
5	312806	SUPPORT ASSY / W/FIRST AID KIT (LARGE) / 205MM	1	1	
6	506007	TAPE RUB ADH1 CC NEO 3/4" x 1" x 10' / BLACK 1220	AR	AR	
7	502513	SCREW TP CAP HEX 5/16x1 Z050	3	3	
8	500942	WASHER LO SPT 8.1x14.8x2.0 N500	3	3	
8	500401	WASHER FL .343x.875x.125 N500	3	3	
10	901132	FIRE AXE	1	1	
NS	323291	DECAL / AXE	1	1	
11	901134	FIRE AXE CASE LEATHER	1	1	
12	403582	STRAP / TO FIX AXE	1	1	
NS	506235	TAPE RUB ADH1 PVC.NITRIL 1/2" x 1" x 15' / BLACK 1210	AR	AR	
13	504003	FASTENER RIVET BASE	1	1	
14	504107	RIVET POP DOME OE 1/8x5/16 AL	3	3	
15	500157	WASHER FL .125x.375x.032 SS	1	1	
21	405180	SUPPORT ASSY W/BUMPER	1	1	A B
21	505115	. SUPPORT	1	1	A B
22	405179	. PROTECTOR, BOTTOM	1	1	A B
23	500333	. SCREW TP OV PH #6x3/4 BK	1	1	A B
24	500345	. WASHER FN CKF .187x.500x.090 BR BK	1	1	A B
25	406626	. STRAP TO FIXE AXE ASSY	1	1	A
26	504003	. FASTENER RIVET BASE	1	1	A
27	504339	. RIVET POP DOME OE 1/8x3/8 SS	1	1	A
28	500157	. WASHER FL .125x.375x.032 SS	1	1	A
32	500873	SCREW MA RND PH #8-32x3/4 SS BK	7	7	A
33	500678	NUT WELL #8-32x.450	7	7	A
50	H9-2320-30	EXTINGUISHER - INSTALLATION			

From K-0185 To P-1452	Date:07/2024	PAGE:H9-2320-40
-----------------------	--------------	-----------------

FIRST AID KIT & AXE - INSTALLATION

Item#	Part	Description	H 3 4 1	H 3 4 5	N O T E S
		A) COACH WITH AXE INSTALLATION REAR DRIVER'S SEAT			
		B) COACH WITH AXE INSTALLATION LEFT DRIVER'S CONSOLE			

	Date:07/2024	PAGE:H9-2320-41
FIRST AID KIT & AXE - INSTALLATION		



	Date:07/2024	PAGE:H9-2320-41
FIRST AID KIT & AXE - INSTALLATION		

Item#	Part	Description	H 3 4 1	H 3 4 5	N O T E S
1	900996	KIT, FIRST AID / ONTARIO, I.P.E. & USA MODEL To R-1937		1	
1	901981	FIRST AID KIT / USA From R-1938		1	
1	900995	KIT, FIRST AID / QUEBEC & BRI. COLUMBIA MODEL To R-1937		1	
1	901979	FIRST AID KIT / BC From R-1938		1	
1	900990	KIT, FIRST AID / SASKATCHEWAN MODEL To R-1937		1	
1	901978	FIRST AID KIT / AB,MB,NB,NL,NS,ON,PE,QC,SK From R-1938		1	
1	900991	KIT, FIRST AID / MANITOBA & N-BRUNSWICK MODEL		1	
1	900992	KIT, FIRST AID / NOVA-SCOTIA MODEL		1	
1	901388	KIT, FIRST AID / ALBERTA MODEL To R-1937		1	
1	900994	KIT, FIRST AID / NEWFUNLAND MODEL To R-1937		1	
NS	323292	DECAL / FIRST AID To R-1559		1	
NS	3201765	DECAL / FIRST AID From R-1560		1	
NS	195889	KIT "EMERGENCY CLEANING" BIOHAZARD CASE OF 25		1	
NS	19503251	KIT "EMERGENCY CLEANING" STANDARD		1	
1	407040	SERVICE KIT/ FIRST AID KIT USA W/SUPPORT From R-1938		1	
. NS	315205	. FIRST AID KIT SUPPORT From R-1938		1	
. NS	901981	. FIRST AID KIT / USA From R-1938		1	
. NS	506066	. CORD, RUBBER EXTRUSION NEO 7/16" O.D. / C.T.L. From R-1938		AR	
. NS	500942	. WASHER LO SPT 8.1x14.8x2.0 N500 From R-1938		4	
. NS	502513	. SCREW TP CAP HEX 5/16x1 Z050 From R-1938		4	
. NS	506007	. TAPE RUB ADH1 CC NEO 3/4" x 1" x 10' / BLACK 1220 From R-1938		AR	
. NS	500401	. WASHER FL .343x.875x.125 N500 From R-1938		4	
. NS	504452	. CLAMP "E-Z CLIP" / "TUBE-O" / 7/16" / HC9-7 From R-1938		2	
. NS	502525	. WASHER FL .484x.750x.031 Z050 From R-1938		2	
2	506066	CORD, RUBBER EXTRUSION NEO 7/16" O.D. / C.T.L.		1	
3	504452	CLAMP "E-Z CLIP" / "TUBE-O" / 7/16" / HC9-7		1	
4	502525	WASHER FL .484x.750x.031 Z050		1	
5	314927	SUPPORT ASSY / W/FIRST AID KIT (SMALL) 205MM X 167.5NN		1	
5	314926	SUPPORT ASSY / W/FIRST AID KIT (LARGE) 219MM X 324MM		1	
6	506007	TAPE RUB ADH1 CC NEO 3/4" x 1" x 10' / BLACK 1220		AR	
7	500841	SCREW TP PAN PH #14x3/4 Z050		4	
8	500401	WASHER FL .343x.875x.125 N500		4	
11	901132	FIRE AXE		1	
NS	323291	DECAL / AXE To R-1559		1	
NS	3201766	DECAL / AXE From R-1560		1	
12	314936	AXE HOLDER, PARCEL RACK		1	
13	506282	TAPE RUB ADH1 CC POL 3/8" x 1" x 20' / GREY 2520		AR	
14	504266	VELCRO WITH BUCKLE		1	
15	500841	SCREW TP PAN PH #14x3/4 Z050		3	
16	500401	WASHER FL .343x.875x.125 N500		3	

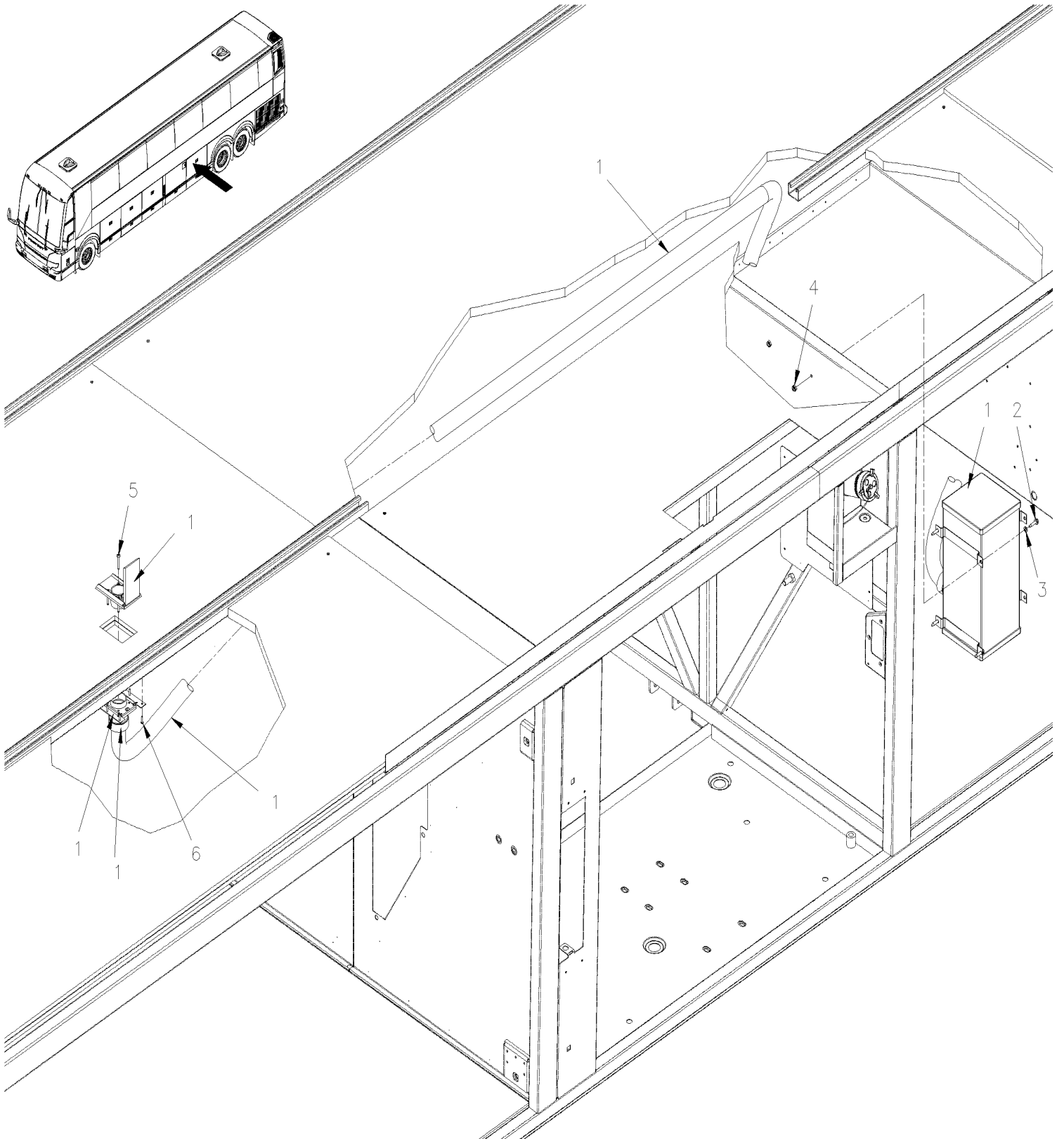
		Date:07/2024	PAGE:H9-2320-41		
FIRST AID KIT & AXE - INSTALLATION					
Item#	Part	Description	H 3 4 1	H 3 4 5	N O T E S
50	H9-2320-31	EXTINGUISHER - INSTALLATION			

From L-0959

Date:07/2024

PAGE:H9-2322-00

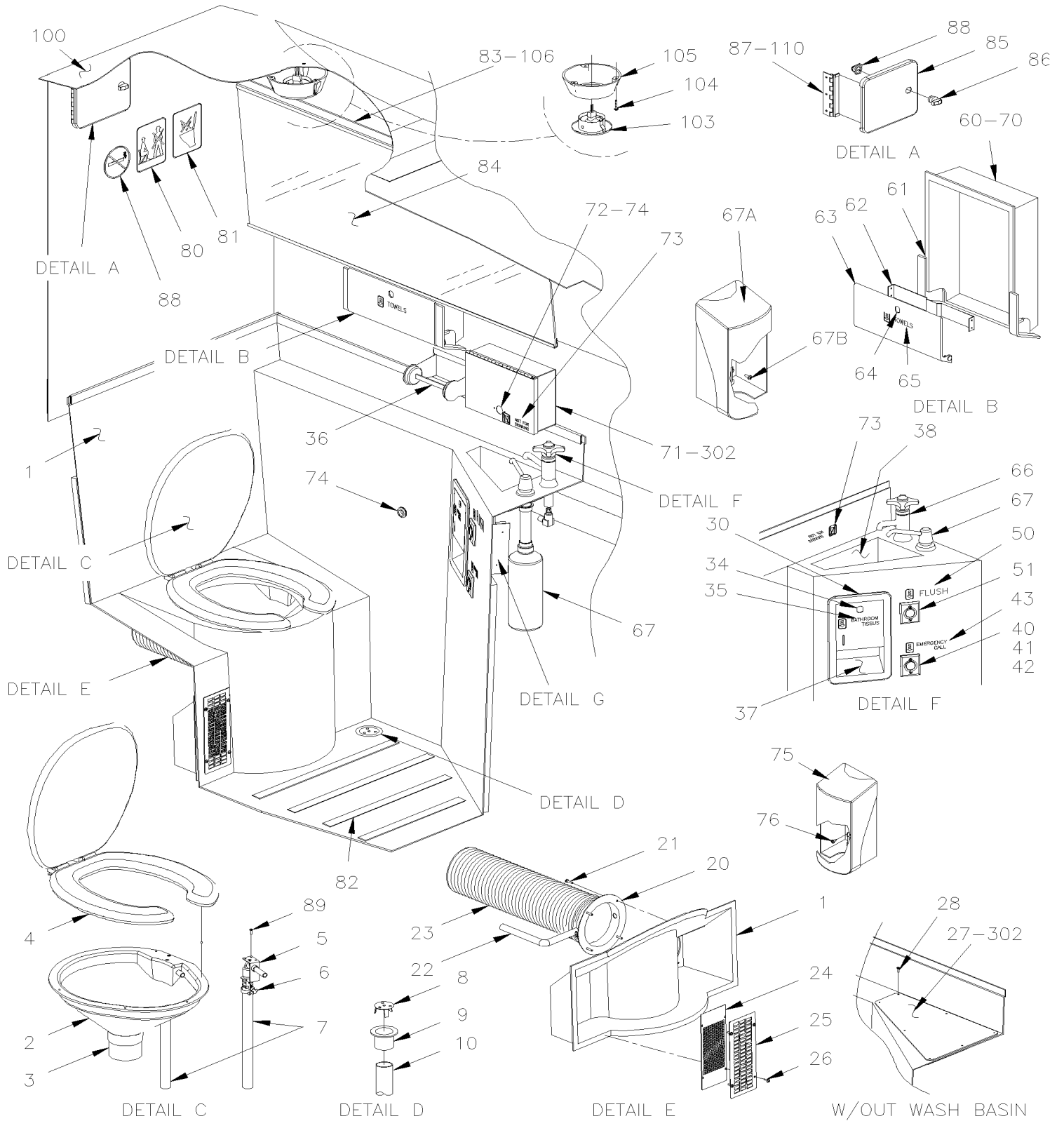
CENTRAL VACUUMING SYSTEM INSTALLATION W/O WCL



From L-0959		Date:07/2024	PAGE:H9-2322-00
CENTRAL VACUUMING SYSTEM INSTALLATION W/O WCL			

Item#	Part	Description	H 3 4 1	H 3 4 5	N O T E S
1	880023	CENTRAL VACUUMING SYSTEM KIT CV1500 "DIRT DEVIL"	1	1	
1	N.S.P.	FOR ALL SERVICE PART SEE DIRT DEVIL DEALER			2 S
2	500948	SCREW TC CAP HEX 1/4-20x1 Z050 To L-0958	4	4	
2	502830	SCREW CAP HEX M6-1.0x20 G8.8 N500 From L-0959 To P-1405	4	4	
2	502878	SCREW TP CAP HEX #14x3/4 N500 From P-1406	4	4	
3	500473	WASHER LO SPT .262x.489x.062 Z050 To L-0958	4	4	
3	500877	WASHER FL .250x.562x.065 N500 From L-0959 To P-1405	4	4	
3	500356	WASHER LO SERR 6.1x16.0x0.9 N500 From P-1406	4	4	
4	502716	NUT HEX NYRT 1/4-20 To L-0958	4	4	
4	5001932	NUT HEXF NYRT M6-1.0 G8.8 N500 From L-0959 To P-1405	4	4	
5	500421	SCREW TC PAN PH #10-32x1 1/2 N500 To L-0958	4	4	
5	500843	SCREW TP PAN PH #10X1 1/2 Z050 From L-0959	4	4	
6	500640	SCREW TP PAN PH #6x3/4 Z050 To L-0958	6	6	
NS	504637	CABLE TIE / 3/16" x 13"	AR	AR	
NS	506283	PIPE INSULATING / 1 5/8" I.D. X 1/2" TH. X 72 / APT15812 To L-0958	AR	AR	
22	371600	INSULATING PAD 76.2MM x 374.7MM From L-0959	AR	AR	
NS	506466	TAPE RUB ADH1 CC POL 1/16" x 1 1/2" x 100 / GREY 2520	AR	AR	
NS	562595	SPECIAL WIRE CABLE 14/3 / WHITE (BOAT CABLE)	AR	AR	
NS	562664	PROTECTOR METALLIC 1"/CABLE	AR	AR	
NS	680025	CAULKING STRIP 3/16" O.D. X 14'	AR	AR	
NS	680290	ADHESIVE PVC / 946ml	AR	AR	
		S) FOR ALL SERVICE PART SEE "DIRT DEVIL" DEALER			
		2) NOT SOLD BY PREVOST (SEE MANUFACTURING PART NUMBER AT END OF DESCRIPTION LINE)			

LAVATORY - ACCESSORIES

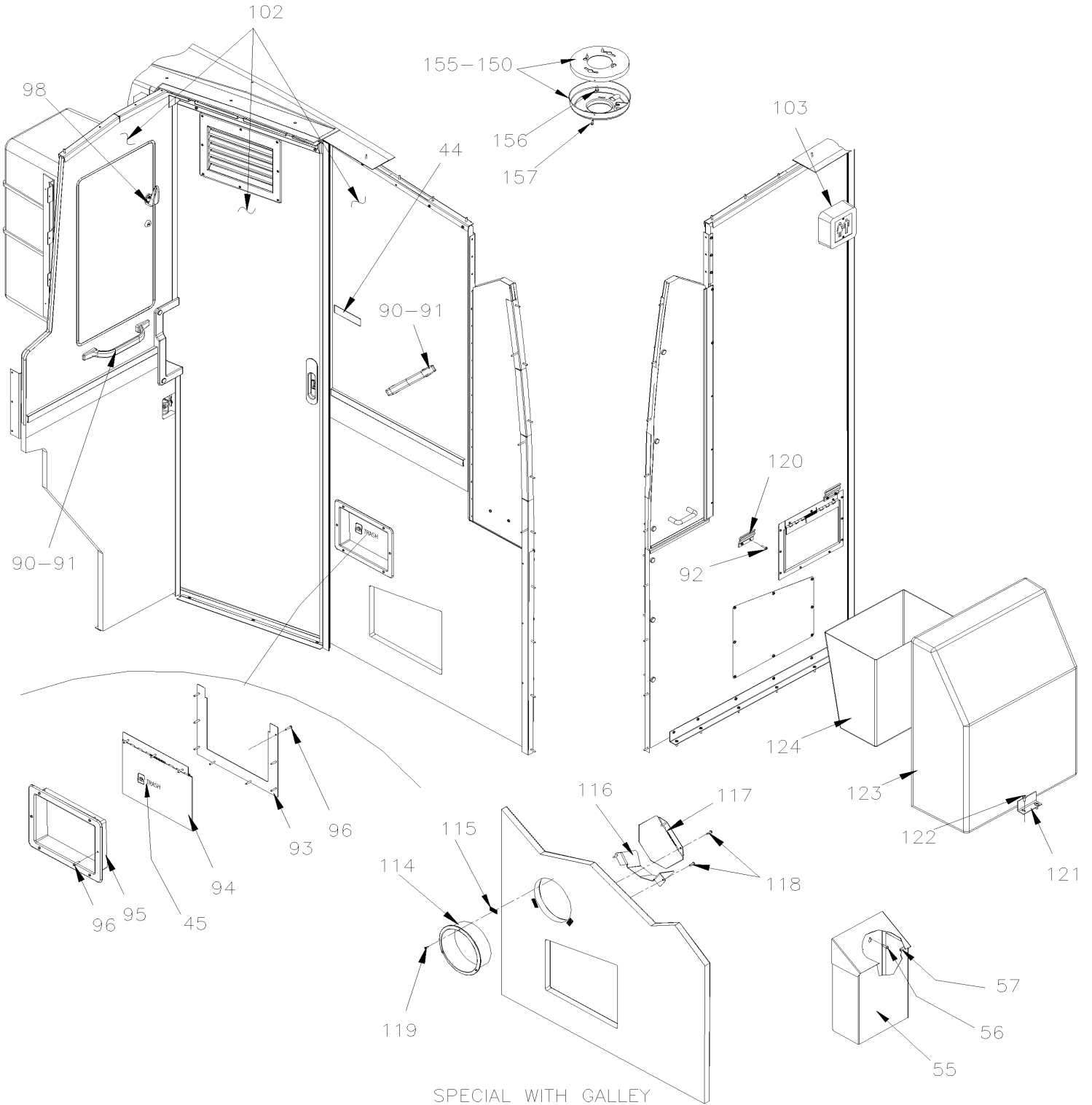


From K-0185

Date:07/2024

PAGE:H9-2325-00

LAVATORY - ACCESSORIES



From K-0185		Date:07/2024	PAGE:H9-2325-00
LAVATORY - ACCESSORIES			

Item#	Part	Description	H 3 4 1	H 3 4 5	N O T E S
	403168P	LAVATORY ASSY W/BASIN WASH	1	1	
1	400518	TOILET FIBERGLASS ASSY To K-0484	1	1	
1	400602	TOILET FIBERGLASS ASSY GREY To K-0484	1	1	H
1	400602	TOILET FIBERGLASS ASSY GREY From K-0485	1	1	
1	400518	TOILET FIBERGLASS ASSY From K-0485	1	1	O
1	400603	TOILET FIBERGLASS ASSY FIREPROOF To L-0735	1	1	D
1	401366	TOILET FIBERGLASS ASSY FIREPROOF From L-0736	1	1	D
1	400292	TOILET FIBERGLASS ASSY / W/W.C.L. "RED ARROW" grey "P.W.T."	1	1	
1	401037	TOILET FIBERGLASS ASSY W/GALLEY From K-0539		1	SP
2	406531	BOWL ASSY, TOILET / W/ACRYLIC LAVATORY GREY	1	1	
3	404322	PIPE ABS 3" I.D. X 73MM	1	1	
4	901293	SEAT & COVER ASSY, TOILET / "BONE ALMOND" To K-0484	1	1	
4	901279	SEAT & COVER ASSY, TOILET / "CENTOCO" "P.W.T." To K-0484	AR	AR	H
4	901279	SEAT & COVER ASSY, TOILET / "CENTOCO" From K-0485	1	1	
4	901293	SEAT & COVER ASSY, TOILET / "BONE ALMOND" From K-0485	1	1	O
NS	504427	NUT WELL 1/4-20	2	2	
NS	500610	SCREW MA RND PH 1/4x1 3/4 SS	2	2	
5	405361	SUPPORT	1	1	
5	405362	PIPE ASSY	1	1	
6	504319	HOSE CLAMP / 1"-1"1/2 SS / E.T. 16	1	1	
7	403191	HOSE 3/4" I.D. x 1900MM	1	1	
7	400151	HOSE 3/4" I.D. x 1220MM	1	1	C
7	503523	. HOSE SILICONE 1PLY 3/4" I.D. x 100' / S.L.	1	1	
8	401927	GRILLE ASSY, STRAINER	1	1	
9	900219	STRAINER ASSY, FLOOR	1	1	
9	406734	PIGTAIL / DRAIN TUBE	1	1	
10	414654	DRAIN BOOT 1" I.D. W/GROOVE 1.5 x 35MM I.D. x 85MM	1	1	
20	400509	FLANGE HOSE ADAPTOR 5" O.D.	1	1	
NS	684517	ADHESIVE SIMSON #ISR 70-03 / GREY / 310ml CARTRIDGE	AR	AR	
21	500641	SCREW TP PAN PH #8x3/4 Z050	4	4	
22	400256	HOSE 3/4" I.D. 670 MM To K-0328	1	1	
22	400762	HOSE 3/4" I.D. 415 MM From K-0329 To R-1486	1	1	
22	406925	HOSE 3/4" I.D. 415 MM From R-1487		1	
23	403058	HOSE FLEXIBLE 5" I.D. X 460MM	1	1	
24	283827	SCREEN 84.5 x 223	1	1	
25	403151	GRILLE / SIDE OF BOWL / 91MM x 226MM	1	1	
26	500638	SCREW TP PAN PH #8x1/2 Z050	8	8	
27	406527	COVER / PAINT / W/O WASHBASSIN BEIGE To K-0484	AR	AR	
27	400408	COVER / PAINT / W/O WASHBASSIN GREY To K-0484		AR	H
27	400408	COVER / PAINT / W/O WASHBASSIN GREY From K-0485	AR	AR	
27	406527	COVER / PAINT / W/O WASHBASSIN BEIGE From K-0485	AR	AR	O
27	404198	COVER / SS / W/O WASHBASSIN	AR	AR	

From K-0185		Date:07/2024	PAGE:H9-2325-00
LAVATORY - ACCESSORIES			

Item#	Part	Description	H 3 4 1	H 3 4 5	N O T E S
28	500289	SCREW TC OV PH #6-32x3/4 SS410	7	7	
NS	500463	WASHER FN CKF .187x.500x.090 BR Z050	7	7	
30	900083	DISPENSER / TOILET PAPER / (CHROME)	1	1	
34	406405	SUPPORT DISPENSER	1	1	
34	500642	SCREW TP PAN PH #10x3/4 Z050	4	4	
NS	900085	PAPER, TOILET / BOX OF 96 PACK	AR	AR	
35	408259	DECAL / "BATHROOM TISSUS" / ENGLISH & FRANCAIS	1	1	
35	408260	DECAL / "BATHROOM TISSUS" / ENGLISH	1	1	S
35	408265	DECAL / "BATHROOM TISSUS" / ENGLISH & SPANISH	1	1	S
36	900656	DISPENSER / TOILET PAPER ASSY (TO USE W/STD) ROLL)	1	1	
NS	900657	PAPER, TOILET / ROLL S.Q.	AR	AR	
37	405992	CLOSING PANEL BEIGE To K-0484	1	1	
37	400415	CLOSING PANEL GREY To K-0484		1	H
37	400415	CLOSING PANEL GREY From K-0485	1	1	
37	405992	CLOSING PANEL BEIGE From K-0485	1	1	O
38	900509	STRAINER / WASHBASIN	1	1	
40	561676	BUTTON / EMERGENCY	1	1	
41	405993	PROTECTOR / EMERGENCY SWITCH / PLASTIC TAN / 44MM X 54MM To K-0484	2	2	
41	403040	PROTECTOR / EMERGENCY SWITCH / PLASTIC GREY / 44MM X 54MM To K-0484		2	H
41	403040	PROTECTOR / EMERGENCY SWITCH / PLASTIC GREY / 44MM X 54MM From K-0485	2	2	
41	405993	PROTECTOR / EMERGENCY SWITCH / PLASTIC TAN / 44MM X 54MM From K-0485	1	1	O
NS	5001955	SCREW MA RND PH #6-32x1/2 SS	4	4	
42	500862	SCREW TC PAN PH #6-32x3/4 Z050	2	2	
43	406612	DECAL / "EMERGENCY CALL" / ENGLISH & FRANCAIS	1	1	
43	406618	DECAL / "EMERGENCY CALL" / ENGLISH & SPANISH	1	1	
43	406614	DECAL / "EMERGENCY CALL" / ENGLISH	1	1	
44	408244	DECAL "PLEASE SHUT DOOR.." / ENGLISH & FRANCAIS To K-0484	1	1	
44	408245	DECAL "PLEASE SHUT DOOR.." / ENGLISH & SPANISH To K-0484	1	1	
44	408246	DECAL "PLEASE SHUT DOOR.." / ENGLISH To K-0484	1	1	
44	408212	DECAL "PLEASE SHUT DOOR.." / ENGLISH & FRANCAIS From K-0485	1	1	
44	408213	DECAL "PLEASE SHUT DOOR.." / ENGLISH & SPANISH From K-0485	1	1	
44	408214	DECAL "PLEASE SHUT DOOR.." / ENGLISH To K-0484		1	H
44	408214	DECAL "PLEASE SHUT DOOR.." / ENGLISH From K-0485	1	1	
44	408246	DECAL "PLEASE SHUT DOOR.." / ENGLISH From K-0485	1	1	O
45	406616	DECAL / "TRASH"	1	1	
50	406611	DECAL / LAVATORY PUMP FLUSH / ENGLISH & FRANCAIS	1	1	
50	406613	DECAL / LAVATORY PUMP FLUSH / ENGLISH	1	1	
50	406617	DECAL / LAVATORY PUMP FLUSH / ENGLISH & SPANISH	1	1	
51	563326	PUSH BUTTON / OPERATOR / BLACK	1	1	
55	900057	SANITARY NAPKIN CONTAINER	1	1	D
55	506790	TAPE RUB ADH2 CC POL 1/16" x 1/2" x 200' / BLACK I1C-N-A	AR	AR	D
56	500642	SCREW TP PAN PH #10x3/4 Z050	2	2	D

From K-0185		Date:07/2024	PAGE:H9-2325-00
LAVATORY - ACCESSORIES			

Item#	Part	Description	H 3 4 1	H 3 4 5	N O T E S
57	506338	RUBBER CHANNEL / 1/16" x 1/4" INT "U" SHAPE / ROUND C.T.L.	AR	AR	D
57	680066	ADHESIVE / ADBOND #5014 / 23.6ML BOTTLE	AR	AR	D
60	406027	DISPENSER ASSY / PLASTIC BEIGE To K-0484	1	1	
60	404753	DISPENSER ASSY / PLASTIC GREY To K-0484		1	H
60	404753	DISPENSER ASSY / PLASTIC GREY From K-0485	1	1	
60	406027	DISPENSER ASSY / PLASTIC BEIGE From K-0485	1	1	O
61	406026	. BOX / PLASTIC BEIGE	1	1	
61	404746	. BOX / PLASTIC GREY		1	H
62	403161	. SUPPORT, ALUMINIUM	1	1	
63	406028	. DOOR / PLASTIC BEIGE	1	1	
63	404745	. DOOR / PLASTIC GREY		1	H
64	780538	. LOCK	1	1	B
. NS	780539	. . KEY / (CH751)	1	1	B
65	407539	DECAL / "TOWELS" / ENGLISH & FRANCAIS	1	1	
65	405634	DECAL / "TOWELS" / ENGLISH & SPANISH	1	1	
66	900011	FAUCET	1	1	
66	900010	NUT, COUPLING 1/2-14	1	1	
67	900084	DISPENSER / SOAP	1	1	
NS	19501055	SOAP BASE ANGLED COUNTER MOUNT ROUND 2" O.D. / WHITE	AR	AR	
NS	19503252	SOAP BASE ANGLED COUNTER MOUNT ROUND 2" O.D. / BLACK	AR	AR	
NS	19501054	SOAP BASE 12° ANGLED COUNTER MOUNT ROUND 2" 5/8" / BLACK	AR	AR	
NS	19503185	HAND SANITIZER WATERLESS NON-ALCOHOLIC SCREWABLE BOTTLE	AR	AR	
NS	19503186	HAND SANITIZER WATERLESS ALCOHOLIC SCREWABLE BOTTLE	AR	AR	
NS	19503187	HAND & FACE REFRESHER TOWELLETES	AR	AR	
67A	900088	DISPENSER / SOAP	1	1	
67B	500638	SCREW TP PAN PH #8x1/2 Z050	4	4	
NS	901385	HAND SANITIZER WATERLESS BOX OF 12/800ml	1	1	
70	900328	TOWEL, PAPER	AR	AR	
NS	403891	CLOSING PANEL SS / TO USE W/O DISPENSER ASSY To K-0484	1	1	
70	401229	CLOSING PANEL SS / TO USE W/O DISPENSER ASSY GREY From K-0485	1	1	
70	403891	CLOSING PANEL SS / TO USE W/O DISPENSER ASSY From K-0485	1	1	O
NS	500640	SCREW TP PAN PH #6x3/4 Z050	6	6	F
NS	500996	NUT SPR U #6-32 .135-.150	6	6	F
71	404999	DISPENSER SS / WET TOWELS	1	1	
NS	402026	. BOX	1	1	
72	901051	. LOCK	1	1	
72	N.S.S.	. . KEY	1	1	1
73	406615	DECAL / "NOT FOR DRINKING"	1	1	
74	900588	TISSUS / WET PAPER	AR	AR	
75	900148	DISPENSER, GEL, PURELL ANTISEPTIC	1	1	
76	500642	SCREW TP PAN PH #10x3/4 Z050	4	4	
80	406610	DECAL "NO FOREIGN MATERIAL..."	1	1	

From K-0185		Date:07/2024	PAGE:H9-2325-00
LAVATORY - ACCESSORIES			

Item#	Part	Description	H 3 4 1	H 3 4 5	N O T E S
81	406690	DECAL / "NO SMOKING"	1	1	
82	900515	TAPE ANTISKID ADH / GREY / 1" X 60'	AR	AR	
83	403156	SUPPORT / MIRROR LOWER	1	1	
83	403153	SUPPORT / MIRROR UPPER	1	1	
NS	506494	TAPE RUB ADH2 URE 1/8" x 1" x 100' / WHITE 4008	AR	AR	
NS	506236	TAPE RUB ADH1 CC POL 1/16" x 1/2" x 100' / GREY 2520	AR	AR	
NS	403122	MOULDING CAP / GREY PLATINE 1085MM / 42 5/8"	1	1	A
NS	406046	MOULDING CAP / GREY MIDNIGHT CHARCOAL 1085MM / 42 5/8"	1	1	A
NS	403116	MOULDING RETAINER / 1081MM (42 1/2")	1	1	A
NS	500640	SCREW TP PAN PH #6x3/4 Z050	AR	AR	A
84	403041	MIRROR ASSY / SAFETY	1	1	
NS	506466	TAPE RUB ADH1 CC POL 1/16" x 1 1/2" x 100 / GREY 2520	AR	AR	
NS	066927	MOTION SENSOR ASSY W/CABLE	1	1	
NS	563689	. MOTION SENSOR	1	1	
85	406030	ACCES DOOR ASSY / PLASTIC BEIGE To K-0484	1	1	
85	405366	ACCES DOOR ASSY / PLASTIC GREY To K-0484		1	H
85	405366	ACCES DOOR ASSY / PLASTIC GREY From K-0485	1	1	
85	406030	ACCES DOOR ASSY / PLASTIC BEIGE From K-0485	1	1	O
85	406031	. ACCES DOOR / PLASTIC BEIGE	1	1	
85	405364	. ACCES DOOR / PLASTIC GREY		1	H
86	780538	. LOCK	1	1	
. NS	780539	. . KEY / (CH751)	1	1	
86	280015	. SPACER / LOCK COVER	1	1	
87	405365	. HINGE	1	1	
NS	506785	. TAPE RUB ADH2 CC POL 1/16" X 1/4" X 200' / BLACK I1C-N-A	AR	AR	
87	682462	. ADHESIVE SIKA #252 / BLACK / 310ml CARTRIDGE	AR	AR	
88	288755	. PIVOT LOCK ACTUATOR 33.5MM	1	1	
89	502885	SCREW TC FL PH #8-32x5/8 N500	2	2	
90	901459	HANDLE	2	2	
91	500879	SCREW TP PAN PH #10x1 Z050 To L-0906	4	4	
91	5001610	SCREW CAP HEXS M6-1.0x25 SS EMN From L-0907	4	4	
91	500964	WASHER FL .203x.500x.047 Z050 To L-0906	4	4	
91	900490	CAP / W/HANDLE	2	2	
92	500641	SCREW TP PAN PH #8x3/4 Z050	4	4	
93	403675	FRAME / STANLESS STEEL / EXTERIOR	1	1	
94	403677	TRAP ASSY 232MM x 146MM	1	1	
. NS	403674	. HINGE	1	1	
. NS	502209	. SPRING, TORSION / .140 I.D. x 1.86 x .063	1	1	
94	406496	TRAP ASSY 160MM x 146MM	1	1	
95	406032	FRAME / PLASTIC / EXTERIOR / PLASTIC BEIGE To K-0484	1	1	
95	403045	FRAME / PLASTIC / EXTERIOR / PLASTIC GREY To K-0484		1	H
95	403045	FRAME / PLASTIC / EXTERIOR / PLASTIC GREY From K-0485	1	1	

From K-0185		Date:07/2024	PAGE:H9-2325-00
LAVATORY - ACCESSORIES			

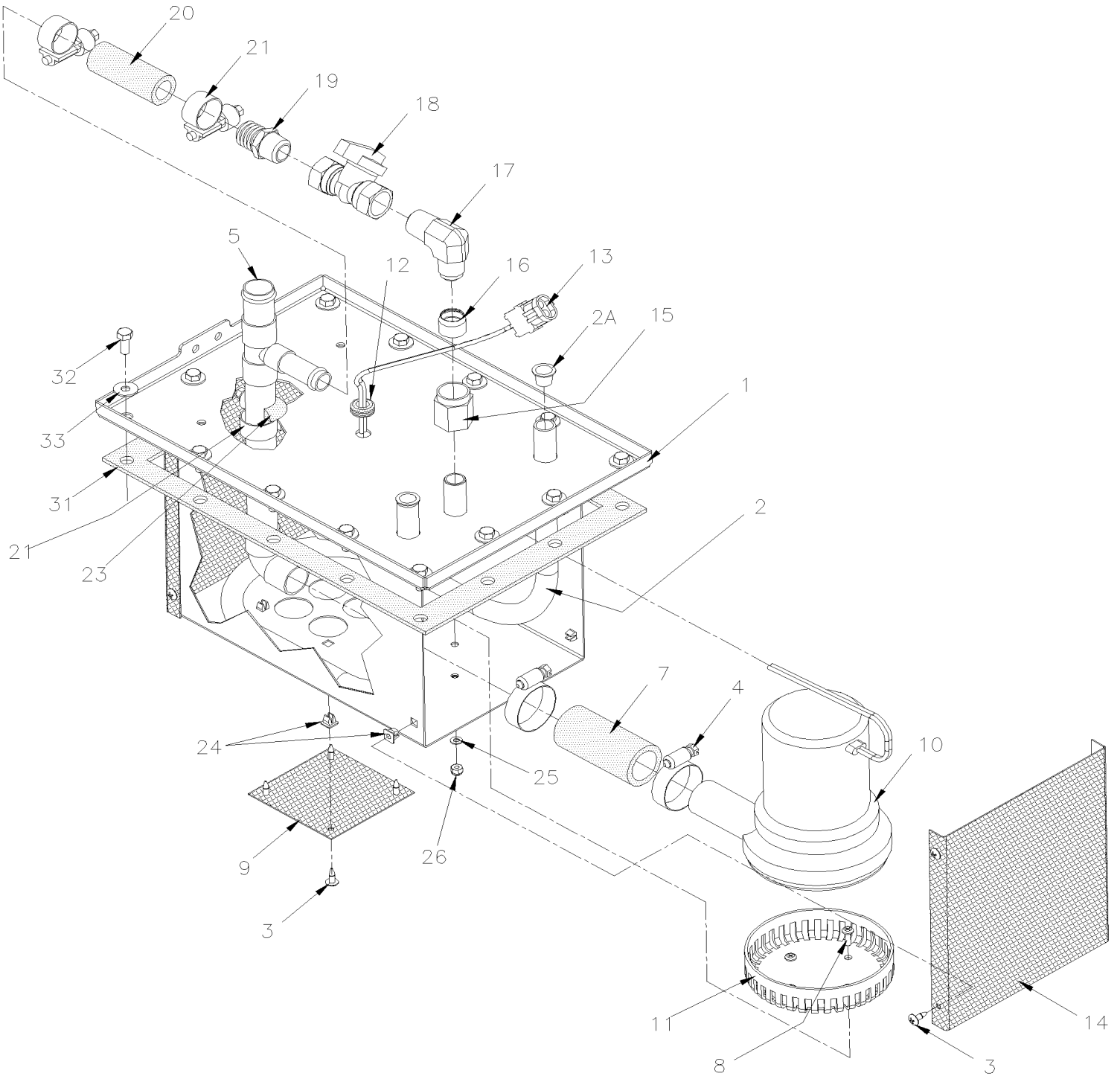
Item#	Part	Description	H 3 4 1	H 3 4 5	N O T E S
95	406032	FRAME / PLASTIC / EXTERIOR / PLASTIC BEIGE From K-0485	1	1	O
96	500640	SCREW TP PAN PH #6x3/4 Z050	2	2	
98	900065	HOOK / COAT	1	1	
98	900066	CAP, COAT HOOK	1	1	
100	H9-1834-00	REAR FINISHING CAP To P-1452			
100	H9-1834-01	REAR FINISHING CAP From R-1453			
102	H9-2328-00	LAVATORY WALL - INSTALLATION WITH SLIDING DOOR To P-1297			
102	H9-2328-01	LAVATORY WALL - INSTALLATION WITH SLIDING DOOR From P-1298 To P-1452			
102	H9-2328-02	LAVATORY WALL - INSTALLATION WITH SLIDING DOOR From R-1453			
103	H9-0655-01	INTERIOR LIGHTING LED To P-1452			
103	H9-0655-02	INTERIOR LIGHTING From R-1453			
104	502643	SCREW MA PAN PH #8-32x1 1/4 Z050	3	3	
NS	500678	NUT WELL #8-32x.450	3	3	
105	409271	LAMP SUPPORT / LAVATORY MIDNIGHT CHARCOAL	1	1	
106	066927	MOTION SENSOR ASSY W/CABLE	1	1	
110	501325	NIPPLE / PIPE FITTING / 3/8NPT-Mx3/8NPT-Mx1 BR	1	1	
110	5011180	BALL VALVE 3/8 NPT M x 3/8 NPT M	1	1	
110	5011178	MALE CONNECTOR / GARDEN FITTING / 3/4GARDEN-Mx3/8NPT-M BR	1	1	
110	404474	HOSE ADAPTER SS 1/4" NPT X 6 GARDEN HOSE MALE	1	1	
114	509041	TRASH GROMMET STAINLESS STEEL From K-0539		1	SP
115	401216	REINFORCEMENT PLATE 30 x 15 MM From K-0539		3	SP
116	401047	DROP TRASH PLATE From K-0539		1	SP
117	401195	TRAP, TRASH ASSY From K-0539		1	SP
118	500957	SCREW TP BDG PH #10x3/4 N500 From K-0539		AR	SP
119	500120	SCREW TP BDG PH #6x1/2 SS From K-0539		3	SP
120	404459	BRACKET, RETAINING / TO FIX CONTAINER TO WALL	2	2	
121	400860	ANGLE / TO FIX DUSTBIN TO FLOOR / 3"	1	1	
122	500841	SCREW TP PAN PH #14x3/4 Z050	2	2	
123	407710	COVER, BASKET	1	1	
NS	405713	DECAL / "TRASH DEPOSIT" PICTOGRAM / PHOTOLUMINESCENT	1	1	
124	900605	TRASH CAN / BLACK PLASTIC	1	1	
NS	404005	CONTAINER ASSY	1	1	A
NS	404006	. COVER	1	1	A
NS	504353	. RETAINER, 5/16"DIA. (DZUS) STUD	2	2	A
NS	504354	. STUD 5/16 O.D. X 3/8 (DZUS)	2	2	A
NS	504365	. SPRING HOOK / DZUS 5/16	2	2	A
NS	509558	. WEATHERSEAL SNAP-ON 1/8" / SINGLE LIP / WH / C.T.L.	AR	AR	A
NS	500510	SCREW MA BDG PH #10-32x3/4 SS EMN	4	4	A
NS	500519	NUT WELL #10-32x.518	4	4	A
		LAVATORY SMOKE DETECTOR			

From K-0185		Date:07/2024	PAGE:H9-2325-00
-------------	--	--------------	-----------------

LAVATORY - ACCESSORIES

Item#	Part	Description	H 3 4 1	H 3 4 5	N O T E S
155	560395	DETECTOR / SMOKE (2 WIRES) To £-23088	1	1	D
155	564667	DETECTOR / SMOKE (2 WIRES) From £-23088		1	
155	069948	WIRING HARNESS LAVATORY SMOKE DETECTOR	1	1	D
156	500409	SCREW TP PAN PH #8x1/2 BK To £-23088	4	4	D
156	500409	SCREW TP PAN PH #8x1/2 BK From £-23088		2	
157	500373	SCREW TP BDG PH #6x1/2 N500 To £-23088	1	1	D
		NEXT PACK ARE FOR SERVICE			
300	900655	CHEMICAL PACK / "TIMSEN-AIR" / (BOX OF 960)	AR	AR	
300	403678	CHEMICAL PACK / "TIMSEN-AIR" / (BOX OF 40)	AR	AR	
301	900329	CHEMICAL PACK / "INCA GOLD" / S.Q.	AR	AR	
301	900654	CHEMICAL PACK / "INCA" FORMULE 104 / S.Q.	AR	AR	
301	900893	CHEMICAL PACK / "CELESTE INDUSTRIE" / S.Q.	AR	AR	
301	900894	CHEMICAL PACK / "CELESTE INDUSTRIE" / (BOX OF 100)	AR	AR	
		WET TOWEL DISPENSER MOULDED			
302	405275	SUPPORT WET TOWEL DISPENSER	1	1	
302	405303	DISPENSER PLASTIC / WET TOWELS	1	1	
. NS	780538	. LOCK	1	1	
. . NS	780539	. . KEY / (CH751)	1	1	
302	500656	SCREW TP OV PH #6x3/4 SS	8	8	
302	680532	SEALANT SIKA #221 / GREY / 310ml CARTRIDGE	AR	AR	
		A) FIX OVER MIRROR			
		B) SOME COACH USE LOCK /504502 TO USE W/O KEY			
		C) USE WITH AUXILIAIRY SUMP TANK			
		D) ORLEAN OPTION			
		F) TO FIX CLOSING PANEL			
		H) BAUER'S TRANSPORTATION OPTION			
		O) OPTIONAL			
		S) THIS ARE RELATED WITH INSIDE SAND STONE COLOR			
		SP) SPECIAL OPTION			
		1) NOT SOLD SEPARATELY			

From K-0185	Date:07/2024	PAGE:H9-2326-01
TOILET PUMP ASSY / WITH HEATER		



From K-0185		Date:07/2024	PAGE:H9-2326-01
TOILET PUMP ASSY / WITH HEATER			

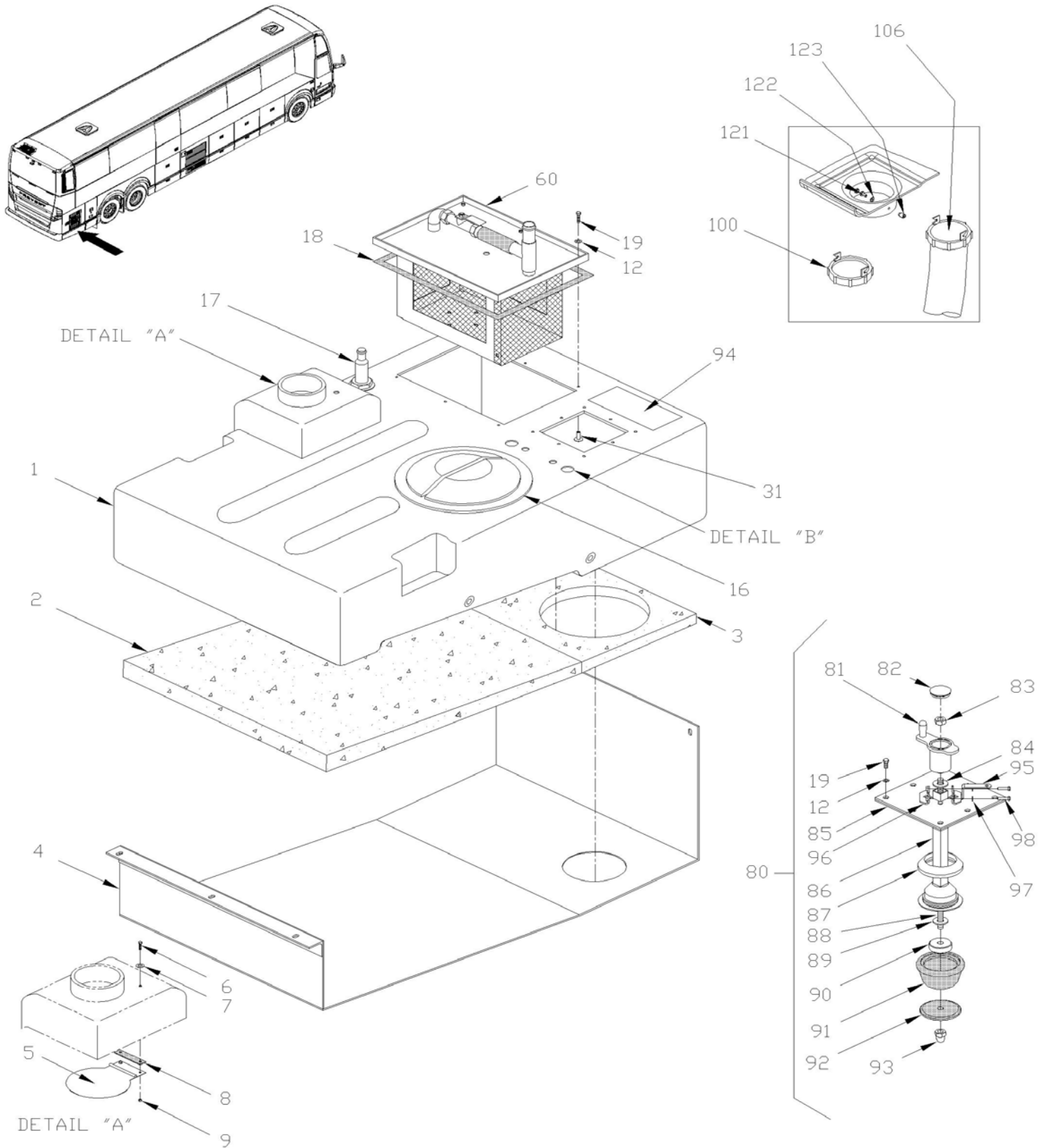
Item#	Part	Description	H 3 4 1	H 3 4 5	N O T E S
	409392P	SUMP PUMP ASSY W/BOX	1	1	
1	409384	. BOX ASSY	1	1	
2	409390	. . HEATER	1	1	
2A	680467	. . PLUG	1	1	
3	500124	. SCREW TP TR PH #8x1/2 SS	12	12	
4	504021	. HOSE CLAMP / 11/16"-1"1/2 SS / HS-16	2	2	
5	409393	. PIPE ASSY / SUMP PUMP	1	1	
7	409397	. HOSE 1" I.D. X 75MM	1	1	
7	503579	. . HOSE 1" I.D. X 50' / "GREEN STRIPE"	AR	AR	
8	5011209	. SCREW MA PAN PH #8-32x1/2 SS	4	4	
9	409387	. PROTECTION GRILL	1	1	
10	900960	. PUMP TOILET	1	1	
11	901421	. . BASE, STRAINER	1	1	
12	504323	. GROMMET / .375x.500x.062x.281x.687	1	1	
13	561566	. CONNECTOR / WEATHER PACK / PH 2C / BLACK / PED 12010973	1	1	
13	561786	. CABLE SEAL / GRAY / PED 15324980	2	2	
13	561568	. PIN TERMINAL / 16-14 / PED 12089305	2	2	
14	409401	. PROTECTION GRILL	2	2	
15	641061	. NUT / NTA FITTING / #10 BR	1	1	
16	641034	. . SLEEVE / NTA FITTING / #10 BR	1	1	
17	641001	. . MALE ELBOW 90° / NTA FITTING / #10x1/2NPT-M BR	1	1	
18	530096	. BALL VALVE 1/2" NPT 1/2 NPT F x 1/2 NPT F	1	1	
NS	680098	THREAD SEALANT LOCTITE #567 / WHITE / 250ml	AR	AR	
19	5011241	. MALE CONNECTOR / BEADED HOSE BARB / #10x1/2NPT-M BR	1	1	
20	409394	. HOSE SILICONE 1PLY 5/8" I.D. x 65MM	1	1	
20	503802	. . HOSE SILICONE 1 PLY / NOMEX-ARAMID 5/8" I.D. x 100' / S.L.	AR	AR	
21	504781	. HOSE CLAMP / 13/16"-1 5/16" SS / C.T. W.S.	3	3	
23	680532	SEALANT SIKA #221 / GREY / 310ml CARTRIDGE	AR	AR	
24	502741	. NUT AN #8 NYL	12	12	
25	502556	. WASHER FL 4.3x9.0x0.8 SS	4	4	
26	5001480	. NUT HEX NYRT #8-32 SS	4	4	
31	406552	GASKET / PUMP COVER 14 HOLES	1	1	
32	5001697	SCREW CAP HEX M6-1.0x16 SS BK	14	14	
33	500411	WASHER FL .260x.697x.050 SS	14	14	

From K-0185

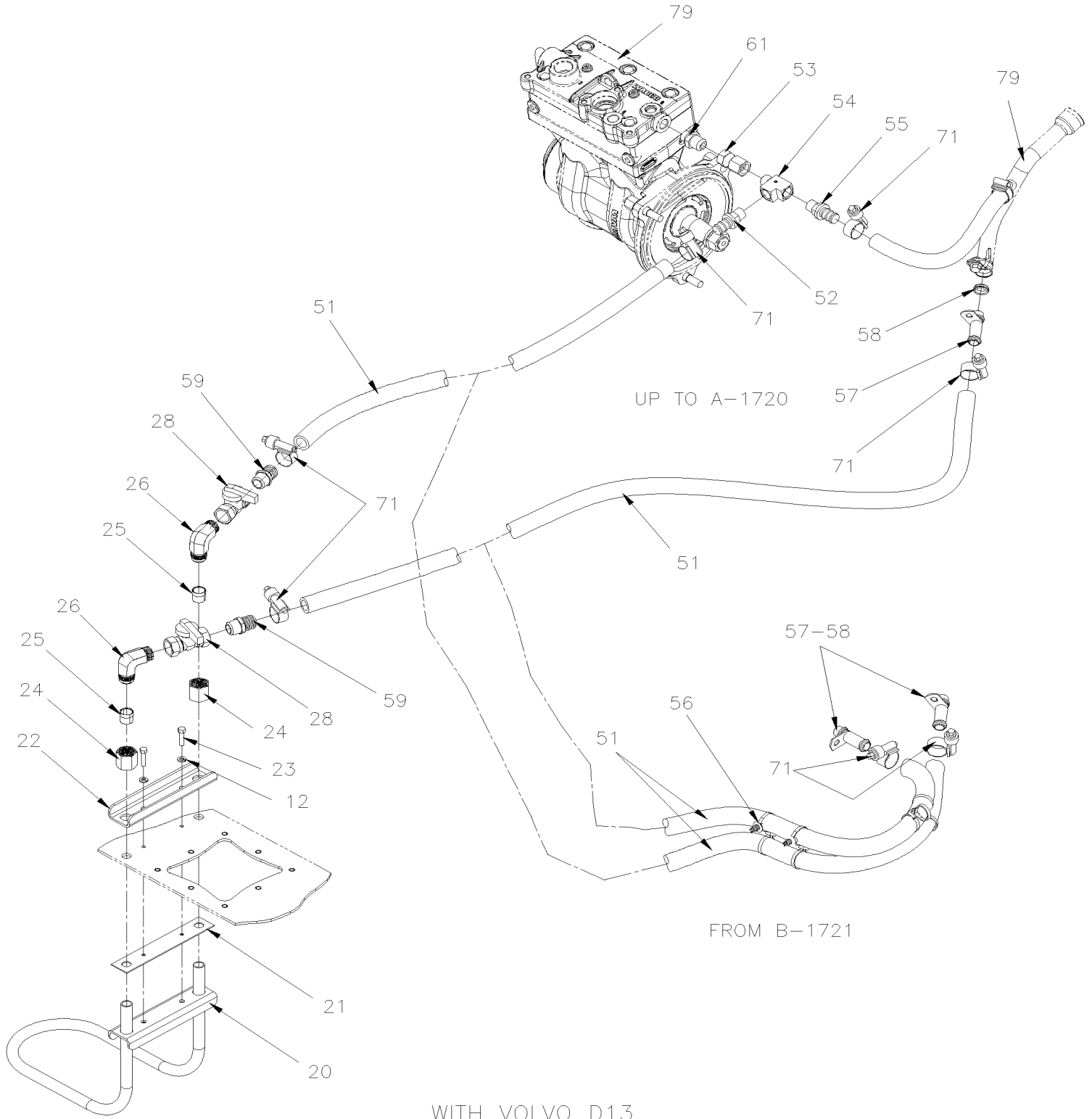
Date:07/2024

PAGE:H9-2327-00

SUMP TANK - PLASTIC 30 GALLONS



From K-0185	Date:07/2024	PAGE:H9-2327-00
SUMP TANK - PLASTIC 30 GALLONS		

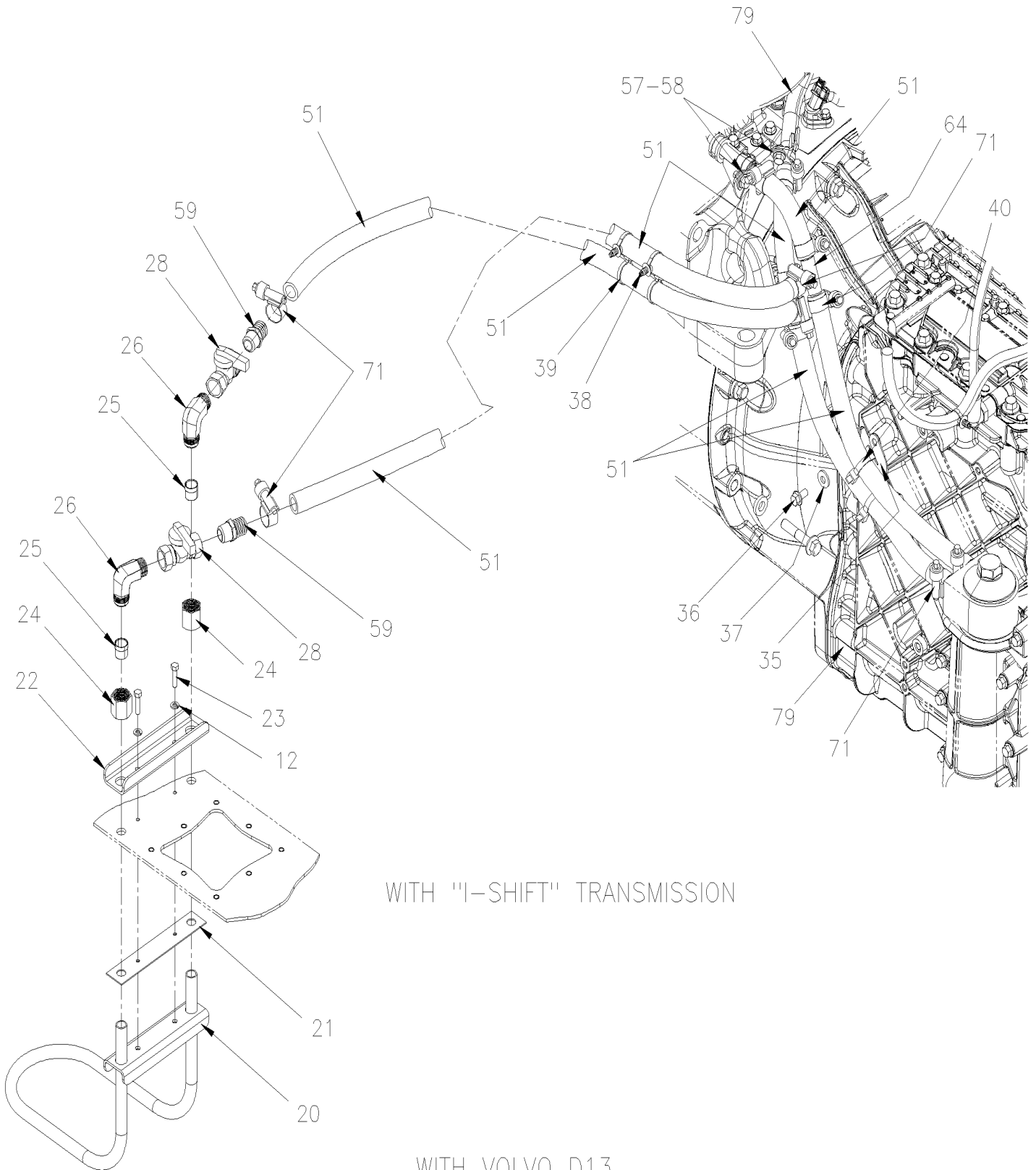


From K-0185

Date:07/2024

PAGE:H9-2327-00

SUMP TANK - PLASTIC 30 GALLONS



From K-0185		Date:07/2024	PAGE:H9-2327-00
SUMP TANK - PLASTIC 30 GALLONS			

Item#	Part	Description	H 3 4 1	H 3 4 5	N O T E S
	404781	SUMP TANK ASSY / W/O PUMP / W/HEATER	1	1	
NS	405296	SUMP TANK ASSY / USE WITH AUXILAIRY SUMP TANK	1	1	A
	403230	SUMP TANK ASSY / W/PUMP	1	1	
1	406551	SUMP TANK	1	1	
1	400071	REINFORCING RING	1	1	
1	406396	SUMP TANK	1	1	A
2	404340	INSULATOR PANEL	1	1	
3	404341	INSULATOR PANEL	1	1	
4	405685	BOTTOM PANEL	1	1	
5	404176	TRAP DOOR WELDED	1	1	
6	502622	SCREW CAP HEX M6-1.0x20 SS BK	2	2	
7	502582	WASHER LO SERR 6.1x16.2x0.9 Z050	4	4	
8	404155	GASKET	1	1	
9	502581	NUT HEX M6-1.0 Z050	2	2	
12	502570	WASHER LO SPT 6.1x11.8x1.6 SS	2	2	
16	900825	.8" CLOSED LID C/W RIM	1	1	
17	900280	THRU HULL, CONNECTOR / PLASTIC	1	1	
17	409038	GASKET	2	2	
18	406552	GASKET / PUMP COVER 14 HOLES	1	1	
19	5001697	SCREW CAP HEX M6-1.0x16 SS BK	12	12	
20	409388	HEATER ASSY	1	1	
21	404367	GASKET	1	1	
22	409389	SUPPORT PLATE	1	1	
23	502737	SCREW CAP HEX M6-1.0x25 SS BK	2	2	
24	5011027	NUT FLARELESS TUBE / JIC 37° FITTING / #10 STL	2	2	
25	5011028	FERRULE FLARELESS TUBE / JIC 37° FITTING / #10 STL	2	2	
26	5011176	MALE ELBOW 90° / JIC 37° FITTING / #10JIC-Mx1/2NPT-M STL	2	2	
28	530096	BALL VALVE 1/2" NPT 1/2 NPT F x 1/2 NPT F	2	2	
28	530096	BALL VALVE 1/2" NPT 1/2 NPT F x 1/2 NPT F	1	1	E D13
29	406484	FEMALE CONNECTOR / HOSE BARB FITTING / W/RESTRICTION / #10x1/2NPT-F BR	1	1	E D13
31	5001182	NUT HEX NYRT M6-1.0 SS	6	6	
35	071624	SUPPORT HOSE	1	1	E
36	5001780	SCREW CAP HEXF M8-1.25x16 G8.8 N500	2	2	E
37	500321	WASHER BEL SPR .331x.827x.098 N500	2	2	E
38	509815	TIE MOUNT / ATTACHMENT W/TREE MOUNT	2	2	E
39	507664	CABLE TIE / 3/16" 11" / DOUBLE LOOP HEAD	2	2	E
40	504016	CABLE TIE / 5/16" X 14"1/2	2	2	E
50	Call order desk	HOSE ASSY W/FITTING	1	1	P
51	503802	HOSE SILICONE 1 PLY / NOMEX-ARAMID 5/8" I.D. x 100' / S.L.	AR	AR	
52	501124	MALE CONNECTOR / HOSE BARB FITTING / #10x3/8NPT-M BR	1	1	
53	5001674	SWIVEL NUT FEMALE CONNECTOR /JIC 37° FITTING/ #8JIC-Fx3/8NPT-F STL	1	1	
54	501699	MALE RUN TEE / PIPE FITTING / 3/8NPT-Mx3/8NPT-Fx3/8NPT-F BR	1	1	

From K-0185		Date:07/2024	PAGE:H9-2327-00
SUMP TANK - PLASTIC 30 GALLONS			

Item#	Part	Description	H 3 4 1	H 3 4 5	N O T E S
55	501949	MALE CONNECTOR / PUSH-LOK FITTING / 3/8NPT-Mx#8 BR	1	1	
56	509815	TIE MOUNT / ATTACHMENT W/TREE MOUNT	2	2	
56	507664	CABLE TIE / 3/16" 11" / DOUBLE LOOP HEAD	4	4	
NS	504751	ROTATIF SPACER DOUBLE / SMALL	2	2	
NS	504637	CABLE TIE / 3/16" x 13"	2	2	
NS	504016	CABLE TIE / 5/16" X 14"1/2	AR	AR	
57	374358	ADAPTOR HOSE D15 TO 5/8" I.D. HOSE	2	2	
58	21532261	SEAL	1	1	
59	501942	MALE CONNECTOR / PUSH-LOK FITTING / 1/2NPT-Mx#10 BR	2	2	
59	501942	MALE CONNECTOR / PUSH-LOK FITTING / 1/2NPT-Mx#10 BR	1	1	E D13
60	H9-2326-01	TOILET PUMP ASSY / WITH HEATER			
61	641294	MALE CONNECTOR / JIC 37° FITTING / #8JIC-MxM16-1.5-M STL	2	2	
. NS	641297	. O-RING 13.1MM I.D. X 2.6 TH	1	1	
. NS	641298	. WASHER FL 17MM I.D x 22MM O.D. x 1.5MM	1	1	
64	Call order desk	ADAPTOR TEE 5/8"IDx5/8"IDx5/8"ID	2	2	P E
64	Call order desk	ADAPTOR TEE 5/8"IDx5/8"IDx5/8"ID	2	2	P E
71	992084	HOSE CLAMP / 23MM/35MM	AR	AR	
71	504704	HOSE CLAMP / 3/4"-15/16" / C.T.	AR	AR	H
72	404427	HOSE / HEATER & ENGINE / 3/4" I.D. 1260MM	1	1	
73	402618	HOSE / HEATER & ENGINE / 3/4" I.D. 960MM	1	1	
73	503523	. HOSE SILICONE 1PLY 3/4" I.D. x 100' / S.L.	AR	AR	
74	507605	MALE CONNECTOR / HOSE BARB FITTING / #12x1/2NPT-M BR	3	3	
77	501528	STREET ELBOW 45° / PIPE FITTING / 1/2NPT-Mx1/2NPT-F BR	1	1	
79	VOLVO	VOLVO ENGINE D-13			
80	404948P	EMPTYING PLUG ASSY	1	1	
81	405446	. CRANK W/FLANGE	1	1	
82	689948	. HOLE PLUG / 1.25OD X .125 NYL BK	1	1	
83	502567	. NUT HEX M10-1.5 SS	1	1	
84	509802	. WASHER FL .500x1.125x.081 BR	2	2	
85	407499	. PLATE ASSY / W/22MM SQ HOLE	1	1	
. NS	407497	. . PLATE	1	1	
. NS	407498	. . SEAL RUBBER / W/22MM SQ HOLE	1	1	
. NS	407496	. . SEAL RETAINER FORMER ONE PIECE	1	1	
. NS	409262	. . SEAL RETAINER CURRENT TWO PIECES	2	2	
. NS	504643	. . RIVET POP DOME OE 1/8x1/2 SS	4	4	
86	409257	. TUBE PLASTIC	1	1	
87	409256	. CLAMPING RING	1	1	
88	407495	. ROD	1	1	
89	5001443	. WASHER FL 10.3x38.0x3.0 SS	1	1	
91	409989	. PLUG RUBBER	1	1	
92	404959	. WASHER, CONIC	1	1	

From K-0185		Date:07/2024	PAGE:H9-2327-00
SUMP TANK - PLASTIC 30 GALLONS			

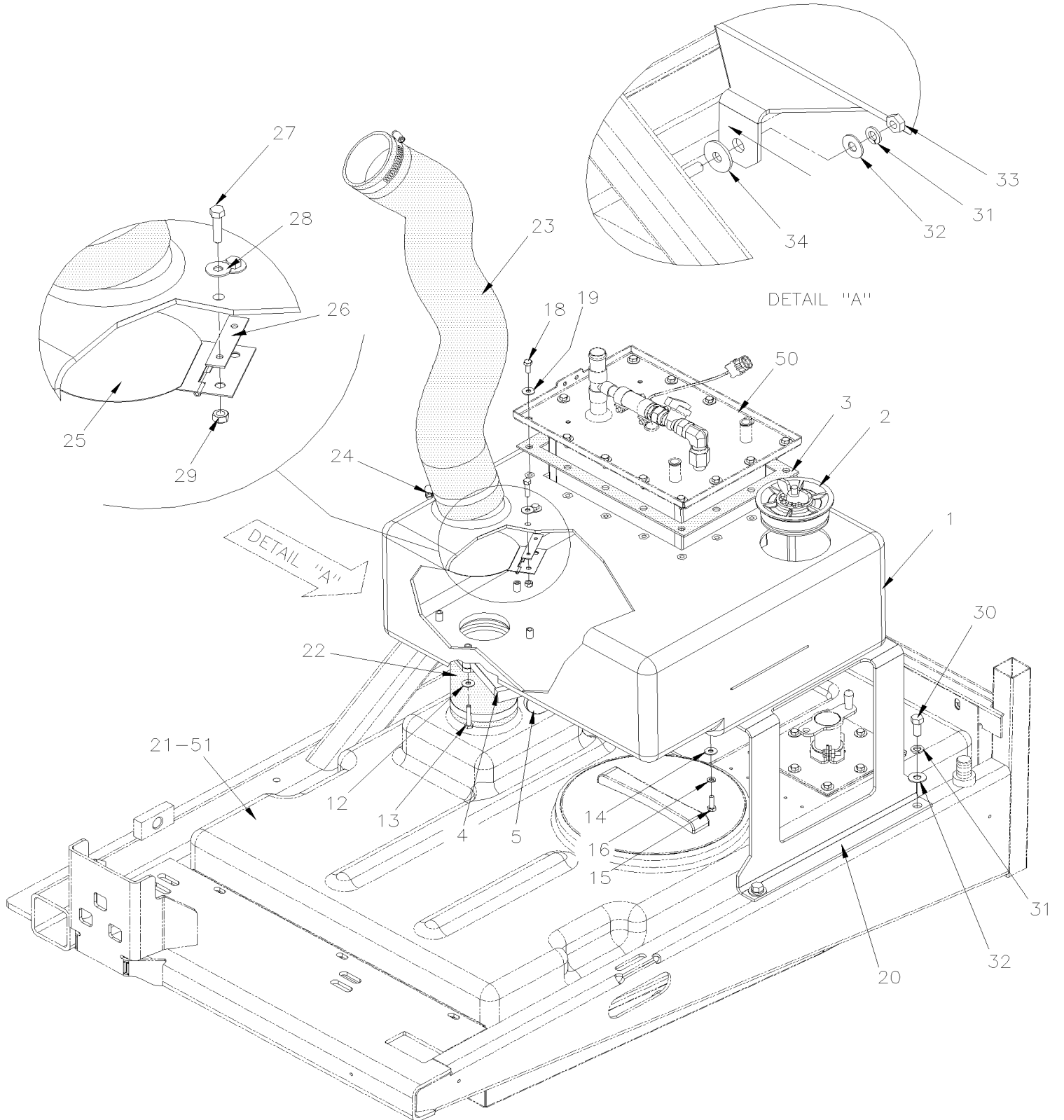
Item#	Part	Description	H 3 4 1	H 3 4 5	N O T E S
93	5001511	. NUT HEX CAP M10-1.5 SS	1	1	
94	405194	DECAL "OPENING & CLOSING SUMP TANK PICTOGRA	1	1	
95	405438	COLLAR ASSY W/NUT	1	1	
96	405436	COLLAR ASSY W/NUT	1	1	
97	502570	WASHER LO SPT 6.1x11.8x1.6 SS	2	2	
98	5001165	SCREW CAP HEX M6-1.0x20 SS EMN	2	2	
100	900520	CAP	1	1	
106	900525	HOSE SUMP TANK	1	1	
121	500557	SCREW MA PAN PH #8-32x3/8 SS	2	2	
122	502556	WASHER FL 4.3x9.0x0.8 SS	2	2	
123	405827	ADAPTOR WITH SPECIAL NUT / TO FIX DUMP HOSE	2	2	
NS	IS23528	SEPTIC TANK OUTLET ADAPTERS	1	1	B
. NS	405827	. ADAPTOR WITH SPECIAL NUT / TO FIX DUMP HOSE	2	2	B
. NS	500557	. SCREW MA PAN PH #8-32x3/8 SS	2	2	B
. NS	502556	. WASHER FL 4.3x9.0x0.8 SS	2	2	B
		A) USE WITH OPTION AUXILIARY TANK OVER SEE PAGE H7-2327-10			
		B) SEE IS-23528 FOR ALL DETAILS			
		D13) WITH D13 "VOLVO" ENGINE ONLY			
		E) WITH "I-SHIFT" TRANSMISSION			
		H) WITH OPTION "OETIKER" HOSE CLAMP			
		P) CALL ORDER DESK FOR SPECIFIC APPLICATION (V.I.N.)			

From K-0185

Date:07/2024

PAGE:H9-2327-10

SUMP TANK - AUXILIARY 13 GALLONS

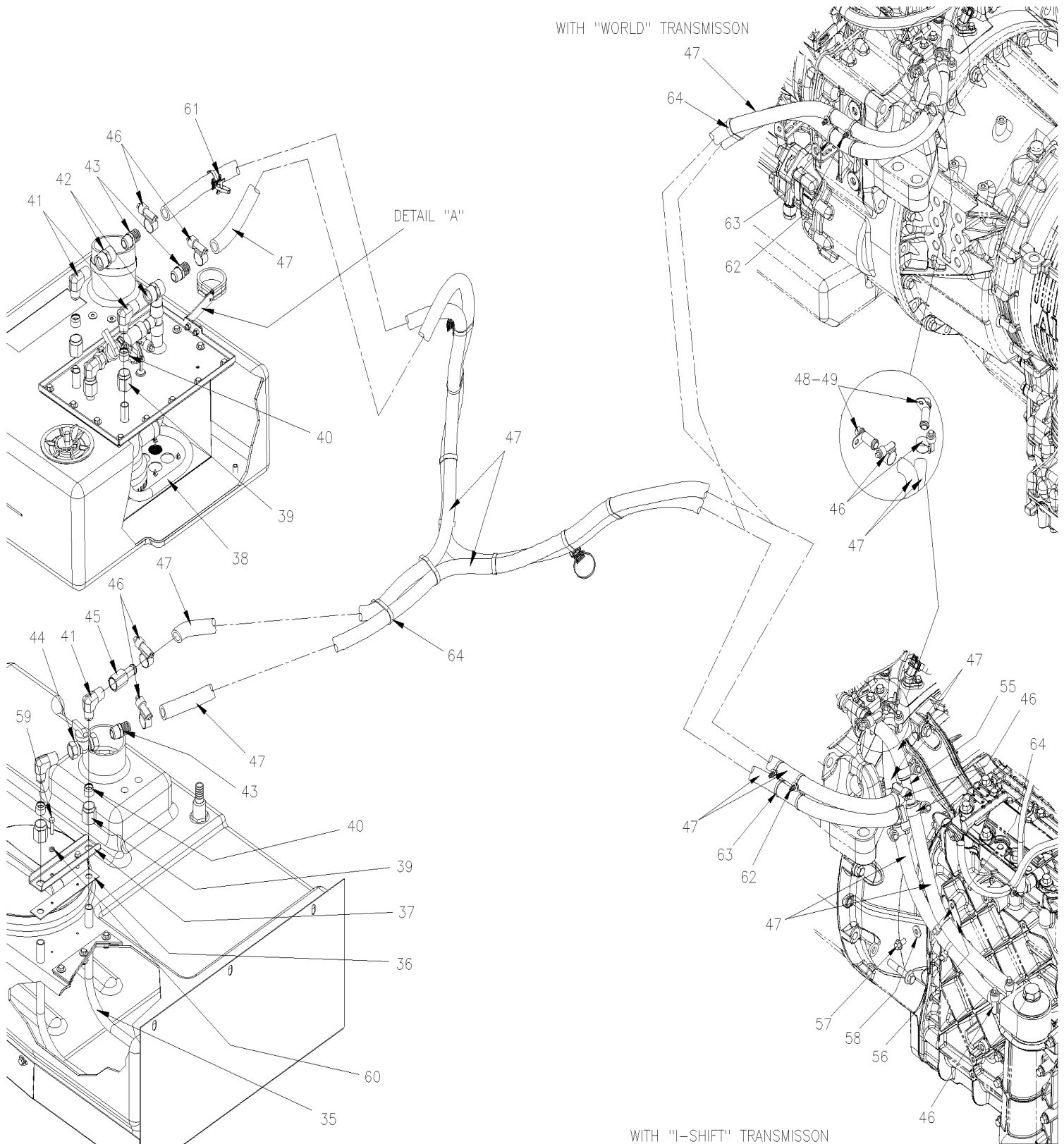


From K-0185

Date:07/2024

PAGE:H9-2327-10

SUMP TANK - AUXILIARY 13 GALLONS

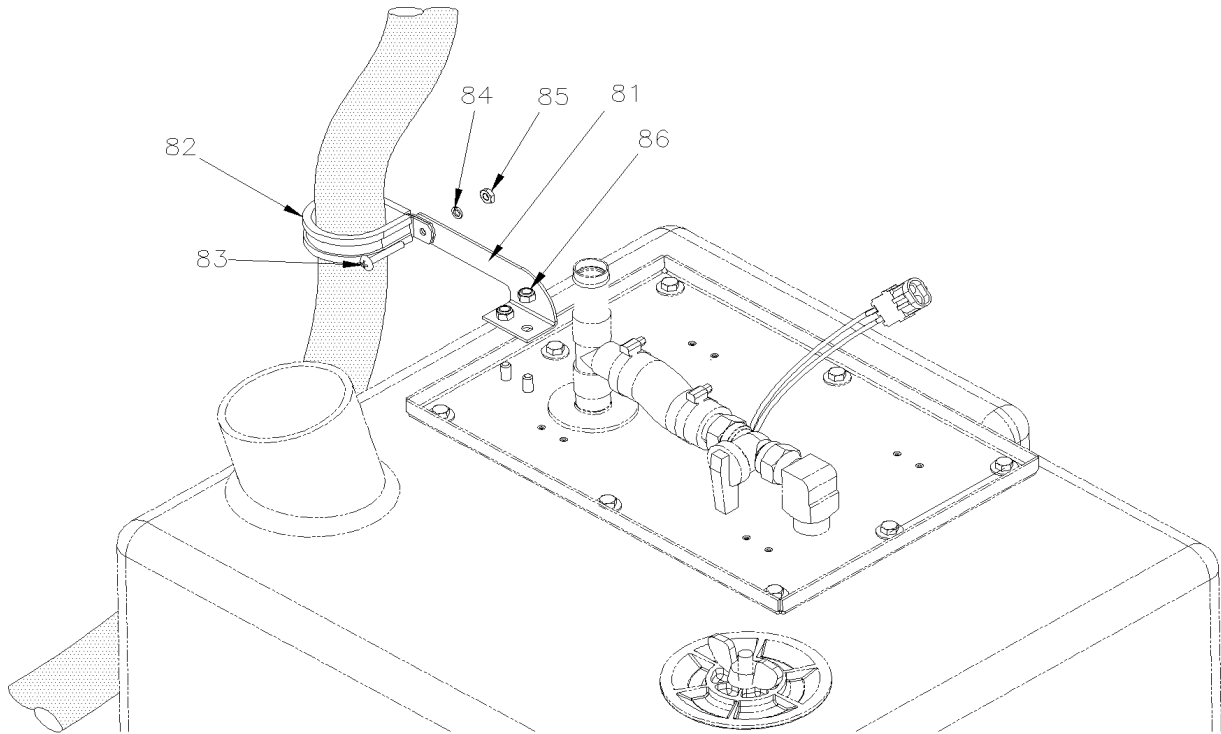


From K-0185

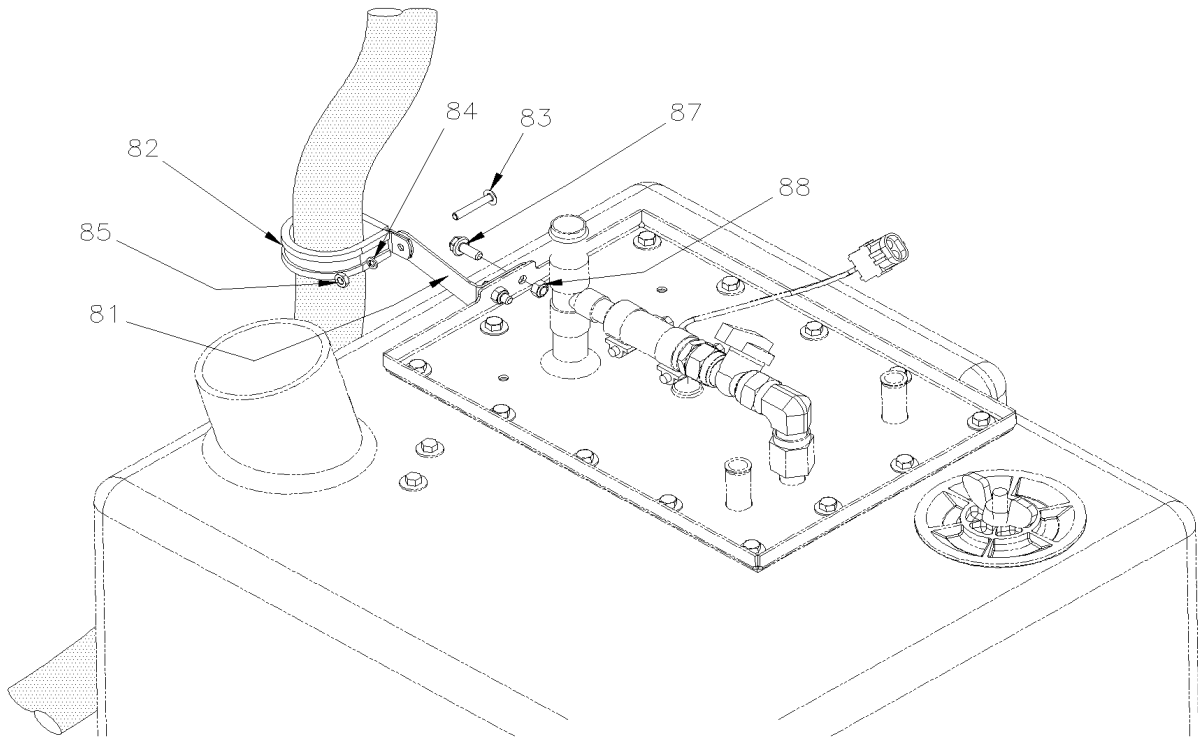
Date:07/2024

PAGE:H9-2327-10

SUMP TANK - AUXILIARY 13 GALLONS



DETAIL "A"
UP TO D-2122



DETAIL "A"
FROM D-2123

From K-0185		Date:07/2024	PAGE:H9-2327-10
SUMP TANK - AUXILIARY 13 GALLONS			

Item#	Part	Description	H 3 4 1	H 3 4 5	N O T E S
1	406550	SUMP TANK AUXILIARY PLASTIC	1	1	A
1	400071	. REINFORCING RING	1	1	
1	IS23521	KIT, AUX. SEPTIC TANK INSTALLATION	1	1	C
2	504702	CAP To P-1276	1	1	
2	504280	CAP / SS From P-1277	1	1	
3	406552	GASKET / PUMP COVER 14 HOLES	1	1	
4	900195	THREADED VALVE ASSY W/HANDLE	1	1	
5	N.S.S.	HOSE FLEXIBLE 3 1/2" I.D. X 140MM	1	1	1
12	5001833	WASHER BEL SPR 6.1x18x1.27 SS	4	4	
13	502888	SCREW CAP HEX M6-1.0x35 G8.8 N500	4	4	
14	500411	WASHER FL .260x.697x.050 SS	4	4	
15	502622	SCREW CAP HEX M6-1.0x20 SS BK	4	4	
16	502570	WASHER LO SPT 6.1x11.8x1.6 SS	4	4	
18	5001697	SCREW CAP HEX M6-1.0x16 SS BK	AR	AR	
19	500411	WASHER FL .260x.697x.050 SS	AR	AR	
20	405107	SUPPORT TANK / W/PLASTIC TANK	1	1	
21	406396	SUMP TANK	1	1	
22	405050	HOSE FLEXIBLE 3 1/2" I.D. X 140MM	1	1	
23	406464	HOSE FLEXIBLE 3 1/2" I.D. X 745MM To K-0323	1	1	
23	400635	HOSE FLEXIBLE 3 1/2" I.D. X 535MM From K-0324	1	1	
24	504580	HOSE CLAMP / 3"1/4-4"1/8 / C.T. 400	4	4	
25	404176	TRAP DOOR WELDED	1	1	
26	404155	GASKET	1	1	
27	502737	SCREW CAP HEX M6-1.0x25 SS BK	2	2	
28	500411	WASHER FL .260x.697x.050 SS	2	2	
29	5001182	NUT HEX NYRT M6-1.0 SS	2	2	
30	502655	SCREW CAP HEX M10-1.5x25 SS BK	2	2	
31	502616	WASHER LO SPT 10.2x18.1x2.2 SS	3	3	
32	500270	WASHER FL .406x1.000x.063 SS	3	3	
33	502567	NUT HEX M10-1.5 SS	1	1	
34	5001417	WASHER FL 11.0x34.0x3.0 SS	1	1	
35	409388	HEATER ASSY			
36	404367	GASKET	1	1	
37	409389	SUPPORT PLATE	1	1	
38	409390	HEATER	1	1	
39	5011027	NUT FLARELESS TUBE / JIC 37° FITTING / #10 STL	4	4	
40	5011028	FERRULE FLARELESS TUBE / JIC 37° FITTING / #10 STL	4	4	
41	5011176	MALE ELBOW 90° / JIC 37° FITTING / #10JIC-Mx1/2NPT-M STL	4	4	
42	501529	COUPLING / PIPE FITTING / 1/2NPT-Fx1/2NPT-F BR	2	2	
43	501942	MALE CONNECTOR / PUSH-LOK FITTING / 1/2NPT-Mx#10 BR	3	3	
NS	680098	THREAD SEALANT LOCTITE #567 / WHITE / 250ml	AR	AR	
44	530096	BALL VALVE 1/2" NPT 1/2 NPT F x 1/2 NPT F	1	1	

From K-0185		Date:07/2024	PAGE:H9-2327-10
SUMP TANK - AUXILIARY 13 GALLONS			

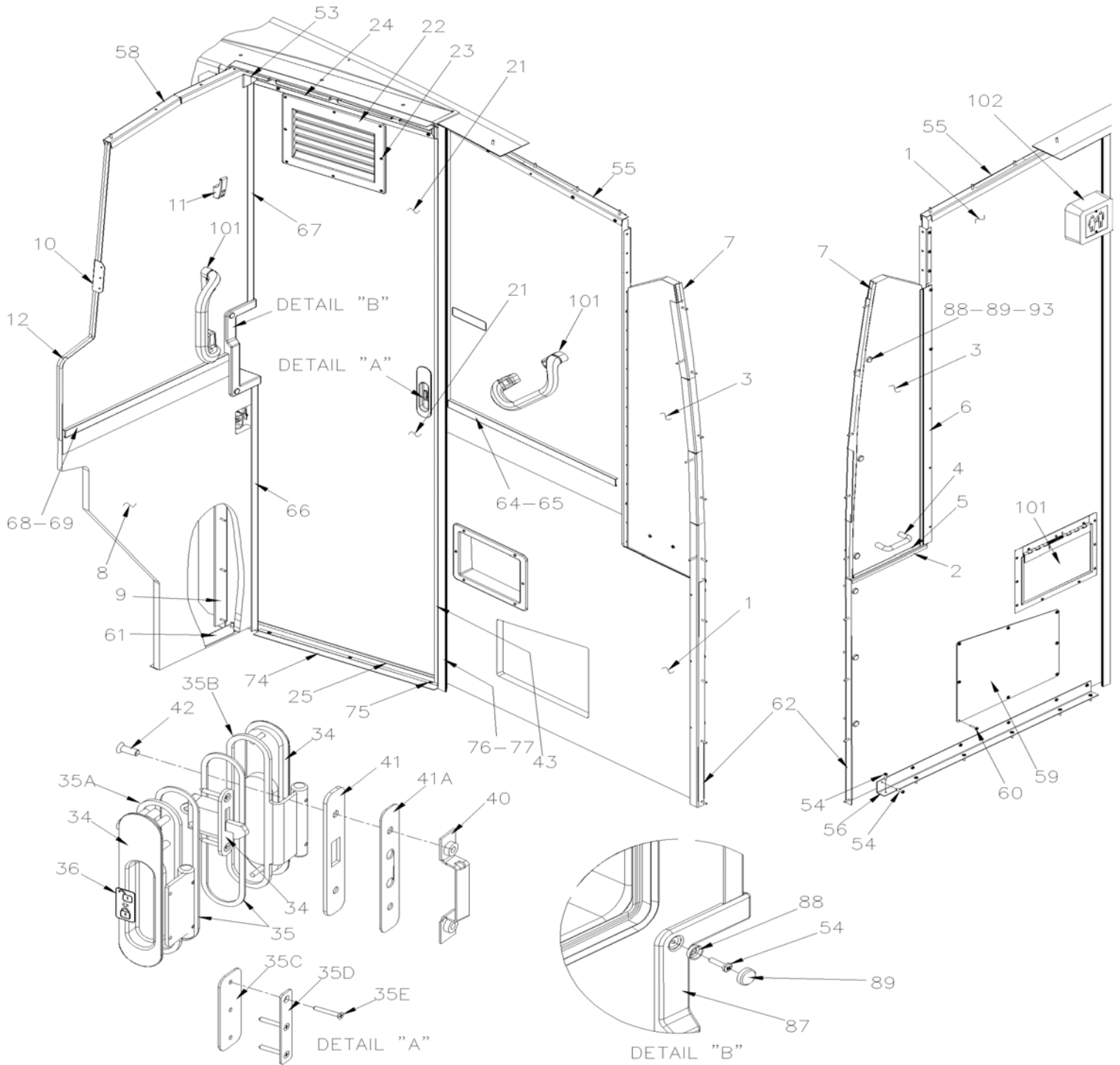
Item#	Part	Description	H 3 4 1	H 3 4 5	N O T E S
45	406484	FEMALE CONNECTOR / HOSE BARB FITTING / W/RESTRICTION / #10x1/2NPT-F BR	1	1	
46	504781	HOSE CLAMP / 13/16"-1 5/16" SS / C.T. W.S.	AR	AR	
46	504693	HOSE CLAMP STEPLESS SPRING SS / OETIKER / .94-1.1	AR	AR	E
47	503802	HOSE SILICONE 1 PLY / NOMEX-ARAMID 5/8" I.D. x 100' / S.L.	AR	AR	
48	21532261	SEAL	1	1	
49	374358	ADAPTOR HOSE D15 TO 5/8" I.D. HOSE	2	2	
50	H9-2326-01	TOILET PUMP ASSY / WITH HEATER			
51	H9-2327-00	SUMP TANK - PLASTIC 30 GALLONS			
55	Call order desk	ADAPTOR TEE 5/8"IDx5/8"IDx5/8"ID	2	2	P
56	071624	SUPPORT HOSE	1	1	
57	5001780	SCREW CAP HEXF M8-1.25x16 G8.8 N500	2	2	
58	500321	WASHER BEL SPR .331x.827x.098 N500	2	2	
59	502737	SCREW CAP HEX M6-1.0x25 SS BK	2	2	
60	502570	WASHER LO SPT 6.1x11.8x1.6 SS	2	2	
61	504751	ROTATIF SPACER DOUBLE / SMALL	3	3	
62	509815	TIE MOUNT / ATTACHMENT W/TREE MOUNT	2	2	
63	507664	CABLE TIE / 3/16" 11" / DOUBLE LOOP HEAD	2	2	
63	504768	CABLE TIE / 3/16" 14.7" / DOUBLE LOOP HEAD	2	2	
64	504016	CABLE TIE / 5/16" X 14"1/2	AR	AR	
64	504637	CABLE TIE / 3/16" x 13"	AR	AR	
81	409386	SUPPORT A/C HOSE / FIXED AT AUX SUMP TANK	1	1	
82	562060	CLAMP / 1 3/4" I.D.	1	1	
83	500574	SCREW MA TR PH #10-24x1 1/4 SS	1	1	
84	500914	WASHER LO SPT .193x.334x.047 N500	1	1	
85	502841	NUT HEX NYRT M5-0.8 N500	1	1	
86	502681	NUT HEX NYRT M6-1.0 N500 G8	2	2	
87	5001730	SCREW CAP HEXF M6-1.0x16 G10.9 N500	2	2	
88	5001182	NUT HEX NYRT M6-1.0 SS	2	2	
NS	405205	KIT, RETROFIT AUXILIARY SUMP TANK ASSY	1	1	
. NS	IS-00005	. SEE INSTRUCTION SHEET	1	1	
		A) FOR RETROFIT THIS OPTION YOU REQUIRE KIT # 405205			
		C) SEE IS-23521 FOR ALL DETAILS			
		E) WITH OPTION "OETIKER" HOSE CLAMP			
		1) NOT SOLD SEPARATELY			
		P) CALL ORDER DESK FOR SPECIFIC APPLICATION (V.I.N.)			

From K-0185 To P-1297

Date:07/2024

PAGE:H9-2328-00

LAVATORY WALL - INSTALLATION WITH SLIDING DOOR

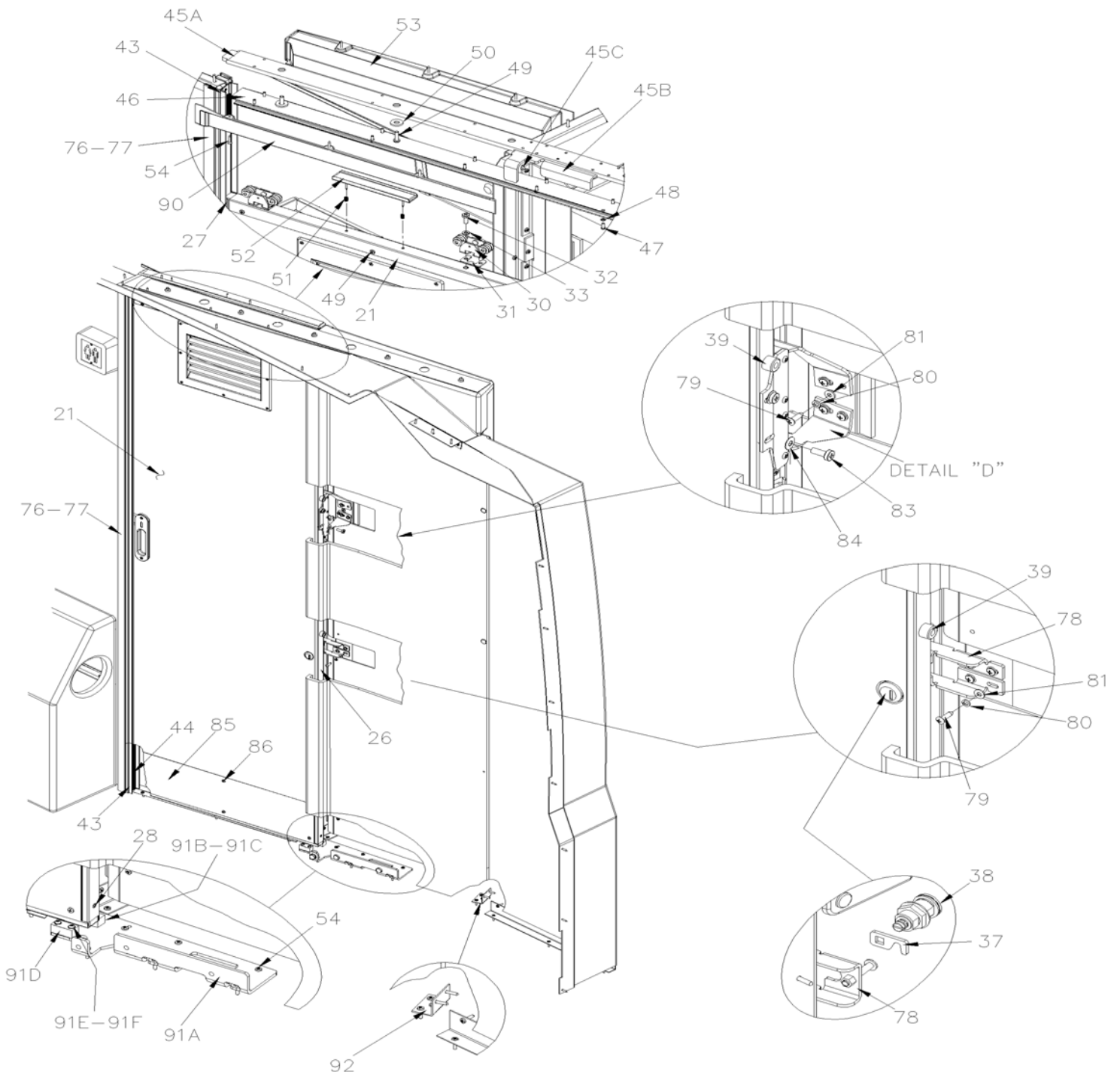


From K-0185 To P-1297

Date:07/2024

PAGE:H9-2328-00

LAVATORY WALL - INSTALLATION WITH SLIDING DOOR

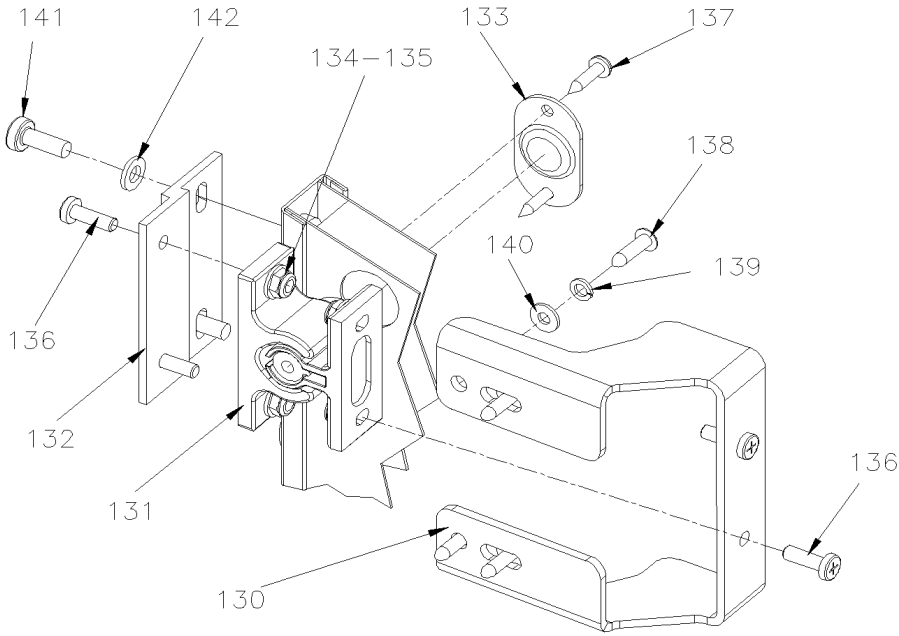


From K-0185 To P-1297

Date:07/2024

PAGE:H9-2328-00

LAVATORY WALL - INSTALLATION WITH SLIDING DOOR



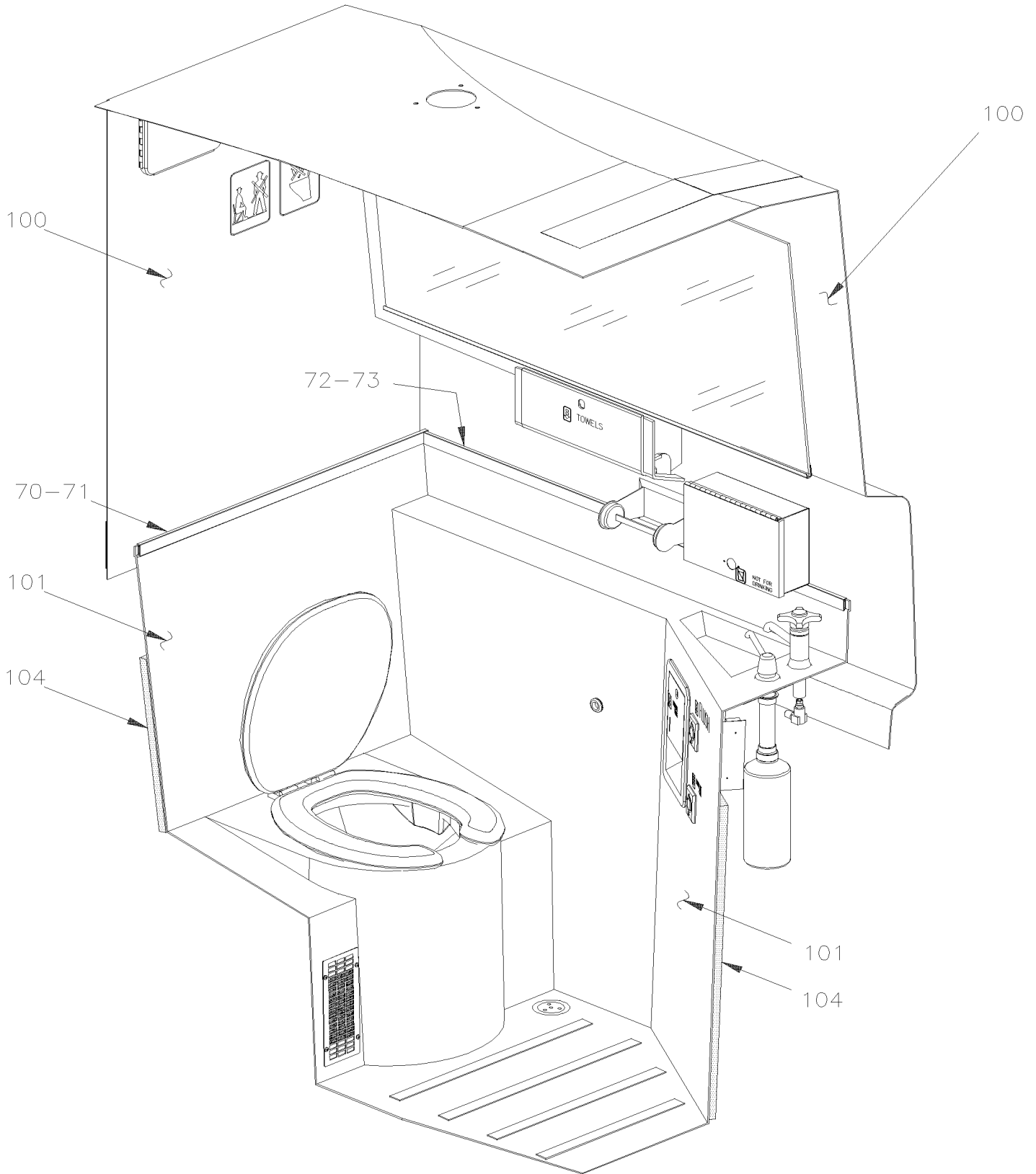
DETAIL "D"

From K-0185 To P-1297

Date:07/2024

PAGE:H9-2328-00

LAVATORY WALL - INSTALLATION WITH SLIDING DOOR



From K-0185 To P-1297	Date:07/2024	PAGE:H9-2328-00
LAVATORY WALL - INSTALLATION WITH SLIDING DOOR		

Item#	Part	Description	H 3 4 1	H 3 4 5	N O T E S
1	406244	FRONT WALL ASSY / LAVATORY / SPECIFY COLOR	1	1	
1	Call order desk	FRONT WALL ASSY / LAVATORY / SPECIFY COLOR WITH SPEAKER	1	1	P
1	Call order desk	FRONT WALL ASSY / LAVATORY / SS	1	1	PH
1	Call order desk	FRONT WALL ASSY / LAVATORY / GREY		1	PJ
1	Call order desk	FRONT WALL ASSY / LAVATORY / "TISSUS" W/"LOGO"		1	P
1	401038	FRONT WALL ASSY / LAVATORY / SPECIFY COLOR W/GALLEY From K-0539	1	1	SP
1	509908	. FORMICA SAND To K-0484	1	1	
1	508396	. FORMICA GREY .038"x48"x96" From K-0485	1	1	
1	509908	. FORMICA SAND From K-0485	1	1	O
1	500641	. SCREW TP PAN PH #8x3/4 Z050	3	3	
1	400337	. PANEL ASSY SS	1	1	H
1	5000328	. NUT AN INS THREADED M6-1.0x20MM	AR	AR	
1	400425	. PANEL ASSY GREY		1	J
1	Call order desk	. COVERING FRONT WALL / LAVATORY / "TISSUS" W/"LOGO" / EMBROIDERED	1	1	P
2	405999	. ANGLE, FINISHING / MIDNIGHT CHARCOAL	1	1	
NS	406047	SPACER ASSY / FRONT WALL / FORMICA SAND To K-0484	1	1	
NS	400456	SPACER ASSY / FRONT WALL / FORMICA GREY To K-0484		1	J
2	400456	SPACER ASSY / FRONT WALL / FORMICA GREY From K-0485	1	1	
2	406047	SPACER ASSY / FRONT WALL / FORMICA SAND From K-0485	1	1	O
3	Call order desk	CLOSING PANEL ASSY / WATER TANK / SPECIFY COLOR / SAND To K-0484	1	1	P
3	Call order desk	CLOSING PANEL ASSY / WATER TANK / SPECIFY GREY To K-0484	1	1	PR
3	Call order desk	CLOSING PANEL ASSY / WATER TANK / SPECIFY COLOR / SAND From K-0485	1	1	PO
3	Call order desk	CLOSING PANEL ASSY / WATER TANK / SPECIFY GREY From K-0485	1	1	PR
3	509908	. FORMICA SAND	1	1	
4	900568	. HANDLE / DOOR	1	1	
NS	500575	. SCREW TP PAN PH #8x1 1/4	2	2	
5	406024	. ANGLE, FINISHING / LOWER / MIDNIGHT CHARCOAL	1	1	
6	406025	. MOULDING, FINISHING / SIDE / MIDNIGHT CHARCOAL	1	1	
7	406096	CORD FILLING / WALL CAP OPTION "RED ARROW" CORD FILLING / WALL CAP OPT	1	1	
8	Call order desk	SIDE WALL ASSY / LAVATORY	1	1	P
8	Call order desk	SIDE WALL ASSY / LAVATORY / GREY		1	PJ
8	Call order desk	SIDE WALL ASSY / LAVATORY / SS	1	1	PH
8	Call order desk	. WALL ASSY GREY To K-0484		1	PJ
8	Call order desk	. WALL ASSY To K-0484	1	1	P
8	Call order desk	. WALL ASSY GREY From K-0485	1	1	P
8	Call order desk	. WALL ASSY From K-0485	1	1	PO
8	Call order desk	. WALL ASSY SS	1	1	PH
9	400359	. REINFORCEMENT	1	1	
10	406393	SUPPORT / WALL	1	1	
NS	500965	. SCREW TC BDG PH #8-32x1/2 N500	3	3	
11	900065	. HOOK / COAT	1	1	
11	900066	. CAP, COAT HOOK	1	1	

From K-0185 To P-1297	Date:07/2024	PAGE:H9-2328-00
LAVATORY WALL - INSTALLATION WITH SLIDING DOOR		

Item#	Part	Description	H 3 4 1	H 3 4 5	N O T E S
12	406398	. CORD FILLING / WALL CAP / BLACK / 1020MM	1	1	
21	Call order desk	SLIDING DOOR ASSY / SS			P H
21	Call order desk	SLIDING DOOR ASSY / GREY			P
21	400531	SLIDING DOOR ASSY / TAN W/TISSUS			
NS	509908	. FORMICA SAND	1	1	
21	508396	FORMICA GREY .038"x48"x96"	AR	AR	
NS	506191	. TAPE RUB ADH1 CC POL 1/8" x 1/4" x 50' / GREY 2520X	AR	AR	
21	820604	. FLOOR COVERING GAYA WOOD #4521 YELLOSTONE 568MM x 1888MM		1	G
22	406009	. GRILL, VENT / MIDNIGHT CHARCOAL	1	1	
23	500624	SCREW TP OV PH #6x1/2 Z050	AR	AR	
24	406004	. MOULDING UPPER DOOR / MIDNIGHT CHARCOAL / 560MM SS	1	1	
25	406006	. MOULDING LOWER DOOR / MIDNIGHT CHARCOAL / 572MM SS	1	1	
26	406005	. MOULDING SS STREETSIDE DOOR / MIDNIGHT CHARCOAL	1	1	
26	500805	. WASHER FL .218x.875x.062 N500	4	4	
26	500637	. SCREW TP PAN PH #8x1 1/2 Z050	4	4	
27	400535	. MOULDING SS CURBSIDE DOOR / MIDNIGHT CHARCOAL	1	1	
28	500495	. SCREW TP PAN PH #6x1 Z050	AR	AR	
30	901215	. ROLLER ASSY	1	1	
31	408164	. SPACER 14G / ROLLER	AR	AR	
32	502817	. SCREW MA PAN PH M6-1.0x16 N500	4	4	
33	5001432	. WASHER LO INT .256x.478x.028 SS 410	4	4	
34	901221	. HANDLE LAVATORY DOOR	1	1	
35	400534	. SPACER 14G / LAVATORY DOOR HANDLE	2	2	I
35A	409315	. LAVATORY DOOR HANDLE / W/1/2" O.D. GRIP INTERIOR	1	1	I
35B	409316	. LAVATORY DOOR HANDLE / W/1/2" O.D. GRIP EXTERIOR	1	1	I
35C	409309	. RUBBER, ANTI-VIBRATION	1	1	I
35D	409308	. PLATE, ANTI-VIBRATION	1	1	I
35E	500435	. SCREW TP FL PH #6x1 Z050	3	3	I
36	408192	. DECAL / LAVATORY LOCK, BILINGUAL	1	1	
37	408173	. PIVOT LOCK / ON LAVATORY DOOR	1	1	
38	780745	. CYLINDER LOCK BODY	1	1	
39	5001168	. BUMPER RUBBER / .750 OD x .562 TH x .187 HOLE To K-0337	1	1	
39	5002023	. BUMPER NEOPRENE / .750 OD x .562 TH x .187 HOLE From K-0338	1	1	
40	400174	. ATTACHMENT PLATE W/NUT M6-1.0	1	1	
41	408200	. PLATE CATCH FOR DOOR LOCK 25MM X 140MM	1	1	
41A	409284	. RUBBER STRIP	1	1	
42	5001198	. SCREW MA FL PH M6-1.0x16 Z050	2	2	
43	400362	. MOULDING / WALL SS	1	1	
44	506001	TAPE RUB ADH1 CC POL 1/8" x 3/4" x 50' / GREY 2520X	AR	AR	
45	Call order desk	SUPPORT "T" TRACK ASSY / UPPER DOOR	1	1	P
45A	400358	. SUPPORT "T" TRACK	1	1	
45B	328319	. SUPPORT WALL COVERING DOOR	1	1	

From K-0185 To P-1297	Date:07/2024	PAGE:H9-2328-00
LAVATORY WALL - INSTALLATION WITH SLIDING DOOR		

Item#	Part	Description	H 3 4 1	H 3 4 5	N O T E S
45C	500371	. SCREW MA FL PH M4-0.7x8 N500	6	6	
NS	680038	. THREAD LOCKER LOCTITE #243 / BLUE / 50ml	AR	AR	
46	408153	TRACK "T" 1010MM	1	1	
47	500344	SCREW MA RND PH M4-0.7x12 Z050	12	12	
48	502636	WASHER LO SPT 4.1x7.6x0.9 Z050	12	12	
49	502626	SCREW MA PAN PH M6-1.0x20 N500	5	5	
50	502564	WASHER LO SPT 6.1x11.8x1.6 Z050 To L-1081	5	5	
50	5001608	WASHER BEL SPR 6.2x15.0x0.7 G500 From L-1082	5	5	
51	502162	SPRING COMPRESSION / .240 O.D. x .312 x .026	1	1	
52	406971	BRAKE DOOR ASSY W/CARPET	1	1	
53	406044	CAP PROTECTOR TRACK INSIDE LAVATORY TAN To K-0484	1	1	
53	400418	CAP PROTECTOR TRACK INSIDE LAVATORY GREY To K-0484		1	J
53	400418	CAP PROTECTOR TRACK INSIDE LAVATORY GREY From K-0485	1	1	
53	406044	CAP PROTECTOR TRACK INSIDE LAVATORY TAN From K-0485	1	1	
54	500641	SCREW TP PAN PH #8x3/4 Z050	AR	AR	
55	408235	MOULDING "U" TAN / 22MM X 25MM X 592MM To K-0484	1	1	
55	400420	MOULDING "U" GREY / 22MM X 25MM X 592MM To K-0484	1	1	J
55	400420	MOULDING "U" GREY / 22MM X 25MM X 592MM From K-0485	1	1	
55	408235	MOULDING "U" TAN / 22MM X 25MM X 592MM From K-0485	1	1	O
NS	504114	RIVET POP DOME OE 3/16x1/4 AL	14	14	
56	408139	ANGLE 741MM	1	1	
58	406391	MOULDING "U" 22MM X 25MM X 433MM To K-0484	1	1	
58	400423	MOULDING "U" GREY / 22MM X 25MM X 433MM To K-0484		1	J
58	400423	MOULDING "U" GREY / 22MM X 25MM X 433MM From K-0485	1	1	
58	406391	MOULDING "U" 22MM X 25MM X 433MM From K-0485	1	1	O
59	404756	CLOSING PLATE / TRAP ACCESS	AR	AR	
60	500640	SCREW TP PAN PH #6x3/4 Z050	AR	AR	
61	406392	ANGLE 25MM X 38MM X 120MM	1	1	
62	403144	ANGLE 20MM X 25MM X 1715MM / FIXED AT WINDOW POST VOOIR	1	1	
64	408147	MOULDING RETAINER / 545MM (21 7/16")	1	1	
65	406132	MOULDING CAP / GREY MIDNIGHT CHARCOAL 570MM / 22 7/16"	1	1	
66	406394	MOULDING "U" / TAN / 807MM SS To K-0484	1	1	
66	400417	MOULDING "U" / GREY / 807MM SS To K-0484		1	J
66	400417	MOULDING "U" / GREY / 807MM SS From K-0485	1	1	
66	406394	MOULDING "U" / TAN / 807MM SS From K-0485	1	1	O
67	406395	MOULDING "U" / TAN / 870MM SS To K-0484	1	1	
67	400427	MOULDING "U" / GREY / 870MM SS To K-0484		1	J
67	400427	MOULDING "U" / GREY / 870MM SS From K-0485	1	1	
67	406395	MOULDING "U" / TAN / 870MM SS From K-0485	1	1	O
68	408193	MOULDING RETAINER / 520MM (20 1/2")	1	1	
69	406035	MOULDING CAP / GREY MIDNIGHT CHARCOAL 550MM / 21 7/8"	1	1	
70	403115	MOULDING RETAINER / 733MM (28 7/8")	1	1	

From K-0185 To P-1297	Date:07/2024	PAGE:H9-2328-00
LAVATORY WALL - INSTALLATION WITH SLIDING DOOR		

Item#	Part	Description	H 3 4 1	H 3 4 5	N O T E S
71	406036	MOULDING CAP / GREY MIDNIGHT CHARCOAL 739MM / 29 1/8"	1	1	
72	403116	MOULDING RETAINER / 1081MM (42 1/2")	1	1	
73	406038	MOULDING CAP / GREY MIDNIGHT CHARCOAL 1085MM / 42 5/8"	1	1	
74	408143	FLOOR MOULDING / COVERING & TOILET	1	1	
75	500641	SCREW TP PAN PH #8x3/4 Z050	AR	AR	
76	406042	MOULDING CAP / GREY MIDNIGHT CHARCOAL 1948MM / 76 5/8"	1	1	
77	403126	MOULDING RETAINER / 1943MM (76 1/2")	2	2	
78	408174	DOOR STOPPER & LOCK PIVOT CATCH	1	1	
79	500642	SCREW TP PAN PH #10x3/4 Z050	16	16	
80	500914	WASHER LO SPT .193x.334x.047 N500	8	8	
81	504357	WASHER FL .187x.437x.050 SS	8	8	
83	502817	SCREW MA PAN PH M6-1.0x16 N500	2	2	
84	5001608	WASHER BEL SPR 6.2x15.0x0.7 G500	2	2	
85	408102	PROTECTOR PANEL SS 553MM X 148MM	1	1	
85	406986	PROTECTOR PANEL SS 560MM X 575MM	1	1	
86	500952	SCREW TP BDG PH #8x1/2 SS	6	6	
86	502569	SCREW MA PAN PH M6-1.0x16 BK	8	8	
87	406043	CAP HANDLE SPACE SAND BEIGE To K-0484	1	1	
87	400416	CAP HANDLE SPACE GREY To K-0484		1	J
87	400416	CAP HANDLE SPACE GREY From K-0485	1	1	
87	406043	CAP HANDLE SPACE SAND BEIGE From K-0485	1	1	O
88	504399	WASHER RETAINER SNAP CAP #10	20	20	
89	504400	SNAP CAP #10 FINISHING BLACK	20	20	
90	406033	CAP PROTECTOR TRACK OUTSIDE LAVATORY / MIDNIGHT CHARCOAL	1	1	
91	409306	LOWER DOOR ALIGNMENT SUPPORT ASSY	1	1	
. A	408168	. PLATE SUPPORT	1	1	
. B	406268	. BLOCK ALIGNMENT FORWARD DOOR	1	1	
. C	408169	. BLOCK ALIGNMENT BACKWARD DOOR	1	1	
. D	502690	. WASHER FL 4.3x9.0x0.8 Z050	2	2	
. E	5001317	. SCREW MA PAN PH #8-32x1 SS	2	2	
. F	500353	. SCREW TP FL PH #8x3/4 BK	2	2	
. G	506756	. VELCRO / LOOP ADHESIF 1" x 75'	AR	AR	
92	408201	ANGLE 30MM X 30MM X 50MM	1	1	
93	500637	SCREW TP PAN PH #8x1 1/2 Z050	6	6	
96	500642	SCREW TP PAN PH #10x3/4 Z050	4	4	
97	504357	WASHER FL .187x.437x.050 SS	4	4	
98	408399	FINISHING CAP TOILET DOOR	1	1	
99	5001155	SCREW TP PAN PH #8X3/4 N050	2	2	
100	3210071	CAP REAR / FIBERGLASS LAVATORY SAND BEIGE To K-0484	1	1	
100	3210071	CAP REAR / FIBERGLASS LAVATORY SAND BEIGE From K-0485 To K-0708	1	1	O
100	3210766	CAP REAR / FIBERGLASS LAVATORY From K-0709	1	1	O
100	3210109	CAP REAR / FIBERGLASS LAVATORY SAND BEIGE To K-0634	1	1	H

From K-0185 To P-1297	Date:07/2024	PAGE:H9-2328-00
------------------------------	---------------------	------------------------

LAVATORY WALL - INSTALLATION WITH SLIDING DOOR

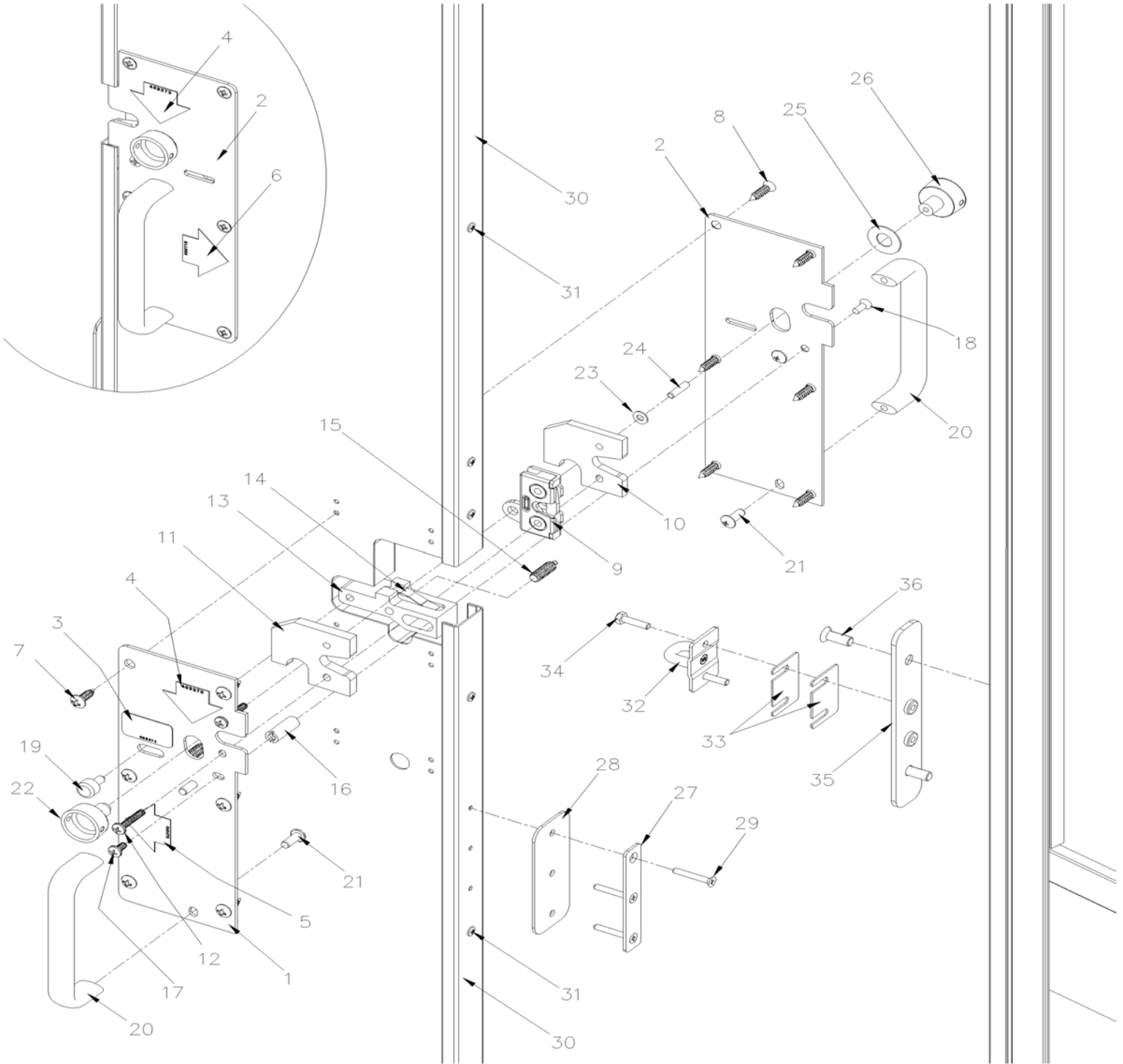
Item#	Part	Description	H 3 4 1	H 3 4 5	N O T E S
100	3210765	CAP REAR / FIBERGLASS LAVATORY GREY From K-0709		1	
100	3210114	CAP REAR / FIBERGLASS LAVATORY GREY To K-0484		1	J
100	3210114	CAP REAR / FIBERGLASS LAVATORY GREY From K-0485 To K-0708	1	1	
100	3210747	CAP REAR / FIBERGLASS LAVATORY GREY From K-0709	1	1	
101	H9-2325-00	LAVATORY - ACCESSORIES			
102	H9-0655-01	INTERIOR LIGHTING LED			
103	H9-1864-31	HANDLE LOCK & KEYS - TYPE "NS" & "FORD"			
104	350222	INSULATING PAD TRIANGULAR SHAPE 230MM x 230MM	1	1	
104	350223	INSULATING PAD REAR LOWER WALL	1	1	
104	350224	INSULATING PAD / 635MM x 360MM	1	1	
104	350249	INSULATING PAD REAR LOWER TOILET	1	1	
104	350305	INSULATING PAD / 640MM x 90MM	1	1	
104	350306	INSULATING PAD / 880MM x 90MM	1	1	
104	350376	INSULATING PAD / 965MM x 280MM	1	1	
130	409296	SUPPORT CATCH PUSH OUT	1	1	
131	408387	LATCH ASSY NYLON (2 PARTS) PLASTIC WHITE	1	1	
132	400159	SUPPORT MOBILE LATCH	1	1	
133	408399	FINISHING CAP TOILET DOOR	1	1	
134	5001587	NUT HEX NYRT M5-0.8 SS	4	4	
135	500964	WASHER FL .203x.500x.047 Z050	4	4	
136	502653	SCREW MA PAN PH M5-0.8x16 SS	4	4	
137	5001155	SCREW TP PAN PH #8X3/4 N050	3	3	
138	500642	SCREW TP PAN PH #10x3/4 Z050	4	4	
139	500914	WASHER LO SPT .193x.334x.047 N500	4	4	
140	504357	WASHER FL .187x.437x.050 SS	4	4	
141	502569	SCREW MA PAN PH M6-1.0x16 BK	2	2	
142	5001833	WASHER BEL SPR 6.1x18x1.27 SS	2	2	
NS	403268	LAVATORY COMPARTMENT SLIDING DOOR LATCH IMPROVEMENT	1	1	
		G) "ESCAMILLA TOUR" OPTION			
		H) WITH "ORLEAN" OPTION			
		I) ALSO INCLUDE IN KIT # 405198			
		J) BAUER'S TRANSPORTATION OPTION			
		O) OPTIONAL			
		R) RED ARROW OPTION			
		SP) SPECIAL OPTION			
		P) CALL ORDER DESK FOR SPECIFIC APPLICATION (V.I.N.)			

From K-0185 To P-1297

Date:07/2024

PAGE:403268

LAVATORY COMPARTMENT SLIDING DOOR LATCH IMPROVEMENT

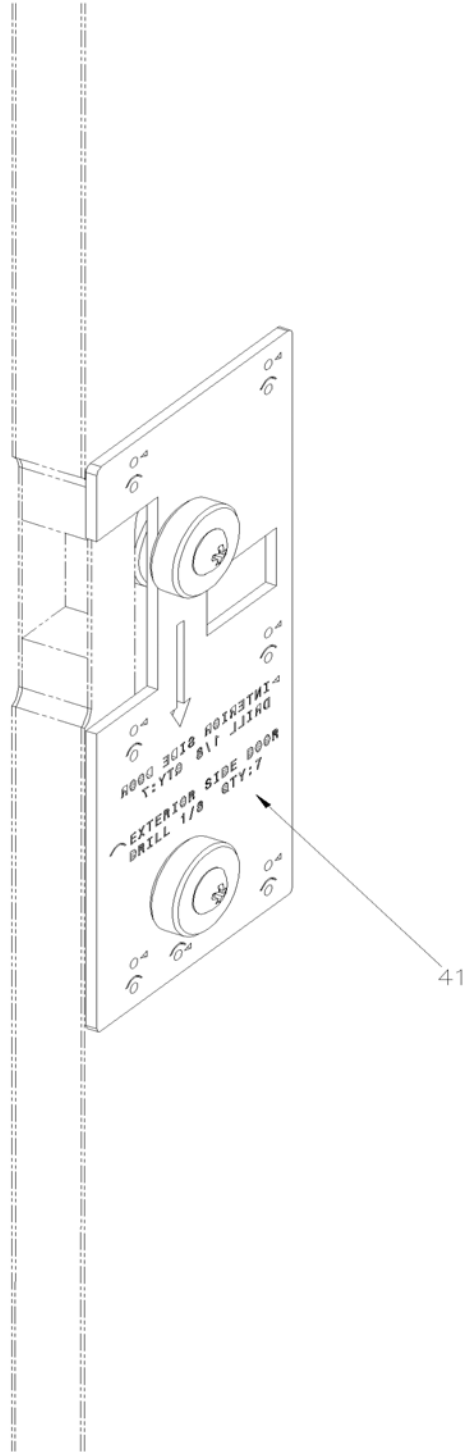


From K-0185 To P-1297

Date:07/2024

PAGE:403268

LAVATORY COMPARTMENT SLIDING DOOR LATCH IMPROVEMENT



From K-0185 To P-1297	Date:07/2024	PAGE:403268
-----------------------	--------------	-------------

LAVATORY COMPARTMENT SLIDING DOOR LATCH IMPROVEMENT

Item#	Part	Description	H 3 4 1	H 3 4 5	NOTES
1	402205	MOUNT PLATE	1	1	
2	402204	MOUNTING PLATE	1	1	
3	403471	DECAL LAVATORY LOCK	1	1	
4	403270	DECAL, ARROW "1"	2	2	
5	403472	DECAL, ARROW 2	1	1	
6	403710	DECAL, ARROW 2	1	1	
7	5001243	SCREW TP PAN PH #10x5/8 SS	6	6	
8	5000109	SCREW TP OV PH #10x5/8 N050	6	6	
9	901892	ROTARY LATCH	1	1	
10	402207	SHIM	1	1	
11	402206	SHIM	1	1	
12	5000111	SCREW MA OV PH M4-0.7x22 SS	2	2	
13	402210	LOCK	1	1	
14	402862	SPRING SHEATH	1	1	
15	509957	BALL PLUNGER 1/4X17/32	1	1	
16	402208	BUSHING	1	1	
17	5000110	SCREW MA OV PH M4-0.7x8 SS	1	1	
18	502725	SCREW MA OV PH M4-0.7x10 SS EMN	1	1	
19	402209	LOCK LATCH	1	1	
20	901891	HANDLE	2	2	
21	500416	SCREW MA PAN PH #10-32x1/2 BK	4	4	
22	402213	KNOB	1	1	
23	500591	WASHER FL 4.3x9.0x0.8 Z050	1	1	
24	502506	SCREW SET HEXS CUP M4-0.7x16	1	1	
25	5000112	WASHER FL .380x.812x.030 NYL	1	1	
26	402212	KNOB	1	1	
27	409308	PLATE, ANTI-VIBRATION	1	1	A
28	402216	RUBBER, ANTI VIBRATION	1	1	
29	500435	SCREW TP FL PH #6x1 Z050	3	3	A
30	402234	CAPPING, DOOR, LEFT	2	2	
31	500333	SCREW TP OV PH #6x3/4 BK	12	12	
32	901893	LATCH STRIKER	1	1	
33	402233	SHIM	2	2	
34	502799	SCREW CAP HEX M4-0.7X16 G8.8 N500	2	2	
35	402215	PLATE LATCH STRIKER	1	1	
36	5001198	SCREW MA FL PH M6-1.0x16 Z050	2	2	
NS	IS-20089	SEE INSTRUCTION SHEET	1	1	
NS	FI-20089	VOIR FEUILLE D'INSTRUCTION	1	1	
41	403269	DRILL AND CUTTING JIG	1	1	A
NS	408213	DECAL "PLEASE SHUT DOOR.." / ENGLISH & SPANISH	1	1	A
NS	408212	DECAL "PLEASE SHUT DOOR.." / ENGLISH & FRANCAIS	1	1	A

From K-0185 To P-1297		Date:07/2024	PAGE:403268
-----------------------	--	--------------	-------------

LAVATORY COMPARTMENT SLIDING DOOR LATCH IMPROVEMENT

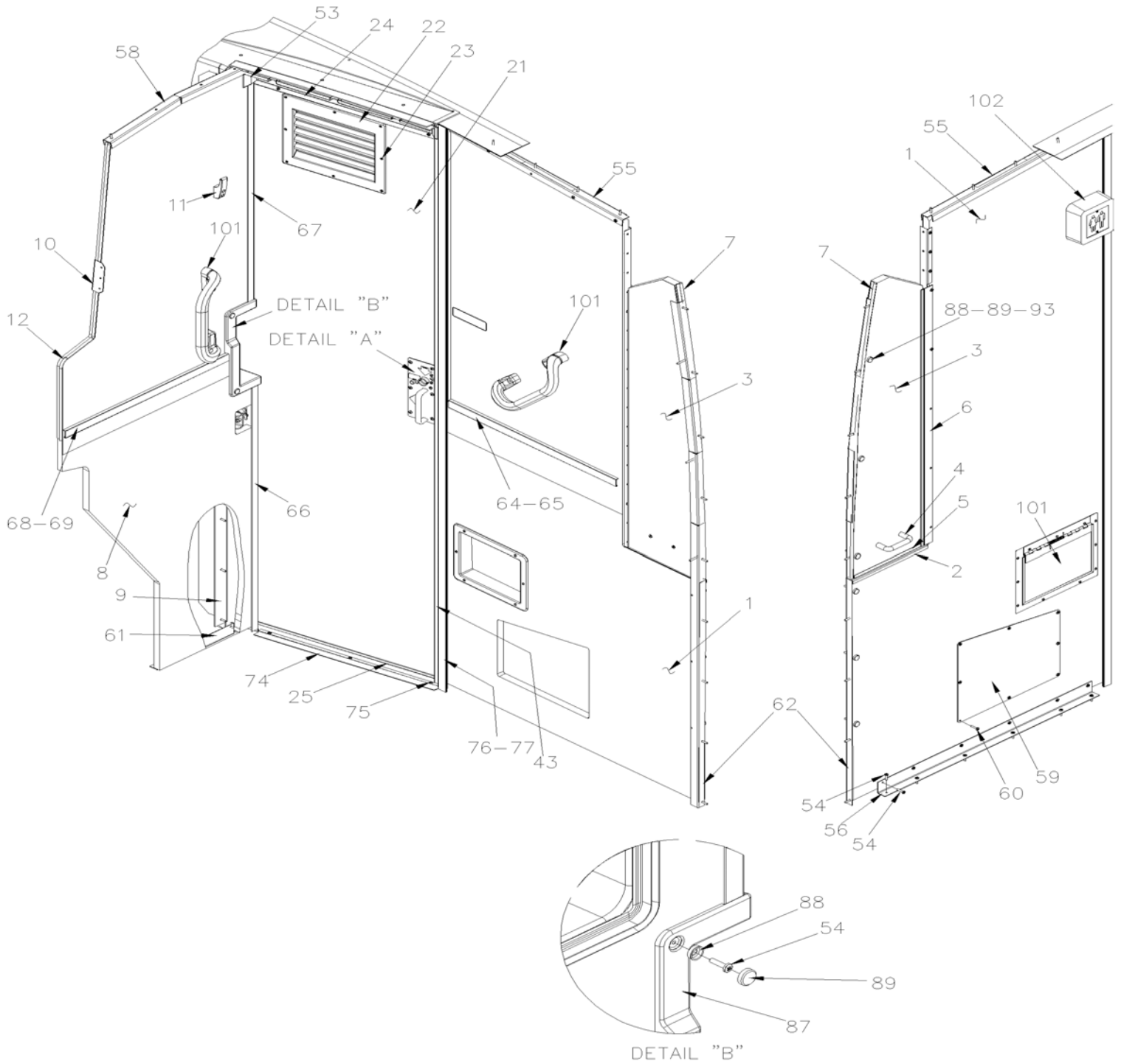
Item#	Part	Description	H 3 4 1	H 3 4 5	N O T E S
		A) NOT INCLUDE WITH 403268			

From P-1298 To P-1452

Date:07/2024

PAGE:H9-2328-01

LAVATORY WALL - INSTALLATION WITH SLIDING DOOR

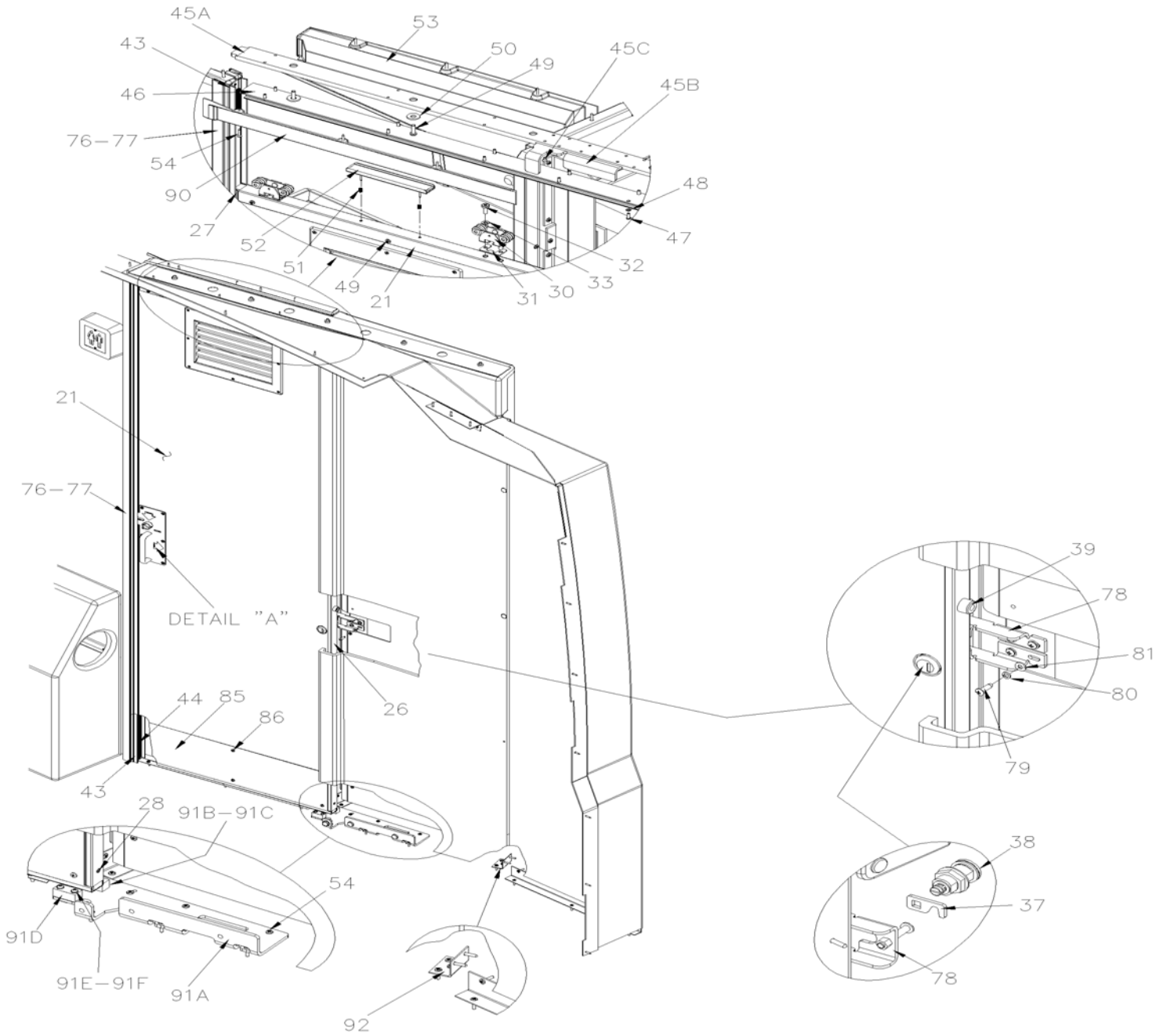


From P-1298 To P-1452

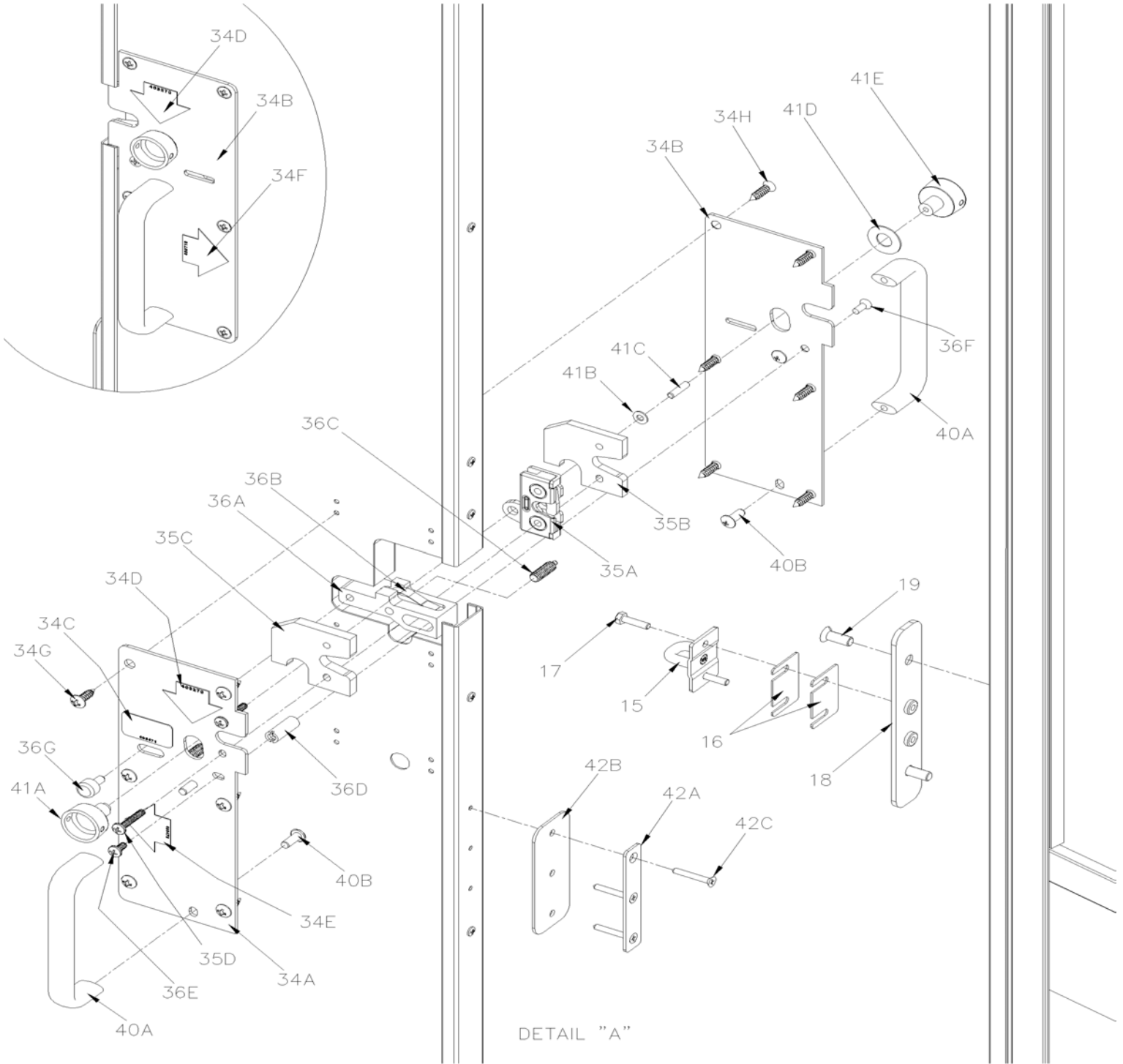
Date:07/2024

PAGE:H9-2328-01

LAVATORY WALL - INSTALLATION WITH SLIDING DOOR



LAVATORY WALL - INSTALLATION WITH SLIDING DOOR

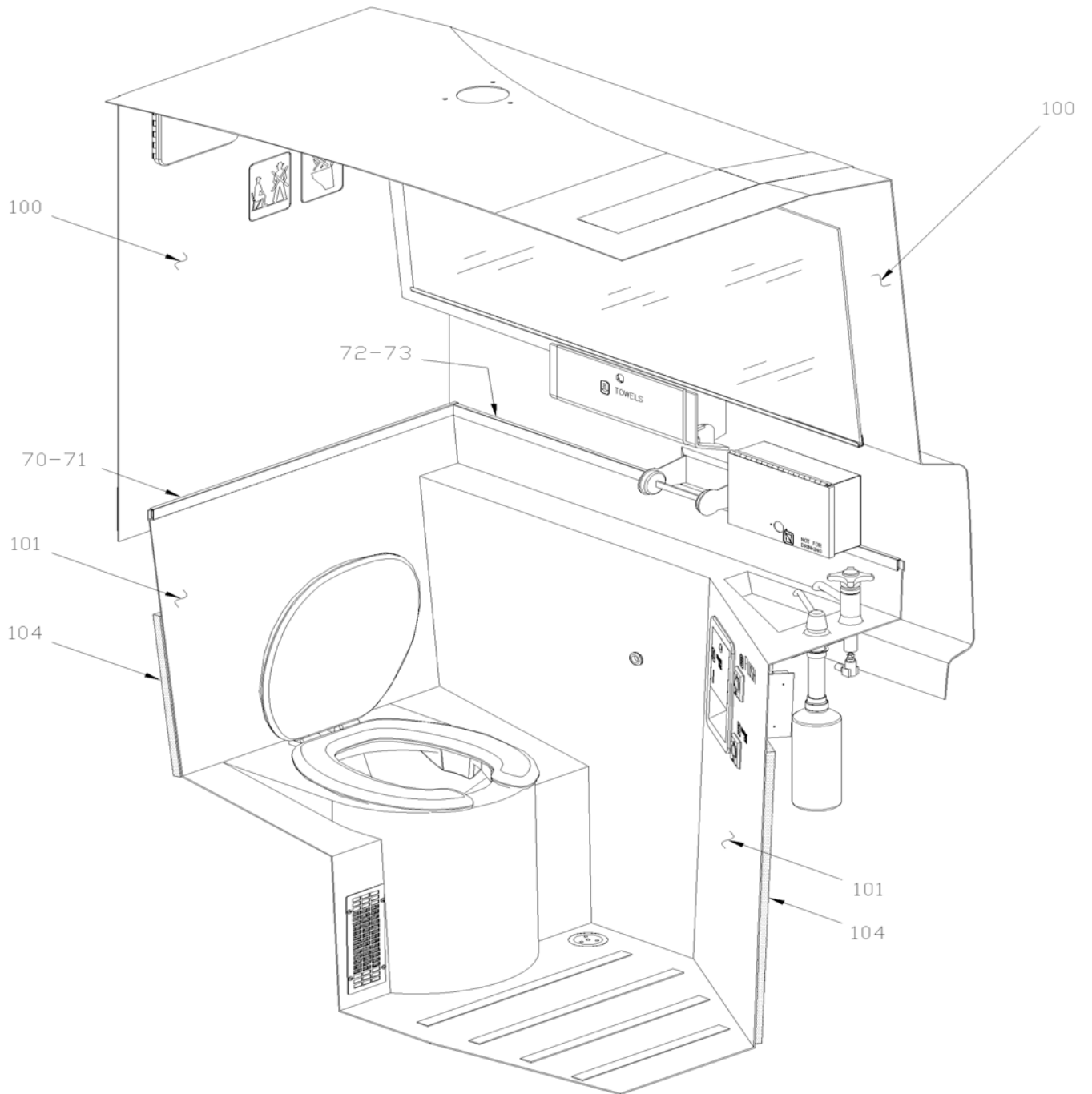


From P-1298 To P-1452

Date:07/2024

PAGE:H9-2328-01

LAVATORY WALL - INSTALLATION WITH SLIDING DOOR



From P-1298 To P-1452	Date:07/2024	PAGE:H9-2328-01
LAVATORY WALL - INSTALLATION WITH SLIDING DOOR		

Item#	Part	Description	H 3 4 1	H 3 4 5	N O T E S
1	Call order desk	FRONT WALL ASSY / LAVATORY / SPECIFY COLOR	1	1	P
1	406382	FRONT WALL ASSY / LAVATORY / SPECIFY COLOR WITH SPEAKER	1	1	
1	Call order desk	FRONT WALL ASSY / LAVATORY / SS	1	1	P H
1	Call order desk	FRONT WALL ASSY / LAVATORY / "TISSUS" W/"LOGO"		1	P
1	401038	FRONT WALL ASSY / LAVATORY / SPECIFY COLOR W/GALLEY	1	1	SP
1	508396	. FORMICA GREY .038"x48"x96"	1	1	
1	5001155	. SCREW TP PAN PH #8X3/4 N050	3	3	
1	400337	. PANEL ASSY SS	1	1	H
1	5000328	. NUT AN INS THREADED M6-1.0x20MM	AR	AR	
1	400425	. PANEL ASSY GREY	1	1	
1	Call order desk	. COVERING FRONT WALL / LAVATORY / "TISSUS" W/"LOGO" / EMBROIDERED	1	1	P
2	405999	. ANGLE, FINISHING / MIDNIGHT CHARCOAL	1	1	
2	400456	. SPACER ASSY / FRONT WALL / FORMICA GREY	1	1	
3	403196P	CLOSING PANEL ASSY / WATER TANK / SPECIFY COLOR / MIDNIGHT CHARCOAL	1	1	
3	Call order desk	CLOSING PANEL ASSY / WATER TANK / SPECIFY GREY	1	1	P R
3	508396	. FORMICA GREY .038"x48"x96"	1	1	
4	900568	. HANDLE / DOOR	1	1	
NS	500575	. SCREW TP PAN PH #8x1 1/4	2	2	
5	406024	. ANGLE, FINISHING / LOWER / MIDNIGHT CHARCOAL	1	1	
6	406025	. MOULDING, FINISHING / SIDE / MIDNIGHT CHARCOAL	1	1	
7	406097	CORD FILLING / WALL CAP / BLACK / 1020MM	1	1	
7	406096	CORD FILLING / WALL CAP OPTION "RED ARROW" CORD FILLING / WALL CAP OPT	1	1	R
8	Call order desk	SIDE WALL ASSY / LAVATORY	1	1	P
8	Call order desk	. WALL ASSY GREY	1	1	P
8	Call order desk	. WALL ASSY SS	1	1	P H
9	400359	. REINFORCEMENT	1	1	
10	406393	. SUPPORT / WALL	1	1	
NS	500965	. SCREW TC BDG PH #8-32x1/2 N500	3	3	
11	900065	. HOOK / COAT	1	1	
11	900066	. CAP, COAT HOOK	1	1	
12	406398	. CORD FILLING / WALL CAP / BLACK / 1020MM	1	1	
15	901893	LATCH STRIKER	1	1	
16	402233	SHIM	2	2	
17	502799	SCREW CAP HEX M4-0.7X16 G8.8 N500	2	2	
18	402215	PLATE LATCH STRIKER	1	1	
19	5001198	SCREW MA FL PH M6-1.0x16 Z050	2	2	
21	Call order desk	SLIDING DOOR ASSY / GREY W/FABRIC	1	1	P
NS	508396	. FORMICA GREY .038"x48"x96"	1	1	
NS	506191	. TAPE RUB ADH1 CC POL 1/8" x 1/4" x 50' / GREY 2520X	AR	AR	
22	406009	. GRILL, VENT / MIDNIGHT CHARCOAL	1	1	

From P-1298 To P-1452	Date:07/2024	PAGE:H9-2328-01
LAVATORY WALL - INSTALLATION WITH SLIDING DOOR		

Item#	Part	Description	H 3 4 1	H 3 4 5	N O T E S
23	500686	. SCREW TP OV PH #6x1/2 BK	AR	AR	
24	406004	. MOULDING UPPER DOOR / MIDNIGHT CHARCOAL / 560MM SS	1	1	
25	406006	. MOULDING LOWER DOOR / MIDNIGHT CHARCOAL / 572MM SS	1	1	
26	402643	. MOULDING, REAR, SLIDING DOOR LAVATORY	1	1	
27	402234	. CAPPING, DOOR, LEFT	2	2	
28	500495	. SCREW TP PAN PH #6x1 Z050	AR	AR	
30	901215	. ROLLER ASSY	1	1	
31	408164	. SPACER 14G / ROLLER	AR	AR	
32	502817	. SCREW MA PAN PH M6-1.0x16 N500	4	4	
33	5001432	. WASHER LO INT .256x.478x.028 SS 410	4	4	
34A	402205	. MOUNT PLATE	1	1	
34B	402204	. MOUNTING PLATE	1	1	
34C	403471	. DECAL LAVATORY LOCK	1	1	
34D	403270	. DECAL, ARROW "1"	2	2	
34E	403472	. DECAL, ARROW 2	1	1	
34F	403710	. DECAL, ARROW 2	1	1	
34G	5001243	. SCREW TP PAN PH #10x5/8 SS	6	6	
34H	5000109	. SCREW TP OV PH #10x5/8 N050	6	6	
35A	901892	. ROTARY LATCH	1	1	
35B	402207	. SHIM	1	1	
35C	402206	. SHIM	1	1	
35D	5000111	. SCREW MA OV PH M4-0.7x22 SS	2	2	
36A	402210	. LOCK	1	1	
36B	402862	. SPRING SHEATH	1	1	
36C	509957	. BALL PLUNGER 1/4X17/32	1	1	
36D	402208	. BUSHING	1	1	
36E	5000110	. SCREW MA OV PH M4-0.7x8 SS	1	1	
36F	502725	. SCREW MA OV PH M4-0.7x10 SS EMN	1	1	
36G	402209	. LOCK LATCH	1	1	
37	408173	. PIVOT LOCK / ON LAVATORY DOOR	1	1	
38	780745	. CYLINDER LOCK BODY	1	1	
39	5002023	. BUMPER NEOPRENE / .750 OD x .562 TH x .187 HOLE	2	2	
NS	500637	. SCREW TP PAN PH #8x1 1/2 Z050	2	2	
40A	901891	. HANDLE	2	2	
40B	500416	. SCREW MA PAN PH #10-32x1/2 BK	4	4	
41A	402213	. KNOB	1	1	
41B	500591	. WASHER FL 4.3x9.0x0.8 Z050	1	1	
41C	502506	. SCREW SET HEXS CUP M4-0.7x16	1	1	
41D	5000112	. WASHER FL .380x.812x.030 NYL	1	1	
41E	402212	. KNOB	1	1	
42A	409308	. PLATE, ANTI-VIBRATION	1	1	
42B	402216	. RUBBER, ANTI VIBRATION	1	1	

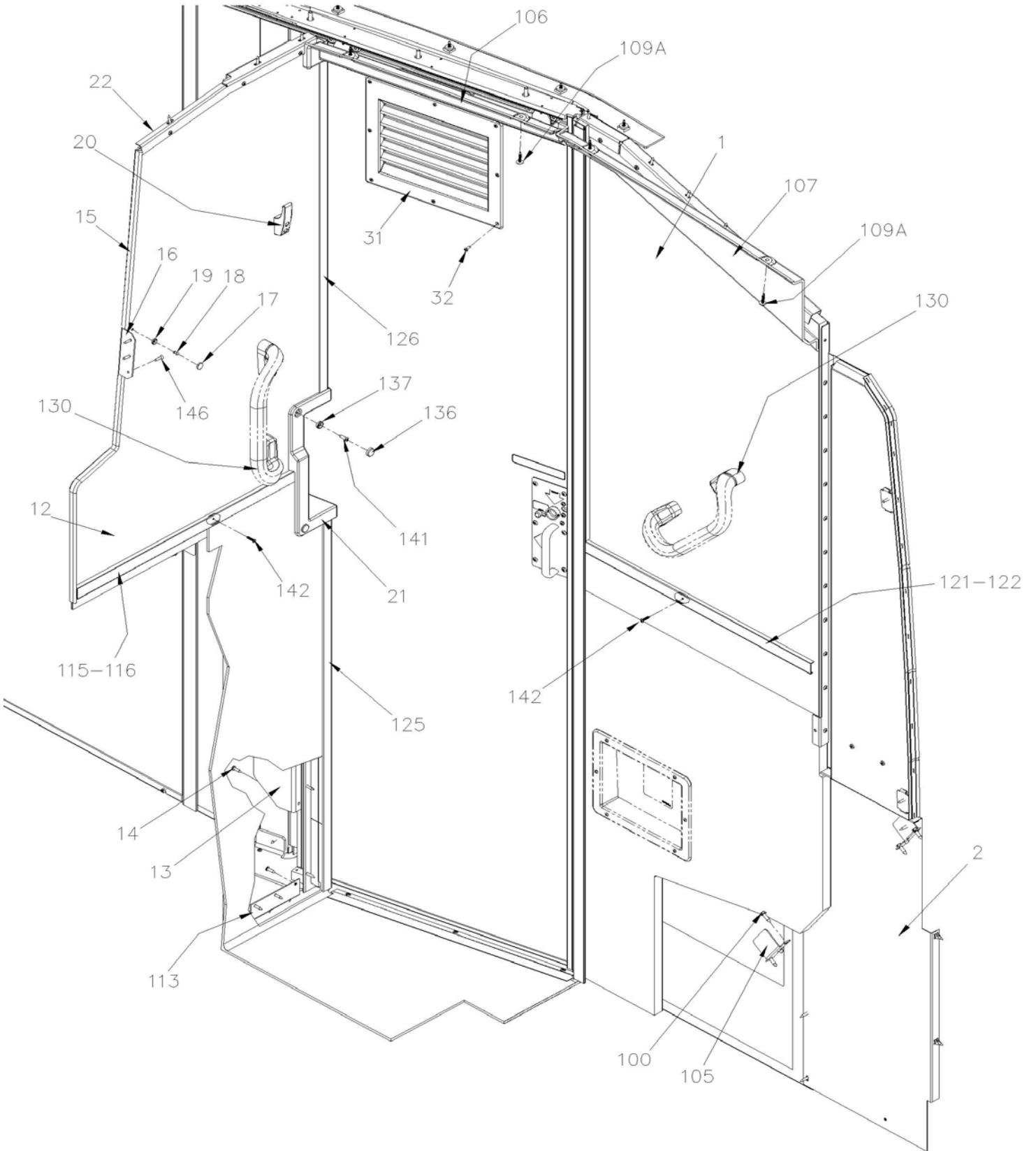
From P-1298 To P-1452	Date:07/2024	PAGE:H9-2328-01
LAVATORY WALL - INSTALLATION WITH SLIDING DOOR		

Item#	Part	Description	H 3 4 1	H 3 4 5	N O T E S
42C	500435	. SCREW TP FL PH #6x1 Z050	3	3	
43	400362	. MOULDING / WALL SS	1	1	
44	506001	TAPE RUB ADH1 CC POL 1/8" x 3/4" x 50' / GREY 2520X	AR	AR	
45	Call order desk	SUPPORT "T" TRACK ASSY / UPPER DOOR	1	1	P
45A	400358	. SUPPORT "T" TRACK	1	1	
45B	328319	. SUPPORT WALL COVERING DOOR	1	1	
45C	500371	. SCREW MA FL PH M4-0.7x8 N500	6	6	
NS	680038	. THREAD LOCKER LOCTITE #243 / BLUE / 50ml	AR	AR	
46	408153	TRACK "T" 1010MM	1	1	
47	500344	SCREW MA RND PH M4-0.7x12 Z050	12	12	
48	502636	WASHER LO SPT 4.1x7.6x0.9 Z050	12	12	
49	502626	SCREW MA PAN PH M6-1.0x20 N500	5	5	
50	5001608	WASHER BEL SPR 6.2x15.0x0.7 G500	5	5	
51	502162	SPRING COMPRESSION / .240 O.D. x .312 x .026	1	1	
52	406971	BRAKE DOOR ASSY W/CARPET	1	1	
53	400418	CAP PROTECTOR TRACK INSIDE LAVATORY GREY	1	1	
54	500641	SCREW TP PAN PH #8x3/4 Z050	AR	AR	
55	400420	MOULDING "U" GREY / 22MM X 25MM X 592MM	1	1	
NS	504114	RIVET POP DOME OE 3/16x1/4 AL	14	14	
56	408139	ANGLE 741MM	1	1	
58	400423	MOULDING "U" GREY / 22MM X 25MM X 433MM	1	1	
59	404756	CLOSING PLATE / TRAP ACCESS	AR	AR	
60	500640	SCREW TP PAN PH #6x3/4 Z050	AR	AR	
61	406392	ANGLE 25MM X 38MM X 120MM	1	1	
62	403144	ANGLE 20MM X 25MM X 1715MM / FIXED AT WINDOW POST	1	1	
64	408147	MOULDING RETAINER / 545MM (21 7/16")	1	1	
65	406132	MOULDING CAP / GREY MIDNIGHT CHARCOAL 570MM / 22 7/16"	1	1	
66	400417	MOULDING "U" / GREY / 807MM SS	1	1	
67	400427	MOULDING "U" / GREY / 870MM SS	1	1	
68	408193	MOULDING RETAINER / 520MM (20 1/2")	1	1	
69	406035	MOULDING CAP / GREY MIDNIGHT CHARCOAL 550MM / 21 7/8"	1	1	
70	403115	MOULDING RETAINER / 733MM (28 7/8")	1	1	
71	406036	MOULDING CAP / GREY MIDNIGHT CHARCOAL 739MM / 29 1/8"	1	1	
72	403116	MOULDING RETAINER / 1081MM (42 1/2")	1	1	
73	406038	MOULDING CAP / GREY MIDNIGHT CHARCOAL 1085MM / 42 5/8"	1	1	
74	408143	FLOOR MOULDING / COVERING & TOILET	1	1	
75	500641	SCREW TP PAN PH #8x3/4 Z050	AR	AR	
76	406042	MOULDING CAP / GREY MIDNIGHT CHARCOAL 1948MM / 76 5/8"	1	1	
77	403126	MOULDING RETAINER / 1943MM (76 1/2")	2	2	
78	408174	DOOR STOPPER & LOCK PIVOT CATCH	1	1	
79	500642	SCREW TP PAN PH #10x3/4 Z050	16	16	
80	500914	WASHER LO SPT .193x.334x.047 N500	8	8	

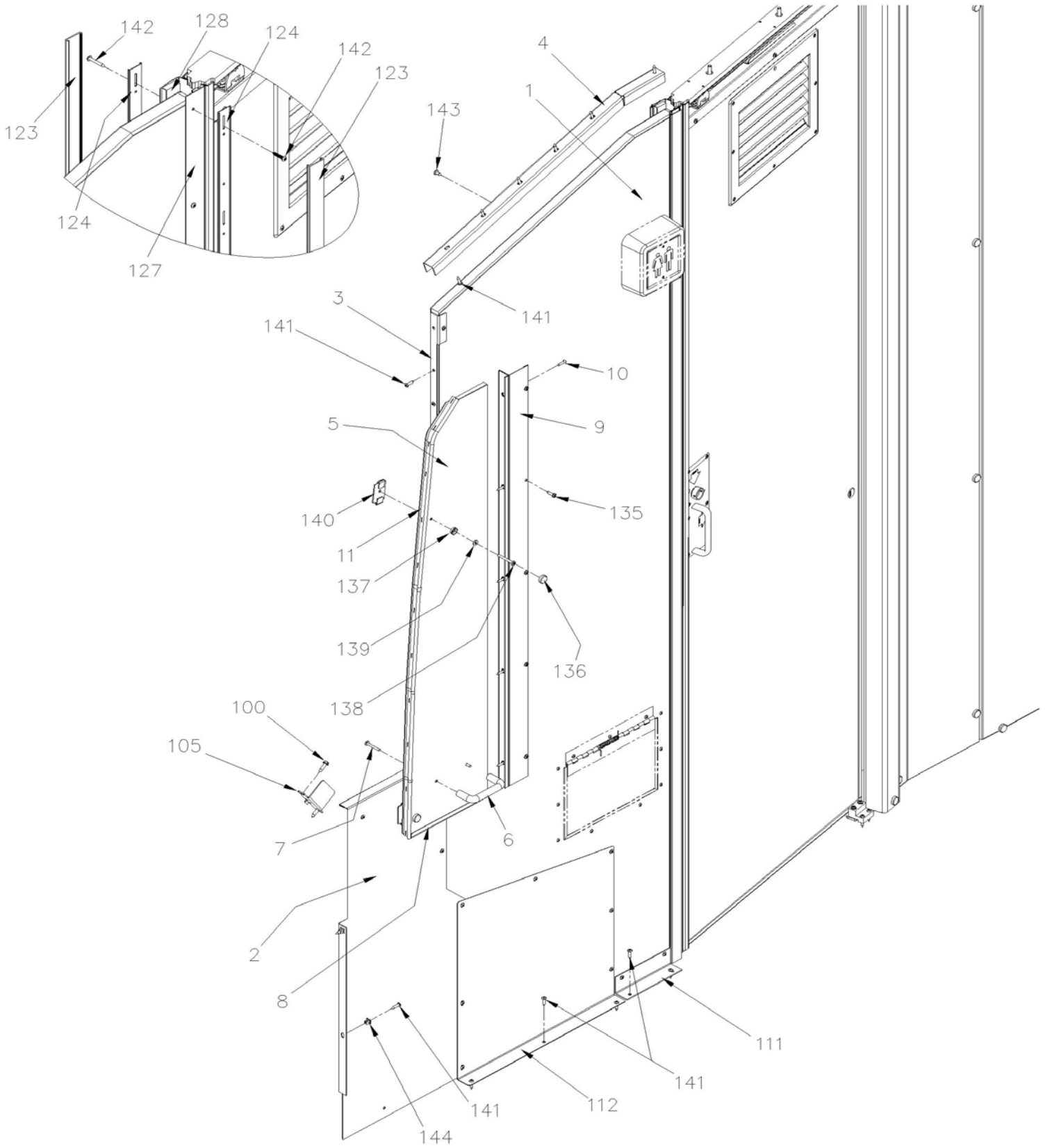
From P-1298 To P-1452	Date:07/2024	PAGE:H9-2328-01
LAVATORY WALL - INSTALLATION WITH SLIDING DOOR		

Item#	Part	Description	H 3 4 1	H 3 4 5	N O T E S
81	504357	WASHER FL .187x.437x.050 SS	8	8	
85	408102	PROTECTOR PANEL SS 553MM X 148MM	1	1	
85	406986	PROTECTOR PANEL SS 560MM X 575MM	1	1	
86	500952	SCREW TP BDG PH #8x1/2 SS	6	6	
86	502569	SCREW MA PAN PH M6-1.0x16 BK	8	8	
87	400416	CAP HANDLE SPACE GREY	1	1	
88	504399	WASHER RETAINER SNAP CAP #10	20	20	
89	504400	SNAP CAP #10 FINISHING BLACK	20	20	
90	406033	CAP PROTECTOR TRACK OUTSIDE LAVATORY / MIDNIGHT CHARCOAL	1	1	
91	409306	LOWER DOOR ALIGNMENT SUPPORT ASSY	1	1	
. A	408168	. PLATE SUPPORT	1	1	
. B	406268	. BLOCK ALIGNMENT FORWARD DOOR	1	1	
. C	408169	. BLOCK ALIGNMENT BACKWARD DOOR	1	1	
. D	502690	. WASHER FL 4.3x9.0x0.8 Z050	2	2	
. E	5001317	. SCREW MA PAN PH #8-32x1 SS	2	2	
. F	500353	. SCREW TP FL PH #8x3/4 BK	2	2	
. G	506756	. VELCRO / LOOP ADHESIF 1" x 75'	AR	AR	
92	408201	ANGLE 30MM X 30MM X 50MM	1	1	
93	500637	SCREW TP PAN PH #8x1 1/2 Z050	6	6	
100	3210747	CAP REAR / FIBERGLASS LAVATORY GREY	1	1	
100	3210765	CAP REAR / FIBERGLASS LAVATORY GREY	1	1	H
101	H9-2325-00	LAVATORY - ACCESSORIES			
102	H9-0655-01	INTERIOR LIGHTING LED			
103	H9-1864-31	HANDLE LOCK & KEYS - TYPE "NS" & "FORD"			
104	350222	INSULATING PAD TRIANGULAR SHAPE 230MM x 230MM	1	1	
104	350223	INSULATING PAD REAR LOWER WALL	1	1	
104	350224	INSULATING PAD / 635MM x 360MM	1	1	
104	350249	INSULATING PAD REAR LOWER TOILET	1	1	
104	350305	INSULATING PAD / 640MM x 90MM	1	1	
104	350306	INSULATING PAD / 880MM x 90MM	1	1	
104	350376	INSULATING PAD / 965MM x 280MM	1	1	
		H) WITH "ORLEAN" OPTION			
		R) RED ARROW OPTION			
		SP) SPECIAL OPTION			
		P) CALL ORDER DESK FOR SPECIFIC APPLICATION (V.I.N.)			

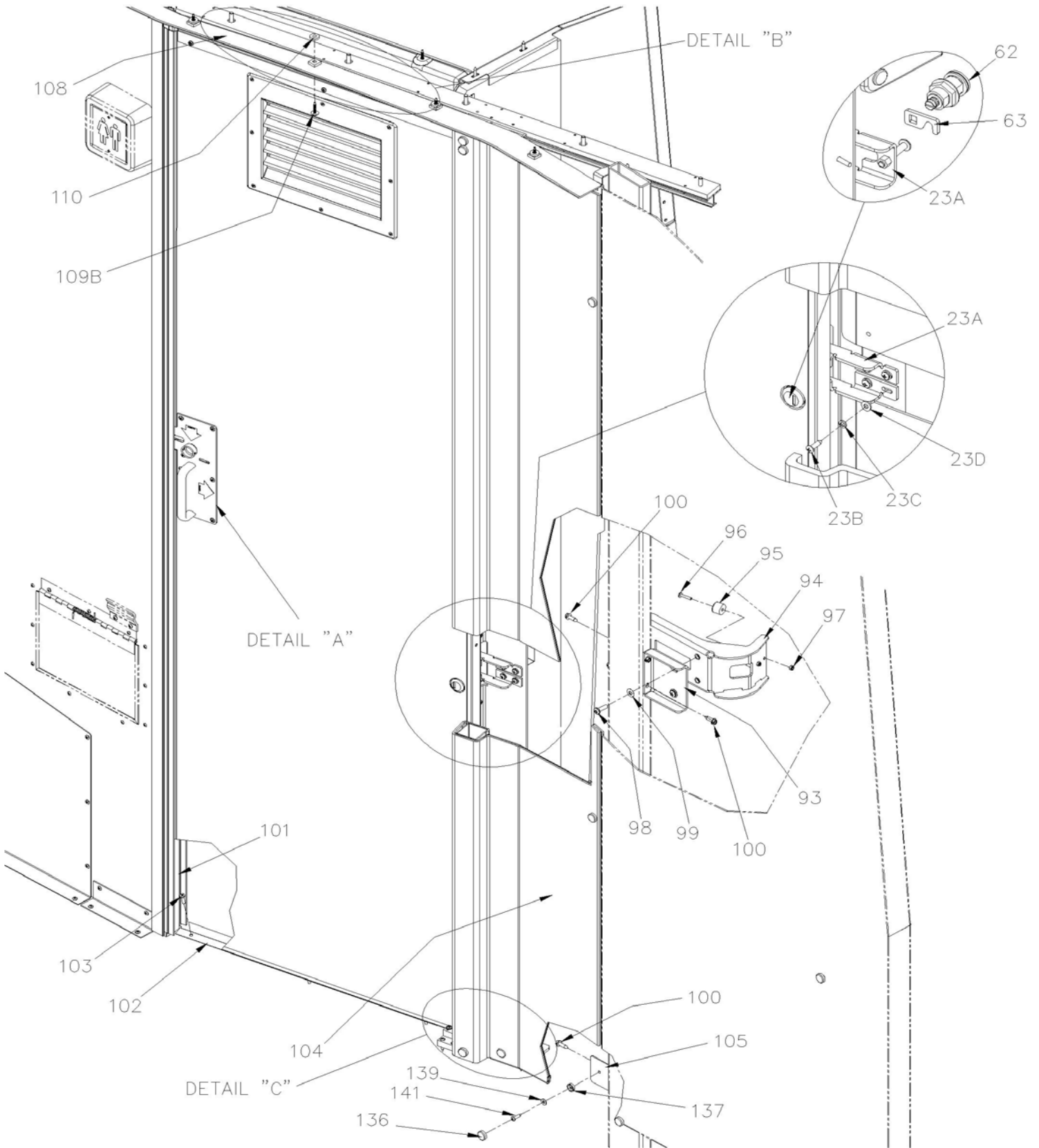
	Date:07/2024	PAGE:H9-2328-02
LAVATORY WALL - INSTALLATION WITH SLIDING DOOR		



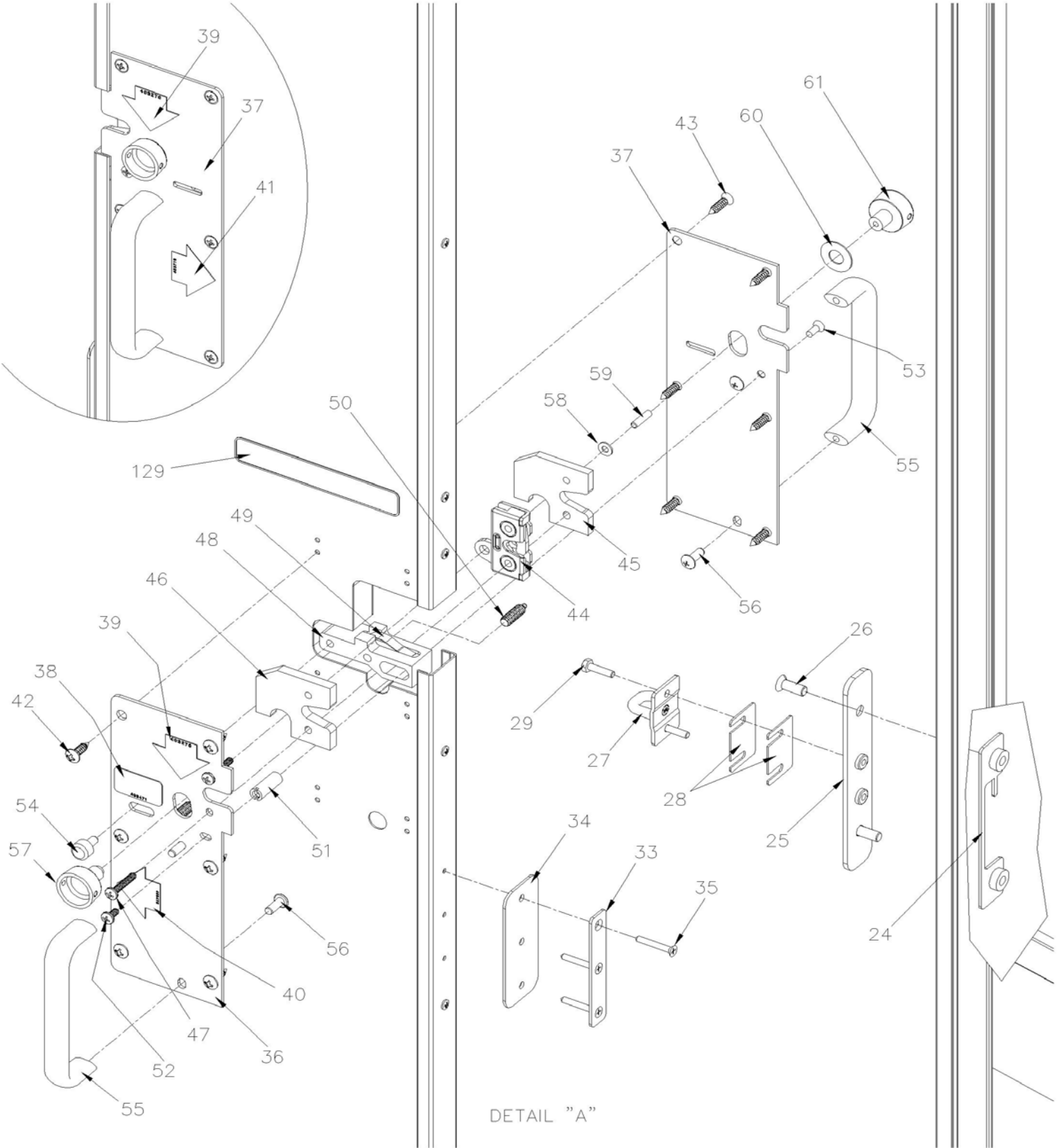
	Date:07/2024	PAGE:H9-2328-02
LAVATORY WALL - INSTALLATION WITH SLIDING DOOR		



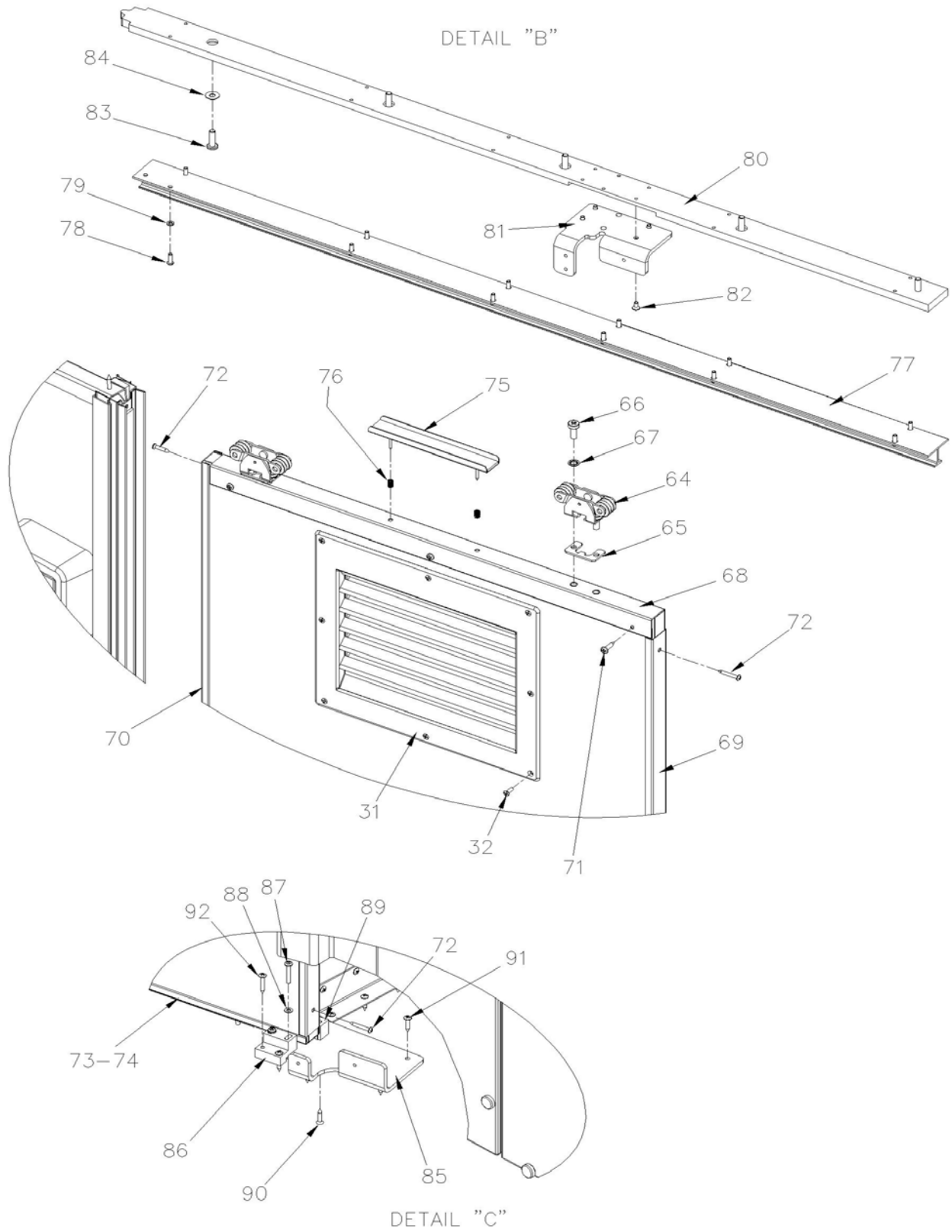
	Date:07/2024	PAGE:H9-2328-02
LAVATORY WALL - INSTALLATION WITH SLIDING DOOR		



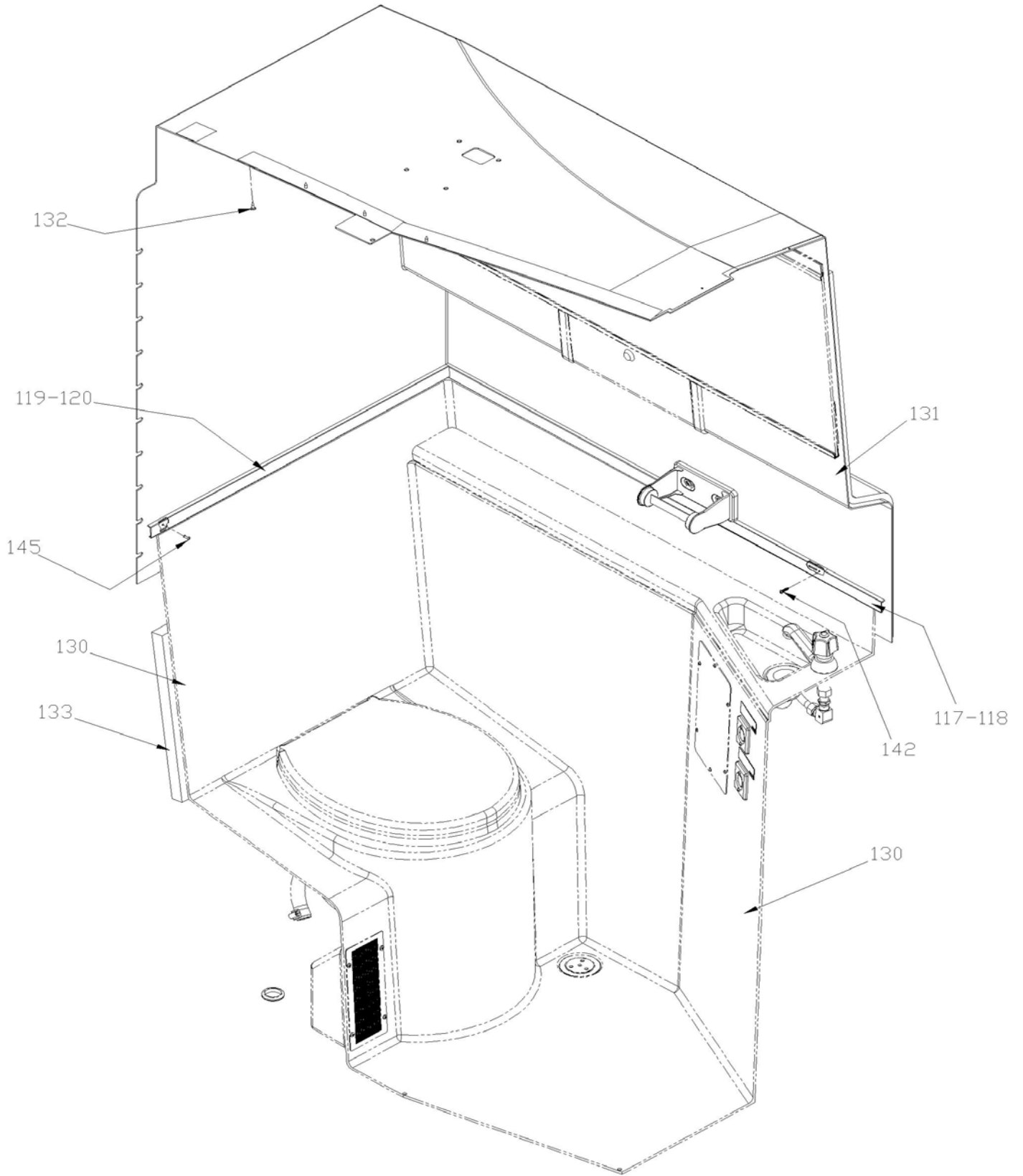
	Date:07/2024	PAGE:H9-2328-02
LAVATORY WALL - INSTALLATION WITH SLIDING DOOR		



	Date:07/2024	PAGE:H9-2328-02
LAVATORY WALL - INSTALLATION WITH SLIDING DOOR		



	Date:07/2024	PAGE:H9-2328-02
LAVATORY WALL - INSTALLATION WITH SLIDING DOOR		



LAVATORY WALL - INSTALLATION WITH SLIDING DOOR

Item#	Part	Description	H 3 4 1	H 3 4 5	NOTES
1	401461	FRONT WALL ASSY / LAVATORY / SPECIFY COLOR		1	
1	406795	FRONT WALL ASSY / LAVATORY / SS		1	H
1	Call order desk	FRONT WALL ASSY / LAVATORY / SPECIFY COLOR WITH SPEAKER		1	P O
2	401468	PANEL,OF CLOSING		1	
NS	680397	CONTACT GLUE / AEROSOL 17oz		AR	
3	401453	REINFORCEMENT		1	
4	401469	SUPPORT, LAVATORY WALL		1	
NS	680437	. TAPE TRANSFER ADH2 CLEAR 12.7MM x 55M / TRM950-0500		1	
NS	506001	. TAPE RUB ADH1 CC POL 1/8" x 3/4" x 50' / GREY 2520X		1	
5	Call order desk	CLOSING PANEL ASSY / WATER TANK / SPECIFY COLOR		1	P
6	900568	. HANDLE / DOOR		1	
7	500575	. SCREW TP PAN PH #8x1 1/4		2	
8	401555	. ANGLE FINISH, PANEL ACC RES. LAVATORY		1	
9	401448	. MOULDING FINISH, PANEL ACC.RES. LAVATORY		1	
10	500434	. SCREW TP FL PH #8x3/4 Z050		8	
11	406097	. CORD FILLING / WALL CAP / BLACK / 1020MM		1	
NS	504662	. STAPLES 1/4" X 3/8"		AR	
NS	500353	. SCREW TP FL PH #8x3/4 BK		2	
NS	506466	. TAPE RUB ADH1 CC POL 1/16" x 1 1/2" x 100' / GREY 2520		AR	
12	Call order desk	SIDE WALL ASSY / LAVATORY		1	P
12	400334	WALL ASSY SS		1	H
13	402131	REINFORCEMENT		1	
14	5001155	SCREW TP PAN PH #8X3/4 N050		AR	
15	406398	CORD FILLING / WALL CAP / BLACK / 1020MM		1	
NS	680437	TAPE TRANSFER ADH2 CLEAR 12.7MM x 55M / TRM950-0500		AR	
16	406393	SUPPORT / WALL		1	
17	504403	SNAP CAP #8 FINISHING BLACK		3	
18	504107	RIVET POP DOME OE 1/8x5/16 AL		3	
19	504412	WASHER RETAINER SNAP CAP #8		3	
20	900065	HOOK / COAT		1	
NS	5001155	SCREW TP PAN PH #8X3/4 N050		2	
21	400416	CAP HANDLE SPACE GREY		1	
22	400423	MOULDING "U" GREY / 22MM X 25MM X 433MM		1	
23A	408174	DOOR STOPPER & LOCK PIVOT CATCH		1	
23B	500642	SCREW TP PAN PH #10x3/4 Z050		4	
23C	500914	WASHER LO SPT .193x.334x.047 N500		4	
23D	504357	WASHER FL .187x.437x.050 SS		4	
24	400174	ATTACHMENT PLATE W/NUT M6-1.0		1	
25	402215	PLATE LATCH STRIKER		1	
26	5001198	SCREW MA FL PH M6-1.0x16 Z050		2	
27	901893	LATCH STRIKER		1	
28	402233	SHIM		2	

	Date:07/2024	PAGE:H9-2328-02
LAVATORY WALL - INSTALLATION WITH SLIDING DOOR		

Item#	Part	Description	H 3 4 1	H 3 4 5	N O T E S
29	502799	SCREW CAP HEX M4-0.7X16 G8.8 N500		2	
NS	402635P	SLIDING DOOR ASSY / GREY W/FABRIC		1	
31	402126	. GRILL, VENT / MIDNIGHT CHARCOAL		2	
32	500686	. SCREW TP OV PH #6x1/2 BK		16	
33	402216	. RUBBER, ANTI VIBRATION		1	
34	409308	. PLATE, ANTI-VIBRATION		1	
35	500435	. SCREW TP FL PH #6x1 Z050		3	
36	402205	. MOUNT PLATE		1	
37	402204	. MOUNTING PLATE		1	
38	403471	. DECAL LAVATORY LOCK		1	
39	403270	. DECAL, ARROW "1"		2	
40	403472	. DECAL, ARROW 2		1	
41	403710	. DECAL, ARROW 2		1	
42	5001243	. SCREW TP PAN PH #10x5/8 SS		6	
43	5000109	. SCREW TP OV PH #10x5/8 N050		6	
44	901892	. ROTARY LATCH		1	
45	402207	. SHIM		1	
46	402206	. SHIM		1	
47	5000111	. SCREW MA OV PH M4-0.7x22 SS		2	
48	402210	. LOCK		1	
49	402862	. SPRING SHEATH		1	
50	509957	. BALL PLUNGER 1/4X17/32		1	
51	402208	. BUSHING		1	
52	5000110	. SCREW MA OV PH M4-0.7x8 SS		1	
53	502725	. SCREW MA OV PH M4-0.7x10 SS EMN		1	
54	402209	. LOCK LATCH		1	
55	901891	. HANDLE		2	
56	500416	. SCREW MA PAN PH #10-32x1/2 BK		4	
57	402213	. KNOB		1	
58	500591	. WASHER FL 4.3x9.0x0.8 Z050		1	
59	502506	. SCREW SET HEXS CUP M4-0.7x16		1	
NS	680038	. THREAD LOCKER LOCTITE #243 / BLUE / 50ml		AR	
60	5000112	. WASHER FL .380x.812x.030 NYL		1	
61	402212	. KNOB		1	
62	780745	. CYLINDER LOCK BODY		1	
NS	5001377	. SCREW MA PAN PH M5-0.8x8 SS		1	
63	408173	. PIVOT LOCK / ON LAVATORY DOOR		1	
64	901215	. ROLLER ASSY		2	
65	408164	. SPACER 14G / ROLLER		2	
66	502569	. SCREW MA PAN PH M6-1.0x16 BK		4	
67	5001432	. WASHER LO INT .256x.478x.028 SS 410		4	

LAVATORY WALL - INSTALLATION WITH SLIDING DOOR

Item#	Part	Description	H 3 4 1	H 3 4 5	NOTES
68	406004	. MOULDING UPPER DOOR / MIDNIGHT CHARCOAL / 560MM SS		1	
69	401544	. CAPPING, DOOR, LEFT		1	
70	401545	. MOULDING, REAR, SLIDING DOOR LAVATORY		1	
71	5001155	. SCREW TP PAN PH #8X3/4 N050		5	
72	500495	. SCREW TP PAN PH #6x1 Z050		8	
73	406006	. MOULDING LOWER DOOR / MIDNIGHT CHARCOAL / 572MM SS		1	
74	500333	. SCREW TP OV PH #6x3/4 BK		15	
75	406971	BRAKE DOOR ASSY W/CARPET		1	
76	502162	SPRING COMPRESSION / .240 O.D. x .312 x .026		2	
77	408153	TRACK "T" 1010MM		1	
78	500344	SCREW MA RND PH M4-0.7x12 Z050		12	
79	502636	WASHER LO SPT 4.1x7.6x0.9 Z050		12	
80	402925	SUPPORT "T" TRACK		1	
81	3211676	SUPPORT WALL COVERING DOOR		1	
82	500371	SCREW MA FL PH M4-0.7x8 N500		4	
NS	680038	THREAD LOCKER LOCTITE #243 / BLUE / 50ml		AR	
83	502626	SCREW MA PAN PH M6-1.0x20 N500		5	
84	5001608	WASHER BEL SPR 6.2x15.0x0.7 G500		5	
85	402944	PLATE, AJUSTABLE		1	
85	402863	. PLATE, ADJUSTABLE		1	
86	406268	. BLOCK ALIGNMENT FORWARD DOOR		1	
NS	506756	. VELCRO / LOOP ADHESIF 1" x 75'		AR	
87	5001317	. SCREW MA PAN PH #8-32x1 SS		2	
88	502690	. WASHER FL 4.3x9.0x0.8 Z050		2	
89	408169	. BLOCK ALIGNMENT BACKWARD DOOR		1	
NS	506756	. VELCRO / LOOP ADHESIF 1" x 75'		AR	
90	500353	. SCREW TP FL PH #8x3/4 BK		2	
91	500641	SCREW TP PAN PH #8x3/4 Z050		4	
92	500617	SCREW TP PAN PH #8x1 Z050		2	
93	401467	REINFORCEMENT, (WELDED)		1	
94	401466	SUPPORT, STOPPER ASM.(WELDED)		1	
95	5002023	BUMPER NEOPRENE / .750 OD x .562 TH x .187 HOLE		2	
96	509827	SCREW MA RND PH M4-0.7x20 SS		2	
97	500539	NUT HEX NYRT M4-0.7 N500		2	
98	502626	SCREW MA PAN PH M6-1.0x20 N500		2	
99	5001608	WASHER BEL SPR 6.2x15.0x0.7 G500		2	
100	500526	SCREW TP CAP HEXW #12x3/4 N500		AR	
101	506001	TAPE RUB ADH1 CC POL 1/8" x 3/4" x 50' / GREY 2520X		AR	
102	408143	FLOOR MOULDING / COVERING & TOILET		1	
103	5001119	SCREW TP BDG PH #8x3/4 SS		3	
104	Call order desk	WALL DOOR COVER ASSY. W/FABRIC		1	P
105	401442	REINFORCEMENT , LAVATORY WALL		6	

	Date:07/2024	PAGE:H9-2328-02
LAVATORY WALL - INSTALLATION WITH SLIDING DOOR		

Item#	Part	Description	H 3 4 1	H 3 4 5	N O T E S
106	402150	RAIL COVER, TOILET		1	
107	402160	RAIL COVER, TOILET		1	
108	341401	WASHROOM/CEILING JUNCTION		1	
109A	5002070	SCREW DR SEMS FN OV PH #8x1 Z050		7	
109B	5002083	SCREW DR SEMS FN OV PH #8X1 N050		5	
109B	5002083	SCREW DR SEMS FN OV PH #8X1 N050		5	
110	3211558	SEALING WASHER 15MM		5	
111	401462	ANGLE		1	
112	401463	PANEL, CLOSING		1	
113	406392	ANGLE 25MM X 38MM X 120MM		1	
115	406035	MOULDING CAP / GREY MIDNIGHT CHARCOAL 550MM / 21 7/8"		1	
116	408193	MOULDING RETAINER / 520MM (20 1/2")		1	
NS	680437	TAPE TRANSFER ADH2 CLEAR 12.7MM x 55M / TRM950-0500		AR	
117	406038	MOULDING CAP / GREY MIDNIGHT CHARCOAL 1085MM / 42 5/8"		1	
118	403116	MOULDING RETAINER / 1081MM (42 1/2")		1	
NS	680437	TAPE TRANSFER ADH2 CLEAR 12.7MM x 55M / TRM950-0500		AR	
119	406036	MOULDING CAP / GREY MIDNIGHT CHARCOAL 739MM / 29 1/8"		1	
120	403115	MOULDING RETAINER / 733MM (28 7/8")		1	
NS	680437	TAPE TRANSFER ADH2 CLEAR 12.7MM x 55M / TRM950-0500		AR	
121	406132	MOULDING CAP / GREY MIDNIGHT CHARCOAL 570MM / 22 7/16"		1	
122	408147	MOULDING RETAINER / 545MM (21 7/16")		1	
NS	680437	TAPE TRANSFER ADH2 CLEAR 12.7MM x 55M / TRM950-0500		AR	
123	402410	PLASTIC MOULDING, TOILET, H		2	
124	403126	MOULDING RETAINER / 1943MM (76 1/2")		2	
NS	680437	TAPE TRANSFER ADH2 CLEAR 12.7MM x 55M / TRM950-0500		AR	
125	400427	MOULDING "U" / GREY / 870MM SS		1	
126	403010	MOLDING, LAVATORY WALL		1	
127	400362	MOULDING / WALL SS		1	
128	400456	SPACER ASSY / FRONT WALL / FORMICA GREY		1	
129	408214	DECAL "PLEASE SHUT DOOR.." / ENGLISH		1	
129	408244	DECAL "PLEASE SHUT DOOR.." / ENGLISH & FRANCAIS		1	
130	H9-2325-00	LAVATORY - ACCESSORIES			
131	3210919	CAP REAR / FIBERGLASS LAVATORY GREY		1	
NS	506466	TAPE RUB ADH1 CC POL 1/16" x 1 1/2" x 100 / GREY 2520		AR	
NS	3211732	CAP REAR / FIBERGLASS LAVATORY GREY		1	H
132	500638	SCREW TP PAN PH #8x1/2 Z050		AR	
133	350222	INSULATING PAD TRIANGULAR SHAPE 230MM x 230MM		1	
NS	350223	INSULATING PAD REAR LOWER WALL		1	
NS	352153	INSULATING PAD /		1	
NS	350249	INSULATING PAD REAR LOWER TOILET		1	
NS	680038	THREAD LOCKER LOCTITE #243 / BLUE / 50ml		AR	
135	5001155	SCREW TP PAN PH #8X3/4 N050		5	

	Date:07/2024	PAGE:H9-2328-02
LAVATORY WALL - INSTALLATION WITH SLIDING DOOR		

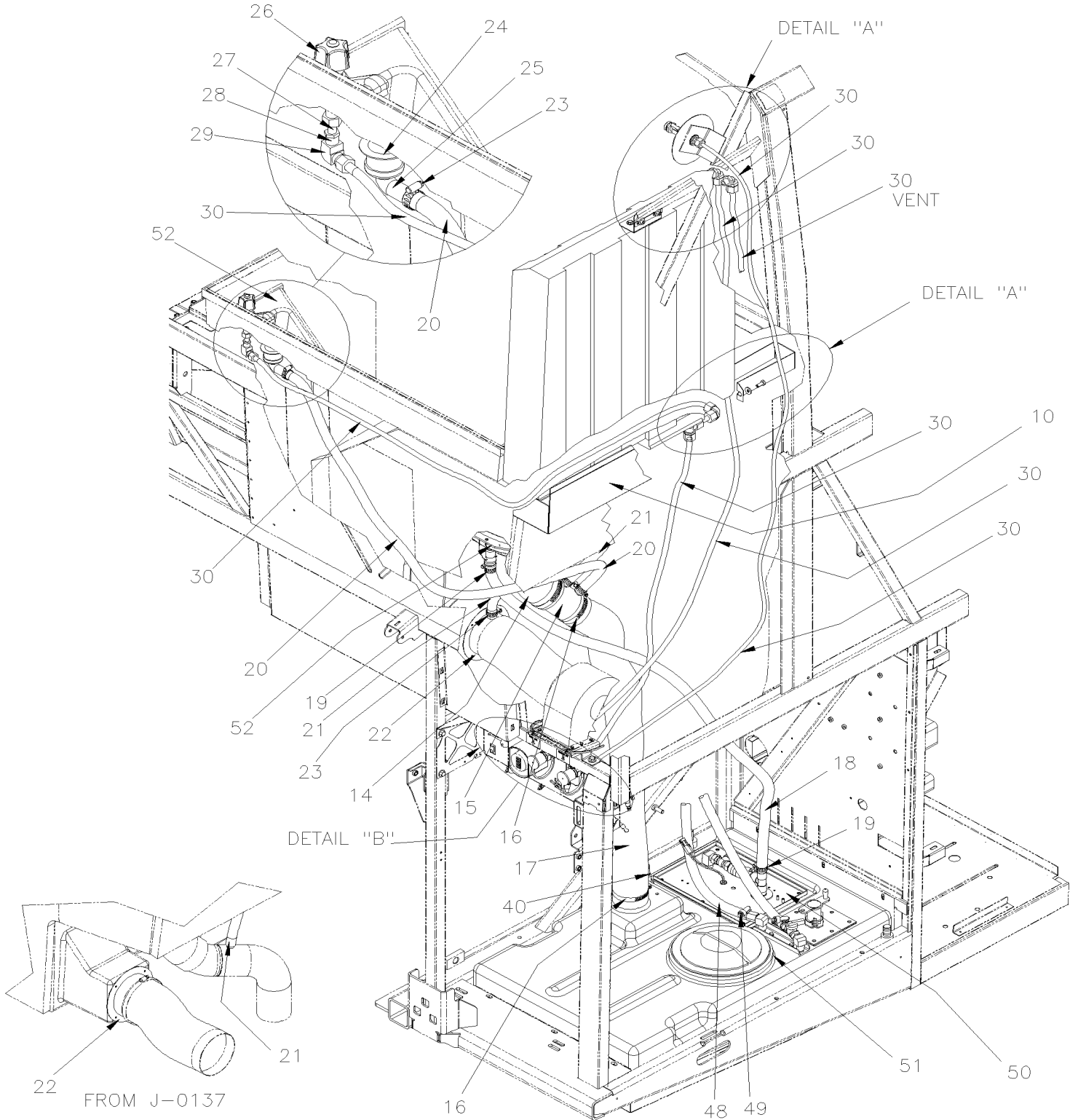
Item#	Part	Description	H 3 4 1	H 3 4 5	N O T E S
136	504400	SNAP CAP #10 FINISHING BLACK		AR	
137	504399	WASHER RETAINER SNAP CAP #10		AR	
138	500637	SCREW TP PAN PH #8x1 1/2 Z050		2	
139	504357	WASHER FL .187x.437x.050 SS		AR	
140	401568	ATTACHMENT		2	
141	500641	SCREW TP PAN PH #8x3/4 Z050		AR	
142	500640	SCREW TP PAN PH #6x3/4 Z050		AR	
143	500638	SCREW TP PAN PH #8x1/2 Z050		5	
144	502741	NUT AN #8 NYL		2	
145	504263	RIVET POP DOME OE 1/8x3/8 AL		2	
146	500614	SCREW TP FL PH #6x3/4 Z050		3	
		H) WITH "ORLEAN" OPTION			
		O) OPTIONAL			
		P) CALL ORDER DESK FOR SPECIFIC APPLICATION (V.I.N.)			

From K-0185

Date:07/2024

PAGE:H9-2330-01

WATER & SUMP TANK - INSTALLATION

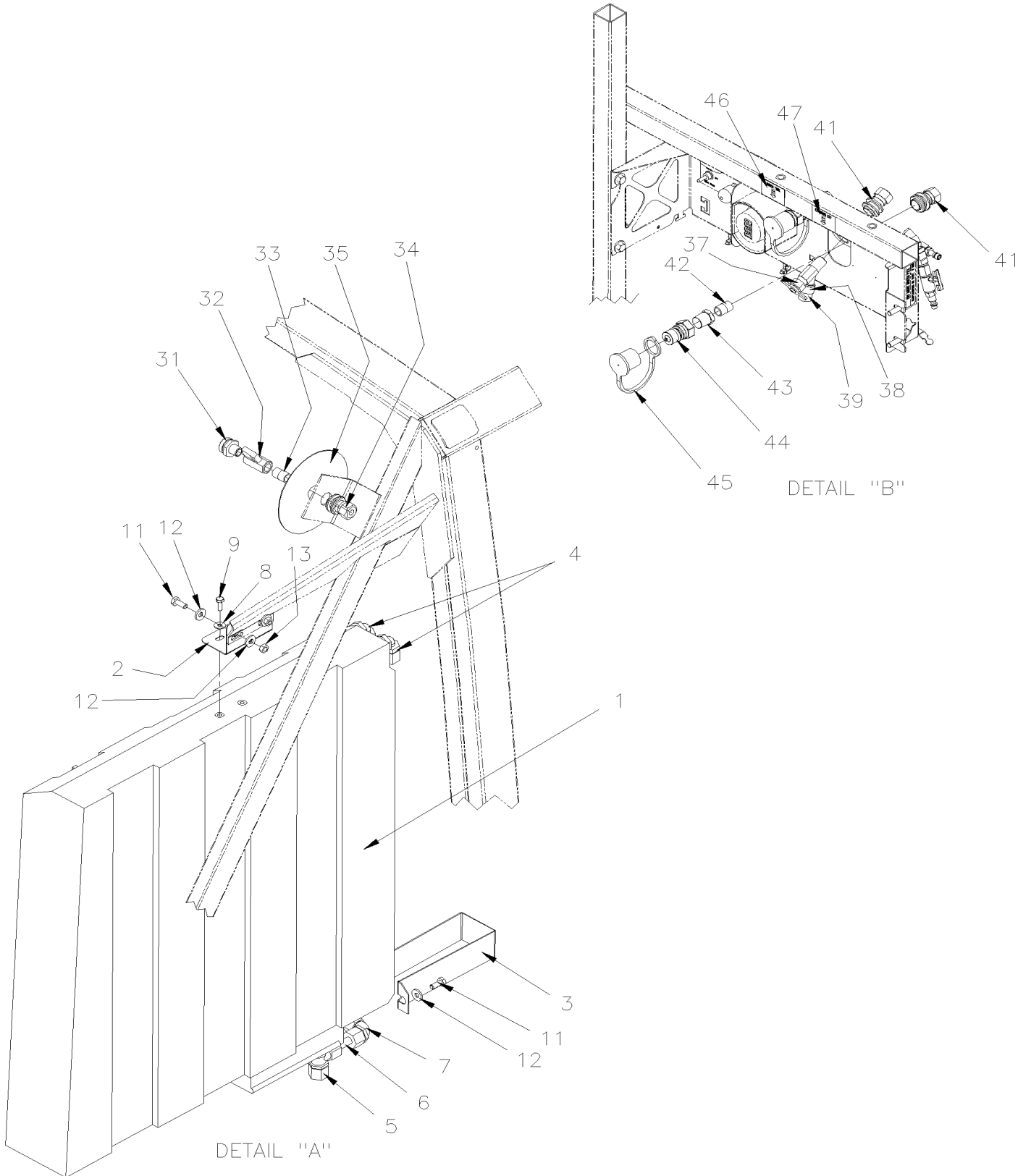


From K-0185

Date:07/2024

PAGE:H9-2330-01

WATER & SUMP TANK - INSTALLATION



From K-0185	Date:07/2024	PAGE:H9-2330-01
WATER & SUMP TANK - INSTALLATION		

Item#	Part	Description	H 3 4 1	H 3 4 5	N O T E S
1	900959	TANK / WATER 66Liters	1	1	
2	405237	SUPPORT / WATER TANK	1	1	
3	405238	SUPPORT "U" SHAPE / WATER TANK	1	1	
4	5011227	MALE ELBOW 90° / COMPRESSION FITTING / #8x3/8NPT-M PLAS WHITE	2	2	
5	5011228	MALE RUN TEE/ COMPRESSION FITTING / #8x#8x3/8NPT-M BR	1	1	
6	503488	TUBE, NYLON 1/2 O.D. / BLACK S.L./	AR	AR	
7	5011229	ELBOW UNION 90° / COMPRESSION FITTING / #8x#8 PLAS WHITE	1	1	
8	5001833	WASHER BEL SPR 6.1x18x1.27 SS	2	2	
9	5001746	SCREW CAP HEX 1/4-20x3/4 G5 N500	2	2	
10	406533	SUPPORT / WATER TANK	1	1	
NS	506071	TAPE RUB ADH1 CC POL 1/8" x 1/2" x 50' / GREY 2520X	AR	AR	
NS	504068	GROMMET / .500x.750x.062x.312x1.062	2	2	
NS	504398	GROMMET / 1.000x1.375x.062x.437x1.750	1	1	
10	502896	SCREW TC BDG PH #12-24x3/4 N500	6	6	
10	500805	WASHER FL .218x.875x.062 N500	6	6	
11	502862	SCREW CAP HEX M8-1.25x20 G8.8 N500	4	4	
12	500321	WASHER BEL SPR .331x.827x.098 N500	6	6	
13	502851	NUT HEX M8-1.25 N500	2	2	
14	530211	ELBOW 45° X 3 1/2" I.D. RUBBER	1	1	
15	406463	TUBE ASSY / SS To K-0323	1	1	
15	400630	TUBE ASSY / SS From K-0324	1	1	
15	406462	TUBE ASSY / SS W/OUTBASSIN DRAIN To K-0323	1	1	
15	400627	TUBE ASSY / SS W/OUTBASSIN DRAIN From K-0324	1	1	
16	504235	HOSE CLAMP / 3"9/16"-4"1/2 SS / HS-64	1	1	
16	504580	HOSE CLAMP / 3"1/4-4"1/8 / C.T. 400	3	3	
NS	680098	THREAD SEALANT LOCTITE #567 / WHITE / 250ml	AR	AR	
17	406465	HOSE FLEXIBLE 3 1/2" I.D. X 1150MM To K-0323	1	1	
17	400641	HOSE FLEXIBLE 3 1/2" I.D. X 890MM From K-0324	1	1	
17	405050	HOSE FLEXIBLE 3 1/2" I.D. X 140MM	1	1	C
17	406464	HOSE FLEXIBLE 3 1/2" I.D. X 745MM To K-0323	1	1	C
17	400635	HOSE FLEXIBLE 3 1/2" I.D. X 535MM From K-0324	1	1	C
17	503039	. HOSE FLEXIBLE / 3 1/2" I.D. X 10' To K-0323	AR	AR	
17	503043	. HOSE SILICONE 3PLY 3 1/2" I.D. x 3' From K-0324	AR	AR	
18	403191	HOSE 3/4" I.D. x 1900MM	1	1	
18	400151	HOSE 3/4" I.D. x 1220MM	1	1	C
18	503523	. HOSE SILICONE 1PLY 3/4" I.D. x 100' / S.L.	AR	AR	
NS	504574	GROMMET / 1.125x1.312x.062x.312x1.56	1	1	
19	504319	HOSE CLAMP / 1"-1"1/2 SS / E.T. 16 To K-0328	AR	AR	
19	504020	HOSE CLAMP / 9/16"-1"1/4 SS / HS-12 From K-0329	AR	AR	
20	406492	HOSE 1450MM	1	1	
20	503523	. HOSE SILICONE 1PLY 3/4" I.D. x 100' / S.L.	AR	AR	
21	400256	. HOSE 3/4" I.D. 670 MM To K-0328	1	1	

From K-0185		Date:07/2024	PAGE:H9-2330-01
WATER & SUMP TANK - INSTALLATION			

Item#	Part	Description	H 3 4 1	H 3 4 5	N O T E S
21	503523	HOSE SILICONE 1PLY 3/4" I.D. x 100' / S.L. To K-0328	AR	AR	
21	400762	. HOSE 3/4" I.D. 415 MM From K-0329 To R-1486	1	1	
21	406925	HOSE 3/4" I.D. 415 MM From R-1487		1	
22	400509	FLANGE HOSE ADAPTOR 5" O.D.	1	1	
NS	684517	ADHESIVE SIMSON #ISR 70-03 / GREY / 310ml CARTRIDGE	AR	AR	
23	504319	HOSE CLAMP / 1"-1"1/2 SS / E.T. 16	2	2	
24	900509	STRAINER / WASHBASIN	1	1	
25	901386	DRAIN 1 1/2 90 DEG X #12BB	1	1	
26	900011	FAUCET	1	1	
26	900010	NUT, COUPLING 1/2-14	1	1	
27	501176	FITTING STRAIGHT #8BBX	1	1	
28	501314	BUSHING REDUCER / PIPE FITTING / 3/8NPT-Mx1/4NPT-F BR	1	1	
29	641179	FEMALE ELBOW 90° / NTA FITTING / #8x3/8NPT-F BR	1	1	
NS	680098	THREAD SEALANT LOCTITE #567 / WHITE / 250ml	AR	AR	
30	503488	TUBE, NYLON 1/2 O.D. / BLACK S.L./	AR	AR	
31	5011178	MALE CONNECTOR / GARDEN FITTING / 3/4GARDEN-Mx3/8NPT-M BR	1	1	
32	5011180	BALL VALVE 3/8 NPT M x 3/8 NPT M	1	1	
33	501325	NIPPLE / PIPE FITTING / 3/8NPT-Mx3/8NPT-Mx1 BR	1	1	
34	641012	BULKHEAD UNION / NTA FITTING / #8x3/8NPT-M BR	1	1	
35	404481	PLATE / FINISHING	1	1	
37	501531	DRAIN VALVE 3/8 NPT M x 5/8 HOSE	1	1	
NS	405298	DECAL / "DRAINING WATER TANK" / ENGLISH	1	1	
37	405650	DECAL / "DRAINING WATER TANK" / ENGLISH & SPANISH	1	1	
38	504019	HOSE CLAMP / 9/16"-1"1/16 SS / HS-10	1	1	
39	503006	HOSE 5/8" I.D. 50' / S.L.	AR	AR	
40	900280	THRU HULL, CONNECTOR / PLASTIC	1	1	
41	641012	BULKHEAD UNION / NTA FITTING / #8x3/8NPT-M BR	2	2	
42	501325	NIPPLE / PIPE FITTING / 3/8NPT-Mx3/8NPT-Mx1 BR	2	2	
43	501534	BUSHING REDUCER / PIPE FITTING / 1/2NPT-Mx3/8NPT-F BR	2	2	
44	900323	NIPPLE / QUICK DISCONNECT "B SERIES" / #10x1/2NPT-F BR	2	2	
44	900324	COUPLER / QUICK DISCONNECT "B SERIES" / #8x1/2NPT-F BR	2	2	
44	404474	HOSE ADAPTER SS 1/4" NPT X 6 GARDEN HOSE MALE	2	2	
45	900326	DUST CAP / QUICK DISCONNECT "B SERIES" / #10 VINYL	2	2	
45	900325	DUST PLUG / QUICK DISCONNECT "B SERIES" / #8 VINYL	2	2	
46	403550	DECAL / "WATER TANK" / ENGLISH	1	1	
46	405640	DECAL / "WATER TANK" / ENGLISH & SPANISH	1	1	
47	403551	DECAL / "CLEANING KIT" / ENGLISH	1	1	
47	405641	DECAL / "CLEANING KIT" / ENGLISH & SPANISH	1	1	
48	503802	HOSE SILICONE 1 PLY / NOMEX-ARAMID 5/8" I.D. x 100' / S.L.	AR	AR	
49	504781	HOSE CLAMP / 13/16"-1 5/16" SS / C.T. W.S.	4	4	
50	H9-2326-01	TOILET PUMP ASSY / WITH HEATER			
51	H9-2327-00	SUMP TANK - PLASTIC 30 GALLONS			

From K-0185	Date:07/2024	PAGE:H9-2330-01
-------------	--------------	-----------------

WATER & SUMP TANK - INSTALLATION

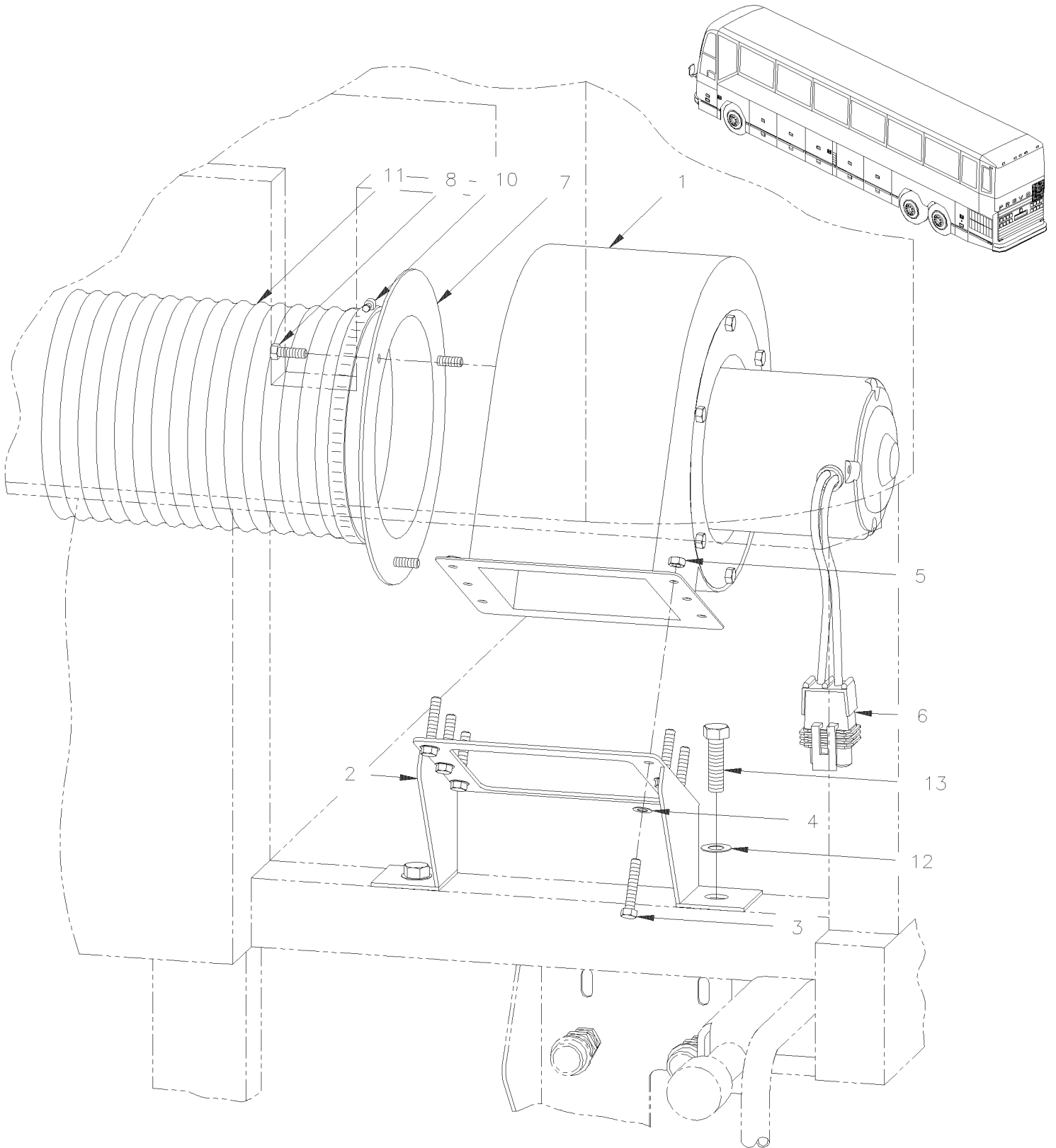
Item#	Part	Description	H 3 4 1	H 3 4 5	N O T E S
52	H9-2325-00	LAVATORY - ACCESSORIES			
		C) USE WITH OPTION AUXILIARY TANK OVER			

From K-0185 To N-1172

Date:07/2024

PAGE:H9-2337-00

LAVATORY FAN - INSTALLATION



From K-0185 To N-1172	Date:07/2024	PAGE:H9-2337-00
LAVATORY FAN - INSTALLATION		

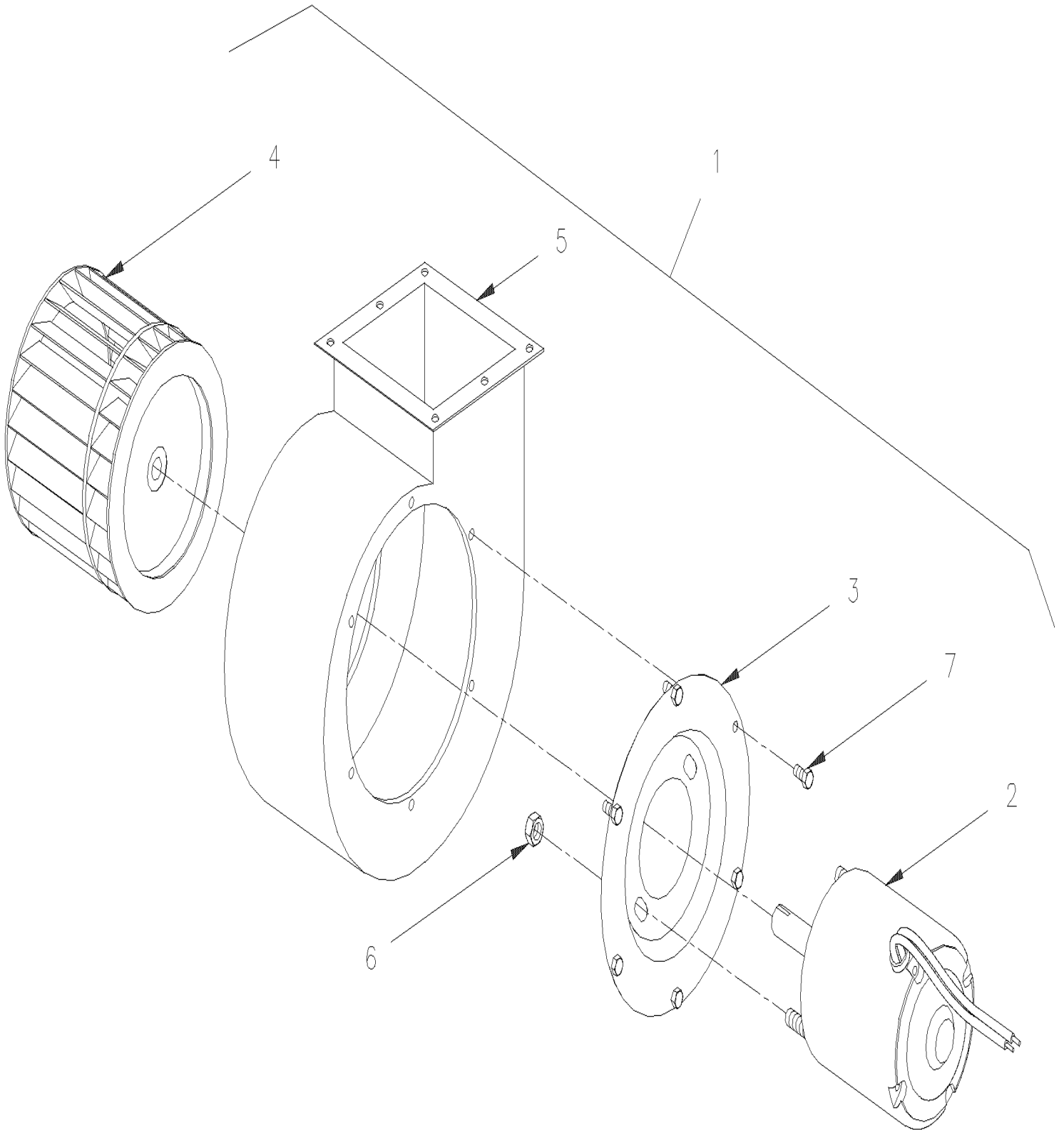
Item#	Part	Description	H 3 4 1	H 3 4 5	N O T E S
	Call order desk	BLOWER ASSY / LAVATORY			P
1	870844	. BLOWER & MOTOR ASSY - "M.C.C." "CW" / FAN END			
2	456891	. SUPPORT ASSY	1	1	
2	8631155	. CABLE TIE / 4.6MM x 200 / CHRISTMAS TREE	2	2	
3	500588	. SCREW CAP HEX M4-0.7x20 G8.8 Z050	6	6	
4	500591	. WASHER FL 4.3x9.0x0.8 Z050	6	6	
5	500590	. NUT HEX NYRT M4-0.7 Z050	6	6	
6	561690	. CONNECTOR / WEATHER PACK / SH 2C / BLACK / PED 12015792	1	1	
NS	561578	. SOCKET TERMINAL / 16-14 / PED 12010182	2	2	
NS	561786	. CABLE SEAL / GRAY / PED 15324980	2	2	
7	403063	. FLANGE / HOSE ADAPTOR	1	1	
8	502685	. SCREW CAP HEX M4-0.7x20 SS EMN	3	3	
NS	500589	. NUT WELL M4-0.7x13.5	3	3	
10	504324	HOSE CLAMP / 4"1/2-6"1/2 SS / HS-96	2	2	
11	503522	HOSE FLEXIBLE / AIR DUCT 5" I.D. X 12' LINEN RUBBER	AR	AR	
12	500874	WASHER FL 8.4x17.0x1.6 Z050	2	2	
NS	502507	WASHER LO SPT 8.1x14.8x2.0 Z050	2	2	
13	500069	SCREW CAP HEX M8-1.25x16 G10.9 DP	2	2	
NS	454393	LAVATORY FAN - SERVICE KIT	1	1	
		P) CALL ORDER DESK FOR SPECIFIC APPLICATION (V.I.N.)			

From K-0185 To N-1172

Date:07/2024

PAGE:870844

BLOWER & MOTOR ASSY - "M.C.C." "CW" / FAN END



From K-0185 To N-1172	Date:07/2024	PAGE:870844
-----------------------	--------------	-------------

BLOWER & MOTOR ASSY - "M.C.C." "CW" / FAN END

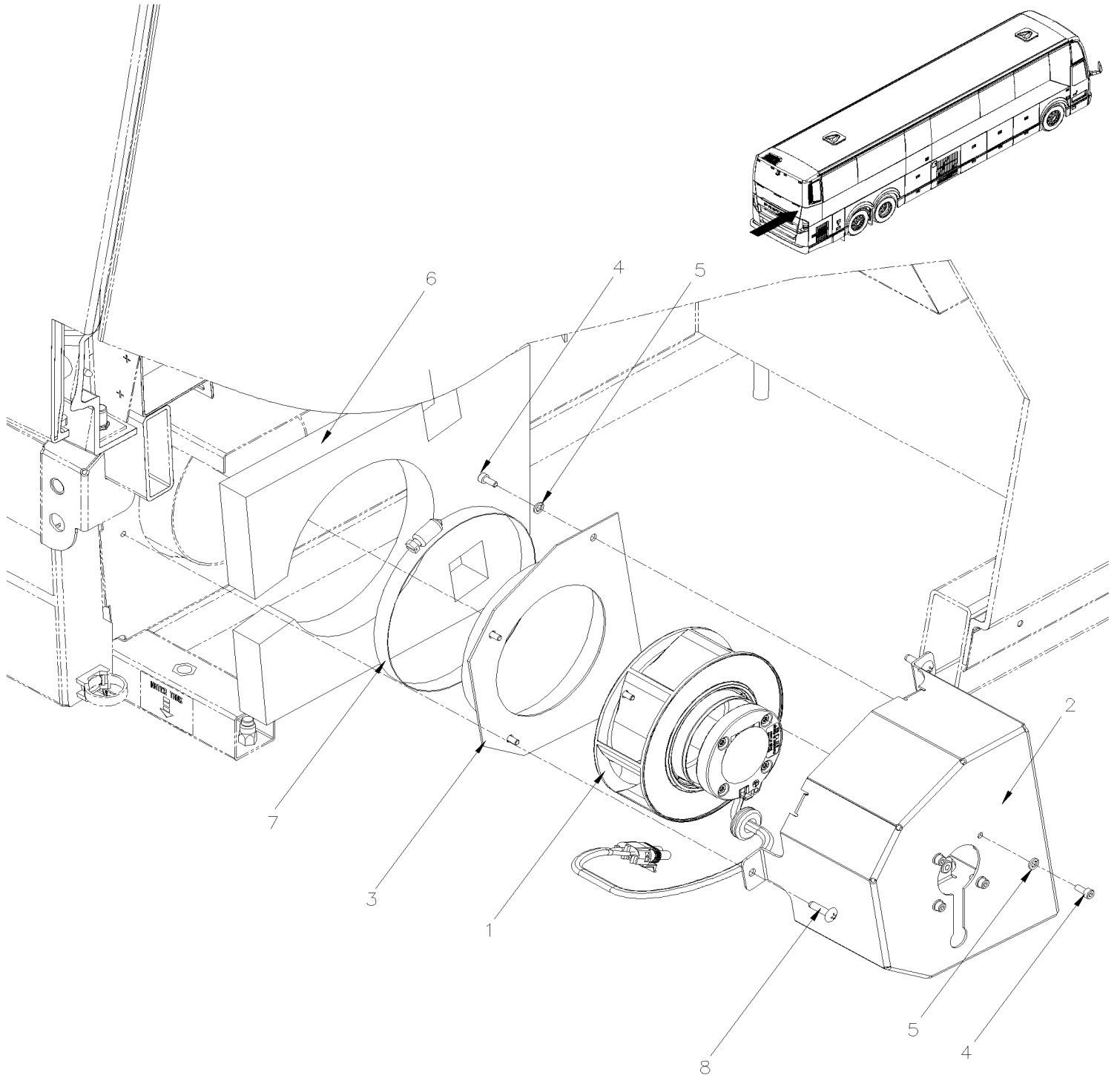
Item#	Part	Description	H 3 4 1	H 3 4 5	N O T E S
1		BLOWER ASSY 24V / CW	1	1	
2	562167	. MOTOR ASSY / 24V	1	1	
3	871020	. PLATE MOUNTING / MOTOR	1	1	
4	871017	. BLOWER WHEEL / STEEL	1	1	
5	871440	. HOUSING BLOWER	1	1	
6	500786	. NUT HEX #10-24 Z050	2	2	
7	500978	. SCREW CAP HEX #10-24x3/4 Z050	6	6	

From K-0185 To N-1172

Date:07/2024

PAGE:454393

LAVATORY FAN - SERVICE KIT



From K-0185 To N-1172	Date:07/2024	PAGE:454393
LAVATORY FAN - SERVICE KIT		

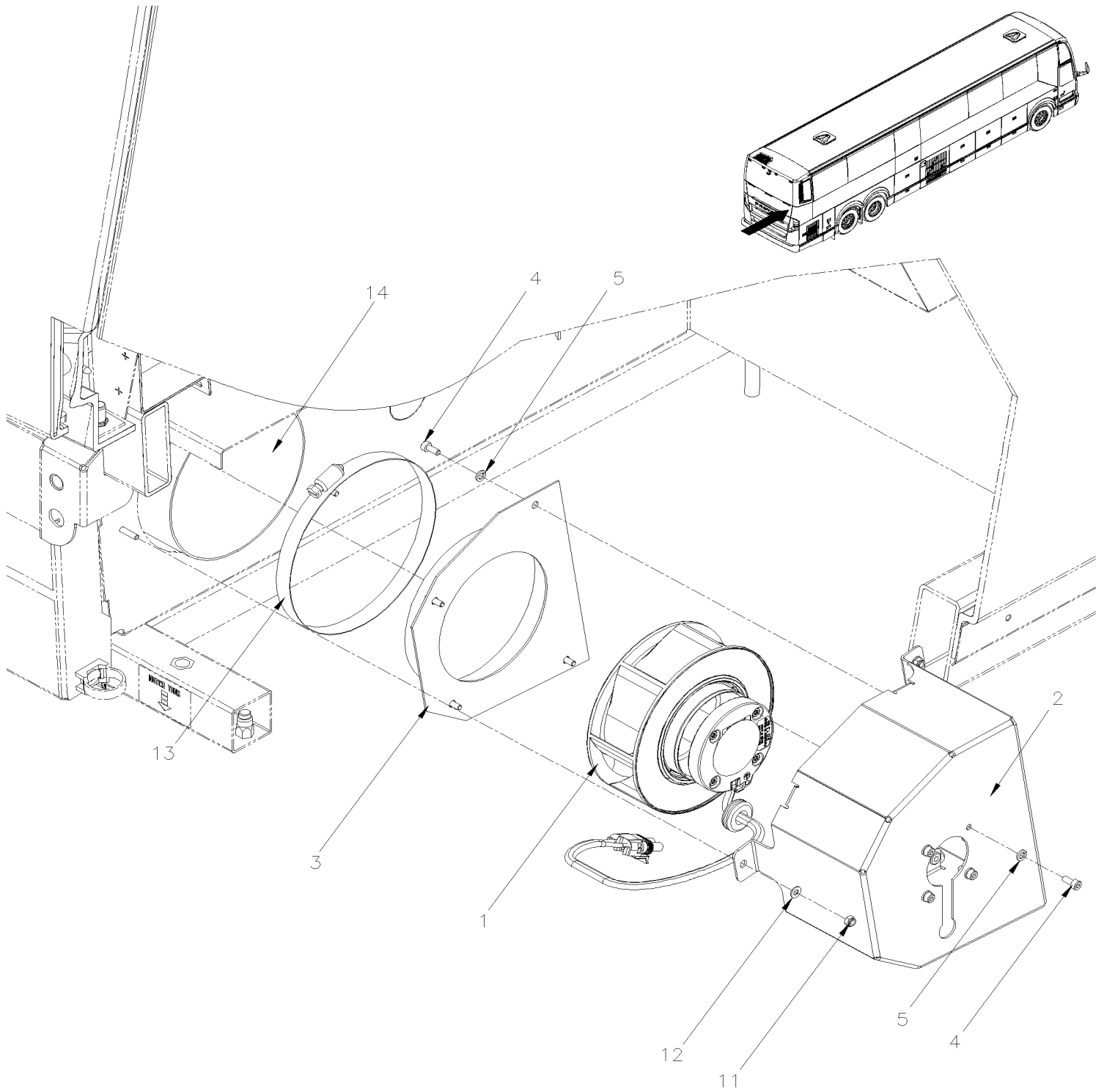
Item#	Part	Description	H 3 4 1	H 3 4 5	N O T E S
1	950624	FAN BRUSHLESS	1	1	
. NS	561690	. CONNECTOR / WEATHER PACK / SH 2C / BLACK / PED 12015792	1	1	
2	454382	BRACKET FOR LAVATORY FAN	1	1	
3	454383	PLATE FOR LAVATORY FAN ASSY	1	1	
4	5002180	SCREW CAP HEXS M4-0.7x10 SS	8	8	
5	500914	WASHER LO SPT .193x.334x.047 N500	8	8	
6	354192	INSULATION	1	1	
7	504324	HOSE CLAMP / 4"1/2-6"1/2 SS / HS-96	1	1	
8	500283	SCREW TC TR PH #10-24x3/4 SS	3	3	
NS	IS-19165	SEE INSTRUCTION SHEET	1	1	
NS	FI-19165	VOIR FEUILLE D'INSTRUCTION	1	1	

From N-1173 To P-1452

Date:07/2024

PAGE:H9-2337-01

LAVATORY FAN - INSTALLATION



From N-1173 To P-1452	Date:07/2024	PAGE:H9-2337-01
LAVATORY FAN - INSTALLATION		

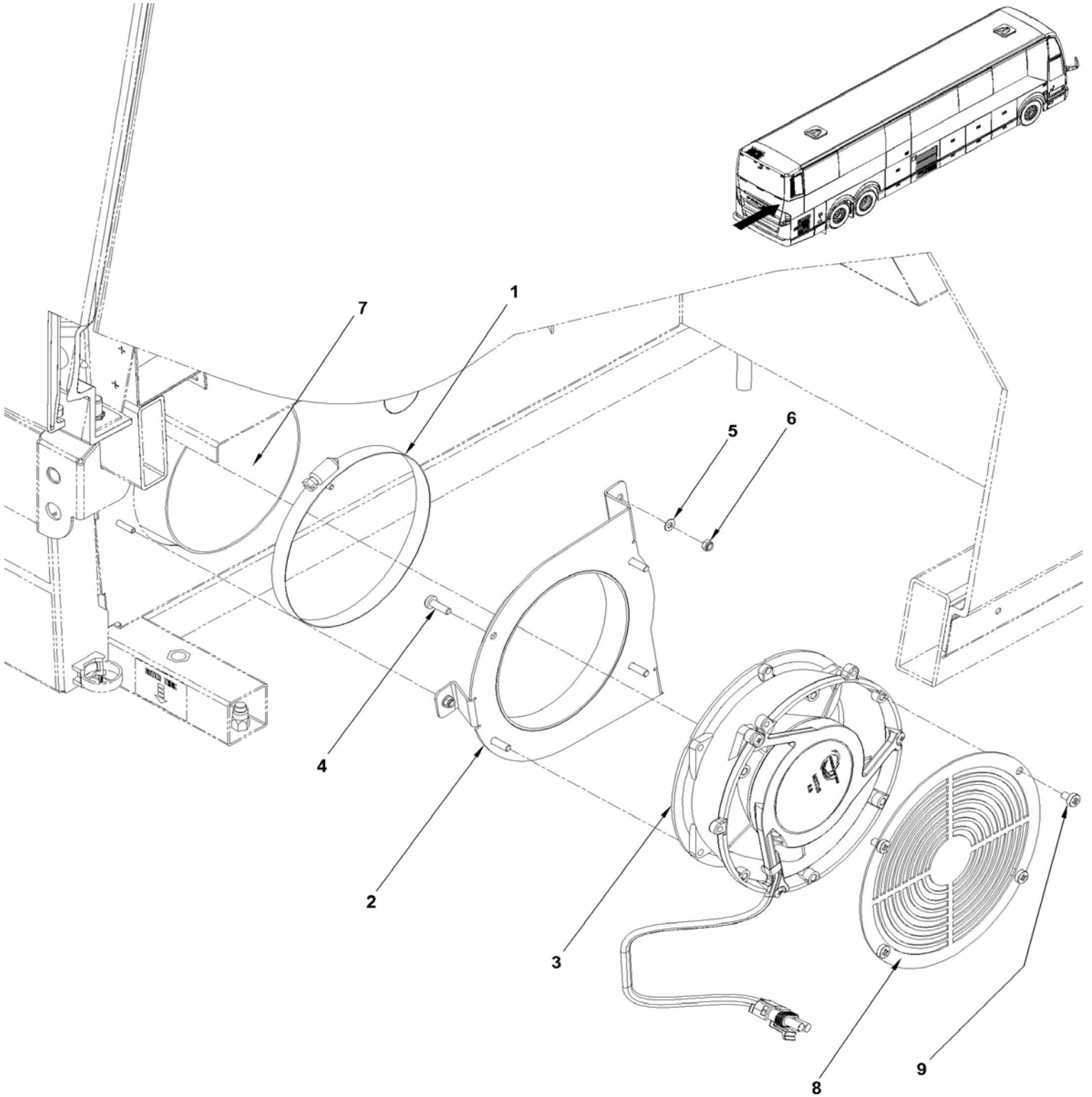
Item#	Part	Description	H 3 4 1	H 3 4 5	NOTES
1	950624	FAN BRUSHLESS	1	1	
. NS	561690	. CONNECTOR / WEATHER PACK / SH 2C / BLACK / PED 12015792	1	1	
NS	509815	TIE MOUNT / ATTACHMENT W/TREE MOUNT	1	1	
NS	504637	CABLE TIE / 3/16" x 13"	1	1	
2	454382	BRACKET FOR LAVATORY FAN	1	1	
3	454383	PLATE FOR LAVATORY FAN ASSY	1	1	
4	5002180	SCREW CAP HEXS M4-0.7x10 SS	8	8	
5	500914	WASHER LO SPT .193x.334x.047 N500	8	8	
11	500539	NUT HEX NYRT M4-0.7 N500	3	3	
12	502556	WASHER FL 4.3x9.0x0.8 SS	3	3	
13	504324	HOSE CLAMP / 4"1/2-6"1/2 SS / HS-96	1	1	
14	503522	HOSE FLEXIBLE / AIR DUCT 5" I.D. X 12' LINEN RUBBER	AR	AR	
20	455084	LAVATORY FAN - SERVICE KIT			

From N-1173 To P-1452

Date:07/2024

PAGE:455084

LAVATORY FAN - SERVICE KIT



From N-1173 To P-1452	Date:07/2024	PAGE:455084
-----------------------	--------------	-------------

LAVATORY FAN - SERVICE KIT

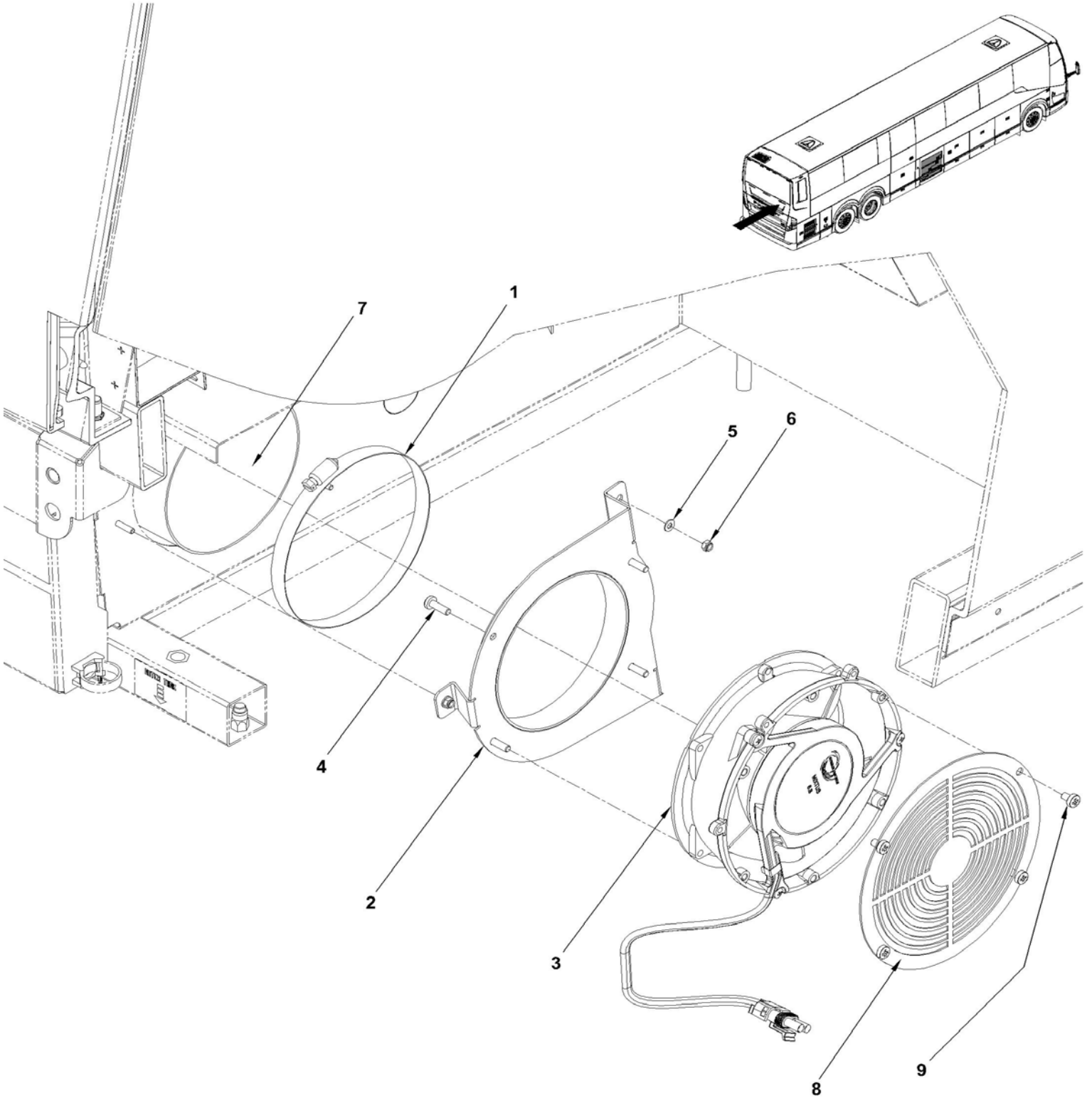
Item#	Part	Description	H 3 4 1	H 3 4 5	N O T E S
1	504324	HOSE CLAMP / 4"1/2-6"1/2 SS / HS-96	1	1	
2	455038	BRACKET LAVATORY FAN	1	1	
3	950707	FAN BRUSHLESS	1	1	
4	502653	SCREW MA PAN PH M5-0.8x16 SS	4	4	
5	502556	WASHER FL 4.3x9.0x0.8 SS	3	3	
6	500539	NUT HEX NYRT M4-0.7 N500	3	3	
7	503522	HOSE FLEXIBLE / AIR DUCT 5" I.D. X 12' / LINEN RUBBER	1	1	
8	455048	FAN GRILL	1	1	
9	5001377	SCREW MA PAN PH M5-0.8x8 SS	4	4	
9	5001137	WASHER FL .203x.438x.050 SS	4	4	

From R-1453

Date:07/2024

PAGE:H9-2337-02

LAVATORY FAN - INSTALLATION



From R-1453	Date:07/2024	PAGE:H9-2337-02
LAVATORY FAN - INSTALLATION		

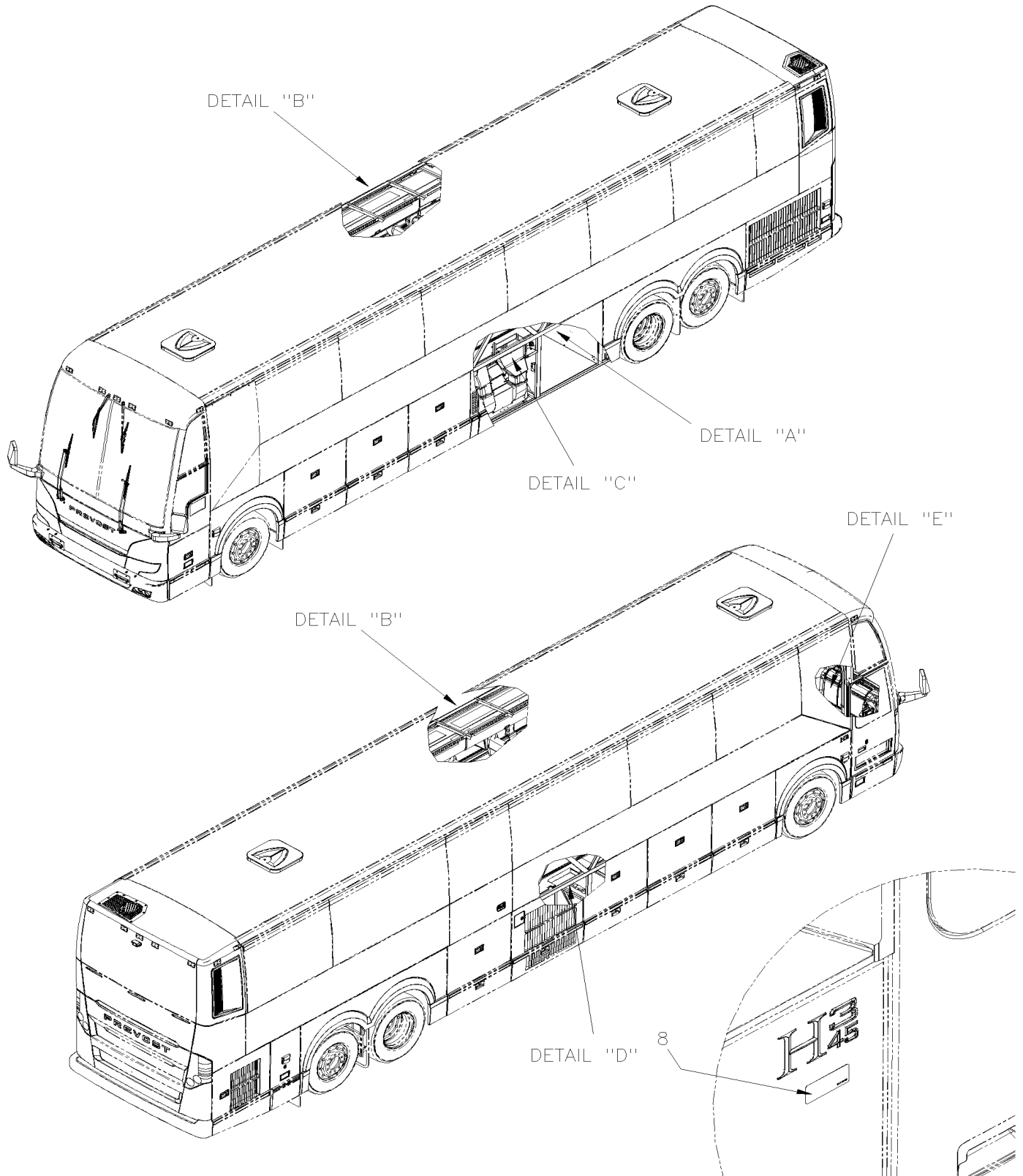
Item#	Part	Description	H 3 4 1	H 3 4 5	N O T E S
1	504324	HOSE CLAMP / 4"1/2-6"1/2 SS / HS-96		1	
2	455038	BRACKET LAVATORY FAN		1	
3	950707	FAN BRUSHLESS		1	
4	502653	SCREW MA PAN PH M5-0.8x16 SS		4	
5	502556	WASHER FL 4.3x9.0x0.8 SS		3	
6	500539	NUT HEX NYRT M4-0.7 N500		3	
7	503522	HOSE FLEXIBLE / AIR DUCT 5" I.D. X 12' LINEN RUBBER		1	
8	455048	FAN GRILL		1	
9	5001377	SCREW MA PAN PH M5-0.8x8 SS		4	
9	5001137	WASHER FL .203x.438x.050 SS		4	

From N-1173 To P-1452

Date:07/2024

PAGE:H9-2340-00

PLASMA CLUSTER IONS AIR SANITIZER - ENVIROCARE

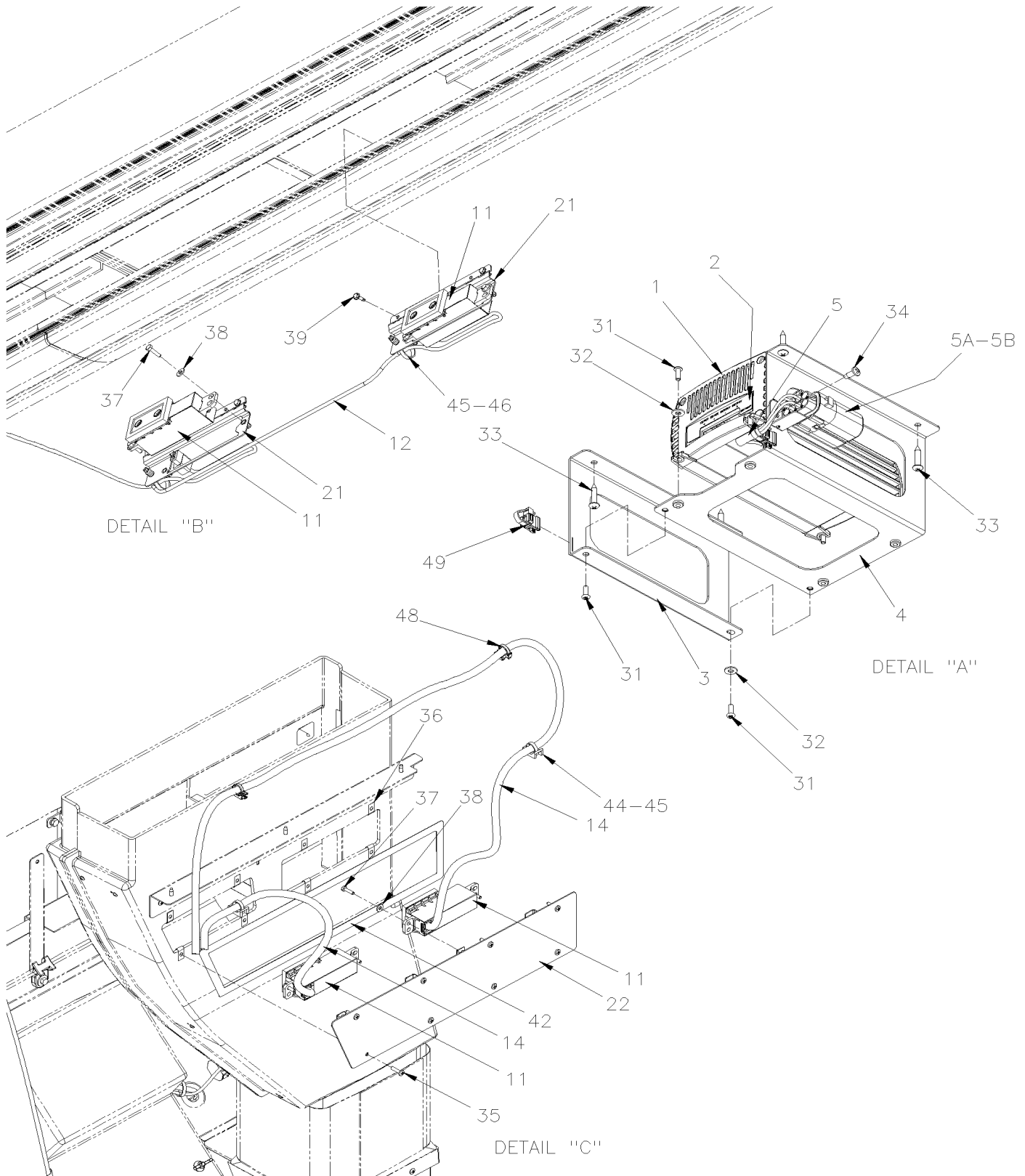


From N-1173 To P-1452

Date:07/2024

PAGE:H9-2340-00

PLASMA CLUSTER IONS AIR SANITIZER - ENVIROCARE

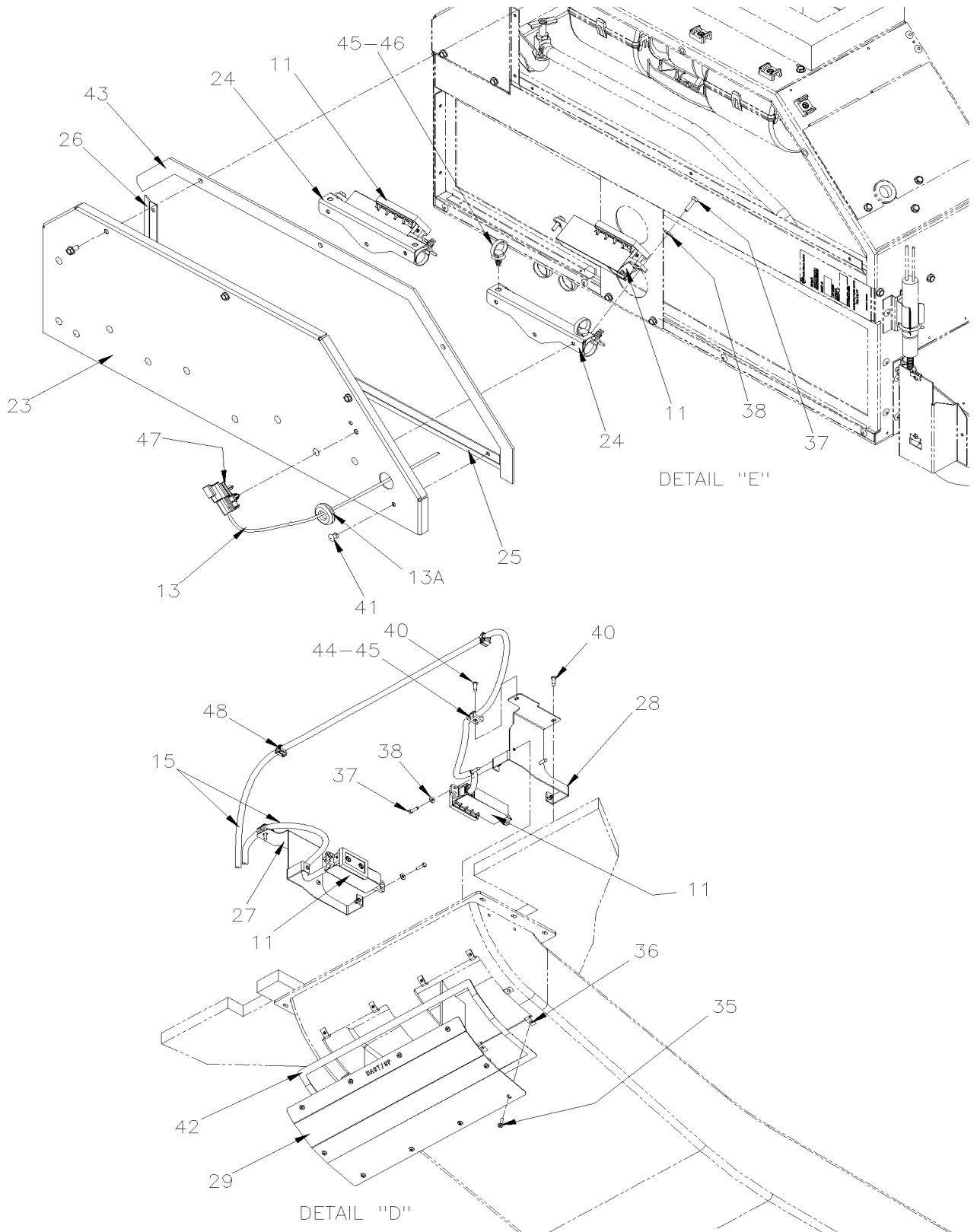


From N-1173 To P-1452

Date:07/2024

PAGE:H9-2340-00

PLASMA CLUSTER IONS AIR SANITIZER - ENVIROCARE



From N-1173 To P-1452	Date:07/2024	PAGE:H9-2340-00
-----------------------	--------------	-----------------

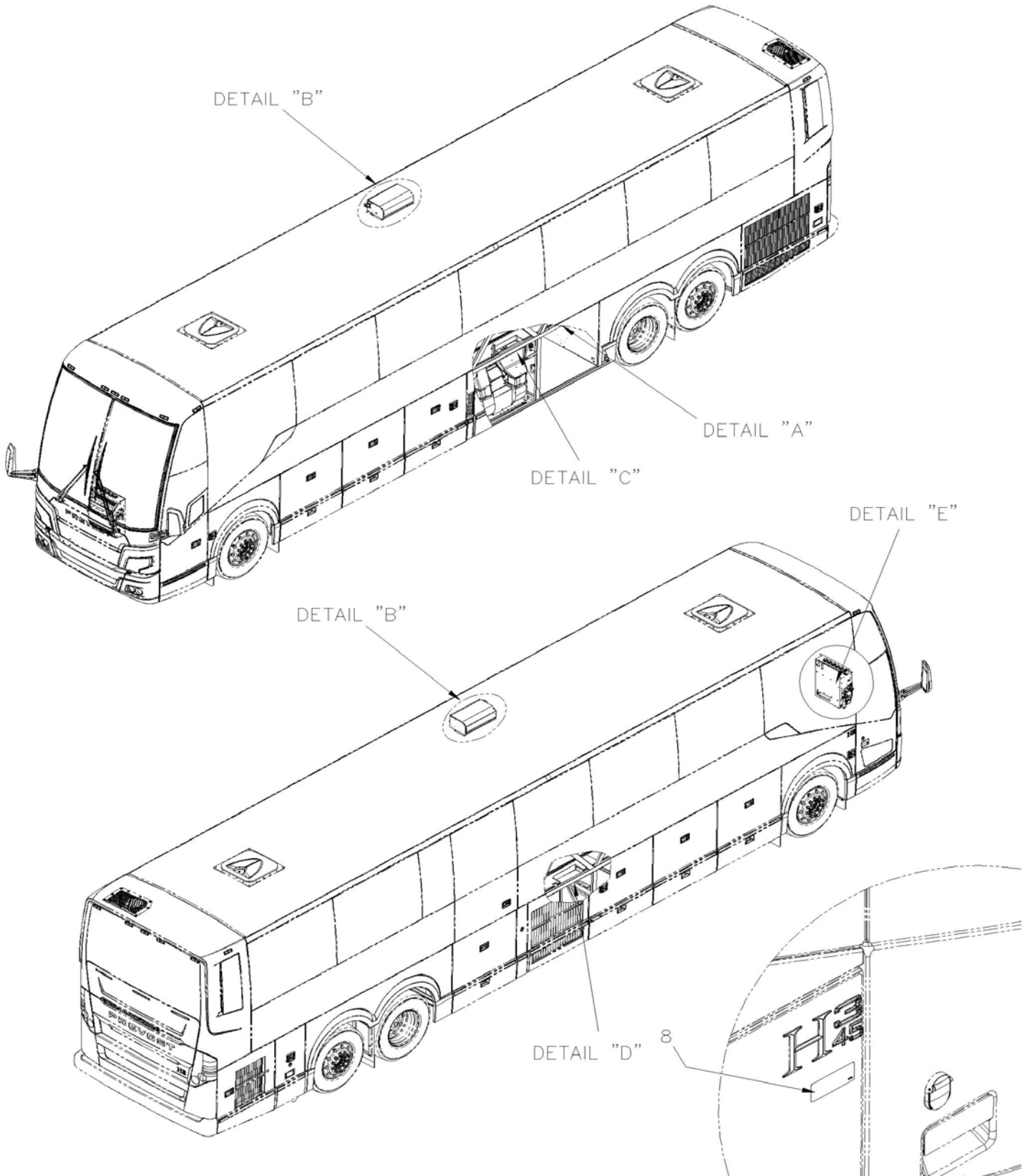
PLASMA CLUSTER IONS AIR SANITIZER - ENVIROCARE

Item#	Part	Description	H 3 4 1	H 3 4 5	NOTES
	0610448	. SERVICE KIT ENVIROCARE, H3	1	1	
1	564288	. DC/DC (24/12V) CONVERTER	1	1	
2	0610547	. DECAL CONVERTER DC-DC	2	2	
3	0610510	. SUPPORT CONVERTER DC-DC	1	1	
4	0610511	. SUPPORT CONVERTER DC-DC	1	1	
5	0610502	. HARNESS, PLASMA CLUSTER DCDC	1	1	
. A	564238	. FUSE HOLDER / LONG / BUSSMANN CFH-ALE	1	1	
. B	563280	. FUSE / ATM 5 AMPS AMBER	1	1	
8	0611019	. DECAL "PREVOST ENVIROCARE" / ENGLISH	1	1	
8	0610528	. DECAL "PREVOST ENVIROCARE" / ENGLISH / FRENCH	1	1	
11	0610449	. PLASMACLUSTER	10	10	
12	0610505	. WIRING, PLASMA CLUSTER PARCEL RACK	1	1	
13	0610503	. WIRING, PLASMA CLUSTER DRIVER	1	1	
13A	504555	. GROMMET / .500x.812x.125x.344x1.062x.031	1	1	
14	0610504	. WIRING, PLASMA CLUSTER EVAPORATOR H3	1	1	
15	0610501	. WIRING, PLASMA CLUSTER CONDENSOR H3	1	1	
21	314937	. PLASMACLUSTER BRACKET, PARCEL RACK	4	4	
22	454472	. SUPPORT PLASMACLUSTER, EVAPORATOR DUCT ASSY	1	1	
22	454769	. CUTTING TEMPLATE 454472	1	1	
23	370482	. PLASMACLUSTER PANEL, DEFROST UNIT	1	1	
24	370377	. PLASMACLUSTER BRACKET, DEFROST UNIT	2	2	
25	370483	. PLASMACLUSTER PANEL ANGULAR	1	1	
26	370484	. PLASMACLUSTER PANEL ANGULAR	1	1	
27	454466	. SUPPORT ASSY	1	1	
28	454469	. SUPPORT ASSY	1	1	
29	454471	. CLOSING, CONDENSOR DUCT	1	1	
29	454479	. CUTTING TEMPLATE 454471	1	1	
31	5001996	. SCREW MA PAN PH M4-0.7x12 N500	6	6	
32	500855	. WASHER FL .188x.438x.049 N500	5	5	
33	500608	. SCREW TP BDG PH #10x1 N500	4	4	
34	502868	. SCREW TC TR PH #10-16x1/2 N500	1	1	
35	500244	. SCREW TP BDG PH #8x3/4 N500	18	18	
36	5002071	. NUT SPR U #8 .110-.187 BK	18	18	
37	502799	. SCREW CAP HEX M4-0.7X16 G8.8 N500	20	20	
38	500855	. WASHER FL .188x.438x.049 N500	20	20	
39	5002209	. SCREW DR HEXW #6-20x1/2 Z050	8	8	
40	500957	. SCREW TP BDG PH #10x3/4 N500	8	8	
41	504335	. RIVET POP DOME CLE 3/16x1/4 AL	11	11	

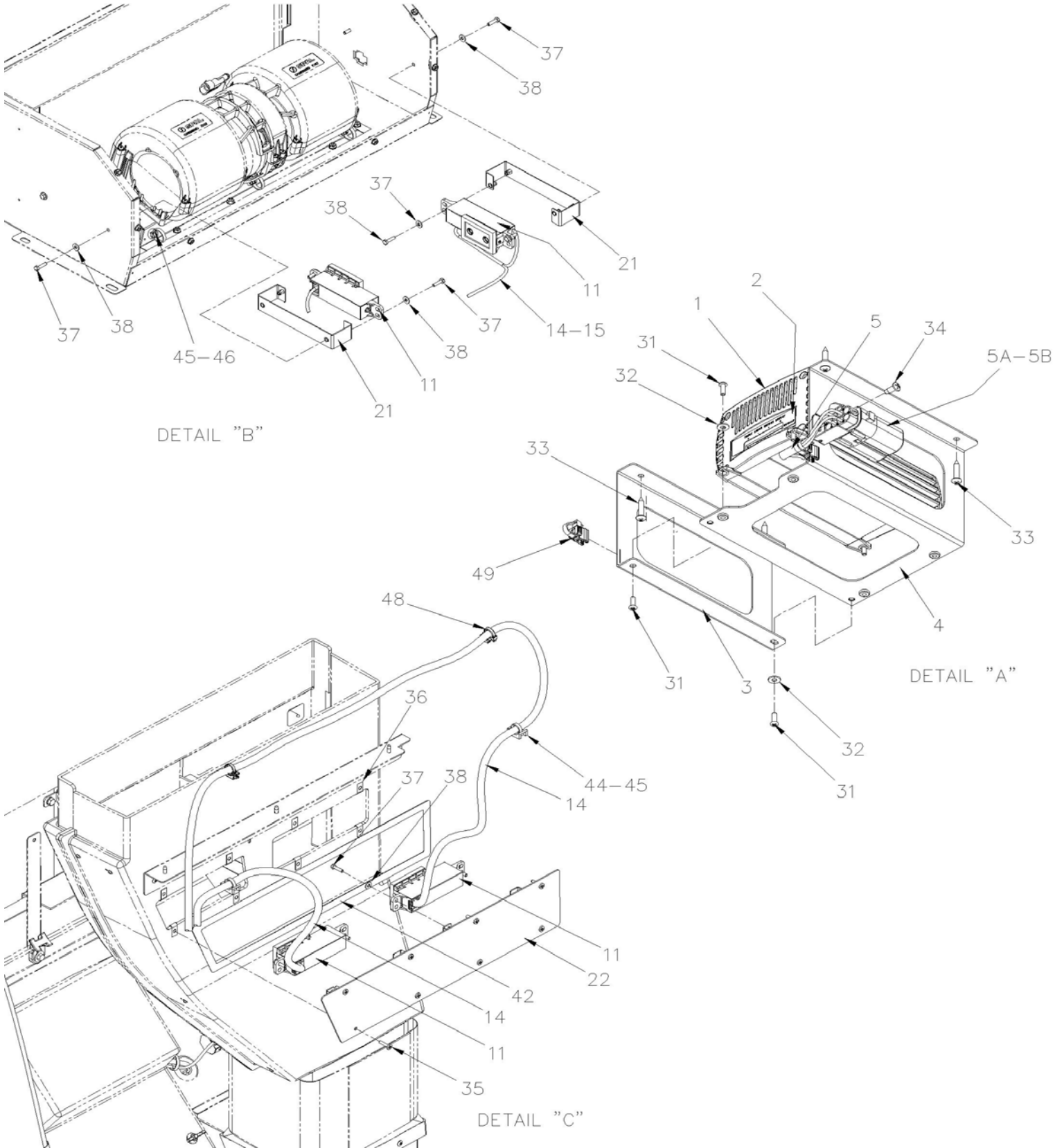
From N-1173 To P-1452	Date:07/2024	PAGE:H9-2340-00
PLASMA CLUSTER IONS AIR SANITIZER - ENVIROCARE		

Item#	Part	Description	H 3 4 1	H 3 4 5	NOTES
42	506268	. TAPE RUB ADH1 URE 3/8" x 1/2" x 25' / GREY 1820	QR	QR	
43	506001	. TAPE RUB ADH1 CC POL 1/8" x 3/4" x 50' / GREY 2520X	QR	QR	
44	504013	. TIE MOUNT / 1/4" X 1/4" I.D.	4	4	
45	504637	. CABLE TIE / 3/16" x 13"	12	12	
46	509815	. TIE MOUNT / ATTACHMENT W/TREE MOUNT	8	8	
47	564108	. SELF MOUNTING STUD // DEUTSCH 1011-310-0205	1	1	
48	564534	. CABLE TIE / WITH EDGE CLIP / T50REC5A 10 MM x 200 MM	4	4	
49	564204	. CABLE TIE / WITH EDGE CLIP / T50REC4A 10MMx200MM	2	2	
50	IS-20932	. SEE INSTRUCTION SHEET	1	1	
50	FI-20932	. VOIR FEUILLE D'INSTRUCTION	1	1	
60	7771197	ION COUNTER TESTING DEVICE	1	1	

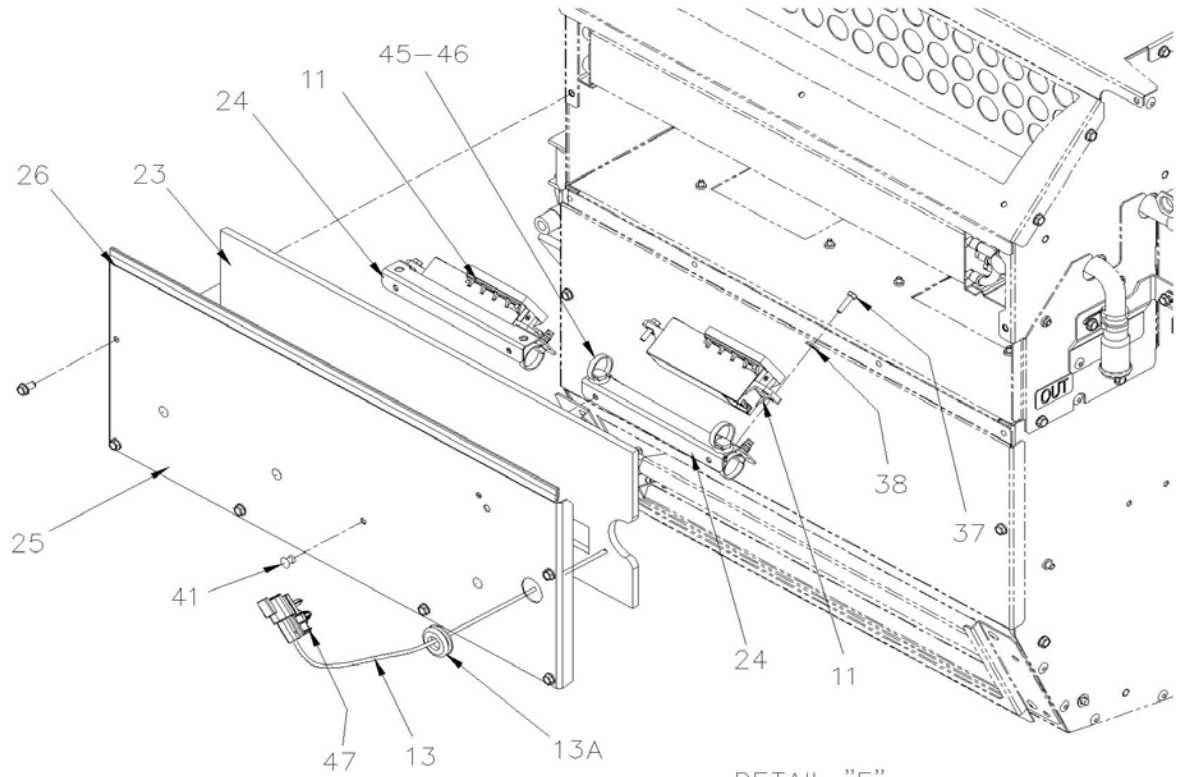
	Date:07/2024	PAGE:H9-2340-01
PLASMA CLUSTER IONS AIR SANITIZER - ENVIROCARE		



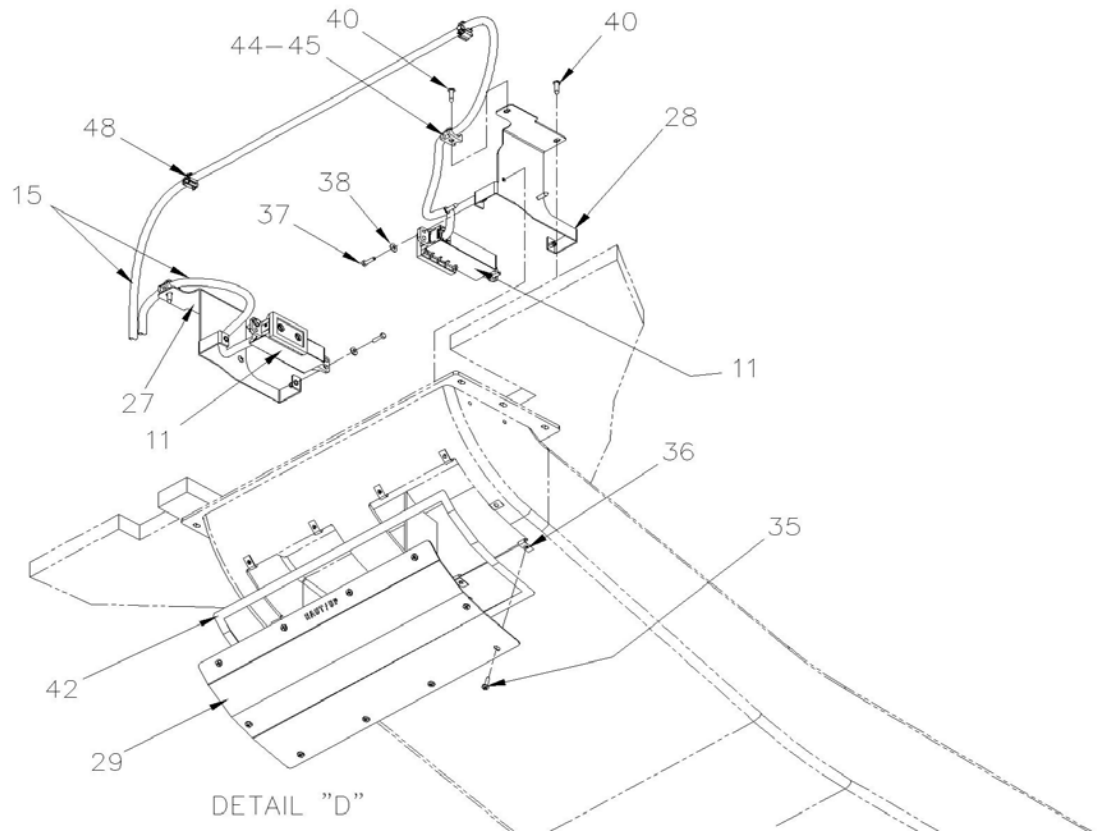
	Date:07/2024	PAGE:H9-2340-01
PLASMA CLUSTER IONS AIR SANITIZER - ENVIROCARE		



	Date:07/2024	PAGE:H9-2340-01
PLASMA CLUSTER IONS AIR SANITIZER - ENVIROCARE		



DETAIL "E"



DETAIL "D"

PLASMA CLUSTER IONS AIR SANITIZER - ENVIROCARE

Item#	Part	Description	H 3 4 1	H 3 4 5	N O T E S
	0610639	. SERVICE KIT ENVIROCARE, H3		1	
1	564288	. DC/DC (24/12V) CONVERTER		1	
2	0610547	. DECAL CONVERTER DC-DC		2	
3	0610510	. SUPPORT CONVERTER DC-DC		1	
4	0610511	. SUPPORT CONVERTER DC-DC		1	
5	0610502	. HARNESS, PLASMA CLUSTER DCDC		1	
. A	564238	. FUSE HOLDER / LONG / BUSSMANN CFH-ALE		1	
. B	563280	. FUSE / ATM 5 AMPS AMBER		1	
8	0611019	. DECAL "PREVOST ENVIROCARE" / ENGLISH		1	
8	0610528	. DECAL "PREVOST ENVIROCARE" / ENGLISH / FRENCH		1	
11	0610449	. PLASMACLUSTER		10	
13	0610503	. WIRING, PLASMA CLUSTER DRIVER		1	
13A	504555	. GROMMET / .500x.812x.125x.344x1.062x.031		1	
14	0610504	. WIRING, PLASMA CLUSTER EVAPORATOR H3		1	
15	0610501	. WIRING, PLASMA CLUSTER CONDENSOR H3		1	
21	454997	. PLASMACLUSTER BRACKET, PARCEL RACK		4	
22	454472	. SUPPORT PLASMACLUSTER, EVAPORATOR DUCT ASSY		1	
22	454769	. CUTTING TEMPLATE 454472		1	
23	370024	. INSULATION ENVIROCARE PANEL		1	
24	370377	. PLASMACLUSTER BRACKET, DEFROST UNIT		2	
25	370524	. PLASMACLUSTER PANEL, DEFROST UNIT		1	
26	506236	. TAPE RUB ADH1 CC POL 1/16" x 1/2" x 100' / GREY 2520		AR	
27	454466	. SUPPORT ASSY To R-1695		1	
27	455082	. SUPPORT ASSY From R-1696		1	
28	454469	. SUPPORT ASSY To R-1695		1	
28	455083	. SUPPORT ASSY From R-1696		1	
29	454471	. CLOSING, CONDENSOR DUCT		1	
29	454479	. CUTTING TEMPLATE 454471		1	
31	5001996	. SCREW MA PAN PH M4-0.7x12 N500		6	
32	500855	. WASHER FL .188x.438x.049 N500		5	
33	500608	. SCREW TP BDG PH #10x1 N500		4	
34	502868	. SCREW TC TR PH #10-16x1/2 N500		1	
35	500244	. SCREW TP BDG PH #8x3/4 N500		18	
36	5002071	. NUT SPR U #8 .110-.187 BK		18	
37	502799	. SCREW CAP HEX M4-0.7X16 G8.8 N500		24	
38	500855	. WASHER FL .188x.438x.049 N500		24	
40	500957	. SCREW TP BDG PH #10x3/4 N500 To R-1695		8	
40	500957	. SCREW TP BDG PH #10x3/4 N500 From R-1696		6	

	Date:07/2024	PAGE:H9-2340-01
PLASMA CLUSTER IONS AIR SANITIZER - ENVIROCARE		

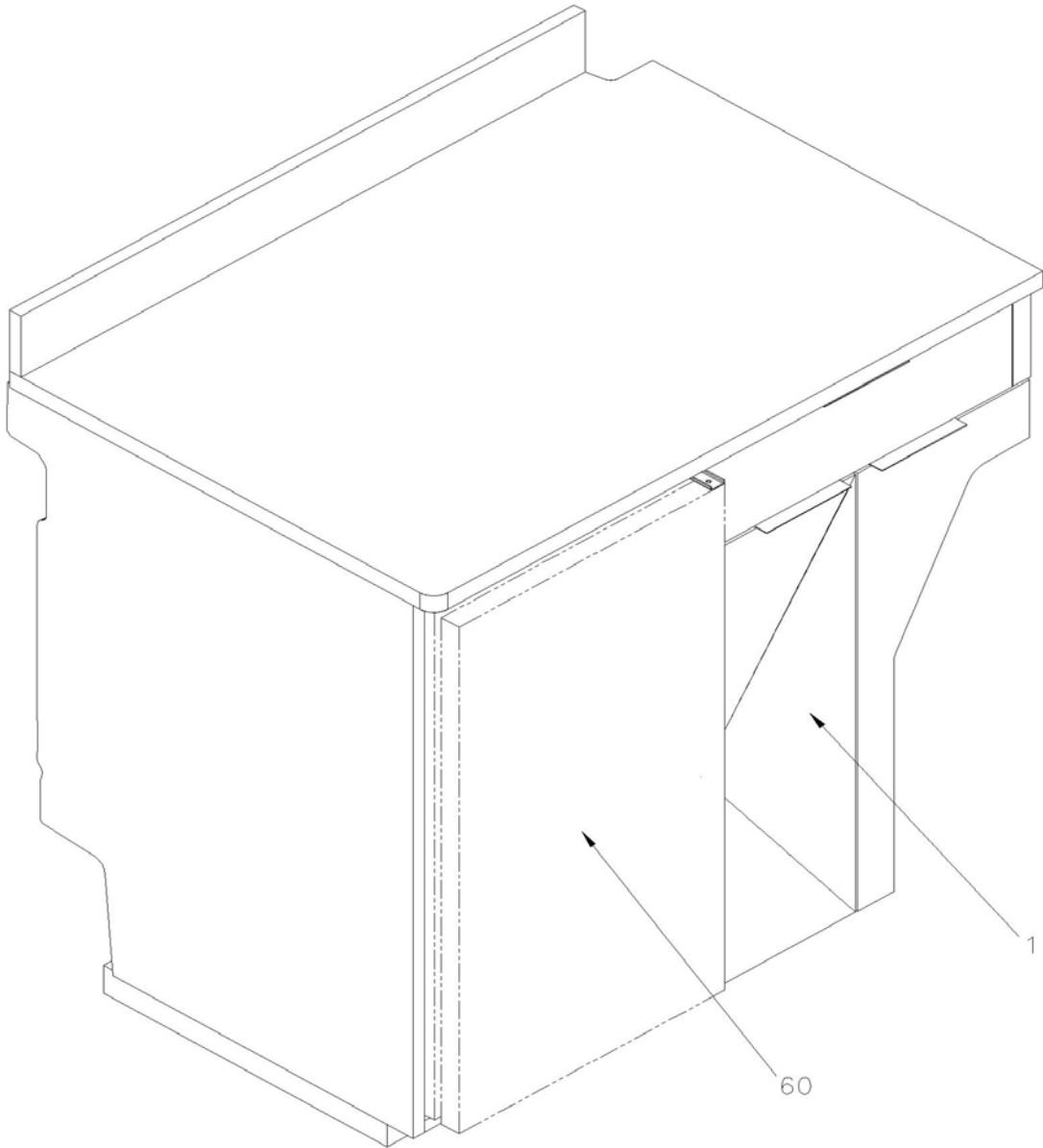
Item#	Part	Description	H 3 4 1	H 3 4 5	N O T E S
41	504335	. RIVET POP DOME CLE 3/16x1/4 AL		4	
42	506268	. TAPE RUB ADH1 URE 3/8" x 1/2" x 25' / GREY 1820		QR	
44	504013	. TIE MOUNT / 1/4" X 1/4" I.D.		4	
45	504637	. CABLE TIE / 3/16" x 13"		12	
46	509815	. TIE MOUNT / ATTACHMENT W/TREE MOUNT		8	
47	564108	. SELF MOUNTING STUD // DEUTSCH 1011-310-0205		1	
48	564534	. CABLE TIE / WITH EDGE CLIP / T50REC5A 10 MM x 200 MM		4	
49	564204	. CABLE TIE / WITH EDGE CLIP / T50REC4A 10MMx200MM		2	
50	IS-20932	. SEE INSTRUCTION SHEET		1	
50	FI-20932	. VOIR FEUILLE D'INSTRUCTION		1	
60	7771197	ION COUNTER TESTING DEVICE		1	

From K-0185

Date:07/2024

PAGE:H9-2345-00

GALLEY ASSY

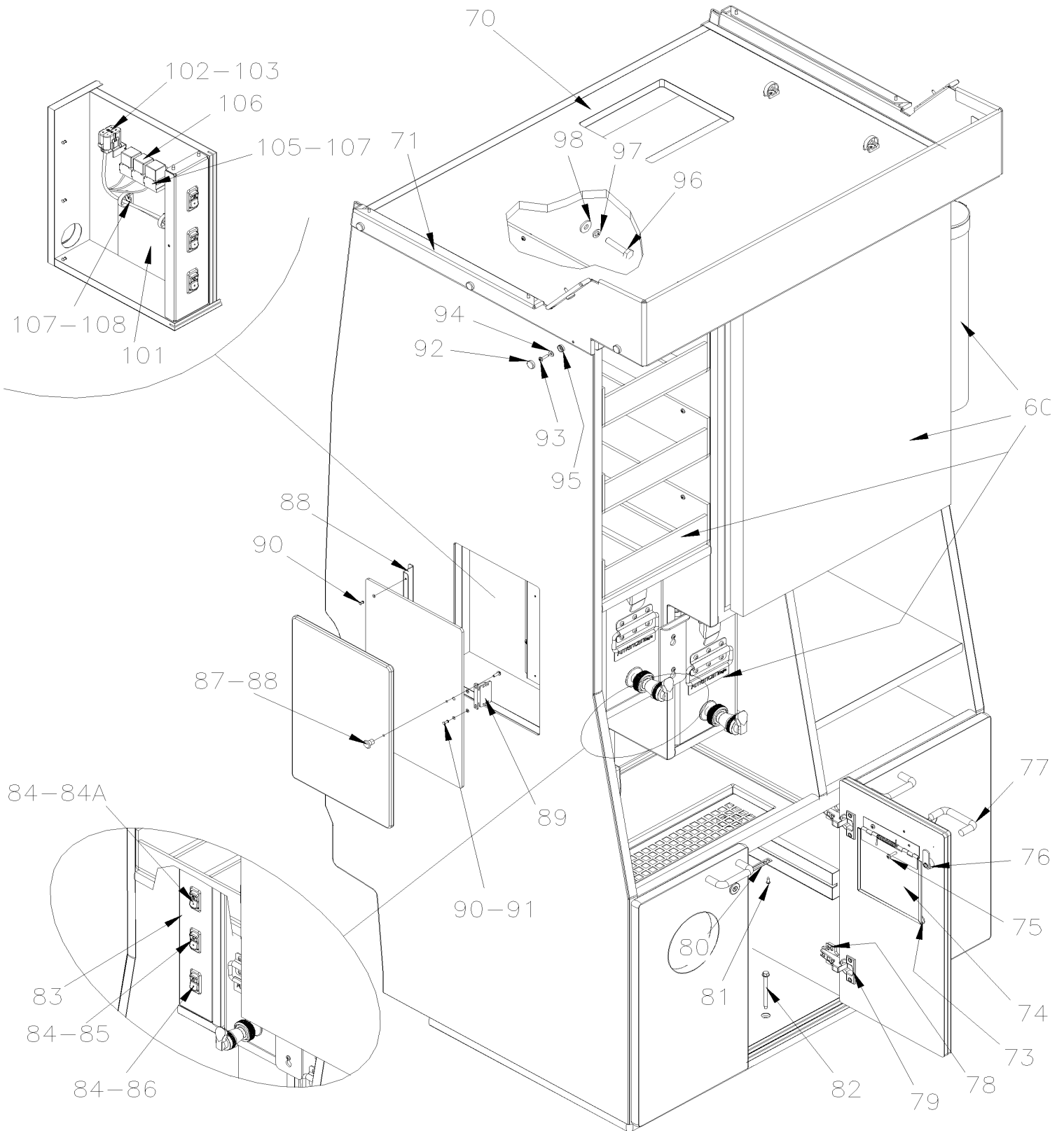


From K-0185

Date:07/2024

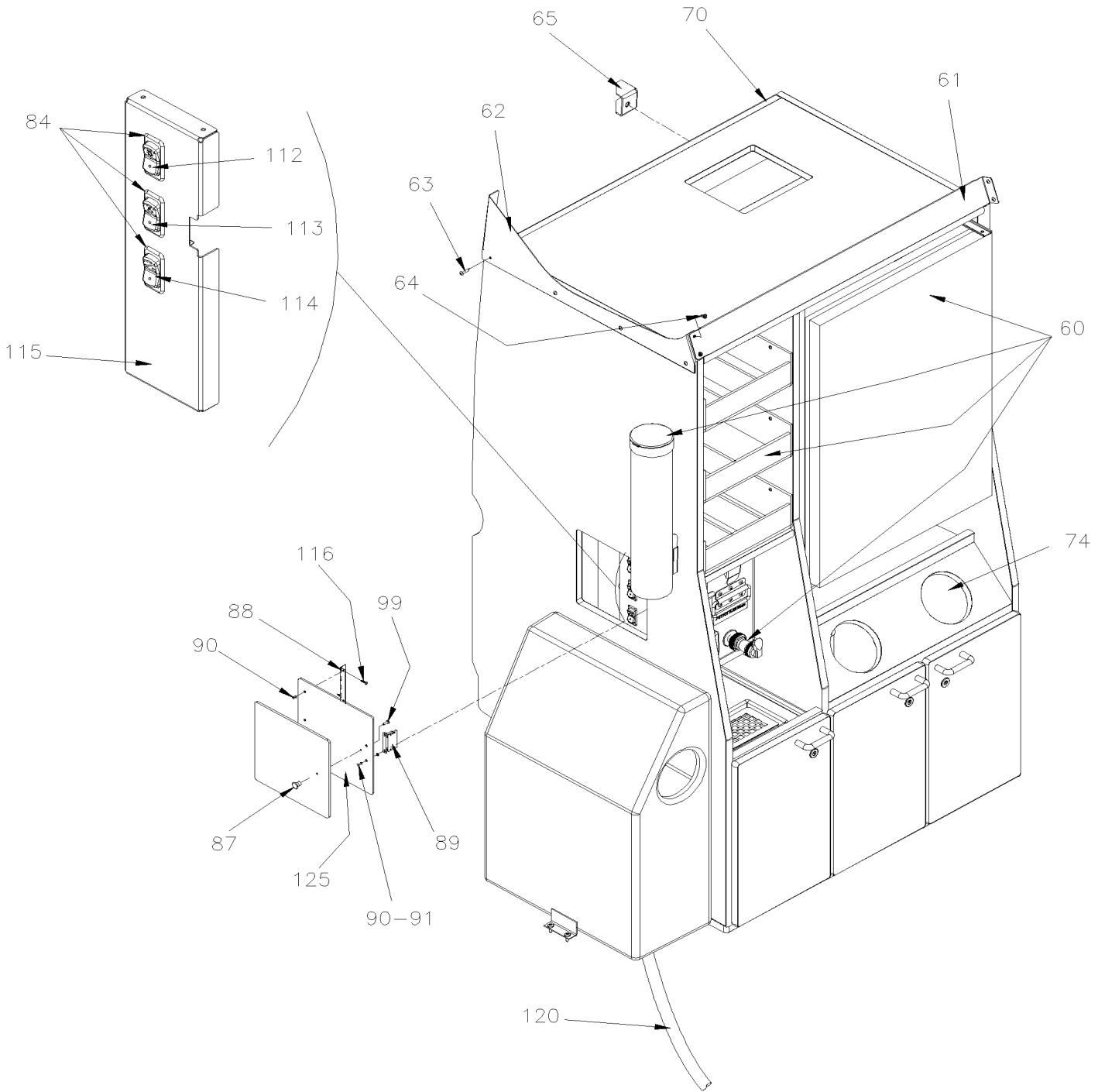
PAGE:H9-2345-00

GALLEY ASSY



From K-0185	Date:07/2024	PAGE:H9-2345-00
GALLEY ASSY		

FROM K-0539



From K-0185		Date:07/2024	PAGE:H9-2345-00
GALLEY ASSY			

Item#	Part	Description	H 3 4 1	H 3 4 5	N O T E S
1	406883	GALLEY AND ACCESSORIES ASS.	1	1	
60	H9-2345-10	GALLEY ACCESSORIES			
61	401049	FRONT TOP GALLEY COVER PLATE From K-0539		1	
62	401048	SIDE TOP GALLEY COVER PLATE From K-0539		1	
63	500608	SCREW TP BDG PH #10x1 N500 From K-0539		6	
64	509805	SCREW TP PAN PH #10x1/2 BK From K-0539		2	
65	401206	ANCHOR BRACKET From K-0539		1	
NS	5001316	SCREW CAP HEX M10-1.5x45 SS		1	
NS	5001443	WASHER FL 10.3x38.0x3.0 SS		1	
70	Call order desk	GALLEY ASSY From K-0539		1	P
70	Call order desk	. GALLEY FRAME From K-0539		1	P
70	065024	WIRING HARNESS		1	
NS	065025	WIRING HARNESS		1	
NS	065537	CABLE ASSY / INVERTER 1000W & GALLEY ON R.H. SIDE		1	
NS	068872	WIRING HARNESS, "GALLEY" POWER		1	
NS	062815	CABLE ASSY #24B		1	
71	406678	FINISHING PANEL W/ LED LIGHT		1	
73	470949	SPACER RUBBER 3/4" O.D. / S.Q.		2	
74	406496	TRAP ASSY 160MM x 146MM		2	
75	5001119	SCREW TP BDG PH #8x3/4 SS		10	
76	780806	LOCK CYLINDER W/KEY / "VIRO"		3	
NS	780501	. KEY		1	
77	900568	HANDLE / DOOR		3	
78	900514	PLATE, MOUNTING / HINGE		6	
79	900389	HINGE, DOOR		2	
79	900587	HINGE, DOOR / GALLEY		4	
80	402737	REINFORCEMENT / DOOR LOCK		3	
81	500120	SCREW TP BDG PH #6x1/2 SS		6	
82	5001389	SCREW TC CAP HEXW 1/4-20x3 ZP		6	
83	406676	SUPPORT / SWITCH GALLEY SS 3 SWITCHES		1	
83	500952	SCREW TP BDG PH #8x1/2 SS		4	
84	562697	SWITCH / ON-ON / D.P.D.T. / CH-OVER / W/RED & GREEN LED		2	
84A	562717	CAP / INTERIOR LIGHT		1	
85	562744	CAP / LEFT GALLEY COFFEE HEATING		1	
86	562745	CAP / RIGHT GALLEY COFFEE HEATING		1	
87	505504	KNOB, PULL / 8-32		1	
87	5011209	SCREW MA PAN PH #8-32x1/2 SS To K-0538		1	
88	405841	SUPPORT ACCES DOOR		1	
88	401288	HINGE FOR ACCESS DOOR From K-0539		1	
89	900621	LATCH ASSY		1	

From K-0185		Date:07/2024	PAGE:H9-2345-00
GALLEY ASSY			

Item#	Part	Description	H 3 4 1	H 3 4 5	N O T E S
90	504368	RIVET POP CK CLE 1/8x.285 AL		5	
91	502578	WASHER FL 3.2x7.0x0.5 Z050		2	
92	504400	SNAP CAP #10 FINISHING BLACK		AR	
93	500641	SCREW TP PAN PH #8x3/4 Z050		AR	
94	500438	WASHER FL .187x.437x.050 Z050		10	
95	504399	WASHER RETAINER SNAP CAP #10		10	
96	502680	SCREW CAP HEX M10-1.5x50 SS		1	
97	502616	WASHER LO SPT 10.2x18.1x2.2 SS		1	
98	5001443	WASHER FL 10.3x38.0x3.0 SS		1	
99	500557	SCREW MA PAN PH #8-32x3/8 SS From K-0539		1	
101	068874	DECAL / RELAY GALLEY		1	
NS	068873	CABLE ASSY / GALLEY		1	
102	564560	FUSE HOLDER / SHORT / BUSSMANN CFH-ASE		1	
103	563280	FUSE / ATM 5 AMPS AMBER		1	
103	563283	FUSE / ATM 10 AMPS RED		2	
103	563284	FUSE / ATM 15 AMPS BLUE		1	
105	561183	RELAY BASE / TAB TERMINAL / BOSCH 3334485008		3	
106	563332	RELAY 24V S.P.D.T. W/RESISTOR / "VOLVO" (20374662)		3	
107	500613	SCREW TP PAN PH #10x1/2 Z050		AR	
108	504013	TIE MOUNT / 1/4" X 1/4" I.D.		AR	
108	504637	CABLE TIE / 3/16" x 13"		AR	
NS	564129	RECEPTACLE BOX / 110Vac outlet / WHITE		1	
NS	562657	PLUG DOUBLE 110 VAC MURAL / WHITE		1	
NS	562659	COVER PLATE DOUBLE 110V OUTLET / WHITE		1	
NS	564187	RECEPTACLE BOX / 110Vac outlet / GREY		1	
NS	564507	PLUG DOUBLE 110 VAC MURAL W/2 USB PORT GREY NYLON "DECORA"		1	
NS	564591	COVER PLATE DOUBLE 110V OUTLET GREY NYLON "DECORA"		1	
NS	069221	BRACKET, HORIZONTAL OUTLET		1	
NS	500388	SCREW MA RND PH #10-24x1 Z050		6	
NS	500888	NUT AN JK #10-24		6	
NS	500120	SCREW TP BDG PH #6x1/2 SS		2	
NS	066294	CABLE ASSY / RJB & GALLEY To K-0539		1	
NS	0610118	CABLE ASSY / RJB & GALLEY From K-0539		1	
NS	0610119	WIRING HARNESS CONTROL REAR GALLEY From K-0539		1	
NS	562697	SWITCH / ON-ON / D.P.D.T. / CH-OVER / W/RED & GREEN LED From K-0539		3	
NS	0610114	CORD ADAPTER 120VAC 20 A From K-0539		1	
112	562708	CAP / HEADLIGHT		1	
113	562721	CAP / GALLEY		1	
114	562742	CAP / MASTER CUT-OFF		1	
115	401046	PLATE FOR SWITCH		1	
116	500640	SCREW TP PAN PH #6x3/4 Z050 From K-0539		AR	
120	503006	HOSE 5/8" I.D. 50' / S.L.		AR	

From K-0185	Date:07/2024	PAGE:H9-2345-00
GALLEY ASSY		

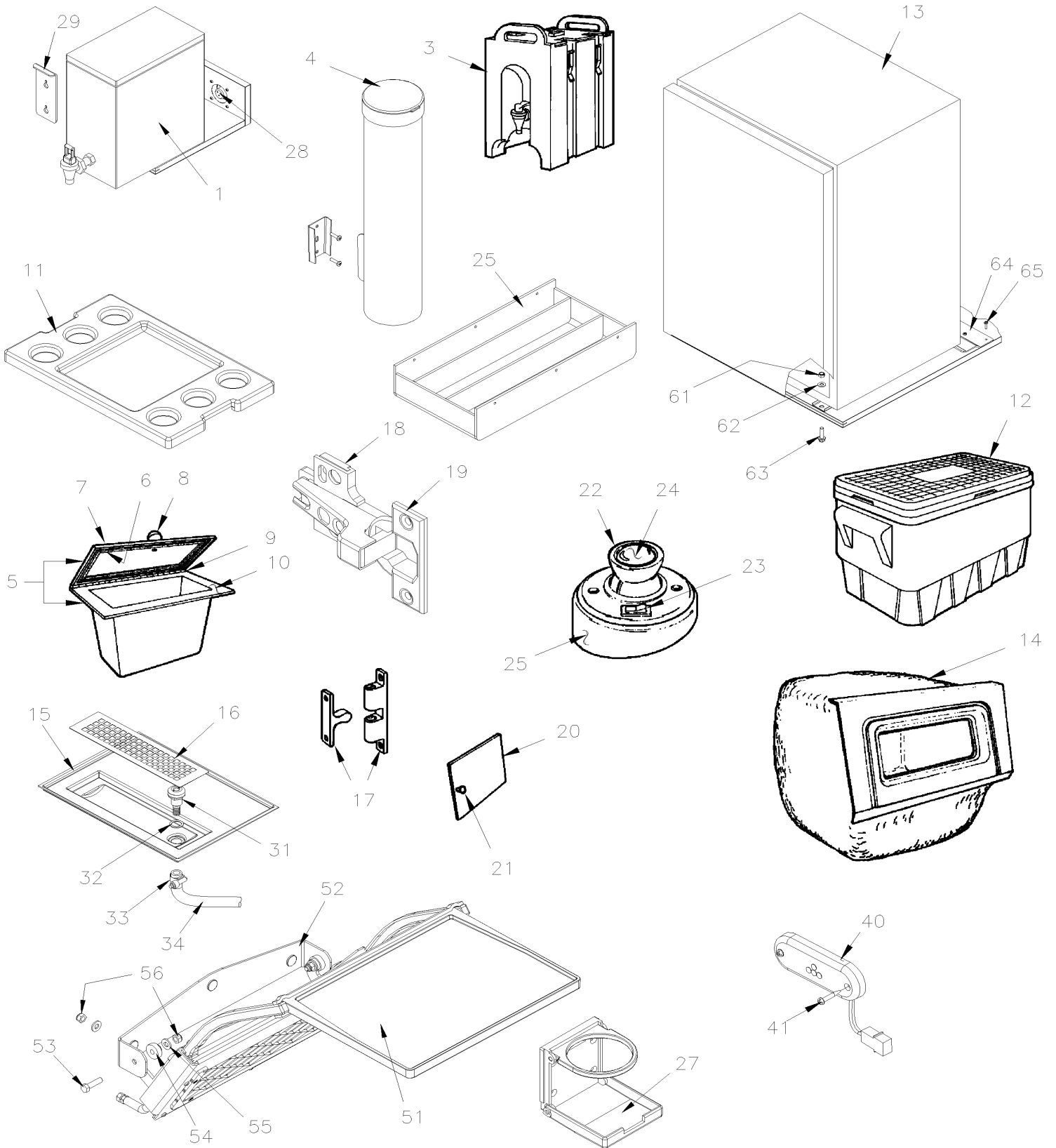
Item#	Part	Description	H 3 4 1	H 3 4 5	N O T E S
125	401076	ACCES DOOR PANEL From K-0539		1	
		P) CALL ORDER DESK FOR SPECIFIC APPLICATION (V.I.N.)			

From K-0185

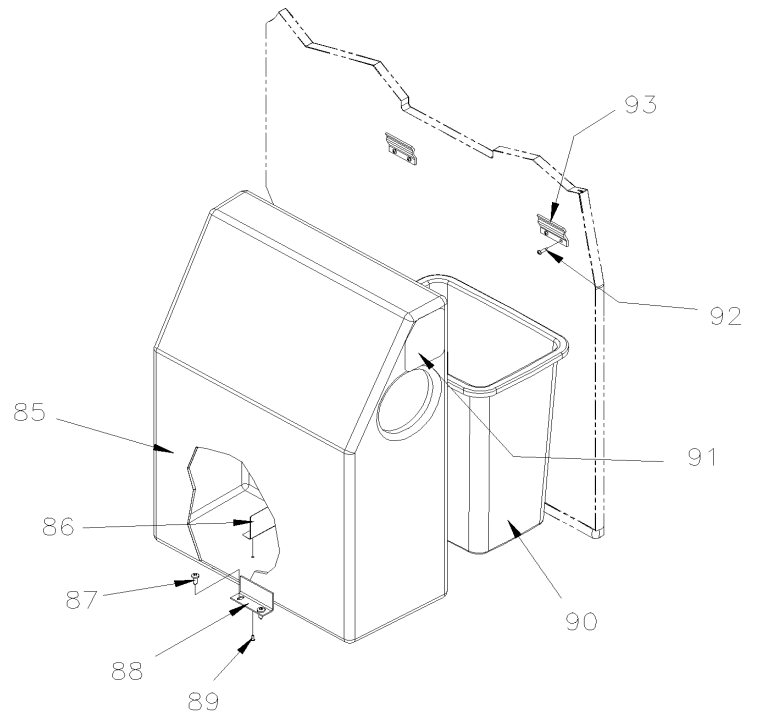
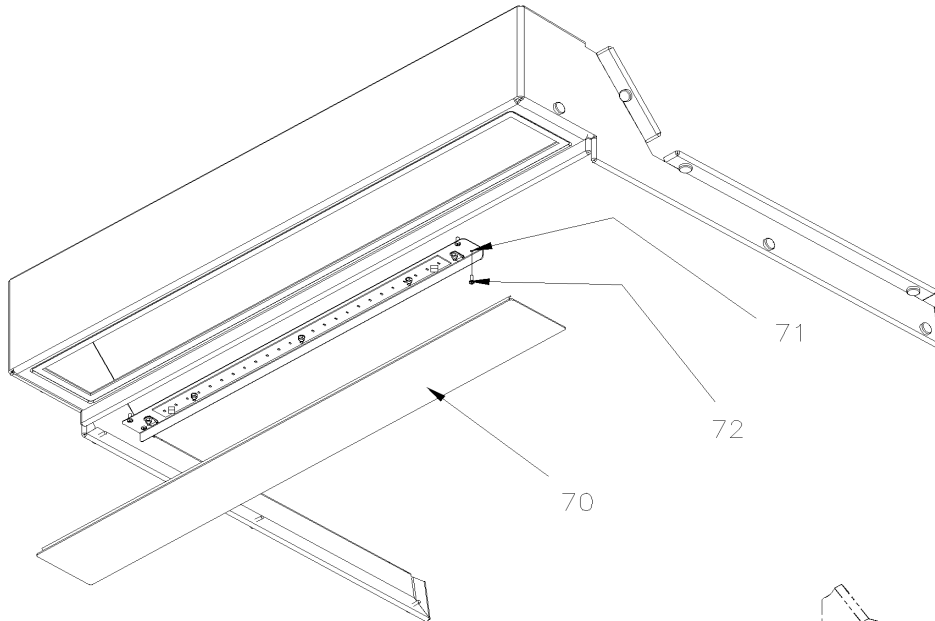
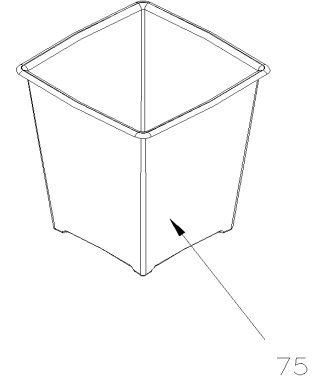
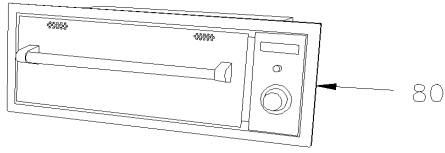
Date:07/2024

PAGE:H9-2345-10

GALLEY ACCESSORIES



From K-0185	Date:07/2024	PAGE:H9-2345-10
GALLEY ACCESSORIES		



From K-0185	Date:07/2024	PAGE:H9-2345-10
GALLEY ACCESSORIES		

Item#	Part	Description	H 3 4 1	H 3 4 5	N O T E S
1	901457	DISPENSER ASSY / HOT LIQUID	2	2	
3	900583	CONTAINER, LIQUID	2	2	
3	900677	. SPIGOT ASSY / W/PLASTIC WING NUT	1	1	
4	402826	DISPENSER, CUP / MODIFIED SHORT	1	1	
4	900391	CUP DISPENSER / CUP / LONG	1	1	
NS	900249	CUP / 100 UNIT PACK	AR	AR	
5	404755	ICE CONTAINER ASSY	1	1	
6	402734	. COVER, ICE CONTAINER	1	1	
7	506002	. TAPE RUB ADH1 CC POL 3/16" x 1/2" x 40' / GREY 2520	AR	AR	
8	505018	. KNOB	1	1	
8	500541	. SCREW MA FL PH 1/4-20x1/2 SS BK	1	1	
9	402829	HINGE, COVER	1	1	
10	404749	CONTAINER, ICE	1	1	
11	404752	TRAY, SERVICE	1	1	
12	900585	COOLER 23 LITERS	1	1	
13	900741	REFRIGERATOR "NORCOLD" 2.5 CU. FT MODEL DE-351 120/12 V W/ICE BOX	1	1	
13	900738 CURRENT	REFRIGERATOR "NORCOLD" / 3.1 CU. FT MODEL DE-390	1	1	
. NS	901539	. HINGE ASSY	1	1	
. NS	901726	. REFRIGERATOR DOOR, BLACK	1	1	
13	901930	REFRIGERATOR "NORCOLD" / 3.3 CU. FT MODEL DE-105B From R-1453		1	
13	900584	REFRIGERATOR "FRENSELE" 1.2 CU. FT / W/GALLEY "MINI-CHEF"	1	1	
NS	900586	COMPRESSOR, 24 VOLTS, REFRIGERATOR / W/900584 ONLY	1	1	
14	400989	ICE BOX ASSY	1	1	
15	405774	DRAIN PAN ASSY / GREY 325MM x 460MM (RED ARROW)	1	1	
15	407635	DRAIN PAN ASSY / BLACK 271MM X 327MM (LUX BUS)	1	1	
16	405783	GRILLE DRAIN SS 362MM x 96MM	1	1	
16	407637	GRILLE DRAIN SS 175MM x 96MM	1	1	
17	900425	CATCH ASSY	AR	AR	
18	900514	PLATE, MOUNTING / HINGE	2	2	
19	900389	HINGE, DOOR	2	2	
20	401009	DOOR, SLIDING	1	1	
21	505018	KNOB	1	1	
22	830124	LAMP ASSY	AR	AR	
23	830139	LAMP ASSY / W/ONE BULB	AR	AR	
24	562278	BULB / 10WATT-24VOLTS / SAE# 6429	1	1	
25	404485	BIN W/3 SEPARATOR	1	1	
25	403933	BOX ACRYLIC W/3 DIVISORS 105/105/59 269MM x 520MM	1	1	
25	403934	BOX ACRYLIC W/3 DIVISORS 89/89/91 269MM x 520MM	1	1	
25	403935	BOX ACRYLIC W/2 DIVISORS 100/169 269MM x 520MM	1	1	
NS	900620	MICRO WAVE "SANYO"	1	1	
NS	900919	MICRO WAVE "SANYO"	1	1	
27	900527	GLASS HOLDER	1	1	

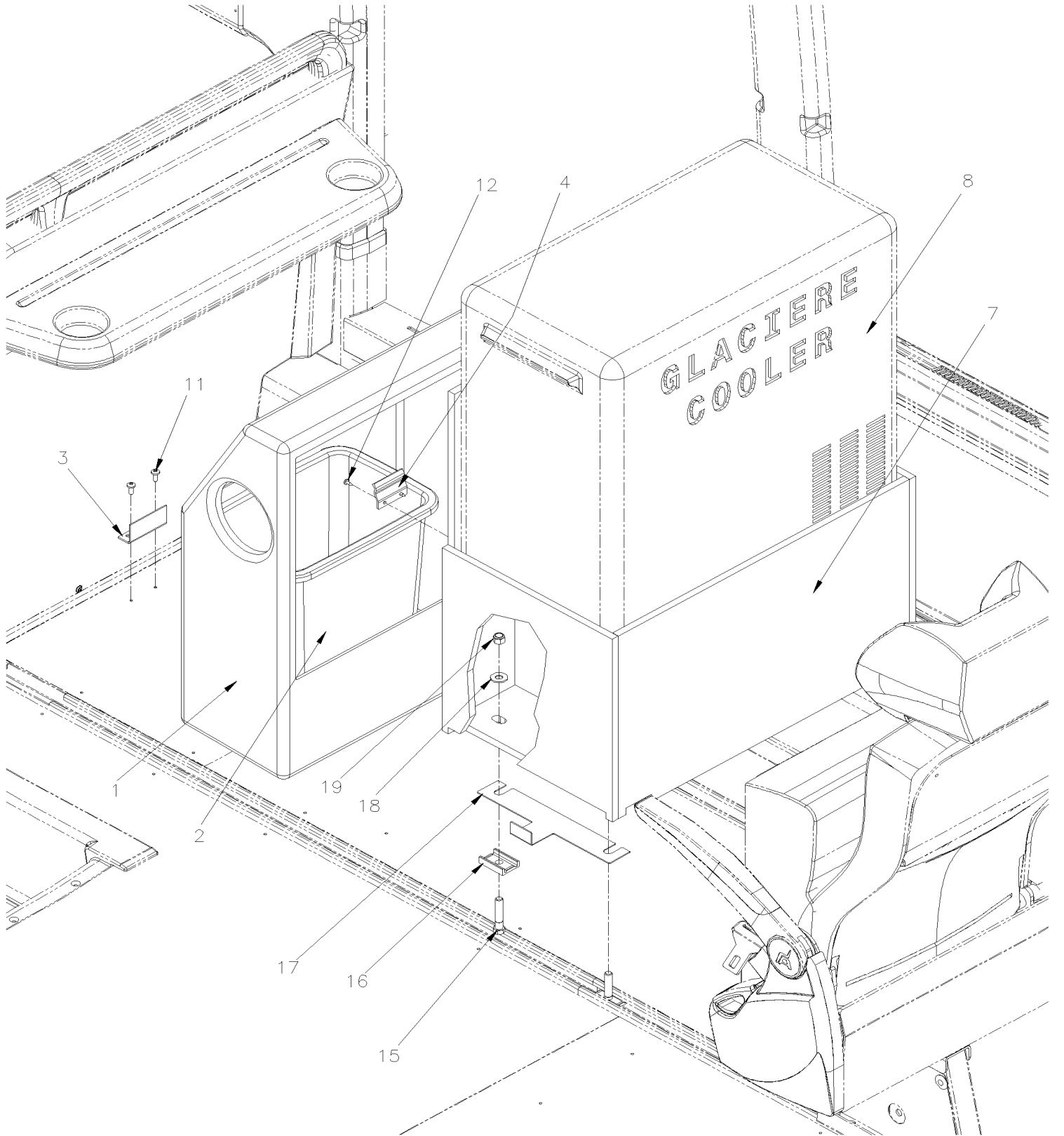
From K-0185	Date:07/2024	PAGE:H9-2345-10
GALLEY ACCESSORIES		

Item#	Part	Description	H 3 4 1	H 3 4 5	N O T E S
28	900649	CONNECTOR ASSY / FOR HOT LIQUID DISPENSOR	1	1	
28	500660	SCREW TC FL PH #6-32x3/8 Z050	8	8	
28	406674	PLATE / TO FIX CONNECTOR	2	2	
28	5001696	SCREW MA PAN PH M4-0.7x35 SS	8	8	
28	502556	WASHER FL 4.3x9.0x0.8 SS	8	8	
28	502557	NUT HEX NYRT M4-0.7 SS	8	8	
29	405782	RETAINER / DISPENSER, HOT LIQUID	1	1	
29	5001452	SCREW TP PAN PH #8x1 1/2 SS	2	2	
31	900280	THRU HULL, CONNECTOR / PLASTIC	1	1	
32	409038	GASKET	1	1	
33	504018	HOSE CLAMP / 7/16"-1" SS / HS-8	1	1	
34	503006	HOSE 5/8" I.D. 50' / S.L.	AR	AR	
40	565889	LAMP LED	AR	AR	
41	500952	SCREW TP BDG PH #8x1/2 SS	AR	AR	
51	861920	FOOD TRAY / GREY / W/AIRPLANE TYPE	1	1	
52	405795	SUPPORT TABLE, AIRPLANE TYPE / ON GALLEY WALL	1	1	
53	5001738	SCREW CAP HEX M8-1.25x30 G8.8 N500	2	2	
54	405796	BUSHING	2	2	
55	5001736	WASHER FL 8.4x18.0x2.0 N500	5	5	
56	502847	NUT HEX NYRT M8-1.25 N500	5	5	
61	5001742	SCREW CAP HEXF M8-1.25x30 G8.8 N500	2	2	
62	5001736	WASHER FL 8.4x18.0x2.0 N500	2	2	
63	502847	NUT HEX NYRT M8-1.25 N500	2	2	
64	406675	ATTACHMENT / REFRIGERATOR	2	2	
65	500642	SCREW TP PAN PH #10x3/4 Z050	8	8	
70	312503	LENS 831MM	1	1	
71	319193	LIGHT, DIRECT, PARCEL RACK WINDOW SIDE 600MM 24VDC	1	1	
72	500601	SCREW TC PAN PH #6-32x3/8 N500	4	4	
75	901460	TRASH CAN / WHITE PLASTIC	1	1	
80	901426	WARMING DRAWER	1	1	L
NS	409415	FIRE BOX / WARMING DRAWER	1	1	L
NS	409412	GRILL VENTILATION / WARMING DRAWER	1	1	L
NS	409413	MOLDING / WARMING DRAWER	1	1	L
85	407710	COVER, BASKET	1	1	
86	407717	ANGLE	1	1	
87	500841	SCREW TP PAN PH #14x3/4 Z050	2	2	
88	400860	ANGLE / TO FIX DUSTBIN TO FLOOR / 3"	1	1	
89	504106	RIVET POP DOME OE 1/8x1/4 AL	2	2	
90	900605	TRASH CAN / BLACK PLASTIC	2	2	
91	405713	DECAL / "TRASH DEPOSIT" PICTOGRAM / PHOTOLUMINESCENT	1	1	
92	500641	SCREW TP PAN PH #8x3/4 Z050	2	2	
93	404459	BRACKET, RETAINING / TO FIX CONTAINER TO WALL	2	2	

From K-0185	Date:07/2024	PAGE:H9-2345-10
GALLEY ACCESSORIES		

Item#	Part	Description	H 3 4 1	H 3 4 5	N O T E S
		L) WITH LUX BUS			

	Date:07/2024	PAGE:H9-2345-30
FRONT TRASH CAN AND COOLER		



	Date:07/2024	PAGE:H9-2345-30
FRONT TRASH CAN AND COOLER		

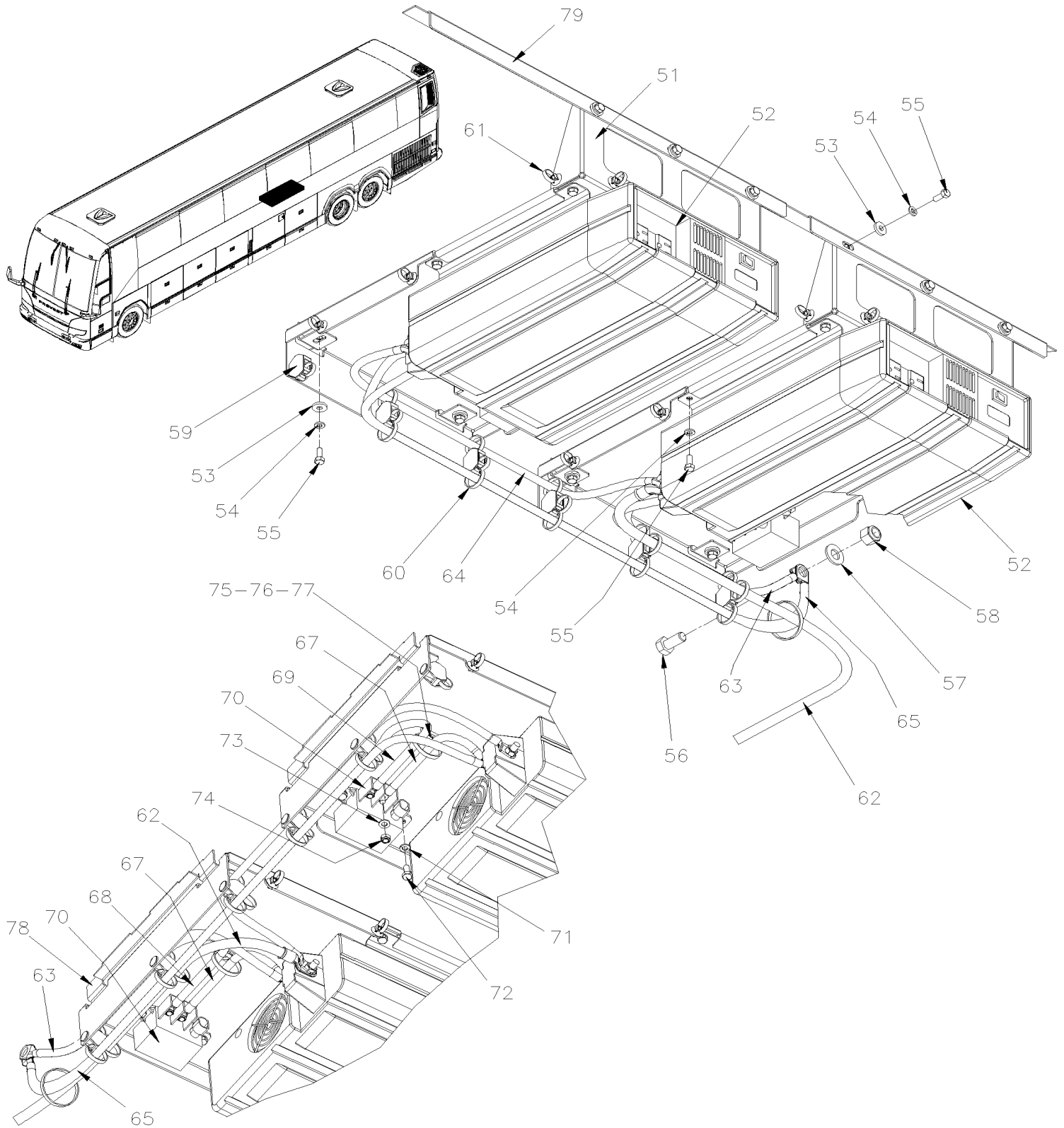
Item#	Part	Description	H 3 4 1	H 3 4 5	N O T E S
1	407710	COVER, BASKET	1	1	
2	900605	TRASH CAN / BLACK PLASTIC	1	1	
3	400860	ANGLE / TO FIX DUSTBIN TO FLOOR / 3" To P-1420	1	1	
4	404459	BRACKET, RETAINING / TO FIX CONTAINER TO WALL	2	2	
7	401438	TRASH CAN COVER AND COOLER SUPPORT	1	1	
8	N.S.P.	COOLER SUPPLY BY CUSTOMER	1	1	2
11	500841	SCREW TP PAN PH #14x3/4 Z050 To P-1420	2	2	
12	500638	SCREW TP PAN PH #8x1/2 Z050	4	4	
15	5002067	SCREW CAP HEX 7/16-20x2 1/4 G8 G500 To P-1420	2	2	
15	500075	SCREW CAP HEX 7/16-20x2 1/2 G5 ZP From P-1421	2	2	
16	364272	BLOCK ANCHOR / 26.8MM INSIDE / 35MM x 50MM x 19MM Height	2	2	
17	406735	GUIDE BOLT RAIL SUPPORT COOLER	1	1	
18	500897	WASHER FL .437x1.000x.083 N500	2	2	
19	5001734	NUT HEX 7/16-20 G8 N500	2	2	
NS	329689	SEAT TRACK COVER 12' / EACH SEAT / W/COVERING FLOOR From P-1421	AR	AR	
		2) NOT SOLD BY PREVOST (SEE MANUFACTURING PART NUMBER AT END OF DESCRIPTION LINE)			

From K-0185 To P-1452

Date:07/2024

PAGE:H9-2345-41

POWERVERTER - INSTALLATION



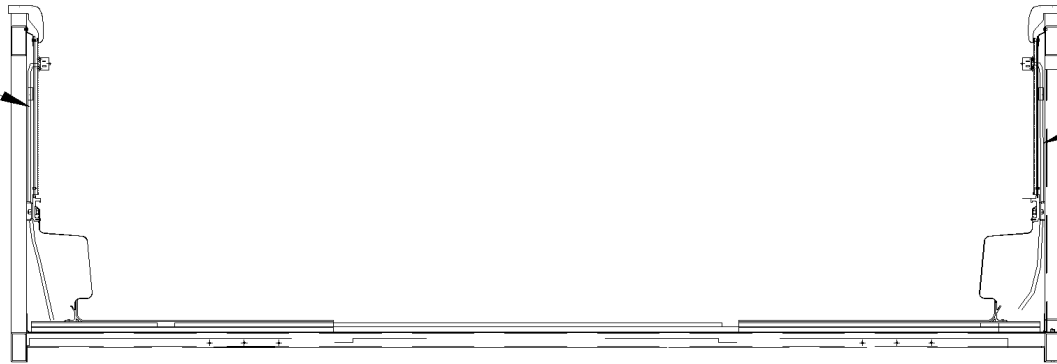
From K-0185 To P-1452

Date:07/2024

PAGE:H9-2345-41

POWERVERTER - INSTALLATION

40-42

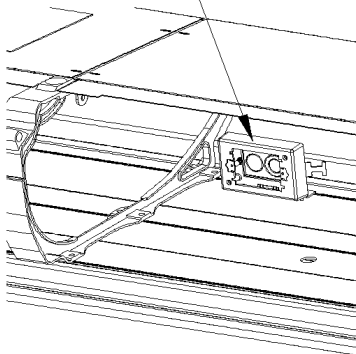


41-43

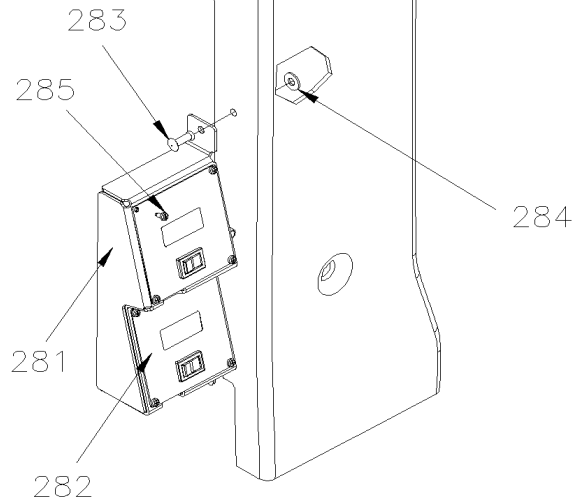
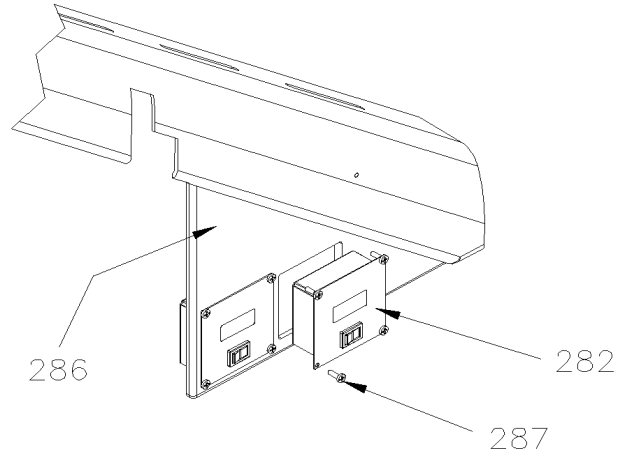
STREET SIDE

CURB SIDE

144-145



PARCEL RACK



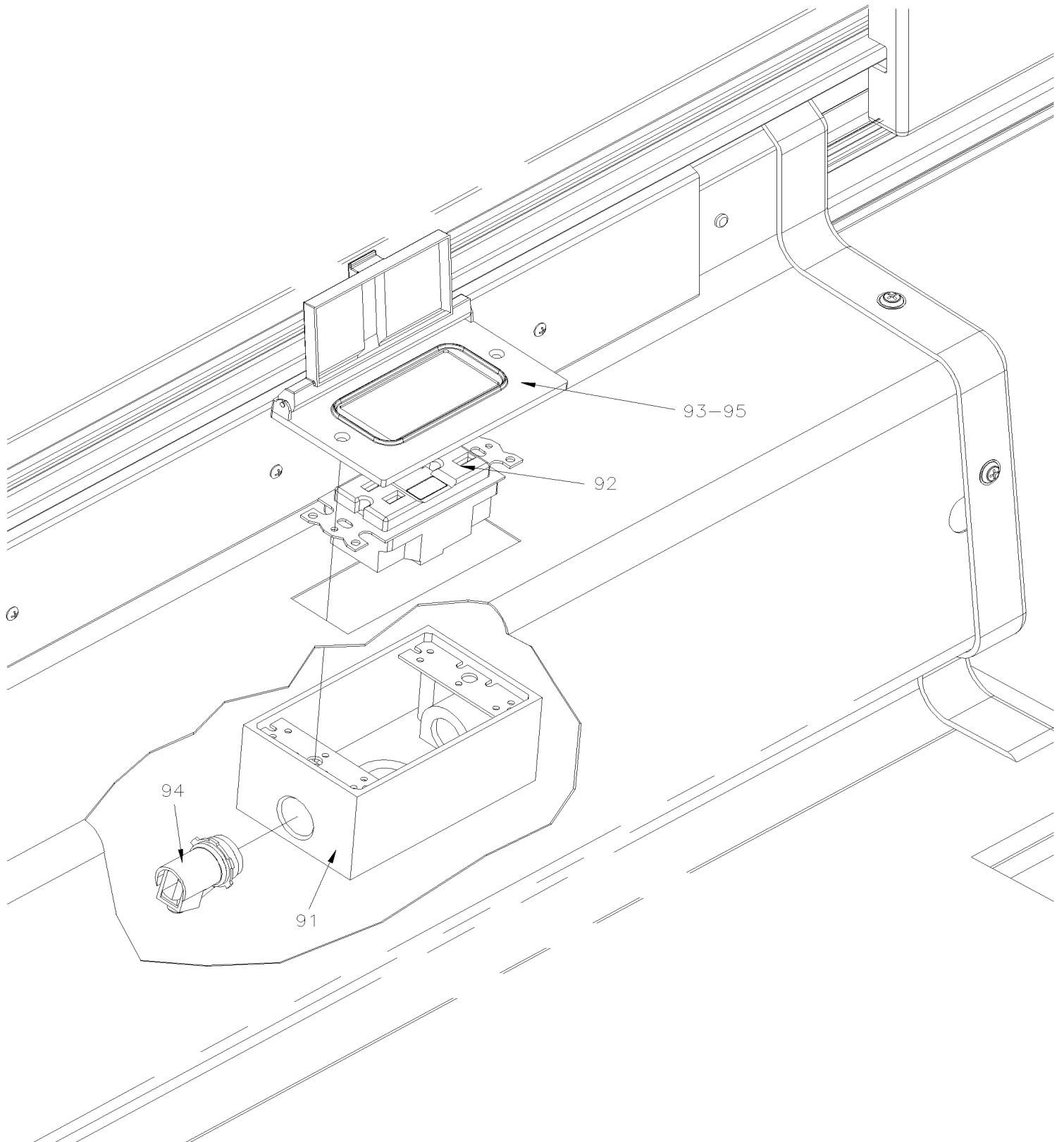
DRIVER DISPLAY & SWITCH

From K-0185 To P-1452

Date:07/2024

PAGE:H9-2345-41

POWERVERTER - INSTALLATION

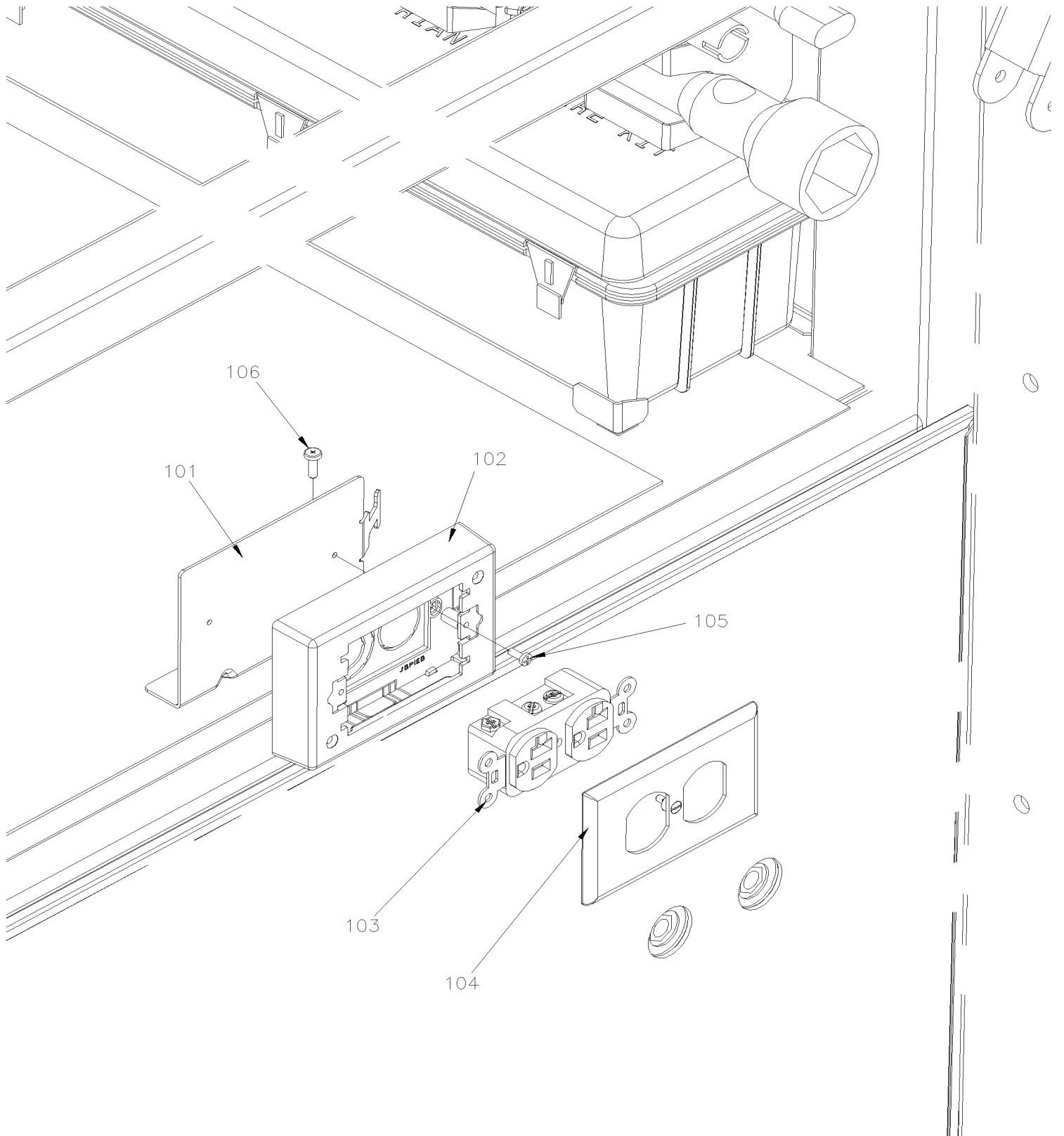


From K-0185 To P-1452

Date:07/2024

PAGE:H9-2345-41

POWERVERTER - INSTALLATION

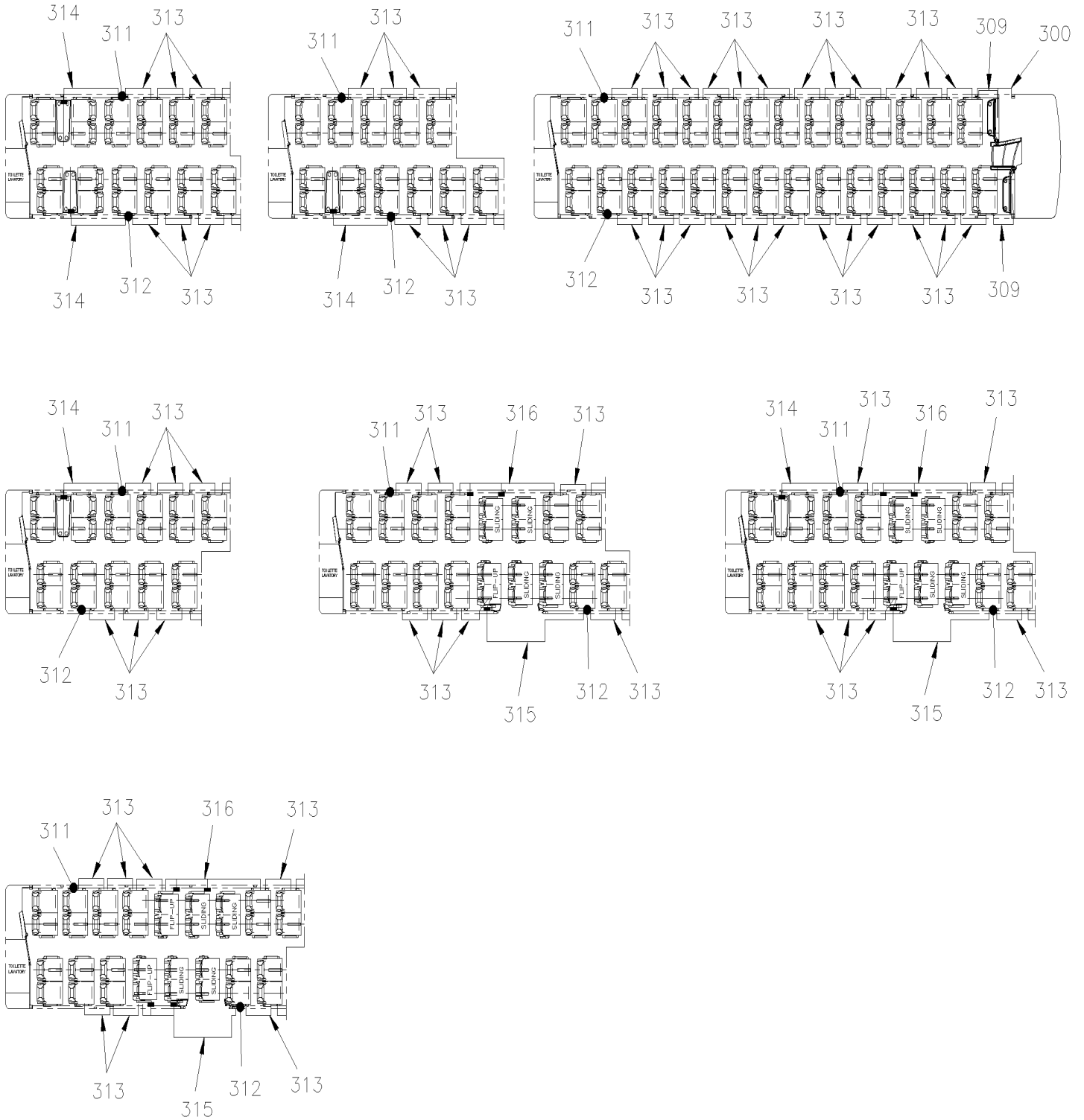


From K-0185 To P-1452

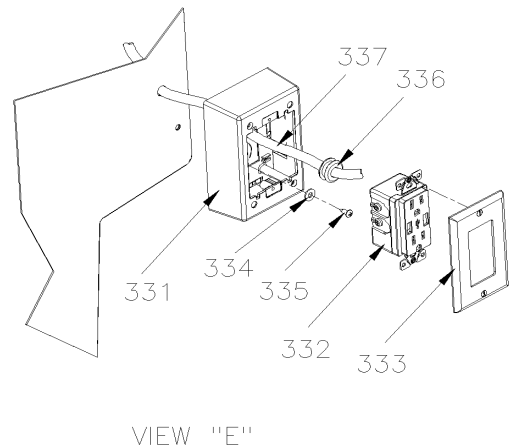
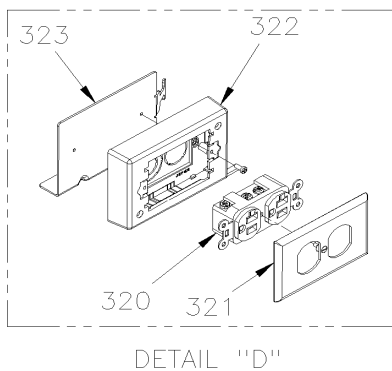
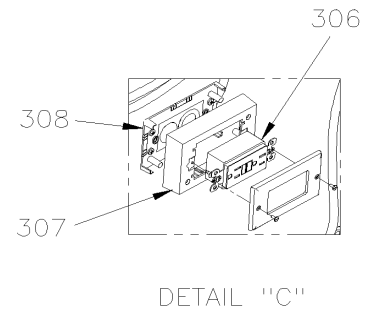
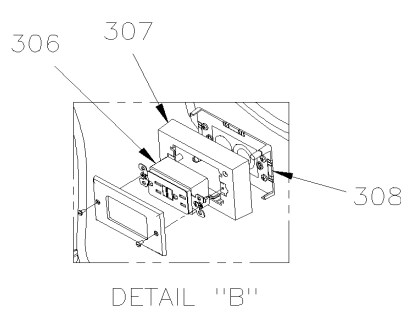
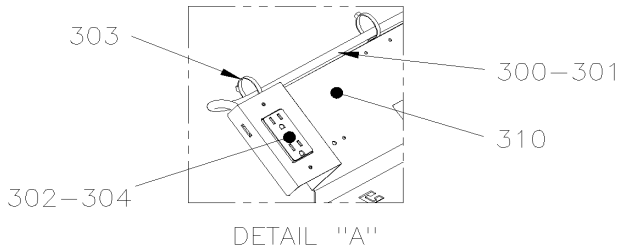
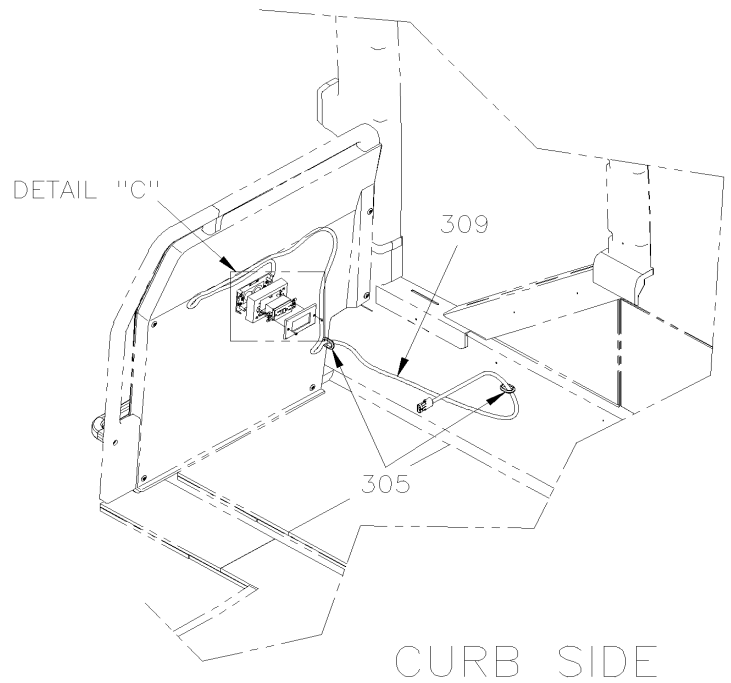
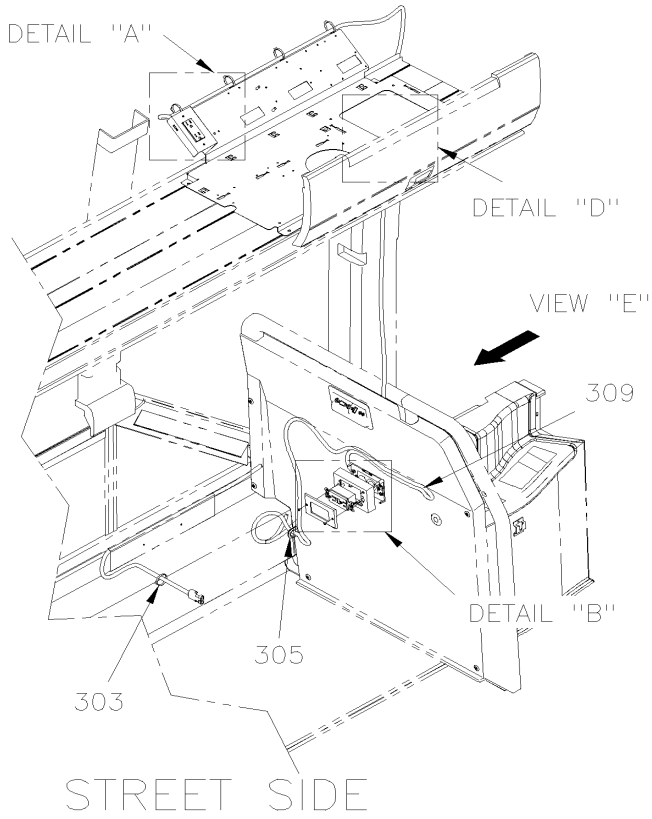
Date:07/2024

PAGE:H9-2345-41

POWERVERTER - INSTALLATION



POWERVERTER - INSTALLATION

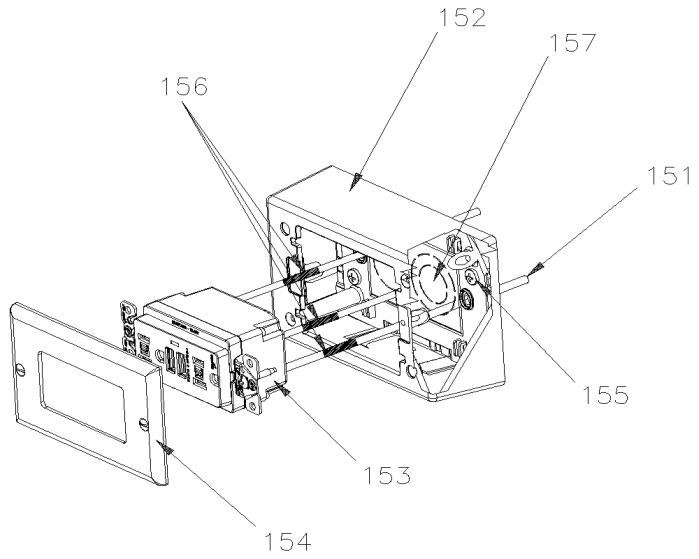
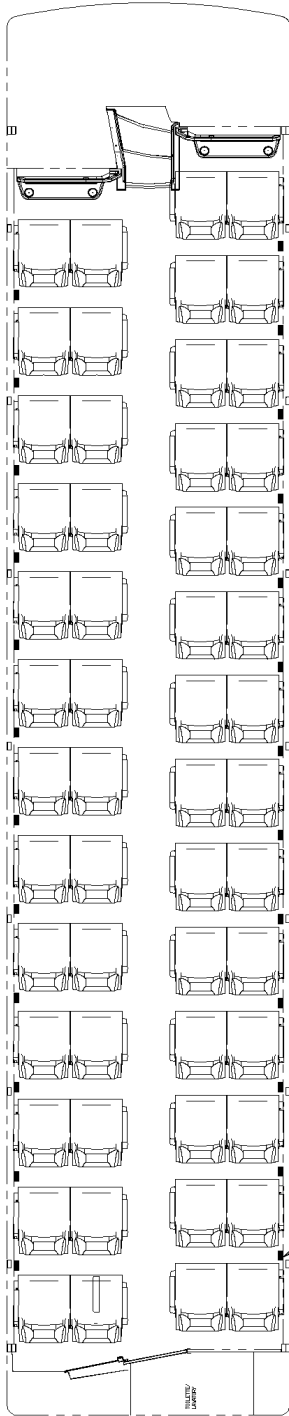


From K-0185 To P-1452

Date:07/2024

PAGE:H9-2345-41

POWERVERTER - INSTALLATION



From K-0185 To P-1452	Date:07/2024	PAGE:H9-2345-41
POWERVERTER - INSTALLATION		

Item#	Part	Description	H 3 4 1	H 3 4 5	NOTES
		NEXT CABLES USE WITH 110V OUTLET			
		INSTALL BACKREST BY SEAT SUPPLIER			
NS	067595	CABLE ASSY / STREETSIDE W/23 PLUGS	1	1	
40	067609	CABLE ASSY / STREETSIDE W/10 PLUGS 44P	1		
40	067721	CABLE ASSY / STREETSIDE W/13 PLUGS 56P+2T	1	1	
40	067725	CABLE ASSY / STREETSIDE W/11 PLUGS 44P+2T	1	1	
40	067635	CABLE ASSY / STREETSIDE W/8 PLUGS 36P VIP	1	1	
40	067680	CABLE ASSY / STREETSIDE W/11 PLUGS 52P+2T	1	1	
40	067438	CABLE ASSY / STREETSIDE W/11 PLUGS 54+2T	1	1	
41	067596	CABLE ASSY / CURBSIDE W/9 PLUGS	1	1	
41	067610	CABLE ASSY / CURBSIDE W/11 PLUGS 44P	1		
41	067724	CABLE ASSY / CURBSIDE W/10 PLUGS 44P+2T	1	1	
41	067726	CABLE ASSY / CURBSIDE W/12 PLUGS 56P+1T	1	1	
41	067720	CABLE ASSY / CURBSIDE W/11 PLUGS 56P+2T	1	1	
41	067634	CABLE ASSY / CURBSIDE W/7 PLUGS 36P VIP	1	1	
41	067681	CABLE ASSY / CURBSIDE W/12 PLUGS 52P+2T	1	1	
41	067439	CABLE ASSY / CURBSIDE W/12 PLUGS 54+2T	1	1	
42	067608	CABLE ASSY / W/CONNECTOR / INVERTER STREET SIDE LH / 3200M	1	1	
43	067607	CABLE ASSY / W/CONNECTOR / INVERTER CURBSIDE / RH /1300MM	1	1	
NS	504751	ROTATIF SPACER DOUBLE / SMALL	AR	AR	
NS	504637	CABLE TIE / 3/16" x 13"	AR	AR	
NS	500601	SCREW TC PAN PH #6-32x3/8 N500	AR	AR	
NS	500654	SCREW TC BDG PH #8-32x1/2 Z050	AR	AR	
NS	509815	TIE MOUNT / ATTACHMENT W/TREE MOUNT	AR	AR	
51	068947	SUPPORT, INVERTER		2	O
52	563082	POWERVERTER ASSY / 24/110 V 1800 WATTS W/DISPLAY ON INVERTER		2	O
NS	IS23526	SECOND 110V INVERTER	1	1	A
52	564636	POWERVERTER ASSY / 24/110 V 1800 WATTS W/REMOTE DISPLAY		2	O
52	564638	MODULE VOLTAGE CONTROL To L-0851		1	O E
52	563880	MODULE VOLTAGE CONTROL From L-0852		1	O E
52	5001015	SCREW TP BDG PH #6x1/2 SS BK		2	O E
52	068833	DECAL "ATTENTION WARNING..."		1	O
53	5001654	WASHER FL 6.4x17.0x3.0 SS		10	O
54	502570	WASHER LO SPT 6.1x11.8x1.6 SS		18	O
55	5001697	SCREW CAP HEX M6-1.0x16 SS BK To K-0564		18	O
55	502622	SCREW CAP HEX M6-1.0x20 SS BK From K-0565		AR	O
56	5001330	SCREW CAP HEX 1/2-13x1 SS To K-0225		1	O
56	5001231	SCREW CAP HEX M10-1.5x25 SS From K-0226 To K-0604		1	O
56	560814	GROUND M10-1.5 From K-0605		1	O
57	500958	WASHER FL .531x1.062x.095 SS To K-0225		1	O

From K-0185 To P-1452	Date:07/2024	PAGE:H9-2345-41
POWERVERTER - INSTALLATION		

Item#	Part	Description	H 3 4 1	H 3 4 5	N O T E S
57	5001935	WASHER FL 10.5x18.0x1.6 SS From K-0226		1	O
58	502595	NUT HEX NYRT 1/2-13 Z050 To K-0225		1	O
58	5002028	NUT HEX NYRT M10-1.5 SS From K-0226		1	O
59	509492	CABLE TIE MOUNT FOR THREADED STUD 1/4		6	O
60	504016	CABLE TIE / 5/16" X 14"1/2		AR	O
61	8631155	CABLE TIE / 4.6MM x 200 / CHRISTMAS TREE		AR	O
62	060818	HARNESS INVERTER 24V		1	O
63	060819	CABLE INVERTER GROUND		1	O
64	060019	INVERTER JUNCTION POSITIVE HARNESS		1	O
65	061149	CABLE INVERTER GROUND		1	O
67	068761	CABLE INVERTER 0P		2	O
68	068836	CABLE INVERTER 0PA1		1	O
69	068837	CABLE INVERTER 0PA2		1	O
70	563348	RELAY POWER 24V 200 AMPS / S.P.S.T. N.O.		2	O
. NS	5001182	. NUT HEX NYRT M6-1.0 SS		1	O
. NS	502573	. WASHER FL 6.4x12.5x1.6 SS		1	O
. NS	563409	. CONNECTOR / SUPERSEAL 1.5 SERIES / SH 2C / AMP 282080-1		1	O
. NS	562607	. SOCKET TERMINAL / 20-16 / AMP 183025-1		1	O
70	069814	CABLE, INVERTERS POWER RELAY		1	O
71	502570	WASHER LO SPT 6.1x11.8x1.6 SS		4	O
72	5001697	SCREW CAP HEX M6-1.0x16 SS BK		4	O
73	502573	WASHER FL 6.4x12.5x1.6 SS		4	O
74	5001182	NUT HEX NYRT M6-1.0 SS		4	O
75	504013	TIE MOUNT / 1/4" X 1/4" I.D.		2	O
76	504379	RIVET POP DOME OE 3/16x1/4 SS		2	O
77	504637	CABLE TIE / 3/16" x 13"		2	O
78	218657	SUPPORT		2	O
79	218658	SUPPORT		1	O
91	564506	BOX ALUMINIUM / 110 VAC MURAL	2	2	
92	564507	PLUG DOUBLE 110 VAC MURAL W/2 USB PORT GREY NYLON "DECORA"	2	2	
93	564508	COVER PLATE DOUBLE 110V OUTLET SILVER	2	2	
94	564565	CONNECTOR L-16	2	2	
95	068404	DECAL "120 VOLTS AC"	2	2	
101	381790	SUPPORT / 110V OUTLET	1	1	F
102	564129	RECEPTACLE BOX / 110Vac outlet / WHITE	1	1	F
102	564187	RECEPTACLE BOX / 110Vac outlet / GREY From K-0581		AR	SP C
103	562657	PLUG DOUBLE 110 VAC MURAL / WHITE	1	1	F
103	564507	PLUG DOUBLE 110 VAC MURAL W/2 USB PORT GREY NYLON "DECORA" From K-0581		AR	SP
103	561200	PLUG DOUBLE 110 VAC MURAL GREY NYLON "DECORA"		1	C
104	562659	COVER PLATE DOUBLE 110V OUTLET / WHITE	1	1	F

From K-0185 To P-1452	Date:07/2024	PAGE:H9-2345-41
POWERVERTER - INSTALLATION		

Item#	Part	Description	H 3 4 1	H 3 4 5	N O T E S
104	564591	COVER PLATE DOUBLE 110V OUTLET GREY NYLON "DECORA" From K-0581		AR	SP C
105	500601	SCREW TC PAN PH #6-32x3/8 N500	2	2	F
105	500638	SCREW TP PAN PH #8x1/2 Z050 From K-0581		AR	SP C
105	500964	WASHER FL .203x.500x.047 Z050 From K-0581		AR	SP C
106	500654	SCREW TC BDG PH #8-32x1/2 Z050	2	2	F
107	0611000	CUST. ADAP.120V INTO LUGGAGES 1&4 RH From K-0581		1	SP
107	067705	CABLE ASSY EXTENSION 7300MM / OVER W.C.L. DOOR		1	C
107	560094	FLANGE SPADE TERMINAL #10 / 16-14 / AMP 320863		3	C
107	562338	CONNECTOR / 15 AMPS / HUBBELL 5965-VY		1	C
		NEXT PARTS USE WITH 110V OUTLET			
		INSTALL INSIDE THE FIRST STREET SIDE PARCEL RACK			
144	564507	PLUG DOUBLE 110 VAC MURAL W/2 USB PORT GREY NYLON "DECORA"	1	1	
145	068295	CABLE / 120VAC / PARCEL RACK OUTLET	1	1	
145	504016	CABLE TIE / 5/16" X 14"1/2	1	1	
145	504768	CABLE TIE / 3/16" 14.7" / DOUBLE LOOP HEAD	8	8	
		NEXT PARTS USE WITH 110V OUTLET			
		INSTALL ON THE WALL			
151	069562	HARNESS 120VAC 13 OUTLETS ON WALL		2	
152	564580	RECEPTACLE BOX / 110Vac outlet / GRAY To P-1452		25	
152	564187	RECEPTACLE BOX / 110Vac outlet / GREY From R-1453		1	
153	564233	PLUG DOUBLE 110 VAC MURAL W/2 USB PORT / BLACK To N-1172		25	
153	564354	PLUG DOUBLE 110 VAC MURAL W/2 USB PORT / BLACK From N-1173		25	
154	564579	COVER PLATE DOUBLE 110V OUTLET BLACK NYLON "DECORA"		25	
155	500638	SCREW TP PAN PH #8x1/2 Z050		AR	
156	561918	SHRINK TUBING / .125" - .062" / BLACK / ALPHA FIT-221-1/8-4-B		AR	
157	680093	SEALANT TAPE BUTYL / GREY / 1/16"x1 1/2"x50' /71079B11760		AR	
281	068776	SUPPORT TWO DISPLAY		1	
282	564637	INVERTER DISPLAY & SWITCH		1	
282	069354	CABLE INVERTER DISPLAY To K-0522		1	
282	0610039	CABLE INVERTER DISPLAY From K-0523		1	
NS	8631155	CABLE TIE / 4.6MM x 200 / CHRISMAS TREE		AR	
282	565129	REMOTE INTERFACE PANEL - FOR DISPLAY		1	D
283	504118	RIVET POP DOME OE 3/16x3/8 AL		2	
284	500964	WASHER FL .203x.500x.047 Z050		2	
285	5001091	SCREW TC PAN PH #4-40x1/4 BK		8	
286	3201347	FINISHING CAP L.H. LOWER WINDOW / MIDNIGHT CHARCOAL WITH 2 INVERTER DISPLAY	1	1	

From K-0185 To P-1452	Date:07/2024	PAGE:H9-2345-41
POWERVERTER - INSTALLATION		

Item#	Part	Description	H 3 4 1	H 3 4 5	N O T E S
286	320926	FINISHING CAP L.H. LOWER WINDOW / MIDNIGHT CHARCOAL WITH 1 INVERTER DISPLAY	1	1	
287	5001015	SCREW TP BDG PH #6x1/2 SS BK	8	8	
300	068295	CABLE / 120VAC / PARCEL RACK OUTLET	1	1	
301	560784	SHRINK TUBING / .250" - .080" / BLACK / ALPHA FIT-300-1/4-4B	AR	AR	
302	564507	PLUG DOUBLE 110 VAC MURAL W/2 USB PORT GREY NYLON "DECORA"	1	1	
302	565204	PLUG DOUBLE 110 VAC MURAL W/2 USB PORT / GREY	1	1	
302	564187	RECEPTACLE BOX / 110Vac outlet / GREY	1	1	
302	564591	COVER PLATE DOUBLE 110V OUTLET GREY NYLON "DECORA"	1	1	
303	504637	CABLE TIE / 3/16" x 13"	AR	AR	
304	680319	TAPE ADHESIF ELECTRIC / BLACK 3/4"	AR	AR	
305	504574	GROMMET / 1.125x1.312x.062x.312x1.56	4	4	
306	564188	PLUG DOUBLE 110 VAC MURAL GREY NYLON "DECORA"	2	2	
NS	564591	COVER PLATE DOUBLE 110V OUTLET GREY NYLON "DECORA"	2	2	
306	564233	PLUG DOUBLE 110 VAC MURAL W/2 USB PORT / BLACK To N-1172	2	2	USB
306	564354	PLUG DOUBLE 110 VAC MURAL W/2 USB PORT / BLACK From N-1173	2	2	USB
306	560540	OUTLET W/4 USB PORT / BLACK	AR	AR	USB
NS	564579	COVER PLATE DOUBLE 110V OUTLET BLACK NYLON "DECORA"	2	2	
307	564187	RECEPTACLE BOX / 110Vac outlet / GREY	2	2	
307	564580	RECEPTACLE BOX / 110Vac outlet / GRAY	1	1	USB
308	500638	SCREW TP PAN PH #8x1/2 Z050	8	8	
309	067704	CABLE ASSY EXTENSION 2900MM / TO FRONT MODESTIE PANEL	2	2	
310	406630	PLATE SUPPORT MAIN SYSTEM To K-0373	1	1	
310	400682	PLATE SUPPORT MAIN SYSTEM From K-0374 To L-0822	1	1	
310	401365	VIDEO PLATE From L-0823	1	1	
311	067608	CABLE ASSY / W/CONNECTOR / INVERTER STREET SIDE LH / 3200M	1	1	
312	067607	CABLE ASSY / W/CONNECTOR / INVERTER CURBSIDE / RH /1300MM	1	1	
313	067703	CABLE ASSY EXTENSION 1200MM / EACH SEAT	AR	AR	
314	067704	CABLE ASSY EXTENSION 2900MM / TO FRONT MODESTIE PANEL	AR	AR	
315	068937	CABLE ASSY EXTENSION / WCL DOOR	1	1	
316	067984	CABLE ASSY 2 PLUG, FOR SLIDING SEATS	1	1	
		OUTLET ONTO AMPLIFIER ENCLOSURE			
320	562657	PLUG DOUBLE 110 VAC MURAL / WHITE	1	1	
321	562659	COVER PLATE DOUBLE 110V OUTLET / WHITE	1	1	
322	564129	RECEPTACLE BOX / 110Vac outlet / WHITE	1	1	
323	381790	SUPPORT / 110V OUTLET	1	1	
NS	068295	CABLE / 120VAC / PARCEL RACK OUTLET	1	1	
NS	504637	CABLE TIE / 3/16" x 13"	4	4	
NS	560094	FLANGE SPADE TERMINAL #10 / 16-14 / AMP 320863	3	3	

From K-0185 To P-1452	Date:07/2024	PAGE:H9-2345-41
POWERVERTER - INSTALLATION		

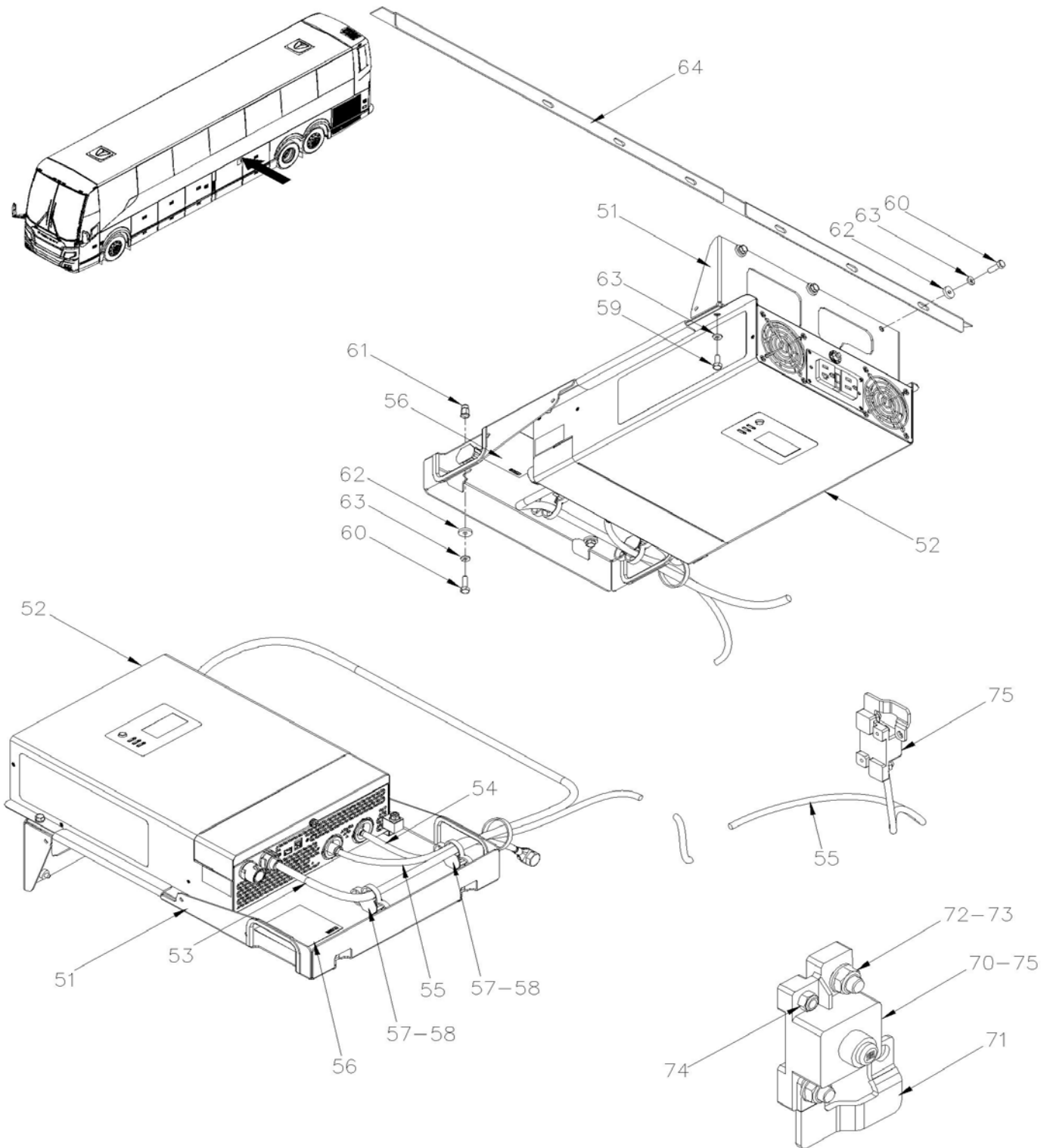
Item#	Part	Description	H 3 4 1	H 3 4 5	NOTES
329		OUTLET ON LEFT MODESTY (REAR DRIVER SEAT)	1	1	
331	564580	RECEPTACLE BOX / 110Vac outlet / GRAY From K-0717	1	1	
331	564187	RECEPTACLE BOX / 110Vac outlet / GREY SLIM BOX, From K-0717 To P-1452	1	1	
332	565200	PLUG DOUBLE 110 VAC MURAL W/2 USB PORT / GREY W/2 USB PORT From K-0717	1	1	
332	564507	PLUG DOUBLE 110 VAC MURAL W/2 USB PORT / BLACK From K-0717 To N-1172	1	1	
332	564233	PLUG DOUBLE 110 VAC MURAL W/2 USB PORT / GREY NYLON "DECORA" From K-0717	1	1	
332	564354	PLUG DOUBLE 110 VAC MURAL W/2 USB PORT / BLACK From N-1173	1	1	
NS	563623	. BUTT SPLICE / 16-14 / BLUE / W/THERMORETRAC / PANDUIT BSH14-Q From K-0717	3	3	
333	564591	COVER PLATE DOUBLE 110V OUTLET GREY NYLON "DECORA" From K-0717	1	1	
333	564579	COVER PLATE DOUBLE 110V OUTLET BLACK NYLON "DECORA" From K-0717	1	1	
334	500964	WASHER FL .203x.500x.047 Z050 From K-0717	4	4	
335	500638	SCREW TP PAN PH #8x1/2 Z050 From K-0717	4	4	
336	504568	GROMMET / .437x.687x.250x.500x1.000 From K-0717	1	1	
337	0610152	CABLE / 120VAC OUTLET / LEFT MODESTY From K-0717	1	1	
NS	504637	CABLE TIE / 3/16" x 13" From K-0717	AR	AR	
		A) SEE IS-23526 FOR ALL DETAILS			
		C) SPECIAL WITH 120V OUTLET IN 1ST LUGGAGE RH			
		D) MODULE INSTALL ON INVERTER			
		E) USE WITH VOLTAGE MODULE CONTROL			
		F) 120V OUTLET IN FIRST LUGGAGE RACK RH			
		O) ORLEANS OPTION			
		SP) SPECIAL WITH 120V OUTLET IN 1ST & 4TH LUGGAGE RH			
		USB) WITH USB			

From R-1453

Date:07/2024

PAGE:H9-2345-42

POWERVERTER - INSTALLATION



From R-1453

Date:07/2024

PAGE:H9-2345-42

POWERVERTER - INSTALLATION

40-42



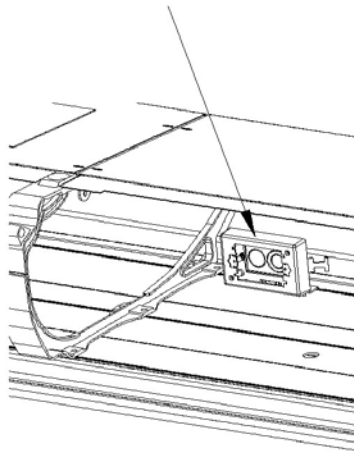
STREET SIDE

41-43



CURB SIDE

144-145



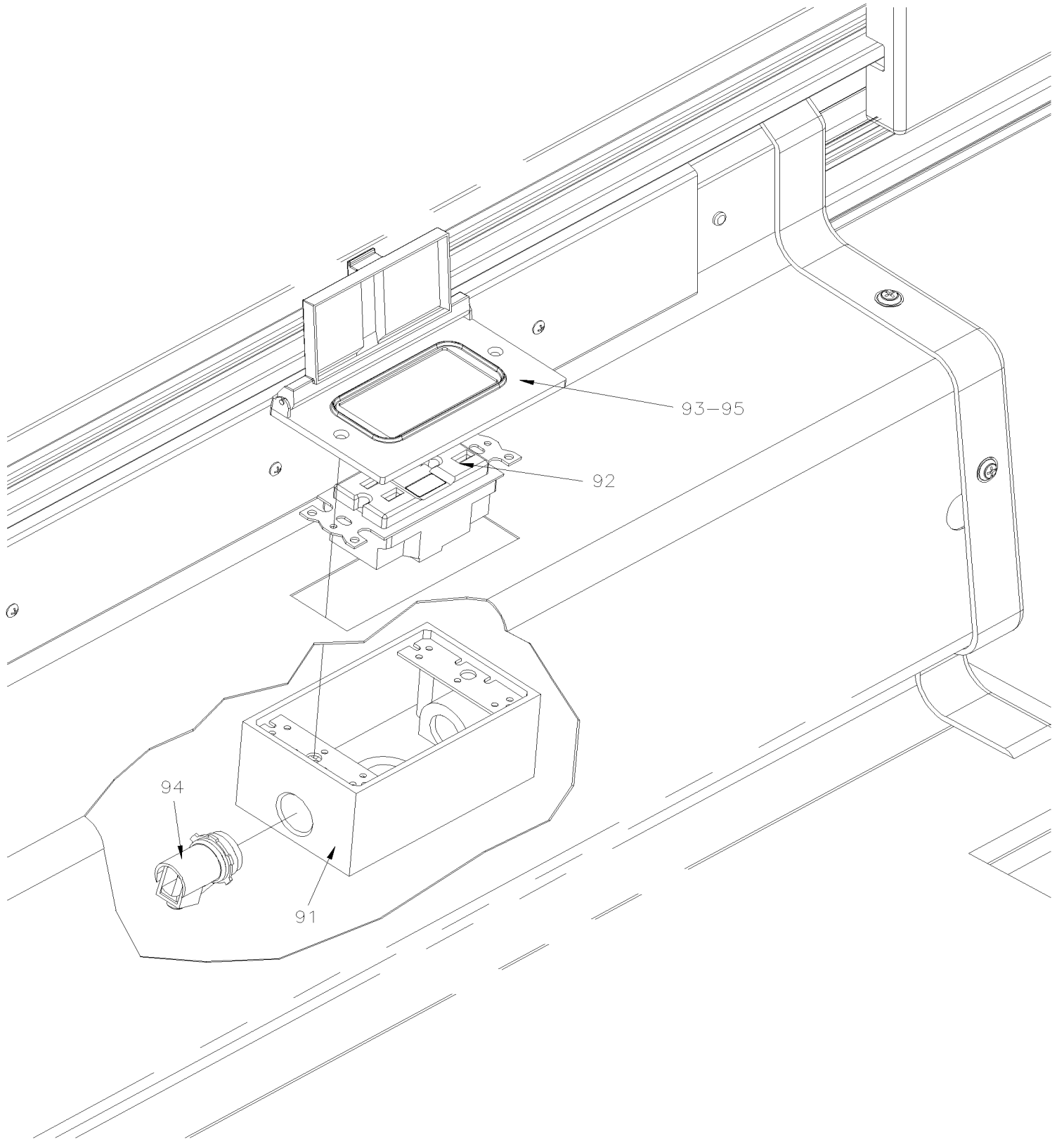
PARCEL RACK

From R-1453

Date:07/2024

PAGE:H9-2345-42

POWERVERTER - INSTALLATION

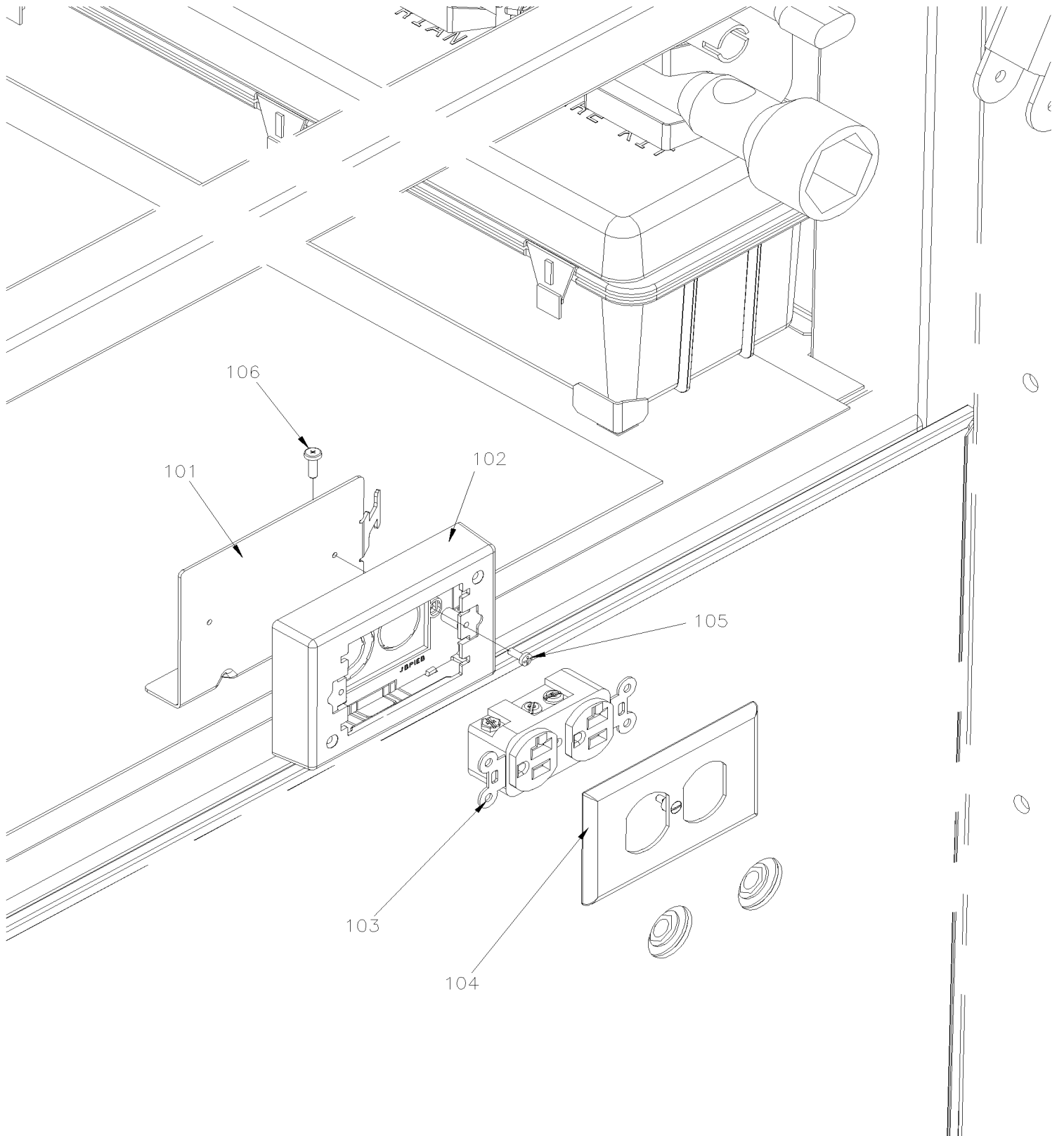


From R-1453

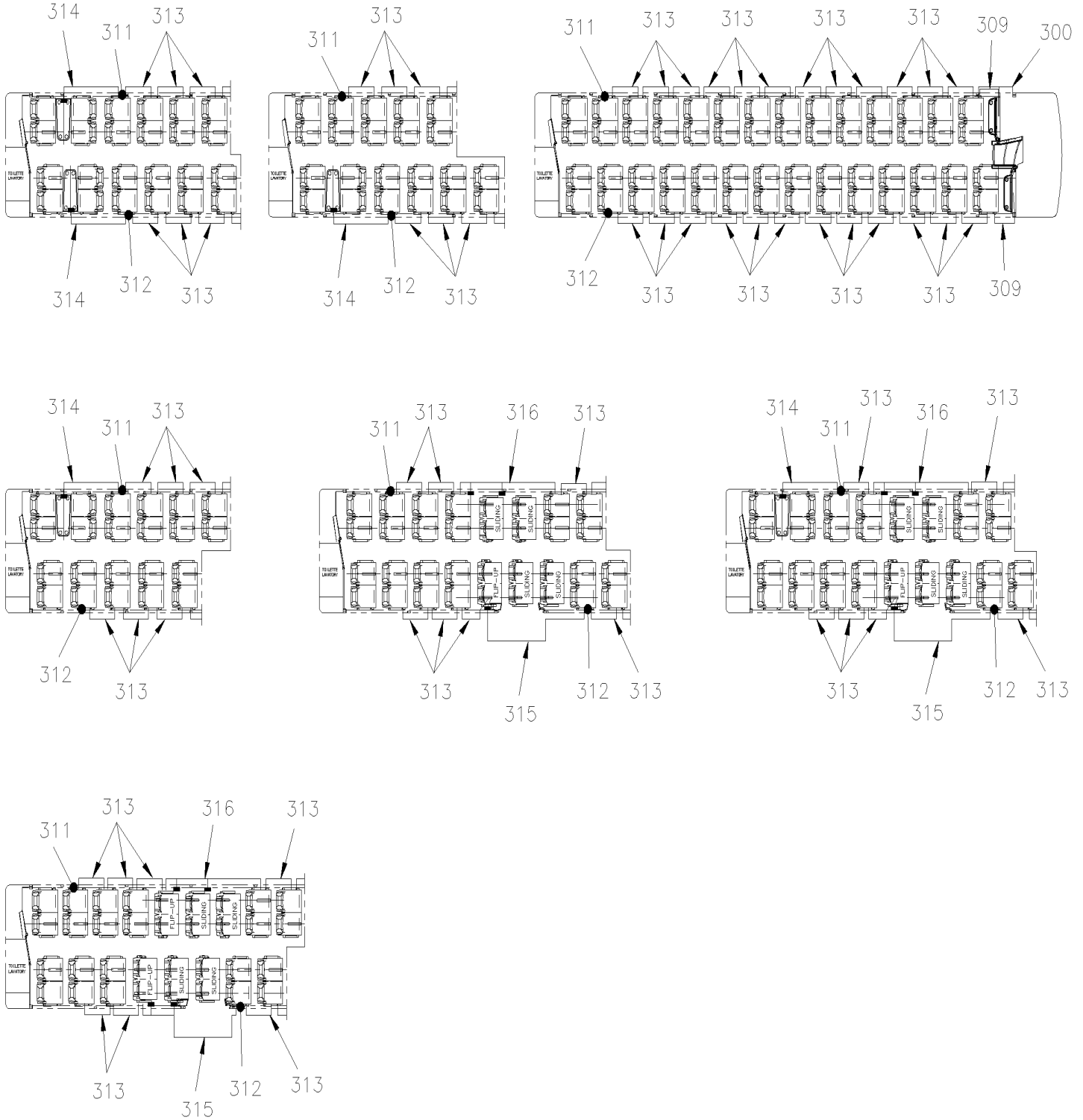
Date:07/2024

PAGE:H9-2345-42

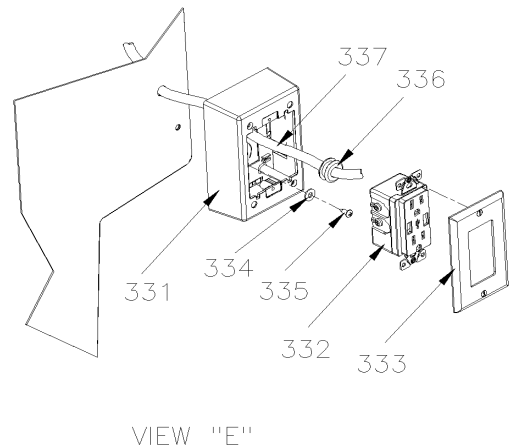
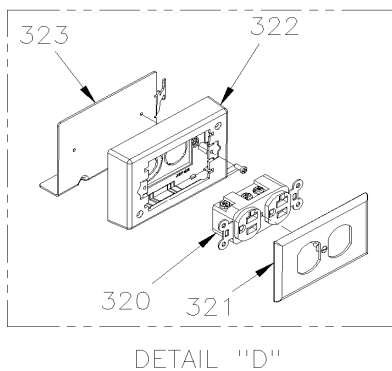
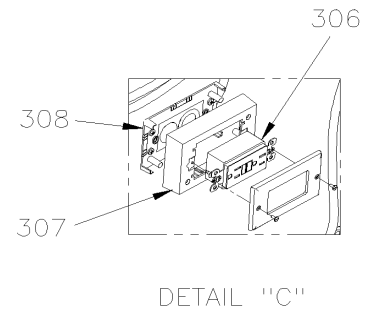
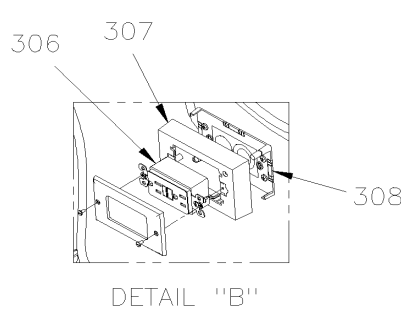
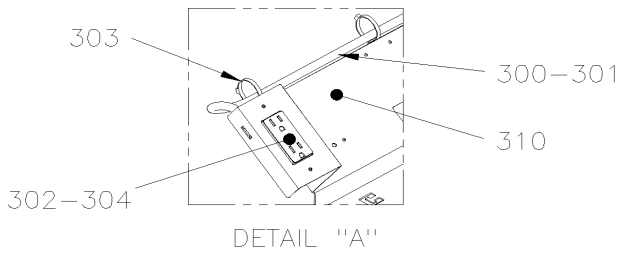
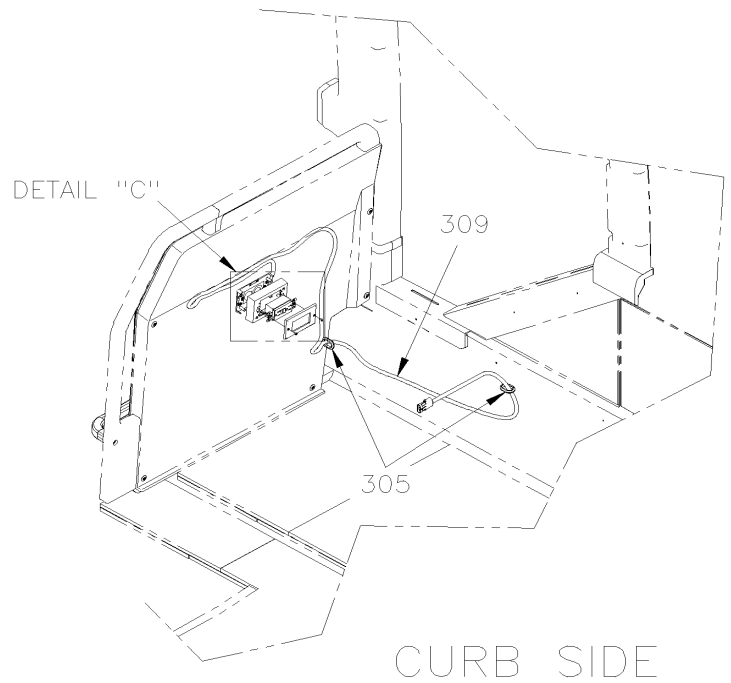
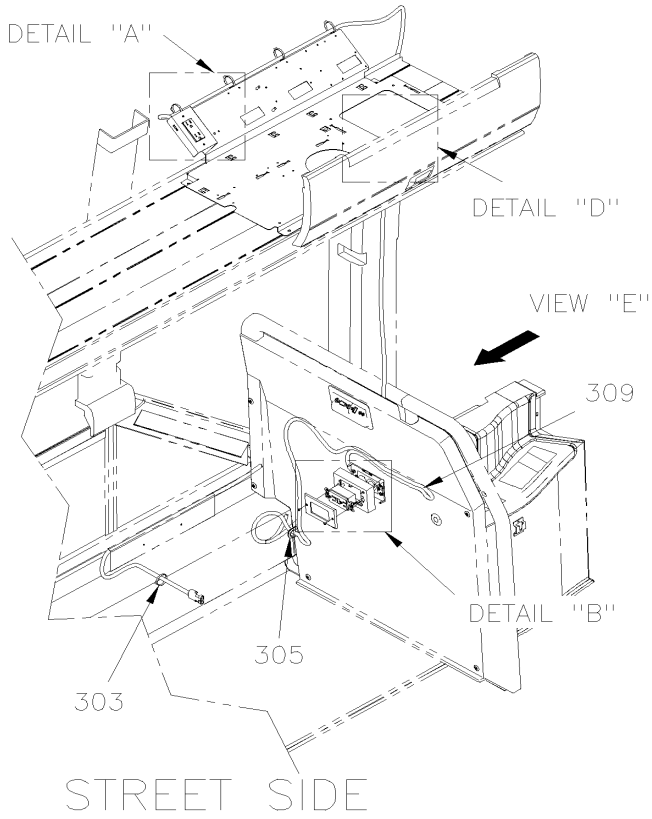
POWERVERTER - INSTALLATION



From R-1453	Date:07/2024	PAGE:H9-2345-42
POWERVERTER - INSTALLATION		



POWERVERTER - INSTALLATION

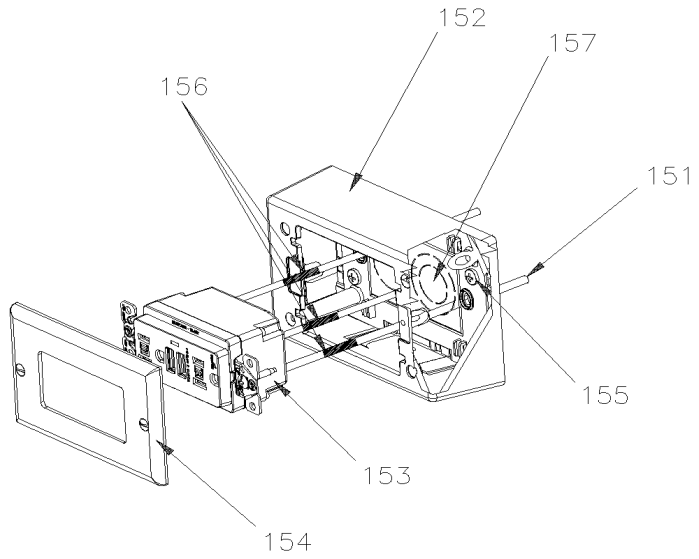
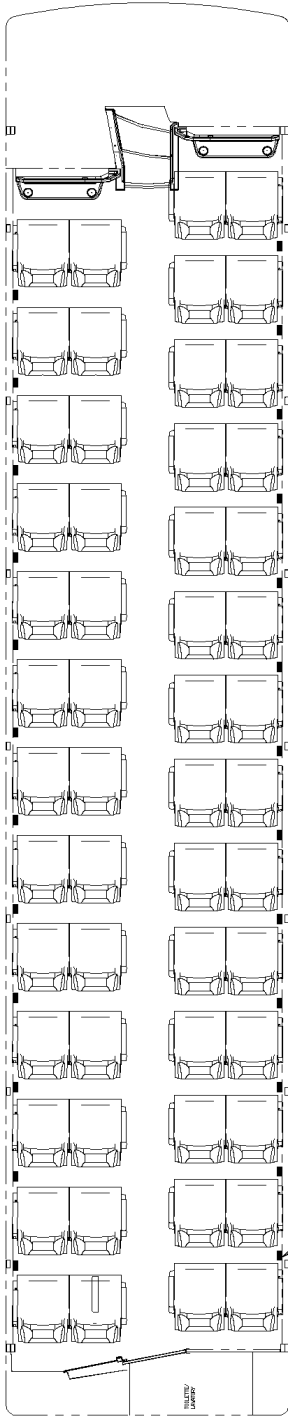


From R-1453

Date:07/2024

PAGE:H9-2345-42

POWERVERTER - INSTALLATION



From R-1453		Date:07/2024	PAGE:H9-2345-42
POWERVERTER - INSTALLATION			

Item#	Part	Description	H 3 4 1	H 3 4 5	N O T E S
		NEXT CABLES USE WITH 110V OUTLET			
		INSTALL BACKREST BY SEAT SUPPLIER			
NS	067595	CABLE ASSY / STREETSIDE W/23 PLUGS		1	
40	067721	CABLE ASSY / STREETSIDE W/13 PLUGS 56P+2T		1	
40	067725	CABLE ASSY / STREETSIDE W/11 PLUGS 44P+2T		1	
40	067635	CABLE ASSY / STREETSIDE W/8 PLUGS 36P VIP		1	
40	067680	CABLE ASSY / STREETSIDE W/11 PLUGS 52P+2T		1	
40	067438	CABLE ASSY / STREETSIDE W/11 PLUGS 54+2T		1	
41	067596	CABLE ASSY / CURBSIDE W/9 PLUGS		1	
41	067724	CABLE ASSY / CURBSIDE W/10 PLUGS 44P+2T		1	
41	067726	CABLE ASSY / CURBSIDE W/12 PLUGS 56P+1T		1	
41	067720	CABLE ASSY / CURBSIDE W/11 PLUGS 56P+2T		1	
41	067634	CABLE ASSY / CURBSIDE W/7 PLUGS 36P VIP		1	
41	067681	CABLE ASSY / CURBSIDE W/12 PLUGS 52P+2T		1	
41	067439	CABLE ASSY / CURBSIDE W/12 PLUGS 54+2T		1	
42	0600147	HARNESS INVERTER 120VAC LH WITH 2 INVERTERS		1	
42	0600150	HARNESS INVERTER 120VAC LH / WITH 1 INVERTER		1	
43	0600096	HARNESS INVERTER 120VAC RH		1	
NS	504751	ROTATIF SPACER DOUBLE / SMALL		AR	
NS	504637	CABLE TIE / 3/16" x 13"		AR	
NS	500601	SCREW TC PAN PH #6-32x3/8 N500		AR	
NS	500654	SCREW TC BDG PH #8-32x1/2 Z050		AR	
NS	509815	TIE MOUNT / ATTACHMENT W/TREE MOUNT		AR	
51	380524	SUPPORT CHARGER INVERTER		1	
52	564395	CHARGER INVERTER XANTREX		1	
53	0600147	HARNESS INVERTER 120VAC LH WITH 2 INVERTERS		1	
54	0600145	HARNESS GND 2ND INVERTER		1	
55	0600137	HARNESS 24V 2ND INVERTER		1	
56	068833	DECAL "ATTENTION WARNING..."		1	
57	509492	CABLE TIE MOUNT FOR THREADED STUD 1/4		3	
58	504016	CABLE TIE / 5/16" X 14"1/2		AR	
59	5001697	SCREW CAP HEX M6-1.0x16 SS BK		4	
60	502622	SCREW CAP HEX M6-1.0x20 SS BK		10	
61	5001344	NUT INS FL HEX M6-1.0 0.5-3.0 SS		2	
62	5001654	WASHER FL 6.4x17.0x3.0 SS		5	
63	502570	WASHER LO SPT 6.1x11.8x1.6 SS		9	
64	218658	SUPPORT		1	
70	563708	BREAKER 90AMPS / 24V /		1	
71	067465	BUS BAR 60 x 48MM		1	
72	5001936	NUT HEX NYRT 3/8-16 SS		2	

From R-1453		Date:07/2024	PAGE:H9-2345-42
POWERVERTER - INSTALLATION			

Item#	Part	Description	H 3 4 1	H 3 4 5	N O T E S
73	5001935	WASHER FL 10.5x18.0x1.6 SS		2	
74	502681	NUT HEX NYRT M6-1.0 N500 G8		2	
75	H9-0616-13	BREAKER PANEL			
91	564506	BOX ALUMINIUM / 110 VAC MURAL		2	
92	564507	PLUG DOUBLE 110 VAC MURAL W/2 USB PORT GREY NYLON "DECORA"		2	
93	564508	COVER PLATE DOUBLE 110V OUTLET SILVER		2	
94	564565	CONNECTOR L-16		2	
95	068404	DECAL "120 VOLTS AC"		2	
101	381790	SUPPORT / 110V OUTLET		1	F
102	564129	RECEPTACLE BOX / 110Vac outlet / WHITE		1	F
102	564187	RECEPTACLE BOX / 110Vac outlet / GREY From K-0581		AR	C SP
103	562657	PLUG DOUBLE 110 VAC MURAL / WHITE		1	F
103	564507	PLUG DOUBLE 110 VAC MURAL W/2 USB PORT GREY NYLON "DECORA" From K-0581		AR	SP
103	561200	PLUG DOUBLE 110 VAC MURAL GREY NYLON "DECORA"		1	C
104	562659	COVER PLATE DOUBLE 110V OUTLET / WHITE		1	F
104	564591	COVER PLATE DOUBLE 110V OUTLET GREY NYLON "DECORA" From K-0581		AR	C SP
105	500601	SCREW TC PAN PH #6-32x3/8 N500		2	F
105	500638	SCREW TP PAN PH #8x1/2 Z050 From K-0581		AR	C SP
105	500964	WASHER FL .203x.500x.047 Z050 From K-0581		AR	C SP
106	500654	SCREW TC BDG PH #8-32x1/2 Z050		2	F
107	0611000	CUST. ADAP.120V INTO LUGGAGES 1&4 RH From K-0581		1	SP
107	067705	CABLE ASSY EXTENSION 7300MM / OVER W.C.L. DOOR		1	C
107	560094	FLANGE SPADE TERMINAL #10 / 16-14 / AMP 320863		3	C
107	562338	CONNECTOR / 15 AMPS / HUBBELL 5965-VY		1	C
		NEXT PARTS USE WITH 110V OUTLET			
		INSTALL INSIDE THE FIRST STREET SIDE PARCEL RACK			
144	564507	PLUG DOUBLE 110 VAC MURAL W/2 USB PORT GREY NYLON "DECORA"		1	
145	068295	CABLE / 120VAC / PARCEL RACK OUTLET		1	
145	504016	CABLE TIE / 5/16" X 14"1/2		1	
145	504768	CABLE TIE / 3/16" 14.7" / DOUBLE LOOP HEAD		8	
		NEXT PARTS USE WITH 110V OUTLET			
		INSTALL ON THE WALL			
151	069562	HARNESS 120VAC 13 OUTLETS ON WALL		2	
152	564580	RECEPTACLE BOX / 110Vac outlet / GRAY To P-1452		25	
152	564187	RECEPTACLE BOX / 110Vac outlet / GREY From R-1453		1	
153	564233	PLUG DOUBLE 110 VAC MURAL W/2 USB PORT / BLACK To N-1172		25	

From R-1453		Date:07/2024	PAGE:H9-2345-42
POWERVERTER - INSTALLATION			

Item#	Part	Description	H 3 4 1	H 3 4 5	N O T E S
153	564354	PLUG DOUBLE 110 VAC MURAL W/2 USB PORT / BLACK From N-1173		25	
154	564579	COVER PLATE DOUBLE 110V OUTLET BLACK NYLON "DECORA"		25	
155	500638	SCREW TP PAN PH #8x1/2 Z050		AR	
156	561918	SHRINK TUBING / .125" - .062" / BLACK / ALPHA FIT-221-1/8-4-B		AR	
157	680093	SEALANT TAPE BUTYL / GREY / 1/16"x1 1/2"x50' /71079B11760		AR	
300	068295	CABLE / 120VAC / PARCEL RACK OUTLET		1	
301	560784	SHRINK TUBING / .250" - .080" / BLACK / ALPHA FIT-300-1/4-4B		AR	
302	564507	PLUG DOUBLE 110 VAC MURAL W/2 USB PORT GREY NYLON "DECORA"		1	
302	565204	PLUG DOUBLE 110 VAC MURAL W/2 USB PORT / GREY		1	
302	564187	RECEPTACLE BOX / 110Vac outlet / GREY		1	
302	564591	COVER PLATE DOUBLE 110V OUTLET GREY NYLON "DECORA"		1	
303	504637	CABLE TIE / 3/16" x 13"		AR	
304	680319	TAPE ADHESIF ELECTRIC / BLACK 3/4"		AR	
305	504574	GROMMET / 1.125x1.312x.062x.312x1.56		4	
306	564188	PLUG DOUBLE 110 VAC MURAL GREY NYLON "DECORA"		2	
NS	564591	COVER PLATE DOUBLE 110V OUTLET GREY NYLON "DECORA"		2	
306	564233	PLUG DOUBLE 110 VAC MURAL W/2 USB PORT / BLACK To N-1172		2	USB
306	564354	PLUG DOUBLE 110 VAC MURAL W/2 USB PORT / BLACK From N-1173		2	USB
306	560540	OUTLET W/4 USB PORT / BLACK		AR	USB
NS	564579	COVER PLATE DOUBLE 110V OUTLET BLACK NYLON "DECORA"		2	
307	564187	RECEPTACLE BOX / 110Vac outlet / GREY		2	
307	564580	RECEPTACLE BOX / 110Vac outlet / GRAY		1	USB
308	500638	SCREW TP PAN PH #8x1/2 Z050		8	
309	067704	CABLE ASSY EXTENSION 2900MM / TO FRONT MODESTIE PANEL		2	
310	401365	VIDEO PLATE From L-0823		1	
311	0600147	HARNESS INVERTER 120VAC LH WITH 2 INVERTERS		1	
311	0610150	WIRING HARNESS SLIDE-OUT FRONT LEFT		1	
312	0600096	HARNESS INVERTER 120VAC RH		1	
313	067703	CABLE ASSY EXTENSION 1200MM / EACH SEAT		AR	
314	067704	CABLE ASSY EXTENSION 2900MM / TO FRONT MODESTIE PANEL		AR	
315	068937	CABLE ASSY EXTENSION / WCL DOOR		1	
316	067984	CABLE ASSY 2 PLUG, FOR SLIDING SEATS		1	
		OUTLET ONTO AMPLIFIER ENCLOSURE			
320	562657	PLUG DOUBLE 110 VAC MURAL / WHITE		1	
321	562659	COVER PLATE DOUBLE 110V OUTLET / WHITE		1	
322	564129	RECEPTACLE BOX / 110Vac outlet / WHITE		1	
323	381790	SUPPORT / 110V OUTLET		1	
NS	068295	CABLE / 120VAC / PARCEL RACK OUTLET		1	

From R-1453		Date:07/2024	PAGE:H9-2345-42
POWERVERTER - INSTALLATION			

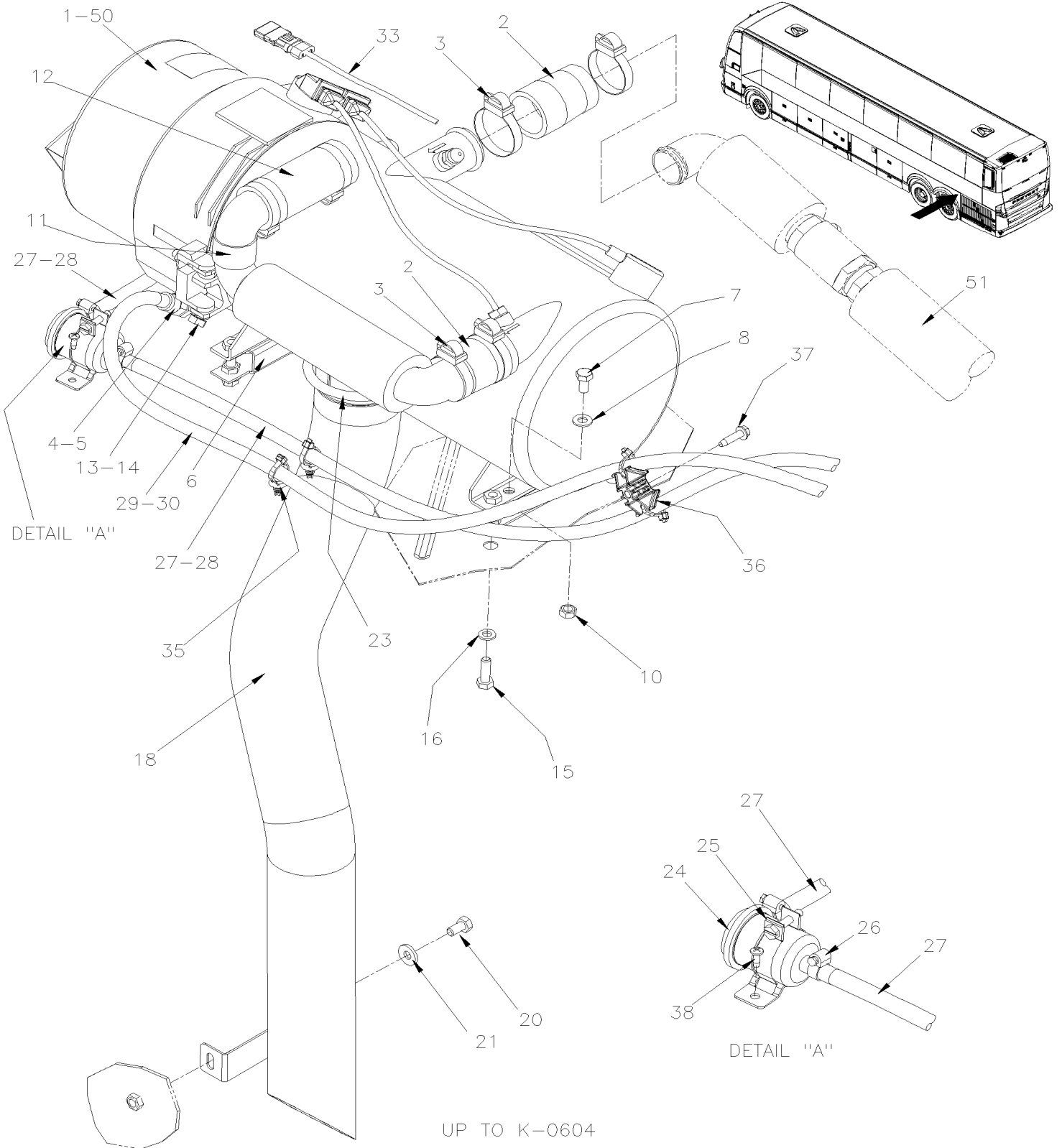
Item#	Part	Description	H 3 4 1	H 3 4 5	N O T E S
NS	504637	CABLE TIE / 3/16" x 13"		4	
NS	560094	FLANGE SPADE TERMINAL #10 / 16-14 / AMP 320863		3	
329		OUTLET ON LEFT MODESTY (REAR DRIVER SEAT)	1	1	
331	564580	RECEPTACLE BOX / 110Vac outlet / GRAY From K-0717		1	
331	564187	RECEPTACLE BOX / 110Vac outlet / GREY SLIM BOX, From K-0717 To P-1452		1	
332	565200	PLUG DOUBLE 110 VAC MURAL W/2 USB PORT / GREY W/2 USB PORT From K-0717		1	
332	564507	PLUG DOUBLE 110 VAC MURAL W/2 USB PORT / BLACK From K-0717 To N-1172		1	
332	564233	PLUG DOUBLE 110 VAC MURAL W/2 USB PORT / GREY NYLON "DECORA" From K-0717		1	
332	564354	PLUG DOUBLE 110 VAC MURAL W/2 USB PORT / BLACK From N-1173		1	
NS	563623	. BUTT SPLICE / 16-14 / BLUE / W/THERMORETRAC / PANDUIT BSH14-Q From K-0717		3	
333	564591	COVER PLATE DOUBLE 110V OUTLET GREY NYLON "DECORA" From K-0717		1	
333	564579	COVER PLATE DOUBLE 110V OUTLET BLACK NYLON "DECORA" From K-0717		1	
334	500964	WASHER FL .203x.500x.047 Z050 From K-0717		4	
335	500638	SCREW TP PAN PH #8x1/2 Z050 From K-0717		4	
336	504568	GROMMET / .437x.687x.250x.500x1.000 From K-0717		1	
337	0610152	CABLE / 120VAC OUTLET / LEFT MODESTY From K-0717		1	
NS	504637	CABLE TIE / 3/16" x 13" From K-0717		AR	
		C) SPECIAL WITH 120V OUTLET IN 1ST LUGGAGE RH			
		F) 120V OUTLET IN FIRST LUGGAGE RACK RH			
		SP) SPECIAL WITH 120V OUTLET IN 1ST & 4TH LUGGAGE RH			
		USB) WITH USB			

From K-0185

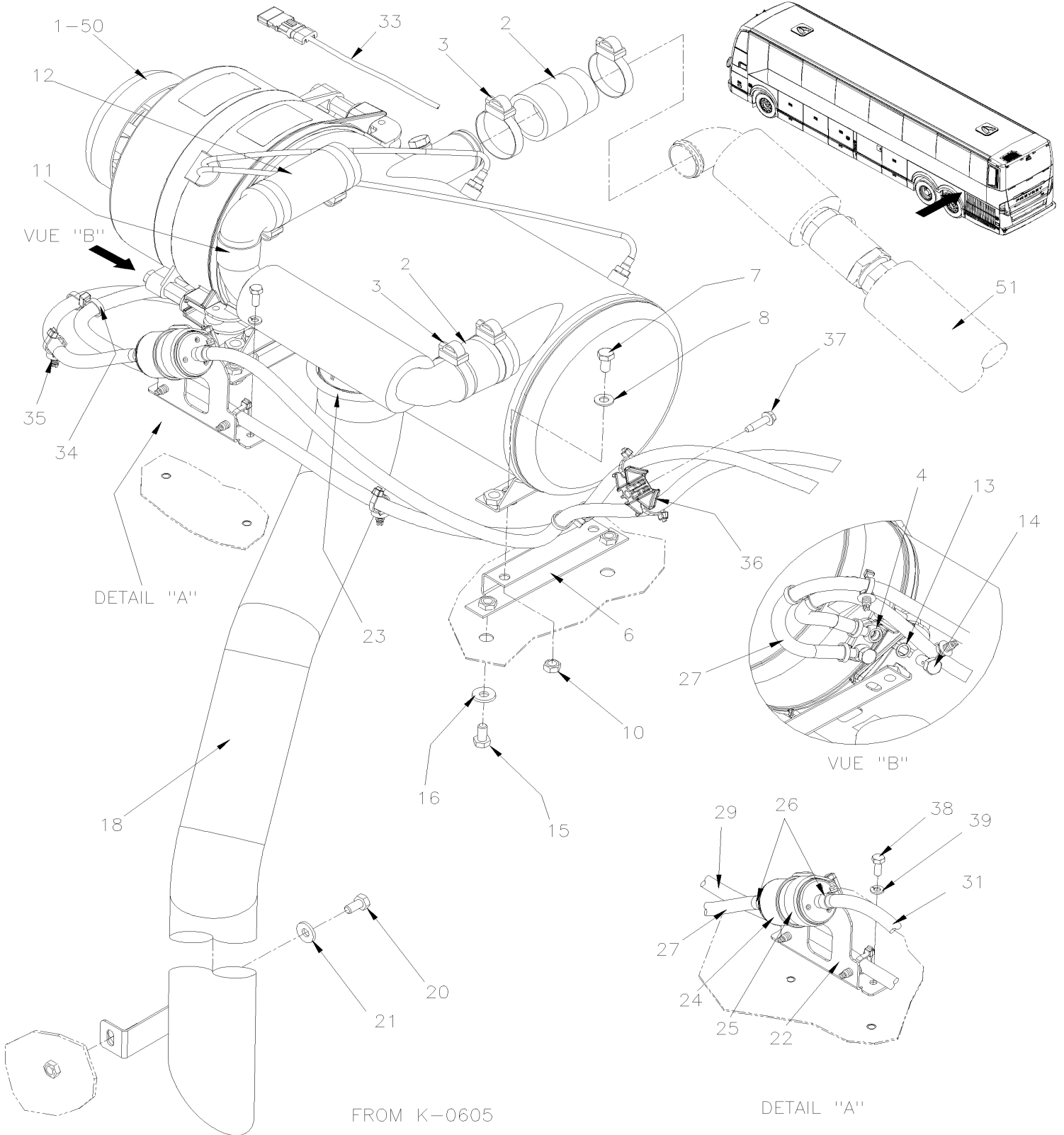
Date:07/2024

PAGE:H9-2350-10

WATER HEATER - INSTALLATION



WATER HEATER - INSTALLATION

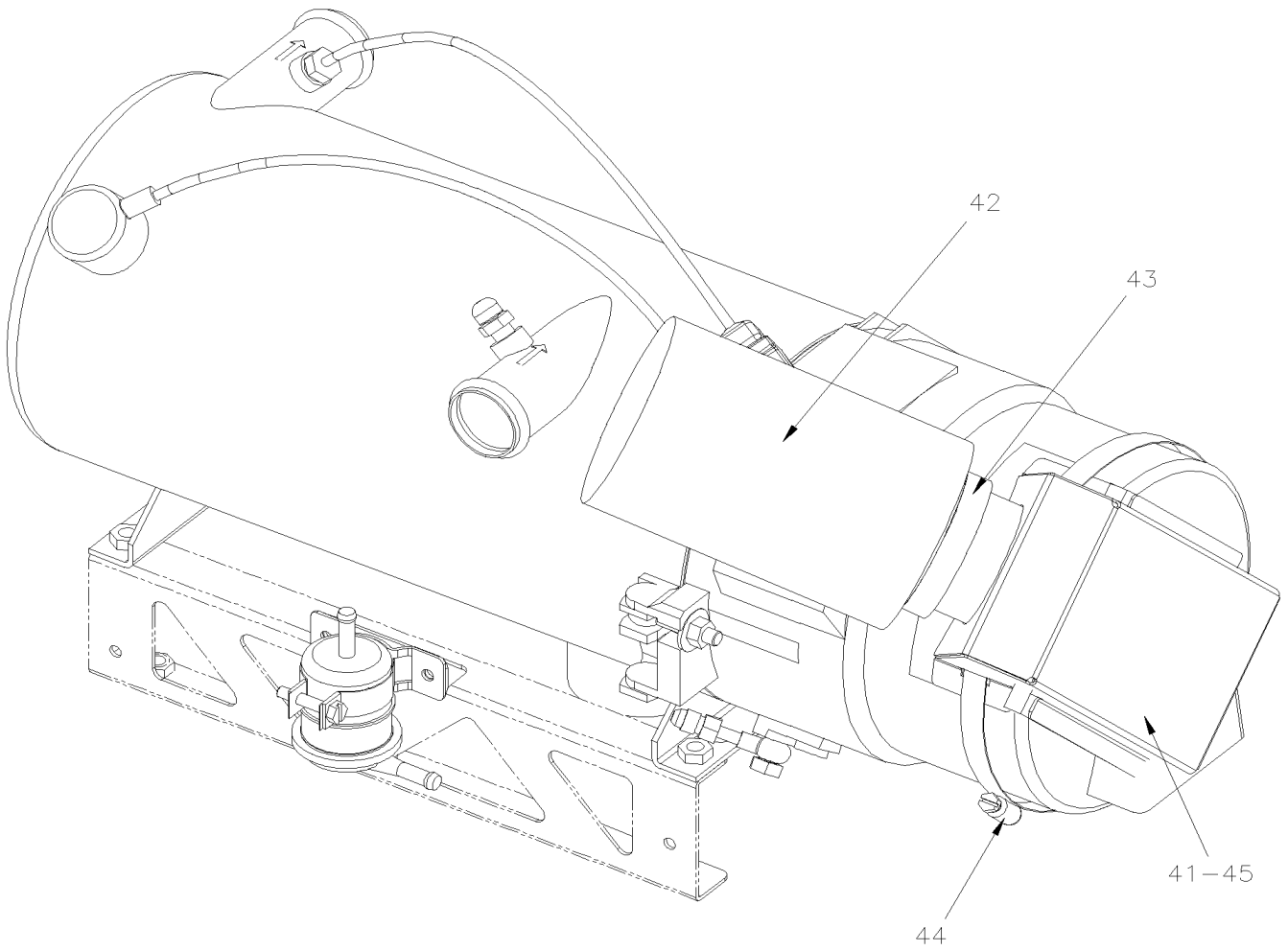


From K-0185

Date:07/2024

PAGE:H9-2350-10

WATER HEATER - INSTALLATION



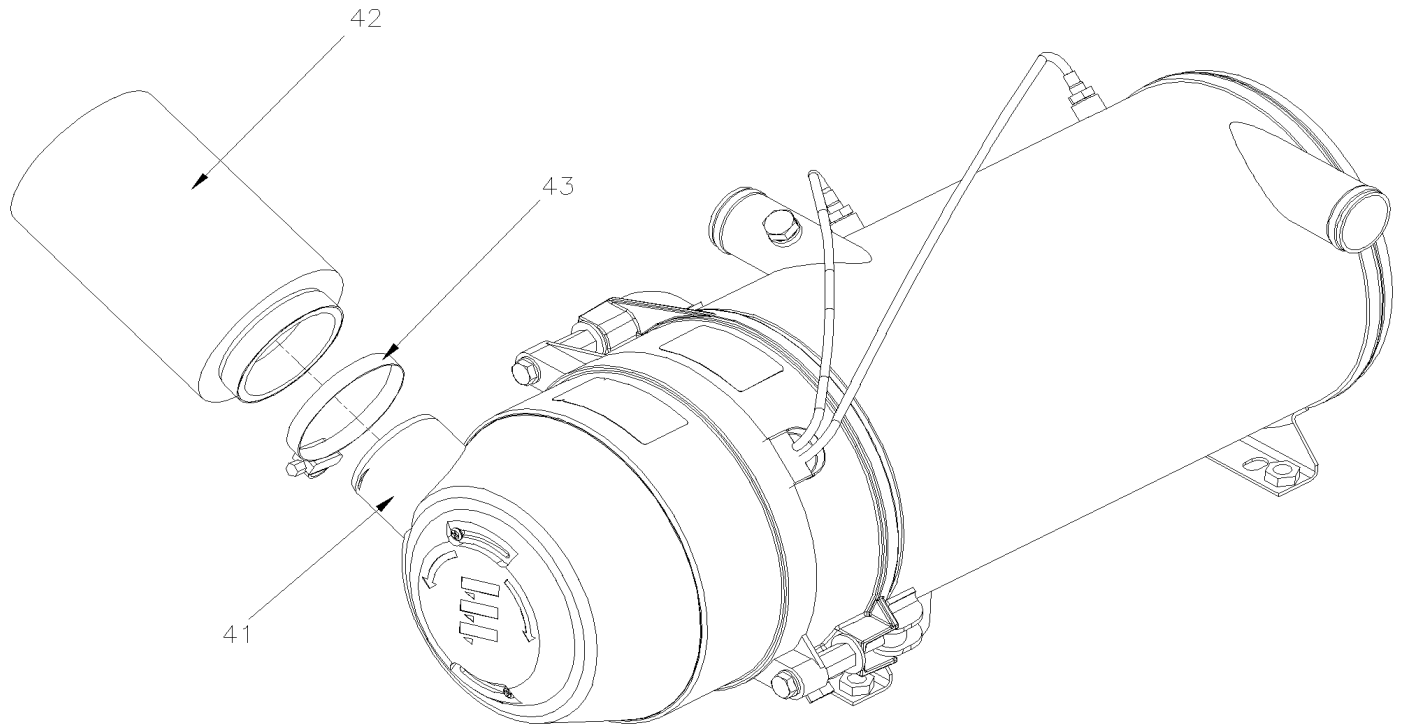
UP TO K-0604

From K-0185

Date:07/2024

PAGE:H9-2350-10

WATER HEATER - INSTALLATION



FROM K-0605

From K-0185		Date:07/2024	PAGE:H9-2350-10
WATER HEATER - INSTALLATION			

Item#	Part	Description	H 3 4 1	H 3 4 5	N O T E S
	373886P	WATER HEATER ASSY ASSY W/HOSE & SPACERS	1	1	
1	871202	. WATER HEATER - "SPHEROS" 100,000 B.T.U. To K-0654	1	1	
1	870012	. WATER HEATER - HYDRONIC L30 From K-0655	1	1	
2	373800	. HOSE REDUCER / 1 1/2" I.D.x1 3/8" I.D.x65MM	2	2	
3	992086	. HOSE CLAMP / 32MM/52MM	AR	AR	
3	504692	. HOSE CLAMP STEPLESS SPRING SS / OETIKER / 1.5-1.8	AR	AR	A
3	504455	. HOSE CLAMP STEPLESS SPRING SS / OETIKER / 1.7-1.9	AR	AR	A
4	5011238	. BANJO UNION / 10MMx#6JIC-M To K-0654	1	1	
4	501120	. BANJO UNION / 10MMx#4 From K-0655	2	2	
5	5011237	. BANJO UNION / 10MMx#4JIC-M To K-0654	1	1	
6	374322	. SPACER ASSY 1" / "WATER HEATER & FENDER	2	2	
7	5001527	. SCREW CAP HEX M8-1.25x16 SS BK	4	4	
8	5001341	. WASHER FL 8.4x17.0x1.6 SS	4	4	
10	5001983	. NUT HEX NYRT M8-1.25 SS SS BK	4	4	
11	373887P	. PIPE ASSY / "WATER HEATER" / EXIT LINE	1	1	
12	051383	. . HOSE / W/CENTRAL A/C SYSTEM / 1 3/8" I.D. X 150MM	1	1	
12	503783	. . . HOSE SILICONE 4PLY / NOMEM-ARAMID 34MM I.D. x 6'	AR	AR	
NS	0610115	CABLE ASSY / PRO-HEAT & RJB From K-0655	1	1	
13	870923	BANJO WASHER / M10	4	4	
14	870929	BANJO BOLT / M10-1.0	2	2	
15	5001527	SCREW CAP HEX M8-1.25x16 SS BK	4	4	
16	5001848	WASHER BEL SPR .827 x .331 x .098 th SS	4	4	
18	370106	PIPE EXHAUST	1	1	
20	5001527	SCREW CAP HEX M8-1.25x16 SS BK	1	1	
21	5001848	WASHER BEL SPR .827 x .331 x .098 th SS	1	1	
22	370230	SUPPORT, FILTER From K-0655	1	1	
23	870004	U-CLAMP / 3" I.D. G500	1	1	
23	680335	ANTIGRIP MIXTURE	AR	AR	
24	871037	FILTER, FUEL To K-0654	1	1	
24	870073	FILTER, FUEL From K-0655	1	1	
25	871038	SUPPORT, FILTER FUEL To K-0654	1	1	
25	504023	HOSE CLAMP / 1"5/16-2"1/4 SS / HS-28 From K-0655	1	1	
26	504014	HOSE CLAMP / 1/4"-5/8" SS / HM-4	2	2	
27	Call order desk	HOSE / FUEL LINE / #4 7000MM To K-0654	1	1	P
27	Call order desk	HOSE / FUEL LINE / #4 From K-0655	1	1	P
27	503706	. HOSE FC-332-4 #4	AR	AR	
28	501347	. FEMALE CONNECTOR SWIVEL / PUSH-LOK FITTING #4JIC-Fx#4 BR To K-0654	1	1	
29	Call order desk	HOSE / FUEL LINE / #4 6570MM To K-0654	1	1	P
29	Call order desk	HOSE / FUEL LINE / From K-0655	1	1	P
29	503706	. HOSE FC-332-4 #4	AR	AR	
30	5011235	. FEMALE CONNECTOR SWIVEL / PUSH-LOK FITTING #6JIC-Fx#4 BR To K-0654	1	1	

From K-0185		Date:07/2024	PAGE:H9-2350-10
--------------------	--	---------------------	------------------------

WATER HEATER - INSTALLATION

Item#	Part	Description	H 3 4 1	H 3 4 5	N O T E S
31	370223	HOSE / FUEL LINE / From K-0655	1	1	
31	503706	HOSE FC-332-4 #4 From K-0655	AR	AR	
33	067676	CABLE THERMO DETECTOR (LINEAR FIRE CABLE) / 1M / 168C/180C // 334F/356F	1	1	
. NS	563587	. MODULE DETECTOR / END CIRCUIT	1	1	
34	507664	CABLE TIE / 3/16" 11" / DOUBLE LOOP HEAD From K-0655	AR	AR	
35	509815	TIE MOUNT / ATTACHMENT W/TREE MOUNT	AR	AR	
35	504637	CABLE TIE / 3/16" x 13"	AR	AR	
36	509490	ATTACHMENT DOUBLE USE WITH CABLE TIE	AR	AR	
36	504637	CABLE TIE / 3/16" x 13"	AR	AR	
37	500266	SCREW TC CAP HEX 1/4-20x1 N500	1	1	
38	502868	SCREW TC TR PH #10-16x1/2 N500 To K-0654	2	2	
NS	507333	PROTECTOR CAP / BLACK / .172 I.D. x .500 To K-0654	2	2	
38	5001744	SCREW CAP HEX M6-1.0x16 G8.8 N500 From K-0655	2	2	
39	502853	WASHER LO SPT 6.1x11.8x1.6 N500 From K-0655	2	2	
40		WATER HEATER AIR INTAKE WITH FILTER			O
41	374586	AIR INTAKE / "WATER HEATER" WEBASTO To K-0654	1	1	O
41	870071	AIR INTAKE / "WATER HEATER" HYDRONIC L30 From K-0655	1	1	O
42	871439	AIR FILTER / AIR INTAKE WATER HEATER To K-0654	1	1	O
42	7770450	AIR FILTER PRE-CLEANER, TOPSPIN HD From K-0655	1	1	
43	992089	HOSE CLAMP / 60MM/80MM	1	1	O
44	504229	HOSE CLAMP / 6"1/2-8"1/2 SS / HS-100 To K-0654	1	1	O
45	506268	TAPE RUB ADH1 URE 3/8" x 1/2" x 25' / GREY 1820 To K-0654	AR	AR	O
50	871345	WATER HEATER - "PROHEAT" 80,000 B.T.U.			
51	H9-2222-07	HEATER LINE REAR SECTION WITH "VOLVO" ENGINE To P-1452			
51	H9-2222-08	HEATER LINE REAR SECTION From R-1453			
70		FOLLOWING ITEMS ARE RELATED WITH			O
70		AUTOMATIC START			O
70		WITH WATER HEATER INSTALLATION			O
70		WITH BATTERIES CHARGER 110V			O
70	060093	CABLE ASSY POWER / W/FUSE HOLDER & RECTIFIER		1	O
70	060092	CABLE I/F BATTERIES CHARGER / W/RELAY BASE		1	O
70	563332	RELAY 24V S.P.D.T. W/RESISTOR / "VOLVO" (20374662)		1	O
70	502868	SCREW TC TR PH #10-16x1/2 N500		1	O
		A) WITH OPTION "OETIKER" HOSE CLAMP			

From K-0185	Date:07/2024	PAGE:H9-2350-10
-------------	--------------	-----------------

WATER HEATER - INSTALLATION

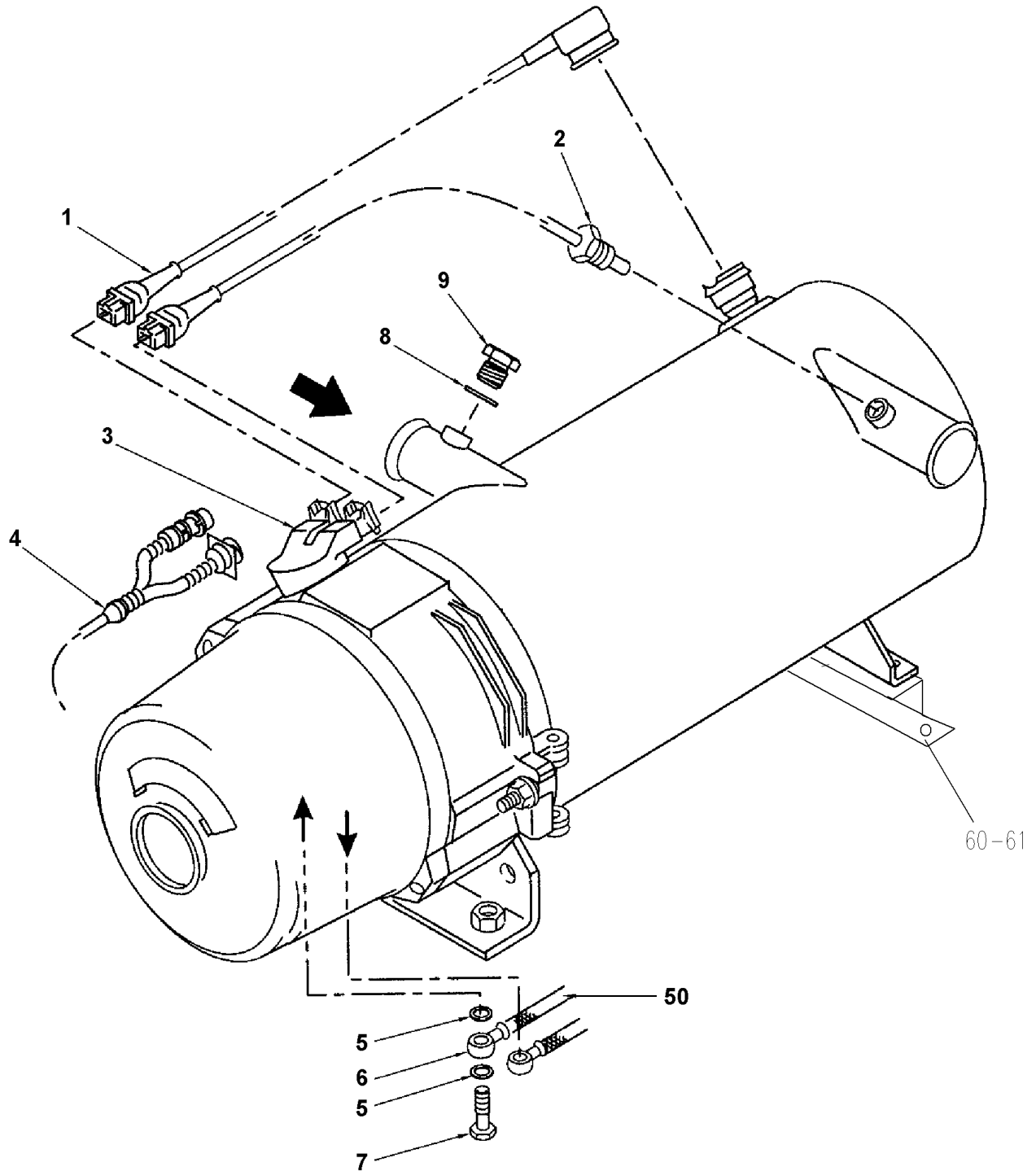
Item#	Part	Description	H 3 4 1	H 3 4 5	N O T E S
		O) WITH ORLEAN OPTION			
		P) CALL ORDER DESK FOR SPECIFIC APPLICATION (V.I.N.)			

From K-0185

Date:07/2024

PAGE:871202

WATER HEATER - "SPHEROS" 100,000 B.T.U.

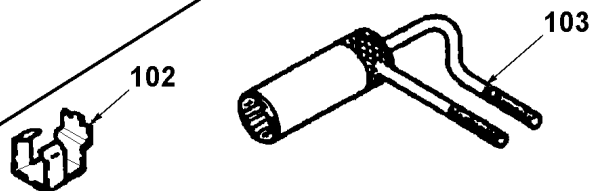
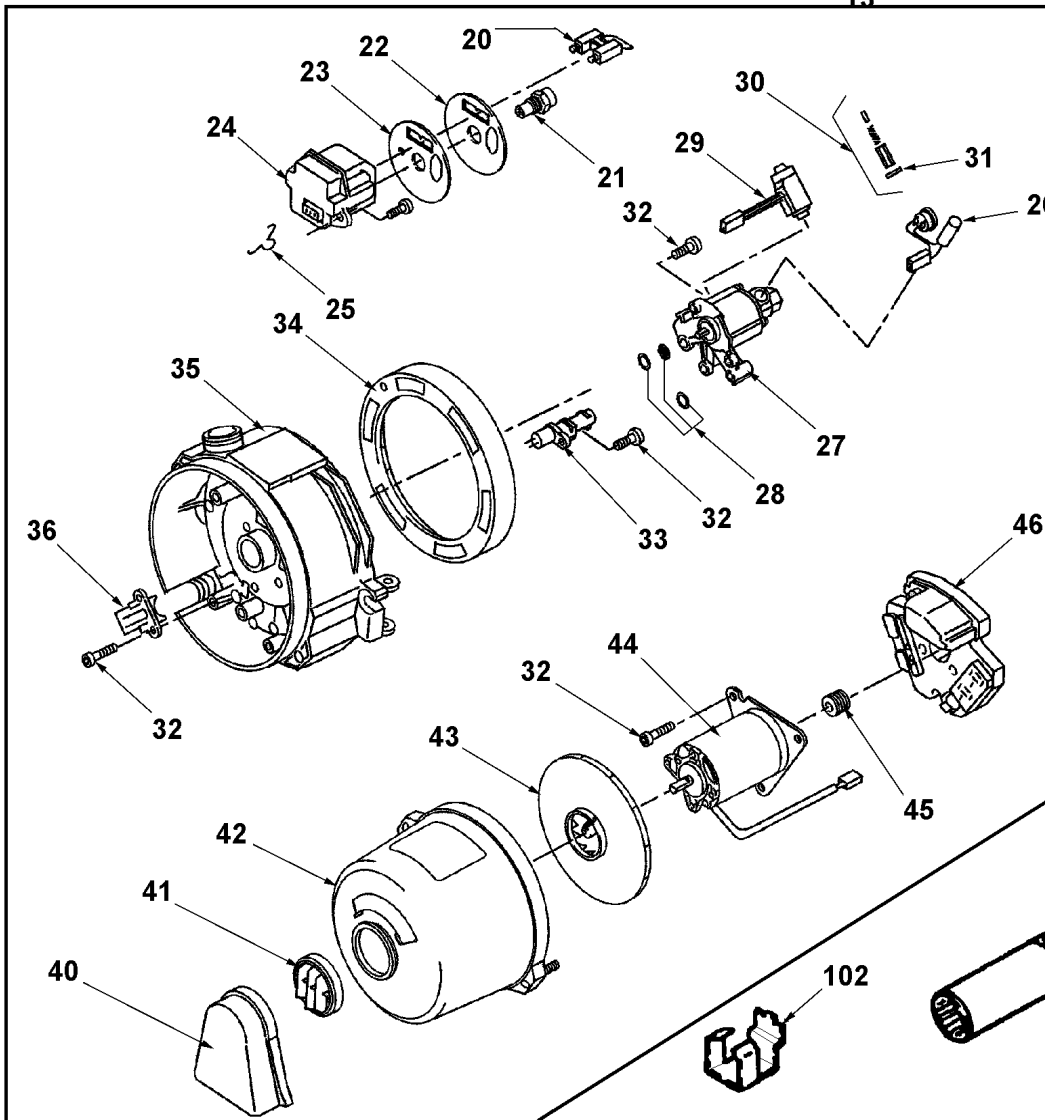
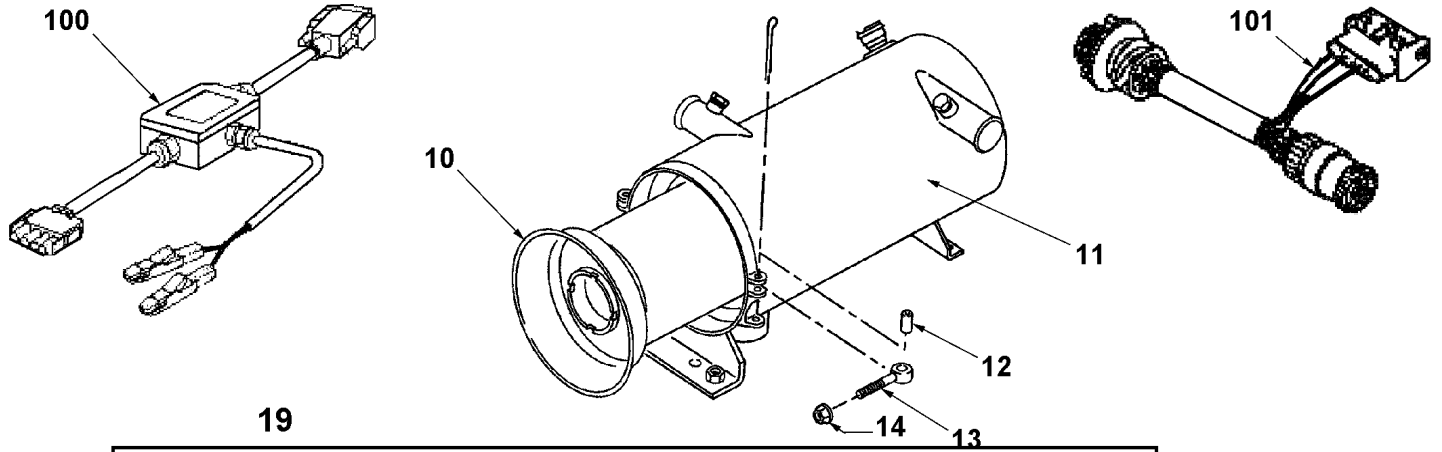


From K-0185

Date:07/2024

PAGE:871202

WATER HEATER - "SPHEROS" 100,000 B.T.U.



From K-0185	Date:07/2024	PAGE:871202
WATER HEATER - "SPHEROS" 100,000 B.T.U.		

Item#	Part	Description	H 3 4 1	H 3 4 5	N O T E S
		WATER HEATER - "WEBASTO" 100,000 B.T.U.	1	1	
1	871284	. OVERHEAT PROTECTION	1	1	
2	871285	. TEMPERATURE SENSOR	1	1	
2	G1094742	. TEMPERATURE SENSOR	1	1	
3	194873	. CABLE ASSY / WITH RUBBER BOOT / CONTROL & HARNESS CABLE	1	1	
4	871286	. MASTER WIRING HARNESS	1	1	
5	870923	. BANJO WASHER / M10	1	1	
6	5011237	. BANJO UNION / 10MMx#4JIC-M	1	1	
6	5011238	. BANJO UNION / 10MMx#6JIC-M	1	1	
7	870929	. BANJO BOLT / M10-1.0	1	1	
8	N.S.P.	. GASKET / (151 173)	1	1	2
9	N.S.P.	. PLUG / (199 87A)	1	1	2
10	871288	. COMBUSTION CHAMBER	1	1	
11	871289	. HEAT EXCHANGER	1	1	
NS	871431	. . STICKER WEBASTO	1	1	
12	N8890598	. COLLAR	2	2	
13	N8890596	. EYE BOLT	2	2	
14	502692	. NUT HEXF STO M8-1.25 Z050	1	1	
19	N8894780	. BURNER HEAD ASSY / 24V - "WEBASTO" THERMO 300	1	1	
19	N8896417	. BURNER HEAD ASSY / 24V - "WEBASTO" THERMO 350	1	1	
20	871290	. . IGNATION ELECTRODE	1	1	
21	871291	. . NOZZLE 0.85GPH - "WEBASTO" THERMO 300	1	1	
21	870918	. . NOZZLE 0.80GPH	AR	AR	
22	871368	. . PHOTODISC	1	1	
23	871369	. . PHOTODISC	1	1	
24	871292	. . ELECTRONIC IGNITION UNIT	1	1	
25	N8883147	. . HOLDING STRAP	1	1	
26	871293	. . HEATING ELEMENT WITH THERMOSTAT	1	1	
27	871294	. . FUEL PUMP	1	1	
28	871295	. . . SMALLL PARTS FOR FUEL PUMP	1	1	
29	871296	. . . MAGNETIC COIL	1	1	
30	870919 UNLOADER POWER ASSY	1	1	
31	871297 GASKET	1	1	
32	502653	. . SCREW MA PAN PH M5-0.8x16 SS	AR	AR	
33	871298	. . FLAME DETECTOR	1	1	
34	194824	. . ADJUSTING RING	1	1	
35	N8890616	. . HOUSING	1	1	
35	G1094733	. . HOUSING	1	1	
36	N8890590	. . CORE GRIP	1	1	
36	G1094734	. . CORE GRIP	1	1	
40	871299	. . SPLASHGUARD	1	1	
41	871300	. . GRID	1	1	

From K-0185	Date:07/2024	PAGE:871202
WATER HEATER - "SPHEROS" 100,000 B.T.U.		

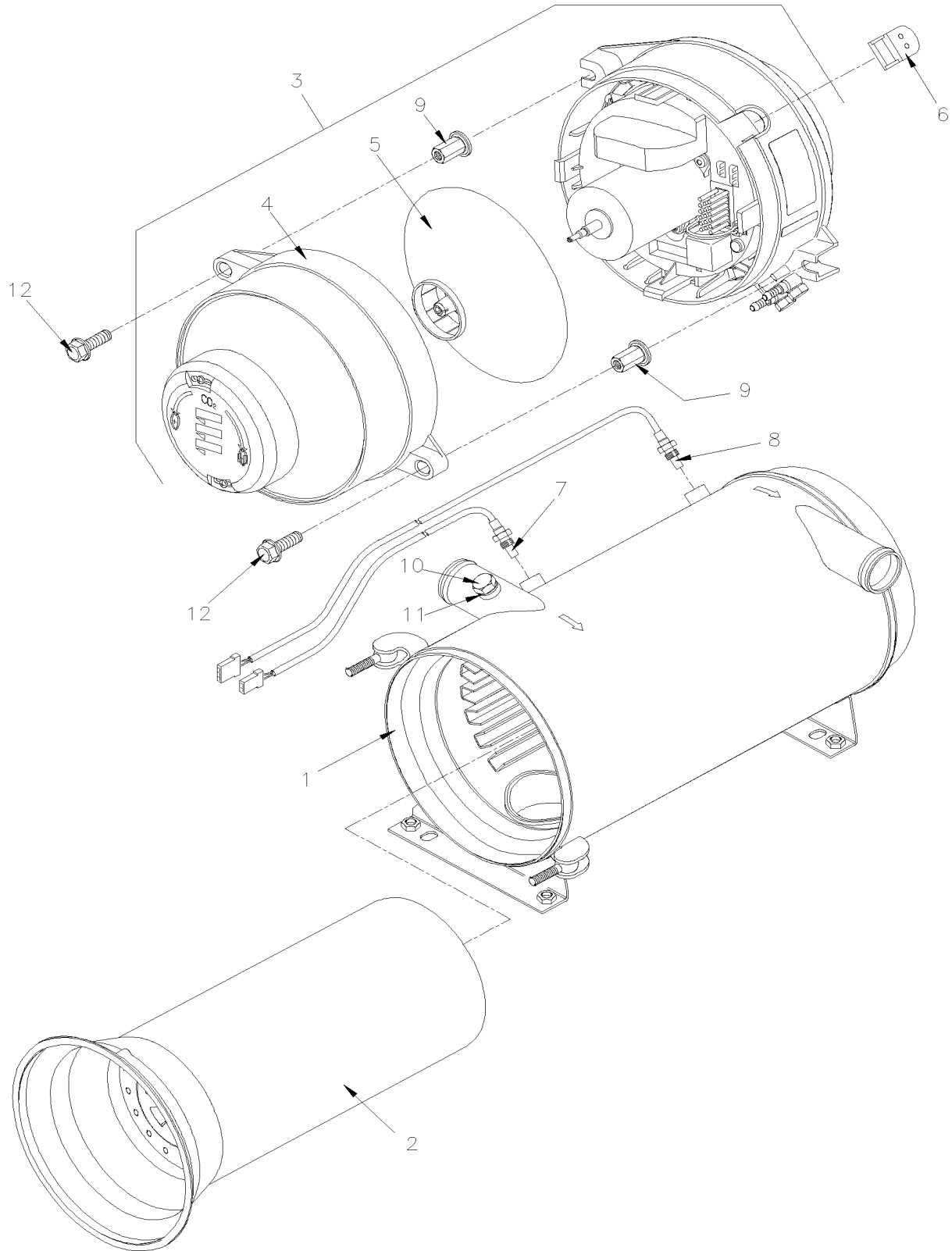
Item#	Part	Description	H 3 4 1	H 3 4 5	N O T E S
42	871301	. . HOOD	1	1	
NS	G1017565	. . DECAL "DANGER"	1	1	
43	871302	. . FAN ROTOR	1	1	
44	871303	. . DRIVE ASSY	1	1	
45	871304	. . . CLUTCH	1	1	
46	871305	. . ELECTRONIC CONTROL	1	1	
		SEE WATER HEATER - INSTALLATION			
60	374322	SPACER ASSY 1" / "WATER HEATER & FENDER	2	2	
61	500069	SCREW CAP HEX M8-1.25x16 G10.9 DP	4	4	
NS	5001341	WASHER FL 8.4x17.0x1.6 SS	4	4	
NS	5001161	WASHER LO SPT 8.1x14.8x2.0 SS-304	4	4	
NS	5001188	NUT HEX M8-1.25 SS	4	4	
100	871320	DIAGNOSTIC KIT VERSION 2.2	AR	AR	
100	N8894700	DIAGNOSTIC KIT VERSION 2.?	AR	AR	
101	871321	ADAPTOR HARNESS / W/ROUND CONECTORS	AR	AR	
101	195314	ADAPTOR HARNESS / W/RECTANGULAR CONECTORS	1	1	
102	870937	GAUGE / IGNITION ELECTRODE	AR	AR	
103	870938	BOX WRENCH / HIGH PRESSURE NOZZLE	AR	AR	
		2) NOT SOLD BY PREVOST (SEE MANUFACTURING PART NUMBER AT END OF DESCRIPTION LINE)			

From K-0655

Date:07/2024

PAGE:870012

WATER HEATER - HYDRONIC L30

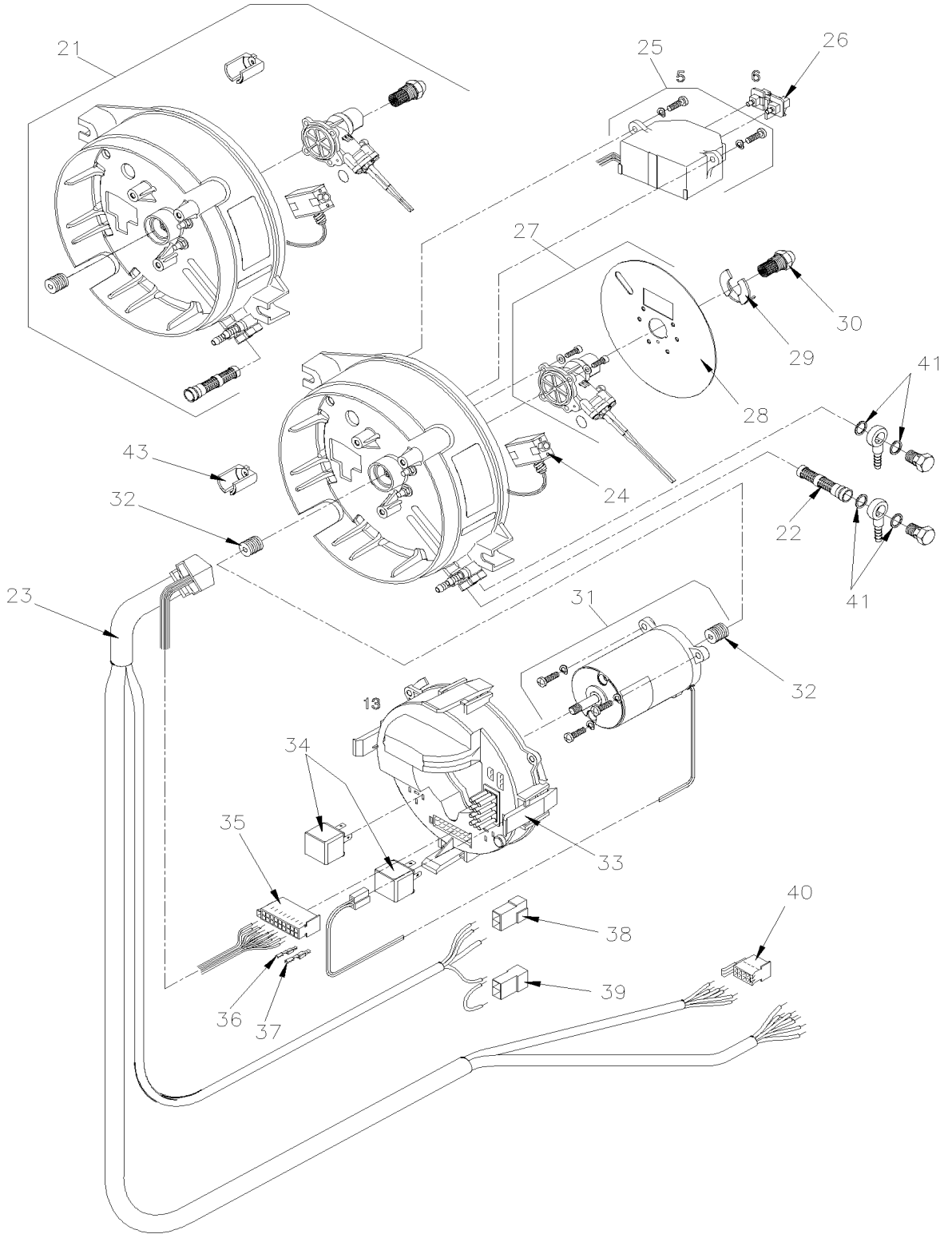


From K-0655

Date:07/2024

PAGE:870012

WATER HEATER - HYDRONIC L30



From K-0655		Date:07/2024	PAGE:870012
WATER HEATER - HYDRONIC L30			

Item#	Part	Description	H 3 4 1	H 3 4 5	N O T E S
1	870075	HEAT EXCHANGER	1	1	
2	870076	FLAME TUBE, COMPL.	1	1	
3	870077	BURNER	1	1	
4	870078	HOOD	1	1	
5	870079	FAN WHEEL	1	1	
6	870080	SLEEVE	1	1	
7	870081	TEMPERATURE SENSOR	1	1	
8	870083	SAFETY THERMAL CUTOUT SWITCH	1	1	
9	870084	HEXAGON NUT M8 WITH WASHER	2	2	
10	870085	SCREW PLUG	1	1	
11	870086	SEAL	1	1	
12	870087	SCREW CAP HEX M8 X 25	2	2	
21	870088	PUMP, 24 V COMPLETE	1	1	
22	870091	FUEL FILTER	1	1	
23	870092	CABLE HARNESS	1	1	
24	870099	SOLENOID VALVE	1	1	
25	870100	IGNITION SPARK GENERATOR, 24 VOLT, WITH CHECK GAUGE	1	1	
26	870101	IGNITION ELECTRODE, WITH CHECK GAUGE	1	1	
27	870102	NOZZLE PRE-HEATER 24 VOLTS	1	1	
28	870103	BAFFLE PLATE	1	1	
29	870104	RETAINING SPRING	1	1	
30	870106	FUEL ATOMIZER NOZZLE	1	1	
31	870107	ELECTRIC MOTOR, 24 V, INCL. COUPLING	1	1	
32	870108	COUPLING	1	1	
33	870109	CONTROLL UNIT	1	1	
34	870110	RELAY	2	2	
35	870111	CONNECTOR / JUNIOR POWER TIMER / SH 16C AMP 928162-6	1	1	
36	562805	SOCKET TERMINAL / 16-14 / GOLD / AMP 927777-9	1	1	
37	562806	SOCKET TERMINAL / 20-16 / AMP 927779-3	1	1	
38	562473	CONNECTOR / FASTIN-FASTON (.250) / TH 2C / AMP 180908-0	1	1	
39	870112	CONNECTOR / FASTIN-FASTON (.250) / TH 2C AMP 1337024-1	1	1	
40	870113	CONNECTOR / JUNIOR POWER TIMER / SH 8C AMP 929504-3	1	1	
41	870114	SEAL 10x13.5	4	4	
43	N.S.S.	CHECK GAUGE	1	1	1 B
44	870149	DIAGNOSTIC CASE KIT HYDRONIC	1	1	A
44	870245	DIAGNOSTIC CASE KIT HYDRONIC	1	1	C
44	0610556	INTERFACE ADAPTER EBERSPAECHER TO EDITH	1	1	
		A) NOT INCLUDE WITH HEATER			
		B) INCLUDE WITH ITEM 21, 25 & 26			

From K-0655	Date:07/2024	PAGE:870012
-------------	--------------	-------------

WATER HEATER - HYDRONIC L30

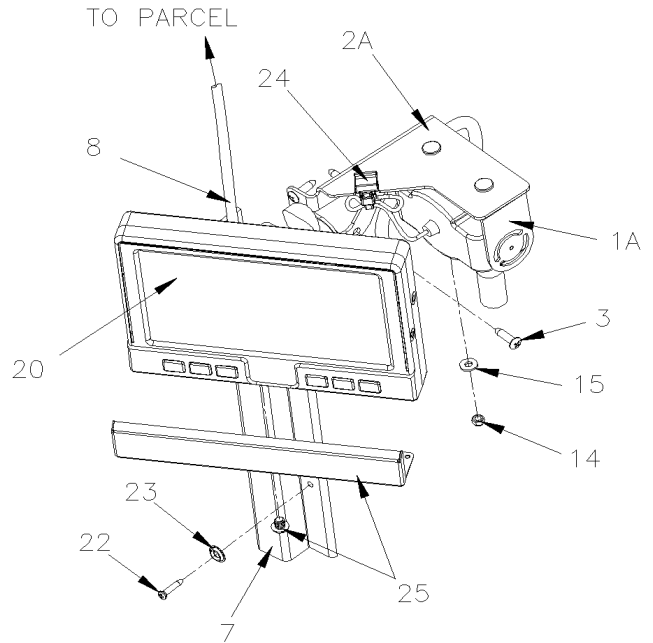
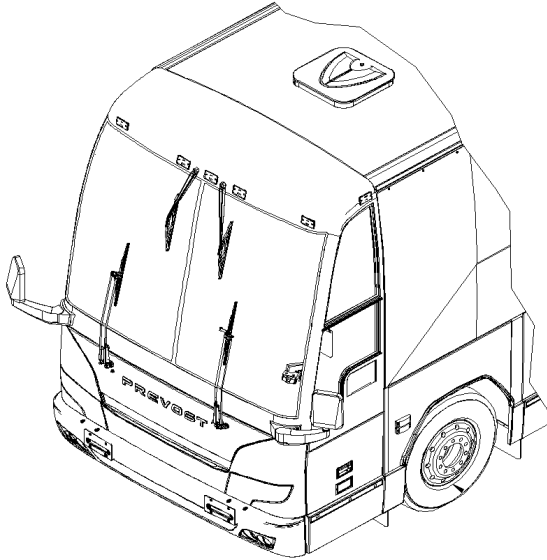
Item#	Part	Description	H 3 4 1	H 3 4 5	N O T E S
		C) TO USE THIS DIAGNOSTIC TOOL YOU NEED INTERFACE 0610556			
		1) NOT SOLD SEPARATELY			

From K-0185 To P-1452

Date:07/2024

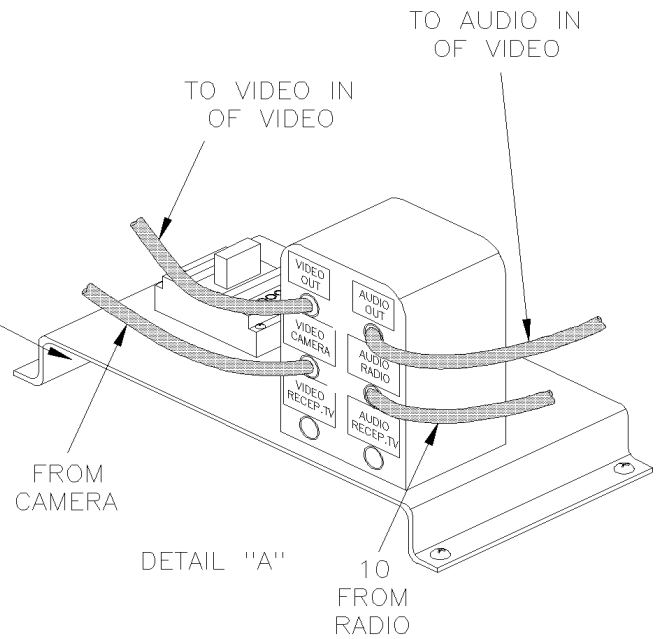
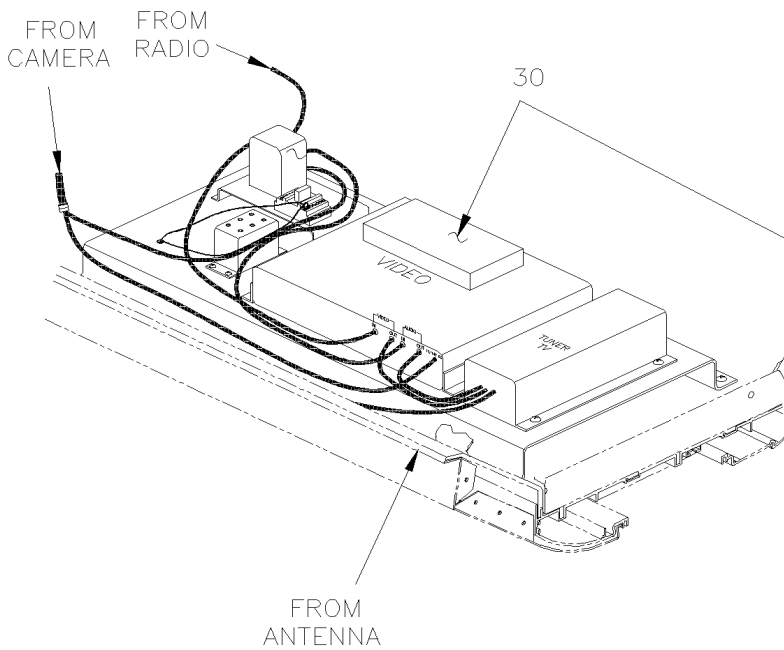
PAGE:H9-2355-10

FRONT CAMERA - INSTALLATION



CAMERA & SCREEN

DETAIL "A"

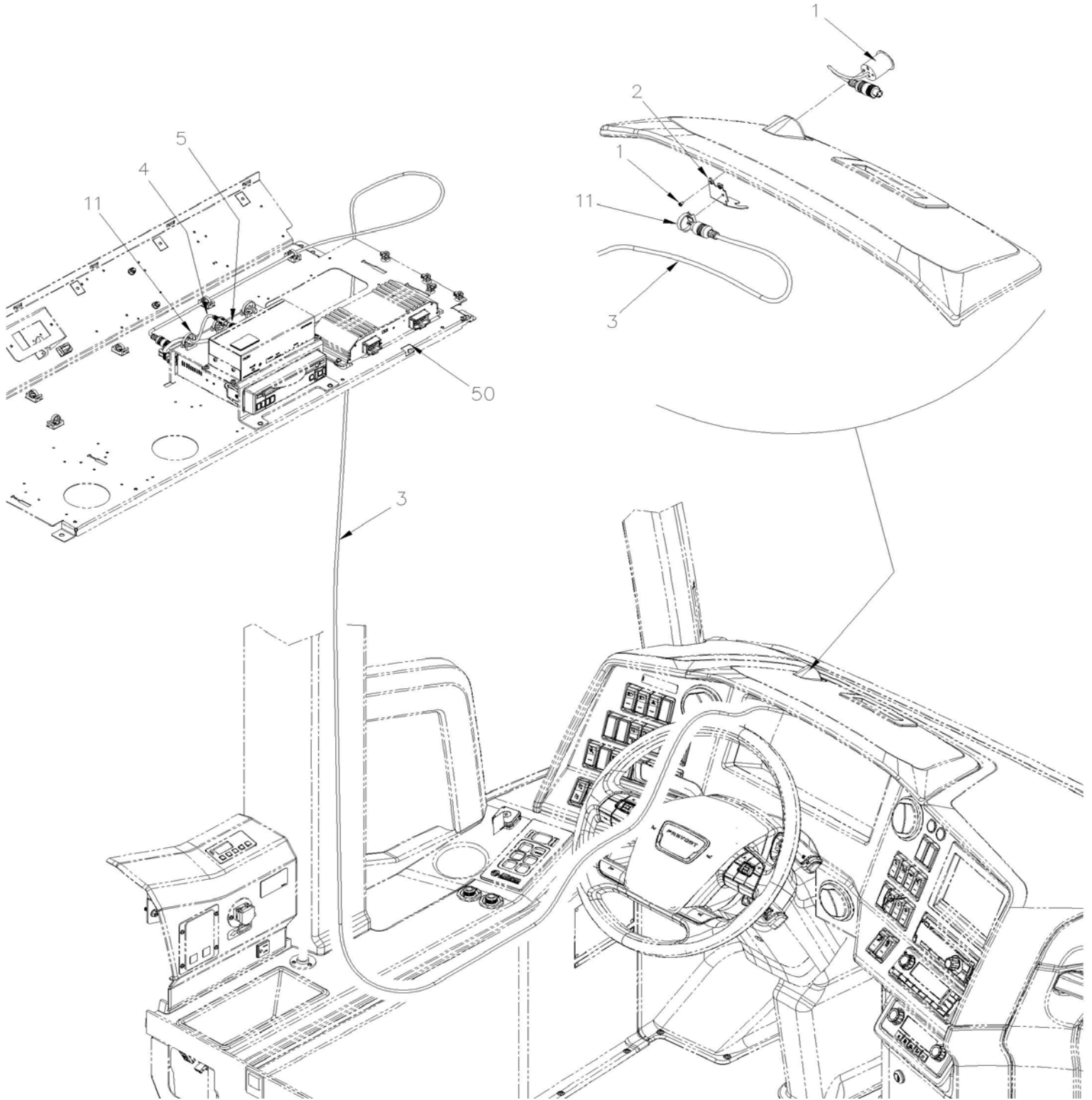


DETAIL "A"

From K-0185 To P-1452	Date:07/2024	PAGE:H9-2355-10
FRONT CAMERA - INSTALLATION		

Item#	Part	Description	H 3 4 1	H 3 4 5	N O T E S
1A	901122	FRONT CAMERA	1	1	
2	406628	SUPPORT / CAMERA & MONITOR	1	1	S
2A	406607	SUPPORT / CAMERA & MONITOR	1	1	
3	500957	SCREW TP BDG PH #10x3/4 N500	4	4	
7	3201455	MOULDING HIDE CABLE	1	1	
8	900912	CABLE ASSY / FRONT CAMERA	1	1	
12	066822	CABLE ASSY / VIDEO & FRONT CAMERA To L-0822	1	1	
12	0611107	CABLE ASSY / VIDEO & FRONT CAMERA From L-0823	1	1	
14	500539	NUT HEX NYRT M4-0.7 N500	2	2	
15	500855	WASHER FL .188x.438x.049 N500	2	2	
20	901424	MONITOR - "R.E.I." / COLOR LCD 12 VOLT	1	1	
. NS	900277	. ARTICLATION MONITOR	1	1	
. NS	901289	. ADJUSTABLE PEDESTAL	1	1	
NS	409327	CABLE INTERFACE / MONITOR & DASH To L-0822	1	1	
20	401428	CABLE INTERFACE / MONITOR & DASH From L-0823	1	1	
22	500333	SCREW TP OV PH #6x3/4 BK	2	2	
23	500345	WASHER FN CKF .187x.500x.090 BR BK	2	2	
24	564534	CABLE TIE / WITH EDGE CLIP / T50REC5A 10 MM x 200 MM	1	1	
25	880009	MONITOR BUTTON GUARD	1	1	NJ
30	H9-2317-31	VIDEO & AUDIO SYSTEM - INSTALLATION W/HHD			
NS	901428	MONITOR REPLACEMENT KIT	1	1	
. NS	409327	. CABLE INTERFACE / MONITOR & DASH	1	1	
. NS	901424	. MONITOR - "R.E.I." / COLOR LCD 12 VOLT	1	1	
. . NS	900277	. . ARTICLATION MONITOR	1	1	
. . NS	901289	. . ADJUSTABLE PEDESTAL	1	1	
. NS	406628	. SUPPORT / CAMERA & MONITOR	1	1	
. NS	500539	. NUT HEX NYRT M4-0.7 N500	1	1	
. NS	500623	. SCREW TC PAN PH #10-24x3/4 N500	1	1	
. NS	500855	. WASHER FL .188x.438x.049 N500	1	1	
. NS	502799	. SCREW CAP HEX M4-0.7X16 G8.8 N500	1	1	
. NS	564534	. CABLE TIE / WITH EDGE CLIP / T50REC5A 10 MM x 200 MM	1	1	
. NS	IS-12035	. SEE INSTRUCTION SHEET	1	1	
		NJ) NEW JERSEY OPTION			
		S) USE WITH OLD CAMERA 900914 WITH THE NEW MONITOR 901424			

	Date:07/2024	PAGE:H9-2355-11
FRONT CAMERA - INSTALLATION		



	Date:07/2024	PAGE:H9-2355-11
FRONT CAMERA - INSTALLATION		

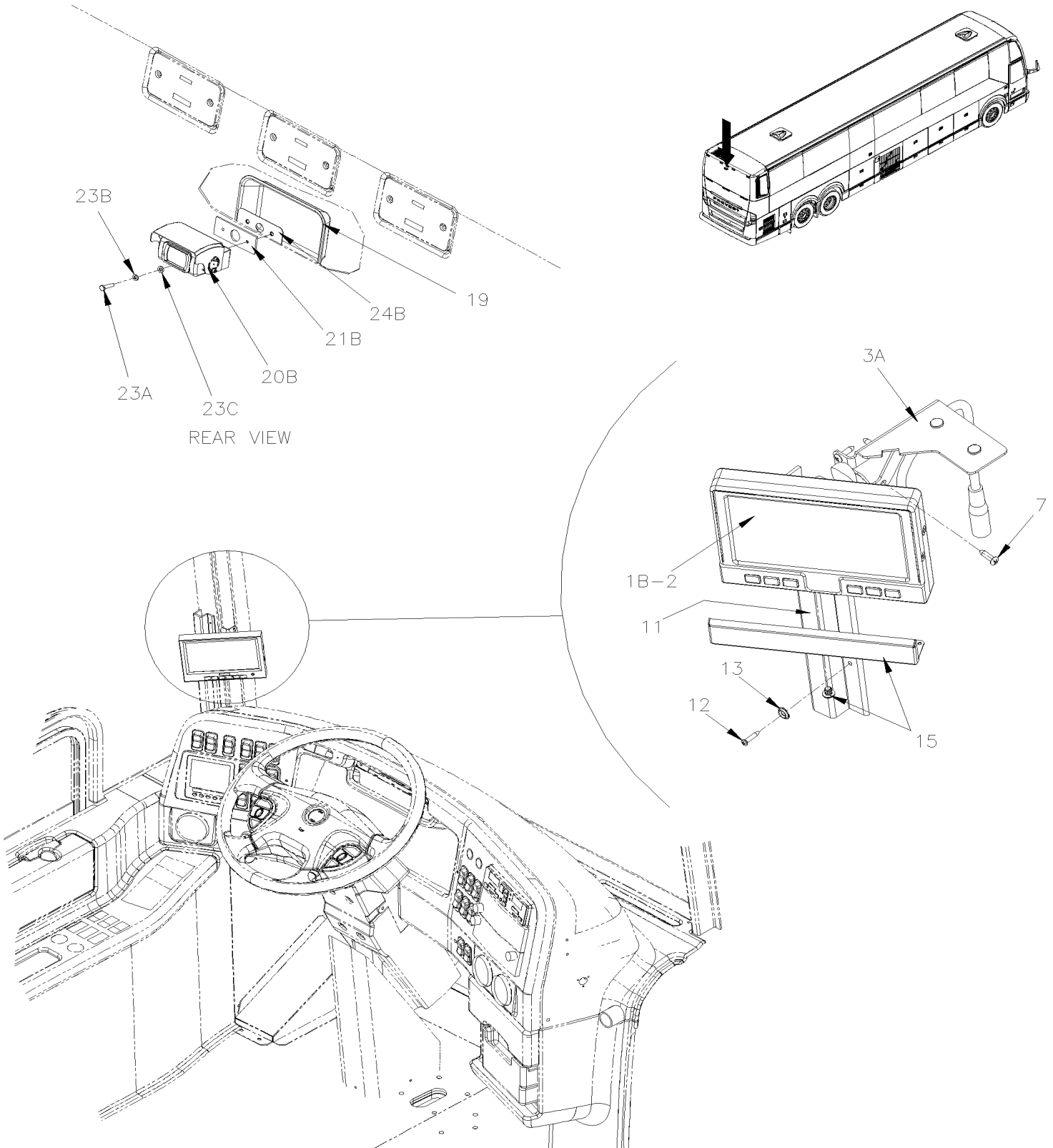
Item#	Part	Description	H 3 4 1	H 3 4 5	N O T E S
1	0600151	FRONT CAMERA SCENIC VIEW		1	
2	400948	BRACKET, MOUNTING		1	
3	564415	CABLE 5M FRONT CAMERA SCENIC VIEW		1	
4	0600152	HARNESS, CAMERA SCENIC VIEW INTERFACE		1	
5	900777	CONNECTOR BNC PLUG TO RCA ADAPTOR / ELEC 21-142-0		1	
11	504810	TIE MOUNT / #8		1	
11	504104	RIVET POP DOME OE 1/8x1/8 SS		1	
11	504637	CABLE TIE / 3/16" x 13"		1	
50	H9-2317-32	VIDEO & AUDIO SYSTEM - INSTALLATION W/HHED			

From K-0185 To P-1452

Date:07/2024

PAGE:H9-2355-20

FRONT MONITOR BACK-UP - INSTALLATION

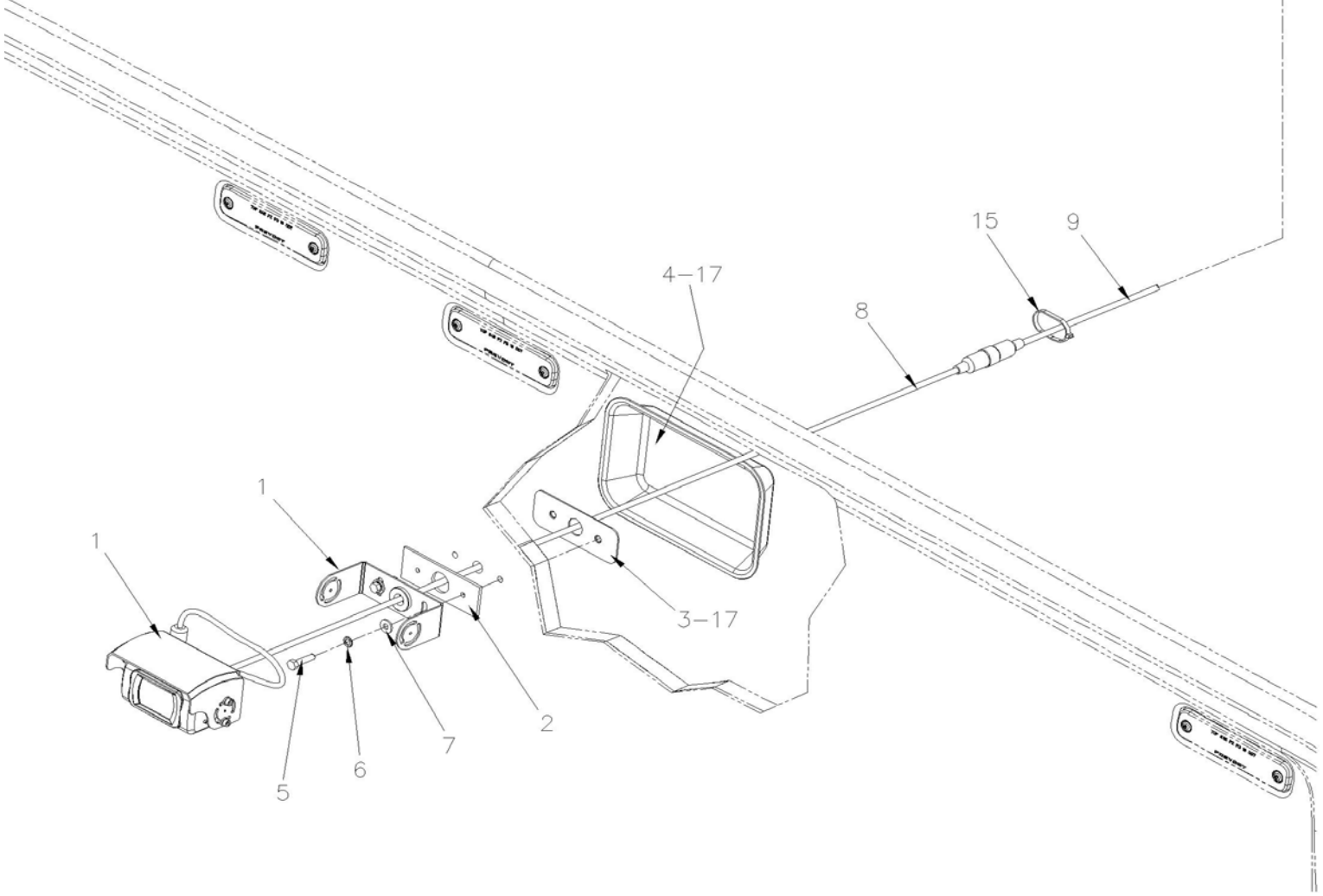
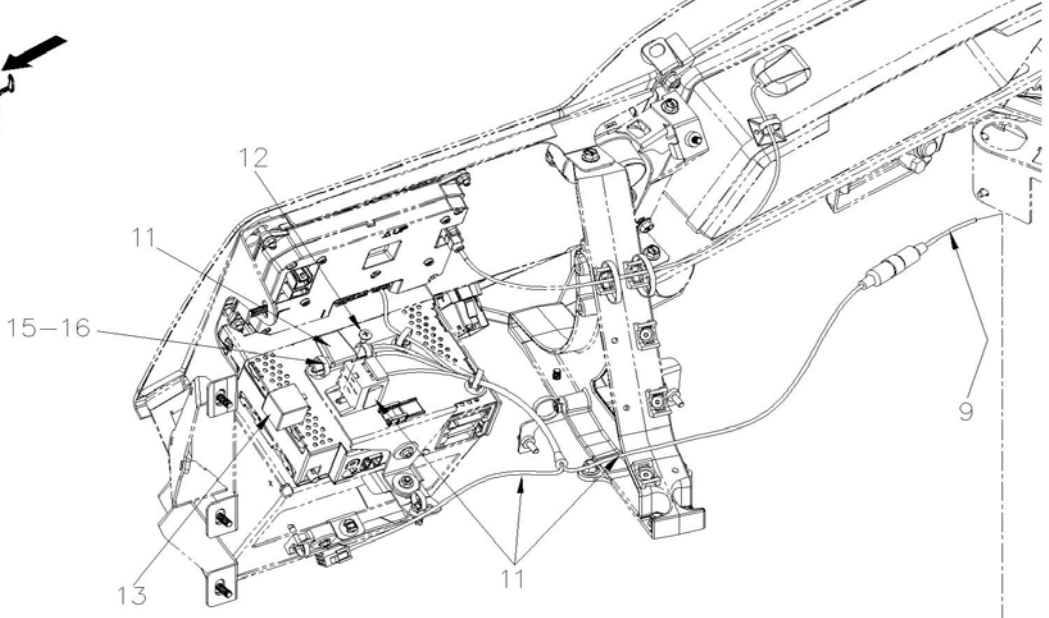
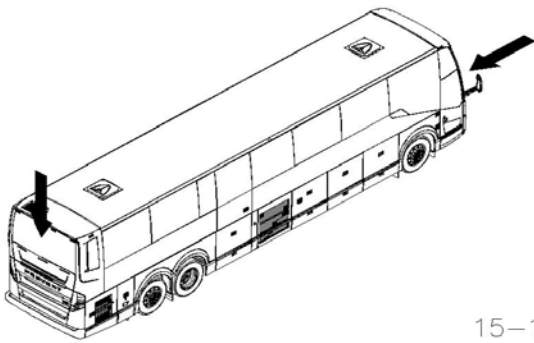


From K-0185 To P-1452	Date:07/2024	PAGE:H9-2355-20
------------------------------	---------------------	------------------------

FRONT MONITOR BACK-UP - INSTALLATION

Item#	Part	Description	H 3 4 1	H 3 4 5	N O T E S
1B	901424	MONITOR - "R.E.I." / COLOR LCD 12 VOLT	1	1	
. NS	900277	. ARTICLATION MONITOR	1	1	
. NS	901289	. ADJUSTABLE PEDESTAL	1	1	
2	901433	CABLE ASSY / BACK-UP CAMERA VIDEO / CAMERA & MONITOR LCD / 50'	1	1	
2	901434	CABLE ASSY / BACK-UP CAMERA VIDEO / CAMERA & MONITOR LCD / 15'	1	1	
3A	406607	SUPPORT / CAMERA & MONITOR	1	1	
3A	406800	SUPPORT / CAMERA & MONITOR	1	1	T
3A	500957	SCREW TP BDG PH #10x3/4 N500	3	3	T
7	500957	SCREW TP BDG PH #10x3/4 N500	3	3	
11	3201455	MOULDING HIDE CABLE	1	1	F
12	500333	SCREW TP OV PH #6x3/4 BK	2	2	
13	500345	WASHER FN CKF .187x.500x.090 BR BK	2	2	
15	880009	MONITOR BUTTON GUARD	1	1	NJ
19	682177	LIGHT PROTECTOR	1	1	
20B	901307	BACK-UP CAMERA - "R.E.I." / COLOR To K-0418	1	1	
20B	901291	BACK-UP CAMERA - "R.E.I." / COLOR From K-0419	1	1	
20B	901663	BACK-UP CAMERA - "SAFETY VISION" / COLOR	1	1	O
21B	409268	GASKET RUBER 100MM x 36MM x 1/8"	1	1	
23A	502737	SCREW CAP HEX M6-1.0x25 SS BK	2	2	
23B	502570	WASHER LO SPT 6.1x11.8x1.6 SS	3	3	
23B	5001739	WASHER LO EXT 6.4x11.0x0.7 N500	2	2	
23C	500877	WASHER FL .250x.562x.065 N500	2	2	
24B	409266	PLATE, FIXATION / (INSIDE OF REAR CAP)	1	1	
NS	680532	SEALANT SIKA #221 / GREY / 310ml CARTRIDGE	AR	AR	
26	409327	CABLE INTERFACE / MONITOR & DASH To L-0822	1	1	
26	401428	CABLE INTERFACE / MONITOR & DASH From L-0823	1	1	
NS	504637	CABLE TIE / 3/16" x 13"	AR	AR	
		F) USE WITH COLOR FLAT SCREEN MONITOR			
		NJ) NEW JERSEY OPTION			
		O) OPTION BACK-UP CAMERA "SAFETY VISION"			
		T) TORNADO BUS OPTIION			

	Date:07/2024	PAGE:H9-2355-21
BACK-UP CAMERA - INSTALLATION		



	Date:07/2024	PAGE:H9-2355-21
BACK-UP CAMERA - INSTALLATION		

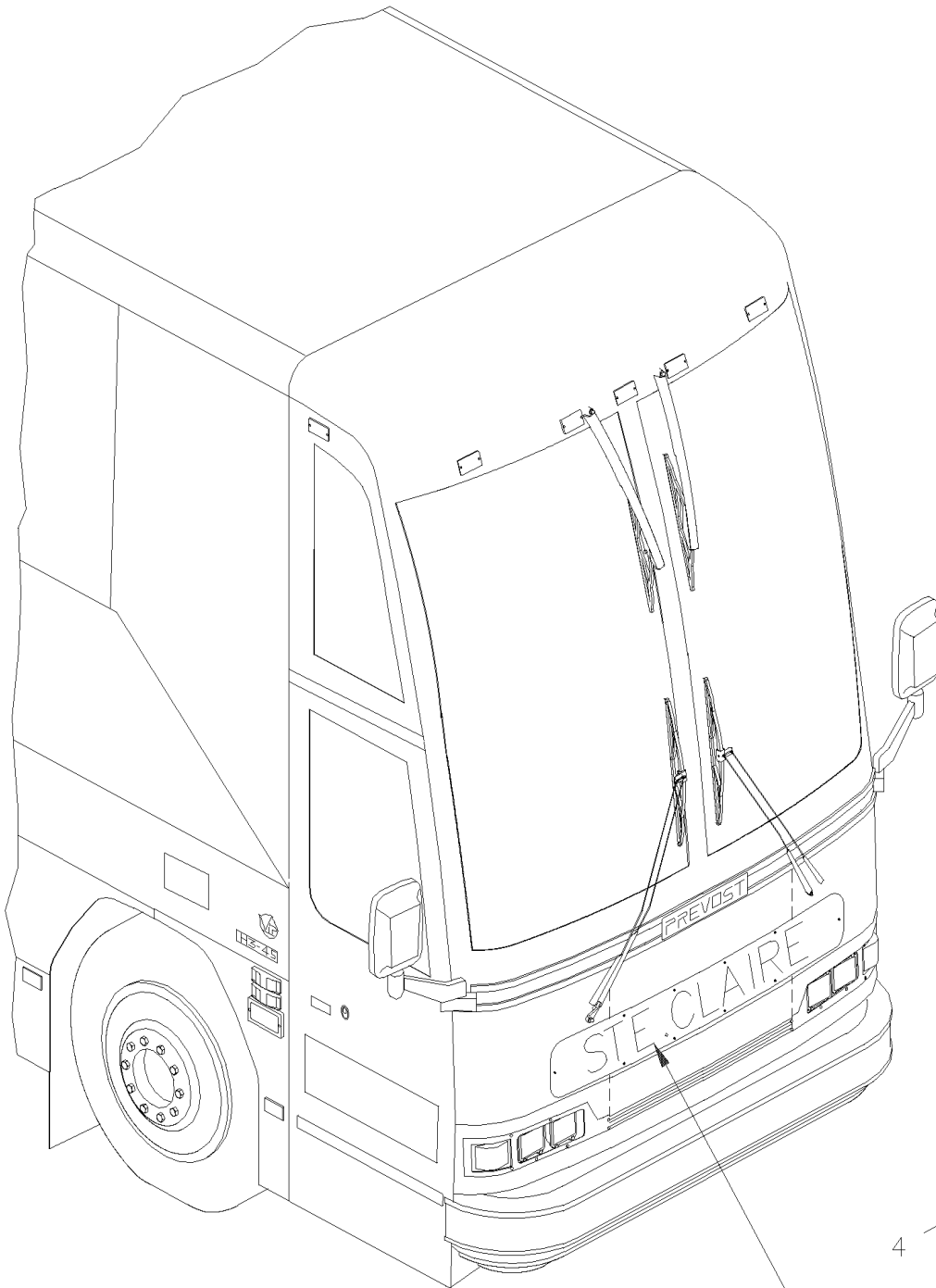
Item#	Part	Description	H 3 4 1	H 3 4 5	N O T E S
1	901291	BACK-UP CAMERA - "R.E.I." / COLOR		1	
2	409268	GASKET RUBER 100MM x 36MM x 1/8"		1	
3	409266	PLATE, FIXATION / (INSIDE OF REAR CAP)		1	
4	682177	LIGHT PROTECTOR		1	
5	502737	SCREW CAP HEX M6-1.0x25 SS BK		2	
6	5001739	WASHER LO EXT 6.4x11.0x0.7 N500		2	
7	500877	WASHER FL .250x.562x.065 N500		2	
8	901433	CABLE ASSY / BACK-UP CAMERA VIDEO / CAMERA & MONITOR LCD / 50'		1	
9	901434	CABLE ASSY / BACK-UP CAMERA VIDEO / CAMERA & MONITOR LCD / 15'		1	
11	563857	HARNESS, INTEFACE REI BACKUP CAMERA		1	
12	500209	SCREW TC BDG PH #10-24x3/8 N500		1	
13	563332	RELAY 24V S.P.D.T. W/RESISTOR / "VOLVO" (20374662)		1	
15	504637	CABLE TIE / 3/16" x 13"		AR	
16	509815	TIE MOUNT / ATTACHMENT W/TREE MOUNT		3	
17	684685	ADHESIVE SIMSON #ISR 70-03 / 310ml CARTRIDGE		AR	
17	685124	ADHESIVE SIMSON #ISR 70-03 / BLACK / 600ml SAUSAGE		AR	

From K-0185

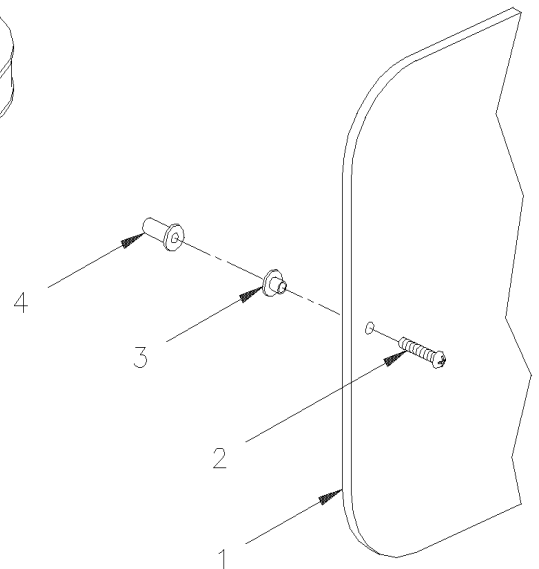
Date:07/2024

PAGE:H9-2360-00

MONOGRAM ASSY & LETTERS



This monogram is only a example



From K-0185		Date:07/2024	PAGE:H9-2360-00
MONOGRAM ASSY & LETTERS			

Item#	Part	Description	H 3 4 1	H 3 4 5	N O T E S
		BEFORE ORDERING "MONOGRAM" OR "DECAL" PLEASE SPECIFY NAME...			
	490392	DECAL / ON BAGGAGE DOOR "OWNER & OPERATOR ICC # & ETC...."	1	1	
1	490494P	MONOGRAM ASSY / FRONT BLACK W/ACRYLIC LETTER (WHITE OR GREY)	1	1	
1	490492	. MONOGRAM PLATE, BLACK PLASTIC / 9 3/4" X 82 5/8"	1	1	
1	490716P	MONOGRAM ASSY / FRONT RED W/ACRYLIC LETTER GREY	1	1	
1	490700	. MONOGRAM PLATE, RED PLASTIC / 9 3/4" X 82 5/8"	1	1	
1	490683P	MONOGRAM ASSY / FRONT CLEAR W/PAINT LETTER OR "SCOTCH"	1	1	
1	490686	. MONOGRAM PLATE, CLEAR PLASTIC / 9 3/4" X 90 1/2"	1	1	
2	502735	SCREW MA BDG PH #10-32x1 SS BK	10	10	A
3	900251	BUSHING, RUBBER	10	10	B
4	500519	NUT WELL #10-32x.518	10	10	
NS	680130	GLUE / TO FIX ACRYLIC LETTER TO MONOGRAM 1 Liter	AR	AR	
NS	490307	LETTER "A" / ACRYLIC WHITE	AR	AR	
NS	490608	LETTER "A" / ACRYLIC GREY	AR	AR	
NS	490308	LETTER "B" / ACRYLIC WHITE	AR	AR	
NS	490609	LETTER "B" / ACRYLIC GREY	AR	AR	
NS	490309	LETTER "C" / ACRYLIC WHITE	AR	AR	
NS	490610	LETTER "C" / ACRYLIC GREY	AR	AR	
NS	490310	LETTER "D" / ACRYLIC WHITE	AR	AR	
NS	490611	LETTER "D" / ACRYLIC GREY	AR	AR	
NS	490311	LETTER "E" / ACRYLIC WHITE	AR	AR	
NS	490612	LETTER "E" / ACRYLIC GREY	AR	AR	
NS	490312	LETTER "F" / ACRYLIC WHITE	AR	AR	
NS	490613	LETTER "F" / ACRYLIC GREY	AR	AR	
NS	490313	LETTER "G" / ACRYLIC WHITE	AR	AR	
NS	490614	LETTER "G" / ACRYLIC GREY	AR	AR	
NS	490314	LETTER "H" / ACRYLIC WHITE	AR	AR	
NS	490615	LETTER "H" / ACRYLIC GREY	AR	AR	
NS	490336	LETTER "I" / ACRYLIC WHITE	AR	AR	
NS	490616	LETTER "I" / ACRYLIC GREY	AR	AR	
NS	490315	LETTER "J" / ACRYLIC WHITE	AR	AR	
NS	490617	LETTER "J" / ACRYLIC GREY	AR	AR	
NS	490316	LETTER "K" / ACRYLIC WHITE	AR	AR	
NS	490618	LETTER "K" / ACRYLIC GREY	AR	AR	
NS	490317	LETTER "L" / ACRYLIC WHITE	AR	AR	
NS	490619	LETTER "L" / ACRYLIC GREY	AR	AR	
NS	490318	LETTER "M" / ACRYLIC WHITE	AR	AR	
NS	490620	LETTER "M" / ACRYLIC GREY	AR	AR	

From K-0185		Date:07/2024	PAGE:H9-2360-00
MONOGRAM ASSY & LETTERS			

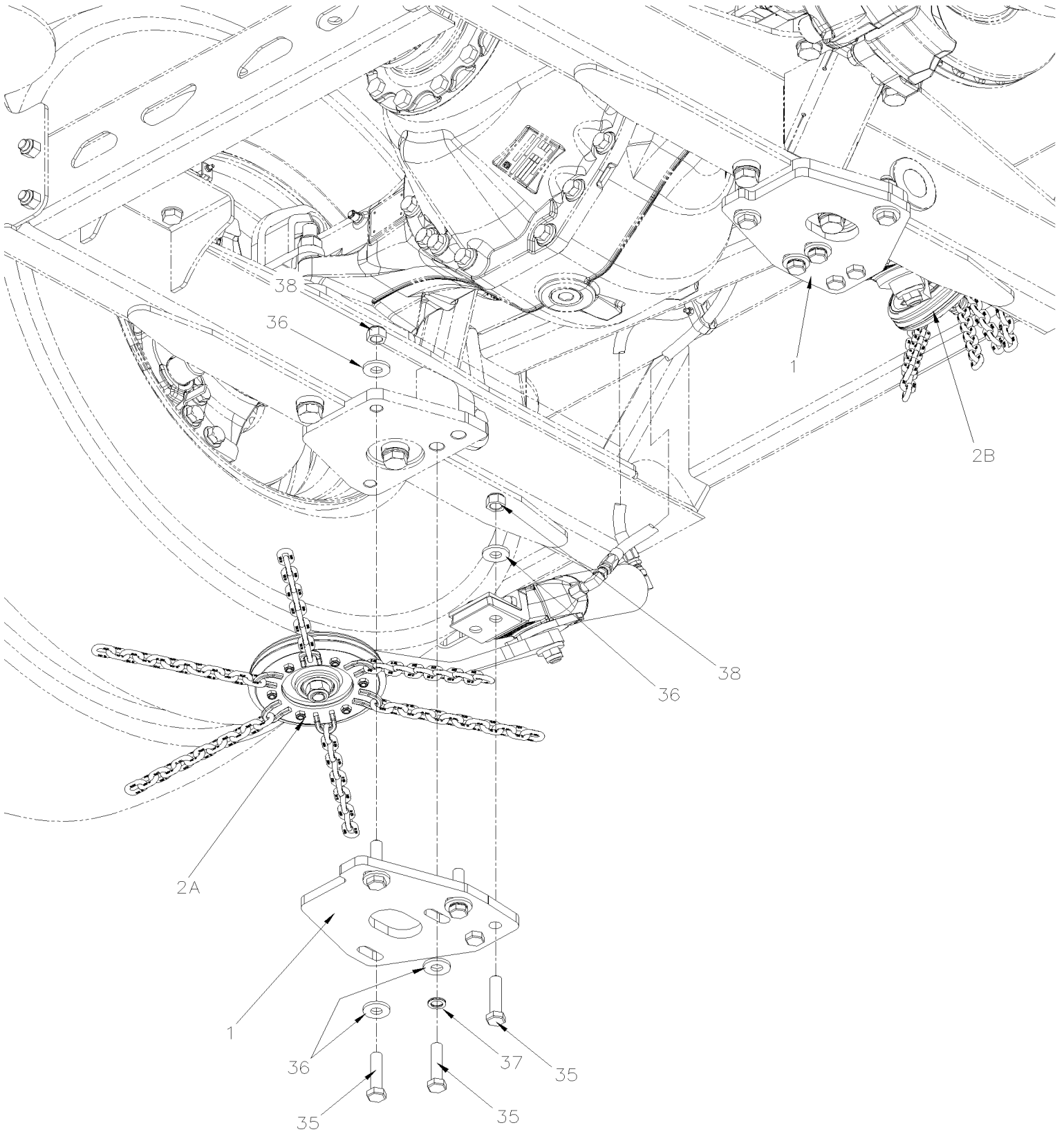
Item#	Part	Description	H 3 4 1	H 3 4 5	N O T E S
NS	490319	LETTER "N" / ACRYLIC WHITE	AR	AR	
NS	490621	LETTER "N" / ACRYLIC GREY	AR	AR	
NS	490320	LETTER "O" / ACRYLIC WHITE	AR	AR	
NS	490622	LETTER "O" / ACRYLIC GREY	AR	AR	
NS	490321	LETTER "P" / ACRYLIC WHITE	AR	AR	
NS	490597	LETTER "P" / ACRYLIC GREY	AR	AR	
NS	490322	LETTER "Q" / ACRYLIC WHITE	AR	AR	
NS	490624	LETTER "Q" / ACRYLIC GREY	AR	AR	
NS	490323	LETTER "R" / ACRYLIC WHITE	AR	AR	
NS	490625	LETTER "R" / ACRYLIC GREY	AR	AR	
NS	490324	LETTER "S" / ACRYLIC WHITE	AR	AR	
NS	490626	LETTER "S" / ACRYLIC GREY	AR	AR	
NS	490325	LETTER "T" / ACRYLIC WHITE	AR	AR	
NS	490599	LETTER "T" / ACRYLIC GREY	AR	AR	
NS	490326	LETTER "U" / ACRYLIC WHITE	AR	AR	
NS	490628	LETTER "U" / ACRYLIC GREY	AR	AR	
NS	490327	LETTER "V" / ACRYLIC WHITE	AR	AR	
NS	490629	LETTER "V" / ACRYLIC GREY	AR	AR	
NS	490328	LETTER "W" / ACRYLIC WHITE	AR	AR	
NS	490598	LETTER "W" / ACRYLIC GREY	AR	AR	
NS	490329	LETTER "X" / ACRYLIC WHITE	AR	AR	
NS	490631	LETTER "X" / ACRYLIC GREY	AR	AR	
NS	490330	LETTER "Y" / ACRYLIC WHITE	AR	AR	
NS	490632	LETTER "Y" / ACRYLIC GREY	AR	AR	
NS	490331	LETTER "Z" / ACRYLIC WHITE	AR	AR	
NS	490633	LETTER "Z" / ACRYLIC GREY	AR	AR	
NS	490332	AND "&" / ACRYLIC WHITE	AR	AR	
NS	490634	AND "&" / ACRYLIC GREY	AR	AR	
NS	490333	DOT "." / ACRYLIC WHITE	AR	AR	
NS	490635	DOT "." / ACRYLIC GREY	AR	AR	
NS	490334	DASH "-" / ACRYLIC WHITE	AR	AR	
NS	490636	DASH "-" / ACRYLIC GREY	AR	AR	
NS	490335	COMA "," / ACRYLIC WHITE	AR	AR	
NS	490637	COMA "," / ACRYLIC GREY	AR	AR	
		A) TO FIX MONOGRAM			
		B) BODY & MONOGRAM			

From P-1315

Date:07/2024

PAGE:H9-2365-00

SNOW CHAIN SYSTEM

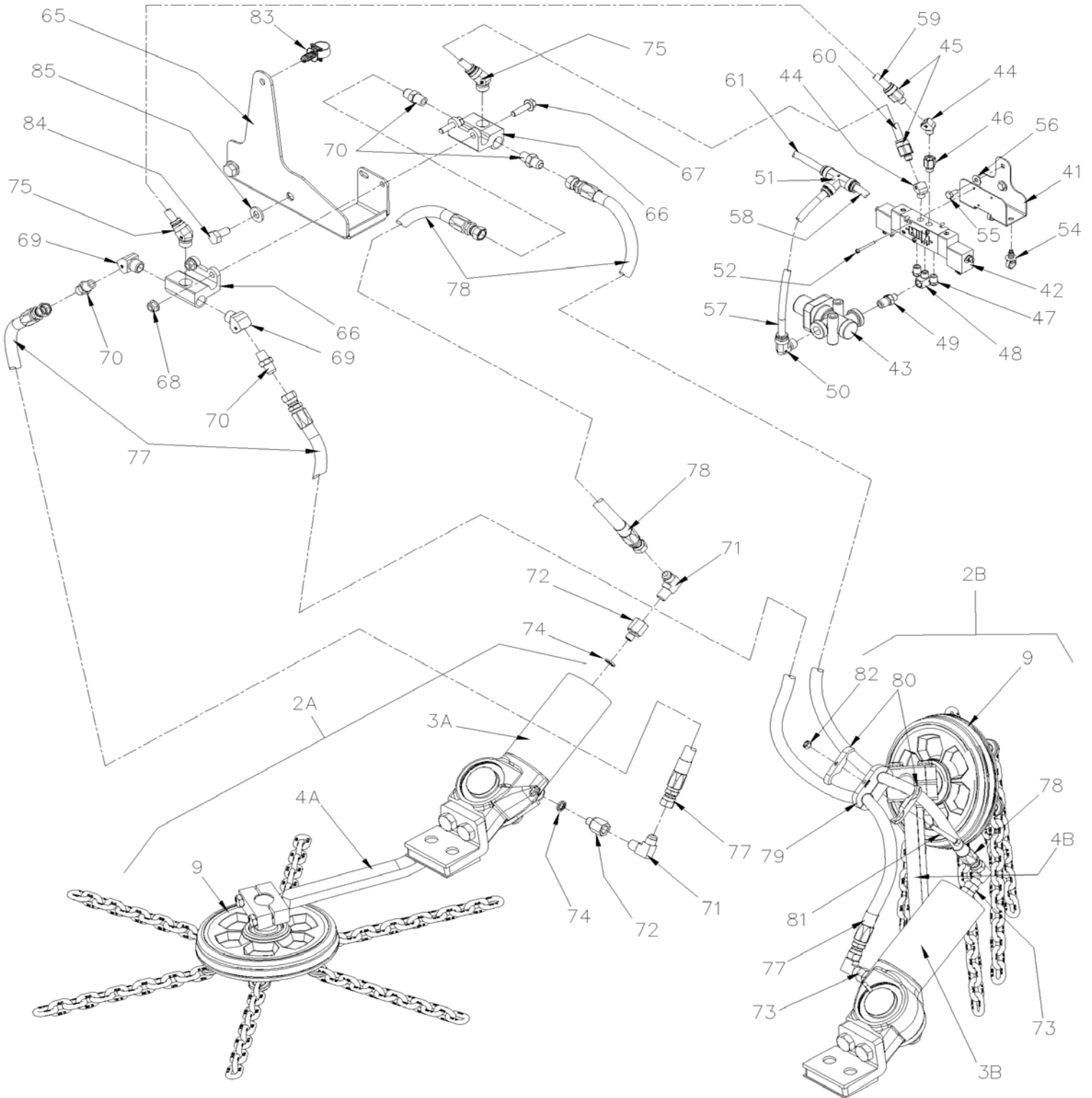


From P-1315

Date:07/2024

PAGE:H9-2365-00

SNOW CHAIN SYSTEM

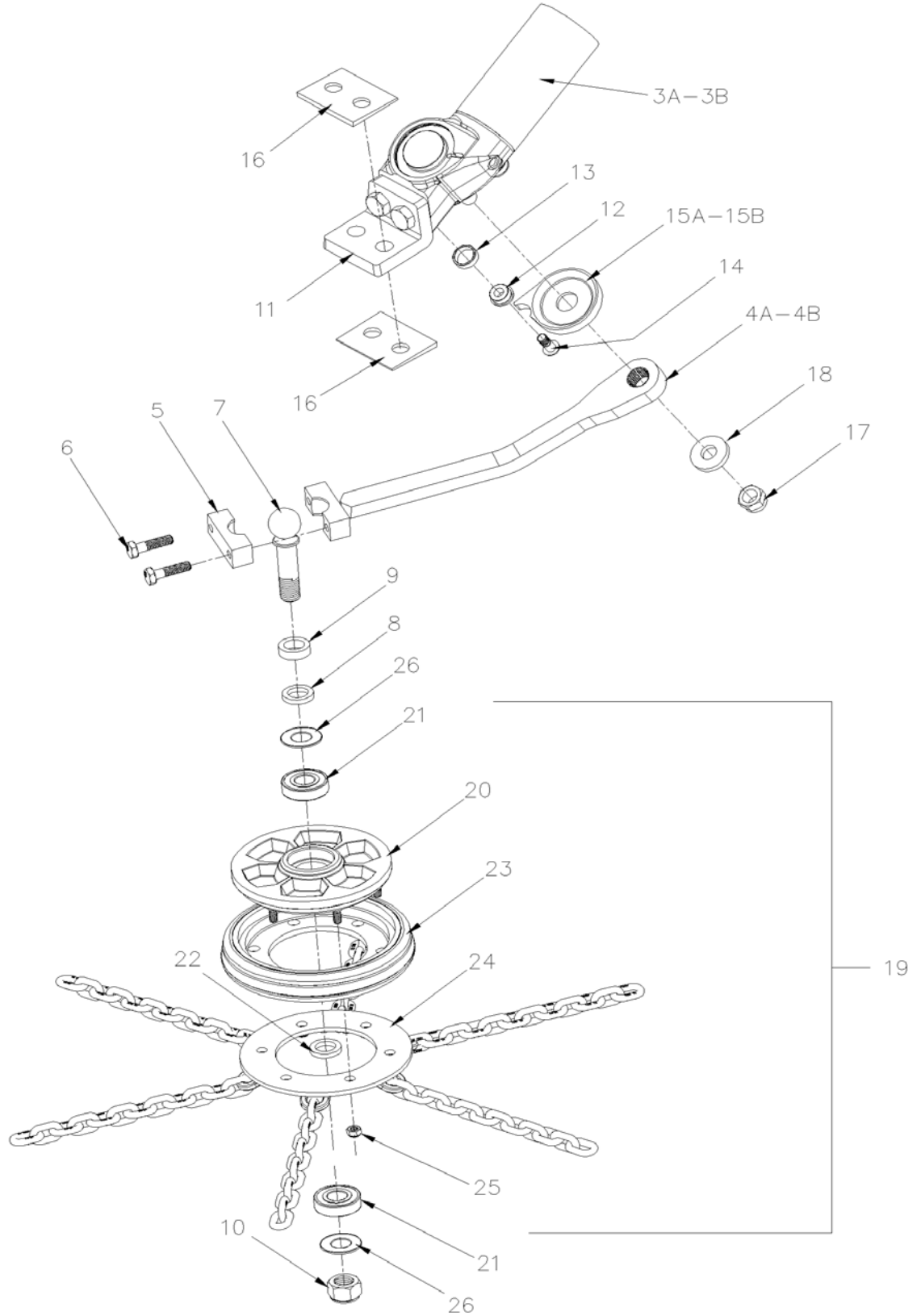


From P-1315

Date:07/2024

PAGE:H9-2365-00

SNOW CHAIN SYSTEM



From P-1315	Date:07/2024	PAGE:H9-2365-00
SNOW CHAIN SYSTEM		

Item#	Part	Description	H 3 4 1	H 3 4 5	N O T E S
	990573	KIT,SWIVEL CHAIN UNIT	1	1	
1	120141	. INTERFACE PLATE	2	2	
2A	990618	. SWIVEL CHAIN UNIT WITH ARM ASSY LH	1	1	
2B	990617	. SWIVEL CHAIN UNIT WITH ARM ASSY RH	1	1	
3A	990581	. . COMPACT SOLUTION CYLINDER LH	1	1	
3B	990582	. . COMPACT SOLUTION CYLINDER RH	1	1	
4A	990614	. . COMPACT SOLUTION SWING ARM LH	1	1	
4B	990613	. . COMPACT SOLUTION SWING ARM RH	1	1	
5	990589	. . CLAMP SIDE BALL STUD	1	1	
6	990588	. . SCREW CAP HEX M10-1.5X40MM	2	2	
7	990590	. . CHAIN WHEEL LONG BALL STUD	1	1	
8	990591	. . CHAIN WHEEL SPACER 5MM	1	1	
9	990592	. . CHAIN WHEEL SPACER 10 MM	1	1	
10	990594	. . CHAIN WHEEL NUT M20-2.5	1	1	
11	990604	. . ANGLE MOUNT	1	1	
12	990608	. . LOCATING RING BUMP STOP	1	1	
13	990607	. . BUMP STOP	1	1	
14	990606	. . SCREW FOR BUMP STOP & RING	1	1	
15A	990611	. . BUMP STOP CAM LOCK PLATE LH	1	1	
15B	990612	. . BUMP STOP CAM LOCK PLATE RH	1	1	
16	990605	. . DEGREE TAPERED ADJUSTING PLAT	1	1	
17	990595	. . NUT NYLOCK M16-2.0	1	1	
18	990593	. . WASHER THICK M16	1	1	
19	990610	. . 6 STRAND CHAIN WHEEL	1	1	
20	990609	. . . CARRIER WHEELS, COMPLETE	1	1	
21	990602 BALL BEARING WITH LOW TEMP GREASE	2	2	
22	990591 CHAIN WHEEL SPACER 5MM	1	1	
23	990601	. . . CONTACT RING	1	1	
24	990596	. . . 6 STRAND SQUARE LINK REPLACEMENT CHAIN PLATE	1	1	
25	990600	. . . NUT	6	6	
26	990603	. . . WEATHER SEAL	2	2	
35	5001369	SCREW CAP HEX M16-2.0x70 G10.9 DP	12	12	
36	5002101	WASHER FL .065x1.5x.188 N500 (M16, 5/8)	16	16	
37	630278	WASHER "NORD-LOCK" 17.0x25.4x3.4 YP	4	4	
38	5001662	NUT HEX NYRT M16-2.0 G10 Z050	8	8	
41	120076	SUPPORT, VALVE	1	1	
42	640061	SOLENOID VALVE 5 WAYS, 2 POSITION 24 VDC	1	1	
NS	950271	PRESSURE SWITCH N.O. 30-5	1	1	
42	0600177	SNOW CHAINS HARNESS From R-1453		1	
NS	564320	SWITCH NGR MOM / W BLUE LED IP67 From R-1453		1	

From P-1315		Date:07/2024	PAGE:H9-2365-00
SNOW CHAIN SYSTEM			

Item#	Part	Description	H 3 4 1	H 3 4 5	N O T E S
43	641137	VALVE, PRESSURE PROTECTION TYPE PR-4 70PSI	1	1	
44	501328	STREET ELBOW 45° / PIPE FITTING / 1/8NPT-Mx1/8NPT-F BR	2	2	
45	641349	MALE CONNECTOR / PUSH-IN FITTING / #6x1/8NPT-M BR	2	2	
46	501307	ADAPTER / PIPE FITTING / 1/8NPT-Fx1/8NPT-M BR	1	1	
47	641943	SILENCER / MUFFLER / 1/8NPT-M	2	2	
48	501331	STREET ELBOW 90° / PIPE FITTING / 1/8NPT-Mx1/8NPT-F BR	1	1	
49	501650	NIPPLE REDUCER HEX / PIPE FITTING / 1/4NPT-Mx1/8NPT-Mx1 3/16 BR	1	1	
50	641372	MALE ELBOW 90° NON-SWIVEL / PUSH-IN FITTING / #6x1/4NPT-M BR	1	1	
51	641922	UNION TEE / PUSH-IN FITTING / #6x#6x#6 BR	1	1	
52	5001085	SCREW TP PAN PH #6x1 1/4 Z050	3	3	
NS	680098	THREAD SEALANT LOCTITE #567 / WHITE / 250ml	AR	AR	
54	509815	TIE MOUNT / ATTACHMENT W/TREE MOUNT	2	2	
54	504637	CABLE TIE / 3/16" x 13"	2	2	
55	5001743	SCREW CAP HEX M6-1.0x12 G8.8 N500	2	2	
56	5001608	WASHER BEL SPR 6.2x15.0x0.7 G500	2	2	
57	140269	TUBE, NYLON 3/8 O.D. / BLACK / 406MM	1	1	
57	503404	. TUBE, NYLON 3/8 O.D. / BLACK S.L.	AR	AR	
58	140272	TUBE, NYLON 3/8 O.D. / BLACK / 225MM	1	1	
58	503404	. TUBE, NYLON 3/8 O.D. / BLACK S.L.	AR	AR	
59	140274	TUBE, NYLON 3/8 O.D. / BLACK / 10104MM	1	1	
59	503404	. TUBE, NYLON 3/8 O.D. / BLACK S.L.	AR	AR	
60	140274	TUBE, NYLON 3/8 O.D. / BLACK / 10104MM	1	1	
60	503404	. TUBE, NYLON 3/8 O.D. / BLACK S.L.	AR	AR	
61	140273	TUBE, NYLON 3/8 O.D. / BLACK / 13140MM	1	1	
61	503404	. TUBE, NYLON 3/8 O.D. / BLACK S.L.	AR	AR	
65	491939	BRACKET, AIR DISTRIBUTOR BLOCK	1	1	
66	641136	ANCHOR TEE / PIPE FITTING / 3/8NPT-Fx3/8NPT-Fx3/8NPT-F ZP	2	2	
67	5001742	SCREW CAP HEXF M8-1.25x30 G8.8 N500	2	2	
68	502837	NUT HEXF STO M8-1.25 N500	2	2	
69	501330	STREET ELBOW 45° / PIPE FITTING / 3/8NPT-Mx3/8NPT-F BR	2	2	
70	501931	MALE CONNECTOR / JIC 37° FITTING / #6JIC-Mx3/8NPT-M STL	4	4	
71	501159	MALE ELBOW 90° SWIVEL / JIC 37° FITTING / #6JIC-Mx1/4NPT-M SS	1	1	
72	492028	RESTRICTION / 0.6 MM	2	2	
73	492029	RESTRICTION / 0.9 MM	2	2	
74	507033	WASHER, BONDED SEAL	4	4	
75	641367	MALE ELBOW 45° NON-SWIVEL / PUSH-IN FITTING / #6x3/8NPT-M BR	2	2	
NS	680098	THREAD SEALANT LOCTITE #567 / WHITE / 250ml	AR	AR	
77	492148	HOSE ASSY / #6 590MM	2	2	
78	492156	HOSE ASSY / #6 560MM	2	2	
79	504252	CLAMP TWIN DESIGN / 16MM/16MM x 70MM POLYP	2	2	
80	504221	COVER TWIN DESIGN / 63.5MM ZP	4	4	

From P-1315	Date:07/2024	PAGE:H9-2365-00
SNOW CHAIN SYSTEM		

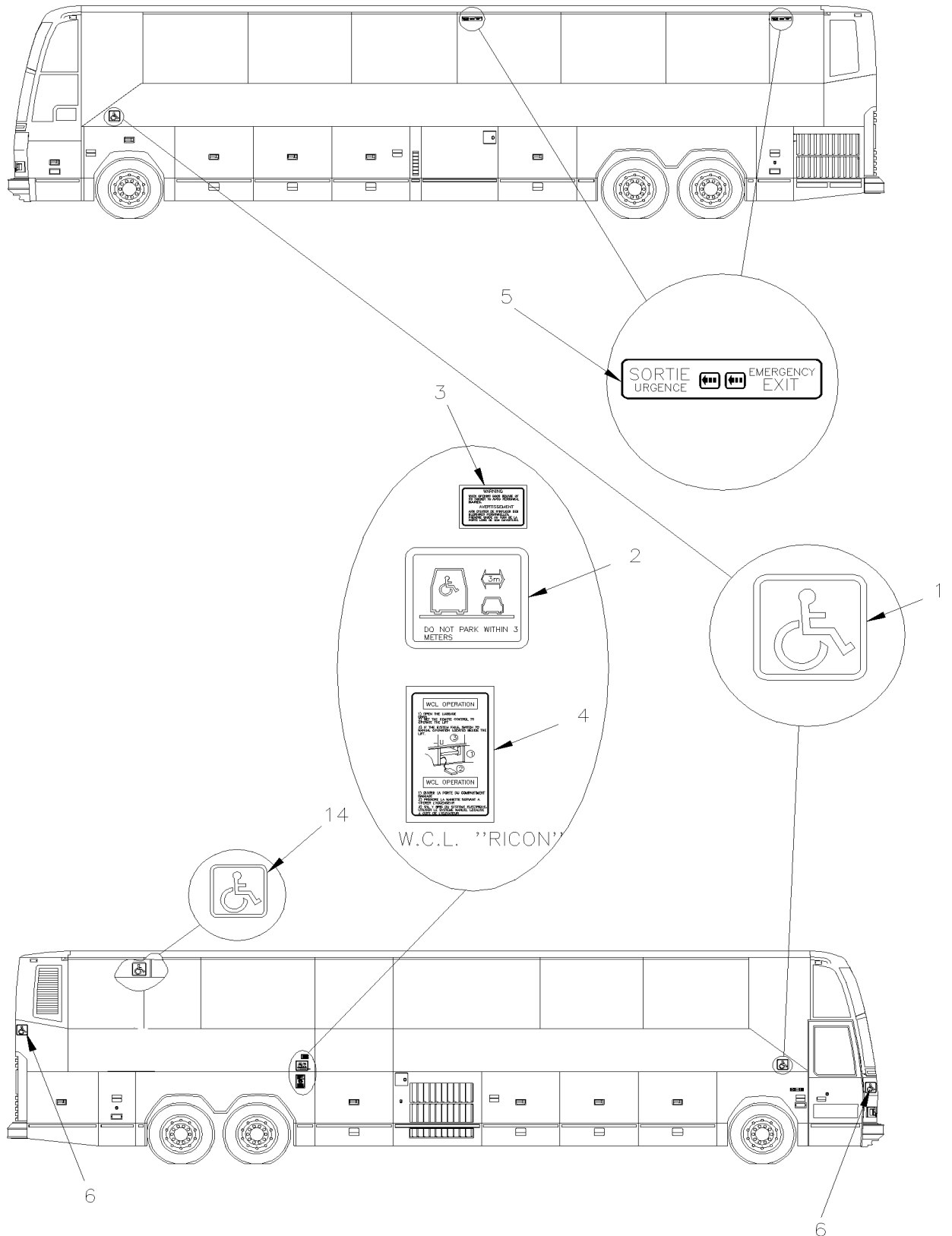
Item#	Part	Description	H 3 4 1	H 3 4 5	N O T E S
81	5001923	SCREW CAP HEX M6-1.0x45 SS BK	2	2	
82	502681	NUT HEX NYRT M6-1.0 N500 G8	2	2	
83	504750	CABLE TIE / 1/2" x 15" / CHRISTMAS TREE	1	1	
84	500359	SCREW CAP HEX M10-1.5x22 G8.8 N500	2	2	
85	5001834	WASHER BEL SPR 10.5X23X2.5 N500	2	2	

From K-0185

Date:07/2024

PAGE:H9-2370-10

W.C.L. - DECAL

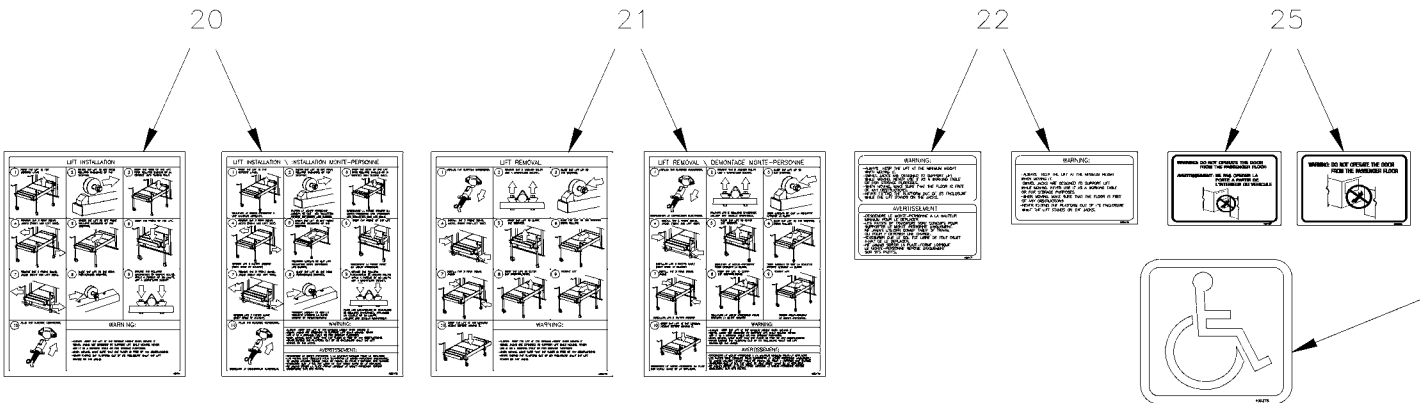
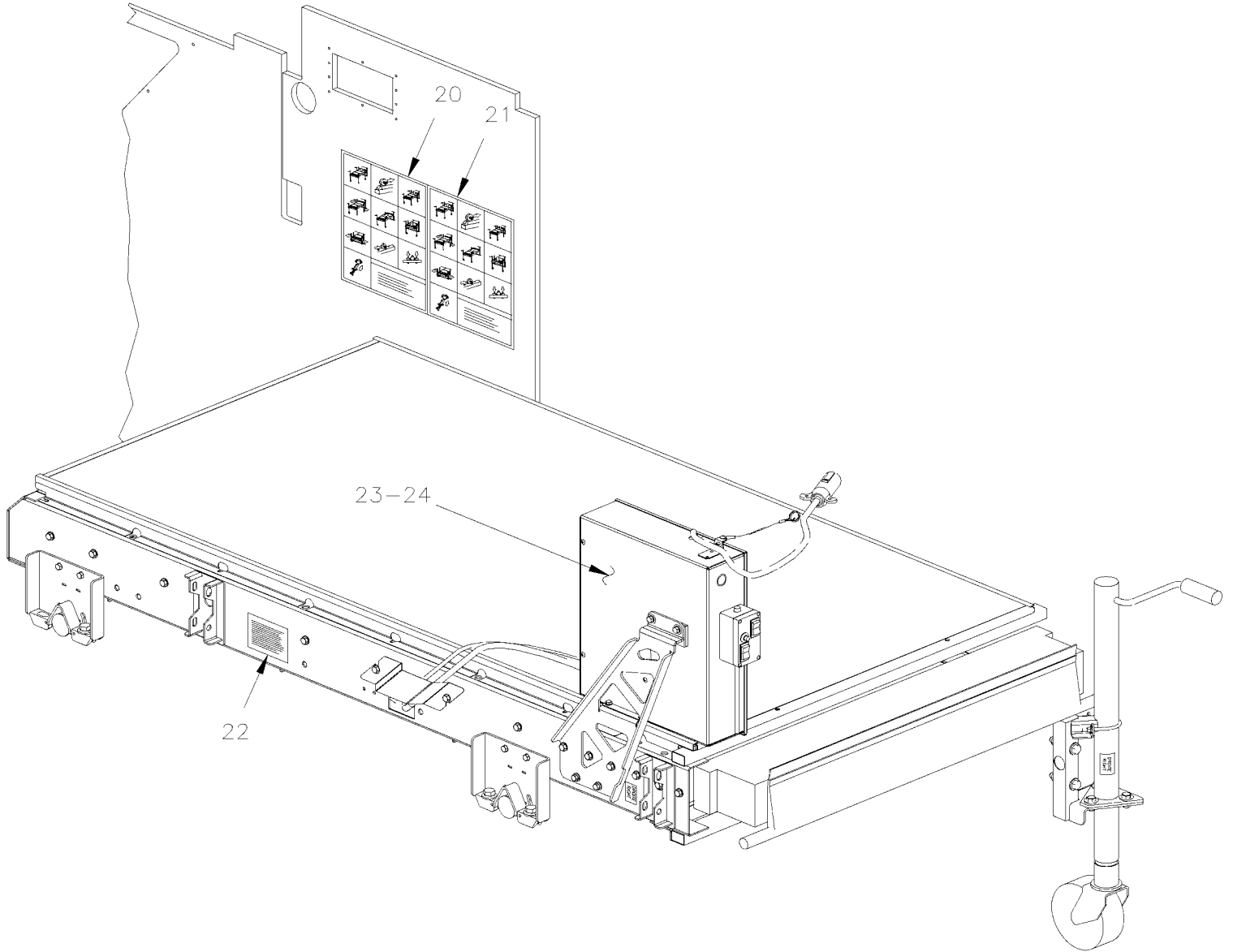


From K-0185

Date:07/2024

PAGE:H9-2370-10

W.C.L. - DECAL



From K-0185	Date:07/2024	PAGE:H9-2370-10
W.C.L. - DECAL		

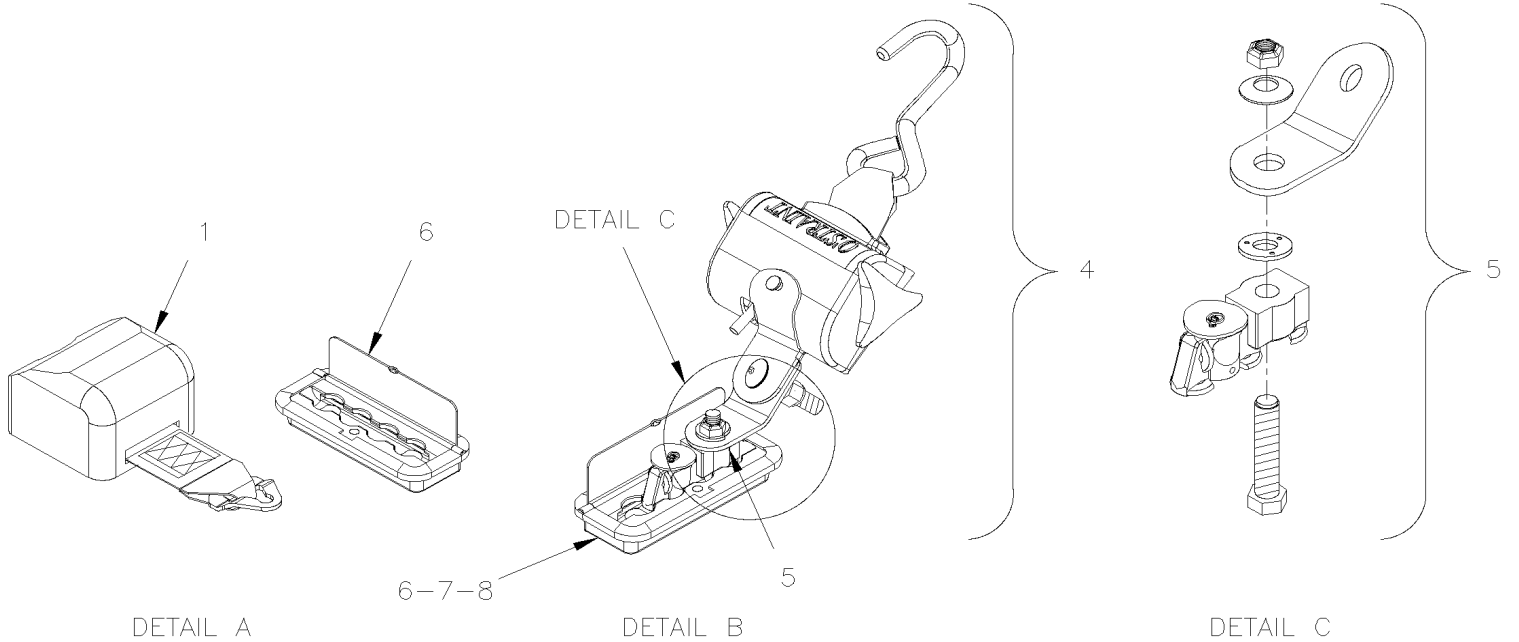
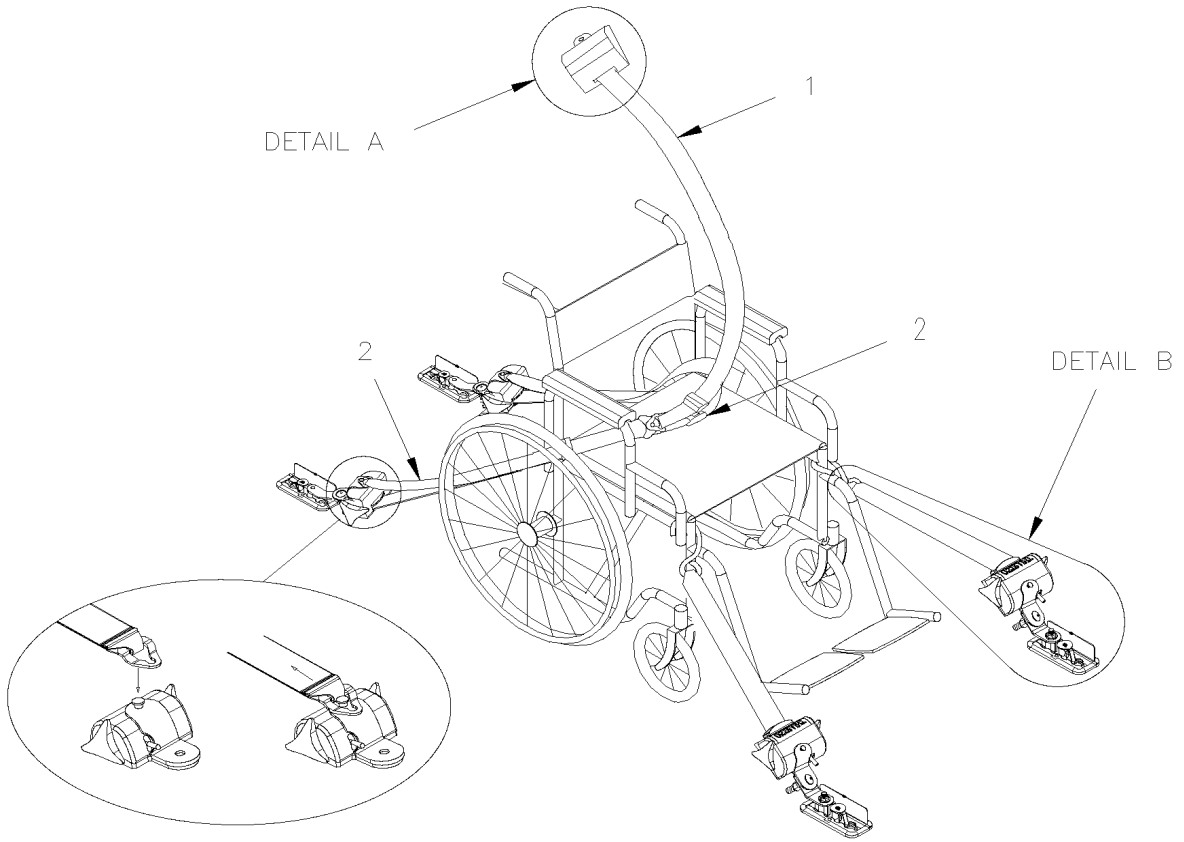
Item#	Part	Description	H 3 4 1	H 3 4 5	NOTES
1	400003	DECAL / BLUE W/CHAIR / 150MM x 150MM	2	2	
2	404089	DECAL / DO NOT PARK WITHIN 3 METRES / ENGLISH	1	1	
2	404083	DECAL / DO NOT PARK WITHIN 3 METRES / ENGLISH & FRANCAIS	1	1	
2	405645	DECAL / DO NOT PARK WITHIN 3 METRES / ENGLISH & SPANISH	1	1	
3	404332	DECAL / "WARNING" WHEN OPENING DOOR BEWARE.. / ENGLISH	1	1	
3	403898	DECAL / "WARNING" WHEN OPENING DOOR BEWARE.. / ENGLISH & FRANCAIS	1	1	
3	405644	DECAL / "WARNING" WHEN OPENING DOOR BEWARE.. / ENGLISH & SPANISH	1	1	
4	404333	DECAL / WCL OPERATION 1. 2.	1	1	
5	404088	DECAL / EMERGENCY EXIT / (RED ON CLEAR) / ENGLISH	1	1	
5	408204	DECAL EMERGENCY >>>> PICTOGRAM LEFT>>>>	1	1	
6	400003	DECAL / BLUE W/CHAIR / 150MM x 150MM	2	2	O
14	405378	DECAL / BLUE W/CHAIR / 102MM x 102MM	1	1	
20	405745	DECAL / PICTOGRAM LIFT INSTALL... / ENGLISH To L-1077	1	1	
20	405746	DECAL / PICTOGRAM LIFT INSTALL... / MONTAGE / ENGLISH & FRANCAIS To L-1077	1	1	
20	405742	DECAL / PICTOGRAM LIFT INSTALL... / ENGLISH & SPANISH To L-1077	1	1	
21	405743	DECAL / PICTOGRAM LIFT REMOVAL / ENGLISH To L-1077	1	1	
21	405744	DECAL / PICTOGRAM LIFT REMOVAL / DEMONTAGE.. / ENGLISH & FRANCAIS To L-1077	1	1	
21	405741	DECAL / PICTOGRAM LIFT REMOVAL / ENGLISH & SPANISH To L-1077	1	1	
22	405471	DECAL / "WARNING" ALWAYS KEEP THE LIFT AT T... / ENGLISH & FRANCAIS	1	1	
22	405470	DECAL / "WARNING" ALWAYS KEEP THE LIFT AT T... / ENGLISH	1	1	
22	405652	DECAL / "WARNING" ALWAYS KEEP THE LIFT AT T... / ENGLISH & SPANISH	1	1	
23	405468	DECAL / MANUAL OPERATING INSTRUCTION... / ENGLISH	1	1	
23	409453	DECAL / MANUAL OPERATING INSTRUCTION... / ENGLISH & FRANCAIS	1	1	
23	409454	DECAL / MANUAL OPERATING INSTRUCTION... / ENGLISH & SPANISH	1	1	
24	405749	DECAL / RICON W.C.L. OPERATING INSTRUCTION EXIT / ENGLISH	1	1	
24	405750	DECAL / RICON W.C.L. OPERATING INSTRUCTION EXIT / ENGLISH & FRANCAIS	1	1	
24	406178	DECAL / RICON W.C.L. OPERATING INSTRUCTION EXIT / ENGLISH & SPANISH	1	1	
25	405747	DECAL / RICON W.C.L. OPERATING INSTRUCTION ENTER / ENGLISH	1	1	
25	405748	DECAL / RICON W.C.L. OPERATING INSTRUCTION ENTER / ENGLISH & FRANCAIS	1	1	
25	406179	DECAL / RICON W.C.L. OPERATING INSTRUCTION ENTER / ENGLISH & SPANISH	1	1	
26	405378	DECAL / BLUE W/CHAIR / 102MM x 102MM	1	1	
		O) ONTARIO OPTION			

From K-0185

Date:07/2024

PAGE:H9-2370-20

W.C.L. SEAT BELTS



From K-0185	Date:07/2024	PAGE:H9-2370-20
W.C.L. SEAT BELTS		

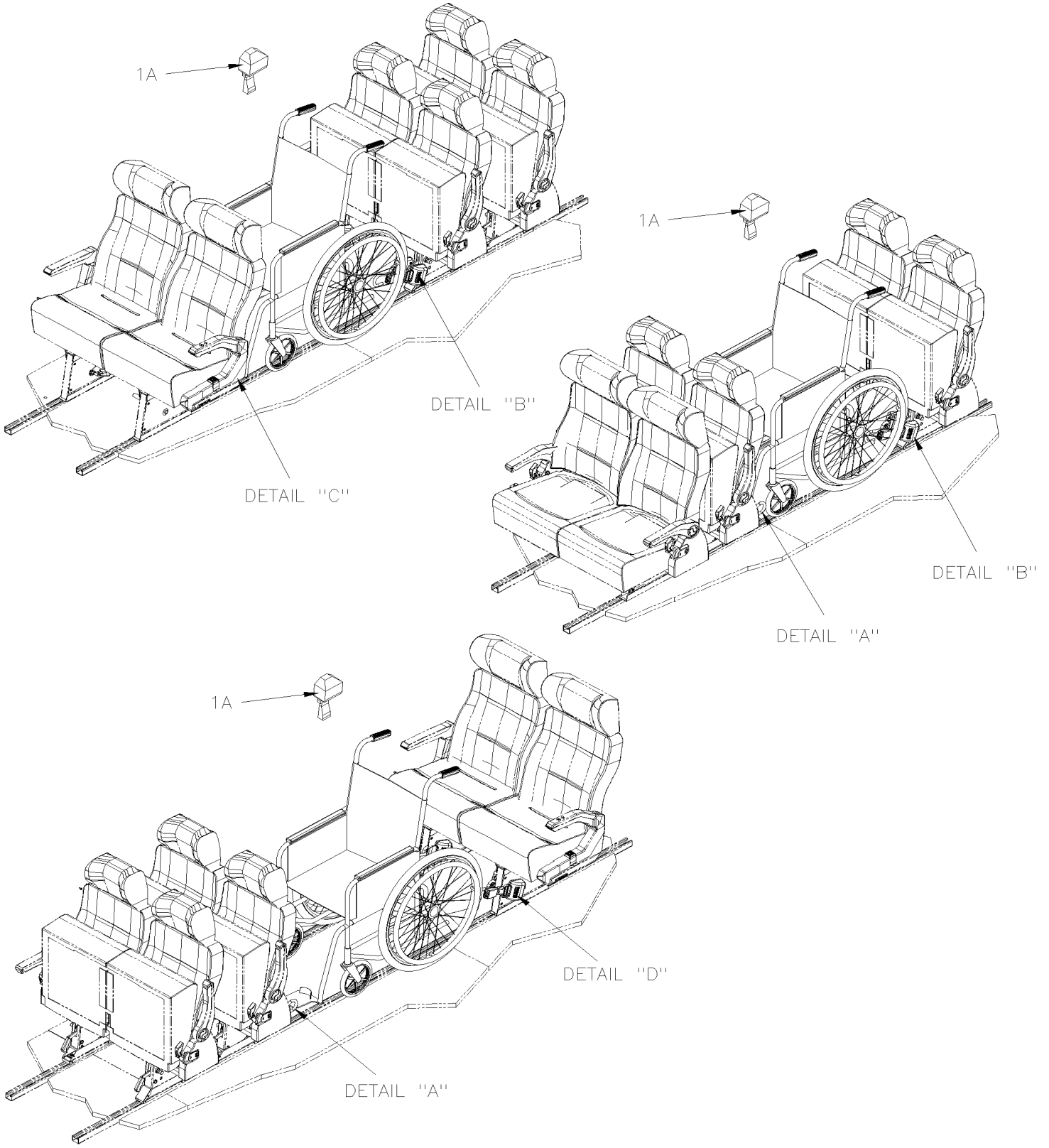
Item#	Part	Description	H 3 4 1	H 3 4 5	NOTES
	861930	KIT SAFETY BELT	AR	AR	A
1	861931	. RETRACTALE SHOULDER BELT To N-1211	1	1	
1	867950	. KIT RETRACTABLE SHOULDER BELT From N-1212	1	1	
2	861932	. REGULAR LAP BELT / KIT MALE & FEMALE	1	1	
4	861934	. RETACTABLE SEAT MOUNTED / BELT ASSY (SET OF 4 W/TRAC ADAPTOR)	1	1	
5	861935	. . KIT TRAC ADAPTOR	4	4	
6	861929	FLOOR POCKET W/COVER	8	8	
NS	867816	SCREW CAP CK HEXS 5/16-18x1 3/4	2	2	
7	223822	SPACER 1/2" O.D. X 20MM	16	16	
8	223818	ANCHOR PLATE	8	8	
		A) INCLUDE ITEM 1, 2, 3, 4, 5 & 7			

From K-0185

Date:07/2024

PAGE:H9-2370-25

W.C.L. SEAT BELTS "SAFEGUARD" (IMMI)

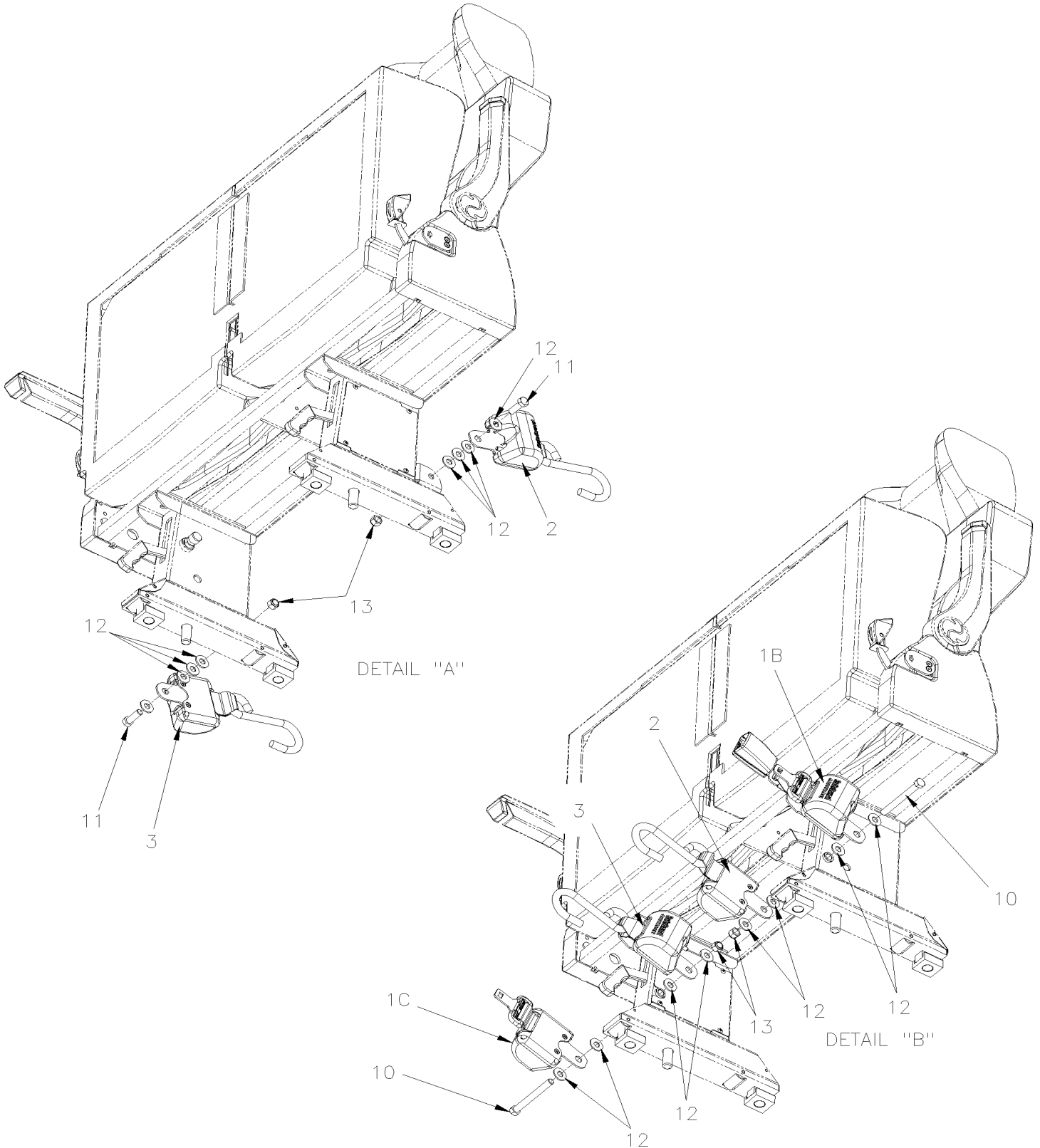


From K-0185

Date:07/2024

PAGE:H9-2370-25

W.C.L. SEAT BELTS "SAFEGUARD" (IMMI)

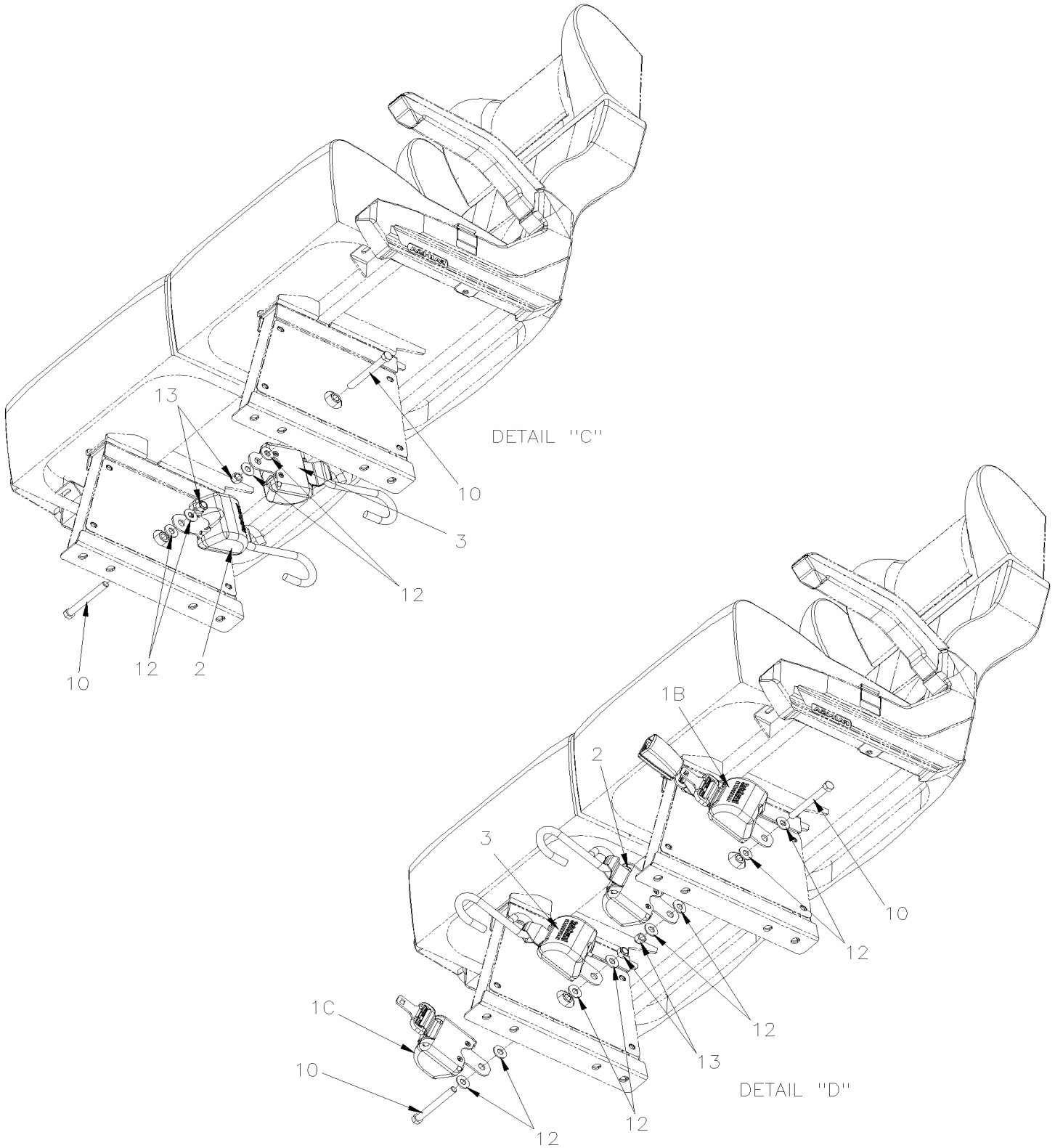


From K-0185

Date:07/2024

PAGE:H9-2370-25

W.C.L. SEAT BELTS "SAFEGUARD" (IMMI)

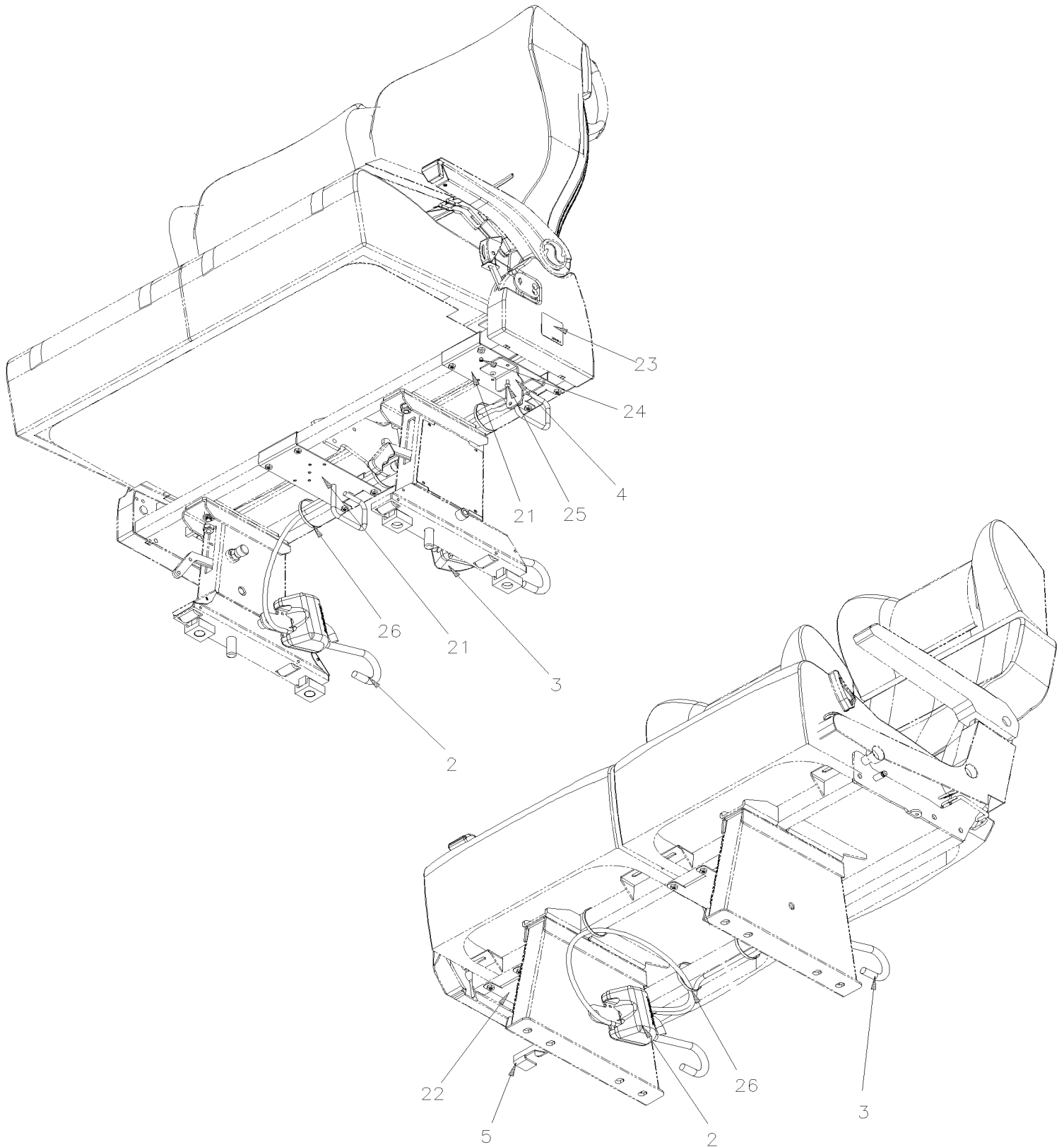


From K-0185

Date:07/2024

PAGE:H9-2370-25

W.C.L. SEAT BELTS "SAFEGUARD" (IMMI)



From K-0185		Date:07/2024	PAGE:H9-2370-25
W.C.L. SEAT BELTS "SAFEGUARD" (IMMI)			

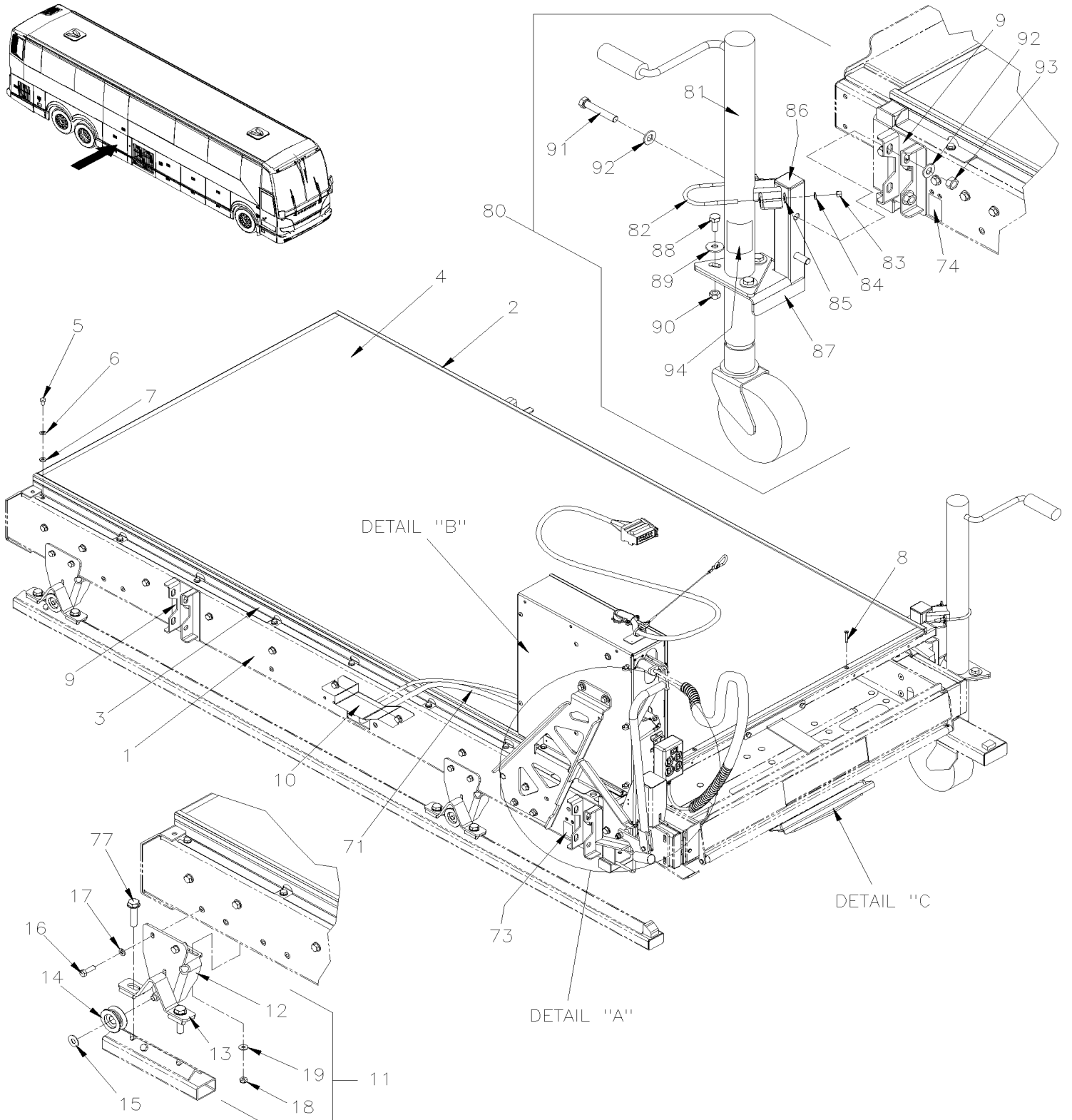
Item#	Part	Description	H 3 4 1	H 3 4 5	N O T E S
	864013	WHEEL CHAIR TIE-DOWNS, RETRAINTS	1	1	
	864811	WHEEL CHAIR TIE-DOWNS, RETRAINTS WITH BELT RELEASE	1	1	A
1	864813	. RESTRAINT / WHEELCHAIR OCCUPANT	1	1	
2	864812	. TIEDOWN / WHEELCHAIR LH	1	1	
3	864814	. TIEDOWN / WHEELCHAIR RH	1	1	
4	N.S.S.	. CABLE WITH HANDLE / CURBSIDE	1	1	1 A
5	N.S.S.	. CABLE WITH HANDLE / STREET SIDE	1	1	1 A
10	500688	SCREW CAP HEX 7/16-20x4 G8 N500 PT	AR	AR	
11	500594	SCREW CAP HEX 7/16-20x1 1/4 G8 N500	AR	AR	
12	500897	WASHER FL .437x1.000x.083 N500	AR	AR	
13	5001734	NUT HEX 7/16-20 G8 N500	AR	AR	
21	360027	SUPPORT, BELT / SLIDING SEAT	4	4	A
23	364374	DECAL "TTRACTABLE BELT"	2	2	A
24	502634	SCREW SET HEXS CUP M6-1.0x6	16	16	A
25	504582	RIVET POP DOME OE 3/16x1/4 SS BK	6	6	A
26	504637	CABLE TIE / 3/16" x 13"	AR	AR	A
		A) WITH BELT RELEASE			
		1) NOT SOLD SEPARATELY			

From K-0185

Date:07/2024

PAGE:H9-2380-01

W.C.L. "RICON" REMOVABLE - INSTALLATION MODEL "F9TF" & "F9TH"

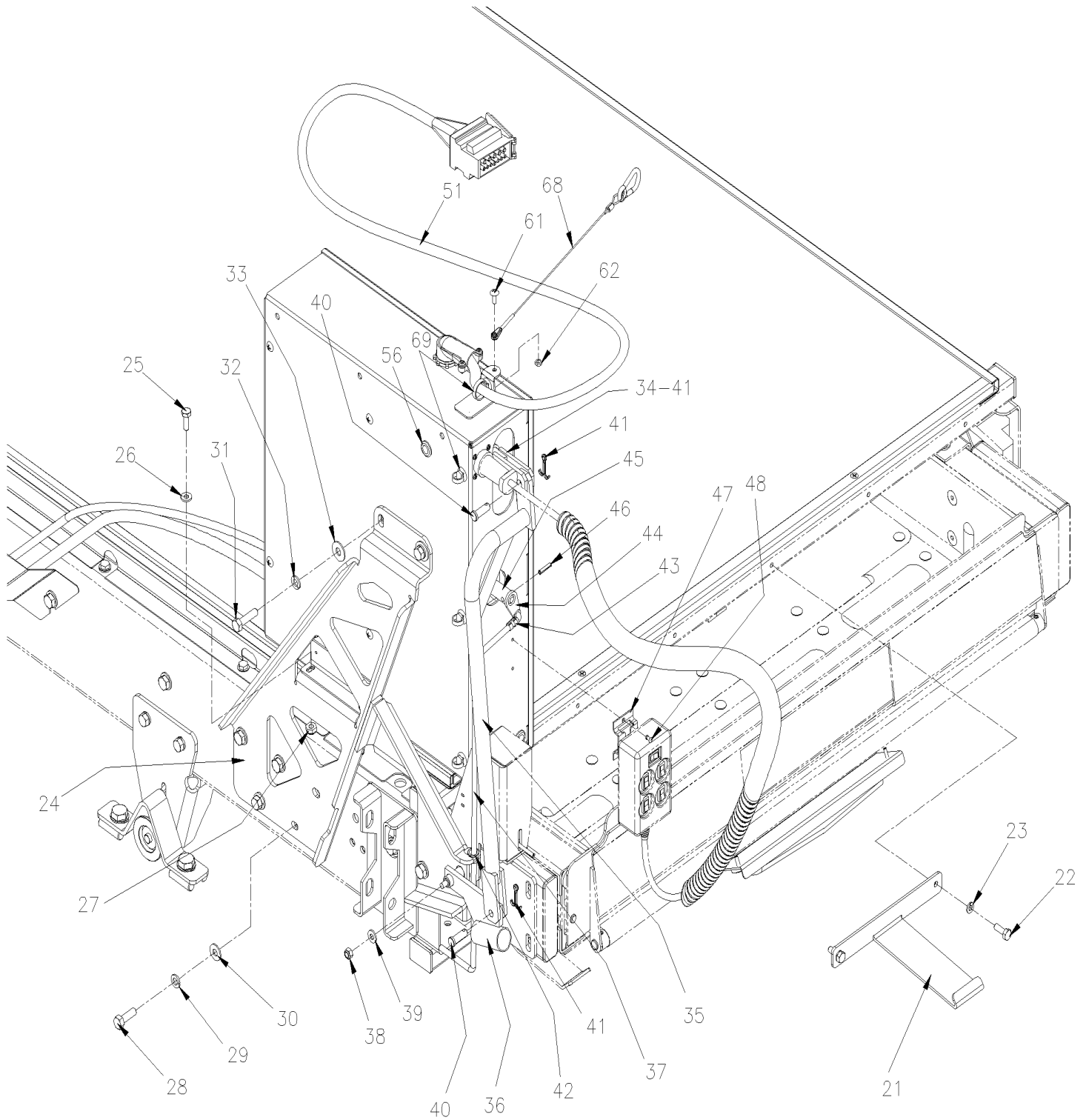


From K-0185

Date:07/2024

PAGE:H9-2380-01

W.C.L. "RICON" REMOVABLE - INSTALLATION MODEL "F9TF" & "F9TH"



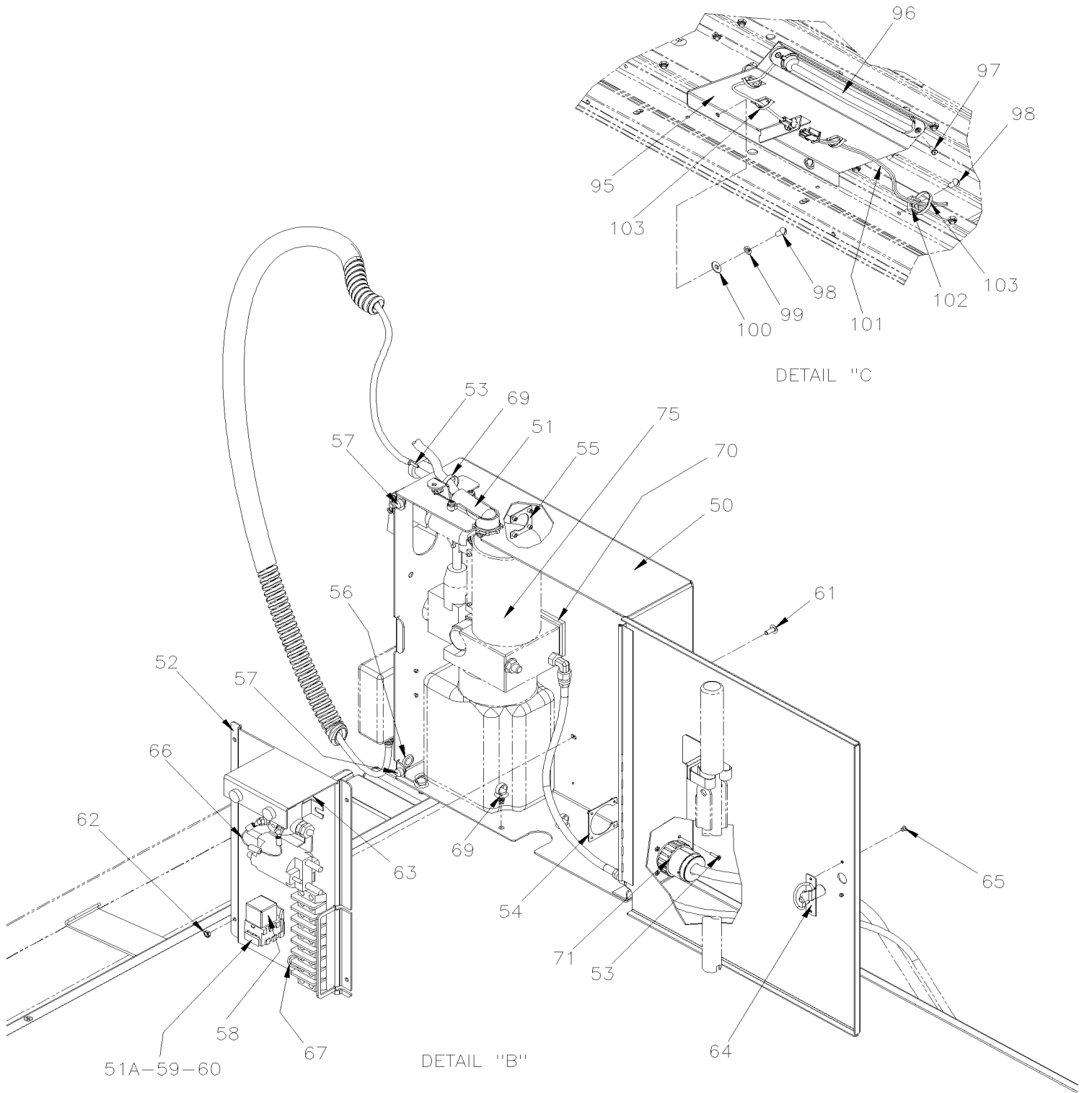
DETAIL "A"

From K-0185

Date:07/2024

PAGE:H9-2380-01

W.C.L. "RICON" REMOVABLE - INSTALLATION MODEL "F9TF" & "F9TH"



From K-0185		Date:07/2024	PAGE:H9-2380-01
-------------	--	--------------	-----------------

W.C.L. "RICON" REMOVABLE - INSTALLATION MODEL "F9TF" & "F9TH"

Item#	Part	Description	H 3 4 1	H 3 4 5	N O T E S
	490891P	REMOVABLE W.C.L. COMPLETE ASSY W/ PUMP BOX ASSY / "F9TF"	1	1	A
1	H9-2380-06	W.C.L. "RICON" REMOVABLE MODEL "F9TF"			
2	490971	SLIDING TRACK REMOVABLE R.H.	1	1	
3	490990	SLIDING TRACK REMOVABLE L.H.	1	1	
4	484144	PANEL FIBERGLASS / OVER W.C.L. "RICON" / 1000MM X 1940MM	1	1	
5	19510102	SCREW CAP HEX 1/4-20 x 5/8 SS (BAG OF 10)	8	8	
6	502570	WASHER LO SPT 6.1x11.8x1.6 SS	8	8	
7	500411	WASHER FL .260x.697x.050 SS	8	8	
8	502903	SCREW TC FL PH #10-24x1 1/4 N500	2	2	
8	5001869	WASHER FL .343x.750x.12 SS	2	2	
9	491009	ATTACHMENT ASSY	4	4	
10	491013	PLATE PROTECTOR	1	1	
11	491251	CARRIER ASSY / W/WHEEL	4	4	
12	491252	. PLATE SUPPORT ASSY W/AXLE SHAFT	1	1	
13	491232	. CALIPER	1	1	
14	491233	. WHEEL / W/"V" GROOVE USE W/AXLE SHAFT RIV	1	1	
NS	685888	. LUBRICANT LPS MAGNUM(AEROSOL)	AR	AR	
15	500270	. WASHER FL .406x1.000x.063 SS	1	1	
16	5001747	SCREW CAP HEX 5/16-18x1 G5 N500	8	8	
17	500942	WASHER LO SPT 8.1x14.8x2.0 N500	8	8	
18	502874	NUT HEX NYRT 1/4-20 N500	2	2	
19	502709	WASHER FL .260x.687x.050 XLN BK	2	2	
21	491489	GUIDE	1	1	
22	5001746	SCREW CAP HEX 1/4-20x3/4 G5 N500	2	2	
23	502853	WASHER LO SPT 6.1x11.8x1.6 N500	2	2	
24	491482	SUPPORT PUMP ASSY	1	1	
25	5001746	SCREW CAP HEX 1/4-20x3/4 G5 N500	2	2	
26	500877	WASHER FL .250x.562x.065 N500	2	2	
27	502874	NUT HEX NYRT 1/4-20 N500	2	2	
28	5001747	SCREW CAP HEX 5/16-18x1 G5 N500	2	2	
29	500942	WASHER LO SPT 8.1x14.8x2.0 N500	2	2	
30	502638	WASHER FL .312x.734x.065 N500	2	2	
31	500347	SCREW CAP HEX 5/16-18x1 1/4 SS	2	2	
32	500035	WASHER LO SPT .317x.586x.078 SS	2	2	
33	5001448	WASHER FL .343x.875x.062 SS18-8	2	2	
34	491083	TUBE ASSY	1	1	
35	491087	ARM ASSY To L-0824	1	1	
35	491693	ARM ASSY From L-0825	1	1	
36	491483	PIVOT ASSY	1	1	
37	491487	ROD	1	1	
38	502681	NUT HEX NYRT M6-1.0 N500 G8	1	1	
39	500877	WASHER FL .250x.562x.065 N500	1	1	

From K-0185	Date:07/2024	PAGE:H9-2380-01
W.C.L. "RICON" REMOVABLE - INSTALLATION MODEL "F9TF" & "F9TH"		

Item#	Part	Description	H 3 4 1	H 3 4 5	N O T E S
40	502024	PIN, CLEVIS 5/16 x 13/16 BZC	2	2	
41	502102	PIN, COTTER 1/8 x 1	3	3	
42	504226	SNAP BUSHING / .391x.578x.406	1	1	
43	504541	CLIP ROD 1/4" R.H.	1	1	
44	491100	PIVOT	1	1	
45	491101	UNION	1	1	
46	505420	SPRING, PIN M4.5 x 20	1	1	
47	900859	BRACKET, MOUNTING / MICROPHONE	1	1	
48	504339	RIVET POP DOME OE 1/8x3/8 SS	2	2	
NS	492136	DECAL "VEHICLE MAX LOAD"		1	B
50	Call order desk	BOX ASSY W/POWER PLATE	1	1	P
50	364074	. BOX ASSY To M-1133	1	1	
50	360088	. BOX ASSY From M-1134	1	1	
51	060782	. CABLE ASSY / POWER / W.C.L. "RICON" To K-0206	1	1	
51	069744	. CABLE ASSY / POWER / W.C.L. "RICON" From K-0207	1	1	
51A	564496	. . CONNECTOR / METRI-PACK 630 / SH 5C / PED 12033871	1	1	
52	563370	. POWER PLATE ASSY "RICON"	1	1	
53	5001454	. SCREW MA BDG PH #4-40x1/2 SS	8	8	
54	561823	. NUT, RING #23 / 1.812" I.D. W/4 4-40	1	1	
55	561820	. NUT, RING #13 / 1.125" I.D. W/4 4-40	1	1	
56	504323	. GROMMET / .375x.500x.062x.281x.687	2	2	
57	504498	. BUMPER PLUG / .406ODx.218THx.250HOLEx.125	2	2	
58	563332	. RELAY 24V S.P.D.T. W/RESISTOR / "VOLVO" (20374662)	1	1	
59	500416	. SCREW MA PAN PH #10-32x1/2 BK	2	2	
60	500914	. WASHER LO SPT .193x.334x.047 N500	2	2	
61	5001241	. SCREW MA TR PH #10-24x1/2 SS	5	5	
62	5001180	. NUT HEX NYRT #10-24 SS	5	5	
63	506025	. RUBBER CHANNEL / 1/18" x 5/16" INT "U" SHAPE / SQUARE C.T.L.	AR	AR	
NS	680066	. ADHESIVE / ADBOND #5014 / 23.6ML BOTTLE	AR	AR	
64	504203	. SPRING LATCH / KNURLED STEEL KNOB	1	1	
65	504340	. RIVET POP DOME OE 1/8x3/16 SS	2	2	
66	064792	. DIODE ASSY	1	1	
. NS	561740	. . DIODE / 3AMPS	1	1	
. NS	560082	. . RING TERMINAL #10 / 16-14 / INSULATED / AMP 626033-2	1	1	
. NS	560815	. . RING TERMINAL #10 / 22-18 / INSULATED / AMP 42037-2	1	1	
. NS	562499	. . SHRINK TUBING / .250" - .125" / CLEAR / ALPHA FIT 221-1/4	AR	AR	
67	069065	. JUMPER, WCL LIGHTING	1	1	
68	364072P	. CABLE RETAINING ASSY	1	1	
68	283069	. . CABLE 1/16 DIA. / 565MM LG	1	1	
68	780341	. . SLEEVE / TO HOLDING CABLE 1/16OD SS	1	1	
68	504723	. . SPRING HOOK	1	1	
69	509815	. TIE MOUNT / ATTACHMENT W/TREE MOUNT	AR	AR	

From K-0185	Date:07/2024	PAGE:H9-2380-01
W.C.L. "RICON" REMOVABLE - INSTALLATION MODEL "F9TF" & "F9TH"		

Item#	Part	Description	H 3 4 1	H 3 4 5	NOTES
69	504637	. CABLE TIE / 3/16" x 13"	11	11	
70	364031	SPACER	2	2	
71	864071	HARNESS, ELECTRICAL, MAIN, W/HYDRAULIC LINE	1	1	
73	491002	DECAL / GAUCHE / LEFT / ENGLISH & FRANCAIS	1	1	
73	491056	DECAL / LEFT IZQUIERDA / ENGLISH & SPANISH	1	1	
74	491001	DECAL / DROIT / RIGHT / ENGLISH & FRANCAIS	1	1	
74	491055	DECAL / RIGHT DERECHA / ENGLISH & SPANISH	1	1	
75	H9-2380-61	W.C.L. "RICON" - PUMP INSTALLATION MODEL "F9TF"			
77	5001538	SCREW CAP HEXF SERR M12-1.75x50 G500	8	8	
80	490989P	TRANSPORTER JACK ASSY R.H.	2	2	
80	490988P	TRANSPORTER JACK ASSY L.H.	2	2	
81	990416	. JACK	1	1	
82	503399	. U-CLAMP / 2" I.D. X 1/4-20	1	1	
83	500769	. NUT HEX 1/4-20 Z050	2	2	
84	500473	. WASHER LO SPT .262x.489x.062 Z050	2	2	
85	502638	. WASHER FL .312x.734x.065 N500	2	2	
86	508394	. GLIDE SQUARE END 1.5 X 1.5 TUBE 14GA / P	1	1	
87	490982	. SUPPORT JACK R.H.	1	1	
87	490981	. SUPPORT JACK L.H.	1	1	
88	502804	. SCREW CAP HEX M10-1.5x25 G8.8 N500	3	3	
89	502644	. WASHER FL 10.5x30.0x2.5 Z050	3	3	
90	500680	. NUT HEX STO M10-1.5 Z050	3	3	
91	5001862	. SCREW CAP HEX M12-1.75x70 G10.9 N500	2	2	
92	500958	. WASHER FL .531x1.062x.095 SS	4	4	
93	5001757	. NUT HEX M12-1.75 N500	2	2	
94	491001	. DECAL / DROIT / RIGHT / ENGLISH & FRANCAIS	1	1	
94	491055	. DECAL / RIGHT DERECHA / ENGLISH & SPANISH	1	1	
94	491002	. DECAL / GAUCHE / LEFT / ENGLISH & FRANCAIS	1	1	
94	491056	. DECAL / LEFT IZQUIERDA / ENGLISH & SPANISH	1	1	
95	Call order desk	LAMP ASSY	1	1	P
95	060781	. SUPPORT LAMP	1	1	
96	830008	. LAMP ASSY 24V / LED	1	1	
. NS	561248	. . CONNECTOR / UNIVERSAL MATE-N-LOK / PH 2C / AMP 1-480699-0	1	1	
96	504273	. CABLE TIE / 1/8" X 3" 1/2	2	2	
96	504637	. CABLE TIE / 3/16" x 13"	2	2	
97	500965	. SCREW TC BDG PH #8-32x1/2 N500	2	2	
98	500554	SCREW MA RND SLT 1/4-20x1/2 SS	AR	AR	
99	500477	WASHER LO SPT .262x.489x.062 SS	2	2	
100	500411	WASHER FL .260x.697x.050 SS	2	2	
101	061248	HARNESS WCL LAMP	1	1	

From K-0185	Date:07/2024	PAGE:H9-2380-01
W.C.L. "RICON" REMOVABLE - INSTALLATION MODEL "F9TF" & "F9TH"		

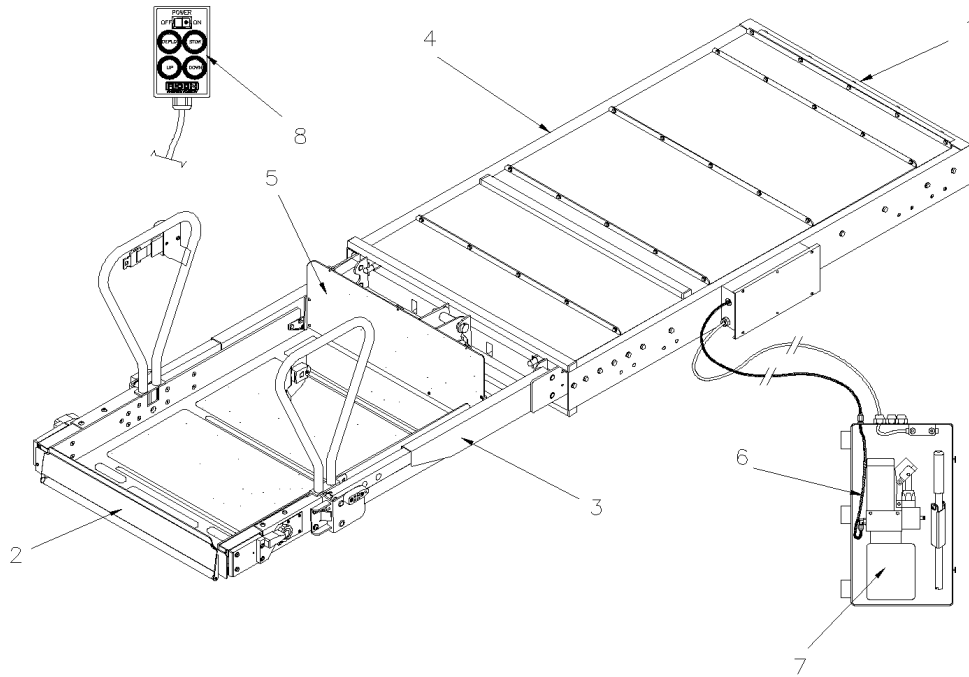
Item#	Part	Description	H 3 4 1	H 3 4 5	N O T E S
102	504013	TIE MOUNT / 1/4" X 1/4" I.D.	AR	AR	
103	504637	CABLE TIE / 3/16" x 13"	AR	AR	
104	8631155	CABLE TIE / 4.6MM x 200 / CHRISTMAS TREE	AR	AR	
NS	564534	CABLE TIE / WITH EDGE CLIP / T50REC5A 10 MM x 200 MM	AR	AR	
		A) DO NOT INCLUDED TRANSPORTER JACK L.H. & R.H.			
		B) USE WITH W.C.L. 860117 ONLY			
		P) CALL ORDER DESK FOR SPECIFIC APPLICATION (V.I.N.)			

From K-0185

Date:07/2024

PAGE:H9-2380-06

W.C.L. "RICON" REMOVABLE MODEL "F9TF"



DECALS AFFIXED TO VEHICLE

LIFT OPERATING INSTRUCTIONS, ENTRY-32159, EXIT-32160

LIFT OPERATING INSTRUCTIONS, ENTRY AND EXIT, FOR LIFTS WITH A STOP AT INTERMEDIATE HEIGHT ENTRY-32154, EXIT-32155

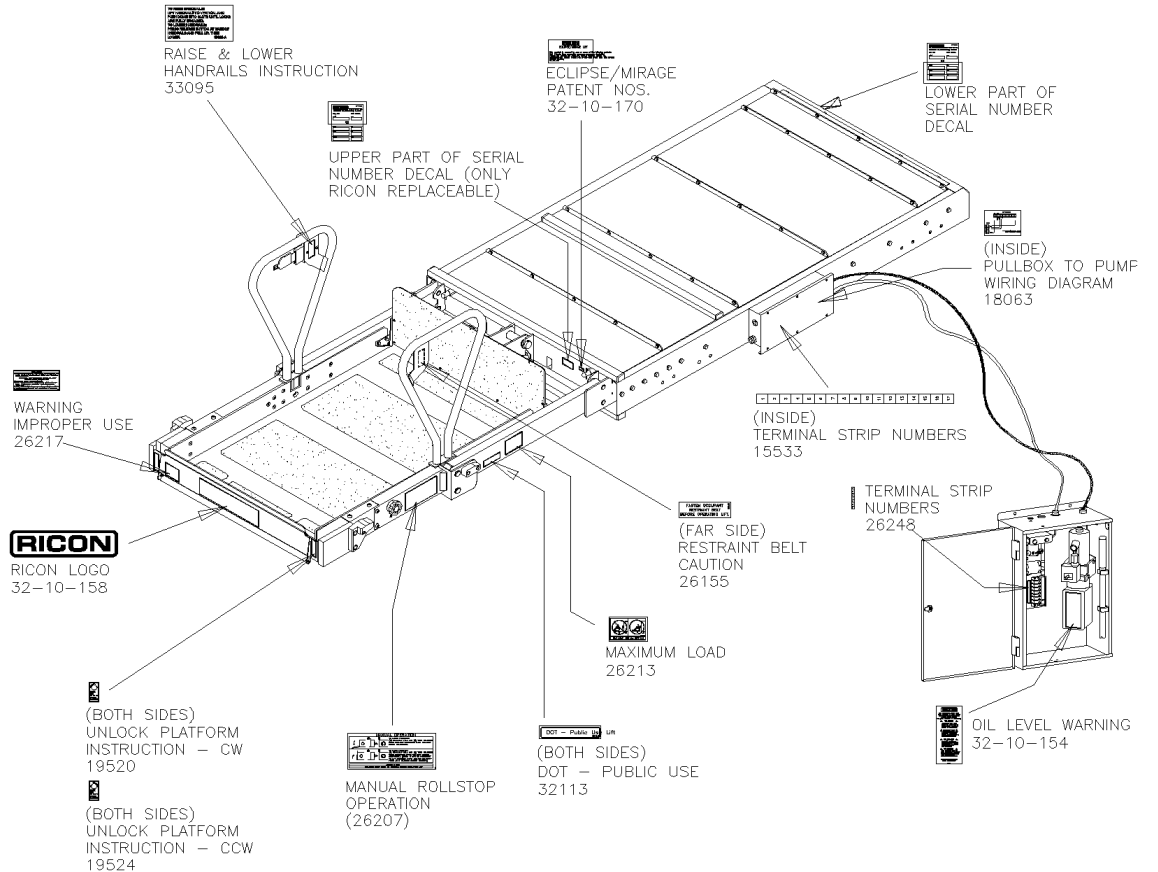
NO PARKING (26119)

MANUAL OPERATING INSTRUCTIONS (19551)

MANUAL OPERATING INSTRUCTIONS - ENGLISH-FRENCH (29254)

PLATFORM STOW HEIGHT (19550)

TWS WARNING (31997)



From K-0185	Date:07/2024	PAGE:H9-2380-06
W.C.L. "RICON" REMOVABLE MODEL "F9TF"		

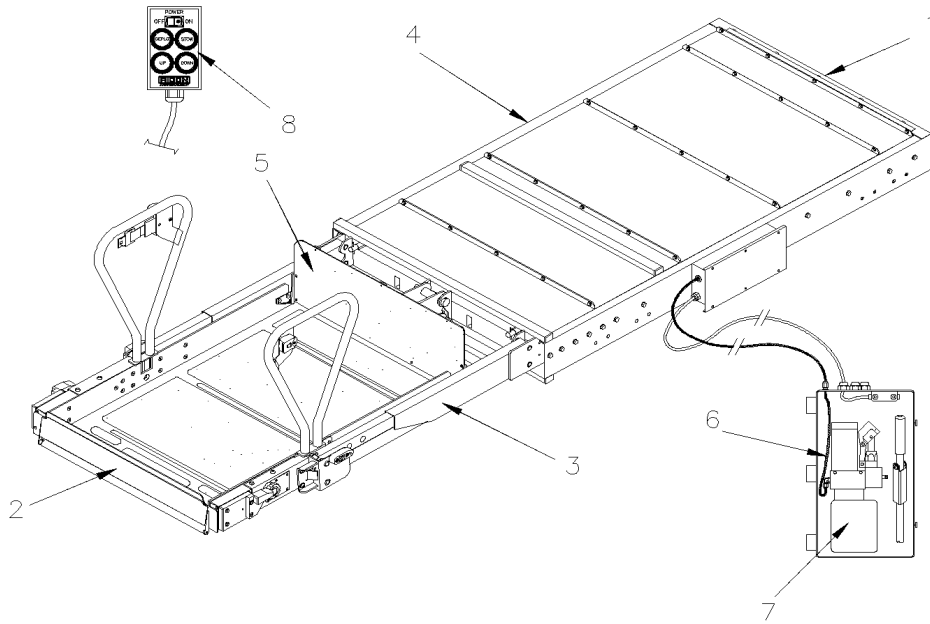
Item#	Part	Description	H 3 4 1	H 3 4 5	N O T E S
	864809	W.C.L. "RICON" - F9TF-DE022	1	1	
	860069	W.C.L. "RICON" - F9TF-DE033 OPTION	1	1	A
1	H9-2380-11	. W.C.L. "RICON" - LIFT ENCLOSURE ASSY MODEL "F9TF"			
2	H9-2380-21	. W.C.L. "RICON" - PLATFORM ASSY MODEL "F9TF"			
3	H9-2380-31	. W.C.L. "RICON" - TRAVELING FRAME ASSY MODEL "F9TF"			
4	H9-2380-41	. W.C.L. "RICON" - CARRIAGE ASSY MODEL "F9TF"			
5	H9-2380-51	. W.C.L. "RICON" - BRIDGE PLATE ASSY MODEL "F9TF"			
6	H9-2380-61	. W.C.L. "RICON" - PUMP INSTALLATION MODEL "F9TF"			
7	H9-2380-66	. . W.C.L. "RICON" - PUMP ASSY MODEL "F9TF"			
8	862986	PENDANT, W/COILED CORD	1	1	
8	862987	HARNESS PENDANT EXTENSION, PULLBOX TO PENDANT	1	1	
8	862988	HARNESS, TWS INTERFACE, W/PCB	1	1	
NS	862989	CYCLE COUNTER	1	1	
NS	864191	DVD "SAFETY RECALL "RICON" W.C.L.	1	1	
NS	864173	DECAL "FASTEN BELT" WCL	1	1	
NS	864194	DECAL "ATTACHEZ LA CEINTURE" WCL	1	1	
NS	19514002	ROLLSTOP ADJ. TOOL	1	1	
NS	19514003	BRIDGEPLATE HGT GAUGE TOOL	1	1	
		A) THIS WHEEL CHAIR LIFT HAVE A SENSOR FULLY OPEN DOOR			

From K-0185

Date:07/2024

PAGE:H9-2380-07

W.C.L. "RICON" REMOVABLE MODEL "F9TH"



DECALS AFFIXED TO VEHICLE

LIFT OPERATING INSTRUCTIONS, ENTRY AND EXIT
ENTRY-32159, EXIT-32160

LIFT OPERATING INSTRUCTIONS, ENTRY AND EXIT, FOR LIFTS WITH A STOP AT INTERMEDIATE HEIGHT
ENTRY-32154, EXIT-32155

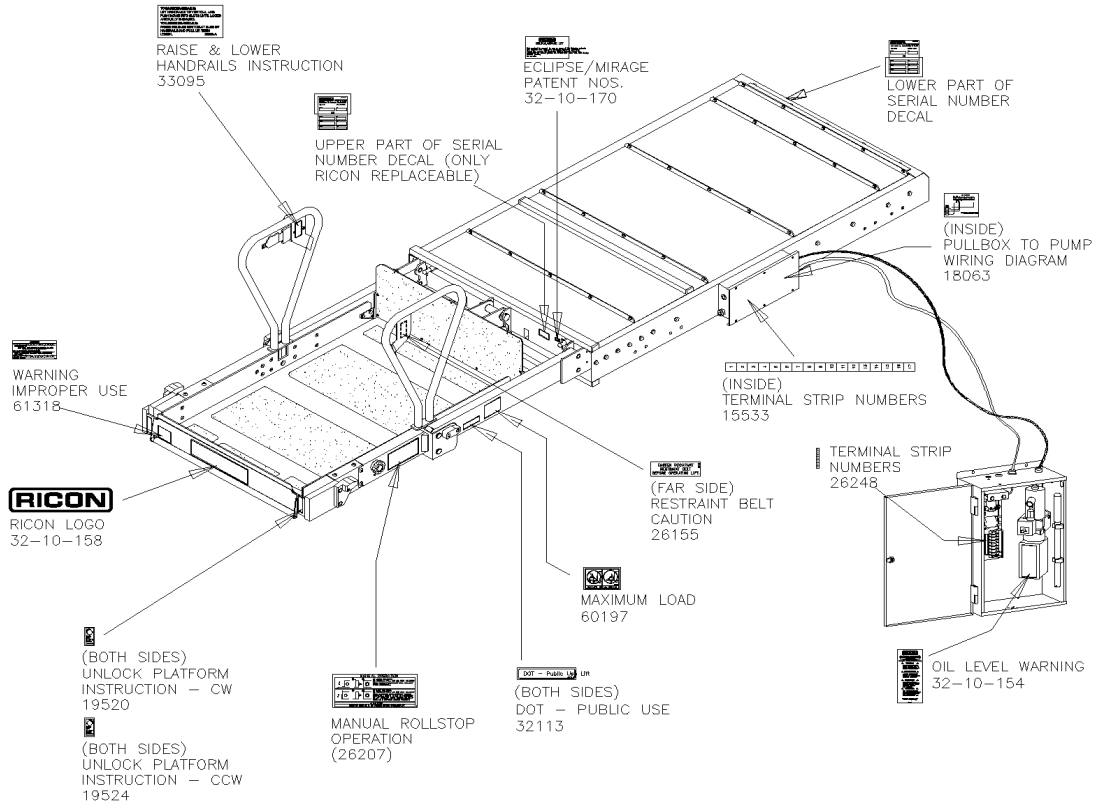
NO PARKING
(26119)

MANUAL OPERATING INSTRUCTIONS - ENGLISH-FRENCH
(19551)

MANUAL OPERATING INSTRUCTIONS - ENGLISH-FRENCH
(29254)

PLATFORM STOW HEIGHT
PLATFORM STOW HEIGHT
(19550)

TWS WARNING
(31997)



From K-0185	Date:07/2024	PAGE:H9-2380-07
W.C.L. "RICON" REMOVABLE MODEL "F9TH"		

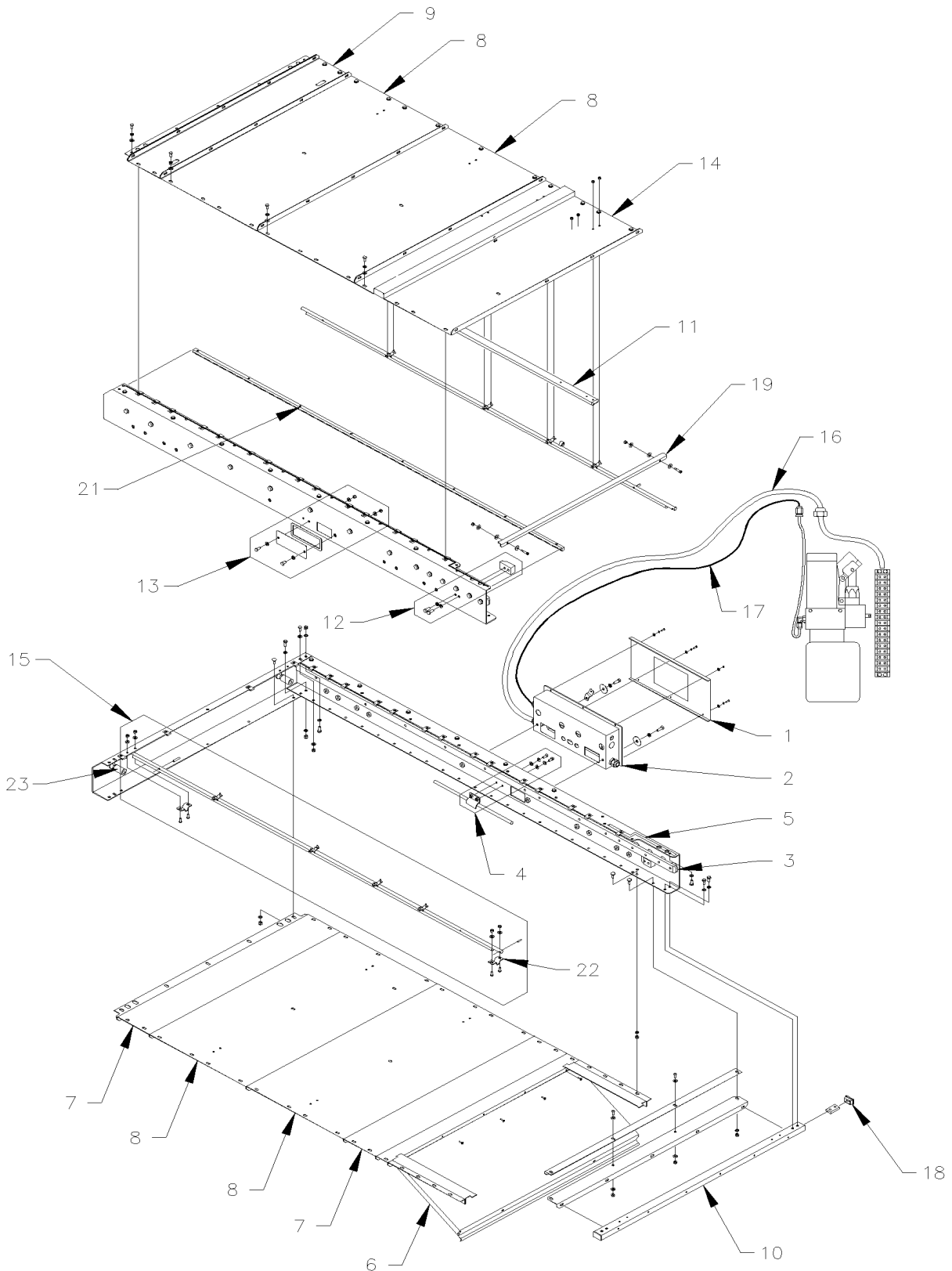
Item#	Part	Description	H 3 4 1	H 3 4 5	NOTES
	860117	W.C.L. "RICON" - F9TH-DE038	1	1	
	491651	DECAL "WEELCHAIR LIFT MAX LOAD 800LBS./ 363KG"	1	1	
1	H9-2380-12	. W.C.L. "RICON" - LIFT ENCLOSURE ASSY MODEL "F9TH"			
2	H9-2380-22	. W.C.L. "RICON" - PLATFORM ASSY MODEL "F9TH"			
3	H9-2380-32	. W.C.L. "RICON" - TRAVELING FRAME ASSY MODEL "F9TH"			
4	H9-2380-42	. W.C.L. "RICON" - CARRIAGE ASSY MODEL "F9TH"			
5	H9-2380-52	. W.C.L. "RICON" - BRIDGE PLATE ASSY MODEL "F9TH"			
6	H9-2380-62	. W.C.L. "RICON" - PUMP INSTALLATION MODEL "F9TH"			
7	H9-2380-67	. . W.C.L. "RICON" - PUMP ASSY MODEL "F9TH"			
8	862986	PENDANT, W/COILED CORD	1	1	
8	865106	PENDANT, W/COILED CORD / WATERPROOTF	1	1	
NS	509815	TIE MOUNT / ATTACHMENT W/TREE MOUNT	1	1	
NS	504637	CABLE TIE / 3/16" x 13"	1	1	
8	862987	HARNESS PENDANT EXTENSION, PULLBOX TO PENDANT	1	1	
8	862988	HARNESS, TWS INTERFACE, W/PCB	1	1	
NS	862989	CYCLE COUNTER	1	1	
NS	19514002	ROLLSTOP ADJ. TOOL	1	1	
NS	19514003	BRIDGEPLATE HGT GAUGE TOOL	1	1	

From K-0185

Date:07/2024

PAGE:H9-2380-11

W.C.L. "RICON" - LIFT ENCLOSURE ASSY MODEL "F9TF"

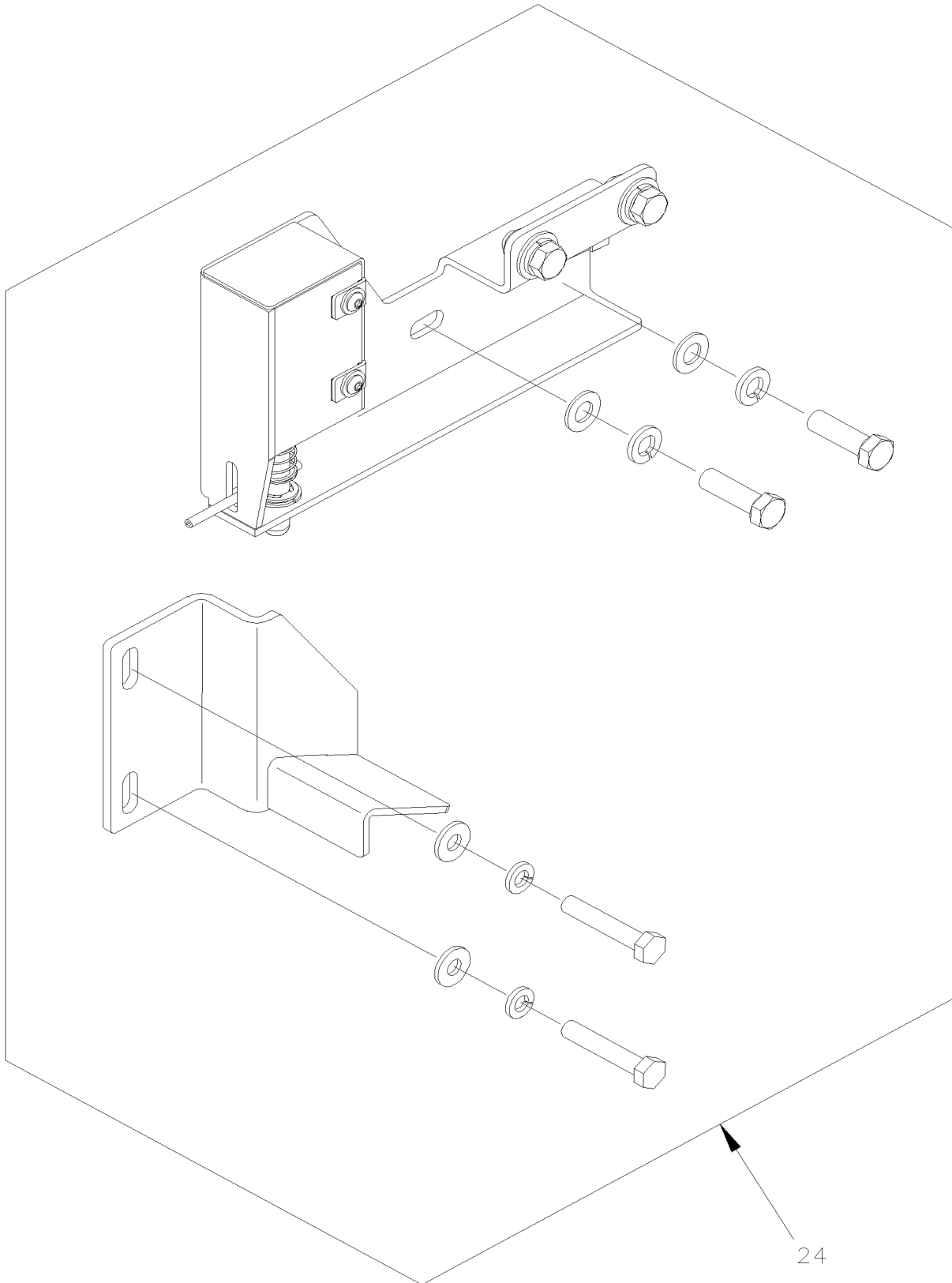


From K-0185

Date:07/2024

PAGE:H9-2380-11

W.C.L. "RICON" - LIFT ENCLOSURE ASSY MODEL "F9TF"



24

From K-0185	Date:07/2024	PAGE:H9-2380-11
W.C.L. "RICON" - LIFT ENCLOSURE ASSY MODEL "F9TF"		

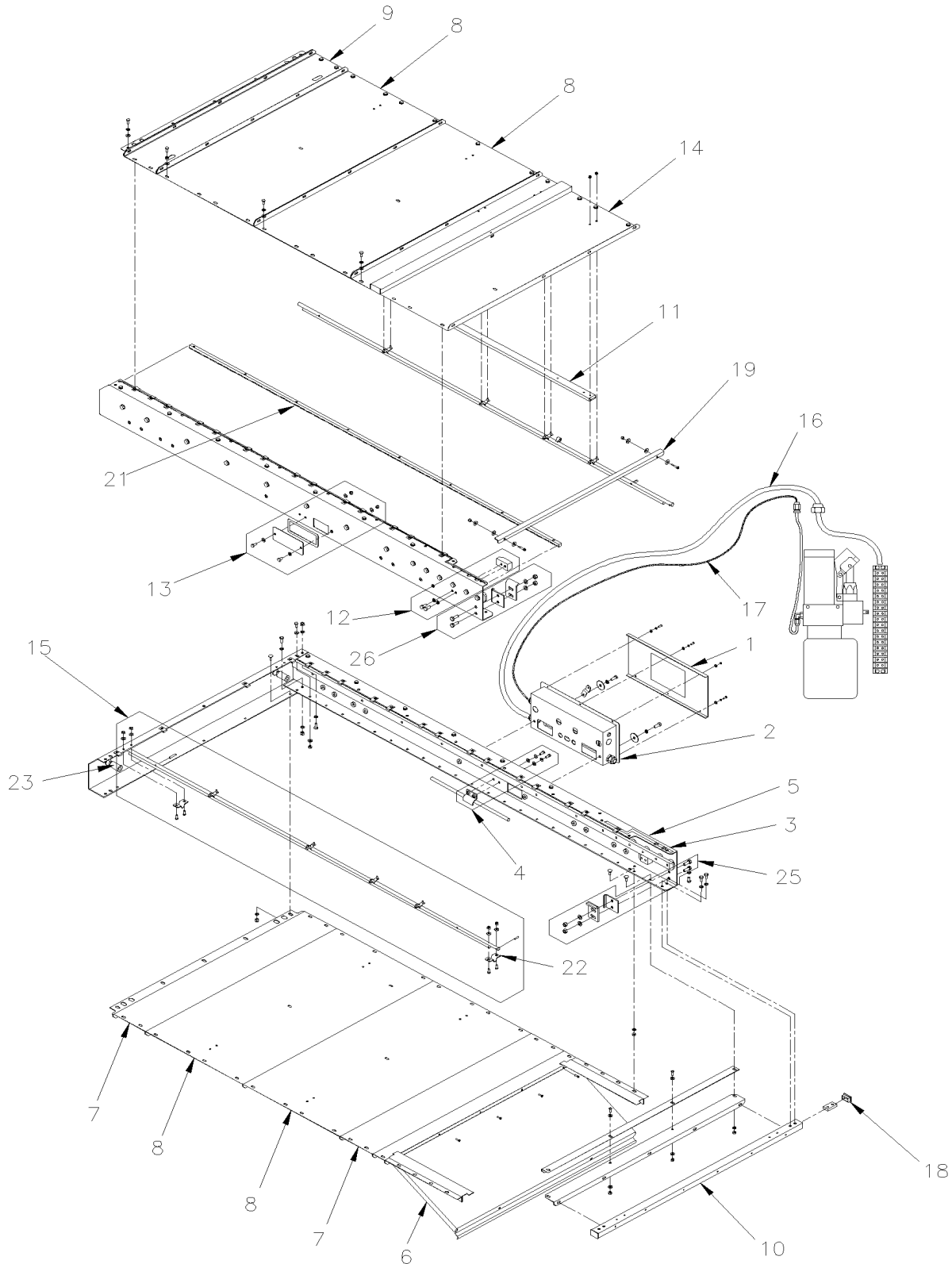
Item#	Part	Description	H 3 4 1	H 3 4 5	NOTES
1	862991	KIT, PULLBOX COVER	1	1	
2	862992	PULLBOX ASSY	1	1	
3	862993	RAIL, GUIDE, CARRIAGE	2	2	
4	862994	KIT, HOSE CLAMP	1	1	
5	19509886	WEATHERSTRIP	1	1	
6	862995	KIT, SERVICE ACCESS PANEL	1	1	
7	19509867	KIT, ENCLOSURE COVER, 6.6" W/HDWR	2	2	
8	862997	KIT, ENCLOSURE COVER, 19.98"	2	2	
9	19509868	KIT, ENCLOSURE COVER, 6.6" W/HDWR	1	1	
10	865636	TUBE, FORWARD CROSSMEMBER	1	1	
11	862999	RAIL, CARRIAGE GUIDE	1	1	
12	863000	KIT, STOP BLOCK	2	2	
13	863001	KIT, BLOCK-OFF PLATE	1	1	
14	863002	KIT, ENCLOSURE COVER, LINKAGE	1	1	
15	19509882	KIT, PLATFORM RELEASE SHAFT / RH	1	1	
15	863003	KIT, PLATFORM RELEASE SHAFT / LH	1	1	
16	865637	HARNESS,STOW POSITION PROGRAMMING SW	1	1	
17	863085	HOSE ASSY 13 3/4"	1	1	
18	863004	PLUG, RECTANGULAR, 1.0 X 1.5, NYLON, BLACK	4	4	
19	863005	TIE BAR, PLATFORM RELEASE SHAFTS	1	1	
21	863006	GEAR RACK	2	2	
22	863007	BRACKET, PLATFORM RELEASE SHAFT	4	4	
23	863000	KIT, STOP BLOCK	1	1	
24	865081	KIT, STOW LOCK	1	1	
24	864955	. SOLENOID / STOW LOCK	1	1	
24	Call order desk	. BRACKET / STOW LOCK	1	1	P
		P) CALL ORDER DESK FOR SPECIFIC APPLICATION (V.I.N.)			

From K-0185

Date:07/2024

PAGE:H9-2380-12

W.C.L. "RICON" - LIFT ENCLOSURE ASSY MODEL "F9TH"

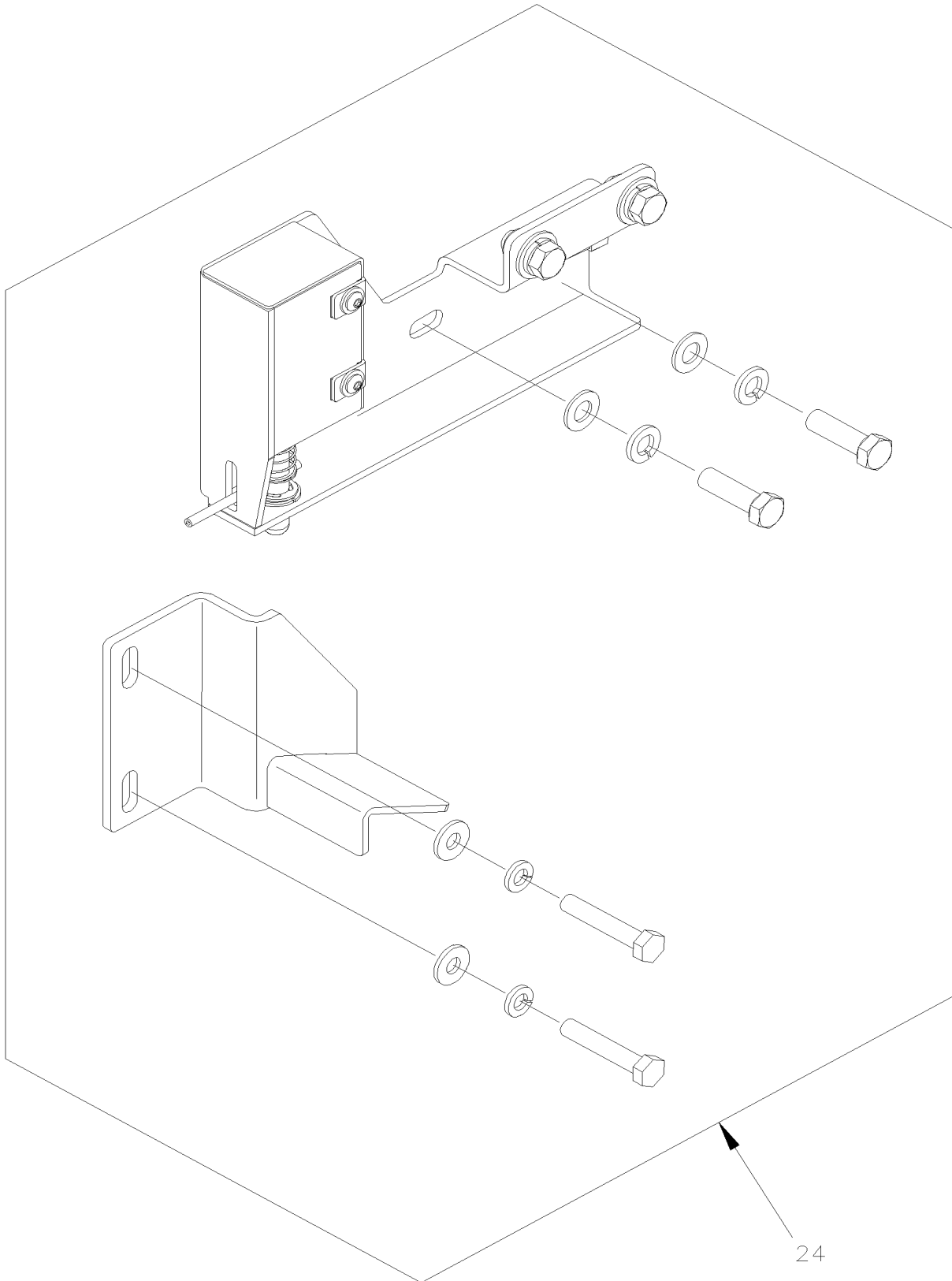


From K-0185

Date:07/2024

PAGE:H9-2380-12

W.C.L. "RICON" - LIFT ENCLOSURE ASSY MODEL "F9TH"



24

From K-0185	Date:07/2024	PAGE:H9-2380-12
W.C.L. "RICON" - LIFT ENCLOSURE ASSY MODEL "F9TH"		

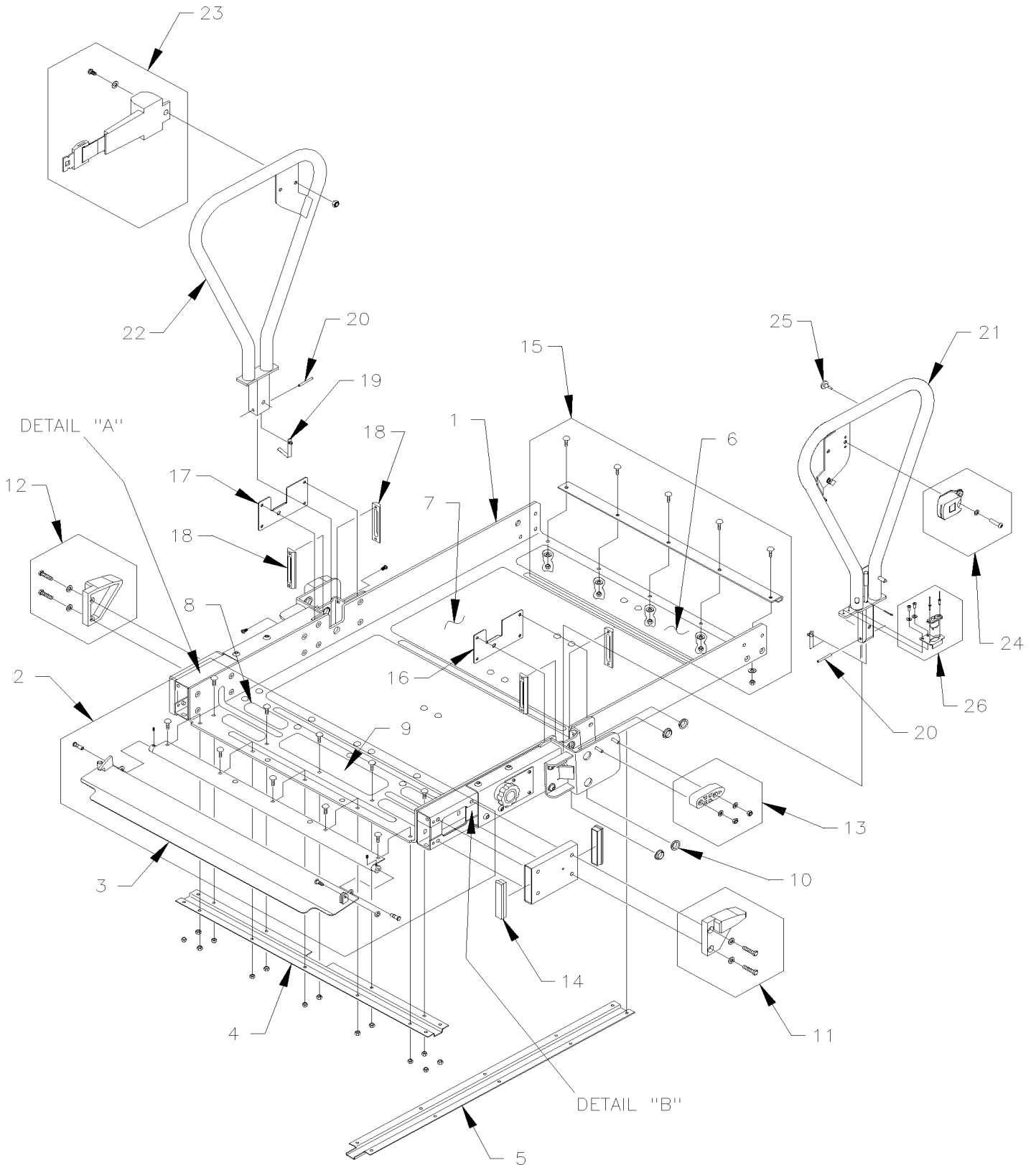
Item#	Part	Description	H 3 4 1	H 3 4 5	NOTES
1	862991	KIT, PULLBOX COVER	1	1	
2	862992	PULLBOX ASSY	1	1	
3	862999	RAIL, CARRIAGE GUIDE	2	2	
4	862994	KIT, HOSE CLAMP	1	1	
5	19509886	WEATHERSTRIP	1	1	
6	868223	KIT, SERVICE ACCESS PANEL	1	1	
7	868224	KIT, ENCLOSURE COVER, 6.6" W/HDWR	2	2	
8	868225	KIT, ENCLOSURE COVER, 19.98"	4	4	
9	868226	KIT, ENCLOSURE COVER, 6.6" W/HDWR	1	1	
10	868227	TUBE, FORWARD CROSSMEMBER	1	1	
11	862999	RAIL, CARRIAGE GUIDE	1	1	
12	863000	KIT, STOP BLOCK	2	2	
13	863001	KIT, BLOCK-OFF PLATE	1	1	
14	868228	KIT, ENCLOSURE COVER, LINKAGE	1	1	
15	863003	KIT, PLATFORM RELEASE SHAFT / LH	2	2	
16	868229	HARNESS, STOP POSITION PROGRAMMING SW			
17	863004	PLUG, RECTANGULAR, 1.0 X 1.5, NYLON, BLACK	4	4	
18	868230	CAP RECTANGLE / BLACK	4	4	
19	868231	TIE BAR, PLATFORM RELEASE SHAFTS	1	1	
21	863006	GEAR RACK	2	2	
22	863007	BRACKET, PLATFORM RELEASE SHAFT	4	4	
23	863008	BUMPER, CARRIAGE STOP	2	2	
24	868232	KIT, STOW LOCK	1	1	
25	868233	KIT REINFORCEMENT, ENLOCSURE RH	1	1	
26	868234	KIT REINFORCEMENT, ENLOCSURE LH	1	1	

From K-0185

Date:07/2024

PAGE:H9-2380-21

W.C.L. "RICON" - PLATFORM ASSY MODEL "F9TF"

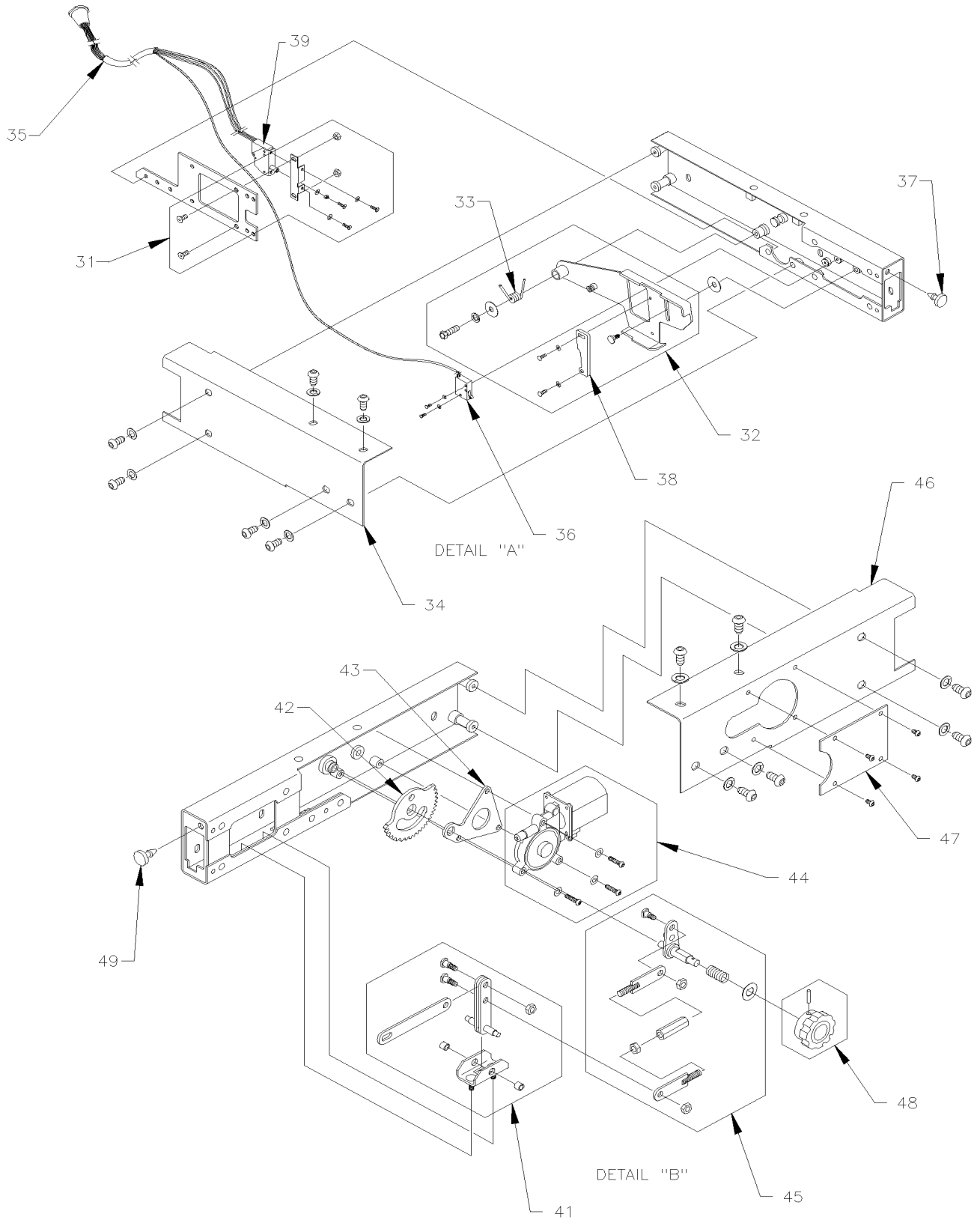


From K-0185

Date:07/2024

PAGE:H9-2380-21

W.C.L. "RICON" - PLATFORM ASSY MODEL "F9TF"



From K-0185	Date:07/2024	PAGE:H9-2380-21
W.C.L. "RICON" - PLATFORM ASSY MODEL "F9TF"		

Item#	Part	Description	H 3 4 1	H 3 4 5	NOTES
1	865627	PLATFORM	1	1	
2	863010	KIT, ROLLSTOP ASSEMBLY	1	1	
3	865634	ROLLSTOP, PAINTED	1	1	
4	865628	STIFFENER & HARNESS CONDUIT, NOTCHED	1	1	
5	865629	HARNESS CONDUIT, FRONT TO REAR	1	1	
6	863014	SAFETREAD, 3.0 X 31.0, YELLOW	1	1	
7	863015	SAFETREAD, 16.0 X 31.0, GRAY	1	1	
8	863016	SAFETY TREAD / 12.75x3.0 / SAFETY YELLOW	1	1	
9	863017	SAFETY TREAD / 5.5x1.5 / SAFETY YELLOW	4	4	
10	863018	BEARING, FLANGED, 3/4I.D. X 1/4W	1	1	
11	862114	BLOCK / PLAFORM GUIDE / RH	1	1	
12	862115	BLOCK / PLAFORM GUIDE / LH	1	1	
13	862113	STOW GUIDE	2	2	
14	863020	CAP, RECTANGULAR, SNAP-IN	4	4	
15	863021	KIT, STIFFENER, PLATFORM, REAR	1	1	
16	860098	PLATE, PIN LOCK	1	1	
17	860098	PLATE, PIN LOCK	1	1	
18	193012	KIT, BLOCK HANDRAIL GUIDES, LH & RH (2 EACH PER KIT)	4	4	
19	863025	BUTTON, HANDRAIL LOCK	2	2	
20	863026	PIN, HANDRAIL PIVOT	2	2	
21	865137	HANDRAIL ASSY LH	1	1	
22	865136	HANDRAIL ASSY RH	1	1	
23	864774	KIT, SAFETY BELT W/RETRACTOR	1	1	
23	863028	KIT, SAFETY BELT W/RETRACTOR	1	1	O
24	864775	KIT, SAFETY BELT BUCKLE ASSEMBLY	1	1	
24	863029	KIT, SAFETY BELT BUCKLE ASSEMBLY	1	1	O
24	7775207	KIT, SAFETY BELT BUCKLE ASSEMBLY WITH DETECTOR	1	1	
25	865632	BUMPER, RUBBER, (BAG OF 10)	1	1	
26	865633	KIT, CONTACT CONNECTOR, HAND RAIL ASSY	1	1	
26	19514004	LIFT RAIL PIN PROTECTOR BRACKETS	1	1	
31	863036	KIT, MOUNTING BRACKET, LIMIT SWITCH	1	1	
32	863037	KIT, ACTUATOR FOOT ASSY	1	1	
33	862121	SPRING / LH / ROLLSTOP ACTUATOR RETURN	1	1	
34	863038	COVER, ROLLSTOP, LH	1	1	
35	863039	HARNESS, W/TWO ROLLSTOP SWITCHES	1	1	
. NS	865043	. ROLLSTOP PLUNGER	1	1	
36	863040	SWITCH LIMIT, W/LEADS	1	1	
37	862120	BUMPER / RUBBER 1.000 O.D. x .13THK	1	1	
38	863041	PLATE, ACTUATOR, SWITCH	1	1	
39	864026	PLUNGER SWITCH / SEALED / TAPPED 6-32	1	1	

From K-0185	Date:07/2024	PAGE:H9-2380-21
W.C.L. "RICON" - PLATFORM ASSY MODEL "F9TF"		

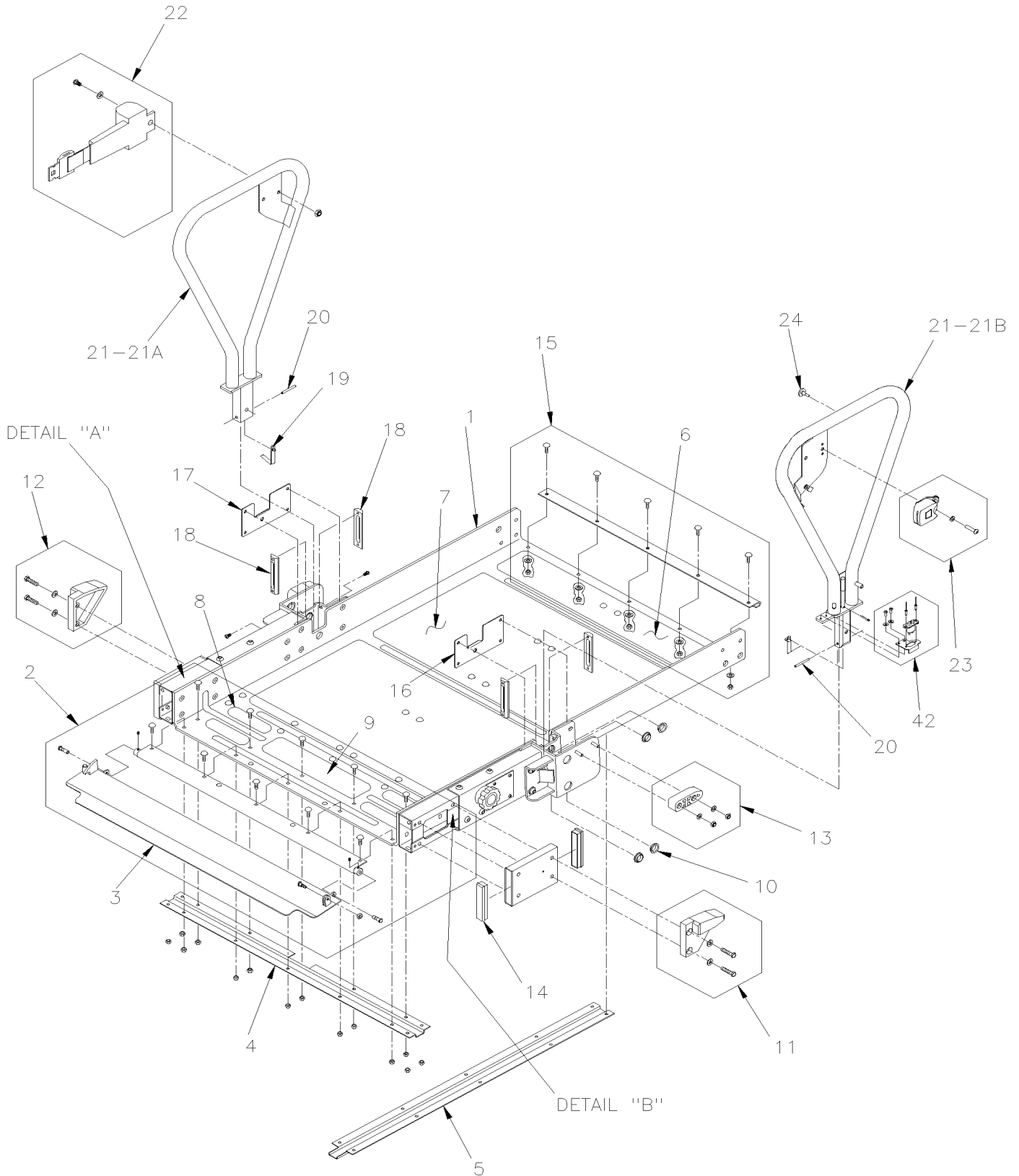
Item#	Part	Description	H 3 4 1	H 3 4 5	N O T E S
41	863031	KIT, ROLLSTOP LINKAGE	1	1	
42	19507731	KIT, ROLLSTOP GEAR	1	1	
43	863032	KIT, GEAR MOTOR MTG PLATE	1	1	
44	862117	KIT MOTOR, 24V W/HARDAWARE	1	1	
45	868153	KIT, GEAR LINKAGE	1	1	
46	863034	COVER, ROLLSTOP, RH	1	1	
47	863035	COVER PLATE, MANUAL RELEASE	1	1	
48	862210	KNOB KIT	1	1	
49	862120	BUMPER / RUBBER 1.000 O.D. x .13THK	1	1	
		O) USE WITH ORELEAN OPTION WITH WCL #860069			

From K-0185

Date:07/2024

PAGE:H9-2380-22

W.C.L. "RICON" - PLATFORM ASSY MODEL "F9TH"

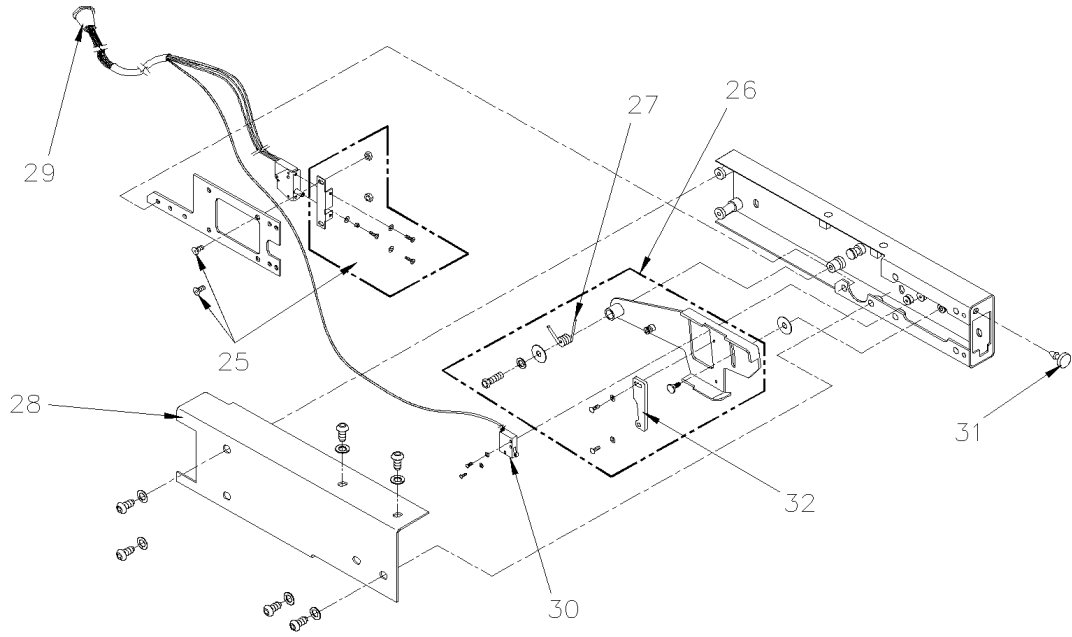


From K-0185

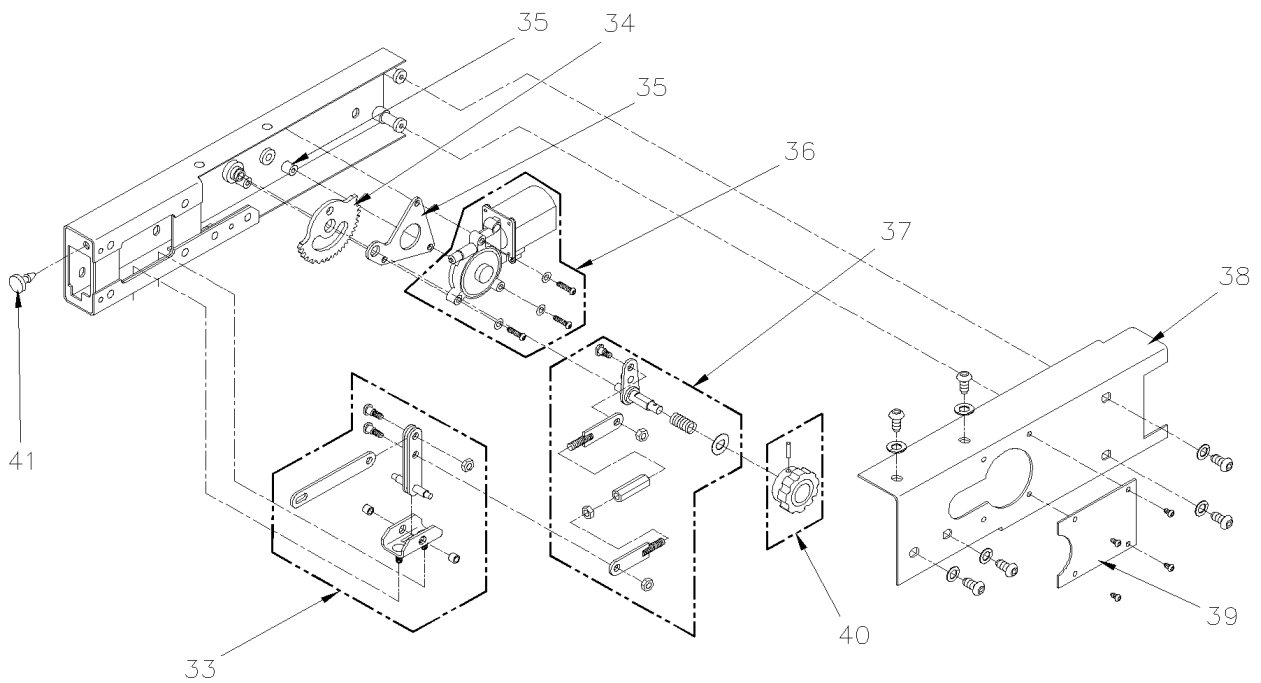
Date:07/2024

PAGE:H9-2380-22

W.C.L. "RICON" - PLATFORM ASSY MODEL "F9TH"



DETAIL A



DETAIL B

From K-0185	Date:07/2024	PAGE:H9-2380-22
W.C.L. "RICON" - PLATFORM ASSY MODEL "F9TH"		

Item#	Part	Description	H 3 4 1	H 3 4 5	NOTES
1	865627	PLATFORM	1	1	
2	863010	KIT, ROLLSTOP ASSEMBLY	1	1	
3	865634	ROLLSTOP, PAINTED	1	1	
4	865628	STIFFENER & HARNESS CONDUIT, NOTCHED	1	1	
5	865629	HARNESS CONDUIT, FRONT TO REAR	1	1	
6	863014	SAFETREAD, 3.0 X 31.0, YELLOW	1	1	
7	863015	SAFETREAD, 16.0 X 31.0, GRAY	1	1	
8	863016	SAFETY TREAD / 12.75x3.0 / SAFETY YELLOW	1	1	
9	863017	SAFETY TREAD / 5.5x1.5 / SAFETY YELLOW	4	4	
10	863018	BEARING, FLANGED, 3/4I.D. X 1/4W	1	1	
11	862114	BLOCK / PLAFORM GUIDE / RH	1	1	
12	862115	BLOCK / PLAFORM GUIDE / LH	1	1	
13	863019	KIT, PLATFORM GUIDE, REAR	2	2	
14	863020	CAP, RECTANGULAR, SNAP-IN	4	4	
15	863021	KIT, STIFFENER, PLATFORM, REAR	1	1	
16	860098	PLATE, PIN LOCK	1	1	
17	860098	PLATE, PIN LOCK	1	1	
18	863024	HANDRAIL GUIDE	4	4	
19	863618	BUTTON, HANDRAIL LOCK	2	2	
20	863026	PIN, HANDRAIL PIVOT	2	2	
21A	865136	HANDRAIL ASSY RH	1	1	
21B	865137	HANDRAIL ASSY LH	1	1	
22	864774	KIT, SAFETY BELT W/RETRACTOR	1	1	
23	864775	KIT, SAFETY BELT BUCKLE ASSEMBLY	1	1	
23	7775207	KIT, SAFETY BELT BUCKLE ASSEMBLY WITH DETECTOR	1	1	
24	862120	BUMPER / RUBBER 1.000 O.D. x .13THK	1	1	
25	863036	KIT, MOUNTING BRACKET, LIMIT SWITCH	1	1	
26	863037	KIT, ACTUATOR FOOT ASSY	1	1	
27	862121	SPRING / LH / ROLLSTOP ACTUATOR RETURN	1	1	
28	863038	COVER, ROLLSTOP, LH	1	1	
29	863039	HARNESS, W/TWO ROLLSTOP SWITCHES	1	1	
. NS	865043	. ROLLSTOP PLUNGER	1	1	
30	863040	SWITCH LIMIT, W/LEADS	1	1	
31	862120	BUMPER / RUBBER 1.000 O.D. x .13THK	1	1	
32	863041	PLATE, ACTUATOR, SWITCH	1	1	
33	863031	KIT, ROLLSTOP LINKAGE	1	1	
34	862996	KIT, ROLLSTOP GEAR	1	1	
35	863032	KIT, GEAR MOTOR MTG PLATE	1	1	
36	862117	KIT MOTOR, 24V W/HARDAWARE	1	1	
37	868153	KIT, GEAR LINKAGE	1	1	
38	868235	COVER, ROLLSTOP, RH	1	1	
39	868236	COVER PLATE, MANUAL RELEASE	1	1	

From K-0185	Date:07/2024	PAGE:H9-2380-22
-------------	--------------	-----------------

W.C.L. "RICON" - PLATFORM ASSY MODEL "F9TH"

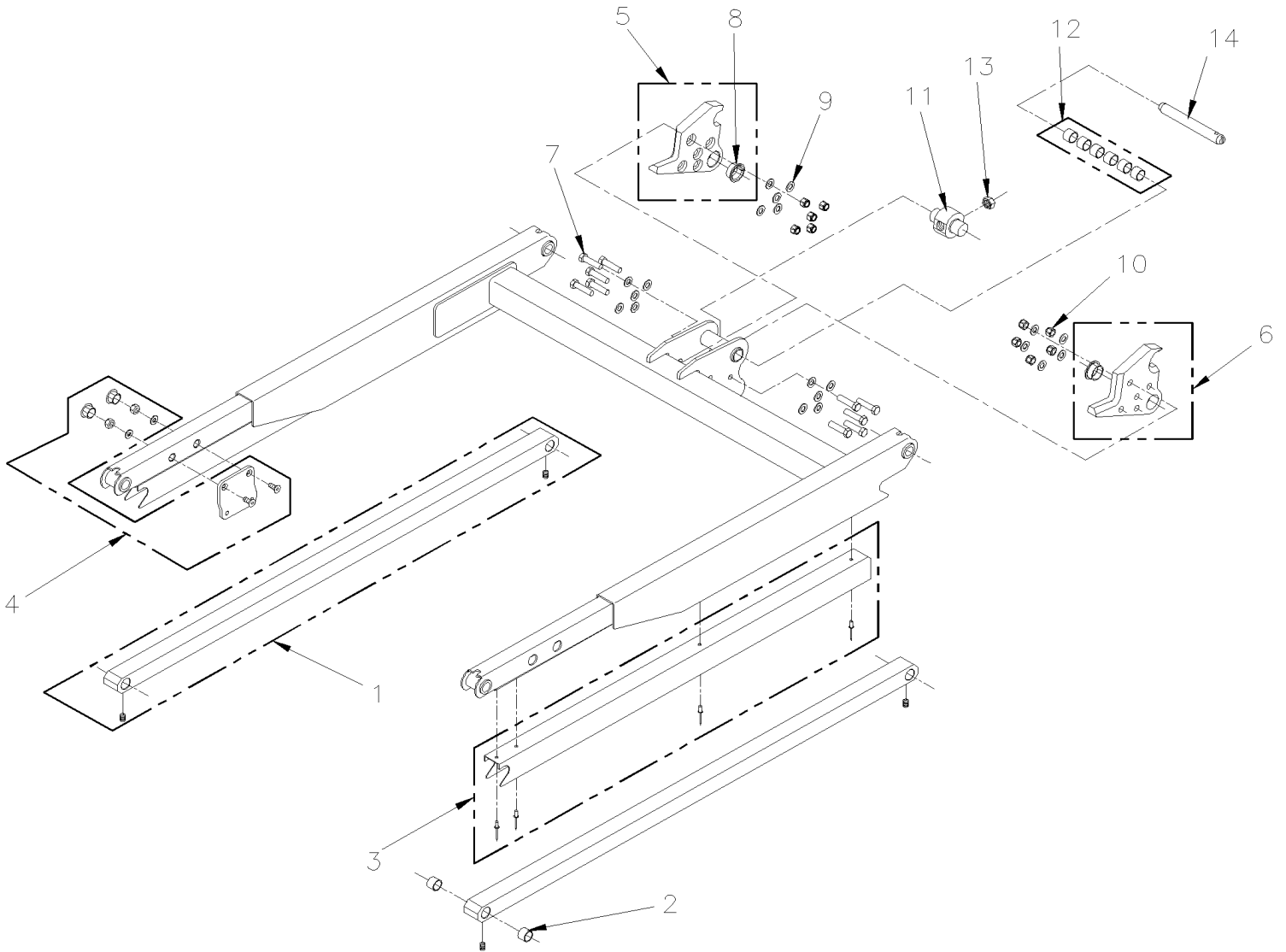
Item#	Part	Description	H 3 4 1	H 3 4 5	N O T E S
40	862210	KNOB KIT	1	1	
41	862120	BUMPER / RUBBER 1.000 O.D. x .13THK	1	1	
42	865633	KIT, CONTACT CONNECTOR, HAND RAIL ASSY	1	1	
42	868221	CONTACT BLOCK ASSY	1	1	

From K-0185

Date:07/2024

PAGE:H9-2380-31

W.C.L. "RICON" - TRAVELING FRAME ASSY MODEL "F9TF"



From K-0185	Date:07/2024	PAGE:H9-2380-31
W.C.L. "RICON" - TRAVELING FRAME ASSY MODEL "F9TF"		

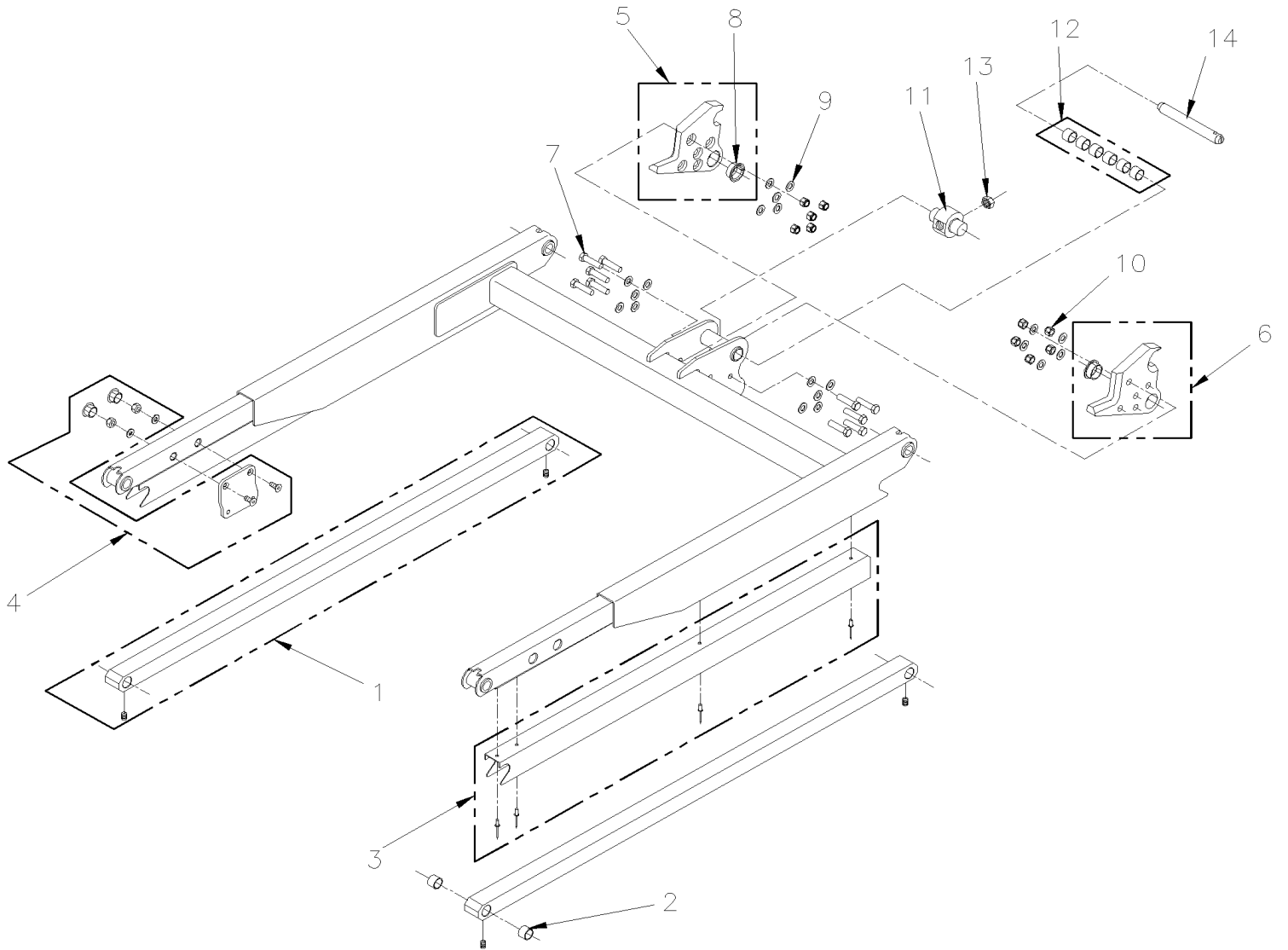
Item#	Part	Description	H 3 4 1	H 3 4 5	NOTES
1	863042	KIT, LOWER ARM	2	2	
2	863043	BUSHING, .880.D. X .75I.D. X .38	4	4	
3	863044	KIT, COVER, LOWER ARM	2	2	
4	863045	KIT, PLATE, BRIDGEPLATE ACTUATOR	2	2	
5	863046	PLATE ASSY, CLEVIS REINFORCEMENT, LH	1	1	
6	863047	PLATE ASSY, CLEVIS REINFORCEMENT, RH	1	1	
7	863048	SCREW CAP HEX 3/8-16x1 1/2 SS	1	1	
8	863049	BEARING, FLANGED, 1.00 I.D. X .75W	2	2	
9	863050	WASHER FL .40x.75x.06 SS	2	2	
10	863051	NUT, ESN, 3/8-16, SS	1	1	
11	863052	TRUNNION, SOLID PIN	1	1	
12	863053	KIT, BEARING, .75I.D. X .875O.D. X .63	1	1	
13	863054	NUT, JAM, 3/4-16	1	1	
14	863055	PIN, .75D X 6.0L	1	1	

From K-0185

Date:07/2024

PAGE:H9-2380-32

W.C.L. "RICON" - TRAVELING FRAME ASSY MODEL "F9TH"



From K-0185	Date:07/2024	PAGE:H9-2380-32
W.C.L. "RICON" - TRAVELING FRAME ASSY MODEL "F9TH"		

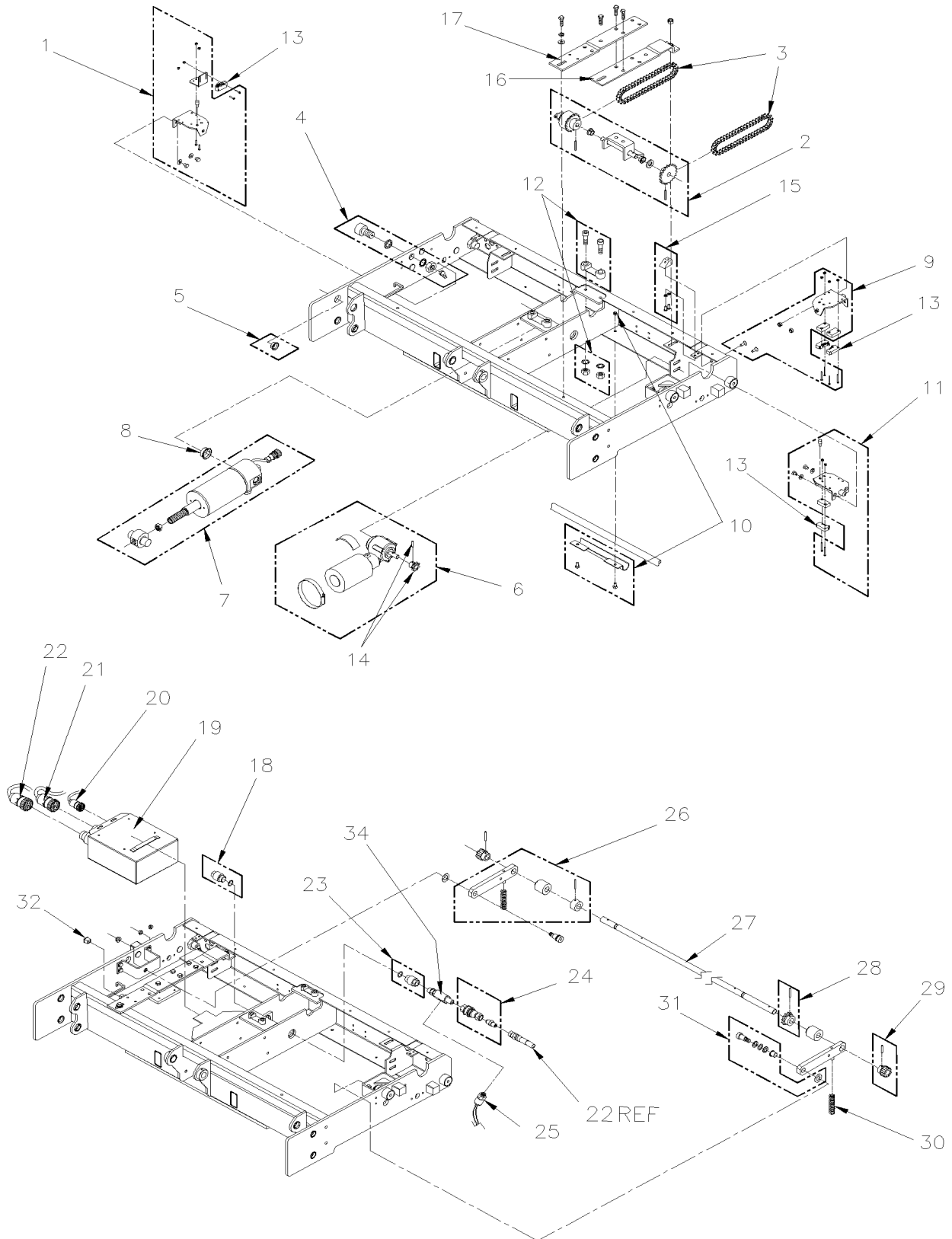
Item#	Part	Description	H 3 4 1	H 3 4 5	NOTES
1	863042	KIT, LOWER ARM	2	2	
2	863043	BUSHING, .880.D. X .75I.D. X .38	4	4	
3	868237	KIT, COVER, LOWER ARM	2	2	
4	868238	KIT, PLATE, BRIDGEPLATE ACTUATOR	2	2	
5	868239	PLATE ASSY, CLEVIS REINFORCEMENT, LH	1	1	
6	868240	PLATE ASSY, CLEVIS REINFORCEMENT, RH	1	1	
7	863048	SCREW CAP HEX 3/8-16x1 1/2 SS	1	1	
8	863049	BEARING, FLANGED, 1.00 I.D. X .75W	2	2	
9	863050	WASHER FL .40x.75x.06 SS	2	2	
10	863051	NUT, ESN, 3/8-16, SS	1	1	
11	868241	TRUNNION, SOLID PIN	1	1	
12	863053	KIT, BEARING, .75I.D. X .875O.D. X .63	1	1	
13	863054	NUT, JAM, 3/4-16	1	1	
14	868242	PIN, .75D X 6.9L	1	1	

From K-0185

Date:07/2024

PAGE:H9-2380-41

W.C.L. "RICON" - CARRIAGE ASSY MODEL "F9TF"



From K-0185		Date:07/2024	PAGE:H9-2380-41
W.C.L. "RICON" - CARRIAGE ASSY MODEL "F9TF"			

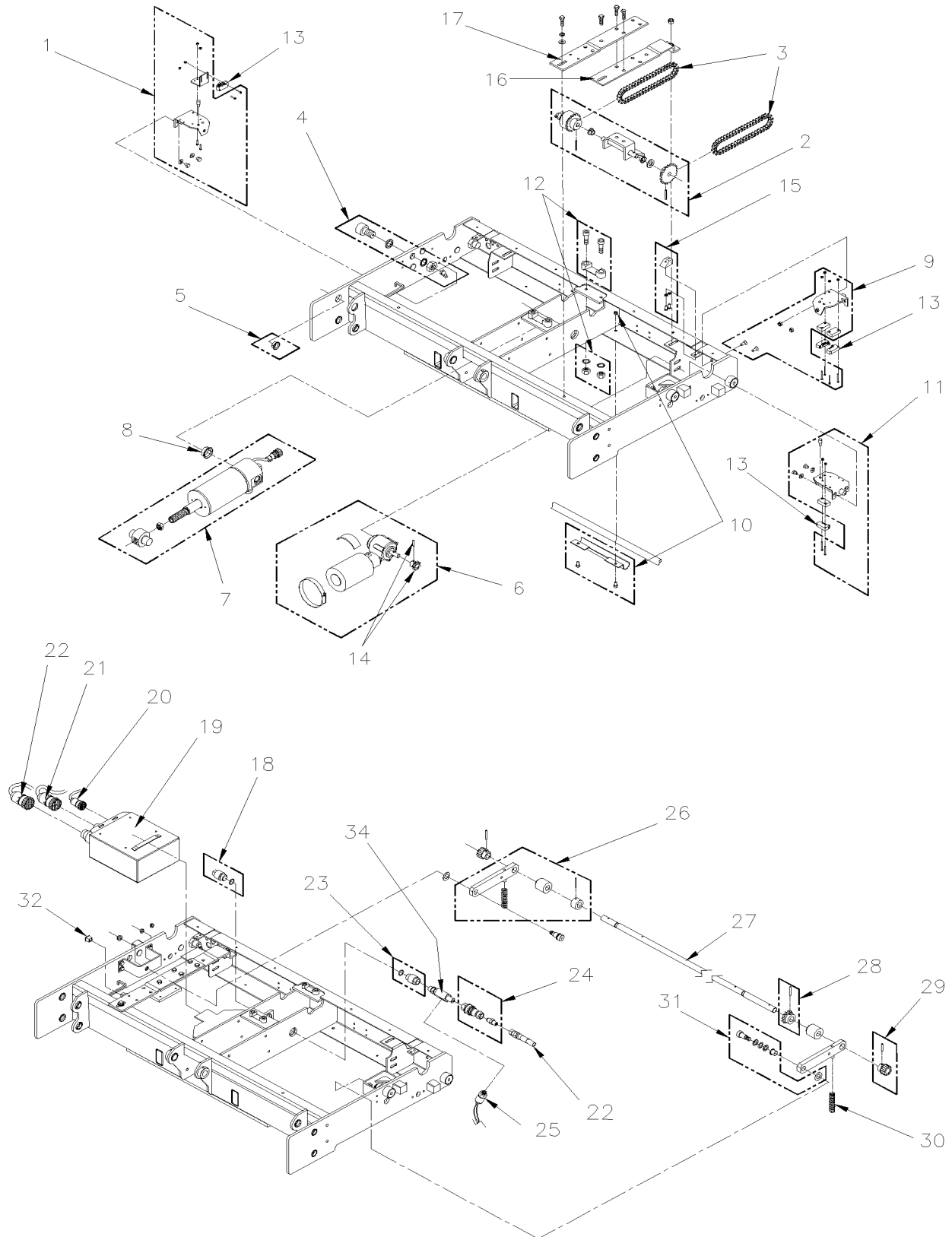
Item#	Part	Description	H 3 4 1	H 3 4 5	N O T E S
1	863056	KIT, PLATFORM RELEASE SWITCH BRACKET	1	1	
2	863057	KIT, INTERMEDIATE SHAFT ASSY	1	1	
3	863058	DRIVE CHAIN	2	2	
4	863059	KIT, CARRIAGE ROLLER, 1 1/4 O.D.	4	4	
5	863128	BEARING	1	1	
6	863060	KIT, GEAR MOTOR ASSY, 24V	1	1	
7	863061	HYDRAULIC CYLINDER ASSEMBLY	1	1	
8	863062	FLANGED BEARING, 1" I.D.B20	1	1	
9	863063	KIT, STOW SWITCH BRACKET	1	1	
10	863064	KIT, HARNESS CLAMP	1	1	
11	863065	KIT, DEPLOY SWITCH BRACKET	1	1	
12	N8892390	KIT, GUIDE BLOCKS CARRIAGE	1	1	
13	863129	LIMIT SWITCH	4	4	
14	863066	KIT, SPROCKET, 8T	1	1	
15	863067	KIT, MANUAL RELEASE RESET RAMP	2	2	
16	863068	BRACKET, IDLER SHAFT, REAR	1	1	
17	863069	BRACKET, IDLER SHAFT, FRONT	1	1	
18	863070	KIT, PIVOT CAP, HYDRAULIC CYLINDER	1	1	
19	19506358	CONTROL BOX 24V W/SOFTWARE	1	1	
19	865199	CONTROL BOX 24V W/SOFTWARE	1	1	O
20	863071	HARNESS, ELECTRICAL, HYDRAULIC CYLINDER	1	1	
21	863072	HARNESS, ELECTRICAL, CARRIAGE	1	1	
22	863073	HARNESS, ELECTRICAL, MAIN, W/HYDRAULIC LINE	1	1	
23	863074	KIT, PIVOT FITTING, HYDRAULIC CYLINDER	1	1	
24	863076	KIT, QUICK DISCONNECT FITTING	1	1	
25	863077	KIT, PRESSURE SWITCH, W/ELECTRICAL TERMINALS	1	1	
26	863078	KIT, DRIVESHAFT LINK ASSY	2	2	
27	863079	DRIVESHAFT, FINAL	1	1	
28	863080	KIT, SPROCKET, 12 TEETH	1	1	
29	863081	KIT, PINION GEAR, 18 TEETH	2	2	
30	863082	SPRING, COM, .609O.D. X 2.53	2	2	
31	863083	KIT, BUSHING ASSY, DRIVESHAFT LINK	2	2	
32	863084	DUST CAP, CONTROLLER PROGRAMMING CONNECTOR	1	1	
34	866059	MANIFOLD, HYD, PRESSURE SWITCH (PACKAGED)	1	1	
		O) USE WITH ORELEAN OPTION WITH WCL #860069			

From K-0185

Date:07/2024

PAGE:H9-2380-42

W.C.L. "RICON" - CARRIAGE ASSY MODEL "F9TH"

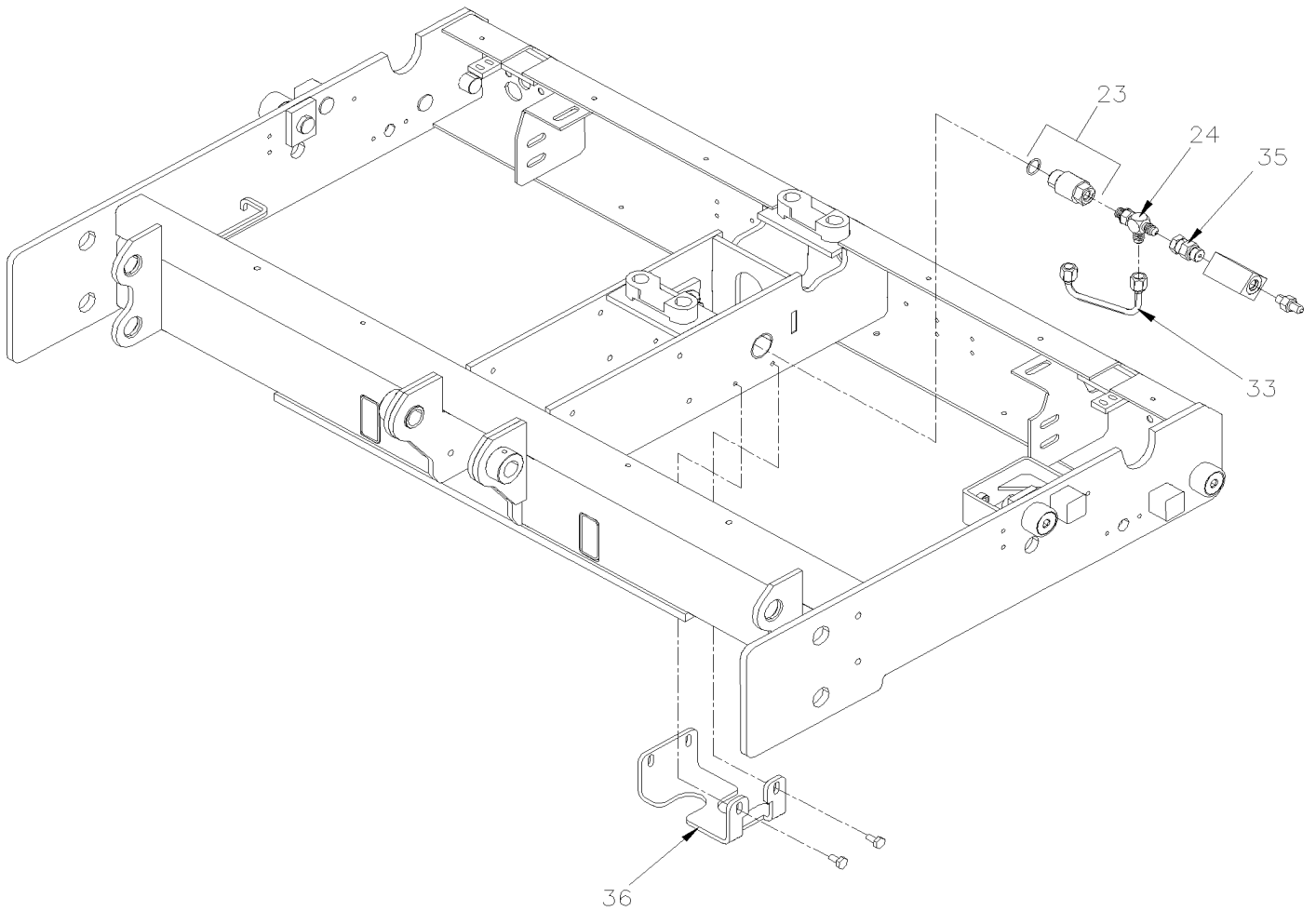


From K-0185

Date:07/2024

PAGE:H9-2380-42

W.C.L. "RICON" - CARRIAGE ASSY MODEL "F9TH"



From K-0185	Date:07/2024	PAGE:H9-2380-42
W.C.L. "RICON" - CARRIAGE ASSY MODEL "F9TH"		

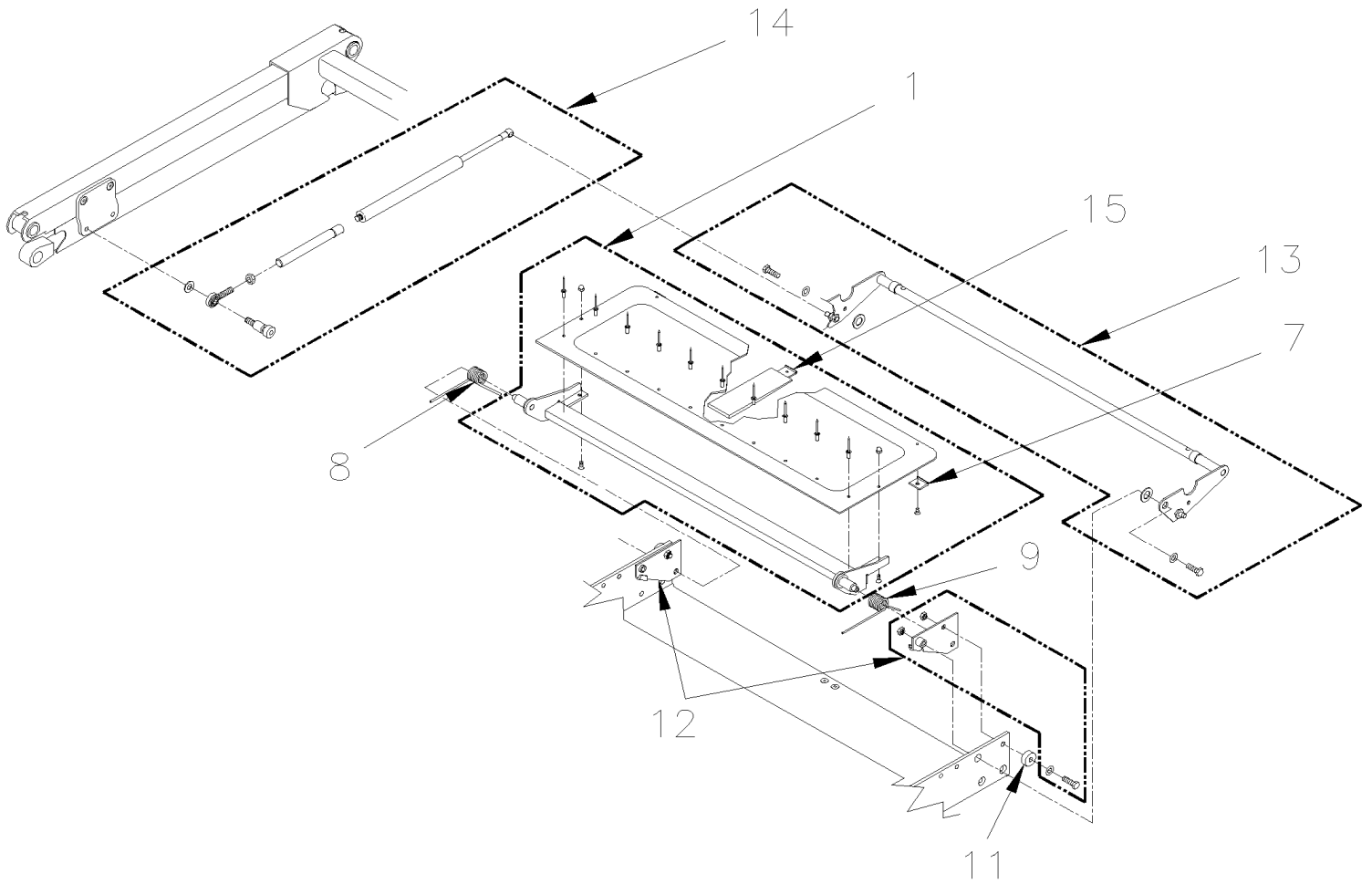
Item#	Part	Description	H 3 4 1	H 3 4 5	NOTES
1	863056	KIT, PLATFORM RELEASE SWITCH BRACKET	1	1	
2	867839	KIT, INTERMEDIATE SHAFT ASSY	1	1	
3	863058	DRIVE CHAIN	2	2	
4	863059	KIT, CARRIAGE ROLLER, 1 1/4 O.D.	4	4	
5	863128	BEARING	1	1	
6	863060	KIT, GEAR MOTOR ASSY, 24V	1	1	
7	860371	HYDRAULIC CYLINDER ASSEMBLY	1	1	
8	863062	FLANGED BEARING, 1" I.D.B20	1	1	
9	863063	KIT, STOW SWITCH BRACKET	1	1	
10	863064	KIT, HARNESS CLAMP	1	1	
11	863065	KIT, DEPLOY SWITCH BRACKET	1	1	
12	N8892390	KIT, GUIDE BLOCKS CARRIAGE	1	1	
13	863129	LIMIT SWITCH	4	4	
14	863066	KIT, SPROCKET, 8T	1	1	
15	863067	KIT, MANUAL RELEASE RESET RAMP	2	2	
16	868243	BRACKET, IDLER SHAFT, REAR	1	1	
17	868244	BRACKET, IDLER SHAFT, FRONT	1	1	
18	868245	KIT, PIVOT CAP, HYDRAULIC CYLINDER	1	1	
19	19506358	CONTROL BOX 24V W/SOFTWARE	1	1	
20	863071	HARNESS, ELECTRICAL, HYDRAULIC CYLINDER	1	1	
21	863072	HARNESS, ELECTRICAL, CARRIAGE	1	1	
22	864071	HARNESS, ELECTRICAL, MAIN, W/HYDRAULIC LINE	1	1	
23	868246	KIT, PIVOT FITTING, HYDRAULIC CYLINDER	1	1	
24	868247	KIT, QUICK DISCONNECT FITTING	1	1	
25	863077	KIT, PRESSURE SWITCH, W/ELECTRICAL TERMINALS	1	1	
26	863078	KIT, DRIVESHAFT LINK ASSY	2	2	
27	863079	DRIVESHAFT, FINAL	1	1	
28	863080	KIT, SPROCKET, 12 TEETH	1	1	
29	863081	KIT, PINION GEAR, 18 TEETH	2	2	
30	863082	SPRING, COM, .609O.D. X 2.53	2	2	
31	863083	KIT, BUSHING ASSY, DRIVESHAFT LINK	2	2	
32	863084	DUST CAP, CONTROLLER PROGRAMMING CONNECTOR	1	1	
33	868248	TUBE ASSY, RH HYDRAULIC CYLINDER CONNECTION, CAP END	1	1	
34	866059	MANIFOLD, HYD, PRESSURE SWITCH (PACKAGED)	1	1	
35	868249	FITTING 1/4ORB-Mx1/4JIC-FxSAE-4	1	1	
36	868250	BRACKET, PROTECTION, TUBE, HYDRAULIC	1	1	

From K-0185

Date:07/2024

PAGE:H9-2380-51

W.C.L. "RICON" - BRIDGE PLATE ASSY MODEL "F9TF"

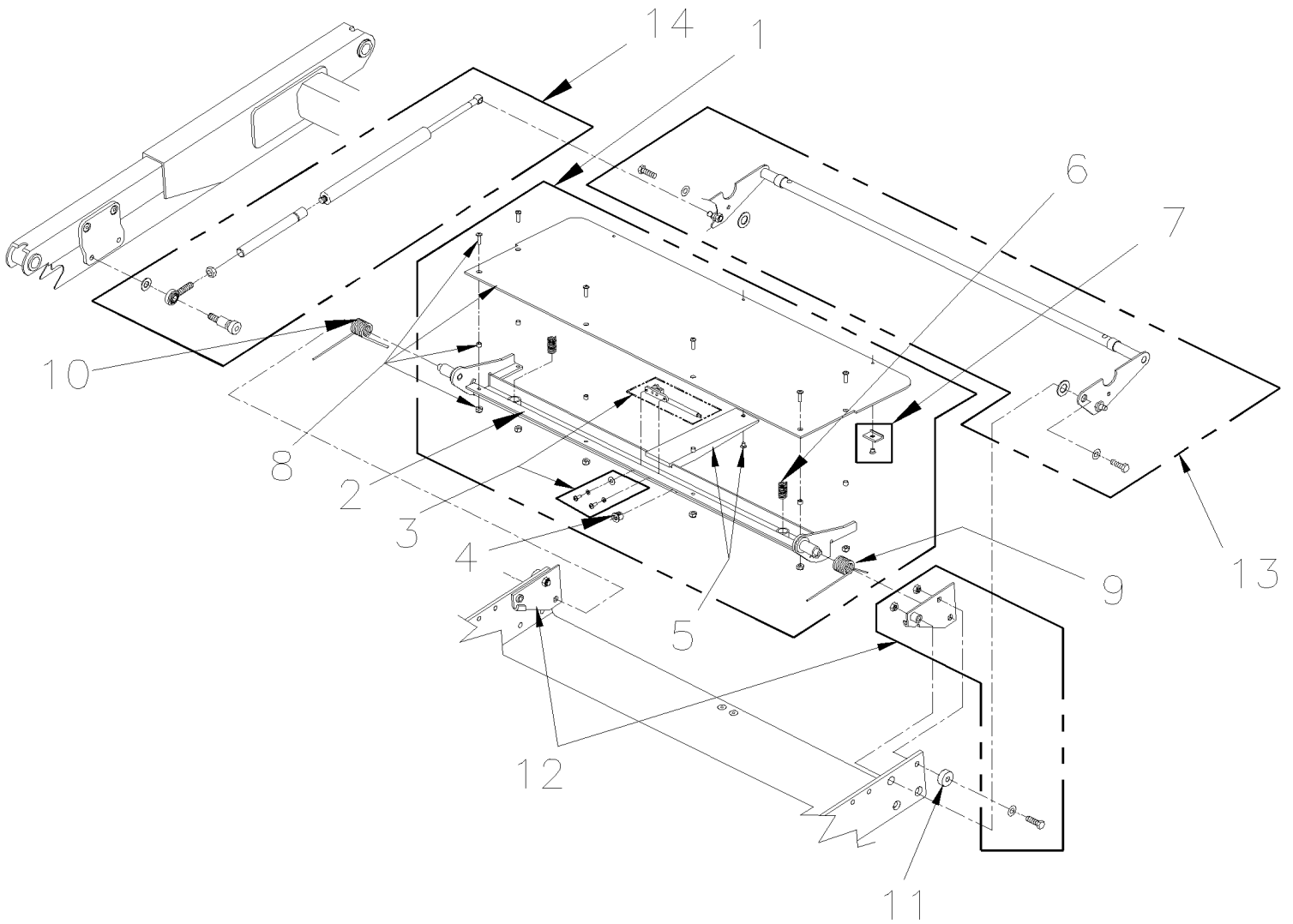


From K-0185

Date:07/2024

PAGE:H9-2380-51

W.C.L. "RICON" - BRIDGE PLATE ASSY MODEL "F9TF"



From K-0185	Date:07/2024	PAGE:H9-2380-51
W.C.L. "RICON" - BRIDGE PLATE ASSY MODEL "F9TF"		

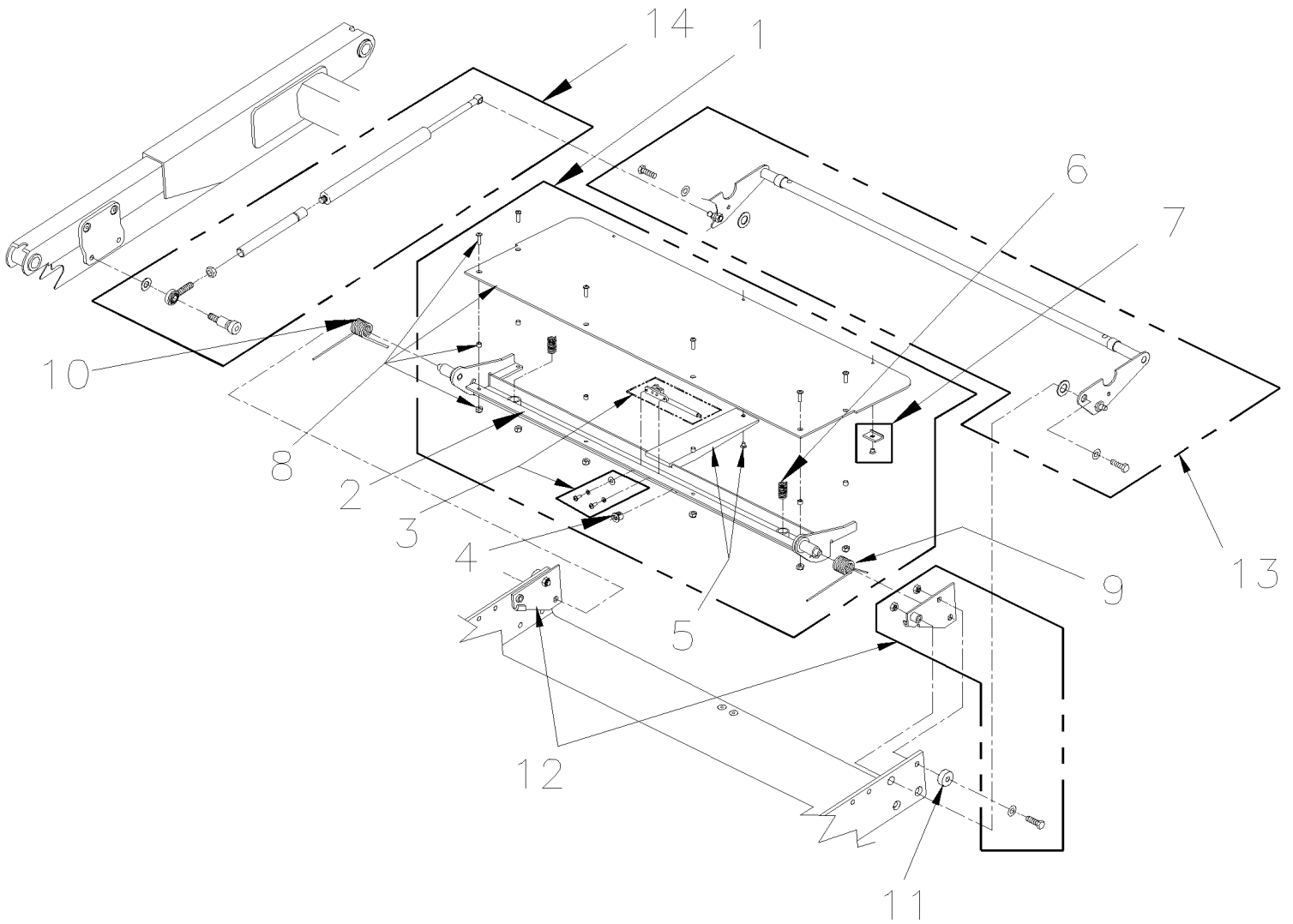
Item#	Part	Description	H 3 4 1	H 3 4 5	NOTES
1	863097	BRIDGEPLATE ASSEMBLY 9"	1	1	
1	865626	BRIDGEPLATE ASSEMBLY 11"	1	1	A
2	860228	FRAME, BRIDGEPLATE	1	1	
3	863099	KIT, SWITCH ASSEMBLY	1	1	
4	863100	BUSHING, SNAP-IN, 1/2	1	1	
5	863101	KIT, GUIDE, BRIDGEPLATE, W/SCREW	1	1	
6	863102	SPRING, COMP. SST, .48OD X .75L	2	2	
7	863103	SKID, BRIDGEPLATE BRACKET	2	2	
8	863104	KIT, PLATE, BRIDGEPLATE	1	1	
9	863105	SPRING, BRIDGEPLATE RETURN, RH	1	1	
10	863106	SPRING, BRIDGEPLATE RETURN, LH	1	1	
11	863107	BUSHING .75x.32x.38	1	1	
12	863108	KIT, MOUNTING BRACKETS, LH AND RH	1	1	
13	863109	KIT, STIRRUP ASSEMBLY	1	1	
14	863110	KIT, ACTUATOR ROD ASSEMBLY, BRIDGEPLATE	2	2	
		A) USE WITH WHEEL CHAIRE LIFT F9TF-DE019			

From K-0185

Date:07/2024

PAGE:H9-2380-52

W.C.L. "RICON" - BRIDGE PLATE ASSY MODEL "F9TH"



From K-0185	Date:07/2024	PAGE:H9-2380-52
W.C.L. "RICON" - BRIDGE PLATE ASSY MODEL "F9TH"		

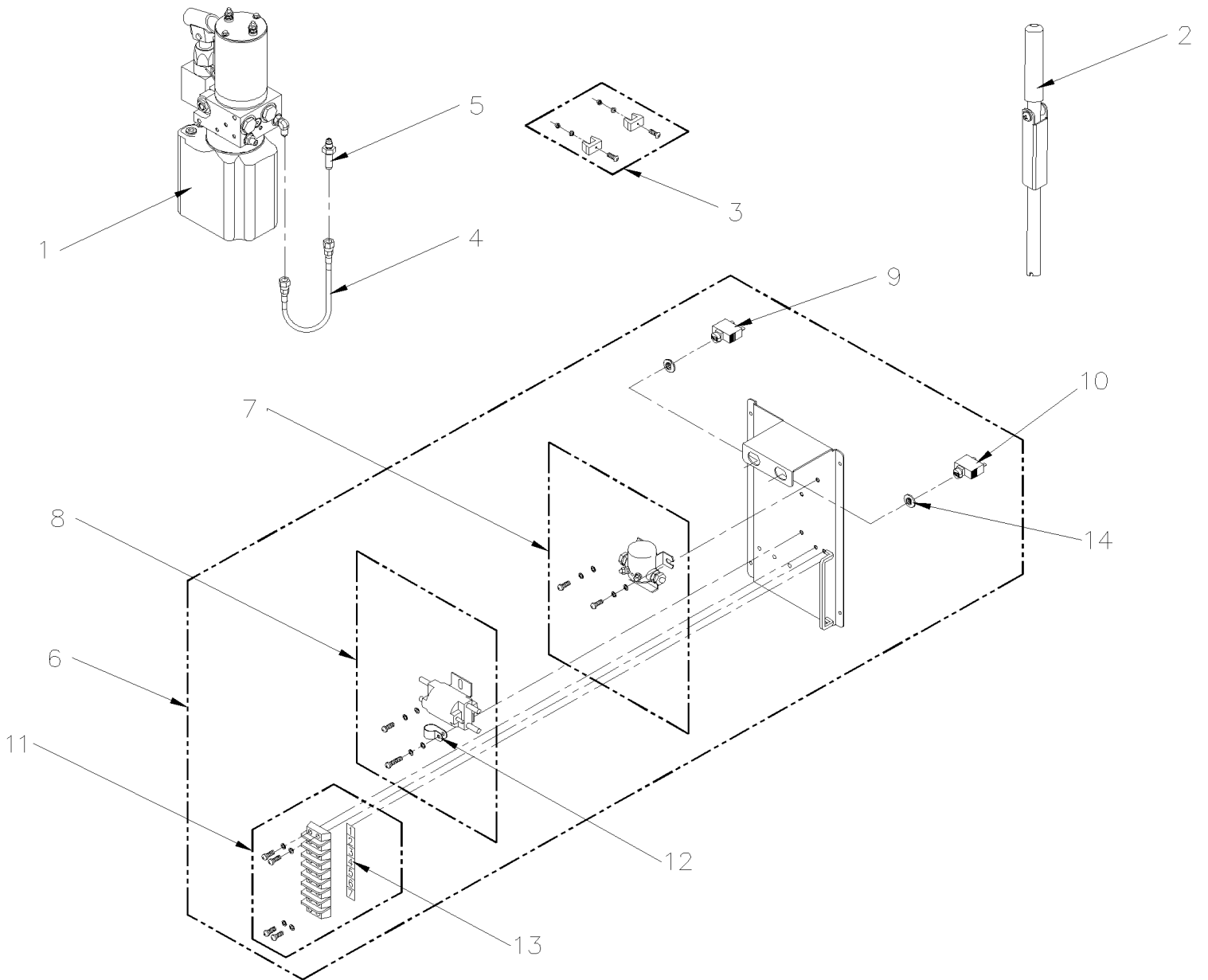
Item#	Part	Description	H 3 4 1	H 3 4 5	NOTES
1	863097	BRIDGEPLATE ASSEMBLY 9"	1	1	
1	865626	BRIDGEPLATE ASSEMBLY 11" OPTION	1	1	A
2	860228	FRAME, BRIDGEPLATE	1	1	
3	863099	KIT, SWITCH ASSEMBLY	1	1	
4	863100	BUSHING, SNAP-IN, 1/2	1	1	
5	863101	KIT, GUIDE, BRIDGEPLATE, W/SCREW	1	1	
6	863102	SPRING, COMP. SST, .48OD X .75L	2	2	
7	863103	SKID, BRIDGEPLATE BRACKET	2	2	
8	863104	KIT, PLATE, BRIDGEPLATE	1	1	
9	863105	SPRING, BRIDGEPLATE RETURN, RH	1	1	
10	863106	SPRING, BRIDGEPLATE RETURN, LH	1	1	
11	863107	BUSHING .75x.32x.38	1	1	
12	863108	KIT, MOUNTING BRACKETS, LH AND RH	1	1	
13	863109	KIT, STIRRUP ASSEMBLY	1	1	
14	863110	KIT, ACTUATOR ROD ASSEMBLY, BRIDGEPLATE	2	2	
		A) USE WITH WHEEL CHAIRE LIFT F9TF-DE019			

From K-0185

Date:07/2024

PAGE:H9-2380-61

W.C.L. "RICON" - PUMP INSTALLATION MODEL "F9TF"



From K-0185	Date:07/2024	PAGE:H9-2380-61
W.C.L. "RICON" - PUMP INSTALLATION MODEL "F9TF"		

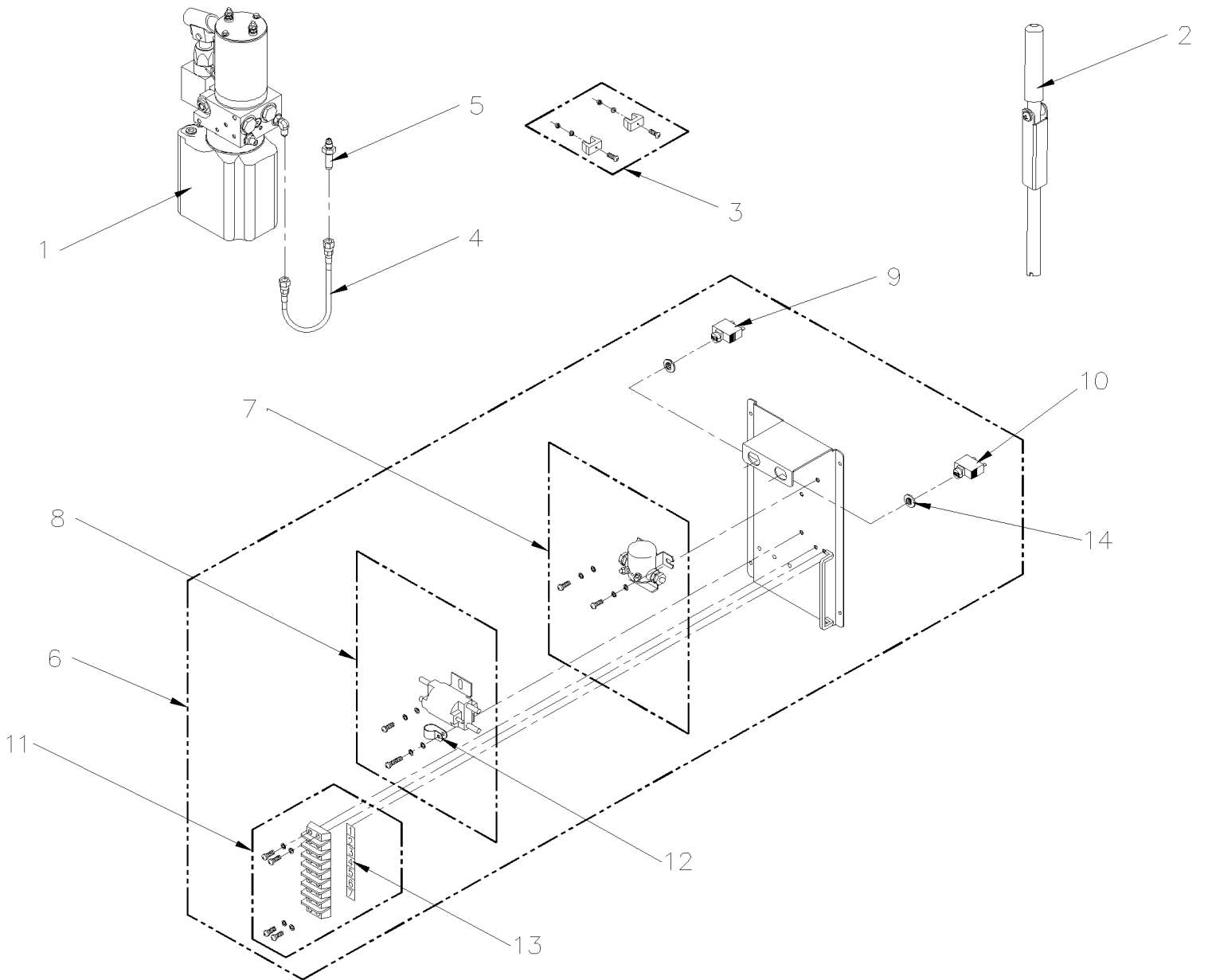
Item#	Part	Description	H 3 4 1	H 3 4 5	N O T E S
1	H9-2380-66	W.C.L. "RICON" - PUMP ASSY MODEL "F9TF"			
2	464678	HANDLE-MANUAL BACKUP PUMP	1	1	
3	868251	TOOL CLIP	1	1	
4	19509909	HOSE ASSY 1/4JIC x 11"	1	1	
5	863086	FITTING, BUN, 1/4J, 2.08L	1	1	
6	563370	POWER PLATE ASSY "RICON"	1	1	
6	863087	KIT, SOLENOID PLATE ASSY, 24VDC	1	1	
7	862100	SOLENOID / SP 24V	1	1	
8	862101	SOLENOID-24V DP LARGE	1	1	
9	862102	CIRCUIT BREAKER / 8AMP	1	1	
10	862103	CIRCUIT BREAKER / 30AMPS	1	1	
11	863088	KIT, TERMINAL STRIP	1	1	
12	863089	CLAMP, NYLON, 3/8" BLACK	1	1	
13	863090	DECAL "TERMINAL STRIP NUMBERS"	1	1	
14	863091	ADAPTOR .625 D-HOLE	1	1	

From K-0185

Date:07/2024

PAGE:H9-2380-62

W.C.L. "RICON" - PUMP INSTALLATION MODEL "F9TH"



From K-0185	Date:07/2024	PAGE:H9-2380-62
W.C.L. "RICON" - PUMP INSTALLATION MODEL "F9TH"		

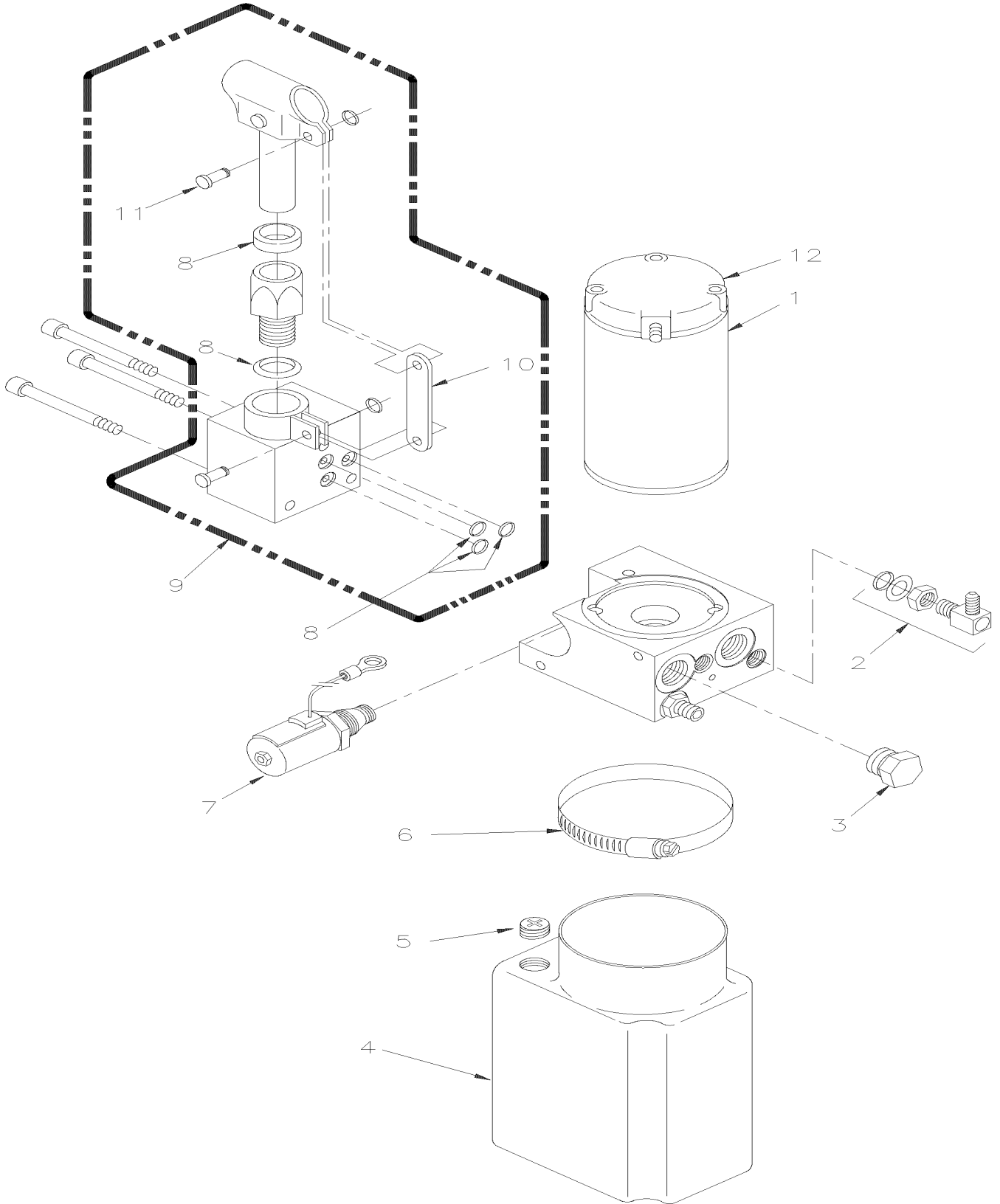
Item#	Part	Description	H 3 4 1	H 3 4 5	N O T E S
1	H9-2380-67	W.C.L. "RICON" - PUMP ASSY MODEL "F9TH"			
2	464678	HANDLE-MANUAL BACKUP PUMP	1	1	
3	868251	TOOL CLIP	1	1	
4	863085	HOSE ASSY 13 3/4"	1	1	
5	863086	FITTING, BUN, 1/4J, 2.08L	1	1	
6	868252	KIT, SOLENOID PLATE ASSY, 24VDC	1	1	
7	862100	SOLENOID / SP 24V	1	1	
8	862101	SOLENOID-24V DP LARGE	1	1	
9	862102	CIRCUIT BREAKER / 8AMP	1	1	
10	862103	CIRCUIT BREAKER / 30AMPS	1	1	
11	863088	KIT, TERMINAL STRIP	1	1	
12	863089	CLAMP, NYLON, 3/8" BLACK	1	1	
13	863090	DECAL "TERMINAL STRIP NUMBERS"	1	1	
14	863091	ADAPTOR .625 D-HOLE	1	1	

From K-0185

Date:07/2024

PAGE:H9-2380-66

W.C.L. "RICON" - PUMP ASSY MODEL "F9TF"



From K-0185	Date:07/2024	PAGE:H9-2380-66
W.C.L. "RICON" - PUMP ASSY MODEL "F9TF"		

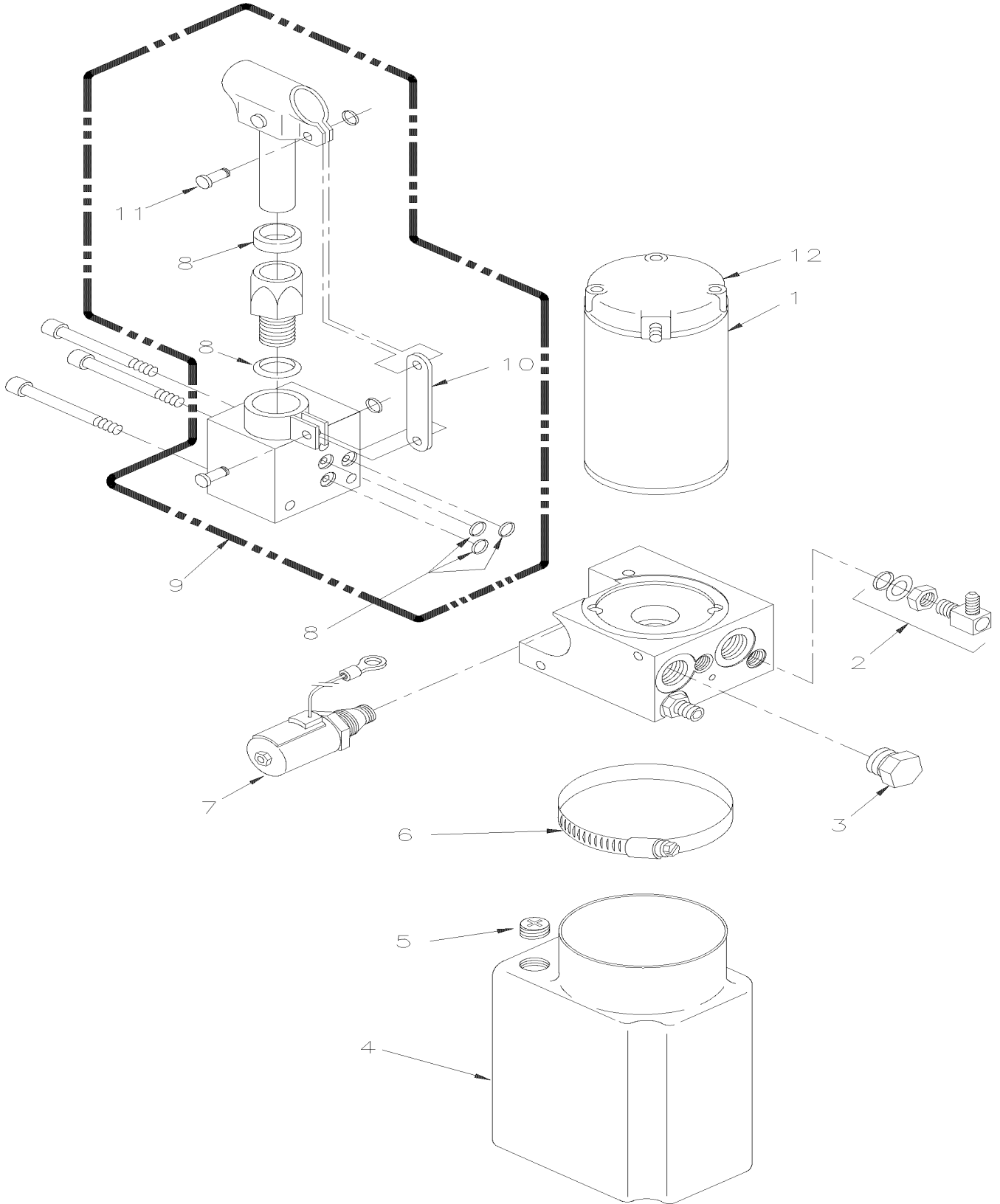
Item#	Part	Description	H 3 4 1	H 3 4 5	NOTES
	863112	PUMP ASSY 2.0 KPSI / 24V	1	1	
1	862104	. MOTOR ASSY. / 24V 3" MONARCCH PUMP	1	1	
2	868147	. FITTING / "L" 1/4 SAE O-RING BOSS 1/4 JIC	1	1	
3	860122	. PLUG / 3/4-16 CAVITY / W/O-RING	2	2	
4	863092	. RESERVOIR / RICON POWER UNIT / PLASTIC	1	1	
5	863095	. PLUG, BREATHER, RESERVOIR	1	1	
5	865625	. WASHER, RUBBER 1"O.D.x5/8" I.D.x1/8"	1	1	
6	863096	. CLAMP, RESERVOIR	1	1	
7	862106	. HYD. POPPET VALVE ASSY. / 24V DELTROL	1	1	
8	862107	. SEAL KIT / MANUAL BACK-UP PUMP	1	1	
9	863093	. BACK-UP PUMP ASSY, MANUAL W/O HANDLE	1	1	
10	868253	. BRACKET / TENSION LINK / MANARCH PUMP	1	1	
11	868254	. PIN & RETAINING RING-BACKUP PUMP	2	2	
12	862108	. KIT / PUMP MOTOR BRUSH SET	1	1	
NS	685682	. OIL HYDRAULIC W.C.L. (19 LITERS)	1	1	

From K-0185

Date:07/2024

PAGE:H9-2380-67

W.C.L. "RICON" - PUMP ASSY MODEL "F9TH"



From K-0185	Date:07/2024	PAGE:H9-2380-67
W.C.L. "RICON" - PUMP ASSY MODEL "F9TH"		

Item#	Part	Description	H 3 4 1	H 3 4 5	NOTES
	863112	PUMP ASSY 2.0 KPSI / 24V	1	1	
1	863126	. MOTOR ASSY. / 24V	1	1	
2	868147	. FITTING / "L" 1/4 SAE O-RING BOSS 1/4 JIC	1	1	
3	860122	. PLUG / 3/4-16 CAVITY / W/O-RING	2	2	
4	863092	. RESERVOIR / RICON POWER UNIT / PLASTIC	1	1	
5	863095	. PLUG, BREATHER, RESERVOIR	1	1	
NS	865625	. WASHER, RUBBER 1"O.D.x5/8" I.D.x1/8"	1	1	
6	504235	. HOSE CLAMP / 3"9/16"-4"1/2 SS / HS-64	1	1	
7	862106	. HYD. POPPET VALVE ASSY. / 24V DELTROL	1	1	
8	862107	. SEAL KIT / MANUAL BACK-UP PUMP	1	1	
9	863093	. BACK-UP PUMP ASSY, MANUAL W/O HANDLE	1	1	
10	868253	. BRACKET / TENSION LINK / MANARCH PUMP	1	1	
11	868254	. PIN & RETAINING RING-BACKUP PUMP	2	2	
12	863127	. KIT / PUMP MOTOR BRUSH SET	1	1	
NS	685682	OIL HYDRAULIC W.C.L. (19 LITERS)	1	1	

ABBREVIATIONS

Item#	Part	Description	QTY	Notes
A	ABS	ANTILOCK BRAKING SYSTEM		
A	ADH1	ONE SIDE ADHESIVE		
A	ADH2	TWO SIDE ADHESIVE		
A	AR	AS REQUIRED		
A	ASSY	ASSEMBLY		
B	BDG	BINDING		
B	BEL	BELLEVILLE		
B	BOW	BOWED		
B	BR	BRASS		
B	BRAZ	BRAZIER		
B	BRZ	BRONZE		
B	BUT	BUTTON		
B	BZC	BRIGHT ZINC CHROMATE		
C	C.E.	COMMUTATOR END		
C	C.T.	CONSTANT TORQUE		
C	C/C	CENTER/CENTER		
C	CC	CLOSED CELL		
C	CCW	COUNTERCLOCKWISE		
C	CEB	CUFF END BELLOW		
C	CHE	CHEESE		
C	CHR	CHROME		
C	CHY	CHERRY		
C	CK	COUNTERSUNK		
C	CKD	CLOSED KEYED		
C	CKF	COUNTERSUNK FLUSH		
C	CKS	CLOSED KEYLESS		
C	CLE	CLOSE END		
C	CON	CONCAVE		
C	CONV	CONVOLUTED TUBING		
C	COP	COPPER		
C	CP	CADMIUM PLATED		
C	CPG	COUPLING		
C	CPV	CAPTIVE		
C	CRG	CARRIAGE		
C	CRS	COLD ROLLED STEEL		
C	CSL	CASTLE		
C	CT	CONSTANT TORQUE		
C	CW	CLOCKWISE		
C	CYL.	CYLINDER		
D	D.E.	DRIVE END		
D	D.P.D.T.	DOUBLE POLE DOUBLE THROW		
D	DIA.	DIAMETER		
D	DIFF	DIFFERENTIAL		
D	DOB	DIAMETER OVER BALLS		
D	DR	DRILL		
D	DRV	DRIVE		
D	DW	DOUBLE WAVE		
E	ECU	ELECTRONIC CONTROL UNIT		
E	EFF	EFFECTIVE		
E	EMN	EMRALON		

ABBREVIATIONS

Item#	Part	Description	QTY	Notes
E	ENG.	ENGINE		
E	EXT	EXTERNAL		
F	F	FEMALE		
F	FER	FERRULE		
F	FFB	FLAT FACE BOWED		
F	FH	FITTING HOSE		
F	FIB	FIBER		
F	FIL	FILLISTER		
F	FL	FLAT		
F	FLRET	FLOATING RETAINER		
F	FN	FINISHING		
F	FORM	FORMICA		
F	FRT	FRONT		
F	FT	FULLY THREADED		
G	G500	MAGNI 565 GRAY / 500 HOURS SALT SPRAY		
G	GAL	GALVANISED		
G	GND	GROUND		
H	H.P.	HIGH PRESSURE		
H	HD	HEAVY DUTY		
H	HEX	HEXAGONAL		
H	HEXF	HEXAGONAL FLANGE		
H	HEXH	HEXAGONAL HEAVY		
H	HEXS	HEXAGONAL SOCKET		
H	HEXW	HEXAGONAL WASHER		
H	HI	HIGH		
H	HK	HOOK		
H	HRS	HOT ROLLED STEEL		
H	HVAC	HEATING, VENTILATION & AIR CONDITIONING		
H	HYD	HYDRAULIC		
I	I.D.	INSIDE DIAMETER		
I	INS	INSERT		
I	INT	INTERNAL		
J	JCT	JUNCTION		
L	L.P.	LOW PRESSURE		
L	LED	LIGHT-EMITTING DIODE		
L	LGE	LARGE		
L	LH	LEFT HAND		
L	LO	LOCK		
L	LUGG.	LUGGAGE		
M	M	MALE		
M	M & F	MALE & FEMALE		
M	MA	MACHINE		
M	MAX	MAXIMUM		
M	MGLP	MAGNA-LOK		
M	MIN	MINIMUM		
M	MNB	MONOBOLT		
M	MNL	MONEL		
N	N.C.	NORMALY CLOSE		
N	N.O.	NORMALY OPEN		
N	N.P.N.	NO PARTS NUMBER		

ABBREVIATIONS

Item#	Part	Description	QTY	Notes
N	N.S.P.	NOT SOLD AT PREVOST		
N	N.S.S.	NOT SOLD SEPARATELY		
N	N/A	NOT AVAILABLE		
N	N500	MAGNI 565 BLACK / 500 HOURS SALT SPRAY		
N	NEG.	NEGATIVE		
N	NEO	NEOPRENE		
N	NERB	NEOPRENE & BRASS		
N	NIT	NITRILE		
N	NP	NICKEL PLATED		
N	NPT	NATIONAL PIPE THREAD		
N	NS	NOT SHOWN		
N	NYAL	NYLON & ALUMINIUM		
N	NYL	NYLON		
N	NYRT	NYLON INSERT		
O	O.D.	OUTSIDE DIAMETER		
O	O.S.	OVERSIZE		
O	OE	OPEN END		
O	OKD	OPEN KEYED		
O	OKS	OPEN KEYLESS		
O	OPT.	OPTION		
O	OV	OVAL		
P	PH	PHILIPS		
P	PHB	PHOSPHOR BRONZE		
P	PHC	PHOSPHATE COATING		
P	PLAS	PLASTIC		
P	PLEX	PLEXIGLASS		
P	PO	PUSH-ON		
P	POL	POLYETHYLENE		
P	POLCAR	POLYCARBONATE		
P	POLY	POLYPROPYLENE		
P	POLYA	POLYAMIDE		
P	POLYP	POLYPROPYLENE		
P	POS.	POSITIVE		
P	PRDG	PROTRUDING		
P	PROT	PROTECTIVE		
P	PT	PARTIALLY THREADED		
R	RBP	RUBBER BUMPER		
R	RCT	RECEPTACLE		
R	REC	RECTANGULAR		
R	RES	RECESS		
R	RET	RETANING / RETAINER		
R	RH	RIGHT HAND		
R	RND	ROUND		
R	RR	REAR		
R	RUB	RUBBER		
R	RVT	RIVET		
S	S.C.C.	SPECIFY COLOR CODE		
S	S.D.	SPECIFY DIMENSION		
S	S.L.	SPECIFY LENGHT		
S	S.P.D.T	SINGLE POLE DOUBLE THROW		

ABBREVIATIONS

Item#	Part	Description	QTY	Notes
S	S.P.S.T	SINGLE POLE SINGLE THROW		
S	SB	SATIN BLEND		
S	SCT	SECTION		
S	SERR	SERRATED		
S	SG	SPRING GUARD		
S	SHR	SHOULDER		
S	SLE	SLEEVE		
S	SLO	SELF LOCKING		
S	SLT	SLOTTED		
S	SM	SMALL		
S	SOL	SOLID		
S	SPE	SPECIAL		
S	SPR	SPRING		
S	SPT	SPLIT		
S	SQ	SQUARE		
S	SQS	SQUARE SOCKET		
S	SS	STAINLESS STEEL		
S	STD	STANDARD		
S	STL	STEEL		
S	STO	STOVER		
S	SW	SWIVEL		
S	SWL FITT.	SWIVEL FITT		
T	TC	THREAD CUTTING		
T	TH	THICKNESS		
T	TP	TAPPING		
T	TPG	TAPPING		
T	TR	TRUSS		
T	TRANS.	TRANSMISSION		
T	TWAY	TWO WAY LOCK		
T	TXV	THERMAL EXPANSION VALVE		
U	U.S.	UNDERSIZE		
V	VAC	VEHICLE ACCELERATION CONTROL		
W	W	WITH		
W	W.S.	WAVE SEAL		
W	W/O	WITHOUT		
W	WD	WELDED		
W	WIND.	WINDOW		
W	WO	WOOD		
W	WOC	WITHOUT CERAMIC		
X	XX-XXXX-XX	SEE PAGE		
Y	YZP	YELLOW ZINC PLATED		
Z	Z050	ZINC PLATED		
Z	ZG603	ZINC IRON BLACK		
Z	ZP	ZINC PLATED		
N	N_A	NOT AVAILABLE		
W	W_O	WITHOUT		
C	C_C	CENTER/CENTER		
A	ABBREVIATIC	ABBREVIATIONS		