

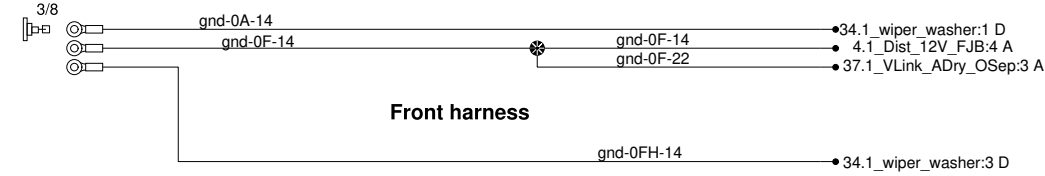
****Ground distribution:****

0-Electric gnd
00- Electronic Gnd

A-Dash - Lh console harness
F-Front junction box harness
FH-Front harness
R-Rear junction box harness
FR-Front to rear

Chassis ground distribution

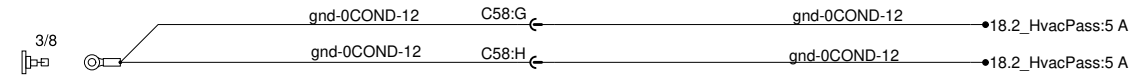
Front GND stud



Dash harness

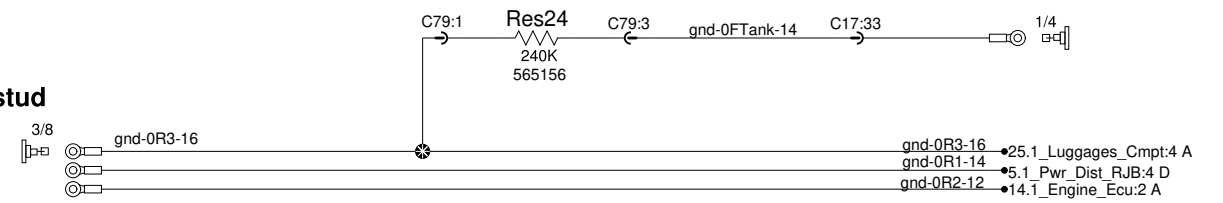
Front harness

Condensor cmpt. stud

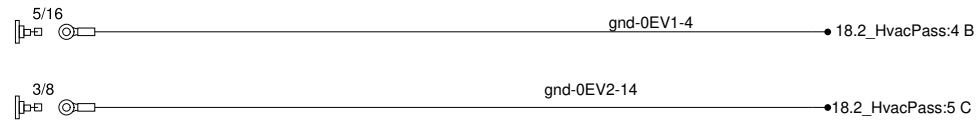


Fuel tank ground stud

RJB stud



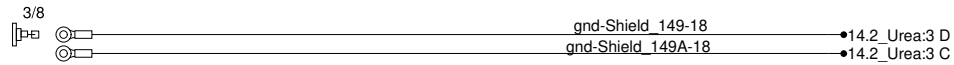
Evaporator cmpt. stud



RJB Stud AFSS GND



Urea cmpt. stud



Front radiator stud

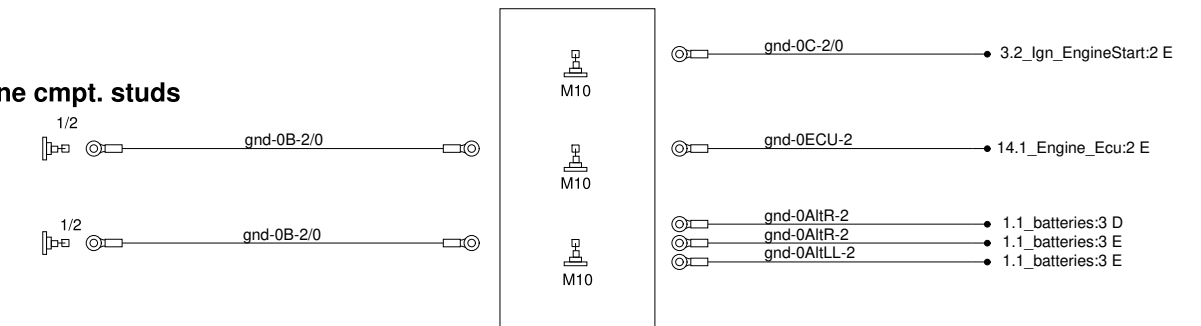


Rear radiator stud



Engine studs

Engine cmpt. studs



Luggage chassis stud

