

Warranty Bulletin

WB24-87

Date	Expiration	Group	No.	Page
03.2025	03.2026			1(22)

First Release

03-18-2025

DVD PLAYER INSTALLATION
9700 (B13R)

MODEL YEAR(S) AND VEHICLE SERIAL NUMBERS (VIN) INVOLVED

NOTICE TO SERVICE CENTERS <i>Verify vehicle eligibility by checking warranty bulletin status with SAP or via ONLINE WARRANTY SYSTEM available on Service / Warranty tab of PrevoSt website.</i>	
Model	VIN
Volvo 9700 US/CAN Model Year: 2023 - 2024	From 3CET2W427P <u>5212364</u> up to 3CET2W424R <u>5216116</u> incl.
This bulletin does not necessarily apply to all the above-mentioned vehicles, some vehicles may have been modified before delivery. The owners of the vehicles affected by this bulletin will be advised by a letter indicating the Vehicle Identification Number (VIN) of each vehicle concerned.	

DESCRIPTION

On the vehicles affected by this bulletin, follow the procedure and the connection diagram in the appendix to correctly install the DVD player.

MATERIAL

Order kit **WB24-87** which contains the following parts:

Part No.	Description	Qty
901436	DVD PLAYER, REI	1
900031	CABLE HDMI E 3'	1
406361	SUPPORT 3 RADIO/DVD	1
901567	CONVERTER HDMI-COMPOSITE 12/24V	1
901565	HARNESS, AUDIO BETWEEN CONV AND DVD	1
901079	CABLE - DVD POWER ADAPTER	1
7775435	PRE-AMPLIFIER 12/24V	1
7775434	CABLE HDMI-E F TO LOCKING M 14"	1
562652	RCA ADAPTOR FEMALE-FEMALE	2
900777	CONNECTOR BNC PLUG TO RCA ADAPTOR	1
563071	CONNECTOR MINI FIT, 4 SOCKET HOUSING SQUARE	2
562463	SOCKET TERMINAL MOLEX 24-18 AWG	4
563061	IN-LINE FUSE HOLDER ATO	1

Warranty Bulletin

WB24-87

Date Expiration Group No. Page
03.2025 03.2026 2(22)

562259	ATO BLADE FUSE 5A	1
561258	WIRE CABLE 18 AWG, GXL, RED	25
561261	WIRE CABLE 18 AWG, GXL, BLACK	25
562935	BUTT SPLICE 22-18 AWG	5
504637	CABLE TIE, NYLON	30
502868	THREAD CUTTING SCREW TR PH N500 #10-16 X 1/2	4
500855	WASHER FL N500 .188X.438X.049 (M4,#10)	4
5001155	SCREW TP PAN PH N050 #8X3/4	3
952631	P-CLAMP STL ZP RUB 19 ID	1

Order one of the following parts. **Note that these two parts are interchangeable. Order only one with kit WB24-87, depending on availability:**

Part No	Description	Qty
7772131	RCA CABLE 25' TRIPLE MALE-MALE (YELLOW, WHITE, RED)	1

OR

Part No	Description	Qty
7772134	RCA CABLE 30' TRIPLE MALE-MALE (RED, GREEN, BLUE)	1

<i>NOTE</i>
<i>Material can be obtained through regular channels.</i>

REQUIRED TOOLS

<p>CRIMPING TOOL</p> 	<p>FISH TAPE</p> 
<p>WIRE STRIPPER</p> 	<p>ELECTRICAL TAPE</p> 
<p>HEAT GUN</p> 	<p>LOCTITE THREADLOCKER BLUE</p> 

PROCEDURE



DANGER

Park vehicle safely, apply parking brake, stop the engine. In the battery box, set the battery cut-off switch to the OFF position prior to working on the vehicle.

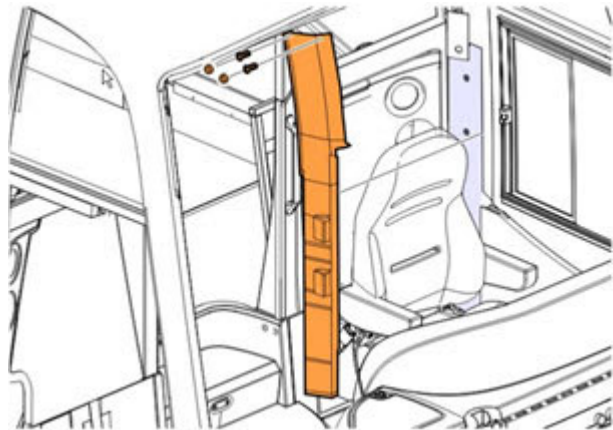
Lockout & Tag out (LOTO) must be performed during set-up, maintenance or repair activities. Refer to your local procedure for detailed information regarding the control of hazardous energy.

DVD PLAYER INSTALLATION

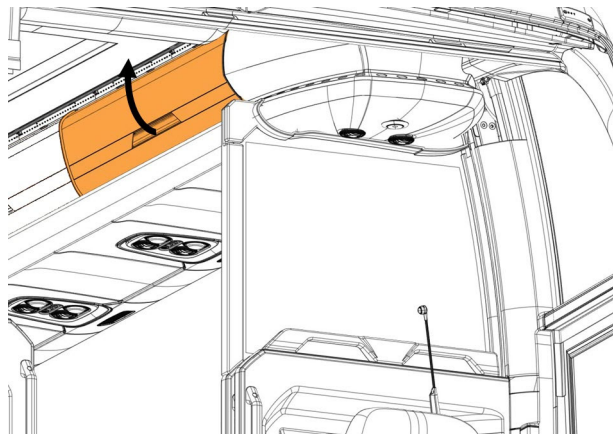
1. Unscrew and remove the driver's seat belt. Keep the hardware for reinstall.



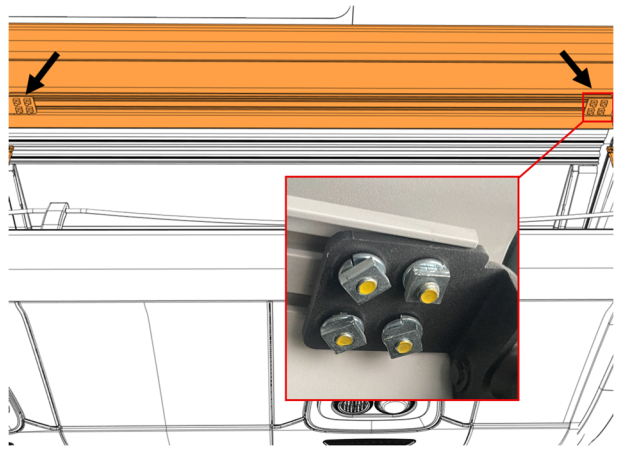
2. Unscrew and remove the B-pillar cover. Keep the hardware for reinstall.



3. Open the first parcel rack on the driver-side.



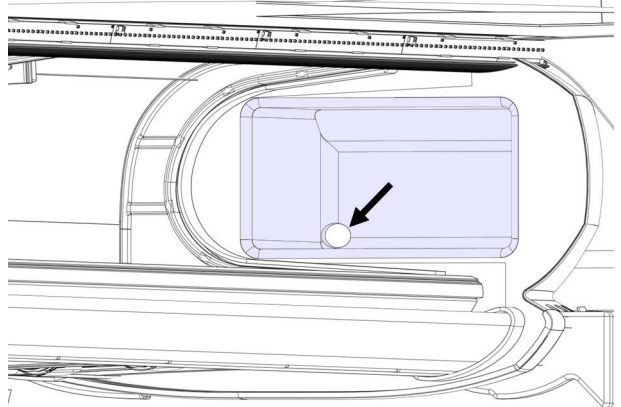
4. Unscrew remove the parcel rack door.
5. Keep the nuts and washers for reinstall.



6. Disconnect and remove the module inside the parcel rack insert.



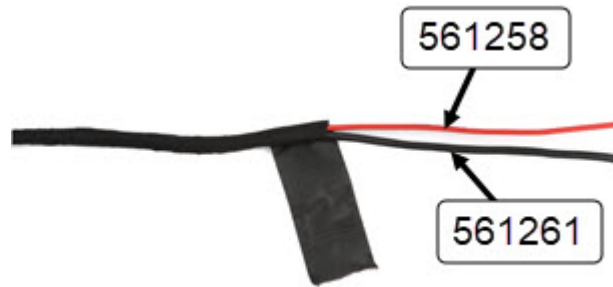
7. Locate the grommet through which cables will run in the left corner of the insert.



8. Undo the four (4) screws and remove the parcel rack insert. Keep the hardware for reinstall.

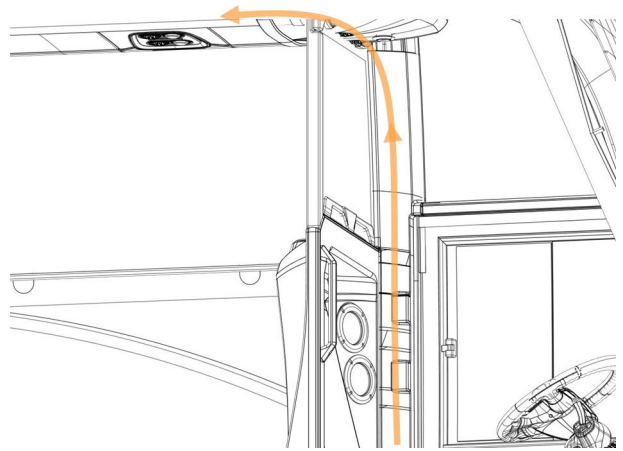


9. Wrap the 25 ft length red 561258 and black 561261 wires together with electrical tape.



10. Strip red and black wires ends from both sides.

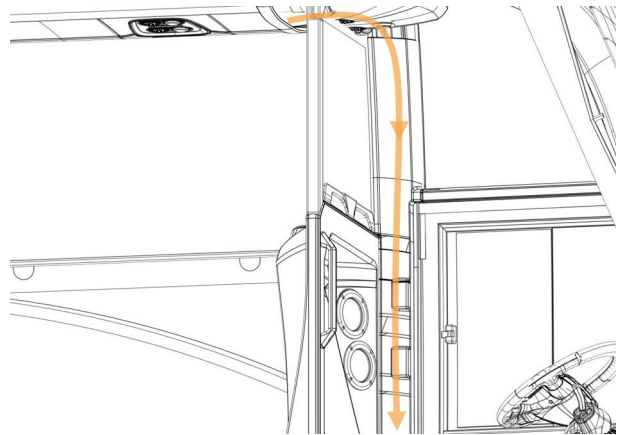
11. Push a fish tape upwards through the B-pillar to feed it into the cavity of the parcel rack insert.



12. Attach the triple RCA cable 7772131 or 7772134, the red wire 561258 and the black wire 561261 to the fish tape end.

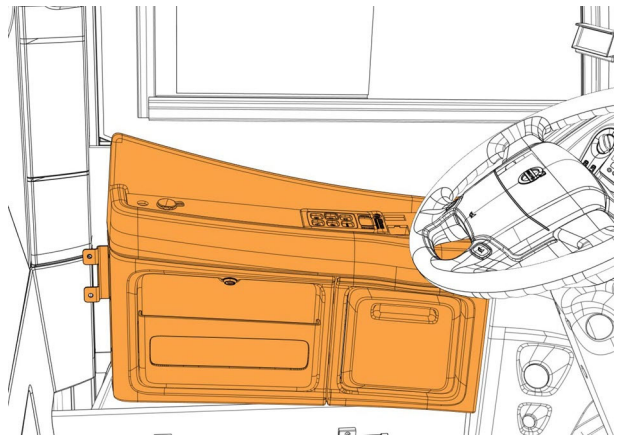
13. Wrap the wires and RCA cable with electrical tape at the connection with fish tape.

14. Pull the fish tape back to run the cables down through the B-pillar.



15. Unwrap the tape and detach wires and RCA cable from the fish tape end.

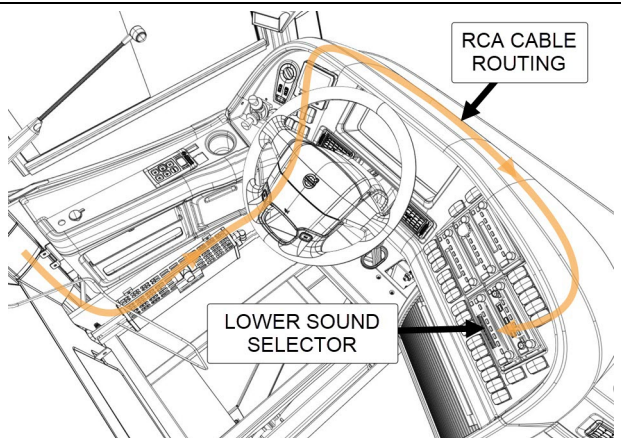
16. Unscrew and remove the driver's lateral console. Keep hardware for reinstall.



17. Unscrew and remove the dashboard instrument upper panel. Keep hardware for reinstall.



18. Route the RCA cable behind the driver's lateral console towards the dashboard until the lower sound selector.

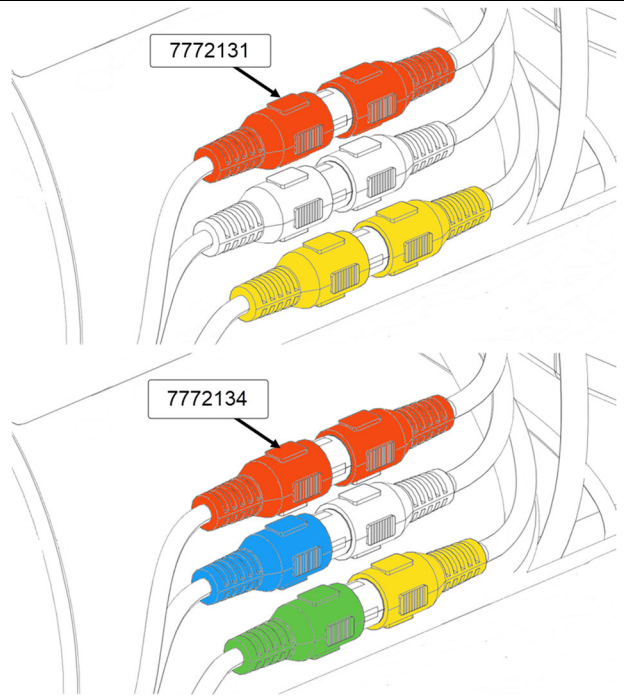


19. Secure RCA cable with cable ties 504637.

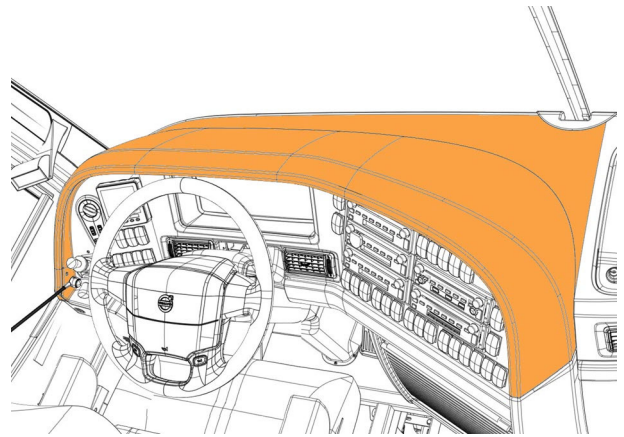
20. Connect the RCA cable 7772131 or 7772134 to the lower sound selector.

- If using cable 772131, match connectors red to red, white to white, and yellow to yellow.
- if using cable 772134, match connectors red to red, white to blue, and yellow to green.

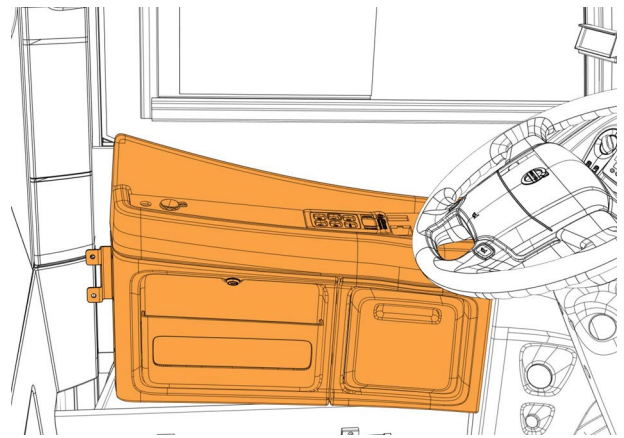
21. Wrap the RCA connections with electrical tape to secure them.



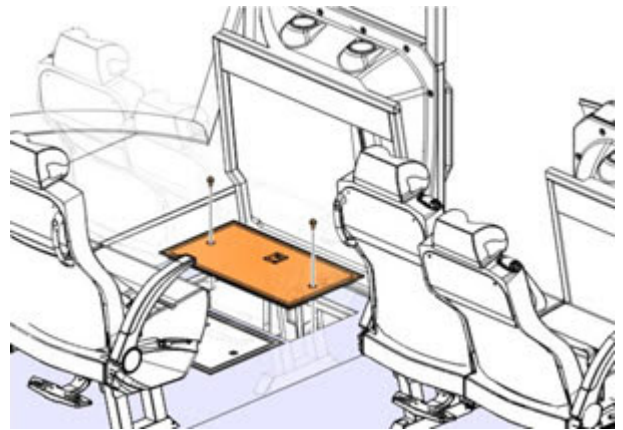
22. Reinstall and screw the dashboard upper panel.



23. Reinstall and screw the driver's lateral console.

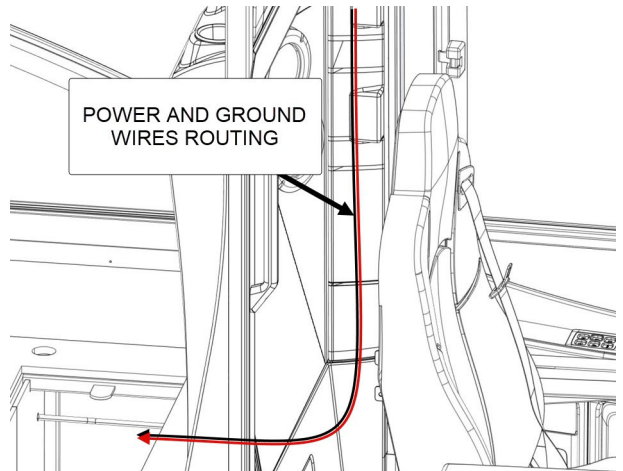


24. Unscrew and remove the access cover near the driver-side modesty panel. Keep hardware for reinstall.



25. Route the power and ground wires (red and black) from the bottom of the B-pillar to the compartment below the driver-side modesty panel.

26. Secure wires with cable ties 504637.

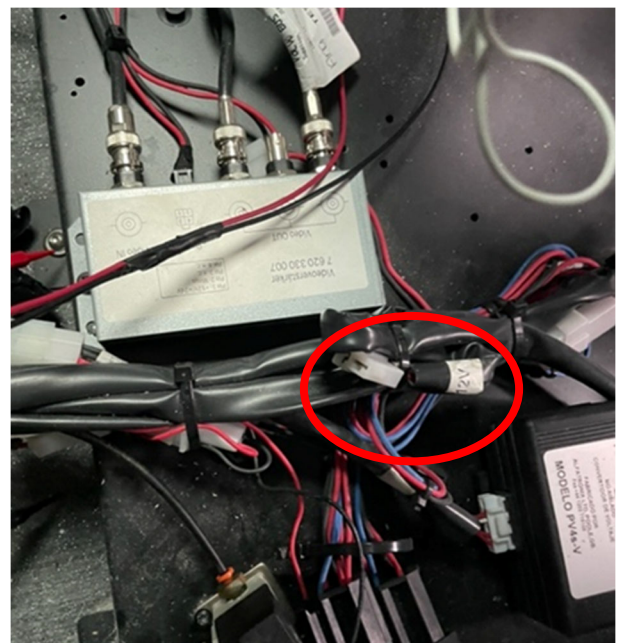


27. Locate the X12V connector; it is a white connector with two wires (red and white).

NOTE

Check that the voltage between the two wires of the connector is 0 V when the ignition is OFF and 12 V when the ignition is ON, to verify that this is a switched ignition source.

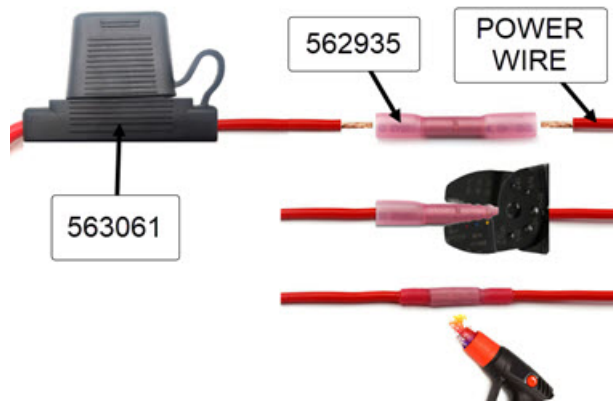
Make sure to turn the ignition OFF after the verification.



28. Cut off the X12V connector and strip the ends of its two wires.

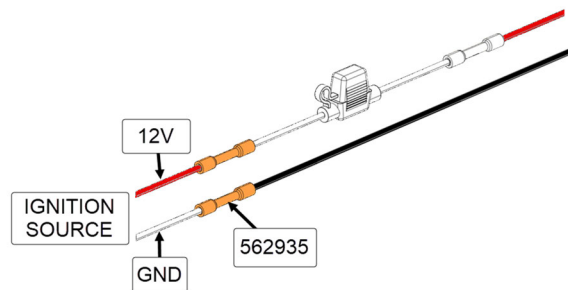


29. Use a butt splice 562935 to splice the routed red wire 561258 with one end of the fuse holder 563061.

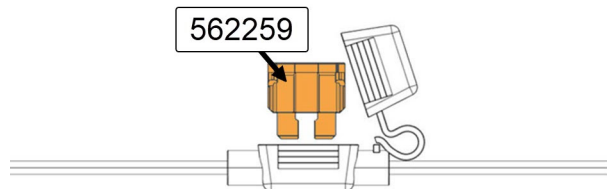


30. Splice the other end of the fuse holder to the 12V red wire of the switched ignition source using a butt splice 562935.

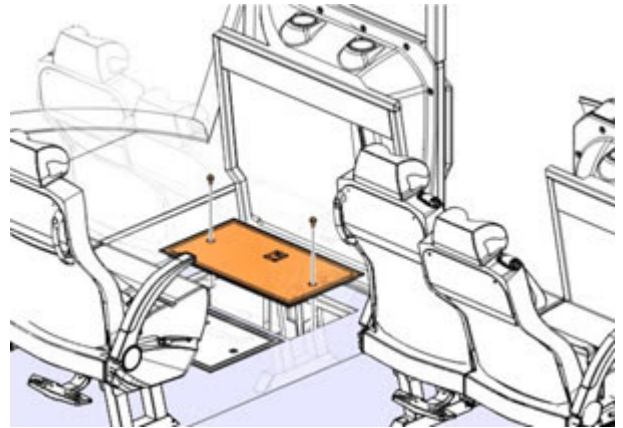
31. Splice the routed black wire 561261 to the white wire of the switched ignition source using a butt splice 562935.



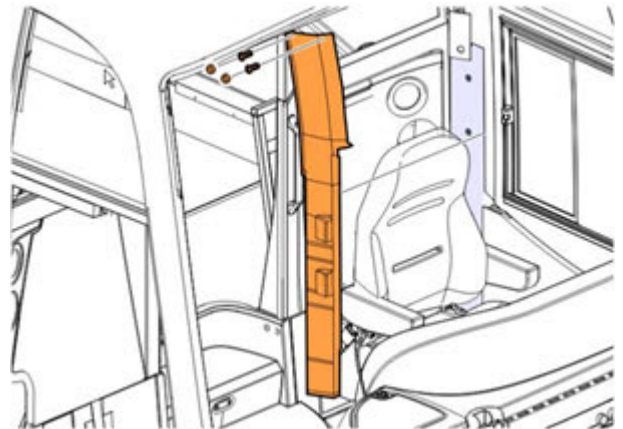
32. Install the fuse 562259 in the fuse holder and close the protective cap.



33. Reinstall and screw the access cover.



34. Reinstall and screw the B-pillar cover.

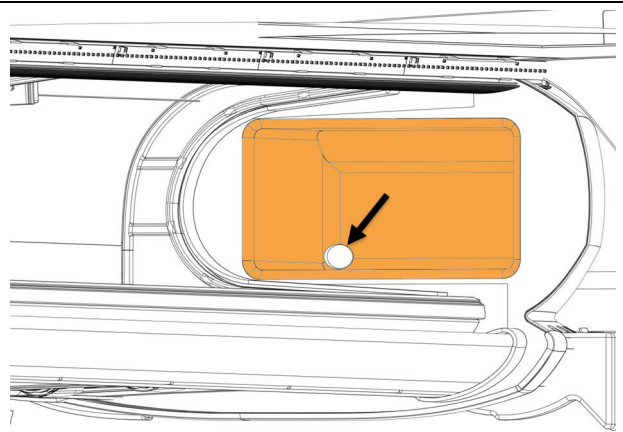


35. Reinstall the driver's seatbelt. Apply blue Loctite thread locker on the seatbelt bolts.

36. Tighten the bolts to 48-68 Nm.



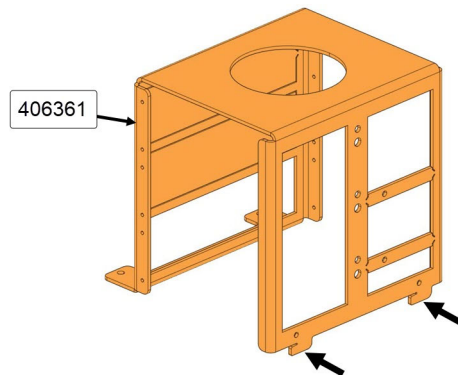
37. Reinstall the parcel rack insert. The power and ground wires and RCA cable should run through the grommet at the left of the insert.



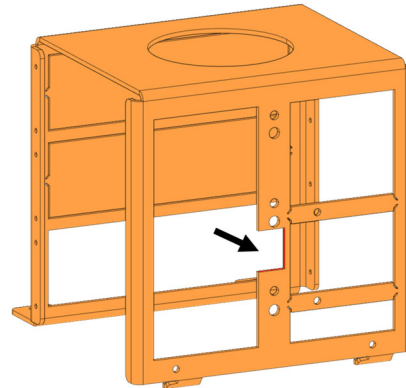
38. Reinstall and reconnect the module in the parcel rack insert.



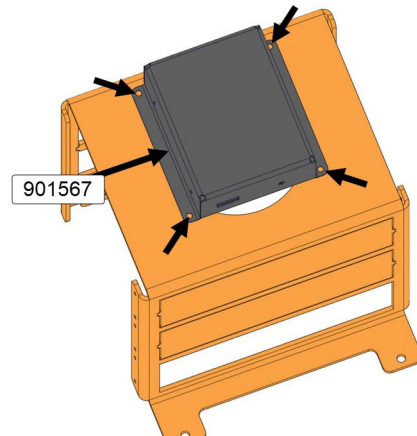
39. Bend the rear bottom tabs of the support 406361 to allow it to sit flat on the parcel rack.



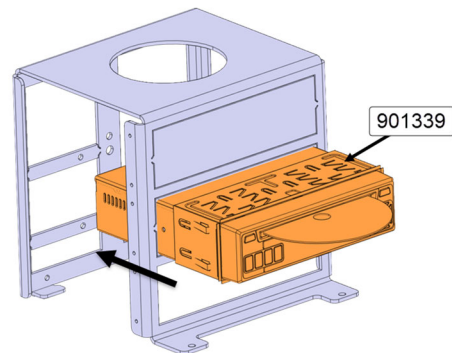
40. Make a rectangular cut at the back plate of the support to accommodate the HDMI cable connection.



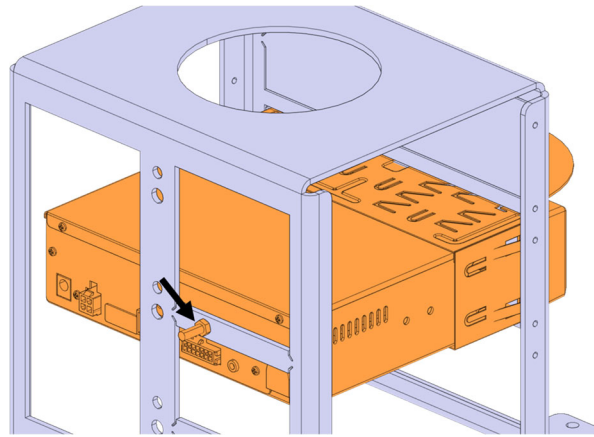
41. Drill four (4) holes of 9/64-inch diameter at the top of the support for the HDMI converter 901567.



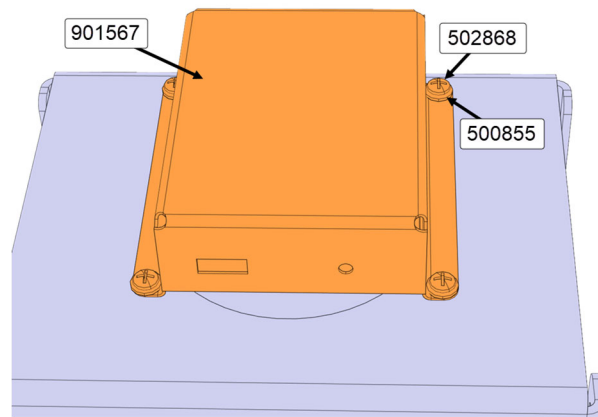
42. Insert the DVD player with the supplied installation frame into the support.



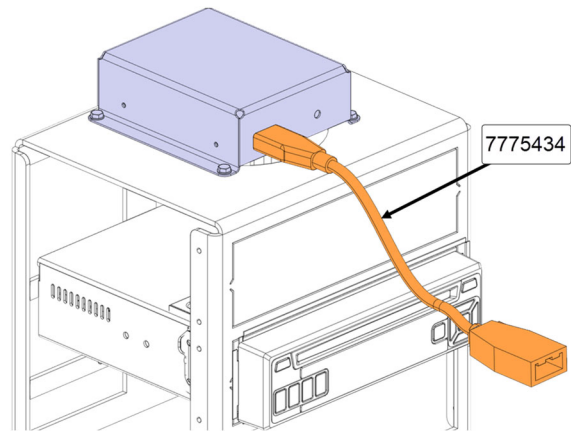
43. Use the washer and nut supplied with the DVD player to secure it to the support.



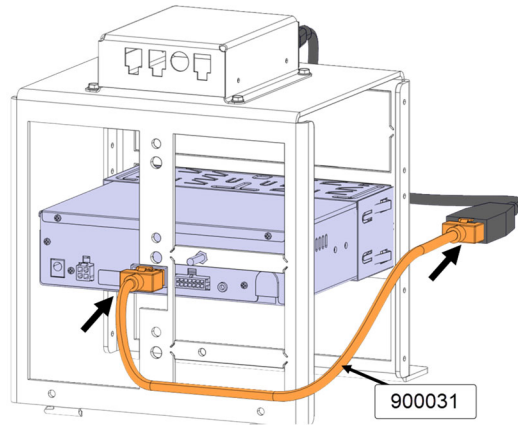
44. Install the HDMI converter 901567 on the top of the support. Face the HDMI input port towards the front of DVD player.
45. Fasten the HDMI converter with four (4) washers 500855 and screws 502868.



46. Connect cable 7775434 to the HDMI converter input.



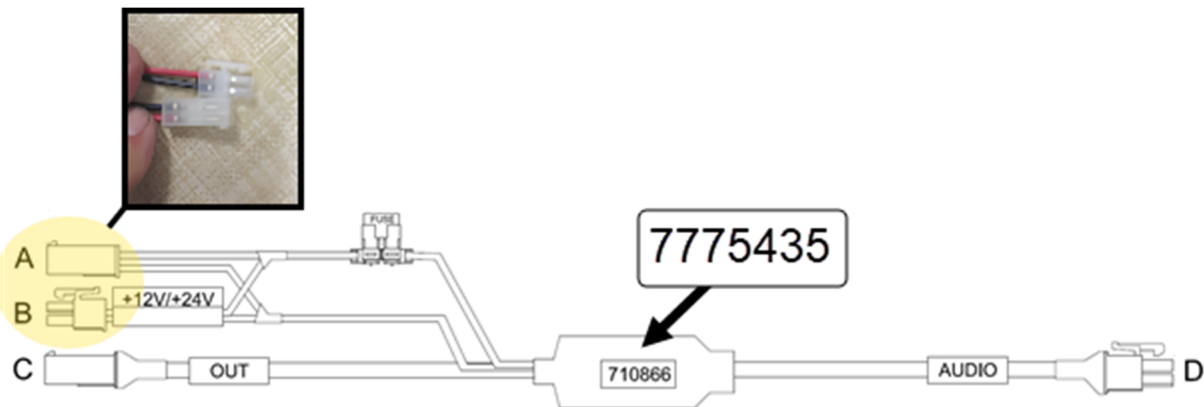
47. Plug one end of HDMI cable 900031 to the HDMI output of the DVD player and connect the other end to cable 7775434.



48. Secure the cables with two (2) cable-ties 504637.



49. Remove the 2-pin power connector A of the pre-amplifier 7775435, to replace it with a 4-pin connector.



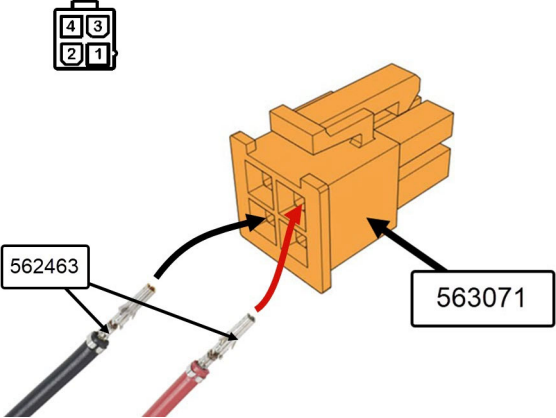
50. Strip the ends of the two (2) wires that were connected to connector A.

51. Crimp a terminal 562463 on each wire.

52. Insert the wires into the new 4-pin connector 563071 as shown in the figure.

NOTE


The black wire connects to pin 2 and red wire connects to pin 3. Pins 1 and 4 are not connected.



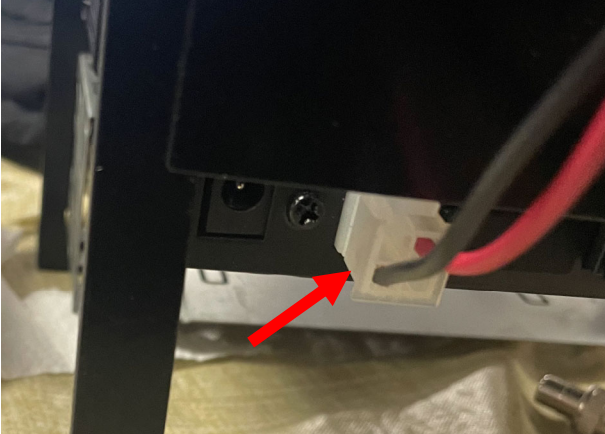
53. Repeat the steps 49 to 52 to replace B connector of preamplifier 7775435.

54. Plug new connector **A** of the pre-amplifier 7775435 into one of the power ports of the HDMI converter.

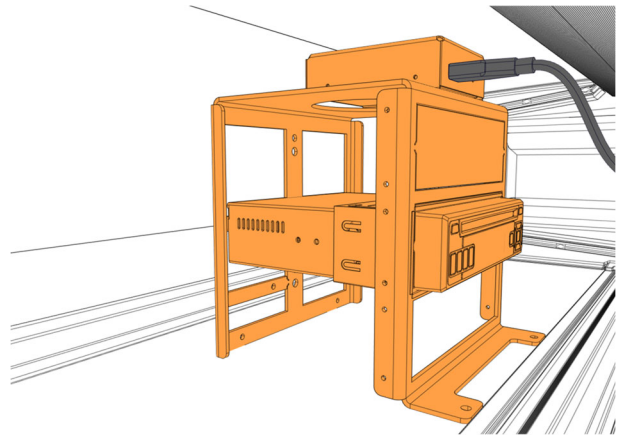
55. Plug connector **D** "AUDIO" of the pre-amplifier 7775435 into the audio output of the HDMI converter.



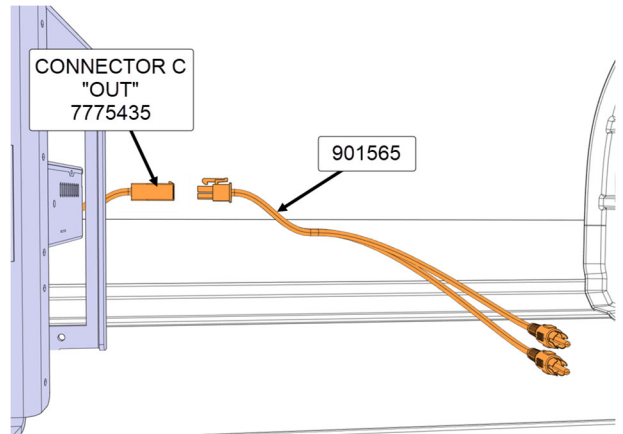
56. Plug connector **B** of the pre-amplifier 7775435 into the power input at the rear of the DVD player.



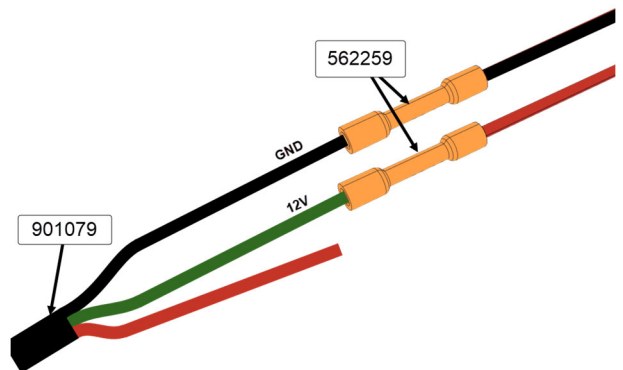
57. Place the support in the first parcel rack on the driver side.



58. Connect the connector **C** "OUT" of preamplifier 7775435 to the audio harness **901565**.



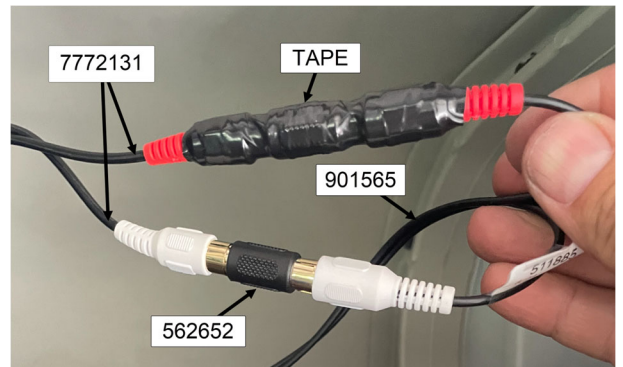
59. Use two (2) butt splices 562259 to connect the power and ground wires running in the parcel rack with the green (12V) and black (GND) wires of power cable **901079**.



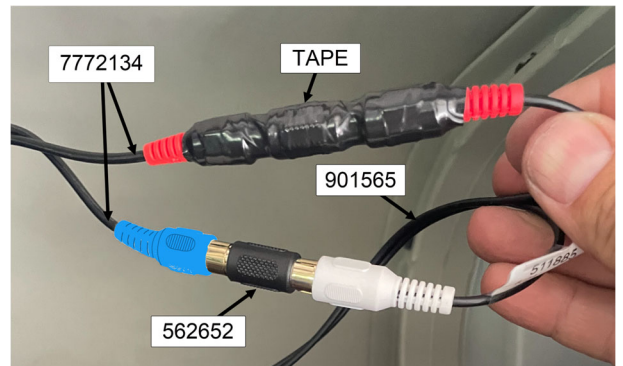
60. Plug the power cable **901079** into the second power port of the HDMI converter.



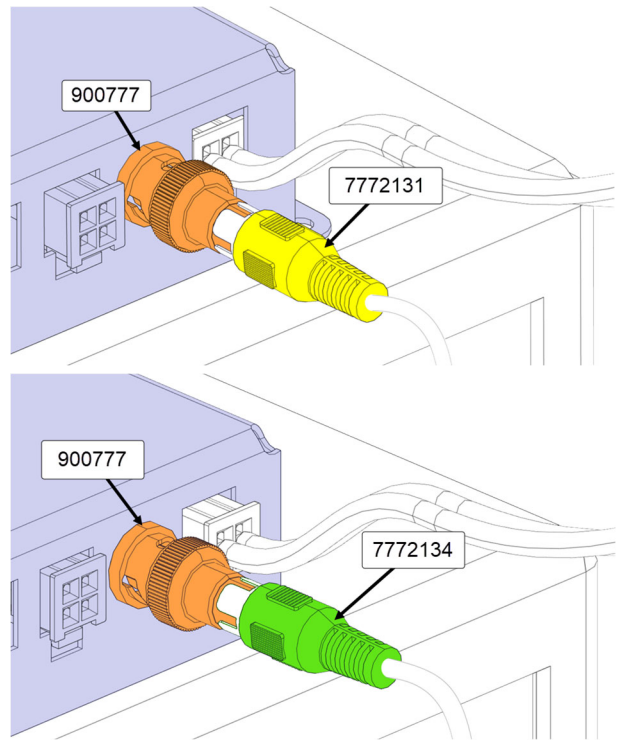
61. Connect the red and white connectors of RCA cable **7772131**, or the red and blue connectors of RCA cable **7772134** routed to parcel rack, to the red and white connectors of audio cable **901565** using two (2) RCA adapters **562652**.



62. Secure the connections with electrical tape.

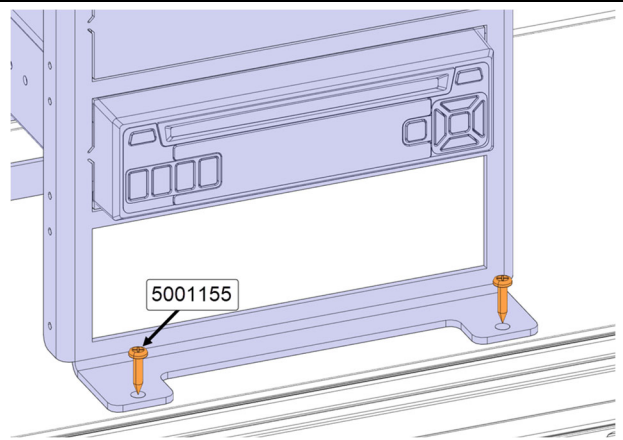


- 63. Connect the yellow connector of RCA cable 7772131 or the green connector of RCA cable 7772134 to the A/V port of HDMI converter using BNC to RCA adapter 900777.
- 64. Secure the connection with electrical tape.

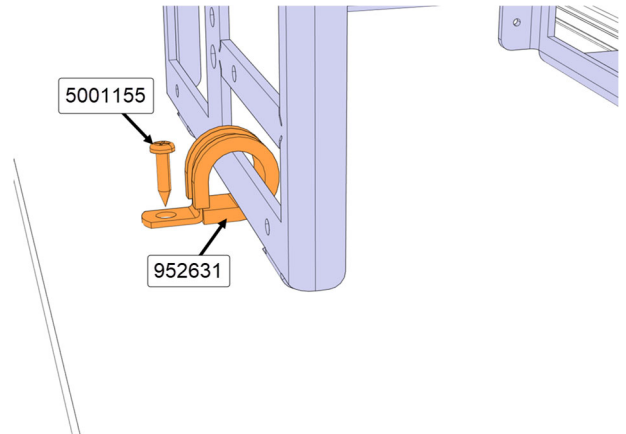


- 65. Secure cables in the parcel rack with cable ties 504637.

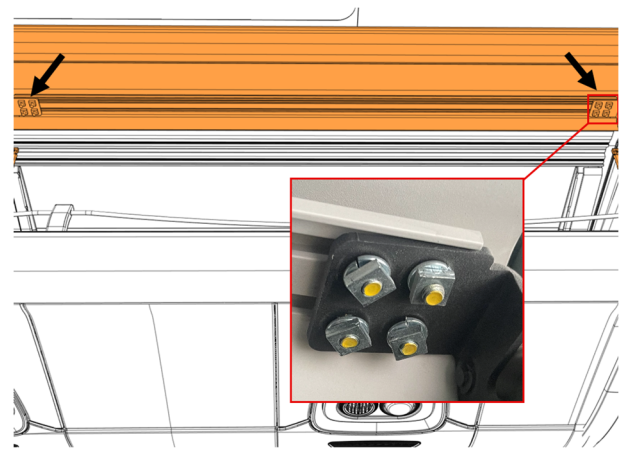
- 66. Fasten the support in the parcel rack with two (2) self-tapping screws 5001155.



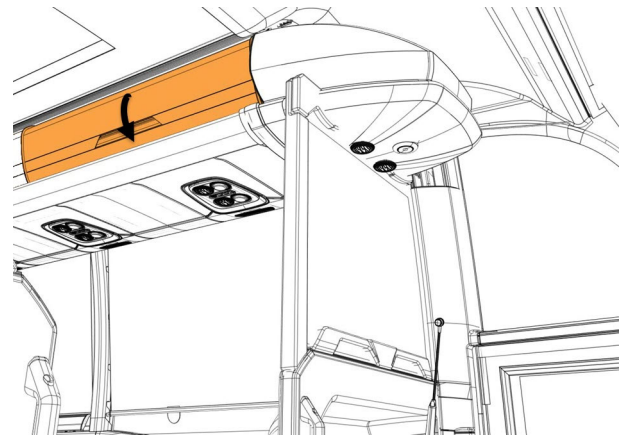
67. Secure the rear of the support using p-clamp 952631 and screw 5001155.



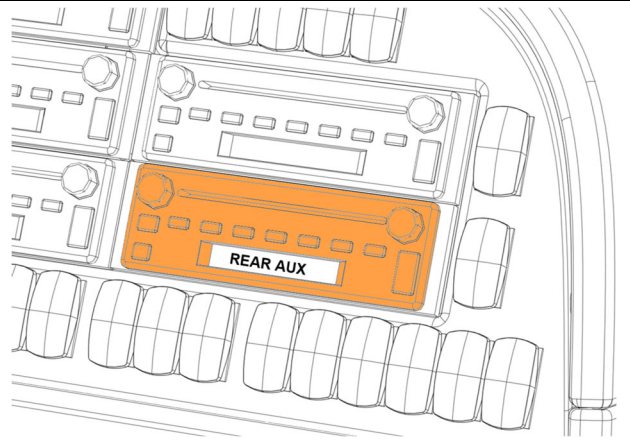
68. Reinstall the parcel rack door. Tighten it with the washers and the nuts.



69. Close the parcel rack door.



70. Set the lower sound selector to REAR AUX mode to use the DVD player.



PARTS / WASTE DISPOSAL

Discard waste according to applicable environmental regulations (Municipal/State [Prov.]/ Federal).

WARRANTY

This modification is covered by Prevest's normal warranty. We will reimburse you the parts and 7 hours of labor upon receipt of a warranty claim. Please submit claim via our Online Warranty System, available at www.prevestcar.com (under Service \ Warranty section). Use Claim Type: "Bulletin/Recall" and select "Warranty Bulletin WB24-87".

OTHER

VBC Bulletin	S4019
Fail Code	23.00
Defect Code	09
Syst. Cond	B
Causal Part	901436

Access all our Service Bulletins on
<http://techpub.prevestcar.com/en/>

or scan the QR-Code with your smart phone.

E-mail us at technicalpublications_prev@volvo.com and type "ADD"
in the subject to receive our warranty bulletins by e-mail.



Prevest/Volvo Bus engages in a continuous program of testing and evaluating to provide the best possible product. Prevest/Volvo Bus, however, is not committed to, or liable for updating existing products

Warranty Bulletin

WB24-87

Date Expiration Group No. Page
03.2025 03.2026 22(22)

APPENDIX: CONNECTION DIAGRAM

