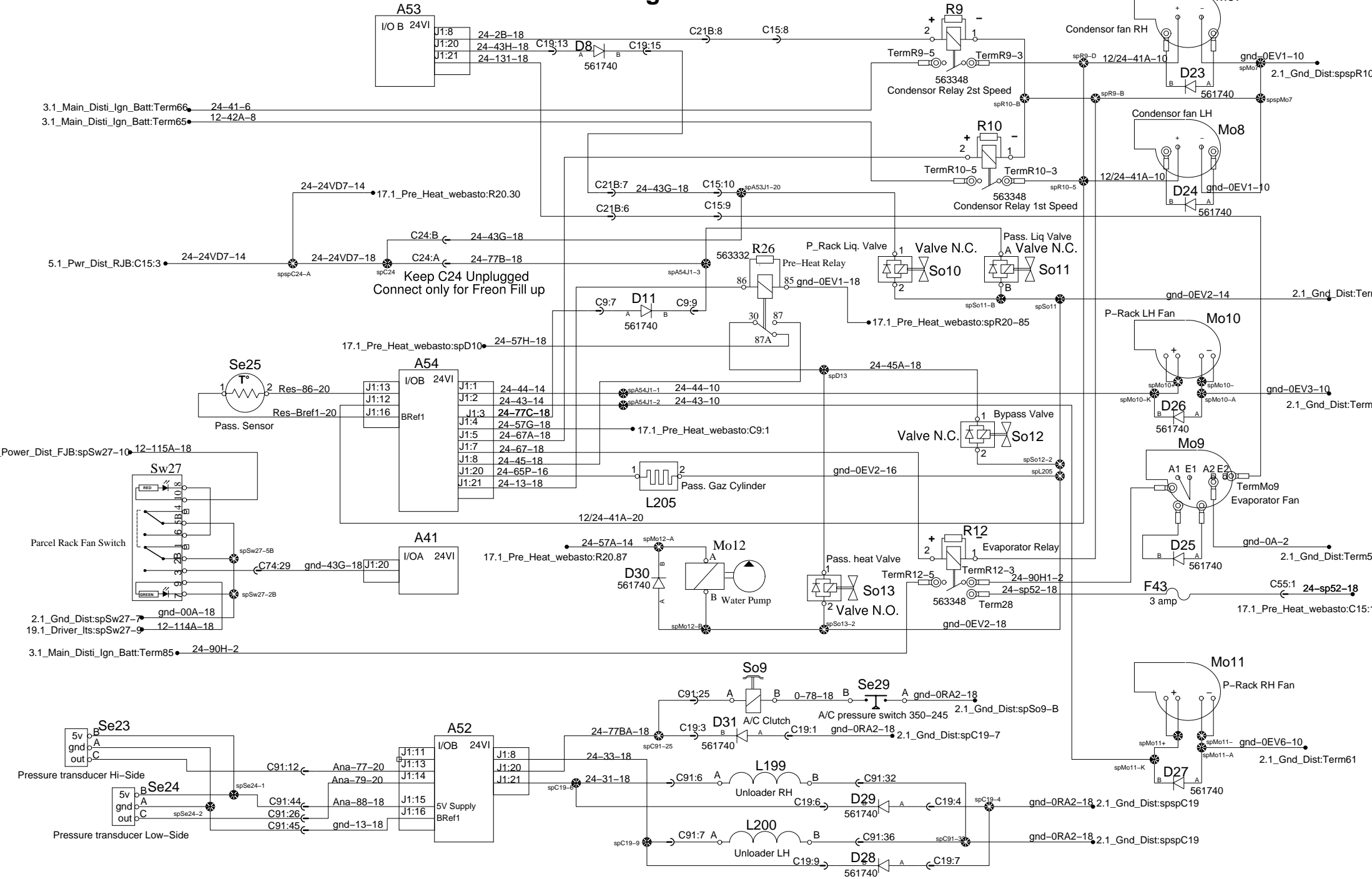


Hvac Passengers



Keep C24 Unplugged
Connect only for Freon Fill up