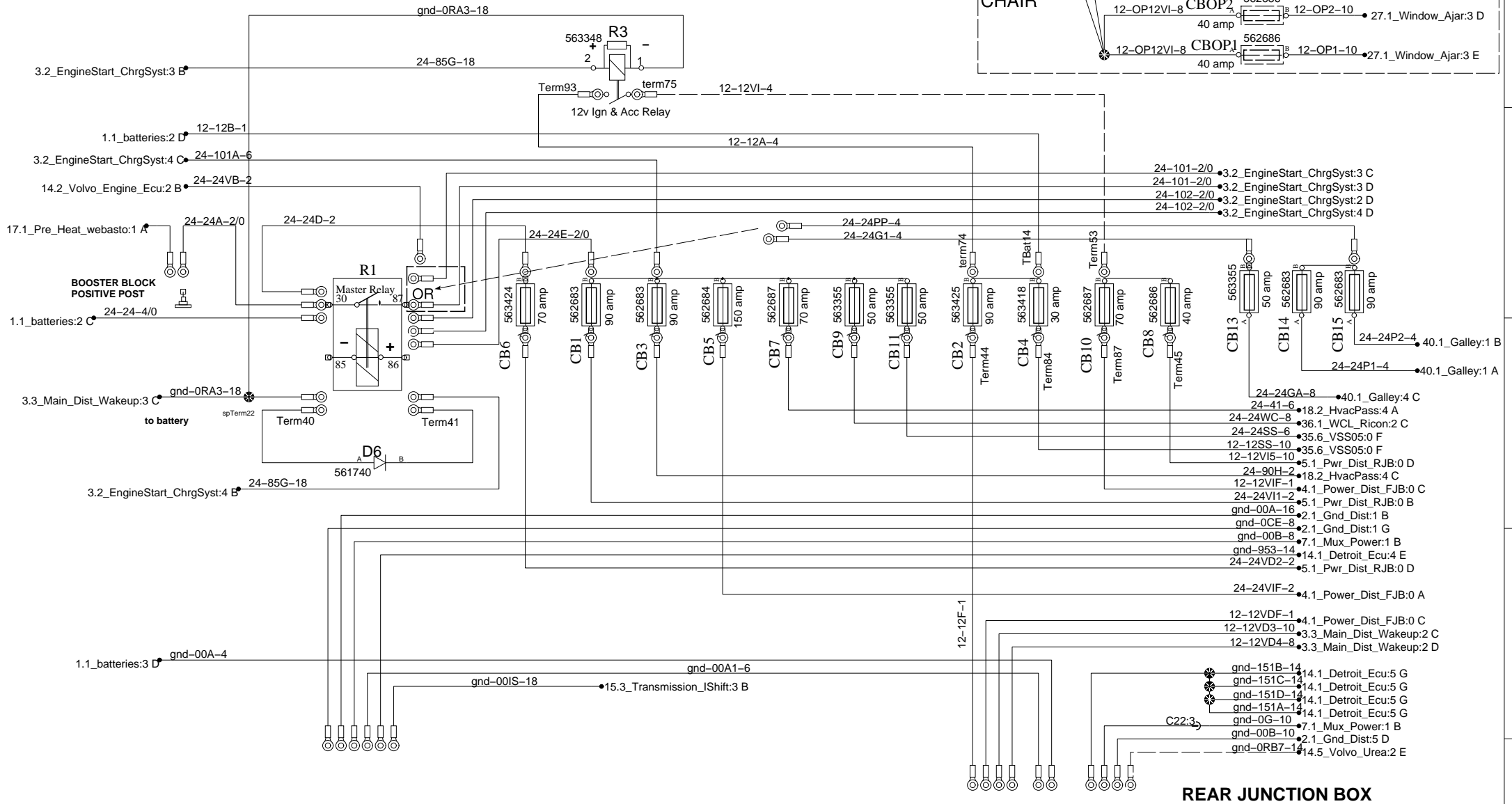


MAIN DISTRIBUTION Batteries & Ignition

OPTION
ELECT
CHAIR



FRONT JUNCTION BOX

REAR JUNCTION BOX

RJB Under Master CutOut switch (R1)
12VD
GND Electronic Under Master Cutout Switch (R1)