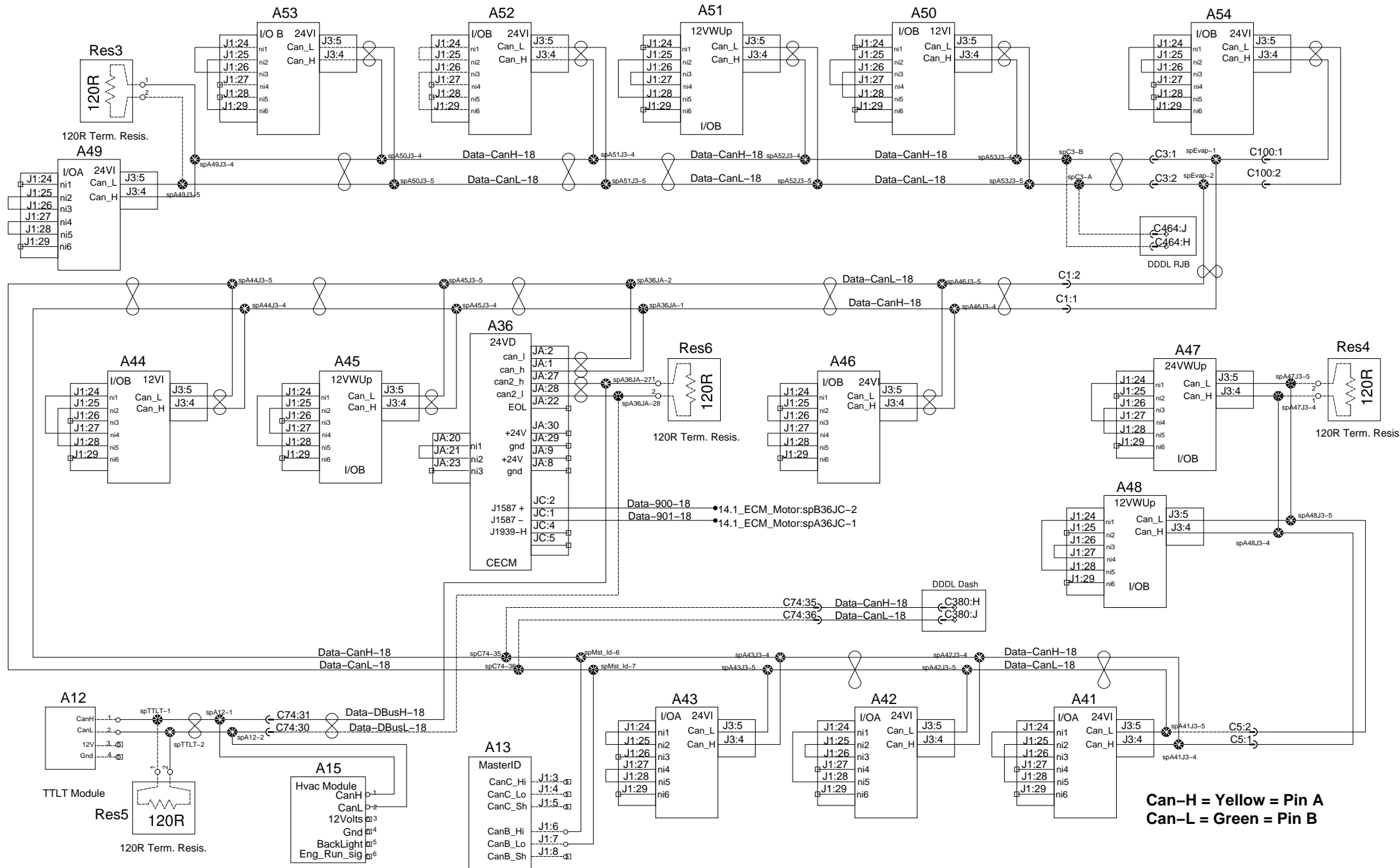


# Multiplex Can, J1587 Network and Addressing



Can-H = Yellow = Pin A  
 Can-L = Green = Pin B