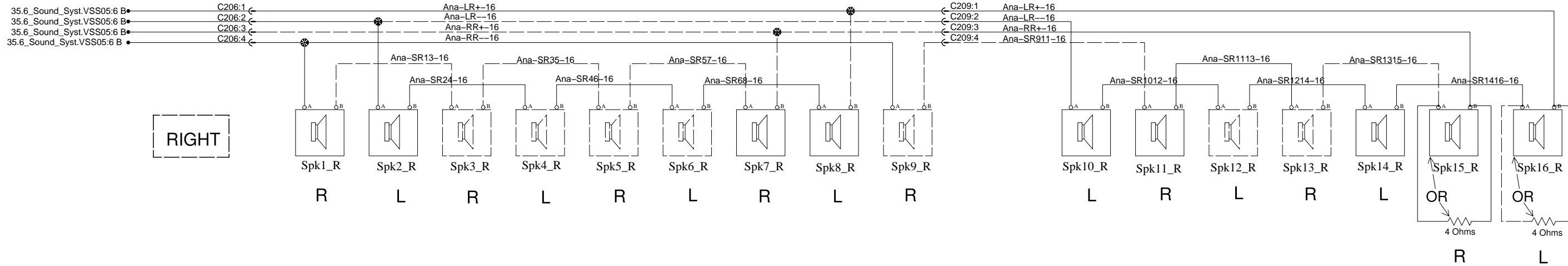


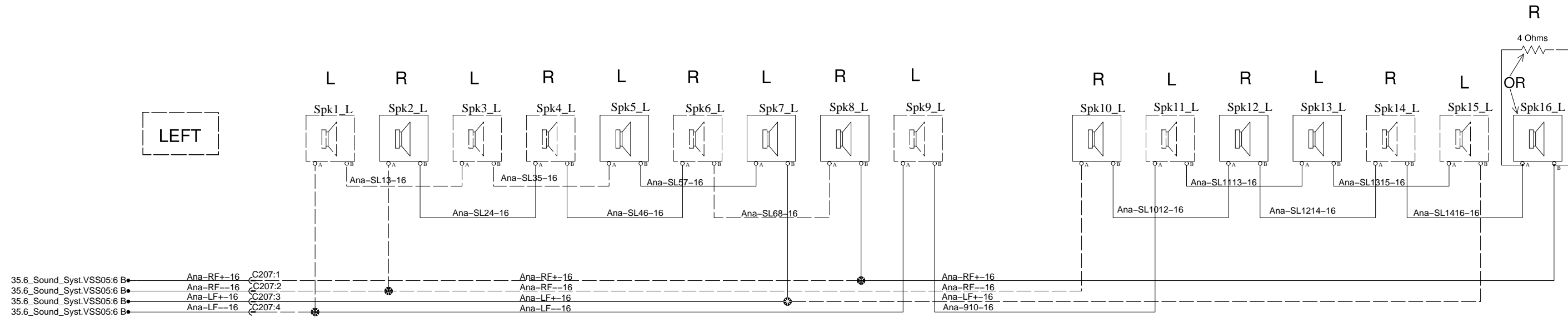
SPEAKERS ARRANGENT (DELTA CONFIGURATION)



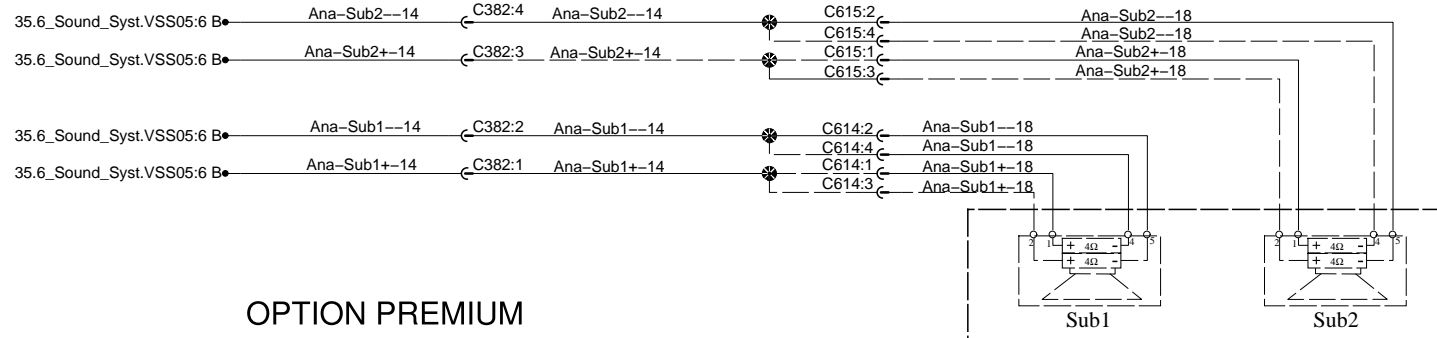
FRONT

THE NUMBER OF SPEAKERS IS ACCORDING TO THE NUMBER OF SEATS.
SOME 4 OHMS RESISTORS COULD REPLACE SPEAKERS, AND THEY COULD
BE ANYWHERE IN THE READING LAMP AREA.

REAR



LEFT



OPTION PREMIUM

SUBWOOFER