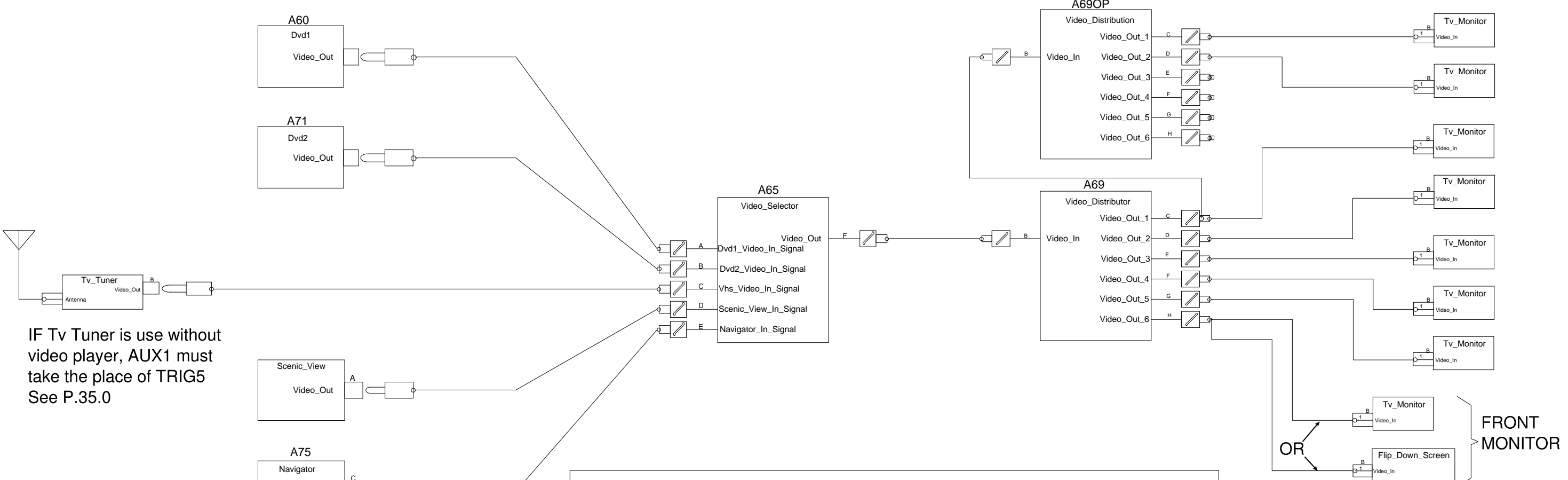


# VIDEO DISTRIBUTION



IF Tv Tuner is use without video player, AUX1 must take the place of TRIG5 See P.35.0

# Option: WIRELESS INTERNET

