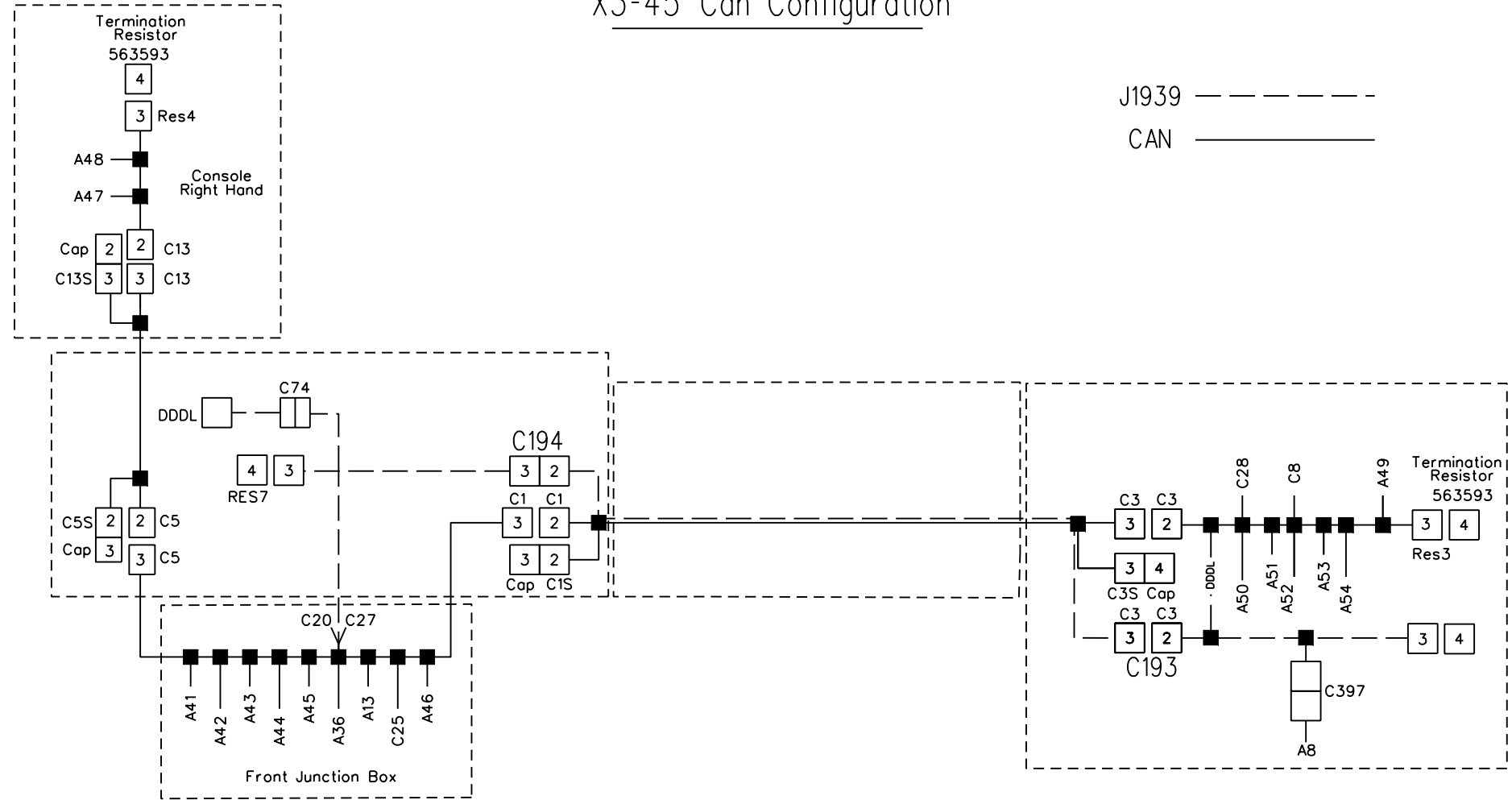


X3-45 Can Configuration



Champlain Twisted Pair = Front Service Cmpmt
 Champlain Twisted Pair = Front to Rear Harness
 TxI Twisted Pair = Right Hand Console
 TxI Twisted Pair = Evaporator Cmpmt
 TxI Twisted Pair = Rear Junction Box
 TxI Twisted Pair = Front Junction Box

4 = 563593
 3 = 563590
 2 = 563589
 Res4 = 563593
 Res3 = 563593