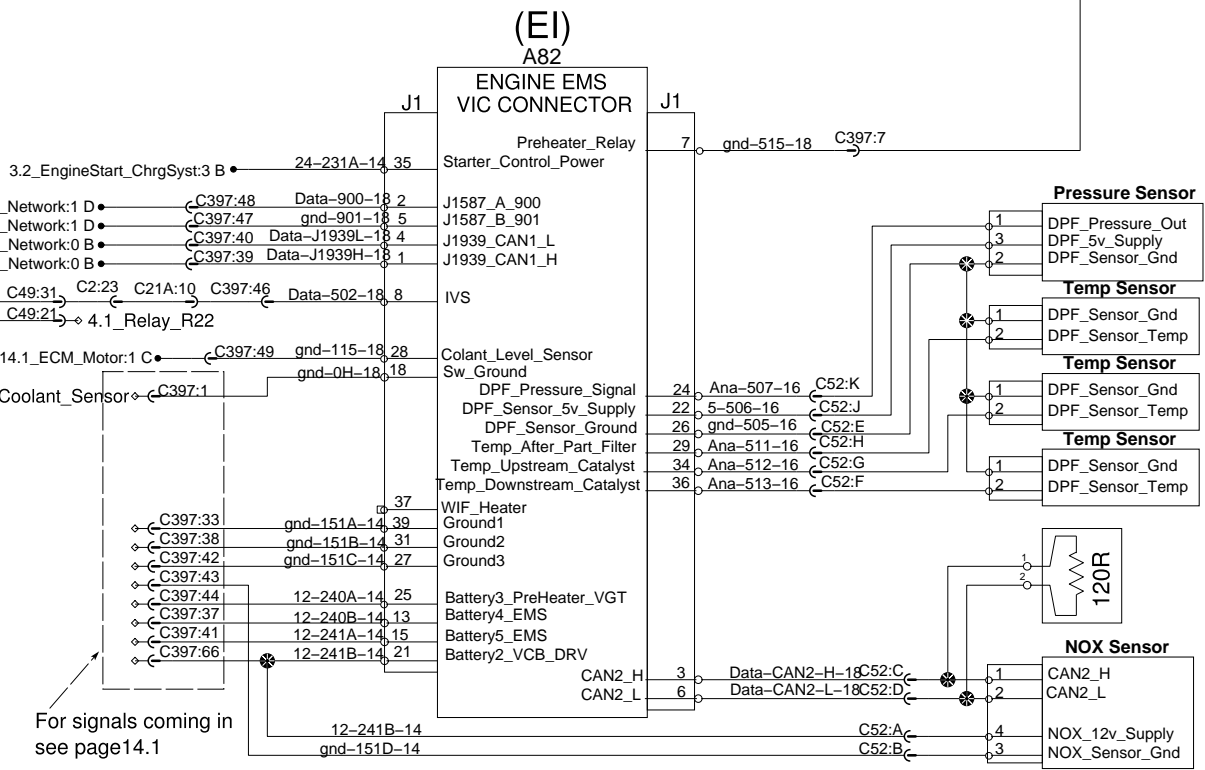
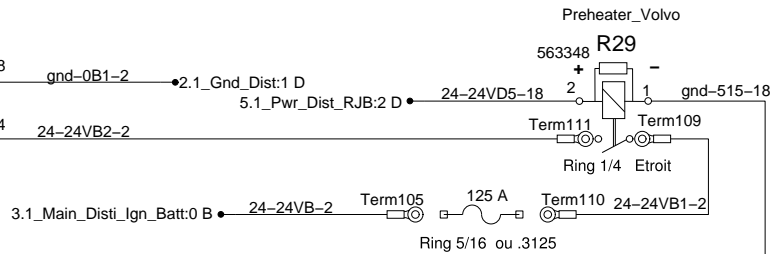
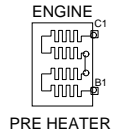
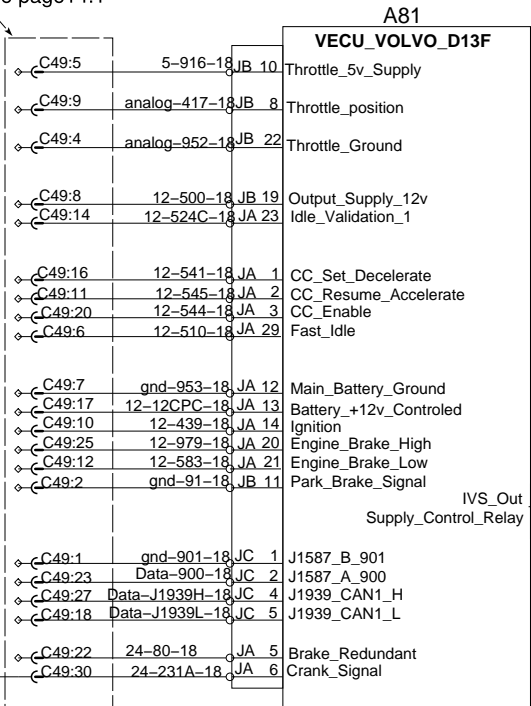


For signals coming in see page 14.1



For signals coming in see page 14.1