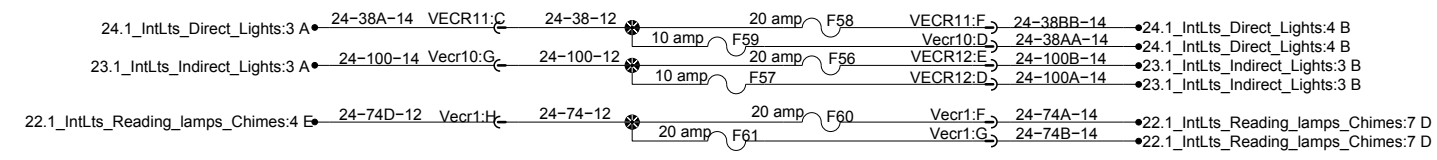
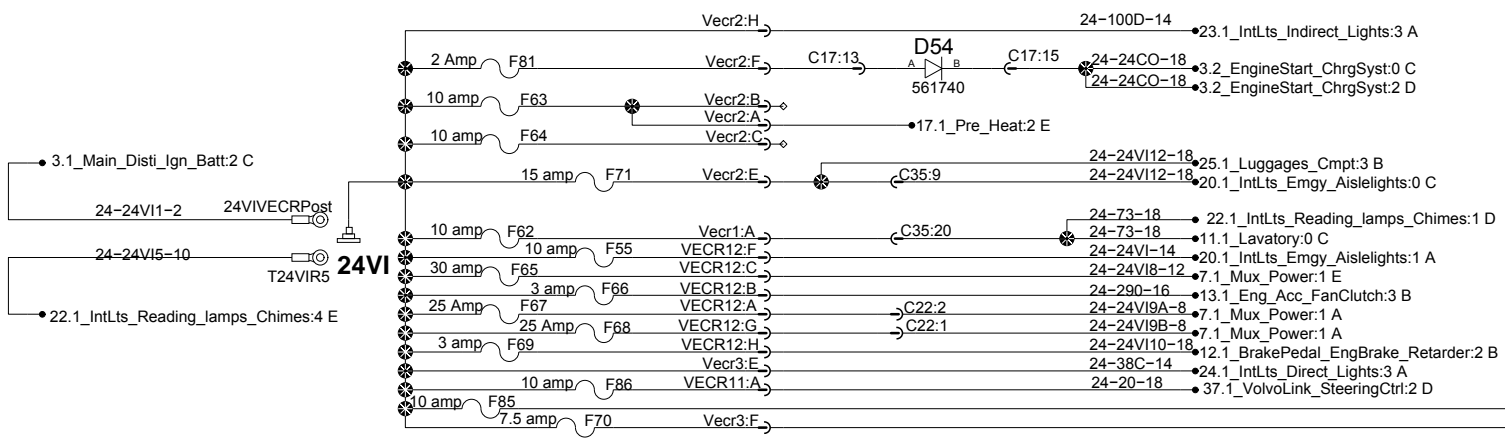


Power distribution Rear Junction box

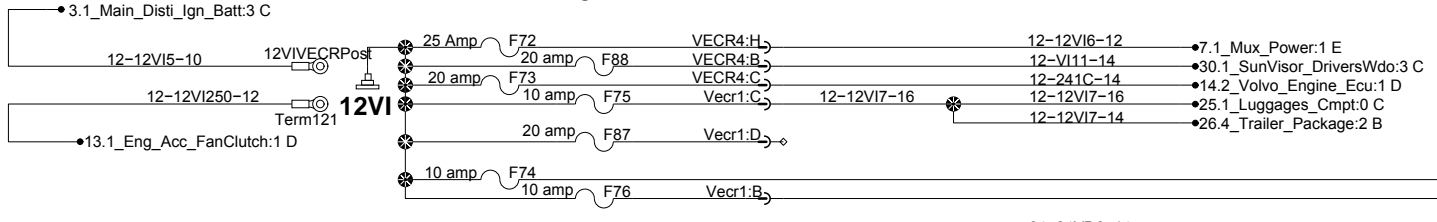
A



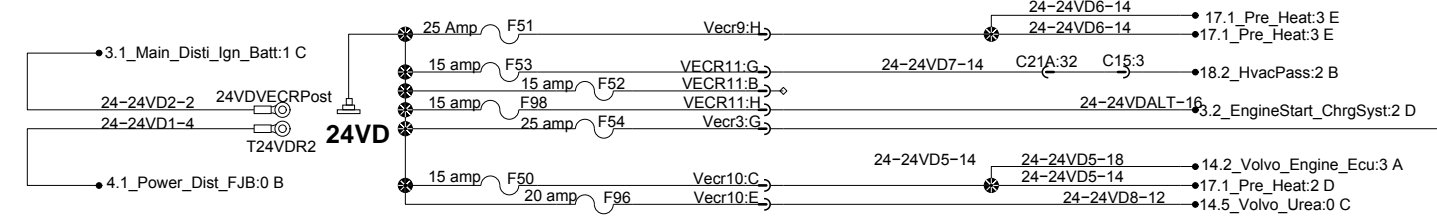
B



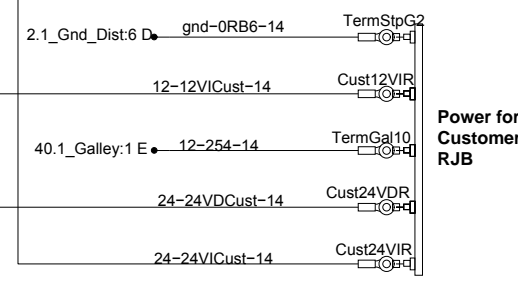
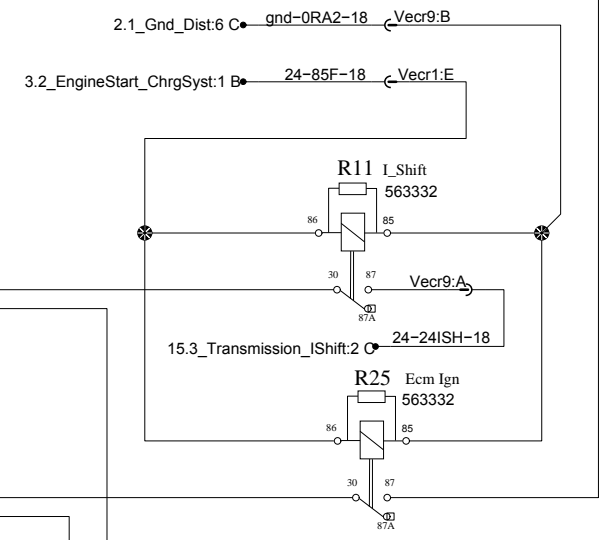
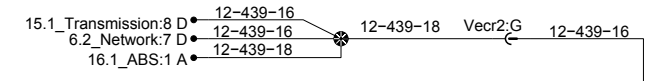
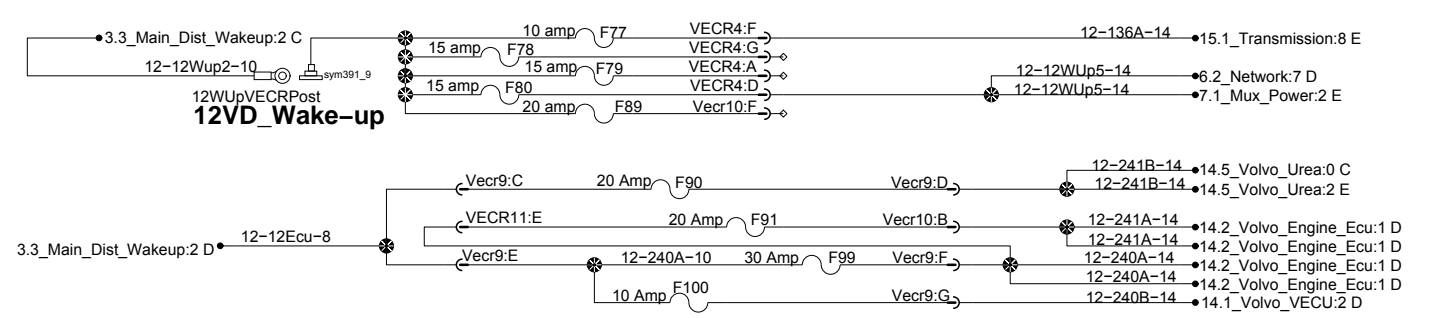
C



D



E



Power for Customer RJB

0

1

2

3

4