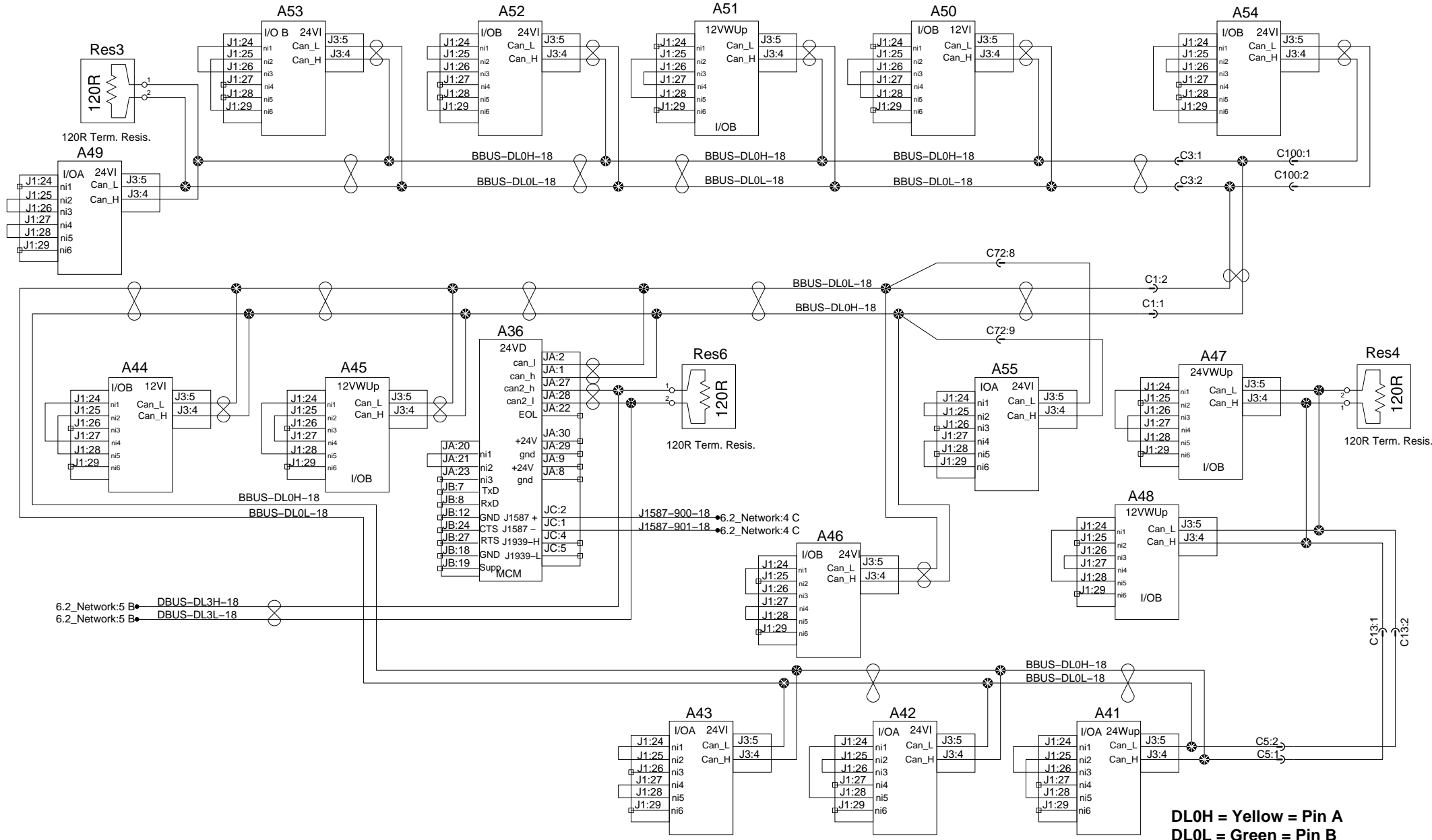


# Multiplex Can, J1587 Network and Addressing



**DL0H = Yellow = Pin A**  
**DL0L = Green = Pin B**