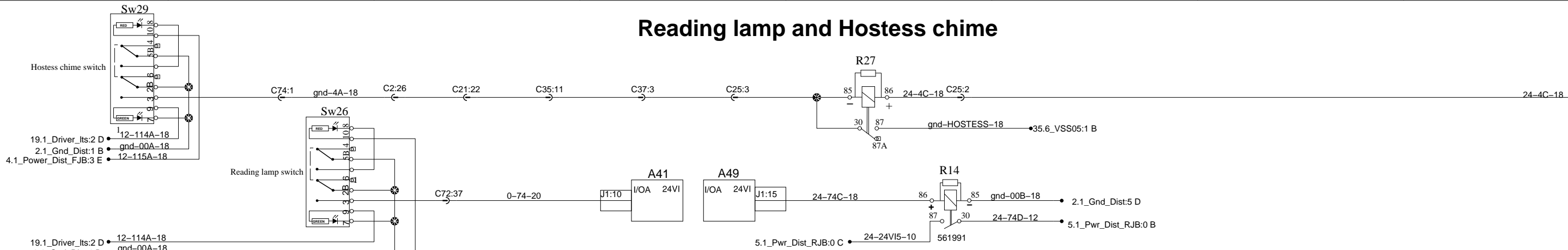
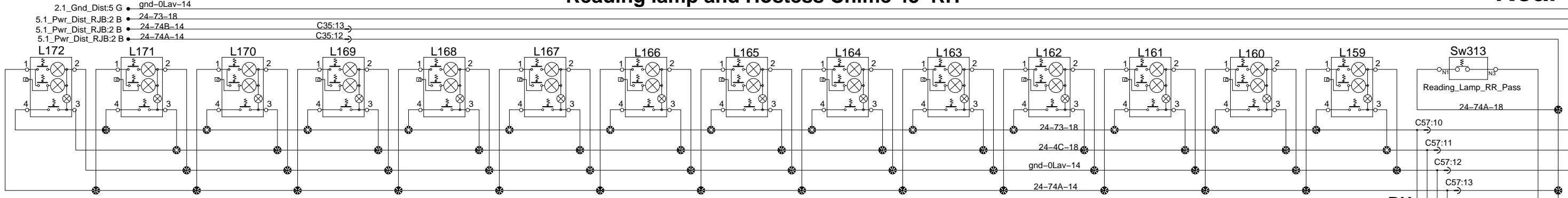


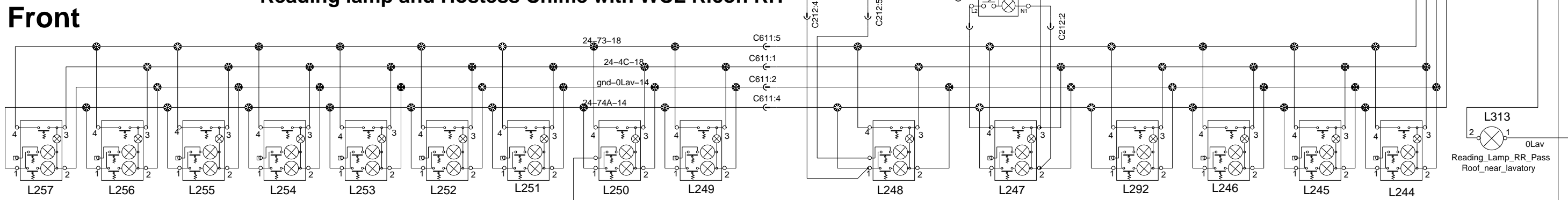
# Reading lamp and Hostess chime



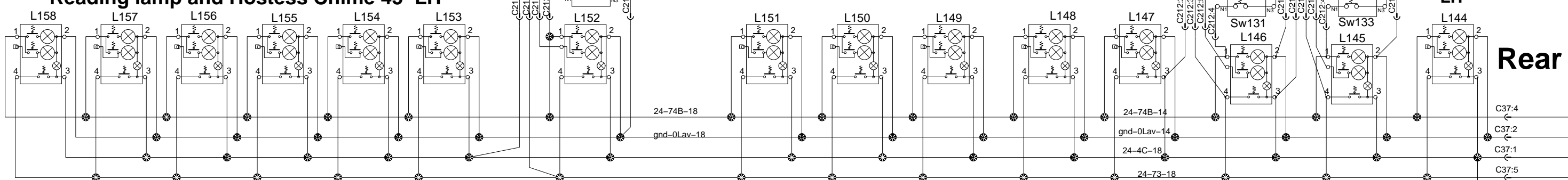
## Reading lamp and Hostess Chime 45' RH



## Reading lamp and Hostess Chime with WCL Ricon RH



## Front Reading lamp and Hostess Chime 45' LH



Rear

RH

LH

Rear