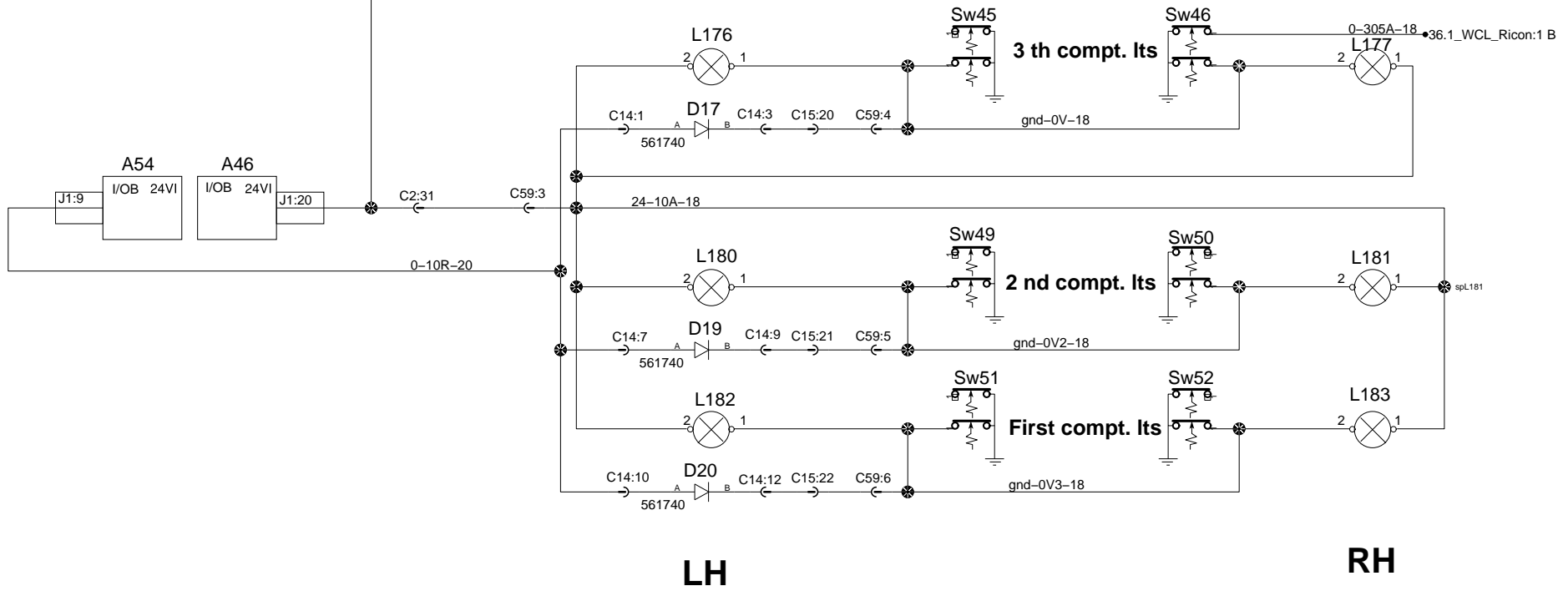


Luggages compartment lighting

25.1_Luggages_Cmpt:3 C 24-10-18



LH

RH