

0

1

2

3

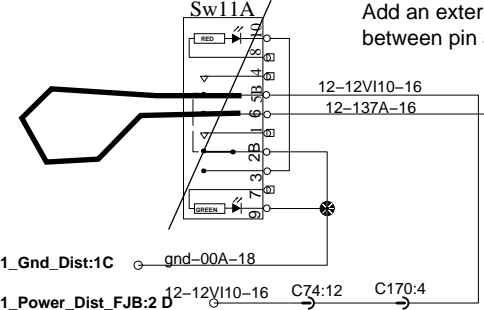
4

### Mirrors w/heated element only

Heated Mir / PkBrk rel Vlv

Without Sw11A  
Add an external jumper  
between pin 5B & 6

Sw11A

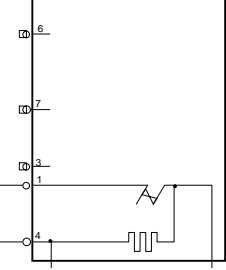


2.1\_Gnd\_Dist:1C gnd-00A-18

4.1\_Power\_Dist\_FJB:2 12-12VI10-16 C74:12 C170:4

MIRROR ELECTRIC HEATERS ARE  
POWERED DIRECT FROM 12VI10  
SEE FRONT JCT COMPT FUSE BOX

LH | Mirror

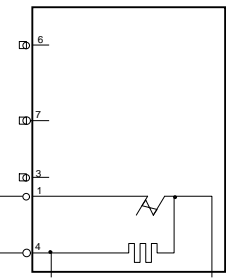


L208

gnd-0FB1-18 2.1\_Gnd\_Dist:2 F

C11:11

RH | Mirror



L209

C11:6

C618:1 12-137A-20

C618:4 gnd-0FB1-20

0

1

2

3

4