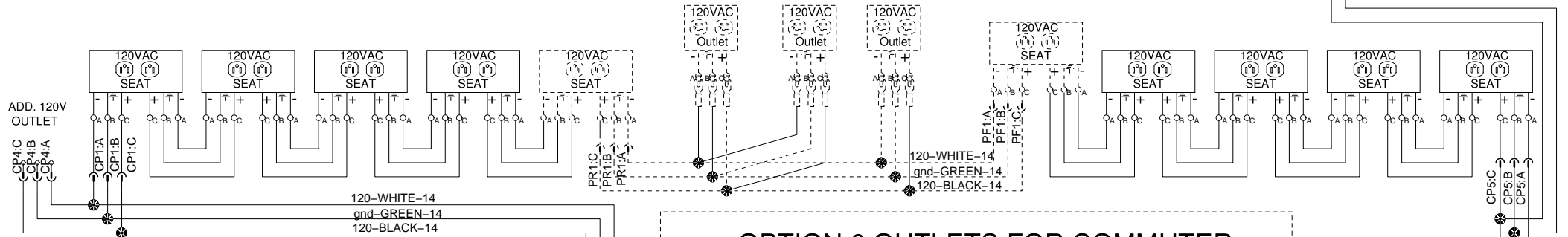


# INVERTERE AND 120VAC OUTLETS

ADD. 120V OUTLET

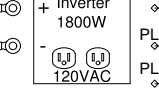


REAR

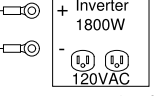
2.1\_Gnd\_Dist:4 F

3.1\_Main\_Disti\_Ign\_Batt:3 C

INVERTER\_1

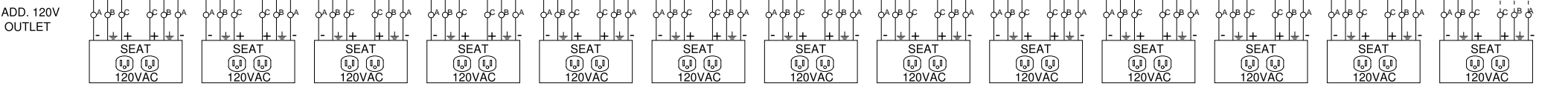


INVERTER\_1

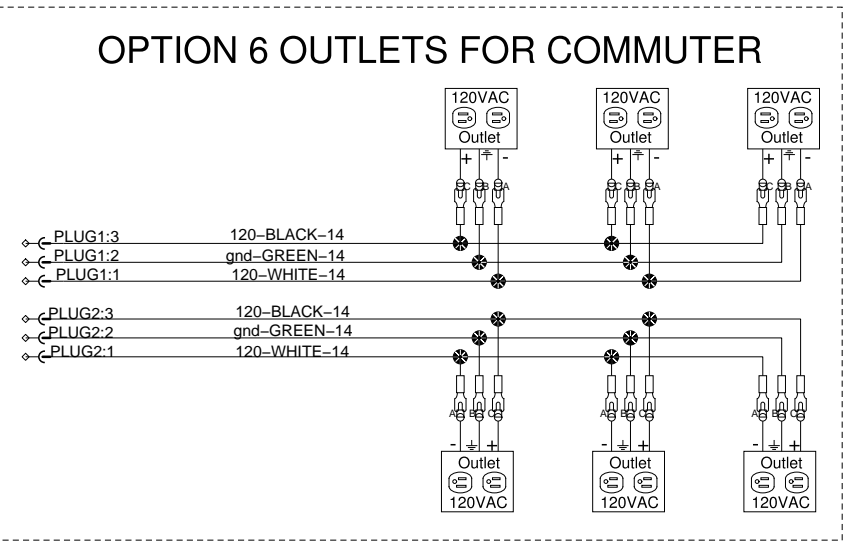


120-WHITE-14  
gnd-GREEN-14  
120-BLACK-14

ADD. 120V OUTLET



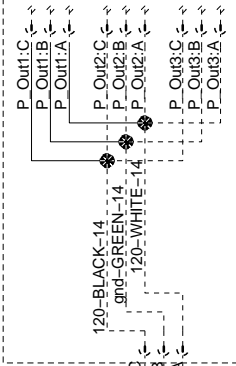
## OPTION 6 OUTLETS FOR COMMUTER



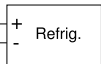
FRONT

Modesty Panel

Optionnal



OPTION L296



24VDC REFRIGERATOR

5.1\_Pwr\_Dist\_RJB:2 B  
2.1\_Gnd\_Dist:4 F