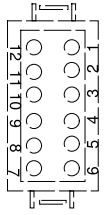


CC1 (BLACK)

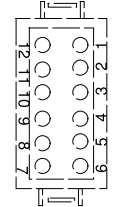


BACK OF CONNECTOR
PREVOST PART 563227
SOCKET TERMINALS 562482
SECONDARY LOCK 563228

Converter interface

Front junction box

CC2 (GREY)



BACK OF CONNECTOR
PREVOST PART 563226
SOCKET TERMINALS 562482
SECONDARY LOCK 563228

INPUTS

Retract slide out
Store roof antenna
House alternator fault
Awning windows opened

Close front bumper
Store side awning

Generator problem
Shore power cord

OUTPUTS

WAKE UP IGNITION
PARK BRAKE
NEUTRAL

SLIDE OUT EXTENDING (rear)

IGNITION
ENGINE RUN
SLIDE OUT RETRACTING (rear)
SLIDE OUT RETRACTING (front)
SLIDE OUT EXTENDING (front)

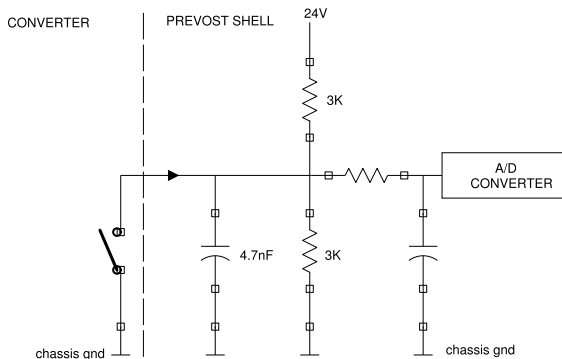
TRANSMISSION SPEED

REVERSE GEAR
VEHICLE SPEED

37.1_SteeringVariable_DiffLock:2 A data-16-18

38.1_Steering_Multifunction:1 E 24-297-14
38.1_Steering_Multifunction:1 E 24-298-14

TYPICAL CIRCUIT



INPUT SPECIFICATION

Active state (input contact closed):

Sourcing current : 8mA
Maximum allowed voltage drop across contact: 3V

Inactive state(input contact open):

Voltage on input:12V
Maximum allowed leakage current across contact: 3ma

OUTPUT SPECIFICATION

Active state

Maximum current: 1A
Minimum output voltage: 22.5V

Inactive state

Open circuit voltage: 8V
Leakage current: 0.8ma

TYPICAL CIRCUIT

