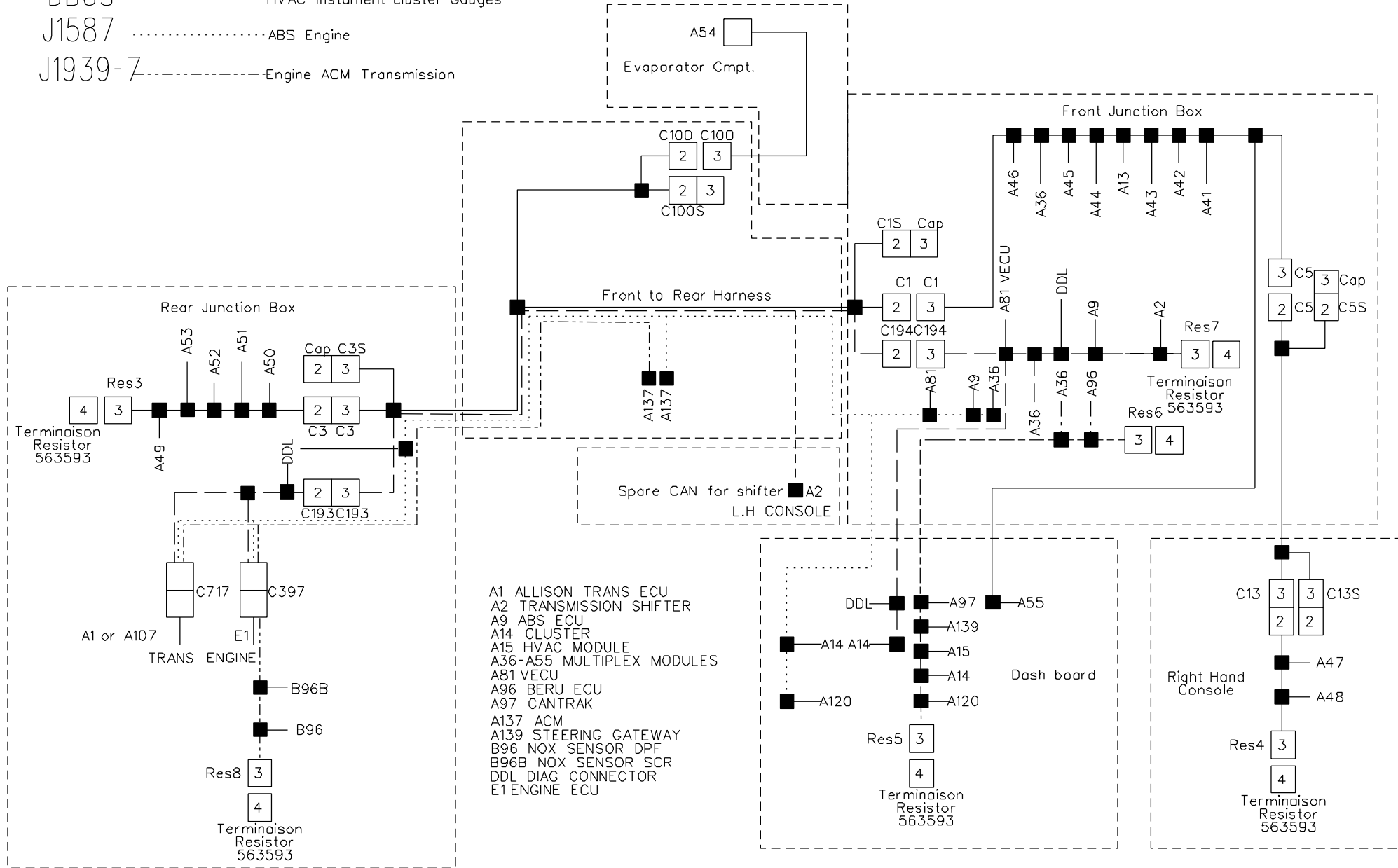


CAN ————— I/O Modules
 J1939 - - - - - Engine Transmission
 DBUS - - - - - HVAC Instrument cluster Gauges
 J1587 ABS Engine
 J1939-7 - - - - - Engine ACM Transmission

CAN NETWORKS LAYOUT



- A1 ALLISON TRANS ECU
- A2 TRANSMISSION SHIFTER
- A9 ABS ECU
- A14 CLUSTER
- A15 HVAC MODULE
- A36-A55 MULTIPLEX MODULES
- A81 VECU
- A96 BERU ECU
- A97 CANTRAK
- A137 ACM
- A139 STEERING GATEWAY
- B96 NOX SENSOR DPF
- B96B NOX SENSOR SCR
- DDL DIAG CONNECTOR
- E1 ENGINE ECU