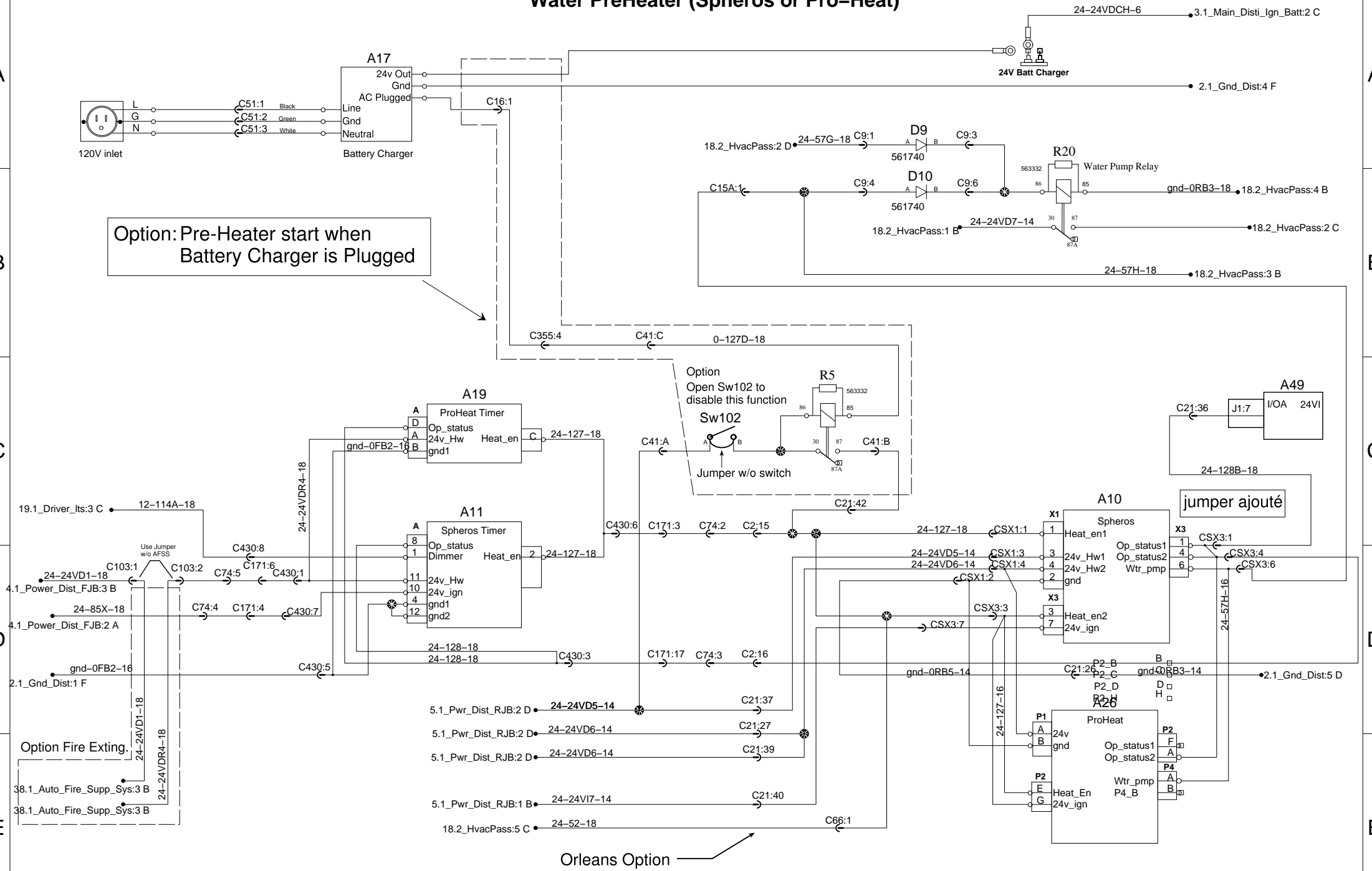


# Water PreHeater (Spheros or Pro-Heat)



Option: Pre-Heater start when Battery Charger is Plugged

Option  
Open Sw102 to  
disable this function

jumper ajouté

Option Fire Exting.

Orleans Option