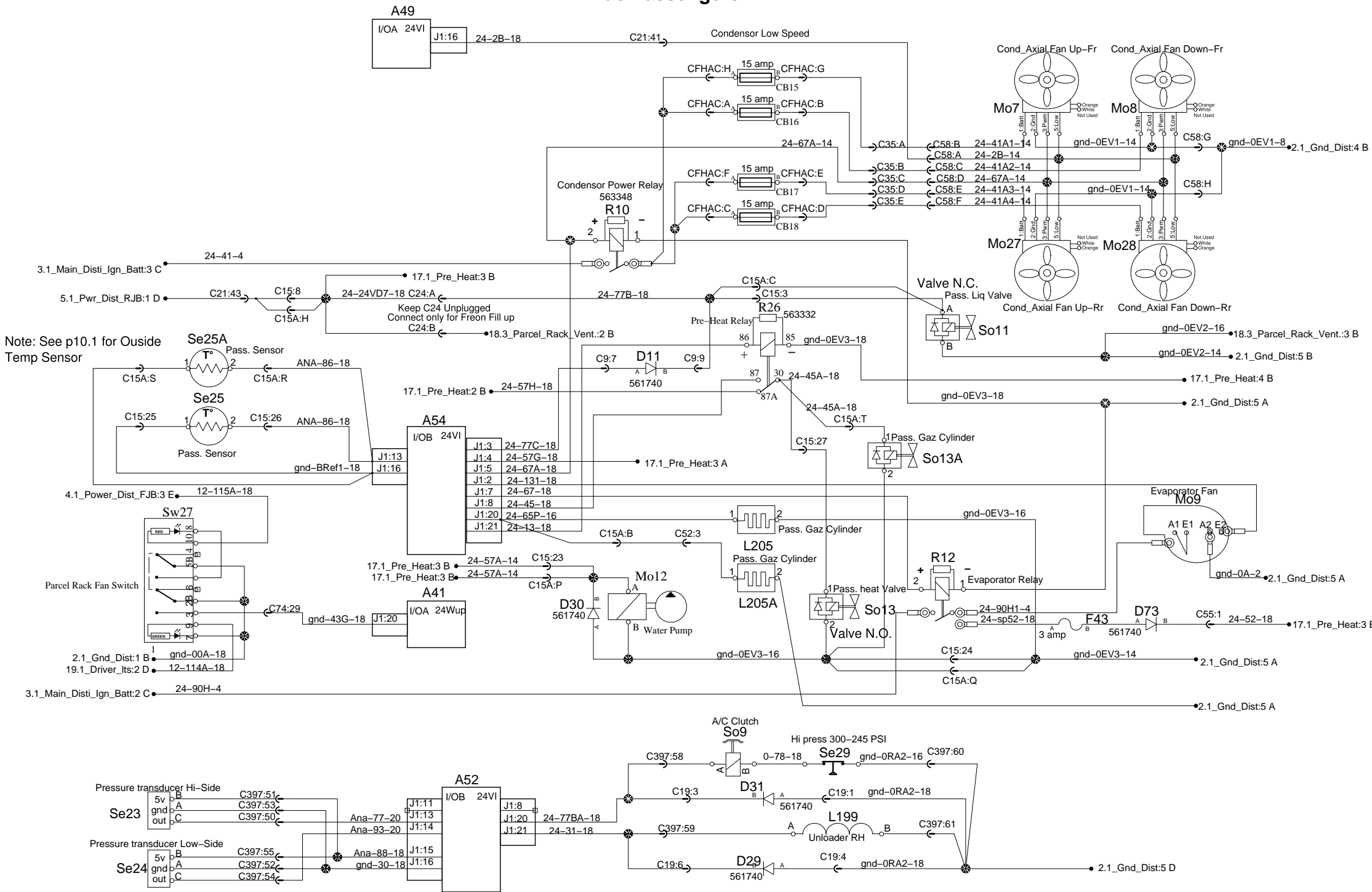


Hvac Passengers



Note: See p10.1 for Outside Temp Sensor

Keep C24 Unplugged
Connect only for Freon Fill up

Parcel Rack Fan Switch

2.1_Gnd_Dist:1 B
19.1_Driver_Its:2 D

3.1_Main_Disti_Ign_Batt:2 C

Pressure transducer Hi-Side
Se23
5v
A
gnd
out
C
C397:51
C397:53
C397:50

Ana-77-20
Ana-93-20
J1:11
J1:13
J1:14

Pressure transducer Low-Side
Se24
5v
A
gnd
out
C
C397:55
C397:52
C397:54

Ana-88-18
gnd-30-18
J1:15
J1:16