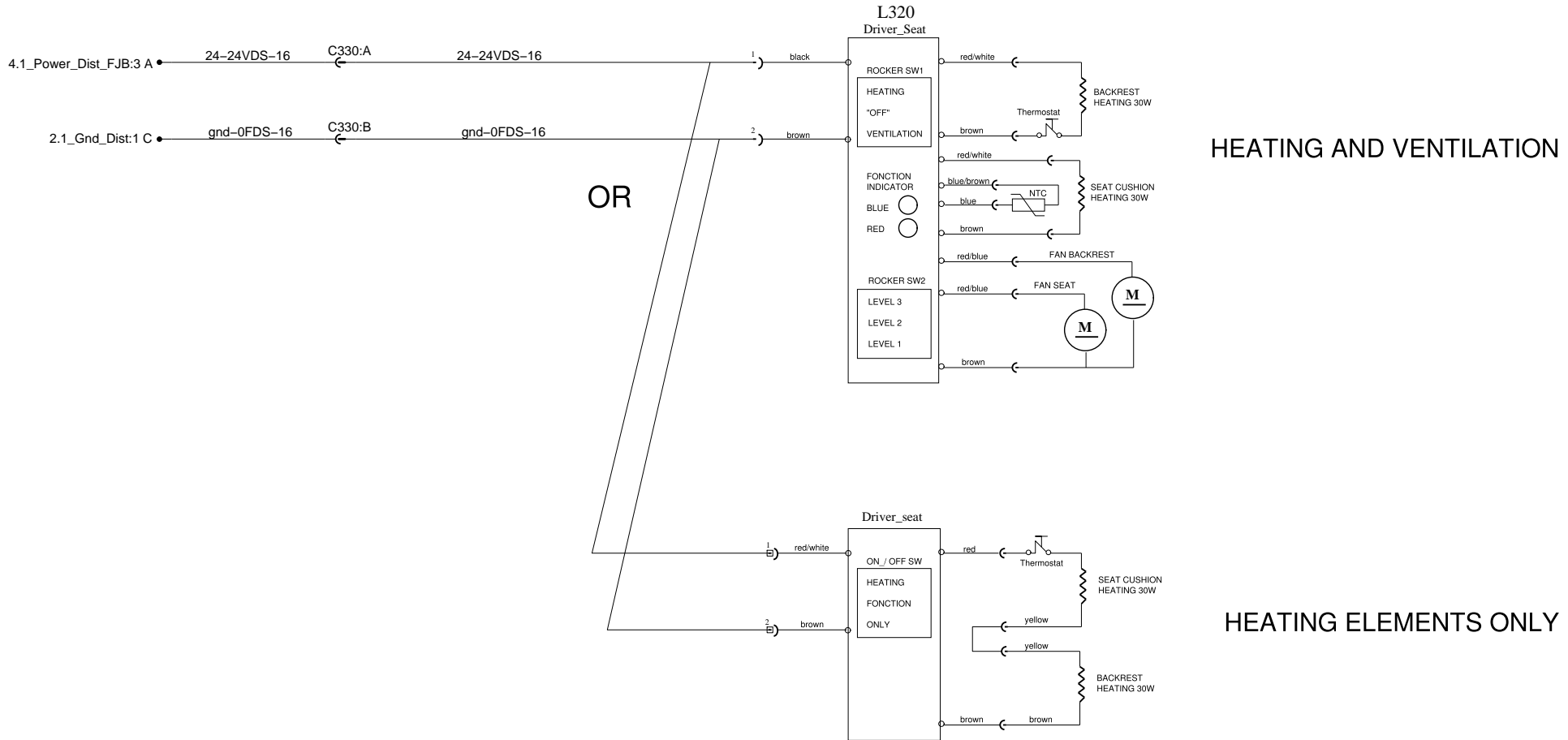


# DRIVER SEAT: ELECTRICAL OPTIONS



HEATING AND VENTILATION

HEATING ELEMENTS ONLY