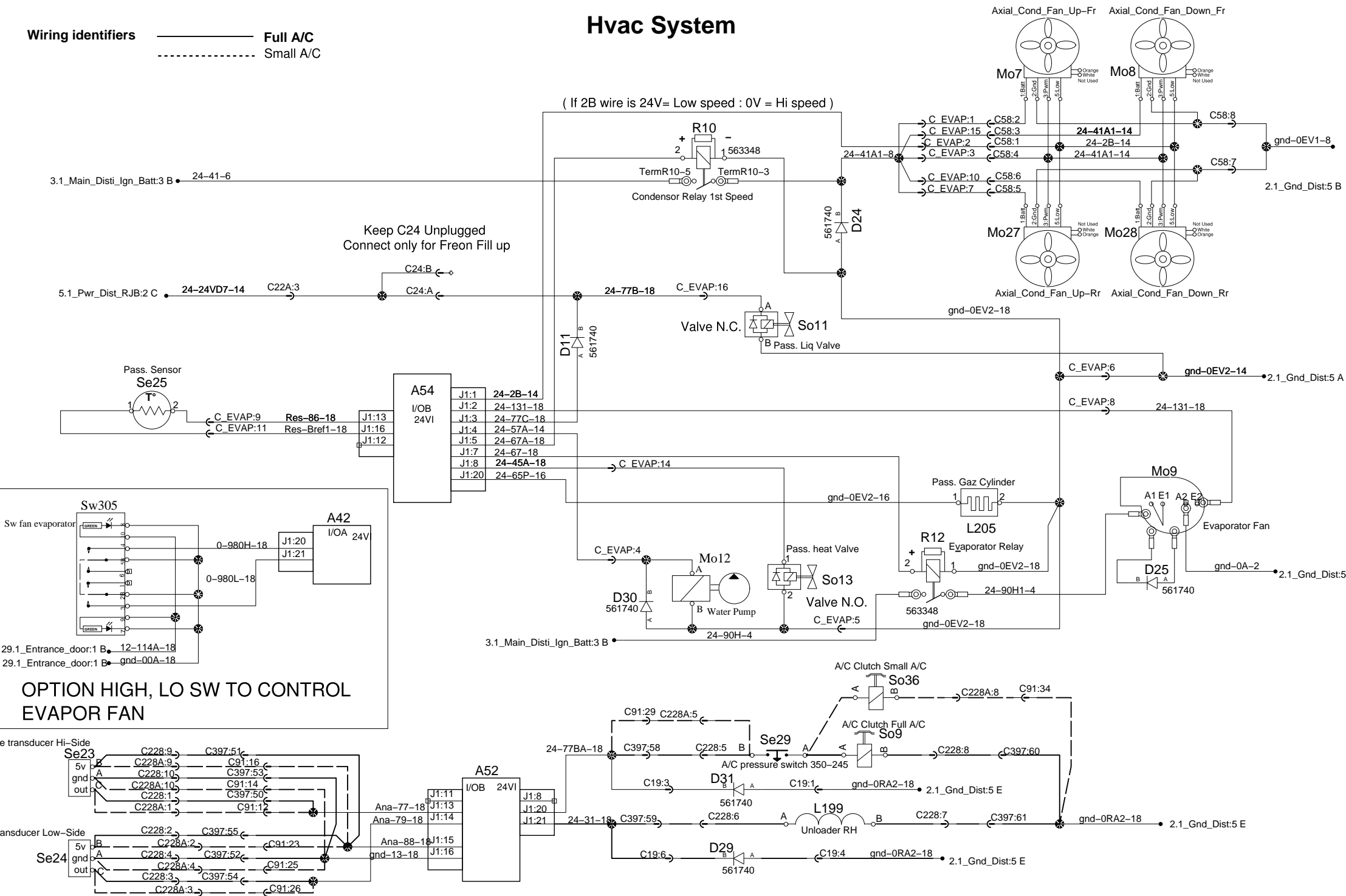


Hvac System

Wiring identifiers Full A/C
 Small A/C

(If 2B wire is 24V= Low speed : 0V = Hi speed)



OPTION HIGH, LO SW TO CONTROL EVAPOR FAN