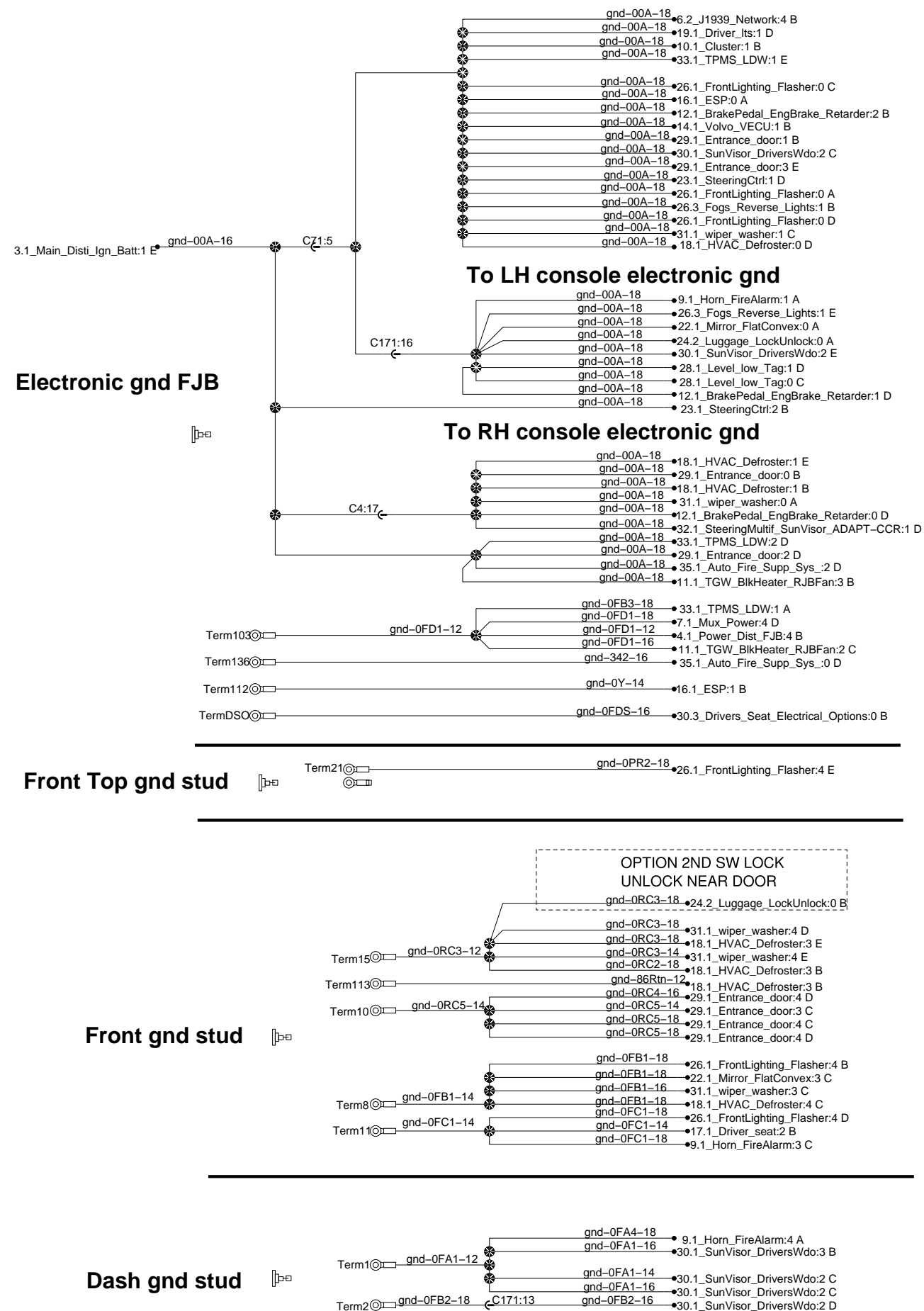
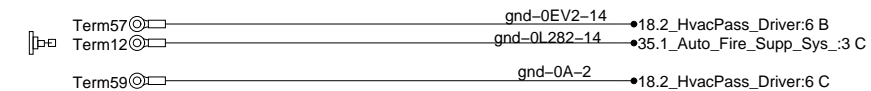


# Ground Distribution



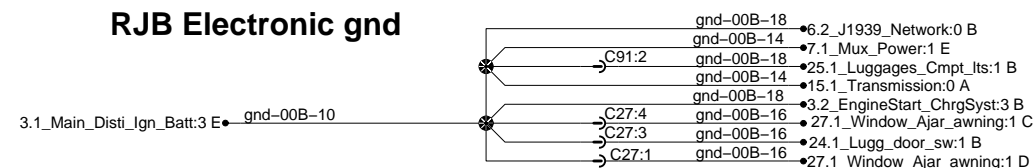
## Evaporator cmpt gnd stud



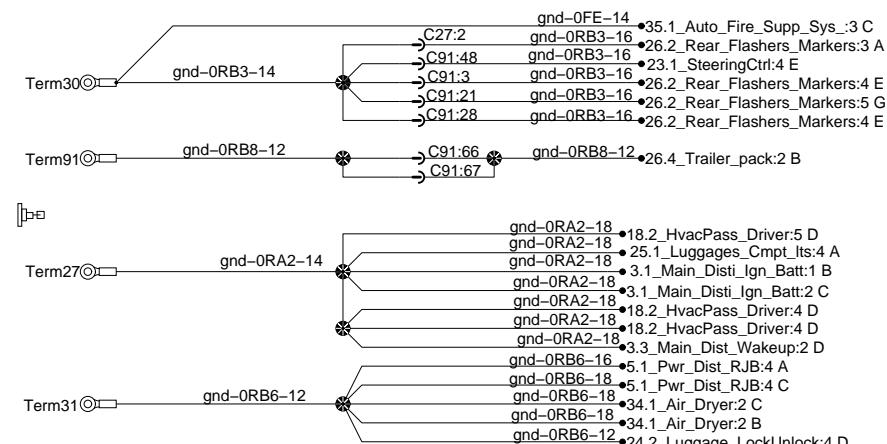
## Condensor cmpt gnd stud



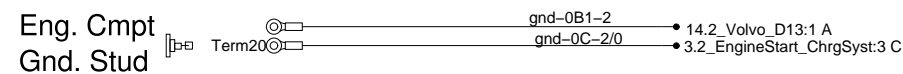
## RJB Electronic gnd



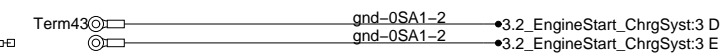
## RJB gnd stud



## Eng. cmpt gnd stud



## Eng. Cmpt Gnd. Stud



## SlideOut Elec.Cmpt Chassis Gnd

