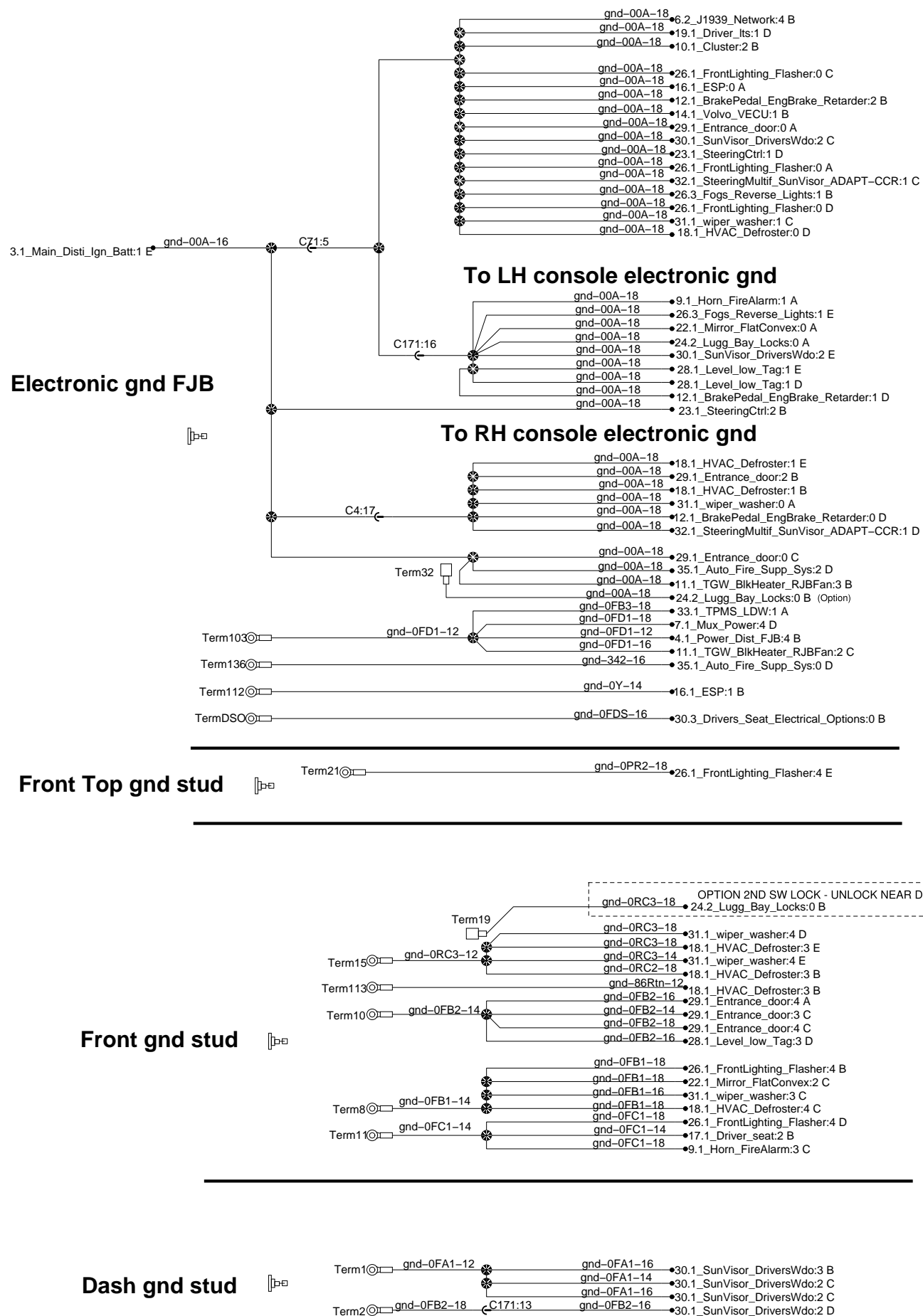
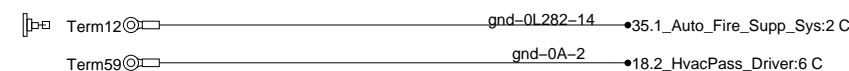


# Ground Distribution



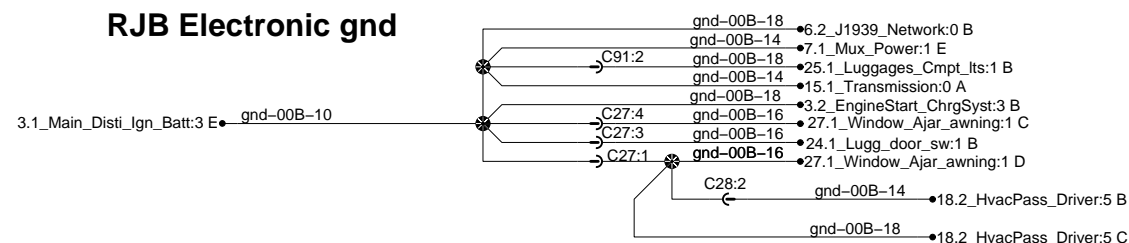
## Evaporator cmpt gnd stud



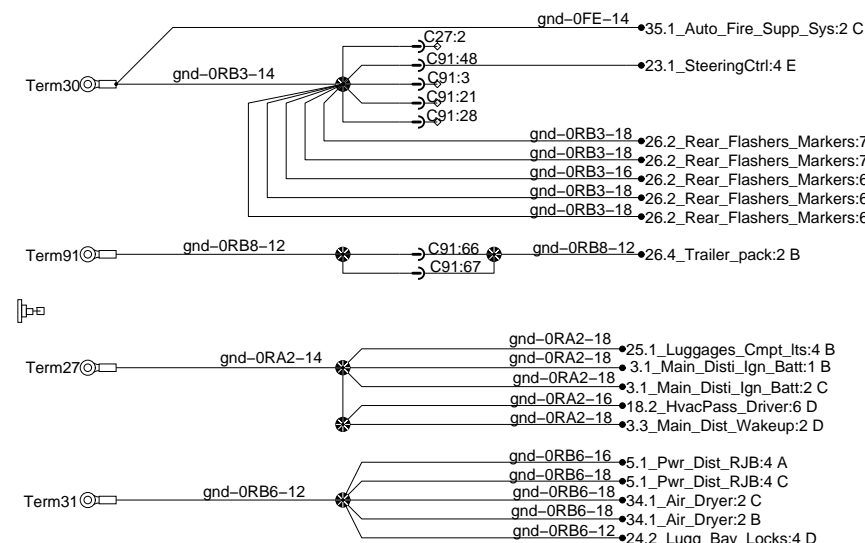
## Condensor cmpt gnd stud



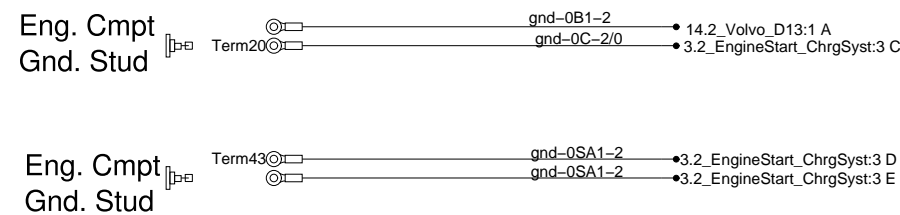
## RJB Electronic gnd



## RJB gnd stud



## Eng. cmpt gnd stud



## SlideOut Elec.Cmpt Chassis Gnd

