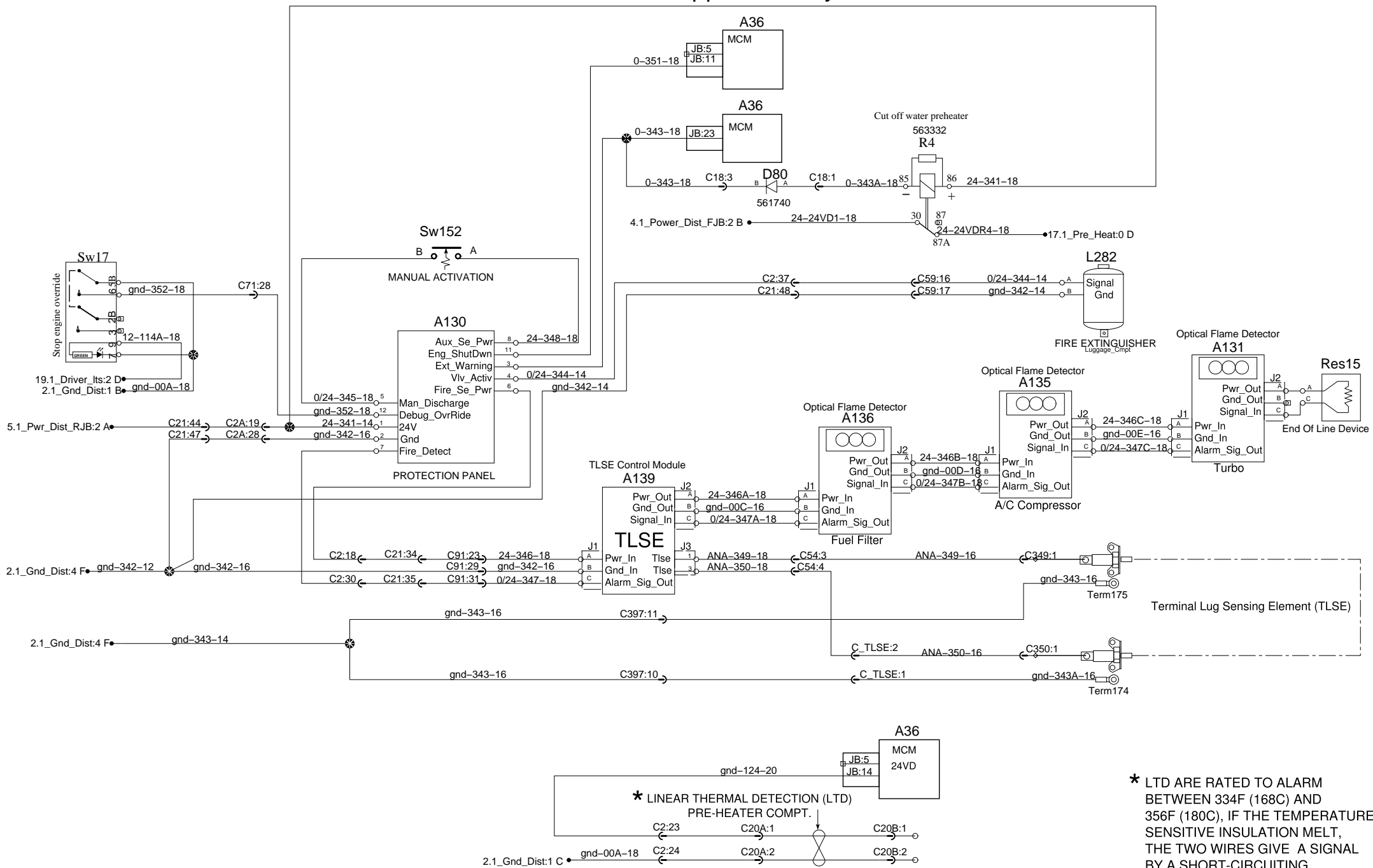


# Automatic Fire Suppression System



\* LINEAR THERMAL DETECTION (LTD)  
PRE-HEATER COMPT.

\* LTD ARE RATED TO ALARM BETWEEN 334F (168C) AND 356F (180C), IF THE TEMPERATURE SENSITIVE INSULATION MELT, THE TWO WIRES GIVE A SIGNAL BY A SHORT-CIRCUITING.